



Husqvarna®



www.Discount-Equipment.com



PP 70

EN	Operator's manual	2-17
ES-MX	Manual del usuario	18-34
FR-CA	Manuel d'utilisation	35-51

To order go to Discount-Equipment.com

TO PURCHASE THIS PRODUCT PLEASE CONTACT US



**Equipment Financing and
Extended Warranties Available**



**Discount-Equipment.com is your online resource for
commercial and industrial quality parts and equipment sales.**

561-964-4949

visit us on line @ www.discount-equipment.com

Select an option below to find your Equipment

Search by Manufacturer

Search by Product Type

Request a Quote

We sell worldwide for the brands: Genie, Terex, JLG, MultiQuip, Mikasa, Essick, Whiteman, Mayco, Toro Stone, Diamond Products, Generac Magnum, Airman, Haulotte, Barreto, Power Blanket, Nifty Lift, Atlas Copco, Chicago Pneumatic, Allmand, Miller Curber, Skyjack, Lull, Skytrak, Tsurumi, Husquvarna Target, Stow, Wacker, Sakai, Mi-T-M, Sullair, Basic, Dynapac, MBW, Weber, Bartell, Bennar Newman, Haulotte, Ditch Runner, Menegotti, Morrison, Contec, Buddy, Crown, Edco, Wyco, Bomag, Laymor, EZ Trench, Bil-Jax, F.S. Curtis, Gehl Pavers, Heli, Honda, ICS/PowerGrit, IHI, Partner, Imer, Clipper, MMD, Koshin, Rice, CH&E, General Equipment, Amida, Coleman, NAC, Gradall, Square Shooter, Kent, Stanley, Tamco, Toku, Hatz, Kohler, Robin, Wisconsin, Northrock, Oztec, Toker TK, Rol-Air, APT, Wylie, Ingersoll Rand / Doosan, Innovatech, Con X, Ammann, Mecalac, Makinex, Smith Surface Prep, Small Line, Wanco, Yanmar

Contents

Introduction.....	2	Technical data.....	14
Safety.....	4	Accessories.....	16
Operation.....	8	Service.....	16
Maintenance.....	10	Compliance Statements.....	16
Troubleshooting.....	10	Registered trademarks.....	17
Transportation and storage.....	13		

Introduction

Owner responsibility



WARNING: Processing of concrete and stone by methods such as cutting, grinding or drilling, especially during dry operation, generates dust that comes from the material being processed, which frequently contains silica. Silica is a basic component of sand, quartz, brick clay, granite and numerous other minerals and rocks. Exposure to excessive amount of such dust can cause:

Respiratory disease (affecting your ability to breathe), including chronic bronchitis, silicosis and pulmonary fibrosis from exposure to silica. These diseases may be fatal;

Skin irritation and rash.

Cancer according to NTP* and IARC**/ National Toxicology Program, International Agency for Research on Cancer.

Take precautionary steps:

Avoid inhalation of and skin contact with dust, mist and fumes.

Wear and ensure that all bystanders wear appropriate respiratory protection such as dust masks designed to filter out microscopic particles. (See OSHA 29 CFR Part 1926.1153)

To minimize dust emissions, use water to bind the dust, when feasible. If dry operation is necessary, use an appropriate dust extractor.

It is the owner's/employer's responsibility that the operator has sufficient knowledge about how to use the product safely. Supervisors and operators must have read and understood the Operator's Manual. They must be aware of:

- The product's safety instructions.
- The product's range of applications and limitations.
- How the product is to be used and maintained.

National/Local regulations could restrict the use of this product. Find out what regulations are applicable where you work before you start using the product.

Product description

The product is a power pack, that is used together with Husqvarna electrical power tools. For more information, refer to the operator's manual for the power tool.

This product has embedded connectivity. Refer to *Embedded connectivity on page 2*.

Embedded connectivity

Husqvarna Fleet Services™ is a cloud asset management solution that gives the fleet manager an overview of all products that are connected via either embedded or aftermarket sensors. The sensors record data like runtime, service intervals, location, and more. For more information about Husqvarna Fleet Services™, download the iOS or Android app Husqvarna Fleet Services at <https://apps.apple.com/se/app/husqvarna-fleet-services/id1334672726> or <https://play.google.com/store/apps/details?id=com.husqvarna.hfsmobile&hl=en>.

Products with embedded connectivity are connected via the embedded Husqvarna Fleet Services™ sensor that have Bluetooth Low Energy (BLE). For more information regarding how to use it, refer to *To use embedded connectivity on page 8*. For information of the BLE technology radio spectrum, refer to *Embedded connectivity on page 14*. For compliance reservations regarding Husqvarna Fleet Services™, refer to *Compliance reservations on page 2*.

Compliance reservations

Note: Changes or modifications made to this equipment not expressly approved by may void the FCC authorization to operate this equipment.

Note: This device complies with Part 15 of the FCC Rules and with Industry Canada licence-exempt RSS standard(s).

Operation is subject to the following two conditions:

- this device may not cause harmful interference
- this device must accept any interference received, including interference that may cause undesired operation

example power cutters and drills. All other use is incorrect.

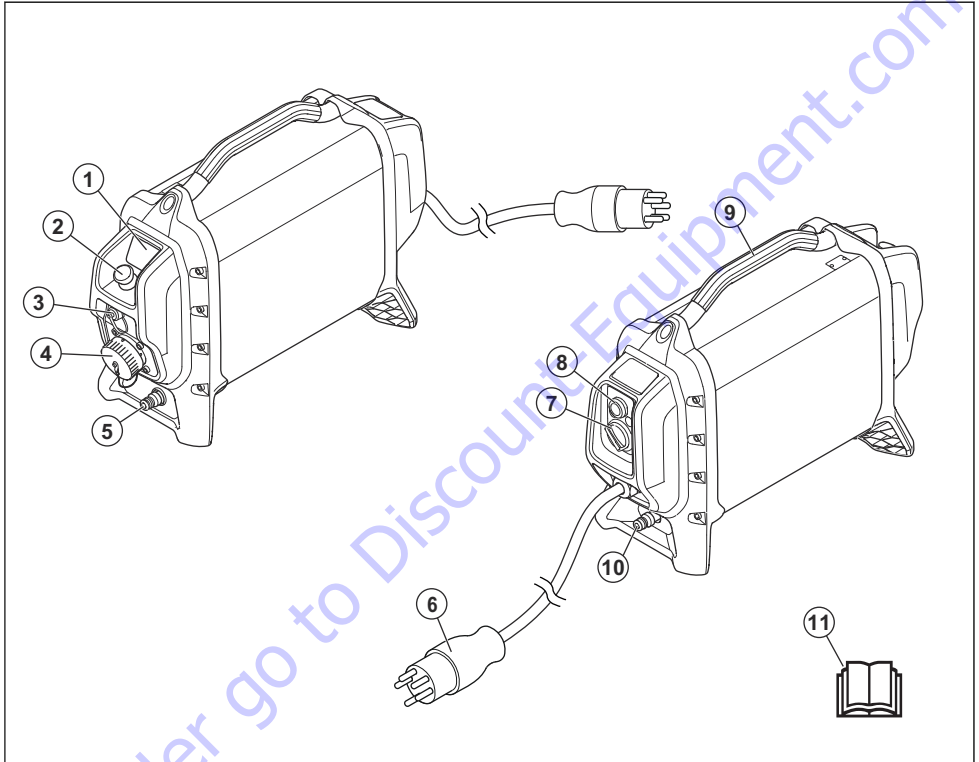
The product is kept cool with water. Always use the product with water supply.

The product is for professional operation only.

Intended use

This product is used to operate applicable Husqvarna electrical power tools with a high frequency motor, for

Product overview



1. Control panel and status indicator
2. Machine stop button
3. USB connection, for service
4. Outlet for tool connection
5. Water connector outlet
6. Power plug, different power plugs for different markets
7. RCD reset knob
8. RCD test button
9. Transportation handle
10. Water connector inlet
11. Operator's manual

Symbols on the product



WARNING: Not careful or incorrect use can result in injury or death to the operator or others.



Read the manual carefully and make sure that you understand the instructions before you use the product.



Inspection and/or maintenance must be done with the motor stopped and the power plug disconnected.



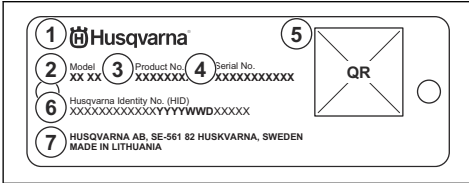
Standard safety requirements North America.



The product or package of the product is not domestic waste. Recycle it at a recycling station for electrical and electronic equipment.

Note: Other symbols/decals on the product refer to special certification requirements for some markets.

Type plate



1. Manufacturer
2. Model
3. Product number
4. Serial number

5. QR code
6. Husqvarna Identity number
7. Manufacturer address

HID Specification

Husqvarna Identity number has 5 sections and a total of 25 characters: [PNC] [Factory & Line (FFL)] [Date] [Sequenc#] [Control character].

The date has 7 characters.

- Format: YYYYWWDD
- YYYY = Year
- WW = Week number
- D = Day number

Product liability

As referred to in the product liability laws, we are not liable for damages that our product causes if:

- the product is incorrectly repaired.
- the product is repaired with parts that are not from the manufacturer or not approved by the manufacturer.
- the product has an accessory that is not from the manufacturer or not approved by the manufacturer.
- the product is not repaired at an approved service center or by an approved authority.

Safety

Safety definitions

Warnings, cautions and notes are used to point out specially important parts of the manual.



WARNING: Used if there is a risk of injury or death for the operator or bystanders if the instructions in the manual are not obeyed.



CAUTION: Used if there is a risk of damage to the product, other materials or the adjacent area if the instructions in the manual are not obeyed.

Note: Used to give more information that is necessary in a given situation.

General power tool safety warnings



WARNING: Read all safety warnings, instructions, illustrations and specifications provided with this power tool. Failure to follow all instructions listed below may result in electric shock, fire and/or serious injury.

- **Save all warnings and instructions for future reference.** The term "power tool" in the warnings

refers to your mains-operated (corded) power tool or battery-operated (cordless) power tool.

Work area safety

- **Keep work area clean and well lit.** Cluttered or dark areas invite accidents.
- **Do not operate power tools in explosive atmospheres, such as in the presence of flammable liquids, gases or dust.** Power tools create sparks which may ignite the dust or fumes.
- **Keep children and bystanders away while operating a power tool.** Distractions can cause you to lose control.

Electrical safety

- **Power tool plugs must match the outlet. Never modify the plug in any way. Do not use any adapter plugs with earthed (grounded) power tools.** Unmodified plugs and matching outlets will reduce risk of electric shock.
- **Avoid body contact with earthed or grounded surfaces, such as pipes, radiators, ranges and refrigerators.** There is an increased risk of electric shock if your body is earthed or grounded.
- **Do not expose power tools to rain or wet conditions.** Water entering a power tool will increase the risk of electric shock.

- **Do not abuse the cord. Never use the cord for carrying, pulling or unplugging the power tool. Keep cord away from heat, oil, sharp edges or moving parts.** Damaged or entangled cords increase the risk of electric shock.
- **When operating a power tool outdoors, use an extension cord suitable for outdoor use.** Use of a cord suitable for outdoor use reduces the risk of electric shock.
- **If operating a power tool in a damp location is unavoidable, use a residual current device (RCD) protected supply.** Use of a RCD reduces the risk of electric shock.

Personal safety

- **Stay alert, watch what you are doing and use common sense when operating a power tool. Do not use a power tool while you are tired or under the influence of drugs, alcohol or medication.** A moment of inattention while operating power tools may result in serious personal injury.
- **Use personal protective equipment. Always wear eye protection.** Protective equipment such as dust mask, non-skid safety shoes, hard hat or hearing protection used for appropriate conditions will reduce personal injuries.
- **Prevent unintentional starting. Ensure the switch is in the off-position before connecting to power source and/or battery pack, picking up or carrying the tool.** Carrying power tools with your finger on the switch or energising power tools that have the switch on invites accidents.
- **Remove any adjusting key or wrench before turning the power tool on.** A wrench or a key left attached to a rotating part of the power tool may result in personal injury.
- **Do not overreach. Keep proper footing and balance at all times.** This enables better control of the power tool in unexpected situations.
- **Dress properly. Do not wear loose clothing or jewellery. Keep your hair and clothing away from moving parts.** Loose clothes, jewellery or long hair can be caught in moving parts.
- **If devices are provided for the connection of dust extraction and collection facilities, ensure these are connected and properly used.** Use of dust collection can reduce dust-related hazards.
- **Do not let familiarity gained from frequent use of tools allow you to become complacent and ignore tool safety principles.** A careless action can cause severe injury within a fraction of a second.

Power tool use and care

- **Do not force the power tool. Use the correct power tool for your application.** The correct power tool will do the job better and safer at the rate for which it was designed.
- **Do not use the power tool if the switch does not turn it on and off.** Any power tool that cannot be

controlled with the switch is dangerous and must be repaired.

- **Disconnect the plug from the power source and/or remove the battery pack, if detachable, from the power tool before making any adjustments, changing accessories, or storing power tools.** Such preventive safety measures reduce the risk of starting the power tool accidentally.
- **Store idle power tools out of the reach of children and do not allow persons unfamiliar with the power tool or these instructions to operate the power tool.** Power tools are dangerous in the hands of untrained users.
- **Maintain power tools and accessories. Check for misalignment or binding of moving parts, breakage of parts and any other condition that may affect the power tool's operation. If damaged, have the power tool repaired before use.** Many accidents are caused by poorly maintained power tools.
- **Keep cutting tools sharp and clean.** Properly maintained cutting tools with sharp cutting edges are less likely to bind and are easier to control.
- **Use the power tool, accessories and tool bits etc. in accordance with these instructions, taking into account the working conditions and the work to be performed.** Use of the power tool for operations different from those intended could result in a hazardous situation.
- **Keep handles and grasping surfaces dry, clean and free from oil and grease.** Slippery handles and grasping surfaces do not allow for safe handling and control of the tool in unexpected situations.

Service

- **Have your power tool serviced by a qualified repair person using only identical replacement parts.** This will ensure that the safety of the power tool is maintained.

General safety instructions



WARNING: Read the warning instructions that follow before you use the product.

- This product is a dangerous tool if you are not careful or if you use the product incorrectly. This product can cause serious injury or death to the operator or others. Before you use the product, you must read and understand the contents of this operator's manual.
- Save all warnings and instructions.
- Comply with all applicable laws and regulations.
- The operator and the employer of the operator must know and prevent the risks during operation of the product.
- Do not let a person operate the product unless they read and understand the contents of the operator's manual.

- Do not operate the product unless you receive training before use. Make sure that all operators receive training.
- Do not let a child operate the product.
- Only let approved persons operate the product.
- The operator is responsible for accidents that occur to other persons or their property.
- Do not use the product if you are tired, ill, or under the influence of alcohol, drugs or medicine.
- Always be careful and use your common sense.
- This product produces an electromagnetic field during operation. This field can under some circumstances interfere with active or passive medical implants. To decrease the risk of serious injury or death, we recommend persons with medical implants to speak to their physician and the medical implant manufacturer before operating this product.
- Keep the product clean. Make sure that you can clearly read signs and decals.
- Do not use the product if it is defective.
- Do not do modifications to this product.
- Do not operate the product if it is possible that other persons have done modifications to the product.

- Always disconnect the power plug before the product is moved.
- Do not disconnect the power cord unless the motor is off and fully stopped.
- Always keep fire protection equipment near.

Personal protective equipment



WARNING: Read the warning instructions that follow before you use the product.

- Always use approved personal protective equipment when you operate the product. Personal protective equipment cannot fully prevent injury but it decreases the degree of injury if an accident does occur. Let your dealer help you select the correct personal protective equipment.
- Regularly do a check of the condition of the personal protective equipment.
- Use an approved protective helmet.
- Use approved hearing protection.
- Use approved respiratory protection.
- Use approved eye protection with side protection.
- Use protective gloves.
- Use boots with steel toe-cap and non-slip sole.
- Use approved work clothing or equivalent close-fitting clothing that has long sleeves and long legs.

Safety instructions for operation



WARNING: Read the warning instructions that follow before you use the product.

- Read the operator's manual for the connected power tool carefully. Make sure that you understand the instructions.
- There is always a risk of shocks from electrical products. Do not use the product in bad weather conditions. Prevent that your body touches lightning conductors and metal objects. Always follow the instructions in the operator's manual to prevent damage.
- Connect the product to grounded outlets only.
- Make sure that the mains voltage are the same as the voltage shown on the rating plate of the product.
- Make sure that the power cord and extension cable are not damaged and in good condition.
- Do not use the product if the product or the power cord is damaged. Let an approved service agent repair the product or replace the power cord.
- To prevent overheating, do not use the extension cable while it is folded.
- Do not let children use the product.
- Do not go away from the product when the motor is on.
- Always disconnect the power supply to the product for longer work breaks.
- Do not operate the product unless you can get aid if an accident occurs.
- Make sure that the product stays on a stable surface.

Safety devices on the product



WARNING: Read the warning instructions that follow before you use the product.

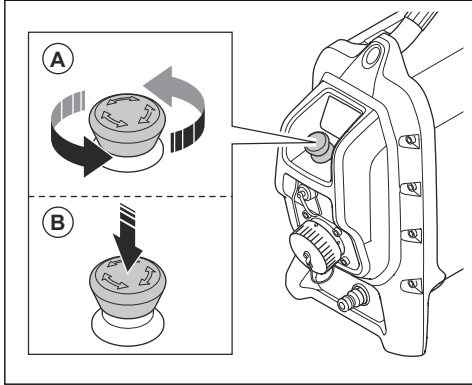
- Do not use a product with defective safety devices.
- Do a check of the safety devices regularly. If the safety devices are defective, speak to your Husqvarna service agent.

Machine stop button

The machine stop button on the power pack unit disconnects the power tool from the power supply. It also decreases the speed of the connected power tool.

To do a check of the machine stop button

1. Turn the machine stop button on the product to make sure it is disengaged (A).



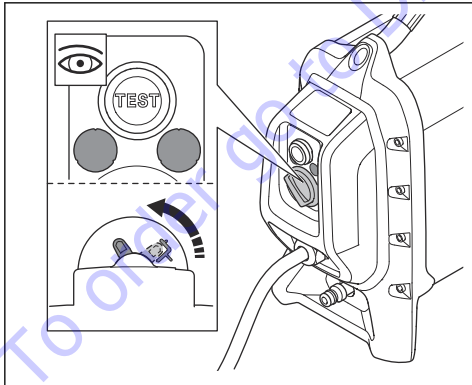
2. Start the connected power tool.
3. Push the machine stop button and make sure that the connected power tool stops.

RCD

The product has an integrated RCD. The RCD is a protection for the operator if an electrical fault occur.

To do a check of the RCD 3 phase

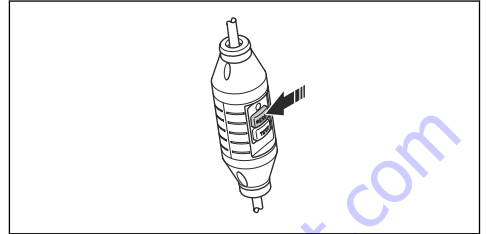
1. Start the product, refer to *To start the product on page 9*.
2. Look into the inspection holes and push the RCD test button.



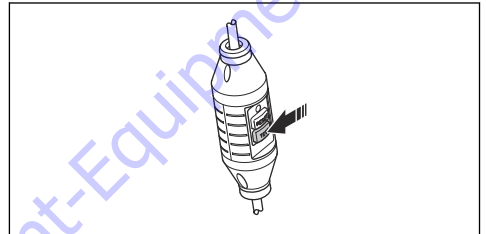
3. Make sure that the RCD moves and that it disconnects the product from the power supply.
4. Turn the RCD reset knob to reset the RCD.

To do a check of the RCD, 1 phase

1. Connect the product to the outlet. Use the correct adapter. Refer to *Adapters on page 16*.
2. Push the RESET button (green) and the red LED lights up.



3. Start the product.
4. Push the TEST button (blue).



5. The RCD must trip and the product must stop immediately. If not, speak to your Husqvarna dealer.
6. Push the RESET button (green).

Safety instructions for maintenance



WARNING: Read the warning instructions that follow before you do maintenance on the product.

- Not approved changes and/or accessories can cause serious injury or death to the operator or others.
- Only Husqvarna service centers must open the enclosure and do service to the product.
- Do the daily maintenance to make sure that the product operates correctly. Refer to *Maintenance on page 10*.
- Do the inspection and/or maintenance with the motor stopped and the power plug disconnected.
- Clean the product with water. Do not use high pressure washer. Do not point the water at electrical components or bearings.
- Only let an approved service person do service on the product. Use only Husqvarna or equivalent replacement parts.

Operation

Introduction



WARNING: Before you operate the product, you must read and understand the safety chapter.

Before you operate the product

1. Read the operator's manual carefully and make sure that you understand the instructions.
2. Do daily maintenance. Refer to *Daily maintenance on page 10*.
3. Make sure that only approved persons are in the work area, because there is a risk of serious injury.
4. Use personal protective equipment. Refer to *Personal protective equipment on page 6*.

To use embedded connectivity

Note: Radio transmission by Bluetooth® will be enabled on the first time of connection to the mains socket, and stay on after that.

1. Download the iOS or Android app Husqvarna Fleet Services.
2. Go to <https://fleetservices.husqvarna.com> for more information.

To connect the product to a power source

1. Put the product on a stable and dry surface at the workplace.
2. Connect the product to a grounded outlet with continuous voltage, refer to *Technical data on page 14*. Make sure that the mains voltage agree with the rating plate on the product.
3. If the power source is 1-phase, use an adapter. Refer to *Adapters on page 16*.

To connect the water supply



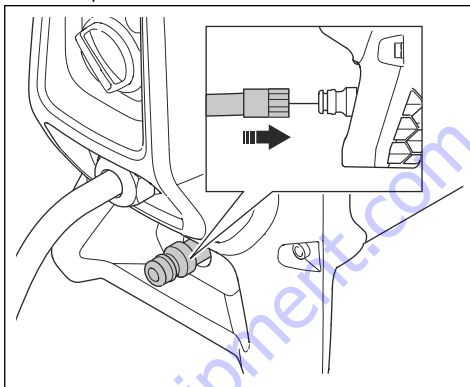
CAUTION: Use only clean water to prevent that dirt causes a blockage in the water system.



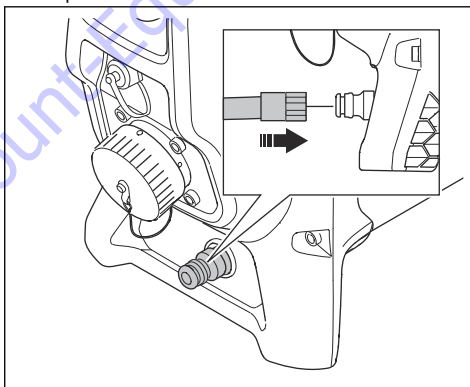
CAUTION: Use air pressure to drain the product from water after use. The water can freeze and cause damage to the product.

Note: The water coolant does not stop during a power failure.

1. Connect the water hose to the inlet water connector on the product.



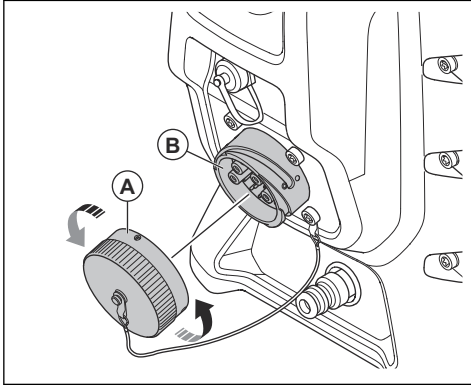
2. Connect the outlet water connector on the product to the power tool.



3. To adjust the flow of water coolant to the power tool, refer to the operator's manual for the power tool.
4. Adjust the water pressure at the water source.

To connect a power tool to the product

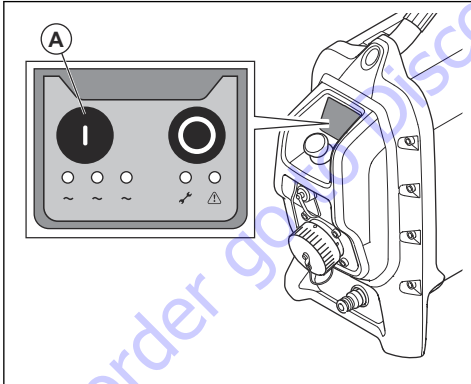
1. Remove the cover (A).



2. Connect the power tool to the outlet for tool connection (B). If it is necessary, use an adapter. Speak to your Husqvarna servicing dealer for more information.

To start the product

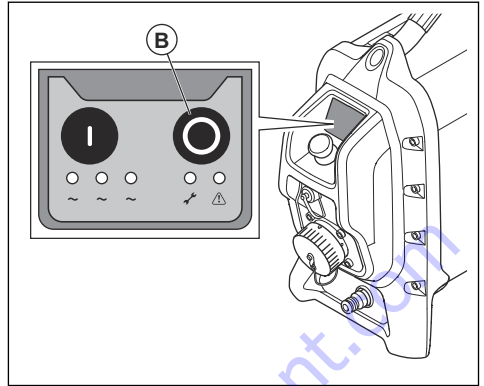
1. Make sure that the machine stop button is disengaged. Refer to *To do a check of the machine stop button on page 7*.
2. Push the ON button (A) to start the product.



To stop the product

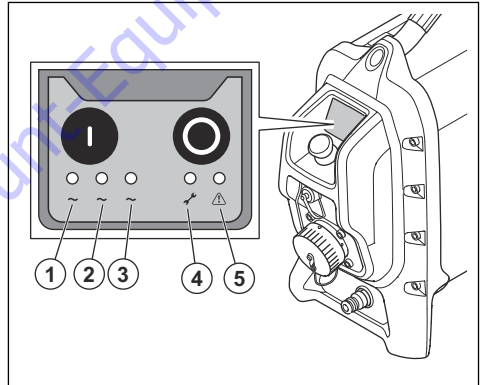
1. Stop the connected power tool. Refer to the Operator's manual for the power tool.

2. Push the OFF button (B) to stop the product.



Status indication lamps

When the product is connected, the lamps 1-5 comes on for some seconds.



1. Phase lamp (green)
2. Phase lamp (green)
3. Phase lamp (green)
4. Service indicator (yellow)
5. Warning indicator (red)

For more information about the status indication lamps, refer to *Explanation of the status indication lamps on page 10*.

Warning indicator



CAUTION: Do not continue to operate the product when the warning indicator is on. Risk of damage to the product.

If the warning indicator (red lamp) comes on, stop the product. Refer to *Explanation of the status indication lamps on page 10*.

Maintenance

Introduction



WARNING: Read and understand the safety chapter before you do maintenance on the product.

- Keep the connectors and pins clean. Clean with a cloth or brush.
- Make sure that the water system is not damaged.

USB connection

The product has an USB connection.



CAUTION: Only approved brand service person must use the USB connection.

Daily maintenance

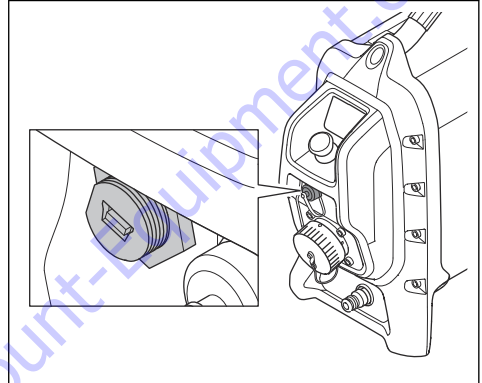


WARNING: Disconnect the product from the power supply and wait minimum 5 minutes before you start the maintenance.



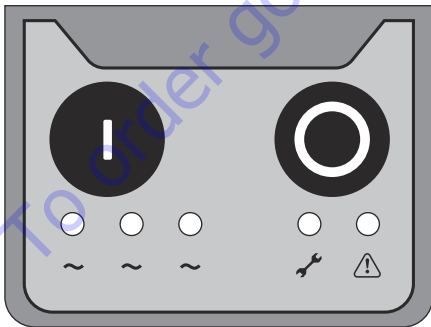
CAUTION: Do not use a high pressure washer to clean the product. The high pressure can cause damage to the seals and cause water and dirt to come into the product.

- Do a check of the safety equipment. Make sure that it is not damaged. Refer to *Safety devices on the product on page 6*.
- Make sure that the power cord and the extension cable are in good condition and not damaged.
- Make sure that the water hose and water couplings are in good condition and not damaged.
- Always clean the product at the end of the work day. Use a heavy duty handheld brush or a large paint brush.



Troubleshooting

Explanation of the status indication lamps



The status indication lamps help you to do troubleshooting.



The light is on.



The light is off.



The light flashes quickly.



The light flashes slowly.



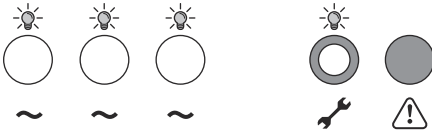
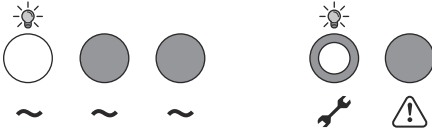
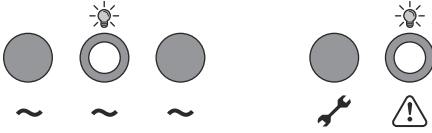
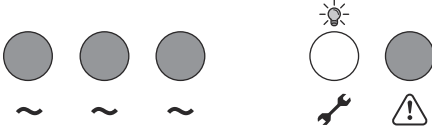
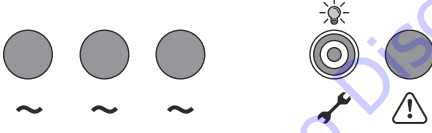
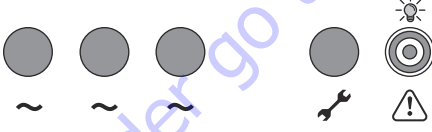
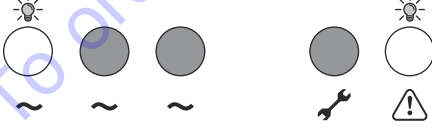
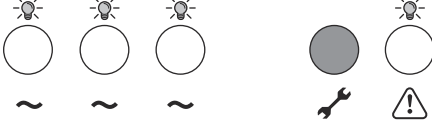
The light goes from the left side to the right side and then to the left side again.

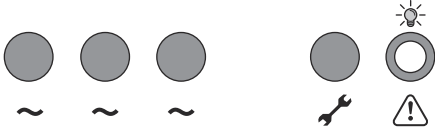


The light goes from the left to the right side.

Product display

Control panel	Status	Step
	There is no power.	Do a check of the power supply.
	Function test of LED at connection of power. (< 3 s)	Do a check of the machine stop button. Refer to <i>To do a check of the machine stop button on page 7.</i>
	The product is in standby mode.	N/A
	Phase selection sequence at start. (< 3 s)	If >3 s, do a check of the fuses and voltage.
	The product is on and connected to 1-phase.	N/A
	The product is on and connected to 3-phase.	N/A
	Power fault.	Do a check of the fuses and the generator.

Control panel	Status	Step
	The tool is unknown.	Speak to a Husqvarna service agent.
	The tool is unknown.	Speak to a Husqvarna service agent.
	<p>The machine stop button is pushed down.</p> <p>The product is in sleep mode.</p>	<p>Do a reset of the product.</p> <p>Make sure that the machine stop button is released.</p>
	Incorrect situation.	<ol style="list-style-type: none"> Restart the product If the product does not start, speak to a Husqvarna service agent.
	<p>Ground fault.</p> <p>There is a hardware fault.</p> <p>There is a fault in the connected tool.</p>	<ol style="list-style-type: none"> Change tool and restart the product If the product does not start, speak to a Husqvarna service agent.
	No power because the product is too hot.	Let the product and the connected power tool cool down.
	Warning: The product can be too hot (1-phase).	Do a check of the cooling water. Decrease the load.
	Warning: The product can be too hot (3-phase).	Do a check of the cooling water. Decrease the load.

Control panel	Status	Step
	<p>There is a fault in the connected tool.</p>	<p>Do a check of the connected tool.</p>

Transportation and storage

Transportation of the product

- Attach the product during transportation to prevent transport damage and accidents.
- Always stop the product and disconnect the power cord before you move the product.
- Always disconnect the power tool and the power tool cord before transportation.

Storage of the product

- Keep the product in a locked area to prevent access for children or persons that are not approved.
- Keep the product in a dry area.
- Make sure that the temperature is not lower than -25°C (-77°F) and not higher than 50°C (122°F).

Technical data

Technical data

Power pack	
Max. output, kW	6.5
Rated current 3-phase, A	15
Rated current 1-phase, A	15
3-phase voltage in, V	200-480, 50/60Hz
1-phase voltage in, V	120-240, 50/60Hz
Power supply	
3-phase	L1+L2+L3+PE
1-phase	L+N+PE
Water coolant (from connected tool)	
Pressure, bar	7
Water temperature, recommended, C	<25
Weight	
Power pack, Kg	18

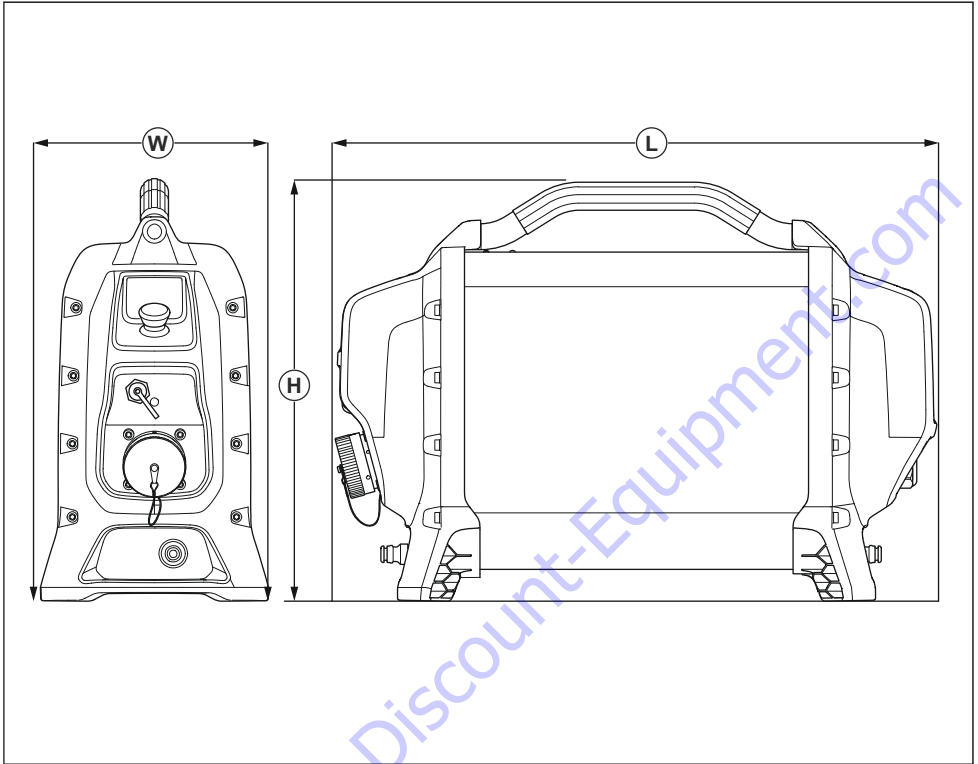
Embedded connectivity

BLE technology radio spectrum	
Frequency bands for the tool, GHz	2.402 - 2.480
Maximum radio-frequency power transmitted, dBm/mW	4 / 2.5

Typical generator operation cases

1-phase/ 3-phase	PP 70, output	Generator output, V	Minimum recommended generator output, kVa
3-phase	Full power	3x380, 3x416, 3x440, 3x480	10
	Decreased power	3x208, 3x220, 3x240	10
1-phase	Decreased power	220-240	5

Product dimensions



Dimensions, mm					
W	183	H	410	L	570

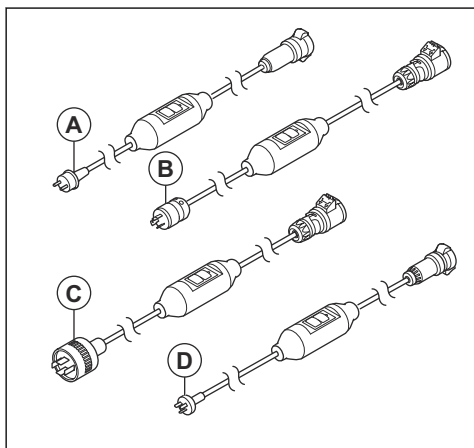
Accessories

Adapters

There are different 1-phase adapters for different markets:

- Adapter for EU (A).
- Adapter for US (B).
- Adapter for JP (C).
- Adapter for AU (D).

There are different adapters for the outlet for tool connection. For more information speak to your Husqvarnadealer.



Service

Introduction

prevent that accidents occur to the operators.



WARNING: Only approved service center can do repairs on the product. This is to

Approved service center

To find your nearest Husqvarna Construction Products approved service center, go to the web site www.husqvarnacp.com.

Compliance Statements

Note: This equipment has been tested and found to comply with the limits for a Class A digital device, pursuant to part 15 of the FCC Rules. These limits are designed to provide reasonable protection against harmful interference when the equipment is operated in a commercial environment. This equipment generates, uses, and can radiate radio frequency energy and, if not installed and used in accordance with the instruction manual, may cause harmful interference to radio communications. Operation of this equipment in a residential area is likely to cause harmful interference in

which case the user will be required to correct the interference at his own expense.

Supplier's Declaration of Conformity for PP 70 47 CFR § 2.1077 Compliance Information.

Responsible Party Husqvarna Construction Products North America, Inc. 17400 W 119th Street Olathe, Kansas 66061 USA

U.S Contact Information: Neil Stanford, Compliance Manager , Telephone number: 913-928-1000

FCCCompliance Statement: Changes or modifications not expressly approved by Husqvarna can void the equipment's compliance with FCC regulations, and limit the user's authority to operate the equipment.

Contenido

Introducción.....	18	Datos técnicos.....	31
Seguridad.....	20	Accesorios.....	33
Funcionamiento.....	24	Servicio.....	33
Mantenimiento.....	26	Declaraciones de conformidad.....	33
Solución de problemas.....	27	Marcas comerciales.....	34
Transporte y almacenamiento.....	30		

Introducción

Responsabilidad del propietario



ADVERTENCIA: El procesamiento de hormigón y piedra mediante métodos como corte, amolado o perforación, especialmente en operaciones en seco, genera polvo que proviene del material procesado y a menudo contiene sílice. La sílice es un componente básico de la arena, el cuarzo, la arcilla de los ladrillos, el granito y otros numerosos minerales y rocas. La exposición a una cantidad excesiva de ese polvo puede causar:

Producto de la exposición a la sílice se pueden ocasionar enfermedades respiratorias (que afectan la capacidad de respirar) como la bronquitis crónica, la silicosis y la fibrosis pulmonar. Estas enfermedades pueden ser mortales.

Irritación cutánea y sarpullido.

Cáncer, según el NTP* y la IARC* */National Toxicology Program (Programa Nacional de Toxicología) y Centro Internacional de Investigaciones sobre el Cáncer.

Tome medidas preventivas:

Evite inhalar y que su piel entre en contacto con el polvo, el vaho y los gases.

Utilice artículos apropiados para la protección respiratoria como máscaras contra polvo diseñadas para filtrar partículas microscópicas, y asegúrese de que todas las personas que se encuentren cerca también lo hagan. (Consulte la normativa OSHA 29 CFR Parte 1926.1153)

Para reducir al mínimo las emisiones de polvo, utilice agua para aglomerar el polvo cuando sea posible. Si es necesario realizar una operación en seco, utilice un extractor de polvo adecuado.

Es responsabilidad del propietario o empleador que el usuario tenga los conocimientos necesarios sobre cómo utilizar el producto de forma segura. Los supervisores y usuarios deben haber leído y comprendido el manual de usuario. Deben tener conocimiento de lo siguiente:

- Las instrucciones de seguridad del producto.
- La gama de aplicaciones y limitaciones del producto.
- Cómo el producto se va a utilizar y mantener.

El uso de este producto podría estar restringido por normas nacionales o locales. Infórmese sobre qué normas se aplican en el lugar donde trabaja antes de comenzar a utilizar el producto.

Descripción del producto

El producto es una unidad de alimentación que se utiliza junto con las herramientas eléctricas Husqvarna. Para obtener más información, consulte el manual del usuario de la herramienta eléctrica.

Este producto tiene conectividad integrada. Consulte *Conectividad integrada en la página 18*.

Conectividad integrada

Husqvarna Fleet Services™ es una solución de administración de activos en la nube que ofrece al administrador de flotas una descripción general de todos los productos que están conectados a través de sensores integrados o del mercado de piezas de repuesto. Los sensores registran datos tales como tiempo de funcionamiento, intervalos de servicio, ubicación y más. Si desea obtener más información sobre Husqvarna Fleet Services™, descargue la aplicación Husqvarna Fleet Services para iOS o Android en <https://apps.apple.com/se/app/husqvarna-fleet-services/id1334672726> o <https://play.google.com/store/apps/details?id=com.husqvarna.hfsmobile&hl=en>.

Los productos con conectividad integrada se conectan mediante el sensor Husqvarna Fleet Services™ incluido, que también cuenta con Bluetooth Low Energy (BLE). Para obtener más información acerca de cómo utilizarlo, consulte *Para utilizar la conectividad integrada en la página 24*. Para obtener información acerca de BLE technology radio spectrum, consulte *Conectividad*

integrada en la página 31. Para obtener información respecto de dudas de cumplimiento de Husqvarna Fleet Services™, consulte *Dudas de cumplimiento en la página 19*.

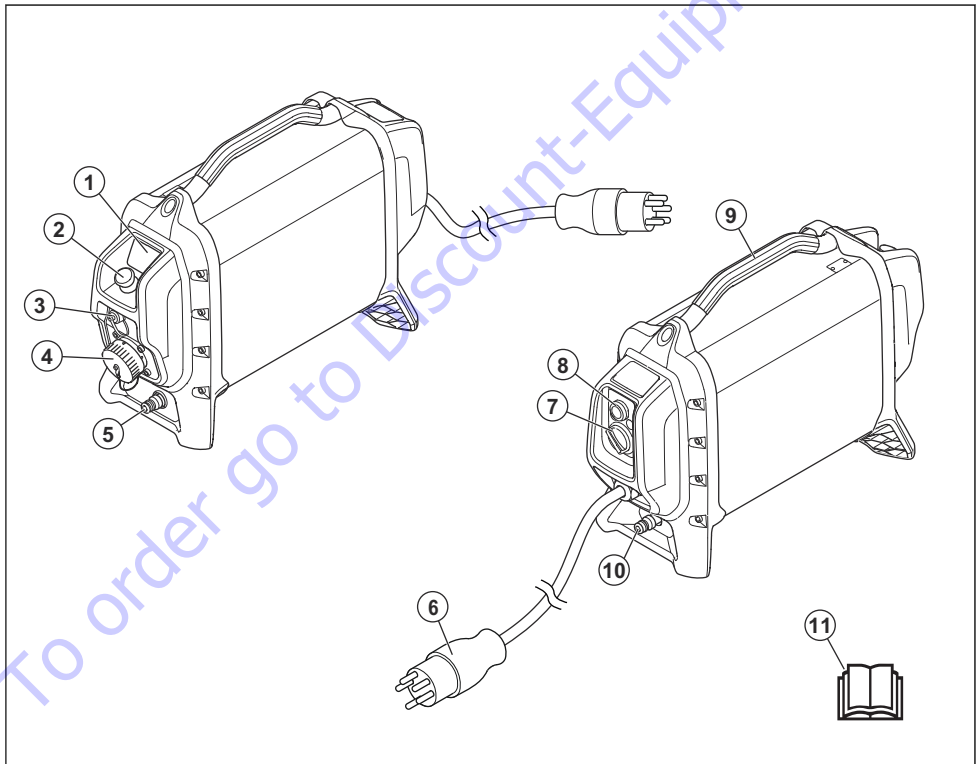
Dudas de cumplimiento

Tenga en cuenta: Los cambios o las modificaciones realizados al equipo que no cuentan con una aprobación expresa de podrían anular la autorización de FCC para hacer funcionar el equipo.

Tenga en cuenta: Este dispositivo cumple con el Segmento 15 de las reglas de la FCC y con las normas de RSS no sujetas a licencias de Industry Canada.

El funcionamiento está sujeto a las siguientes dos condiciones:

Descripción general del producto



1. Panel de control e indicador de estado
2. Botón de detención de la máquina
3. Conexión USB para el mantenimiento
4. Toma de salida para la conexión de la herramienta
5. Toma de salida para el conector de agua

- Este dispositivo no debe causar interferencias perjudiciales.
- Este dispositivo debe aceptar cualquier interferencia que reciba, incluso una interferencia que pueda causar una operación no deseada.

Uso previsto

Este producto se utiliza para la operación de herramientas eléctricas Husqvarna adecuadas con un motor de alta frecuencia; por ejemplo, cortadoras y taladros. No se debe usar para ningún otro propósito.

El producto se mantiene frío con agua. Siempre utilice el producto con un suministro de agua.

El producto es solo para el uso por parte de profesionales.

10. Toma de entrada del conector de agua
11. Manual del usuario

Símbolos en la máquina



ADVERTENCIA: El uso incorrecto o descuidado puede ocasionar lesiones o la muerte al operador u otras personas.



Lea atentamente el manual y asegúrese de que entiende las instrucciones antes de usar el producto.



La inspección o el mantenimiento se deben realizar con el motor apagado y el enchufe desconectado.



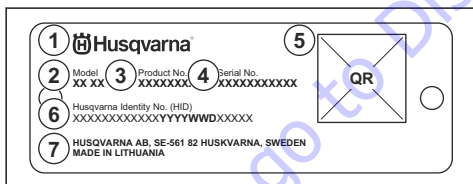
Requisitos de seguridad estándar de Norteamérica.



El producto o paquete del producto no es residuo doméstico. Recíclalo en una planta de reciclaje para equipo eléctrico y electrónico.

Tenga en cuenta: Otros símbolos o etiquetas en el producto hacen referencia a requisitos de certificación especiales para algunos mercados.

Placa de identificación



1. Fabricante
2. Modelo
3. Número de la máquina
4. Número de serie
5. Código QR
6. Husqvarna Número de identidad
7. Dirección del fabricante

Especificación de la HID

Husqvarna El número de identidad tiene 5 secciones y un total de 25 caracteres: [PNC] [Factory & Line (FFL)], [Date] [Sequenc#] [Control character].

La fecha tiene 7 caracteres.

- Formato: AAAASSD
- AAAA = Año
- SS = Número de la semana
- D = Número de días

Responsabilidad del fabricante

Como se menciona en las leyes de responsabilidad del fabricante, no nos hacemos responsables de los daños que cause nuestro producto si:

- el producto se repara incorrectamente
- el producto se repara con piezas que no son del fabricante o que este no autoriza
- el producto tiene un accesorio que no es del fabricante o que este no autoriza
- el producto no se repara en un centro de servicio autorizado o por una autoridad aprobada.

Seguridad

Definiciones de seguridad

Las advertencias, precauciones y notas se utilizan para señalar las piezas particularmente importantes del manual.



ADVERTENCIA: Se utilizan para señalar el riesgo de lesiones graves o mortales para el operador o para aquellos que se encuentren cerca si no se siguen las instrucciones del manual.



AVISO: Se utilizan para señalar el riesgo de dañar la máquina, otros materiales o el área adyacente si no se siguen las instrucciones del manual.

Tenga en cuenta: Se utilizan para entregar más información necesaria en situaciones particulares.

Advertencias de seguridad generales de la herramienta eléctrica



ADVERTENCIA: Lea todas las advertencias de seguridad, las instrucciones, las ilustraciones y las especificaciones que se suministran con esta herramienta eléctrica.

En caso de no seguir todas las instrucciones que se entregan a continuación, se pueden producir sacudidas eléctricas, incendios o daños graves.

- **Guarde todas las advertencias e instrucciones para futuras referencias.** El término "herramienta eléctrica" que se indica en las advertencias hace referencia a la herramienta eléctrica (con cable) operada con corriente o a la herramienta eléctrica operada con baterías (inalámbrica).

Seguridad en el área de trabajo

- **Mantenga el área de trabajo limpia y bien iluminada.** Las áreas desordenadas u oscuras pueden generar accidentes.
- **No opere herramientas eléctricas en atmósferas explosivas, como ante presencia de gases, polvo o líquidos inflamables.** Las herramientas eléctricas generan chispas que pueden encender el polvo o humos.
- **Mantenga alejados a niños y transeúntes mientras opera una herramienta eléctrica.** Las distracciones pueden hacerle perder el control.

Seguridad eléctrica

- **Los enchufes de la herramienta eléctrica deben coincidir con la toma de corriente. Nunca modifique el enchufe de ninguna forma. No utilice enchufes con adaptador con herramientas eléctricas conectadas a tierra.** Los enchufes sin modificaciones y las tomas correspondientes reducen el riesgo de sacudida eléctrica.
- **Evite el contacto corporal con superficies conectadas a tierra, como tuberías, radiadores, estufas y refrigeradores.** Existe un mayor riesgo de sacudida eléctrica si su cuerpo está conectado a tierra.
- **No esponga las herramientas eléctricas a la lluvia o a la humedad.** Si entra agua en una herramienta eléctrica, aumenta el riesgo de sacudida eléctrica.
- **No haga mal uso del cable. Nunca utilice el cable para transportar, tirar o desconectar la herramienta eléctrica. Mantenga el cable alejado del calor, el aceite, los bordes afilados o las piezas en movimiento.** Cables dañados o enredados aumentan el riesgo de sacudida eléctrica.
- **Al operar una herramienta eléctrica en exteriores, utilice un cable de extensión apto para su uso al aire libre.** La utilización de un cable apto para el uso al aire libre reduce el riesgo de sacudida eléctrica.

- **Si no se puede evitar el uso de una herramienta eléctrica en un lugar húmedo, utilice un suministro de corriente residual (RCD, por sus siglas en inglés) protegido.** El uso de un RCD reduce el riesgo de que se produzcan sacudidas eléctricas.

Seguridad personal

- **Permanezca alerta, vea lo que está haciendo y use el sentido común cuando opere una herramienta eléctrica. No utilice una herramienta eléctrica si está cansado o bajo la influencia de drogas, alcohol o medicamentos.** Un momento de distracción a la hora de operar una herramienta eléctrica puede generar daños personales graves.
- **Utilice equipo de protección personal. Siempre utilice protección ocular.** El equipo de protección (como máscara contra polvo, calzado de seguridad antideslizante, casco o protectores auriculares) que se utiliza en condiciones pertinentes reducirá los daños personales.
- **Evite el arranque accidental. Asegúrese de que el interruptor esté en la posición de apagado antes de conectarse a una fuente de energía o insertar una unidad de batería, así como cuando recoge o transporta la herramienta.** Al transportar herramientas eléctricas con su dedo en el interruptor o al suministrarles corriente con el interruptor en la posición de encendido, se pueden provocar accidentes.
- **Quite cualquier llave de ajuste antes de encender la herramienta eléctrica.** Una llave conectada a una pieza giratoria de la herramienta eléctrica puede causar daños personales.
- **No se estire demasiado. Mantenga una posición y un equilibrio adecuados en todo momento.** Esto permite un mejor control de la herramienta eléctrica en situaciones inesperadas.
- **Vístase adecuadamente. No use ropa suelta ni joyas. Mantenga el pelo y la ropa lejos de las piezas en movimiento.** La ropa suelta, las joyas o el cabello largo pueden quedar atrapados en las partes que se mueven.
- **Si se proporcionan dispositivos para la conexión de instalaciones de recolección y extracción de polvo, asegúrese de que estos se conecten y utilicen de manera pertinente.** El uso de recolectores de polvo puede reducir los peligros relacionados con el polvo.
- **No se confíe de los conocimientos obtenidos a partir del uso frecuente de las herramientas ni pase por alto los principios de seguridad de uso de las herramientas.** Una acción negligente puede causar una lesión grave en una fracción de segundo.

Uso y cuidado de la herramienta eléctrica

- **No fuerce la herramienta eléctrica. Utilice la herramienta eléctrica correcta según su aplicación.** Con la herramienta eléctrica correcta, hará el trabajo

mejor y de manera más segura a razón del propósito para la cual fue diseñada.

- **No utilice la herramienta eléctrica si no se puede encender o apagar con el interruptor.** Cualquier herramienta eléctrica que no se puede controlar con el interruptor conlleva peligros y se debe reparar.
- **Desconecte el enchufe de la fuente de energía o retire la unidad de batería, si es desmontable, de la herramienta eléctrica antes de hacer ajustes, cambiar accesorios o almacenar la herramienta eléctrica.** Tales medidas de seguridad preventivas reducen el riesgo de arranque accidental de la herramienta eléctrica.
- **Almacene las herramientas eléctricas inactivas fuera del alcance de los niños y no permita que personas que no estén familiarizadas con la herramienta eléctrica o con estas instrucciones operen la herramienta eléctrica.** Las herramientas eléctricas conllevan peligros en manos de usuarios inexpertos.
- **Realice mantenimiento en las herramientas eléctricas y los accesorios. Revise en busca de atascamiento o desalineación de las piezas móviles, rotura de piezas o cualquier otra condición que pueda afectar el funcionamiento de la herramienta eléctrica. Si se daña, repare la herramienta eléctrica antes de su uso.** Muchos de los accidentes se deben a herramientas eléctricas con un mal mantenimiento.
- **Mantenga las herramientas de corte afiladas y limpias.** Las herramientas de corte con un mantenimiento correcto y bordes cortantes afilados son menos propensas a atascamientos y más fáciles de controlar.
- **Utilice la herramienta eléctrica, los accesorios, las barrenas, etc. de acuerdo con estas instrucciones, conforme a las condiciones de trabajo y la tarea que se debe realizar.** El uso de la herramienta eléctrica en operaciones distintas de las previstas podría generar una situación peligrosa.
- **Mantenga los mangos y las superficies de agarre secos, limpios y sin grasa ni aceite.** Los mangos y las superficies de agarre resbaladizas no permiten un manejo seguro ni el control de la herramienta en situaciones imprevistas.

Servicio

- **Asegúrese de que un experto calificado realice la reparación de la herramienta eléctrica solo con piezas de repuesto idénticas.** Esto garantizará que se mantenga la seguridad de la herramienta eléctrica.

Instrucciones generales de seguridad



ADVERTENCIA: Lea atentamente las instrucciones de advertencia siguientes antes de usar el producto.

- Este producto puede ser una herramienta peligrosa si no se maneja con cuidado o si utiliza el producto

de forma incorrecta. Este producto puede causar daños graves o fatales al operador o a otras personas. Antes de utilizar el producto, es muy importante que lea y comprenda el contenido de este manual de usuario.

- Guarde todas las advertencias y las instrucciones.
- Cumpla todas las leyes y reglamentos vigentes.
- El operador y el empleador del operador deben conocer y evitar los riesgos durante la operación del producto.
- No permita que nadie que no haya leído y comprendido el contenido del manual de usuario utilice el producto.
- No utilice el producto si no ha recibido capacitación antes de su uso. Asegúrese de que todos los usuarios reciban capacitación.
- No deje que un niño utilice el producto.
- Restrinja el uso del producto solo a personas autorizadas.
- El operador es responsable de los accidentes que puedan ocurrirles a otras personas o a sus propiedades.
- No utilice el producto si está cansado, enfermo o bajo la influencia de alcohol, drogas o medicamentos.
- Sea siempre cuidadoso y use el sentido común.
- En este producto se genera un campo electromagnético durante su funcionamiento. Este campo puede, en determinadas circunstancias, interferir en implantes médicos activos o pasivos. Para reducir el riesgo de daños graves o mortales, se recomienda que las personas con implantes médicos consulten a su médico y al fabricante del implante médico antes de utilizar este producto.
- Mantenga la máquina limpia. Asegúrese de que puede leer señales y etiquetas claramente.
- No utilice el producto si se encuentra defectuoso.
- No modifique este producto.
- No utilice el producto si es posible que otras personas hayan realizado modificaciones en el mismo.

Instrucciones de seguridad para el funcionamiento



ADVERTENCIA: Lea atentamente las instrucciones de advertencia siguientes antes de usar el producto.

- Lea el manual de instrucciones detenidamente para consultar la información sobre la herramienta eléctrica conectada. Asegúrese de entender las instrucciones.
- Siempre existe el riesgo de recibir una descarga cuando se usan productos eléctricos. No utilice el producto en condiciones climáticas adversas. Evite que su cuerpo toque pararrayos y objetos metálicos.

Siga siempre las instrucciones del manual del usuario para evitar daños.

- Conecte el producto solo a las tomas conectadas a tierra.
- Asegúrese de que el voltaje de la red de electricidad sea el mismo que el voltaje que se muestra en la placa de características del producto.
- Asegúrese de que el cable de alimentación y el cable de extensión estén intactos y en buenas condiciones.
- No utilice el producto si este o el cable de alimentación está dañado. Permita que un taller de servicio autorizado repare el producto o reemplace el cable de alimentación.
- Para prevenir el sobrecalentamiento, no utilice el cable de extensión cuando esté enrollado.
- No deje que los niños utilicen el producto.
- No se aleje del producto cuando el motor esté en marcha.
- Siempre desconecte el cable de alimentación del producto en caso de pausas de trabajo más extensas.
- No utilice el producto si no puede recibir ayuda en caso de que ocurra un accidente.
- Asegúrese de que el producto se encuentre en una superficie estable.
- Desconecte siempre el enchufe de alimentación antes de mover el producto.
- No desconecte el cable de alimentación, a menos que el motor se encuentre apagado y se haya detenido por completo.
- Mantenga siempre a mano el equipo de extinción de incendios.

Equipo de protección personal



ADVERTENCIA: Lea atentamente las instrucciones de advertencia siguientes antes de usar el producto.

- Utilice siempre el equipo de protección personal aprobado cuando utilice el producto. El equipo de protección personal no puede impedir el riesgo de lesiones, pero disminuirá el grado de lesión si ocurre un accidente. Solicite a su concesionario que lo ayude a seleccionar el equipo de protección personal correcto.
- Realice periódicamente una comprobación del estado del equipo de protección personal.
- Utilice un casco protector aprobado.
- Use protección auricular aprobada.
- Utilice protección respiratoria aprobada.
- Utilice protección ocular aprobada con protección lateral.
- Use guantes protectores.
- Utilice botas con punta de acero y suela antideslizante.

- Utilice ropa de trabajo aprobada o ropa equivalente de ajuste ceñido, que cubra por completo los brazos y las piernas.

Dispositivos de seguridad en el producto



ADVERTENCIA: Lea atentamente las instrucciones de advertencia siguientes antes de usar el producto.

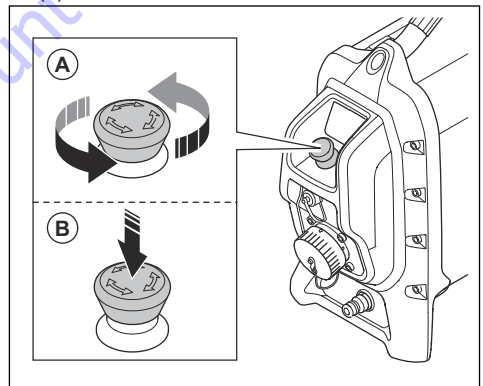
- No utilice un producto con dispositivos de seguridad defectuosos.
- Revise los dispositivos de seguridad de forma regular. Si los dispositivos de seguridad están defectuosos, comuníquese con su taller de servicio Husqvarna.

Botón de detención de la máquina

El botón de detención de la máquina en la unidad de alimentación desconecta la herramienta eléctrica de la fuente de alimentación. También disminuye la velocidad de la herramienta eléctrica conectada.

Para revisar el botón de detención de la máquina

1. Gire el botón de detención de la máquina en el producto para asegurarse de que esté desconectado (A).



2. Encienda la herramienta eléctrica conectada.
3. Presione el botón de detención de la máquina y asegúrese de que la herramienta eléctrica conectada se detenga.

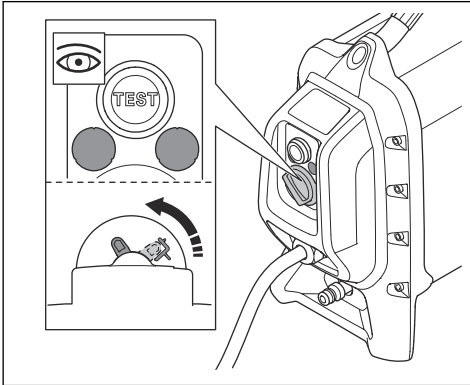
RCD

El producto tiene un RCD (del inglés Residual Current Device, dispositivo de corriente residual) integrado. El RCD es un elemento protector para el operador si ocurre una falla eléctrica.

Para verificar el estado del RCD 3

1. Arranque el producto, consulte *Para poner en marcha el producto en la página 25*.

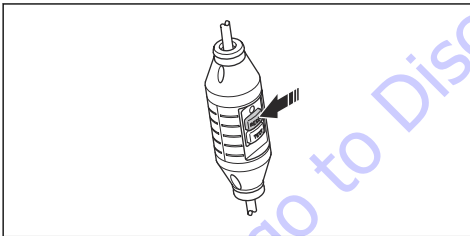
- Examine los orificios de inspección y presione el botón de prueba del RCD.



- Asegúrese de que el RCD se mueva y que se desconecta de la fuente de alimentación del producto.
- Gire la perilla de restablecimiento del RCD para restablecer el RCD.

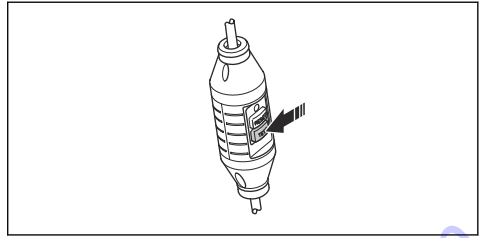
Para verificar el estado del RCD 1

- Conecte el producto a la salida. Utilice el adaptador correcto. Consulte *Adaptadores en la página 33*.
- Presione el botón de REINICIO (verde) y el LED rojo se enciende.



- Encienda el producto.

- Presione el botón de PRUEBA (azul).



- El RCD debe accionarse y el producto debe detenerse inmediatamente. De lo contrario, comuníquese con el taller de servicio de Husqvarna.
- Presione el botón de REINICIO (verde).

Instrucciones de seguridad para el mantenimiento



ADVERTENCIA: Lea atentamente las instrucciones de advertencia antes de realizar mantenimiento al producto.

- Los cambios o accesorios no aprobados pueden provocar **daños graves** o lesiones fatales al operador u otras personas.
- Solo los centros de servicio de Husqvarna deben abrir la carcasa y realizar un mantenimiento al producto.
- Realice un mantenimiento diario para asegurarse de que el producto funcione correctamente. Consulte *Mantenimiento en la página 26*.
- Realice la inspección o el mantenimiento con el motor detenido y el enchufe desconectado.
- Limpie el producto con agua. No use limpiadores de alta presión. No apunte el agua a los componentes eléctricos o los cojinetes.
- Solicite a un experto del taller de servicio aprobado que realice el mantenimiento del producto. Utilice únicamente piezas de repuesto Husqvarna o de calidad equivalente.

Funcionamiento

Introducción



ADVERTENCIA: Antes de utilizar el producto, debe leer y entender el capítulo sobre seguridad.

Antes de usar el producto

- Lea atentamente el manual del usuario y asegúrese de entender las instrucciones.
- Realice un mantenimiento diario. Consulte *Mantenimiento diario en la página 26*.

- Asegúrese de que solo haya personas autorizadas en la zona de trabajo, debido a que existe el riesgo de provocar daños graves.
- Utilice equipo de protección personal. Consulte *Equipo de protección personal en la página 23*.

Para utilizar la conectividad integrada

Tenga en cuenta: La radiotransmisión por Bluetooth® se activará en la primera conexión al tomacorriente, y permanecerá encendida posteriormente.

- Descargue la aplicación Husqvarna Fleet Services para iOS o Android.

2. Consulte <https://fleetservices.husqvarna.com> para obtener más información.

Para conectar el producto a una fuente de alimentación

1. Coloque el producto en una superficie estable y seca en el lugar de trabajo.
2. Conecte el producto a una toma con conexión a tierra con voltaje continuo; consulte *Datos técnicos en la página 31*. Asegúrese de que el voltaje de la red de electricidad corresponda al valor de la placa de características del producto.
3. Si la fuente de alimentación es monofásica, utilice un adaptador. Consulte *Adaptadores en la página 33*.

Para conectar el suministro de agua



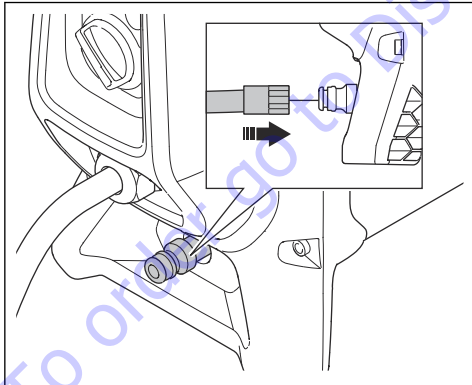
AVISO: Utilice solo agua limpia para evitar que la suciedad obstruya el sistema de agua.



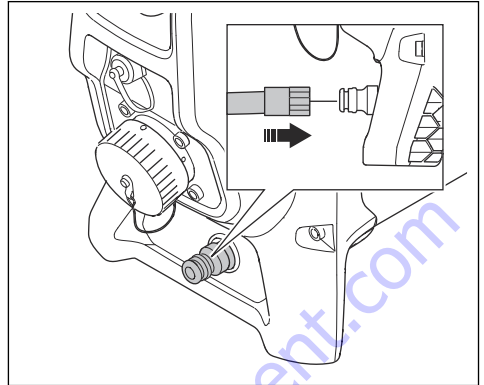
AVISO: Utilice presión de aire para drenar el agua del producto después de utilizarlo. El agua puede congelarse y provocar daños al producto.

Tenga en cuenta: La acción del refrigerante del agua no se detiene durante una falla de energía.

1. Conecte la manguera de agua a la toma de entrada del conector de agua del producto.



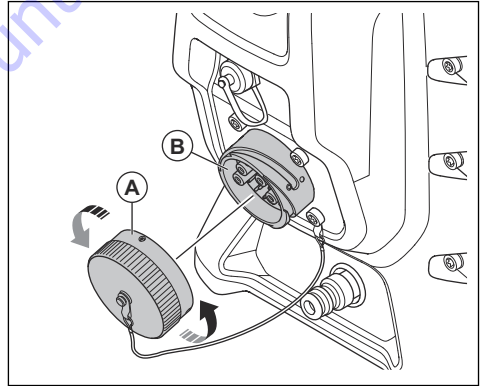
2. Conecte la toma de salida del conector de agua del producto a la herramienta eléctrica.



3. Para ajustar el flujo del refrigerante de agua hacia la herramienta eléctrica, consulte el manual del usuario de la herramienta eléctrica.
4. Ajuste la presión del agua en la fuente de agua.

Para conectar una herramienta eléctrica al producto

1. Retire la cubierta (A).

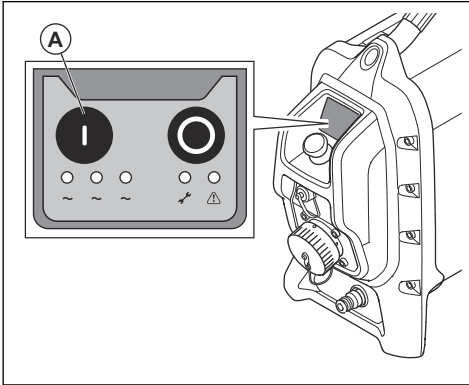


2. Conecte la herramienta eléctrica a la toma de salida para conectar la herramienta (B). Si es necesario, utilice un adaptador. Comuníquese con el taller de servicio de Husqvarna para obtener más información.

Para poner en marcha el producto

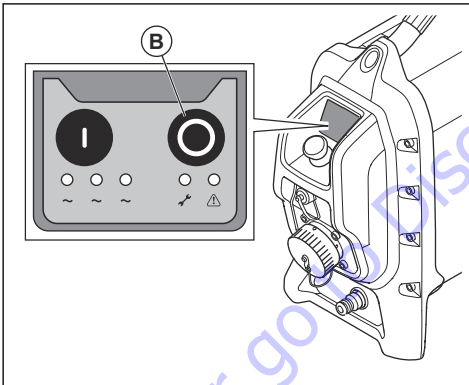
1. Asegúrese de que el botón de detención de la máquina esté desconectado. Consulte *Para revisar el botón de detención de la máquina en la página 23*.

- Presione el botón de ENCENDIDO (A) para encender el producto.



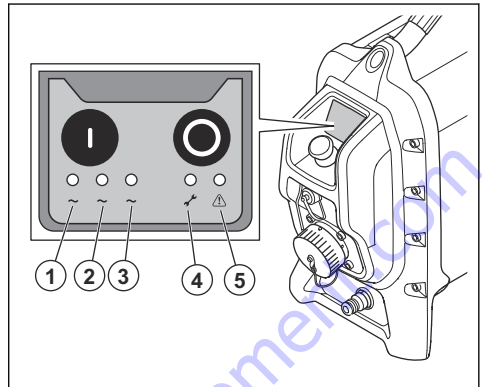
Para detener el producto

- Detenga la herramienta eléctrica conectada. Consulte el manual del usuario de la herramienta eléctrica.
- Presione el botón APAGADO (B) para detener el producto.



Luces indicadoras de estado

Cuando el producto está conectado, las luces de 1 a 5 se encienden durante algunos segundos.



- Luz de fase (verde)
- Luz de fase (verde)
- Luz de fase (verde)
- Indicador de mantenimiento (amarillo)
- Indicador de advertencia (rojo)

Para obtener más información sobre las luces indicadoras de estado, consulte *Explicación de las luces indicadoras de estado en la página 27*.

Indicador de advertencia



AVISO: No siga operando el producto cuando el indicador de advertencia esté encendido. Riesgo de daños al producto.

Si el indicador de advertencia (luz roja) se enciende, detenga el producto. Consulte *Explicación de las luces indicadoras de estado en la página 27*.

Mantenimiento

Introducción



ADVERTENCIA: Lea detenidamente el capítulo de seguridad antes de realizar mantenimiento en el producto.

Mantenimiento diario



ADVERTENCIA: Desconecte el producto de la fuente de alimentación y espere un mínimo de cinco minutos antes de realizar el mantenimiento.



AVISO: No use limpiadores de alta presión para limpiar el producto. La alta presión puede causar daños en los sellos y hacer que el agua y la suciedad entren en el producto.

- Revise el equipo de seguridad. Asegúrese de que no esté dañado. Consulte *Dispositivos de seguridad en el producto en la página 23*.
- Asegúrese de que el cable de alimentación y el cable de extensión estén intactos y en buenas condiciones.

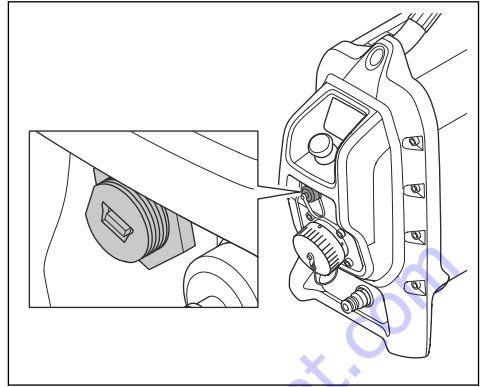
- Asegúrese de que la manguera y los acoplamientos de agua estén en buenas condiciones y sin daños.
- Siempre limpie el producto al final del día de trabajo. Utilice un cepillo manual para servicio pesado o una brocha grande.
- Mantenga las clavijas y los conectores limpios. Límpielos con un paño o una brocha.
- Asegúrese de que el sistema de agua no esté dañado.

Conexión USB

El producto tiene una conexión USB.

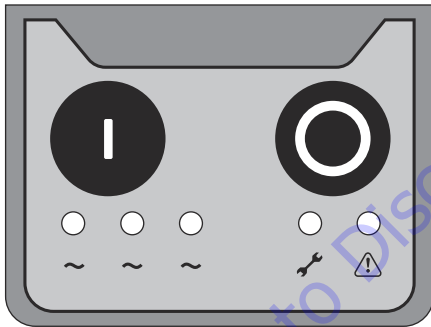


AVISO: Solo un técnico de servicio aprobado de la marca debe utilizar la conexión USB.



Solución de problemas

Explicación de las luces indicadoras de estado



Las luces indicadoras de estado lo ayudan a localizar y solucionar problemas.



La luz está encendida.



La luz está apagada.



La luz parpadea rápidamente.



La luz parpadea lentamente.



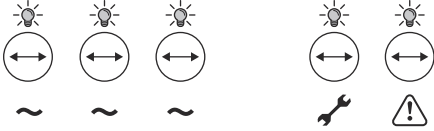
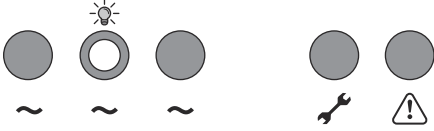
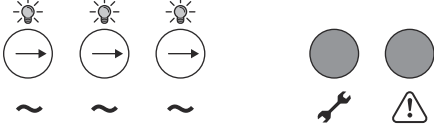
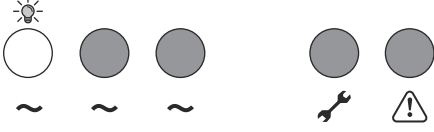
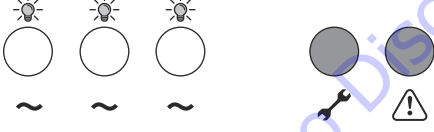
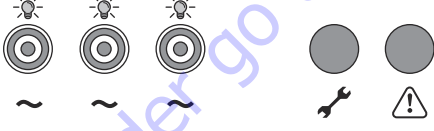
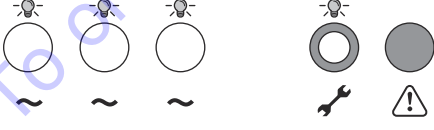
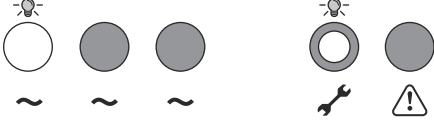
La luz va desde el lado izquierdo hasta el lado derecho y, luego, hacia el lado izquierdo nuevamente.

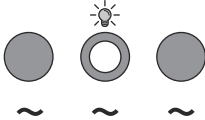
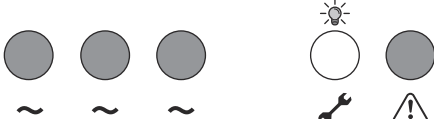
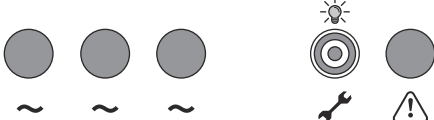
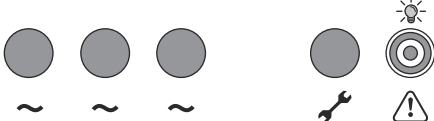
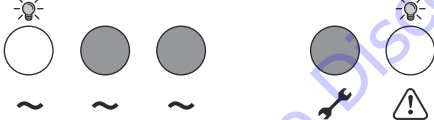

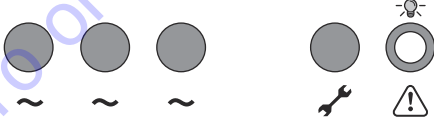


La luz pasa del lado izquierdo al derecho.

Pantalla del producto

Panel de control	Estado	Paso
	No hay un medio de alimentación.	Revise la fuente de alimentación.

Panel de control	Estado	Paso
	<p>Prueba de funcionamiento del LED en la conexión de la alimentación. (<3 s)</p>	<p>Revise el botón de detención de la máquina. Consulte <i>Para revisar el botón de detención de la máquina en la página 23.</i></p>
	<p>El producto está en el modo de espera.</p>	<p>N/A</p>
	<p>Secuencia de selección de fase en el arranque. (<3 s)</p>	<p>Si supera los 3 s, verifique los fusibles y el voltaje.</p>
	<p>El producto está encendido y conectado a la fuente monofásica.</p>	<p>N/A</p>
	<p>El producto está encendido y conectado a la fuente trifásica.</p>	<p>N/A</p>
	<p>Falla de alimentación.</p>	<p>Revise los fusibles y el generador.</p>
	<p>La herramienta es desconocida.</p>	<p>Comuníquese con un taller de servicio de Husqvarna.</p>
	<p>La herramienta es desconocida.</p>	<p>Comuníquese con un taller de servicio de Husqvarna.</p>

Panel de control	Estado	Paso
	<p>El botón de detención de la máquina está presionado.</p> <p>El producto está en el modo de suspensión.</p>	<p>Realice un restablecimiento del producto.</p> <p>Asegúrese de que el botón de detención de la máquina no esté presionado.</p>
	<p>Situación incorrecta.</p>	<ol style="list-style-type: none"> 1. Reinicie el producto. 2. Si el producto no arranca, comuníquese con un taller de servicio de Husqvarna.
	<p>Falla de conexión a tierra.</p> <p>Existe una falla de hardware.</p> <p>Hay una falla en la herramienta conectada.</p>	<ol style="list-style-type: none"> 1. Cambie la herramienta y reinicie el producto. 2. Si el producto no arranca, comuníquese con un taller de servicio de Husqvarna.
	<p>No hay alimentación debido a que el producto está demasiado caliente.</p>	<p>Deje que el producto y la herramienta eléctrica conectada se enfríen.</p>
	<p>Advertencia: El producto puede estar demasiado caliente (monofásico).</p>	<p>Verifique el agua de refrigeración. Disminuya la carga.</p>
	<p>Advertencia: El producto puede estar demasiado caliente (trifásico).</p>	<p>Verifique el agua de refrigeración. Disminuya la carga.</p>
	<p>Hay una falla en la herramienta conectada.</p>	<p>Verifique la herramienta conectada.</p>

Transporte y almacenamiento

Transporte del producto

- Asegure bien el producto durante el transporte para evitar daños y accidentes.
- Detenga el producto y desconecte el cable de alimentación antes de mover el producto.
- Siempre desconecte la herramienta eléctrica y el cable de alimentación antes del transporte.

Almacenamiento del producto

- Mantenga el producto en un área cerrada para evitar que los niños u otras personas sin autorización puedan acceder a él.
- Mantenga el producto en un lugar seco.
- Asegúrese de que la temperatura no sea inferior a -25 °C (-77 °F) ni superior a 50 °C (122 °F).

To order go to Discount-Equipment.com

Datos técnicos

Datos técnicos

Unidad de alimentación	
Salida máxima, kW	6,5
Corriente nominal trifásica, A	15
Corriente nominal monofásica, A	15
Voltaje trifásico de entrada, V	200-480, 50/60 Hz
Voltaje monofásico de entrada, V	120-240, 50/60 Hz
Fuente de alimentación	
Trifásica	L1+L2+L3+PE
Monofásica	L+N+PE
Refrigerante de agua (de la herramienta conectada)	
Presión, bar	7
Temperatura de agua, recomendada, °C	<25
Peso	
Unidad de alimentación, kg	18

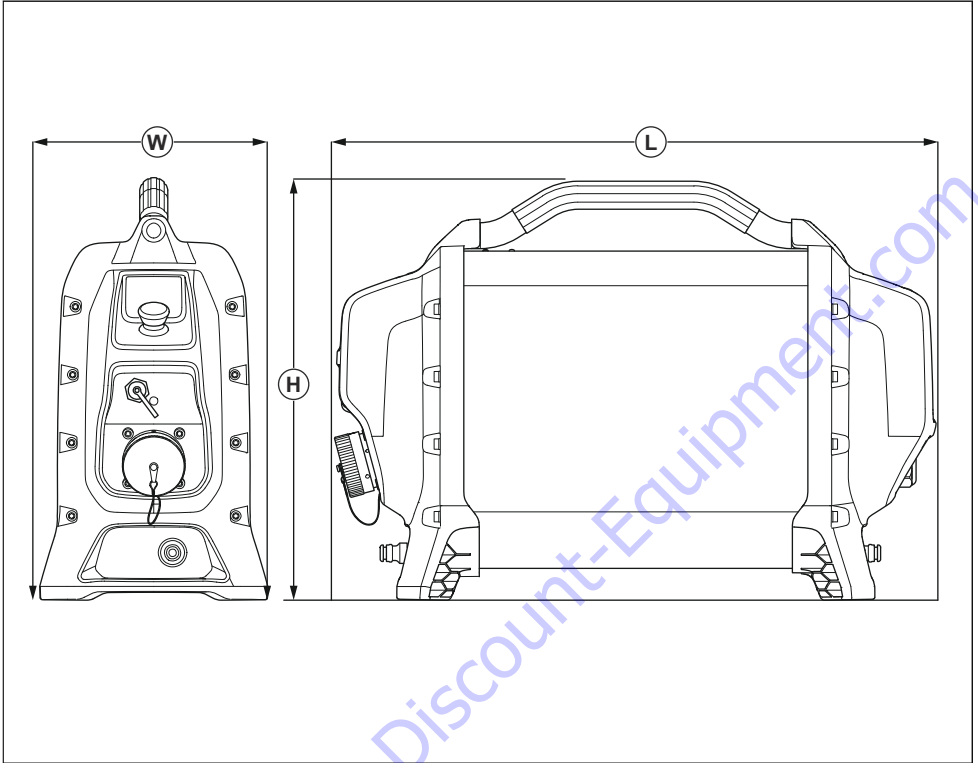
Conectividad integrada

Espectro de radio de tecnología BLE	
Bandas de frecuencia para la herramienta, GHz	2,402-2,480
Potencia máxima de radiofrecuencia transmitida, dBm/mW	4/2,5

Casos de funcionamiento comunes del generador

Monofásica/Trifásica	PP 70, salida	Salida del generador, V	Salida del generador mínima recomendada, kVa
Trifásica	Potencia total	3 x 380, 3 x 416, 3 x 440, 3 x 480	10
	Potencia reducida	3 x 208, 3 x 220, 3 x 240	10
Monofásica	Potencia reducida	220-240	5

Dimensiones del producto



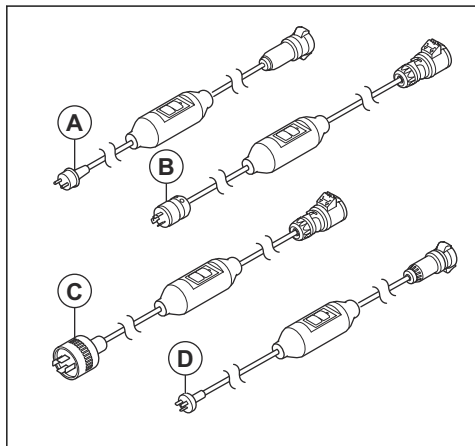
Dimensiones, mm

Mi	183	H	410	L	570
-----------	-----	----------	-----	----------	-----

Accesorios

Adaptadores

Existen diferentes adaptadores de corriente monofásica para distintos mercados:



- Adaptador para la UE (A).
- Adaptador para EE. UU. (B).
- Adaptador para JP (C).
- Adaptador para AU (D).

Hay diferentes adaptadores de salida para la conexión de la herramienta. Para obtener más información, comuníquese con su distribuidor Husqvarna.

Servicio

Introducción

produzcan accidentes que afecten a los operadores.



ADVERTENCIA: Solo el centro de servicio aprobado puede realizar reparaciones en el producto. Esto es para evitar que se

Centro de servicio autorizado

Para encontrar el centro de servicio autorizado por Husqvarna Construction Products más cercano, diríjase al sitio web de www.husqvarnacp.com.

Declaraciones de conformidad

Tenga en cuenta: Este equipo se probó y se comprobó que cumple con los límites de un dispositivo digital de Clase A, conforme con la Parte 15 de las Reglas de FCC. Estos límites están diseñados para proporcionar una protección razonable contra interferencias perjudiciales cuando el equipo se utiliza en un entorno comercial. Este equipo genera, utiliza y puede irradiar energía de radiofrecuencia y, si no se instala ni se utiliza según el manual de instrucciones, puede causar interferencias perjudiciales para las radiocomunicaciones. Es probable que el funcionamiento de este equipo en un área residencial cause interferencia perjudicial, en cuyo caso el usuario

deberá corregir la interferencia y asumir el costo correspondiente.

Declaración de conformidad del proveedor para PP 70 47 CFR § 2.1077 Compliance Information.

Parte responsable Husqvarna Construction Products North America, Inc. 17400 W 119th Street Olathe, Kansas 66061 USA

Información de contacto para EE. UU.: Neil Stanford, Compliance Manager, número de teléfono: 913-928-1000

FCCDeclaración de conformidad: Los cambios o modificaciones que no estén expresamente aprobados por Husqvarna pueden anular el cumplimiento del equipo respecto de las normas FCC y limitar la autoridad del usuario para operar el equipo.

Table des matières

Introduction.....	35	Données techniques.....	48
Sécurité.....	37	Accessoires.....	50
Fonctionnement.....	41	Service.....	50
Entretien.....	43	Déclarations de conformité.....	50
Dépannage.....	44	Marques déposées.....	51
Transport et entreposage.....	47		

Introduction

Responsabilité du propriétaire



AVERTISSEMENT: Des opérations de coupe, de surfacage ou de perçage du béton ou de la pierre, particulièrement lorsque les conditions sont sèches, génèrent de la poussière qui contient souvent de la silice. La silice est un composant de base du sable, du quartz, de la brique d'argile, du granit et de nombreux autres pierres et minéraux. L'exposition à une quantité excessive de ces poussières peut entraîner :

une maladie respiratoire (réduisant la capacité à respirer), notamment la bronchite chronique, la silicose et la fibrose pulmonaire causée par l'exposition à la silice. Ces maladies peuvent être fatales;

Des irritations et éruptions cutanées.

Le cancer, selon le NTP (National Toxicology Program) et le CIRC (Centre International de recherche sur le cancer).

Prendre les précautions suivantes :

Éviter l'inhalation et le contact cutané avec les poussières, brouillards et fumées.

Porter et veiller à ce que les personnes à proximité portent un dispositif de protection respiratoire approprié, tel un masque antipoussière filtrant les particules microscopiques. (Voir OSHA 29 CFR Part 1926.1153)

Pour réduire les émissions de poussières, utilisez de l'eau pour agglomérer, lorsque cela est possible. Si une opération à sec est nécessaire, utiliser un extracteur de poussière adéquat.

Il est de la responsabilité du propriétaire ou de l'employeur de s'assurer que l'utilisateur possède les connaissances nécessaires pour manipuler le produit en toute sécurité. Les superviseurs et les utilisateurs

doivent avoir lu et compris le manuel d'utilisation. Ils doivent être conscients des éléments suivants :

- Les consignes de sécurité relatives au produit.
- L'éventail d'applications du produit et ses limites.
- La manière dont le produit doit être utilisé et entretenu.

Les règlements locaux ou nationaux peuvent limiter l'utilisation de ce produit. Rechercher les réglementations en vigueur où le travail est exécuté avant d'utiliser le produit.

Description du produit

Le produit est un bloc d'alimentation utilisé avec des outils électriques Husqvarna. Pour obtenir de plus amples renseignements, se reporter au manuel d'utilisation de l'outil électrique.

Ce produit est doté d'une connectivité intégrée. Se reporter à la section *Connectivité intégrée à la page 35*.

Connectivité intégrée

Husqvarna Fleet Services™ est une solution de gestion des actifs dans le nuage qui donne au gestionnaire de parc un aperçu de tous les produits connectés par le biais de capteurs intégrés ou de capteurs du marché secondaire. Les capteurs enregistrent des données comme la durée de fonctionnement, les intervalles d'entretien, l'emplacement, etc. Pour obtenir de plus amples renseignements sur Husqvarna Fleet Services™, télécharger l'application iOS ou Android Husqvarna Fleet Services sur les plateformes <https://apps.apple.com/se/app/husqvarna-fleet-services/id1334672726> ou <https://play.google.com/store/apps/details?id=com.husqvarna.hfsmobile&hl=en>.

Les produits dotés d'une connectivité intégrée sont connectés par l'intermédiaire du capteur Husqvarna Fleet Services™ intégré qui dispose de Bluetooth Low Energy (BLE). Pour obtenir de plus amples renseignements sur son utilisation, se reporter à *Utilisation de la connectivité intégrée à la page 41*. Pour obtenir des renseignements sur BLE technology radio spectrum, se reporter à *Connectivité intégrée à la*

page 48. Pour les limites de conformité concernant Husqvarna Fleet Services™, se reporter à *Limites de conformité à la page 36.*

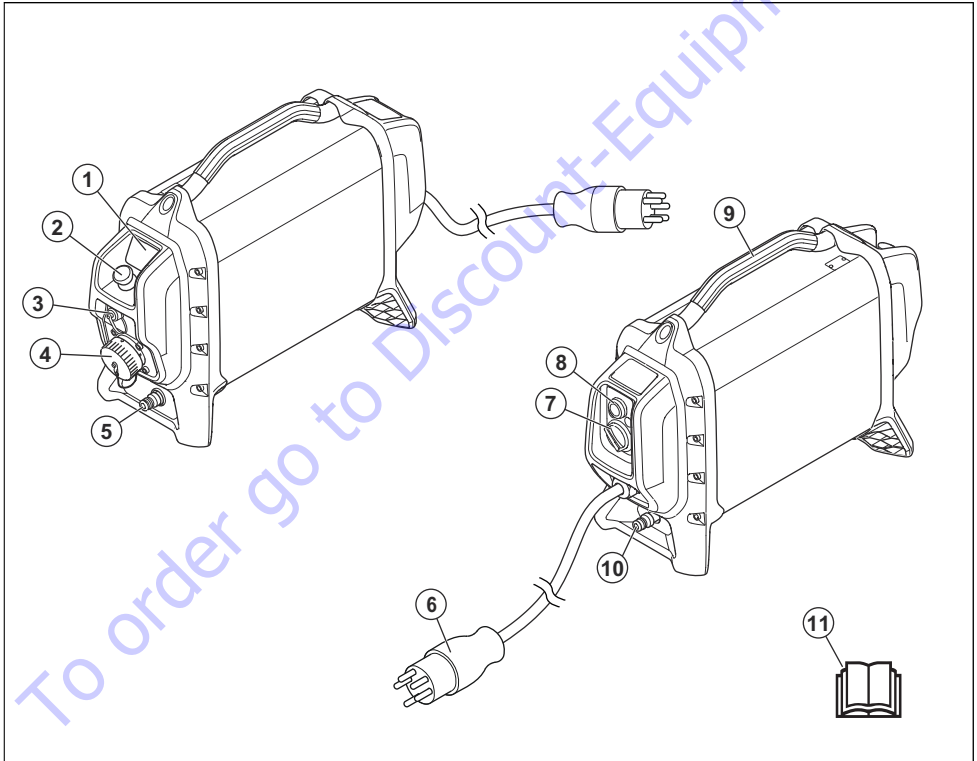
Limites de conformité

Remarque : Les modifications ou les changements apportés à cet équipement non expressément approuvés par peuvent annuler l'autorisation de la FCC d'utiliser cet équipement.

Remarque : Cet appareil est conforme à l'article 15 de la réglementation FCC et à la norme RSS d'Industrie Canada pour les appareils exempts de licence.

Son utilisation est soumise aux deux conditions suivantes :

Présentation du produit



1. Panneau de commande et indicateur d'état
2. Bouton d'arrêt de la machine
3. Connexion USB, pour l'entretien
4. Prise pour branchement d'outil
5. Sortie du raccord d'eau

- Cet appareil ne doit pas causer d'interférences nuisibles
- Cet appareil doit accepter toute autre interférence, y compris les interférences pouvant causer un fonctionnement non désiré

Utilisation prévue

Ce produit est utilisé pour faire fonctionner les outils électriques Husqvarna applicables avec un moteur à haute fréquence, par exemple des découpeuses et des perceuses. Toute autre utilisation est inappropriée.

Le produit est refroidi avec de l'eau. Le produit doit toujours être utilisé avec une arrivée d'eau.

Le produit est réservé à un usage professionnel.

6. Fiche d'alimentation; différentes fiches d'alimentation pour différents marchés
7. Bouton de réinitialisation du disjoncteur différentiel de fuite à la terre (DDFT)
8. Bouton de test du DDFT
9. Poignée de transport

10. Entrée du raccord d'eau
11. Manuel d'utilisation

Symboles figurant sur l'outil



AVERTISSEMENT : Une utilisation insouciante ou inappropriée peut causer des blessures à l'utilisateur ou à d'autres personnes ou causer leur mort.



Lire attentivement le manuel et veiller à bien comprendre les directives avant d'utiliser l'outil.



Les mesures d'inspection et de maintenance doivent être effectuées alors que le moteur est à l'arrêt et que la fiche d'alimentation est débranchée.



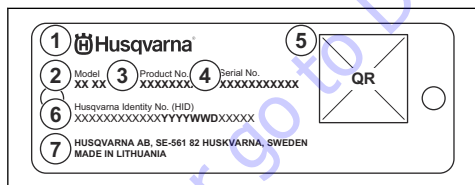
Exigences de sécurité standard pour l'Amérique du Nord.



Le produit ou l'emballage du produit n'est pas un déchet domestique. Recycler dans un centre de recyclage pour équipements électriques et électroniques.

Remarque : Les autres symboles et autocollants apposés sur le produit se rapportent aux exigences en matière de certification pour certains marchés.

Plaque signalétique



1. Fabricant
2. Modèle
3. Numéro du produit
4. Numéro de série
5. Code QR
6. Numéro d'identité Husqvarna
7. Adresse du fabricant

Spécification d'identifiant

Le numéro d'identité Husqvarna compte 5 sections et un total de 25 caractères : [Numéro de pièce (PNC)] [Usine et ligne (FFL)] [Date] [N° de séquence] [Caractère de contrôle].

La date compte 7 caractères.

- Format : AAAASSJ
- AAAA = Année
- SS = numéro de semaine
- J = numéro du jour

Responsabilité concernant le produit

Comme indiqué dans les lois en vigueur sur la responsabilité concernant les produits, nous ne serons pas tenus responsables des dommages que notre produit causerait dans les situations suivantes :

- Le produit n'est pas réparé de façon adéquate.
- Le produit est réparé avec des pièces qui ne sont pas fournies ou homologuées par le fabricant.
- Le produit comprend un accessoire qui n'est pas fourni ou homologué par le fabricant.
- Le produit n'est pas réparé par un centre de service après-vente agréé ou par une autorité homologuée.

Sécurité

Définitions relatives à la sécurité

Les avertissements, recommandations et remarques soulignent des points du manuel qui revêtent une importance particulière.



AVERTISSEMENT: Indique la présence d'un risque de blessure ou de décès de l'utilisateur ou de personnes à proximité si les instructions du manuel ne sont pas suivies.



MISE EN GARDE : Indique la présence d'un risque de dommages au produit, à d'autres appareils ou à la zone adjacente si les instructions du manuel ne sont pas suivies.

Remarque : Utilisé pour donner des renseignements plus détaillés qui sont nécessaires dans une situation donnée.

Consignes générales de sécurité relatives aux outils électriques



AVERTISSEMENT: Consulter l'ensemble des avertissements relatifs à la sécurité, des instructions, des illustrations et des spécifications transmis avec cet outil électrique. Le non-respect des instructions indiquées ci-dessous peut provoquer une décharge, un incendie ou des blessures graves.

- **Conserver ces instructions et consignes pour consultation ultérieure.** Dans les avertissements, le terme « outil électrique » fait référence à votre appareil électrique branché sur le secteur ou alimenté par batterie (sans fil).

Sécurité de l'aire de travail

- **Maintenir l'aire de travail propre et bien éclairée.** Les endroits sombres ou encombrés sont propices aux accidents.
- **Ne pas utiliser des outils électriques dans des atmosphères explosives, notamment en présence de liquides, gaz ou poussières inflammables.** Les outils électriques produisent des étincelles qui peuvent enflammer les poussières et les vapeurs.
- **Tenir les enfants et les spectateurs à distance lorsque l'outil électrique est en marche.** Un moment d'inattention pourrait vous en faire perdre le contrôle.

Sécurité électrique

- **La fiche d'un outil électrique doit être adaptée à la prise. Ne jamais modifier la fiche. Ne jamais utiliser une fiche d'adaptation avec un outil électrique mis à la terre.** Les fiches non modifiées et les prises adaptées à la fiche permettent de réduire les risques d'électrocution.
- **Éviter d'entrer en contact avec les surfaces mises à la terre (tuyaux, radiateurs, cuisinières, réfrigérateurs, etc.).** Le risque d'électrocution est plus important si le corps est mis à terre.
- **Ne pas exposer les outils électriques à la pluie ou à l'humidité.** L'infiltration d'eau dans un outil électrique augmente le risque d'électrocution.
- **Toujours manipuler le cordon avec soin. Ne jamais utiliser le cordon pour porter, tirer ou débrancher l'outil électrique. Tenir le cordon à l'écart de la chaleur, de l'huile, des bords tranchants et des pièces mobiles.** Les cordons endommagés ou emmêlés augmentent le risque d'électrocution.
- **Pour le travail à l'extérieur, utiliser une rallonge adaptée à l'usage extérieur.** L'utilisation d'une telle rallonge réduit le risque d'électrocution.
- **S'il est impossible d'éviter de faire fonctionner la machine électrique dans un endroit humide, utiliser une alimentation avec dispositif de protection par courant différentiel résiduel (RCD).** Les disjoncteurs

de courant résiduel réduisent le risque d'électrocution.

Sécurité personnelle

- **Lors de l'utilisation d'un outil électrique, toujours demeurer attentif et faire preuve de bon sens. Ne pas utiliser l'outil électrique si vous êtes fatigué ou sous l'emprise de drogues, de l'alcool ou de médicaments.** Tout moment d'inattention pendant l'utilisation d'un outil électrique peut causer de graves blessures.
 - **Utiliser de l'équipement de protection individuelle. Toujours porter des lunettes de protection.** En utilisant l'équipement de protection (masque antipoussière, chaussures de sécurité antidérapantes, casque, dispositif de protection pour les oreilles, etc.) qui convient aux conditions, on réduit les risques de blessure.
 - **Prévenir les démarrages accidentels. Vérifier que l'interrupteur est à la position d'arrêt avant de brancher l'outil dans la prise ou le bloc d'alimentation, de le saisir ou de le transporter.** Le transport des outils électriques en maintenant le doigt sur l'interrupteur d'alimentation et le branchement d'outils alors que l'interrupteur est à la position de marche expose à des accidents.
 - **Retirer toute clé ou clavette de réglage avant de mettre l'outil sous tension.** Une clé ou une clavette reliée à une pièce mobile de l'outil électrique peut causer une blessure.
 - **Ne pas trop se pencher vers l'avant. Toujours se tenir bien campé et en équilibre.** Cela permet de mieux contrôler l'outil électrique lors d'un imprévu.
 - **S'habiller de façon appropriée. Ne jamais porter des vêtements amples ou des bijoux. Garder les cheveux et les vêtements loin des pièces mobiles.** Les vêtements amples, bijoux et cheveux longs peuvent se prendre dans les pièces en mouvement.
 - **Si des dispositifs sont fournis pour raccorder des systèmes de collecte et d'extraction de la poussière, s'assurer que ceux-ci sont utilisés et correctement branchés.** L'utilisation de dépoussiéreurs peut réduire les risques associés à la poussière.
 - **Ne pas laisser la parfaite connaissance de l'outil acquise en raison de l'utilisation fréquente de ce dernier engendrer la complaisance et le non respect des principes de sécurité relatifs à l'outil.** Une négligence peut provoquer de graves blessures en une fraction de seconde.
- ### Utilisation et entretien des outils électriques
- **Ne pas forcer sur l'outil électrique. Utiliser l'outil électrique qui convient au travail à effectuer.** De cette façon, le résultat sera meilleur et le travail sera effectué de façon plus sécuritaire et au régime pour lequel l'outil électrique a été conçu.
 - **Ne pas utiliser l'outil électrique si l'interrupteur ne permet pas la mise sous tension et l'arrêt de l'outil.**

- Tout outil électrique dont l'interrupteur est défectueux représente un danger et doit être réparé.
- **Débrancher la fiche de la source d'alimentation ou retirer le bloc de batteries de l'outil électrique avant de procéder aux réglages, de changer les accessoires ou de ranger l'outil.** Ces mesures de sécurité réduisent le risque de mise sous tension accidentelle.
 - **Ranger les outils électriques hors de la portée des enfants et ne pas laisser des personnes qui ne connaissent pas l'outil ou les présentes consignes utiliser celui-ci.** Les outils électriques représentent un danger lorsqu'ils sont entre les mains d'utilisateurs non formés.
 - **Entretien des outils électriques et les accessoires. Vérifier l'outil à la recherche de pièces brisées, de mauvais alignement ou de blocage des pièces mobiles et de toute autre situation pouvant nuire au bon fonctionnement de l'outil. Si l'outil est endommagé, il faut le réparer avant de l'utiliser.** De nombreux accidents sont causés par des outils mal entretenus.
 - **Maintenir les outils tranchants aiguisés et propres.** Les outils tranchants correctement entretenus dont les bords de coupe sont bien affûtés sont moins susceptibles de se coincer et plus faciles à contrôler.
 - **Utiliser l'outil électrique, les accessoires, les forets, etc., conformément aux présentes instructions et en tenant compte des conditions de travail et de la tâche à réaliser.** L'utilisation de l'outil électrique pour des opérations autres que celles pour lesquelles il est prévu peut entraîner des dangers.
 - **Garder les poignées et les surfaces de préhension sèches, propres et exemptes d'huile et de graisse.** Les poignées et les surfaces de préhension glissantes ne permettent pas de manipuler l'outil de manière sécuritaire, ni d'en conserver le contrôle lorsqu'une situation inattendue se présente.
 - Se conformer à toutes les lois et réglementations en vigueur.
 - L'utilisateur et l'employeur de l'utilisateur doivent connaître et prévenir les risques liés à l'utilisation du produit.
 - Ne pas laisser une personne utiliser le produit à moins qu'elle a lu et compris le contenu de ce manuel d'utilisation.
 - Ne pas faire fonctionner le produit sans avoir reçu une formation relative à son fonctionnement. S'assurer que tous les utilisateurs reçoivent une formation.
 - Ne pas laisser un enfant utiliser l'outil.
 - Seules les personnes autorisées peuvent utiliser le produit.
 - L'utilisateur est responsable des accidents survenus à d'autres personnes ou à leurs biens.
 - Ne pas utiliser le produit en cas de fatigue ou sous l'emprise de l'alcool, de drogues ou de médicaments.
 - Toujours rester prudent et faire preuve de bon sens.
 - Ce produit génère un champ électromagnétique pendant le fonctionnement. Ce champ magnétique peut, dans certains cas, nuire aux implants médicaux actifs ou passifs. Pour réduire le risque de blessures graves ou mortelles, il est recommandé aux personnes ayant des implants médicaux de consulter leur médecin et le fabricant de l'implant médical avant d'utiliser le produit.
 - Toujours garder le produit propre. S'assurer de pouvoir lire clairement les signes et les autocollants.
 - Ne pas utiliser le produit s'il est défectueux.
 - Ne pas modifier ce produit.
 - Ne pas utiliser le produit s'il est possible que d'autres personnes aient apporté des modifications à celui-ci.

Réparations

- **Faire entretenir votre outil électrique par un technicien qualifié et utiliser uniquement des pièces de rechange identiques aux pièces d'origine.** L'entretien adéquat de l'outil permet une utilisation plus sécuritaire.

Consignes générales de sécurité



AVERTISSEMENT: Lire les messages d'avertissement qui suivent avant d'utiliser l'outil.

- Ce produit est un outil dangereux s'il est utilisé de façon insouciant ou inappropriée. Cet outil peut causer des blessures graves, ou même mortelles, à l'utilisateur et à d'autres personnes. Il est obligatoire de lire et de comprendre le contenu de ce manuel d'utilisation avant d'utiliser l'outil.
- Conserver tous les avertissements et toutes les instructions.
- Lire attentivement le manuel d'utilisation de l'outil électrique qui est branché. S'assurer de bien comprendre les instructions.
- Les appareils électriques comportent toujours un danger d'électrocution. Ne pas utiliser le produit dans des conditions climatiques défavorables. Éviter que le corps ne touche les conducteurs de foudre et les objets métalliques. Toujours suivre les instructions figurant dans le manuel d'utilisation afin de prévenir les dommages.
- Brancher le produit uniquement à des prises mises à la terre.
- S'assurer que la tension de secteur correspond à la valeur indiquée sur la plaque signalétique du produit.
- Vérifier que le cordon d'alimentation et la rallonge sont intacts et en bon état.

Consignes de sécurité pour l'utilisation



AVERTISSEMENT: Lire les messages d'avertissement qui suivent avant d'utiliser l'appareil.

- Ne pas utiliser ce produit si celui-ci ou son cordon d'alimentation est endommagé. Laisser un agent d'entretien agréé réparer le produit ou remplacer le cordon d'alimentation.
- Afin d'éviter la surchauffe, ne pas utiliser la rallonge alors qu'elle est enroulée.
- Ne pas laisser un enfant utiliser le produit.
- Ne pas s'éloigner du produit lorsque le moteur est sous tension.
- Toujours débrancher l'alimentation du produit pour les pauses de travail plus longues.
- Ne pas utiliser l'outil s'il n'est pas possible d'obtenir de l'aide en cas d'accident.
- S'assurer que le produit reste sur une surface stable.
- Toujours débrancher la fiche d'alimentation avant de déplacer le produit.
- Ne pas débrancher le cordon d'alimentation tant que le moteur n'est pas éteint et complètement arrêté.
- Toujours garder l'équipement de protection contre les incendies à portée de main.

Équipement de protection personnelle



AVERTISSEMENT: Lire les messages d'avertissement qui suivent avant d'utiliser l'appareil.

- Toujours utiliser un équipement de protection personnelle homologué lors de l'utilisation de l'outil. Cet équipement de protection personnelle n'élimine pas complètement les risques de blessures, mais il peut en réduire la gravité en cas d'accident. Le revendeur aidera l'utilisateur à sélectionner l'équipement adéquat.
- Vérifier régulièrement l'état de l'équipement de protection personnelle.
- Porter un casque de protection approuvé.
- Porter un dispositif de protection homologué pour les oreilles.
- Utiliser un dispositif de protection respiratoire homologué.
- Porter un dispositif de protection pour les yeux homologué avec écrans latéraux.
- Porter des gants de protection.
- Utiliser des bottes à embout en acier et semelles antidérapantes.
- Porter des vêtements de travail homologués ou des vêtements ajustés équivalents avec des manches longues et des pantalons.

Dispositifs de sécurité sur l'outil



AVERTISSEMENT: Lire les messages d'avertissement qui suivent avant d'utiliser l'outil.

- Ne pas utiliser un outil dont les dispositifs de protection sont défectueux.

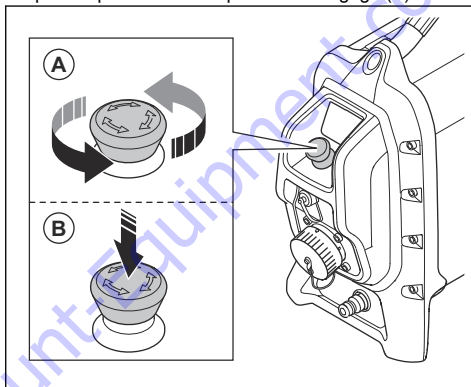
- Vérifier régulièrement les dispositifs de sécurité. Si les dispositifs de sécurité sont défectueux, parler à votre agent d'entretien Husqvarna.

Bouton d'arrêt de la machine

Le bouton d'arrêt de la machine situé sur le bloc d'alimentation déconnecte l'outil électrique de l'alimentation. Il diminue également la vitesse de l'outil électrique connecté.

Vérification du bouton d'arrêt de la machine

1. Tourner le bouton d'arrêt de la machine sur le produit pour s'assurer qu'il est désengagé (A).



2. Démarrer l'outil électrique connecté.
3. Appuyer sur le bouton d'arrêt de la machine et s'assurer que l'outil électrique connecté s'arrête.

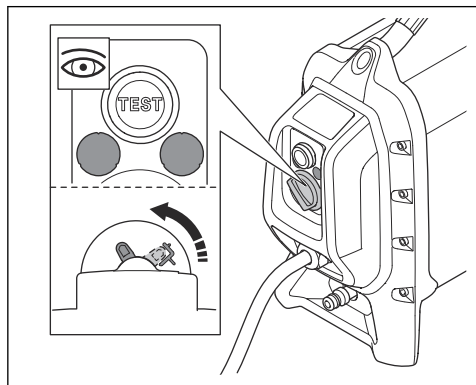
RCD

Le produit est équipé d'un disjoncteur différentiel de fuite à la terre (DDFT). Le DDFT protège l'utilisateur en cas de défaut d'origine électrique.

Pour vérifier le fonctionnement du DDFT triphasé

1. Démarrer le produit, voir section *Mise sous tension de l'appareil à la page 42*.

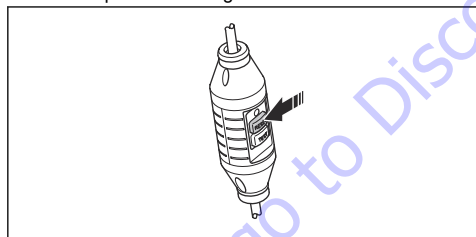
2. Regarder dans les trous d'inspection et appuyer sur le bouton de test du DDFT.



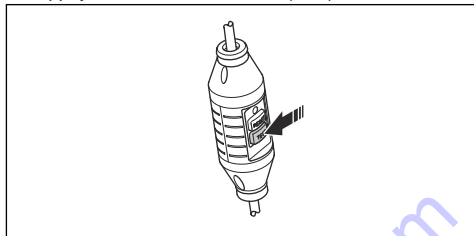
3. S'assurer que le DDFT se déplace et qu'il débranche le produit de l'alimentation.
4. Tourner le bouton de réinitialisation du DDFT pour réinitialiser ce dernier.

Pour vérifier le fonctionnement du DDFT monophasé

1. Brancher le produit à la prise Utiliser l'adaptateur approprié. Se reporter à la section *Adaptateurs à la page 50*.
2. Appuyer sur le bouton de réinitialisation (vert) et vérifier que la DEL rouge s'allume.



3. Démarrer le produit
4. Appuyer sur le bouton d'essai (bleu).



5. Le DDFT doit se déclencher et le produit doit s'arrêter immédiatement. Si ce n'est pas le cas, communiquez avec votre concessionnaire Husqvarna.
6. Appuyer sur le bouton de réinitialisation (vert).

Consignes de sécurité pour l'entretien



AVERTISSEMENT: Lire les messages d'avertissement qui suivent avant de procéder à l'entretien du produit.

- Des changements ou accessoires non homologués peuvent entraîner des blessures graves, ou même mortelles, à l'utilisateur ou à d'autres personnes.
- Seuls les centres de service Husqvarna sont habilités à ouvrir le produit et à effectuer l'entretien.
- Effectuer la maintenance quotidienne pour s'assurer que le produit fonctionne de façon adéquate. Se reporter à la section *Entretien à la page 43*.
- Effectuer l'inspection et/ou l'entretien avec le moteur arrêté et la prise d'alimentation débranchée.
- Nettoyer le produit avec de l'eau. Ne pas utiliser un nettoyeur à haute pression. Ne pas diriger l'eau sur les composants électriques ou les paliers.
- Seul un technicien approuvé doit effectuer l'entretien du produit. Utiliser seulement des pièces de rechange Husqvarna ou leur équivalent.

Fonctionnement

Introduction



AVERTISSEMENT: Avant d'utiliser le produit, lire et bien comprendre le chapitre sur la sécurité.

Avant d'utiliser le produit

1. Lire attentivement le manuel d'utilisation et veiller à bien comprendre les directives.
2. Effectuer l'entretien quotidien. Se reporter à la section *Entretien quotidien à la page 43*.

3. Veiller à ce que seules les personnes autorisées se trouvent dans la zone de travail, parce qu'il y a des risques de blessure.
4. Utiliser de l'équipement de protection individuelle. Se reporter à la section *Équipement de protection personnelle à la page 40*.

Utilisation de la connectivité intégrée

Remarque : La transmission radio par Bluetooth® est activée lors de la première connexion à la prise du réseau électrique et reste activée après cela.

1. Télécharger iOS ou l'application Android Husqvarna Fleet Services.

2. Se reporter à <https://fleetservices.husqvarna.com> pour plus de renseignements.

Pour brancher le produit à une source d'alimentation

1. Placer le produit sur une surface stable et sèche sur le lieu de travail.
2. Brancher le produit à une prise mise à la terre et avec une tension continue, se reporter à la section *Données techniques à la page 48*. Vérifier que la tension de secteur correspond à la valeur indiquée sur la plaque signalétique du produit.
3. Si la source d'alimentation est monophasée, utiliser un adaptateur. Se reporter à la section *Adaptateurs à la page 50*.

Raccordement de l'alimentation en eau



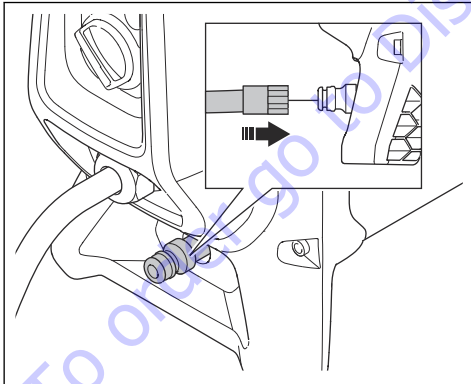
MISE EN GARDE : Utiliser uniquement de l'eau propre pour éviter que de la saleté provoque un blocage dans le circuit d'eau.



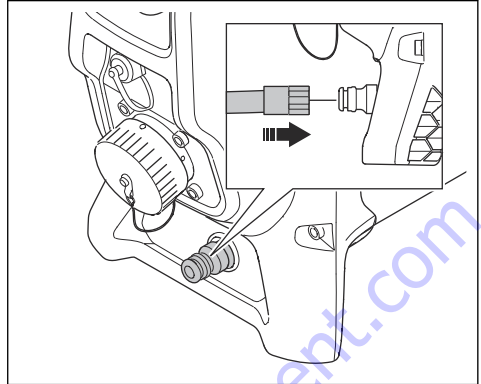
MISE EN GARDE : Utiliser de l'air comprimé pour vidanger le produit de l'eau après utilisation. L'eau peut geler et endommager le produit.

Remarque : L'eau de refroidissement ne s'arrête pas en cas de coupure de courant.

1. Brancher le tuyau d'eau au raccord d'entrée d'eau du produit.



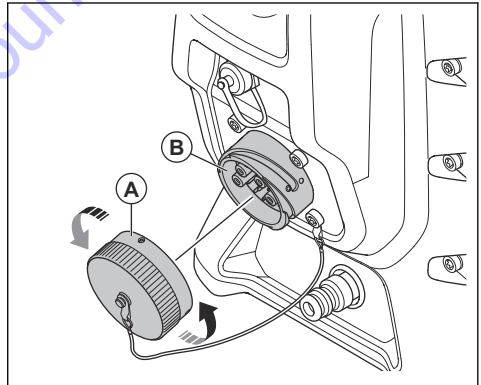
2. Brancher le raccord de sortie d'eau du produit sur l'outil électrique.



3. Pour régler le débit d'eau de refroidissement vers l'outil électrique, se reporter au manuel d'utilisation de l'outil électrique.
4. Régler la pression de l'eau au niveau de la source d'eau.

Pour raccorder un outil électrique au produit

1. Retirer le couvercle (A).

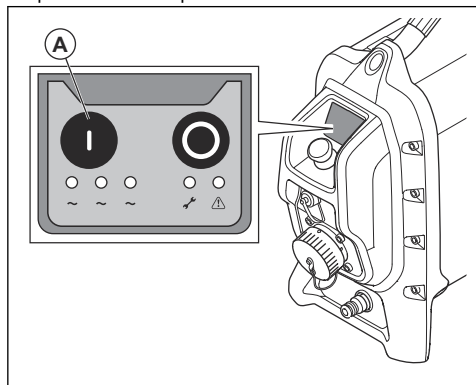


2. Brancher l'outil électrique à la prise pour la connexion de l'outil (B). Au besoin, utiliser un adaptateur. Pour obtenir de plus amples renseignements, communiquer avec votre centre de services Husqvarna.

Mise sous tension de l'appareil

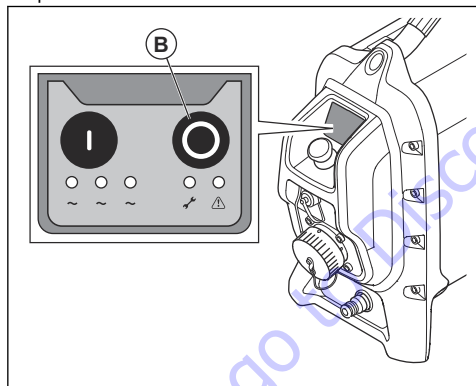
1. S'assurer que le bouton d'arrêt de la machine est désengagé. Se reporter à la section *Vérification du bouton d'arrêt de la machine à la page 40*.

- Appuyer sur le bouton de mise en marche ON (A) pour démarrer le produit.



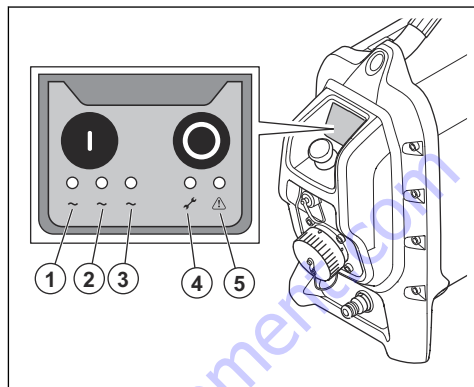
Arrêt de la machine

- Arrêter l'outil électrique connecté. Se reporter au manuel d'utilisation de l'outil électrique.
- Appuyer sur le bouton d'arrêt OFF (B) pour arrêter le produit.



Voyants d'état

Lorsque le produit est connecté, les voyants 1-5 s'allument pendant quelques secondes.



- Voyant de phase (vert)
- Voyant de phase (vert)
- Voyant de phase (vert)
- Témoin d'entretien (jaune)
- Témoin d'avertissement (rouge)

Pour obtenir de plus amples renseignements sur les voyants d'état, se reporter à *Explication des voyants d'état à la page 44*.

Témoin d'avertissement



MISE EN GARDE : Ne pas continuer d'utiliser le produit lorsque le témoin d'avertissement est allumé. Risque de dommage au produit.

Si le témoin d'avertissement (voyant rouge) s'allume, mettre le produit à l'arrêt. Se reporter à la section *Explication des voyants d'état à la page 44*.

Entretien

Introduction



AVERTISSEMENT: Lire et comprendre le chapitre sur la sécurité avant de faire l'entretien du produit.

Entretien quotidien



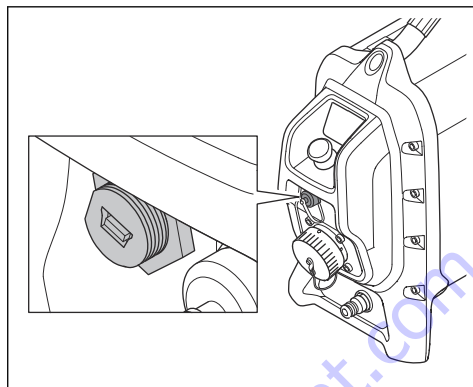
AVERTISSEMENT: Débrancher le produit de l'alimentation et attendre au moins cinq minutes avant de commencer la maintenance.



MISE EN GARDE : Ne pas utiliser de nettoyeur à haute pression pour nettoyer la tondeuse. La haute pression peut endommager les joints d'étanchéité et provoquer l'infiltration d'eau et de saleté dans le produit.

- Vérifier l'équipement de sécurité. S'assurer qu'il n'est pas endommagé. Se reporter à la section *Dispositifs de sécurité sur l'outil à la page 40*.
- S'assurer que le cordon d'alimentation et le câble de rallonge sont en bon état et qu'ils ne sont pas endommagés.

- S'assurer que le tuyau d'eau et les raccords d'eau sont en bon état et qu'ils ne sont pas endommagés.
- Toujours nettoyer le produit à la fin de la journée de travail. Utiliser une brosse à main à usage intensif ou un pinceau large.
- Garder les connecteurs et les goupilles propres. Nettoyer avec un chiffon ou une brosse.
- S'assurer que le circuit d'eau n'est pas endommagé.



Raccordement USB

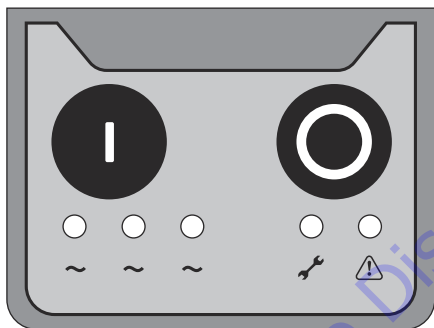
Le produit dispose d'une connexion USB.



MISE EN GARDE : Seul le personnel d'entretien de la marque agréé doit utiliser la connexion USB.

Dépannage

Explication des voyants d'état



Le voyant est éteint.



Le voyant clignote rapidement.



Le voyant clignote lentement.



Le voyant passe du côté gauche vers le côté droit, puis de nouveau vers le côté gauche.



Le voyant s'allume de gauche à droite.

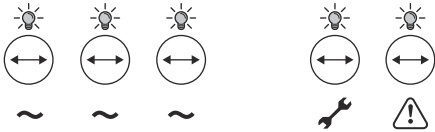
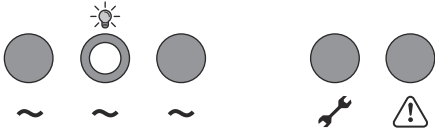
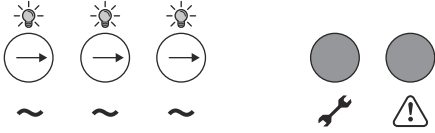
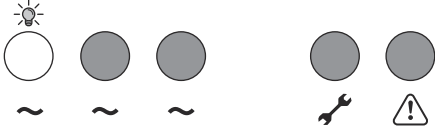
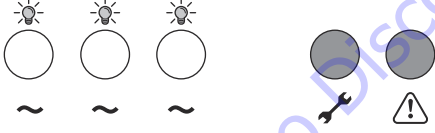

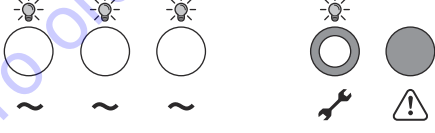
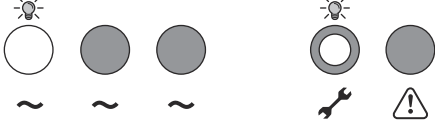
Les voyants d'état aident à effectuer le dépannage.

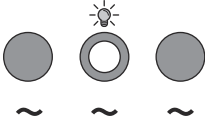
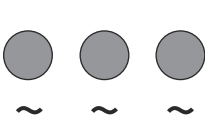
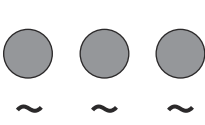
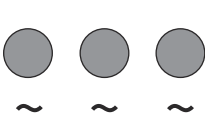
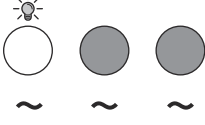
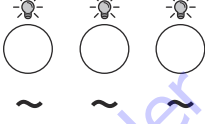
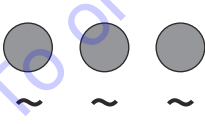


Le voyant est allumé.

Écran du produit

Panneau de commande	État	Étape
	Il n'y a pas de courant.	Vérifier l'alimentation électrique.

Panneau de commande	État	Étape
	<p>Test de fonctionnement de la DEL au niveau de la connexion de l'alimentation. (< 3 s)</p>	<p>Vérifier le bouton d'arrêt de la machine. Se reporter à la section <i>Vérification du bouton d'arrêt de la machine</i> à la page 40.</p>
	<p>Le produit est en mode veille.</p>	<p>S.O.</p>
	<p>Séquence de sélection de phase au démarrage. (< 3 s)</p>	<p>Si la séquence est supérieure à 3 s, vérifier les fusibles et la tension.</p>
	<p>Le produit est allumé et connecté à une phase.</p>	<p>S.O.</p>
	<p>Le produit est allumé et connecté à trois phases.</p>	<p>S.O.</p>
	<p>Défaut d'alimentation.</p>	<p>Vérifier les fusibles et le générateur.</p>
	<p>L'outil n'est pas reconnu</p>	<p>Communiquer avec un agent d'entretien Husqvarna.</p>
	<p>L'outil n'est pas reconnu</p>	<p>Communiquer avec un agent d'entretien Husqvarna.</p>

Panneau de commande	État	Étape
	<p>Le bouton d'arrêt de la machine est enfoncé.</p> <p>Le produit est en mode veille.</p>	<p>Réinitialiser le produit.</p> <p>S'assurer que le bouton d'arrêt de la machine est relâché.</p>
	<p>Situation incorrecte</p>	<ol style="list-style-type: none"> 1. Redémarrer le produit 2. Si le produit ne démarre pas, parlez-en à un agent de service Husqvarna.
	<p>Défaut de mise à la terre</p> <p>Il y a un défaut matériel.</p> <p>L'outil connecté est défectueux.</p>	<ol style="list-style-type: none"> 1. Changer d'outil et redémarrer le produit. 2. Si le produit ne démarre pas, parlez-en à un agent de service Husqvarna.
	<p>Pas d'alimentation, car le produit est trop chaud.</p>	<p>Laisser refroidir le produit et l'outil électrique branché.</p>
	<p>Avertissement : Le produit peut être trop chaud (monophasé).</p>	<p>Vérifier l'eau de refroidissement. Réduire la charge.</p>
	<p>Avertissement : Le produit peut être trop chaud (triphase).</p>	<p>Vérifier l'eau de refroidissement. Réduire la charge.</p>
	<p>L'outil connecté est défectueux.</p>	<p>Vérifier l'outil connecté.</p>

Transport et entreposage

Transport du produit

- Fixer le produit pendant le transport pour éviter tout dommage ou accident.
- Toujours arrêter le moteur et débrancher le cordon d'alimentation avant de déplacer le produit.
- Toujours débrancher l'outil électrique et son cordon avant le transport.

Entreposage du produit

- Garder le produit dans un endroit verrouillé hors de portée des enfants et des personnes non autorisées.
- Remiser le produit dans un endroit sec.
- S'assurer que la température n'est pas inférieure à -25 °C (-13 °F) et ne dépasse pas 50 °C (122 °F).

To order go to Discount-Equipment.com

Données techniques

Données techniques

Bloc d'alimentation	
Puissance maximale, kW	6,5
Courant nominal triphasé, A	15
Courant nominal monophasé, A	15
Tension triphasée d'entrée, V	200-480, 50/60 Hz
Tension monophasée d'entrée, V	120-240, 50/60 Hz
Bloc d'alimentation	
Triphasé	L1+L2+L3+PE
Monophasé	L+N+PE
Eau de refroidissement (de l'outil connecté)	
Pression, bar	7
Température de l'eau recommandée, C	<25
Poids	
Bloc d'alimentation, kg	18

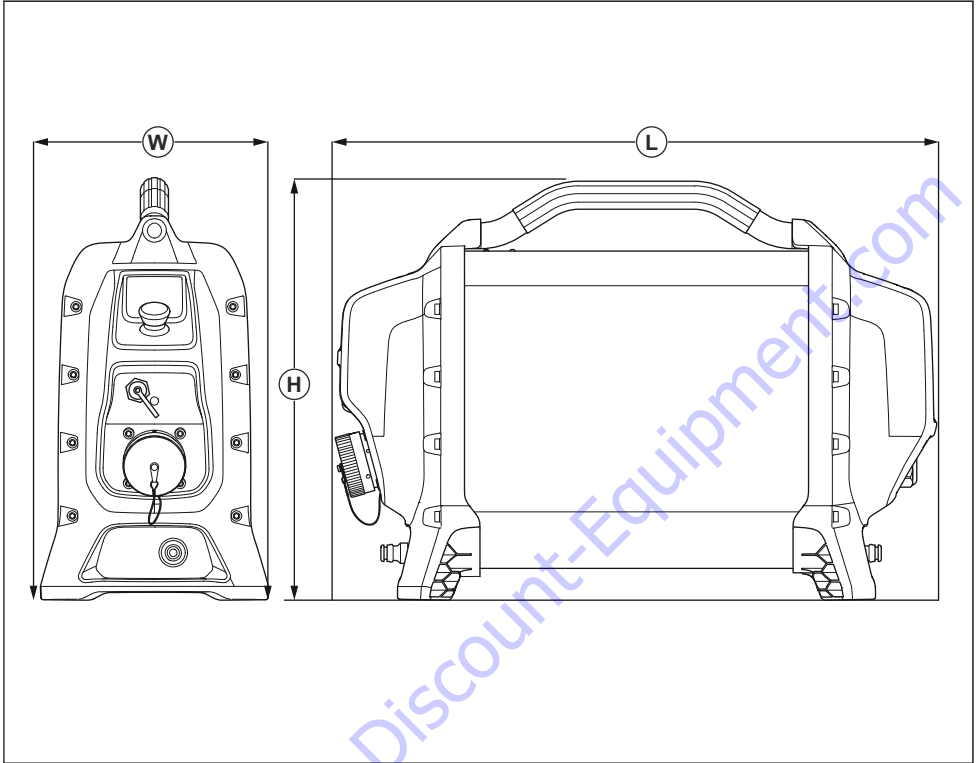
Connectivité intégrée

Spectre radio de la technologie BLE	
Bandes de fréquences de l'outil, GHz	2,402 à 2,480
Émission maximale de radiofréquence, dBm/mW	4 / 2,5

Cas typiques de fonctionnement du générateur

Monophasé/triphasé	PP 70, sortie	Sortie de générateur, V	Puissance minimale recommandée de générateur, kVA
Triphasé	Pleine puissance	3x380, 3x416, 3x440, 3x480	10
	Puissance réduite	3x208, 3x220, 3x240	10
Monophasé	Puissance réduite	220-240	5

Dimensions de l'outil



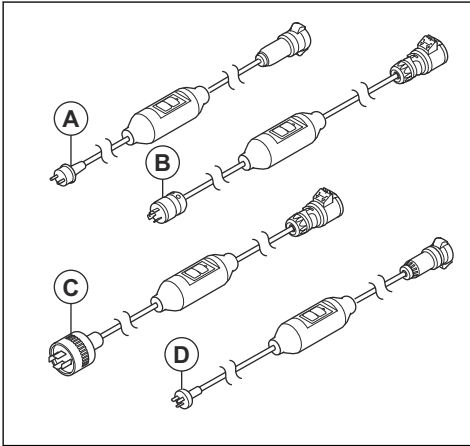
Dimensions, en mm

W	183	H	410	L	570
----------	-----	----------	-----	----------	-----

Accessoires

Adaptateurs

Il existe différents adaptateurs monophasés pour différents marchés :



- Adaptateur pour l'Union européenne (A).
- Adaptateur pour les États-Unis (B).
- Adaptateur pour le Japon (C).
- Adaptateur pour l'Australie (D).

Il existe différents adaptateurs pour la prise de connexion d'outil. Pour obtenir de plus amples renseignements, communiquer avec un concessionnaire Husqvarna.

Service

Introduction



AVERTISSEMENT: Seul un centre d'entretien agréé peut effectuer des réparations sur le produit. Cela permet

d'éviter que des accidents se produisent aux utilisateurs.

Centre de service agréé

Pour trouver le centre de service approuvé Husqvarna Construction Products le plus près, consulter le site Web www.husqvarnacp.com.

Déclarations de conformité

Remarque : Cet équipement a été testé et trouvé conforme aux limites d'un appareil numérique de classe A, conformément à l'article 15 des règlements de la FCC. Ces limites sont conçues pour fournir une protection raisonnable contre les interférences nuisibles lorsque l'équipement est utilisé dans un environnement commercial. Cet équipement produit, utilise et peut émettre des fréquences radio et, s'il n'est pas installé et utilisé conformément au manuel d'instructions, il peut provoquer des interférences nuisibles aux communications radio. L'utilisation de cet équipement dans une zone résidentielle est susceptible de provoquer des interférences nuisibles, auquel cas

l'utilisateur devra corriger les interférences à ses propres frais.

Déclaration de conformité du fournisseur pour 47 CFR § 2.1077 Compliance Information PP 70.

Partie responsable Husqvarna Construction Products North America, Inc. 17400 W 119th Street Olathe, Kansas 66061 USA

Personne-ressource aux États-Unis : Neil Stanford, Compliance Manager, numéro de téléphone : 913-928-1000

FCC Déclarations de conformité : Les modifications non expressément approuvées par Husqvarna peuvent annuler la conformité de l'équipement aux règlements FCC et limiter le droit de l'utilisateur à utiliser l'équipement.

TO PURCHASE THIS PRODUCT PLEASE CONTACT US



**Equipment Financing and
Extended Warranties Available**



**Discount-Equipment.com is your online resource for
commercial and industrial quality parts and equipment sales.**

561-964-4949

visit us on line @ www.discount-equipment.com

Select an option below to find your Equipment

Search by Manufacturer

Search by Product Type

Request a Quote

We sell worldwide for the brands: Genie, Terex, JLG, MultiQuip, Mikasa, Essick, Whiteman, Mayco, Toro Stone, Diamond Products, Generac Magnum, Airman, Haulotte, Barreto, Power Blanket, Nifty Lift, Atlas Copco, Chicago Pneumatic, Allmand, Miller Curber, Skyjack, Lull, Skytrak, Tsurumi, Husquvarna Target, Stow, Wacker, Sakai, Mi-T-M, Sullair, Basic, Dynapac, MBW, Weber, Bartell, Bennar Newman, Haulotte, Ditch Runner, Menegotti, Morrison, Contec, Buddy, Crown, Edco, Wyco, Bomag, Laymor, EZ Trench, Bil-Jax, F.S. Curtis, Gehl Pavers, Heli, Honda, ICS/PowerGrit, IHI, Partner, Imer, Clipper, MMD, Koshin, Rice, CH&E, General Equipment, Amida, Coleman, NAC, Gradall, Square Shooter, Kent, Stanley, Tamco, Toku, Hatz, Kohler, Robin, Wisconsin, Northrock, Oztec, Toker TK, Rol-Air, APT, Wylie, Ingersoll Rand / Doosan, Innovatech, Con X, Ammann, Mecalac, Makinex, Smith Surface Prep, Small Line, Wanco, Yanmar

 **Husqvarna**®

**Discount
Equipment**

www.Discount-Equipment.com

Original instructions
Instrucciones originales
Instructions d'origine

1140558-49



2020-06-01