



Parts Manual

Serial Number Range

QS-12R

from SN QS09-101 to QS11-999

QS-15R

QS-20R

QS-12W

QS-15W

QS-20W

Part No. 115437

Rev A37

November 2018

Go to Discount-Equipment.com to order your parts

PARTS FINDER

**Search Website
by Part Number**



**Search Manual
Library For Parts
Manual & Lookup Part
Numbers – Purchase
or Request Quote**

Search Manuals

Enter your information to help us find the right parts manual for your machine.

* Brand:

* Model:

* Serial:

* Part Number:

SEARCH

**Can't Find Part or
Manual? Request Help
by Manufacturer,
Model & Description**

Parts Order Form

Please fill in the following information to help us find the right part for your machine.

Manufacturer:	<input type="text"/>
Model:	<input type="text"/>
Description:	<input type="text"/>
Part Number:	<input type="text"/>
Quantity:	<input type="text"/>
Notes:	<input type="text"/>

Submit

Discount-Equipment.com is your online resource for quality parts & equipment.


Florida: **561-964-4949** Outside Florida TOLL FREE: **877-690-3101**

Need parts?

Click on this link: <http://www.discount-equipment.com/category/5443-parts/> and choose one of the options to help get the right parts and equipment you are looking for. Please have the machine model and serial number available in order to help us get you the correct parts. If you don't find the part on the website or on one of the online manuals, please fill out the request form and one of our experienced staff members will get back to you with a quote for the right part that your machine needs.

We sell worldwide for the brands: Genie, Terex, JLG, MultiQuip, Mikasa, Essick, Whiteman, Mayco, Toro Stone, Diamond Products, Generac Magnum, Airman, Haulotte, Barreto, Power Blanket, Nifty Lift, Atlas Copco, Chicago Pneumatic, Allmand, Miller Curber, Skyjack, Lull, Skytrak, Tsurumi, Husquvarna Target, Stow, Wacker, Sakai, Mi-T-M, Sullair, Basic, Dynapac, MBW, Weber, Bartell, Bennar Newman, Haulotte, Ditch Runner, Menegotti, Morrison, Contec, Buddy, Crown, Edco, Wyco, Bomag, Laymor, EZ Trench, Bil-Jax, F.S. Curtis, Gehl Pavers, Heli, Honda, ICS/PowerGrit, IHI, Partner, Imer, Clipper, MMD, Koshin, Rice, CH&E, General Equipment, Amida, Coleman, NAC, Gradall, Square Shooter, Kent, Stanley, Tamco, Toku, Hatz, Kohler, Robin, Wisconsin, Northrock, Oztec, Toker TK, Rol-Air, APT, Wylie, Ingersoll Rand / Doosan, Innovatech, Con X, Ammann, Mecalac, Makinex, Smith Surface Prep, Small Line, Wanco, Yanmar

Genie
A TEREX BRAND



P/N 77172

Model: QS-20R
Serial number: QS09-102
Model year: 2009 **Manufacture date:** 08/18/09
Elec/Hydr Schematic: ES0126
Power supply voltage/Pneumatic Pressure:
85-264 VAC, 60/50 Hz, 900 W
Nominal Power: 8.3 Hp / 6.2 kW
Machine unladen weight: 2,533 lbs / 1,021 kg
Max Load: 350 lbs / 159 kg
Occupants and Equipment must not exceed:
350 lbs / 159 kg
Maximum allowable inclination of the chassis:
1.5° (Side) 3° (Front) 3° (Rear)
Maximum Wind Speed:
Indoor: N/A
Outdoor: N/A
Gradeability: 30%
Maximum allowable side force: 100 lbs / 445 N
Maximum platform height: 19 ft 9 in / 6.0 m
Maximum Travel Height: Full ht
Maximum number of platform occupants: 1
Country of manufacture: USA

This machine complies with:
A92.6

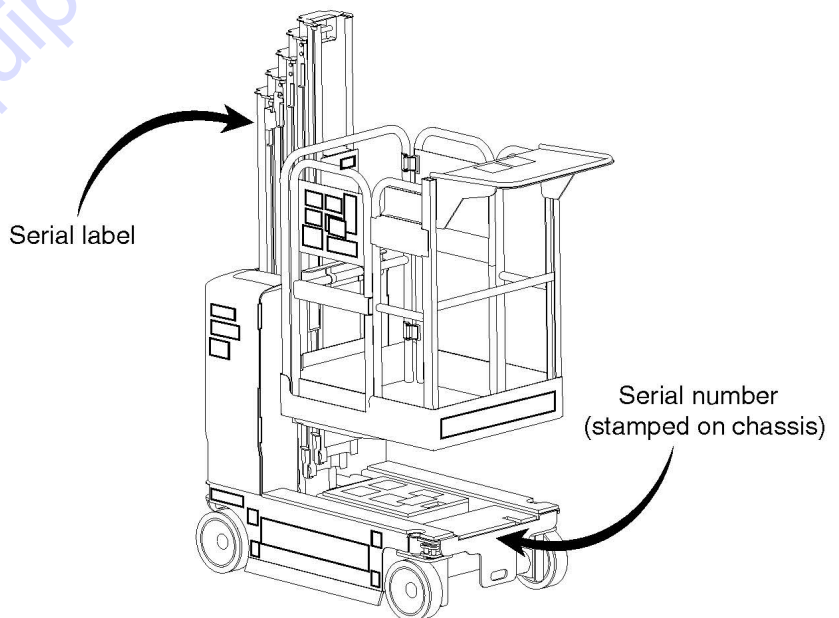
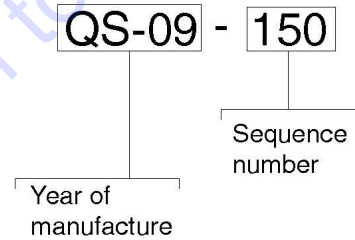


Table of Contents

This manual is updated frequently. For the most up-to-date parts information, visit www.discount-equipment.com

How to Read Your Serial Number.....	3
Parts Stocking List.....	7

Electronic Version

Click on any page number to view the figure.

100 Decals

101.1 Decals with Words; ANSI, CSA.....	10
102.1 Decals with Symbols; ANSI, CSA.....	12

200 Base Components

201.1 Steer Axle Linkage and Wheels.....	14
201.1 Steer Axle Linkage and Wheels.....	16
202.1 Non-steer Axle.....	18
203.1 Pothole Protection Assembly.....	20
204.1 Battery Pack and Counterweight Brackets.....	22
205.1 Ground Control Module Components.....	24
206.1 Power Unit Components.....	26
207.1 Battery Charger.....	28
208.1 Power Cables.....	30
209.1 Electrical Wiring.....	32

300 Mast Components

301.1 Number 1 Column Assembly.....	34
302.1 Number 2 Column Assembly.....	36
303.1 Number 3 Column Assembly.....	38
304.1 Number 4 Column Assembly; QS-15, QS-20.....	40
305.1 Number 5 Column Assembly; QS-20.....	42
306.1 Carriage Assembly.....	44
307.1 Lifting Chain Assembly, QS-12.....	46
308.1 Lifting Chain Assembly, QS-15.....	48
309.1 Lifting Chain Assembly, QS-20.....	50
310.1 Sequencing Cable.....	52
311.1 Mast Covers.....	54
312.1 Control Cable Assembly, QS-12, QS-20.....	56
313.1 Control Cable Assembly, QS-15.....	58

400 Hydraulic Components

401.1 Hydraulic Power Unit and Lift Cylinder.....	60
402.1 Function Manifold.....	62
403.1 Brake Release Manifold.....	64
404.1 Hydraulic Hoses and Fittings.....	66

500 Platform Components

501.1 Platform Assembly.....	68
502.1 Platform Controls.....	70
503.1 Joystick Controller.....	72
504.1 Platform Overload Assembly.....	74

600 Accessories

601.1 Bike Rack.....	76
602.1 Flashing Beacon, QS-R.....	78

Indices

Part Number Index.....	80
Part Description Index.....	83

Cross References

Fittings Cross Reference.....	88
-------------------------------	----

Required Parts

The following parts are required to perform maintenance procedures as outlined in the Genie GR-12, GR-15, GR-20, QS-R, and QS-W Service Manual.

Description	Part No.
Filter Element.....	44788
Dielectric Grease.....	66399
Boe-Lube Silicone Wax.....	90337

Recommended Parts

Description	Part No.
Genie Blue Paint, 1 Gallon	32150
Genie Blue Paint, 12 Ounce Aerosol.....	1484
Genie Gray Paint, 1 Gallon.....	32151
Genie Gray Paint, 12 Ounce Aerosol	1268

Manuals

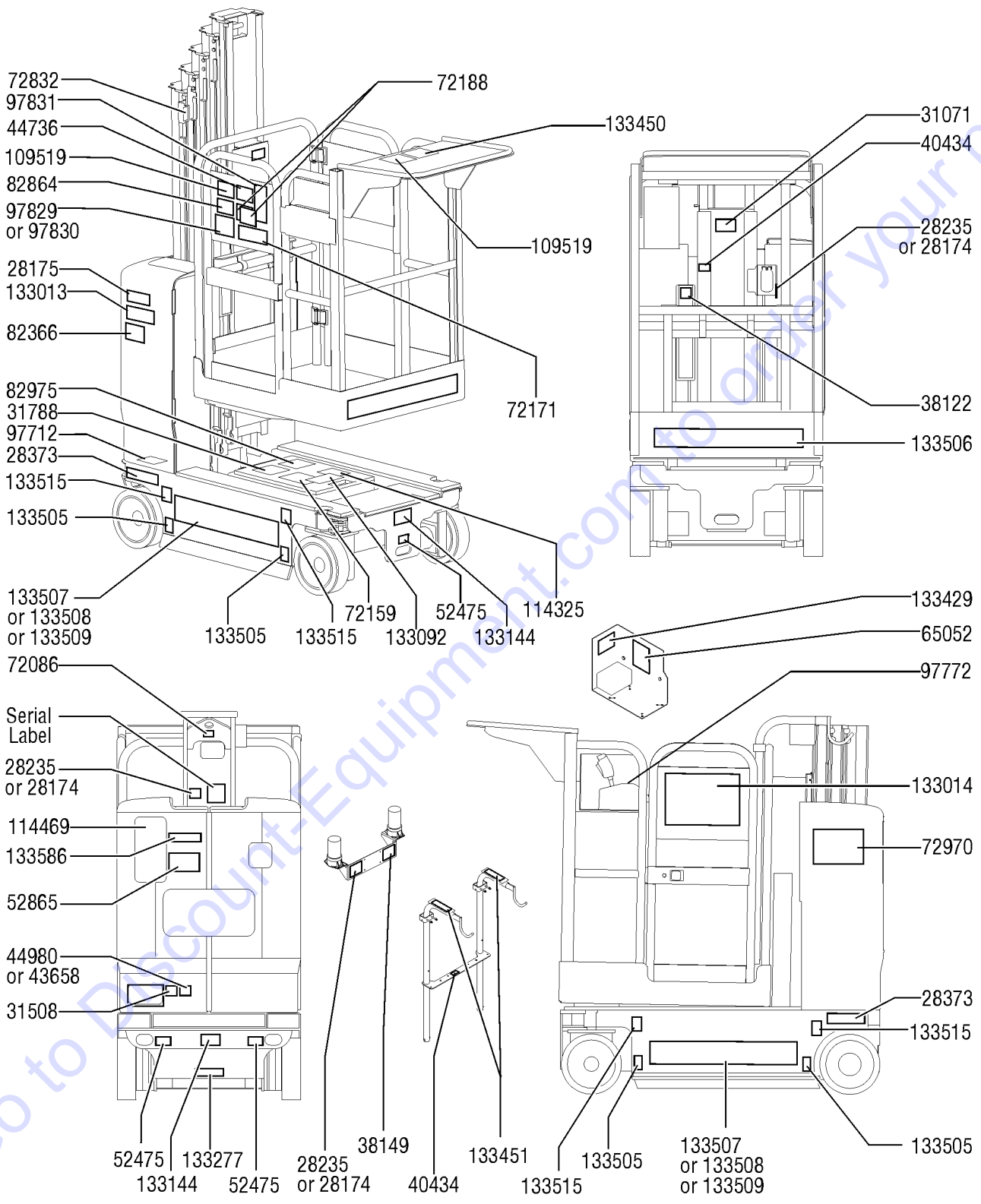
Genie Industries offers the following support documents for these models:

Title	Part No.
EMI Safety Manual.....	27581
Manual of Responsibilities	
ANSI A92.6.....	44163

Go to Discount-Equipment.com to order your parts



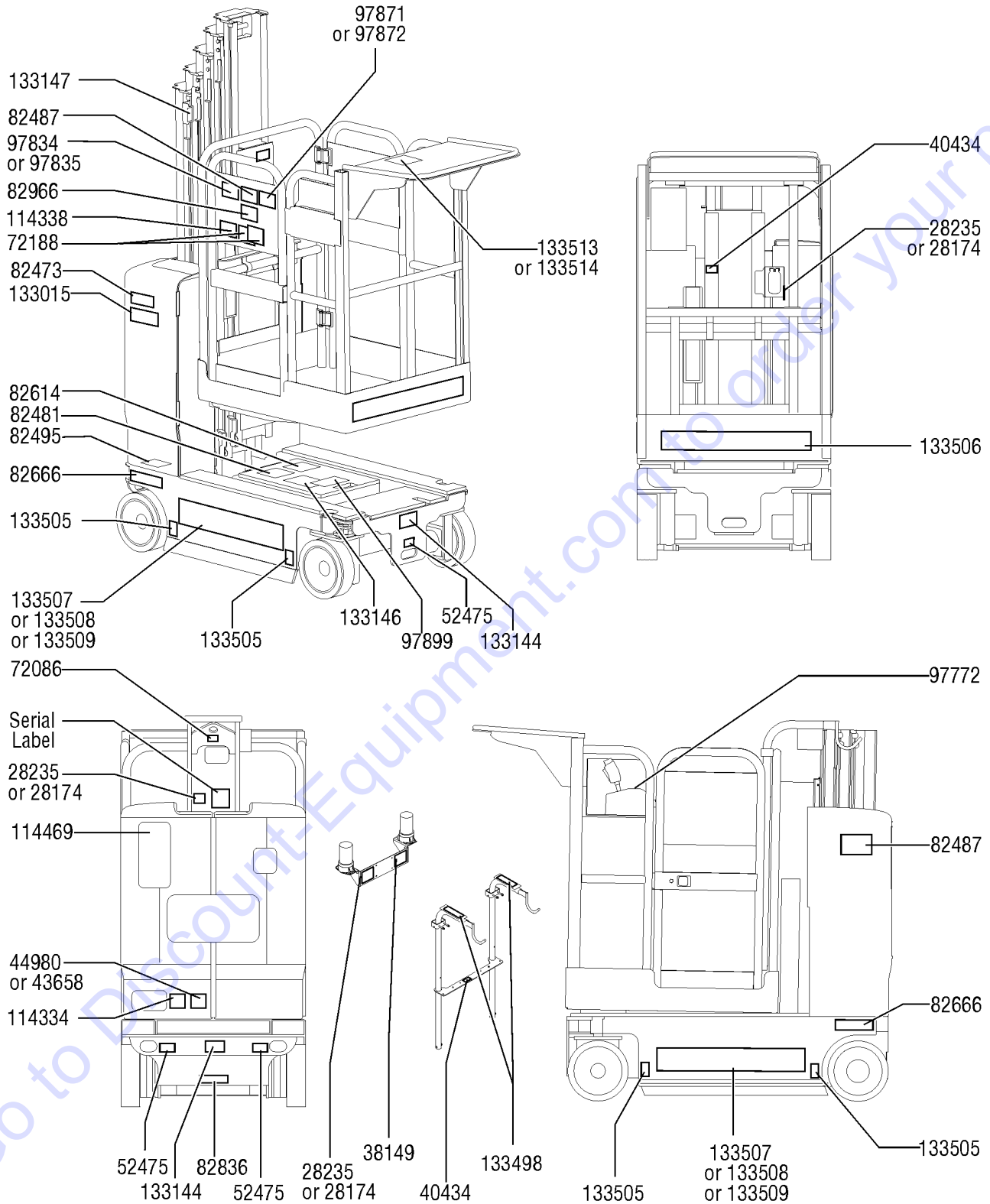
101.1 Decals with Words; ANSI, CSA



101.1 Decals with Words; ANSI, CSA

Item	Part No.	Description	Qty.	Item	Part No.	Description	Qty.
1	115435GT	DECAL KIT,SAFETY/INSTR,WORDS (includes all safety and instructional decals listed below)		30	97830GT	DECAL-NOTICE,MAX CAP-350#,SP**...1 QS-20 (159 kg)	1
2	28174GT	DECAL, POWER TO PLATFORM 230V**.....2	2	31	97831GT	OPERATING INST,PLAT,GR***.....1	1
3	28175GT	DECAL,WARNING-COMPART ACCESS.....1	1	32	109519GT	DECAL,DANGER,MAX CAP ADJ TRAY*.....2 (150 lbs., 68 kg.)	2
4	28235GT	DECAL,POWER TO PLATFORM 115V...2	2	33	114325GT	DECAL,BATTERY CONN DIAG,GR.....1	1
5	28373GT	DECAL,FORK LIFT POCKET.....2	2	34	114469GT	DECAL,GROUND CONTROL PANEL***.....1	1
6	31071GT	DECAL,WARNING,FAILURE TO READ.....1	1	35	133013GT	DECAL,DANGER,ELECTROCUTION,GR.1	1
7	31508GT	DECAL,DANGER,ELECT HAZARD,PLUG.....1	1	36	133014GT	DECAL,GENERAL SAFETY,RUNABOUT*.....1	1
8	31788GT	DECAL,DANGER,BATTERY SAFETY***.....1	1	37	133092GT	DECAL,CRUSH HAZARD,USE SAFETY.....1	1
9	38149GT	DECAL,LABEL,PATENTS.....1 QS-R	1	38	133144GT	DECAL,LABEL-TRANSPORT DIGRAM.....2	2
10	38122GT	DECAL,LABEL, OM STORAGE.....1	1	39	133277GT	DECAL,LABEL,EMERGENCY LOWERING.....1	1
11	40434GT	DECAL,LANYARD ANCHORAGE POINT.....1	1	40	133429GT	DECAL, OBSTR SENSING SYS ERROR.....1 QS-R	1
12	43658GT	DECAL,LABEL,PWR TO CHARGR 230V.....1	1	41	133450GT	DECAL,INSTRUCTIONS,WORK TRAY...1	1
13	44736GT	DECAL,DANGER,TIP-OVER,TILT.....1	1	42	133451GT	DECAL,INSTR,MAX CAP BIKE RACK...2 (45 lbs, 20 kg)	2
14	44980GT	DECAL,LABEL,PWR TO CHARGR 115V.....1	1	43	133505GT	DECAL,LABEL,WHEEL LOAD.....4	4
15	52475GT	DECAL,LABEL,TRANSPORT TIEDOWN*.....3	3	44	133506GT	DECAL,GENIE QUICKSTOCK.....1	1
16	52865GT	DECAL,ANNUAL INSP***.....1	1	45	133507GT	DECAL,GENIE,QS-12R.....2	2
17	65052GT	DECAL,LABEL,FAULT CODES.....1	1	46	133508GT	DECAL,GENIE,QS-15R.....2	2
18	72086GT	DECAL,LABEL,LIFTING EYE.....1	1	47	133509GT	DECAL,GENIE,QS-20R.....2	2
19	72159GT	DECAL,TIP-OVER,BATTERIES,GR.....1	1	48	133510GT	DECAL,GENIE,QS-12W.....1	1
20	72171GT	DECAL,SIDE FORCE,100,GR,ANSI.....1 (445 N)	1	49	133511GT	DECAL,GENIE,QS-15W.....1	1
21	72188GT	DECAL,DIRECTIONAL ARROWS,GR...2	2	50	133512GT	DECAL,GENIE,QS-20W.....1	1
22	72832GT	DECAL,DANGER,DO NOT ALTER SWTC.....1	1	51	133515GT	DECAL,LABEL,TIRE SPECS.....1	1
23	72970GT	DECAL,INSTRUCTIONS-CHARGER OP.....1	1	52	133586GT	DECAL,INSTRUCTIONS-OPER,GCP.....1	1
24	82366GT	DECAL,CHEVRON RANDO HD.....1	1				
25	82864GT	DECAL,DANGER,MAX CAP BIKE RACK.....1 (45 lbs, 20 kg)	1				
26	82975GT	DECAL,DANGER,COLLISION HAZARD.....1	1				
27	97712GT	DECAL,DANGER,BRAKE REL SAFETY*.....1	1				
28	97772GT	DECAL,OVERLAY,PLAT CONTROLS***.....1	1				
29	97829GT	DECAL-NOTICE,MAX CAP 500# SP**...1 QS-12, QS-15 (227 kg.)	1				

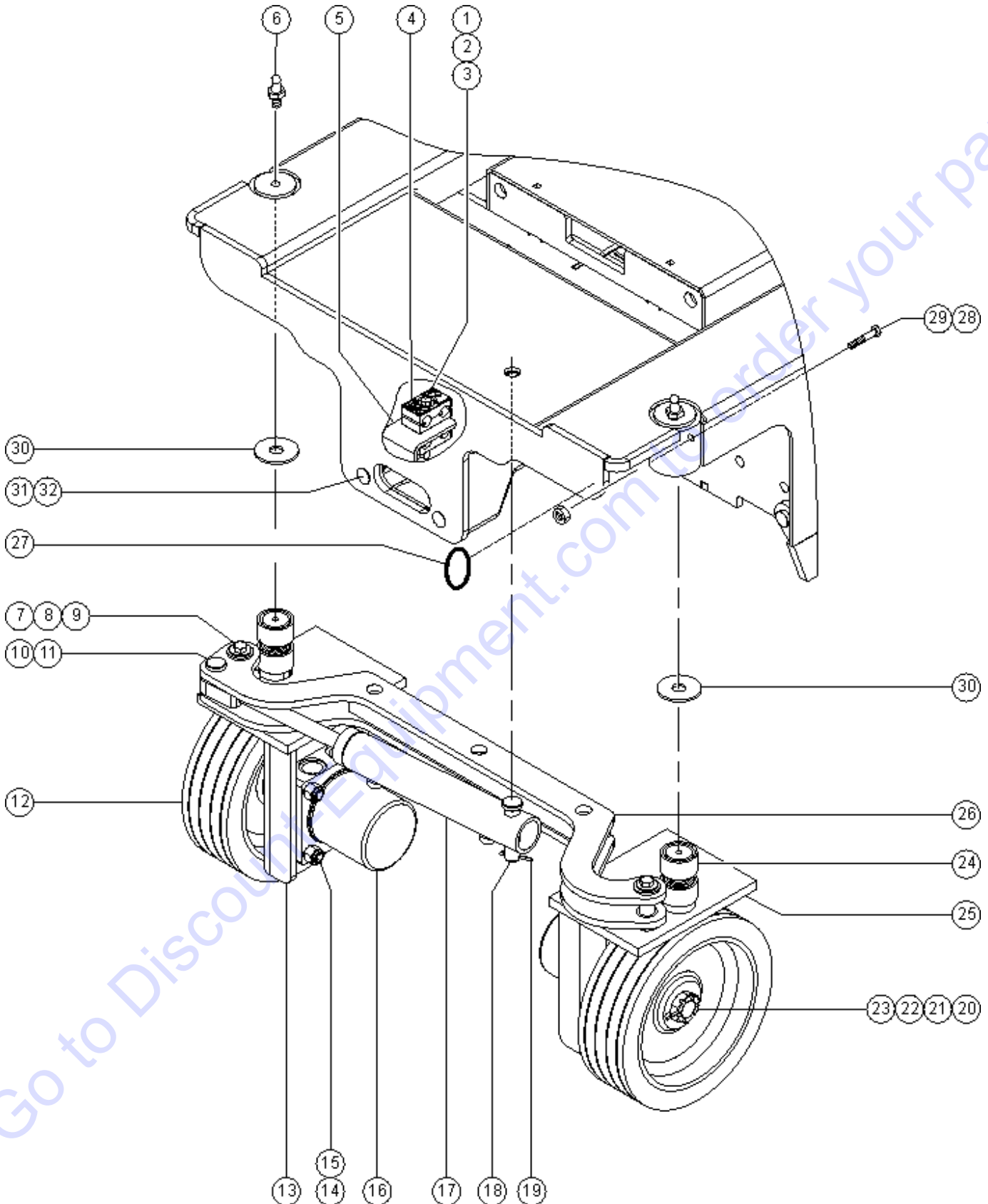
102.1 Decals with Symbols; ANSI, CSA



102.1 Decals with Symbols; ANSI, CSA

Item	Part No.	Description	Qty.	Item	Part No.	Description	Qty.
--	115436GT	DECAL KIT,SAFETY/INSTR,SYM (includes all safety and instructional decals listed below)		27	114469GT	DECAL,GROUND CONTROL PANEL ***	1
1	28174GT	DECAL, POWER TO PLATFORM 230V**	2	28	133015GT	DECAL,DANGER,ELEC.HAZ SYMB	1
2	28235GT	DECAL,POWER TO PLATFORM 115V	2	29	133144GT	DECAL,LABEL-TRANSPORT DIGRAM	2
3	38149GT	DECAL,LABEL,PATENTS QS-R	1	30	133146GT	DECAL,SYM-TIPOVER,BATTERIES,GR	1
4	40434GT	DECAL,LANYARD ANCHORAGE POINT	1	31	133147GT	DECAL,SYM-TIPOVER,LIMIT SWITCH	1
5	43658GT	DECAL,LABEL,PWR TO CHARGR 230V	1	32	133498GT	DECAL,LABEL,MAX CAP BK RACK	2
6	44980GT	DECAL,LABEL,PWR TO CHARGR 115V	1	33	133505GT	DECAL,LABEL,WHEEL LOAD	4
7	52475GT	DECAL,LABEL,TRANSPORT TIEDOWN*	3	34	133506GT	DECAL,GENIE QUICKSTOCK	1
8	72086GT	DECAL,LABEL,LIFTING EYE	1	35	133507GT	DECAL,GENIE,QS-12R	2
9	72188GT	DECAL,DIRECTIONAL ARROWS,GR	2	36	133508GT	DECAL,GENIE,QS-15R	2
10	82473GT	DECAL,SYMBOL-COMP ACCESS	1	37	133509GT	DECAL,GENIE,QS-20R	2
11	82481GT	DECAL,SYMBOL-BATTERY SAFETY	1	38	133510GT	DECAL,GENIE,QS-12W	2
12	82487GT	DECAL, SYMBOL - READ THE MANUAL	2	39	133511GT	DECAL,GENIE,QS-15W	2
13	82495GT	DECAL,SYMBOL-BRAKE REL SAFETY	1	40	133512GT	DECAL,GENIE,QS-20W	2
14	82614GT	DECAL,DANGER,COLLISION HAZARD	1	41	133514GT	DECAL,LABEL,MAX CAP,TRAY,227KG QS-12, QS-15	1
15	82666GT	DECAL,LABEL,FORKLIFT POCKET	2	42	133513GT	DECAL,LABEL,MAX CAP,TRAY,159KG QS-20	1
16	82836GT	LABEL,AUXILIARY LOWERING	1				
17	82966GT	DECAL,SIDE FORCE,GR - ANSI,SYM (445 N)	1				
18	97772GT	DECAL,OVERLAY,PLAT CONTROLS***	1				
19	97834GT	DECAL-DANGER,MAX CAP-227 KG SP QS-12, QS-15	1				
20	97835GT	DECAL-DANGER,MAX CAP-159 KG SP QS-20	1				
21	97871GT	DANGER-MAX CAP,BIKE RACK-SYM** QS-12, QS-15 (20 kg)	1				
22	97872GT	DANGER-MAX CAP,BIKE RACK-SYM** QS-20 (20 kg)	1				
23	97898GT	DECAL-DANGER,MAX CAP-PARCEL SY QS-12, QS-15 (68 kg)	1				
24	97899GT	DECAL,WARN,SAFETY CHOCK***	1				
25	114334GT	DECAL,SYM-ELEC HAZARD,PLUG	1				
26	114338GT	DECAL,SYM-TIP-OVER,TILT ALARM	1				

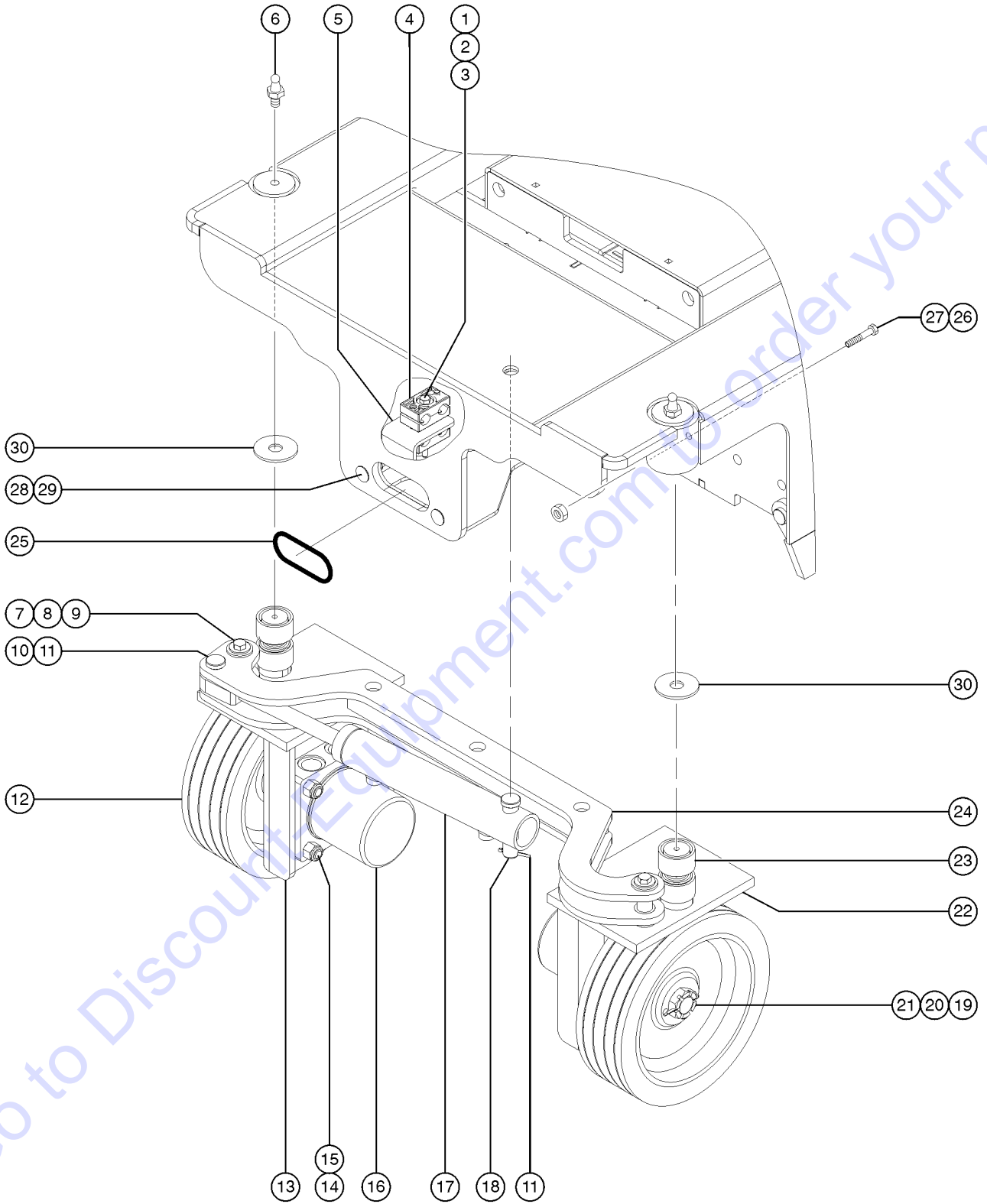
201.1 Steer Axle Linkage and Wheels



201.1 Steer Axle Linkage and Wheels

Item	Part No.	Description	Qty.
1	12343GT	SCREW,HHC,1/4-20 X 3	
2	6638GT	WASHER,FLAT,USS,1/4"Y	
3	6091GT	NUT,NYLOCK,1/4-20	
4	78736GT	CLAMP,2 HOSE,PLASTIC,5/8.....4	4
5	124122GT	FORMING, DRIVE HOSE GUARD	
6	66770GT	FITTING,STRAIGHT DRIVE-IN ZERK....2	2
7	8255GT	SCREW,HHC,3/8-16 X .75	
8	6097GT	WASHER,FLAT,USS,3/8",Y	
9	47548GT	BEARING,FL,0.75ID X 1 OD X .49.....4	4
10	6545GT	PIN,CLEVIS,.75 X 2.....1	1
11	5361GT	PIN,COTTER,.125 X 1.5.....2	2
12	57998GT	ASSY,WHEEL & TIRE,GR.....2 <i>grey, non-marking</i>	2
13	145084GT	WELDMENT, STEER YOKE, LH, GR....1 <i>QS-12, QS-15 (ground controls side)</i>	1
14	9145GT	SCREW,HHC,1/2-13 X 2.5,GR5	
15	6198GT	NUT,NYLOCK,1/2-13	
16	57996GT	MOTOR, 10.0 CU IN/REV DRIVE.....2	2
--	65616GT	SEAL KIT PWR WHL MOTOR	
17	105547GT	CYLINDER,GS/GR STEER***1	1
--	105550GT	KIT,STEER CYL SEAL	
18	96907GT	PIN,CLEVIS,0.75 X 3.25".....1	1
19	96423GT	RUE RING,3/4 PIN.....2	2
20	5361GT	PIN,COTTER,.125 X 1.5.....2	2
21	69548GT	NUT,CASTLE(57996)GR.....2	2
22	69547GT	KEY,DRIVE MOTOR(57996).....2	2
23	33373GT	WASHER,SHIM,1.50 X .890 X .09	
24	18396GT	BEARING,1.5IDX1.75ODX1.0L.....4	4
25	145083GT	WELDMENT, STEER YOKE, RH, GR....1 <i>QS-12, QS-15 (power unit side)</i>	1
26	107359GT	TIE ROD ASSY W/BRNGS,GR2.....1 <i>(includes item 9)</i>	1
27	106924GT	GROMMET,RUBBER .38X.2X1.75.....2	2
28	109581GT	SCREW,SET,HS1/4-20X.625W/PATCH	
29	6357GT	NUT,HEX,1/4-20	
30	105565GT	WASHER,THRUST, GS	
31	105092GT	BOLT,CARRIAGE,3/8-16X1.25,GR5	
32	4828GT	NUT,NYLOCK,3/8-16	

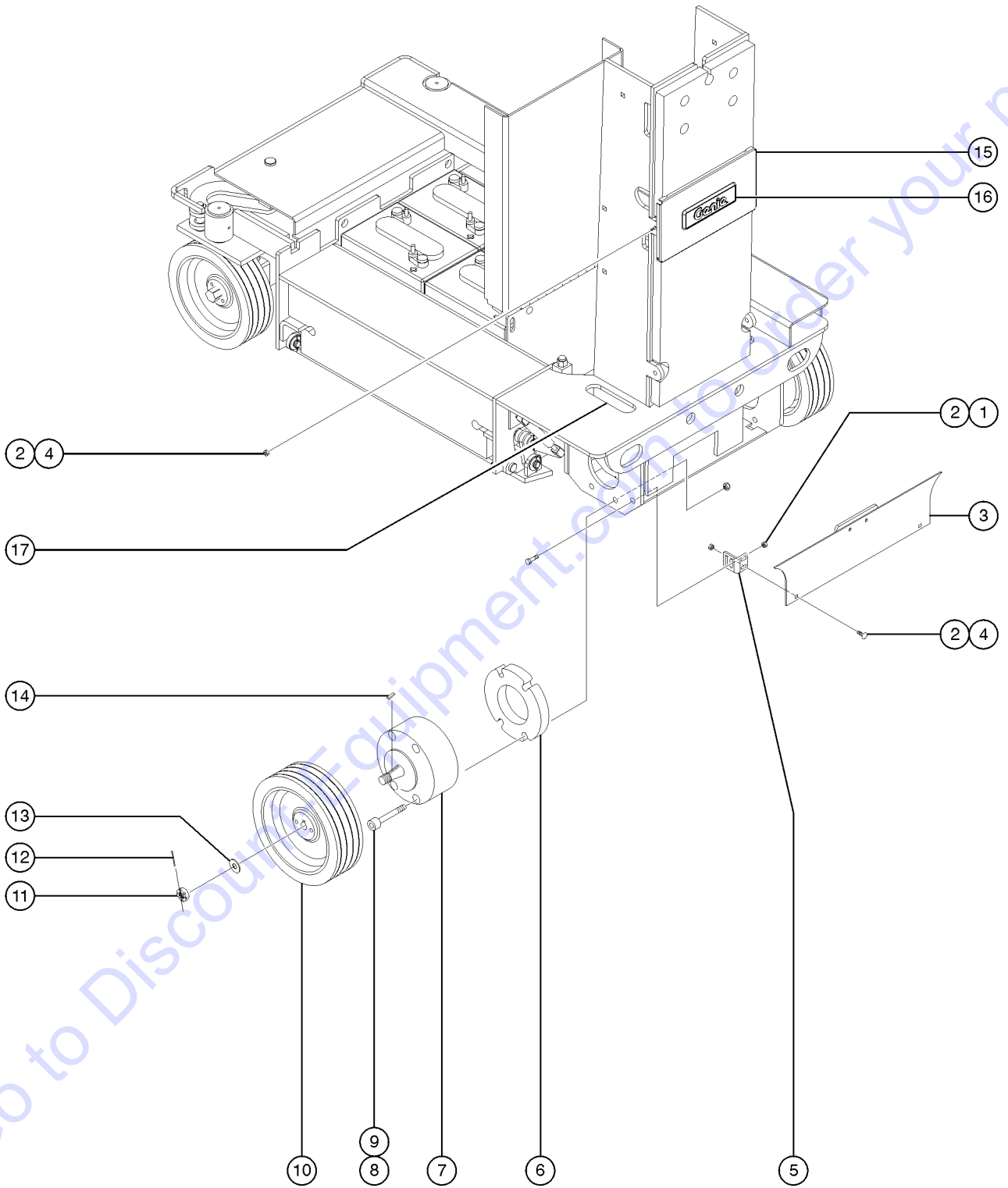
201.1 Steer Axle Linkage and Wheels



201.1 Steer Axle Linkage and Wheels

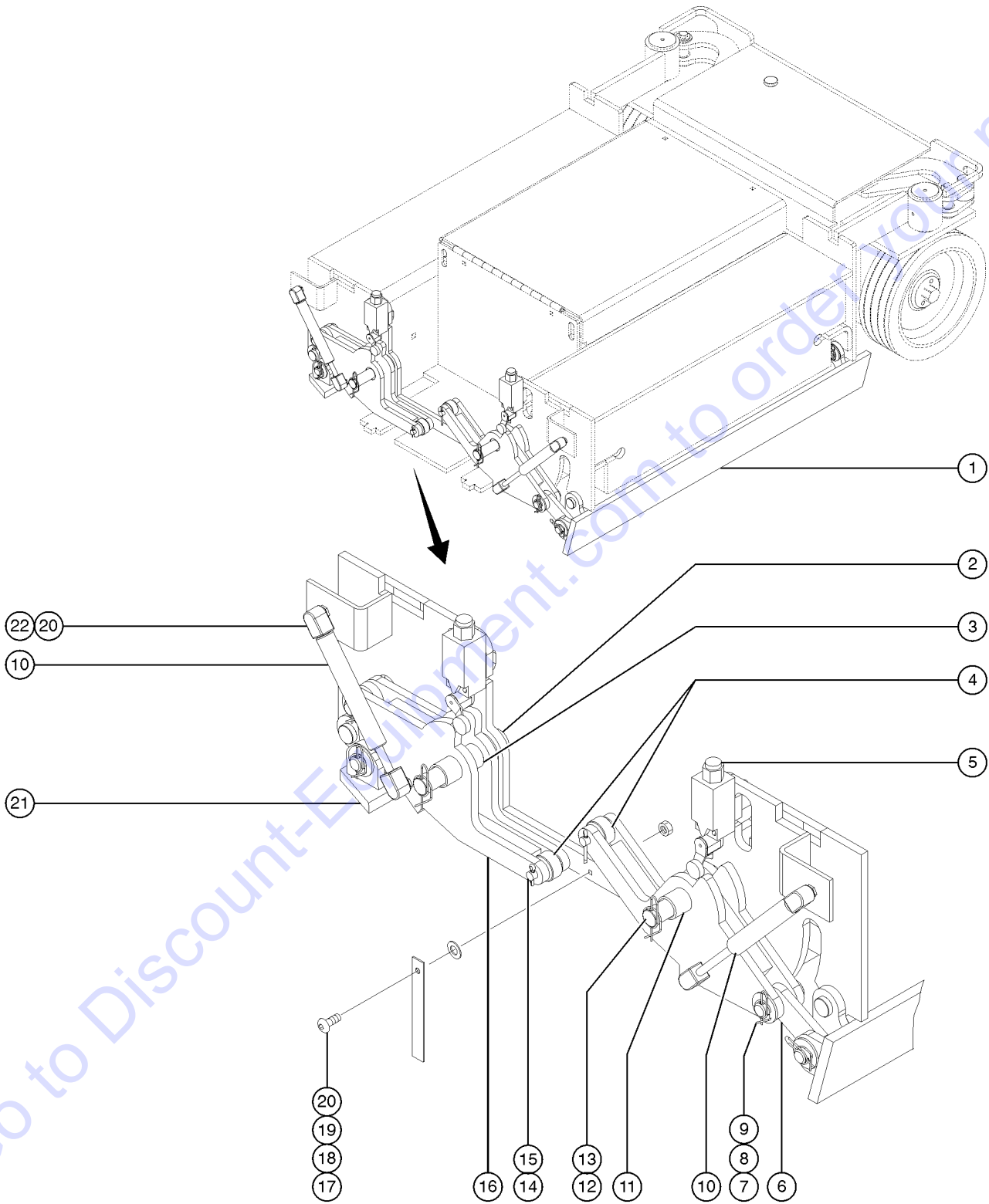
Item	Part No.	Description	Qty.
1	12343GT	SCREW,HHC,1/4-20 X 3	
2	6638GT	WASHER,FLAT,USS,1/4"Y	
3	6091GT	NUT,NYLOCK,1/4-20	
4	78736GT	CLAMP,2 HOSE,PLASTIC,5/8.....4	4
5	124122GT	FORMING, DRIVE HOSE GUARD	
6	66770GT	FITTING,STRAIGHT DRIVE-IN ZERK....2	2
7	8255GT	SCREW,HHC,3/8-16 X .75	
8	6097GT	WASHER,FLAT,USS,3/8",Y	
9	47548GT	BEARING,FL,0.75ID X 1 OD X .49.....4	4
10	6545GT	PIN,CLEVIS,.75 X 2.....1	1
11	5361GT	PIN,COTTER,.125 X 1.5.....2	2
12	57998GT	ASSY,WHEEL & TIRE,GR.....2 <i>grey, non-marking</i>	2
13A	145086GT	WELDMENT, STEER YOKE, LH, GR20 <i>QS-20 (ground controls side)</i>	
14	9145GT	SCREW,HHC,1/2-13 X 2.5,GR5	
15	6198GT	NUT,NYLOCK,1/2-13	
16	57996GT	MOTOR, 10.0 CU IN/REV DRIVE.....2	2
--	65616GT	SEAL KIT PWR WHL MOTOR	
17	105547GT	CYLINDER,GS/GR STEER***1	1
--	105550GT	KIT,STEER CYL SEAL	
18	96907GT	PIN,CLEVIS,0.75 X 3.25".....1	1
19	96423GT	RUE RING,3/4 PIN.....2	2
20	5361GT	PIN,COTTER,.125 X 1.5.....2	2
21	69548GT	NUT,CASTLE(57996)GR.....2	2
22	69547GT	KEY,DRIVE MOTOR(57996).....2	2
23	33373GT	WASHER,SHIM,1.50 X .890 X .09	
24	18396GT	BEARING,1.5IDX1.75ODX1.0L.....4	4
25A	145085GT	WELDMENT, STEER YOKE, RT, GR20 <i>QS-20 (power unit side)</i>	
26	107359GT	TIE ROD ASSY W/BRNGS,GR2.....1 <i>(includes item 9)</i>	1
27	106924GT	GROMMET,RUBBER .38X.2X1.75.....2	2
28	109581GT	SCREW,SET,HS1/4-20X.625W/PATCH	
29	6357GT	NUT,HEX,1/4-20	
30	105565GT	WASHER,THRUST, GS	
31	105092GT	BOLT,CARRIAGE,3/8-16X1.25,GR5	
32	4828GT	NUT,NYLOCK,3/8-16	

202.1 Non-steer Axle



Item	Part No.	Description	Qty.
1	6888GT	SCREW,HHC,1/4-20 X 1	
2	6091GT	NUT,NYLOCK,1/4-20	
3	822685GT	FIELD KIT,REAR COVER,GR.....1	
4	6878GT	BOLT,CARRIAGE,1/4-20 X .75,G2	
5	96113GT	BRACKET,TRAY LATCH.....2	
6	100808GT	PLATE, BRAKE SPACER, GR20.....2	
7	215550GT	BRAKE,1.5IN/FT SHAFT,W/ORIFICE....2	
8	52730GT	SCREW,SHC,1/2-13 X 5 to SN 125	
8A	42360GT	SCREW,SHC,1/2-13 X 4 ZINC from SN 126 (for use with 145307 brake)	
9	6198GT	NUT,NYLOCK,1/2-13	
10	57998GT	ASSY,WHEEL & TIRE,GR.....2 grey, non-marking	
11	69548GT	NUT,CASTLE(57996)GR.....2	
12	5361GT	PIN,COTTER,.125 X 1.5.....2	
13	33373GT	WASHER,SHIM,1.50 X .890 X .09	
14	69547GT	KEY,DRIVE MOTOR(57996).....2	
15	124244GT	FORMING,GR EMBLEM MNTG PLATE	
16	130083GT	EMBLEM,GENIE,8 IN.	
17	105440GT	GROMMET,RUBBER 2.5 X 3.0.....2	

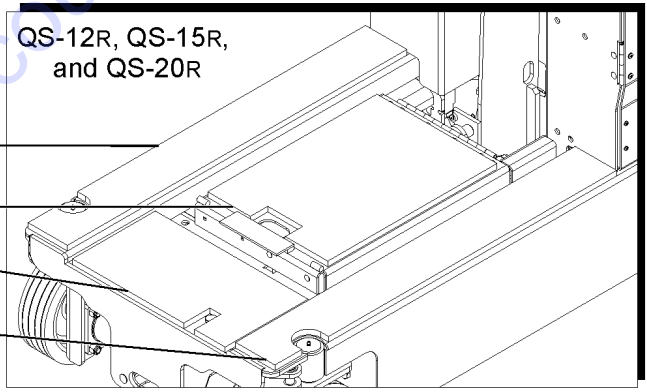
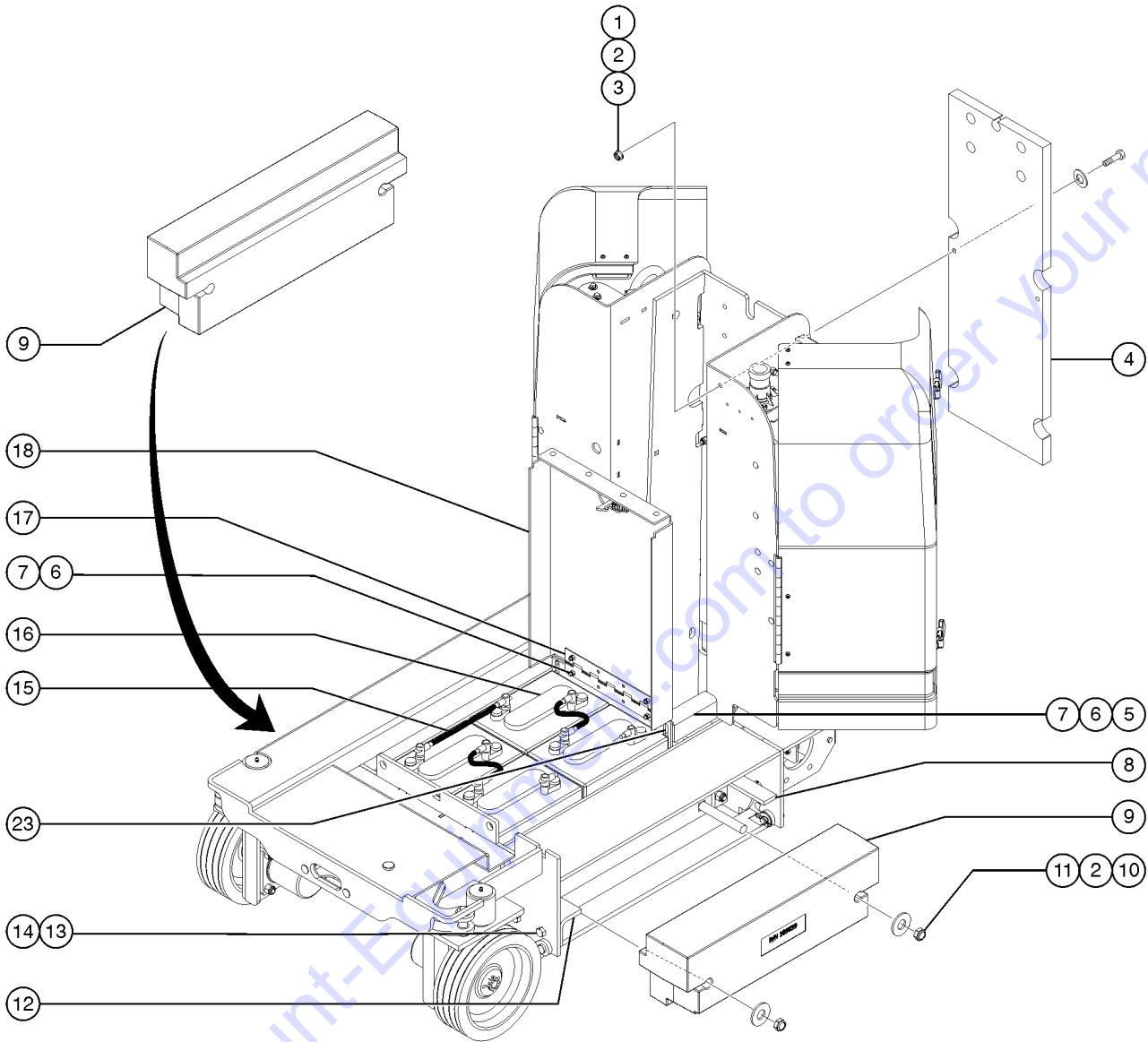
203.1 Pothole Protection Assembly



203.1 Pothole Protection Assembly

Item	Part No.	Description	Qty.
1	100489GT	WELDMENT, POTHOLE GUARD, RT.....1 (power unit side)	1
2	55355GT	SPACER,.75ID X 1.5OD X 1/4THK.....2	2
3	96642GT	BEARING,.75ID X 1.0OD X 1.38LG.....2	2
4	96541GT	CAM FOLLOWER,1.125X.375,DELFIN.....2	2
5	96948GT	SWITCH,LIMIT,W/ROLLER ARM***.....2	2
--	15513GT	NUT,HEX,10-32.....4	4
--	19491GT	CONTACTOR,LIMIT SWITCH	
--	51063GT	SCREW,PHILLIPS,RHM,10-32 X 1.5.....4	4
--	74155GT	HOSE ASSY, 3/8", 25.50.....4	4
--	87561GT	CABLE SQUEEZE CONN 2 WIRE	
--	97128GT	ROLLER ARM,LIMIT SWITCH***	
6	100492GT	PLATE, POTHOLE LOWER LINK.....2	2
7	96422GT	RUE RING,5/8 PIN.....8	8
8	96135GT	PIN,CLEVIS,.625 X 1.88,ZINC PL.....8	8
9	22261GT	WASHER,FLAT,650 X 1.312 X.095	
10	100834GT	GAS SPRING, GR.....2	2
11	100915GT	SPACER,.82 ID X1.0 ODX1.125 LG.....2	2
12	96423GT	RUE RING,3/4 PIN.....2	2
13	78060GT	PIN,CLEVIS,.75 DIA. X 4.00.....2	2
14	12016GT	PIN,COTTER,.125 X .75.....2	2
15	34742GT	PIN,CLEVIS,.375 X 1.75 LG.....2	2
16	107370GT	UPPER POTHOLE LINK ASSY W/BRNG.....2 (includes item 3)	2
17	64154GT	BOLT,CARRIAGE,3/8-16 X1.00,G5	
18	105060GT	GROUND STRAP, 8"LG.....2	2
19	6097GT	WASHER,FLAT,USS,3/8",Y	
20	7713GT	NUT, LP NYLOCK, 3/8-16	
21	100488GT	WELDMENT, POTHOLE GUARD, LT.....1 (ground controls side)	1
22	78086GT	BALL STUD, GAS STRUT, 3/8-16.....4	4

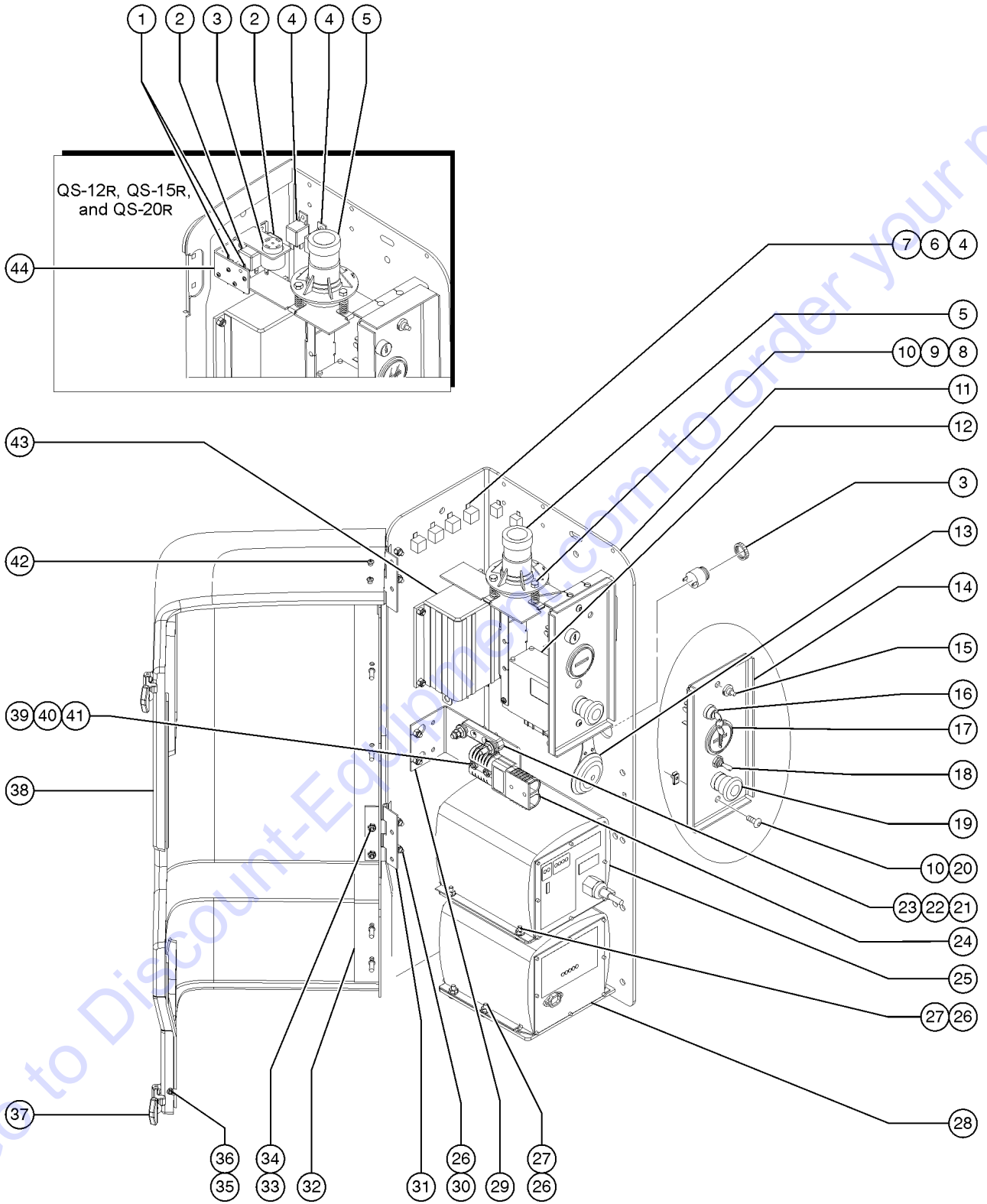
204.1 Battery Pack and Counterweight Brackets



204.1 Battery Pack and Counterweight Brackets

Item	Part No.	Description	Qty.	Item	Part No.	Description	Qty.
1	7713GT	NUT, LP NYLOCK, 3/8-16.....2 QS-20	2	--	96699GT	SLEEVE,TANK SUPPORT (bushing)	
2	15086GT	WASHER,FLAT,.375 X 1.5 X .125 QS-15		18B	107134GT	BATTERY COVER ASSY,SYMBOLS.....1 QS-W (Europe, Asia, South America)	1
2A	6097GT	WASHER,FLAT,USS,3/8",Y QS-20		--	100986GT	PLATE,BATT. TRAY LATCH HANDLE	
3	5224GT	SCREW,HHC,3/8-16 X 2 QS-20		--	23396GT	SPRING,CONTROL CABLE, AWP	
4	100809GT	CAST,CWT, MAST QS-20		--	96699GT	SLEEVE,TANK SUPPORT (bushing)	
5	100913GT	FORMING, CABLE BRIDGE.....1	1	18C	115434GT	BATTERY COVER ASSY,SYM,QS-R.....1 (Europe, Asia, South America)	1
6	6878GT	BOLT,CARRIAGE,1/4-20 X .75,G2		--	100986GT	PLATE,BATT. TRAY LATCH HANDLE	
7	6091GT	NUT,NYLOCK,1/4-20		--	23396GT	SPRING,CONTROL CABLE, AWP	
8	124151GT	WLDMT,CW SUPPORT,LT.....2 QS-15, QS-20 (non-steer end, ground controls side)	2	--	96699GT	SLEEVE,TANK SUPPORT (bushing)	
8A	124152GT	WLDMT,CW SUPPORT,RT.....1 QS-15, QS-20 (non-steer end, power unit side)	1	19	145013GT	PAD, OBSTACLE SENSE G.C. SIDE.....1 QS-R (for wire cable, refer to 209.1)	1
9	109840GT	COUNTERWEIGHT,CAST,GR15.....2 QS-15	2	20	145016GT	PAD, OBSTACLE SENSING FRONT,GR.....1 QS-R (for wire cable, refer to 209.1)	1
9A	109839GT	COUNTERWEIGHT,CAST,GR20.....2 QS-20	2	21	115438GT	PAD,OBSTACLE SENSE, WORD.....1 QS-R (for wire cable, refer to 209.1)	1
10	7713GT	NUT, LP NYLOCK, 3/8-16		21A	115439GT	PAD,OBSTACLE SENSE, SYMBOL QS-R (for wire cable, refer to 209.1)	
11	124105GT	BOLT,CARRIAGE,3/8-16 X 6.00,G2 QS-15		22	145014GT	PAD,OBSTACLE SENSE TANK SIDE.....1 QS-R (for wire cable, refer to 209.1)	1
12	100352GT	FORMING, CWT BRACKET.....2 GR-20 (non-steer end)	2	23	124962GT	GROMMET,RUBBER,1.0 X 1.25X1.5	
13	8177GT	SCREW,HHC,1/2-13 X 1.5					
14	6198GT	NUT,NYLOCK,1/2-13					
15		Ref. Battery Cables (refer to 208.1)					
16	76502GT	BATTERY,T105 W/LPT,3 CAP,DRY**.....4	4				
16A	105150GT	BATTERY, AGM, 6V, (TROJAN) *** (option)					
16A	145329GT	SPACER,QS BATTERY TRAY.....1 .75 x .375 x 6.5 inches	1				
--	18503GT	NUT,LOCKING-LG.FLANGE,5/16-18					
17	47569GT	HINGE,11"X 2.5"X.44".....1	1				
18	107133GT	BATTERY COVER ASSY,WORDS.....1 QS-W (USA, Canada, Australia)	1				
--	100986GT	PLATE,BATT. TRAY LATCH HANDLE					
--	23396GT	SPRING,CONTROL CABLE, AWP					
--	96699GT	SLEEVE,TANK SUPPORT (bushing)					
18A	115433GT	BATTERY COVER ASSY,WORDS.....1 QS-R (USA, Canada, Australia)	1				
--	100986GT	PLATE,BATT. TRAY LATCH HANDLE					
--	23396GT	SPRING,CONTROL CABLE, AWP					

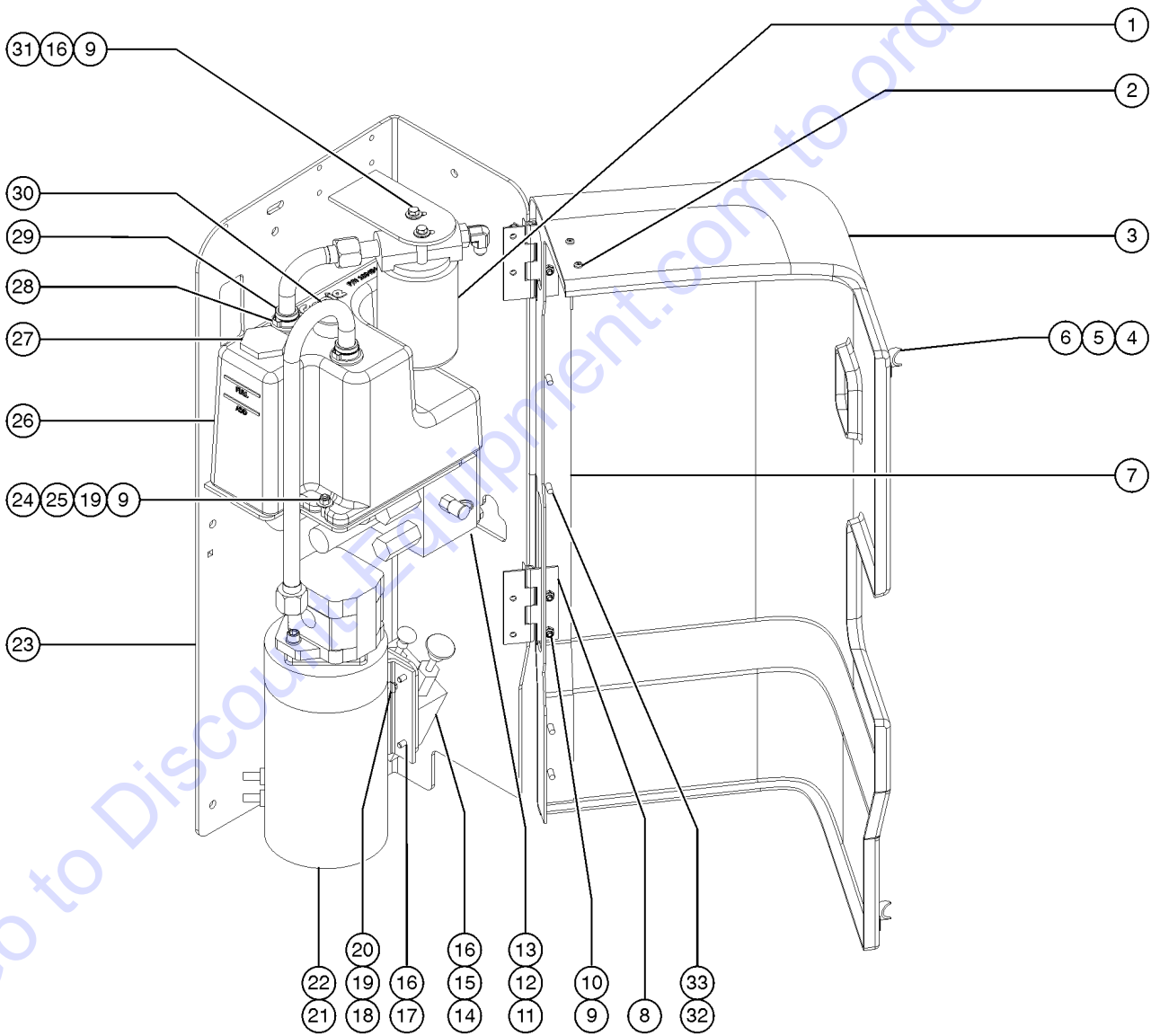
205.1 Ground Control Module Components



205.1 Ground Control Module Components

Item	Part No.	Description	Qty.	Item	Part No.	Description	Qty.
1	145259GT	RESISTOR,25 OHM,25WATT QS-R		21	66717GT	FUSE BLOCK, ANN & ANL FUSE.....1 <i>(includes mounting fasteners)</i>	1
2	19274GT	RELAY,SPDT,12V(AUTO)** QS-R		--	40833GT	FUSE,275 AMP,VERY FAST ACTING	
3	145346GT	ALARM,STDY TONE,ADJUST,5-30VDC..1 <i>Does not include 72326 nut</i>		22	6873GT	SCREW,FHM,10-32 X 1	
3	39540GT	ALARM,STEADY TONE***.....1 <i>Does not include 72326 nut</i>	1	23	6178GT	NUT,NYLOCK,10-32	
--	72326GT	NUT - PLASTIC,RING FOR ALARMS		24	66398GT	TERM CONTACT,#1/0 GA,SB175.....1	1
4	78098GT	RELAY,24VDC,40/30A,SLD W/BRKT*.....1 <i>(ANSI, CSA)</i>	1	25	96950GT	INVERTER,24VDC,110/230 VAC***.....1	1
4A	78098GT	RELAY,24VDC,40/30A,SLD W/BRKT*.....1 <i>(ANSI, CSA)</i>	1	26	6878GT	BOLT,CARRIAGE,1/4-20 X .75,G2	
4B	78098GT	RELAY,24VDC,40/30A,SLD W/BRKT*.....4 <i>(CE)</i>	4	27	18504GT	NUT,LOCKING-LG.FLANGE,1/4-20	
5	105142GT	LEVEL SENSOR,LS60,RED,1.5 DIA.....1	1	28		Ref. Battery Charger <i>(refer to 207.1)</i>	
5	122449GT	TILT SENSOR TEST TOOL		29	145284GT	FORMING,FUSE BRACKET.....1	1
5	124449GT	TILT SENSOR TEST TOOL		30	6091GT	NUT,NYLOCK,1/4-20	
6	55906GT	SCREW,PHILLIPS,PHM,8-32 X .5		31	105573GT	HINGE,ACCESS DOOR***.....2	2
7	18605GT	NUT,NYLOCK,8-32		32	124232GT	WELDMENT,COVER SUP.CONT.....1	1
8	6637GT	SCREW,HHC,1/4-20 X 1.75		33	80058GT	SCREW,PHP,1/4-20 X .875	
9	39469GT	SPRING,COMPRESSION.485 X1.75**		34	6889GT	NUT,LP NYLOCK,1/4-20	
10	56912GT	SPRING CLIP,1/4-20,.025-.15X.54,ZAG		35	12344GT	NUT,NYLOCK,6-32	
11	124224GT	WELDMENT,GROUND CONTROLS TRAY		36	45546GT	SCREW,RHM,6-32 X .5	
12	100839GT	ECU,SLAB/GR GEN 5***.....1	1	37	57881GT	LATCH, RUBBER, 3-13/32 X 1-7/8.....2	2
--	39520GT	RECEPTACLE,FEMALE,36 CONTACT		38A	124485GT	GRND CONTROL COVER ASSY,WORDS <i>(ANSI) (ground controls side)</i>	
--	39521GT	RECEPTACLE,ANTI-BACKOUT		38B	124486GT	GRND CONTROL COVER ASSY,SYMB <i>(CE) (ground controls side)</i>	
--	39673GT	CONTACT,14-20GA.		39	66094GT	NUT-THIN HEAVY HEX, 1/4-20	
--	51577GT	RECEPTACLE,FEMALE 18 CONT.		40	6356GT	WASHER,LOCK,.25	
--	51578GT	RECEPTACLE ANTIBACKOUT,18 CONT		41	8915GT	SCREW,HHC,1/4-20 X 1.25	
13	81579GT	HORN,24VDC,SPADE TERMINALS***.....1	1	42	7265GT	RIVET,STEEL,P,.25 X .375	
14	107135GT	GRND CONTROL PANEL ASSY,GR.....1 <i>(includes decal)</i>	1	43A	1257203GT	KIT,MTR CNTRLR REPLACEMENT,GR%.....1 <i>kit includes installation instructions, new motor controller (PN 823408), harness, battery cables, and new fasteners. For machines that do not already have contactors installed, must also order 219897.</i>	1
15	96452GT	CIRCUIT BREAKER,7.0 AMP***.....1	1	43B	823408GT	MOTOR CONTROLLER, DC,24V,300A <i>motor controllers sold separately only in cases where upgrade kits are N/A or an upgrade kit has been previously installed</i>	
16	96008-SGT	KEYSWITCH,3 POS. W/KEYS***.....1	1	43C	232580GT	HARNESS,DIODE JUMPER	
--	37947GT	KEYS,10 PACK***		43D	232573GT	RESISTOR, 200 OHM 10 WATT	
--	83093GT	KEY SINGLE***		43E	232535GT	KIT,CONTACTOR,GR	
--	85239GT	NUT,RETAINER (96008)		--	232848GT	CONTACTOR ASSY,GR	
--	96009GT	WASHER,NITRILE		44A	145073GT	FORMING, HORN BRACKET.....1 QS-R	1
--	96010GT	SCREW,PHILLIPS,PHM,8-32 X.25**		44B	145312GT	BRACKET,OBSTACLE SENSING QS-R <i>(models with obstacle detection)</i>	
17	19506GT	HOUR METER,10-80 VOLTS***.....1	1				
18	T114691GT	ASSY,SWITCH,TOGGLE,SPDT*****.....1	1				
19	66812GT	BUTTON,PUSH,RED MUSHROOM HEAD					
--	66817GT	BASE WITH 1 NC CONTACT, E-STOP					
--	66818GT	CONTACT, N.C.					
20	14297GT	SCREW,BHHS,1/4-20 X .75					

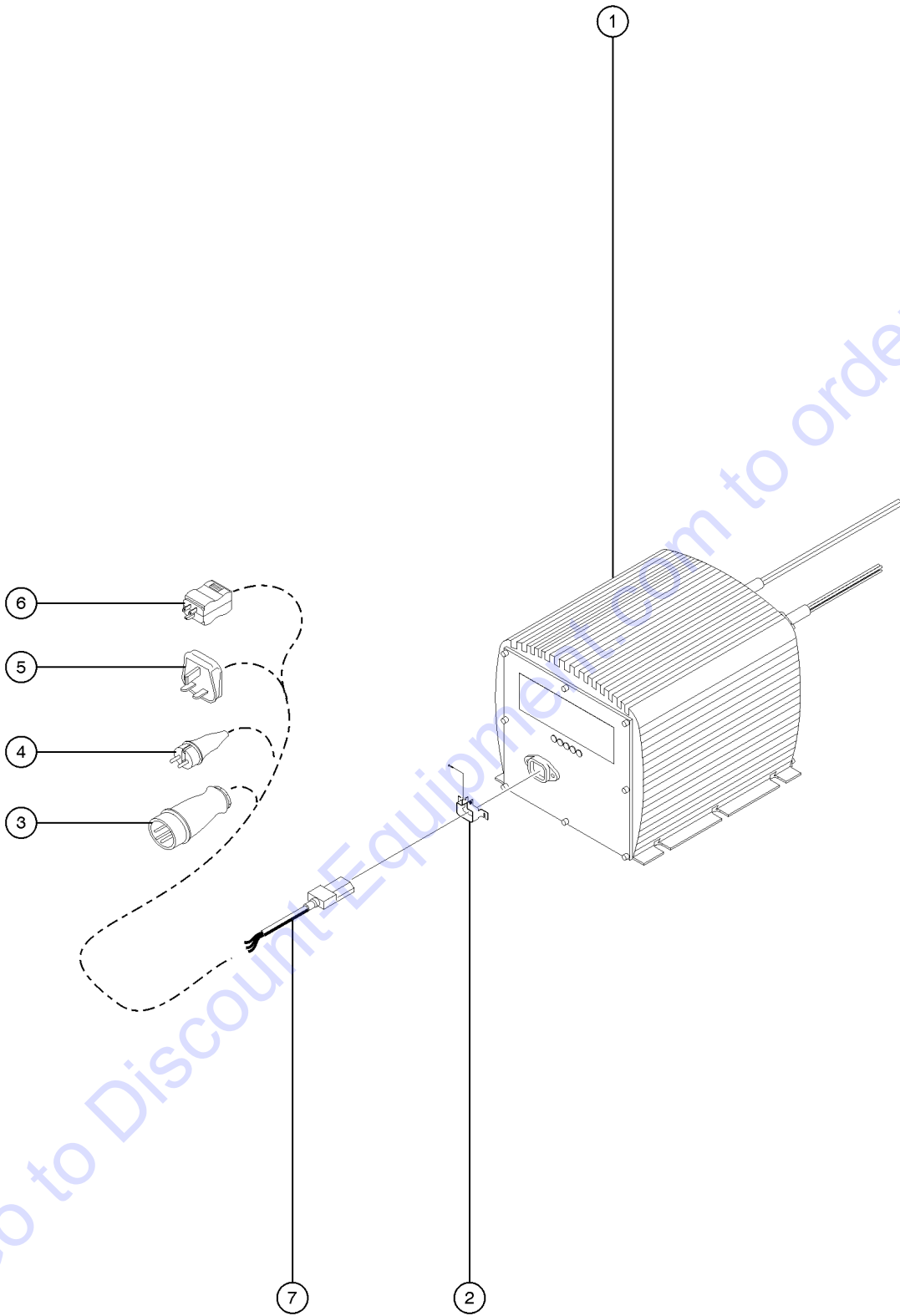
206.1 Power Unit Components



206.1 Power Unit Components

Item	Part No.	Description	Qty.
1	78622GT	FILTER ASSY,SAE8,10 MIC,PAPR**.....1	
--	44207GT	FILTER ELEMENT,BETA(10)=200 (fiberglass, optional upgrade)	
--	44788GT	FILTER ELEMENT,10MICRON,PAPER* (paper, standard)	
2	7265GT	RIVET,STEEL,P .25 X .375	
3	124488GT	POWER UNIT COV ASSY W/SYMB DEC (power unit side, CE)	
3A	124487GT	POWER UNTI COV ASSY W/WORD DEC (power unit side, ANSI)	
4	57881GT	LATCH, RUBBER, 3-13/32 X 1-7/8.....2	
5	45546GT	SCREW,RHM,6-32 X .5	
6	12344GT	NUT,NYLOCK,6-32	
7	124233GT	WELDMENT,COVER SUP.HYD.....1	
8	105573GT	HINGE,ACCESS DOOR***.....2	
9	6091GT	NUT,NYLOCK,1/4-20	
10	6878GT	BOLT,CARRIAGE,1/4-20 X .75,G2	
11		Ref. FUNCTION MANIFOLD (refer to 402.1)	
12	6175GT	SCREW,HHC,3/8-16 X 1	
13	6021GT	WASHER,LOCK,.375	
14		Ref. BRAKE RELEASE MANIFOLD (refer to 403.1)	
15	6884GT	SCREW,HHC,1/4-20 X 2.5	
16	6356GT	WASHER,LOCK,.25	
17	8914GT	SCREW,HHC,1/4-20 X .625	
18	96905GT	BOLT,CARRIAGE,1/4-20 X 2.5,G2	
19	6638GT	WASHER,FLAT,USS,1/4"Y	
20	6889GT	NUT,LP NYLOCK,1/4-20	
21		Ref. MOTOR (refer to 401.1)	
22		Ref. GEAR PUMP (refer to 401.1)	
23	124225GT	WELDMENT,HYDRAULIC TRAY (power unit side, USA, Canada, Australia, Asia South America)	
23A	124489GT	POWER UNIT TRAY ASSY W/SYMBOLS (power unit side, Europe)	
24	9116GT	BOLT,CARRIAGE,1/4-20x1.25,G2	
25	96699GT	SLEEVE,TANK SUPPORT.....3	
26	100484GT	HYD. TANK, POLYETHELENE.....1	
27	66204GT	FILTER CAP (PLUG 1-1/2" NPT HEX.....1	
28	96709GT	GROMMET,SLAB HYD TANK***.....2	
29	96855GT	CLAMP,HOSE,1 EAR,1-1/16***.....1	
30	78546GT	BREATHER CAP,HYD. TANK, 1/4 NPT.....1	
31	6090GT	SCREW,HHC,1/4-20 X .75	
32	80058GT	SCREW,PHP,1/4-20 X .875	

207.1 Battery Charger



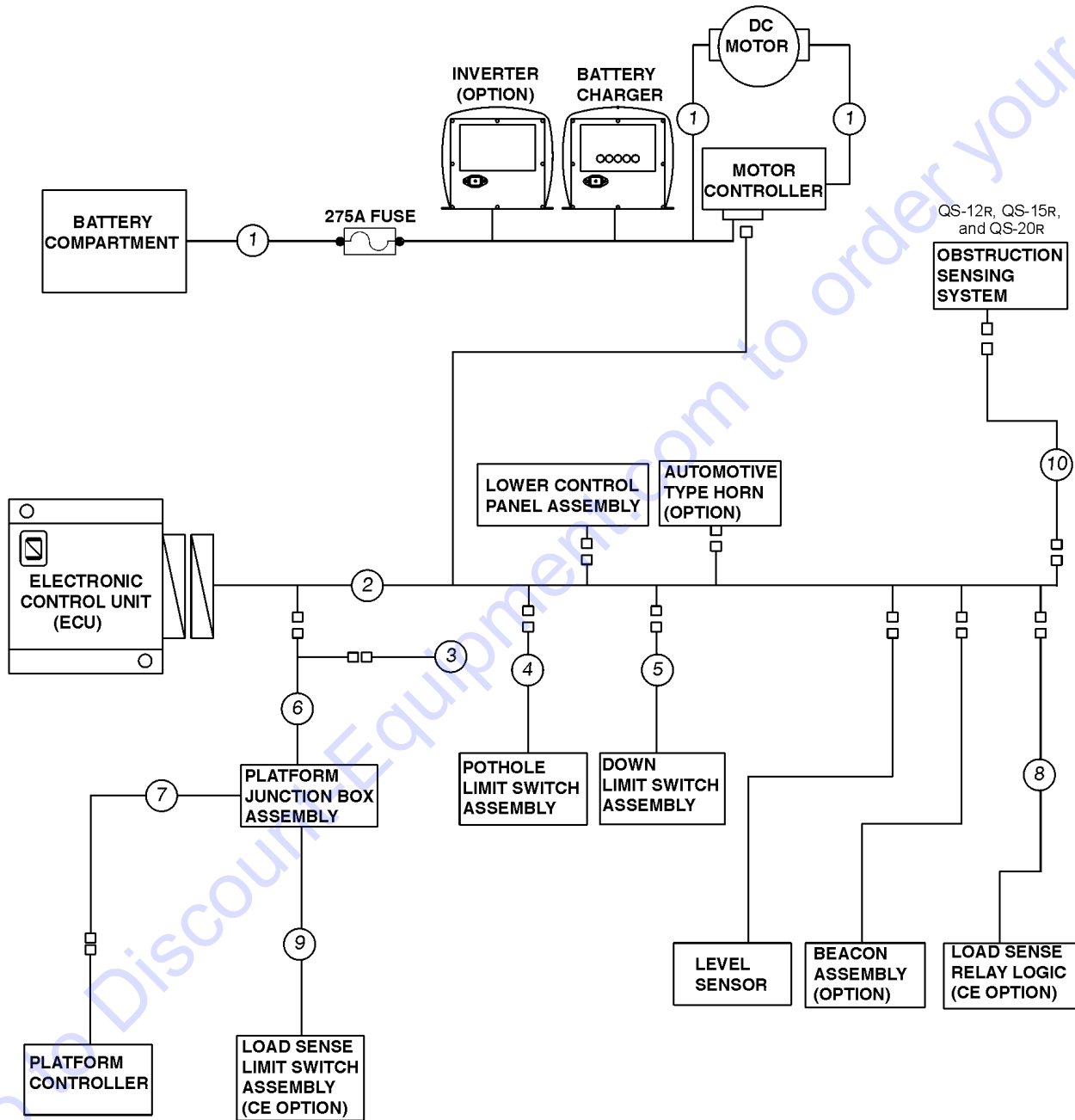
Go to DiscountEquipment.com to order your parts

207.1 Battery Charger

Item	Part No.	Description	Qty.
--	105334GT	CONNECTOR, IEC CHARGER CORD <i>for 5-LED battery charger</i>	
--	97059GT	FUSE,BATTERY CHARGER*** <i>for 5-LED battery charger</i>	
1A	105739GT	CHARGER,BAT,24VDC,H/LO GEN2.....1	
--	144180GT	MANUAL,OWNERS,CHARGER,105739	
1B	219480GT	KIT,BATTERY CHARGER,24V <i>(includes 105739 charger, fasteners, ring terminals and instructions for field installation)</i>	
2	55010GT	LOCK, CONNECTOR.....1 <i>(includes fasteners)</i>	
3A	144161GT	PLUG,PWR,UK,16AMP,3PIN,BLK.....1 <i>UK 110V (order cord separately); to SN QS11-193</i>	
3B	144161GT	PLUG,PWR,UK,16AMP,3PIN,BLK <i>UK 110V (order cord separately); from SN QS11-194</i>	
4	1280665GT	PLUG, TYPE F, 230A, 50HZ, 16A, IP44.....1 <i>Europe 220V (order cord separately)</i>	
5	25388GT	PLUG,FUSED,250V,13AMP,U.K.**.....1 <i>UK 220V (order cord separately)</i>	
6	6595GT	PLUG,ELECTRICAL,DOMESTIC.....1 <i>ANSI/CSA 110V</i>	
7	124985GT	CABLE,POWER COIL 6FT IEC NEMA....1 <i>includes 6595 plug</i>	

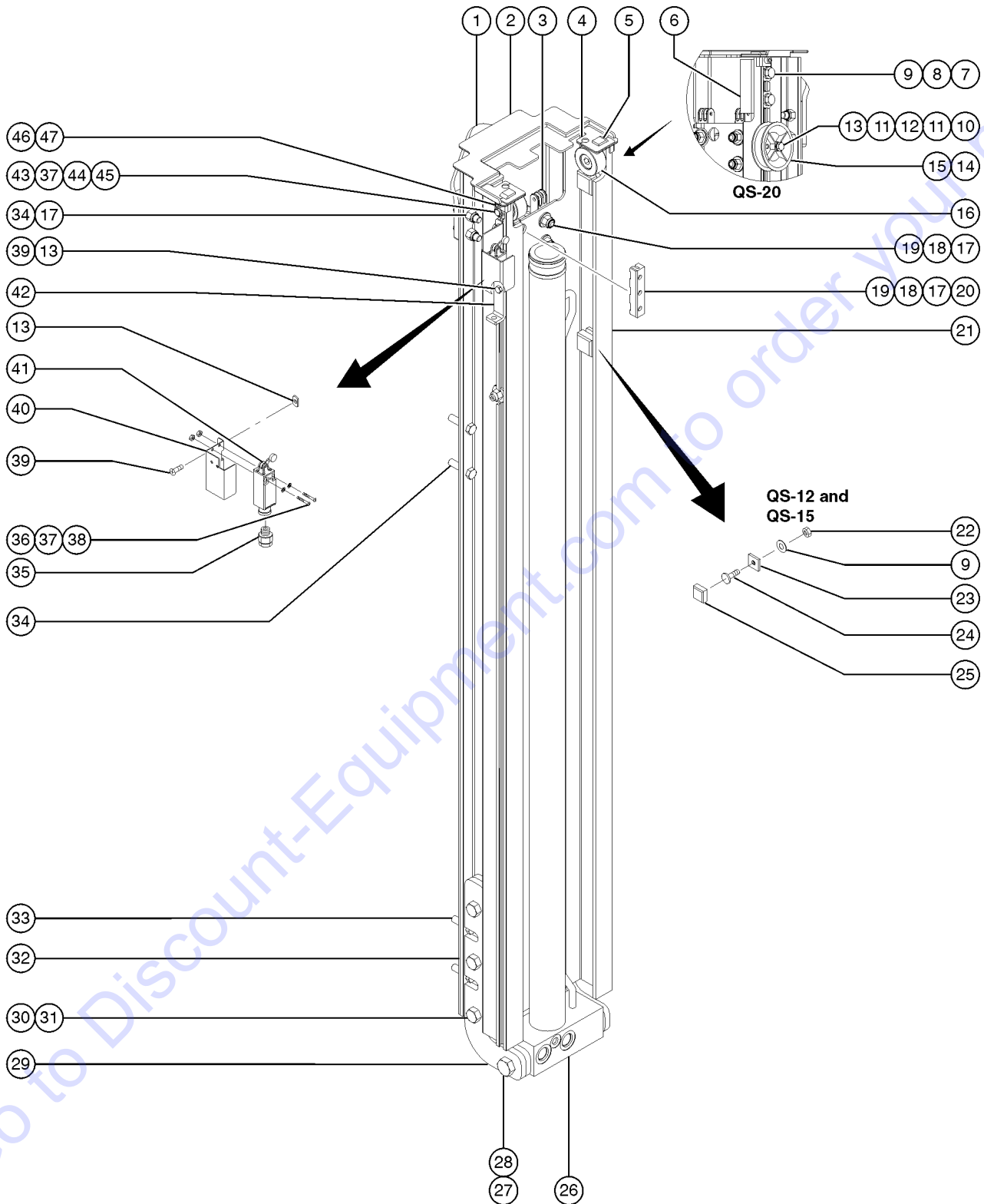
Item	Part No.	Description	Qty.
--	100981GT	BATTERY CABLE ASSY, GR	
--		Ref. Fuse, 275A <i>(refer to 205.1)</i>	
--		Ref. Quick Disconnect <i>(refer to 205.1)</i>	
D	1257035GT	KIT,BATT. CABLE ASSY., GR <i>(includes items 6B, 7B, 8B, 9B)</i>	
1	100732GT	CABLE ASSY, BATT TO ANDERSON.....1 <i>(black)</i>	
2	100730GT	CABLE ASSY, BATT TO FUSE.....1 <i>(red)</i>	
3	100728GT	CABLE ASSY,BATT,5.50"RED.....2	
4	100729GT	CABLE ASSY,BATT, 10" RED.....1	
5	100731GT	CABLE ASSY, FUSE TO ANDERSON...1 <i>(red)</i>	
6A	100733GT	CABLE ASSY, ANDERSON TO MC/RED.....1	
6B	1257065GT	CABLE ASSY.,BATT. 14",4AWG RD.....1 <i>(for units with kit 1257203 installed)</i>	
7A	100734GT	CABLE ASSY, ANDERSON TO MC,BLK.....1	
7B	1257064GT	CABLE ASSY., BATT. 27" BLACK.....1 <i>(for units with kit 1257203 installed)</i>	
8A	100735GT	CABLE ASSY,BATT,50.0"RED.....1	
8B	1257062GT	CABLE ASSY., BATT. 64" RED.....1 <i>(for units with kit 1257203 installed)</i>	
9A	100736GT	CABLE ASSY,BATT,52.0"BLK.....1	
9B	1257063GT	CABLE ASSY., BATT. 62" BLACK.....1 <i>(for units with kit 1257203 installed)</i>	

209.1 Electrical Wiring



Item	Part No.	Description	Qty.
--		Ref. Fuse Holder (refer to 205.1)	
--		Ref. Quick Disconnect (refer to 205.1)	
1		Ref. Battery Cable Assembly (refer to 208.1)	
2	100698GT	HARNESS, ECU, GR ANSI.....1 ANSI and CSA	
2A	100929GT	HARNESS, ECU, GR CE CE	
3	100782GT	POWER CABLE, GR BASE, DOMESTIC.....1 ANSI and CSA	
3A	100931GT	POWER CABLE GR BASE,FOREIGN CE	
4	100754GT	ASSY, POT HOLE HARNESS, GR.....1	
5	100780GT	WIRE ASSY, DOWN LIMIT SW.....1	
6	124452GT	WIRE HARNESS ASSY,CONTROL CABL QS-12	
6A	100776GT	WIRE HARNESS ASSY, CONTROL CABLE QS-15	
6B	124453GT	WIRE HARNESS ASSY, CONTROL CABLE QS-20	
7	100832GT	WIRE ASSY, STKPRK PLAT. GR.....1	
7A	100864GT	WIRE ASSY, STD/EXT PLAT. GR	
8	100763GT	ASSY,HARNESS, RELAY, CE, GR.....1	
9	100765GT	SWITCH ASSY,LIMIT,LOAD SENSE.....1 CE	
10	145048GT	HARNESS,OBSTACLE DETECTION,GR.....1 QS-R (includes relays)	
--	19274GT	RELAY,SPDT,12V(AUTO)**.....2	
--	60428GT	CONN,PLUG 4 WAY,14-18GA.....1	
--	64260GT	TERM,NI PIN,16-18 BULK.....4	
10A	145334GT	CABLE,EXT,M-FM M8,60IN.....3 QS-R	

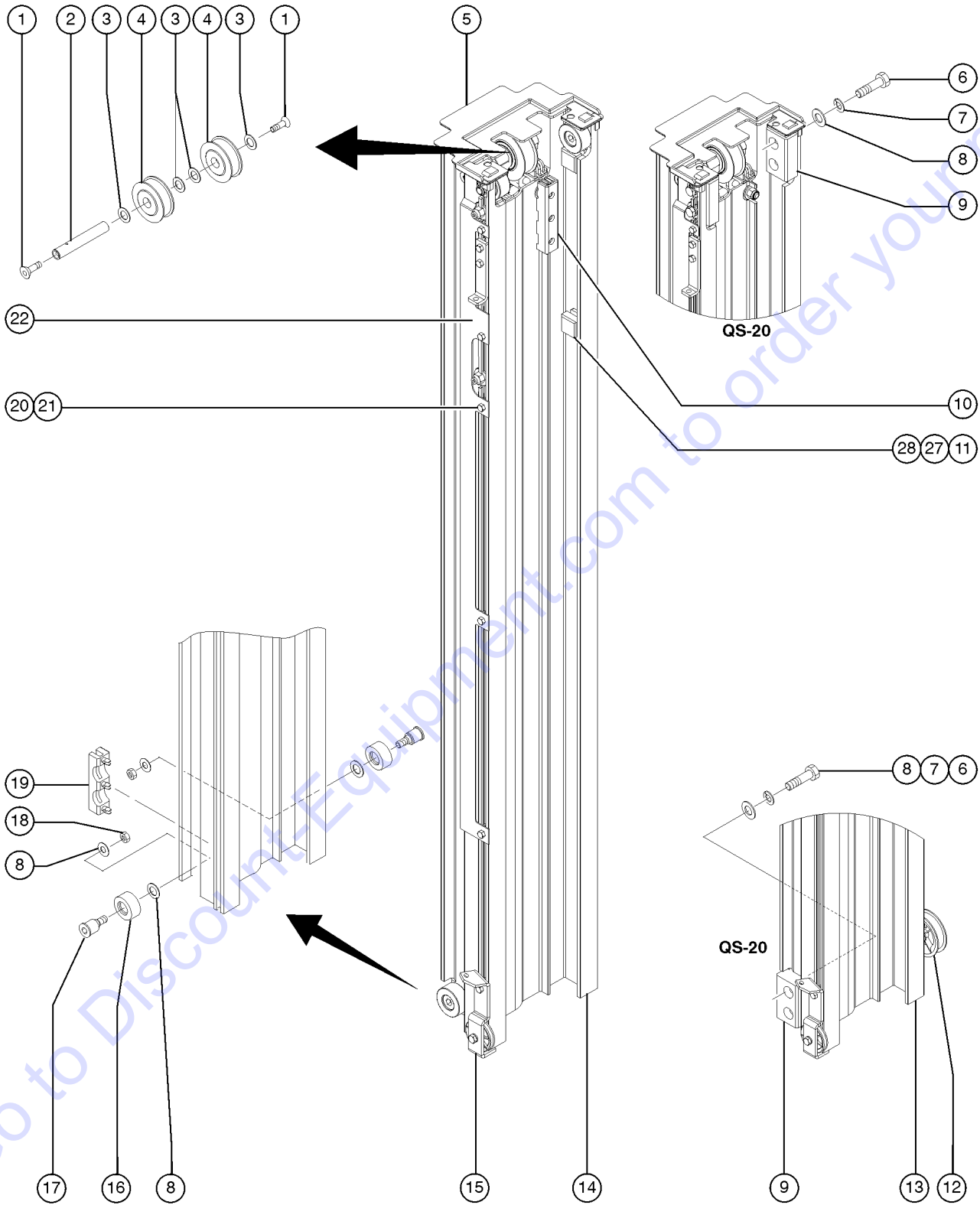
301.1 Number 1 Column Assembly



301.1 Number 1 Column Assembly

Item	Part No.	Description	Qty.	Item	Part No.	Description	Qty.
--	90337GT	BOE LUBE.....1 <i>lubricant</i>	1	18	5397GT	WASHER,FLAT,USS,5/16",Y	
1	107023GT	LIFTING EYE ASSEMBLY.....1 <i>(direct replacement of p/n 107138)</i>	1	19	35714GT	SCREW,FHS,3/8-16 X 2.25	
2		Ref. Mast Cover, Number 1 Column <i>(refer to 311.1)</i>		20	35709GT	BLOCK,SLIDE,UPPER.....2 QS-12	
3		Ref. Upper Chain Terminal, Number 1 Column <i>(refer to 307.1, 308.1 and 309.1)</i>		20A	35709GT	BLOCK,SLIDE,UPPER.....3 QS-15	
4	100778GT	PLATE, MAST FLAP CLAMP.....4 QS-12	4	21	100711GT	COLUMN #1 MACHINED, 57.....1 QS-12, QS-15	
4A	100778GT	PLATE, MAST FLAP CLAMP.....6 QS-15	6	21A	100380GT	COL 1 MACHINED, 72.5 QS-20	
4B	100778GT	PLATE, MAST FLAP CLAMP.....8 QS-20	8	22	4828GT	NUT,NYLOCK,3/8-16	
5	38730GT	NUT,WELD,ANGLE,1/4" T-SLOT.....4 QS-12	4	23	38013GT	SHIM NUT,ADJUSTER.....4 QS-12, QS-15	
5A	38730GT	NUT,WELD,ANGLE,1/4" T-SLOT.....6 QS-15	6	24	40946GT	BOLT,SHIM.....4 QS-12, QS-15	
5B	38730GT	NUT,WELD,ANGLE,1/4" T-SLOT.....8 QS-20	8	25	38011GT	SHIM,SIDE PAD.....4 QS-12, QS-15	
6	100379GT	BLOCK, MAST SLIDER, GR20.....2 QS-20	2	26		Ref. Lift Cylinder <i>(refer to 401.1)</i>	
7	6175GT	SCREW,HHC,3/8-16 X 1 QS-20		27	1268235GT	SCREW,HHC,5/8-11 X 8.00	
8	6021GT	WASHER,LOCK,.375 QS-20		28	38028GT	NUT,LP NYLOCK,5/8-11	
9	6097GT	WASHER,FLAT,USS,3/8",Y		29	100483GT	PLATE, CYLINDER MOUNT.....4	
10	8915GT	SCREW,HHC,1/4-20 X 1.25 QS-20		30	38601GT	SCREW,HHC,1/2-13 X 7.5	
11	25926GT	WASHER,FLAT,M6 PLTD. QS-20		31	6086GT	NUT,LP NYLOCK,1/2-13	
12	22699GT	WASHER,FLAT,M10,ZINC PLTD. QS-20		32	107131GT	MAST STIFFENER ASSY, GR12/15.....1	
13	35991GT	NUT,WELD 1/4-20, PLATED L.L.**		32A	107132GT	MAST STIFFENER ASSY,GR20 QS-20	
14	23394GT	PULLEY,ELEC.CNTRL.CABLE,AWP.....3 QS-12	3	33	6019GT	SCREW,HHC,3/8-16 X 1.25 GRD 5	
14A	23394GT	PULLEY,ELEC.CNTRL.CABLE,AWP.....4 QS-15	4	34	8516GT	SCREW, HCC, 3/8-16 X 1.50	
14B	23394GT	PULLEY,ELEC.CNTRL.CABLE,AWP.....5 QS-20	5	35	7056GT	CONN,SQUEEZE,1/2NPT .38-.50,SM....1	
15	40735GT	SPACER, 1/4ID3/8OD, .875LG QS-20		36	51063GT	SCREW,PHILLIPS,RHM,10-32 X 1.5 QS-12, QS-15 and QS-20	
16	38026GT	ROLLER, MACHINED AWP***.....16 QS-12	16	37	6607GT	WASHER,LOCK,#10 PLTD	
16A	38026GT	ROLLER, MACHINED AWP***.....12 QS-15	12	38	15513GT	NUT,HEX,10-32	
16B	38026GT	ROLLER, MACHINED AWP***.....4 QS-20	4	39	11808GT	SCREW,HHC,1/4-20 X .375	
17	4828GT	NUT,NYLOCK,3/8-16		40	69575GT	COVER,LIMIT SWITCH W/DECAL GR...1	
				41	96948GT	SWITCH,LIMIT,W/ROLLER ARM***.....1	
				--	19491GT	CONTACTOR,LIMIT SWITCH	
				--	97128GT	ROLLER ARM,LIMIT SWITCH***	
				42		Ref. Upper Sequencing Cable Bracket <i>(refer to 310.1)</i>	
				43	7713GT	NUT, LP NYLOCK, 3/8-16	
				44	6052GT	WASHER,SHIM,.5 X .875 X .063	
				45	35706GT	BOLT,ROLLER,.470"(SHORT)	
				46	40004GT	SCREW,SHC,1/4-20 X .375 BLK	
				47	41055GT	WASHER,T-SLOT	

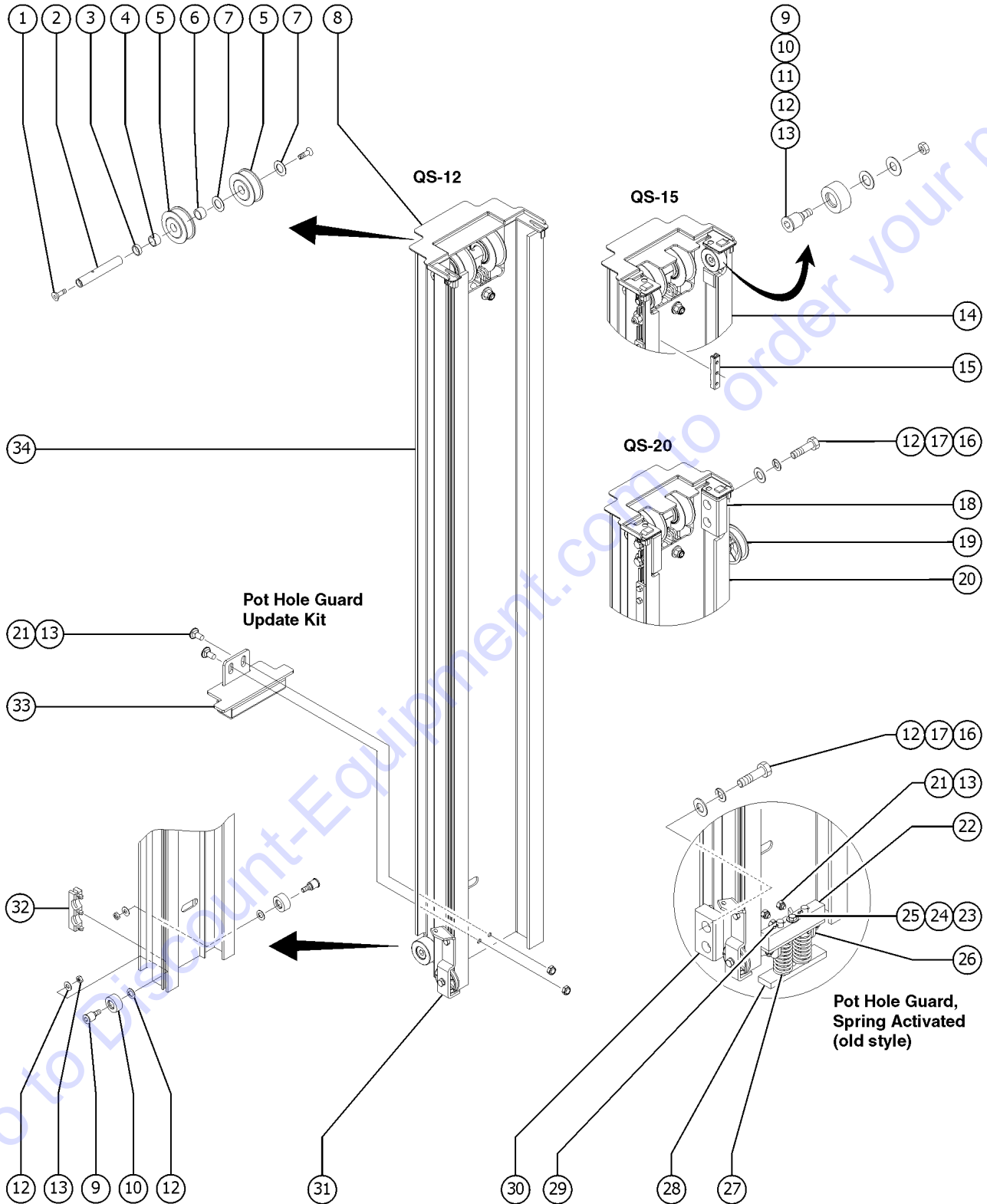
302.1 Number 2 Column Assembly



302.1 Number 2 Column Assembly

Item	Part No.	Description	Qty.
1	45425GT	SCREW,FHS,3/8-16 X .75	
2	35707GT	SHAFT,LIFTING CHAINS,20MM DIA.....2 QS-12	
2A	35707GT	SHAFT,LIFTING CHAINS,20MM DIA.....3 QS-15	
2B	35707GT	SHAFT,LIFTING CHAINS,20MM DIA.....4 QS-20	
3	38709GT	WASHER,SHIM,,938 X 1.37 X .048	
4	38447GT	PULLEY W/BEARINGS.....2	
5		Ref. Mast Cover, Column Number 2 (refer to 311.1)	
6	6175GT	SCREW,HHC,3/8-16 X 1 QS-20	
7	6021GT	WASHER,LOCK,,.375 QS-20	
8	6097GT	WASHER,FLAT,USS,3/8",Y	
9	100379GT	BLOCK, MAST SLIDER, GR20.....16 QS-20	
10		Ref. Upper Slider Block (refer to 301.1)	
11	38011GT	SHIM,SIDE PAD.....4	
12		Ref. Control Cable Pulley (refer to 312.1 and 313.1)	
13	100381GT	COL 2 MACHINED, 72.5.....1 QS-20	
14	100712GT	COLUMN #2 MACHINED, 57.....1 QS-12, QS-15	
15		Ref. Pulley Bracket (refer to 310.1)	
16		Ref. Roller (refer to 301.1) (refer to 301.1)	
17	35706GT	BOLT,ROLLER,.470"(SHORT)	
18	7713GT	NUT, LP NYLOCK, 3/8-16	
19	35710GT	BLOCK,SLIDE,LOWER.....2 QS-12	
19A	35710GT	BLOCK,SLIDE,LOWER.....3	
20	11808GT	SCREW,HHC,1/4-20 X .375	
21	35991GT	NUT,WELD 1/4-20, PLATED L.L.**	
22	57809GT	PLATE, LIMIT SWITCH ROLL GR.....1 QS-12, QS-15	
22A	100858GT	FORMING, LIMIT SWITCH ROLL QS-20	

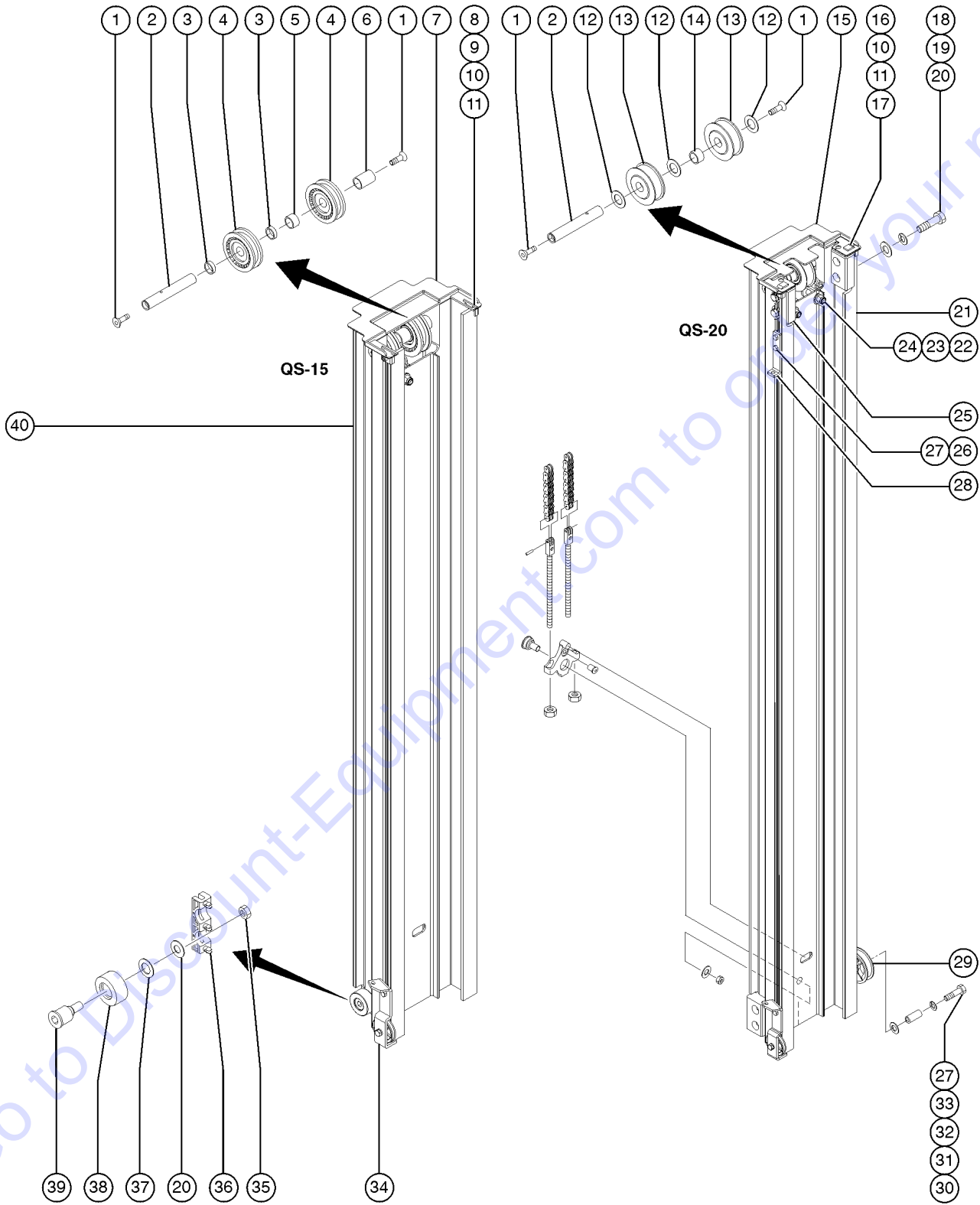
303.1 Number 3 Column Assembly



303.1 Number 3 Column Assembly

Item	Part No.	Description	Qty.	Item	Part No.	Description	Qty.
1	45425GT	SCREW,FHS,3/8-16 X .75		29	12016GT	PIN,COTTER,.125 X .75 (to SN QS15-2354)	
2A	35707GT	SHAFT,LIFTING CHAINS,20MM DIA.....2 QS-12		30		Ref. Mast Slider Block (refer to 302.1)	
2B	35707GT	SHAFT,LIFTING CHAINS,20MM DIA.....3 QS-15		31		Ref. Pulley Bracket (refer to 310.1)	
2C	35709GT	BLOCK,SLIDE,UPPER.....4 QS-20		32		Ref. Lower Slide Block (refer to 302.1)	
3A	35722GT	SPACER,SHAFT,.310.....1 QS-12		33A	1257714GT	WELDMENT, PHG ACTUATOR.....1 (from SN QS15-2355)	
3B	35722GT	SPACER,SHAFT,.310.....2 QS-15 & QS-20		33B	1260891GT	KIT,GR PHG REPLACEMENT.....1 (to SN QS15-2354) (update kit)	
4	35711GT	SPACER,SHAFT,.840"LG.....2 QS-12 & QS-15		34	100714GT	COLUMN #5 MACHINED, 57.....1 GR-12	
5	38447GT	PULLEY W/BEARINGS.....2					
6	38316GT	SPACER,.560 AWP MAST.....1					
7	38709GT	WASHER,SHIM,.938 X 1.37 X .048					
8		Ref. Mast Cover, Column Number 3 (refer to 311.1)					
9	35706GT	BOLT,ROLLER,.470"(SHORT)					
10		Ref. Roller (refer to 301.1)					
11	6052GT	WASHER,SHIM,.5 X .875 X .063					
12	6097GT	WASHER,FLAT,USS,3/8",Y					
13	7713GT	NUT, LP NYLOCK, 3/8-16					
14	100713GT	COLUMN #3 MACHINED, 57.....1					
15		Ref. Upper Slide Block (refer to 301.1)					
16	6175GT	SCREW,HHC,3/8-16 X 1					
17	6021GT	WASHER,LOCK,.375					
18		Ref. Mast Slider Block (refer to 302.1)					
19		Ref. Control Cable Pulley (refer to 312.1 & 313.1)					
20	100382GT	COL 3 MACHINED, 72.5.....1 QS-20					
21	101718GT	BOLT,CARRIAGE,3/8-16 X .75,G2					
22	100942GT	BLOCK, PH ACTUATOR GUIDE.....1 (to SN QS15-2354)					
23	6637GT	SCREW,HHC,1/4-20 X 1.75 (to SN QS15-2354)					
24	6638GT	WASHER,FLAT,USS,1/4"Y (to SN QS15-2354)					
25	6091GT	NUT,NYLOCK,1/4-20 (to SN QS15-2354)					
26	1257714GT	WELDMENT, PHG ACTUATOR.....1 (to SN QS15-2354)					
27	235340GT	SPRING,COMPRESSION.....2 (to SN QS15-2354)					
28	100673GT	WELDMENT, PH ACTUATOR.....1 (to SN QS15-2354)					

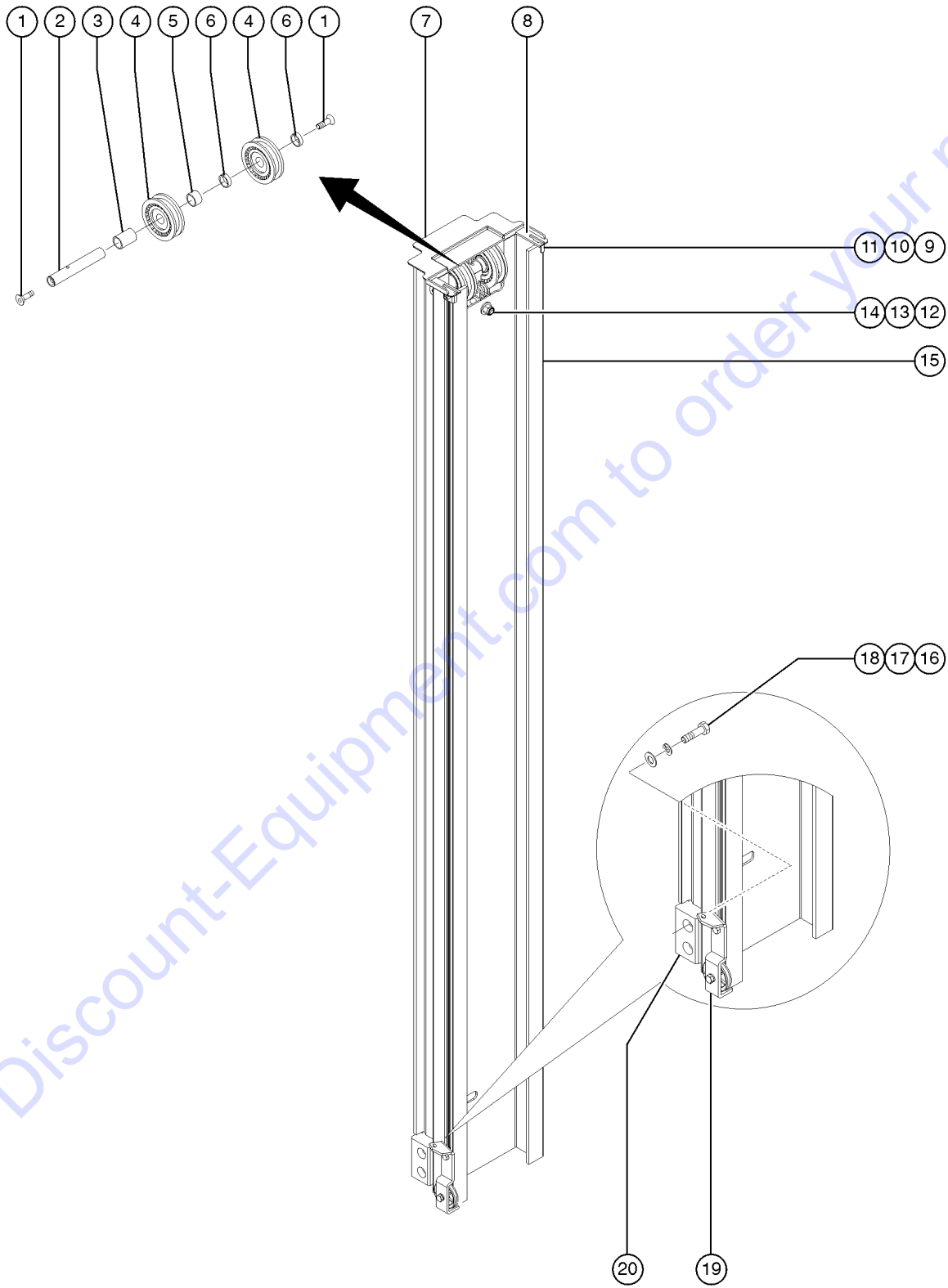
304.1 Number 4 Column Assembly; QS-15, QS-20



304.1 Number 4 Column Assembly; QS-15, QS-20

Item	Part No.	Description	Qty.	Item	Part No.	Description	Qty.
1	45425GT	SCREW,FHS,3/8-16 X .75		38		Ref. Roller, GR-15 (refer to 301.1)	
2	35707GT	SHAFT,LIFTING CHAINS,20MM DIA.....1		39	35706GT	BOLT,ROLLER,.470"(SHORT)	
3	35722GT	SPACER,SHAFT,.310		40	100715GT	COLUMN #6 MACHINED, 57 QS-15	
4	35715GT	PULLEY,SMALL CHAIN.....2					
5	35711GT	SPACER,SHAFT,.840"LG					
6	37686GT	SPACER,SHAFT,1.400					
7		Ref. Mast Cover, Number 4 Column (refer to 311.1)					
8	57264GT	NUT, 1/4-20 T					
9	109500GT	PLATE, MAST FLAP CLAMP, 5-6.....2					
10	40004GT	SCREW,SHC,1/4-20 X .375 BLK					
11	41055GT	WASHER,T-SLOT					
12	38709GT	WASHER,SHIM,.938 X 1.37 X .048					
13	38447GT	PULLEY W/BEARINGS.....2					
14	38316GT	SPACER,.560 AWP MAST					
15		Ref. Mast Cover, Number 4 Column (refer to 311.1)					
16		Ref. Mast Flap Clamp (refer to 301.1)					
17	38730GT	NUT,WELD,ANGLE,1/4" T-SLOT.....2					
18	6175GT	SCREW,HHC,3/8-16 X 1					
19	6021GT	WASHER,LOCK,.375					
20	6097GT	WASHER,FLAT,USS,3/8",Y					
21	100383GT	COL 4 MACHINED, 72.5.....1 QS-20					
22	4828GT	NUT,NYLOCK,3/8-16					
23	5397GT	WASHER,FLAT,USS,5/16",Y					
24	35714GT	SCREW,FHS,3/8-16 X 2.25					
25		Ref. Mast Slider Block (refer to 303.1)					
26	7339GT	SCREW,HHC,1/4-20 X .5					
27	35991GT	NUT,WELD 1/4-20, PLATED L.L.**					
28		Ref. Upper Sequencing Bracket (refer to 301.1)					
29		Ref. Control Cable Pulley (refer to 312.1 and 313.1)					
30	8915GT	SCREW,HHC,1/4-20 X 1.25					
31	25926GT	WASHER,FLAT,M6 PLTD.					
32	40735GT	SPACER, 1/4ID3/8OD, .875LG					
33	22699GT	WASHER,FLAT,M10,ZINC PLTD.					
34		Ref. Pulley Bracket (refer to 310.1)					
35	7713GT	NUT, LP NYLOCK, 3/8-16					
36		Ref. Lower Slide Block (refer to 302.1)					
37	6052GT	WASHER,SHIM,.5 X .875 X .063					

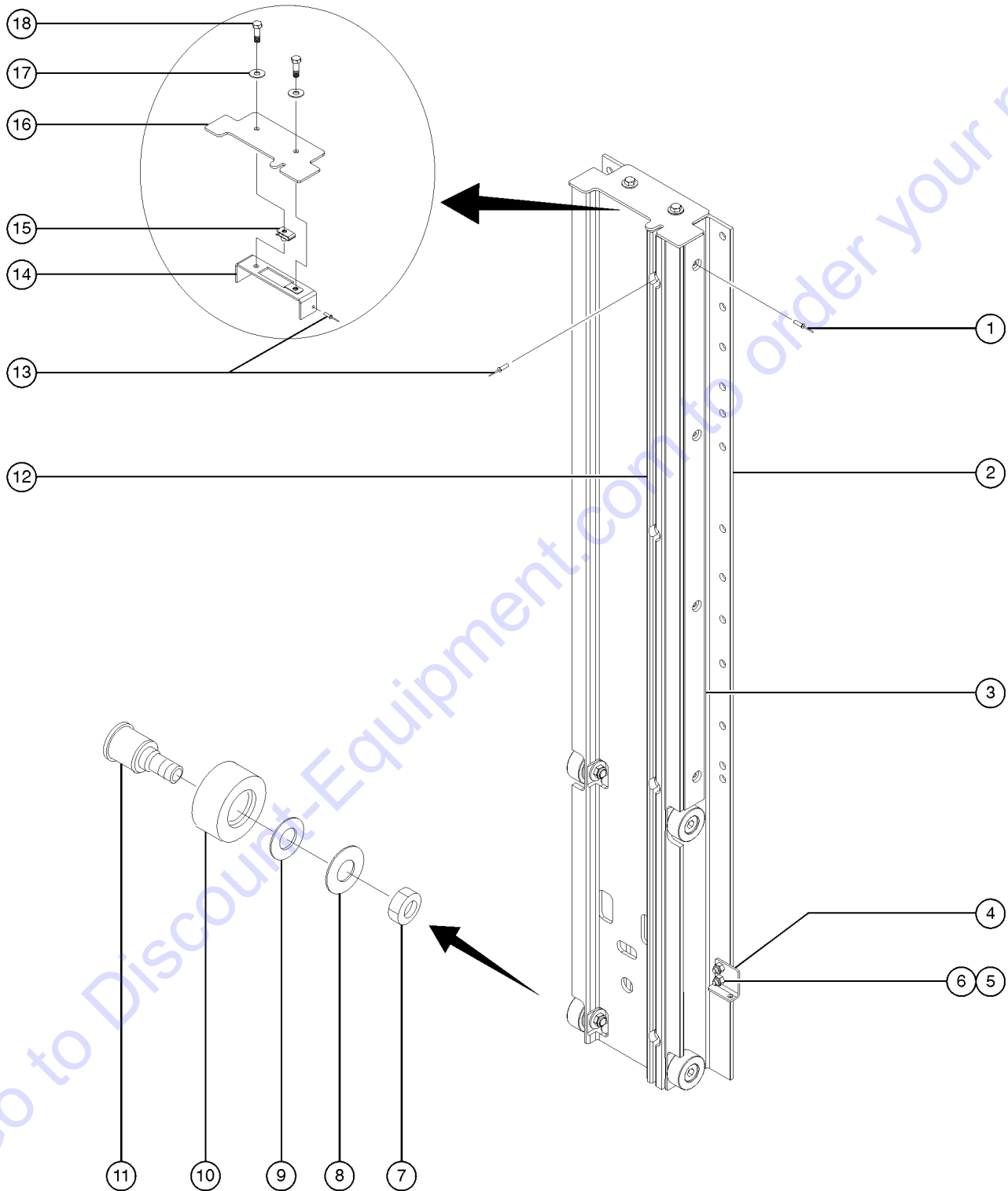
305.1 Number 5 Column Assembly; QS-20



305.1 Number 5 Column Assembly; QS-20

Item	Part No.	Description	Qty.
1	45425GT	SCREW,FHS,3/8-16 X .75	
2	35707GT	SHAFT,LIFTING CHAINS,20MM DIA.....1	
3	37686GT	SPACER,SHAFT,1.400	
4	35715GT	PULLEY,SMALL CHAIN.....2	
5	35711GT	SPACER,SHAFT,.840"LG	
6	35722GT	SPACER,SHAFT,.310	
7		Ref. Mast Cover, Column Number 5 (refer to 311.1)	
8	109500GT	PLATE, MAST FLAP CLAMP, 5-6.....2	
9	40004GT	SCREW,SHC,1/4-20 X .375 BLK	
10	41055GT	WASHER,T-SLOT	
11	57264GT	NUT, 1/4-20 T	
12	4828GT	NUT,NYLOCK,3/8-16	
13	5397GT	WASHER,FLAT,USS,5/16",Y	
14	35714GT	SCREW,FHS,3/8-16 X 2.25	
15	100384GT	COL 5 MACHINED, 72.5.....1 QS-20	
16	6175GT	SCREW,HHC,3/8-16 X 1	
17	6021GT	WASHER,LOCK,.375	
18	6097GT	WASHER,FLAT,USS,3/8",Y	
19	100386GT	FORMING, PULLEY BRKT	
20	100379GT	BLOCK, MAST SLIDER, GR20	

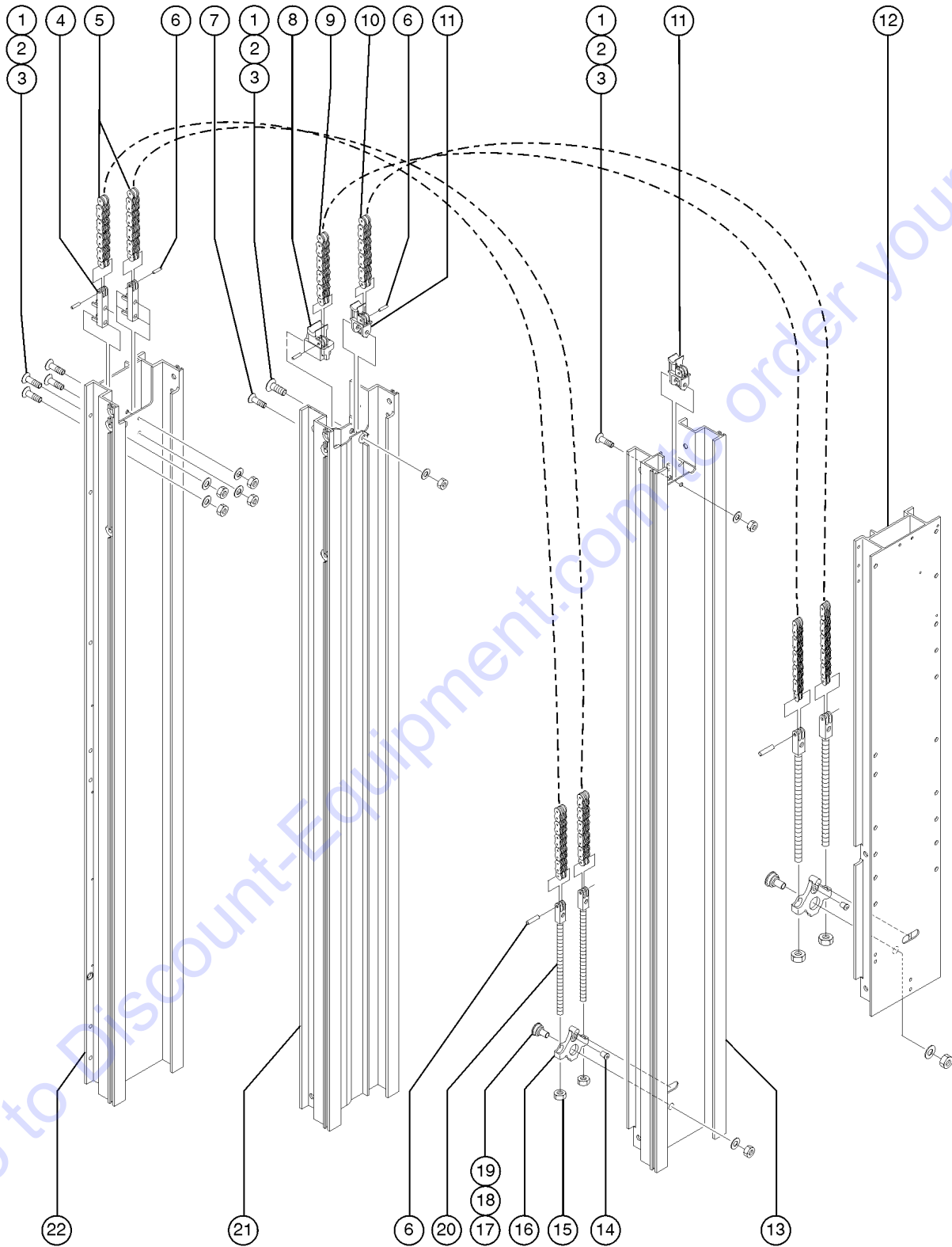
306.1 Carriage Assembly



306.1 Carriage Assembly

Item	Part No.	Description	Qty.
1	8920GT	RIVET,ALUM,ALUM,P,.156 X .375	
2	100745GT	CARRIAGE, 4 & 6 COLUMN.....1 QS-12	1
2A	100744GT	CARRIAGE, 3 & 5 COLUMN QS-15, QS-20	
--		Ref. Carriage Sequencing Cable Assembly (refer to 310.1)	
3	57195GT	GUIDE, SLIDER CARRIAGE.....2	2
4	35734GT	FORMING, SEQUENCING, CARR, ZN...1	1
5	6091GT	NUT,NYLOCK,1/4-20	
6	6090GT	SCREW,HHC,1/4-20 X .75	
7	7713GT	NUT, LP NYLOCK, 3/8-16	
8	6097GT	WASHER,FLAT,USS,3/8",Y	
9	6052GT	WASHER,SHIM,.5 X .875 X .063	
10		Ref. Roller (refer to 301.1)	
11	35706GT	BOLT,ROLLER,.470"(SHORT)	
12	38005GT	SLIDE BLOCK,CARRIAGE%%.....1	1
13	69855GT	RIVET,ALUM,ALUM,.25 X 1.125 AL	
14	100777GT	FORMING, CARRIAGE FLAP MOUNT...1	1
15	56912GT	SPRING CLIP,1/4-20,.025-.15X.54,ZAG	
16	100752GT	COVER, CARRIAGE.....1	1
17	6638GT	WASHER,FLAT,USS,1/4"Y	
18	6888GT	SCREW,HHC,1/4-20 X 1	

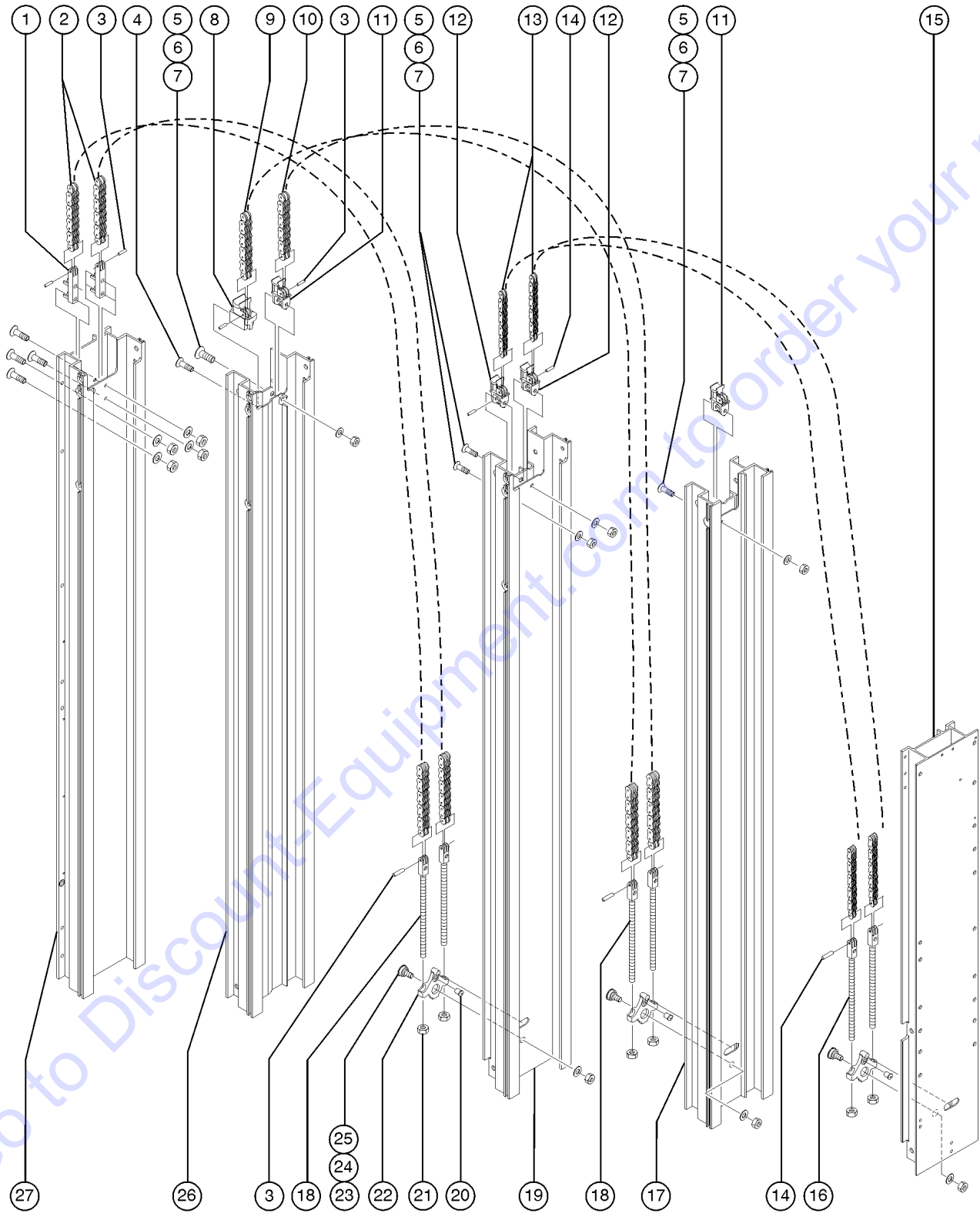
307.1 Lifting Chain Assembly, QS-12



307.1 Lifting Chain Assembly, QS-12

Item	Part No.	Description	Qty.
1	35714GT	SCREW,FHS,3/8-16 X 2.25	
2	5397GT	WASHER,FLAT,USS,5/16",Y	
3	4828GT	NUT,NYLOCK,3/8-16	
4	35699GT	CHAIN TERMINAL CASTING,#1.....2	
5	40550GT	CHAIN ASSY#1,57"COL. S-SERIES.....2 (includes items 4 and 20)	
--	41247GT	CHAIN,STD.LEAF(LG)53.5"S-SERIE (53.5 inches)	
6	6534GT	PIN,GROOVED- .200 X .75*.....8	
7	40945GT	SCREW,FHS,1/4-20 X 2.25	
8	35697GT	CHAIN TERM,CLEVIS CYL.,ZINC.....1	
9	41246GT	CHAIN ASSY.#2 COL. (CYLINDER).....1 (includes items 8 and 20)	
--	41247GT	CHAIN,STD.LEAF(LG)53.5"S-SERIE (53.5 inches)	
10	41248GT	CHAIN ASSY. #2 COL.CWP/SP.....1 (includes items 11 and 20)	
--	41247GT	CHAIN,STD.LEAF(LG)53.5"S-SERIE (53.5 inches)	
11	35695GT	CHAIN TERM,PULLEY SUPORT-ZINC...2 (double slot)	
12		Ref. Carriage (refer to 306.1)	
13		Ref. Number 3 Column (refer to 303.1)	
14	11890GT	GLIDE BUTTON,SIDE,GLL,.100 TK.....2	
15	35712GT	NUT,NYLOCK,3/8-24	
16	35698GT	CHAIN TENSION ROCKER CAST.ZINC.....2	
17	35705GT	BOLT-ROCKER, S-SERIES	
18	6095GT	WASHER,FLAT,USS,1/2",Y	
19	6086GT	NUT,LP NYLOCK,1/2-13	
20	38187GT	CHAIN TERM.LWR.SS(2 SLOT)*.....4 (includes item 6)	
21		Ref. Number 2 Column (refer to 302.1)	
22		Ref. Number 1 Column (refer to 301.1)	

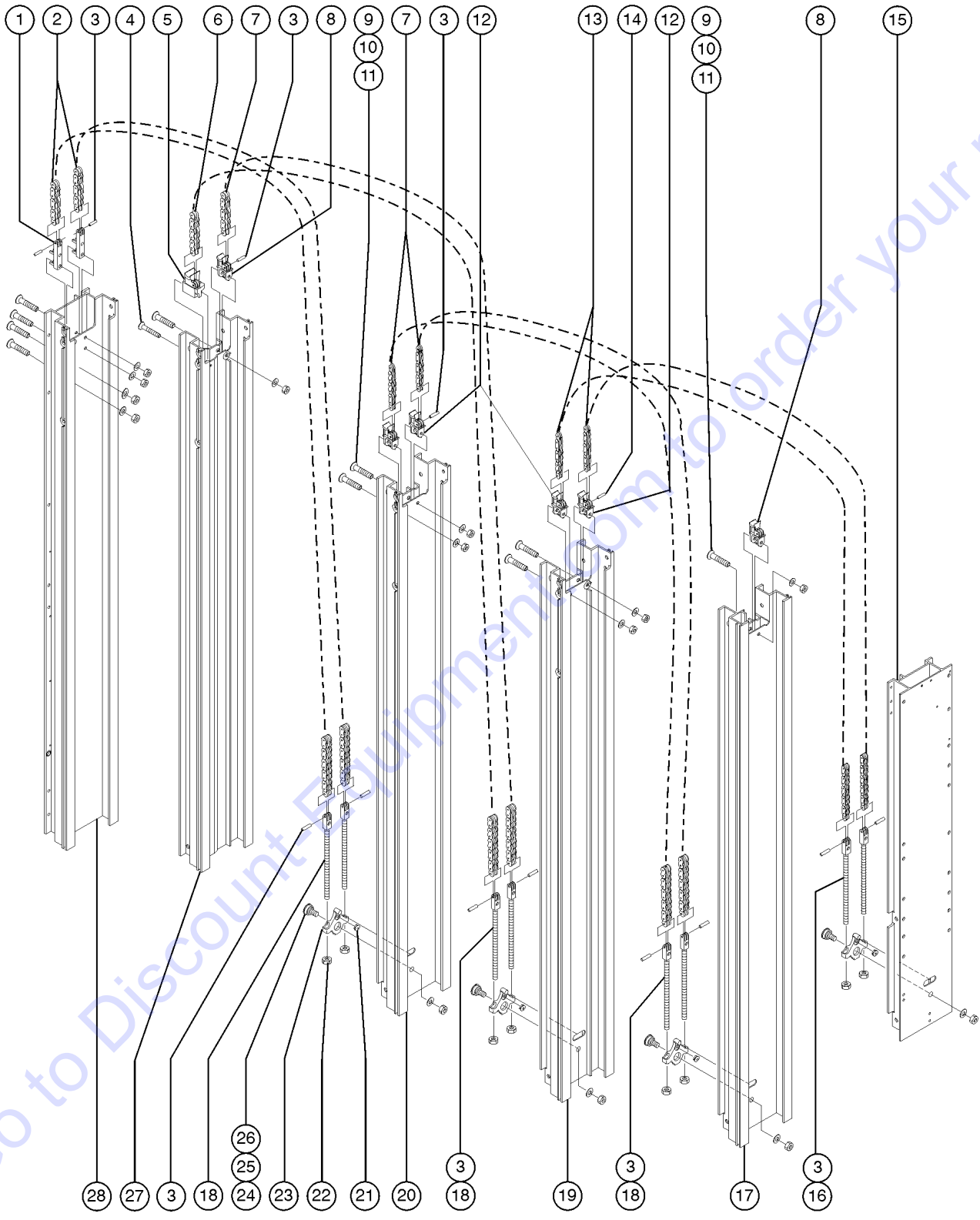
308.1 Lifting Chain Assembly, QS-15



308.1 Lifting Chain Assembly, QS-15

Item	Part No.	Description	Qty.
1	35699GT	CHAIN TERMINAL CASTING,#1.....	2
2	40550GT	CHAIN ASSY#1,57"COL. S-SERIES..... (includes items 1 and 18)	2
3	6534GT	PIN,GROOVED- .200 X .75*.....	8
4	40945GT	SCREW,FHS,1/4-20 X 2.25	
5	35714GT	SCREW,FHS,3/8-16 X 2.25	
6	5397GT	WASHER,FLAT,USS,5/16",Y	
7	4828GT	NUT,NYLOCK,3/8-16	
8	35697GT	CHAIN TERM,CLEVIS CYL.,ZINC.....	1
9	41246GT	CHAIN ASSY.#2 COL. (CYLINDER)..... (includes items 8 and 18)	1
10	41248GT	CHAIN ASSY. #2 COL.CWP/SP..... (includes items 11 and 18)	1
--	41247GT	CHAIN,STD.LEAF(LG)53.5"S-SERIE (53.5 inches)	
11	35695GT	CHAIN TERM,PULLEY SUPORT-ZINC... (double slot)	2
12	38980GT	CHAIN TERM,PULLEY SUPPORT-ZNC..... (single slot)	2
13	41250GT	CHAIN ASSY.SMALL CHAIN CWP/SP... (includes items 12 and 14)	2
--	41249GT	CHAIN,SMALL,53.5" (53.5 inches)	
14	38986GT	PIN,GROOVED,.200 X .50*.....	4
15		Ref. Carriage (refer to 306.1)	
16	41224GT	CHAIN TERM.LWR.SS(1 SLOT)..... (includes item 14)	2
17	35754GT	COLUMN #6, 57" SUPER SERIES** (refer to 304.1) (replaced P/N 35752)	
18	38187GT	CHAIN TERM.LWR.SS(2 SLOT)*..... (includes item 3)	4
19		Ref. Number 3 Column (refer to 303.1)	
20	11890GT	GLIDE BUTTON,SIDE,GLL,.100 TK.....	3
21	35712GT	NUT,NYLOCK,3/8-24	
22	35698GT	CHAIN TENSION ROCKER CAST.ZINC.....	3
23	35705GT	BOLT-ROCKER, S-SERIES.....	3
24	6097GT	WASHER,FLAT,USS,3/8",Y	
25	6086GT	NUT,LP NYLOCK,1/2-13	
26		Ref. Number 2 Column (refer to 302.1)	
27		Ref. Number 1 Column (refer to 301.1)	

309.1 Lifting Chain Assembly, QS-20

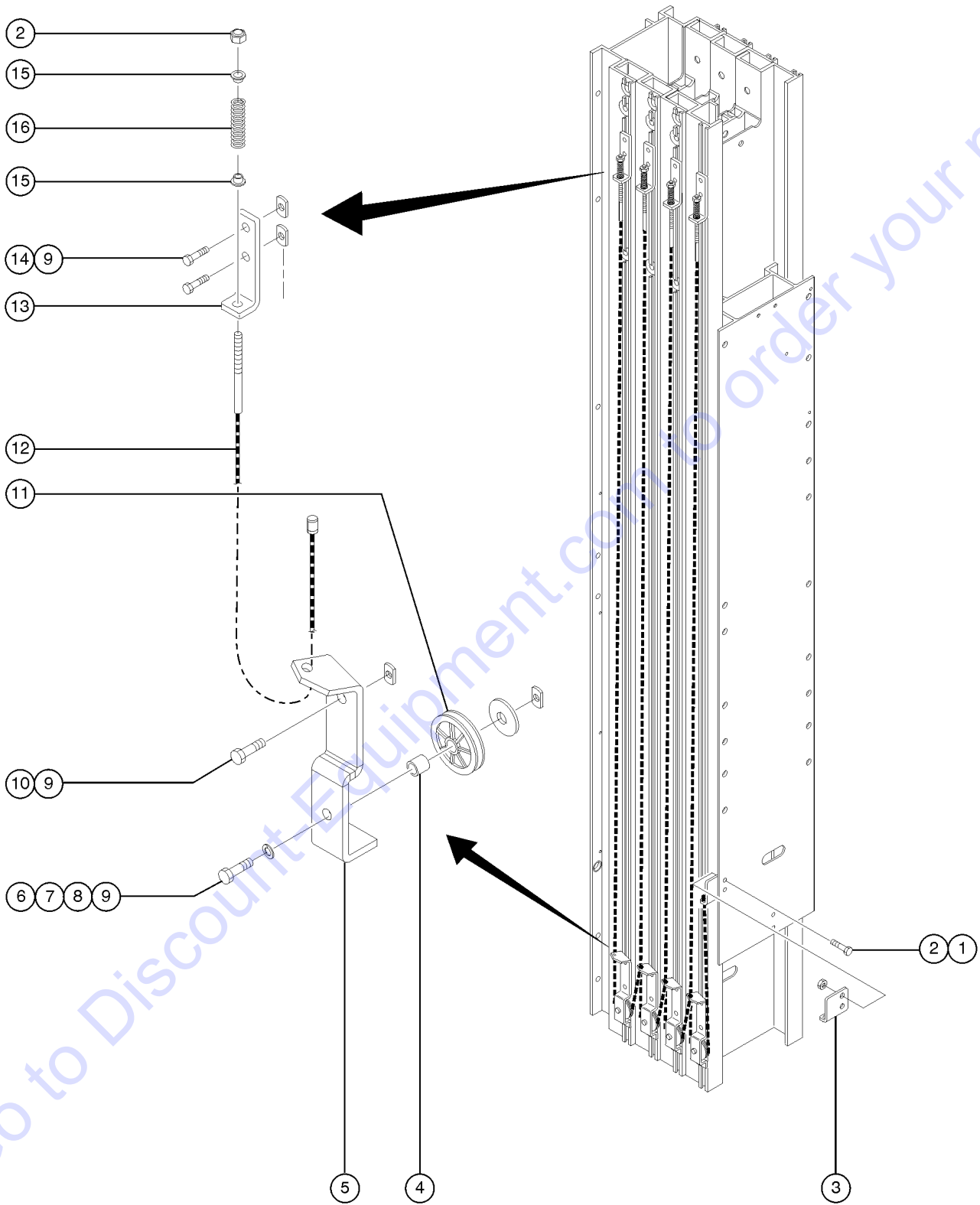


309.1 Lifting Chain Assembly, QS-20

Item	Part No.	Description	Qty.	Item	Part No.	Description	Qty.
1	35699GT	CHAIN TERMINAL CASTING,#1.....	2	28		Ref. Number 1 Column (refer to 301.1)	
2	37385GT	CHAIN ASSY#1,72.5"COL.S-SERIES.... (includes items 1 and 18)	2				
--	35704-6813GT	CHAIN,STD.LEAF AL544,68.13" (68.5 inches)					
3	6534GT	PIN,GROOVED- .200 X .75*.....	12				
4	40945GT	SCREW,FHS,1/4-20 X 2.25.....	1				
5	35697GT	CHAIN TERM,CLEVIS CYL.,ZINC.....	1				
6	37384GT	CHAIN ASSY#2,72.5"COL.S-SERIES.... (includes items 5 and 18)	1				
--	35704-6813GT	CHAIN,STD.LEAF AL544,68.13" (68.5 inches)					
7	37386GT	CHAIN ASSY,72.5"COL. S-SERIES..... (includes items 8 and 18)	3				
--	35704-6813GT	CHAIN,STD.LEAF AL544,68.13" (68.5 inches)					
8	35695GT	CHAIN TERM,PULLEY SUPORT-ZINC... (double slot)	3				
9	35714GT	SCREW,FHS,3/8-16 X 2.25					
10	5397GT	WASHER,FLAT,USS,5/16",Y					
11	4828GT	NUT,NYLOCK,3/8-16.....	10				
12	38980GT	CHAIN TERM,PULLEY SUPPORT-ZNC..... (single slot)	2				
13	37387GT	CHAIN ASSY,72.5COL.(SM)S-SERIE.... (includes items 12 and 16)	2				
--	35703-6813GT	CHAIN,STD.LEAF AL522,68.13" (68.5 inches)					
14	38986GT	PIN,GROOVED,.200 X .50*.....	4				
15		Ref. Carriage (refer to 306.1)					
16	41224GT	CHAIN TERM.LWR.SS(1 SLOT)..... (includes item 14)	1				
17		Ref. Number 5 Column (refer to 305.1)					
18	38187GT	CHAIN TERM.LWR.SS(2 SLOT)*..... (includes item 3)	8				
19		Ref. Number 4 Column (refer to 304.1)					
20		Ref. Number 3 Column (refer to 303.1)					
21	11890GT	GLIDE BUTTON,SIDE,GLL,.100 TK.....	4				
22	35712GT	NUT,NYLOCK,3/8-24					
23	35698GT	CHAIN TENSION ROCKER CAST.ZINC.....	4				
24	35705GT	BOLT-ROCKER, S-SERIES					
25	6095GT	WASHER,FLAT,USS,1/2",Y					
26	6198GT	NUT,NYLOCK,1/2-13					
27		Ref. Number 2 Column (refer to 302.1)					



310.1 Sequencing Cable

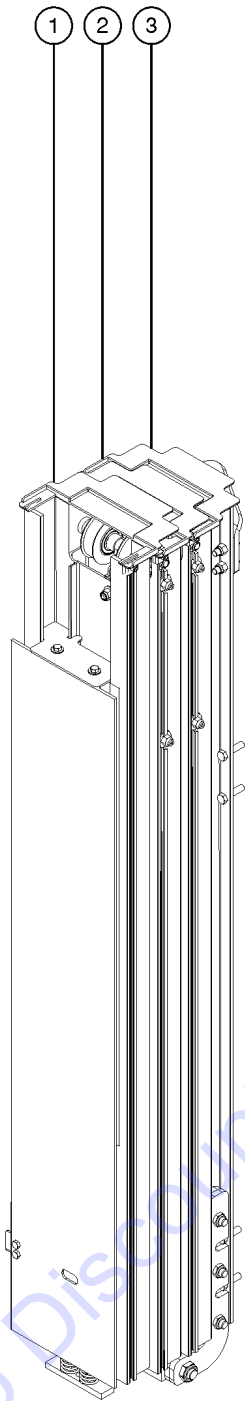


Go to DiscountEquipment.com to order your parts

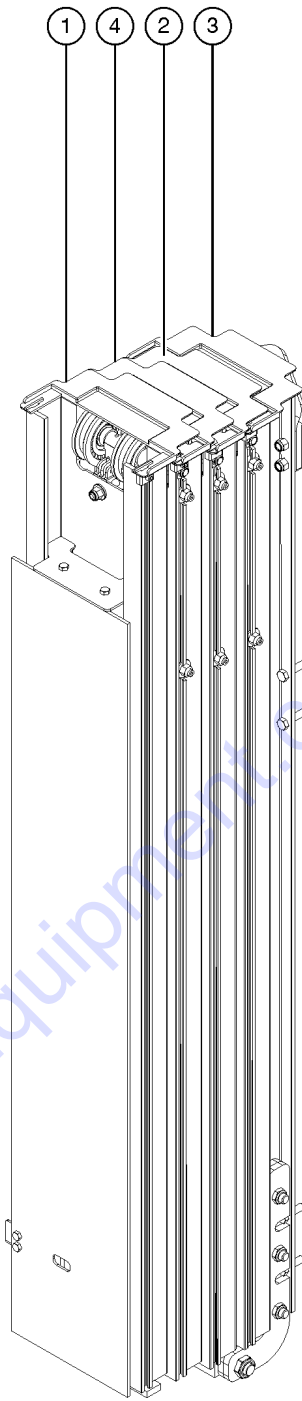
310.1 Sequencing Cable

Item	Part No.	Description	Qty.	Item	Part No.	Description	Qty.
1	6090GT	SCREW,HHC,1/4-20 X .75		16B	8849GT	SPRING, TENSION CABLE.....6 QS-20	
2	6091GT	NUT,NYLOCK,1/4-20					
3	35734GT	FORMING, SEQUENCING, CARR, ZN...1					
4	100905GT	SPACER,TUBE,1/4X3/8X.40" LG.....2 QS-12					
4A	100905GT	SPACER,TUBE,1/4X3/8X.40" LG.....3 QS-15					
4B	100905GT	SPACER,TUBE,1/4X3/8X.40" LG.....4 QS-20					
5	100386GT	FORMING, PULLEY BRKT.....1					
6	6888GT	SCREW,HHC,1/4-20 X 1					
7	6356GT	WASHER,LOCK,.25					
8	12906GT	WASHER,FENDER,.25 X 1.25 X.062					
9	35991GT	NUT,WELD 1/4-20, PLATED L.L.**					
10	11808GT	SCREW,HHC,1/4-20 X .375					
11	35733GT	PULLEY,SEQUENCING,NYLATRON....2 QS-12					
11A	35733GT	PULLEY,SEQUENCING,NYLATRON....3 QS-15					
11B	35733GT	PULLEY,SEQUENCING,NYLATRON....4 QS-20					
12	124081GT	CABLE ASSY,SEQ,MAST,GR12&15.....1 (includes item 13)					
--	100409GT	CABLE ASSY,SEQ,MAST,GR20.....3 (includes item 13)					
--	124081GT	CABLE ASSY,SEQ,MAST,GR12&15.....2 (includes item 13)					
12A	58382GT	CABLE ASSY,SEQ,CARRIAG,GR12/15.....1 (includes item 3)					
--	58381GT	CABLE ASSY,SEQ,CARRIAGE,GR20....1 (includes item 3)					
13	57147GT	BRACKET,SEQUENCING,UPPER,ZI***.2 QS-12					
13A	57147GT	BRACKET,SEQUENCING,UPPER,ZI***.3 QS-15					
13B	57147GT	BRACKET,SEQUENCING,UPPER,ZI***.4 QS-20					
14	7339GT	SCREW,HHC,1/4-20 X .5					
15	38234GT	BUSHING,FLANGE,3/8 OD X 1/4 ID.....4 QS-12					
15A	38234GT	BUSHING,FLANGE,3/8 OD X 1/4 ID.....6 QS-15					
15B	38234GT	BUSHING,FLANGE,3/8 OD X 1/4 ID.....8 QS-20					
16	8849GT	SPRING, TENSION CABLE.....2 QS-12					
16A	8849GT	SPRING, TENSION CABLE.....3 QS-15					

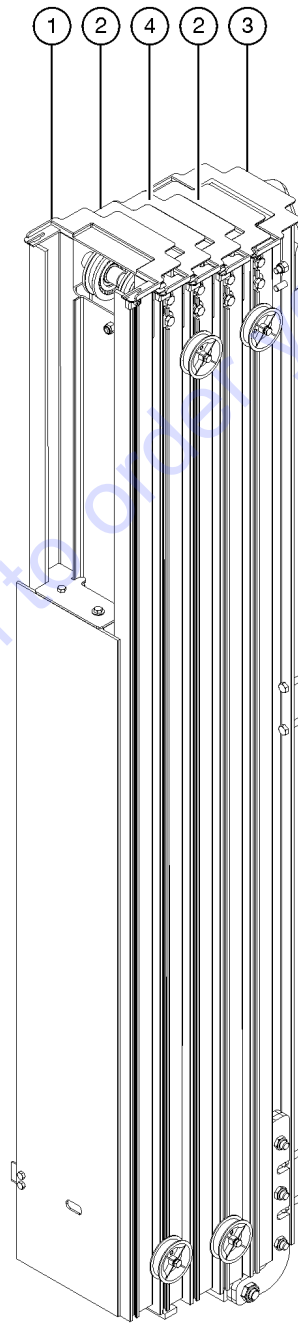
311.1 Mast Covers



QS-12



QS-15



QS-20

PARTS FINDER

**Search Website
by Part Number**



**Search Manual
Library For Parts
Manual & Lookup Part
Numbers – Purchase
or Request Quote**

Search Manuals

Enter your information to help us find the right parts manual for your machine.

* Brand:

* Model:

* Serial:

* Part Number:

SEARCH

**Can't Find Part or
Manual? Request Help
by Manufacturer,
Model & Description**

Parts Order Form

Please fill in the following information to help us find the right part for your machine.

Manufacturer:	<input type="text"/>
Model:	<input type="text"/>
Description:	<input type="text"/>
Part Number:	<input type="text"/>
Quantity:	<input type="text"/>
Notes:	<input type="text"/>

Submit

Discount-Equipment.com is your online resource for quality parts & equipment.

Florida: **561-964-4949** Outside Florida TOLL FREE: **877-690-3101**

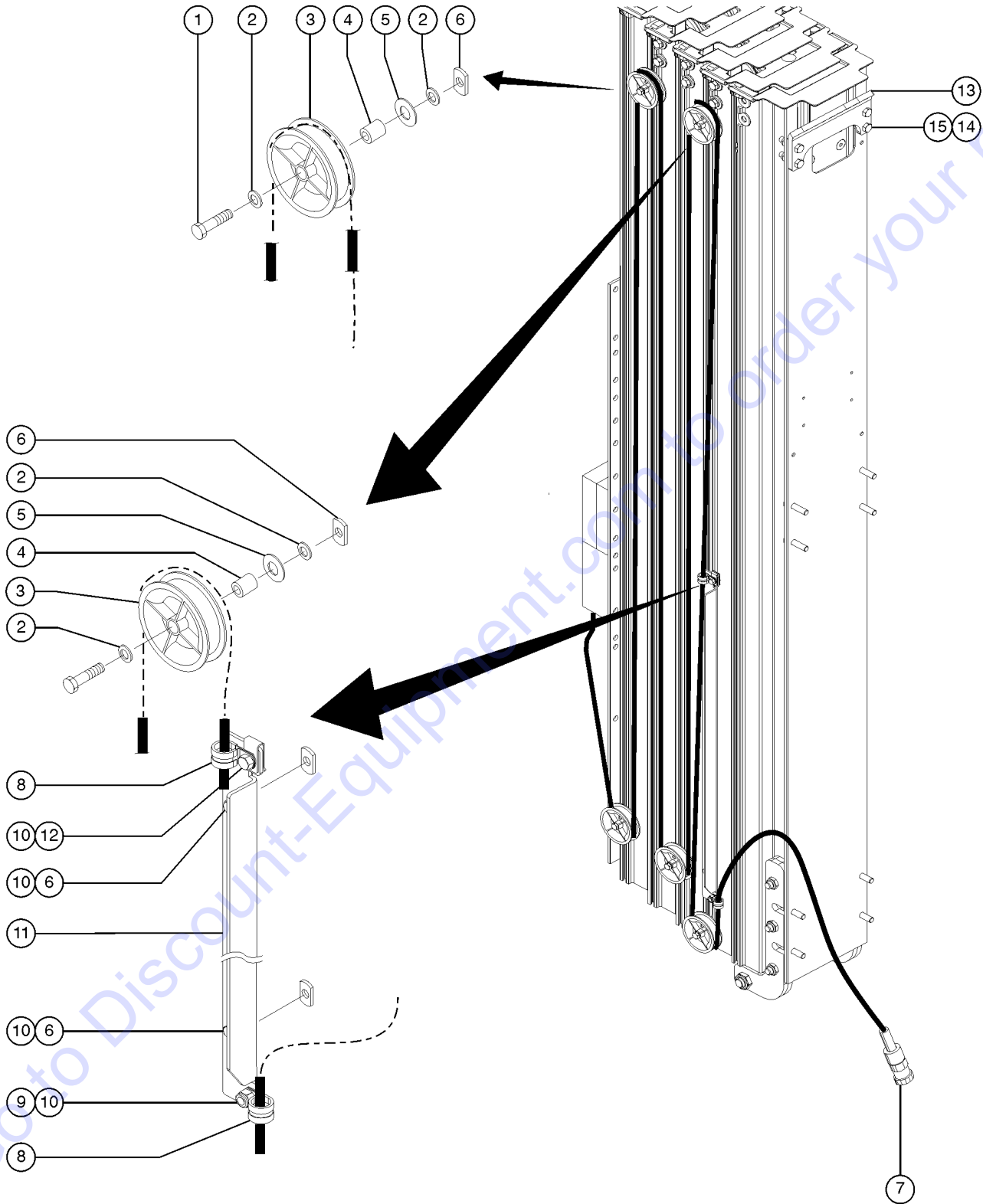
Need parts?

Click on this link: <http://www.discount-equipment.com/category/5443-parts/> and choose one of the options to help get the right parts and equipment you are looking for. Please have the machine model and serial number available in order to help us get you the correct parts. If you don't find the part on the website or on one of the online manuals, please fill out the request form and one of our experienced staff members will get back to you with a quote for the right part that your machine needs.

We sell worldwide for the brands: Genie, Terex, JLG, MultiQuip, Mikasa, Essick, Whiteman, Mayco, Toro Stone, Diamond Products, Generac Magnum, Airman, Haulotte, Barreto, Power Blanket, Nifty Lift, Atlas Copco, Chicago Pneumatic, Allmand, Miller Curber, Skyjack, Lull, Skytrak, Tsurumi, Husquvarna Target, Stow, Wacker, Sakai, Mi-T-M, Sullair, Basic, Dynapac, MBW, Weber, Bartell, Bennar Newman, Haulotte, Ditch Runner, Menegotti, Morrison, Contec, Buddy, Crown, Edco, Wyco, Bomag, Laymor, EZ Trench, Bil-Jax, F.S. Curtis, Gehl Pavers, Heli, Honda, ICS/PowerGrit, IHI, Partner, Imer, Clipper, MMD, Koshin, Rice, CH&E, General Equipment, Amida, Coleman, NAC, Gradall, Square Shooter, Kent, Stanley, Tamco, Toku, Hatz, Kohler, Robin, Wisconsin, Northrock, Oztec, Toker TK, Rol-Air, APT, Wylie, Ingersoll Rand / Doosan, Innovatech, Con X, Ammann, Mecalac, Makinex, Smith Surface Prep, Small Line, Wanco, Yanmar

Item	Part No.	Description	Qty.
1	100770GT	FLAP, MAST COVER #5,#6.....1 QS-12 (column #3)	1
1A	100770GT	FLAP, MAST COVER #5,#6.....1 QS-15 (column 4)	1
1B	100770GT	FLAP, MAST COVER #5,#6.....1 QS-20 (column # 5)	1
2	100769GT	FLAP, MAST COVER #2, #4.....1 QS-12 (column #2)	1
2A	100769GT	FLAP, MAST COVER #2, #4.....1 QS-15 (column 2)	1
2B	100769GT	FLAP, MAST COVER #2, #4.....2 QS-20 (column # 2 and # 4)	2
3	100767GT	FLAP, MAST COVER #1.....1 QS-12 (column #1)	1
3A	100767GT	FLAP, MAST COVER #1.....1 QS-15 (column 1)	1
3B	100767GT	FLAP, MAST COVER #1.....1 QS-20 (column # 1)	1
4	100768GT	FLAP, MAST COVER #3.....1 QS-15 (column 3)	1
4A	100768GT	FLAP, MAST COVER #3.....1 QS-20 (column # 3)	1

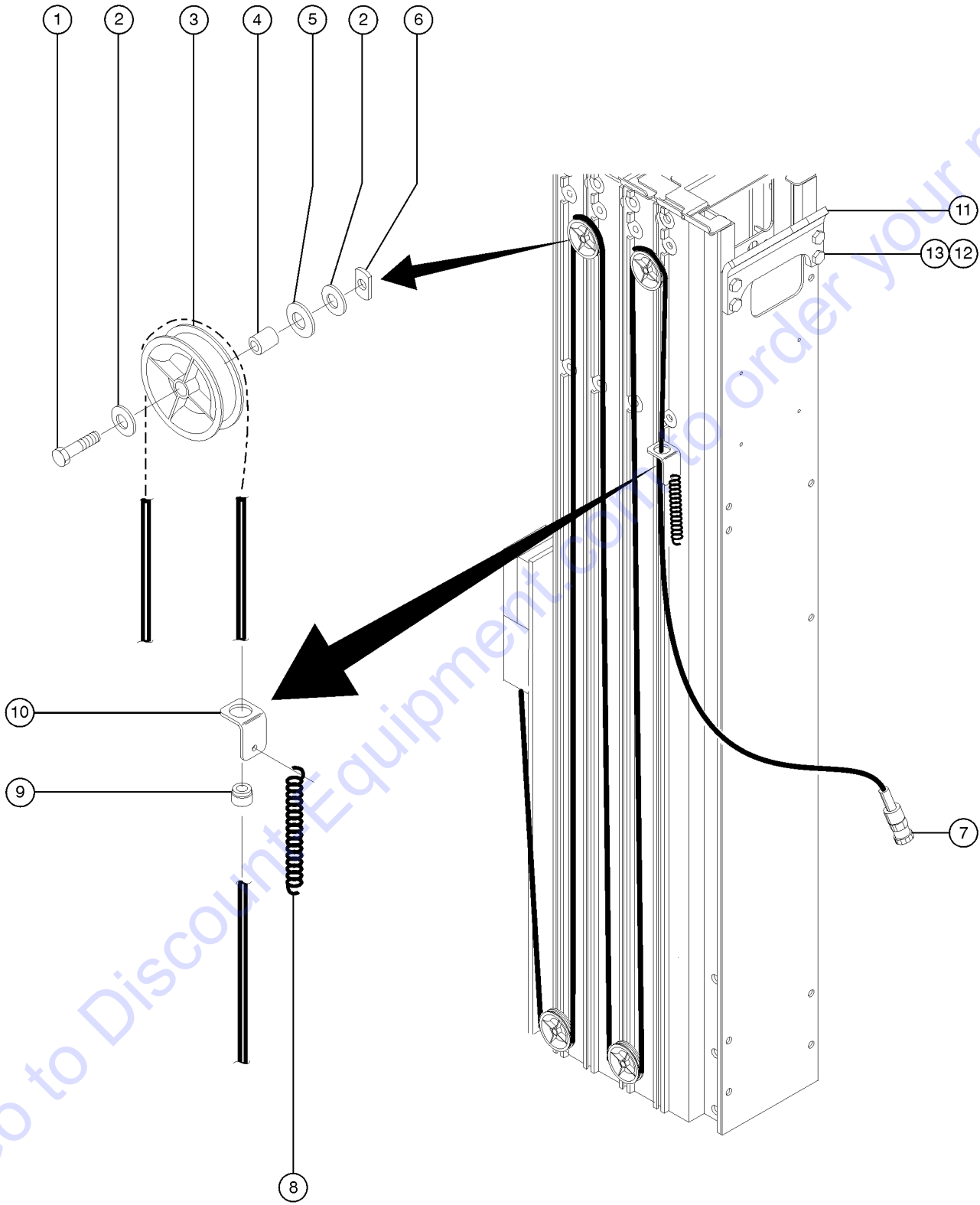
312.1 Control Cable Assembly, QS-12, QS-20



312.1 Control Cable Assembly, QS-12, QS-20

Item	Part No.	Description	Qty.
1	8915GT	SCREW,HHC,1/4-20 X 1.25	
2	25926GT	WASHER,FLAT,M6 PLTD.	
3A	23394GT	PULLEY,ELEC.CNTRL.CABLE,AWP.....3 (QS-20) (shown)	
4	40735GT	SPACER, 1/4ID3/8OD, .875LG	
5	22699GT	WASHER,FLAT,M10,ZINC PLTD.	
6	35991GT	NUT,WELD 1/4-20, PLATED L.L.**	
7		Ref. Control Cable Assembly (refer to 209.1)	
8	6833GT	CLAMP,0.50,#8 X 1/4,RUB CUSH.....2	
9	6091GT	NUT,NYLOCK,1/4-20	
10	7339GT	SCREW,HHC,1/4-20 X .5	
11	124166GT	FORMING,CABLE BRKT,GR.....1	
12	56912GT	SPRING CLIP,1/4-20,.025-.15X.54,ZAG.....1	
13	107023GT	LIFTING EYE ASSEMBLY	
14	8516GT	SCREW, HCC, 3/8-16 X 1.50	
15	4828GT	NUT,NYLOCK,3/8-16	

313.1 Control Cable Assembly, QS-15

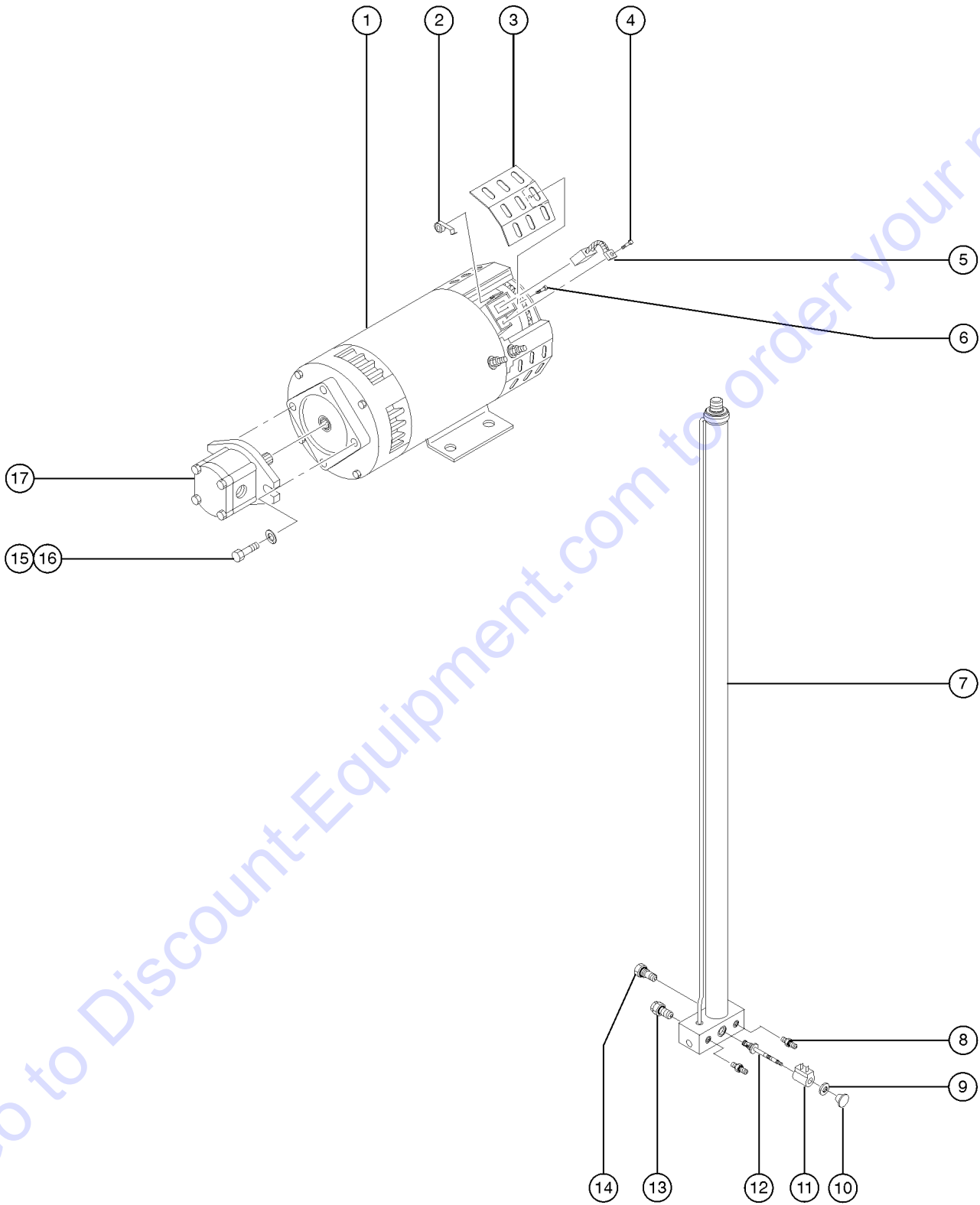


313.1 Control Cable Assembly, QS-15

Item	Part No.	Description	Qty.
1	8915GT	SCREW,HHC,1/4-20 X 1.25	
2	25926GT	WASHER,FLAT,M6 PLTD.	
3	23394GT	PULLEY,ELEC.CNTRL.CABLE,AWP.....4	
4	40735GT	SPACER, 1/4ID3/8OD, .875LG	
5	22699GT	WASHER,FLAT,M10,ZINC PLTD.	
6	35991GT	NUT,WELD 1/4-20, PLATED L.L.**	
7		Ref. Control Cable Assembly (refer to 209.1)	
8	23396GT	SPRING,CONTROL CABLE, AWP.....1	
9	60746GT	BUSHING, STRAIN RELIEF, 1".....1	
10	69529GT	BRACKET,CONTROL CABLE W/BUSHIN.....1 (includes item 9)	

Go to Discount-Equipment.com to order your parts

401.1 Hydraulic Power Unit and Lift Cylinder

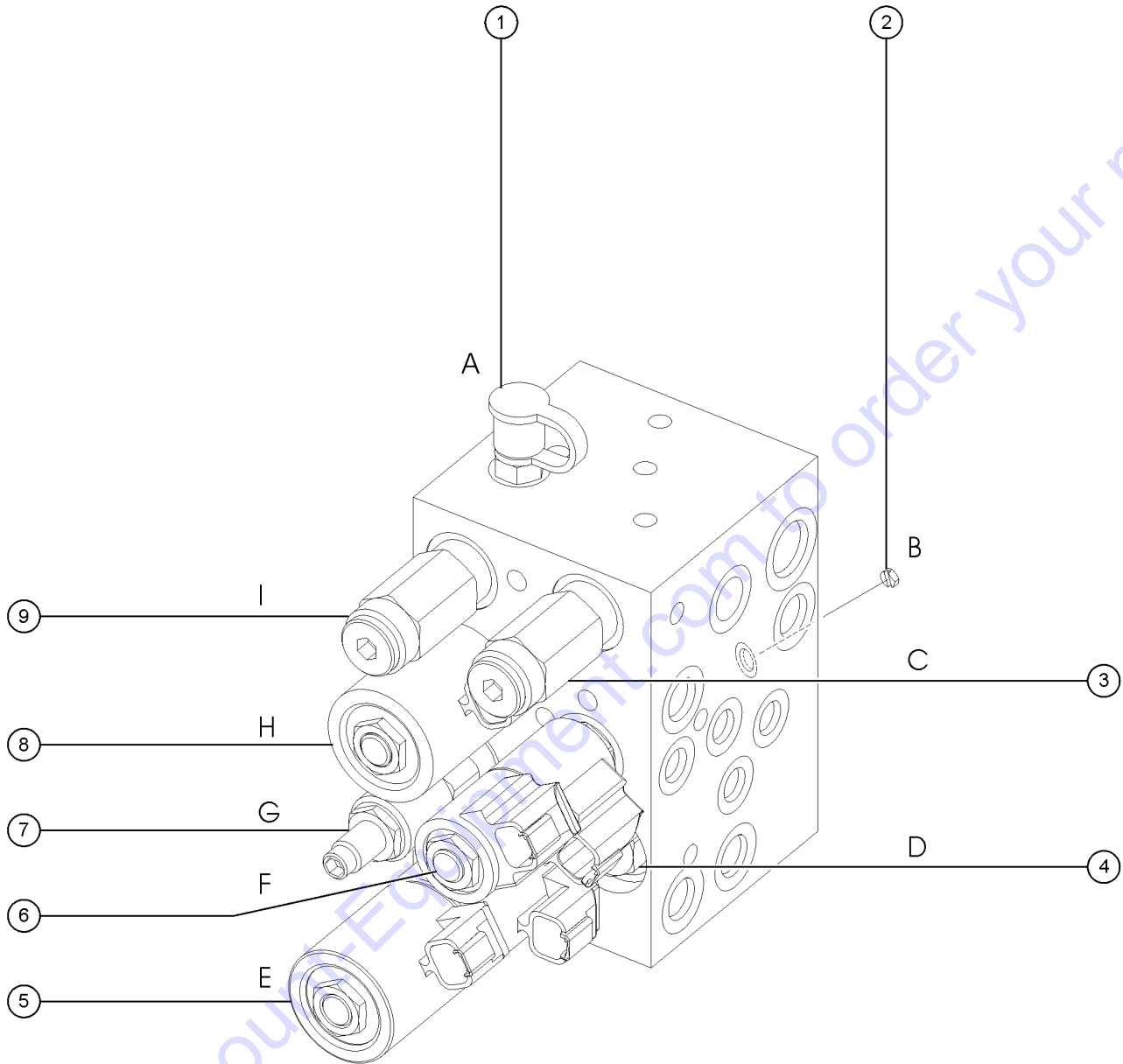


Go to Discount-Equipment.com to order your parts

401.1 Hydraulic Power Unit and Lift Cylinder

Item	Part No.	Description	Qty.
1	105387GT	MOTOR,24DC,ADV.....1 <i>(includes items 2-6)</i>	1
--	43685GT	SEAL KIT,LIFT PUMP,BARNES**	
--	44777GT	BEARING,MOTOR <i>(includes items 2-6)</i>	
--	44778GT	BEARING,MOTOR,36843,BRUSH END*	
--	52915GT	BRUSH LEAD ASSEMBLY KIT(48504)	
--	58934GT	BRUSH BOX ASSEMBLY	
2	44750GT	SPRING-BRUSH,40844, SCISSORS....4	4
3	44752GT	COVER-BRUSH INSPEC.40844,SCISS.....4	4
4	52913GT	SCREW,HH TAPETITE THRD8-32X.50	
5	44751GT	BRUSH,PWR UNIT (40844)**.....4	4
6	52914GT	SCREW,HHTAPTITE THREAD8-32X.38	
7	80949GT	CYLINDER, LIFT 41" STROKE, DY*.....1 QS-12, QS-15	1
--	80941GT	SEAL KIT,DONYANG CYL (35736)**	
7A	100400GT	CYLINDER,LIFT, 70" STROKE.....1 QS-20	1
--	80943GT	SEAL KIT,DONYANG CYL (35737)* QS-20	
8	48905GT	CONN,520120-4***.....2	2
9	52943GT	NUT,SOLENOID VALVE COIL.....1	1
10	38068GT	KNOB,PUSH/PULL,RED.....1	1
11	84422GT	COIL-SOLENOID VALVE,20V DC***.....1	1
12	66465GT	VALVE,W/20V NC SOLENOID,MANUAL.....1 <i>(includes items 9 and 11)</i>	1
13	35725GT	VALVE,FLOW CONTROL PREAS.COMP.....1 <i>(1 gpm, L/min)</i>	1
14	35726GT	VALVE,HYDRAULIC CHECK.....1	1
15	32317GT	SCREW,HHC,3/8-24 X 1 GR 8 YEL.....2	2
16	6021GT	WASHER,LOCK,.375	
17A	96193GT	PUMP,4CC GEAR,CCW***1 <i>Bosch / Rexroth</i>	1
--	233641GT	SEAL KIT,BOSCH PUMP <i>For 96193 w/Bosch PN 9510090001</i>	
--	85197GT	SEAL KIT,BOSCH PUMP*** <i>For 96193 w/Bosch PN 9510290001</i>	
17B		PUMP,4CC GEAR,CCW 228192 <i>Parker (component no longer available)</i>	
--	229453GT	SEAL KIT,PUMP,PARKER (228192) <i>for Parker pump 228192</i>	

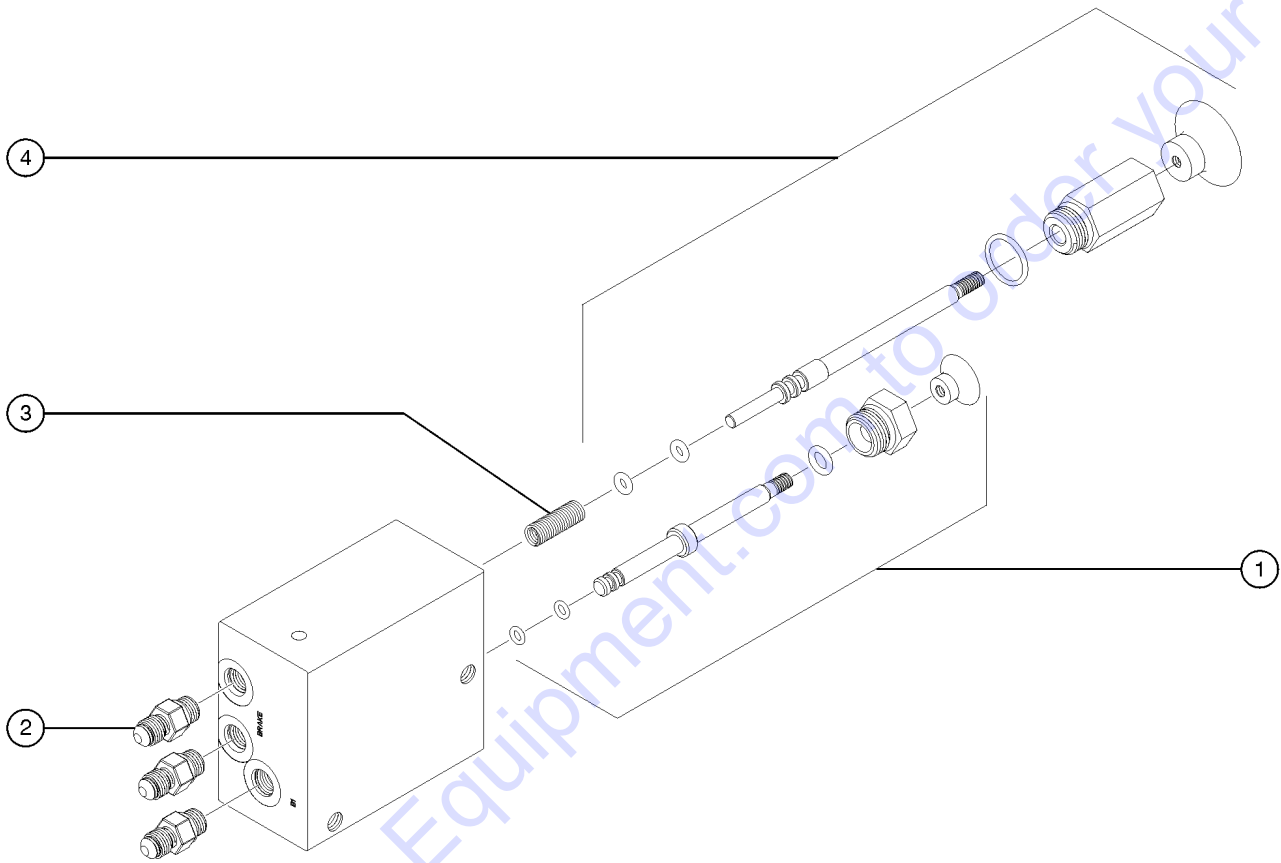
402.1 Function Manifold



Go to DiscountEquipment.com to order your parts

Item	Part No.	Description	Qty.
--	105462GT	KIT,DYN.BRAKING MANIF,MINI <i>Use the letter callouts to cross-reference with the Service Manual.</i>	
--	49612GT	O-RING KIT (ORFS FITTINGS)	
--	49613GT	PLUG AND CAP KIT-SERVICE,ORFS*	
1	48997GT	NIPPLE,DIAGNOSTIC,#4 <i>(A, Testing)</i>	
--	20224GT	DIAGNOSTIC FEMALE Q-DSCNT <i>(pressure gauge not included)</i>	
--	48880GT	CAP,DIAGNOSTIC NIPPLE	
2	84386GT	CHECK DISK, NO SPRING <i>(B, Steer circuit)</i>	
3	65962GT	VALVE-RELIEF, 3700 PSI #8** <i>(C, Lift relief)</i>	
--	44226GT	SEAL KIT-FOR P.N.44167	
4	46216GT	VALVE,CHECK,IWP-S/CWP PWR ASSI <i>(D, Drive circuit)</i>	
--	44227GT	SEAL KIT, VALVE	
5	44172GT	VALVE,SOLENOID,3POS 4WAY*** <i>(E, Drive forward/reverse)</i>	
--	44174GT	NUT-COIL SHORT	
--	44230GT	SEAL KIT-P.N.44169,44172,44171	
--	84385GT	COIL,20VDC DEUTCSH W/DIODE <i>(sold separately)</i>	
6	44168GT	VALVE,SOLENOID,3POS 4WAY <i>(F, Steer left/right)</i>	
--	44174GT	NUT-COIL SHORT	
--	44229GT	SEAL KIT, VALVE	
--	77709GT	COIL,#8 20VDC,DEUTSCH W/DIODE <i>(sold separately)</i>	
7	84384GT	PRTY,FLOW CNTRL VALVE,.75 GPM <i>(G, Steer Circuit) (0.75 gpm / 2.8 L/min, 1500 psi / 103.4 bar)</i>	
--	1261888GT	SEAL KIT (84384) <i>for 84384</i>	
8	44169GT	VALVE-SOLENOID, 2POS 4 WAY <i>(H, Platform up)</i>	
--	44174GT	NUT-COIL SHORT	
--	44230GT	SEAL KIT-P.N.44169,44172,44171	
--	84385GT	COIL,20VDC DEUTCSH W/DIODE <i>(sold separately)</i>	
9	65962GT	VALVE-RELIEF, 3700 PSI #8** <i>(I, System relief)</i>	
--	44226GT	SEAL KIT-FOR P.N.44167	

403.1 Brake Release Manifold



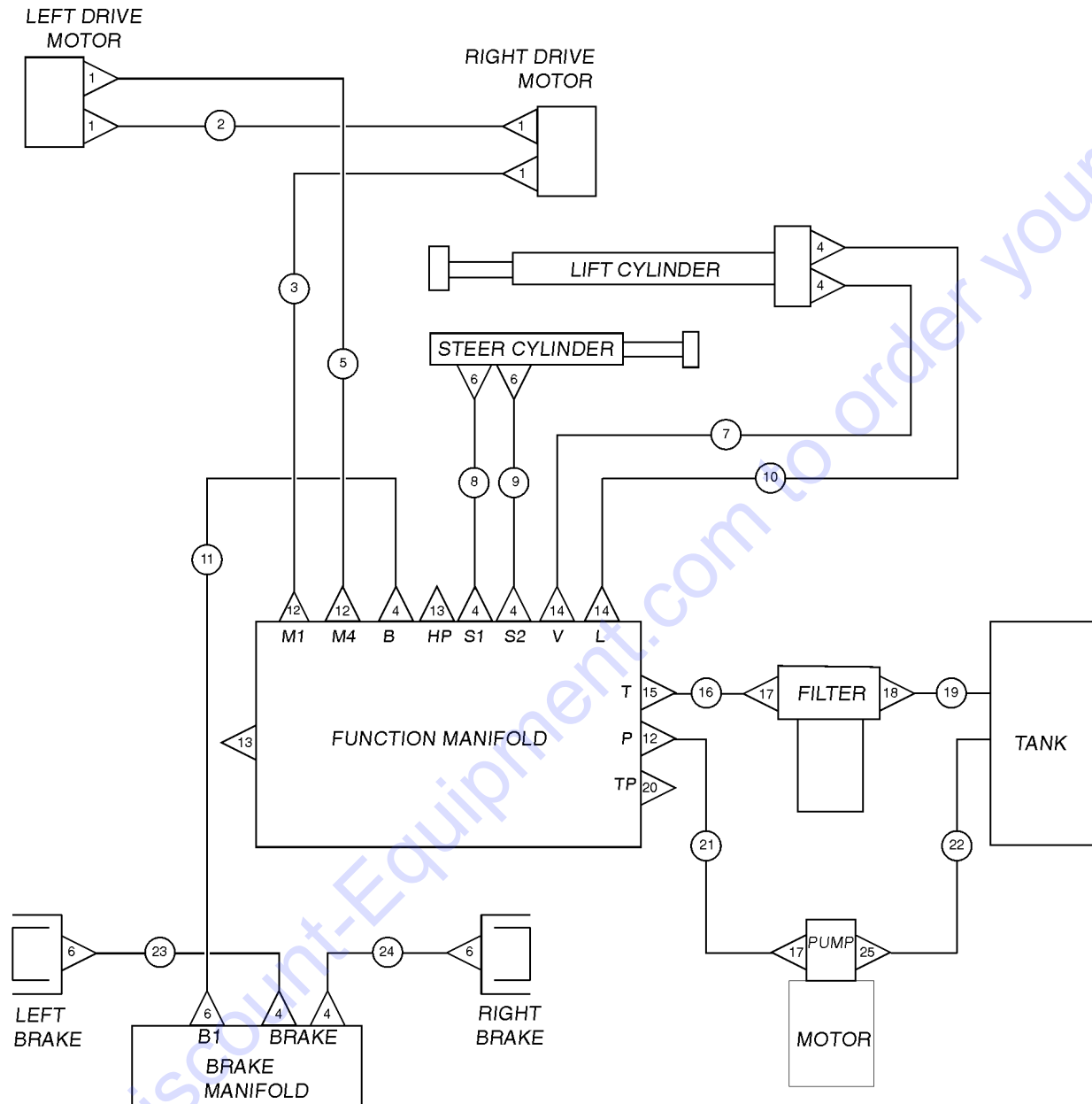
Go to Discount-Equipment.com to order your parts

403.1 Brake Release Manifold

Item	Part No.	Description	Qty.
--	105067GT	MANIFOLD,BRAKE RELEASE <i>(includes items 1, 3 and 4)</i>	
1	84743GT	VALVE,PILOT OPERATED ASSEMBLY*.....	1
--	84740GT	SEAL KIT,HAND PUMP***	
--	84746GT	KNOB,PILOT OP VALVE (BLACK)***	
2	39877GT	CONNECTOR,070120-4-4.....	3
3	84748GT	SPRING,HAND PUMP ROD.....	1
4	84739GT	VALVE,HAND PUMP ASSEMBLY***.....	1
--	84740GT	SEAL KIT,HAND PUMP***	
--	84742GT	KNOB,HAND PUMP (RED)***	

Go to Discount-Equipment.com to order your parts

404.1 Hydraulic Hoses and Fittings

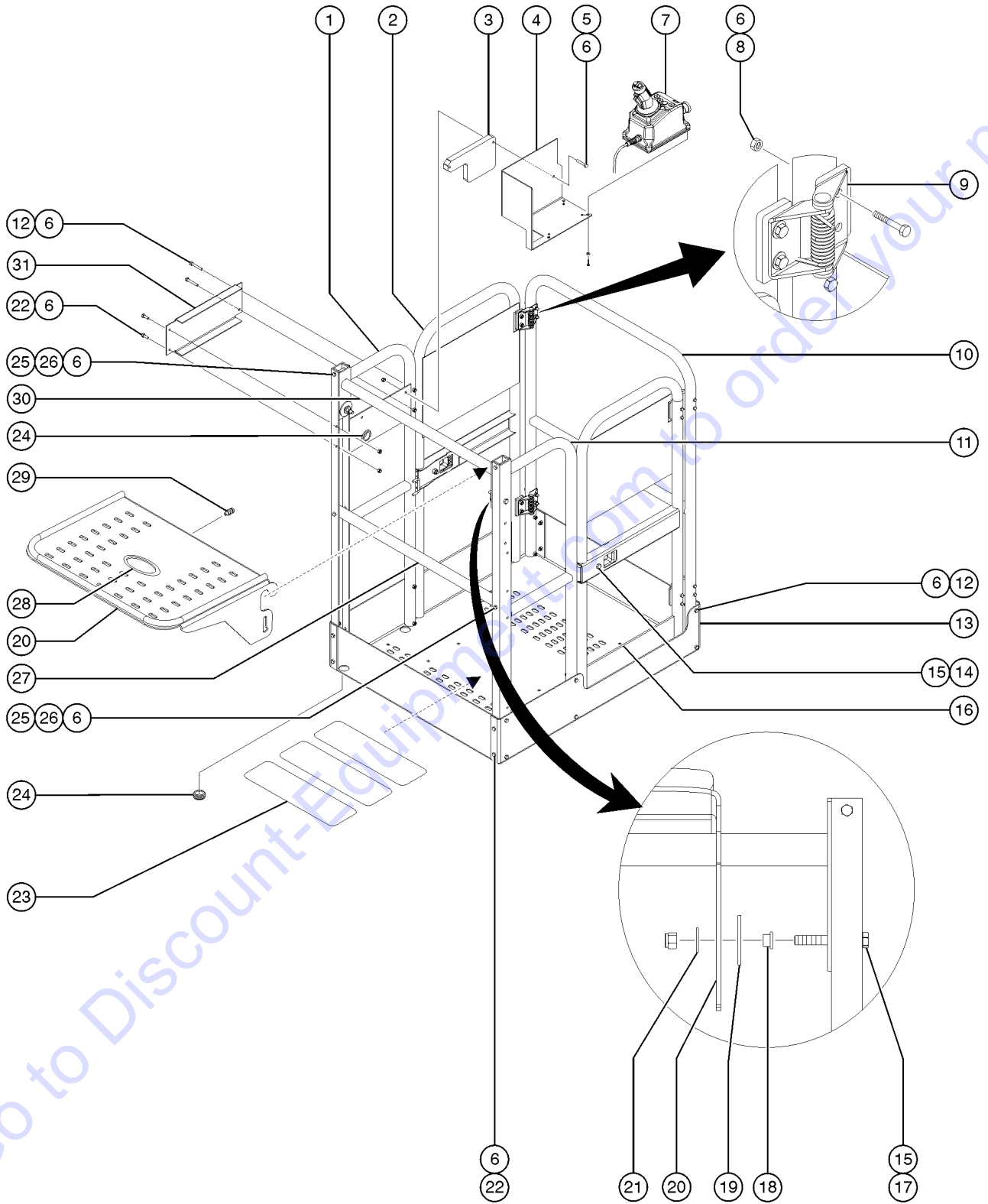


LEGEND	
	ADAPTER
	HOSE ASSEMBLY
	UNION

404.1 Hydraulic Hoses and Fittings

Item	Part No.	Description	Qty.
1	61264GT	ELBOW,90D,520220,6-10.....	4
2	109836GT	HOSE,ASSY,MOTOR CROSSOVER (components: 48812, 48812 and 56776 @ 38 inches)	
3	109837GT	HOSE,ASSY,RT DRIVE MOTOR (components: 39890, 48812 and 56776 @ 88 inches)	
4	39877GT	CONNECTOR,070120-4-4.....	7
5	109838GT	HOSE,ASSY,LT DRIVE MOTOR (components: 39890, 48812 and 56776 @ 92 inches)	
6	13921GT	ELBOW,070220-4-4.....	5
7	100805GT	HOSE,ASSY,LC. TO MAN, VENT..... (components: 78855, 78855 and 78852 @ 37 inches)	1
8	100720GT	HOSE, ASSY, RT STEER..... (components: 78855, 78855 and 78852 @ 65 inches)	1
9	100719GT	HOSE, ASSY, LT STEER..... (components: 78855, 78855 and 78852 @ 69 inches)	1
10	100724GT	HOSE, ASSY, LIFT CYL. TO MAN..... (components: 78855, 78855 and 78852 @ 33 inches)	1
11	100723GT	HOSE, ASSY, BRAKE..... (components: 48805, 48806 and 48751 @ 9.5 inches)	1
12	39878GT	CONNECTOR,070120-6-6.....	3
13	45374GT	PLUG,HEX HEAD,090109A-4.....	2
14		GS30 PENDANT CONTROLLER (39811).....	2
15	39873GT	ELBOW,070220-6-6.....	1
16	100726GT	HOSE, ASSY, MAN TO FILTER..... (components: 96406, 105045 and 75631 @ 15 inches)	1
17	39876GT	ELBOW,070220-6-8.....	2
18	96398GT	CONNECTOR, 070120-12-8.....	1
19	100486GT	TUBE ASSY,RETURN.....	1
20		Ref. Diagnostic Nipple (refer to 402.1)	
21	100725GT	HOSE, ASSY, PRESSURE..... (components: 39890, 39890 and 56776 @ 33 inches)	1
22	100510GT	TUBE ASSY, DRAW.....	1
23	100721GT	HOSE, ASSY, LT BRAKE..... (components: 48805, 48805 and 48751 @ 32 inches)	1
24	100722GT	HOSE, ASSY, RT BRAKE..... (components: 48805, 48805 and 48751 @ 14.5 inches)	1
25	22664GT	ELBOW,070220-12-10.....	1

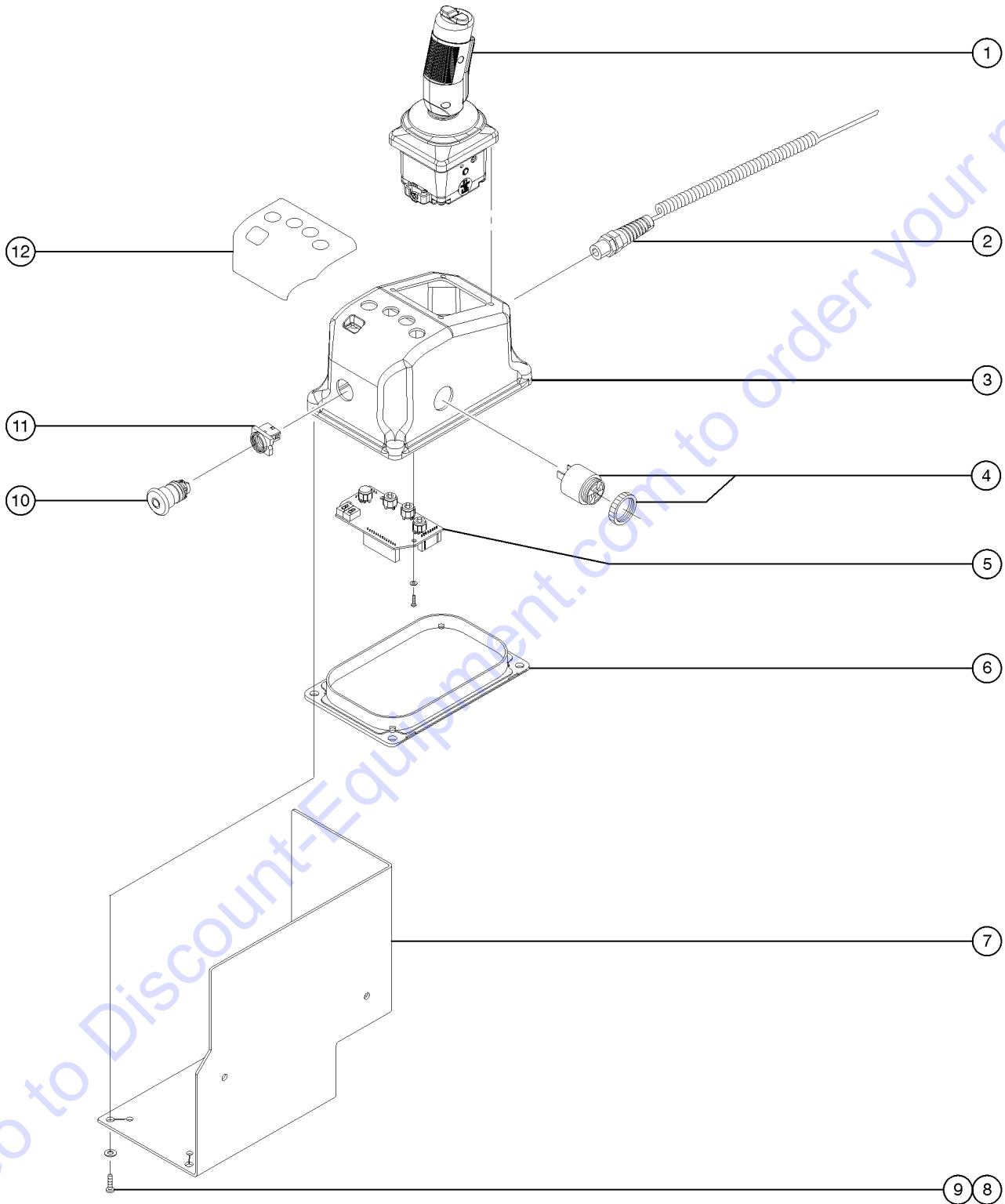
501.1 Platform Assembly



501.1 Platform Assembly

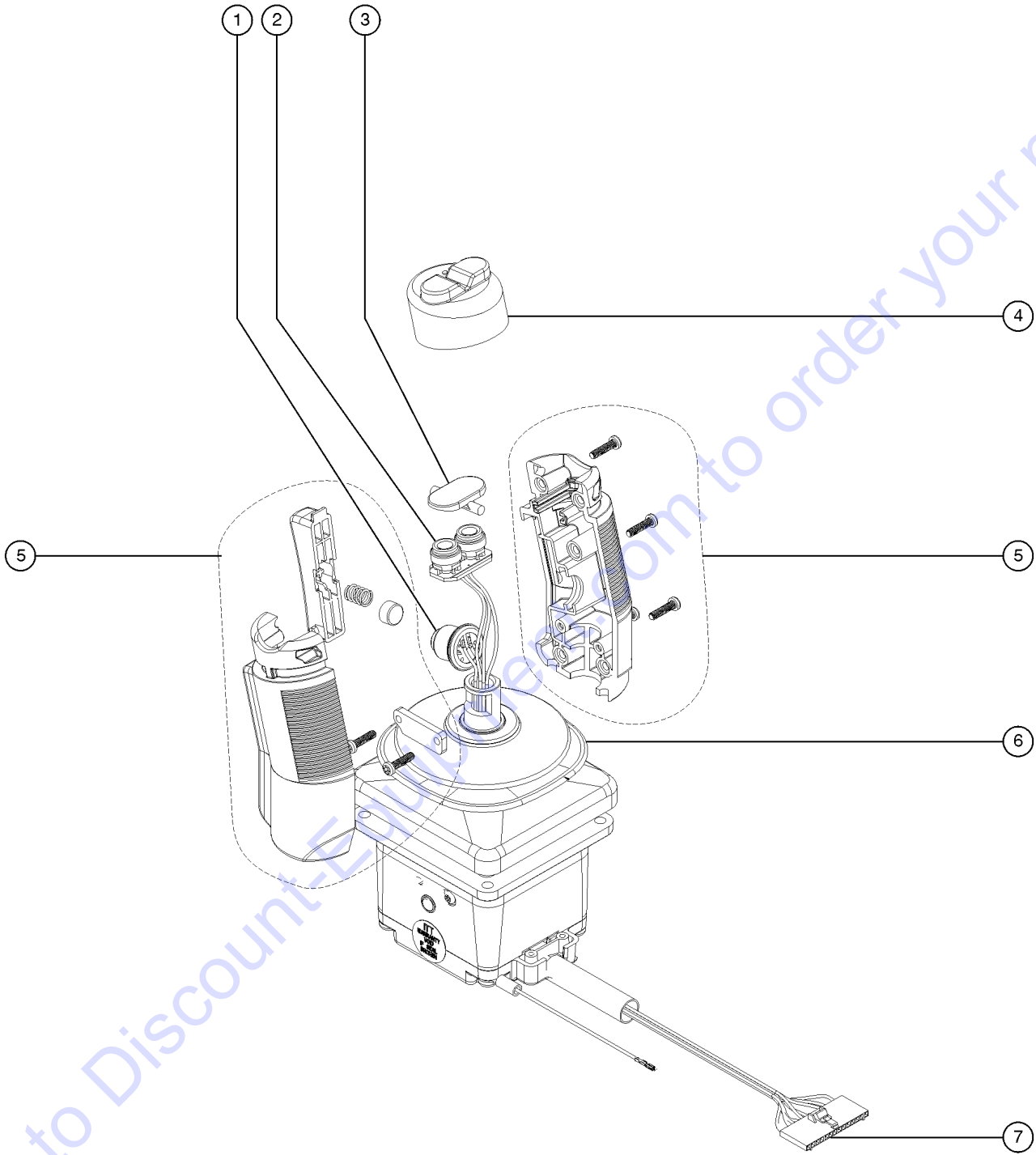
Item	Part No.	Description	Qty.	Item	Part No.	Description	Qty.
--	115440GT	PLAT ASSY W/O B.R, QS-12/15, WRD (USA, Canada)		19	145062GT	WASHER, HDPE, .125X.720ID X 2OD	
--	115441GT	PLAT ASSY W/O B.R, QS-20, WORD (USA, Canada)		20	115459GT	QUICKSTOCK TRAY, COMP, WORD.....1 (USA, Canada)	1
--	115442GT	PLAT ASS WITH B.R, QS-12/15, WRD (USA, Canada)		20A	115460GT	QS TRAY, COMP, SYM, QS-12/15.....1 (USA, Canada)	1
--	115443GT	PLAT ASSY WITH B.R, QS-20, WORD (USA, Canada)		20B	115461GT	QS TRAY, COMP, SYM, QS-20.....1 (USA, Canada)	1
--	115444GT	PLAT ASSY W/O B.R, QS-12/15, SYM (USA, Canada)		21	6097GT	WASHER, FLAT, USS, 3/8", Y	
--	115445GT	PLAT ASSY W/O B.R, QS-20, SYM (USA, Canada)		22	6090GT	SCREW, HHC, 1/4-20 X .75	
--	115446GT	PLAT ASS WITH B.R, QS-12/15, SYM (USA, Canada)		23	47231GT	TAPE, NON-SKID, DIE CUT, 4"X 16".....3	3
--	115447GT	PLAT ASSY WITH B.R, QS-20, SYM (USA, Canada)		24	124962GT	GROMMET, RUBBER, 1.0 X 1.25X1.5.....2	2
1	115448GT	RAILING ASSY, POWER UNIT SIDE.....1	1	25	6884GT	SCREW, HHC, 1/4-20 X 2.5	
2	115450GT	GATE, PWR UNIT SIDE, QS12/15, WRD...1 (USA, Canada)	1	26	6638GT	WASHER, FLAT, USS, 1/4"Y	
2A	115451GT	GATE, PWR UNIT SIDE, QS-20, WRD.....1 (USA, Canada)	1	27	115458GT	MIDRAIL, QS PLATFORM.....1	1
2B	115452GT	GATE, PWR UNIT SIDE, QS12/15, SYM...1 (USA, Canada)	1	--	124063GT	TAPE, DOUBLE SID, LL.....7-inches	7
2C	115453GT	GATE, PWR UNIT SIDE, QS-20, SYM.....1	1	--	35983GT	HANDLE GRIP, LL.....2	2
3	145019GT	SHIM, PLTFRM CNTRL BOX, STKPKR....1	1	28	55067GT	GROMMET, RUBBER 3 X .19 X 3.5.....1	1
4	115455GT	BRACKET, PLAT CNTL BOX, QS-R.....1 (USA, Canada)	1	29	33674GT	PIN, LOCK, SHORT***.....1	1
4A	115456GT	BRACKET, PLAT CNTL BOX, QS-W.....1 (USA, Canada)	1	30	124995GT	WELDMENT, FLUSH TRAY MOUNT.....1	1
5	6145GT	SCREW, HHC, 1/4-20 X 1.5		31	124462GT	FORMING, GR COIL COVER.....1	1
6	6091GT	NUT, NYLOCK, 1/4-20					
7		Ref. Platform Control Box (refer to 502.1)					
8	4266GT	SCREW, HHC, 1/4-20 X 2					
9	104804GT	HINGE, SPRING, LONG LEG.....2	2				
10	100802GT	WELDMENT, ENDRAIL MOUNT, STKPKR.....1	1				
11	115449GT	RAILING ASSY, CONT. BOX SIDE.....1	1				
12	6637GT	SCREW, HHC, 1/4-20 X 1.75					
13	115457GT	TOEBOARD ASSY W/DEC, QS.....1	1				
14	5224GT	SCREW, HHC, 3/8-16 X 2					
15	4828GT	NUT, NYLOCK, 3/8-16					
16	115454GT	GATE ASSY, GND CNTL SIDE, WORD...1 (USA, Canada)	1				
--	22446GT	SPRING, COMPRESSION .835 X 2.....2	2				
--	66544GT	LATCH HANDLE.....2	2				
17	14033GT	SCREW, HHC, 3/8-16 X 2.75					
18	33720GT	BEARING, FLANGE, 3/8 (AWP & ST)....2	2				

502.1 Platform Controls



Item	Part No.	Description	Qty.
--	100840GT	PLATFORM CONTROL BOX GEN 5 <i>(does not include item 7)</i>	
--	1288154GT	KIT,PLATFORM CONTROL GUAR	
1		Ref. Joystick Controller <i>(refer to 503.1)</i>	
2	144065GT	KIT,GEN 5 COIL CORD.....1 <i>(kit, includes connector, coil cord, instructions, dielectric grease and cable tie; see below)</i>	
3	100998GT	ENCLOSURE GEN 5.....1	
4	62164GT	ALARM ASSY,12VDC,ITT,4 PIN****.....1 <i>Does not include 72326 nut</i>	
--	72326GT	NUT - PLASTIC,RING FOR ALARMS	
5	109503GT	PLAT CONTROL CIRCT BRD ASSY G5.....1	
--	105662GT	CLEAR SWITCH ACTUATOR	
--	T108044GT	CLEAR SWITCH ACTUATOR(QTY 10)	
6	100999GT	COVER BOTTOM GEN 5.....1	
7	115455GT	BRACKET,PLAT CNTL BOX,QS-R.....1 <i>(USA, Canada)</i>	
7A	115456GT	BRACKET,PLAT CNTL BOX,QS-W.....1 <i>(USA, Canada)</i>	
8	7339GT	SCREW,HHC,1/4-20 X .5	
9	6638GT	WASHER,FLAT,USS,1/4"Y	
10	66812GT	BUTTON,PUSH,RED MUSHROOM HEAD.....1	
11	66817GT	BASE WITH 1 NC CONTACT, E-STOP...1	
--	66818GT	CONTACT, N.C.	
12		Ref. Platform Control Panel Decal <i>(refer to 101.1 or 102.1)</i>	

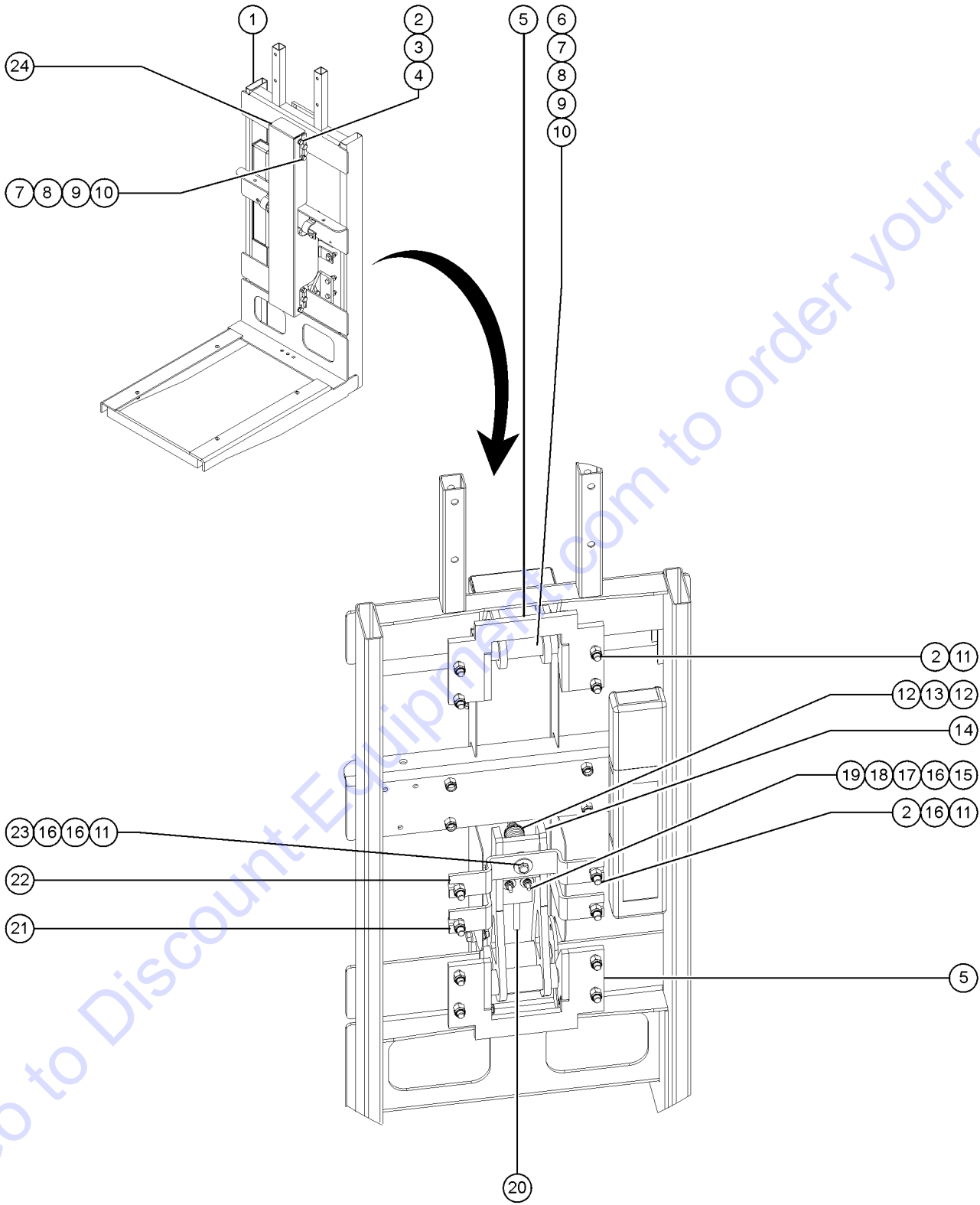
503.1 Joystick Controller



Item	Part No.	Description	Qty.
--	78903GT	JOYSTICK,SINGL AXIS,HALL,SLAB* <i>OEM joystick</i>	
--	78903HGT	JOYSTICK,SINGL AXIS,POT,SLAB <i>aftermarket joystick</i>	
1	105171GT	KIT,JOYSTICK ENABLE SWITCH.....	1
2	105108GT	STEER SWITCH REPAIR KIT***.....	1
3	105109GT	TURN SWITCH ACTUATOR,JOYSTICK**.....	1
4	97015GT	BOOT,THUMB ROCKER***.....	1
5	97014GT	JOYSTICK HANDLE SET, COMPLETE.....	1
6	97013GT	BOOT, JOYSTICK~.....	1
7	105172GT	KIT, PLATFORM PC RECEIPT/SOC.....	1

Go to Discount-Equipment.com to order your parts

504.1 Platform Overload Assembly

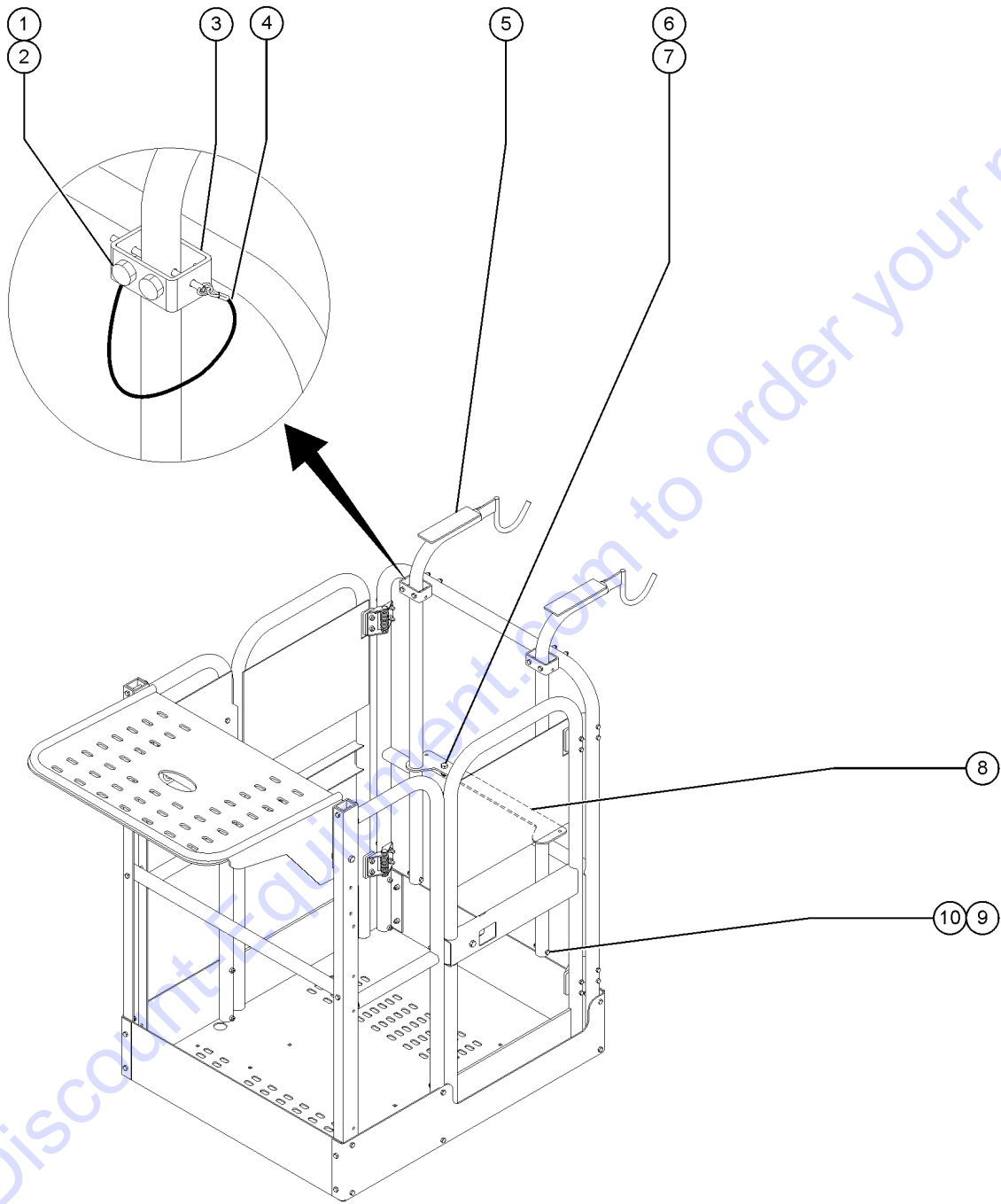


Go to Discount-Equipment.com to order your parts

504.1 Platform Overload Assembly

Item	Part No.	Description	Qty.
1	124626GT	PLATFORM SUPPORT ASSY,CE SYM	
2	6019GT	SCREW,HHC,3/8-16 X 1.25 GRD 5	
3	6021GT	WASHER,LOCK,.375	
4	29868GT	SPRING CLIP,3/8-16,.05-.20X.73,ZAG	
5	100530GT	WELDMENT, LOAD SENSE CARRIAGE.....	2
6	1254350GT	ASSY,LOWER LINK,GR..... <i>(includes bearings, 39581)</i>	1
--	39581GT	BEARING,0.75IDX1.00ODX0.50L.....	4
7	13002GT	SCREW,HHC,5/16-18 X 1 GR5	
8	45748GT	ROD END,.250 X 2.75 LG	
9	124680GT	PIN,0.75DIA X 5.13LG,CHAMFER.....	4
10	6782GT	NUT,NYLOCK,5/16-18	
11	4828GT	NUT,NYLOCK,3/8-16	
12	61975GT	RETAINER,SPRING,1.21 X .375.....	2
13	61974GT	SPRING,COMP,1" OD,232 LB/IN.....	1
14	1254351GT	ASSY,PIVOT LINK,GR..... <i>(includes bearings, 39581)</i>	1
--	39581GT	BEARING,0.75IDX1.00ODX0.50L.....	4
15	15513GT	NUT,HEX,10-32	
16	6607GT	WASHER,LOCK,#10 PLTD	
17	35461GT	WASHER,FLAT,MS,#8,Y	
18	6638GT	WASHER,FLAT,USS,1/4"Y	
19	75041GT	SCREW,PHILLIPS,PHM,10-32 X 1	
20	99183GT	SWITCH, ROLLER PLUNGER LIMIT.....	1
21	100825GT	FORMING, LIMIT SWITCH CARRIER....	1
22	100824GT	FORMING, SPRING CARRIER.....	1
23	8352GT	SCREW,HHC,3/8-16 X 3.75 GD 5	
24	100826GT	FORMING, LOADSENSE COVER.....	1

601.1 Bike Rack

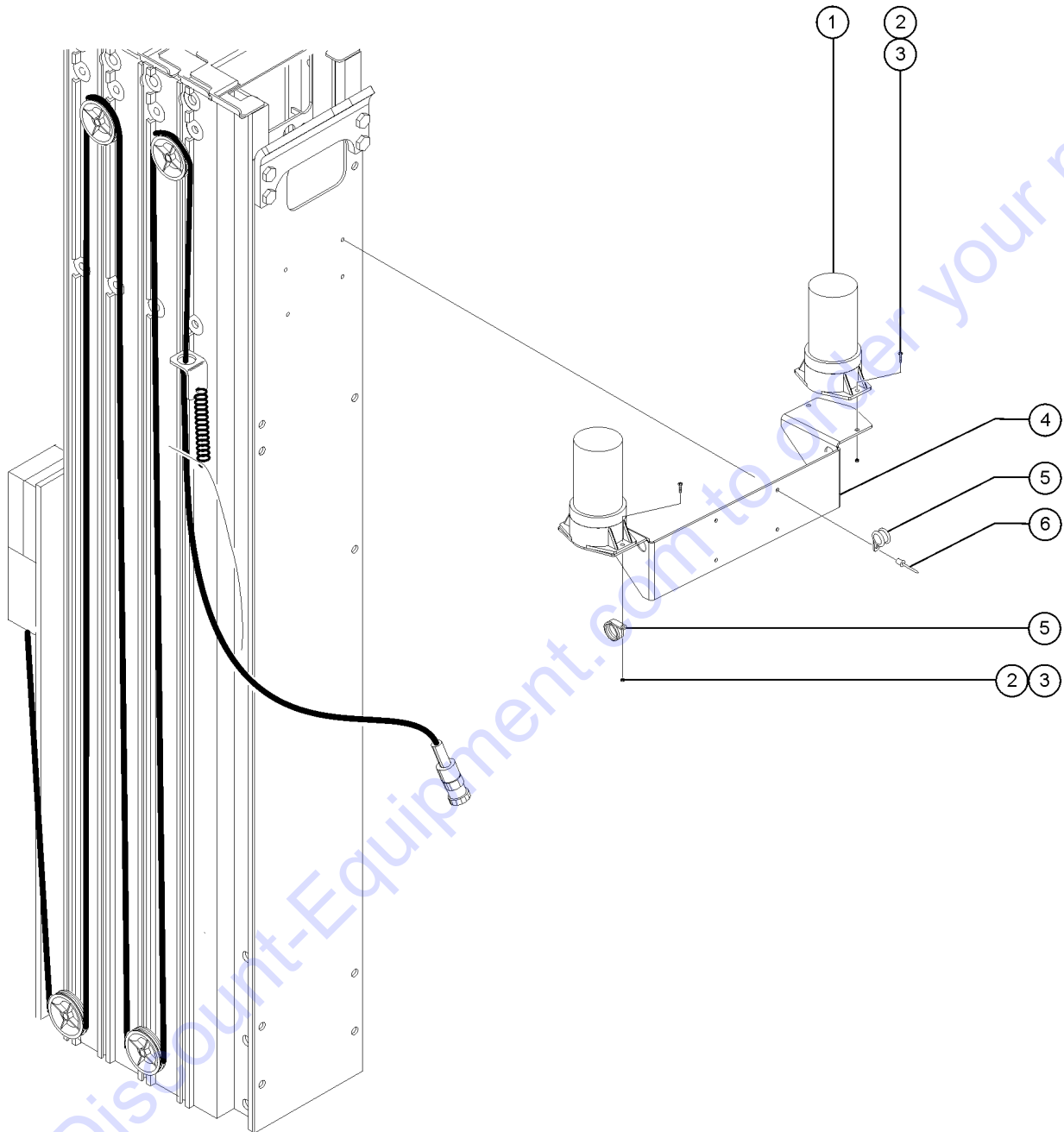


Go to DiscountEquipment.com to order your parts

Item	Part No.	Description	Qty.
—	115432GT	BIKE RACK, STOCKPICKER, GR GR, QS	
1	50160GT	SCREW,HHC,1/4-20 X 3.75	
2	6091GT	NUT,NYLOCK,1/4-20	
3	100028GT	TUBE, BIKE RACK SOCKET.....	2
4		RETAINING PIN ASSY, BIKE RACK.....	1
5A	145309GT	ASM, BIKE HOOK, WORD DECALS.....	2
5B	145310GT	ASM, BIKE HOOK, SYMBOL DECALS.....	—
6	6175GT	SCREW,HHC,3/8-16 X 1	
7	4828GT	NUT,NYLOCK,3/8-16	
8	100926GT	PLATE, BIKE RACK SUPPORT.....	1
9	6637GT	SCREW,HHC,1/4-20 X 1.75	

Go to Discount-Equipment.com to order your parts

602.1 Flashing Beacon, QS-R



602.1 Flashing Beacon, QS-R

Item	Part No.	Description	Qty.
1A	231931GT	STROBE,BEACON, AC COMP 12-80V...2 <i>to SN 185; replaced 105107</i>	
--	105556GT	LENS,FLASHING BEACON	
--	105557GT	BULB,FLASHING BEACON	
1B	231931GT	STROBE,BEACON, AC COMP 12-80V...2 <i>from SN 186</i>	
--	105556GT	LENS,FLASHING BEACON <i>for 231931</i>	
--	105557GT	BULB,FLASHING BEACON <i>for 231931</i>	
2	49816GT	SCREW,PHILLIPS,PHM,10-32 X .75	
3	6178GT	NUT,NYLOCK,10-32	
4A	115462GT	BRACKET,BEACON MOUNT,110V.....1	
4B	145311GT	BRACKET,BEACON MOUNT,220V.....—	
5	45470GT	CLAMP,0.31,#5 X 1/4,RUB CUSH.....2	
6	38600GT	RIVET,STL,STL,.156 X .50	

Go to Discount-Equipment.com to order your parts

Part Number Index

The Part Number Index is a numeric index of all part numbers included in this manual. The index shows what page(s) the part is used on.

Part Number	Page	Part Number	Page	Part Number	Page	Part Number	Page
100028GT	77	100929GT	33	115456GT	69, 71	133512GT	11, 13
100352GT	23	100931GT	33	115457GT	69	133513GT	13
100379GT	35, 37, 43	100942GT	39	115458GT	69	133514GT	13
100380GT	35	100981GT	31	115459GT	69	133515GT	11
100381GT	37	100986GT	23	115460GT	69	133586GT	11
100382GT	39	100998GT	71	115461GT	69	13921GT	67
100383GT	41	100999GT	71	115462GT	79	14033GT	69
100384GT	43	101718GT	39	11808GT	35, 37, 53	14297GT	25
100386GT	43, 53	104804GT	69	11890GT	47, 49, 51	144065GT	71
100400GT	61	105060GT	21	12016GT	21, 39	144161GT	29
100409GT	53	105067GT	65	122449GT	25	144180GT	29
100483GT	35	105092GT	15, 17	12343GT	15, 17	145013GT	23
100484GT	27	105108GT	73	12344GT	25, 27	145014GT	23
100486GT	67	105109GT	73	124063GT	69	145016GT	23
100488GT	21	105142GT	25	124081GT	53	145019GT	69
100489GT	21	105150GT	23	124105GT	23	145048GT	33
100492GT	21	105171GT	73	124122GT	15, 17	145062GT	69
100510GT	67	105172GT	73	124151GT	23	145073GT	25
100530GT	75	105334GT	29	124152GT	23	145083GT	15
100673GT	39	105387GT	61	124166GT	57	145084GT	15
100698GT	33	105440GT	19	124224GT	25	145085GT	17
100711GT	35	105462GT	63	124225GT	27	145086GT	17
100712GT	37	105547GT	15, 17	124232GT	25	145259GT	25
100713GT	39	105550GT	15, 17	124233GT	27	145284GT	25
100714GT	39	105556GT	79	124244GT	19	145309GT	77
100715GT	41	105557GT	79	124449GT	25	145310GT	77
100719GT	67	105565GT	15, 17	124452GT	33	145311GT	79
100720GT	67	105573GT	25, 27	124453GT	33	145312GT	25
100721GT	67	105662GT	71	124462GT	69	145329GT	23
100722GT	67	105739GT	29	124485GT	25	145334GT	33
100723GT	67	106924GT	15, 17	124486GT	25	145346GT	25
100724GT	67	107023GT	35, 57	124487GT	27	15086GT	23
100725GT	67	107131GT	35	124488GT	27	15513GT	21, 35, 75
100726GT	67	107132GT	35	124489GT	27	18396GT	15, 17
100728GT	31	107133GT	23	124626GT	75	18503GT	23
100729GT	31	107134GT	23	124680GT	75	18504GT	25
100730GT	31	107135GT	25	124962GT	23, 69	18605GT	25
100731GT	31	107359GT	15, 17	124985GT	29	19274GT	25, 33
100732GT	31	107370GT	21	124995GT	69	19491GT	21, 35
100733GT	31	109500GT	41, 43	1254350GT	75	19506GT	25
100734GT	31	109503GT	71	1254351GT	75	20224GT	63
100735GT	31	109519GT	11	1257035GT	31	215550GT	19
100736GT	31	109581GT	15, 17	1257062GT	31	219480GT	29
100744GT	45	109836GT	67	1257063GT	31	22261GT	21
100745GT	45	109837GT	67	1257064GT	31	22446GT	69
100752GT	45	109838GT	67	1257065GT	31	22664GT	67
100754GT	33	109839GT	23	1257203GT	25	22699GT	35, 41, 57, 59
100763GT	33	109840GT	23	1257714GT	39	229453GT	61
100765GT	33	114325GT	11	1260891GT	39	231931GT	79
100767GT	55	114334GT	13	1261888GT	63	232535GT	25
100768GT	55	114338GT	13	1268235GT	35	232573GT	25
100769GT	55	114469GT	11, 13	1280665GT	29	232580GT	25
100770GT	55	115432GT	77	1288154GT	71	232848GT	25
100776GT	33	115433GT	23	12906GT	53	233641GT	61
100777GT	45	115434GT	23	13002GT	75	23394GT	35, 57, 59
100778GT	35	115435GT	11	130083GT	19	23396GT	23, 59
100780GT	33	115436GT	13	133013GT	11	235340GT	39
100782GT	33	115438GT	23	133014GT	11	25388GT	29
100802GT	69	115439GT	23	133015GT	13	25926GT	35, 41, 57, 59
100805GT	67	115440GT	69	133092GT	11	28174GT	11, 13
100808GT	19	115441GT	69	133144GT	11, 13	28175GT	11
100809GT	23	115442GT	69	133146GT	13	28235GT	11, 13
100824GT	75	115443GT	69	133147GT	13	28373GT	11
100825GT	75	115444GT	69	133277GT	11	29868GT	75
100826GT	75	115445GT	69	133429GT	11	31071GT	11
100832GT	33	115446GT	69	133450GT	11	31508GT	11
100834GT	21	115447GT	69	133451GT	11	31788GT	11
100839GT	25	115448GT	69	133498GT	13	32317GT	61
100840GT	71	115449GT	69	133505GT	11, 13	33373GT	15, 17, 19
100858GT	37	115450GT	69	133506GT	11, 13	33674GT	69
100864GT	33	115451GT	69	133507GT	11, 13	33720GT	69
100905GT	53	115452GT	69	133508GT	11, 13	34742GT	21
100913GT	23	115453GT	69	133509GT	11, 13	35461GT	75
100915GT	21	115454GT	69	133510GT	11, 13	35695GT	47, 49, 51
100926GT	77	115455GT	69, 71	133511GT	11, 13	35697GT	47, 49, 51

Part Number	Page	Part Number	Page	Part Number	Page	Part Number	Page
35698GT	47, 49, 51	44169GT	63	6097GT	15, 17, 21, 23,	81579GT	25
35699GT	47, 49, 51	44172GT	63		35, 37, 39, 41,	81777GT	23
35703-6813GT	51	44174GT	63		43, 45, 49, 69	822685GT	19
35704-6813GT	51	44207GT	27	61264GT	67	823408GT	25
35705GT	47, 49, 51	44226GT	63	6145GT	69	82366GT	11
35706GT	35, 37, 39, 41, 45	44227GT	63	6175GT	27, 35, 37, 39,	82473GT	13
35707GT	37, 39, 41, 43	44229GT	63		41, 43, 77	82481GT	13
35709GT	35, 39	44230GT	63	6178GT	25, 79	82487GT	13
35710GT	37	44736GT	11	61974GT	75	82495GT	13
35711GT	39, 41, 43	44750GT	61	61975GT	75	8255GT	15, 17
35712GT	47, 49, 51	44751GT	61	6198GT	15, 17, 19, 23, 51	82614GT	13
35714GT	35, 41, 43, 47,	44752GT	61	62164GT	71	82666GT	13
	49, 51	44777GT	61	6356GT	25, 27, 53	82836GT	13
35715GT	41, 43	44778GT	61	6357GT	15, 17	82864GT	11
35722GT	39, 41, 43	44788GT	27	64154GT	21	82966GT	13
35725GT	61	44980GT	11, 13	64260GT	33	82975GT	11
35726GT	61	45374GT	67	65052GT	11	83093GT	25
35733GT	53	45425GT	37, 39, 41, 43	6534GT	47, 49, 51	8352GT	75
35734GT	45, 53	45470GT	79	6545GT	15, 17	84384GT	63
35754GT	49	45546GT	25, 27	65616GT	15, 17	84385GT	63
35983GT	69	45748GT	75	6595GT	29	84386GT	63
35991GT	35, 37, 41, 53,	46216GT	63	65962GT	63	84422GT	61
	57, 59	47231GT	69	6607GT	35, 75	84739GT	65
37384GT	51	47548GT	15, 17	66094GT	25	84740GT	65
37385GT	51	47569GT	23	66204GT	27	84742GT	65
37386GT	51	4828GT	15, 17, 35, 41,	6637GT	25, 39, 69, 77	84743GT	65
37387GT	51		43, 47, 49, 51,	6638GT	15, 17, 27, 39,	84746GT	65
37686GT	41, 43		57, 69, 75, 77		45, 69, 71, 75	84748GT	65
37947GT	25	48880GT	63	66398GT	25	8516GT	35, 57
38005GT	45	48905GT	61	66465GT	61	85197GT	61
38011GT	35, 37	48997GT	63	66544GT	69	85239GT	25
38013GT	35	49612GT	63	66717GT	25	87561GT	21
38026GT	35	49613GT	63	66770GT	15, 17	8849GT	53
38028GT	35	49816GT	79	66812GT	25, 71	8914GT	27
38068GT	61	50160GT	77	66817GT	25, 71	8915GT	25, 35, 41, 57, 59
38122GT	11	51063GT	21, 35	66818GT	25, 71	8920GT	45
38149GT	11, 13	51577GT	25	6782GT	75	90337GT	35
38187GT	47, 49, 51	51578GT	25	6833GT	57	9116GT	27
38234GT	53	5224GT	23, 69	6873GT	25	9145GT	15, 17
38316GT	39, 41	52475GT	11, 13	6878GT	19, 23, 25, 27	96008-SGT	25
38447GT	37, 39, 41	52730GT	19	6884GT	27, 69	96009GT	25
38600GT	79	52865GT	11	6888GT	19, 45, 53	96010GT	25
38601GT	35	52913GT	61	6889GT	25, 27	96113GT	19
38709GT	37, 39, 41	52914GT	61	69529GT	59	96135GT	21
38730GT	35, 41	52915GT	61	69547GT	15, 17, 19	96193GT	61
38980GT	49, 51	52943GT	61	69548GT	15, 17, 19	96398GT	67
38986GT	49, 51	5361GT	15, 17, 19	69575GT	35	96422GT	21
39469GT	25	5397GT	35, 41, 43, 47,	69855GT	45	96423GT	15, 17, 21
39520GT	25		49, 51	7056GT	35	96452GT	25
39521GT	25	55010GT	29	72086GT	11, 13	96541GT	21
39540GT	25	55067GT	69	72159GT	11	96642GT	21
39581GT	75	55355GT	21	72171GT	11	96699GT	23, 27
39673GT	25	55906GT	25	72188GT	11, 13	96709GT	27
39873GT	67	56912GT	25, 45, 57	72326GT	25, 71	96855GT	27
39876GT	67	57147GT	53	7265GT	25, 27	96905GT	27
39877GT	65, 67	57195GT	45	72832GT	11	96907GT	15, 17
39878GT	67	57264GT	41, 43	72970GT	11	96948GT	21, 35
40004GT	35, 41, 43	57809GT	37	7339GT	41, 53, 57, 71	96950GT	25
40434GT	11, 13	57881GT	25, 27	74155GT	21	97013GT	73
40550GT	47, 49	57996GT	15, 17	75041GT	75	97014GT	73
40735GT	35, 41, 57, 59	57998GT	15, 17, 19	76502GT	23	97015GT	73
40833GT	25	58381GT	53	7713GT	21, 23, 35, 37,	97059GT	29
40945GT	47, 49, 51	58382GT	53		39, 41, 45	97128GT	21, 35
40946GT	35	58934GT	61	77709GT	63	97712GT	11
41055GT	35, 41, 43	6019GT	35, 75	78060GT	21	97772GT	11, 13
41224GT	49, 51	6021GT	27, 35, 37, 39,	78086GT	21	97829GT	11
41246GT	47, 49		41, 43, 61, 75	78098GT	25	97830GT	11
41247GT	47, 49	60428GT	33	78546GT	27	97831GT	11
41248GT	47, 49	6052GT	35, 39, 41, 45	78622GT	27	97834GT	13
41249GT	49	60746GT	59	78736GT	15, 17	97835GT	13
41250GT	49	6086GT	35, 47, 49	78903GT	73	97871GT	13
42360GT	19	6090GT	27, 45, 53, 69	78903HGT	73	97872GT	13
4266GT	69	6091GT	15, 17, 19, 23,	80058GT	25, 27	97898GT	13
43658GT	11, 13		25, 27, 39, 45,	80941GT	61	97899GT	13
43685GT	61		53, 57, 69, 77	80943GT	61	99183GT	75
44168GT	63	6095GT	47, 51	80949GT	61	T108044GT	71

Part Number Index (continued)

Part Number	Page
T114691GT	25

Go to Discount-Equipment.com to order your parts

The Part Description Index is an alphabetical index of all part descriptions included in this manual. The index shows what page(s) the part is used on.

A

ALARM ASSY,12VDC,ITT,4 PIN****.....71
 ALARM,STDY TONE,ADJUST,5-30VDC.....25
 ALARM,STEADY TONE****.....25
 ASM, BIKE HOOK, SYMBOL DECALS.....77
 ASM, BIKE HOOK, WORD DECALS.....77
 ASSY, POTHOLE HARNESS, GR.....33
 ASSY,HARNESS, RELAY, CE, GR.....33
 ASSY,LOWER LINK,GR.....75
 ASSY,PIVOT LINK,GR.....75
 ASSY,SWITCH,TOGGLE,SPDT*****.....25
 ASSY,WHEEL & TIRE,GR.....15, 17, 19

B

BALL STUD, GAS STRUT, 3/8-16.....21
 BASE WITH 1 NC CONTACT, E-STOP.....25, 71
 BATTERY CABLE ASSY, GR.....31
 BATTERY COVER ASSY,SYM,QS-R.....23
 BATTERY COVER ASSY,SYMBOLS.....23
 BATTERY COVER ASSY,WORDS.....23
 BATTERY, AGM, 6V, (TROJAN) ***.....23
 BATTERY,T105 W/LPT,3 CAP,DRY**.....23
 BEARING,.75ID X 1.00D X 1.38LG.....21
 BEARING,0.75ID X 1.00DX0.50L.....75
 BEARING,1.5ID X 1.75OD X 1.0L.....15, 17
 BEARING,FL,0.75ID X 1 OD X .49.....15, 17
 BEARING,FLANGE,3/8 (AWP & ST).....69
 BEARING,MOTOR.....61
 BEARING,MOTOR,36843,BRUSH END*.....61
 BIKE RACK, STOCKPICKER, GR.....77
 BLOCK, MAST SLIDER, GR20.....35, 37, 43
 BLOCK, PH ACTUATOR GUIDE.....39
 BLOCK,SLIDE,LOWER.....37
 BLOCK,SLIDE,UPPER.....35, 39
 BOE LUBE.....35
 BOLT,CARRIAGE,1/4-20 X .75,G2.....19, 23, 25, 27
 BOLT,CARRIAGE,1/4-20 X 2.5,G2.....27
 BOLT,CARRIAGE,1/4-20x1.25,G2.....27
 BOLT,CARRIAGE,3/8-16 X .75,G2.....39
 BOLT,CARRIAGE,3/8-16 X 6.00,G2.....23
 BOLT,CARRIAGE,3/8-16 X 1.00,G5.....21
 BOLT,CARRIAGE,3/8-16X1.25,GR5.....15, 17
 BOLT,ROLLER,470"(SHORT).....35, 37, 39, 41, 45
 BOLT,SHIM.....35
 BOLT-ROCKER, S-SERIES.....47, 49, 51
 BOOT, JOYSTICK~.....73
 BOOT,THUMB ROCKER***.....73
 BRACKET,BEACON MOUNT,110V.....79
 BRACKET,BEACON MOUNT,220V.....79
 BRACKET,CONTROL CABLE W/BUSHIN.....59
 BRACKET,OBSTACLE SENSING.....25
 BRACKET,PLAT CNTL BOX,QS-R.....69, 71
 BRACKET,PLAT CNTL BOX,QS-W.....69, 71
 BRACKET,SEQUENCING,UPPER,ZI***.....53
 BRACKET,TRAY LATCH.....19
 BRAKE,1.5IN/FT SHAFT,W/ORIFICE.....19
 BREATHER CAP,HYD. TANK, 1/4 NPT.....27
 BRUSH BOX ASSEMBLY.....61
 BRUSH LEAD ASSEMBLY KIT(48504).....61
 BRUSH,PWR UNIT (40844)**.....61
 BULB,FLASHING BEACON.....79
 BUSHING, STRAIN RELIEF, 1".....59

BUSHING,FLANGE,3/8 OD X 1/4 ID.....53
 BUTTON,PUSH,RED MUSHROOM HEAD.....25, 71

C

CABLE ASSY, ANDERSON TO MC,BLK.....31
 CABLE ASSY, ANDERSON TO MC/RED.....31
 CABLE ASSY, BATT TO ANDERSON.....31
 CABLE ASSY, BATT TO FUSE.....31
 CABLE ASSY, FUSE TO ANDERSON.....31
 CABLE ASSY,BATT, 10" RED.....31
 CABLE ASSY,BATT,5.50"RED.....31
 CABLE ASSY,BATT,50.0"RED.....31
 CABLE ASSY,BATT,52.0"BLK.....31
 CABLE ASSY,SEQ,CARRIAG,GR12/15.....53
 CABLE ASSY,SEQ,CARRIAGE,GR20.....53
 CABLE ASSY,SEQ,MAST,GR12&15.....53
 CABLE ASSY,SEQ,MAST,GR20.....53
 CABLE ASSY, BATT. 27" BLACK.....31
 CABLE ASSY, BATT. 62" BLACK.....31
 CABLE ASSY, BATT. 64" RED.....31
 CABLE ASSY,BATT. 14",4AWG RD.....31
 CABLE SQUEEZE CONN 2 WIRE.....21
 CABLE,EXT,M-FM M8,60IN.....33
 CABLE,POWER COIL 6FT IEC NEMA.....29
 CAM FOLLOWER,1.125X.375,DELIRIN.....21
 CAP,DIAGNOSTIC NIPPLE.....63
 CARRIAGE, 3 & 5 COLUMN.....45
 CARRIAGE, 4 & 6 COLUMN.....45
 CAST,CWT, MAST.....23
 CHAIN ASSY#1,57"COL. S-SERIES.....47, 49
 CHAIN ASSY#1,72.5"COL.S-SERIES.....51
 CHAIN ASSY#2,72.5"COL.S-SERIES.....51
 CHAIN ASSY,72.5"COL. S-SERIES.....51
 CHAIN ASSY,72.5COL.(SM)S-SERIE.....51
 CHAIN ASSY.#2 COL.CWP/SP.....47, 49
 CHAIN ASSY.#2 COL. (CYLINDER).....47, 49
 CHAIN ASSY.SMALL CHAIN CWP/SP.....49
 CHAIN TENSION ROCKER CAST.ZINC.....47, 49, 51
 CHAIN TERM,CLEVIS CYL.,ZINC.....47, 49, 51
 CHAIN TERM,PULLEY SUPORT-ZINC.....47, 49, 51
 CHAIN TERM,PULLEY SUPPORT-ZNC.....49, 51
 CHAIN TERM.LWR.SS(1 SLOT).....49, 51
 CHAIN TERM.LWR.SS(2 SLOT)*.....47, 49, 51
 CHAIN TERMINAL CASTING,#1.....47, 49, 51
 CHAIN,SMALL,53.5".....49
 CHAIN,STD.LEAF AL522,68.13".....51
 CHAIN,STD.LEAF AL544,68.13".....51
 CHAIN,STD.LEAF(LG)53.5"S-SERIE.....47, 49
 CHARGER,BAT,24VDC,H/LO GEN2.....29
 CHECK DISK, NO SPRING.....63
 CIRCUIT BREAKER,7.0 AMP***.....25
 CLAMP,0.31,#5 X 1/4,RUB CUSH.....79
 CLAMP,0.50,#8 X 1/4,RUB CUSH.....57
 CLAMP,2 HOSE,PLASTIC,5/8.....15, 17
 CLAMP,HOSE,1 EAR,1-1/16".....27
 CLEAR SWITCH ACTUATOR.....71
 CLEAR SWITCH ACTUATOR(QTY 10).....71
 COIL,#8 20VDC,DEUTSCH W/DIOD.....63
 COIL,20VDC DEUTSCH W/DIODE.....63
 COIL-SOLENOID VALVE,20V DC***.....61
 COL 1 MACHINED, 72.5.....35
 COL 2 MACHINED, 72.5.....37

COL 3 MACHINED, 72.5.....39
 COL 4 MACHINED, 72.5.....41
 COL 5 MACHINED, 72.5.....43
 COLUMN #1 MACHINED, 57.....35
 COLUMN #2 MACHINED, 57.....37
 COLUMN #3 MACHINED, 57.....39
 COLUMN #5 MACHINED, 57.....39
 COLUMN #6 MACHINED, 57.....41
 COLUMN #6, 57" SUPER SERIES**.....49
 CONN,520120-4***.....61
 CONN,PLUG 4 WAY,14-18GA.....33
 CONN,SQUEEZE,1/2NPT .38-50,SM.....35
 CONNECTOR, 070120-12-8.....67
 CONNECTOR, IEC CHARGER CORD.....29
 CONNECTOR,070120-4-4.....65, 67
 CONNECTOR,070120-6-6.....67
 CONTACT, N.C.....25, 71
 CONTACT,14-20GA.....25
 CONTACTOR ASSY,GR.....25
 CONTACTOR,LIMIT SWITCH.....21, 35
 COUNTERWEIGHT,CAST,GR15.....23
 COUNTERWEIGHT,CAST,GR20.....23
 COVER BOTTOM GEN 5.....71
 COVER, CARRIAGE.....45
 COVER,LIMIT SWITCH W/DECAL GR.....35
 COVER-BRUSH INSPEC.40844,SCISS.....61
 CYLINDER, LIFT 41" STROKE, DY*.....61
 CYLINDER,GS/GR STEER***.....15, 17
 CYLINDER,LIFT, 70" STROKE.....61

D

DANGER-MAX CAP,BIKE RACK-SYM**.....13
 DECAL KIT,SAFETY/INSTR,SYM.....13
 DECAL KIT,SAFETY/INSTR,WORDS.....11
 DECAL, OBSTR SENSING SYS ERROR.....11
 DECAL, POWER TO PLATFORM 230V**.....11, 13
 DECAL, SYMBOL - READ THE MANUAL.....13
 DECAL,ANNUAL INSP***.....11
 DECAL,BATTERY CONN DIAG,GR.....11
 DECAL,CHEVRON RANDO HD.....11
 DECAL,CRUSH HAZARD,USE SAFETY.....11
 DECAL,DANGER,BATTERY SAFETY***.....11
 DECAL,DANGER,BRAKE REL SAFETY*.....11
 DECAL,DANGER,COLLISION HAZARD.....11, 13
 DECAL,DANGER,DO NOT ALTER SWTC.....11
 DECAL,DANGER,ELEC.HAZ SYMB.....13
 DECAL,DANGER,ELECT HAZARD,PLUG.....11
 DECAL,DANGER,ELECTROCUTION,GR.....11
 DECAL,DANGER,MAX CAP ADJ TRAY*.....11
 DECAL,DANGER,MAX CAP BIKE RACK.....11
 DECAL,DANGER,TIP-OVER,TILT.....11
 DECAL,DIRECTIONAL ARROWS,GR.....11, 13
 DECAL,FORK LIFT POCKET.....11
 DECAL,GENERAL SAFETY,RUNABOUT*.....11
 DECAL,GENIE QUICKSTOCK.....11, 13
 DECAL,GENIE,QS-12R.....11, 13
 DECAL,GENIE,QS-12W.....11, 13
 DECAL,GENIE,QS-15R.....11, 13
 DECAL,GENIE,QS-15W.....11, 13
 DECAL,GENIE,QS-20R.....11, 13
 DECAL,GENIE,QS-20W.....11, 13
 DECAL,GROUND CONTROL PANEL ***.....11, 13
 DECAL,INSTR,MAX CAP BIKE RACK.....11

Part Description Index (continued)

- DECAL,INSTRUCTIONS,WORK TRAY.....11
 DECAL,INSTRUCTIONS-CHARGER OP.....11
 DECAL,INSTRUCTIONS-OPER,GCP.....11
 DECAL,LABEL, OM STORAGE.....11
 DECAL,LABEL,EMERGENCY LOWERING..11
 DECAL,LABEL,FAULT CODES.....11
 DECAL,LABEL,FORKLIFT POCKET.....13
 DECAL,LABEL,LIFTING EYE.....11, 13
 DECAL,LABEL,MAX CAP BK RACK.....13
 DECAL,LABEL,MAX CAP,TRAY,159KG.....13
 DECAL,LABEL,MAX CAP,TRAY,227KG.....13
 DECAL,LABEL,PATENTS.....11, 13
 DECAL,LABEL,PWR TO CHARGR 115V.....11, 13
 DECAL,LABEL,PWR TO CHARGR 230V.....11, 13
 DECAL,LABEL,TIRE SPECS.....11
 DECAL,LABEL,TRANSPORT TIEDOWN*..11, 13
 DECAL,LABEL,WHEEL LOAD.....11, 13
 DECAL,LABEL-TRANSPORT DIGRAM.....11, 13
 DECAL,LANYARD ANCHORAGE POINT...11, 13
 DECAL,OVERLAY,PLAT CONTROLS***.....11, 13
 DECAL,POWER TO PLATFORM 115V.....11, 13
 DECAL,SIDE FORCE,100,GR,ANSI.....11
 DECAL,SIDE FORCE,GR - ANSI,SYM.....13
 DECAL,SYM-ELEC HAZARD,PLUG.....13
 DECAL,SYM-TIP-OVER,TILT ALARM.....13
 DECAL,SYM-TIPOVER,BATTERIES,GR.....13
 DECAL,SYM-TIPOVER,LIMIT SWITCH.....13
 DECAL,SYMBOL-BATTERY SAFETY.....13
 DECAL,SYMBOL-BRAKE REL SAFETY.....13
 DECAL,SYMBOL-COMP ACCESS.....13
 DECAL,TIP-OVER,BATTERIES,GR.....11
 DECAL,WARN,SAFETY CHOCK***.....13
 DECAL,WARNING,FAILURE TO READ.....11
 DECAL,WARNING-COMPART ACCESS.....11
 DECAL-DANGER,MAX CAP-159 KG SP.....13
 DECAL-DANGER,MAX CAP-227 KG SP.....13
 DECAL-DANGER,MAX CAP-PARCEL SY.....13
 DECAL-NOTICE,MAX CAP 500# SP**.....11
 DECAL-NOTICE,MAX CAP-350#,SP**.....11
 DIAGNOSTIC FEMALE Q-DSCNT.....63
- E**
 ECU,SLAB/GR GEN 5***.....25
 ELBOW,070220-12-10.....67
 ELBOW,070220-4-4.....67
 ELBOW,070220-6-6.....67
 ELBOW,070220-6-8.....67
 ELBOW,90D,520220,6-10.....67
 EMBLEM,GENIE,8 IN.....19
 ENCLOSURE GEN 5.....71
- F**
 FIELD KIT,REAR COVER,GR.....19
 FILTER ASSY,SAE8,10 MIC,PAPR**.....27
 FILTER CAP (PLUG 1-1/2" NPT HEX.....27
 FILTER ELEMENT,10MICRON,PAPER*.....27
 FILTER ELEMENT,BETA(10)=200.....27
 FITTING,STRAIGHT DRIVE-IN ZERK.....15, 17
 FLAP, MAST COVER #1.....55
 FLAP, MAST COVER #2, #4.....55
 FLAP, MAST COVER #3.....55
- FLAP, MAST COVER #5,#6.....55
 FORMING, CABLE BRIDGE.....23
 FORMING, CARRIAGE FLAP MOUNT.....45
 FORMING, CWT BRACKET.....23
 FORMING, DRIVE HOSE GUARD.....15, 17
 FORMING, GR COIL COVER.....69
 FORMING, HORN BRACKET.....25
 FORMING, LIMIT SWITCH CARRIER.....75
 FORMING, LIMIT SWITCH ROLL.....37
 FORMING, LOADSENSE COVER.....75
 FORMING, PULLEY BRKT.....43, 53
 FORMING, SEQUENCING, CARR, ZN.....45, 53
 FORMING, SPRING CARRIER.....75
 FORMING,CABLE BRKT,GR.....57
 FORMING,FUSE BRACKET.....25
 FORMING,GR EMBLEM MNTG PLATE.....19
 FUSE BLOCK, ANN & ANL FUSE.....25
 FUSE,275 AMP,VERY FAST ACTING.....25
 FUSE,BATTERY CHARGER***.....29
- G**
 GAS SPRING, GR.....21
 GATE ASSY,GND CNTL SIDE,WORD.....69
 GATE,PWR UNIT SIDE,QS-20, SYM.....69
 GATE,PWR UNIT SIDE,QS-20, WRD.....69
 GATE,PWR UNIT SIDE,QS12/15,SYM.....69
 GATE,PWR UNIT SIDE,QS12/15,WRD.....69
 GLIDE BUTTON,SIDE,GLL,,100 TK.....47, 49, 51
 GRND CONTROL COVER ASSY,SYMB.....25
 GRND CONTROL COVER ASSY,WORDS.....25
 GRND CONTROL PANEL ASSY,GR.....25
 GROMMET,RUBBER .38X.2X1.75.....15, 17
 GROMMET,RUBBER 2.5 X 3.0.....19
 GROMMET,RUBBER 3 X .19 X 3.5.....69
 GROMMET,RUBBER,1.0 X 1.25X1.5.....23, 69
 GROMMET,SLAB HYD TANK***.....27
 GROUND STRAP, 8"LG.....21
 GS30 PENDANT CONTROLLER (39811).....67
 GUIDE, SLIDER CARRIAGE.....45
- H**
 HANDLE GRIPL,LL.....69
 HARNESS, ECU, GR ANSI.....33
 HARNESS, ECU, GR CE.....33
 HARNESS,DIODE JUMPER.....25
 HARNESS,OBSTACLE DETECTION,GR.....33
 HINGE, SPRING, LONG LEG.....69
 HINGE,11"X 2.5"X.44".....23
 HINGE,ACCESS DOOR***.....25, 27
 HORN,24VDC,SPADE TERMINALS***.....25
 HOSE ASSY, 3/8", 25.50.....21
 HOSE, ASSY, BRAKE.....67
 HOSE, ASSY, LIFT CYL. TO MAN.....67
 HOSE, ASSY, LT BRAKE.....67
 HOSE, ASSY, LT STEER.....67
 HOSE, ASSY, MAN TO FILTER.....67
 HOSE, ASSY, PRESSURE.....67
 HOSE, ASSY, RT BRAKE.....67
 HOSE, ASSY, RT STEER.....67
 HOSE,ASSY,LC. TO MAN, VENT.....67
 HOSE,ASSY,LT DRIVE MOTOR.....67
 HOSE,ASSY,MOTOR CROSSOVER.....67
 HOSE,ASSY,RT DRIVE MOTOR.....67
 HOUR METER,10-80 VOLTS***.....25
 HYD. TANK, POLYETHELENE.....27
- I**
 INVERTER,24VDC,110/230 VAC***.....25
- J**
 JOYSTICK HANDLE SET, COMPLETE.....73
 JOYSTICK,SINGL AXIS,HALL,SLAB*.....73
 JOYSTICK,SINGL AXIS,POT,SLAB.....73
- K**
 KEY SINGLE***.....25
 KEY,DRIVE MOTOR(57996).....15, 17, 19
 KEYS,10 PACK***.....25
 KEYSWITCH,3 POS. W/KEYS***.....25
 KIT, PLATFORM PC RECEIPT/SOC.....73
 KIT,BATT. CABLE ASSY., GR.....31
 KIT,BATTERY CHARGER,24V.....29
 KIT,CONTACTOR,GR.....25
 KIT,DYN.BRAKING MANIF,MINI.....63
 KIT,GEN 5 COIL CORD.....71
 KIT,GR PHG REPLACEMENT.....39
 KIT,JOYSTICK ENABLE SWITCH.....73
 KIT,MTR CNTRLR REPLACEMENT,GR%.....25
 KIT,PLATFORM CONTROL GUAR.....71
 KIT,STEER CYL SEAL.....15, 17
 KNOB,HAND PUMP (RED)***.....65
 KNOB,PILOT OP VALVE (BLACK)***.....65
 KNOB,PUSH/PULL,RED.....61
- L**
 LABEL,AUXILIARY LOWERING.....13
 LATCH HANDLE.....69
 LATCH, RUBBER, 3-13/32 X 1-7/8.....25, 27
 LENS,FLASHING BEACON.....79
 LEVEL SENSOR,LS60,RED,1.5 DIA.....25
 LIFTING EYE ASSEMBLY.....35, 57
 LOCK, CONNECTOR.....29
- M**
 MANIFOLD,BRAKE RELEASE.....65
 MANUAL,OWNERS,CHARGER,105739.....29
 MAST STIFFENER ASSY, GR12/15.....35
 MAST STIFFENER ASSY,GR20.....35
 MIDRAIL, QS PLATFORM.....69
 MOTOR CONTROLLER, DC,24V,300A.....25
 MOTOR, 10.0 CU IN/REV DRIVE.....15, 17
 MOTOR,24DC,ADV.....61
- N**
 NIPPLE,DIAGNOSTIC,#4.....63
 NUT - PLASTIC,RING FOR ALARMS.....25, 71
 NUT, 1/4-20 T.....41, 43
 NUT, LP NYLOCK, 3/8-16.....21, 23, 35, 37, 39, 41, 45
 NUT,CASTLE(57996)GR.....15, 17, 19
 NUT,HEX,1/4-20.....15, 17
 NUT,HEX,10-32.....21, 35, 75
 NUT,LOCKING-LG.FLANGE,1/4-20.....25
 NUT,LOCKING-LG.FLANGE,5/16-18.....23
 NUT,LP NYLOCK,1/2-13.....35, 47, 49
 NUT,LP NYLOCK,1/4-20.....25, 27
 NUT,LP NYLOCK,5/8-11.....35
 NUT,NYLOCK,1/2-13.....15, 17, 19, 23, 51
 NUT,NYLOCK,1/4-20.....15, 17, 19, 23, 25, 27, 39, 45, 53, 57, 69, 77
 NUT,NYLOCK,10-32.....25, 79

NUT,NYLOCK,3/8-16.....15, 17, 35, 41, 43, 47, 49, 51, 57, 69, 75, 77	PULLEY,ELEC.CNTRL.CABLE,AWP.....35, 57, 59	SCREW,HHC,5/16-18 X 1 GR5.....75
NUT,NYLOCK,3/8-24.....47, 49, 51	PULLEY,SEQUENCING,NYLATRON.....53	SCREW,HHC,5/8-11 X 8.00.....35
NUT,NYLOCK,5/16-18.....75	PULLEY,SMALL CHAIN.....41, 43	SCREW,HHTAPTITE THREAD8-32X.38.....61
NUT,NYLOCK,6-32.....25, 27	PUMP,4CC GEAR,CCW 228192.....61	SCREW,PHILLIPS,PHM,10-32 X .75.....79
NUT,NYLOCK,8-32.....25	PUMP,4CC GEAR,CCW***.....61	SCREW,PHILLIPS,PHM,10-32 X 1.....75
NUT,RETAINER (96008).....25		SCREW,PHILLIPS,PHM,8-32 X .5.....25
NUT,SOLENOID VALVE COIL.....61		SCREW,PHILLIPS,PHM,8-32 X.25**.....25
NUT,WELD 1/4-20, PLATED L.L.**.....35, 37, 41, 53, 57, 59	Q	SCREW,PHILLIPS,RHM,10-32 X 1.5.....21, 35
NUT,WELD,ANGLE,1/4" T-SLOT.....35, 41	QS TRAY,COMP,SYM,QS-12/15.....69	SCREW,PHP,1/4-20 X .875.....25, 27
NUT-COIL SHORT.....63	QS TRAY,COMP,SYM,QS-20.....69	SCREW,RHM,6-32 X .5.....25, 27
NUT-THIN HEAVY HEX, 1/4-20.....25	QUICKSTOCK TRAY,COMP,WORD.....69	SCREW,SET,HS1/4-20X.625W/PATCH.....15, 17
		SCREW,SHC,1/2-13 X 4 ZINC.....19
O		SCREW,SHC,1/2-13 X 5.....19
O-RING KIT (ORFS FITTINGS).....63		SCREW,SHC,1/4-20 X .375 BLK.....35, 41, 43
OPERATING INST,PLAT,GR***.....11		SEAL KIT (84384).....63
		SEAL KIT PWR WHL MOTOR.....15, 17
P		SEAL KIT, VALVE.....63
PAD, OBSTACLE SENSE G.C. SIDE.....23		SEAL KIT,BOSCH PUMP.....61
PAD, OBSTACLE SENSING FRONT,GR.....23		SEAL KIT,BOSCH PUMP***.....61
PAD,OBSTACLE SENSE TANK SIDE.....23		SEAL KIT,DONYANG CYL (35736)**.....61
PAD,OBSTACLE SENSE, SYMBOL.....23		SEAL KIT,DONYANG CYL (35737)*.....61
PAD,OBSTACLE SENSE, WORD.....23		SEAL KIT,HAND PUMP***.....65
PIN,0.75DIA X 5.13LG,CHAMFER.....75		SEAL KIT,LIFT PUMP,BARNES**.....61
PIN,CLEVIS,.375 X 1.75 LG.....21		SEAL KIT,PUMP,PARKER (228192).....61
PIN,CLEVIS,.625 X 1.88,ZINC PL.....21		SEAL KIT-FOR P.N.44167.....63
PIN,CLEVIS,.75 DIA. X 4.00.....21		SEAL KIT-P.N.44169,44172,44171.....63
PIN,CLEVIS,.75 X 2.....15, 17		SHAFT,LIFTING CHAINS,20MM DIA.....37, 39, 41, 43
PIN,CLEVIS,0.75 X 3.25**.....15, 17		SHIM NUT,ADJUSTER.....35
PIN,COTTER,.125 X .75.....21, 39		SHIM,PLTFRM CNTRL BOX,STKPKR.....69
PIN,COTTER,.125 X 1.5.....15, 17, 19		SHIM,SIDE PAD.....35, 37
PIN,GROOVED,.200 X .50*.....49, 51		SLEEVE,TANK SUPPORT.....23, 27
PIN,GROOVED-.200 X .75*.....47, 49, 51		SLIDE BLOCK,CARRIAGE%.....45
PIN,LOCK,SHORT***.....69		SPACER, 1/4ID3/8OD, .875LG.....35, 41, 57, 59
PLAT ASS WITH B.R,QS-12/15,SYM.....69		SPACER,.560 AWP MAST.....39, 41
PLAT ASS WITH B.R,QS-12/15,WRD.....69		SPACER,.75ID X 1.5OD X 1/4THK.....21
PLAT ASSY W/O B.R,QS-12/15,SYM.....69		SPACER,.82 ID X1.0 ODX1.125 LG.....21
PLAT ASSY W/O B.R,QS-12/15,WRD.....69		SPACER,QS BATTERY TRAY.....23
PLAT ASSY W/O B.R,QS-20,SYM.....69		SPACER,SHAFT,.310.....39, 41, 43
PLAT ASSY W/O B.R,QS-20,WORD.....69		SPACER,SHAFT,.840"LG.....39, 41, 43
PLAT ASSY WITH B.R,QS-20,SYM.....69		SPACER,SHAFT,1.400.....41, 43
PLAT ASSY WITH B.R,QS-20,WORD.....69		SPACER,TUBE,1/4X3/8X.40" LG.....53
PLAT CONTROL CIRCT BRD ASSY G5.....71		SPRING CLIP,1/4-20,.025-.15X.54,ZAG.....25, 45, 57
PLATE, BIKE RACK SUPPORT.....77		SPRING CLIP,3/8-16,.05-.20X.73,ZAG.....75
PLATE, BRAKE SPACER, GR20.....19		SPRING, TENSION CABLE.....53
PLATE, CYLINDER MOUNT.....35		SPRING,COMP,1" OD,232 LB/IN.....75
PLATE, LIMIT SWITCH ROLL GR.....37		SPRING,COMPRESSION.....39
PLATE, MAST FLAP CLAMP.....35		SPRING,COMPRESSION .835 X 2.....69
PLATE, MAST FLAP CLAMP, 5-6.....41, 43		SPRING,COMPRESSION.485 X1.75**.....25
PLATE, POTHOLE LOWER LINK.....21		SPRING,CONTROL CABLE, AWP.....23, 59
PLATE,BATT. TRAY LATCH HANDLE.....23		SPRING,HAND PUMP ROD.....65
PLATFORM CONTROL BOX GEN 5.....71		SPRING-BRUSH,40844, SCISSORS.....61
PLATFORM SUPPORT ASSY,CE SYM.....75		STEER SWITCH REPAIR KIT***.....73
PLUG AND CAP KIT-SERVICE,ORFS*.....63		STROBE,BEACON, AC COMP 12-80V.....79
PLUG, TYPE F, 230A, 50HZ, 16A, IP44.....29		SWITCH ASSY,LIMIT,LOAD SENSE.....33
PLUG,ELECTRICAL,DOMESTIC.....29		SWITCH, ROLLER PLUNGER LIMIT.....75
PLUG,FUSED,250V,13AMP,U.K.**.....29		SWITCH,LIMIT,W/ROLLER ARM***.....21, 35
PLUG,HEX HEAD,090109A-4.....67		
PLUG,PWR,UK,16AMP,3PIN,BLK.....29		T
POWER CABLE GR BASE,FOREIGN.....33		TAPE,DOUBLE SID,LL.....69
POWER CABLE, GR BASE, DOMESTIC.....33		TAPE,NON-SKID,DIE CUT,4"X 16".....69
POWER UNIT COV ASSY W/SYMB DEC.....27		TERM CONTACT,#1/0 GA,SB175.....25
POWER UNIT TRAY ASSY W/SYMBOLS.....27		TERM,NI PIN,16-18 BULK.....33
POWER UNTI COV ASSY W/WORD DEC.....27		TIE ROD ASSY W/BRNGS,GR2.....15, 17
PRTY,FLOW CNTRL VALVE,.75 GPM.....63		TILT SENSOR TEST TOOL.....25
PULLEY W/BEARINGS.....37, 39, 41		TOEBOARD ASSY W/DEC, QS.....69

Part Description Index (continued)

TUBE ASSY, DRAW.....67	WIRE HARNESS ASSY, CONTROL
TUBE ASSY,RETURN.....67	CABLE.....33
TUBE, BIKE RACK SOCKET.....77	WIRE HARNESS ASSY,CONTROL CABL.....33
TURN SWITCH ACTUATOR,JOYSTICK**.....73	WLDMT,CW SUPPORT,LT.....23
	WLDMT,CW SUPPORT,RT.....23

U

UPPER POTHOLE LINK ASSY W/BRNG.....21

V

VALVE,CHECK,IWP-S/CWP PWR ASSI.....63
 VALVE,FLOW CONTROL PREAS.COMP.....61
 VALVE,HAND PUMP ASSEMBLY***.....65
 VALVE,HYDRAULIC CHECK.....61
 VALVE,PILOT OPERATED ASSEMBLY*.....65
 VALVE,SOLENOID,3POS 4WAY.....63
 VALVE,SOLENOID,3POS 4WAY***.....63
 VALVE,W/20V NC SOLENOID,MANUAL.....61
 VALVE-RELIEF, 3700 PSI #8**.....63
 VALVE-SOLENOID, 2POS 4 WAY.....63

W

WASHER,FENDER,.25 X 1.25 X.062.....53
 WASHER,FLAT,.375 X 1.5 X .125.....23
 WASHER,FLAT,.650 X 1.312 X.095.....21
 WASHER,FLAT,M10,ZINC PLTD.....35, 41, 57,
 59
 WASHER,FLAT,M6 PLTD.....35, 41, 57, 59
 WASHER,FLAT,MS,#8,Y.....75
 WASHER,FLAT,USS,1/2",Y.....47, 51
 WASHER,FLAT,USS,1/4"Y.....15, 17, 27, 39,
 45, 69, 71, 75
 WASHER,FLAT,USS,3/8",Y.....15, 17, 21, 23,
 35, 37, 39, 41, 43, 45, 49, 69
 WASHER,FLAT,USS,5/16",Y.....35, 41, 43, 47,
 49, 51
 WASHER,HDPE,.125X.720ID X 2OD.....69
 WASHER,LOCK,#10 PLTD.....35, 75
 WASHER,LOCK,.25.....25, 27, 53
 WASHER,LOCK,.375.....27, 35, 37, 39, 41, 43,
 61, 75
 WASHER,NITRILE.....25
 WASHER,SHIM,.5 X .875 X .063.....35, 39, 41,
 45
 WASHER,SHIM,.938 X 1.37 X .048.....37, 39,
 41
 WASHER,SHIM,1.50 X .890 X .09.....15, 17, 19
 WASHER,T-SLOT.....35, 41, 43
 WASHER,THRUST, GS.....15, 17
 WELDMENT,ENDRAIL MOUNT,STKPKR.....69
 WELDMENT,FLUSH TRAY MOUNT.....69
 WELDMENT,LOAD SENSE CARRIAGE.....75
 WELDMENT,PH ACTUATOR.....39
 WELDMENT,PHG ACTUATOR.....39
 WELDMENT,POTHOLE GUARD,LT.....21
 WELDMENT,POTHOLE GUARD,RT.....21
 WELDMENT,STEER YOKE,LH,GR.....15
 WELDMENT,STEER YOKE,LH,GR20.....17
 WELDMENT,STEER YOKE,RH,GR.....15
 WELDMENT,STEER YOKE,RT,GR20.....17
 WELDMENT,COVER SUP.CONT.....25
 WELDMENT,COVER SUP.HYD.....27
 WELDMENT,GROUND CONTROLS
 TRAY.....25
 WELDMENT,HYDRAULIC TRAY.....27
 WIRE ASSY,DOWN LIMIT SW.....33
 WIRE ASSY,STD/EXT PLAT.GR.....33
 WIRE ASSY,STKPRK PLAT.GR.....33

This Page Intentionally Left Blank

Go to Discount-Equipment.com to order your parts

Fitting Cross References

Genie PN	Parker PN	Description	Genie PN	Parker PN	Description
12342	6-4 F5OX-S	CONNECTOR,STRAIGHT THREAD TO FLARE TUBE	42794	1 CR-S	ELBOW,90°,MALE PIPE
13757	4 R6X-S	RUN TEE,SWIVEL NUT,ORFS	42795	BV-0839	BALL VALVE
19685	12-10 C5OX-S	ELBOW,90°,STRAIGHT THREAD TO FLARE TUBE	42796	BV-0838	BALL VALVE
22664	12-10 C5OX	ELBOW,90°,STRAIGHT THREAD TO FLARE TUBE	42874	6-8 CLO-S	ELBOW,90°,MALE PIPE TO ORFS
27431	8-12 F5OX-S	CONNECTOR,STRAIGHT THREAD TO FLARE TUBE	42912	13943-6-4	HOSE END,90° FEMALE SWIVEL,JIC
28678	AS-B-33	SLEEVE,NYLON,1.81" ID	42920	BV-0840	BALL VALVE,90°
39871	6 WETX-WLN-S	UNION,90° BULKHEAD W/NUT,FLARE TUBE	42932	AS-B-17	SLEEVE,NYLON,1.22" ID
39872	4 R5OX-S	RUN TEE,STRAIGHT THREAD	42936	10243-2-4	HOSE END,FEMALE PIPE
39873	6 C5OX-S	ELBOW,90°,STRAIGHT THREAD TO FLARE TUBE	42953	1/2 DD-S	ELBOW,90°,FEMALE PIPE
39874	8-6 C5OX-S	ELBOW,90°,STRAIGHT THREAD TO FLARE TUBE	42956	6 WELO-WLNL-S	UNION,90° BULKHEAD W/NUT,ORFS
39875	4-6 C5OX-S	ELBOW,90°,STRAIGHT THREAD TO FLARE TUBE	45349	8 V5OX-S	ELBOW,45°,STRAIGHT THREAD TO FLARE TUBE
39876	6-8 C5OX-S	ELBOW,90°,STRAIGHT THREAD TO FLARE TUBE	45351	4 V5OX-S	ELBOW,45°,STRAIGHT THREAD TO FLARE TUBE
39877	4 F5OX-S	CONNECTOR,STRAIGHT THREAD TO FLARE TUBE	47223	10343-6-6	HOSE END,MALE,JIC
39878	6 F5OX-S	CONNECTOR,STRAIGHT THREAD TO FLARE TUBE	47419	PS690503-6-6	SWIVEL,90°,STRAIGHT THREAD TO 37° FLARE
39879	4-8 F5OX-S	CONNECTOR,STRAIGHT THREAD TO FLARE TUBE	48750	421-4	HOSE,1/4 INCH ID
39880	6-10 F5OX-S	CONNECTOR,STRAIGHT THREAD TO FLARE TUBE	48751	481TC-4	HOSE,1/4 INCH ID
39881	4-6 F5OX-S	CONNECTOR,STRAIGHT THREAD TO FLARE TUBE	48752	482TC-4	HOSE,1/4 INCH ID
39882	4-HP5ON-S	PLUG,STRAIGHT THREAD	48753	451TC-6	HOSE,3/8 INCH ID
39883	8-8 FTX-S	CONNECTOR,MALE PIPE TO FLARE TUBE	48754	482TC-6	HOSE,3/8 INCH ID
39885	269HB 12-12	ELBOW,90°,BEADED HOSE BARB TO MALE PIPE	48755	381-6	HOSE,3/8 INCH ID
39886	431-6	HOSE,3/8 INCH ID	48756	451TC-8	HOSE,1/2 INCH ID
39887	540N-2	HOSE,1/8 INCH ID	48757	482TC-8	HOSE,1/2 INCH ID
39888	801-8	HOSE,1/2 INCH ID	48758	381-8	HOSE,1/2 INCH ID
39889	801-12	HOSE,3/4 INCH ID	48759	381-10	HOSE,5/8 INCH ID
39890	10643-6-6	HOSE END,FEMALE SWIVEL,JIC	48760	451TC-10	HOSE,5/8 INCH ID
39891	13943-6-6	HOSE END,90° FEMALE SWIVEL,JIC	48761	482TC-12	HOSE,3/4 INCH ID
39892	13743-6-6	HOSE END,45° FEMALE SWIVEL,JIC	48762	451TC-12	HOSE,3/4 INCH ID
39894	30682-8-8	HOSE END,FEMALE SWIVEL,JIC	48763	772-12	HOSE,3/4 INCH ID
39895	30682-10-12	HOSE END,FEMALE SWIVEL,JIC	48764	881-16	HOSE,1 INCH ID
42286	8-8 CTX-S	ELBOW,90°,MALE PIPE TO FLARE TUBE	48765	772-16	HOSE,1 INCH ID
42756	8-12 CLO-S	ELBOW,90,MALE PIPE TO ORFS	48766	AS-B-15	SLEEVE,NYLON,1.06" ID
42757	8-12 FLO-S	CONNECTOR,MALE PIPE TO ORFS	48767	AS-B-22	SLEEVE,NYLON,1.42" ID
42758	4 JLO-S	UNION TEE,ORFS	48770	881-8	HOSE,1/2 INCH ID
42759	4-4 FLO-S	CONNECTOR,MALE PIPE TO ORFS			
42760	6-8 FLO-S	CONNECTOR,MALE PIPE TO ORFS			
42761	1J143-6-4	HOSE END,90° FEMALE SWIVEL,SEAL LOK			
42762	1J743-6-4	HOSE END,45° FEMALE SWIVEL,SEAL LOK			
42768	1JO43-4-4	HOSE END,MALE,SEAL LOK			
42776	601-8	HOSE,1/2 INCH ID			
42777	1J743-16-16	HOSE END,45° FEMALE SWIVEL,SEAL LOK			
42786	16 CLO-S	ELBOW,90°,MALE PIPE TO ORFS			
42787	16 R6LO-S	RUN TEE,SWIVEL NUT,ORFS			
42788	16-8 TRLO-BL-S	REDUCER,TUBE END TO SWIVEL,ORFS			
42789	6-6 CLO-S	ELBOW,90°,MALE PIPE TO ORFS			
42790	8-10 V5OLO-S	ELBOW,45°,STRAIGHT THREAD TO ORFS			
42791	3/4 CD-S	ELBOW,90°,MALE TO FEMALE PIPE			
42792	3/4 X 1/2 PTR-S	REDUCER,MALE TO FEMALE PIPE			
42793	1/2 CR-S	ELBOW,90°,MALE PIPE			

Fitting Cross References (Continued)

Genie PN	Parker PN	Description	Genie PN	Parker PN	Description
48771	881-10	HOSE,5/8 INCH ID	48847	13943-12-12	HOSE END,90° FEMALE SWIVEL,JIC
48772	381-4	HOSE,1/4 INCH ID	48848	10543-12-12	HOSE END,MALE,STRAIGHT THREAD
48773	AS-B-13	SLEEVE,NYLON,.86" ID	48849	1JC71-12-12	HOSE END,FEMALE SWIVEL,SEAL LOK
48800	1JC43-4-4	HOSE END,FEMALE SWIVEL,SEAL LOK	48850	1JS71-12-12	HOSE END,FEMALE SWIVEL,SEAL LOK
48801	1J743-4-4	HOSE END,45° FEMALE SWIVEL,SEAL LOK	48851	1J171-12-12	HOSE END,90° FEMALE SWIVEL,SEAL LOK
48802	1J943-4-4	HOSE END,90° FEMALE SWIVEL,SEAL LOK	48852	1J771-12-12	HOSE END,45° FEMALE SWIVEL,SEAL LOK
48804	1JM43-4-4	HOSE END,MALE,SEAL LOK, NO O-RING	48853	1J971-12-12	HOSE END,90° FEMALE SWIVEL,SEAL LOK
48805	10643-4-4	HOSE END,FEMALE SWIVEL,JIC	48854	1JC43-16-16	HOSE END,FEMALE SWIVEL,SEAL LOK
48806	13943-4-4	HOSE END,90° FEMALE SWIVEL,JIC	48855	1J943-16-16	HOSE END,90° FEMALE SWIVEL,SEAL LOK
48807	1JS43-4-4	HOSE END,FEMALE SWIVEL,SEAL LOK	48856	1J171-16-16	HOSE END,90° FEMALE SWIVEL,SEAL LOK
48808	3JC82-8-8	HOSE END,FEMALE SWIVEL,SEAL LOK	48857	1J971-16-16	HOSE END,90° FEMALE SWIVEL,SEAL LOK
48809	3JC82-12-12	HOSE END,FEMALE SWIVEL,SEAL LOK	48859	1JS43-8-4	HOSE END,FEMALE SWIVEL,SEAL LOK
48810	1JC43-6-4	HOSE END,FEMALE SWIVEL,SEAL LOK	48867	PD36BTL	DIAGNOSTIC NIPPLE,SEAL-LOK SWIVEL
48811	1J943-6-4	HOSE END,90° FEMALE SWIVEL,SEAL LOK	48873	6 PNLO-S	PLUG,TUBE END,ORFS
48812	1JC43-6-6	HOSE END,FEMALE SWIVEL,SEAL LOK	48874	6 PNTX-S	PLUG,FLARE TUBE
48813	1J143-6-6	HOSE END,90° FEMALE SWIVEL,SEAL LOK	48875	6 R6LO-S	RUN TEE,SWIVEL NUT,ORFS
48814	1J543-6-6	HOSE END,90° FEMALE SWIVEL,SEAL LOK	48877	4 F5OLO-SW/.025	CONNECTOR,STRAIGHT THREAD TO ORFS, W/.025 ORI
48815	1J743-6-6	HOSE END,45° FEMALE SWIVEL,SEAL LOK	48878	16-12 C5OLO-S	ELBOW,90°,STRAIGHT THREAD TO ORFS
48816	1J943-6-6	HOSE END,90° FEMALE SWIVEL,SEAL LOK	48879	8 C6LO-S	ELBOW,90°,SWIVEL NUT ORFS
48817	1JS43-6-8	HOSE END,FEMALE SWIVEL,SEAL LOK	48880	PD6-285	CAP,DIAGNOSTIC NIPPLE
48818	1J943-8-4	HOSE END,90° FEMALE SWIVEL,SEAL LOK	48881	6 HLO-S	UNION,ORFS
48819	1JC43-8-6	HOSE END,FEMALE SWIVEL,SEAL LOK	48883	8 P5ON-S	PLUG,STRAIGHT THREAD
48820	1J743-8-6	HOSE END,45° FEMALE SWIVEL,SEAL LOK	48884	8M18F87OMLO-S	CONNECTOR,METRIC,STRAIGHT THREAD TO ORFS
48821	1J943-8-6	HOSE END,90° FEMALE SWIVEL,SEAL LOK	48885	4 WGTX-WLN-S	CONNECTOR,BULKHEAD,FEMALE PIPE TO FLARE TUBE
48822	1JC43-8-8	HOSE END,FEMALE SWIVEL,SEAL LOK	48886	4 F5OLO-SW/2MM	CONNECTOR,MACHINED STRAIGHT THREAD TO ORFS
48823	1JS43-8-8	HOSE END,FEMALE SWIVEL,SEAL LOK	48887	4 CTX-S	ELBOW,90°,MALE PIPE TO FLARE TUBE
48824	1J143-8-8	HOSE END,90° FEMALE SWIVEL,SEAL LOK	48888	10-12 V5OLO-S	ELBOW,45°,STRAIGHT THREAD TO ORFS
48825	1J543-8-8	HOSE END,90° FEMALE SWIVEL,SEAL LOK	48890	4 S5OLO-S	BRANCH TEE,STRAIGHT THREAD TO ORFS
48826	1J743-8-8	HOSE END,45° FEMALE SWIVEL,SEAL LOK	48891	4 S6LO-S	BRANCH TEE,SWIVEL NUT TO ORFS
48827	1J943-8-8	HOSE END,90° FEMALE SWIVEL,SEAL LOK			
48828	1JC43-10-8	HOSE END,FEMALE SWIVEL,SEAL LOK			
48829	1JS43-10-8	HOSE END,FEMALE SWIVEL,SEAL LOK			
48830	1J743-10-8	HOSE END,45° FEMALE SWIVEL,SEAL LOK			
48831	1J943-10-8	HOSE END,90° FEMALE SWIVEL,SEAL LOK			
48833	1JC43-10-10	HOSE END,FEMALE SWIVEL,SEAL LOK			
48834	1J943-10-10	HOSE END,90° FEMALE SWIVEL,SEAL LOK			
48835	1JS43-10-12	HOSE END,FEMALE SWIVEL,SEAL LOK			
48836	1JC43-12-8	HOSE END,FEMALE SWIVEL,SEAL LOK			
48837	1JS43-12-8	HOSE END,FEMALE SWIVEL,SEAL LOK			
48838	1J743-12-8	HOSE END,45° FEMALE SWIVEL,SEAL LOK			
48839	1J943-12-8	HOSE END,90° FEMALE SWIVEL,SEAL LOK			
48840	1J943-12-10	HOSE END,90° FEMALE SWIVEL,SEAL LOK			
48841	1JC43-12-12	HOSE END,FEMALE SWIVEL,SEAL LOK			
48842	1JO43-12-12	HOSE END,MALE,SEAL LOK			
48843	1J143-12-12	HOSE END,90° FEMALE SWIVEL,SEAL LOK			
48844	1J543-12-12	HOSE END,90° FEMALE SWIVEL,SEAL LOK			
48845	1J743-12-12	HOSE END,45° FEMALE SWIVEL,SEAL LOK			
48846	1J943-12-12	HOSE END,90° FEMALE SWIVEL,SEAL LOK			

Fitting Cross References (Continued)

Genie PN	Parker PN	Description	Genie PN	Parker PN	Description
48892	6 C6LO-S	ELBOW,90°,SWIVEL NUT ORFS	48938	8 R6LO-S	RUN TEE,SWIVEL NUT,ORFS
48893	6 F5OHAO-S	UNION,STRAIGHT THREAD	48939	8 S6LO-S	BRANCH TEE,SWIVEL NUT TO ORFS
48894	8 WLO-WLNL-S	UNION,BULKHEAD,ORFS	48940	8 WJLO-WLNL-S	RUN TEE, BULKHEAD,ORFS
48895	DT-370-MSMO-5	VALVE,CHECK	48941	8-4 TRLO-S	REDUCER,TUBE END TO SWIVEL,ORFS
48896	6 JLO-S	UNION,TEE,ORFS	48942	8-6 C5OLO-S	ELBOW,90°,STRAIGHT THREAD TO ORFS
48897	DT-750-MSMS-5	VALVE,CHECK	48943	8-6 F5OLO-S	CONNECTOR,STRAIGHT THREAD TO ORFS
48898	DT-750-MOMS-5	VALVE,CHECK	48944	8-8 FLO-S	CONNECTOR,MALE PIPE TO ORFS
48899	DT-620-MOMS-5	VALVE,CHECK	48945	8 FTX-S	CONNECTOR,MALE PIPE TO FLARE TUBE
48900	4-6 F5OLO-SW/.035	CONNECTOR,STRAIGHT THREAD TO ORFS, W/.035 ORI	48946	8-10 F5OLO-S	CONNECTOR,STRAIGHT THREAD TO ORFS
48902	16-1 AOE4G-S	ELBOW,90° LONG,FEMALE PIPE TO STRAIGHT THREAD	48947	8-12 C5OLO-S	ELBOW,90°,STRAIGHT THREAD TO ORFS
48903	1 FF-S	NIPPLE,PIPE	48948	8-12 F5OLO-S	CONNECTOR,STRAIGHT THREAD TO ORFS
48904	4 C5OLO-S	ELBOW,90°,STRAIGHT THREAD TO ORFS	48949	8-16 F5OLO-S	CONNECTOR,STRAIGHT THREAD TO ORFS
48905	4 F5OLO-S	CONNECTOR,STRAIGHT THREAD TO ORFS	48950	10 C5OLO-S	ELBOW,90°,STRAIGHT THREAD TO ORFS
48906	4 R5OLO-S	RUN TEE,STRAIGHT THREAD	48951	10 CC5OLO-S	ELBOW,90° LONG,STRAIGHT THREAD TO ORFS
48907	4 V5OLO-S	ELBOW,45°,STRAIGHT THREAD TO ORFS	48952	10 F5OLO-S	CONNECTOR,STRAIGHT THREAD TO ORFS
48908	4 R6LO-S	RUN TEE,SWIVEL NUT,ORFS	48953	10 R5OLO-S	RUN TEE,STRAIGHT THREAD
48909	4 WJLO-WLNL-S	RUN TEE, BULKHEAD,ORFS	48954	10 S5OLO-S	BRANCH TEE,STRAIGHT THREAD TO ORFS
48910	4 GTX-S W/.030	CONNECTOR,FEMALE PIPE TO FLARE TUBE	48955	10 R6LO-S	RUN TEE,SWIVEL NUT,ORFS
48911	4-6 C5OLO-S	ELBOW,90°,STRAIGHT THREAD TO ORFS	48956	10-4 TRLO-BL-S	REDUCER,TUBE END TO SWIVEL,ORFS
48912	4-6 F5OLO-S	CONNECTOR,STRAIGHT THREAD TO ORFS	48957	10-6 TRLO-BL-S	REDUCER,TUBE END TO SWIVEL,ORFS
48913	4-6 F5OLO-SW/.030	CONNECTOR,STRAIGHT THREAD TO ORFS, W/.030 ORI	48958	10-12 F5OLO-S	CONNECTOR,STRAIGHT THREAD TO ORFS
48914	4-8 F5OLO-S	CONNECTOR,STRAIGHT THREAD TO ORFS	48959	12 C5OLO-S	ELBOW,90°,STRAIGHT THREAD TO ORFS
48915	6 C5OLO-S	ELBOW,90°,STRAIGHT THREAD TO ORFS	48960	12 F5OLO-S	CONNECTOR,STRAIGHT THREAD TO ORFS
48916	6 F5OLO-S	CONNECTOR,STRAIGHT THREAD TO ORFS	48961	12 R5OLO-S	RUN TEE,STRAIGHT THREAD
48917	6 FF5OLO-S	CONNECTOR,LONG,STRAIGHT THREAD TO ORFS	48962	12 S5OLO-S	BRANCH TEE,STRAIGHT THREAD TO ORFS
48918	6 R5OLO-S	RUN TEE,STRAIGHT THREAD	48963	12 V5OLO-S	ELBOW,45°,STRAIGHT THREAD TO ORFS
48919	6 S5OLO-S	BRANCH TEE,STRAIGHT THREAD TO ORFS	48964	12 R6LO-S	RUN TEE,SWIVEL NUT,ORFS
48920	6 V5OLO-S	ELBOW,45°,STRAIGHT THREAD TO ORFS	48965	12 CLO-S	ELBOW,90°,MALE PIPE TO ORFS
48921	6 FLO-S	CONNECTOR,MALE PIPE TO ORFS	48966	12 FLO-S	CONNECTOR,MALE PIPE TO ORFS
48922	6-6 FLO-S	CONNECTOR,MALE PIPE TO ORFS	48967	12 JLO-S	UNION TEE,ORFS
48923	6 P5ON-S	PLUG,STRAIGHT THREAD	48968	12 WLO-WLNL-S	UNION,BULKHEAD,ORFS
48925	6 WELO-S	UNION,90° BULKHEAD,ORFS	48969	12 WJLO-WLNL-S	RUN TEE, BULKHEAD,ORFS
48926	6-4 C5OLO-S	ELBOW,90°,STRAIGHT THREAD TO ORFS	48970	12 WELO-WLNL-S	UNION,90° BULKHEAD W/NUT,ORFS
48927	6-4 F5OLO-S	CONNECTOR,STRAIGHT THREAD TO ORFS			
48928	6-4 V5OLO-S	ELBOW,45°,STRAIGHT THREAD TO ORFS			
48929	6-8 C5OLO-S	ELBOW,90°,STRAIGHT THREAD TO ORFS			
48930	6-8 F5OLO-S	CONNECTOR,STRAIGHT THREAD TO ORFS			
48931	6-10 F5OLO-S	CONNECTOR,STRAIGHT THREAD TO ORFS			
48932	8 C5OLO-S	ELBOW,90°,STRAIGHT THREAD TO ORFS			
48933	8 F5OLO-S	CONNECTOR,STRAIGHT THREAD TO ORFS			
48934	8 FF5OLO-S	CONNECTOR,LONG,STRAIGHT THREAD TO ORFS			
48935	8 R5OLO-S	RUN TEE,STRAIGHT THREAD			
48936	8 S5OLO-S	BRANCH TEE,STRAIGHT THREAD TO ORFS			
48937	8 V5OLO-S	ELBOW,45°,STRAIGHT THREAD TO ORFS			

Fitting Cross References (Continued)

Genie PN	Parker PN	Description	Genie PN	Parker PN	Description
48971	12 G5G5JG5-S	TEE,FEMALE STRAIGHT THREAD	49612	PKT02586	O-RING KIT (ORFS FITTINGS)
48972	12 XHL6-S	ADAPTER, 37° MALE TO SWIVEL ORFS	49613	PKT06276	PLUG AND CAP KIT-SERVICE,ORFS
48973	12-1/2 F5OG-S	ADAPTER,FEMALE PIPE TO STRAIGHT THREAD	49728	10143-12-12	HOSE END, MALE PIPE
48974	12-10 C5OLO-S	ELBOW,90°,STRAIGHT THREAD TO ORFS	49729	16-1 F5OG-S	ADAPTER,FEMALE PIPE TO STRAIGHT THREAD
48975	12-10 F5OLO-S	CONNECTOR,STRAIGHT THREAD TO ORFS	49814	12-8 FLO-S	CONNECTOR,MALE PIPE TO ORFS
48976	12-16 C5OLO-S	ELBOW,90°,STRAIGHT THREAD TO ORFS	49829	DT-500-MOMF-5	VALVE,CHECK
48977	12-16 F5OLO-S	CONNECTOR,STRAIGHT THREAD TO ORFS	49831	881-12	HOSE,3/4 INCH ID
48978	12-16 V5OLO-S	ELBOW,45°,STRAIGHT THREAD TO ORFS	49834	16 JLO-S	UNION TEE,ORFS
48980	12-16 FLO-S	CONNECTOR,MALE PIPE TO ORFS	49838	12-8 TRLO-BL-S	REDUCER,TUBE END TO SWIVEL,ORFS
48983	16 C5OLO-S	ELBOW,90°,STRAIGHT THREAD TO ORFS	49840	8 JLO-S	UNION TEE,ORFS
48984	16 F5OLO-S	CONNECTOR,STRAIGHT THREAD TO ORFS	49844	10-8 TRLO-BL-S	REDUCER,TUBE END TO SWIVEL,ORFS
48985	16 V5OLO-S	ELBOW,45°,STRAIGHT THREAD TO ORFS	49854	8 P5ON-S	PLUG,STRAIGHT THREAD
48986	16 FLO-S	CONNECTOR,MALE PIPE TO ORFS	49855	1JC43-16-12	HOSE END,FEMALE SWIVEL,SEAL LOK
48988	16 CD45-S	ELBOW,45°,MALE TO FEMALE PIPE	49859	4 P5ON-S	PLUG,STRAIGHT THREAD
48989	12 CD45-S	ELBOW,45°,MALE TO FEMALE PIPE	49861	4 FF5OLO-S	CONNECTOR, LONG, STRAIGHT THREAD TO ORFS
48990	8 CD45-S	ELBOW,45°,MALE TO FEMALE PIPE	49867	12-3/4 F5OG-S	ADAPTER,FEMALE PIPE TO STRAIGHT THREAD
48991	16-12 FLO-S	CONNECTOR,MALE PIPE TO ORFS	51152	6 R6X-S	RUN TEE,SWIVEL NUT,ORFS
48992	16-12 V5OLO-S	ELBOW,45°,STRAIGHT THREAD TO ORFS	51153	6-4 TRTX-S	REDUCER,TUBE END TO SWIVEL,ORFS
48993	XV501-12	BALL VALVE	51154	4-4 GTX	CONNECTOR,FEMALE PIPE TO FLARE TUBE
48994	XV501-16	BALL VALVE	51264	881-12	HOSE,3/4 INCH ID
48995	XV510P-12	BALL VALVE	51265	8 JLO-S	UNION TEE,ORFS
48996	XV510P-16	BALL VALVE	51508	6 BTX-S	NUT,FLARE TUBE
48997	PD341	DIAGNOSTIC NIPPLE, STRAIGHT THREAD	51580	12-8 TRLO-BL-S	TUBE END REDUCER,ORFS
48998	PD 361	DIAGNOSTIC NIPPLE, STRAIGHT THREAD	51628	6 R6X-S	RUN TEE,SWIVEL NUT,ORFS
48999	DT-500-MOMS-5	VALVE,CHECK	51735	3/8 HHP	PLUG,PIPE THREAD
49201	10 V5OLO-S	ELBOW,45°,STRAIGHT THREAD TO ORFS	51803	1J943-6-8	HOSE END,90° FEMALE SWIVEL,SEAL LOK
49202	1JC43-12-10	HOSE END,FEMALE SWIVEL,SEAL LOK	53023	125HBL-5-4	FITTING,HOSE BARB TO MALE PIPE
49203	10-8 V5OLO-S	ELBOW,45°,STRAIGHT THREAD TO ORFS	53497	PKT02585	O-RING KIT
49205	6 F5OHAO-S	UNION,STRAIGHT THREAD	53499	1JC71-16-16	HOSE END,FEMALE SWIVEL,SEAL LOK
49207	PD34BTL	DIAGNOSTIC NIPPLE,SEAL-LOK SWIVEL	53500	3-904	O-RING,STRAIGHT THREAD,-4
49209	8M18F870MX-S	CONNECTOR,METRIC,STRAIGHT THREAD TO FLARE TUBE	53501	3-906	O-RING,STRAIGHT THREAD,-6
49212	8 WGTX-WLN-S	CONNECTOR,BULKHEAD,FEMALE PIPE TO FLARE TUBE	53502	3-908	O-RING,STRAIGHT THREAD,-8
49213	30682-8-8	HOSE END,FEMALE SWIVEL,JIC	53503	3-910	O-RING,STRAIGHT THREAD,-10
49216	831-8	HOSE,1/2 INCH ID			
49217	33982-8-8	HOSE END,90° FEMALE SWIVEL,JIC			
49219	PS-B-35	SLEEVE,NYLON,2.19" ID			
49418	4-6 V5OLO-S	ELBOW,45°,STRAIGHT THREAD TO ORFS			
49511	DT370-MOMS-5	VALVE,CHECK			
49512	1 DD-S	ELBOW,90°,FEMALE PIPE			
49513	1 FF-S	NIPPLE,PIPE			
49514	10 HP5ON-S	PLUG,STRAIGHT THREAD			
49515	12-16 CLO-S	ELBOW,90°,MALE PIPE TO ORFS			
49517	6 HP5ON-S	PLUG,STRAIGHT THREAD			
49519	16-12 F5OLO-S	CONNECTOR,STRAIGHT THREAD TO ORFS			
49520	4 VTX-S	ELBOW,45°,MALE PIPE TO FLARE TUBE			
49530	16 C6LO-S	ELBOW,90°,SWIVEL NUT ORFS			

Fitting Cross References (Continued)

Genie PN	Parker PN	Description	Genie PN	Parker PN	Description
53535	3-912	O-RING, STRAIGHT THREAD, -12	61083	24 F5OLO-S	CONNECTOR, STRAIGHT THREAD TO ORFS
53536	4-PNLO-S	PLUG, TUBE END, ORFS	61086	20 R5OLO-S	RUN TEE, STRAIGHT THREAD
53537	6 PNLO-S	PLUG, TUBE END, ORFS	61090	24-20 F5OLO-S	CONNECTOR, STRAIGHT THREAD TO ORFS
53538	8 PNLO-S	PLUG, TUBE END, ORFS	61091	1J943 24-24	HOSE END, 90° FEMALE SWIVEL, SEAL LOK
53539	10 PNLO-S	PLUG, TUBE END, ORFS	61093	1J978-12-12	HOSE END, 90° FEMALE SWIVEL, JIC
53540	12 PNLO-S	PLUG, TUBE END, ORFS	61095	1JS43-20-16	HOSE END, FEMALE SWIVEL, SEAL LOK
53946	129HB-5-4	FITTING, 90° HOSE BARB TO MALE PIPE	61100	811-24	HOSE, 1 1/2 INCH ID
53951	8-1/4F50G-S	ADAPTER, FEMALE PIPE TO STRAIGHT THREAD	61130	1JS43-24-24	HOSE END, FEMALE SWIVEL, SEAL LOK
53980	6 S6LO-S	BRANCH TEE, SWIVEL NUT TO ORFS	61131	1JS78 12-12	HOSE END, FEMALE SWIVEL, SEAL LOK
54132	4 C6LO-S	ELBOW, 90°, SWIVEL NUT ORFS	61132	1J778-12-12	HOSE END, 45° FEMALE SWIVEL, JIC
54135	11343-16-16	HOSE END, MALE SWIVEL, PIPE	61152	139HB-6-4	ELBOW, 45°, BARB TO MALE PIPE
54283	8-10 C5OLO-S	ELBOW, 90°, STRAIGHT THREAD TO ORFS	61251	BV-0750	BALL VALVE
54428	8M18C870MLO-S	ELBOW, 90° METRIC, STRAIGHT THREAD TO ORFS	61259	4 CC5OLO-S	ELBOW, 90° LONG, STRAIGHT THREAD TO ORFS
54803	FS-F-16-10	SLEEVE, FIRE, .96" ID	61260	20-12 TRLO-BL	REDUCER, TUBE END TO SWIVEL, ORFS
54954	10143-2-4	HOSE END, MALE PIPE	61262	12 C6LO-S	ELBOW, 90°, SWIVEL NUT ORFS
55190	3/8 HP-S	PLUG, PIPE THREAD	61263	20 F5OHAO-S	UNION, STRAIGHT THREAD
55448	8 HLO-S	UNION, ORFS	61264	6-10 C5OLO-S	ELBOW, 90°, STRAIGHT THREAD TO ORFS
55839	6 F65OX-S	CONNECTOR, STRAIGHT THREAD TO 37° SWIVEL	61265	6 WNLO-WLNL-S	UNION, BULKHEAD 45°, ORFS
55968	10 C5OX-S	ELBOW, 90°, STRAIGHT THREAD TO FLARE TUBE	61268	4 WNLO-WLNL-S	UNION, BULKHEAD 45°, ORFS
56003	6 CC5OLO-S	ELBOW, 90° LONG, STRAIGHT THREAD TO ORFS	61269	4 WLO-WLNL-S	UNION, BULKHEAD, ORFS
56166	BV-0837	BALL VALVE, 90°	61272	12 AOEL6	ELBOW, 90°, STRAIGHT THREAD TO ORFS SWIVEL
56188	10143-8-6	HOSE END, MALE PIPE	61316	482TC-16	HOSE, 1 INCH ID
56233	2-011	O-RING, ORFS, -4	61321	6 JLO-S	UNION TEE, ORFS
56234	2-012	O-RING, ORFS, -6	61327	782-12	HOSE, 3/4 INCH ID
56235	2-014	O-RING, ORFS, -8	61328	881-24	HOSE, 1 1/2 INCH ID
56236	2-016	O-RING, ORFS, -10	61336	11943-20-24	HOSE END, 90° FLANGE HEAD
56237	2-018	O-RING, ORFS, -12	61345	12 WJLO-WLNL-S	RUN TEE, BULKHEAD, ORFS
56238	2-021	O-RING, ORFS, -16	61346	8 WNLO-WLNL-S 4	UNION, BULKHEAD 45°, ORFS
56352	6 WLNL-S	LOCKNUT, BULKHEAD	61569	33782-8-8	HOSE END, 45° FEMALE SWIVEL, JIC
56353	3J782-12-12	HOSE END, 45° FEMALE SWIVEL, SEAL LOK	61610	12 FF5OLO-S	CONNECTOR, LONG, STRAIGHT THREAD TO ORFS
56354	3J982-12-12	HOSE END, 90° FEMALE SWIVEL, SEAL LOK	61742	1/8 X 1.5 FFF	NIPPLE, PIPE
56604	10-8 F5OLO-S	CONNECTOR, STRAIGHT THREAD TO ORFS	63426	8 PNTX-S	PLUG, FLARE TUBE
56639	3JC82-10-10	HOSE END, FEMALE SWIVEL, SEAL LOK			
56640	3J982-10-10	HOSE END, 90° FEMALE SWIVEL, SEAL LOK			
56655	3JC82-8-10	HOSE END, FEMALE SWIVEL, SEAL LOK			
56676	10-8 C5OLO-S	ELBOW, 90°, STRAIGHT THREAD TO ORFS			
56776	471TC-6	HOSE, 3/8 INCH ID			
56777	471TC-8	HOSE, 1/2 INCH ID			
56789	811-16	HOSE, 1 INCH ID			
57884	3/8 FF	NIPPLE, PIPE			
59335	6 FNL-S	CAP, TUBE END			
59342	4 FNL-S	CAP, TUBE END			
59371	8 HP5ON-S	PLUG, STRAIGHT THREAD			
60653	BV-0751	BALL VALVE			
60806	125HB-3-4	FITTING, HOSE BARB TO MALE PIPE			
61064	5-1/4 F5OG-S	ADAPTER, FEMALE PIPE TO STRAIGHT THREAD			
61079	4 WELO-WLNL-S	UNION, 90° BULKHEAD W/NUT, ORFS			
61080	6 WLO-WLNL-S	UNION, BULKHEAD, ORFS			

Fitting Cross References (Continued)

Genie PN	Parker PN	Description	Genie PN	Parker PN	Description
64271	4 WLO-WLNL-S	UNION,BULKHEAD,ORFS	75631	801-6	HOSE,3/8 INCH ID
64272	6 WLO-WLNL-S	UNION,BULKHEAD,ORFS	75654	20 F5OLO-S	CONNECTOR,STRAIGHT THREAD TO ORFS
65776	8 F65OL-S	CONNECTOR,STRAIGHT THREAD TO ORFS SWIVEL	75655	1J943-20-20	HOSE END,90° FEMALE SWIVEL,SEAL LOK
65880	6001012	O-RING KIT	75656	881-20	HOSE,1-1/4 INCH ID
66154	6 WTX-WLNS	UNION,BULKHEAD,FLARE TUBE	75971	8 F5OHAO-S	UNION,STRAIGHT THREAD
66155	6 WETX-S	UNION,BULKHEAD 90°,FLARE TUBE	77307	1JB43-8-8	HOSE END,BULKHEAD,SEAL LOK
66156	6 WLN-S	BULKHEAD LOCKNUT	77309	8 WLNL-S	BULKHEAD LOCKNUT
66389	6-8 F5OX-S	CONNECTOR,STRAIGHT THREAD TO FLARE TUBE	77379	8M18C87OMX-S	ELBOW,90° METRIC,STRAIGHT THREAD TO FLARE TUBE
66392	6 R5OX-S	RUN TEE,STRAIGHT THREAD	77703	3J982-8-8	HOSE END,90° FEMALE SWIVEL,SEAL LOK
66396	811-12	HOSE,3/4 INCH ID	77711	801-10	HOSE,5/8 INCH ID
66829	H3174PP	CLAMP,TUBE	77758	12 WNLO-WLNL-S	UNION,BULKHEAD 45°,ORFS
67217	4 KLO-S	UNION,CROSS,ORFS	78091	6 C6X-S	ELBOW,90°,SWIVEL NUT TO FLARE TUBE
67339	10-6 F5OX-S	CONNECTOR,STRAIGHT THREAD TO FLARE TUBE	78684	30582-8-8B	HOSE END,PUSH LOK,MALE
67357	13943-8-6	HOSE END,90° FEMALE SWIVEL,JIC	78852	549-2	HOSE,1/8 INCH ID
67358	10 HP5ON-S	PLUG,STRAIGHT THREAD	78855	10657-4-2	HOSE END,FEMALE SWIVEL,JIC
67371	12 S6LO-S	BRANCH TEE,SWIVEL NUT TO ORFS	79138	PS-B-37	SLEEVE,NYLON,2.38" ID
67498	4 FNL-S	CAP, TUBE END	79476	1JS43-6-8	HOSE END,FEMALE SWIVEL,SEAL LOK
67906	DC-370-F0F0-5	VALVE,CHECK	79847	12-3/4 A0EG-S	ELBOW,90°,STRAIGHT THREAD TO FEMALE PIPE
69316	8 FLO-S	CONNECTOR,MALE PIPE TO ORFS	80044	8 CLO-S	ELBOW,90°,MALE PIPE TO ORFS
69333	H3174PP	CLAMP,HYDRAULIC HOSE	80502	8 F5OX-S	CONNECTOR,STRAIGHT THREAD TO FLARE TUBE
69503	4 F65OX-S	CONNECTOR,STRAIGHT THREAD TO 37° SWIVEL	80503	8 C5OX-S	ELBOW,90°,STRAIGHT THREAD TO FLARE TUBE
69775	8 FNL-S	CAP, TUBE END	81010	AS-B-27	SLEEVE,NYLON,1.63" ID
71038	1/4X1/4F3HG-S	ADAPTER,CONVERSION	83052	821-6	HOSE,3/8 INCH ID
71196	12-8 F5OLO-S	CONNECTOR,STRAIGHT THREAD TO ORFS	83053	821-8	HOSE,1/2 INCH ID
71383	1/4 CD45-S	ELBOW,45°,MALE TO FEMALE PIPE	83054	821-12	HOSE,3/4 INCH ID
72270	12FNL-S	CAP, TUBE END	83055	30682-6-6	HOSE END,FEMALE SWIVEL,JIC
73436	60C-4	SLEEVE,COMPRESSION	83056	30682-12-12	HOSE END,FEMALE SWIVEL,JIC
73437	61C-4	NUT,COMPRESSION	83057	33782-6-6	HOSE END,45° FEMALE SWIVEL,JIC
73438	33482-4-4B	HOSE END,PUSH LOK,MALE	83058	33982-6-6	HOSE END,90° FEMALE SWIVEL,JIC
73767	1CD-S	ELBOW,90°,MALE TO FEMALE PIPE	83060	33982-12-12	HOSE END,90° FEMALE SWIVEL,JIC
73768	20-16-F5OG5-S	ADAPTER,FEMALE PIPE TO STRAIGHT THREAD	83063	13743-4-4	HOSE END,45° FEMALE SWIVEL,JIC
73769	16-20 F5OLO-S	CONNECTOR,STRAIGHT THREAD TO ORFS			
74660	6-8 F42EDMLO-S	CONNECTOR,MALE BSPP TO ORFS			
74661	8-8 F42EDMLO-S	CONNECTOR,MALE BSPP TO ORFS			
75007	4 FLO-S	CONNECTOR,MALE PIPE TO ORFS			
75008	1/8 HP-S	PLUG,PIPE THREAD			
75014	1/2 HP-S	PLUG,PIPE THREAD			
75042	8 WELO-WLNL-S	UNION,90° BULKHEAD W/NUT,ORFS			
75043	3/4 FF-S	NIPPLE,PIPE			
75254	24 F5OHAO-S	UNION,STRAIGHT THREAD			
75255	12 F5OHAO-S	UNION,STRAIGHT THREAD			
75256	XV506P-24	BALL VALVE			
75574	4 WLNL-S	BULKHEAD LOCKNUT			
75612	8 WJLO-WLNL-S	RUN TEE, BULKHEAD,ORFS			
75613	12-8 F5OG5-S	ADAPTER,FEMALE PIPE TO STRAIGHT THREAD			
75614	8 CC5OLO-S	ELBOW,90° LONG,STRAIGHT THREAD TO ORFS			
75628	1JB43-4-4	HOSE END,BULKHEAD,SEAL LOK			

Fitting Cross References (Continued)

Genie PN	Parker PN	Description	Genie PN	Parker PN	Description
83064	13743-8-8	HOSE END,45° FEMALE SWIVEL,JIC	89449	6 WJLO-WLNL-S	RUN TEE, BULKHEAD,ORFS
83065	13743-12-12	HOSE END,45° FEMALE SWIVEL,JIC	89489	4 WJMLO-S	BRANCH TEE,BULKHEAD,ORFS
83066	13943-8-8	HOSE END,90° FEMALE SWIVEL,JIC	89551	1JB43-6-6	HOSE END,BULKHEAD,SEAL LOK
83067	14143-6-6	HOSE END,90° FEMALE SWIVEL,JIC	89552	1JB43-8-8	HOSE END,BULKHEAD,SEAL LOK
83068	14143-8-8	HOSE END,90° FEMALE SWIVEL,JIC	89593	20 C5OLO-S	ELBOW,90°,STRAIGHT THREAD TO ORFS
83069	14143-12-12	HOSE END,90° FEMALE SWIVEL,JIC	94161	8-8 CLO-S	ELBOW,90°,MALE PIPE TO ORFS
83070	772-8	HOSE,1/2 INCH ID	94358	351TC-12	HOSE,3/4 INCH ID
83071	10671-8-8	HOSE END,FEMALE SWIVEL,JIC	94418	20 FLO-S	CONNECTOR,MALE PIPE TO ORFS
83072	10671-12-12	HOSE END,FEMALE SWIVEL,JIC	96358	12 TX-S	SLEEVE,FLARE TUBE
83073	13771-8-8	HOSE END,45° FEMALE SWIVEL,JIC	96359	12 BTX-S	NUT,FLARE TUBE
83074	13771-12-12	HOSE END,45° FEMALE SWIVEL,JIC	96397	8 F5OX-S	CONNECTOR,STRAIGHT THREAD TO FLARE TUBE
83075	13971-8-8	HOSE END,90° FEMALE SWIVEL,JIC	96398	12-8 F5OX-S	CONNECTOR,STRAIGHT THREAD TO FLARE TUBE
83076	13971-12-12	HOSE END,90° FEMALE SWIVEL,JIC	96402	10343-6-6	HOSE END,MALE,JIC
83077	14171-8-8	HOSE END,90° FEMALE SWIVEL,JIC	96407	30382-6-6B	HOSE END,MALE,JIC
83078	14171-12-12	HOSE END,90° FEMALE SWIVEL,JIC			
83080	13943-16-16	HOSE END,90° FEMALE SWIVEL,JIC			
83103	10671-16-12	HOSE END,FEMALE SWIVEL,JIC			
83104	10671-10-12	HOSE END,FEMALE SWIVEL,JIC			
83112	1JC71-8-8	HOSE END,FEMALE SWIVEL,SEAL LOK			
83113	1JS71-16-12	HOSE END,FEMALE SWIVEL,SEAL LOK			
83114	1JS71-10-12	HOSE END,FEMALE SWIVEL,SEAL LOK			
83115	1J971-8-8	HOSE END,90° FEMALE SWIVEL,SEAL LOK			
83116	1J171-8-8	HOSE END,90° FEMALE SWIVEL,SEAL LOK			
83117	1J771-8-8	HOSE END,45° FEMALE SWIVEL,SEAL LOK			
83127	1J543-6-8	HOSE END,90° FEMALE SWIVEL,JIC			
83128	1JC43-6-8	HOSE END,FEMALE SWIVEL,SEAL LOK			
87033	12-6 TRLO-S	REDUCER,TUBE END TO SWIVEL,ORFS			
87034	3J782-8-8	HOSE END,45° FEMALE SWIVEL,SEAL LOK			
87172	12 HP5ON-S	PLUG,STRAIGHT THREAD			
87185	8 WNLO-WLNL-S	UNION,BULKHEAD 45°,ORFS			
87246	4 C6X-S	ELBOW,90°,SWIVEL NUT TO FLARE TUBE			
87679	6 LHP-S	FLANGE SEAL FITTING, MALE			
87681	6PLS N0702	BONDED SEAL			
88100	SR88100	ADAPTER,OIL DRAIN,GM 3.0L			
88311	1JS43-20-20	HOSE END,FEMALE SWIVEL,SEAL LOK			
88353	20 V5OLO-S	ELBOW,45°,STRAIGHT THREAD TO ORFS			
88474	10081-20	Crimp Shell, 1.25"			
88475	1988-20-24	HOSE END,90° FLANGE HEAD			
88476	JS88-24-24	HOSE END,FEMALE SWIVEL,SEAL LOK			
88477	1JC88-20-20	HOSE END,FEMALE SWIVEL,SEAL LOK			
88478	811-20	HOSE,11/4 INCH ID			
88936	20-16 F5OLO-S	CONNECTOR,STRAIGHT THREAD TO ORFS			
88937	20-16 FLO-S	CONNECTOR,MALE PIPE TO ORFS			
88938	1JC88-16-16	HOSE END,FEMALE SWIVEL,SEAL LOK			
88939	1J988-16-16	HOSE END,90° FEMALE SWIVEL,ORFS			
88940	811-16	HOSE,1 INCH ID			
88944	1J988-20-20	HOSE END,90° FEMALE SWIVEL,ORFS			
89403	16 VLO-S	ELBOW,45°,MALE PIPE TO ORFS			

California Proposition 65



Operating, servicing and maintaining this equipment can expose you to chemicals including engine exhaust, carbon monoxide, phthalates, and lead, which are known to the State of California to cause cancer and birth defects or other reproductive harm. These chemicals can be emitted from or contained in other various parts and systems, fluids and some component wear by-products. To minimize exposure, avoid breathing exhaust, do not idle the engine except as necessary, service your equipment and vehicle in a well-ventilated area and wear gloves or wash your hands frequently when servicing your equipment or vehicle and after operation. For more information go to www.P65Warnings.ca.gov/passenger-vehicle.

Breathing diesel engine exhaust exposes you to chemicals known to the State of California to cause cancer and birth defects or other reproductive harm.

- Always start and operate the engine in a well-ventilated area.
- If in an enclosed area, vent the exhaust to the outside.
- Do not modify or tamper with the exhaust system.
- Do not idle the engine except as necessary.

For more information go to

www.P65warnings.ca.gov/diesel.

Distributed By:

to order your parts

PARTS FINDER

**Search Website
by Part Number**



**Search Manual
Library For Parts
Manual & Lookup Part
Numbers – Purchase
or Request Quote**

Search Manuals

Enter your information to help us find the right parts manual for your machine.

* Brand:

* Model:

* Serial:

* Part Number:

SEARCH

**Can't Find Part or
Manual? Request Help
by Manufacturer,
Model & Description**

Parts Order Form

Please fill in the following information to help us find the right part for your machine.

Manufacturer:	<input type="text"/>
Model:	<input type="text"/>
Description:	<input type="text"/>
Part Number:	<input type="text"/>
Quantity:	<input type="text"/>
Notes:	<input type="text"/>

Discount-Equipment.com is your online resource for quality parts & equipment.

Florida: **561-964-4949** Outside Florida TOLL FREE: **877-690-3101**

Need parts?

Click on this link: <http://www.discount-equipment.com/category/5443-parts/> and choose one of the options to help get the right parts and equipment you are looking for. Please have the machine model and serial number available in order to help us get you the correct parts. If you don't find the part on the website or on one of the online manuals, please fill out the request form and one of our experienced staff members will get back to you with a quote for the right part that your machine needs.

We sell worldwide for the brands: Genie, Terex, JLG, MultiQuip, Mikasa, Essick, Whiteman, Mayco, Toro Stone, Diamond Products, Generac Magnum, Airman, Haulotte, Barreto, Power Blanket, Nifty Lift, Atlas Copco, Chicago Pneumatic, Allmand, Miller Curber, Skyjack, Lull, Skytrak, Tsurumi, Husquvarna Target, Stow, Wacker, Sakai, Mi-T-M, Sullair, Basic, Dynapac, MBW, Weber, Bartell, Bennar Newman, Haulotte, Ditch Runner, Menegotti, Morrison, Contec, Buddy, Crown, Edco, Wyco, Bomag, Laymor, EZ Trench, Bil-Jax, F.S. Curtis, Gehl Pavers, Heli, Honda, ICS/PowerGrit, IHI, Partner, Imer, Clipper, MMD, Koshin, Rice, CH&E, General Equipment, Amida, Coleman, NAC, Gradall, Square Shooter, Kent, Stanley, Tamco, Toku, Hatz, Kohler, Robin, Wisconsin, Northrock, Oztec, Toker TK, Rol-Air, APT, Wylie, Ingersoll Rand / Doosan, Innovatech, Con X, Ammann, Mecalac, Makinex, Smith Surface Prep, Small Line, Wanco, Yanmar