



A TEREX BRAND



Parts Manual

Serial Number Range

IWP Super Series

from SN IWPG-12000

to IWPG-12328

from SN IWPP-12329

Part No. 1282627GT

Rev: B

August 2020

PARTS FINDER

**Search Website
by Part Number**



**Search Manual
Library For Parts
Manual & Lookup Part
Numbers – Purchase
or Request Quote**

Search Manuals

Enter your information to help us find the right parts manual for your machine.

* Brand:

* Model:

* Serial:

* Part Number:

SEARCH

**Can't Find Part or
Manual? Request Help
by Manufacturer,
Model & Description**

Parts Order Form

Please fill in the following information to help us find the right part for your machine.

| | |
|---------------|----------------------|
| Manufacturer: | <input type="text"/> |
| Model: | <input type="text"/> |
| Description: | <input type="text"/> |
| Part Number: | <input type="text"/> |
| Quantity: | <input type="text"/> |
| Notes: | <input type="text"/> |

Discount-Equipment.com is your online resource for quality parts & equipment.

Florida: **561-964-4949** Outside Florida TOLL FREE: **877-690-3101**

Need parts?

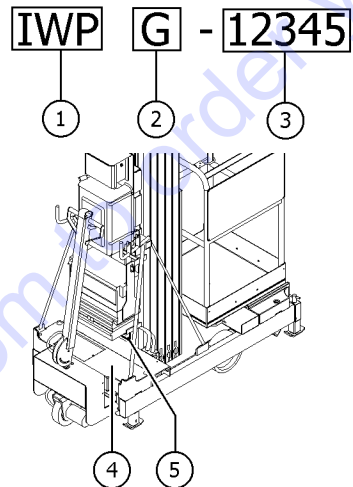
Click on this link: <http://www.discount-equipment.com/category/5443-parts/> and choose one of the options to help get the right parts and equipment you are looking for. Please have the machine model and serial number available in order to help us get you the correct parts. If you don't find the part on the website or on one of the online manuals, please fill out the request form and one of our experienced staff members will get back to you with a quote for the right part that your machine needs.

We sell worldwide for the brands: Genie, Terex, JLG, MultiQuip, Mikasa, Essick, Whiteman, Mayco, Toro Stone, Diamond Products, Generac Magnum, Airman, Haulotte, Barreto, Power Blanket, Nifty Lift, Atlas Copco, Chicago Pneumatic, Allmand, Miller Curber, Skyjack, Lull, Skytrak, Tsurumi, Husquvarna Target, Stow, Wacker, Sakai, Mi-T-M, Sullair, Basic, Dynapac, MBW, Weber, Bartell, Bennar Newman, Haulotte, Ditch Runner, Menegotti, Morrison, Contec, Buddy, Crown, Edco, Wyco, Bomag, Laymor, EZ Trench, Bil-Jax, F.S. Curtis, Gehl Pavers, Heli, Honda, ICS/PowerGrit, IHI, Partner, Imer, Clipper, MMD, Koshin, Rice, CH&E, General Equipment, Amida, Coleman, NAC, Gradall, Square Shooter, Kent, Stanley, Tamco, Toku, Hatz, Kohler, Robin, Wisconsin, Northrock, Oztec, Toker TK, Rol-Air, APT, Wylie, Ingersoll Rand / Doosan, Innovatech, Con X, Ammann, Mecalac, Makinex, Smith Surface Prep, Small Line, Wanco, Yanmar

Genie
A TEREX BRAND

Model: Serial number: IWPG-12345

Year of Manufacture : 2017
Elec/Hydr Schematic:
Power supply voltage/Pneumatic Pressure:
Nominal Power:
Machine unladen weight:
Max Load:
Occupants and Equipment must not exceed:
Maximum allowable inclination of the chassis:
Maximum Wind Speed:
Indoor:
Outdoor:
Gradeability:
Maximum allowable side force:
Maximum platform height:

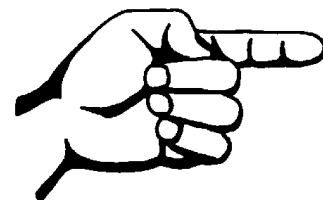


- 1 Model
- 2 Facility code
- 3 Sequence number

- 4 Serial number (stamped on chassis)
- 5 Serial label

Go to Discount-Equipment.com to order your parts

Please refer to section 001 for the Recommended Spare Parts List.



This page intentionally left blank.

Go to Discount-Equipment.com to order your parts

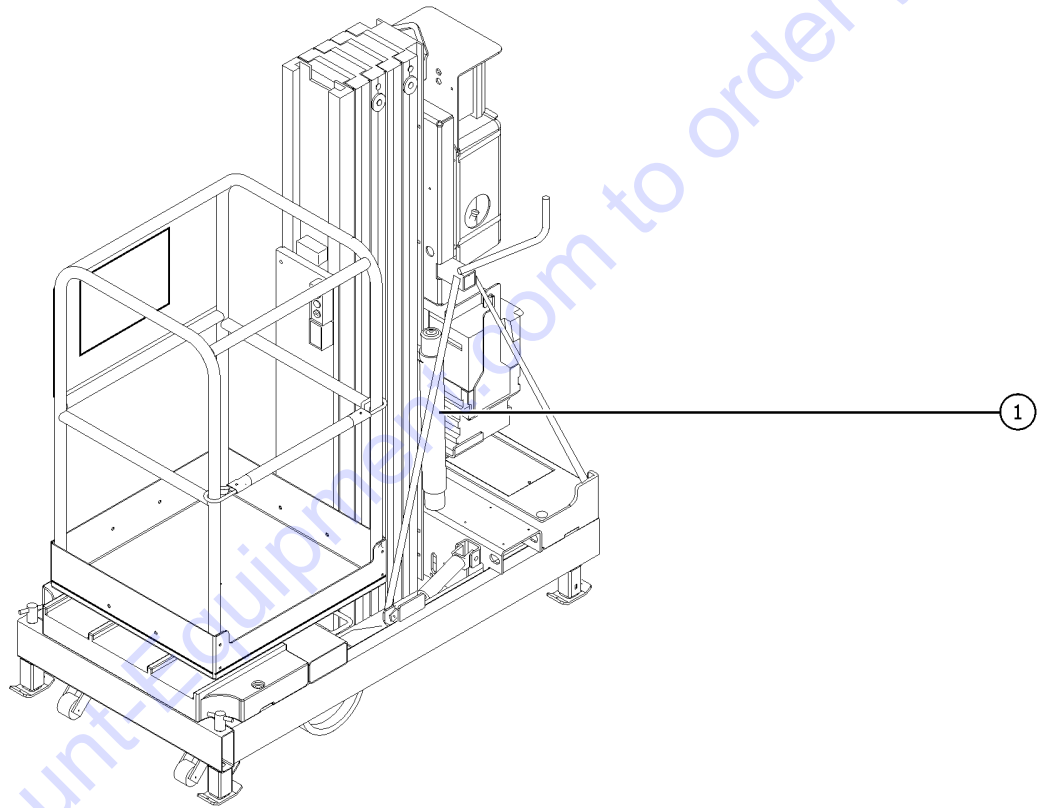
| Description | Page |
|--|-------------|
| 001 Parts Stocking List | 10 |
| 001.1 Parts Stocking List | 10 |
| 100 Decals | 12 |
| 101.1 Decals with Words (to SN IWPP-12999) | 12 |
| 102.1 Decals with Symbols (to SN IWPP-12999) | 16 |
| 103.1 Decals with Word, Machine View - 1 (from SN IWPP-13000) | 20 |
| 104.1 Decals with Word, Machine View - 2 (from SN IWPP-13000) | 22 |
| 105.1 Decals with Word, Platform (from SN IWPP-13000) | 24 |
| 106.1 Decals with Symbol, Machine View - 1 (from SN IWPP-13000) | 26 |
| 107.1 Decals with Symbol, Machine View - 2 (from SN IWPP-13000) | 28 |
| 108.1 Decals with Symbol, Platform (from SN IWPP-13000) | 30 |
| 200 Base Components | 32 |
| 201.1 Base Assembly, Outer Frame | 32 |
| 202.1 Base Assembly, Inner Frame | 38 |
| 203.1 Power Wheel Assist Option, Wheel Pivot Mount | 42 |
| 204.1 Power Wheel Assist Option, Wheel Pivot | 44 |
| 205.1 Power Wheel Assist Option, Steer Handle | 46 |
| 300 Mast Components | 50 |
| 301.1 Number 1 and 2 Column Assemblies, all Models | 50 |
| 302.1 Number 3 and 4 Column Assemblies, IWP-20S | 52 |
| 303.1 Number 3, 4 and 5 Column Assemblies, IWP-25S | 54 |
| 304.1 Number 3, 4, 5 and 6 Column Assemblies, IWP-30S | 56 |
| 305.1 Carriage Assembly, Models without Platform Outreach Option | 58 |
| 306.1 Carriage Assembly, IWP-20S with Platform Outreach Option | 62 |
| 307.1 Lifting Chain Assemblies, IWP-20S | 64 |
| 308.1 Lifting Chain Assemblies, IWP-25S | 68 |
| 309.1 Lifting Chain Assemblies, IWP-30S | 72 |
| 310.1 Sequencing Cables | 76 |
| 311.1 Number 1 Column Attached Parts | 78 |
| 312.1 Mast Covers | 82 |
| 400 Power Groups | 84 |
| 401.1 Battery Pack Assembly, DC Models | 84 |
| 402.1 Battery Charger, World Wide | 86 |
| 403.1 Power Unit Installation | 88 |
| 404.1 Ground Controls, DC Models | 90 |
| 405.1 Ground Controls, AC Models | 94 |
| 406.1 Platform Controls, ANSI Models | 98 |

Table of Contents

| Description | Page |
|--|-------------|
| 407.1 Platform Controls, CE Models | 100 |
| 408.1 Control Cable Assembly, IWP-20S and IWP-30S | 102 |
| 409.1 Control Cable Assembly, IWP-20S with Platform Outreach | 104 |
| 410.1 Control Cable Assembly, IWP-25S | 108 |
| 500 Platform Components | 110 |
| 501.1 Platform Assembly, Aluminum, Sliding Mid-rail Entry | 110 |
| 502.1 Platform Assembly, Aluminum, Gated Entry | 112 |
| 503.1 Platform Assembly, Aluminum, Extra Large, Front and Side Entry | 116 |
| 504.1 Platform Assembly, Fiberglass | 118 |
| 505.1 Platform Outreach Option, View 1, IWP-20S | 120 |
| 506.1 Platform Outreach Option, View 2, IWP-20S | 122 |
| 600 Hydraulic Components | 126 |
| 601.1 Foot Pump Manifold | 126 |
| 602.1 Lift Cylinder | 128 |
| 603.1 Hydraulic Power Unit | 130 |
| 604.1 Power Wheel Assist Manifold | 134 |
| 605.1 Hydraulic Hoses and Fittings | 136 |
| 606.1 Hydraulic Hoses and Fittings, Models with Power Assist Option | 138 |
| 700 Accessories | 140 |
| 701.1 Operational Warning Light and Descent Alarm | 140 |
| 702.1 Tube Caddy, Tray and Platform Locating Light | 142 |
| 703.1 Dual Battery Package | 144 |
| Part Number Index | 146 |

Go to Discount-Equipment.com to order your parts

001.1 Parts Stocking List

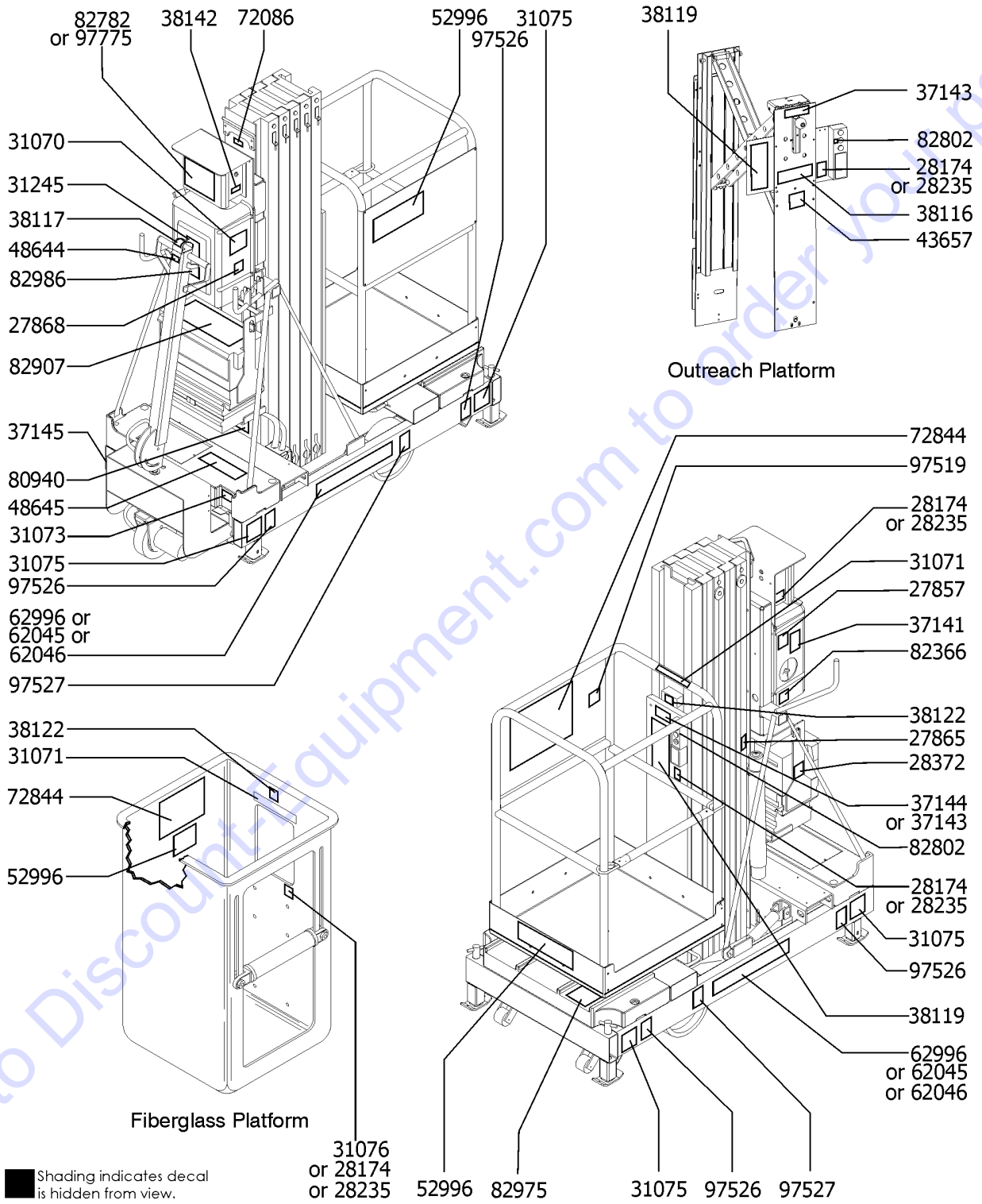


| Item | Part No. | Description | Qty. |
|------|-----------|--|-------|
| A | | —REQUIRED SERVICE PARTS— The following parts are required to perform maintenance procedures as outlined in the Genie IWP Super Series Service Manual | |
| A- | 90337GT | BOE LUBE | |
| A- | 49612GT | O-RING KIT (ORFS FITTINGS) | |
| A- | 49613GT | PLUG AND CAP KIT-SERVICE,ORFS* | |
| A- | 66399GT | GREASE,DIELECTRIC 4 OZ** | |
| B | | — GENERAL SERVICE PARTS — | |
| B- | 1484GT | PAINT,AEROSOL,BRIGHT BLUE*** 12-ounce spray paint | |
| B- | 1268GT | PAINT,AEROSOL,GENIE GRAY*** 12-ounce spray paint | |
| B- | 1258567GT | PAINT, AEROSOL, TRAFFIC BLACK 12-ounce spray paint | |
| B- | 32150GT | PAINT,WET,GENIE BLUE (1 GL)** 1-gallon | |
| B- | 32151GT | PAINT,WET,GENIE GRAY (1 GL)** 1-gallon | |
| B- | 1257733GT | PAINT,WET,TRAFFIC BLACK (1 GL)** 1-gallon | |
| 1 | | — MANUALS — | |
| 1- | 27581GT | MANUAL,AEM SAFETY | |
| 1- | 31587GT | MANUAL,RESPON,A92.5 BOOM to SN IWPP-12999 | |
| 1- | 1298933GT | MANUAL, SAIA MANUAL OF RESPONSIBILITIES, MEWP from SN IWPP-13000 | |

Go to Discount-Equipment.com to order your parts



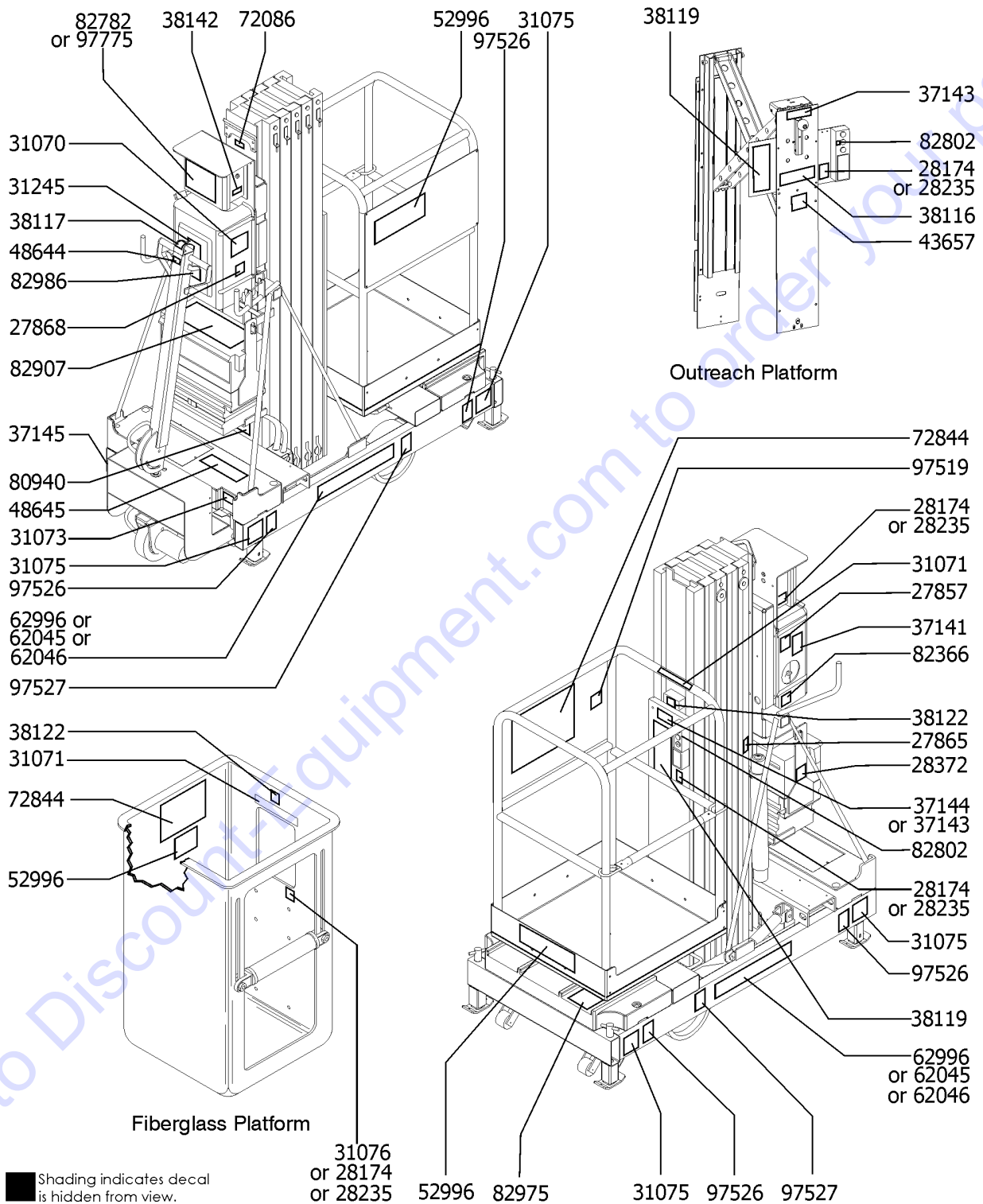
101.1 Decals with Words (to SN IWPP-12999)



| Item | Part No. | Description | Qty. |
|------|-----------|--|------|
| - | 1306270GT | INSTRUCTIONS,INSTALL,COMP,WORD, IWP | 1 |
| - | 1306271GT | DECAL KIT, IWP,COMP,WORD,ANSI & AUS | 1 |
| - | 1306272GT | INSTRUCTIONS,INSTALL,PLAT,WORD, IWP | 1 |
| - | 1306273GT | DECAL KIT, IWP,PLAT,WORD,ANSI & AUS | 1 |
| 1 | 27857GT | DECAL,COMPONENT DAMAGE,CAP | 1 |
| 2 | 27865GT | DECAL,BUBBLE LEVEL*** (models with mast-mounted level sensor) | 1 |
| 3 | 27868GT | DECAL,DANGER-TIP OVER | 1 |
| 4 | 28174GT | DECAL,POWER TO PLATFORM 230V | 2 |
| 5 | 28235GT | DECAL,POWER TO PLATFORM 115V | 2 |
| 6 | 28372GT | DECAL,NOTICE,BATTERY CABLES | 1 |
| 7 | 31070GT | DECAL,DANGER,TIP-OVER HAZARD | 1 |
| 8 | 31071GT | DECAL,WARNING,FAILURE TO READ | 1 |
| 9 | 31073GT | DECAL,LABEL,FOOT PEDAL | 1 |
| 10 | 31075GT | DECAL,CAUTION,CRUSHING HAZARD | 4 |
| 11 | 31245GT | DECAL,WARNING,COLLISION HAZARD | 1 |
| 12 | 37141GT | DECAL, NOTICE, MANUAL LOWERING | 1 |
| 13 | 37143GT | DECAL,NOTICE, LOAD CAP 300 | 1 |
| 14 | 37144GT | DECAL, NOTICE, LOAD CAP 350 | 1 |
| 15 | 37145GT | DECAL, MANUAL LOWERING VALVE | 1 |
| 16 | 38116GT | DECAL,DANGER,OUTRCH SAFE/SETUP | 1 |
| 17 | 38117GT | DECAL, LABEL, PWA OPER INST | 1 |
| 18 | 38119GT | DECAL,NOTICE,OPER.INST.,IWP-S | 1 |
| 19 | 38122GT | DECAL,LABEL, OM STORAGE | 1 |
| 20 | 38142GT | DECAL, LABEL, CIRCUIT BREAKER (AC models) | 1 |
| 21 | 43657GT | DECAL,DANGER,TIP-OVER,OUTREACH | 1 |
| 22 | 48644GT | DECAL,LABEL,FUNCTN ENABL LEVER | 1 |
| 23 | 48645GT | DECAL,DANGER,PWA SAFETY/SETUP | 1 |
| 24 | 52996GT | DECAL,COSMETIC,GENIE LOGO | 2 |



101.1 Decals with Words (to SN IWPP-12999)

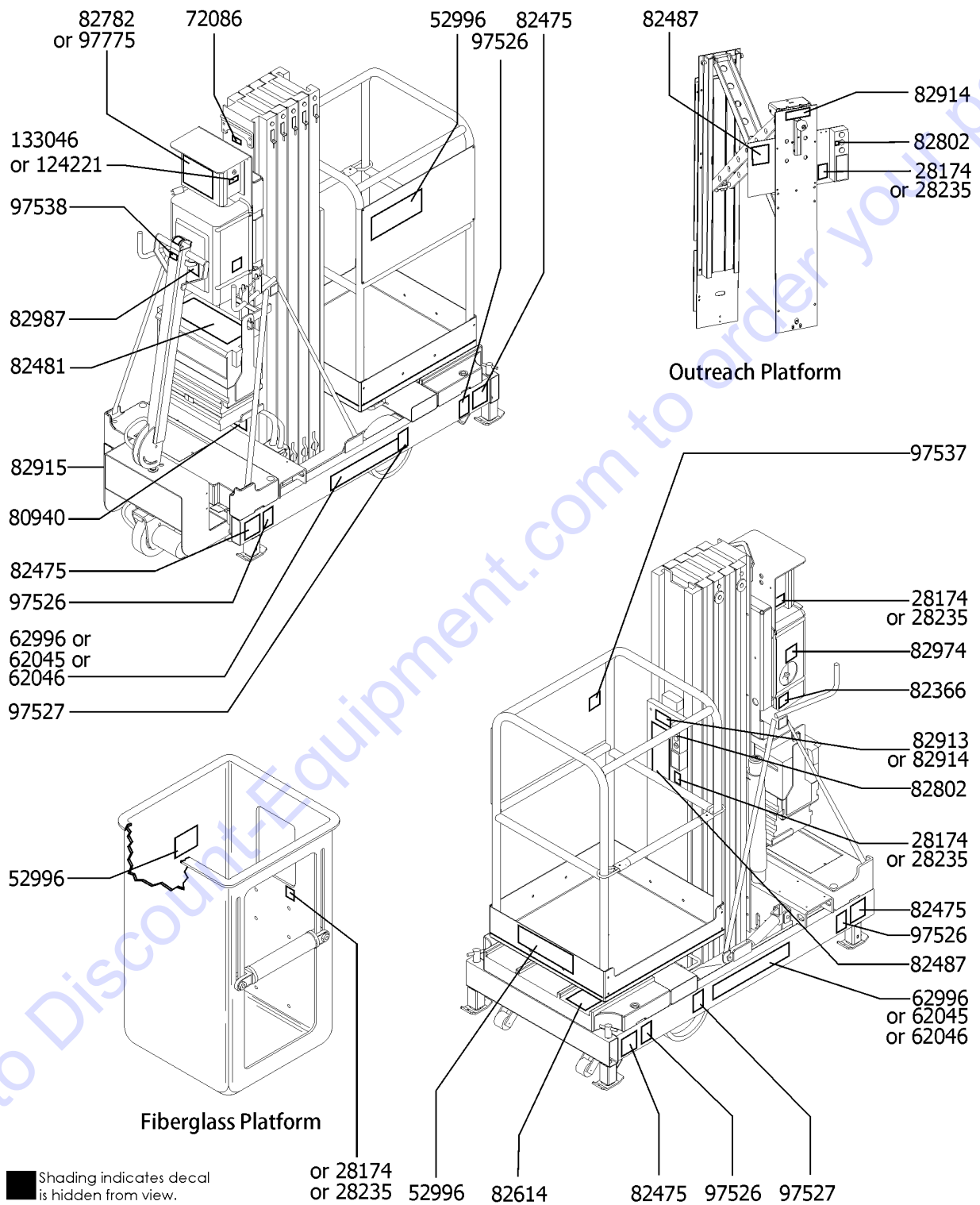


101.1 Decals with Words (to SN IWPP-12999)

| Item | Part No. | Description | Qty. |
|------|----------|---|------|
| 25 | 62045GT | DECAL,COSMETIC,GENIE IWP-25S | 2 |
| 26 | 62046GT | DECAL,COSMETIC,GENIE IWP-30S | 2 |
| 27 | 62996GT | DECAL,COSMETIC,GENIE IWP-20S | 2 |
| 28 | 72086GT | DECAL,LABEL,LIFTING EYE | 1 |
| 29 | 72844GT | DECAL,DANGER,GENERAL SAFE,IWP | 1 |
| 30 | 80940GT | ASSY,SER # LABEL,POWERED/GR ** | 1 |
| 31 | 82366GT | DECAL,LABEL-CHEVRON RANDO | 1 |
| 32 | 82782GT | DECAL,INTERLOCK DISPLAY,IWP (models with mast-mounted level sensor) | 1 |
| 33 | 82802GT | DECAL,LABEL,FUNCTION ENABLE | 1 |
| 34 | 82907GT | DECAL,DANGER,BATTERY SAFETY*** | 1 |
| 35 | 82975GT | DECAL,DANGER,COLLISION HAZARD | 1 |
| 36 | 82986GT | DECAL,DANGER,ELEC.HAZ.STAY CLR | 1 |
| 37 | 97519GT | DECAL,NOTICE,SIDE FORCE ANSI | 1 |
| 38 | 97526GT | DECAL,LABEL,FOOT PAD LOAD IWP | 4 |
| 39 | 97527GT | DECAL,LABEL,WHEEL LOAD, IWP | 2 |
| 40 | 97775GT | DECAL,INTERLOCK DISPLAY,IWP*** (models with base-mounted level sensor) | 1 |
| 41 | 40434GT | DECAL,LANYARD ANCHORAGE POINT | 1 |
| 42 | 31076GT | DECAL,CAUTION,8A MAX.115V AC** | 1 |



102.1 Decals with Symbols (to SN IWPP-12999)

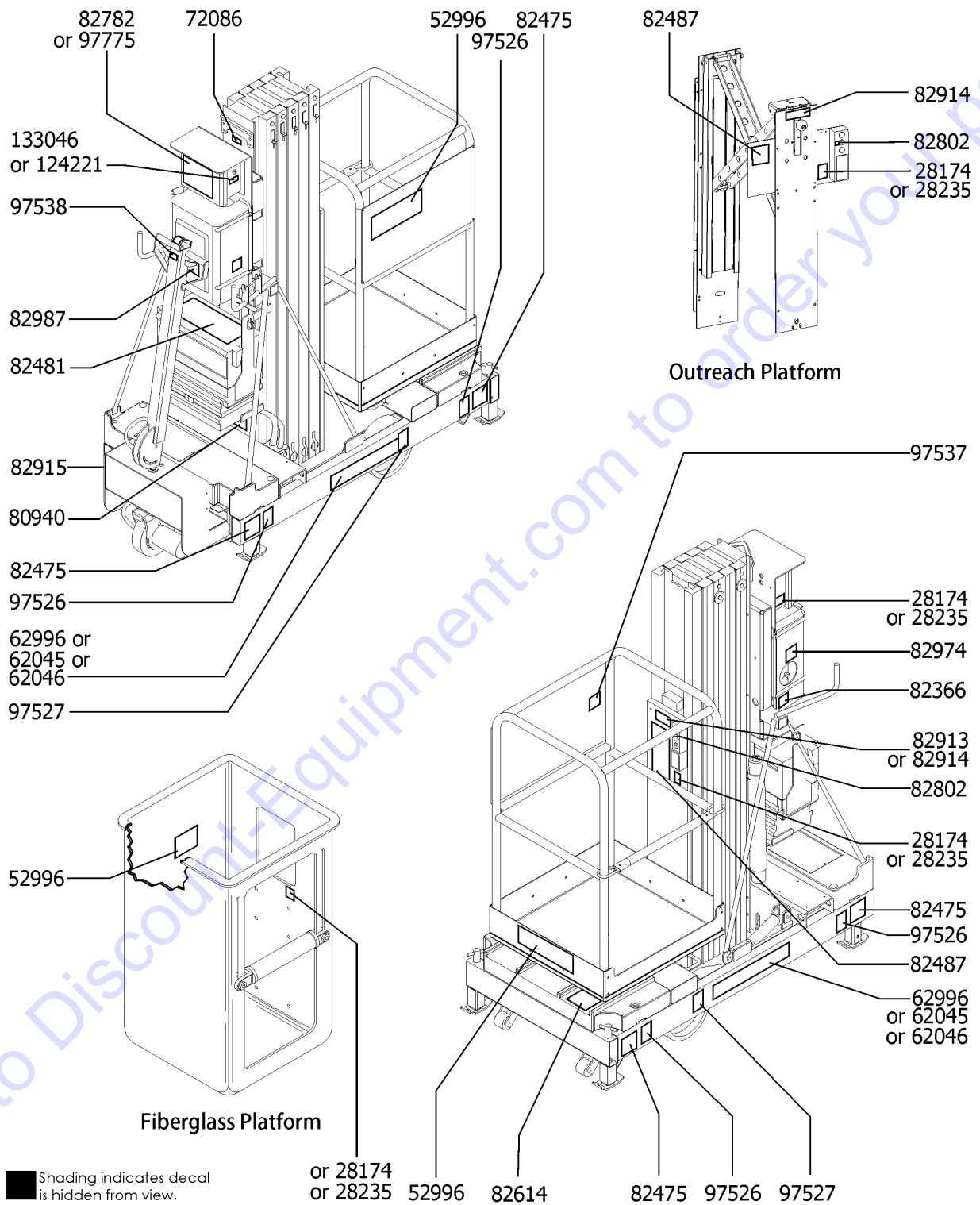


102.1 Decals with Symbols (to SN IWPP-12999)

| Item | Part No. | Description | Qty. |
|------|-----------|---|------|
| - | 1306274GT | INSTRUCTIONS,INSTALL,COMP,SYMBOL, IWP | |
| - | 1306275GT | DECAL KIT, IWP,COMP,SYMBOL,ANSI & CE | |
| - | 1306276GT | INSTRUCTIONS,INSTALL,PLAT,SYMBOL, IWP | |
| - | 1306277GT | DECAL KIT, IWP,PLAT,SYMBOL,ANSI & CE | |
| 1 | 28174GT | DECAL,POWER TO PLATFORM 230V | 2 |
| 2 | 28235GT | DECAL,POWER TO PLATFORM 115V | 2 |
| 3 | 52996GT | DECAL,COSMETIC,GENIE LOGO | 2 |
| 4 | 62045GT | DECAL,COSMETIC,GENIE IWP-25S | 2 |
| 5 | 62046GT | DECAL,COSMETIC,GENIE IWP-30S | 2 |
| 6 | 62996GT | DECAL,COSMETIC,GENIE IWP-20S | 2 |
| 7 | 72086GT | DECAL,LABEL,LIFTING EYE | 1 |
| 8 | 80940GT | ASSY,SER # LABEL,POWERED/GR ** | 1 |
| 9 | 82475GT | DECAL,WARNING,CRUSHING HAZARD | 4 |
| 10 | 82481GT | DECAL,SYMBOL-BATTERY SAFETY | 1 |
| 11 | 82487GT | DECAL,SYMBOL-READ THE MANUAL | 2 |
| 12 | 82614GT | DECAL,DANGER,COLLISION HAZARD | 1 |
| 13 | 82782GT | DECAL,INTERLOCK DISPLAY,IWP (models with mast-mounted level sensor) | 1 |
| 14 | 82802GT | DECAL,LABEL,FUNCTION ENABLE | 1 |
| 15 | 82913GT | DECAL,DANGER, LOAD CAP 350 | 1 |
| 16 | 82914GT | SCREW,HHTAPTITE THREAD8-32X.38 | 1 |
| 17 | 82915GT | DECAL,LABEL,AUX LOWERING | 1 |
| 18 | 82974GT | DECAL,WARNING,COLLISION HAZARD | 1 |
| 19 | 82987GT | DECAL,DANGER,ELEC HAZ SYMB | 1 |
| 20 | 97526GT | DECAL,LABEL,FOOT PAD LOAD IWP | 4 |
| 21 | 97527GT | DECAL,LABEL,WHEEL LOAD, IWP | 2 |
| 22 | 97537GT | DECAL,DANGER,SIDE FRC/WIND,CE | 1 |
| 23 | 97538GT | DECAL,LABEL,FUNCTN ENABL LEVER | 1 |
| 24 | 97775GT | DECAL,INTERLOCK DISPLAY,IWP*** (models with base-mounted level sensor) | 1 |



102.1 Decals with Symbols (to SN IWPP-12999)



102.1 Decals with Symbols (to SN IWPP-12999)

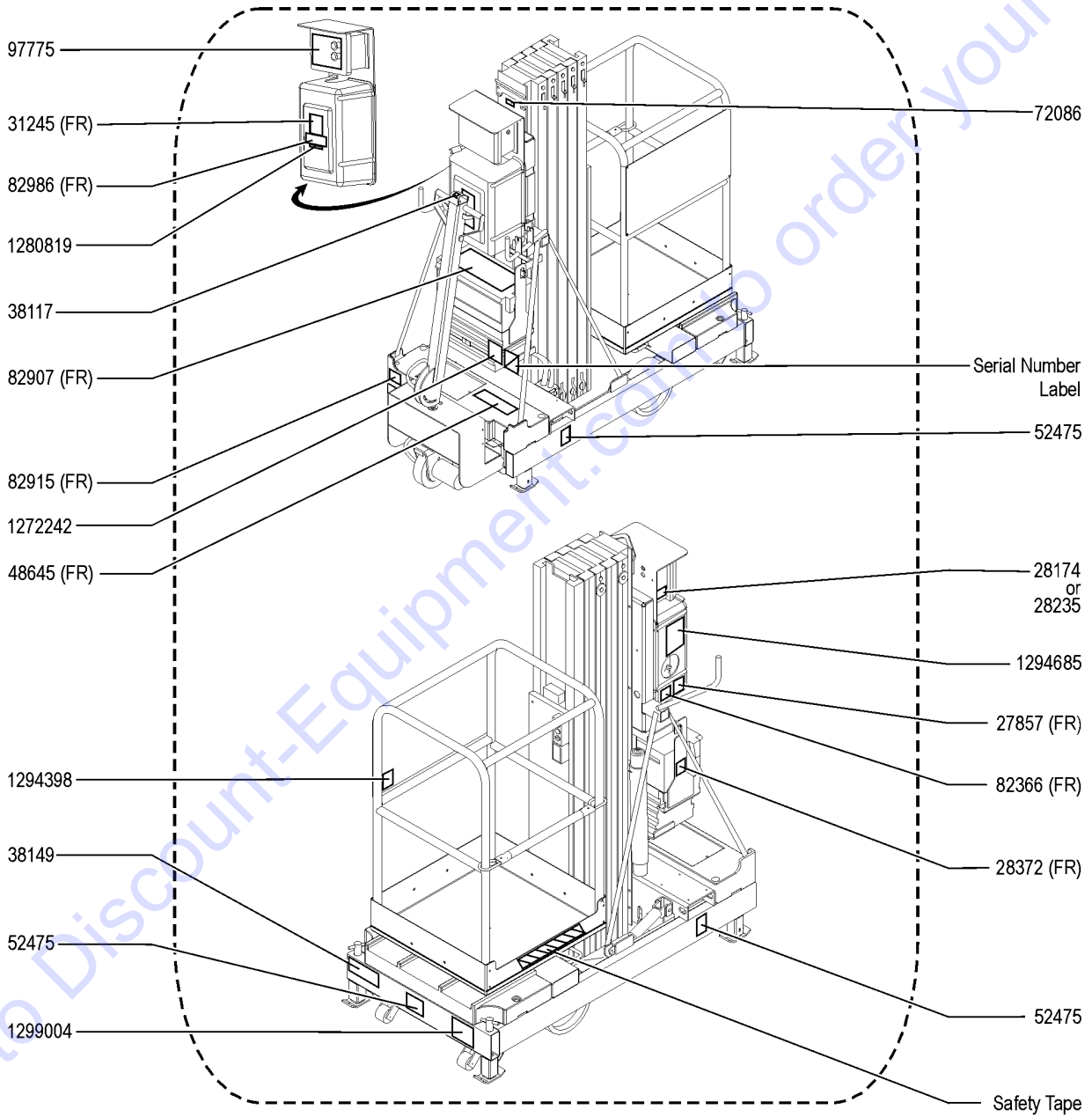
| <i>Item</i> | <i>Part No.</i> | <i>Description</i> | <i>Qty.</i> |
|-------------|-----------------|-------------------------------------|-------------|
| 25 | 124221GT | DECAL,INPUT POWER,110VAC | 1 |
| 26 | 133046GT | DECAL,INPUT POWER,230VAC | 1 |
| 26B | 1298492GT | DECAL, 100VAC, 15A, 3x2.25 | 1 |
| | | Japan models | |
| 27 | 40434GT | DECAL,LANYARD ANCHORAGE POINT | 1 |
| 28 | 82366GT | DECAL,LABEL-CHEVRON RANDO | |

Go to Discount-Equipment.com to order your parts



103.1 Decals with Word, Machine View - 1 (from SN IWPP-13000)

NOTE:
Part numbers with "(FR)"
indicate French translation
is available



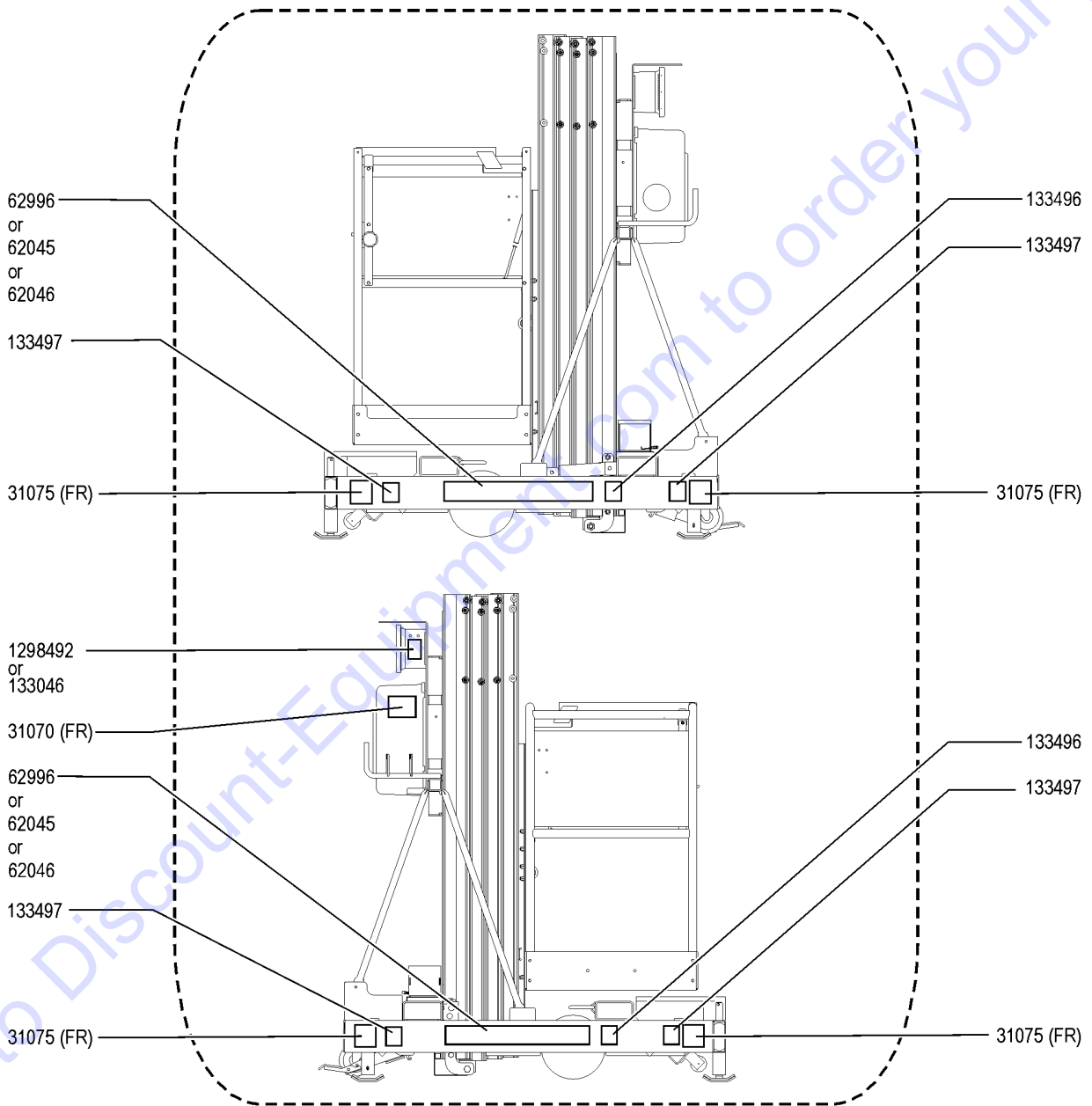
103.1 Decals with Word, Machine View - 1 (from SN IWPP-13000)

| Item | Part No. | Description | Qty. |
|------|-----------|---|------|
| - | 1306228GT | INSTRUCTIONS,INSTALL,COMP,WORD, IWP | 1 |
| - | 1306229GT | DECAL KIT, IWP,COMP,WORD,ANSI & AUS | 1 |
| 1 | 27857GT | DECAL,COMPONENT DAMAGE,CAP | 1 |
| 2 | 28174GT | DECAL,POWER TO PLATFORM 230V | 1 |
| 3 | 28235GT | DECAL,POWER TO PLATFORM 115V | 1 |
| 4 | 28372GT | DECAL,NOTICE,BATTERY CABLES | 1 |
| 5 | 31245GT | DECAL,WARNING,COLLISION HAZARD | 1 |
| 6 | 38117GT | DECAL, LABEL, PWA OPER INST | 1 |
| 7 | 38149GT | DECAL,LABEL,PATENTS | 1 |
| 8 | 48645GT | DECAL,DANGER,PWA SAFETY/SETUP | 1 |
| 9 | 52475GT | DECAL LABEL TRANSPORT TIE DOWN* | 3 |
| 10 | 72086GT | DECAL,LABEL,LIFTING EYE | 1 |
| 11 | 82366GT | DECAL,LABEL-CHEVRON RANDO | 1 |
| 12 | 82907GT | DECAL,DANGER,BATTERY SAFETY*** | 1 |
| 13 | 82915GT | DECAL,LABEL,AUX LOWERING | 1 |
| 14 | 82986GT | DECAL,DANGER,ELEC.HAZ.STAY CLR | 1 |
| 15 | 97775GT | DECAL,INTERLOCK DISPLAY,IWP*** | 1 |
| 16 | 1272242GT | DECAL,MACHINE REGISTRATION/OWNER TRANSFER | 1 |
| 17 | 1280819GT | DECAL,WARNING,CANCER AND REPRODUCTIVE HARM, PROP 65 | 1 |
| 18 | 1294398GT | NEW ANSI CHECK MASK | 1 |
| 19 | 1294685GT | DECAL,ANNUAL INSP***, MINI | 1 |
| 20 | 1299004GT | DECAL,LABEL-TRANSPORT DIGRAM, IWP | 1 |



104.1 Decals with Word, Machine View - 2 (from SN IWPP-13000)

NOTE:
Part numbers with "(FR)"
indicate French translation
is available



104.1 Decals with Word, Machine View - 2 (from SN IWPP-13000)

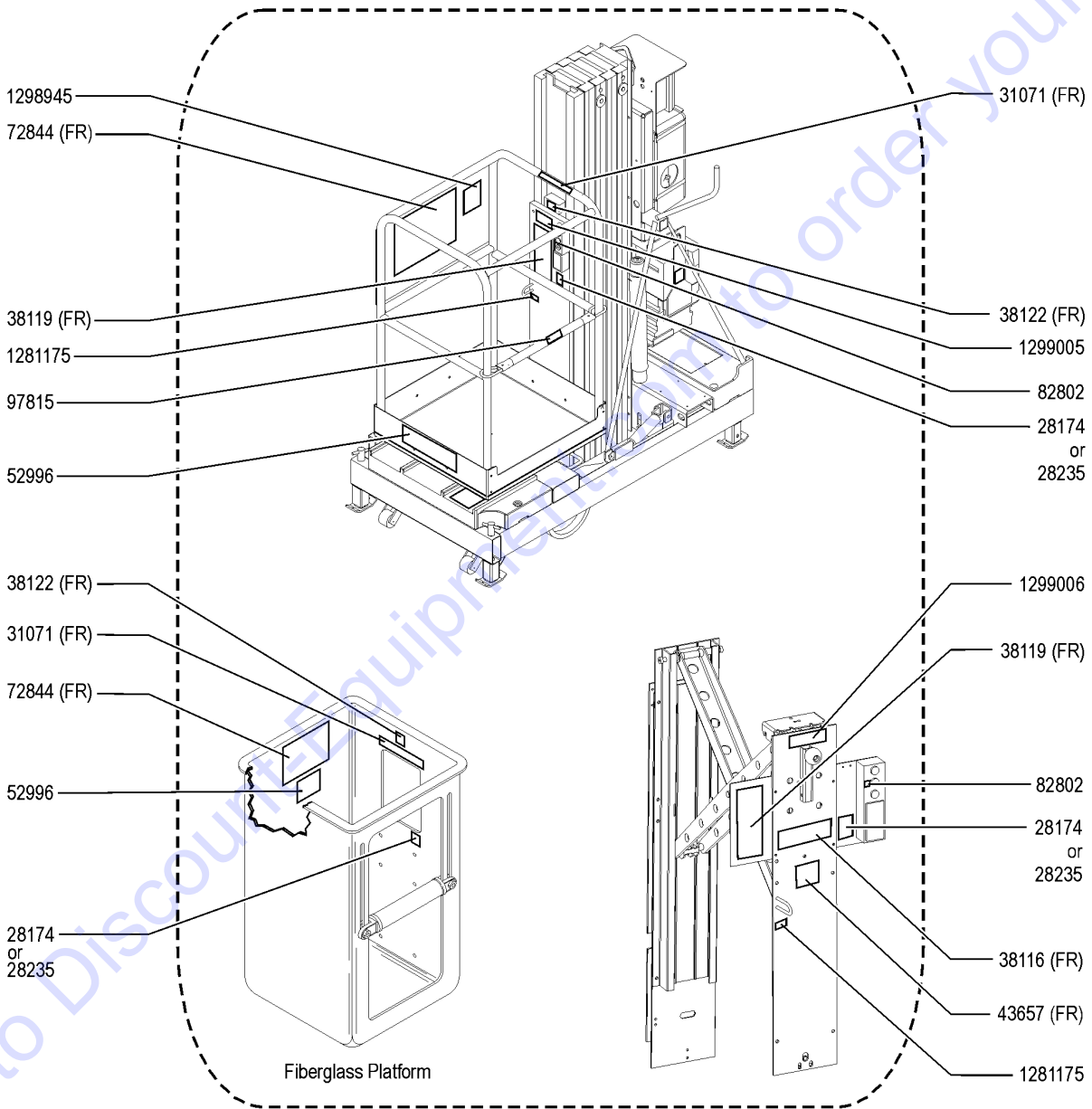
| Item | Part No. | Description | Qty. |
|------|-----------|-------------------------------------|------|
| 1 | 31070GT | DECAL,DANGER,TIP-OVER HAZARD | 1 |
| 2 | 31075GT | DECAL,CAUTION,CRUSHING HAZARD | 4 |
| 3 | 62045GT | DECAL,COSMETIC,GENIE IWP-25S | 2 |
| | | (IWP-25S - white) | |
| 4 | 62046GT | DECAL,COSMETIC,GENIE IWP-30S | 2 |
| | | (IWP-30S - white) | |
| 5 | 62996GT | DECAL,COSMETIC,GENIE IWP-20S | 2 |
| | | (IWP-20S - white) | |
| 6 | 133046GT | DECAL,INPUT POWER,230VAC | 1 |
| 7 | 133496GT | DECAL,LABEL,WHEEL LOAD,IWP | 2 |
| 8 | 133497GT | DECAL,LABEL,FOOTPAD LOAD,IWP | 4 |
| 9 | 1298492GT | DECAL, 100VAC, 15A, 3x2.25 | 1 |

Go to Discount-Equipment.com to order your parts



105.1 Decals with Word, Platform (from SN IWPP-13000)

NOTE:
Part numbers with "(FR)"
indicate French translation
is available



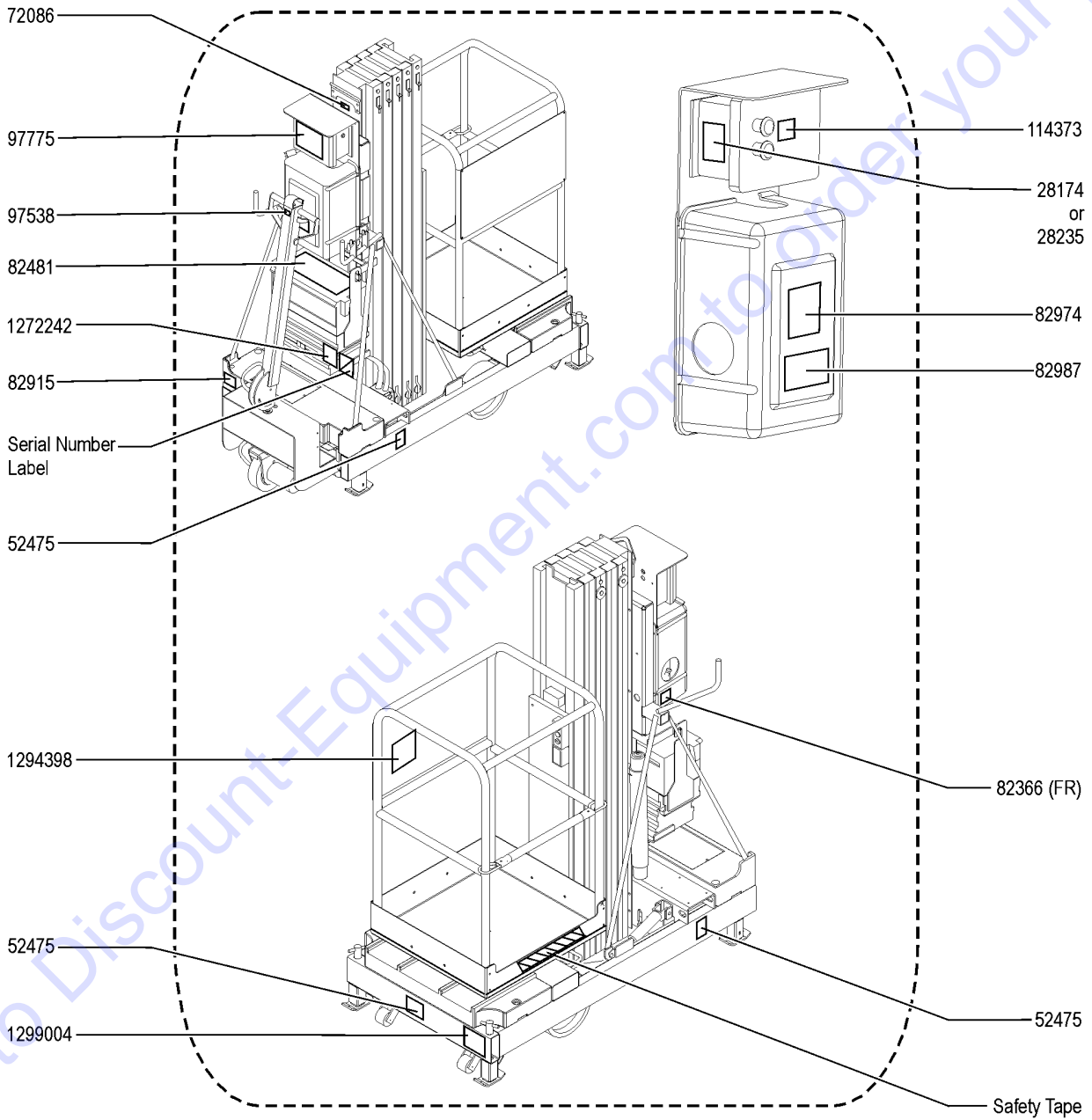
105.1 Decals with Word, Platform (from SN IWPP-13000)

| Item | Part No. | Description | Qty. |
|------|-----------|--|------|
| - | 1306230GT | INSTRUCTIONS,INSTALL,PLAT,WORD, IWP | 1 |
| - | 1306231GT | DECAL KIT, IWP,PLAT,WORD,ANSI & AUS | 1 |
| 1 | 28174GT | DECAL,POWER TO PLATFORM 230V | 1 |
| 2 | 28235GT | DECAL,POWER TO PLATFORM 115V | 1 |
| 3 | 31071GT | DECAL,WARNING,FAILURE TO READ | 1 |
| 4 | 38116GT | DECAL,DANGER,OUTRCH SAFE/SETUP | 1 |
| 5 | 38119GT | DECAL,NOTICE,OPER.INST.,IWP-S | 1 |
| 6 | 38122GT | DECAL,LABEL, OM STORAGE | 1 |
| 7 | 43657GT | DECAL,DANGER,TIP-OVER,OUTREACH | 1 |
| 8 | 52996GT | DECAL,COSMETIC,GENIE LOGO | 2 |
| 9 | 72844GT | DECAL,DANGER,GENERAL SAFE,IWP | 1 |
| 10 | 82802GT | DECAL,LABEL,FUNCTION ENABLE | 1 |
| 11 | 97815GT | DECAL,LABEL,LOWER MIDRAIL | 1 |
| 12 | 1281175GT | DECAL,LANYARD,FALL RESTRAINED | 1 |
| 13 | 1298945GT | DECAL, PLAT LOCATE LIGHT | 1 |
| 14 | 1299005GT | DECAL, DANGER, MAX CAPACITY 350LBS, SIDE FORCE 45LBS | 1 |
| 15 | 1299006GT | DECAL, DANGER, MAX CAPACITY 300LBS, SIDE FORCE 45LBS | 1 |



106.1 Decals with Symbol, Machine View - 1 (from SN IWPP-13000)

NOTE:
Part numbers with "(FR)"
indicate French translation
is available



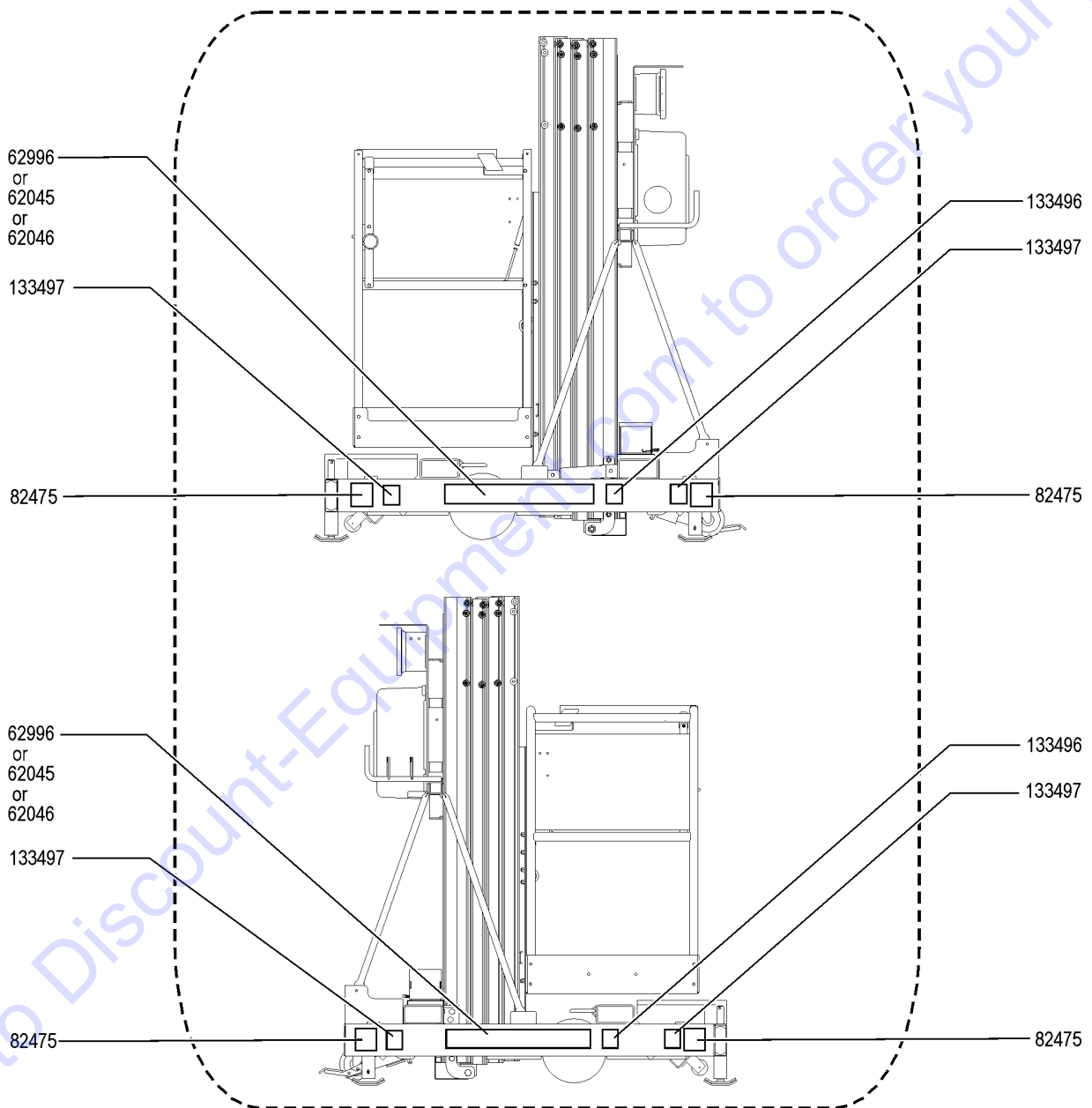
106.1 Decals with Symbol, Machine View - 1 (from SN IWPP-13000)

| Item | Part No. | Description | Qty. |
|------|-----------|---|------|
| - | 1306232GT | INSTRUCTIONS,INSTALL,COMP,SYMBOL, IWP | 1 |
| - | 1306233GT | DECAL KIT, IWP,COMP,SYMBOL,ANSI & CE | 1 |
| 1 | 28174GT | DECAL,POWER TO PLATFORM 230V | 1 |
| 2 | 28235GT | DECAL,POWER TO PLATFORM 115V | 1 |
| 3 | 52475GT | DECAL LABEL TRANSPORT TIE DOWN* | 3 |
| 4 | 72086GT | DECAL,LABEL,LIFTING EYE | 1 |
| 5 | 82366GT | DECAL,LABEL-CHEVRON RANDO | 1 |
| 6 | 82481GT | DECAL,SYMBOL-BATTERY SAFETY | 1 |
| 7 | 82915GT | DECAL,LABEL,AUX LOWERING | 1 |
| 8 | 82974GT | DECAL,WARNING,COLLISION HAZARD | 1 |
| 9 | 82987GT | DECAL,DANGER,ELEC HAZ SYMB | 1 |
| 10 | 97538GT | DECAL,LABEL,FUNCTN ENABL LEVER | 1 |
| 11 | 97775GT | DECAL,INTERLOCK DISPLAY,IWP*** | 1 |
| 12 | 114373GT | DECAL,CE ELECTRICUTION HAZARD | 1 |
| 13 | 1272242GT | DECAL,MACHINE REGISTRATION/OWNER TRANSFER | 1 |
| 14 | 1294398GT | NEW ANSI CHECK MASK | 1 |
| 15 | 1299004GT | DECAL,LABEL-TRANSPORT DIGRAM, IWP | 1 |

Go to Discount-Equipment.com to order your parts



107.1 Decals with Symbol, Machine View - 2 (from SN IWPP-13000)



107.1 Decals with Symbol, Machine View - 2 (from SN IWPP-13000)

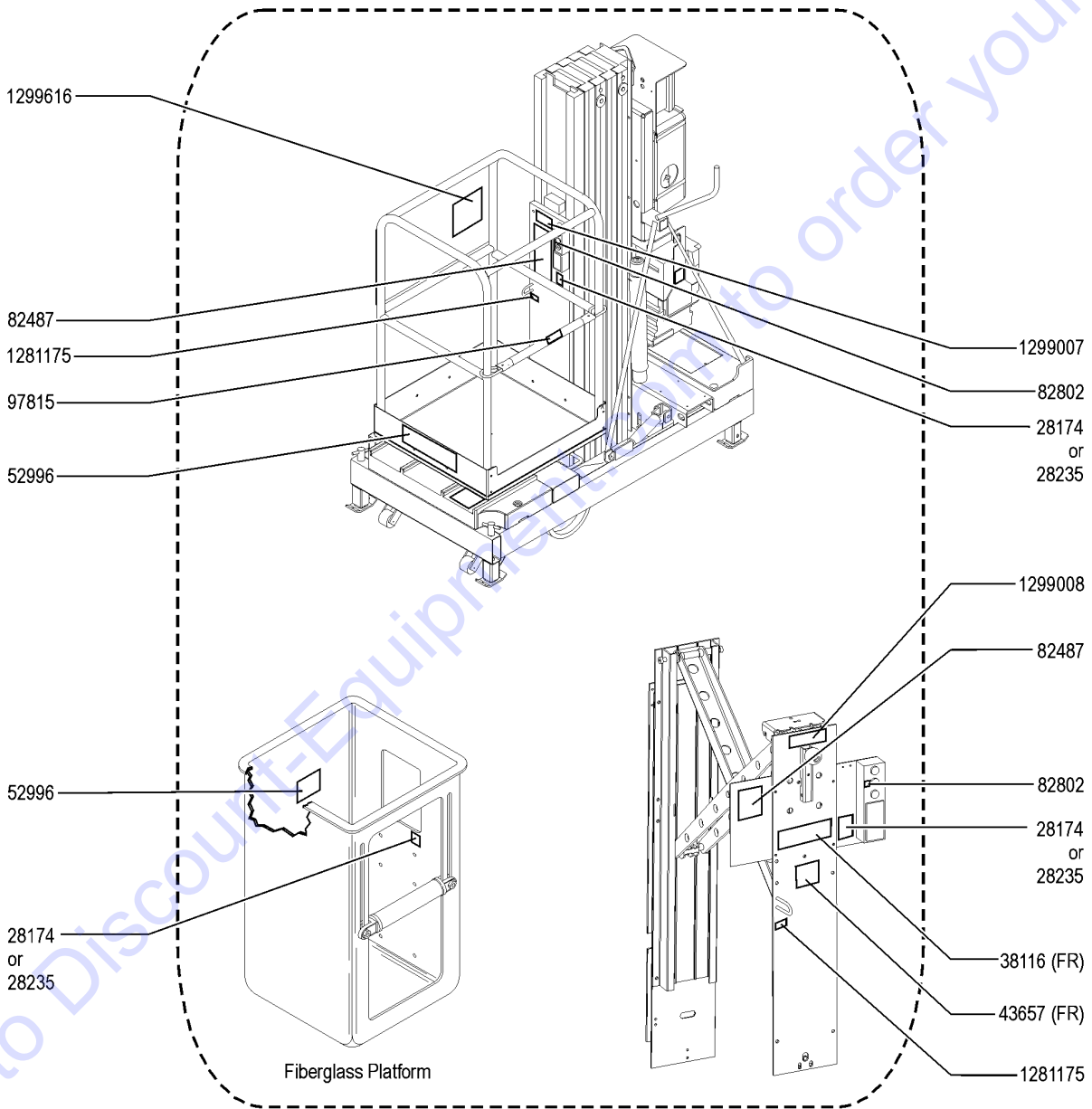
| Item | Part No. | Description | Qty. |
|------|----------|---|------|
| 1 | 62045GT | DECAL,COSMETIC,GENIE IWP-25S IWP-25S | 2 |
| 2 | 62046GT | DECAL,COSMETIC,GENIE IWP-30S IWP-30S | 2 |
| 3 | 62996GT | DECAL,COSMETIC,GENIE IWP-20S IWP-20S | 2 |
| 4 | 82475GT | DECAL,WARNING,CRUSHING HAZARD | 4 |
| 5 | 133496GT | DECAL,LABEL,WHEEL LOAD,IWP | 2 |
| 6 | 133497GT | DECAL,LABEL,FOOTPAD LOAD,IWP | 4 |

Go to Discount-Equipment.com to order your parts



108.1 Decals with Symbol, Platform (from SN IWPP-13000)

NOTE:
Part numbers with "(FR)"
indicate French translation
is available



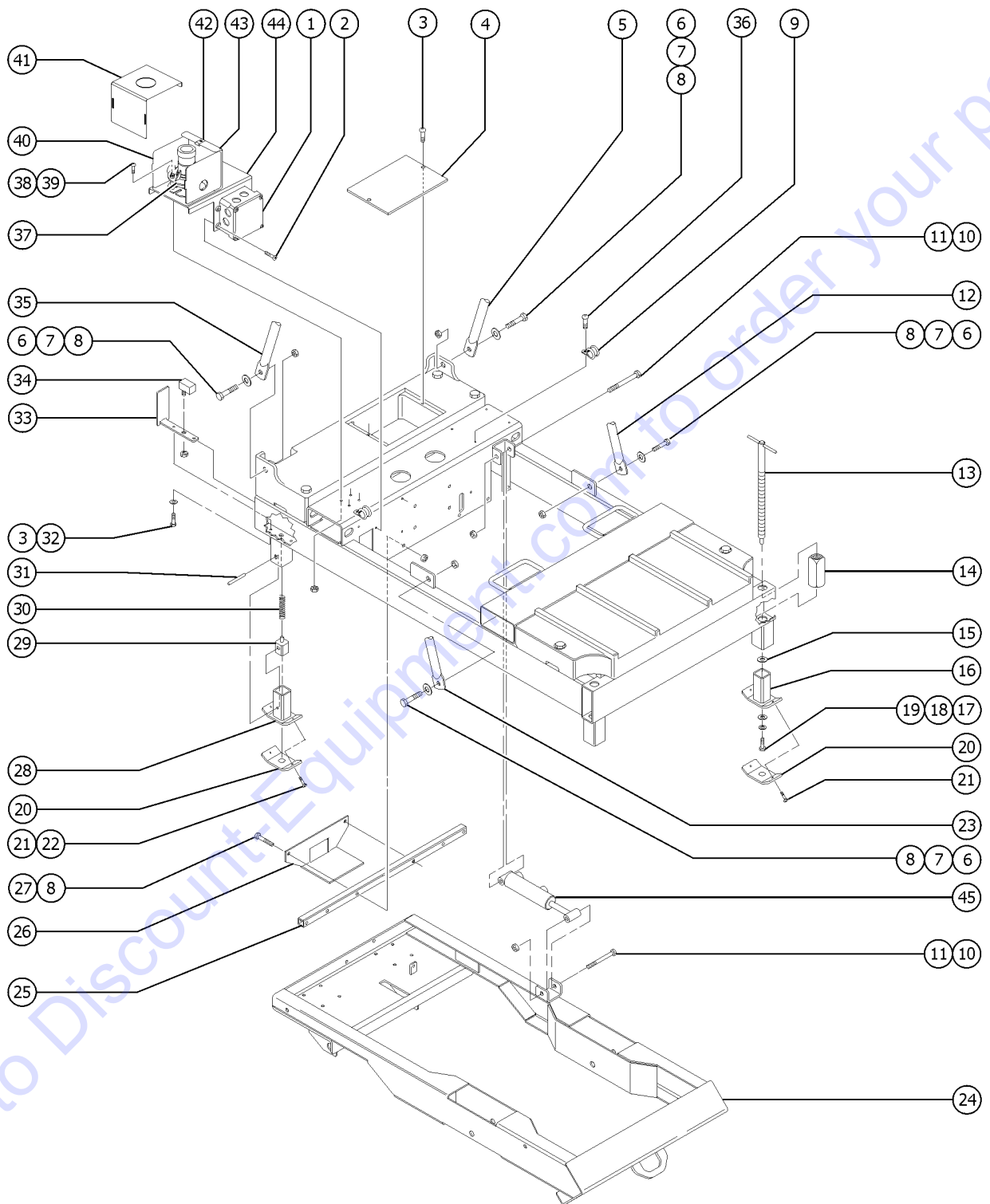
108.1 Decals with Symbol, Platform (from SN IWPP-13000)

| Item | Part No. | Description | Qty. |
|------|-----------|--|------|
| - | 1306234GT | INSTRUCTIONS,INSTALL,PLAT,SYMBOL, IWP | 1 |
| - | 1306235GT | DECAL KIT, IWP,PLAT,SYMBOL,ANSI & CE | 1 |
| 1 | 28174GT | DECAL,POWER TO PLATFORM 230V | 1 |
| 2 | 28235GT | DECAL,POWER TO PLATFORM 115V | 1 |
| 3 | 38116GT | DECAL,DANGER,OUTRCH SAFE/SETUP | 1 |
| 4 | 43657GT | DECAL,DANGER,TIP-OVER,OUTREACH | 1 |
| 5 | 52996GT | DECAL,COSMETIC,GENIE LOGO | 2 |
| 6 | 82487GT | DECAL,SYMBOL-READ THE MANUAL | 1 |
| 7 | 82802GT | DECAL,LABEL,FUNCTION ENABLE | 1 |
| 8 | 97815GT | DECAL,LABEL,LOWER MIDRAIL | 1 |
| 9 | 1281175GT | DECAL,LANYARD,FALL RESTRAINED | 1 |
| 10 | 1299007GT | DECAL, DANGER, MAX CAPACITY 159KG, SIDE FORCE 200N | 1 |
| 11 | 1299008GT | DECAL, DANGER, MAX CAPACITY 136KG, SIDE FORCE 200N | 1 |
| 12 | 1299616GT | DECAL, SYMBOL, PLAT LOCATE LIGHT | 1 |

Go to Discount-Equipment.com to order your parts



201.1 Base Assembly, Outer Frame



Go to DiscountEquipment.com to order your parts

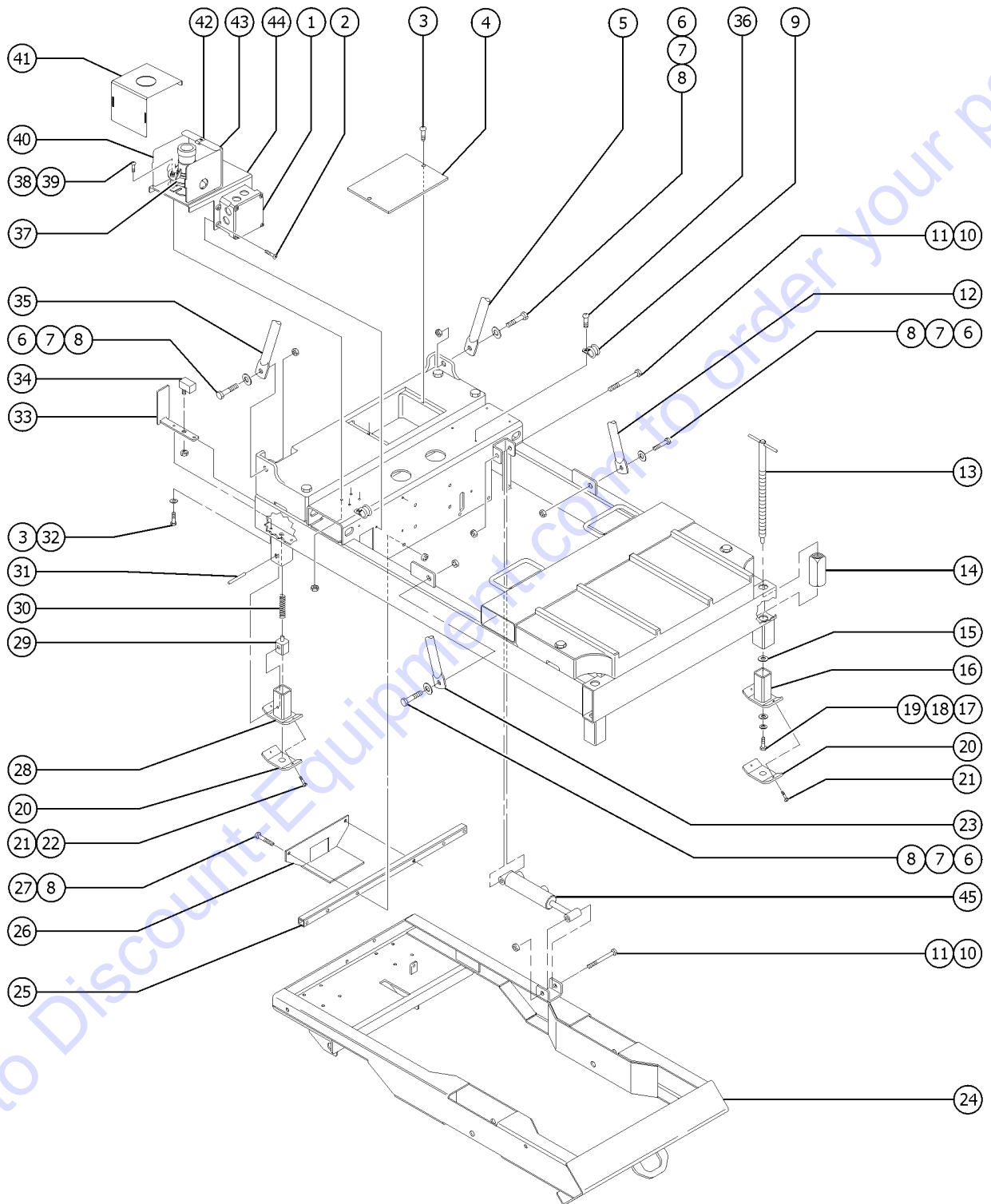


201.1 Base Assembly, Outer Frame

| Item | Part No. | Description | Qty. |
|------|----------|---|-------|
| A- | 85362GT | OUTR FRAME ASSY,STD,IWP-20S (USA and Australian models) (includes counterweight and decals) (to SN IWPP-12999) | ... |
| B- | 85364GT | OUTR FRAME ASY,STD,IWP-20S IWP20S and IWP25S (USA and Australian models) (includes counterweight and decals) (with outreach) (to SN IWPP-12999) | .. |
| C- | 85245GT | OUTR FRAME ASSY,WIDE,IWP20/25 (USA and Australian models) (includes counterweight and decals) (to SN IWPP-12999) | ... |
| D- | 85247GT | OUTR FRAME ASSY,WIDE,IWP20/30 IWP20S Canadian and IWP30S USA model and Australian model (includes counterweight and decals) (to SN IWPP-12999) | |
| E- | 85249GT | OUTR FRAME ASSY,WIDE,IWP-25S (Canadian models) (includes counterweight and decals) (to SN IWPP-12999) | |
| F- | 85363GT | OUTR FRAME ASY,STD,IWP20S,SYM (Asia, South America and European models) (includes counterweight and decals) (without outreach) (to SN IWPP-12999) | |
| G- | 85365GT | OUTR FRAME ASSY,WIDE BASE IWP20S/25S (Asia, South America and European models) (includes counterweight and decals) (with outreach) (to SN IWPP-12999) | ... |
| H- | 85246GT | OUTR FRAME ASSY,WIDE,IWP20/25 (Asia, South America and European models) (includes counterweight and decals) (to SN IWPP-12999) | .. |
| K- | 85248GT | OUTR FRAME ASSY,WIDE,IWP30 (Asia, South America and European models) (includes counterweight and decals) (to SN IWPP-12999) | .. |
| 1 | 38698GT | JUNCTION BOX | 1 |
| 2 | 145348GT | SCREW,PHM,10-32 X .5,SEMS | |
| 3 | 6090GT | SCREW,HHC,1/4-20 X .75 | |
| 4 | 38368GT | COVER,COUNTERWEIGHT,IWP | 1 |
| 5A | 37363GT | BRACE,RH,REAR MAST (standard base) | 1 |
| 5B | 38493GT | BRACE,RH,REAR MAST,WIDE BASE (wide base) | |
| 6 | 6019GT | SCREW,HHC,3/8-16 X 1.25 GRD 5 | |
| 7 | 6097GT | WASHER,FLAT,USS,3/8",Y | |
| 8 | 4828GT | NUT,NYLOCK,3/8-16 | 6 |
| 9 | 45470GT | CLAMP,0.31,#5 X 1/4,RUB CUSH | 3 |
| 10 | 6732GT | SCREW,HHC,1/2-13 X 3.25 | |
| 11 | 6086GT | NUT,LP NYLOCK,1/2-13 | 3 |
| 12A | 37343GT | BRACE,RH,FRONT MAST (standard base) | 1 |
| 12B | 32424GT | MAST BRACE,R.H. (wide base) | |
| 13 | 31270GT | LEVELING JACK ROD ASSY,IWP | |
| 14 | 29860GT | NUT,LEVELING JACK SCREW,IWP | |
| 15 | 6898GT | WASHER,SHIM,.625 X 1.188X.064 | |



201.1 Base Assembly, Outer Frame



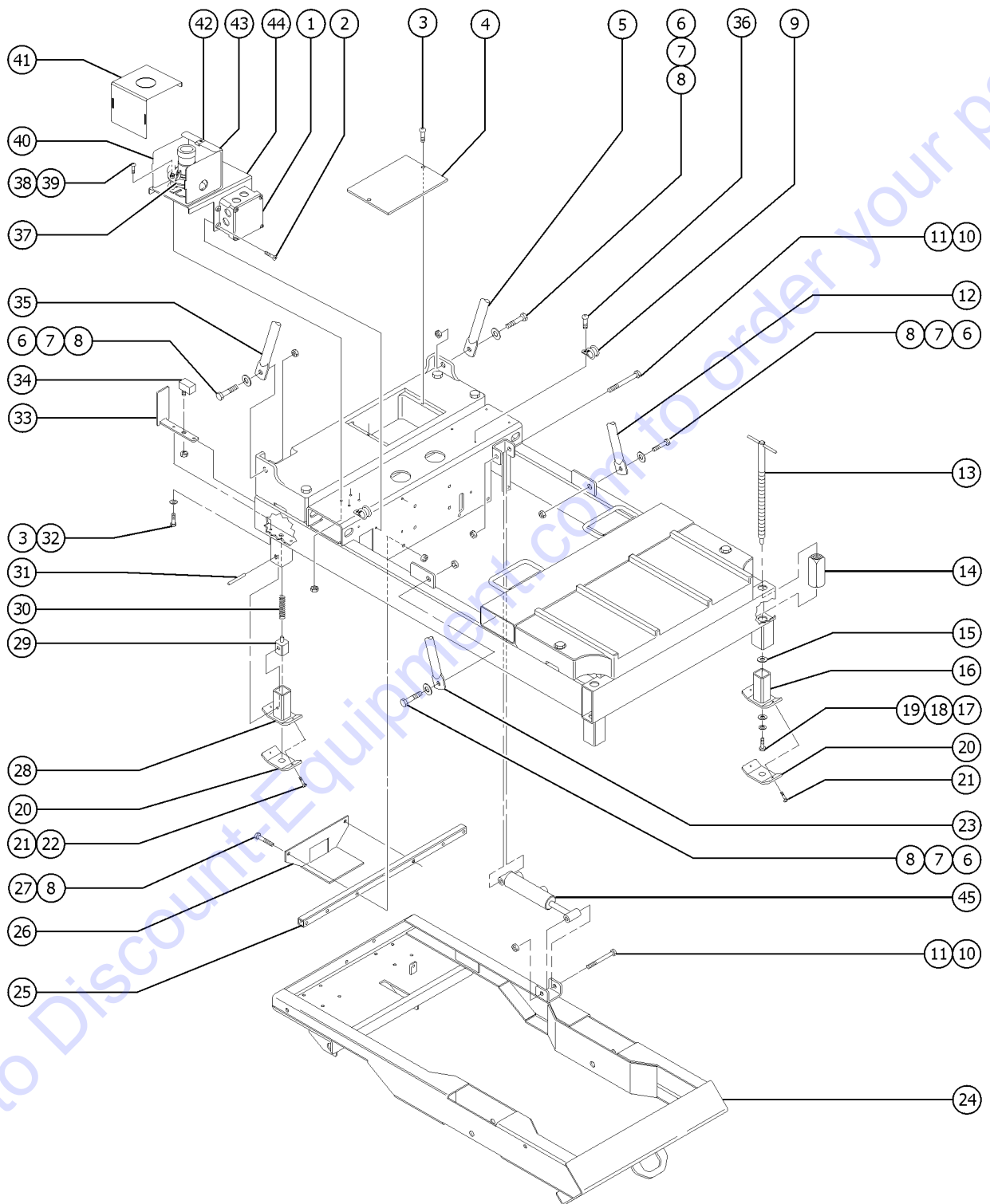
Go to DiscountEquipment.com to order your parts

201.1 Base Assembly, Outer Frame

| Item | Part No. | Description | Qty. |
|------|-----------|---|------|
| 16 | 29969-SGT | FOOT PAD WELDMENT,FRONT | 2 |
| 17 | 10107GT | SCREW,HHC,5/16-18 X .75 | |
| 18 | 6886GT | WASHER,LOCK,.313 | |
| 19 | 5397GT | WASHER,FLAT,USS,5/16",Y | |
| 20 | 31199GT | FOOT PAD,NYLON,MOLDED | 4 |
| 21 | 8514GT | SCREW,FHS,1/4-20 X .75 | 8 |
| 22 | 6889GT | NUT,LP NYLOCK,1/4-20 | 8 |
| 23A | 37344GT | BRACE,LH,FRONT MAST (standard base) | 1 |
| 23B | 32425GT | MAST BRACE,L.H. (wide base) (strut length 41.13 inches) | |
| 24 | | Ref. Inner Base Frame (refer to 202.1) | |
| 25 | 37278GT | TUBE,MAST MT. REINFORCE,STD | 1 |
| 26 | 46561PGT | PLATE,HYDR.COVER,IWP"BLUE" | 1 |
| 27 | 5224GT | SCREW,HHC,3/8-16 X 2 | |
| 28 | 29970-SGT | FOOT PAD WELDMENT- REAR | 2 |
| 29 | 37429GT | SPRING HOLDER, POST SNSR,CWP | 2 |
| 30 | 38623GT | SPRING,POST SENSOR,IWP/CWP | 2 |
| 31 | 14815GT | PIN,ROLL,SST,.25 X 2.25 | 2 |
| 32 | 6356GT | WASHER,LOCK,.25 | |
| 33 | 37329-SGT | HOLDER,FOOT PAD SWITCH,"BLUE" | 2 |
| 34 | 37761GT | SWITCH,PUSHBUTTON,BORE MOUNT (includes mounting fasteners) | 2 |
| 35A | 37364GT | BRACE,LH,REAR MAST (standard base) | 1 |
| 35B | 38494GT | BRACE,LH,REAR MAST,WIDE BASE | |
| 36 | 38979GT | SCREW,PHM,1/4-20X.5 PHIL | |
| 37 | 100302GT | LVL SENSOR,LS60,WH,.5DEGX1.5DE | |
| 38 | 6888GT | SCREW,HHC,1/4-20 X 1 | |
| 39 | 6091GT | NUT,NYLOCK,1/4-20 | 0 |
| 40 | 100310GT | PLATE, SENSOR BOX SIDE | 2 |
| 41 | 100311GT | FORMING, SENSOR BOX COVER | 1 |



201.1 Base Assembly, Outer Frame



Go to DiscountEquipment.com to order your parts



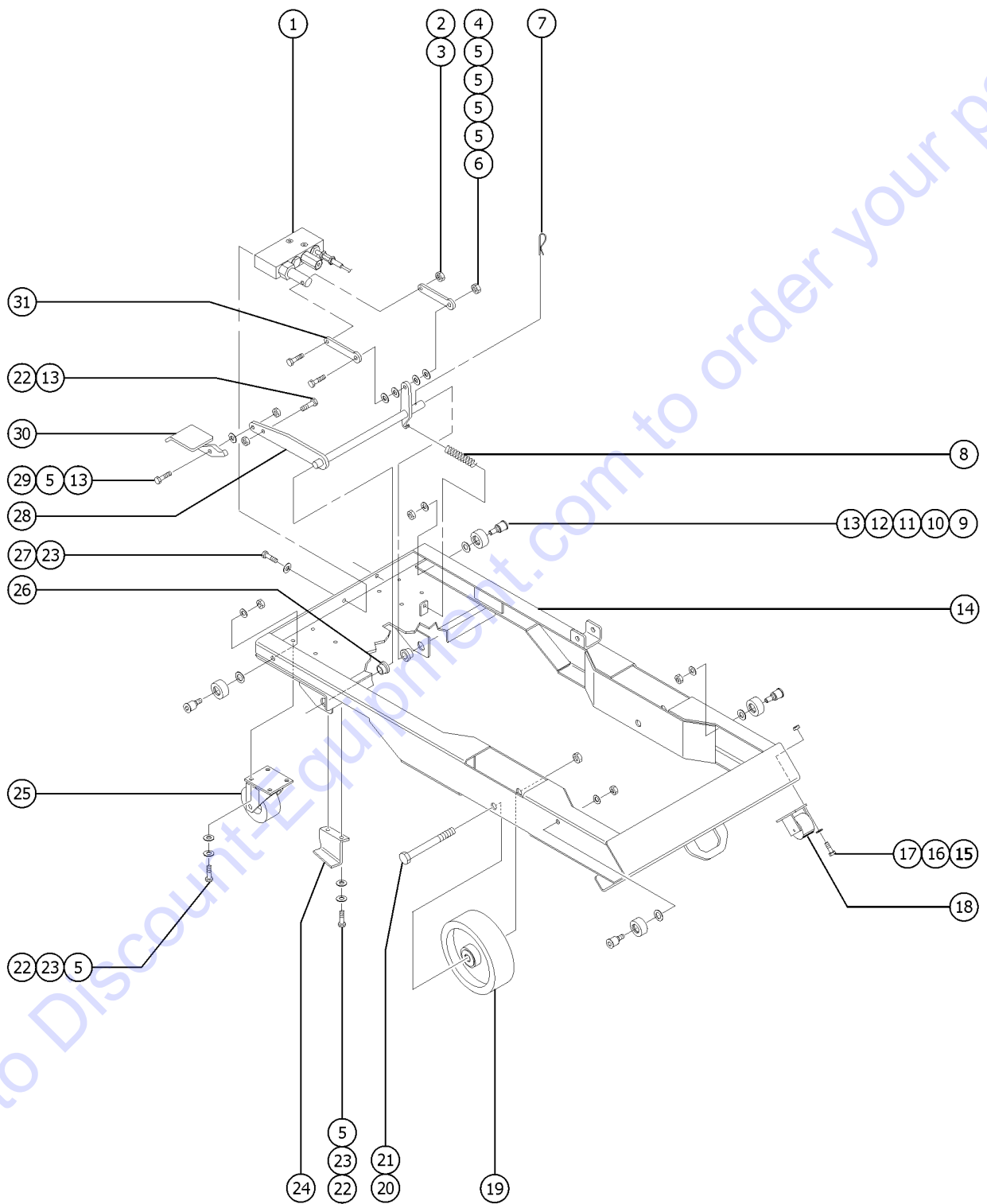
201.1 Base Assembly, Outer Frame

| <i>Item</i> | <i>Part No.</i> | <i>Description</i> | <i>Qty.</i> |
|-------------|-----------------|---|-------------|
| 42 | 56912GT | SPRING CLIP,1/4-20,.025-.15X.54,ZAG | 2 |
| 43 | 100304GT | FORMING, SENSOR BOX BOTTOM | 1 |
| 44 | 100305GT | FORMING, SENSOR MOUNT, SERVICE | 1 |
| 45 | 80953GT | CYLINDER,WHEEL LIFT, DY | 1 |
| 45- | 80946GT | SEAL KIT, DONYANG CYL (80953) for black cylinder 80953 | |

Go to Discount-Equipment.com to order your parts



202.1 Base Assembly, Inner Frame

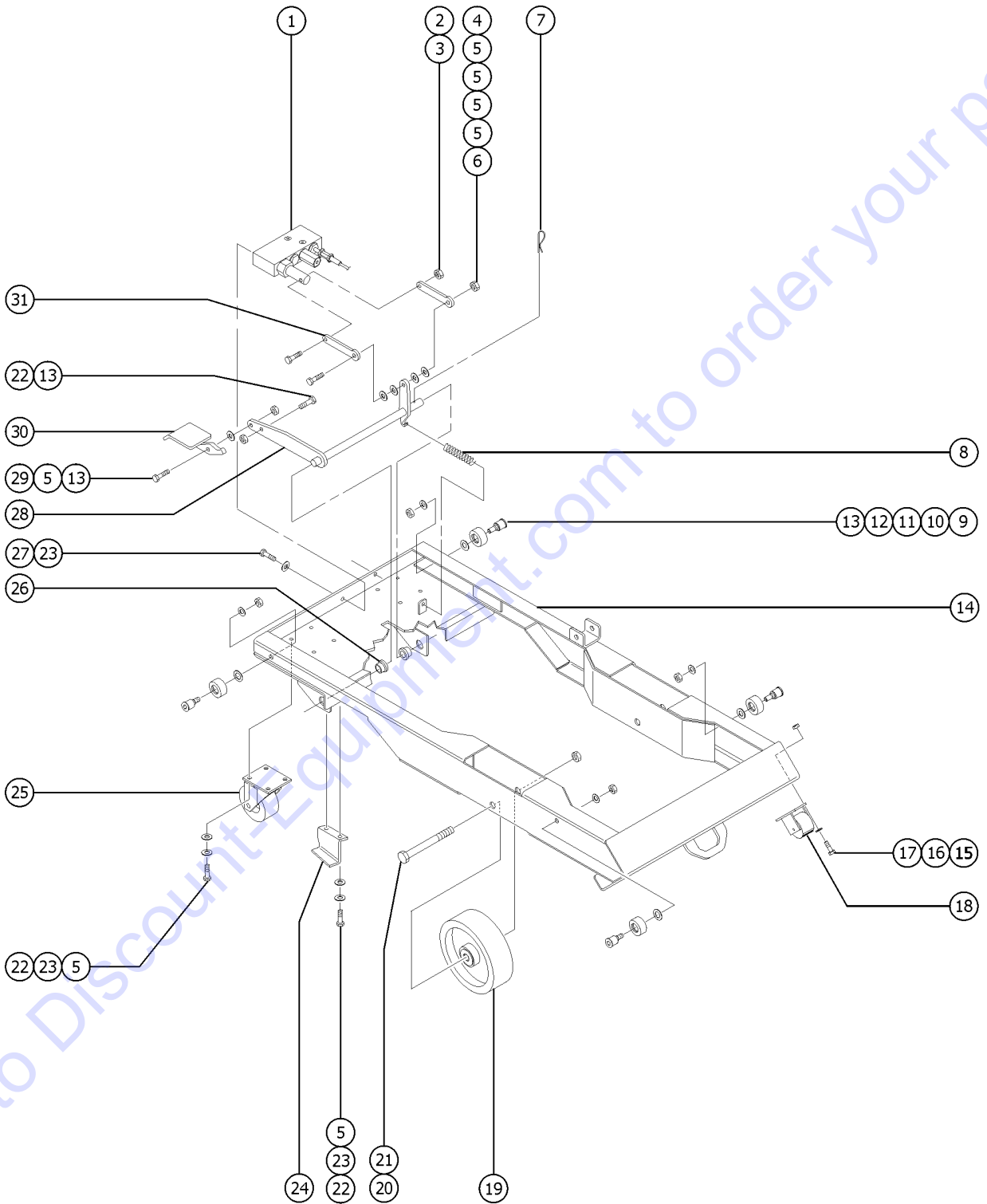


Go to DiscountEquipment.com to order your parts

| Item | Part No. | Description | Qty. |
|------|----------|--|------|
| 1 | | Ref. Foot Pump Manifold (refer to 601.1) | |
| 2 | 6889GT | NUT,LP NYLOCK,1/4-20 | |
| 3 | 5311GT | SCREW,SHS,1/4-20 X 1.25 | |
| 4 | 6002GT | NUT,LP NYLOCK,5/16-18 | |
| 5 | 6097GT | WASHER,FLAT,USS,3/8",Y | |
| 6 | 34732GT | SCREW,SHS,5/16-18 X 1.25(3/8) | |
| 7 | 5135GT | CLIP,HAIR PIN .094 X 2.5 | |
| 8 | 40605GT | SPRING,EXTENSION,.687X4X.105 | 1 |
| 9 | 38975GT | BOLT,ROLLER,.720"(LONG) | 4 |
| 10 | 80938GT | WHEEL, NYLON ROLLER | 4 |
| 11 | 13066GT | WASHER,FLAT,.5 HARDENED | |
| 12 | 5397GT | WASHER,FLAT,USS,5/16",Y | |
| 13 | 4828GT | NUT,NYLOCK,3/8-16 | |
| 14A | 107063GT | INNER FRAME ASSY,STD,IWP,WRD (USA, Australian models) (to SN IWPP-12999) | |
| 14B | 85279GT | INNER FRAME,ASY,STD,IWPSS,SYM | |
| 14C | 107064GT | INNER FRAME ASSY,WIDE,IWP,WRD (USA, Australian models) (to SN IWPP-12999) | |
| 14D | 85280GT | INNER FRAME ASY,WIDE,SYMB,IWP (Asia, South America, Europe models) | |
| 15 | 10107GT | SCREW,HHC,5/16-18 X .75 | |
| 16 | 6638GT | WASHER,FLAT,USS,1/4"Y | |
| 17 | 6782GT | NUT,NYLOCK,5/16-18 | |
| 18 | 37350GT | CASTER,BUMP | 2 |
| 19 | 69595GT | WHEEL,PERFORMANCE,10X2.5X.75** | 2 |
| 19- | 57098GT | BUSHNG,SPANNER,.75X1.00X3.5 LG | |
| 20 | 10006GT | SCREW,HHC,3/4-10 X 5 | |
| 21 | 10258GT | NUT,NYLOCK,3/4-10,GRD.2 | |
| 22 | 6175GT | SCREW,HHC,3/8-16 X 1 | |
| 23 | 6021GT | WASHER,LOCK,.375 | |
| 24 | 40096GT | PLATE,FOOT PEDAL STOP | 1 |



202.1 Base Assembly, Inner Frame



Go to Discount-Equipment.com to order your parts

202.1 Base Assembly, Inner Frame

| Item | Part No. | Description | Qty. |
|------|----------|--|------|
| 25 | 124130GT | CASTER PL,SW.5X2, 1000 LBS (molded black plastic) | |
| 26 | 29975GT | BUSHING 0.75 ID | 2 |
| 27 | 8255GT | SCREW,HHC,3/8-16 X .75 | |
| 28A | 37282GT | FOOT PEDAL ARM WELDMENT IWP (standard base) | 1 |
| 28B | 37298GT | FOOT PEDAL ARM WELD,WIDE BASE (wide base) | |
| 29 | 6019GT | SCREW,HHC,3/8-16 X 1.25 GRD 5 | |
| 30 | 46300GT | FOOT PEDAL W/NON SKID, STD *** | 1 |
| 31 | 37313GT | PLATE,PUMP LINKAGE, "ZINC" | 2 |

Go to Discount-Equipment.com to order your parts



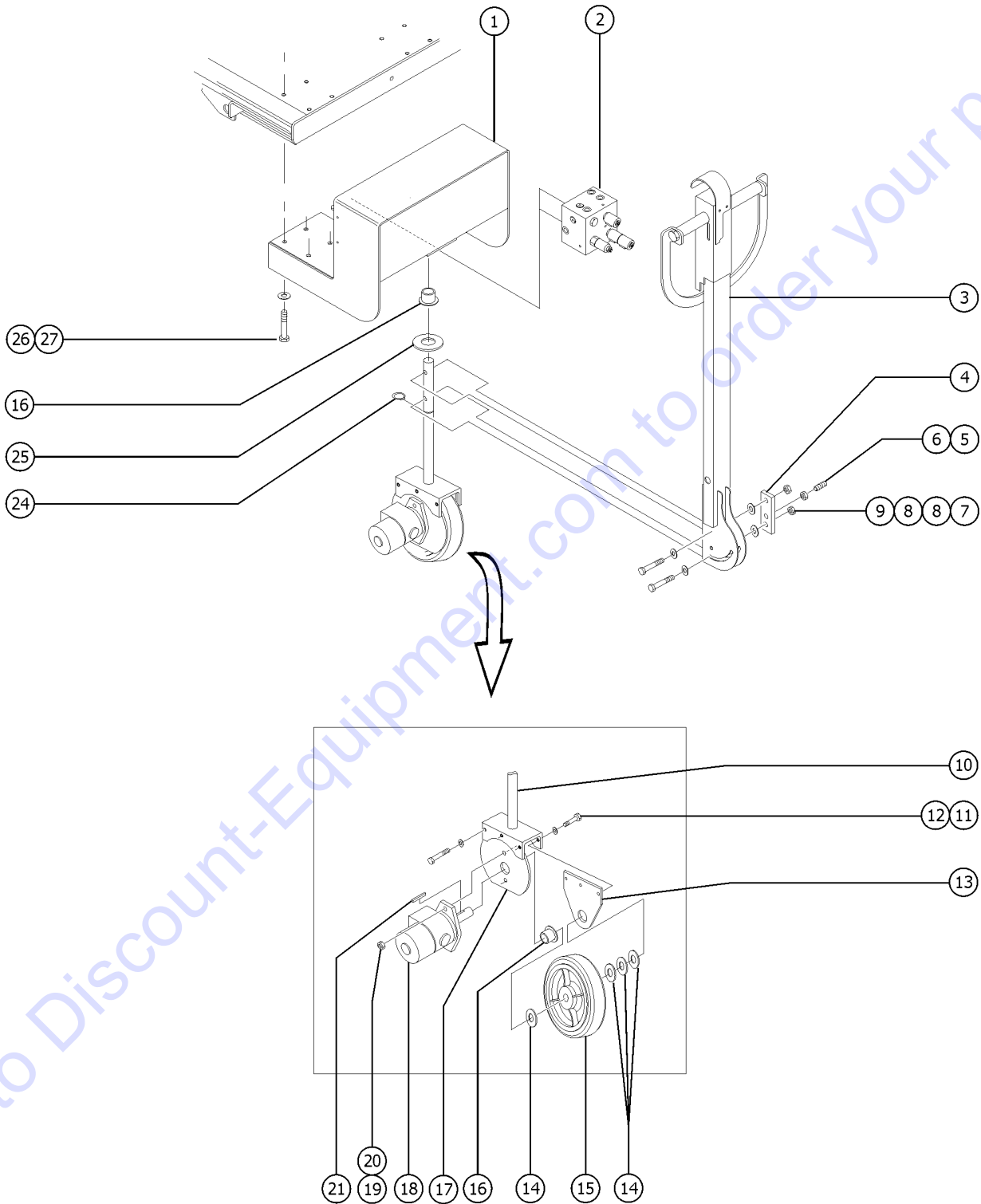
203.1 Power Wheel Assist Option, Wheel Pivot Mount

| Item | Part No. | Description | Qty. |
|------|----------|---|------|
| 1 | 8255GT | SCREW,HHC,3/8-16 X .75 | |
| 2 | 6021GT | WASHER,LOCK,.375 | |
| 3 | 37751GT | BUSHING,BRONZE,1 X 1.375 X .75 | 1 |
| 4 | | Ref. Cable Assembly, Manifold to Steer Handle refer to 205.1 | |
| 5 | 33576GT | CONN,SQZ,BLK,1/2NPT,.38-.50,SM | 2 |
| 6 | 6935GT | LOCKNUT,ELEC,1/2" | 2 |
| 7 | 825155GT | WELDMENT, POWER WHEEL ASSEMBLY | |
| 8 | 43770GT | PLATE,POWER MOUNT COVER** | 1 |
| 9 | 6090GT | SCREW,HHC,1/4-20 X .75 | |
| 10 | 6356GT | WASHER,LOCK,.25 | |
| 11 | | Ref. Wheel Pivot refer to figure 204.1 | |
| 12 | | Ref. Manifold Assembly refer to figure 604.1 | |

Go to Discount-Equipment.com to order your parts



204.1 Power Wheel Assist Option, Wheel Pivot

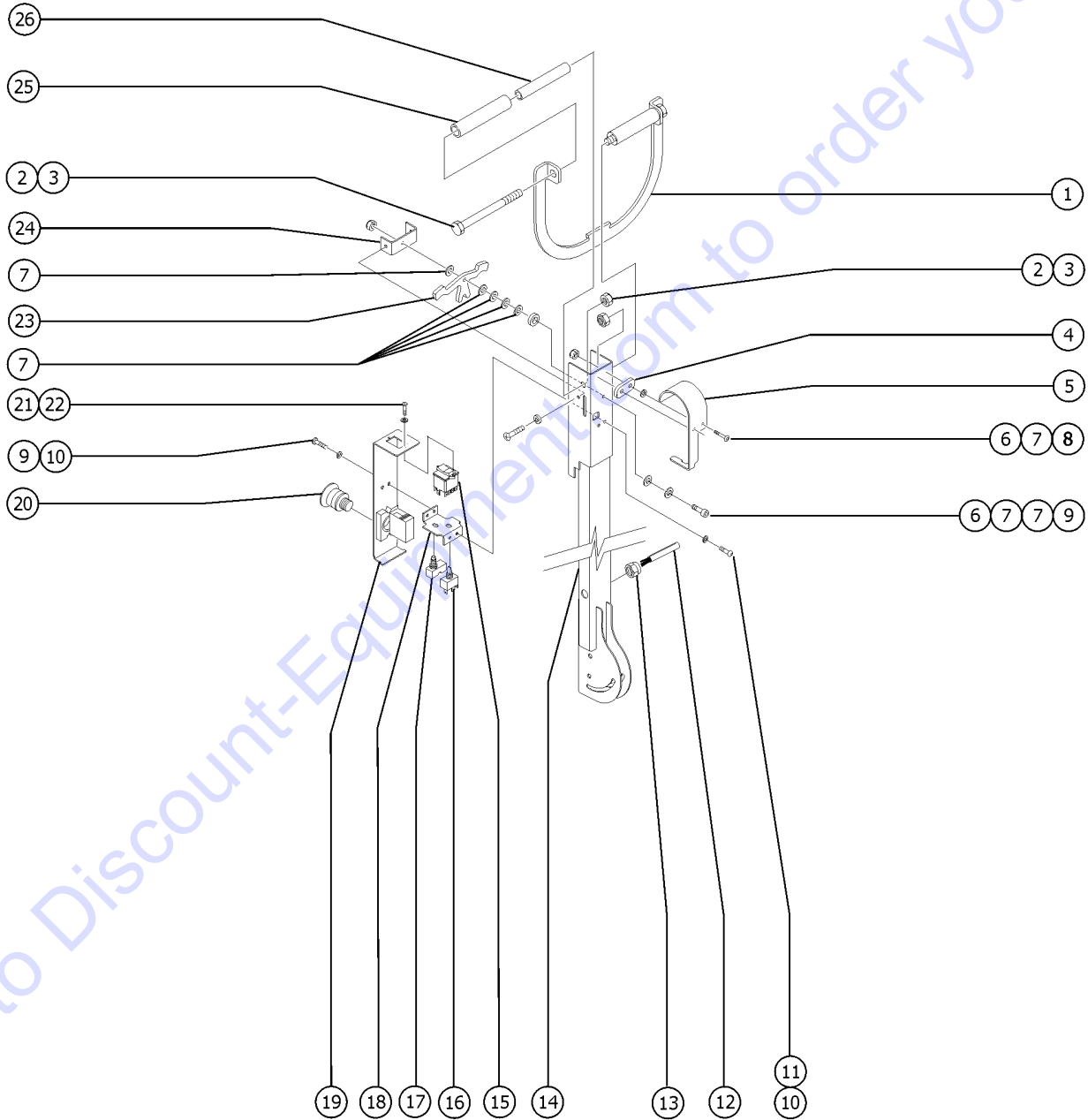


204.1 Power Wheel Assist Option, Wheel Pivot

| Item | Part No. | Description | Qty. |
|------|-----------|--|------|
| 1 | | Ref. Wheel Pivot Mount (refer to 203.1) | |
| 2 | | Ref. Manifold Assembly (refer to 604.1) | |
| 3 | | Ref. Steer Handle (refer to 205.1) | |
| 4 | 40389PGT | PLATE,HANDLE LOCK,PAINTED | 1 |
| 5 | 24085GT | SPRING PLUNGER | 1 |
| 6 | 6886GT | WASHER,LOCK,313 | |
| 7 | 4828GT | NUT,NYLOCK,3/8-16 | |
| 8 | 6097GT | WASHER,FLAT,USS,3/8",Y | |
| 9 | 14033GT | SCREW,HHC,3/8-16 X 2.75 | |
| 10 | 44292-SGT | WELDMENT,WHEEL PIVOT-IWP | 1 |
| 11 | 10107GT | SCREW,HHC,5/16-18 X .75 | |
| 12 | 6886GT | WASHER,LOCK,313 | |
| 13 | 43833-SGT | PLATE,BEARING MOUNT IWP | 1 |
| 14 | 30748GT | WASHER,SHIM,1.01 X 1.63 X.062 | |
| 15 | 69594GT | WHEEL,8 X 2,1" KEYED HOLE also order qty 1 p/n 227145 | 1 |
| 16 | 37751GT | BUSHING,BRONZE,1 X 1.375 X .75 | |
| 17 | 43834GT | PLATE,HYD.MOTOR MOUNT | 1 |
| 18 | 37754GT | MOTOR,HYDRAULIC,DC,POWER DRIVE | 1 |
| 18- | 65616GT | SEAL KIT PWR WHL MOTOR | |
| 19 | 22788GT | SCREW,HHC,1/2-13 X 1.75 | 2 |
| 20 | 6198GT | NUT,NYLOCK,1/2-13 | 2 |
| 21 | 227145GT | KEY,DRIVE MOTOR SHAFT,1/4" | |
| 24 | 44662GT | SNAP RING,EXTERNAL,1.00 DIA. | |
| 25 | 45074GT | WASHER,THRUST,1.5 X 3.5 X .187 | |
| 26 | 6175GT | SCREW,HHC,3/8-16 X 1 | |
| 27 | 6021GT | WASHER,LOCK,375 | |



205.1 Power Wheel Assist Option, Steer Handle



Go to Discount-Equipment.com to order your parts

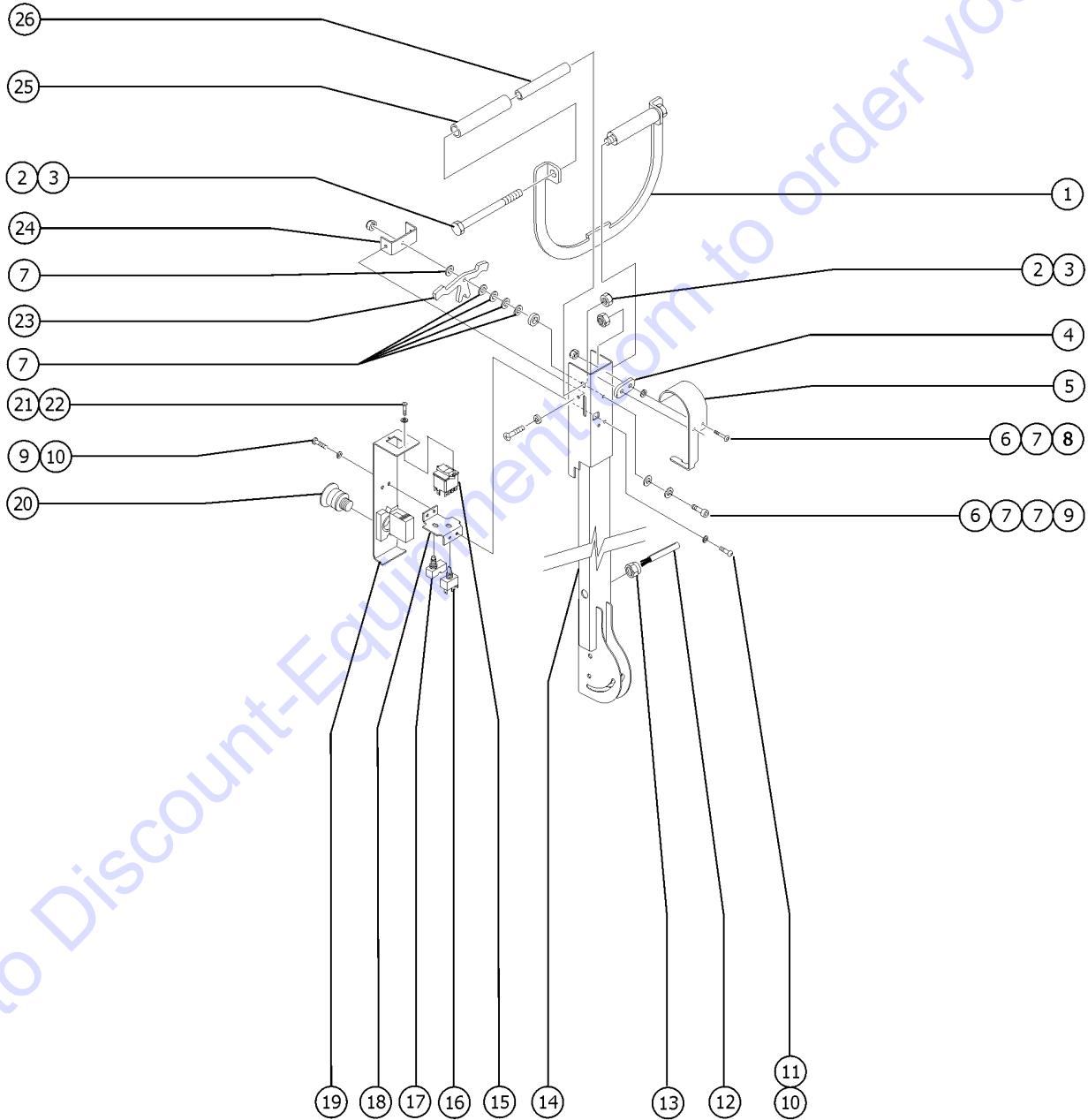


205.1 Power Wheel Assist Option, Steer Handle

| Item | Part No. | Description | Qty. |
|------|-----------|--|------|
| A | 823075GT | HARNESS, WIRE-INTERLOCK with connector | |
| B | 1278538GT | HARNESS,CONT. DIODE,IWP PWA from 'contactor harness' to 'manifold-to-handle harness' | |
| C | 1278539GT | HARNESS,DWN VLV DIODE,IWP PWA from 'jbox-to-manifold harness' to 'manifold-to-handle harness' | |
| D | 1278540GT | HARNESS,FUSE HOLDER, IWP PWA | |
| D- | 80711GT | FUSE,7.5 AMP,ATC for 1278540 | |
| 1 | 85368GT | HAND GUARD ASSY, 9.25" PWA | |
| 1- | 49009-SGT | FORMING,HAND GUARD,PWA,CWP** | |
| 2 | 12461GT | SCREW,HHC,1/2-13 X 5,GRD.8 | 2 |
| 3 | 6086GT | NUT,LP NYLOCK,1/2-13 | |
| 4 | 40207GT | SWITCH CUSHION | 1 |
| 5 | 69271GT | COVER,DIR.,REVERS,SWITCH** | 1 |
| 6 | 5365GT | NUT,NYLOCK,10-24 | |
| 7 | 20980GT | WASHER,NYLON,.434 X.263X.049 | |
| 8 | 17017GT | SCREW,SHS,10-24 X .38 | 2 |
| 9 | 5115GT | SCREW,SHS,10-24 X 1 | 1 |
| 10 | 12011GT | SCREW,BHHS,1/4-20 X .5,Y/ZINC | 6 |
| 11 | 6356GT | WASHER,LOCK,.25 | 6 |
| 12 | 46089GT | HARNESS,MANIFOLD TO HANDLE,IWP | |
| 13 | 33576GT | CONN,SQZ,BLK,1/2NPT,.38-.50,SM | 1 |
| 14A | 85490GT | STEER HANDLE ASSY W/WORDS,PWA | 1 |
| 14B | 85492GT | STEER HANDLE ASSY W/ SYMBL,PWA | |
| 15 | 48614GT | SWITCH,ROCKR,4PDT,12 TERMINAL | 1 |
| 16 | T114691GT | ASSY,SWITCH,TOGGLE,SPDT***** | 1 |
| 17 | 37761GT | SWITCH,PUSHBUTTON,BORE MOUNT | 1 |
| 18 | 46681GT | BRACKET,SWITCHES,REAR WHL,CW** | 1 |
| 19A | 69286GT | SWITCH MOUNT,STEER HDL(49011A* | 1 |
| 19B | 49011-SGT | SWITCH MOUNT,STEER HANDL,PWA** | |
| 20 | 66812GT | BUTTON,PUSH,RED MUSHROOM HEAD | |



205.1 Power Wheel Assist Option, Steer Handle



Go to Discount-Equipment.com to order your parts



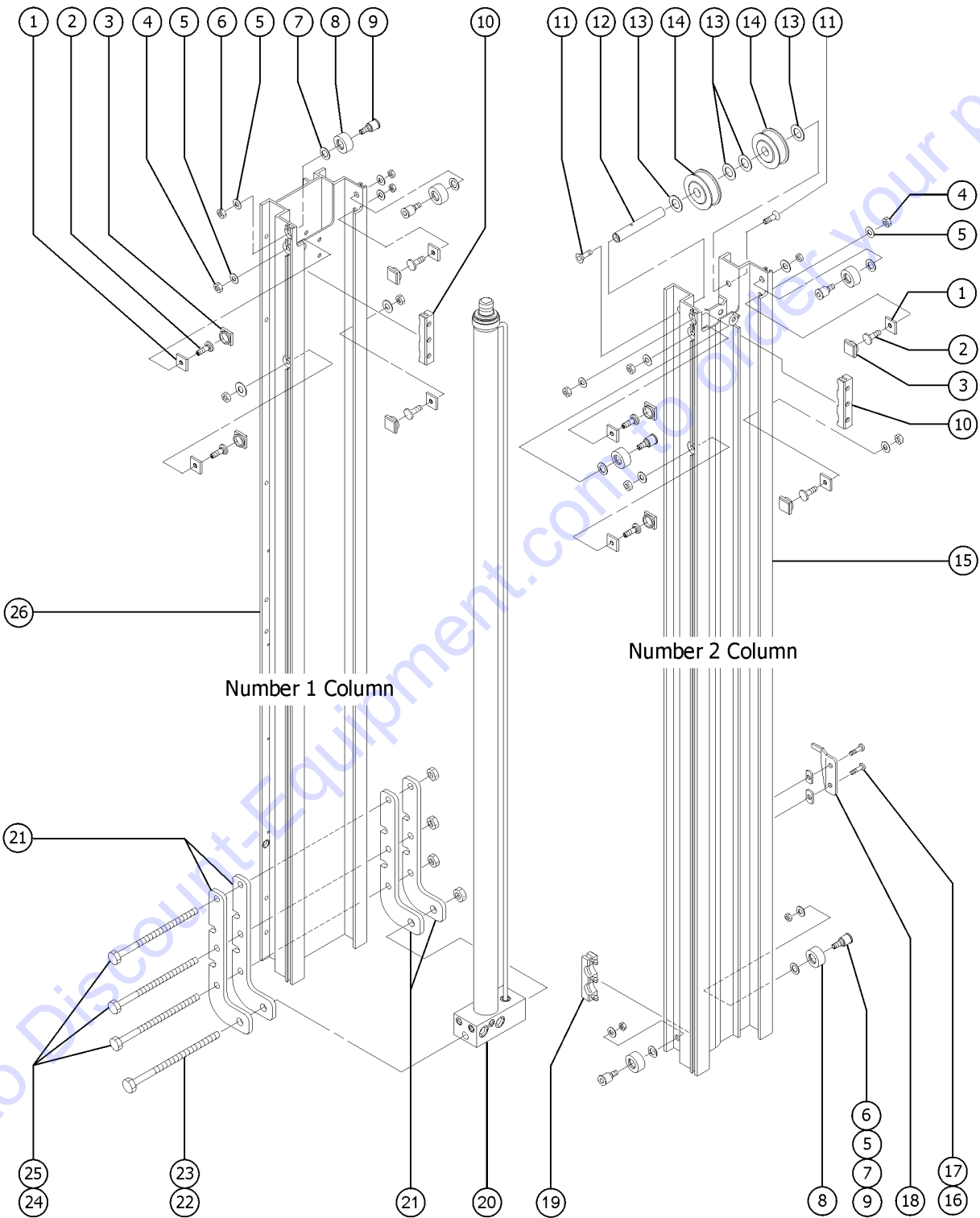
205.1 Power Wheel Assist Option, Steer Handle

| Item | Part No. | Description | Qty. |
|------|---------------|--------------------------------------|------|
| 20- | 66817GT | BASE WITH 1 NC CONTACT, E-STOP | |
| 20- | 66818GT | CONTACT,NC | |
| 20- | 66821GT | BASE,WITHOUT CONTACTS | 1 |
| 21 | 12346GT | 10 X .5 FLT TS SCREW | |
| 22 | 11806GT | WASHER,LOCK,#6 | |
| 23 | 49006GT | HANDLE,ENABLE,PWA,IWP/CWP | 1 |
| 24 | 48430GT | BRACKET,ENABLE HANDLE,PW,CWP | 1 |
| 25 | 44327GT | HANDLE GRIP,.625IDX4.25 | 2 |
| 26 | 35464-418-SGT | TUBE,RD,ALUM .75 X .11 X 4.18 | 2 |

Go to Discount-Equipment.com to order your parts



301.1 Number 1 and 2 Column Assemblies, all Models

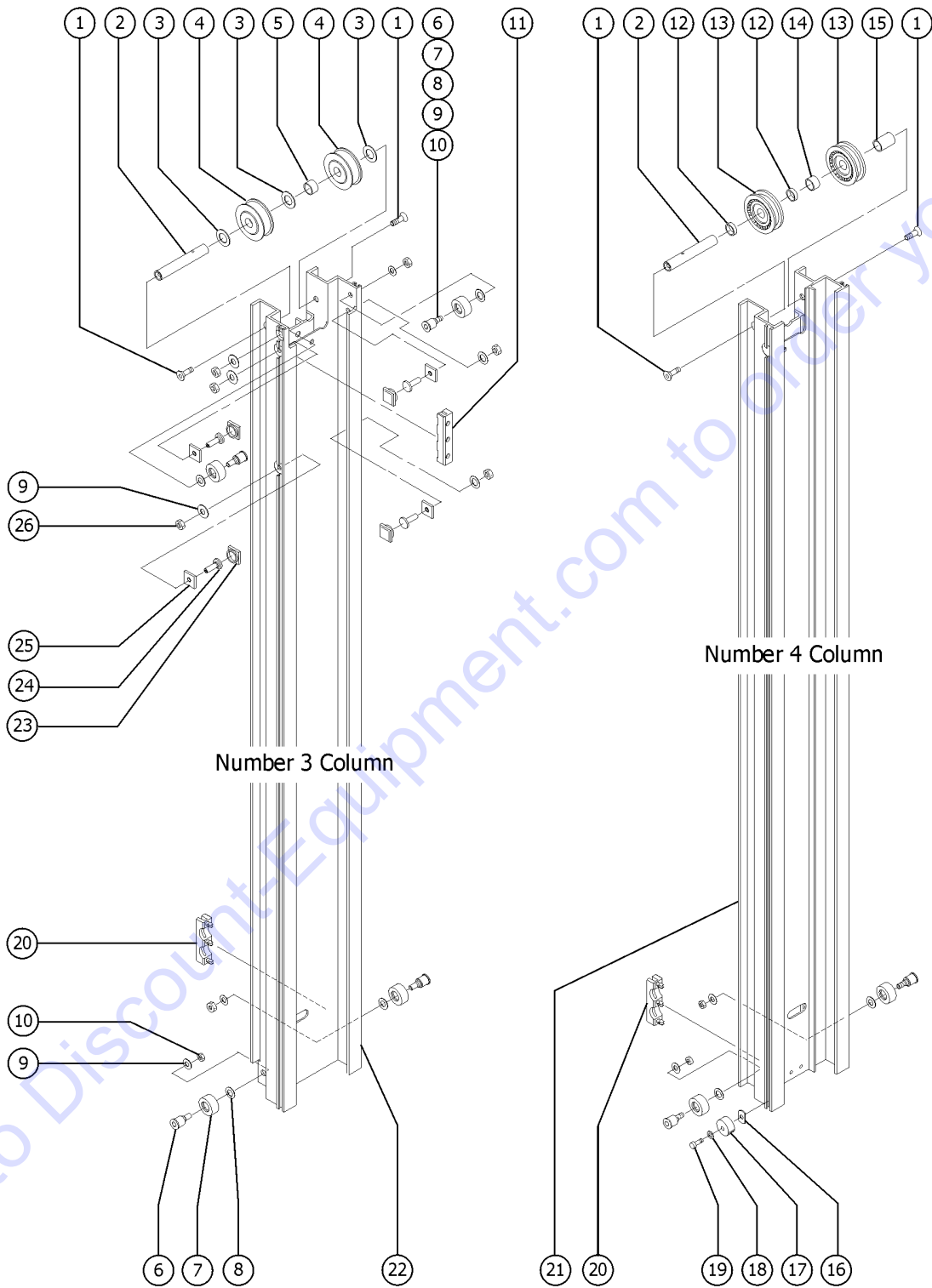


301.1 Number 1 and 2 Column Assemblies, all Models

| Item | Part No. | Description | Qty. |
|------|-----------|---|------|
| A | 90337GT | BOE LUBE lubricant | 1 |
| 1 | 38013GT | SHIM NUT,ADJUSTER | 8 |
| 2 | 40946GT | BOLT,SHIM | 8 |
| 3 | 38011GT | SHIM,SIDE PAD | 8 |
| 4 | 6022GT | NUT,HEX,3/8-16 | |
| 5 | 6097GT | WASHER,FLAT,USS,3/8",Y | |
| 6 | 7713GT | NUT, LP NYLOCK, 3/8-16 | |
| 7 | 6052GT | WASHER,SHIM,.5 X .875 X .063 | |
| 8 | 38016GT | ROLLER,PLASTIC,AWP96** | 6 |
| 9 | 35706GT | BOLT,ROLLER,.470"(SHORT) | 6 |
| 10 | 35709GT | BLOCK,SLIDE,UPPER | 2 |
| 11 | 45425GT | SCREW,FHS,3/8-16 X .75 | |
| 12 | 35707GT | SHAFT,LIFTING CHAINS,20MM DIA. | 1 |
| 13 | 38709GT | WASHER,SHIM,.938 X 1.37 X .048 | |
| 14 | 38447GT | PULLEY W/BEARINGS (large, 3 inch) | 2 |
| 15 | 35757GT | COLUMN, 72.5"SS (#2) (column 2) | 1 |
| 16 | 7339GT | SCREW,HHC,1/4-20 X .5 | |
| 17 | 35991GT | NUT,WELD 1/4-20, PLATED L.L.** | |
| 18 | 37284PGT | PLATE,CABLE STRIKER IWP | 1 |
| 19 | 35710GT | BLOCK,SLIDE,LOWER | 1 |
| 20 | | Ref. Lift Cylinder (refer to 602.1) | |
| 21 | 35727PGT | PLATE,CYLINDER MOUNT,PAINTED | 4 |
| 22 | 1268235GT | SCREW,HHC,5/8-11 X 8.00 | |
| 23 | 38028GT | NUT,LP NYLOCK,5/8-11 | |
| 24 | 38601GT | SCREW,HHC,1/2-13 X 7.5 | |
| 25 | 6086GT | NUT,LP NYLOCK,1/2-13 | 3 |
| 26 | 40478GT | COLUMN ASSY, 72.5"SS (#1) (column 1) | 1 |



302.1 Number 3 and 4 Column Assemblies, IWP-20S



| Item | Part No. | Description | Qty. |
|------|----------|---|------|
| 1 | 45425GT | SCREW,FHS,3/8-16 X .75 | |
| 2 | 35707GT | SHAFT,LIFTING CHAINS,20MM DIA. | 2 |
| 3 | 38709GT | WASHER,SHIM,.938 X 1.37 X .048 | |
| 4 | 38447GT | PULLEY W/BEARINGS (large chain, 3 inches) | 2 |
| 5 | 38316GT | SPACER,.560 AWP MAST | 1 |
| 6 | 35706GT | BOLT,ROLLER,.470"(SHORT) | 6 |
| 7 | 80938GT | WHEEL, NYLON ROLLER | 6 |
| 8 | 6052GT | WASHER,SHIM,.5 X .875 X .063 | |
| 9 | 6097GT | WASHER,FLAT,USS,3/8",Y | |
| 10 | 7713GT | NUT, LP NYLOCK, 3/8-16 | |
| 11 | 35709GT | BLOCK,SLIDE,UPPER | 1 |
| 12 | 35722GT | SPACER,SHAFT,.310 | 2 |
| 13 | 35715GT | PULLEY,SMALL CHAIN (small chain, 3.5 inches) | 2 |
| 14 | 35711GT | SPACER,SHAFT,.840"LG | 1 |
| 15 | 37686GT | SPACER,SHAFT,1.400 | 1 |
| 16 | 35991GT | NUT,WELD 1/4-20, PLATED L.L.** | |
| 17 | 38983GT | BUMPER,MAST,RH | 1 |
| 18 | 6638GT | WASHER,FLAT,USS,1/4"Y | |
| 19 | 6090GT | SCREW,HHC,1/4-20 X .75 | |
| 20 | 35710GT | BLOCK,SLIDE,LOWER | 2 |
| 21 | 35761GT | COLUMN, 72.5"SS (#4 OR #6)*** (column 4) | |
| 22 | 35758GT | COLUMN, 72.5"SS (#3 OR #5)*** (column 3) | |
| 23 | 38011GT | SHIM,SIDE PAD | 4 |
| 24 | 40946GT | BOLT,SHIM | 4 |
| 25 | 38013GT | SHIM NUT,ADJUSTER | |
| 26 | 6022GT | NUT,HEX,3/8-16 | |

PARTS FINDER

**Search Website
by Part Number**



**Search Manual
Library For Parts
Manual & Lookup Part
Numbers – Purchase
or Request Quote**

Search Manuals

Enter your information to help us find the right parts manual for your machine.

* Brand:

* Model:

* Serial:

* Part Number:

SEARCH

**Can't Find Part or
Manual? Request Help
by Manufacturer,
Model & Description**

Parts Order Form

Please fill in the following information to help us find the right part for your machine.

| | |
|---------------|----------------------|
| Manufacturer: | <input type="text"/> |
| Model: | <input type="text"/> |
| Description: | <input type="text"/> |
| Part Number: | <input type="text"/> |
| Quantity: | <input type="text"/> |
| Notes: | <input type="text"/> |

Submit

Discount-Equipment.com is your online resource for quality parts & equipment.

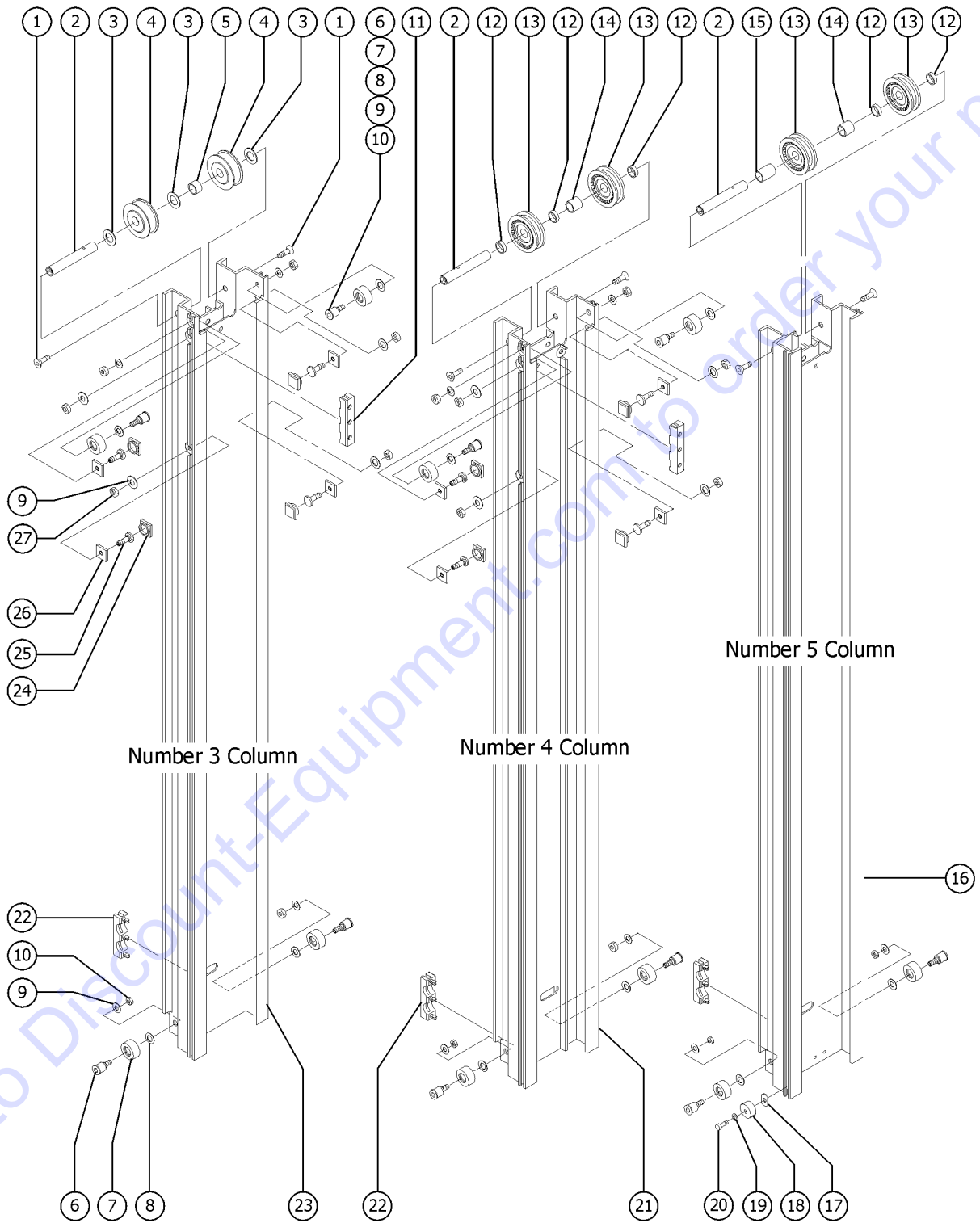
Florida: **561-964-4949** Outside Florida TOLL FREE: **877-690-3101**

Need parts?

Click on this link: <http://www.discount-equipment.com/category/5443-parts/> and choose one of the options to help get the right parts and equipment you are looking for. Please have the machine model and serial number available in order to help us get you the correct parts. If you don't find the part on the website or on one of the online manuals, please fill out the request form and one of our experienced staff members will get back to you with a quote for the right part that your machine needs.

We sell worldwide for the brands: Genie, Terex, JLG, MultiQuip, Mikasa, Essick, Whiteman, Mayco, Toro Stone, Diamond Products, Generac Magnum, Airman, Haulotte, Barreto, Power Blanket, Nifty Lift, Atlas Copco, Chicago Pneumatic, Allmand, Miller Curber, Skyjack, Lull, Skytrak, Tsurumi, Husquvarna Target, Stow, Wacker, Sakai, Mi-T-M, Sullair, Basic, Dynapac, MBW, Weber, Bartell, Bennar Newman, Haulotte, Ditch Runner, Menegotti, Morrison, Contec, Buddy, Crown, Edco, Wyco, Bomag, Laymor, EZ Trench, Bil-Jax, F.S. Curtis, Gehl Pavers, Heli, Honda, ICS/PowerGrit, IHI, Partner, Imer, Clipper, MMD, Koshin, Rice, CH&E, General Equipment, Amida, Coleman, NAC, Gradall, Square Shooter, Kent, Stanley, Tamco, Toku, Hatz, Kohler, Robin, Wisconsin, Northrock, Oztec, Toker TK, Rol-Air, APT, Wylie, Ingersoll Rand / Doosan, Innovatech, Con X, Ammann, Mecalac, Makinex, Smith Surface Prep, Small Line, Wanco, Yanmar

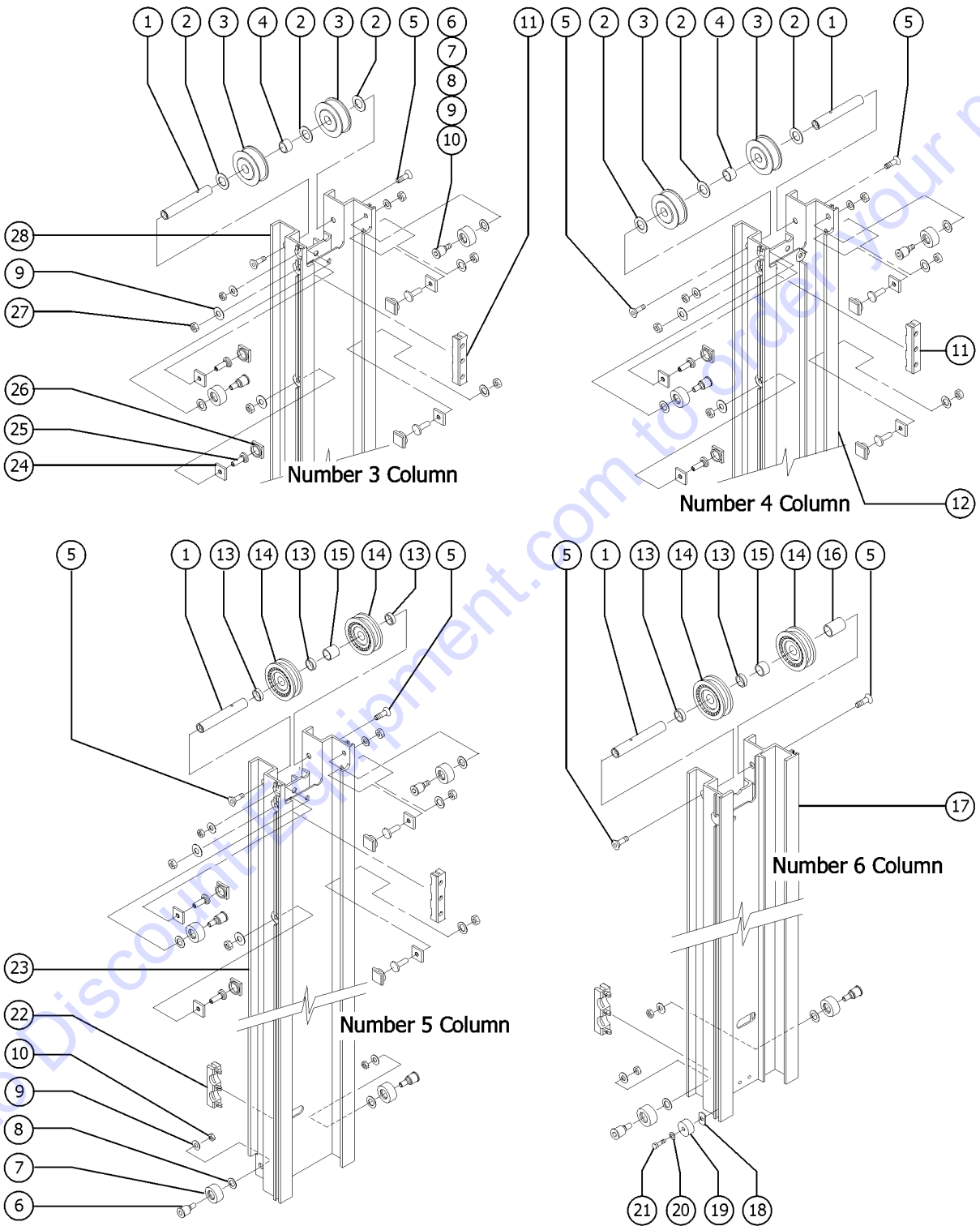
303.1 Number 3, 4 and 5 Column Assemblies, IWP-25S



| Item | Part No. | Description | Qty. |
|------|----------|--|------|
| 1 | 45425GT | SCREW,FHS,3/8-16 X .75 | |
| 2 | 35707GT | SHAFT,LIFTING CHAINS,20MM DIA. | 3 |
| 3 | 38709GT | WASHER,SHIM,.938 X 1.37 X .048 | |
| 4 | 38447GT | PULLEY W/BEARINGS (large chain, 3 inches) | 2 |
| 5 | 38316GT | SPACER,.560 AWP MAST | 1 |
| 6 | 35706GT | BOLT,ROLLER,.470"(SHORT) | 10 |
| 7 | 38016GT | ROLLER,PLASTIC,AWP96** | 10 |
| 8 | 6052GT | WASHER,SHIM,.5 X .875 X .063 | |
| 9 | 6097GT | WASHER,FLAT,USS,3/8",Y | |
| 10 | 7713GT | NUT, LP NYLOCK, 3/8-16 | |
| 11 | 35709GT | BLOCK,SLIDE,UPPER | 2 |
| 12 | 35722GT | SPACER,SHAFT,.310 | 5 |
| 13 | 35715GT | PULLEY,SMALL CHAIN (small chain, 3.25 inches) | 4 |
| 14 | 35711GT | SPACER,SHAFT,.840"LG | 2 |
| 15 | 37686GT | SPACER,SHAFT,1.400 | 1 |
| 16 | 35760GT | COLUMN, 72.5"SS (#3 OR #5)*** (column 5) | |
| 17 | 35991GT | NUT,WELD 1/4-20, PLATED L.L.** | |
| 18 | 38983GT | BUMPER,MAST,RH | 1 |
| 19 | 14295GT | WASHER,SHIM,.265 X .5 X .030 | |
| 20 | 6090GT | SCREW,HHC,1/4-20 X .75 | |
| 21 | 35759GT | COLUMN, 72.5"SS (#4)*** (column 4) | |
| 22 | 35710GT | BLOCK,SLIDE,LOWER | 3 |
| 23 | 35758GT | COLUMN, 72.5"SS (#3 OR #5)*** (column 3) | |
| 24 | 38011GT | SHIM,SIDE PAD | 8 |
| 25 | 40946GT | BOLT,SHIM | 8 |
| 26 | 38013GT | SHIM NUT,ADJUSTER | |
| 27 | 6022GT | NUT,HEX,3/8-16 | |



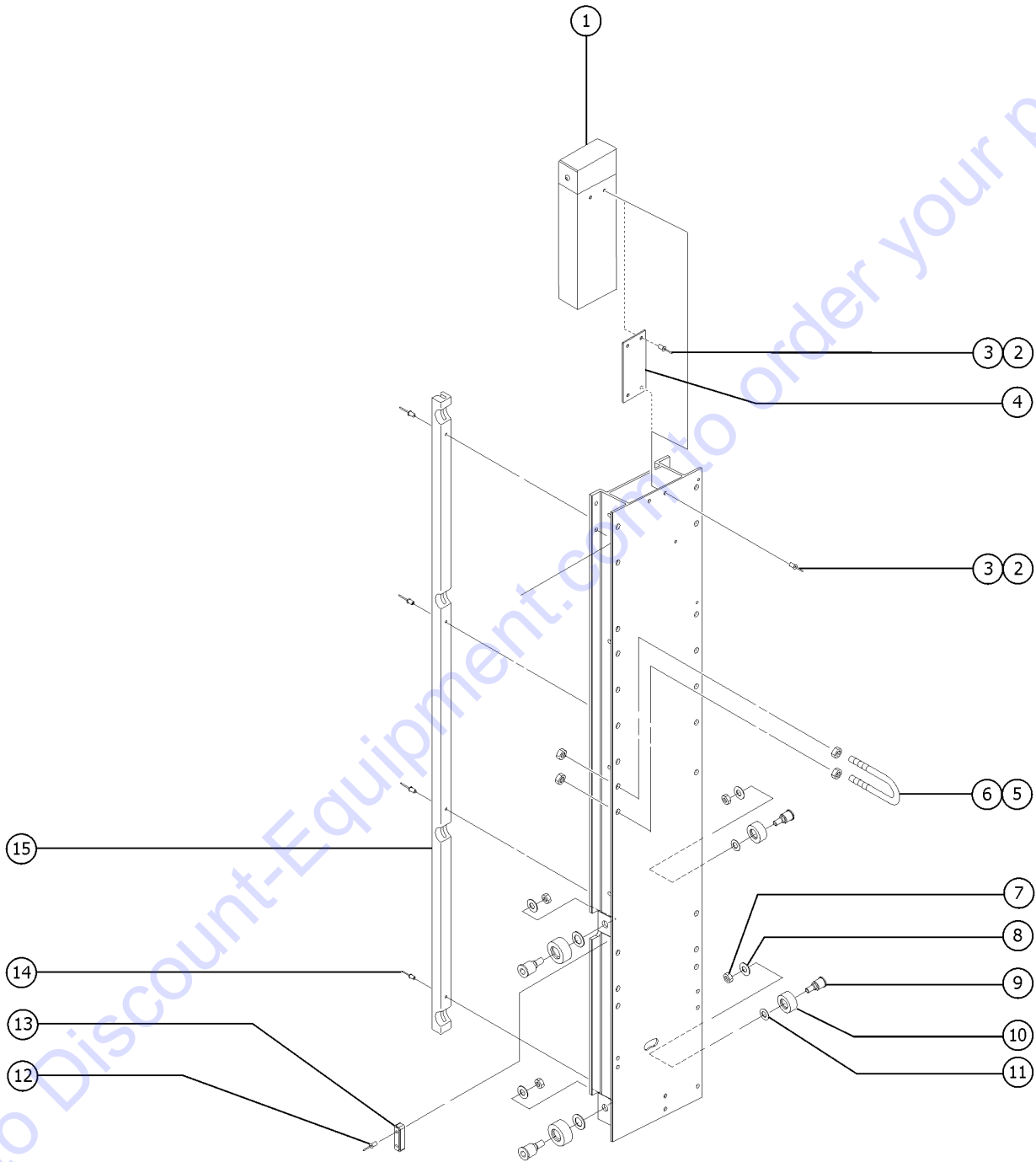
304.1 Number 3, 4, 5 and 6 Column Assemblies, IWP-30S



| Item | Part No. | Description | Qty. |
|------|----------|--|------|
| 1 | 35707GT | SHAFT,LIFTING CHAINS,20MM DIA. | 4 |
| 2 | 38709GT | WASHER,SHIM,.938 X 1.37 X .048 | |
| 3 | 38447GT | PULLEY W/BEARINGS (large chain, 3 inches) | 4 |
| 4 | 38316GT | SPACER,.560 AWP MAST | 2 |
| 5 | 45425GT | SCREW,FHS,3/8-16 X .75 | |
| 6 | 35706GT | BOLT,ROLLER,.470"(SHORT) | 14 |
| 7 | 80938GT | WHEEL, NYLON ROLLER | 14 |
| 8 | 6052GT | WASHER,SHIM,.5 X .875 X .063 | |
| 9 | 6097GT | WASHER,FLAT,USS,3/8",Y | |
| 10 | 7713GT | NUT, LP NYLOCK, 3/8-16 | |
| 11 | 35709GT | BLOCK,SLIDE,UPPER | 3 |
| 12 | 35759GT | COLUMN, 72.5"SS (#4)*** | |
| | | (column 4) | |
| 13 | 35722GT | SPACER,SHAFT,.310 | 5 |
| 14 | 35715GT | PULLEY,SMALL CHAIN | 4 |
| | | (small chain 3.25 inches) | |
| 15 | 35711GT | SPACER,SHAFT,.840"LG | 2 |
| 16 | 37686GT | SPACER,SHAFT,1.400 | 1 |
| 17 | 35761GT | COLUMN, 72.5"SS (#4 OR #6)*** | |
| | | (column 6) | |
| 18 | 35991GT | NUT,WELD 1/4-20, PLATED L.L.** | |
| 19 | 38983GT | BUMPER,MAST,RH | 1 |
| 20 | 6638GT | WASHER,FLAT,USS,1/4"Y | |
| 21 | 8255GT | SCREW,HHC,3/8-16 X .75 | |
| 22 | 35710GT | BLOCK,SLIDE,LOWER | 3 |
| 23 | 35758GT | COLUMN, 72.5"SS (#3 OR #5)*** | 1 |
| | | (column 5) | |
| 24 | 38013GT | SHIM NUT,ADJUSTER | |
| 25 | 40946GT | BOLT,SHIM | 12 |
| 26 | 38011GT | SHIM,SIDE PAD | 12 |
| 27 | 6022GT | NUT,HEX,3/8-16 | |
| 28 | 35758GT | COLUMN, 72.5"SS (#3 OR #5)*** | 1 |
| | | (column 3) | |



305.1 Carriage Assembly, Models without Platform Outreach Option

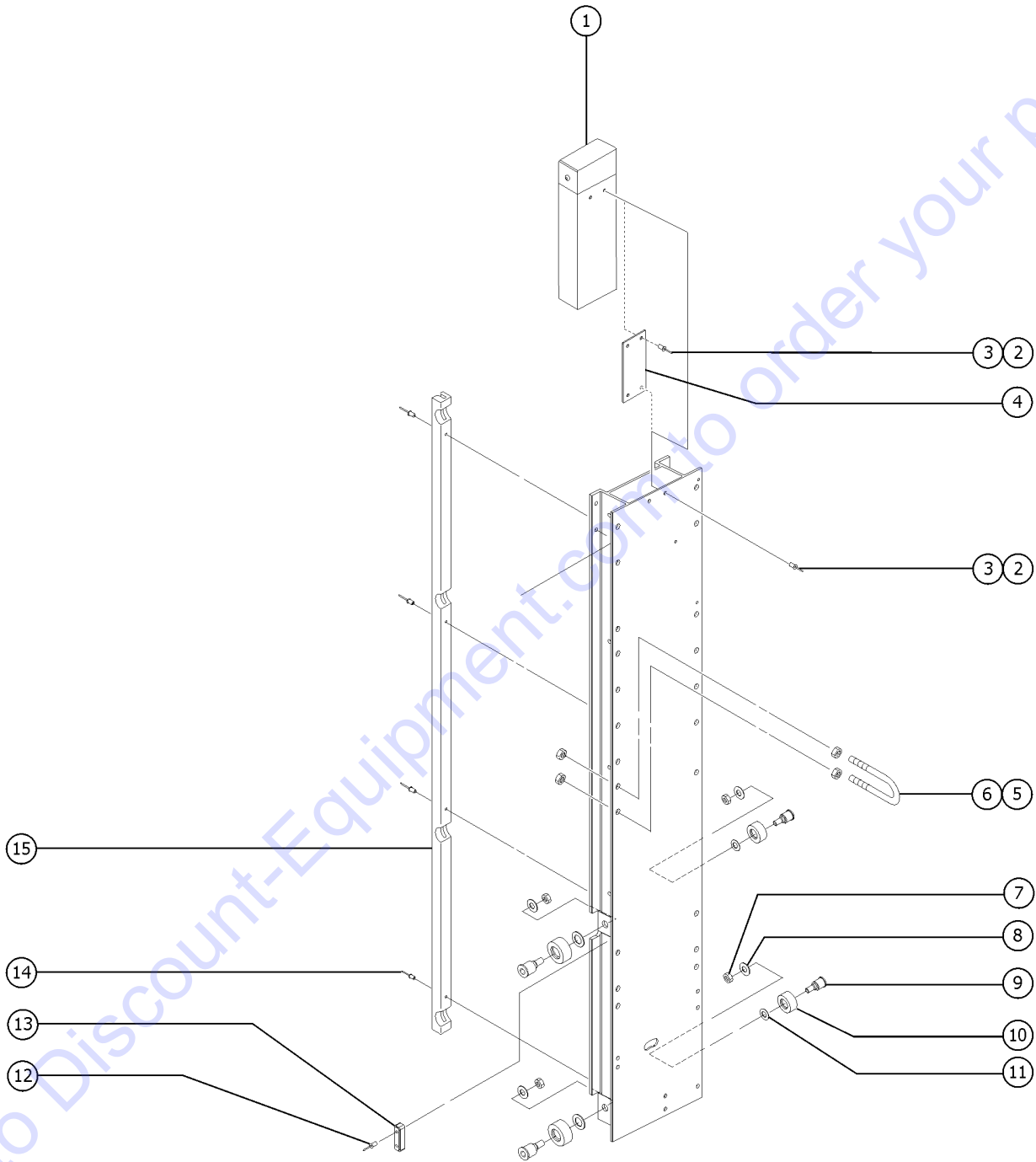


305.1 Carriage Assembly, Models without Platform Outreach Option

| Item | Part No. | Description | Qty. |
|------|-----------|--|------|
| A- | 40288GT | CARRIAGE ASSY,-20S,-30S,WORDS* (USA/Australia models) (includes items 1-6, and 13-14) (Assemblies with Word Decals) (to SN IWPP-12999) | |
| B- | 40287GT | CARRIAGE ASY,-15,-25,-36,WRDS* (USA, Australia) (includes items 1-6, and 13-14) (Assemblies with Word Decals) (to SN IWPP-12999) | |
| C- | 69235GT | CARRIAGE ASSY,-20S,-30S,WORDS* (USA, Australia) (includes items 1-6, 13-14 and 4) (Assemblies with Word Decals) (to SN IWPP-12999) | |
| D- | 69233GT | CARRIAGE ASY,-15,-25,-36,WRDS* (USA, Australia) (includes items 1-6, 13-14 and 4) (Assemblies with Word Decals) (to SN IWPP-12999) | |
| E- | 107020GT | CARRIAGE ASY,-20,-30,ALUM,WRD* (Canada) (includes items 1-6, and 13-14) (to SN IWPP-12999) | |
| F- | 69232GT | CARRIAGE ASY,-15,-25,-36,WRDS* (Canada) (aluminum platform) (includes items 1-6, and 13-14) (to SN IWPP-12999) | |
| G- | 107021GT | CARRIAGE ASY,-20,-30,FBRG,WRD* (Canada) (includes items 1-6, 13-14 and 4) (to SN IWPP-12999) | |
| H- | 69234GT | CARRIAGE ASY,-15,-25,-36,WRDS* (Canada) (fiberglass platform) (includes items 1-6, 13-14 and 4) (to SN IWPP-12999) | |
| K- | 85243GT | CARRIAGE ASSY,-20S,-30S,SYM (Asia, South America, Europe) (includes items 1-6, and 13-14) (Assemblies with Symbol Decals) (to SN IWPP-12999) | |
| L- | 85241GT | CARRIAGE ASSY,-15,-25,-36,SYM (Asia, South America, Europe) (includes items 1-6, and 13-14) (Assemblies with Symbol Decals) (to SN IWPP-12999) | |
| M- | 85244GT | CARRIAGE ASSY,-20S,-30S,SYM (Asia, South America, Europe) (includes items 1-6, 13-14 and 4) (Assemblies with Symbol Decals) (to SN IWPP-12999) | |
| N- | 85242GT | CARRIAGE ASSY,-15,-25,-36,SYM (Asia, South America, Europe) (includes items 1-6, 13-14 and 4) (Assemblies with Symbol Decals) (to SN IWPP-12999) | |
| 1 | 40267GT | BOX,INSTRUCT. STORAGE,S SERIES (includes items 2 and 3) | |
| 1- | 1296809GT | INSTRUCTION TUBE,AWP/IWP/SS | |
| 1- | 2223GT | LANYARD ASSY HOIST/AWP-7*** | |
| 2 | 6271GT | RIVET, ALUM, ALUM, P, .25 x .375 | 3 |
| 3 | 75144GT | WASHER,FLAT,SAE 1/4",ZINC | 3 |
| 4 | 46695-SGT | INSTR. TUBE MOUNT, FIBER PLAT. (models with fiberglass platform) | 1 |
| 5 | 6550GT | U-BOLT,3/8 X 1 YZ | 1 |
| 6 | 4828GT | NUT,NYLOCK,3/8-16 | |
| 7 | 7713GT | NUT, LP NYLOCK, 3/8-16 | |
| 8 | 6097GT | WASHER,FLAT,USS,3/8",Y | |
| 9 | 35706GT | BOLT,ROLLER,.470"(SHORT) | 4 |
| 10 | 38026GT | ROLLER, MACHINED AWP*** | 4 |
| 11 | 6052GT | WASHER,SHIM,.5 X .875 X .063 | |
| 12 | 69855GT | RIVET,ALUM,ALUM,.25 X 1.125 AL | |



305.1 Carriage Assembly, Models without Platform Outreach Option



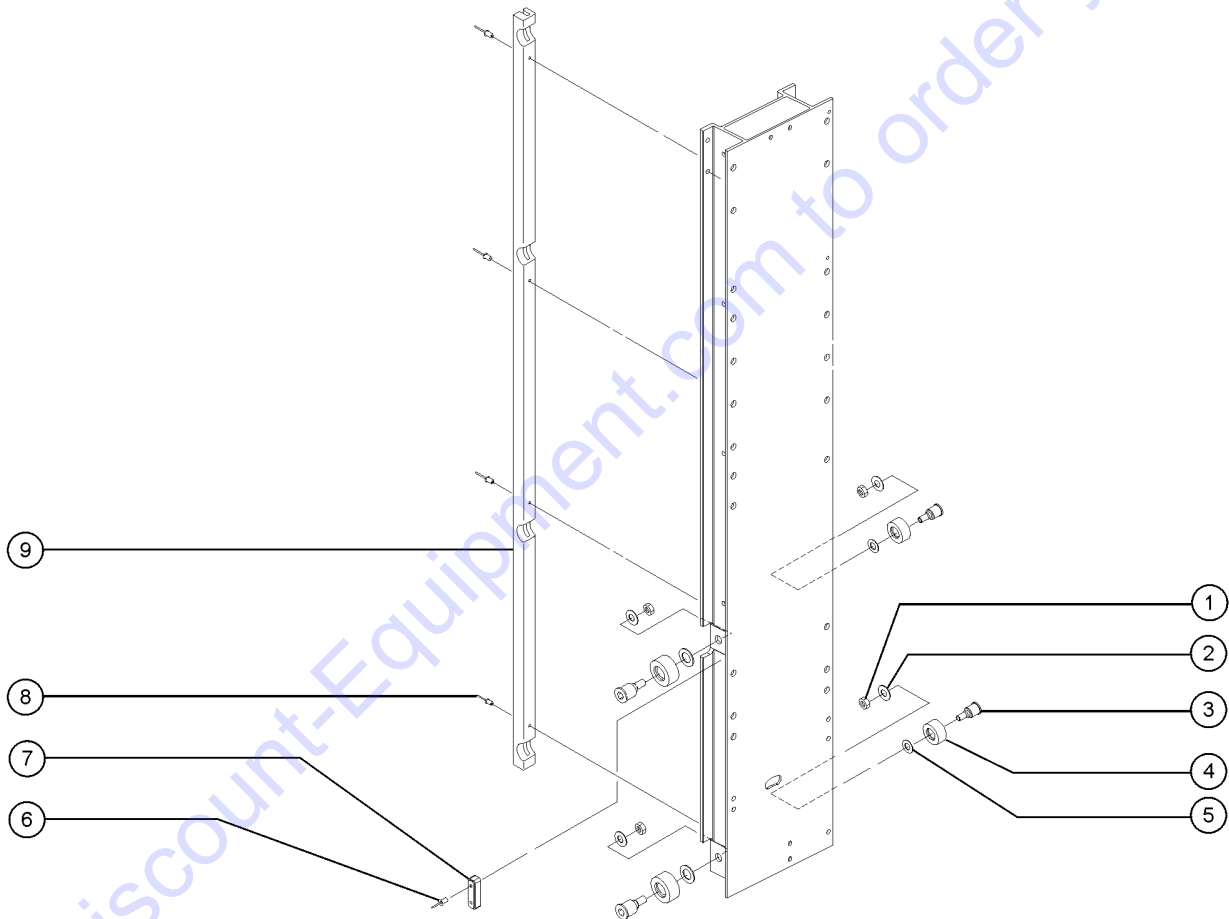
305.1 Carriage Assembly, Models without Platform Outreach Option

| <i>Item</i> | <i>Part No.</i> | <i>Description</i> | <i>Qty.</i> |
|-------------|-----------------|--------------------------------------|-------------|
| 13 | 124010GT | SHIM,CARRIAGE | 2 |
| 14 | 8920GT | RIVET,ALUM,ALUM,P, .156 X .375 | |
| 15 | 38005GT | SLIDE BLOCK,CARRIAGE%% | 1 |

Go to Discount-Equipment.com to order your parts



306.1 Carriage Assembly, IWP-20S with Platform Outreach Option



Go to Discount-Equipment.com to order your parts

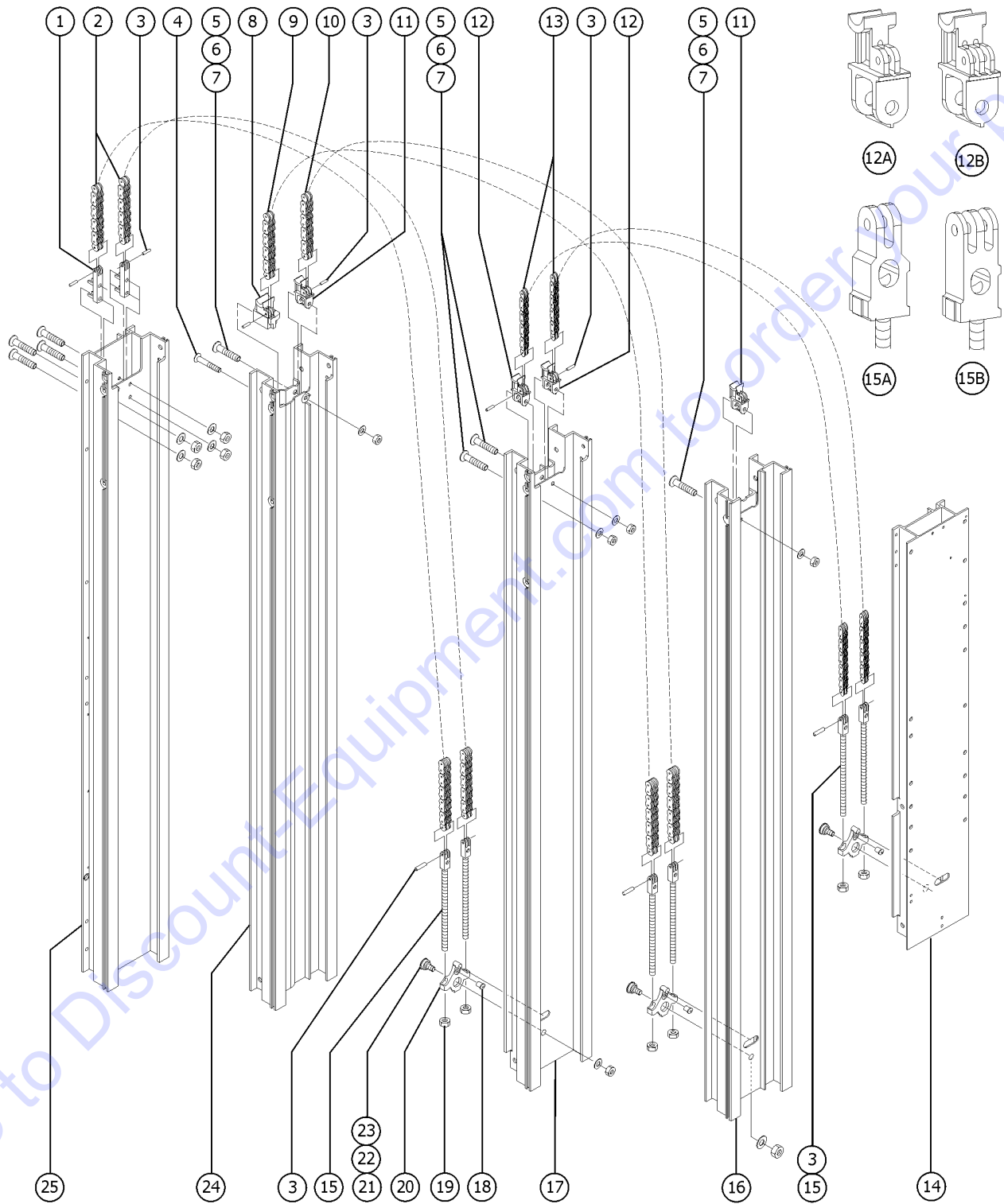
306.1 Carriage Assembly, IWP-20S with Platform Outreach Option

| Item | Part No. | Description | Qty. |
|------|----------|---|------|
| | 107022GT | CARRIAGE ASY,-20S W/ OUTREACH (includes items 1-6, 8 and 9) (to SN IWPP-12999) | |
| 1 | 7713GT | NUT, LP NYLOCK, 3/8-16 | |
| 2 | 6097GT | WASHER,FLAT,USS,3/8",Y | |
| 3 | 35706GT | BOLT,ROLLER,.470"(SHORT) | 4 |
| 4 | 38026GT | ROLLER, MACHINED AWP*** | 4 |
| 5 | 69855GT | RIVET,ALUM,ALUM,.25 X 1.125 AL | |
| 6 | 6052GT | WASHER,SHIM,.5 X .875 X .063 | |
| 7 | 124010GT | SHIM,CARRIAGE | |
| 8 | 8920GT | RIVET,ALUM,ALUM,P,.156 X .375 | |
| 9 | 38005GT | SLIDE BLOCK,CARRIAGE%% | 1 |

Go to Discount-Equipment.com to order your parts



307.1 Lifting Chain Assemblies, IWP-20S

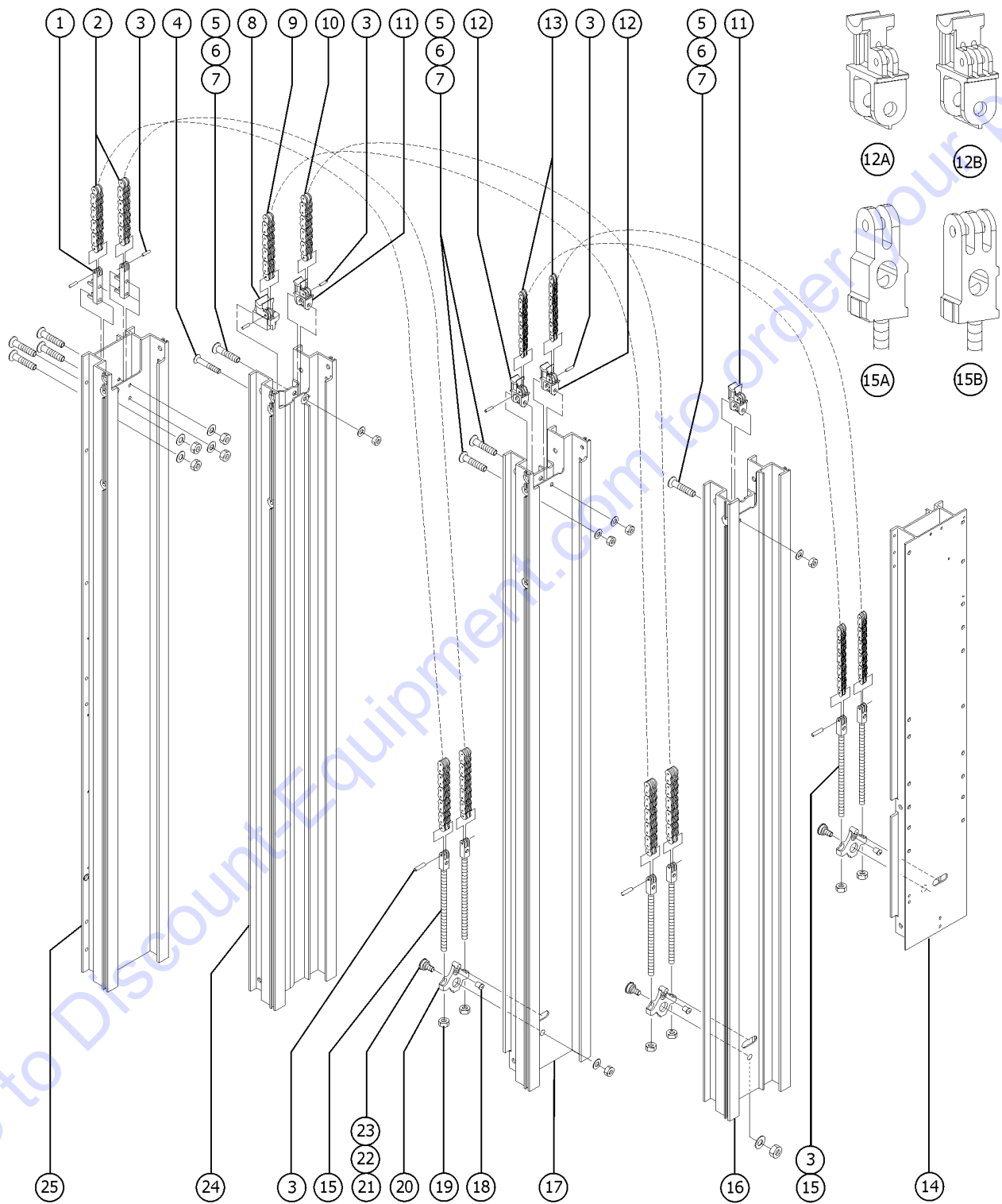


307.1 Lifting Chain Assemblies, IWP-20S

| Item | Part No. | Description | Qty. |
|------|--------------|--|------|
| | | IWP Super Series Models are produced using one of two different styles of chain assemblies with single slot or double slot terminal ends. Refer to the machine's specific chain to determine the style required. | ... |
| 1 | 35699GT | CHAIN TERMINAL CASTING,#1 | 2 |
| 2 | 37385GT | CHAIN ASSY#1,72.5"COL.S-SERIES (includes items 1, 3, and 15) | 2 |
| 2- | 35704-6813GT | CHAIN,STD.LEAF AL544,68.13" | |
| 3A | 38986GT | PIN,GROOVED,.200 X .50* | 4 |
| 3B | 6534GT | PIN,GROOVED-.200 X .75* | 12 |
| 4 | 40945GT | SCREW,FHS,1/4-20 X 2.25 | |
| 5 | 35714GT | SCREW,FHS,3/8-16 X 2.25 | |
| 6 | 5397GT | WASHER,FLAT,USS,5/16",Y | |
| 7 | 4828GT | NUT,NYLOCK,3/8-16 | |
| 8 | 35697GT | CHAIN TERM,CLEVIS CYL.,ZINC | 1 |
| 9 | 37384GT | CHAIN ASSY#2,72.5"COL.S-SERIES (includes items 3, 8 and 15) | 1 |
| 9- | 35704-6813GT | CHAIN,STD.LEAF AL544,68.13" | |
| 10 | 37386GT | CHAIN ASSY,72.5"COL. S-SERIES (includes items 3, 11 and 15) | 1 |
| 10- | 35704-6813GT | CHAIN,STD.LEAF AL544,68.13" | |
| 11 | 35695GT | CHAIN TERM,PULLEY SUPORT-ZINC | 2 |
| 12A | 38980GT | CHAIN TERM,PULLEY SUPPORT-ZNC (single slot) | 2 |
| 12B | 35695GT | CHAIN TERM,PULLEY SUPORT-ZINC (double slot) | |
| 13 | 37387GT | CHAIN ASSY,72.5COL.(SM)S-SERIE (includes items 3, 12, and 15) | 2 |
| 13- | 35703-6813GT | CHAIN,STD.LEAF AL522,68.13" | |
| 14 | | Ref. Carriage Assembly (refer to 305.1 or 306.1) | |
| 15A | 41224GT | CHAIN TERM.LWR.SS(1 SLOT) (single slot) (includes item 3) | 2 |
| 15B | 38187GT | CHAIN TERM.LWR.SS(2 SLOT)* (double slot) (includes item 3) | 6 |
| 16 | | Ref. Number 4 Column Assembly (refer to 302.1) | |
| 17 | | Ref. Number 3 Column Assembly (refer to 302.1) | |
| 18 | 11890GT | GLIDE BUTTON,SIDE,GLL.,100 TK | 3 |
| 19 | 35712GT | NUT,NYLOCK,3/8-24 | |



307.1 Lifting Chain Assemblies, IWP-20S



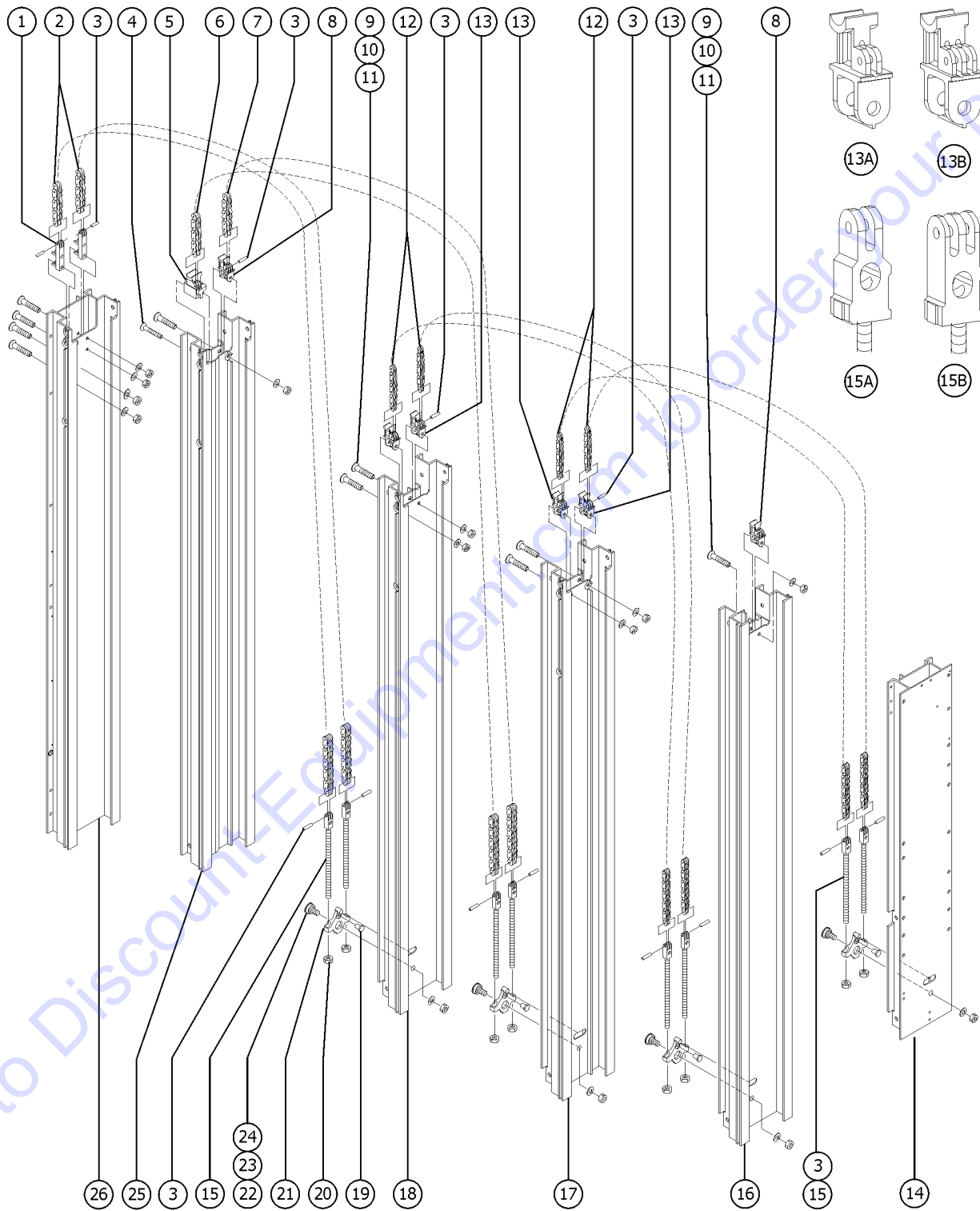
307.1 Lifting Chain Assemblies, IWP-20S

| Item | Part No. | Description | Qty. |
|------|----------|---|------|
| 20 | 35698GT | CHAIN TENSION ROCKER CAST.ZINC | 3 |
| 21 | 35705GT | BOLT-ROCKER, S-SERIES | 3 |
| 22 | 6095GT | WASHER,FLAT,USS,1/2",Y | |
| 23 | 6086GT | NUT,LP NYLOCK,1/2-13 | |
| 24 | | Ref. Number 2 Column Assembly (refer to 301.1) | |
| 25 | | Ref. Number 1 Column Assembly (refer to 301.1) | |

Go to Discount-Equipment.com to order your parts



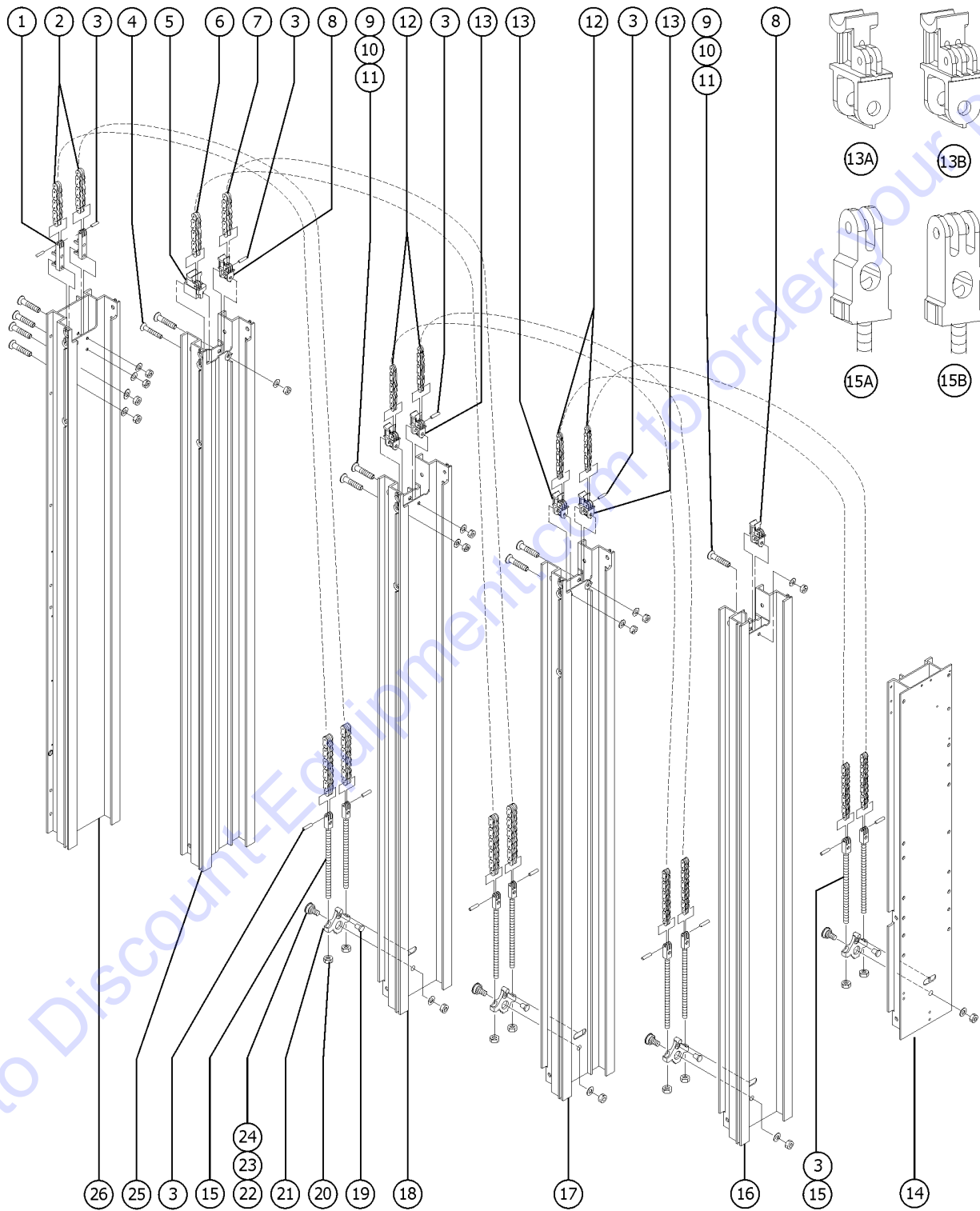
308.1 Lifting Chain Assemblies, IWP-25S



| Item | Part No. | Description | Qty. |
|------|--------------|--|------|
| | | IWP Super Series Models are produced using one of two different styles of chain assemblies with single slot or double slot terminal ends. Refer to the machine's specific chain to determine the style required. | ... |
| 1 | 35699GT | CHAIN TERMINAL CASTING,#1 | 2 |
| 2 | 37385GT | CHAIN ASSY#1,72.5"COL.S-SERIES (includes items 1, 3 and 15) | 2 |
| 2- | 35704-6813GT | CHAIN,STD.LEAF AL544,68.13" | |
| 3A | 38986GT | PIN,GROOVED,.200 X .50* | 4 |
| 3B | 6534GT | PIN,GROOVED-.200 X .75* | 12 |
| 4 | 40945GT | SCREW,FHS,1/4-20 X 2.25 | |
| 5 | 35697GT | CHAIN TERM,CLEVIS CYL.,ZINC | 1 |
| 6 | 37384GT | CHAIN ASSY#2,72.5"COL.S-SERIES (includes items 3, 5 and 15) | 1 |
| 6- | 35704-6813GT | CHAIN,STD.LEAF AL544,68.13" | |
| 7 | 37386GT | CHAIN ASSY,72.5"COL. S-SERIES (includes items 3, 8 and 15) | 1 |
| 7- | 35704-6813GT | CHAIN,STD.LEAF AL544,68.13" | |
| 8 | 35695GT | CHAIN TERM,PULLEY SUPORT-ZINC | 2 |
| 9 | 35714GT | SCREW,FHS,3/8-16 X 2.25 | |
| 10 | 5397GT | WASHER,FLAT,USS,5/16",Y | |
| 11 | 4828GT | NUT,NYLOCK,3/8-16 | |
| 12 | 37387GT | CHAIN ASSY,72.5COL.(SM)S-SERIE (includes items 3, 13 and 15) | 4 |
| 12- | 35703-6813GT | CHAIN,STD.LEAF AL522,68.13" | |
| 13A | 38980GT | CHAIN TERM,PULLEY SUPPORT-ZNC (single slot) | 4 |
| 13B | 35695GT | CHAIN TERM,PULLEY SUPORT-ZINC (double slot) | |
| 14 | | Ref. Carriage Assembly (refer to 305.1) | |
| 15A | 41224GT | CHAIN TERM.LWR.SS(1 SLOT) (single slot) (includes item 3) | 4 |
| 15B | 38187GT | CHAIN TERM.LWR.SS(2 SLOT)* (double slot) (includes item 3) | 8 |
| 16 | | Ref. Number 5 Column Assembly (refer to 303.1) | |
| 17 | | Ref. Number 4 Column Assembly (refer to 303.1) | |
| 18 | | Ref. Number 3 Column Assembly (refer to 303.1) | |
| 19 | 11890GT | GLIDE BUTTON,SIDE,GLL,.100 TK | 4 |



308.1 Lifting Chain Assemblies, IWP-25S



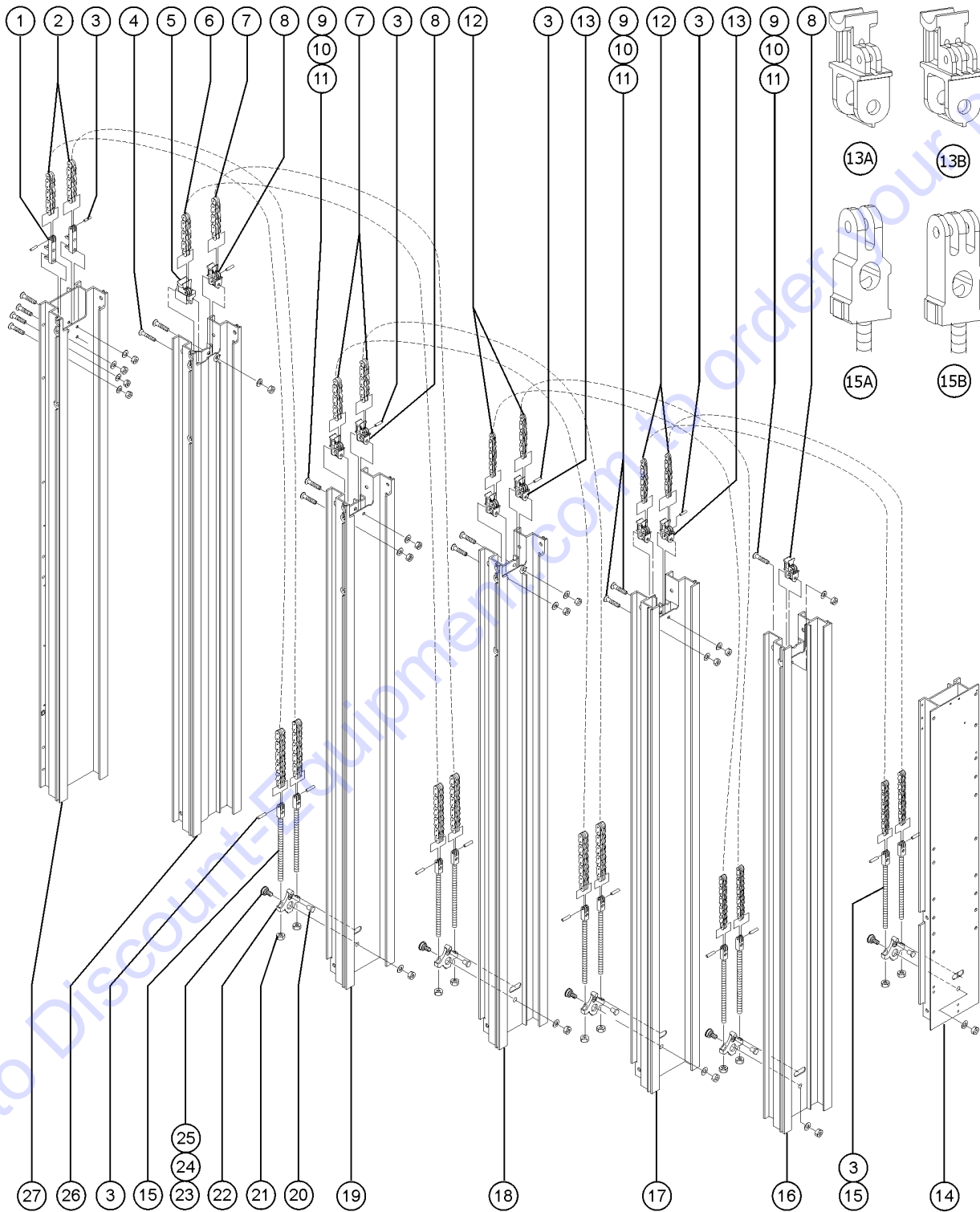
308.1 Lifting Chain Assemblies, IWP-25S

| Item | Part No. | Description | Qty. |
|------|----------|---|------|
| 20 | 35712GT | NUT,NYLOCK,3/8-24 | |
| 21 | 35698GT | CHAIN TENSION ROCKER CAST.ZINC | 4 |
| 22 | 35705GT | BOLT-ROCKER, S-SERIES | 4 |
| 23 | 6095GT | WASHER,FLAT,USS,1/2",Y | |
| 24 | 6086GT | NUT,LP NYLOCK,1/2-13 | |
| 25 | | Ref. Number 2 Column Assembly (refer to 301.1) | |
| 26 | | Ref. Number 1 Column Assembly (refer to 301.1) | |

Go to Discount-Equipment.com to order your parts



309.1 Lifting Chain Assemblies, IWP-30S

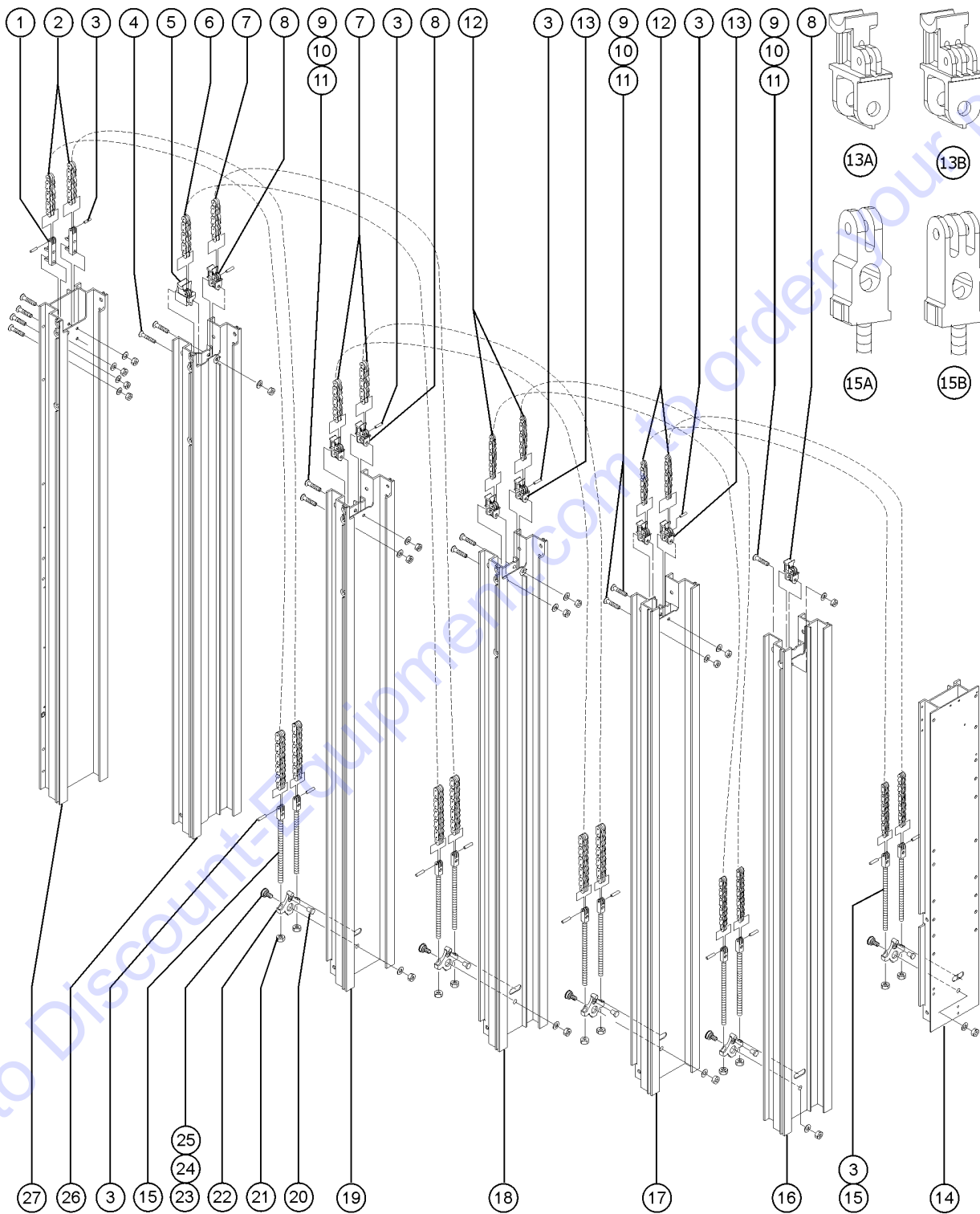


309.1 Lifting Chain Assemblies, IWP-30S

| Item | Part No. | Description | Qty. |
|------|--------------|--|------|
| | | IWP Super Series Models are produced using one of two different styles of chain assemblies with single slot or double slot terminal ends. Refer to the machine's specific chain to determine the style required. | ... |
| 1 | 35699GT | CHAIN TERMINAL CASTING,#1 | 2 |
| 2 | 37385GT | CHAIN ASSY#1,72.5"COL.S-SERIES (includes items 1, 3, and 15) | 2 |
| 2- | 35704-6813GT | CHAIN,STD.LEAF AL544,68.13" | |
| 3A | 38986GT | PIN,GROOVED,.200 X .50* | 8 |
| 3B | 6534GT | PIN,GROOVED-.200 X .75* | 20 |
| 4 | 40945GT | SCREW,FHS,1/4-20 X 2.25 | |
| 5 | 35697GT | CHAIN TERM,CLEVIS CYL.,ZINC | 1 |
| 6 | 37384GT | CHAIN ASSY#2,72.5"COL.S-SERIES (includes items 3, 5 and 15) | 1 |
| 6- | 35704-6813GT | CHAIN,STD.LEAF AL544,68.13" | |
| 7 | 37386GT | CHAIN ASSY,72.5"COL. S-SERIES (includes items 3, 8 and 15) | 3 |
| 7- | 35704-6813GT | CHAIN,STD.LEAF AL544,68.13" | |
| 8 | 35695GT | CHAIN TERM,PULLEY SUPORT-ZINC (double slot) | 4 |
| 9 | 35714GT | SCREW,FHS,3/8-16 X 2.25 | |
| 10 | 5397GT | WASHER,FLAT,USS,5/16",Y | |
| 11 | 4828GT | NUT,NYLOCK,3/8-16 | |
| 12 | 37387GT | CHAIN ASSY,72.5COL.(SM)S-SERIE (includes items 3, 13 and 15) | 4 |
| 12- | 35703-6813GT | CHAIN,STD.LEAF AL522,68.13" | |
| 13A | 38980GT | CHAIN TERM,PULLEY SUPPORT-ZNC (single slot) | 4 |
| 13B | 35695GT | CHAIN TERM,PULLEY SUPORT-ZINC (double slot) | |
| 14 | | Ref. Carriage Assembly (refer to 305.1) | |
| 15A | 41224GT | CHAIN TERM.LWR.SS(1 SLOT) (single slot) (includes item 3) | 4 |
| 15B | 38187GT | CHAIN TERM.LWR.SS(2 SLOT)* (double slot) (includes item 3) | 10 |
| 16 | | Ref. Number 6 Column Assembly (refer to 304.1) | |
| 17 | | Ref. Number 5 Column Assembly (refer to 304.1) | |
| 18 | | Ref. Number 4 Column Assembly (refer to 304.1) | |
| 19 | | Ref. Number 3 Column Assembly (refer to 304.1) | |



309.1 Lifting Chain Assemblies, IWP-30S



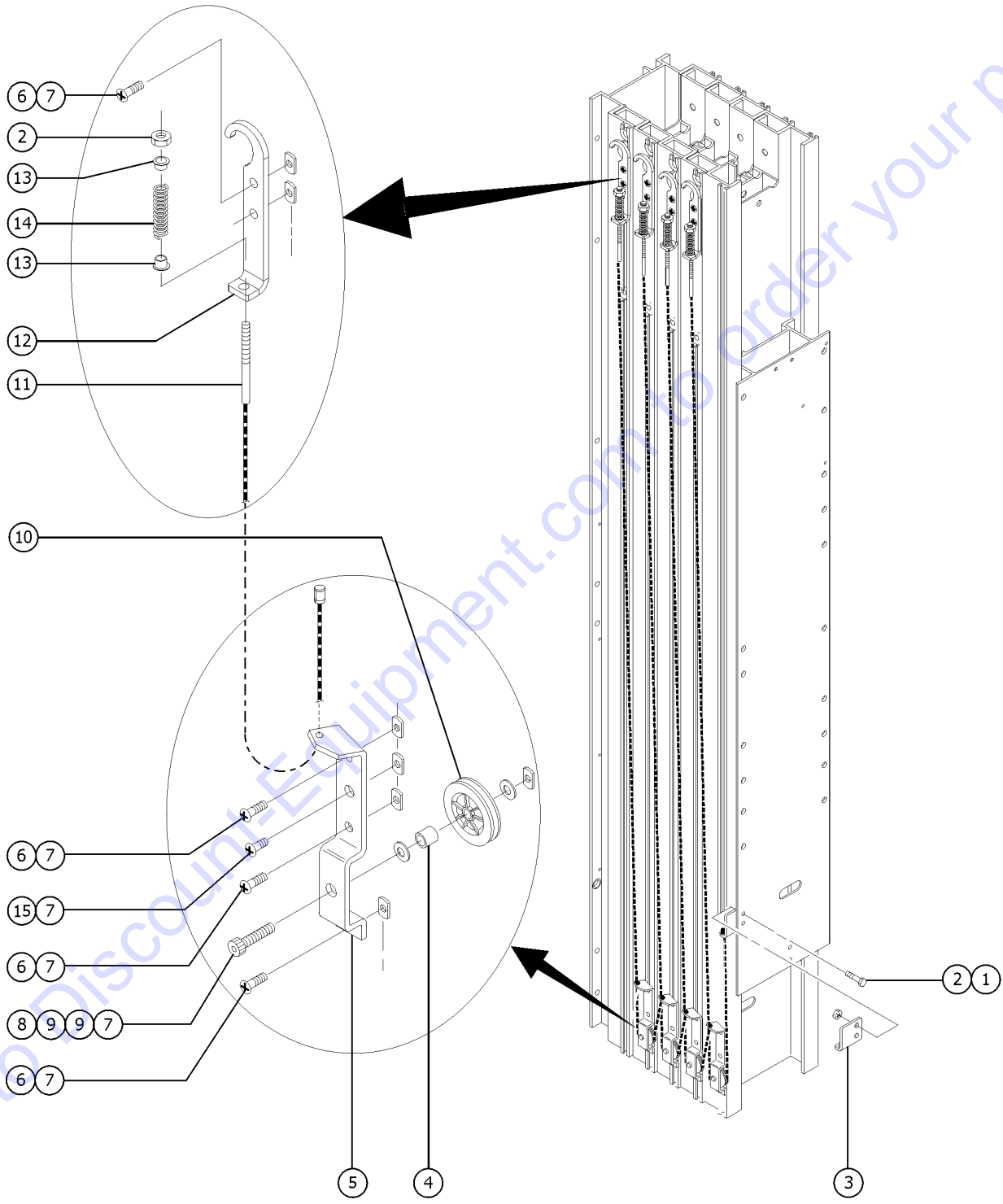
309.1 Lifting Chain Assemblies, IWP-30S

| Item | Part No. | Description | Qty. |
|------|----------|--------------------------------------|------|
| 20 | 11890GT | GLIDE BUTTON,SIDE,GLL,.100 TK | 5 |
| 21 | 35712GT | NUT,NYLOCK,3/8-24 | |
| 22 | 35698GT | CHAIN TENSION ROCKER CAST.ZINC | 5 |
| 23 | 35705GT | BOLT-ROCKER, S-SERIES | 5 |
| 24 | 6095GT | WASHER,FLAT,USS,1/2",Y | |
| 25 | 6086GT | NUT,LP NYLOCK,1/2-13 | |
| 26 | | Ref. Number 2 Column Assembly | |
| | | (refer to 301.1) | |
| 27 | | Ref. Number 1 Column Assembly | |
| | | (refer to 301.1) | |

Go to Discount-Equipment.com to order your parts



310.1 Sequencing Cables

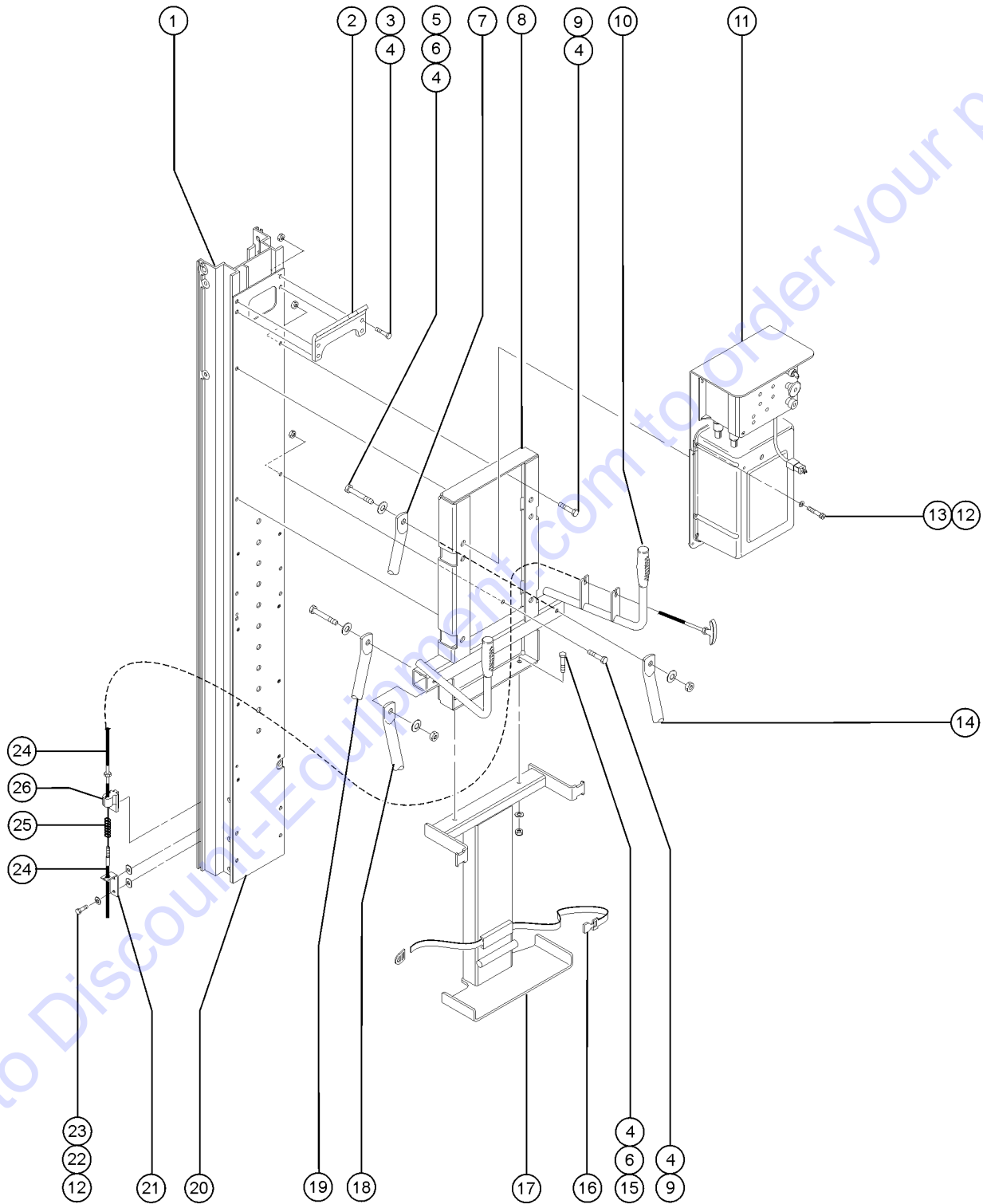


310.1 Sequencing Cables

| Item | Part No. | Description | Qty. |
|------|----------|---|------|
| 1 | 6090GT | SCREW,HHC,1/4-20 X .75 | |
| 2 | 6091GT | NUT,NYLOCK,1/4-20 | |
| 3 | 35734GT | FORMING, SEQUENCING, CARR, ZN | 1 |
| 4A | 44895GT | SPACER,TUBE,1/4X3/8X.50"LONG IWP20S | 3 |
| 4B | 44895GT | SPACER,TUBE,1/4X3/8X.50"LONG IWP25S | 4 |
| 4C | 44895GT | SPACER,TUBE,1/4X3/8X.50"LONG IWP30S | 5 |
| 5A | 35730GT | BRACKET,SEQUENCING,ZINC * IWP20S | 3 |
| 5B | 35730GT | BRACKET,SEQUENCING,ZINC * IWP25S) | 4 |
| 5C | 35730GT | BRACKET,SEQUENCING,ZINC * IWP30S) | 5 |
| 6 | 38979GT | SCREW,PHM,1/4-20X.5 PHIL | |
| 7 | 35991GT | NUT,WELD 1/4-20, PLATED L.L.** | 18 |
| 8 | 41077GT | SCREW,SHC,1/4-20 X .875 | |
| 9 | 12906GT | WASHER,FENDER,.25 X 1.25 X.062 | |
| 10A | 35733GT | PULLEY,SEQUENCING,NYLATRON IWP20S | 3 |
| 10B | 35733GT | PULLEY,SEQUENCING,NYLATRON IWP25S | 4 |
| 10C | 35733GT | PULLEY,SEQUENCING,NYLATRON IWP30S | 5 |
| 11A | 40313GT | CABLE ASSY,SEQ.MAST,DPL IWP20S (includes item 5) | 2 |
| 11B | 40313GT | CABLE ASSY,SEQ.MAST,DPL IWP25S (includes item 5) | 3 |
| 11C | 40313GT | CABLE ASSY,SEQ.MAST,DPL IWP30S (includes item 5) | 4 |
| 11D | 69223GT | SEQUENCE CABLE ASSY,CARRIAGE** (includes item 3) | |
| 12A | 109870GT | FORMING,SEQUENCING CABLE BRKT IWP20S | 3 |
| 12B | 109870GT | FORMING,SEQUENCING CABLE BRKT IWP25S | 4 |
| 12C | 109870GT | FORMING,SEQUENCING CABLE BRKT IWP30S | 5 |
| 13A | 38234GT | BUSHING,FLANGE,3/8 OD X 1/4 ID IWP20S | 6 |
| 13B | 38234GT | BUSHING,FLANGE,3/8 OD X 1/4 ID IWP25S | 8 |
| 13C | 38234GT | BUSHING,FLANGE,3/8 OD X 1/4 ID IWP30S | 10 |
| 14C | 8849GT | SPRING, TENSION CABLE IWP30S | 5 |
| 15 | 109988GT | SCREW,PHM,1/4-20X.25 PHL | |



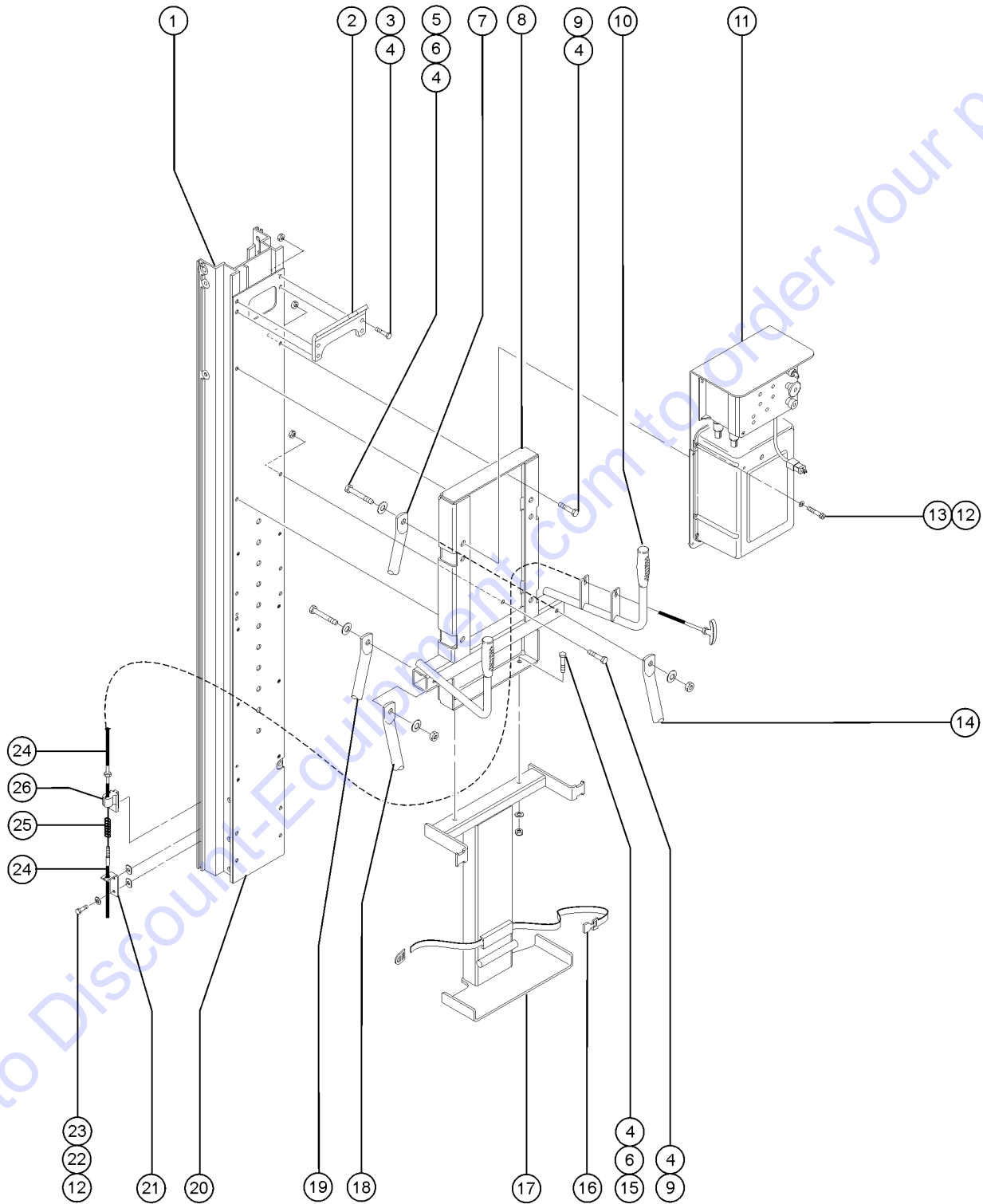
311.1 Number 1 Column Attached Parts



| Item | Part No. | Description | Qty. |
|------|-----------|--|------|
| 1 | | Ref. Number 1 Column (refer to 301.1) | |
| 2 | 107023GT | LIFTING EYE ASSEMBLY | 1 |
| 3 | 8516GT | SCREW, HCC, 3/8-16 X 1.50 | |
| 4 | 4828GT | NUT, NYLOCK, 3/8-16 | |
| 5 | 21604GT | SCREW, HHC, 3/8-16 X 3.25 | |
| 6 | 6097GT | WASHER, FLAT, USS, 3/8", Y | |
| 7 | | Ref., MAST BRACE (refer to 201.1) | |
| 8 | 38906GT | WELDMENT, STEERING HANDLE, IWP | 1 |
| 9 | 6019GT | SCREW, HHC, 3/8-16 X 1.25 GRD 5 | |
| 10 | 6587GT | HANDLE GRIP, RUBBER .75 X 4.5 | 2 |
| 11 | | Ref. Power Pack (refer to 403.1) | |
| 12 | 7339GT | SCREW, HHC, 1/4-20 X .5 | |
| 13 | 40004GT | SCREW, SHC, 1/4-20 X .375 BLK | |
| 14 | | Ref., MAST BRACE (refer to 201.1) | |
| 15 | 6708GT | SCREW, HHC, 3/8-16 X 2.25 | |
| 16 | 40436GT | STRAP ASSY.-BATT. HOLD DOWN DC models | 1 |
| 16- | 35642GT | STRAP, NYLON, 1.0 IN. BLACK | 48 |
| 16- | 35643GT | BUCKLE, SIDE RELEASE | |
| 16- | 100810GT | BUCKLE & SLIDE STRAP SET | |
| 17 | 40437GT | BATT. SUPPORT WITH STRAP DC models (includes item 16) | 1 |
| 18 | | Ref., MAST BRACE (refer to 201.1) | |
| 19 | | Ref., MAST BRACE (refer to 201.1) | |
| 20 | 38001PGT | PLATE, REINFORCEMENT, PAINTED** | 1 |
| 21 | 37283-SGT | ANGLE, CABLE MOUNT, "BLUE" | 1 |
| 22 | 6356GT | WASHER, LOCK, .25 | 1 |
| 23 | 35991GT | NUT, WELD 1/4-20, PLATED L.L.** | |
| 24 | 37342GT | CABLE, RELEASE & HANDLE ASSY | 1 |
| 25 | 40604GT | SPRING, COMPRESSION, 1 X 4 X.105 | 1 |



311.1 Number 1 Column Attached Parts

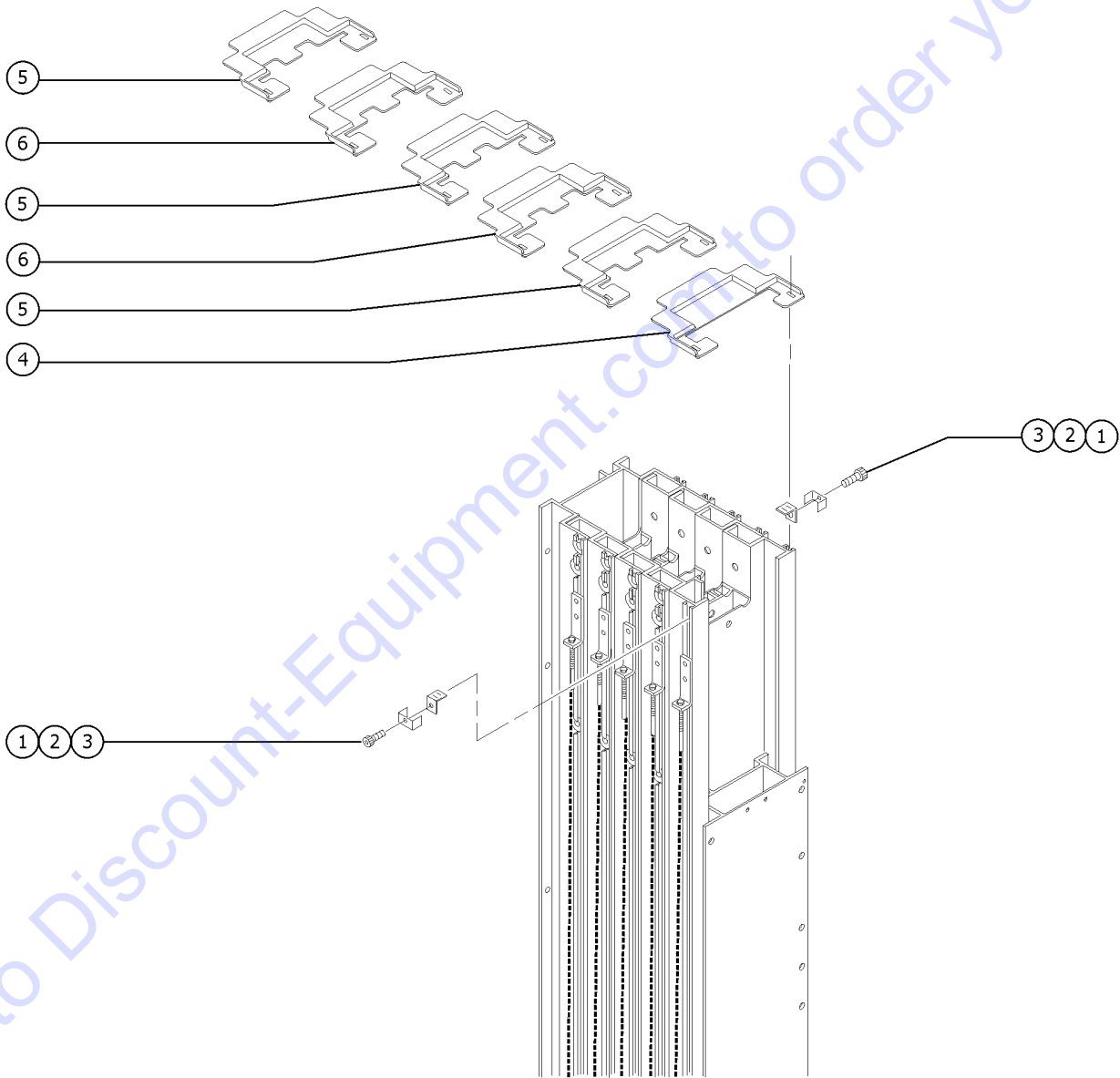


| <i>Item</i> | <i>Part No.</i> | <i>Description</i> | <i>Qty.</i> |
|-------------|-----------------|----------------------------------|-------------|
| 26 | 40606GT | BLOCK,INTERLOCK SLIDER IWP | 1 |

Go to Discount-Equipment.com to order your parts



312.1 Mast Covers



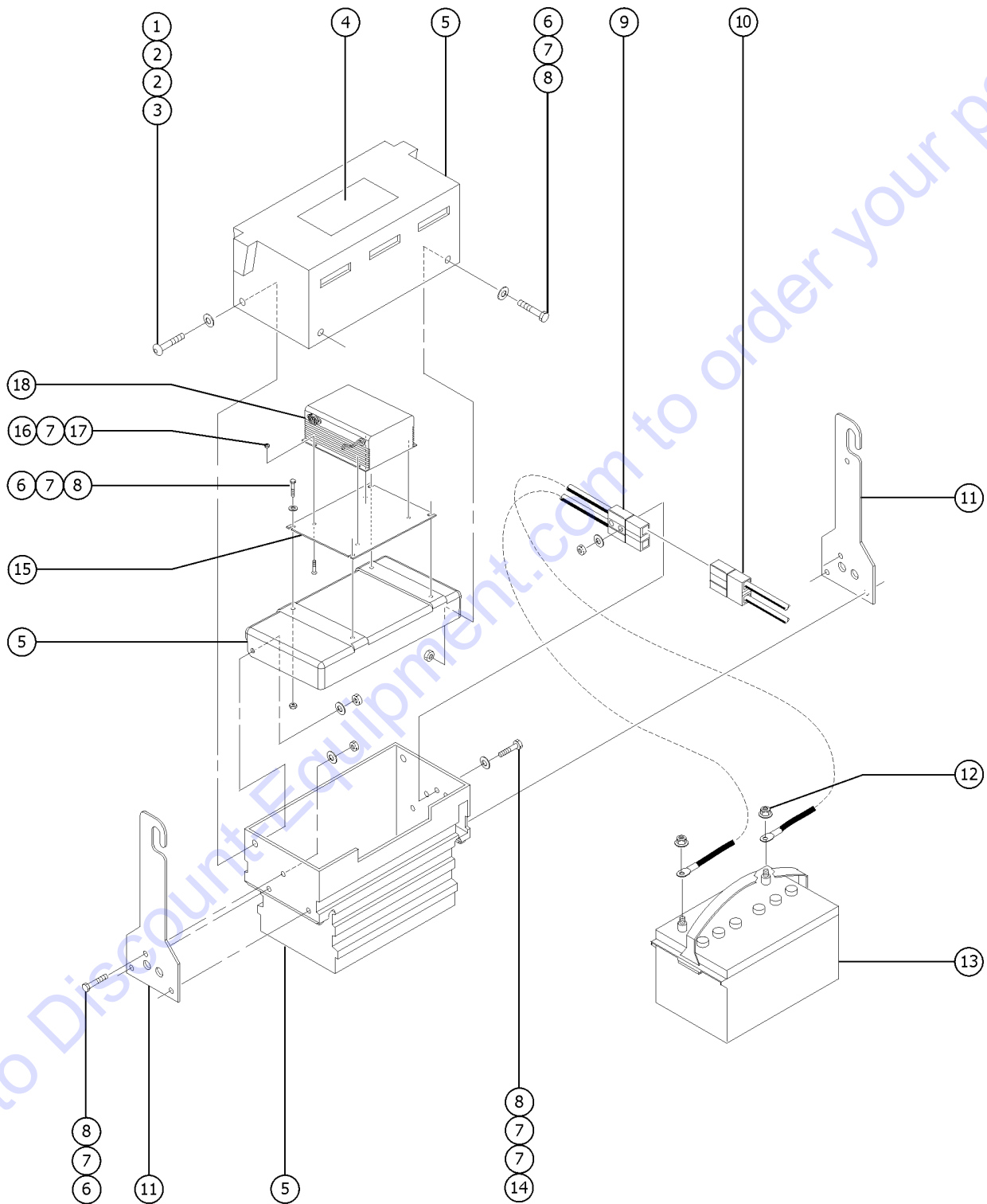
312.1 Mast Covers

| Item | Part No. | Description | Qty. |
|------|----------|--|------|
| 1 | 40004GT | SCREW,SHC,1/4-20 X .375 BLK | |
| 2 | 41055GT | WASHER,T-SLOT | |
| 3 | 38730GT | NUT,WELD,ANGLE,1/4" T-SLOT | |
| 4 | 38315GT | FLAP,CARRIAGE COVER*** IWP-20S (4th column) IWP-25S (5th column) IWP-30S (6th column) | 1 |
| 5 | 38314GT | FLAP,MAST COVER #1,#3,& #5 IWP-20S, IWP-25S (3rd and 1st column) IWP30-S (5th, 3rd, 1st column) | 1 |
| 6 | 35786GT | FLAP,MAST COVER #2 & #4 IWP-20S (2nd column) IWP-25S, IWP-30S (4th and 2nd column) | 1 |

Go to Discount-Equipment.com to order your parts



401.1 Battery Pack Assembly, DC Models

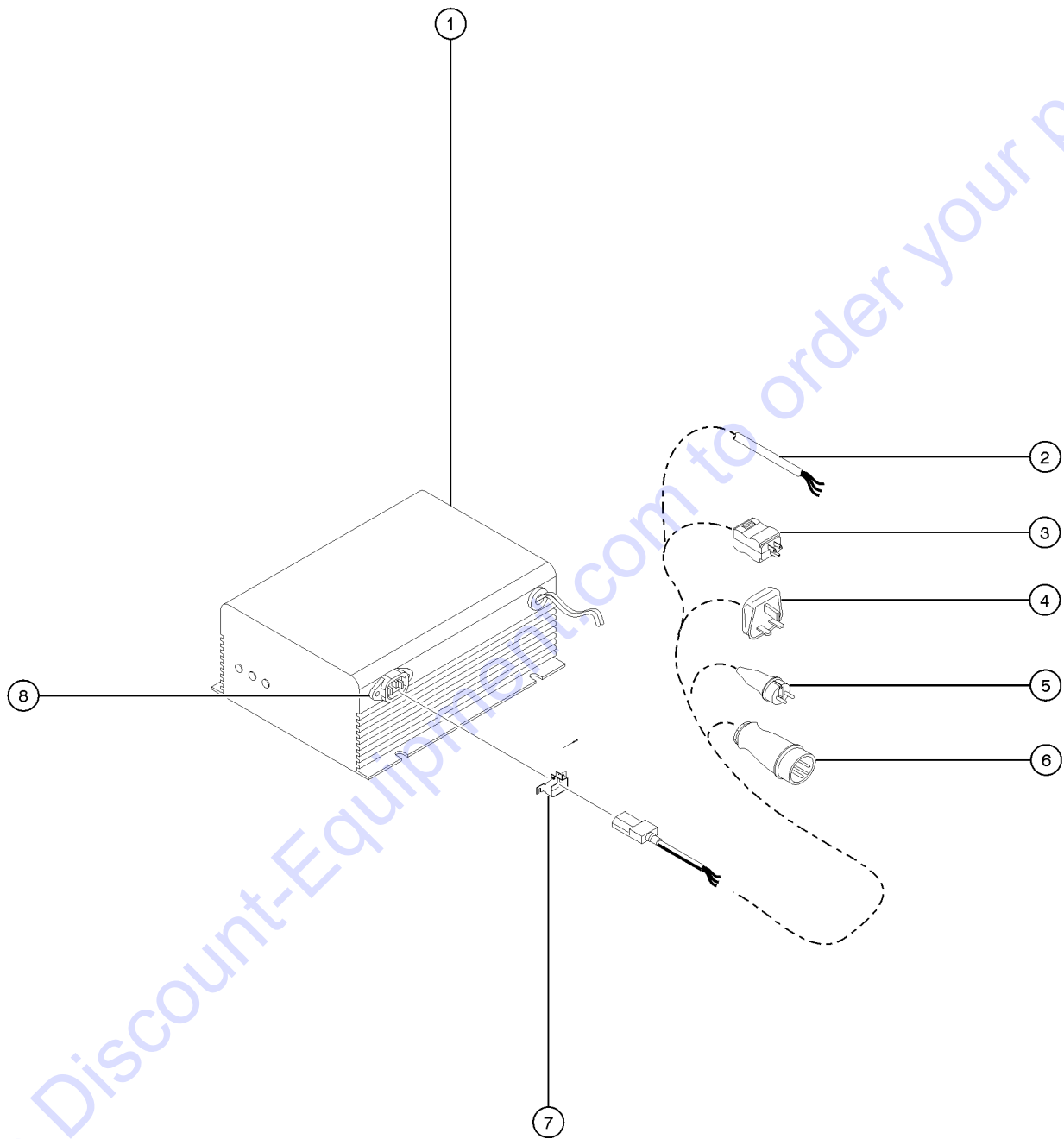


401.1 Battery Pack Assembly, DC Models

| Item | Part No. | Description | Qty. |
|------|----------|--|------|
| | 85423GT | BATT.PACK,12VDC/HI-LO*** | |
| | 85424GT | BATT.PACK,N0 BATT,12VDC-HI/LO* order battery separately | |
| 1 | 28487GT | SCREW,BHHS,3/8-16 X 1 | |
| 2 | 5397GT | WASHER,FLAT,USS,5/16",Y | |
| 3 | 7713GT | NUT, LP NYLOCK, 3/8-16 | |
| 4 | | Ref. DECAL,DANGER,BATTERY SAFETY (refer to 101.1) | |
| 5 | 38215GT | BATT.BOX, ASSY W/ DECALS | 1 |
| 6 | 6090GT | SCREW,HHC,1/4-20 X .75 | |
| 7 | 6638GT | WASHER,FLAT,USS,1/4"Y | |
| 8 | 6889GT | NUT,LP NYLOCK,1/4-20 | |
| 9 | 69228GT | CABLE ASSY,BAT PACK/RING-TERM (threaded terminal post) | |
| 9- | 96110GT | BOOT, CABLE, TERMINAL COVER | |
| 9- | 19436GT | CONNECTOR,ANDERSON SB 175,1/0G | |
| 10 | 38213GT | CABLE ASSY,ANDRSN,26",15S-30S | |
| 10- | 19436GT | CONNECTOR,ANDERSON SB 175,1/0G | |
| 11 | 40301GT | HOOK,BATTERY BOX W/DECAL,--S-- | 2 |
| 11- | 33245PGT | PLATE,BATTERY BOX HOOK,PAINTED | |
| 12 | 18503GT | NUT,LOCKING-LG.FLANGE,5/16-18 | |
| 13A | 57159GT | BATTERY,12V GRP 27,105 AH, DRY (models with dry battery option) | 1 |
| 13B | 60499GT | BATTERY,12V GRP27TM,105 AH,WET (models with wet battery option) | |
| 14 | 6145GT | SCREW,HHC,1/4-20 X 1.5 | |
| 15 | 80989GT | PLATE,12V CHARGER MOUNT | 1 |
| 16 | 15513GT | NUT,HEX,10-32 | |
| 17 | 17626GT | SCREW,FHM,10-32 X .75 | |
| 18 | | Ref. Battery Charger (refer to 402.1) | |



402.1 Battery Charger, World Wide



Go to Discount-Equipment.com to order your parts

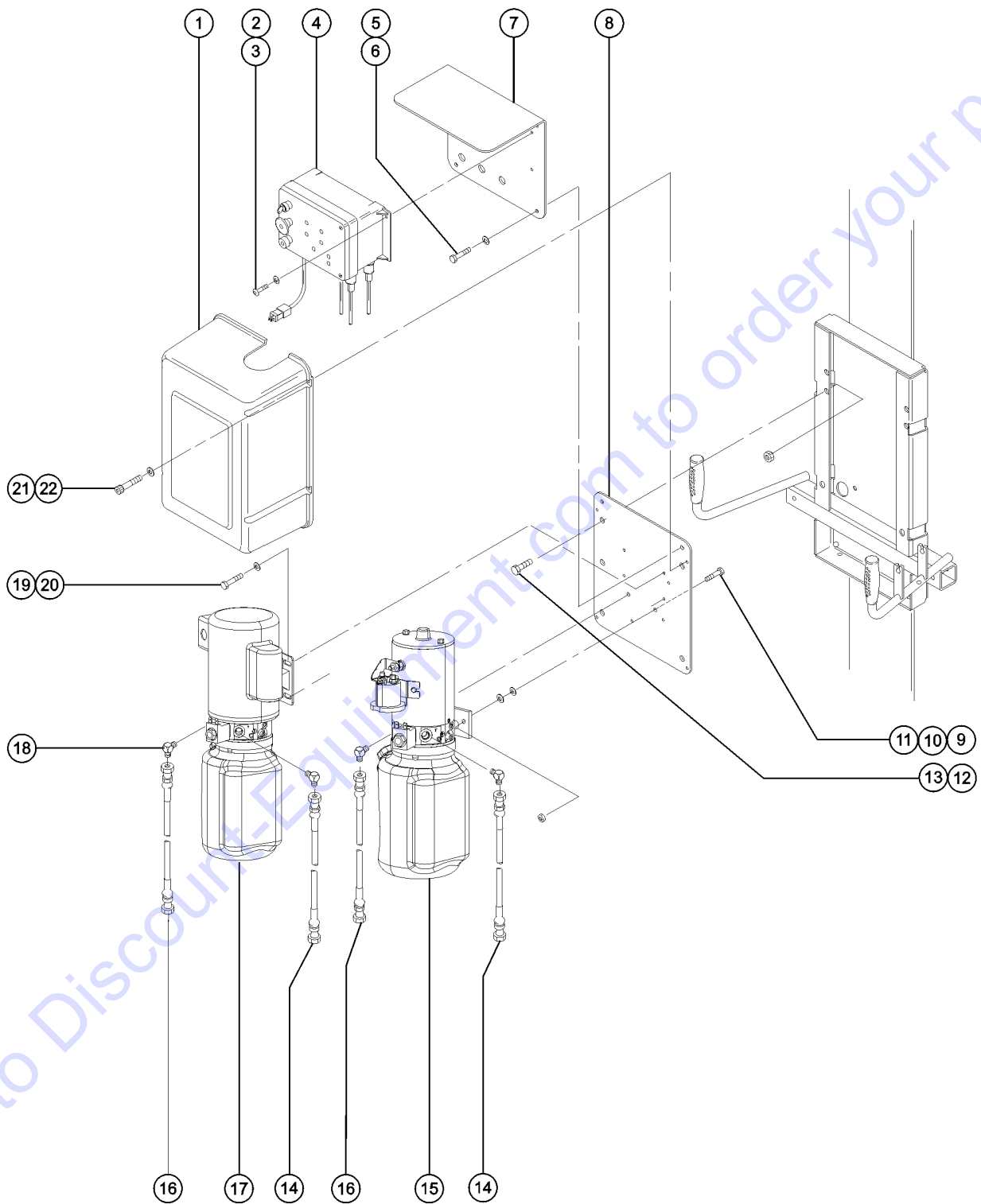
402.1 Battery Charger, World Wide

| Item | Part No. | Description | Qty. |
|------|----------|--|------|
| - | 85460GT | MANUAL, SIGNET CHARGER - 80990 | |
| 1 | 80990GT | CHARGER, 12VDC HI/LO, AWP/IWP (sealed, 110/220V AC) (power cord not included) | 1 |
| 1- | 97059GT | FUSE, BATTERY CHARGER*** | |
| 2 | 48282GT | POWER CORD, IEC 320 BLANK, 79" (79 inches) | 1 |
| 3 | 55021GT | POWER CORD, US 110, 8" US models | |
| 4A | 55018GT | POWER CORD, UK-HIGH VOLTAGE, 8" (British 3 pin, 8.25 inches) | 1 |
| 4B | 100193GT | POWER CORD, UK-HIGH VOLTAGE, 98" (British 3 pin, 98 inches) | |
| 5A | 55019GT | POWER CORD, NOVON, 8" (European 2 pin, 220V AC plug, 8.25 inches) | 1 |
| 5B | 100194GT | POWER CORD, NOVON, 98" (European 2 pin, 220V AC plug, 98 inches) | |
| 6 | 71706GT | POWER CORD, UK 110, 115" UK 110V | |
| 7 | 55010GT | LOCK, CONNECTOR | 1 |
| 8 | 46440GT | CONNECTOR, IEC 320 INLET | 1 |
| 8- | 46441GT | PIN, CONNECTOR, IEC320 | |

Go to Discount-Equipment.com to order your parts



403.1 Power Unit Installation

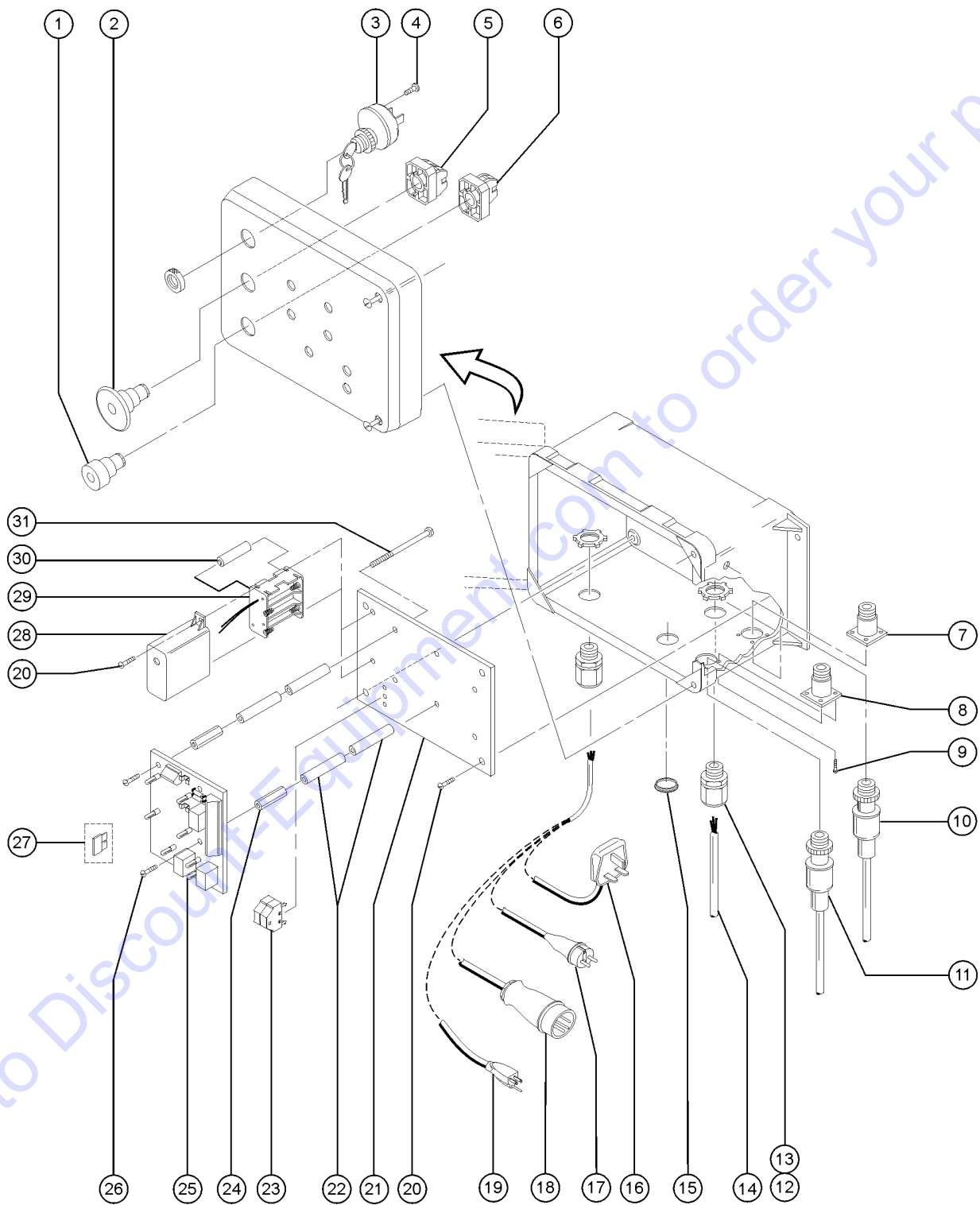


Go to Discount-Equipment.com to order your parts

| Item | Part No. | Description | Qty. |
|------|-----------|---|------|
| A | 107059GT | PWR PACK,110VAC,3-POS KEYSWIT (power pack with symbol decals and 3 position key switch) (includes items 1 to 8 and 17 to 22) | |
| B | 107058GT | PWR PACK,85VAC,3-POS KEYSWTC (power pack with symbol decals and 3 position key switch) (includes items 1 to 8 and 17 to 22) | |
| C | 107060GT | PWR PACK,220VAC,3-POS KEYSWTC (power pack with symbol decals and 3 position key switch) (includes items 1 to 8 and 17 to 22) | |
| D | 107061GT | PWR PACK,12VAC,3-POS KEYSWTC (power pack with symbol decals and 3 position key switch) (includes items 1 to 8 and 17 to 22) | |
| 1 | 124650GT | COVER,MOTOR W/SYMBOL,AWP/IWP (Asia, South American and European models) (from SN IWP04-5498) | 1 |
| 2 | 12011GT | SCREW,BHHS,1/4-20 X .5,Y/ZINC | |
| 3 | 6356GT | WASHER,LOCK,.25 | |
| 4 | | Ref. Ground Controls (refer to 404.1 or 405.1) | |
| 5 | 33681GT | SCREW,HHC,3/8-16 X .625 | |
| 6 | 6021GT | WASHER,LOCK,.375 | |
| 7 | 37765-SGT | PLATE,CONTROL BOX,"BLUE" | 1 |
| 8 | 37764-SGT | PLATE,MOTOR MOUNT,"BLUE" | 1 |
| 9 | 6175GT | SCREW,HHC,3/8-16 X 1 | |
| 10 | 5397GT | WASHER,FLAT,USS,5/16",Y | |
| 11 | 7713GT | NUT, LP NYLOCK, 3/8-16 | |
| 12 | 10597GT | SCREW,HHC,1/2-13 X 1.25 GR5 | |
| 13 | 6198GT | NUT,NYLOCK,1/2-13 | |
| 14 | | Ref. Hydraulic Hose Assembly (refer to 605.1, 606.1) | |
| 15 | | Ref. DC Hydraulic Power Unit (refer to 603.1) | |
| 16 | | Ref. Hydraulic Hose Assembly (refer to 605.1, 606.1) | |
| 17 | | Ref. AC Hydraulic Power Unit (refer to 603.1) | |
| 18 | | Ref. Fitting (refer to 605.1, 606.1) | |
| 19 | 7339GT | SCREW,HHC,1/4-20 X .5 | |
| 20 | 6638GT | WASHER,FLAT,USS,1/4"Y | |
| 21 | 40004GT | SCREW,SHC,1/4-20 X .375 BLK | |
| 22 | 14295GT | WASHER,SHIM,.265 X .5 X .030 | |



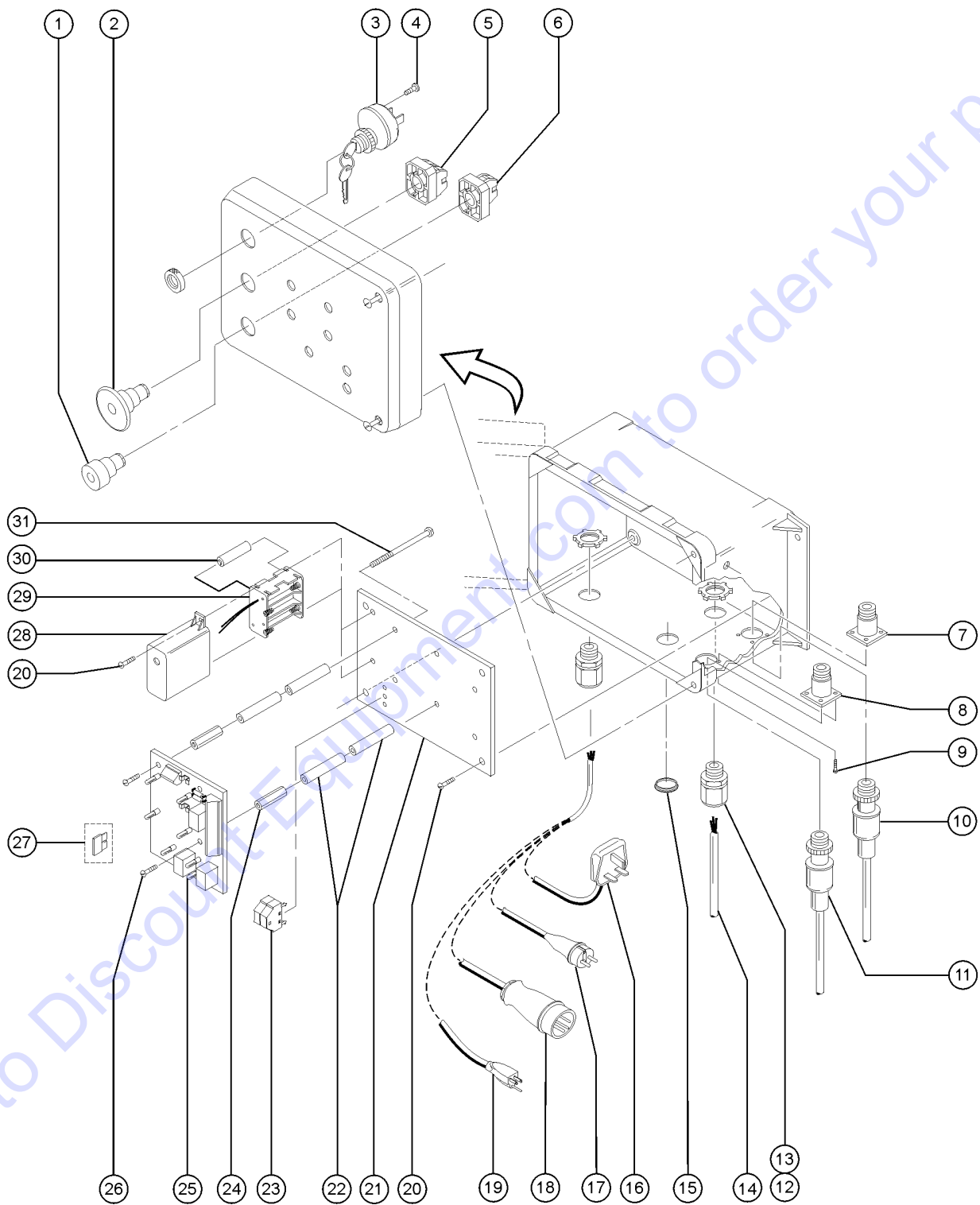
404.1 Ground Controls, DC Models



| Item | Part No. | Description | Qty. |
|------|-----------|--|------|
| A | 85276GT | GROUND CNTRL.BOX ASSY 12VDC*** | |
| A- | 107167GT | GROUND CNTRL BOX ASSEMBLY,DC** (housing only) (includes part number 69847, see item 22) | |
| 1 | 80076GT | BUTTON,PUSH,BLACK W/SEAL | |
| 1- | 66821GT | BASE,WITHOUT CONTACTS | |
| 1- | 66816GT | CONTACT,N.O. | |
| 1- | 66815GT | BASE, W/1 N.O. CONTACTS*** | |
| 2 | 66812GT | BUTTON,PUSH,RED MUSHROOM HEAD | |
| 2- | 66818GT | CONTACT,NC | |
| 2- | 66821GT | BASE,WITHOUT CONTACTS | |
| 2- | 66817GT | BASE WITH 1 NC CONTACT, E-STOP (base with NC contact) | |
| 3 | 96008-SGT | KEYSWITCH,3 POS. W/KEYS*** | 1 |
| 3- | 85239GT | NUT,RETAINER (96008) | |
| 3- | 21982GT | KEY,SINGLE*** | |
| 3- | 37947GT | KEYS,10 PACK*** | |
| 4 | 96010GT | SCREW,PHILLIPS,PHM,8-32 X.25** | |
| 5 | | Ref. E-stop (refer to item number 2) | 1 |
| 6 | | Ref. Black Push Button (refer to item number 1) | 1 |
| 7 | 38217GT | HARNESS,WIRE-CONTROL. S SERIES | 1 |
| 8 | 38216GT | HARNESS,WIRE-INTRLOCK.S SERIES | 1 |
| 9 | 10153GT | SCREW,PHIL,PHM,6-32X.38,SF.TAP | 8 |
| 10 | | Ref. Power Cable Assembly, Ground Controls to Platform (refer to 408.1, 409.1 or 410.1) | |
| 11 | | Ref. Power Cable Assembly, Ground Controls to Base (refer to 408.1, 409.1 or 410.1) | |
| 12 | 7056GT | CONN,SQUEEZE,1/2NPT .38-.50,SM | 2 |
| 13 | 6935GT | LOCKNUT,ELEC,1/2" | 2 |
| 14 | 124645GT | CABLE ASY,AWP.GCBOX TO MOTOR | 1 |
| 15 | 33605GT | PLUG,NYLON .812 BLACK DOMED | 1 |
| 16 | 25388GT | PLUG,FUSED,250V,13AMP,U.K.** | 1 |
| 17 | 1280665GT | PLUG, TYPE F, 230A, 50HZ, 16A, IP44 | 1 |



404.1 Ground Controls, DC Models

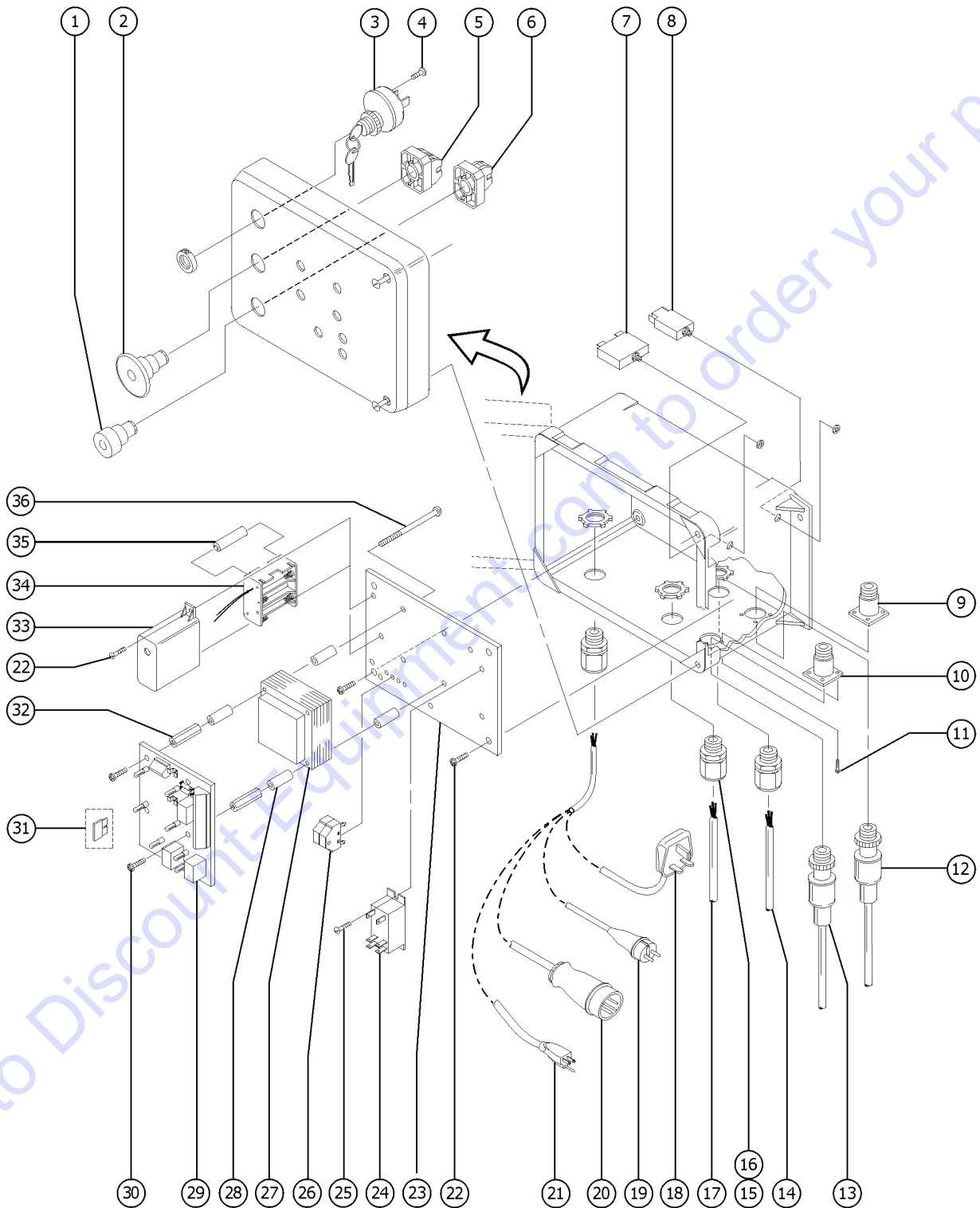


| Item | Part No. | Description | Qty. |
|------|-----------|--------------------------------------|------|
| 18 | 144161GT | PLUG,PWR,UK,16AMP,3PIN,BLK | |
| 19 | 124646GT | CABLE ASY,A/IWP/DPL,PWR INPUT | 1 |
| 20 | 31182GT | SCREW,PHIL,PHM,10-32 X.38,SEMS | |
| 21 | 37704GT | PLATE,PANEL,AWP95 | 1 |
| 22 | 69847GT | SPACER, TRANSFORMER** | 8 |
| 23A | 80707GT | TERMINAL, 4 CONDUCTOR | 2 |
| 23B | 80706GT | TERMINAL, 2 CONDUCTOR | 1 |
| 23C | 80705GT | TERMINAL, END PLATE | 2 |
| 24 | 33585GT | NUT,COUPLER,10-24 X .75 | 4 |
| 25 | 1257696GT | PCB,ASSY,AWP/IWP/DPL/CWP | 1 |
| | | (includes item 27) | |
| 26 | 21018GT | SCREW,PHIL,PHM,10-24 X.38,SEMS | |
| 27 | 80711GT | FUSE,7.5 AMP,ATC | 1 |
| 28 | 38583GT | COVER,BATTERY | 1 |
| 29 | 38017GT | BATTERY HOLDER | 1 |
| 30A | 38018GT | BATTERY,AA,1.5V | 8 |
| 30B | 145047GT | BATTERY,AA,1.5V,CE | 8 |
| | | will also work for ANSI | |
| 31 | 69845GT | SCREW,RHM 10-24 X 2.75** | |

Go to Discount-Equipment.com to order your parts



405.1 Ground Controls, AC Models

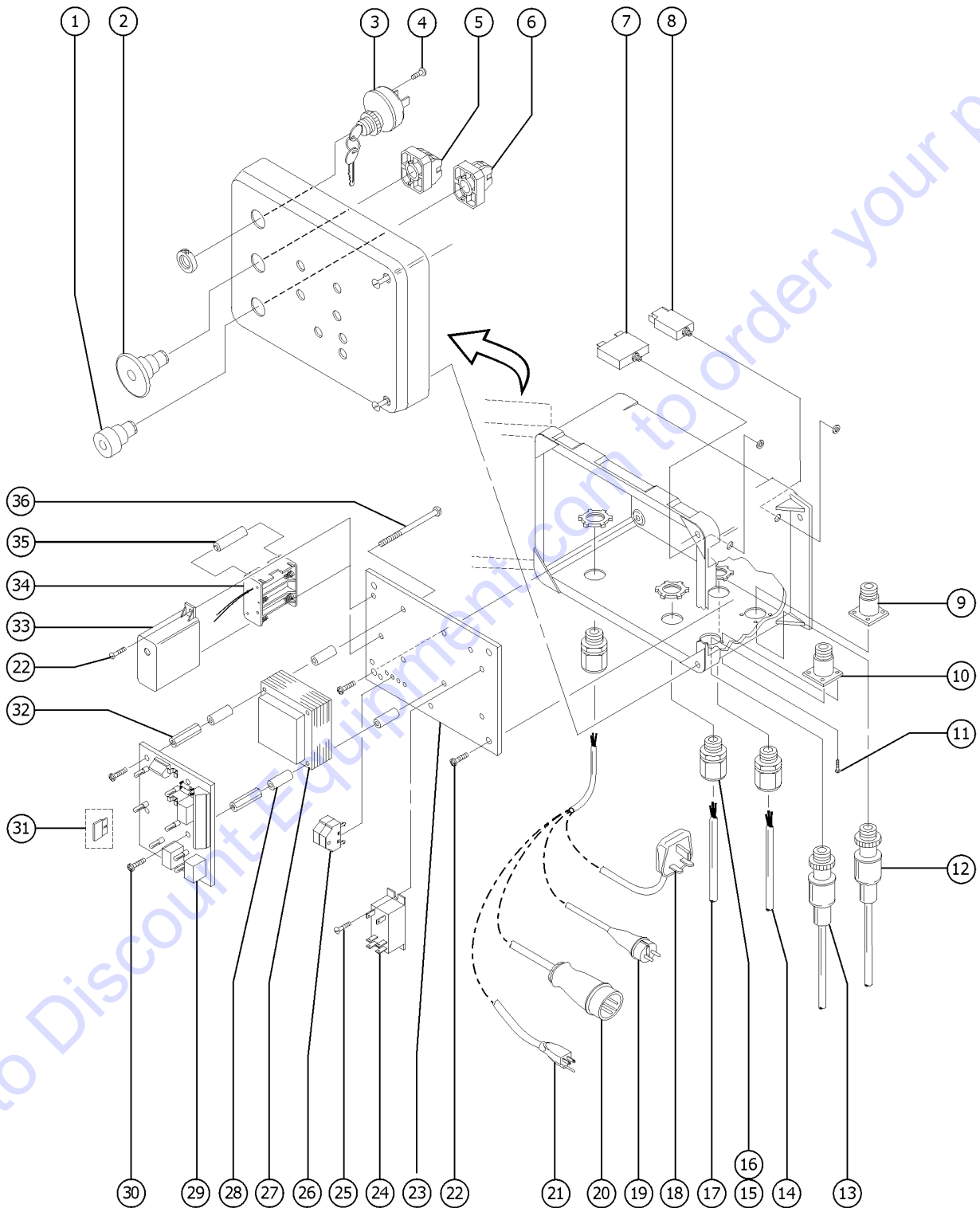


405.1 Ground Controls, AC Models

| Item | Part No. | Description | Qty. |
|------|-----------|--|------|
| A | 115149GT | GROUND CNTRL BOX ASSY,110 AC** | |
| B | 115150GT | GROUND CNTRL BOX ASSY,85V AC** (from SN 7368) (Japanese models) | |
| C | 115151GT | GROUND CNTRL BOX ASSY 220VAC (from SN 7368) | |
| D | 85473GT | GROUND CNTRL BOX W/DECALS,AC** (includes item 28) | |
| 1 | 80076GT | BUTTON,PUSH,BLACK W/SEAL | |
| 1- | 66821GT | BASE,WITHOUT CONTACTS | |
| 1- | 66816GT | CONTACT,N.O. | |
| 1- | 66815GT | BASE, W/1 N.O. CONTACTS*** (base with NO contact) | |
| 2 | 66812GT | BUTTON,PUSH,RED MUSHROOM HEAD | |
| 2- | 66818GT | CONTACT,NC | |
| 2- | 66821GT | BASE,WITHOUT CONTACTS | |
| 2- | 66817GT | BASE WITH 1 NC CONTACT, E-STOP (base with NC contact) | |
| 3 | 96008-SGT | KEYSWITCH,3 POS. W/KEYS*** | 1 |
| 3- | 85239GT | NUT,RETAINER (96008) | |
| 3- | 83093GT | KEY SINGLE*** | |
| 4 | 96010GT | SCREW,PHILLIPS,PHM,8-32 X.25** | |
| 5 | | Ref. E-stop (refer to item 2) | 1 |
| 6 | | Ref. Black Push Button (refer to item 1) | 1 |
| 7A | 124128GT | CIRCUIT BREAKER,6A (120V AC models) | 1 |
| 7B | 124127GT | CIRCUIT BREAKER,3A (240V AC models) | 1 |
| 8 | 124133GT | CIRCUIT BREAKER,8A SP | |
| 9 | 38217GT | HARNESS,WIRE-CONTROL. S SERIES | 1 |
| 9- | 33578GT | CONNECTOR,MALE,PANEL MOUNT* | |
| 10 | 38216GT | HARNESS,WIRE-INTRLOCK.S SERIES | 1 |
| 10- | 33581GT | CONNECTOR,FEMALE,PANEL MOUNT* | |
| 11 | 10153GT | SCREW,PHIL,PHM,6-32X.38,SF.TAP | 8 |
| 12 | | Ref. Power Cable Assembly, Ground Controls to Platform (refer to 408.1, 409.1 or 410.1) .. | |
| 13 | | Ref. Power Cable Assembly, Ground Controls to Base (refer to 408.1, 409.1 or 410.1) | |



405.1 Ground Controls, AC Models

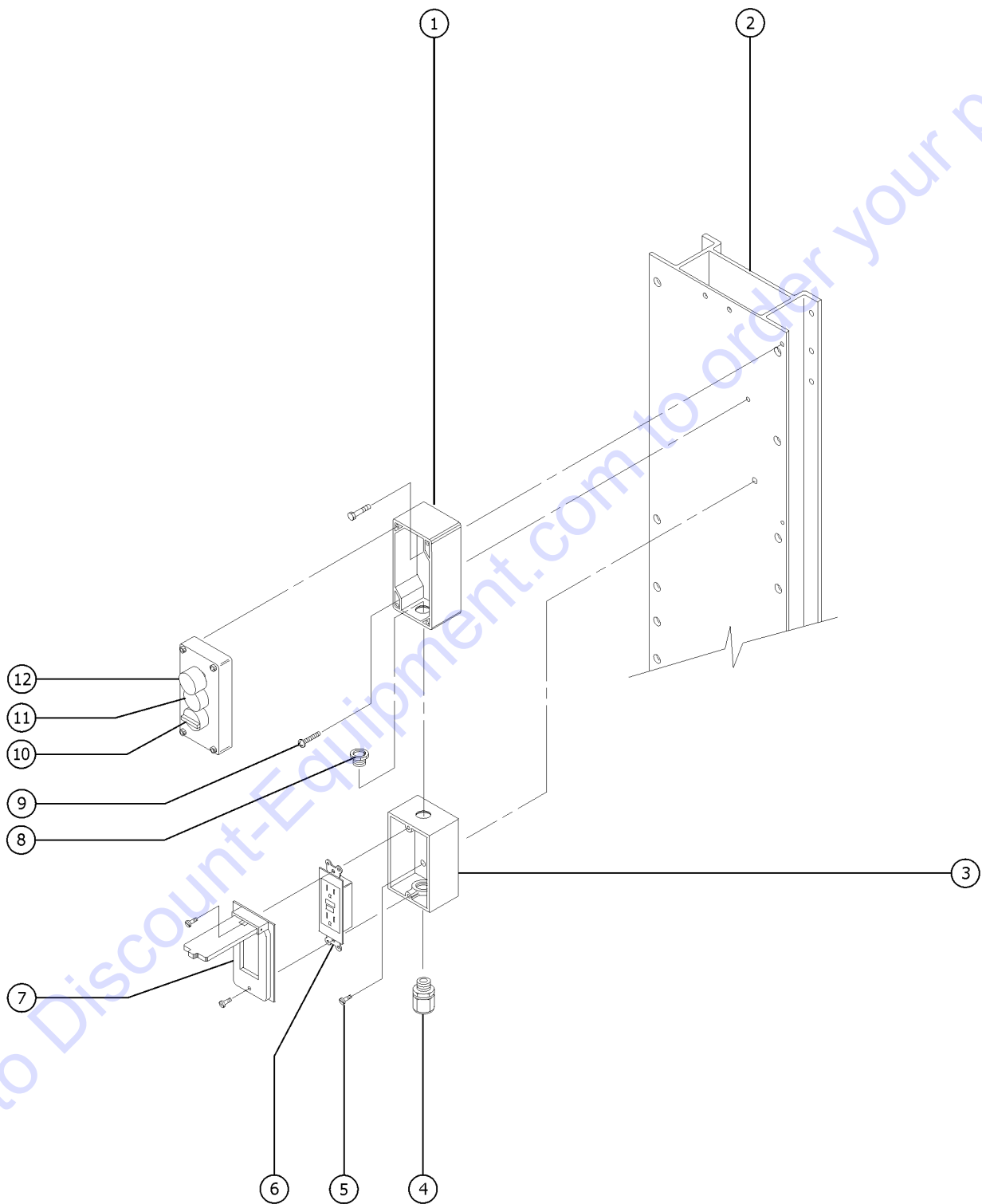


405.1 Ground Controls, AC Models

| Item | Part No. | Description | Qty. |
|------|-----------|---|------|
| 14 | 43956GT | WIRE CABLE,14/3 CON.TPE JKT* | 26 |
| 15 | 7056GT | CONN,SQUEEZE,1/2NPT .38-.50,SM | 3 |
| 16 | 6935GT | LOCKNUT,ELEC,1/2" | 3 |
| 17 | 43956GT | WIRE CABLE,14/3 CON.TPE JKT* | 29 |
| 18 | 46608GT | POWER CORD-CONT. BOX UK 220V | 1 |
| 19 | 46609GT | POWER CORD-CONT. BOX EURO 220V | 1 |
| 20 | 46610GT | POWER CORD-CONT. BOX UK 110V | 1 |
| 21 | 35846GT | PIGTAIL,ASSY,AC/DC SJO 14/3** | 1 |
| 22 | 31182GT | SCREW,PHIL,PHM,10-32 X.38,SEMS | 6 |
| 23 | 37704GT | PLATE,PANEL,AWP95 | 1 |
| 24 | 33584GT | RELAY,MOTOR CONTACTOR | 1 |
| 25 | 20342GT | #6 SQ.DR.SELF DRILL/TAP SCREW | |
| 26 | 80710GT | TERMINAL ASSY, CONTROL BOX, AC | 1 |
| 26- | 80707GT | TERMINAL, 4 CONDUCTOR | |
| 26- | 80706GT | TERMINAL, 2 CONDUCTOR | |
| 26- | 80705GT | TERMINAL, END PLATE | |
| 27A | 33586GT | TRANSFORMER (S-SERIES)**** | 1 |
| 27B | 69623GT | TRANSFORMER, 85V TO 105V, JA Japanese models | |
| 28 | 69846GT | SPACER, TRANSFORMER, AC | 8 |
| 29 | 1257696GT | PCB,ASSY,AWP/IWP/DPL/CWP | 1 |
| 30 | 21018GT | SCREW,PHIL,PHM,10-24 X.38,SEMS | 4 |
| 31 | 80711GT | FUSE,7.5 AMP,ATC | |
| 32 | 33585GT | NUT,COUPLER,10-24 X .75 | 4 |
| 33 | 38583GT | COVER,BATTERY | 1 |
| 34 | 38017GT | BATTERY HOLDER | 1 |
| 35A | 38018GT | BATTERY,AA,1.5V | 8 |
| 35B | 145047GT | BATTERY,AA,1.5V,CE will also work for ANSI | 8 |
| 36 | 69845GT | SCREW,RHM 10-24 X 2.75** | 1 |



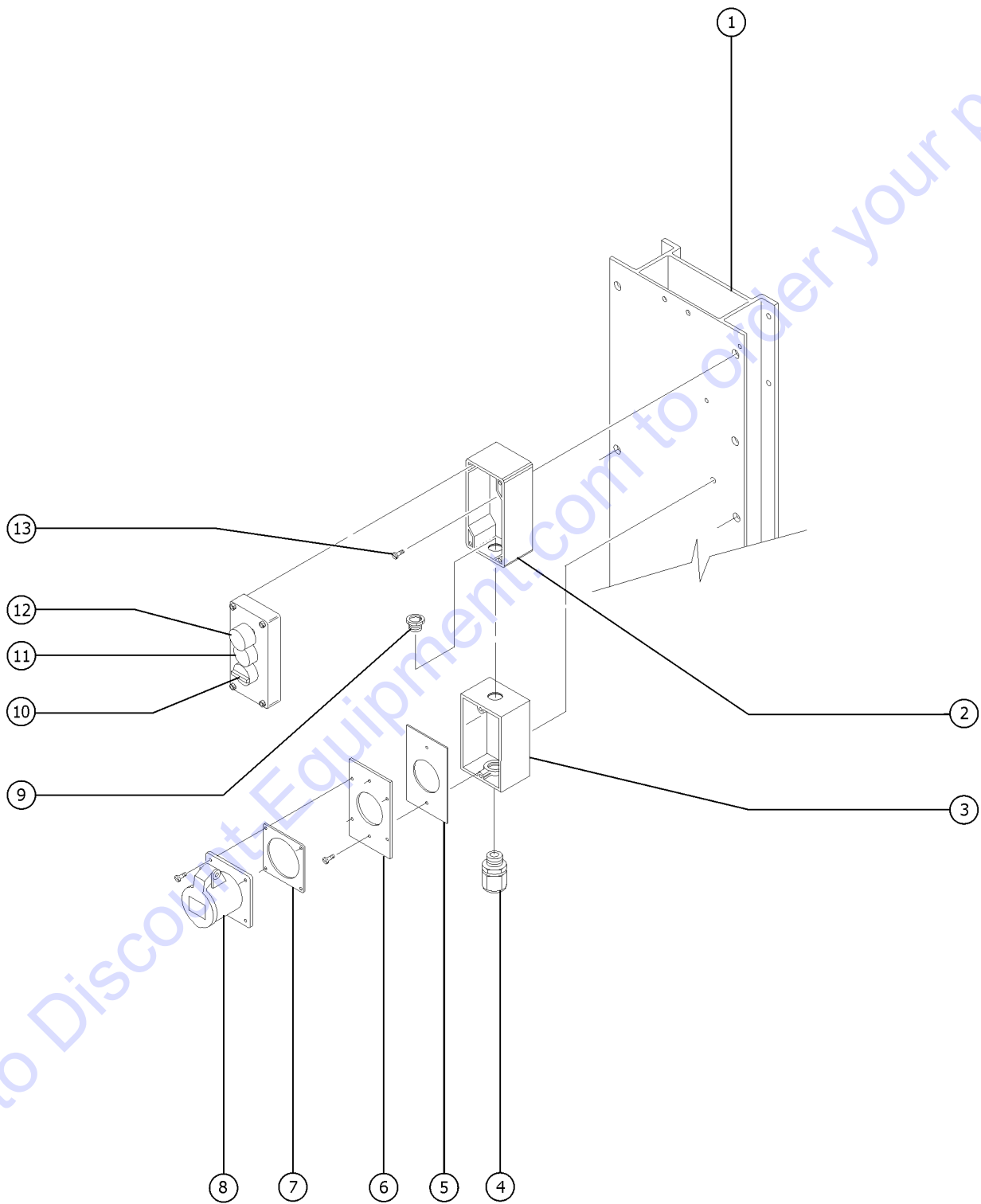
406.1 Platform Controls, ANSI Models



| Item | Part No. | Description | Qty. |
|------|----------|--|------|
| 1 | 100256GT | CONTROL BOX,THREE BUTTON | |
| 2 | | Ref. Carriage Assembly | |
| | | (refer to 305.1 or 306.1) | |
| 3 | 10775GT | T-BOX,2.75 X 4.5 X 2.0 | 1 |
| 4 | 7057GT | CONN. SQZ,1/2NPT .39-.56 MED. | 1 |
| 5 | 21018GT | SCREW,PHIL,PHM,10-24 X.38,SEMS | 1 |
| 6 | 13585GT | OUTLET, 110V | 1 |
| 7A | 45437GT | COVER,GFCI,WEATHERPROOF | 1 |
| | | (includes gasket and mounting fasteners) | |
| 7B | 10777GT | COVER,BLANK | |
| | | (includes gasket and mounting fasteners) | |
| 8 | 80712GT | NIPPLE,1/2" CONDUIT | |
| 9 | 230000GT | SCREW,FILLISTER PHIL,10-32X.50 | 2 |
| 10 | 80716GT | SWITCH,SELECTOR,BLACK | 1 |
| 10- | 80714GT | CONTACTOR BLOCK,N.O. | |
| 11 | 80076GT | BUTTON,PUSH,BLACK W/SEAL | 1 |
| 11- | 80714GT | CONTACTOR BLOCK,N.O. | 2 |
| 12 | 80713GT | BUTTON,STOP,RED | 1 |
| 12- | 80715GT | CONTACTOR BLOCK,N.C. | 1 |

Go to Discount-Equipment.com to order your parts





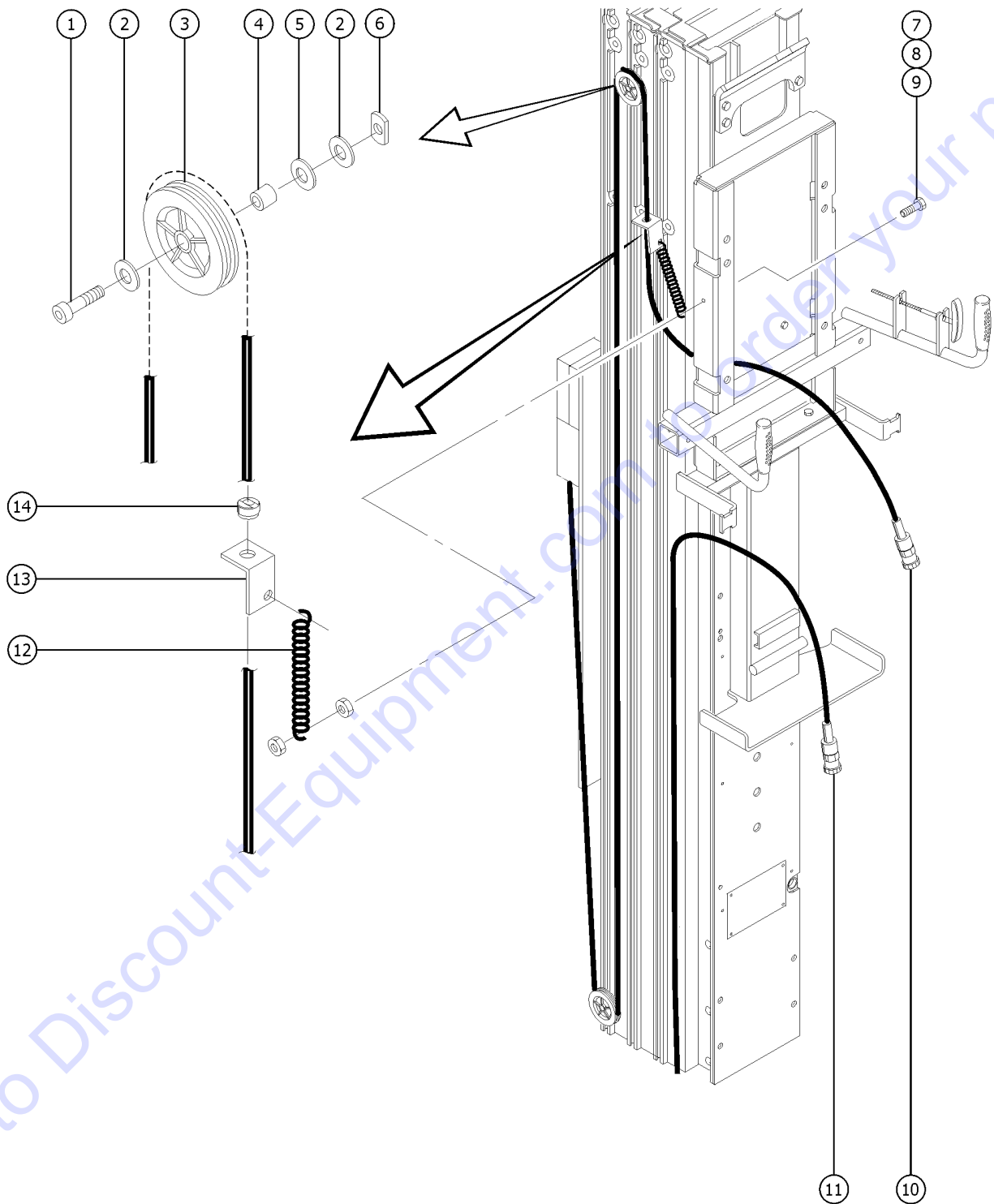
Go to DiscountEquipment.com to order your parts

| Item | Part No. | Description | Qty. |
|------|-----------|--|------|
| 1 | | Ref. Carriage Assembly (refer to 305.1 or 306.1) | |
| 2 | 100256GT | CONTROL BOX,THREE BUTTON | 1 |
| 3 | 10775GT | T-BOX,2.75 X 4.5 X 2.0 | 1 |
| 4 | 7057GT | CONN. SQZ,1/2NPT .39-.56 MED. | 1 |
| 5 | 33724GT | KIT,GASKET,UK POWER TO PLAT (includes one each p/n 66355 and 66356) | 1 |
| 6A | 66355GT | GASKET, UK & DIN PWR. TO PLAT 4.6 x 2.9 inches | |
| 6B | 66356GT | GASKET, UK RECEPTACLE 2.9 x 2.9 inches | |
| 7 | T112561GT | PLATE,UK,POWER TO PLAT | |
| 8 | T112563GT | SVC KIT,UK RECEPT.REPLACEMENT | 1 |
| 9 | 80712GT | NIPPLE,1/2" CONDUIT | |
| 10 | 80716GT | SWITCH,SELECTOR,BLACK | 1 |
| 10- | 80714GT | CONTACTOR BLOCK,N.O. | |
| 11 | 80076GT | BUTTON,PUSH,BLACK W/SEAL | 1 |
| 11- | 80714GT | CONTACTOR BLOCK,N.O. | |
| 12 | 80713GT | BUTTON,STOP,RED | 1 |
| 12- | 80715GT | CONTACTOR BLOCK,N.C. | |
| 13 | 230000GT | SCREW,FILLISTER PHIL,10-32X.50 | |

Go to Discount-Equipment.com to order your parts



408.1 Control Cable Assembly, IWP-20S and IWP-30S



PARTS FINDER

**Search Website
by Part Number**



**Search Manual
Library For Parts
Manual & Lookup Part
Numbers – Purchase
or Request Quote**

Search Manuals

Enter your information to help us find the right parts manual for your machine.

* Brand:

* Model:

* Serial:

* Part Number:

SEARCH

**Can't Find Part or
Manual? Request Help
by Manufacturer,
Model & Description**

Parts Order Form

Please fill in the following information to help us find the right part for your machine.

| | |
|---------------|----------------------|
| Manufacturer: | <input type="text"/> |
| Model: | <input type="text"/> |
| Description: | <input type="text"/> |
| Part Number: | <input type="text"/> |
| Quantity: | <input type="text"/> |
| Notes: | <input type="text"/> |

Submit

Discount-Equipment.com is your online resource for quality parts & equipment.

Florida: **561-964-4949** Outside Florida TOLL FREE: **877-690-3101**

Need parts?

Click on this link: <http://www.discount-equipment.com/category/5443-parts/> and choose one of the options to help get the right parts and equipment you are looking for. Please have the machine model and serial number available in order to help us get you the correct parts. If you don't find the part on the website or on one of the online manuals, please fill out the request form and one of our experienced staff members will get back to you with a quote for the right part that your machine needs.

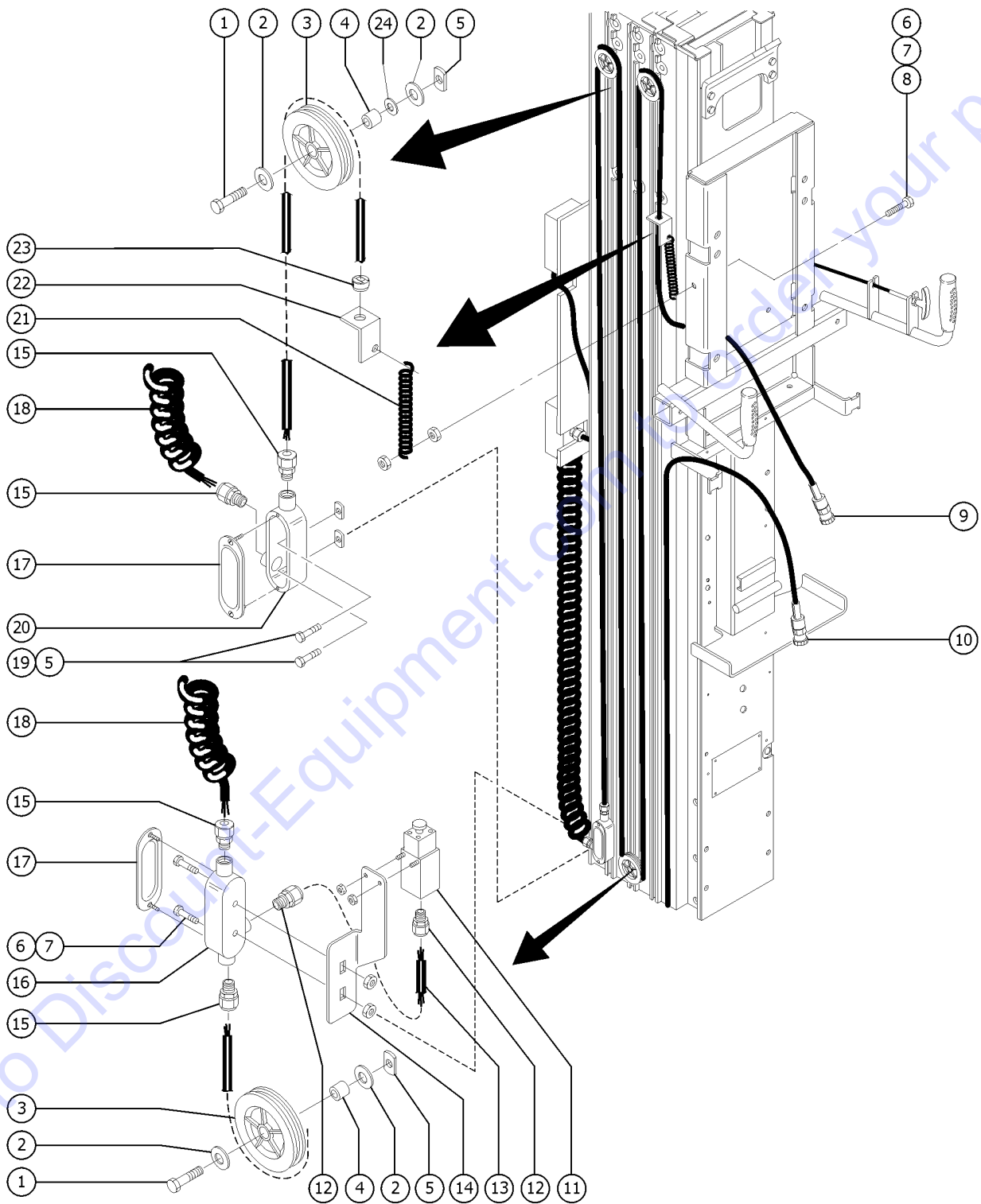
We sell worldwide for the brands: Genie, Terex, JLG, MultiQuip, Mikasa, Essick, Whiteman, Mayco, Toro Stone, Diamond Products, Generac Magnum, Airman, Haulotte, Barreto, Power Blanket, Nifty Lift, Atlas Copco, Chicago Pneumatic, Allmand, Miller Curber, Skyjack, Lull, Skytrak, Tsurumi, Husquvarna Target, Stow, Wacker, Sakai, Mi-T-M, Sullair, Basic, Dynapac, MBW, Weber, Bartell, Bennar Newman, Haulotte, Ditch Runner, Menegotti, Morrison, Contec, Buddy, Crown, Edco, Wyco, Bomag, Laymor, EZ Trench, Bil-Jax, F.S. Curtis, Gehl Pavers, Heli, Honda, ICS/PowerGrit, IHI, Partner, Imer, Clipper, MMD, Koshin, Rice, CH&E, General Equipment, Amida, Coleman, NAC, Gradall, Square Shooter, Kent, Stanley, Tamco, Toku, Hatz, Kohler, Robin, Wisconsin, Northrock, Oztec, Toker TK, Rol-Air, APT, Wylie, Ingersoll Rand / Doosan, Innovatech, Con X, Ammann, Mecalac, Makinex, Smith Surface Prep, Small Line, Wanco, Yanmar

408.1 Control Cable Assembly, IWP-20S and IWP-30S

| Item | Part No. | Description | Qty. |
|------|-----------|--|------|
| 1 | 8915GT | SCREW,HHC,1/4-20 X 1.25 | |
| 2 | 25926GT | WASHER,FLAT,M6 PLTD. | |
| 3A | 23394GT | PULLEY,ELEC.CNTRL.CABLE,AWP IWP-20S | 4 |
| 3B | 23394GT | PULLEY,ELEC.CNTRL.CABLE,AWP IWP-30S | 6 |
| 4A | 40735GT | SPACER, 1/4ID3/8OD, .875LG IWP-20S | 4 |
| 4B | 40735GT | SPACER, 1/4ID3/8OD, .875LG IWP-30S | 6 |
| 5 | 22699GT | WASHER,FLAT,M10,ZINC PLTD. | 1 |
| 6 | 35991GT | NUT,WELD 1/4-20, PLATED L.L.** | |
| 7 | 6888GT | SCREW,HHC,1/4-20 X 1 | |
| 8 | 6091GT | NUT,NYLOCK,1/4-20 | |
| 9 | 6889GT | NUT,LP NYLOCK,1/4-20 | |
| 10A | 35049GT | POWER CABLE,MAST TO PLAT IWP-20S | 1 |
| 10A- | 33590GT | PLUG,CONNECTOR,FEMALE* requires part number 33591; order separately | |
| 10A- | 33591GT | SEAL,CABLE CONNECTOR,HT SHRINK includes heat shrink tubing | |
| 10A- | 83095GT | PIN CONNECTOR,MALE | |
| 10B | 41227GT | POWER CABLE,MAST/PLAT IWP-30S | 1 |
| 11 | 46078GT | HARNESS,CONTROL BOX/BASE IWP | |
| 11- | 33589GT | PLUG,CONNECTOR,MALE* requires part number 33591; order separately | |
| 11- | 33591GT | SEAL,CABLE CONNECTOR,HT SHRINK includes heat shrink tubing | |
| 11- | 33580GT | PIN CONNECTOR,FEMALE *** | |
| 12 | 23396GT | SPRING,CONTROL CABLE, AWP | 1 |
| 13 | 23787-SGT | BRACKET,CONTROL CABLE TENSION | 1 |
| 14 | 23788GT | BUSHING,STRAIN RELIEF, 53/64" | 1 |



409.1 Control Cable Assembly, IWP-20S with Platform Outreach

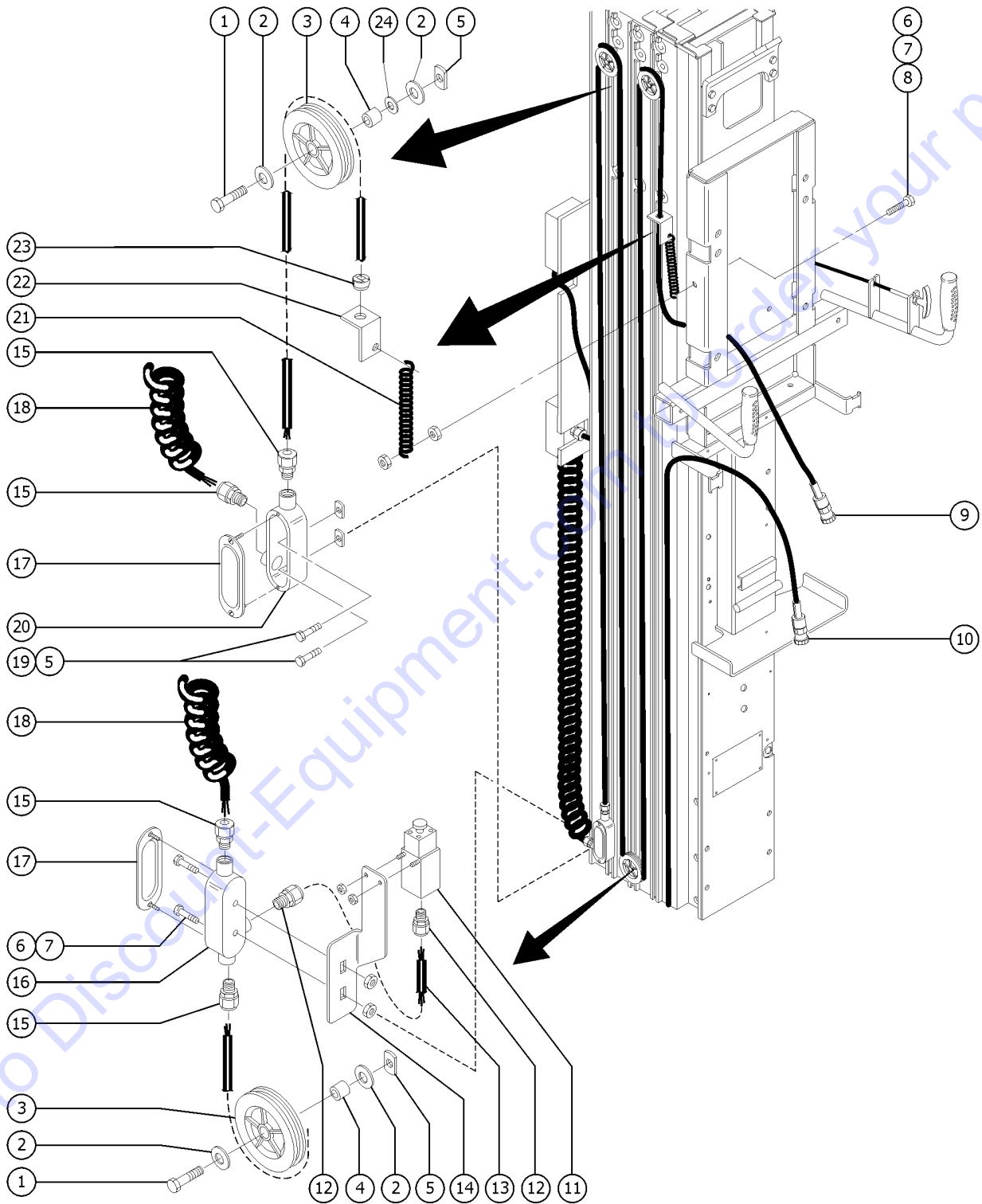


409.1 Control Cable Assembly, IWP-20S with Platform Outreach

| Item | Part No. | Description | Qty. |
|------|-----------|---|------|
| 1 | 8915GT | SCREW,HHC,1/4-20 X 1.25 | |
| 2 | 25926GT | WASHER,FLAT,M6 PLTD. | |
| 3 | 23394GT | PULLEY,ELEC.CNTRL.CABLE,AWP | 4 |
| 4 | 40735GT | SPACER, 1/4ID3/8OD, .875LG | 4 |
| 5 | 35991GT | NUT,WELD 1/4-20, PLATED L.L.** | |
| 6 | 6888GT | SCREW,HHC,1/4-20 X 1 | |
| 7 | 6091GT | NUT,NYLOCK,1/4-20 | |
| 8 | 6889GT | NUT,LP NYLOCK,1/4-20 | |
| 9 | 35049GT | POWER CABLE,MAST TO PLAT | 1 |
| 9- | 33590GT | PLUG,CONNECTOR,FEMALE* requires part number 33591; order separately | |
| 9- | 33591GT | SEAL,CABLE CONNECTOR,HT SHRINK includes heat shrink tubing | |
| 9- | 83095GT | PIN CONNECTOR,MALE | |
| 10 | 46078GT | HARNESS,CONTROL BOX/BASE IWP | |
| 10- | 33589GT | PLUG,CONNECTOR,MALE* requires part number 33591; order separately | |
| 10- | 33591GT | SEAL,CABLE CONNECTOR,HT SHRINK includes heat shrink tubing | |
| 10- | 33580GT | PIN CONNECTOR,FEMALE *** | |
| 11 | 124104GT | SWITCH,LIMIT.XCKP.ZCP21 (CE models with Platform Outreach Option) | 1 |
| 12 | 7056GT | CONN,SQUEEZE,1/2NPT .38-.50,SM (CE models with Platform Outreach Option) | 2 |
| 13 | 1505GT | WIRE CABLE,16/2 SJO,BULK (CE models with Platform Outreach Option) | 12 |
| 14 | 46182-SGT | BRACKET,OUTREACH INTERLK SWTCH (CE models with Platform Outreach Option) | 1 |
| 15 | 7057GT | CONN. SQZ,1/2NPT .39-.56 MED. | 2 |
| 16 | 46410GT | OUTLET BOX,TEE (T19) (CE models with Platform Outreach Option) | 1 |
| 17 | 6633GT | OUTLET BOX CAP | 1 |
| 18 | 12560GT | COIL CORD,16/6,24"COIL | 1 |
| 19 | 7339GT | SCREW,HHC,1/4-20 X .5 | |
| 20 | 40285GT | OUTLET BOX,OVAL,DRILLED (LL19) | 1 |
| 21 | 23396GT | SPRING,CONTROL CABLE, AWP | 1 |
| 22 | 23787-SGT | BRACKET,CONTROL CABLE TENSION | 1 |



409.1 Control Cable Assembly, IWP-20S with Platform Outreach



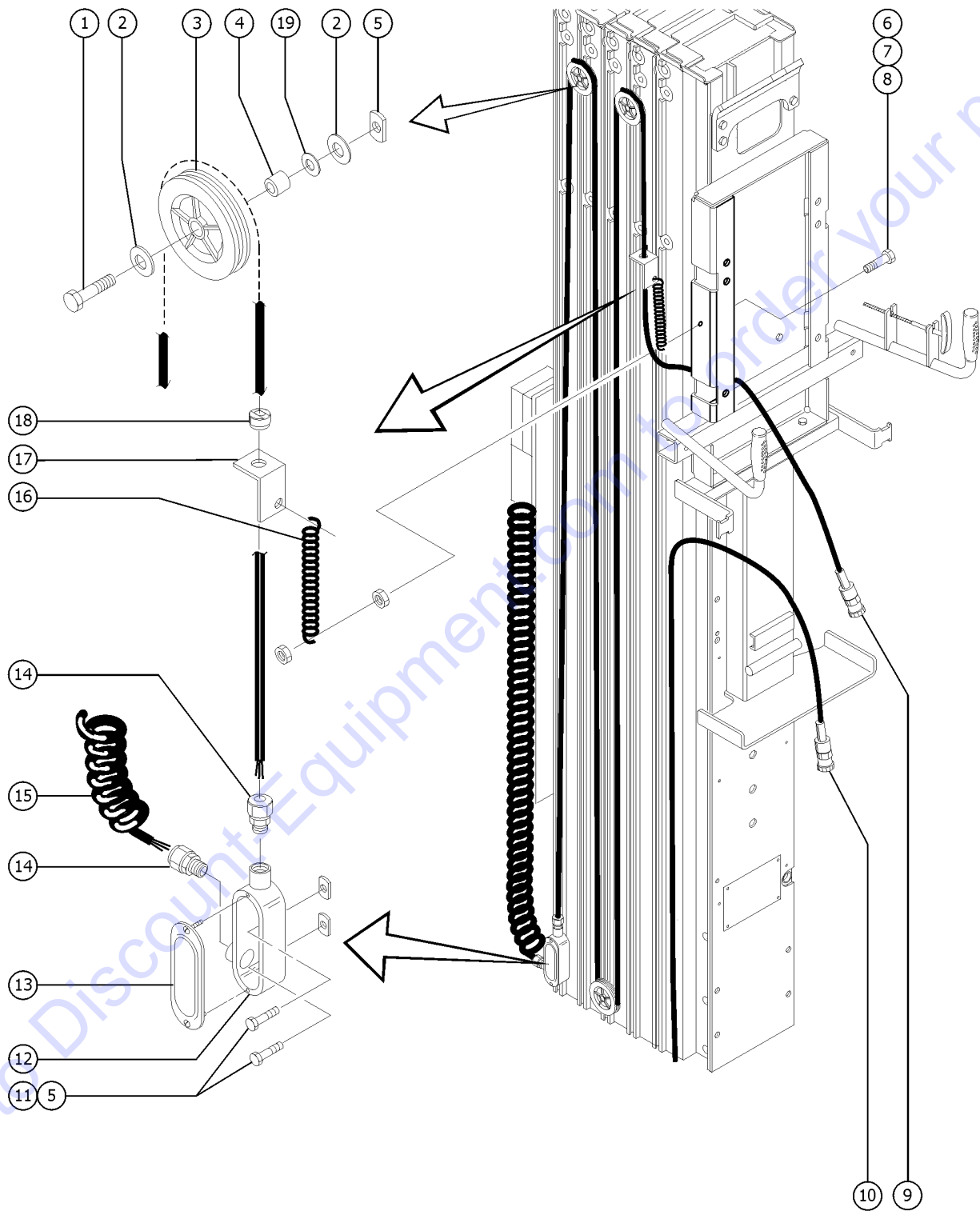
409.1 Control Cable Assembly, IWP-20S with Platform Outreach

| <i>Item</i> | <i>Part No.</i> | <i>Description</i> | <i>Qty.</i> |
|-------------|-----------------|-------------------------------------|-------------|
| 23 | 23788GT | BUSHING,STRAIN RELIEF, 53/64" | 1 |
| 24 | 22699GT | WASHER,FLAT,M10,ZINC PLTD. | |

Go to Discount-Equipment.com to order your parts



410.1 Control Cable Assembly, IWP-25S

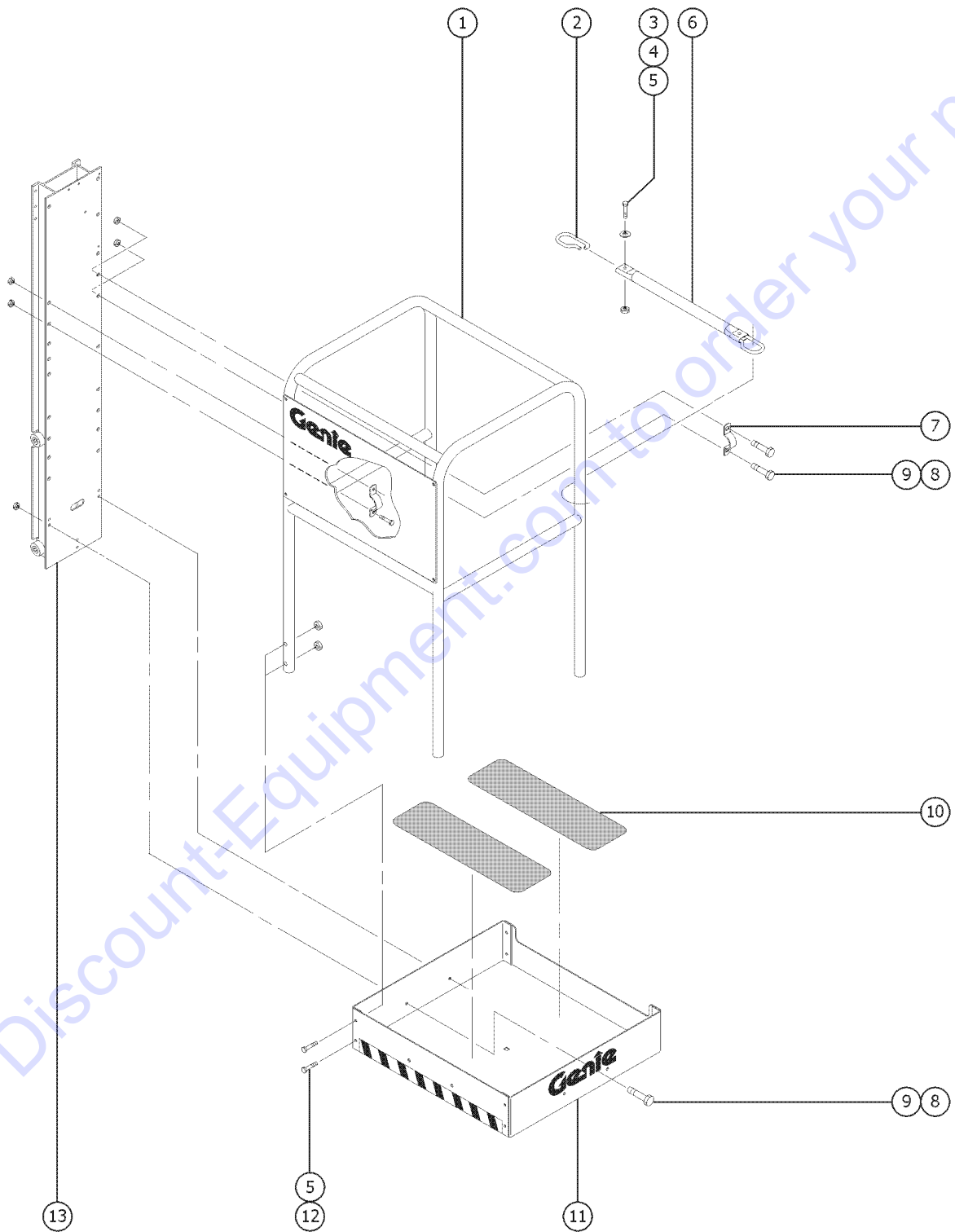


410.1 Control Cable Assembly, IWP-25S

| Item | Part No. | Description | Qty. |
|------|-----------|--|------|
| 1 | 8915GT | SCREW,HHC,1/4-20 X 1.25 | |
| 2 | 25926GT | WASHER,FLAT,M6 PLTD. | |
| 3 | 23394GT | PULLEY,ELEC.CNTRL.CABLE,AWP | 3 |
| 4 | 40735GT | SPACER, 1/4ID3/8OD, .875LG | 3 |
| 5 | 35991GT | NUT,WELD 1/4-20, PLATED L.L.** | |
| 6 | 6888GT | SCREW,HHC,1/4-20 X 1 | |
| 7 | 6091GT | NUT,NYLOCK,1/4-20 | |
| 8 | 6889GT | NUT,LP NYLOCK,1/4-20 | |
| 9 | 38207GT | POWER CABLE,MAST TO PLAT,25-S (ground controls to platform) | 1 |
| 9- | 33590GT | PLUG,CONNECTOR,FEMALE* requires part number 33591; order separately | |
| 9- | 33591GT | SEAL,CABLE CONNECTOR,HT SHRINK includes heat shrink tubing | |
| 9- | 83095GT | PIN CONNECTOR,MALE | |
| 10 | 46078GT | HARNESS,CONTROL BOX/BASE IWP (ground controls to base) | |
| 10- | 33589GT | PLUG,CONNECTOR,MALE* requires part number 33591; order separately | |
| 10- | 33591GT | SEAL,CABLE CONNECTOR,HT SHRINK includes heat shrink tubing | |
| 10- | 33580GT | PIN CONNECTOR,FEMALE *** | |
| 11 | 7339GT | SCREW,HHC,1/4-20 X .5 | |
| 12 | 40285GT | OUTLET BOX,OVAL,DRILLED (LL19) | 1 |
| 13 | 6633GT | OUTLET BOX CAP | 1 |
| 14 | 7057GT | CONN. SQZ,1/2NPT .39-.56 MED. | 2 |
| 15 | 12560GT | COIL CORD,16/6,24"COIL | 1 |
| 16 | 23396GT | SPRING,CONTROL CABLE, AWP | 1 |
| 17 | 23787-SGT | BRACKET,CONTROL CABLE TENSION | 1 |
| 18 | 23788GT | BUSHING,STRAIN RELIEF, 53/64" | 1 |
| 19 | 22699GT | WASHER,FLAT,M10,ZINC PLTD. | 1 |



501.1 Platform Assembly, Aluminum, Sliding Mid-rail Entry



Go to Discount-Equipment.com to order your parts



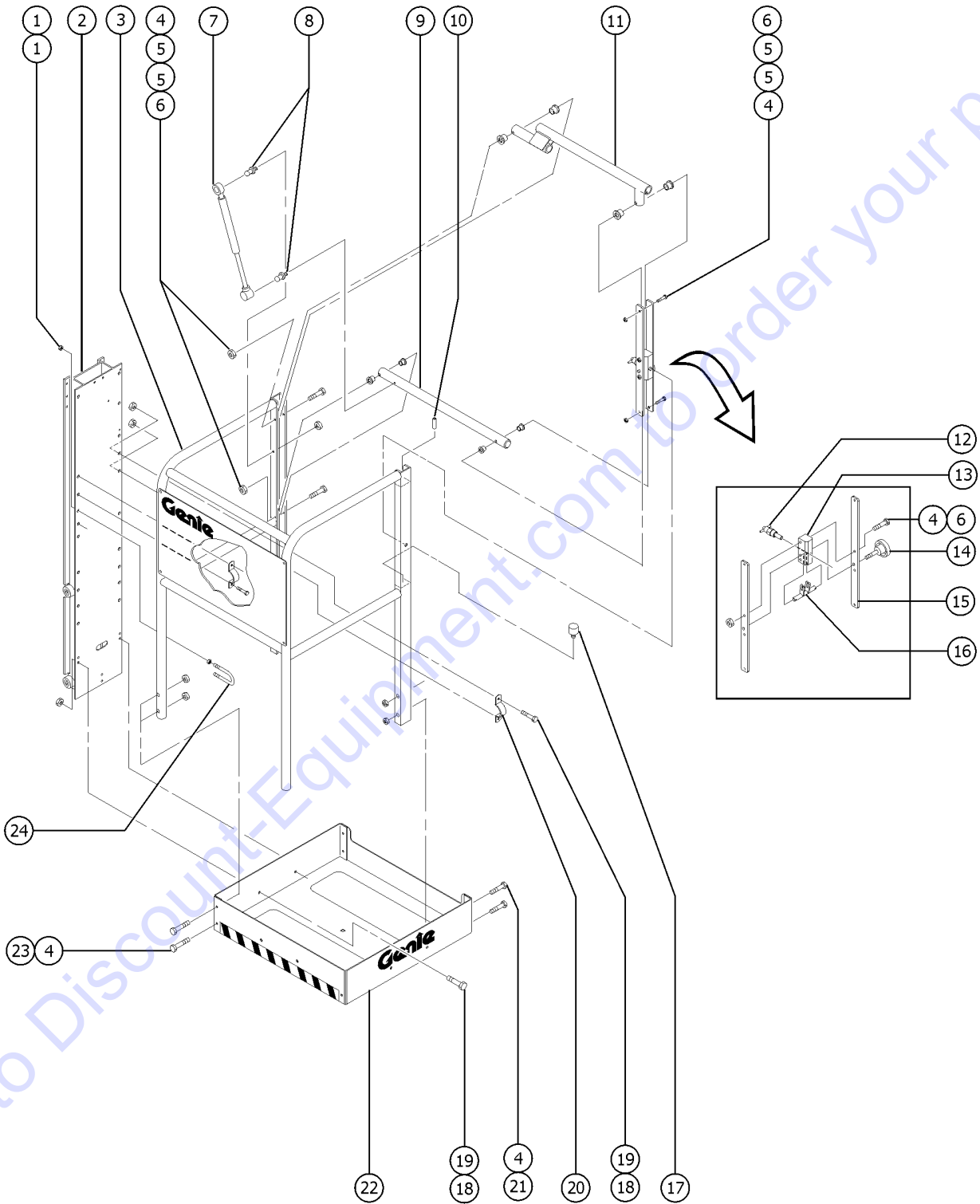
501.1 Platform Assembly, Aluminum, Sliding Mid-rail Entry

| Item | Part No. | Description | Qty. |
|------|----------|---|------|
| A- | 85494GT | PLAT ASSY,STD,WORD,AWP/IWP (USA, Australia and Canadian models) (to SN IWPP-12999) | |
| B- | 85495GT | PLAT ASSY-STD-SYMBLS,IWP/AWP (USA, South America and European models) (to SN IWPP-12999) | |
| 1A | 85496GT | RAILING ASSY,WORD,AWP&IWP (includes items 2-6 USA, Australia and Canadian models) (to SN IWPP-12999) | |
| 1B | 85497GT | RAILING ASSY,SYMBOLS,AWP&IWP** (includes items 2-6 Asia, South America and European models) (to SN IWPP-12999) | |
| 2 | 41292GT | MID-RAIL GUIDE WITH LOOM | 2 |
| 2- | 31146GT | WIRE LOOM,,413" NON-SLIT*** | 16 |
| 3 | 6888GT | SCREW,HHC,1/4-20 X 1 | |
| 4 | 56660GT | WASHER,RIVETING | |
| 5 | 6091GT | NUT,NYLOCK,1/4-20 | |
| 6 | 37391GT | TUBE,STD.SLIDING MIDRAIL-21 | 1 |
| 7 | 38586GT | CLAMP,PLATFORM MOUNT | 2 |
| 8 | 6175GT | SCREW,HHC,3/8-16 X 1 | |
| 9 | 4828GT | NUT,NYLOCK,3/8-16 | |
| 10 | 24537GT | TAPE,NON-SKID,DIE CUT,6"X 2' | 2 |
| 11 | 38204GT | TOEBOARD-STD.W/DECALS AWP/IWP (includes item 10) | 1 |
| 12 | 4266GT | SCREW,HHC,1/4-20 X 2 | |
| 13 | | Ref. Carriage Assembly (refer to figures 305.1 or 306.1) | |

Go to Discount-Equipment.com to order your parts



502.1 Platform Assembly, Aluminum, Gated Entry

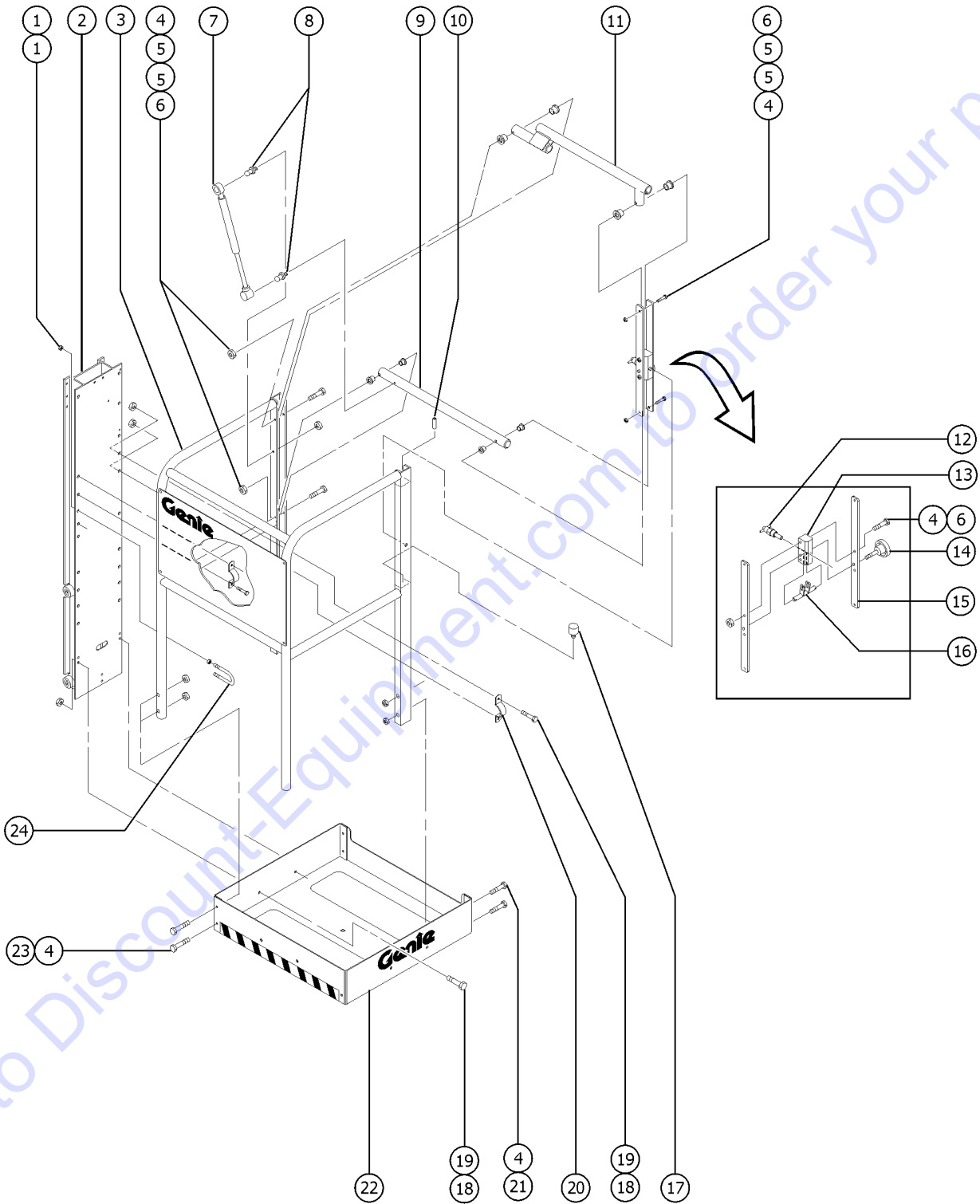


502.1 Platform Assembly, Aluminum, Gated Entry

| Item | Part No. | Description | Qty. |
|------|----------|--|-------|
| A- | 85498GT | PLAT ASSY-GTD/STD-WORDS (Assemblies with Word Decals - USA, Australian and Canadian models) (to SN IWPP-12999) | |
| B- | 85327GT | PLAT ASSY-GTD/NAR-WORDS-IWPSS (Assemblies with Word Decals - USA, Australian and Canadian models) (to SN IWPP-12999) | |
| C- | 85329GT | PLAT ASSY-GTD/ULTRA-NRW/WORDS (Assemblies with Word Decals - USA, Australian and Canadian models) (to SN IWPP-12999) | |
| D- | 85499GT | PLAT ASSY-GTD/STD-SYMBOLS***** (Assemblies with Symbol Decals - Asia, South America and European models) (to SN IWPP-12999) | |
| E- | 85328GT | PLAT ASSY-GTD/NAR-SYMBL,IWPSS (Assemblies with Symbol Decals - Asia, South America and European models) (to SN IWPP-12999) | |
| F- | 85330GT | PLAT ASSY W/DECALS,SYMBOL*** (Assemblies with Symbol Decals - Asia, South America and European models) (to SN IWPP-12999) | |
| 1 | 4828GT | NUT,NYLOCK,3/8-16 | |
| 2 | | Ref. Carriage Assembly (refer to 305.1 or 306.1) | |
| 3 | 38219GT | RAIL,WELD W/DECALS,GATED,ULTRA (to SN IWPP-12999) | 1 |
| 3- | 85335GT | RAIL ASSY-GTD/ULTRA-NRW/WORDS (USA, Australian and Canadian models) (to SN IWPP-12999) | |
| 3- | 85336GT | RAIL ASSY-GTD/ULTRA-NRW/SYMBL* (Asia, South America and European models) (to SN IWPP-12999) | |
| 4 | 6091GT | NUT,NYLOCK,1/4-20 | |
| 5 | 824423GT | BEARING, FLANGED SLEEVE, BRONZE, 3/8" OD FOR 1/4" SHAFT | 8 |
| 6 | 6884GT | SCREW,HHC,1/4-20 X 2.5 | |
| 7 | 226802GT | GAS STRUT,20LB,13"EXT-9"CLOSED | 1 |
| 7- | 65874GT | CONNECTOR, NYLON END (35893)** | |
| 8 | 40265GT | BALL STUD,GAS STRUT (38593)*** | 2 |
| 9A | 824462GT | ASM, ARM, LOWER PIVOT STD | 1 |
| 9B | 145191GT | ASM, TUBE AWP NRW GATED | |
| 9C | 145192GT | ASM, TUBE AWP ULT NRW GATED | |
| 10 | 38338GT | PIN,SPRING,.25X.75 ZINC PLATED | |
| 11A | 824472GT | ASM, GATE ARM STD | 1 |
| 11B | 824457GT | ASM, UPPER GATE ARM NRW | |
| 11C | 824510GT | ASM, GATE ARM ULTRA NRW, UPPER | |
| 12 | 37732GT | PIN,PULL | 1 |
| 13 | 57116GT | HOUSING, LATCH, AWP/IWP/CWP | 1 |



502.1 Platform Assembly, Aluminum, Gated Entry



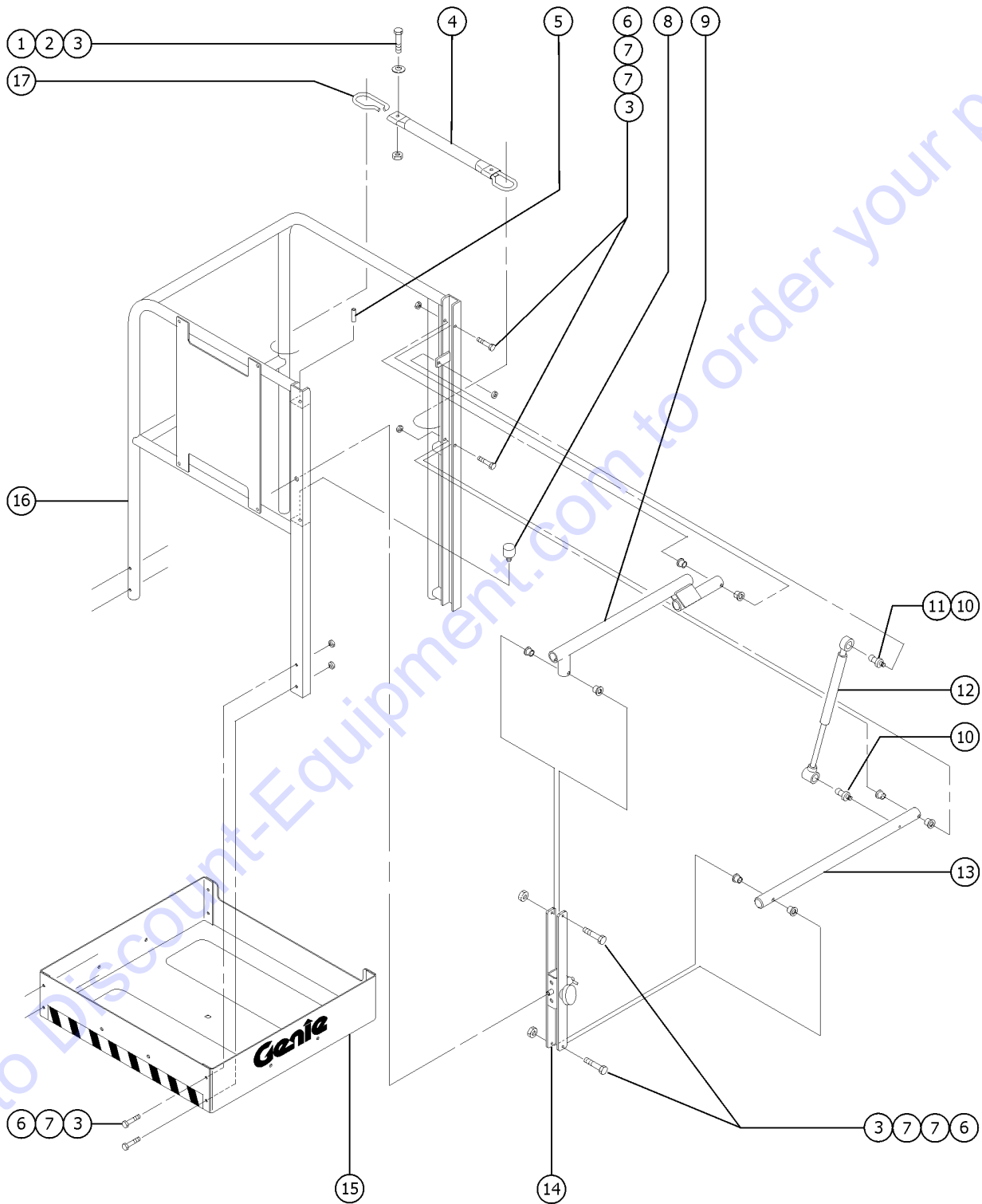
502.1 Platform Assembly, Aluminum, Gated Entry

| Item | Part No. | Description | Qty. |
|------|----------|------------------------------------|------|
| 14 | 26787GT | KNOB order set screw separately | 2 |
| 14B | 2095GT | SCREW,SET,HS 10-32 X.25 | 2 |
| 15 | 26780GT | PLATE,HINGE | 2 |
| 16 | 57138GT | LATCH ROTATOR, GATED PLATFORM | 1 |
| 16- | 2095GT | SCREW,SET,HS 10-32 X.25 | |
| 17 | 26785GT | BUMPER,RUBBER | 1 |
| 18 | 6175GT | SCREW,HHC,3/8-16 X 1 | |
| 19 | 4828GT | NUT,NYLOCK,3/8-16 | |
| 20 | 38586GT | CLAMP,PLATFORM MOUNT | 2 |
| 21 | 6888GT | SCREW,HHC,1/4-20 X 1 | |
| 22A | 38204GT | TOEBOARD-STD.W/DECALS AWP/IWP | 1 |
| 22B | 40258GT | TOEBOARD W/DECALS,NARROW | |
| 22C | 38220GT | TOEBOARD W/DECALS,ULTRA,NARROW | |
| 22C- | 24537GT | TAPE,NON-SKID,DIE CUT,6"X 2' | |
| 23 | 4266GT | SCREW,HHC,1/4-20 X 2 | |
| 24 | 6550GT | U-BOLT,3/8 X 1 YZ | |

Go to Discount-Equipment.com to order your parts



503.1 Platform Assembly, Aluminum, Extra Large, Front and Side Entry

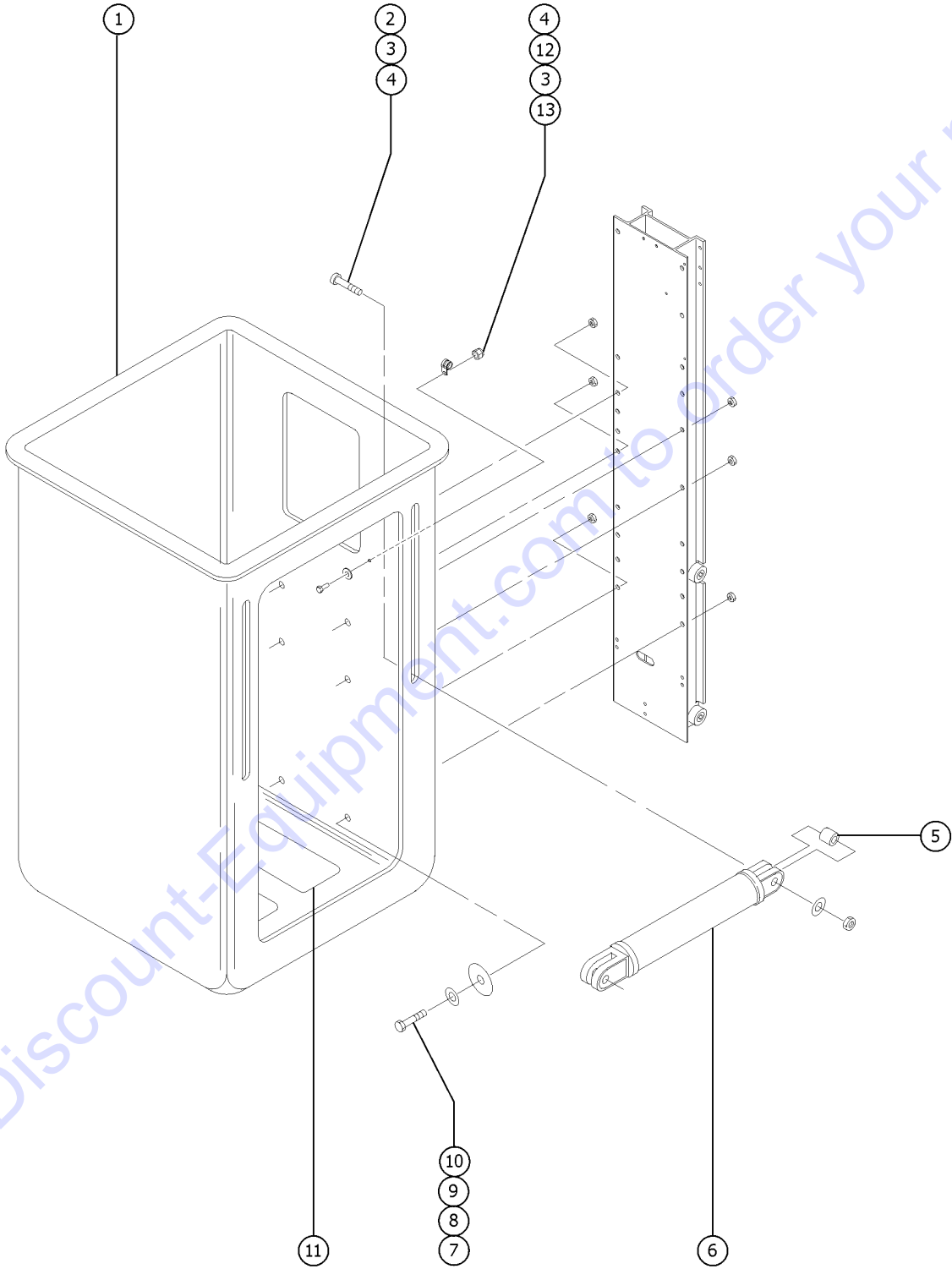


503.1 Platform Assembly, Aluminum, Extra Large, Front and Side Entry

| Item | Part No. | Description | Qty. |
|------|----------|---|------|
| A- | 85337GT | PLATFORM ASSY,XL-WORD,IWP/AWP (USA, Australian and Canadian models) (to SN IWPP-12999) | |
| B- | 85338GT | PLATFORM ASSY,XL-SYMBL,IWP**** (Asia, South American and European models) (to SN IWPP-12999) | |
| 1 | 8915GT | SCREW,HHC,1/4-20 X 1.25 | |
| 2 | 6638GT | WASHER,FLAT,USS,1/4"Y | |
| 3 | 6091GT | NUT,NYLOCK,1/4-20 | |
| 4 | 37391GT | TUBE,STD.SLIDING MIDRAIL-21 | 1 |
| 5 | 38338GT | PIN,SPRING,.25X.75 ZINC PLATED | 1 |
| 6 | 6884GT | SCREW,HHC,1/4-20 X 2.5 | |
| 7 | 824423GT | BEARING, FLANGED SLEEVE, BRONZE, 3/8" OD FOR 1/4" SHAFT | |
| 8 | 26785GT | BUMPER,RUBBER | 1 |
| 9 | 824472GT | ASM, GATE ARM STD | 1 |
| 10 | 40265GT | BALL STUD,GAS STRUT (38593)*** | 2 |
| 11 | 6002GT | NUT,LP NYLOCK,5/16-18 | |
| 12 | 226802GT | GAS STRUT,20LB,13"EXT-9"CLOSED | 1 |
| 13 | 824462GT | ASM, ARM, LOWER PIVOT STD | 1 |
| 14 | | Ref. Gate Latch Assembly (refer to 502.1) | |
| 15 | 44977GT | TOEBOARD-STD.W/DECALS,X-LARGE | 1 |
| 15- | 24537GT | TAPE,NON-SKID,DIE CUT,6"X 2' | |
| 16A | 85339GT | RAILING ASSY,GTD-XLG, WORD,IWP (USA, Australian and Canadian models) (to SN IWPP-12999) | |
| 16B | 85340GT | RAILING ASSY,GTD-XLG,SYMBL,IWP (Asia, South America and European models) (to SN IWPP-12999) | |
| 17 | 41292GT | MID-RAIL GUIDE WITH LOOM | 2 |
| 17- | 31146GT | WIRE LOOM,.413" NON-SLIT*** | 16 |



504.1 Platform Assembly, Fiberglass



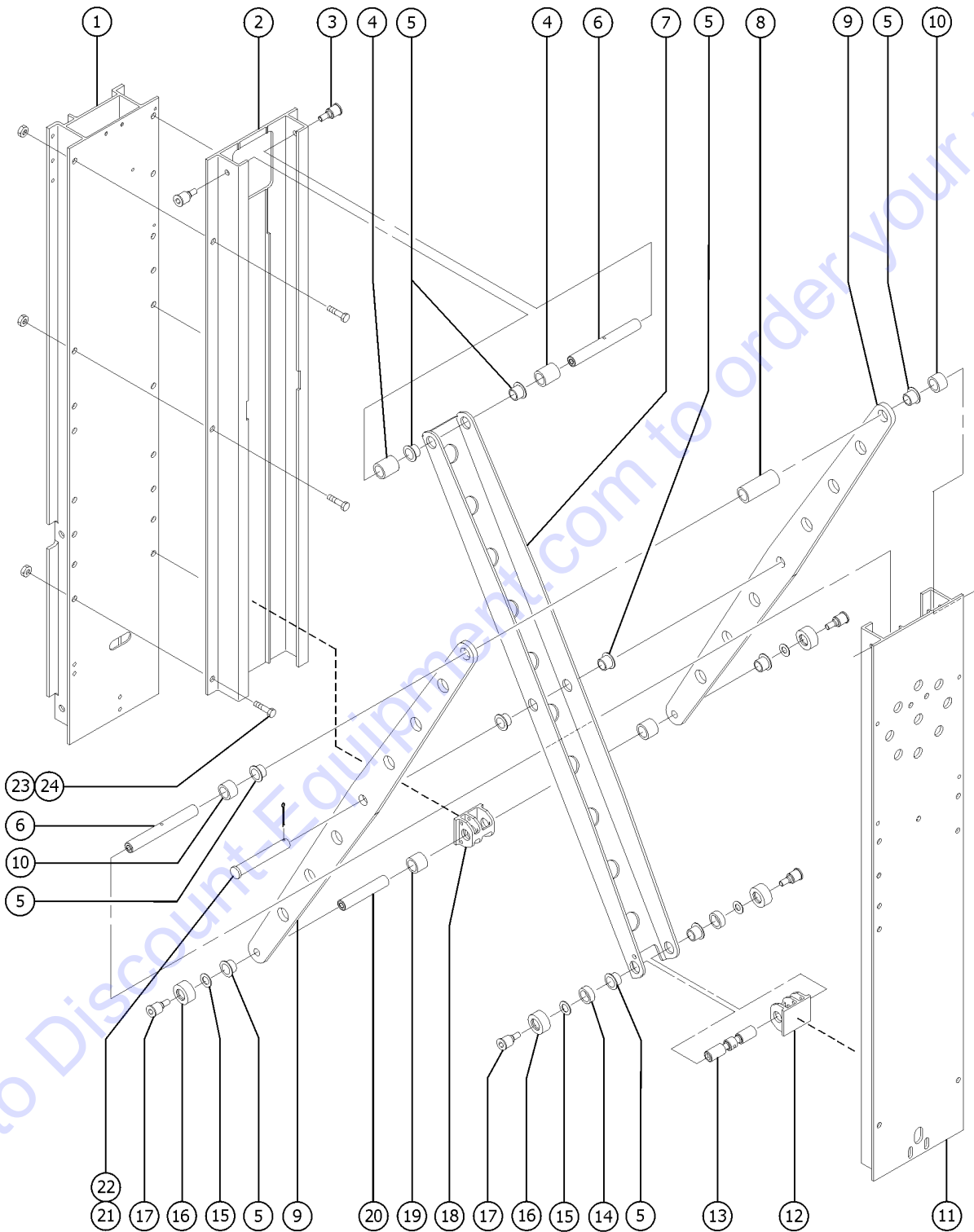
Go to Discount-Equipment.com to order your parts

| Item | Part No. | Description | Qty. |
|------|----------|--|------|
| 1A | 85355GT | PLAT ASSY-STD FIBER, WORD,IWP (USA, Australian and Canadian models) (to SN IWPP-12999) | |
| 1B | 85356GT | PLAT ASSY-STD FIBER, SYMBL,IWP (Asia, South America and European models) (to SN IWPP-12999) | |
| 1C | 85357GT | PLAT ASSY-NARW FIBER, WORD,IWP (USA, Australian and Canadian models) (to SN IWPP-12999) | |
| 1D | 85358GT | PLAT ASSY-NARW FIBER,SYMBL,IWP (Asia, South America and European models) (to SN IWPP-12999) | |
| 2 | 23838GT | SCREW,FHM,1/4-20X1.75,GR2 | |
| 3 | 6638GT | WASHER,FLAT,USS,1/4"Y | |
| 4 | 6889GT | NUT,LP NYLOCK,1/4-20 | |
| 5 | 8149GT | SPACER,NYLON .257 X .5 X .75" | 2 |
| 6A | 40269GT | SLIDING MIDRAIL ASSY.STD.FIBER | 1 |
| 6B | 40271GT | SLIDING MIDRAIL ASSY,NRW.FIBER | |
| 7 | 6708GT | SCREW,HHC,3/8-16 X 2.25 | |
| 8 | 6097GT | WASHER,FLAT,USS,3/8",Y | |
| 9 | 14016GT | WASHER,FLAT,502 X 1.747 X.04 | |
| 10 | 4828GT | NUT,NYLOCK,3/8-16 | |
| 11 | 47231GT | TAPE,NON-SKID,DIE CUT,4"X 16" | 3 |
| 12 | 6833GT | CLAMP,0.50,#8 X 1/4,RUB CUSH | |
| 13 | 80058GT | SCREW,PHP,1/4-20 X .875 | |

Go to Discount-Equipment.com to order your parts



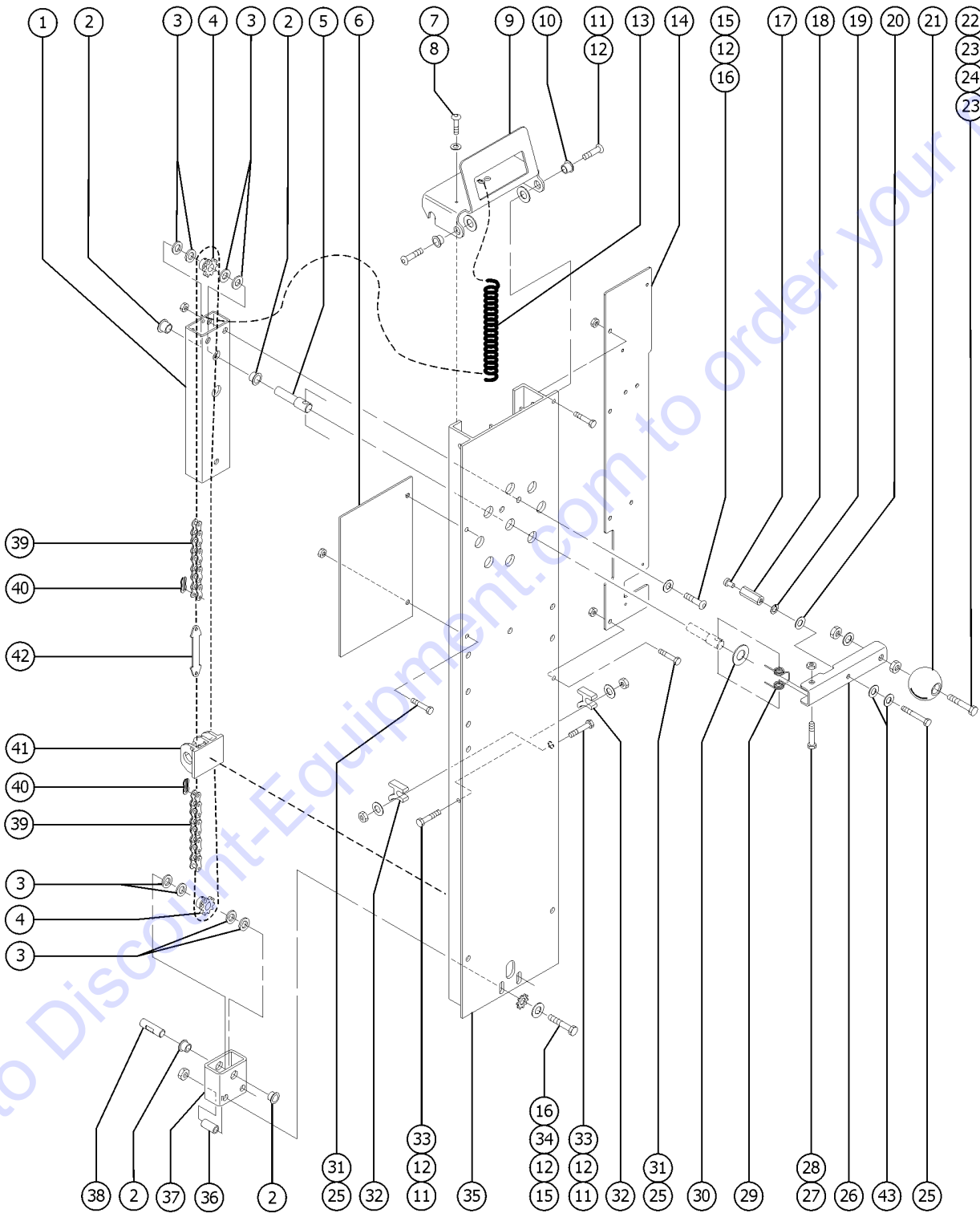
505.1 Platform Outreach Option, View 1, IWP-20S



| Item | Part No. | Description | Qty. |
|------|----------|--|------|
| 1 | | Ref. Carriage Assembly (refer to 306.1) | |
| 2 | 37668GT | EXTRU.,MACHINED,BACK,OUTREACH | 1 |
| 3 | 11335GT | SCREW,SHS,3/8-16 X .5 | |
| 4 | 38963GT | SPACER,1"OD X 1.296"LG | 2 |
| 5 | 38031GT | BUSHING,FLANGE,.75ID X .875OD | 10 |
| 6 | 38735GT | TUBE,COUPLER BAR 6.156",ZINC | 2 |
| 7 | 109820GT | FORMING,OUTREACH PIVOT | |
| 8 | 40326GT | SPACER,1"OD X 2.844"LG | 2 |
| 9 | 37368GT | PLATE,PLATFORM PIVOT,OUTREACH | 2 |
| 10 | 38964GT | SPACER,1"OD X .859"LG | 2 |
| 11A | 40483GT | OUTREACH-PLAT.MNT W/WORD DECAL (USA, Australian and Canadian models) (to SN IWPP-12999) | 1 |
| 11B | 85360GT | SWITCH BOX MOUNT-SYMB,OUTRCH (Asia, South America and European models) (to SN IWPP-12999) | |
| 12 | | Ref. Slider Chain Assembly (refer to 506.1) | |
| 13 | 37373GT | COUPLER BAR,4.31",OUTREACH | 1 |
| 14 | 38966GT | SPACER,1"OD X .375"LG | 2 |
| 15 | 6097GT | WASHER,FLAT,USS,3/8",Y | |
| 16 | 80938GT | WHEEL, NYLON ROLLER | 4 |
| 17 | 38975GT | BOLT,ROLLER,.720"(LONG) | 4 |
| 18 | 37682GT | SLIDE PAD,PLASTIC,OUTREACH | 1 |
| 19 | 38965GT | SPACER,1"OD X .718"LG | 2 |
| 20 | 37371GT | COUPLER BAR,3.56",OUTREACH | 1 |
| 21 | 31176GT | PIN,CLEVIS,.75 X 4.5 LG. | 1 |
| 22 | 5361GT | PIN,COTTER,.125 X 1.5 | 1 |
| 23 | 6175GT | SCREW,HHC,3/8-16 X 1 | |
| 24 | 4828GT | NUT,NYLOCK,3/8-16 | |



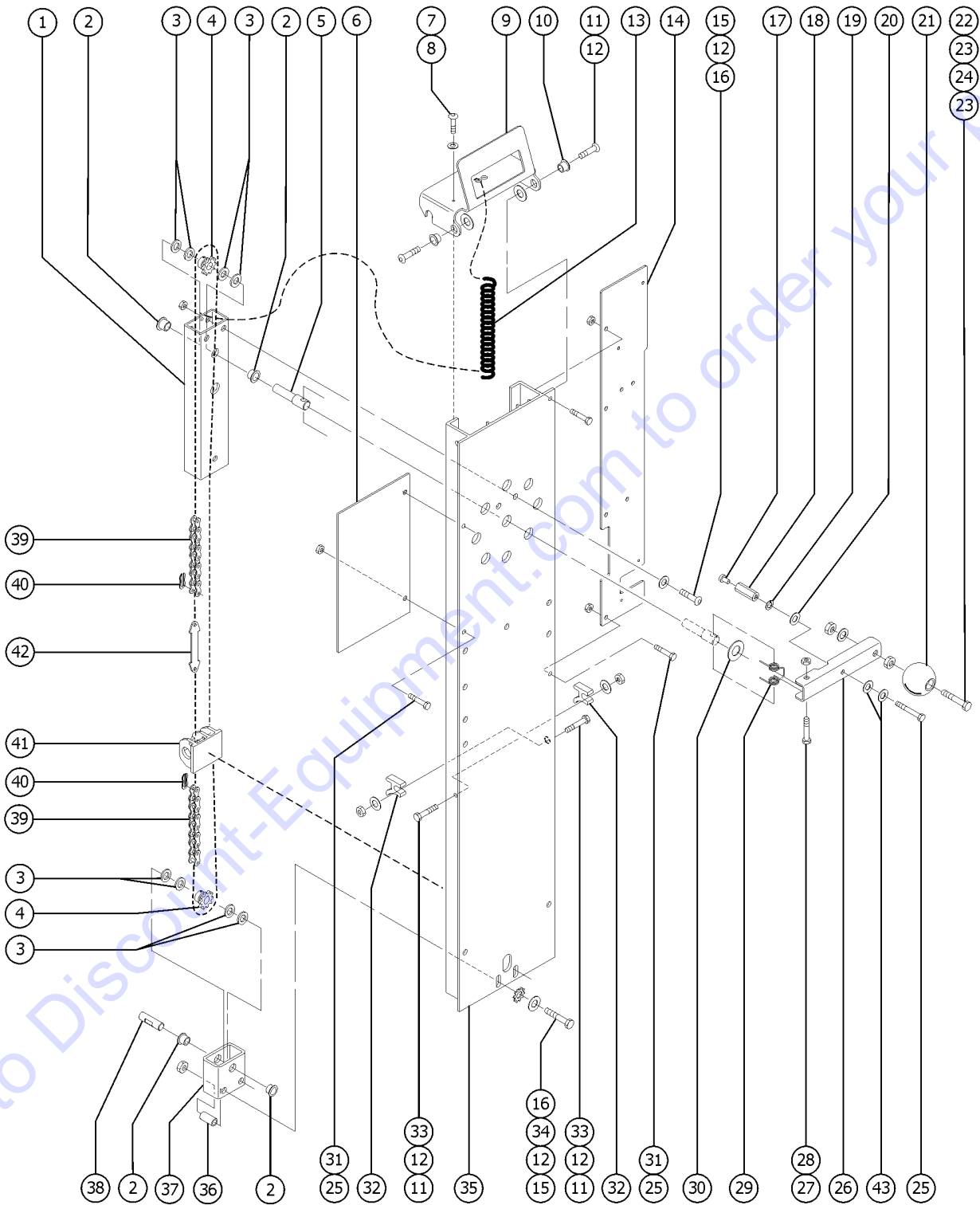
506.1 Platform Outreach Option, View 2, IWP-20S



| Item | Part No. | Description | Qty. |
|------|-----------|---|------|
| 1 | 37378GT | TUBE,HOUSING DRIVE SHAFT | 1 |
| 2 | 38030GT | BUSHING,CLIP,.5 ID | |
| 3 | 11978GT | WASHER,FLAT,NYLON.515X.88X.093 | |
| 4 | 37379GT | SPROCKET, ROLLER CHAIN, #35B10 | 2 |
| 5 | 37377GT | SHAFT, DRIVE, OUTREACH | 1 |
| 6A | 40573GT | DECAL PLATE W/DECAL,OUTREACH (USA, Australian and Canadian models) | 1 |
| 6B | 85359GT | DECAL PLATE,OUTREACH,SYMBOL (Asia, South America and European models) | |
| 7 | 21018GT | SCREW,PHIL,PHM,10-24 X.38,SEMS | |
| 8 | 28083GT | WASHER,NYLON | |
| 9 | 37374GT | FORMING,COVER,OUTREACH | 1 |
| 10 | 33720GT | BEARING,FLANGE,3/8 (AWP & ST) | 2 |
| 11 | 28487GT | SCREW,BHHS,3/8-16 X 1 | |
| 12 | 6097GT | WASHER,FLAT,USS,3/8",Y | |
| 13 | 23396GT | SPRING,CONTROL CABLE, AWP | 1 |
| 14A | 41374GT | PLATE,SWITCH MOUNTING-OUTREACH weldment only | |
| 14A- | 1296809GT | INSTRUCTION TUBE,AWP/IWP/SS rectangular tube | |
| 14B | 41251GT | SWITCH BOX MOUNT-WORD,OUTRCH (USA, Australian and Canadian models) | 1 |
| 14C | 85360GT | SWITCH BOX MOUNT-SYMB,OUTRCH (Asia, South America and European models) | |
| 15 | 8178GT | SCREW,HHC,3/8-16 X 2.5 | |
| 16 | 4828GT | NUT,NYLOCK,3/8-16 | |
| 17 | 38962GT | SCREW,NYLON,PHU,1/4-20 X.375LG | |
| 18 | 13863GT | NUT,COUPLING, 1/4-20 X .875 | |
| 19 | 6356GT | WASHER,LOCK,.25 | |
| 20 | 6638GT | WASHER,FLAT,USS,1/4"Y | |
| 21 | 6082GT | HANDLE BALL KNOB | 1 |
| 22 | 6708GT | SCREW,HHC,3/8-16 X 2.25 | |
| 23 | 4828GT | NUT,NYLOCK,3/8-16 | |
| 24 | 6021GT | WASHER,LOCK,.375 | |



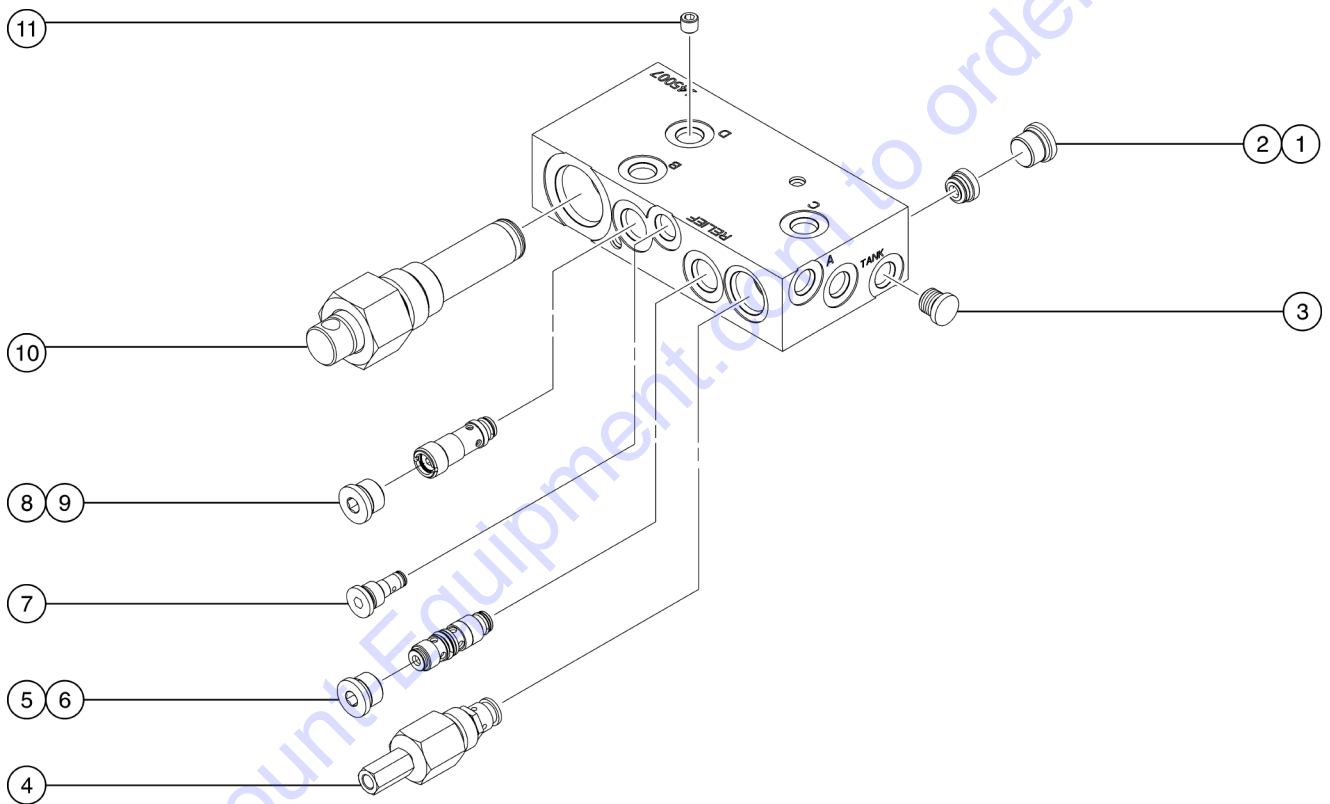
506.1 Platform Outreach Option, View 2, IWP-20S



| Item | Part No. | Description | Qty. |
|------|--------------|--|------|
| 25 | 6090GT | SCREW,HHC,1/4-20 X .75 | |
| 26 | 37383GT | FORMED,HANDLE,ZINC,OUTREACH | 1 |
| 27 | 14723GT | SCREW,HHC,5/16-18 X 1.75 | |
| 28 | 6002GT | NUT,LP NYLOCK,5/16-18 | |
| 29 | 124984GT | SPRING,TORSION,45 DEGREE | 1 |
| 30 | 6898GT | WASHER,SHIM,.625 X 1.188X.064 | |
| 31 | 6091GT | NUT,NYLOCK,1/4-20 | |
| 32 | 32522GT | DOWN STOP | 2 |
| 33 | 7713GT | NUT, LP NYLOCK, 3/8-16 | |
| 34 | 6700GT | WASHER,STAR,EXTERNAL | |
| 35A | 40483GT | OUTREACH-PLAT.MNT W/WORD DECAL (USA, Australian and Canadian models) (to SN IWPP-12999) | 1 |
| 35B | 85361GT | OUTREACH-PLAT.MOUNT,SYM DEC (Asia, South American and European models) (to SN IWPP-12999) | |
| 36 | 40707GT | SPACER, 3/8 IDX1.25 LONG | |
| 37 | 37690GT | TUBE,HOUSING IDLER SHAFT | 1 |
| 38 | 37692GT | SHAFT, IDLER, OUTREACH | 1 |
| 39 | 80982GT | KIT, SLIDER-CHAIN ASSY.IWP (includes items 40 and 42) | |
| 39- | 11306-6650GT | CHAIN, ROLLER,#35, 66.5" | 1 |
| 40 | 11307GT | CHAIN CONN.LINK #35 3/8 X 3/16 | 2 |
| 41 | 37682GT | SLIDE PAD,PLASTIC,OUTREACH | 1 |
| 42 | 80961GT | PLATE, SLIDER- CHAIN IWP | 1 |
| 43 | 15436GT | WASHER,FLAT,NYLON.25 X.68 X.03 | 2 |



601.1 Foot Pump Manifold



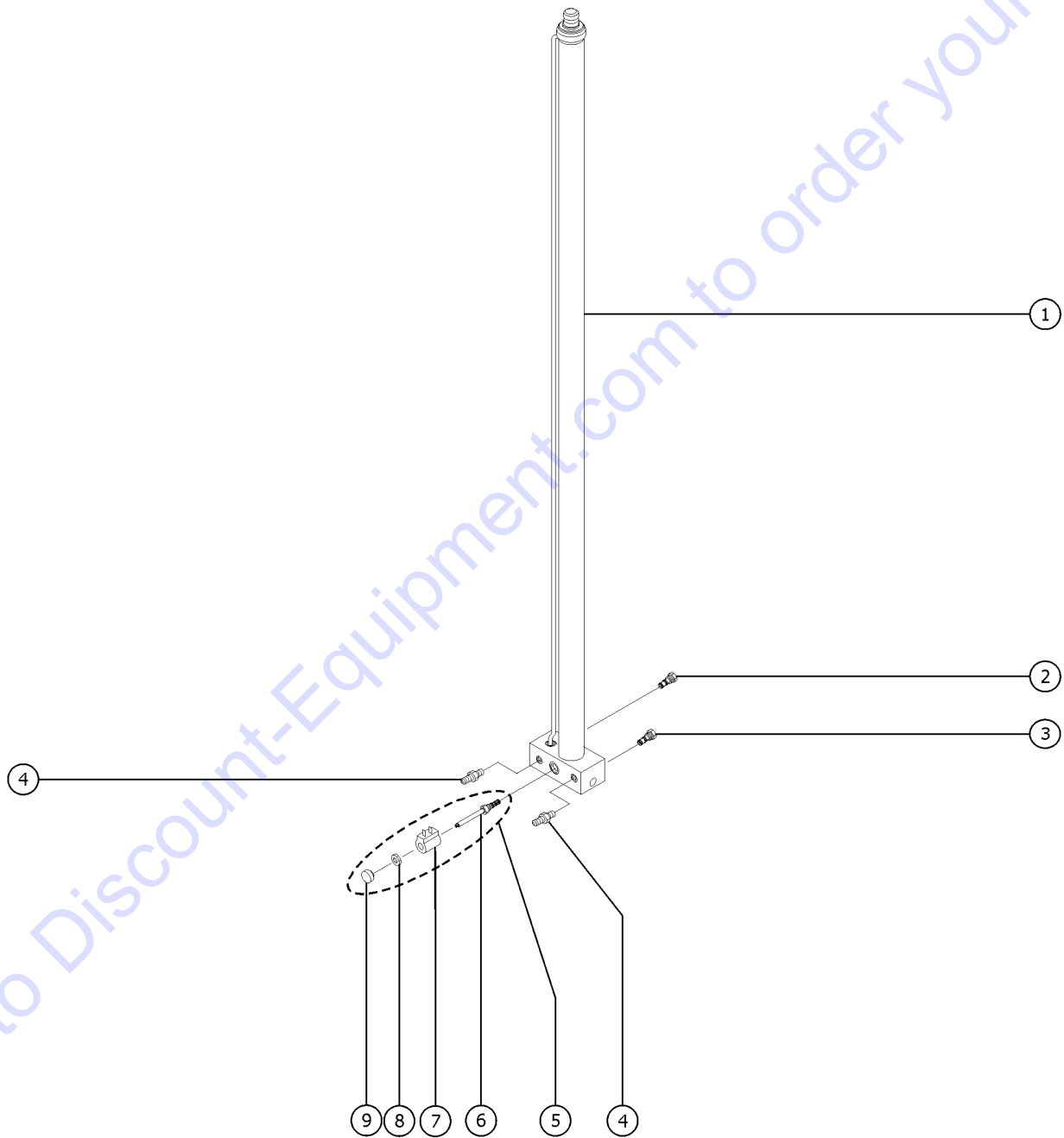
601.1 Foot Pump Manifold

| Item | Part No. | Description | Qty. |
|------|----------|--|------|
| A | 145007GT | MANIFOLD,FOOTPUMP ASSY IWP complete kit with valves, orifice, and plugs | 1 |
| A- | 145004GT | MANIFOLD,BLOCK FOOTPUMP manifold block with no components | 1 |
| A- | 145096GT | PLUG,EXPANSION | 5 |
| 1 | 145094GT | PLUG,SAE #6 | 1 |
| 2 | 145005GT | VALVE,CHECK | 1 |
| 3 | 145097GT | PLUG,SAE #4 | 1 |
| 4 | 145002GT | VALVE,MANUAL RELEASE | 1 |
| 5 | 145094GT | PLUG,SAE #6 | 1 |
| 6 | 145003GT | VALVE, RELIEF ADJ (1600 PSI) | 1 |
| 7 | 145006GT | VALVE,CHECK | 1 |
| 8 | 145094GT | PLUG,SAE #6 | 1 |
| 9 | 145001GT | VALVE,CHECK PO | 1 |
| 10 | 145095GT | PUMP,FOOT IWP | 1 |
| 11 | 145000GT | ORIFICE,0.030 | 1 |

Go to Discount-Equipment.com to order your parts



602.1 Lift Cylinder



| Item | Part No. | Description | Qty. |
|------|-----------|---|------|
| 1 | 80950GT | CYLINDER,LIFT 56.25"STROKE,DY* AWP-15S, AWP-20S, AWP-25S and AWP-30S | 1 |
| 1- | 80943GT | SEAL KIT,DONYANG CYL (35737)* (Dongyang) | |
| 1- | 1261234GT | GUIDE RING, LIFT CYLINDER, AWP (Dongyang) | |
| 2 | 35725GT | VALVE,FLOW CONTROL PREAS.COMP. (1 gpm / 3.78 L/min) | 2 |
| 3 | 35726GT | VALVE,HYDRAULIC CHECK | 1 |
| 4 | 13755GT | CONNECTOR,070120-4-4 | 2 |
| 5 | 40571GT | ASSY, MAN LWR VALVE W/HNDL,12V (includes items 6-9) | 1 |
| 5- | 44979GT | SEAL KIT,39909,PLAT LWR VALVE* | |
| 5- | 40477GT | VALVE,CARTRIDGE*** (includes item 8) | |
| 5- | 35724GT | VALVE,NC SOLENOID,MANUAL LWR (includes items 7 and 8) | |
| 5- | 40417GT | COIL,12V DC | |
| 5- | 52943GT | NUT SOLENOID VALVE COIL | 1 |
| 6 | 40477GT | VALVE,CARTRIDGE*** (includes item 8) | 1 |
| 7 | 40417GT | COIL,12V DC | 1 |
| 8 | 52943GT | NUT SOLENOID VALVE COIL | 1 |
| 9 | 38068GT | KNOB,PUSH/PULL,RED | 1 |

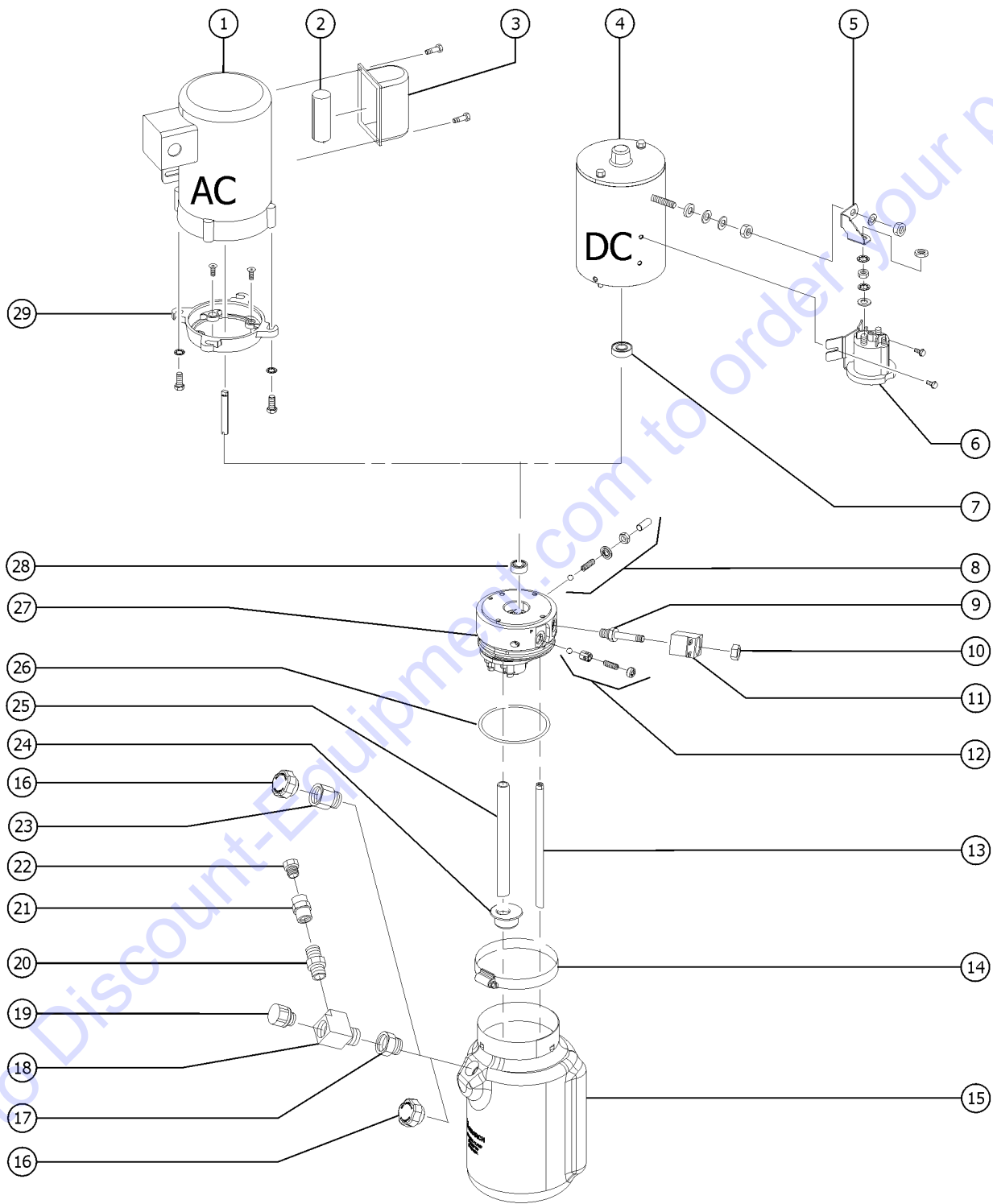
Go to Discount-Equipment.com to order your parts



| Item | Part No. | Description | Qty. |
|------|-----------|---|------|
| A- | 124197GT | POWER UNIT,110/220VAC,60HZ (from SN 12000 to SN 12110) | |
| B- | 124191GT | POWER UNIT,85V AC | |
| C- | 124189GT | POWER UNIT,12V DC | |
| D- | 124198GT | POWER UNIT,110/220VAC,50/60HZ (from SN 12000 to SN 12110) | |
| 1A | 38163GT | MOTOR, 115/230V AC (includes item 28) (ANSI models to SN 12110) | 1 |
| 1B | 145343GT | MOTOR,115/230V AC (124198) (CE models from SN 12000) (ANSI models from SN 12111) | |
| 1B- | 1303593GT | SHAFT, COUPLER, PUMP TO MOTOR (18727) | |
| 2 | 40399GT | CAPACITOR,MOTOR | 1 |
| 3 | 40430GT | COVER,CAPACITOR | 1 |
| 4 | 38151GT | MOTOR,12V DC*** (includes item 28) | 1 |
| 4- | 38152GT | BRUSH KIT,12V DC MTR (08111-D) for motors with stamp "8111-D" | |
| 4- | T114885GT | BRUSH KIT,SVC,(MOTOR 38151)*** for motors with stamp "8111-I" | |
| 5 | 124185GT | SOLENOID STRAP.MONARCH | |
| 6 | 124186GT | SOLENOID,MOTOR START | |
| 7 | 40400GT | BEARING,MOTOR | 1 |
| 8 | 38156GT | VALVE,RELIEF KIT,MONARCH** | 1 |
| 9 | 100866GT | VALVE,2-POS 2-WAY*** (includes items 10 and 11) | |
| 9- | 100867GT | CARTRIDGE W/ NUT (with N.O. solenoid) | |
| 10 | 100869GT | NUT,SOLENOID VALVE*** | |
| 11 | 100868GT | COIL,10V DC*** | |
| 12 | 38155GT | VALVE-CHECK KIT | 1 |
| 13 | 58288GT | TUBE, RETURN | |
| 14 | 85217GT | CLAMP, MOUNTING,(FOR 85219)*** | |
| 15 | 124183GT | RESERVOIR W/DECAL,PLASTIC*** | |
| 16 | 100255GT | BREATHER CAP (85218) (standard base and Japanese models) | 1 |
| 17 | 100158GT | REDUCER,NYLON, 3/4NPT X 3/8NPT (models with narrow or rough terrain base) | |
| 18 | 40704GT | TEE, STREET, 3/8 NPT, BRASS (models with narrow or rough terrain base) | |
| 19 | 48520GT | 3/8" NPT VALVE BREATHER CAP (models with narrow or rough terrain base) | |



603.1 Hydraulic Power Unit

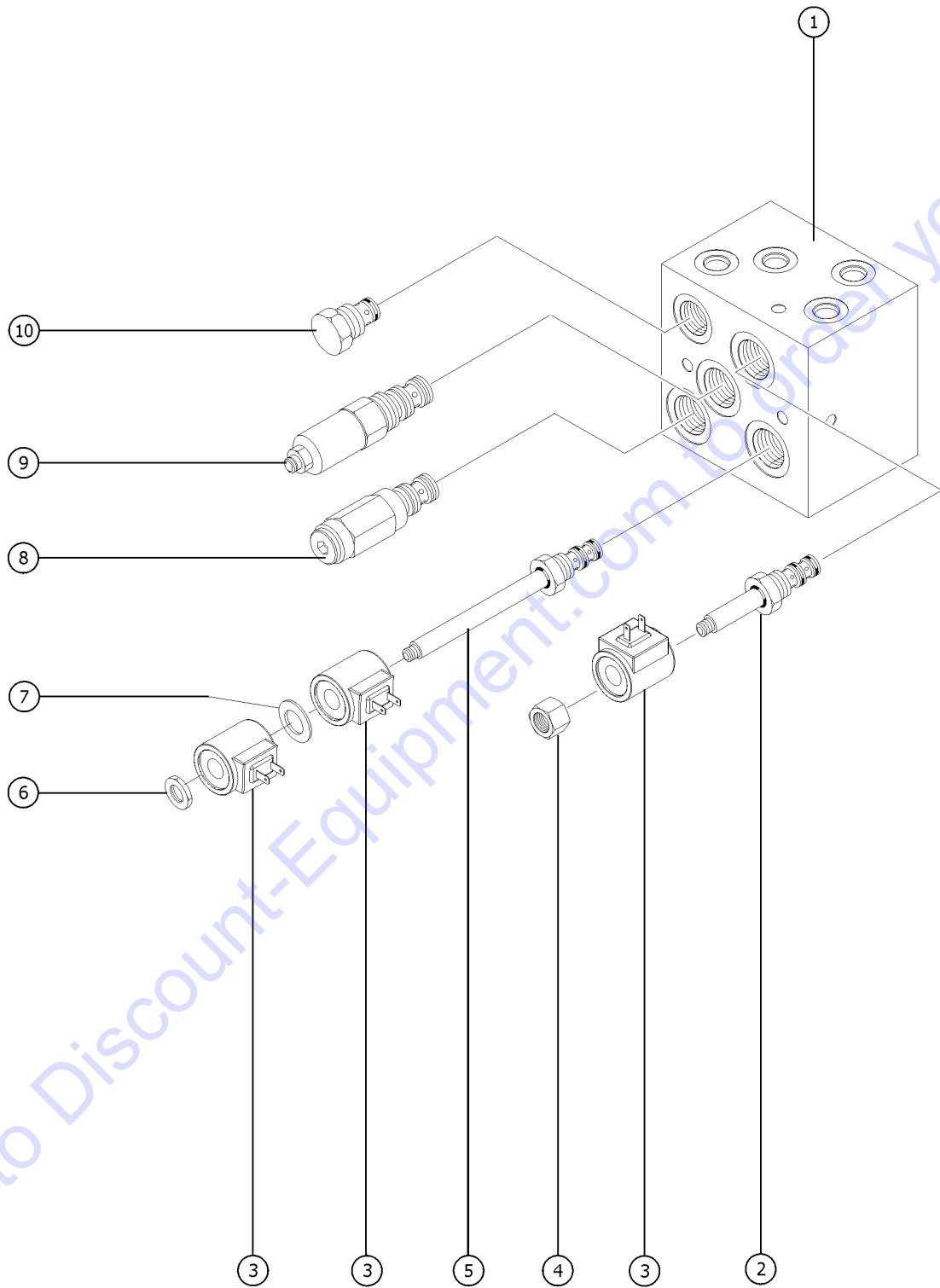


| Item | Part No. | Description | Qty. |
|------|----------|--|------|
| 20 | 48519GT | 3/8" NPT CHECK VALVE (models with narrow or rough terrain base) | |
| 21 | 46049GT | COUPLING,3/8X1.12,BRASS (models with narrow or rough terrain base) | |
| 22 | 46051GT | BREATHER CAP,3/8"NPT,NI PLTD (models with narrow or rough terrain base) | |
| 23 | 100299GT | PIPE ADAPTER, 3/4-11 NPT (Japanese models) | |
| 24 | 38160GT | FILTER,PICK-UP SCREEN*** | 1 |
| 25 | 58287GT | TUBE,SUCTION | |
| 26 | 40318GT | SEAL,O-RING,PUMP*** | 1 |
| 27 | 38154GT | PUMP ASSEMBLY,MONARCH,AC/DC*** (includes items 8 and 12) | 1 |
| 28 | 40401GT | SEAL,MOTOR | 1 |
| 29 | 124188GT | BELL HOUSING,POWER UNIT,CE (ANSI models from SN 12111) | |

Go to Discount-Equipment.com to order your parts



604.1 Power Wheel Assist Manifold



Go to Discount-Equipment.com to order your parts

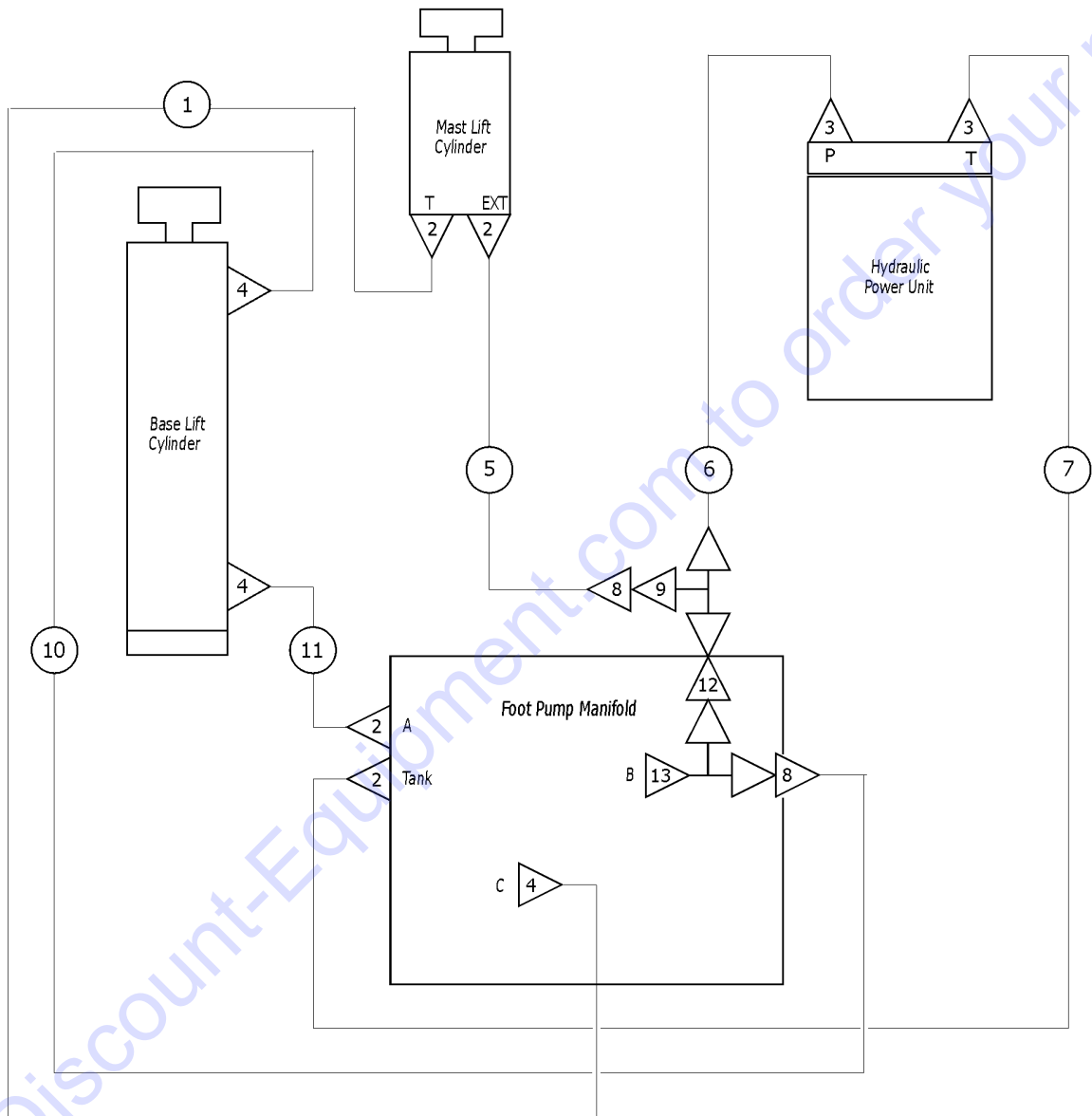
604.1 Power Wheel Assist Manifold


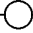

| Item | Part No. | Description | Qty. |
|------|----------|--------------------------------------|------|
| 1 | 57168GT | MANIFOLD,CWP/IWP,PWA,W/BRAKE** | 1 |
| 2 | 44997GT | VALVE,SOLENOID,2POS 2WAY N.O.* | 1 |
| 2- | 44228GT | SEAL KIT, VALVE | |
| 3 | 46215GT | COIL,SOLENOID,IWP-S/CWP PWR AS | 2 |
| 4 | 46258GT | NUT, CARTRIDGE VALVE | 1 |
| 5 | 52912GT | VALVE,3POSITION,4WAY* | 1 |
| 6 | 44973GT | NUT,COIL (39909) | 1 |
| 7 | 44236GT | SPACER-DUAL COIL,#8*** | 1 |
| 8 | 57255GT | VALVE,CROSS PORT RELIEF | 1 |
| 9 | 46217GT | VALVE,RELIEF IWP-S/CWP-S | 1 |
| 10 | 46216GT | VALVE,CHECK,IWP-S/CWP PWR ASSI | 1 |
| 10- | 44228GT | SEAL KIT, VALVE | |

Go to Discount-Equipment.com to order your parts



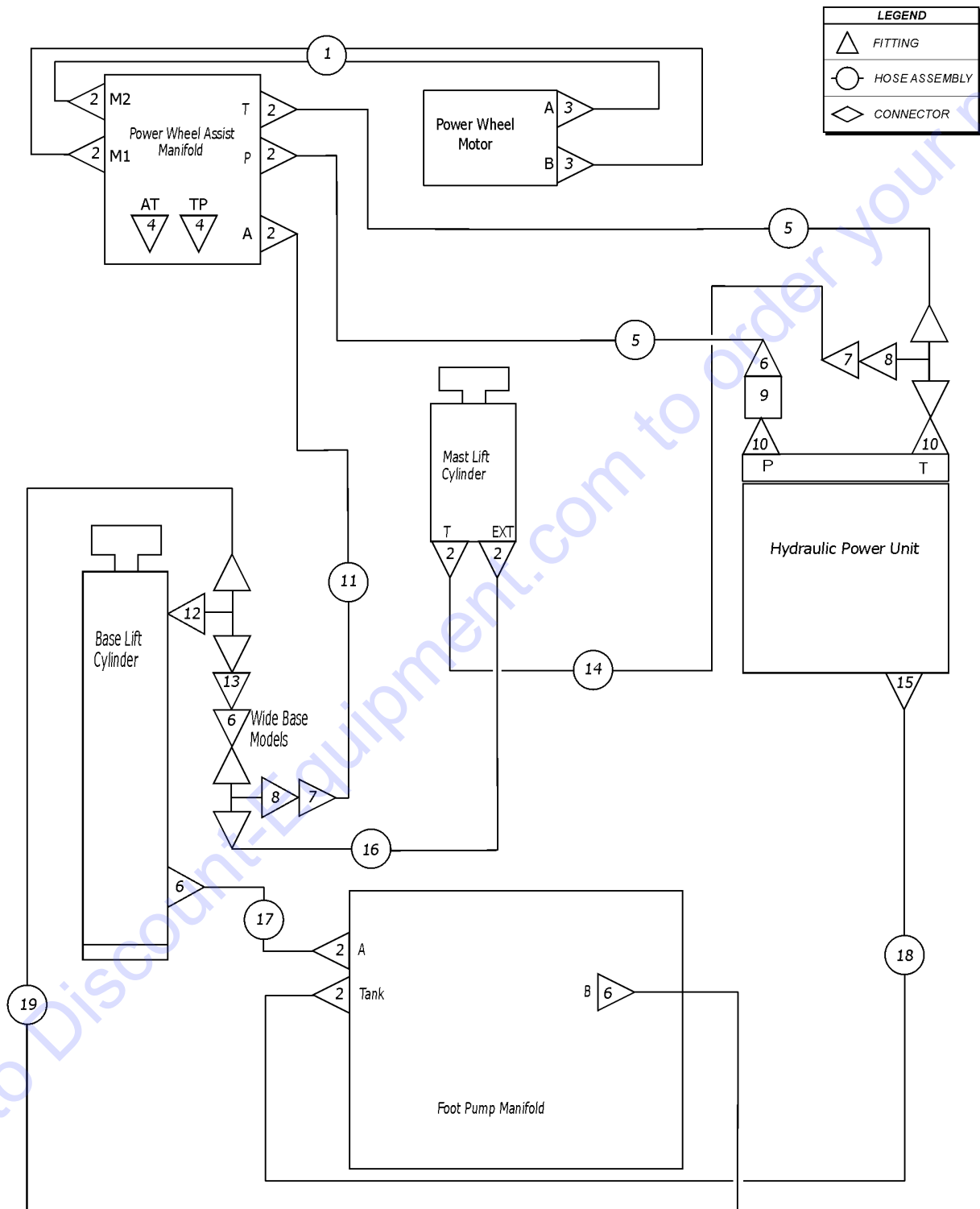
605.1 Hydraulic Hoses and Fittings



| LEGEND | |
|---|---------------|
|  | FITTING |
|  | HOSE ASSEMBLY |
|  | CONNECTOR |

| Item | Part No. | Description | Qty. |
|------|----------|---|------|
| A | | The hose lengths below reflect the length of the hose only. Refer to the 'Fittings Cross Reference' to match Genie part numbers to Parker part numbers. | |
| 1B | 109980GT | HOSE ASSY,36",IWP-PRKR components: 78855, 78855 & 78852 @ 36"; wide base models | |
| 2 | 13755GT | CONNECTOR,070120-4-4 | 4 |
| 3 | 12340GT | ELBOW,070220-4-6 | 2 |
| 4 | 13921GT | ELBOW,070220-4-4 | 2 |
| 5A | 109976GT | HOSE ASSY, 47" components: 78855, 78855 & 78852 @ 47"; standard base models | 1 |
| 5B | 109984GT | HOSE ASSY,62",IWP-PRKR components: 78855, 78855 & 78852 @ 62"; wide base models | |
| 6A | 109973GT | HOSE ASSY,66",IWP-PRKR components: 78855, 78855 & 78852 @ 66"; standard base models | 1 |
| 6B | 109978GT | HOSE ASSY,76",IWP-PRKR components: 78855, 78855 & 78852 @ 76"; wide base models | |
| 7A | 109974GT | HOSE ASSY,68",IWP-PRKR components: 80613, 80613 & 80612 @ 68"; standard base models | 1 |
| 7B | 109979GT | HOSE ASSY78",IWP-PRKR components: 80613, 80613 & 806122 @ 78"; standard base models | 1 |
| 8 | 45415GT | ELBOW,070221-4-4 | 2 |
| 9 | 13757GT | TEE,RUN,070432-4 | 1 |
| 10A | 109977GT | HOSE ASSY,33",IWP-PRKR components: 78855, 78855 & 78852 @ 33"; standard base models | 1 |
| 10B | 109982GT | HOSE ASSY,41",IWP-PRKR components: 78855, 78855 & 78852 @ 41"; standard base models | 1 |
| 11A | 80619GT | HOSE ASSY,24.9",IWP STD-PRKR components: 78855, 78855 & 78852 @ 24.9"; standard base models | 1 |
| 11B | 80629GT | HOSE ASSY,32.9",IWP WIDE-PRKR components: 78855, 78855 & 78852 @ 32.9"; wide base models | 1 |
| 12 | 37868GT | FITTING-4 W/.030 ORIFICE | 1 |
| 13 | 39872GT | TEE,RUN,070428-4 | 1 |

606.1 Hydraulic Hoses and Fittings, Models with Power Assist Option

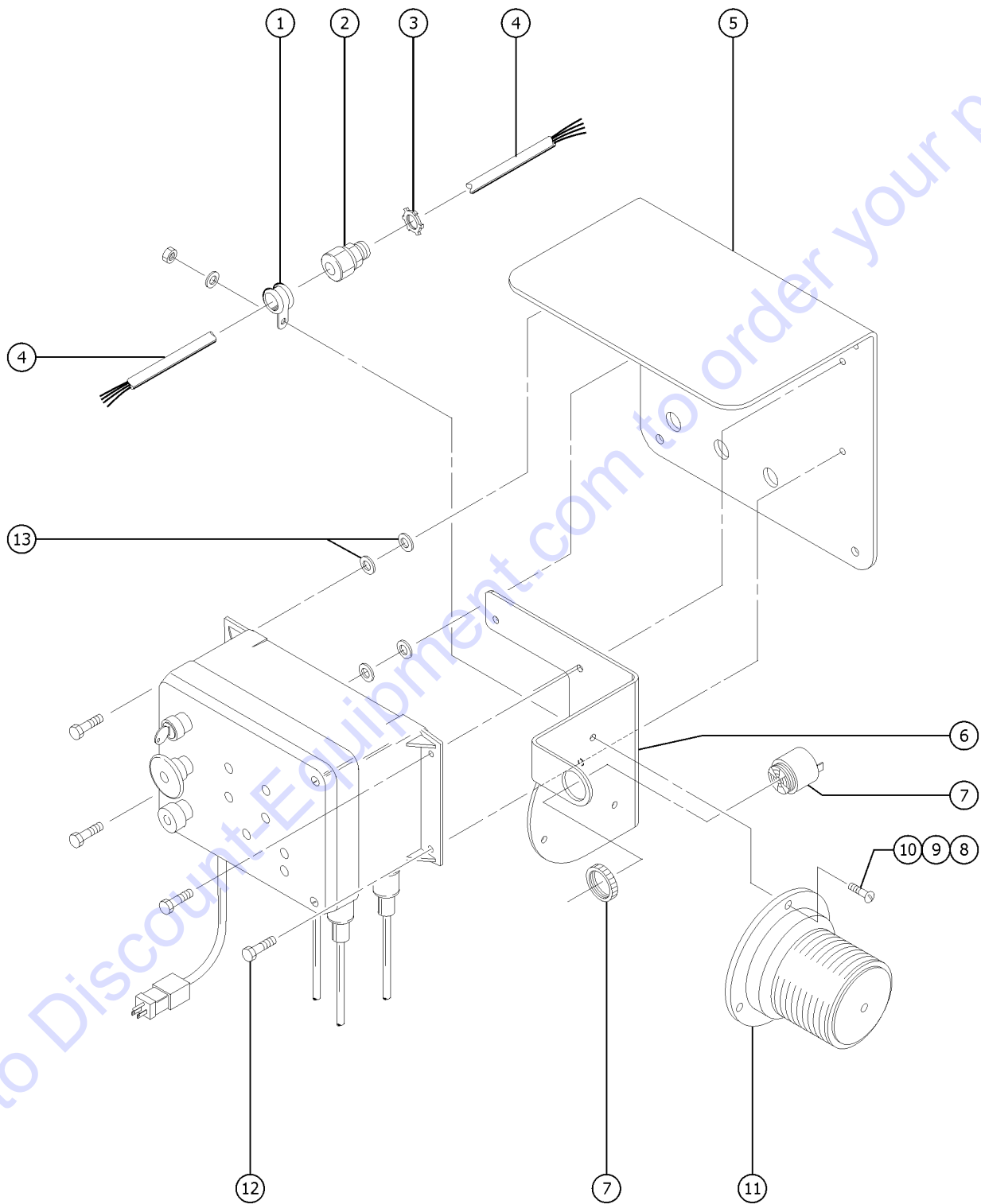


606.1 Hydraulic Hoses and Fittings, Models with Power Assist Option

| Item | Part No. | Description | Qty. |
|------|----------|---|------|
| | | The hose lengths below reflect the length of the hose only. Refer to the 'Fittings Cross Reference' to match Genie part numbers to Parker part numbers. | |
| 1 | 85488GT | HOSE ASSY,34", IWP-PWA-PRKR includes hose protector and sleeve; components: 80613, 80613, 80613, 80613, 80612 @34 inches and 80612 @ 34 inches | 1 |
| 1- | 40215GT | SLEEVE, NYLON, 1.06" ID | 2 |
| 1- | 40607GT | HOSE PROTECTOR,1/4 IN.BLACK RD | |
| 2 | 13755GT | CONNECTOR,070120-4-4 | 10 |
| 3 | 35497GT | CONNECTOR,070120-4-10 | 2 |
| 4 | 45374GT | PLUG,HEX HEAD,090109A-4 (manifold models HF971017 and HF990133) | 1 |
| 5 | 85487GT | HOSE ASSY,62",IWP-PWA-PRKR components: 80613, 80613 and 80612 @ 62 inches | 2 |
| 6 | 13921GT | ELBOW,070220-4-4 | 3 |
| 7 | 45415GT | ELBOW,070221-4-4 | 2 |
| 8 | 13757GT | TEE,RUN,070432-4 | 2 |
| 9 | 34643GT | VALVE,CHECK,#4 O-RING PORTS | 1 |
| 10 | 12340GT | ELBOW,070220-4-6 | 2 |
| 11 | 85486GT | HOSE ASSY,32",IWP-PWA,PRKR components: 78855, 78855, and 78852 @32 inches | 2 |
| 12 | 25628GT | TEE,BRANCH,070429-4-4 | 1 |
| 13 | 37868GT | FITTING-4 W/.030 ORIFICE | 1 |
| 14 | 80623GT | HOSE ASSY,62.4",IWP-PRKR components: 78855, 78855, and 78852 @ 62.4 inches | 1 |
| 15 | 20630GT | ELBOW,070202-4-4 | 1 |
| 16 | 80622GT | HOSE ASSY,33.9",IWP-PRKR components: 78855, 78855, and 78852 @ 33.9 inches | 1 |
| 17A | 80619GT | HOSE ASSY,24.9",IWP STD-PRKR standard base; components: 78855, 78855, and 78852 @ 24.9 inches | 1 |
| 17B | 80629GT | HOSE ASSY,32.9",IWP WIDE-PRKR wide base; components: 78855, 78855, and 78852 @ 32.9 inches | |
| 18A | 80618GT | HOSE ASSY,55.6",IWP-PRKR standard base; components: 80613, 80613, and 80612 @ 55.6 inches | 1 |
| 18B | 80628GT | HOSE ASSY,63.6",IWP WIDE-PRKR wide base; components: 80613, 80613, and 80612 @ 63.6 inches | |
| 19A | 80620GT | HOSE ASSY,32.4",IWP-PRKR standard base; components: 78855, 78855, and 78852 @ 32.4 inches | 1 |
| 19B | 80630GT | HOSE ASSY,40.4",IWP WIDE-PRKR wide base; components: 78855, 78855, and 78852 @ 40.4 inches | |



701.1 Operational Warning Light and Descent Alarm



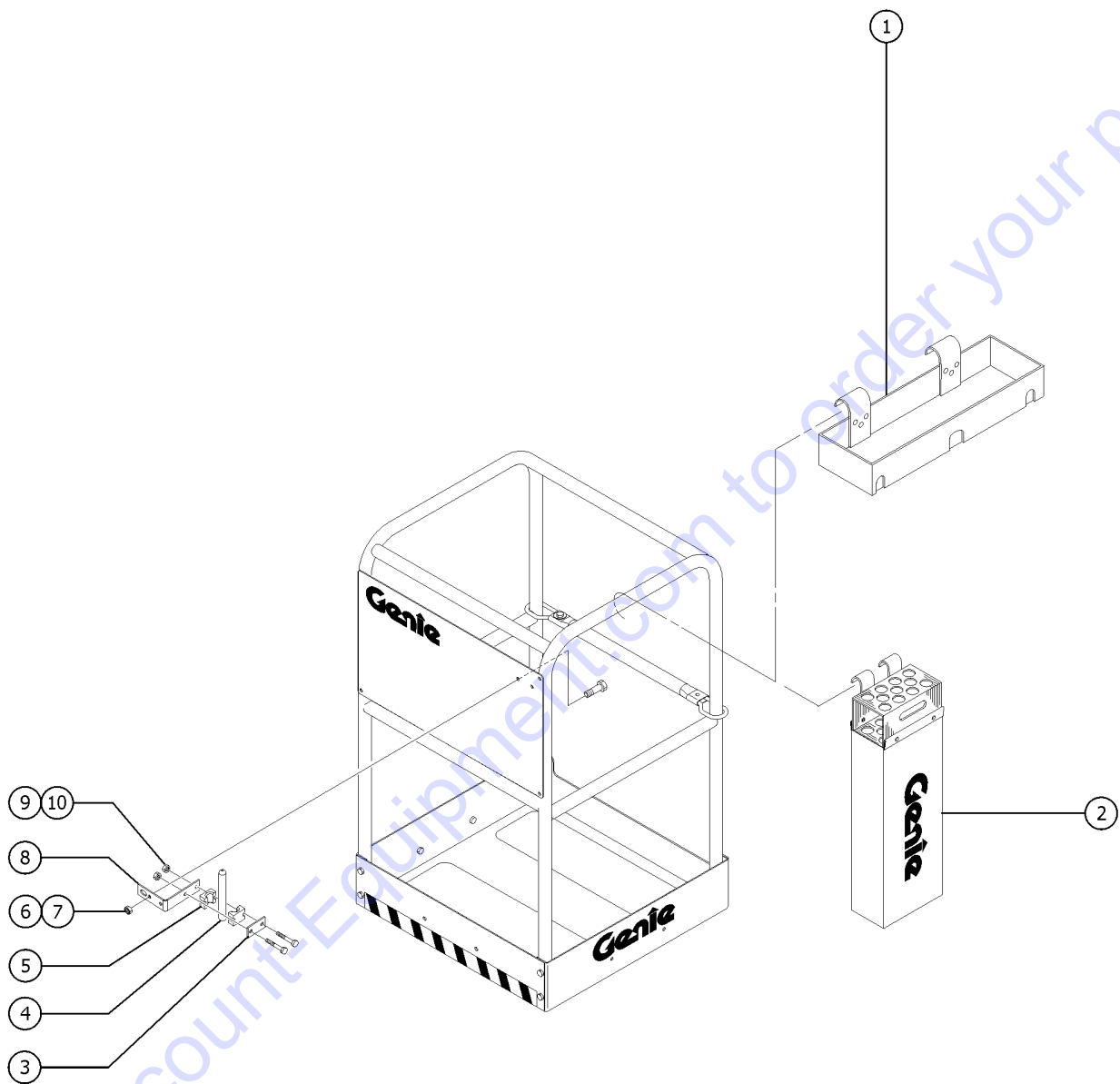
701.1 Operational Warning Light and Descent Alarm

| Item | Part No. | Description | Qty. |
|------|-----------|---|------|
| | 124008GT | ACC,DESCEND LIGHT/ALARM,IWP | |
| 1 | 45470GT | CLAMP,0.31,#5 X 1/4,RUB CUSH | 1 |
| 2 | 33576GT | CONN,SQZ,BLK,1/2NPT,.38-.50,SM | 1 |
| 3 | 6935GT | LOCKNUT,ELEC,1/2" | 1 |
| 4 | 6562GT | WIRE CABLE,16/4 SJO,BULK | 32 |
| 5 | 37765-SGT | PLATE,CONTROL BOX,"BLUE" | 1 |
| 6 | 41452-SGT | PLATE,STROBE/ALARM MTG,PAINTED | 1 |
| 7 | 45383GT | ALARM,WARBLE TONE 5-30 VDC*** Does not include 72326 nut | 1 |
| 7- | 72326GT | NUT - PLASTIC,RING FOR ALARMS | |
| 8 | 49816GT | SCREW,PHILLIPS,PHM,10-32 X .75 | |
| 9 | 6607GT | WASHER,LOCK,#10 PLTD | |
| 10 | 15513GT | NUT,HEX,10-32 | |
| 11 | 231237GT | STROBE, AC COMPAT., 12-80V AMB | 1 |
| 11- | 72282GT | LENS,AMBER,STROBE,FIREBOLT | |
| 11- | 226393GT | FLASHTUBE,STRAIGHT,360DEG,BULB | |
| 12 | 43136GT | SCREW,PHM,1/4-20 X .625 | |
| 13 | 6638GT | WASHER,FLAT,USS,1/4"Y | |

Go to Discount-Equipment.com to order your parts



702.1 Tube Caddy, Tray and Platform Locating Light



Go to DiscountEquipment.com to order your parts

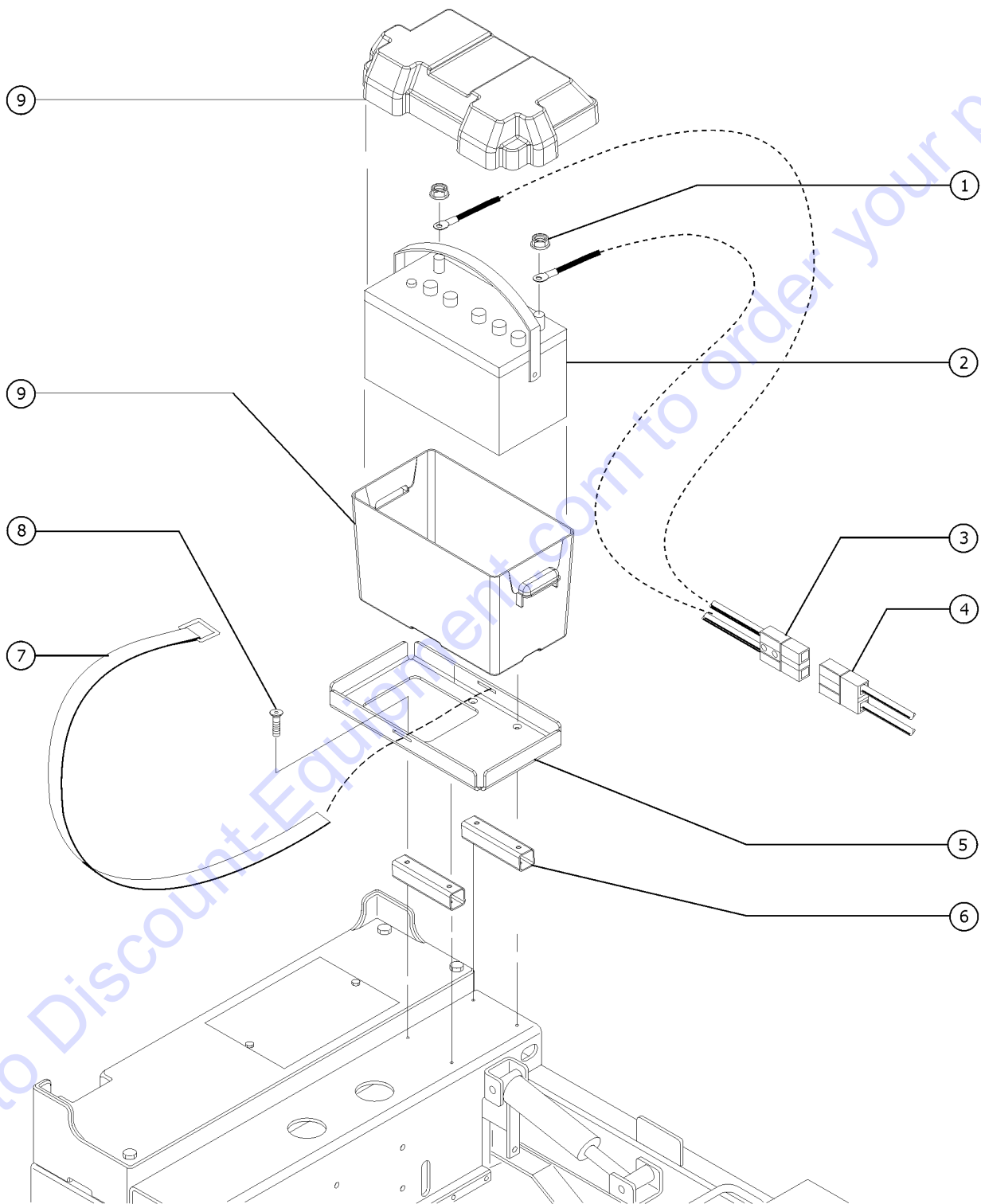
702.1 Tube Caddy, Tray and Platform Locating Light

| Item | Part No. | Description | Qty. |
|------|----------|--|------|
| 1 | 9599-SGT | TOOL TRAY ACCESSORY*** | 1 |
| 2 | 38226GT | TUBE CADDY,AWP PLATFORM*** (includes mounting hardware and assembly instructions) | 1 |
| 3 | 80995GT | PLATE, LASER LOCATOR | 1 |
| 4 | 43078GT | LASER,LOCATING ACCESSORY (includes items 3 and 5 thru 10) | 1 |
| 4- | 80993GT | LASER POINTER*** | 1 |
| 5 | 80994GT | CUSHION, LASER LOCATOR | 2 |
| 6 | 4828GT | NUT,NYLOCK,3/8-16 | |
| 7 | 6175GT | SCREW,HHC,3/8-16 X 1 | |
| 8 | 80997GT | FORMING, LASER LOCATOR (ultra narrow platform) | 1 |
| 9 | 6091GT | NUT,NYLOCK,1/4-20 | |
| 10 | 6637GT | SCREW,HHC,1/4-20 X 1.75 | |

Go to Discount-Equipment.com to order your parts



703.1 Dual Battery Package



703.1 Dual Battery Package

| Item | Part No. | Description | Qty. |
|------|-----------|---|------|
| 1 | 18503GT | NUT,LOCKING-LG.FLANGE,5/16-18 | |
| 2A | 57159GT | BATTERY,12V GRP 27,105 AH, DRY | 1 |
| | | (models with dry battery option) | |
| 2B | 60499GT | BATTERY,12V GRP27TM,105 AH,WET | |
| | | (models with wet battery option) | |
| 3A | 69228GT | CABLE ASSY,BAT PACK/RING-TERM | |
| 3A- | 96110GT | BOOT, CABLE, TERMINAL COVER | |
| 4 | 41220GT | PWR CBLE ASSY BATT TO MOTOR | 1 |
| 4- | 96110GT | BOOT, CABLE, TERMINAL COVER | |
| 5 | 1274982GT | FORMING, BATTERY TRAY | 1 |
| 6 | 1274983GT | TUBE, SPACER, BATTERY TRAY | 2 |
| 7 | 40436GT | STRAP ASSY.-BATT. HOLD DOWN | 1 |
| 8 | 40595GT | SCREW,FHS,1/4-20 X 1.75, ZINC | 4 |
| 9 | 1275097GT | BATTERY BOX, BLACK WITH LID, GROUP 27 | 1 |

Go to Discount-Equipment.com to order your parts



| <u>Part no.</u> | <u>Page Number</u> | <u>Part no.</u> | <u>Page Number</u> | <u>Part no.</u> | <u>Page Number</u> |
|-----------------|---------------------------|-----------------|----------------------------|-----------------|------------------------|
| 1268GT | 11 | 6833GT | 119 | 13757GT | 137, 139 |
| 1484GT | 11 | 6884GT | 113, 117 | 13863GT | 123 |
| 1505GT | 105 | 6886GT | 35, 45 | 13921GT | 137, 139 |
| 2095GT | 115 | 6888GT | 33, 103, 105, 109, 111, | 14016GT | 119 |
| 2223GT | 59 | 6889GT | 115, 33, 39, 83, 103, 105, | 14033GT | 45 |
| 4266GT | 111, 115 | 6898GT | 109... | 14295GT | 55, 89 |
| 4828GT | 33, 39, 45, 59, 65, 69... | 6935GT | 33, 125 | 14723GT | 125 |
| 5115GT | 47 | 7056GT | 43, 91, 97, 141 | 14815GT | 35 |
| 5135GT | 39 | 7057GT | 91, 97, 105 | 15436GT | 125 |
| 5224GT | 35 | 7339GT | 99, 101, 105, 109 | 15513GT | 85, 141 |
| 5311GT | 39 | 7713GT | 51, 79, 89, 105, 109 | 17017GT | 47 |
| 5361GT | 121 | 8149GT | 51, 53, 55, 57, 59, 63... | 17626GT | 85 |
| 5365GT | 47 | 8178GT | 119 | 18503GT | 85, 145 |
| 5397GT | 35, 39, 65, 69, 73, 85... | 8255GT | 123 | 19436GT | 85 |
| 6002GT | 39, 117, 125 | 8514GT | 41, 43, 57 | 20342GT | 97 |
| 6019GT | 33, 41, 79 | 8516GT | 35 | 20630GT | 139 |
| 6021GT | 39, 43, 45, 89, 123 | 8849GT | 79 | 20980GT | 47 |
| 6022GT | 51, 53, 55, 57 | 8915GT | 77 | 21018GT | 93, 97, 99, 123 |
| 6052GT | 51, 53, 55, 57, 59, 63 | 8920GT | 103, 105, 109, 117 | 21604GT | 79 |
| 6082GT | 123 | 9599-SGT | 61, 63 | 21982GT | 91 |
| 6086GT | 33, 47, 51, 67, 71, 75 | 10006GT | 143 | 22699GT | 103, 107, 109 |
| 6090GT | 33, 43, 53, 55, 77, 85... | 10107GT | 39 | 22788GT | 45 |
| 6091GT | 33, 11, 103, 105, 109, | 10153GT | 35, 39, 45 | 23394GT | 103, 105, 109 |
| 6095GT | 111... | 10258GT | 91, 95 | 23396GT | 103, 105, 109, 123 |
| 6097GT | 67, 71, 75 | 10597GT | 39 | 23787-SGT | 103, 105, 109 |
| 6145GT | 33, 39, 45, 51, 53, 55... | 10775GT | 89 | 23788GT | 103, 107, 109 |
| 6175GT | 85 | 10777GT | 99, 101 | 23838GT | 119 |
| 6198GT | 33, 43, 89, 111, 113, | 11306-6650GT | 99 | 24085GT | 45 |
| 6271GT | 121... | 11307GT | 125 | 24537GT | 111, 115, 117 |
| 6356GT | 45, 89 | 11335GT | 125 | 25388GT | 91 |
| 6534GT | 59 | 11806GT | 121 | 25628GT | 139 |
| 6550GT | 35, 43, 47, 79, 89, 123 | 11890GT | 49 | 25926GT | 103, 105, 109 |
| 6562GT | 65, 69, 73 | 11978GT | 65, 69, 75 | 26780GT | 115 |
| 6587GT | 59, 115 | 12011GT | 123 | 26785GT | 115, 117 |
| 6607GT | 141 | 12340GT | 47, 89 | 26787GT | 115 |
| 6633GT | 141 | 12346GT | 137, 139 | 27581GT | 11 |
| 6637GT | 105, 109 | 12461GT | 49 | 27857GT | 13, 21 |
| 6638GT | 143 | 12560GT | 47 | 27865GT | 13 |
| 6700GT | 33, 33, 11, 13, 85, 89, | 12906GT | 105, 109 | 27868GT | 13 |
| 6708GT | 117... | 13066GT | 77 | 28083GT | 123 |
| 6732GT | 125 | 13585GT | 39 | 28174GT | 13, 17, 21, 25, 27, 31 |
| 6782GT | 79, 119, 123 | 13755GT | 99 | 28235GT | 13, 17, 21, 25, 27, 31 |
| | 33 | | 129, 137, 139 | | |

| <u>Part no.</u> | <u>Page Number</u> | <u>Part no.</u> | <u>Page Number</u> | <u>Part no.</u> | <u>Page Number</u> |
|-----------------|--------------------|-----------------|---------------------------|-----------------|--------------------|
| 28372GT | 13, 21 | 35464-418-SGT | 49 | 37284PGT | 51 |
| 28487GT | 85, 123 | 35497GT | 139 | 37298GT | 41 |
| 29860GT | 33 | 35642GT | 79 | 37313GT | 41 |
| 29969-SGT | 35 | 35643GT | 79 | 37329-SGT | 35 |
| 29970-SGT | 35 | 35695GT | 65, 69, 73 | 37342GT | 79 |
| 29975GT | 41 | 35697GT | 65, 69, 73 | 37343GT | 33 |
| 30748GT | 45 | 35698GT | 67, 71, 75 | 37344GT | 35 |
| 31070GT | 13, 23 | 35699GT | 65, 69, 73 | 37350GT | 39 |
| 31071GT | 13, 25 | 35703-6813GT | 65, 69, 73 | 37363GT | 33 |
| 31073GT | 13 | 35704-6813GT | 65, 69, 73 | 37364GT | 35 |
| 31075GT | 13, 23 | 35705GT | 67, 71, 75 | 37368GT | 121 |
| 31076GT | 15 | 35706GT | 51, 53, 55, 57, 59, 63 | 37371GT | 121 |
| 31146GT | 111, 117 | 35707GT | 51, 53, 55, 57 | 37373GT | 121 |
| 31176GT | 121 | 35709GT | 51, 53, 55, 57 | 37374GT | 123 |
| 31182GT | 93, 97 | 35710GT | 51, 53, 55, 57 | 37377GT | 123 |
| 31199GT | 35 | 35711GT | 53, 55, 57 | 37378GT | 123 |
| 31245GT | 13, 21 | 35712GT | 65, 71, 75 | 37379GT | 123 |
| 31270GT | 33 | 35714GT | 65, 69, 73 | 37383GT | 125 |
| 31587GT | 11 | 35715GT | 53, 55, 57 | 37384GT | 65, 69, 73 |
| 32150GT | 11 | 35722GT | 53, 55, 57 | 37385GT | 65, 69, 73 |
| 32151GT | 11 | 35724GT | 129 | 37386GT | 65, 69, 73 |
| 32424GT | 33 | 35725GT | 129 | 37387GT | 65, 69, 73 |
| 32425GT | 35 | 35726GT | 129 | 37391GT | 111, 117 |
| 32522GT | 125 | 35727PGT | 51 | 37429GT | 35 |
| 33245PGT | 85 | 35730GT | 77 | 37668GT | 121 |
| 33576GT | 43, 47, 141 | 35733GT | 77 | 37682GT | 121, 125 |
| 33578GT | 95 | 35734GT | 77 | 37686GT | 53, 55, 57 |
| 33580GT | 103, 105, 109 | 35757GT | 51 | 37690GT | 125 |
| 33581GT | 95 | 35758GT | 53, 55, 57 | 37692GT | 125 |
| 33584GT | 97 | 35759GT | 55, 57 | 37704GT | 93, 97 |
| 33585GT | 93, 97 | 35760GT | 55 | 37732GT | 113 |
| 33586GT | 97 | 35761GT | 53, 57 | 37751GT | 43, 45 |
| 33589GT | 103, 105, 109 | 35786GT | 83 | 37754GT | 45 |
| 33590GT | 103, 105, 109 | 35846GT | 97 | 37761GT | 35, 47 |
| 33591GT | 103, 105, 109 | 35991GT | 51, 53, 55, 57, 77, 79... | 37764-SGT | 89 |
| 33605GT | 91 | 37141GT | 13 | 37765-SGT | 89, 141 |
| 33681GT | 89 | 37143GT | 13 | 37868GT | 137, 139 |
| 33720GT | 123 | 37144GT | 13 | 37947GT | 91 |
| 33724GT | 101 | 37145GT | 13 | 38001PGT | 79 |
| 34643GT | 139 | 37278GT | 35 | 38005GT | 61, 63 |
| 34732GT | 39 | 37282GT | 41 | 38011GT | 51, 53, 55, 57 |
| 35049GT | 103, 105 | 37283-SGT | 79 | 38013GT | 51, 53, 55, 57 |

| <u>Part no.</u> | <u>Page Number</u> | <u>Part no.</u> | <u>Page Number</u> | <u>Part no.</u> | <u>Page Number</u> |
|-----------------|--------------------|-----------------|--------------------|-----------------|--------------------|
| 38016GT | 51, 55 | 38601GT | 51 | 40437GT | 79 |
| 38017GT | 93, 97 | 38623GT | 35 | 40477GT | 129 |
| 38018GT | 93, 97 | 38698GT | 33 | 40478GT | 51 |
| 38026GT | 59, 63 | 38709GT | 51, 53, 55, 57 | 40483GT | 121, 125 |
| 38028GT | 51 | 38730GT | 83 | 40571GT | 129 |
| 38030GT | 123 | 38735GT | 121 | 40573GT | 123 |
| 38031GT | 121 | 38906GT | 79 | 40595GT | 145 |
| 38068GT | 129 | 38962GT | 123 | 40604GT | 79 |
| 38116GT | 13, 25, 31 | 38963GT | 121 | 40605GT | 39 |
| 38117GT | 13, 21 | 38964GT | 121 | 40606GT | 81 |
| 38119GT | 13, 25 | 38965GT | 121 | 40607GT | 139 |
| 38122GT | 13, 25 | 38966GT | 121 | 40704GT | 131 |
| 38142GT | 13 | 38975GT | 39, 121 | 40707GT | 125 |
| 38149GT | 21 | 38979GT | 35, 77 | 40735GT | 103, 105, 109 |
| 38151GT | 131 | 38980GT | 65, 69, 73 | 40945GT | 65, 69, 73 |
| 38152GT | 131 | 38983GT | 53, 55, 57 | 40946GT | 51, 53, 55, 57 |
| 38154GT | 133 | 38986GT | 65, 69, 73 | 41055GT | 83 |
| 38155GT | 131 | 39872GT | 137 | 41077GT | 77 |
| 38156GT | 131 | 40004GT | 79, 83, 89 | 41220GT | 145 |
| 38160GT | 133 | 40096GT | 39 | 41224GT | 65, 69, 73 |
| 38163GT | 131 | 40207GT | 47 | 41227GT | 103 |
| 38187GT | 65, 69, 73 | 40215GT | 139 | 41251GT | 123 |
| 38204GT | 111, 115 | 40258GT | 115 | 41292GT | 111, 117 |
| 38207GT | 109 | 40265GT | 113, 117 | 41374GT | 123 |
| 38213GT | 85 | 40267GT | 59 | 41452-SGT | 141 |
| 38215GT | 85 | 40269GT | 119 | 43078GT | 143 |
| 38216GT | 91, 95 | 40271GT | 119 | 43136GT | 141 |
| 38217GT | 91, 95 | 40285GT | 105, 109 | 43657GT | 13, 25, 31 |
| 38219GT | 113 | 40287GT | 59 | 43770GT | 43 |
| 38220GT | 115 | 40288GT | 59 | 43833-SGT | 45 |
| 38226GT | 143 | 40301GT | 85 | 43834GT | 45 |
| 38234GT | 77 | 40313GT | 77 | 43956GT | 97 |
| 38314GT | 83 | 40318GT | 133 | 44228GT | 135 |
| 38315GT | 83 | 40326GT | 121 | 44236GT | 135 |
| 38316GT | 53, 55, 57 | 40389PGT | 45 | 44292-SGT | 45 |
| 38338GT | 113, 117 | 40399GT | 131 | 44327GT | 49 |
| 38368GT | 33 | 40400GT | 131 | 44662GT | 45 |
| 38447GT | 51, 53, 55, 57 | 40401GT | 133 | 44895GT | 77 |
| 38493GT | 33 | 40417GT | 129 | 44973GT | 135 |
| 38494GT | 35 | 40430GT | 131 | 44977GT | 117 |
| 38583GT | 93, 97 | 40434GT | 15, 19 | 44979GT | 129 |
| 38586GT | 111, 115 | 40436GT | 79, 145 | 44997GT | 135 |

| <u>Part no.</u> | <u>Page Number</u> | <u>Part no.</u> | <u>Page Number</u> | <u>Part no.</u> | <u>Page Number</u> |
|-----------------|--------------------|-----------------|--------------------|-----------------|--------------------|
| 45074GT | 45 | 52943GT | 129 | 69845GT | 93, 97 |
| 45374GT | 139 | 52996GT | 13, 17, 25, 31 | 69846GT | 97 |
| 45383GT | 141 | 55010GT | 87 | 69847GT | 93 |
| 45415GT | 137, 139 | 55018GT | 87 | 69855GT | 59, 63 |
| 45425GT | 51, 53, 55, 57 | 55019GT | 87 | 71706GT | 87 |
| 45437GT | 99 | 55021GT | 87 | 72086GT | 15, 17, 21, 27 |
| 45470GT | 33, 141 | 56660GT | 111 | 72282GT | 141 |
| 46049GT | 133 | 56912GT | 37 | 72326GT | 141 |
| 46051GT | 133 | 57098GT | 39 | 72844GT | 15, 25 |
| 46078GT | 103, 105, 109 | 57116GT | 113 | 75144GT | 59 |
| 46089GT | 47 | 57138GT | 115 | 80058GT | 119 |
| 46182-SGT | 105 | 57159GT | 85, 145 | 80076GT | 91, 95, 99, 101 |
| 46215GT | 135 | 57168GT | 135 | 80618GT | 139 |
| 46216GT | 135 | 57255GT | 135 | 80619GT | 137, 139 |
| 46217GT | 135 | 58287GT | 133 | 80620GT | 139 |
| 46258GT | 135 | 58288GT | 131 | 80622GT | 139 |
| 46300GT | 41 | 60499GT | 85, 145 | 80623GT | 139 |
| 46410GT | 105 | 62045GT | 15, 17, 23, 29 | 80628GT | 139 |
| 46440GT | 87 | 62046GT | 15, 17, 23, 29 | 80629GT | 137, 139 |
| 46441GT | 87 | 62996GT | 15, 17, 23, 29 | 80630GT | 139 |
| 46561PGT | 35 | 65616GT | 45 | 80705GT | 93, 97 |
| 46608GT | 97 | 65874GT | 113 | 80706GT | 93, 97 |
| 46609GT | 97 | 66355GT | 101 | 80707GT | 93, 97 |
| 46610GT | 97 | 66356GT | 101 | 80710GT | 97 |
| 46681GT | 47 | 66399GT | 11 | 80711GT | 47, 93, 97 |
| 46695-SGT | 59 | 66812GT | 47, 91, 95 | 80712GT | 99, 101 |
| 47231GT | 119 | 66815GT | 91, 95 | 80713GT | 99, 101 |
| 48282GT | 87 | 66816GT | 91, 95 | 80714GT | 99, 101 |
| 48430GT | 49 | 66817GT | 49, 91, 95 | 80715GT | 99, 101 |
| 48519GT | 133 | 66818GT | 49, 91, 95 | 80716GT | 99, 101 |
| 48520GT | 131 | 66821GT | 49, 91, 95 | 80938GT | 39, 53, 57, 121 |
| 48614GT | 47 | 69223GT | 77 | 80940GT | 15, 17 |
| 48644GT | 13 | 69228GT | 85, 145 | 80943GT | 129 |
| 48645GT | 13, 21 | 69232GT | 59 | 80946GT | 37 |
| 49006GT | 49 | 69233GT | 59 | 80950GT | 129 |
| 49009-SGT | 47 | 69234GT | 59 | 80953GT | 37 |
| 49011-SGT | 47 | 69235GT | 59 | 80961GT | 125 |
| 49612GT | 11 | 69271GT | 47 | 80982GT | 125 |
| 49613GT | 11 | 69286GT | 47 | 80989GT | 85 |
| 49816GT | 141 | 69594GT | 45 | 80990GT | 87 |
| 52475GT | 21, 27 | 69595GT | 39 | 80993GT | 143 |
| 52912GT | 135 | 69623GT | 97 | 80994GT | 143 |

| <u>Part no.</u> | <u>Page Number</u> | <u>Part no.</u> | <u>Page Number</u> | <u>Part no.</u> | <u>Page Number</u> |
|-----------------|--------------------|-----------------|--------------------|-----------------|--------------------|
| 80995GT | 143 | 85340GT | 117 | 100194GT | 87 |
| 80997GT | 143 | 85355GT | 119 | 100255GT | 131 |
| 82366GT | 15, 19, 21, 27 | 85356GT | 119 | 100256GT | 99, 101 |
| 82475GT | 17, 29 | 85357GT | 119 | 100299GT | 133 |
| 82481GT | 17, 27 | 85358GT | 119 | 100302GT | 35 |
| 82487GT | 17, 31 | 85359GT | 123 | 100304GT | 37 |
| 82614GT | 17 | 85360GT | 121, 123 | 100305GT | 37 |
| 82782GT | 15, 17 | 85361GT | 125 | 100310GT | 35 |
| 82802GT | 15, 17, 25, 31 | 85362GT | 33 | 100311GT | 35 |
| 82907GT | 15, 21 | 85363GT | 33 | 100810GT | 79 |
| 82913GT | 17 | 85364GT | 33 | 100866GT | 131 |
| 82914GT | 17 | 85365GT | 33 | 100867GT | 131 |
| 82915GT | 17, 21, 27 | 85368GT | 47 | 100868GT | 131 |
| 82974GT | 17, 27 | 85423GT | 85 | 100869GT | 131 |
| 82975GT | 15 | 85424GT | 85 | 107020GT | 59 |
| 82986GT | 15, 21 | 85460GT | 87 | 107021GT | 59 |
| 82987GT | 17, 27 | 85473GT | 95 | 107022GT | 63 |
| 83093GT | 95 | 85486GT | 139 | 107023GT | 79 |
| 83095GT | 103, 105, 109 | 85487GT | 139 | 107058GT | 89 |
| 85217GT | 131 | 85488GT | 139 | 107059GT | 89 |
| 85239GT | 91, 95 | 85490GT | 47 | 107060GT | 89 |
| 85241GT | 59 | 85492GT | 47 | 107061GT | 89 |
| 85242GT | 59 | 85494GT | 111 | 107063GT | 39 |
| 85243GT | 59 | 85495GT | 111 | 107064GT | 39 |
| 85244GT | 59 | 85496GT | 111 | 107167GT | 91 |
| 85245GT | 33 | 85497GT | 111 | 109820GT | 121 |
| 85246GT | 33 | 85498GT | 113 | 109870GT | 77 |
| 85247GT | 33 | 85499GT | 113 | 109973GT | 137 |
| 85248GT | 33 | 90337GT | 11, 51 | 109974GT | 137 |
| 85249GT | 33 | 96008-SGT | 91, 95 | 109976GT | 137 |
| 85276GT | 91 | 96010GT | 91, 95 | 109977GT | 137 |
| 85279GT | 39 | 96110GT | 85, 145 | 109978GT | 137 |
| 85280GT | 39 | 97059GT | 87 | 109979GT | 137 |
| 85327GT | 113 | 97519GT | 15 | 109980GT | 137 |
| 85328GT | 113 | 97526GT | 15, 17 | 109982GT | 137 |
| 85329GT | 113 | 97527GT | 15, 17 | 109984GT | 137 |
| 85330GT | 113 | 97537GT | 17 | 109988GT | 77 |
| 85335GT | 113 | 97538GT | 17, 27 | 114373GT | 27 |
| 85336GT | 113 | 97775GT | 15, 17, 21, 27 | 115149GT | 95 |
| 85337GT | 117 | 97815GT | 25, 31 | 115150GT | 95 |
| 85338GT | 117 | 100158GT | 131 | 115151GT | 95 |
| 85339GT | 117 | 100193GT | 87 | 124008GT | 141 |



| <u>Part no.</u> | <u>Page Number</u> | <u>Part no.</u> | <u>Page Number</u> | <u>Part no.</u> | <u>Page Number</u> |
|-----------------|--------------------|-----------------|--------------------|-----------------|--------------------|
| 124010GT | 61, 63 | 227145GT | 45 | 1306232GT | 27 |
| 124104GT | 105 | 230000GT | 99, 101 | 1306233GT | 27 |
| 124127GT | 95 | 231237GT | 141 | 1306234GT | 31 |
| 124128GT | 95 | 823075GT | 47 | 1306235GT | 31 |
| 124130GT | 41 | 824423GT | 113, 117 | 1306270GT | 13 |
| 124133GT | 95 | 824457GT | 113 | 1306271GT | 13 |
| 124183GT | 131 | 824462GT | 113, 117 | 1306272GT | 13 |
| 124185GT | 131 | 824472GT | 113, 117 | 1306273GT | 13 |
| 124186GT | 131 | 824510GT | 113 | 1306274GT | 17 |
| 124188GT | 133 | 825155GT | 43 | 1306275GT | 17 |
| 124189GT | 131 | 1257696GT | 93, 97 | 1306276GT | 17 |
| 124191GT | 131 | 1257733GT | 11 | 1306277GT | 17 |
| 124197GT | 131 | 1258567GT | 11 | T112561GT | 101 |
| 124198GT | 131 | 1261234GT | 129 | T112563GT | 101 |
| 124221GT | 19 | 1268235GT | 51 | T114691GT | 47 |
| 124645GT | 91 | 1272242GT | 21, 27 | T114885GT | 131 |
| 124646GT | 93 | 1274982GT | 145 | | |
| 124650GT | 89 | 1274983GT | 145 | | |
| 124984GT | 125 | 1275097GT | 145 | | |
| 133046GT | 19, 23 | 1278538GT | 47 | | |
| 133496GT | 23, 29 | 1278539GT | 47 | | |
| 133497GT | 23, 29 | 1278540GT | 47 | | |
| 144161GT | 93 | 1280665GT | 91 | | |
| 145000GT | 127 | 1280819GT | 21 | | |
| 145001GT | 127 | 1281175GT | 25, 31 | | |
| 145002GT | 127 | 1294398GT | 21, 27 | | |
| 145003GT | 127 | 1294685GT | 21 | | |
| 145004GT | 127 | 1296809GT | 59, 123 | | |
| 145005GT | 127 | 1298492GT | 19, 23 | | |
| 145006GT | 127 | 1298933GT | 11 | | |
| 145007GT | 127 | 1298945GT | 25 | | |
| 145047GT | 93, 97 | 1299004GT | 21, 27 | | |
| 145094GT | 127 | 1299005GT | 25 | | |
| 145095GT | 127 | 1299006GT | 25 | | |
| 145096GT | 127 | 1299007GT | 31 | | |
| 145097GT | 127 | 1299008GT | 31 | | |
| 145191GT | 113 | 1299616GT | 31 | | |
| 145192GT | 113 | 1303593GT | 131 | | |
| 145343GT | 131 | 1306228GT | 21 | | |
| 145348GT | 33 | 1306229GT | 21 | | |
| 226393GT | 141 | 1306230GT | 25 | | |
| 226802GT | 113, 117 | 1306231GT | 25 | | |

California Proposition 65

 **WARNING**

Operating, servicing and maintaining this equipment, passenger vehicle or off-highway motor vehicle can expose you to chemicals including engine exhaust, carbon monoxide, phthalates, and lead, which are known to the State of California to cause cancer and birth defects or other reproductive harm. These chemicals can be emitted from or contained in other various parts and systems, fluids and some component wear by-products. To minimize exposure, avoid breathing exhaust, do not idle the engine except as necessary, service your equipment and vehicle in a well-ventilated area and wear gloves or wash your hands frequently when servicing your equipment or vehicle and after operation. For more information go to www.P65Warnings.ca.gov/passenger-vehicle.

Breathing diesel engine exhaust exposes you to chemicals known to the State of California to cause cancer and birth defects or other reproductive harm.

- Always start and operate the engine in a well-ventilated area.
- If in an enclosed area, vent the exhaust to the outside.
- Do not modify or tamper with the exhaust system.
- Do not idle the engine except as necessary.

For more information go to www.P65warnings.ca.gov/diesel.

Distributed By:

www.GreaseMonkeyEquipment.com to order your parts

PARTS FINDER

**Search Website
by Part Number**



**Search Manual
Library For Parts
Manual & Lookup Part
Numbers – Purchase
or Request Quote**

Search Manuals

Enter your information to help us find the right parts manual for your machine.

* Brand:

* Model:

* Serial:

* Part Number:

SEARCH

**Can't Find Part or
Manual? Request Help
by Manufacturer,
Model & Description**

Parts Order Form

Please fill in the following information to help us find the right part for your machine.

| | |
|---------------|----------------------|
| Manufacturer: | <input type="text"/> |
| Model: | <input type="text"/> |
| Description: | <input type="text"/> |
| Part Number: | <input type="text"/> |
| Quantity: | <input type="text"/> |
| Notes: | <input type="text"/> |

Submit

Discount-Equipment.com is your online resource for quality parts & equipment.

Florida: **561-964-4949** Outside Florida TOLL FREE: **877-690-3101**

Need parts?

Click on this link: <http://www.discount-equipment.com/category/5443-parts/> and choose one of the options to help get the right parts and equipment you are looking for. Please have the machine model and serial number available in order to help us get you the correct parts. If you don't find the part on the website or on one of the online manuals, please fill out the request form and one of our experienced staff members will get back to you with a quote for the right part that your machine needs.

We sell worldwide for the brands: Genie, Terex, JLG, MultiQuip, Mikasa, Essick, Whiteman, Mayco, Toro Stone, Diamond Products, Generac Magnum, Airman, Haulotte, Barreto, Power Blanket, Nifty Lift, Atlas Copco, Chicago Pneumatic, Allmand, Miller Curber, Skyjack, Lull, Skytrak, Tsurumi, Husquvarna Target, Stow, Wacker, Sakai, Mi-T-M, Sullair, Basic, Dynapac, MBW, Weber, Bartell, Bennar Newman, Haulotte, Ditch Runner, Menegotti, Morrison, Contec, Buddy, Crown, Edco, Wyco, Bomag, Laymor, EZ Trench, Bil-Jax, F.S. Curtis, Gehl Pavers, Heli, Honda, ICS/PowerGrit, IHI, Partner, Imer, Clipper, MMD, Koshin, Rice, CH&E, General Equipment, Amida, Coleman, NAC, Gradall, Square Shooter, Kent, Stanley, Tamco, Toku, Hatz, Kohler, Robin, Wisconsin, Northrock, Oztec, Toker TK, Rol-Air, APT, Wylie, Ingersoll Rand / Doosan, Innovatech, Con X, Ammann, Mecalac, Makinex, Smith Surface Prep, Small Line, Wanco, Yanmar