



A TEREX BRAND



# Parts Manual

Serial Number Range

## ***AWP Super Series***

from SN AWP05-50000 to  
AWP16-84919

from SN AWP16G-84920 to  
AWP16G-87799

Part No. 107480

Rev F5

November 2018

Go to [Discount-Equipment.com](http://Discount-Equipment.com) to order your parts

# PARTS FINDER

**Search Website  
by Part Number**



**Search Manual  
Library For Parts  
Manual & Lookup Part  
Numbers – Purchase  
or Request Quote**

**Search Manuals**

Enter your information to help us find the right parts manual for your machine.

\* Brand:

\* Model:

\* Serial:

\* Part Number:

SEARCH

**Can't Find Part or  
Manual? Request Help  
by Manufacturer,  
Model & Description**

**Parts Order Form**

Please fill in the following information to help us find the right part for your machine.

Manufacturer:	<input type="text"/>
Model:	<input type="text"/>
Description:	<input type="text"/>
Part Number:	<input type="text"/>
Quantity:	<input type="text"/>
Notes:	<input type="text"/>

Submit

Discount-Equipment.com is your online resource for quality parts & equipment.

Florida: **561-964-4949** Outside Florida TOLL FREE: **877-690-3101**

**Need parts?**

Click on this link: <http://www.discount-equipment.com/category/5443-parts/> and choose one of the options to help get the right parts and equipment you are looking for. Please have the machine model and serial number available in order to help us get you the correct parts. If you don't find the part on the website or on one of the online manuals, please fill out the request form and one of our experienced staff members will get back to you with a quote for the right part that your machine needs.

We sell worldwide for the brands: Genie, Terex, JLG, MultiQuip, Mikasa, Essick, Whiteman, Mayco, Toro Stone, Diamond Products, Generac Magnum, Airman, Haulotte, Barreto, Power Blanket, Nifty Lift, Atlas Copco, Chicago Pneumatic, Allmand, Miller Curber, Skyjack, Lull, Skytrak, Tsurumi, Husquvarna Target, Stow, Wacker, Sakai, Mi-T-M, Sullair, Basic, Dynapac, MBW, Weber, Bartell, Bennar Newman, Haulotte, Ditch Runner, Menegotti, Morrison, Contec, Buddy, Crown, Edco, Wyco, Bomag, Laymor, EZ Trench, Bil-Jax, F.S. Curtis, Gehl Pavers, Heli, Honda, ICS/PowerGrit, IHI, Partner, Imer, Clipper, MMD, Koshin, Rice, CH&E, General Equipment, Amida, Coleman, NAC, Gradall, Square Shooter, Kent, Stanley, Tamco, Toku, Hatz, Kohler, Robin, Wisconsin, Northrock, Oztec, Toker TK, Rol-Air, APT, Wylie, Ingersoll Rand / Doosan, Innovatech, Con X, Ammann, Mecalac, Makinex, Smith Surface Prep, Small Line, Wanco, Yanmar

To August 31, 2016

**Genie**  
A TEREX BRAND

Model: Serial number: AWP16G-12345

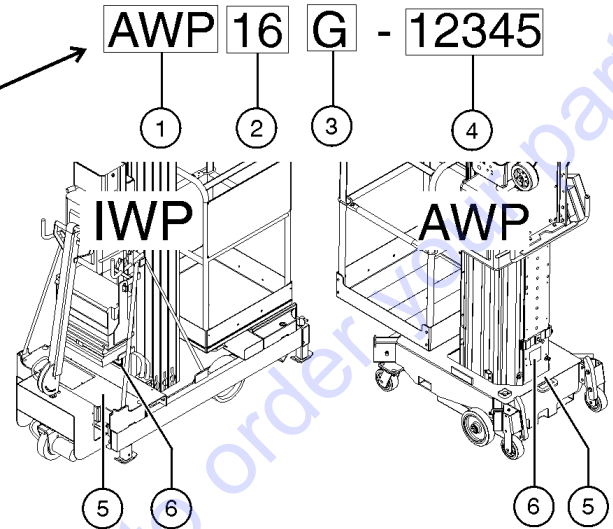
Manufacture date: 01/02/2010 Model year: 2016

Elec/Hydr Schematic:  
Power supply voltage/Pneumatic Pressure:

Nominal Power:  
Machine unladen weight:  
Max Load:  
Occupants and Equipment must not exceed:

Maximum allowable inclination of the chassis:

Maximum Wind Speed:  
Indoor:  
Outdoor:  
Gradeability:  
Maximum allowable side force:  
Maximum platform height:



- 1 Model
- 2 Model year
- 3 Facility code

- 4 Sequence number
- 5 Serial number (stamped on chassis)
- 6 Serial label

From September 1, 2016

**Genie**  
A TEREX BRAND

Model: Serial number: AWPG-12345

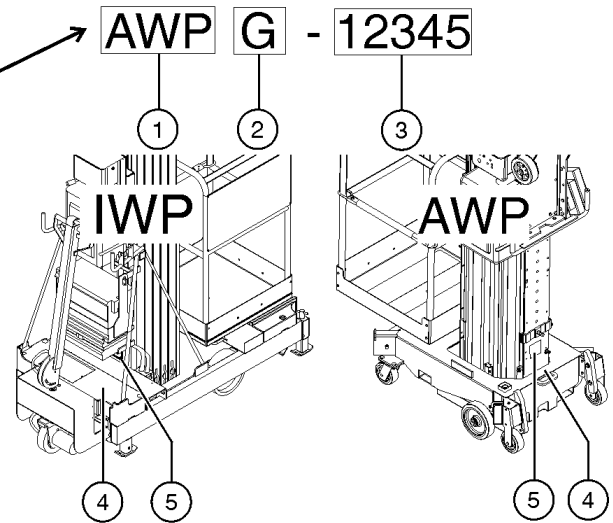
Year of Manufacture : 2016

Elec/Hydr Schematic:  
Power supply voltage/Pneumatic Pressure:

Nominal Power:  
Machine unladen weight:  
Max Load:  
Occupants and Equipment must not exceed:

Maximum allowable inclination of the chassis:

Maximum Wind Speed:  
Indoor:  
Outdoor:  
Gradeability:  
Maximum allowable side force:  
Maximum platform height:



- 1 Model
- 2 Facility code
- 3 Sequence number

- 4 Serial number (stamped on chassis)
- 5 Serial label

## Table of Contents

This manual is updated frequently. For the most up-to-date parts information, visit [www.discount-equipment.com](http://www.discount-equipment.com)

How to Read Your Serial Number.....	3
Parts Stocking List.....	7

**Electronic Version**

Click on any page number to view the figure.

**100 Decals**

101.1 Decals with Words.....	10
102.1 Decals with Symbols.....	12

**200 Base Components**

201.1 Standard Base Assembly.....	14
202.1 Narrow Base Assembly.....	18
203.1 Rough Terrain Base Assembly.....	20
204.1 Outrigger Assembly.....	22
205.1 Outrigger Assembly Cross Reference, Standard Base.....	24
205.2 Outrigger Assembly Cross Reference, Narrow & RT.....	26

**300 Mast Components**

301.1 Number 1 and 2 Column Assemblies.....	28
302.1 Number 3 and 4 Column Assemblies, AWP-20S.....	30
303.1 Number 3, 4 and 5 Column Assemblies, AWP-25S and AWP-36S.....	32
304.1 Number 3, 4, 5 and 6 Column Assemblies, AWP-30S and AWP-40S.....	34
305.1 Carriage Assembly.....	36
306.1 Lifting Chain Assembly, AWP-20S.....	38
307.1 Lifting Chain Assembly, AWP-25S and AWP-36S.....	40
308.1 Lifting Chain Assembly, AWP-30S and AWP-40S.....	42
309.1 Sequencing Cable Assembly.....	44
310.1 Mast Covers.....	48
311.1 Loading Pivot Assembly.....	50
312.1 Number 1 Column Attached Parts, Standard Base with Tilt-back Frame.....	52
313.1 Number 1 Column Attached Parts, Standard Base Model.....	54

314.1 Number 1 Column Attached Parts, Narrow or Rough Terrain Base Model.....	56
315.1 Tilt-back Frame Assembly.....	58
316.1 Outrigger Storage Bracket Assy Cross Reference.....	60

**400 Power Groups**

401.1 Battery Pack Assembly, DC Models.....	62
402.1 Battery Charger, Worldwide, Signet Model.....	64
403.1 Power Unit Installation, Standard Base, AC and DC Models.....	66
404.1 Power Unit Installation, Narrow or Rough Terrain Base, AC and DC Models.....	68
405.1 Power Unit Installation, Air Powered Models.....	70
406.1 Power Pack Installation, Narrow or Rough Terrain Base, Air Powered Models Option.....	72
407.1 Ground Controls, DC Models.....	74
408.1 Ground Controls, AC Models.....	76
409.1 Ground Controls, Air Powered Models.....	78
410.1 Platform Controls.....	80
411.1 Control Cable Assembly, AWP-20S, AWP-30S and AWP-40S, AC and DC Models.....	82
412.1 Control Cable Assembly, AWP-25S and AWP-36S, AC and DC Models.....	84
413.1 Control Hose Assemblies, Air Powered Models.....	86

**500 Platform Components**

501.1 Platform Assembly, Aluminum, Sliding Mid-rail Entry.....	88
502.1 Platform Assembly, Aluminum, Gated Entry.....	90
503.1 Platform Assembly, Aluminum, Extra Large, Front and Side Entry.....	92
504.1 Platform Assembly, Fiberglass.....	94
505.1 Platform Assembly Cross Reference Chart.....	96
505.2 Railing Assembly Cross Reference.....	98

**600 Hydraulic Components**

601.1 Lift Cylinder.....	100
602.1 Hydraulic Power Unit, DC Models.....	102
603.1 Hydraulic Power Unit, AC Models.....	104
604.1 Hydraulic Power Unit, Air Powered Models.....	106
605.1 Hydraulic Hoses and Fittings.....	108
606.1 Pneumatic Hoses and Fittings, Air Powered Models.....	110

**700 Accessories**

701.1 Operational Warning Light and Descent Alarm.....	112
702.1 Tube Caddy, Tray and Platform Locating Light.....	114

**Indices**



Part Number Index.....116  
Part Description Index.....120

**Cross References**  
Fittings Cross Reference.....126

Go to [Discount-Equipment.com](http://Discount-Equipment.com) to order your parts

## Required Parts

The following parts are required to perform maintenance procedures as outlined in the Genie AWP Super Series Service Manual.

Description	Part No.
Hydraulic Return Filter Element .....	52465
O-ring Kit (for O-ring Face Seal Fitting).....	49612
Plug and Cap Kit (for O-ring Face Seal Fitting).....	49613
Dielectric Grease .....	66399

## Recommended Parts

Description	Part No.
Genie Blue Paint, 1 Gallon .....	32150
Genie Blue Paint, 12 Ounce Aerosol.....	1484
Genie Gray Paint, 1 Gallon.....	32151
Genie Gray Paint, 12 Ounce Aerosol .....	1268

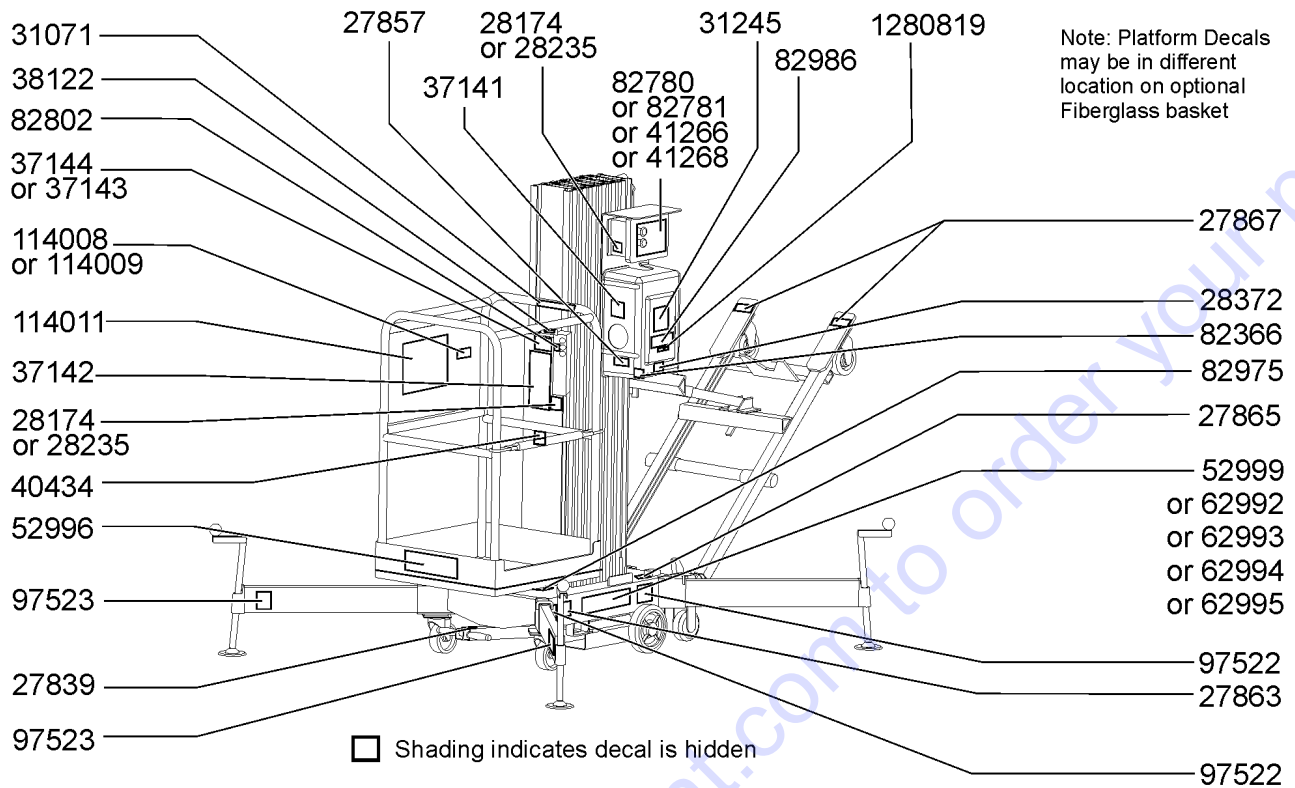
## Manuals

Genie Industries offers the following support documents for these models:

Title	Part No.
EMI Safety Manual .....	27581
Manual of Responsibilities	
ANSI A92.3 .....	31587

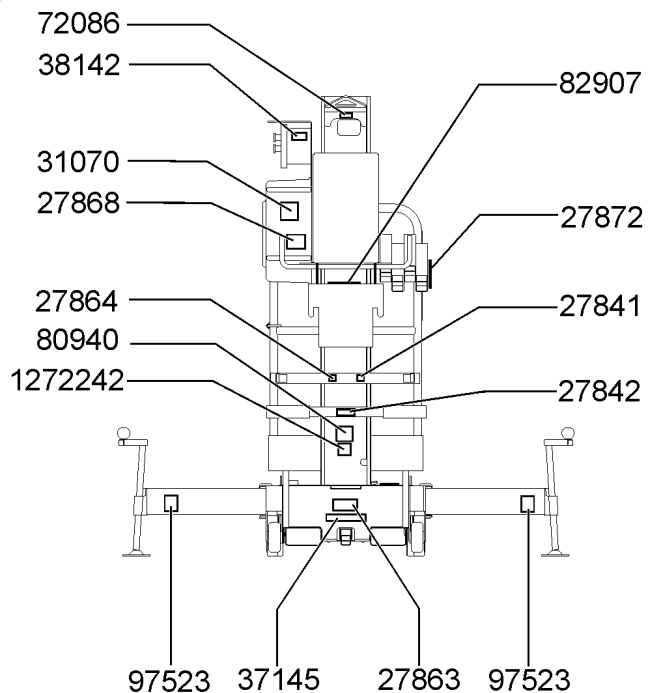
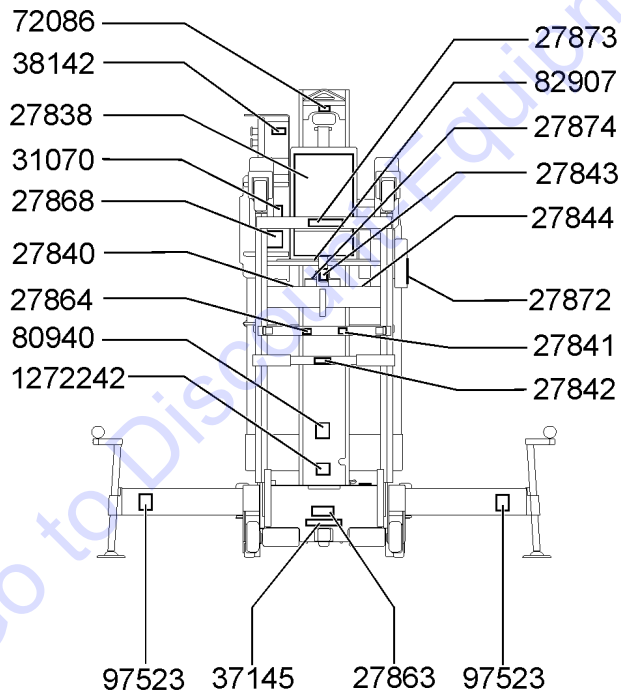
Go to Discount-Equipment.com to order your parts

101.1 Decals with Words



Models with Tilt-back Frame

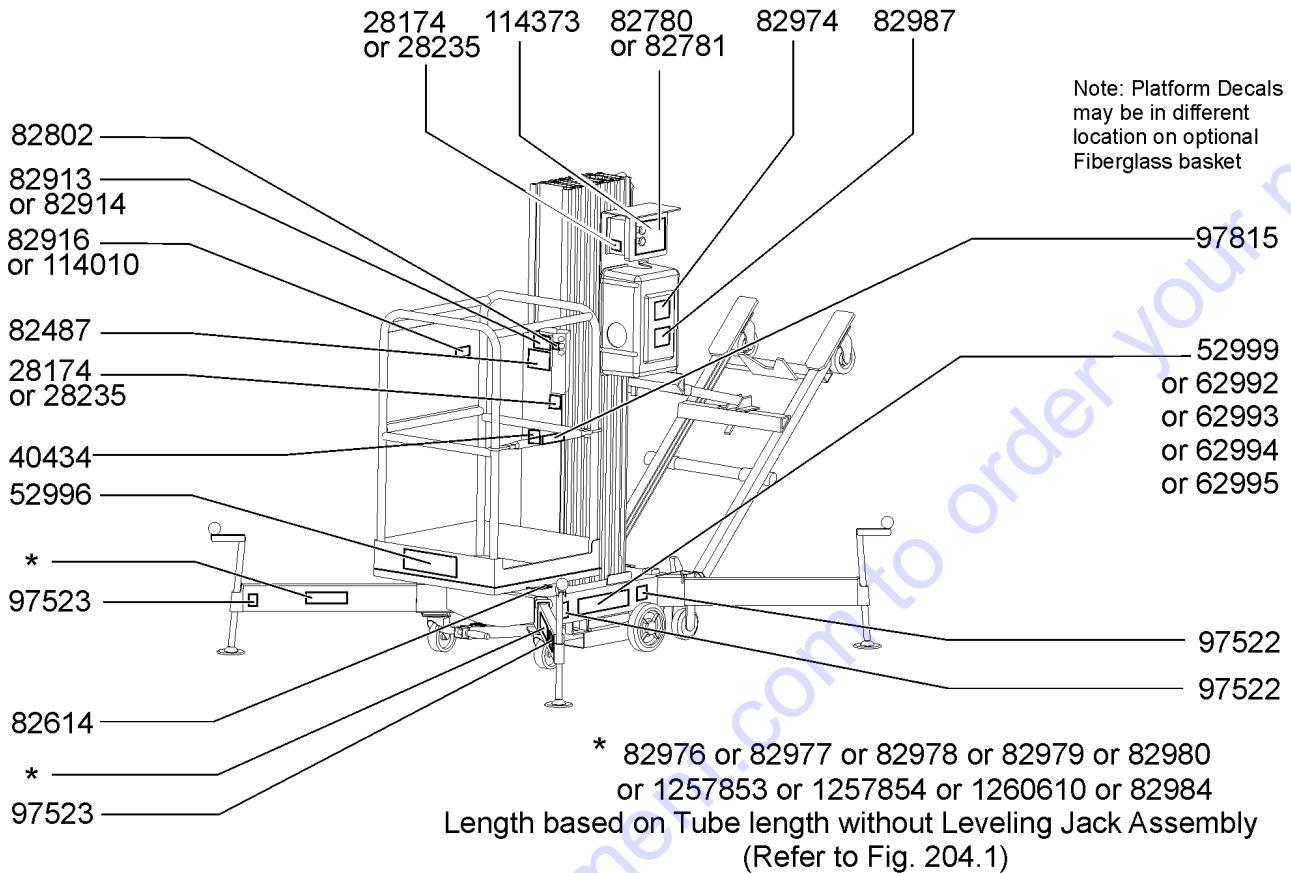
Models without Tilt-back Frame



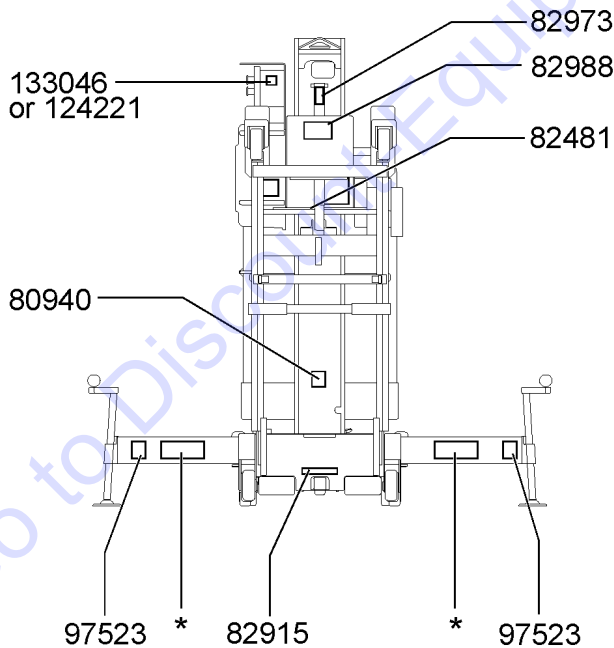
## 101.1 Decals with Words

Item	Part No.	Description	Qty.	Item	Part No.	Description	Qty.
--	107392GT	DECAL KIT, SAF/INST, WRD DECAL (models without tilt-back frame option) (includes items 2, 4, 5, 8-11, 13, 14, 17-21, 23, 24, 27, 28, 29, 32, 38-44)		28	38122GT	DECAL,LABEL, OM STORAGE.....	1
--	107393GT	DECAL KIT, SAF/INST, WRD DECAL (models with tilt-back frame option) (includes items 1-24, 27, 28, 29, 32, 38, 39-41 and 44-50)		29	38142GT	DECAL, LABEL, CIRCUIT BREAKER..... (AC models)	1
--	107394GT	DECAL KIT,PLATFORM,WRD DECAL (includes items 21, 24, 28, 32, 40 and 48)		30	40434GT	DECAL,LANYARD ANCHORAGE POINT.....	1
1	27838GT	DECAL,TILTBACK OPERATION..... (models with tilt-back option)	1	31	41266GT	DECAL,INTRLOCK.DISPLAY,AIR,STD... (Air Models)	1
2	27839GT	DECAL,SLIDING T-HANDLE.....	1	32	41268GT	DECAL,INTLOC.DISPLAY,AIR,NB/RT..... (Air Models)	1
3	27840GT	DECAL,LOCK PIN..... (models with tilt-back option)	1	33	52996GT	DECAL,COSMETIC,GENIE LOGO.....	1
4	27841GT	DECAL,STOP BRACKET.....	1	34	52999GT	DECAL,COSMETIC,GENIE AWP-20S....	2
5	27842GT	DECAL,LOADING PIVOT.....	1	35	62992GT	DECAL,COSMETIC,GENIE AWP-25S....	2
6	27843GT	DECAL,TILTBACK STRUT..... (models with tilt-back option)	1	36	62993GT	DECAL,COSMETIC,GENIE AWP-30S....	2
7	27844GT	DECAL,STRUT SOCKET..... (models with tilt-back option)	1	37	62994GT	DECAL,COSMETIC,GENIE AWP-36S....	2
8	27857GT	DECAL,COMPONENT DAMAGE,CAP....	1	38	62995GT	DECAL,COSMETIC,GENIE AWP-40S....	2
9	27863GT	DECAL,LOAD SHIFT HAZARD.....	3	39	72086GT	DECAL,LABEL,LIFTING EYE.....	1
10	27864GT	DECAL,LOWER STOP BRACKET.....	1	40	80940GT	ASSY,SER # LABEL,POWERED/GR **.....	1
11	27865GT	DECAL,BUBBLE LEVEL***.....	1	41	82366GT	DECAL,CHEVRON RANDO HD.....	1
12	27867GT	DECAL,SWIVEL LOCK..... (models with tilt-back option)	1	42	82780GT	DECAL,INTLCK DISPLY AWP STD..... (AC / DC Models)	1
13	27868GT	DECAL,DANGER-TIP OVER.....	1	43	82781GT	DECAL,INTLCK DISPLY AWP NB/RT..... (AC/DC Models)	1
14	27872GT	DECAL,TIP OVER HAZARD.....	1	44	82802GT	DECAL,LABEL,FUNCTION ENABLE..... (for ANSI models from SN AWP04-30040 and CE models to AWP04-30039)	1
15	27873GT	DECAL,MAINTAIN GRASP..... (models with tilt-back option)	1	45	82907GT	DECAL,DANGER,BATTERY SAFETY.....	1
16	27874GT	DECAL,INSERT PIN..... (models with tilt-back option)	1	46	82975GT	DECAL,DANGER,COLLISION HAZARD.....	1
17	28174GT	DECAL, POWER TO PLATFORM 230V**.....	2	47	82986GT	DECAL,DANGER,ELEC.HAZ.STAY CLR.....	1
18	28235GT	DECAL,POWER TO PLATFORM 115V....	2	48	97522GT	DECAL,LABEL,WHEEL LOAD, AWP....	4
19	28372GT	DECAL,NOTICE,BATTERY CABLES....	1	49	97523GT	DECAL,LABEL,OUTRIGGER LOAD AWP.....	4
20	31070GT	DECAL,DANGER,TIP-OVER HAZARD....	1	53	114008GT	DECAL,NOTICE-SIDE FORCE,50LBS.... (ANSI/CSA)	1
21	31071GT	DECAL,WARNING,FAILURE TO READ.....	1	54	114009GT	DECAL,NOTICE-MAN FORCE,45LBS.... (AUS)	1
22	31245GT	DECAL,WARNING,COLLISION HAZARD..... (models with tilt-back option)	1	55	114011GT	DECAL,DANGER-GENERAL SAFETY....	1
23	37141GT	DECAL, NOTICE, MANUAL LOWERING.....	1	56	1272242GT	DECAL,MACHINE REGISTRATION/OWNER TRANSFER....	1
24	37142GT	DECAL,NOTICE,OPER.INST.,AWP-S....	1	57	1280819GT	DECAL,WARNING,CANCER AND REPRODUCTIVE HARM, PROP 65.....	1
25	37143GT	DECAL,NOTICE, LOAD CAP 300.....	1				
26	37144GT	DECAL, NOTICE, LOAD CAP 350.....	1				
27	37145GT	DECAL, MANUAL LOWERING VALVE....	1				

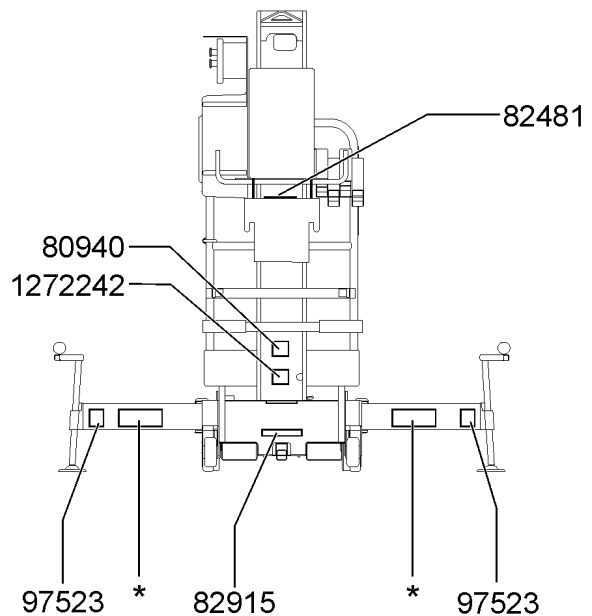
102.1 Decals with Symbols



Models with Tilt-back Frame



Models without Tilt-back Frame

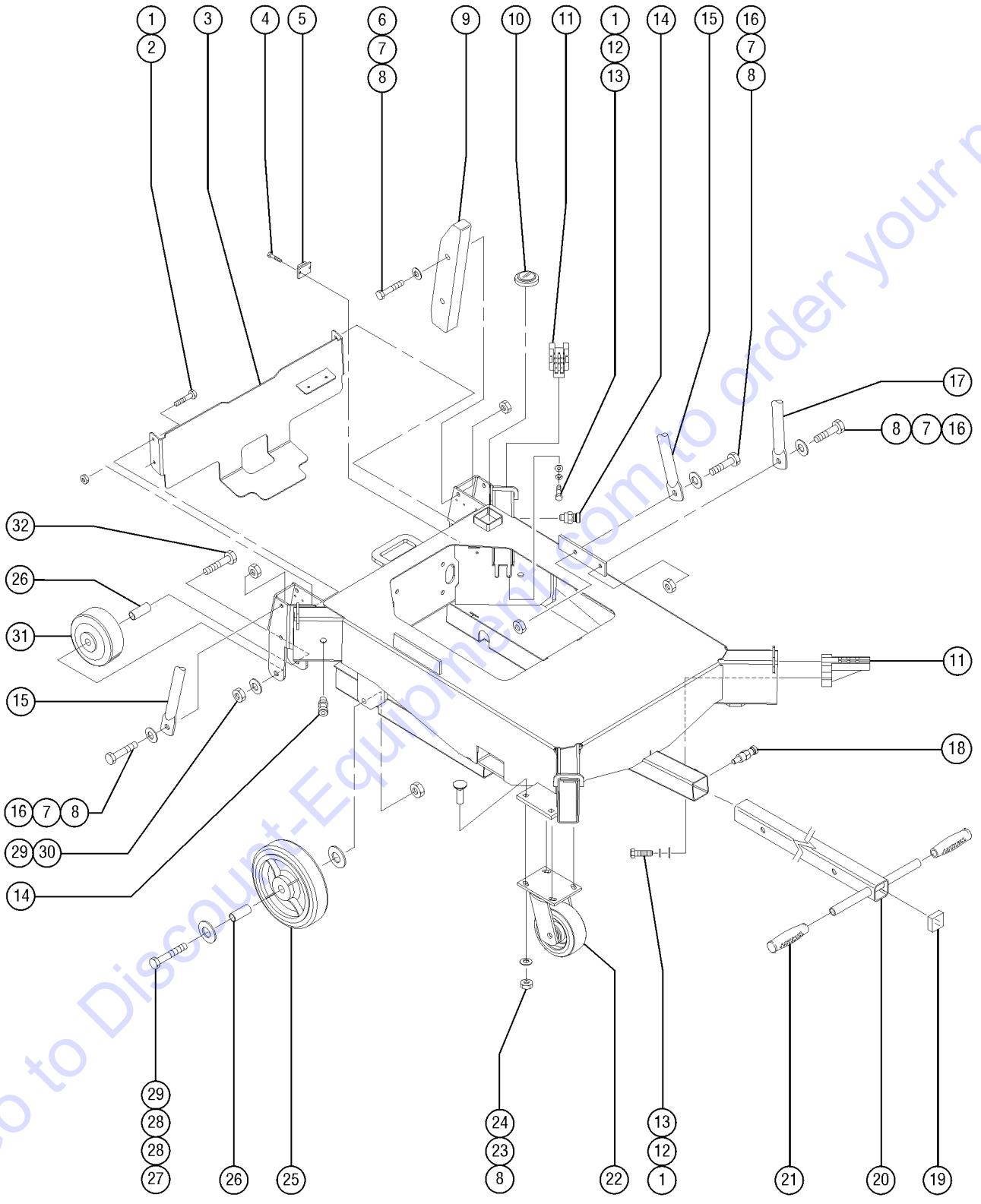


## 102.1 Decals with Symbols

Item	Part No.	Description	Qty.	Item	Part No.	Description	Qty.
--	107067GT	DECAL KIT,SAF/INST,SYM/ NO TBF (models without tilt-back frame option) (includes items 1, 2, 4, 11-13, 16, 19-22, 29, 31 and 32)		28	82984GT	DECAL,DANGER,85 IN OUTRIGGR,CE.....	4
--	107068GT	DECAL KIT,SAF/INST,SYM/ W/ TBF (models with tilt-back frame option) (includes items 1, 2, 4, 11-13, 16, 19-22, 29, 30, 31 and 32)		29	82987GT	DECAL,DANGER,ELEC.HAZ.SYMB..... (to SN 57594)	1
1	28174GT	DECAL, POWER TO PLATFORM 230V**.....	2	30	82988GT	DECAL,TILTBACK OPERATION,SYMB..... (models with tilt-back option)	1
2	28235GT	DECAL,POWER TO PLATFORM 115V.....	2	31	97522GT	DECAL,LABEL,WHEEL LOAD, AWP.....	4
3	40434GT	DECAL,LANYARD ANCHORAGE POINT.....	1	32	97523GT	DECAL,LABEL,OUTRIGGER LOAD AWP.....	4
4	52996GT	DECAL,COSMETIC,GENIE LOGO.....	2	33	97815GT	DECAL,LABEL,LOWER MIDRAIL.....	1
5	52999GT	DECAL,COSMETIC,GENIE AWP-20S.....	2	34	114010GT	DECAL,DANGER-SIDE FORCE,222N.....	1
6	62992GT	DECAL,COSMETIC,GENIE AWP-25S.....	2	35	114373GT	DECAL,CE ELECTRICUTION HAZARD..... (CE models) (from SN AWP07-57595)	1
7	62993GT	DECAL,COSMETIC,GENIE AWP-30S.....	2	36	124221GT	DECAL,INPUT POWER,110VAC.....	1
8	62994GT	DECAL,COSMETIC,GENIE AWP-36S.....	2	37	133046GT	DECAL,INPUT POWER,230VAC.....	1
9	62995GT	DECAL,COSMETIC,GENIE AWP-40S.....	2	38	1257853GT	DECAL,DNGR,75",OUTRIGGR,CE.....	4
10	80940GT	ASSY,SER # LABEL,POWERED/GR **.....	1	39	1257854GT	DECAL,DNGR,60",OUTRIGGR,CE.....	4
11	82481GT	DECAL,SYMBOL-BATTERY SAFETY.....	1	40	1260610GT	DECAL,DNGR,46",OUTRIGGR,CE.....	4
12	82487GT	DECAL, SYMBOL - READ THE MANUAL.....	1	41	1272242GT	DECAL,MACHINE REGISTRATION/OWNER TRANSFER....	1
13	82614GT	DECAL,DANGER,COLLISION HAZARD.....	1				
14	82780GT	DECAL,INTLCK DISPLY AWP STD..... (AC/DC Models)	1				
15	82781GT	DECAL,INTLCK DISPLY AWP NB/RT..... (AC/DC Models)	1				
16	82802GT	DECAL,LABEL,FUNCTION ENABLE.....	1				
17	82913GT	DECAL,DANGER, LOAD CAP 350.....	1				
18	82914GT	DECAL,DANGER, LOAD CAP 300.....	1				
19	82915GT	DECAL,LABEL,AUX LOWERING.....	1				
20	82916GT	DECAL,DANGER,MANUAL FORCE CE.....	1				
21	82973GT	DECAL,WARNING, INSERT PIN.....	1				
22	82974GT	DECAL,WARNING,COLLISION HAZARD.....	1				
23	82976GT	DECAL,DANGER,20 IN OUTRIGGR,CE.....	4				
24	82977GT	DECAL,DANGER,26 IN OUTRIGGR,CE.....	4				
25	82978GT	DECAL,DANGER,30.5 IN OUTRGR,CE.....	4				
26	82979GT	DECAL,DANGER,36 IN OUTRIGGR,CE.....	4				
27	82980GT	DECAL,DANGER,40 IN OUTRIGGR,CE.....	4				



201.1 Standard Base Assembly



## 201.1 Standard Base Assembly

Item	Part No.	Description	Qty.	Item	Part No.	Description	Qty.
A	107069GT	BASE ASSY,STD W/ WORD DECALS (USA and Canada models) (from SN 51505) (AWP-20S, AWP-25S, AWP-30S and AWP-36S) (includes items 4, 5, 10, 14 and 18)		6	5224GT	SCREW,HHC,3/8-16 X 2	
--	109605GT	WLDMT, STD BASE, AWP.....1 from SN 51505 (units prior to SN 51505 must also order 124148)	1	7	6097GT	WASHER,FLAT,USS,3/8",Y	
B	107071GT	BASE ASY,STD,WRD,AWP40,USA,CSA (USA, Canada models) (USA and Canada models) (from SN 51505) (AWP-40S) (includes item 4, 10, 14, 18)		8	4828GT	NUT,NYLOCK,3/8-16	
--	109605GT	WLDMT, STD BASE, AWP from SN 51505 (units prior to SN 51505 must also order 124148)		9	27415GT	BLOCK, GUIDE, AWP.....2	
C	107070GT	BASE ASSY,STD W/ SYM DECALS (Asia, South America and Europe models) (USA and Canada models) (from SN 51505) (AWP-20S, AWP-25S, AWP-30S and AWP-36S) (includes items 4, 5, 10, 14 and 18)		10	6714GT	LEVEL,BUBBLE.....1	
--	109605GT	WLDMT, STD BASE, AWP from SN 51505 (units prior to SN 51505 must also order 124148)		11		Ref. Outrigger Interlock Bracket Assembly, Standard Base (refer to 205.1)	
D	107072GT	BASE ASSY,STD,SYM,AWP-40S,CE (Europe models) (USA and Canada models) (from SN 51505) (AWP-40S) (includes items 4, 5, 10, 14, 18)		12	6356GT	WASHER,LOCK,.25	
--	109605GT	WLDMT, STD BASE, AWP from SN 51505 (units prior to SN 51505 must also order 124148)		13	6638GT	WASHER,FLAT,USS,1/4"Y	
1	6090GT	SCREW,HHC,1/4-20 X .75		14	6825GT	PIN,OUTRIGGER LOCK.....4	
2	6091GT	NUT,NYLOCK,1/4-20		15	32425-SGT	MAST BRACE,L.H.....1 (AWP-20S, AWP-25S and AWP-30S)	
3A	38178GT	REAR CVR ASSY,STD,WRD,AWPSS.....1 (USA, Australia, Canada models) (to SN 51504)	1	15A	32424-SGT	MAST BRACE,R.H. (AWP-20S, AWP-25S and AWP-30S)	
3B	150153GT	CVR ASSY W/ WORD DECAL, STD (USA, Australia, Canada models) (from SN 51505)		15B	38344-SGT	STRUT,TILTBACK,L.H.AWP96.....1 (AWP-36S and AWP-40S)	
3C	107073GT	REAR CVR ASSY,STD,SYM,AWPSS (Asia, South America, Europe models) (to SN 51504)		15C	38345-SGT	STRUT,TILTBACK,R.H.AWP96 (AWP-36S and AWP-40S)	
3D	150154GT	CVR ASSY W/ SYM DECAL, STD (Asia, South America, Europe models) (from SN 51505)		15D	38343-SGT	STRUT,TILTBACK,R.H.AWP96.....1 (AWP-36S and AWP-40S)	
4	10153GT	SCREW,PHIL,PHM,6-32X.38,SF.TAP		15E	38342-SGT	STRUT,TILTBACK,L.H.AWP96 (AWP-36S and AWP-40S)	
5	80708GT	TERMINAL STRIP ASSY,BASE,AWP-S.....1 (AC and DC model)	1	16	6019GT	SCREW,HHC,3/8-16 X 1.25 GRD 5	
--	74917GT	JUMPER COMB, 2-WAY,WIELAND		17	38340-SGT	STRUT, TILTBACK,L.H.AWP96.....1 (AWP-36S and AWP-40S)	
--	76479GT	TERMINAL BLK,INLINE,2-PORT		17A	38341-SGT	STRUT, TILTBACK,R.H.AWP96 (AWP-36S and AWP-40S)	
--	76480GT	TERMINAL BLK,END		18	32375GT	PIN,LOCK,LONG***.....1	
--	76481GT	TERMINAL BLK,END,4-PORT		19	46567GT	CAP, PLASTIC,1.75X.120.....1	
				20	37395GT	T-HANDLE WELDMENT,ZINC.SHORT....1 AWP-20S, AWP-25S, AWP-36S (31.87 inches)	
				20A	38348GT	WELDMENT,LONG T-HANDLE AWP-30S, AWP-40S (37.87 inches)	
				21	6587GT	HANDLE GRIP, RUBBER .75 X 4.5.....2	
				22A	57732GT	CASTER,PL, SW,5 X 2, 375 LBS*.....2	
				22B	57740GT	CASTER,PL,SW LOCK, SB, 5 X 2.....2 CE market	
				23	5397GT	WASHER,FLAT,USS,5/16",Y (to SN 51509)	
				23A	54355GT	WASHER,FLAT,SAE,3/8",Y (from SN 51510)	
				24	105092GT	BOLT,CARRIAGE,3/8-16X1.25,GR5	
				25	57787-SGT	KIT,WHEEL,TPE,8 X 2,3/4,1/2.....2	
				--	37202GT	BUSHING,3/4ODX2.44LGX.5ID	
				26	37202GT	BUSHING,3/4ODX2.44LGX.5ID.....2	
				27	47279GT	SCREW,HHC,1/2-13 X 3.75	

201.1 Standard Base Assembly  
(continued)

Item	Part No.	Description	Qty.
28	6095GT	WASHER,FLAT,USS,1/2",Y	
29	6198GT	NUT,NYLOCK,1/2-13	
30	13066GT	WASHER,FLAT,.5 HARDENED	
31	57785GT	WHEEL,TPE,5 X 2, 3/4, 1/2**.....	2
--	37202GT	BUSHING,3/4ODX2.44LGX.5ID	
32	69226GT	SCREW,AXLE,1/2-13X3.38,W/GREAS...	2

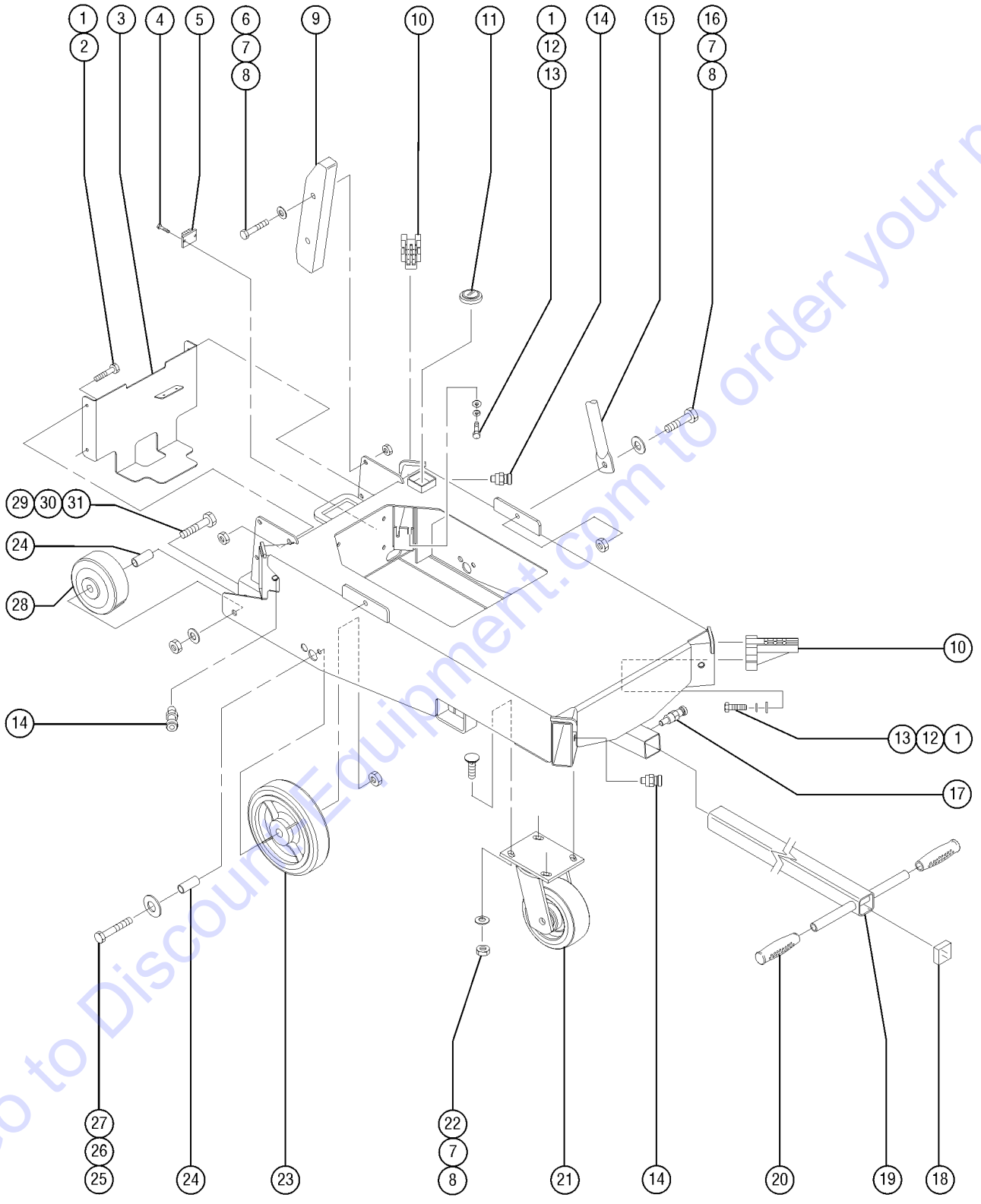
Go to Discount-Equipment.com to order your parts



***This Page Intentionally Left Blank***

Go to [Discount-Equipment.com](http://Discount-Equipment.com) to order your parts

202.1 Narrow Base Assembly

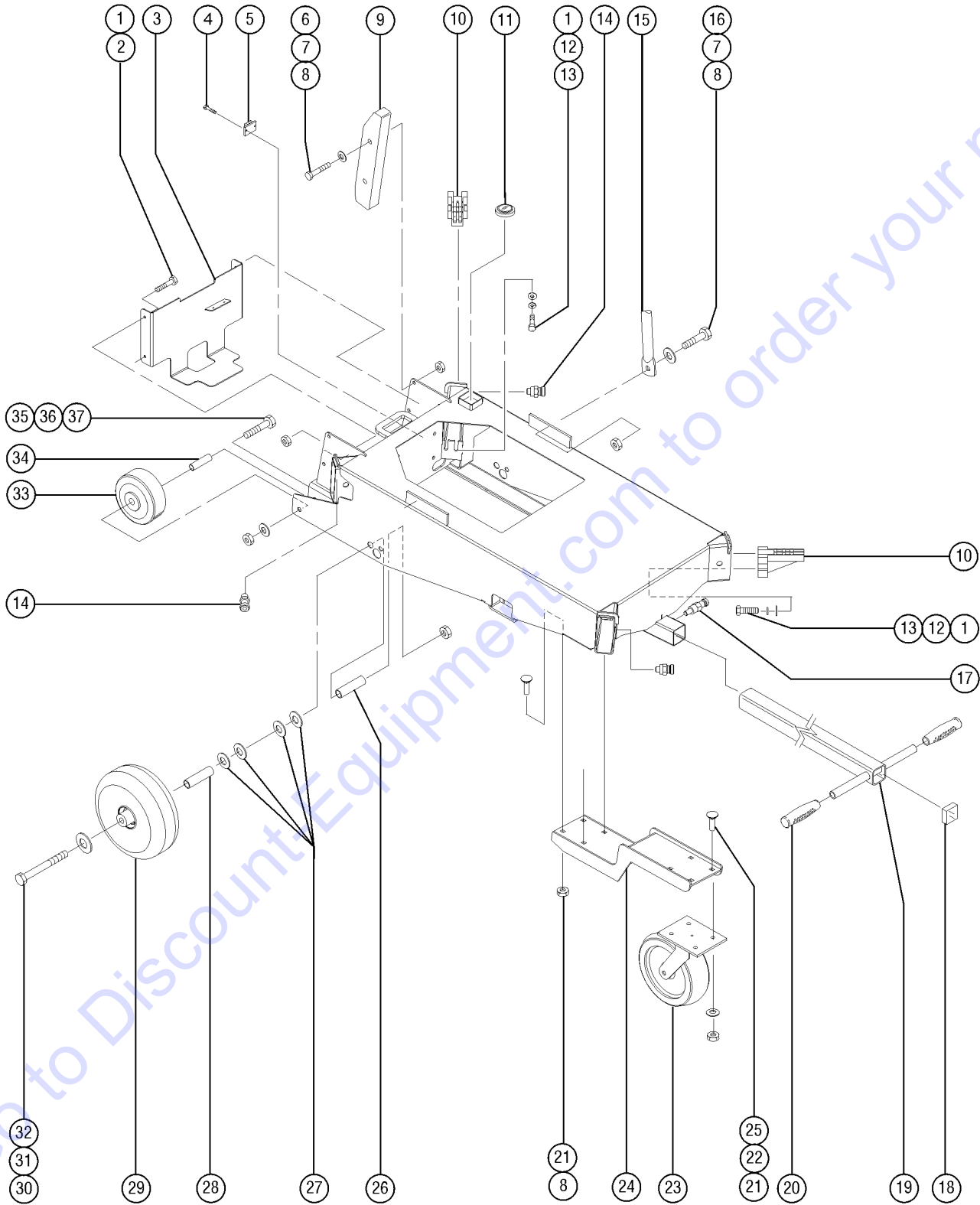


## 202.1 Narrow Base Assembly

Item	Part No.	Description	Qty.	Item	Part No.	Description	Qty.
A	40272GT	BASE ASSY., NRW.& RT., AWP-S (USA, Australia and Canada models) (includes items 4, 5, 11 and 14)		15A	32424-SGT	MAST BRACE,R.H.....1 (AWP-20S, AWP-25S and AWP-30S)	1
--	109595GT	WLDMT, NRW BASE, AWP from SN 51505 (units prior to SN 51505 must order 124153 and 2 of 109665)		16	6019GT	SCREW,HHC,3/8-16 X 1.25 GRD 5	
B	107074GT	BASE ASSY,NRW,SYMB,AWPSS * (Asia, South America and Europe models) (includes items 4, 5 and 11 and 14)		17	32375GT	PIN,LOCK,LONG***.....1	1
--	109595GT	WLDMT, NRW BASE, AWP from SN 51505 (units prior to SN 51505 must order 124153 and 2 of 109665)		18	46567GT	CAP, PLASTIC,1.75X.120.....1	1
--	80362GT	KIT,CONVERSION, RT BASE, AWP		19	37395GT	T-HANDLE WELDMENT,ZINC,SHORT....1 (AWP-20S, AWP-25S and AWP-30S) (31.87 inches)	1
1	6090GT	SCREW,HHC,1/4-20 X .75		20	6587GT	HANDLE GRIP, RUBBER .75 X 4.5.....2	
2	6091GT	NUT,NYLOCK,1/4-20		21	57732GT	CASTER,PL, SW,5 X 2, 375 LBS*.....2	
3	40273GT	COVER ASSY W/WRD DECAL,NRW/RT*.....1 (USA, Australia and Canada models) (to SN 51504)	1	22	105092GT	BOLT,CARRIAGE,3/8-16X1.25,GR5	
3A	107075GT	COVER ASSY W/SYM DECAL,NRW/RT* (Asia, South america, Europe models) (to SN 51504)		23	57787-SGT	KIT,WHEEL,TPE,8 X 2,3/4,1/2.....2 (includes bushing 37202)	2
3B	150155GT	COVER ASSY W/WRD DECAL,NRW/RT* (from SN 51505)		24	37202GT	BUSHING,3/4ODX2.44LGX.5ID.....2	2
3C	150156GT	COVER ASSY W/SYM DECAL,NRW/RT* (from SN 51505)		25	47279GT	SCREW,HHC,1/2-13 X 3.75	
4	10153GT	SCREW,PHIL,PHM,6-32X.38,SF.TAP		26	6095GT	WASHER,FLAT,USS,1/2",Y	
5	80708GT	TERMINAL STRIP ASSY,BASE,AWP-S.....1 (AC and DC models)	1	27	6086GT	NUT,LP NYLOCK,1/2-13	
--	74917GT	JUMPER COMB, 2-WAY,WIELAND		28	57785GT	WHEEL,TPE,5 X 2, 3/4, 1/2**.....2 (includes bushing 37202)	2
--	76479GT	TERMINAL BLK,INLINE,2-PORT		--	37202GT	BUSHING,3/4ODX2.44LGX.5ID	
--	76480GT	TERMINAL BLK,END		29	69226GT	SCREW,AXLE,1/2-13X3.38,W/GREAS...2	2
--	76481GT	TERMINAL BLK,END,4-PORT		30	13066GT	WASHER,FLAT,.5 HARDENED	
6	5224GT	SCREW,HHC,3/8-16 X 2		31	6198GT	NUT,NYLOCK,1/2-13	
7	6097GT	WASHER,FLAT,USS,3/8",Y (to SN 51509)					
7A	54355GT	WASHER,FLAT,SAE,3/8",Y (from SN 51510)					
8	4828GT	NUT,NYLOCK,3/8-16					
9	27415GT	BLOCK, GUIDE, AWP.....2	2				
10		Ref. Outrigger Interlock Bracket Assembly (refer to 205.1)					
11	6714GT	LEVEL,BUBBLE.....1	1				
12	6356GT	WASHER,LOCK,.25					
13	6638GT	WASHER,FLAT,USS,1/4"Y					
14	6825GT	PIN,OUTRIGGER LOCK.....4	4				
15	32425-SGT	MAST BRACE,L.H.....1 (AWP-20S, AWP-25S and AWP-30S)	1				



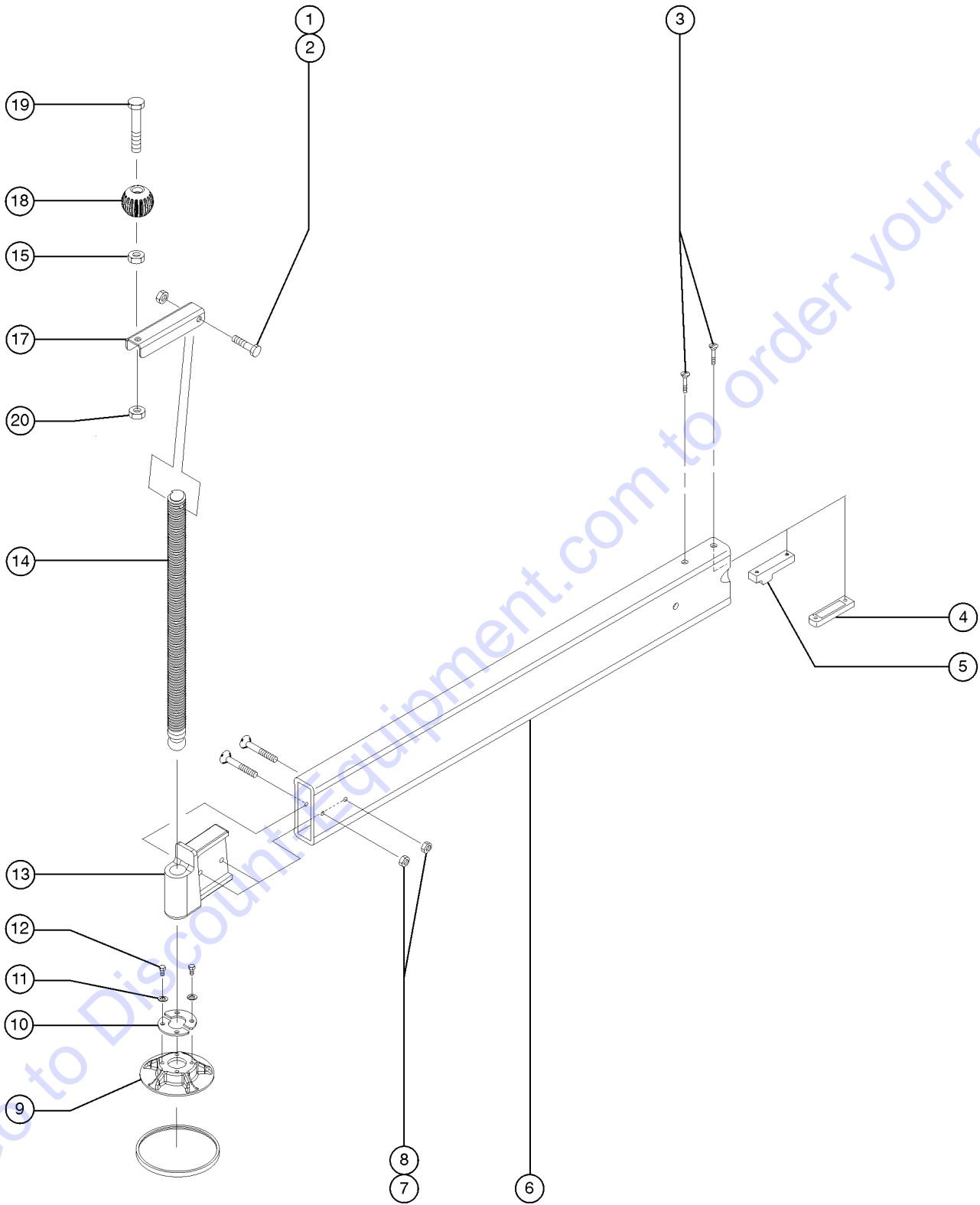
203.1 Rough Terrain Base Assembly



## 203.1 Rough Terrain Base Assembly

Item	Part No.	Description	Qty.	Item	Part No.	Description	Qty.
--	107074GT	BASE ASSY,NRW,SYMB,AWPSS * (Asia, South America and Europe models) (includes items 4, 5, 11 and 14)		20	6587GT	HANDLE GRIP, RUBBER .75 X 4.5.....	2
--	40272GT	BASE ASSY., NRW.& RT., AWP-S (USA, Australia and Canada models) (includes items 4, 5, 11 and 14)		21	64154GT	BOLT,CARRIAGE,3/8-16 X1.00,G5	
--	80363GT	KIT,CONVERSION,NARROW BASE,AWP		22	54355GT	WASHER,FLAT,SAE,3/8",Y	
1	6090GT	SCREW,HHC,1/4-20 X .75		22A	6097GT	WASHER,FLAT,USS,3/8",Y (to SN 51509)	
2	6091GT	NUT,NYLOCK,1/4-20		23	38702GT	CASTER, 8", FULL PNEUMATIC.....	2
3	40273GT	COVER ASSY W/WRD DECAL,NRW/RT* .....1 (USA, Australia and Canada models) (to SN 51504)	1	24	38708-SGT	WELDMENT,CASTER MNT.AWP-S,RT.....2 (to SN 51504)	2
3A	107075GT	COVER ASSY W/SYM DECAL,NRW/RT* (Asia, South America and Europe models) (to SN 51504)		24A	109665GT	WELDMENT, CASTER MOUNT, RT (from SN 51505)	
3B	150155GT	COVER ASSY W/WRD DECAL,NRW/RT* (USA, Australia and Canada models) (from SN 51505)		25	7713GT	NUT, LP NYLOCK, 3/8-16	
3C	150156GT	COVER ASSY W/SYM DECAL,NRW/RT* (Asia, South America and Europe models) (from SN 51505)		26	57099GT	SPACER,.75X1.00,2.50" LG.....	2
4	10153GT	SCREW,PHIL,PHM,6-32X.38,SF.TAP		27	30748GT	WASHER,SHIM,1.01 X 1.63 X.062	
5	80708GT	TERMINAL STRIP ASSY,BASE,AWP-S.....1 (AC and DC models)	1	28	57098GT	BUSHNG,SPANNER,.75X1.00X3.5 LG...2	
--	74917GT	JUMPER COMB, 2-WAY,WIELAND		29	57252GT	WHEEL,PNEUMATIC,10",1" HUB***.....2	
--	76479GT	TERMINAL BLK,INLINE,2-PORT		30	57100GT	SCREW,HHC,3/4-10 X 8	
--	76480GT	TERMINAL BLK,END		31	6564GT	WASHER, SHIM,.765 X 1.312 X .093	
--	76481GT	TERMINAL BLK,END,4-PORT		32	10258GT	NUT,NYLOCK,3/4-10,GRD.2	
6	5224GT	SCREW,HHC,3/8-16 X 2		33	57785GT	WHEEL,TPE,5 X 2, 3/4, 1/2**.....	2
7	6097GT	WASHER,FLAT,USS,3/8",Y		34	37202GT	BUSHING,3/4ODX2.44LGX.5ID.....	2
8	4828GT	NUT,NYLOCK,3/8-16		35	69226GT	SCREW,AXLE,1/2-13X3.38,W/GREAS...2	
9	27415GT	BLOCK, GUIDE, AWP.....	2	36	13066GT	WASHER,FLAT,.5 HARDENED	
10		Ref. Outrigger Interlock Bracket Assembly (refer to 205.1)		37	6198GT	NUT,NYLOCK,1/2-13	
11	6714GT	LEVEL,BUBBLE.....	1				
12	6356GT	WASHER,LOCK,.25					
13	6638GT	WASHER,FLAT,USS,1/4"Y					
14	6825GT	PIN,OUTRIGGER LOCK.....	4				
15	32425-SGT	MAST BRACE,L.H.....1 (AWP-20S, AWP-25S and AWP-30S)	1				
15A	32424-SGT	MAST BRACE,R.H. (AWP-20S, AWP-25S and AWP-30S)					
16	6019GT	SCREW,HHC,3/8-16 X 1.25 GRD 5					
17	32375GT	PIN,LOCK,LONG***.....	1				
18	46567GT	CAP, PLASTIC,1.75X.120.....	1				
19	37395GT	T-HANDLE WELDMENT,ZINC,SHORT....1 (AWP-20S, AWP-25S and AWP-30S) (31.87 inches)	1				

204.1 Outrigger Assembly



## 204.1 Outrigger Assembly

Item	Part No.	Description	Qty.
--	109713GT	LEVELING JACK ASSEMBLY,AWP*** <i>(includes items 1, 2 and 9 - 19)</i>	
1	49377GT	SCREW,HHC,M6 X 40.....	1
2	49364GT	NUT,NYLOCK,M6X1.00.....	1
3	38596GT	SCREW,FHM,10-32X.5PHIL.W/PATCH...2	
4		Ref. Outrigger Contact Assembly <i>(AC and DC Models) ( refer to 205.1)</i>	
5		Ref. Outrigger Contact Assembly <i>(Air Models) (refer to 205.1)</i>	
6		Ref. Outrigger Tube Assembly <i>(refer to 205.1)</i>	
7	7713GT	NUT, LP NYLOCK, 3/8-16.....	2
8	6610GT	SCREW,FHS,3/8-16 X 2 GRD.8.....	2
9A	124163GT	FOOTPAD SERVICE KIT.....1 <i>(to SN AWP07-58785) (includes items 1-2, 9-12, 14-15)</i>	
9B	124793GT	KIT,FOOTPAD,AWP.....1 <i>(from SN AWP07-58786) (includes items 9-12)</i>	
10	109715GT	PLATE,FOOTPAD RETAINER.....	2
11	124792GT	WASHER,LOCK SPLIT,6MM,11.8MM....	4
12	124552GT	SCREW,HHC,M6-12MM.....	4
13	24900GT	LEVELING JACK CASTING,AWP.....	1
14	109689GT	LEVELING ROD.....	1
15	124569GT	NUT,HEX,M10X1.5.LP.....	1
17	8214GT	HANDLE,LEVELING JACK,SHRT-ZINC.....	1
18	6082GT	HANDLE BALL KNOB.....	1
19	124568GT	SCREW,SHC,M10X1.5X55.....	1
20	22736GT	NUT,NYLOCK,M10X1.50.....	1

## 205.1 Outrigger Assembly Cross Reference, Standard Base

## Standard Base

Applicable Standard / Region	AWP-20S (AC or DC)	AWP-25S (AC or DC)	AWP-30S (AC or DC)	AWP-30S (Air)	AWP-36S (AC or DC)	AWP-40S (AC or DC)
ANSI/CSA (USA, Asia, South America, Canada)						
Outrigger Assembly, Complete	107400	107400	107401	107402	107403	107404
Outrigger Tube Assembly (Fig. 204.1, item 6)	107100	107100	107102	107119	107104	107106
Interlock Bracket Assembly (Fig 201, item 11, Fig. 202.1 or 203.1, item 10)	40290	40290	40291	43006	40292	40292
Outrigger Contact Assembly (Fig. 204.1, item 4 or item 5)	40494	40494	40495	40954	40497	40498
CE (Europe) Indo or						
Outrigger Assembly, Complete	107405	107406	107407	107408	107409	107410
Outrigger Tube Assembly (Fig. 204.1, item 6)	107108	107109	107110	107122	107115	107116
Interlock Bracket Assembly (Fig 201, item 11, Fig. 202.1 or 203.1, item 10)	40290	40291	41336	43007	40292	40293
Outrigger Contact Assembly (Fig. 204.1, item 4 or item 5)	40494	40495	40496	40955	40497	40498
CE (Europe) Outdoor						
Outrigger Assembly	107411	107412	107412	1258584	107414	107415
Outrigger Tube Assembly (Fig. 204.1, item 6)	1258599	1257846	1257846	1257846	1257847	107118
Interlock Bracket Assembly (Fig 201, item 11, Fig. 202.1 or 203.1, item 10)	40290	40291	41336	43011	40292	40293
Outrigger Contact Assembly (Fig. 204.1, item 4 or item 5)	43622	43623	43623	41491	43624	43625

Outrigger Assembly, Complete includes items 1 through 20, figure 204.1

Outrigger Tube Assembly, Complete includes items 3 through 8, figure 204.1

## 205.1 Outrigger Assembly Cross Reference, Standard Base

Item	Part No.	Description	Qty.	Item	Part No.	Description	Qty.
1	40290GT	BRKT.INTLCK.CONTC.20"OUTRIGGER.4		44	107410GT	OUTRIGGER ASSY,STD,40,CE	
2	40291GT	BRKT.INTLCK.CONTC.26"OUTRIGGER		45	107411GT	OUTRIGGER ASSY,STD,20,CE	
3	40292GT	BRKT.INTLCK.CONTC.36"OUTRIGGER		46	107412GT	OUTRIGGER ASSY,STD,25/30,CE	
4	40293GT	BRKT.INTLCK.CONTC.40"OUTRIGGER		47	107414GT	OUTRIGGER ASSY,STD,36,CE	
5	40494GT	CONTACT ASSY., 20" OUTRIGGER.....4		48	107415GT	OUTRIGGER ASSY,STD,40,CE	
6	40495GT	CONTACT ASSY,26" OUTRIGGER		49	1257846GT	ASSY,OUTRIG TUBE,60",CE,SYM	
7	40496GT	CONTACT ASSY.,30.5" OUTRIGGER		50	1257846GT	ASSY,OUTRIG TUBE,60",CE,SYM	
8	40497GT	CONTACT ASSY.,36" OUTRIGGER		51	1257847GT	ASSY,OUTRIG TUBE,75",CE,SYM	
9	40498GT	CONTACT ASSY.,40" OUTRIGGER		52	1258584GT	OUTRIGGER ASSY,STD,30 AIR,CE	
10	40953GT	CAM,RIGHT		53	1258599GT	OUTRIGGER TUBE 46" CE,S-SERIES	
11	40954GT	CAM,MIDDLE					
12	40955GT	CAM,LEFT					
13	41336GT	BRKT.INTLCK.CONTC.30.5"OUTRIGR					
14	41491GT	CAM,DOUBLE LEFT					
15	43006GT	BRKT.INTERLOCK ASSY,26"-AIR					
16	43007GT	BRKT.INTERLOCK ASSY,30.5"-AIR					
17	43011GT	BRKT.INTERLOCK ASSY,60"-AIR					
18	43622GT	CONTACT ASSY.,46",CE OUTRIGGER					
19	43623GT	CONTACT ASSY.,60",CE OUTRIGGER					
20	43624GT	CONTACT ASSY.,75",CE OUTRIGGER					
21	43625GT	CONTACT ASSY.,85",CE OUTRIGGER					
22	107100GT	OUTRIG.TUBE ASSY,20",ANSI,WRD.....4					
23	107102GT	OUTRIG TUBE ASSY,26"CSA,WRD					
24	107104GT	OUTRIG TUBE ASSY,36",WRD DECAL					
25	107106GT	OUTRIG TUBE ASSY,40",ANSI,WRD					
26	107108GT	OUTRIG TUBE ASSY,20",CE,SYM					
27	107109GT	OUTRIG TUBE ASSY,26",CE,SYM					
28	107110GT	OUTRIG TUBE ASSY,30.5",CE,SYM					
29	107115GT	OUTRIG TUBE ASSY,36",CE,SYM					
30	107116GT	OUTRIG TUBE ASSY,40",CE,SYM					
31	107118GT	OUTRIG TUBE ASSY,85",CE,SYM					
32	107119GT	OUTRIG TUBE ASSY,26",ANSI,WRD					
33	107122GT	OUTRIG.TUBE ASSY,30.5,CE,SYM					
34	107400GT	OUTRIGGER ASSY,STD,20/25.....4					
35	107401GT	OUTRIGGER ASSY,STD,30					
36	107402GT	OUTRIGGER ASSY,STD,30 AIR					
37	107403GT	OUTRIGGER ASSY,STD,36					
38	107404GT	OUTRIGGER ASSY,STD,40					
39	107405GT	OUTRIGGER ASSY,STD,20,CE					
40	107406GT	OUTRIGGER ASSY,STD,25,CE					
41	107407GT	OUTRIGGER ASSY,STD,30,CE					
42	107408GT	OUTRIGGER ASSY,STD,30 AIR,CE					
43	107409GT	OUTRIGGER ASSY,STD,36,CE					



## 205.2 Outrigger Assembly Cross Reference, Narrow &amp; RT

## Narrow Base or Rough Terrain Base

Applicable Standard / Region	AWP-20S (AC or DC)	AWP-25S (AC or DC)	AWP-30S (AC or DC)	AWP-30S (Air)
ANSI/CSA (USA, Asia, South America, Canada)				
Outrigger Assembly, Complete	107416 (20")	107416 (20")	107417 (26")	107418 (26")
Outrigger Tube Assembly (Fig. 204.1, item 6)	107100 (20")	107100 (20")	107102 (26")	107119 (26")
Interlock Bracket Assembly (Fig 201, item 11, Fig. 202.1 or 203.1, item 10)	40290	40290	40291	43006
Outrigger Contact Assembly (Fig. 204.1, item 4 or item 5)	40494	40494	40495	40954
CE (Europe) Indo or				
Outrigger Assembly, Complete	107419 (26")	107419 (26")	107420 (36")	107421 (36")
Outrigger Tube Assembly (Fig. 204.1, item 6)	107109 (26")	107109 (26")	107115 (36")	107123 (36")
Interlock Bracket Assembly (Fig 201, item 11, Fig. 202.1 or 203.1, item 10)	40291	40291	40292	43008
Outrigger Contact Assembly (Fig. 204.1, item 4 or item 5)	40494	40495	40497	40955

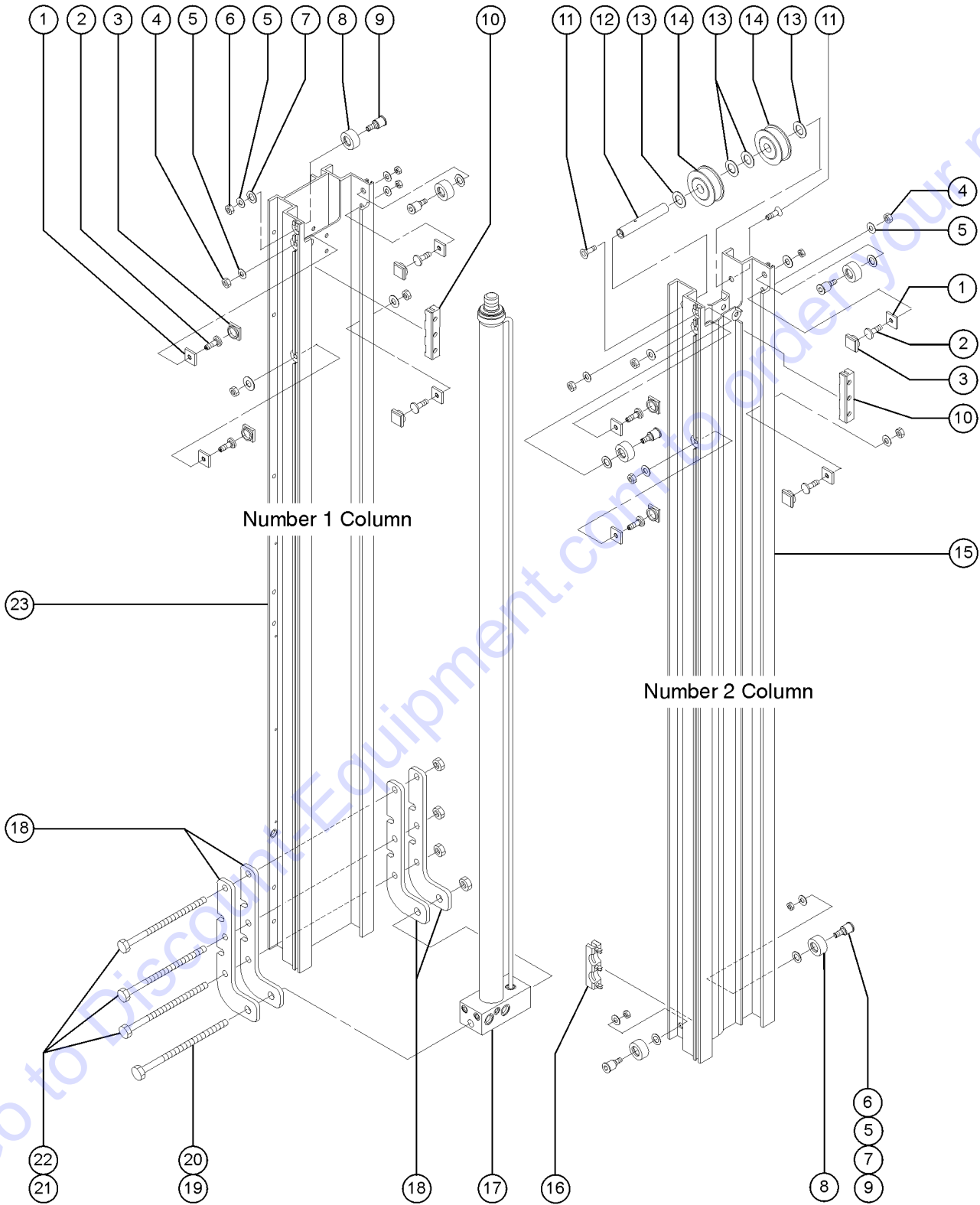
Outrigger Assembly, Complete includes items 1 through 20, figure 204.1

Outrigger Tube Assembly, Complete includes items 3 through 8, figure 204.1

## 205.2 Outrigger Assembly Cross Reference, Narrow &amp; RT

Item	Part No.	Description	Qty.
1	40290GT	BRKT.INTLCK.CONTC.20"OUTRIGGER.4	
2	40291GT	BRKT.INTLCK.CONTC.26"OUTRIGGER	
3	40292GT	BRKT.INTLCK.CONTC.36"OUTRIGGER	
4	40494GT	CONTACT ASSY., 20" OUTRIGGER.....4	
5	40495GT	CONTACT ASSY,26" OUTRIGGER	
6	40497GT	CONTACT ASSY.,36" OUTRIGGER	
7	40954GT	CAM,MIDDLE	
8	40955GT	CAM,LEFT	
9	43006GT	BRKT.INTERLOCK ASSY,26"-AIR	
10	43008GT	BRKT.INTERLOCK ASSY,36"-AIR	
11	107100GT	OUTRIG.TUBE ASSY,20",ANSI,WRD.....4	
12	107102GT	OUTRIG TUBE ASSY,26"CSA,WRD	
13	107109GT	OUTRIG TUBE ASSY,26",CE,SYM	
14	107115GT	OUTRIG TUBE ASSY,36",CE,SYM	
15	107119GT	OUTRIG TUBE ASSY,26",ANSI,WRD	
16	107123GT	OUTRIG. TUBE ASSY,36",CE,SYM	
17	107416GT	OUTRIGGER ASSY,NRW,20/25.....4	
18	107417GT	OUTRIGGER ASSY,NRW,30	
19	107418GT	OUTRIGGER ASSY,NRW,30 AIR	
20	107419GT	OUTRIGGER ASSY,NRW,20/25,CE	
21	107420GT	OUTRIGGER ASSY,NRW,30	
22	107421GT	OUTRIGGER ASSY,NRW,30 AIR	

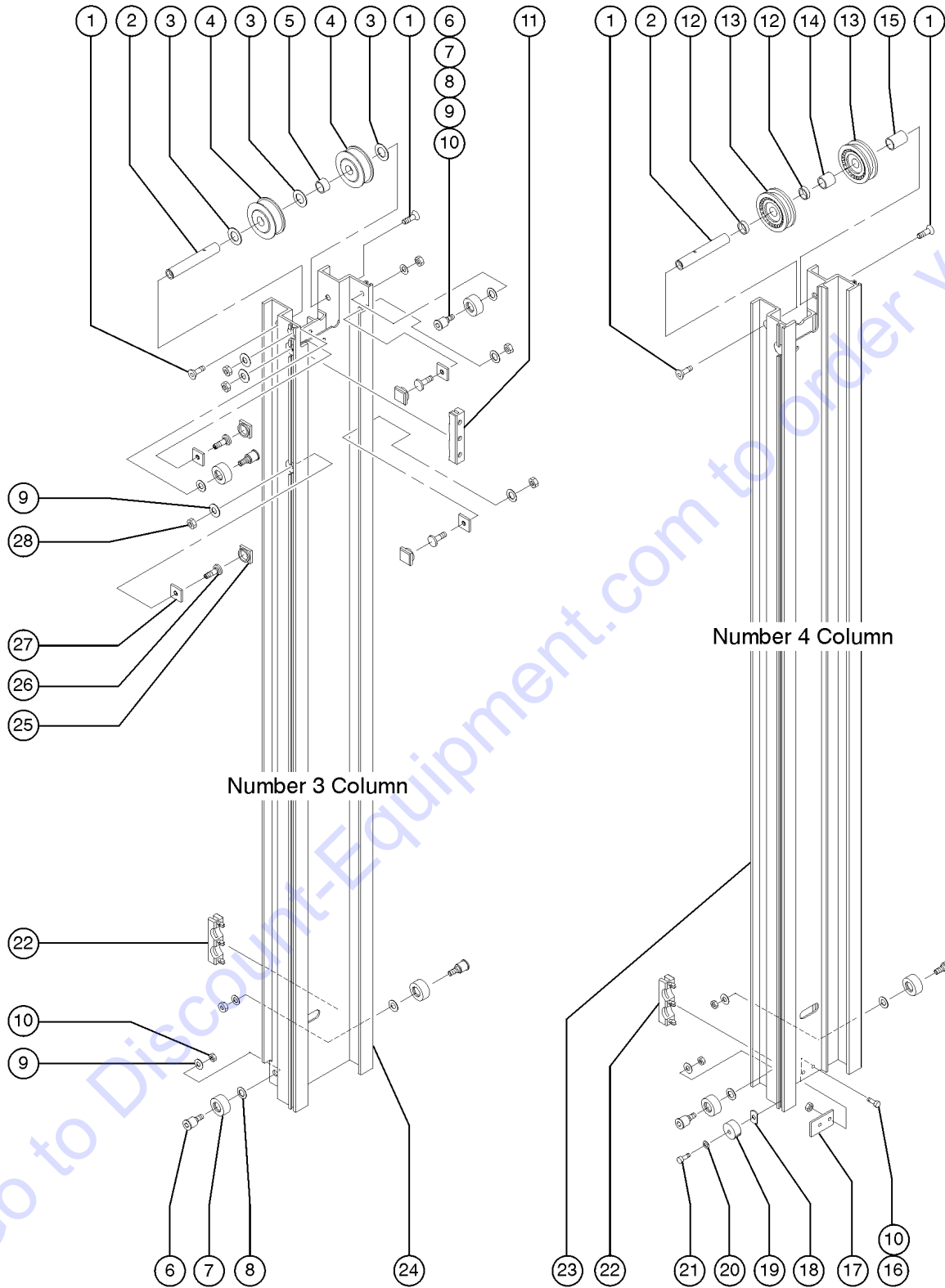
301.1 Number 1 and 2 Column Assemblies



## 301.1 Number 1 and 2 Column Assemblies

Item	Part No.	Description	Qty.
--	90337GT	BOE LUBE..... <i>lubricant</i>	1
1	38013GT	SHIM NUT,ADJUSTER.....	8
2	40946GT	BOLT,SHIM.....	8
3	38011GT	SHIM,SIDE PAD.....	8
4	6022GT	NUT,HEX,3/8-16	
5	5397GT	WASHER,FLAT,USS,5/16",Y	
6	7713GT	NUT, LP NYLOCK, 3/8-16	
7	6052GT	WASHER,SHIM,.5 X .875 X .063	
8	38016GT	ROLLER,PLASTIC,AWP96**.....	6
9	35706GT	BOLT,ROLLER,.470"(SHORT).....	6
10	35709GT	BLOCK,SLIDE,UPPER.....	2
11	45425GT	SCREW,FHS,3/8-16 X .75	
12	35707GT	SHAFT,LIFTING CHAINS,20MM DIA.....	1
13	38709GT	WASHER,SHIM,.938 X 1.37 X .048	
14	38447GT	PULLEY W/BEARINGS.....	2
15	35757GT	COLUMN, 72.5"SS (#2)..... <i>(AWP-15S, AWP-20S, AWP-25S and AWP-30S) (column 2)</i>	1
15A	35771GT	COLUMN, 104.5"SS (#2) <i>(AWP-36S, AWP-40S) (column 2)</i>	
16	35710GT	BLOCK,SLIDE,LOWER.....	1
17		Ref. Lift Cylinder (refer to 601.1)	
18	35727PGT	PLATE,CYLINDER MOUNT,PAINTED....	4
19	1268235GT	SCREW,HHC,5/8-11 X 8.00	
20	38028GT	NUT,LP NYLOCK,5/8-11	
21	38601GT	SCREW,HHC,1/2-13 X 7.5	
22	6086GT	NUT,LP NYLOCK,1/2-13	
23	40478GT	COLUMN ASSY, 72.5"SS (#1)..... <i>(AWP-15-S, AWP-20S, AWP-25S and AWP-30S) (column 1)</i>	1
23A	40479GT	COLUMN ASSY, 104.5"SS (#1) <i>(AWP-36S and AWP-40S) (column 1)</i>	

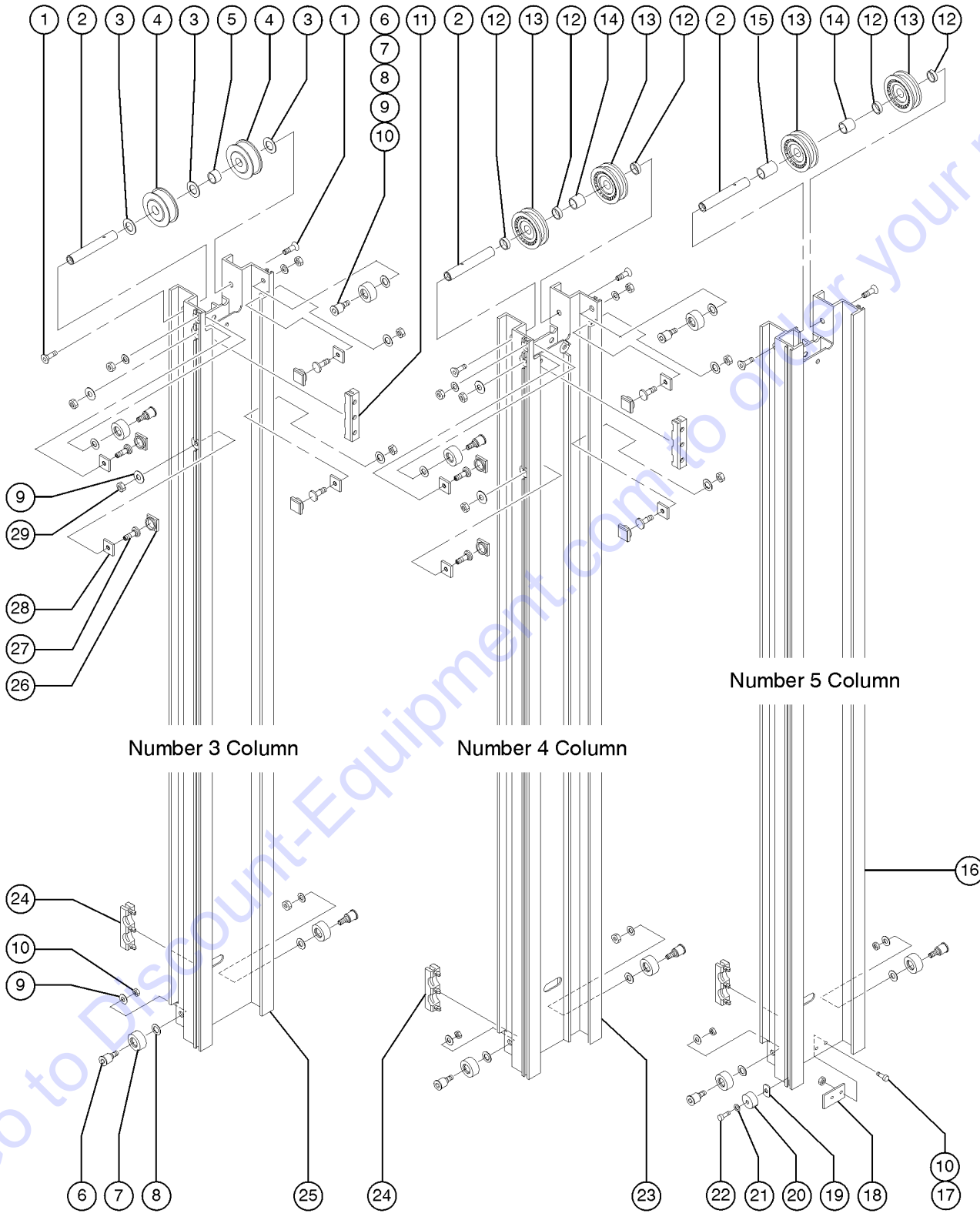
302.1 Number 3 and 4 Column Assemblies, AWP-20S



## 302.1 Number 3 and 4 Column Assemblies, AWP-20S

Item	Part No.	Description	Qty.
1	45425GT	SCREW,FHS,3/8-16 X .75	
2	35707GT	SHAFT,LIFTING CHAINS,20MM DIA.....2	
3	38709GT	WASHER,SHIM,.938 X 1.37 X .048	
4	38447GT	PULLEY W/BEARINGS.....2	
5	38316GT	SPACER,.560 AWP MAST.....1	
6	35706GT	BOLT,ROLLER,.470"(SHORT).....6	
7	80938GT	WHEEL, NYLON ROLLER.....6	
8	6052GT	WASHER,SHIM,.5 X .875 X .063	
9	5397GT	WASHER,FLAT,USS,5/16",Y	
10	7713GT	NUT, LP NYLOCK, 3/8-16	
11	35709GT	BLOCK,SLIDE,UPPER.....1	
12	35722GT	SPACER,SHAFT,.310.....2	
13	35715GT	PULLEY,SMALL CHAIN.....2	
14	35711GT	SPACER,SHAFT,.840"LG.....1	
15	37686GT	SPACER,SHAFT,1.400.....1	
16	8255GT	SCREW,HHC,3/8-16 X .75	
17	40627-SGT	PLATE,HOLD DOWN REINFORCEMENT.....1	
18	35991GT	NUT,WELD 1/4-20, PLATED L.L.**	
19	38983GT	BUMPER,MAST,RH.....1	
20	6638GT	WASHER,FLAT,USS,1/4"Y	
21	6090GT	SCREW,HHC,1/4-20 X .75	
22	35710GT	BLOCK,SLIDE,LOWER.....2	
23	35761GT	COLUMN, 72.5"SS (#4 OR #6)***.....1 AWP-20S (column 4)	
24	35758GT	COLUMN, 72.5"SS (#3 OR #5)***.....1 AWP-20S (column 3)	
25	38011GT	SHIM,SIDE PAD.....4	
26	40946GT	BOLT,SHIM.....4	
27	38013GT	SHIM NUT,ADJUSTER.....8	
28	6022GT	NUT,HEX,3/8-16	

303.1 Number 3, 4 and 5 Column Assemblies, AWP-25S and AWP-36S



Number 3 Column

Number 4 Column

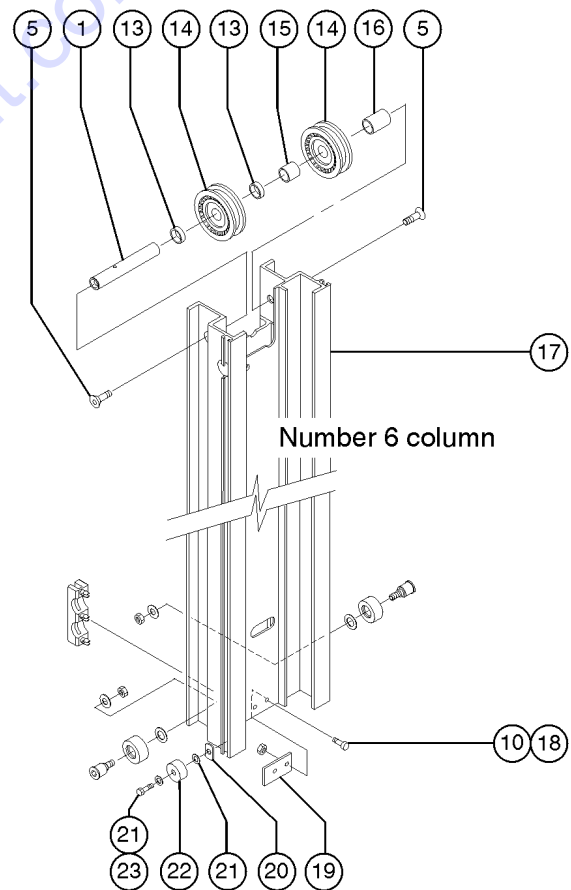
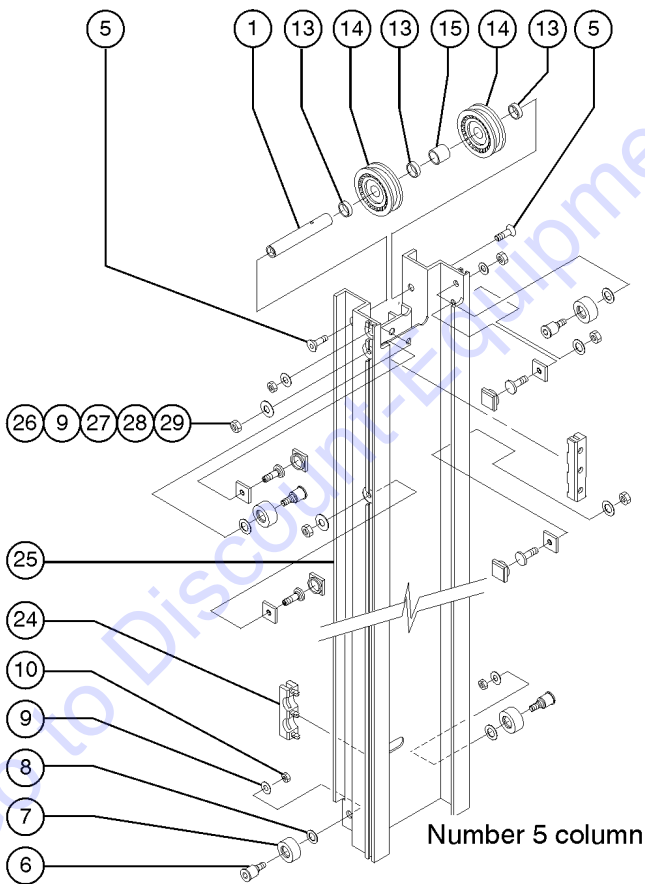
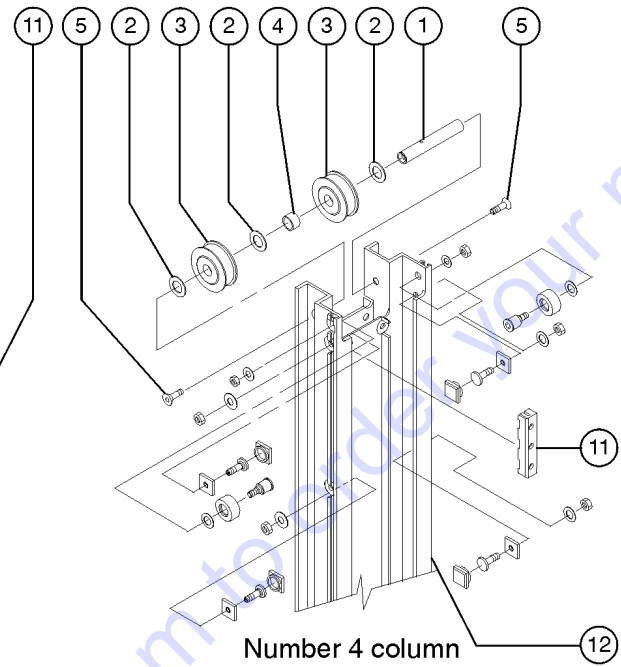
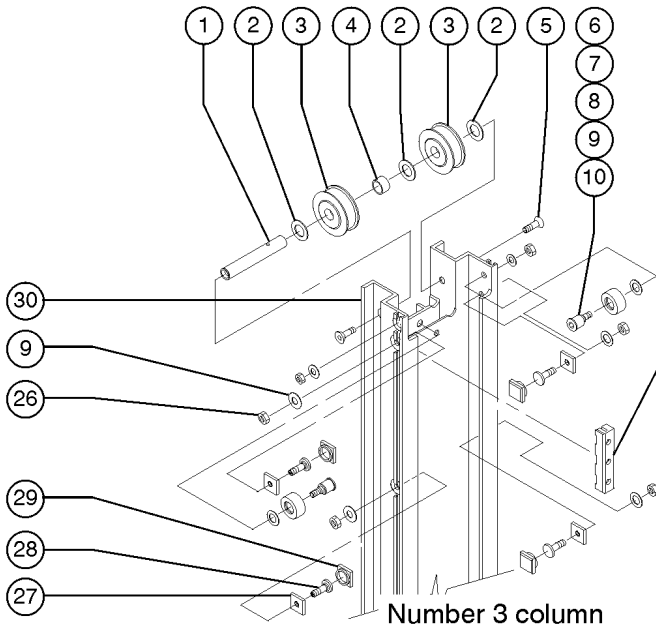
Number 5 Column

## 303.1 Number 3, 4 and 5 Column Assemblies, AWP-25S and AWP-36S

Item	Part No.	Description	Qty.
1	45425GT	SCREW,FHS,3/8-16 X .75	
2	35707GT	SHAFT,LIFTING CHAINS,20MM DIA.....3	
3	38709GT	WASHER,SHIM,.938 X 1.37 X .048	
4	38447GT	PULLEY W/BEARINGS.....2	
5	38316GT	SPACER,.560 AWP MAST.....1	
6	35706GT	BOLT,ROLLER,.470"(SHORT).....10	
7	38016GT	ROLLER,PLASTIC,AWP96**.....10	
8	6052GT	WASHER,SHIM,.5 X .875 X .063	
9	5397GT	WASHER,FLAT,USS,5/16",Y	
10	7713GT	NUT, LP NYLOCK, 3/8-16	
11	35709GT	BLOCK,SLIDE,UPPER.....2	
12	35722GT	SPACER,SHAFT,.310.....5	
13	35715GT	PULLEY,SMALL CHAIN.....4	
14	35711GT	SPACER,SHAFT,.840"LG.....2	
15	37686GT	SPACER,SHAFT,1.400.....1	
16	35760GT	COLUMN, 72.5"SS (#3 OR #5)***.....1 (AWP-25S) (column 5)	
16A	35774GT	COLUMN, 104.5"SS (#5)***.....1 (AWP-36S) (column 5)	
17	8255GT	SCREW,HHC,3/8-16 X .75	
18	40627-SGT	PLATE,HOLD DOWN REINFORCEMENT.....1	
19	35991GT	NUT,WELD 1/4-20, PLATED L.L.**.....1	
20	38983GT	BUMPER,MAST,RH.....1	
21	6638GT	WASHER,FLAT,USS,1/4"Y.....2	
22	6888GT	SCREW,HHC,1/4-20 X 1	
23	35759GT	COLUMN, 72.5"SS (#4)***.....1 (AWP-25S) (column 4)	
23A	35773GT	COLUMN, 104.5"SS (#4) (AWP-36S) (column 4)	
24	35710GT	BLOCK,SLIDE,LOWER.....3	
25	35758GT	COLUMN, 72.5"SS (#3 OR #5)***.....1 (AWP-25S) (column 3)	
25A	35772GT	COLUMN, 104.5"SS (#3 OR #5)*** (AWP-36S) (column 3)	
26	38011GT	SHIM,SIDE PAD.....8	
27	40946GT	BOLT,SHIM.....8	
28	38013GT	SHIM NUT,ADJUSTER.....8	
29	46017GT	NUT,HEX,JAM,LP 3/8-16,	



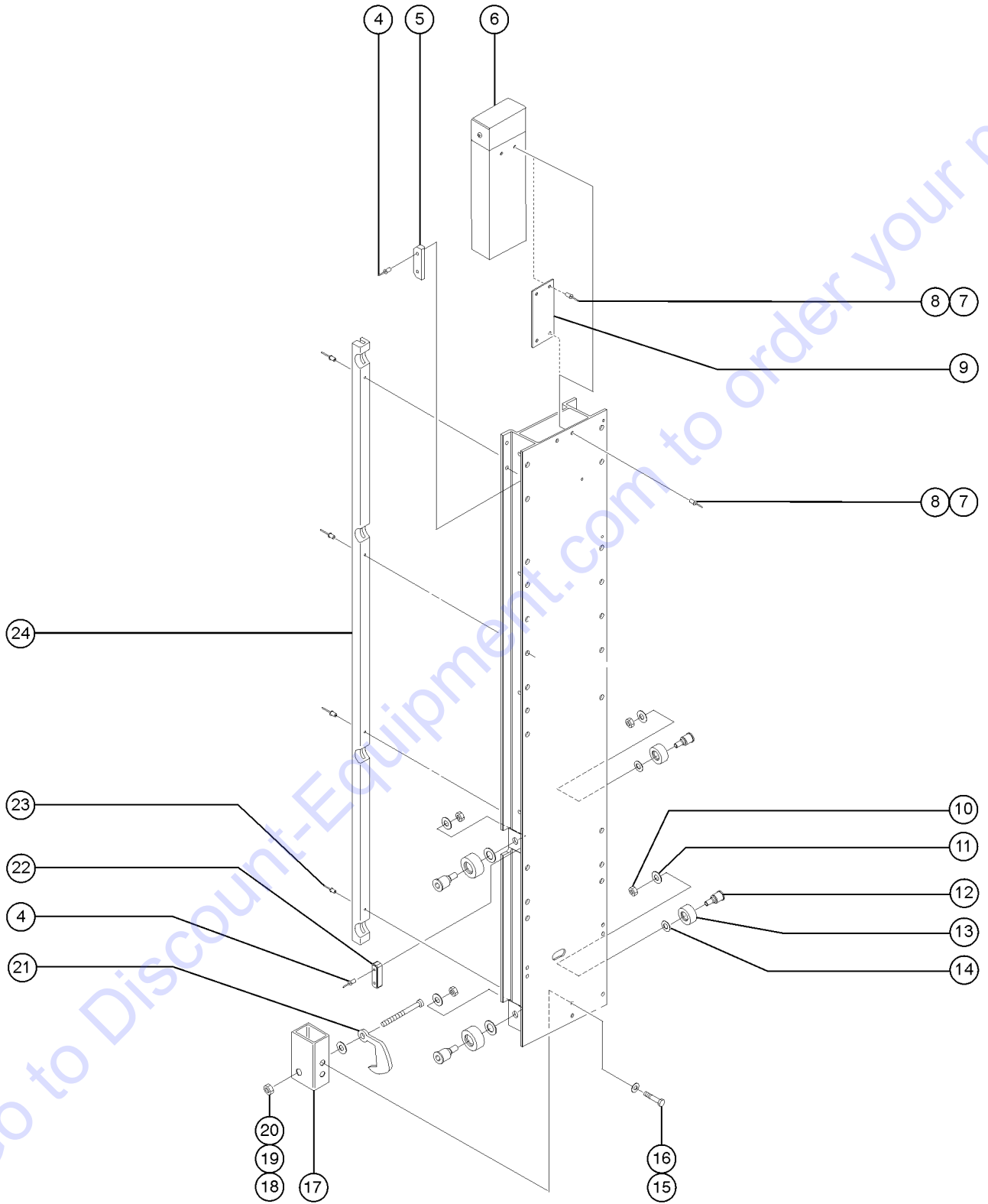
304.1 Number 3, 4, 5 and 6 Column Assemblies, AWP-30S and AWP-40S



## 304.1 Number 3, 4, 5 and 6 Column Assemblies, AWP-30S and AWP-40S

Item	Part No.	Description	Qty.
1	35707GT	SHAFT,LIFTING CHAINS,20MM DIA.....	4
2	38709GT	WASHER,SHIM,.938 X 1.37 X .048.....	6
3	38447GT	PULLEY W/BEARINGS.....	4
4	38316GT	SPACER,.560 AWP MAST.....	2
5	45425GT	SCREW,FHS,3/8-16 X .75	
6	35706GT	BOLT,ROLLER,.470"(SHORT).....	14
7	38016GT	ROLLER,PLASTIC,AWP96**.....	14
8	6052GT	WASHER,SHIM,.5 X .875 X .063	
9	5397GT	WASHER,FLAT,USS,5/16",Y	
10	7713GT	NUT, LP NYLOCK, 3/8-16	
11	35709GT	BLOCK,SLIDE,UPPER.....	3
12	35759GT	COLUMN, 72.5"SS (#4)***.....	1
		(AWP-30S) (column 4)	
12A	35773GT	COLUMN, 104.5"SS (#4) (AWP-40S) (column 4)	
13	35722GT	SPACER,SHAFT,.310.....	5
14	35715GT	PULLEY,SMALL CHAIN.....	4
15	35711GT	SPACER,SHAFT,.840"LG.....	2
16	37686GT	SPACER,SHAFT,1.400.....	1
17	35761GT	COLUMN, 72.5"SS (#4 OR #6)***.....	1
		(AWP-30S) (column 6)	
17A	35775GT	COLUMN, 104.5"SS (#6) (AWP-40S) (column 6)	
18	8255GT	SCREW,HHC,3/8-16 X .75.....	3
19	40627-SGT	PLATE,HOLD DOWN REINFORCEMENT.....	1
20	35991GT	NUT,WELD 1/4-20, PLATED L.L.**.....	1
21	6638GT	WASHER,FLAT,USS,1/4"Y	
22	38983GT	BUMPER,MAST,RH.....	1
23	6888GT	SCREW,HHC,1/4-20 X 1	
24	35710GT	BLOCK,SLIDE,LOWER.....	3
25	35758GT	COLUMN, 72.5"SS (#3 OR #5)***.....	1
		(AWP-30S) (column 5)	
25A	35772GT	COLUMN, 104.5"SS (#3 OR #5)*** (AWP-40S) (column 5)	
26	6022GT	NUT,HEX,3/8-16	
27	38013GT	SHIM NUT,ADJUSTER.....	12
28	40946GT	BOLT,SHIM.....	12
29	38011GT	SHIM,SIDE PAD.....	12
30	35758GT	COLUMN, 72.5"SS (#3 OR #5)***.....	1
		(AWP-30S) (column 3)	
30A	35772GT	COLUMN, 104.5"SS (#3 OR #5)*** (AWP-40S) (column 3)	

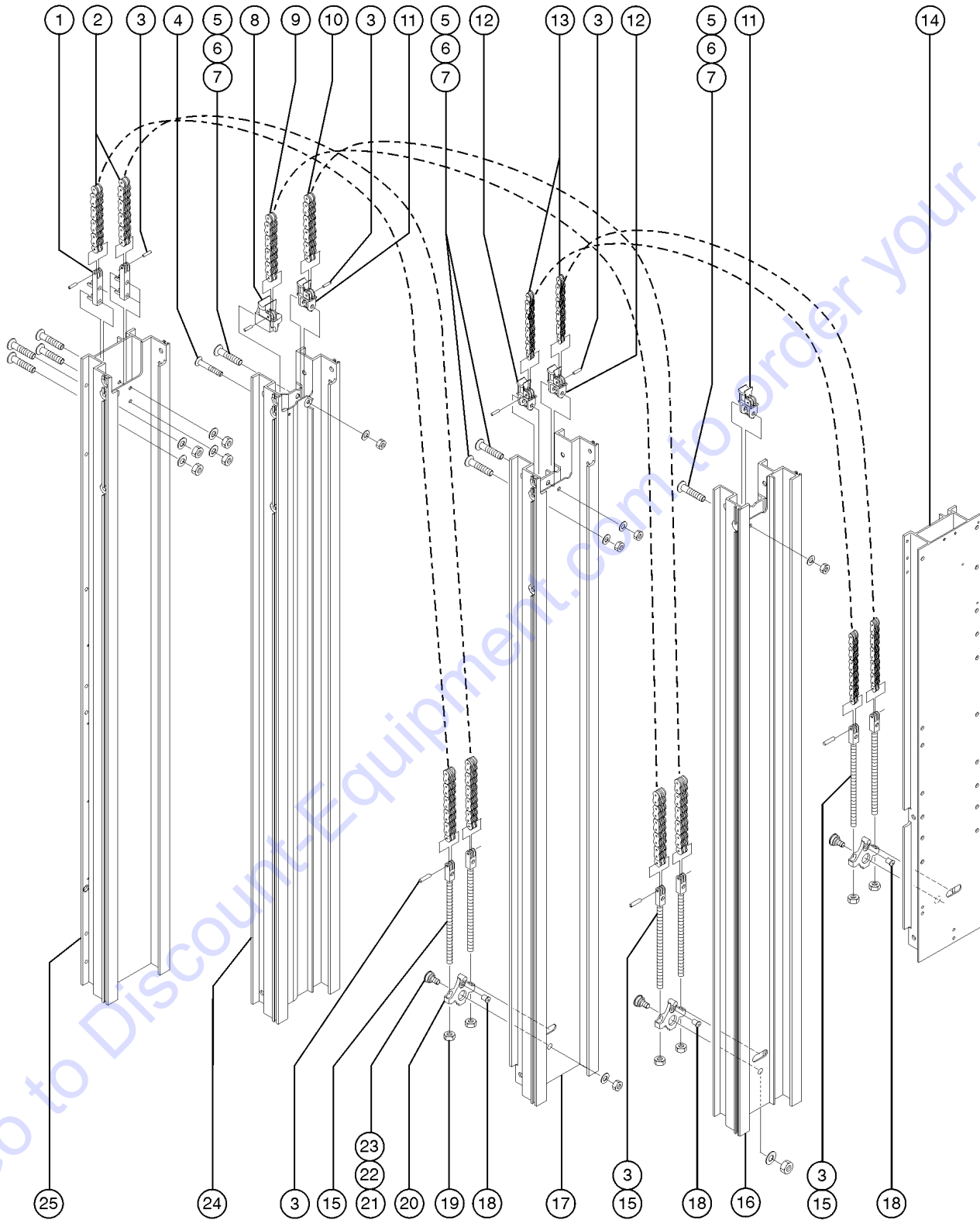
305.1 Carriage Assembly



305.1 Carriage Assembly

Item	Part No.	Description	Qty.	Item	Part No.	Description	Qty.
--	107481GT	CARRIAGE ASSY, ALUM, WRD DECAL (AWP-20S and AWP-30S) (Assemblies with Word Decals) (includes items 1, 2, 3, 6, 7, 8, and 10-24)		9	46695-SGT	INSTR. TUBE MOUNT, FIBER PLAT.....1 (models with Fiberglass Platform)	1
--	107482GT	CARRIAGE ASSY, ALUM, WRD DECAL (AWP-25S and AWP-36S) (Assemblies with Word Decals) (includes items 1, 2, 3, 6, 7, 8, and 10-24)		10	7713GT	NUT, LP NYLOCK, 3/8-16	
--	107483GT	CARRIAGE ASSY, ALUM, WRD DECAL (AWP-40S) (Assemblies with Word Decals) (includes items 1, 2, 3, 6, 7, 8, and 10-24)		11	6097GT	WASHER,FLAT,USS,3/8",Y	
--	107484GT	CARRIAGE ASSY, FIBR, WRD DECAL (AWP-20S and AWP-30S) (Assemblies with Word Decals) (includes items 1, 2, 3, and 6-24)		12	35706GT	BOLT,ROLLER,.470"(SHORT).....4	4
--	107485GT	CARRIAGE ASSY, FIBR, WRD DECAL (AWP-20S and AWP-30S) (Assemblies with Word Decals)(includes items 1, 2, 3, and 6-24)		13	38026GT	ROLLER, MACHINED AWP***.....4	4
--	107486GT	CARRIAGE ASSY, FIBR, WRD DECAL (AWP-40S) (Assemblies with Word Decals) (includes items 1, 2, 3, and 6-24)		14	6052GT	WASHER,SHIM,.5 X .875 X .063	
--	107487GT	CARRIAGE ASSY, ALUM, SYM DECAL (AWP-20S and AWP-30S) (Assemblies with Symbols Decal) (includes items 1, 2, 3, 6, 7, 8, and 10-24)		15	7339GT	SCREW,HHC,1/4-20 X .5	
--	107488GT	CARRIAGE ASSY, ALUM, SYM DECAL (AWP-25S and AWP-36S) (Assemblies with Symbols Decal) (includes items 1, 2, 3, 6, 7, 8, and 10-24)		16	6356GT	WASHER,LOCK,.25	
--	107489GT	CARRIAGE ASSY, ALUM, SYM DECAL (AWP-40S) (Assemblies with Symbols Decal) (includes items 1, 2, 3, 6, 7, 8, and 10-24)		17	37389GT	TUBE,HOLD DOWN BRACKET-BLUE....1	1
--	107490GT	CARRIAGE ASSY, FIBR, SYM DECAL (AWP-20S and AWP-30S) (Assemblies with Symbols Decal) (includes items 1, 2, 3, and 6-24)		18	7713GT	NUT, LP NYLOCK, 3/8-16	
--	107491GT	CARRIAGE ASSY, FIBR, SYM DECAL (AWP-25S and AWP-36S) (includes items 1, 2, 3, and 6-24)		19	6097GT	WASHER,FLAT,USS,3/8",Y	
--	107492GT	CARRIAGE ASSY, FIBR, SYM DECAL (AWP-40S) (Assemblies with Symbols Decals) (includes items 1, 2, 3, and 6-24)		20	13918GT	SCREW,HHC,3/8-16 X 1.75,GRD.8.....1	1
4	69855GT	RIVET,ALUM,ALUM,.25 X 1.125 AL		21	35789PGT	HOLD DOWN HOOK,AWP,"BLUE".....1	1
5	100171GT	SHIM,CARRIAGE,HDPE,POLYPROPYLE.2 to SN 56681		22	124010GT	SHIM,CARRIAGE.....2 from SN 56682	2
6	40267GT	BOX,INSTRUCT. STORAGE,S SERIES.....1 (includes items 7 and 8)	1	23	8920GT	RIVET,ALUM,ALUM,P,.156 X .375	
--	2223GT	LANYARD ASSY HOIST/AWP-7***		24	38005GT	SLIDE BLOCK,CARRIAGE%%.....1	1
--	38728GT	INSTRUCTION TUBE,AWP96					
7	6271GT	RIVET,STL,STL.MAN,P,.25 X .25.....3	3				
8	75144GT	WASHER,FLAT,SAE 1/4,ZINC.....3	3				

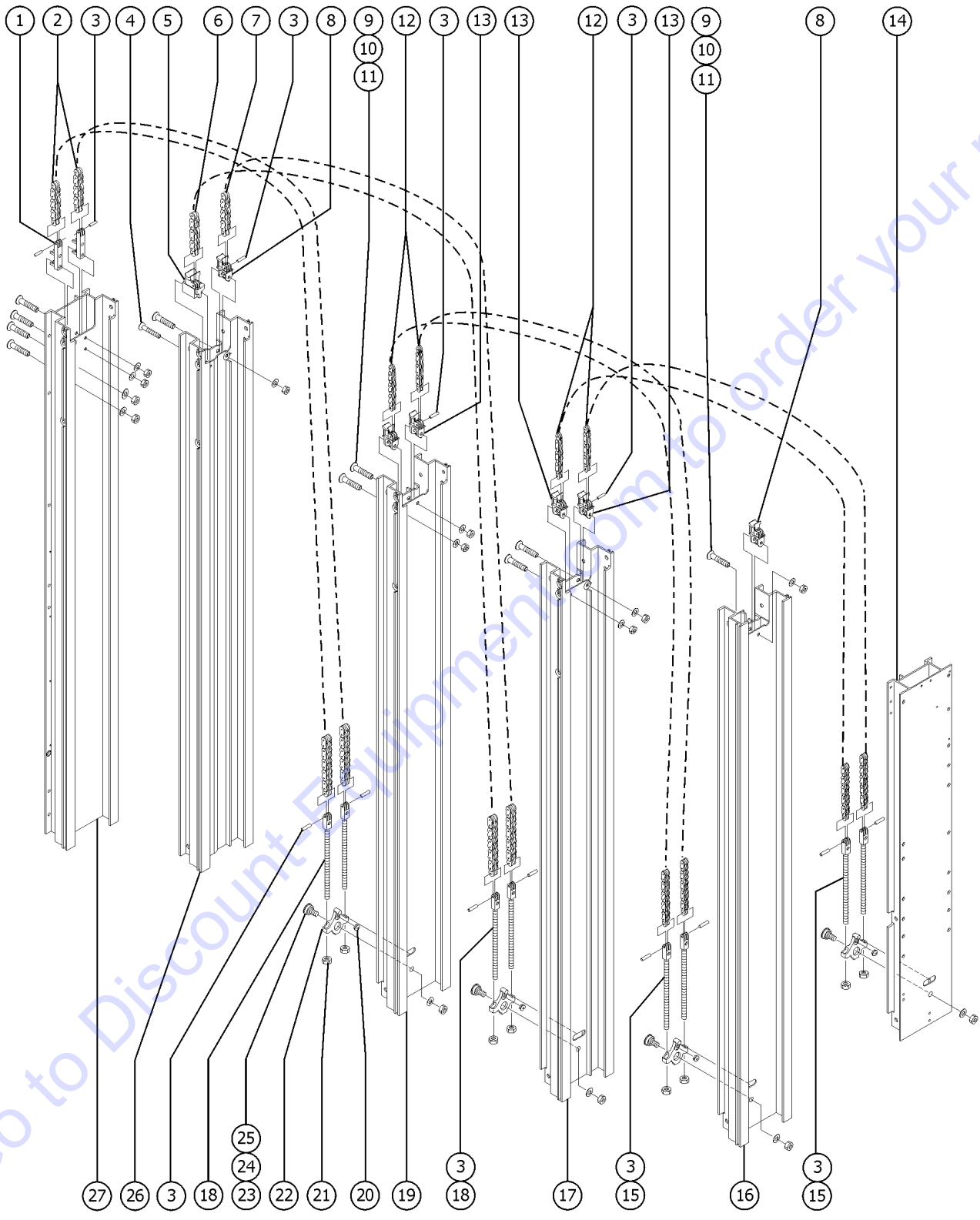
306.1 Lifting Chain Assembly, AWP-20S



## 306.1 Lifting Chain Assembly, AWP-20S

Item	Part No.	Description	Qty.
1	35699GT	CHAIN TERMINAL CASTING,#1.....	2
2	37385GT	CHAIN ASSY#1,72.5"COL.S-SERIES.... (includes items 1, 3, and 15)	2
--	35704-6813GT	CHAIN,STD.LEAF AL544,68.13"	
3	6534GT	PIN,GROOVED- .200 X .75*.....	12
4	40945GT	SCREW,FHS,1/4-20 X 2.25	
5	35714GT	SCREW,FHS,3/8-16 X 2.25	
6	5397GT	WASHER,FLAT,USS,5/16",Y	
7	4828GT	NUT,NYLOCK,3/8-16	
8	35697GT	CHAIN TERM,CLEVIS CYL.,ZINC.....	1
9	37384GT	CHAIN ASSY#2,72.5"COL.S-SERIES.... (includes items 3, 8 and 15)	1
--	35704-6813GT	CHAIN,STD.LEAF AL544,68.13"	
10	37386GT	CHAIN ASSY,72.5"COL. S-SERIES..... (includes items 3, 11 and 15)	1
--	35704-6813GT	CHAIN,STD.LEAF AL544,68.13"	
11	35695GT	CHAIN TERM,PULLEY SUPORT-ZINC...2	
12	38980GT	CHAIN TERM,PULLEY SUPPORT-ZNC.....	2
13	37387GT	CHAIN ASSY,72.5COL.(SM)S-SERIE.... (3, 12 and 15)	2
--	35703-6813GT	CHAIN,STD.LEAF AL522,68.13"	
14		Ref. Carriage Assembly (refer to 305.1)	
15	41224GT	CHAIN TERM.LWR.SS(1 SLOT)..... (includes item 3)	2
16		Ref. Number 4 Column Assembly (refer to 302.1)	
17		Ref. Number 3 Column Assembly (refer to 302.1)	
18	11890GT	GLIDE BUTTON,SIDE,GLL,.100 TK.....	3
19	35712GT	NUT,NYLOCK,3/8-24	
20	35698GT	CHAIN TENSION ROCKER CAST.ZINC.....	3
21	35705GT	BOLT-ROCKER, S-SERIES.....	3
22	6095GT	WASHER,FLAT,USS,1/2",Y	
23	6198GT	NUT,NYLOCK,1/2-13	
24		Ref. Number 2 Column Assembly (refer to 301.1)	
25		Ref. Number 1 Column Assembly (refer to 301.1)	

307.1 Lifting Chain Assembly, AWP-25S and AWP-36S

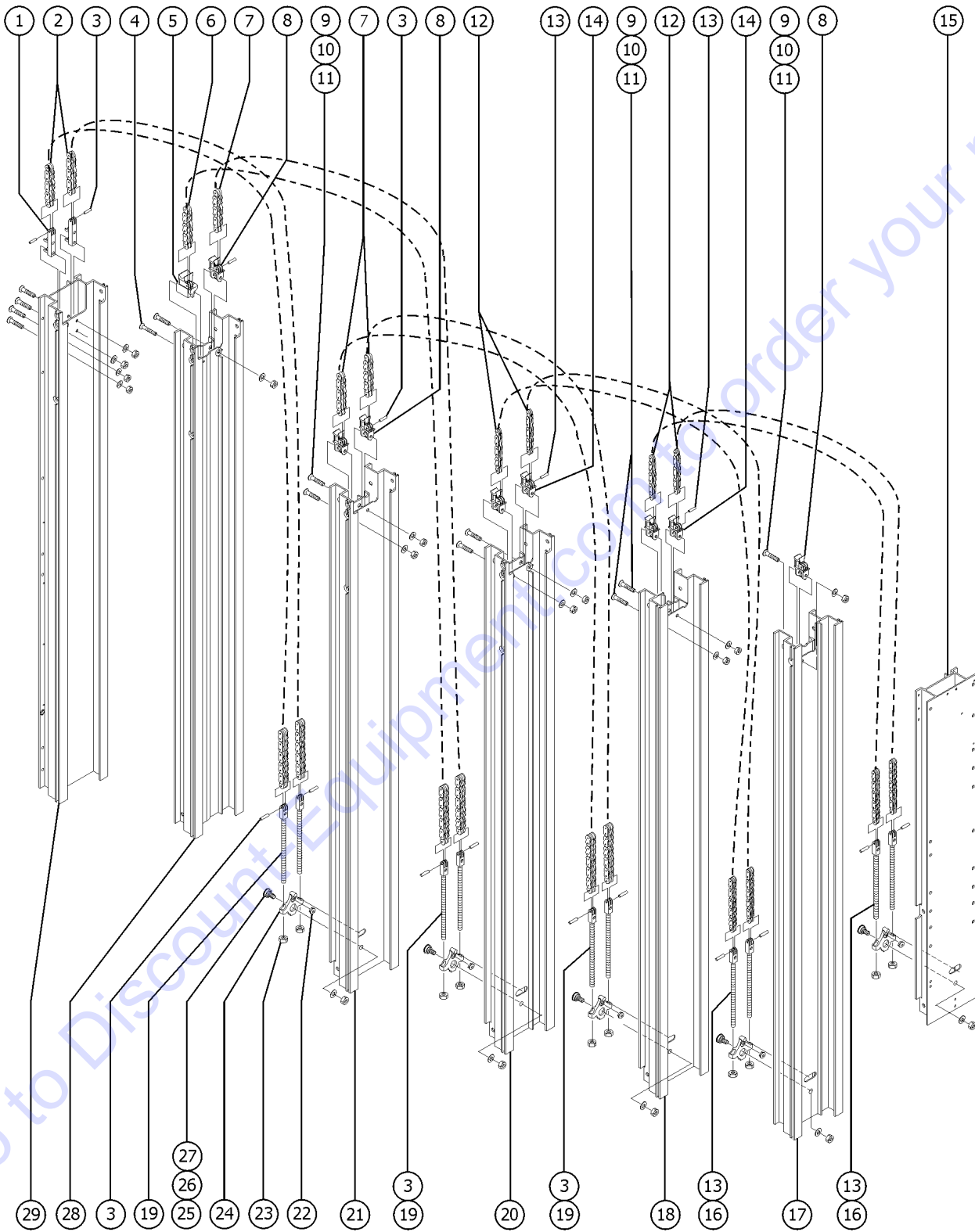


## 307.1 Lifting Chain Assembly, AWP-25S and AWP-36S

Item	Part No.	Description	Qty.	Item	Part No.	Description	Qty.
1	35699GT	CHAIN TERMINAL CASTING,#1.....	2	20	11890GT	GLIDE BUTTON,SIDE,GLL,.100 TK.....	4
2	37385GT	CHAIN ASSY#1,72.5"COL.S-SERIES.....1 (AWP-25S) (includes items 3 and 18)		21	35712GT	NUT,NYLOCK,3/8-24	
--	35704-6813GT	CHAIN,STD.LEAF AL544,68.13"		22	35698GT	CHAIN TENSION ROCKER CAST.ZINC.....	4
2A	37995GT	CHAIN ASSY#1,104.5"COL.S-SERIE.....1 (AWP-36S) (includes items 3 and 18)		23	35705GT	BOLT-ROCKER, S-SERIES.....	4
--	35704-10063GT	CHAIN,STD.LEAF AL544,100.63"		24	6095GT	WASHER,FLAT,USS,1/2",Y	
3	38986GT	PIN,GROOVED,.200 X .50*.....1 (used with single slot chain terminals)		25	6198GT	NUT,NYLOCK,1/2-13	
3A	6534GT	PIN,GROOVED-.200 X .75* (used with double slot chain terminals)		26		Ref. Number 2 Column (refer to 301.1)	
4	40945GT	SCREW,FHS,1/4-20 X 2.25.....	1	27		Ref. Number 1 Column (refer to 301.1)	
5	35697GT	CHAIN TERM,CLEVIS CYL.,ZINC.....	1				
6	37384GT	CHAIN ASSY#2,72.5"COL.S-SERIES.....1 (AWP-25S) (includes items 3, 5 and 18)					
--	35704-6813GT	CHAIN,STD.LEAF AL544,68.13"					
6A	37996GT	CHAIN ASSY#2,104.5"COL.S-SERIE.....1 (AWP-36S) (includes items 3, 5 and 18)					
--	35704-10063GT	CHAIN,STD.LEAF AL544,100.63"					
7	37386GT	CHAIN ASSY,72.5"COL. S-SERIES.....1 (AWP-25S) (includes items 3, 8 and 18)					
--	35704-6813GT	CHAIN,STD.LEAF AL544,68.13"					
7A	37997GT	CHAIN ASSY.104.5"COL. S SERIES.....1 (AWP-36S) (includes items 3, 8 and 18)					
--	35704-10063GT	CHAIN,STD.LEAF AL544,100.63"					
8	35695GT	CHAIN TERM,PULLEY SUPORT-ZINC...2					
9	35714GT	SCREW,FHS,3/8-16 X 2.25					
10	5397GT	WASHER,FLAT,USS,5/16",Y					
11	4828GT	NUT,NYLOCK,3/8-16					
12	43015GT	CHAIN ASSY.(SM)104.5" S-SERIES.....4 (AWP-36S) (includes items 3, 13 and 15)					
--	35703-6813GT	CHAIN,STD.LEAF AL522,68.13"					
12A	41214GT	CHAIN ASSY,72.5COL.(SM)S-SERIE.....4 (AWP-25S) (includes items 3, 13 and 15)					
--	35704-10063GT	CHAIN,STD.LEAF AL544,100.63"					
13	38980GT	CHAIN TERM,PULLEY SUPPORT-ZNC.....	4				
14		Ref. Carriage Assembly (refer to 305.1)					
15	41224GT	CHAIN TERM.LWR.SS(1 SLOT).....4 (includes item 13,)					
16		Ref. Number 5 Column (refer to 304.1)					
17		Ref. Number 4 Column (refer to 303.1)					
18	38187GT	CHAIN TERM.LWR.SS(2 SLOT)*.....4 (includes item 3)					
19		Ref. Number 3 Column (refer to 302.1)					



308.1 Lifting Chain Assembly, AWP-30S and AWP-40S

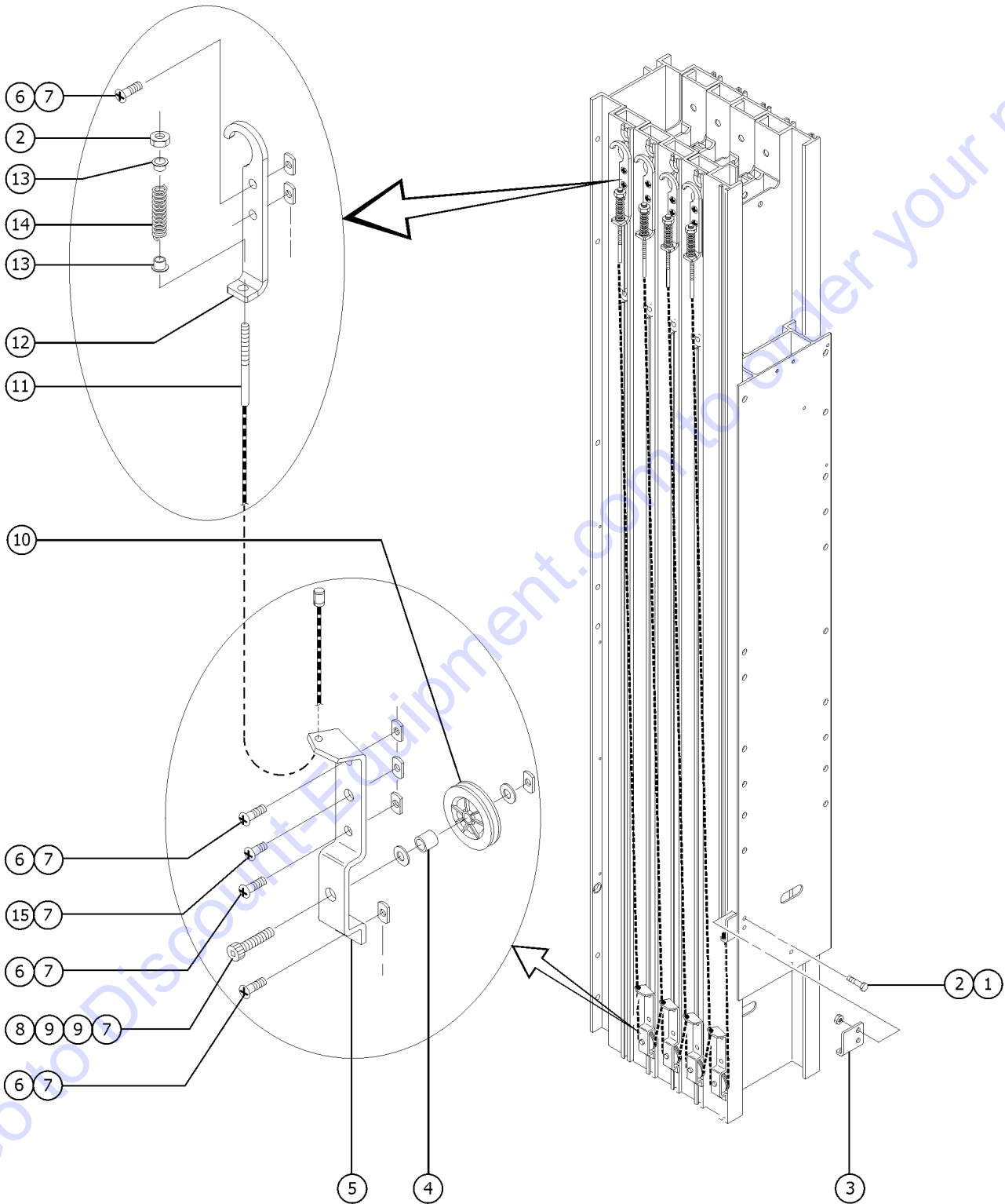


Go to DiscountEquipment.com to order your parts

## 308.1 Lifting Chain Assembly, AWP-30S and AWP-40S

Item	Part No.	Description	Qty.	Item	Part No.	Description	Qty.
1	35699GT	CHAIN TERMINAL CASTING,#1.....	2	20		Ref. Number 4 Column (refer to 304.1)	
2	37385GT	CHAIN ASSY#1,72.5"COL.S-SERIES..... (AWP-30S) (includes items 1 and 19)	2	21		Ref. Number 3 Column (refer to 304.1)	
--	35704-6813GT	CHAIN,STD.LEAF AL544,68.13"		22	11890GT	GLIDE BUTTON,SIDE,GLL,.100 TK.....	5
2A	37995GT	CHAIN ASSY#1,104.5"COL.S-SERIE..... (AWP-40S) (includes items 1 and 19)	2	23	35712GT	NUT,NYLOCK,3/8-24	
--	35704-10063GT	CHAIN,STD.LEAF AL544,100.63"		24	35698GT	CHAIN TENSION ROCKER CAST.ZINC	
3	6534GT	PIN,GROOVED-.200 X .75*.....	12	25	35705GT	BOLT-ROCKER, S-SERIES.....	5
		(used with double slot chain terminals)		26	6095GT	WASHER,FLAT,USS,1/2",Y	
3A	38986GT	PIN,GROOVED,.200 X .50*.....	1	27	6198GT	NUT,NYLOCK,1/2-13	
		(used with single slot chain terminals)		28		Ref. Number 2 Column (refer to 301.1)	
4	40945GT	SCREW,FHS,1/4-20 X 2.25		29		Ref. Number 1 Column (refer to 301.1)	
5	35697GT	CHAIN TERM,CLEVIS CYL.,ZINC.....	1				
6	37384GT	CHAIN ASSY#2,72.5"COL.S-SERIES..... (AWP-30S) (includes items 5 and 19)	1				
--	35704-6813GT	CHAIN,STD.LEAF AL544,68.13"					
6A	37996GT	CHAIN ASSY#2,104.5"COL.S-SERIE..... (AWP-40S) (includes items 5 and 19)	1				
--	35704-10063GT	CHAIN,STD.LEAF AL544,100.63"					
7	37386GT	CHAIN ASSY,72.5"COL. S-SERIES.....	3				
--	35704-6813GT	CHAIN,STD.LEAF AL544,68.13"					
7A	37997GT	CHAIN ASSY.104.5"COL. S SERIES..... (AWP-40S) (includes items 8 and 19)	3				
--	35704-10063GT	CHAIN,STD.LEAF AL544,100.63"					
8	35695GT	CHAIN TERM,PULLEY SUPORT-ZINC...4					
9	35714GT	SCREW,FHS,3/8-16 X 2.25.....	12				
10	5397GT	WASHER,FLAT,USS,5/16",Y					
11	4828GT	NUT,NYLOCK,3/8-16					
12	37387GT	CHAIN ASSY,72.5COL.(SM)S-SERIE..... (AWP-30S) (includes items 13, 14 and 16)	4				
--	35703-6813GT	CHAIN,STD.LEAF AL522,68.13"					
12A	43015GT	CHAIN ASSY.(SM)104.5" S-SERIES..... (AWP-40S) (includes items 13, 14 and 16)	4				
--	35703-10063GT	CHAIN,STD.LEAF AL522,100.63"					
13	38986GT	PIN,GROOVED,.200 X .50*.....	8				
14	38980GT	CHAIN TERM,PULLEY SUPPORT-ZNC.....	4				
15		Ref. Carriage Assembly (refer to 305.1)					
16	41224GT	CHAIN TERM.LWR.SS(1 SLOT).....	4				
		(includes item 3)					
17		Ref. Number 6 Column (refer to 304.1)					
18		Ref. Number 5 Column (refer to 304.1)					
19	38187GT	CHAIN TERM.LWR.SS(2 SLOT)*.....	10				
		(includes item 3)					

309.1 Sequencing Cable Assembly



## 309.1 Sequencing Cable Assembly

Item	Part No.	Description	Qty.	Item	Part No.	Description	Qty.
1	6090GT	SCREW,HHC,1/4-20 X .75		8B	41077GT	SCREW,SHC,1/4-20 X .875.....5 (AWP-30S and AWP-40S)	5
2	6091GT	NUT,NYLOCK,1/4-20.....5 (AWP-20S)	5	9	12906GT	WASHER,FENDER,.25 X 1.25 X.062.....6 (AWP-20S)	6
2A	6091GT	NUT,NYLOCK,1/4-20.....6 (AWP-25S and AWP-36S)	6	9A	12906GT	WASHER,FENDER,.25 X 1.25 X.062.....8 (AWP-25S and AWP-30S)	8
2B	6091GT	NUT,NYLOCK,1/4-20.....7 (AWP-30S and AWP-40S)	7	9B	12906GT	WASHER,FENDER,.25 X 1.25 X.062.....10 (AWP-30S and AWP-40S)	10
3	35734GT	FORMING, SEQUENCING, CARR, ZN...1	1	10	35733GT	PULLEY,SEQUENCING,NYLATRON.....3 (AWP-20S)	3
4	44895GT	SPACER,TUBE,1/4X3/8X.50"LONG.....3 (AWP-20S)	3	10A	35733GT	PULLEY,SEQUENCING,NYLATRON.....4 (AWP-25S and AWP-36S)	4
4A	44895GT	SPACER,TUBE,1/4X3/8X.50"LONG.....4 (AWP-25S and AWP-36S)	4	10B	35733GT	PULLEY,SEQUENCING,NYLATRON.....5 (AWP-30S and AWP-40S)	5
4B	44895GT	SPACER,TUBE,1/4X3/8X.50"LONG.....5 (AWP-30S and AWP-40S)	5	11	40313GT	CABLE ASSY,SEQ.MAST,DPL.....3 (AWP-20S) (includes item 5)	3
5	124041GT	RETROFIT KIT,MAST SEQ,AWP20.....3 (AWP-20S) (to SN 56680) (includes items 7, 12, and 15)	3	11A	40313GT	CABLE ASSY,SEQ.MAST,DPL.....4 (AWP-25S) (includes item 5)	4
5A	124043GT	RETROFIT KIT,MAST SEQ,AWP25.....4 (AWP-25S) (to SN 56680) (includes items 7, 12, and 15)	4	11B	40313GT	CABLE ASSY,SEQ.MAST,DPL.....5 (AWP-30S) (includes item 5)	5
5B	124045GT	RETROFIT KIT,MAST SEQ,AWP36.....4 (AWP-36S) (to SN 56680) (includes items 7, 12, and 15)	4	11C	40315GT	CABLE ASSY,SEQ.#1 AWP-36/40S*.....1 (AWP-36S and AWP-40S) (# 1 column) (includes item 5)	1
5C	124044GT	RETROFIT KIT,MAST SEQ,AWP30.....5 (AWP-30S) (to SN 56680) (includes items 7, 12, and 15)	5	11D	40314GT	CABLE,ASSY,SEQ.CARRIAGE**.....1 (AWP-20S and AWP-25S) (includes item 3)	1
5D	124046GT	RETROFIT KIT,MAST SEQ,AWP40.....5 (AWP-40S) (to SN 56680) (includes items 7, 12, and 15)	5	11E	69223GT	SEQUENCE CABLE ASSY,CARRIAGE**.....1 (AWP-30S) (includes item 3)	1
5E	35730GT	BRACKET,SEQUENCING,ZINC *.....3 (AWP-20S) (from SN 56681)	3	11F	69225GT	SEQUENCE CABLE,AWP36S,40S**.....3 (AWP-36S) (includes item 5)	3
5F	35730GT	BRACKET,SEQUENCING,ZINC *.....4 (AWP-25S and AWP-36S) (from SN 56681)	4	11G	69225GT	SEQUENCE CABLE,AWP36S,40S**.....4 (AWP-40S) (includes item 5)	4
5G	35730GT	BRACKET,SEQUENCING,ZINC *.....5 (AWP-30S and AWP-40S) (from SN 56681)	5	11H	69224GT	SEQUENCE CABLE ASSY,CARRIAGE**.....1 (AWP-36S and AWP-40S) (includes item 3)	1
6	38979GT	SCREW,PHM,1/4-20X.5 PHIL.....15 (AWP-20S)	15	12	57147GT	BRACKET,SEQUENCING,UPPER,ZI***.1 (AWP-36S and 40S Only) (not shown)	1
6A	38979GT	SCREW,PHM,1/4-20X.5 PHIL.....20 (AWP-25S and 36S)	20	12A	124041GT	RETROFIT KIT,MAST SEQ,AWP20.....3 (AWP-20-S) (to SN 56680) (includes items 5, 7, and 15)	3
6B	38979GT	SCREW,PHM,1/4-20X.5 PHIL.....25 (AWP-30S and 40S)	25	12B	124043GT	RETROFIT KIT,MAST SEQ,AWP25.....4 (AWP-25-S) (to SN 56680) (includes items 5, 7, and 15)	4
7	35991GT	NUT,WELD 1/4-20, PLATED L.L.**.....21 (AWP-20S)	21	12C	124045GT	RETROFIT KIT,MAST SEQ,AWP36.....4 (AWP-36-S) (to SN 56680) (includes items 5, 7, and 15)	4
7A	35991GT	NUT,WELD 1/4-20, PLATED L.L.**.....28 (AWP-25S and AWP-36S)	28	12D	124044GT	RETROFIT KIT,MAST SEQ,AWP30.....5 (AWP-30-S) (to SN 56680) (includes items 5, 7, and 15)	5
7B	35991GT	NUT,WELD 1/4-20, PLATED L.L.**.....35 (AWP-30S and AWP-40S)	35				
8	41077GT	SCREW,SHC,1/4-20 X .875.....3 (AWP-20S)	3				
8A	41077GT	SCREW,SHC,1/4-20 X .875.....4 (AWP-25S and AWP-36S)	4				

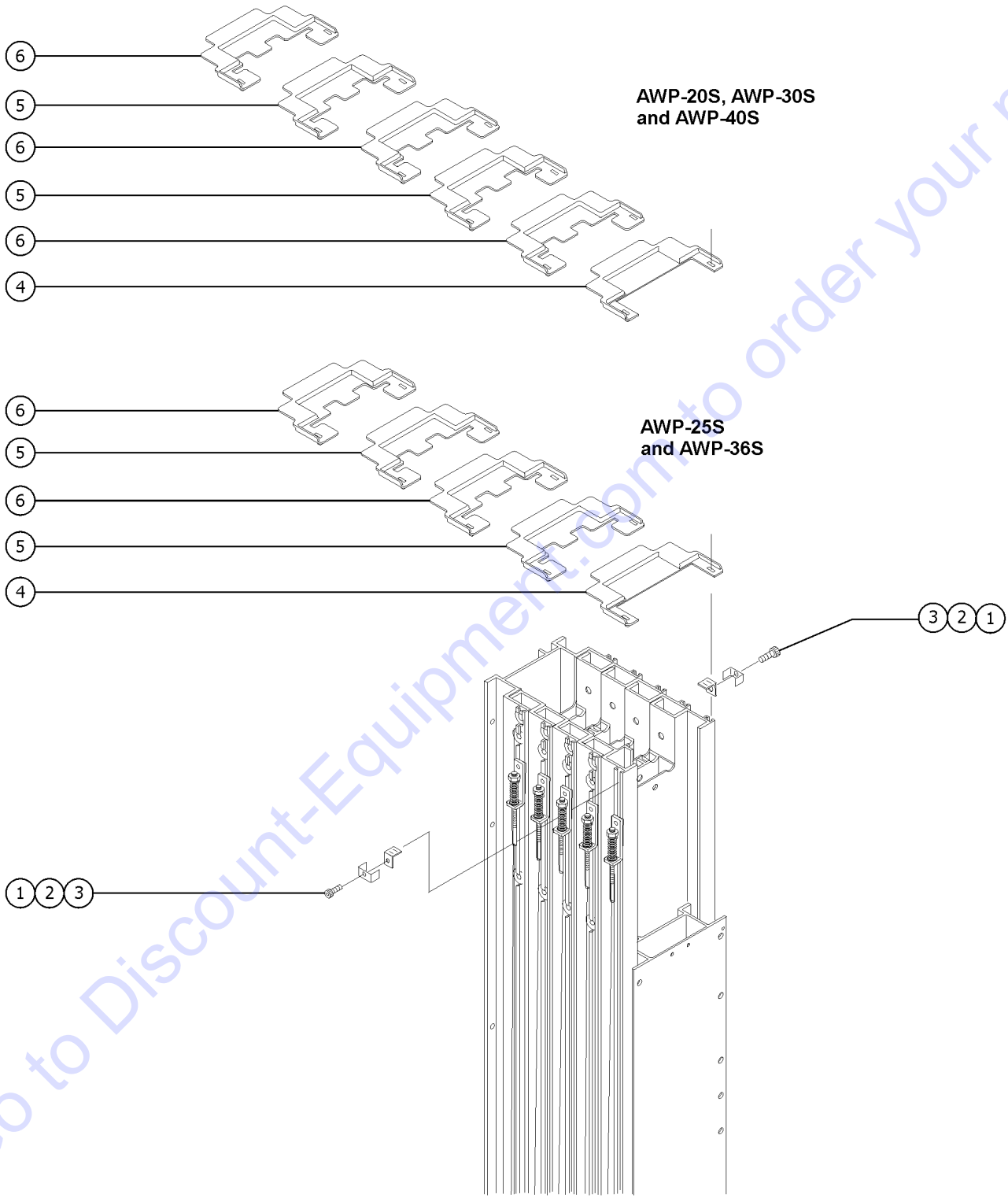
### 309.1 Sequencing Cable Assembly (continued)

Item	Part No.	Description	Qty.
12E	109870GT	FORMING,SEQUENCING CABLE BRKT.....3 (AWP-20S) (from SN AWP07-56681) (shown)	3
12F	109870GT	FORMING,SEQUENCING CABLE BRKT.....4 (AWP-25S, AWP-36S and AWP-40S) (from SN AWP07-56681) (shown)	4
12G	109870GT	FORMING,SEQUENCING CABLE BRKT.....5 (AWP-30S) (from SN AWP07-56681) (shown)	5
13	38234GT	BUSHING,FLANGE,3/8 OD X 1/4 ID.....6 (AWP-20S)	6
13A	38234GT	BUSHING,FLANGE,3/8 OD X 1/4 ID.....8 (AWP-25S and AWP-36S)	8
13B	38234GT	BUSHING,FLANGE,3/8 OD X 1/4 ID.....10 (AWP-30S and AWP-40S)	10
14	8849GT	SPRING, TENSION CABLE.....3 (AWP-20S)	3
14A	8849GT	SPRING, TENSION CABLE.....4 (AWP-25S and AWP-36S)	4
14B	8849GT	SPRING, TENSION CABLE.....5 (AWP-30S and AWP-40S)	5
15	109988GT	SCREW,PHM,1/4-20X.25 PHL.....3 (AWP-20S)	3
15A	109988GT	SCREW,PHM,1/4-20X.25 PHL.....4 (AWP-25S and AWP-36S)	4
15B	109988GT	SCREW,PHM,1/4-20X.25 PHL.....5 (AWP-30S and AWP-40S)	5

***This Page Intentionally Left Blank***

Go to Discount-Equipment.com to order your parts

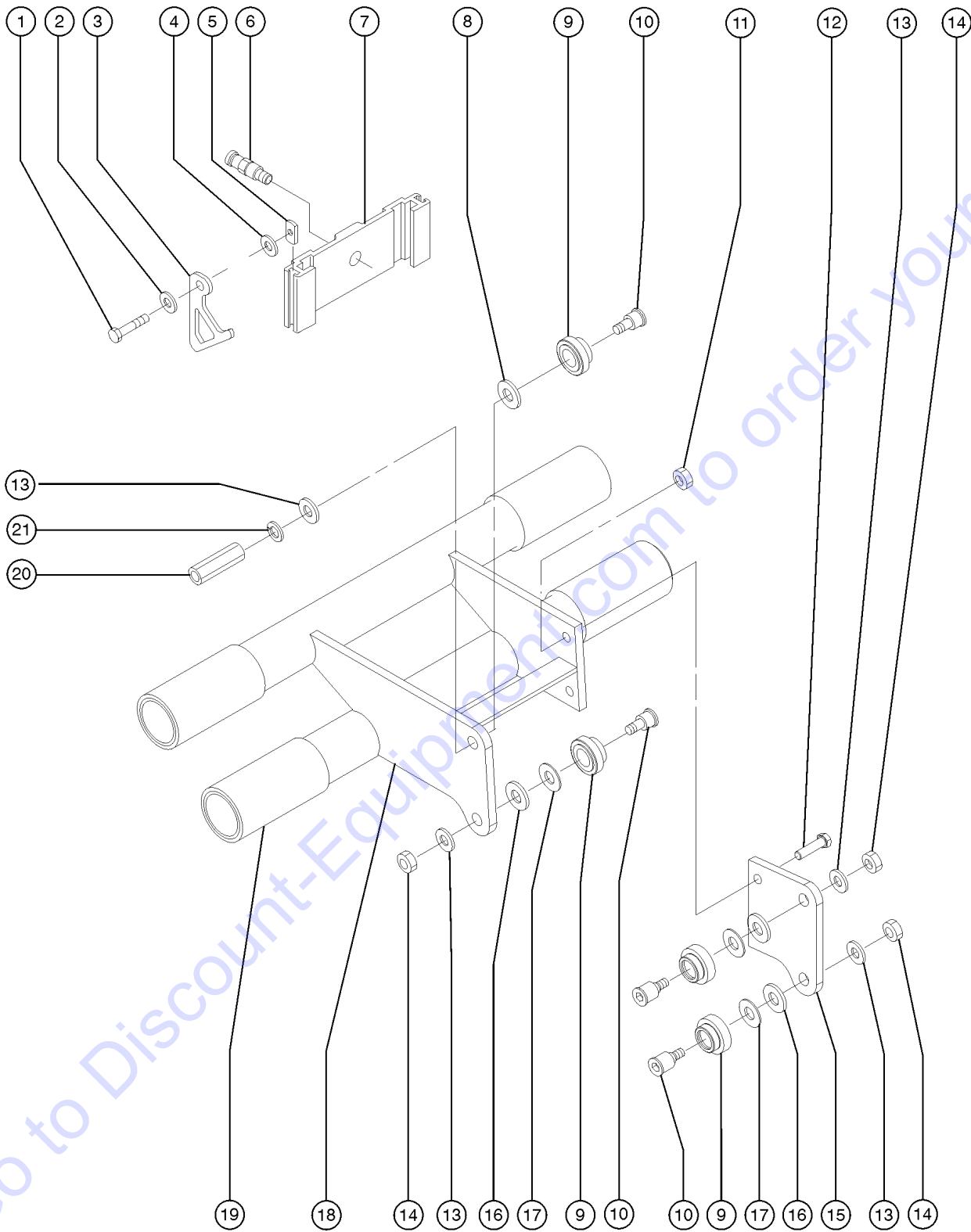
310.1 Mast Covers



Item	Part No.	Description	Qty.
1	40004GT	SCREW,SHC,1/4-20 X .375 BLK.....8 (AWP-20S)	8
1A	40004GT	SCREW,SHC,1/4-20 X .375 BLK.....10 (AWP-25S and AWP-36S)	10
1B	40004GT	SCREW,SHC,1/4-20 X .375 BLK.....12 (AWP-30S and AWP-40S)	12
2	41055GT	WASHER, T-SLOT.....8 (AWP-20S)	8
2A	41055GT	WASHER, T-SLOT.....10 (AWP-25S and AWP-36S)	10
2B	41055GT	WASHER, T-SLOT.....12 (AWP-30S and AWP-40S)	12
3	38730GT	NUT,WELD,ANGLE,1/4" T-SLOT.....8 (AWP-20S)	8
3A	38730GT	NUT,WELD,ANGLE,1/4" T-SLOT.....10 (AWP-25S and AWP-36S)	10
3B	38730GT	NUT,WELD,ANGLE,1/4" T-SLOT.....12 (AWP-30S and AWP-40S)	12
4	38315GT	FLAP,CARRIAGE COVER***.....1 All Models	1
5	35786GT	FLAP,MAST COVER #2 & #4.....1 (AWP-15S, AWP-20S)	1
5A	35786GT	FLAP,MAST COVER #2 & #4.....2 (AWP-25S, AWP-36S, AWP-30, AWP-40)	2
6	38314GT	FLAP,MAST COVER #1,#3, & #5.....1 (AWP-15S)	1
6A	38314GT	FLAP,MAST COVER #1,#3, & #5.....2 (AWP-20S, AWP-25S, AWP-36S)	2
6B	38314GT	FLAP,MAST COVER #1,#3, & #5.....3 (AWP-30S, AWP-40S)	3



311.1 Loading Pivot Assembly

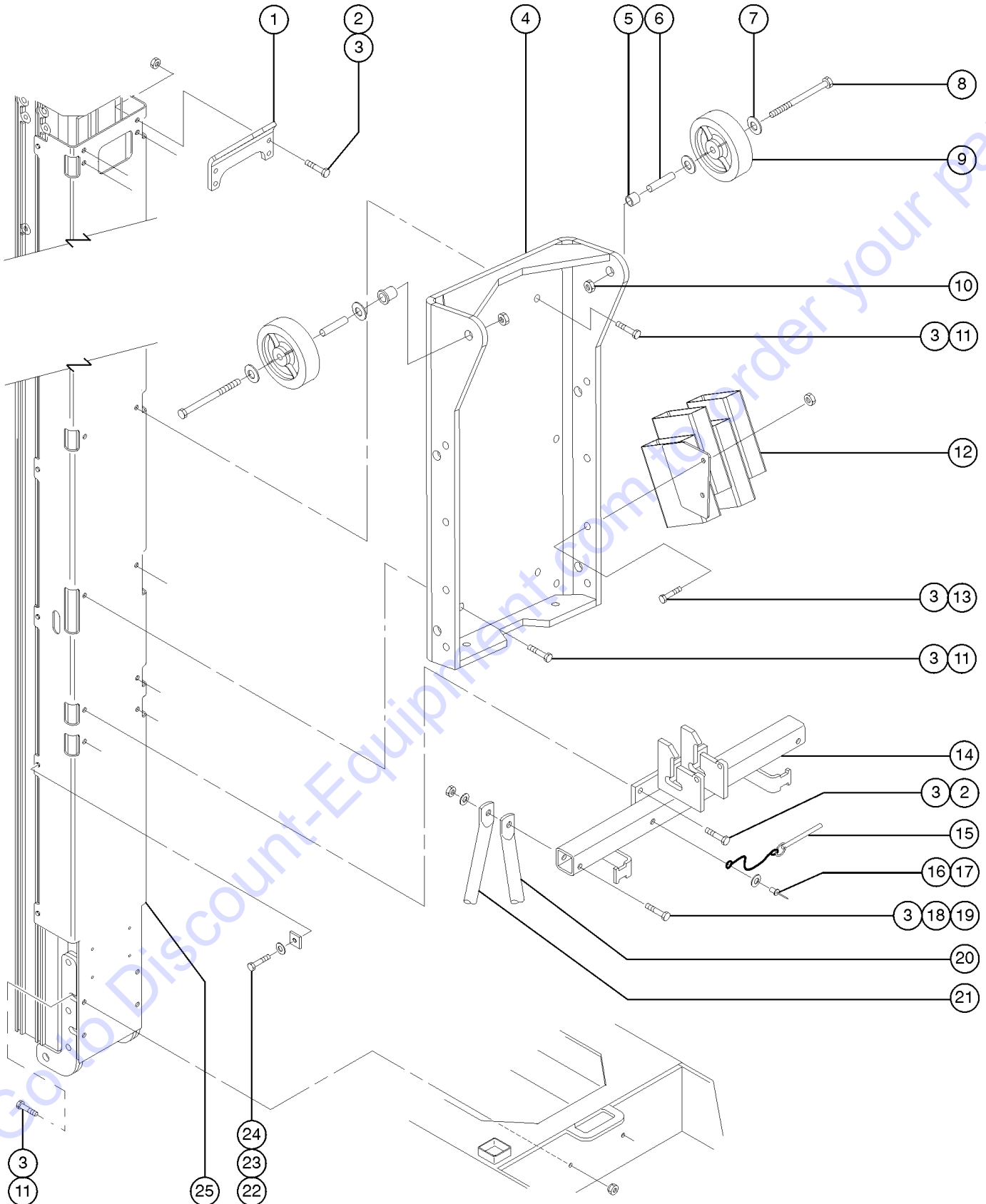


**Figure 311.1**  
Loading Pivot Assembly

## 311.1 Loading Pivot Assembly

Item	Part No.	Description	Qty.
1	6090GT	SCREW,HHC,1/4-20 X .75	
2	6638GT	WASHER,FLAT,USS,1/4"Y.....	1
3	100944GT	PLATE, PIVOT HOOK..... <i>part no longer requires item 4B</i>	1
4A	6638GT	WASHER,FLAT,USS,1/4"Y.....	1
4B	35732GT	SPACER,TUBE,1/4 X 3/8 **..... <i>if equipped</i>	1
5	35991GT	NUT,WELD 1/4-20, PLATED L.L. **.....	1
6	32375GT	PIN,LOCK,LONG***.....	1
7	40302GT	PIVOT STOP W/DECALS, AWP-S..... <i>(to SN 50002)</i>	1
7A	115145GT	EXTRUSION, PIVOT SLIDER,W/DEC..... <i>(from SN 50003)</i>	1
8	8519GT	WASHER,SHIM,.5 X .875 X .033	
9	38347GT	ROLLER,LOADING,AWP,S-SERIES.....	4
10	38975GT	BOLT,ROLLER,.720"(LONG).....	4
11	4828GT	NUT,NYLOCK,3/8-16	
12	5224GT	SCREW,HHC,3/8-16 X 2	
13	5397GT	WASHER,FLAT,USS,5/16",Y	
14	7713GT	NUT, LP NYLOCK, 3/8-16	
15	100939GT	PLATE, LOAD PIVOT RT, REAR	
15A	100947GT	PLATE, NRW PIVOT RT, REAR.....	1
16	6052GT	WASHER,SHIM,.5 X .875 X .063	
17	6563GT	WASHER,SHIM,.75 X 1.125 X .030	
18	107432GT	PIVOT SLIDER ASSY,W/DECAL,NRW <i>(shown)</i>	
18A	107431GT	PIVOT SLIDER ASSY,W/DECAL,STD.....	1
19	27769GT	BUMPER, AWP II TILTBACK..... <i>(narrow base)</i>	4
19A	27769GT	BUMPER, AWP II TILTBACK..... <i>(standrd base)</i>	2
20	38037GT	NUT,COUPLER,3/8-16 X 1.0 LG	
21	6021GT	WASHER,LOCK,.375	

312.1 Number 1 Column Attached Parts, Standard Base with Tilt-back Frame



## 312.1 Number 1 Column Attached Parts, Standard Base with Tilt-back Frame

Item	Part No.	Description	Qty.	Item	Part No.	Description	Qty.
--		Ref. Power Unit Mounting Plate (refer to Figure 313.1 or 403.1)		20A	38344-SGT	STRUT,TILTBACK,L.H.AWP96.....1 (AWP-36S and AWP-40S) (from SN 51505)	1
1	107023GT	LIFTING EYE ASSEMBLY.....1 (AWP-36S and AWP-40S)	1	20B	37344GT	BRACE,LH,FRONT MAST (AWP-20S, AWP-25S and AWP-30S) (to SN 51504)	
1A	107469GT	LIFTING EYE ASSEMBLY (AWP-20S, AWP-25S and AWP-30S)		20C	38340-SGT	STRUT, TILTBACK,L.H.AWP96 (AWP-20S, AWP-25S, AWP-30S, AWP-36S and AWP-40S) (from SN 51505)	
2	8516GT	SCREW, HCC, 3/8-16 X 1.50		21	38343-SGT	STRUT,TILTBACK,R.H.AWP96.....1 (AWP-36S and AWP-40S) (to SN 51504)	1
3	4828GT	NUT,NYLOCK,3/8-16		21A	38345-SGT	STRUT,TILTBACK,R.H.AWP96.....1 (AWP-36S and AWP-40S) (from SN 51505)	1
4	43053GT	PLATE,MAST MOUNT BRKT.W/DECAL.....1 (AWP-15S, AWP-20S, AWP-25S and AWP-30S) (to SN 50002)	1	21B	37343GT	BRACE,RH,FRONT MAST (AWP-20S, AWP-25S and AWP-30S) (to SN 51504)	
4A	38027-SGT	PLATE,MULTI-MAST MNT.BRKT.BL.....1 (AWP-36S and AWP-40S) (to SN AWP05-50002)	1	21C	38341-SGT	STRUT, TILTBACK,R.H.AWP96 (AWP-20S, AWP-25S, AWP-30S, AWP-36S and AWP-40S) (from SN 51505)	
4B	115152GT	MAST MOUNT PLATE W/DECAL.....1 (AWP-15S, AWP-20S, AWP-25S and AWP-30S) (from SN 50003) (shown)	1	22	7339GT	SCREW,HHC,1/4-20 X .5.....14	14
4C	100898GT	WELDMENT, MAST MOUNT, STD.....1 (AWP-36S and AWP-40S) (from SN 50003) (shown)	1	23	25926GT	WASHER,FLAT,M6 PLTD.....14	14
5	100902GT	TUBE, SPACER .5 ID X .5.....2	2	24	35991GT	NUT,WELD 1/4-20, PLATED L.L.**.....14	14
6	37202GT	BUSHING,3/4ODX2.44LGX.5ID.....2	2	25A	109551GT	FORMING,COL REINFORCEMENT***...1 (AWP-15S, AWP-36S and AWP-40S)	1
7	6095GT	WASHER,FLAT,USS,1/2",Y		25B		Ref., PLATE, COL 1 BACKPLATE (AWP-20S, AWP-25S, AWP-30S) Refer to 313.1	
8	13854GT	SCREW,HHC,1/2-13 X 4.5,GRD.8.....2	2				
9	57788GT	WHEEL,POLY,6X2, 3/4**.....2	2				
--	37202GT	BUSHING,3/4ODX2.44LGX.5ID					
10	6198GT	NUT,NYLOCK,1/2-13					
11	6019GT	SCREW,HHC,3/8-16 X 1.25 GRD 5					
12		Ref. Outrigger Storage Bracket Assembly (refer to 316.1)					
13	6175GT	SCREW,HHC,3/8-16 X 1					
14	38196GT	BATT.PACK HANGER ASSY. AWP-S.....1 (AWP-36S and AWP-40S) (includes items 15, 16, and 17)	1				
14A	43052GT	BATT.PACK HANGER ASSY. AWP-S (AWP-20S, AWP-25S and AWP-30S) (includes items 15, 16, and 17)					
14B	107381GT	BATT.PACK HANGER ASSY. (AWP-20S, AWP-25S and AWP-30S) (includes items 15, 16, and 17)					
15	8525GT	STAB.RET.PIN ASSY,DPL / AWP.....1	1				
16	6638GT	WASHER,FLAT,USS,1/4"Y.....1	1				
17	6271GT	RIVET,STL,STL.MAN,P,.25 X .25.....1	1				
18	6097GT	WASHER,FLAT,USS,3/8",Y					
19A	14033GT	SCREW,HHC,3/8-16 X 2.75.....2	2				
19B	6326GT	SCREW,HHC,3/8-16 X 3.....2	2				
20	38342-SGT	STRUT,TILTBACK,L.H.AWP96.....1 (AWP-36S and AWP-40S) (to SN 51504)	1				

# PARTS FINDER

**Search Website  
by Part Number**



**Search Manual  
Library For Parts  
Manual & Lookup Part  
Numbers – Purchase  
or Request Quote**

**Search Manuals**

Enter your information to help us find the right parts manual for your machine.

\* Brand:

\* Model:

\* Serial:

\* Part Number:

SEARCH

**Can't Find Part or  
Manual? Request Help  
by Manufacturer,  
Model & Description**

**Parts Order Form**

Please fill in the following information to help us find the right part for your machine.

Manufacturer:	<input type="text"/>
Model:	<input type="text"/>
Description:	<input type="text"/>
Part Number:	<input type="text"/>
Quantity:	<input type="text"/>
Notes:	<input type="text"/>

Submit

Discount-Equipment.com is your online resource for quality parts & equipment.

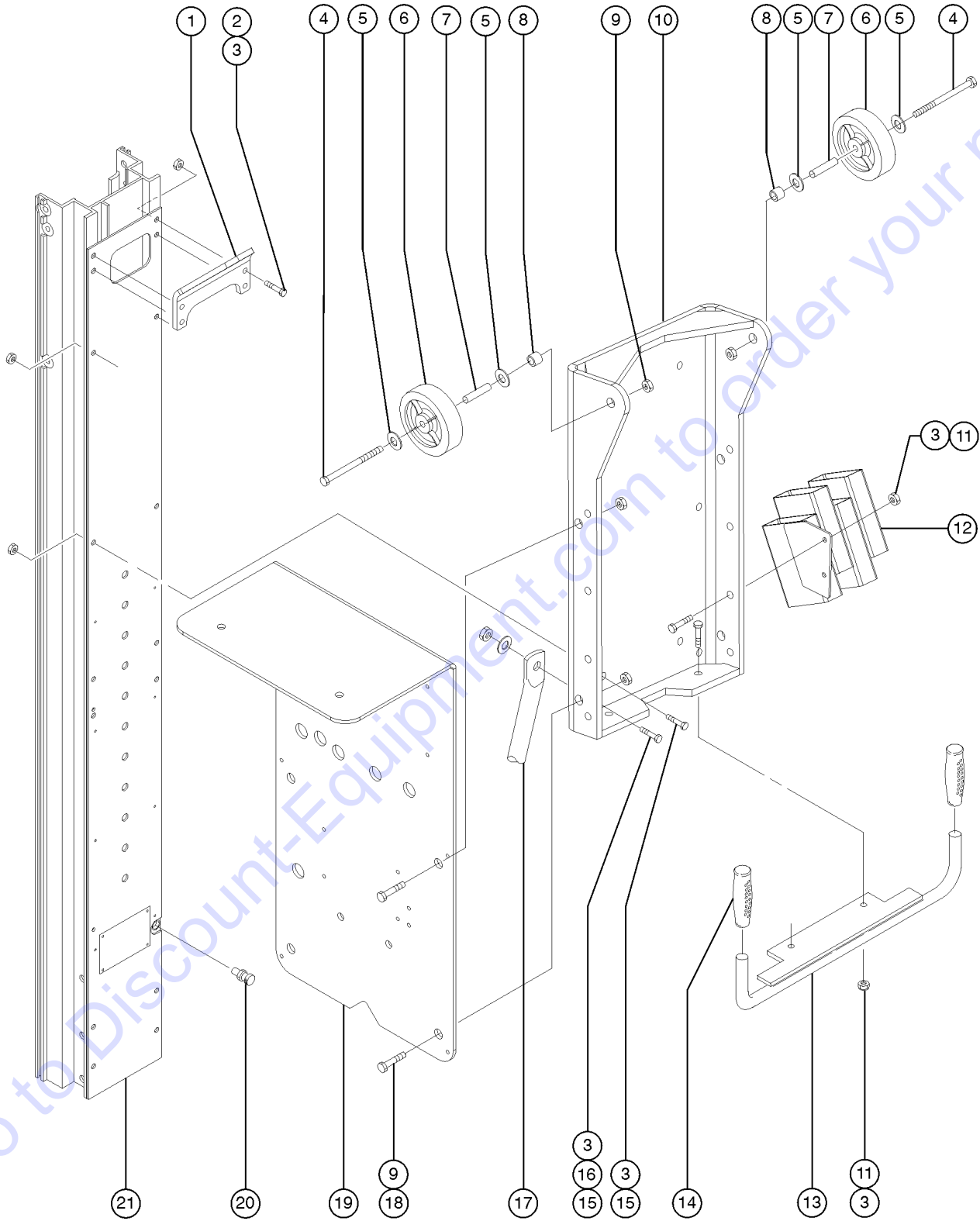
Florida: **561-964-4949** Outside Florida TOLL FREE: **877-690-3101**

**Need parts?**

Click on this link: <http://www.discount-equipment.com/category/5443-parts/> and choose one of the options to help get the right parts and equipment you are looking for. Please have the machine model and serial number available in order to help us get you the correct parts. If you don't find the part on the website or on one of the online manuals, please fill out the request form and one of our experienced staff members will get back to you with a quote for the right part that your machine needs.

We sell worldwide for the brands: Genie, Terex, JLG, MultiQuip, Mikasa, Essick, Whiteman, Mayco, Toro Stone, Diamond Products, Generac Magnum, Airman, Haulotte, Barreto, Power Blanket, Nifty Lift, Atlas Copco, Chicago Pneumatic, Allmand, Miller Curber, Skyjack, Lull, Skytrak, Tsurumi, Husquvarna Target, Stow, Wacker, Sakai, Mi-T-M, Sullair, Basic, Dynapac, MBW, Weber, Bartell, Bennar Newman, Haulotte, Ditch Runner, Menegotti, Morrison, Contec, Buddy, Crown, Edco, Wyco, Bomag, Laymor, EZ Trench, Bil-Jax, F.S. Curtis, Gehl Pavers, Heli, Honda, ICS/PowerGrit, IHI, Partner, Imer, Clipper, MMD, Koshin, Rice, CH&E, General Equipment, Amida, Coleman, NAC, Gradall, Square Shooter, Kent, Stanley, Tamco, Toku, Hatz, Kohler, Robin, Wisconsin, Northrock, Oztec, Toker TK, Rol-Air, APT, Wylie, Ingersoll Rand / Doosan, Innovatech, Con X, Ammann, Mecalac, Makinex, Smith Surface Prep, Small Line, Wanco, Yanmar

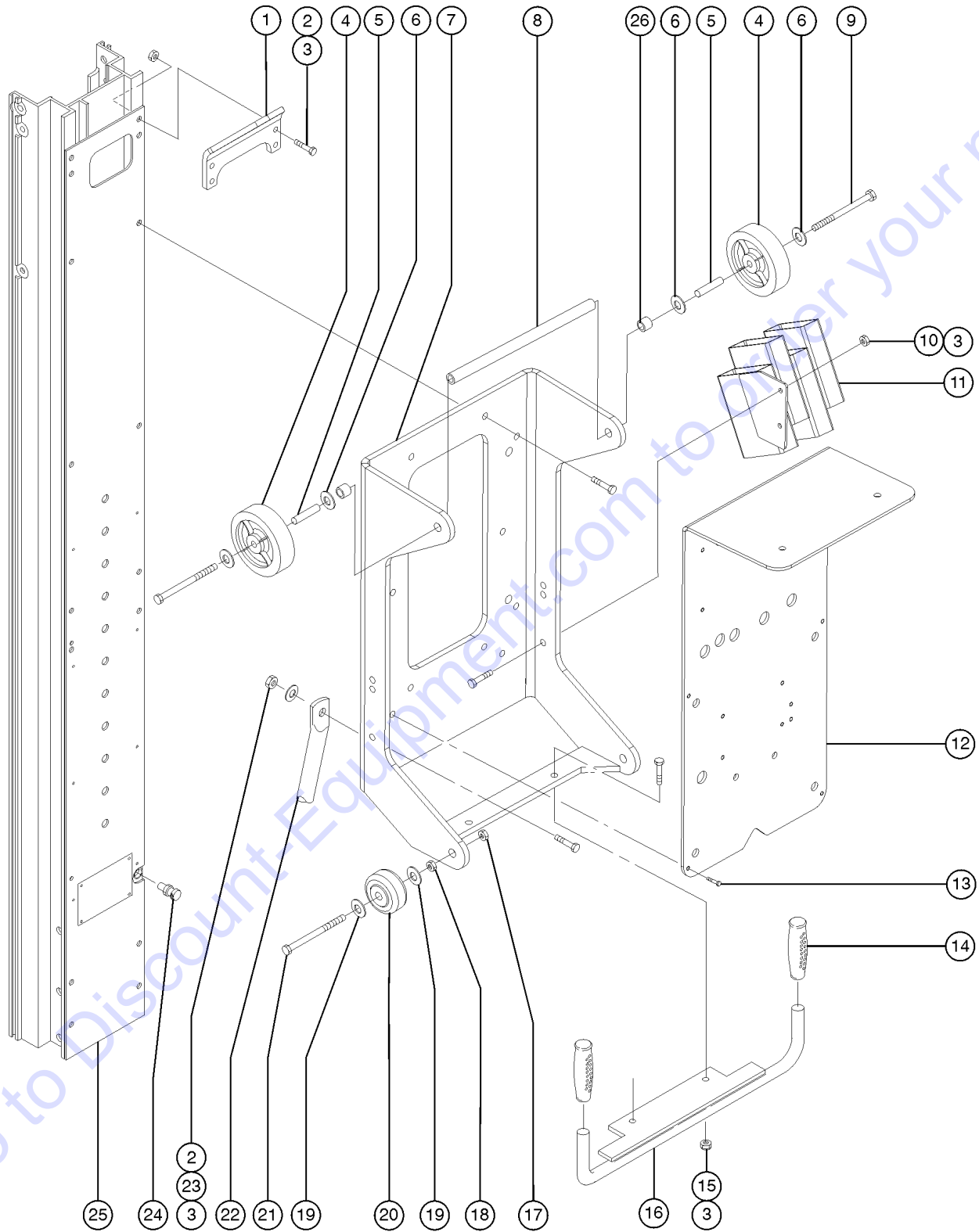
313.1 Number 1 Column Attached Parts, Standard Base Model



## 313.1 Number 1 Column Attached Parts, Standard Base Model

Item	Part No.	Description	Qty.
1	107023GT	LIFTING EYE ASSEMBLY.....1 (AWP-36S and AWP-40S)	1
1A	107469GT	LIFTING EYE ASSEMBLY (AWP-20S, AWP-25S and AWP-30S)	
2	8516GT	SCREW, HCC, 3/8-16 X 1.50	
3	4828GT	NUT, NYLOCK, 3/8-16	
4	13854GT	SCREW, HHC, 1/2-13 X 4.5, GRD.8.....2	2
5	6095GT	WASHER, FLAT, USS, 1/2", Y	
6	57788GT	WHEEL, POLY, 6X2, 3/4**.....2	2
7	37202GT	BUSHING, 3/4 ODX 2.44 LGX .5ID.....2	2
8	100902GT	TUBE, SPACER .5 ID X .5.....2	2
9	6198GT	NUT, NYLOCK, 1/2-13	
10	38027-SGT	PLATE, MULTI-MAST MNT. BRKT. BL.....1 (to SN 50002)	1
10A	100898GT	WELDMENT, MAST MOUNT, STD.....1 (from SN 50003 to SN 57595)	1
11	6175GT	SCREW, HHC, 3/8-16 X 1	
12		Ref. Outrigger Storage Bracket (refer to 316.1)	
13	38040GT	BATTERY BOX HANGER WELDMENT.....1	1
14	6587GT	HANDLE GRIP, RUBBER .75 X 4.5.....2	2
15	6019GT	SCREW, HHC, 3/8-16 X 1.25 GRD 5	
16	6097GT	WASHER, FLAT, USS, 3/8", Y	
17	32425-SGT	MAST BRACE, L.H.....1 (AWP-20S, AWP-25S and AWP-30S)	1
17A	32424-SGT	MAST BRACE, R.H. (AWP-20S, AWP-25S and AWP-30S) (not shown)	
18	51496GT	SCREW, HHC, 1/2-13 X 1.375.....2	2
19	100893GT	FORMING, POWER UNIT MOUNT.....1	1
20	33674GT	PIN, LOCK, SHORT***.....1	1
21A	100901GT	PLATE, COL 1 BACKPLATE.....1 (AWP-20S, AWP-25S, AWP-30S)	1
21A	8920GT	RIVET, ALUM, ALUM, P, .156 X .375.....8 (AWP-20S, AWP-25S, AWP-30S)	8
21B		Ref., FORMING, COL REINFORCEMENT*** (AWP-15S, AWP-36S and AWP-40S) Refer to 312.1	

314.1 Number 1 Column Attached Parts, Narrow or Rough Terrain Base Model

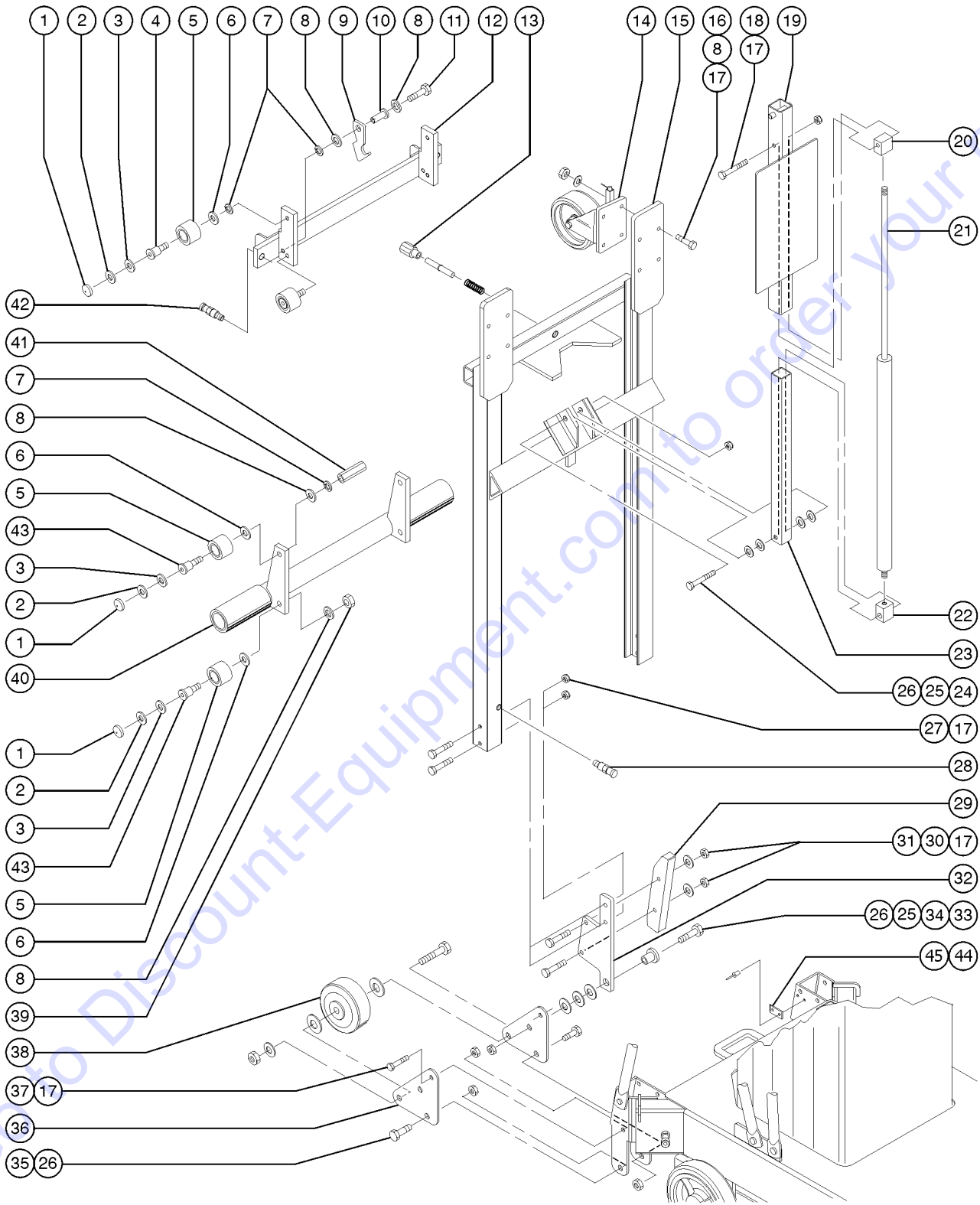




## 314.1 Number 1 Column Attached Parts, Narrow or Rough Terrain Base Model

Item	Part No.	Description	Qty.
1	107023GT	LIFTING EYE ASSEMBLY.....1 (AWP-36S and AWP-40S)	1
1A	107469GT	LIFTING EYE ASSEMBLY (AWP-20S, AWP-25S and AWP-30S)	
2	8516GT	SCREW, HCC, 3/8-16 X 1.50	
3	4828GT	NUT,NYLOCK,3/8-16	
4	57788GT	WHEEL,POLY,6X2, 3/4**.....2	2
5	37202GT	BUSHING,3/4ODX2.44LGX.5ID.....2	2
6	6564GT	WASHER, SHIM,.765 X 1.312 X .093.....4	4
7	37724GT	WELDMENT,MULTI MAST,NARROW.....1 (to SN AWP05-50002)	1
7A	124194GT	WELDMENT,NAST MOUNT,NRW.....1 (from SN AWP05-50003)	1
7B	124779GT	KIT,POWER UNIT MOUNTING (to SN AWP05-50002) (includes 124194)	
8	38724GT	COUPLER TUBE,13.62".....1	1
9	8220GT	SCREW,HHC,1/2-13 X 4	
10	6019GT	SCREW,HHC,3/8-16 X 1.25 GRD 5	
11		Ref. Outrigger Storage Bracket, Right Side (refer to 316.1)	
12	100893GT	FORMING, POWER UNIT MOUNT.....1	1
13	43136GT	SCREW,PHM,1/4-20 X .625	
14	6587GT	HANDLE GRIP, RUBBER .75 X 4.5	
15	6175GT	SCREW,HHC,3/8-16 X 1	
16	38040GT	BATTERY BOX HANGER WELDMENT.....1	1
17	6198GT	NUT,NYLOCK,1/2-13	
18	6034GT	NUT,HEX,JAM,1/2-13	
19	6095GT	WASHER,FLAT,USS,1/2",Y	
20	57781GT	WHEEL,POLYOLEFIN, 2.5X1.25,1/2.....2	2
21	8357GT	SCREW,HHC,1/2-13 X 3.5	
22A	32425-SGT	MAST BRACE,L.H.....1 (AWP-20S, AWP-25S and AWP-30S)	1
22B	32424-SGT	MAST BRACE,R.H. (AWP-20S, AWP-25S and AWP-30S)(not shown)	
23	6097GT	WASHER,FLAT,USS,3/8",Y	
24	33674GT	PIN,LOCK,SHORT***.....1	1
25A		Ref., FORMING,COL REINFORCEMENT*** (AWP-15S, AWP-36S and AWP-40S) Refer to 312.1	
25B		Ref., PLATE, COL 1 BACKPLATE.....2 (AWP-20S, AWP-25S and AWP-30S) Refer to 313.1	2
26	100902GT	TUBE, SPACER .5 ID X .5	

315.1 Tilt-back Frame Assembly



## 315.1 Tilt-back Frame Assembly

Item	Part No.	Description	Qty.	Item	Part No.	Description	Qty.
--	40274GT	TILTBACK SHOCK ASSY,AWP36-S (includes items 17-26 and decal plate with decal)		21B	41053GT	GAS SPRING AWP-15/20S,S-SERIES (AWP-20S)	
--	40275GT	TILTBACK SHOCK ASSY,AWP40-S (includes items 17-26 and decal plate with decal)		21C	41054GT	GAS SPRING AWP-25/30S,S-SERIES (AWP-25S and AWP-30S)	
--	43056GT	TILTBACK KIT 25/30AWP-S		22	38323GT	BLOCK,LOWER GAS SPRING MOUNT.....1	1
--	43058GT	TILTBACK SHOCK ASSY,AWP15/20S (includes items 17-26)		23	38318GT	TUBE,LOWER GAS SPRING,ZINC.....1 (AWP-36S and AWP-40S)	1
--	43059GT	TILTBACK SHOCK ASSY,AWP25/30S (includes items 17-26)		24	6732GT	SCREW,HHC,1/2-13 X 3.25	
1	21279GT	BUTTON, .800 O.D. X .281.....	8	25A	6564GT	WASHER, SHIM,.765 X 1.312 X .093 (quantities vary)	
2	21441GT	SHIM,.75 X.45 X.016.....	4	25B	1259993GT	SPACER,.781IDX1.5ODX.375THK.....2 (AWP-36S and AWP-40S) (not shown)	2
3	21442GT	SHIM,.75 X.45 X.032.....	4	26	6198GT	NUT,NYLOCK,1/2-13	
4	21437GT	BOLT,ROLLER-SHORT STEM,.63.....	4	27	6708GT	SCREW,HHC,3/8-16 X 2.25	
5	21278GT	ROLLER,NYLATRON 1.50 O.D.***.....	8	28	6825GT	PIN,OUTRIGGER LOCK.....	1
6	8519GT	WASHER,SHIM,.5 X .875 X .033.....	8	29	27415GT	BLOCK, GUIDE, AWP.....	2
7	6021GT	WASHER,LOCK,.375		30	6097GT	WASHER,FLAT,USS,3/8",Y	
8	5397GT	WASHER,FLAT,USS,5/16",Y		31	5224GT	SCREW,HHC,3/8-16 X 2	
9	24697-SGT	PIVOT RETAINER HOOK (SERVICE).....	1	32	37681-SGT	PLATE,TILTBACK HINGE,"BLUE".....	2
10	33720GT	BEARING,FLANGE,3/8 ( AWP & ST).....	1	33	9145GT	SCREW,HHC,1/2-13 X 2.5,GR5	
11	32317GT	SCREW,HHC,3/8-24 X 1 GR 8 YEL.....	1	34	32834GT	BUSHING,BRONZE,.50 X .75.....	2
12	40276GT	PIVOT STOP BRKT.ASSY,S-SERIES.....	1	35	10597GT	SCREW,HHC,1/2-13 X 1.25 GR5	
13	25087GT	ASSY,SPRING PLUNGER,AWP TILTBK.....	1	36	37687-SGT	PLATE,BASE ATTACHMENT,TB,BLUE.....	4
--	25084GT	SPRING,AWP TILT-BACK		37	6175GT	SCREW,HHC,3/8-16 X 1	
--	25085GT	SPRING HOUSING,AWP TILT-BACK		38	57785GT	WHEEL,TPE,5 X 2, 3/4, 1/2**.....2 (includes mounting fasteners)	2
--	25086GT	SPRING PLUNGER,AWP TILT-BACK		39	5408GT	NUT,LP NYLOCK,3/8-24.....	3
14	57733GT	CASTER,PL,SW LOCK,5 X 2**.....	2	40	32925GT	PIVOT WELD W/RUBBER.....	1
15	38195GT	TILTBACK FRAME W/DECALS,AWP-S*.....	1	--	27769GT	BUMPER, AWPII TILTBACK	
15A	43054GT	TILTBACK FRAME W/DECALS,AWP-S (AWP-20S, AWP-25S and AWP-30S)		--	6271GT	RIVET,STL,STL.MAN,P.25 X .25	
16	8516GT	SCREW, HCC, 3/8-16 X 1.50		41	6180GT	COUPLING,ROD,3/8-24.....	1
17	4828GT	NUT,NYLOCK,3/8-16		42	32375GT	PIN,LOCK,LONG***.....	2
18	8178GT	SCREW,HHC,3/8-16 X 2.5		43	21280GT	BOLT-ROLLER,3/8-24 X 1.69-ZINC.....	4
19	40506GT	WELDMENT GAS.UPR.W/DECAL AWP-S.....	1	44	39474GT	WEAR PAD,PLATFORM.....	2
19A	41033GT	WELDMENT,GAS SPRING HSING-SHOR (AWP-20S, AWP-25S and AWP-30S)		45	33776GT	RIVET,STL,STL,P.188 X .375.....	4
20	38324GT	BLOCK,UPPER GAS SPRING MOUNT.....	1				
21	38990GT	GAS SPRING AWP-36S,S-SERIES.....	1				
21A	38322GT	GAS SPRING AWP-40S,S-SERIES (AWP-40S)					

## 316.1 Outrigger Storage Bracket Assy Cross Reference

Figure	Rev	Description
316.1	A	Outrigger Storage Bracket Assembly Cross Reference

## Standard Base

Applicable Standard / Region	AWP-20S (AC or DC)	AWP-25S (AC or DC)	AWP-30S (AC or DC)	AWP-30S (Air)	AWP-36S (AC or DC)	AWP-40S (AC or DC)
<b>ANSI and CSA</b> (USA, Asia, South America and Canada)						
Outrigger Storage Bracket Assembly (refer to 313.1)	107425	107425	107425	107425	107425	107425
<b>CE (Europe) Indoor</b>						
Outrigger Storage Bracket Assembly (refer to 313.1)	107425	107425	107426	107426	107425	107425
<b>CE (Europe) Outdoor</b>						
Outrigger Storage Bracket Assembly (refer to 313.1)	107425	107425	107426	107426	107425	107425

316.1  
Outrigger Storage Bracket Assembly Cross Reference Rev A

## Narrow Base or Rough Terrain Base

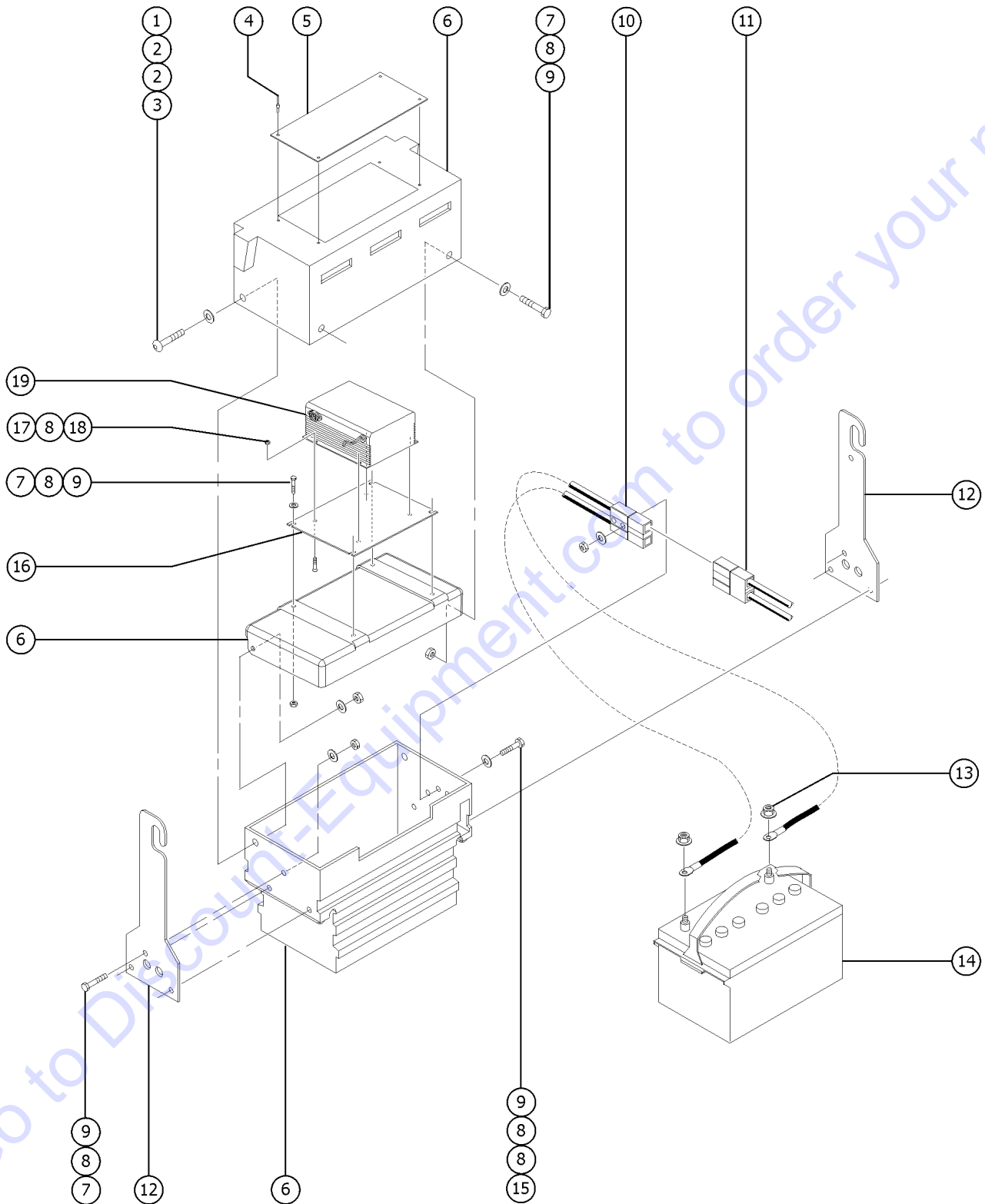
Applicable Standard / Region	AWP-20S (AC or DC)	AWP-25S (AC or DC)	AWP-30S (AC or DC)	AWP-30S (Air)
<b>ANSI and CSA</b> (USA, Asia, South America and Canada)				
Outrigger Storage Bracket Assembly, Right side (figure 314.1)	107427	107427	107427	107427
Outrigger Storage Bracket Assembly, Left side (refer to 314.1)	107429	107429	107429	107429
<b>CE (European) Indoor</b>				
Outrigger Storage Bracket Assembly, Right side (figure 314.1)	107427	107427	107428	107428
Outrigger Storage Bracket Assembly, Left side (refer to 314.1)	107429	107429	107430	107430
<b>CE (European) Outdoor</b>				
Outrigger Storage Bracket Assembly, Right side (figure 314.1)	107427	107427	107428	107428
Outrigger Storage Bracket Assembly, Left side (refer to 314.1)	107429	107429	107430	107430

## 316.1 Outrigger Storage Bracket Assy Cross Reference

Item	Part No.	Description	Qty.
1	107425GT	OUTRIGGER STORAGE BRKT ASSY	
2	107426GT	OUTRIGGER STORAGE BRKT ASSY	
3	107427GT	OUTRIGGER STORAGE BRKT,RIGHT	
4	107428GT	OUTRIGGER STORAGE BRKT,LT	
5	107429GT	OUTRIGGER STORAGE BRKT,LEFT	
6	107430GT	OUTRIGGER STORAGE BRKT,LT	

Go to Discount-Equipment.com to order your parts

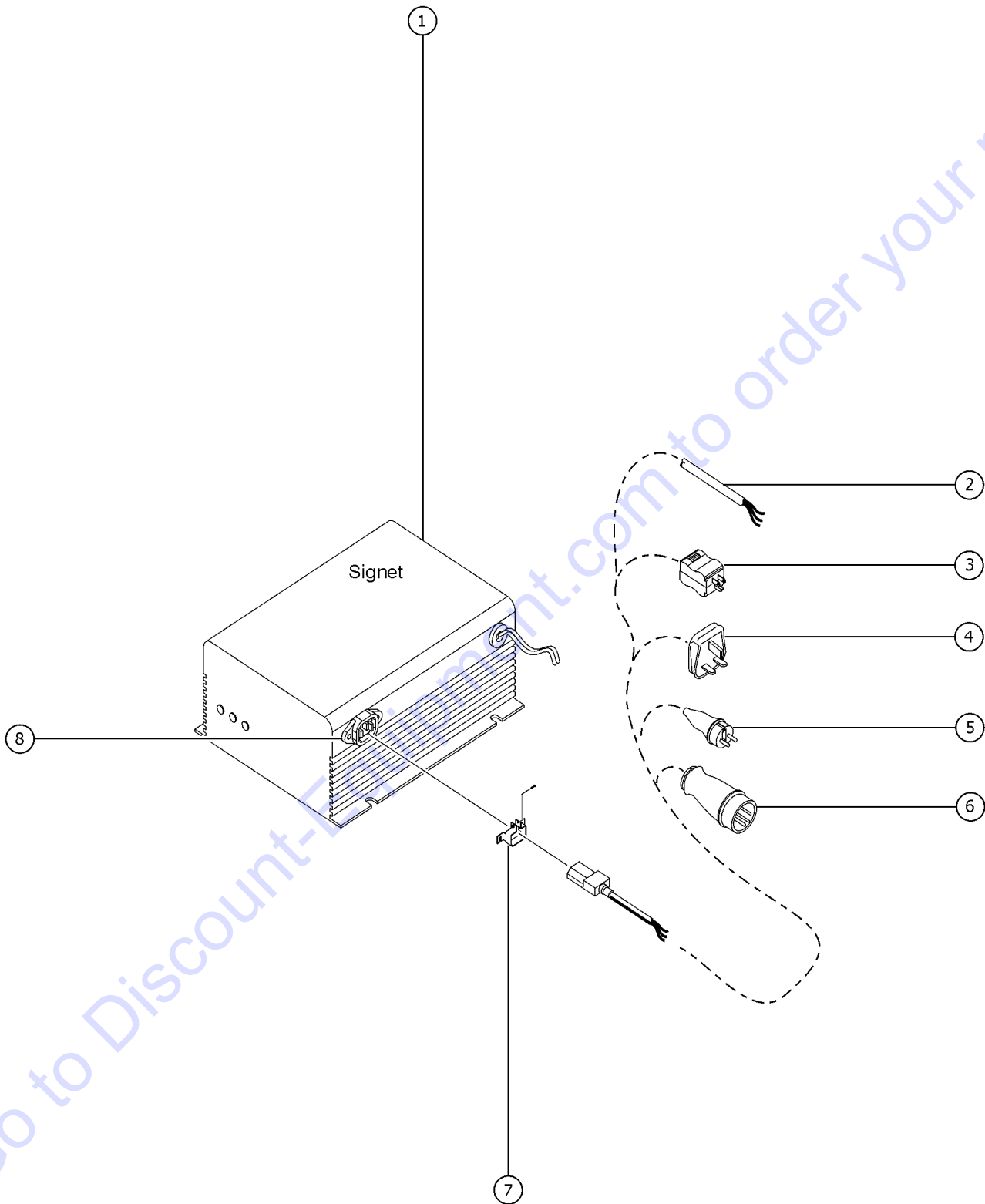
401.1 Battery Pack Assembly, DC Models



## 401.1 Battery Pack Assembly, DC Models

Item	Part No.	Description	Qty.
--	85423GT	BATT.PACK,12VDC/HI-LO*** <i>(Instructions included)</i>	
--	85424GT	BATT.PACK,N0 BATT,12VDC-HI/LO* <i>order battery separately</i>	
1	28487GT	SCREW,BHHS,3/8-16 X 1	
2	5397GT	WASHER,FLAT,USS,5/16",Y	
3	7713GT	NUT, LP NYLOCK, 3/8-16	
4	8920GT	RIVET,ALUM,ALUM,P,.156 X .375	
5	107470GT	BATTERY PLATE ASSY W/ DECAL.....1	
6	38215GT	BATT.BOX, ASSY W/ DECALS.....1	
7	6090GT	SCREW,HHC,1/4-20 X .75	
8	6638GT	WASHER,FLAT,USS,1/4"Y	
9	6889GT	NUT,LP NYLOCK,1/4-20	
10	38212GT	CABLE ASSY,BAT PACK/CLAMP POST.....1	
--	18189GT	BOOT,BATTERY TERMINAL,RED	
10A	69228GT	CABLE ASSY,BAT PACK/RING-TERM	
--	96110GT	BOOT,CABLE TERMINAL COVER	
11	38213GT	CABLE ASSY,ANDRSN,26",15S-30S.....1	
11A	38214GT	CABLE ASSY,ANDRSN,42",36/40-S <i>(models with tilt-back option)</i>	
12	40301GT	HOOK,BATTERY BOX W/DECAL,--S.....2 <i>(USA, Australia and Canada)</i>	
12A	33245PGT	PLATE,BATTERY BOX HOOK,PAINTED <i>(Asia, South America and Europe)</i>	
13	18503GT	NUT,LOCKING-LG.FLANGE,5/16-18	
14	57159GT	BATTERY,12V GRP 27,105 AH, DRY.....1 <i>(models with dry battery option)</i>	
14A	60499GT	BATTERY,12V GRP27TM,105 AH,WET <i>(models with wet battery option)</i>	
15	6145GT	SCREW,HHC,1/4-20 X 1.5	
16	80989-SGT	PLATE,12V CHARGER MOUNT.....1	
17	6178GT	NUT,NYLOCK,10-32	
18	17626GT	SCREW,FHM,10-32 X .75	
19		Ref. Battery Charger (refer to 402.1)	

402.1 Battery Charger, Worldwide, Signet Model

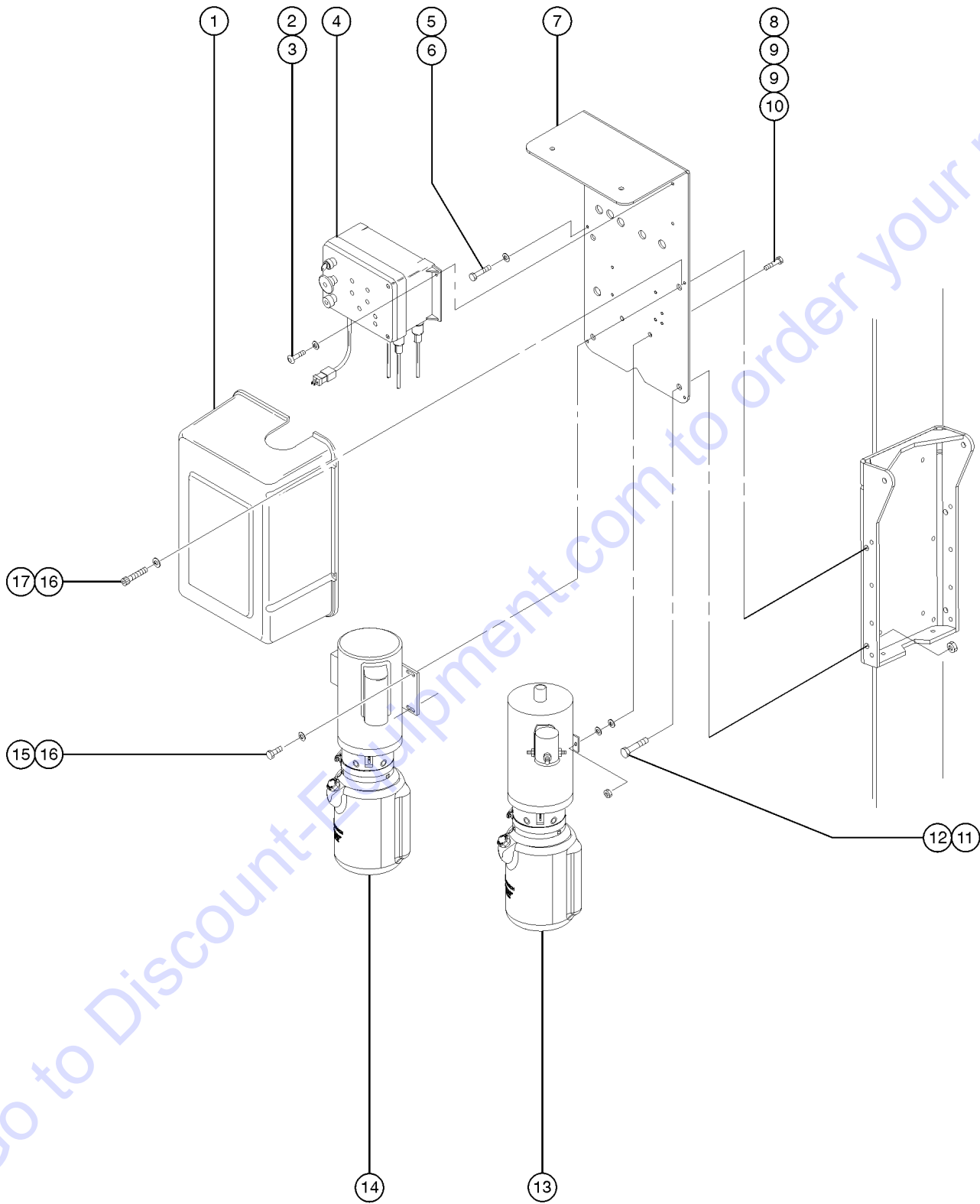




## 402.1 Battery Charger, Worldwide, Signet Model

Item	Part No.	Description	Qty.
--	85460GT	MANUAL, SIGNET CHARGER - 80990	
1	80990GT	CHARGER,12VDC HI/LO, AWP/IWP.....1 <i>(power cord not included)</i>	
--	85460GT	MANUAL, SIGNET CHARGER - 80990	
--	97059GT	FUSE,BATTERY CHARGER***	
1A	80889GT	KIT,CHARGER,AWP/IWP*** <i>(Signet) (cord must be ordered separately; see item 9 below)</i>	
2	48282GT	POWER CORD, IEC 320 BLANK, 79".....1	
3	55021GT	POWER CORD,US 110, 8".....1 <i>length: 8 inches</i>	
3A	100195GT	POWER CORD,US 110, 79" <i>length: 79 inches</i>	
4	55018GT	POWER CORD,UK-HIGH VOLTAGE, 8".....1 <i>length: 79 inches</i>	
4A	100193GT	POWER CORD,UK-HIGH VOLTAGE, 98" <i>length: 98 inches</i>	
5	55019GT	POWER CORD,NOVON, 8".....1 <i>length: 8 inches</i>	
5A	100194GT	POWER CORD,NOVON, 98" <i>length: 98 inches</i>	
6	71706GT	POWER CORD, UK 110, 115".....1 <i>(includes item 2)</i>	
6A	144161GT	PLUG,PWR,UK,16AMP,3PIN,BLK <i>to SN AWP12-72654</i>	
6B	144161GT	PLUG,PWR,UK,16AMP,3PIN,BLK <i>from SN AWP12-72655</i>	
7	55010GT	LOCK, CONNECTOR.....1	
8	46440GT	CONNECTOR,IEC 320 INLET.....1	
--	46441GT	PIN,CONNECTOR,IEC320	
9A	55021GT	POWER CORD,US 110, 8" <i>US models (for 80889) (length: 8 inches)</i>	
9B	71706GT	POWER CORD, UK 110, 115" <i>UK 110V (for 80889) (length: 115 inches)</i>	
9C	55018GT	POWER CORD,UK-HIGH VOLTAGE, 8" <i>UK/AUS 220V (for 80889) (length: 8 inches)</i>	
9D	55019GT	POWER CORD,NOVON, 8" <i>EURO 220V (for 80889) (length: 8 inches)</i>	

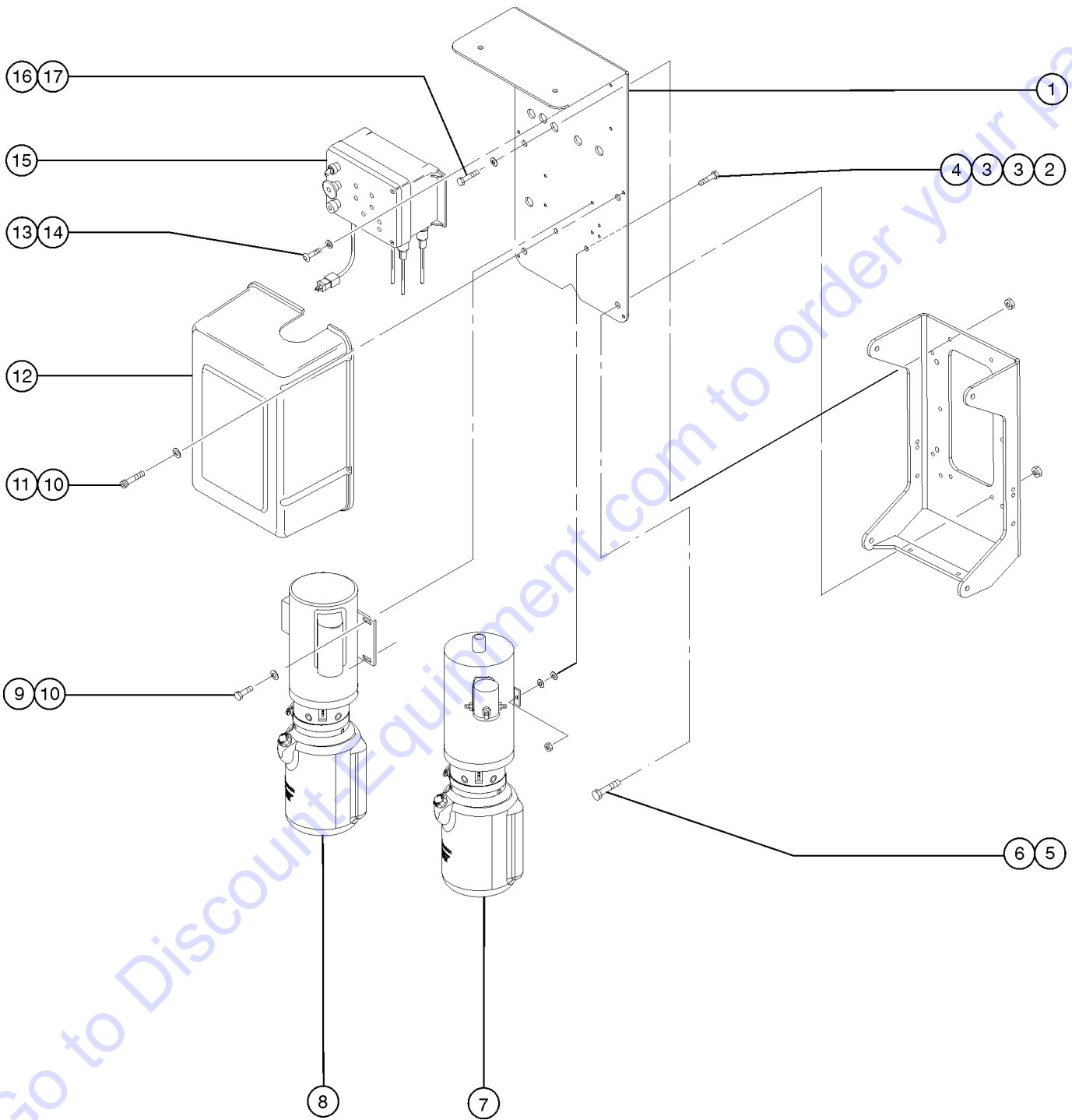
403.1 Power Unit Installation, Standard Base, AC and DC Models



## 403.1 Power Unit Installation, Standard Base, AC and DC Models

Item	Part No.	Description	Qty.	Item	Part No.	Description	Qty.
--	107472GT	POWER PACK,110V AC,50/60HZ <i>(includes items 1- 7 and 14-17) (with word decals) (The power pack may need to be updated to the requirements of the specific year and model; to order, please supply the factory with the machine serial number)</i>		3	6356GT	WASHER,LOCK,.25	
--	107473GT	POWER PACK,85V AC,50/60HZ <i>(includes items 1- 7 and 14-17) (with word decals) (The power pack may need to be updated to the requirements of the specific year and model; to order, please supply the factory with the machine serial number)</i>		4		Ref. Ground Controls <i>(refer to figure 407.1 or 408.1)</i>	
--	107474GT	POWER PACK,220V AC,50/60HZ <i>(includes items 1- 7 and 14-17) (with word decals) (The power pack may need to be updated to the requirements of the specific year and model; to order, please supply the factory with the machine serial number)</i>		5	33681GT	SCREW,HHC,3/8-16 X .625	
--	107475GT	POWER PACK,12V DC <i>(includes items 1- 7, 13 and 15-17) (with word decals) (The power pack may need to be updated to the requirements of the specific year and model; to order, please supply the factory with the machine serial number)</i>		6	6021GT	WASHER,LOCK,.375	
--	107476GT	POWER PACK,110V AC,50/60HZ <i>(includes items 1-7 and 14-17) (with symbol decals) (The power pack may need to be updated to the requirements of the specific year and model; to order, please supply the factory with the machine serial number)</i>		7	37764-SGT	PLATE,MOTOR MOUNT,"BLUE".....1 <i>(shown) (to SN 50002)</i>	
--	107477GT	POWER PACK,85V AC,50/60HZ <i>(includes items 1-7 and 14-17) (with symbol decals) (The power pack may need to be updated to the requirements of the specific year and model; to order, please supply the factory with the machine serial number)</i>		7A	100893GT	FORMING, POWER UNIT MOUNT.....1 <i>(from SN 50003)</i>	
--	107478GT	POWER PACK,220V AC,50/60HZ <i>(includes items 1-7 and 14-17) (with symbol decals) (The power pack may need to be updated to the requirements of the specific year and model; to order, please supply the factory with the machine serial number)</i>		8	6175GT	SCREW,HHC,3/8-16 X 1	
--	107479GT	POWER PACK,12V DC <i>(includes items 1-7 and 14-17) (with symbol decals) (The power pack may need to be updated to the requirements of the specific year and model; to order, please supply the factory with the machine serial number)</i>		9	5397GT	WASHER,FLAT,USS,5/16",Y	
--	145135GT	CABLE ASSY,#4 WIRE,10.00"LG <i>fuse-to-power unit</i>		10	7713GT	NUT, LP NYLOCK, 3/8-16	
1	124649GT	COVER,MOTOR W/WORDS,AWP/IW.....1 <i>(USA, Australia, Canada models)</i>		11	10597GT	SCREW,HHC,1/2-13 X 1.25 GR5	
1A	124650GT	COVER,MOTOR W/SYMBOL,AWP/IWP.....1 <i>(Asia, South America, Europe models)</i>		12	6198GT	NUT,NYLOCK,1/2-13	
2	12011GT	SCREW,BHHS,1/4-20 X .5,Y/ZINC		13		Ref. DC Hydraulic Power Unit <i>(refer to 602.1)</i>	
				14		Ref. AC Hydraulic Power Unit <i>(refer to 603.1)</i>	
				15	7339GT	SCREW,HHC,1/4-20 X .5	
				16	14295GT	WASHER,SHIM,.265 X .5 X .030	
				17	40004GT	SCREW,SHC,1/4-20 X .375 BLK	

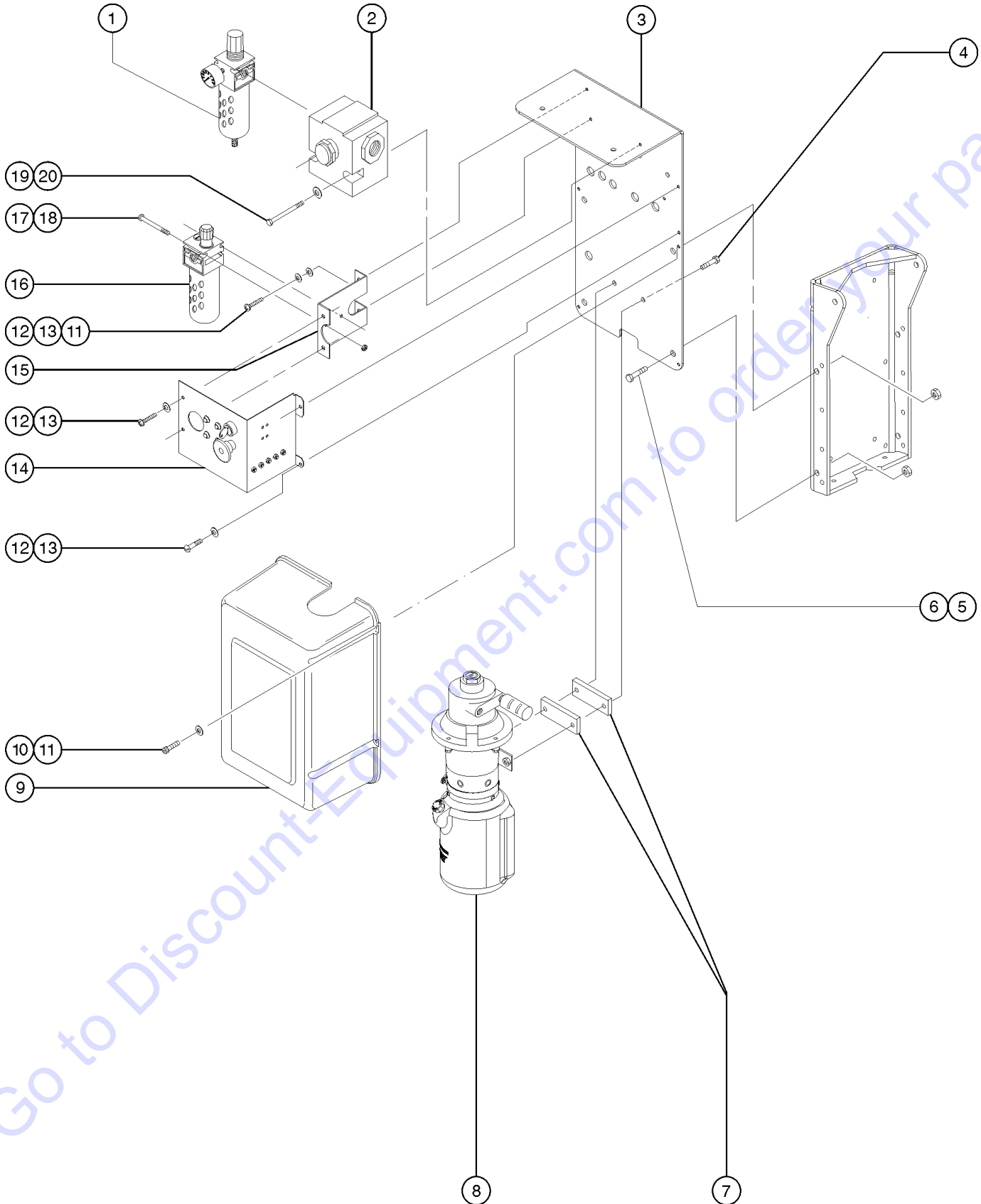
404.1 Power Unit Installation, Narrow or Rough Terrain Base, AC and DC Models



## 404.1 Power Unit Installation, Narrow or Rough Terrain Base, AC and DC Models

Item	Part No.	Description	Qty.
1	37764-SGT	PLATE,MOTOR MOUNT,"BLUE".....1 (to SN 50002)	1
1A	124194GT	WELDMENT,NAST MOUNT,NRW.....1 (from SN 50003)	1
1B	124779GT	KIT,POWER UNIT MOUNTING (to SN AWP07-60145) (CE machines only)	
2	6175GT	SCREW,HHC,3/8-16 X 1	
3	5397GT	WASHER,FLAT,USS,5/16",Y	
4	7713GT	NUT, LP NYLOCK, 3/8-16	
5	10597GT	SCREW,HHC,1/2-13 X 1.25 GR5	
6	6198GT	NUT,NYLOCK,1/2-13	
7		Ref. Hydraulic Power Unit - DC (refer to 602.1)	
8		Ref. Hydraulic Power Unit - AC (refer to 603.1)	
9	7339GT	SCREW,HHC,1/4-20 X .5	
10	6638GT	WASHER,FLAT,USS,1/4"Y	
11	40004GT	SCREW,SHC,1/4-20 X .375 BLK	
12	124649GT	COVER,MOTOR W/WORDS,AWP/IW.....1	1
12A	124650GT	COVER,MOTOR W/SYMBOL,AWP/IWP	
13	43136GT	SCREW,PHM,1/4-20 X .625	
14	6356GT	WASHER,LOCK,.25	
15		Ref. Ground Controls (refer to 407.1 or 408.1)	
16	33681GT	SCREW,HHC,3/8-16 X .625	
17	6021GT	WASHER,LOCK,.375	

405.1 Power Unit Installation, Air Powered Models

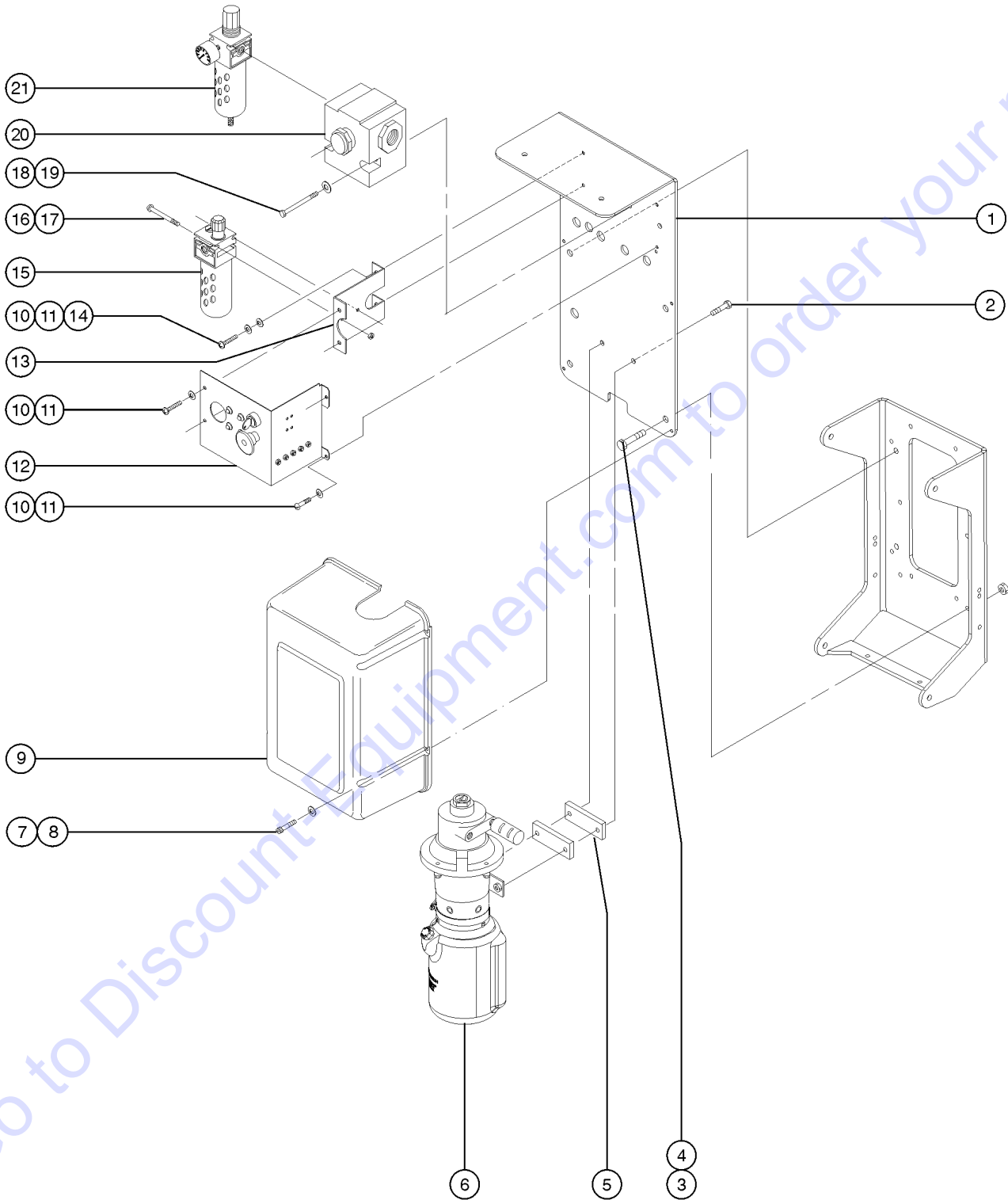


Go to Discount-Equipment.com to order your parts

## 405.1 Power Unit Installation, Air Powered Models

Item	Part No.	Description	Qty.
--	41193GT	KIT,FILTER,(40323) <i>(includes items 1 and 16)</i>	
--	41487GT	AIR GAUGE,.12 NPT(41193)	
1	69227GT	FILTER,REGULATOR.....	1
2	41192GT	VALVE,ON/OFF AIR.....	1
3	37764-SGT	PLATE,MOTOR MOUNT,"BLUE" <i>(to SN 50002) (Power Unit)</i>	
--	100894GT	FORMING, POWER UNIT MOUNT, AIR..... <i>(from SN 50003) (Power Unit)</i>	1
3A	41200GT	PLATE, MOUNTING, GROUND CONTROLS <i>(to SN 50002) (Ground Controls)</i>	
--	100894GT	FORMING, POWER UNIT MOUNT, AIR <i>(from SN 50003) (Ground Controls)</i>	
3B	40320GT	PLATE,SPACER,POWER UNIT <i>(to SN 50002) (AWP-15S)</i>	
4	10597GT	SCREW,HHC,1/2-13 X 1.25 GR5	
5	51496GT	SCREW,HHC,1/2-13 X 1.375	
6	6198GT	NUT,NYLOCK,1/2-13	
7	41198-SGT	SPACER,AIR MOTOR,"BLUE".....	2
8		Ref. Hydraulic Power Unit -Air Powered <i>(refer to 604.1)</i>	
9	124649GT	COVER,MOTOR W/WORDS,AWP/IW.....	1
9A	124650GT	COVER,MOTOR W/SYMBOL,AWP/IWP	
10	40004GT	SCREW,SHC,1/4-20 X .375 BLK	
11	6638GT	WASHER,FLAT,USS,1/4"Y	
12	38979GT	SCREW,PHM,1/4-20X.5 PHIL	
13	6356GT	WASHER,LOCK,.25	
14		Ref. Ground Controls Panel with Decal <i>(refer to 409.1)</i>	
15	41038-SGT	BRACKET,OILER,"BLUE".....	1
16	41534GT	LUBRICATOR, SUPER SERIES.....	1
17	41488GT	SCREW,PHILLIPS,RHM,10-32 X 2	
18	6178GT	NUT,NYLOCK,10-32	
19	41489GT	SCREW,SHC,5/16-18 X 2,PLATED	
20	6886GT	WASHER,LOCK,.313	

406.1 Power Pack Installation, Narrow or Rough Terrain Base, Air Powered Models Option



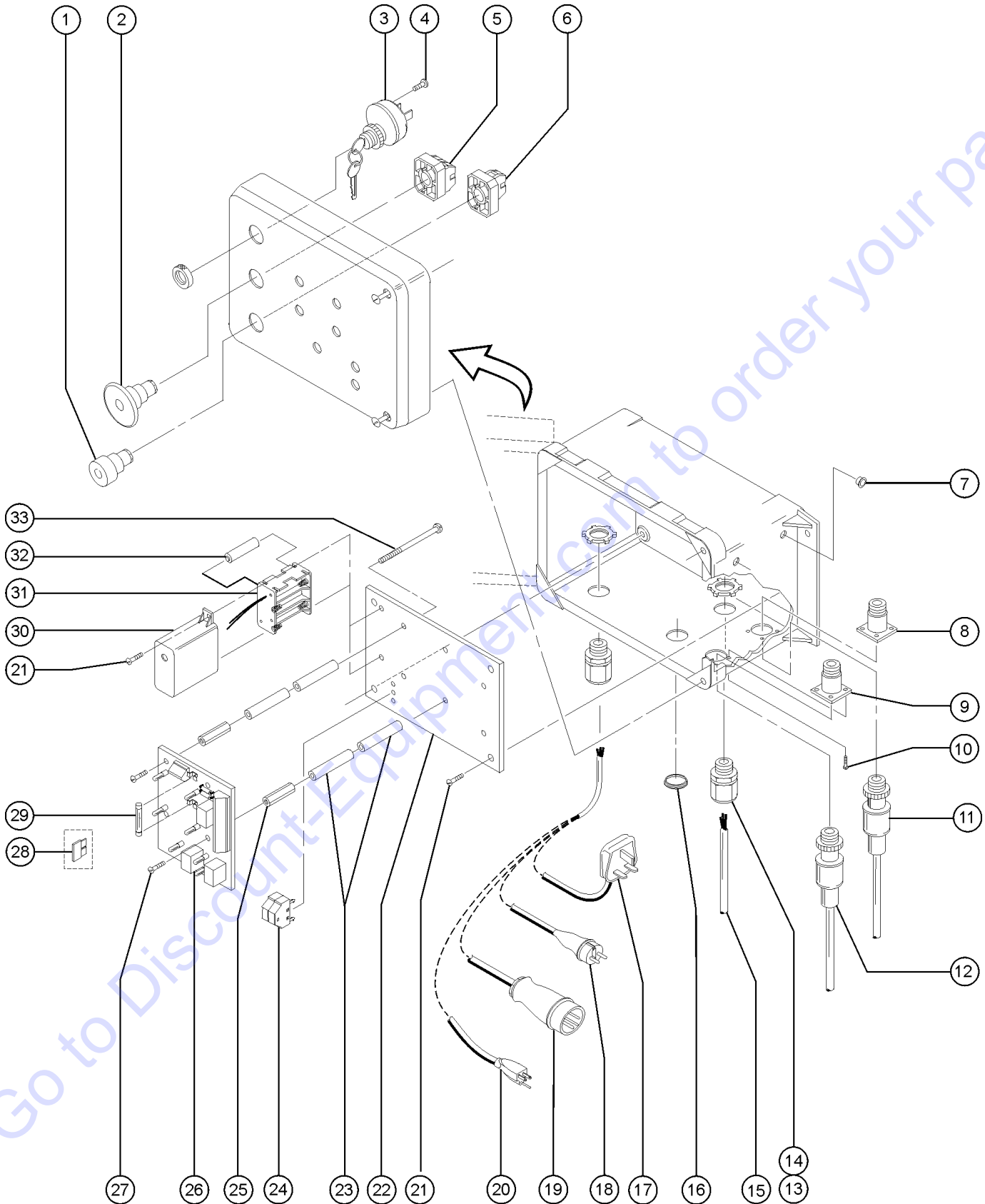
Go to [DiscountEquipment.com](http://DiscountEquipment.com) to order your parts



## 406.1 Power Pack Installation, Narrow or Rough Terrain Base, Air Powered Models Option

Item	Part No.	Description	Qty.
--	41193GT	KIT,FILTER,(40323) <i>(includes items 21 and 27)</i>	
--	41487GT	AIR GAUGE,.12 NPT(41193)	
1	100894GT	FORMING, POWER UNIT MOUNT, AIR.....	1
2	33681GT	SCREW,HHC,3/8-16 X .625	
3	51496GT	SCREW,HHC,1/2-13 X 1.375	
4	6198GT	NUT,NYLOCK,1/2-13	
5	41198-SGT	SPACER,AIR MOTOR,"BLUE".....	2
6		Ref. Hydraulic Power Unit -Air Powered <i>(refer to 604.1)</i>	
7	40004GT	SCREW,SHC,1/4-20 X .375 BLK	
8	14295GT	WASHER,SHIM,.265 X .5 X .030.....	4
9	124649GT	COVER,MOTOR W/WORDS,AWP/IW.....	1
9A	124650GT	COVER,MOTOR W/SYMBOL,AWP/IWP	
10	38979GT	SCREW,PHM,1/4-20X.5 PHIL	
11	6356GT	WASHER,LOCK,.25	
12		Ref. Ground Controls Panel with Decal <i>(refer to 409.1)</i>	
13	41038-SGT	BRACKET,OILER,"BLUE".....	1
14	6638GT	WASHER,FLAT,USS,1/4"Y.....	4
15	41534GT	LUBRICATOR, SUPER SERIES.....	1
16	41488GT	SCREW,PHILLIPS,RHM,10-32 X 2.....	2
17	6178GT	NUT,NYLOCK,10-32.....	2
18	41489GT	SCREW,SHC,5/16-18 X 2,PLATED.....	2
19	6886GT	WASHER,LOCK,.313.....	2
20	41192GT	VALVE,ON/OFF AIR.....	1
21	69227GT	FILTER,REGULATOR.....	1

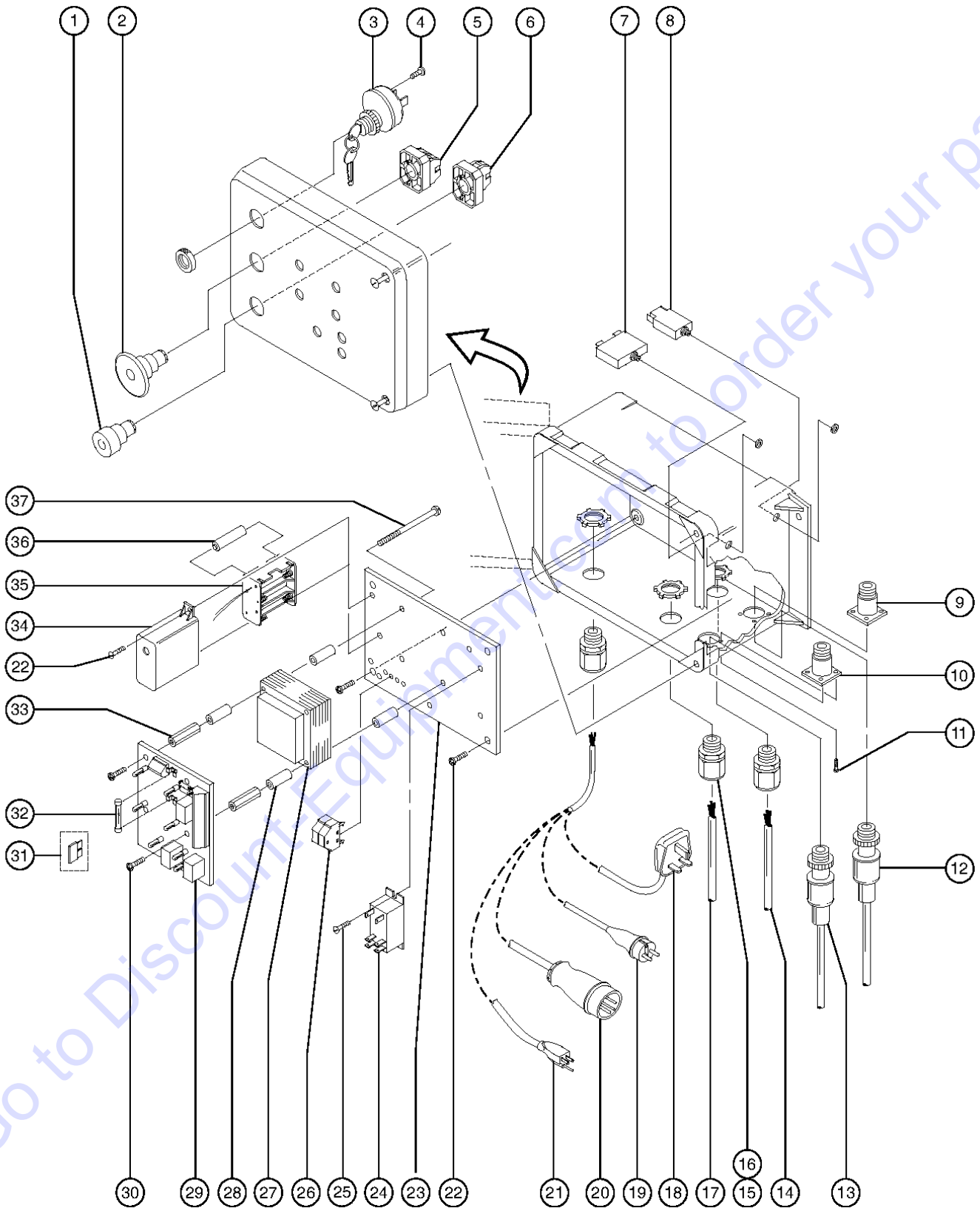
407.1 Ground Controls, DC Models



## 407.1 Ground Controls, DC Models

Item	Part No.	Description	Qty.	Item	Part No.	Description	Qty.
--	107167GT	GROUND CNTRL BOX ASSEMBLY,DC** (housing only) (from SN AWP02-21811) (includes part number 69847, see item 22)		22	37704GT	PLATE,PANEL,AWP95.....	1
--	85276GT	GROUND CNTRL.BOX ASSY 12VDC***		23	69847GT	SPACER, TRANSFORMER**.....	8
1	80076GT	BUTTON,PUSH,BLACK W/SEAL.....	1	24	80707GT	TERMINAL, 4 CONDUCTOR.....	1
2	66812GT	BUTTON,PUSH,RED MUSHROOM HEAD.....	1	24A	80706GT	TERMINAL, 2 CONDUCTOR	
3	96008-SGT	KEYSWITCH,3 POS. W/KEYS***.....	1	24B	80705GT	TERMINAL, END PLATE	
		(shown) (includes item 4) (includes 1 pair of keys)		25	33585GT	NUT,COUPLER,10-24 X .75.....	4
3	96009GT	WASHER,NITRILE		26	1257696GT	PCB,ASSY,AWP/IWP/DPL/CWP.....	1
--	37947GT	KEYS,10 PACK***				(includes item 28)	
--	83093GT	KEY SINGLE***		27	21018GT	SCREW,PHIL,PHM,10-24 X.38,SEMS	
4	96010GT	SCREW,PHILLIPS,PHM,8-32 X.25**		28	69864GT	FUSE,5 AMP,ATC.....	1
5	66817GT	BASE WITH 1 NC CONTACT, E-STOP...1 (includes 1 each N.C. contact)		29	80711GT	FUSE,7.5 AMP,ATC.....	1
--	66818GT	CONTACT, N.C.		30	145342GT	ASSY,BATT HOLDER W/COVER,AWP.....	1
6	66815GT	BASE, W/1 N.O. CONTACTS***.....	1			includes battery holder (item 31)	
		(includes 1 each N.O. contact)		31	38017GT	BATTERY HOLDER.....	1
--	66816GT	CONTACT,N.O.***		32A	38018GT	BATTERY,AA,1.5V.....	8
7	21858GT	PLUG,NYLON .38 BLACK DOMED.....	2	32B	145047GT	BATTERY,AA,1.5V,CE.....	8
8	38217GT	HARNESS,WIRE-CONTROL. S SERIES.....	1			will also work for ANSI	
9	38216GT	HARNESS,WIRE-INTRLOCK.S SERIES.....	1	33	33587GT	SCREW,RHM,10-24 X 3**	
10	10153GT	SCREW,PHIL,PHM,6-32X.38,SF.TAP.....	8				
11		Ref. Power Cable Assembly, Ground Controls to Platform (refer to 411.1 or 412.1)					
12		Ref. Power Cable Assembly, Ground Controls to Base (refer to 411.1 or 412.1)					
13	7056GT	CONN,SQUEEZE,1/2NPT .38-.50,SM....	2				
14	6935GT	LOCKNUT,ELEC,1/2".....	2				
15	124645GT	CABLE ASY,AWP.GCBOX TO MOTOR.....	1				
16	33605GT	PLUG,NYLON .812 BLACK DOMED.....	1				
17	25388GT	PLUG,FUSED,250V,13AMP,U.K.**.....	1				
--		Ref., FUSE,13 AMP,220V PLUG (B51362 BUSS TDC180-13A) (source from local suppliers)					
18	1280665GT	PLUG, TYPE F, 230A, 50HZ, 16A, IP44.....	1				
19A	144161GT	PLUG,PWR,UK,16AMP,3PIN,BLK.....	1				
		to SN AWP12-72654					
19B	144161GT	PLUG,PWR,UK,16AMP,3PIN,BLK from SN AWP12-72655					
20	124646GT	CABLE ASY,A/IWP/DPL,PWR INPUT.....	1				
21	31182GT	SCREW,PHIL,PHM,10-32 X.38,SEMS					

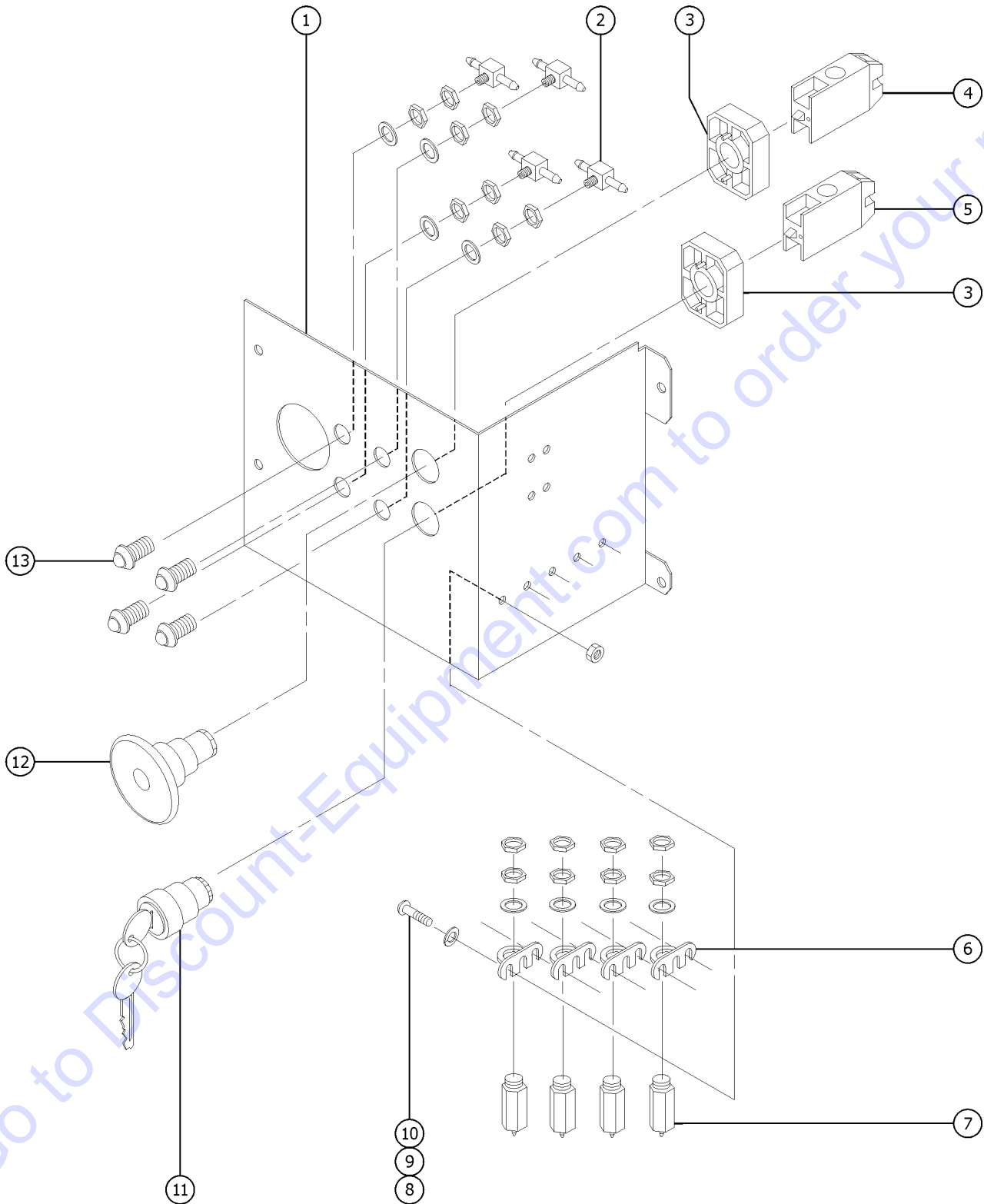
408.1 Ground Controls, AC Models



## 408.1 Ground Controls, AC Models

Item	Part No.	Description	Qty.	Item	Part No.	Description	Qty.
--	115149GT	GROUND CNTRL BOX ASSY,110 AC** (from SN 57595)		12		Ref. Power Cable Assembly, Ground Controls to Platform (refer to 411.1or 412.1)	
--	115150GT	GROUND CNTRL BOX ASSY,85V AC** (from SN 57595); (Japanese models)		13		Ref. Power Cable Assembly, Ground Controls to Base (refer to 411.1or 412.1)	
--	115151GT	GROUND CNTRL BOX ASSY 220VAC (from SN 57595)		14	43956GT	WIRE CABLE,14/3 CON.TPE JKT*.....26-inches	
--	85318GT	GROUND CNTRL.BOX ASSY,110 AC** (to SN 57594)		15	7056GT	CONN,SQUEEZE,1/2NPT .38-.50,SM...3	
--	85320GT	GROUND CNTRL.BOX ASSY 220VAC** (to SN 57594)		16	6935GT	LOCKNUT,ELEC,1/2".....3	
--	85369GT	GRND CNTROL BOX ASSY,85 V, JA* (to SN 57594) (Japanese models)		17	43956GT	WIRE CABLE,14/3 CON.TPE JKT*.....29-inches	
--	85473GT	GROUND CNTRL BOX W/DECALS,AC**		18	46608GT	POWER CORD-CONT. BOX UK 220V....1	
1	80076GT	BUTTON,PUSH,BLACK W/SEAL.....1		19	46609GT	POWER CORD-CONT. BOX EURO 220V.....1	
2	66812GT	BUTTON,PUSH,RED MUSHROOM HEAD.....1		20	46610GT	POWER CORD-CONT. BOX UK 110V....1	
--	37947GT	KEYS,10 PACK***		21	35846GT	PIGTAIL,ASSY,AC/DC SJO 14/3**.....1	
--	83093GT	KEY SINGLE***		22	31182GT	SCREW,PHIL,PHM,10-32 X.38,SEMS	
3A	96008-SGT	KEYSWITCH,3 POS. W/KEYS***.....1 (shown) (includes item 4) (includes 1 pair of keys) (to SN 57594)		23	37704GT	PLATE,PANEL,AWP95.....1	
3A	96009GT	WASHER,NITRILE (to SN 57594)		24	33584GT	RELAY,MOTOR CONTACTOR.....1	
3B	124121GT	KEYSWITCH,3 POS.W/KEYS & BASE...1 (includes item 4) (includes 1 pair of keys) (from SN 57595)		25	20342GT	#6 SQ.DR.SELF DRILL/TAP SCREW	
4	96010GT	SCREW,PHILLIPS,PHM,8-32 X.25**		26	80707GT	TERMINAL, 4 CONDUCTOR.....5	
5	66817GT	BASE WITH 1 NC CONTACT, E-STOP...1 (includes 1 each N.C. contact)		26A	80706GT	TERMINAL, 2 CONDUCTOR.....1	
--	66818GT	CONTACT, N.C.		26B	80705GT	TERMINAL, END PLATE.....1	
6	66815GT	BASE, W/1 N.O. CONTACTS***.....1 includes 1 each N.O. contact)		27	33586GT	TRANSFORMER (S-SERIES)****.....1	
--	66816GT	CONTACT,N.O.***		27A	69623GT	TRANSFORMER, 85V TO 105V, JA (Japanese models)	
7	38021GT	CIRCUIT BREAKER, 8 AMP ** (from SN 50000 to 57594)		28	69846GT	SPACER, TRANSFORMER, AC.....8	
7A	124128GT	CIRCUIT BREAKER,6A.....1 (from SN 57595)		29	1257696GT	PCB,ASSY,AWP/IWP/DPL/CWP.....1 (includes item 31)	
7B	124127GT	CIRCUIT BREAKER,3A.....1 (from SN 57595)		30	21018GT	SCREW,PHIL,PHM,10-24 X.38,SEMS	
8	1277226GT	ASSEMBLY,CIRCUIT BREAKER,15AMP		31	69864GT	FUSE,5 AMP,ATC.....1	
8A	124133GT	CIRCUIT BREAKER,8A SP.....1 (from SN 57595)		32	80711GT	FUSE,7.5 AMP,ATC.....1	
9	38217GT	HARNESS,WIRE-CONTROL. S SERIES.....1		33	33585GT	NUT,COUPLER,10-24 X .75.....4	
--	33578GT	CONNECTOR,MALE,PANEL MOUNT*		34	145342GT	ASSY,BATT HOLDER W/COVER,AWP.....1 includes battery holder	
10	38216GT	HARNESS,WIRE-INTRLOCK.S SERIES.....1		35		BATTERY HOLDER.....1	
--	33581GT	CONNECTOR,FEMALE,PANEL MOUNT*		36A	38018GT	BATTERY,AA,1.5V.....8	
11	10153GT	SCREW,PHIL,PHM,6-32X.38,SF.TAP		36B	145047GT	BATTERY,AA,1.5V,CE.....8 will also work for ANSI	
				37	69845GT	SCREW,RHM 10-24 X 2.75**	

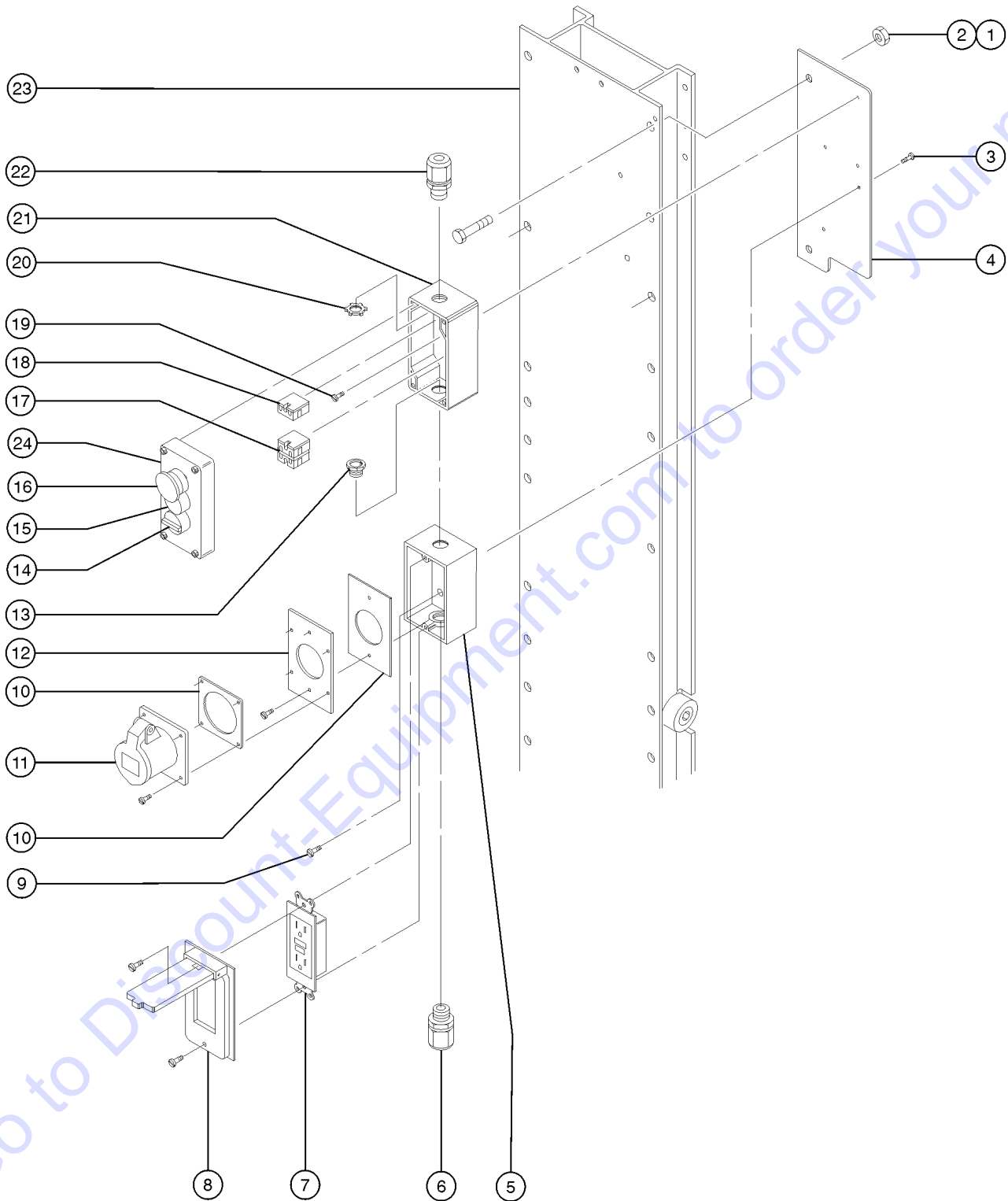
409.1 Ground Controls, Air Powered Models



## 409.1 Ground Controls, Air Powered Models

Item	Part No.	Description	Qty.
1	41957GT	PANEL,AIR CONTROL,WORD,STD.....1	
--	107383GT	PANEL,AIR CONTROL,SYM,STD	
--	T107371GT	PANEL,AIR CONTRL;SYM,NRW	
--	T107374GT	PANEL,AIR CONTRL,WRD,NRW	
2	41479GT	TEE,BRANCH,1/16 BARB X 10/32.....4 (includes mounting fasteners)	
3		REF; BASE, CONTACT.....2 (Refer to item numbes 11 or 12)	
4		REF; CONTACT, N.C.....1 (Refer to item 12)	
5		REF; CONTACT, N.O.....1 (Refer to item 11)	
6	41521GT	BRACKET,VALVE MOUNT.....4	
7	40970GT	VALVE,2 POSITION 3 WAY.....4 (includes mounting fasteners)	
8	49816GT	SCREW,PHILLIPS,PHM,10-32 X .75.....5	
9	6607GT	WASHER,LOCK,#10 PLTD.....2	
10	14392GT	NUT,LP NYLOCK,10-32.....4	
11	124676GT	KIT,KEYSWITCH AIRMOTOR AWP (This is an update kit required for models manufactured to serial number AWP08-60004) (If this kit has already been installed on unit, please refer to 11A)	
11A	58462GT	KEYSWITCH,2POS.MNTND W/BASE** (from SN AWP07-60005)	
--	124628GT	CONTACT NO PXBB3921	
--	21982GT	KEY,SINGLE*** (from SN AWP07-60005)	
--	37947GT	KEYS,10 PACK*** (from SN AWP07-60005)	
12	124677GT	KIT,E-STOP AIRMOTOR AWP CONT.P.....1 (This is an update kit required for models manufactured to serial number AWP08-60004) (If this kit has already been installed on unit, please refer to 12A)	
12A	66812GT	BUTTON,PUSH,RED MUSHROOM HEAD (from SN AWP07-60005)	
--	124629GT	CONTACT NC PXBB3311 (from SN AWP07-60005)	
--	66821GT	BASE,WITHOUT CONTACTS.....4 (from SN AWP07-60005)	
13	40973GT	INDICATOR,OUTRIGGER (includes mounting fasteners)	

410.1 Platform Controls

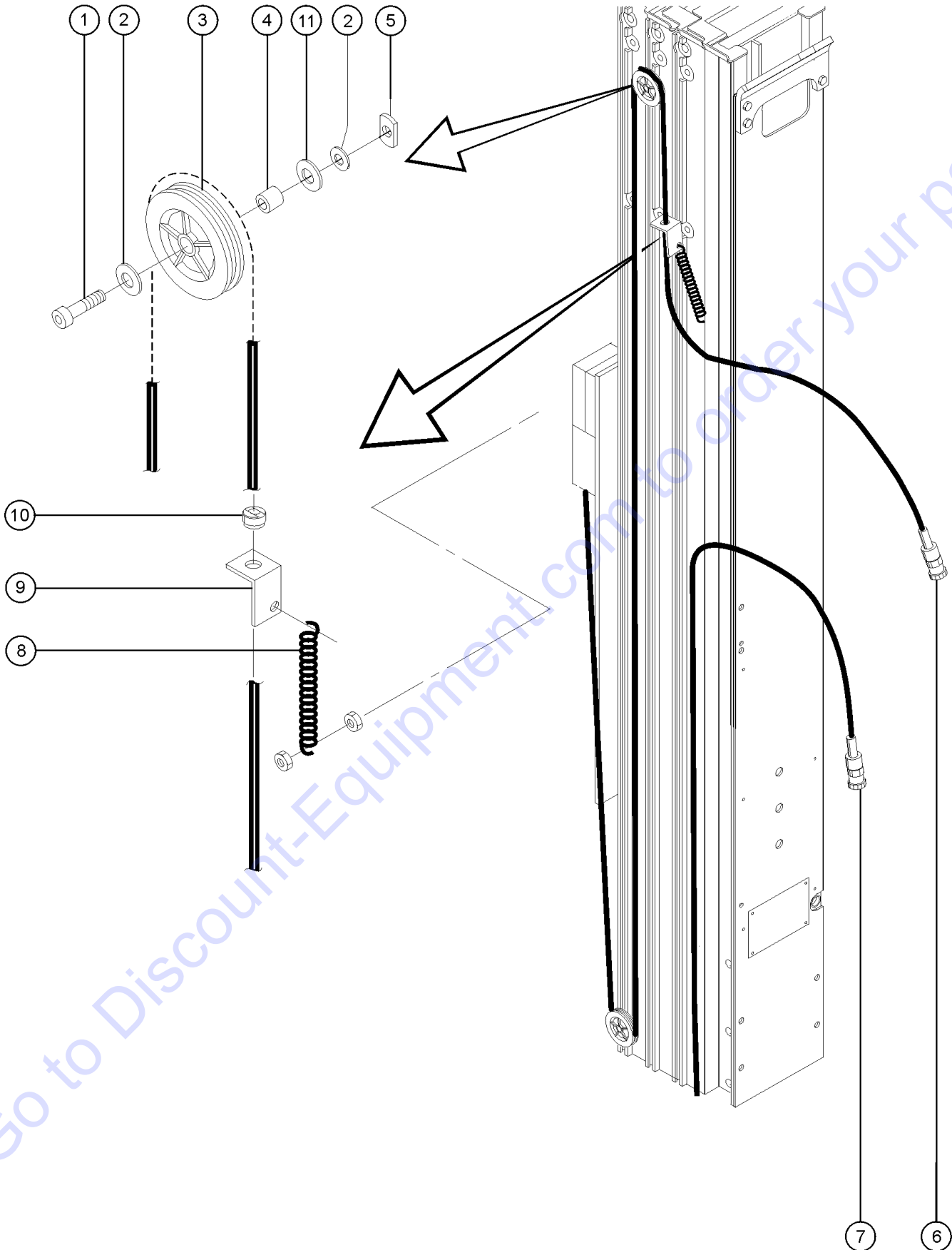




## 410.1 Platform Controls

Item	Part No.	Description	Qty.	Item	Part No.	Description	Qty.
1	7713GT	NUT, LP NYLOCK, 3/8-16		23		Ref. Carriage Assembly (refer to 305.1)	
2	8255GT	SCREW,HHC,3/8-16 X .75		24A	100256GT	CONTROL BOX,THREE BUTTON (complete, includes items 14-16) (for ANSI models from SN AWP04-30040 and CE models to AWP04-30039, must order decal 82802)	
3	57075GT	SCREW,PHIL,8-32X.50,SELF TAP		24B	82802GT	DECAL,LABEL,FUNCTION ENABLE.....1 (refer to 101.1)	
4A	43141GT	PLATE,PLATFORM CONTROLS.....2 (6" x 3.25")					
4B	41546GT	PLATE,CONTROLS MOUNTING.....2 (11.7" X 4.7") CE models only.					
5	10775GT	T-BOX,2.75 X 4.5 X 2.0.....1					
6	7057GT	CONN. SQZ,1/2NPT .39-.56 MED.....1					
7	13585GT	OUTLET, 110V.....1					
8	45437GT	COVER,GFCI,WEATHERPROOF.....1 (includes gasket and mounting fasteners)					
8A	10777GT	COVER,BLANK (includes gasket and mounting fasteners)					
9	21018GT	SCREW,PHIL,PHM,10-24 X.38,SEMS					
10	33724GT	KIT,GASKET,UK POWER TO PLAT.....1 (CE Models) (includes one each p/n 66355 and 66356)					
--	66355GT	GASKET, UK & DIN PWR. TO PLAT. 4.6 x 2.9 inches					
--	66356GT	GASKET, UK RECEPTACLE 2.9 x 2.9 inches					
11	T112563GT	SVC KIT,UK RECEPT.REPLACEMENT.....1 (CE Models)					
12A	33629GT	PLATE,UK POWER TO PLATFORM.....1 (CE Models) to SN AWP12-72654					
12B	T112561GT	PLATE,UK,POWER TO PLAT (CE Models) from SN AWP12-72655					
13	80712GT	NIPPLE,1/2" CONDUIT.....1					
14	80716GT	SWITCH,SELECTOR,BLACK.....1					
--	80714GT	CONTACTOR BLOCK,N.O.....2					
15	80076GT	BUTTON,PUSH,BLACK W/SEAL.....1					
--	80714GT	CONTACTOR BLOCK,N.O.....1					
16	66812GT	BUTTON,PUSH,RED MUSHROOM HEAD (for push/pull to release E-stop)					
16	80713GT	BUTTON,STOP,RED.....1 (for push/twist to release E-stop)					
--	80715GT	CONTACTOR BLOCK,N.C.					
17	80714GT	CONTACTOR BLOCK,N.O.....2					
18	80715GT	CONTACTOR BLOCK,N.C.....1					
19	230000GT	SCREW,FHS,10-24X.500					
20	6935GT	LOCKNUT,ELEC,1/2".....2					
21	100256GT	CONTROL BOX,THREE BUTTON.....1					
21A	80071GT	CONTROL BOX, ONE BUTTON, CE					
21B	80072GT	CONTROL BOX, TWO BUTTON, CE					
22	7056GT	CONN,SQUEEZE,1/2NPT .38-.50,SM....1					

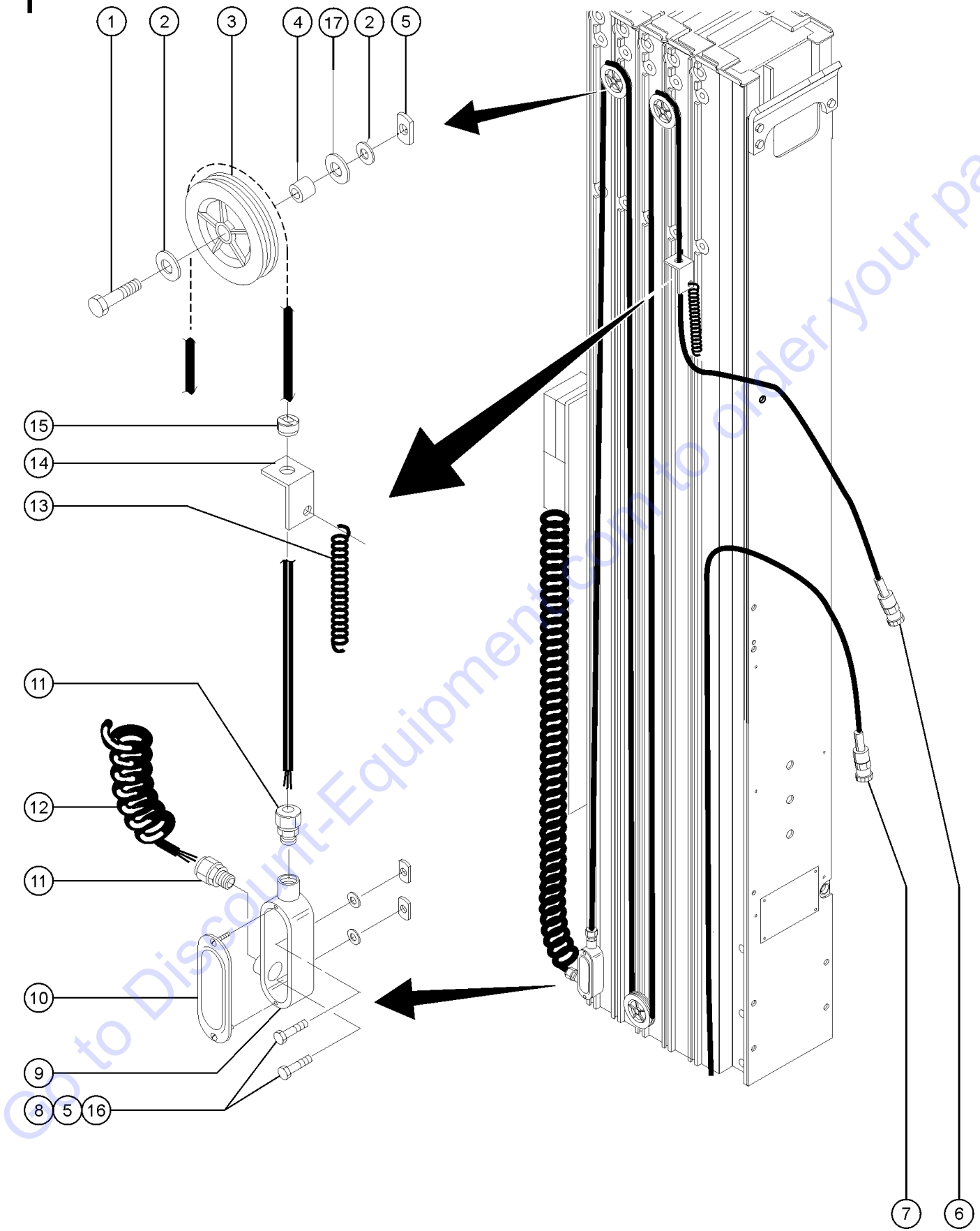
411.1 Control Cable Assembly, AWP-20S, AWP-30S and AWP-40S, AC and DC Models



## 411.1 Control Cable Assembly, AWP-20S, AWP-30S and AWP-40S, AC and DC Models

Item	Part No.	Description	Qty.
1	8915GT	SCREW,HHC,1/4-20 X 1.25	
2	25926GT	WASHER,FLAT,M6 PLTD.	
3	23394GT	PULLEY,ELEC.CNTRL.CABLE,AWP.....4 (AWP-20S)	
3A	23394GT	PULLEY,ELEC.CNTRL.CABLE,AWP.....6 (AWP-30S and AWP-40S)	
4	40735GT	SPACER, 1/4ID3/8OD, .875LG.....4 (AWP-20S)	
4A	40735GT	SPACER, 1/4ID3/8OD, .875LG.....6 (AWP-30S and AWP-40S)	
5	35991GT	NUT,WELD 1/4-20, PLATED L.L.**	
6	35049GT	POWER CABLE,MAST TO PLAT.....1 (AWP-20S)	
--	33590GT	PLUG,CONNECTOR,FEMALE* <i>requires part number 33591; order separately</i>	
--	33591GT	SEAL,CABLE CONNECTOR,HT SHRINK <i>includes heat shrink tubing</i>	
--	83095GT	PIN CONNECTOR,MALE	
6A	41227GT	POWER CABLE,MAST/PLAT (AWP-30S)	
--	33590GT	PLUG,CONNECTOR,FEMALE* <i>requires part number 33591; order separately</i>	
--	33591GT	SEAL,CABLE CONNECTOR,HT SHRINK <i>includes heat shrink tubing</i>	
--	83095GT	PIN CONNECTOR,MALE	
6B	38210GT	POWER CABLE,MAST/PLAT,AWP40-S (AWP-40S)	
--	33590GT	PLUG,CONNECTOR,FEMALE* <i>requires part number 33591; order separately</i>	
--	33591GT	SEAL,CABLE CONNECTOR,HT SHRINK <i>includes heat shrink tubing</i>	
--	83095GT	PIN CONNECTOR,MALE	
7	46078GT	HARNESS,CONTROL BOX/BASE IWP.....1	
--	33580GT	PIN CONNECTOR,FEMALE ***	
--	33589GT	PLUG,CONNECTOR,MALE* <i>requires part number 33591; order separately</i>	
--	33591GT	SEAL,CABLE CONNECTOR,HT SHRINK <i>includes heat shrink tubing</i>	
8	23396GT	SPRING,CONTROL CABLE, AWP.....1	
9	23787-SGT	BRACKET,CONTROL CABLE TENSION.....1	
10	23788GT	BUSHING,STRAIN RELIEF, 53/64".....1	
11	22699GT	WASHER,FLAT,M10,ZINC PLTD.....1	

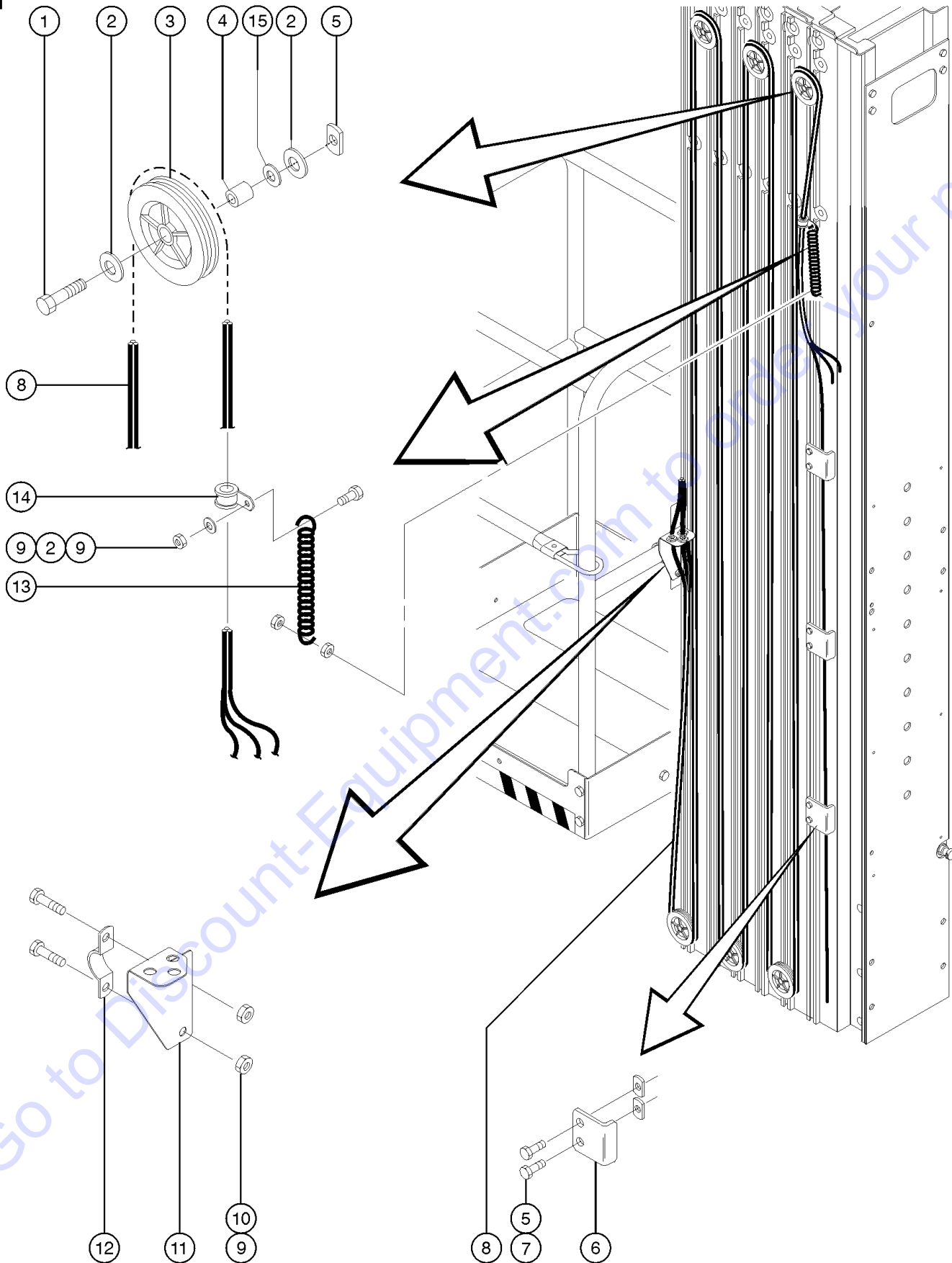
412.1 Control Cable Assembly, AWP-25S and AWP-36S, AC and DC Models



## 412.1 Control Cable Assembly, AWP-25S and AWP-36S, AC and DC Models

Item	Part No.	Description	Qty.
1	8915GT	SCREW,HHC,1/4-20 X 1.25	
2	25926GT	WASHER,FLAT,M6 PLTD.	
3	23394GT	PULLEY,ELEC.CNTRL.CABLE,AWP.....3 (AWP-25S and AWP-36S)	
4	40735GT	SPACER, 1/4ID3/8OD, .875LG.....3 (AWP-25S and AWP-36S)	
5	35991GT	NUT,WELD 1/4-20, PLATED L.L.**	
6	38207GT	POWER CABLE,MAST TO PLAT,25-S....1 (AWP-25S)	
--	33590GT	PLUG,CONNECTOR,FEMALE* <i>requires part number 33591; order separately</i>	
--	33591GT	SEAL,CABLE CONNECTOR,HT SHRINK <i>includes heat shrink tubing</i>	
--	83095GT	PIN CONNECTOR,MALE	
6A	35049GT	POWER CABLE,MAST TO PLAT (AWP-36S)	
--	33590GT	PLUG,CONNECTOR,FEMALE* <i>requires part number 33591; order separately</i>	
--	33591GT	SEAL,CABLE CONNECTOR,HT SHRINK <i>includes heat shrink tubing</i>	
--	83095GT	PIN CONNECTOR,MALE	
7	46078GT	HARNESS,CONTROL BOX/BASE IWP.....1	
--	33580GT	PIN CONNECTOR,FEMALE ***	
--	33589GT	PLUG,CONNECTOR,MALE* <i>requires part number 33591; order separately</i>	
--	33591GT	SEAL,CABLE CONNECTOR,HT SHRINK <i>includes heat shrink tubing</i>	
8	7339GT	SCREW,HHC,1/4-20 X .5	
9	40285GT	OUTLET BOX,OVAL,DRILLED (LL19)....1	
10	6633GT	OUTLET BOX CAP.....1	
11	7057GT	CONN. SQZ,1/2NPT .39-.56 MED.....2	
12	12560GT	COIL CORD,16/6,24"COIL.....1 (AWP-25S)	
12A	12560GT	COIL CORD,16/6,24"COIL (AWP-36S)	
13	23396GT	SPRING,CONTROL CABLE, AWP.....1	
14	23787-SGT	BRACKET,CONTROL CABLE TENSION.....1	
15	23788GT	BUSHING,STRAIN RELIEF, 53/64".....1	
16	6638GT	WASHER,FLAT,USS,1/4"Y	
17	22699GT	WASHER,FLAT,M10,ZINC PLTD.....1	

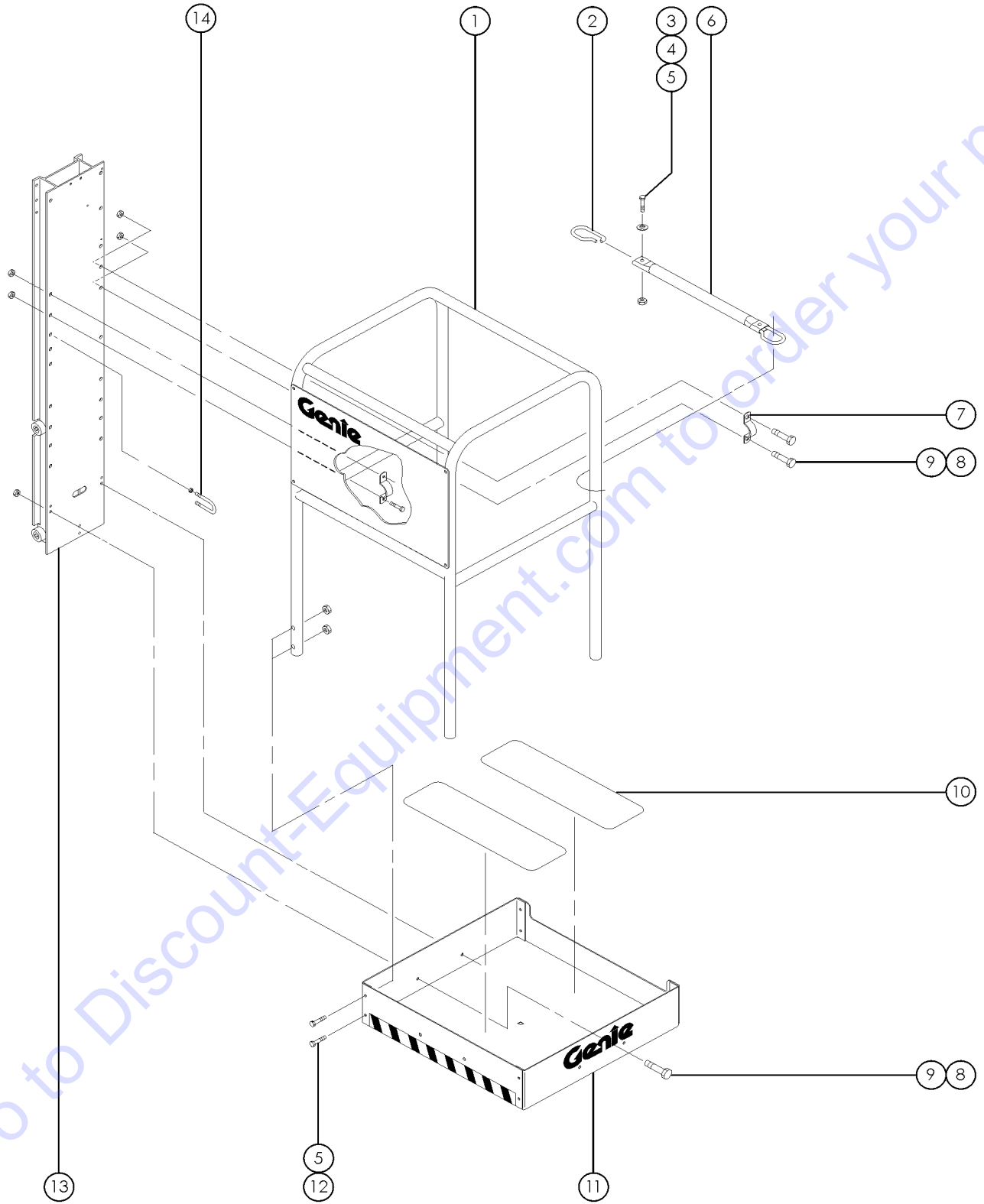
413.1 Control Hose Assemblies, Air Powered Models



## 413.1 Control Hose Assemblies, Air Powered Models

Item	Part No.	Description	Qty.
1	8915GT	SCREW,HHC,1/4-20 X 1.25.....6 (AWP-30S)	6
2	25926GT	WASHER,FLAT,M6 PLTD.....13 (AWP-30S)	13
3	23394GT	PULLEY,ELEC.CNTRL.CABLE,AWP.....6 (AWP-30S)	6
4	40735GT	SPACER, 1/4ID3/8OD, .875LG.....6 (AWP-30S and 40S)	6
5	35991GT	NUT,WELD 1/4-20, PLATED L.L.**.....12 (AWP-30S)	12
5A	35991GT	NUT,WELD 1/4-20, PLATED L.L.**.....6 (AWP-40S)	6
6	37691GT	FORMING, CABLE/HOSE, ZINC.....3 (AWP-30S)	3
7	7339GT	SCREW,HHC,1/4-20 X .5.....6 (AWP-30S)	6
8	41949GT	HOSE CONTROL,AWP-30S,STD,AIR	
8A	41955GT	HOSE CNTRL,AWP-30S,NRW/RT,AIR (Models with Narrow or Rough Terrain Base)	
9	4828GT	NUT,NYLOCK,3/8-16.....2	2
10	6175GT	SCREW,HHC,3/8-16 X 1	
11	41037-SGT	BRACKET,BULKHEAD,"BLUE".....1	1
12	38586GT	CLAMP,PLATFORM MOUNT.....1	1
13	23396GT	SPRING,CONTROL CABLE, AWP.....1	1
14	6833GT	CLAMP,0.50,#8 X 1/4,RUB CUSH.....1	1
15	22699GT	WASHER,FLAT,M10,ZINC PLTD.....1	1

501.1 Platform Assembly, Aluminum, Sliding Mid-rail Entry



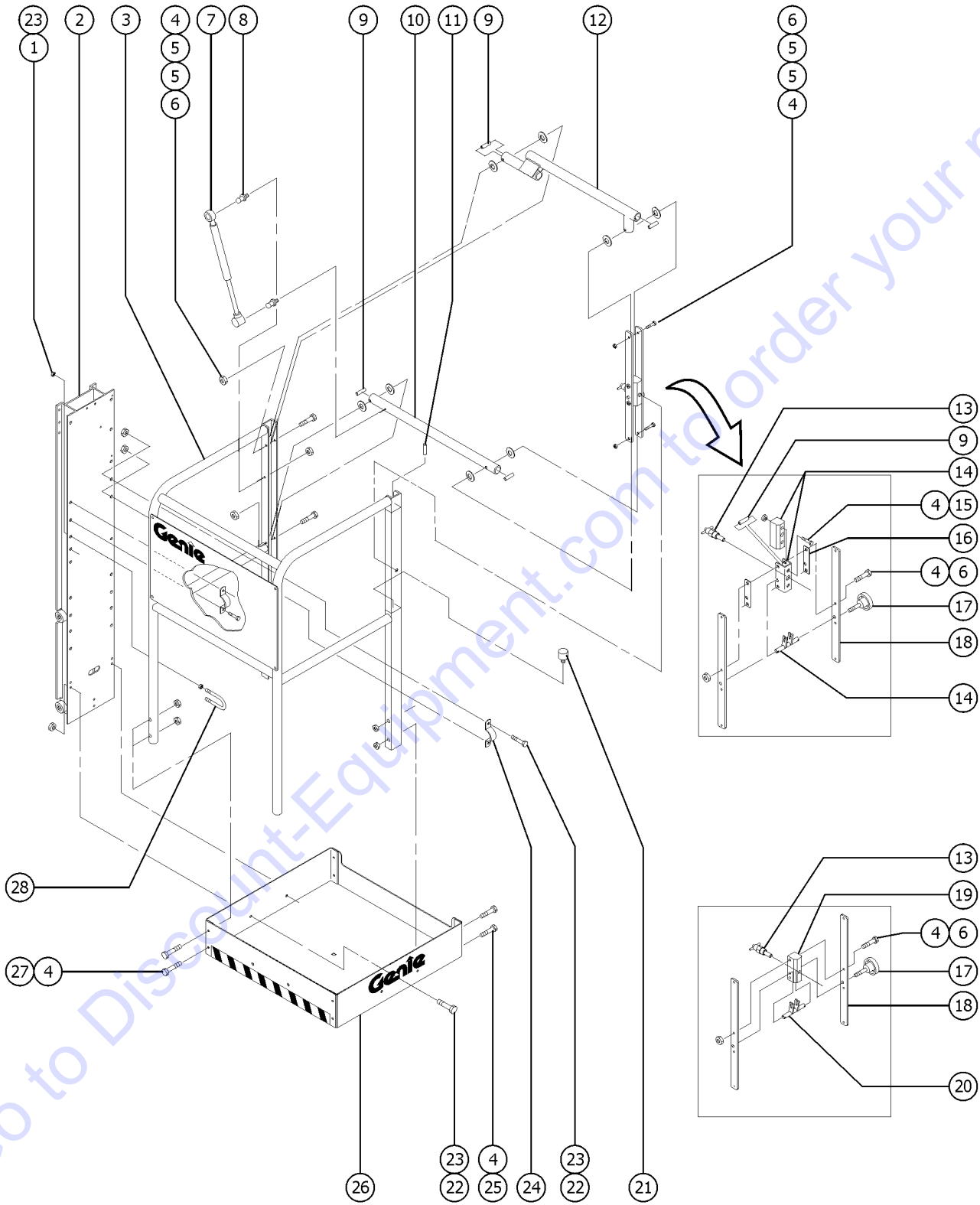
Go to Discount-Equipment.com to order your parts



## 501.1 Platform Assembly, Aluminum, Sliding Mid-rail Entry

Item	Part No.	Description	Qty.
--		Ref. Platform Assembly (refer to 505.1 or 505.2)	
1		Ref. Railing Assembly (refer to 505.1 or 505.2)(includes items 2-6)	
1A		Ref. Railing Assembly (refer to 505.1 or 505.2)(includes items 2-6)	
2	41292GT	MID-RAIL GUIDE WITH LOOM.....	2
--	31146GT	WIRE LOOM,.413" NON-SLIT*** .....16-inches	
3	6888GT	SCREW,HHC,1/4-20 X 1	
4	56660GT	WASHER,RIVETING	
5	6091GT	NUT,NYLOCK,1/4-20	
6	107391GT	MID RAIL TUBE ASSY W/ DECAL.....	1
7	38586GT	CLAMP,PLATFORM MOUNT.....	2
8	6175GT	SCREW,HHC,3/8-16 X 1	
9	4828GT	NUT,NYLOCK,3/8-16	
10	24537GT	TAPE,NON-SKID,DIE CUT,6"X 2'.....	2
11	38204GT	TOEBOARD-STD.W/DECALS AWP/IWP..... (includes item 10)	1
12	4266GT	SCREW,HHC,1/4-20 X 2	
13		Ref. Carriage Assembly (refer to 305.1)	
14	6550GT	U-BOLT,3/8 X 1 YZ..... lanyard anchorage point	1

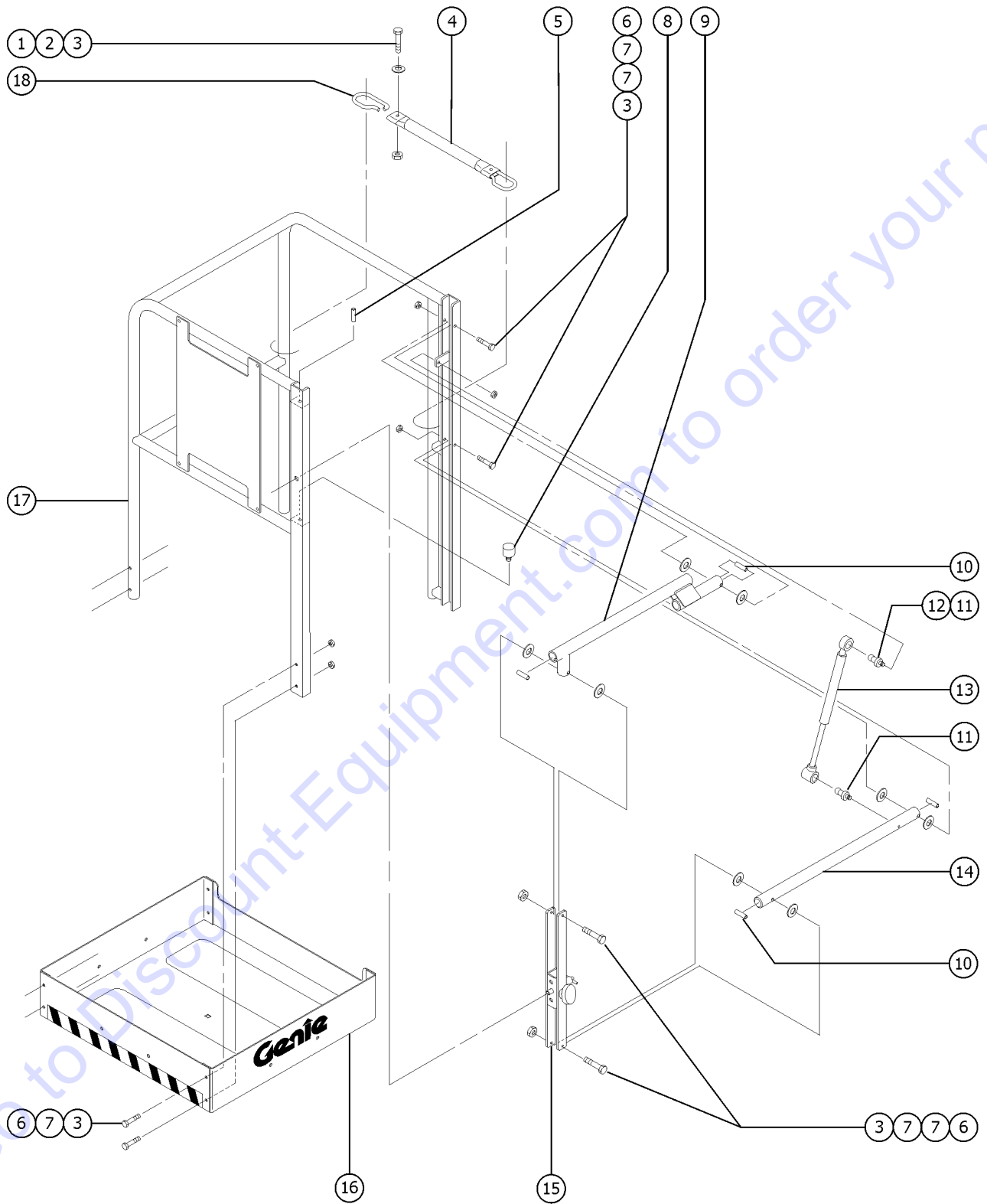
502.1 Platform Assembly, Aluminum, Gated Entry



## 502.1 Platform Assembly, Aluminum, Gated Entry

Item	Part No.	Description	Qty.	Item	Part No.	Description	Qty.
--		Ref. Platform Assembly (see cross reference chart on 505.1)		25	6888GT	SCREW,HHC,1/4-20 X 1	
1	4828GT	NUT,NYLOCK,3/8-16		26A	38204GT	TOEBOARD-STD.W/DECALS AWP/IWP.....1	
2		Ref. Carriage Assembly (refer to 305.1 or 306.1)		26B	40258GT	TOEBOARD W/DECALS,NARROW	
3A		Ref. Standard Railing Assembly (see cross reference chart on 505.1)		26C	38220GT	TOEBOARD W/DECALS,ULTRA,NARROW	
3B		Ref. Narrow Railing Assembly (see cross reference chart on 505.1)		--	24537GT	TAPE,NON-SKID,DIE CUT,6"X 2'	
3C		Ref. Ultra-Narrow Railing Assembly (see cross reference chart on 505.1)		27	4266GT	SCREW,HHC,1/4-20 X 2	
4	6091GT	NUT,NYLOCK,1/4-20		28	6550GT	U-BOLT,3/8 X 1 YZ	
5	12013GT	SHIM,.375 X .063					
6	6884GT	SCREW,HHC,1/4-20 X 2.5					
7	226802GT	GAS STRUT,20LB,13"EXT-9"CLOSED....1					
--	65874GT	CONNECTOR, NYLON END (35893)**					
8	40265GT	BALL STUD,GAS STRUT (38593)***.....2					
9	37719GT	BUSHING,1.5 X 3/8 OD X 1/4 ID.....6					
10A	824462GT	ASM, ARM, LOWER PIVOT STD.....1 (replaced 40264)					
10B	145191GT	ASM, TUBE AWP NRW GATED (replaced 40260) (includes 1 each item 8)					
10C	145192GT	ASM, TUBE AWP ULT NRW GATED (replaced 38222) (includes 1 each item 8)					
11	38338GT	PIN,SPRING,.25X.75 ZINC PLATED					
12A	824472GT	ASM, GATE ARM STD.....1 (replaced 37982)					
12B	824457GT	ASM, UPPER GATE ARM NRW (replaced 38050)					
12C	824510GT	ASM, GATE ARM ULTRA NRW, UPPER (replaced 38048)					
13	37732GT	PIN,PULL.....1					
14	38223GT	BRKT.LATCH ASSY.GATED,S SERIES.....1 (includes items 13, 19 and 20)					
15	38582GT	SCREW,SHC,1/4-20 X 1					
16	37979GT	PLATE,SHIM.....2					
17	26787GT	KNOB.....2					
--	2095GT	SCREW,SET,HS 10-32 X.25					
18	26780GT	PLATE,HINGE.....2					
19	57116GT	HOUSING, LATCH, AWP/IWP/CWP.....1					
20	57138GT	LATCH ROTATOR, GATED PLATFORM.....1					
21	26785GT	BUMPER,RUBBER.....1					
22	6175GT	SCREW,HHC,3/8-16 X 1					
23	4828GT	NUT,NYLOCK,3/8-16					
24	38586GT	CLAMP,PLATFORM MOUNT.....2					

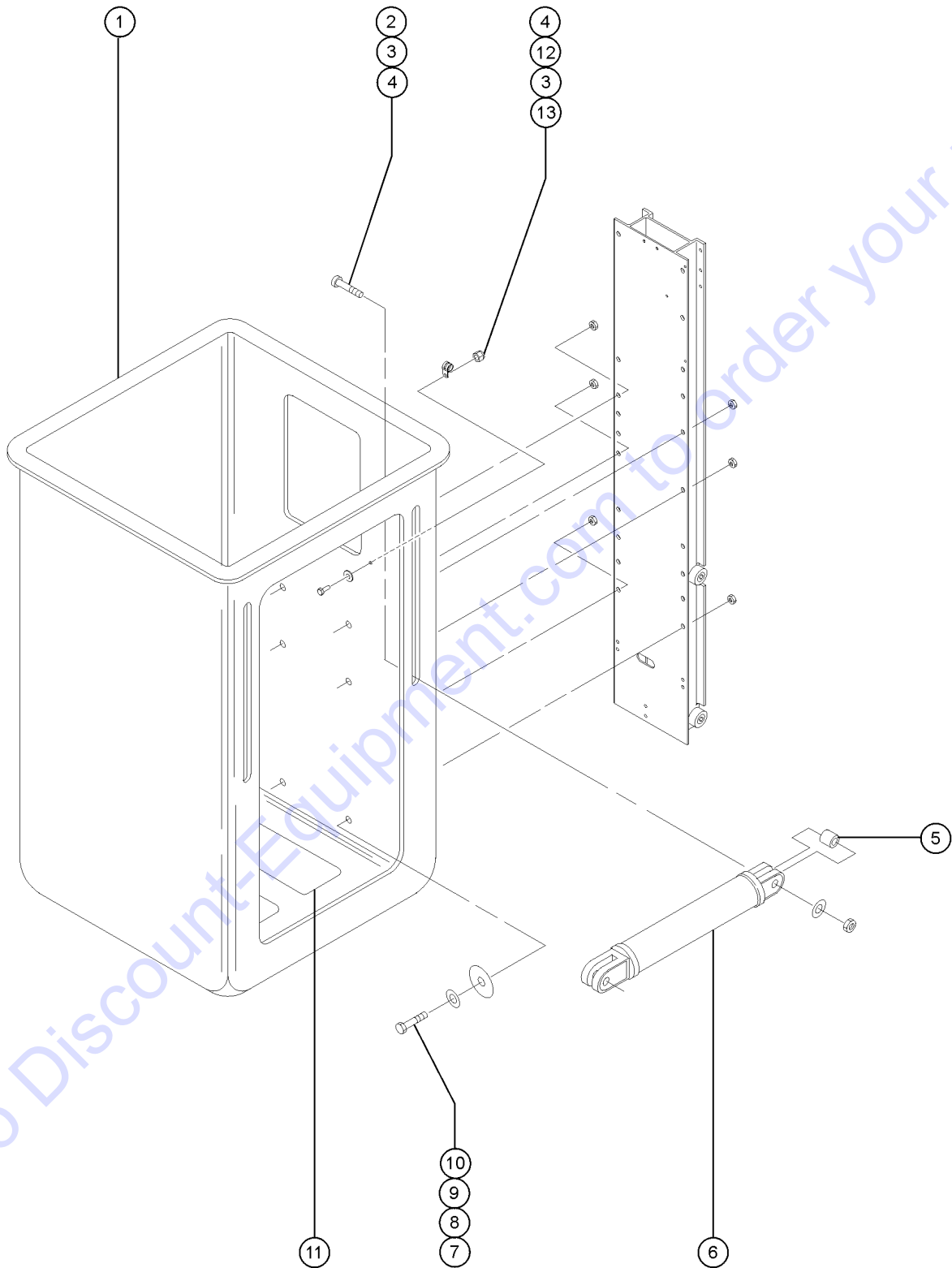
503.1 Platform Assembly, Aluminum, Extra Large, Front and Side Entry



## 503.1 Platform Assembly, Aluminum, Extra Large, Front and Side Entry

Item	Part No.	Description	Qty.
--		Ref. Platform Assembly (see cross reference chart on 505.1)	
1	8915GT	SCREW,HHC,1/4-20 X 1.25	
2	6638GT	WASHER,FLAT,USS,1/4"Y	
3	6091GT	NUT,NYLOCK,1/4-20	
4	37391GT	TUBE,STD.SLIDING MIDRAIL-21.....1	
5	38338GT	PIN,SPRING,.25X.75 ZINC PLATED.....1	
6	6884GT	SCREW,HHC,1/4-20 X 2.5	
7	12013GT	SHIM,.375 X .063 (used to SN AWP15-81887)	
8	26785GT	BUMPER,RUBBER.....1	
9	824472GT	ASM, GATE ARM STD.....1	
10	37719GT	BUSHING,1.5 X 3/8 OD X 1/4 ID.....6 (used to SN AWP15-81887)	
11	40265GT	BALL STUD,GAS STRUT (38593)***.....2	
12	6002GT	NUT,LP NYLOCK,5/16-18	
13	226802GT	GAS STRUT,20LB,13"EXT-9"CLOSED....1	
--	65874GT	CONNECTOR, NYLON END (35893)**	
14	40264GT	ARM,LWR.PIVOT ASSY.,STD.....1 (includes 1 each item 11)	
15		Ref. Gate Latch Assembly (refer to 502.1)	
16	44977GT	TOEBOARD-STD.W/DECALS,X-LARGE.1	
--	24537GT	TAPE,NON-SKID,DIE CUT,6"X 2'	
17		Ref. Railing Assembly (see cross reference chart on 505.1)	
18		Ref. Mid-rail Guide Assembly (refer to 501.1)	

504.1 Platform Assembly, Fiberglass



## 504.1 Platform Assembly, Fiberglass

Item	Part No.	Description	Qty.
--		Ref Platform Assembly (see cross reference chart on 505.1)	
1		Ref Fiberglass Platform Assembly (see cross reference chart on 505.1)	
2	58587GT	SCREW,PPHMS,1/4-20X1.75Z,GR2	
3	6638GT	WASHER,FLAT,USS,1/4"Y	
4	6889GT	NUT,LP NYLOCK,1/4-20	
5	8149GT	SPACER,NYLON .257 X .5 X .75".....2	
6	40269GT	SLIDING MIDRAIL ASSY.STD.FIBER.....1	
6A	40271GT	SLIDING MIDRAIL ASSY,NRW.FIBER	
7	8178GT	SCREW,HHC,3/8-16 X 2.5	
8	6097GT	WASHER,FLAT,USS,3/8",Y	
9	14016GT	WASHER,FLAT,502 X 1.747 X.04	
10	4828GT	NUT,NYLOCK,3/8-16	
11	47231GT	TAPE,NON-SKID,DIE CUT,4"X 16".....3	
12	6833GT	CLAMP,0.50,#8 X 1/4,RUB CUSH	
13	80058GT	SCREW,PHP,1/4-20 X .875	

## 505.1 Platform Assembly Cross Reference Chart

**Platform Assemblies**

<b>Region</b>	<b>ANSI</b>	<b>CSA</b>	<b>AUS</b>	<b>CE</b>
<b>Aluminum, Sliding Mid-rail Entry</b>				
Decals with Words	107433	107433	107434	N/A
Decals with Symbols	107435	107435	N/A	85495
<b>Aluminum, Gated Entry</b>				
Standard Decals with Words	107436	107436	107437	N/A
Narrow Decals with Words	107438	107438	107439	N/A
Ultra Narrow Decals with Words	107440	107440	107441	N/A
Standard Decals with Symbols	107442	107442	N/A	85499
Narrow Decals with Symbols	107443	107443	N/A	85328
Ultra Narrow Decals with Symbols	107444	107444	N/A	85330
<b>Aluminum, Extra Large, Front/Side Entry</b>				
Decals with Words	107445	107445	107446	N/A
Decals with Symbols	107447	107447	N/A	85338
<b>Fiberglass</b>				
Standard Decals with Words	107448	107448	107449	N/A
Standard Decals with Symbols	107450	107450	N/A	85356
Narrow Decals with Words	107451	107451	107452	N/A
Narrow Decals with Symbols	107453	107453	N/A	85358



## 505.1 Platform Assembly Cross Reference Chart

Item	Part No.	Description	Qty.	Item	Part No.	Description	Qty.
--	37392GT	RAILING WELDMENT,STD AWP96' <i>railing welment with no decal</i>		22	107449GT	PLATFORM ASSY W/ WORD DECALS <i>AUS fiberglass platform</i>	
--	38336GT	DECAL PLATE,STD PLATFORM <i>(standard platform decal plate)</i>		23	107450GT	PLATFORM ASSY W/ SYM DECALS <i>ANSI/CSA fiberglass platform</i>	
--	38337GT	DECAL PLATE,NARROW PLATFORM <i>(narrow platform decal plate)</i>		24	85356GT	PLAT ASSY-STD FIBER, SYMBL,IWP <i>CE fiberglass platform</i>	
--	38597GT	DECAL PLATE,ULTRA NARROW PLFM <i>(ultra narrow platform decal plate)</i>		25	107451GT	PLATFORM ASSY W/ WORD DECALS <i>ANSI/CSA narrow fiberglass platform</i>	
--	38945GT	PLATE,DECAL MULTI PLATFORM <i>(x-large platform decal plate)</i>		26	107452GT	PLATFORM ASSY W/ WORD DECALS <i>AUS narrow fiberglass platform</i>	
1	107433GT	PLATFORM ASSY W/ WORD DECALS <i>ANSI/CSA with sliding mid-rail entry</i>		27	107453GT	PLATFORM ASSY W/ SYM DECALS <i>ANSI/CSA narrow fiberglass platform</i>	
2	107434GT	PLATFORM ASSY W/ WORD DECALS <i>AUS with sliding mid-rail entry</i>		28	85358GT	PLAT ASSY-NARW FIBER,SYMBL,IWP <i>CE narrow fiberglass platform</i>	
3	107435GT	PLATFORM ASSY W/ SYM DECALS <i>ANSI/CSA with sliding mid-rail entry</i>					
4	85495GT	PLAT.ASSY-STD-SYMBLS,IWP/AWP <i>CE with sliding mid-rail entry</i>					
5	107436GT	PLATFORM ASSY W/ WORD DECALS <i>ANSI/CSA with gated entry</i>					
6	107437GT	PLATFORM ASSY W/ WORD DECALS <i>AUS with gated entry</i>					
7	107438GT	PLAT.ASSY W/WORD,GATED NRW*** <i>ANSI/CSA narrow with gated entry</i>					
8	107439GT	PLATFORM ASSY W/ WORD DECALS <i>AUS narrow with gated entry</i>					
9	107440GT	PLATFORM ASSY W/ WORD DECALS <i>ANSI/CSA ultra narrow; gated entry</i>					
10	107441GT	PLATFORM ASSY W/ WORD DECALS <i>AUS ultra narrow with gated entry</i>					
11	107442GT	PLATFORM ASSY W/ SYM DECALS <i>ANSI/CSA with gated entry</i>					
12	85499GT	PLAT ASSY-GTD/STD-SYMBOLS***** <i>CE with gated entry</i>					
13	107443GT	PLATFORM ASSY W/ SYM DECALS <i>ANSI/CSA narrow with gated entry</i>					
14	85328GT	PLAT ASSY-GTD/NAR-SYMBL,IWPSS <i>CE narrow with gated entry</i>					
15	107444GT	PLATFORM ASSY W/ SYM DECALS <i>ANSI/CSA ultra narrow with gated entry</i>					
16	85330GT	PLAT ASSY W/DECALS,SYMBOL *** <i>CE ultra narrow with gated entry</i>					
17	107445GT	PLATFORM ASSY W/ WORD DECALS <i>ANSI/CSA x-large with double entry</i>					
18	107446GT	PLATFORM ASSY W/ WORD DECALS <i>AUS x-large with double entry</i>					
19	107447GT	PLATFORM ASSY W/ SYM DECALS <i>ANSI/CSA x-large with double entry</i>					
20	85338GT	PLATFORM ASSY,XL-SYMBL,IWP**** <i>CE x-large with double entry</i>					
21	107448GT	PLATFORM ASSY W/ WORD DECALS <i>ANSI/CSA fiberglass platform</i>					

## 505.2 Railing Assembly Cross Reference

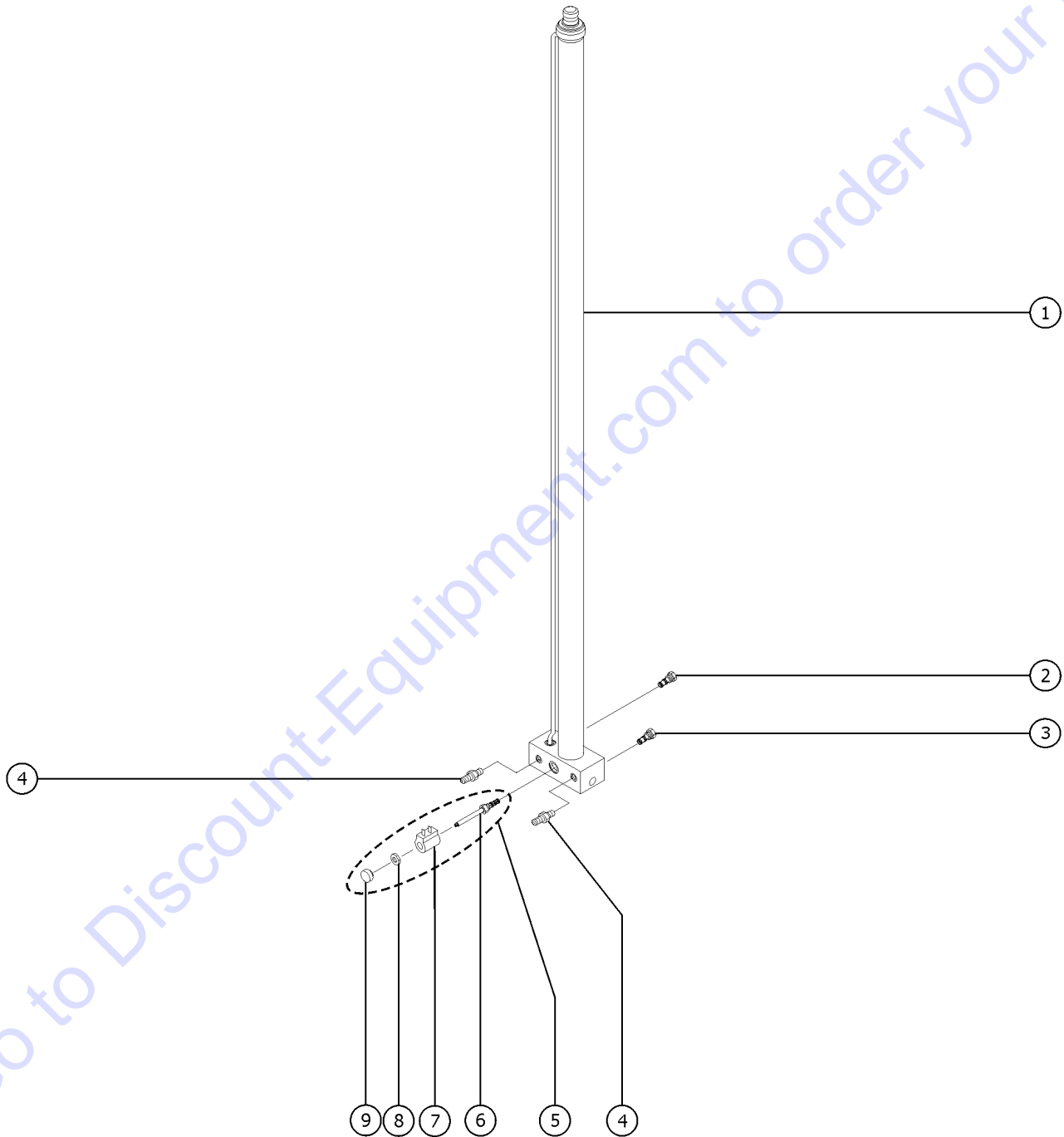
**Railing Assemblies**

<b>Region</b>	<b>ANSI</b>	<b>CSA</b>	<b>AUS</b>	<b>CE</b>
<b>Aluminum, Sliding Mid-rail Entry</b>				
Decals with Words	107454	107454	107455	
Decals with Symbols	107456			85497
<b>Aluminum, Gated Entry</b>				
Standard Decals with Words	107457	107457	107458	
Standard Decals with Symbols	107459			85332
Narrow Decals with Words	107460	107460	107461	
Narrow Decals with Symbols	107462			85334
Ultra Narrow Decals with Words	107463	107463	107464	
Ultra Narrow Decals with Symbols	107465			85336
<b>Aluminum, X-Large, Front/Side Entry</b>				
Decals with Words	107466	107466	107467	
Decals with Symbols	107468			85340

## 505.2 Railing Assembly Cross Reference

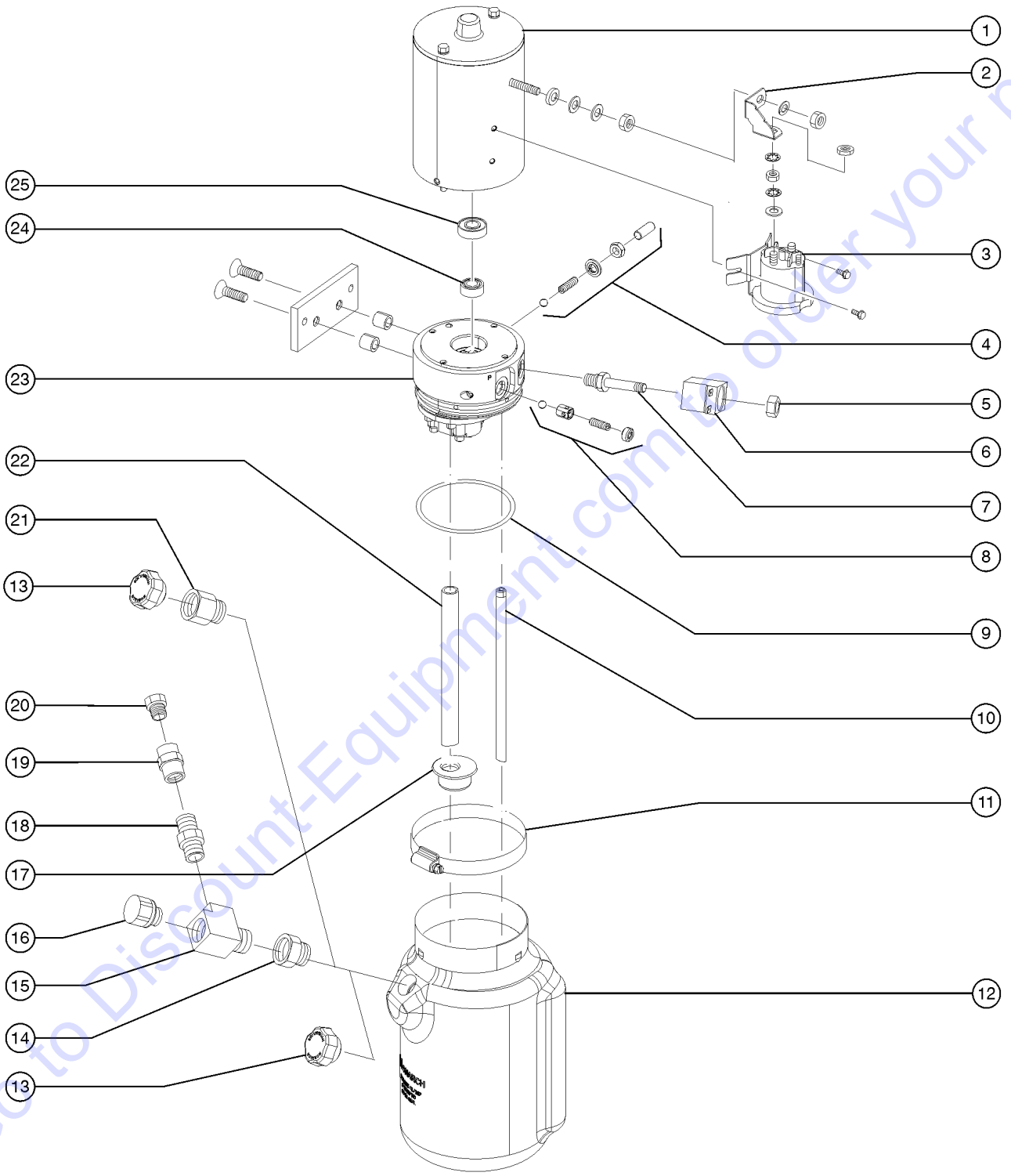
Item	Part No.	Description	Qty.
--	38336GT	DECAL PLATE,STD PLATFORM <i>(standard platform decal plate)</i>	
--	38337GT	DECAL PLATE,NARROW PLATFORM <i>(narrow platform decal plate)</i>	
--	38597GT	DECAL PLATE,ULTRA NARROW PLFM <i>(ultra narrow platform decal plate)</i>	
--	38945GT	PLATE,DECAL MULTI PLATFORM <i>(x-large platform decal plate)</i>	
1	107454GT	RAILING ASSY W/ WORD DECALS <i>ANSI/CSA with sliding mid-rail entry</i>	
2	107455GT	RAILING ASSY W/ WORD DECALS <i>AUS with sliding mid-rail entry</i>	
3	107456GT	RAILING ASSY W/ SYM DECALS <i>ANSI with sliding mid-rail entry</i>	
4	85497GT	RAILING ASSY,SYMBOLS,AWP&IWP** <i>CE with sliding mid-rail entry</i>	
5	107457GT	RAILING ASSY W/ WORD DECALS <i>ANSI/CSA with gated entry</i>	
6	107458GT	RAILING ASSY W/ WORD DECALS <i>AUS with gated entry</i>	
7	107459GT	RAILING ASSY W/ SYM DECALS <i>ANSI with gated entry</i>	
8	85332GT	RAILING ASSY-GTD/STD-SYMBOLS** <i>CE with gated entry</i>	
9	107460GT	RAILING ASSY W/ WORD DECALS <i>ANSI/CSA narrow with gated entry</i>	
10	107461GT	RAILING ASSY W/ WORD DECALS <i>AUS narrow with gated entry</i>	
11	107462GT	RAILING ASSY W/ SYM DECALS <i>ANSI narrow with gated entry</i>	
12	85334GT	RAILING ASSY-GTD/NAR-SYMBL,IWP <i>CE narrow with gated entry</i>	
13	107463GT	RAILING ASSY W/ WORD DECALS <i>ANSI/CSA ultra narrow with gated entry</i>	
14	107464GT	RAILING ASSY W/ WORD DECALS <i>AUS ultra narrow with gated entry</i>	
15	107465GT	RAILING ASSY W/ SYM DECALS <i>ANSI ultra narrow with gated entry</i>	
16	85336GT	RAIL ASSY-GTD/ULTRA-NRW/SYMBL* <i>CE ultra narrow with gated entry</i>	
17	107466GT	RAILING ASSY W/ WORD DECALS <i>ANSI/CSA x-large with double entry</i>	
18	107467GT	RAILING ASSY W/ WORD DECALS <i>AUS x-large with double entry</i>	
19	107468GT	RAILING ASSY W/ SYM DECALS <i>ANSI x-large with double entry</i>	
20	85340GT	RAILING ASSY,GTD-XLG,SYMBL,IWP <i>CE x-large with double entry</i>	

601.1 Lift Cylinder



Item	Part No.	Description	Qty.
1	80950GT	CYLINDER,LIFT 56.25"STROKE,DY*.....1 <i>AWP-15S, AWP-20S, AWP-25S and AWP-30S</i>	1
--	1261234GT	GUIDE RING, LIFT CYLINDER, AWP <i>(for black Dongyang cylinder 80950)</i>	
--	80943GT	SEAL KIT,DONYANG CYL (35737)* <i>(for black Dongyang cylinder 80950)</i>	
1A	80952GT	CYLINDER,LIFT 84.5" STROKE,DY*.....1 <i>AWP-36S</i>	1
--	80945GT	SEAL KIT, DY CYL (37367) <i>(for black Dongyang cylinder 80952)</i>	
1B	80951GT	CYLINDER,LIFT 78" STROKE, DY**.....1 <i>AWP-40S</i>	1
--	80944GT	SEAL KIT, DONYANG CYL (35739) <i>(for black Dongyang cylinder 80951)</i>	
2	35725GT	VALVE,FLOW CONTROL PREAS.COMP.....2	2
3	35726GT	VALVE,HYDRAULIC CHECK.....1	1
4	13755GT	CONNECTOR,070120-4-4.....2	2
5	40571GT	ASSY, MAN LWR VALVE W/HNDL, 12V.....1 <i>(includes items 6-9)</i>	1
--	35724GT	VALVE,NC SOLENOID,MANUAL LWR <i>(includes items 7 and 8)</i>	
--	40417GT	COIL, 12V DC	
--	40477GT	VALVE,CARTRIDGE*** <i>(includes item 8)</i>	
--	44979GT	SEAL KIT,39909,PLAT LWR VALVE*	
--	52943GT	NUT,SOLENOID VALVE COIL.....1	1
6	40477GT	VALVE,CARTRIDGE***.....1 <i>(includes item 8)</i>	1
7	40417GT	COIL, 12V DC.....1	1
8	52943GT	NUT,SOLENOID VALVE COIL.....1	1
9	38068GT	KNOB,PUSH/PULL,RED.....1	1

602.1 Hydraulic Power Unit, DC Models



# PARTS FINDER

**Search Website  
by Part Number**



**Search Manual  
Library For Parts  
Manual & Lookup Part  
Numbers – Purchase  
or Request Quote**

**Search Manuals**

Enter your information to help us find the right parts manual for your machine.

\* Brand:

\* Model:

\* Serial:

\* Part Number:

SEARCH

**Can't Find Part or  
Manual? Request Help  
by Manufacturer,  
Model & Description**

**Parts Order Form**

Please fill in the following information to help us find the right part for your machine.

Manufacturer:	<input type="text"/>
Model:	<input type="text"/>
Description:	<input type="text"/>
Part Number:	<input type="text"/>
Quantity:	<input type="text"/>
Notes:	<input type="text"/>

REQUEST HELP

Discount-Equipment.com is your online resource for quality parts & equipment.

Florida: **561-964-4949** Outside Florida TOLL FREE: **877-690-3101**

**Need parts?**

Click on this link: <http://www.discount-equipment.com/category/5443-parts/> and choose one of the options to help get the right parts and equipment you are looking for. Please have the machine model and serial number available in order to help us get you the correct parts. If you don't find the part on the website or on one of the online manuals, please fill out the request form and one of our experienced staff members will get back to you with a quote for the right part that your machine needs.

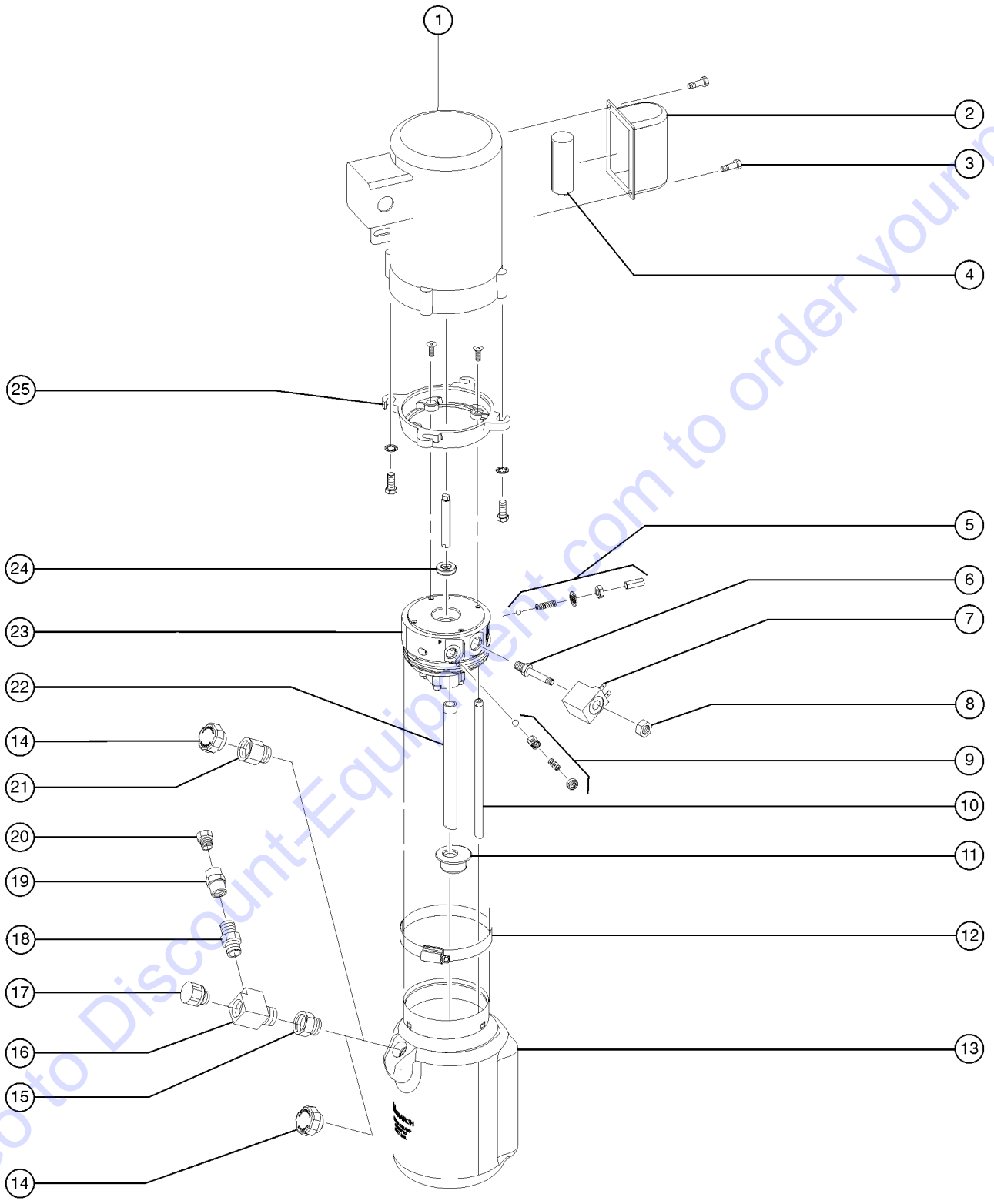
We sell worldwide for the brands: Genie, Terex, JLG, MultiQuip, Mikasa, Essick, Whiteman, Mayco, Toro Stone, Diamond Products, Generac Magnum, Airman, Haulotte, Barreto, Power Blanket, Nifty Lift, Atlas Copco, Chicago Pneumatic, Allmand, Miller Curber, Skyjack, Lull, Skytrak, Tsurumi, Husquvarna Target, Stow, Wacker, Sakai, Mi-T-M, Sullair, Basic, Dynapac, MBW, Weber, Bartell, Bennar Newman, Haulotte, Ditch Runner, Menegotti, Morrison, Contec, Buddy, Crown, Edco, Wyco, Bomag, Laymor, EZ Trench, Bil-Jax, F.S. Curtis, Gehl Pavers, Heli, Honda, ICS/PowerGrit, IHI, Partner, Imer, Clipper, MMD, Koshin, Rice, CH&E, General Equipment, Amida, Coleman, NAC, Gradall, Square Shooter, Kent, Stanley, Tamco, Toku, Hatz, Kohler, Robin, Wisconsin, Northrock, Oztec, Toker TK, Rol-Air, APT, Wylie, Ingersoll Rand / Doosan, Innovatech, Con X, Ammann, Mecalac, Makinex, Smith Surface Prep, Small Line, Wanco, Yanmar

## 602.1 Hydraulic Power Unit, DC Models

Item	Part No.	Description	Qty.	Item	Part No.	Description	Qty.
--	100989GT	POWER UNIT,12V DC*** (to SN 60547) (DC models)		15	40704GT	TEE,STREET,3/8 NPT,BRASS.....1 (Models with Narrow or Rough Terrain Base)	1
--	124189GT	POWER UNIT,12V DC (from SN 60548)		16	48520GT	3/8" NPT VALVE BREATHER CAP.....1	1
1	38151GT	MOTOR,12V DC*** .....1 (includes item 25)	1	17	38160GT	FILTER,PICK-UP SCREEN*** .....1	1
--	124779GT	KIT,POWER UNIT MOUNTING (narrow and RT models to SN 60547)		18	48519GT	3/8" NPT CHECK VALVE.....1 (Models with Narrow or Rough Terrain Base)	1
--	38152GT	BRUSH KIT,12V DC MTR (08111-D) for motors with stamp "8111-D"		19	46049GT	COUPLING,3/8X1.12,BRASS.....1 (Models with Narrow or Rough Terrain Base)	1
--	41023GT	FUSE,175 AMP (not shown) between motor and battery pack		20	46051GT	BREATHER CAP,3/8"NPT,NI PLTD.....1 (Models with Narrow or Rough Terrain Base)	1
--	66717GT	FUSE BLOCK, ANN & ANL FUSE		21	100299GT	PIPE ADAPTER, 3/4-11 NPT (Japanese Models)	
--	T114885GT	BRUSH KIT,SVC,(MOTOR 38151)*** for motors with stamp "8111-I"		22	58287GT	TUBE,SUCTION	
2	44991GT	SOLENOID STRAP, MONARCH**.....1 (to SN 60547)	1	23	38154GT	PUMP ASSEMBLY,MONARCH,AC/DC*** .....1 (includes items 4, 8, 22 and 24)	1
2A	124185GT	SOLENOID STRAP,MONARCH (from SN 60548)		24	40401GT	SEAL,MOTOR.....1	1
3	38153GT	SOLENOID,MOTOR START*** .....1 (to SN 60547)	1	25	40400GT	BEARING,MOTOR.....1	1
3A	124186GT	SOLENOID,MOTOR START (from SN 60548)					
4	38156GT	VALVE,RELIEF KIT,MONARCH** .....1	1				
5	100869GT	NUT,SOLENOID VALVE*** .....1	1				
6	100868GT	COIL,10V DC*** .....1	1				
7	100866GT	VALVE,2-POS 2-WAY*** .....1 (includes items 6 and 7)	1				
--	100867GT	CARTRIDGE W/ NUT (includes item 7)					
8	38155GT	VALVE-CHECK KIT.....1	1				
9	40318GT	SEAL,O-RING,PUMP*** .....1	1				
10	58288GT	TUBE, RETURN					
11	85217GT	CLAMP, MOUNTING,(FOR 85219)*** .....1	1				
12	85218GT	RESERVOIR W/DECAL,PLASTIC*** (to SN 60547) (includes decal, hex plug, mounting clamp, and breather cap)					
--	109802GT	PLUG,ORB #6 (used with 85218 only)					
12A	124183GT	RESERVOIR W/DECAL,PLASTIC*** (from SN 60548) (includes decal, mounting clamp, and breather cap)					
13	100255GT	BREATHER CAP (85218).....1 (Models with standard base, and Japanese models)	1				
14	100158GT	REDUCER,NYLON, 3/4NPT X 3/8NPT...1 (Models with Narrow or Rough Terrain Base)	1				



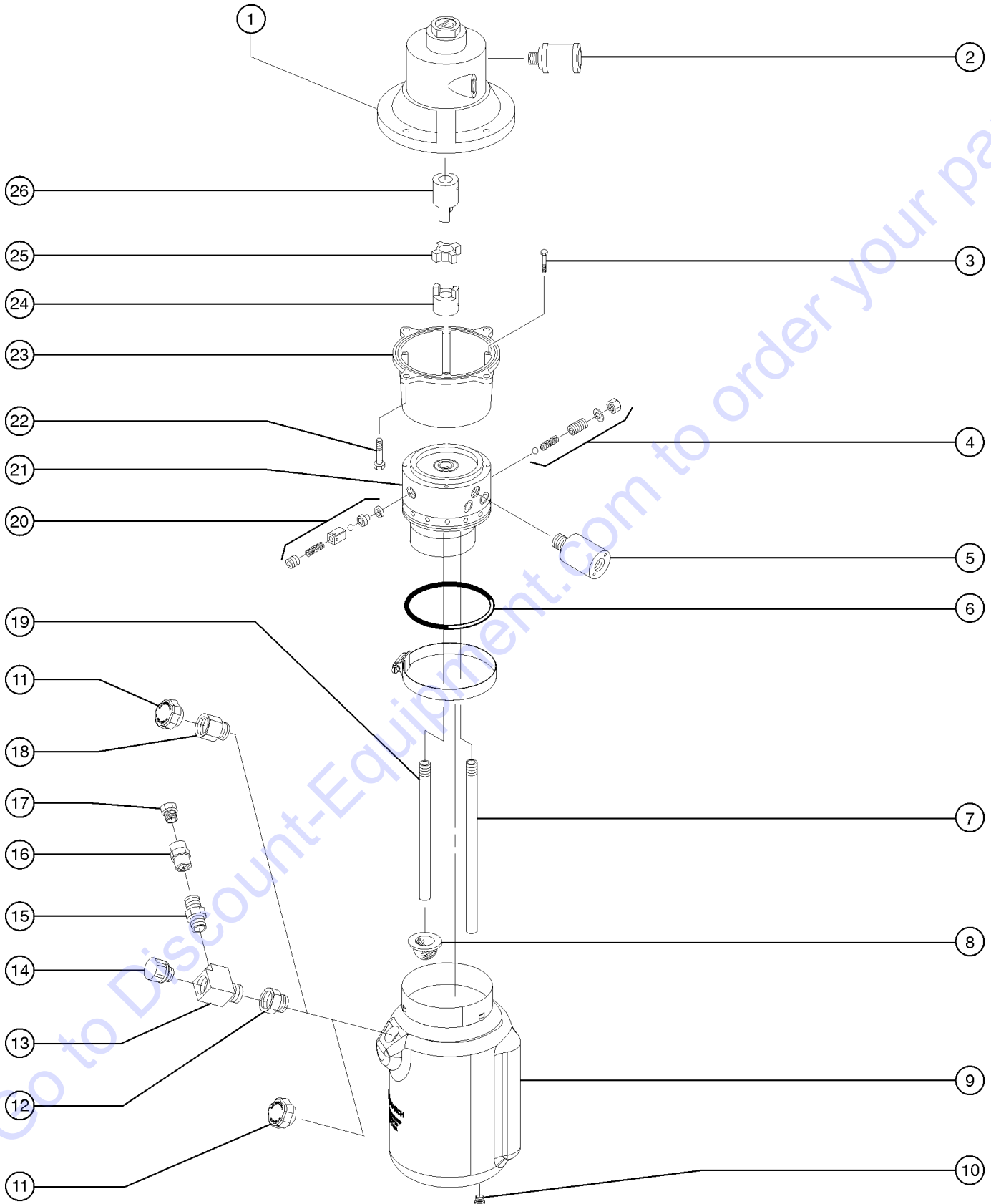
603.1 Hydraulic Power Unit, AC Models



## 603.1 Hydraulic Power Unit, AC Models

Item	Part No.	Description	Qty.	Item	Part No.	Description	Qty.
--	100990GT	POWER UNIT,110-220 AC*** (to SN 61132)		17	48520GT	3/8" NPT VALVE BREATHER CAP.....2 (Models with Narrow or Rough Terrain Base)	
--	100991GT	POWER UNIT,85V AC*** (to SN 61135)		18	48519GT	3/8" NPT CHECK VALVE.....1 (Models with Narrow or Rough Terrain Base)	
--	124191GT	POWER UNIT,85V AC (from SN 61136)		19	46049GT	COUPLING,3/8X1.12,BRASS.....1 (Models with Narrow or Rough Terrain Base)	
--	124197GT	POWER UNIT,110/220VAC,60HZ (from SN 61133)		20	46051GT	BREATHER CAP,3/8"NPT,NI PLTD.....1 (Models with Narrow or Rough Terrain Base)	
--	124198GT	POWER UNIT,110/220VAC,50/60HZ (from SN 60146 to 89261)		21	100299GT	PIPE ADAPTER, 3/4-11 NPT (Japanese Models with narrow or rough terrain base)	
1	145343GT	MOTOR,115/230V AC (124198) (ANSI models from 89262) (CE models from SN 60146)		22	58287GT	TUBE,SUCTION	
1	38163GT	MOTOR, 115/230V AC.....1 (ANSI models from 61133 to 87799) (includes item 26)		23	38154GT	PUMP ASSEMBLY,MONARCH,AC/DC***.....1 (includes items 5, 20 and 22)	
1A	38163GT	MOTOR, 115/230V AC.....1 (ANSI models to 87799) (CE models to 60145) (includes item 26)		24	40401GT	SEAL,MOTOR.....1	
1B	145343GT	MOTOR,115/230V AC (124198) (CE models from 60146)		25	124188GT	BELL HOUSING,POWER UNIT,CE.....1 (CE models from SN 60146)	
2	40430GT	COVER,CAPACITOR.....1					
3	45183GT	10-32 X .375 SELFTAP SL.HX.HD					
4	40399GT	CAPACITOR,MOTOR.....1					
5	38156GT	VALVE,RELIEF KIT,MONARCH**.....1					
6	100866GT	VALVE,2-POS 2-WAY***.....1 (includes items 7 and 8)					
--	100867GT	CARTRIDGE W/ NUT (includes item 7)					
7	100868GT	COIL,10V DC***.....1					
8	100869GT	NUT,SOLENOID VALVE***.....1					
9	38155GT	VALVE-CHECK KIT.....1					
10	58288GT	TUBE, RETURN					
11	38160GT	FILTER,PICK-UP SCREEN***.....1					
12	85217GT	CLAMP, MOUNTING,(FOR 85219)***					
13	85218GT	RESERVOIR W/DECAL,PLASTIC*** (to SN 60547) (includes decal, hex plug, mounting clamp, and breather cap)					
--	109802GT	PLUG,ORB #6.....1					
13A	124183GT	RESERVOIR W/DECAL,PLASTIC***.....1 (from SN 60548) (includes decal, mounting clamp, and breather cap)					
14	100255GT	BREATHER CAP (85218).....1 (Models with Standard Base and Japanese Models)					
15	100158GT	REDUCER,NYLON, 3/4NPT X 3/8NPT...1 (Models with Narrow or Rough Terrain Base)					
16	40704GT	TEE,STREET,3/8 NPT,BRASS.....1 (Models with Narrow or Rough Terrain Base)					

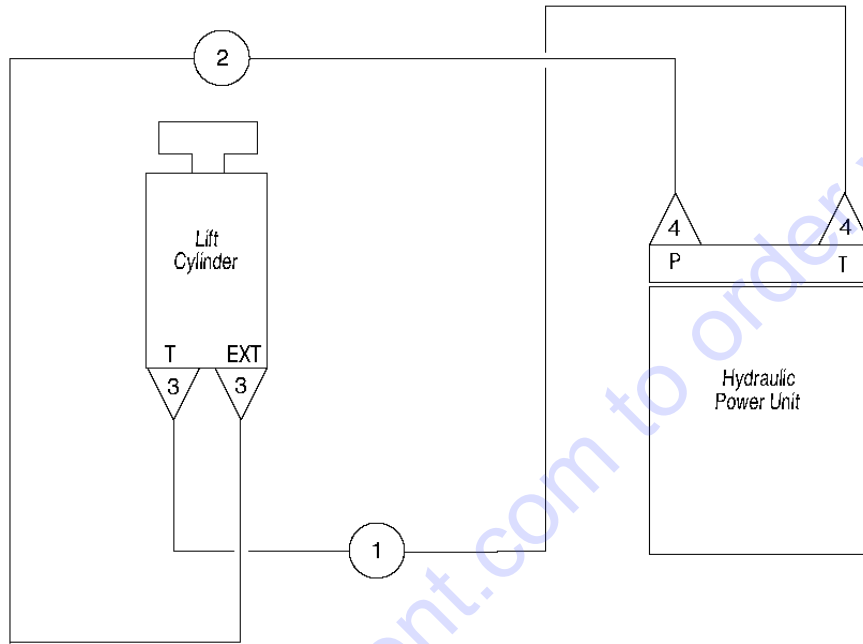
604.1 Hydraulic Power Unit, Air Powered Models



## 604.1 Hydraulic Power Unit, Air Powered Models

Item	Part No.	Description	Qty.	Item	Part No.	Description	Qty.
--	100088GT	POWER UNIT,PNEUMATIC*** (Air Powered models)		26	41925GT	COUPLING-MTR.SIDE,AIR S-SERIES	
1	41924GT	MOTOR-AIR, SUPER SERIES.....	1				
2	57191GT	MUFFLER, AIR MOTOR,1/4 NPT.....	1				
3	12343GT	SCREW,HHC,1/4-20 X 3					
4	38156GT	VALVE,RELIEF KIT,MONARCH**.....	1				
5	41930GT	VALVE-AIR PILOT,MTR.,S-SERIES.....	1				
6	40318GT	SEAL,O-RING,PUMP***.....	1				
7	58288GT	TUBE, RETURN					
8	38160GT	FILTER,PICK-UP SCREEN***.....	1				
9	85218GT	RESERVOIR W/DECAL,PLASTIC*** (to SN 60547) (includes decal, hex plug, mounting clamp, and breather cap)					
--	109802GT	PLUG,ORB #6.....	1				
9A	124183GT	RESERVOIR W/DECAL,PLASTIC***..... (from SN 60548) (Includes mounting clamp and breather cap)	1				
10	109802GT	PLUG,ORB #6.....	1				
11	100255GT	BREATHER CAP (85218)..... (Models with standard base and Japanese Models)	1				
12	100158GT	REDUCER,NYLON, 3/4NPT X 3/8NPT... (Models with Narrow or Rough Terrain Base)	1				
13	40704GT	TEE,STREET,3/8 NPT,BRASS..... (Models with Narrow or Rough Terrain Base)	1				
14	48520GT	3/8" NPT VALVE BREATHER CAP.....	2				
15	48519GT	3/8" NPT CHECK VALVE..... (Models with Narrow or Rough Terrain Base)	1				
16	46049GT	COUPLING,3/8X1.12,BRASS..... (Models with Narrow or Rough Terrain Base)	1				
17	46051GT	BREATHER CAP,3/8"NPT,NI PLTD..... (Models with Narrow or Rough Terrain Base)	1				
18	100299GT	PIPE ADAPTER, 3/4-11 NPT (Japanese Models)					
19	58287GT	TUBE,SUCTION					
20	38155GT	VALVE-CHECK KIT.....	1				
21	41929GT	PUMP ASSY-AIR MTR,SUPER SERIES..... (includes items 4 and 19)	1				
22	49857GT	SCREW,HHC,3/8-16 X .88,GRD 8					
23	41928GT	ADAPTER,PUMP/MTR HSING,AIR-S.....	1				
24	41927GT	COUPLING,AIR MTR. SUPER SERIRS.....	1				
25	41926GT	COUPLING-SPIDER,AIR S-SERIES.....	1				

605.1 Hydraulic Hoses and Fittings

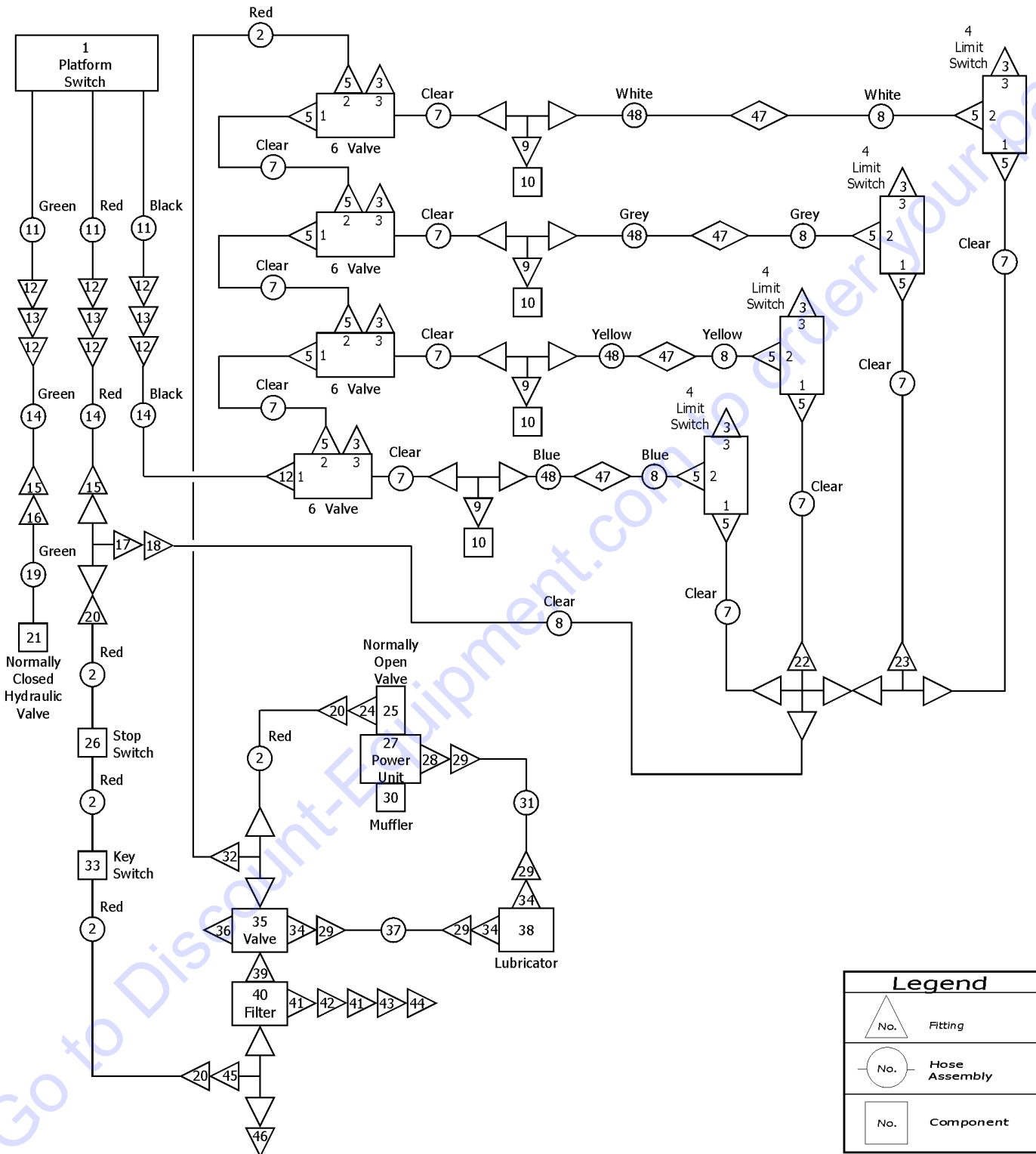


LEGEND	
	FITTING
	HOSE ASSEMBLY
	CONNECTOR

Item	Part No.	Description	Qty.
1	80623GT	HOSE ASSY,62.4",IWP-PRKR.....1 (Components: 78855, 78855, 78852 @ 62.4 inches)	1
2	115301GT	HOSE ASSY.....1 (Components: 78855, 78855, 78852 @ 63 inches)	1
3	13755GT	CONNECTOR,070120-4-4.....2	2
4	12340GT	ELBOW,070220-4-6.....2	2

Go to Discount-Equipment.com to order your parts

606.1 Pneumatic Hoses and Fittings, Air Powered Models



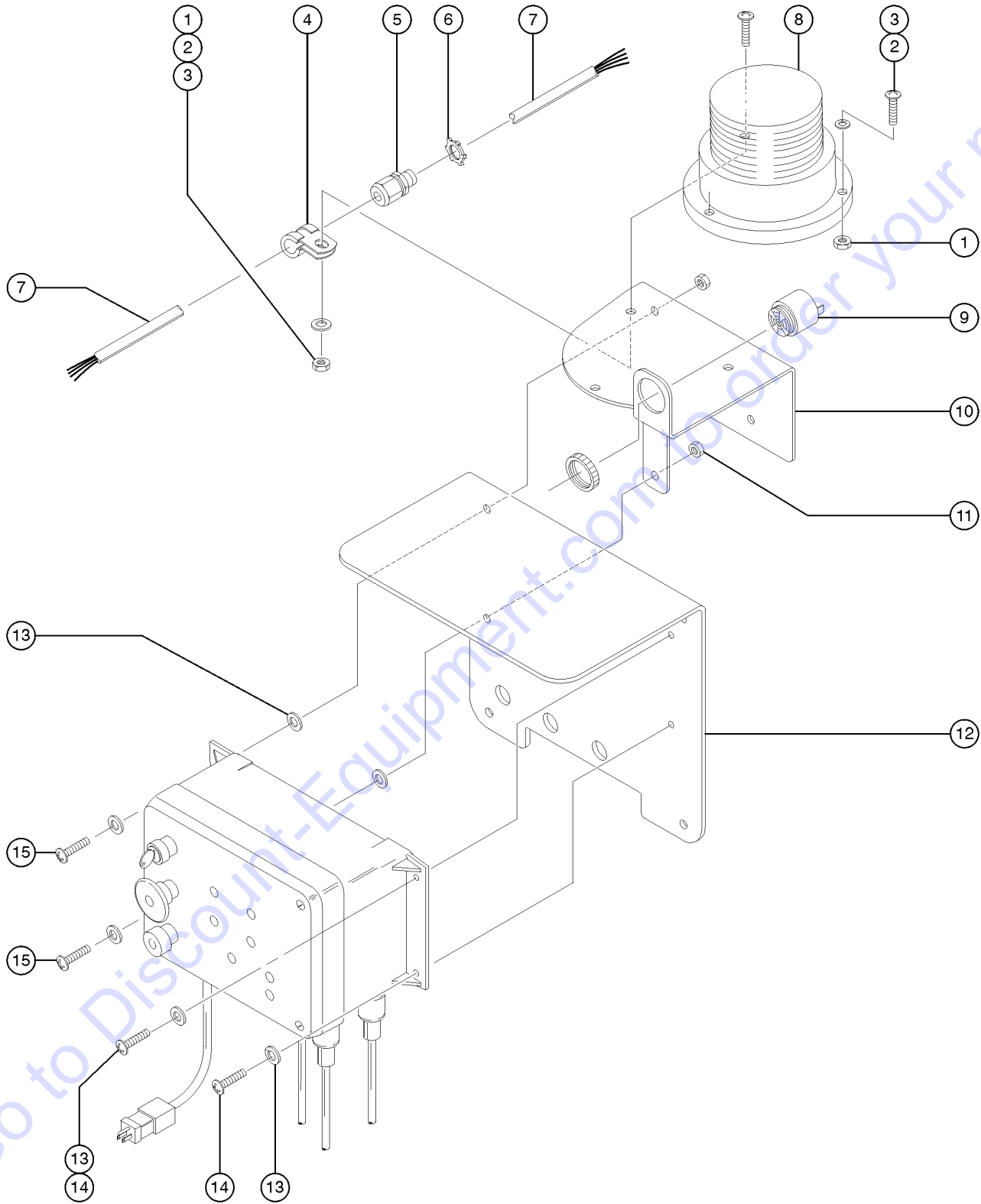
Legend	
	Fitting
	Hose Assembly
	Component

## 606.1 Pneumatic Hoses and Fittings, Air Powered Models

Item	Part No.	Description	Qty.	Item	Part No.	Description	Qty.
1		Ref. Platform Switch (refer to 409.1)		33		Ref. Key Switch with Base.....1 (refer to 409.1)	1
2	1619GT	HOSE-5/32 RED PNEUMATIC,BULK.....38-inches		34	41461GT	ELBOW,90 DEGR,.5 MNPT X .5BARB...3	3
3	41476GT	BREATHER VENT,10/32.....8		35	41192GT	VALVE,ON/OFF AIR.....1	1
4		Ref. Outrigger Interlock Bracket Assembly (refer to 201.1)		36	41486GT	BREATHER VENT,.75 NPT.....1	1
5	41477GT	ADAPTER,10/32 X 1/16 BARB.....15		37	41463GT	HOSE,SYNFLEX.....14-inches	
6	40970GT	VALVE,2 POSITION 3 WAY.....4 (includes mounting fasteners)		38	41534GT	LUBRICATOR, SUPER SERIES.....1	1
7	41480GT	HOSE,CLEAR,1/8 X 1/16.....168-inches		39	41195GT	NIPPLE,HEX,BRASS,.5 NPT.....1	1
8	41483GT	HOSE,5 X 1/8 X 1/16.....104-inches		40	69227GT	FILTER,REGULATOR.....1	1
9	41479GT	TEE,BRANCH,1/16 BARB X 10/32.....4		41	41459GT	NIPPLE,3" BRASS,.5NPT.....1	1
10	40973GT	INDICATOR,OUTRIGGER.....4 (includes mounting fasteners)		42	41460GT	ELBOW,90 DEGREE,.5 NPT.....1	1
11	41377GT	HOSE,PNEUMATIC COIL.....1 (AWP-30S)		43	41458GT	CONNECTOR,CP18,.5 FPT.....1	1
12	41465GT	ADAPTER,10/32 X .12 BARB.....1 (AWP-30S)		44	41457GT	COUPLER,HOSE,.5 AUTOMATIC.....1	1
13	41464GT	FITTING,BULKHEAD,10/32.....3 (AWP-30S)		45	41468GT	TEE,BRASS STREET,.12 NPT.....1	1
14	41949GT	HOSE CONTROL,AWP-30S,STD,AIR (AWP-30S)		46	113000GT	GAUGE, 2 INCH, PRESSURE.....1	1
14A	41955GT	HOSE CONTRL,AWP-30S,NRW/RT,AIR (AWP-30S Models with Narrow or Rough Terrain Base)		47	43077GT	FITTING,1/16 BARBED, SPLICE.....4	4
15	41471GT	ADAPTER,.12 MNPT X .12 BARB.....2		48	41483GT	HOSE,5 X 1/8 X 1/16.....96-inches	
16	41472GT	ADAPTER,.12 FNPT X .25 PUSH.....1					
17	41475GT	TEE,BRASS,1/8 NPT.....1					
18	41474GT	ADAPTER,.12 MNPT X 1/16 BARB.....1					
19	41473GT	HOSE,1/4, GREEN NYLON					
20	41469GT	ADAPTER,.12 MNPT X 5/32 PUSH.....3					
21	40971GT	VALVE, NC POPPET, DIR CONT.....1					
22	41484GT	CROSS,1/16 BARB.....1					
23	41485GT	TEE,1/16 BARB.....1					
24	41482GT	ELBOW,STREET,.12 NPT.....1					
25	41930GT	VALVE-AIR PILOT,MTR.,S-SERIES.....1					
26		Ref. Push Button with Base - Red Mushroom Head.....1 (refer to 409.1)					
27		Ref. Hydraulic Power Unit.....1 (refer to 604.1)					
28	41467GT	ELBOW,.25 MNPT X .5 BARB.....1					
29	42280GT	CLAMP,HOSE,.50.....4					
30	57191GT	MUFFLER, AIR MOTOR,1/4 NPT.....1					
31	41463GT	HOSE,SYNFLEX.....17-inches					
32	41481GT	TEE,BRANCH,5/32 PUSH X .12MNPT...1					



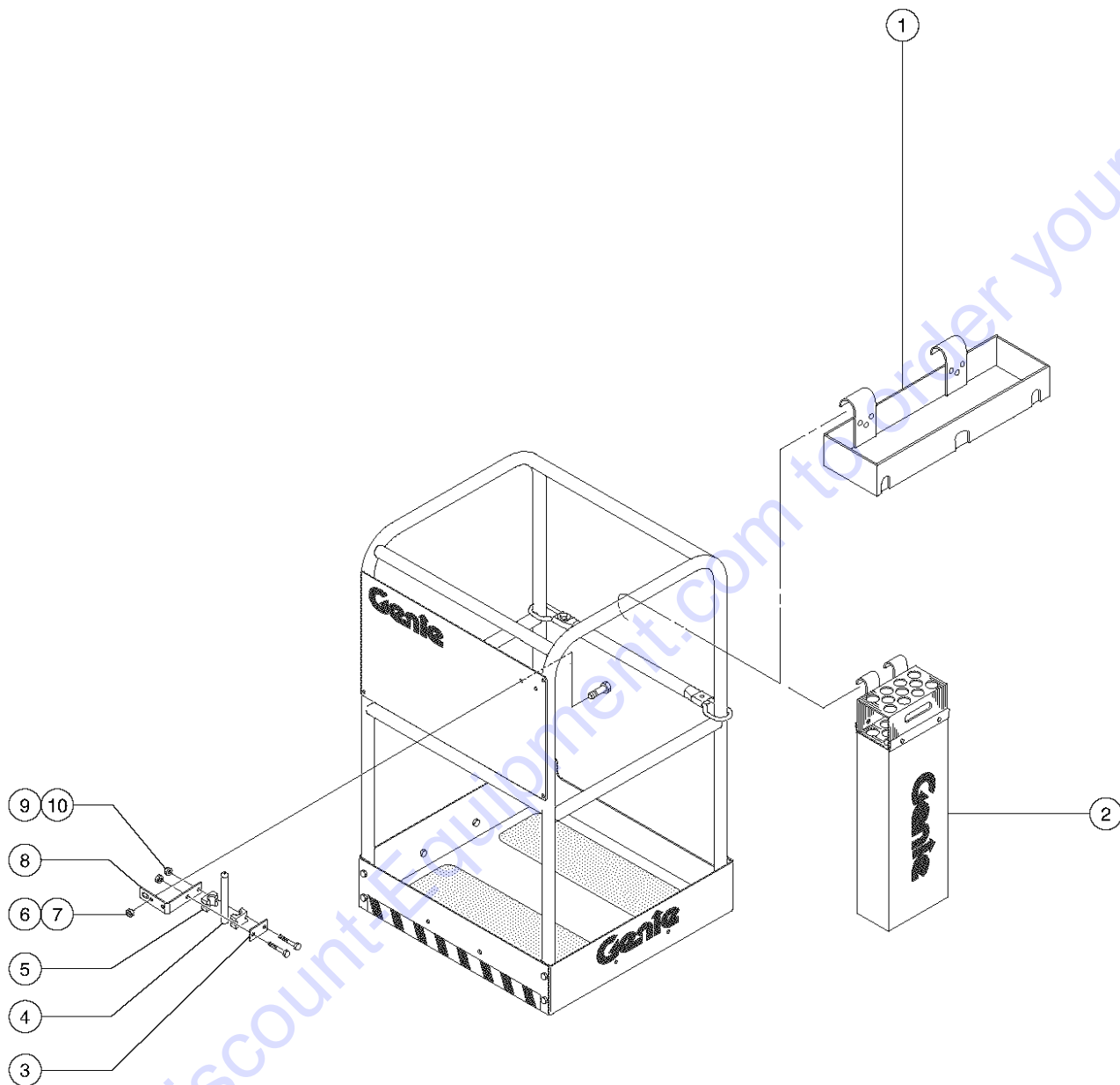
701.1 Operational Warning Light and Descent Alarm



## 701.1 Operational Warning Light and Descent Alarm

Item	Part No.	Description	Qty.
--		<i>The location of the descent alarm assembly is dependent on the machine model and configuration. The top installation is shown but this can also be mounted on the right and left sides.</i>	
1	15513GT	NUT,HEX,10-32.....	3
2	6607GT	WASHER,LOCK,#10 PLTD.....	3
3	6606GT	SCREW,RHM,10-32 X .75.....	3
4	6833GT	CLAMP,0.50,#8 X 1/4,RUB CUSH.....	1
5	33576GT	CONN,SQZ,BLK,1/2NPT,.38-.50,SM.....	1
6	6935GT	LOCKNUT,ELEC,1/2".....	1
7	6562GT	WIRE CABLE,16/4 SJO,BULK...32-inches	
8	231237GT	STROBE, AC COMPAT., 12-80V AMB.....	1
--	226393GT	FLASHTUBE,STRAIGHT,360DEG,BULB	
--	72282GT	LENS,AMBER,STROBE,FIREBOLT	
9	45383GT	ALARM,WARBLE TONE 5-30 VDC*** ..... <i>Does not include 72326 nut</i>	1
10	41452-SGT	PLATE,STROBE/ALARM MTG,PAINTED.....	1
11	6889GT	NUT,LP NYLOCK,1/4-20.....	2
--	122019GT	FLASHTUBE,U SHAPED,360DEG,BULB	
--	72282GT	LENS,AMBER,STROBE,FIREBOLT	
12	37765-SGT	PLATE,CONTROL BOX,"BLUE".....	1
13	6638GT	WASHER,FLAT,USS,1/4"Y	
14	43136GT	SCREW,PHM,1/4-20 X .625.....	2
15	80058GT	SCREW,PHP,1/4-20 X .875.....	2

## 702.1 Tube Caddy, Tray and Platform Locating Light

**Note:**

The Locating Light is mounted differently depending on the platform option. Refer to the instruction sheet that comes with the kit for mounting location.

## 702.1 Tube Caddy, Tray and Platform Locating Light

Item	Part No.	Description	Qty.
1	9599-SGT	TOOL TRAY ACCESSORY***.....	1
2	38226GT	TUBE CADDY,AWP PLATFORM***..... <i>(includes mounting hardware and assembly instructions)</i>	1
3	80995GT	PLATE, LASER LOCATOR.....	1
4	80993GT	LASER POINTER***.....	1
--	43078GT	LASER,LOCATING ACCESSORY <i>includes items 3 and 5-10</i>	
5	80994GT	CUSHION, LASER LOCATOR.....	2
6	4828GT	NUT,NYLOCK,3/8-16	
7	6175GT	SCREW,HHC,3/8-16 X 1	
8	80997GT	FORMING, LASER LOCATOR.....	1
9	6091GT	NUT,NYLOCK,1/4-20	
10	6637GT	SCREW,HHC,1/4-20 X 1.75	

## Part Number Index

The Part Number Index is a numeric index of all part numbers included in this manual. The index shows what page(s) the part is used on.

Part Number	Page	Part Number	Page	Part Number	Page	Part Number	Page
100088GT	107	107417GT	27	109605GT	15-16	1280665GT	75
100158GT	103, 105, 107	107418GT	27	109665GT	21	1280819GT	11
100171GT	37	107419GT	27	109689GT	23	12906GT	45-46
100193GT	65	107420GT	27	109713GT	23	13066GT	16, 19, 21
100194GT	65	107421GT	27	109715GT	23	133046GT	13
100195GT	65	107425GT	61	109802GT	103, 105, 107	13585GT	81
100255GT	103, 105, 107	107426GT	61	109870GT	46	13755GT	101, 109
100256GT	81	107427GT	61	109988GT	46	13854GT	53, 55
100299GT	103, 105, 107	107428GT	61	113000GT	111	13918GT	37
100866GT	103, 105	107429GT	61	114008GT	11	14016GT	95
100867GT	103, 105	107430GT	61	114009GT	11	14033GT	53
100868GT	103, 105	107431GT	51	114010GT	13	14295GT	67, 73
100869GT	103, 105	107432GT	51	114011GT	11	14392GT	79
100893GT	55, 57, 67	107433GT	97	114373GT	13	144161GT	65, 75
100894GT	71, 73	107434GT	97	115145GT	51	145047GT	75, 77
100898GT	53, 55	107435GT	97	115149GT	77	145135GT	67
100901GT	55	107436GT	97	115150GT	77	145191GT	91
100902GT	53, 55, 57	107437GT	97	115151GT	77	145192GT	91
100939GT	51	107438GT	97	115152GT	53	145342GT	75, 77
100944GT	51	107439GT	97	115301GT	109	145343GT	105
100947GT	51	107440GT	97	11890GT	39, 41, 43	150153GT	15-16
100989GT	103	107441GT	97	12011GT	67	150154GT	15-16
100990GT	105	107442GT	97	12013GT	91, 93	150155GT	19, 21
100991GT	105	107443GT	97	122019GT	113	150156GT	19, 21
10153GT	15-16, 19, 21, 75, 77	107444GT	97	12340GT	109	15513GT	113
10258GT	21	107445GT	97	12343GT	107	1619GT	111
105092GT	15-16, 19	107446GT	97	124010GT	37	17626GT	63
10597GT	59, 67, 69, 71	107447GT	97	124041GT	45-46	18189GT	63
107023GT	53, 55, 57	107448GT	97	124043GT	45-46	18503GT	63
107067GT	13	107449GT	97	124044GT	45-46	20342GT	77
107068GT	13	107450GT	97	124045GT	45-46	2095GT	91
107069GT	15-16	107451GT	97	124046GT	45-46	21018GT	75, 77, 81
107070GT	15-16	107452GT	97	124121GT	77	21278GT	59
107071GT	15-16	107453GT	97	124127GT	77	21279GT	59
107072GT	15-16	107454GT	99	124128GT	77	21280GT	59
107073GT	15-16	107455GT	99	124133GT	77	21437GT	59
107074GT	19, 21	107456GT	99	124163GT	23	21441GT	59
107075GT	19, 21	107457GT	99	124183GT	103, 105, 107	21442GT	59
107100GT	25, 27	107458GT	99	124185GT	103	21858GT	75
107102GT	25, 27	107459GT	99	124186GT	103	21982GT	79
107104GT	25	107460GT	99	124188GT	105	2223GT	37
107106GT	25	107461GT	99	124189GT	103	226393GT	113
107108GT	25	107462GT	99	124191GT	105	226802GT	91, 93
107109GT	25, 27	107463GT	99	124194GT	57, 69	22699GT	83, 85, 87
107110GT	25	107464GT	99	124197GT	105	22736GT	23
107115GT	25, 27	107465GT	99	124198GT	105	230000GT	81
107116GT	25	107466GT	99	124221GT	13	231237GT	113
107118GT	25	107467GT	99	124552GT	23	23394GT	83, 85, 87
107119GT	25, 27	107468GT	99	124568GT	23	23396GT	83, 85, 87
107122GT	25	107469GT	53, 55, 57	124569GT	23	23787-SGT	83, 85
107123GT	27	107470GT	63	124628GT	79	23788GT	83, 85
107167GT	75	107472GT	67	124629GT	79	24537GT	89, 91, 93
107381GT	53	107473GT	67	124645GT	75	24697-SGT	59
107383GT	79	107474GT	67	124646GT	75	24900GT	23
107391GT	89	107475GT	67	124649GT	67, 69, 71, 73	25084GT	59
107392GT	11	107476GT	67	124650GT	67, 69, 71, 73	25085GT	59
107393GT	11	107477GT	67	124676GT	79	25086GT	59
107394GT	11	107478GT	67	124677GT	79	25087GT	59
107400GT	25	107479GT	67	124779GT	57, 69, 103	25388GT	75
107401GT	25	107481GT	37	124792GT	23	25926GT	53, 83, 85, 87
107402GT	25	107482GT	37	124793GT	23	26780GT	91
107403GT	25	107483GT	37	12560GT	85	26785GT	91, 93
107404GT	25	107484GT	37	1257696GT	75, 77	26787GT	91
107405GT	25	107485GT	37	1257846GT	25	27415GT	15-16, 19, 21, 59
107406GT	25	107486GT	37	1257847GT	25	27769GT	51, 59
107407GT	25	107487GT	37	1257853GT	13	27838GT	11
107408GT	25	107488GT	37	1257854GT	13	27839GT	11
107409GT	25	107489GT	37	1258584GT	25	27840GT	11
107410GT	25	107490GT	37	1258599GT	25	27841GT	11
107411GT	25	107491GT	37	1259993GT	59	27842GT	11
107412GT	25	107492GT	37	1260610GT	13	27843GT	11
107414GT	25	10775GT	81	1261234GT	101	27844GT	11
107415GT	25	10777GT	81	1268235GT	29	27857GT	11
107416GT	27	109551GT	53	1272242GT	11, 13	27863GT	11
		109595GT	19	1277226GT	77	27864GT	11

Part Number	Page	Part Number	Page	Part Number	Page	Part Number	Page
27865GT	11	35771GT	29	38215GT	63	40478GT	29
27867GT	11	35772GT	33, 35	38216GT	75, 77	40479GT	29
27868GT	11	35773GT	33, 35	38217GT	75, 77	40494GT	25, 27
27872GT	11	35774GT	33	38220GT	91	40495GT	25, 27
27873GT	11	35775GT	35	38223GT	91	40496GT	25
27874GT	11	35786GT	49	38226GT	115	40497GT	25, 27
28174GT	11, 13	35789PGT	37	38234GT	46	40498GT	25
28235GT	11, 13	35846GT	77	38314GT	49	40506GT	59
28372GT	11	35991GT	31, 33, 35, 45-	38315GT	49	40571GT	101
28487GT	63		46, 51, 53, 83,	38316GT	31, 33, 35	40627-SGT	31, 33, 35
30748GT	21		85, 87	38318GT	59	40704GT	103, 105, 107
31070GT	11	37141GT	11	38322GT	59	40735GT	83, 85, 87
31071GT	11	37142GT	11	38323GT	59	40945GT	39, 41, 43
31146GT	89	37143GT	11	38324GT	59	40946GT	29, 31, 33, 35
31182GT	75, 77	37144GT	11	38336GT	97, 99	40953GT	25
31245GT	11	37145GT	11	38337GT	97, 99	40954GT	25, 27
32317GT	59	37202GT	15-16, 19, 21,	38338GT	91, 93	40955GT	25, 27
32375GT	15-16, 19, 21,		53, 55, 57	38340-SGT	15-16, 53	40970GT	79, 111
	51, 59	37343GT	53	38341-SGT	15-16, 53	40971GT	111
32424-SGT	15-16, 19, 21,	37344GT	53	38342-SGT	15-16, 53	40973GT	79, 111
	55, 57	37384GT	39, 41, 43	38343-SGT	15-16, 53	41023GT	103
32425-SGT	15-16, 19, 21,	37385GT	39, 41, 43	38344-SGT	15-16, 53	41033GT	59
	55, 57	37386GT	39, 41, 43	38345-SGT	15-16, 53	41037-SGT	87
32834GT	59	37387GT	39, 43	38347GT	51	41038-SGT	71, 73
32925GT	59	37389GT	37	38348GT	15-16	41053GT	59
33245PGT	63	37391GT	93	38447GT	29, 31, 33, 35	41054GT	59
33576GT	113	37392GT	97	38582GT	91	41055GT	49
33578GT	77	37395GT	15-16, 19, 21	38586GT	87, 89, 91	41077GT	45-46
33580GT	83, 85	37681-SGT	59	38596GT	23	41192GT	71, 73, 111
33581GT	77	37686GT	31, 33, 35	38597GT	97, 99	41193GT	71, 73
33584GT	77	37687-SGT	59	38601GT	29	41195GT	111
33585GT	75, 77	37691GT	87	38702GT	21	41198-SGT	71, 73
33586GT	77	37704GT	75, 77	38708-SGT	21	41200GT	71
33587GT	75	37719GT	91, 93	38709GT	29, 31, 33, 35	41214GT	41
33589GT	83, 85	37724GT	57	38724GT	57	41224GT	39, 41, 43
33590GT	83, 85	37732GT	91	38728GT	37	41227GT	83
33591GT	83, 85	37764-SGT	67, 69, 71	38730GT	49	41266GT	11
33605GT	75	37765-SGT	113	38945GT	97, 99	41268GT	11
33629GT	81	37947GT	75, 77, 79	38975GT	51	41292GT	89
33674GT	55, 57	37979GT	91	38979GT	45-46, 71, 73	41336GT	25
33681GT	67, 69, 73	37995GT	41, 43	38980GT	39, 41, 43	41377GT	111
33720GT	59	37996GT	41, 43	38983GT	31, 33, 35	41452-SGT	113
33724GT	81	37997GT	41, 43	38986GT	41, 43	41457GT	111
33776GT	59	38005GT	37	38990GT	59	41458GT	111
35049GT	83, 85	38011GT	29, 31, 33, 35	39474GT	59	41459GT	111
35695GT	39, 41, 43	38013GT	29, 31, 33, 35	40004GT	49, 67, 69, 71, 73	41460GT	111
35697GT	39, 41, 43	38016GT	29, 33, 35	40258GT	91	41461GT	111
35698GT	39, 41, 43	38017GT	75	40264GT	93	41463GT	111
35699GT	39, 41, 43	38018GT	75, 77	40265GT	91, 93	41464GT	111
35703-10063GT	43	38021GT	77	40267GT	37	41465GT	111
35703-6813GT	39, 41, 43	38026GT	37	40269GT	95	41467GT	111
35704-10063GT	41, 43	38027-SGT	53, 55	40271GT	95	41468GT	111
35704-6813GT	39, 41, 43	38028GT	29	40272GT	19, 21	41469GT	111
35705GT	39, 41, 43	38037GT	51	40273GT	19, 21	41471GT	111
35706GT	29, 31, 33, 35, 37	38040GT	55, 57	40274GT	59	41472GT	111
35707GT	29, 31, 33, 35	38068GT	101	40275GT	59	41473GT	111
35709GT	29, 31, 33, 35	38122GT	11	40276GT	59	41474GT	111
35710GT	29, 31, 33, 35	38142GT	11	40285GT	85	41475GT	111
35711GT	31, 33, 35	38151GT	103	40290GT	25, 27	41476GT	111
35712GT	39, 41, 43	38152GT	103	40291GT	25, 27	41477GT	111
35714GT	39, 41, 43	38153GT	103	40292GT	25, 27	41479GT	79, 111
35715GT	31, 33, 35	38154GT	103, 105	40293GT	25	41480GT	111
35722GT	31, 33, 35	38155GT	103, 105, 107	40301GT	63	41481GT	111
35724GT	101	38156GT	103, 105, 107	40302GT	51	41482GT	111
35725GT	101	38160GT	103, 105, 107	40313GT	45-46	41483GT	111
35726GT	101	38163GT	105	40314GT	45-46	41484GT	111
35727PGT	29	38178GT	15-16	40315GT	45-46	41485GT	111
35730GT	45-46	38187GT	41, 43	40318GT	103, 107	41486GT	111
35732GT	51	38195GT	59	40320GT	71	41487GT	71, 73
35733GT	45-46	38196GT	53	40399GT	105	41488GT	71, 73
35734GT	45-46	38204GT	89, 91	40400GT	103	41489GT	71, 73
35757GT	29	38207GT	85	40401GT	103, 105	41491GT	25
35758GT	31, 33, 35	38210GT	83	40417GT	101	41521GT	79
35759GT	33, 35	38212GT	63	40430GT	105	41534GT	71, 73, 111
35760GT	33	38213GT	63	40434GT	11, 13	41546GT	81
35761GT	31, 35	38214GT	63	40477GT	101	41924GT	107

## Part Number Index (continued)

Part Number	Page	Part Number	Page	Part Number	Page	Part Number	Page
41925GT	107	55010GT	65	6610GT	23	80945GT	101
41926GT	107	55018GT	65	6633GT	85	80950GT	101
41927GT	107	55019GT	65	66355GT	81	80951GT	101
41928GT	107	55021GT	65	66356GT	81	80952GT	101
41929GT	107	56660GT	89	6637GT	115	80989-SGT	63
41930GT	107, 111	57075GT	81	6638GT	15-16, 19, 21,	80990GT	65
41949GT	87, 111	57098GT	21		31, 33, 35, 51,	80993GT	115
41955GT	87, 111	57099GT	21		53, 63, 69, 71,	80994GT	115
41957GT	79	57100GT	21		73, 85, 93, 95,	80995GT	115
42280GT	111	57116GT	91		113	80997GT	115
4266GT	89, 91	57138GT	91	66717GT	103	8149GT	95
43006GT	25, 27	57147GT	45-46	66812GT	75, 77, 79, 81	8178GT	59, 95
43007GT	25	57159GT	63	66815GT	75, 77	8214GT	23
43008GT	27	57191GT	107, 111	66816GT	75, 77	8220GT	57
43011GT	25	57252GT	21	66817GT	75, 77	82366GT	11
43015GT	41, 43	57732GT	15-16, 19	66818GT	75, 77	824457GT	91
43052GT	53	57733GT	59	66821GT	79	824462GT	91
43053GT	53	57740GT	15-16	6708GT	59	824472GT	91, 93
43054GT	59	57781GT	57	6714GT	15-16, 19, 21	824510GT	91
43056GT	59	57785GT	16, 19, 21, 59	6732GT	59	82481GT	13
43058GT	59	57787-SGT	15-16, 19	6825GT	15-16, 19, 21, 59	82487GT	13
43059GT	59	57788GT	53, 55, 57	6833GT	87, 95, 113	8255GT	31, 33, 35, 81
43077GT	111	58287GT	103, 105, 107	6884GT	91, 93	82614GT	13
43078GT	115	58288GT	103, 105, 107	6886GT	71, 73	82780GT	11, 13
43136GT	57, 69, 113	58462GT	79	6888GT	33, 35, 89, 91	82781GT	11, 13
43141GT	81	58587GT	95	6889GT	63, 95, 113	82802GT	11, 13, 81
43622GT	25	6002GT	93	69223GT	45-46	82907GT	11
43623GT	25	6019GT	15-16, 19, 21,	69224GT	45-46	82913GT	13
43624GT	25		53, 55, 57	69225GT	45-46	82914GT	13
43625GT	25	6021GT	51, 59, 67, 69	69226GT	16, 19, 21	82915GT	13
43956GT	77	6022GT	29, 31, 35	69227GT	71, 73, 111	82916GT	13
44895GT	45-46	6034GT	57	69228GT	63	82973GT	13
44977GT	93	60499GT	63	6935GT	75, 77, 81, 113	82974GT	13
44979GT	101	6052GT	29, 31, 33, 35,	69623GT	77	82975GT	11
44991GT	103		37, 51	69845GT	77	82976GT	13
45183GT	105	6082GT	23	69846GT	77	82977GT	13
45383GT	113	6086GT	19, 29	69847GT	75	82978GT	13
45425GT	29, 31, 33, 35	6090GT	15-16, 19, 21,	69855GT	37	82979GT	13
45437GT	81		31, 45-46, 51, 63	69864GT	75, 77	82980GT	13
46017GT	33	6091GT	15-16, 19, 21,	7056GT	75, 77, 81	82984GT	13
46049GT	103, 105, 107		45-46, 89, 91,	7057GT	81, 85	82986GT	11
46051GT	103, 105, 107		93, 115	71706GT	65	82987GT	13
46078GT	83, 85	6095GT	16, 19, 39, 41,	72086GT	11	82988GT	13
46440GT	65		43, 53, 55, 57	72282GT	113	83093GT	75, 77
46441GT	65	6097GT	15-16, 19, 21,	7339GT	37, 53, 67, 69,	83095GT	83, 85
46567GT	15-16, 19, 21		37, 53, 55, 57,		85, 87	8357GT	57
46608GT	77		59, 95	74917GT	15-16, 19, 21	8516GT	53, 55, 57, 59
46609GT	77	6145GT	63	75144GT	37	8519GT	51, 59
46610GT	77	6175GT	53, 55, 57, 59,	76479GT	15-16, 19, 21	85217GT	103, 105
46695-SGT	37		67, 69, 87, 89,	76480GT	15-16, 19, 21	85218GT	103, 105, 107
47231GT	95		91, 115	76481GT	15-16, 19, 21	8525GT	53
47279GT	15-16, 19	6178GT	63, 71, 73	7713GT	21, 23, 29, 31,	85276GT	75
48282GT	65	6180GT	59		33, 35, 37, 51,	85318GT	77
4828GT	15-16, 19, 21,	6198GT	16, 19, 21, 39,		63, 67, 69, 81	85320GT	77
	39, 41, 43, 51,		41, 43, 53, 55,	80058GT	95, 113	85328GT	97
	53, 55, 57, 59,		57, 59, 67, 69,	80071GT	81	85330GT	97
	87, 89, 91, 95,		71, 73	80072GT	81	85332GT	99
	115	6271GT	37, 53, 59	80076GT	75, 77, 81	85334GT	99
48519GT	103, 105, 107	62992GT	11, 13	80362GT	19	85336GT	99
48520GT	103, 105, 107	62993GT	11, 13	80363GT	21	85338GT	97
49364GT	23	62994GT	11, 13	80623GT	109	85340GT	99
49377GT	23	62995GT	11, 13	80705GT	75, 77	85356GT	97
49816GT	79	6326GT	53	80706GT	75, 77	85358GT	97
49857GT	107	6356GT	15-16, 19, 21,	80707GT	75, 77	85369GT	77
51496GT	55, 71, 73		37, 67, 69, 71, 73	80708GT	15-16, 19, 21	85423GT	63
5224GT	15-16, 19, 21,	64154GT	21	80711GT	75, 77	85424GT	63
	51, 59	6534GT	39, 41, 43	80712GT	81	85460GT	65
52943GT	101	6550GT	89, 91	80713GT	81	85473GT	77
52996GT	11, 13	6562GT	113	80714GT	81	85495GT	97
52999GT	11, 13	6563GT	51	80715GT	81	85497GT	99
5397GT	15-16, 29, 31,	6564GT	21, 57, 59	80716GT	81	85499GT	97
	33, 35, 39, 41,	65874GT	91, 93	80889GT	65	8849GT	46
	43, 51, 59, 63,	6587GT	15-16, 19, 21,	80938GT	31	8915GT	83, 85, 87, 93
	67, 69		55, 57	80940GT	11, 13	8920GT	37, 55, 63
5408GT	59	6606GT	113	80943GT	101	90337GT	29
54355GT	15-16, 19, 21	6607GT	79, 113	80944GT	101	9145GT	59

<u>Part Number</u>	<u>Page</u>
9599-SGT .....	115
96008-SGT .....	75, 77
96009GT .....	75, 77
96010GT .....	75, 77
96110GT .....	63
97059GT .....	65
97522GT .....	11, 13
97523GT .....	11, 13
97815GT .....	13
T107371GT .....	79
T107374GT .....	79
T112561GT .....	81
T112563GT .....	81
T114885GT .....	103

Go to [Discount-Equipment.com](http://Discount-Equipment.com) to order your parts



## Part Description Index

The Part Description Index is an alphabetical index of all part descriptions included in this manual. The index shows what page(s) the part is used on.

**#**  
#6 SQ.DR.SELF DRILL/TAP SCREW.....77

**1**  
10-32 X .375 SELFTAP SL.HX.HD.....105

**3**  
3/8" NPT CHECK VALVE.....103, 105, 107  
3/8" NPT VALVE BREATHER CAP.....103, 105, 107

**A**  
ADAPTER,.12 FNPT X .25 PUSH.....111  
ADAPTER,.12 MNPT X .12 BARB.....111  
ADAPTER,.12 MNPT X 1/16 BARB.....111  
ADAPTER,.12 MNPT X 5/32 PUSH.....111  
ADAPTER,10/32 X .12 BARB.....111  
ADAPTER,10/32 X 1/16 BARB.....111  
ADAPTER,PUMP/MTR HSING,AIR-S.....107  
AIR GAUGE,.12 NPT(41193).....71, 73  
ALARM,WARBLE TONE 5-30 VDC\*\*\*.....113  
ARM,LWR.PIVOT ASSY.,STD.....93  
ASM, GATE ARM STD.....91, 93  
ASM, ARM, LOWER PIVOT STD.....91  
ASM, GATE ARM ULTRA NRW, UPPER.....91  
ASM, TUBE AWP NRW GATED.....91  
ASM, TUBE AWP ULT NRW GATED.....91  
ASM, UPPER GATE ARM NRW.....91  
ASSEMBLY,CIRCUIT BREAKER,15AMP.....77  
ASSY, MAN LWR VALVE W/HNDL,12V.....101  
ASSY,BATT HOLDER W/COVER,AWP.....75, 77  
ASSY,OUTRIG TUBE,60",CE,SYM.....25  
ASSY,OUTRIG TUBE,75",CE,SYM.....25  
ASSY,SER # LABEL,POWERED/GR \*\*.....11, 13  
ASSY,SPRING PLUNGER,AWP TILTBK.....59

**B**  
BALL STUD,GAS STRUT (38593)\*\*\*.....91, 93  
BASE ASSY,NRW,SYMB,AWPSS \*.....19, 21  
BASE ASSY,STD W/ SYM DECALS.....15-16  
BASE ASSY,STD W/ WORD DECALS.....15-16  
BASE ASSY,STD,SYM,AWP-40S,CE.....15-16  
BASE ASSY., NRW.& RT., AWP-S.....19, 21  
BASE ASY,STD,WRD,AWP40,USA,CSA.....15-16  
BASE WITH 1 NC CONTACT, E-STOP.....75, 77  
BASE, W/1 N.O. CONTACTS\*\*\*.....75, 77  
BASE,WITHOUT CONTACTS.....79  
BATT.BOX, ASSY W/ DECALS.....63  
BATT.PACK HANGER ASSY.....53  
BATT.PACK HANGER ASSY. AWP-S.....53  
BATT.PACK,12VDC/HI-LO\*\*\*.....63  
BATT.PACK,NO BATT,12VDC-HI/LO\*.....63  
BATTERY BOX HANGER WELDMENT.....55, 57  
BATTERY HOLDER.....75, 77  
BATTERY PLATE ASSY W/ DECAL.....63  
BATTERY,12V GRP 27,105 AH, DRY.....63  
BATTERY,12V GRP27TM,105 AH,WET.....63

BATTERY,AA,1.5V.....75, 77  
BATTERY,AA,1.5V,CE.....75, 77  
BEARING,FLANGE,3/8 ( AWP & ST).....59  
BEARING,MOTOR.....103  
BELL HOUSING,POWER UNIT,CE.....105  
BLOCK, GUIDE, AWP.....15-16, 19, 21, 59  
BLOCK,LOWER GAS SPRING MOUNT.....59  
BLOCK,SLIDE,LOWER.....29, 31, 33, 35  
BLOCK,SLIDE,UPPER.....29, 31, 33, 35  
BLOCK,UPPER GAS SPRING MOUNT.....59  
BOE LUBE.....29  
BOLT,CARRIAGE,3/8-16 X1.00,G5.....21  
BOLT,CARRIAGE,3/8-16X1.25,GR5.....15-16, 19  
BOLT,ROLLER,.470"(SHORT).....29, 31, 33, 35, 37  
BOLT,ROLLER,.720"(LONG).....51  
BOLT,ROLLER-SHORT STEM.....63.....59  
BOLT,SHIM.....29, 31, 33, 35  
BOLT-ROCKER, S-SERIES.....39, 41, 43  
BOLT-ROLLER,3/8-24 X 1.69-ZINC.....59  
BOOT,BATTERY TERMINAL,RED.....63  
BOOT,CABLE TERMINAL COVER.....63  
BOX,INSTRUCT. STORAGE,S SERIES.....37  
BRACE,LH,FRONT MAST.....53  
BRACE,RH,FRONT MAST.....53  
BRACKET,BULKHEAD,"BLUE".....87  
BRACKET,CONTROL CABLE TENSION.....83, 85  
BRACKET,OILER,"BLUE".....71, 73  
BRACKET,SEQUENCING,UPPER,ZI\*\*\*.....45-46  
BRACKET,SEQUENCING,ZINC \*.....45-46  
BRACKET,VALVE MOUNT.....79  
BREATHER CAP (85218).....103, 105, 107  
BREATHER CAP,3/8"NPT,NI PLTD.....103, 105, 107  
BREATHER VENT,.75 NPT.....111  
BREATHER VENT,10/32.....111  
BRKT.INTERLOCK ASSY,26"-AIR.....25, 27  
BRKT.INTERLOCK ASSY,30.5"-AIR.....25  
BRKT.INTERLOCK ASSY,36"-AIR.....27  
BRKT.INTERLOCK ASSY,60"-AIR.....25  
BRKT.INTLCK.CONTC.20"OUTRIGGER.....25, 27  
BRKT.INTLCK.CONTC.26"OUTRIGGER.....25, 27  
BRKT.INTLCK.CONTC.30.5"OUTRIGR.....25  
BRKT.INTLCK.CONTC.36"OUTRIGGER.....25, 27  
BRKT.INTLCK.CONTC.40"OUTRIGGER.....25  
BRKT.LATCH ASSY.GATED,S SERIES.....91  
BRUSH KIT,12V DC MTR (08111-D).....103  
BRUSH KIT,SVC,(MOTOR 38151)\*\*\*.....103  
BUMPER, AWPII TILTBACK.....51, 59  
BUMPER,MAST,RH.....31, 33, 35  
BUMPER,RUBBER.....91, 93  
BUSHING,1.5 X 3/8 OD X 1/4 ID.....91, 93  
BUSHING,3/4ODX2.44LGX.5ID.....15-16, 19, 21, 53, 55, 57  
BUSHING,BRONZE,.50 X .75.....59  
BUSHING,FLANGE,3/8 OD X 1/4 ID.....46  
BUSHING,STRAIN RELIEF, 53/64".....83, 85  
BUSHNG,SPANNER,.75X1.00X3.5 LG.....21  
BUTTON,.800 O.D. X .281.....59  
BUTTON,PUSH,BLACK W/SEAL.....75, 77, 81

BUTTON,PUSH,RED MUSHROOM HEAD.....75, 77, 79, 81  
BUTTON,STOP,RED.....81

**C**  
CABLE ASSY,#4 WIRE,10.00"LG.....67  
CABLE ASSY,ANDRSN,26",15S-30S.....63  
CABLE ASSY,ANDRSN,42",36/40-S.....63  
CABLE ASSY,BAT PACK/CLAMP POST.....63  
CABLE ASSY,BAT PACK/RING-TERM.....63  
CABLE ASSY,SEQ.MAST,DPL.....45-46  
CABLE ASSY,SEQ.#1 AWP-36/40S\*.....45-46  
CABLE ASY,A/IWP/DPL,PWR INPUT.....75  
CABLE ASY,AWP.GCBOX TO MOTOR.....75  
CABLE,ASSY,SEQ.CARRIAGE\*\*.....45-46  
CAM,DOUBLE LEFT.....25  
CAM,LEFT.....25, 27  
CAM,MIDDLE.....25, 27  
CAM,RIGHT.....25  
CAP, PLASTIC,1.75X.120.....15-16, 19, 21  
CAPACITOR,MOTOR.....105  
CARRIAGE ASSY, ALUM, SYM DECAL.....37  
CARRIAGE ASSY, ALUM, WRD DECAL.....37  
CARRIAGE ASSY, FIBR, SYM DECAL.....37  
CARRIAGE ASSY, FIBR, WRD DECAL.....37  
CARTRIDGE W/ NUT.....103, 105  
CASTER, 8", FULL PNEUMATIC.....21  
CASTER,PL, SW,5 X 2, 375 LBS\*.....15-16, 19  
CASTER,PL,SW LOCK, SB, 5 X 2.....15-16  
CASTER,PL,SW LOCK,5 X 2\*\*.....59  
CHAIN ASSY#1,104.5"COL.S-SERIE.....41, 43  
CHAIN ASSY#1,72.5"COL.S-SERIES...39, 41, 43  
CHAIN ASSY#2,104.5"COL.S-SERIE.....41, 43  
CHAIN ASSY#2,72.5"COL.S-SERIES...39, 41, 43  
CHAIN ASSY,72.5"COL. S-SERIES.....39, 41, 43  
CHAIN ASSY,72.5COL.(SM)S-SERIE.....39, 41, 43  
CHAIN ASSY.(SM)104.5" S-SERIES.....41, 43  
CHAIN ASSY.104.5"COL. S SERIES.....41, 43  
CHAIN TENSION ROCKER CAST.ZINC.....39, 41, 43  
CHAIN TERM,CLEVIS CYL.,ZINC.....39, 41, 43  
CHAIN TERM,PULLEY SUPORT-ZINC.....39, 41, 43  
CHAIN TERM,PULLEY SUPPORT-ZNC.....39, 41, 43  
CHAIN TERM.LWR.SS(1 SLOT).....39, 41, 43  
CHAIN TERM.LWR.SS(2 SLOT)\*.....41, 43  
CHAIN TERMINAL CASTING,#1.....39, 41, 43  
CHAIN,STD.LEAF AL522,100.63".....43  
CHAIN,STD.LEAF AL522,68.13".....39, 41, 43  
CHAIN,STD.LEAF AL544,100.63".....41, 43  
CHAIN,STD.LEAF AL544,68.13".....39, 41, 43  
CHARGER,12VDC HI/LO, AWP/IWP.....65  
CIRCUIT BREAKER, 8 AMP \*\*.....77  
CIRCUIT BREAKER,3A.....77  
CIRCUIT BREAKER,6A.....77  
CIRCUIT BREAKER,8A SP.....77  
CLAMP, MOUNTING,(FOR 85219)\*\*\*.....103, 105  
CLAMP,0.50,#8 X 1/4,RUB CUSH.....87, 95, 113  
CLAMP,HOSE,.50.....111

CLAMP,PLATFORM MOUNT.....87, 89, 91  
 COIL CORD,16/6,24"COIL.....85  
 COIL,10V DC\*\*\*.....103, 105  
 COIL,12V DC.....101  
 COLUMN ASSY, 104.5"SS (#1).....29  
 COLUMN ASSY, 72.5"SS (#1).....29  
 COLUMN, 104.5"SS (#2).....29  
 COLUMN, 104.5"SS (#3 OR #5)\*\*\*.....33, 35  
 COLUMN, 104.5"SS (#4).....33, 35  
 COLUMN, 104.5"SS (#5)\*\*\*.....33  
 COLUMN, 104.5"SS (#6).....35  
 COLUMN, 72.5"SS (#2).....29  
 COLUMN, 72.5"SS (#3 OR #5)\*\*\*.....31, 33, 35  
 COLUMN, 72.5"SS (#4 OR #6)\*\*\*.....31, 35  
 COLUMN, 72.5"SS (#4)\*\*\*.....33, 35  
 CONN,SQUEEZE,1/2NPT .38-.50,SM.....75,  
 77, 81  
 CONN,SQZ,BLK,1/2NPT.38-.50,SM.....113  
 CONN. SQZ,1/2NPT .39-.56 MED.....81, 85  
 CONNECTOR, NYLON END (35893)\*\*.....91,  
 93  
 CONNECTOR,070120-4-4.....101, 109  
 CONNECTOR,CP18, 5 FPT.....111  
 CONNECTOR,FEMALE,PANEL MOUNT\*.....77  
 CONNECTOR,IEC 320 INLET.....65  
 CONNECTOR,MALE,PANEL MOUNT\*.....77  
 CONTACT ASSY,26" OUTRIGGER.....25, 27  
 CONTACT ASSY, 20" OUTRIGGER.....25, 27  
 CONTACT ASSY,30.5" OUTRIGGER.....25  
 CONTACT ASSY,36" OUTRIGGER.....25, 27  
 CONTACT ASSY,40" OUTRIGGER.....25  
 CONTACT ASSY,46",CE OUTRIGGER.....25  
 CONTACT ASSY,60",CE OUTRIGGER.....25  
 CONTACT ASSY,75",CE OUTRIGGER.....25  
 CONTACT ASSY,85",CE OUTRIGGER.....25  
 CONTACT NC PXBB3311.....79  
 CONTACT NO PXBB3921.....79  
 CONTACT, N.C.....75, 77  
 CONTACT,N.O.\*\*\*.....75, 77  
 CONTACTOR BLOCK,N.C.....81  
 CONTACTOR BLOCK,N.O.....81  
 CONTROL BOX, ONE BUTTON, CE.....81  
 CONTROL BOX, TWO BUTTON, CE.....81  
 CONTROL BOX,THREE BUTTON.....81  
 COUPLER TUBE,13.62".....57  
 COUPLER,HOSE,.5 AUTOMATIC.....111  
 COUPLING,3/8X1.12,BRASS.....103, 105, 107  
 COUPLING,AIR MTR. SUPER SERIRS.....107  
 COUPLING,ROD,3/8-24.....59  
 COUPLING-MTR.SIDE,AIR S-SERIES.....107  
 COUPLING-SPIDER,AIR S-SERIES.....107  
 COVER ASSY W/SYM DECAL,NRW/RT\*.....19,  
 21  
 C O V E R            A S S Y            W / W R D  
 DECAL,NRW/RT\*.....19, 21  
 COVER,BLANK.....81  
 COVER,CAPACITOR.....105  
 COVER,GFCI,WEATHERPROOF.....81  
 COVER,MOTOR W/SYMBOL,AWP/IWP.....67,  
 69, 71, 73  
 COVER,MOTOR W/WORDS,AWP/IW.....67,  
 69, 71, 73  
 CROSS,1/16 BARB.....111  
 CUSHION, LASER LOCATOR.....115  
 CVR ASSY W/ SYM DECAL, STD.....15-16  
 CVR ASSY W/ WORD DECAL, STD.....15-16  
 CYLINDER,LIFT 56.25"STROKE,DY\*.....101  
 CYLINDER,LIFT 78" STROKE, DY\*\*.....101  
 CYLINDER,LIFT 84.5" STROKE,DY\*.....101

**D**

DECAL KIT, SAF/INST, WRD DECAL.....11  
 DECAL KIT,PLATFORM,WRD DECAL.....11  
 DECAL KIT,SAF/INST,SYM/ NO TBF.....13  
 DECAL KIT,SAF/INST,SYM/ W/ TBF.....13  
 DECAL PLATE,NARROW PLATFORM.....97,  
 99  
 DECAL PLATE,STD PLATFORM.....97, 99  
 DECAL PLATE,ULTRA NARROW PLFM.....97,  
 99  
 DECAL, LABEL, CIRCUIT BREAKER.....11  
 DECAL, MANUAL LOWERING VALVE.....11  
 DECAL, NOTICE, LOAD CAP 350.....11  
 DECAL, NOTICE, MANUAL LOWERING.....11  
 DECAL, POWER TO PLATFORM 230V\*\*.....11,  
 13  
 DECAL, SYMBOL - READ THE MANUAL.....13  
 DECAL,BUBBLE LEVEL\*\*\*.....11  
 DECAL,CE ELECTRICUTION HAZARD.....13  
 DECAL,CHEVRON RANDO HD.....11  
 DECAL,COMPONENT DAMAGE,CAP.....11  
 DECAL,COSMETIC,GENIE AWP-20S.....11, 13  
 DECAL,COSMETIC,GENIE AWP-25S.....11, 13  
 DECAL,COSMETIC,GENIE AWP-30S.....11, 13  
 DECAL,COSMETIC,GENIE AWP-36S.....11, 13  
 DECAL,COSMETIC,GENIE AWP-40S.....11, 13  
 DECAL,COSMETIC,GENIE LOGO.....11, 13  
 DECAL,DANGER, LOAD CAP 300.....13  
 DECAL,DANGER, LOAD CAP 350.....13  
 DECAL,DANGER,20 IN OUTRIGGR,CE.....13  
 DECAL,DANGER,26 IN OUTRIGGR,CE.....13  
 DECAL,DANGER,30.5 IN OUTRGR,CE.....13  
 DECAL,DANGER,36 IN OUTRIGGR,CE.....13  
 DECAL,DANGER,40 IN OUTRIGGR,CE.....13  
 DECAL,DANGER,85 IN OUTRIGGR,CE.....13  
 DECAL,DANGER,BATTERY SAFETY.....11  
 DECAL,DANGER,COLLISION HAZARD.....11,  
 13  
 DECAL,DANGER,ELEC.HAZ.STAY CLR.....11  
 DECAL,DANGER,ELEC.HAZ.SYMB.....13  
 DECAL,DANGER,MANUAL FORCE CE.....13  
 DECAL,DANGER,TIP-OVER HAZARD.....11  
 DECAL,DANGER-GENERAL SAFETY.....11  
 DECAL,DANGER-SIDE FORCE,222N.....13  
 DECAL,DANGER-TIP OVER.....11  
 DECAL,DNGR,46",OUTRIGGR,CE.....13  
 DECAL,DNGR,60",OUTRIGGR,CE.....13  
 DECAL,DNGR,75",OUTRIGGR,CE.....13  
 DECAL,INPUT POWER,110VAC.....13  
 DECAL,INPUT POWER,230VAC.....13  
 DECAL,INSERT PIN.....11  
 DECAL,INTLCK DISPLY AWP NB/RT.....11, 13  
 DECAL,INTLCK DISPLY AWP STD.....11, 13  
 DECAL,INTLOC.DISPLAY,AIR,NB/RT.....11  
 DECAL,INTRLOCK.DISPLAY,AIR,STD.....11  
 DECAL,LABEL, OM STORAGE.....11  
 DECAL,LABEL,AUX LOWERING.....13  
 DECAL,LABEL,FUNCTION ENABLE.....11, 13,  
 81  
 DECAL,LABEL,LIFTING EYE.....11  
 DECAL,LABEL,LOWER MIDRAIL.....13  
 DECAL,LABEL,OUTRIGGER LOAD AWP..11,  
 13  
 DECAL,LABEL,WHEEL LOAD, AWP.....11, 13  
 DECAL,LANYARD ANCHORAGE POINT.....11,  
 13  
 DECAL,LOAD SHIFT HAZARD.....11  
 DECAL,LOADING PIVOT.....11  
 DECAL,LOCK PIN.....11

DECAL,LOWER STOP BRACKET.....11  
 DECAL,MACHINE REGISTRATION/OWNER  
 TRANSFER.....11, 13  
 DECAL,MAINTAIN GRASP.....11  
 DECAL,NOTICE, LOAD CAP 300.....11  
 DECAL,NOTICE,BATTERY CABLES.....11  
 DECAL,NOTICE,OPER.INST.,AWP-S.....11  
 DECAL,NOTICE-MAN FORCE,45LBS.....11  
 DECAL,NOTICE-SIDE FORCE,50LBS.....11  
 DECAL,POWER TO PLATFORM 115V.....11,  
 13  
 DECAL,SLIDING T-HANDLE.....11  
 DECAL,STOP BRACKET.....11  
 DECAL,STRUT SOCKET.....11  
 DECAL,SWIVEL LOCK.....11  
 DECAL,SYMBOL-BATTERY SAFETY.....13  
 DECAL,TILTBACK OPERATION.....11  
 DECAL,TILTBACK OPERATION,SYMB.....13  
 DECAL,TILTBACK STRUT.....11  
 DECAL,TIP OVER HAZARD.....11  
 DECAL,WARNING, INSERT PIN.....13  
 DECAL,WARNING,CANCER            AND  
 REPRODUCTIVE HARM, PROP 65.....11  
 DECAL,WARNING,COLLISION HAZARD...11,  
 13  
 DECAL,WARNING,FAILURE TO READ.....11

**E**

ELBOW,.25 MNPT X .5 BARB.....111  
 ELBOW,070220-4-6.....109  
 ELBOW,90 DEGR,.5 MNPT X .5BARB.....111  
 ELBOW,90 DEGREE,.5 NPT.....111  
 ELBOW,STREET,.12 NPT.....111  
 EXTRUSION, PIVOT SLIDER,W/DEC.....51

**F**

FILTER,PICK-UP SCREEN\*\*\*.....103, 105, 107  
 FILTER,REGULATOR.....71, 73, 111  
 FITTING,1/16 BARBED, SPLICE.....111  
 FITTING,BULKHEAD,10/32.....111  
 FLAP,CARRIAGE COVER\*\*\*.....49  
 FLAP,MAST COVER #1,#3,& #5.....49  
 FLAP,MAST COVER #2 & #4.....49  
 FLASHTUBE,STRAIGHT,360DEG,BULB...113  
 FLASHTUBE,U SHAPED,360DEG,BULB...113  
 FOOTPAD SERVICE KIT.....23  
 FORMING, CABLE/HOSE, ZINC.....87  
 FORMING, LASER LOCATOR.....115  
 FORMING, POWER UNIT MOUNT.....55, 57,  
 67  
 FORMING, POWER UNIT MOUNT, AIR.....71,  
 73  
 FORMING, SEQUENCING, CARR, ZN.....45-  
 46  
 FORMING,COL REINFORCEMENT\*\*\*.....53  
 FORMING,SEQUENCING CABLE BRKT.....46  
 FUSE BLOCK, ANN & ANL FUSE.....103  
 FUSE,175 AMP.....103  
 FUSE,5 AMP,ATC.....75, 77  
 FUSE,7.5 AMP,ATC.....75, 77  
 FUSE,BATTERY CHARGER\*\*\*.....65

**G**

GAS SPRING AWP-15/20S,S-SERIES.....59  
 GAS SPRING AWP-25/30S,S-SERIES.....59  
 GAS SPRING AWP-36S,S-SERIES.....59  
 GAS SPRING AWP-40S,S-SERIES.....59

## Part Description Index (continued)

- GAS STRUT,20LB,13"EXT-9"CLOSED.....91, 93  
 GASKET, UK & DIN PWR. TO PLAT.....81  
 GASKET, UK RECEPTACLE.....81  
 GAUGE, 2 INCH, PRESSURE.....111  
 GLIDE BUTTON,SIDE,GLL,..100 TK.....39, 41, 43  
 GRND CNTRL BOX ASSY,85 V, JA\*.....77  
 GROUND CNTRL BOX ASSEMBLY,DC\*\*.....75  
 GROUND CNTRL BOX ASSY 220VAC.....77  
 GROUND CNTRL BOX ASSY,110 AC\*\*.....77  
 GROUND CNTRL BOX ASSY,85V AC\*\*.....77  
 GROUND CNTRL BOX W/DECALS,AC\*\*.....77  
 GROUND CNTRL.BOX ASSY 12VDC\*\*.....75  
 GROUND CNTRL.BOX ASSY 220VAC\*\*.....77  
 GROUND CNTRL.BOX ASSY,110 AC\*\*.....77  
 GUIDE RING, LIFT CYLINDER, AWP.....101
- H**
- HANDLE BALL KNOB.....23  
 HANDLE GRIP, RUBBER .75 X 4.5.....15-16, 19, 21, 55, 57  
 HANDLE,LEVELING JACK,SHRT-ZINC.....23  
 HARNESS,CONTROL BOX/BASE IWP.....83, 85  
 HARNESS,WIRE-CONTROL. S SERIES.....75, 77  
 HARNESS,WIRE-INTRLOCK.S SERIES.....75, 77  
 HOLD DOWN HOOK,AWP,"BLUE".....37  
 HOOK,BATTERY BOX W/DECAL,--S-----63  
 HOSE ASSY.....109  
 HOSE ASSY,62.4",IWP-PRKR.....109  
 HOSE CNTRL,AWP-30S,NRW/RT,AIR.....87, 111  
 HOSE CONTROL,AWP-30S,STD,AIR.....87, 111  
 HOSE,1/4,GREEN NYLON.....111  
 HOSE,5 X 1/8 X 1/16.....111  
 HOSE,CLEAR,1/8 X 1/16.....111  
 HOSE,PNEUMATIC COIL.....111  
 HOSE,SYNFLEX.....111  
 HOSE-5/32 RED PNEUMATIC,BULK.....111  
 HOUSING, LATCH, AWP/IWP/CWP.....91
- I**
- INDICATOR,OUTRIGGER.....79, 111  
 INSTR. TUBE MOUNT, FIBER PLAT.....37  
 INSTRUCTION TUBE,AWP96.....37
- J**
- JUMPER COMB, 2-WAY,WIELAND.....15-16, 19, 21
- K**
- KEY SINGLE\*\*\*.....75, 77  
 KEY,SINGLE\*\*\*.....79  
 KEYS,10 PACK\*\*.....75, 77, 79  
 KEYSWITCH,2POS.MNTND W/BASE\*\*.....79  
 KEYSWITCH,3 POS. W/KEYS\*\*\*.....75, 77  
 KEYSWITCH,3 POS.W/KEYS & BASE.....77  
 KIT,CHARGER,AWP/IWP\*\*\*.....65  
 KIT,CONVERSION, RT BASE, AWP.....19  
 KIT,CONVERSION,NARROW BASE,AWP.....21  
 KIT,E-STOP AIRMOTOR AWP CONT.P.....79  
 KIT,FILTER,(40323).....71, 73  
 KIT,FOOTPAD,AWP.....23
- KIT,GASKET,UK POWER TO PLAT.....81  
 KIT,KEYSWITCH AIRMOTOR AWP.....79  
 KIT,POWER UNIT MOUNTING.....57, 69, 103  
 KIT,WHEEL,TPE,8 X 2,3/4,1/2.....15-16, 19  
 KNOB.....91  
 KNOB,PUSH/PULL,RED.....101
- L**
- LANYARD ASSY HOIST/AWP-7\*\*\*.....37  
 LASER POINTER\*\*\*.....115  
 LASER,LOCATING ACCESSORY.....115  
 LATCH ROTATOR, GATED PLATFORM.....91  
 LENS,AMBER,STROBE,FIREBOLT.....113  
 LEVEL,BUBBLE.....15-16, 19, 21  
 LEVELING JACK ASSEMBLY,AWP\*\*\*.....23  
 LEVELING JACK CASTING,AWP.....23  
 LEVELING ROD.....23  
 LIFTING EYE ASSEMBLY.....53, 55, 57  
 LOCK, CONNECTOR.....65  
 LOCKNUT,ELEC,1/2".....75, 77, 81, 113  
 LUBRICATOR, SUPER SERIES.....71, 73, 111
- M**
- MANUAL, SIGNET CHARGER - 80990.....65  
 MAST BRACE,L.H.....15-16, 19, 21, 55, 57  
 MAST BRACE,R.H.....15-16, 19, 21, 55, 57  
 MAST MOUNT PLATE W/DECAL.....53  
 MID RAIL TUBE ASSY W/ DECAL.....89  
 MID-RAIL GUIDE WITH LOOM.....89  
 MOTOR, 115/230V AC.....105  
 MOTOR,115/230V AC (124198).....105  
 MOTOR,12V DC\*\*\*.....103  
 MOTOR-AIR, SUPER SERIES.....107  
 MUFFLER, AIR MOTOR, 1/4 NPT.....107, 111
- N**
- NIPPLE,1/2" CONDUIT.....81  
 NIPPLE,3" BRASS,.5NPT.....111  
 NIPPLE,HEX,BRASS,.5 NPT.....111  
 NUT, LP NYLOCK, 3/8-16.....21, 23, 29, 31, 33, 35, 37, 51, 63, 67, 69, 81  
 NUT,COUPLER,10-24 X .75.....75, 77  
 NUT,COUPLER,3/8-16 X 1.0 LG.....51  
 NUT,HEX,10-32.....113  
 NUT,HEX,3/8-16.....29, 31, 35  
 NUT,HEX,JAM,1/2-13.....57  
 NUT,HEX,JAM,LP 3/8-16.....33  
 NUT,HEX,M10X1.5.LP.....23  
 NUT,LOCKING-LG.FLANGE,5/16-18.....63  
 NUT,LP NYLOCK,1/2-13.....19, 29  
 NUT,LP NYLOCK,1/4-20.....63, 95, 113  
 NUT,LP NYLOCK,10-32.....79  
 NUT,LP NYLOCK,3/8-24.....59  
 NUT,LP NYLOCK,5/16-18.....93  
 NUT,LP NYLOCK,5/8-11.....29  
 NUT,NYLOCK,1/2-13.....16, 19, 21, 39, 41, 43, 53, 55, 57, 59, 67, 69, 71, 73  
 NUT,NYLOCK,1/4-20.....15-16, 19, 21, 45-46, 89, 91, 93, 115  
 NUT,NYLOCK,10-32.....63, 71, 73  
 NUT,NYLOCK,3/4-10,GRD.2.....21  
 NUT,NYLOCK,3/8-16.....15-16, 19, 21, 39, 41, 43, 51, 53, 55, 57, 59, 87, 89, 91, 95, 115  
 NUT,NYLOCK,3/8-24.....39, 41, 43  
 NUT,NYLOCK,M10X1.50.....23  
 NUT,NYLOCK,M6X1.00.....23  
 NUT,SOLENOID VALVE COIL.....101  
 NUT,SOLENOID VALVE\*\*\*.....103, 105
- NUT,WELD 1/4-20, PLATED L.L.\*\*.....31, 33, 35, 45-46, 51, 53, 83, 85, 87  
 NUT,WELD,ANGLE,1/4" T-SLOT.....49
- O**
- OUTLET BOX CAP.....85  
 OUTLET BOX,OVAL,DRILLED (LL19).....85  
 OUTLET, 110V.....81  
 OUTRIG TUBE ASSY,20",CE,SYM.....25  
 OUTRIG TUBE ASSY,26",ANSI,WRD.....25, 27  
 OUTRIG TUBE ASSY,26",CE,SYM.....25, 27  
 OUTRIG TUBE ASSY,26"CSA,WRD.....25, 27  
 OUTRIG TUBE ASSY,30.5",CE,SYM.....25  
 OUTRIG TUBE ASSY,36",CE,SYM.....25, 27  
 OUTRIG TUBE ASSY,36",WRD DECAL.....25  
 OUTRIG TUBE ASSY,40",ANSI,WRD.....25  
 OUTRIG TUBE ASSY,40",CE,SYM.....25  
 OUTRIG TUBE ASSY,85",CE,SYM.....25  
 OUTRIG. TUBE ASSY,30.5,CE,SYM.....25  
 OUTRIG. TUBE ASSY,36",CE,SYM.....27  
 OUTRIG.TUBE ASSY,20",ANSI,WRD.....25, 27  
 OUTRIGGER ASSY,NRW,20/25.....27  
 OUTRIGGER ASSY,NRW,20/25,CE.....27  
 OUTRIGGER ASSY,NRW,30.....27  
 OUTRIGGER ASSY,NRW,30 AIR.....27  
 OUTRIGGER ASSY,STD,20,CE.....25  
 OUTRIGGER ASSY,STD,20/25.....25  
 OUTRIGGER ASSY,STD,25,CE.....25  
 OUTRIGGER ASSY,STD,25/30,CE.....25  
 OUTRIGGER ASSY,STD,30.....25  
 OUTRIGGER ASSY,STD,30 AIR.....25  
 OUTRIGGER ASSY,STD,30 AIR,CE.....25  
 OUTRIGGER ASSY,STD,30,CE.....25  
 OUTRIGGER ASSY,STD,36.....25  
 OUTRIGGER ASSY,STD,36,CE.....25  
 OUTRIGGER ASSY,STD,40.....25  
 OUTRIGGER ASSY,STD,40,CE.....25  
 OUTRIGGER STORAGE BRKT ASSY.....61  
 OUTRIGGER STORAGE BRKT,LEFT.....61  
 OUTRIGGER STORAGE BRKT,LT.....61  
 OUTRIGGER STORAGE BRKT,RIGHT.....61  
 OUTRIGGER TUBE 46" CE,S-SERIES.....25
- P**
- PANEL,AIR CNTRL,WRD,NRW.....79  
 PANEL,AIR CNTRL;SYM,NRW.....79  
 PANEL,AIR CONTROL,SYM,STD.....79  
 PANEL,AIR CONTROL,WORD,STD.....79  
 PCB,ASSY,AWP/IWP/DPL/CWP.....75, 77  
 PIGTAIL,ASSY,AC/DC SJO 14/3\*\*.....77  
 PIN CONNECTOR,FEMALE \*\*\*.....83, 85  
 PIN CONNECTOR,MALE.....83, 85  
 PIN,CONNECTOR,IEC320.....65  
 PIN,GROOVED,200 X .50\*.....41, 43  
 PIN,GROOVED- .200 X .75\*.....39, 41, 43  
 PIN,LOCK,LONG\*\*\*.....15-16, 19, 21, 51, 59  
 PIN,LOCK,SHORT\*\*\*.....55, 57  
 PIN,OUTRIGGER LOCK.....15-16, 19, 21, 59  
 PIN,PULL.....91  
 PIN,SPRING,.25X.75 ZINC PLATED.....91, 93  
 PIPE ADAPTER, 3/4-11 NPT.....103, 105, 107  
 PIVOT RETAINER HOOK (SERVICE).....59  
 PIVOT SLIDER ASSY,W/DECAL,NRW.....51  
 PIVOT SLIDER ASSY,W/DECAL,STD.....51  
 PIVOT STOP BRKT,ASSY,S-SERIES.....59  
 PIVOT STOP W/DECALS, AWP-S.....51  
 PIVOT WELD W/RUBBER.....59  
 PLAT ASSY W/DECALS,SYMBOL\*\*\*.....97



- PLAT ASSY-GTD/NAR-SYMBL,IWPSS.....97  
 PLAT ASSY-GTD/STD-SYMBOLS\*\*\*\*\*97  
 PLAT ASSY-NARW FIBER,SYMBL,IWP.....97  
 PLAT ASSY-STD FIBER,SYMBL,IWP.....97  
 PLAT.ASSY W/WORD,GATED NRW\*\*.....97  
 PLAT.ASSY-STD-SYMBLS,IWP/AWP.....97  
 PLATE, LASER LOCATOR.....115  
 PLATE, COL 1 BACKPLATE.....55  
 PLATE, LOAD PIVOT RT, REAR.....51  
 PLATE, MOUNTING, GROUND CONTROLS.....71  
 PLATE, NRW PIVOT RT, REAR.....51  
 PLATE, PIVOT HOOK.....51  
 PLATE,12V CHARGER MOUNT.....63  
 PLATE,BASE ATTACHMENT,TB,BLUE.....59  
 PLATE,BATTERY BOX HOOK,PAINTED.....63  
 PLATE,CONTROL BOX,"BLUE".....113  
 PLATE,CONTROLS MOUNTING.....81  
 PLATE,CYLINDER MOUNT,PAINTED.....29  
 PLATE,DECAL MULTI PLATFORM.....97, 99  
 PLATE,FOOTPAD RETAINER.....23  
 PLATE,HINGE.....91  
 P L A T E , H O L D D O W N REINFORCEMENT.....31, 33, 35  
 PLATE,MAST MOUNT BRKT.W/DECAL.....53  
 PLATE,MOTOR MOUNT,"BLUE".....67, 69, 71  
 PLATE,MULTI-MAST MNT.BRKT.BL.....53, 55  
 PLATE,PANEL,AWP95.....75, 77  
 PLATE,PLATFORM CONTROLS.....81  
 PLATE,SHIM.....91  
 PLATE,SPACER,POWER UNIT.....71  
 PLATE,STROBE/ALARM MTG,PAINTED.....113  
 PLATE,TILTBACK HINGE,"BLUE".....59  
 PLATE,UK POWER TO PLATFORM.....81  
 PLATE,UK,POWER TO PLAT.....81  
 PLATFORM ASSY W/ SYM DECALS.....97  
 PLATFORM ASSY W/ WORD DECALS.....97  
 PLATFORM ASSY,XL-SYMBL,IWP\*\*\*\*.....97  
 PLUG,TYPE F,230A,50HZ,16A,IP44.....75  
 PLUG,CONNECTOR,FEMALE\*.....83, 85  
 PLUG,CONNECTOR,MALE\*.....83, 85  
 PLUG,FUSED,250V,13AMP,U.K.\*\*.....75  
 PLUG,NYLON .38 BLACK DOMED.....75  
 PLUG,NYLON .812 BLACK DOMED.....75  
 PLUG,ORB #6.....103, 105, 107  
 PLUG,PWR,UK,16AMP,3PIN,BLK.....65, 75  
 POWER CABLE,MAST TO PLAT.....83, 85  
 POWER CABLE,MAST TO PLAT,25-S.....85  
 POWER CABLE,MAST/PLAT.....83  
 POWER CABLE,MAST/PLAT,AWP40-S.....83  
 POWER CORD,IEC 320 BLANK,79".....65  
 POWER CORD,UK 110,115".....65  
 POWER CORD,NOVON,8".....65  
 POWER CORD,NOVON,98".....65  
 POWER CORD,UK-HIGH VOLTAGE,8".....65  
 POWER CORD,UK-HIGH VOLTAGE,98".....65  
 POWER CORD,US 110,79".....65  
 POWER CORD,US 110,8".....65  
 POWER CORD-CONT. BOX EURO 220V.....77  
 POWER CORD-CONT. BOX UK 110V.....77  
 POWER CORD-CONT. BOX UK 220V.....77  
 POWER PACK,110V AC,50/60HZ.....67  
 POWER PACK,12V DC.....67  
 POWER PACK,220V AC,50/60HZ.....67  
 POWER PACK,85V AC,50/60HZ.....67  
 POWER UNIT,110-220 AC\*\*\*.....105  
 POWER UNIT,110/220VAC,50/60HZ.....105  
 POWER UNIT,110/220VAC,60HZ.....105  
 POWER UNIT,12V DC.....103  
 POWER UNIT,12V DC\*\*\*.....103  
 POWER UNIT,85V AC.....105  
 POWER UNIT,85V AC\*\*\*.....105  
 POWER UNIT,PNEUMATIC\*\*\*.....107  
 PULLEY W/BEARINGS.....29, 31, 33, 35  
 PULLEY,ELEC.CNTRL.CABLE,AWP.....83, 85, 87  
 PULLEY,SEQUENCING,NYLATRON.....45-46  
 PULLEY,SMALL CHAIN.....31, 33, 35  
 P U M P ASSEMBLY,MONARCH,AC/DC\*\*\*.....103,105  
 P U M P ASSEMBLY,AIR MTR,SUPER SERIES.....107
- ## R
- RAIL ASSY-GTD/ULTRA-NRW/SYMBL\*.....99  
 RAILING ASSY W/ SYM DECALS.....99  
 RAILING ASSY W/ WORD DECALS.....99  
 RAILING ASSY,GTD-XLG,SYMBL,IWP.....99  
 RAILING ASSY,SYMBOLS,AWP&IWP\*\*.....99  
 RAILING ASSY-GTD/NAR-SYMBL,IWP.....99  
 RAILING ASSY-GTD/STD-SYMBOLS\*\*.....99  
 RAILING WELDMENT,STD AWP96'.....97  
 REAR CVR ASSY,STD,SYM,AWPSS.....15-16  
 REAR CVR ASSY,STD,WRD,AWPSS.....15-16  
 REDUCER,NYLON,3/4NPT X 3/8NPT.....103, 105, 107  
 Ref Fiberglass Platform Assembly.....95  
 Ref Platform Assembly.....95  
 REF; BASE, CONTACT.....79  
 REF; CONTACT, N.C.....79  
 REF; CONTACT, N.O.....79  
 RELAY,MOTOR CONTACTOR.....77  
 RESERVOIR W/DECAL,PLASTIC\*\*\*.....103, 105, 107  
 RETROFIT KIT,MAST SEQ,AWP20.....45-46  
 RETROFIT KIT,MAST SEQ,AWP25.....45-46  
 RETROFIT KIT,MAST SEQ,AWP30.....45-46  
 RETROFIT KIT,MAST SEQ,AWP36.....45-46  
 RETROFIT KIT,MAST SEQ,AWP40.....45-46  
 RIVET,ALUM,ALUM,.25 X 1.125 AL.....37  
 RIVET,ALUM,ALUM,P.156 X .375.....37, 55, 63  
 RIVET,STL,STL,P.188 X .375.....59  
 RIVET,STL,STL,MAN,P.25 X .25.....37, 53, 69  
 ROLLER, MACHINED AWP\*\*\*.....37  
 ROLLER,LOADING,AWP,S-SERIES.....51  
 ROLLER,NYLATRON 1.50 O.D.\*\*\*.....59  
 ROLLER,PLASTIC,AWP96\*\*.....29, 33, 35
- ## S
- SCREW, HCC, 3/8-16 X 1.50.....53, 55, 57, 59  
 SCREW,AXLE,1/2-13X3.38,W/GREAS.....16, 19, 21  
 SCREW,BHHS,1/4-20 X .5,Y/ZINC.....67  
 SCREW,BHHS,3/8-16 X 1.....63  
 SCREW,FHM,10-32 X .75.....63  
 SCREW,FHM,10-32X.5PHIL.W/PATCH.....23  
 SCREW,FHS,1/4-20 X 2.25.....39, 41, 43  
 SCREW,FHS,10-24X.500.....81  
 SCREW,FHS,3/8-16 X .75.....29, 31, 33, 35  
 SCREW,FHS,3/8-16 X 2 GRD.8.....23  
 SCREW,FHS,3/8-16 X 2.25.....39, 41, 43  
 SCREW,HCC,1/2-13 X 1.25 GR5.....59, 67, 69, 71  
 SCREW,HHC,1/2-13 X 1.375.....55, 71, 73  
 SCREW,HHC,1/2-13 X 2.5,GR5.....59  
 SCREW,HHC,1/2-13 X 3.25.....59  
 SCREW,HHC,1/2-13 X 3.5.....57  
 SCREW,HCC,1/2-13 X 3.75.....15-16, 19  
 SCREW,HHC,1/2-13 X 4.....57  
 SCREW,HHC,1/2-13 X 4.5,GRD.8.....53, 55  
 SCREW,HHC,1/2-13 X 7.5.....29  
 SCREW,HHC,1/4-20 X .5.....37, 53, 67, 69, 85, 87  
 SCREW,HHC,1/4-20 X .75.....15-16, 19, 21, 31, 45-46, 51, 63  
 SCREW,HHC,1/4-20 X 1.....33, 35, 89, 91  
 SCREW,HHC,1/4-20 X 1.25.....83, 85, 87, 93  
 SCREW,HHC,1/4-20 X 1.5.....63  
 SCREW,HHC,1/4-20 X 1.75.....115  
 SCREW,HHC,1/4-20 X 2.....89, 91  
 SCREW,HHC,1/4-20 X 2.5.....91, 93  
 SCREW,HHC,1/4-20 X 3.....107  
 SCREW,HHC,3/4-10 X 8.....21  
 SCREW,HHC,3/8-16 X .625.....67, 69, 73  
 SCREW,HHC,3/8-16 X .75.....31, 33, 35, 81  
 SCREW,HHC,3/8-16 X .88,GRD 8.....107  
 SCREW,HHC,3/8-16 X 1.....53, 55, 57, 59, 67, 69, 87, 89, 91, 115  
 SCREW,HHC,3/8-16 X 1.25 GRD 5.....15-16, 19, 21, 53, 55, 57  
 SCREW,HHC,3/8-16 X 1.75,GRD.8.....37  
 SCREW,HHC,3/8-16 X 2.....15-16, 19, 21, 51, 59  
 SCREW,HHC,3/8-16 X 2.25.....59  
 SCREW,HHC,3/8-16 X 2.5.....59, 95  
 SCREW,HHC,3/8-16 X 2.75.....53  
 SCREW,HHC,3/8-16 X 3.....53  
 SCREW,HHC,3/8-24 X 1 GR 8 YEL.....59  
 SCREW,HHC,5/8-11 X 8.00.....29  
 SCREW,HHC,M6 X 40.....23  
 SCREW,HHC,M6-12MM.....23  
 SCREW,PHIL,8-32X.50,SELF TAP.....81  
 SCREW,PHIL,PHM,10-24 X.38,SEMS.....75, 77, 81  
 SCREW,PHIL,PHM,10-32 X.38,SEMS.....75, 77  
 SCREW,PHIL,PHM,6-32X.38,SF.TAP.....15-16, 19, 21, 75, 77  
 SCREW,PHILLIPS,PHM,10-32 X .75.....79  
 SCREW,PHILLIPS,PHM,8-32 X.25\*\*.....75, 77  
 SCREW,PHILLIPS,RHM,10-32 X 2.....71, 73  
 SCREW,PHM,1/4-20 X .625.....57, 69, 113  
 SCREW,PHM,1/4-20X.25 PHL.....46  
 SCREW,PHM,1/4-20X.5 PHIL.....45-46, 71, 73  
 SCREW,PHP,1/4-20 X .875.....95, 113  
 SCREW,PPHMS,1/4-20X1.75Z,GR2.....95  
 SCREW,RHM 10-24 X 2.75\*\*.....77  
 SCREW,RHM,10-24 X 3\*\*.....75  
 SCREW,RHM,10-32 X .75.....113  
 SCREW,SET,HS 10-32 X.25.....91  
 SCREW,SHC,1/4-20 X .375 BLK.....49, 67, 69, 71, 73  
 SCREW,SHC,1/4-20 X .875.....45-46  
 SCREW,SHC,1/4-20 X 1.....91  
 SCREW,SHC,5/16-18 X 2,PLATED.....71, 73  
 SCREW,SHC,M10X1.5X55.....23  
 SEAL KIT,DONYANG CYL (35739).....101  
 SEAL KIT,DY CYL (37367).....101  
 SEAL KIT,39909,PLAT LWR VALVE\*.....101  
 SEAL KIT,DONYANG CYL (35737)\*.....101  
 SEAL,CABLE CONNECTOR,HT SHRINK..83, 85  
 SEAL,MOTOR.....103, 105  
 SEAL,O-RING,PUMP\*\*\*.....103, 107  
 SEQUENCE CABLE ASSY,CARRIAGE\*\*.....45-46  
 SEQUENCE CABLE,AWP36S,40S\*\*.....45-46

## Part Description Index (continued)

SHAFT,LIFTING CHAINS,20MM DIA.....29, 31, 33, 35	TILTBACK SHOCK ASSY,AWP25/30S.....59	WASHER,SHIM,.5 X .875 X .063....29, 31, 33, 35, 37, 51
SHIM NUT,ADJUSTER.....29, 31, 33, 35	TILTBACK SHOCK ASSY,AWP36-S.....59	WASHER,SHIM,.75 X 1.125 X.030.....51
SHIM,.375 X .063.....91, 93	TILTBACK SHOCK ASSY,AWP40-S.....59	WASHER,SHIM,.938 X 1.37 X .048....29, 31, 33, 35
SHIM,.75 X.45 X.016.....59	TOEBOARD W/DECALS,NARROW.....91	WASHER,SHIM,1.01 X 1.63 X.062....21
SHIM,.75 X.45 X.032.....59	T O E B O A R D	WASHER,T-SLOT.....49
SHIM,CARRIAGE.....37	W/DECALS,ULTRA,NARROW.....91	WEAR PAD,PLATFORM.....59
SHIM,CARRIAGE,HDPE,POLYPROPYLE....37	TOEBOARD-STD.W/DECALS AWP/IWP....89, 91	WELDMENT GAS,UPR.W/DECAL AWP-S...59
SHIM,SIDE PAD.....29, 31, 33, 35	TOEBOARD-STD.W/DECALS,X-LARGE....93	WELDMENT, CASTER MOUNT, RT....21
SLIDE BLOCK,CARRIAGE%.....37	TOOL TRAY ACCESSORY***.....115	WELDMENT, MAST MOUNT, STD....53, 55
SLIDING MIDRAIL ASSY,NRW.FIBER.....95	TRANSFORMER (S-SERIES)***.....77	WELDMENT,CASTER MNT.AWP-S,RT....21
SLIDING MIDRAIL ASSY,STD.FIBER.....95	TRANSFORMER, 85V TO 105V, JA.....77	WELDMENT,GAS SPRING Hsing-SHOR...59
SOLENOID STRAP, MONARCH**.....103	TUBE CADDY,AWP PLATFORM***.....115	WELDMENT,LONG T-HANDLE.....15-16
SOLENOID STRAP,MONARCH.....103	TUBE, RETURN.....103, 105, 107	WELDMENT,MULTI MAST,NARROW....57
SOLENOID,MOTOR START.....103	TUBE, .5 ID X .5.....53, 55, 57	WELDMENT,NAST MOUNT,NRW.....57, 69
SOLENOID,MOTOR START***.....103	TUBE,HOLD DOWN BRACKET-BLUE.....37	WHEEL, NYLON ROLLER.....31
SPACER, 1/4ID3/8OD, .875LG.....83, 85, 87	TUBE,LOWER GAS SPRING,ZINC.....59	WHEEL,PNEUMATIC,10",1" HUB***.....21
SPACER, TRANSFORMER*.....75	TUBE,STD.SLIDING MIDRAIL-21.....93	WHEEL,POLY,6X2, 3/4**.....53, 55, 57
SPACER, TRANSFORMER, AC.....77	TUBE,SUCTION.....103, 105, 107	WHEEL,POLYOLEFIN, 2.5X1.25,1/2....57
SPACER, 560 AWP MAST.....31, 33, 35		WHEEL,TPE,5 X 2, 3/4, 1/2**.....16, 19, 21, 59
SPACER,.75X1.00,2.50" LG.....21		WIRE CABLE,14/3 CON.TPE JKT*.....77
SPACER,.781IDX1.5ODX.375THK.....59	<b>U</b>	WIRE CABLE,16/4 SJO,BULK.....113
SPACER,AIR MOTOR,"BLUE".....71, 73	U-BOLT,3/8 X 1 YZ.....89, 91	WIRE LOOM,.413" NON-SLIT***.....89
SPACER,NYLON .257 X .5 X .75".....95		WLDMT, NRW BASE, AWP.....19
SPACER,SHAFT,.310.....31, 33, 35	<b>V</b>	WLDMT, STD BASE, AWP.....15-16
SPACER,SHAFT,.840"LG.....31, 33, 35	VALVE, NC POPPET, DIR CONT.....111	
SPACER,SHAFT,1.400.....31, 33, 35	VALVE,2 POSITION 3 WAY.....79, 111	
SPACER,TUBE,1/4 X 3/8 **.....51	VALVE,2-POS 2-WAY***.....103, 105	
SPACER,TUBE,1/4X3/8X.50"LONG.....45-46	VALVE,CARTRIDGE***.....101	
SPRING HOUSING,AWP TILT-BACK.....59	VALVE, FLOW CONTROL	
SPRING PLUNGER,AWP TILT-BACK.....59	PREAS.COMP.....101	
SPRING, TENSION CABLE.....46	VALVE,HYDRAULIC CHECK.....101	
SPRING,AWP TILT-BACK.....59	VALVE,NC SOLENOID,MANUAL LWR.....101	
SPRING,CONTROL CABLE, AWP.....83, 85, 87	VALVE,ON/OFF AIR.....71, 73, 111	
STAB.RET.PIN ASSY,DPL / AWP.....53	VALVE,RELIEF KIT,MONARCH**.....103, 105, 107	
STROBE, AC COMPAT., 12-80V AMB.....113	VALVE-AIR PILOT,MTR.,S-SERIES.....107, 111	
STRUT, TILTBACK,L.H.AWP96.....15-16, 53	VALVE-CHECK KIT.....103, 105, 107	
STRUT, TILTBACK,R.H.AWP96.....15-16, 53		
STRUT,TILTBACK,L.H.AWP96.....15-16, 53	<b>W</b>	
STRUT,TILTBACK,R.H.AWP96.....15-16, 53	WASHER, SHIM,.765 X 1.312 X .093...21, 57, 59	
SVC KIT,UK RECEPT.REPLACEMENT.....81	WASHER,FENDER,.25 X 1.25 X.062....45-46	
SWITCH,SELECTOR,BLACK.....81	WASHER,FLAT,.5 HARDENED.....16, 19, 21	
	WASHER,FLAT,502 X 1.747 X.04.....95	
	WASHER,FLAT,M10,ZINC PLTD.....83, 85, 87	
	WASHER,FLAT,M6 PLTD.....53, 83, 85, 87	
	WASHER,FLAT,SAE 1/4,ZINC....37	
	WASHER,FLAT,SAE,3/8",Y.....15-16, 19, 21	
	WASHER,FLAT,USS,1/2",Y.....16, 19, 39, 41, 43, 53, 55, 57	
	WASHER,FLAT,USS,1/4"Y.....15-16, 19, 21, 31, 33, 35, 51, 53, 63, 69, 71, 73, 85, 93, 95, 113	
	WASHER,FLAT,USS,3/8",Y.....15-16, 19, 21, 37, 53, 55, 57, 59, 95	
	WASHER,FLAT,USS,5/16",Y.....15-16, 29, 31, 33, 35, 39, 41, 43, 51, 59, 63, 67, 69	
	WASHER,LOCK SPLIT,6MM,11.8MM.....23	
	WASHER,LOCK,#10 PLTD.....79, 113	
	WASHER,LOCK,.25.....15-16, 19, 21, 37, 67, 69, 71, 73	
	WASHER,LOCK,.313.....71, 73	
	WASHER,LOCK,.375.....51, 59, 67, 69	
	WASHER,NITRILE.....75, 77	
	WASHER,RIVETING.....89	
	WASHER,SHIM,.265 X .5 X .030.....67, 73	
	WASHER,SHIM,.5 X .875 X .033.....51, 59	
<b>T</b>		
T-BOX,2.75 X 4.5 X 2.0.....81		
T-HANDLE WELDMENT,ZINC,SHORT.....15-16, 19, 21		
TAPE,NON-SKID,DIE CUT,4"X 16".....95		
TAPE,NON-SKID,DIE CUT,6"X 2".....89, 91, 93		
TEE,1/16 BARB.....111		
TEE,BRANCH,1/16 BARB X 10/32.....79, 111		
TEE,BRANCH,5/32 PUSH X .12MNPT.....111		
TEE,BRASS STREET,.12 NPT.....111		
TEE,BRASS,1/8 NPT.....111		
TEE,STREET,3/8 NPT,BRASS....103, 105, 107		
TERMINAL BLK,END.....15-16, 19, 21		
TERMINAL BLK,END,4-PORT.....15-16, 19, 21		
TERMINAL BLK,INLINE,2-PORT.....15-16, 19, 21		
TERMINAL STRIP ASSY,BASE,AWP-S.....15-16, 19, 21		
TERMINAL, 2 CONDUCTOR.....75, 77		
TERMINAL, 4 CONDUCTOR.....75, 77		
TERMINAL, END PLATE.....75, 77		
TILTBACK FRAME W/DECALS,AWP-S.....59		
TILTBACK FRAME W/DECALS,AWP-S*.....59		
TILTBACK KIT 25/30AWP-S.....59		
TILTBACK SHOCK ASSY,AWP15/20S.....59		

***This Page Intentionally Left Blank***

Go to [Discount-Equipment.com](http://Discount-Equipment.com) to order your parts

## Fitting Cross References

Genie PN	Parker PN	Description	Genie PN	Parker PN	Description
12342	6-4 F5OX-S	CONNECTOR,STRAIGHT THREAD TO FLARE TUBE	42794	1 CR-S	ELBOW,90°,MALE PIPE
13757	4 R6X-S	RUN TEE,SWIVEL NUT,ORFS	42795	BV-0839	BALL VALVE
19685	12-10 C5OX-S	ELBOW,90°,STRAIGHT THREAD TO FLARE TUBE	42796	BV-0838	BALL VALVE
22664	12-10 C5OX	ELBOW,90°,STRAIGHT THREAD TO FLARE TUBE	42874	6-8 CLO-S	ELBOW,90°,MALE PIPE TO ORFS
27431	8-12 F5OX-S	CONNECTOR,STRAIGHT THREAD TO FLARE TUBE	42912	13943-6-4	HOSE END,90° FEMALE SWIVEL,JIC
28678	AS-B-33	SLEEVE,NYLON,1.81" ID	42920	BV-0840	BALL VALVE,90°
39871	6 WETX-WLN-S	UNION,90° BULKHEAD W/NUT,FLARE TUBE	42932	AS-B-17	SLEEVE,NYLON,1.22" ID
39872	4 R5OX-S	RUN TEE,STRAIGHT THREAD	42936	10243-2-4	HOSE END,FEMALE PIPE
39873	6 C5OX-S	ELBOW,90°,STRAIGHT THREAD TO FLARE TUBE	42953	1/2 DD-S	ELBOW,90°,FEMALE PIPE
39874	8-6 C5OX-S	ELBOW,90°,STRAIGHT THREAD TO FLARE TUBE	42956	6 WELO-WLNL-S	UNION,90° BULKHEAD W/NUT,ORFS
39875	4-6 C5OX-S	ELBOW,90°,STRAIGHT THREAD TO FLARE TUBE	45349	8 V5OX-S	ELBOW,45°,STRAIGHT THREAD TO FLARE TUBE
39876	6-8 C5OX-S	ELBOW,90°,STRAIGHT THREAD TO FLARE TUBE	45351	4 V5OX-S	ELBOW,45°,STRAIGHT THREAD TO FLARE TUBE
39877	4 F5OX-S	CONNECTOR,STRAIGHT THREAD TO FLARE TUBE	47223	10343-6-6	HOSE END,MALE,JIC
39878	6 F5OX-S	CONNECTOR,STRAIGHT THREAD TO FLARE TUBE	47419	PS690503-6-6	SWIVEL,90°,STRAIGHT THREAD TO 37° FLARE
39879	4-8 F5OX-S	CONNECTOR,STRAIGHT THREAD TO FLARE TUBE	48750	421-4	HOSE,1/4 INCH ID
39880	6-10 F5OX-S	CONNECTOR,STRAIGHT THREAD TO FLARE TUBE	48751	481TC-4	HOSE,1/4 INCH ID
39881	4-6 F5OX-S	CONNECTOR,STRAIGHT THREAD TO FLARE TUBE	48752	482TC-4	HOSE,1/4 INCH ID
39882	4-HP5ON-S	PLUG,STRAIGHT THREAD	48753	451TC-6	HOSE,3/8 INCH ID
39883	8-8 FTX-S	CONNECTOR,MALE PIPE TO FLARE TUBE	48754	482TC-6	HOSE,3/8 INCH ID
39885	269HB 12-12	ELBOW,90°,BEADED HOSE BARB TO MALE PIPE	48755	381-6	HOSE,3/8 INCH ID
39886	431-6	HOSE,3/8 INCH ID	48756	451TC-8	HOSE,1/2 INCH ID
39887	540N-2	HOSE,1/8 INCH ID	48757	482TC-8	HOSE,1/2 INCH ID
39888	801-8	HOSE,1/2 INCH ID	48758	381-8	HOSE,1/2 INCH ID
39889	801-12	HOSE,3/4 INCH ID	48759	381-10	HOSE,5/8 INCH ID
39890	10643-6-6	HOSE END,FEMALE SWIVEL,JIC	48760	451TC-10	HOSE,5/8 INCH ID
39891	13943-6-6	HOSE END,90° FEMALE SWIVEL,JIC	48761	482TC-12	HOSE,3/4 INCH ID
39892	13743-6-6	HOSE END,45° FEMALE SWIVEL,JIC	48762	451TC-12	HOSE,3/4 INCH ID
39894	30682-8-8	HOSE END,FEMALE SWIVEL,JIC	48763	772-12	HOSE,3/4 INCH ID
39895	30682-10-12	HOSE END,FEMALE SWIVEL,JIC	48764	881-16	HOSE,1 INCH ID
42286	8-8 CTX-S	ELBOW,90°,MALE PIPE TO FLARE TUBE	48765	772-16	HOSE,1 INCH ID
42756	8-12 CLO-S	ELBOW,90,MALE PIPE TO ORFS	48766	AS-B-15	SLEEVE,NYLON,1.06" ID
42757	8-12 FLO-S	CONNECTOR,MALE PIPE TO ORFS	48767	AS-B-22	SLEEVE,NYLON,1.42" ID
42758	4 JLO-S	UNION TEE,ORFS	48770	881-8	HOSE,1/2 INCH ID
42759	4-4 FLO-S	CONNECTOR,MALE PIPE TO ORFS			
42760	6-8 FLO-S	CONNECTOR,MALE PIPE TO ORFS			
42761	1J143-6-4	HOSE END,90° FEMALE SWIVEL,SEAL LOK			
42762	1J743-6-4	HOSE END,45° FEMALE SWIVEL,SEAL LOK			
42768	1JO43-4-4	HOSE END,MALE,SEAL LOK			
42776	601-8	HOSE,1/2 INCH ID			
42777	1J743-16-16	HOSE END,45° FEMALE SWIVEL,SEAL LOK			
42786	16 CLO-S	ELBOW,90°,MALE PIPE TO ORFS			
42787	16 R6LO-S	RUN TEE,SWIVEL NUT,ORFS			
42788	16-8 TRLO-BL-S	REDUCER,TUBE END TO SWIVEL,ORFS			
42789	6-6 CLO-S	ELBOW,90°,MALE PIPE TO ORFS			
42790	8-10 V5OLO-S	ELBOW,45°,STRAIGHT THREAD TO ORFS			
42791	3/4 CD-S	ELBOW,90°,MALE TO FEMALE PIPE			
42792	3/4 X 1/2 PTR-S	REDUCER,MALE TO FEMALE PIPE			
42793	1/2 CR-S	ELBOW,90°,MALE PIPE			

## Fitting Cross References (Continued)

Genie PN	Parker PN	Description	Genie PN	Parker PN	Description
48771	881-10	HOSE,5/8 INCH ID	48847	13943-12-12	HOSE END,90° FEMALE SWIVEL,JIC
48772	381-4	HOSE,1/4 INCH ID	48848	10543-12-12	HOSE END,MALE,STRAIGHT THREAD
48773	AS-B-13	SLEEVE,NYLON,.86" ID	48849	1JC71-12-12	HOSE END,FEMALE SWIVEL,SEAL LOK
48800	1JC43-4-4	HOSE END,FEMALE SWIVEL,SEAL LOK	48850	1JS71-12-12	HOSE END,FEMALE SWIVEL,SEAL LOK
48801	1J743-4-4	HOSE END,45° FEMALE SWIVEL,SEAL LOK	48851	1J171-12-12	HOSE END,90° FEMALE SWIVEL,SEAL LOK
48802	1J943-4-4	HOSE END,90° FEMALE SWIVEL,SEAL LOK	48852	1J771-12-12	HOSE END,45° FEMALE SWIVEL,SEAL LOK
48804	1JM43-4-4	HOSE END,MALE,SEAL LOK, NO O-RING	48853	1J971-12-12	HOSE END,90° FEMALE SWIVEL,SEAL LOK
48805	10643-4-4	HOSE END,FEMALE SWIVEL,JIC	48854	1JC43-16-16	HOSE END,FEMALE SWIVEL,SEAL LOK
48806	13943-4-4	HOSE END,90° FEMALE SWIVEL,JIC	48855	1J943-16-16	HOSE END,90° FEMALE SWIVEL,SEAL LOK
48807	1JS43-4-4	HOSE END,FEMALE SWIVEL,SEAL LOK	48856	1J171-16-16	HOSE END,90° FEMALE SWIVEL,SEAL LOK
48808	3JC82-8-8	HOSE END,FEMALE SWIVEL,SEAL LOK	48857	1J971-16-16	HOSE END,90° FEMALE SWIVEL,SEAL LOK
48809	3JC82-12-12	HOSE END,FEMALE SWIVEL,SEAL LOK	48859	1JS43-8-4	HOSE END,FEMALE SWIVEL,SEAL LOK
48810	1JC43-6-4	HOSE END,FEMALE SWIVEL,SEAL LOK	48867	PD36BTL	DIAGNOSTIC NIPPLE,SEAL-LOK SWIVEL
48811	1J943-6-4	HOSE END,90° FEMALE SWIVEL,SEAL LOK	48873	6 PNLO-S	PLUG,TUBE END,ORFS
48812	1JC43-6-6	HOSE END,FEMALE SWIVEL,SEAL LOK	48874	6 PNTX-S	PLUG,FLARE TUBE
48813	1J143-6-6	HOSE END,90° FEMALE SWIVEL,SEAL LOK	48875	6 R6LO-S	RUN TEE,SWIVEL NUT,ORFS
48814	1J543-6-6	HOSE END,90° FEMALE SWIVEL,SEAL LOK	48877	4 F5OLO-SW/.025	CONNECTOR,STRAIGHT THREAD TO ORFS, W/.025 ORI
48815	1J743-6-6	HOSE END,45° FEMALE SWIVEL,SEAL LOK	48878	16-12 C5OLO-S	ELBOW,90°,STRAIGHT THREAD TO ORFS
48816	1J943-6-6	HOSE END,90° FEMALE SWIVEL,SEAL LOK	48879	8 C6LO-S	ELBOW,90°,SWIVEL NUT ORFS
48817	1JS43-6-8	HOSE END,FEMALE SWIVEL,SEAL LOK	48880	PD6-285	CAP,DIAGNOSTIC NIPPLE
48818	1J943-8-4	HOSE END,90° FEMALE SWIVEL,SEAL LOK	48881	6 HLO-S	UNION,ORFS
48819	1JC43-8-6	HOSE END,FEMALE SWIVEL,SEAL LOK	48883	8 P5ON-S	PLUG,STRAIGHT THREAD
48820	1J743-8-6	HOSE END,45° FEMALE SWIVEL,SEAL LOK	48884	8M18F87OMLO-S	CONNECTOR,METRIC,STRAIGHT THREAD TO ORFS
48821	1J943-8-6	HOSE END,90° FEMALE SWIVEL,SEAL LOK	48885	4 WGTX-WLN-S	CONNECTOR,BULKHEAD,FEMALE PIPE TO FLARE TUBE
48822	1JC43-8-8	HOSE END,FEMALE SWIVEL,SEAL LOK	48886	4 F5OLO-SW/2MM	CONNECTOR,MACHINED STRAIGHT THREAD TO ORFS
48823	1JS43-8-8	HOSE END,FEMALE SWIVEL,SEAL LOK	48887	4 CTX-S	ELBOW,90°,MALE PIPE TO FLARE TUBE
48824	1J143-8-8	HOSE END,90° FEMALE SWIVEL,SEAL LOK	48888	10-12 V5OLO-S	ELBOW,45°,STRAIGHT THREAD TO ORFS
48825	1J543-8-8	HOSE END,90° FEMALE SWIVEL,SEAL LOK	48890	4 S5OLO-S	BRANCH TEE,STRAIGHT THREAD TO ORFS
48826	1J743-8-8	HOSE END,45° FEMALE SWIVEL,SEAL LOK	48891	4 S6LO-S	BRANCH TEE,SWIVEL NUT TO ORFS
48827	1J943-8-8	HOSE END,90° FEMALE SWIVEL,SEAL LOK			
48828	1JC43-10-8	HOSE END,FEMALE SWIVEL,SEAL LOK			
48829	1JS43-10-8	HOSE END,FEMALE SWIVEL,SEAL LOK			
48830	1J743-10-8	HOSE END,45° FEMALE SWIVEL,SEAL LOK			
48831	1J943-10-8	HOSE END,90° FEMALE SWIVEL,SEAL LOK			
48833	1JC43-10-10	HOSE END,FEMALE SWIVEL,SEAL LOK			
48834	1J943-10-10	HOSE END,90° FEMALE SWIVEL,SEAL LOK			
48835	1JS43-10-12	HOSE END,FEMALE SWIVEL,SEAL LOK			
48836	1JC43-12-8	HOSE END,FEMALE SWIVEL,SEAL LOK			
48837	1JS43-12-8	HOSE END,FEMALE SWIVEL,SEAL LOK			
48838	1J743-12-8	HOSE END,45° FEMALE SWIVEL,SEAL LOK			
48839	1J943-12-8	HOSE END,90° FEMALE SWIVEL,SEAL LOK			
48840	1J943-12-10	HOSE END,90° FEMALE SWIVEL,SEAL LOK			
48841	1JC43-12-12	HOSE END,FEMALE SWIVEL,SEAL LOK			
48842	1JO43-12-12	HOSE END,MALE,SEAL LOK			
48843	1J143-12-12	HOSE END,90° FEMALE SWIVEL,SEAL LOK			
48844	1J543-12-12	HOSE END,90° FEMALE SWIVEL,SEAL LOK			
48845	1J743-12-12	HOSE END,45° FEMALE SWIVEL,SEAL LOK			
48846	1J943-12-12	HOSE END,90° FEMALE SWIVEL,SEAL LOK			



## Fitting Cross References (Continued)

Genie PN	Parker PN	Description	Genie PN	Parker PN	Description
48892	6 C6LO-S	ELBOW,90°,SWIVEL NUT ORFS	48938	8 R6LO-S	RUN TEE,SWIVEL NUT,ORFS
48893	6 F5OHAO-S	UNION,STRAIGHT THREAD	48939	8 S6LO-S	BRANCH TEE,SWIVEL NUT TO ORFS
48894	8 WLO-WLNL-S	UNION,BULKHEAD,ORFS	48940	8 WJLO-WLNL-S	RUN TEE, BULKHEAD,ORFS
48895	DT-370-MSMO-5	VALVE,CHECK	48941	8-4 TRLO-S	REDUCER,TUBE END TO SWIVEL,ORFS
48896	6 JLO-S	UNION,TEE,ORFS	48942	8-6 C5OLO-S	ELBOW,90°,STRAIGHT THREAD TO ORFS
48897	DT-750-MSMS-5	VALVE,CHECK	48943	8-6 F5OLO-S	CONNECTOR,STRAIGHT THREAD TO ORFS
48898	DT-750-MOMS-5	VALVE,CHECK	48944	8-8 FLO-S	CONNECTOR,MALE PIPE TO ORFS
48899	DT-620-MOMS-5	VALVE,CHECK	48945	8 FTX-S	CONNECTOR,MALE PIPE TO FLARE TUBE
48900	4-6 F5OLO-SW/.035	CONNECTOR,STRAIGHT THREAD TO ORFS, W/.035 ORI	48946	8-10 F5OLO-S	CONNECTOR,STRAIGHT THREAD TO ORFS
48902	16-1 AOE4G-S	ELBOW,90° LONG,FEMALE PIPE TO STRAIGHT THREAD	48947	8-12 C5OLO-S	ELBOW,90°,STRAIGHT THREAD TO ORFS
48903	1 FF-S	NIPPLE,PIPE	48948	8-12 F5OLO-S	CONNECTOR,STRAIGHT THREAD TO ORFS
48904	4 C5OLO-S	ELBOW,90°,STRAIGHT THREAD TO ORFS	48949	8-16 F5OLO-S	CONNECTOR,STRAIGHT THREAD TO ORFS
48905	4 F5OLO-S	CONNECTOR,STRAIGHT THREAD TO ORFS	48950	10 C5OLO-S	ELBOW,90°,STRAIGHT THREAD TO ORFS
48906	4 R5OLO-S	RUN TEE,STRAIGHT THREAD	48951	10 CC5OLO-S	ELBOW,90° LONG,STRAIGHT THREAD TO ORFS
48907	4 V5OLO-S	ELBOW,45°,STRAIGHT THREAD TO ORFS	48952	10 F5OLO-S	CONNECTOR,STRAIGHT THREAD TO ORFS
48908	4 R6LO-S	RUN TEE,SWIVEL NUT,ORFS	48953	10 R5OLO-S	RUN TEE,STRAIGHT THREAD
48909	4 WJLO-WLNL-S	RUN TEE, BULKHEAD,ORFS	48954	10 S5OLO-S	BRANCH TEE,STRAIGHT THREAD TO ORFS
48910	4 GTX-S W/.030	CONNECTOR,FEMALE PIPE TO FLARE TUBE	48955	10 R6LO-S	RUN TEE,SWIVEL NUT,ORFS
48911	4-6 C5OLO-S	ELBOW,90°,STRAIGHT THREAD TO ORFS	48956	10-4 TRLO-BL-S	REDUCER,TUBE END TO SWIVEL,ORFS
48912	4-6 F5OLO-S	CONNECTOR,STRAIGHT THREAD TO ORFS	48957	10-6 TRLO-BL-S	REDUCER,TUBE END TO SWIVEL,ORFS
48913	4-6 F5OLO-SW/.030	CONNECTOR,STRAIGHT THREAD TO ORFS, W/.030 ORI	48958	10-12 F5OLO-S	CONNECTOR,STRAIGHT THREAD TO ORFS
48914	4-8 F5OLO-S	CONNECTOR,STRAIGHT THREAD TO ORFS	48959	12 C5OLO-S	ELBOW,90°,STRAIGHT THREAD TO ORFS
48915	6 C5OLO-S	ELBOW,90°,STRAIGHT THREAD TO ORFS	48960	12 F5OLO-S	CONNECTOR,STRAIGHT THREAD TO ORFS
48916	6 F5OLO-S	CONNECTOR,STRAIGHT THREAD TO ORFS	48961	12 R5OLO-S	RUN TEE,STRAIGHT THREAD
48917	6 FF5OLO-S	CONNECTOR,LONG,STRAIGHT THREAD TO ORFS	48962	12 S5OLO-S	BRANCH TEE,STRAIGHT THREAD TO ORFS
48918	6 R5OLO-S	RUN TEE,STRAIGHT THREAD	48963	12 V5OLO-S	ELBOW,45°,STRAIGHT THREAD TO ORFS
48919	6 S5OLO-S	BRANCH TEE,STRAIGHT THREAD TO ORFS	48964	12 R6LO-S	RUN TEE,SWIVEL NUT,ORFS
48920	6 V5OLO-S	ELBOW,45°,STRAIGHT THREAD TO ORFS	48965	12 CLO-S	ELBOW,90°,MALE PIPE TO ORFS
48921	6 FLO-S	CONNECTOR,MALE PIPE TO ORFS	48966	12 FLO-S	CONNECTOR,MALE PIPE TO ORFS
48922	6-6 FLO-S	CONNECTOR,MALE PIPE TO ORFS	48967	12 JLO-S	UNION TEE,ORFS
48923	6 P5ON-S	PLUG,STRAIGHT THREAD	48968	12 WLO-WLNL-S	UNION,BULKHEAD,ORFS
48925	6 WELO-S	UNION,90° BULKHEAD,ORFS	48969	12 WJLO-WLNL-S	RUN TEE, BULKHEAD,ORFS
48926	6-4 C5OLO-S	ELBOW,90°,STRAIGHT THREAD TO ORFS	48970	12 WELO-WLNL-S	UNION,90° BULKHEAD W/NUT,ORFS
48927	6-4 F5OLO-S	CONNECTOR,STRAIGHT THREAD TO ORFS			
48928	6-4 V5OLO-S	ELBOW,45°,STRAIGHT THREAD TO ORFS			
48929	6-8 C5OLO-S	ELBOW,90°,STRAIGHT THREAD TO ORFS			
48930	6-8 F5OLO-S	CONNECTOR,STRAIGHT THREAD TO ORFS			
48931	6-10 F5OLO-S	CONNECTOR,STRAIGHT THREAD TO ORFS			
48932	8 C5OLO-S	ELBOW,90°,STRAIGHT THREAD TO ORFS			
48933	8 F5OLO-S	CONNECTOR,STRAIGHT THREAD TO ORFS			
48934	8 FF5OLO-S	CONNECTOR,LONG,STRAIGHT THREAD TO ORFS			
48935	8 R5OLO-S	RUN TEE,STRAIGHT THREAD			
48936	8 S5OLO-S	BRANCH TEE,STRAIGHT THREAD TO ORFS			
48937	8 V5OLO-S	ELBOW,45°,STRAIGHT THREAD TO ORFS			

## Fitting Cross References (Continued)

Genie PN	Parker PN	Description	Genie PN	Parker PN	Description
48971	12 G5G5JG5-S	TEE,FEMALE STRAIGHT THREAD	49612	PKT02586	O-RING KIT (ORFS FITTINGS)
48972	12 XHL6-S	ADAPTER, 37° MALE TO SWIVEL ORFS	49613	PKT06276	PLUG AND CAP KIT-SERVICE,ORFS
48973	12-1/2 F5OG-S	ADAPTER,FEMALE PIPE TO STRAIGHT THREAD	49728	10143-12-12	HOSE END, MALE PIPE
48974	12-10 C5OLO-S	ELBOW,90°,STRAIGHT THREAD TO ORFS	49729	16-1 F5OG-S	ADAPTER,FEMALE PIPE TO STRAIGHT THREAD
48975	12-10 F5OLO-S	CONNECTOR,STRAIGHT THREAD TO ORFS	49814	12-8 FLO-S	CONNECTOR,MALE PIPE TO ORFS
48976	12-16 C5OLO-S	ELBOW,90°,STRAIGHT THREAD TO ORFS	49829	DT-500-MOMF-5	VALVE,CHECK
48977	12-16 F5OLO-S	CONNECTOR,STRAIGHT THREAD TO ORFS	49831	881-12	HOSE,3/4 INCH ID
48978	12-16 V5OLO-S	ELBOW,45°,STRAIGHT THREAD TO ORFS	49834	16 JLO-S	UNION TEE,ORFS
48980	12-16 FLO-S	CONNECTOR,MALE PIPE TO ORFS	49838	12-8 TRLO-BL-S	REDUCER,TUBE END TO SWIVEL,ORFS
48983	16 C5OLO-S	ELBOW,90°,STRAIGHT THREAD TO ORFS	49840	8 JLO-S	UNION TEE,ORFS
48984	16 F5OLO-S	CONNECTOR,STRAIGHT THREAD TO ORFS	49844	10-8 TRLO-BL-S	REDUCER,TUBE END TO SWIVEL,ORFS
48985	16 V5OLO-S	ELBOW,45°,STRAIGHT THREAD TO ORFS	49854	8 P5ON-S	PLUG,STRAIGHT THREAD
48986	16 FLO-S	CONNECTOR,MALE PIPE TO ORFS	49855	1JC43-16-12	HOSE END,FEMALE SWIVEL,SEAL LOK
48988	16 CD45-S	ELBOW,45°,MALE TO FEMALE PIPE	49859	4 P5ON-S	PLUG,STRAIGHT THREAD
48989	12 CD45-S	ELBOW,45°,MALE TO FEMALE PIPE	49861	4 FF5OLO-S	CONNECTOR, LONG, STRAIGHT THREAD TO ORFS
48990	8 CD45-S	ELBOW,45°,MALE TO FEMALE PIPE	49867	12-3/4 F5OG-S	ADAPTER,FEMALE PIPE TO STRAIGHT THREAD
48991	16-12 FLO-S	CONNECTOR,MALE PIPE TO ORFS	51152	6 R6X-S	RUN TEE,SWIVEL NUT,ORFS
48992	16-12 V5OLO-S	ELBOW,45°,STRAIGHT THREAD TO ORFS	51153	6-4 TRTX-S	REDUCER,TUBE END TO SWIVEL,ORFS
48993	XV501-12	BALL VALVE	51154	4-4 GTX	CONNECTOR,FEMALE PIPE TO FLARE TUBE
48994	XV501-16	BALL VALVE	51264	881-12	HOSE,3/4 INCH ID
48995	XV510P-12	BALL VALVE	51265	8 JLO-S	UNION TEE,ORFS
48996	XV510P-16	BALL VALVE	51508	6 BTX-S	NUT,FLARE TUBE
48997	PD341	DIAGNOSTIC NIPPLE, STRAIGHT THREAD	51580	12-8 TRLO-BL-S	TUBE END REDUCER,ORFS
48998	PD 361	DIAGNOSTIC NIPPLE, STRAIGHT THREAD	51628	6 R6X-S	RUN TEE,SWIVEL NUT,ORFS
48999	DT-500-MOMS-5	VALVE,CHECK	51735	3/8 HHP	PLUG,PIPE THREAD
49201	10 V5OLO-S	ELBOW,45°,STRAIGHT THREAD TO ORFS	51803	1J943-6-8	HOSE END,90° FEMALE SWIVEL,SEAL LOK
49202	1JC43-12-10	HOSE END,FEMALE SWIVEL,SEAL LOK	53023	125HBL-5-4	FITTING,HOSE BARB TO MALE PIPE
49203	10-8 V5OLO-S	ELBOW,45°,STRAIGHT THREAD TO ORFS	53497	PKT02585	O-RING KIT
49205	6 F5OHAO-S	UNION,STRAIGHT THREAD	53499	1JC71-16-16	HOSE END,FEMALE SWIVEL,SEAL LOK
49207	PD34BTL	DIAGNOSTIC NIPPLE,SEAL-LOK SWIVEL	53500	3-904	O-RING,STRAIGHT THREAD,-4
49209	8M18F870MX-S	CONNECTOR,METRIC,STRAIGHT THREAD TO FLARE TUBE	53501	3-906	O-RING,STRAIGHT THREAD,-6
49212	8 WGTX-WLN-S	CONNECTOR,BULKHEAD,FEMALE PIPE TO FLARE TUBE	53502	3-908	O-RING,STRAIGHT THREAD,-8
49213	30682-8-8	HOSE END,FEMALE SWIVEL,JIC	53503	3-910	O-RING,STRAIGHT THREAD,-10
49216	831-8	HOSE,1/2 INCH ID			
49217	33982-8-8	HOSE END,90° FEMALE SWIVEL,JIC			
49219	PS-B-35	SLEEVE,NYLON,2.19" ID			
49418	4-6 V5OLO-S	ELBOW,45°,STRAIGHT THREAD TO ORFS			
49511	DT370-MOMS-5	VALVE,CHECK			
49512	1 DD-S	ELBOW,90°,FEMALE PIPE			
49513	1 FF-S	NIPPLE,PIPE			
49514	10 HP5ON-S	PLUG,STRAIGHT THREAD			
49515	12-16 CLO-S	ELBOW,90°,MALE PIPE TO ORFS			
49517	6 HP5ON-S	PLUG,STRAIGHT THREAD			
49519	16-12 F5OLO-S	CONNECTOR,STRAIGHT THREAD TO ORFS			
49520	4 VTX-S	ELBOW,45°,MALE PIPE TO FLARE TUBE			
49530	16 C6LO-S	ELBOW,90°,SWIVEL NUT ORFS			

## Fitting Cross References (Continued)

Genie PN	Parker PN	Description	Genie PN	Parker PN	Description
53535	3-912	O-RING,STRAIGHT THREAD,-12	61083	24 F5OLO-S	CONNECTOR,STRAIGHT THREAD TO ORFS
53536	4-PNLO-S	PLUG,TUBE END,ORFS	61086	20 R5OLO-S	RUN TEE,STRAIGHT THREAD
53537	6 PNLO-S	PLUG,TUBE END,ORFS	61090	24-20 F5OLO-S	CONNECTOR,STRAIGHT THREAD TO ORFS
53538	8 PNLO-S	PLUG,TUBE END,ORFS	61091	1J943 24-24	HOSE END,90° FEMALE SWIVEL,SEAL LOK
53539	10 PNLO-S	PLUG,TUBE END,ORFS	61093	1J978-12-12	HOSE END,90° FEMALE SWIVEL,JIC
53540	12 PNLO-S	PLUG,TUBE END,ORFS	61095	1JS43-20-16	HOSE END,FEMALE SWIVEL,SEAL LOK
53946	129HB-5-4	FITTING,90° HOSE BARB TO MALE PIPE	61100	811-24	HOSE,11/2 INCH ID
53951	8-1/4F5OG-S	ADAPTER,FEMALE PIPE TO STRAIGHT THREAD	61130	1JS43-24-24	HOSE END,FEMALE SWIVEL,SEAL LOK
53980	6 S6LO-S	BRANCH TEE,SWIVEL NUT TO ORFS	61131	1JS78 12-12	HOSE END,FEMALE SWIVEL,SEAL LOK
54132	4 C6LO-S	ELBOW,90°,SWIVEL NUT ORFS	61132	1J778-12-12	HOSE END,45° FEMALE SWIVEL,JIC
54135	11343-16-16	HOSE END,MALE SWIVEL,PIPE	61152	139HB-6-4	ELBOW,45°,BARB TO MALE PIPE
54283	8-10 C5OLO-S	ELBOW,90°,STRAIGHT THREAD TO ORFS	61251	BV-0750	BALL VALVE
54428	8M18C87OMLO-S	ELBOW, 90° METRIC, STRAIGHT THREAD TO ORFS	61259	4 CC5OLO-S	ELBOW,90° LONG,STRAIGHT THREAD TO ORFS
54803	FS-F-16-10	SLEEVE,FIRE,-96" ID	61260	20-12 TRLO-BL	REDUCER,TUBE END TO SWIVEL,ORFS
54954	10143-2-4	HOSE END, MALE PIPE	61262	12 C6LO-S	ELBOW,90°,SWIVEL NUT ORFS
55190	3/8 HP-S	PLUG,PIPE THREAD	61263	20 F5OHAO-S	UNION,STRAIGHT THREAD
55448	8 HLO-S	UNION,ORFS	61264	6-10 C5OLO-S	ELBOW,90°,STRAIGHT THREAD TO ORFS
55839	6 F65OX-S	CONNECTOR,STRAIGHT THREAD TO 37° SWIVEL	61265	6 WNLO-WLNL-S	UNION,BULKHEAD 45°,ORFS
55968	10 C5OX-S	ELBOW,90°,STRAIGHT THREAD TO FLARE TUBE	61268	4 WNLO-WLNL-S	UNION,BULKHEAD 45°,ORFS
56003	6 CC5OLO-S	ELBOW,90° LONG,STRAIGHT THREAD TO ORFS	61269	4 WLO-WLNL-S	UNION,BULKHEAD,ORFS
56166	BV-0837	BALL VALVE,90°	61272	12 AOEL6	ELBOW,90°,STRAIGHT THREAD TO ORFS SWIVEL
56188	10143-8-6	HOSE END, MALE PIPE	61316	482TC-16	HOSE,1 INCH ID
56233	2-011	O-RING,ORFS,-4	61321	6 JLO-S	UNION TEE,ORFS
56234	2-012	O-RING,ORFS,-6	61327	782-12	HOSE,3/4 INCH ID
56235	2-014	O-RING,ORFS,-8	61328	881-24	HOSE,11/2 INCH ID
56236	2-016	O-RING,ORFS,-10	61336	11943-20-24	HOSE END,90° FLANGE HEAD
56237	2-018	O-RING,ORFS,-12	61345	12 WJLO-WLNL-S	RUN TEE, BULKHEAD,ORFS
56238	2-021	O-RING,ORFS,-16	61346	8 WNLO-WLNL-S 4	UNION,BULKHEAD 45°,ORFS
56352	6 WLNL-S	LOCKNUT,BULKHEAD	61569	33782-8-8	HOSE END,45° FEMALE SWIVEL,JIC
56353	3J782-12-12	HOSE END,45° FEMALE SWIVEL,SEAL LOK	61610	12 FF5OLO-S	CONNECTOR,LONG,STRAIGHT THREAD TO ORFS
56354	3J982-12-12	HOSE END,90° FEMALE SWIVEL,SEAL LOK	61742	1/8 X 1.5 FFF	NIPPLE,PIPE
56604	10-8 F5OLO-S	CONNECTOR,STRAIGHT THREAD TO ORFS	63426	8 PNTX-S	PLUG,FLARE TUBE
56639	3JC82-10-10	HOSE END,FEMALE SWIVEL,SEAL LOK			
56640	3J982-10-10	HOSE END,90° FEMALE SWIVEL,SEAL LOK			
56655	3JC82-8-10	HOSE END,FEMALE SWIVEL,SEAL LOK			
56676	10-8 C5OLO-S	ELBOW,90°,STRAIGHT THREAD TO ORFS			
56776	471TC-6	HOSE,3/8 INCH ID			
56777	471TC-8	HOSE,1/2 INCH ID			
56789	811-16	HOSE,1 INCH ID			
57884	3/8 FF	NIPPLE,PIPE			
59335	6 FNL-S	CAP,TUBE END			
59342	4 FNL-S	CAP,TUBE END			
59371	8 HP5ON-S	PLUG,STRAIGHT THREAD			
60653	BV-0751	BALL VALVE			
60806	125HB-3-4	FITTING,HOSE BARB TO MALE PIPE			
61064	5-1/4 F5OG-S	ADAPTER,FEMALE PIPE TO STRAIGHT THREAD			
61079	4 WELO-WLNL-S	UNION,90° BULKHEAD W/NUT,ORFS			
61080	6 WLO-WLNL-S	UNION,BULKHEAD,ORFS			

## Fitting Cross References (Continued)

Genie PN	Parker PN	Description	Genie PN	Parker PN	Description
64271	4 WLO-WLNL-S	UNION,BULKHEAD,ORFS	75631	801-6	HOSE,3/8 INCH ID
64272	6 WLO-WLNL-S	UNION,BULKHEAD,ORFS	75654	20 F5OLO-S	CONNECTOR,STRAIGHT THREAD TO ORFS
65776	8 F65OL-S	CONNECTOR,STRAIGHT THREAD TO ORFS SWIVEL	75655	1J943-20-20	HOSE END,90° FEMALE SWIVEL,SEAL LOK
65880	6001012	O-RING KIT	75656	881-20	HOSE,1-1/4 INCH ID
66154	6 WTX-WLNS	UNION,BULKHEAD,FLARE TUBE	75971	8 F5OHAO-S	UNION,STRAIGHT THREAD
66155	6 WETX-S	UNION,BULKHEAD 90°,FLARE TUBE	77307	1JB43-8-8	HOSE END,BULKHEAD,SEAL LOK
66156	6 WLN-S	BULKHEAD LOCKNUT	77309	8 WLNL-S	BULKHEAD LOCKNUT
66389	6-8 F5OX-S	CONNECTOR,STRAIGHT THREAD TO FLARE TUBE	77379	8M18C87OMX-S	ELBOW,90° METRIC,STRAIGHT THREAD TO FLARE TUBE
66392	6 R5OX-S	RUN TEE,STRAIGHT THREAD	77703	3J982-8-8	HOSE END,90° FEMALE SWIVEL,SEAL LOK
66396	811-12	HOSE,3/4 INCH ID	77711	801-10	HOSE,5/8 INCH ID
66829	H3174PP	CLAMP,TUBE	77758	12 WNLO-WLNL-S	UNION,BULKHEAD 45°,ORFS
67217	4 KLO-S	UNION,CROSS,ORFS	78091	6 C6X-S	ELBOW,90°,SWIVEL NUT TO FLARE TUBE
67339	10-6 F5OX-S	CONNECTOR,STRAIGHT THREAD TO FLARE TUBE	78684	30582-8-8B	HOSE END,PUSH LOK,MALE
67357	13943-8-6	HOSE END,90° FEMALE SWIVEL,JIC	78852	549-2	HOSE,1/8 INCH ID
67358	10 HP5ON-S	PLUG,STRAIGHT THREAD	78855	10657-4-2	HOSE END,FEMALE SWIVEL,JIC
67371	12 S6LO-S	BRANCH TEE,SWIVEL NUT TO ORFS	79138	PS-B-37	SLEEVE,NYLON,2.38" ID
67498	4 FNL-S	CAP, TUBE END	79476	1JS43-6-8	HOSE END,FEMALE SWIVEL,SEAL LOK
67906	DC-370-F0F0-5	VALVE,CHECK	79847	12-3/4 A0EG-S	ELBOW,90°,STRAIGHT THREAD TO FEMALE PIPE
69316	8 FLO-S	CONNECTOR,MALE PIPE TO ORFS	80044	8 CLO-S	ELBOW,90°,MALE PIPE TO ORFS
69333	H3174PP	CLAMP,HYDRAULIC HOSE	80502	8 F5OX-S	CONNECTOR,STRAIGHT THREAD TO FLARE TUBE
69503	4 F65OX-S	CONNECTOR,STRAIGHT THREAD TO 37° SWIVEL	80503	8 C5OX-S	ELBOW,90°,STRAIGHT THREAD TO FLARE TUBE
69775	8 FNL-S	CAP, TUBE END	81010	AS-B-27	SLEEVE,NYLON,1.63" ID
71038	1/4X1/4F3HG-S	ADAPTER,CONVERSION	83052	821-6	HOSE,3/8 INCH ID
71196	12-8 F5OLO-S	CONNECTOR,STRAIGHT THREAD TO ORFS	83053	821-8	HOSE,1/2 INCH ID
71383	1/4 CD45-S	ELBOW,45°,MALE TO FEMALE PIPE	83054	821-12	HOSE,3/4 INCH ID
72270	12FNL-S	CAP, TUBE END	83055	30682-6-6	HOSE END,FEMALE SWIVEL,JIC
73436	60C-4	SLEEVE,COMPRESSION	83056	30682-12-12	HOSE END,FEMALE SWIVEL,JIC
73437	61C-4	NUT,COMPRESSION	83057	33782-6-6	HOSE END,45° FEMALE SWIVEL,JIC
73438	33482-4-4B	HOSE END,PUSH LOK,MALE	83058	33982-6-6	HOSE END,90° FEMALE SWIVEL,JIC
73767	1CD-S	ELBOW,90°,MALE TO FEMALE PIPE	83060	33982-12-12	HOSE END,90° FEMALE SWIVEL,JIC
73768	20-16-F5OG5-S	ADAPTER,FEMALE PIPE TO STRAIGHT THREAD	83063	13743-4-4	HOSE END,45° FEMALE SWIVEL,JIC
73769	16-20 F5OLO-S	CONNECTOR,STRAIGHT THREAD TO ORFS			
74660	6-8 F42EDMLO-S	CONNECTOR,MALE BSPP TO ORFS			
74661	8-8 F42EDMLO-S	CONNECTOR,MALE BSPP TO ORFS			
75007	4 FLO-S	CONNECTOR,MALE PIPE TO ORFS			
75008	1/8 HP-S	PLUG,PIPE THREAD			
75014	1/2 HP-S	PLUG,PIPE THREAD			
75042	8 WELO-WLNL-S	UNION,90° BULKHEAD W/NUT,ORFS			
75043	3/4 FF-S	NIPPLE,PIPE			
75254	24 F5OHAO-S	UNION,STRAIGHT THREAD			
75255	12 F5OHAO-S	UNION,STRAIGHT THREAD			
75256	XV506P-24	BALL VALVE			
75574	4 WLNL-S	BULKHEAD LOCKNUT			
75612	8 WJLO-WLNL-S	RUN TEE, BULKHEAD,ORFS			
75613	12-8 F5OG5-S	ADAPTER,FEMALE PIPE TO STRAIGHT THREAD			
75614	8 CC5OLO-S	ELBOW,90° LONG,STRAIGHT THREAD TO ORFS			
75628	1JB43-4-4	HOSE END,BULKHEAD,SEAL LOK			

## Fitting Cross References (Continued)

Genie PN	Parker PN	Description	Genie PN	Parker PN	Description
83064	13743-8-8	HOSE END,45° FEMALE SWIVEL,JIC	89449	6 WJLO-WLNL-S	RUN TEE, BULKHEAD,ORFS
83065	13743-12-12	HOSE END,45° FEMALE SWIVEL,JIC	89489	4 WJMLO-S	BRANCH TEE,BULKHEAD,ORFS
83066	13943-8-8	HOSE END,90° FEMALE SWIVEL,JIC	89551	1JB43-6-6	HOSE END,BULKHEAD,SEAL LOK
83067	14143-6-6	HOSE END,90° FEMALE SWIVEL,JIC	89552	1JB43-8-8	HOSE END,BULKHEAD,SEAL LOK
83068	14143-8-8	HOSE END,90° FEMALE SWIVEL,JIC	89593	20 C5OLO-S	ELBOW,90°,STRAIGHT THREAD TO ORFS
83069	14143-12-12	HOSE END,90° FEMALE SWIVEL,JIC	94161	8-8 CLO-S	ELBOW,90°,MALE PIPE TO ORFS
83070	772-8	HOSE,1/2 INCH ID	94358	351TC-12	HOSE,3/4 INCH ID
83071	10671-8-8	HOSE END,FEMALE SWIVEL,JIC	94418	20 FLO-S	CONNECTOR,MALE PIPE TO ORFS
83072	10671-12-12	HOSE END,FEMALE SWIVEL,JIC	96358	12 TX-S	SLEEVE,FLARE TUBE
83073	13771-8-8	HOSE END,45° FEMALE SWIVEL,JIC	96359	12 BTX-S	NUT,FLARE TUBE
83074	13771-12-12	HOSE END,45° FEMALE SWIVEL,JIC	96397	8 F5OX-S	CONNECTOR,STRAIGHT THREAD TO FLARE TUBE
83075	13971-8-8	HOSE END,90° FEMALE SWIVEL,JIC	96398	12-8 F5OX-S	CONNECTOR,STRAIGHT THREAD TO FLARE TUBE
83076	13971-12-12	HOSE END,90° FEMALE SWIVEL,JIC	96402	10343-6-6	HOSE END,MALE,JIC
83077	14171-8-8	HOSE END,90° FEMALE SWIVEL,JIC	96407	30382-6-6B	HOSE END,MALE,JIC
83078	14171-12-12	HOSE END,90° FEMALE SWIVEL,JIC			
83080	13943-16-16	HOSE END,90° FEMALE SWIVEL,JIC			
83103	10671-16-12	HOSE END,FEMALE SWIVEL,JIC			
83104	10671-10-12	HOSE END,FEMALE SWIVEL,JIC			
83112	1JC71-8-8	HOSE END,FEMALE SWIVEL,SEAL LOK			
83113	1JS71-16-12	HOSE END,FEMALE SWIVEL,SEAL LOK			
83114	1JS71-10-12	HOSE END,FEMALE SWIVEL,SEAL LOK			
83115	1J971-8-8	HOSE END,90° FEMALE SWIVEL,SEAL LOK			
83116	1J171-8-8	HOSE END,90° FEMALE SWIVEL,SEAL LOK			
83117	1J771-8-8	HOSE END,45° FEMALE SWIVEL,SEAL LOK			
83127	1J543-6-8	HOSE END,90° FEMALE SWIVEL,JIC			
83128	1JC43-6-8	HOSE END,FEMALE SWIVEL,SEAL LOK			
87033	12-6 TRLO-S	REDUCER,TUBE END TO SWIVEL,ORFS			
87034	3J782-8-8	HOSE END,45° FEMALE SWIVEL,SEAL LOK			
87172	12 HP5ON-S	PLUG,STRAIGHT THREAD			
87185	8 WNLO-WLNL-S	UNION,BULKHEAD 45°,ORFS			
87246	4 C6X-S	ELBOW,90°,SWIVEL NUT TO FLARE TUBE			
87679	6 LHP-S	FLANGE SEAL FITTING, MALE			
87681	6PLS N0702	BONDED SEAL			
88100	SR88100	ADAPTER,OIL DRAIN,GM 3.0L			
88311	1JS43-20-20	HOSE END,FEMALE SWIVEL,SEAL LOK			
88353	20 V5OLO-S	ELBOW,45°,STRAIGHT THREAD TO ORFS			
88474	10081-20	Crimp Shell, 1.25"			
88475	1988-20-24	HOSE END,90° FLANGE HEAD			
88476	JS88-24-24	HOSE END,FEMALE SWIVEL,SEAL LOK			
88477	1JC88-20-20	HOSE END,FEMALE SWIVEL,SEAL LOK			
88478	811-20	HOSE,11/4 INCH ID			
88936	20-16 F5OLO-S	CONNECTOR,STRAIGHT THREAD TO ORFS			
88937	20-16 FLO-S	CONNECTOR,MALE PIPE TO ORFS			
88938	1JC88-16-16	HOSE END,FEMALE SWIVEL,SEAL LOK			
88939	1J988-16-16	HOSE END,90° FEMALE SWIVEL,ORFS			
88940	811-16	HOSE,1 INCH ID			
88944	1J988-20-20	HOSE END,90° FEMALE SWIVEL,ORFS			
89403	16 VLO-S	ELBOW,45°,MALE PIPE TO ORFS			

California Proposition 65



Operating, servicing and maintaining this equipment can expose you to chemicals including engine exhaust, carbon monoxide, phthalates, and lead, which are known to the State of California to cause cancer and birth defects or other reproductive harm. These chemicals can be emitted from or contained in other various parts and systems, fluids and some component wear by-products. To minimize exposure, avoid breathing exhaust, do not idle the engine except as necessary, service your equipment and vehicle in a well-ventilated area and wear gloves or wash your hands frequently when servicing your equipment or vehicle and after operation. For more information go to [www.P65Warnings.ca.gov/passenger-vehicle](http://www.P65Warnings.ca.gov/passenger-vehicle).

Distributed By:

Go to [Discount-Equipment.com](http://Discount-Equipment.com) to order your parts



# PARTS FINDER

**Search Website  
by Part Number**



**Search Manual  
Library For Parts  
Manual & Lookup Part  
Numbers – Purchase  
or Request Quote**

**Search Manuals**

Enter your information to help us find the right parts manual for your machine.

\* Brand:

\* Model:

\* Serial:

\* Part Number:

SEARCH

**Can't Find Part or  
Manual? Request Help  
by Manufacturer,  
Model & Description**

**Parts Order Form**

Please fill in the following information to help us find the right part for your machine.

Manufacturer:	<input type="text"/>
Model:	<input type="text"/>
Description:	<input type="text"/>
Part Number:	<input type="text"/>
Quantity:	<input type="text"/>
Notes:	<input type="text"/>

Submit

Discount-Equipment.com is your online resource for quality parts & equipment.

Florida: **561-964-4949** Outside Florida TOLL FREE: **877-690-3101**

**Need parts?**

Click on this link: <http://www.discount-equipment.com/category/5443-parts/> and choose one of the options to help get the right parts and equipment you are looking for. Please have the machine model and serial number available in order to help us get you the correct parts. If you don't find the part on the website or on one of the online manuals, please fill out the request form and one of our experienced staff members will get back to you with a quote for the right part that your machine needs.

We sell worldwide for the brands: Genie, Terex, JLG, MultiQuip, Mikasa, Essick, Whiteman, Mayco, Toro Stone, Diamond Products, Generac Magnum, Airman, Haulotte, Barreto, Power Blanket, Nifty Lift, Atlas Copco, Chicago Pneumatic, Allmand, Miller Curber, Skyjack, Lull, Skytrak, Tsurumi, Husquvarna Target, Stow, Wacker, Sakai, Mi-T-M, Sullair, Basic, Dynapac, MBW, Weber, Bartell, Bennar Newman, Haulotte, Ditch Runner, Menegotti, Morrison, Contec, Buddy, Crown, Edco, Wyco, Bomag, Laymor, EZ Trench, Bil-Jax, F.S. Curtis, Gehl Pavers, Heli, Honda, ICS/PowerGrit, IHI, Partner, Imer, Clipper, MMD, Koshin, Rice, CH&E, General Equipment, Amida, Coleman, NAC, Gradall, Square Shooter, Kent, Stanley, Tamco, Toku, Hatz, Kohler, Robin, Wisconsin, Northrock, Oztec, Toker TK, Rol-Air, APT, Wylie, Ingersoll Rand / Doosan, Innovatech, Con X, Ammann, Mecalac, Makinex, Smith Surface Prep, Small Line, Wanco, Yanmar