



A TEREX BRAND



Parts Manual

Serial Number Range

GR-8

to GR05-5000

GR-12

GR-15

Part No. 69237

Rev D40

November 2018

Go to Discount-Equipment.com to order your parts

PARTS FINDER

**Search Website
by Part Number**



**Search Manual
Library For Parts
Manual & Lookup Part
Numbers – Purchase
or Request Quote**

Search Manuals

Enter your information to help us find the right parts manual for your machine.

* Brand:

* Model:

* Serial:

* Part Number:

SEARCH

**Can't Find Part or
Manual? Request Help
by Manufacturer,
Model & Description**

Parts Order Form

Please fill in the following information to help us find the right part for your machine.

Manufacturer:	<input type="text"/>
Model:	<input type="text"/>
Description:	<input type="text"/>
Part Number:	<input type="text"/>
Quantity:	<input type="text"/>
Notes:	<input type="text"/>

Submit

Discount-Equipment.com is your online resource for quality parts & equipment.

Florida: **561-964-4949** Outside Florida TOLL FREE: **877-690-3101**

Need parts?

Click on this link: <http://www.discount-equipment.com/category/5443-parts/> and choose one of the options to help get the right parts and equipment you are looking for. Please have the machine model and serial number available in order to help us get you the correct parts. If you don't find the part on the website or on one of the online manuals, please fill out the request form and one of our experienced staff members will get back to you with a quote for the right part that your machine needs.

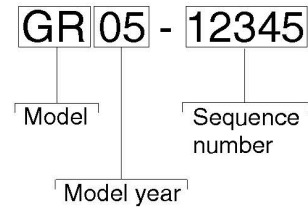

We sell worldwide for the brands: Genie, Terex, JLG, MultiQuip, Mikasa, Essick, Whiteman, Mayco, Toro Stone, Diamond Products, Generac Magnum, Airman, Haulotte, Barreto, Power Blanket, Nifty Lift, Atlas Copco, Chicago Pneumatic, Allmand, Miller Curber, Skyjack, Lull, Skytrak, Tsurumi, Husquvarna Target, Stow, Wacker, Sakai, Mi-T-M, Sullair, Basic, Dynapac, MBW, Weber, Bartell, Bennar Newman, Haulotte, Ditch Runner, Menegotti, Morrison, Contec, Buddy, Crown, Edco, Wyco, Bomag, Laymor, EZ Trench, Bil-Jax, F.S. Curtis, Gehl Pavers, Heli, Honda, ICS/PowerGrit, IHI, Partner, Imer, Clipper, MMD, Koshin, Rice, CH&E, General Equipment, Amida, Coleman, NAC, Gradall, Square Shooter, Kent, Stanley, Tamco, Toku, Hatz, Kohler, Robin, Wisconsin, Northrock, Oztec, Toker TK, Rol-Air, APT, Wylie, Ingersoll Rand / Doosan, Innovatech, Con X, Ammann, Mecalac, Makinex, Smith Surface Prep, Small Line, Wanco, Yanmar

Genie
A TEREX BRAND

Model: GR-15
Serial number: GR05-1234
Model year: 2008 **Manufacture date:** 4/14/08
Elec/Hydr Schematic: ES0126/HS0039
Power supply voltage/Pneumatic Pressure:
85-264 VAC, 60/50 Hz, 900 W
Nominal Power: 8.3 Hp / 6.2 kW
Machine unladen weight: 2,250 lbs / 1,021 kg
Max Load: 500 lbs / 227 kg
Occupants and Equipment must not exceed:
500 lbs / 227 kg
Maximum allowable inclination of the chassis:
1.5°(Side) 3°(Front) 3°(Rear)
Maximum Wind Speed:
Indoor: 28 mph / 12.5 m/s
Outdoor: 28 mph / 12.5 m/s
Gradeability: 30%
Maximum allowable side force: 100 lbs / 445 N
Maximum platform height: 14 ft 8 in / 4.47 m
Maximum Travel Height: Full ht
Maximum number of platform occupants: 1
Country of manufacture: USA
This machine complies with:
EN 280
98/37/EC



PN- 77172



Serial label

Serial number
(stamped on chassis)

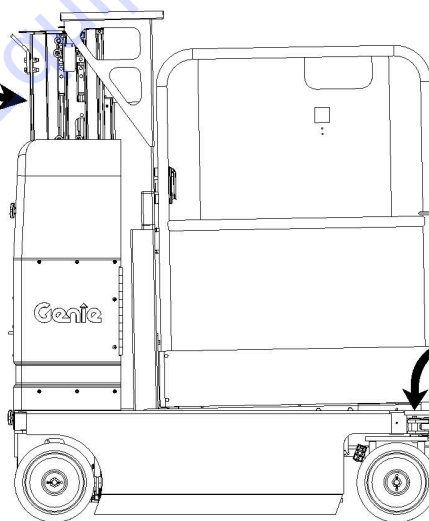


Table of Contents

This manual is updated frequently. For the most up-to-date parts information, visit www.discount-equipment.com

How to Read Your Serial Number.....	3
Parts Stocking List.....	7

Electronic Version

Click on any page number to view the figure.

100 Decals

101.1 Decals with Words, Models with Standard Platform (Serial numbers from 1 to 4000).....	10
101.1 Decals with Words, Models with Standard Platform (Serial numbers from 1 to 4000).....	12
101.2 Decals with Words, Models with Standard Platform (Serial numbers from 4001 to 5000).....	14
101.2 Decals with Words, Models with Standard Platform (Serial numbers from 4001 to 5000).....	16
102.1 Decals with Words, Models with Stockpicker Platform (Serial numbers from 4001 to 5000).....	18
102.1 Decals with Words, Models with Stockpicker Platform (Serial numbers from 4001 to 5000).....	20
103.1 Decals with Symbols, Models with Standard Platform (Serial numbers from 4001 to 5000).....	22
104.1 Decals with Symbols, Models with Stockpicker Platform, (Serial numbers from 4001 to 5000).....	24

200 Base Components

201.1 Steer Axle Linkage and Wheels.....	26
202.1 Non-steer Axle and Ground Controls Installation.....	28
203.1 Counterweights.....	30
204.1 Chassis Components Installation (Serial numbers to GR01-248).....	32
204.2 Chassis Components Installation (Serial numbers from GR01-249).....	34
205.1 Covers.....	36
206.1 Battery Installation.....	38
207.1 Ground Controls (Serial numbers from 1 to 1123).....	40
207.2 Ground Controls (Serial numbers from 1124 to 5000).....	42
208.1 Control Cable Assembly, GR-08, GR-15.....	44

209.1 Control Cable Assembly, GR-12.....	46
210.1 Battery Charger, 120V AC and 220V AC.....	48
211.1 Battery Charger, Worldwide.....	50
212.1 Battery Charger, 110/220V AC.....	52
213.1 Battery Charger/Inverter.....	54
214.1 Power Cables.....	56

300 Mast Components

301.1 Number 1 Column Assembly.....	58
302.1 Number 1 Column Attached Parts.....	60
303.1 Number 2 Column Assembly, GR-08.....	62
304.1 Number 2 and 3 Column Assemblies, GR-12.....	64
305.1 Number 2, 3 and 4 Column Assemblies, GR-15.....	66
306.1 Carriage Assembly.....	68
307.1 Lifting Chains Assemblies, GR-08.....	70
308.1 Lifting Chain Assemblies, GR-12.....	72
309.1 Lifting Chains Assemblies, GR-15.....	74
310.1 Sequencing Cables.....	76
311.1 Mast Covers.....	78
312.1 Bellows, CE Models.....	80

400 Hydraulic Components

401.1 Hydraulic Power Unit and Lift Cylinder.....	82
402.1 Function Manifold (to serial number GR01-224).....	84
402.2 Function Manifold (from serial number GR01-225 to GR01-248).....	86
402.3 Function Manifold (from serial number GR01-249 to GR05-5000).....	88
403.1 Hydraulic Hoses and Fittings (to serial number GR01-248).....	90
403.2 Hydraulic Hoses and Fittings (from serial number GR01-249 to GR05-5000).....	92

500 Platform Components

501.1 Platform, Standard (to SN 4000).....	94
501.2 Platform, Standard (from SN 4001 to 5000).....	98
502.1 Platform with Extension Deck (to SN 4000).....	102
502.2 Platform with Extension Deck (from SN 4001).....	106
503.1 Platform Extension Deck.....	110
504.1 Stockpicker Platform, GR-12, GR-15 (from serial number 4001).....	112
505.1 Platform Controls (to SN 4000).....	116
505.2 Platform Controls (from SN 4001 to 5000).....	118
506.1 Joystick Controller.....	120
507.1 Platform Overload Assembly, CE Models.....	122

600 Accessories

601.1 Work Station Tray (models with standard and extended platform).....	124
---	-----

602.1 Motion Alarm.....126
603.1 Parcel Tray (from serial number 4001).....128
604.1 Bike Rack, Stockpicker Platform.....130

Indices
Part Number Index.....132
Part Description Index.....136

Cross References
Fittings Cross Reference.....142

Go to Discount-Equipment.com to order your parts

Required Parts

The following parts are required to perform maintenance procedures as outlined in the Genie Runabout Service Manual.

Description	Part No.
Filter Element, Paper, 10 Micron	49798
Filter Element, Fiberglass, 10 Micron (optional upgrade)	44207
Hydraulic Tank Breather Cap.....	69355
Cotter Pin, Castle Nut, Wheel.....	5361
Dielectric Grease	66399
Boe-lube Silicone Wax.....	90337
Chevron Ultra-duty grease, EP NLGI 2 (lithium based) or equivalent	(source locally)
Dry Type Spray Lubricant.....	(source locally)

Recommended Parts

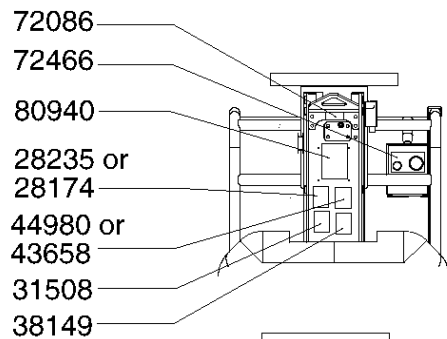
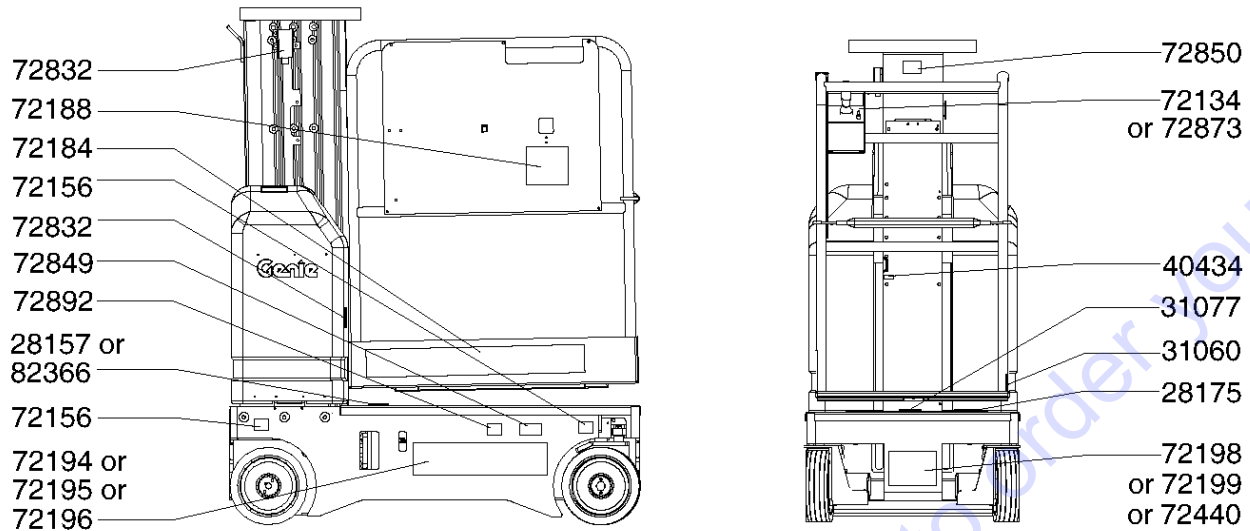
Description	Part No.
Genie Blue Paint, 1 Gallon	32150
Genie Blue Paint, 12 Ounce Aerosol.....	1484
Genie Gray Paint, 1 Gallon.....	32151
Genie Gray Paint, 12 Ounce Aerosol.....	1268

Manuals

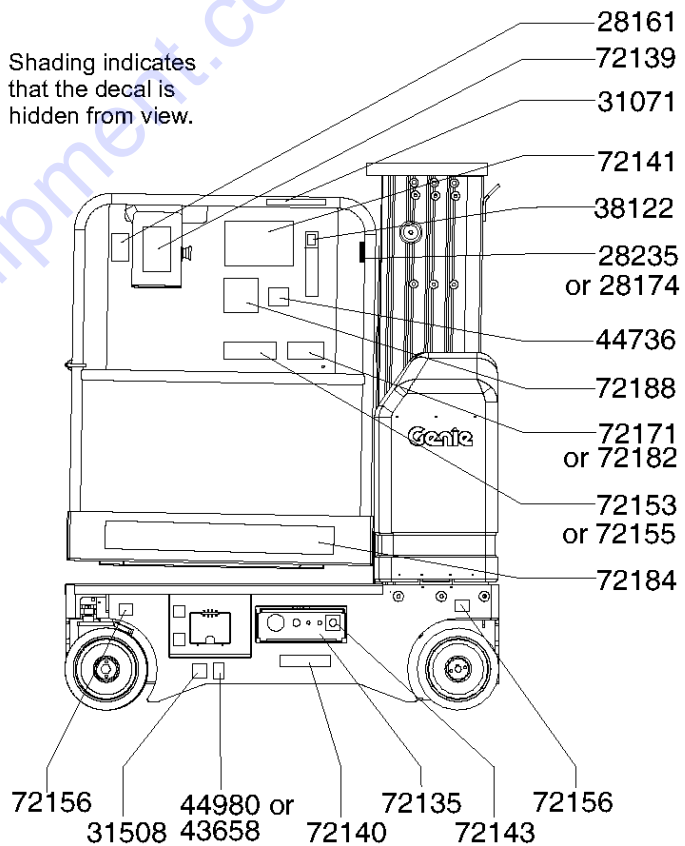
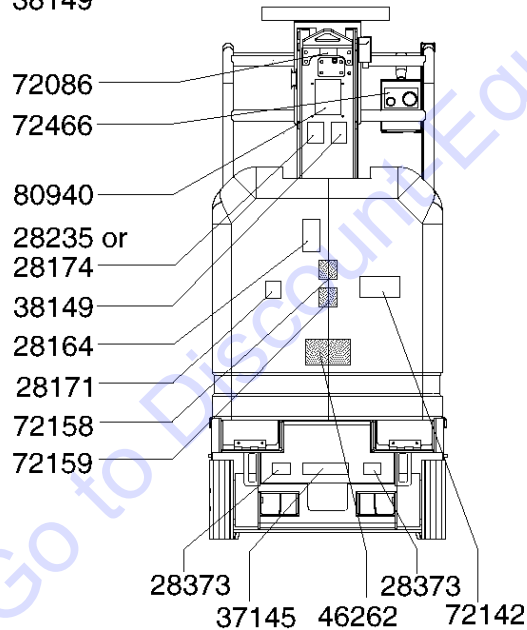
Genie Industries offers the following support documents for these models:

Title	Part No.
EMI Safety Manual	27581
Manual of Responsibilities ANSI A92.6-1990.....	44163

101.1 Decals with Words, Models with Standard Platform (Serial numbers from 1 to 4000)



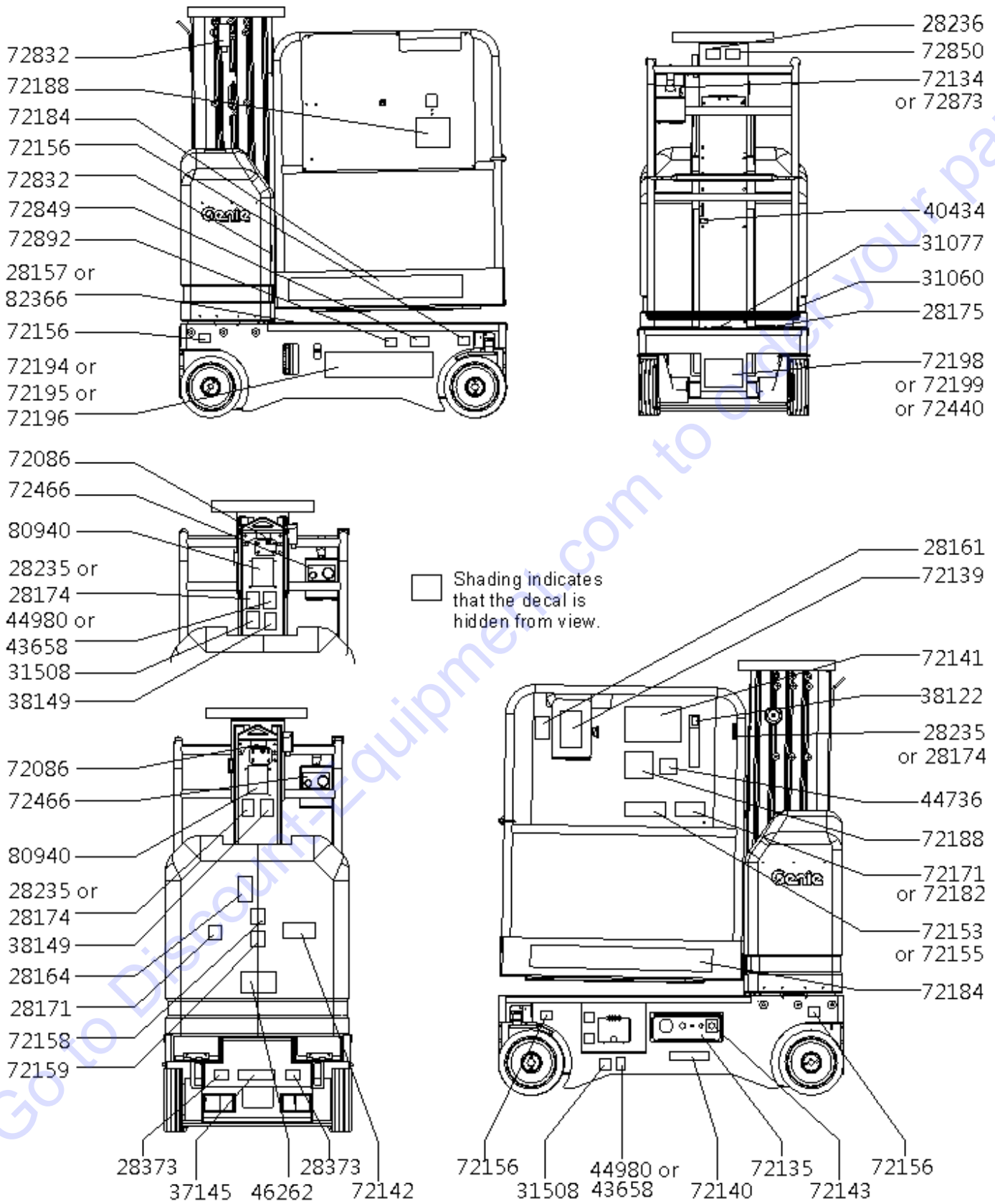
Shading indicates that the decal is hidden from view.



101.1 Decals with Words, Models with Standard Platform (Serial numbers from 1 to 4000)

Item	Part No.	Description	Qty.	Item	Part No.	Description	Qty.
--	69288GT	DECAL KIT,SAFETY/INST,GR,SO (kit includes items 1-5, 7, 9-17, 19, 21, 22, 25-30, 33-35, 38, 39, 50-52, 54, 55 and 57)		28	72141GT	DECAL,GENERAL SAFETY,RUNABOUT.....	1
--	69289GT	DECAL KIT,SAFETY,PLATFRM,GR,SO (kit includes items 2, 10, 11, 15, 19, 28, 39 and 51)		29	72142GT	DECAL,DANGER,ELECTROCUTION,GR.1	
1	28157GT	DECAL,USE DEXRON***.....	1	30	72143GT	DECAL,EMERGENCY STOP,GR.....	2
		(to SN GR02-686)		31	72153GT	DECAL,MAXIMUM CAPACITY,GR.....	1
2	28161GT	DECAL,WARN,CRUSH HAZARD HAND.....	1	32	72155GT	DECAL,MAX CAPACITY (350LB),GR.....	1
4	28164GT	DECAL,NOTICE,HAZARDOUS MAT'LS*.....	1	33	72156GT	DECAL,NOTICE,TIRE SPECS,GR.....	4
5	28171GT	DECAL,DANGER,NO SMOKING ***.....	1	34	72158GT	DECAL,BATTERY CONN DIAG,GR.....	1
6	28174GT	DECAL, POWER TO PLATFORM 230V**.....	2	35	72159GT	DECAL, TIP-OVER,BATTERIES,GR.....	1
7	28175GT	DECAL,WARNING-COMPART ACCESS.....	1	36	72171GT	DECAL,SIDE FORCE,100,GR,ANSI.....	1
8	28235GT	DECAL,POWER TO PLATFORM 115V...2		37	72182GT	DECAL,SIDE FORCE,GR,CE&AUS,WRD.....	1
9	28373GT	DECAL,FORK LIFT POCKET.....	2	38	72184GT	DECAL,COSMETIC,GENIE RUNABOUT.....	2
10	31060GT	DECAL,DANGER DO NOT ALTER SWTC.....	1	39	72188GT	DECAL,DIRECTIONAL ARROWS,GR...2	
		(GR-15 with extension deck)		41	72195GT	DECAL,COSMETIC,GENIE GR-12.....	1
11	31071GT	DECAL,WARNING,FAILURE TO READ.....	1	42	72196GT	DECAL,COSMETIC,GENIE GR-15***.....	1
12	31077GT	DECAL,CAUTION,COLLISION HAZARD.....	1	44	72199GT	DECAL,COSMETIC,GENIE GR-12.....	1
13	31508GT	DECAL,DANGER,ELECT HAZARD,PLUG.....	1	45	72440GT	DECAL,COSMETIC,GENIE GR-15***.....	1
14	37145GT	DECAL, MANUAL LOWERING VALVE...1		46	72445GT	DECAL,LABEL,CIRCUIT BREAKER.....	1
15	38122GT	DECAL,LABEL, OM STORAGE.....	1	47	72446GT	DECAL,LABEL,CIRCUIT BREAKER.....	1
16	38149GT	DECAL,LABEL,PATENTS.....	1	48	72447GT	DECAL,LABEL,CIRCUIT BREAKER.....	1
17	40434GT	DECAL,LANYARD ANCHORAGE POINT.....	1	49	72448GT	DECAL,LABEL,CIRCUIT BREAKER.....	1
18	43658GT	DECAL,LABEL,PWR TO CHARGR 230V.....	1	50	72466GT	DECAL,CONTROL PANEL,HORN,GR...1	
19	44736GT	DECAL,DANGER,TIP-OVER,TILT.....	1	51	72832GT	DECAL,DANGER,DO NOT ALTER SWTC.....	1
20	44980GT	DECAL,LABEL,PWR TO CHARGR 115V.....	1	52	72849GT	DECAL,DANGER,BRAKE RELEASE...1	
21	46262GT	DECAL,DANGER,BATTERY SAFETY.....	1	53	72850GT	DECAL,DANGER,MAX CAP TRAY,WRD.....	1
22	72086GT	DECAL,LABEL,LIFTING EYE.....	1	54	72873GT	DECAL,CONTROL PANEL,RUNABOUT.....	1
23	72134GT	DECAL,CONTROL PANEL,RUNABOUT.....	1	55	72892GT	DECAL,LABEL,BRAKE RELEASE SWIT.....	1
		(to SN GR01-248)		56	80940GT	ASSY,SER # LABEL,POWERED/GR **.....	1
25	72135GT	DECAL,CONTROL PANEL,RUNABOUT.....	1	57	82366GT	DECAL,CHEVRON RANDO HD.....	1
26	72139GT	DECAL,OPERATING INST,RUNABOUT.....	1			(from SN GR02-687)	
27	72140GT	DECAL,OPERATING INST,RUNABOUT.....	1				

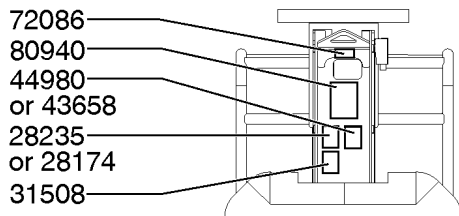
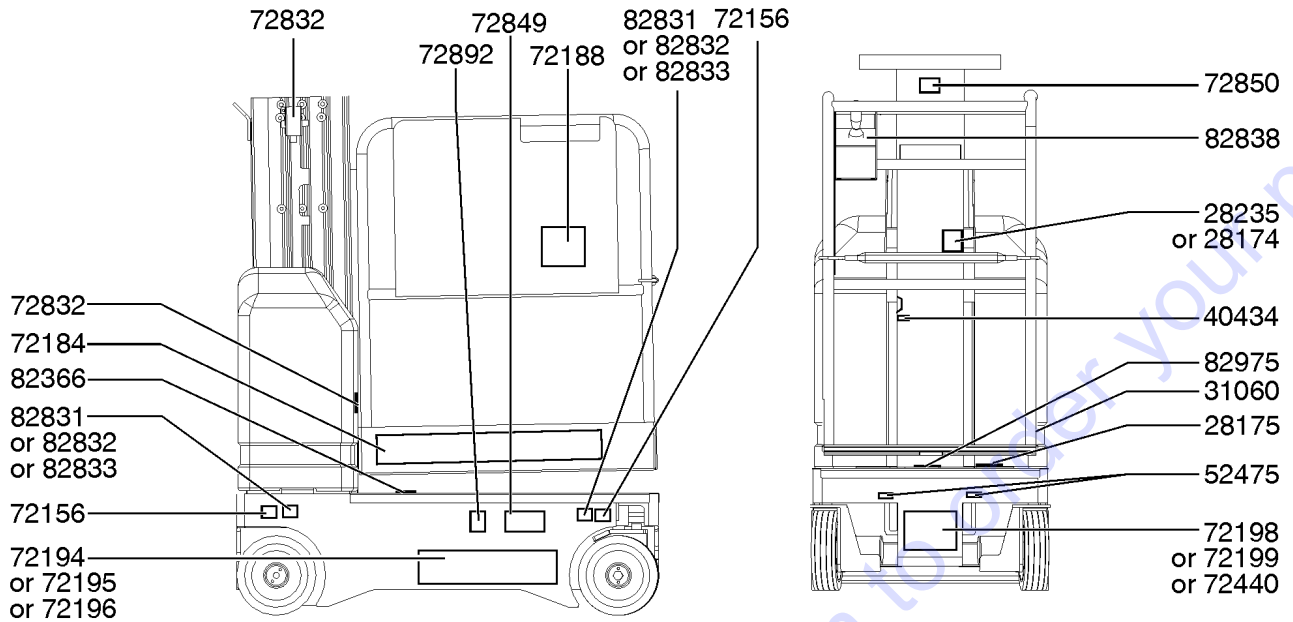
101.1 Decals with Words, Models with Standard Platform (Serial numbers from 1 to 4000)



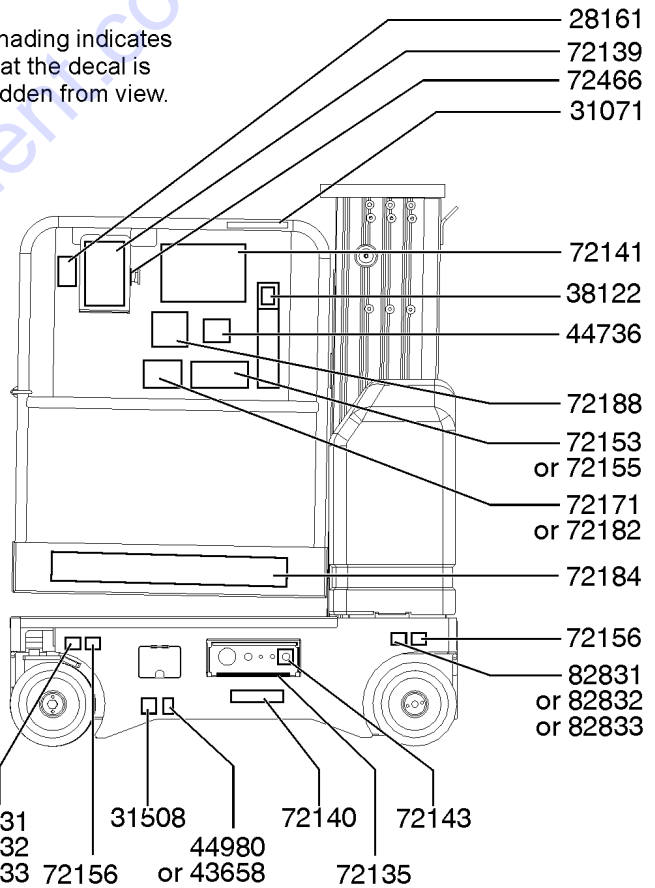
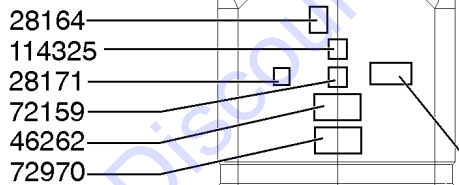
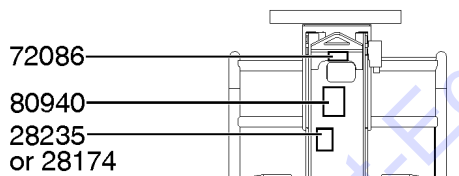
101.1 Decals with Words, Models with Standard Platform (Serial numbers from 1 to 4000)

Item	Part No.	Description	Qty.	Item	Part No.	Description	Qty.
--	69288GT	DECAL KIT,SAFETY/INST,GR,SO (kit includes items 1-5, 7, 9-17, 19, 21, 22, 25-30, 33-35, 38, 39, 50-52, 54, 55 and 57)		28	72141GT	DECAL,GENERAL SAFETY,RUNABOUT.....	1
--	69289GT	DECAL KIT,SAFETY,PLATFRM,GR,SO (kit includes items 2, 10, 11, 15, 19, 28, 39 and 51)		29	72142GT	DECAL,DANGER,ELECTROCUTION,GR.1	
1	28157GT	DECAL,USE DEXRON***.....	1	30	72143GT	DECAL,EMERGENCY STOP,GR.....	2
		(to SN GR02-686)		31	72153GT	DECAL,MAXIMUM CAPACITY,GR.....	1
2	28161GT	DECAL,WARN,CRUSH HAZARD HAND.....	1	32	72155GT	DECAL,MAX CAPACITY (350LB),GR.....	1
4	28164GT	DECAL,NOTICE,HAZARDOUS MAT'LS*.....	1	33	72156GT	DECAL,NOTICE,TIRE SPECS,GR.....	4
5	28171GT	DECAL,DANGER,NO SMOKING ***.....	1	34	72158GT	DECAL,BATTERY CONN DIAG,GR.....	1
6	28174GT	DECAL, POWER TO PLATFORM 230V**.....	2	35	72159GT	DECAL, TIP-OVER,BATTERIES,GR.....	1
7	28175GT	DECAL,WARNING-COMPART ACCESS.....	1	36	72171GT	DECAL,SIDE FORCE,100,GR,ANSI.....	1
8	28235GT	DECAL,POWER TO PLATFORM 115V...2		37	72182GT	DECAL,SIDE FORCE,GR,CE&AUS,WRD.....	1
9	28373GT	DECAL,FORK LIFT POCKET.....	2	38	72184GT	DECAL,COSMETIC,GENIE RUNABOUT.....	2
10	31060GT	DECAL,DANGER DO NOT ALTER SWTC.....	1	39	72188GT	DECAL,DIRECTIONAL ARROWS,GR...2	
		(GR-15 with extension deck)		40	72194GT	DECAL,COSMETIC,GENIE GR-8***.....	1
11	28236GT	DECAL,WARN,IMPROPER OPERATION.....	1	43	72198GT	DECAL,COSMETIC,GENIE GR-8***.....	1
12	31077GT	DECAL,CAUTION,COLLISION HAZARD.....	1	46	72445GT	DECAL,LABEL,CIRCUIT BREAKER.....	1
13	31508GT	DECAL,DANGER,ELECT HAZARD,PLUG.....	1	47	72446GT	DECAL,LABEL,CIRCUIT BREAKER.....	1
14	37145GT	DECAL, MANUAL LOWERING VALVE...1		48	72447GT	DECAL,LABEL,CIRCUIT BREAKER.....	1
15	38122GT	DECAL,LABEL, OM STORAGE.....	1	49	72448GT	DECAL,LABEL,CIRCUIT BREAKER.....	1
16	38149GT	DECAL,LABEL,PATENTS.....	1	50	72466GT	DECAL,CONTROL PANEL,HORN,GR...1	
17	40434GT	DECAL,LANYARD ANCHORAGE POINT.....	1	51	72832GT	DECAL,DANGER,DO NOT ALTER SWTC.....	1
18	43658GT	DECAL,LABEL,PWR TO CHARGR 230V.....	1	52	72849GT	DECAL,DANGER,BRAKE RELEASE....1	
19	44736GT	DECAL,DANGER,TIP-OVER,TILT.....	1	53	72850GT	DECAL,DANGER,MAX CAP TRAY,WRD.....	1
20	44980GT	DECAL,LABEL,PWR TO CHARGR 115V.....	1	54	72873GT	DECAL,CONTROL PANEL,RUNABOUT.....	1
21	46262GT	DECAL,DANGER,BATTERY SAFETY.....	1	55	72892GT	DECAL,LABEL,BRAKE RELEASE SWIT.....	1
22	72086GT	DECAL,LABEL,LIFTING EYE.....	1	56	80940GT	ASSY,SER # LABEL,POWERED/GR **.....	1
23	72134GT	DECAL,CONTROL PANEL,RUNABOUT.....	1	57	82366GT	DECAL,CHEVRON RANDO HD.....	1
		(to SN GR01-248)				(from SN GR02-687)	
25	72135GT	DECAL,CONTROL PANEL,RUNABOUT.....	1				
26	72139GT	DECAL,OPERATING INST,RUNABOUT.....	1				
27	72140GT	DECAL,OPERATING INST,RUNABOUT.....	1				

101.2 Decals with Words, Models with Standard Platform (Serial numbers from 4001 to 5000)



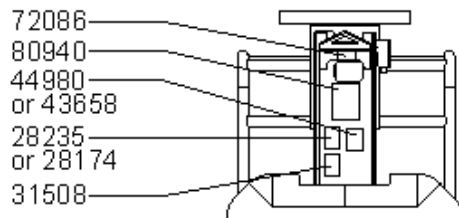
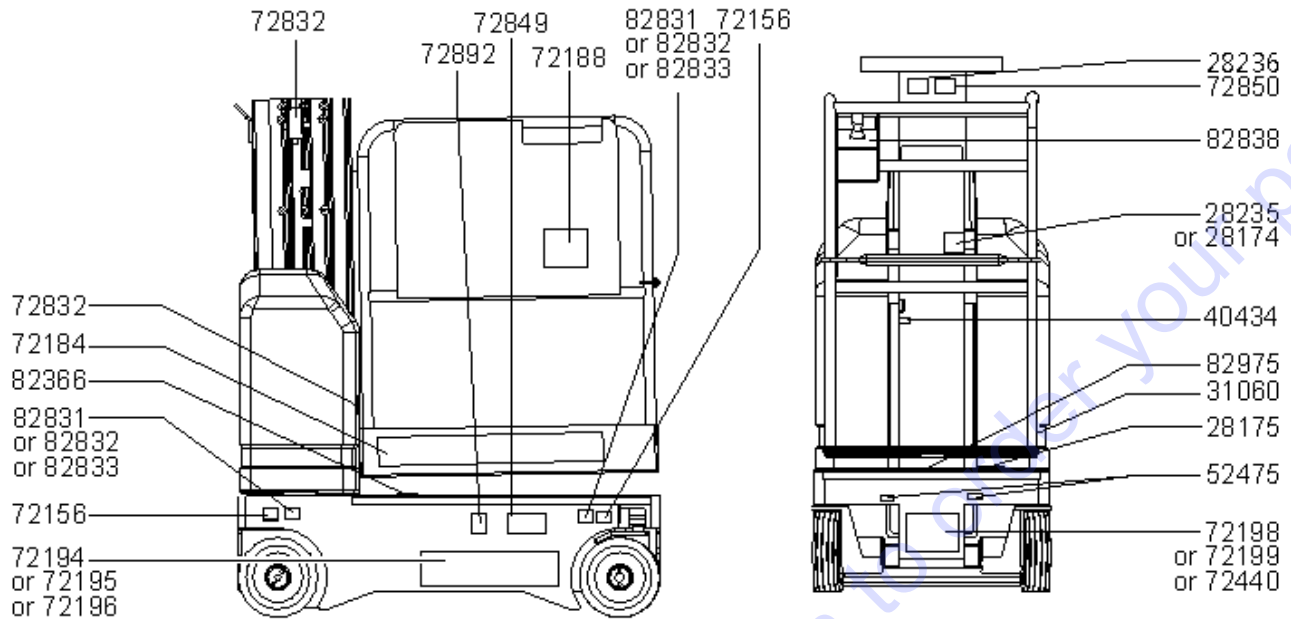
☐ Shading indicates that the decal is hidden from view.



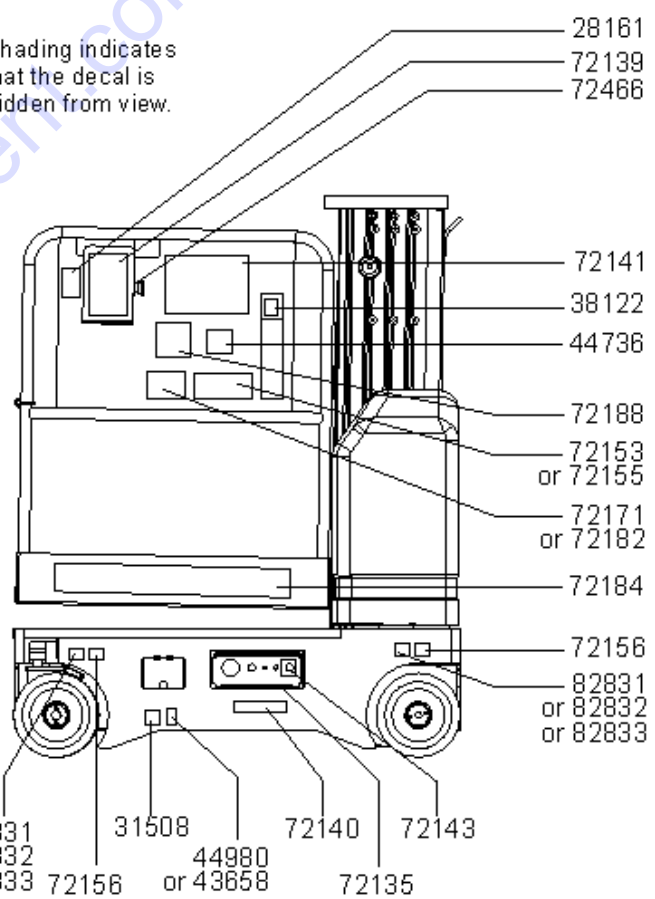
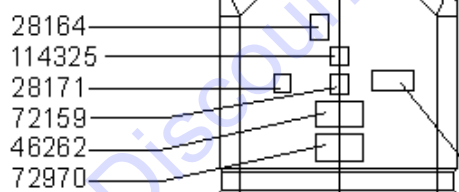
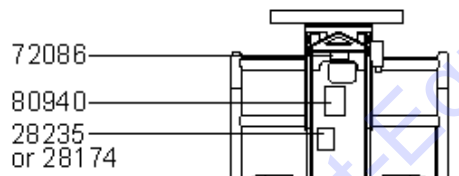
101.2 Decals with Words, Models with Standard Platform (Serial numbers from 4001 to 5000)

Item	Part No.	Description	Qty.	Item	Part No.	Description	Qty.
--	107150GT	DECAL KIT,SAFETY/INST,STD,WRDS <i>kit includes items 1-3, 5, 7-13, 15, 17-25, 28-30, 33, 34, 40-47, 51 and 52</i>		28	72156GT	DECAL,NOTICE,TIRE SPECS,GR.....	4
--	69289GT	DECAL KIT,SAFETY,PLATFRM,GR,SO <i>kit includes items 1, 8, 9, 12, 15, 17, 23, 33, 34 and 42</i>		29	114325GT	DECAL,BATTERY CONN DIAG,GR.....	1
1	28161GT	DECAL,WARN,CRUSH HAZARD HAND.....	1	30	72159GT	DECAL,TIP-OVER,BATTERIES,GR.....	1
2	28164GT	DECAL,NOTICE,HAZARDOUS MAT'LS*.....	1	31	72171GT	DECAL,SIDE FORCE,100,GR,ANSI.....	1 (445 N)
3	28171GT	DECAL,DANGER,NO SMOKING ***.....	1	32	72182GT	DECAL,SIDE FORCE,GR,CE&AUS,WRD.....	1
4	28174GT	DECAL, POWER TO PLATFORM 230V**.....	2	33	72184GT	DECAL,COSMETIC,GENIE RUNABOUT.....	2
5	28175GT	DECAL,WARNING-COMPART ACCESS.....	1	34	72188GT	DECAL,DIRECTIONAL ARROWS,GR....	2
6	28235GT	DECAL,POWER TO PLATFORM 115V....	2	35	72194GT	DECAL,COSMETIC,GENIE GR-8***.....	1 GR-8
7	28373GT	DECAL,FORK LIFT POCKET.....	2	36	72195GT	DECAL,COSMETIC,GENIE GR-12.....	1
8	31060GT	DECAL,DANGER DO NOT ALTER SWTC.....	1	37	72196GT	DECAL,COSMETIC,GENIE GR-15***.....	1
9	31071GT	DECAL,WARNING,FAILURE TO READ.....	1	39	72199GT	DECAL,COSMETIC,GENIE GR-12.....	1 (front)
10	31508GT	DECAL,DANGER,ELECT HAZARD,PLUG.....	1	40	72440GT	DECAL,COSMETIC,GENIE GR-15***.....	1 (front)
11	37145GT	DECAL, MANUAL LOWERING VALVE....	1	41	72466GT	DECAL,CONTROL PANEL,HORN,GR....	1 (emergency stop button)
12	38122GT	DECAL,LABEL, OM STORAGE.....	1	42	72832GT	DECAL,DANGER,DO NOT ALTER SWTC.....	1 (1 extra on GR-15 with extension deck)
13	40434GT	DECAL,LANYARD ANCHORAGE POINT.....	1	43	72849GT	DECAL,DANGER,BRAKE RELEASE.....	1
14	43658GT	DECAL,LABEL,PWR TO CHARGR 230V.....	1	44	72850GT	DECAL,DANGER,MAX CAP TRAY,WRD.....	1
15	44736GT	DECAL,DANGER,TIP-OVER,TILT.....	1	45	72892GT	DECAL,LABEL,BRAKE RELEASE SWIT.....	1
16	44980GT	DECAL,LABEL,PWR TO CHARGR 115V.....	1	46	72970GT	DECAL,INSTRUCTIONS-CHARGER OP.....	1
17	46262GT	DECAL,DANGER,BATTERY SAFETY.....	1	47	82366GT	DECAL,CHEVRON RANDO HD.....	1
18	52475GT	DECAL,LABEL,TRANSPORT TIEDOWN*.....	4	49	82832GT	DECAL,LABEL,FLOOR LOAD GR12....	4
19	72086GT	DECAL,LABEL,LIFTING EYE.....	1	50	82833GT	DECAL,LABEL,FLOOR LOAD GR15....	1
20	72135GT	DECAL,CONTROL PANEL,RUNABOUT.....	1	51	82838GT	DECAL,CONTROL PANEL,RUNABOUT.....	1
21	72139GT	DECAL,OPERATING INST,RUNABOUT.....	1	52	82975GT	DECAL,DANGER,COLLISION HAZARD.....	1
22	72140GT	DECAL,OPERATING INST,RUNABOUT.....	1				
23	72141GT	DECAL,GENERAL SAFETY,RUNABOUT.....	1				
24	72142GT	DECAL,DANGER,ELECTROCUTION,GR.1					
25	72143GT	DECAL,EMERGENCY STOP,GR.....	1				
26	72153GT	DECAL,MAXIMUM CAPACITY,GR.....	1 (500 lbs, 227kg)				
27	72155GT	DECAL,MAX CAPACITY (350LB),GR....	1 (350 lbs, 159 kg)				

101.2 Decals with Words, Models with Standard Platform (Serial numbers from 4001 to 5000)



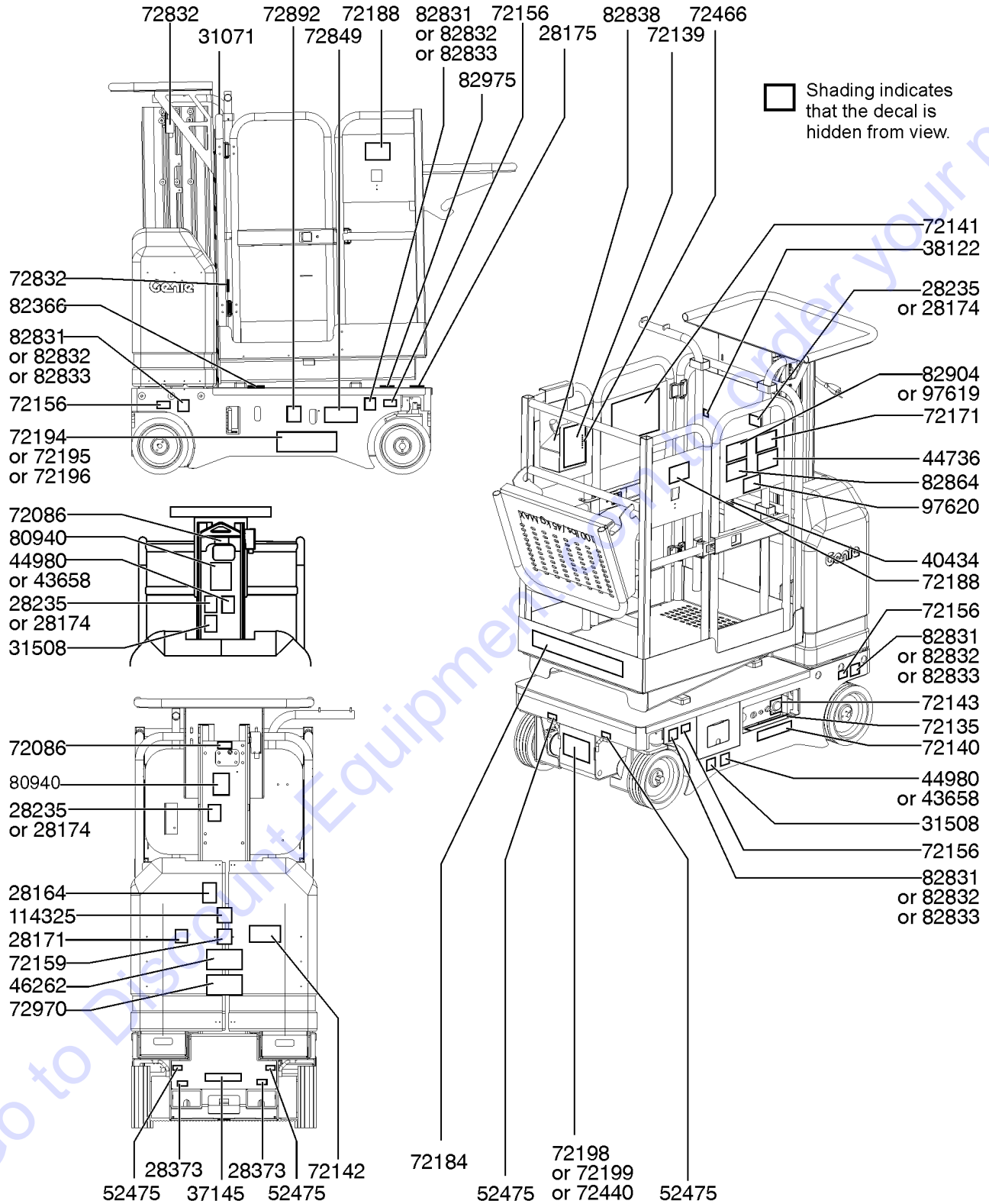
☐ Shading indicates that the decal is hidden from view.



101.2 Decals with Words, Models with Standard Platform (Serial numbers from 4001 to 5000)

Item	Part No.	Description	Qty.	Item	Part No.	Description	Qty.
--	107150GT	DECAL KIT,SAFETY/INST,STD,WRDS <i>kit includes items 1-3, 5, 7-13, 15, 17-25, 28-30, 33, 34, 40-47, 51 and 52</i>		26	72153GT	DECAL,MAXIMUM CAPACITY,GR.....1 <i>(500 lbs) (227 kg)</i>	1
--	69289GT	DECAL KIT,SAFETY,PLATFRM,GR,SO <i>kit includes items 1, 8, 9, 12, 15, 17, 23, 33, 34 and 42</i>		27	72155GT	DECAL,MAX CAPACITY (350LB),GR.....1 <i>(157 kg)</i>	1
--	80940GT	ASSY,SER # LABEL,POWERED/GR **.....1	1	28	72156GT	DECAL,NOTICE,TIRE SPECS,GR.....4	4
1	28161GT	DECAL,WARN,CRUSH HAZARD HAND.....1	1	29	114325GT	DECAL,BATTERY CONN DIAG,GR.....1	1
2	28164GT	DECAL,NOTICE,HAZARDOUS MAT'LS*.....1	1	30	72159GT	DECAL,TIP-OVER,BATTERIES,GR.....1	1
3	28171GT	DECAL,DANGER,NO SMOKING ***.....1	1	31	72171GT	DECAL,SIDE FORCE,100,GR,ANSI.....1 <i>(445 N)</i>	1
4	28174GT	DECAL, POWER TO PLATFORM 230V**.....2	2	32	72182GT	DECAL,SIDE FORCE,GR,CE&AUS,WRD.....1	1
5	28175GT	DECAL,WARNING-COMPART ACCESS.....1	1	33	72184GT	DECAL,COSMETIC,GENIE RUNABOUT.....2	2
6	28235GT	DECAL,POWER TO PLATFORM 115V...2	2	34	72188GT	DECAL,DIRECTIONAL ARROWS,GR...2	2
7	28373GT	DECAL,FORK LIFT POCKET.....2	2	35	72194GT	DECAL,COSMETIC,GENIE GR-8***.....1 <i>GR-8</i>	1
8	31060GT	DECAL,DANGER DO NOT ALTER SWTC.....1	1	38	72198GT	DECAL,COSMETIC,GENIE GR-8***.....1 <i>(front)</i>	1
9	28236GT	DECAL,WARN,IMPROPER OPERATION.....1 <i>DECAL,WARN,IMPROPER OPERATION</i>	1	41	72466GT	DECAL,CONTROL PANEL,HORN,GR...1 <i>(emergency stop button)</i>	1
10	31508GT	DECAL,DANGER,ELECT HAZARD,PLUG.....1	1	42	72832GT	DECAL,DANGER,DO NOT ALTER SWTC.....1 <i>(1 extra on GR-15 with extension deck)</i>	1
11	37145GT	DECAL, MANUAL LOWERING VALVE...1	1	43	72849GT	DECAL,DANGER,BRAKE RELEASE....1	1
12	38122GT	DECAL,LABEL, OM STORAGE.....1	1	44	72850GT	DECAL,DANGER,MAX CAP TRAY,WRD.....1	1
13	40434GT	DECAL,LANYARD ANCHORAGE POINT.....1	1	45	72892GT	DECAL,LABEL,BRAKE RELEASE SWIT.....1	1
14	43658GT	DECAL,LABEL,PWR TO CHARGR 230V.....1	1	46	72970GT	DECAL,INSTRUCTIONS-CHARGER OP.....1	1
15	44736GT	DECAL,DANGER,TIP-OVER,TILT.....1	1	47	82366GT	DECAL,CHEVRON RANDO HD.....1	1
16	44980GT	DECAL,LABEL,PWR TO CHARGR 115V.....1	1	48	82831GT	DECAL,LABEL,FLOOR LOAD GR8***.....1 <i>GR-8</i>	1
17	46262GT	DECAL,DANGER,BATTERY SAFETY....1	1	51	82838GT	DECAL,CONTROL PANEL,RUNABOUT.....1 <i>(joystick controller)</i>	1
18	52475GT	DECAL,LABEL,TRANSPORT TIEDOWN*.....4	4	52	82975GT	DECAL,DANGER,COLLISION HAZARD.....1	1
19	72086GT	DECAL,LABEL,LIFTING EYE.....1	1				
20	72135GT	DECAL,CONTROL PANEL,RUNABOUT.....1	1				
21	72139GT	DECAL,OPERATING INST,RUNABOUT.....1	1				
22	72140GT	DECAL,OPERATING INST,RUNABOUT.....1	1				
23	72141GT	DECAL,GENERAL SAFETY,RUNABOUT.....1	1				
24	72142GT	DECAL,DANGER,ELECTROCUTION,GR.1	1				
25	72143GT	DECAL,EMERGENCY STOP,GR.....1	1				

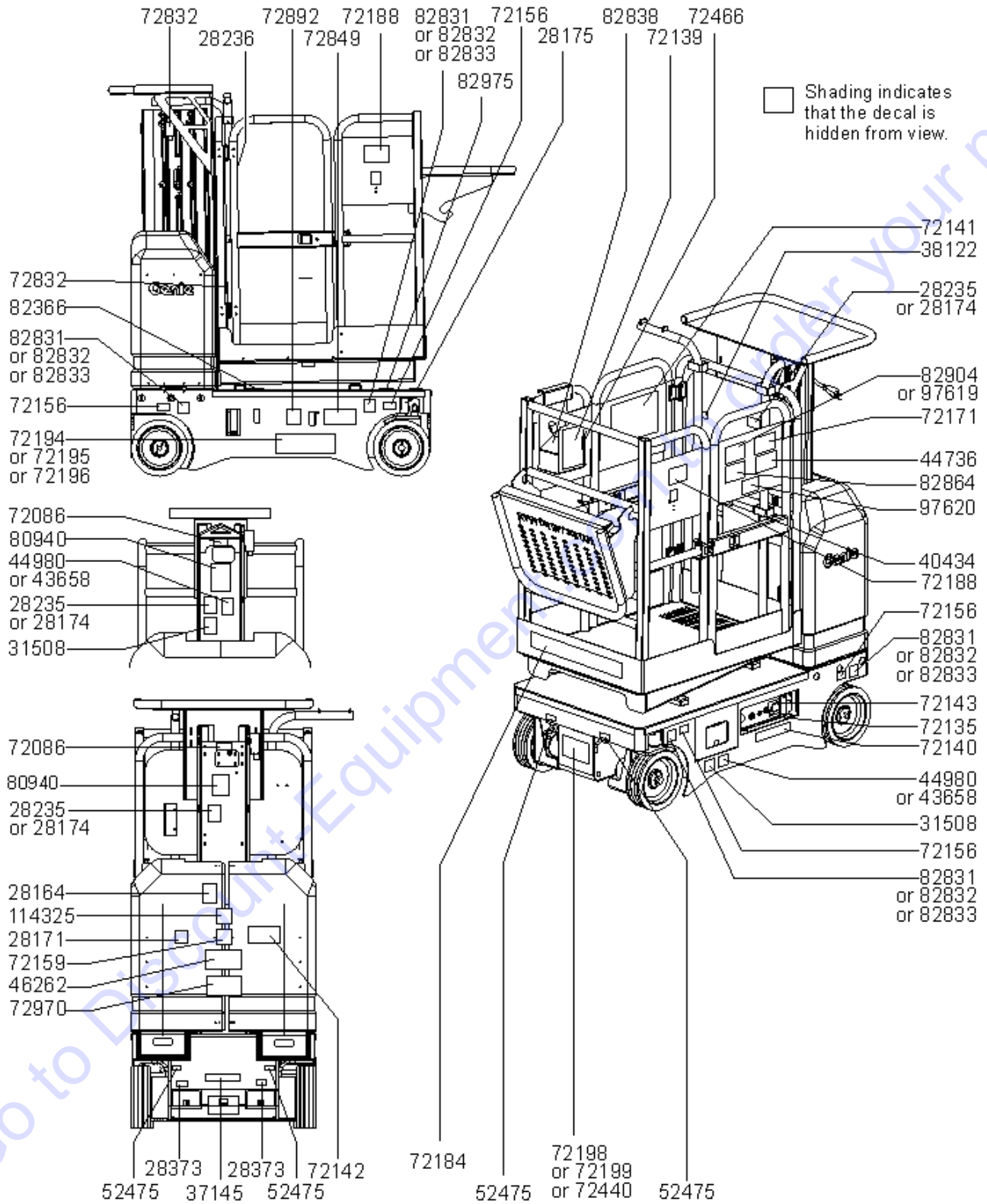
102.1 Decals with Words, Models with Stockpicker Platform (Serial numbers from 4001 to 5000)



102.1 Decals with Words, Models with Stockpicker Platform (Serial numbers from 4001 to 5000)

Item	Part No.	Description	Qty.	Item	Part No.	Description	Qty.
--	107187GT	DECAL KIT,SAFETY/INST,SP,WRDSS <i>kit includes items 1, 2, 4, 6-12, 14, 16-27, 30, 37-42, 46, 50 and 51</i>		29	72188GT	DECAL,DIRECTIONAL ARROWS,GR...	2
--	107188GT	DECAL KIT,SFTY/PLTRM,SP,WRDS <i>kit includes items 13, 19, 21, 28, 29, 36, 46 and 52</i>		31	72195GT	DECAL,COSMETIC,GENIE GR-12.....	1
1	28164GT	DECAL,NOTICE,HAZARDOUS MAT'LS*.....	1	32	72196GT	DECAL,COSMETIC,GENIE GR-15***	1
2	28171GT	DECAL,DANGER,NO SMOKING ***	1	34	72199GT	DECAL,COSMETIC,GENIE GR-12.....	1
3	28174GT	DECAL, POWER TO PLATFORM 230V**.....	2	35	72440GT	DECAL,COSMETIC,GENIE GR-15***	1
4	28175GT	DECAL,WARNING-COMPART ACCESS.....	1	36	72466GT	DECAL,CONTROL PANEL,HORN,GR....	1
5	28235GT	DECAL,POWER TO PLATFORM 115V...	2	37	72832GT	DECAL,DANGER,DO NOT ALTER SWTC.....	1
6	28373GT	DECAL,FORK LIFT POCKET.....	2	38	72849GT	DECAL,DANGER,BRAKE RELEASE....	1
7	31071GT	DECAL,WARNING,FAILURE TO READ.....	1	39	72892GT	DECAL,LABEL,BRAKE RELEASE SWIT.....	1
8	31508GT	DECAL,DANGER,ELECT HAZARD,PLUG.....	1	40	72970GT	DECAL,INSTRUCTIONS-CHARGER OP.....	1
9	37145GT	DECAL, MANUAL LOWERING VALVE....	1	41	82366GT	DECAL,CHEVRON RANDO HD.....	1
10	38122GT	DECAL,LABEL, OM STORAGE.....	1	43	82832GT	DECAL,LABEL,FLOOR LOAD GR12....	4
11	40434GT	DECAL,LANYARD ANCHORAGE POINT.....	1	45	82833GT	DECAL,LABEL,FLOOR LOAD GR15....	4
12	43658GT	DECAL,LABEL,PWR TO CHARGR 230V.....	1	46	82838GT	DECAL,CONTROL PANEL,RUNABOUT.....	1
13	44736GT	DECAL,DANGER,TIP-OVER,TILT.....	1	47	82975GT	DECAL,DANGER,COLLISION HAZARD.....	1
14	44980GT	DECAL,LABEL,PWR TO CHARGR 115V.....	1	48	82863GT	DECAL,DANGER,MAX CAP PARCEL WD.....	1
15	46262GT	DECAL,DANGER,BATTERY SAFETY....	1	49	82864GT	DECAL,DANGER,MAX CAP BIKE RACK.....	2
16	52475GT	DECAL,LABEL,TRANSPORT TIEDOWN*.....	4	50	82904GT	DECAL,MAX CAPACITY,450 LBS.....	1
17	72086GT	DECAL,LABEL,LIFTING EYE.....	1	51	97619GT	DECAL,MAX CAPACITY,500 LBS.....	1
18	72135GT	DECAL,CONTROL PANEL,RUNABOUT.....	1	52	97620GT	DECAL,DANGER,MAX CAP ADJ TRAY.....	1
19	72139GT	DECAL,OPERATING INST,RUNABOUT.....	1				
20	72140GT	DECAL,OPERATING INST,RUNABOUT.....	1				
21	72141GT	DECAL,GENERAL SAFETY,RUNABOUT.....	1				
22	72142GT	DECAL,DANGER,ELECTROCUTION,GR.1					
23	72143GT	DECAL,EMERGENCY STOP,GR.....	1				
24	72156GT	DECAL,NOTICE,TIRE SPECS,GR.....	4				
25	114325GT	DECAL,BATTERY CONN DIAG,GR.....	1				
26	72159GT	DECAL,TIP-OVER,BATTERIES,GR.....	1				
27	72171GT	DECAL,SIDE FORCE,100,GR,ANSI.....	1				
		<i>(100 lbs, 445 N)</i>					
28	72184GT	DECAL,COSMETIC,GENIE RUNABOUT.....	2				

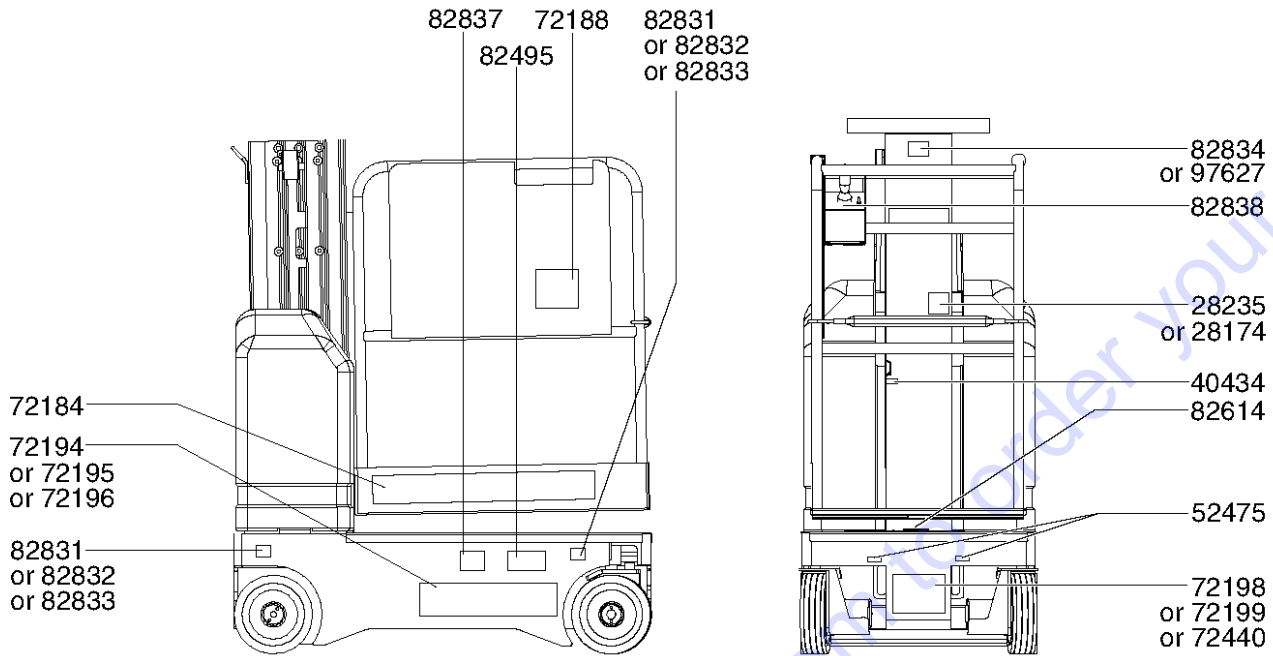
102.1 Decals with Words, Models with Stockpicker Platform (Serial numbers from 4001 to 5000)



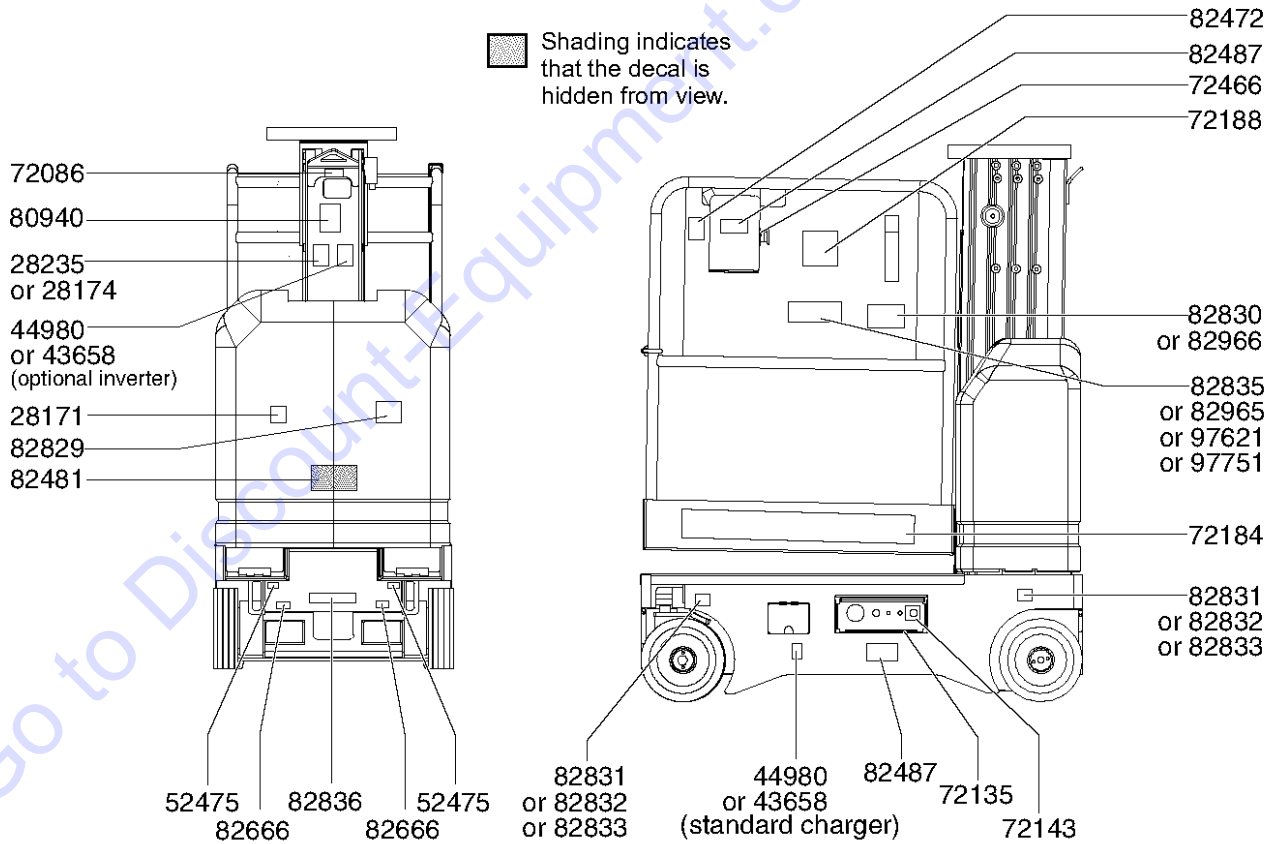
102.1 Decals with Words, Models with Stockpicker Platform (Serial numbers from 4001 to 5000)

Item	Part No.	Description	Qty.	Item	Part No.	Description	Qty.
--	107187GT	DECAL KIT,SAFETY/INST,SP,WRDSS <i>kit includes items 1, 2, 4, 6-12, 14, 16-27, 30, 37-42, 46, 50 and 51</i>		28	72184GT	DECAL,COSMETIC,GENIE RUNABOUT.....	2
--	107188GT	DECAL KIT,SFTY/PLTRM,SP,WRDS <i>kit includes items 13, 19, 21, 28, 29, 36, 46 and 52</i>		29	72188GT	DECAL,DIRECTIONAL ARROWS,GR....	2
--	80940GT	ASSY,SER # LABEL,POWERED/GR **.....	1	30	72194GT	DECAL,COSMETIC,GENIE GR-8***.....	1
1	28164GT	DECAL,NOTICE,HAZARDOUS MAT'LS*.....	1	33	72198GT	DECAL,COSMETIC,GENIE GR-8***..... <i>(front)</i>	1
2	28171GT	DECAL,DANGER,NO SMOKING ***.....	1	36	72466GT	DECAL,CONTROL PANEL,HORN,GR....	1
3	28174GT	DECAL, POWER TO PLATFORM 230V**.....	2	37	72832GT	DECAL,DANGER,DO NOT ALTER SWTC.....	1
4	28175GT	DECAL,WARNING-COMPART ACCESS.....	1	38	72849GT	DECAL,DANGER,BRAKE RELEASE.....	1
5	28235GT	DECAL,POWER TO PLATFORM 115V....	2	39	72892GT	DECAL,LABEL,BRAKE RELEASE SWIT.....	1
6	28373GT	DECAL,FORK LIFT POCKET.....	2	40	72970GT	DECAL,INSTRUCTIONS-CHARGER OP.....	1
7	28236GT	DECAL,WARN,IMPROPER OPERATION..... <i>DECAL, WARN,IMPROPER OPERATION</i>	1	41	82366GT	DECAL,CHEVRON RANDO HD.....	1
8	31508GT	DECAL,DANGER,ELECT HAZARD,PLUG.....	1	42	82831GT	DECAL,LABEL,FLOOR LOAD GR8***....	4
9	37145GT	DECAL, MANUAL LOWERING VALVE....	1	46	82838GT	DECAL,CONTROL PANEL,RUNABOUT..... <i>(joystick controller)</i>	1
10	38122GT	DECAL,LABEL, OM STORAGE.....	1	47	82975GT	DECAL,DANGER,COLLISION HAZARD.....	1
11	40434GT	DECAL,LANYARD ANCHORAGE POINT.....	1	48	82863GT	DECAL,DANGER,MAX CAP PARCEL WD.....	1
12	43658GT	DECAL,LABEL,PWR TO CHARGR 230V.....	1	49	82864GT	DECAL,DANGER,MAX CAP BIKE RACK.....	2
13	44736GT	DECAL,DANGER,TIP-OVER,TILT.....	1	51	97619GT	DECAL,MAX CAPACITY,500 LBS..... <i>GR-8, GR-12</i>	1
14	44980GT	DECAL,LABEL,PWR TO CHARGR 115V.....	1	52	97620GT	DECAL,DANGER,MAX CAP ADJ TRAY.....	1
15	46262GT	DECAL,DANGER,BATTERY SAFETY.....	1				
16	52475GT	DECAL,LABEL,TRANSPORT TIEDOWN*.....	4				
17	72086GT	DECAL,LABEL,LIFTING EYE.....	1				
18	72135GT	DECAL,CONTROL PANEL,RUNABOUT.....	1				
19	72139GT	DECAL,OPERATING INST,RUNABOUT.....	1				
20	72140GT	DECAL,OPERATING INST,RUNABOUT.....	1				
21	72141GT	DECAL,GENERAL SAFETY,RUNABOUT.....	1				
22	72142GT	DECAL,DANGER,ELECTROCUTION,GR.1					
23	72143GT	DECAL,EMERGENCY STOP,GR.....	1				
24	72156GT	DECAL,NOTICE,TIRE SPECS,GR.....	4				
25	114325GT	DECAL,BATTERY CONN DIAG,GR.....	1				
26	72159GT	DECAL,TIP-OVER,BATTERIES,GR.....	1				
27	72171GT	DECAL,SIDE FORCE,100,GR,ANSI..... <i>(100 lbs, 445 N)</i>	1				

103.1 Decals with Symbols, Models with Standard Platform (Serial numbers from 4001 to 5000)



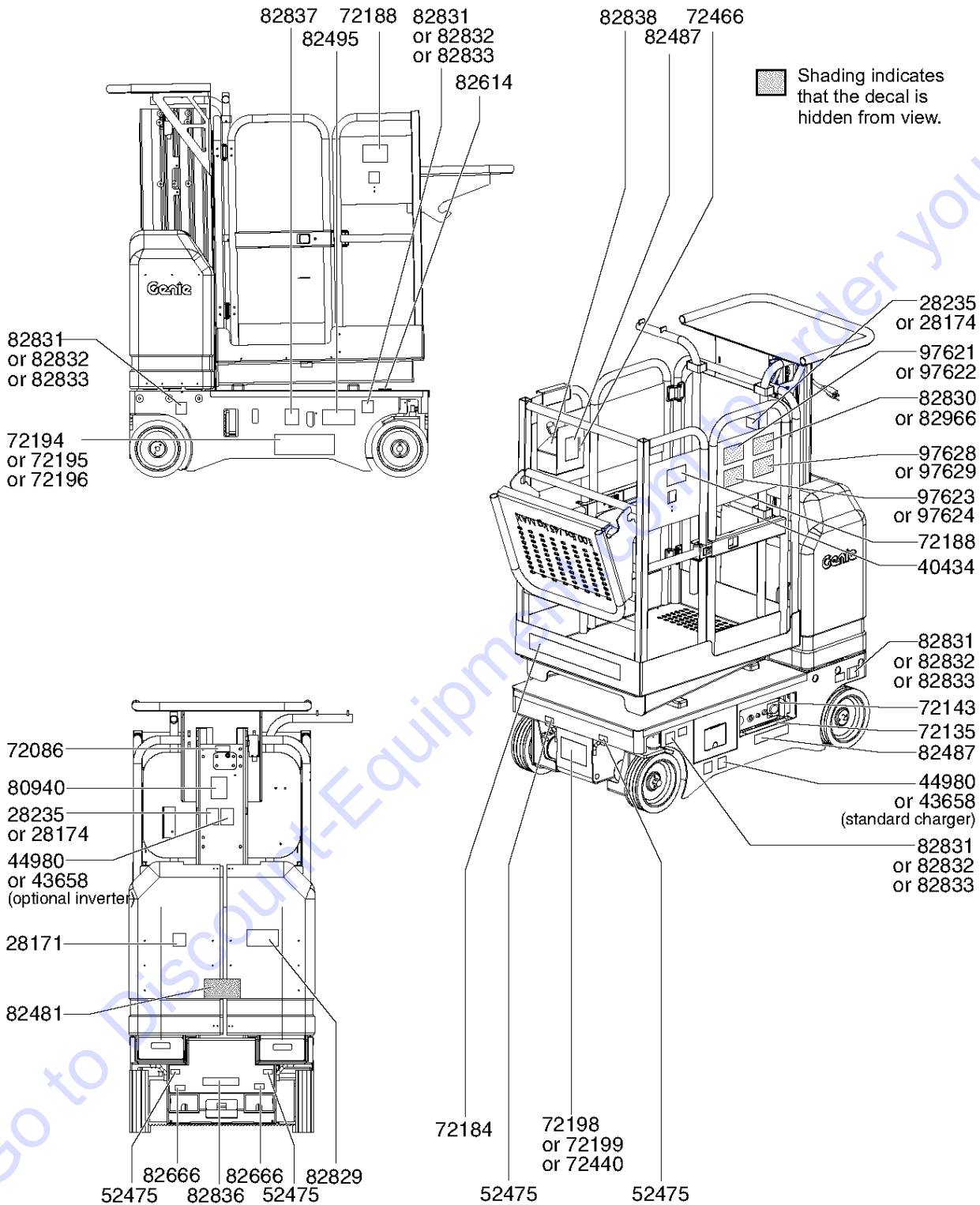
Shading indicates that the decal is hidden from view.



103.1 Decals with Symbols, Models with Standard Platform (Serial numbers from 4001 to 5000)

Item	Part No.	Description	Qty.	Item	Part No.	Description	Qty.
--	107189GT	DECAL KIT,SFTY/PLTFRM,STD,SYM (includes items 1, 4, 7-12, 19-26, 33-35)		30	82833GT	DECAL,LABEL,FLOOR LOAD GR15.....4	4
--	107226GT	DECAL KIT,SAFTY/PLTFRM,STD,SYM (includes items 11, 12, 19, 20, 22)		31	82834GT	DECAL,DANGER,MAX CAP TRAY SYMB.....1 GR-15 (159 kg)	1
1	28171GT	DECAL,DANGER,NO SMOKING ***.....1	1	32	82835GT	DECAL,DANGR,159 KG CAP,STD PLT.....1 (Asia, South America)	1
2	28174GT	DECAL, POWER TO PLATFORM 230V**.....2	2	33	82836GT	LABEL,AUXILIARY LOWERING.....1	1
3	28235GT	DECAL,POWER TO PLATFORM 115V...2	2	34	82837GT	DECAL,LABEL,BRAKE RELSE SYMB....1	1
4	40434GT	DECAL,LANYARD ANCHORAGE POINT.....1	1	35	82838GT	DECAL,CONTROL PANEL,RUNABOUT.....1 (joystick controller)	1
5	43658GT	DECAL,LABEL,PWR TO CHARGR 230V.....1	1	36	82966GT	DECAL,SIDE FORCE,GR - ANSI,SYM...1 (Asia, South America)	1
6	44980GT	DECAL,LABEL,PWR TO CHARGR 115V.....1	1	37	82965GT	DECAL,DANGR,227 KG CAP,STD PLT.....1 GR-8, GR-12 (Asia, South America)	1
7	52475GT	DECAL,LABEL,TRANSPORT TIEDOWN*.....4	4	38	97621GT	DECAL,DANGER,MAX CAP SP PLAT....1 GR-8, GR-12 (CE) (227 kg)	1
8	72086GT	DECAL,LABEL,LIFTING EYE.....1	1	39	97627GT	DECAL,DANGER,MAX CAP TRAY.....1 GR-8, GR-12 (227 kg)	1
9	72135GT	DECAL,CONTROL PANEL,RUNABOUT.....1	1	40	97751GT	DECAL,DANGER,MAX CAP PLAT.....1 GR-15 (CE) (159 kg)	1
10	72143GT	DECAL,EMERGENCY STOP,GR.....1	1				
11	72184GT	DECAL,COSMETIC,GENIE RUNABOUT.....2	2				
12	72188GT	DECAL,DIRECTIONAL ARROWS,GR...2	2				
13	72194GT	DECAL,COSMETIC,GENIE GR-8***.....1	1				
14	72195GT	DECAL,COSMETIC,GENIE GR-12.....1	1				
15	72196GT	DECAL,COSMETIC,GENIE GR-15***.....1	1				
16	72198GT	DECAL,COSMETIC,GENIE GR-8***.....1 (front)	1				
17	72199GT	DECAL,COSMETIC,GENIE GR-12.....1 (front)	1				
18	72440GT	DECAL,COSMETIC,GENIE GR-15***.....1 (front)	1				
19	72466GT	DECAL,CONTROL PANEL,HORN,GR...1 (emergency stop button)	1				
20	82472GT	DECAL,WARNING,CRUSHING HAZARD.....1	1				
21	82481GT	DECAL,SYMBOL-BATTERY SAFETY....1	1				
22	82487GT	DECAL,SYMBOL - READ THE MANUAL.....2	2				
23	82495GT	DECAL,SYMBOL-BRAKE REL SAFETY.....1	1				
24	82614GT	DECAL,DANGER,COLLISION HAZARD.....1	1				
25	82666GT	DECAL,LABEL,FORKLIFT POCKET....2	2				
26	82829GT	DECAL,DANGER,ELEC.HAZ SYMB.....1	1				
27	82830GT	DECAL,DANGER,SIDE FORCE CE GR.....1	1				
28	82831GT	DECAL,LABEL,FLOOR LOAD GR8***....4	4				
29	82832GT	DECAL,LABEL,FLOOR LOAD GR12....4	4				

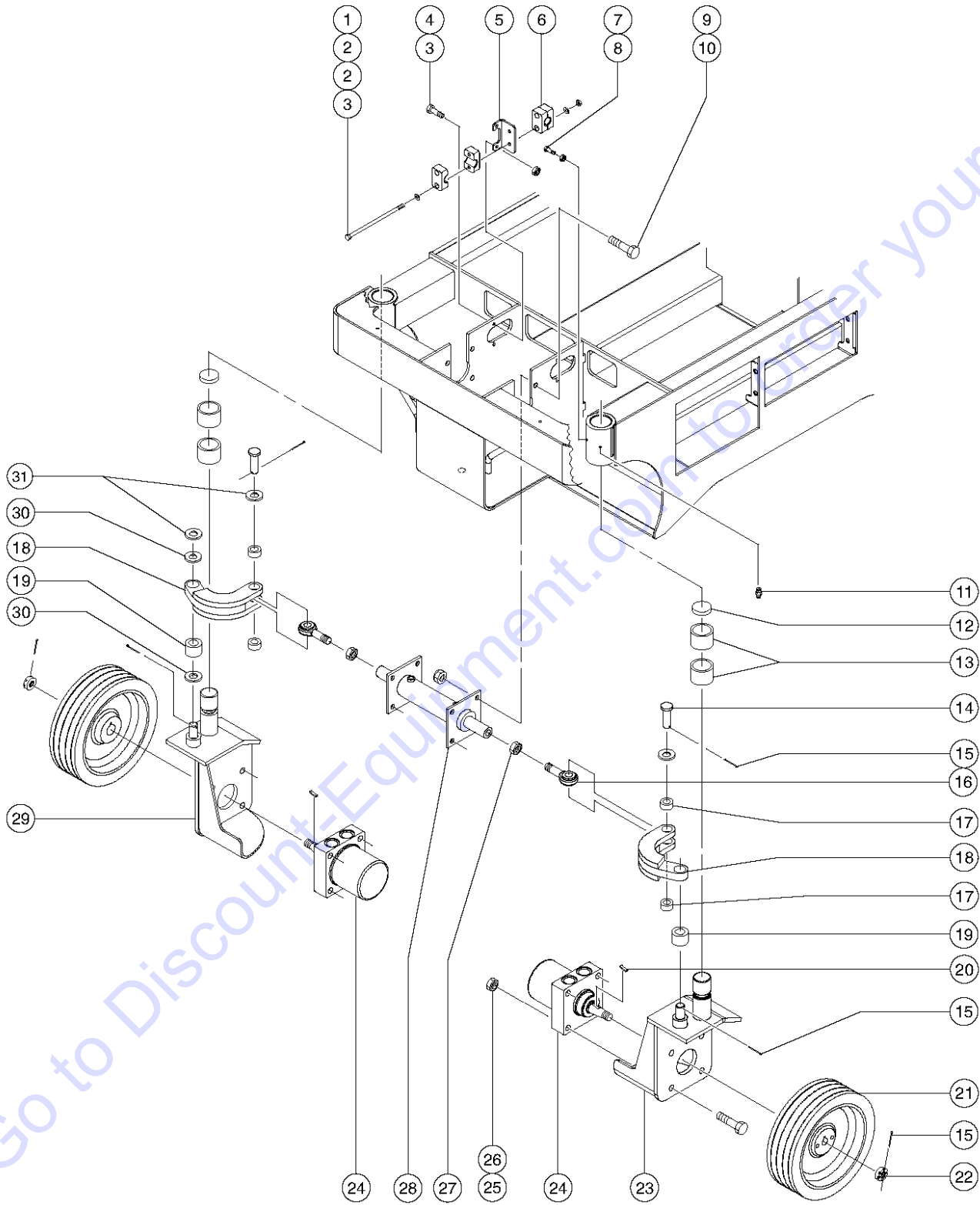
104.1 Decals with Symbols, Models with Stockpicker Platform, (Serial numbers from 4001 to 5000)



104.1 Decals with Symbols, Models with Stockpicker Platform, (Serial numbers from 4001 to 5000)

Item	Part No.	Description	Qty.	Item	Part No.	Description	Qty.
--	107189GT	DECAL KIT,SFTY/PLTFRM,STD,SYM <i>kit includes items 1, 4, 7-12, 19-26 and 31-33</i>		29	82832GT	DECAL,LABEL,FLOOR LOAD GR12.....4	4
--	107226GT	DECAL KIT,SAFTY/PLTFRM,STD,SYM <i>kit includes items 11, 12, 19, 20 and 22</i>		30	82833GT	DECAL,LABEL,FLOOR LOAD GR15.....4	4
1	28171GT	DECAL,DANGER,NO SMOKING ***.....1	1	31	82836GT	LABEL,AUXILIARY LOWERING.....1	1
2	28174GT	DECAL, POWER TO PLATFORM 230V**.....2	2	32	82837GT	DECAL,LABEL,BRAKE RELSE SYMB.....1	1
3	28235GT	DECAL,POWER TO PLATFORM 115V...2	2	33	82838GT	DECAL,CONTROL PANEL,RUNABOUT.....1	1
4	40434GT	DECAL,LANYARD ANCHORAGE POINT.....1	1	34	82966GT	DECAL,SIDE FORCE,GR - ANSI,SYM...1 <i>ANSI & CSA (445 N)</i>	1
5	43658GT	DECAL,LABEL,PWR TO CHARGR 230V.....1	1	35	97621GT	DECAL,DANGER,MAX CAP SP PLAT....1 <i>(227 kg)</i>	1
6	44980GT	DECAL,LABEL,PWR TO CHARGR 115V.....1	1	36	97622GT	DECAL,DANGER,MAX CAP SP PLAT....1 <i>(204 kg)</i>	1
7	52475GT	DECAL,LABEL,TRANSPORT TIEDOWN*.....4	4	37	97623GT	DECAL,DANGER,MAX CAP ADJ TRAY.....1	1
8	72086GT	DECAL,LABEL,LIFTING EYE.....1	1	38	97624GT	DECAL,DANGER,MAX CAP ADJ TRAY.....1	1
9	72135GT	DECAL,CONTROL PANEL,RUNABOUT.....1	1	39	97625GT	DECAL,DANGER,MAX CAP TRAY.....1 <i>GR-08, GR-12</i>	1
10	72143GT	DECAL,EMERGENCY STOP,GR.....1	1	40	97626GT	DECAL,DANGER,MAX CAP TRAY.....1 <i>GR-15</i>	1
11	72184GT	DECAL,COSMETIC,GENIE RUNABOUT.....1	1	41	97628GT	DECAL,DANGER,MAX CAP BIKE RACK.....1	1
12	72188GT	DECAL,DIRECTIONAL ARROWS,GR...2	2	42	97629GT	DECAL,DANGER,MAX CAP BIKE RACK.....1	1
13	72194GT	DECAL,COSMETIC,GENIE GR-8***.....1	1				
14	72195GT	DECAL,COSMETIC,GENIE GR-12.....1	1				
15	72196GT	DECAL,COSMETIC,GENIE GR-15***.....1	1				
16	72198GT	DECAL,COSMETIC,GENIE GR-8***.....1 <i>(front)</i>	1				
17	72199GT	DECAL,COSMETIC,GENIE GR-12.....1 <i>(front)</i>	1				
18	72440GT	DECAL,COSMETIC,GENIE GR-15***.....1 <i>(front)</i>	1				
19	72466GT	DECAL,CONTROL PANEL,HORN,GR...1 <i>(emergency stop button)</i>	1				
20	82472GT	DECAL,WARNING,CRUSHING HAZARD.....1	1				
21	82481GT	DECAL,SYMBOL-BATTERY SAFETY.....1	1				
22	82487GT	DECAL, SYMBOL - READ THE MANUAL.....2	2				
23	82495GT	DECAL,SYMBOL-BRAKE REL SAFETY.....1	1				
24	82614GT	DECAL,DANGER,COLLISION HAZARD.....1	1				
25	82666GT	DECAL,LABEL,FORKLIFT POCKET.....2	2				
26	82829GT	DECAL,DANGER,ELEC.HAZ SYMB.....1	1				
27	82830GT	DECAL,DANGER,SIDE FORCE CE GR.....1	1				
28	82831GT	DECAL,LABEL,FLOOR LOAD GR8***....4	4				

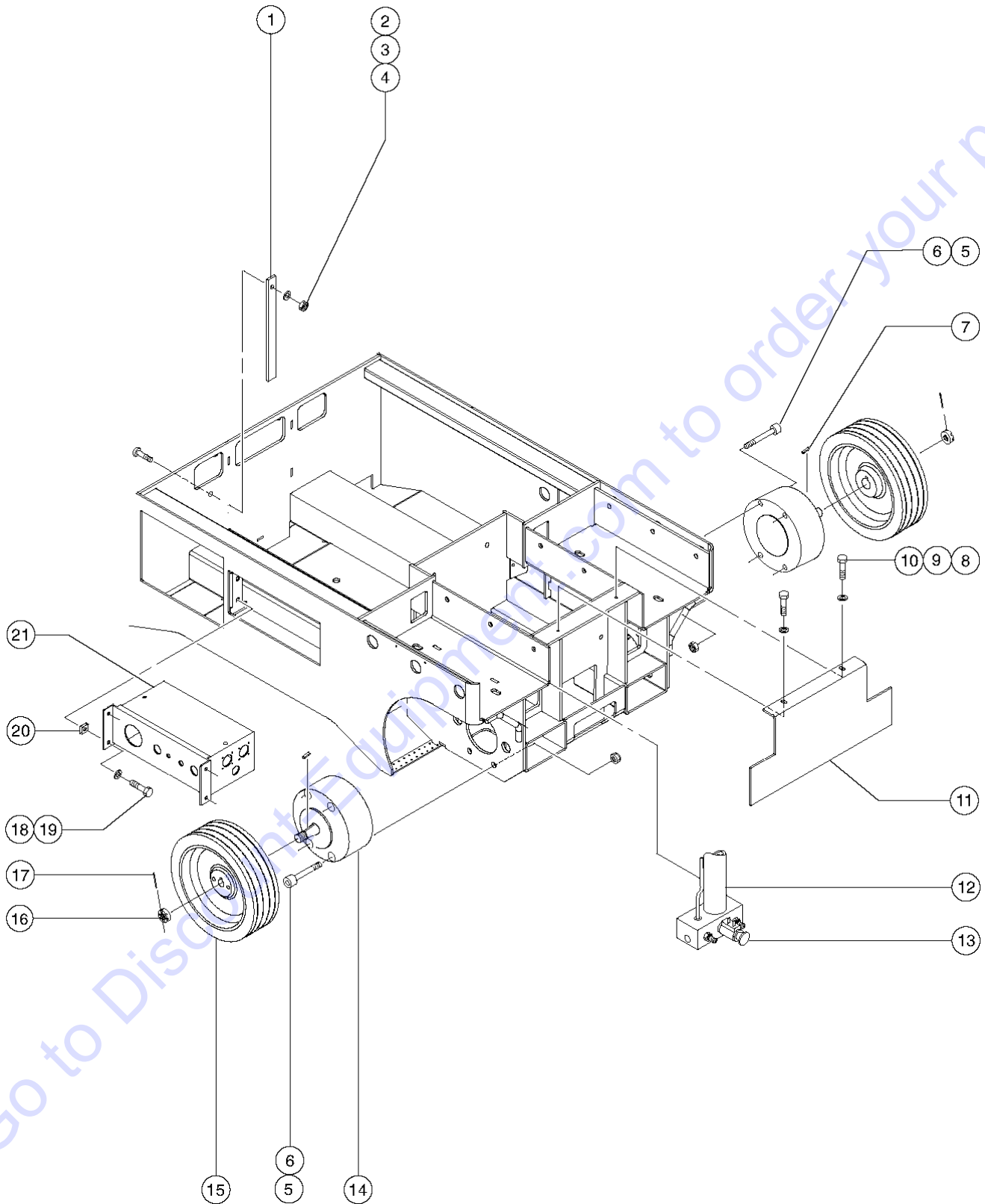
201.1 Steer Axle Linkage and Wheels



201.1 Steer Axle Linkage and Wheels

Item	Part No.	Description	Qty.
1	12346GT	10 X .5 FLT TS SCREW	
2	6638GT	WASHER,FLAT,USS,1/4"Y	
3	6091GT	NUT,NYLOCK,1/4-20	
4	6090GT	SCREW,HHC,1/4-20 X .75	
5	69332GT	MOUNT, HOSE CLAMP.....	2
6	66829GT	TUBE, CLAMP, 3/8 (PAIR).....	4
7	6888GT	SCREW,HHC,1/4-20 X 1	
8	6357GT	NUT,HEX,1/4-20	
9	6175GT	SCREW,HHC,3/8-16 X 1	
10	4828GT	NUT,NYLOCK,3/8-16	
11	55953GT	ZERK-GREASE,1/4-28, STRAIGHT.....	2
12	57999GT	BEARING THRUST .50X1.625X.25.....	2
13	57988GT	BEARING,1.5 ID X 1.75 OD X 1.3.....	4
14	57952GT	PIN, 5/8 X 2.25 STEER CLEVIS..... <i>(weldment steer link to SN GR01-199)</i>	2
14A	61295GT	PIN,CLEVIS,.625 X 2.00 LG. <i>(from SN GR01-200 and for cast steer link to SN GR01-199)</i>	
15	5361GT	PIN,COTTER,.125 X 1.5.....	6
16	57967GT	LUG, ROD END, BEARING EYE.....	2
17	57951GT	BEARING,.625X.875X.50..... <i>(weldment steer link to SN GR01-199)</i>	4
17A	69841GT	BEARING,.625X.875X.375 <i>(from SN GR01-200 and for cast steer link to SN GR01-199)</i>	
18	57886GT	STEER LINK ASSEMBLY, GR..... <i>(includes items 17 and 19)</i>	2
19	36369GT	BEARING,0.75IDX1.00ODX0.75L	
20	69547GT	KEY,DRIVE MOTOR(57996).....	4
21	57998GT	ASSY,WHEEL & TIRE,GR..... <i>grey, non-marking</i>	2
22	69548GT	NUT,CASTLE(57996)GR.....	4
23	57956-SGT	WELDMENT, LEFT YOKE.....	1
24	57996GT	MOTOR, 10.0 CU IN/REV DRIVE..... <i>(includes item 22)</i>	2
--	65616GT	SEAL KIT PWR WHL MOTOR	
25	6198GT	NUT,NYLOCK,1/2-13	
26	9145GT	SCREW,HHC,1/2-13 X 2.5,GR5	
27	69497GT	NUT,HEX, 5/8-18 YELLOW-ZINC	
28	80954GT	CYLINDER, STEER, DBL ACT, DY**.....	1
--	69471GT	SEAL KIT,STEER CYLINER (57997) <i>(Texas)</i>	
--	80947GT	SEAL KIT, DONYANG CYL (57997)	
29	57957-SGT	WELDMENT, RIGHT YOKE.....	1
30	6564GT	WASHER, SHIM,.765 X 1.312 X .093	
31	42191GT	WASHER,FLAT,.640X1.160X.09	

202.1 Non-steer Axle and Ground Controls Installation

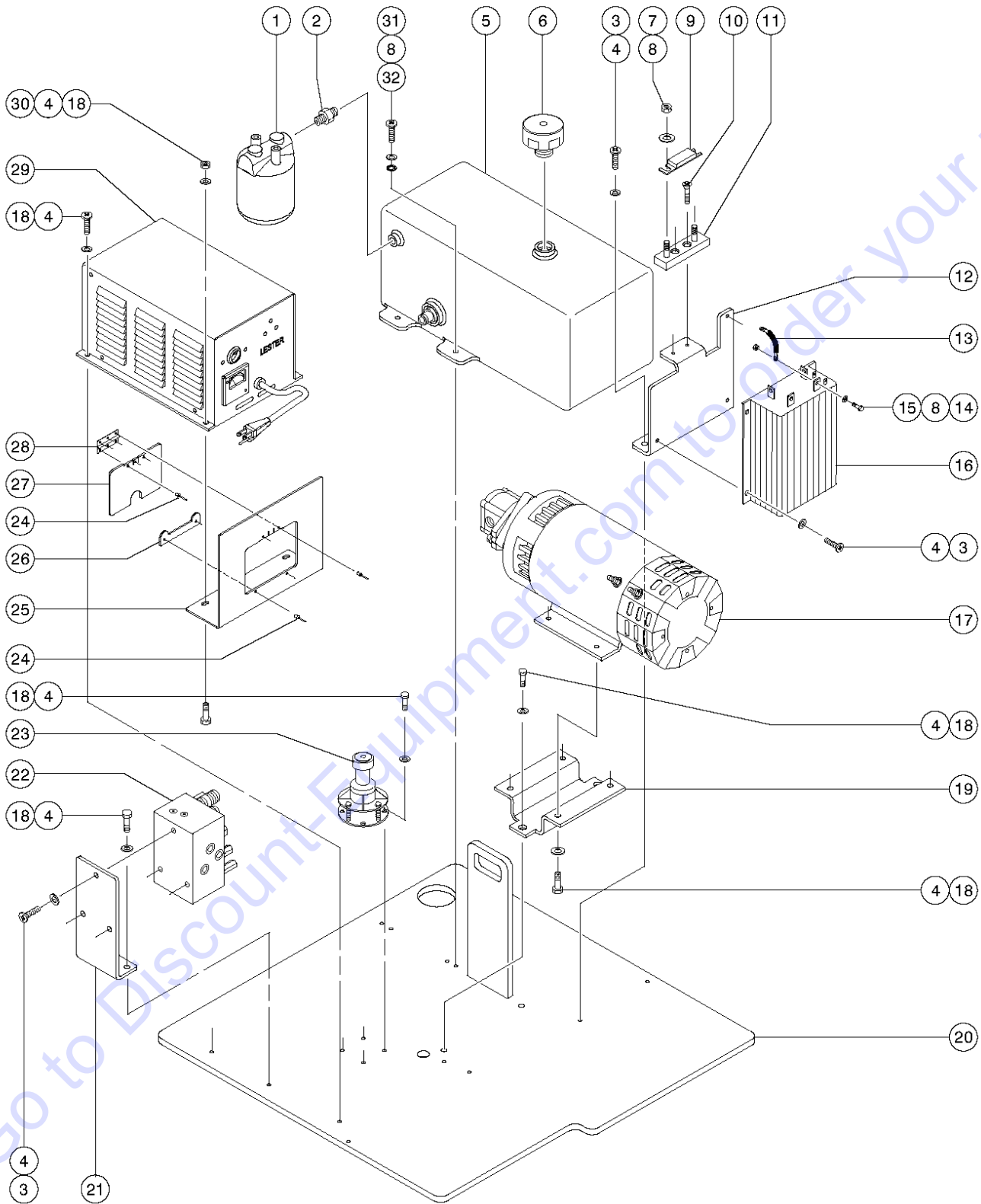


202.1 Non-steer Axle and Ground Controls Installation

Item	Part No.	Description	Qty.
1	96317GT	GROUND STRAP,12"LG***.....	1
2	4828GT	NUT,NYLOCK,3/8-16	
3	6097GT	WASHER,FLAT,USS,3/8",Y	
4	28487GT	SCREW,BHHS,3/8-16 X 1	
5	42360GT	SCREW,SHC,1/2-13 X 4 ZINC	
6	6198GT	NUT,NYLOCK,1/2-13	
7	69547GT	KEY,DRIVE MOTOR(57996).....	2
8	8915GT	SCREW,HHC,1/4-20 X 1.25	
9	6638GT	WASHER,FLAT,USS,1/4"Y	
10	6091GT	NUT,NYLOCK,1/4-20	
11	69285GT	REAR ACCESS COVER W/DECAL,GR.....	1
		(to SN GR04-2456)	
11A	85398GT	REAR ACCESS COVER, WRD, GR (from SN GR04-2457 to GR04-4000) (all models)	
11B	85398GT	REAR ACCESS COVER, WRD, GR (from SN GR04-4001) (USA, Canada, Australia)	
11C	107214GT	REAR ACCESS COVER, SYMB, GR (from SN GR04-4001) (Europe, Asia, South America)	
12		Ref. Lift Cylinder (refer to 401.1)	
13		Ref. Manual Lowering Valve (refer to 401.1)	
14	215550GT	BRAKE,1.5IN/FT SHAFT,W/ORIFICE....	2
		(includes items 7 and 16)	
15	57998GT	ASSY,WHEEL & TIRE,GR.....	2
		grey, non-marking	
16	69548GT	NUT,CASTLE(57996)GR.....	2
17	5361GT	PIN,COTTER,.125 X 1.5	
18	6090GT	SCREW,HHC,1/4-20 X .75	
19	6356GT	WASHER,LOCK,.25	
20	56912GT	SPRING CLIP,1/4-20,.025-.15X.54,ZAG	
21		Ref. Ground Controls (refer to 207.1 or 207.2)	

Item	Part No.	Description	Qty.
1	6198GT	NUT,NYLOCK,1/2-13	
2	13066GT	WASHER,FLAT,.5 HARDENED	
3	8220GT	SCREW,HHC,1/2-13 X 4	
4	4828GT	NUT,NYLOCK,3/8-16 GR-15	
5	5224GT	SCREW,HHC,3/8-16 X 2 GR-15	
6	80059GT	CNTR WT, BACK, CAST, GR.....1 GR-15	
7	7339GT	SCREW,HHC,1/4-20 X .5	
8	69598GT	COUNTERWEIGHT, SIDE PLATE.....2	
9	57921-SGT	PLATE,LOWER CHASSIS CNTRWEIGHT.....4 GR-12, GR-15	
10	57903-SGT	COUNTERWEIGHT,RUNABOUT/BASE..7 GR-15	
11	80042GT	CNTR WT, SIDE BELLY, CAST, GR.....2 GR-12, GR-15	
12	80474GT	CASTING, SIDE COUNTERWEIGHT....2 GR-12, GR-15	
13	80041GT	CNTR WT, FRONT, CAST, GR.....1 GR-15	
14	80043GT	CNTR WT, CENTER BELLY, CAST,GR.....2 GR-15	
15	80815GT	PLATE, COUNTERWT, WHEEL WELL.....12 GR-12 (CSA models)	
15A	80815GT	PLATE, COUNTERWT, WHEEL WELL.....16 GR-15 (CSA models)	
16	57901-SGT	PLATE, BOTTOM COUNTERWEIGHT....2 GR-15	
17	69597-SGT	COUNTERWEIGHT, MID-PLATE.....1 GR-15	

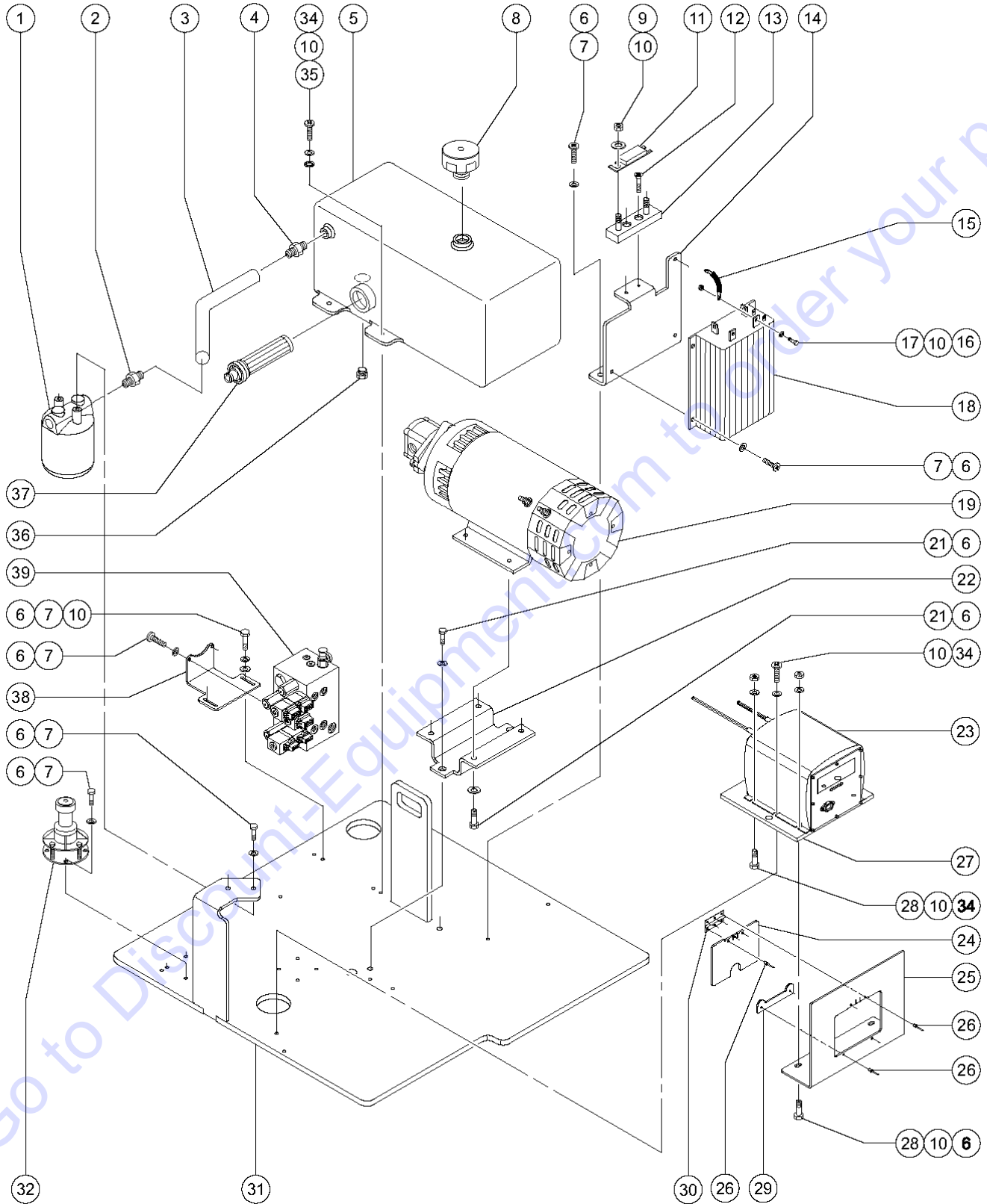
204.1 Chassis Components Installation (Serial numbers to GR01-248)



204.1 Chassis Components Installation (Serial numbers to GR01-248)

Item	Part No.	Description	Qty.	Item	Part No.	Description	Qty.
1	52313GT	FILTER ASSEMBLY W/FILTER.....	1	--	69382GT	MOUNT, CHARGER/INVERTER	
--	49798GT	FILTER,10 MICRON		26	69542-SGT	STOPPER, CHARGER MOUNT DOOR	
2		Ref. Fitting (refer to 403.1)		27	69569GT	DOOR,BATTERY CHARGER W/HING....1 (CE) (to SN GR03-1862) (includes items 24 and 28)	
3	38979GT	SCREW,PHM,1/4-20X.5 PHIL		28	69510GT	HINGE, BATTERY MOUNT.....1	
4	6356GT	WASHER,LOCK,.25		29		Ref. Battery Charger (refer to 210.1, 211.1 or 212.1)	
5	69436GT	TANK,HYDRAULIC, POLYETHYLENE....1		30	6091GT	NUT,NYLOCK,1/4-20	
--		Ref. Strainer (refer to 403.1)		31	6888GT	SCREW,HHC,1/4-20 X 1	
--	55190GT	PLUG,PIPE HEXHEAD 130109E-3/8		32	6700GT	WASHER,STAR,EXTERNAL,.375	
6	69355GT	BREATHER, 3/4 NPT HYD TNK FLR....1					
7	6002GT	NUT,LP NYLOCK,5/16-18					
8	6638GT	WASHER,FLAT,USS,1/4"Y					
9	40833GT	FUSE,275 AMP,VERY FAST ACTING....1					
10	17626GT	SCREW,FHM,10-32 X .75					
11	66717GT	FUSE BLOCK, ANN & ANL FUSE.....1					
12	69459GT	MOUNT, MOTOR CONTROL.....1					
13		Ref. Cable Assembly (refer to 214.1)					
14	10107GT	SCREW,HHC,5/16-18 X .75					
15	6037GT	NUT,HEX,5/16-18,GR5					
16A	1263633GT	KIT, GS MOTOR CONTROLLER REPL.....1 <i>kit includes installation instructions, new motor controller (PN 823408), harness, battery cables, and new fasteners. For machines that do not already have contactors installed, must also order 219897.</i>					
16B	823408GT	MOTOR CONTROLLER, DC,24V,300A <i>motor controllers sold separately only in cases where upgrade kits are N/A or an upgrade kit has been previously installed</i>					
16C	219897GT	KIT.CONTACTOR,GR,ALT.....1 (to SNs GR05-5000) (does not include motor controller)					
16D	823408GT	MOTOR CONTROLLER, DC,24V,300A					
17		Ref. Hydraulic Power Unit (refer to 401.1)					
18	8914GT	SCREW,HHC,1/4-20 X .625					
19	57864GT	FORMING, MOTOR MOUNT.....1					
20	57806-SGT	WELDMENT, CHASSIS TRAY.....1					
21	57863-SGT	MANIFOLD MOUNT.....1					
22		Ref. Function Manifold (refer to 402.1, 402.2 or 402.3)					
23	40836GT	LEVEL SENSOR,LS60,BLUE,2X4**.....1					
24	6272GT	RIVET,STL,STL,P,.125 X .25					
25	69327-SGT	MOUNT, CHARGER , WORLDWIDE.....1 (CE) (to SN GR03-1862)					

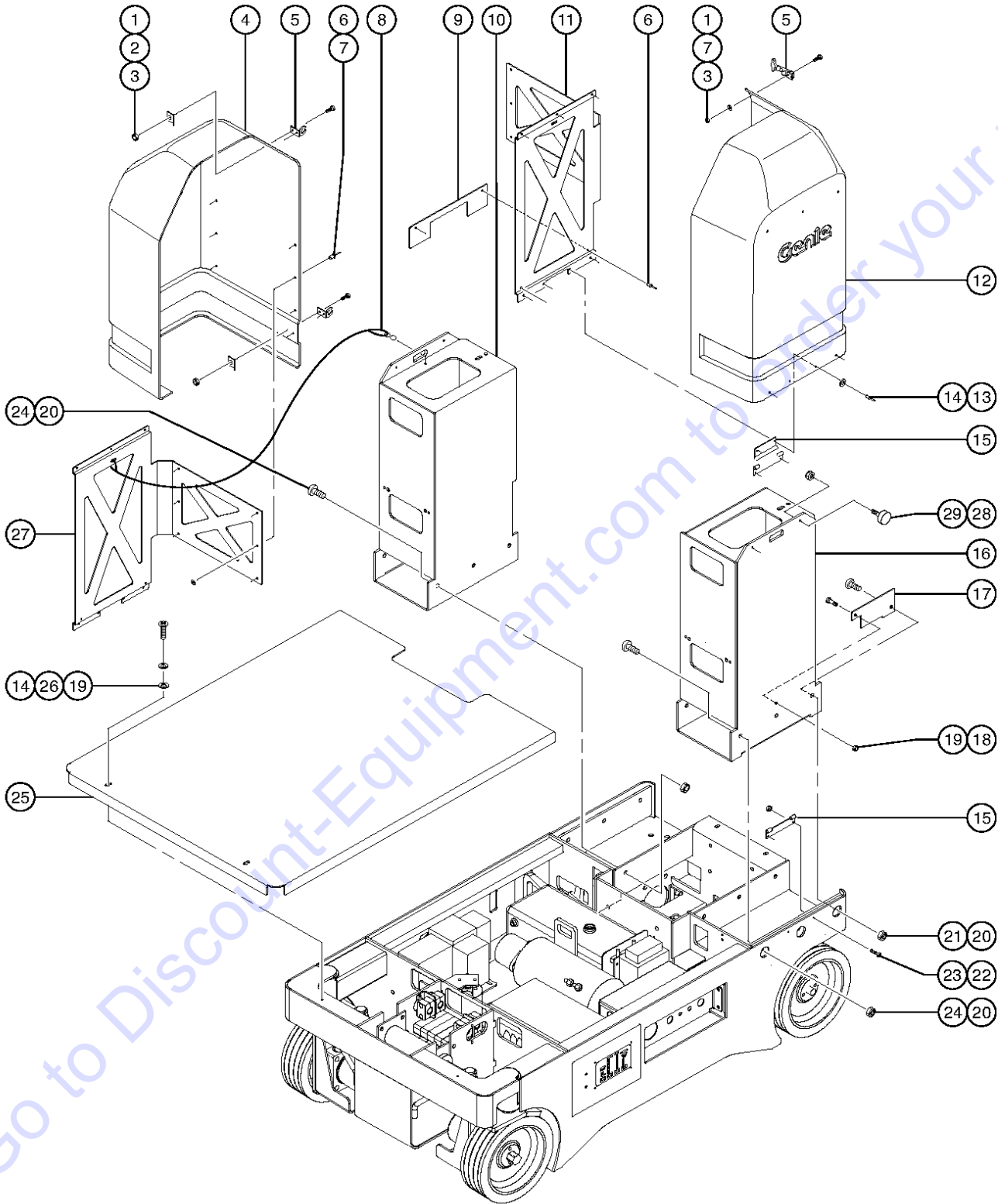
204.2 Chassis Components Installation (Serial numbers from GR01-249)



204.2 Chassis Components Installation (Serial numbers from GR01-249)

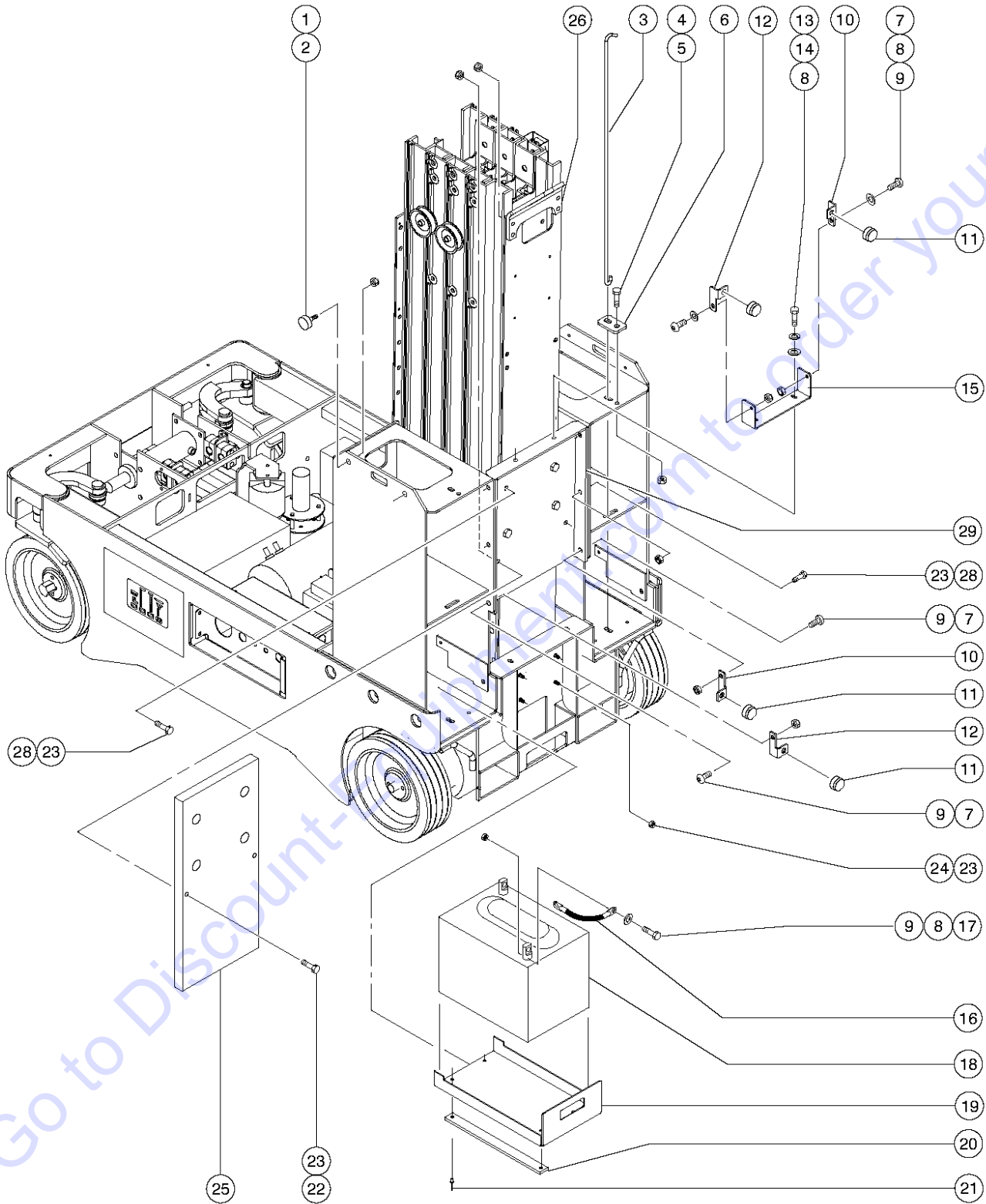
Item	Part No.	Description	Qty.	Item	Part No.	Description	Qty.
1	52313GT	FILTER ASSEMBLY W/FILTER.....	1	24	69568GT	DOOR,BATTERY CHARGER W/HINGE (ANSI, CE) (from GR03-1863) (includes items 26 and 30)	
--	49798GT	FILTER,10 MICRON		25	69326-SGT	MOUNT, CHARGER , DOM (ANSI, CE) (from GR03-1863)	
2		Ref. Fitting (refer to 403.2)		--	69382GT	MOUNT, CHARGER/INVERTER	
3		Ref. Hose - Low Pressure, 1/2 inch (refer to 403.2)		26	6272GT	RIVET,STL,STL,P,.125 X .25	
4		Ref. Fitting (refer to 403.2)		27	96206GT	COUNTERWEIGHT.....1 (for models with Signet Charger)	1
5	69436GT	TANK,HYDRAULIC, POLYETHYLENE....	1	28	6091GT	NUT,NYLOCK,1/4-20	
--		Ref. Strainer (refer to 403.1)		29	69542-SGT	STOPPER, CHARGER MOUNT DOOR.....	1
--	55190GT	PLUG,PIPE HEXHEAD 130109E-3/8		30	69510GT	HINGE, BATTERY MOUNT.....	1
6	8914GT	SCREW,HHC,1/4-20 X .625		31	80029GT	WELDMENT, CHASSIS TRAY.....	1
7	6356GT	WASHER,LOCK,.25		32A	40836GT	LEVEL SENSOR,LS60,BLUE,2X4** (to SN GR02-1799)	
8	69355GT	BREATHER, 3/4 NPT HYD TNK FLR.....	1	32B	78674GT	LEVEL SENSOR,LS60,BLUE,2X3** (from SN GR02-1800)	
9	6002GT	NUT,LP NYLOCK,5/16-18		33	7339GT	SCREW,HHC,1/4-20 X .5	
10	6638GT	WASHER,FLAT,USS,1/4"Y		34	6888GT	SCREW,HHC,1/4-20 X 1	
11	40833GT	FUSE,275 AMP,VERY FAST ACTING.....	1	35	6700GT	WASHER,STAR,EXTERNAL,.375	
12	17626GT	SCREW,FHM,10-32 X .75		36	55190GT	PLUG,PIPE HEXHEAD 130109E-3/8.....	1
13	66717GT	FUSE BLOCK, ANN & ANL FUSE.....	1	37		Ref. Strainer (refer to 403.2)	
14	69459GT	MOUNT, MOTOR CONTROL.....	1	38	69925GT	MOUNT, MANIFOLD GR.....	1
15		Ref. Cable Assembly (refer to 214.1)		39		Ref. Function Manifold (refer to 402.1, 402.2 or 402.3)	
16	10107GT	SCREW,HHC,5/16-18 X .75					
17	6037GT	NUT,HEX,5/16-18,GR5					
18A	1263633GT	KIT, GS MOTOR CONTROLLER REPL.....1 <i>kit includes installation instructions, new motor controller (PN 823408), harness, battery cables, and new fasteners. For machines that do not already have contactors installed, must also order 219897.</i>	1				
--	232573GT	RESISTOR, 200 OHM 10 WATT					
--	823408GT	MOTOR CONTROLLER, DC,24V,300A <i>motor controllers sold separately only in cases where upgrade kits are N/A or an upgrade kit has been previously installed</i>					
18B	219897GT	KIT,CONTACTOR,GR,ALT.....1 <i>(to SNs GR05-5000, GRC11-999, QS11-999, or machines that have not had a contactor kit previously installed)</i>	1				
19		Ref. Hydraulic Power Unit (refer to 401.1)					
20	33681GT	SCREW,HHC,3/8-16 X .625					
21	6021GT	WASHER,LOCK,.375					
22	57864GT	FORMING, MOTOR MOUNT.....	1				
23		Ref. Battery Charger (refer to 210.1, 211.1 or 212.1)					

205.1 Covers



Item	Part No.	Description	Qty.	Item	Part No.	Description	Qty.
1	12344GT	NUT,NYLOCK,6-32		--	69872GT	CHASSIS CVR ASSY,STD,W/WRDS (from SN GR01-583 to GR04-4000)	
2	69620-SGT	STOPPER, COVER LATCH.....	2	25A	107004GT	CHASSIS CVR ASSY,STD,W/WORDS (from SN GR04-4001) (USA, Canada, Australia)	
3	45546GT	SCREW,RHM,6-32 X .5		--	107005GT	CHASSIS CVR ASSY,STD,W/SYMBLS (from SN GR04-4001) (Europe, South America, Asia)	
4	69545GT	BATT CVR ASSY,WRD,MANFLD SIDE.....	1	26	6356GT	WASHER,LOCK,.25	
		(to SN GR04-4000) (all models) (includes items 5, 8, 9 15 and 28)		27	69506-SGT	STIFFENER COVER GR RIGHT.....	1
4A	69545GT	BATT CVR ASSY,WRD,MANFLD SIDE (from SN GR04-4001) (USA, Canada, Australia) (includes items 5, 8, 9 15 and 28)		28	69376GT	BUMPER, MACHINED SCREW.....	2
4B	107215GT	BATT CVR ASSY,SYM,MANFLD SIDE (from SN GR04-4001) (Europe, South America, Asia) (includes items 5, 8, 9 15 and 28)		29	6357GT	NUT,HEX,1/4-20	
5	57881GT	LATCH, RUBBER, 3-13/32 X 1-7/8.....	2				
6	38600GT	RIVET,STL,STL,.156 X .50					
7	11805GT	WASHER,FLAT,MS,#6,Y					
8	69473-SGT	LANYARD ASSY,COVER.....	2				
9	69543-SGT	SPACER, HINGE GR.....	2				
10	57927-SGT	BATTERY BOX WELDMENT, RH GR.....	1				
11	69619-SGT	STIFFENER, LEFT COVER GR.....	1				
12	69546GT	BATT CVR ASSY,WRD,GRND CNTR SD.....	1				
		(to SN GR04-4000) (all models) (includes items 5, 8, 9 11 and 15)					
12A	69546GT	BATT CVR ASSY,WRD,GRND CNTR SD (from SN GR04-4001) (USA, Canada, Australia) (includes items 5, 8, 9 11 and 15)					
12B	107216GT	BATT CVR,ASSY,SYM,GRND CNTR SD (from SN GR04-4001) (Europe, South America, Asia) (includes items 5, 8, 9 11 and 15)					
13	38600GT	RIVET,STL,STL,.156 X .50					
14	35461GT	WASHER,FLAT,MS,#8,Y					
15	80467GT	HINGE, QUICK RELEASE, 4.0X2.0.....	2				
16	57929-SGT	WELDMENT, LEFT BATTERY BOX GR.....	1				
17	57812-SGT	STOPPER, BATTERY PAN.....	2				
18	6091GT	NUT,NYLOCK,1/4-20					
19	6090GT	SCREW,HHC,1/4-20 X .75					
20	4828GT	NUT,NYLOCK,3/8-16					
21	57072GT	SCREW,BHHS,3/8-16 X 1.25					
22	49819GT	SCREW,PHILLIPS,PHM,10-32 X .5					
23	6178GT	NUT,NYLOCK,10-32					
24	28487GT	SCREW,BHHS,3/8-16 X 1					
25	69476GT	CHASSIS COVER ASSY W/DECALS..... (to SN GR01-582)	1				

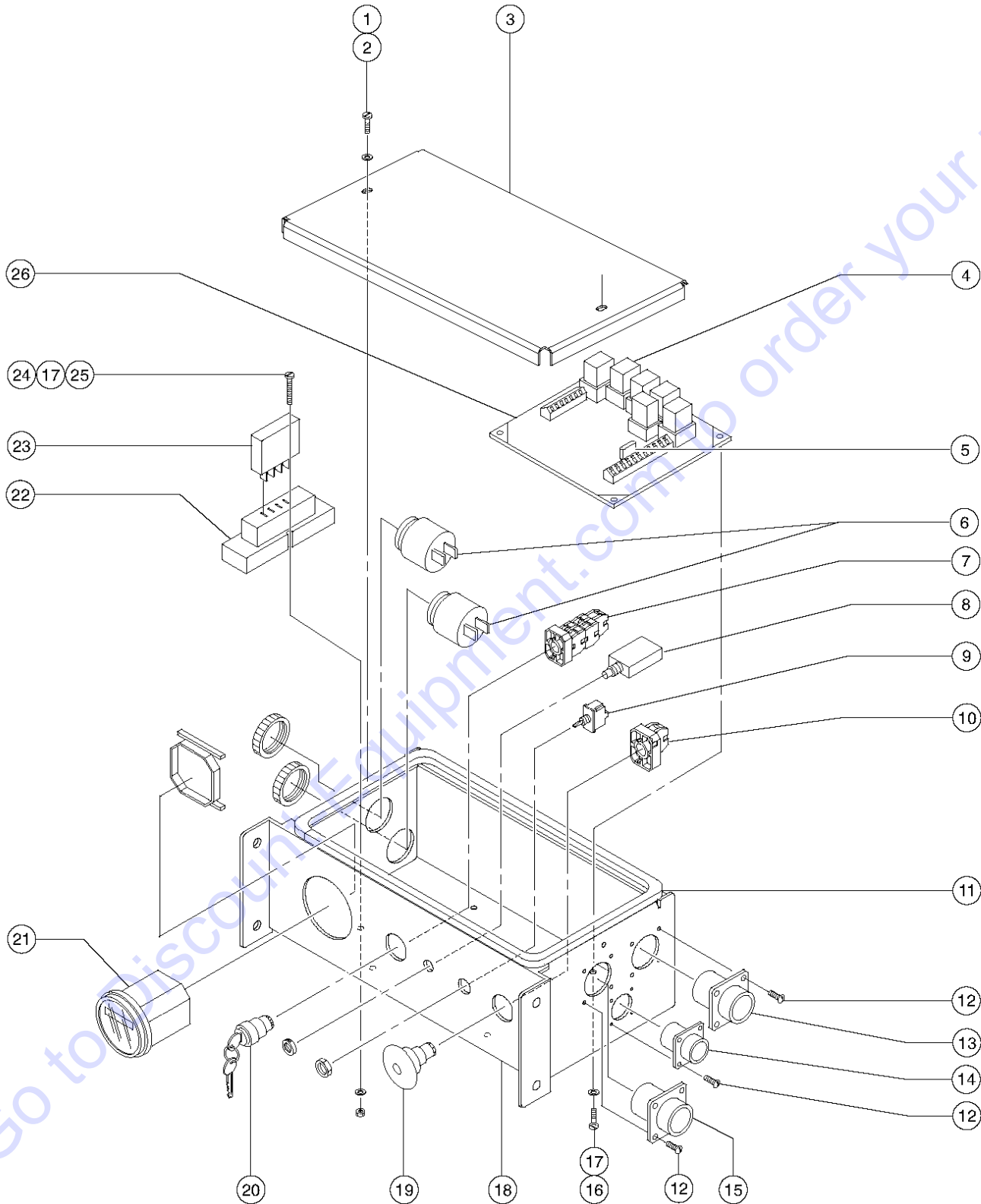
206.1 Battery Installation



206.1 Battery Installation

Item	Part No.	Description	Qty.	Item	Part No.	Description	Qty.
1	69376GT	BUMPER, MACHINED SCREW.....	4	29C	107008GT	BATT BOX BRACE ASSY,GR8/12,WRD GR-08, GR-12 (Europe, South America and Asia models) (from SN GR04-4001)	
2	6357GT	NUT,HEX,1/4-20		29D	69137GT	WELDMENT,BAT BOX BRACE,GR.....1 GR-15 (to SN 2676)	
3	57990GT	ROD, BATTERY LOCK.....	2	29E	69320GT	WELDMENT, BATT BRACE GR-15 (from SN 2677)	
4	10107GT	SCREW,HHC,5/16-18 X .75					
5	6002GT	NUT,LP NYLOCK,5/16-18					
6	69381-SGT	RETAINER, ROD "BLUE".....	2				
7	6090GT	SCREW,HHC,1/4-20 X .75					
8	6638GT	WASHER,FLAT,USS,1/4"Y					
9	6091GT	NUT,NYLOCK,1/4-20					
10	69370GT	MOUNT, RIGHT REAR BUMPER.....	2				
11	47230GT	BUMPER,RUBBER.....	4				
12	69369GT	MOUNT, BUMPER.....	2				
13	7339GT	SCREW,HHC,1/4-20 X .5					
14	6356GT	WASHER,LOCK,.25					
15	69621-SGT	BRACKET, BUMPER MOUNT.....1 (to SN 2676)					
15A	100179GT	FORMING, COVER SUPPORT (from SN 2677)					
16		Ref. Power Cables (refer to 214.1)					
17	6888GT	SCREW,HHC,1/4-20 X 1					
18	76502GT	BATTERY,T105 W/LPT,3 CAP,DRY**.....	4				
--	137769GT	BATTERY WATERING HAND PUMP					
--	137770GT	BATTERY WATERING KIT, 24V UNIV (to watch the installation video, copy and paste this link to your web browser) https://www.youtube.com/watch?v=13zTtI-hWIk					
19	57813-SGT	PAN, BATTERY.....	2				
20	57801GT	WEAR PAD, BATTERY PAN					
21	7265GT	RIVET,STEEL,P,.25 X .375					
22	5224GT	SCREW,HHC,3/8-16 X 2					
23	4828GT	NUT,NYLOCK,3/8-16					
24	8516GT	SCREW, HCC, 3/8-16 X 1.50					
25		Ref. Rear Counterweight Assembly GR-15 (refer to 302.1)					
26		Ref. Mast Stiffener Assembly (refer to 302.1)					
27	6175GT	SCREW,HHC,3/8-16 X 1					
28	6019GT	SCREW,HHC,3/8-16 X 1.25 GRD 5					
29	69552GT	PLATE,BATTERY BOX BRACE W/DECS.....1 GR-08, GR-12 (to SN 2676)					
29A	85471GT	BATTERY BOX BRACE ASSY,GR8/12 GR-08, GR-12 (all models) (from SN 2677 to 4000)					
29B	85471GT	BATTERY BOX BRACE ASSY,GR8/12 GR-08, GR-12 (USA, Canada, Australia) (from SN GR04-4001)					

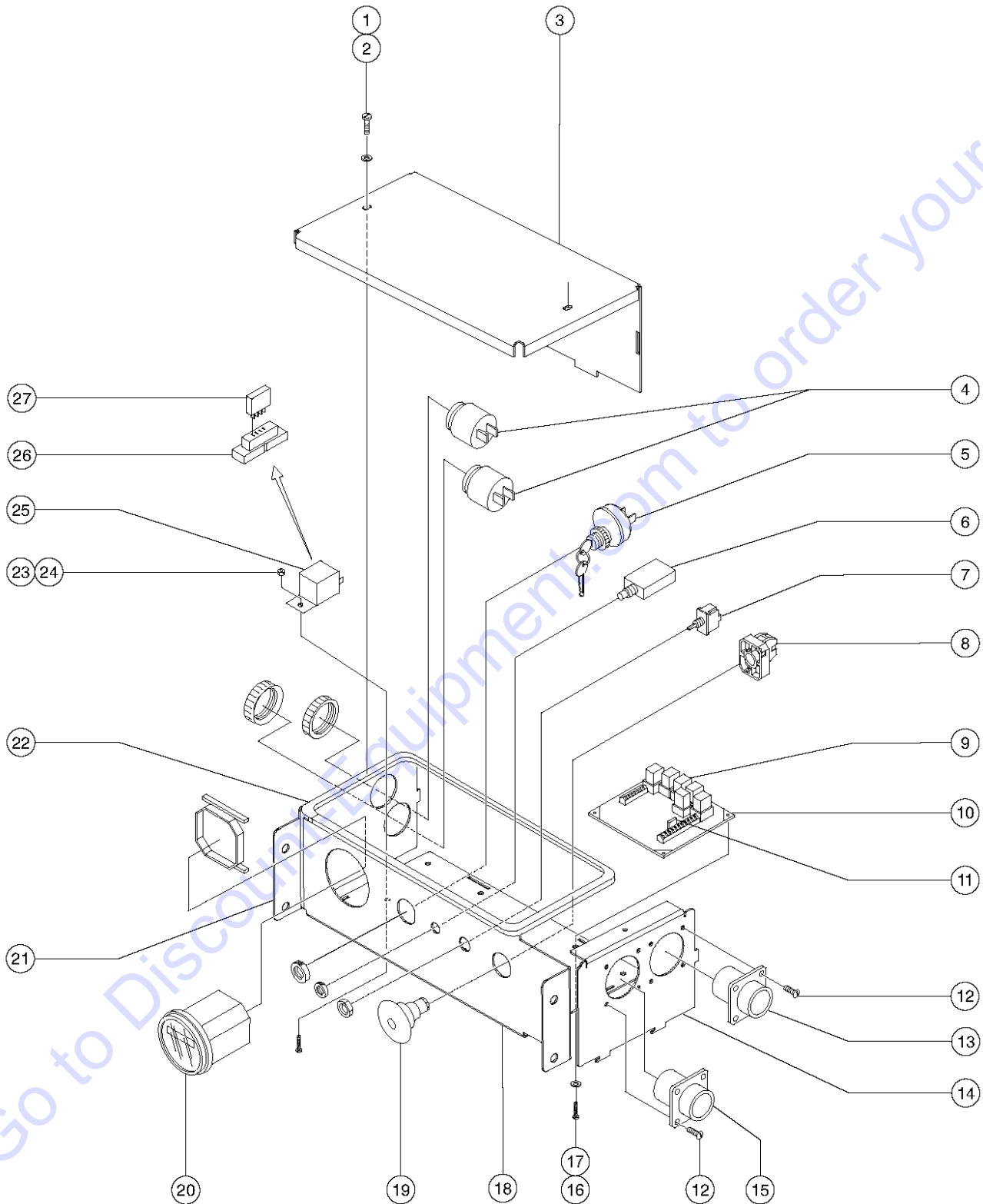
207.1 Ground Controls (Serial numbers from 1 to 1123)



207.1 Ground Controls (Serial numbers from 1 to 1123)

Item	Part No.	Description	Qty.	Item	Part No.	Description	Qty.
--	57893GT	CONTROL BOX ASSY,GR CHASSIS*** <i>Complete</i>		20	124635GT	KIT,GR KEYSWITCH ZA2 TO ZB5***1 <i>(this is an update kit; the original key switch is no longer available from the supplier. Please note, if this kit has already been installed on the unit, refer to the part numbers listed below) (includes 1 pair of keys)</i>	
1	49819GT	SCREW,PHILLIPS,PHM,10-32 X .5		--	124121GT	KEYSWITCH,3 POS.W/KEYS & BASE	
2	20980GT	WASHER,NYLON,.434 X.263X.049		--	21982GT	KEY,SINGLE***	
3	57856-SGT	COVER, CHASSIS CONTROL BOX GR.....1		--	66816GT	CONTACT,N.O.***	
4	69474GT	RELAY,DPDT,12VDC,15A.....5		21	19506GT	HOUR METER,10-80 VOLTS***1 <i>(includes mounting bracket)</i>	
5	67505GT	FUSE,10 AMP,ATC.....1		22	20813GT	SOCKET,RELAY1 <i>ANSI models</i>	
6	45383GT	ALARM,WARBLE TONE 5-30 VDC***2 <i>(Does not include 72326 nut) (tilt or descent)</i>		22A	20813GT	SOCKET,RELAY2 <i>CE models</i>	
--	72326GT	NUT - PLASTIC,RING FOR ALARMS		23	20812GT	RELAY,SPDT,24V.....1 <i>ANSI models</i>	
7		Ref. Base, Key Switch.....1 <i>(refer to item 20)</i>		23A	20812GT	RELAY,SPDT,24V.....2 <i>CE models</i>	
8	96452GT	CIRCUIT BREAKER,7.0 AMP***1		24	11803GT	SCREW,RHM,6-32 X 1	
9	T114691GT	ASSY,SWITCH,TOGGLE,SPDT*****1 <i>(direct replacement for 96418)</i>		25	11804GT	NUT,HEX,6-32	
10		Ref. Base, Red E-stop.....1 <i>(refer to item 19)</i>		26	57954GT	BOARD, CONTROL RELAY.....1	
11	20549GT	WEATHERSTRIP,3/8,SELF-STK.FOAM.32-inches		26A	85325GT	INSTALL INSTR.,PC BOARD(57954) <i>for 57954</i>	
12	20342GT	#6 SQ.DR.SELF DRILL/TAP SCREW					
13	69903GT	CONN ASSY, 9 PIN RVRS, CHASSIS.....1 <i>(wire harness)</i>					
--	57818GT	RECEPTACLE,1-7/9 SQ.FLG RVRS <i>(male)</i>					
14	69901GT	CONN ASSY, 7 PIN, CHASSIS.....1					
--	33581GT	CONNECTOR,FEMALE,PANEL MOUNT*					
15	69904GT	CONN ASSY, 9 PIN, CHASSIS.....1 <i>(wire harness)</i>					
--	57855GT	RECEPTACLE, 1 7/9 SQ FLANGE <i>(female)</i>					
16	11803GT	SCREW,RHM,6-32 X 1					
17	11805GT	WASHER,FLAT,MS,#6,Y					
18	69517GT	GROUND CONTROL BOX, GR <i>(includes item 11 and lid)</i>					
--	30997GT	CORROSION INHIBITOR,FOAM					
19	124641GT	KIT,ESTOP, A/IWP/DPL.....1 <i>(this is an update kit; the original E-stop button is no longer available from the supplier. Please note, if this kit has already been installed on the unit, refer to the part numbers listed below)</i>					
--	66812GT	BUTTON,PUSH,RED MUSHROOM HEAD					
--	66818GT	CONTACT, N.C.					
--	66821GT	BASE,WITHOUT CONTACTS					

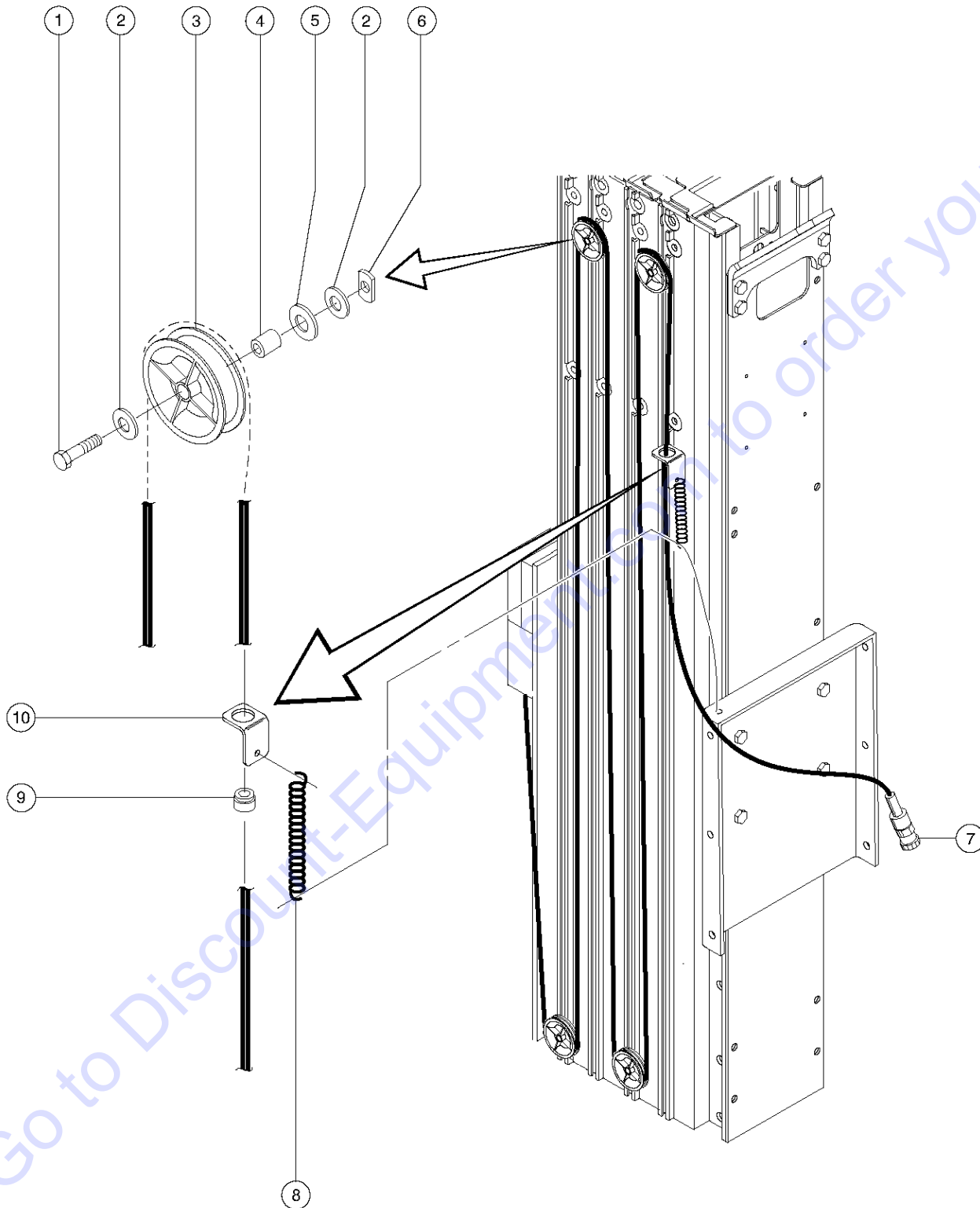
207.2 Ground Controls (Serial numbers from 1124 to 5000)



207.2 Ground Controls (Serial numbers from 1124 to 5000)

Item	Part No.	Description	Qty.	Item	Part No.	Description	Qty.
A	85314GT	CONTROL BOX,GR,BASE,W/DECALS** <i>from SN 1124 to 1799</i>		--	66818GT	CONTACT, N.C.	
B	85353GT	GROUND,CONTROL BOX ASSY,GR <i>(complete) from SN 1800 to 5000</i>		9	69474GT	RELAY,DPDT,12VDC,15A.....	5
B	85354GT	CONTROL BOX W/ DECAL <i>(includes items 3, 14, 18, 21 and 22) from SN 1800 to 5000</i>		10	57954GT	BOARD, CONTROL RELAY.....	1
C	30997GT	CORROSION INHIBITOR,FOAM		10A	85325GT	INSTALL INSTR.,PC BOARD(57954) <i>for 57954</i>	
1	49819GT	SCREW,PHILLIPS,PHM,10-32 X .5		11	67505GT	FUSE,10 AMP,ATC.....	1
2	20980GT	WASHER,NYLON,.434 X.263X.049		12	20342GT	#6 SQ.DR.SELF DRILL/TAP SCREW	
3	80375GT	COVER, CHASSIS CNTL BOX, GR.....	1	13	80225GT	WIRING, CTL BX TO PLAT.....	1
4	45383GT	ALARM,WARBLE TONE 5-30 VDC*** <i>Does not include 72326 nut</i>	2	--	80364GT	RECEPTACLE,MALE 23/19 SQ FLG <i>(receptacle has female pins)</i>	
--	72326GT	NUT - PLASTIC,RING FOR ALARMS		14	80377GT	FORMING,RT SIDE CONTROL BOX.....	1
5	124635GT	KIT,GR KEYSWITCH ZA2 TO ZB5*** <i>(from SN 1124 to 1799) (this is an update kit; the original key switch is no longer available from the supplier. Please note, if this kit has already been installed on the unit, refer to the part numbers listed below) (includes 1 pair of keys)</i>	1	15	80082GT	WIRING, CTL BX TO BASE.....	1
--	124121GT	KEYSWITCH,3 POS.W/KEYS & BASE <i>(from SN 1124 to 5000)</i>		--	80079GT	RECEPTACLE,23/19 SQ FLG.....	1
--	21982GT	KEY,SINGLE***		16	11803GT	SCREW,RHM,6-32 X 1	
--	66816GT	CONTACT,N.O.*** <i>(from SN 1124 to 5000)</i>		17	11805GT	WASHER,FLAT,MS,#6,Y	
5A	66811GT	KEYSWITCH,3POS.MNTND.DR WKEY** <i>(from SN 1800 to 2406) (includes 1 pair of keys, not included: base and contacts)</i>	1	18	80374GT	BOTTOM, CHASSIS CNTL BOX, GR.....	1
--	21982GT	KEY,SINGLE***		19	85419GT	RED EMERGENCY STOP ASSEMBLY.....	1
--	37947GT	KEYS,10 PACK***		19A	66812GT	BUTTON,PUSH,RED MUSHROOM HEAD <i>(from SN GR02-1800)</i>	
--	66814GT	BASE,WITH 2 N.O. CONTACTS***		20	19506GT	HOUR METER,10-80 VOLTS***.....	1
--	66816GT	CONTACT,N.O.***		21	80376GT	FORMING,LT SIDE CONTROL BOX.....	1
5B	96008-SGT	KEYSWITCH,3 POS. W/KEYS*** <i>(from SN 2407 to 5000) (fastener not included; includes 2 pairs of keys and retainer nut)</i>	1	22	20549GT	WEATHERSTRIP,3/8,SELF-STK.FOAM..	1
--	83093GT	KEY SINGLE***		23	18605GT	NUT,NYLOCK,8-32	
--	85239GT	NUT,RETAINER (96008)		24	57075GT	SCREW,PHIL,8-32X.50,SELF TAP	
--	96009GT	WASHER,NITRILE		25	78098GT	RELAY,24VDC,40/30A,SLD W/BRKT* <i>(from SN 2407)</i>	1
--	96010GT	SCREW,PHILLIPS,PHM,8-32 X.25**.....	6	26	20813GT	SOCKET,RELAY.....	1
6	96452GT	CIRCUIT BREAKER,7.0 AMP*** <i>(includes mounting fastener)</i>	1	26A	20813GT	SOCKET,RELAY.....	2
7	T114691GT	ASSY,SWITCH,TOGGLE,SPDT***** <i>(direct replacement for 96418)</i>	1	27	20812GT	RELAY,SPDT,24V.....	1
8	85419GT	RED EMERGENCY STOP ASSEMBLY.....	1	27A	20812GT	RELAY,SPDT,24V.....	2
--	66817GT	BASE WITH 1 NC CONTACT, E-STOP				<i>CE models</i>	

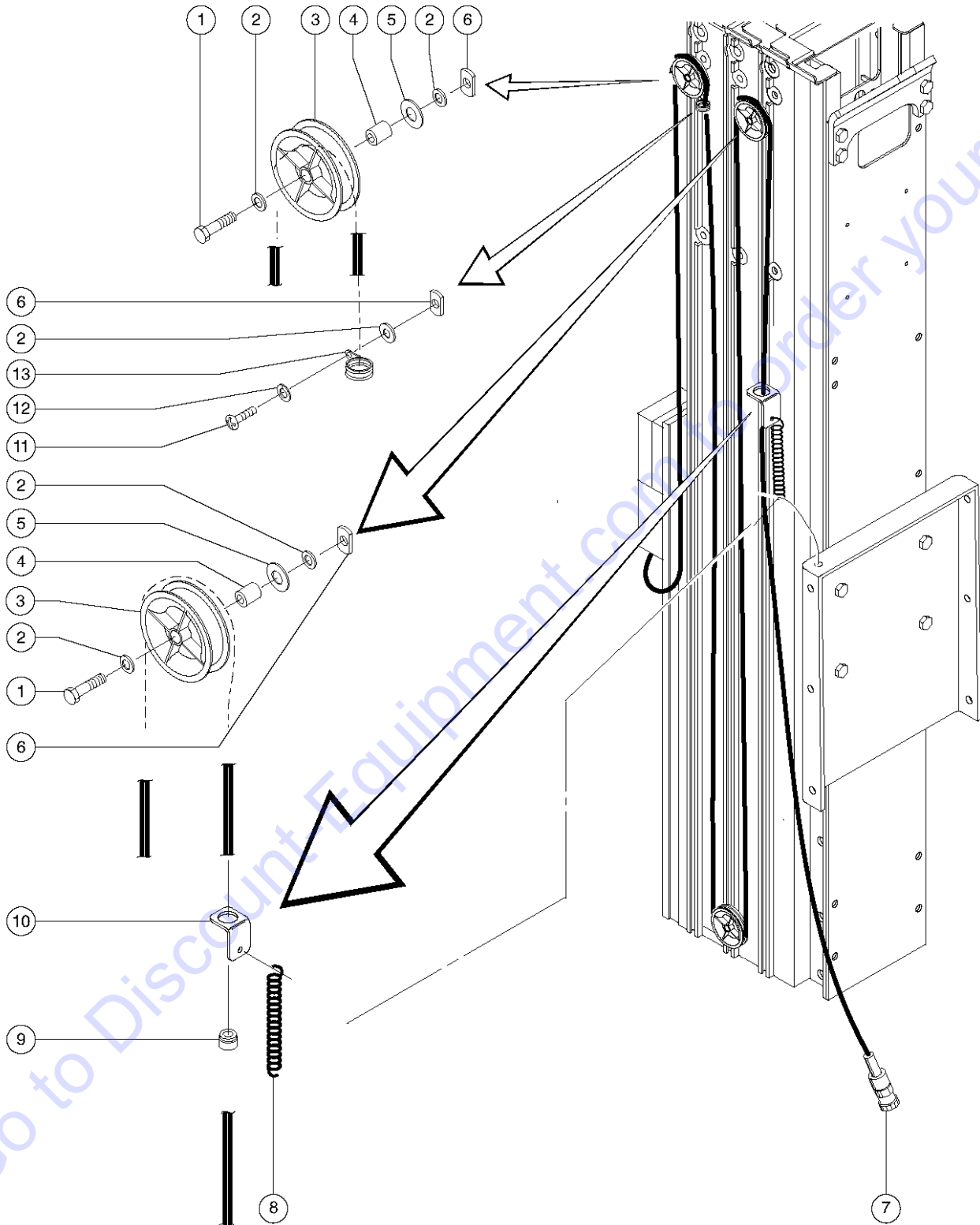
208.1 Control Cable Assembly, GR-08, GR-15



208.1 Control Cable Assembly, GR-08, GR-15

Item	Part No.	Description	Qty.
1	8915GT	SCREW,HHC,1/4-20 X 1.25	
2	25926GT	WASHER,FLAT,M6 PLTD.	
3	23394GT	PULLEY,ELEC.CNTRL.CABLE,AWP.....2 GR-08	
3A	23394GT	PULLEY,ELEC.CNTRL.CABLE,AWP.....4 GR-15	
4	40735GT	SPACER, 1/4ID3/8OD, .875LG	
5	22699GT	WASHER,FLAT,M10,ZINC PLTD.	
6	35991GT	NUT,WELD 1/4-20, PLATED L.L.**	
7	69511GT	CABLE ASSY,T BOX TO BASE,GR8.....1 GR-08 (to SN 1123)	
--	80215GT	HARNESS,CTL BX TO PLAT,GR8 GR-08 (from SN 1124)	
7A	69512GT	CABLE ASSY,TBOX TO BASE,GR15.....1 (to SN 1123)	
--	80217GT	HARNESS,CTL BX TO PLAT,GR15 (from SN 1124)	
8	23396GT	SPRING,CONTROL CABLE, AWP.....1	
9	23788GT	BUSHING,STRAIN RELIEF, 53/64".....1 (to SN 189)	
9A	60746GT	BUSHING, STRAIN RELIEF, 1" (from SN 190)	
10	23787-SGT	BRACKET,CONTROL CABLE TENSION.....1 (to SN 189)	
--	85425GT	BRACKET ASSEMBLY,GR (to SN 189) (includes item 9)	
10A	69839-SGT	BRACKET, CONTROL CABLE,GR BLUE.....1 (from SN 190)	
--	69529GT	BRACKET,CONTROL CABLE W/BUSHIN (from SN 190) (includes item 9)	

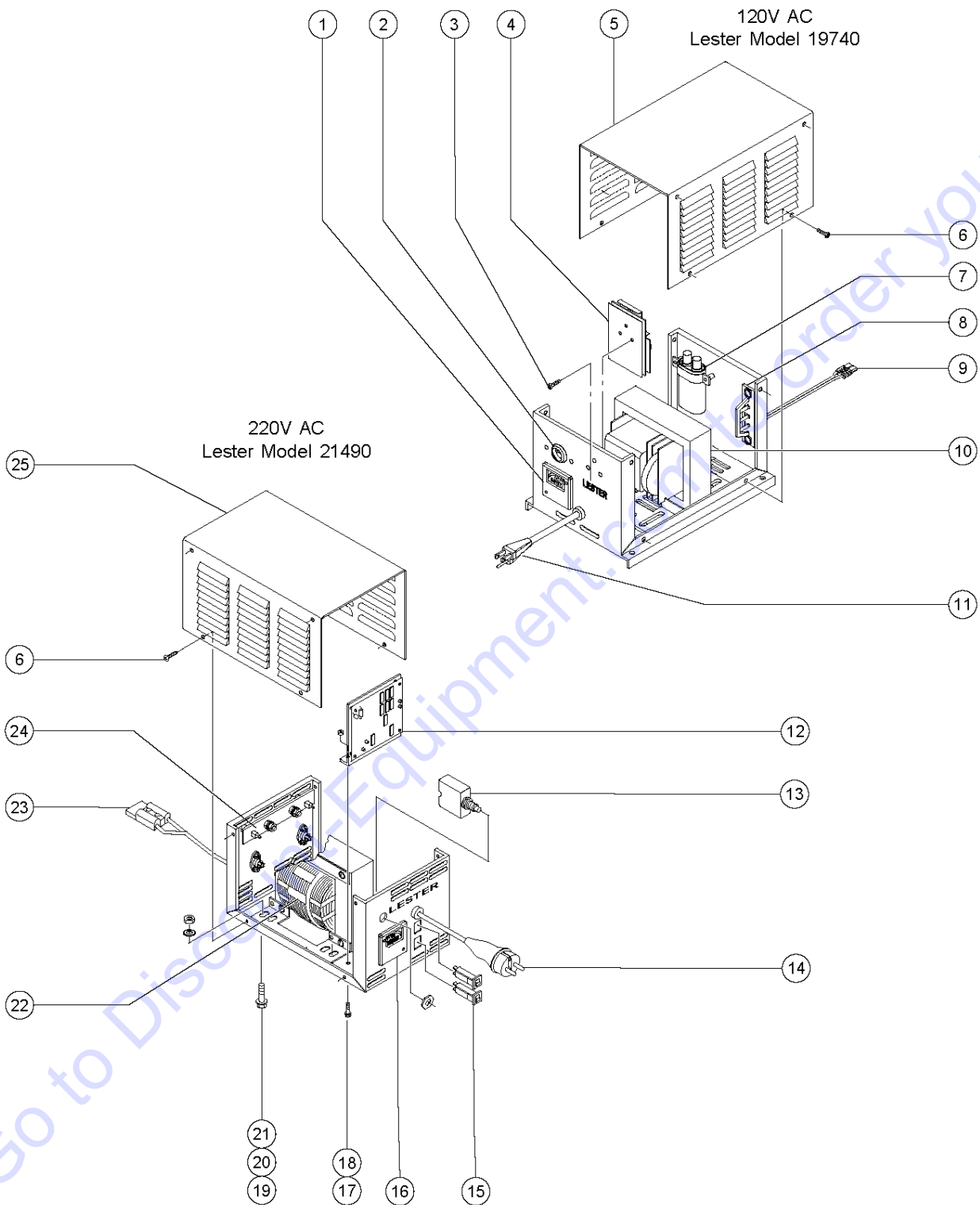
209.1 Control Cable Assembly, GR-12



209.1 Control Cable Assembly, GR-12

Item	Part No.	Description	Qty.
1	8915GT	SCREW,HHC,1/4-20 X 1.25	
2	25926GT	WASHER,FLAT,M6 PLTD.	
3	23394GT	PULLEY,ELEC.CNTRL.CABLE,AWP.....3	
4	40735GT	SPACER, 1/4ID3/8OD, .875LG.....2	
5	22699GT	WASHER,FLAT,M10,ZINC PLTD.	
6	35991GT	NUT,WELD 1/4-20, PLATED L.L.**	
7	69482GT	CABLE ASSY,TBOX TO BASE,GR12.....1 (to SN 1123)	
7A	80216GT	HARNES,CTL BX TO PLAT,GR12 (from SN 1124)	
8	23396GT	SPRING,CONTROL CABLE, AWP.....1	
9	23788GT	BUSHING,STRAIN RELIEF, 53/64".....1 (to SN 189)	
9A	60746GT	BUSHING, STRAIN RELIEF, 1" (from SN 190)	
10	23787-SGT	BRACKET,CONTROL CABLE TENSION.....1 (to SN 189)	
--	85425GT	BRACKET ASSEMBLY,GR (to SN 189) (includes item 9)	
10A	69839-SGT	BRACKET, CONTROL CABLE,GR BLUE.....1 (from SN 190)	
--	69529GT	BRACKET,CONTROL CABLE W/BUSHIN (from SN 190) (includes item 9)	
11	38979GT	SCREW,PHM,1/4-20X.5 PHIL	
12	6356GT	WASHER,LOCK,.25	
13	6833GT	CLAMP,0.50,#8 X 1/4,RUB CUSH.....1	

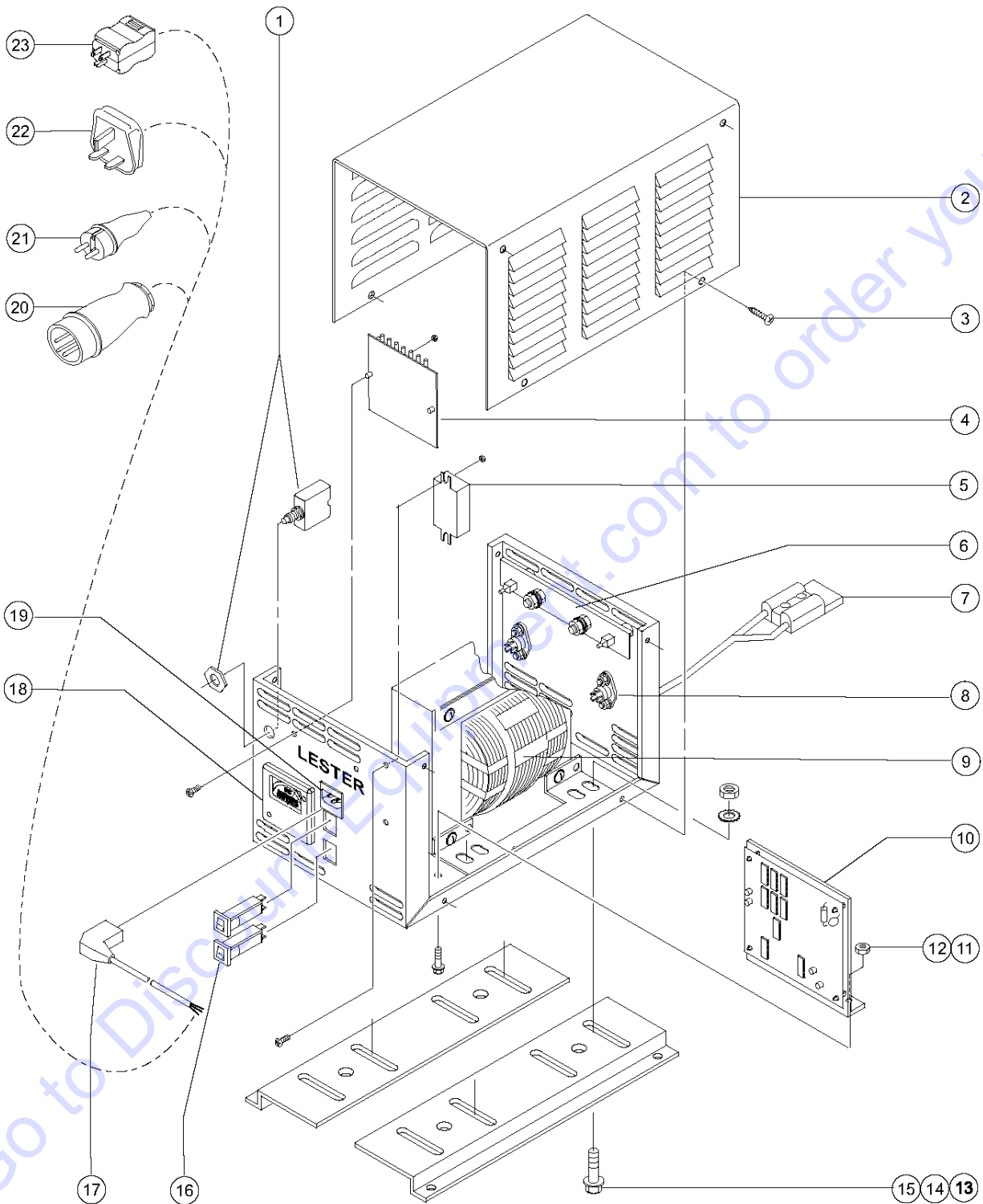
210.1 Battery Charger, 120V AC and 220V AC



210.1 Battery Charger, 120V AC and 220V AC

Item	Part No.	Description	Qty.
--	80046GT	CHARGER,120VAC/60HZ,25AMP 24V	
--	80048GT	CHARGER,230VAC/50HZ,CONT EU	
1	46337GT	AMMETER, 39243/47906/66412.....1	
2	13008-6GT	FUSE ASSY-BOOM CHARGER.....1	
3	40536GT	SCREW,TIMER,#8 PHMS X.375	
4	62858-SGT	TIMER ASSY-ELECTRONIC, DMSTC*...1	
--	58984GT	RELAY,CHARGER 47906	
5	65432-SGT	CASE ASSY-BATTERY CHRGR**.....1	
6	40537GT	SCREW,CHARGER COVER,#10 X .5	
7	46335GT	CAPACITOR, 4 MFD,660VAC,39243.....1	
8	27262GT	HEATSINK ASSY W/DIODES (23442)....1	
9	83034GT	DC POWER CORD/STRAIN RELIEF***.....1	
--	85232GT	BUSHING, STRAIN RELIEF (85231)	
10	72285GT	TRANSFORMER.47906,66412,39243....1	
11	83037GT	CORD SET, AC (66412).....1 (14/3 molded)	
--	85234GT	BUSHING, STRAIN RELIEF (85233)....1	
12	52170GT	TIMER ASSY,ELECTRONIC,47671.....1	
13	69585GT	CIRCUIT BREAKER,50A,50VAC.....1	
14	85235GT	CORDSET,AC,CEE 7/7 PLUG(80048)....1	
--	16364GT	BUSHING-6671 CHARG.,MOD# 6685	
15	52173GT	CIRCUIT BREAKER-CHARGER, 8 AMP.....2	
16	52172GT	AMMETER-47671 CHARGER,25 AMP...1	
17	69583GT	SCREW,HEX INDENT,8-32 X 5/16	
18	18542GT	NUT,HEX,8-32	
19	69582GT	SCREW,HHC,WASH HEAD,1/4-20X.63	
20	69586GT	WASHER,STAR,EXTERNAL.,25	
21	6357GT	NUT,HEX,1/4-20	
22	69584GT	TRANSFORMER,CHARGER (66478)....1	
23	85237GT	CORDSET,DC (80048).....1	
--	16364GT	BUSHING-6671 CHARG.,MOD# 6685	
24	52169GT	SHUNT,ELECTRONIC,47671 CHARGER.....1	
25	69580GT	CASE ASSY,BATT CHARGER (66478).....1	

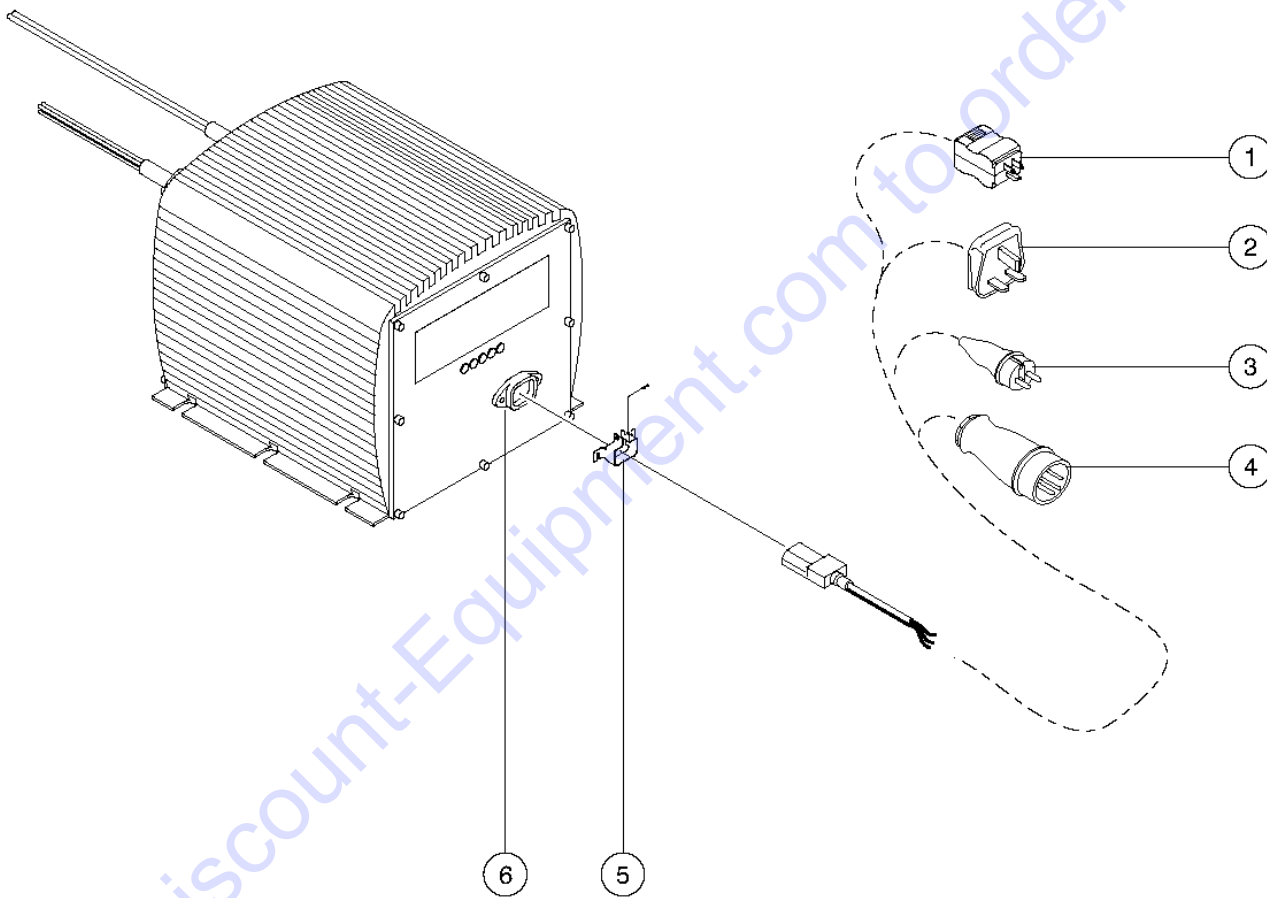
211.1 Battery Charger, Worldwide



211.1 Battery Charger, Worldwide

Item	Part No.	Description	Qty.	Item	Part No.	Description	Qty.
--	80720GT	BATT CHARGER,DUAL V,H/L,GR*** <i>power cord not included</i>		--		FUSE,13 AMP,220V PLUG <i>(component no longer available) refer to BS1362 BUSS TDC180-13A</i>	
1	69585GT	CIRCUIT BREAKER,50A,50VAC.....1 <i>for Lester model 22310</i>	1	--	25388GT	PLUG,FUSED,250V,13AMP,U.K.**	
1A	52174GT	CIRCUIT BREAKER-CHARGER,45 AMP <i>for Lester model 21490</i>		23	85375GT	POWER CORD,CHARGER,110 US***1 <i>includes item 17</i>	1
2	85158GT	CASE ASSY.-LESTER CHARGER WW.....1 <i>for Lester model 22310</i>	1	--	6595GT	PLUG,ELECTRICAL,DOMESTIC	
2A	85228GT	CASE ASSEMBLY-LESTER (80047) <i>for Lester model 21490</i>					
3	69581GT	TUBE, PLATFORM SPACER STD-12P					
4	52171GT	PCB,RELAY DRIVER,CHARGER 47671.....1	1				
5	52176GT	RELAY,CHARGR,47671,DPDT,110VDC.1	1				
6	52169GT	SHUNT,ELECTRONIC,47671 CHARGER.....1	1				
7	66411GT	CONNECTOR, SB 50 AMP HOUSING...1	1				
--	66406GT	TERMINAL,10-12 GA. 50 AMP					
8	52175GT	SCR ASSY,47671 LESTER CHARGER.....1	1				
9	85160GT	TRANSFORMER ASSY.....1 <i>for Lester model 22310</i>	1				
9A	85229GT	TRANSFORMER (LESTER 80720) <i>for Lester model 21490</i>					
10	52170GT	TIMER ASSY,ELECTRONIC,47671.....1	1				
11	18542GT	NUT,HEX,8-32					
12	69583GT	SCREW,HEX INDENT,8-32 X 5/16					
13	69582GT	SCREW,HHC,WASH HEAD,1/4-20X.63					
14	69586GT	WASHER,STAR,EXTERNAL,,25					
15	6357GT	NUT,HEX,1/4-20					
16	52173GT	CIRCUIT BREAKER-CHARGER, 8 AMP.....2	2				
17	105278GT	KIT,POWER CORD UPDATE***.....1	1				
18	85159GT	AMMETER, 25A.....1 <i>for Lester model 22310</i>	1				
18A	85230GT	AMMETER, 25A (80047) <i>for Lester model 21490</i>					
19	55620GT	CHARGER-BATT, DUAL VOLT**.....1	1				
20	144161GT	PLUG,PWR,UK,16AMP,3PIN,BLK					
20	69475GT	POWER CORD,CHARGER,110VAC,UK.....1 <i>includes item 17</i>	1				
21	85377GT	POWER CORD,CHARGER,220 EU***1 <i>includes item 17</i>	1				
--	1280665GT	PLUG, TYPE F, 230A, 50HZ, 16A, IP44					
22	85376GT	POWER CORD,CHARGER,220,UK/AUS*.....1 <i>includes item 17</i>	1				

212.1 Battery Charger, 110/220V AC



212.1 Battery Charger, 110/220V AC

Item	Part No.	Description	Qty.
--	105739GT	CHARGER,BAT,24VDC,H/LO GEN2 <i>power cord not included</i>	
--	144180GT	MANUAL,OWNERS,CHARGER,105739 <i>for 105739</i>	
--	219480GT	KIT,BATTERY CHARGER,24V <i>(includes 105739 charger, fasteners, ring terminals and instructions for field installation)</i>	
--	97059GT	FUSE,BATTERY CHARGER*** <i>for 5-LED battery charger</i>	
1	55021GT	POWER CORD,US 110, 8".....	1
2	55018GT	POWER CORD,UK-HIGH VOLTAGE, 8".....	1
--		FUSE,13 AMP,220V PLUG <i>(component no longer available) refer to BS1362 BUSS TDC180-13A</i>	
3	55019GT	POWER CORD,NOVON, 8".....	1
4	71706GT	POWER CORD, UK 110, 115".....	1
--	144161GT	PLUG,PWR,UK,16AMP,3PIN,BLK	
--	48282GT	POWER CORD, IEC 320 BLANK, 79"	
5	55010GT	LOCK, CONNECTOR.....	1
6	105334GT	CONNECTOR, IEC CHARGER CORD...	1
--	46441GT	PIN,CONNECTOR,IEC320	

PARTS FINDER

**Search Website
by Part Number**



**Search Manual
Library For Parts
Manual & Lookup Part
Numbers – Purchase
or Request Quote**

Search Manuals

Enter your information to help us find the right parts manual for your machine.

* Brand:

* Model:

* Serial:

* Part Number:

SEARCH

**Can't Find Part or
Manual? Request Help
by Manufacturer,
Model & Description**

Parts Order Form

Please fill in the following information to help us find the right part for your machine.

Manufacturer:	<input type="text"/>
Model:	<input type="text"/>
Description:	<input type="text"/>
Part Number:	<input type="text"/>
Quantity:	<input type="text"/>
Notes:	<input type="text"/>

Submit

Discount-Equipment.com is your online resource for quality parts & equipment.

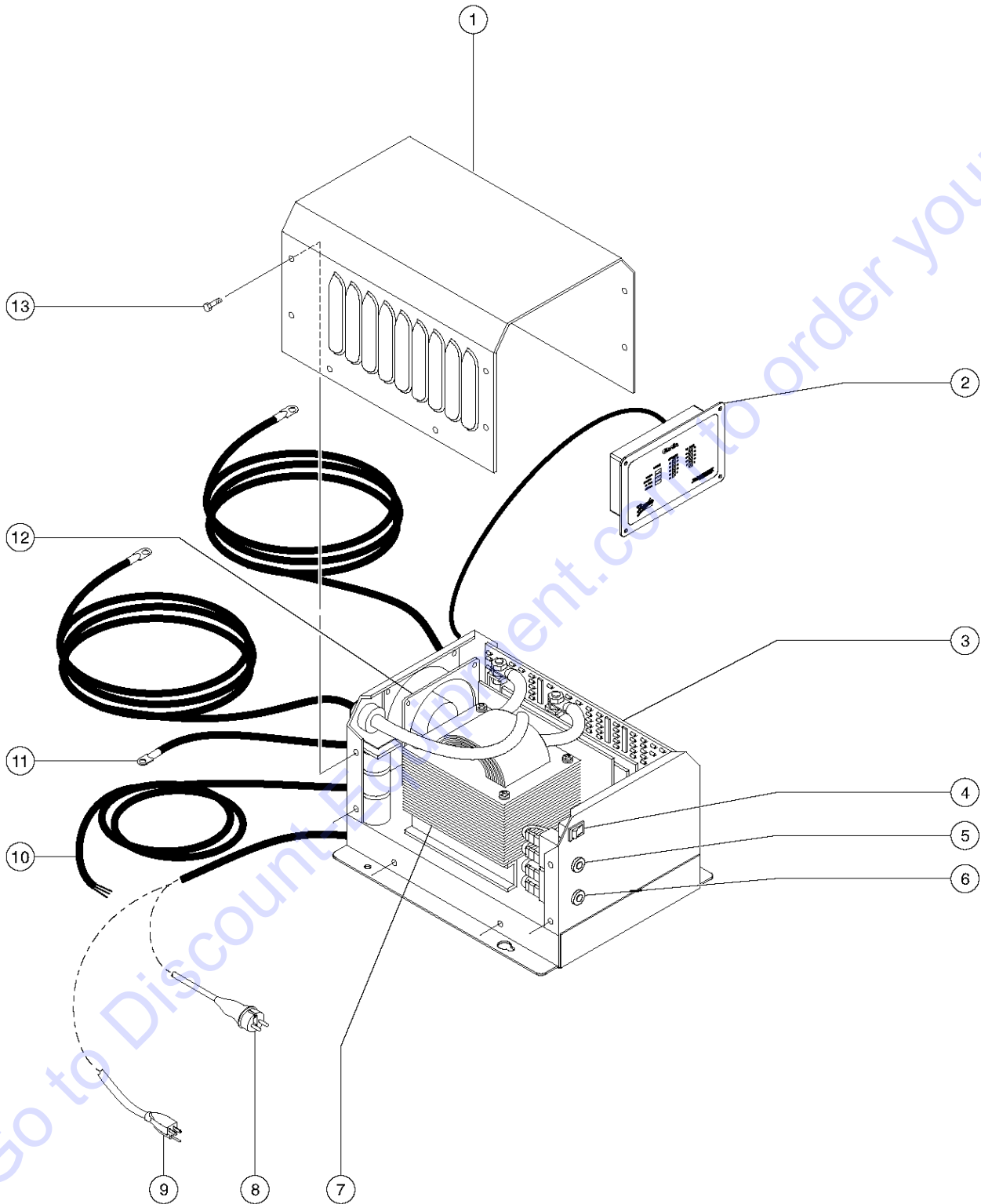
Florida: **561-964-4949** Outside Florida TOLL FREE: **877-690-3101**

Need parts?

Click on this link: <http://www.discount-equipment.com/category/5443-parts/> and choose one of the options to help get the right parts and equipment you are looking for. Please have the machine model and serial number available in order to help us get you the correct parts. If you don't find the part on the website or on one of the online manuals, please fill out the request form and one of our experienced staff members will get back to you with a quote for the right part that your machine needs.

We sell worldwide for the brands: Genie, Terex, JLG, MultiQuip, Mikasa, Essick, Whiteman, Mayco, Toro Stone, Diamond Products, Generac Magnum, Airman, Haulotte, Barreto, Power Blanket, Nifty Lift, Atlas Copco, Chicago Pneumatic, Allmand, Miller Curber, Skyjack, Lull, Skytrak, Tsurumi, Husquvarna Target, Stow, Wacker, Sakai, Mi-T-M, Sullair, Basic, Dynapac, MBW, Weber, Bartell, Bennar Newman, Haulotte, Ditch Runner, Menegotti, Morrison, Contec, Buddy, Crown, Edco, Wyco, Bomag, Laymor, EZ Trench, Bil-Jax, F.S. Curtis, Gehl Pavers, Heli, Honda, ICS/PowerGrit, IHI, Partner, Imer, Clipper, MMD, Koshin, Rice, CH&E, General Equipment, Amida, Coleman, NAC, Gradall, Square Shooter, Kent, Stanley, Tamco, Toku, Hatz, Kohler, Robin, Wisconsin, Northrock, Oztec, Toker TK, Rol-Air, APT, Wylie, Ingersoll Rand / Doosan, Innovatech, Con X, Ammann, Mecalac, Makinex, Smith Surface Prep, Small Line, Wanco, Yanmar

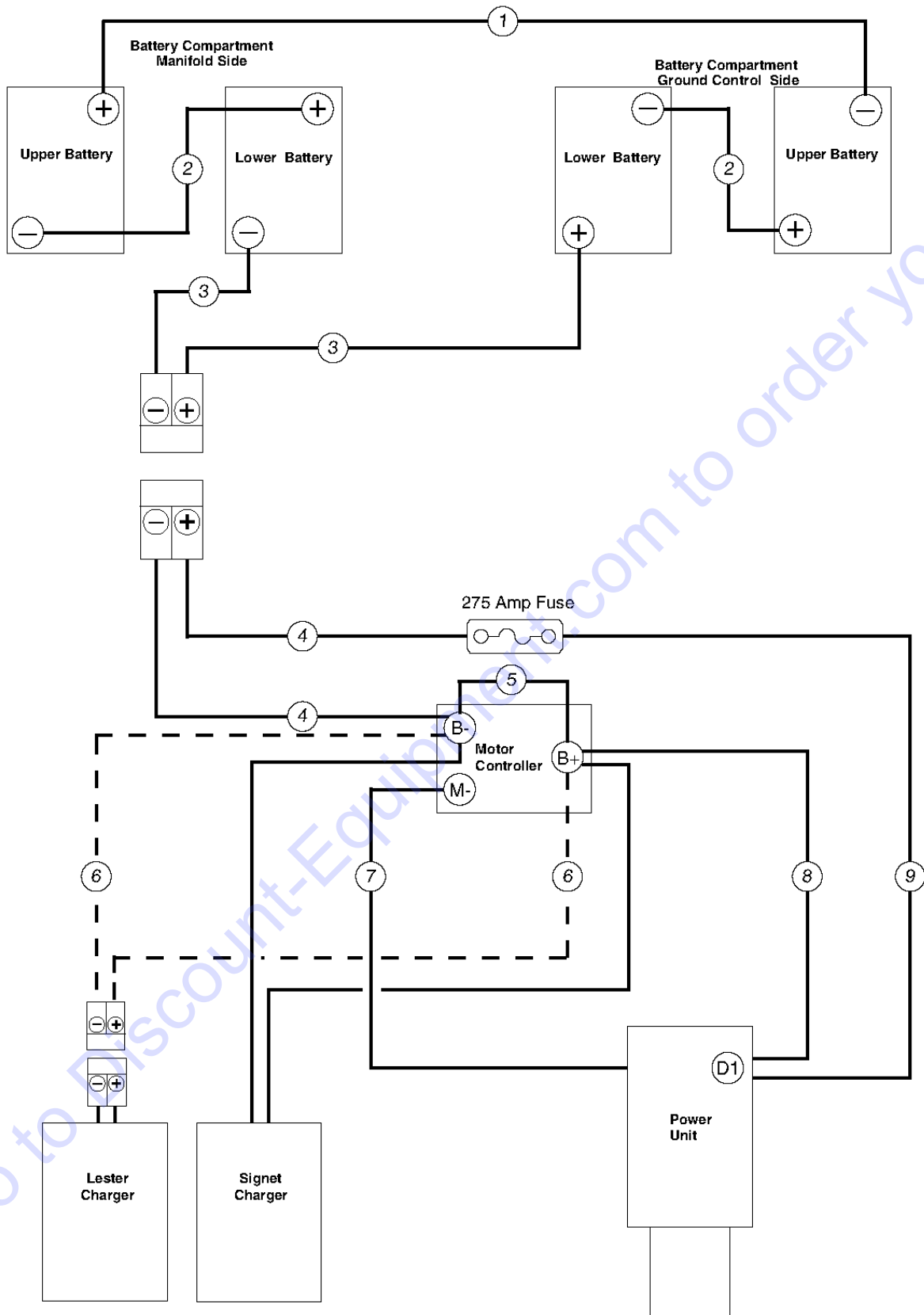
213.1 Battery Charger/Inverter



213.1 Battery Charger/Inverter

Item	Part No.	Description	Qty.
--	69456GT	CHARGER/INVERTER, 230/50 <i>power cord not included, 220V, overseas models only (PN 69365, 120V AC no longer available)</i>	
1	69518GT	COVER,CHRGR/INVTR(69365,69456)...1	
2		REMOTE PANEL <i>(component no longer available)</i>	
3	69535GT	PCB ASSEMBLY (69365).....1 <i>120V AC models</i>	
--	69530GT	PRINTED CIRCUIT BOARD (69365)	
3A	69561GT	PCB ASSEMBLY (69456).....1 <i>220V AC models</i>	
--	69560GT	PCB (69456,69457)	
4	69534GT	SWITCH,POWER,DPST (69365).....1	
5	69532GT	CIRCUIT BREAKER,30A (69365).....1 <i>120V AC models</i>	
5A	69563GT	CIRCUIT BREAKER,15A(69456).....1 <i>220V AC models</i>	
6	69531GT	CIRCUIT BOARD,12A (69365).....1 <i>120V AC models</i>	
6A	69565GT	CIRCUIT BREAKER (69456).....1 <i>220V AC models</i>	
7	69861GT	TRANSFORMER,INVERTER (69365).....1 <i>120V AC models</i>	
7A	69862GT	TRANSFORMER,INVERTER (69456).....1 <i>220V AC models</i>	
8	1280665GT	PLUG, TYPE F, 230A, 50HZ, 16A, IP44.....1	
9	6595GT	PLUG,ELECTRICAL,DOMESTIC.....1	
10	69557GT	CABLE ASSY,POWER PLAT,INVERTER.....1	
11	69558GT	CABLE ASSY,GROUND,INVERTER.....1	
12	69536GT	FAN,24VDC (69365,69456,69457).....1	
13	69576GT	SCREW,PHP,6-32 X 5/16	

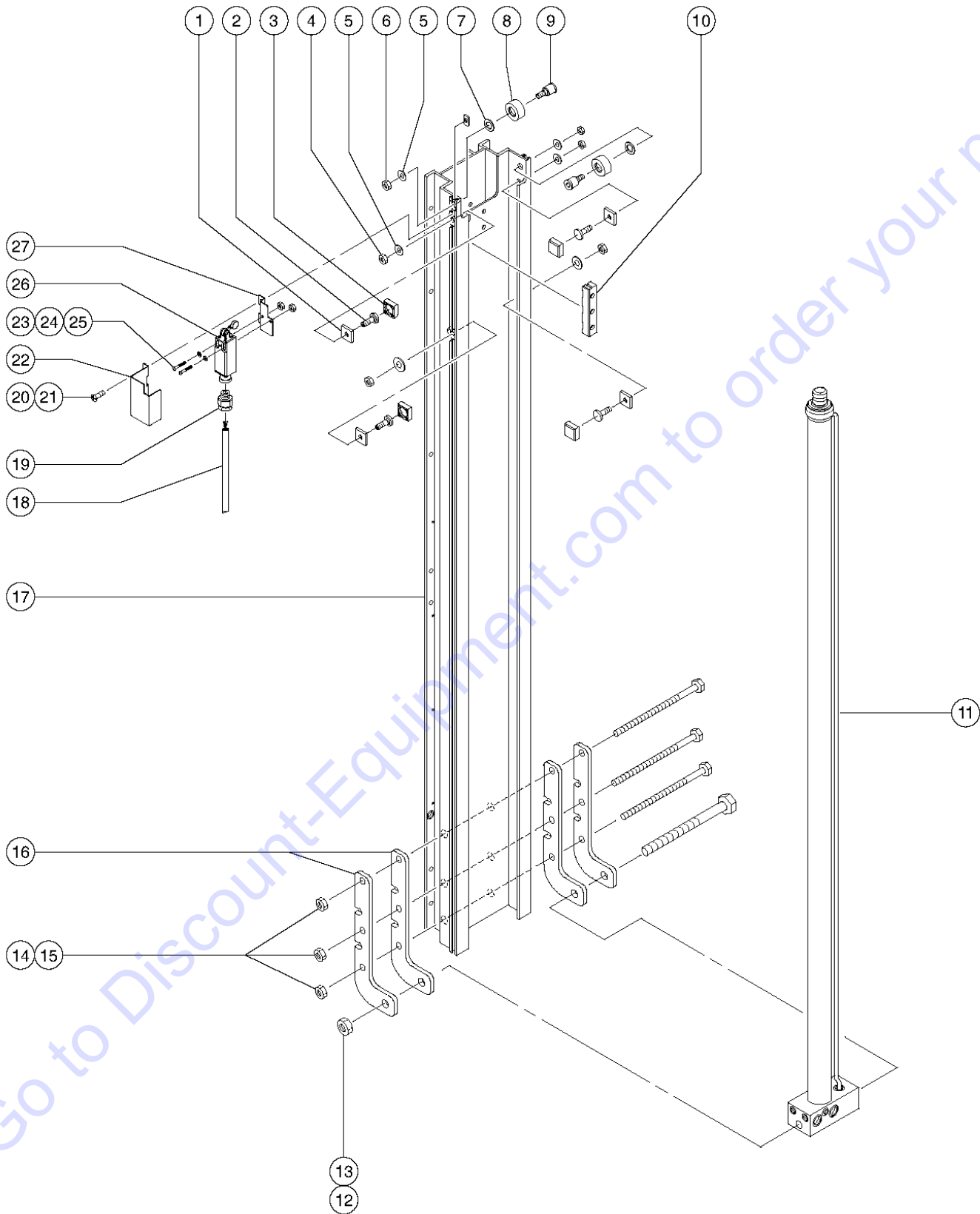
214.1 Power Cables



Item	Part No.	Description	Qty.
1	69295GT	CABLE ASSY,BATTERY JMPR,BLACK.....	1
2	69296GT	CABLE ASSY,BATTERY JMPR,BLACK.....	2
3	69297GT	CABLE ASSY,BATTERY TO ANDERSON.....	1
4	69298GT	CABLE ASSY,ANDERSON TO CNTRLR.....	1
5	39533GT	CAPACITOR,1.0 MFD.....	1
6	69299GT	CABLE ASSY,10G,BLK,CNTRLR/CHAR.....	1
7	69467GT	CABLE ASSY,CONT TO PWR UNIT.....	1
8	69469GT	CABLE ASSY,CNTRLR/MOTOR,RED.....	1
9	69470GT	CABLE ASSY,FUSE TO MOTOR,RED....	1

Go to Discount-Equipment.com to order your parts

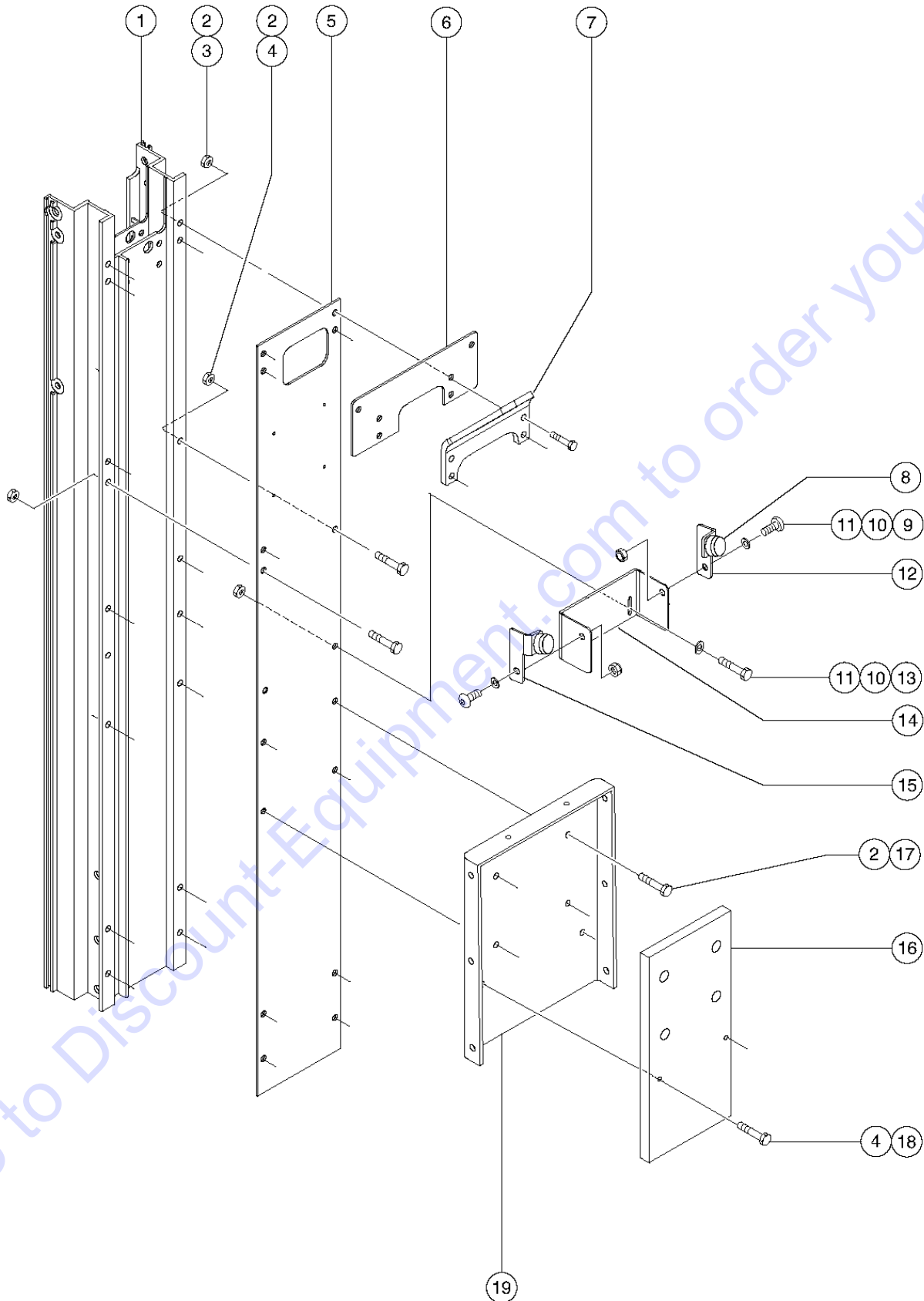
301.1 Number 1 Column Assembly



301.1 Number 1 Column Assembly

Item	Part No.	Description	Qty.
--	90337GT	BOE LUBE.....1 <i>aluminum dry lubricant</i>	1
1	38013GT	SHIM NUT,ADJUSTER.....4	4
2	40946GT	BOLT,SHIM.....4	4
3	38011GT	SHIM,SIDE PAD.....4	4
4	6022GT	NUT,HEX,3/8-16	
5	6097GT	WASHER,FLAT,USS,3/8",Y	
6	7713GT	NUT, LP NYLOCK, 3/8-16	
7	6052GT	WASHER,SHIM,.5 X .875 X .063	
8	38016GT	ROLLER,PLASTIC,AWP96**.....2	2
9	35706GT	BOLT,ROLLER,.470"(SHORT).....2	2
10	35709GT	BLOCK,SLIDE,UPPER.....1	1
11		Ref. Lift Cylinder <i>(refer to 401.1)</i>	
12	38028GT	NUT,LP NYLOCK,5/8-11	
13	1268235GT	SCREW,HHC,5/8-11 X 8.00	
14	6086GT	NUT,LP NYLOCK,1/2-13	
15	38601GT	SCREW,HHC,1/2-13 X 7.5	
16	35727-SGT	PLATE,CYLINDER MOUNT,PAINTED....3	3
17	35749GT	COLUMN #1, 57" SUPER SERIES.....1	1
18	1505GT	WIRE CABLE,16/2 SJO,BULK...53-inches	
19A	7056GT	CONN,SQUEEZE,1/2NPT .38-.50,SM....1 <i>for limit switch 25050</i>	1
19B	87561GT	CABLE SQUEEZE CONN 2 WIRE <i>for limit switch 96948</i>	
20	38979GT	SCREW,PHM,1/4-20X.5 PHIL	
21	35991GT	NUT,WELD 1/4-20, PLATED L.L.**	
22A	69575GT	COVER,LIMIT SWITCH W/DECAL GR...1 <i>(from SN 2677) (USA, Canada and Australia models)</i>	1
22B	57808-SGT	MOUNT,MAST LIMIT SWITCH <i>(from SN 4001) (Europe, South America and Asia models)</i>	
23	6179GT	SCREW,RHM,10-32 X 1.25	
24	6607GT	WASHER,LOCK,#10 PLTD	
25	15513GT	NUT,HEX,10-32	
26	96948GT	SWITCH,LIMIT,W/ROLLER ARM***.....1	1
--	19491GT	CONTACTOR,LIMIT SWITCH	
--	27643GT	ROLLER ARM-LIMIT SWITCH	
--	97128GT	ROLLER ARM,LIMIT SWITCH***	
27	69575GT	COVER,LIMIT SWITCH W/DECAL GR...1	1

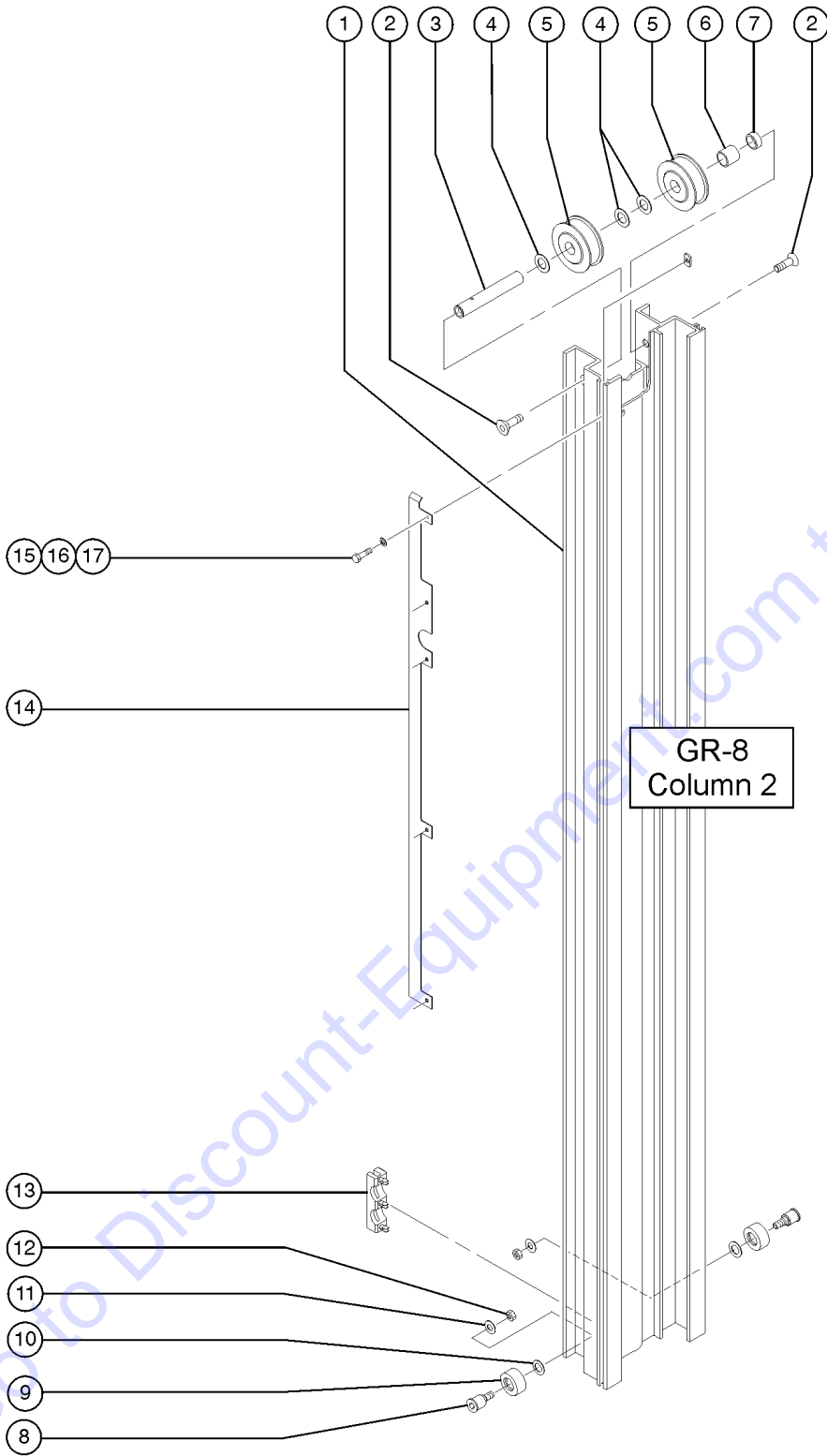
302.1 Number 1 Column Attached Parts



302.1 Number 1 Column Attached Parts

Item	Part No.	Description	Qty.
1		Ref. Number 1 Column (refer to 301.1)	
2	4828GT	NUT,NYLOCK,3/8-16	
3	8516GT	SCREW, HCC, 3/8-16 X 1.50	
4	6175GT	SCREW,HHC,3/8-16 X 1	
5	69468GT	PLATE,MAST STIFFENER W/DEC (models with inverter option)	
5	69553GT	PLATE,MAST STIFFENER W/DEC.....1 (models with charger option)	1
5A	69468GT	PLATE,MAST STIFFENER W/DEC (models with inverter option)	
6		Ref. Lower Bellow Mount Plate (CE models) (refer to 312.1)	
7	107023GT	LIFTING EYE ASSEMBLY.....1	1
8	47230GT	BUMPER,RUBBER.....2	2
9	6090GT	SCREW,HHC,1/4-20 X .75	
10	6638GT	WASHER,FLAT,USS,1/4"Y	
11	6091GT	NUT,NYLOCK,1/4-20	
12	69370GT	MOUNT, RIGHT REAR BUMPER.....1	1
13	6888GT	SCREW,HHC,1/4-20 X 1	
14		Ref. Bumper Mount Bracket.....1 (from SN 2677) (refer to 206.1)	1
15	69369GT	MOUNT, BUMPER.....1	1
16	69572GT	COUNTERWEIGHT,REAR,WWRDS,GR15.1 (all models) (to SN 4000)	
16A	107217GT	COUNTERWEIGHT,REAR,W/SYM,GR15 (Europe, South America and Asia models) (from SN 4001)	
17	6019GT	SCREW,HHC,3/8-16 X 1.25 GRD 5	
18	5224GT	SCREW,HHC,3/8-16 X 2	
19		Ref. Battery Box Brace Assembly (refer to 206.1)	

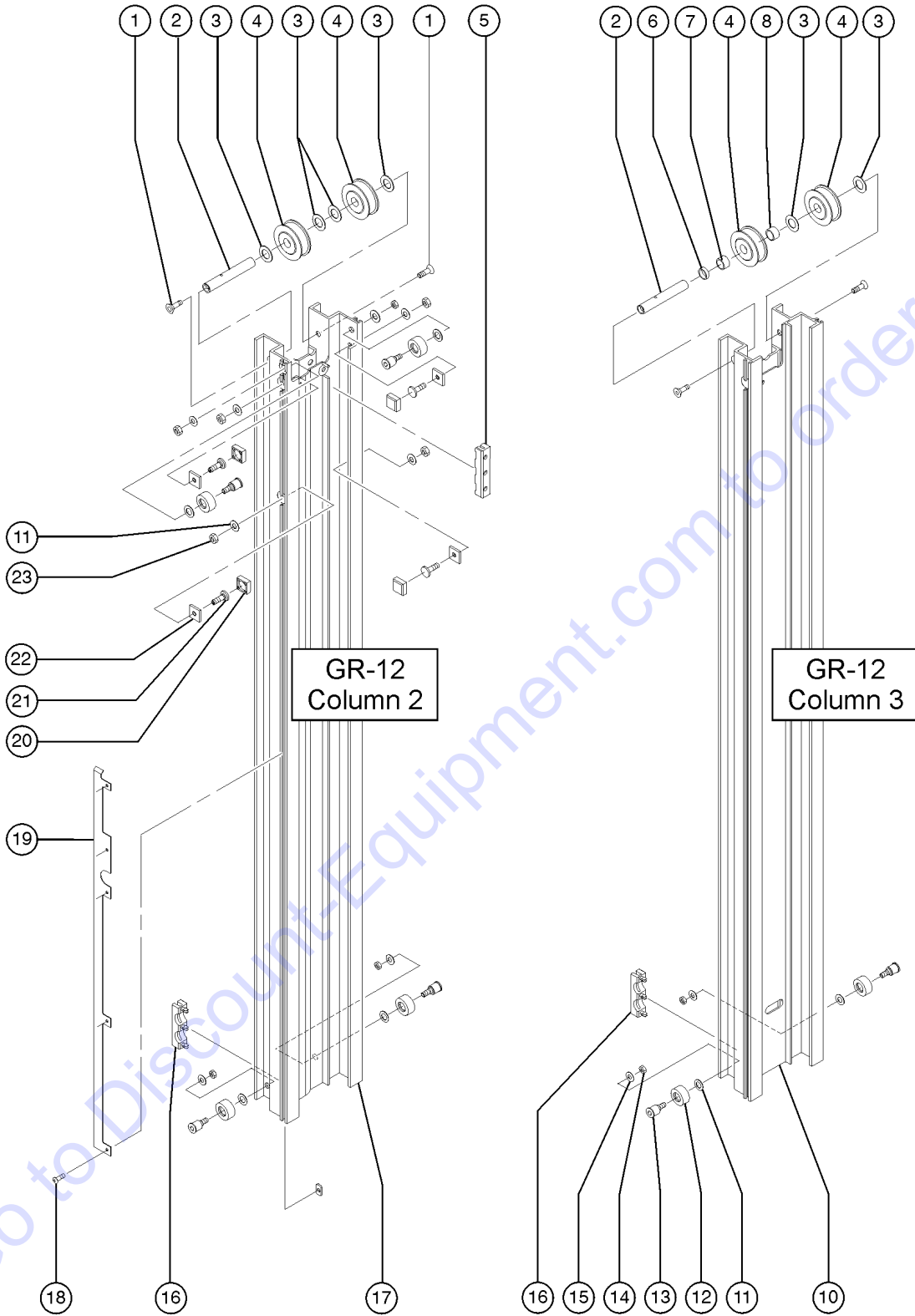
303.1 Number 2 Column Assembly, GR-08



303.1 Number 2 Column Assembly, GR-08

Item	Part No.	Description	Qty.
1	41559GT	COLUMN #2,CWP/GR-8.....	1
2	45425GT	SCREW,FHS,3/8-16 X .75	
3	35707GT	SHAFT,LIFTING CHAINS,20MM DIA.....	1
4	38709GT	WASHER,SHIM,,938 X 1.37 X .048	
5	38447GT	PULLEY W/BEARINGS.....	2
6	35711GT	SPACER,SHAFT,.840"LG.....	1
7	35722GT	SPACER,SHAFT,.310.....	1
8	35706GT	BOLT,ROLLER,.470"(SHORT).....	2
9	38016GT	ROLLER,PLASTIC,AWP96**.....	2
10	6052GT	WASHER,SHIM,.5 X .875 X .063	
11	6097GT	WASHER,FLAT,USS,3/8",Y	
12	7713GT	NUT, LP NYLOCK, 3/8-16	
13	35710GT	BLOCK,SLIDE,LOWER.....	1
14	57809GT	PLATE, LIMIT SWITCH ROLL GR.....	1
15	11808GT	SCREW,HHC,1/4-20 X .375	
16	6356GT	WASHER,LOCK,.25	
17	35991GT	NUT,WELD 1/4-20, PLATED L.L.**	

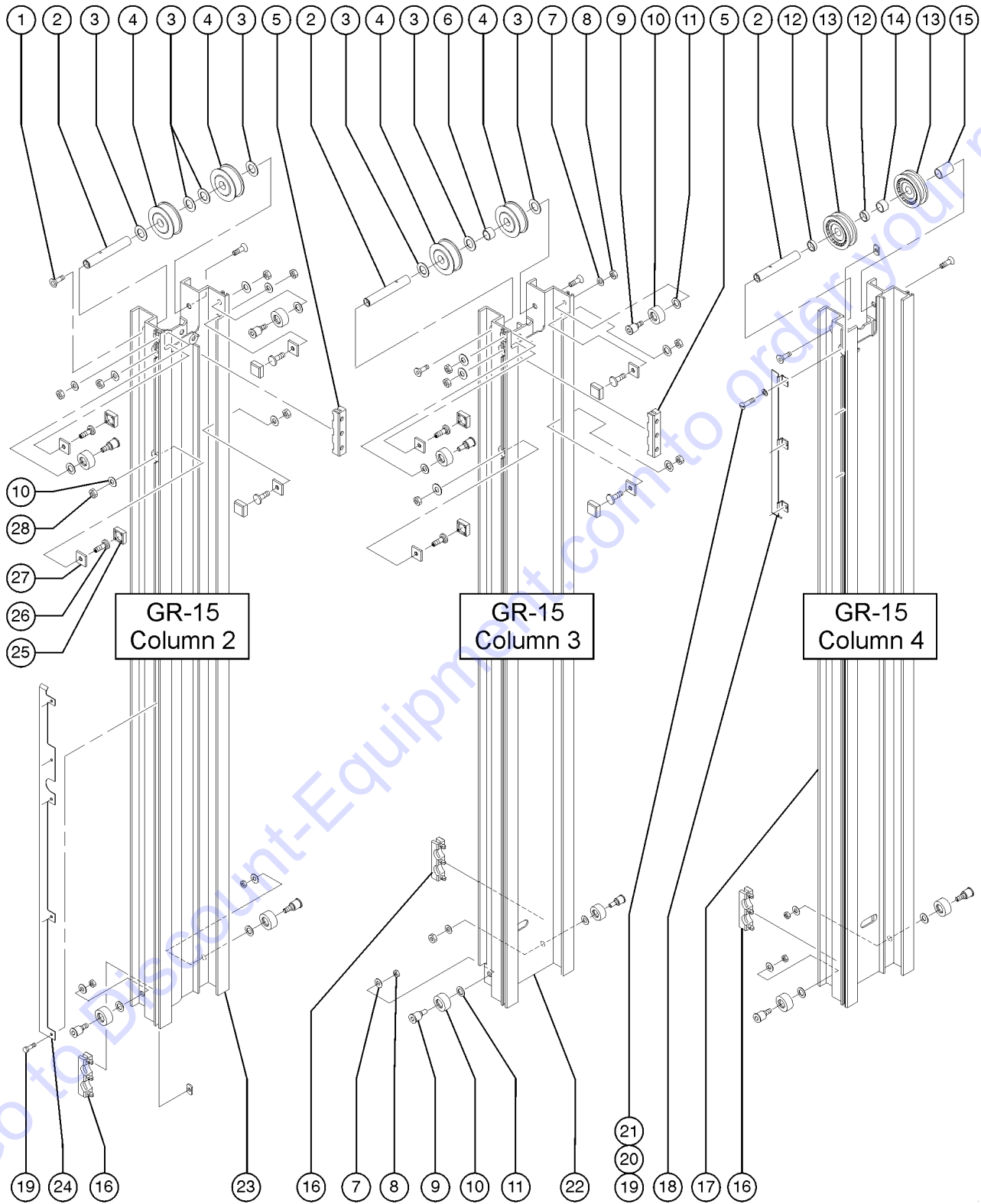
304.1 Number 2 and 3 Column Assemblies, GR-12



304.1 Number 2 and 3 Column Assemblies, GR-12

Item	Part No.	Description	Qty.
1	45425GT	SCREW,FHS,3/8-16 X .75	
2	35707GT	SHAFT,LIFTING CHAINS,20MM DIA.....2	
3	38709GT	WASHER,SHIM,.938 X 1.37 X .048	
4	38447GT	PULLEY W/BEARINGS.....2	
5	35709GT	BLOCK,SLIDE,UPPER.....2	
6	35722GT	SPACER,SHAFT,.310	
7	38316GT	SPACER,.560 AWP MAST.....1	
8	35711GT	SPACER,SHAFT,.840"LG.....1	
9	37686GT	SPACER,SHAFT,1.400.....1	
10	35753GT	COLUMN #5, 57" SUPER SERIES.....1	
11	6052GT	WASHER,SHIM,.5 X .875 X .063	
12	38016GT	ROLLER,PLASTIC,AWP96**.....8	
13	35706GT	BOLT,ROLLER,.470"(SHORT).....8	
14	7713GT	NUT, LP NYLOCK, 3/8-16	
15	6097GT	WASHER,FLAT,USS,3/8",Y	
16	35710GT	BLOCK,SLIDE,LOWER.....2	
17	35750GT	COLUMN #2, 57" CWP-12'/15' SS.....1	
18	11808GT	SCREW,HHC,1/4-20 X .375	
19	57809GT	PLATE, LIMIT SWITCH ROLL GR.....1	
20	38011GT	SHIM,SIDE PAD.....8	
21	40946GT	BOLT,SHIM.....8	
22	38013GT	SHIM NUT,ADJUSTER.....8	
23	46017GT	NUT,HEX,JAM,LP 3/8-16,	

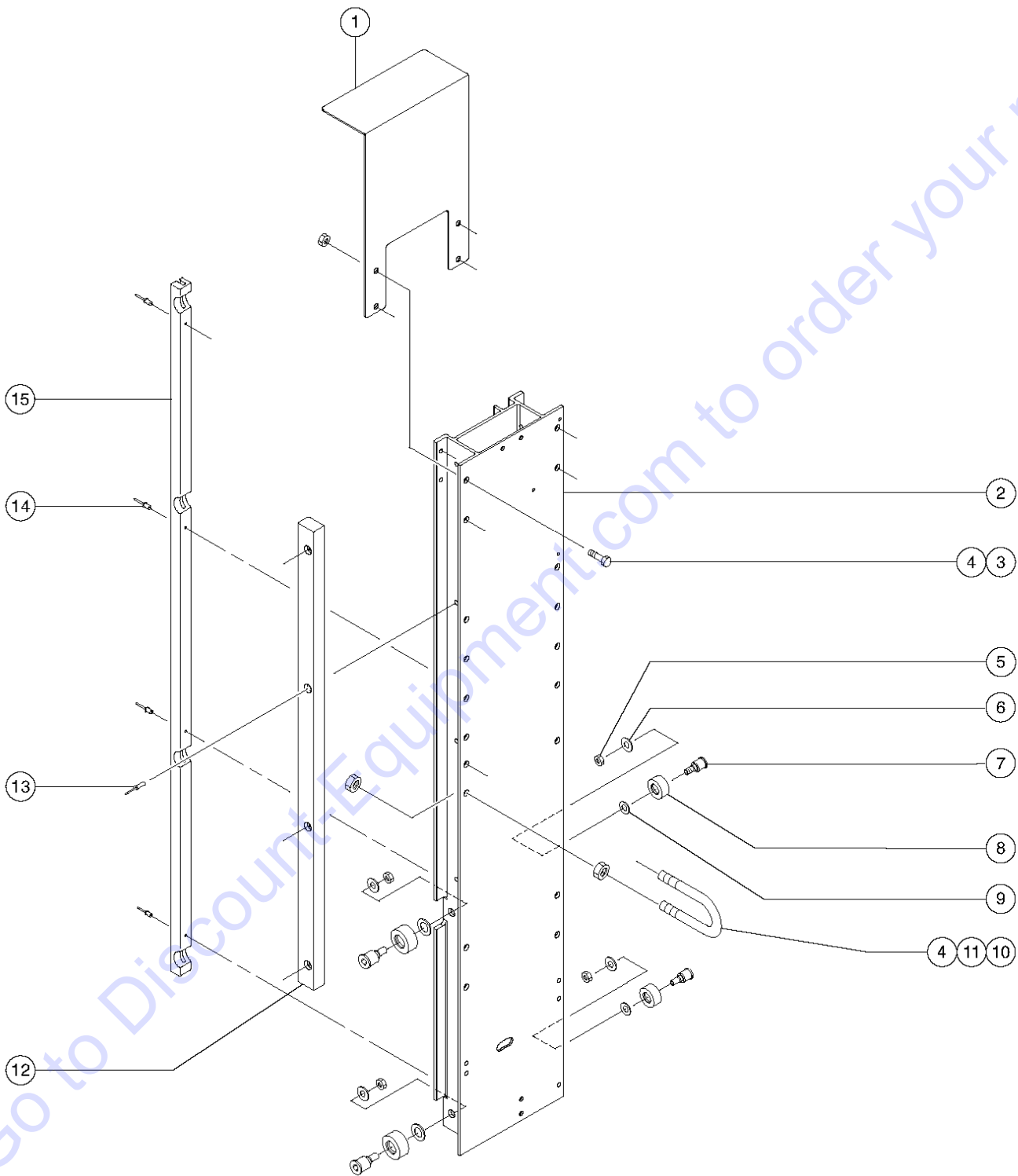
305.1 Number 2, 3 and 4 Column Assemblies, GR-15



305.1 Number 2, 3 and 4 Column Assemblies, GR-15

Item	Part No.	Description	Qty.
1	45425GT	SCREW,FHS,3/8-16 X .75	
2	35707GT	SHAFT,LIFTING CHAINS,20MM DIA.....3	
3	38709GT	WASHER,SHIM,.938 X 1.37 X .048	
4	38447GT	PULLEY W/BEARINGS.....4	
5	35709GT	BLOCK,SLIDE,UPPER.....2	
6	38316GT	SPACER,.560 AWP MAST.....1	
7	6097GT	WASHER,FLAT,USS,3/8",Y	
8	7713GT	NUT, LP NYLOCK, 3/8-16	
9	35706GT	BOLT,ROLLER,.470"(SHORT).....10	
10	38016GT	ROLLER,PLASTIC,AWP96**.....10	
11	6052GT	WASHER,SHIM,.5 X .875 X .063	
12	35722GT	SPACER,SHAFT,.310.....2	
13	35715GT	PULLEY,SMALL CHAIN.....2	
14	35711GT	SPACER,SHAFT,.840"LG.....1	
15	37686GT	SPACER,SHAFT,1.400.....1	
16	35710GT	BLOCK,SLIDE,LOWER.....3	
17	35754GT	COLUMN #6, 57" SUPER SERIES**.....1	
18	69850GT	BRACKET, LIMIT SWITCH.....1 <i>(from SN 888) (models with platform extension)</i>	
19	11808GT	SCREW,HHC,1/4-20 X .375	
20	6356GT	WASHER,LOCK,.25	
21	35991GT	NUT,WELD 1/4-20, PLATED L.L.**	
22	35751GT	COLUMN #3, 57" SUPER SERIES.....1	
23	35750GT	COLUMN #2, 57" CWP-12'/15' SS.....1	
24	57809GT	PLATE, LIMIT SWITCH ROLL GR.....1	
25	38011GT	SHIM,SIDE PAD.....8	
26	40946GT	BOLT,SHIM.....8	
27	38013GT	SHIM NUT,ADJUSTER.....8	
28	6022GT	NUT,HEX,3/8-16	

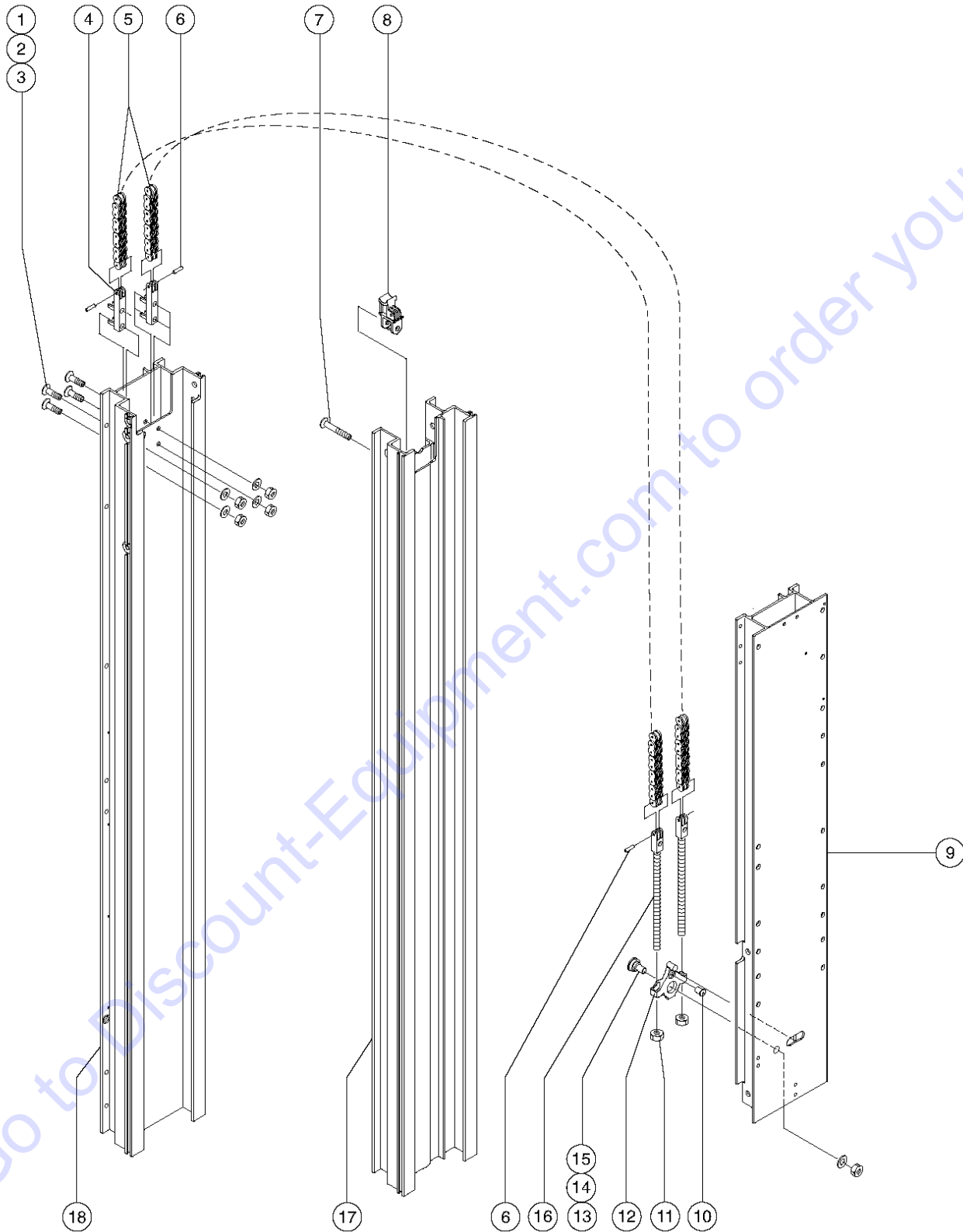
306.1 Carriage Assembly



306.1 Carriage Assembly

Item	Part No.	Description	Qty.
1	69852GT	COVER, MAST GR 8, CE.....1 GR-08 (CE models)	1
1A	69385-SGT	MOUNT, MAST COVER, GR.....1 GR-12 (ANSI and CE models)	1
1B	69385-SGT	MOUNT, MAST COVER, GR.....1 GR-15 (CE models)	1
2	69577GT	CARRIAGE ASSY W/DEC,GR-8.....1 GR-08 (includes items 12 through 15)	1
2A	69578GT	CARRIAGE ASSY W/DEC,GR-12 GR-12 (includes items 12 through 15)	
2B	69579GT	CARRIAGE ASSY W/DEC,GR-15 GR-15 (includes items 10 through 15)	
3	22832GT	SCREW,HHC,3/8-16 X 6 GR-08	
3A	6605GT	SCREW,HHC,3/8-16 X 3.5,GR5 GR-12	
3B	6019GT	SCREW,HHC,3/8-16 X 1.25 GRD 5 GR-15	
4	4828GT	NUT,NYLOCK,3/8-16	
5	7713GT	NUT, LP NYLOCK, 3/8-16	
6	6097GT	WASHER,FLAT,USS,3/8",Y	
7	35706GT	BOLT,ROLLER,.470"(SHORT).....4	4
8	38016GT	ROLLER,PLASTIC,AWP96**.....4	4
9	6052GT	WASHER,SHIM,.5 X .875 X .063	
10	6550GT	U-BOLT,3/8 X 1 YZ.....1 GR-15	1
11	4828GT	NUT,NYLOCK,3/8-16 GR-15	
12	57195GT	GUIDE, SLIDER CARRIAGE.....2	2
13	7266GT	RIVET,STL,STL,P,.25 X .75	
14	69855GT	RIVET,ALUM,ALUM,.25 X 1.125 AL	
15	38005GT	SLIDE BLOCK,CARRIAGE%%.....1	1

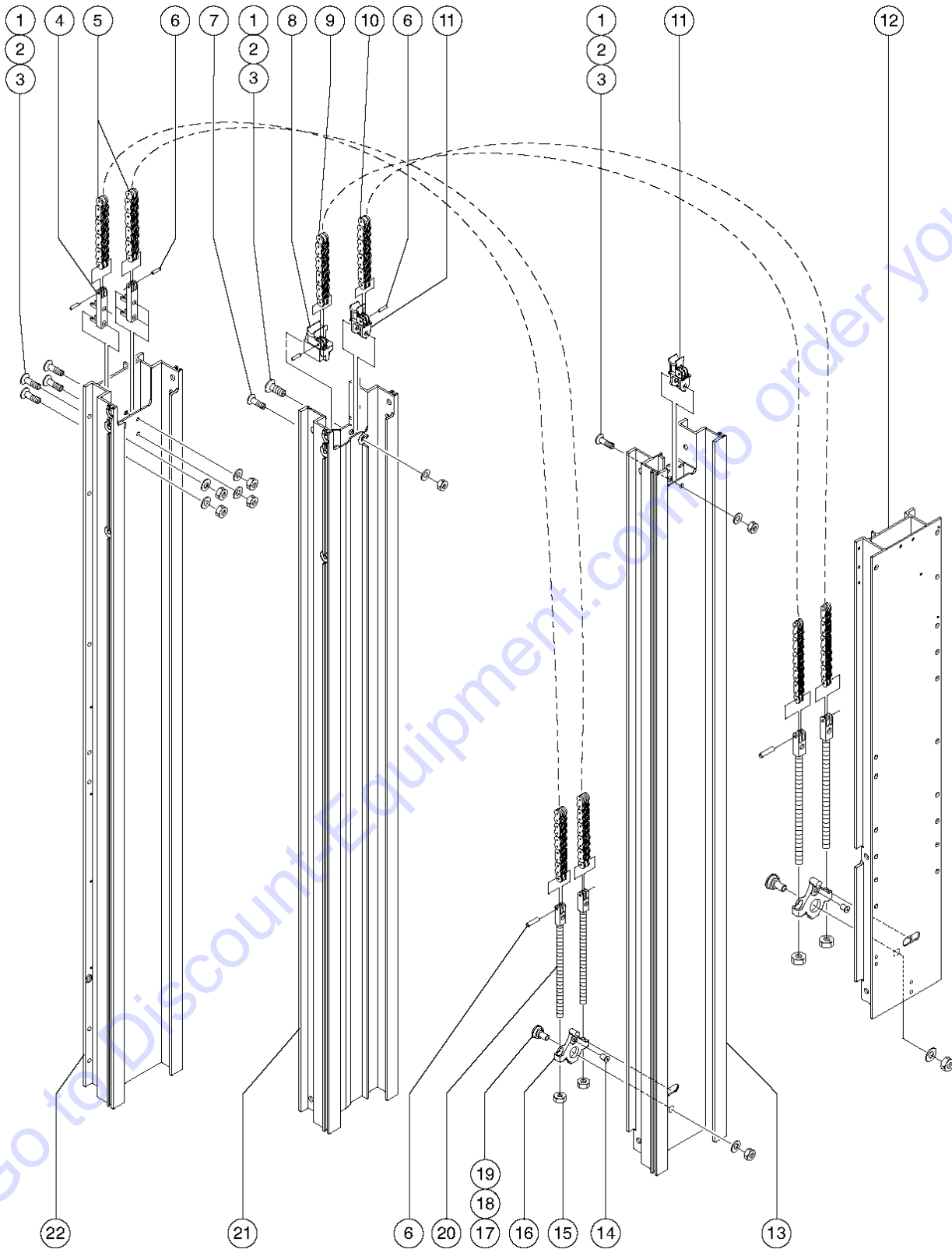
307.1 Lifting Chains Assemblies, GR-08



307.1 Lifting Chains Assemblies, GR-08

Item	Part No.	Description	Qty.
1	35714GT	SCREW,FHS,3/8-16 X 2.25	
2	5397GT	WASHER,FLAT,USS,5/16",Y	
3	4828GT	NUT,NYLOCK,3/8-16	
4	35699GT	CHAIN TERMINAL CASTING,#1.....2	
5	40550GT	CHAIN ASSY#1,57"COL. S-SERIES.....2 (includes items 4, 6 and 16)	
--	41247GT	CHAIN,STD.LEAF(LG)53.5"S-SERIE.53.5-inches	
6	6534GT	PIN,GROOVED- .200 X .75*.....4	
7	40945GT	SCREW,FHS,1/4-20 X 2.25	
8	35697GT	CHAIN TERM,CLEVIS CYL.,ZINC.....1	
9		Ref. Carriage Assembly (refer to 306.1)	
10	11890GT	GLIDE BUTTON,SIDE,GLL,.100 TK.....1	
11	35712GT	NUT,NYLOCK,3/8-24	
12	35698GT	CHAIN TENSION ROCKER CAST.ZINC.....1	
13	35705GT	BOLT-ROCKER, S-SERIES.....1	
14	6095GT	WASHER,FLAT,USS,1/2",Y	
15	6086GT	NUT,LP NYLOCK,1/2-13	
16	38187GT	CHAIN TERM.LWR.SS(2 SLOT)*.....2 (includes item 6)	
17		Ref. Number 2 Column (refer to 303.1)	
18		Ref. Number 1 Column (refer to 301.1)	

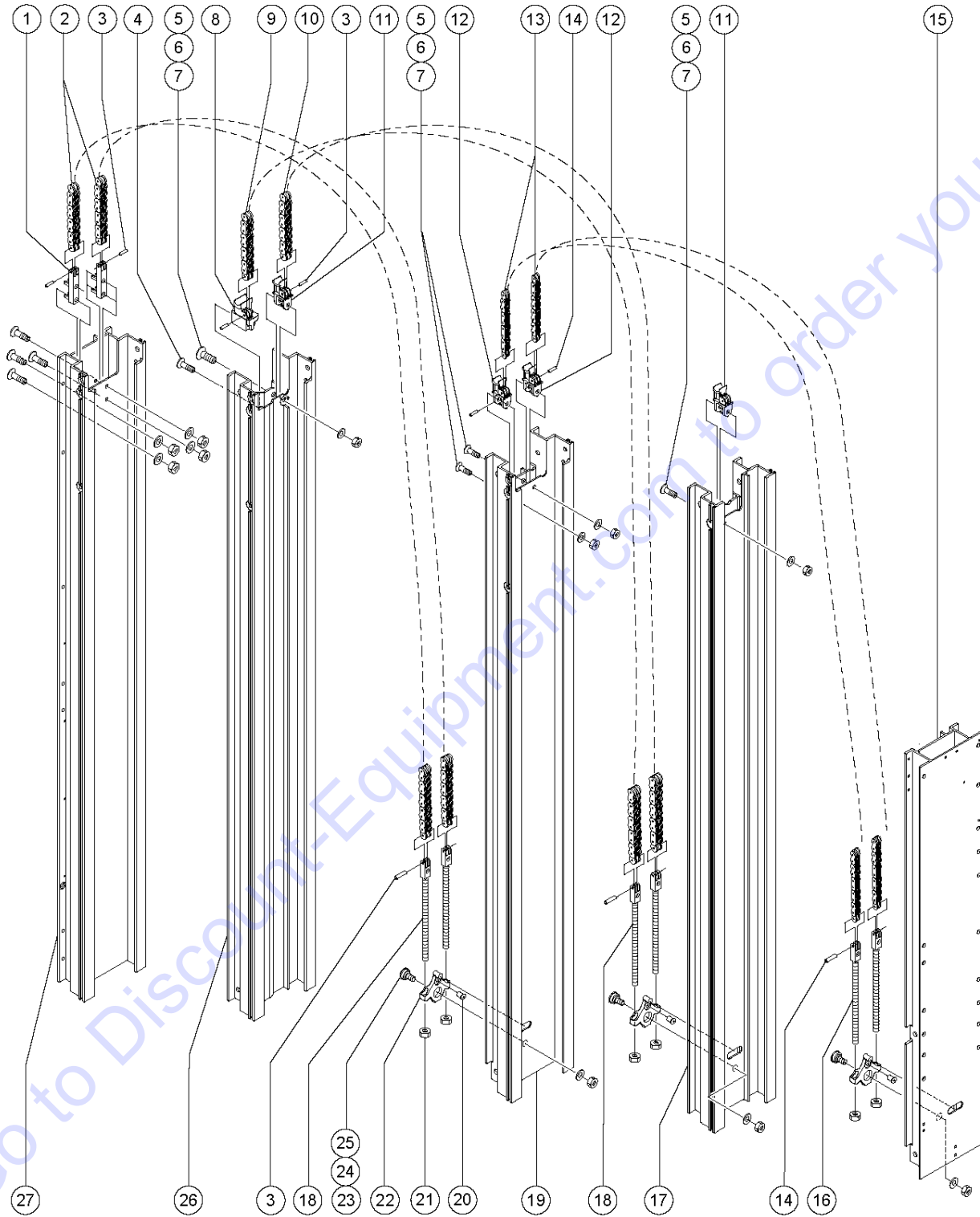
308.1 Lifting Chain Assemblies, GR-12



308.1 Lifting Chain Assemblies, GR-12

Item	Part No.	Description	Qty.
1	35714GT	SCREW,FHS,3/8-16 X 2.25	
2	5397GT	WASHER,FLAT,USS,5/16",Y	
3	4828GT	NUT,NYLOCK,3/8-16	
4	35699GT	CHAIN TERMINAL CASTING,#1.....2	
5	40550GT	CHAIN ASSY#1,57"COL. S-SERIES.....2 (includes items 4, 6 and 20)	
5	41247GT	CHAIN,STD.LEAF(LG)53.5"S-SERIE.53.5-inches	
6	6534GT	PIN,GROOVED- .200 X .75*.....8	
7	40945GT	SCREW,FHS,1/4-20 X 2.25	
8	35697GT	CHAIN TERM,CLEVIS CYL.,ZINC.....1	
9	41246GT	CHAIN ASSY.#2 COL. (CYLINDER).....1 (includes items 6, 8 and 20)	
9	41247GT	CHAIN,STD.LEAF(LG)53.5"S-SERIE.53.5-inches	
10	41248GT	CHAIN ASSY. #2 COL.CWP/SP.....1 (includes items 6, 11 and 20)	
--	41247GT	CHAIN,STD.LEAF(LG)53.5"S-SERIE.53.5-inches	
11	35695GT	CHAIN TERM,PULLEY SUPORT-ZINC...2	
12		Ref. Carriage Assembly (refer to 306.1)	
13		Ref. Number 3 Column (refer to 304.1)	
14	11890GT	GLIDE BUTTON,SIDE,GLL,.100 TK.....3	
15	35712GT	NUT,NYLOCK,3/8-24	
16	35698GT	CHAIN TENSION ROCKER CAST.ZINC.....3	
17	35705GT	BOLT-ROCKER, S-SERIES.....3	
18	6095GT	WASHER,FLAT,USS,1/2",Y	
19	6086GT	NUT,LP NYLOCK,1/2-13	
20	38187GT	CHAIN TERM.LWR.SS(2 SLOT)*.....4 (includes item 6)	
21		Ref. Number 2 Column (refer to 304.1)	
22		Ref. Number 1 Column (refer to 301.1)	

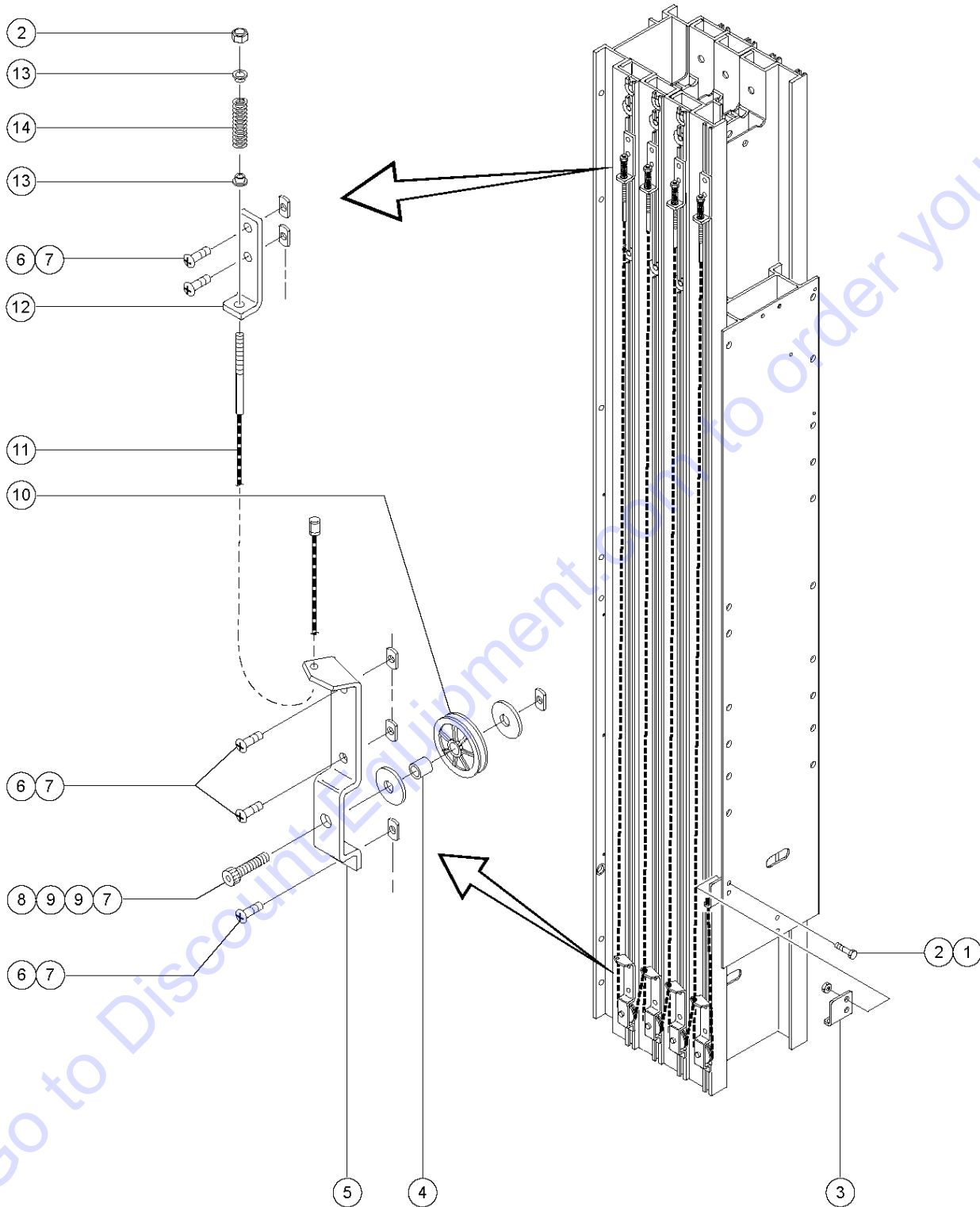
309.1 Lifting Chains Assemblies, GR-15



309.1 Lifting Chains Assemblies, GR-15

Item	Part No.	Description	Qty.
1	35699GT	CHAIN TERMINAL CASTING,#1.....	2
2	40550GT	CHAIN ASSY#1,57"COL. S-SERIES..... (includes items 1, 2, 3 and 18)	2
3	6534GT	PIN,GROOVED- .200 X .75*.....	8
4	40945GT	SCREW,FHS,1/4-20 X 2.25	
5	35714GT	SCREW,FHS,3/8-16 X 2.25	
6	5397GT	WASHER,FLAT,USS,5/16",Y	
7	4828GT	NUT,NYLOCK,3/8-16	
8	35697GT	CHAIN TERM,CLEVIS CYL.,ZINC.....	1
9	41246GT	CHAIN ASSY.#2 COL. (CYLINDER)..... (includes items 3, 8 and 18)	1
10	41248GT	CHAIN ASSY. #2 COL.CWP/SP..... (includes items 3, 11 and 18)	1
--	41247GT	CHAIN,STD.LEAF(LG)53.5"S-SERIE.53.5-inches	
11	35695GT	CHAIN TERM,PULLEY SUPORT-ZINC...2	
12	38980GT	CHAIN TERM,PULLEY SUPPORT-ZNC.....	2
13	41250GT	CHAIN ASSY.SMALL CHAIN CWP/SP...2 (includes items 12, 14 and 16)	
--	41249GT	CHAIN,SMALL,53.5".....53.5-inches	
14	38986GT	PIN,GROOVED,.200 X .50*.....	4
15		Ref. Carriage Assembly (refer to 306.1)	
16	41224GT	CHAIN TERM.LWR.SS(1 SLOT)..... (includes item 14)	2
17	35754GT	COLUMN #6, 57" SUPER SERIES** (replaces p/n 35752)	
18	38187GT	CHAIN TERM.LWR.SS(2 SLOT)*..... (includes item 3)	2
19		Ref. Number 3 Column (refer to 305.1)	
20	11890GT	GLIDE BUTTON,SIDE,GLL,.100 TK.....	3
21	35712GT	NUT,NYLOCK,3/8-24	
22	35698GT	CHAIN TENSION ROCKER CAST.ZINC.....	3
23	35705GT	BOLT-ROCKER, S-SERIES.....	3
24	6097GT	WASHER,FLAT,USS,3/8",Y	
25	6086GT	NUT,LP NYLOCK,1/2-13	
26		Ref. Number 2 Column (refer to 305.1)	
27		Ref. Number 1 Column (refer to 301.1)	

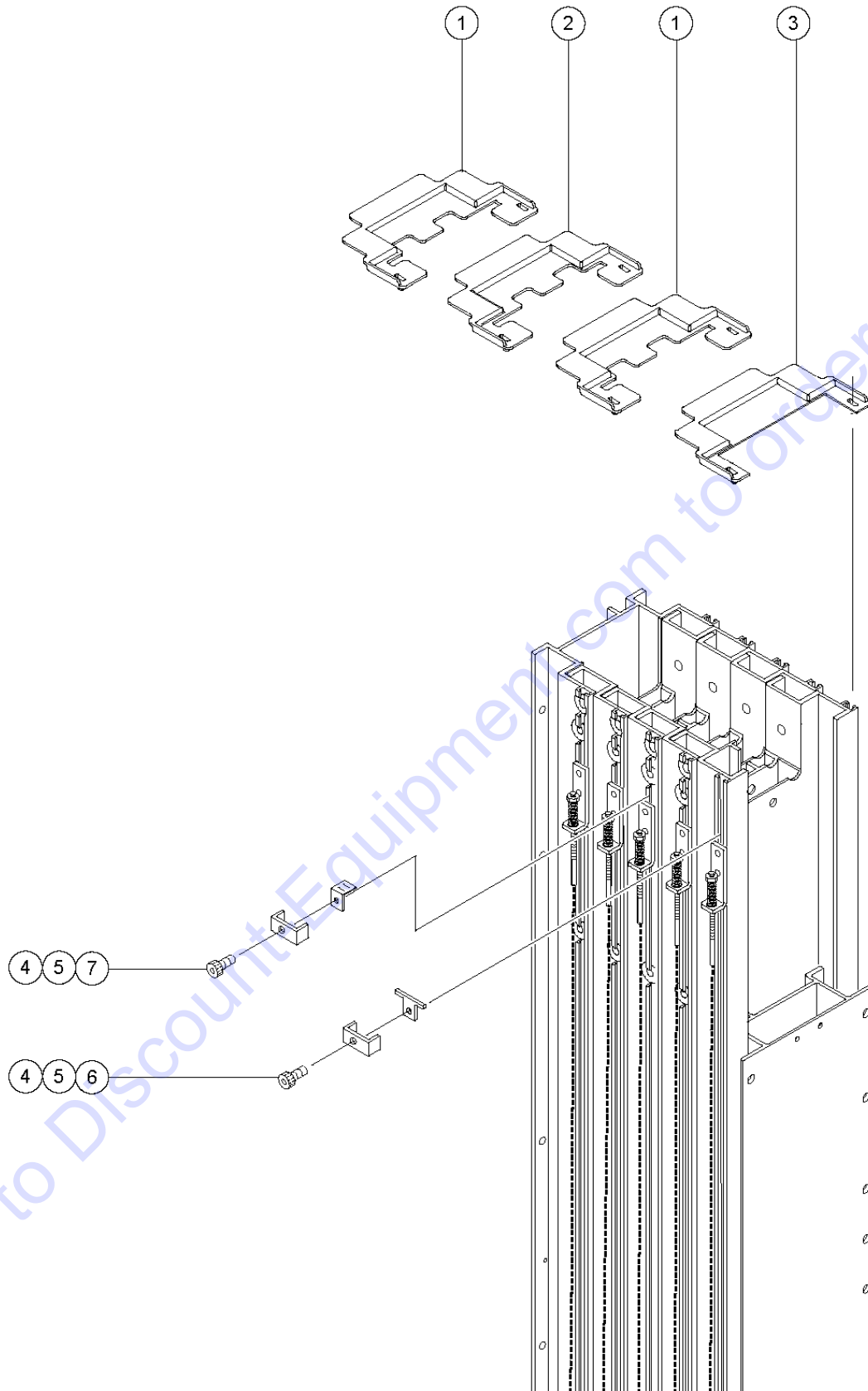
310.1 Sequencing Cables



310.1 Sequencing Cables

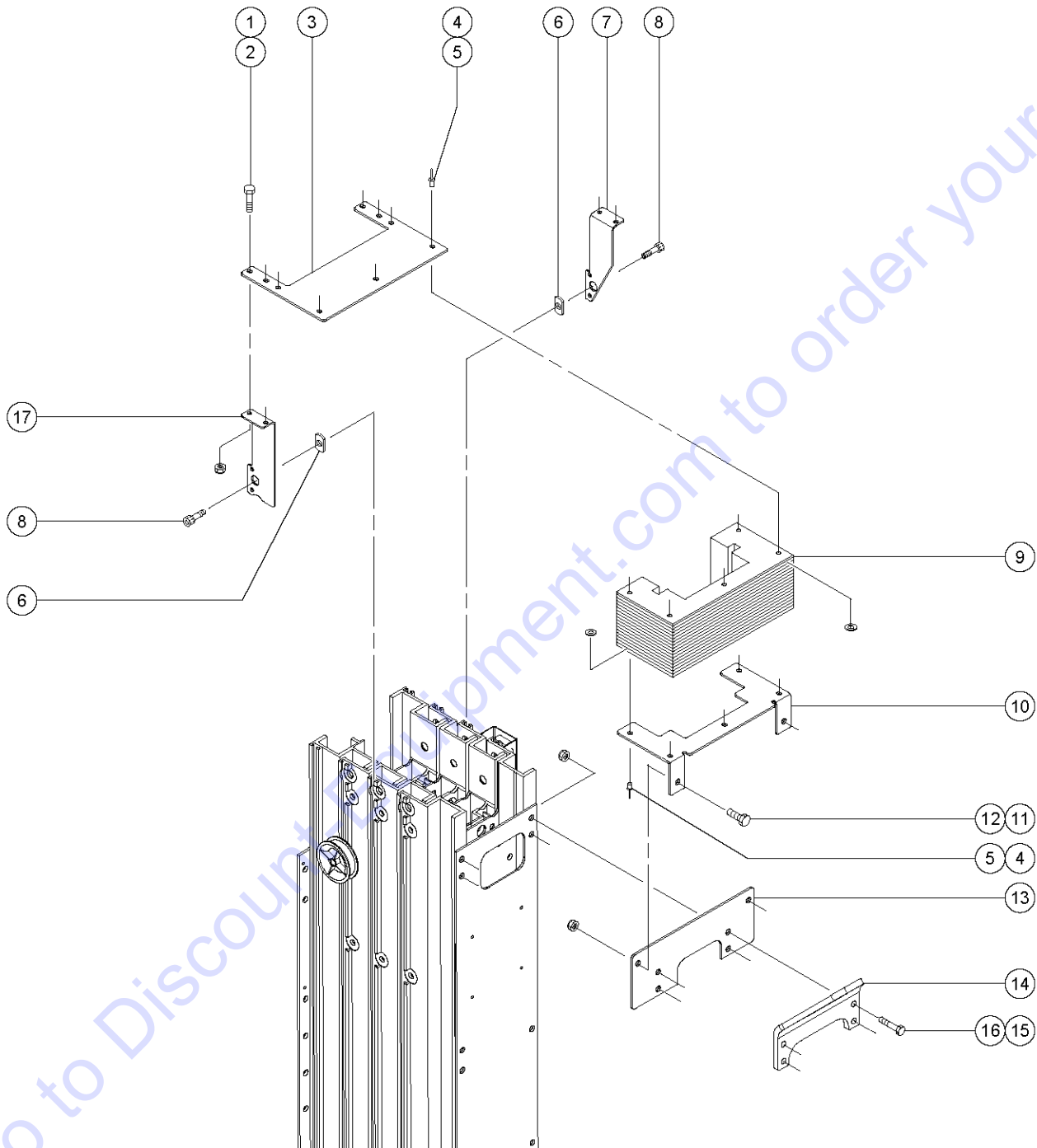
Item	Part No.	Description	Qty.
1	6090GT	SCREW,HHC,1/4-20 X .75	
2	6091GT	NUT,NYLOCK,1/4-20	
3	35734GT	FORMING, SEQUENCING, CARR, ZN...1	
4	44895GT	SPACER,TUBE,1/4X3/8X.50"LONG.....1 GR-08	
4B	44895GT	SPACER,TUBE,1/4X3/8X.50"LONG.....3 GR-15	
5	35730GT	BRACKET,SEQUENCING,ZINC *1 GR-08	
5B	35730GT	BRACKET,SEQUENCING,ZINC *3 GR-15	
6	38979GT	SCREW,PHM,1/4-20X.5 PHIL	
7	35991GT	NUT,WELD 1/4-20, PLATED L.L.**	
8	41077GT	SCREW,SHC,1/4-20 X .875	
9	12906GT	WASHER,FENDER,.25 X 1.25 X.062	
10	35733GT	PULLEY,SEQUENCING,NYLATRON.....1 GR-08	
10B	35733GT	PULLEY,SEQUENCING,NYLATRON.....3 GR-15	
11	40549GT	CABLE ASSY,SEQ 54", GR/CWP/SP.....1 GR-12 (includes item 5)	
11	69238GT	CABLE ASSY, CARRIAGE, CWP/GR.....1 GR-08 (includes item 3)	
--	69238GT	CABLE ASSY, CARRIAGE, CWP/GR GR-12 (includes item 3)	
11B	40549GT	CABLE ASSY,SEQ 54", GR/CWP/SP.....2 GR-15 (includes item 5)	
--	69238GT	CABLE ASSY, CARRIAGE, CWP/GR GR-15 (includes item 3)	
12	57147GT	BRACKET,SEQUENCING,UPPER,ZI***..1 GR-08	
12B	57147GT	BRACKET,SEQUENCING,UPPER,ZI***..3 GR-15	
13	38234GT	BUSHING,FLANGE,3/8 OD X 1/4 ID.....2 GR-08	
13B	38234GT	BUSHING,FLANGE,3/8 OD X 1/4 ID.....6 GR-15	
14	8849GT	SPRING, TENSION CABLE.....1 GR-08	
14B	8849GT	SPRING, TENSION CABLE.....3 GR-15	

311.1 Mast Covers



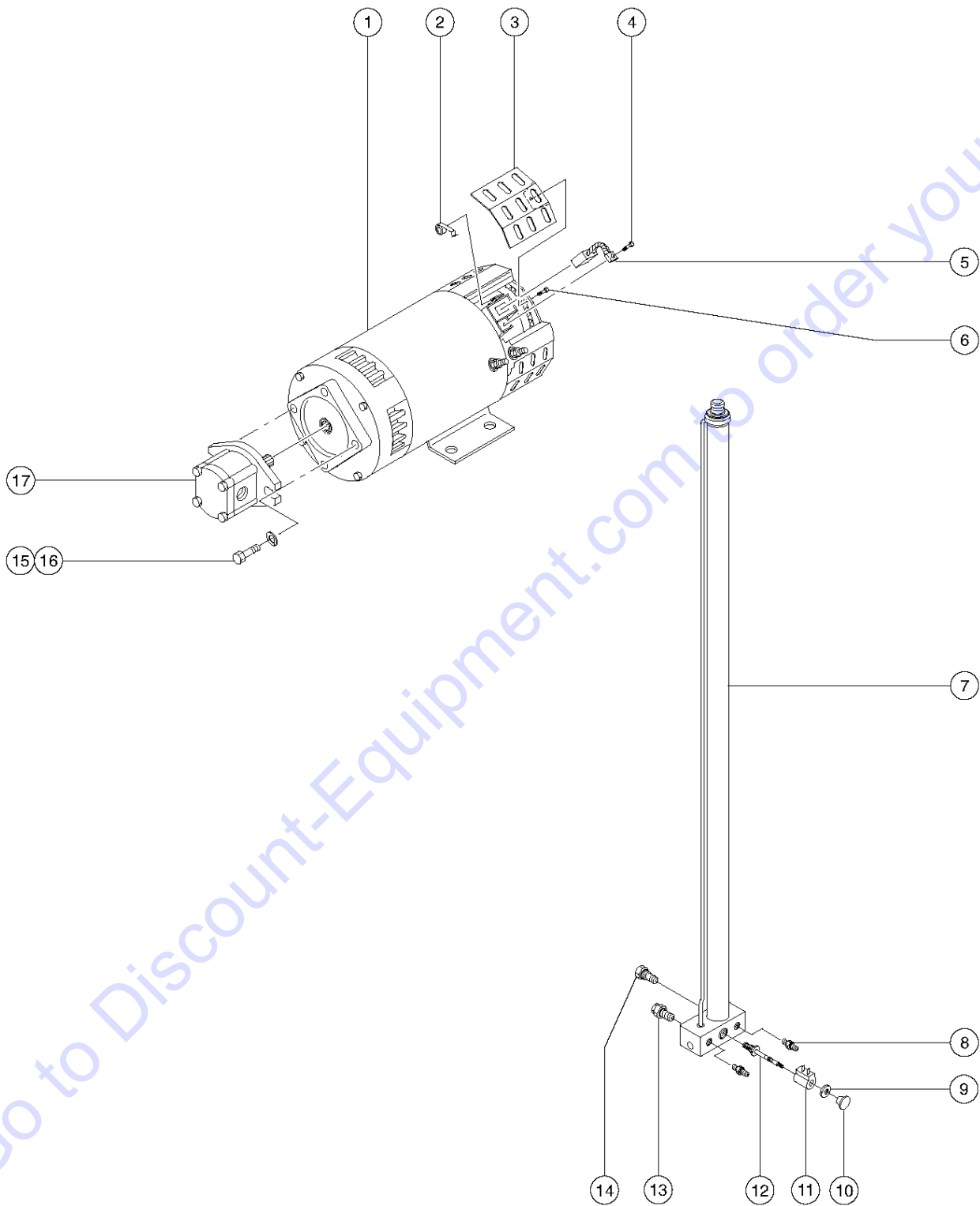
Item	Part No.	Description	Qty.
1	38314GT	FLAP,MAST COVER #1,#3,& #5.....1 <i>GR-08, GR-12, ANSI models</i>	1
1A	38314GT	FLAP,MAST COVER #1,#3,& #5.....2 <i>GR-15 (ANSI models)</i>	2
1B	38314GT	FLAP,MAST COVER #1,#3,& #5.....1 <i>GR-15 (CE models)</i>	1
2	35786GT	FLAP,MAST COVER #2 & #4.....1 <i>GR-08, GR-12</i>	1
3	38315GT	FLAP,CARRIAGE COVER***.....1 <i>GR-08, GR-12, GR-15 (ANSI models)</i>	1
4	40004GT	SCREW,SHC,1/4-20 X .375 BLK.....4 <i>GR-08</i>	4
4A	40004GT	SCREW,SHC,1/4-20 X .375 BLK.....6 <i>GR-12</i>	6
4B	40004GT	SCREW,SHC,1/4-20 X .375 BLK.....8 <i>GR-15</i>	8
5	41055GT	WASHER,T-SLOT.....4 <i>GR-08</i>	4
5A	41055GT	WASHER,T-SLOT.....6 <i>GR-12</i>	6
5B	41055GT	WASHER,T-SLOT.....8 <i>GR-15</i>	8
6	57264GT	NUT, 1/4-20 T	
7	38730GT	NUT,WELD,ANGLE,1/4" T-SLOT.....2 <i>GR-08</i>	2
7A	38730GT	NUT,WELD,ANGLE,1/4" T-SLOT.....4 <i>GR-12</i>	4
7B	38730GT	NUT,WELD,ANGLE,1/4" T-SLOT.....6 <i>GR-15</i>	6

312.1 Bellows, CE Models



Item	Part No.	Description	Qty.
1	6090GT	SCREW,HHC,1/4-20 X .75	
2	6091GT	NUT,NYLOCK,1/4-20	
3	44264-SGT	PLATE, UPPER BELLOW MNT, CE.....1	
4	6271GT	RIVET,STL,STL.MAN,P,.25 X .25	
5	75144GT	WASHER,FLAT,SAE 1/4,ZINC	
6	35991GT	NUT,WELD 1/4-20, PLATED L.L.**	
7	69838GT	BRACKET, BELLOWS MOUNT, CE.....1	
8	40004GT	SCREW,SHC,1/4-20 X .375 BLK	
9	44372GT	BELLOW, CE.....1	
10	44263-SGT	FORMING, LOWER BELLOW MNT,CE.....1	
11	8255GT	SCREW,HHC,3/8-16 X .75	
12	7713GT	NUT, LP NYLOCK, 3/8-16	
13	69384-SGT	MOUNT,LOWER BELLOW,CE,RUNABOUT.....1	
14		Ref. Lifting Eye Plate (refer to 302.1)	
15	8516GT	SCREW, HCC, 3/8-16 X 1.50	
16	4828GT	NUT,NYLOCK,3/8-16	
17	44266GT	FORMING, BELLOW BRKT,CE,LH.....1	

401.1 Hydraulic Power Unit and Lift Cylinder

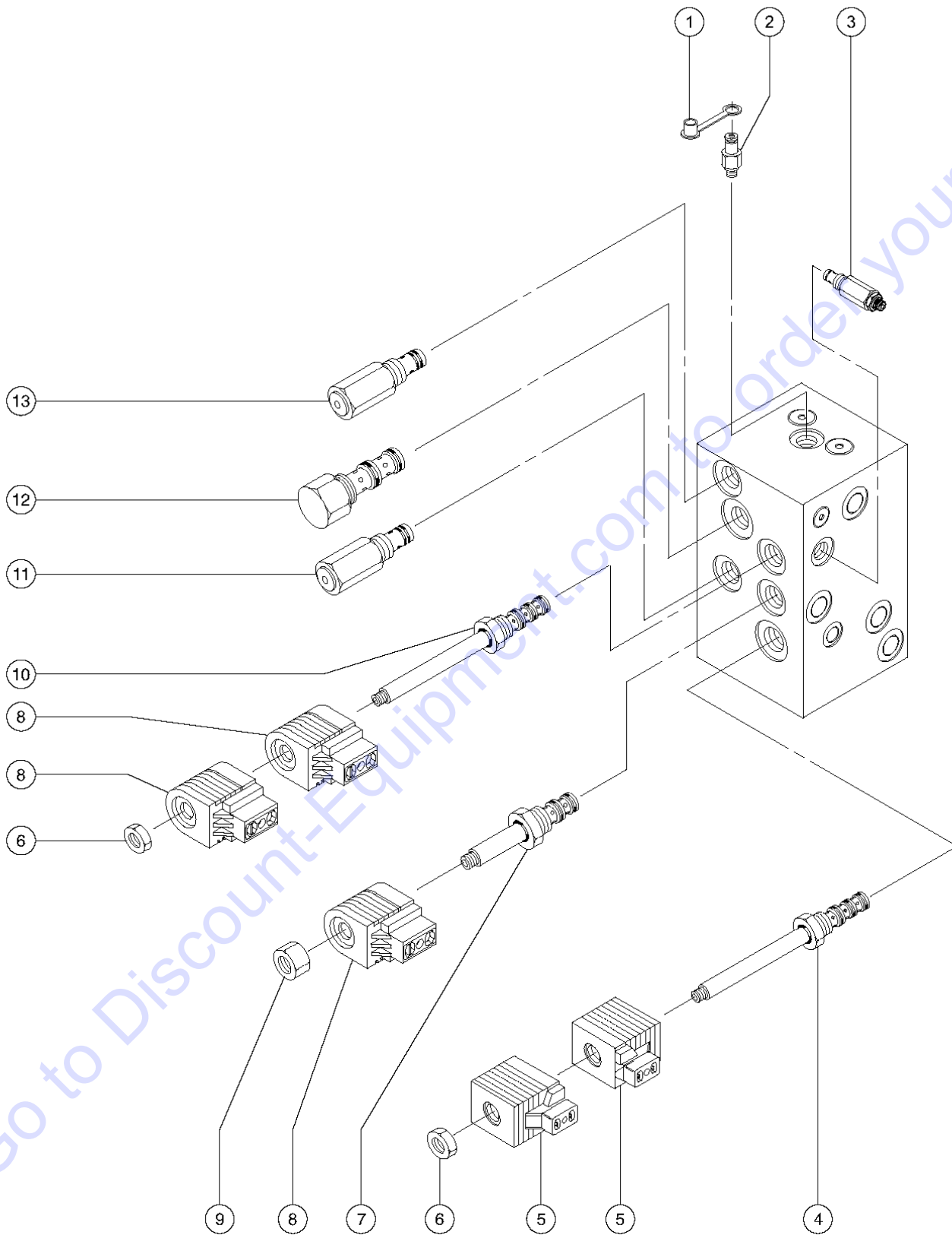


Go to Discount-Equipment.com to order your parts

401.1 Hydraulic Power Unit and Lift Cylinder

Item	Part No.	Description	Qty.
1	65335-SGT	POWER UNIT ASSY-HYDR MOD.*****1	1
--	105387GT	MOTOR,24DC,ADV <i>includes items 2 through 6</i>	
--	43685GT	SEAL KIT,LIFT PUMP,BARNES**	
--	44777GT	BEARING,MOTOR	
--	44778GT	BEARING,MOTOR,36843,BRUSH END*	
--	52915GT	BRUSH LEAD ASSEMBLY KIT(48504)	
--	58934GT	BRUSH BOX ASSEMBLY	
2	44750GT	SPRING-BRUSH,40844, SCISSORS....4	4
3	44752GT	COVER-BRUSH INSPEC.40844,SCISS.....4	4
4	52913GT	SCREW,HH TAPETITE THRD8-32X.50	
5	44751GT	BRUSH,PWR UNIT (40844)**.....4	4
6	52914GT	SCREW,HHTAPTITE THREAD8-32X.38	
7	80949GT	CYLINDER, LIFT 41" STROKE, DY*.....1	1
--	40110GT	SEAL KIT,35736,37 SAME AS38168 <i>Texas cylinder</i>	
--	80941GT	SEAL KIT,DONYANG CYL (35736)** <i>Dongyang cylinder</i>	
8	48905GT	CONN,520120-4***.....2	2
9	52943GT	NUT,SOLENOID VALVE COIL.....1	1
10	38068GT	KNOB,PUSH/PULL,RED.....1	1
11	35724GT	VALVE,NC SOLENOID,MANUAL LWR <i>(includes items 9-10)</i>	
12	40571GT	ASSY, MAN LWR VALVE W/HNDL,12V.....1 <i>includes items 9-11</i>	1
13	35725GT	VALVE,FLOW CONTROL PREAS.COMP.....1 <i>1 gpm, 3.25 L/min</i>	1
14	35726GT	VALVE,HYDRAULIC CHECK.....1	1
15	32317GT	SCREW,HHC,3/8-24 X 1 GR 8 YEL.....2	2
16	6021GT	WASHER,LOCK,.375	
17	96193GT	PUMP,4CC GEAR,CCW***.....1	1
--	233641GT	SEAL KIT,BOSCH PUMP <i>for Bosch PN 9510090001</i>	
--	62857GT	SEAL KIT,REXROTH (67335,55920)	
--	85197GT	SEAL KIT,BOSCH PUMP*** <i>for Bosch PN 9510290001</i>	

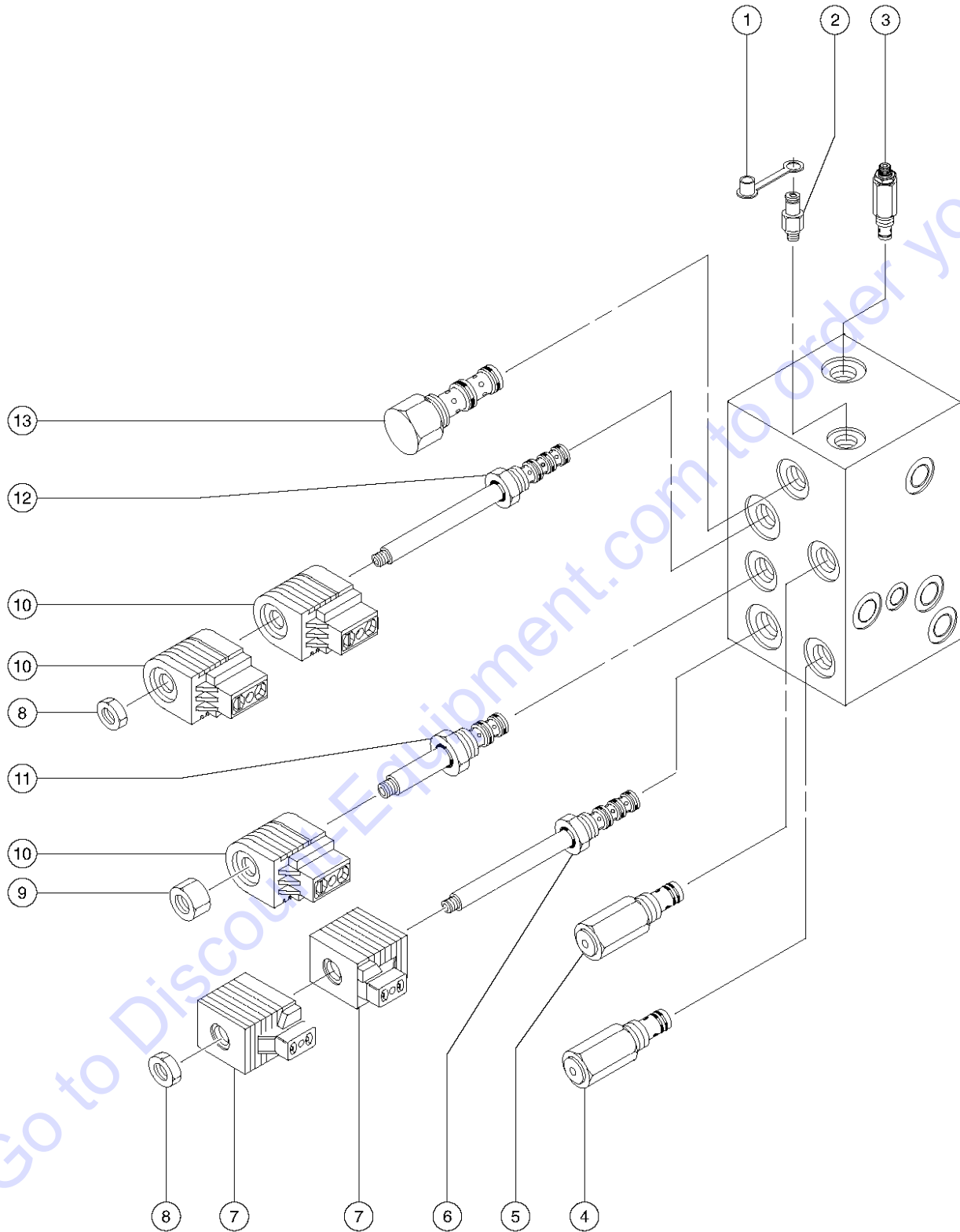
402.1 Function Manifold (to serial number GR01-224)



402.1 Function Manifold (to serial number GR01-224)

Item	Part No.	Description	Qty.
--	28750GT	O-RING KIT,FIELD SVC,ALL PROD*	
--	49612GT	O-RING KIT (ORFS FITTINGS)	
--	49613GT	PLUG AND CAP KIT-SERVICE,ORFS*	
--	57883GT	MANIFOLD, GR	
1	48880GT	CAP,DIAGNOSTIC NIPPLE.....	1
2	48997GT	NIPPLE,DIAGNOSTIC,#4.....	1
--	20224GT	DIAGNOSTIC FEMALE Q-DSCNT	
3	69294GT	VALVE,RELIEF,800 PSI..... (55 bar)	1
4	69866GT	VALVE,SOLENOID,3 POS,3 WAY O.C.... (includes items 5 and 6)	1
5	45911GT	COIL,20VDC.....	2
6	52943GT	NUT,SOLENOID VALVE COIL.....	2
7	27048GT	VALVE,SOLENOID 2 POS. 3 WAY..... (includes items 8 and 9)	1
8	52339GT	COIL,SOLND,W/D,20V DUAL SPADE....	3
9	45912GT	NUT,SOLENOID VALVE 2P3W.....	1
10	69292GT	VALVE,SOLENOID 3 POS/4 WAY..... (includes items 6 and 8)	1
11	52415GT	VALVE,RELIEF,2200 PSI***..... (152 bar)	1
12	33452GT	VALVE,FLOW REGULATOR 1.0 GPM....	1
13	69865GT	VALVE,RELIEF,2700 PSI (186 BAR)....	1

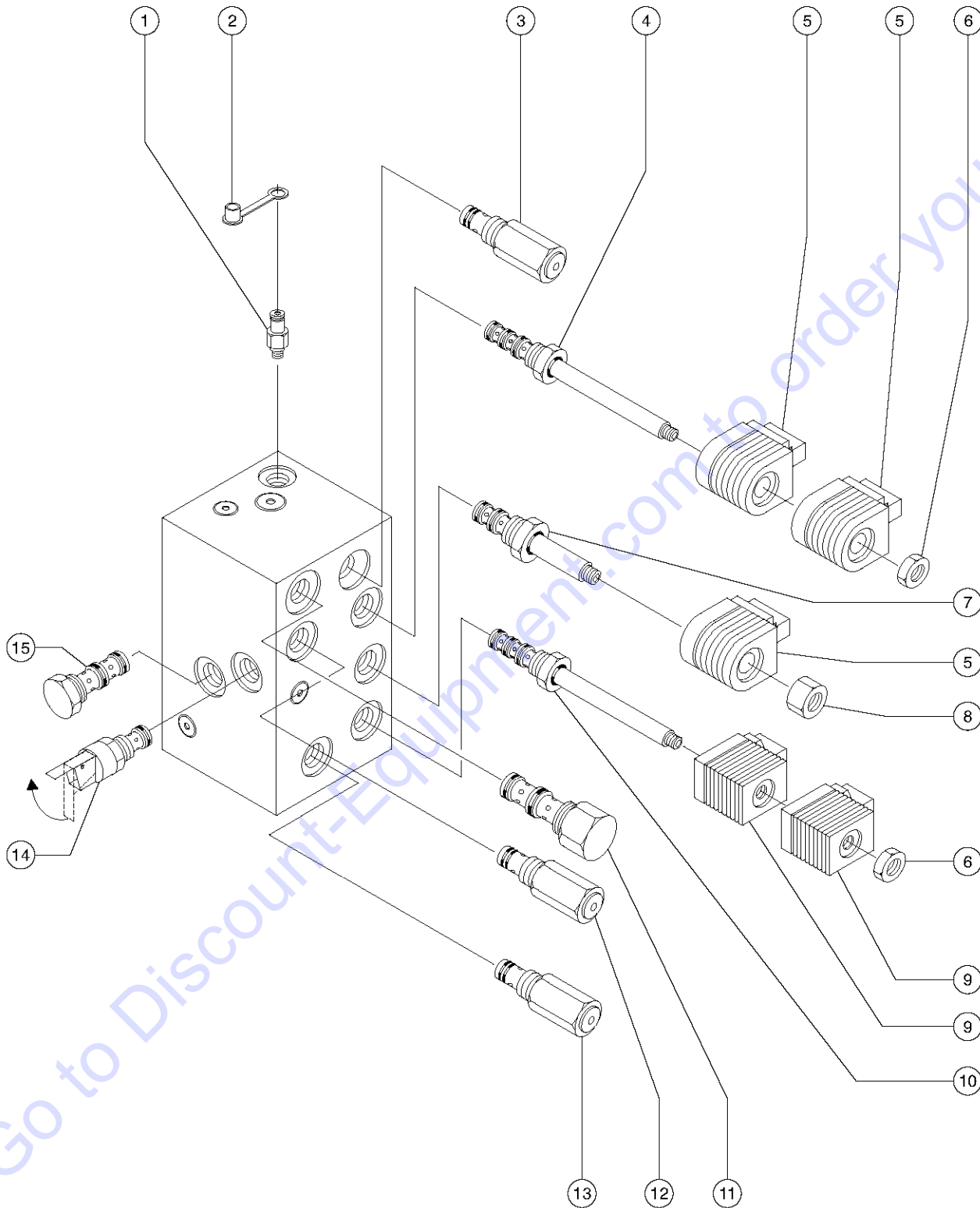
402.2 Function Manifold (from serial number GR01-225 to GR01-248)



402.2 Function Manifold (from serial number GR01-225 to GR01-248)

Item	Part No.	Description	Qty.
--	28750GT	O-RING KIT,FIELD SVC,ALL PROD*	
--	49612GT	O-RING KIT (ORFS FITTINGS)	
--	49613GT	PLUG AND CAP KIT-SERVICE,ORFS*	
--	69867GT	FUNCTION/DRIVE MANIFOLD,COMPLE	
1	48880GT	CAP,DIAGNOSTIC NIPPLE.....1	1
2	48997GT	NIPPLE,DIAGNOSTIC,#4.....1	1
--	20224GT	DIAGNOSTIC FEMALE Q-DSCNT	
3	31103GT	VALVE,RELIEF.....1 (1000 psi, 69 bar)	1
4	52415GT	VALVE,RELIEF,2200 PSI***.....1 (152 bar)	1
5	69865GT	VALVE,RELIEF,2700 PSI (186 BAR.....1	1
6	69866GT	VALVE,SOLENOID,3 POS,3 WAY O.C....1 (includes items 7 and 8)	1
7	45911GT	COIL,20VDC.....2	2
8	52943GT	NUT,SOLENOID VALVE COIL.....2	2
9	45912GT	NUT,SOLENOID VALVE 2P3W.....1	1
10	52339GT	COIL,SOLND,W/D,20V DUAL SPADE....3	3
11	27048GT	VALVE,SOLENOID 2 POS. 3 WAY.....1 (includes items 9 and 10)	1
12	69292GT	VALVE,SOLENOID 3 POS/4 WAY.....1 (includes items 8 and 10)	1
13	33452GT	VALVE,FLOW REGULATOR 1.0 GPM....1	1

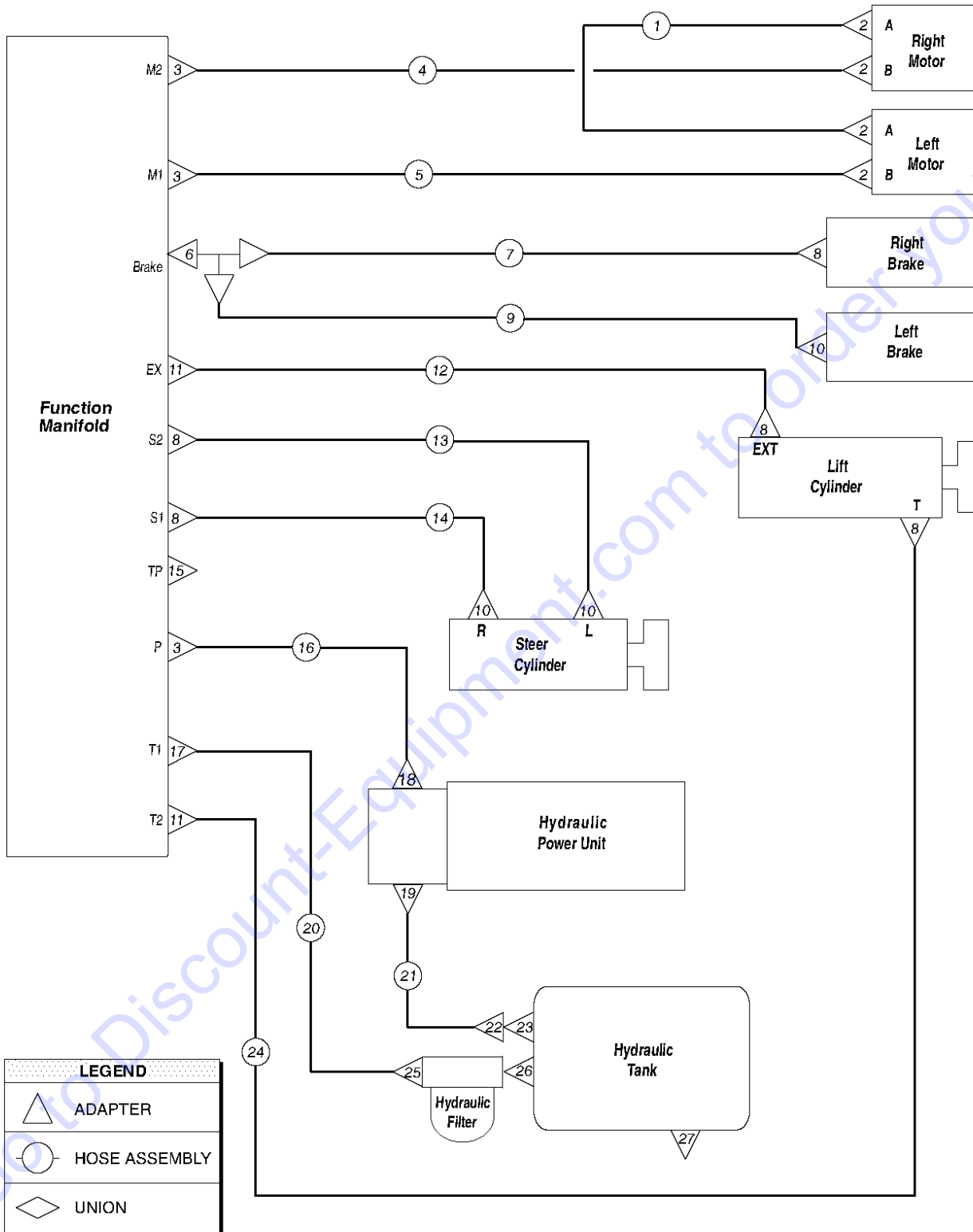
402.3 Function Manifold (from serial number GR01-249 to GR05-5000)



402.3 Function Manifold (from serial number GR01-249 to GR05-5000)

Item	Part No.	Description	Qty.
--	28750GT	O-RING KIT,FIELD SVC,ALL PROD*	
--	49612GT	O-RING KIT (ORFS FITTINGS)	
--	49613GT	PLUG AND CAP KIT-SERVICE,ORFS*	
--	80027GT	MANIFOLD, HYDRAULIC, GR	
1	48997GT	NIPPLE,DIAGNOSTIC,#4.....	1
--	20224GT	DIAGNOSTIC FEMALE Q-DSCNT	
2	48880GT	CAP,DIAGNOSTIC NIPPLE.....	1
3	31103GT	VALVE,RELIEF..... (1000 psi, 69 bar)	1
4	69292GT	VALVE,SOLENOID 3 POS/4 WAY..... (includes items 5 and 6)	1
5	52339GT	COIL,SOLND,W/D,20V DUAL SPADE....	3
6	52943GT	NUT,SOLENOID VALVE COIL.....	2
7	27048GT	VALVE,SOLENOID 2 POS. 3 WAY..... (includes items 5 and 8)	1
8	45912GT	NUT,SOLENOID VALVE 2P3W.....	1
9	45911GT	COIL,20VDC.....	2
10	69866GT	VALVE,SOLENOID,3 POS,3 WAY O.C.... (includes items 9 and 6)	1
11	33452GT	VALVE,FLOW REGULATOR 1.0 GPM....	1
12	69865GT	VALVE,RELIEF,2700 PSI (186 BAR)....	1
13	52415GT	VALVE,RELIEF,2200 PSI***..... (152 bar)	1
14	83035GT	VALVE,NEEDLE (80027).....	1
15	69873GT	VALVE, CHECK.....	1

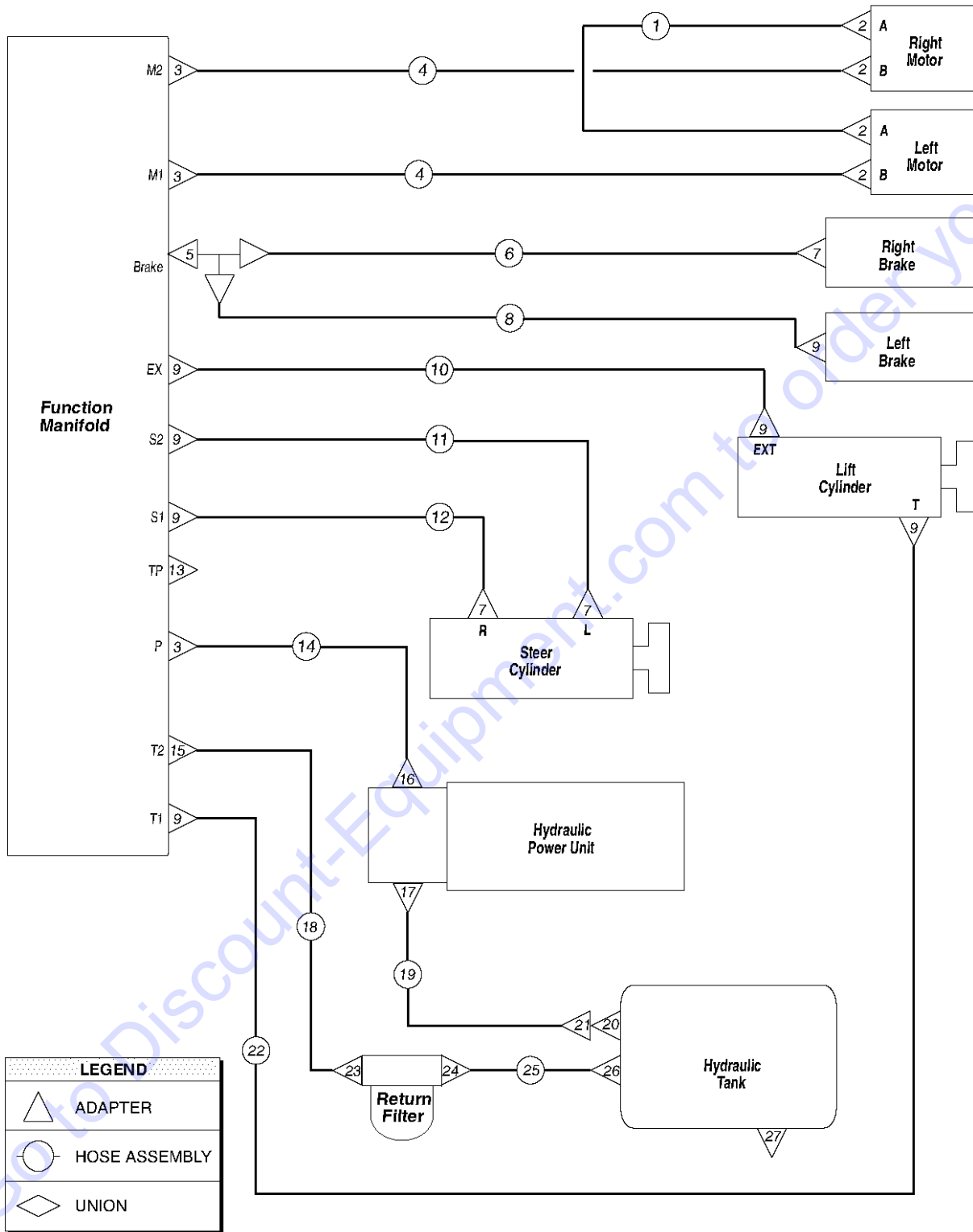
403.1 Hydraulic Hoses and Fittings (to serial number GR01-248)



403.1 Hydraulic Hoses and Fittings (to serial number GR01-248)

Item	Part No.	Description	Qty.	Item	Part No.	Description	Qty.
--		<i>The hose lengths below reflect the length of the hose only. Refer to the 'Fittings Cross Reference' to match Genie part numbers to Parker part numbers.</i>		22	48944GT	CONN,520102-8-8.....	1
1	69426GT	HOSE ASSY, GR CROSSOVER.....1 (components: 48812, 48812 and 48753 @ 35 inches)	1	23	36998GT	STRAINER ASSY 1"NPT TANK MTD.....	1
--	69389GT	WIRE LOOM,BLK SPIRAL 1-3/8@14".....	1	24	69347GT	HOSE ASSY, LIFT 2.....1 (components: 48802, 48802 and 48751 @ 58 inches)	1
2	61264GT	ELBOW,90D,520220,6-10.....	4	25	69316GT	CONN,520102-8.....	1
3	48916GT	CONN, 520120-6.....	3	26	57884GT	FITTING, 3/8 NPT TO NPT CONN.....	1
4	69425GT	HOSE ASSY, GR M2 TO MANFOLD.....1 (components: 48812, 48815 and 48753 @ 25 inches)	1	27	55190GT	PLUG,PIPE HEXHEAD 130109E-3/8.....	1
--	69389GT	WIRE LOOM,BLK SPIRAL 1-3/8@14"					
5	69424GT	HOSE ASSY, GR M1 TO MANFOLD.....1 (components: 48812, 48816 and 48753 @ 25 inches)	1				
--	69389GT	WIRE LOOM,BLK SPIRAL 1-3/8@14".....	35-inches				
6	48906GT	TEE,RUN,520428-4.....	1				
7	69348GT	HOSE ASSY, RT BRAKE.....1 (components: 48800, 48800 and 48751 @ 35 inches)	1				
8	48905GT	CONN,520120-4***.....	5				
9	69349GT	HOSE ASSY, LEFT BRAKE.....1 (components: 48800, 48800 and 48751 @ 55 inches)	1				
10	48904GT	ELBOW,90D,520220-4-4.....	1				
11	48912GT	CONN,520120-4-6***.....	2				
12	69346GT	HOSE ASSY, LIFT 1.....1 (components: 48800, 48802 and 48751 @ 50 inches)	1				
13	69337GT	HOSE ASSEMBLY, GR STEER 1.....1 (components: 48800, 48801 and 48751 @ 10.5 inches)	1				
14	69338GT	HOSE ASSEMBLY, GR STEER 2.....1 (components: 48800, 48801 and 48751 @ 9.5 inches)	1				
15	69550GT	PLUG,ORB #4.....	1				
16	69351GT	HOSE ASSY, PUMP TO MANIFOLD GR.....1 (components: 48815, 48815 and 48753 @ 15.5 inches)	1				
17	48943GT	CONN, 520120-8-6.....	1				
18	48929GT	FITTING,ELBOW,90D,520220-6-8.....	1				
19	48946GT	CONN,520120-8-10.....	1				
20	69350GT	HOSE ASSY, TANK TO PUMP GR.....1 (components: 48822, 48827 and 48756 @ 8.5 inches)	1				
21	69352GT	HOSE ASSY, MANIFOLD TO FILTER.....1 (components: 48822, 48827 and 48756 @ 12.5 inches)	1				

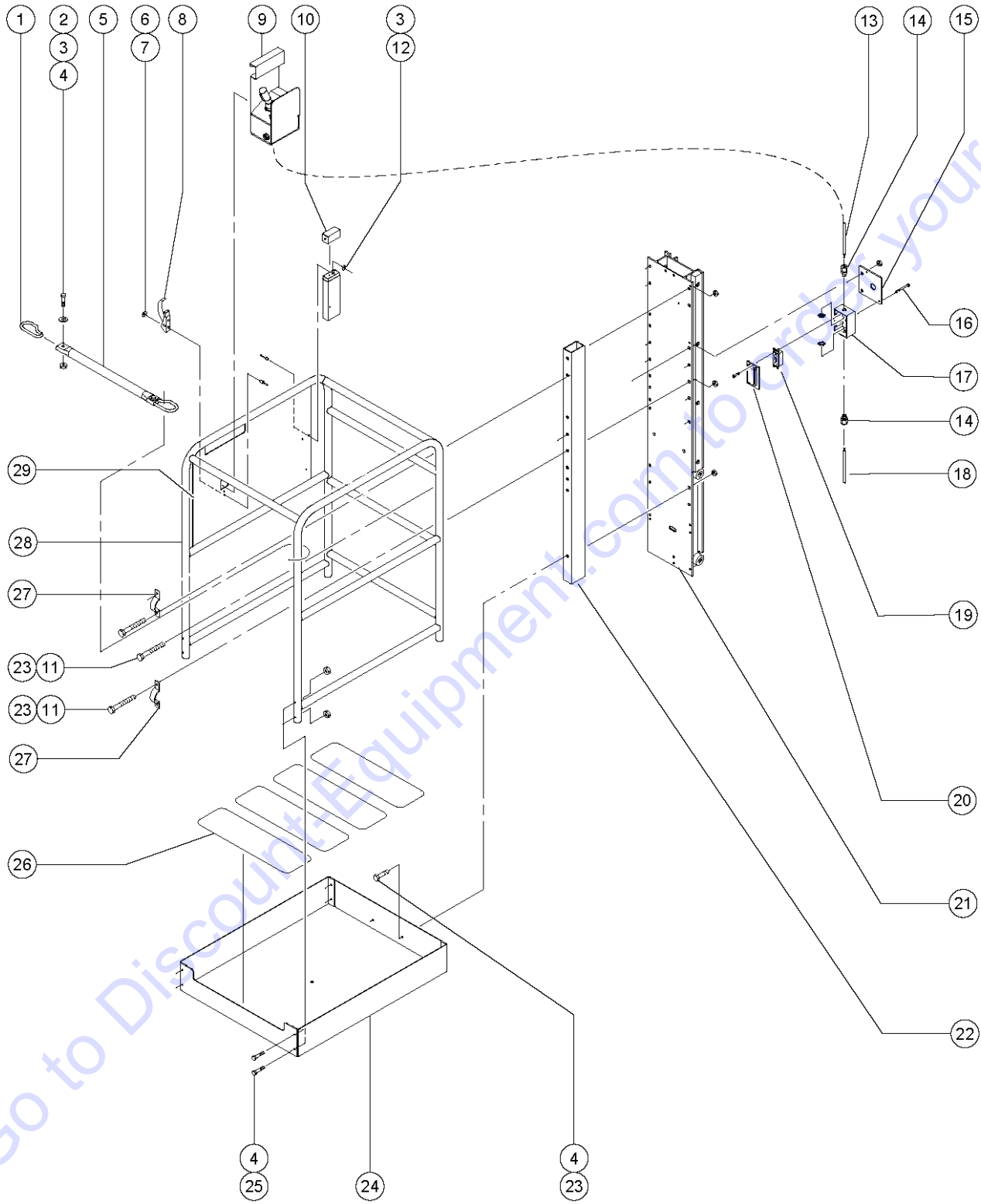
403.2 Hydraulic Hoses and Fittings (from serial number GR01-249 to GR05-5000)



403.2 Hydraulic Hoses and Fittings (from serial number GR01-249 to GR05-5000)

Item	Part No.	Description	Qty.	Item	Part No.	Description	Qty.
--		<i>The hose lengths below reflect the length of the hose only. Refer to the 'Fittings Cross Reference' to match Genie part numbers to Parker part numbers.</i>		23	80044GT	ELBOW,90DEG,520202-8.....	1
1	69426GT	HOSE ASSY, GR CROSSOVER.....1 (components: 48812, 48812 and 48753 @ 35 inches)	1	24	80013GT	PUSHLOK, 3/8NPTX#8 HOSE, BRASS.....	1
--	69389GT	WIRE LOOM,BLK SPIRAL 1-3/8@14"		25	39888GT	HOSE,1/2,LOW PRESSURE,801-8***.....	1
2	61264GT	ELBOW,90D,520220,6-10.....	4	26	80012GT	PUSHLOK, 3/8NPTX#8 HOSE,PLSTIC..	1
3	48916GT	CONN, 520120-6.....	2	27	55190GT	PLUG,PIPE HEXHEAD 130109E-3/8.....	1
4	80014GT	HOSE ASSY, MANIFOLD-DRIVE, RT....2 (components: 48812, 48812 and 56776 @ 34.5 inches)	2				
--	69389GT	WIRE LOOM,BLK SPIRAL 1-3/8@14".....	35-inches				
5	48906GT	TEE,RUN,520428-4.....	1				
6	80022GT	HOSE ASSY, BRAKE 2.....1 (components: 48800, 48800 and 48751 @ 27.5 inches)	1				
7	48904GT	ELBOW,90D,520220-4-4.....	3				
8	80021GT	HOSE ASSY, BRAKE 1.....1 (components: 48800, 48800 and 48751 @ 43.5 inches)	1				
9	48905GT	CONN,520120-4***.....	7				
10	80023GT	HOSE ASSY, MANIFOLD TO LIFT.....1 (components: 48800, 48802 and 48751 @ 38 inches)	1				
11	80017GT	HOSE ASSY, MANIFOLD-STEER, LFT.....1 (components: 48800, 48800 and 48751 @ 20 inches)	1				
12	80016GT	HOSE ASSY, MANIFOLD-STEER, RT....1 (components: 48800, 48800 and 48751 @ 19 inches)	1				
13	48997GT	NIPPLE,DIAGNOSTIC,#4.....	1				
14	80019GT	HOSE ASSY, PUMP TO MANIFOLD.....1 (components: 48812, 48812 and 48753 @ 6.75 inches)	1				
15	48943GT	CONN, 520120-8-6.....	1				
16	48929GT	FITTING,ELBOW,90D,520220-6-8.....	1				
17	48946GT	CONN,520120-8-10.....	1				
18	80020GT	HOSE ASSY, MANIFOLD TO FILTER.....1 (components: 48822, 48822 and 48756 @ 16.25 inches)	1				
19	80018GT	HOSE ASSY, SUCTION, TANK-PUMP...1 (components: 48826, 48826 and 48756 @ 18.5 inches)	1				
20	36998GT	STRAINER ASSY 1"NPT TANK MTD.....	1				
21	48944GT	CONN,520102-8-8.....	1				
22	80023GT	HOSE ASSY, MANIFOLD TO LIFT.....1 (components: 48800, 48802 and 48751 @ 38 inches)	1				

501.1 Platform, Standard (to SN 4000)



501.1 Platform, Standard (to SN 4000)

Item	Part No.	Description	Qty.	Item	Part No.	Description	Qty.
--	69477GT	PLATFORM ASSY,STD,GR8&12,ANSI (all SNs) (replaced 85385)		19	13585GT	OUTLET, 110V.....	1
--	69478GT	PLATFORM ASSY,STD,GR15,ANSI (to SN 341)		19A	T112563GT	SVC KIT,UK RECEPT.REPLACEMENT (includes rubber gasket)	
--	85386GT	PLAT ASSY,STD,GR15,ANSI-CSA (from SN 342)		20	45437GT	COVER,GFCI,WEATHERPROOF.....1 (includes gasket and mounting fasteners)	1
--	69479GT	PLATFORM ASSY,STD,GR8&12,CE (CE, Australia) (to SN 341)		--	10777GT	COVER,BLANK (includes gasket, blank cover and mounting fasteners)	
--	85387GT	PLAT ASSY,STD,GR8/12,CE-AUS (CE, Australia) (from SN 342)		--	33629GT	PLATE,UK POWER TO PLATFORM	
--	69480GT	PLATFORM ASSY,STD,GR15,CE (CE, Australia) (to SN 341)		21		Ref. Carriage Assembly (refer to 306.1)	
--	85388GT	PLAT ASSY,STD,GR15,CE-AUS (CE, Australia) (from SN 342)		22	57810-SGT	SPACER, PLATFORM GR-8 (without lanyard eye)	
1	41292GT	MID-RAIL GUIDE WITH LOOM.....	2	--	69301_SGT	WELDMENT, GP-8 SPACER GR-8 (with lanyard eye)	
--	31146GT	WIRE LOOM,.413" NON-SLIT***.....	16-inches	22A	57815-SGT	SPACER,PLATFORM,GR-12 (without lanyard eye)	
2	6888GT	SCREW,HHC,1/4-20 X 1		--	69302-SGT	WELDMENT, GR12 SPACER GR-12 (with lanyard eye)	
3	75144GT	WASHER,FLAT,SAE 1/4,ZINC		23	22832GT	SCREW,HHC,3/8-16 X 6 GR-8	
4	6091GT	NUT,NYLOCK,1/4-20		23A	6605GT	SCREW,HHC,3/8-16 X 3.5,GR5 GR-12	
5	57915GT	TUBE, MIDRAIL GR.....	1	23B	6019GT	SCREW,HHC,3/8-16 X 1.25 GRD 5 GR-15	
6	11805GT	WASHER,FLAT,MS,#6,Y		24	69483GT	TOEBOARD ASSEMBLY,STD PLAT,GR.....	1
7	38600GT	RIVET,STL,STL,.156 X .50				(to SN 341)	
8	47218GT	DRAW LATCH,OVER-CENTER***.....	1	24A	85389GT	TOEBOARD ASSEMBLY,STD PLAT,GR (from SN 342)	
--	47218GT	DRAW LATCH,OVER-CENTER*** (includes keeper and latch)		25	4266GT	SCREW,HHC,1/4-20 X 2	
--	62819GT	KEEPER, OVER CENTER LATCH TMZ		26	24537GT	TAPE,NON-SKID,DIE CUT,6"X 2'.....	4
9		Ref. Platform Control Box (refer to 504.1)		27	38586GT	CLAMP,PLATFORM MOUNT.....	2
10	40267GT	BOX,INSTRUCT. STORAGE,S SERIES.....	1	28	69487GT	RAILING ASSEMBLY,GR8&12,ANSI.....	1
--	2223GT	LANYARD ASSY HOIST/AWP-7***				(to SN 341)	
11	4828GT	NUT,NYLOCK,3/8-16		28A	85390GT	RAILING ASSY,GR8&12(ANSI/CSA) (from SN 342)	
12	6271GT	RIVET,STL,STL.MAN,P,.25 X .25		28B	69489GT	RAILING ASSEMBLY,GR8&12,CE.....	1
13		Ref. Cable Assembly (refer to 208.1 or 209.1)				(CE, Australia) (to SN 341)	
13	100864GT	WIRE ASSY, STD/EXT PLAT. GR Junction box to controls		28C	85392GT	RAILING ASSY,GR8&12,(CE/AUS) (from SN 342)	
13	69481GT	CABLE ASSY,PLAT CNTRL/TBOX*** Coil cord assembly that plugs directly into platform control box.		28D	69488GT	RAILING ASSEMBLY,GR-15,ANSI.....	1
14	7057GT	CONN. SQZ,1/2NPT .39-.56 MED.....	2			(to SN 341)	
15	69303GT	MOUNT, T-JUNCTION BOX.....	1	28E	85391GT	RAILING ASSY,GR15 (ANSI/CSA) (from SN 342)	
16	21018GT	SCREW,PHIL,PHM,10-24 X.38,SEMS		28F	69089GT	RAILING ASSEMBLY,GR15 CE.....	1
17	10775GT	T-BOX,2.75 X 4.5 X 2.0.....	1			(to SN 341)	
		(one opening)		28G	85393GT	RAILING ASSEMBLY,GR15(CE/AUS) (from SN 342)	
18		Ref. Cable Assembly (refer to 208.1 or 209.1)		29	85463GT	DECAL PLATE ASSY GR8 & 12,ANSI....	1
						(to SN 341)	

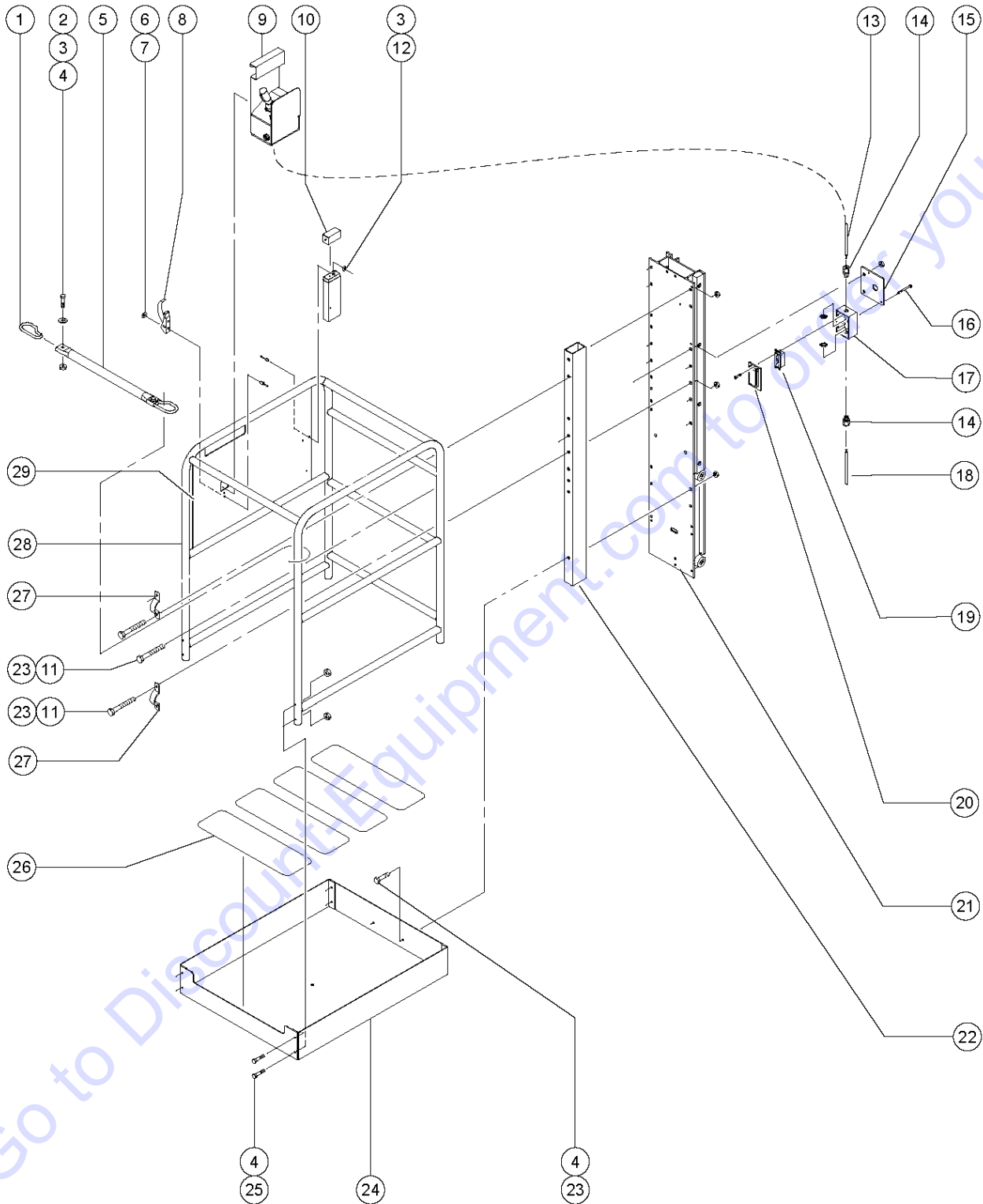
501.1 Platform, Standard (to SN 4000)
(continued)

Item	Part No.	Description	Qty.
29A	85464GT	DECAL PLT ASSY,GR8/12 ANSI-CSA <i>(from SN 342)</i>	
29B	85467GT	DECAL PLATE ASSY GR8 & 12,CE.....1 <i>(CE, Australia) (to SN 341)</i>	
29C	85468GT	DECAL PLATE ASSY GR8/12,CE-AUS <i>(from SN 342)</i>	
29D	85465GT	DECAL PLATE ASSY GR15,ANSI.....1 <i>(to SN 341)</i>	
29E	85466GT	DECAL PLATE ASSY GR15,ANSI-CSA <i>(from SN 342)</i>	
29F	85469GT	DECAL PLATE ASSY GR15,CE.....1 <i>(to SN 341)</i>	
29G	85470GT	DECAL PLATE ASSY GR15,CE-AUS <i>(from SN 342)</i>	

This Page Intentionally Left Blank

Go to Discount-Equipment.com to order your parts

501.2 Platform, Standard (from SN 4001 to 5000)



501.2 Platform, Standard (from SN 4001 to 5000)

Item	Part No.	Description	Qty.	Item	Part No.	Description	Qty.
--	69477GT	PLATFORM ASSY,STD,GR8&12,ANSI		18		Ref. Cable Assembly (refer to 208.1 or 209.1)	
--	85385GT	PLAT ASSY-STD,GR8/12,ANSI-CSA		19	13585GT	OUTLET, 110V.....1	
--	85387GT	PLAT ASSY,STD,GR8/12,CE-AUS		19A	T112563GT	SVC KIT,UK RECEPT.REPLACEMENT (includes rubber gasket)	
--	107198GT	PLAT ASSY-STD,GR8/12,ANSI,SYM (Asia, South American)		20	45437GT	COVER,GFCI,WEATHERPROOF.....1 (includes gasket and mounting fasteners)	
--	107199GT	PLAT ASSY-STD,GR 8/12,CE,SYM (Europe)		--	10777GT	COVER,BLANK (includes gasket, blank cover and mounting fasteners)	
--	85386GT	PLAT ASSY,STD,GR15,ANSI-CSA (ANSI, CSA)		--	33629GT	PLATE,UK POWER TO PLATFORM	
--	85388GT	PLAT ASSY,STD,GR15,CE-AUS (Australia)		21		Ref. Carriage Assembly (refer to 306.1)	
--	107200GT	PLAT ASSY-STD,GR-15,ANSI,SYM (Asia, South American)		22	57810-SGT	SPACER, PLATFORM.....1 GR-08 (without lanyard eye) (ANSI, CSA, and Australia) (CE models, refer to 307.1)	
--	107201GT	PLAT ASSY-STD,GR-15,CE,SYM (CE)		--	69301-SGT	WELDMENT, GR-8 SPACER GR-08 (with lanyard eye) (ANSI, CSA, and Australia) (CE models, refer to 307.1)	
1	41292GT	MID-RAIL GUIDE WITH LOOM.....2		22A	57815-SGT	SPACER,PLATFORM,GR-12.....1 (ANSI, CSA and Australia models) (without lanyard eye) (CE models, refer to 307.1)	
--	31146GT	WIRE LOOM,.413" NON-SLIT***.....16-inches		--	69302-SGT	WELDMENT, GR12 SPACER (ANSI, CSA and Australia models) (with lanyard eye) (CE models, refer to 307.1)	
2	6888GT	SCREW,HHC,1/4-20 X 1		23	22832GT	SCREW,HHC,3/8-16 X 6 GR-08	
3	75144GT	WASHER,FLAT,SAE 1/4,ZINC.....2		23A	6605GT	SCREW,HHC,3/8-16 X 3.5,GR5 GR-12	
4	6091GT	NUT,NYLOCK,1/4-20		23B	6019GT	SCREW,HHC,3/8-16 X 1.25 GRD 5 GR-15	
5	57915GT	TUBE, MIDRAIL GR.....1		24	85389GT	TOEBOARD ASSEMBLY,STD PLAT,GR.....1	
6	11805GT	WASHER,FLAT,MS,#6,Y		25	4266GT	SCREW,HHC,1/4-20 X 2	
7	38600GT	RIVET,STL,STL,.156 X .50		26	24537GT	TAPE,NON-SKID,DIE CUT,6"X 2'.....4	
8	47218GT	DRAW LATCH,OVER-CENTER*** (includes keeper and latch)		27	38586GT	CLAMP,PLATFORM MOUNT.....2	
--	62819GT	KEEPER, OVER CENTER LATCH TMZ		28	85390GT	RAILING ASSY,GR8&12(ANSI/CSA)....1	
9		Ref. Platform Control Box (refer to 504.1)		28A	85392GT	RAILING ASSY,GR8&12,(CE/AUS)	
10	40267GT	BOX,INSTRUCT. STORAGE,S SERIES.....1 (ANSI, CSA and Australia) (includes items 3 and 12)		28B	107190GT	RAILING ASSY,GR8&12,ANSI,SYM (Asia, South American)	
--	2223GT	LANYARD ASSY HOIST/AWP-7***		28C	107191GT	RAILING ASSY,GR8&12,CE,SYM (Europe)	
10A	107180GT	MANUAL STORAGE BX,NO DECAL,GR (Asia, South America and Europe)		28D	85391GT	RAILING ASSY,GR15 (ANSI/CSA).....1	
--	2223GT	LANYARD ASSY HOIST/AWP-7***		28E	85393GT	RAILING ASSEMBLY,GR15(CE/AUS) (Australia)	
11	4828GT	NUT,NYLOCK,3/8-16		28F	107194GT	RAILING ASSEMBLY,GR15,ANSI,SYM (Asia, South American)	
12	6271GT	RIVET,STL,STL.MAN,P,.25 X .25.....2		28G	107195GT	RAILING ASSEMBLY,GR15,CE,SYM (Europe)	
13		Ref. Cable Assembly (refer to 208.1 or 209.1)		29	85464GT	DECAL PLT ASSY,GR8/12 ANSI-CSA....1	
13	100864GT	WIRE ASSY, STD/EXT PLAT. GR Junction box to controls					
14	7057GT	CONN. SQZ,1/2NPT .39-.56 MED.....2					
15	69303GT	MOUNT, T-JUNCTION BOX.....1					
16	21018GT	SCREW,PHIL,PHM,10-24 X.38,SEMS					
17	10775GT	T-BOX,2.75 X 4.5 X 2.0.....1 (one opening)					

501.2 Platform, Standard (from SN 4001 to 5000)
(continued)

Item	Part No.	Description	Qty.
29A	85468GT	DECAL PLATE ASSY GR8/12,CE-AUS	
29B	107192GT	DECAL PLT ASSY,GR8/12,ANSI,SYM <i>(Asia and South American)</i>	
29C	107193GT	DECAL PLATE ASSY GR8/12,CE,SYM <i>(Europe)</i>	
29D	85466GT	DECAL PLATE ASSY GR15,ANSI-CSA.....1 <i>(USA, Canada)</i>	
29E	85470GT	DECAL PLATE ASSY GR15,CE-AUS <i>(Australia)</i>	
29F	107196GT	DECAL PLT ASSY,GR-15,ANSI,SYM <i>(Asia, South American)</i>	
29G	107197GT	DECAL PLATE ASSY GR-15,CE,SYM <i>(Europe)</i>	

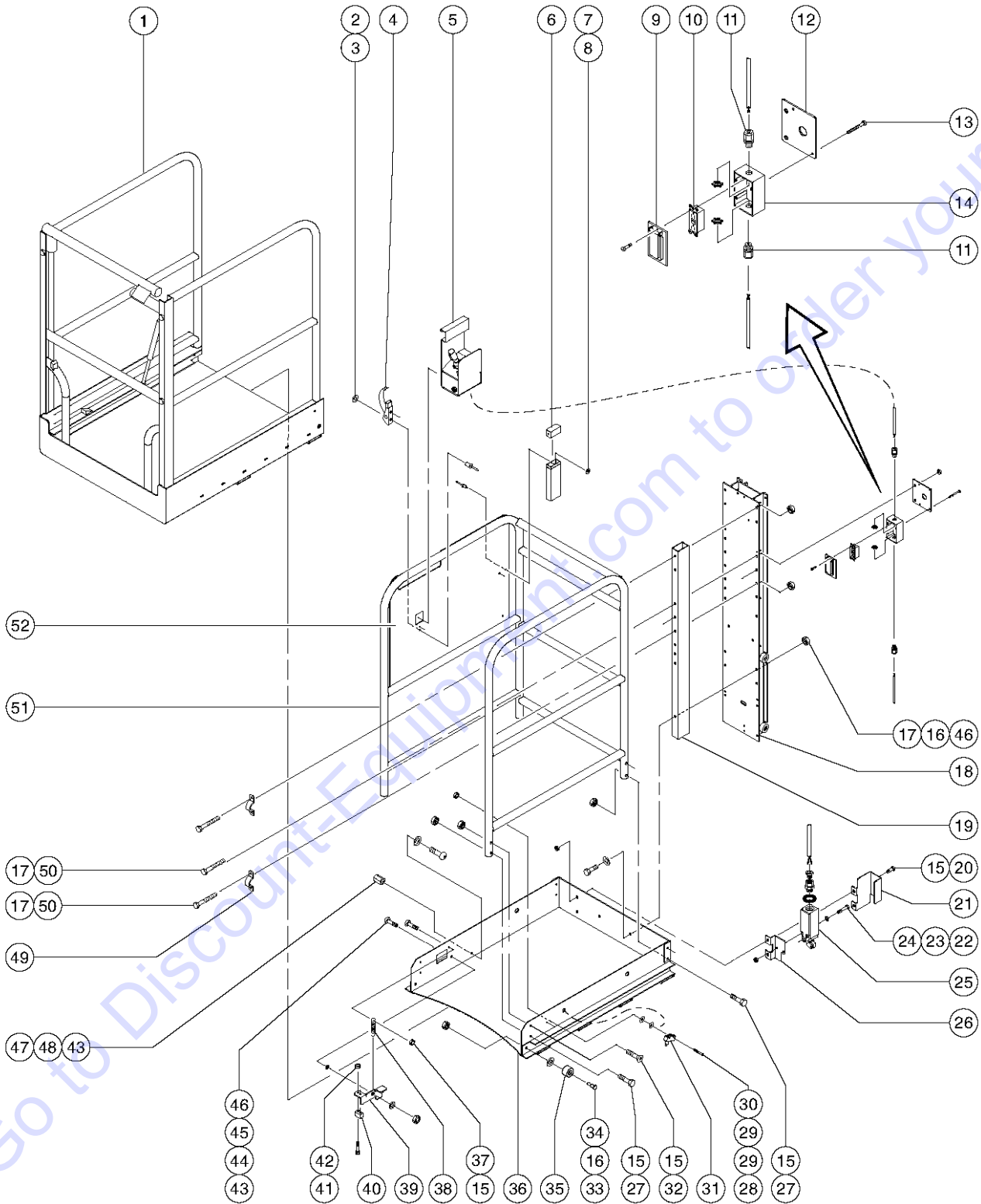
Go to Discount-Equipment.com to order your parts

501.2 Platform, Standard (from SN 4001 to 5000)
(continued)

This Page Intentionally Left Blank

Go to Discount-Equipment.com to order your parts

502.1 Platform with Extension Deck (to SN 4000)



PARTS FINDER

**Search Website
by Part Number**



**Search Manual
Library For Parts
Manual & Lookup Part
Numbers – Purchase
or Request Quote**

Search Manuals

Enter your information to help us find the right parts manual for your machine.

* Brand:

* Model:

* Serial:

* Part Number:

SEARCH

**Can't Find Part or
Manual? Request Help
by Manufacturer,
Model & Description**

Parts Order Form

Please fill in the following information to help us find the right part for your machine.

Manufacturer:	<input type="text"/>
Model:	<input type="text"/>
Description:	<input type="text"/>
Part Number:	<input type="text"/>
Quantity:	<input type="text"/>
Notes:	<input type="text"/>

Discount-Equipment.com is your online resource for quality parts & equipment.

Florida: **561-964-4949** Outside Florida TOLL FREE: **877-690-3101**

Need parts?

Click on this link: <http://www.discount-equipment.com/category/5443-parts/> and choose one of the options to help get the right parts and equipment you are looking for. Please have the machine model and serial number available in order to help us get you the correct parts. If you don't find the part on the website or on one of the online manuals, please fill out the request form and one of our experienced staff members will get back to you with a quote for the right part that your machine needs.

We sell worldwide for the brands: Genie, Terex, JLG, MultiQuip, Mikasa, Essick, Whiteman, Mayco, Toro Stone, Diamond Products, Generac Magnum, Airman, Haulotte, Barreto, Power Blanket, Nifty Lift, Atlas Copco, Chicago Pneumatic, Allmand, Miller Curber, Skyjack, Lull, Skytrak, Tsurumi, Husquvarna Target, Stow, Wacker, Sakai, Mi-T-M, Sullair, Basic, Dynapac, MBW, Weber, Bartell, Bennar Newman, Haulotte, Ditch Runner, Menegotti, Morrison, Contec, Buddy, Crown, Edco, Wyco, Bomag, Laymor, EZ Trench, Bil-Jax, F.S. Curtis, Gehl Pavers, Heli, Honda, ICS/PowerGrit, IHI, Partner, Imer, Clipper, MMD, Koshin, Rice, CH&E, General Equipment, Amida, Coleman, NAC, Gradall, Square Shooter, Kent, Stanley, Tamco, Toku, Hatz, Kohler, Robin, Wisconsin, Northrock, Oztec, Toker TK, Rol-Air, APT, Wylie, Ingersoll Rand / Doosan, Innovatech, Con X, Ammann, Mecalac, Makinex, Smith Surface Prep, Small Line, Wanco, Yanmar

502.1 Platform with Extension Deck (to SN 4000)

Item	Part No.	Description	Qty.	Item	Part No.	Description	Qty.
--	69519GT	PLAT ASSY,EXT-GTD,GR8/12,WORD (ANSI) (to SN 341)		11	7057GT	CONN. SQZ,1/2NPT .39-.56 MED.....	2
--	85394GT	PLAT ASSY,EXT-GTD,GR8/12,WORD (ANSI, CSA) (from SN 342)		12	69303GT	MOUNT, T-JUNCTION BOX.....	1
--	69521GT	PLAT ASSY,EXT-GTD,GR8/12,WORD (CE, Australia) (to SN 341)		13	21018GT	SCREW,PHIL,PHM,10-24 X.38,SEMS	
--	85396GT	PLAT ASSY,EXT-GTD,GR-8/12,WORD (CE, Australia) (from SN 342)		14	10775GT	T-BOX,2.75 X 4.5 X 2.0.....	1
--	69520GT	PLAT ASSY,EXT-GTD,GR15,WORD (ANSI) (to SN 341)		14A	10775GT	T-BOX,2.75 X 4.5 X 2.0.....	1
--	85395GT	PLAT ASSY,EXT-GTD,GR15,WORD (ANSI, CSA) (from SN 342)				GR-15 (to SN 887)	
--	69522GT	PLAT ASSY,EXT-GTD,GR15,WORD (CE, Australia) (to SN 341)		14B	69919GT	JUNCTION BOX, 4 OUTLET, DEEP GR-15 (from SN 888)	
--	85397GT	PLAT ASSY,EXT-GTD,GR15,WORD (CE, Australia) (from SN 342)		15	4828GT	NUT,NYLOCK,3/8-16	
--	85399GT	PLAT ASSY,EXTND,MDRAIL, GR8/12 (ANSI, CSA)		16	6097GT	WASHER,FLAT,USS,3/8",Y	
--	85400GT	PLAT ASSY,EXTND,MDRAIL, GR8/12 (CE, Australia)		17	22832GT	SCREW,HHC,3/8-16 X 6 GR-08	
--	85401GT	PLAT ASSY,EXTND,MDRAIL,GR-15** (ANSI, CSA)		17A	6605GT	SCREW,HHC,3/8-16 X 3.5,GR5 GR-12	
--	85402GT	PLAT ASSY,EXTND,MDRAIL,GR-15 (CE, Australia)		17B	6019GT	SCREW,HHC,3/8-16 X 1.25 GRD 5 GR-15	
1		Ref. Platform Extension Assembly (refer to 503.1)		18		Ref. Carriage Assembly (refer to 306.1)	
2	11805GT	WASHER,FLAT,MS,#6,Y		19	57810-SGT	SPACER, PLATFORM.....	1
3	38600GT	RIVET,STL,STL,.156 X .50		--	69301-SGT	WELDMENT, GR-8 SPACER GR-08 (with lanyard eye)	
4	47218GT	DRAW LATCH,OVER-CENTER*** (includes keeper and latch)		19A	57815-SGT	SPACER,PLATFORM,GR-12.....	1
--	62819GT	KEEPER, OVER CENTER LATCH TMZ		--	69302-SGT	WELDMENT, GR12 SPACER (with lanyard eye)	
5		Ref. Platform Control Box (refer to 504.1)		20	11808GT	SCREW,HHC,1/4-20 X .375	
6	40267GT	BOX,INSTRUCT. STORAGE,S SERIES.....	1	21	69575GT	COVER,LIMIT SWITCH W/DECAL GR... GR-15 (from SN 888)	1
--	2223GT	LANYARD ASSY HOIST/AWP-7***		22	6179GT	SCREW,RHM,10-32 X 1.25	
7	75144GT	WASHER,FLAT,SAE 1/4,ZINC.....	2	23	6607GT	WASHER,LOCK,#10 PLTD	
8	6271GT	RIVET,STL,STL.MAN,P,.25 X .25.....	2	24	15513GT	NUT,HEX,10-32	
9	45437GT	COVER,GFCI,WEATHERPROOF.....	1	25	96948GT	SWITCH,LIMIT,W/ROLLER ARM***.....	1
--	10777GT	COVER,BLANK (includes gasket, blank cover and mounting fasteners)		--	19491GT	CONTACTOR,LIMIT SWITCH	
--	33629GT	PLATE,UK POWER TO PLATFORM		--	27643GT	ROLLER ARM-LIMIT SWITCH	
10	13585GT	OUTLET, 110V.....	1	--	87561GT	CABLE SQUEEZE CONN 2 WIRE for limit switch 96948	
10A	T112563GT	SVC KIT,UK RECEPT.REPLACEMENT (includes rubber gasket)		--	97128GT	ROLLER ARM,LIMIT SWITCH***	
11	100864GT	WIRE ASSY, STD/EXT PLAT. GR Junction box to controls		26	69575GT	COVER,LIMIT SWITCH W/DECAL GR... (from SN 888)	1
				27	4266GT	SCREW,HHC,1/4-20 X 2	
				28	80068GT	SCREW,PHP 6-32Z1.25, GR-2	
				29	28083GT	WASHER,NYLON	
				30	12344GT	NUT,NYLOCK,6-32	
				31	37761GT	SWITCH,PUSHBUTTON,BORE MOUNT.....	1

502.1 Platform with Extension Deck (to SN 4000) (continued)

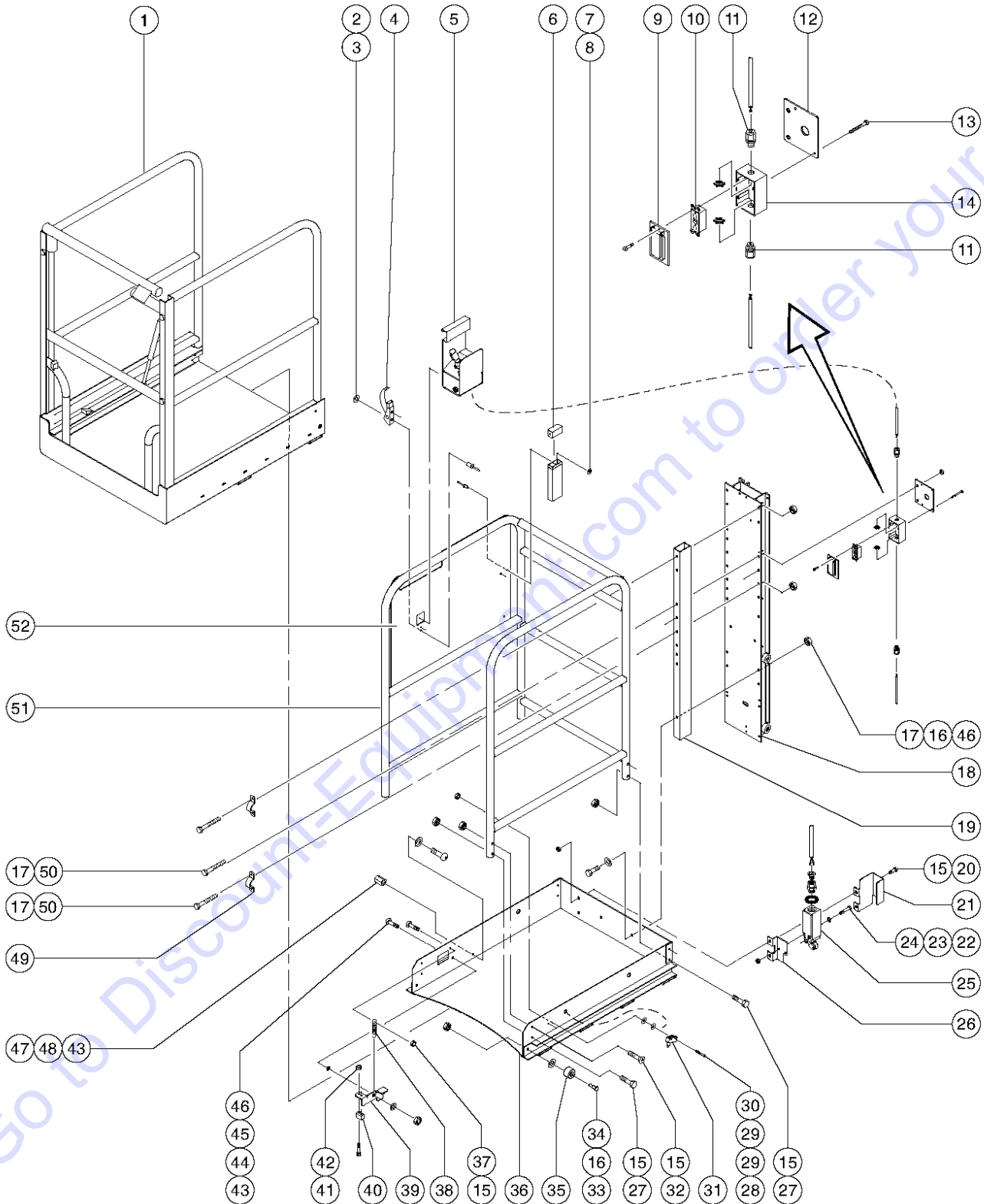
Item	Part No.	Description	Qty.
32	69627GT	SCREW,FHS,1/4-20 X 2.00, ZN	
33	21280GT	BOLT-ROLLER,3/8-24 X 1.69-ZINC.....2	
34	35712GT	NUT,NYLOCK,3/8-24	
35	11906GT	ROLLER-NYLATRON, 1.625" O.D.....2	
--	21279GT	BUTTON, .800 O.D. X .281	
36	69875GT	TOEBOARD ASSY,INNER PLATFORM.....1 <i>(to SN 341)</i>	
36A	85472GT	TOEBOARD ASSY,INNER PLAT,WRDS <i>(from SN 342)</i>	
37	14297GT	SCREW,BHHS,1/4-20 X .75	
38	69466GT	SPRING, EXTENSION .375 X .20.....1	
39	69408-SGT	LEVER,EXT.LATCH,INNER BSKT GR....1	
40	69556GT	WEARPAD,EXT PLAT/LATCH PLASTIC.....1	
41	6889GT	NUT,LP NYLOCK,1/4-20	
42	41077GT	SCREW,SHC,1/4-20 X .875	
43	28487GT	SCREW,BHHS,3/8-16 X 1	
44	33720GT	BEARING,FLANGE,3/8 (AWP & ST)....1	
45	8519GT	WASHER,SHIM,.5 X .875 X .033	
46	7713GT	NUT, LP NYLOCK, 3/8-16	
47	38037GT	NUT,COUPLER,3/8-16 X 1.0 LG	
48	6021GT	WASHER,LOCK,.375	
49	38586GT	CLAMP,PLATFORM MOUNT.....2	
50	4828GT	NUT,NYLOCK,3/8-16	
51	69538GT	INNER RAILNG ASSY,GR-8&12,ANSI....1 <i>(ANSI) (to SN 341)</i>	
51A	85403GT	INNER RAIL ASSY,GR-8&12, WORD <i>(ANSI, CSA) (from SN 342)</i>	
51B	69540GT	INNER RAILING ASSY,GR-8/12,CE.....1 <i>(CE, Australia) (to SN 341)</i>	
51C	85405GT	INN RLING ASSY,GR-8/12,CE-AUS <i>(CE, Australia) (from SN 342)</i>	
51D	69539GT	INNER RAILING ASSY,GR-15,ANSI.....1 <i>(ANSI) (to SN 341)</i>	
51E	85404GT	INNER RAILING ASSY,GR-15,ANSI <i>(ANSI, CSA) (from SN 342)</i>	
51F	69541GT	INNER RAILING ASSY,GR-15,CE.....1 <i>(CE, Australia) (to SN 341)</i>	
51G	85406GT	INN RLING ASSY,GR-15,CE-AUS <i>(CE, Australia) (from SN 342)</i>	
52		Ref. Decal Plate Assy. <i>(refer to 501.1)</i>	

502.1 Platform with Extension Deck (to SN 4000)
(continued)

This Page Intentionally Left Blank

Go to Discount-Equipment.com to order your parts

502.2 Platform with Extension Deck (from SN 4001)



502.2 Platform with Extension Deck (from SN 4001)

Item	Part No.	Description	Qty.	Item	Part No.	Description	Qty.
--	85394GT	PLAT ASSY,EXT-GTD,GR8/12,WORD (USA, Canada)		8	6271GT	RIVET,STL,STL.MAN,P,.25 X .25	
--	85396GT	PLAT ASSY,EXT-GTD,GR-8/12,WORD (Australia)		9	45437GT	COVER,GFCI,WEATHERPROOF.....1 (includes gasket and mounting fasteners)	1
--	107206GT	PLAT ASSY,EXT-GTD,ANSI-SYM GR-08, GR-12 (Asia, South American)		--	10777GT	COVER,BLANK (includes gasket, blank cover and mounting fasteners)	
--	107207GT	PLAT ASSY,EXT-GTD,CE-SYM GR-08, GR-12 (Europe)		--	33629GT	PLATE,UK POWER TO PLATFORM	
--	85395GT	PLAT ASSY,EXT-GTD,GR15,WORD (USA and Canada)		10	13585GT	OUTLET, 110V.....1	1
--	85397GT	PLAT ASSY,EXT-GTD,GR15,WORD (Australia)		10A	T112563GT	SVC KIT,UK RECEPT.REPLACEMENT (includes rubber gasket)	
--	107208GT	PLAT ASSY,EXT-GTD,ANSI-SYM GR-15 (Asia and South American)		11	100864GT	WIRE ASSY, STD/EXT PLAT. GR Junction box to controls	
--	107209GT	PLAT ASSY,EXT-GTD,CE-SYM GR-15 (Europe)		11	7057GT	CONN. SQZ,1/2NPT .39-.56 MED.....2	2
--	85399GT	PLAT ASSY,EXTND,MDRAIL, GR8/12 (USA, Canada)		12	69303GT	MOUNT, T-JUNCTION BOX.....1	1
--	85400GT	PLAT ASSY,EXTND,MDRAIL, GR8/12 (Australia)		13	21018GT	SCREW,PHIL,PHM,10-24 X.38,SEMS	
--	107210GT	PLAT ASSY,EXT-MID,ANSI-SYM (Asia, South American)		14	10775GT	T-BOX,2.75 X 4.5 X 2.0.....1 GR-08, GR-12	1
--	107211GT	PLAT ASSY,EXT-MID,CE-SYM (Europe)		14A	69919GT	JUNCTION BOX, 4 OUTLET, DEEP GR-15	
--	85401GT	PLAT ASSY,EXTND,MDRAIL,GR-15** (USA and Canada)		15	4828GT	NUT,NYLOCK,3/8-16	
--	85402GT	PLAT ASSY,EXTND,MDRAIL,GR-15 (Australia)		16	6097GT	WASHER,FLAT,USS,3/8",Y	
--	107212GT	PLAT ASSY,EXT-MID,ANSI-SYM GR-15 (Asia and South American)		17	22832GT	SCREW,HHC,3/8-16 X 6 GR-08	
--	107213GT	PLAT ASSY,EXT-MID,CE-SYM GR-15 (Europe)		17A	6605GT	SCREW,HHC,3/8-16 X 3.5,GR5 GR-12	
1		Ref. Platform Extension Assembly (refer to 503.1)		17B	6019GT	SCREW,HHC,3/8-16 X 1.25 GRD 5 GR-15	
2	11805GT	WASHER,FLAT,MS,#6,Y		18		Ref. Carriage Assembly (refer to 306.1)	
3	38600GT	RIVET,STL,STL,.156 X .50		19	57810-SGT	SPACER, PLATFORM.....1 GR-08 (without lanyard eye)	1
4	47218GT	DRAW LATCH,OVER-CENTER*** (includes keeper and latch)		--	69301-SGT	WELDMENT, GR-8 SPACER GR-08 (with lanyard eye)	
--	62819GT	KEEPER, OVER CENTER LATCH TMZ		19A	57815-SGT	SPACER,PLATFORM,GR-12.....1 GR-12	1
5		Ref. Platform Control Box (refer to 504.1)		--	69302-SGT	WELDMENT, GR12 SPACER GR-12	
6	40267GT	BOX,INSTRUCT. STORAGE,S SERIES.....1 (USA, Canada, Australia) (includes items 7 and 8)	1	20	11808GT	SCREW,HHC,1/4-20 X .375	
--	2223GT	LANYARD ASSY HOIST/AWP-7***		21	69575GT	COVER,LIMIT SWITCH W/DECAL GR GR-15 (USA, Canada, Australia)	
6A	107180GT	MANUAL STORAGE BX,NO DECAL,GR (Asia, South America, Europe)		21A	100507GT	MOUNT, MAST LIMIT SWITCH, CE GR-15 (Asia, South America, Europe)	
--	2223GT	LANYARD ASSY HOIST/AWP-7***		22	6179GT	SCREW,RHM,10-32 X 1.25	
7	75144GT	WASHER,FLAT,SAE 1/4,ZINC		23	6607GT	WASHER,LOCK,#10 PLTD	
				24	15513GT	NUT,HEX,10-32	
				25	96948GT	SWITCH,LIMIT,W/ROLLER ARM***1 GR-15 (from SN 888)	1
				--	19491GT	CONTACTOR,LIMIT SWITCH	
				--	27643GT	ROLLER ARM-LIMIT SWITCH	

502.2 Platform with Extension Deck (from SN 4001)
 (continued)

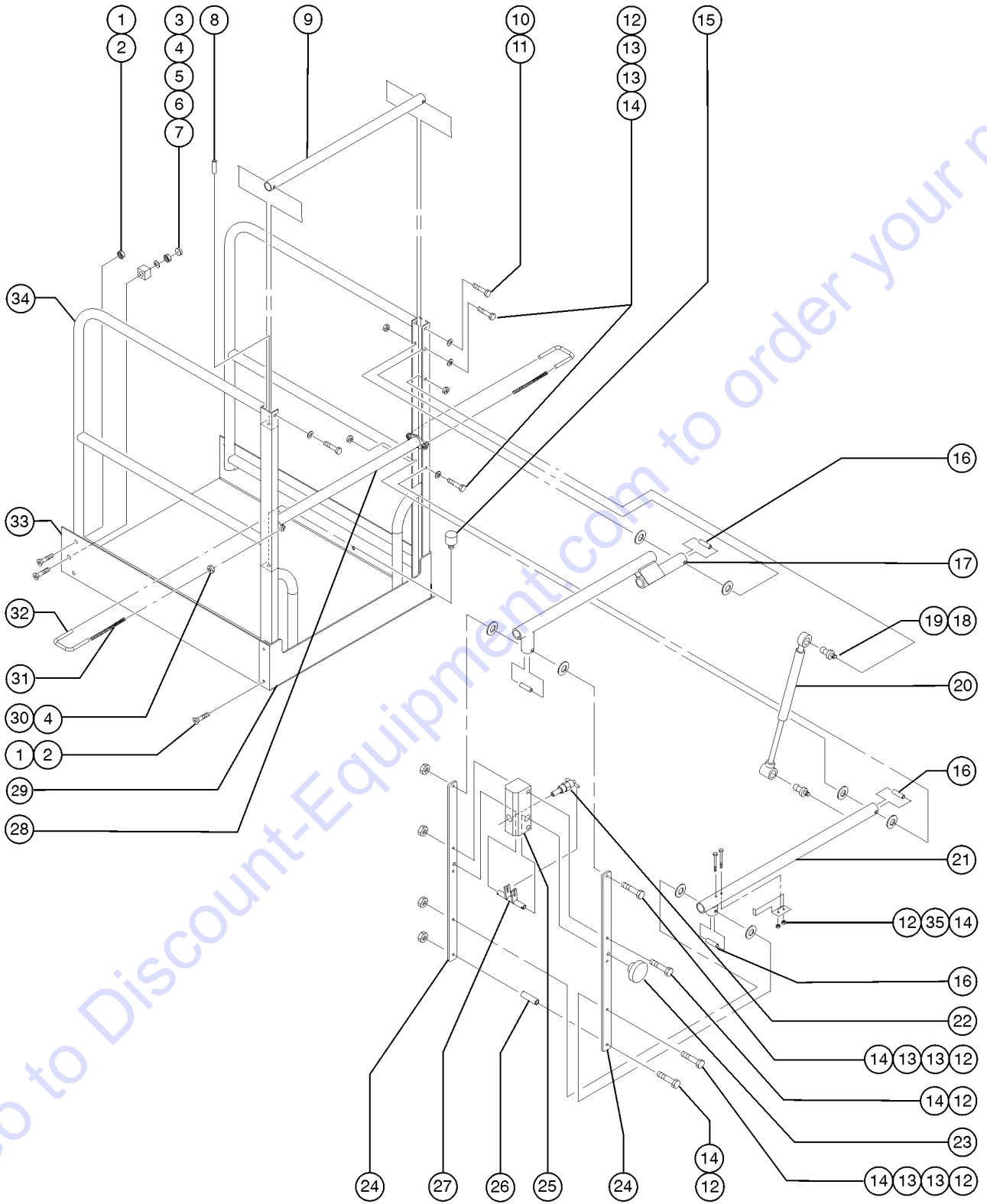
Item	Part No.	Description	Qty.	Item	Part No.	Description	Qty.
--	87561GT	CABLE SQUEEZE CONN 2 WIRE for limit switch 96948		51F	107204GT	INN RLNG ASSY,GR-15,ANSI SYM.....1 (Asia, South America)	
--	97128GT	ROLLER ARM,LIMIT SWITCH***		51G	107205GT	INN RLNG ASSY,GR-15,CE-SYM (Europe)	
26	69575GT	COVER,LIMIT SWITCH W/DECAL GR...1 GR-15		52		Ref. Decal Plate Assembly GR-15 (refer to 501.1)	
27	4266GT	SCREW,HHC,1/4-20 X 2					
28	80068GT	SCREW,PHP 6-32 \times 1.25, GR-2					
29	28083GT	WASHER,NYLON					
30	12344GT	NUT,NYLOCK,6-32					
31	37761GT	SWITCH,PUSHBUTTON,BORE MOUNT.....1					
32	69627GT	SCREW,FHS,1/4-20 X 2.00, ZN					
33	21280GT	BOLT-ROLLER,3/8-24 X 1.69-ZINC.....2					
34	35712GT	NUT,NYLOCK,3/8-24					
35	11906GT	ROLLER-NYLATRON, 1.625" O.D.....2					
--	21279GT	BUTTON, .800 O.D. X .281					
36	85472GT	TOEBOARD ASSY,INNER PLAT,WRDS.....1 (USA, Canada, Australia)					
36A	107186GT	TOEBOARD ASSY,INNER PLAT,SYMB (Asia, South America, Europe)					
37	14297GT	SCREW,BHHS,1/4-20 X .75					
38	69466GT	SPRING, EXTENSION .375 X .20.....1					
39	69408-SGT	LEVER,EXT.LATCH,INNER BSKT GR...1					
40	69556GT	WEARPAD,EXT PLAT/LATCH PLASTIC.....1					
41	6889GT	NUT,LP NYLOCK,1/4-20					
42	41077GT	SCREW,SHC,1/4-20 X .875					
43	28487GT	SCREW,BHHS,3/8-16 X 1					
44	33720GT	BEARING,FLANGE,3/8 (AWP & ST)....1					
45	8519GT	WASHER,SHIM,.5 X .875 X .033					
46	7713GT	NUT, LP NYLOCK, 3/8-16					
47	38037GT	NUT,COUPLER,3/8-16 X 1.0 LG					
48	6021GT	WASHER,LOCK,.375					
49	38586GT	CLAMP,PLATFORM MOUNT.....2					
50	4828GT	NUT,NYLOCK,3/8-16					
51	85403GT	INNER RAIL ASSY,GR-8&12, WORD....1 (USA, Canada)					
51A	85405GT	INN RLING ASSY,GR-8/12,CE-AUS (Australia)					
51B	107202GT	INN RLNG ASSY,GR-8&12,ANSI SYM...1 (Asia, South American)					
51C	107203GT	INN RLNG ASSY,GR-8&12,CE-SYM (Europe)					
51D	85404GT	INNER RAILING ASSY,GR-15,ANSI.....1 (USA, Canada)					
51E	85406GT	INN RLING ASSY,GR-15,CE-AUS (Australia)					

502.2 Platform with Extension Deck (from SN 4001)
(continued)

This Page Intentionally Left Blank

Go to Discount-Equipment.com to order your parts

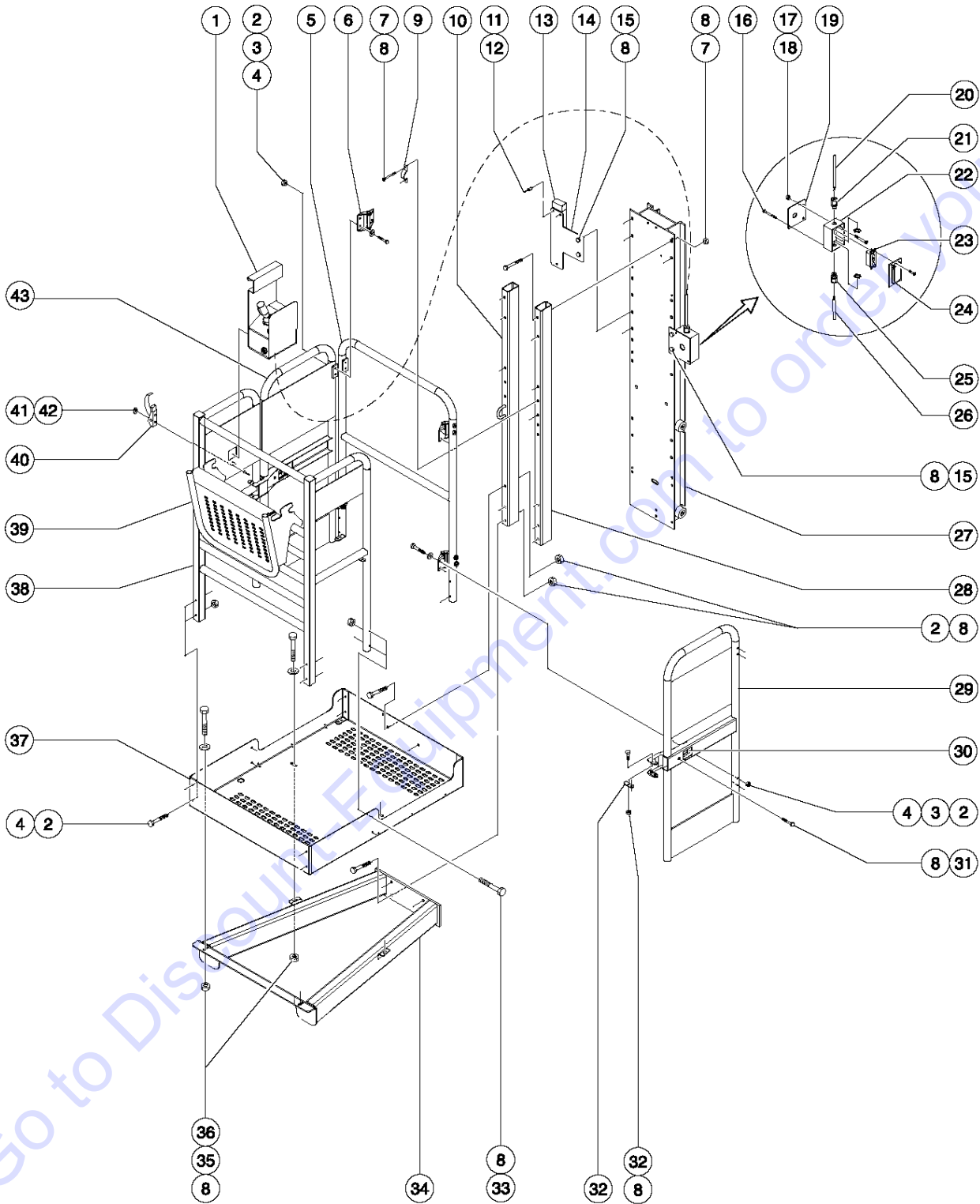
503.1 Platform Extension Deck



503.1 Platform Extension Deck

Item	Part No.	Description	Qty.	Item	Part No.	Description	Qty.
--	69491GT	PLAT EXT ASSEMBLY,GATED,ANSI (ANSI, Australia) (to SN 341)		21B	145194GT	ASM, TUBE GR GATED, GEN 1 (from SN 342 to 5000) (includes items 1, 14, 18 and 35)	
--	85411GT	PLAT EXT ASSEMBLY,GATED,ANSI (ANSI, CSA, Australia) (from SN 342)		--	824465GT	ASM, LOWER GATE, GR GEN 1.....1 (from SN 342 to 5000) (replaced 145274)	1
--	69493GT	PLAT EXT ASSEMBLY,GATED,CE (CE) (to SN 341)		22	37732GT	PIN,PULL.....1	1
--	85412GT	PLAT EXT ASSEMBLY,GATED,CE (CE) (from SN 342)		23	26787GT	KNOB.....2	2
--	85413GT	PLAT EXT ASSY,SLDNG RAIL,ANSI (ANSI, CSA, Australia)		--	2095GT	SCREW,SET,HS 10-32 X.25	
--	85414GT	PLAT EXT ASSY,SLDNG RAIL,CE (CE)		24	69460GT	PLATE,HINGE.....1	1
1	6091GT	NUT,NYLOCK,1/4-20		25	57116GT	HOUSING, LATCH, AWP/IWP/CWP.....1	1
2	14182GT	SCREW,FHS,1/4-20 X 1		26	6986GT	HOSE,1/4,HYDRAULIC,100R7***....1-inch	
3	21279GT	BUTTON, .800 O.D. X .281.....2	2	27	57138GT	LATCH ROTATOR, GATED PLATFORM.....1	1
4	4828GT	NUT,NYLOCK,3/8-16		28	80308GT	WELDMENT, EXT PLAT MIDRAIL GR....1	1
5	21442GT	SHIM,.75 X.45 X.032		29	57831GT	FORMING, FRONT PLATE.....1	1
6	69397GT	SLIDE BLOCK, EXT. PLATFORM.....2	2	30	4828GT	NUT,NYLOCK,3/8-16	
7	6435GT	SCREW,FHM,3/8-16 X 1.25		31	31146GT	WIRE LOOM,.413" NON-SLIT***.....16-inches	
8	38338GT	PIN,SPRING,.25X.75 ZINC PLATED		32	80306GT	U-BOLT, 3/8-16 X 3 X 2.375.....2	2
9	80307GT	TUBE, EXT PLAT, TOP SLIDER GR.....1	1	33	69554GT	TOEBOARD ASSY, EXT DECK, ANSI....1 (ANSI, CSA, Australia) (to SN 341)	1
10	6884GT	SCREW,HHC,1/4-20 X 2.5 (from SN 342 to 5000)		33A	85407GT	TOEBOARD ASSY, EXT DECK, ANSI (ANSI, CSA, Australia) (from SN 342)	
10	8179GT	SCREW,HHC,1/4-20 X 2.25 (from SN 101 to 341)		33B	69549GT	TOEBOARD ASSY, EXT DECK, CE (CE) (to SN 341)	
11	6638GT	WASHER,FLAT,USS,1/4"Y		33C	85409GT	TOEBOARD ASSY, EXT DECK, CE (CE) (from SN 342)	
12	6884GT	SCREW,HHC,1/4-20 X 2.5		34	85417GT	RAILING ASSEMBLY, GATED GR.....1	1
13	12013GT	SHIM,.375 X .063 used on models manufactured before GR15-36855 that have not been updated to 824521		34A	85418GT	RAILING ASSEMBLY,SLDNG MIDRAIL	
14	6889GT	NUT,LP NYLOCK,1/4-20		34B	69447GT	WELDMENT, OUTER RAILING GR	
15	26785GT	BUMPER,RUBBER.....1	1	35	145266GT	BRACKET,GATE STOP,GR,NRW.....1	1
16	37719GT	BUSHING,1.5 X 3/8 OD X 1/4 ID.....4 used on models manufactured before GR15-36855 that have not been updated to 824521	4				
17	824521GT	ASM, UPPER GATE,GR.....1 (replaced 69448)	1				
18	40265GT	BALL STUD,GAS STRUT (38593)***.....2	2				
19	6002GT	NUT,LP NYLOCK,5/16-18					
20	226802GT	GAS STRUT,20LB,13"EXT-9"CLOSED....1	1				
--	65874GT	CONNECTOR, NYLON END (35893)**					
21A	145326GT	ASM, TUBE GR GATED, GEN 1 LG (from SN 101 to 341) (includes items 1, 14, 18 and 35)					
--	145327GT	WELD, LOW SWING GATE, GEN 1 LG.....1 (from SN 101 to 341)	1				

504.1 Stockpicker Platform, GR-12, GR-15 (from serial number 4001)



504.1 Stockpicker Platform, GR-12, GR-15 (from serial number 4001)

Item	Part No.	Description	Qty.	Item	Part No.	Description	Qty.
--	107227GT	PLAT ASSY,STKPCR,WRD,US/CAN GR-12 (USA, Canada) (includes items 5, 29, 37, 38 and 43)		15	6175GT	SCREW,HHC,3/8-16 X 1	
--	107228GT	PLAT ASSY,STKPCR,WRD,AUS (GR-12 Australia) (includes items 5, 29, 37, 38 and 43)		16	21018GT	SCREW,PHIL,PHM,10-24 X.38,SEMS	
--	107229GT	PLAT ASSY,STKPCR,SYM,ASIA/S.AM GR-12 (Asia, South American) (includes items 5, 29, 37, 38 and 43)		17	6607GT	WASHER,LOCK,#10 PLTD	
--	107230GT	PLAT ASSY,STKPCR,SYM,EUROPE GR-12 (Europe) (includes items 5, 29, 37, 38 and 43)		18	57075GT	SCREW,PHIL,8-32X.50,SELF TAP	
--	107231GT	PLAT ASSY,STKPCR,WRD,USA/CAN GR-15 (includes items 5, 29, 37, 38 and 43)		19	69303GT	MOUNT, T-JUNCTION BOX.....1	
--	107232GT	PLAT ASSY,STKPCR,WRD,AUS GR-15 (includes items 5, 29, 37, 38 and 43)		20		Ref. Cable Assembly (refer to figure 505.1)	
--	107233GT	PLAT ASSY,STKPCR,SYM,ASIA/S.AM GR-15 (includes items 5, 29, 37, 38 and 43)		21	7057GT	CONN. SQZ,1/2NPT .39-.56 MED.....1	
--	107234GT	PLAT ASSY,STKPCR,SYM,EUROPE GR-15 (includes items 5, 29, 37, 38 and 43)		22	10775GT	T-BOX,2.75 X 4.5 X 2.0.....1	
1		Ref. Platform Control Box (refer to 505.1)		23	13585GT	OUTLET, 110V.....1	
2	6091GT	NUT,NYLOCK,1/4-20		23A	T112563GT	SVC KIT,UK RECEPT.REPLACEMENT (includes rubber gasket)	
3	6638GT	WASHER,FLAT,USS,1/4"Y		24	13585GT	OUTLET, 110V.....1	
4	8179GT	SCREW,HHC,1/4-20 X 2.25		24A	T112563GT	SVC KIT,UK RECEPT.REPLACEMENT (includes rubber gasket)	
5	107255GT	END RAILS ASSY,STOCKPICKER,GR (includes items 2, 3, 4 and 6)		25	7057GT	CONN. SQZ,1/2NPT .39-.56 MED.....1 GR-12	
--	100068GT	WELDMENT, END RAIL MOUNTING		25A	69445GT	CONNECTOR, SQZ, .39/.75 PT GR-15	
6	104804GT	HINGE, SPRING, LONG LEG.....4		26		Ref. Cable Assembly (refer to 208.1 or 209.1)	
7	6605GT	SCREW,HHC,3/8-16 X 3.5,GR5 GR-12 (ANSI, CSA, Australia)		27		Ref. Carriage Assembly (refer to 306.1 or 306.2)	
7A	6019GT	SCREW,HHC,3/8-16 X 1.25 GRD 5 GR-15 (ANSI, CSA, CE, Australia models)		28	100312GT	TUBE, SPACER, STOCKPICKER-12P....1 GR-12 (ANSI, CSA, Australia) (CE models, refer to figure 508.1)	
8	4828GT	NUT,NYLOCK,3/8-16		29	107235GT	GATE ASSY,LEFT,WRD(USA/CAN).....1 GR-12	
9	38586GT	CLAMP,PLATFORM MOUNT.....2		29A	107236GT	GATE ASSY,LEFT,WRD(AUSTRALIA) GR-12	
10	100314GT	WELDMENT,SPACER,STOCKPICKER-12.1 GR-12 (ANSI, CE, Australia) (CE models, refer to figure 508.1)		29B	107237GT	GATE ASSY,LEFT,SYM(ASIA/S.AME) GR-12	
11	7265GT	RIVET,STEEL,P .25 X .375		29C	107238GT	GATE ASSY,LEFT,SYM(EUROPE) GR-12	
12	75144GT	WASHER,FLAT,SAE 1/4,ZINC		29D	107239GT	GATE ASSY,LEFT,WRD(USA/CAN).....1 GR-15	
13	40267GT	BOX,INSTRUCT. STORAGE,S SERIES.....1 (includes items 11 and 12)		29E	107240GT	GATE ASSY,LEFT,WRD(AUSTRALIA) GR-15	
--	2223GT	LANYARD ASSY HOIST/AWP-7***		29F	107241GT	GATE ASSY,LEFT,SYM(ASIA/S.AME) GR-15	
14	100514SGT	PLATE, MANUAL MOUNT.....1 (USA, Canada, Australia)		29G	107242GT	GATE ASSY,LEFT,SYM(EUROPE) GR-15	
14A	100514SGT	PLATE, MANUAL MOUNT.....1 (Asia, South America, Europe)		30	65990-SGT	KIT,GATE LATCH.....1 (all models) (includes the four items listed immediately below)	
				--	22446GT	SPRING, COMPRESSION .835 X 2.....1 included in kit 65990-S	
				--	4828GT	NUT,NYLOCK,3/8-16.....1 included in kit 65990-S	

504.1 Stockpicker Platform, GR-12, GR-15 (from serial number 4001)
(continued)

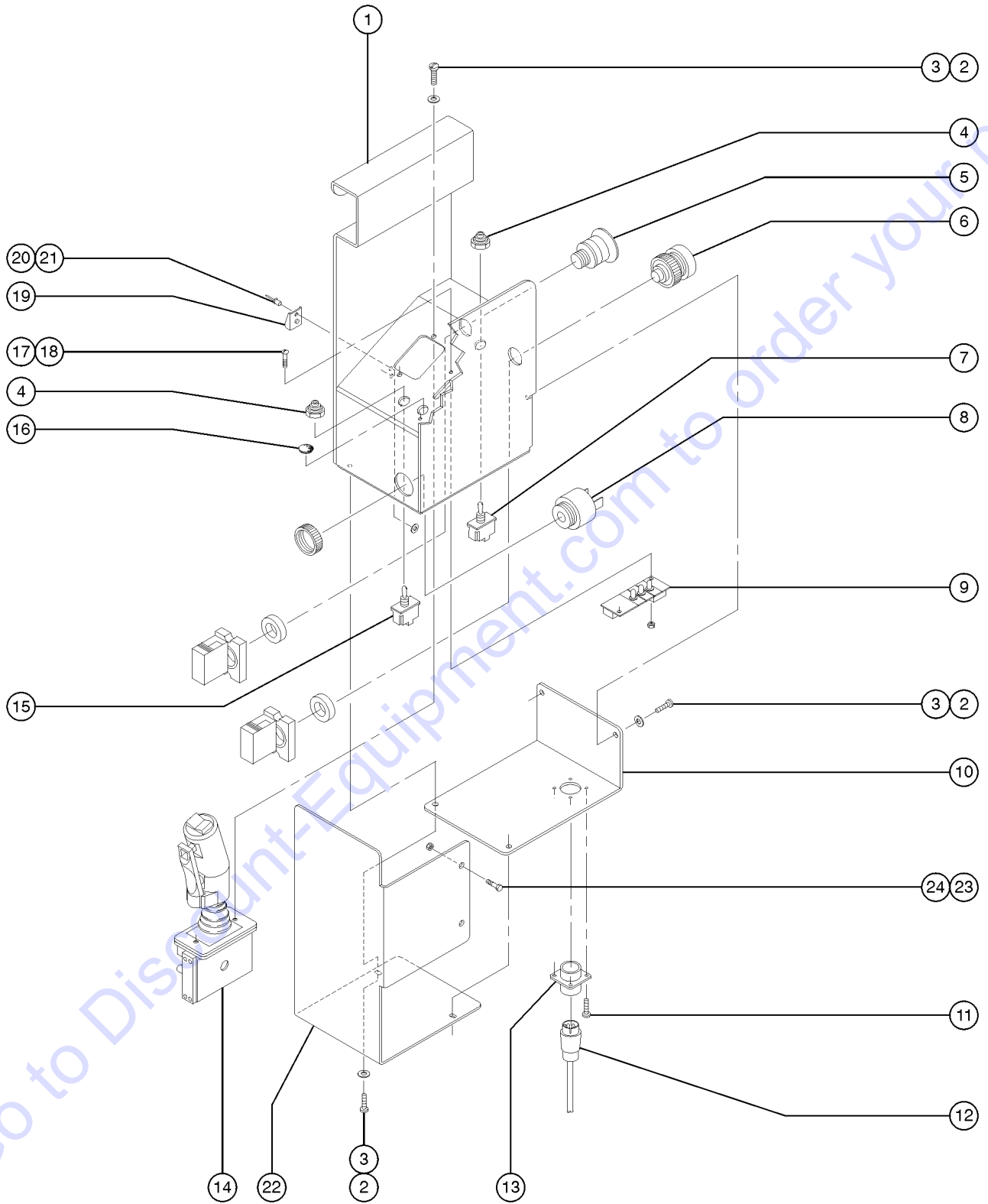
Item	Part No.	Description	Qty.
--	5224GT	SCREW,HHC,3/8-16 X 2.....1 <i>included in kit 65990-S</i>	1
--	66544GT	LATCH HANDLE.....1 <i>included in kit 65990-S</i>	1
31	5224GT	SCREW,HHC,3/8-16 X 2	
32	100206GT	UHMW, LATCH PAD.....4	4
33	4266GT	SCREW,HHC,1/4-20 X 2	
34	100103GT	WELDMENT, PLATFORM SUPPORT.....1	1
35	5397GT	WASHER,FLAT,USS,5/16",Y	
36	6175GT	SCREW,HHC,3/8-16 X 1	
37	107245GT	TOEBOARD ASSEMBLY,STCKPKR.....1 <i>(includes mounting fastener)</i>	1
--	24537GT	TAPE,NON-SKID,DIE CUT,6"X 2'	
38	107246GT	FRONT RAILS ASSY,WITH DECALS.....1	1
--	79355GT	PLUG,TUBE,SQ 1.50X.065	
39	100074GT	WELDMENT, PLATFORM TRAY.....1	1
40	47218GT	DRAW LATCH,OVER-CENTER***.....1 <i>(includes keeper and latch)</i>	1
--	62819GT	KEEPER, OVER CENTER LATCH TMZ	
41	11805GT	WASHER,FLAT,MS,#6,Y	
42	38600GT	RIVET,STL,STL,.156 X .50	
43	107243GT	GATE ASSY,RIGHT,ANSI/CSA/AUS.....1 <i>(includes items 8, 30, 31, 32 and 33)</i>	1
43A	107244GT	GATE ASSY,RIGHT,NO DECAL <i>(Asia, South America, Europe) (includes items 8, 30, 31, 32 and 33)</i>	

504.1 Stockpicker Platform, GR-12, GR-15 (from serial number 4001)
(continued)

This Page Intentionally Left Blank

Go to Discount-Equipment.com to order your parts

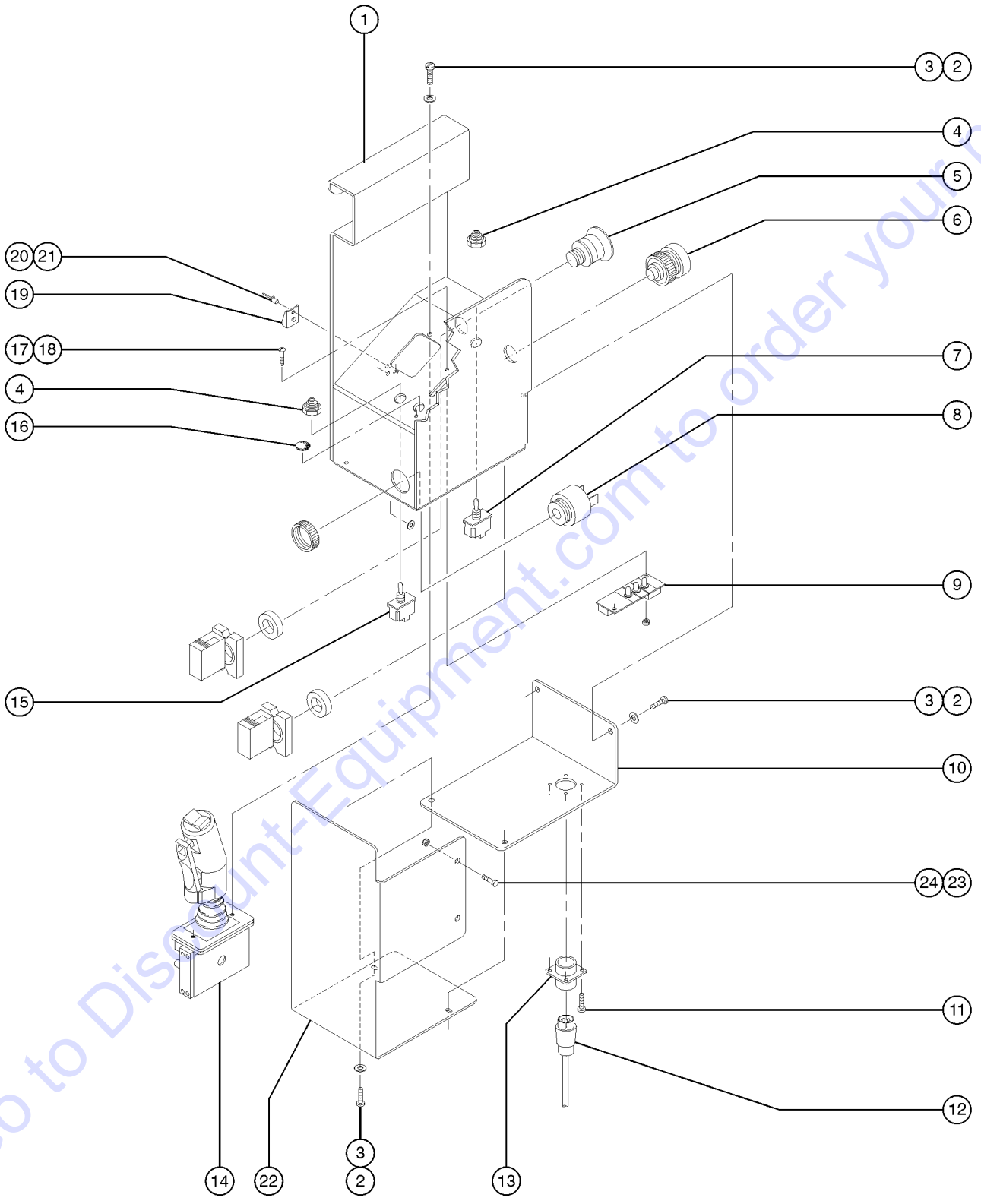
505.1 Platform Controls (to SN 4000)



505.1 Platform Controls (to SN 4000)

Item	Part No.	Description	Qty.	Item	Part No.	Description	Qty.
--		PLTFRM CNTROL BOX ASSY,STD GR* (85352) <i>(from SN 249 to 4000) PC Board no longer available</i>		--	1284031GT	PLUG,FEMALE,6 CONDUCTOR,MOLEX.....	1
--	80165GT	PLTFRM CNTROL BOX ASSY, STD <i>(to SN 248)</i>		--	33581GT	CONNECTOR,FEMALE,PANEL MOUNT*	
1	69496GT	PLATFORM CONTROL BOX W/DECAL.....	1	14		Ref. Joystick Controller <i>(refer to 506.1)</i>	
1A	69878GT	PLATFORM CONTROL BOX W/DECAL <i>(from SN 249 to 4000)</i>		15	13037-SGT	SWITCH,TOGGLE,SPDT,3POS MOMEN*.....	1
2	49819GT	SCREW,PHILLIPS,PHM,10-32 X .5		16	47479GT	BUMPER,PLASTIC, .625 OD.....	1
3	20980GT	WASHER,NYLON,.434 X.263X.049		17	11803GT	SCREW,RHM,6-32 X 1 <i>(from SN 249 to 4000)</i>	
4	27246GT	BOOT,TOGGLE SWITCH,SHORT*.....	1	18	12344GT	NUT,NYLOCK,6-32 <i>(from SN 249 to 4000)</i>	
5	66812GT	BUTTON,PUSH,RED MUSHROOM HEAD.....	1	19	62819GT	KEEPER, OVER CENTER LATCH TMZ.....	1
--	85419GT	RED EMERGENCY STOP ASSEMBLY <i>(from SN 101 to 1799)</i>		--	47218GT	DRAW LATCH,OVER-CENTER*** <i>(includes keeper and latch)</i>	
6	69603-SGT	HORN ASSEMBLY, GR		20	38600GT	RIVET,STL,STL,.156 X .50	
--	15243GT	PLUG,NYLON .875 BLACK DOMED		21	11805GT	WASHER,FLAT,MS,#6,Y	
--	66815GT	BASE, W/1 N.O. CONTACTS*** <i>(includes 1 each N.C. contact)</i>		22	145281GT	FORMING,PLTF CNTRL GUARD.....	1
--	80076GT	BUTTON,PUSH,BLACK W/SEAL		23	7339GT	SCREW,HHC,1/4-20 X .5.....	2
--	85420GT	PUSH BUTTON ASSEMBLY <i>(from SN 101 to 1799) (for models with horn option)</i>		24	6889GT	NUT,LP NYLOCK,1/4-20.....	2
7	T114691GT	ASSY,SWITCH,TOGGLE,SPDT*****.....	1				
8A	39540GT	ALARM,STEADY TONE***.....	1				
8B	72326GT	NUT - PLASTIC,RING FOR ALARMS <i>for 39540</i>					
9		PC BOARD, SPD CNTL, GR.....	1				
		<i>(from SN 250 to 4000) (part no longer available)</i>					
10	145322GT	FORMING,GR PLATFORM CONTROL...1 <i>(to SN 248)</i>					
--	80031GT	FORMING,BOTTOM,PLTFRM BOX,GR <i>(from SN 249 to 4000)</i>					
11	20342GT	#6 SQ.DR.SELF DRILL/TAP SCREW					
12	69481GT	CABLE ASSY,PLAT CNTRL/TBOX***.....	1				
--	33580GT	PIN CONNECTOR,FEMALE ***					
--	33589GT	PLUG,CONNECTOR,MALE*					
--	33591GT	SEAL,CABLE CONNECTOR,HT SHRINK					
--	43961GT	WIRE CABLE,16/6 CON.TPE J					
13	69905GT	CONN ASSY, 7 PIN, PLATFORM.....	1				
--	1284030GT	PLUG,MALE,6 CONDUCTOR,MOLEX....1 <i>Ships with connector assembly 69905 for field replacement</i>					

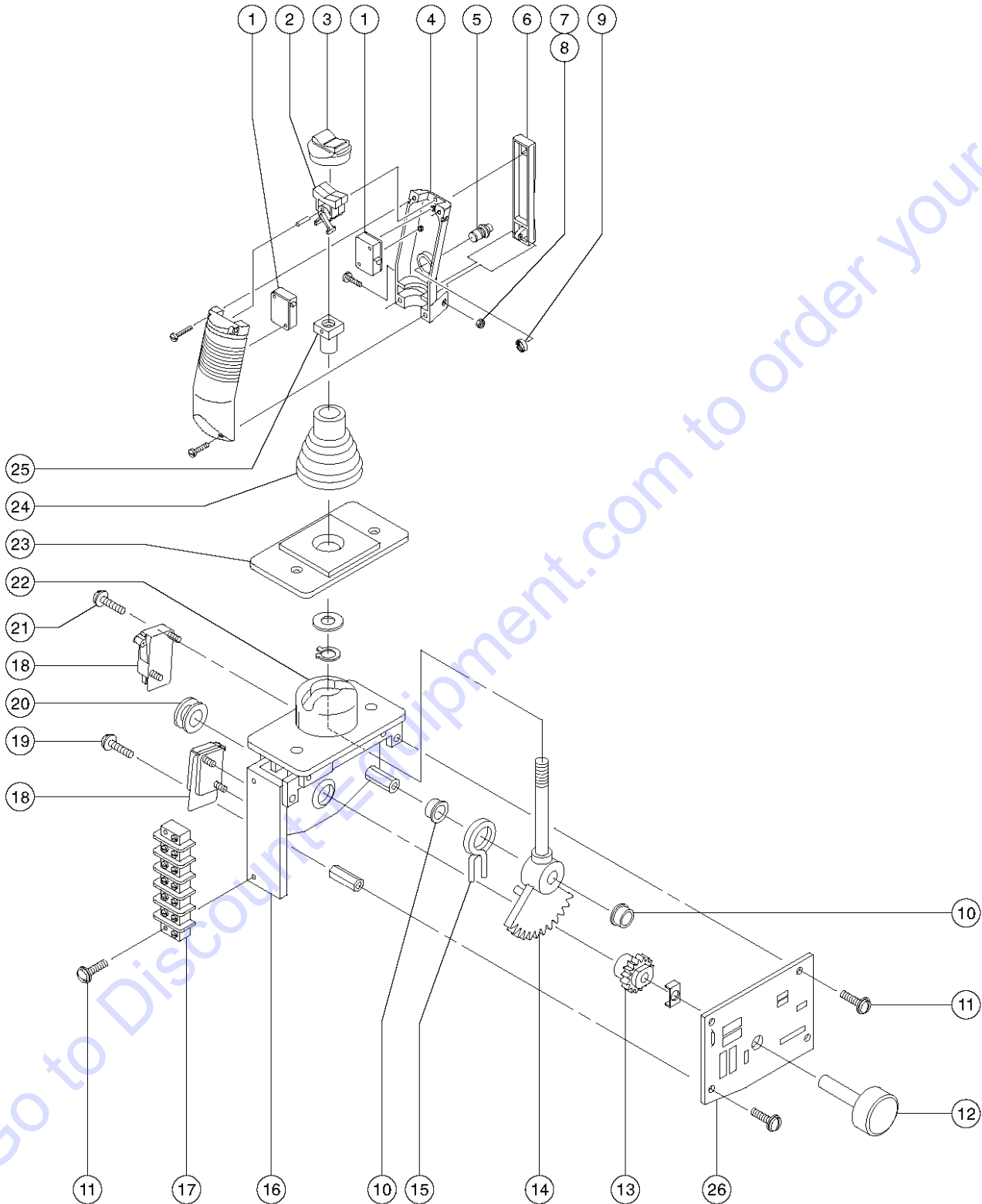
505.2 Platform Controls (from SN 4001 to 5000)



505.2 Platform Controls (from SN 4001 to 5000)

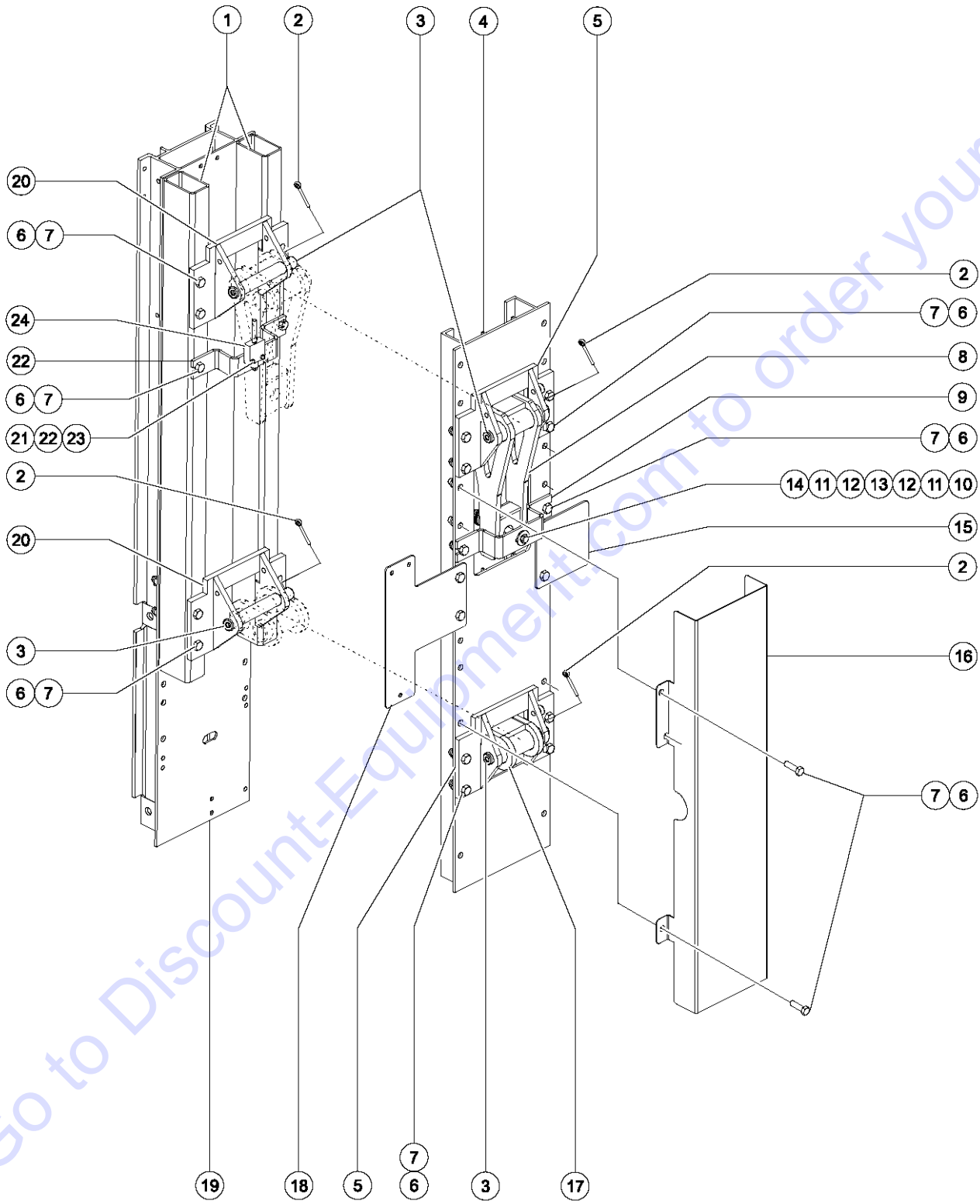
Item	Part No.	Description	Qty.	Item	Part No.	Description	Qty.
--		PLAT CNTRLR,STD,CE (107248) (CE models; Standard) Controller no longer available		15	13037-SGT	SWITCH,TOGGLE,SPDT,3POS MOMEN*	
1	107251GT	PLAT CNTRL BX,STD,ANSI/CSA/AUS (ANSI, CSA and Australia models)		16	47479GT	BUMPER,PLASTIC, .625 OD	
1A	107252GT	PLAT CNTRL BX,STD,CE (CE models)		17	11803GT	SCREW,RHM,6-32 X 1	
1B	107253GT	PLAT CNTRL BX,SP,ANSI/CSA/AUS (ANSI, CSA and Australia models)		18	12344GT	NUT,NYLOCK,6-32	
1C	107254GT	PLAT CNTRL BX,STCPKR,CE (CE models)		19	62819GT	KEEPER, OVER CENTER LATCH TMZ.....1	1
2	49819GT	SCREW,PHILLIPS,PHM,10-32 X .5		--	47218GT	DRAW LATCH,OVER-CENTER*** (includes keeper and latch)	
3	20980GT	WASHER,NYLON,.434 X.263X.049		20	38600GT	RIVET,STL,STL,.156 X .50	
4	27246GT	BOOT,TOGGLE SWITCH,SHORT*.....1	1	21	11805GT	WASHER,FLAT,MS,#6,Y	
5	66812GT	BUTTON,PUSH,RED MUSHROOM HEAD.....1	1	22	145281GT	FORMING,PLTF CNTRL GUARD.....1	1
6	69603-SGT	HORN ASSEMBLY, GR		23	7339GT	SCREW,HHC,1/4-20 X .5.....2	2
--	45385GT	PLUG,NYLON 1.12 BLACK DOMED (models without horn option)		24	6889GT	NUT,LP NYLOCK,1/4-20.....2	2
--	66815GT	BASE, W/1 N.O. CONTACTS*** (includes 1 each N.C. contact)					
--	80076GT	BUTTON,PUSH,BLACK W/SEAL					
7	T114691GT	ASSY,SWITCH,TOGGLE,SPDT*****.....1	1				
8A	39540GT	ALARM,STEADY TONE***.....1 order 72326 mounting ring separately	1				
8B	72326GT	NUT - PLASTIC,RING FOR ALARMS for 39540					
9		PC BOARD, SPD CNTL, GR (part no longer available)					
10	80031GT	FORMING,BOTTOM,PLTFRM BOX,GR.....1 (ANSI, CSA and Australia models)	1				
10A	100116GT	FORMING,BOTTOM,PLTFRM BOX,CE (CE models)					
11	20342GT	#6 SQ.DR.SELF DRILL/TAP SCREW					
12	69481GT	CABLE ASSY,PLAT CNTRL/TBOX***1	1				
--	100316GT	CABLE ASSY, PLAT CNTRL,STCPKR					
--	33580GT	PIN CONNECTOR,FEMALE ***					
--	33589GT	PLUG,CONNECTOR,MALE*					
--	33591GT	SEAL,CABLE CONNECTOR,HT SHRINK					
--	43961GT	WIRE CABLE,16/6 CON.TPE J					
13	69905GT	CONN ASSY, 7 PIN, PLATFORM.....1	1				
--	1284030GT	PLUG,MALE,6 CONDUCTOR,MOLEX...1 Ships with connector assembly 69905 for field replacement	1				
--	1284031GT	PLUG,FEMALE,6 CONDUCTOR,MOLEX.....1	1				
--	33581GT	CONNECTOR,FEMALE,PANEL MOUNT*					
14		Ref. Joystick Controller (refer to 506.1)					

506.1 Joystick Controller



Item	Part No.	Description	Qty.
--	57890GT	JOYSTICK,20 OHM <i>Harness connector changed August 2017; it may be necessary to update control box connector to PN 1284031 at first time replacement</i>	
1	19722GT	MICROSWITCH-V319M***.....	1
2	65178GT	ROCKER ASSY W/ROLLPIN***.....	1
3	65543GT	BOOT - THUMB ROCKER (57890).....	1
4	58293GT	HANDLE KIT,GS JYSTK,BOTH HALVE.....	1
5	52050GT	PUSHBUTTON-FUNC.ENABL.W/ORING.1 <i>(includes item 9)</i>	1
6	52042GT	LEVER,FUNC ENABLE SWITCH,RGE**.....	1
7	65544GT	NUT-ENABLE SWITCH LEVER(57890).....	1
8	65545GT	SCREW-ENABLE SWTCH LEVER/57890.....	1
9	46271GT	NUT-MOUNTING,PUSH BUTTON-44988.....	1
10	69537GT	BEARING,JOYSTICK (57890).....	2
11	65546GT	SCREW,PHM,M3.5 X 12MM (57890)....	6
12	83036GT	POTENTIOMETER 20K OHM(57890)....	1
13	19731GT	GEAR, SLAVE, MS4,45048.....	1
14	46227GT	SHAFT ASSY, JOYSTICK***	
15	21434GT	SPRING & BUSHING KIT,RETURN***.... <i>(includes item 10)</i>	1
16	65547GT	BRACKET-MTING,TERM. BRD/57890....	1
17	52524GT	TERMINAL STRIP,10 POLE,JOYSTK....	1
18	19712GT	MICROSWITCH,V3L-139-D8.....	2
19	69566GT	SCREW,PHS,.875 X 4.4 MM	
20	65548GT	CAM ASSY (57890).....	1
21	69567GT	SCREW,PHS,4.4 X 3.25 MM	
22	19720GT	CASTING,45049, 40612.....	1
23	52529GT	GASKET-JOYSTICK.....	1
24	21427GT	BOOT,CONTROLLER**.....	1
25	52043GT	NUT,JOYSTICK,44988, RGE.....	1
26	83133GT	PRINTED CIRCUIT BOARD 57890.....	1

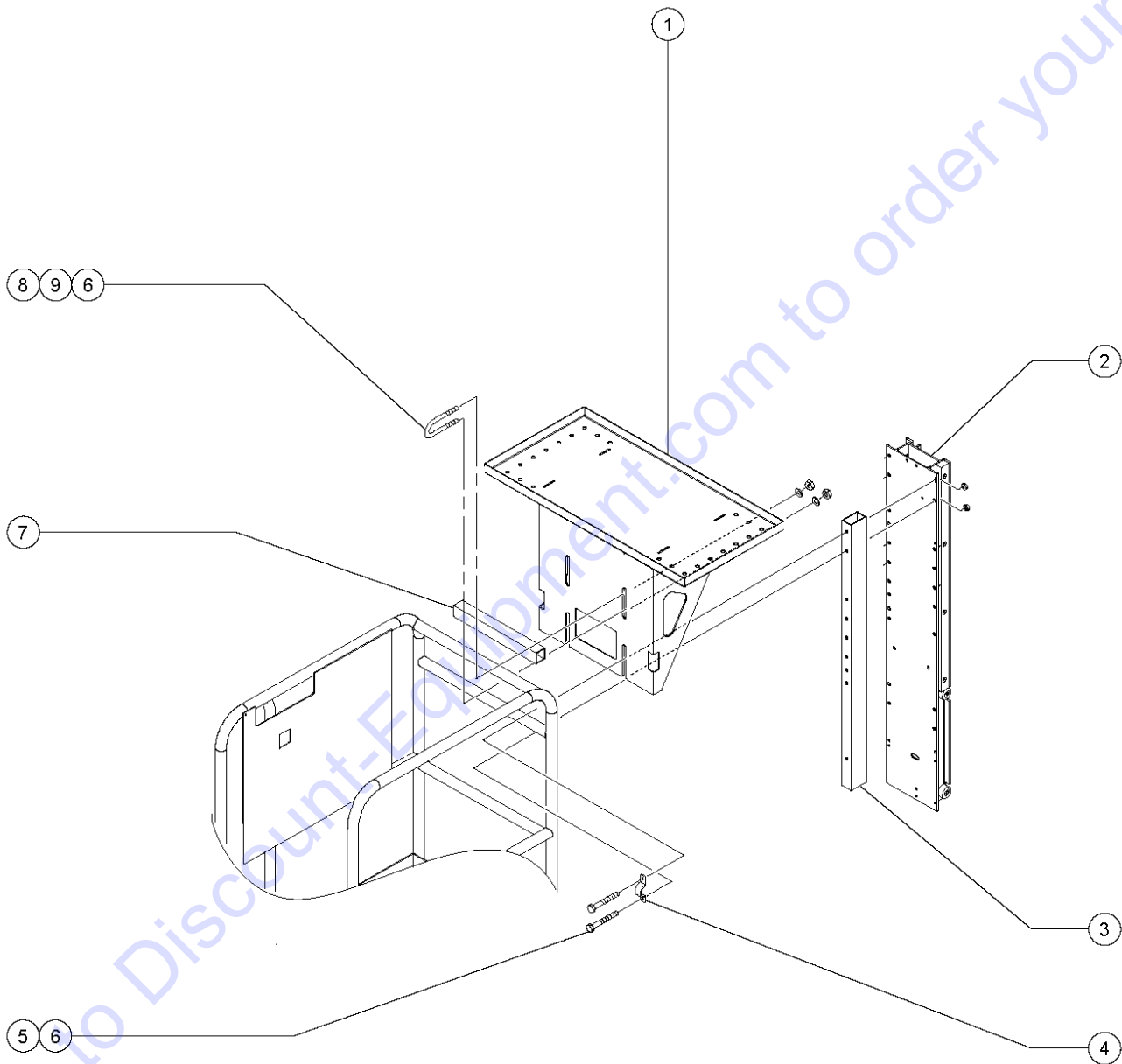
507.1 Platform Overload Assembly, CE Models



507.1 Platform Overload Assembly, CE Models

Item	Part No.	Description	Qty.
1	100506GT	TUBE, PLATFORM SPACER, CE-8.....2 <i>GR-08</i>	2
2	45478GT	Rod End, 1/4 x 2.75 inches.....4	4
3	124680GT	PIN,0.75DIAx5.13LG,CHAMFER.....4	4
--	94643GT	ZERK,GREASE,5/16-24,STRAIT.....4	4
4	100214GT	LOAD SENSE CARRIAGE.....1 <i>(standard or extension platform)</i>	1
4A	100494GT	LOAD SENSE CARRIAGE, SP <i>(stockpicker platform)</i>	
5	100327GT	WELDMENT, PLATFORM PIVOT.....2	2
6	6019GT	SCREW,HHC,3/8-16 X 1.25 GRD 5	
7	6175GT	SCREW,HHC,3/8-16 X 1	
8	1254350GT	ASSY,LOWER LINK,GR.....1 <i>(includes bearings, 39581)</i>	1
--	39581GT	BEARING,0.75IDx1.00ODx0.50L.....4	4
9	100322GT	FORMING, SPRING CARRIER.....2	2
10	12981GT	SCREW,HHC,3/8-16 X 4.5	
11	6097GT	WASHER,FLAT,USS,3/8",Y	
12	61975GT	RETAINER,SPRING,1.21 X .375.....1	1
13	61974GT	SPRING,COMP,1" OD,232 LB/IN.....1	1
14	4828GT	NUT,NYLOCK,3/8-16	
15	69303GT	MOUNT, T-JUNCTION BOX.....1	1
16	100499GT	LOAD SENSE COVER.....1	1
17	1254351GT	ASSY,PIVOT LINK,GR.....1 <i>(includes bearings, 39581)</i>	1
--	39581GT	BEARING,0.75IDx1.00ODx0.50L.....4	4
18	100514SGT	PLATE, MANUAL MOUNT.....1	1
19		Ref. Carriage <i>(refer to 306.1)</i>	
20	100328GT	WELDMENT, SUPPORT PIVOT.....2	2
21	6607GT	WASHER,LOCK,#10 PLTD	
22	15513GT	NUT,HEX,10-32	
23	6147GT	SCREW,RHM,10-32 X 1	
24	99183GT	SWITCH, ROLLER PLUNGER LIMIT.....1	1

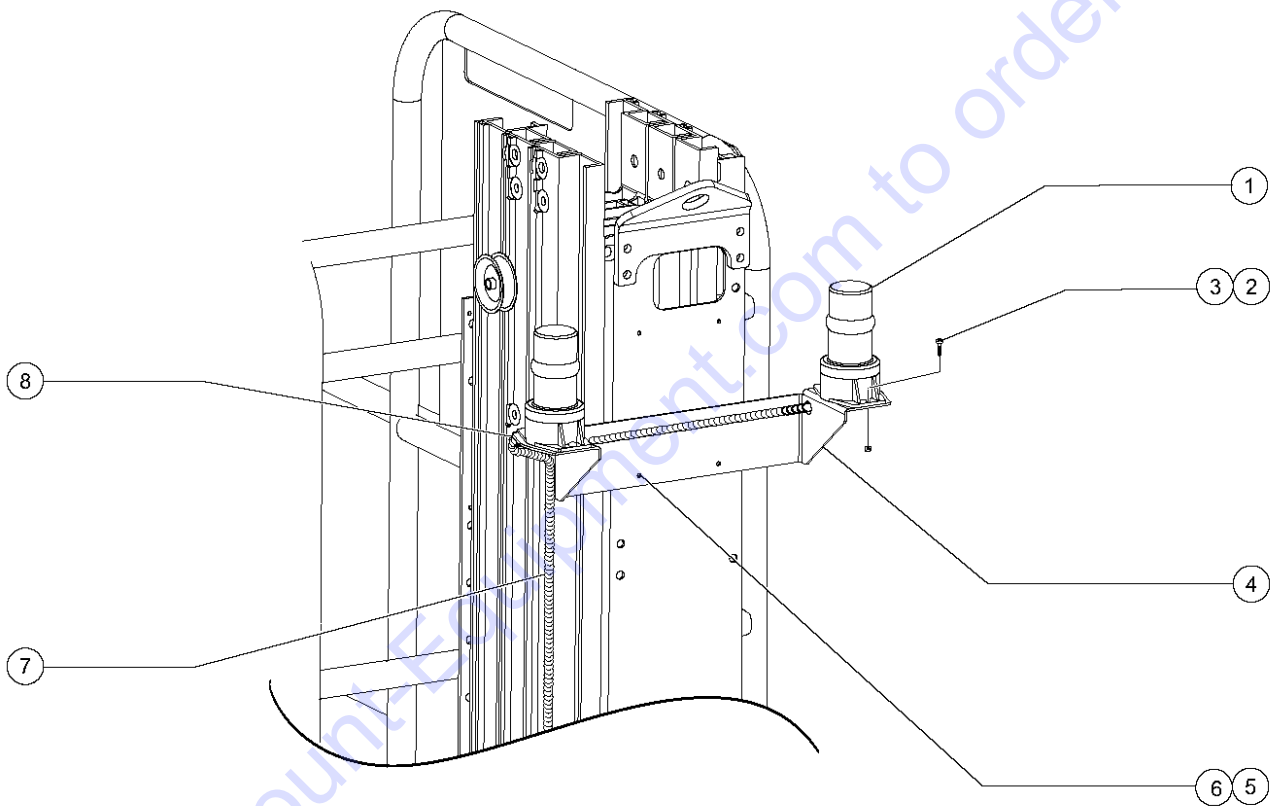
601.1 Work Station Tray (models with standard and extended platform)



601.1 Work Station Tray (models with standard and extended platform)

Item	Part No.	Description	Qty.
--	80060GT	GR WORKSTATION KIT, ANSI (ANSI, CSA)	
--	80061GT	GR WORKSTATION KIT, CE (CE)	
1	69876GT	WORKSTATION TRAY,ANSI, GR.....1 (ANSI, CSA)	
1A	69877GT	WORK STATION TRAY W/DEC,CE GR (CE)	
2		Ref. Carriage Assembly (refer to 305.1)	
3		Ref. Platform Spacer GR-8, GR-12 (refer to 501.1 or 502.1)	
4	38586GT	CLAMP,PLATFORM MOUNT.....2	
5	22832GT	SCREW,HHC,3/8-16 X 6 GR-08	
5A	6605GT	SCREW,HHC,3/8-16 X 3.5,GR5 GR-12	
5B	6019GT	SCREW,HHC,3/8-16 X 1.25 GRD 5 GR-15	
6	4828GT	NUT,NYLOCK,3/8-16	
7	85421GT	SPACER, TOOL TRAY/PLATFORM,GR.....1	
8	80057GT	U-BOLT,3/8-16X1.688X3.25,YL ZN.....2	
9	6097GT	WASHER,FLAT,USS,3/8",Y	

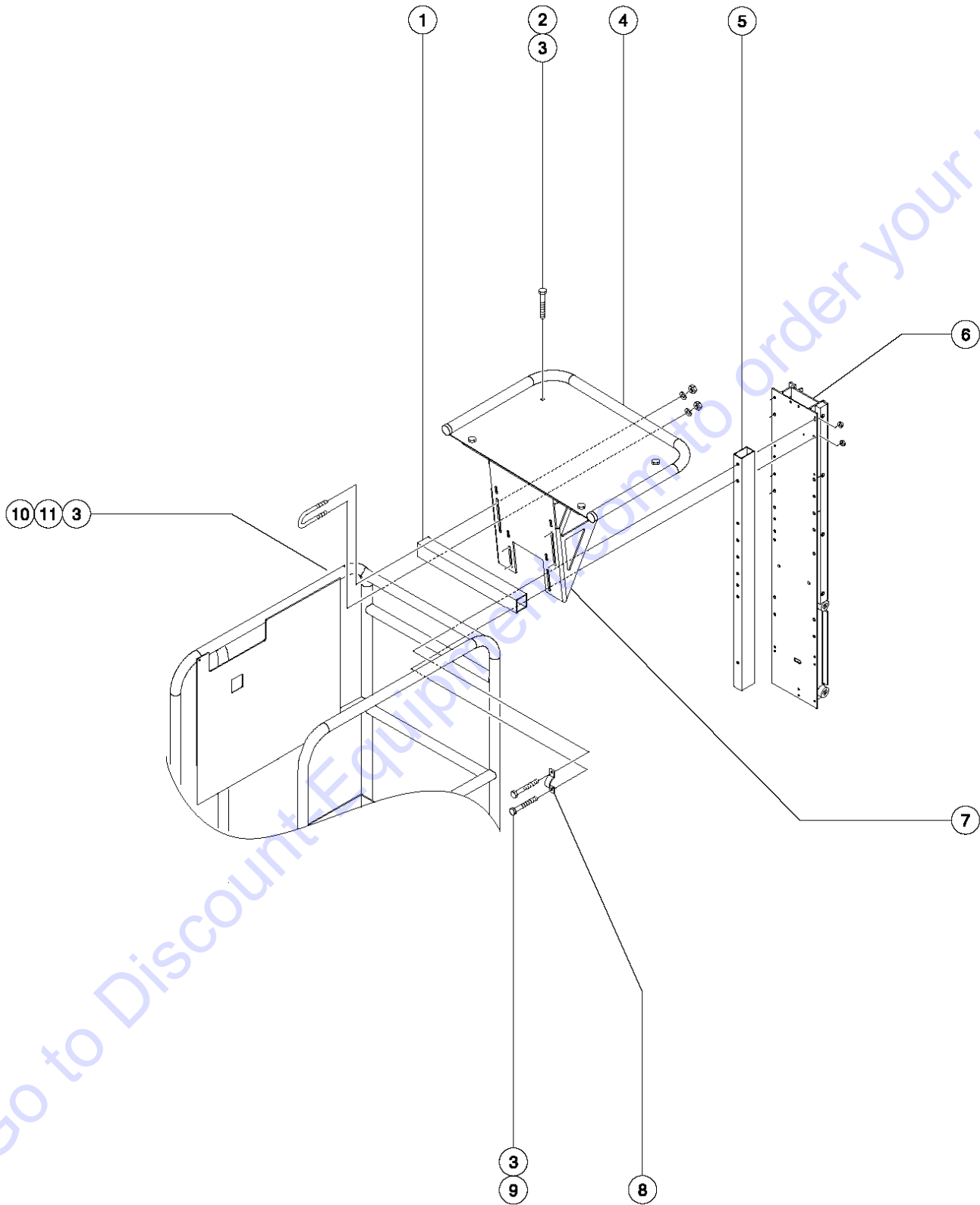
602.1 Motion Alarm



Item	Part No.	Description	Qty.
--	58182GT	MOTION ALARM ASSEMBLY, GR <i>Serial numbers from 1164 to 1799</i>	
--	80898GT	MOTION ALARM ASSEMBLY, GR <i>Serial numbers from 1800 to 5000</i>	
1	66909GT	STROBE,BEACON,W/OUT HARDWARE**.....	2
--	58973GT	LIGHT,REPLACEMENT BULB (39676)	
2	49816GT	SCREW,PHILLIPS,PHM,10-32 X .75	
3	6178GT	NUT,NYLOCK,10-32	
4	80085-SGT	BRACKET,BEACON MOUNT,GR,PTD,BL.....	1
5	38600GT	RIVET,STL,STL,.156 X .50	
6	35461GT	WASHER,FLAT,MS,#8,Y	
7	85422GT	HARNESS, BEACON ASSEMBLY,GR.....	1
8	6833GT	CLAMP,0.50,#8 X 1/4,RUB CUSH.....	2

Go to Discount-Equipment.com to order your parts

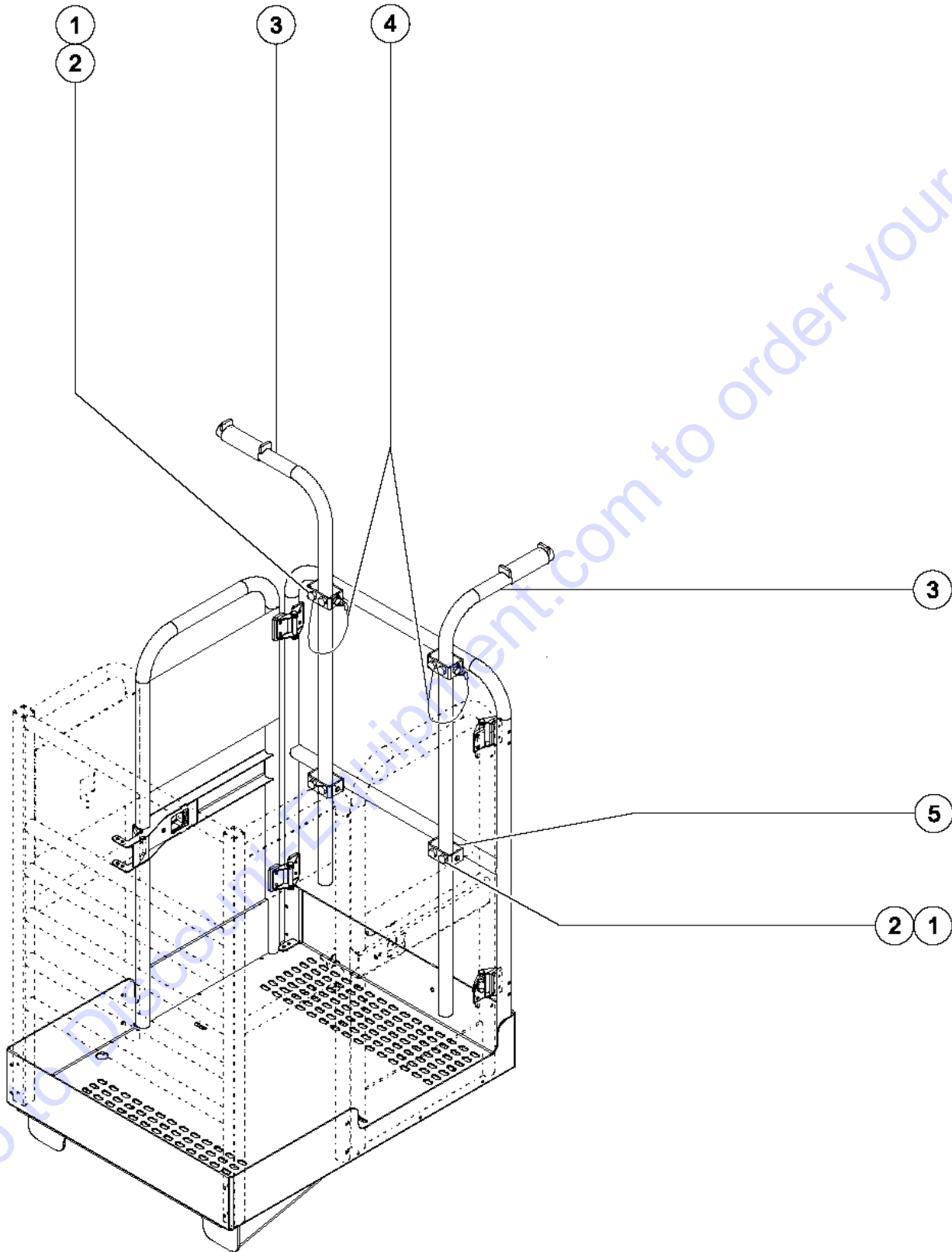
603.1 Parcel Tray (from serial number 4001)



603.1 Parcel Tray (from serial number 4001)

Item	Part No.	Description	Qty.
--	107168GT	PARCEL TRAY ASSEMBLY, GR.....1 <i>includes items 2, 3, 4 and 7; USA, Canada and Australia models; includes fasteners</i>	
--	107169GT	UPPER TRAY ASSY W/DECAL, EUR <i>includes items 2, 3, 4 and 7; Asia, South America and Europe models</i>	
1	100482GT	SPACER, GR UPPER TRAY.....1	
2	64154GT	BOLT,CARRIAGE,3/8-16 X1.00,G5	
3	4828GT	NUT,NYLOCK,3/8-16	
4	107170GT	TRAY ASSEMBLY.....1	
--	55753GT	BUMPER, PLASTIC, 1.25 O.D.....2	
5		Ref. Platform Spacer <i>(refer to 501.1 or 502.1)</i>	
6		Ref. Carriage Assembly <i>ANSI, CSA and Australia models (refer to 305.1)</i>	
6A		Ref. Load Sense Assembly <i>CE models (refer to 508.1)</i>	
7	100211GT	WELDMENT, TRAY SUPPORT.....1	
8	38586GT	CLAMP,PLATFORM MOUNT.....2	
9	22832GT	SCREW,HHC,3/8-16 X 6 GR-08	
9A	6605GT	SCREW,HHC,3/8-16 X 3.5,GR5 GR-12	
9B	6019GT	SCREW,HHC,3/8-16 X 1.25 GRD 5 GR-15	
10	6550GT	U-BOLT,3/8 X 1 YZ.....2 <i>(standard or extension platform)</i>	
10A	80057GT	U-BOLT,3/8-16X1.688X3.25,YL ZN <i>(stockpicket platform)</i>	
11	6097GT	WASHER,FLAT,USS,3/8",Y	

604.1 Bike Rack, Stockpicker Platform



604.1 Bike Rack, Stockpicker Platform

Item	Part No.	Description	Qty.
--	100196-SGT	BICYCLE RACK ASSY, GR	
1	50160GT	SCREW,HHC,1/4-20 X 3.75	
2	6091GT	NUT,NYLOCK,1/4-20	
3	100202GT	BICYCLE SUPPORT ASSEMBLY.....	2
--	35580GT	GRIP, RUBBER W/ TAPE, GLL	
--	55753GT	BUMPER, PLASTIC, 1.25 O.D.	
4		RETAINING PIN ASSY, BIKE RACK.....	2
5		WELDMENT, BICYCLE SUPPORT.....	4

Go to Discount-Equipment.com to order your parts

Part Number Index

The Part Number Index is a numeric index of all part numbers included in this manual. The index shows what page(s) the part is used on.

Part Number	Page	Part Number	Page	Part Number	Page	Part Number	Page
100068GT	113-114	107229GT	113-114	1505GT	59	28373GT	11, 13, 15, 17, 19, 21
100074GT	114	107230GT	113-114	15243GT	117	28487GT	29, 37, 104, 108
100103GT	114	107231GT	113-114	15513GT	59, 103-104, 107-108, 123	28750GT	85, 87, 89
100116GT	119	107232GT	113-114	16364GT	49	30997GT	41, 43
100179GT	39	107233GT	113-114	17626GT	33, 35	31060GT	11, 13, 15, 17
100196-SGT	131	107234GT	113-114	18542GT	49, 51	31071GT	11, 15, 19
100202GT	131	107235GT	113-114	18605GT	43	31077GT	11, 13
100206GT	114	107236GT	113-114	19491GT	59, 103-104, 107-108	31103GT	87, 89
100211GT	129	107237GT	113-114	19506GT	41, 43	31146GT	95-96, 99-100, 111
100214GT	123	107238GT	113-114	19712GT	121	31508GT	11, 13, 15, 17, 19, 21
100312GT	113-114	107239GT	113-114	19720GT	121	32317GT	83
100314GT	113-114	107240GT	113-114	19722GT	121	33452GT	85, 87, 89
100316GT	119	107241GT	113-114	19731GT	121	33580GT	117, 119
100322GT	123	107242GT	113-114	20224GT	85, 87, 89	33581GT	41, 117, 119
100327GT	123	107243GT	114	20342GT	41, 43, 117, 119	33589GT	117, 119
100328GT	123	107244GT	114	20549GT	41, 43	33591GT	117, 119
100482GT	129	107245GT	114	20812GT	41, 43	33629GT	95-96, 99-100, 103-104, 107-108
100494GT	123	107246GT	114	20813GT	41, 43	33681GT	35
100499GT	123	107251GT	119	2095GT	111	33720GT	104, 108
100506GT	123	107252GT	119	20980GT	41, 43, 117, 119	35461GT	37, 127
100507GT	107-108	107253GT	119	21018GT	95-96, 99-100, 103-104, 107-108, 113-114	35580GT	131
100514SGT	113-114, 123	107254GT	119	21279GT	104, 108, 111	35695GT	73, 75
100864GT	95-96, 99-100, 103-104, 107-108	107255GT	113-114	21280GT	104, 108	35697GT	71, 73, 75
10107GT	33, 35, 39	10777GT	95-96, 99-100, 103-104, 107-108	21427GT	121	35698GT	71, 73, 75
104804GT	113-114	114325GT	15, 17, 19, 21	21434GT	121	35699GT	71, 73, 75
105278GT	51	11803GT	41, 43, 117, 119	21442GT	111	35705GT	71, 73, 75
105334GT	53	11804GT	41	21550GT	29	35706GT	59, 63, 65, 67, 69
105387GT	83	11805GT	37, 41, 43, 95-96, 99-100, 103-104, 107-108, 114, 117, 119	219480GT	53	35707GT	63, 65, 67
105739GT	53	11808GT	63, 65, 67, 103-104, 107-108	21982GT	41, 43	35709GT	59, 65, 67
107004GT	37	11890GT	71, 73, 75	21989GT	33, 35	35710GT	63, 65, 67
107005GT	37	11906GT	104, 108	2223GT	95-96, 99-100, 103-104, 107-108, 113-114	35711GT	63, 65, 67
107008GT	39	12013GT	111	22446GT	113-114	35712GT	71, 73, 75, 104, 108
107023GT	61	12344GT	37, 103-104, 108, 117, 119	226802GT	111	35714GT	71, 73, 75
107150GT	15, 17	12346GT	27	22699GT	45, 47	35715GT	67
107168GT	129	124121GT	41, 43	22832GT	69, 95-96, 99-100, 103-104, 107-108, 125, 129	35722GT	63, 65, 67
107169GT	129	124635GT	41, 43	232573GT	35	35724GT	83
107170GT	129	124641GT	41	233641GT	83	35725GT	83
107180GT	99-100, 107-108	124680GT	123	23394GT	45, 47	35726GT	83
107186GT	108	1254350GT	123	23396GT	45, 47	35727-SGT	59
107187GT	19, 21	1254351GT	123	23787-SGT	45, 47	35730GT	77
107188GT	19, 21	1254351GT	123	23788GT	45, 47	35733GT	77
107189GT	23, 25	1263633GT	33, 35	24537GT	95-96, 99-100, 114	35734GT	77
107190GT	99-100	1268235GT	59	25388GT	51	35749GT	59
107191GT	99-100	1280665GT	51, 55	25926GT	45, 47	35750GT	65, 67
107192GT	100	1284030GT	117, 119	26785GT	111	35751GT	67
107193GT	100	1284031GT	117, 119	26787GT	111	35753GT	65
107194GT	99-100	12906GT	77	27048GT	85, 87, 89	35754GT	67, 75
107195GT	99-100	12981GT	123	27246GT	117, 119	35786GT	79
107196GT	100	13008-6GT	49	27262GT	49	35991GT	45, 47, 59, 63, 67, 77, 81
107197GT	100	13037-SGT	117, 119	27643GT	59, 103-104, 107-108	36369GT	27
107198GT	99-100	13066GT	31	28083GT	103-104, 108	36998GT	91, 93
107199GT	99-100	13585GT	95-96, 99-100, 103-104, 107-108, 113-114	28157GT	11, 13	37145GT	11, 13, 15, 17, 19, 21
107200GT	99-100	137769GT	39	28161GT	11, 13, 15, 17, 19, 21	37686GT	65, 67
107201GT	99-100	137770GT	39	28164GT	11, 13, 15, 17, 19, 21	37719GT	111
107202GT	108	14182GT	111	28171GT	11, 13, 15, 17, 19, 21, 23, 25	37732GT	111
107203GT	108	14297GT	104, 108	28174GT	11, 13, 15, 17, 19, 21, 23, 25	37761GT	103-104, 108
107204GT	108	144161GT	51, 53	28175GT	11, 13, 15, 17, 19, 21	37947GT	43
107205GT	108	144180GT	53	28235GT	11, 13, 15, 17, 19, 21	38005GT	69
107206GT	107-108	145194GT	111	28236GT	13, 17, 21	38011GT	59, 65, 67
107207GT	107-108	145266GT	111			38013GT	59, 65, 67
107208GT	107-108	145281GT	117, 119			38016GT	59, 63, 65, 67, 69
107209GT	107-108	145322GT	117			38028GT	59
107210GT	107-108	145326GT	111			38037GT	104, 108
107211GT	107-108	145327GT	111			38068GT	83
107212GT	107-108					38122GT	11, 13, 15, 17, 19, 21
107213GT	107-108					38149GT	11, 13
107214GT	29						
107215GT	37						
107216GT	37						
107217GT	61						
107226GT	23, 25						
107227GT	113-114						
107228GT	113-114						

Part Number Index (continued)

Part Number	Page	Part Number	Page	Part Number	Page	Part Number	Page
38187GT	71, 73, 75	45385GT	119	55019GT	53		81, 95-96, 99-
38234GT	77	45425GT	63, 65, 67	55021GT	53		100, 111, 113-
38314GT	79	45437GT	95-96, 99-100,	55190GT	33, 35, 91, 93		114, 131
38315GT	79		103-104, 107-	55620GT	51	6095GT	71, 73
38316GT	65, 67		108	55753GT	129, 131	6097GT	29, 59, 63, 65,
38338GT	111	45478GT	123	55953GT	27		67, 69, 75, 103-
38447GT	63, 65, 67	45546GT	37	56912GT	29		104, 107-108,
38586GT	95-96, 99-100,	45911GT	85, 87, 89	57072GT	37		123, 125, 129
	104, 108, 113-	45912GT	85, 87, 89	57075GT	43, 113-114	61264GT	91, 93
	114, 125, 129	46017GT	65	57116GT	111	61295GT	27
38600GT	37, 95-96, 99-	46227GT	121	57138GT	111	6147GT	123
	100, 103-104,	46262GT	11, 13, 15, 17,	57147GT	77	6175GT	27, 39, 61, 113-
	107-108, 114,		19, 21	57195GT	69		114, 123
	117, 119, 127	46271GT	121	57264GT	79	6178GT	37, 127
38601GT	59	46335GT	49	57801GT	39	6179GT	59, 103-104,
38709GT	63, 65, 67	46337GT	49	57806-SGT	33		107-108
38730GT	79	46441GT	53	57808-SGT	59	61974GT	123
38979GT	33, 47, 59, 77	47218GT	95-96, 99-100,	57809GT	63, 65, 67	61975GT	123
38980GT	75		103-104, 107-	57810-SGT	95-96, 99-100,	6198GT	27, 29, 31
38986GT	75		108, 114, 117,		108	6271GT	81, 95-96, 99-
39533GT	57		119				100, 103-104,
39540GT	117, 119	47230GT	39, 61	57812-SGT	37		107-108
39581GT	123	47479GT	117, 119	57813-SGT	39	6272GT	33, 35
39888GT	93	48282GT	53	57815-SGT	95-96, 99-100,	62819GT	95-96, 99-100,
40004GT	79, 81	4828GT	27, 29, 31, 37,		103-104, 107-		103-104, 107-
40110GT	83		39, 61, 69, 71,		108		108, 114, 117,
40265GT	111		73, 75, 81, 95-	57818GT	41		119
40267GT	95-96, 99-100,		96, 99-100, 103-	57831GT	111	62857GT	83
	103-104, 107-		104, 107-108,	57855GT	41	62858-SGT	49
	108, 113-114		111, 113-114,	57856-SGT	41	6356GT	29, 33, 35, 37,
40434GT	11, 13, 15, 17,		123, 125, 129	57863-SGT	33		39, 47, 63, 67
	19, 21, 23, 25	48880GT	85, 87, 89	57864GT	33, 35	6357GT	27, 37, 39, 49, 51
40536GT	49	48904GT	91, 93	57881GT	37	64154GT	129
40537GT	49	48905GT	83, 91, 93	57883GT	85	6435GT	111
40549GT	77	48906GT	91, 93	57884GT	91	65178GT	121
40550GT	71, 73, 75	48912GT	91	57886GT	27	65335-SGT	83
40571GT	83	48916GT	91, 93	57890GT	121	6534GT	71, 73, 75
40735GT	45, 47	48929GT	91, 93	57893GT	41	65432-SGT	49
40833GT	33, 35	48943GT	91, 93	57901-SGT	31	6550GT	69, 129
40836GT	33, 35	48944GT	91, 93	57903-SGT	31	65543GT	121
40945GT	71, 73, 75	48946GT	91, 93	57915GT	95-96, 99-100	65544GT	121
40946GT	59, 65, 67	48997GT	85, 87, 89, 93	57921-SGT	31	65545GT	121
41055GT	79	49612GT	85, 87, 89	57927-SGT	37	65546GT	121
41077GT	77, 104, 108	49613GT	85, 87, 89	57929-SGT	37	65547GT	121
41224GT	75	49798GT	33, 35	57951GT	27	65548GT	121
41246GT	73, 75	49816GT	127	57952GT	27	65616GT	27
41247GT	71, 73, 75	49819GT	37, 41, 43, 117,	57954GT	41, 43	6564GT	27
41248GT	73, 75		119	57956-SGT	27	65874GT	111
41249GT	75	50160GT	131	57957-SGT	27	6595GT	51, 55
41250GT	75	52042GT	121	57967GT	27	65990-SGT	113-114
41292GT	95-96, 99-100	52043GT	121	57988GT	27	6605GT	69, 95-96, 99-
41559GT	63	52050GT	121	57990GT	39		100, 103-104,
42191GT	27	52169GT	49, 51	57996GT	27		107-108, 113-
42360GT	29	52170GT	49, 51	57998GT	27, 29		114, 125, 129
4266GT	95-96, 99-100,	52171GT	51	57999GT	27	6607GT	59, 103-104,
	103-104, 108,	52172GT	49	58182GT	127		107-108, 113-
	114	52173GT	49, 51	58293GT	121		114, 123
43658GT	11, 13, 15, 17,	52174GT	51	58934GT	83	6638GT	27, 29, 33, 35,
	19, 21, 23, 25	52175GT	51	58973GT	127		39, 61, 111, 113-
43685GT	83	52176GT	51	58984GT	49		114
43961GT	117, 119	5224GT	31, 39, 61, 114	6002GT	33, 35, 39, 111	66406GT	51
44263-SGT	81	52313GT	33, 35	6019GT	39, 61, 69, 95-	66411GT	51
44264-SGT	81	52339GT	85, 87, 89		96, 99-100, 103-	66544GT	114
44266GT	81	52415GT	85, 87, 89		104, 107-108,	66717GT	33, 35
44372GT	81	52475GT	15, 17, 19, 21,		113-114, 123,	66811GT	43
44736GT	11, 13, 15, 17,		23, 25		125, 129	66812GT	41, 43, 117, 119
	19, 21	52524GT	121	6021GT	35, 83, 104, 108	66814GT	43
44750GT	83	52529GT	121	6022GT	59, 67	66815GT	117, 119
44751GT	83	52913GT	83	6037GT	33, 35	66816GT	41, 43
44752GT	83	52914GT	83	6052GT	59, 63, 65, 67, 69	66817GT	43
44777GT	83	52915GT	83	60746GT	45, 47	66818GT	41, 43
44778GT	83	52943GT	83, 85, 87, 89	6086GT	59, 71, 73, 75	66821GT	41
44895GT	77	5361GT	27, 29	6090GT	27, 29, 37, 39,	66829GT	27
44980GT	11, 13, 15, 17,	5397GT	71, 73, 75, 114		61, 77, 81	66909GT	127
	19, 21, 23, 25	55010GT	53	6091GT	27, 29, 33, 35,	6700GT	33, 35
45383GT	41, 43	55018GT	53		37, 39, 61, 77,	67505GT	41, 43

Part Number Index (continued)

Part Number	Page	Part Number	Page	Part Number	Page	Part Number	Page
6833GT	47, 127	69479GT	95-96	69627GT	104, 108	7266GT	69
6884GT	111	69480GT	95-96	69838GT	81	72832GT	11, 13, 15, 17, 19, 21
6888GT	27, 33, 35, 39, 61, 95-96, 99- 100	69481GT	95-96, 117, 119	69839-SGT	45, 47	72849GT	11, 13, 15, 17, 19, 21
6889GT	104, 108, 111, 117, 119	69482GT	47	69841GT	27	72850GT	11, 13, 15, 17
69089GT	95-96	69483GT	95-96	69850GT	67	72873GT	11, 13
69137GT	39	69487GT	95-96	69852GT	69	72892GT	11, 13, 15, 17, 19, 21
69238GT	77	69488GT	95-96	69855GT	69	72970GT	15, 17, 19, 21
69285GT	29	69489GT	95-96	69861GT	55	7339GT	31, 35, 39, 117, 119
69288GT	11, 13	69491GT	111	69862GT	55	75144GT	81, 95-96, 99- 100, 103-104, 107-108, 113- 114
69289GT	11, 13, 15, 17	69493GT	111	69865GT	85, 87, 89	76502GT	39
69292GT	85, 87, 89	69496GT	117	69866GT	85, 87, 89	7713GT	59, 63, 65, 67, 69, 81, 104, 108
69294GT	85	69497GT	27	69867GT	87	78098GT	43
69295GT	57	69506-SGT	37	69868GT	111	78674GT	35
69296GT	57	69510GT	33, 35	69872GT	37	79355GT	114
69297GT	57	69511GT	45	69873GT	89	80012GT	93
69298GT	57	69512GT	45	69875GT	104	80013GT	93
69299GT	57	69517GT	41	69876GT	125	80014GT	93
69301-SGT	99-100, 103- 104, 107-108	69518GT	55	69877GT	125	80016GT	93
69301_SGT	95-96	69519GT	103-104	69878GT	117	80017GT	93
69302-SGT	95-96, 99-100, 103-104, 107- 108	69520GT	103-104	69901GT	41	80018GT	93
69303GT	95-96, 99-100, 103-104, 107- 108, 113-114, 123	69521GT	103-104	69903GT	41	80019GT	93
69316GT	91	69522GT	103-104	69904GT	41	80020GT	93
69320GT	39	69529GT	45, 47	69905GT	117, 119	80021GT	93
69326-SGT	35	69530GT	55	69909GT	103-104, 107- 108	80022GT	93
69327-SGT	33	69531GT	55	69925GT	35	80023GT	93
69332GT	27	69532GT	55	7056GT	59	80027GT	89
69337GT	91	69534GT	55	7057GT	95-96, 99-100, 103-104, 107- 108, 113-114	80029GT	35
69338GT	91	69535GT	55	71706GT	53	80031GT	117, 119
69346GT	91	69536GT	55	72086GT	11, 13, 15, 17, 19, 21, 23, 25	80041GT	31
69347GT	91	69537GT	121	72134GT	11, 13	80042GT	31
69348GT	91	69538GT	104	72135GT	11, 13, 15, 17, 19, 21, 23, 25	80043GT	31
69349GT	91	69539GT	104	72139GT	11, 13, 15, 17, 19, 21	80044GT	93
69350GT	91	69540GT	104	72140GT	11, 13, 15, 17, 19, 21	80046GT	49
69351GT	91	69541GT	104	72141GT	11, 13, 15, 17, 19, 21	80048GT	49
69352GT	91	69542-SGT	33, 35	72142GT	11, 13, 15, 17, 19, 21	80057GT	125, 129
69355GT	33, 35	69543-SGT	37	72143GT	11, 13, 15, 17, 19, 21, 23, 25	80059GT	31
69369GT	39, 61	69545GT	37	72153GT	11, 13, 15, 17	80060GT	125
69370GT	39, 61	69546GT	37	72155GT	11, 13, 15, 17	80061GT	125
69376GT	37, 39	69547GT	27, 29	72156GT	11, 13, 15, 17, 19, 21	80068GT	103-104, 108
69381-SGT	39	69548GT	27, 29	72158GT	11, 13, 15, 17, 19, 21	80076GT	117, 119
69382GT	33, 35	69549GT	111	72159GT	11, 13, 15, 17, 19, 21	80079GT	43
69384-SGT	81	69550GT	91	72158GT	11, 13	80082GT	43
69385-SGT	69	69552GT	39	72159GT	11, 13, 15, 17, 19, 21	80085-SGT	127
69389GT	91, 93	69553GT	61	72171GT	11, 13, 15, 17, 19, 21	80165GT	117
69397GT	111	69554GT	111	72171GT	11, 13, 15, 17, 19, 21	80215GT	45
69408-SGT	104, 108	69556GT	104, 108	72182GT	11, 13, 15, 17, 19, 21	80216GT	47
69424GT	91	69557GT	55	72184GT	11, 13, 15, 17, 19, 21, 23, 25	80217GT	45
69425GT	91	69558GT	55	72188GT	11, 13, 15, 17, 19, 21, 23, 25	80225GT	43
69426GT	91, 93	69560GT	55	72184GT	11, 13, 15, 17, 19, 21, 23, 25	80306GT	111
69436GT	33, 35	69561GT	55	72194GT	13, 15, 17, 21, 23, 25	80307GT	111
69445GT	113-114	69563GT	55	72195GT	11, 15, 19, 23, 25	80308GT	111
69447GT	111	69566GT	55	72196GT	11, 15, 19, 23, 25	80364GT	43
69456GT	55	69567GT	121	72198GT	13, 17, 21, 23, 25	80374GT	43
69459GT	33, 35	69568GT	35	72199GT	11, 15, 19, 23, 25	80375GT	43
69460GT	111	69569GT	33	72285GT	49	80376GT	43
69466GT	104, 108	69572GT	61	72326GT	41, 43, 117, 119	80377GT	43
69467GT	57	69575GT	59, 103-104, 107-108	72440GT	11, 15, 19, 23, 25	80467GT	37
69468GT	61	69576GT	55	72445GT	11, 13	80474GT	31
69469GT	57	69577GT	69	72446GT	11, 13	80720GT	51
69470GT	57	69578GT	69	72447GT	11, 13	80815GT	31
69471GT	27	69579GT	69	72448GT	11, 13	80898GT	127
69473-SGT	37	69580GT	49	72466GT	11, 13, 15, 17, 19, 21, 23, 25	80940GT	11, 13, 17, 21
69474GT	41, 43	69581GT	51	7265GT	39, 113-114	80941GT	83
69475GT	51	69582GT	49, 51			80947GT	27
69476GT	37	69583GT	49, 51			80949GT	83
69477GT	95-96, 99-100	69584GT	49			80954GT	27
69478GT	95-96	69585GT	49, 51			8179GT	111, 113-114
		69586GT	49, 51			8220GT	31
		69597-SGT	31				
		69598GT	31				
		69603-SGT	117, 119				
		69619-SGT	37				
		69620-SGT	37				
		69621-SGT	39				

Part Number	Page	Part Number	Page
823408GT	33, 35	85400GT	103-104, 107-108
82366GT	11, 13, 15, 17, 19, 21	85401GT	103-104, 107-108
824465GT	111	85402GT	103-104, 107-108
824521GT	111	85403GT	104, 108
82472GT	23, 25	85404GT	104, 108
82481GT	23, 25	85405GT	104, 108
82487GT	23, 25	85406GT	104, 108
82495GT	23, 25	85407GT	111
8255GT	81	85409GT	111
82614GT	23, 25	85411GT	111
82666GT	23, 25	85412GT	111
82829GT	23, 25	85413GT	111
82830GT	23, 25	85414GT	111
82831GT	17, 21, 23, 25	85417GT	111
82832GT	15, 19, 23, 25	85418GT	111
82833GT	15, 19, 23, 25	85419GT	43, 117
82834GT	23	85420GT	117
82835GT	23	85421GT	125
82836GT	23, 25	85422GT	127
82837GT	23, 25	85425GT	45, 47
82838GT	15, 17, 19, 21, 23, 25	85463GT	95-96
82863GT	19, 21	85464GT	96, 99-100
82864GT	19, 21	85465GT	96
82904GT	19	85466GT	96, 100
82965GT	23	85467GT	96
82966GT	23, 25	85468GT	96, 100
82975GT	15, 17, 19, 21	85469GT	96
83034GT	49	85470GT	96, 100
83035GT	89	85471GT	39
83036GT	121	85472GT	104, 108
83037GT	49	87561GT	59, 103-104, 108
83093GT	43	8849GT	77
83133GT	121	8914GT	33, 35
85158GT	51	8915GT	29, 45, 47
85159GT	51	90337GT	59
85160GT	51	9145GT	27
8516GT	39, 61, 81	94643GT	123
85197GT	83	96008-SGT	43
8519GT	104, 108	96009GT	43
85228GT	51	96010GT	43
85229GT	51	96193GT	83
85230GT	51	96206GT	35
85232GT	49	96317GT	29
85234GT	49	96452GT	41, 43
85235GT	49	96948GT	59, 103-104, 107-108
85237GT	49	97059GT	53
85239GT	43	97128GT	59, 103-104, 108
85314GT	43	97619GT	19, 21
85325GT	41, 43	97620GT	19, 21
85353GT	43	97621GT	23, 25
85354GT	43	97622GT	25
85375GT	51	97623GT	25
85376GT	51	97624GT	25
85377GT	51	97625GT	25
85385GT	99-100	97626GT	25
85386GT	95-96, 99-100	97627GT	23
85387GT	95-96, 99-100	97628GT	25
85388GT	95-96, 99-100	97629GT	25
85389GT	95-96, 99-100	97751GT	23
85390GT	95-96, 99-100	99183GT	123
85391GT	95-96, 99-100	T112563GT	95-96, 99-100, 103-104, 107-108, 113-114
85392GT	95-96, 99-100	T114691GT	41, 43, 117, 119
85393GT	95-96, 99-100		
85394GT	103-104, 107-108		
85395GT	103-104, 107-108		
85396GT	103-104, 107-108		
85397GT	103-104, 107-108		
85398GT	29		
85399GT	103-104, 107-108		

Part Description Index

The Part Description Index is an alphabetical index of all part descriptions included in this manual. The index shows what page(s) the part is used on.

- #**
- #6 SQ.DR.SELF DRILL/TAP SCREW...41, 43, 117, 119
- 1**
- 10 X .5 FLT TS SCREW.....27
- A**
- ALARM,STEADY TONE***.....117, 119
 ALARM,WARBLE TONE 5-30 VDC***.....41, 43
 AMMETER, 25A.....51
 AMMETER, 25A (80047).....51
 AMMETER, 39243/47906/66412.....49
 AMMETER-47671 CHARGER,25 AMP.....49
 ASM, LOWER GATE, GR GEN 1.....111
 ASM, TUBE GR GATED, GEN 1.....111
 ASM, TUBE GR GATED, GEN 1 LG.....111
 ASM, UPPER GATE,GR.....111
 ASSY, MAN LWR VALVE W/HNDL,12V.....83
 ASSY,LOWER LINK,GR.....123
 ASSY,PIVOT LINK,GR.....123
 ASSY,SER # LABEL,POWERED/GR **.....11, 13, 17, 21
 ASSY,SWITCH,TOGGLE,SPDT*****.....41, 43, 117, 119
 ASSY,WHEEL & TIRE,GR.....27, 29
- B**
- BALL STUD,GAS STRUT (38593)***.....111
 BASE WITH 1 NC CONTACT, E-STOP.....43
 BASE, W/1 N.O. CONTACTS***.....117, 119
 BASE,WITH 2 N.O. CONTACTS***.....43
 BASE,WITHOUT CONTACTS.....41
 BATT BOX BRACE ASSY,GR8/12,WRD.....39
 BATT CHARGER,DUAL V,H/L,GR***.....51
 BATT CVR ASSY,SYM,MANFLD SIDE.....37
 BATT CVR ASSY,WRD,GRND CNTR SD.....37
 BATT CVR ASSY,WRD,MANFLD SIDE.....37
 BATT CVR,ASSY,SYM,GRND CNTR SD.....37
 BATTERY BOX BRACE ASSY,GR8/12.....39
 BATTERY BOX WELDMENT, RH GR.....37
 BATTERY WATERING HAND PUMP.....39
 BATTERY WATERING KIT, 24V UNIV.....39
 BATTERY,T105 W/LPT,3 CAP,DRY**.....39
 BEARING THRUST .50X1.625X.25.....27
 BEARING,.625X.875X.375.....27
 BEARING,.625X.875X.50.....27
 BEARING,0.75IDX1.00ODX0.50L.....123
 BEARING,0.75IDX1.00ODX0.75L.....27
 BEARING,1.5 ID X 1.75 OD X 1.3.....27
 BEARING,FLANGE,3/8 (AWP & ST).....104, 108
 BEARING,JOYSTICK (57890).....121
 BEARING,MOTOR.....83
 BEARING,MOTOR,36843,BRUSH END*.....83
 BELLOW, CE.....81
 BICYCLE RACK ASSY, GR.....131
 BICYCLE SUPPORT ASSEMBLY.....131
 BLOCK,SLIDE,LOWER.....63, 65, 67
 BLOCK,SLIDE,UPPER.....59, 65, 67
 BOARD, CONTROL RELAY.....41, 43
 BOE LUBE.....59
 BOLT,CARRIAGE,3/8-16 X1.00,G5.....129
 BOLT,ROLLER,.470"(SHORT).....59, 63, 65, 67, 69
 BOLT,SHIM.....59, 65, 67
 BOLT-ROCKER, S-SERIES.....71, 73, 75
 BOLT-ROLLER,3/8-24 X 1.69-ZINC.....104, 108
 BOOT - THUMB ROCKER (57890).....121
 BOOT,CONTROLLER**.....121
 BOOT,TOGGLE SWITCH,SHORT*.....117, 119
 BOTTOM, CHASSIS CNTL BOX, GR.....43
 BOX,INSTRUCT. STORAGE,S SERIES.....95-96, 99-100, 103-104, 107-108, 113-114
 BRACKET ASSEMBLY,GR.....45, 47
 BRACKET, BELLOWS MOUNT, CE.....81
 BRACKET, BUMPER MOUNT.....39
 BRACKET, CONTROL CABLE,GR BLUE...45, 47
 BRACKET, LIMIT SWITCH.....67
 B R A C K E T , B E A C O N MOUNT,GR,PTD,BL.....127
 BRACKET,CONTROL CABLE TENSION...45, 47
 BRACKET,CONTROL CABLE W/BUSHIN.....45, 47
 BRACKET,GATE STOP,GR,NRW.....111
 BRACKET,SEQUENCING,UPPER,ZI***.....77
 BRACKET,SEQUENCING,ZINC *.....77
 BRACKET-MTING,TERM. BRD/57890.....121
 BRAKE,1.5IN/FT SHAFT,W/ORIFICE.....29
 BREATHER, 3/4 NPT HYD TNK FLR.....33, 35
 BRUSH BOX ASSEMBLY.....83
 BRUSH LEAD ASSEMBLY KIT(48504).....83
 BRUSH,PWR UNIT (40844)**.....83
 BUMPER, MACHINED SCREW.....37, 39
 BUMPER, PLASTIC, 1.25 O.D.....129, 131
 BUMPER,PLASTIC, .625 OD.....117, 119
 BUMPER,RUBBER.....39, 61, 111
 BUSHING, STRAIN RELIEF (85231).....49
 BUSHING, STRAIN RELIEF (85233).....49
 BUSHING, STRAIN RELIEF, 1".....45, 47
 BUSHING,1.5 X 3/8 OD X 1/4 ID.....111
 BUSHING,FLANGE,3/8 OD X 1/4 ID.....77
 BUSHING,STRAIN RELIEF, 53/64".....45, 47
 BUSHING-6671 CHARG.,MOD# 6685.....49
 BUTTON, .800 O.D. X .281.....104, 108, 111
 BUTTON,PUSH,BLACK W/SEAL.....117, 119
 BUTTON,PUSH,RED MUSHROOM HEAD.....41, 43, 117, 119
- C**
- CABLE ASSY, CARRIAGE, CWP/GR.....77
 CABLE ASSY, PLAT CNTRL,STCPKR.....119
 CABLE ASSY,10G,BLK,CNTRLR/CHAR.....57
 CABLE ASSY,ANDERSON TO CNTRLR.....57
 CABLE ASSY,BATTERY JMPR,BLACK.....57
 CABLE ASSY,BATTERY TO ANDERSON.....57
 CABLE ASSY,CNTRLR/MOTOR,RED.....57
 CABLE ASSY,CONT TO PWR UNIT.....57
 CABLE ASSY,FUSE TO MOTOR,RED.....57
 CABLE ASSY,GROUND,INVERTER.....55
 CABLE ASSY,PLAT CNTRL/TBOX**.....95-96, 117, 119
 CABLE ASSY,POWER PLAT,INVERTER.....55
 CABLE ASSY,SEQ 54", GR/CWP/SP.....77
 CABLE ASSY,T BOX TO BASE,GR8.....45
 CABLE ASSY,TBOX TO BASE,GR12.....47
 CABLE ASSY,TBOX TO BASE,GR15.....45
 CABLE SQUEEZE CONN 2 WIRE.....59, 103-104, 108
 CAM ASSY (57890).....121
 CAP,DIAGNOSTIC NIPPLE.....85, 87, 89
 CAPACITOR, 4 MFD,660VAC,39243.....49
 CAPACITOR,1.0 MFD.....57
 CARRIAGE ASSY W/DEC,GR-12.....69
 CARRIAGE ASSY W/DEC,GR-15.....69
 CARRIAGE ASSY W/DEC,GR-8.....69
 CASE ASSEMBLY-LESTER (80047).....51
 CASE ASSY,BATT CHARGER (66478).....49
 CASE ASSY-BATTERY CHRGR**.....49
 CASE ASSY-LESTER CHARGER WW.....51
 CASTING, SIDE COUNTERWEIGHT.....31
 CASTING,45049, 40612.....121
 CHAIN ASSY#1,57"COL. S-SERIES.....71, 73, 75
 CHAIN ASSY.#2 COL.CWP/SP.....73, 75
 CHAIN ASSY.#2 COL. (CYLINDER).....73, 75
 CHAIN ASSY.SMALL CHAIN CWP/SP.....75
 CHAIN TENSION ROCKER CAST.ZINC.....71, 73, 75
 CHAIN TERM,CLEVIS CYL.,ZINC.....71, 73, 75
 CHAIN TERM,PULLEY SUPORT-ZINC.....73, 75
 CHAIN TERM,PULLEY SUPPORT-ZNC.....75
 CHAIN TERM.LWR.SS(1 SLOT).....75
 CHAIN TERM.LWR.SS(2 SLOT)*.....71, 73, 75
 CHAIN TERMINAL CASTING,#1.....71, 73, 75
 CHAIN,SMALL,53.5".....75
 CHAIN,STD.LEAF(LG)53.5"S-SERIE.....71, 73, 75
 CHARGER,120VAC/60HZ,25AMP 24V.....49
 CHARGER,230VAC/50HZ,CONT EU.....49
 CHARGER,BAT,24VDC,H/O GEN2.....53
 CHARGER-BATT, DUAL VOLT**.....51
 CHARGER/INVERTER, 230/50.....55
 CHASSIS COVER ASSY W/DECALS.....37
 CHASSIS CVR ASSY,STD,W/SYMBLS.....37
 CHASSIS CVR ASSY,STD,W/WORDS.....37
 CHASSIS CVR ASSY,STD,W/WRDS.....37
 CIRCUIT BOARD,12A (69365).....55
 CIRCUIT BREAKER (69456).....55
 CIRCUIT BREAKER,15A(69456).....55
 CIRCUIT BREAKER,30A (69365).....55
 CIRCUIT BREAKER,50A,50VAC.....49, 51
 CIRCUIT BREAKER,7.0 AMP***.....41, 43
 CIRCUIT BREAKER-CHARGER, 8 AMP.....49, 51
 CIRCUIT BREAKER-CHARGER,45 AMP.....51
 CLAMP,0.50,#8 X 1/4,RUB CUSH.....47, 127
 CLAMP,PLATFORM MOUNT.....95-96, 99-100, 104, 108, 113-114, 125, 129
 CNTR WT, BACK, CAST, GR.....31
 CNTR WT, CENTER BELLY, CAST,GR.....31
 CNTR WT, FRONT, CAST, GR.....31
 CNTR WT, SIDE BELLY, CAST, GR.....31
 COIL,20VDC.....85, 87, 89
 COIL,SOLND,W/D,20V DUAL SPADE.....85, 87, 89
 COLUMN #1, 57" SUPER SERIES.....59
 COLUMN #2, 57" CWP-12/15' SS.....65, 67
 COLUMN #2,CWP/GR-8.....63
 COLUMN #3, 57" SUPER SERIES.....67
 COLUMN #5, 57" SUPER SERIES.....65
 COLUMN #6, 57" SUPER SERIES**.....67, 75
 CONN ASSY, 7 PIN, CHASSIS.....41

CONN ASSY, 7 PIN, PLATFORM.....117, 119	DECAL PLATE ASSY GR8 & 12,ANSI.....95-96	DECAL,DIRECTIONAL ARROWS,GR.....11, 13, 15, 17, 19, 21, 23, 25
CONN ASSY, 9 PIN RVRS, CHASSIS.....41	DECAL PLATE ASSY GR8 & 12,CE.....96	DECAL,EMERGENCY STOP,GR.....11, 13, 15, 17, 19, 21, 23, 25
CONN ASSY, 9 PIN, CHASSIS.....41	DECAL PLATE ASSY GR8/12,CE,SYM.....100	DECAL,FORK LIFT POCKET.....11, 13, 15, 17, 19, 21
CONN, 520120-6.....91, 93	DECAL PLATE ASSY GR8/12,CE-AUS.....96, 100	DECAL,GENERAL SAFETY,RUNABOUT...11, 13, 15, 17, 19, 21
CONN, 520120-8.....91, 93	DECAL PLT ASSY,GR-15,ANSI,SYM.....100	DECAL,INSTRUCTIONS-CHARGER OP...15, 17, 19, 21
CONN,520102-8.....91	DECAL PLT ASSY,GR8/12 ANSI-CSA.....96, 99-100	DECAL,LABEL, OM STORAGE.....11, 13, 15, 17, 19, 21
CONN,520102-8-8.....91, 93	DECAL PLT ASSY,GR8/12,ANSI,SYM.....100	DECAL,LABEL,BRAKE RELEASE SWIT...11, 13, 15, 17, 19, 21
CONN,520120-4***.....83, 91, 93	DECAL, MANUAL LOWERING VALVE.....11, 13, 15, 17, 19, 21	DECAL,LABEL,BRAKE RELSE SYMB.....23, 25
CONN,520120-4-6***.....91	DECAL, POWER TO PLATFORM 230V**...11, 13, 15, 17, 19, 21, 23, 25	DECAL,LABEL,CIRCUIT BREAKER.....11, 13
CONN,520120-8-10.....91, 93	DECAL, SYMBOL - READ THE MANUAL...23, 25	DECAL,LABEL,FLOOR LOAD GR12.....15, 19, 23, 25
CONN,SQUEEZE,1/2NPT .38-.50,SM.....59	DECAL,BATTERY CONN DIAG,GR.....11, 13, 15, 17, 19, 21	DECAL,LABEL,FLOOR LOAD GR15.....15, 19, 23, 25
CONN. SQZ,1/2NPT .39-.56 MED.....95-96, 99-100, 103-104, 107-108, 113-114	DECAL,CAUTION,COLLISION HAZARD....11, 13	DECAL,LABEL,FLOOR LOAD GR8***.....17, 21, 23, 25
CONNECTOR, IEC CHARGER CORD.....53	DECAL,CHEVRON RANDO HD.....11, 13, 15, 17, 19, 21	DECAL,LABEL,FORKLIFT POCKET.....23, 25
CONNECTOR, NYLON END (35893)**.....111	DECAL,CONTROL PANEL,HORN,GR.....11, 13, 15, 17, 19, 21, 23, 25	DECAL,LABEL,LIFTING EYE.....11, 13, 15, 17, 19, 21, 23, 25
CONNECTOR, SB 50 AMP HOUSING.....51	DECAL,CONTROL PANEL,RUNABOUT.....11, 13, 15, 17, 19, 21, 23, 25	DECAL,LABEL,PATENTS.....11, 13
CONNECTOR, SQZ, .39/.75 PT.....113-114	DECAL,COSMETIC,GENIE GR-12.....11, 15, 19, 23, 25	DECAL,LABEL,PWR TO CHARGR 115V....11, 13, 15, 17, 19, 21, 23, 25
CONNECTOR,FEMALE,PANEL MOUNT*..41, 117, 119	DECAL,COSMETIC,GENIE GR-15***.....11, 15, 19, 23, 25	DECAL,LABEL,PWR TO CHARGR 230V....11, 13, 15, 17, 19, 21, 23, 25
CONTACT, N.C.....41, 43	DECAL,COSMETIC,GENIE GR-8***.....13, 15, 17, 21, 23, 25	DECAL,LABEL,TRANSPORT TIEDOWN*..15, 17, 19, 21, 23, 25
CONTACT,N.O.***.....41, 43	DECAL,COSMETIC,GENIE RUNABOUT....11, 13, 15, 17, 19, 21, 23, 25	DECAL,LANYARD ANCHORAGE POINT...11, 13, 15, 17, 19, 21, 23, 25
CONTACTOR,LIMIT SWITCH.....59, 103-104, 107-108	DECAL,DANGER DO NOT ALTER SWTC.....11, 13, 15, 17	DECAL,MAX CAPACITY (350LB),GR...11, 13, 15, 17
CONTROL BOX ASSY,GR CHASSIS***.....41	DECAL,DANGER,BATTERY SAFETY.....11, 13, 15, 17, 19, 21	DECAL,MAX CAPACITY,450 LBS.....19
CONTROL BOX W/ DECAL.....43	DECAL,DANGER,BRAKE RELEASE.....11, 13, 15, 17, 19, 21	DECAL,MAX CAPACITY,500 LBS.....19, 21
CONTROL BOX,GR,BASE,W/DECALS**.....43	DECAL,DANGER,COLLISION HAZARD.....15, 17, 19, 21, 23, 25	DECAL,MAXIMUM CAPACITY,GR.....11, 13, 15, 17
CORD SET, AC (66412).....49	DECAL,DANGER,DO NOT ALTER SWTC.....11, 13, 15, 17, 19, 21	DECAL,NOTICE,HAZARDOUS MAT'LS*...11, 13, 15, 17, 19, 21
CORDSET,AC,CEE 7/7 PLUG(80048).....49	DECAL,DANGER,ELEC.HAZ SYMB.....23, 25	DECAL,NOTICE,TIRE SPECS,GR.....11, 13, 15, 17, 19, 21
CORDSET,DC (80048).....49	D E C A L , D A N G E R , E L E C T HAZARD,PLUG.....11, 13, 15, 17, 19, 21	DECAL,OPERATING INST,RUNABOUT.....11, 13, 15, 17, 19, 21
CORROSION INHIBITOR,FOAM.....41, 43	DECAL,DANGER,ELECTROCUTION,GR...11, 13, 15, 17, 19, 21	DECAL,POWER TO PLATFORM 115V.....11, 13, 15, 17, 19, 21, 23, 25
COUNTERWEIGHT.....35	DECAL,DANGER,MAX CAP ADJ TRAY.....19, 21, 25	DECAL,SIDE FORCE,100,GR,ANSI.....11, 13, 15, 17, 19, 21
COUNTERWEIGHT, MID-PLATE.....31	DECAL,DANGER,MAX CAP BIKE RACK...19, 21, 25	DECAL,SIDE FORCE,GR - ANSI,SYM.....23, 25
COUNTERWEIGHT, SIDE PLATE.....31	DECAL,DANGER,MAX CAP PARCEL WD.....19, 21	DECAL,SIDE FORCE,GR,CE&AUS,WRD..11, 13, 15, 17
COUNTERWEIGHT,REAR,W/SYM,GR15.....61	DECAL,DANGER,MAX CAP PLAT.....23	DECAL,SYMBOL-BATTERY SAFETY.....23, 25
COUNTERWEIGHT,REAR,W/WRDS,GR15..61	DECAL,DANGER,MAX CAP SP PLAT.....23, 25	DECAL,SYMBOL-BRAKE REL SAFETY...23, 25
COUNTERWEIGHT,RUNABOUT/BASE.....31	DECAL,DANGER,MAX CAP TRAY.....23, 25	DECAL,TIP-OVER,BATTERIES,GR.....11, 13, 15, 17, 19, 21
COVER, CHASSIS CNTL BOX, GR.....43	DECAL,DANGER,MAX CAP TRAY SYMB....23	DECAL,USE DEXRON***.....11, 13
COVER, CHASSIS CONTROL BOX GR.....41	DECAL,DANGER,MAX CAP TRAY,WRD.....11, 13, 15, 17	DECAL,WARN,CRUSH HAZARD HAND....11, 13, 15, 17
COVER, MAST GR 8, CE.....69	DECAL,DANGER,NO SMOKING ***.....11, 13, 15, 17, 19, 21, 23, 25	DECAL,WARN,IMPROPER OPERATION...13, 17, 21
COVER,BLANK.....95-96, 99-100, 103-104, 107-108	DECAL,DANGER,PARCEL CAP.....11, 13, 15, 17	DECAL,WARN,CRUSHING HAZARD...23, 25
COVER,CHRGR/INVTR(69365,69456).....55	DECAL,DANGER,SIDE FORCE CE GR.....23, 25	DECAL,WARN,FAILURE TO READ.....11, 15, 19
COVER,GFCI,WEATHERPROOF...95-96, 99-100, 103-104, 107-108	DECAL,DANGER,TIP-OVER,TILT.....11, 13, 15, 17, 19, 21	
COVER,LIMIT SWITCH W/DECAL GR.....59, 103-104, 107-108	DECAL,DANGR,159 KG CAP,STD PLT....23	
COVER-BRUSH INSPEC.40844,SCISS.....83	DECAL,DANGR,227 KG CAP,STD PLT....23	
CYLINDER, LIFT 41" STROKE, DY*.....83		
CYLINDER, STEER, DBL ACT, DY**.....27		
D		
DC POWER CORD/STRAIN RELIEF***.....49		
DECAL KIT,SAFETY,PLATFRM,GR,SO.....11, 13, 15, 17		
DECAL KIT,SAFETY/INST,GR,SO.....11, 13		
DECAL KIT,SAFETY/INST,SP,WRDSS.....19, 21		
DECAL KIT,SAFETY/INST,STD,WRDS.....15, 17		
DECAL KIT,SAFTY/PLTFRM,STD,SYM.....23, 25		
DECAL KIT,SFTY/PLTFRM,STD,SYM.....23, 25		
DECAL KIT,SFTY/PLTRM,SP,WRDS.....19, 21		
DECAL PLATE ASSY GR-15,CE,SYM.....100		
DECAL PLATE ASSY GR15,ANSI.....96		
DECAL PLATE ASSY GR15,ANSI-CSA.....96, 100		
DECAL PLATE ASSY GR15,CE.....96		
DECAL PLATE ASSY GR15,CE-AUS...96, 100		

Part Description Index (continued)

DECAL,WARNING-COMPART ACCESS....11,
13, 15, 17, 19, 21
DIAGNOSTIC FEMALE Q-DSCNT....85, 87, 89
DOOR,BATTERY CHARGER W/HING.....33
DOOR,BATTERY CHARGER W/HINGE.....35
DRAW LATCH,OVER-CENTER***.....95-96,
99-100, 103-104, 107-108, 114, 117, 119

E

ELBOW,90D,520220,6-10.....91, 93
ELBOW,90D,520220-4-4.....91, 93
ELBOW,90DEG,520202-8.....93
END RAILS ASSY,STOCKPICKER,GR.....113-
114

F

FAN,24VDC (69365,69456,69457).....55
FILTER ASSEMBLY W/FILTER.....33, 35
FILTER,10 MICRON.....33, 35
FITTING, 3/8 NPT TO NPT CONN.....91
FITTING,ELBOW,90D,520220-6-8.....91, 93
FLAP,CARRIAGE COVER***.....79
FLAP,MAST COVER #1,#3, & #5.....79
FLAP,MAST COVER #2 & #4.....79
FORMING, BELLOW BRKT,CE,LH.....81
FORMING, COVER SUPPORT.....39
FORMING, FRONT PLATE.....111
FORMING, LOWER BELLOW MNT,CE.....81
FORMING, MOTOR MOUNT.....33, 35
FORMING, SEQUENCING, CARR, ZN.....77
FORMING, SPRING CARRIER.....123
FORMING,BOTTOM,PLTFRM BOX,CE.....119
FORMING,BOTTOM,PLTFRM BOX,GR.....117,
119
FORMING,GR PLATFORM CONTROL.....117
FORMING,LT SIDE CONTROL BOX.....43
FORMING,PLTF CNTRL GUARD.....117, 119
FORMING,RT SIDE CONTROL BOX.....43
FRONT RAILS ASSY,WITH DECALS.....114
FUNCTION/DRIVE MANIFOLD,COMPLE.....87
FUSE ASSY-BOOM CHARGER.....49
FUSE BLOCK, ANN & ANL FUSE.....33, 35
FUSE,10 AMP,ATC.....41, 43
FUSE,13 AMP,220V PLUG.....51, 53
FUSE,275 AMP,VERY FAST ACTING.....33, 35
FUSE,BATTERY CHARGER***.....53

G

GAS STRUT,20LB,13"EXT-9"CLOSED.....111
GASKET-JOYSTICK.....121
GATE ASSY,LEFT,SYM(ASIA/S.AME).....113-
114
GATE ASSY,LEFT,SYM(EUROPE).....113-114
GATE ASSY,LEFT,WRD(AUSTRALIA).....113-
114
GATE ASSY,LEFT,WRD(USA/CAN).....113-114
GATE ASSY,RIGHT,ANSI/CSA/AUS.....114
GATE ASSY,RIGHT,NO DECAL.....114
GEAR, SLAVE, MS4,45048.....121
GLIDE BUTTON,SIDE,GLL,100 TK.....71, 73,
75
GR WORKSTATION KIT, ANSI.....125
GR WORKSTATION KIT, CE.....125
GRIP, RUBBER W/ TAPE, GLL.....131
GROUND CONTROL BOX, GR.....41
GROUND STRAP,12"LG***.....29
GROUND,CONTROL BOX ASSY,GR.....43
GUIDE, SLIDER CARRIAGE.....69

H

HANDLE KIT,GS JYSTK,BOTH HALVE.....121
HARNESS, BEACON ASSEMBLY,GR.....127
HARNESS,CTL BX TO PLAT,GR12.....47
HARNESS,CTL BX TO PLAT,GR15.....45
HARNESS,CTL BX TO PLAT,GR8.....45
HEATSINK ASSY W/DIODES (23442).....49
HINGE, BATTERY MOUNT.....33, 35
HINGE, QUICK RELEASE, 4.0X2.0.....37
HINGE, SPRING, LONG LEG.....113-114
HORN ASSEMBLY, GR.....117, 119
HOSE ASSEMBLY, GR STEER 1.....91
HOSE ASSEMBLY, GR STEER 2.....91
HOSE ASSY, BRAKE 1.....93
HOSE ASSY, BRAKE 2.....93
HOSE ASSY, GR CROSSOVER.....91, 93
HOSE ASSY, GR M1 TO MANFOLD.....91
HOSE ASSY, GR M2 TO MANFOLD.....91
HOSE ASSY, LEFT BRAKE.....91
HOSE ASSY, LIFT 1.....91
HOSE ASSY, LIFT 2.....91
HOSE ASSY, MANIFOLD TO FILTER.....91, 93
HOSE ASSY, MANIFOLD TO LIFT.....93
HOSE ASSY, MANIFOLD-DRIVE, RT.....93
HOSE ASSY, MANIFOLD-STEER, LFT.....93
HOSE ASSY, MANIFOLD-STEER, RT.....93
HOSE ASSY, PUMP TO MANIFOLD.....93
HOSE ASSY, PUMP TO MANIFOLD GR.....91
HOSE ASSY, RT BRAKE.....91
HOSE ASSY, SUCTION, TANK-PUMP.....93
HOSE ASSY, TANK TO PUMP GR.....91
HOSE,1/2,LOW PRESSURE,801-8***.....93
HOSE,1/4,HYDRAULIC,100R7***.....111
HOUR METER,10-80 VOLTS***.....41, 43
HOUSING, LATCH, AWP/IWP/CWP.....111

I

INN RLING ASSY,GR-15,CE-AUS.....104, 108
INN RLING ASSY,GR-8/12,CE-AUS.....104, 108
INN RLNG ASSY,GR-15,ANSI SYM.....108
INN RLNG ASSY,GR-15,CE-SYM.....108
INN RLNG ASSY,GR-8&12,ANSI SYM.....108
INN RLNG ASSY,GR-8&12,CE-SYM.....108
INNER RAIL ASSY,GR-8&12, WORD.....104,
108
INNER RAILING ASSY,GR-15,ANSI.....104, 108
INNER RAILING ASSY,GR-15,CE.....104
INNER RAILING ASSY,GR-8/12,CE.....104
INNER RAILING ASSY,GR-8&12,ANSI.....104
INSTALL INSTR.,PC BOARD(57954).....41, 43

J

JOYSTICK,20 OHM.....121
JUNCTION BOX, 4 OUTLET, DEEP.....103-
104, 107-108

K

KEEPER, OVER CENTER LATCH TMZ.....95-
96, 99-100, 103-104, 107-108, 114, 117, 119
KEY SINGLE***.....43
KEY,DRIVE MOTOR(57996).....27, 29
KEY,SINGLE***.....41, 43
KEYS,10 PACK***.....43
KEYSWITCH,3 POS. W/KEYS***.....43
KEYSWITCH,3 POS.W/KEYS & BASE.....41,
43
KEYSWITCH,3POS.MNTND.DRWKEY**.....43

KIT, GS MOTOR CONTROLLER REPL.....33,
35
KIT,BATTERY CHARGER,24V.....53
KIT,CONTACTOR,GR,ALT.....33, 35
KIT,ESTOP, A/IWP/DPL.....41
KIT,GATE LATCH.....113-114
KIT,GR KEYSWITCH ZA2 TO ZB5***.....41, 43
KIT,POWER CORD UPDATE***.....51
KNOB.....111
KNOB,PUSH/PULL,RED.....83

L

LABEL,AUXILIARY LOWERING.....23, 25
LANYARD ASSY HOIST/AWP-7***.....95-96,
99-100, 103-104, 107-108, 113-114
LANYARD ASSY,COVER.....37
LATCH HANDLE.....114
LATCH ROTATOR, GATED PLATFORM.....111
LATCH, RUBBER, 3-13/32 X 1-7/8.....37
LEVEL SENSOR,LS60,BLUE,2X3**.....35
LEVEL SENSOR,LS60,BLUE,2X4**.....33, 35
LEVER,EXT.LATCH,INNER BSKT GR.....104,
108
LEVER,FUNC ENABLE SWITCH,RGE**.....121
LIFTING EYE ASSEMBLY.....61
LIGHT,REPLACEMENT BULB (39676).....127
LOAD SENSE CARRIAGE.....123
LOAD SENSE CARRIAGE, SP.....123
LOAD SENSE COVER.....123
LOCK, CONNECTOR.....53
LUG, ROD END, BEARING EYE.....27

M

MANIFOLD MOUNT.....33
MANIFOLD, GR.....85
MANIFOLD, HYDRAULIC, GR.....89
MANUAL STORAGE BX,NO DECAL,GR....99-
100, 107-108
MANUAL,OWNERS,CHARGER,105739.....53
MICROSWITCH,V3L-139-D8.....121
MICROSWITCH-V319M***.....121
MID-RAIL GUIDE WITH LOOM.....95-96, 99-
100
MOTION ALARM ASSEMBLY, GR.....127
MOTOR CONTROLLER, DC,24V,300A.....33,
35
MOTOR, 10.0 CU IN/REV DRIVE.....27
MOTOR,24DC,ADV.....83
MOUNT, BUMPER.....39, 61
MOUNT, CHARGER , DOM.....35
MOUNT, CHARGER , WORLDWIDE.....33
MOUNT, CHARGER/INVERTER.....33, 35
MOUNT, HOSE CLAMP.....27
MOUNT, MANIFOLD GR.....35
MOUNT, MAST COVER, GR.....69
MOUNT, MAST LIMIT SWITCH, CE.....107-108
MOUNT, MOTOR CONTROL.....33, 35
MOUNT, RIGHT REAR BUMPER.....39, 61
MOUNT, T-JUNCTION BOX.....95-96, 99-100,
103-104, 107-108, 113-114, 123
M O U N T , L O W E R
BELLOW,CE,RUNABOUT.....81
MOUNT,MAST LIMIT SWITCH.....59

N

NIPPLE,DIAGNOSTIC,#4.....85, 87, 89, 93
NUT - PLASTIC,RING FOR ALARMS...41, 43,
117, 119

- NUT, 1/4-20 T.....79
 NUT, LP NYLOCK, 3/8-16...59, 63, 65, 67, 69, 81, 104, 108
 NUT, CASTLE(57996)GR.....27, 29
 NUT, COUPLER, 3/8-16 X 1.0 LG.....104, 108
 NUT, HEX, 5/8-18 YELLOW-ZINC.....27
 NUT, HEX, 1/4-20.....27, 37, 39, 49, 51
 NUT, HEX, 10-32.....59, 103-104, 107-108, 123
 NUT, HEX, 3/8-16.....59, 67
 NUT, HEX, 5/16-18, GR5.....33, 35
 NUT, HEX, 6-32.....41
 NUT, HEX, 8-32.....49, 51
 NUT, HEX, JAM, LP 3/8-16.....65
 NUT, JOYSTICK, 44988, RGE.....121
 NUT, LP NYLOCK, 1/2-13.....59, 71, 73, 75
 NUT, LP NYLOCK, 1/4-20...104, 108, 111, 117, 119
 NUT, LP NYLOCK, 5/16-18.....33, 35, 39, 111
 NUT, LP NYLOCK, 5/8-11.....59
 NUT, NYLOCK, 1/2-13.....27, 29, 31
 NUT, NYLOCK, 1/4-20.....27, 29, 33, 35, 37, 39, 61, 77, 81, 95-96, 99-100, 111, 113-114, 131
 NUT, NYLOCK, 10-32.....37, 127
 NUT, NYLOCK, 3/8-16.....27, 29, 31, 37, 39, 61, 69, 71, 73, 75, 81, 95-96, 99-100, 103-104, 107-108, 111, 113-114, 123, 125, 129
 NUT, NYLOCK, 3/8-24.....71, 73, 75, 104, 108
 NUT, NYLOCK, 6-32.....37, 103-104, 108, 117, 119
 NUT, NYLOCK, 8-32....43
 NUT, RETAINER (96008).....43
 NUT, SOLENOID VALVE 2P3W.....85, 87, 89
 NUT, SOLENOID VALVE COIL.....83, 85, 87, 89
 NUT, WELD 1/4-20, PLATED L.L.**.....45, 47, 59, 63, 67, 77, 81
 NUT, WELD, ANGLE, 1/4" T-SLOT.....79
 NUT-ENABLE SWITCH LEVER(57890).....121
 NUT-MOUNTING, PUSH BUTTON-44988...121
- O**
- O-RING KIT (ORFS FITTINGS).....85, 87, 89
 O-RING KIT, FIELD SVC, ALL PROD*.....85, 87, 89
 OUTLET, 110V.....95-96, 99-100, 103-104, 107-108, 113-114
- P**
- PAN, BATTERY.....39
 PARCEL TRAY ASSEMBLY, GR.....129
 PC BOARD, SPD CNTL, GR.....117, 119
 PCB (69456,69457).....55
 PCB ASSEMBLY (69365).....55
 PCB ASSEMBLY (69456).....55
 PCB, RELAY DRIVER, CHARGER 47671.....51
 PIN CONNECTOR, FEMALE ***.....117, 119
 PIN, 5/8 X 2.25 STEER CLEVIS.....27
 PIN, 0.75DIA X5.13LG, CHAMFER.....123
 PIN, CLEVIS, 625 X 2.00 LG.....27
 PIN, CONNECTOR, IEC320.....53
 PIN, COTTER, .125 X 1.5.....27, 29
 PIN, GROOVED, 200 X .50*.....75
 PIN, GROOVED- 200 X .75*.....71, 73, 75
 PIN, PULL.....111
 PIN, SPRING, .25X.75 ZINC PLATED.....111
 PLAT ASSY, EXT-GTD, ANSI-SYM.....107-108
 PLAT ASSY, EXT-GTD, CE-SYM.....107-108
 PLAT ASSY, EXT-GTD, GR-8/12, WORD.....103-104, 107-108
 PLAT ASSY, EXT-GTD, GR15, WORD.....103-104, 107-108
 PLAT ASSY, EXT-MID, ANSI-SYM.....107-108
 PLAT ASSY, EXT-MID, CE-SYM.....107-108
 PLAT ASSY, EXTND, MDRAIL, GR8/12.....103-104, 107-108
 PLAT ASSY, EXTND, MDRAIL, GR-15.....103-104, 107-108
 PLAT ASSY, EXTND, MDRAIL, GR-15**.....103-104, 107-108
 PLAT ASSY, STD, GR15, ANSI-CSA.....95-96, 99-100
 PLAT ASSY, STD, GR15, CE-AUS.....95-96, 99-100
 PLAT ASSY, STD, GR8/12, CE-AUS.....95-96, 99-100
 PLAT ASSY, STKPCR, SYM, ASIA/S.AM.....113-114
 PLAT ASSY, STKPCR, SYM, EUROPE.....113-114
 PLAT ASSY, STKPCR, WRD, AUS.....113-114
 PLAT ASSY, STKPCR, WRD, US/CAN.....113-114
 PLAT ASSY, STKPCR, WRD, USA/CAN.....113-114
 PLAT ASSY-STD, GR 8/12, CE, SYM.....99-100
 PLAT ASSY-STD, GR-15, ANSI, SYM.....99-100
 PLAT ASSY-STD, GR-15, CE, SYM.....99-100
 PLAT ASSY-STD, GR8/12, ANSI, SYM.....99-100
 PLAT ASSY-STD, GR8/12, ANSI-CSA.....99-100
 PLAT CNTRL BX, SP, ANSI/CSA/AUS.....119
 PLAT CNTRL BX, STCPKR, CE.....119
 PLAT CNTRL BX, STD, ANSI/CSA/AUS.....119
 PLAT CNTRL BX, STD, CE.....119
 PLAT CNTRLR, STD, CE (107248).....119
 PLAT EXT ASSEMBLY, GATED, ANSI.....111
 PLAT EXT ASSEMBLY, GATED, CE.....111
 PLAT EXT ASSY, SLDNG RAIL, ANSI.....111
 PLAT EXT ASSY, SLDNG RAIL, CE.....111
 PLATE, BOTTOM COUNTERWEIGHT.....31
 PLATE, COUNTERWT, WHEEL WELL.....31
 PLATE, LIMIT SWITCH ROLL GR.....63, 65, 67
 PLATE, MANUAL MOUNT.....113-114, 123
 PLATE, UPPER BELLOW MNT, CE.....81
 PLATE, BATTERY BOX BRACE W/DECS.....39
 PLATE, CYLINDER MOUNT, PAINTED.....59
 PLATE, HINGE.....111
 PLATE, LOWER CHASSIS CNTRWEIGHT....31
 PLATE, MAST STIFFENER W/DEC.....61
 PLATE, UK POWER TO PLATFORM.....95-96, 99-100, 103-104, 107-108
 PLATFORM ASSY, STD, GR15, ANSI.....95-96
 PLATFORM ASSY, STD, GR15, CE.....95-96
 PLATFORM ASSY, STD, GR8&12, ANSI.....95-96, 99-100
 PLATFORM ASSY, STD, GR8&12, CE.....95-96
 PLATFORM CONTROL BOX W/DECAL.....117
 PLTFRM CNTRL BOX ASSY, STD.....117
 PLTFRM CNTRL BOX ASSY, STD GR* (85352).....117
 PLUG AND CAP KIT-SERVICE, ORFS*.....85, 87, 89
 PLUG, TYPE F, 230A, 50HZ, 16A, IP44.....51, 55
 PLUG, CONNECTOR, MALE*.....117, 119
 PLUG, ELECTRICAL, DOMESTIC.....51, 55
 P L U G , F E M A L E , 6 CONDUCTOR, MOLEX.....117, 119
 PLUG, FUSED, 250V, 13AMP, U.K.***.....51
 PLUG, MALE, 6 CONDUCTOR, MOLEX.....117, 119
 PLUG, NYLON .875 BLACK DOMED.....117
 PLUG, NYLON 1.12 BLACK DOMED.....119
 PLUG, ORB #4.....91
 PLUG, PIPE HEXHEAD 130109E-3/8.....33, 35, 91, 93
 PLUG, PWR, UK, 16AMP, 3PIN, BLK.....51, 53
 PLUG, TUBE, SQ 1.50X.065.....114
 POTENTIOMETER 20K OHM(57890).....121
 POWER CORD, IEC 320 BLANK, 79".....53
 POWER CORD, UK 110, 115".....53
 POWER CORD, CHARGER, 110 US***.....51
 POWER CORD, CHARGER, 110VAC, UK.....51
 POWER CORD, CHARGER, 220 EU***.....51
 POWER CORD, CHARGER, 220, UK/AUS*.....51
 POWER CORD, NOVON, 8".....53
 POWER CORD, UK-HIGH VOLTAGE, 8".....53
 POWER CORD, US 110, 8".....53
 POWER UNIT ASSY-HYDR MOD.*****83
 PRINTED CIRCUIT BOARD (69365).....55
 PRINTED CIRCUIT BOARD 57890.....121
 PULLEY W/BEARINGS.....63, 65, 67
 PULLEY, ELEC. CNTRL. CABLE, AWP.....45, 47
 PULLEY, SEQUENCING, NYLATRON.....77
 PULLEY, SMALL CHAIN.....67
 PUMP, 4CC GEAR, CCM***.....83
 PUSH BUTTON ASSEMBLY.....117
 PUSHBUTTON-FUNC. ENABL. W/ORING...121
 PUSHLOK, 3/8NPTX#8 HOSE, BRASS.....93
 PUSHLOK, 3/8NPTX#8 HOSE, PLSTIC.....93
- R**
- RAILING ASSEMBLY, GATED GR.....111
 RAILING ASSEMBLY, GR-15, ANSI.....95-96
 RAILING ASSEMBLY, GR15 CE.....95-96
 RAILING ASSEMBLY, GR15(CE/AUS).....95-96, 99-100
 RAILING ASSEMBLY, GR15, ANSI, SYM.....99-100
 RAILING ASSEMBLY, GR15, CE, SYM.....99-100
 RAILING ASSEMBLY, GR8&12, ANSI.....95-96
 RAILING ASSEMBLY, GR8&12, CE.....95-96
 RAILING ASSEMBLY, SLDNG MIDRAIL.....111
 RAILING ASSY, GR15 (ANSI/CSA).....95-96, 99-100
 RAILING ASSY, GR8&12(ANSI/CSA).....95-96, 99-100
 RAILING ASSY, GR8&12, (CE/AUS).....95-96, 99-100
 RAILING ASSY, GR8&12, ANSI, SYM.....99-100
 RAILING ASSY, GR8&12, CE, SYM.....99-100
 REAR ACCESS COVER W/DECAL, GR.....29
 REAR ACCESS COVER, SYMB, GR.....29
 REAR ACCESS COVER, WRD, GR.....29
 RECEPTACLE, 1 7/9 SQ FLANGE.....41
 RECEPTACLE, 1-7/9 SQ. FLG RVRS.....41
 RECEPTACLE, 23/19 SQ FLG.....43
 RECEPTACLE, MALE 23/19 SQ FLG.....43
 RED EMERGENCY STOP ASSEMBLY.....43, 117
 RELAY, 24VDC, 40/30A, SLD W/BRKT*.....43
 RELAY, CHARGER 47906.....49
 RELAY, CHARGR, 47671, DPDT, 110VDC.....51
 RELAY, DPDT, 12VDC, 15A.....41, 43
 RELAY, SPDT, 24V.....41, 43

Part Description Index (continued)

REMOTE PANEL.....55
 RESISTOR, 200 OHM 10 WATT.....35
 RETAINER, ROD "BLUE".....39
 RETAINER,SPRING,1.21 X .375.....123
 RETAINING PIN ASSY, BIKE RACK.....131
 RIVET,ALUM,ALUM,.25 X 1.125 AL.....69
 RIVET,STEEL,P,.25 X .375.....39, 113-114
 RIVET,STL,STL,.156 X .50.....37, 95-96, 99-100, 103-104, 107-108, 114, 117, 119, 127
 RIVET,STL,STL,P,125 X .25.....33, 35
 RIVET,STL,STL,P,.25 X .75.....69
 RIVET,STL,STL,MAN,P,.25 X .25.....81, 95-96, 99-100, 103-104, 107-108
 ROCKER ASSY W/ROLLPIN***.....121
 Rod End, 1/4 x 2.75 inches.....123
 ROD, BATTERY LOCK.....39
 ROLLER ARM,LIMIT SWITCH***.....59, 103-104, 108
 ROLLER ARM-LIMIT SWITCH.....59, 103-104, 107-108
 ROLLER,PLASTIC,AWP96***.....59, 63, 65, 67, 69
 ROLLER-NYLATRON, 1.625" O.D.....104, 108

S

SCR ASSY,47671 LESTER CHARGER.....51
 SCREW, HCC, 3/8-16 X 1.50.....39, 61, 81
 SCREW,BHHS,1/4-20 X .75.....104, 108
 SCREW,BHHS,3/8-16 X 1.....29, 37, 104, 108
 SCREW,BHHS,3/8-16 X 1.25.....37
 SCREW,CHARGER COVER,#10 X .5.....49
 SCREW,FHM,10-32 X .75.....33, 35
 SCREW,FHM,3/8-16 X 1.25.....111
 SCREW,FHS,1/4-20 X 1.....111
 SCREW,FHS,1/4-20 X 2.00, ZN.....104, 108
 SCREW,FHS,1/4-20 X 2.25.....71, 73, 75
 SCREW,FHS,3/8-16 X .75.....63, 65, 67
 SCREW,FHS,3/8-16 X 2.25.....71, 73, 75
 SCREW,HEX INDENT,8-32 X 5/16.....49, 51
 SCREW,HH TAPETITE THRD8-32X.50.....83
 SCREW,HHC,1/2-13 X 2.5,GR5.....27
 SCREW,HHC,1/2-13 X 4.....31
 SCREW,HHC,1/2-13 X 7.5.....59
 SCREW,HHC,1/4-20 X .375.....63, 65, 67, 103-104, 107-108
 SCREW,HHC,1/4-20 X .5.....31, 35, 39, 117, 119
 SCREW,HHC,1/4-20 X .625.....33, 35
 SCREW,HHC,1/4-20 X .75.....27, 29, 37, 39, 61, 77, 81
 SCREW,HHC,1/4-20 X 1.....27, 33, 35, 39, 61, 95-96, 99-100
 SCREW,HHC,1/4-20 X 1.25.....29, 45, 47
 SCREW,HHC,1/4-20 X 2.....95-96, 99-100, 103-104, 108, 114
 SCREW,HHC,1/4-20 X 2.25.....111, 113-114
 SCREW,HHC,1/4-20 X 2.5.....111
 SCREW,HHC,1/4-20 X 3.75.....131
 SCREW,HHC,3/8-16 X .625.....35
 SCREW,HHC,3/8-16 X .75.....81
 SCREW,HHC,3/8-16 X 1.....27, 39, 61, 113-114, 123
 SCREW,HHC,3/8-16 X 1.25 GRD 5.....39, 61, 69, 95-96, 99-100, 103-104, 107-108, 113-114, 123, 125, 129
 SCREW,HHC,3/8-16 X 2.....31, 39, 61, 114
 SCREW,HHC,3/8-16 X 3.5,GR5.....69, 95-96, 99-100, 103-104, 107-108, 113-114, 125, 129

SCREW,HHC,3/8-16 X 4.5.....123
 SCREW,HHC,3/8-16 X 6...69, 95-96, 99-100, 103-104, 107-108, 125, 129
 SCREW,HHC,3/8-24 X 1 GR 8 YEL.....83
 SCREW,HHC,5/16-18 X .75.....33, 35, 39
 SCREW,HHC,5/8-11 X 8.00.....59
 SCREW,HHC,WASH HEAD,1/4-20X.63.....49, 51
 SCREW,HHTAPTITE THREAD8-32X.38.....83
 SCREW,PHIL,8-32X.50,SELF TAP.....43, 113-114
 SCREW,PHIL,PHM,10-24 X.38,SEMS.....95-96, 99-100, 103-104, 107-108, 113-114
 SCREW,PHILLIPS,PHM,10-32 X .5.....37, 41, 43, 117, 119
 SCREW,PHILLIPS,PHM,10-32 X .75.....127
 SCREW,PHILLIPS,PHM,8-32 X.25**.....43
 SCREW,PHM,1/4-20X.5 PHIL.....33, 47, 59, 77
 SCREW,PHM,M3.5 X 12MM (57890).....121
 SCREW,PHP,6-32Z1.25,GR-2.....103-104, 108
 SCREW,PHP,6-32 X 5/16.....55
 SCREW,PHS,.875 X 4.4 MM.....121
 SCREW,PHS,4.4 X 3.25 MM.....121
 SCREW,RHM,10-32 X 1.....123
 SCREW,RHM,10-32 X 1.25.....59, 103-104, 107-108
 SCREW,RHM,6-32 X .5.....37
 SCREW,RHM,6-32 X 1.....41, 43, 117, 119
 SCREW,SET,HS 10-32 X.25.....111
 SCREW,SHC,1/2-13 X 4 ZINC.....29
 SCREW,SHC,1/4-20 X .375 BLK.....79, 81
 SCREW,SHC,1/4-20 X .875.....77, 104, 108
 SCREW,TIMER,#8 PHMS X.375.....49
 SCREW-ENABLE SWITCH LEVER/57890..121
 SEAL KIT PWR WHL MOTOR.....27
 SEAL KIT, DONYANG CYL (57997).....27
 SEAL KIT,35736,37 SAME AS38168.....83
 SEAL KIT,BOSCH PUMP.....83
 SEAL KIT,BOSCH PUMP***.....83
 SEAL KIT,DONYANG CYL (35736)**.....83
 SEAL KIT,LIFT PUMP,BARNES**.....83
 SEAL KIT,REXROTH (67335,55920).....83
 SEAL KIT,STEER CYLINER (57997).....27
 SEAL,CABLE CONNECTOR,HT SHRINK.....117, 119
 SHAFT ASSY, JOYSTICK***.....121
 SHAFT,LIFTING CHAINS,20MM DIA.....63, 65, 67
 SHIM NUT,ADJUSTER.....59, 65, 67
 SHIM,.375 X .063.....111
 SHIM,.75 X.45 X.032.....111
 SHIM,SIDE PAD.....59, 65, 67
 SHUNT,ELECTRONIC,47671 CHARGER...49, 51
 SLIDE BLOCK, EXT. PLATFORM.....111
 SLIDE BLOCK,CARRIAGE%%.....69
 SOCKET,RELAY.....41, 43
 SPACER, 1/4ID3/8OD, .875LG.....45, 47
 SPACER, GR UPPER TRAY.....129
 SPACER, HINGE GR.....37
 SPACER, PLATFORM.....95-96, 99-100, 103-104, 107-108
 SPACER, TOOL TRAY/PLATFORM,GR.....125
 SPACER,.560 AWP MAST.....65, 67
 SPACER,PLATFORM,GR-12...95-96, 99-100, 103-104, 107-108
 SPACER,SHAFT,.310.....63, 65, 67
 SPACER,SHAFT,.840"LG.....63, 65, 67
 SPACER,SHAFT,1.400.....65, 67

SPACER,TUBE,1/4X3/8X.50"LONG.....77
 SPRING & BUSHING KIT,RETURN***.....121
 SPRING CLIP,1/4-20,.025-.15X.54,ZAG.....29
 SPRING, EXTENSION .375 X .20.....104, 108
 SPRING, TENSION CABLE.....77
 SPRING,COMP,1" OD,232 LB/IN.....123
 SPRING,COMPRESSION .835 X 2.....113-114
 SPRING,CONTROL CABLE, AWP.....45, 47
 SPRING-BRUSH,40844, SCISSORS.....83
 STEER LINK ASSEMBLY,GR.....27
 STIFFENER COVER GR RIGHT.....37
 STIFFENER, LEFT COVER GR.....37
 STOPPER, BATTERY PAN.....37
 STOPPER, CHARGER MOUNT DOOR.....33, 35
 STOPPER, COVER LATCH.....37
 STRAINER ASSY 1"NPT TANK MTD.....91, 93
 S T R O B E , B E A C O N , W / O U T HARDWARE**.....127
 SVC KIT,UK RECEPT.REPLACEMENT.....95-96, 99-100, 103-104, 107-108, 113-114
 SWITCH, ROLLER PLUNGER LIMIT.....123
 SWITCH,LIMIT,W/ROLLER ARM***.....59, 103-104, 107-108
 SWITCH,POWER,DPST (69365).....55
 S W I T C H , P U S H B U T T O N , B O R E MOUNT.....103-104, 108
 S W I T C H , T O G G L E , S P D T , 3 P O S MOMEN*.....117, 119

T

T-BOX,2.75 X 4.5 X 2.0.....95-96, 99-100, 103-104, 107-108, 113-114
 TANK,HYDRAULIC, POLYETHYLENE.....33, 35
 TAPE,NON-SKID,DIE CUT,6"X 2'.....95-96, 99-100, 114
 TEE,RUN,520428-4.....91, 93
 TERMINAL STRIP,10 POLE,JOYSTK.....121
 TERMINAL,10-12 GA. 50 AMP.....51
 TIMER ASSY,ELECTRONIC,47671.....49, 51
 TIMER ASSY-ELECTRONIC, DMSTC*.....49
 TOEBOARD ASSEMBLY,STCKPKR.....114
 TOEBOARD ASSEMBLY,STD PLAT,GR.....95-96, 99-100
 TOEBOARD ASSY, EXT DECK, ANSI.....111
 TOEBOARD ASSY, EXT DECK, CE.....111
 TOEBOARD ASSY,INNER PLAT,SYMB.....108
 TOEBOARD ASSY,INNER PLAT,WRDS...104, 108
 TOEBOARD ASSY,INNER PLATFORM.....104
 TRANSFORMER (LESTER 80720).....51
 TRANSFORMER ASSY.....51
 TRANSFORMER,CHARGER (66478).....49
 TRANSFORMER,INVERTER (69365).....55
 TRANSFORMER,INVERTER (69456).....55
 TRANSFORMER,47906,66412,39243.....49
 TRAY ASSEMBLY.....129
 TUBE, CLAMP, 3/8 (PAIR).....27
 TUBE, EXT PLAT, TOP SLIDER GR.....111
 TUBE, MIDRAIL GR.....95-96, 99-100
 TUBE, PLATFORM SPACER STD-12P.....51
 TUBE, PLATFORM SPACER, CE-8.....123
 TUBE, SPACER, STOCKPICKER-12P.....113-114

U

U-BOLT, 3/8-16 X 3 X 2.375.....111

U-BOLT,3/8 X 1 YZ.....69, 129
 U-BOLT,3/8-16X1.688X3.25,YL ZN.....125, 129
 UHMW, LATCH PAD.....114
 UPPER TRAY ASSY W/DECAL,EUR.....129

V

VALVE, CHECK.....89
 VALVE,FLOW CONTROL PREAS.COMP.....83
 VALVE,FLOW REGULATOR 1.0 GPM.....85, 87, 89
 VALVE,HYDRAULIC CHECK.....83
 VALVE,NC SOLENOID,MANUAL LWR.....83
 VALVE,NEEDLE (80027).....89
 VALVE,RELIEF.....87, 89
 VALVE,RELIEF,2200 PSI***.....85, 87, 89
 VALVE,RELIEF,2700 PSI (186 BAR.....85, 87, 89
 VALVE,RELIEF,800 PSI.....85
 VALVE,SOLENOID 2 POS. 3 WAY.....85, 87, 89
 VALVE,SOLENOID 3 POS/4 WAY.....85, 87, 89
 VALVE,SOLENOID,3 POS,3 WAY O.C.....85, 87, 89

W

WASHER, SHIM,.765 X 1.312 X .093.....27
 WASHER,FENDER,.25 X 1.25 X.062.....77
 WASHER,FLAT,.5 HARDENED.....31
 WASHER,FLAT,.640X1.160X.09.....27
 WASHER,FLAT,M10,ZINC PLTD.....45, 47
 WASHER,FLAT,M6 PLTD.....45, 47
 WASHER,FLAT,MS,#6,Y.....37, 41, 43, 95-96, 99-100, 103-104, 107-108, 114, 117, 119
 WASHER,FLAT,MS,#8,Y.....37, 127
 WASHER,FLAT,SAE 1/4,ZINC.....81, 95-96, 99-100, 103-104, 107-108, 113-114
 WASHER,FLAT,USS,1/2",Y.....71, 73
 WASHER,FLAT,USS,1/4"Y.....27, 29, 33, 35, 39, 61, 111, 113-114
 WASHER,FLAT,USS,3/8",Y.....29, 59, 63, 65, 67, 69, 75, 103-104, 107-108, 123, 125, 129
 WASHER,FLAT,USS,5/16",Y.....71, 73, 75, 114
 WASHER,LOCK,#10 PLTD.....59, 103-104, 107-108, 113-114, 123
 WASHER,LOCK,.25.....29, 33, 35, 37, 39, 47, 63, 67
 WASHER,LOCK,.375.....35, 83, 104, 108
 WASHER,NITRILE.....43
 WASHER,NYLON.....103-104, 108
 WASHER,NYLON,.434 X.263X.049.....41, 43, 117, 119
 WASHER,SHIM,.5 X .875 X .033.....104, 108
 WASHER,SHIM,.5 X .875 X .063.....59, 63, 65, 67, 69
 WASHER,SHIM,.938 X 1.37 X .048.....63, 65, 67
 WASHER,STAR,EXTERNAL,.25.....49, 51
 WASHER,STAR,EXTERNAL,.375.....33, 35
 WASHER,T-SLOT.....79
 WEAR PAD, BATTERY PAN.....39
 WEARPAD,EXT PLAT/LATCH PLASTIC...104, 108
 WEATHERSTRIP,3/8,SELF-STK.FOAM.....41, 43
 WELD, LOW SWING GATE, GEN 1 LG.....111
 WELDMENT, BATT BRACE.....39
 WELDMENT, BICYCLE SUPPORT.....131
 WELDMENT, CHASSIS TRAY.....33, 35

WELDMENT, END RAIL MOUNTING.....113-114
 WELDMENT, EXT PLAT MIDRAIL GR.....111
 WELDMENT, GP-8 SPACER.....95-96
 WELDMENT, GR-8 SPACER.....99-100, 103-104, 107-108
 WELDMENT, GR12 SPACER.....95-96, 99-100, 103-104, 107-108
 WELDMENT, LEFT BATTERY BOX GR.....37
 WELDMENT, LEFT YOKE.....27
 WELDMENT, OUTER RAILING GR.....111
 WELDMENT, PLATFORM PIVOT.....123
 WELDMENT, PLATFORM SUPPORT.....114
 WELDMENT, PLATFORM TRAY.....114
 WELDMENT, RIGHT YOKE.....27
 WELDMENT, SUPPORT PIVOT.....123
 WELDMENT, TRAY SUPPORT.....129
 WELDMENT,BAT BOX BRACE,GR.....39
 WELDMENT,SPACER,STOCKPICKER-12.113-114
 WIRE ASSY, STD/EXT PLAT. GR.....95-96, 99-100, 103-104, 107-108
 WIRE CABLE,16/2 SJO,BULK.....59
 WIRE CABLE,16/6 CON.TPE J.....117, 119
 WIRE LOOM,.413" NON-SLIT***.....95-96, 99-100, 111
 WIRE LOOM,BLK SPIRAL 1-3/8@14".....91, 93
 WIRING, CTL BX TO BASE.....43
 WIRING, CTL BX TO PLAT.....43
 WORK STATION TRAY W/DEC,CE GR.....125
 WORKSTATION TRAY,ANSI, GR.....125

Z

ZERK,GREASE,5/16-24,STRAIT.....123
 ZERK-GREASE,1/4-28, STRAIGHT.....27

Fitting Cross References

Genie PN	Parker PN	Description	Genie PN	Parker PN	Description
12342	6-4 F5OX-S	CONNECTOR,STRAIGHT THREAD TO FLARE TUBE	42794	1 CR-S	ELBOW,90°,MALE PIPE
13757	4 R6X-S	RUN TEE,SWIVEL NUT,ORFS	42795	BV-0839	BALL VALVE
19685	12-10 C5OX-S	ELBOW,90°,STRAIGHT THREAD TO FLARE TUBE	42796	BV-0838	BALL VALVE
22664	12-10 C5OX	ELBOW,90°,STRAIGHT THREAD TO FLARE TUBE	42874	6-8 CLO-S	ELBOW,90°,MALE PIPE TO ORFS
27431	8-12 F5OX-S	CONNECTOR,STRAIGHT THREAD TO FLARE TUBE	42912	13943-6-4	HOSE END,90° FEMALE SWIVEL,JIC
28678	AS-B-33	SLEEVE,NYLON,1.81" ID	42920	BV-0840	BALL VALVE,90°
39871	6 WETX-WLN-S	UNION,90° BULKHEAD W/NUT,FLARE TUBE	42932	AS-B-17	SLEEVE,NYLON,1.22" ID
39872	4 R5OX-S	RUN TEE,STRAIGHT THREAD	42936	10243-2-4	HOSE END,FEMALE PIPE
39873	6 C5OX-S	ELBOW,90°,STRAIGHT THREAD TO FLARE TUBE	42953	1/2 DD-S	ELBOW,90°,FEMALE PIPE
39874	8-6 C5OX-S	ELBOW,90°,STRAIGHT THREAD TO FLARE TUBE	42956	6 WELO-WLNL-S	UNION,90° BULKHEAD W/NUT,ORFS
39875	4-6 C5OX-S	ELBOW,90°,STRAIGHT THREAD TO FLARE TUBE	45349	8 V5OX-S	ELBOW,45°,STRAIGHT THREAD TO FLARE TUBE
39876	6-8 C5OX-S	ELBOW,90°,STRAIGHT THREAD TO FLARE TUBE	45351	4 V5OX-S	ELBOW,45°,STRAIGHT THREAD TO FLARE TUBE
39877	4 F5OX-S	CONNECTOR,STRAIGHT THREAD TO FLARE TUBE	47223	10343-6-6	HOSE END,MALE,JIC
39878	6 F5OX-S	CONNECTOR,STRAIGHT THREAD TO FLARE TUBE	47419	PS690503-6-6	SWIVEL,90°,STRAIGHT THREAD TO 37° FLARE
39879	4-8 F5OX-S	CONNECTOR,STRAIGHT THREAD TO FLARE TUBE	48750	421-4	HOSE,1/4 INCH ID
39880	6-10 F5OX-S	CONNECTOR,STRAIGHT THREAD TO FLARE TUBE	48751	481TC-4	HOSE,1/4 INCH ID
39881	4-6 F5OX-S	CONNECTOR,STRAIGHT THREAD TO FLARE TUBE	48752	482TC-4	HOSE,1/4 INCH ID
39882	4-HP5ON-S	PLUG,STRAIGHT THREAD	48753	451TC-6	HOSE,3/8 INCH ID
39883	8-8 FTX-S	CONNECTOR,MALE PIPE TO FLARE TUBE	48754	482TC-6	HOSE,3/8 INCH ID
39885	269HB 12-12	ELBOW,90°,BEADED HOSE BARB TO MALE PIPE	48755	381-6	HOSE,3/8 INCH ID
39886	431-6	HOSE,3/8 INCH ID	48756	451TC-8	HOSE,1/2 INCH ID
39887	540N-2	HOSE,1/8 INCH ID	48757	482TC-8	HOSE,1/2 INCH ID
39888	801-8	HOSE,1/2 INCH ID	48758	381-8	HOSE,1/2 INCH ID
39889	801-12	HOSE,3/4 INCH ID	48759	381-10	HOSE,5/8 INCH ID
39890	10643-6-6	HOSE END,FEMALE SWIVEL,JIC	48760	451TC-10	HOSE,5/8 INCH ID
39891	13943-6-6	HOSE END,90° FEMALE SWIVEL,JIC	48761	482TC-12	HOSE,3/4 INCH ID
39892	13743-6-6	HOSE END,45° FEMALE SWIVEL,JIC	48762	451TC-12	HOSE,3/4 INCH ID
39894	30682-8-8	HOSE END,FEMALE SWIVEL,JIC	48763	772-12	HOSE,3/4 INCH ID
39895	30682-10-12	HOSE END,FEMALE SWIVEL,JIC	48764	881-16	HOSE,1 INCH ID
42286	8-8 CTX-S	ELBOW,90°,MALE PIPE TO FLARE TUBE	48765	772-16	HOSE,1 INCH ID
42756	8-12 CLO-S	ELBOW,90,MALE PIPE TO ORFS	48766	AS-B-15	SLEEVE,NYLON,1.06" ID
42757	8-12 FLO-S	CONNECTOR,MALE PIPE TO ORFS	48767	AS-B-22	SLEEVE,NYLON,1.42" ID
42758	4 JLO-S	UNION TEE,ORFS	48770	881-8	HOSE,1/2 INCH ID
42759	4-4 FLO-S	CONNECTOR,MALE PIPE TO ORFS			
42760	6-8 FLO-S	CONNECTOR,MALE PIPE TO ORFS			
42761	1J143-6-4	HOSE END,90° FEMALE SWIVEL,SEAL LOK			
42762	1J743-6-4	HOSE END,45° FEMALE SWIVEL,SEAL LOK			
42768	1JO43-4-4	HOSE END,MALE,SEAL LOK			
42776	801-8	HOSE,1/2 INCH ID			
42777	1J743-16-16	HOSE END,45° FEMALE SWIVEL,SEAL LOK			
42786	16 CLO-S	ELBOW,90°,MALE PIPE TO ORFS			
42787	16 R6LO-S	RUN TEE,SWIVEL NUT,ORFS			
42788	16-8 TRLO-BL-S	REDUCER,TUBE END TO SWIVEL,ORFS			
42789	6-6 CLO-S	ELBOW,90°,MALE PIPE TO ORFS			
42790	8-10 V5OLO-S	ELBOW,45°,STRAIGHT THREAD TO ORFS			
42791	3/4 CD-S	ELBOW,90°,MALE TO FEMALE PIPE			
42792	3/4 X 1/2 PTR-S	REDUCER,MALE TO FEMALE PIPE			
42793	1/2 CR-S	ELBOW,90°,MALE PIPE			

Fitting Cross References (Continued)

Genie PN	Parker PN	Description	Genie PN	Parker PN	Description
48771	881-10	HOSE,5/8 INCH ID	48847	13943-12-12	HOSE END,90° FEMALE SWIVEL,JIC
48772	381-4	HOSE,1/4 INCH ID	48848	10543-12-12	HOSE END,MALE,STRAIGHT THREAD
48773	AS-B-13	SLEEVE,NYLON,.86" ID	48849	1JC71-12-12	HOSE END,FEMALE SWIVEL,SEAL LOK
48800	1JC43-4-4	HOSE END,FEMALE SWIVEL,SEAL LOK	48850	1JS71-12-12	HOSE END,FEMALE SWIVEL,SEAL LOK
48801	1J743-4-4	HOSE END,45° FEMALE SWIVEL,SEAL LOK	48851	1J171-12-12	HOSE END,90° FEMALE SWIVEL,SEAL LOK
48802	1J943-4-4	HOSE END,90° FEMALE SWIVEL,SEAL LOK	48852	1J771-12-12	HOSE END,45° FEMALE SWIVEL,SEAL LOK
48804	1JM43-4-4	HOSE END,MALE,SEAL LOK, NO O-RING	48853	1J971-12-12	HOSE END,90° FEMALE SWIVEL,SEAL LOK
48805	10643-4-4	HOSE END,FEMALE SWIVEL,JIC	48854	1JC43-16-16	HOSE END,FEMALE SWIVEL,SEAL LOK
48806	13943-4-4	HOSE END,90° FEMALE SWIVEL,JIC	48855	1J943-16-16	HOSE END,90° FEMALE SWIVEL,SEAL LOK
48807	1JS43-4-4	HOSE END,FEMALE SWIVEL,SEAL LOK	48856	1J171-16-16	HOSE END,90° FEMALE SWIVEL,SEAL LOK
48808	3JC82-8-8	HOSE END,FEMALE SWIVEL,SEAL LOK	48857	1J971-16-16	HOSE END,90° FEMALE SWIVEL,SEAL LOK
48809	3JC82-12-12	HOSE END,FEMALE SWIVEL,SEAL LOK	48859	1JS43-8-4	HOSE END,FEMALE SWIVEL,SEAL LOK
48810	1JC43-6-4	HOSE END,FEMALE SWIVEL,SEAL LOK	48867	PD36BTL	DIAGNOSTIC NIPPLE,SEAL-LOK SWIVEL
48811	1J943-6-4	HOSE END,90° FEMALE SWIVEL,SEAL LOK	48873	6 PNLO-S	PLUG,TUBE END,ORFS
48812	1JC43-6-6	HOSE END,FEMALE SWIVEL,SEAL LOK	48874	6 PNTX-S	PLUG,FLARE TUBE
48813	1J143-6-6	HOSE END,90° FEMALE SWIVEL,SEAL LOK	48875	6 R6LO-S	RUN TEE,SWIVEL NUT,ORFS
48814	1J543-6-6	HOSE END,90° FEMALE SWIVEL,SEAL LOK	48877	4 F5OLO-SW/.025	CONNECTOR,STRAIGHT THREAD TO ORFS, W/.025 ORI
48815	1J743-6-6	HOSE END,45° FEMALE SWIVEL,SEAL LOK	48878	16-12 C5OLO-S	ELBOW,90°,STRAIGHT THREAD TO ORFS
48816	1J943-6-6	HOSE END,90° FEMALE SWIVEL,SEAL LOK	48879	8 C6LO-S	ELBOW,90°,SWIVEL NUT ORFS
48817	1JS43-6-8	HOSE END,FEMALE SWIVEL,SEAL LOK	48880	PD6-285	CAP,DIAGNOSTIC NIPPLE
48818	1J943-8-4	HOSE END,90° FEMALE SWIVEL,SEAL LOK	48881	6 HLO-S	UNION,ORFS
48819	1JC43-8-6	HOSE END,FEMALE SWIVEL,SEAL LOK	48883	8 P5ON-S	PLUG,STRAIGHT THREAD
48820	1J743-8-6	HOSE END,45° FEMALE SWIVEL,SEAL LOK	48884	8M18F87OMLO-S	CONNECTOR,METRIC,STRAIGHT THREAD TO ORFS
48821	1J943-8-6	HOSE END,90° FEMALE SWIVEL,SEAL LOK	48885	4 WGTX-WLN-S	CONNECTOR,BULKHEAD,FEMALE PIPE TO FLARE TUBE
48822	1JC43-8-8	HOSE END,FEMALE SWIVEL,SEAL LOK	48886	4 F5OLO-SW/2MM	CONNECTOR,MACHINED STRAIGHT THREAD TO ORFS
48823	1JS43-8-8	HOSE END,FEMALE SWIVEL,SEAL LOK	48887	4 CTX-S	ELBOW,90°,MALE PIPE TO FLARE TUBE
48824	1J143-8-8	HOSE END,90° FEMALE SWIVEL,SEAL LOK	48888	10-12 V5OLO-S	ELBOW,45°,STRAIGHT THREAD TO ORFS
48825	1J543-8-8	HOSE END,90° FEMALE SWIVEL,SEAL LOK	48890	4 S5OLO-S	BRANCH TEE,STRAIGHT THREAD TO ORFS
48826	1J743-8-8	HOSE END,45° FEMALE SWIVEL,SEAL LOK	48891	4 S6LO-S	BRANCH TEE,SWIVEL NUT TO ORFS
48827	1J943-8-8	HOSE END,90° FEMALE SWIVEL,SEAL LOK			
48828	1JC43-10-8	HOSE END,FEMALE SWIVEL,SEAL LOK			
48829	1JS43-10-8	HOSE END,FEMALE SWIVEL,SEAL LOK			
48830	1J743-10-8	HOSE END,45° FEMALE SWIVEL,SEAL LOK			
48831	1J943-10-8	HOSE END,90° FEMALE SWIVEL,SEAL LOK			
48833	1JC43-10-10	HOSE END,FEMALE SWIVEL,SEAL LOK			
48834	1J943-10-10	HOSE END,90° FEMALE SWIVEL,SEAL LOK			
48835	1JS43-10-12	HOSE END,FEMALE SWIVEL,SEAL LOK			
48836	1JC43-12-8	HOSE END,FEMALE SWIVEL,SEAL LOK			
48837	1JS43-12-8	HOSE END,FEMALE SWIVEL,SEAL LOK			
48838	1J743-12-8	HOSE END,45° FEMALE SWIVEL,SEAL LOK			
48839	1J943-12-8	HOSE END,90° FEMALE SWIVEL,SEAL LOK			
48840	1J943-12-10	HOSE END,90° FEMALE SWIVEL,SEAL LOK			
48841	1JC43-12-12	HOSE END,FEMALE SWIVEL,SEAL LOK			
48842	1JO43-12-12	HOSE END,MALE,SEAL LOK			
48843	1J143-12-12	HOSE END,90° FEMALE SWIVEL,SEAL LOK			
48844	1J543-12-12	HOSE END,90° FEMALE SWIVEL,SEAL LOK			
48845	1J743-12-12	HOSE END,45° FEMALE SWIVEL,SEAL LOK			
48846	1J943-12-12	HOSE END,90° FEMALE SWIVEL,SEAL LOK			

Fitting Cross References (Continued)

Genie PN	Parker PN	Description	Genie PN	Parker PN	Description
48892	6 C6LO-S	ELBOW,90°,SWIVEL NUT ORFS	48938	8 R6LO-S	RUN TEE,SWIVEL NUT,ORFS
48893	6 F5OHAO-S	UNION,STRAIGHT THREAD	48939	8 S6LO-S	BRANCH TEE,SWIVEL NUT TO ORFS
48894	8 WLO-WLNL-S	UNION,BULKHEAD,ORFS	48940	8 WJLO-WLNL-S	RUN TEE, BULKHEAD,ORFS
48895	DT-370-MSMO-5	VALVE,CHECK	48941	8-4 TRLO-S	REDUCER,TUBE END TO SWIVEL,ORFS
48896	6 JLO-S	UNION,TEE,ORFS	48942	8-6 C5OLO-S	ELBOW,90°,STRAIGHT THREAD TO ORFS
48897	DT-750-MSMS-5	VALVE,CHECK	48943	8-6 F5OLO-S	CONNECTOR,STRAIGHT THREAD TO ORFS
48898	DT-750-MOMS-5	VALVE,CHECK	48944	8-8 FLO-S	CONNECTOR,MALE PIPE TO ORFS
48899	DT-620-MOMS-5	VALVE,CHECK	48945	8 FTX-S	CONNECTOR,MALE PIPE TO FLARE TUBE
48900	4-6 F5OLO-SW/.035	CONNECTOR,STRAIGHT THREAD TO ORFS, W/.035 ORI	48946	8-10 F5OLO-S	CONNECTOR,STRAIGHT THREAD TO ORFS
48902	16-1 AOE4G-S	ELBOW,90° LONG,FEMALE PIPE TO STRAIGHT THREAD	48947	8-12 C5OLO-S	ELBOW,90°,STRAIGHT THREAD TO ORFS
48903	1 FF-S	NIPPLE,PIPE	48948	8-12 F5OLO-S	CONNECTOR,STRAIGHT THREAD TO ORFS
48904	4 C5OLO-S	ELBOW,90°,STRAIGHT THREAD TO ORFS	48949	8-16 F5OLO-S	CONNECTOR,STRAIGHT THREAD TO ORFS
48905	4 F5OLO-S	CONNECTOR,STRAIGHT THREAD TO ORFS	48950	10 C5OLO-S	ELBOW,90°,STRAIGHT THREAD TO ORFS
48906	4 R5OLO-S	RUN TEE,STRAIGHT THREAD	48951	10 CC5OLO-S	ELBOW,90° LONG,STRAIGHT THREAD TO ORFS
48907	4 V5OLO-S	ELBOW,45°,STRAIGHT THREAD TO ORFS	48952	10 F5OLO-S	CONNECTOR,STRAIGHT THREAD TO ORFS
48908	4 R6LO-S	RUN TEE,SWIVEL NUT,ORFS	48953	10 R5OLO-S	RUN TEE,STRAIGHT THREAD
48909	4 WJLO-WLNL-S	RUN TEE, BULKHEAD,ORFS	48954	10 S5OLO-S	BRANCH TEE,STRAIGHT THREAD TO ORFS
48910	4 GTX-S W/.030	CONNECTOR,FEMALE PIPE TO FLARE TUBE	48955	10 R6LO-S	RUN TEE,SWIVEL NUT,ORFS
48911	4-6 C5OLO-S	ELBOW,90°,STRAIGHT THREAD TO ORFS	48956	10-4 TRLO-BL-S	REDUCER,TUBE END TO SWIVEL,ORFS
48912	4-6 F5OLO-S	CONNECTOR,STRAIGHT THREAD TO ORFS	48957	10-6 TRLO-BL-S	REDUCER,TUBE END TO SWIVEL,ORFS
48913	4-6 F5OLO-SW/.030	CONNECTOR,STRAIGHT THREAD TO ORFS, W/.030 ORI	48958	10-12 F5OLO-S	CONNECTOR,STRAIGHT THREAD TO ORFS
48914	4-8 F5OLO-S	CONNECTOR,STRAIGHT THREAD TO ORFS	48959	12 C5OLO-S	ELBOW,90°,STRAIGHT THREAD TO ORFS
48915	6 C5OLO-S	ELBOW,90°,STRAIGHT THREAD TO ORFS	48960	12 F5OLO-S	CONNECTOR,STRAIGHT THREAD TO ORFS
48916	6 F5OLO-S	CONNECTOR,STRAIGHT THREAD TO ORFS	48961	12 R5OLO-S	RUN TEE,STRAIGHT THREAD
48917	6 FF5OLO-S	CONNECTOR,LONG,STRAIGHT THREAD TO ORFS	48962	12 S5OLO-S	BRANCH TEE,STRAIGHT THREAD TO ORFS
48918	6 R5OLO-S	RUN TEE,STRAIGHT THREAD	48963	12 V5OLO-S	ELBOW,45°,STRAIGHT THREAD TO ORFS
48919	6 S5OLO-S	BRANCH TEE,STRAIGHT THREAD TO ORFS	48964	12 R6LO-S	RUN TEE,SWIVEL NUT,ORFS
48920	6 V5OLO-S	ELBOW,45°,STRAIGHT THREAD TO ORFS	48965	12 CLO-S	ELBOW,90°,MALE PIPE TO ORFS
48921	6 FLO-S	CONNECTOR,MALE PIPE TO ORFS	48966	12 FLO-S	CONNECTOR,MALE PIPE TO ORFS
48922	6-6 FLO-S	CONNECTOR,MALE PIPE TO ORFS	48967	12 JLO-S	UNION TEE,ORFS
48923	6 P5ON-S	PLUG,STRAIGHT THREAD	48968	12 WLO-WLNL-S	UNION,BULKHEAD,ORFS
48925	6 WELO-S	UNION,90° BULKHEAD,ORFS	48969	12 WJLO-WLNL-S	RUN TEE, BULKHEAD,ORFS
48926	6-4 C5OLO-S	ELBOW,90°,STRAIGHT THREAD TO ORFS	48970	12 WELO-WLNL-S	UNION,90° BULKHEAD W/NUT,ORFS
48927	6-4 F5OLO-S	CONNECTOR,STRAIGHT THREAD TO ORFS			
48928	6-4 V5OLO-S	ELBOW,45°,STRAIGHT THREAD TO ORFS			
48929	6-8 C5OLO-S	ELBOW,90°,STRAIGHT THREAD TO ORFS			
48930	6-8 F5OLO-S	CONNECTOR,STRAIGHT THREAD TO ORFS			
48931	6-10 F5OLO-S	CONNECTOR,STRAIGHT THREAD TO ORFS			
48932	8 C5OLO-S	ELBOW,90°,STRAIGHT THREAD TO ORFS			
48933	8 F5OLO-S	CONNECTOR,STRAIGHT THREAD TO ORFS			
48934	8 FF5OLO-S	CONNECTOR,LONG,STRAIGHT THREAD TO ORFS			
48935	8 R5OLO-S	RUN TEE,STRAIGHT THREAD			
48936	8 S5OLO-S	BRANCH TEE,STRAIGHT THREAD TO ORFS			
48937	8 V5OLO-S	ELBOW,45°,STRAIGHT THREAD TO ORFS			

Fitting Cross References (Continued)

Genie PN	Parker PN	Description	Genie PN	Parker PN	Description
48971	12 G5G5JG5-S	TEE,FEMALE STRAIGHT THREAD	49612	PKT02586	O-RING KIT (ORFS FITTINGS)
48972	12 XHL6-S	ADAPTER, 37° MALE TO SWIVEL ORFS	49613	PKT06276	PLUG AND CAP KIT-SERVICE,ORFS
48973	12-1/2 F5OG-S	ADAPTER,FEMALE PIPE TO STRAIGHT THREAD	49728	10143-12-12	HOSE END, MALE PIPE
48974	12-10 C5OLO-S	ELBOW,90°,STRAIGHT THREAD TO ORFS	49729	16-1 F5OG-S	ADAPTER,FEMALE PIPE TO STRAIGHT THREAD
48975	12-10 F5OLO-S	CONNECTOR,STRAIGHT THREAD TO ORFS	49814	12-8 FLO-S	CONNECTOR,MALE PIPE TO ORFS
48976	12-16 C5OLO-S	ELBOW,90°,STRAIGHT THREAD TO ORFS	49829	DT-500-MOMF-5	VALVE,CHECK
48977	12-16 F5OLO-S	CONNECTOR,STRAIGHT THREAD TO ORFS	49831	881-12	HOSE,3/4 INCH ID
48978	12-16 V5OLO-S	ELBOW,45°,STRAIGHT THREAD TO ORFS	49834	16 JLO-S	UNION TEE,ORFS
48980	12-16 FLO-S	CONNECTOR,MALE PIPE TO ORFS	49838	12-8 TRLO-BL-S	REDUCER,TUBE END TO SWIVEL,ORFS
48983	16 C5OLO-S	ELBOW,90°,STRAIGHT THREAD TO ORFS	49840	8 JLO-S	UNION TEE,ORFS
48984	16 F5OLO-S	CONNECTOR,STRAIGHT THREAD TO ORFS	49844	10-8 TRLO-BL-S	REDUCER,TUBE END TO SWIVEL,ORFS
48985	16 V5OLO-S	ELBOW,45°,STRAIGHT THREAD TO ORFS	49854	8 P5ON-S	PLUG,STRAIGHT THREAD
48986	16 FLO-S	CONNECTOR,MALE PIPE TO ORFS	49855	1JC43-16-12	HOSE END,FEMALE SWIVEL,SEAL LOK
48988	16 CD45-S	ELBOW,45°,MALE TO FEMALE PIPE	49859	4 P5ON-S	PLUG,STRAIGHT THREAD
48989	12 CD45-S	ELBOW,45°,MALE TO FEMALE PIPE	49861	4 FF5OLO-S	CONNECTOR, LONG, STRAIGHT THREAD TO ORFS
48990	8 CD45-S	ELBOW,45°,MALE TO FEMALE PIPE	49867	12-3/4 F5OG-S	ADAPTER,FEMALE PIPE TO STRAIGHT THREAD
48991	16-12 FLO-S	CONNECTOR,MALE PIPE TO ORFS	51152	6 R6X-S	RUN TEE,SWIVEL NUT,ORFS
48992	16-12 V5OLO-S	ELBOW,45°,STRAIGHT THREAD TO ORFS	51153	6-4 TRTX-S	REDUCER,TUBE END TO SWIVEL,ORFS
48993	XV501-12	BALL VALVE	51154	4-4 GTX	CONNECTOR,FEMALE PIPE TO FLARE TUBE
48994	XV501-16	BALL VALVE	51264	881-12	HOSE,3/4 INCH ID
48995	XV510P-12	BALL VALVE	51265	8 JLO-S	UNION TEE,ORFS
48996	XV510P-16	BALL VALVE	51508	6 BTX-S	NUT,FLARE TUBE
48997	PD341	DIAGNOSTIC NIPPLE, STRAIGHT THREAD	51580	12-8 TRLO-BL-S	TUBE END REDUCER,ORFS
48998	PD 361	DIAGNOSTIC NIPPLE, STRAIGHT THREAD	51628	6 R6X-S	RUN TEE,SWIVEL NUT,ORFS
48999	DT-500-MOMS-5	VALVE,CHECK	51735	3/8 HHP	PLUG,PIPE THREAD
49201	10 V5OLO-S	ELBOW,45°,STRAIGHT THREAD TO ORFS	51803	1J943-6-8	HOSE END,90° FEMALE SWIVEL,SEAL LOK
49202	1JC43-12-10	HOSE END,FEMALE SWIVEL,SEAL LOK	53023	125HBL-5-4	FITTING,HOSE BARB TO MALE PIPE
49203	10-8 V5OLO-S	ELBOW,45°,STRAIGHT THREAD TO ORFS	53497	PKT02585	O-RING KIT
49205	6 F5OHAO-S	UNION,STRAIGHT THREAD	53499	1JC71-16-16	HOSE END,FEMALE SWIVEL,SEAL LOK
49207	PD34BTL	DIAGNOSTIC NIPPLE,SEAL-LOK SWIVEL	53500	3-904	O-RING,STRAIGHT THREAD,-4
49209	8M18F870MX-S	CONNECTOR,METRIC,STRAIGHT THREAD TO FLARE TUBE	53501	3-906	O-RING,STRAIGHT THREAD,-6
49212	8 WGTX-WLN-S	CONNECTOR,BULKHEAD,FEMALE PIPE TO FLARE TUBE	53502	3-908	O-RING,STRAIGHT THREAD,-8
49213	30682-8-8	HOSE END,FEMALE SWIVEL,JIC	53503	3-910	O-RING,STRAIGHT THREAD,-10
49216	831-8	HOSE,1/2 INCH ID			
49217	33982-8-8	HOSE END,90° FEMALE SWIVEL,JIC			
49219	PS-B-35	SLEEVE,NYLON,2.19" ID			
49418	4-6 V5OLO-S	ELBOW,45°,STRAIGHT THREAD TO ORFS			
49511	DT370-MOMS-5	VALVE,CHECK			
49512	1 DD-S	ELBOW,90°,FEMALE PIPE			
49513	1 FF-S	NIPPLE,PIPE			
49514	10 HP5ON-S	PLUG,STRAIGHT THREAD			
49515	12-16 CLO-S	ELBOW,90°,MALE PIPE TO ORFS			
49517	6 HP5ON-S	PLUG,STRAIGHT THREAD			
49519	16-12 F5OLO-S	CONNECTOR,STRAIGHT THREAD TO ORFS			
49520	4 VTX-S	ELBOW,45°,MALE PIPE TO FLARE TUBE			
49530	16 C6LO-S	ELBOW,90°,SWIVEL NUT ORFS			

Fitting Cross References (Continued)

Genie PN	Parker PN	Description	Genie PN	Parker PN	Description
53535	3-912	O-RING, STRAIGHT THREAD, -12	61083	24 F5OLO-S	CONNECTOR, STRAIGHT THREAD TO ORFS
53536	4-PNLO-S	PLUG, TUBE END, ORFS	61086	20 R5OLO-S	RUN TEE, STRAIGHT THREAD
53537	6 PNLO-S	PLUG, TUBE END, ORFS	61090	24-20 F5OLO-S	CONNECTOR, STRAIGHT THREAD TO ORFS
53538	8 PNLO-S	PLUG, TUBE END, ORFS	61091	1J943 24-24	HOSE END, 90° FEMALE SWIVEL, SEAL LOK
53539	10 PNLO-S	PLUG, TUBE END, ORFS	61093	1J978-12-12	HOSE END, 90° FEMALE SWIVEL, JIC
53540	12 PNLO-S	PLUG, TUBE END, ORFS	61095	1JS43-20-16	HOSE END, FEMALE SWIVEL, SEAL LOK
53946	129HB-5-4	FITTING, 90° HOSE BARB TO MALE PIPE	61100	811-24	HOSE, 1 1/2 INCH ID
53951	8-1/4F50G-S	ADAPTER, FEMALE PIPE TO STRAIGHT THREAD	61130	1JS43-24-24	HOSE END, FEMALE SWIVEL, SEAL LOK
53980	6 S6LO-S	BRANCH TEE, SWIVEL NUT TO ORFS	61131	1JS78 12-12	HOSE END, FEMALE SWIVEL, SEAL LOK
54132	4 C6LO-S	ELBOW, 90°, SWIVEL NUT ORFS	61132	1J778-12-12	HOSE END, 45° FEMALE SWIVEL, JIC
54135	11343-16-16	HOSE END, MALE SWIVEL, PIPE	61152	139HB-6-4	ELBOW, 45°, BARB TO MALE PIPE
54283	8-10 C5OLO-S	ELBOW, 90°, STRAIGHT THREAD TO ORFS	61251	BV-0750	BALL VALVE
54428	8M18C870MLO-S	ELBOW, 90° METRIC, STRAIGHT THREAD TO ORFS	61259	4 CC5OLO-S	ELBOW, 90° LONG, STRAIGHT THREAD TO ORFS
54803	FS-F-16-10	SLEEVE, FIRE, .96" ID	61260	20-12 TRLO-BL	REDUCER, TUBE END TO SWIVEL, ORFS
54954	10143-2-4	HOSE END, MALE PIPE	61262	12 C6LO-S	ELBOW, 90°, SWIVEL NUT ORFS
55190	3/8 HP-S	PLUG, PIPE THREAD	61263	20 F5OHAO-S	UNION, STRAIGHT THREAD
55448	8 HLO-S	UNION, ORFS	61264	6-10 C5OLO-S	ELBOW, 90°, STRAIGHT THREAD TO ORFS
55839	6 F65OX-S	CONNECTOR, STRAIGHT THREAD TO 37° SWIVEL	61265	6 WNLO-WLNL-S	UNION, BULKHEAD 45°, ORFS
55968	10 C5OX-S	ELBOW, 90°, STRAIGHT THREAD TO FLARE TUBE	61268	4 WNLO-WLNL-S	UNION, BULKHEAD 45°, ORFS
56003	6 CC5OLO-S	ELBOW, 90° LONG, STRAIGHT THREAD TO ORFS	61269	4 WLO-WLNL-S	UNION, BULKHEAD, ORFS
56166	BV-0837	BALL VALVE, 90°	61272	12 AOEL6	ELBOW, 90°, STRAIGHT THREAD TO ORFS SWIVEL
56188	10143-8-6	HOSE END, MALE PIPE	61316	482TC-16	HOSE, 1 INCH ID
56233	2-011	O-RING, ORFS, -4	61321	6 JLO-S	UNION TEE, ORFS
56234	2-012	O-RING, ORFS, -6	61327	782-12	HOSE, 3/4 INCH ID
56235	2-014	O-RING, ORFS, -8	61328	881-24	HOSE, 1 1/2 INCH ID
56236	2-016	O-RING, ORFS, -10	61336	11943-20-24	HOSE END, 90° FLANGE HEAD
56237	2-018	O-RING, ORFS, -12	61345	12 WJLO-WLNL-S	RUN TEE, BULKHEAD, ORFS
56238	2-021	O-RING, ORFS, -16	61346	8 WNLO-WLNL-S 4	UNION, BULKHEAD 45°, ORFS
56352	6 WLNL-S	LOCKNUT, BULKHEAD	61569	33782-8-8	HOSE END, 45° FEMALE SWIVEL, JIC
56353	3J782-12-12	HOSE END, 45° FEMALE SWIVEL, SEAL LOK	61610	12 FF5OLO-S	CONNECTOR, LONG, STRAIGHT THREAD TO ORFS
56354	3J982-12-12	HOSE END, 90° FEMALE SWIVEL, SEAL LOK	61742	1/8 X 1.5 FFF	NIPPLE, PIPE
56604	10-8 F5OLO-S	CONNECTOR, STRAIGHT THREAD TO ORFS	63426	8 PNTX-S	PLUG, FLARE TUBE
56639	3JC82-10-10	HOSE END, FEMALE SWIVEL, SEAL LOK			
56640	3J982-10-10	HOSE END, 90° FEMALE SWIVEL, SEAL LOK			
56655	3JC82-8-10	HOSE END, FEMALE SWIVEL, SEAL LOK			
56676	10-8 C5OLO-S	ELBOW, 90°, STRAIGHT THREAD TO ORFS			
56776	471TC-6	HOSE, 3/8 INCH ID			
56777	471TC-8	HOSE, 1/2 INCH ID			
56789	811-16	HOSE, 1 INCH ID			
57884	3/8 FF	NIPPLE, PIPE			
59335	6 FNL-S	CAP, TUBE END			
59342	4 FNL-S	CAP, TUBE END			
59371	8 HP5ON-S	PLUG, STRAIGHT THREAD			
60653	BV-0751	BALL VALVE			
60806	125HB-3-4	FITTING, HOSE BARB TO MALE PIPE			
61064	5-1/4 F5OG-S	ADAPTER, FEMALE PIPE TO STRAIGHT THREAD			
61079	4 WELO-WLNL-S	UNION, 90° BULKHEAD W/NUT, ORFS			
61080	6 WLO-WLNL-S	UNION, BULKHEAD, ORFS			

Fitting Cross References (Continued)

Genie PN	Parker PN	Description	Genie PN	Parker PN	Description
64271	4 WLO-WLNL-S	UNION,BULKHEAD,ORFS	75631	801-6	HOSE,3/8 INCH ID
64272	6 WLO-WLNL-S	UNION,BULKHEAD,ORFS	75654	20 F5OLO-S	CONNECTOR,STRAIGHT THREAD TO ORFS
65776	8 F65OL-S	CONNECTOR,STRAIGHT THREAD TO ORFS SWIVEL	75655	1J943-20-20	HOSE END,90° FEMALE SWIVEL,SEAL LOK
65880	6001012	O-RING KIT	75656	881-20	HOSE,1-1/4 INCH ID
66154	6 WTX-WLNS	UNION,BULKHEAD,FLARE TUBE	75971	8 F5OHAO-S	UNION,STRAIGHT THREAD
66155	6 WETX-S	UNION,BULKHEAD 90°,FLARE TUBE	77307	1JB43-8-8	HOSE END,BULKHEAD,SEAL LOK
66156	6 WLN-S	BULKHEAD LOCKNUT	77309	8 WLNL-S	BULKHEAD LOCKNUT
66389	6-8 F5OX-S	CONNECTOR,STRAIGHT THREAD TO FLARE TUBE	77379	8M18C87OMX-S	ELBOW,90° METRIC,STRAIGHT THREAD TO FLARE TUBE
66392	6 R5OX-S	RUN TEE,STRAIGHT THREAD	77703	3J982-8-8	HOSE END,90° FEMALE SWIVEL,SEAL LOK
66396	811-12	HOSE,3/4 INCH ID	77711	801-10	HOSE,5/8 INCH ID
66829	H3174PP	CLAMP,TUBE	77758	12 WNLO-WLNL-S	UNION,BULKHEAD 45°,ORFS
67217	4 KLO-S	UNION,CROSS,ORFS	78091	6 C6X-S	ELBOW,90°,SWIVEL NUT TO FLARE TUBE
67339	10-6 F5OX-S	CONNECTOR,STRAIGHT THREAD TO FLARE TUBE	78684	30582-8-8B	HOSE END,PUSH LOK,MALE
67357	13943-8-6	HOSE END,90° FEMALE SWIVEL,JIC	78852	549-2	HOSE,1/8 INCH ID
67358	10 HP5ON-S	PLUG,STRAIGHT THREAD	78855	10657-4-2	HOSE END,FEMALE SWIVEL,JIC
67371	12 S6LO-S	BRANCH TEE,SWIVEL NUT TO ORFS	79138	PS-B-37	SLEEVE,NYLON,2.38" ID
67498	4 FNL-S	CAP, TUBE END	79476	1JS43-6-8	HOSE END,FEMALE SWIVEL,SEAL LOK
67906	DC-370-F0F0-5	VALVE,CHECK	79847	12-3/4 A0EG-S	ELBOW,90°,STRAIGHT THREAD TO FEMALE PIPE
69316	8 FLO-S	CONNECTOR,MALE PIPE TO ORFS	80044	8 CLO-S	ELBOW,90°,MALE PIPE TO ORFS
69333	H3174PP	CLAMP,HYDRAULIC HOSE	80502	8 F5OX-S	CONNECTOR,STRAIGHT THREAD TO FLARE TUBE
69503	4 F65OX-S	CONNECTOR,STRAIGHT THREAD TO 37° SWIVEL	80503	8 C5OX-S	ELBOW,90°,STRAIGHT THREAD TO FLARE TUBE
69775	8 FNL-S	CAP, TUBE END	81010	AS-B-27	SLEEVE,NYLON,1.63" ID
71038	1/4X1/4F3HG-S	ADAPTER,CONVERSION	83052	821-6	HOSE,3/8 INCH ID
71196	12-8 F5OLO-S	CONNECTOR,STRAIGHT THREAD TO ORFS	83053	821-8	HOSE,1/2 INCH ID
71383	1/4 CD45-S	ELBOW,45°,MALE TO FEMALE PIPE	83054	821-12	HOSE,3/4 INCH ID
72270	12FNL-S	CAP, TUBE END	83055	30682-6-6	HOSE END,FEMALE SWIVEL,JIC
73436	60C-4	SLEEVE,COMPRESSION	83056	30682-12-12	HOSE END,FEMALE SWIVEL,JIC
73437	61C-4	NUT,COMPRESSION	83057	33782-6-6	HOSE END,45° FEMALE SWIVEL,JIC
73438	33482-4-4B	HOSE END,PUSH LOK,MALE	83058	33982-6-6	HOSE END,90° FEMALE SWIVEL,JIC
73767	1CD-S	ELBOW,90°,MALE TO FEMALE PIPE	83060	33982-12-12	HOSE END,90° FEMALE SWIVEL,JIC
73768	20-16-F5OG5-S	ADAPTER,FEMALE PIPE TO STRAIGHT THREAD	83063	13743-4-4	HOSE END,45° FEMALE SWIVEL,JIC
73769	16-20 F5OLO-S	CONNECTOR,STRAIGHT THREAD TO ORFS			
74660	6-8 F42EDMLO-S	CONNECTOR,MALE BSPP TO ORFS			
74661	8-8 F42EDMLO-S	CONNECTOR,MALE BSPP TO ORFS			
75007	4 FLO-S	CONNECTOR,MALE PIPE TO ORFS			
75008	1/8 HP-S	PLUG,PIPE THREAD			
75014	1/2 HP-S	PLUG,PIPE THREAD			
75042	8 WELO-WLNL-S	UNION,90° BULKHEAD W/NUT,ORFS			
75043	3/4 FF-S	NIPPLE,PIPE			
75254	24 F5OHAO-S	UNION,STRAIGHT THREAD			
75255	12 F5OHAO-S	UNION,STRAIGHT THREAD			
75256	XV506P-24	BALL VALVE			
75574	4 WLNL-S	BULKHEAD LOCKNUT			
75612	8 WJLO-WLNL-S	RUN TEE, BULKHEAD,ORFS			
75613	12-8 F5OG5-S	ADAPTER,FEMALE PIPE TO STRAIGHT THREAD			
75614	8 CC5OLO-S	ELBOW,90° LONG,STRAIGHT THREAD TO ORFS			
75628	1JB43-4-4	HOSE END,BULKHEAD,SEAL LOK			

Fitting Cross References (Continued)

Genie PN	Parker PN	Description	Genie PN	Parker PN	Description
83064	13743-8-8	HOSE END,45° FEMALE SWIVEL,JIC	89449	6 WJLO-WLNL-S	RUN TEE, BULKHEAD,ORFS
83065	13743-12-12	HOSE END,45° FEMALE SWIVEL,JIC	89489	4 WJMLO-S	BRANCH TEE,BULKHEAD,ORFS
83066	13943-8-8	HOSE END,90° FEMALE SWIVEL,JIC	89551	1JB43-6-6	HOSE END,BULKHEAD,SEAL LOK
83067	14143-6-6	HOSE END,90° FEMALE SWIVEL,JIC	89552	1JB43-8-8	HOSE END,BULKHEAD,SEAL LOK
83068	14143-8-8	HOSE END,90° FEMALE SWIVEL,JIC	89593	20 C5OLO-S	ELBOW,90°,STRAIGHT THREAD TO ORFS
83069	14143-12-12	HOSE END,90° FEMALE SWIVEL,JIC	94161	8-8 CLO-S	ELBOW,90°,MALE PIPE TO ORFS
83070	772-8	HOSE,1/2 INCH ID	94358	351TC-12	HOSE,3/4 INCH ID
83071	10671-8-8	HOSE END,FEMALE SWIVEL,JIC	94418	20 FLO-S	CONNECTOR,MALE PIPE TO ORFS
83072	10671-12-12	HOSE END,FEMALE SWIVEL,JIC	96358	12 TX-S	SLEEVE,FLARE TUBE
83073	13771-8-8	HOSE END,45° FEMALE SWIVEL,JIC	96359	12 BTX-S	NUT,FLARE TUBE
83074	13771-12-12	HOSE END,45° FEMALE SWIVEL,JIC	96397	8 F5OX-S	CONNECTOR,STRAIGHT THREAD TO FLARE TUBE
83075	13971-8-8	HOSE END,90° FEMALE SWIVEL,JIC	96398	12-8 F5OX-S	CONNECTOR,STRAIGHT THREAD TO FLARE TUBE
83076	13971-12-12	HOSE END,90° FEMALE SWIVEL,JIC	96402	10343-6-6	HOSE END,MALE,JIC
83077	14171-8-8	HOSE END,90° FEMALE SWIVEL,JIC	96407	30382-6-6B	HOSE END,MALE,JIC
83078	14171-12-12	HOSE END,90° FEMALE SWIVEL,JIC			
83080	13943-16-16	HOSE END,90° FEMALE SWIVEL,JIC			
83103	10671-16-12	HOSE END,FEMALE SWIVEL,JIC			
83104	10671-10-12	HOSE END,FEMALE SWIVEL,JIC			
83112	1JC71-8-8	HOSE END,FEMALE SWIVEL,SEAL LOK			
83113	1JS71-16-12	HOSE END,FEMALE SWIVEL,SEAL LOK			
83114	1JS71-10-12	HOSE END,FEMALE SWIVEL,SEAL LOK			
83115	1J971-8-8	HOSE END,90° FEMALE SWIVEL,SEAL LOK			
83116	1J171-8-8	HOSE END,90° FEMALE SWIVEL,SEAL LOK			
83117	1J771-8-8	HOSE END,45° FEMALE SWIVEL,SEAL LOK			
83127	1J543-6-8	HOSE END,90° FEMALE SWIVEL,JIC			
83128	1JC43-6-8	HOSE END,FEMALE SWIVEL,SEAL LOK			
87033	12-6 TRLO-S	REDUCER,TUBE END TO SWIVEL,ORFS			
87034	3J782-8-8	HOSE END,45° FEMALE SWIVEL,SEAL LOK			
87172	12 HP5ON-S	PLUG,STRAIGHT THREAD			
87185	8 WNLO-WLNL-S	UNION,BULKHEAD 45°,ORFS			
87246	4 C6X-S	ELBOW,90°,SWIVEL NUT TO FLARE TUBE			
87679	6 LHP-S	FLANGE SEAL FITTING, MALE			
87681	6PLS N0702	BONDED SEAL			
88100	SR88100	ADAPTER,OIL DRAIN,GM 3.0L			
88311	1JS43-20-20	HOSE END,FEMALE SWIVEL,SEAL LOK			
88353	20 V5OLO-S	ELBOW,45°,STRAIGHT THREAD TO ORFS			
88474	10081-20	Crimp Shell, 1.25"			
88475	1988-20-24	HOSE END,90° FLANGE HEAD			
88476	JS88-24-24	HOSE END,FEMALE SWIVEL,SEAL LOK			
88477	1JC88-20-20	HOSE END,FEMALE SWIVEL,SEAL LOK			
88478	811-20	HOSE,11/4 INCH ID			
88936	20-16 F5OLO-S	CONNECTOR,STRAIGHT THREAD TO ORFS			
88937	20-16 FLO-S	CONNECTOR,MALE PIPE TO ORFS			
88938	1JC88-16-16	HOSE END,FEMALE SWIVEL,SEAL LOK			
88939	1J988-16-16	HOSE END,90° FEMALE SWIVEL,ORFS			
88940	811-16	HOSE,1 INCH ID			
88944	1J988-20-20	HOSE END,90° FEMALE SWIVEL,ORFS			
89403	16 VLO-S	ELBOW,45°,MALE PIPE TO ORFS			

California Proposition 65



Operating, servicing and maintaining this equipment can expose you to chemicals including engine exhaust, carbon monoxide, phthalates, and lead, which are known to the State of California to cause cancer and birth defects or other reproductive harm. These chemicals can be emitted from or contained in other various parts and systems, fluids and some component wear by-products. To minimize exposure, avoid breathing exhaust, do not idle the engine except as necessary, service your equipment and vehicle in a well-ventilated area and wear gloves or wash your hands frequently when servicing your equipment or vehicle and after operation. For more information go to www.P65Warnings.ca.gov/passenger-vehicle.

Breathing diesel engine exhaust exposes you to chemicals known to the State of California to cause cancer and birth defects or other reproductive harm.

- Always start and operate the engine in a well-ventilated area.
- If in an enclosed area, vent the exhaust to the outside.
- Do not modify or tamper with the exhaust system.
- Do not idle the engine except as necessary.

For more information go to

www.P65warnings.ca.gov/diesel.

Distributed By:

www.P65Warnings.ca.gov to order your parts

PARTS FINDER

**Search Website
by Part Number**



**Search Manual
Library For Parts
Manual & Lookup Part
Numbers – Purchase
or Request Quote**

Search Manuals

Enter your information to help us find the right parts manual for your machine.

* Brand:

* Model:

* Serial:

* Part Number:

SEARCH

**Can't Find Part or
Manual? Request Help
by Manufacturer,
Model & Description**

Parts Order Form

Please fill in the following information to help us find the right part for your machine.

Manufacturer:	<input type="text"/>
Model:	<input type="text"/>
Description:	<input type="text"/>
Part Number:	<input type="text"/>
Quantity:	<input type="text"/>
Notes:	<input type="text"/>

Discount-Equipment.com is your online resource for quality parts & equipment.

Florida: **561-964-4949** Outside Florida TOLL FREE: **877-690-3101**

Need parts?

Click on this link: <http://www.discount-equipment.com/category/5443-parts/> and choose one of the options to help get the right parts and equipment you are looking for. Please have the machine model and serial number available in order to help us get you the correct parts. If you don't find the part on the website or on one of the online manuals, please fill out the request form and one of our experienced staff members will get back to you with a quote for the right part that your machine needs.

We sell worldwide for the brands: Genie, Terex, JLG, MultiQuip, Mikasa, Essick, Whiteman, Mayco, Toro Stone, Diamond Products, Generac Magnum, Airman, Haulotte, Barreto, Power Blanket, Nifty Lift, Atlas Copco, Chicago Pneumatic, Allmand, Miller Curber, Skyjack, Lull, Skytrak, Tsurumi, Husquvarna Target, Stow, Wacker, Sakai, Mi-T-M, Sullair, Basic, Dynapac, MBW, Weber, Bartell, Bennar Newman, Haulotte, Ditch Runner, Menegotti, Morrison, Contec, Buddy, Crown, Edco, Wyco, Bomag, Laymor, EZ Trench, Bil-Jax, F.S. Curtis, Gehl Pavers, Heli, Honda, ICS/PowerGrit, IHI, Partner, Imer, Clipper, MMD, Koshin, Rice, CH&E, General Equipment, Amida, Coleman, NAC, Gradall, Square Shooter, Kent, Stanley, Tamco, Toku, Hatz, Kohler, Robin, Wisconsin, Northrock, Oztec, Toker TK, Rol-Air, APT, Wylie, Ingersoll Rand / Doosan, Innovatech, Con X, Ammann, Mecalac, Makinex, Smith Surface Prep, Small Line, Wanco, Yanmar