



A TEREX BRAND



Parts Manual

Serial Number Range

DPL-25S

from SN 1596-101 to 1501-915

DPL-30S

from SN DPL02-916 to DPL16-2311

DPL-35S

from SN DPL16G-2312 to DPL16G-2599

from SN DPLG-2600 to DPLG-2653

from SN DPLP-2654

Part No. 40461
Rev: G12
October 2019

PARTS FINDER

**Search Website
by Part Number**



**Search Manual
Library For Parts
Manual & Lookup Part
Numbers – Purchase
or Request Quote**

Search Manuals

Enter your information to search for manuals and parts.

* Brand:

* Model:

* Serial:

* Part Number:

* Submit

**Can't Find Part or
Manual? Request Help
by Manufacturer,
Model & Description**

Parts Order Form

Please fill in the following information:

Manufacturer:

Model:

Description:

Quantity:

Part Number:

Part Name:

Part Description:

Part Location:

Part Status:

Part Condition:

Part Material:

Part Color:

Part Weight:

Part Dimensions:

Part Price:

Part Notes:

Submit

Discount-Equipment.com is your online resource for quality parts & equipment.

Florida: **561-964-4949** Outside Florida TOLL FREE: **877-690-3101**

Need parts?

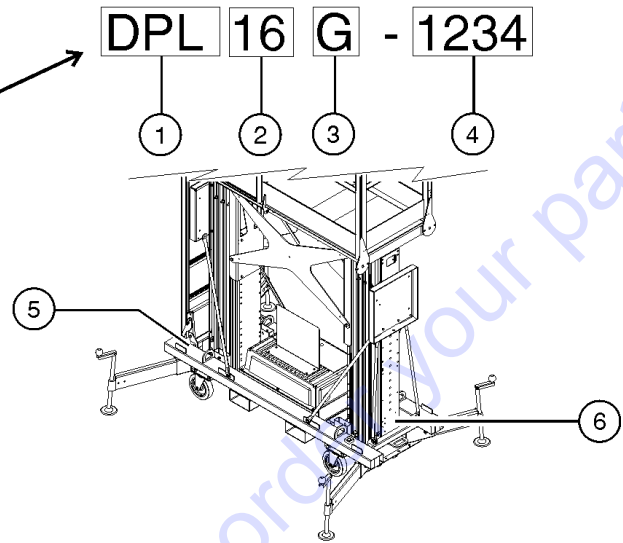
Click on this link: <http://www.discount-equipment.com/category/5443-parts/> and choose one of the options to help get the right parts and equipment you are looking for. Please have the machine model and serial number available in order to help us get you the correct parts. If you don't find the part on the website or on one of the online manuals, please fill out the request form and one of our experienced staff members will get back to you with a quote for the right part that your machine needs.

We sell worldwide for the brands: Genie, Terex, JLG, MultiQuip, Mikasa, Essick, Whiteman, Mayco, Toro Stone, Diamond Products, Generac Magnum, Airman, Haulotte, Barreto, Power Blanket, Nifty Lift, Atlas Copco, Chicago Pneumatic, Allmand, Miller Curber, Skyjack, Lull, Skytrak, Tsurumi, Husquvarna Target, Stow, Wacker, Sakai, Mi-T-M, Sullair, Basic, Dynapac, MBW, Weber, Bartell, Bennar Newman, Haulotte, Ditch Runner, Menegotti, Morrison, Contec, Buddy, Crown, Edco, Wyco, Bomag, Laymor, EZ Trench, Bil-Jax, F.S. Curtis, Gehl Pavers, Heli, Honda, ICS/PowerGrit, IHI, Partner, Imer, Clipper, MMD, Koshin, Rice, CH&E, General Equipment, Amida, Coleman, NAC, Gradall, Square Shooter, Kent, Stanley, Tamco, Toku, Hatz, Kohler, Robin, Wisconsin, Northrock, Oztec, Toker TK, Rol-Air, APT, Wylie, Ingersoll Rand / Doosan, Innovatech, Con X, Ammann, Mecalac, Makinex, Smith Surface Prep, Small Line, Wanco, Yanmar

To August 31, 2016

Genie
A TEREX BRAND

Model: Serial number: DPL16G-1234
Manufacture date: 01/02/2010 Model year: 2016
Elec/Hydr Schematic:
Power supply voltage/Pneumatic Pressure:
Nominal Power:
Machine unladen weight:
Max Load:
Occupants and Equipment must not exceed:
Maximum allowable inclination of the chassis:
Maximum Wind Speed:
Indoor:
Outdoor:
Gradeability:
Maximum allowable side force:
Maximum platform height:



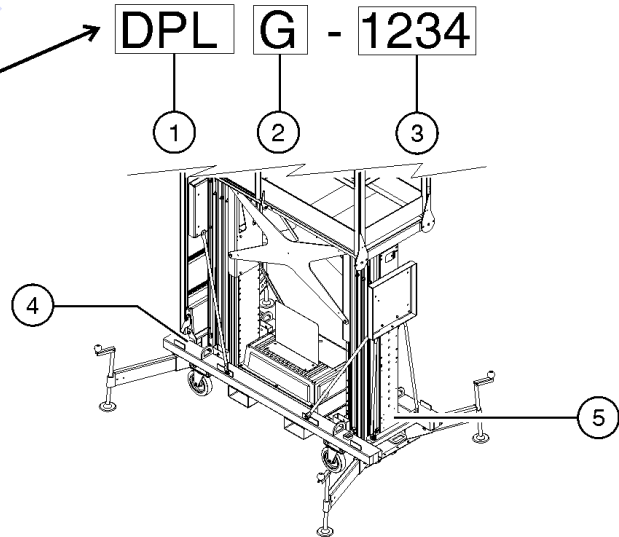
- 1 Model
- 2 Model year
- 3 Facility code

- 4 Sequence number
- 5 Serial number (stamped on chassis)
- 6 Serial label

From September 1, 2016

Genie
A TEREX BRAND

Model: Serial number: DPLG-1234
Year of Manufacture : 2016
Elec/Hydr Schematic:
Power supply voltage/Pneumatic Pressure:
Nominal Power:
Machine unladen weight:
Max Load:
Occupants and Equipment must not exceed:
Maximum allowable inclination of the chassis:
Maximum Wind Speed:
Indoor:
Outdoor:
Gradeability:
Maximum allowable side force:
Maximum platform height:



- 1 Model
- 2 Facility code
- 3 Sequence number

- 4 Serial number (stamped on chassis)
- 5 Serial label

Required Parts

The following parts are required to perform maintenance procedures as outlined in the Genie DPL Super Series Service Manual.

Description	Part No.
Filter Element, 10 Micron	44788
Boe Lube SP Wax.....	90337
Dielectric Grease	66399

Recommended Parts

Description	Part No.
Genie Blue Paint, 1 Gallon	32150
Genie Blue Paint, 12 Ounce Aerosol.....	1484
Genie Gray Paint, 1 Gallon.....	32151
Genie Gray Paint, 12 Ounce Aerosol	1268

Manuals

Genie Industries offers the following support documents for these models:

Title	Part No.
EMI Safety Manual	27581
Manual of Responsibilities	
ANSI A92.5	31587

Go to Discount-Equipment.com to order your parts

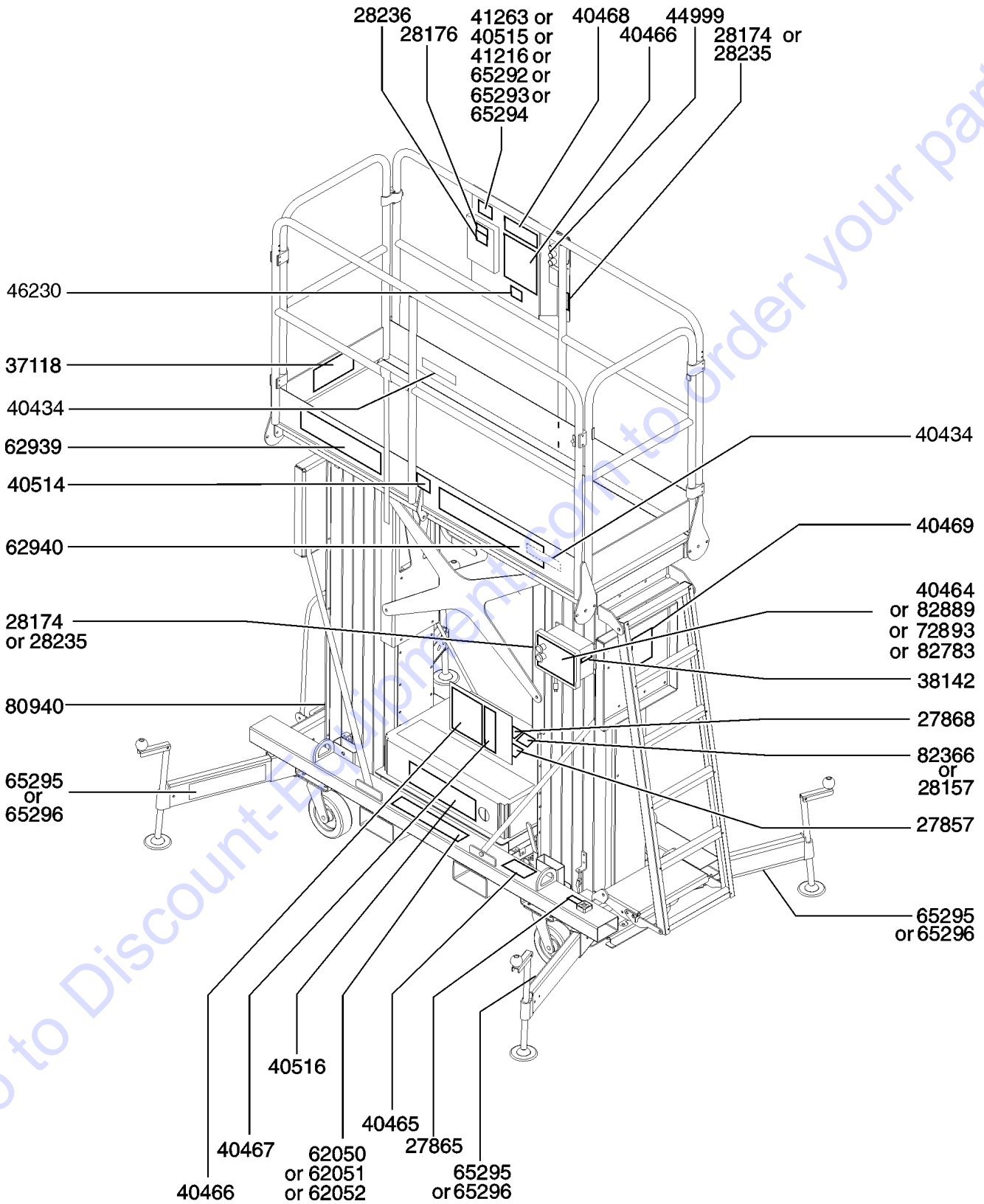


Description	Page
100 Decals	10
101.1 Decals, 1996 to 2001 (to serial number DPL04-1188)	10
101.2 Decals, from 2002 (to serial number DPL04-1188)	14
102.1 Decals with Words (from serial number DPL04-1189)	18
103.1 Decals with Symbols (from serial number DPL04-1189)	22
200 Base Components	24
201.1 Base and Ladder Assembly	24
202.1 Outrigger Assembly	28
202.2 Outrigger Assembly Cross Reference	30
300 Mast Components	32
301.1 Number 1 and 2 Column Assemblies	32
302.1 Number 3 and 4 Column Assemblies, DPL-25S	34
303.1 Number 3, 4 and 5 Column Assemblies, DPL-30S	36
304.1 Number 3, 4, 5 and 6 Column Assemblies, DPL-35S	38
305.1 Carriage Assembly	40
306.1 Lifting Chain Assemblies, DPL-25S	42
307.1 Lifting Chain Assemblies, DPL-30S	46
308.2 Lifting Chain Assemblies, DPL-35S	50
309.1 Sequencing Cables, View 1, from 1996 to 2001	54
309.2 Sequencing Cables, View 1, from 2002	56
310.1 Sequencing Cables, View 2, from 2000 to 2001	58
310.2 Sequencing Cables, View 2, from 1996 to 1998	62
310.3 Sequencing Cables, View 2, 1999	66
310.4 Sequencing Cables, View 2, from 2002	70
311.1 Number 1 Column and Carriage Attached Parts	74
400 Power Groups	78
401.1 Hydraulic Installation	78
402.1 Battery and Battery Charger Installation, From 1996 to 2001	80
402.2 Battery and Battery Charger Installation, From 2002 (to SN DPL10-1838)	84
402.3 Battery and Battery Charger Installation, From 2002 (from SN DPL10-1839)	88
403.1 DC Hydraulic Power Unit, From 1996 to 2001 (to serial number DPL02-915)	92
403.2 DC Hydraulic Power Unit, From 2002 (from serial number DPL02-916)	94
404.1 AC Hydraulic Power Unit, From 1996 to 2001 (to serial number DPL02-915)	98
404.2 AC Hydraulic Power Unit, From 2002 (from serial number DPL02-916)	100
405.1 Ground Controls - DC Models, From 2000 to 2001	104
405.2 Ground Controls - DC Models, From 1996 to 1999	108
405.3 Ground Controls - DC Models, From 2002	112
406.1 Ground Controls - AC Models, From 2000 to 2001	118

Table of Contents

Description	Page
406.2 Ground Controls - AC Models, From 1996 to 1999	124
406.3 Ground Controls - AC Models, From 2002	130
407.1 Control Cable Assemblies, DPL-25S and DPL-35S, From 1996 to 2001	138
407.2 Control Cable Assemblies, DPL-25S and DPL-35S, From 2002	140
408.1 Control Cable Assemblies, DPL-30S, From 1996 to 2001	144
408.2 Control Cable Assemblies, DPL-30S, From 2002	146
409.1 Control Hose Assemblies, Air Powered Models	148
410.1 Battery Charger, Lester Models	150
411.1 Battery Charger, Signet Model, From 1996 to 2001	152
411.2 Battery Charger, Signet Model, From 2002	154
412.1 Hydraulic Hoses and Fittings (to SN DPL03-1336)	156
412.2 Hydraulic Hoses and Fittings (from SN DPL03-1337)	158
500 Platform Components	160
501.1 Platform Assembly, From 2000 to 2001	160
501.1 Platform Assembly, From 1996 to 1999	164
501.2 Platform Assembly - ANSI Models(All) and Australia Models, From 2002 (to SN DPL12-2054)	168
502.1 Platform Assembly with Limit Switches - CE Models (All) and Australia Models (from SN DPL12-2055)	172
503.1 Platform Railing Latch, From 2000 to 2001	174
503.2 Platform Railing Latch, From 1996 to 1999	176
503.3 Platform Railing Latch, From 2002	178
504.2 Platform Controls, From 2002	180
600 Accessories	184
601.1 Laser Locating Light, Tool Tray and Fluorescent Tube Caddy	184
602.1 Operational Warning Light and Descent Alarm	186
Part Number Index	188

101.1 Decals, 1996 to 2001 (to serial number DPL04-1188)

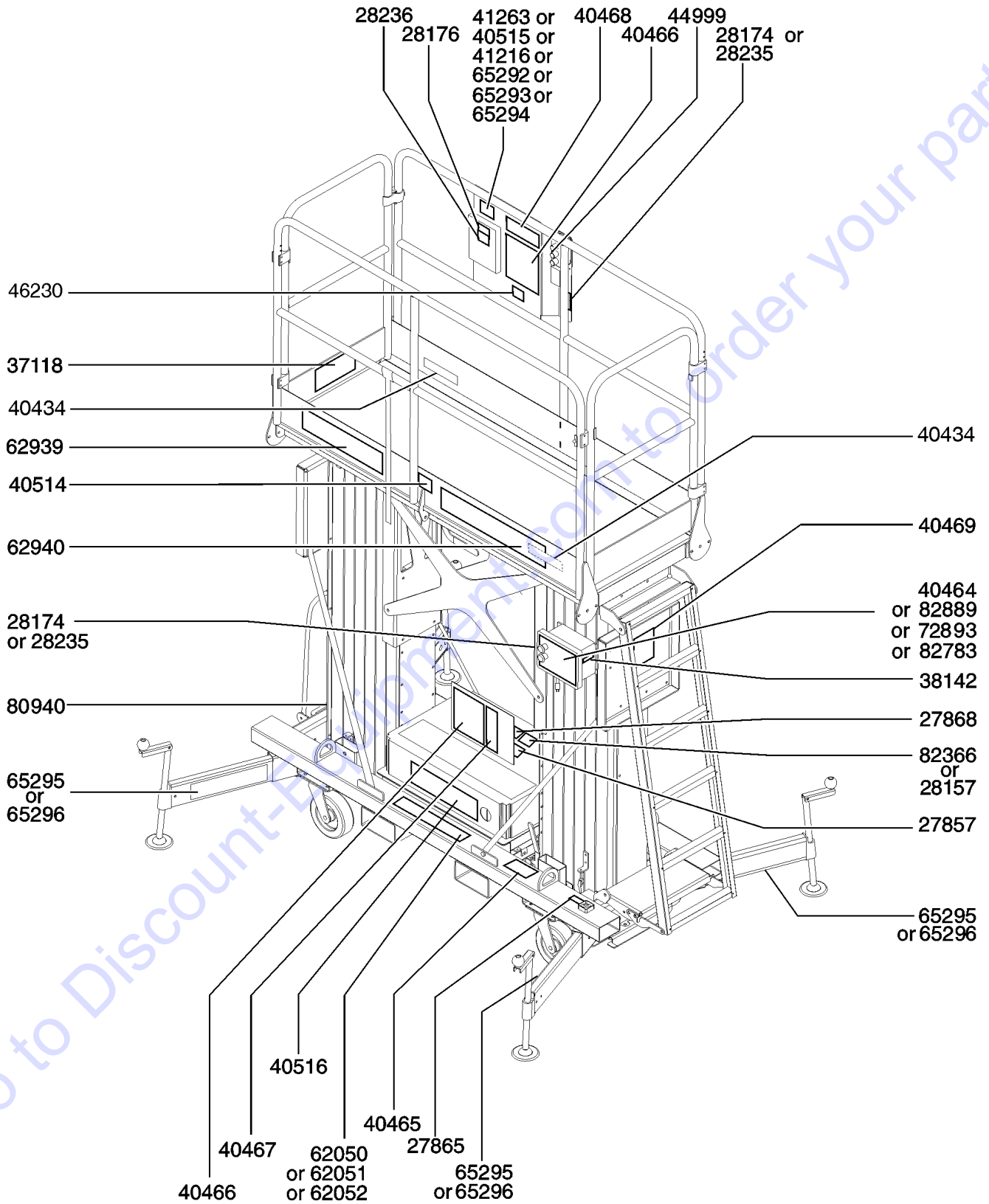


101.1 Decals, 1996 to 2001 (to serial number DPL04-1188)

Item	Part No.	Description	Qty.
	41221GT	DECAL KIT,SAFE/INSTRUCT.,DPL-S includes items 1 to 10, 11 to 16 and 21	
	41222GT	DECAL KIT,SAF/INSTRU,PLAT.OONLY includes items 5 to 9, 12, 14, 16, 26 and 27	
1	27857GT	DECAL,COMPONENT DAMAGE,CAP	1
2	27865GT	DECAL,BUBBLE LEVEL ***	2
3	27868GT	DECAL,DANGER-TIP OVER	1
4	28157GT	DECAL,USE DEXRON***	1
5	28174GT	DECAL,POWER TO PLATFORM 230V	2
6	28176GT	DECAL,LABEL,MANUAL NOT HERE	1
7	28235GT	DECAL,POWER TO PLATFORM 115V	2
8	28236GT	DECAL,WARN,IMPROPER OPERATION	1
9	37118GT	DECAL,WARNING,NO EXIT THIS END	1
10	38142GT	DECAL, LABEL, CIRCUIT BREAKER AC models	1
11	40464GT	DECAL, INTERLOCK DISPLAY,DPLS* AC and DC models	1
12	40465GT	DECAL, LABEL, MANUAL LOW LEVER	1
13	40466GT	DECAL,DANGER,GEN SAFETY DPLS	2
14	40467GT	DECAL,NOTICE,OPER INST,GR,DPLS	1
15	40468GT	DECAL,NOTICE,OPER INST,PL,DPLS	1
16	40469GT	DECAL,DANGER,TIP-OVER/FALL	1
17	40514GT	DECAL,NOTICE,GUARD RAIL HANDLE	2
18	40515GT	DECAL,NOTICE,MAX 600#,ANSI/CSA ANSI and CSA models	1
19	40516GT	DECAL,DANGER,BATT SAFETY/SETUP (Lester chargers)	1
20	41216GT	DECAL,NOTICE,MAX 750 LBS,ANSI ANSI and CSA models	1
21	41263GT	DECAL,NOTICE,MAX 500 LBS,CSA ANSI and CSA models	1
22	44999GT	DECAL,LABEL, CONTROL ACTIVATE	
23	46230GT	DECAL,NOTICE,MAN FORCE/WIND,CE	
24	62050GT	DECAL,COSMETIC,GENIE DPL-25S	2
25	62051GT	DECAL,COSMETIC,GENIE DPL-30S	2
26	62052GT	DECAL,COSMETIC,GENIE DPL-35S	2



101.1 Decals, 1996 to 2001 (to serial number DPL04-1188)



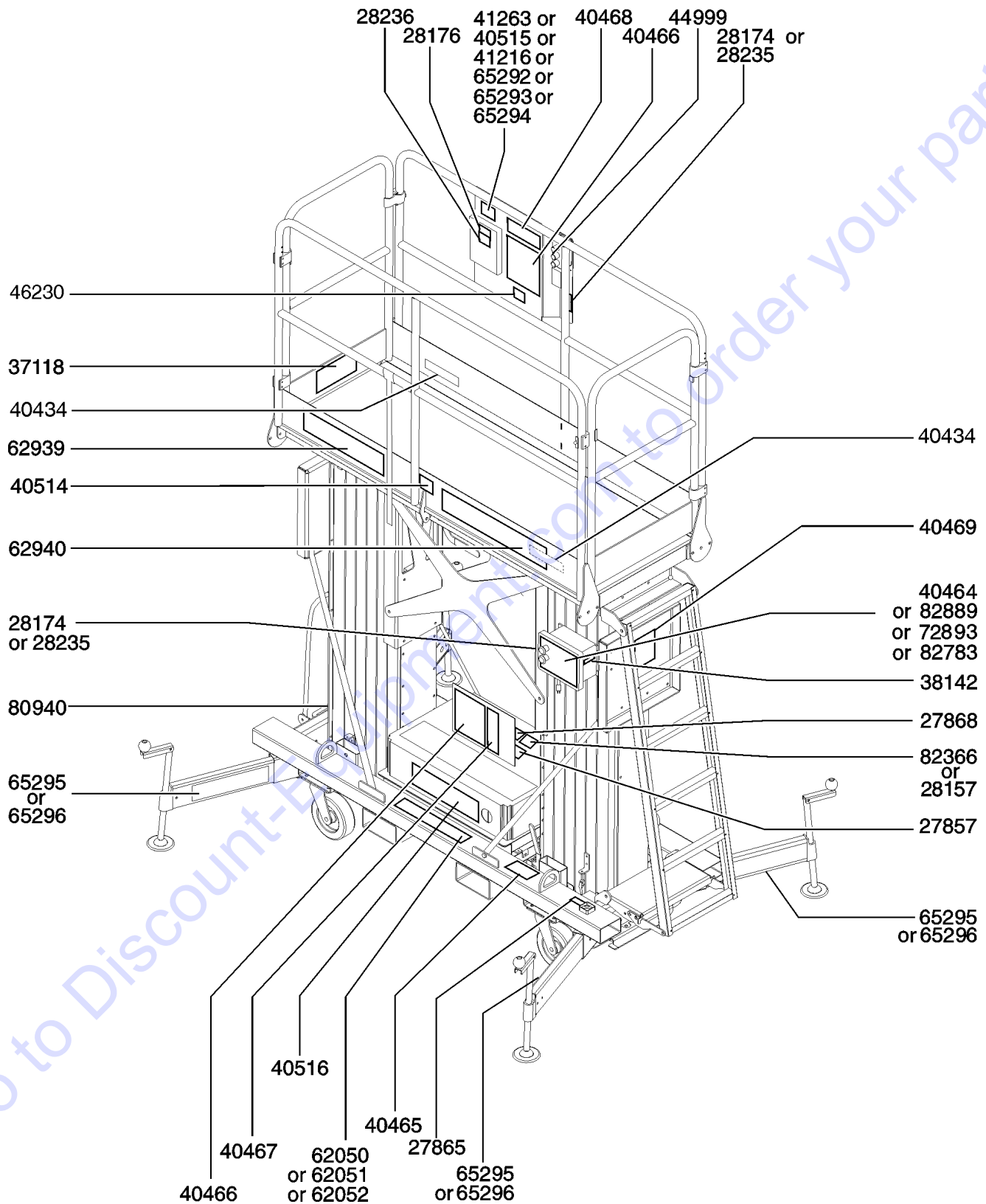
101.1 Decals, 1996 to 2001 (to serial number DPL04-1188)

Item	Part No.	Description	Qty.
27	62939GT	DECAL,CSMTIC,GENIE LOGO,DPL	2
28	62940GT	DECAL,CSMTIC,DPL SUPER SERIES	2
29	65292GT	DECAL,NOTICE,MAX CAP 500 LB,CE	1
		CE models	
30	65293GT	DECAL,NOTICE,MAX CAP 600 LB,CE	1
		CE models	
31	65294GT	DECAL,NOTICE,MAX CAP 750 LB,CE	1
		CE models	
32	65295GT	DECAL,NOTICE,20" OUTRIGGER-DPL	4
		CE models	
33	65296GT	DECAL,NOTICE,26" OUTRIGGER-DPL	4
		CE models	
34	72893GT	DECAL,INTERLOCK DISPLAY,DPL	1
		AC and DC models	
36	82366GT	DECAL,CHEVRON RANDO HD	1
37	82783GT	DECAL,INTERLOCK DISPLAY,DPL	1
		AC and DC models	
38	82889GT	DECAL, INTERLOCK DISPLAY, DPLS	1
		AC and DC models	

Go to Discount-Equipment.com to order your parts



101.2 Decals, from 2002 (to serial number DPL04-1188)

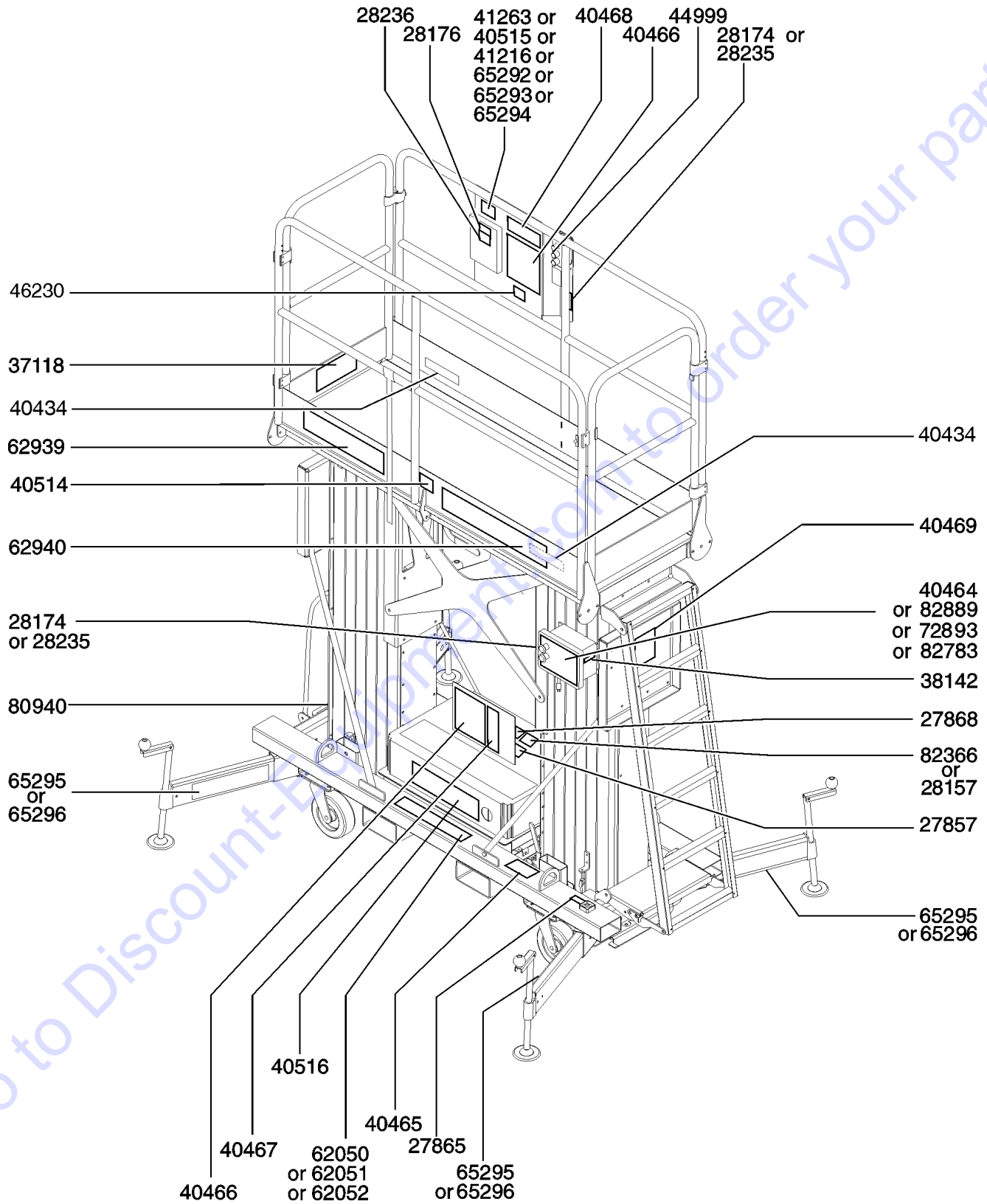


101.2 Decals, from 2002 (to serial number DPL04-1188)

Item	Part No.	Description	Qty.
	41221GT	DECAL KIT,SAFE/INSTRUCT.,DPL-S (includes items 1 to 10, 11 to 16 and 21)	
	41222GT	DECAL KIT,SAF/INSTRU,PLAT.OONLY (includes items 5 to 9, 12, 14, 16, 26 and 27)	
1	27857GT	DECAL,COMPONENT DAMAGE,CAP	1
2	27865GT	DECAL,BUBBLE LEVEL ***	2
3	27868GT	DECAL,DANGER-TIP OVER	1
4	28157GT	DECAL,USE DEXRON*** (Serial numbers to DPL02-1007)	1
5	28174GT	DECAL,POWER TO PLATFORM 230V	2
6	28176GT	DECAL,LABEL,MANUAL NOT HERE	1
7	28235GT	DECAL,POWER TO PLATFORM 115V	2
8	28236GT	DECAL,WARN,IMPROPER OPERATION	1
9	37118GT	DECAL,WARNING,NO EXIT THIS END	1
10	38142GT	DECAL, LABEL, CIRCUIT BREAKER (AC models)	1
11	40434GT	DECAL,LANYARD ANCHORAGE POINT	2
12	40464GT	DECAL, INTERLOCK DISPLAY,DPLS* (AC and DC models)	1
13	40465GT	DECAL, LABEL, MANUAL LOW LEVER	1
14	40466GT	DECAL,DANGER,GEN SAFETY DPLS	2
15	40467GT	DECAL,NOTICE,OPER INST,GR,DPLS	1
16	40468GT	DECAL,NOTICE,OPER INST,PL,DPLS	1
17	40469GT	DECAL,DANGER,TIP-OVER/FALL	1
18	40514GT	DECAL,NOTICE,GUARD RAIL HANDLE	2
19	40515GT	DECAL,NOTICE,MAX 600#,ANSI/CSA (ANSI and CSA models)	1
20	40516GT	DECAL,DANGER,BATT SAFETY/SETUP (Lester chargers)	1
21	41216GT	DECAL,NOTICE,MAX 750 LBS,ANSI (ANSI and CSA models)	1
22	41263GT	DECAL,NOTICE,MAX 500 LBS,CSA (ANSI and CSA models)	1
23	44999GT	DECAL,LABEL, CONTROL ACTIVATE	
24	46230GT	DECAL,NOTICE,MAN FORCE/WIND,CE	
25	62050GT	DECAL,COSMETIC,GENIE DPL-25S	2
26	62051GT	DECAL,COSMETIC,GENIE DPL-30S	2



101.2 Decals, from 2002 (to serial number DPL04-1188)



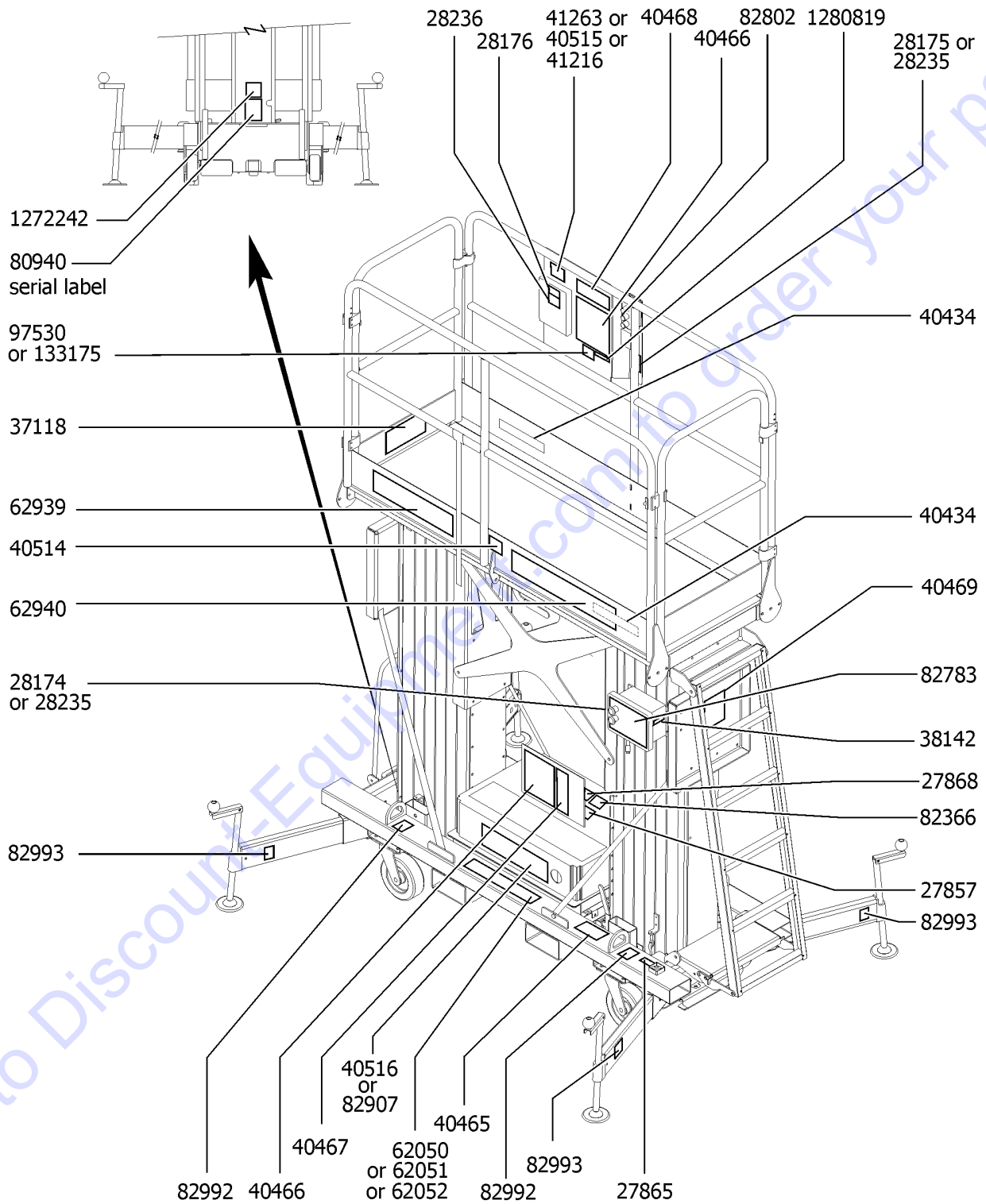
101.2 Decals, from 2002 (to serial number DPL04-1188)

Item	Part No.	Description	Qty.
27	62052GT	DECAL,COSMETIC,GENIE DPL-35S	2
28	62939GT	DECAL,CSMTIC,GENIE LOGO,DPL	2
29	62940GT	DECAL,CSMTIC,DPL SUPER SERIES	2
30	65292GT	DECAL,NOTICE,MAX CAP 500 LB,CE (CE models)	1
31	65293GT	DECAL,NOTICE,MAX CAP 600 LB,CE (CE models)	1
32	65294GT	DECAL,NOTICE,MAX CAP 750 LB,CE (CE models)	1
33	65295GT	DECAL,NOTICE,20" OUTRIGGER-DPL CE models	4
34	65296GT	DECAL,NOTICE,26" OUTRIGGER-DPL CE models	4
35	72893GT	DECAL,INTERLOCK DISPLAY,DPL AC and DC models	1
36	80940GT	ASSY,SER # LABEL,POWERED/GR **	1
37	82366GT	DECAL,CHEVRON RANDO HD from SN DPL02-1007	1
38	82783GT	DECAL,INTERLOCK DISPLAY,DPL AC and DC models	1
39	82889GT	DECAL, INTERLOCK DISPLAY, DPLS AC and DC models	1

Go to Discount-Equipment.com to order your parts



102.1 Decals with Words (from serial number DPL04-1189)

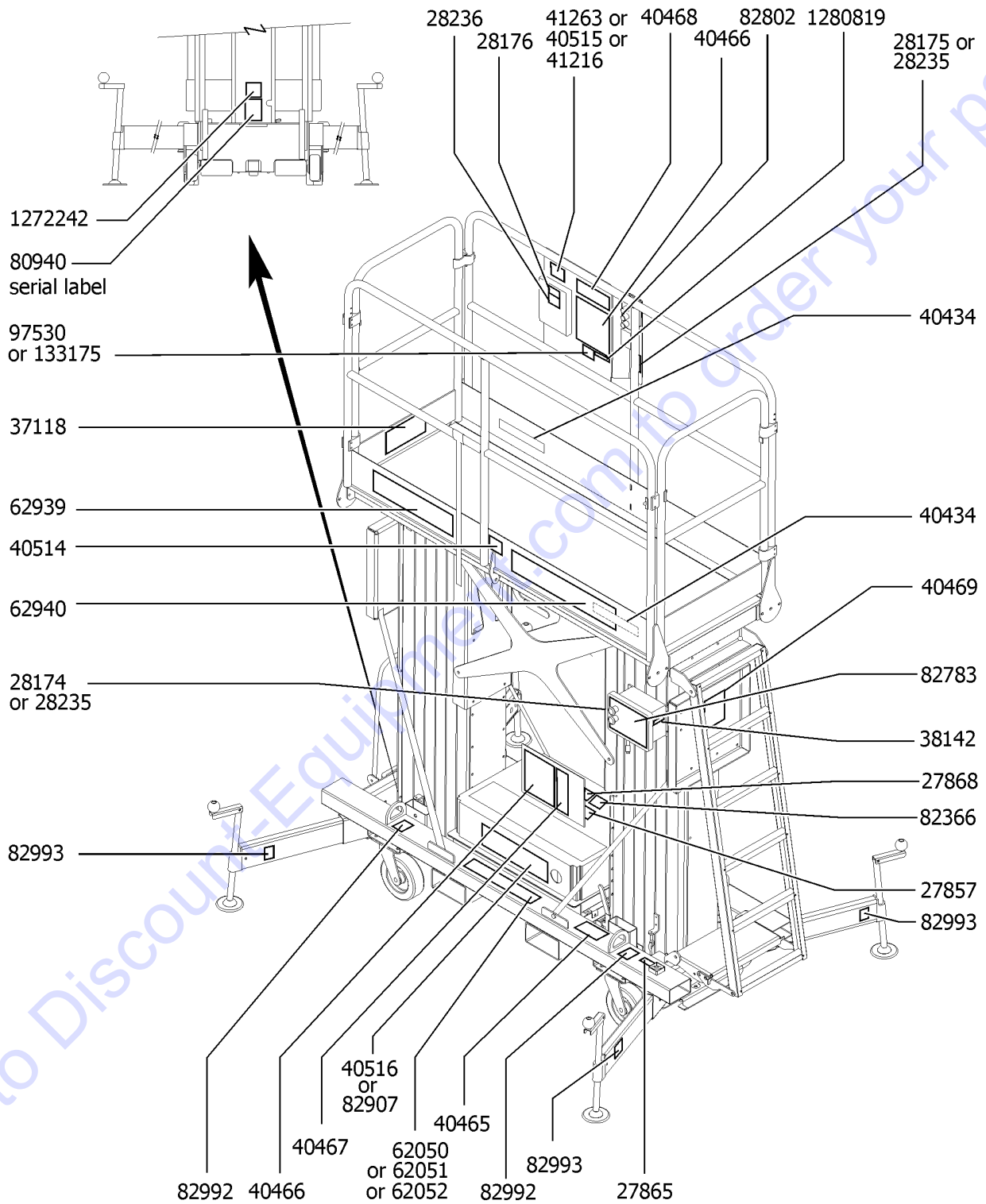


102.1 Decals with Words (from serial number DPL04-1189)

Item	Part No.	Description	Qty.
	85461GT	DECAL KIT,SAFE/INSTRUCT.,DPL-S includes items 1 to 3, 5 to 9, 12 to 17, 29 and 31 to 33	
	41222GT	DECAL KIT,SAF/INSTRU,PLAT.OONLY includes items 4 to 8, 11, 13, 15, 23 and 24	
1	27857GT	DECAL,COMPONENT DAMAGE,CAP	1
2	27865GT	DECAL,BUBBLE LEVEL ***	2
3	27868GT	DECAL,DANGER-TIP OVER	1
4	28174GT	DECAL,POWER TO PLATFORM 230V	2
5	28176GT	DECAL,LABEL,MANUAL NOT HERE	1
6	28235GT	DECAL,POWER TO PLATFORM 115V	2
7	28236GT	DECAL,WARN,IMPROPER OPERATION	1
8	37118GT	DECAL,WARNING,NO EXIT THIS END	1
9	38142GT	DECAL, LABEL, CIRCUIT BREAKER AC models	1
10	40434GT	DECAL,LANYARD ANCHORAGE POINT	2
11	40465GT	DECAL, LABEL, MANUAL LOW LEVER	1
12	40466GT	DECAL,DANGER,GEN SAFETY DPLS	2
13	40467GT	DECAL,NOTICE,OPER INST,GR,DPLS	1
14	40468GT	DECAL,NOTICE,OPER INST,PL,DPLS	1
15	40469GT	DECAL,DANGER,TIP-OVER/FALL	1
16	40514GT	DECAL,NOTICE,GUARD RAIL HANDLE	2
17	40515GT	DECAL,NOTICE,MAX 600#,ANSI/CSA ANSI and CSA models	1
18	40516GT	DECAL,DANGER,BATT SAFETY/SETUP (Lester chargers)	1
19	41216GT	DECAL,NOTICE,MAX 750 LBS,ANSI ANSI and CSA models	1
20	41263GT	DECAL,NOTICE,MAX 500 LBS,CSA ANSI and CSA models	1
21	62050GT	DECAL,COSMETIC,GENIE DPL-25S	2
22	62051GT	DECAL,COSMETIC,GENIE DPL-30S	2
23	62052GT	DECAL,COSMETIC,GENIE DPL-35S	2
24	62939GT	DECAL,CSMTIC,GENIE LOGO,DPL	2
25	62940GT	DECAL,CSMTIC,DPL SUPER SERIES	2



102.1 Decals with Words (from serial number DPL04-1189)



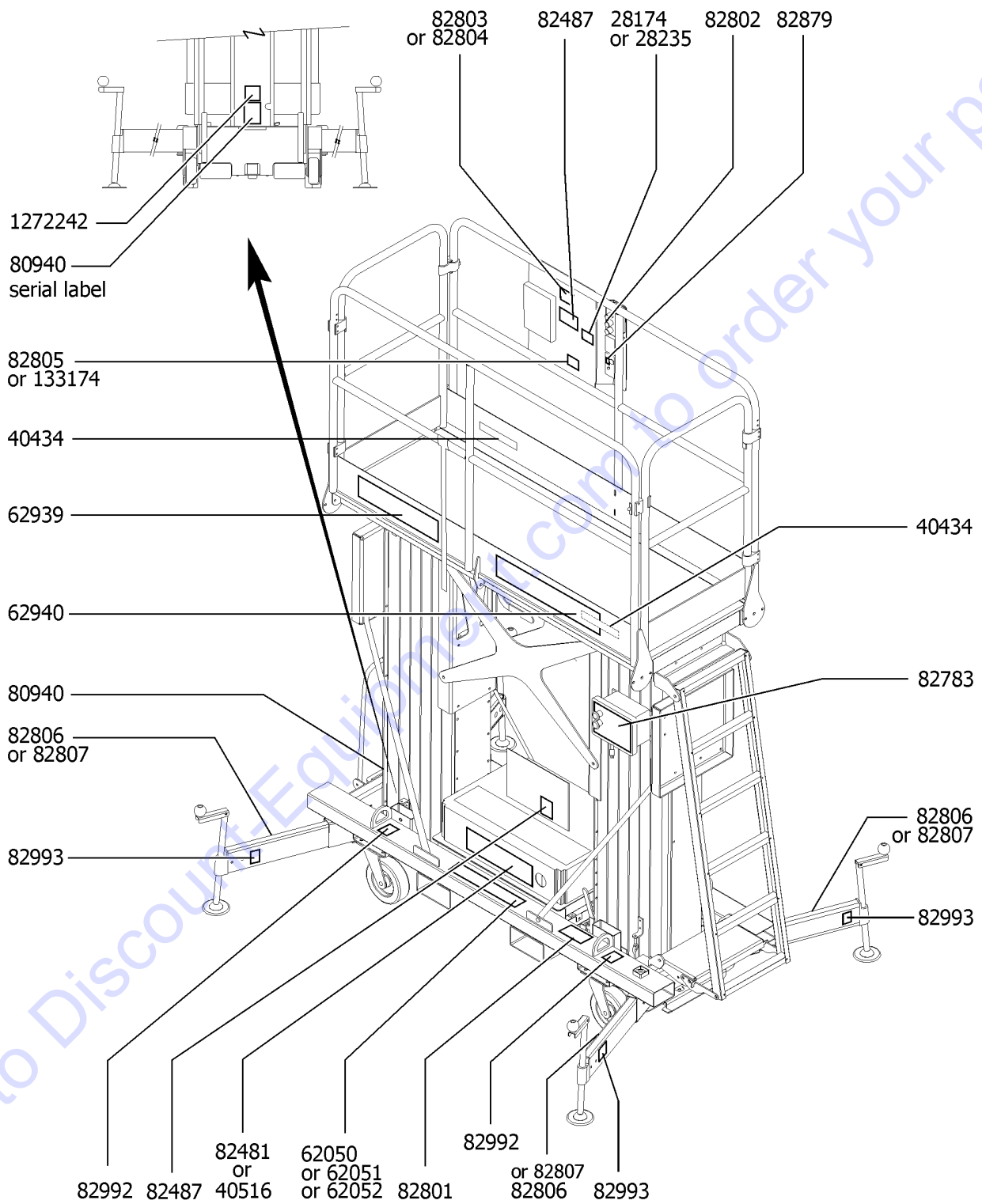
102.1 Decals with Words (from serial number DPL04-1189)

Item	Part No.	Description	Qty.
26	80940GT	ASSY,SER # LABEL,POWERED/GR **	1
27	82366GT	DECAL,CHEVRON RANDO HD	1
		(from SN DPL02-1007)	
28	82783GT	DECAL,INTERLOCK DISPLAY,DPL	1
		AC and DC models	
29	82802GT	DECAL,LABEL,FUNCTION ENABLE	1
30	82907GT	DECAL,DANGER,BATTERY SAFETY	1
		(Signet Charger)	
31	82992GT	DECAL,LABEL,WHEEL LOAD, DPL	4
32	82993GT	DECAL,LABEL,OUTRIGGER LOAD DPL	4
33	97530GT	DECAL,NOTICE,MAN FORCE-AUST	1
34	133175GT	DECAL, NOTICE MAXIMUM MANUAL FORCE	1
		(ANSI, CSA) (from SN DPL04-1189)	
35	1272242GT	DECAL,MACHINE REGISTRATION/OWN	1

Go to Discount-Equipment.com to order your parts



103.1 Decals with Symbols (from serial number DPL04-1189)



Go to DiscountEquipment.com to order your parts

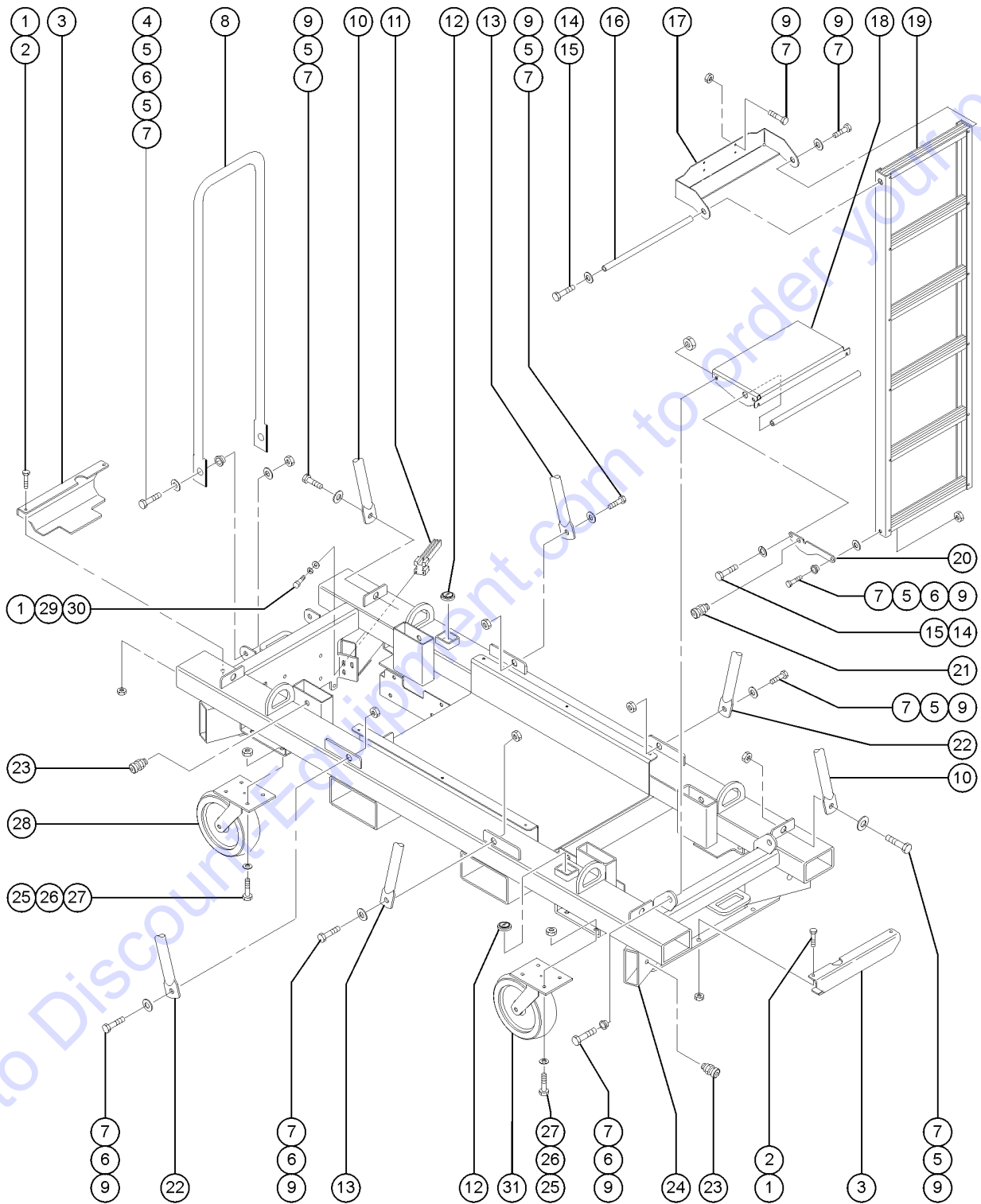


103.1 Decals with Symbols (from serial number DPL04-1189)

Item	Part No.	Description	Qty.
	85462GT	DECAL KIT,SAFE/INSTRUCT.,DPL-S includes items 1, 2, 11, 12, 14, 15 and 23	
	107033GT	DECAL KIT,SAF/INSTRU,PLAT, SYM includes items 1, 2, 7, 9, 11, 14 and 20	
1	28174GT	DECAL,POWER TO PLATFORM 230V	2
2	28235GT	DECAL,POWER TO PLATFORM 115V	2
3	40434GT	DECAL,LANYARD ANCHORAGE POINT	2
4	40516GT	DECAL,DANGER,BATT SAFETY/SETUP	1
5	62050GT	DECAL,COSMETIC,GENIE DPL-25S	2
6	62051GT	DECAL,COSMETIC,GENIE DPL-30S	2
7	62052GT	DECAL,COSMETIC,GENIE DPL-35S	2
8	62939GT	DECAL,CSMTIC,GENIE LOGO,DPL	2
9	62940GT	DECAL,CSMTIC,DPL SUPER SERIES	2
10	80940GT	ASSY,SER # LABEL,POWERED/GR **	1
11	82481GT	DECAL,SYMBOL-BATTERY SAFETY (Signet charger)	1
12	82487GT	DECAL,SYMBOL-READ THE MANUAL	2
13	82783GT	DECAL,INTERLOCK DISPLAY,DPL AC and DC models	1
14	82801GT	DECAL, LABEL, MANUAL LOW LEVER	1
15	82802GT	DECAL,LABEL,FUNCTION ENABLE	1
16	82803GT	DECAL,DANGER,MAX 600 LBS	1
17	82804GT	DECAL,DANGER,MAX 340 KG	1
18	82805GT	DECAL,DANGER,MAN FORCE-CE	1
19	82806GT	DECAL,LABEL,20" OUTRIGGER-DPL CE models	4
20	82807GT	DECAL,LABEL,26" OUTRIGGER-DPL CE models	4
21	82879GT	DECAL,LABEL,PLATFORM OVERLOAD	1
22	82992GT	DECAL,LABEL,WHEEL LOAD, DPL	4
23	82993GT	DECAL,LABEL,OUTRIGGER LOAD DPL	4
24	133174GT	DECAL,DANGER,MAX MANUAL FORCE (ANSI)	1
25	1272242GT	DECAL,MACHINE REGISTRATION/OWN	1



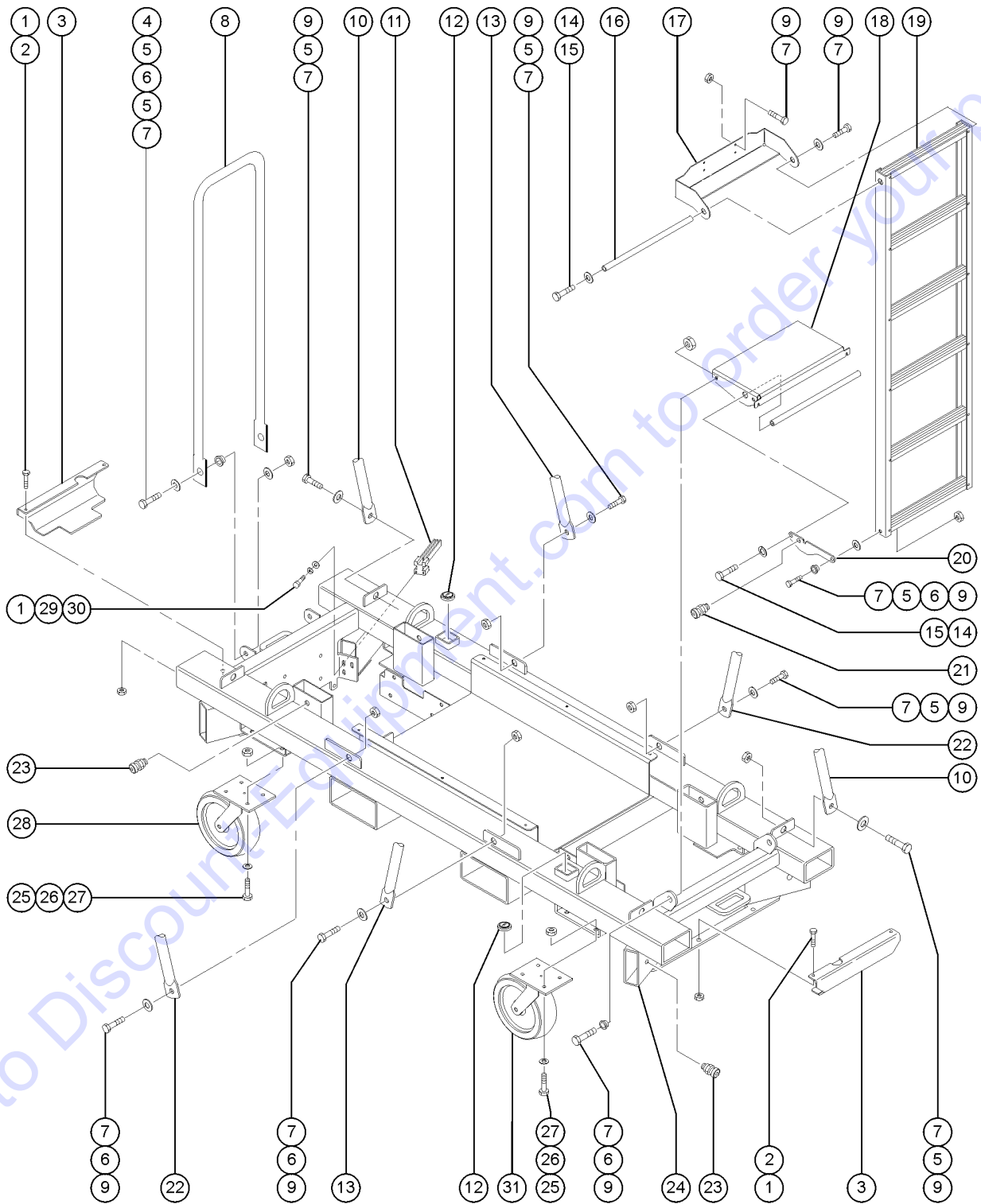
201.1 Base and Ladder Assembly



Item	Part No.	Description	Qty.
1	6090GT	SCREW,HHC,1/4-20 X .75	
2	6091GT	NUT,NYLOCK,1/4-20	
3	40682GT	COVER, MANUAL LOWERING,DPL	2
4	8516GT	SCREW, HCC, 3/8-16 X 1.50	
5	6097GT	WASHER,FLAT,USS,3/8",Y	
6	33720GT	BEARING,FLANGE,3/8 (AWP & ST)	6
7	4828GT	NUT,NYLOCK,3/8-16	
8	41165GT	PULL HANDLE	
9	6019GT	SCREW,HHC,3/8-16 X 1.25 GRD 5	
10	41174GT	MAST BRACE,SHORT models built before 7/30/1997	4
10A	46603GT	MAST BRACE, SHORT LEFT DPL models built after 7/30/1997	
10B	46675GT	MAST BRACE, SHORT, RIGHT, DPL models built after 7/30/1997	
11	40290GT	BRKT.INTLCK.CONTC.20"OUTRIGGER DPL-25S (ANSI and CE models)	4
11A	41336GT	BRKT.INTLCK.CONTC.30.5"OUTRIGR DPL-25S (CSA models)	
11B	40291GT	BRKT.INTLCK.CONTC.26"OUTRIGGER DPL-30, DPL-35S (ANSI and CE models)	
11C	40292GT	BRKT.INTLCK.CONTC.36"OUTRIGGER DPL-30, DPL-35S (CSA models)	
12	6714GT	LEVEL,BUBBLE	2
13	38340GT	STRUT,TILTBACK,FRONT,L.H.AWP96	2
14	10587GT	SCREW,HHC,1/2-13 X.75	
15	6033GT	WASHER,LOCK,0.5"	
16	40006PGT	TUBE,LADDER PIVOT,PAINTED DPL	2
17	40015PGT	BRACKET,LADDER PIVOT,PAINTED	1
18	40018PGT	LADDER,LINK.PIVOT LATCH,PTD	1
19	69248GT	LADDER, WELDMENT, DPL	1
20	40673GT	PLATE,LINKAGE,DPL**	2
21	33674GT	PIN,LOCK,SHORT***	2
22	38341GT	STRUT,TILTBACK,FRONT,R.H.AWP96	2
23	6825GT	PIN,OUTRIGGER LOCK	8



201.1 Base and Ladder Assembly



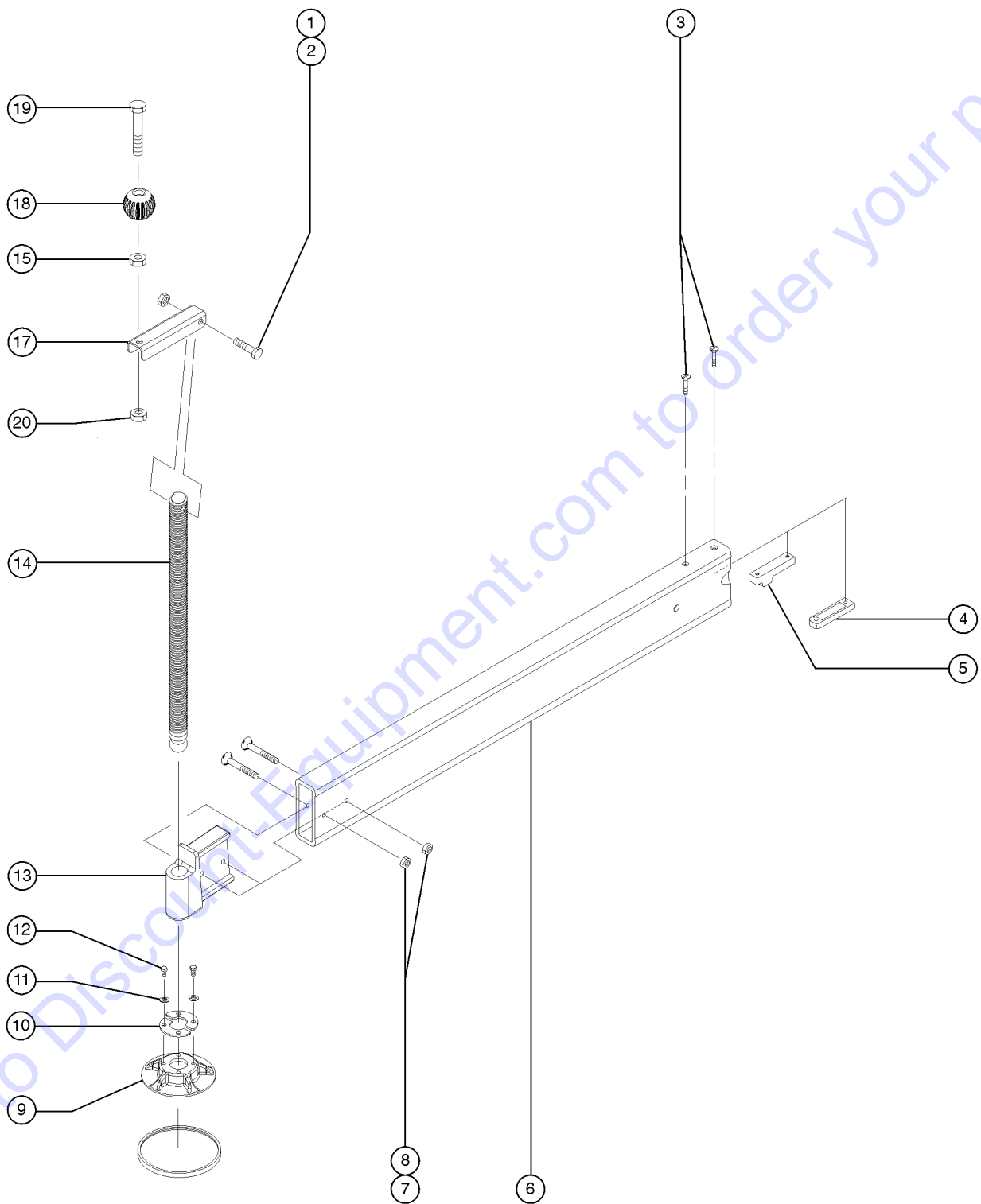
201.1 Base and Ladder Assembly

Item	Part No.	Description	Qty.
24	41223GT	BASE ASSY.,W/WORDS, DPLSS**** Serial numbers to DPL04-1188 (includes items 12 and 23)	1
24A	85440GT	BASE ASSY.W/WORDS, DPLSS Serial numbers from DPL04-1199 to DPL04-1211 (includes items 12 and 23; USA, Australian and Canadian models)	
24B	85438GT	BASE ASSY.,W/SYMBOLS,DPL Serial numbers from DPL04-1189 to DPL04-1211 (includes items 12 and 23; Asian, South American and European models)	
24C	107030GT	BASE ASSY.W/WORDS, DPLSS Serial numbers from DPL04-1212 (includes items 12 and 23; USA, Australia and Canadian models)	
24D	107018GT	BASE ASSY, W/SYMBOLS,DPL Serial numbers from DPL04-1212 (includes items 12 and 23; Asian, South American and European models)	
25	51496GT	SCREW,HHC, 1/2-13 X 1.375	
26	6095GT	WASHER,FLAT,USS, 1/2",Y	
27	6198GT	NUT,NYLOCK, 1/2-13	
28	57739GT	CASTER,PL, SW. SB, 8 X 2	2
29	6356GT	WASHER,LOCK,.25	
30	6638GT	WASHER,FLAT,USS, 1/4"Y	
31	57738GT	CASTER,SW LOCK, 8 X 2***	2

Go to Discount-Equipment.com to order your parts



202.1 Outrigger Assembly



202.1 Outrigger Assembly

Item	Part No.	Description	Qty.
	109713GT	LEVELING JACK ASSEMBLY,AWP*** includes items 1, 2 and 9-19	1
1	49377GT	SCREW,HHC,M6 X 40	1
2	49364GT	NUT,NYLOCK,M6X1.00	1
3	38596GT	SCREW,FHM,10-32X.5PHIL.W/PATCH	2
4		Ref. Outrigger Contact Assembly AC and DC Models (refer to 202.2)	
5		Ref. Outrigger Contact Assembly Air Models (refer to 202.2)	
6		Ref. Outrigger Tube Assembly (refer to 202.2)	
7	7713GT	NUT,LP NYLOCK,3/8-16	2
8	6610GT	SCREW,FHS,3/8-16 X 2 GRD.8	2
9	124163GT	FOOTPAD SERVICE KIT Serial numbers to DPL07-1595; includes items 9-12 and 15	1
9B	124793GT	KIT,FOOTPAD,AWP (includes items 9-12)	
10	109715GT	PLATE,FOOTPAD RETAINER	2
11	124792GT	WASHER,LOCK SPLIT,6MM,11.8MM	4
12	124552GT	SCREW,HHC,M6-12MM	4
13	24900GT	LEVELING JACK CASTING,AWP	1
14	109689GT	LEVELING ROD Serial numbers from DPL07-1596	1
15	124569GT	NUT,HEX,M10X1.5.LP	1
17	8214GT	HANDLE,LEVELING JACK,SHRT-ZINC	1
18	6082GT	HANDLE BALL KNOB	1
19	124568GT	SCREW,SHC,M10X1.5X55	1
20	22736GT	NUT,NYLOCK,M10X1.50	1



202.2 Outrigger Assembly Cross Reference

For units built before serial number DPL04-1189 use the following table to identify the proper outrigger assembly for your machine.

Applicable Standard	DPL-25S	DPL-30S	DPL-35S
ANSI			
Outrigger assembly	85451	85452	85452
Outrigger tube assembly (item number 6)	85432	85433	85433
Contact assembly (item number 4)	40494	40495	40495
CSA (Canada)			
Outrigger assembly	85453	85454	85454
Outrigger tube assembly (item number 6)	85434	85435	85435
Contact assembly (item number 4)	40496	40497	40497
CE (Europe)			
Outrigger assembly	85455	85456	85456
Outrigger tube assembly (item number 6)	85436	85437	85437
Contact assembly (item number 4)	40494	40495	40495

Outrigger assembly includes items 1 through 19.

Outrigger tube assembly (item 6) includes items 3,4 and 5.

For units built after serial number DPL04-1188 use the following table to identify the proper outrigger assembly for your machine.

Applicable Standard	DPL-25S	DPL-30S	DPL-35S
ANSI			
Outrigger assembly	85445	85446	85446
Outrigger tube assembly (item number 6)	85428	85429	85429
Contact assembly (item number 4)	40494	40495	40495
CSA (Canada)			
Outrigger assembly	85447	85448	85448
Outrigger tube assembly (item number 6)	85441	85442	85442
Contact assembly (item number 4)	40496	40497	40497
CE (Europe)			
Outrigger assembly	85449	85450	85450
Outrigger tube assembly (item number 6)	85443	85444	85444
Contact assembly (item number 4)	40494	40495	40495

Outrigger assembly includes items 1 through 19.

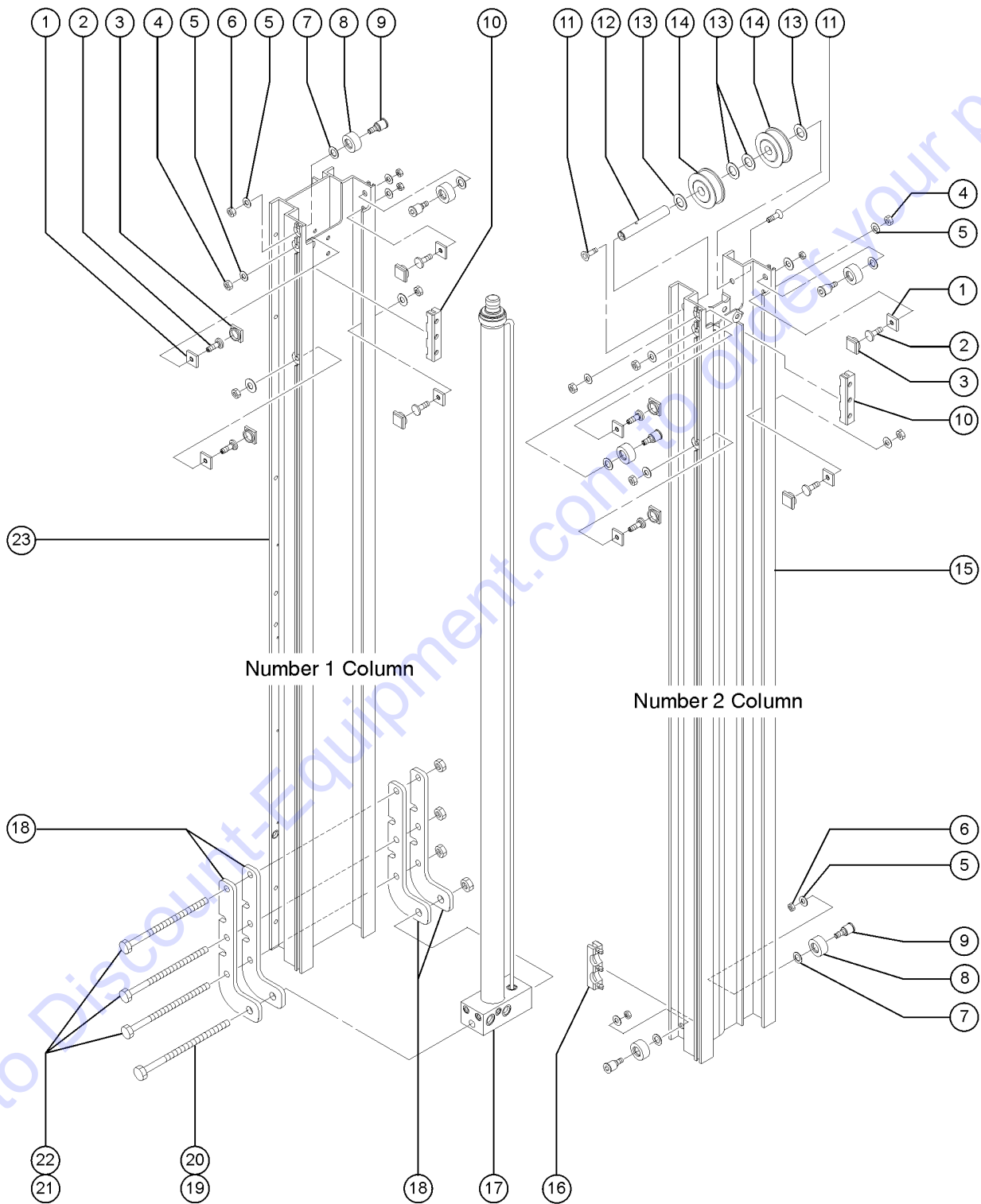
Outrigger tube assembly (item 6) includes items 3, 4 and 5.

202.2 Outrigger Assembly Cross Reference

Item	Part No.	Description	Qty.
1	85451GT	OUTRIG.ASSY.DPL-25',ANSI,DPL**	4
2	85452GT	OUTRIG.ASSY.DPL-30'&35'ANSI**	
3	85453GT	OUTRIGGER ASSY.DPL-25',CSA**	
4	85454GT	OUTRIG.ASSY.DPL-30'&35',CSA**	
5	85455GT	OUTRIG.ASSY.DPL-25',CE**	
6	85456GT	OUTRIG.ASSY.DPL-30'&35',CE**	
7	85445GT	OUTRIGGER ASSY.DPL-25',ANSI**	
8	85446GT	OUTRIG.ASSY.DPL-30'&35',ANSI**	
9	85447GT	OUTRIGGER ASSY.DPL-25',CSA**	
10	85448GT	OUTRIG.ASSY.DPL-30'&35',CSA**	
11	85449GT	OUTRIGGER ASSY.DPL-25',CE,DPL	
12	85450GT	OUTRIG.ASSY.DPL-30'&35',CE,DPL	
13	85432GT	OUTRIG.TUBE ASSY.20",ANSI,DPL	
14	85433GT	OUTRIG.TUBE ASSY.26",ANSI,DPL	
15	85434GT	OUTRIG.TUBE ASSY.30.5",CSA,DPL	
16	85435GT	OUTRIG.TUBE ASSY.36",CSA,DPL	
17	85436GT	OUTRIG.TUBE ASSY.20",CE,DPL	4
18	85437GT	OUTRIG.TUBE ASSY.26",CE,DPL	
19	85428GT	OUTRIG.TUBE ASSY.20",ANSI,DPL	
20	85429GT	OUTRIG.TUBE ASSY.26",ANSI,DPL	
21	85441GT	OUTRIG.TUBE ASSY.20",CSA,DPL*	
22	85442GT	OUTRIG.TUBE ASSY.26",CSA,DPL	
23	85443GT	OUTRIGGER TUBE ASSY.20",CE,DPL	
24	85444GT	OUTRIGGER TUBE ASSY.26",CE,DPL	
25	40494GT	CONTACT ASSY., 20" OUTRIGGER	4
26	40495GT	CONTACT ASSY,26" OUTRIGGER	
27	40496GT	CONTACT ASSY.,30.5" OUTRIGGER	
28	40497GT	CONTACT ASSY.,36" OUTRIGGER	

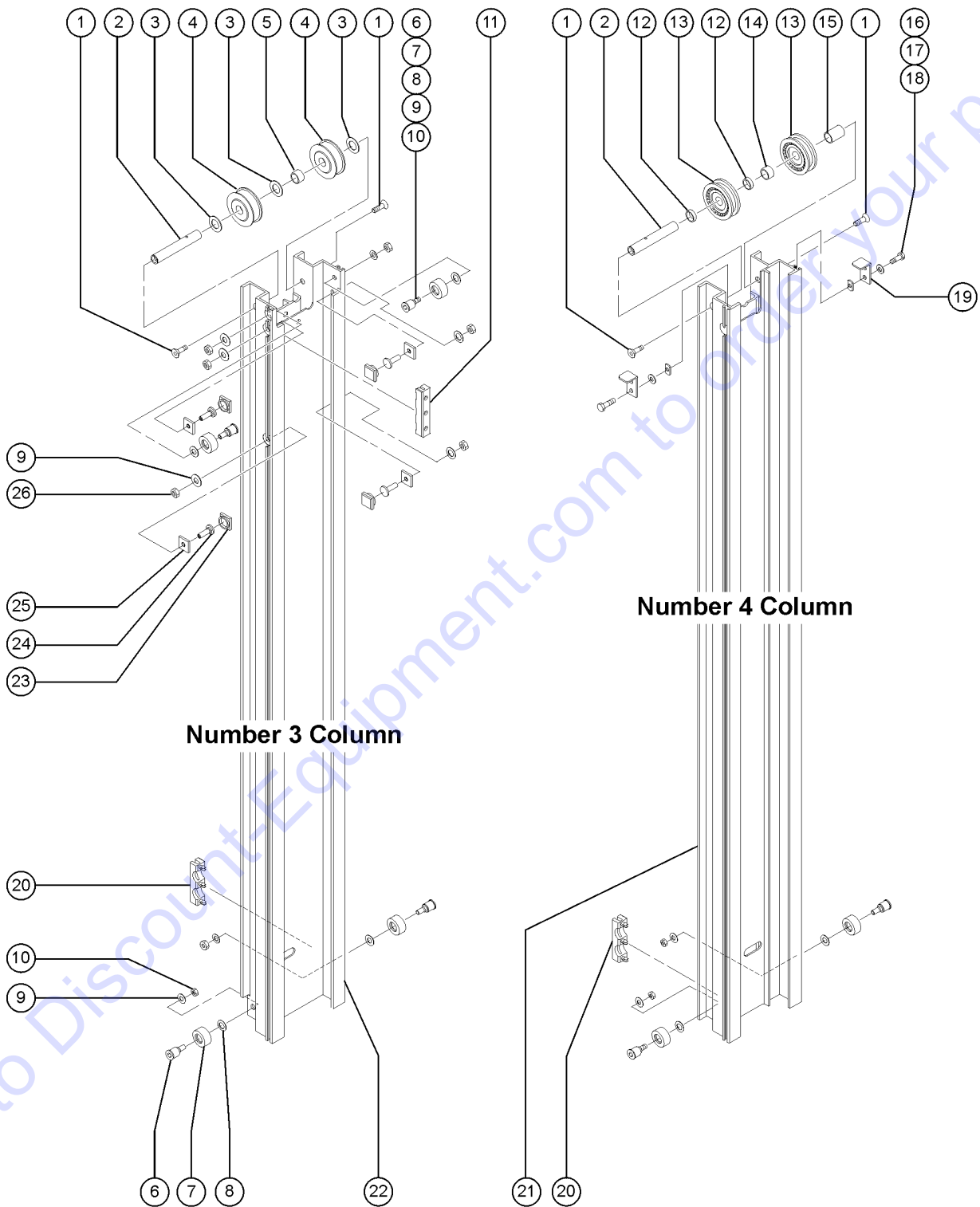


301.1 Number 1 and 2 Column Assemblies



Item	Part No.	Description	Qty.
	90337GT	BOE LUBE lubricant	1
1	38013GT	SHIM NUT,ADJUSTER	
2	40946GT	BOLT,SHIM	
3	38011GT	SHIM,SIDE PAD	8
4	6022GT	NUT,HEX,3/8-16	
5	6097GT	WASHER,FLAT,USS,3/8",Y	
6	7713GT	NUT,LP NYLOCK,3/8-16	
7	6052GT	WASHER,SHIM,.5 X .875 X .063	
8	38016GT	ROLLER,PLASTIC,AWP96**	6
9	35706GT	BOLT,ROLLER,.470"(SHORT)	6
10	35709GT	BLOCK,SLIDE,UPPER	2
11	45425GT	SCREW,FHS,3/8-16 X .75	
12	35707GT	SHAFT,LIFTING CHAINS,20MM DIA.	1
13	38709GT	WASHER,SHIM,.938 X 1.37 X .048	
14	38447GT	PULLEY W/BEARINGS (3 inch, O.D.)	2
15	35757GT	COLUMN, 72.5"SS (#2) (column 2)	1
16	35710GT	BLOCK,SLIDE,LOWER	1
17		Ref. Lift Cylinder (refer to 401.1)	
18	35727PGT	PLATE,CYLINDER MOUNT,PAINTED	4
19	1268235GT	SCREW,HHC,5/8-11 X 8.00	
20	38028GT	NUT,LP NYLOCK,5/8-11	
21	38601GT	SCREW,HHC,1/2-13 X 7.5	
22	6086GT	NUT,LP NYLOCK,1/2-13	
23	40478GT	COLUMN ASSY, 72.5"SS (#1) (column 1)	1

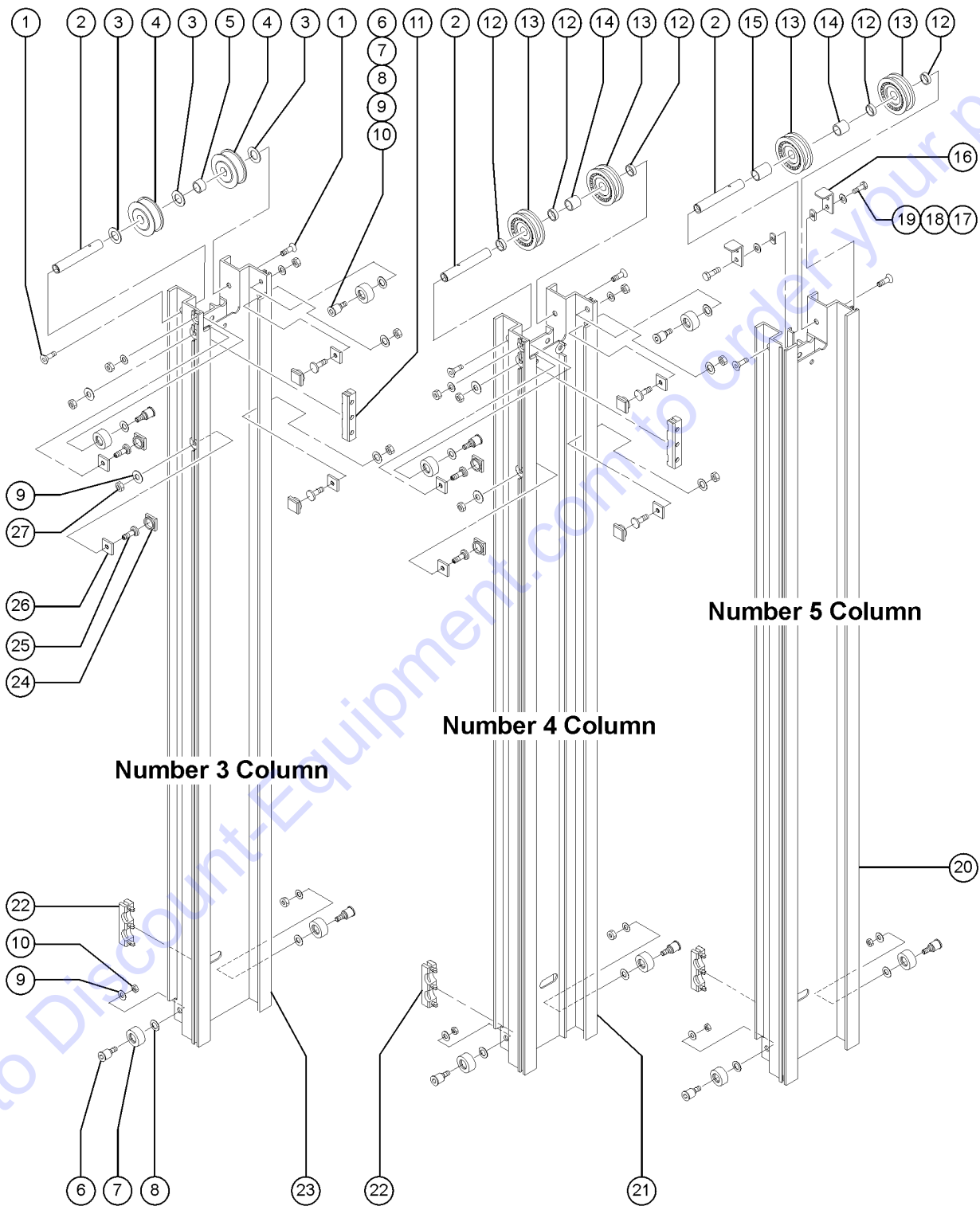
302.1 Number 3 and 4 Column Assemblies, DPL-25S



Item	Part No.	Description	Qty.
1	45425GT	SCREW,FHS,3/8-16 X .75	
2	35707GT	SHAFT,LIFTING CHAINS,20MM DIA.	2
3	38709GT	WASHER,SHIM,.938 X 1.37 X .048	
4	38447GT	PULLEY W/BEARINGS	2
		(3 inches)	
5	38316GT	SPACER,.560 AWP MAST	1
6	35706GT	BOLT,ROLLER,.470"(SHORT)	6
7	38016GT	ROLLER,PLASTIC,AWP96**	6
8	6052GT	WASHER,SHIM,.5 X .875 X .063	
9	6097GT	WASHER,FLAT,USS,3/8",Y	
10	7713GT	NUT,LP NYLOCK,3/8-16	
11	35709GT	BLOCK,SLIDE,UPPER	1
12	35722GT	SPACER,SHAFT,.310	2
13	35715GT	PULLEY,SMALL CHAIN	2
		(3.25 inch O.D.)	
14	35711GT	SPACER,SHAFT,.840"LG	1
15	37686GT	SPACER,SHAFT,1.400	1
16	38979GT	SCREW,PHM,1/4-20X.5 PHIL	
17	6356GT	WASHER,LOCK,.25	
18	35991GT	NUT,WELD 1/4-20, PLATED L.L.**	2
19	41178PGT	BRCKET,CARRIAGE STOP,PAINTED	2
20	35710GT	BLOCK,SLIDE,LOWER	2
21	35761GT	COLUMN, 72.5"SS (#4 OR #6)***	1
		DPL-25S (column 4)	
22	35758GT	COLUMN, 72.5"SS (#3 OR #5)***	1
		DPL-25S (column 3)	
23	38011GT	SHIM,SIDE PAD	4
24	40946GT	BOLT,SHIM	4
25	38013GT	SHIM NUT,ADJUSTER	4
26	6022GT	NUT,HEX,3/8-16	

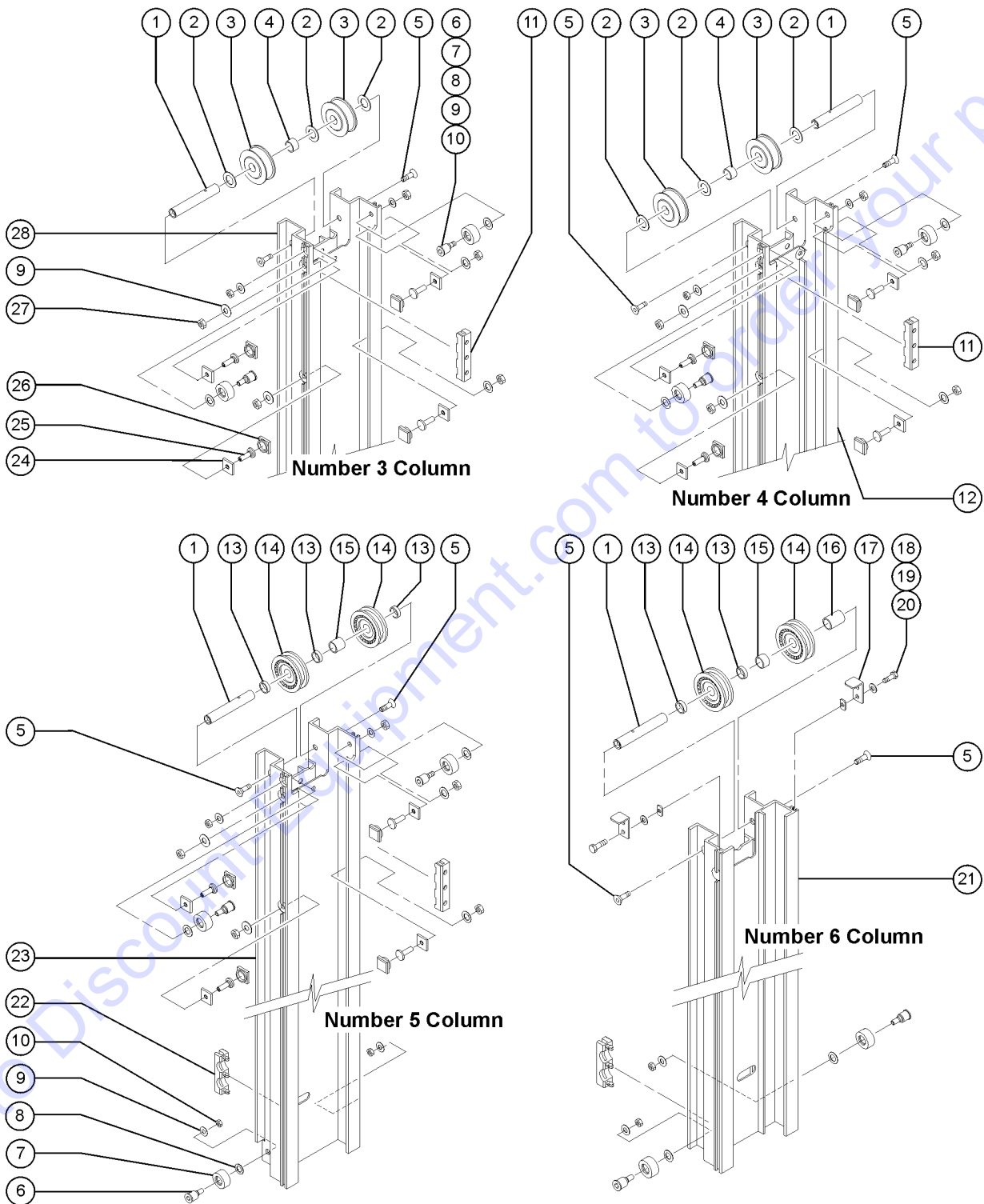


303.1 Number 3, 4 and 5 Column Assemblies, DPL-30S



Item	Part No.	Description	Qty.
1	45425GT	SCREW,FHS,3/8-16 X .75	
2	35707GT	SHAFT,LIFTING CHAINS,20MM DIA.	3
3	38709GT	WASHER,SHIM,.938 X 1.37 X .048	3
4	38447GT	PULLEY W/BEARINGS	2
		(3 inches)	
5	38316GT	SPACER,.560 AWP MAST	1
6	35706GT	BOLT,ROLLER,.470"(SHORT)	10
7	38016GT	ROLLER,PLASTIC,AWP96**	10
8	6052GT	WASHER,SHIM,.5 X .875 X .063	10
9	6097GT	WASHER,FLAT,USS,3/8",Y	
10	7713GT	NUT,LP NYLOCK,3/8-16	
11	35709GT	BLOCK,SLIDE,UPPER	2
12	35722GT	SPACER,SHAFT,.310	5
13	35715GT	PULLEY,SMALL CHAIN	4
		(3.25 inch O.D.)	
14	35711GT	SPACER,SHAFT,.840"LG	2
15	37686GT	SPACER,SHAFT,1.400	1
16	41178PGT	BRCKET,CARRIAGE STOP,PAINTED	2
17	38979GT	SCREW,PHM,1/4-20X.5 PHIL	
18	6356GT	WASHER,LOCK,.25	
19	35991GT	NUT,WELD 1/4-20, PLATED L.L. **	2
20	35760GT	COLUMN, 72.5"SS (#3 OR #5)***	1
		(column 5)	
21	35759GT	COLUMN, 72.5"SS (#4)***	1
		(column 4)	
22	35710GT	BLOCK,SLIDE,LOWER	3
23	35758GT	COLUMN, 72.5"SS (#3 OR #5)***	1
		(column 3)	
24	38011GT	SHIM,SIDE PAD	8
25	40946GT	BOLT,SHIM	8
26	38013GT	SHIM NUT,ADJUSTER	8
27	6022GT	NUT,HEX,3/8-16	

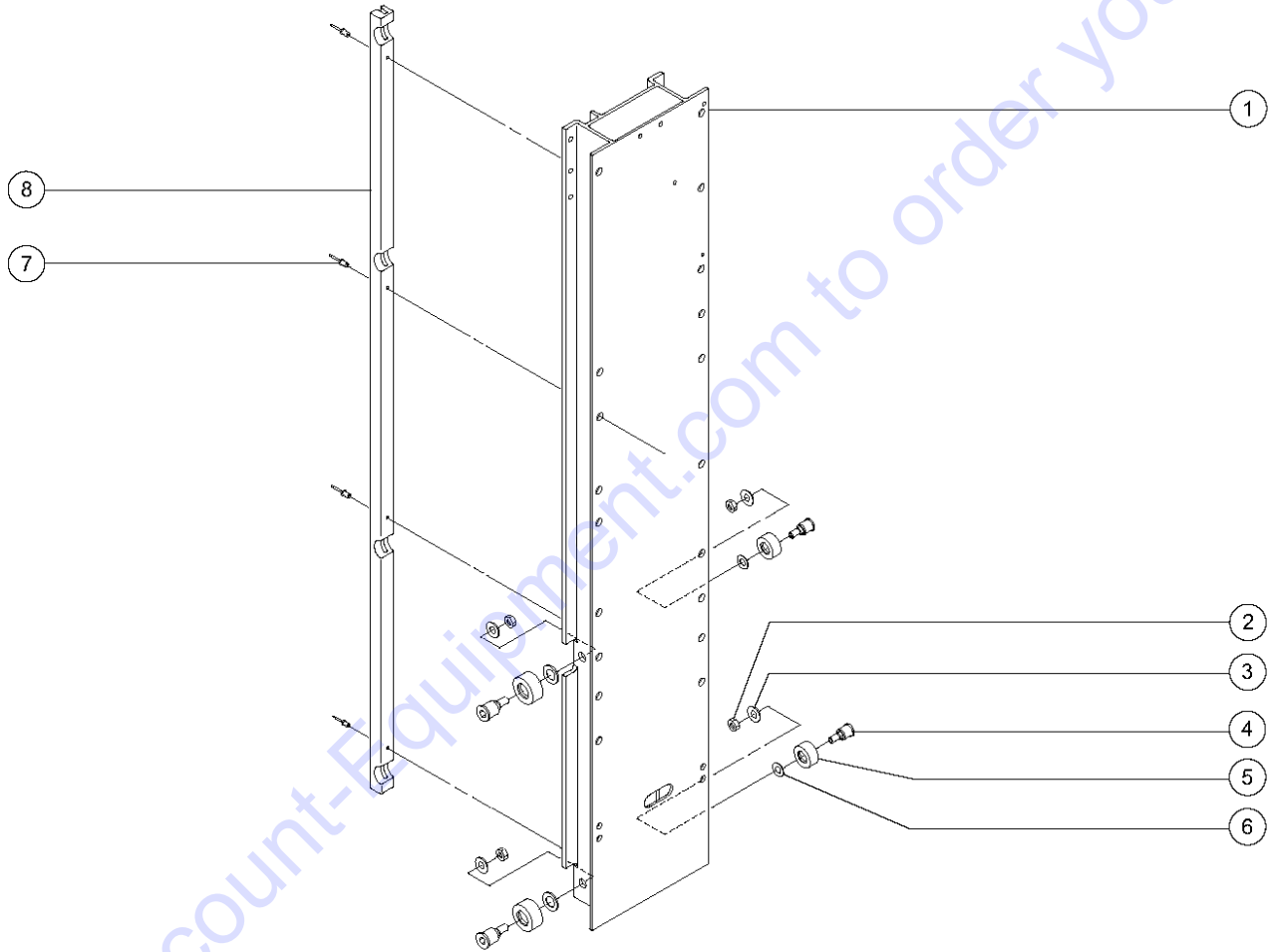
304.1 Number 3, 4, 5 and 6 Column Assemblies, DPL-35S



Item	Part No.	Description	Qty.
1	35707GT	SHAFT,LIFTING CHAINS,20MM DIA.	4
2	38709GT	WASHER,SHIM,.938 X 1.37 X .048	6
3	38447GT	PULLEY W/BEARINGS (3 inches O.D.)	4
4	38316GT	SPACER,.560 AWP MAST	2
5	45425GT	SCREW,FHS,3/8-16 X .75	
6	35706GT	BOLT,ROLLER,.470"(SHORT)	14
7	38016GT	ROLLER,PLASTIC,AWP96**	14
8	6052GT	WASHER,SHIM,.5 X .875 X .063	14
9	6097GT	WASHER,FLAT,USS,3/8",Y	
10	7713GT	NUT,LP NYLOCK,3/8-16	
11	35709GT	BLOCK,SLIDE,UPPER	3
12	35759GT	COLUMN, 72.5"SS (#4)***	1
		(column 4)	
13	35722GT	SPACER,SHAFT,.310	5
14	35715GT	PULLEY,SMALL CHAIN	4
		(3.25 inches O.D.)	
15	35711GT	SPACER,SHAFT,.840"LG	2
16	37686GT	SPACER,SHAFT,1.400	1
17	41178PGT	BRCKET,CARRIAGE STOP,PAINTED	2
18	38979GT	SCREW,PHM,1/4-20X.5 PHIL	
19	6356GT	WASHER,LOCK,.25	
20	35991GT	NUT,WELD 1/4-20, PLATED L.L.**	2
21	35761GT	COLUMN, 72.5"SS (#4 OR #6)***	1
		(column 6)	
22	35710GT	BLOCK,SLIDE,LOWER	4
23	35758GT	COLUMN, 72.5"SS (#3 OR #5)***	1
		(column 5)	
24	38013GT	SHIM NUT,ADJUSTER	12
25	40946GT	BOLT,SHIM	12
26	38011GT	SHIM,SIDE PAD	12
27	6022GT	NUT,HEX,3/8-16	
28	35758GT	COLUMN, 72.5"SS (#3 OR #5)***	1
		(column 3)	



305.1 Carriage Assembly

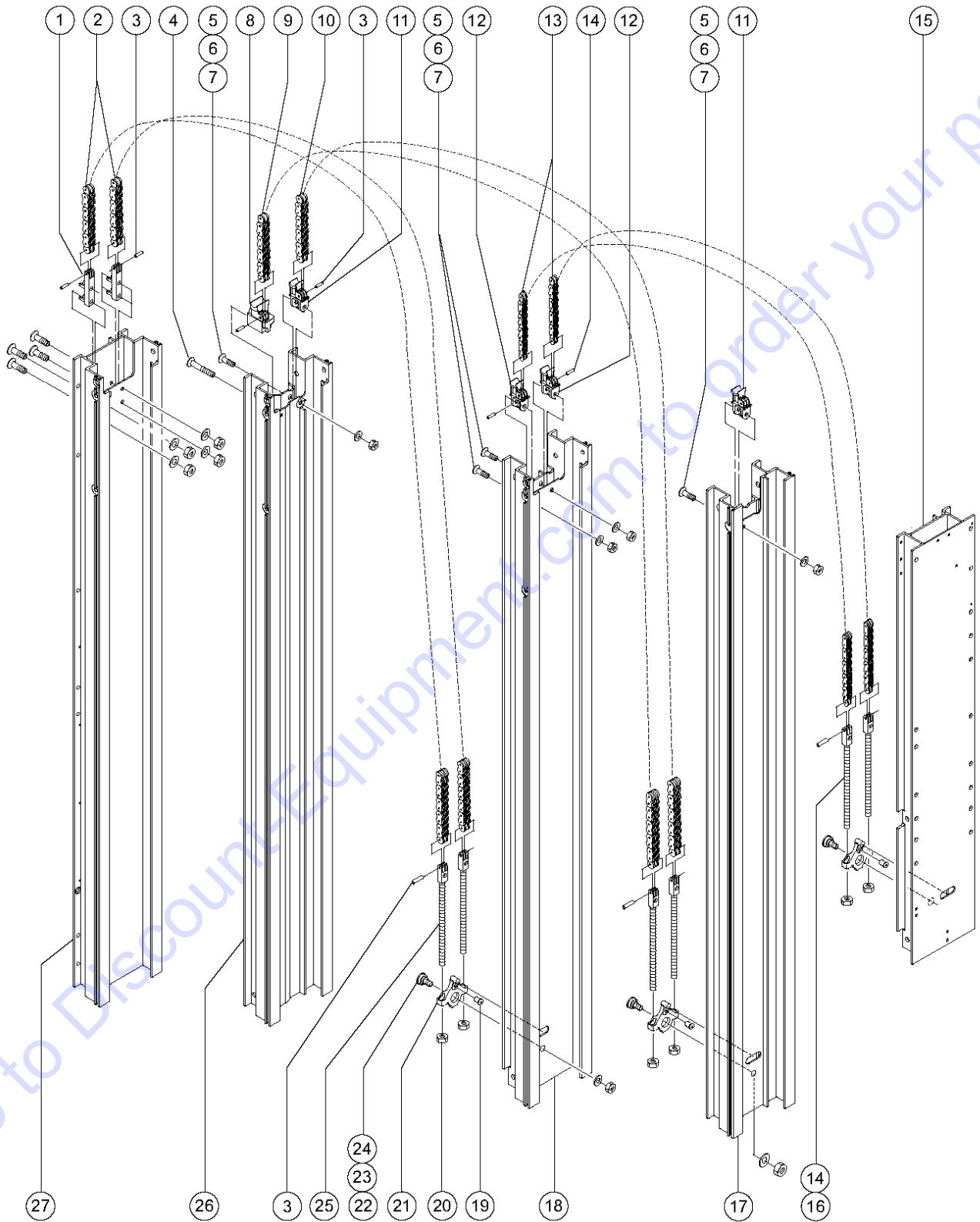


Item	Part No.	Description	Qty.
1	41256GT	CARRIAGE ASSY.,DPL-25S & 35S (includes items 7 and 8)	
1A	41257GT	CARRIAGE ASSY.,DPL-30S (includes items 7 and 8)	
2	7713GT	NUT,LP NYLOCK,3/8-16	
3	6097GT	WASHER,FLAT,USS,3/8",Y	
4	35706GT	BOLT,ROLLER,.470"(SHORT)	4
5	38026GT	ROLLER, MACHINED AWP***	4
6	6052GT	WASHER,SHIM,.5 X .875 X .063	
7	8920GT	RIVET,ALUM,ALUM,P,.156 X .375	4
8	38005GT	SLIDE BLOCK,CARRIAGE%%	1

Go to Discount-Equipment.com to order your parts



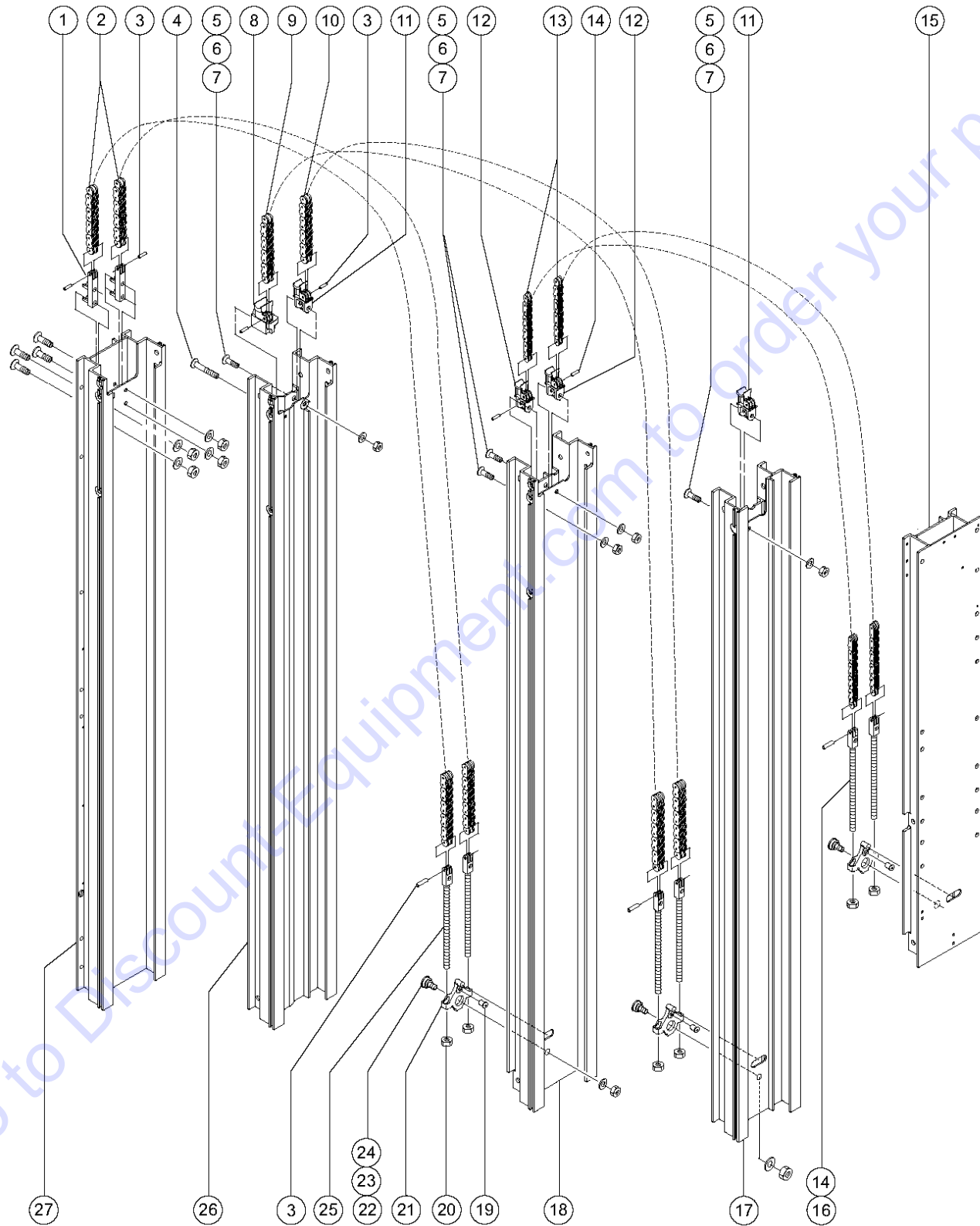
306.1 Lifting Chain Assemblies, DPL-25S



Item	Part No.	Description	Qty.
1	35699GT	CHAIN TERMINAL CASTING,#1	2
2	37385GT	CHAIN ASSY#1,72.5"COL.S-SERIES includes items 1, 3 and 25	2
2-	35704-6813GT	CHAIN,STD.LEAF AL544,68.13"	
3	6534GT	PIN,GROOVED-.200 X .75*	8
4	40945GT	SCREW,FHS,1/4-20 X 2.25	
5	35714GT	SCREW,FHS,3/8-16 X 2.25	
6	5397GT	WASHER,FLAT,USS,5/16",Y	
7	4828GT	NUT,NYLOCK,3/8-16	
8	35697GT	CHAIN TERM,CLEVIS CYL.,ZINC	1
9	37384GT	CHAIN ASSY#2,72.5"COL.S-SERIES includes items 3, 8 and 25	1
9-	35704-6813GT	CHAIN,STD.LEAF AL544,68.13"	
10	37386GT	CHAIN ASSY,72.5"COL. S-SERIES includes items 3, 11 and 25	1
10-	35704-6813GT	CHAIN,STD.LEAF AL544,68.13"	
11	35695GT	CHAIN TERM,PULLEY SUPORT-ZINC (double slot)	2
12	38980GT	CHAIN TERM,PULLEY SUPPORT-ZNC (single slot)	2
13	37387GT	CHAIN ASSY,72.5COL.(SM)S-SERIE includes items 12, 14 and 16	2
13-	35703-6813GT	CHAIN,STD.LEAF AL522,68.13"	
14	38986GT	PIN,GROOVED,.200 X .50*	4
15		Ref. Carriage Assembly	
		(refer to 305.1)	
16	41224GT	CHAIN TERM.LWR.SS(1 SLOT) includes item 14	2
17		Ref. Number 4 Column Assembly	
		(refer to 302.1)	
18		Ref. Number 3 Column Assembly	
		(refer to 302.1)	
19	11890GT	GLIDE BUTTON,SIDE,GLL,.100 TK	3
20	35712GT	NUT,NYLOCK,3/8-24	
21	35698GT	CHAIN TENSION ROCKER CAST.ZINC	3
22	35705GT	BOLT-ROCKER, S-SERIES	3
23	6095GT	WASHER,FLAT,USS,1/2",Y	
24	6086GT	NUT,LP NYLOCK,1/2-13	



306.1 Lifting Chain Assemblies, DPL-25S



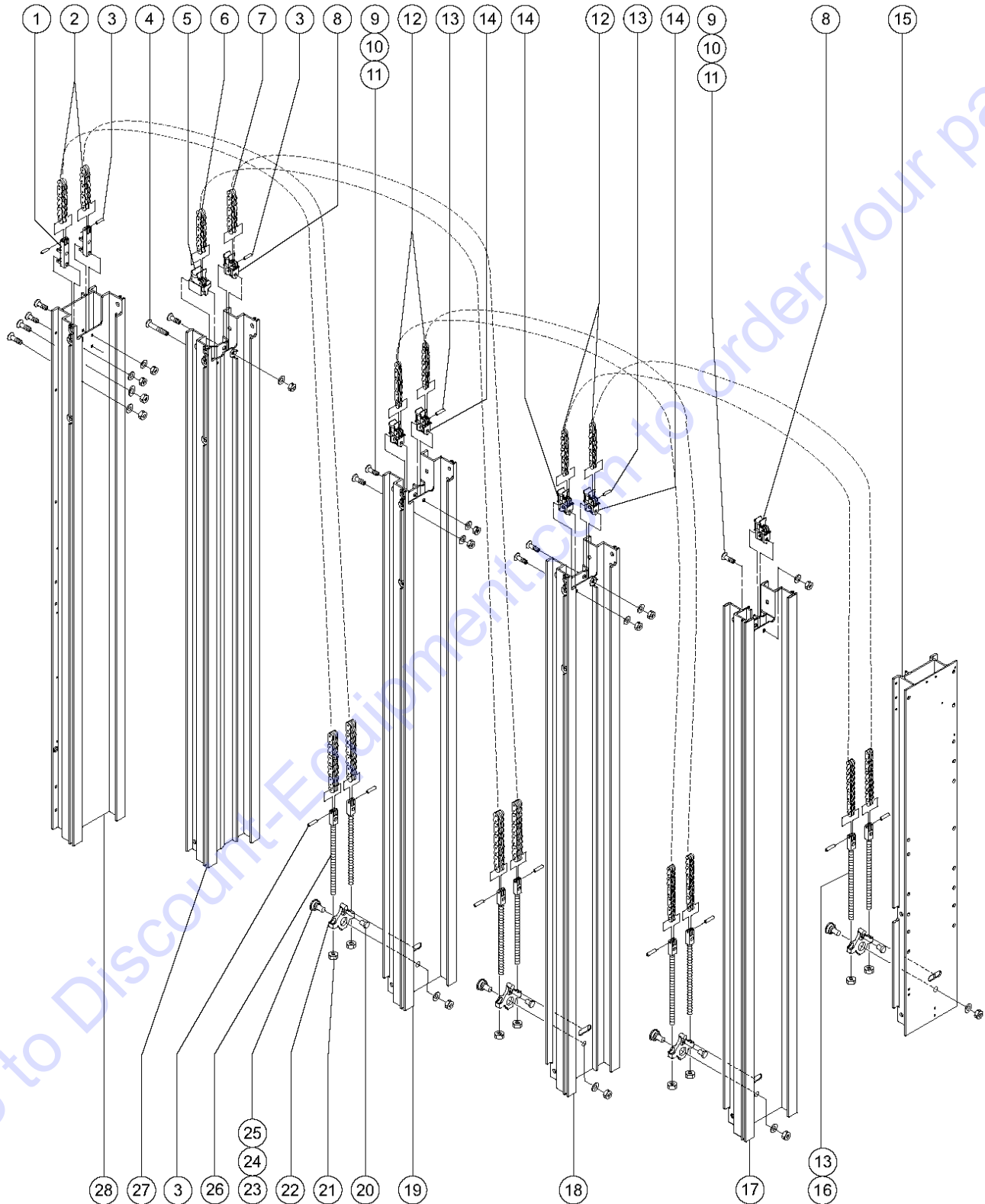
306.1 Lifting Chain Assemblies, DPL-25S

Item	Part No.	Description	Qty.
25	38187GT	CHAIN TERM.LWR.SS(2 SLOT)* includes item 3	4
26		Ref. Number 2 Column Assembly (refer to 301.1)	
27		Ref. Number 1 Column Assembly (refer to 301.1)	

Go to Discount-Equipment.com to order your parts



307.1 Lifting Chain Assemblies, DPL-30S

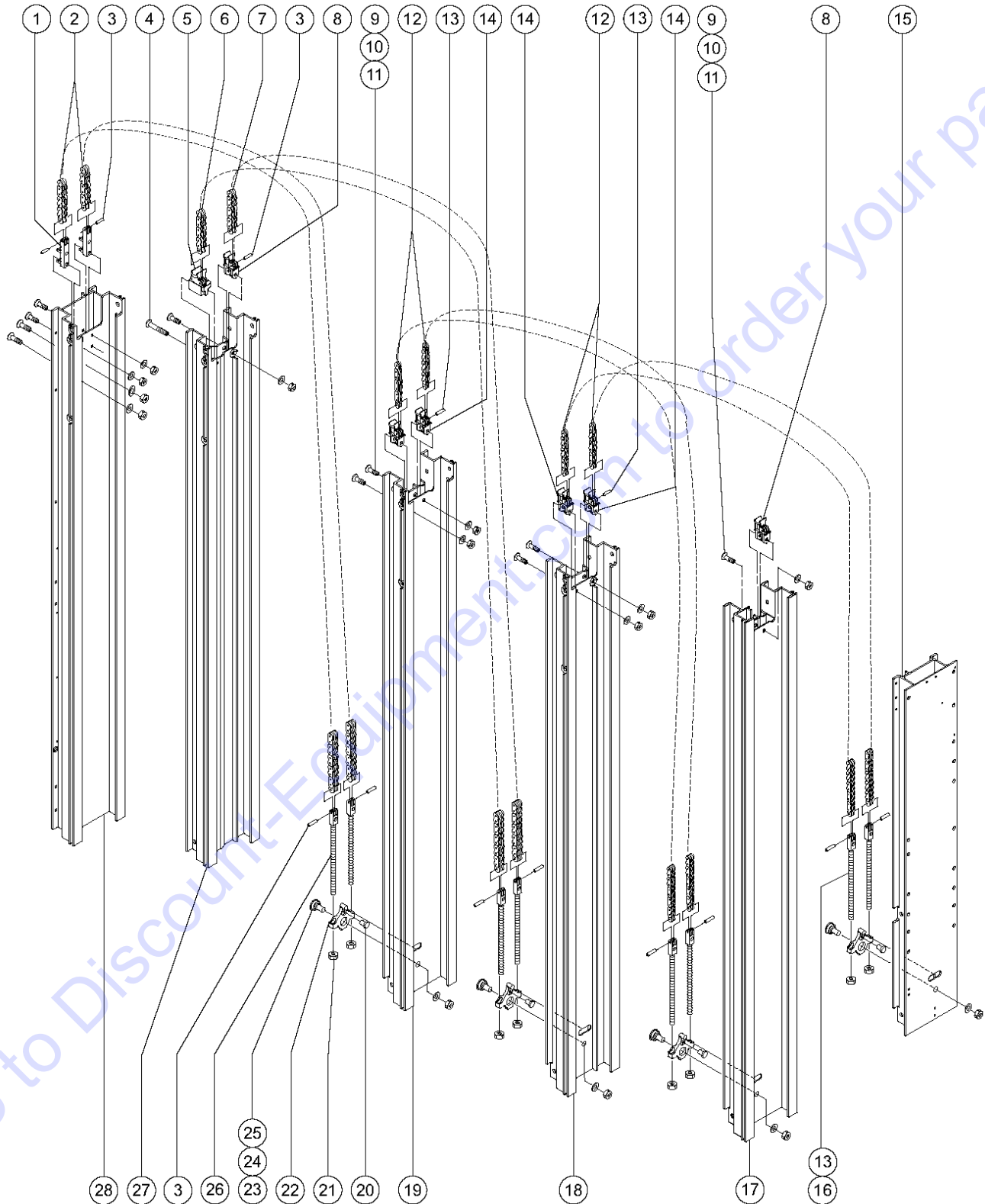


307.1 Lifting Chain Assemblies, DPL-30S

Item	Part No.	Description	Qty.
1	35699GT	CHAIN TERMINAL CASTING,#1	2
2	37385GT	CHAIN ASSY#1,72.5"COL.S-SERIES includes items 1, 3 and 26	2
2-	35704-6813GT	CHAIN,STD.LEAF AL544,68.13"	
3	6534GT	PIN,GROOVED- .200 X .75*	8
4	40945GT	SCREW,FHS,1/4-20 X 2.25	
5	35697GT	CHAIN TERM,CLEVIS CYL.,ZINC	1
6	37384GT	CHAIN ASSY#2,72.5"COL.S-SERIES includes items 3, 5 and 26	1
6-	35704-6813GT	CHAIN,STD.LEAF AL544,68.13"	
7	37386GT	CHAIN ASSY,72.5"COL. S-SERIES includes items 3, 8 and 26	1
7-	35704-6813GT	CHAIN,STD.LEAF AL544,68.13"	
8	35695GT	CHAIN TERM,PULLEY SUPORT-ZINC (double slot)	2
9	35714GT	SCREW,FHS,3/8-16 X 2.25	
10	5397GT	WASHER,FLAT,USS,5/16",Y	
11	4828GT	NUT,NYLOCK,3/8-16	
12	37387GT	CHAIN ASSY,72.5COL.(SM)S-SERIE includes items 13,14 and 16	4
12-	35703-6813GT	CHAIN,STD.LEAF AL522,68.13"	
13	38986GT	PIN,GROOVED,.200 X .50*	8
14	38980GT	CHAIN TERM,PULLEY SUPPORT-ZNC (single slot)	4
15		Ref. Carriage Assembly	
		(refer to 305.1)	
16	41224GT	CHAIN TERM.LWR.SS(1 SLOT) includes item 13	4
17		Ref. Number 5 Column Assembly	
		(refer to 303.1)	
18		Ref. Number 4 Column Assembly	
		(refer to 303.1)	
19		Ref. Number 3 Column Assembly	
		(refer to 303.1)	
20	11890GT	GLIDE BUTTON,SIDE,GLL,.100 TK	4
21	35712GT	NUT,NYLOCK,3/8-24	
22	35698GT	CHAIN TENSION ROCKER CAST.ZINC	4
23	35705GT	BOLT-ROCKER, S-SERIES	4
24	6095GT	WASHER,FLAT,USS,1/2",Y	



307.1 Lifting Chain Assemblies, DPL-30S



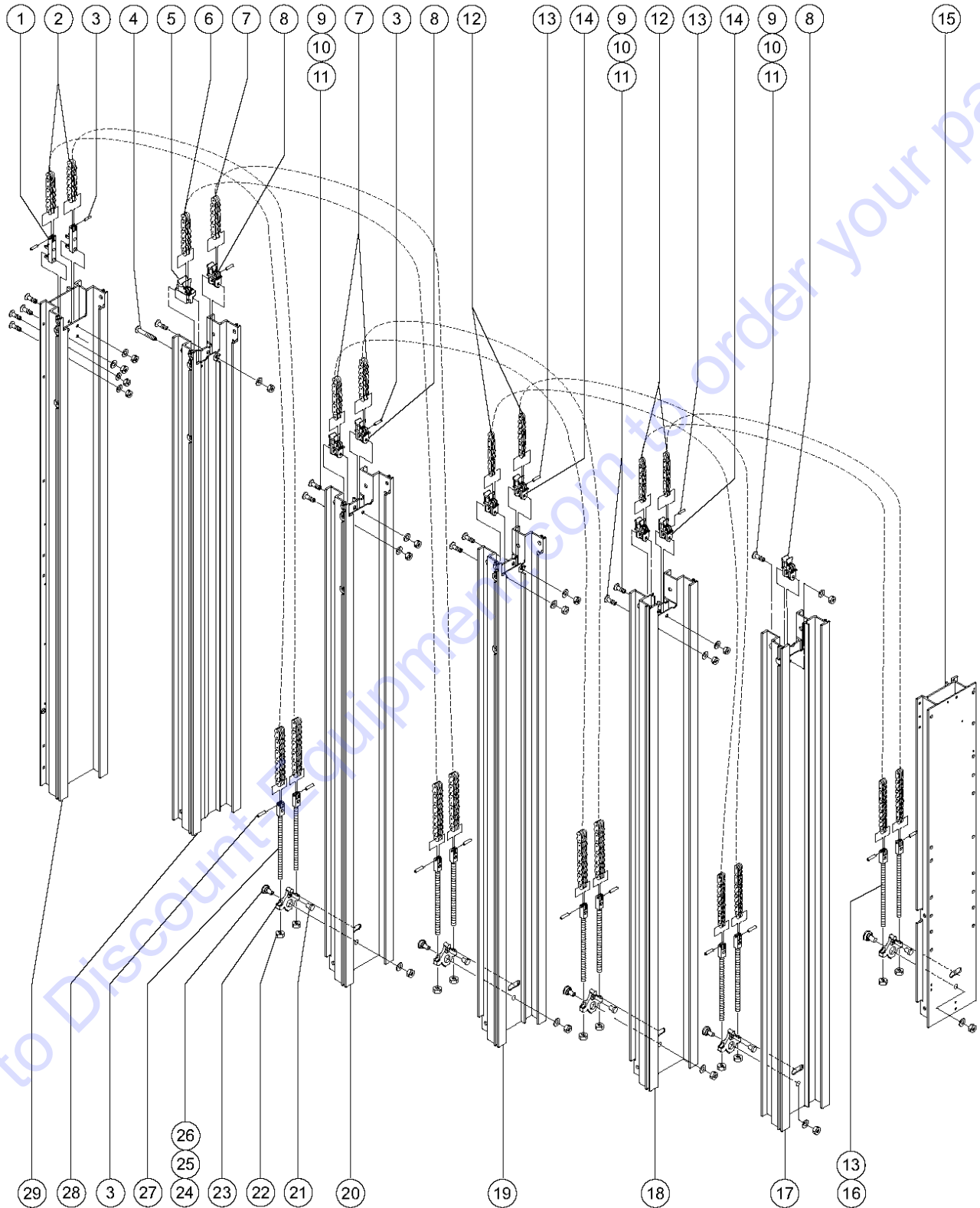
307.1 Lifting Chain Assemblies, DPL-30S

Item	Part No.	Description	Qty.
25	6086GT	NUT,LP NYLOCK,1/2-13	
26	38187GT	CHAIN TERM.LWR.SS(2 SLOT)* includes item 3	4
27		Ref. Number 2 Column Assembly (refer to 301.1)	
28		Ref. Number 1 Column Assembly (refer to 301.1)	

Go to Discount-Equipment.com to order your parts



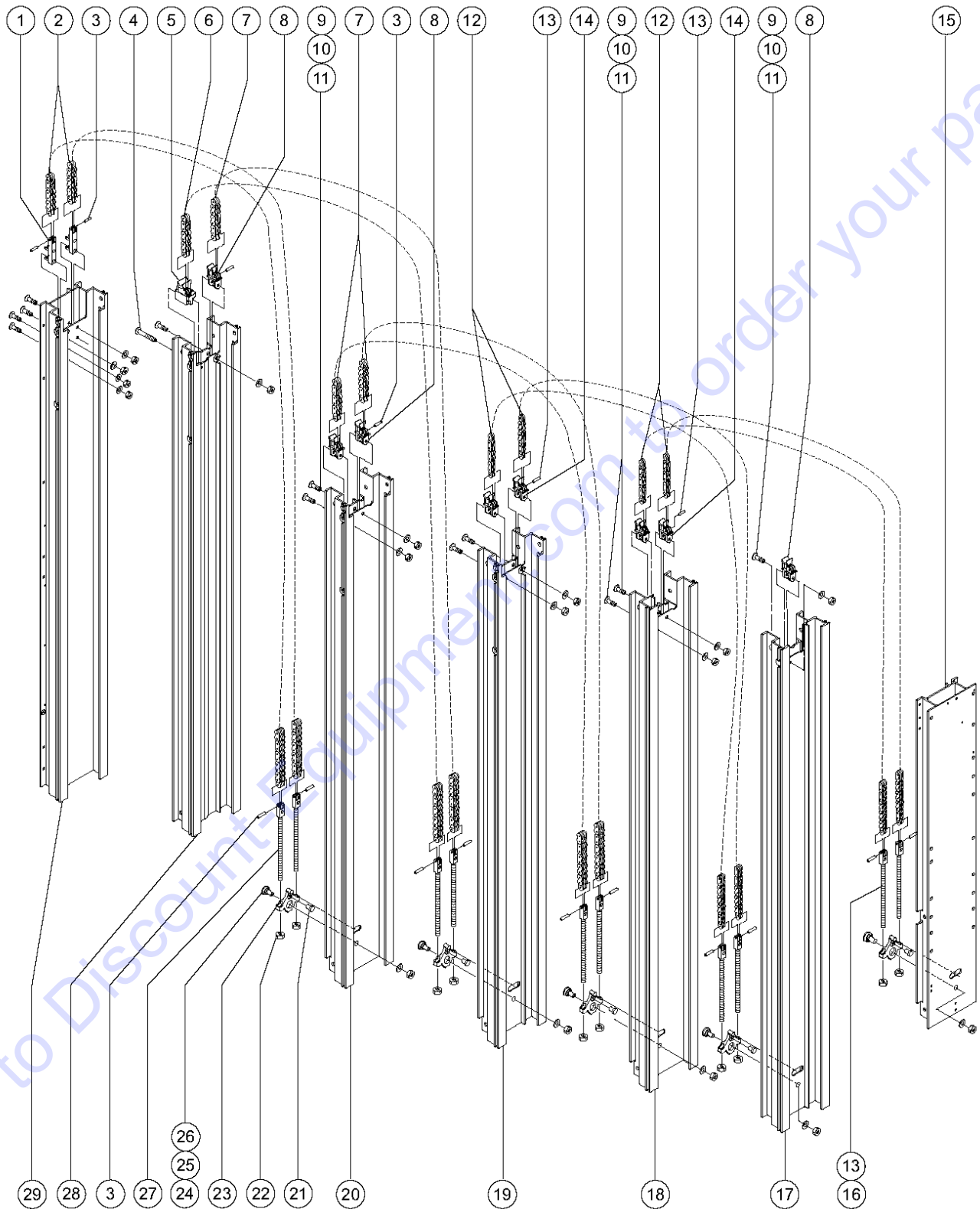
308.2 Lifting Chain Assemblies, DPL-35S



Item	Part No.	Description	Qty.
1	35699GT	CHAIN TERMINAL CASTING,#1	2
2	37385GT	CHAIN ASSY#1,72.5"COL.S-SERIES includes items 1, 3 and 27	2
2-	35704-6813GT	CHAIN,STD.LEAF AL544,68.13"	
3	6534GT	PIN,GROOVED- .200 X .75*	12
4	40945GT	SCREW,FHS,1/4-20 X 2.25	
5	35697GT	CHAIN TERM,CLEVIS CYL.,ZINC	1
6	37384GT	CHAIN ASSY#2,72.5"COL.S-SERIES includes items 3, 5 and 27	1
6-	35704-6813GT	CHAIN,STD.LEAF AL544,68.13"	
7	37386GT	CHAIN ASSY,72.5"COL. S-SERIES includes items 3, 8 and 27	3
7-	35704-6813GT	CHAIN,STD.LEAF AL544,68.13"	
8	35695GT	CHAIN TERM,PULLEY SUPORT-ZINC (double slot)	4
9	35714GT	SCREW,FHS,3/8-16 X 2.25	
10	5397GT	WASHER,FLAT,USS,5/16",Y	
11	4828GT	NUT,NYLOCK,3/8-16	
12	37387GT	CHAIN ASSY,72.5COL.(SM)S-SERIE includes items 13,14 and 16	4
12-	35703-6813GT	CHAIN,STD.LEAF AL522,68.13"	
13	38986GT	PIN,GROOVED,.200 X .50*	8
14	38980GT	CHAIN TERM,PULLEY SUPPORT-ZNC (single slot)	4
15		Ref. Carriage Assembly	
		(refer to 305.1)	
16	41224GT	CHAIN TERM.LWR.SS(1 SLOT) includes item 13	4
17		Ref. Number 6 Column Assembly	
		(refer to 304.1)	
18		Ref. Number 5 Column Assembly	
		(refer to 304.1)	
19		Ref. Number 4 Column Assembly	
		(refer to 304.1)	
20		Ref. Number 3 Column Assembly	
		(refer to 304.1)	
21	11890GT	GLIDE BUTTON,SIDE,GLL.,100 TK	5
22	35712GT	NUT,NYLOCK,3/8-24	
23	35698GT	CHAIN TENSION ROCKER CAST.ZINC	5
24	35705GT	BOLT-ROCKER, S-SERIES	5



308.2 Lifting Chain Assemblies, DPL-35S



Item	Part No.	Description	Qty.
25	6095GT	WASHER,FLAT,USS,1/2",Y	
26	6086GT	NUT,LP NYLOCK,1/2-13	
27	38187GT	CHAIN TERM.LWR.SS(2 SLOT)*	6
		includes item number 3	
28		Ref. Number 2 Column Assembly (refer to 301.1)	
29		Ref. Number 1 Column Assembly (refer to 301.1)	

Go to Discount-Equipment.com to order your parts



PARTS FINDER

**Search Website
by Part Number**



**Search Manual
Library For Parts
Manual & Lookup Part
Numbers – Purchase
or Request Quote**

Search Manuals

Enter your information to help us find the right parts manual for your machine.

* Brand:

* Model:

* Serial:

* Part Number:

SEARCH

**Can't Find Part or
Manual? Request Help
by Manufacturer,
Model & Description**

Parts Order Form

Please fill in the following information to help us find the right part for your machine.

Manufacturer:	<input type="text"/>
Model:	<input type="text"/>
Description:	<input type="text"/>
Part Number:	<input type="text"/>
Quantity:	<input type="text"/>
Notes:	<input type="text"/>

Discount-Equipment.com is your online resource for quality parts & equipment.

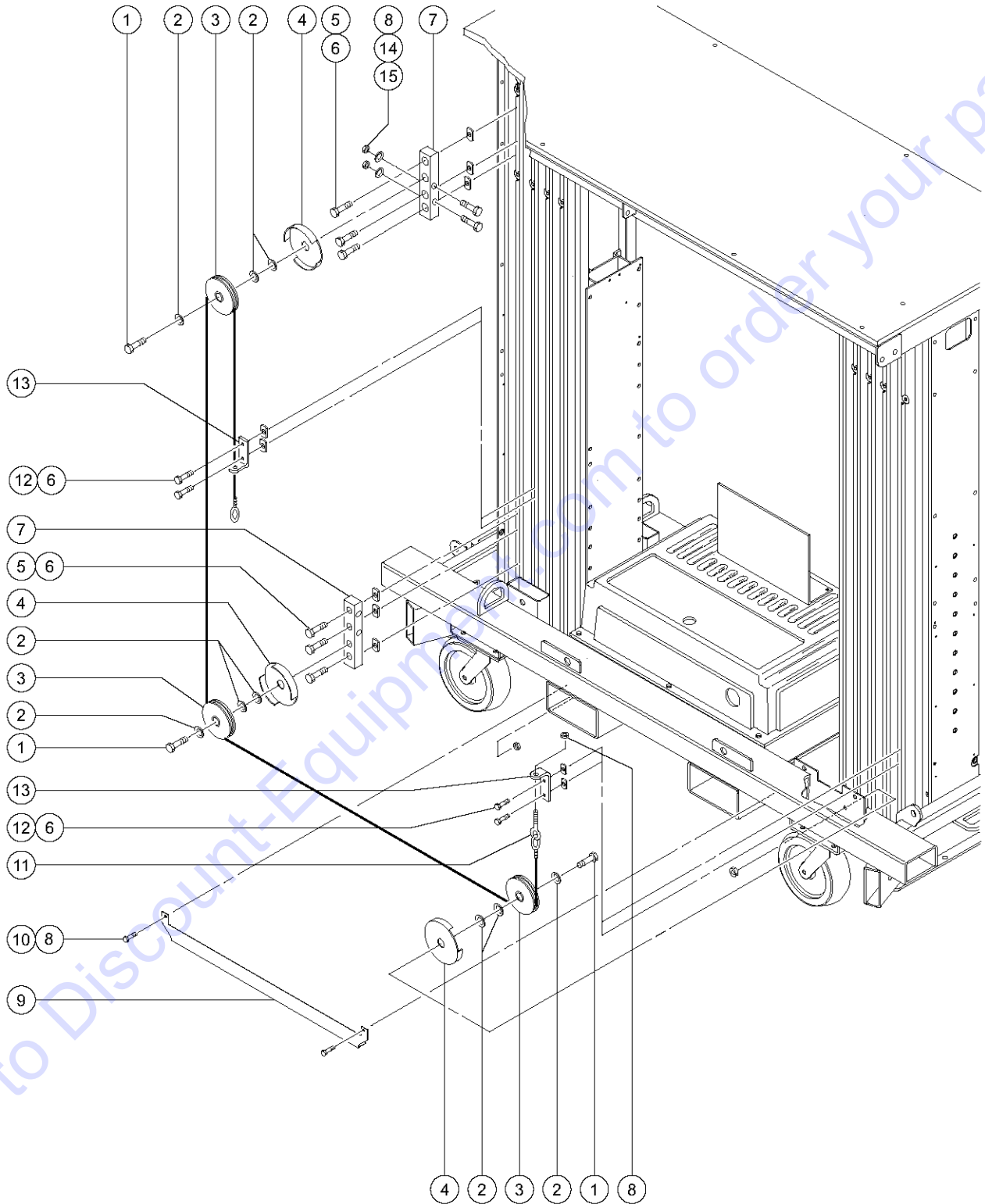
Florida: **561-964-4949** Outside Florida TOLL FREE: **877-690-3101**

Need parts?

Click on this link: <http://www.discount-equipment.com/category/5443-parts/> and choose one of the options to help get the right parts and equipment you are looking for. Please have the machine model and serial number available in order to help us get you the correct parts. If you don't find the part on the website or on one of the online manuals, please fill out the request form and one of our experienced staff members will get back to you with a quote for the right part that your machine needs.

We sell worldwide for the brands: Genie, Terex, JLG, MultiQuip, Mikasa, Essick, Whiteman, Mayco, Toro Stone, Diamond Products, Generac Magnum, Airman, Haulotte, Barreto, Power Blanket, Nifty Lift, Atlas Copco, Chicago Pneumatic, Allmand, Miller Curber, Skyjack, Lull, Skytrak, Tsurumi, Husquvarna Target, Stow, Wacker, Sakai, Mi-T-M, Sullair, Basic, Dynapac, MBW, Weber, Bartell, Bennar Newman, Haulotte, Ditch Runner, Menegotti, Morrison, Contec, Buddy, Crown, Edco, Wyco, Bomag, Laymor, EZ Trench, Bil-Jax, F.S. Curtis, Gehl Pavers, Heli, Honda, ICS/PowerGrit, IHI, Partner, Imer, Clipper, MMD, Koshin, Rice, CH&E, General Equipment, Amida, Coleman, NAC, Gradall, Square Shooter, Kent, Stanley, Tamco, Toku, Hatz, Kohler, Robin, Wisconsin, Northrock, Oztec, Toker TK, Rol-Air, APT, Wylie, Ingersoll Rand / Doosan, Innovatech, Con X, Ammann, Mecalac, Makinex, Smith Surface Prep, Small Line, Wanco, Yanmar

309.1 Sequencing Cables, View 1, from 1996 to 2001



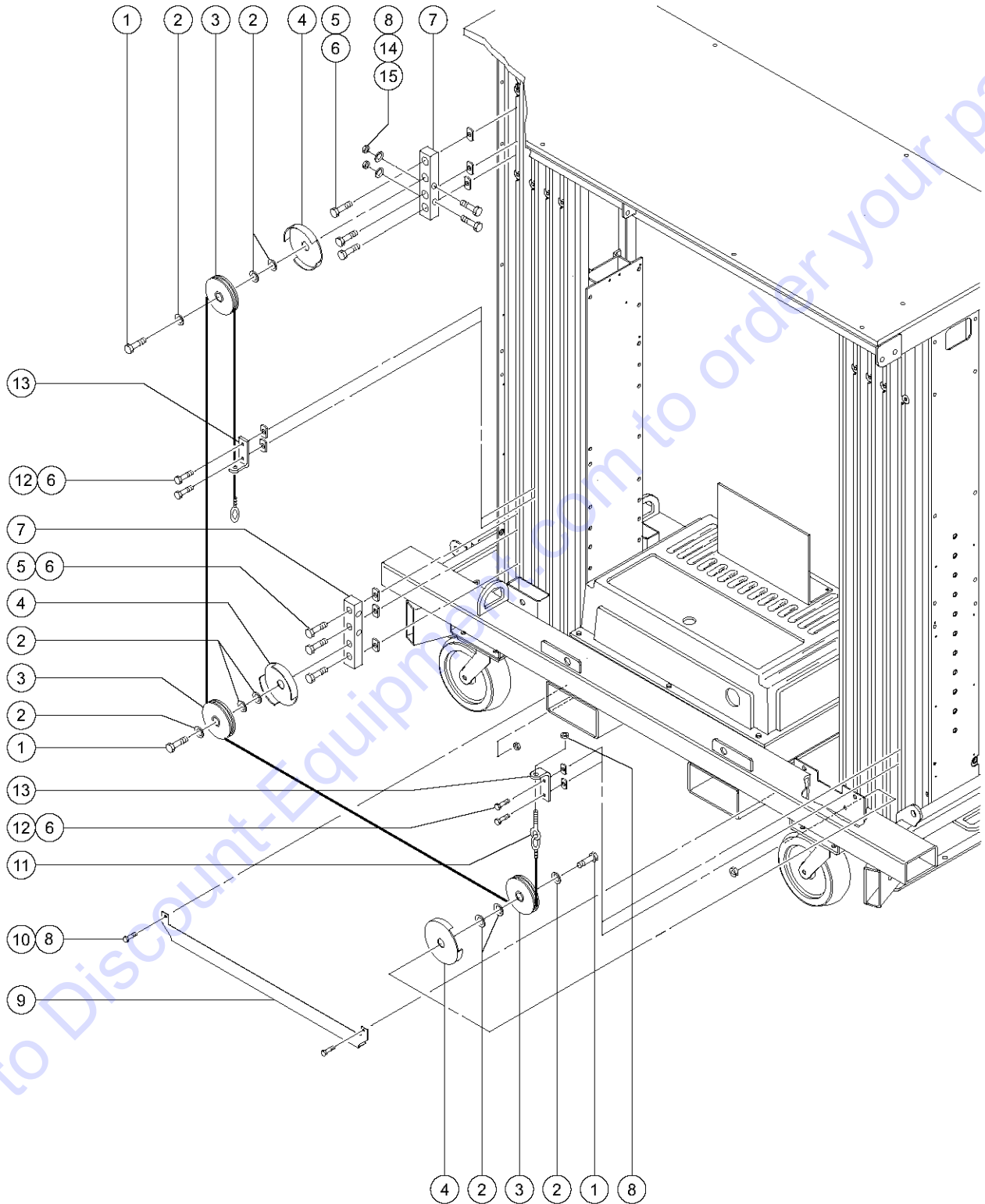
309.1 Sequencing Cables, View 1, from 1996 to 2001

Item	Part No.	Description	Qty.
1	10597GT	SCREW,HHC, 1/2-13 X 1.25 GR5	
2	6052GT	WASHER,SHIM,.5 X .875 X .063	
3	32469GT	PULLEY W/BEARING,ALUMINUM*** replaced 49999 plastic pulley	6
4	32476GT	GUARD,CABLE***	6
5	8915GT	SCREW,HHC, 1/4-20 X 1.25	
6	35991GT	NUT,WELD 1/4-20, PLATED L.L.**	26
7	38546PGT	PULLEY MOUNT BLOCK, DPL"BLUE"	4
8	6091GT	NUT,NYLOCK, 1/4-20	
9	41162GT	GUARD,SEQUENCING CABLE,DPL	2
10	6090GT	SCREW,HHC, 1/4-20 X .75	
11	41241GT	SEQUENCING CABLE ASSY.,DPL-S includes items 8 and 13	2
11-	6069GT	CABLE,3/16,7X 19 GLV.STL. BULK	214
12	7339GT	SCREW,HHC, 1/4-20 X .5	
13	40020GT	BRACKET,SEQUENCING,DPL	2
14	6638GT	WASHER,FLAT,USS, 1/4"Y	
15	6637GT	SCREW,HHC, 1/4-20 X 1.75	

Go to Discount-Equipment.com to order your parts

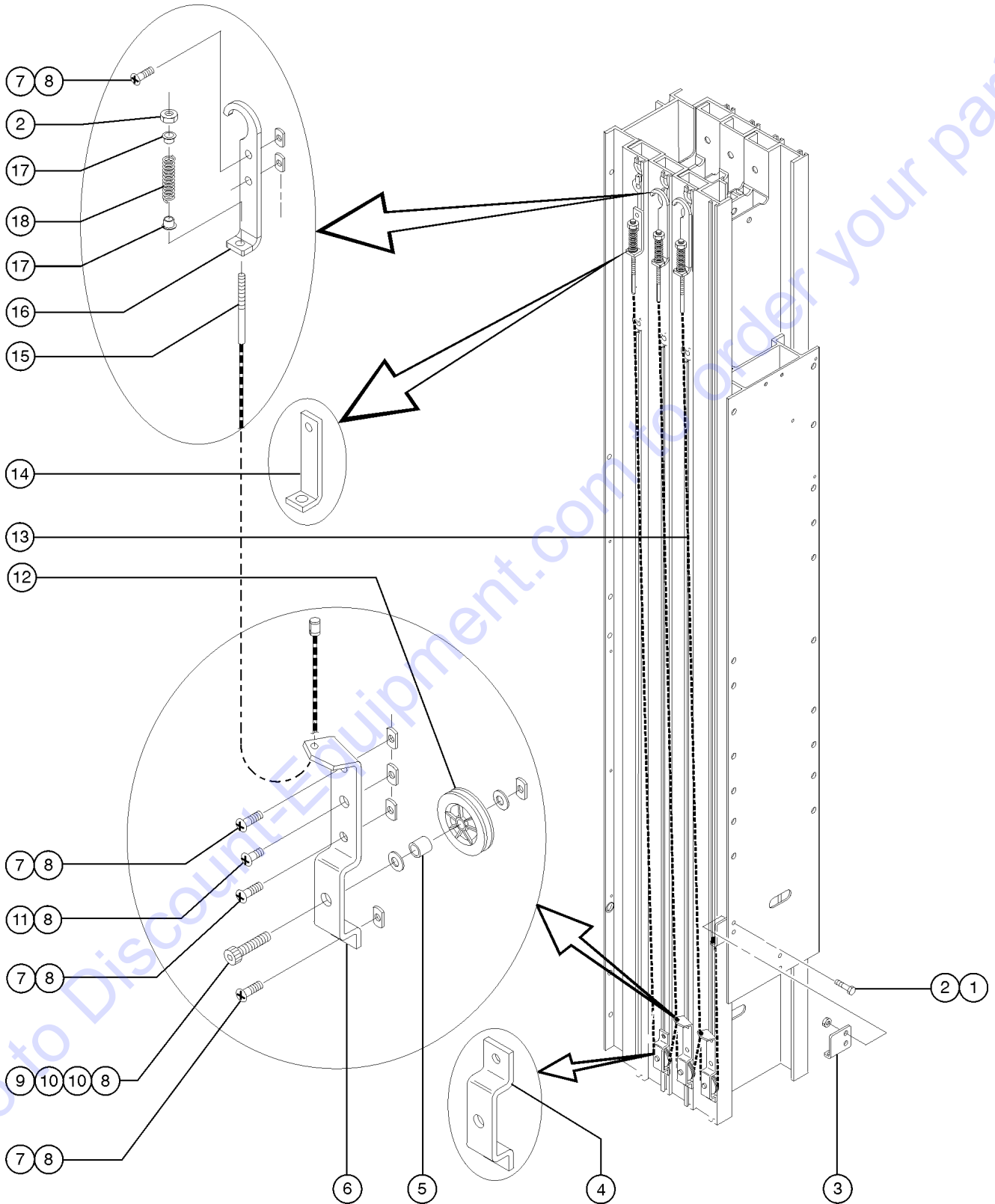


309.2 Sequencing Cables, View 1, from 2002



Item	Part No.	Description	Qty.
1	10597GT	SCREW,HHC, 1/2-13 X 1.25 GR5	
2	6052GT	WASHER,SHIM,.5 X .875 X .063	
3	32469GT	PULLEY W/BEARING,ALUMINUM*** replaced 49999 plastic pulley (to SN DPL15-2292)	6
3A	1254648GT	PULLEY, 6203 (from SN DPL15-2293)	6
4	32476GT	GUARD,CABLE*** upper and lower cable guards (to SN DPL02-1016)	6
4A	80680GT	GUARD, CABLE upper and lower cable guards (from SN DPL02-1017 to DPL15-2292)	
4B	1254649GT	COVER,PULLEY, 6203 UPPER cable guard (from SN DPL15-2293)	2
4C	1262919GT	CABLE GUARD, LOWER PULLEY, DPL LOWER cable guard (from SN DPL15-2293) (NOT SHOWN)	4
5	8915GT	SCREW,HHC, 1/4-20 X 1.25	
6	35991GT	NUT,WELD 1/4-20, PLATED L.L.**	26
7	38546PGT	PULLEY MOUNT BLOCK, DPL"BLUE"	4
8	6091GT	NUT,NYLOCK, 1/4-20	
9	41162GT	GUARD,SEQUENCING CABLE,DPL	2
10	6090GT	SCREW,HHC, 1/4-20 X .75	
11	41241GT	SEQUENCING CABLE ASSY.,DPL-S includes items 8 and 13	2
11-	6069GT	CABLE,3/16,7X 19 GLV.STL. BULK	214
12	7339GT	SCREW,HHC, 1/4-20 X .5	
13	40020GT	BRACKET,SEQUENCING,DPL	2
14	6638GT	WASHER,FLAT,USS, 1/4"Y	
15	6637GT	SCREW,HHC, 1/4-20 X 1.75	

310.1 Sequencing Cables, View 2, from 2000 to 2001

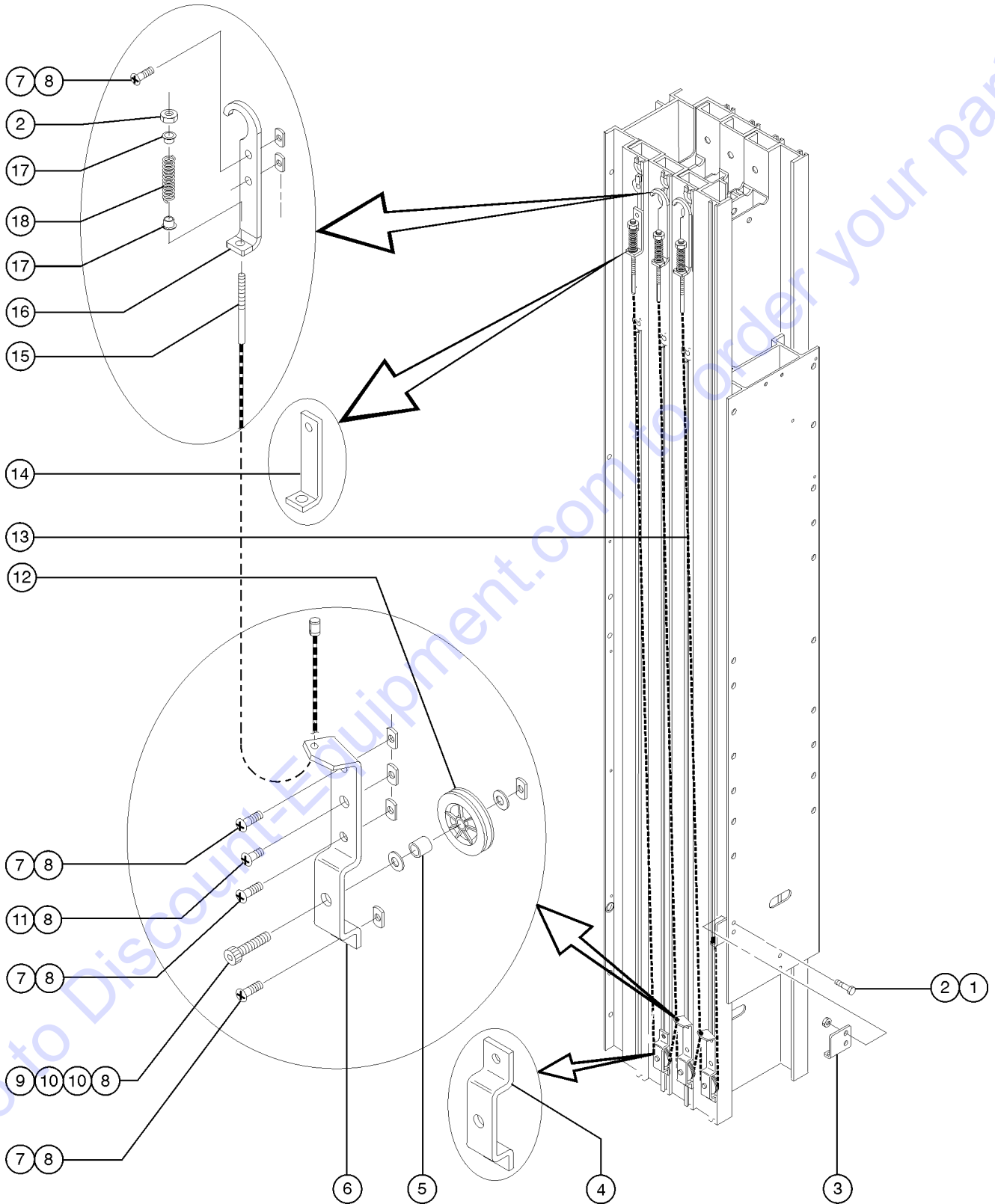


310.1 Sequencing Cables, View 2, from 2000 to 2001

Item	Part No.	Description	Qty.
1	6090GT	SCREW,HHC,1/4-20 X .75	
2	6091GT	NUT,NYLOCK,1/4-20	
3	35734GT	FORMING, SEQUENCING, CARR, ZN	2
4	44622GT	BRACKET, LOWER SEQUENCING	2
		(second column only)	
5	44895GT	SPACER,TUBE,1/4X3/8X.50"LONG	6
		DPL-25S	
5A	44895GT	SPACER,TUBE,1/4X3/8X.50"LONG	8
		DPL-30S	
5B	44895GT	SPACER,TUBE,1/4X3/8X.50"LONG	10
		DPL-35S	
6	124050GT	RETROFIT KIT,MAST SEQ,DPL25	4
		(from SN 1599-618 to DPL07-1545, DPL25-S)	
6A	124051GT	RETROFIT KIT,MAST SEQ,DPL30	6
		(from SN 1599-618 to DPL07-1545, DPL30-S)	
6B	124052GT	RETROFIT KIT,MAST SEQ,DPL35	8
		(from SN 1599-618 to DPL07-1545, DPL35-S)	
7	38979GT	SCREW,PHM,1/4-20X.5 PHIL	
8	35991GT	NUT,WELD 1/4-20, PLATED L.L. **	
9	41077GT	SCREW,SHC,1/4-20 X .875	
10	12906GT	WASHER,FENDER,.25 X 1.25 X.062	
11	109988GT	SCREW,PHM,1/4-20X.25 PHL	4
		DPL25-S	
11A	109988GT	SCREW,PHM,1/4-20X.25 PHL	6
		DPL30-S	
11B	109988GT	SCREW,PHM,1/4-20X.25 PHL	8
		DPL35-S	
12	35733GT	PULLEY,SEQUENCING,NYLATRON	6
		DPL25-S	
12A	35733GT	PULLEY,SEQUENCING,NYLATRON	8
		DPL30-S	
12B	35733GT	PULLEY,SEQUENCING,NYLATRON	10
		DPL35-S	
13	40314GT	CABLE,ASSY,SEQ.CARRIAGE**	1
		(includes item 3)	
15	40313GT	CABLE ASSY,SEQ.MAST,DPL	4
		DPL25-S	
15A	40313GT	CABLE ASSY,SEQ.MAST,DPL	6
		DPL30-S	
15B	40313GT	CABLE ASSY,SEQ.MAST,DPL	8
		DPL35-S	
16	38339GT	BRACKET,SEQUENCING,UPPER,ZINC*	4
		DPL-25S (to SN 1599-618)	
16A	38339GT	BRACKET,SEQUENCING,UPPER,ZINC*	6
		DPL-30S (to SN 1599-618)	
16B	38339GT	BRACKET,SEQUENCING,UPPER,ZINC*	8
		DPL-35S (to SN 1599-618)	
16C	124050GT	RETROFIT KIT,MAST SEQ,DPL25	4
		DPL-25S (from SN 1599-619 to DPL07-1545) (includes items 6, 8, 11 and 14)	



310.1 Sequencing Cables, View 2, from 2000 to 2001



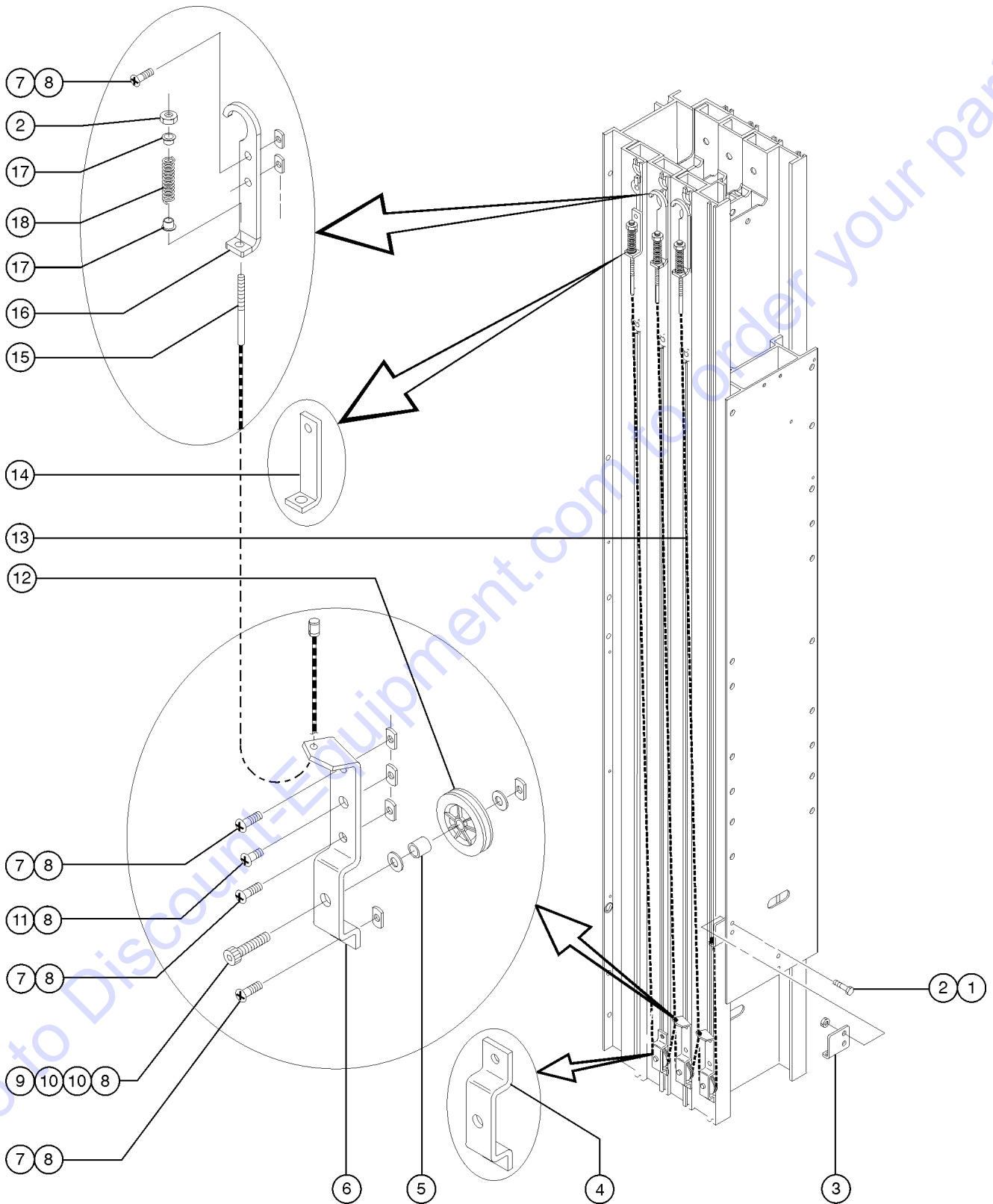
310.1 Sequencing Cables, View 2, from 2000 to 2001

Item	Part No.	Description	Qty.
16D	124051GT	RETROFIT KIT,MAST SEQ,DPL30 DPL-30S (from SN 1599-619 to DPL07-1545) (includes items 6, 8, 11 and 14)	6
16E	124052GT	RETROFIT KIT,MAST SEQ,DPL35 DPL-35S (from SN 1599-619 to DPL07-1545) (includes items 6, 8, 11 and 14)	6
17	38234GT	BUSHING,FLANGE,3/8 OD X 1/4 ID DPL-25S	6
17A	38234GT	BUSHING,FLANGE,3/8 OD X 1/4 ID DPL-30S	8
17B	38234GT	BUSHING,FLANGE,3/8 OD X 1/4 ID DPL-35S	10
18	8849GT	SPRING, TENSION CABLE	6
18A	8849GT	SPRING, TENSION CABLE	8
18B	8849GT	SPRING, TENSION CABLE	10

Go to Discount-Equipment.com to order your parts



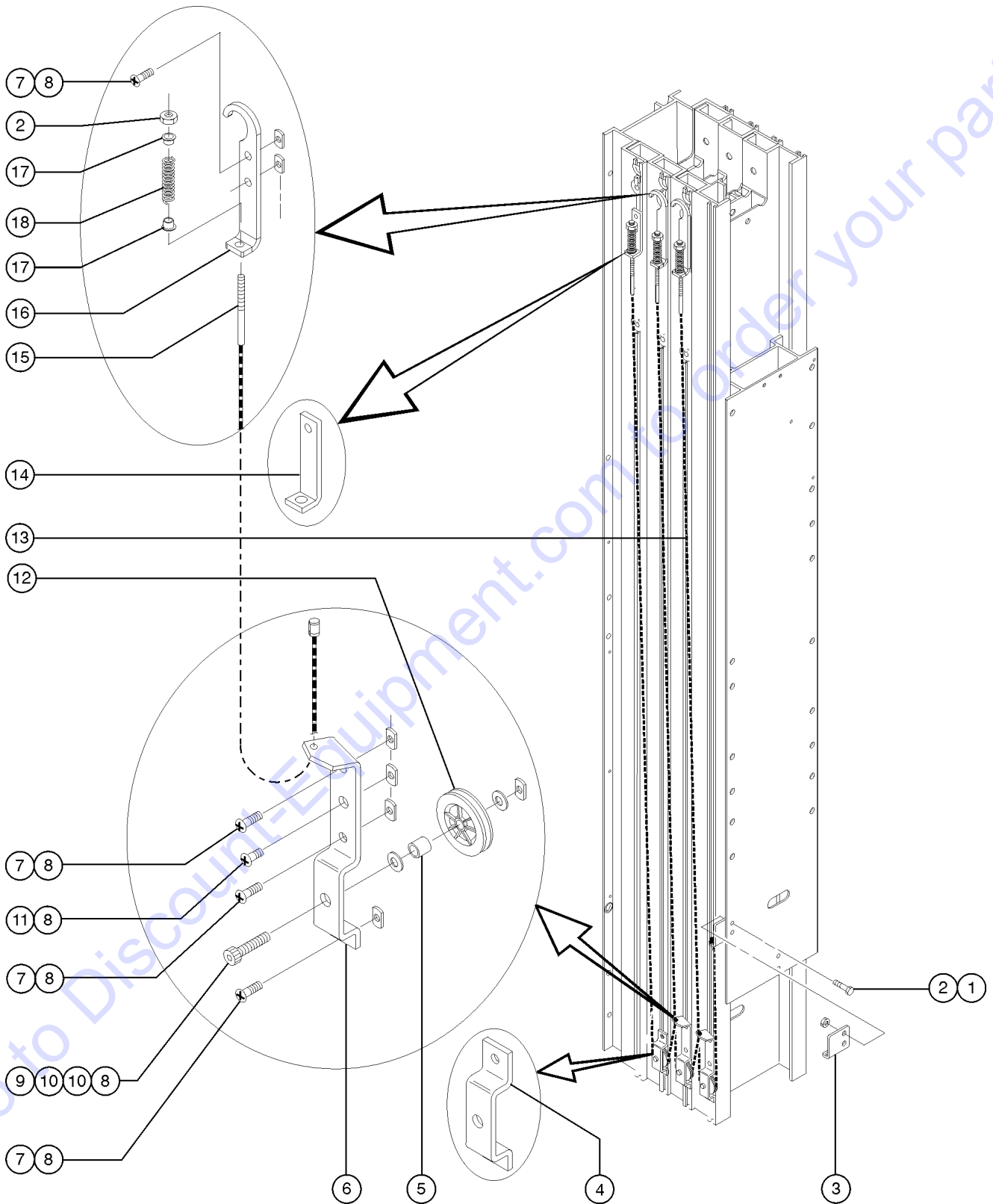
310.2 Sequencing Cables, View 2, from 1996 to 1998



Item	Part No.	Description	Qty.
1	6090GT	SCREW,HHC,1/4-20 X .75	
2	6091GT	NUT,NYLOCK,1/4-20	
3	35734GT	FORMING, SEQUENCING, CARR, ZN	2
4	44622GT	BRACKET, LOWER SEQUENCING	2
		(second column only)	
5	44895GT	SPACER,TUBE,1/4X3/8X.50"LONG	6
		DPL-25S	
5A	44895GT	SPACER,TUBE,1/4X3/8X.50"LONG	8
		DPL-30S	
5B	44895GT	SPACER,TUBE,1/4X3/8X.50"LONG	10
		DPL-35S	
6	124050GT	RETROFIT KIT,MAST SEQ,DPL25	4
		(from SN 1599-618 to DPL07-1545, DPL25-S)	
6A	124051GT	RETROFIT KIT,MAST SEQ,DPL30	6
		(from SN 1599-618 to DPL07-1545, DPL30-S)	
6B	124052GT	RETROFIT KIT,MAST SEQ,DPL35	8
		(from SN 1599-618 to DPL07-1545, DPL35-S)	
7	38979GT	SCREW,PHM,1/4-20X.5 PHIL	
8	35991GT	NUT,WELD 1/4-20, PLATED L.L. **	
9	41077GT	SCREW,SHC,1/4-20 X .875	
10	12906GT	WASHER,FENDER,.25 X 1.25 X.062	
11	109988GT	SCREW,PHM,1/4-20X.25 PHL	4
		DPL25-S	
11A	109988GT	SCREW,PHM,1/4-20X.25 PHL	6
		DPL30-S	
11B	109988GT	SCREW,PHM,1/4-20X.25 PHL	8
		DPL35-S	
12	35733GT	PULLEY,SEQUENCING,NYLATRON	6
		DPL25-S	
12A	35733GT	PULLEY,SEQUENCING,NYLATRON	8
		DPL30-S	
12B	35733GT	PULLEY,SEQUENCING,NYLATRON	10
		DPL35-S	
13	40314GT	CABLE,ASSY,SEQ.CARRIAGE**	1
		(includes item 3)	
15	40313GT	CABLE ASSY,SEQ.MAST,DPL	4
		DPL25-S	
15A	40313GT	CABLE ASSY,SEQ.MAST,DPL	6
		DPL30-S	
15B	40313GT	CABLE ASSY,SEQ.MAST,DPL	8
		DPL35-S	
16	38339GT	BRACKET,SEQUENCING,UPPER,ZINC*	4
		DPL-25S (to SN 1599-618)	
16A	38339GT	BRACKET,SEQUENCING,UPPER,ZINC*	6
		DPL-30S (to SN 1599-618)	
16B	38339GT	BRACKET,SEQUENCING,UPPER,ZINC*	8
		DPL-35S (to SN 1599-618)	
17	38234GT	BUSHING,FLANGE,3/8 OD X 1/4 ID	6
		DPL-25S	



310.2 Sequencing Cables, View 2, from 1996 to 1998



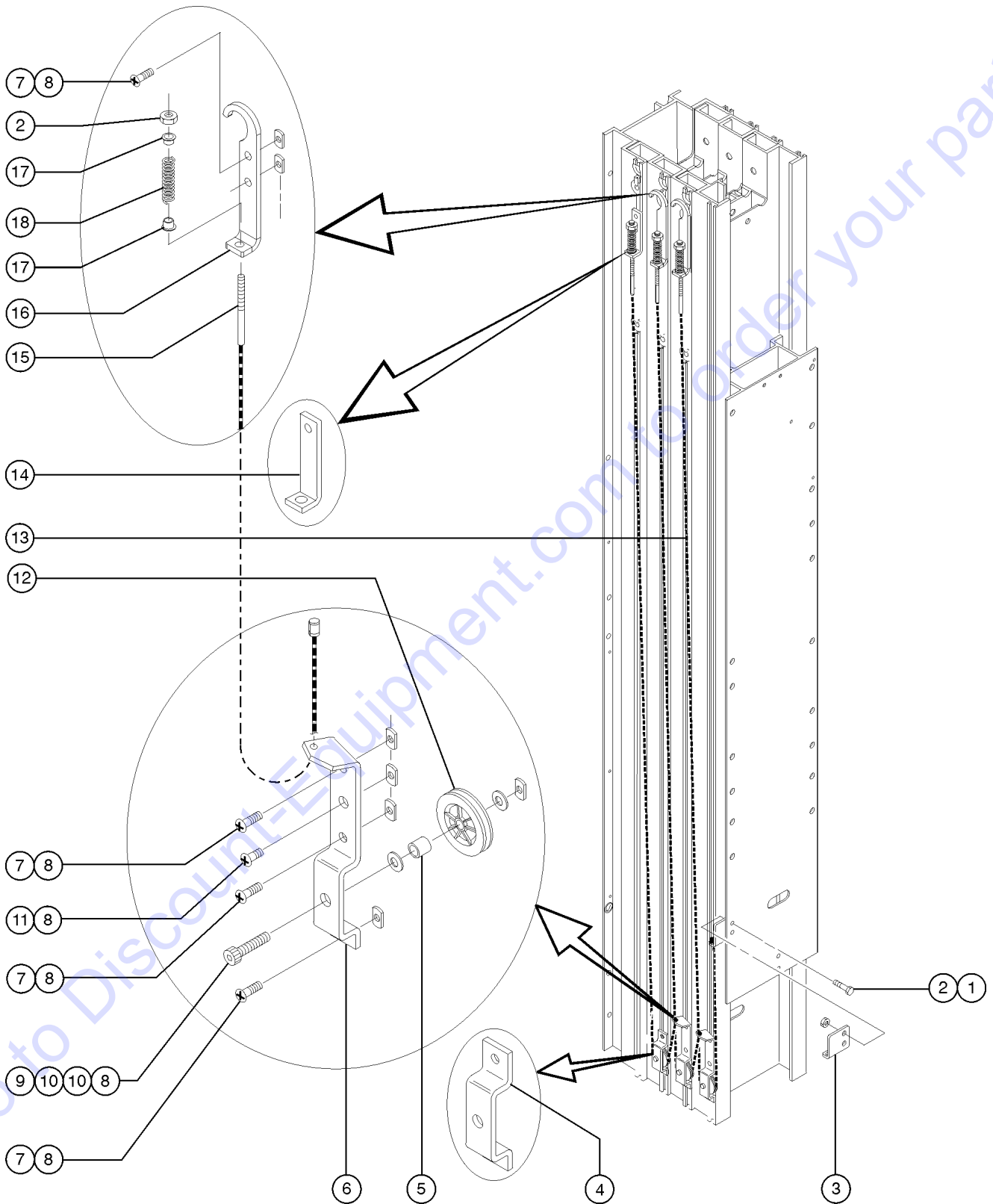
310.2 Sequencing Cables, View 2, from 1996 to 1998

Item	Part No.	Description	Qty.
17A	38234GT	BUSHING,FLANGE,3/8 OD X 1/4 ID DPL-30S	8
17B	38234GT	BUSHING,FLANGE,3/8 OD X 1/4 ID DPL-35S	10
18	8849GT	SPRING, TENSION CABLE DPL-25S	6
18A	8849GT	SPRING, TENSION CABLE DPL-35S	8
18B	8849GT	SPRING, TENSION CABLE DPL-30S	10

Go to Discount-Equipment.com to order your parts



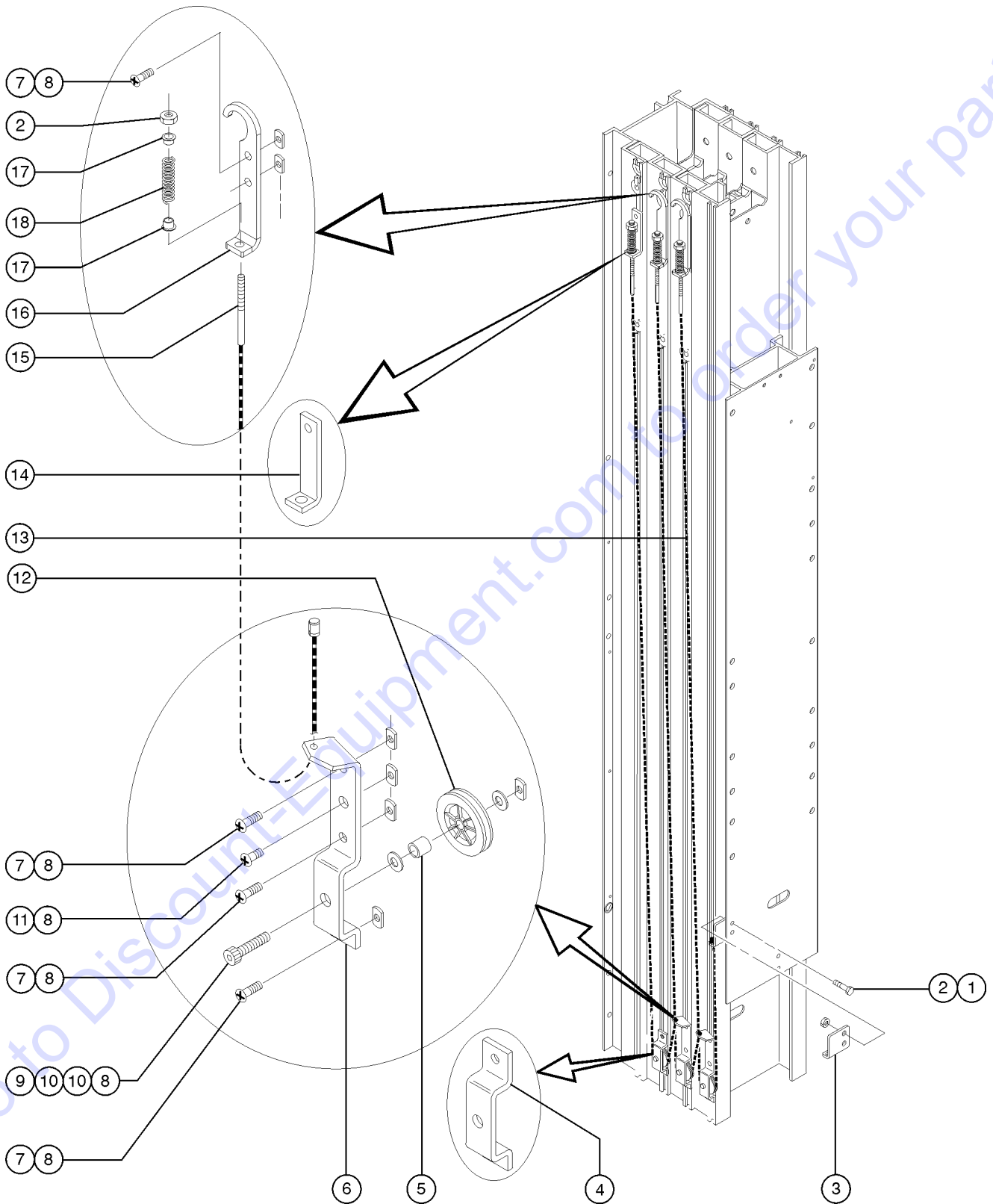
310.3 Sequencing Cables, View 2, 1999



Item	Part No.	Description	Qty.
1	6090GT	SCREW,HHC,1/4-20 X .75	
2	6091GT	NUT,NYLOCK,1/4-20	
3	35734GT	FORMING, SEQUENCING, CARR, ZN	2
4	44622GT	BRACKET, LOWER SEQUENCING	2
		(second column only)	
5	44895GT	SPACER,TUBE,1/4X3/8X.50"LONG	6
		DPL-25S	
5A	44895GT	SPACER,TUBE,1/4X3/8X.50"LONG	8
		DPL-30S	
5B	44895GT	SPACER,TUBE,1/4X3/8X.50"LONG	10
		DPL-35S	
6	124050GT	RETROFIT KIT,MAST SEQ,DPL25	4
		(from SN 1599-620 to DPL07-1545, DPL25-S)	
6A	124051GT	RETROFIT KIT,MAST SEQ,DPL30	6
		(from SN 1599-620 to DPL07-1545, DPL30-S)	
6B	124052GT	RETROFIT KIT,MAST SEQ,DPL35	8
		(from SN 1599-620 to DPL07-1545, DPL35-S)	
7	38979GT	SCREW,PHM,1/4-20X.5 PHIL	
8	35991GT	NUT,WELD 1/4-20, PLATED L.L. **	
9	41077GT	SCREW,SHC,1/4-20 X .875	
10	12906GT	WASHER,FENDER,.25 X 1.25 X.062	
11	109988GT	SCREW,PHM,1/4-20X.25 PHL	4
		DPL25-S	
11A	109988GT	SCREW,PHM,1/4-20X.25 PHL	6
		DPL30-S	
11B	109988GT	SCREW,PHM,1/4-20X.25 PHL	8
		DPL35-S	
12	35733GT	PULLEY,SEQUENCING,NYLATRON	6
		DPL25-S	
12A	35733GT	PULLEY,SEQUENCING,NYLATRON	8
		DPL30-S	
12B	35733GT	PULLEY,SEQUENCING,NYLATRON	10
		DPL35-S	
13	40314GT	CABLE,ASSY,SEQ.CARRIAGE**	1
		(includes item 3)	
15	40313GT	CABLE ASSY,SEQ.MAST,DPL	4
		DPL25-S	
15A	40313GT	CABLE ASSY,SEQ.MAST,DPL	6
		DPL30-S	
15B	40313GT	CABLE ASSY,SEQ.MAST,DPL	8
		DPL35-S	
16	38339GT	BRACKET,SEQUENCING,UPPER,ZINC*	4
		DPL-25S (to SN 1599-619)	
16A	38339GT	BRACKET,SEQUENCING,UPPER,ZINC*	6
		DPL-30S (to SN 1599-619)	
16B	38339GT	BRACKET,SEQUENCING,UPPER,ZINC*	8
		DPL-35S (to SN 1599-619)	
16C	124050GT	RETROFIT KIT,MAST SEQ,DPL25	4
		DPL-25S (from SN 1599-620 to DPL07-1545) (includes items 6, 8, 11 and 14)	



310.3 Sequencing Cables, View 2, 1999

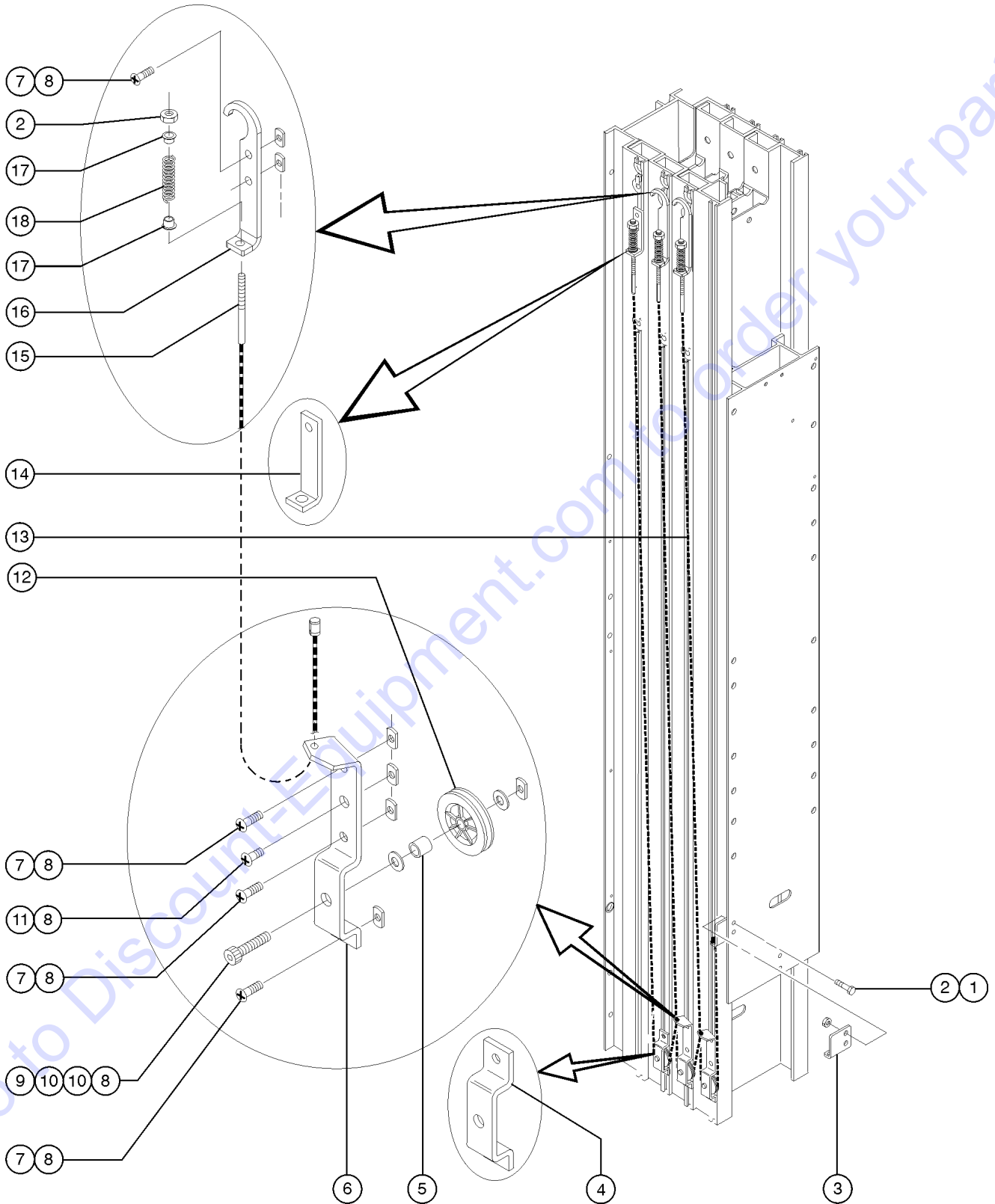


Item	Part No.	Description	Qty.
16D	124051GT	RETROFIT KIT,MAST SEQ,DPL30 DPL-30S (from SN 1599-620 to DPL07-1545) (includes items 6, 8, 11 and 14)	6
16E	124052GT	RETROFIT KIT,MAST SEQ,DPL35 DPL-35S (from SN 1599-620 to DPL07-1545) (includes items 6, 8, 11 and 14)	6
17	38234GT	BUSHING,FLANGE,3/8 OD X 1/4 ID DPL-25S	6
17A	38234GT	BUSHING,FLANGE,3/8 OD X 1/4 ID DPL-30S	8
17B	38234GT	BUSHING,FLANGE,3/8 OD X 1/4 ID DPL-35S	10
18	8849GT	SPRING, TENSION CABLE (from SN 1599-620) (DPL-25S)	6
18A	8849GT	SPRING, TENSION CABLE (from SN 1599-620) (DPL-30S)	8
18B	8849GT	SPRING, TENSION CABLE (from SN 1599-620) (DPL-35S)	10

Go to Discount-Equipment.com to order your parts



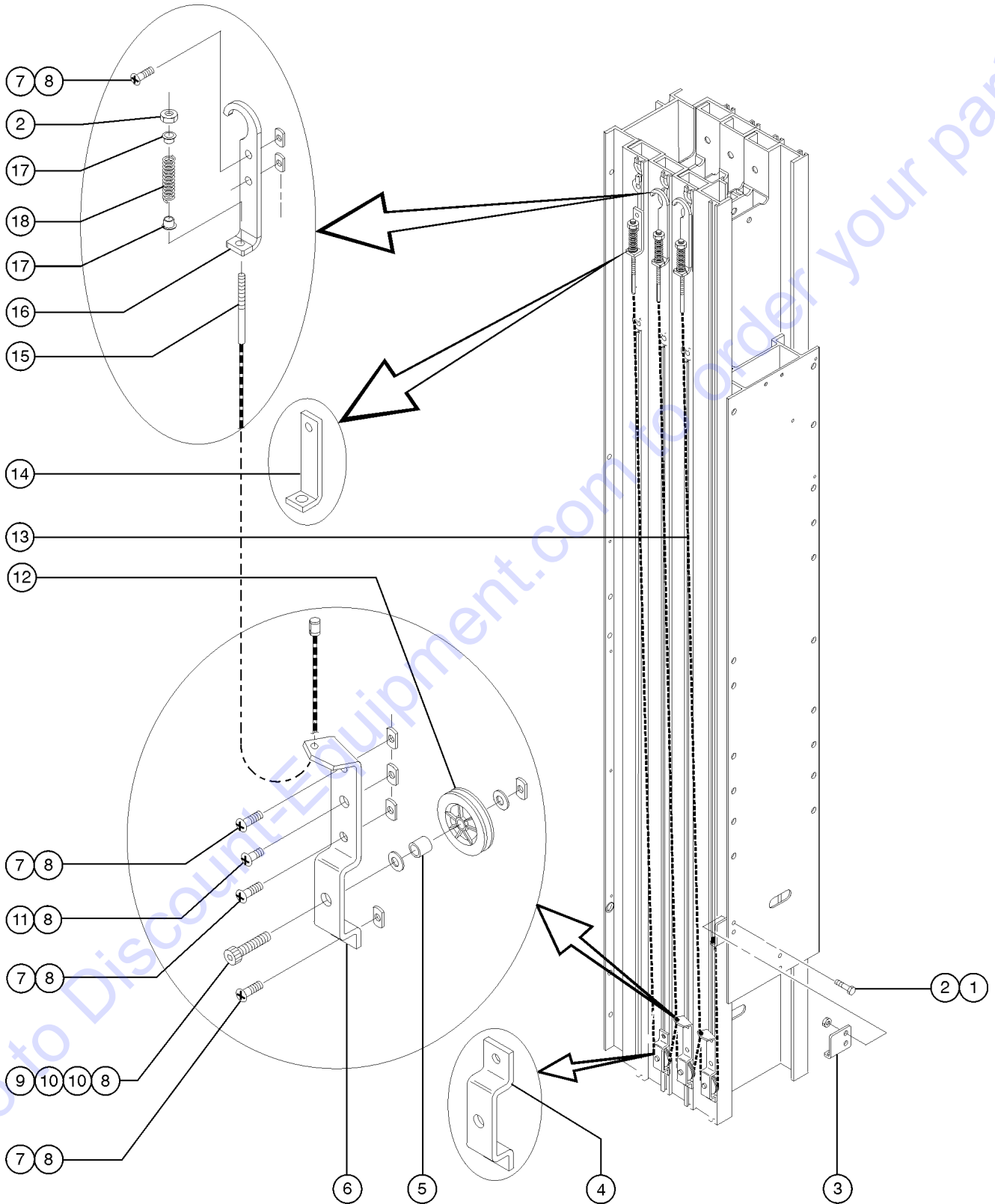
310.4 Sequencing Cables, View 2, from 2002



Item	Part No.	Description	Qty.
1	6090GT	SCREW,HHC,1/4-20 X .75	
2	6091GT	NUT,NYLOCK,1/4-20	
3	35734GT	FORMING, SEQUENCING, CARR, ZN	2
4	44622GT	BRACKET, LOWER SEQUENCING	2
		(second column only)	
5	44895GT	SPACER,TUBE,1/4X3/8X.50"LONG	6
		DPL-25S	
5A	44895GT	SPACER,TUBE,1/4X3/8X.50"LONG	8
		DPL-30S	
5B	44895GT	SPACER,TUBE,1/4X3/8X.50"LONG	10
		DPL-35S	
6	124050GT	RETROFIT KIT,MAST SEQ,DPL25	4
		(from SN 1599-618 to DPL07-1545, DPL25-S)	
6A	124051GT	RETROFIT KIT,MAST SEQ,DPL30	6
		(from SN 1599-618 to DPL07-1545, DPL30-S)	
6B	124052GT	RETROFIT KIT,MAST SEQ,DPL35	8
		(from SN 1599-618 to DPL07-1545, DPL35-S)	
6C	35730GT	BRACKET,SEQUENCING,ZINC *	4
		(from SN DPL07-1546) (DPL-25S)	
6D	35730GT	BRACKET,SEQUENCING,ZINC *	6
		(from SN DPL07-1546) (DPL-30S)	
6E	35730GT	BRACKET,SEQUENCING,ZINC *	8
		(from SN DPL07-1546) (DPL-35S)	
7	38979GT	SCREW,PHM,1/4-20X.5 PHIL	
8	35991GT	NUT,WELD 1/4-20, PLATED L.L. **	
9	41077GT	SCREW,SHC,1/4-20 X .875	
10	12906GT	WASHER,FENDER,.25 X 1.25 X.062	
11	109988GT	SCREW,PHM,1/4-20X.25 PHL	4
		DPL25-S	
11A	109988GT	SCREW,PHM,1/4-20X.25 PHL	6
		DPL30-S	
11B	109988GT	SCREW,PHM,1/4-20X.25 PHL	8
		DPL35-S	
12	35733GT	PULLEY,SEQUENCING,NYLATRON	6
		DPL25-S	
12A	35733GT	PULLEY,SEQUENCING,NYLATRON	8
		DPL30-S	
12B	35733GT	PULLEY,SEQUENCING,NYLATRON	10
		DPL35-S	
13	40314GT	CABLE,ASSY,SEQ.CARRIAGE**	1
		(includes item 3)	
14	57147GT	BRACKET,SEQUENCING,UPPER,ZI***	2
		DPL-25, DPL-30, DPL-35 (from SN DPL07-1546) (first column only)	
15	40313GT	CABLE ASSY,SEQ.MAST,DPL	4
		DPL25-S	
15A	40313GT	CABLE ASSY,SEQ.MAST,DPL	6
		DPL30-S	
15B	40313GT	CABLE ASSY,SEQ.MAST,DPL	8
		DPL35-S	



310.4 Sequencing Cables, View 2, from 2002

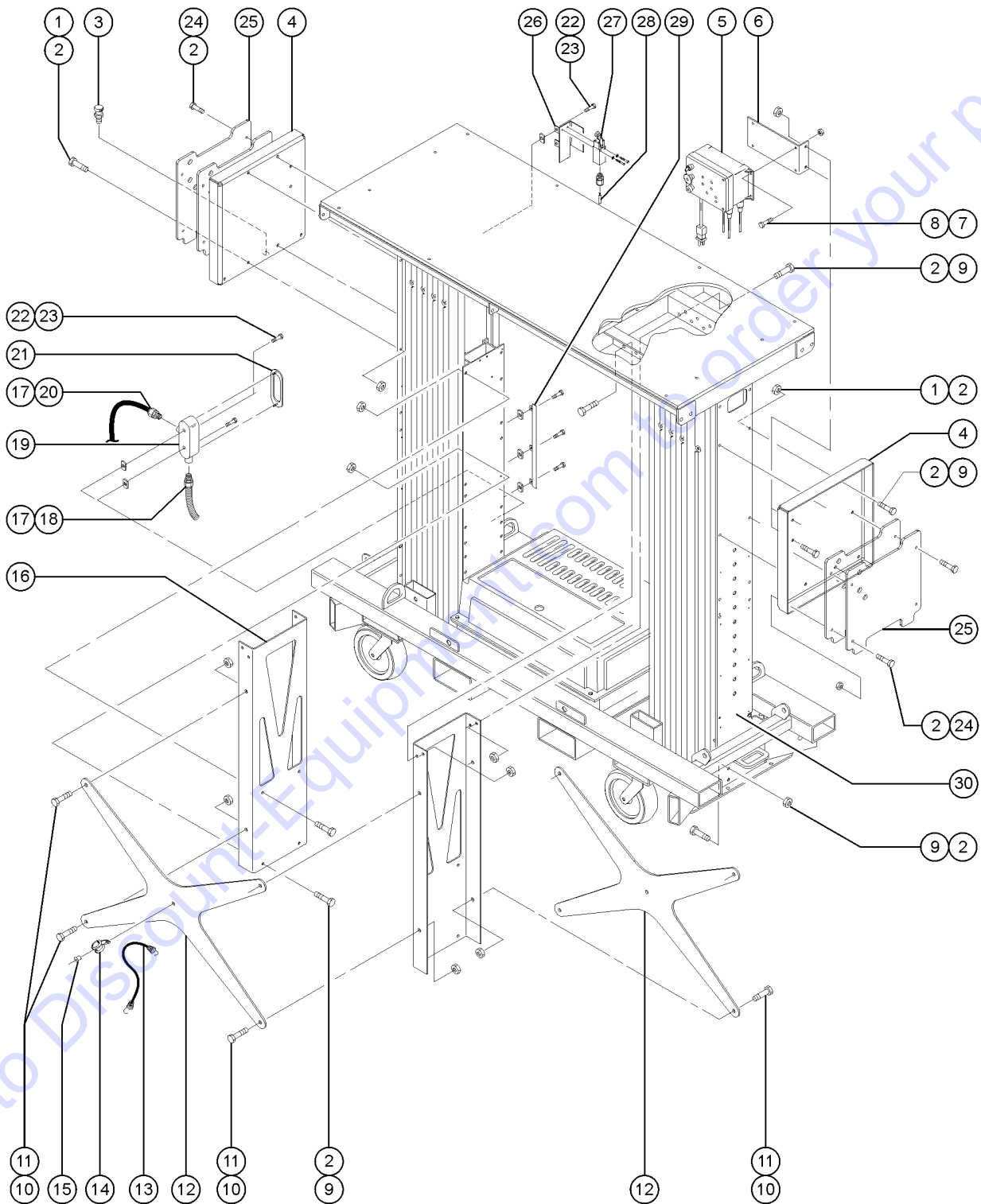


Item	Part No.	Description	Qty.
16	38339GT	BRACKET,SEQUENCING,UPPER,ZINC* DPL-25S (to SN 1599-618)	4
16A	38339GT	BRACKET,SEQUENCING,UPPER,ZINC* DPL-30S (to SN 1599-618)	6
16B	38339GT	BRACKET,SEQUENCING,UPPER,ZINC* DPL-35S (to SN 1599-618)	8
16C	124050GT	RETROFIT KIT,MAST SEQ,DPL25 DPL-25S (from SN 1599-619 to DPL07-1545) (includes items 6, 8, 11 and 14)	4
16D	124051GT	RETROFIT KIT,MAST SEQ,DPL30 DPL-30S (from SN 1599-619 to DPL07-1545) (includes items 6, 8, 11 and 14)	6
16E	124052GT	RETROFIT KIT,MAST SEQ,DPL35 DPL-35S (from SN 1599-619 to DPL07-1545) (includes items 6, 8, 11 and 14)	6
16F	109870GT	FORMING,SEQUENCING CABLE BRKT DPL-25S (from SN DPL07-1546) (shown)	4
16G	109870GT	FORMING,SEQUENCING CABLE BRKT DPL-30S (from SN DPL07-1546) (shown)	6
16H	109870GT	FORMING,SEQUENCING CABLE BRKT DPL-35S (from SN DPL07-1546) (shown)	8
17	38234GT	BUSHING,FLANGE,3/8 OD X 1/4 ID DPL-25S	6
17A	38234GT	BUSHING,FLANGE,3/8 OD X 1/4 ID DPL-30S	8
17B	38234GT	BUSHING,FLANGE,3/8 OD X 1/4 ID DPL-35S	10
18	8849GT	SPRING, TENSION CABLE	6
18A	8849GT	SPRING, TENSION CABLE	8
18B	8849GT	SPRING, TENSION CABLE	10

Go to Discount-Equipment.com to order your parts



311.1 Number 1 Column and Carriage Attached Parts

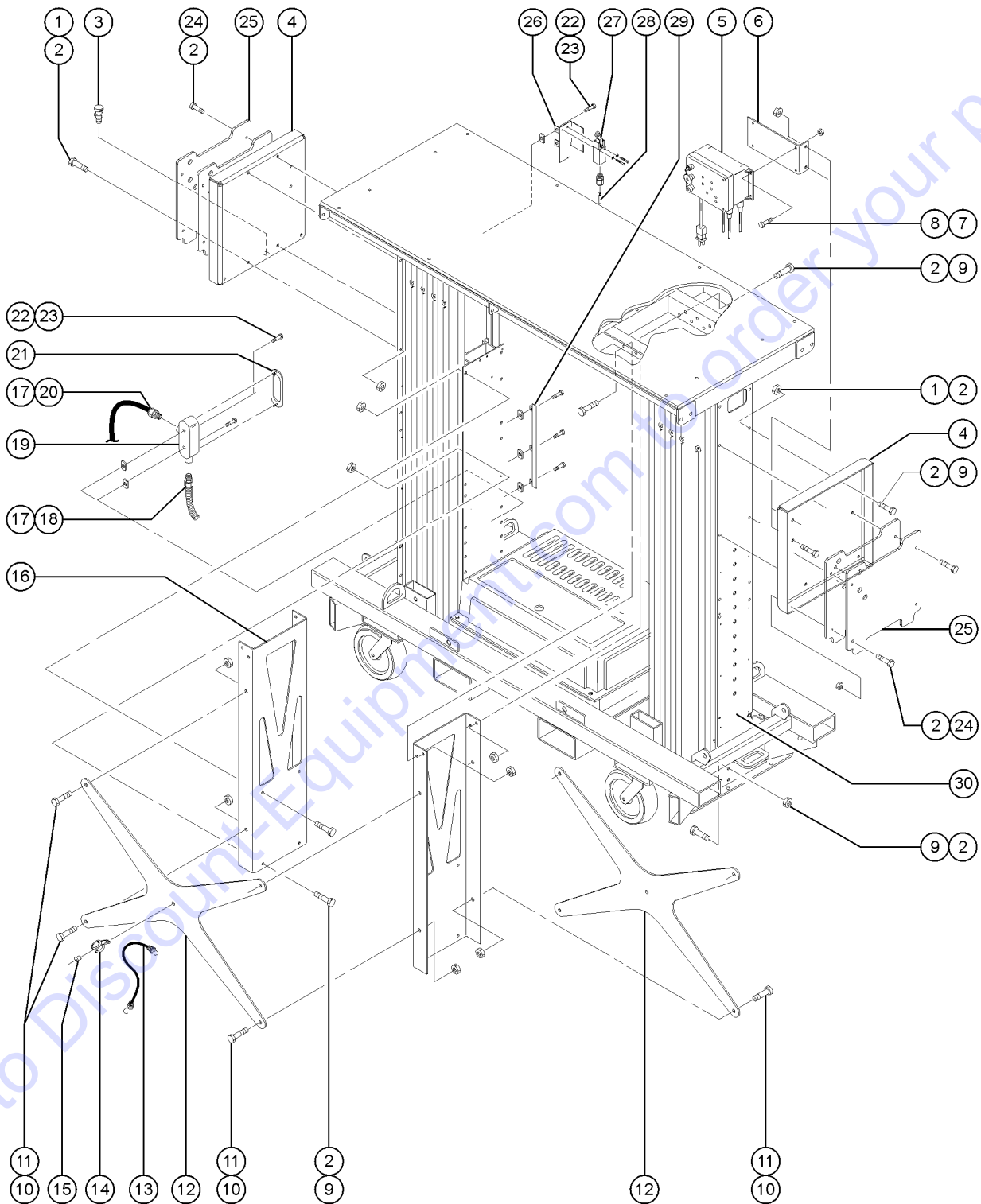


311.1 Number 1 Column and Carriage Attached Parts

Item	Part No.	Description	Qty.
1	6019GT	SCREW,HHC,3/8-16 X 1.25 GRD 5	
2	4828GT	NUT,NYLOCK,3/8-16	
3	33674GT	PIN,LOCK,SHORT***	1
4	41245GT	BRKT.,MAST BRACE W/DECAL,DPL-S	2
5		Ref. Ground Controls (refer to 405.1 or 406.1)	
6	40694PGT	BRACKET,CONTROL BOX MNT,PAINTD	1
7	6888GT	SCREW,HHC,1/4-20 X 1	
8	6091GT	NUT,NYLOCK,1/4-20	
9	6175GT	SCREW,HHC,3/8-16 X 1	
10	10587GT	SCREW,HHC,1/2-13 X.75	
11	6086GT	NUT,LP NYLOCK,1/2-13	
12	41242GT	MAST STIFFENER ASSY., DPL-25S includes items 13 through 15	1
12A	41243GT	MAST STIFFENER ASSY., DPL-30S includes items 13 through 15	
12B	41244GT	MAST STIFFENER ASSY., DPL-35S includes items 13 through 15	
13	8430GT	BUNGEE CORD - 24 IN.	2
14	6833GT	CLAMP,0.50,#8 X 1/4,RUB CUSH	2
15	7265GT	RIVET,STEEL,P, .25 X .375	2
16	38541PGT	CARRIAGE EXTENSION,DPL,"BLUE"	2
17	7057GT	CONN. SQZ,1/2NPT .39-.56 MED.	2
18		Ref. Wire Loom (refer to 407.1)	
19	40285GT	OUTLET BOX,OVAL,DRILLED (LL19)	1
20		Ref. Electrical Cord (refer to 407.1)	
21	6633GT	OUTLET BOX CAP includes mounting fasteners	1
22	7339GT	SCREW,HHC,1/4-20 X .5	
23	35991GT	NUT,WELD 1/4-20, PLATED L.L. **	2
24	13918GT	SCREW,HHC,3/8-16 X 1.75,GRD.8	
25	41182GT	COUNTERWEIGHT,CSA/CE DPL 30/35 CSA and CE models	8
26	57808GT	MOUNT,MAST LIMIT SWITCH CE models	1



311.1 Number 1 Column and Carriage Attached Parts



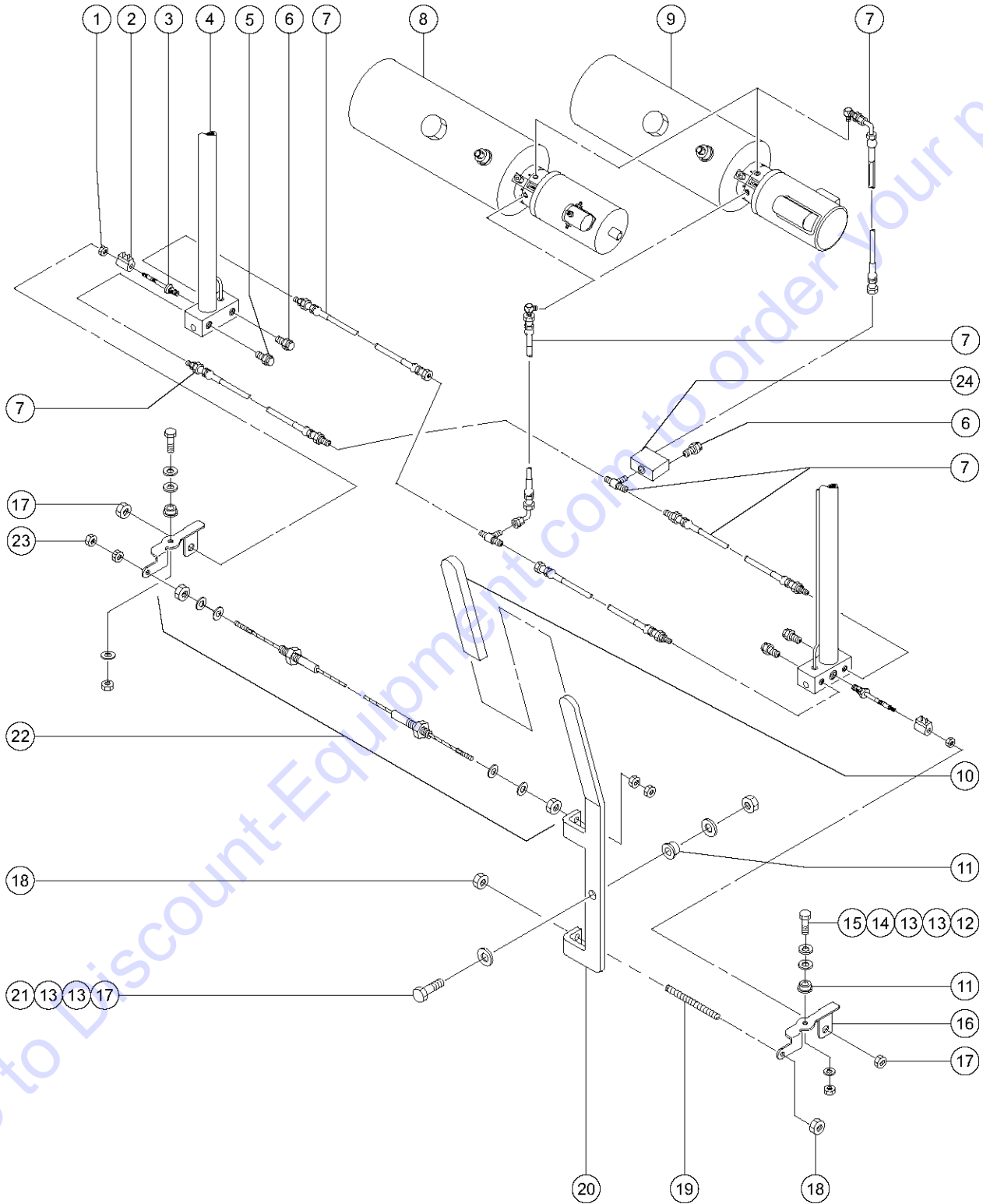
311.1 Number 1 Column and Carriage Attached Parts

Item	Part No.	Description	Qty.
27	96948GT	SWITCH,LIMIT,W/ROLLER ARM*** CE models	1
27-	19491GT	CONTACTOR,LIMIT SWITCH	
27-	97128GT	ROLLER ARM,LIMIT SWITCH***	
28	39907GT	WIRE CABLE,18/2 SJO,BULK	200
29	69850GT	BRACKET, LIMIT SWITCH	1
30	100901GT	PLATE, COL 1 BACKPLATE	2

Go to Discount-Equipment.com to order your parts



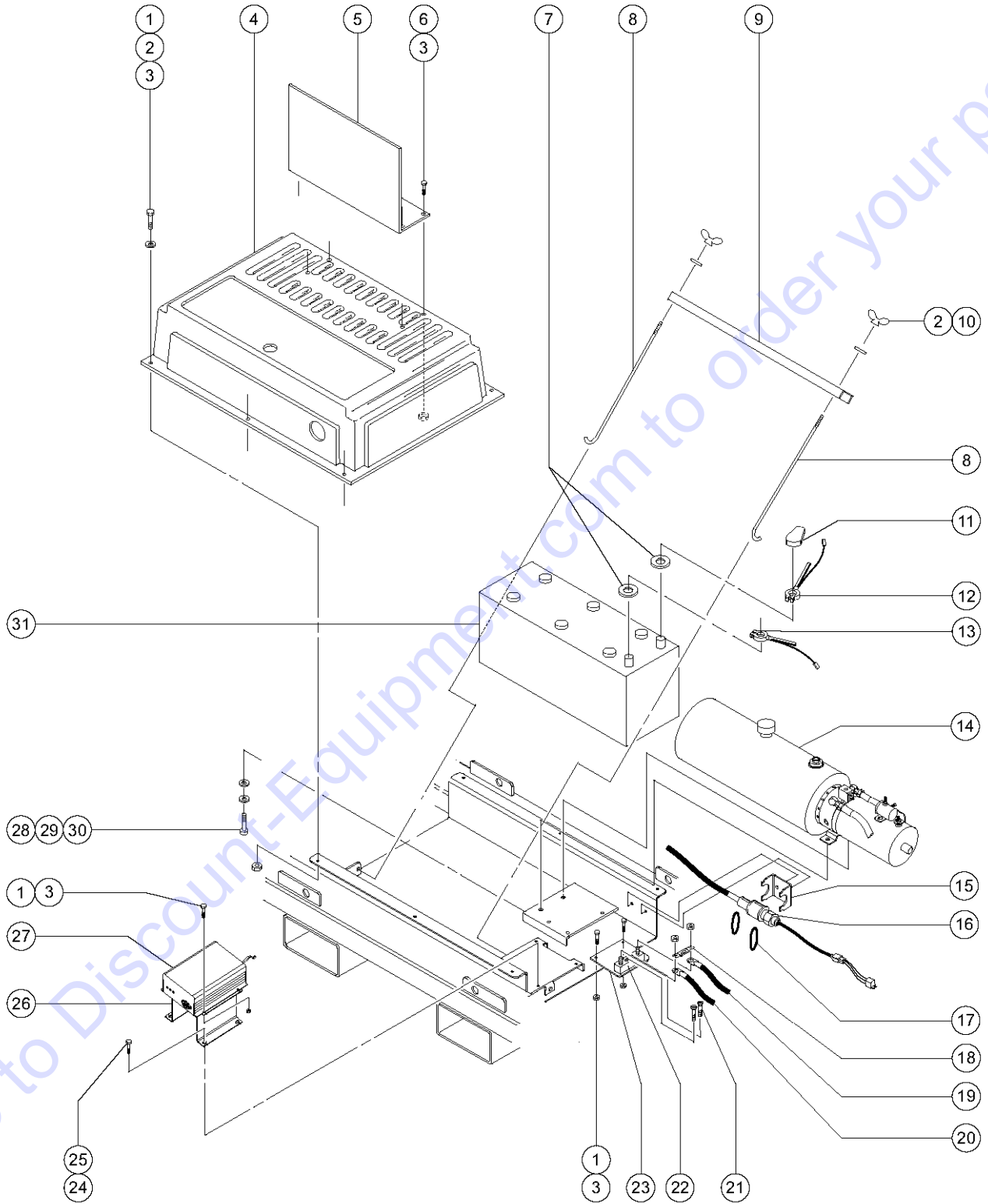
401.1 Hydraulic Installation



Item	Part No.	Description	Qty.
1	52943GT	NUT SOLENOID VALVE COIL (same as 19792)	2
2	40417GT	COIL, 12V DC	2
3	35724GT	VALVE, NC SOLENOID, MANUAL LWR includes items 1 and 2	2
3	40477GT	VALVE, CARTRIDGE***	
4	80950GT	CYLINDER, LIFT 56.25" STROKE, DY*	2
4-	40110GT	SEAL KIT, 35736, 37 SAME AS 38168 (Texas cylinder)	
4-	80943GT	SEAL KIT, DONGYANG CYL (35737)* (Dongyang cylinder)	
4-	1261234GT	GUIDE RING, LIFT CYLINDER, AWP (Dongyang cylinder)	
5	35726GT	VALVE, HYDRAULIC CHECK	2
6	35725GT	VALVE, FLOW CONTROL PREAS. COMP.	2
7		Ref. Hydraulic Hoses and Fittings (refer to the hydraulic hoses and fittings cross reference chart located in the back of the manual)	
8		Ref. DC Hydraulic Power Unit (refer to 403.1)	
9		Ref. AC Hydraulic Power Unit (refer to 404.1)	
10	8393GT	HANDLE, VINYL, (RED) 5"	1
11	33720GT	BEARING, FLANGE, 3/8 (AWP & ST)	3
12	8516GT	SCREW, HCC, 3/8-16 X 1.50	
13	6097GT	WASHER, FLAT, USS, 3/8", Y	
14	6052GT	WASHER, SHIM, .5 X .875 X .063	2
15	4828GT	NUT, NYLOCK, 3/8-16	
16	40684GT	ROCKER, MANUAL LOWERING, DPL	2
17	7713GT	NUT, LP NYLOCK, 3/8-16	
18	5365GT	NUT, NYLOCK, 10-24	
19	31632-2000GT	THREADED ROD, 10-24	1
20	40686GT	LEVER, MANUAL LOWERING, DPL	1
21	6175GT	SCREW, HHC, 3/8-16 X 1	
22	40679GT	CABLE ASSY, MNUL LOWERING, DPL%% includes mounting fastners	1
23	41180GT	NUT, LP NYLOCK, 1/4-28	
24	44365GT	VALVE BODY, #8-2, #4 PORTS	1



402.1 Battery and Battery Charger Installation, From 1996 to 2001

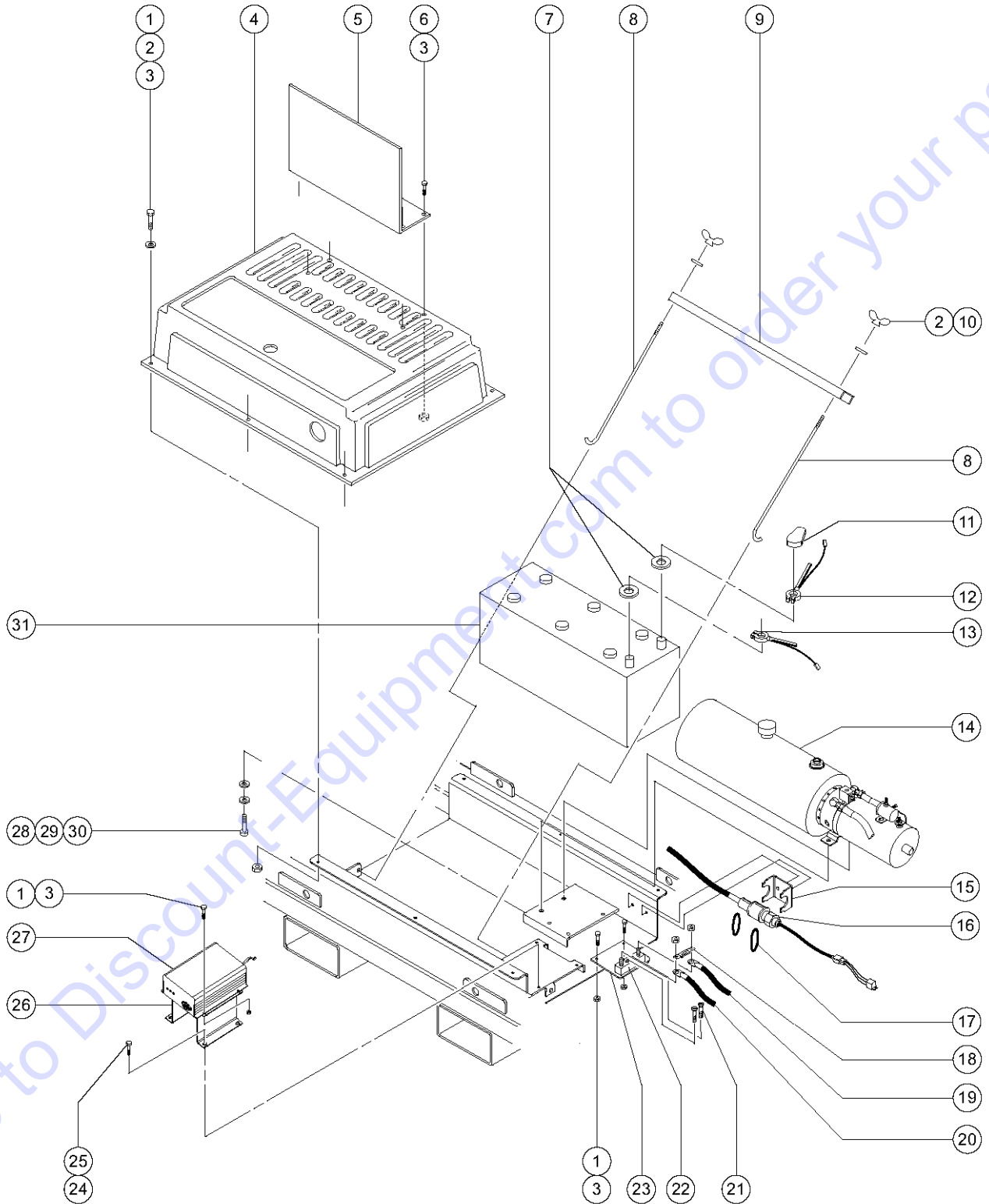


402.1 Battery and Battery Charger Installation, From 1996 to 2001

Item	Part No.	Description	Qty.
1	6090GT	SCREW,HHC,1/4-20 X .75	
2	6638GT	WASHER,FLAT,USS,1/4"Y	
3	6091GT	NUT,NYLOCK,1/4-20	
4	41240GT	BASE COVER ASSY.W/WORDS,DPL** (all models) (includes items 5 and 6)	1
4-	8226GT	SLIDING LID	
5	41233GT	DECAL PLATE ASSY, WRDS,DPL (all models)	1
6	6888GT	SCREW,HHC,1/4-20 X 1	
7	57162GT	BATTERY TERMINAL PROTECTORS	2
8	8345GT	HOOK BOLT 14"	2
9	40695GT	CHANNEL,BATTERY HOLD DOWN,DPL	1
10	8170GT	NUT,WING,1/4-20	2
11	18189GT	BOOT,BATTERY TERMINAL,RED	2
12	46120GT	BATTERY CABLE,RED,DPL ANSI and CSA models	1
12A	46598GT	HARNESS,BATT TO MOTOR,DPL,CE CE models	
13	46119GT	BATTERY CABLE,BLACK,DPL ANSI and CSA models	1
13A	46598GT	HARNESS,BATT TO MOTOR,DPL,CE CE models	
14		Ref. Hydraulic Power Unit (refer to 403.1 or 404.1)	
15	100142GT	FORMING, PRESSURE SWITCH MNT	1
16	109679GT	KIT,SRV, DPL PRES SWITCH, CE (complete)	
16-	104935GT	SWITCH, PRESSURE,0-3000PSI ADJ Serial numbers from DPL06-1426	1
16-	100153GT	HOSE ASSY, PRESSURE SWITCH	
16-	109680GT	KIT,SRV,DPL PRS SWCH WIRE ASSY does not include Pressure Switch or Relay	
16-	109681GT	WIRE ASSY,DWG,DPL PRESS SWITCH includes Pressure Switch and Relay	
16A	T114290GT	ASSY,PRESS.SWITCH COVER***	
16A-	96432GT	SWITCH,PRESS,ADJSTBLE,OVRLD Serial numbers to DPL06-1425	
16A-	85223GT	GASKET-PRESSURE SWITCH ENCLOS.	
16A-	85224GT	COVER-PRESSURE SWITCH ENCLOS.	
18	41023GT	FUSE,175 AMP DC models	1



402.1 Battery and Battery Charger Installation, From 1996 to 2001



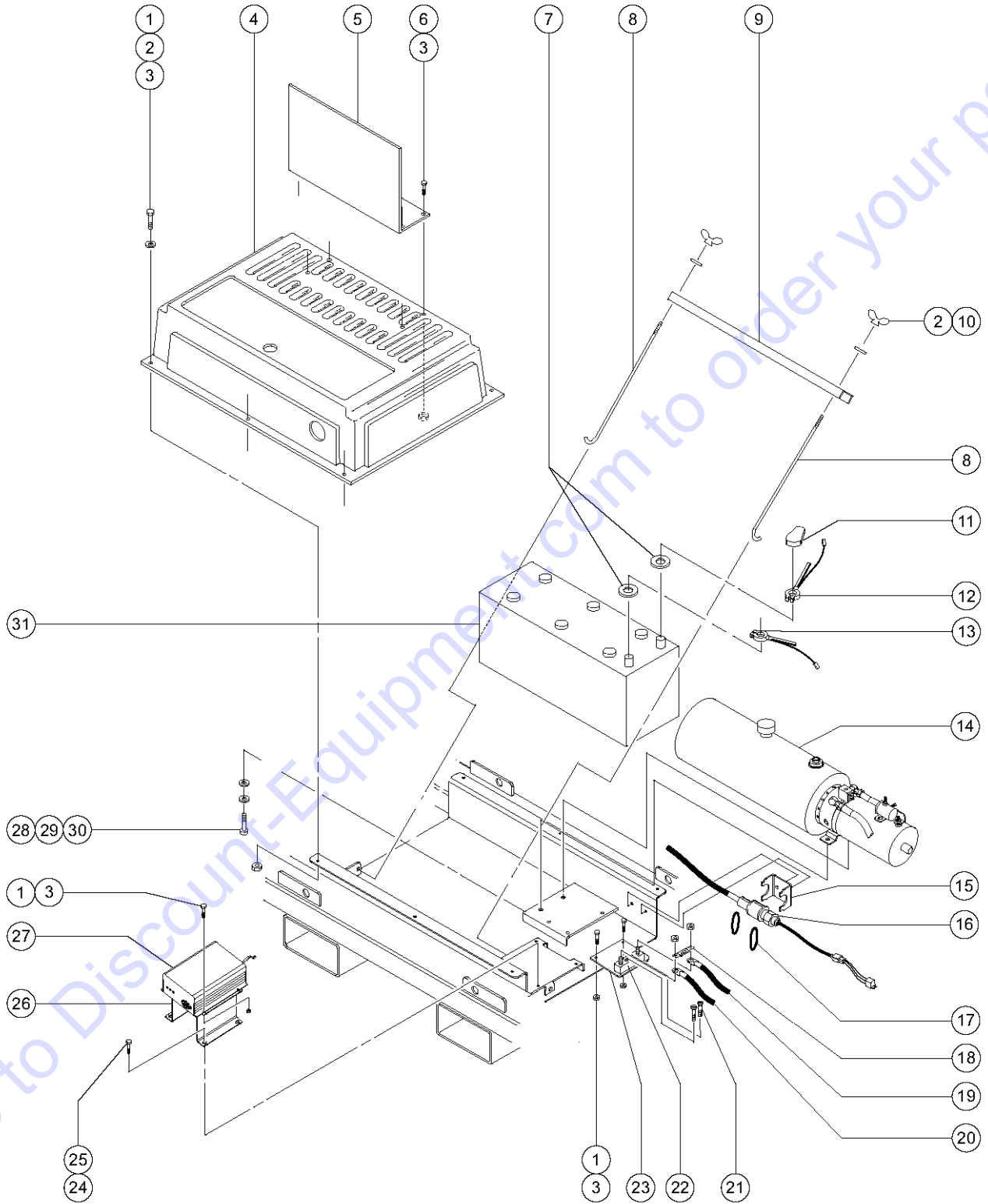
402.1 Battery and Battery Charger Installation, From 1996 to 2001

Item	Part No.	Description	Qty.
19	46668GT	HARNES,BATT TO FUSE,DPL,CE DC models	1
20	46667GT	HARNES,FUSE TO MTOR,DPL,CE DC models	1
21	6873GT	SCREW,FHM,10-32 X 1 DC models	
22	66717GT	FUSE BLOCK, ANN & ANL FUSE DC models; includes mounting fasteners	1
23	43774GT	BRACKET,FUSE,TUV DPL DC models	1
24	15513GT	NUT,HEX,10-32	
25	17626GT	SCREW,FHM,10-32 X .75	
26	100169GT	FORMING, CHARGER MOUNT,SERVICE	2
27		Ref. Battery Charger (refer to 410.1 or 411.2)	
28	6175GT	SCREW,HHC,3/8-16 X 1	
29	6021GT	WASHER,LOCK,.375	
30	6097GT	WASHER,FLAT,USS,3/8",Y	
31	57160GT	BATTERY,12V GRP 4D,190 AH,DRY*	1

Go to Discount-Equipment.com to order your parts



402.2 Battery and Battery Charger Installation, From 2002 (to SN DPL10-1838)

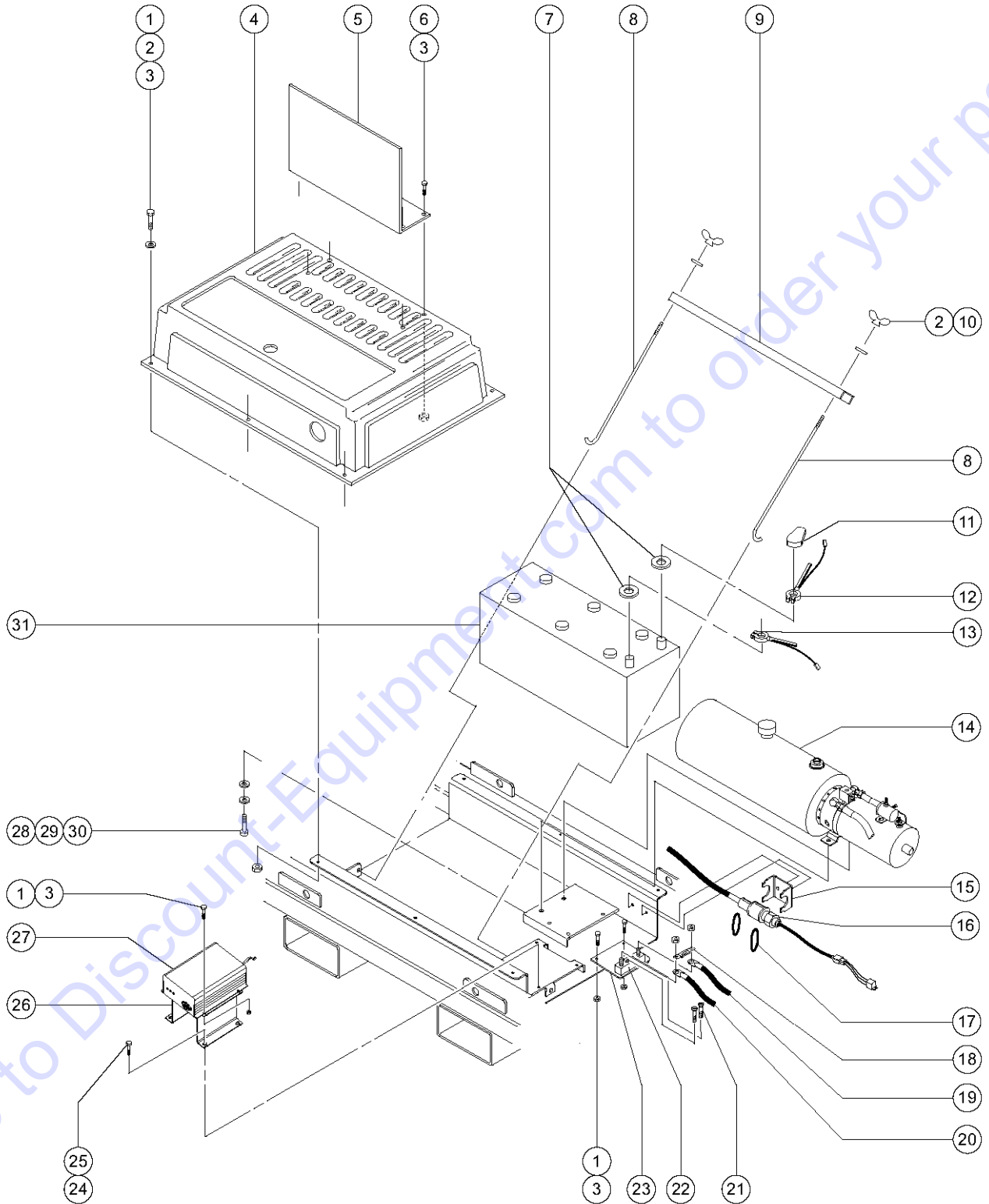


402.2 Battery and Battery Charger Installation, From 2002 (to SN
DPI 10-1838)
Qty.

Item	Part No.	Description	Qty.
1	6090GT	SCREW,HHC,1/4-20 X .75	
2	6638GT	WASHER,FLAT,USS,1/4"Y	
3	6091GT	NUT,NYLOCK,1/4-20	
4	41240GT	BASE COVER ASSY.W/WORDS,DPL** Serial numbers to DPL04-1188 (All Models; includes items 5 and 6)	
4-	8226GT	SLIDING LID	
4A	41240GT	BASE COVER ASSY.W/WORDS,DPL** Serial numbers from DPL04-1189 ((USA, Canada, Australia and South America models; includes items 5 and 6) ..	1
4A-	8226GT	SLIDING LID	
4B	1298869GT	BASE COVER ASSY.W/SYMBL,DPL Serial numbers from DPL-1189 (Asia and Europe models; includes items 5 and 6)	
4B-	8226GT	SLIDING LID	
5	41233GT	DECAL PLATE ASSY, WRDS,DPL Serial numbers to DPL04-1188 (All Models)	
5	41233GT	DECAL PLATE ASSY, WRDS,DPL Serial numbers from DPL04-1189 ((USA, Canada, Australia and South America models) ..	1
5B	107032GT	DECAL PLATE ASSY, SYMBLS,DPL** Serial numbers from DPL-1189 (Asia and Europe models)	
6	6888GT	SCREW,HHC,1/4-20 X 1	
7	57162GT	BATTERY TERMINAL PROTECTORS	2
8	8345GT	HOOK BOLT 14"	2
9	40695GT	CHANNEL,BATTERY HOLD DOWN,DPL	1
10	8170GT	NUT,WING,1/4-20	2
11	18189GT	BOOT,BATTERY TERMINAL,RED	2
12	46120GT	BATTERY CABLE,RED,DPL ANSI and CSA models	1
12A	46598GT	HARNESS,BATT TO MOTOR,DPL,CE CE models ..	
13	46119GT	BATTERY CABLE,BLACK,DPL ANSI and CSA models	1
13A	46598GT	HARNESS,BATT TO MOTOR,DPL,CE CE models	
14		Ref. Hydraulic Power Unit	
		(refer to 403.1 or 404.1)	
15	100142GT	FORMING, PRESSURE SWITCH MNT Serial numbers to DPL06-1425	1
15A	109644GT	PRESSURE SWITCH BRACKET	
		Serial numbers from DPL06-1426	
16	109679GT	KIT,SRV, DPL PRES SWITCH, CE	
		(complete)	
16-	104935GT	SWITCH, PRESSURE,0-3000PSI ADJ	1
		Serial numbers from DPL06-1426	
16-	100153GT	HOSE ASSY, PRESSURE SWITCH	



402.2 Battery and Battery Charger Installation, From 2002 (to SN DPL10-1838)

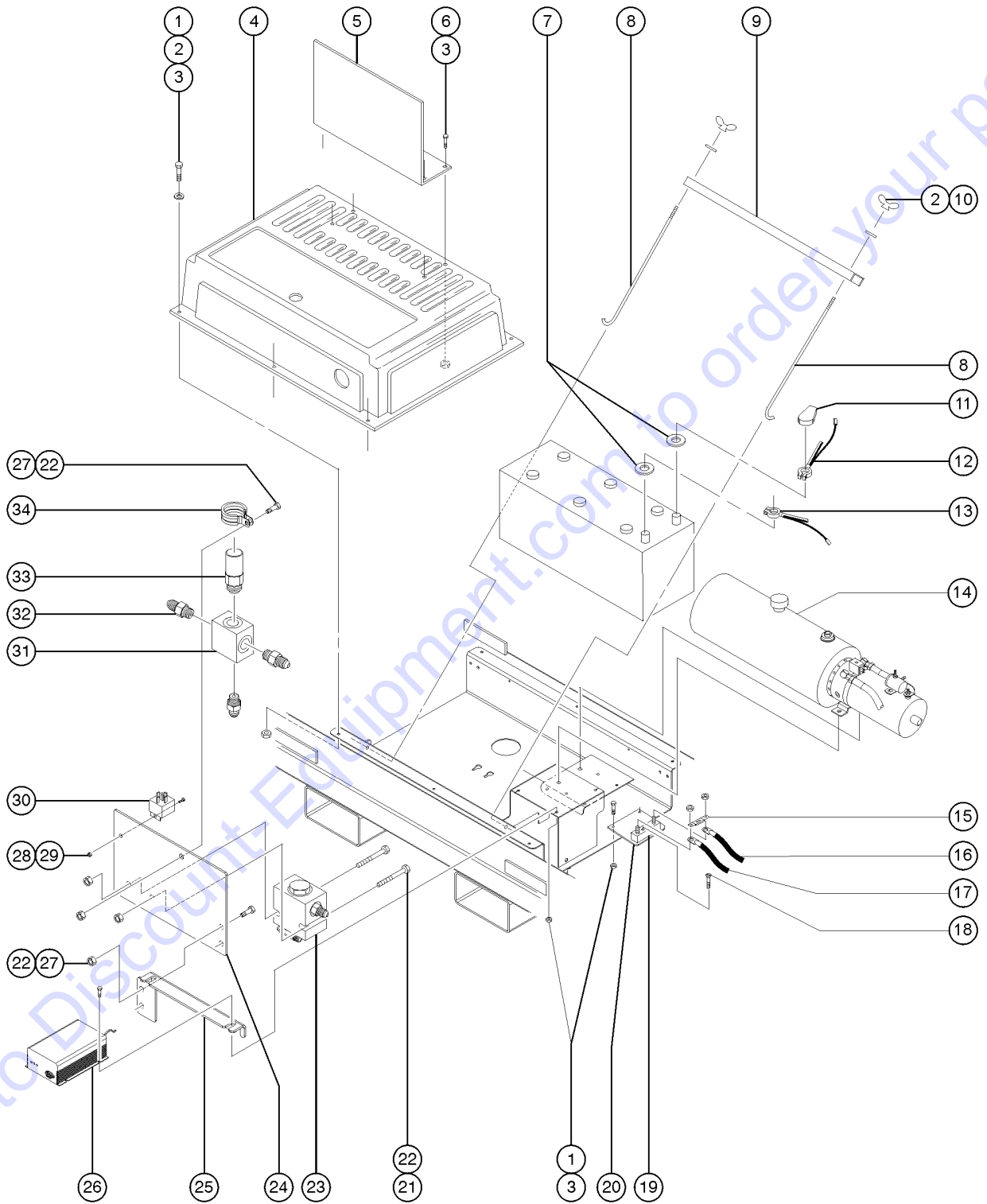


402.2 Battery and Battery Charger Installation, From 2002 (to SN
DPI 10-1838)
Qty.

Item	Part No.	Description	Qty.
16-	109680GT	KIT,SRV,DPL PRS SWCH WIRE ASSY does not include Pressure Switch or Relay	
16-	109681GT	WIRE ASSY,DWG,DPL PRESS SWITCH includes Pressure Switch and Relay	
16A	T114290GT	ASSY,PRESS.SWITCH COVER*** (complete)	
16A-	96432GT	SWITCH,PRESS,ADJSTBLE,OVRLD Serial numbers to DPL06-1425	
16A-	85223GT	GASKET-PRESSURE SWITCH ENCLOS.	
16A-	85224GT	COVER-PRESSURE SWITCH ENCLOS.	
17	43394GT	O-STYLE RETAINING RING Serial numbers from DPL06-1426	2
18	41023GT	FUSE,175 AMP DC models	1
19	46668GT	HARNESS,BATT TO FUSE,DPL,CE DC models	1
20	46667GT	HARNESS,FUSE TO MTOR,DPL,CE DC models	1
21	6873GT	SCREW,FHM,10-32 X 1 DC models	
22	66717GT	FUSE BLOCK, ANN & ANL FUSE DC models; includes mounting fasteners	1
23	43774GT	BRACKET,FUSE,TUV DPL DC models	1
24	15513GT	NUT,HEX,10-32	
25	17626GT	SCREW,FHM,10-32 X .75	
26	100169GT	FORMING, CHARGER MOUNT,SERVICE Serial numbers to DPL04-1211 (models with signet charger)	2
27		Ref. Battery Charger (refer to 409.1 or 409.2)	
28	6175GT	SCREW,HHC,3/8-16 X 1	
29	6021GT	WASHER,LOCK,.375	
30	6097GT	WASHER,FLAT,USS,3/8",Y	
31	57160GT	BATTERY,12V GRP 4D,190 AH,DRY* (20.625 x 8.69 x 9.5 inches)	1



402.3 Battery and Battery Charger Installation, From 2002 (from SN DPL10-1839)

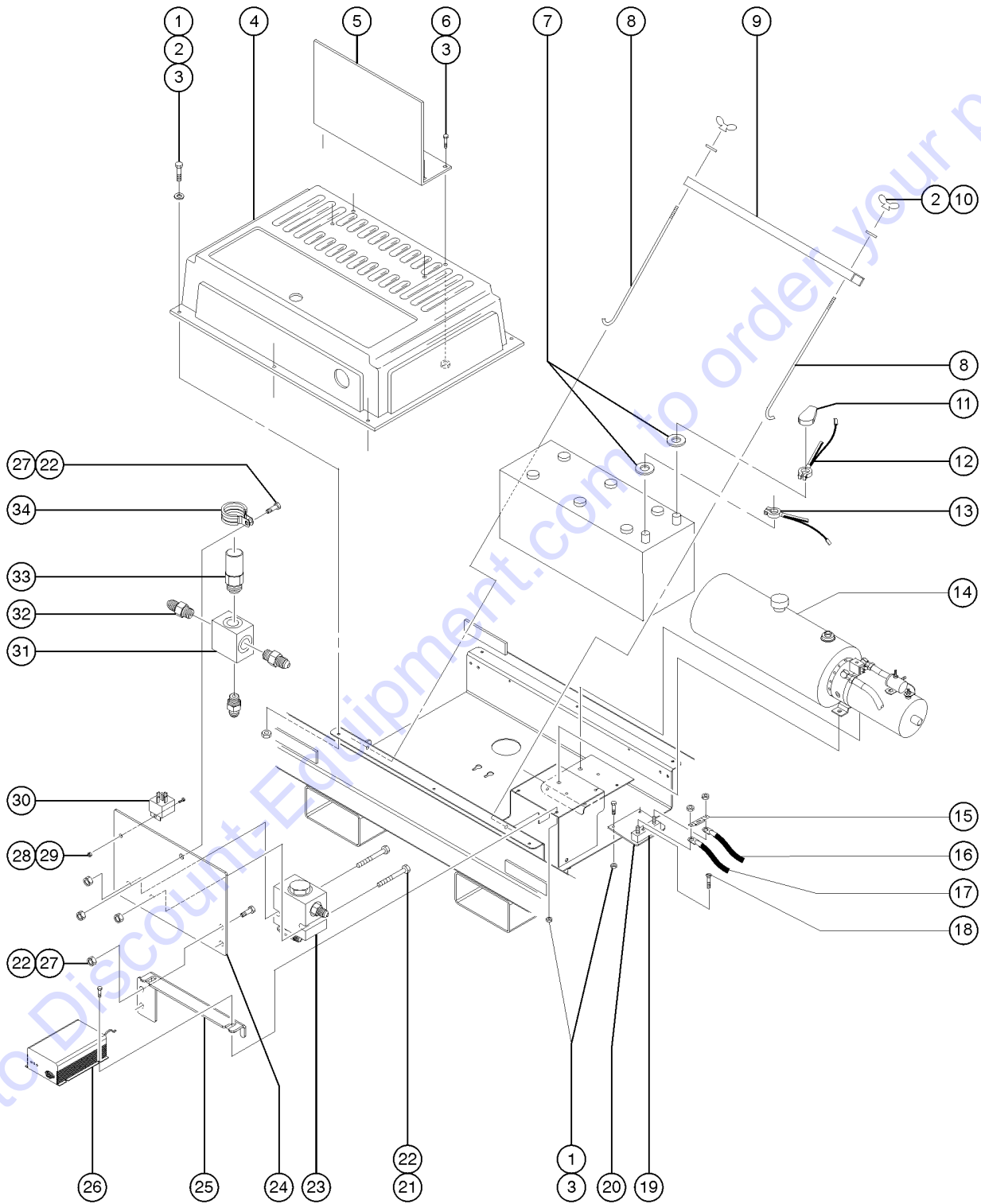


402.3 Battery and Battery Charger Installation, From 2002 (from SN
DPI 10-1839)
Qty.

Item	Part No.	Description	Qty.
-	145254GT	FORMING,BATTERY HOLD DOWN CE models, from SN DPL10-1850 (not shown, requires qty 2 6878 bolt and qty 2 6889, nut to install)	
-	145255GT	FORMING,BATTERY LOCATOR CE models, from SN DPL10-1850 (not shown, requires qty 2 6878 bolt and qty 2 6889, nut to install)	
1	6090GT	SCREW,HHC,1/4-20 X .75	
2	6638GT	WASHER,FLAT,USS,1/4"Y	
3	6091GT	NUT,NYLOCK,1/4-20	
4	41240GT	BASE COVER ASSY.W/WORDS,DPL**	1
4-	8226GT	SLIDING LID	
4A	41240GT	BASE COVER ASSY.W/WORDS,DPL**	
4A-	8226GT	SLIDING LID	
4B	1298869GT	BASE COVER ASSY.W/SYMBL,DPL	
4B-	8226GT	SLIDING LID	
5	41223GT	BASE ASSY.,W/WORDS, DPLSS****	1
5B	107032GT	DECAL PLATE ASSY, SYMBLS,DPL**	
6	6888GT	SCREW,HHC,1/4-20 X 1	
7	57162GT	BATTERY TERMINAL PROTECTORS	2
8	8345GT	HOOK BOLT 14"	2
9	40695GT	CHANNEL,BATTERY HOLD DOWN,DPL	1
10	8170GT	NUT,WING,1/4-20	2
11	18189GT	BOOT,BATTERY TERMINAL,RED	2
12	46120GT	BATTERY CABLE,RED,DPL	1
13	46119GT	BATTERY CABLE,BLACK,DPL	1
14		Ref. Hydraulic Power Unit	
		(refer to 403.2 or 404.2)	
15	41023GT	FUSE,175 AMP	1
16	46668GT	HARNESS,BATT TO FUSE,DPL,CE	1
17	46667GT	HARNESS,FUSE TO MTOR,DPL,CE	1
18	6873GT	SCREW,FHM,10-32 X 1	
19	66717GT	FUSE BLOCK, ANN & ANL FUSE	1



402.3 Battery and Battery Charger Installation, From 2002 (from SN DPL10-1839)

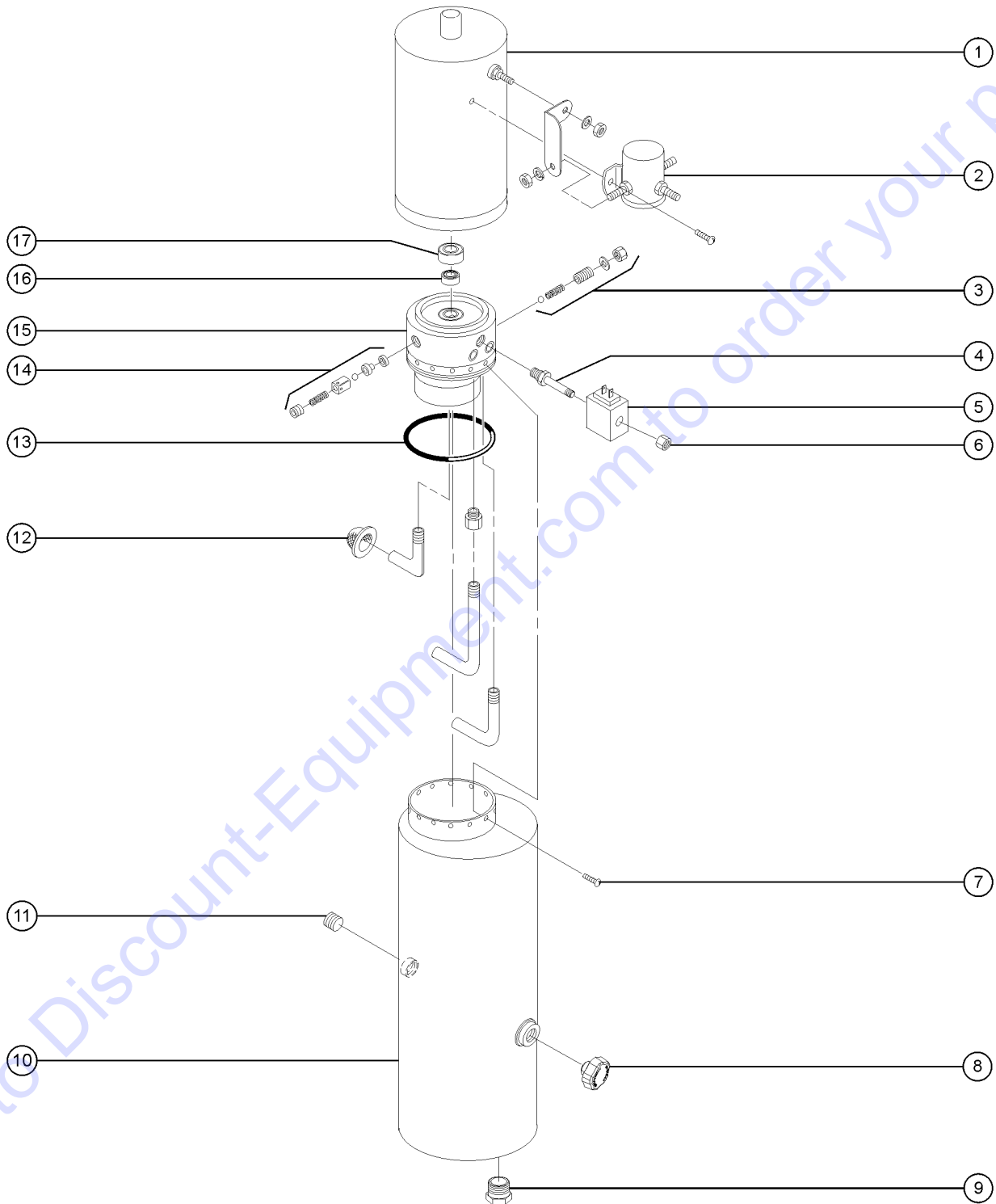


402.3 Battery and Battery Charger Installation, From 2002 (from SN DPL 10-1839)

Item	Part No.	Description	Qty.
20	43774GT	BRACKET,FUSE,TUV DPL	1
21	6145GT	SCREW,HHC,1/4-20 X 1.5	
22	6889GT	NUT,LP NYLOCK,1/4-20	
23	44365GT	VALVE BODY,#8-2,#4 PORTS (from SN DPL10-1839)	1
24	145134GT	PLATE,DPL LS SERVICE KIT (from SN DPL10-1839)	1
25	145133GT	FORMING,DPL LS SERVICE KIT (from SN DPL10-1839)	1
26		Ref. Battery Charger refer to 410.1 or 411.1	
27	38979GT	SCREW,PHM,1/4-20X.5 PHIL	
28	18605GT	NUT,NYLOCK,8-32	
29	55906GT	SCREW,PHILLIPS,PHM,8-32 X .5	
30	19274GT	RELAY,SPDT,12V(AUTO)** (from SN DPL10-1839)	1
31	145124GT	JUNCTION BLOCK,4X #4 SAE PORT (from SN DPL10-1839)	1
32	13755GT	CONNECTOR,070120-4-4	3
33A	104935GT	SWITCH, PRESSURE,0-3000PSI ADJ Australia Models (from SN DPL12-2055)	1
33B	104935GT	SWITCH, PRESSURE,0-3000PSI ADJ (for CE Models from SN DPL10-1839)	1
33-	100136GT	KIT,SRV,AC110,LOAD SENSE,CE (from SN DPL10-1839) Complete	
33-	100138GT	KIT,SRV,AC220,LOAD SENSE,CE (from SN DPL10-1839) Complete	
33-	100139GT	KIT,SRV,DC12V,LOAD SENSE,CE (from SN DPL10-1839) Complete	
33-	109681GT	WIRE ASSY,DWG,DPL PRESS SWITCH (from SN DPL10-1839)	
33-	109679GT	KIT,SRV, DPL PRES SWITCH, CE (from SN DPL10-1839)	
34A	21618GT	CLAMP,1.13,#18 X 1/4,RUB CUSH Australia Models (from SN DPL12-2055)	1
34B	21618GT	CLAMP,1.13,#18 X 1/4,RUB CUSH (for CE Models from SN DPL10-1839)	1



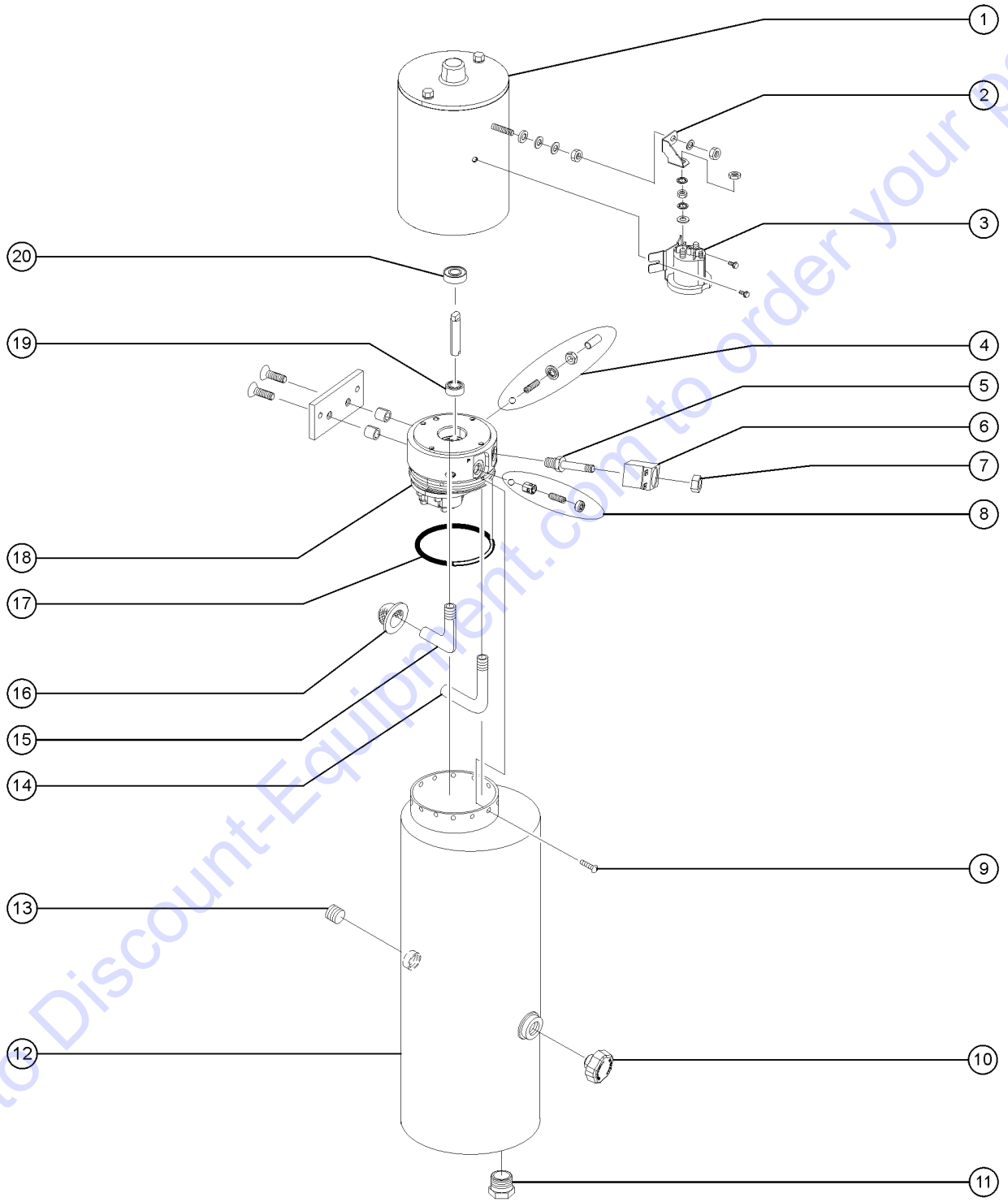
403.1 DC Hydraulic Power Unit, From 1996 to 2001 (to serial number DPL02-915)



403.1 DC Hydraulic Power Unit, From 1996 to 2001 (to serial number
DPI 02-915)
Qty.

Item	Part No.	Description	Qty.
	100987GT	POWER UNIT,DC,DPL *** (replaced 40709 at serial number DPL05-1286)	
1	38151GT	MOTOR, 12V DC*** (includes item 17)	1
1-	38152GT	BRUSH KIT, 12V DC MTR (08111-D) for motors with stamp "8111-D"	
1-	T114885GT	BRUSH KIT,SVC,(MOTOR 38151)*** for motors with stamp "8111-I"	
2	38153GT	SOLENOID,MOTOR START***	1
3	38156GT	VALVE,RELIEF KIT,MONARCH**	1
4	100866GT	VALVE,2-POS 2-WAY***	
4-	40392GT	CARTRIDGE WITH NUT***	
5	40319GT	COIL, 10V DC***	
6	100869GT	NUT,SOLENOID VALVE***	
7	21018GT	SCREW,PHIL,PHM,10-24 X.38,SEMS	
8	38159GT	BREATHER CAP	1
9	38161GT	GAUGE-SIGHT	1
10	41333GT	RESERVOIR W/DECAL,DPL S-SERIES (1.2 Gallons / 4.9 Liters)	1
11	40426GT	PLUG, PIPE, FLUSH 1/4 PTF	1
12	38160GT	FILTER,PICK-UP SCREEN***	1
13	40318GT	SEAL,O-RING,PUMP***	1
14	38155GT	VALVE-CHECK KIT	1
15	38154GT	PUMP ASSEMBLY,MONARCH,AC/DC*** (includes items 3, 13, 14 and 16)	1
16	40401GT	SEAL,MOTOR	1
17	40400GT	BEARING,MOTOR	1

403.2 DC Hydraulic Power Unit, From 2002 (from serial number DPL02-916)

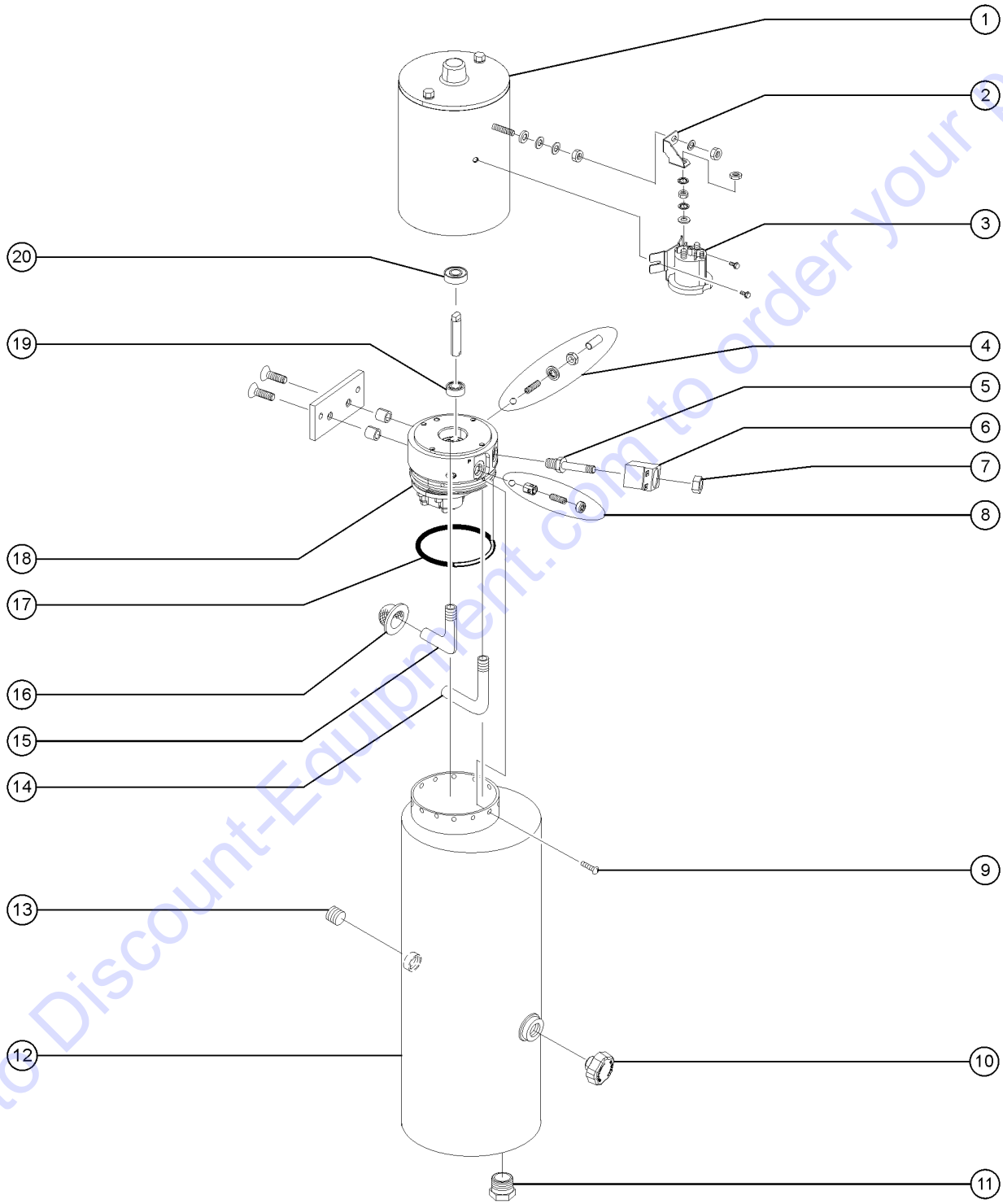


403.2 DC Hydraulic Power Unit, From 2002 (from serial number
DPI 02-916)
Qty.

Item	Part No.	Description	Qty.
	124187GT	POWER UNIT,DC,DPL (from SN DPL08-1643)	
	100987GT	POWER UNIT,DC,DPL *** (to SN DPL08-1642)	
1	38151GT	MOTOR, 12V DC*** (includes item 20)	1
1-	38152GT	BRUSH KIT, 12V DC MTR (08111-D) for motors with stamp "8111-D"	
1-	T114885GT	BRUSH KIT, SVC, (MOTOR 38151)*** for motors with stamp "8111-I"	
2	124185GT	SOLENOID STRAP, MONARCH (from SN DPL08-1643)	1
2	44991GT	SOLENOID STRAP, MONARCH** (to SN DPL08-1642)	
3	124186GT	SOLENOID, MOTOR START (from SN DPL08-1643)	1
3	38153GT	SOLENOID, MOTOR START*** (to SN DPL08-1642)	
4	38156GT	VALVE, RELIEF KIT, MONARCH**	
5	100866GT	VALVE, 2-POS 2-WAY*** (from SN DPL05-1288) (includes items 6 and 7)	1
5-	100867GT	CARTRIDGE W/ NUT (from SN DPL05-1288)	
5	100866GT	VALVE, 2-POS 2-WAY*** (to SN DPL05-1287) (includes items 6 and 7)	
5-	40392GT	CARTRIDGE WITH NUT*** (to SN DPL05-1287)	
6	100868GT	COIL, 10V DC*** (from SN DPL08-1643)	1
6	40319GT	COIL, 10V DC*** (to SN DPL08-1642)	
7	100869GT	NUT, SOLENOID VALVE*** (from SN DPL08-1643)	1
7	100869GT	NUT, SOLENOID VALVE*** (to SN DPL08-1642)	
8	38155GT	VALVE-CHECK KIT	
9	21018GT	SCREW, PHIL, PHM, 10-24 X.38, SEMS	
10	38159GT	BREATHER CAP	1
11	38161GT	GAUGE-SIGHT	1
12	41333GT	RESERVOIR W/DECAL, DPL S-SERIES	1
13	40426GT	PLUG, PIPE, FLUSH 1/4 PTF	1
14	52316GT	TUBE, INTERNAL RETURN (41888)**	1
15	52307GT	TUBE - SUCTION, PWR UNIT, TMZ	1
16	38160GT	FILTER, PICK-UP SCREEN***	1
17	40318GT	SEAL, O-RING, PUMP***	1



403.2 DC Hydraulic Power Unit, From 2002 (from serial number DPL02-916)



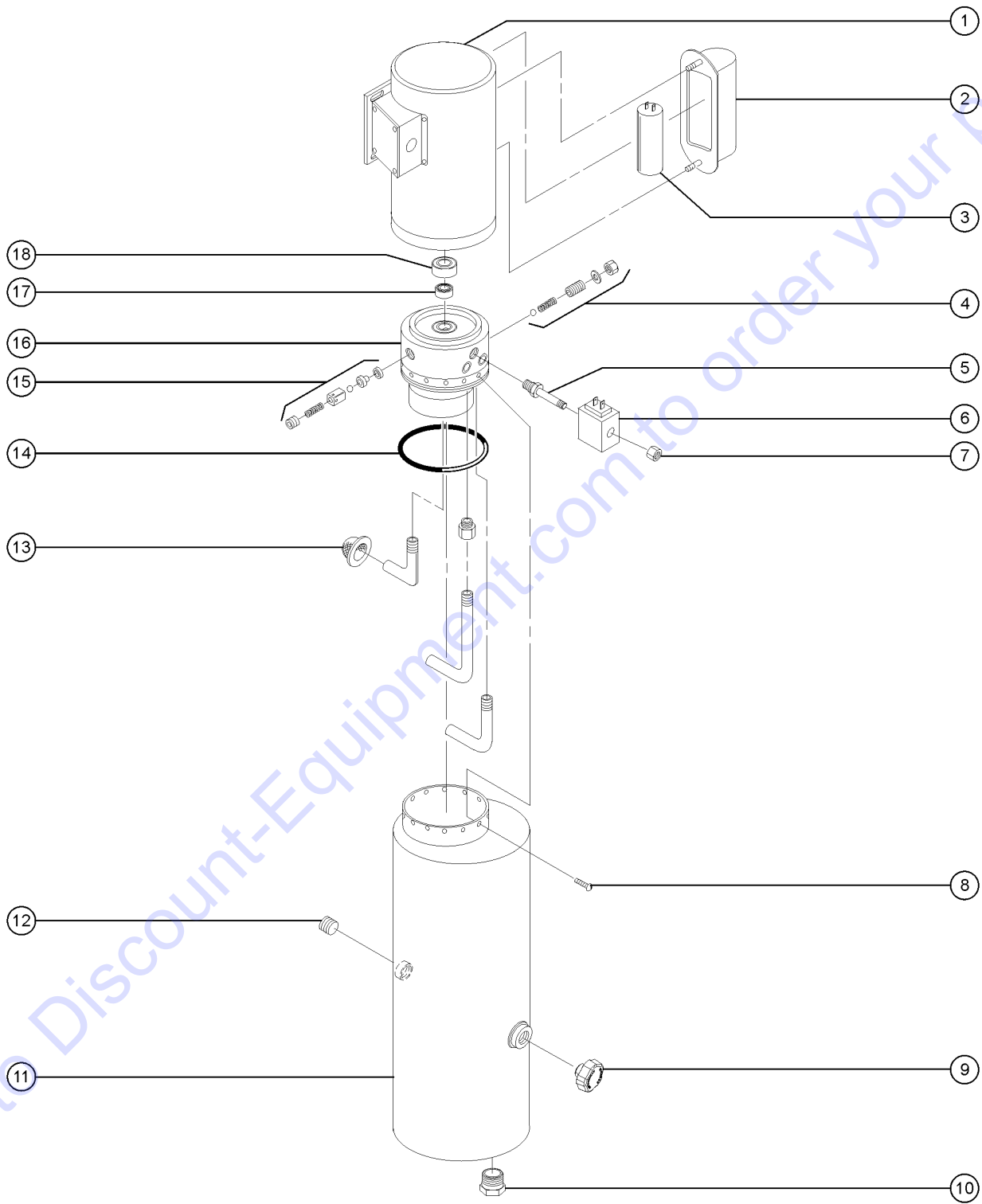
403.2 DC Hydraulic Power Unit, From 2002 (from serial number
DPI 02-916)
Qty.

Item	Part No.	Description	Qty.
18	38154GT	PUMP ASSEMBLY,MONARCH,AC/DC*** (includes items 4, 8 and 19)	1
19	40401GT	SEAL,MOTOR	1
20	40400GT	BEARING,MOTOR	1

Go to Discount-Equipment.com to order your parts



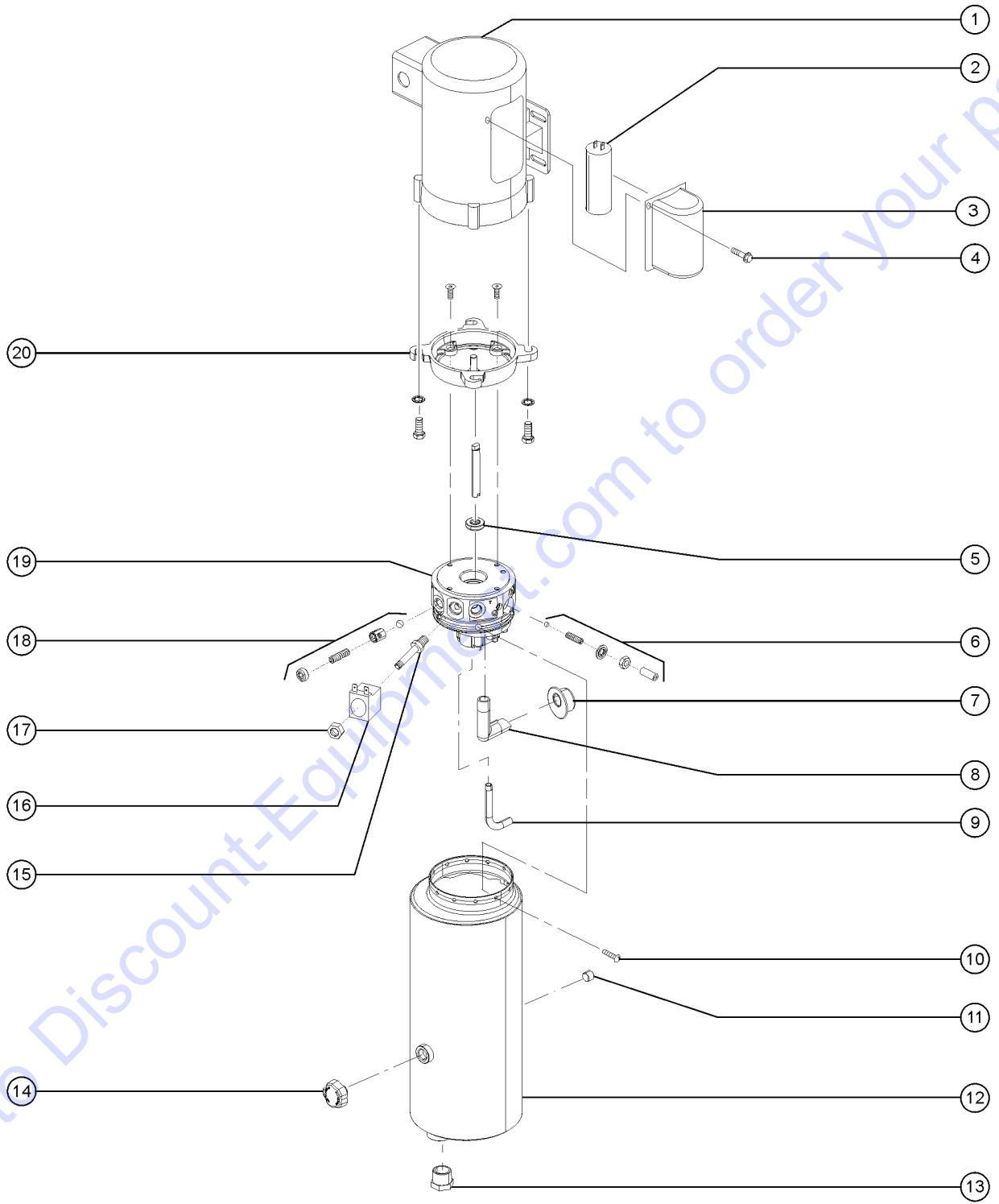
404.1 AC Hydraulic Power Unit, From 1996 to 2001 (to serial number DPL02-915)



404.1 AC Hydraulic Power Unit, From 1996 to 2001 (to serial number
DPI 02-915)
Qty.

Item	Part No.	Description	Qty.
	100988GT	POWER UNIT,AC,DPL *** (replaced PN 40710 on serial number DPL05-1286)	
1	38163GT	MOTOR, 115/230V AC includes item 18	1
1	145343GT	MOTOR,115/230V AC (124198) CE models	
2	40430GT	COVER,CAPACITOR	1
3	40399GT	CAPACITOR,MOTOR	1
4	38156GT	VALVE,RELIEF KIT,MONARCH**	1
5	100866GT	VALVE,2-POS 2-WAY*** (includes items 6 and 7)	
5-	40392GT	CARTRIDGE WITH NUT*** (includes item 7)	
6	40319GT	COIL, 10V DC***	
7	100869GT	NUT,SOLENOID VALVE***	
8	21018GT	SCREW,PHIL,PHM,10-24 X.38,SEMS	
9	38159GT	BREATHER CAP	1
10	38161GT	GAUGE-SIGHT	1
11	41333GT	RESERVOIR W/DECAL,DPL S-SERIES	1
12	40426GT	PLUG, PIPE, FLUSH 1/4 PTF	1
13	38160GT	FILTER,PICK-UP SCREEN***	1
14	40318GT	SEAL,O-RING,PUMP***	1
15	38155GT	VALVE-CHECK KIT	1
16	38164GT	PUMP ASSEMBLY (includes items 4, 14, 15 and 17)	1
17	40401GT	SEAL,MOTOR	1
18	40400GT	BEARING,MOTOR	1

404.2 AC Hydraulic Power Unit, From 2002 (from serial number DPL02-916)

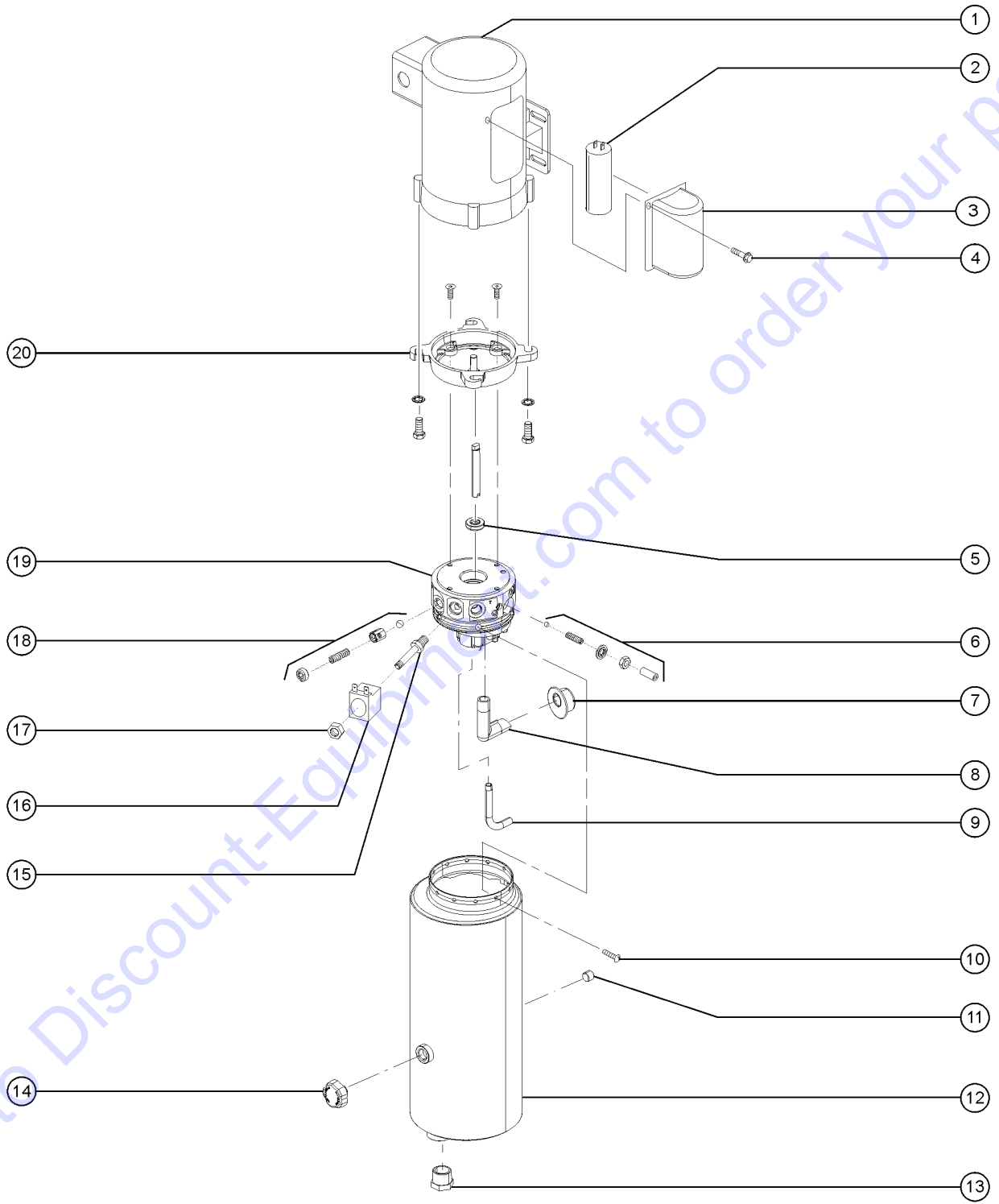


404.2 AC Hydraulic Power Unit, From 2002 (from serial number
DPI 02-916)
Qty.

Item	Part No.	Description	Qty.
	124199GT	POWER UNIT,AC,DPL CE (from SN DPL08-1643)	
	100988GT	POWER UNIT,AC,DPL *** (to SN DPL08-1642)	
	109815GT	POWER UNIT,85V AC	
1	38163GT	MOTOR, 115/230V AC	1
1	145343GT	MOTOR,115/230V AC (124198) CE models	
2	40399GT	CAPACITOR,MOTOR	1
3	40430GT	COVER,CAPACITOR (to SN DPL08-1642)	1
4	45183GT	10-32 X .375 SELFTAP SL.HX.HD	2
5	40401GT	SEAL,MOTOR	1
6	38156GT	VALVE,RELIEF KIT,MONARCH**	1
7	38160GT	FILTER,PICK-UP SCREEN***	1
8	52307GT	TUBE - SUCTION, PWR UNIT, TMZ	1
9	52316GT	TUBE,INTERNAL RETURN (41888)**	1
10	21018GT	SCREW,PHIL,PHM,10-24 X.38,SEMS	
11	40426GT	PLUG, PIPE, FLUSH 1/4 PTF	1
12	41333GT	RESERVOIR W/DECAL,DPL S-SERIES	1
13	38161GT	GAUGE-SIGHT	1
14	38159GT	BREATHER CAP	1
15	100866GT	VALVE,2-POS 2-WAY*** (from SN DPL05-1286)	1
15-	100867GT	CARTRIDGE W/ NUT (from SN DPL05-1286)	
15A	100866GT	VALVE,2-POS 2-WAY*** (to SN DPL05-1285)	
15A-	40392GT	CARTRIDGE WITH NUT*** (to SN DPL05-1285)	
16	100868GT	COIL, 10V DC*** (from SN DPL05-1286)	1
16	40319GT	COIL, 10V DC*** (to SN DPL05-1285)	
17	100869GT	NUT,SOLENOID VALVE*** (from SN DPL05-1286)	1
17	100869GT	NUT,SOLENOID VALVE*** (to SN DPL05-1285)	
18	38155GT	VALVE-CHECK KIT	1
19	38164GT	PUMP ASSEMBLY (includes items 5, 6 and 18)	1



404.2 AC Hydraulic Power Unit, From 2002 (from serial number DPL02-916)



PARTS FINDER

**Search Website
by Part Number**



**Search Manual
Library For Parts
Manual & Lookup Part
Numbers – Purchase
or Request Quote**

Search Manuals

Enter your information to help us find the right parts manual for your machine.

* Brand:

* Model:

* Serial:

* Part Number:

SEARCH

**Can't Find Part or
Manual? Request Help
by Manufacturer,
Model & Description**

Parts Order Form

Please fill in the following information to help us find the right part for your machine.

MANUFACTURER:

MODEL:

DESCRIPTION:

DATE:

TIME:

PHONE:

EMAIL:

ADDRESS:

CITY:

STATE:

ZIP:

COUNTRY:

SEARCH

Discount-Equipment.com is your online resource for quality parts & equipment.

Florida: **561-964-4949** Outside Florida TOLL FREE: **877-690-3101**

Need parts?

Click on this link: <http://www.discount-equipment.com/category/5443-parts/> and choose one of the options to help get the right parts and equipment you are looking for. Please have the machine model and serial number available in order to help us get you the correct parts. If you don't find the part on the website or on one of the online manuals, please fill out the request form and one of our experienced staff members will get back to you with a quote for the right part that your machine needs.

We sell worldwide for the brands: Genie, Terex, JLG, MultiQuip, Mikasa, Essick, Whiteman, Mayco, Toro Stone, Diamond Products, Generac Magnum, Airman, Haulotte, Barreto, Power Blanket, Nifty Lift, Atlas Copco, Chicago Pneumatic, Allmand, Miller Curber, Skyjack, Lull, Skytrak, Tsurumi, Husquvarna Target, Stow, Wacker, Sakai, Mi-T-M, Sullair, Basic, Dynapac, MBW, Weber, Bartell, Bennar Newman, Haulotte, Ditch Runner, Menegotti, Morrison, Contec, Buddy, Crown, Edco, Wyco, Bomag, Laymor, EZ Trench, Bil-Jax, F.S. Curtis, Gehl Pavers, Heli, Honda, ICS/PowerGrit, IHI, Partner, Imer, Clipper, MMD, Koshin, Rice, CH&E, General Equipment, Amida, Coleman, NAC, Gradall, Square Shooter, Kent, Stanley, Tamco, Toku, Hatz, Kohler, Robin, Wisconsin, Northrock, Oztec, Toker TK, Rol-Air, APT, Wylie, Ingersoll Rand / Doosan, Innovatech, Con X, Ammann, Mecalac, Makinex, Smith Surface Prep, Small Line, Wanco, Yanmar

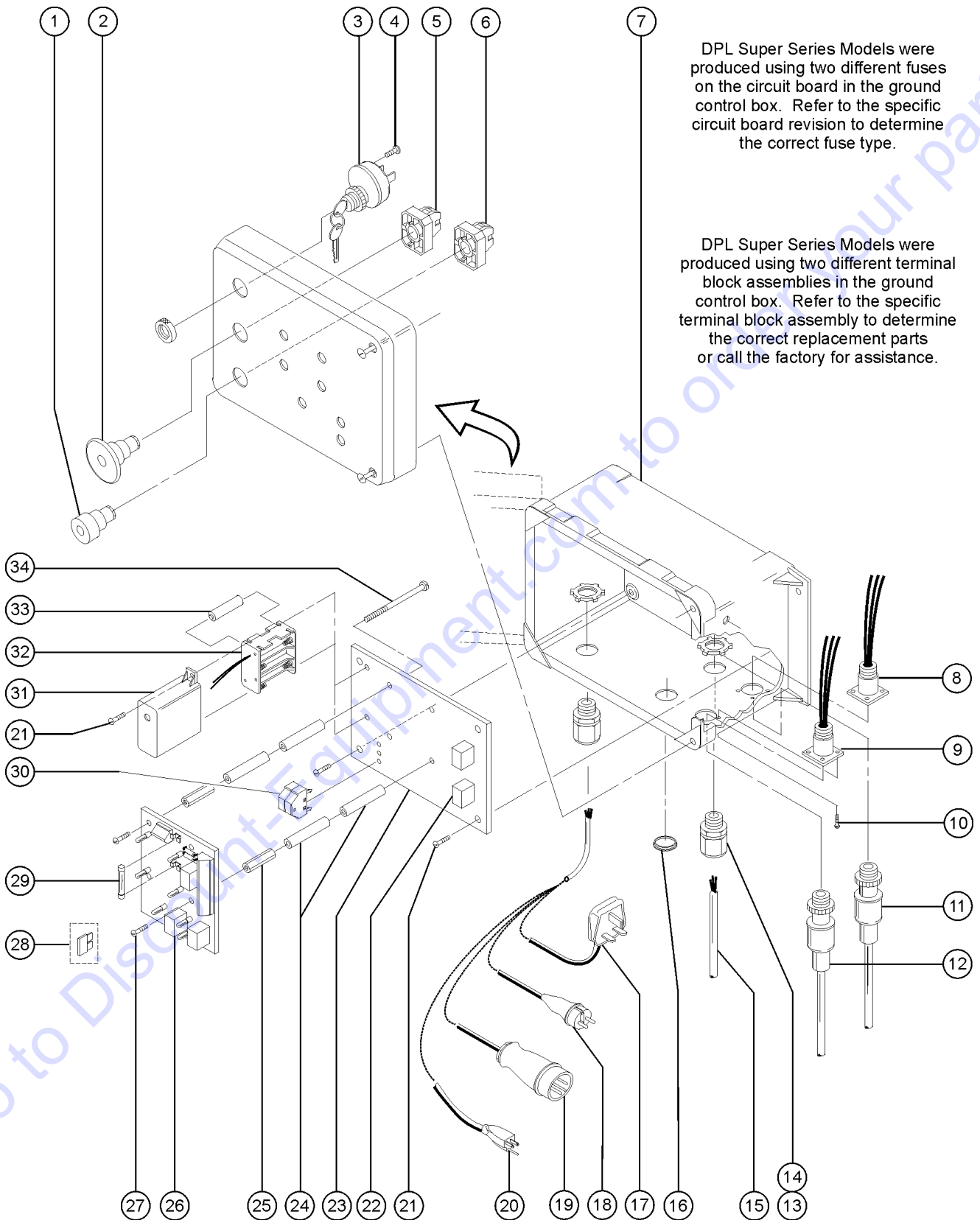
404.2 AC Hydraulic Power Unit, From 2002 (from serial number
DPI 02-916)
Qty.

<i>Item</i>	<i>Part No.</i>	<i>Description</i>	
20	124188GT	BELL HOUSING,POWER UNIT,CE	1

Go to Discount-Equipment.com to order your parts



405.1 Ground Controls - DC Models, From 2000 to 2001



DPL Super Series Models were produced using two different fuses on the circuit board in the ground control box. Refer to the specific circuit board revision to determine the correct fuse type.

DPL Super Series Models were produced using two different terminal block assemblies in the ground control box. Refer to the specific terminal block assembly to determine the correct replacement parts or call the factory for assistance.

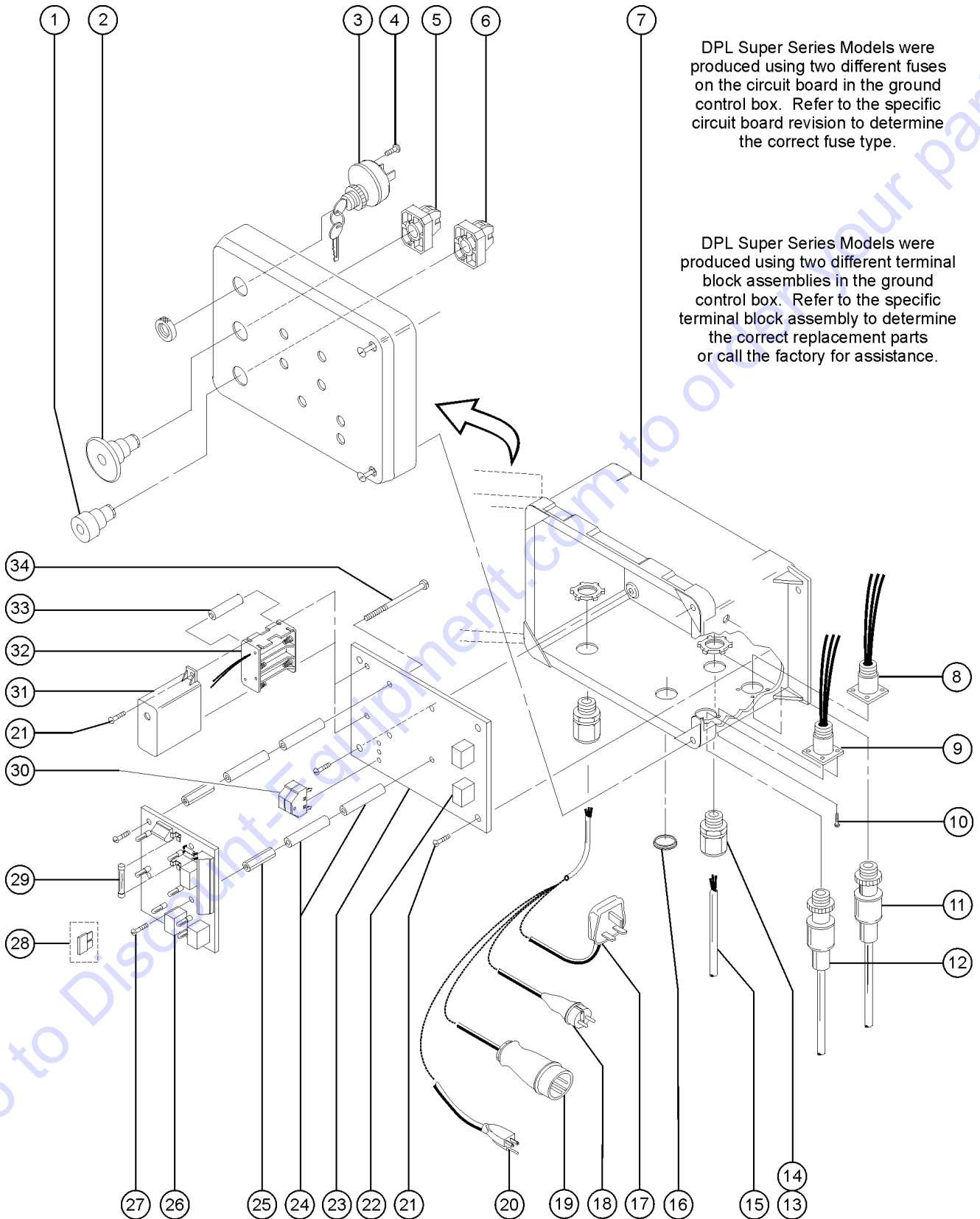


405.1 Ground Controls - DC Models, From 2000 to 2001

Item	Part No.	Description	Qty.
	41239GT	GROUND CNTRL.BOX ASSY 12VDC** (to SN DPL02-953)	
1	124644GT	KIT,A/IWP/DPL,BKPSH ZA2 TO ZB5 (to DPL02-953) (this is an update kit which contains the components listed in item 1A; the original black push button is no longer available. If this kit has already been installed on unit, components may be ordered individually)	1
1A	80076GT	BUTTON,PUSH,BLACK W/SEAL (from SN DPL02-954)	
1A-	66821GT	BASE,WITHOUT CONTACTS (from SN DPL02-954)	
1A-	66816GT	CONTACT,N.O. (from SN DPL02-954)	
2	124641GT	KIT,ESTOP, A/IWP/DPL (to DPL02-953) (this is an update kit which contains the components listed in item 2A; the original E-Stop is no longer available. If this kit has already been installed on unit, components may be ordered individually)	1
2A	66812GT	BUTTON,PUSH,RED MUSHROOM HEAD (from SN DPL02-954)	
2A-	66818GT	CONTACT,NC (from SN DPL02-954)	
2A-	66821GT	BASE,WITHOUT CONTACTS (from SN DPL02-954)	
3	124642GT	KIT,KEYSWITCH, A/IWP/DPL,2PKS (to DPL02-953) (this is an update kit which contains the components listed in item 3; the original key switch is no longer available. If this kit has already been installed on unit, components may be ordered individually)	1
3-	58462GT	KEYSWITCH,2POS.MNTND W/BASE** (to SN DPL02-953)	
3-	66816GT	CONTACT,N.O. (to SN DPL02-953)	
3-	21982GT	KEY,SINGLE***	
3-	37947GT	KEYS,10 PACK***	
4	96010GT	SCREW,PHILLIPS,PHM,8-32 X.25**	6
5		Ref. Red E-stop Button (to SN DPL02-953) (refer to update kit, item 2)	1
6		Ref. Black Push Button (to SN DPL02-953) (refer to update kit, item 1)	1
7	41236GT	GROUND CNTRL.BOX W/DECALS DC** (to SN DPL02-953)	1
8	38217GT	HARNESS,WIRE-CONTROL. S SERIES	1
9	38216GT	HARNESS,WIRE-INTRLOCK.S SERIES	1
10	10153GT	SCREW,PHIL,PHM,6-32X.38,SF.TAP	
11	35049GT	POWER CABLE,MAST TO PLAT DPL-25S AND DPL-30S (ANSI, CSA, Australia)	1
11A	115053GT	POWER CABLE ASSY,DPL25/30CE DPL-25S and DPL-30S (CE)	
11B	41227GT	POWER CABLE,MAST/PLAT DPL-35S (ANSI, CSA, Australia)	
11C	115054GT	POWER CABLE ASSY,DPL35CE DPL-35S (CE)	
12	41228GT	POWER CABLE,MAST/BASE,DPL-S	1



405.1 Ground Controls - DC Models, From 2000 to 2001



DPL Super Series Models were produced using two different fuses on the circuit board in the ground control box. Refer to the specific circuit board revision to determine the correct fuse type.

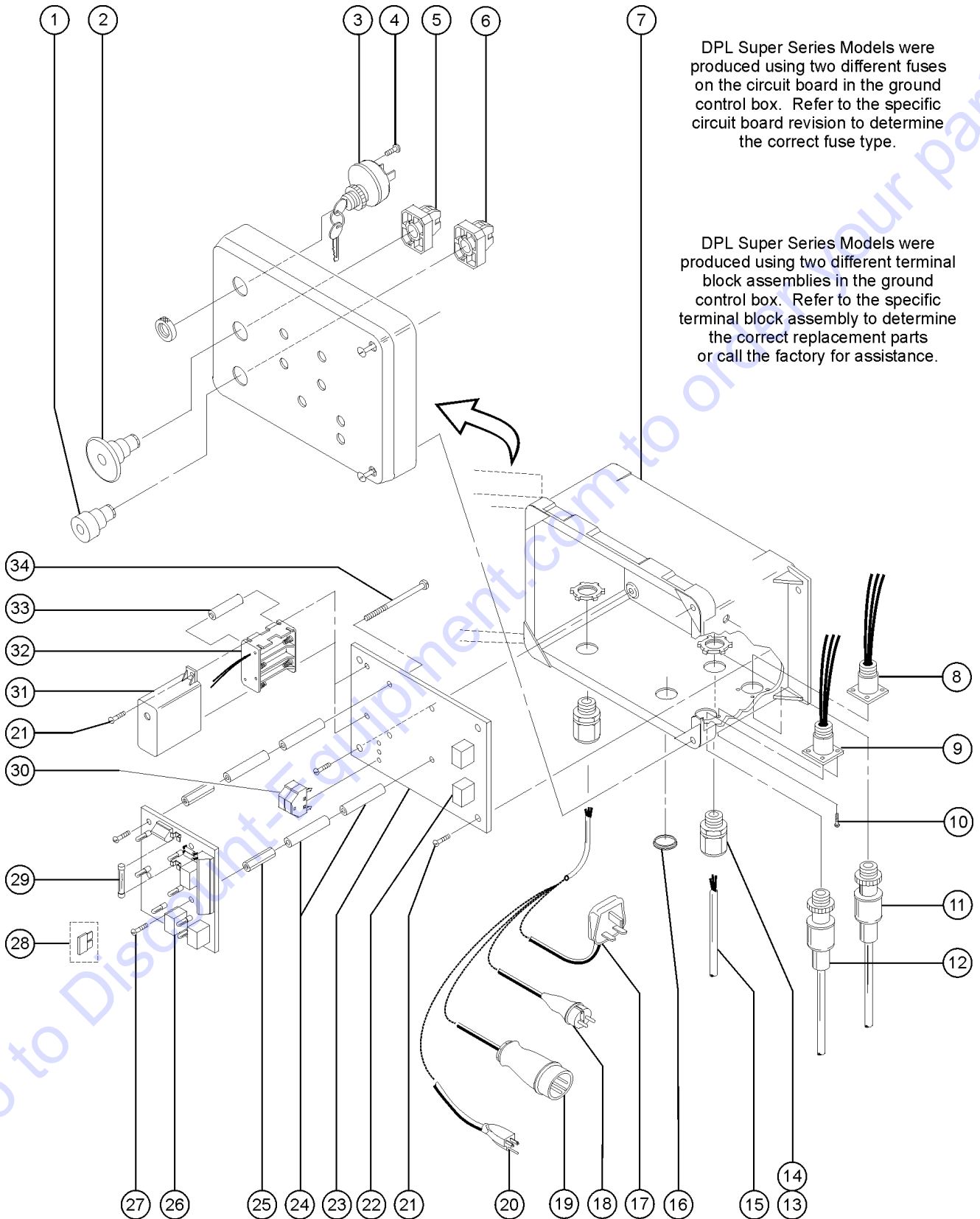
DPL Super Series Models were produced using two different terminal block assemblies in the ground control box. Refer to the specific terminal block assembly to determine the correct replacement parts or call the factory for assistance.

405.1 Ground Controls - DC Models, From 2000 to 2001

Item	Part No.	Description	Qty.
13	7056GT	CONN,SQUEEZE,1/2NPT .38-.50,SM	2
14	6935GT	LOCKNUT, ELEC, 1/2"	2
15	124647GT	CABLE ASY,DPL,GCBOX TO MOTOR	
16	33605GT	PLUG,NYLON .812 BLACK DOMED	1
17	46608GT	POWER CORD-CONT. BOX UK 220V	1
18	46609GT	POWER CORD-CONT. BOX EURO 220V	1
19	46610GT	POWER CORD-CONT. BOX UK 110V	1
20	124646GT	CABLE ASY,A/IWP/DPL,PWR INPUT	1
21	31182GT	SCREW,PHIL,PHM,10-32 X.38,SEMS	1
22	19274GT	RELAY,SPDT,12V(AUTO)**	1
23	37704GT	PLATE,PANEL,AWP95	1
24	33582GT	SPACER,TRANSFORMER**	12
		(to SN 1501-830)	
24A	69847GT	SPACER, TRANSFORMER**	8
		(from SN 1501-831)	
25	33585GT	NUT,COUPLER,10-24 X .75	
26	1257696GT	PCB,ASSY,AWP/IWP/DPL/CWP	1
27	21018GT	SCREW,PHIL,PHM,10-24 X.38,SEMS	
28	69864GT	FUSE,5 AMP,ATC	
29	35039GT	FUSE,5 AMP	1
		(circuit board rev E and lower)	
29A	80711GT	FUSE,7.5 AMP,ATC	
		(circuit board rev F and and higher)	
30		TERM.STRIP ASSY.CONRL BOX-DC** (43621)	1
		(component no longer available)	
30-	40334GT	TERMINAL,4 CONDUCTOR	
		(to SN DPL02-983)	
30-	40336GT	TERMINAL,END PLATE	
		(to SN DPL02-983)	
31	38583GT	COVER,BATTERY	1
32	38017GT	BATTERY HOLDER	1
33A	38018GT	BATTERY,AA,1.5V	8
33B	145047GT	BATTERY,AA,1.5V,CE	8
		will also work for ANSI	
34	33587GT	SCREW,RHM,10-24 X 3**	
		(to SN 1501-830)	
34A	69845GT	SCREW,RHM 10-24 X 2.75**	
		(from 15012-831)	



405.2 Ground Controls - DC Models, From 1996 to 1999



DPL Super Series Models were produced using two different fuses on the circuit board in the ground control box. Refer to the specific circuit board revision to determine the correct fuse type.

DPL Super Series Models were produced using two different terminal block assemblies in the ground control box. Refer to the specific terminal block assembly to determine the correct replacement parts or call the factory for assistance.

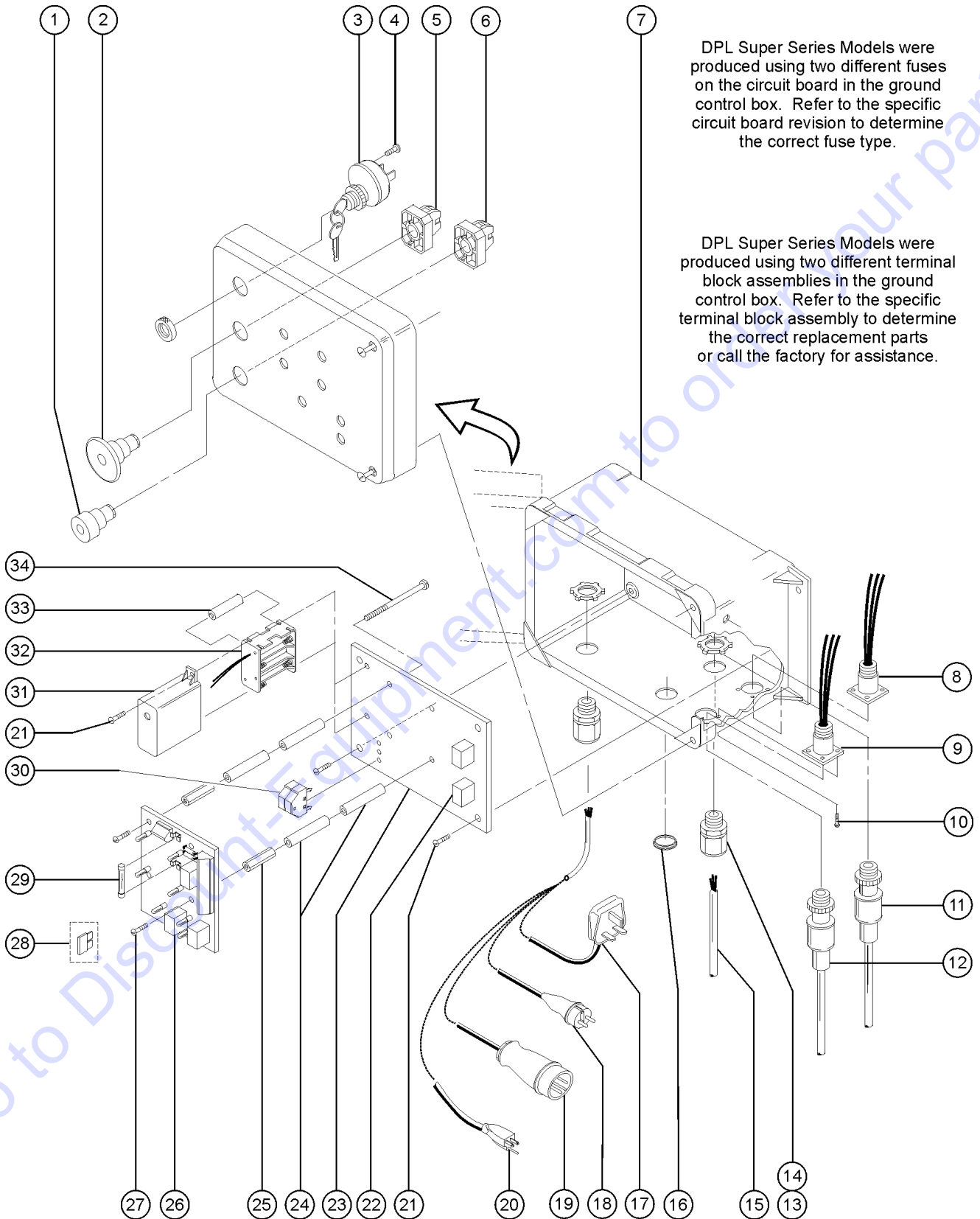


405.2 Ground Controls - DC Models, From 1996 to 1999

Item	Part No.	Description	Qty.
	41239GT	GROUND CNTRL.BOX ASSY 12VDC** (to SN DPL02-953)	
1	124644GT	KIT,A/IWP/DPL,BKPSH ZA2 TO ZB5 (to DPL02-953) (this is an update kit which contains the components listed in item 1A; the original black push button is no longer available. If this kit has already been installed on unit, components may be ordered individually)	1
1A	80076GT	BUTTON,PUSH,BLACK W/SEAL (from SN DPL02-954)	
1A-	66821GT	BASE,WITHOUT CONTACTS (from SN DPL02-954)	
1A-	66816GT	CONTACT,N.O. (from SN DPL02-954)	
2	124641GT	KIT,ESTOP, A/IWP/DPL (to DPL02-953) (this is an update kit which contains the components listed in item 2A; the original E-Stop is no longer available. If this kit has already been installed on unit, components may be ordered individually)	1
2A	66812GT	BUTTON,PUSH,RED MUSHROOM HEAD (from SN DPL02-954)	
2A-	66818GT	CONTACT,NC (from SN DPL02-954)	
2A-	66821GT	BASE,WITHOUT CONTACTS (from SN DPL02-954)	
3	124642GT	KIT,KEYSWITCH, A/IWP/DPL,2PKS (to DPL02-953) (this is an update kit which contains the components listed in item 3; the original key switch is no longer available. If this kit has already been installed on unit, components may be ordered individually)	1
3-	58462GT	KEYSWITCH,2POS.MNTND W/BASE** (to SN DPL02-953)	
3-	66816GT	CONTACT,N.O. (to SN DPL02-953)	
3-	21982GT	KEY,SINGLE***	
3-	37947GT	KEYS,10 PACK***	
4	96010GT	SCREW,PHILLIPS,PHM,8-32 X.25**	6
5		Ref. Red E-stop Button (to SN DPL02-953) (refer to update kit, item 2)	1
6		Ref. Black Push Button (to SN DPL02-953) (refer to update kit, item 1)	1
7	41236GT	GROUND CNTRL.BOX W/DECALS DC** (to SN DPL02-953)	1
8	38217GT	HARNESS,WIRE-CONTROL. S SERIES	1
9	38216GT	HARNESS,WIRE-INTRLOCK.S SERIES	1
10	10153GT	SCREW,PHIL,PHM,6-32X.38,SF.TAP	
11	35049GT	POWER CABLE,MAST TO PLAT DPL-25S AND DPL-30S (ANSI, CSA, Australia)	1
11A	115053GT	POWER CABLE ASSY,DPL25/30CE DPL-25S and DPL-30S (CE)	
11B	41227GT	POWER CABLE,MAST/PLAT DPL-35S (ANSI, CSA, Australia)	
11C	115054GT	POWER CABLE ASSY,DPL35CE DPL-35S (CE)	
12	41228GT	POWER CABLE,MAST/BASE,DPL-S	1



405.2 Ground Controls - DC Models, From 1996 to 1999



DPL Super Series Models were produced using two different fuses on the circuit board in the ground control box. Refer to the specific circuit board revision to determine the correct fuse type.

DPL Super Series Models were produced using two different terminal block assemblies in the ground control box. Refer to the specific terminal block assembly to determine the correct replacement parts or call the factory for assistance.

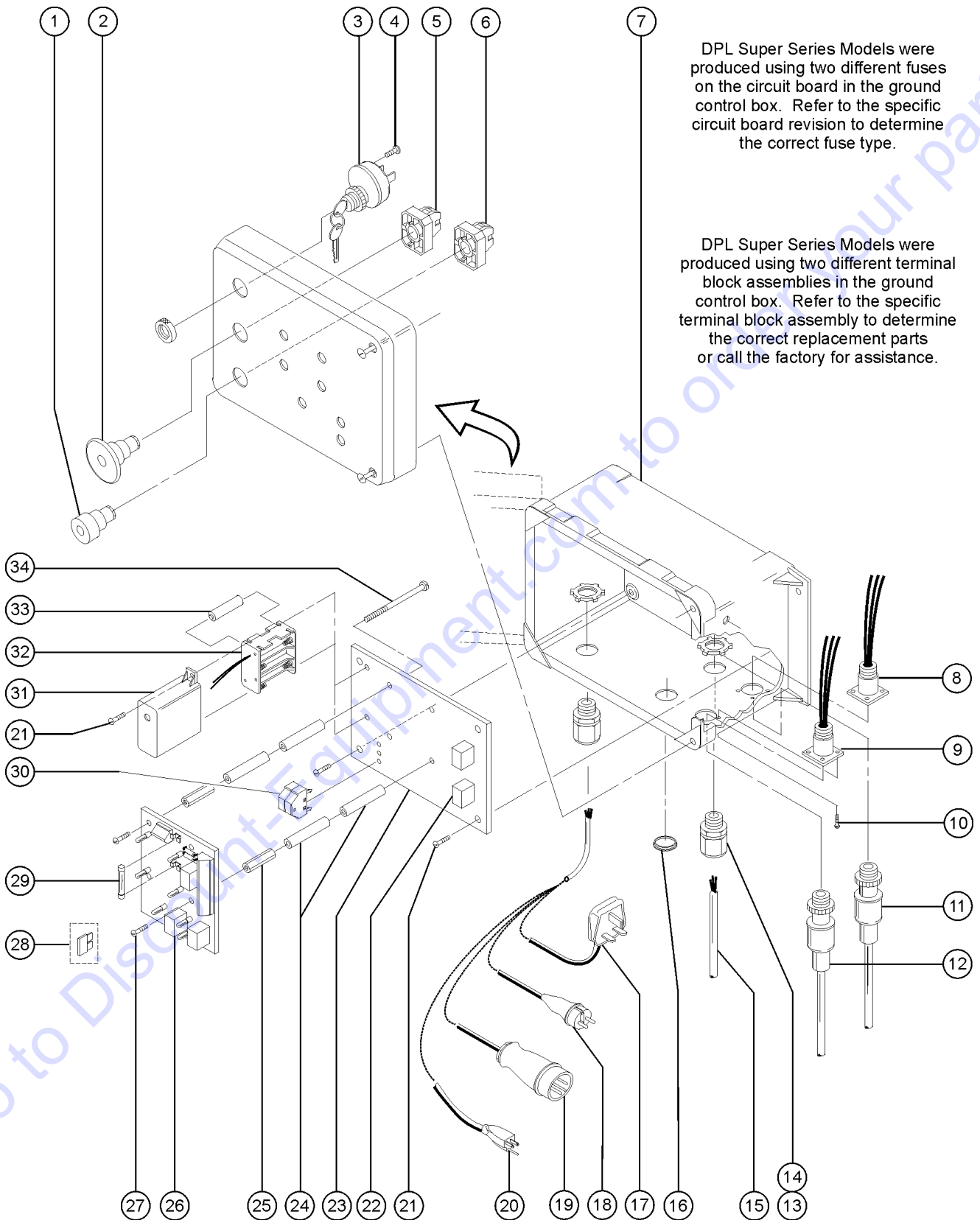


405.2 Ground Controls - DC Models, From 1996 to 1999

Item	Part No.	Description	Qty.
13	7056GT	CONN,SQUEEZE,1/2NPT .38-.50,SM	2
14	6935GT	LOCKNUT, ELEC, 1/2"	2
15	124647GT	CABLE ASY,DPL,GCBOX TO MOTOR	
16	33605GT	PLUG,NYLON .812 BLACK DOMED	1
17	46608GT	POWER CORD-CONT. BOX UK 220V	1
18	46609GT	POWER CORD-CONT. BOX EURO 220V	1
19	46610GT	POWER CORD-CONT. BOX UK 110V	1
20	124646GT	CABLE ASY,A/IWP/DPL,PWR INPUT	1
21	31182GT	SCREW,PHIL,PHM,10-32 X.38,SEMS	1
22	19274GT	RELAY,SPDT,12V(AUTO)**	1
23	37704GT	PLATE,PANEL,AWP95	1
24	33582GT	SPACER,TRANSFORMER**	12
		(to SN 1501-830)	
25	33585GT	NUT,COUPLER,10-24 X .75	
26	1257696GT	PCB,ASSY,AWP/IWP/DPL/CWP	1
27	21018GT	SCREW,PHIL,PHM,10-24 X.38,SEMS	
28	69864GT	FUSE,5 AMP,ATC	
29	35039GT	FUSE,5 AMP	1
		(circuit board rev E and lower)	
29A	80711GT	FUSE,7.5 AMP,ATC	
		(circuit board rev F and and higher)	
30		TERM.STRIP ASSY.CONRL BOX-DC** (43621)	1
		(component no longer available)	
30-	40334GT	TERMINAL,4 CONDUCTOR	
		(to SN DPL02-983)	
30-	40336GT	TERMINAL,END PLATE	
		(to SN DPL02-983)	
31	38583GT	COVER,BATTERY	1
32	38017GT	BATTERY HOLDER	1
33A	38018GT	BATTERY,AA,1.5V	1
35B	145047GT	BATTERY,AA,1.5V,CE	8
		will also work for ANSI	
34	33587GT	SCREW,RHM,10-24 X 3**	
		(to SN 1501-830)	



405.3 Ground Controls - DC Models, From 2002



DPL Super Series Models were produced using two different fuses on the circuit board in the ground control box. Refer to the specific circuit board revision to determine the correct fuse type.

DPL Super Series Models were produced using two different terminal block assemblies in the ground control box. Refer to the specific terminal block assembly to determine the correct replacement parts or call the factory for assistance.

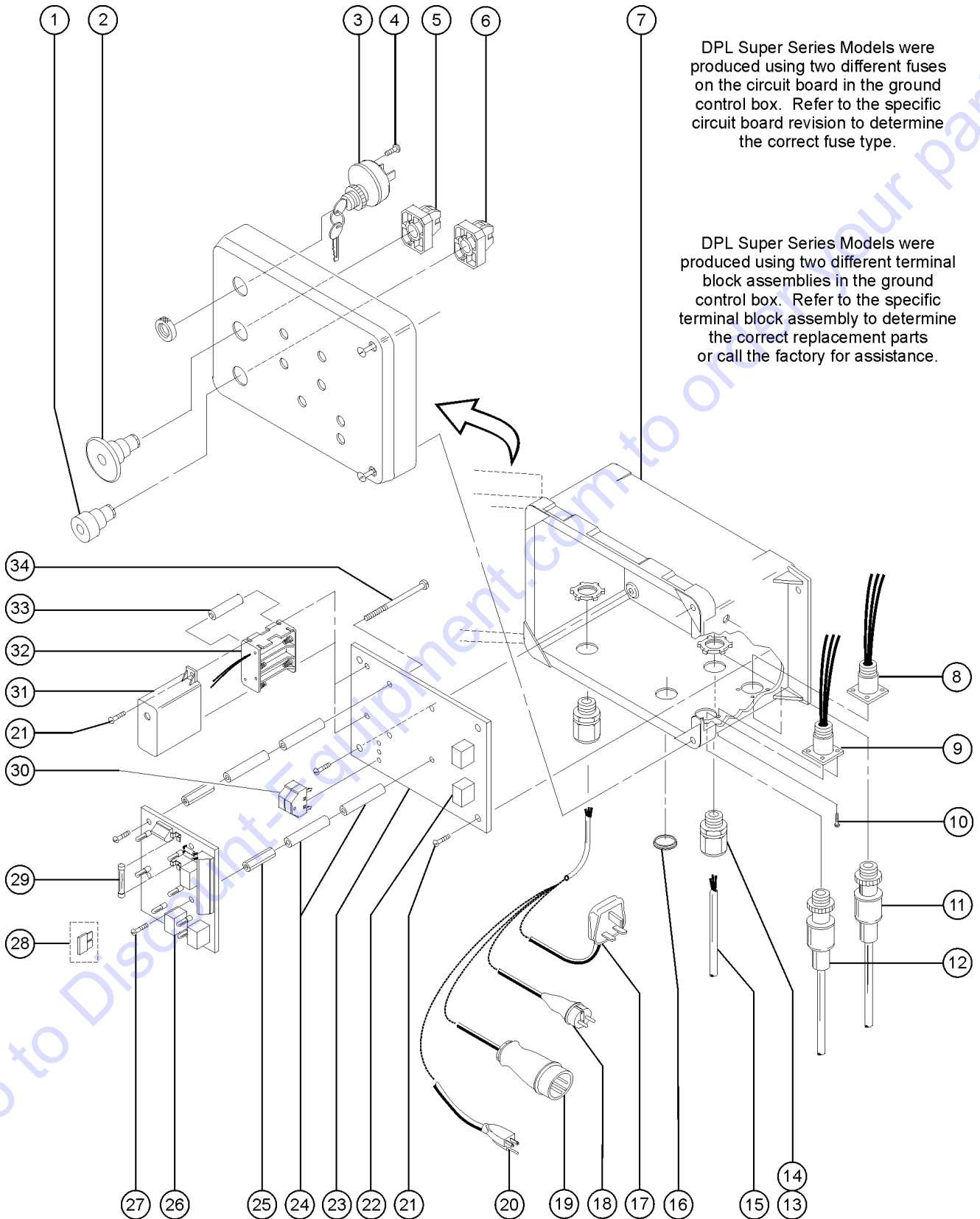


405.3 Ground Controls - DC Models, From 2002

Item	Part No.	Description	Qty.
	41239GT	GROUND CNTRL.BOX ASSY 12VDC** (to SN DPL02-953)	
	85457GT	GROUND CNTRL.BOX ASSY 12VDC (from SN DPL02-954)	
1	124644GT	KIT,A/IWP/DPL,BKPSH ZA2 TO ZB5 (to DPL02-953) (this is an update kit which contains the components listed in item 1A; the original black push button is no longer available. If this kit has already been installed on unit, components may be ordered individually)	1
1A	80076GT	BUTTON,PUSH,BLACK W/SEAL (from SN DPL02-954)	
1A-	66821GT	BASE,WITHOUT CONTACTS (from SN DPL02-954)	
1A-	66816GT	CONTACT,N.O. (from SN DPL02-954)	
2	124641GT	KIT,ESTOP, A/IWP/DPL (to DPL02-953) (this is an update kit which contains the components listed in item 2A; the original E-Stop is no longer available. If this kit has already been installed on unit, components may be ordered individually)	1
2A	66812GT	BUTTON,PUSH,RED MUSHROOM HEAD (from SN DPL02-953)	
2A-	66818GT	CONTACT,NC (from SN DPL02-953)	
2A-	66821GT	BASE,WITHOUT CONTACTS (from SN DPL02-953)	
3	124642GT	KIT,KEYSWITCH, A/IWP/DPL,2PKS (to DPL02-953) (this is an update kit which contains the components listed in item 3; the original key switch is no longer available. If this kit has already been installed on unit, components may be ordered individually)	1
3-	58462GT	KEYSWITCH,2POS.MNTND W/BASE** (to SN DPL02-953)	
3-	66816GT	CONTACT,N.O. (to SN DPL02-953)	
3-	21982GT	KEY,SINGLE***	
3-	37947GT	KEYS,10 PACK***	
3A	96011GT	KIT,KEYSWITCH*** (from SN DPL02-954 to DPL03-1140) (includes item 4)	1
3A-	85315GT	INSTRUCTIONS,INSTALL (96011) (from SN DPL02-954 to DPL03-1140)	
3A-	96008-SGT	KEYSWITCH,3 POS. W/KEYS*** (from SN DPL02-954 to DPL03-1140) (includes 1 pair of keys) (shown)	
3B	96008-SGT	KEYSWITCH,3 POS. W/KEYS*** (from SN DPL03-1141) (includes 1 pair of keys) (shown)	1
3B-	83093GT	KEY SINGLE*** (from SN DPL03-1141)	
4	96010GT	SCREW,PHILLIPS,PHM,8-32 X.25**	6
5		Ref. Red E-stop Button (to SN DPL02-953) (refer to update kit, item 2)	1
6		Ref. Black Push Button (to SN DPL02-953) (refer to update kit, item 1)	1
7	41236GT	GROUND CNTRL.BOX W/DECALS DC** (to SN DPL02-953)	1
7A	85430GT	GROUND CTRL.BOX W/DECALS DC** (from SN DPL02-954)	
8	38217GT	HARNES, WIRE-CONTROL. S SERIES	1



405.3 Ground Controls - DC Models, From 2002



DPL Super Series Models were produced using two different fuses on the circuit board in the ground control box. Refer to the specific circuit board revision to determine the correct fuse type.

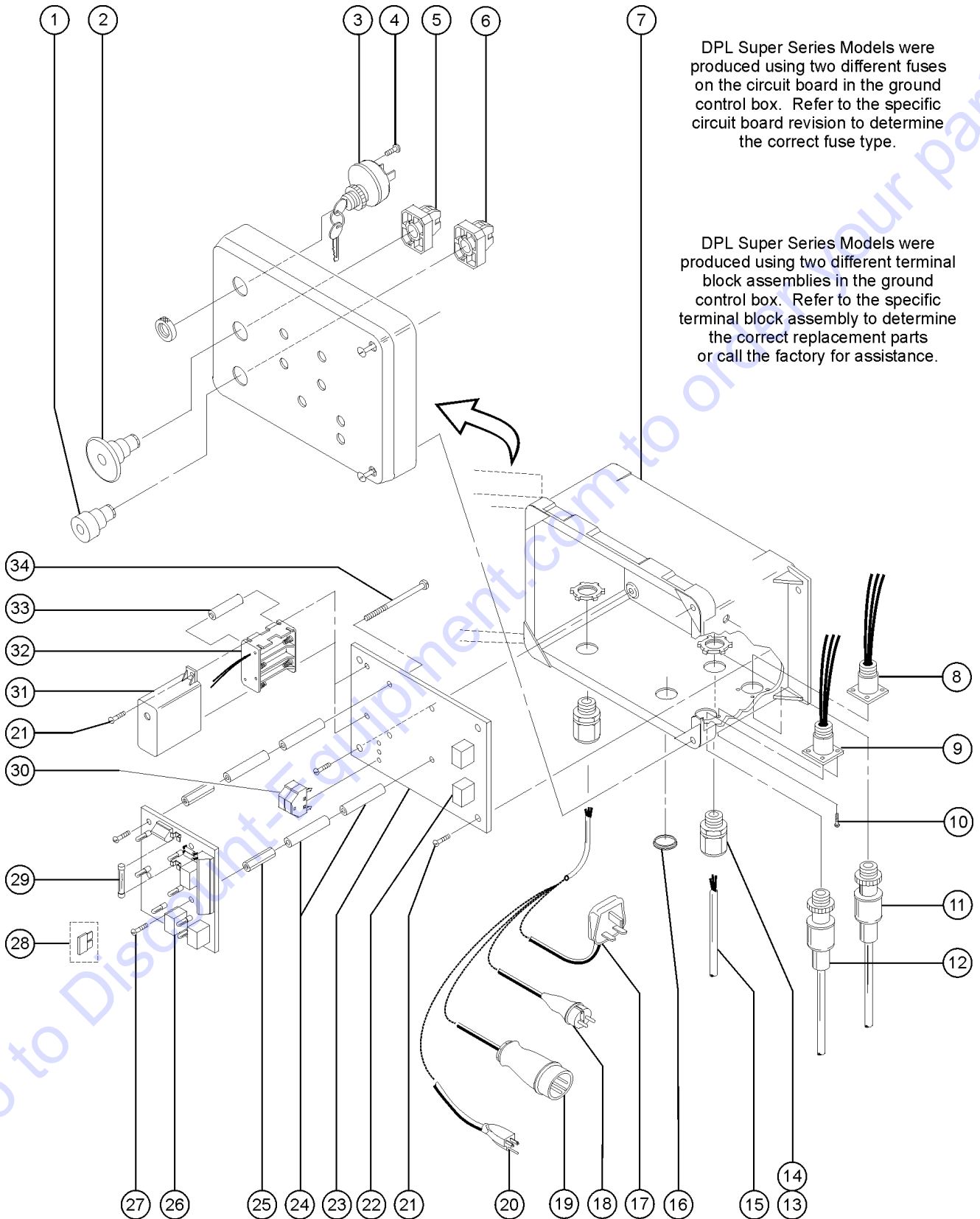
DPL Super Series Models were produced using two different terminal block assemblies in the ground control box. Refer to the specific terminal block assembly to determine the correct replacement parts or call the factory for assistance.



Item	Part No.	Description	Qty.
9	38216GT	HARNES, WIRE-INTRLOCK.S SERIES	1
10	10153GT	SCREW, PHIL, PHM, 6-32X.38, SF. TAP	
11	35049GT	POWER CABLE, MAST TO PLAT DPL-25S AND DPL-30S (ANSI, CSA, Australia)	1
11-	33590GT	PLUG, CONNECTOR, FEMALE* requires part number 33591; order separately	
11-	33591GT	SEAL, CABLE CONNECTOR, HT SHRINK includes heat shrink tubing	
11-	83095GT	PIN CONNECTOR, MALE	
11A	115053GT	POWER CABLE ASSY, DPL25/30CE DPL-25S and DPL-30S (CE)	
11A-	33590GT	PLUG, CONNECTOR, FEMALE* requires part number 33591; order separately	
11A-	33591GT	SEAL, CABLE CONNECTOR, HT SHRINK includes heat shrink tubing	
11A-	83095GT	PIN CONNECTOR, MALE	
11B	41227GT	POWER CABLE, MAST/PLAT DPL-35S (ANSI, CSA, Australia)	
11B-	33590GT	PLUG, CONNECTOR, FEMALE* requires part number 33591; order separately	
11B-	33591GT	SEAL, CABLE CONNECTOR, HT SHRINK includes heat shrink tubing	
11B-	83095GT	PIN CONNECTOR, MALE	
11C	115054GT	POWER CABLE ASSY, DPL35CE DPL-35S (CE)	
11C-	33590GT	PLUG, CONNECTOR, FEMALE* requires part number 33591; order separately	
11C-	33591GT	SEAL, CABLE CONNECTOR, HT SHRINK includes heat shrink tubing	
11C-	83095GT	PIN CONNECTOR, MALE	
12	41228GT	POWER CABLE, MAST/BASE, DPL-S	1
12-	33589GT	PLUG, CONNECTOR, MALE* requires part number 33591; order separately	
12-	33591GT	SEAL, CABLE CONNECTOR, HT SHRINK includes heat shrink tubing	
12-	33580GT	PIN CONNECTOR, FEMALE ***	
13	7056GT	CONN, SQUEEZE, 1/2NPT .38-.50, SM	2
14	6935GT	LOCKNUT, ELEC, 1/2"	2
15	124647GT	CABLE ASY, DPL, GCBOX TO MOTOR	
16	33605GT	PLUG, NYLON .812 BLACK DOMED	1
17	46608GT	POWER CORD-CONT. BOX UK 220V	1
18	46609GT	POWER CORD-CONT. BOX EURO 220V	1

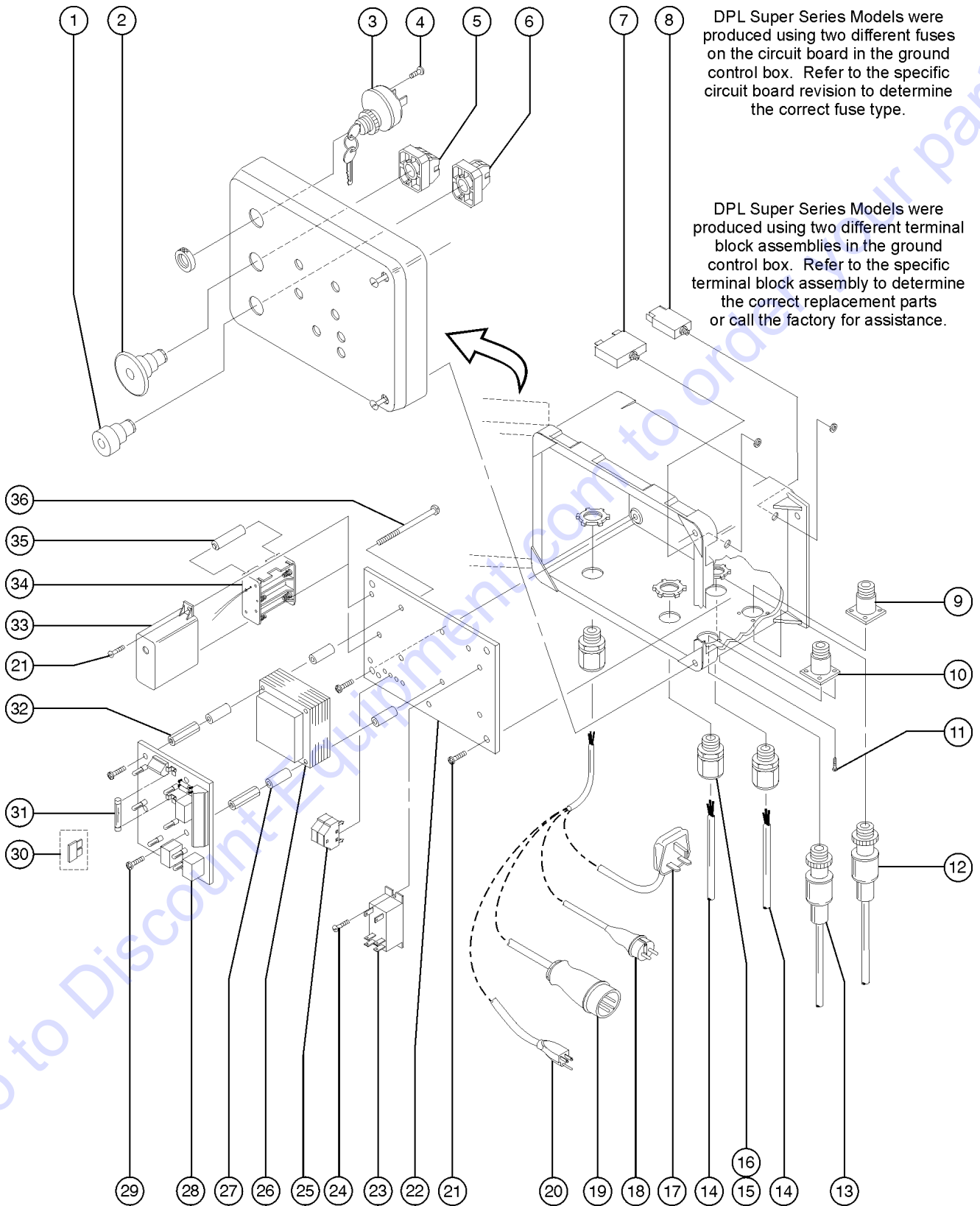


405.3 Ground Controls - DC Models, From 2002



Item	Part No.	Description	Qty.
19	46610GT	POWER CORD-CONT. BOX UK 110V	1
20	124646GT	CABLE ASY,A/IWP/DPL,PWR INPUT	1
21	31182GT	SCREW,PHIL,PHM,10-32 X.38,SEMS	1
22	19274GT	RELAY,SPDT,12V(AUTO)**	1
23	37704GT	PLATE,PANEL,AWP95	1
24	33582GT	SPACER,TRANSFORMER**	12
24A	69847GT	SPACER, TRANSFORMER**	8
25	33585GT	NUT,COUPLER,10-24 X .75	
26	1257696GT	PCB,ASSY,AWP/IWP/DPL/CWP	1
27	21018GT	SCREW,PHIL,PHM,10-24 X.38,SEMS	
28	69864GT	FUSE,5 AMP,ATC	
29	35039GT	FUSE,5 AMP (circuit board rev E and lower)	1
29A	80711GT	FUSE,7.5 AMP,ATC (circuit board rev F and and higher)	
30		TERM.STRIP ASSY.CONRL BOX-DC** (43621) (component no longer available)	1
30-	40334GT	TERMINAL, 4 CONDUCTOR	
		(to SN DPL02-983)	
30-	40336GT	TERMINAL,END PLATE	
		(to SN DPL02-983)	
30A	80709GT	TERMINAL ASSY, CONTROL BOX, DC	1
		(from SN DPL02-984)	
30A-	80707GT	TERMINAL, 4 CONDUCTOR	
		(from SN DPL02-984)	
30A-	80706GT	TERMINAL, 2 CONDUCTOR	
		(from SN DPL02-984)	
30A-	80705GT	TERMINAL, END PLATE	
		(from SN DPL02-984)	
31	38583GT	COVER,BATTERY	1
32	38017GT	BATTERY HOLDER	1
33A	38018GT	BATTERY,AA,1.5V	
33B	145047GT	BATTERY,AA,1.5V,CE	
		will also work for ANSI	
34A	69845GT	SCREW,RHM 10-24 X 2.75**	
		(from SN 1501-831)	

406.1 Ground Controls - AC Models, From 2000 to 2001

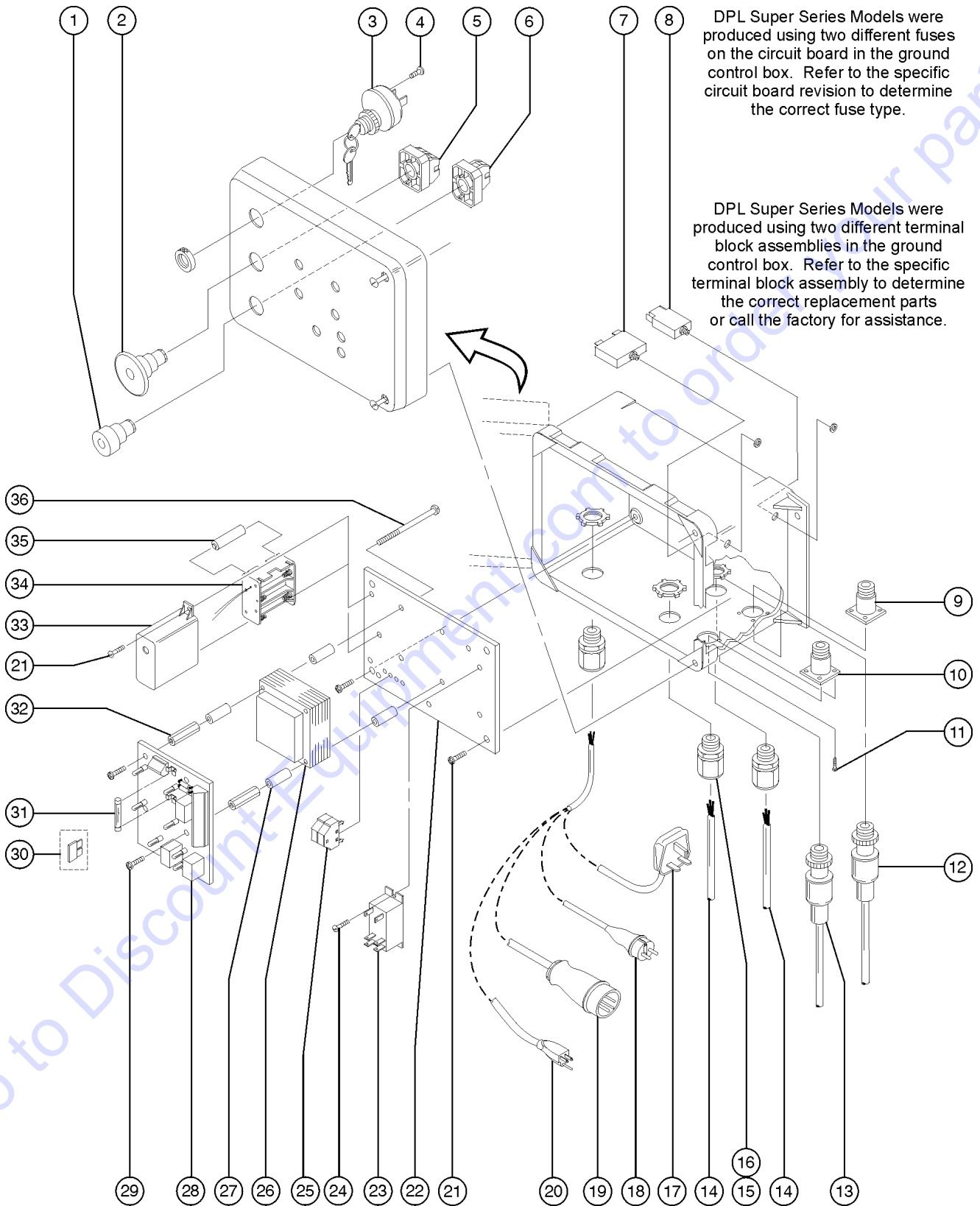


406.1 Ground Controls - AC Models, From 2000 to 2001

Item	Part No.	Description	Qty.
A-	41237GT	GROUND CTRL.BOX ASSY.110 AC (to SN DPL02-953) (2 position key switch)	
B-	41235GT	HOUSING, GROUND CNTRL.BOX W/DECALS,AC (to SN DPL02-953) (2 position key switch)	1
C-	41238GT	GROUND CNTRL.BOX ASSY.220 AC (to SN DPL02-953) (2 position key switch)	
I-	33996GT	SCREWDRIVER, TERMINAL BLOCK	
1	124644GT	KIT, A/IWP/DPL, BKPSH ZA2 TO ZB5 (to DPL02-953) (this is an update kit which contains the components listed in item 1A; the original black push button is no longer available. If this kit has already been installed on unit, components may be ordered individually)	1
1A	80076GT	BUTTON,PUSH,BLACK W/SEAL (from SN DPL02-954)	
1A-	66821GT	BASE,WITHOUT CONTACTS (from SN DPL02-954)	
1A-	66816GT	CONTACT,N.O. (from SN DPL02-954)	
2	124641GT	KIT,ESTOP, A/IWP/DPL (to DPL02-953) (this is an update kit which contains the components listed in item 2A; the original E-Stop is no longer available. If this kit has already been installed on unit, components may be ordered individually)	1
2A	66812GT	BUTTON,PUSH,RED MUSHROOM HEAD (from SN DPL02-954)	
2A-	66818GT	CONTACT,NC (from SN DPL02-954)	
2A-	66821GT	BASE,WITHOUT CONTACTS (from SN DPL02-954)	
3	124642GT	KIT,KEYSWITCH, A/IWP/DPL,2PKS (to DPL02-953) (this is an update kit which contains the components listed in item 3; the original key switch is no longer available. If this kit has already been installed on unit, components may be ordered individually)	
3-	58462GT	KEYSWITCH,2POS.MNTND W/BASE** (to SN DPL02-953)	
3-	66816GT	CONTACT,N.O. (to SN DPL02-953)	
3-	21982GT	KEY,SINGLE*** (to SN DPL02-953)	
3-	37947GT	KEYS,10 PACK*** (to SN DPL02-953)	
4	96010GT	SCREW,PHILLIPS,PHM,8-32 X.25**	
5		Ref. E-Stop (to SN DPL02-953) (refer to update kit, item 2)	
6		Ref. Black Push Button (to SN DPL02-953) (refer to update kit, item 1)	
7	38021GT	CIRCUIT BREAKER, 8 AMP ** (to SN DPL02-953)	
8	1277226GT	ASSEMBLY,CIRCUIT BREAKER,15AMP	
9	38217GT	HARNESS,WIRE-CONTROL. S SERIES	1
9-	33578GT	CONNECTOR,MALE,PANEL MOUNT*	
10	38216GT	HARNESS,WIRE-INTRLOCK.S SERIES	1
10-	33581GT	CONNECTOR,FEMALE,PANEL MOUNT*	



406.1 Ground Controls - AC Models, From 2000 to 2001

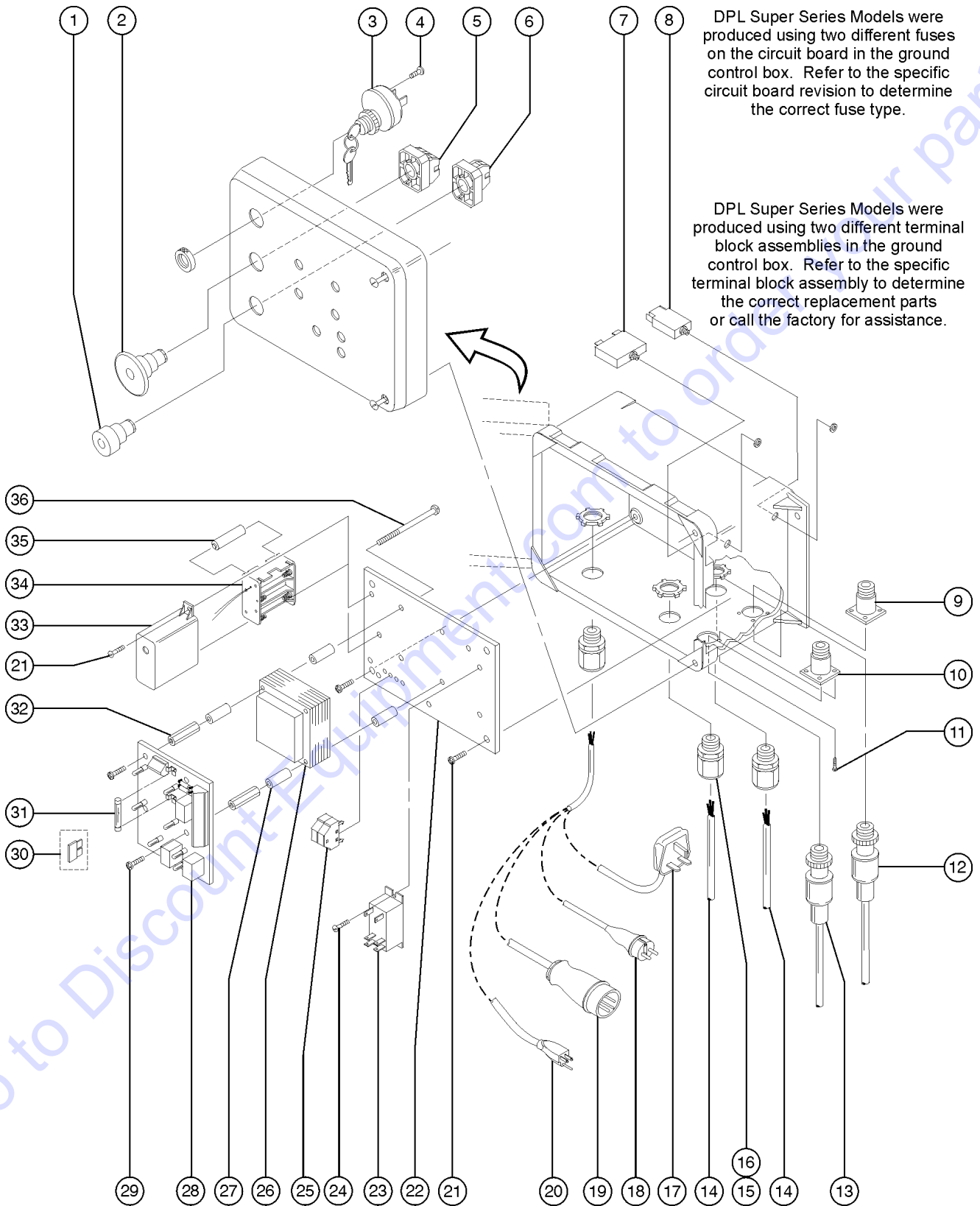


406.1 Ground Controls - AC Models, From 2000 to 2001

Item	Part No.	Description	Qty.
11	10153GT	SCREW,PHIL,PHM,6-32X.38,SF.TAP	
12	35049GT	POWER CABLE,MAST TO PLAT DPL-25S AND DPL-30S (ANSI, CSA, Australia)	1
12A	115053GT	POWER CABLE ASSY,DPL25/30CE	
		DPL25S, DPL30S (CE)	
12B	41227GT	POWER CABLE,MAST/PLAT	
		DPL35S (ANSI, CSA, Australia)	
12C	115054GT	POWER CABLE ASSY,DPL35CE	
		DPL35S, (CE)	
13	41228GT	POWER CABLE,MAST/BASE,DPL-S	1
14	43956GT	WIRE CABLE,14/3 CON.TPE JKT*	
15	7056GT	CONN,SQUEEZE,1/2NPT .38-.50,SM	3
16	6935GT	LOCKNUT, ELEC, 1/2"	3
17	46608GT	POWER CORD-CONT. BOX UK 220V	1
18	46609GT	POWER CORD-CONT. BOX EURO 220V	1
19	46610GT	POWER CORD-CONT. BOX UK 110V	1
20	35846GT	PIGTAIL,ASSY,AC/DC SJO 14/3**	1
21	31182GT	SCREW,PHIL,PHM,10-32 X.38,SEMS	
22	37704GT	PLATE,PANEL,AWP95	1
23	33584GT	RELAY,MOTOR CONTACTOR	1
24	20342GT	#6 SQ.DR.SELF DRILL/TAP SCREW	
25	40334GT	TERMINAL,4 CONDUCTOR	2
		(to SN DPL02-983)	
25-	40335GT	TERMINAL,2 CONDUCTOR	1
		(to SN DPL02-983)	
25-	40336GT	TERMINAL,END PLATE	1
		(to SN DPL02-983)	
26	33586GT	TRANSFORMER (S-SERIES)****	1
27	33582GT	SPACER,TRANSFORMER**	8
		(to SN 1501-830)	
27A	69847GT	SPACER, TRANSFORMER**	
		(from SN 1501-831)	
28	1257696GT	PCB,ASSY,AWP/IWP/DPL/CWP	1
29	21018GT	SCREW,PHIL,PHM,10-24 X.38,SEMS	
30	69864GT	FUSE,5 AMP,ATC	1
31	35039GT	FUSE,5 AMP	1
		(circuit board revision E and lower)	
31A	80711GT	FUSE,7.5 AMP,ATC	
		(circuit board revision F and higher)	



406.1 Ground Controls - AC Models, From 2000 to 2001



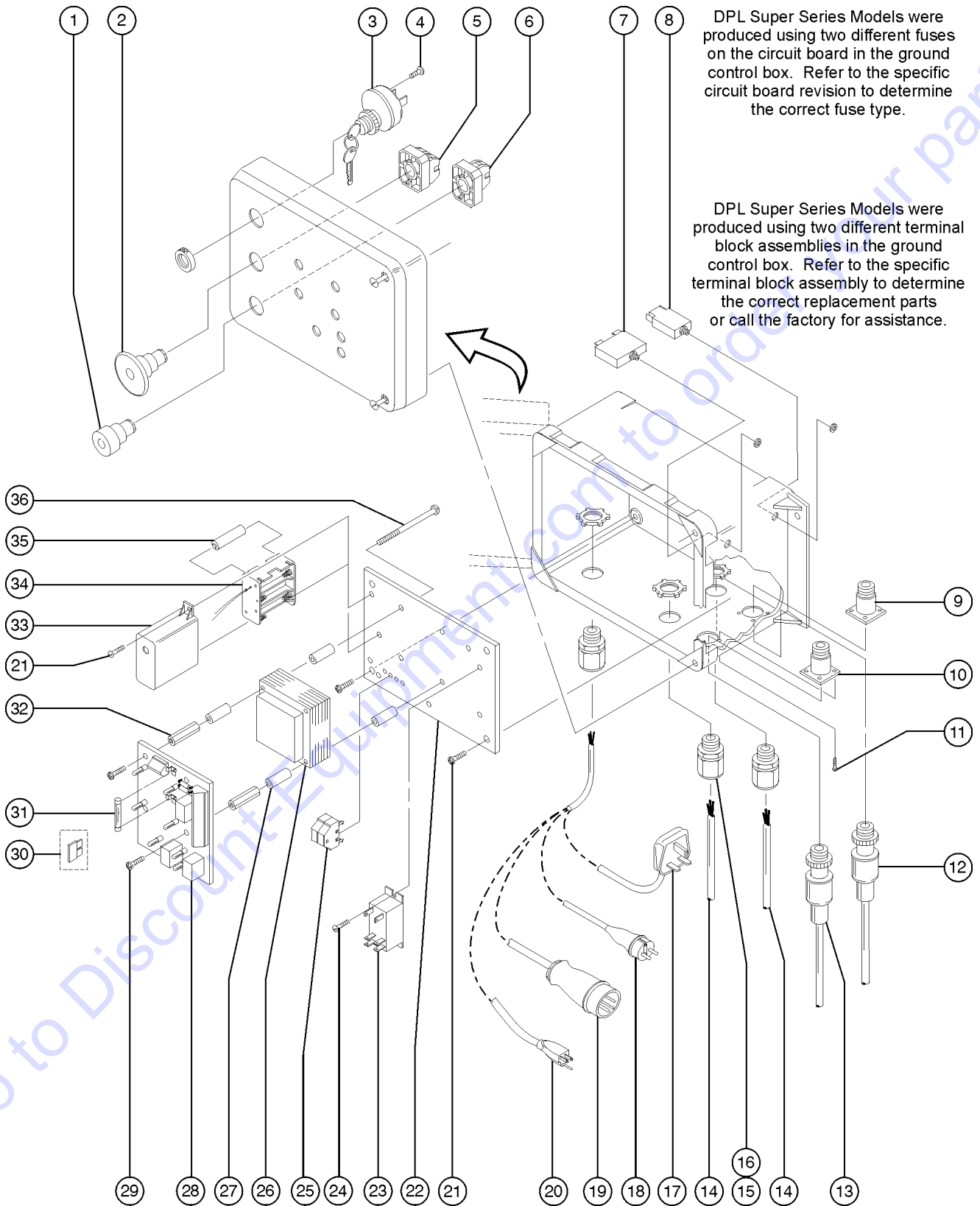
406.1 Ground Controls - AC Models, From 2000 to 2001

Item	Part No.	Description	Qty.
32	33585GT	NUT,COUPLER,10-24 X .75	
33	38583GT	COVER,BATTERY	1
34	38017GT	BATTERY HOLDER	1
35A	38018GT	BATTERY,AA,1.5V	8
35B	145047GT	BATTERY,AA,1.5V,CE will also work for ANSI	8
36	33587GT	SCREW,RHM,10-24 X 3** (to SN 1501-830)	
36A	69845GT	SCREW,RHM 10-24 X 2.75** (from SN 1501-831)	

Go to Discount-Equipment.com to order your parts



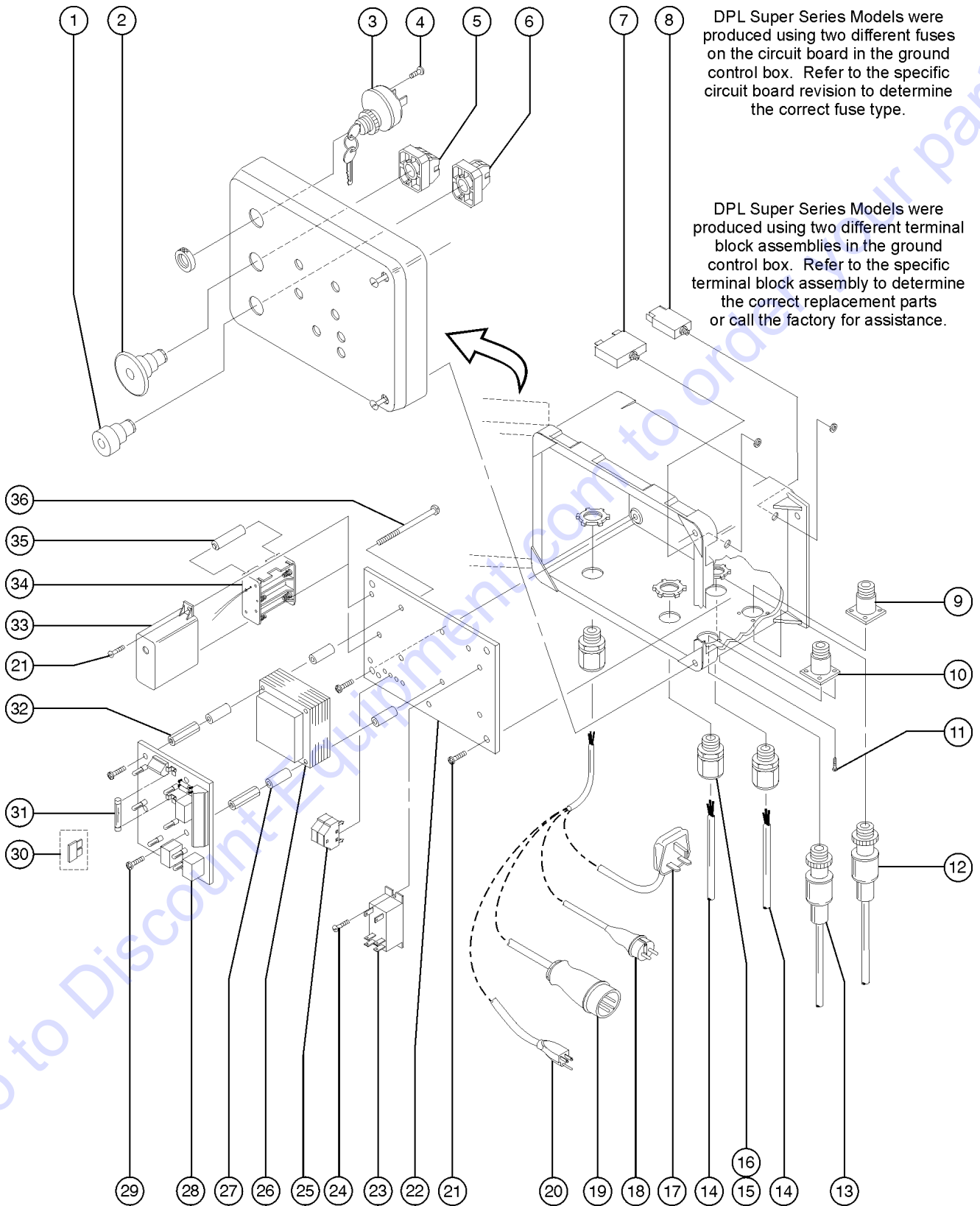
406.2 Ground Controls - AC Models, From 1996 to 1999



Item	Part No.	Description	Qty.
A-	41237GT	GROUND CTRL.BOX ASSY.110 AC (to SN DPL02-953) (2 position key switch)	
B-	41235GT	HOUSING, GROUND CNTRL.BOX W/DECALS,AC (to SN DPL02-953) (2 position key switch)	1
C-	41238GT	GROUND CNTRL.BOX ASSY.220 AC (to SN DPL02-953) (2 position key switch)	
I-	33996GT	SCREWDRIVER, TERMINAL BLOCK	
1	124644GT	KIT, A/IWP/DPL, BKPSH ZA2 TO ZB5 (to DPL02-953) (this is an update kit which contains the components listed in item 1A; the original black push button is no longer available. If this kit has already been installed on unit, components may be ordered individually)	1
1A	80076GT	BUTTON,PUSH,BLACK W/SEAL (from SN DPL02-954)	
1A-	66821GT	BASE,WITHOUT CONTACTS (from SN DPL02-954)	
1A-	66816GT	CONTACT,N.O. (from SN DPL02-954)	
2	124641GT	KIT,ESTOP, A/IWP/DPL (to DPL02-953) (this is an update kit which contains the components listed in item 2A; the original E-Stop is no longer available. If this kit has already been installed on unit, components may be ordered individually)	1
2A	66812GT	BUTTON,PUSH,RED MUSHROOM HEAD (from SN DPL02-954)	
2A-	66818GT	CONTACT,NC (from SN DPL02-954)	
2A-	66821GT	BASE,WITHOUT CONTACTS (from SN DPL02-954)	
3	124642GT	KIT,KEYSWITCH, A/IWP/DPL,2PKS (to DPL02-953) (this is an update kit which contains the components listed in item 3; the original key switch is no longer available. If this kit has already been installed on unit, components may be ordered individually)	
3-	58462GT	KEYSWITCH,2POS.MNTND W/BASE** (to SN DPL02-953)	
3-	66816GT	CONTACT,N.O. (to SN DPL02-953)	
3-	21982GT	KEY,SINGLE*** (to SN DPL02-953)	
3-	37947GT	KEYS,10 PACK*** (to SN DPL02-953)	
4	96010GT	SCREW,PHILLIPS,PHM,8-32 X.25**	
5		Ref. E-Stop (to SN DPL02-953) (refer to update kit, item 2)	
6		Ref. Black Push Button (to SN DPL02-953) (refer to update kit, item 1)	
7	38021GT	CIRCUIT BREAKER, 8 AMP ** (to SN DPL02-953)	
8	1277226GT	ASSEMBLY,CIRCUIT BREAKER,15AMP	
9	38217GT	HARNESS,WIRE-CONTROL. S SERIES	1
9-	33578GT	CONNECTOR,MALE,PANEL MOUNT*	
10	38216GT	HARNESS,WIRE-INTRLOCK.S SERIES	1
10-	33581GT	CONNECTOR,FEMALE,PANEL MOUNT*	



406.2 Ground Controls - AC Models, From 1996 to 1999



DPL Super Series Models were produced using two different fuses on the circuit board in the ground control box. Refer to the specific circuit board revision to determine the correct fuse type.

DPL Super Series Models were produced using two different terminal block assemblies in the ground control box. Refer to the specific terminal block assembly to determine the correct replacement parts or call the factory for assistance.

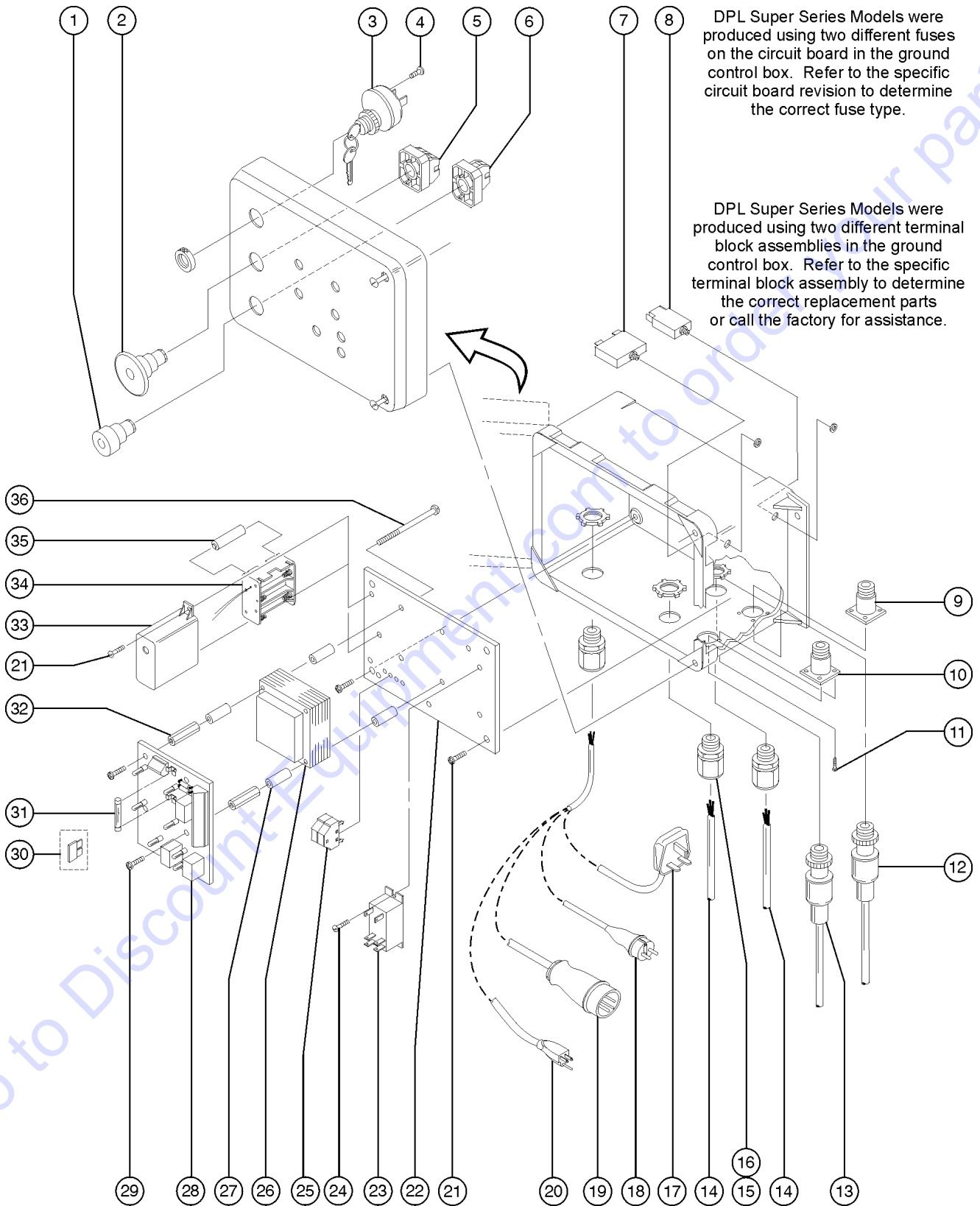
Go to DiscountEquipment.com to order your parts



Item	Part No.	Description	Qty.
11	10153GT	SCREW,PHIL,PHM,6-32X.38,SF.TAP	
12	35049GT	POWER CABLE,MAST TO PLAT DPL-25S, DPL-30S (ANSI, CSA, Australia)	1
12A	115053GT	POWER CABLE ASSY,DPL25/30CE	
		DPL25S, DPL30S (CE)	
12B	41227GT	POWER CABLE,MAST/PLAT	
		DPL35S (ANSI, CSA, Australia)	
12C	115054GT	POWER CABLE ASSY,DPL35CE	
		DPL35S (CE)	
13	41228GT	POWER CABLE,MAST/BASE,DPL-S	1
14	43956GT	WIRE CABLE,14/3 CON.TPE JKT*	
15	7056GT	CONN,SQUEEZE,1/2NPT .38-.50,SM	3
16	6935GT	LOCKNUT, ELEC, 1/2"	3
17	46608GT	POWER CORD-CONT. BOX UK 220V	1
18	46609GT	POWER CORD-CONT. BOX EURO 220V	1
19	46610GT	POWER CORD-CONT. BOX UK 110V	1
20	35846GT	PIGTAIL,ASSY,AC/DC SJO 14/3**	1
21	31182GT	SCREW,PHIL,PHM,10-32 X.38,SEMS	
22	37704GT	PLATE,PANEL,AWP95	1
23	33584GT	RELAY,MOTOR CONTACTOR	1
24	20342GT	#6 SQ.DR.SELF DRILL/TAP SCREW	
25	40334GT	TERMINAL,4 CONDUCTOR	2
		(to SN DPL02-983)	
25-	40335GT	TERMINAL,2 CONDUCTOR	1
		(to SN DPL02-983)	
25-	40336GT	TERMINAL,END PLATE	1
		(to SN DPL02-983)	
26	33586GT	TRANSFORMER (S-SERIES)****	1
27	33582GT	SPACER,TRANSFORMER**	8
		(to SN 1501-830)	
28	1257696GT	PCB,ASSY,AWP/IWP/DPL/CWP	1
29	21018GT	SCREW,PHIL,PHM,10-24 X.38,SEMS	
30	69864GT	FUSE,5 AMP,ATC	1
31	35039GT	FUSE,5 AMP	1
		(circuit board revision E and lower)	
31A	80711GT	FUSE,7.5 AMP,ATC	
		(circuit board revision F and higher)	
32	33585GT	NUT,COUPLER,10-24 X .75	



406.2 Ground Controls - AC Models, From 1996 to 1999



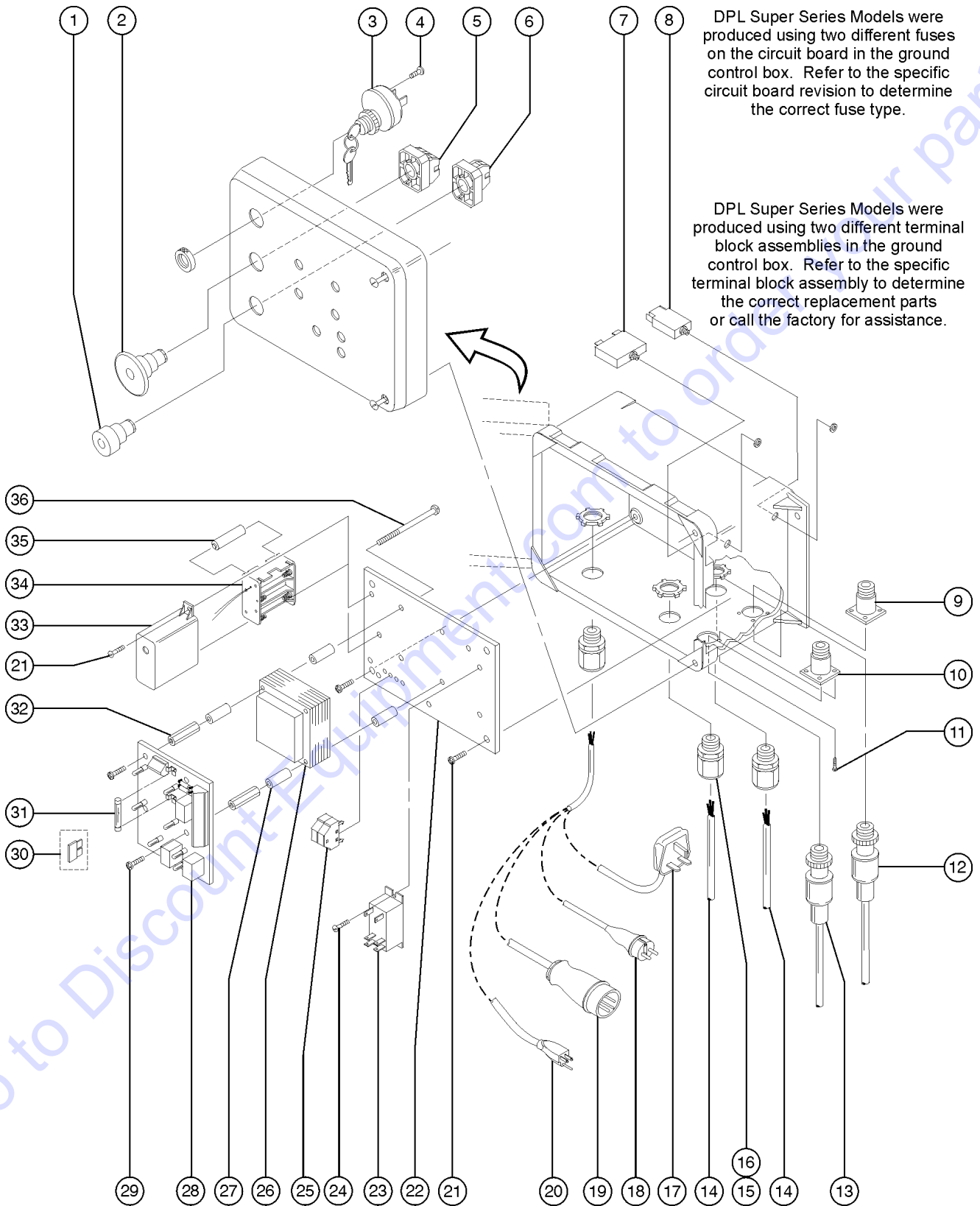
406.2 Ground Controls - AC Models, From 1996 to 1999

Item	Part No.	Description	Qty.
33	38583GT	COVER,BATTERY	1
34	38017GT	BATTERY HOLDER	1
35A	38018GT	BATTERY,AA,1.5V	8
35B	145047GT	BATTERY,AA,1.5V,CE	8
		will also work for ANSI	
36	33587GT	SCREW,RHM,10-24 X 3**	
		(to SN 1501-830)	

Go to Discount-Equipment.com to order your parts



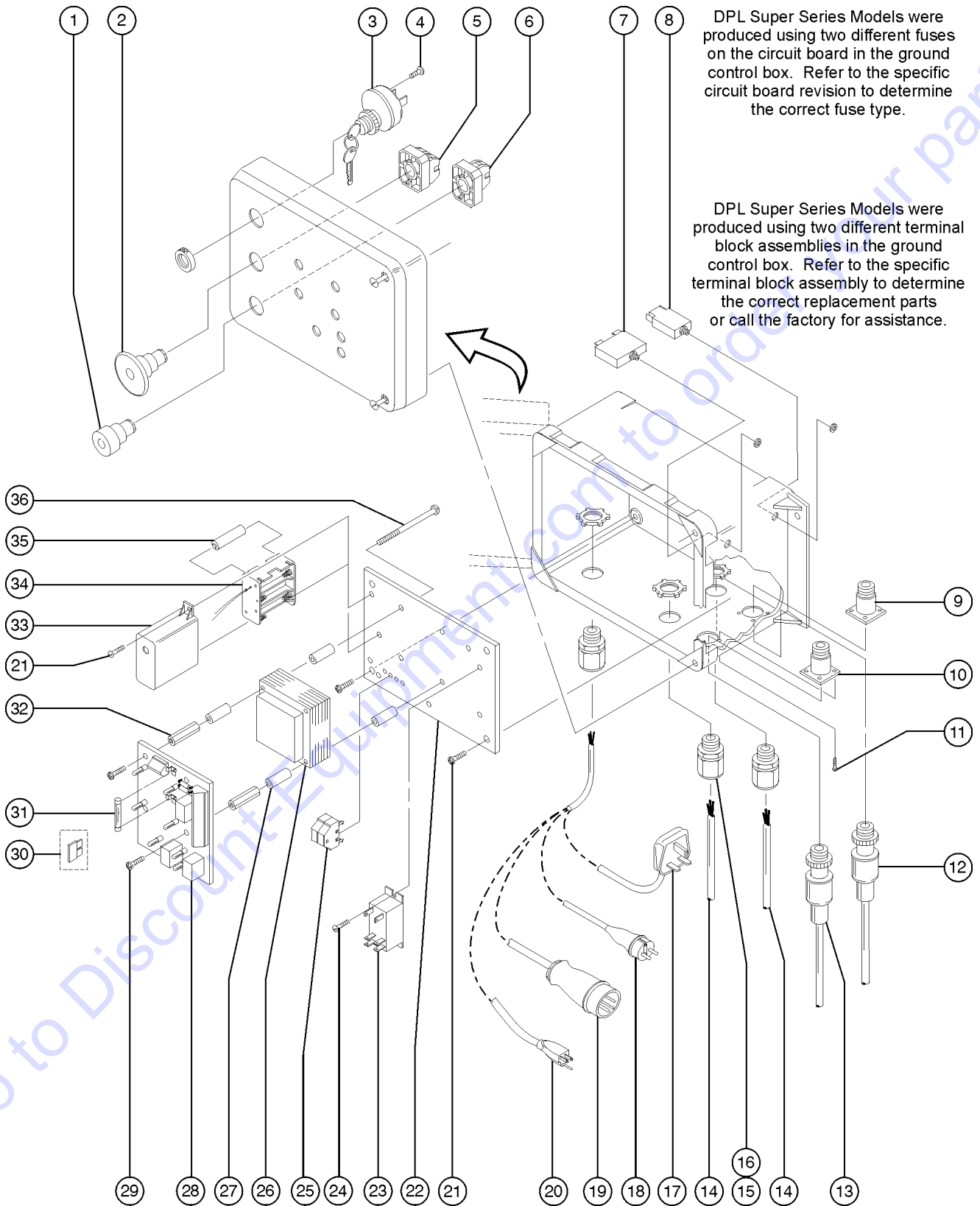
406.3 Ground Controls - AC Models, From 2002



Item	Part No.	Description	Qty.
A-	41237GT	GROUND CTRL.BOX ASSY.110 AC (to SN DPL02-953) (2 position key switch)	
B-	41235GT	HOUSING, GROUND CNTRL.BOX W/DECALS,AC (to SN DPL02-953) (2 position key switch)	1
C-	41238GT	GROUND CNTRL.BOX ASSY.220 AC (to SN DPL02-953) (2 position key switch)	
D-	85458GT	GROUND CNTRL.BOX ASSY, 110 AC from SN DPL02-954) (3 position key switch)	
E-	85431GT	HOUSING, GROUND CNTRL.BOX W/DECALS AC (from SN DPL02-954) (3 position key switch)	
F-	115266GT	GROUND CTRL.BOX ASSY.110 AC (from SN DPL07-1563) (3 position key switch)	
G-	85459GT	GROUND CNTRL.BOX ASSY 220VAC (from SN DPL02-954) (3 position key switch)	
H-	115267GT	GROUND CNTRL.BOX ASSY 220VAC (from DPL07-1563) (3 position key switch)	
I-	33996GT	SCREWDRIVER, TERMINAL BLOCK	
1	124644GT	KIT,A/IWP/DPL,BKPSH ZA2 TO ZB5 (to DPL02-953) (this is an update kit which contains the components listed in item 1A; the original black push button is no longer available. If this kit has already been installed on unit, components may be ordered individually)	1
1A	80076GT	BUTTON,PUSH,BLACK W/SEAL (from SN DPL02-954)	
1A-	66821GT	BASE,WITHOUT CONTACTS (from SN DPL02-954)	
1A-	66816GT	CONTACT,N.O. (from SN DPL02-954)	
2	124641GT	KIT,ESTOP, A/IWP/DPL (to DPL02-953) (this is an update kit which contains the components listed in item 2A; the original E-Stop is no longer available. If this kit has already been installed on unit, components may be ordered individually)	1
2A	66812GT	BUTTON,PUSH,RED MUSHROOM HEAD (from SN DPL02-954)	
2A-	66818GT	CONTACT,NC (from SN DPL02-954)	
2A-	66821GT	BASE,WITHOUT CONTACTS (from SN DPL02-954)	
3	124642GT	KIT,KEYSWITCH, A/IWP/DPL,2PKS (to DPL02-953) (this is an update kit which contains the components listed in item 3; the original key switch is no longer available. If this kit has already been installed on unit, components may be ordered individually)	
3-	58462GT	KEYSWITCH,2POS.MNTND W/BASE** (to SN DPL02-953)	
3-	66816GT	CONTACT,N.O. (to SN DPL02-953)	
3-	21982GT	KEY,SINGLE*** (to SN DPL02-953)	
3-	37947GT	KEYS,10 PACK*** (to SN DPL02-953)	
3A	96011GT	KIT,KEYSWITCH*** (from SN DPL02-955 to DPL03-1140) (includes item 4)	1
3A-	85315GT	INSTRUCTIONS,INSTALL (96011) (from DPL02-955 to DPL03-1140)	
3A-	96008-SGT	KEYSWITCH,3 POS. W/KEYS*** (from SN DPL02-955 to DPL03-1140) (shown, includes 1 pair of keys)	
3B	96008-SGT	KEYSWITCH,3 POS. W/KEYS*** (from SN DPL03-1141 to DPL07-1562) (includes item 4)	



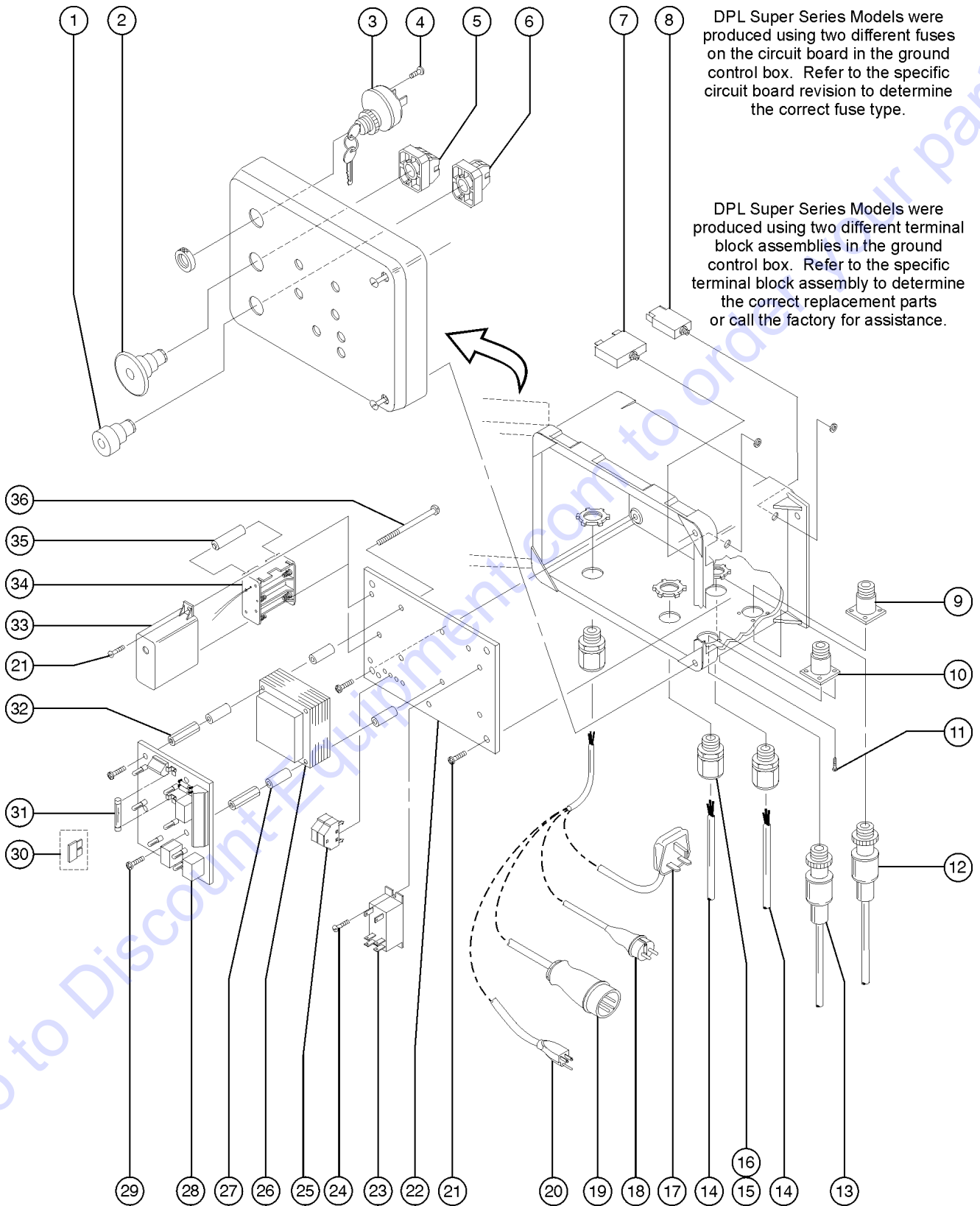
406.3 Ground Controls - AC Models, From 2002



Item	Part No.	Description	Qty.
3B-	83093GT	KEY SINGLE*** (from SN DPL03-1141 to DPL07-1562)	
3C	124121GT	KEYSWITCH,3 POS.W/KEYS & BASE (from SN DPL07-1563) (includes 1 pair of keys)	1
3C-	124121GT	KEYSWITCH,3 POS.W/KEYS & BASE (from SN DPL07-1563)	
3C-	66816GT	CONTACT,N.O. (from SN DPL07-1563)	
4	96010GT	SCREW,PHILLIPS,PHM,8-32 X.25**	
5		Ref. E-stop (to SN DPL02-953) (refer to update kit, item 2)	
6		Ref. Black Push Button (to SN DPL02-953) (refer to update kit, item 1)	
7	38021GT	CIRCUIT BREAKER, 8 AMP ** (to SN DPL02-953)	
7A	124128GT	CIRCUIT BREAKER,6A (from SN DPL07-1563)	1
7B	124127GT	CIRCUIT BREAKER,3A (from SN DPL07-1563)	1
8	1277226GT	ASSEMBLY,CIRCUIT BREAKER,15AMP	
8A	124133GT	CIRCUIT BREAKER,8A SP (from SN DPL07-1563)	
9	38217GT	HARNESS,WIRE-CONTROL. S SERIES	1
9-	33578GT	CONNECTOR,MALE,PANEL MOUNT*	
10	38216GT	HARNESS,WIRE-INTRLOCK.S SERIES	1
10-	33581GT	CONNECTOR,FEMALE,PANEL MOUNT*	
11	10153GT	SCREW,PHIL,PHM,6-32X.38,SF.TAP	
12	35049GT	POWER CABLE,MAST TO PLAT DPL-25S, DPL-30S (ANSI, CSA, Australia)	1
12-	33590GT	PLUG,CONNECTOR,FEMALE* requires part number 33591; order separately	
12-	33591GT	SEAL,CABLE CONNECTOR,HT SHRINK includes heat shrink tubing	
12-	83095GT	PIN CONNECTOR,MALE	
12A	115053GT	POWER CABLE ASSY,DPL25/30CE DPL25S, DPL30S (CE)	
12A-	33590GT	PLUG,CONNECTOR,FEMALE* requires part number 33591; order separately	
12A-	33591GT	SEAL,CABLE CONNECTOR,HT SHRINK includes heat shrink tubing	
12A-	83095GT	PIN CONNECTOR,MALE	
12B	41227GT	POWER CABLE,MAST/PLAT DPL35S (ANSI, CSA, Australia)	
12B-	33590GT	PLUG,CONNECTOR,FEMALE* requires part number 33591; order separately	
12B-	33591GT	SEAL,CABLE CONNECTOR,HT SHRINK includes heat shrink tubing	



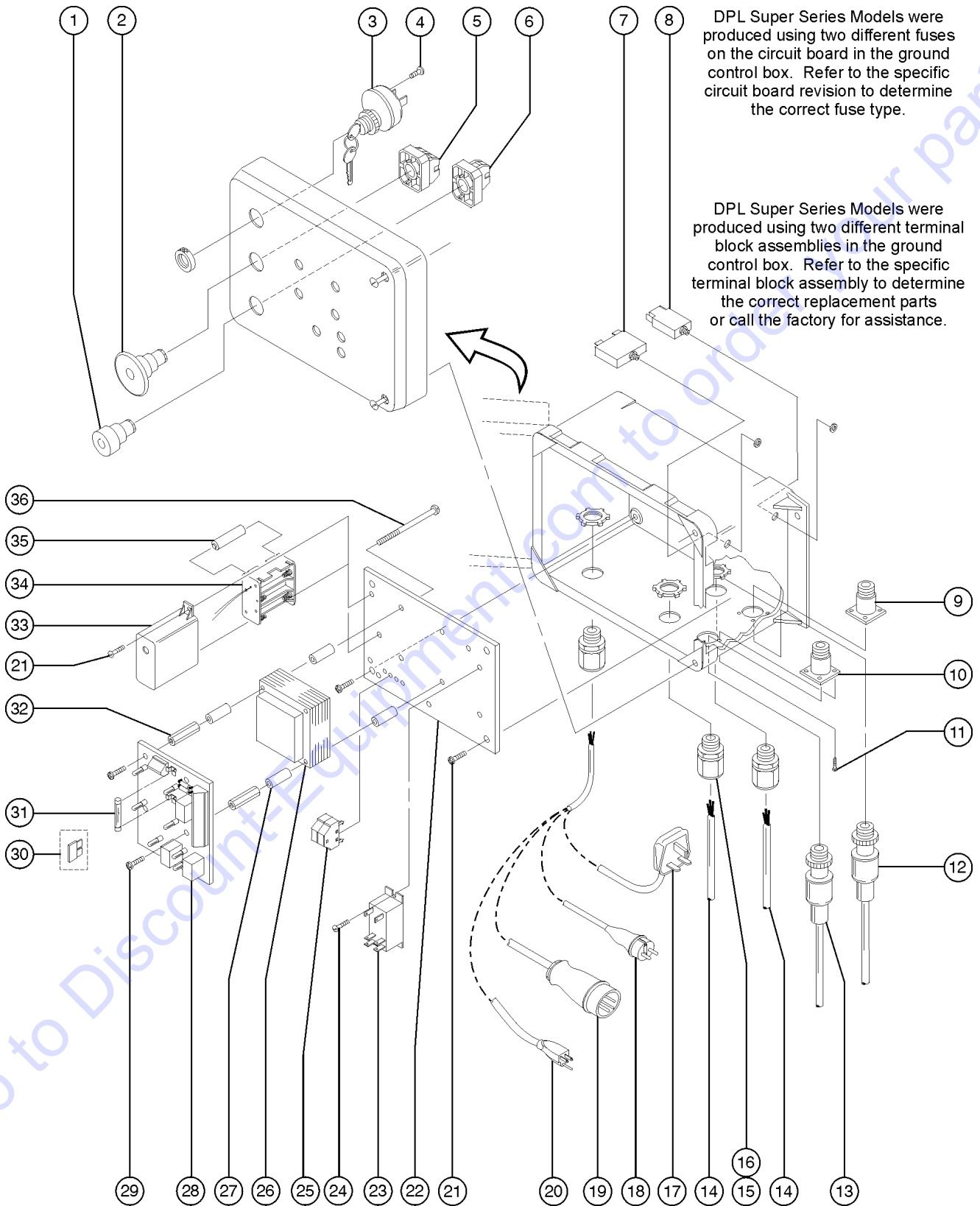
406.3 Ground Controls - AC Models, From 2002



Item	Part No.	Description	Qty.
12B-	83095GT	PIN CONNECTOR,MALE	
12C	115054GT	POWER CABLE ASSY,DPL35CE DPL35S (CE)	
12C-	33590GT	PLUG,CONNECTOR,FEMALE* requires part number 33591; order separately	
12C-	33591GT	SEAL,CABLE CONNECTOR,HT SHRINK includes heat shrink tubing	
12C-	83095GT	PIN CONNECTOR,MALE	
13	41228GT	POWER CABLE,MAST/BASE,DPL-S	1
13-	33589GT	PLUG,CONNECTOR,MALE* requires part number 33591; order separately	
13-	33591GT	SEAL,CABLE CONNECTOR,HT SHRINK includes heat shrink tubing	
13-	33580GT	PIN CONNECTOR,FEMALE ***	
14	43956GT	WIRE CABLE, 14/3 CON.TPE JKT*	
15	7056GT	CONN,SQUEEZE,1/2NPT .38-.50,SM	3
16	6935GT	LOCKNUT, ELEC, 1/2"	3
17	46608GT	POWER CORD-CONT. BOX UK 220V	1
18	46609GT	POWER CORD-CONT. BOX EURO 220V	1
19	46610GT	POWER CORD-CONT. BOX UK 110V	1
20	35846GT	PIGTAIL,ASSY,AC/DC SJO 14/3**	1
21	31182GT	SCREW,PHIL,PHM,10-32 X.38,SEMS	
22	37704GT	PLATE,PANEL,AWP95	1
23	33584GT	RELAY,MOTOR CONTACTOR	1
24	20342GT	#6 SQ.DR.SELF DRILL/TAP SCREW	
25	40334GT	TERMINAL, 4 CONDUCTOR	2
		(to SN DPL02-983)	
25-	40335GT	TERMINAL,2 CONDUCTOR	1
		(to SN DPL02-983)	
25-	40336GT	TERMINAL,END PLATE	1
		(to SN DPL02-983)	
25A	80707GT	TERMINAL, 4 CONDUCTOR	2
		(from SN DPL02-984)	
25A-	80706GT	TERMINAL, 2 CONDUCTOR	1
		(from SNPL02-984)	
25A-	80705GT	TERMINAL, END PLATE	1
		(from SN DPL02-984)	
26	33586GT	TRANSFORMER (S-SERIES)****	1
27A	69847GT	SPACER, TRANSFORMER**	
		(from SN 1501-831)	



406.3 Ground Controls - AC Models, From 2002



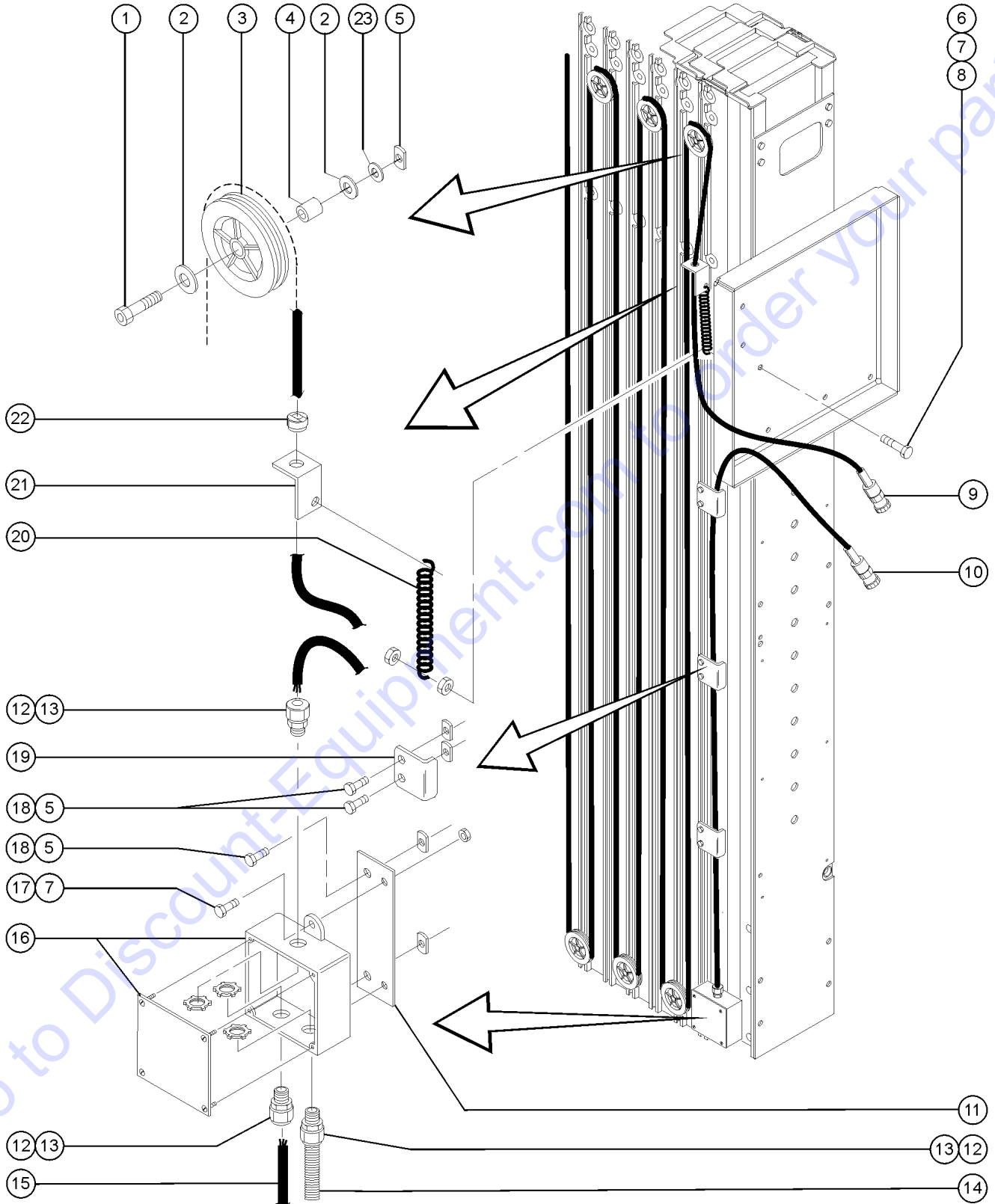
406.3 Ground Controls - AC Models, From 2002

Item	Part No.	Description	Qty.
28	1257696GT	PCB,ASSY,AWP/IWP/DPL/CWP	1
29	21018GT	SCREW,PHIL,PHM,10-24 X.38,SEMS	
30	69864GT	FUSE,5 AMP,ATC	1
31	35039GT	FUSE,5 AMP (circuit board revision E and lower)	1
31A	80711GT	FUSE,7.5 AMP,ATC (circuit board revision F and higher)	
32	33585GT	NUT,COUPLER,10-24 X .75	
33	38583GT	COVER,BATTERY	1
34	38017GT	BATTERY HOLDER	1
35A	38018GT	BATTERY,AA,1.5V	8
35B	145047GT	BATTERY,AA,1.5V,CE will also work for ANSI	8
36A	69845GT	SCREW,RHM 10-24 X 2.75** (from SN 1501-831)	

Go to Discount-Equipment.com to order your parts



407.1 Control Cable Assemblies, DPL-25S and DPL-35S, From 1996 to 2001

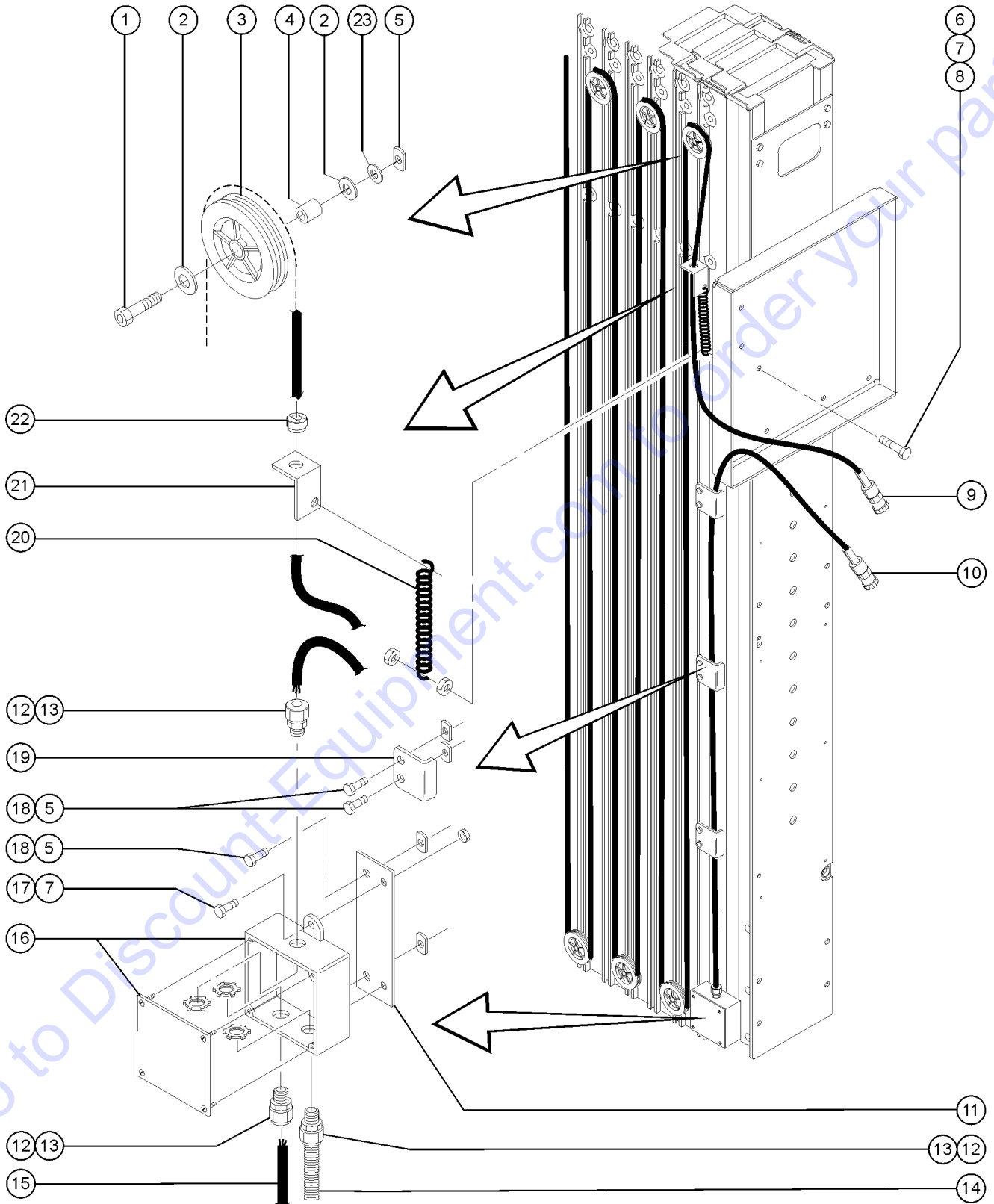


407.1 Control Cable Assemblies, DPL-25S and DPL-35S, From 1996 to 2001

Item	Part No.	Description	Qty.
1	8915GT	SCREW,HHC,1/4-20 X 1.25	
2	22699GT	WASHER,FLAT,M10,ZINC PLTD.	
3	23394GT	PULLEY,ELEC.CNTRL.CABLE,AWP DPL-25S	4
3A	23394GT	PULLEY,ELEC.CNTRL.CABLE,AWP DPL-30S	6
4	40735GT	SPACER, 1/4ID3/8OD, .875LG DPL-25S	4
4A	40735GT	SPACER, 1/4ID3/8OD, .875LG DPL-30S	6
5	35991GT	NUT,WELD 1/4-20, PLATED L.L. ** DPL-25S	12
5A	35991GT	NUT,WELD 1/4-20, PLATED L.L. ** DPL-30S	14
6	6888GT	SCREW,HHC,1/4-20 X 1	
7	6091GT	NUT,NYLOCK,1/4-20	
8	6889GT	NUT,LP NYLOCK,1/4-20	
9		Ref. Power Cable Assembly - Ground Controls to Platform (refer to 504.1)	
10	41228GT	POWER CABLE,MAST/BASE,DPL-S	1
11	41164GT	PLATE,J-BOX MOUNT,DPL *** (to SN DPL03-1154)	1
12	7057GT	CONN. SQZ,1/2NPT .39-.56 MED.	3
13	6935GT	LOCKNUT, ELEC, 1/2"	3
14	31146GT	WIRE LOOM,.413" NON-SLIT***	16
15	38602GT	WIRE CABLE,18GA/7CONDUCTOR	
16	40688GT	OUTLET BOX,4X4X2,DPL (to SN DPL03-1154)	1
17	6090GT	SCREW,HHC,1/4-20 X .75 (to SN DPL03-1154)	
18	7339GT	SCREW,HHC,1/4-20 X .5	
19	37691GT	FORMING, CABLE/HOSE, ZINC	3
20	23396GT	SPRING,CONTROL CABLE, AWP	1
21	23787-SGT	BRACKET,CONTROL CABLE TENSION	1
22	23788GT	BUSHING,STRAIN RELIEF, 53/64"	1



407.2 Control Cable Assemblies, DPL-25S and DPL-35S, From 2002

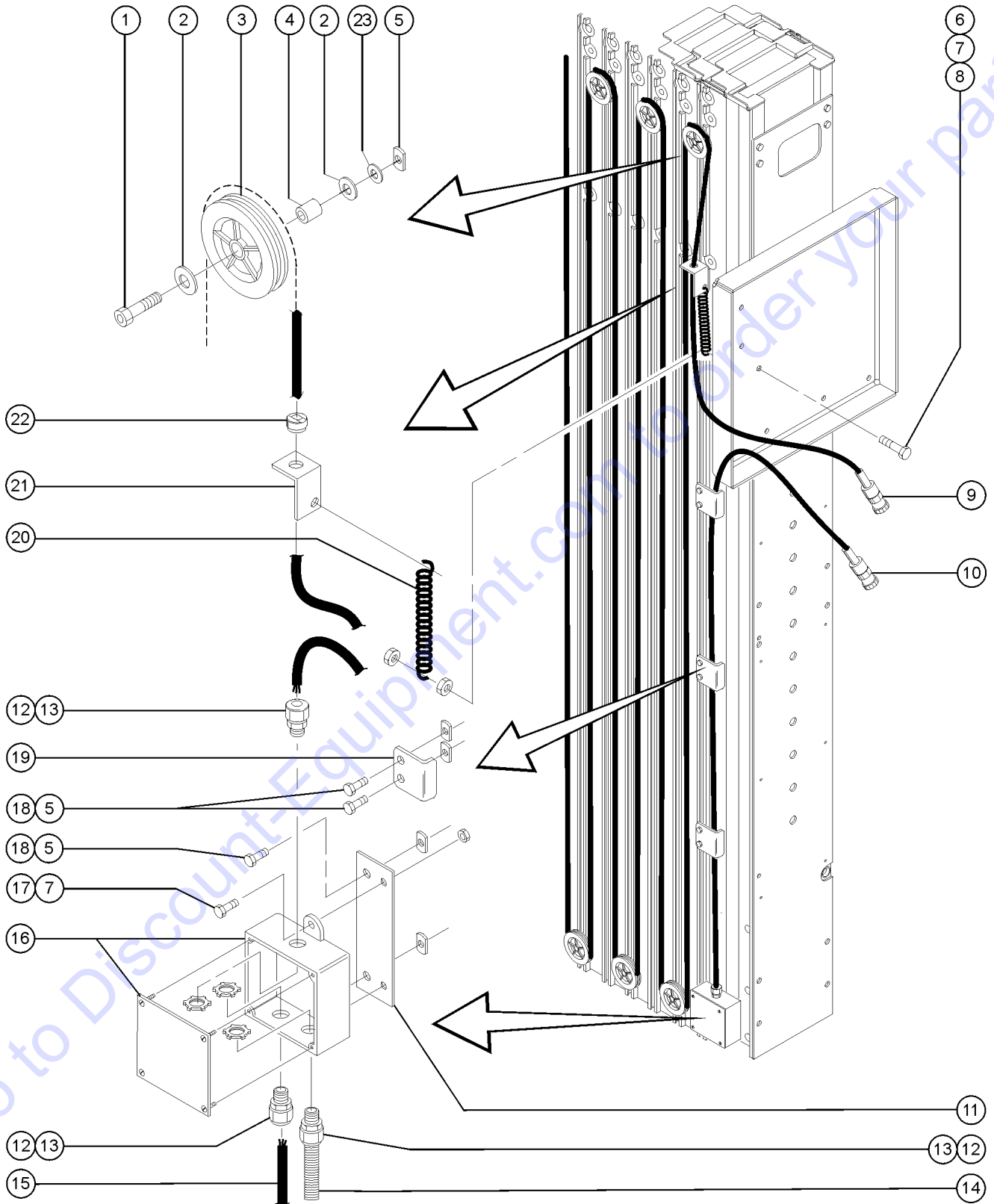


407.2 Control Cable Assemblies, DPL-25S and DPL-35S, From 2002

Item	Part No.	Description	Qty.
1	8915GT	SCREW,HHC,1/4-20 X 1.25	
2	25926GT	WASHER,FLAT,M6 PLTD.	
3	23394GT	PULLEY,ELEC.CNTRL.CABLE,AWP DPL-25S	4
3A	23394GT	PULLEY,ELEC.CNTRL.CABLE,AWP DPL-30S	6
4	40735GT	SPACER, 1/4ID3/8OD, .875LG DPL-25S	4
4A	40735GT	SPACER, 1/4ID3/8OD, .875LG DPL-30S	6
5	35991GT	NUT,WELD 1/4-20, PLATED L.L. ** DPL-25S	12
5A	35991GT	NUT,WELD 1/4-20, PLATED L.L. ** DPL-30S	14
6	6888GT	SCREW,HHC,1/4-20 X 1	
7	6091GT	NUT,NYLOCK,1/4-20	
8	6889GT	NUT,LP NYLOCK,1/4-20	
9		Ref. Power Cable Assembly - Ground Controls to Platform (refer to 504.1)	
10	41228GT	POWER CABLE,MAST/BASE,DPL-S	1
10-	33589GT	PLUG,CONNECTOR,MALE*	
10-	33591GT	SEAL,CABLE CONNECTOR,HT SHRINK includes heat shrink tubing	
10-	33580GT	PIN CONNECTOR,FEMALE ***	
11	41164GT	PLATE,J-BOX MOUNT,DPL *** (to SN DPL03-1154)	1
11A	100102GT	PLATE, JUNCTION BOX MNT (from SN DPL03-1155)	
12	7057GT	CONN. SQZ,1/2NPT .39-.56 MED.	3
13	6935GT	LOCKNUT, ELEC, 1/2"	3
14	31146GT	WIRE LOOM,.413" NON-SLIT***	16
15	38602GT	WIRE CABLE,18GA/7CONDUCTOR	
16	40688GT	OUTLET BOX,4X4X2,DPL (to SN DPL03-1154)	1
16A	38698GT	JUNCTION BOX (from SN DPL03-1155)	1
16A-	100060GT	PLUG,CAP .875 $\frac{3}{4}$ X .172 GRIP (from SN DPL03-1155)	
17	6090GT	SCREW,HHC,1/4-20 X .75 (to SN DPL03-1154)	
17A	57075GT	SCREW,PHIL,8-32X.50,SELF TAP (from SN DPL03-1155)	
18	7339GT	SCREW,HHC,1/4-20 X .5	



407.2 Control Cable Assemblies, DPL-25S and DPL-35S, From 2002



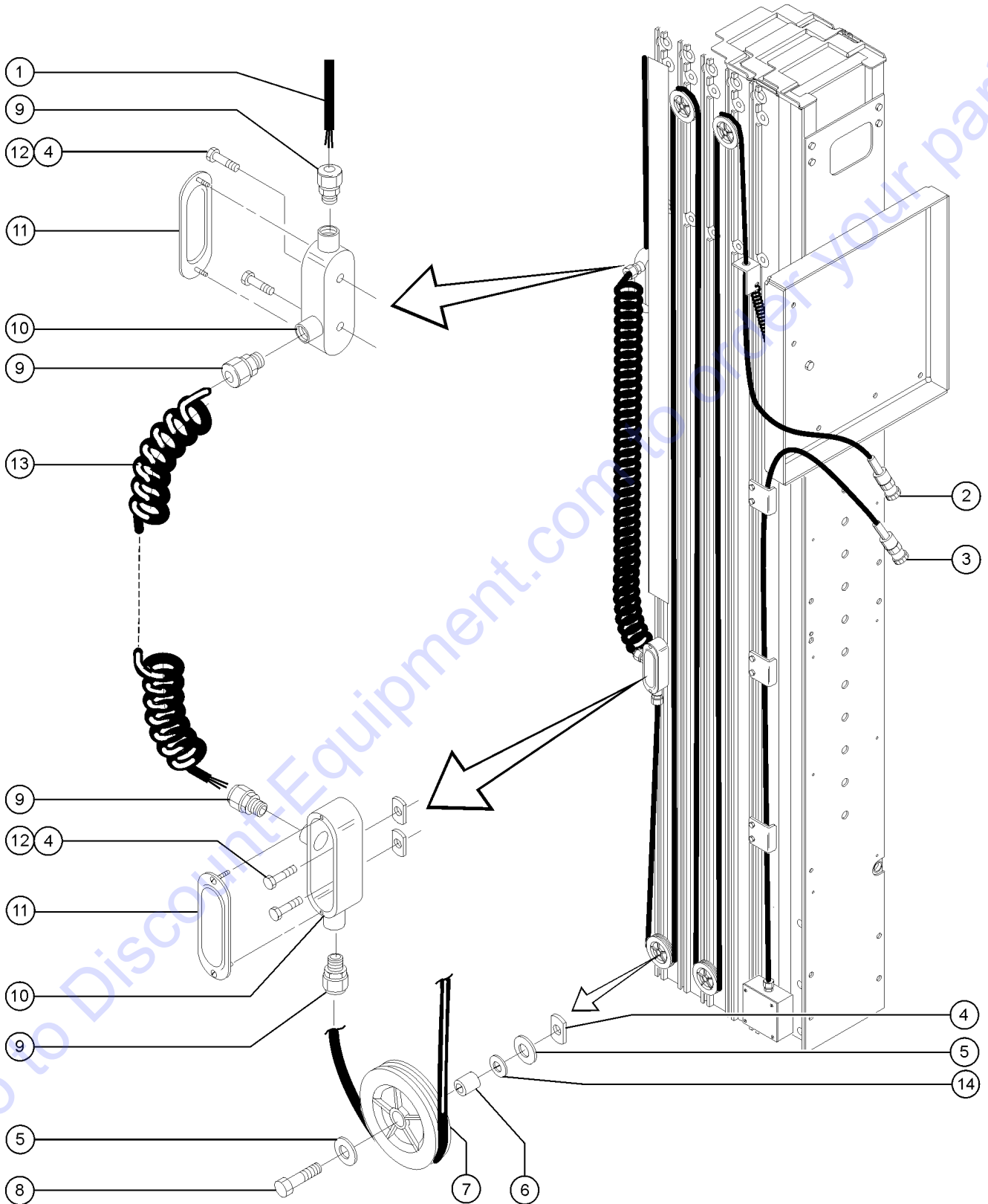
407.2 Control Cable Assemblies, DPL-25S and DPL-35S, From 2002

Item	Part No.	Description	Qty.
19	37691GT	FORMING, CABLE/HOSE, ZINC	3
20	23396GT	SPRING,CONTROL CABLE, AWP	1
21	23787-SGT	BRACKET,CONTROL CABLE TENSION	1
22	23788GT	BUSHING,STRAIN RELIEF, 5/32"	1
23	22699GT	WASHER,FLAT,M10,ZINC PLTD.	1

Go to Discount-Equipment.com to order your parts



408.1 Control Cable Assemblies, DPL-30S, From 1996 to 2001



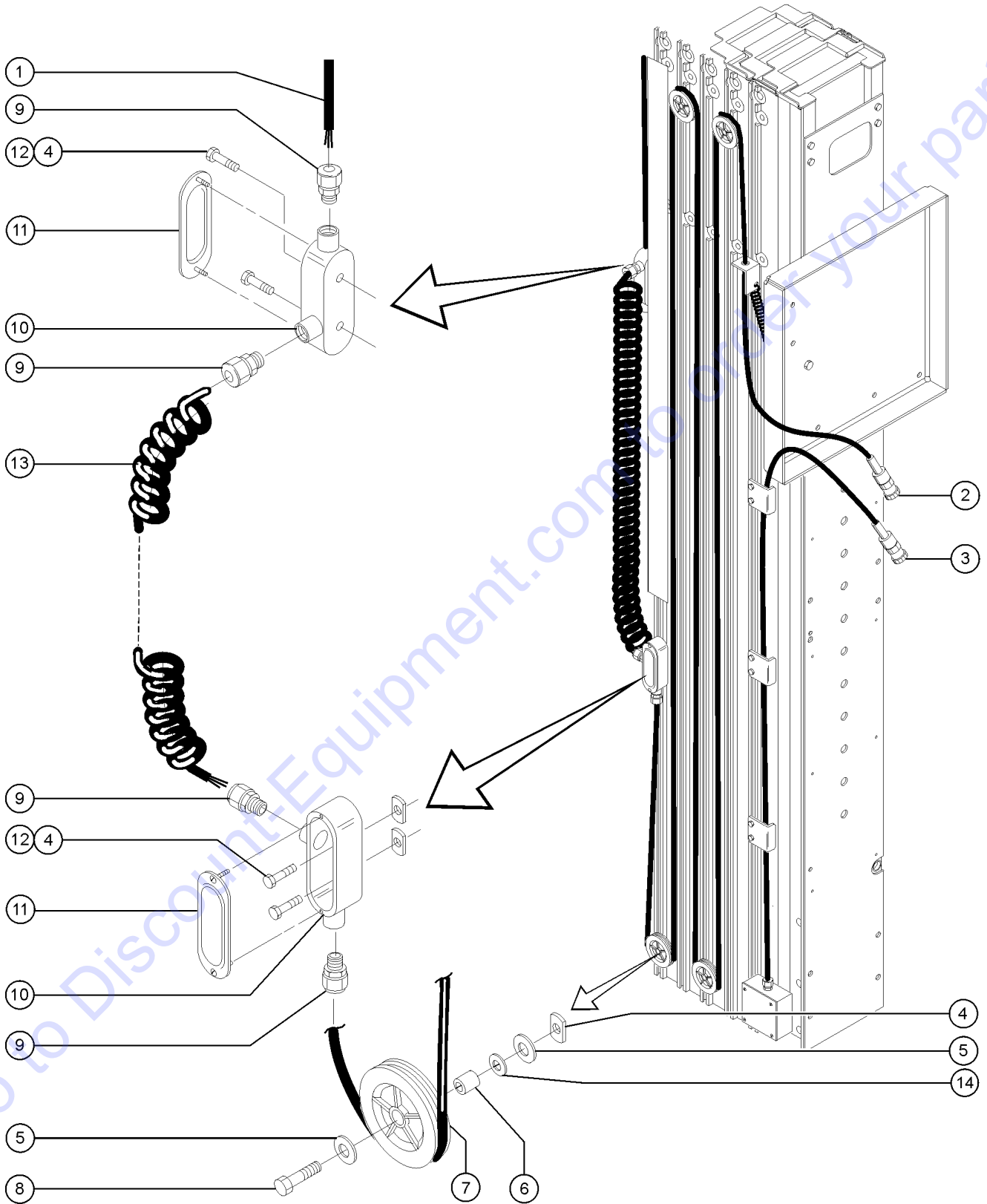
408.1 Control Cable Assemblies, DPL-30S, From 1996 to 2001

Item	Part No.	Description	Qty.
1	6540GT	WIRE CABLE,16/6,SO,BULK	96
2	35049GT	POWER CABLE,MAST TO PLAT	1
3	41228GT	POWER CABLE,MAST/BASE,DPL-S	1
4	35991GT	NUT,WELD 1/4-20, PLATED L.L.**	8
5	22699GT	WASHER,FLAT,M10,ZINC PLTD.	
6	40735GT	SPACER, 1/4ID3/8OD, .875LG	4
7	23394GT	PULLEY,ELEC.CNTRL.CABLE,AWP	4
8	8915GT	SCREW,HHC,1/4-20 X 1.25	
9	7057GT	CONN. SQZ,1/2NPT .39-.56 MED.	4
10	41968GT	OUTLET BOX, DRILLED DPL	2
11	6633GT	OUTLET BOX CAP (includes mounting fasteners)	2
12	7339GT	SCREW,HHC,1/4-20 X .5	
13	12560GT	COIL CORD,16/6,24"COIL	1

Go to Discount-Equipment.com to order your parts



408.2 Control Cable Assemblies, DPL-30S, From 2002

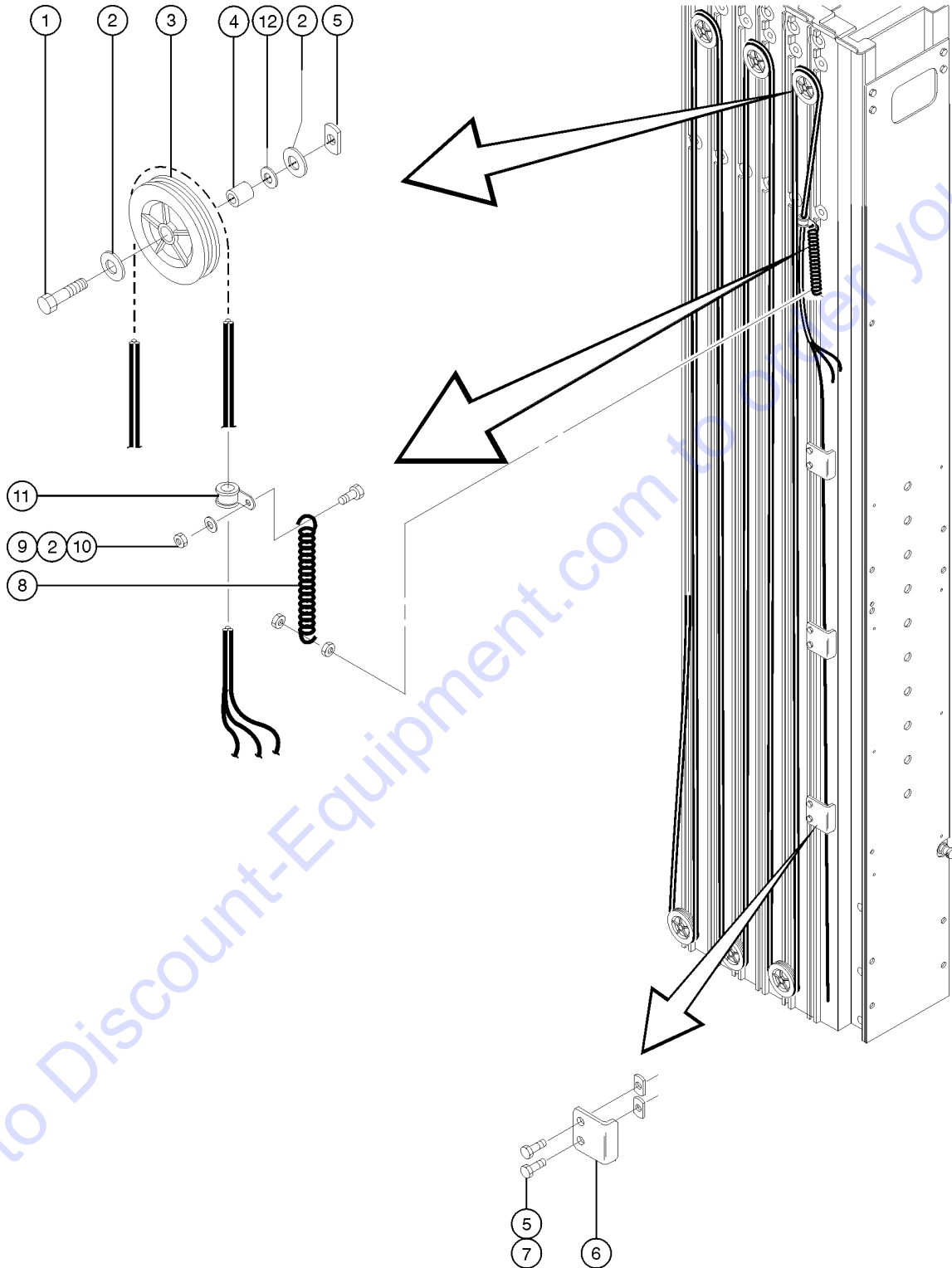


408.2 Control Cable Assemblies, DPL-30S, From 2002

Item	Part No.	Description	Qty.
1	6540GT	WIRE CABLE,16/6,SO,BULK	96
2	35049GT	POWER CABLE,MAST TO PLAT	1
2-	33590GT	PLUG,CONNECTOR,FEMALE* requires part number 33591; order separately	
2-	33591GT	SEAL,CABLE CONNECTOR,HT SHRINK	
		includes heat shrink tubing	
2-	83095GT	PIN CONNECTOR,MALE	
3	41228GT	POWER CABLE,MAST/BASE,DPL-S	1
3-	33589GT	PLUG,CONNECTOR,MALE* requires part number 33591; order separately	
3-	33591GT	SEAL,CABLE CONNECTOR,HT SHRINK	
		includes heat shrink tubing	
3-	33580GT	PIN CONNECTOR,FEMALE ***	
4	35991GT	NUT,WELD 1/4-20, PLATED L.L.**	8
5	25926GT	WASHER,FLAT,M6 PLTD.	
6	40735GT	SPACER, 1/4ID3/8OD, .875LG	4
7	23394GT	PULLEY,ELEC.CNTRL.CABLE,AWP	4
8	8915GT	SCREW,HHC,1/4-20 X 1.25	
9	7057GT	CONN. SQZ,1/2NPT .39-.56 MED.	4
9A	69445GT	CONNECTOR, SQZ, .39/.75 PT	2
		(from SN DPL04-1200) (CE Models)	
10	41968GT	OUTLET BOX, DRILLED DPL	2
11	6633GT	OUTLET BOX CAP	2
		(includes mounting fasteners)	
12	7339GT	SCREW,HHC,1/4-20 X .5	
13	12560GT	COIL CORD,16/6,24"COIL	1
13A	100323GT	COIL CORD, 16/7 SO, 600V	
		(from SN DPL04-1200) (CE Models)	
14	22699GT	WASHER,FLAT,M10,ZINC PLTD.	1



409.1 Control Hose Assemblies, Air Powered Models



Go to Discount-Equipment.com to order your parts

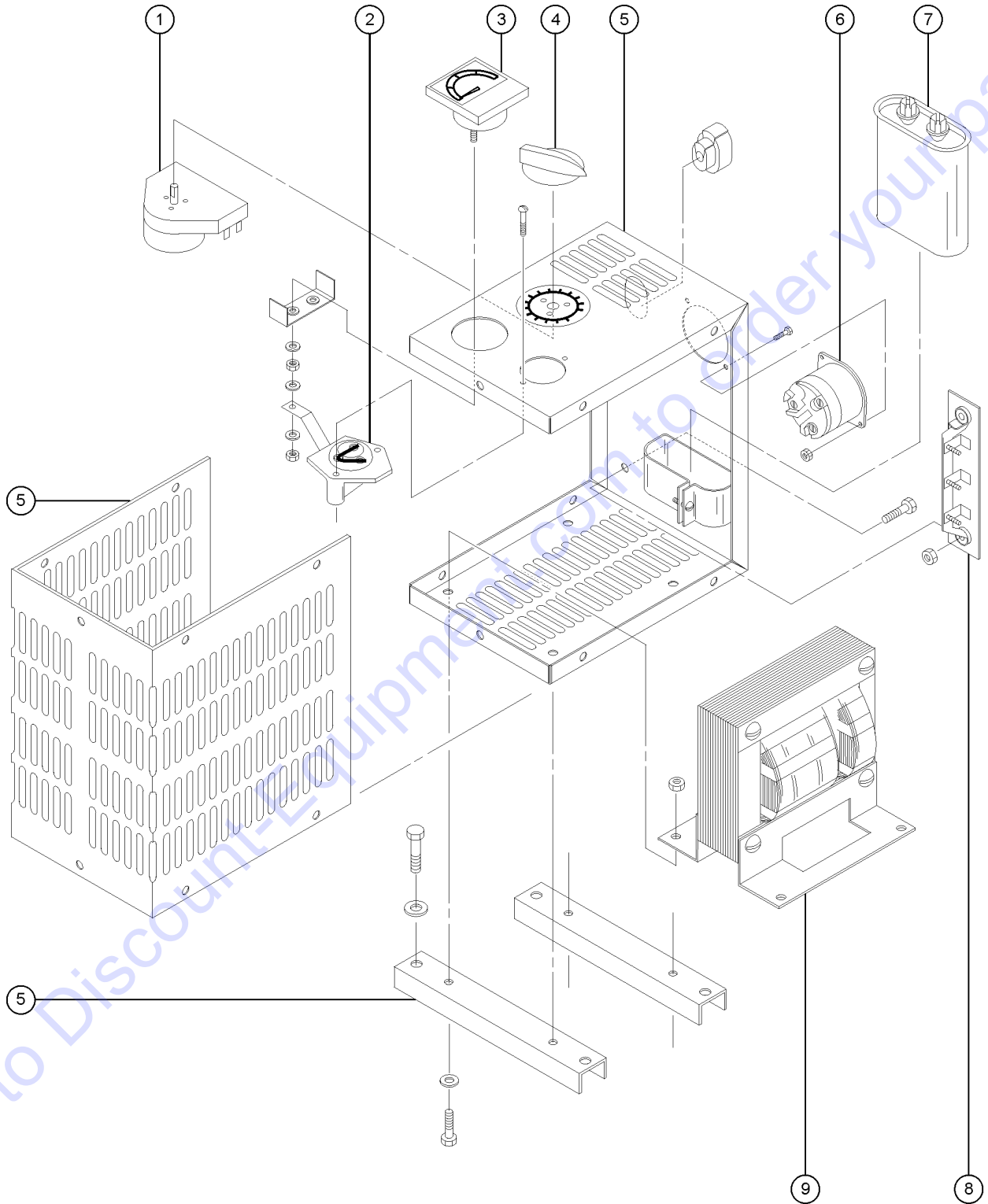
409.1 Control Hose Assemblies, Air Powered Models

Item	Part No.	Description	Qty.
1	8915GT	SCREW,HHC,1/4-20 X 1.25	
2	25926GT	WASHER,FLAT,M6 PLTD.	
3A	23394GT	PULLEY,ELEC.CNTRL.CABLE,AWP DPL-25S	4
3B	23394GT	PULLEY,ELEC.CNTRL.CABLE,AWP DPL-30S	6
4A	40735GT	SPACER, 1/4ID3/8OD, .875LG DPL-25S	4
4B	40735GT	SPACER, 1/4ID3/8OD, .875LG DPL-30S	6
5A	35991GT	NUT,WELD 1/4-20, PLATED L.L. ** DPL-25S	12
5B	35991GT	NUT,WELD 1/4-20, PLATED L.L. ** DPL-30S	14
6	37691GT	FORMING, CABLE/HOSE, ZINC	3
7	7339GT	SCREW,HHC,1/4-20 X .5	
8	23396GT	SPRING,CONTROL CABLE, AWP	1
9	6889GT	NUT,LP NYLOCK,1/4-20	
10	8914GT	SCREW,HHC,1/4-20 X .625	
11	6833GT	CLAMP,0.50,#8 X 1/4,RUB CUSH	1
12	22699GT	WASHER,FLAT,M10,ZINC PLTD.	1

Go to Discount-Equipment.com to order your parts



410.1 Battery Charger, Lester Models



410.1 Battery Charger, Lester Models

Item	Part No.	Description	Qty.
		The Lester Charger is no longer available as a replacement charger for the DPL Super Series. Please refer to 409.2 for replacement kit part number.	
1	8991GT	TIMER, 12HR, CHARGER MOD.#2002** (for Genie part numbers 8029 and 8030)	1
1A	9517GT	TIMER, 16HR, CHARGER MOD.#9817 (for Genie part number 8031)	
1B	35805GT	TIMER ASSY, CHARGER MOD.#13310 (for Genie part number 19391)	
2	13008-6GT	FUSE ASSY-BOOM CHARGER	1
3	9505GT	AMMETER, 30 AMP (includes mounting bracket and fasteners)	1
4	8992GT	KNOB, TIMER	1
5	9503GT	CASE, COMPLETE 9815 (for Genie part number 8029) (includes case, cover and mounting brackets)	1
5A	41330GT	CASE, COMPLETE 9816 (for Genie part number 8030) (includes case, cover and mounting brackets)	
5B	9513GT	CASE, COMPLETE 9823 (for Genie part number 8031) (includes case, cover and mounting brackets)	
5C	41331GT	CASE, COMPLETE 13310 (for Genie part number 19391) (includes case, cover and mounting brackets)	
6	9509GT	RECEPTACLE-MOTOR BASE, 115 VAC (for Genie part number 8029)	1
7	9515GT	CAPACITOR-3.0 MFD, 660VAC 4142 (for Genie part numbers 8030 and 8031) (50 Hz model chargers)	1
7A	13008-3GT	CAPACITOR, 6 MFD, 660VAC-CHARGR* (for Genie part numbers 8029 and 19391) (60 Hz model chargers)	
8	27262GT	HEATSINK ASSY W/DIODES (23442)	1
9	85225GT	TRANSFORMER (8030 & 8031) (for Genie part numbers 8030 and 8031)	1
9A	85226GT	TRANSFORMER (8029) (for Genie part number 8029)	



PARTS FINDER

**Search Website
by Part Number**



**Search Manual
Library For Parts
Manual & Lookup Part
Numbers – Purchase
or Request Quote**

Search Manuals

Enter your information to help us find the right parts manual for your machine.

* Brand:

* Model:

* Serial:

* Part Number:

SEARCH

**Can't Find Part or
Manual? Request Help
by Manufacturer,
Model & Description**

Parts Order Form

Please fill in the following information to help us find the right part for your machine.

Manufacturer:	<input type="text"/>
Model:	<input type="text"/>
Description:	<input type="text"/>
Part Number:	<input type="text"/>
Quantity:	<input type="text"/>
Notes:	<input type="text"/>

Submit

Discount-Equipment.com is your online resource for quality parts & equipment.

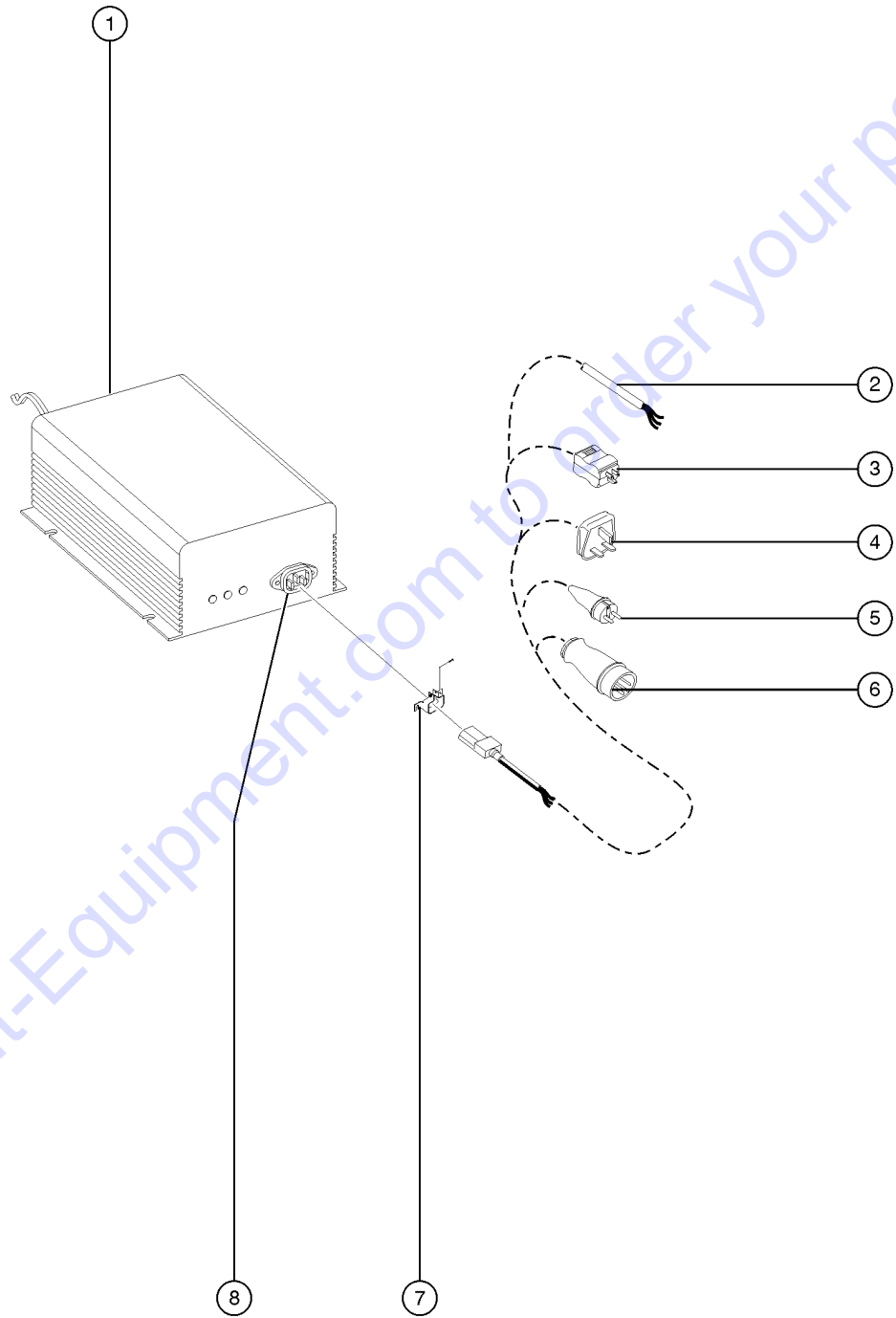
Florida: **561-964-4949** Outside Florida TOLL FREE: **877-690-3101**

Need parts?

Click on this link: <http://www.discount-equipment.com/category/5443-parts/> and choose one of the options to help get the right parts and equipment you are looking for. Please have the machine model and serial number available in order to help us get you the correct parts. If you don't find the part on the website or on one of the online manuals, please fill out the request form and one of our experienced staff members will get back to you with a quote for the right part that your machine needs.

We sell worldwide for the brands: Genie, Terex, JLG, MultiQuip, Mikasa, Essick, Whiteman, Mayco, Toro Stone, Diamond Products, Generac Magnum, Airman, Haulotte, Barreto, Power Blanket, Nifty Lift, Atlas Copco, Chicago Pneumatic, Allmand, Miller Curber, Skyjack, Lull, Skytrak, Tsurumi, Husquvarna Target, Stow, Wacker, Sakai, Mi-T-M, Sullair, Basic, Dynapac, MBW, Weber, Bartell, Bennar Newman, Haulotte, Ditch Runner, Menegotti, Morrison, Contec, Buddy, Crown, Edco, Wyco, Bomag, Laymor, EZ Trench, Bil-Jax, F.S. Curtis, Gehl Pavers, Heli, Honda, ICS/PowerGrit, IHI, Partner, Imer, Clipper, MMD, Koshin, Rice, CH&E, General Equipment, Amida, Coleman, NAC, Gradall, Square Shooter, Kent, Stanley, Tamco, Toku, Hatz, Kohler, Robin, Wisconsin, Northrock, Oztec, Toker TK, Rol-Air, APT, Wylie, Ingersoll Rand / Doosan, Innovatech, Con X, Ammann, Mecalac, Makinex, Smith Surface Prep, Small Line, Wanco, Yanmar

411.1 Battery Charger, Signet Model, From 1996 to 2001



Go to Discount-Equipment.com to order your parts

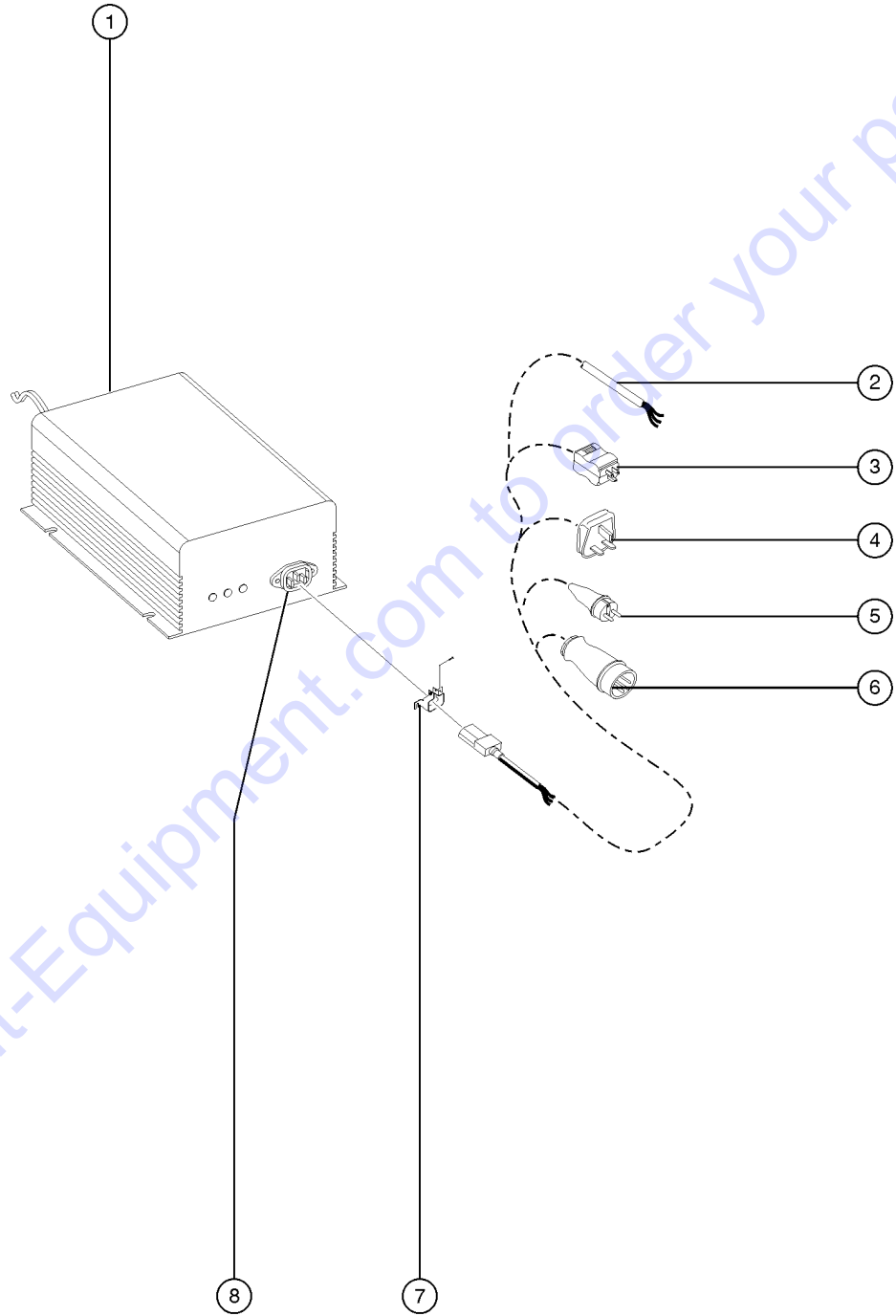
411.1 Battery Charger, Signet Model, From 1996 to 2001

Item	Part No.	Description	Qty.
1	100161GT	CHARGER, 12VDC HI/LO, AWP/IWP (from SN DPL04-1212) (power cord not included)	
1-	97059GT	FUSE, BATTERY CHARGER*** (from SN DPL04-1212)	
1-	100170GT	KIT, CHARGER, DPL (to SN DPL04-1211) (includes mounting bracket)	
2	48282GT	POWER CORD, IEC 320 BLANK, 79"	1
3	55021GT	POWER CORD, US 110, 8"	
4	55018GT	POWER CORD, UK-HIGH VOLTAGE, 8" (220V AC)	1
5	55019GT	POWER CORD, NOVON, 8" (220V AC)	1
6	71706GT	POWER CORD, UK 110, 115" (British 3 pin, 110V AC plug) (includes item 2)	1
6-	144161GT	PLUG, PWR, UK, 16AMP, 3PIN, BLK	
7	55010GT	LOCK, CONNECTOR	1
8	46440GT	CONNECTOR, IEC 320 INLET	1
8-	46441GT	PIN, CONNECTOR, IEC320	

Go to Discount-Equipment.com to order your parts

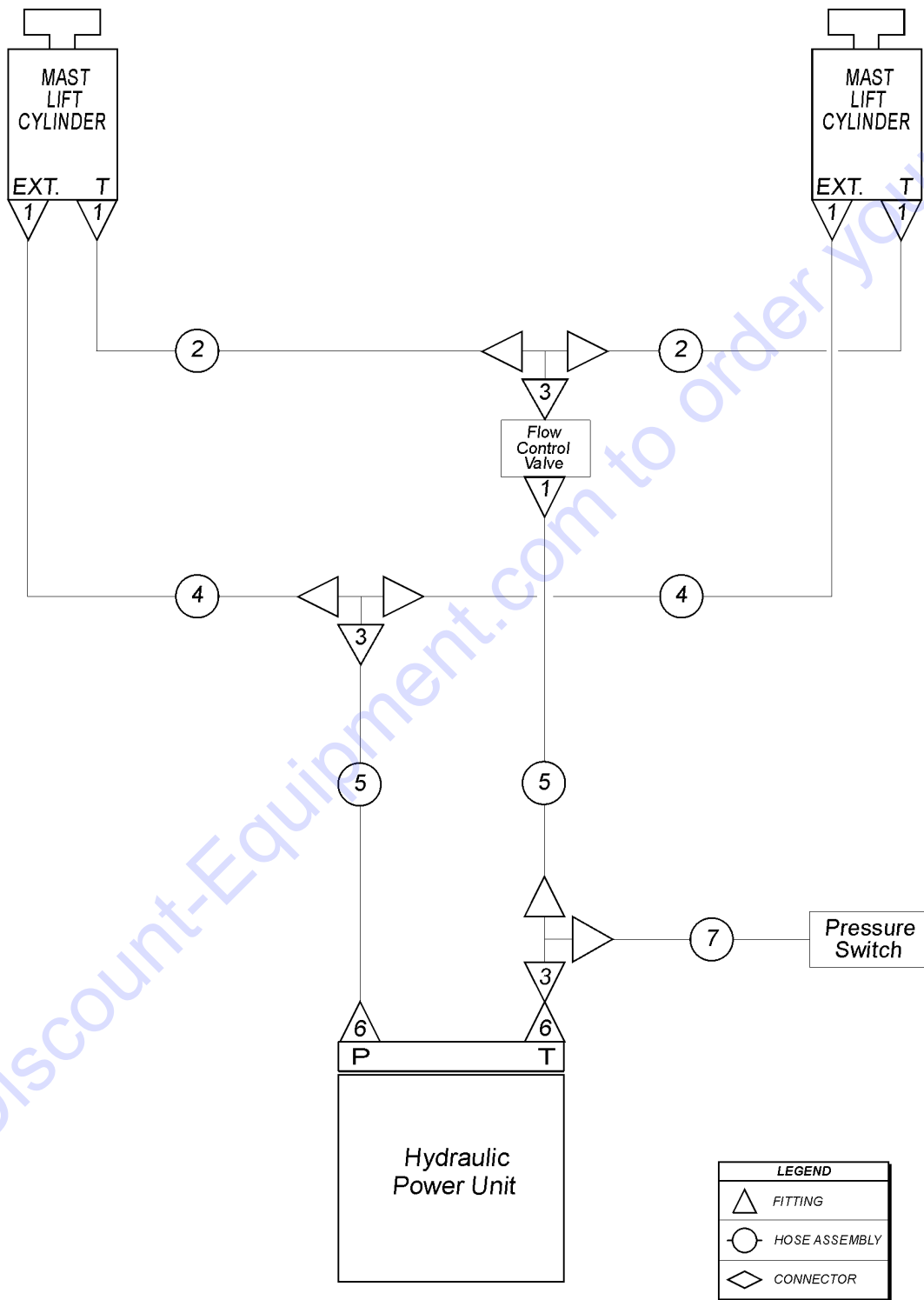


411.2 Battery Charger, Signet Model, From 2002



Item	Part No.	Description	Qty.
-	145256GT	FORMING, QUICK DISCONNECT BRKT CE models, from SN DPL10-1850	
-	145263GT	HARNESS, POS, QUICK DISCONNECT CE models, from SN DPL10-1850	
-	145264GT	HARNESS, NEG, QUICK DISCONNECT CE models, from SN DPL10-1850	
-	145265GT	HARNESS, POS, FUSE TO MOTOR CE models, from SN DPL10-1850	
1	100161GT	CHARGER, 12VDC HI/LO, AWP/IWP (from SN DPL04-1212) (power cord not included)	
1-	97059GT	FUSE, BATTERY CHARGER*** (from SN DPL04-1212)	
1-	100170GT	KIT, CHARGER, DPL (to SN DPL04-1211) (includes mounting bracket)	
2	48282GT	POWER CORD, IEC 320 BLANK, 79" 1	
3	55021GT	POWER CORD, US 110, 8" 1	
4	55018GT	POWER CORD, UK-HIGH VOLTAGE, 8" (220V AC) 1	
5	55019GT	POWER CORD, NOVON, 8" (220V AC) 1	
6	71706GT	POWER CORD, UK 110, 115" (British 3 pin, 110V AC plug) (includes item 2) 1	
6A	144161GT	PLUG, PWR, UK, 16AMP, 3PIN, BLK to SN DPL12-2043	
6B	144161GT	PLUG, PWR, UK, 16AMP, 3PIN, BLK from SN DPL12-2044	
7	55010GT	LOCK, CONNECTOR 1	
8	46440GT	CONNECTOR, IEC 320 INLET 1	
8-	46441GT	PIN, CONNECTOR, IEC320 1	

412.1 Hydraulic Hoses and Fittings (to SN DPL03-1336)



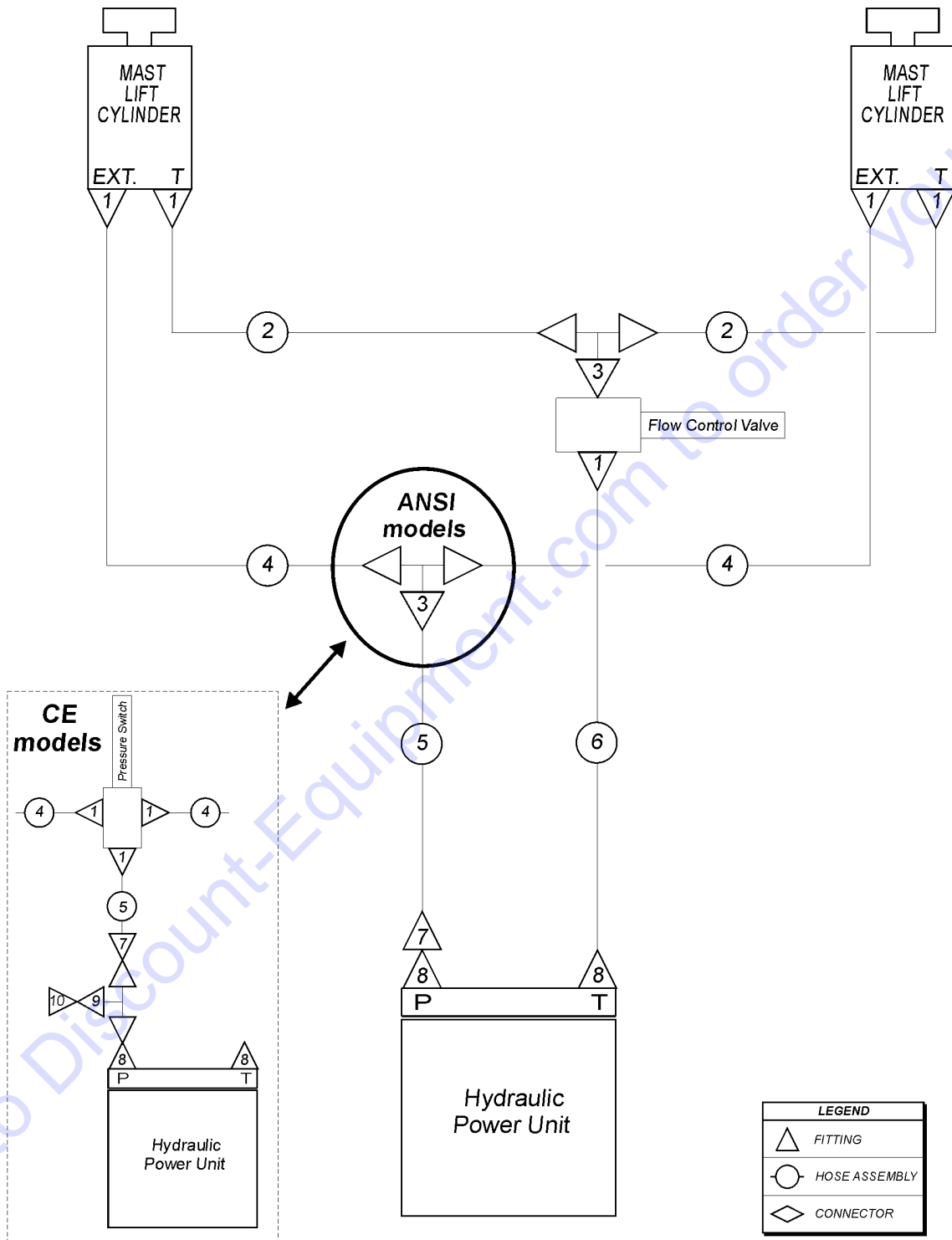
412.1 Hydraulic Hoses and Fittings (to SN DPL03-1336)

Item	Part No.	Description	Qty.
	40687GT	HYDRAULIC HOSE KIT,DPL	
1	13755GT	CONNECTOR,070120-4-4	5
2	41170GT	HOSE ASSY,SYNFLEX,RETURN,DPL (components: 78855, 78855 and 78852 @ 42 inches)	2
3	8342GT	TEE,UNION,070401-4	3
4	41176GT	HOSE ASSY,SYNFLEX,PRESSURE,DPL (components: 78855, 78855 and 78852 @ 46 inches)	1
5	41171GT	HOSE ASSY,SYNFLEX,PRESSURE,DPL (components: 80613, 8761 and 80612 @ 12 inches)	1
6	12340GT	ELBOW,070220-4-6	2
7	100153GT	HOSE ASSY, PRESSURE SWITCH (components: 48800, 48800 and 48751 @ 8.5 inches)	1

Go to Discount-Equipment.com to order your parts



412.2 Hydraulic Hoses and Fittings (from SN DPL03-1337)



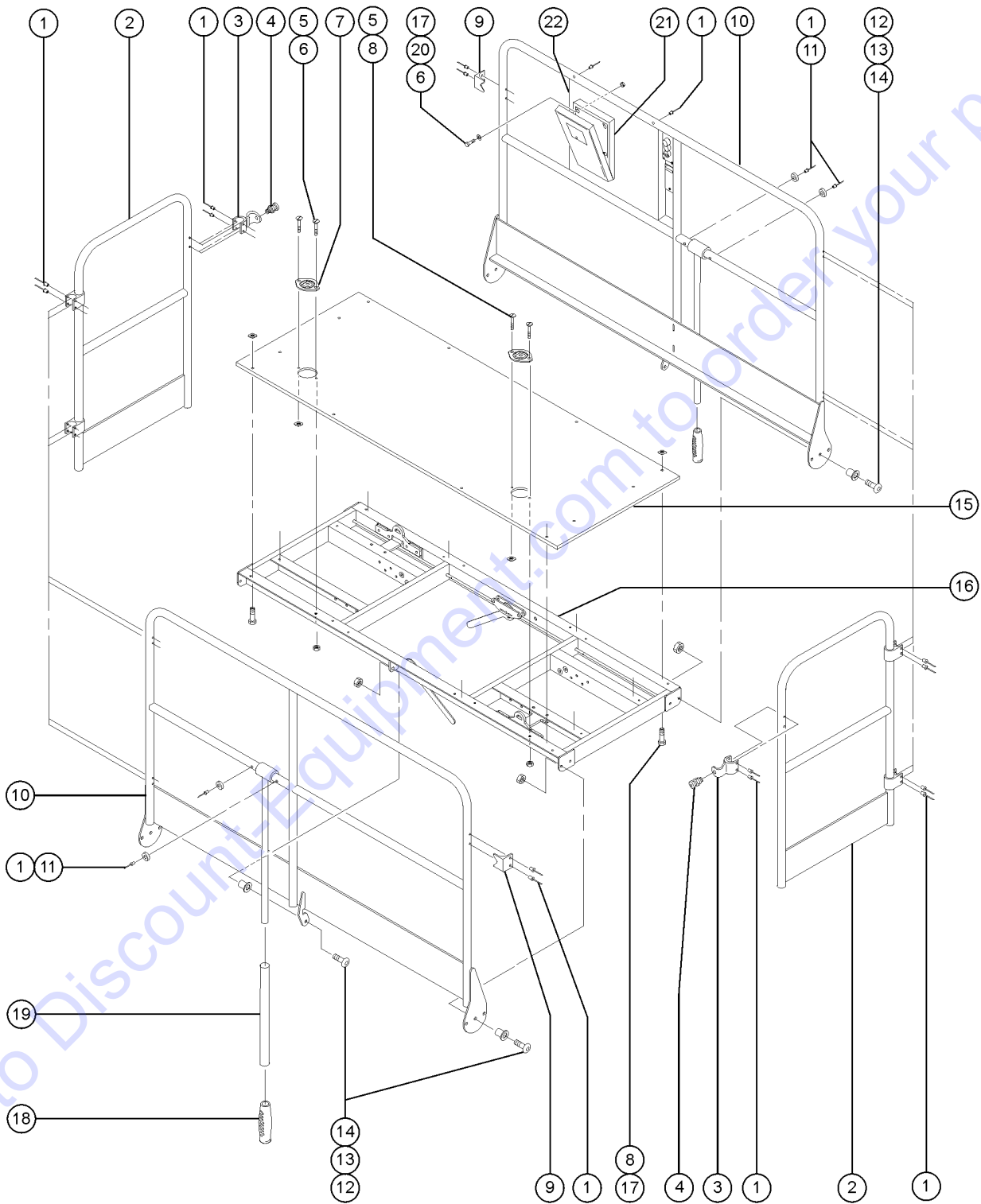
412.2 Hydraulic Hoses and Fittings (from SN DPL03-1337)

Item	Part No.	Description	Qty.
1	13755GT	CONNECTOR,070120-4-4	8
2	80625GT	HOSE ASSY,PARKER,RETURN,DPL (components: 78855, 78855 and 78852 @ 44 inches)	2
3	25628GT	TEE,BRANCH,070429-4-4	2
4	80624GT	HOSE ASSY,PARKER,PRESSURE,DPL (components: 78855, 78855 and 78852 @ 48 inches)	2
5	80626GT	HOSE ASSY,PARKER,PRESSURE,DPL (components: 80613, 80613 and 80612 @ 14 inches)	1
6	80627GT	HOSE ASSY,PARKER,RETURN,DPL (components: 80613, 80613 and 80612 @ 14 inches)	1
7	45415GT	ELBOW,070221-4-4	1
8	12340GT	ELBOW,070220-4-6	2
9	13757GT	TEE,RUN,070432-4 (CE models)	1
10	38659GT	CAP,HYDRAULIC (RECYCLE) (CE models)	1

Go to Discount-Equipment.com to order your parts

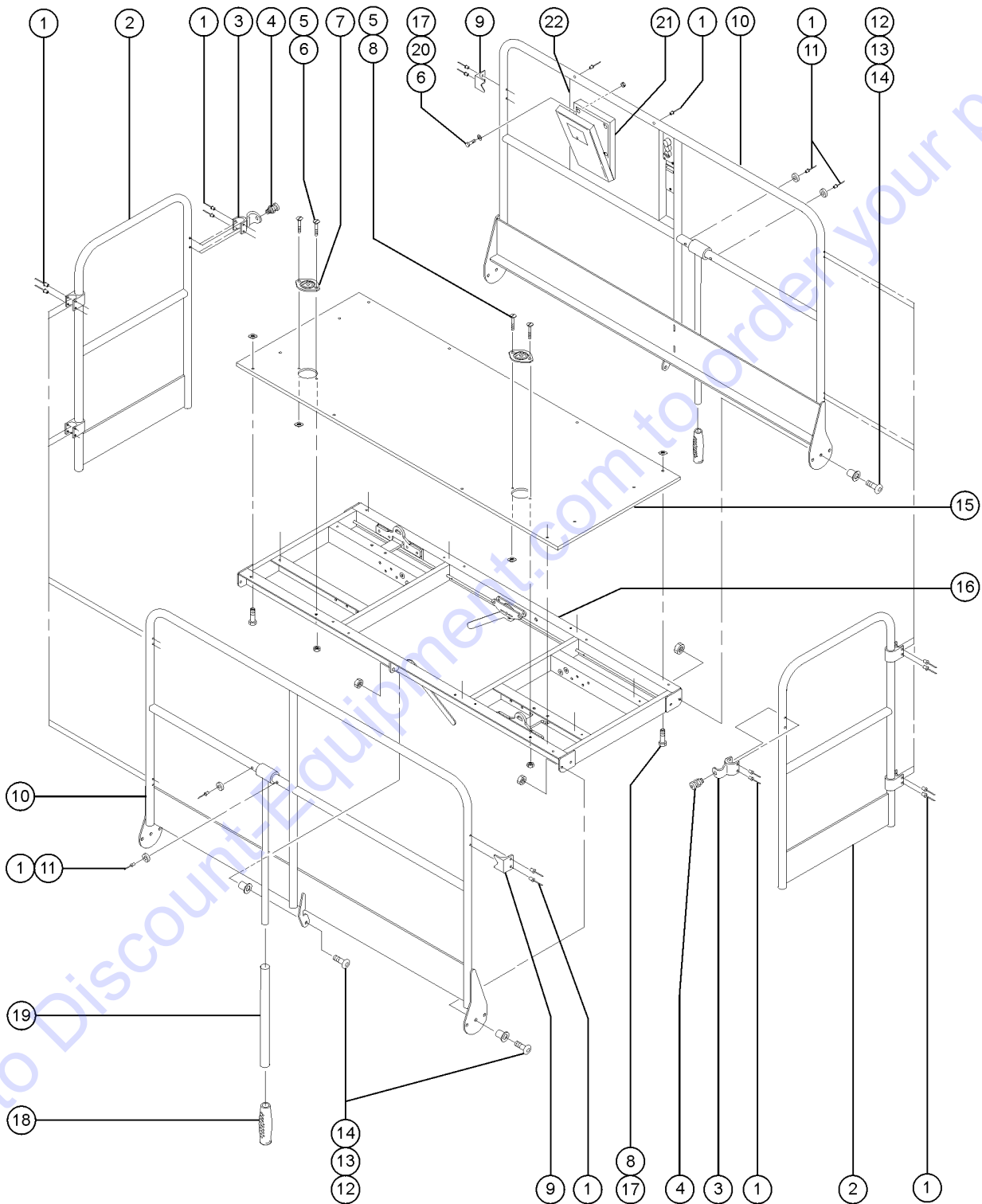


501.1 Platform Assembly, From 2000 to 2001



Item	Part No.	Description	Qty.
	41229GT	PLAT.ASSY.,W/DECALS DPL-S (does not include decal plate and manual storage box)	
1	6271GT	RIVET, ALUM, ALUM, P, .25 x .375	
2	41231GT	PLAT.END RAIL W/DECAL, DPL-S** (all models, includes items 1, 3 and 4)	1
3	1487GT	GATE LATCH CASTING--DRILLED	2
4	33674GT	PIN,LOCK,SHORT***	2
5	14182GT	SCREW,FHS,1/4-20 X 1	
6	6091GT	NUT,NYLOCK,1/4-20	
7	41175GT	CLEAT,D-RING (to SN 1500-704) (refer to 503.1)	
7A		Ref. Lanyard Attachment (from SN 1500-705) (refer to 503.1)	
8	11652GT	NUT,WOOD,1/4-20	
9	1488GT	RAILING CATCH CASTING--DRILLED	2
10	41230GT	PLAT.SIDE RAIL W/DECALS, DPL-S (to SN DPL04-1188) (includes items 1, 9, 11, 18 and 19; all models)	
10-	48427GT	RAIL HANDLE BAR DPL (all models)	
11	4512GT	SPACER,NYL .25 X .69 X .25	4
12	28487GT	SCREW,BHHS,3/8-16 X 1	
13	33720GT	BEARING,FLANGE,3/8 (AWP & ST)	4
14	7713GT	NUT,LP NYLOCK,3/8-16	
15	41965GT	PLAT.DECK,PLYWOOD,DPL S-SERIES (to SN 1500-704) (includes items 5-8)	1
15A	40252GT	PLYWOOD, STD PLATFORM,DPL-SS (from SN 1500-705) (includes items 5-8)	1
16	40236GT	PLATFORM FRAME WELDMENT,DPL	1
17	6090GT	SCREW,HHC,1/4-20 X .75	
18	6587GT	HANDLE GRIP, RUBBER .75 X 4.5	2
19	41179GT	TUBE,VINYL, 1.00"OD X .75 ID	6
20	6638GT	WASHER,FLAT,USS,1/4"Y	
21	41255GT	BOX,INSTRUC.STORAGE,DPL-S (to SN DPL04-1189) (all models)	
22	41234GT	DECAL PLATE W/WRDS,DP-25S/30S (all models) (to SN DPL04-1199) (includes items 1-4)	
22B	107035GT	DECAL PLATE ASSY,DPL 25/30S,CE (to SN DPL04-1188) (CE models) (includes items 1-4)	
22D	107037GT	DECAL PLATE ASSY,DPL-25/30,CSA (includes items 1-4)	

501.1 Platform Assembly, From 2000 to 2001

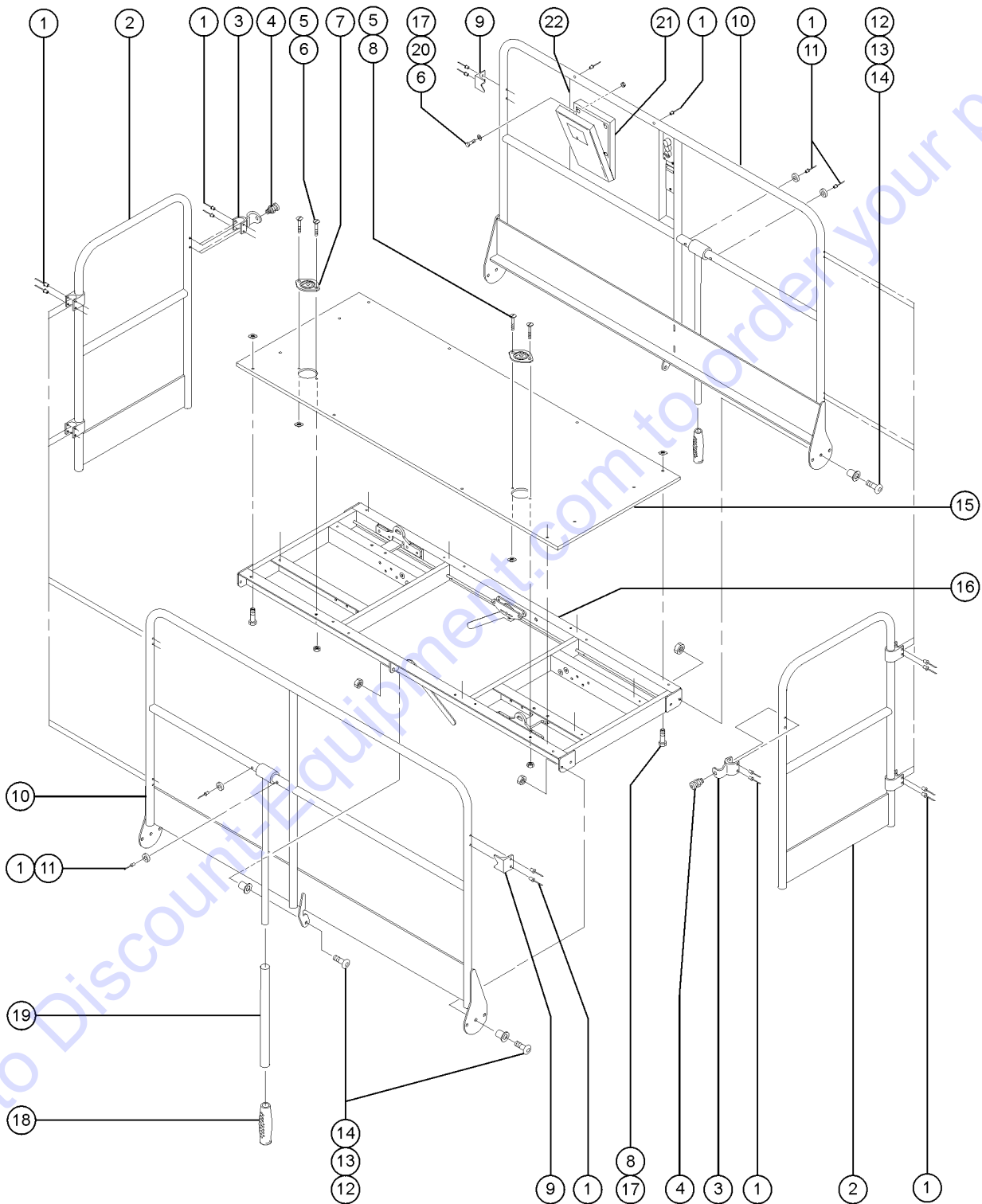


Item	Part No.	Description	Qty.
22E	107034GT	DECAL PLATE W/WRDS,DPL-35S (to SN DPL04-1188) (ANSI models) (includes items 1-4)	
22G	107036GT	DECAL PLATE ASSY, DPL 35S,CE (to SN DPL04-1188) (includes items 1-4)	
22I	107040GT	DECAL PLATE ASSY,DPL-35S,CSA (includes items 1-4)	

Go to Discount-Equipment.com to order your parts

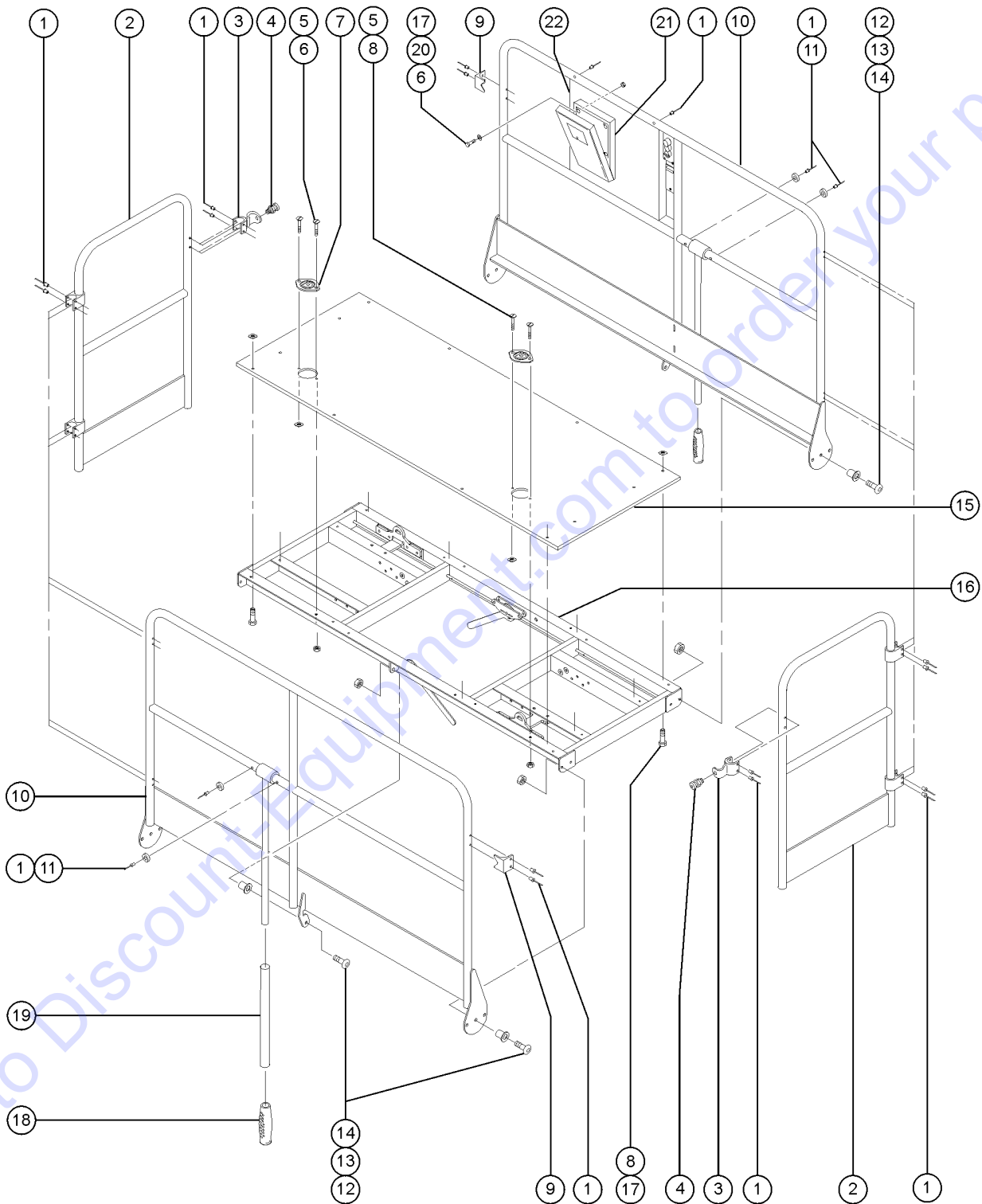


501.1 Platform Assembly, From 1996 to 1999



Item	Part No.	Description	Qty.
	41229GT	PLAT.ASSY.,W/DECALS DPL-S (does not include decal plate and manual storage box)	
1	6271GT	RIVET, ALUM, ALUM, P, .25 x .375	
2	41231GT	PLAT.END RAIL W/DECAL, DPL-S** (all models, includes items 1, 3 and 4)	1
3	1487GT	GATE LATCH CASTING--DRILLED	2
4	33674GT	PIN,LOCK,SHORT***	2
5	14182GT	SCREW,FHS,1/4-20 X 1	
6	6091GT	NUT,NYLOCK,1/4-20	
7	41175GT	CLEAT,D-RING (to SN 1500-704) (refer to 503.1)	
8	11652GT	NUT,WOOD,1/4-20	
9	1488GT	RAILING CATCH CASTING--DRILLED	2
10	41230GT	PLAT.SIDE RAIL W/DECALS, DPL-S (to SN DPL04-1188) (includes items 1, 9, 11, 18 and 19; all models)	
10-	48427GT	RAIL HANDLE BAR DPL (all models)	
11	4512GT	SPACER,NYL .25 X .69 X .25	4
12	28487GT	SCREW,BHHS,3/8-16 X 1	
13	33720GT	BEARING,FLANGE,3/8 (AWP & ST)	4
14	7713GT	NUT,LP NYLOCK,3/8-16	
15	41965GT	PLAT.DECK,PLYWOOD,DPL S-SERIES (to SN 1500-704) (includes items 5-8)	1
16	40236GT	PLATFORM FRAME WELDMENT,DPL	1
17	6090GT	SCREW,HHC,1/4-20 X .75	
18	6587GT	HANDLE GRIP, RUBBER .75 X 4.5	2
19	41179GT	TUBE,VINYL, 1.00"OD X .75 ID	6
20	6638GT	WASHER,FLAT,USS,1/4"Y	
21	41255GT	BOX,INSTRUC.STORAGE,DPL-S (to SN DPL04-1189) (all models)	
22	41234GT	DECAL PLATE W/WRDS,DP-25S/30S (all models) (to SN DPL04-1199) (includes items 1-4)	
22B	107035GT	DECAL PLATE ASSY,DPL 25/30S,CE (to SN DPL04-1188) (CE models) (includes items 1-4)	
22D	107037GT	DECAL PLATE ASSY,DPL-25/30,CSA (includes items 1-4)	
22E	107034GT	DECAL PLATE W/WRDS,DPL-35S (to SN DPL04-1188) (ANSI models) (includes items 1-4)	
22G	107036GT	DECAL PLATE ASSY, DPL 35S,CE (to SN DPL04-1188) (includes items 1-4)	

501.1 Platform Assembly, From 1996 to 1999

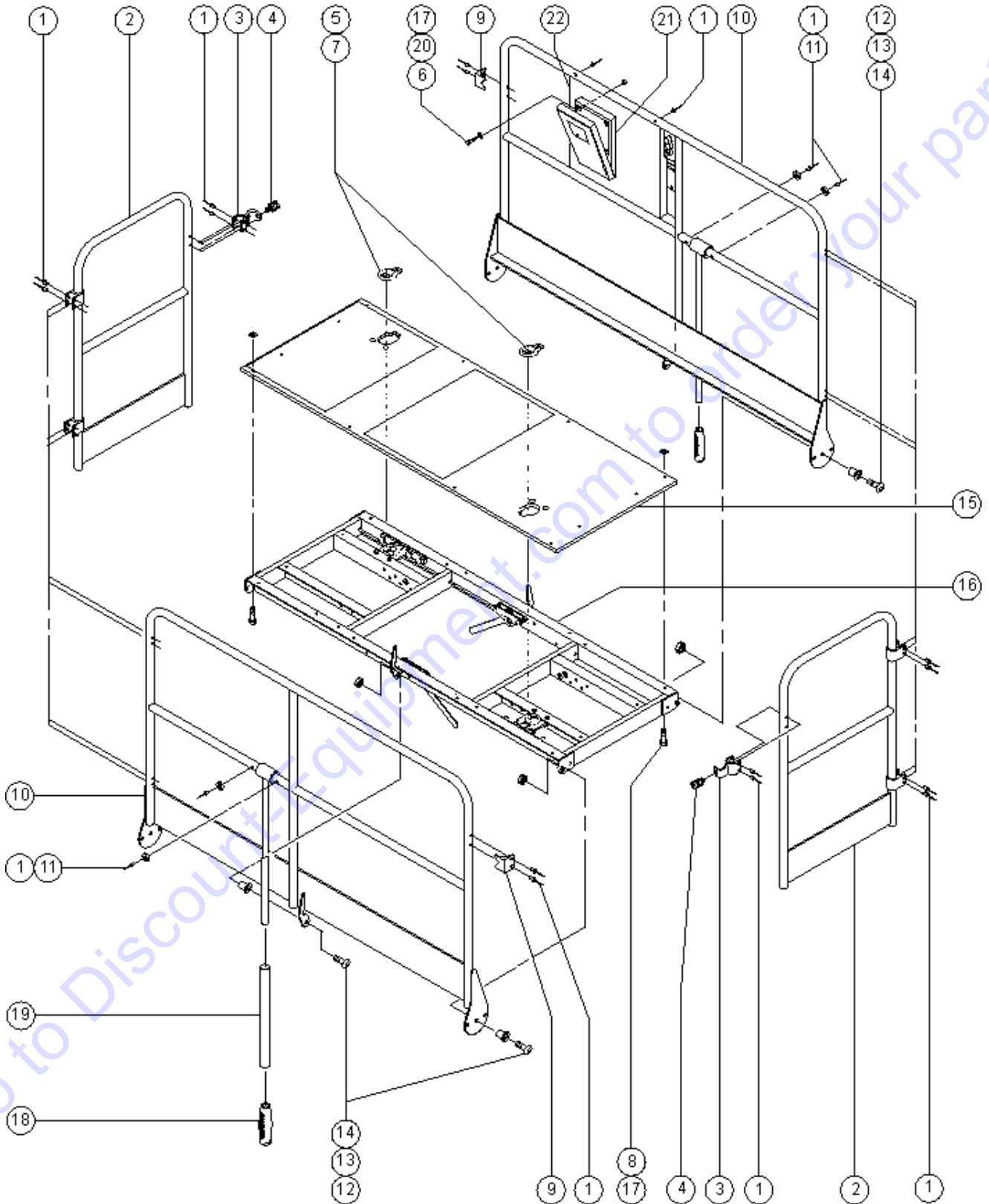


Item	Part No.	Description	Qty.
221	107040GT	DECAL PLATE ASSY,DPL-35S,CSA (includes items 1-4)	

Go to Discount-Equipment.com to order your parts



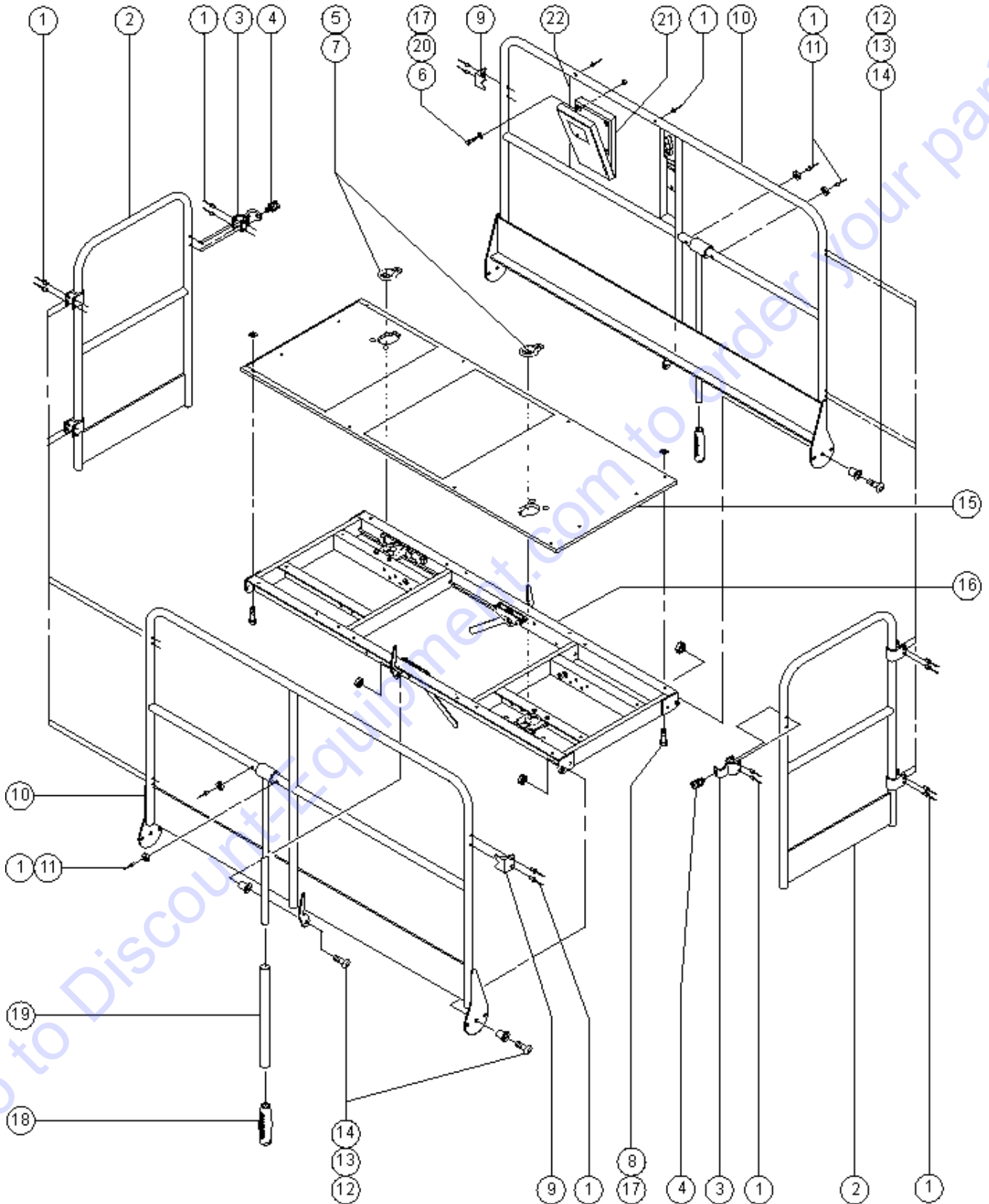
501.2 Platform Assembly - ANSI Models(All) and Australia Models, From 2002 (to SN DPI 12-2054)



501.2 Platform Assembly - ANSI Models(All) and Australia Models, From 2002 (to SN DPI 12-2054)

Item	Part No.	Description	Qty.
	41229GT	PLAT.ASSY.,W/DECALS DPL-S (does not include decal plate and manual storage box)	
1	6271GT	RIVET, ALUM, ALUM, P, .25 x .375	
2	41231GT	PLAT.END RAIL W/DECAL, DPL-S** (all models, includes items 1, 3 and 4)	1
3	1487GT	GATE LATCH CASTING--DRILLED	2
4	33674GT	PIN,LOCK,SHORT***	2
5	105092GT	BOLT,CARRIAGE,3/8-16X1.25,GR5	4
6	6091GT	NUT,NYLOCK,1/4-20	
7	236380GT	TIE DOWN,D-RING	2
8	11652GT	NUT,WOOD,1/4-20	
9	1488GT	RAILING CATCH CASTING--DRILLED	2
10	41230GT	PLAT.SIDE RAIL W/DECALS, DPL-S (to SN DPL04-1188) (includes items 1, 9, 11, 18 and 19; all models)	
10-	48427GT	RAIL HANDLE BAR DPL (all models)	
10A	41230GT	PLAT.SIDE RAIL W/DECALS, DPL-S (from SN DPL04-1189) (includes items 1, 9, 11, 18 and 19) (USA, Canadian and Australian models)	2
10B	107041GT	PLAT.SIDE RAIL W/DECALS, DPL-S (from SN DPL04-1189) (includes items 1, 9, 11, 18 and 19) (Asian, European and South American models)	
11	4512GT	SPACER,NYL .25 X .69 X .25	4
12	28487GT	SCREW,BHHS,3/8-16 X 1	
13	33720GT	BEARING,FLANGE,3/8 (AWP & ST)	4
14	7713GT	NUT,LP NYLOCK,3/8-16	
15A	40252GT	PLYWOOD, STD PLATFORM,DPL-SS (from SN 1500-705) (includes items 5-8)	
15B	236376GT	PLYWOOD PLATFORM, SELF-EXTINGUISHING for CE units	1
16	40236GT	PLATFORM FRAME WELDMENT,DPL	1
17	6090GT	SCREW,HHC,1/4-20 X .75	
18	6587GT	HANDLE GRIP, RUBBER .75 X 4.5	2
19	41179GT	TUBE,VINYL, 1.00"OD X .75 ID	6
20	6638GT	WASHER,FLAT,USS,1/4"Y	
21	41255GT	BOX,INSTRUC.STORAGE,DPL-S (to SN DPL04-1189) (all models)	
21A	41255GT	BOX,INSTRUC.STORAGE,DPL-S (from SN DPL04-1189) (USA, Canadian and Australian models)	1

501.2 Platform Assembly - ANSI Models(All) and Australia Models, From 2002 (to SN DPI 12-2054)



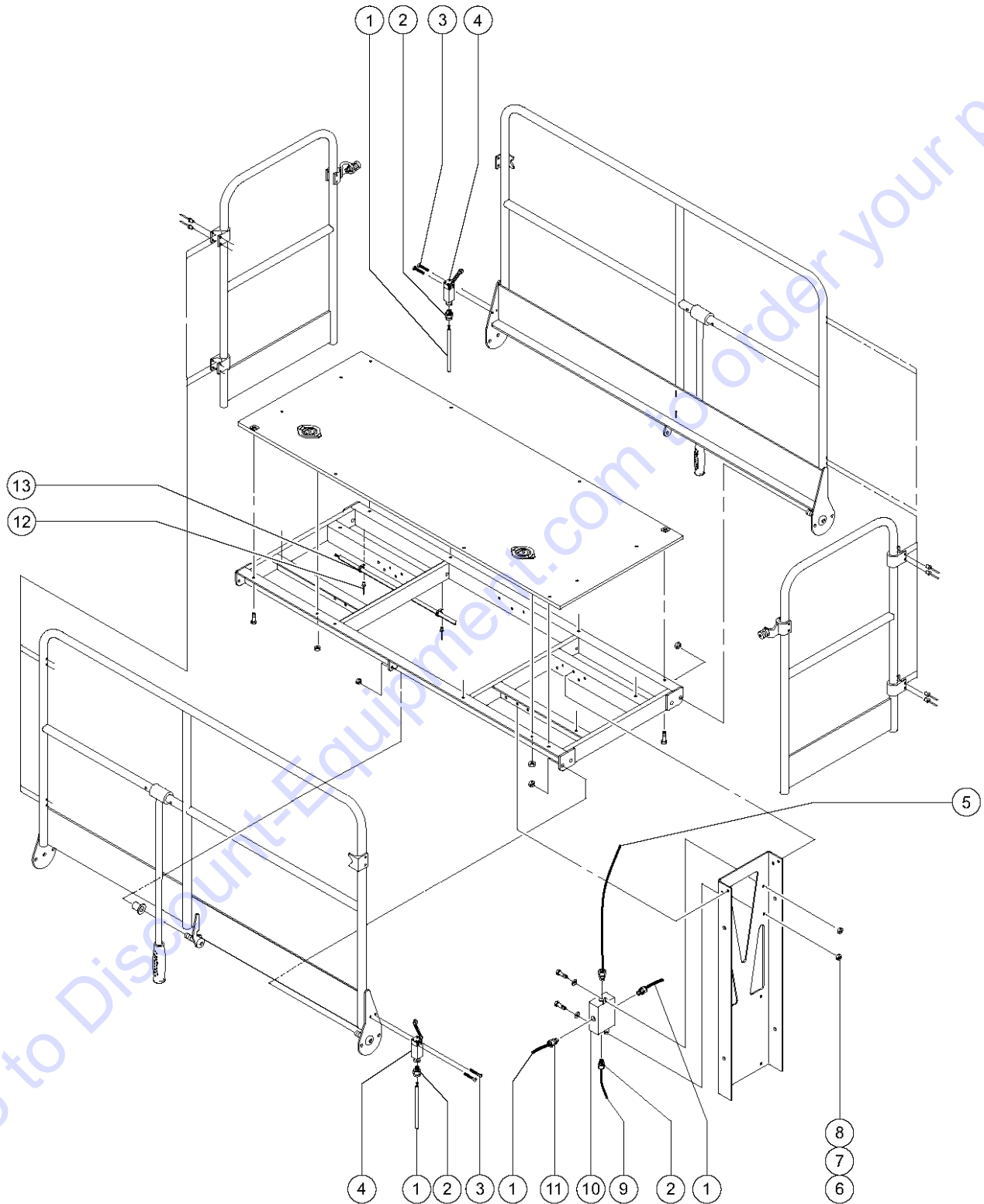
501.2 Platform Assembly - ANSI Models(All) and Australia Models, From 2002 (to SN DPI 12-2054)

Item	Part No.	Description	Qty.
21B	39552GT	BOX,INSTRUCTION STORAGE (from SN DPL04-1189) (Asian, European and South American models)	
22	41234GT	DECAL PLATE W/WRDS,DP-25S/30S (all models) (to SN DPL04-1199) (includes items 1-4)	
22A	41234GT	DECAL PLATE W/WRDS,DP-25S/30S (from SN DPL04-1189) (USA, Canadian and Australian models) (includes item 1-4)	1
22B	107035GT	DECAL PLATE ASSY,DPL 25/30S,CE (to SN DPL04-1188) (CE models) (includes items 1-4)	
22C	107038GT	DECAL PLATE W/SYMB,DPL-25/30S (from SN DPL04-1189) (includes items 1-4) (European, Asian and South American models)	
22D	107037GT	DECAL PLATE ASSY,DPL-25/30,CSA (includes items 1-4)	
22E	107034GT	DECAL PLATE W/WRDS,DPL-35S (to SN DPL04-1188) (ANSI models) (includes items 1-4)	
22F	107034GT	DECAL PLATE W/WRDS,DPL-35S (from SN DPL04-1199) (includes items 1-4) (USA, Australia)	1
22G	107036GT	DECAL PLATE ASSY, DPL 35S,CE (to SN DPL04-1188) (includes items 1-4)	
22H	107039GT	DECAL PLATE W/SYMB,DPL-35S (from SN DPL04-1189) (European, Asian and South American models) (includes items 1-4)	
22I	107040GT	DECAL PLATE ASSY,DPL-35S,CSA (includes items 1-4)	

Go to Discount-Equipment.com to order your parts



502.1 Platform Assembly with Limit Switches - CE Models (All) and Australia Models (from SN DPI 12-2055)

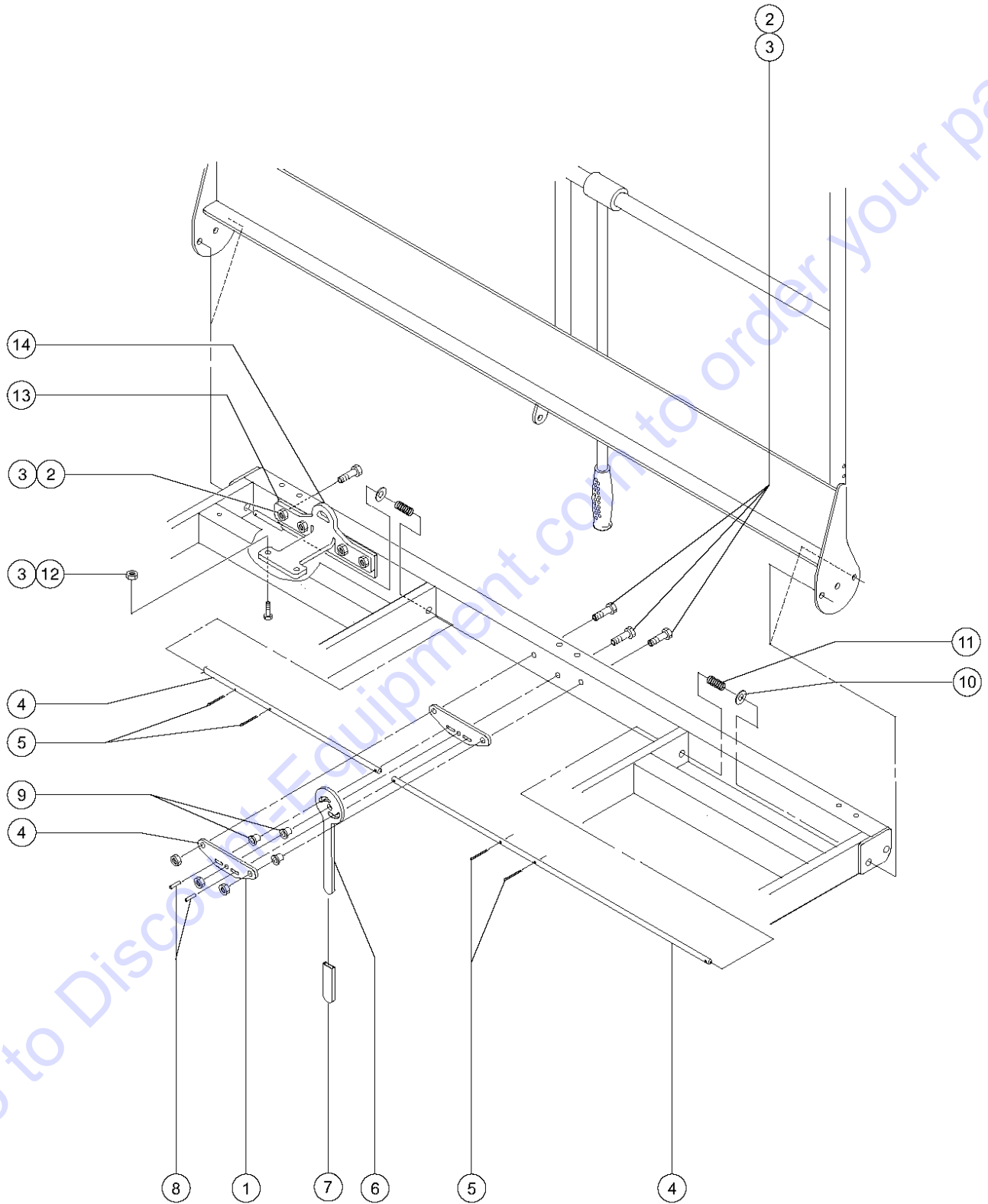


502.1 Platform Assembly with Limit Switches - CE Models (All) and
Australia Models (from SN DPI 12-2055)

Item	Part No.	Description	Qty.
1	1505GT	WIRE CABLE,16/2 SJO,BULK (limit switch to junction box)	126
2	7056GT	CONN,SQUEEZE,1/2NPT .38-.50,SM	3
3	22541GT	SCREW,RHM,10-32 X 1.5	
4	28688GT	SWITCH,LIMIT (includes items 2 and 3)	2
5	6540GT	WIRE CABLE,16/6,SO,BULK (upper junction box to platform, 16 gauge, 6 conductor)	
6	6091GT	NUT,NYLOCK,1/4-20	
7	6356GT	WASHER,LOCK,.25	
8	6090GT	SCREW,HHC,1/4-20 X .75	
9	35049GT	POWER CABLE,MAST TO PLAT (upper junction box to lower junction box)	1
9-	33590GT	PLUG,CONNECTOR,FEMALE* requires part number 33591; order separately	
9-	33591GT	SEAL,CABLE CONNECTOR,HT SHRINK includes heat shrink tubing	
9-	83095GT	PIN CONNECTOR,MALE	
10	35065GT	T-BOX,2.75 X 4.5 X 2.0 IND.	1
11	7057GT	CONN. SQZ,1/2NPT .39-.56 MED.	1
12	6271GT	RIVET, ALUM, ALUM, P, .25 x .375	
13	45470GT	CLAMP,0.31,#5 X 1/4,RUB CUSH	3



503.1 Platform Railing Latch, From 2000 to 2001



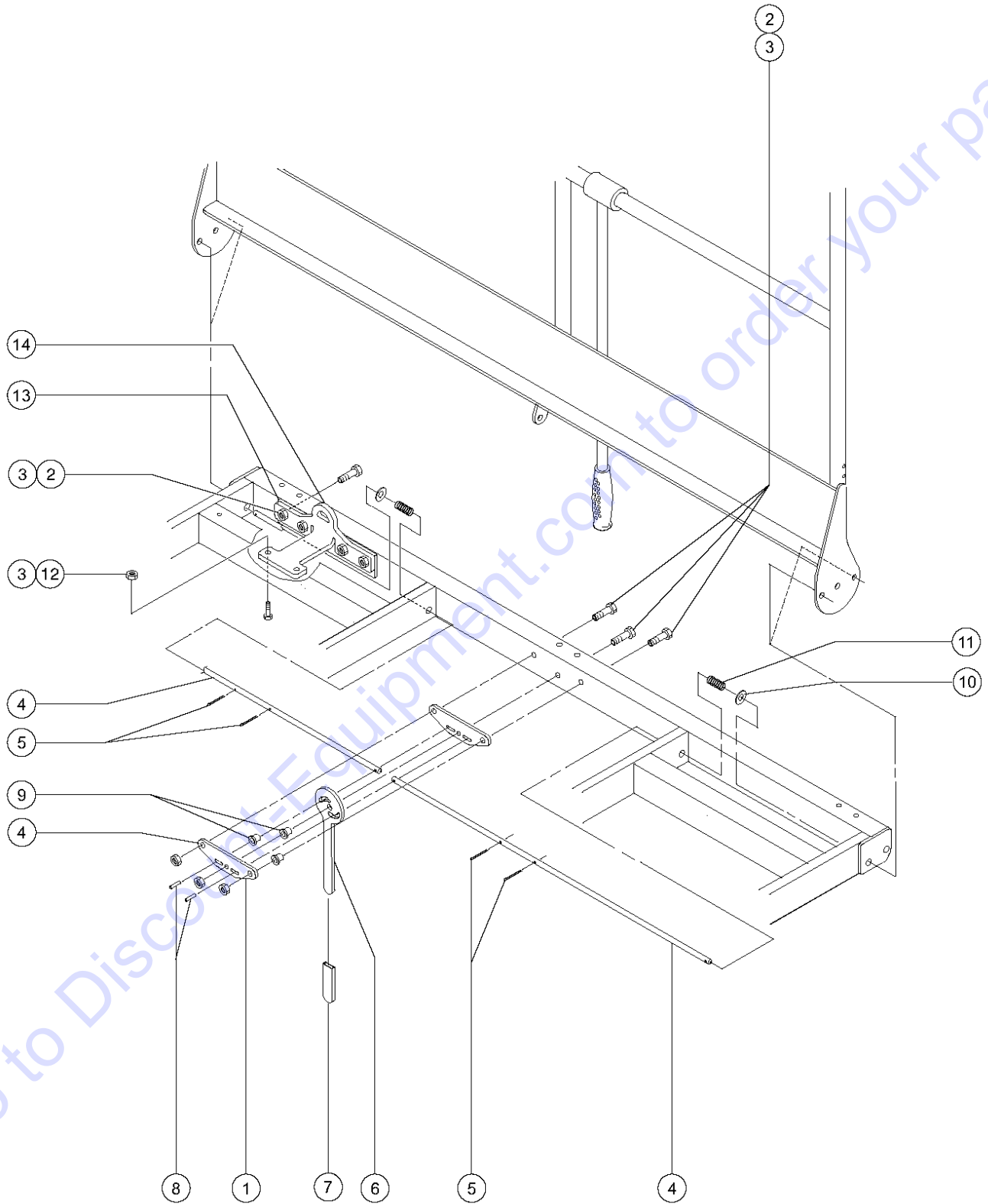
503.1 Platform Railing Latch, From 2000 to 2001

Item	Part No.	Description	Qty.
1	40693PGT	PLATE,LATCH GUIDE,PAINTED	2
2	13918GT	SCREW,HHC,3/8-16 X 1.75,GRD.8	6
3	4828GT	NUT,NYLOCK,3/8-16	
4	41966GT	SHAFT ASSY.SIDE RAIL LATCH-DPL	1
		(includes items 5 and 8)	
5	12016GT	PIN,COTTER,.125 X .75	8
6	40691GT	HANDLE,SIDE RAIL LATCH,DPL	1
7	8393GT	HANDLE, VINYL, (RED) 5"	2
8	22547GT	PIN,ROLL,.188 X 1.25**	4
9	41169GT	BUSHING, FLNG,3/8X1/2X3/	6
10	5397GT	WASHER,FLAT,USS,5/16",Y	
11	41168GT	SPRING,.063X.60X3.5 LONG	2
12	8516GT	SCREW, HCC, 3/8-16 X 1.50	
13	57266GT	PLATE, LANYARD ATTACHMENT	2
		(from SN 1500-705)	
14	57193GT	LANYARD ATTACHMENT, DPL	2
		(from SN 1500-705)	
14A		Ref. Lanyard Attachment	
		(to SN 1500-704) (refer to 501.1)	

Go to Discount-Equipment.com to order your parts



503.2 Platform Railing Latch, From 1996 to 1999



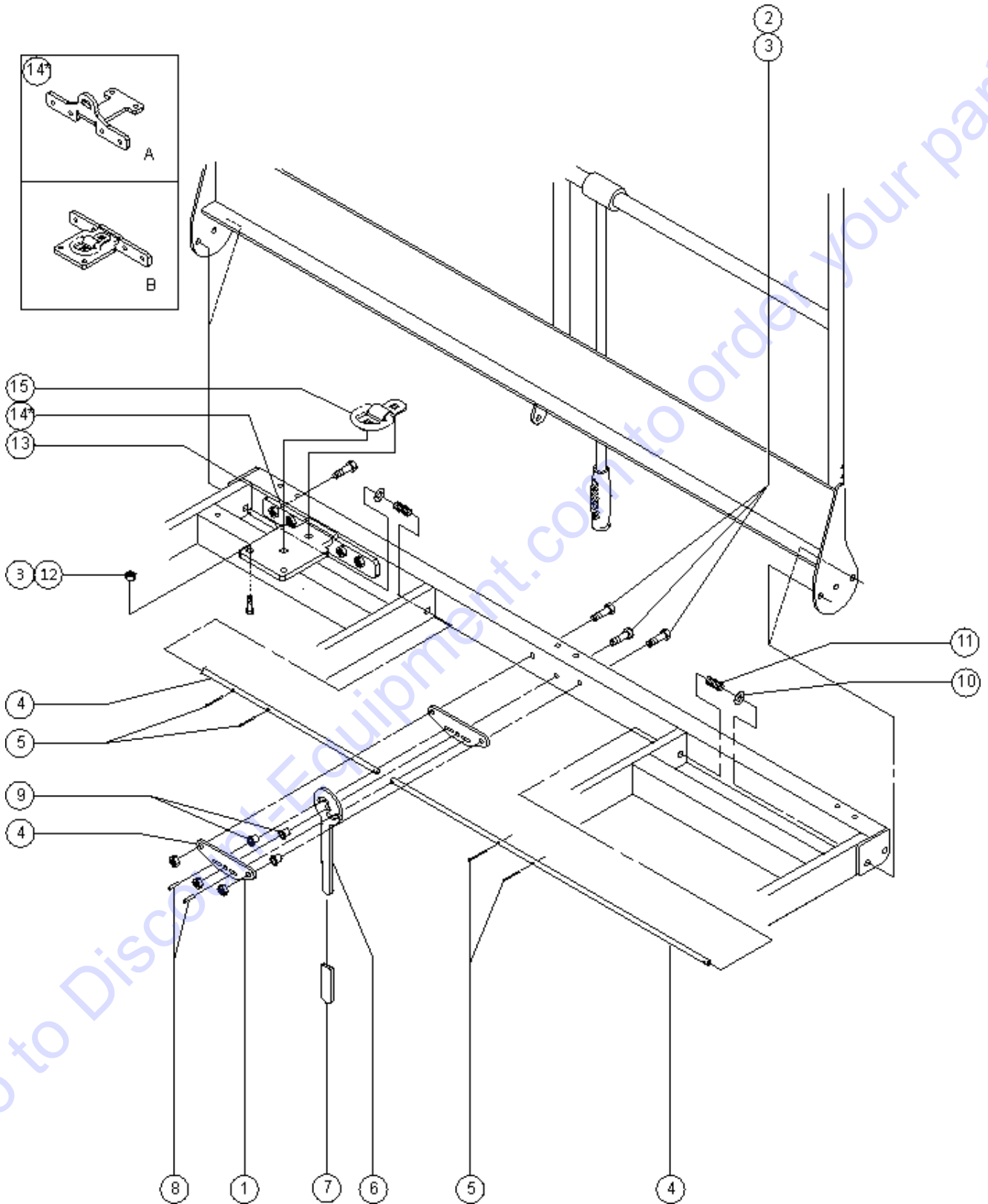
503.2 Platform Railing Latch, From 1996 to 1999

Item	Part No.	Description	Qty.
1	40693PGT	PLATE,LATCH GUIDE,PAINTED	2
2	13918GT	SCREW,HHC,3/8-16 X 1.75,GRD.8	6
3	4828GT	NUT,NYLOCK,3/8-16	
4	41966GT	SHAFT ASSY.SIDE RAIL LATCH-DPL	1
		(includes items 5 and 8)	
5	12016GT	PIN,COTTER,.125 X .75	8
6	40691GT	HANDLE,SIDE RAIL LATCH,DPL	1
7	8393GT	HANDLE, VINYL, (RED) 5"	2
8	22547GT	PIN,ROLL,.188 X 1.25**	4
9	41169GT	BUSHING, FLNG,3/8X1/2X3/	6
10	5397GT	WASHER,FLAT,USS,5/16",Y	
11	41168GT	SPRING,.063X.60X3.5 LONG	2
12	8516GT	SCREW, HCC, 3/8-16 X 1.50	
14A		Ref. Lanyard Attachment	
		(to SN 1500-704) (refer to 501.1)	

Go to Discount-Equipment.com to order your parts



503.3 Platform Railing Latch, From 2002



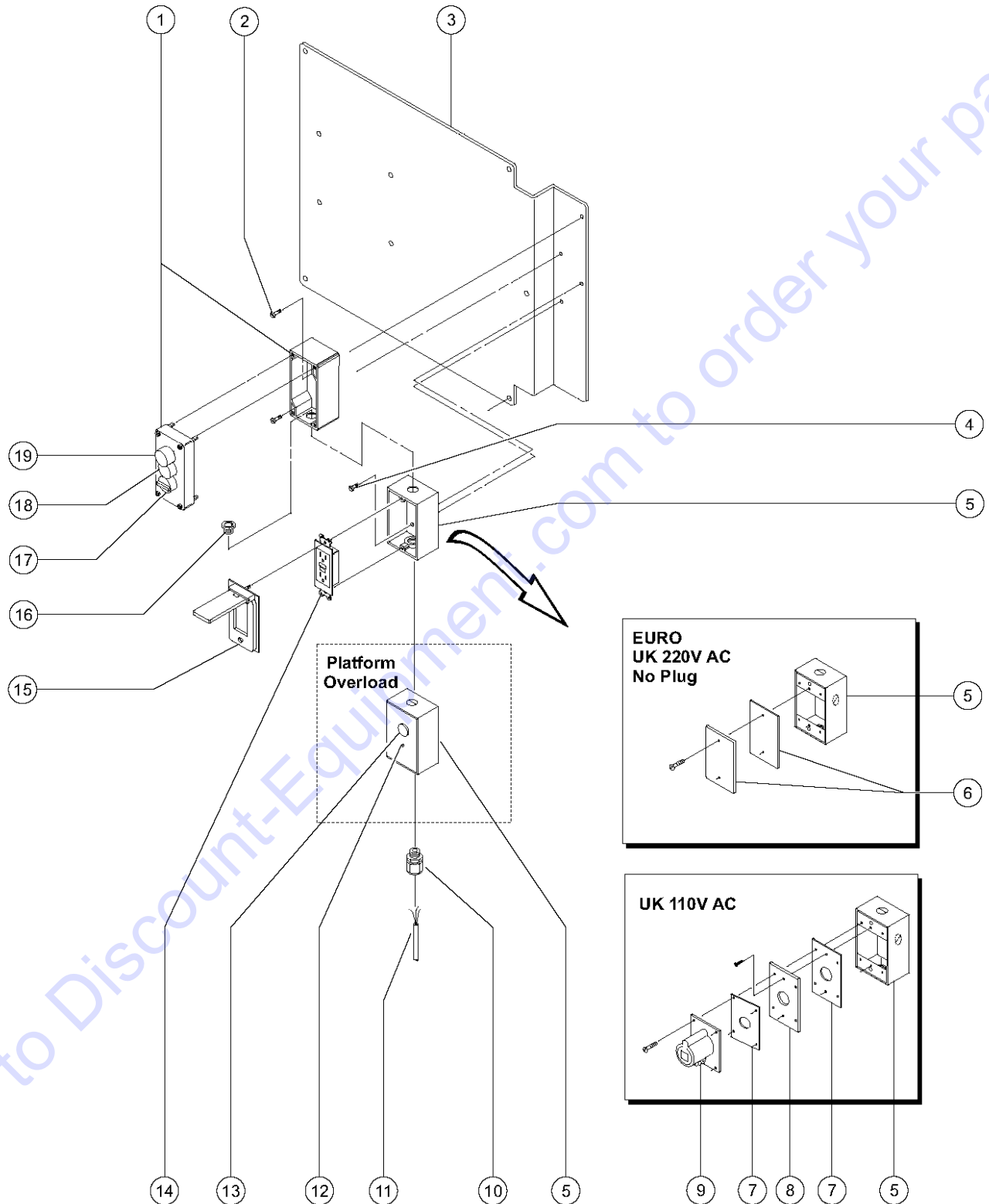
503.3 Platform Railing Latch, From 2002

Item	Part No.	Description	Qty.
1	40693PGT	PLATE,LATCH GUIDE,PAINTED	2
2	13918GT	SCREW,HHC,3/8-16 X 1.75,GRD.8	6
3	4828GT	NUT,NYLOCK,3/8-16	
4	41966GT	SHAFT ASSY.SIDE RAIL LATCH-DPL	1
		(includes items 5 and 8)	
5	12016GT	PIN,COTTER,.125 X .75	8
6	40691GT	HANDLE,SIDE RAIL LATCH,DPL	1
7	8393GT	HANDLE, VINYL, (RED) 5"	2
8	22547GT	PIN,ROLL,.188 X 1.25**	4
9	41169GT	BUSHING, FLNG,3/8X1/2X3/	6
10	5397GT	WASHER,FLAT,USS,5/16",Y	
11	41168GT	SPRING,.063X.60X3.5 LONG	2
12	8516GT	SCREW, HCC, 3/8-16 X 1.50	
13	57266GT	PLATE, LANYARD ATTACHMENT	2
		(from 1500-705)	
14A	57193PGT	LANYARD ATTACHMENT, DPL	2
14B	236377GT	WELDMENT,LANYARD ANCHOR	2
15	236380GT	TIE DOWN,D-RING	1

Go to Discount-Equipment.com to order your parts

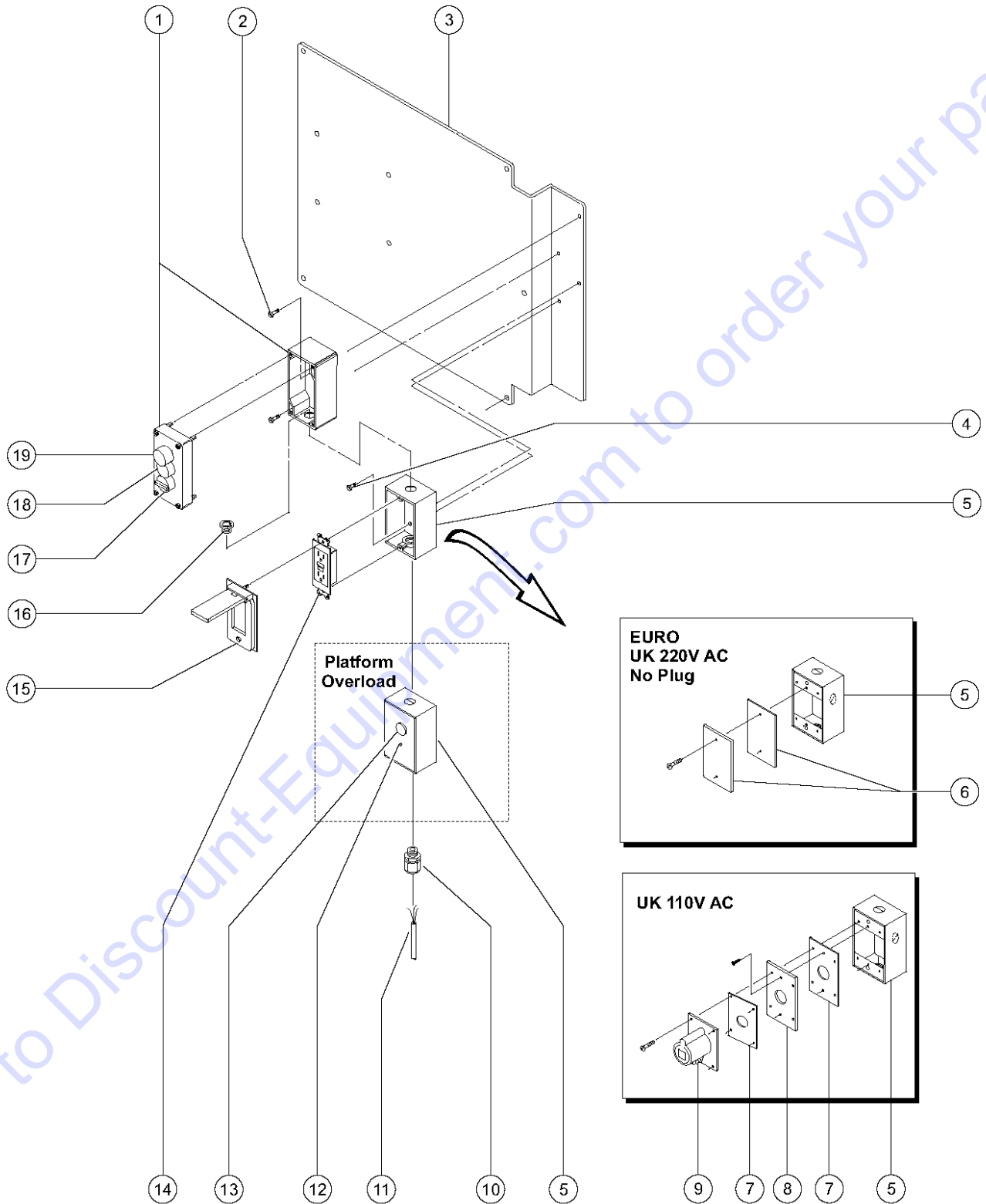


504.2 Platform Controls, From 2002



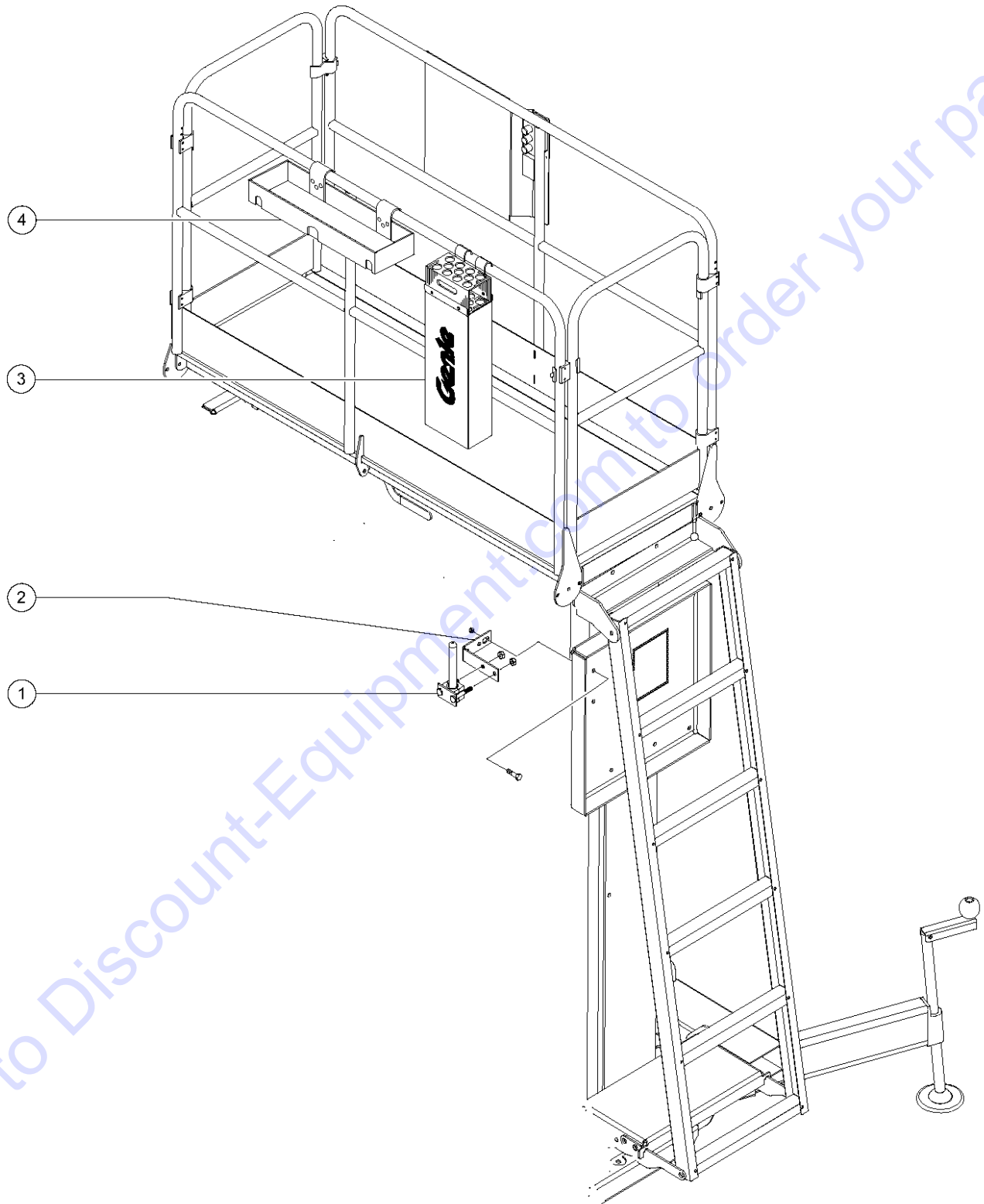
Item	Part No.	Description	Qty.
		<i>DPL Super Series Models from DPL02-954 to DPL04-1203 were produced using three different red emergency stop buttons in the platform control box. Refer to the specific control box to determine the correct replacement parts</i>	
1	100256GT	CONTROL BOX,THREE BUTTON (replaced part number 23380)	1
2	21019GT	SCREW,PHIL,PHM,10-24 X.5,SEMS	
3		Ref. Decal Plate / Platform Controls Mount Assembly (refer to 501.1)	
4	21018GT	SCREW,PHIL,PHM,10-24 X.38,SEMS	
5	10775GT	T-BOX,2.75 X 4.5 X 2.0	1
5A	10775GT	T-BOX,2.75 X 4.5 X 2.0 (equipped with platform overload)	2
6	10777GT	COVER,BLANK (includes gasket and mounting fasteners)	1
7	33724GT	KIT,GASKET,UK POWER TO PLAT. (includes one each p/n 66355 and 66356)	1
7-	66355GT	GASKET, UK & DIN PWR. TO PLAT 4.6 x 2.9 inches	
7-	66356GT	GASKET, UK RECEPTACLE 2.9 x 2.9 inches	
8A	33629GT	PLATE,UK POWER TO PLATFORM to SN DPL12-2043	1
8B	T112561GT	PLATE,UK,POWER TO PLAT from SN DPL12-2044	
9	T112563GT	SVC KIT,UK RECEPT.REPLACEMENT	1
10	7057GT	CONN. SQZ,1/2NPT .39-.56 MED.	1
11	35049GT	POWER CABLE,MAST TO PLAT (DPL-25S)	1
11-	33590GT	PLUG,CONNECTOR,FEMALE* requires part number 33591; order separately	
11-	33591GT	SEAL,CABLE CONNECTOR,HT SHRINK includes heat shrink tubing	
11-	83095GT	PIN CONNECTOR,MALE	
11A		Ref. Power Cable Assembly - Oval Outlet Box to Platform, DPL-30S (refer to 408.1)	
11B	41227GT	POWER CABLE,MAST/PLAT (DPL-35S)	1
11B-	33590GT	PLUG,CONNECTOR,FEMALE* requires part number 33591; order separately	
11B-	33591GT	SEAL,CABLE CONNECTOR,HT SHRINK includes heat shrink tubing	
11B-	83095GT	PIN CONNECTOR,MALE	
12	100113GT	LED, RED FLASHING (CE models)	1
13	39540GT	ALARM, STEADY TONE*** (CE models) (108 dB, 6-28V DC) (Does not include 72326 nut)	1
13-	72326GT	NUT - PLASTIC, RING FOR ALARMS	
13-	100100GT	PLATE, LED-ALARM PANEL (not shown)	

504.2 Platform Controls, From 2002



Item	Part No.	Description	Qty.
14	13585GT	OUTLET, 110V GFCI***	1
15	45437GT	COVER, GFCI, WEATHERPROOF (includes gasket and mounting fasteners)	1
16	12456GT	NIPPLE, 1/2" CONDUIT	1
		(to SN 953)	
16	80712GT	NIPPLE, 1/2" CONDUIT	
		(from SN 954)	
17	124975GT	KIT, BLACK SELECTOR SWITCH (to SN DPL02-953) (this is an update kit which contains the components listed below; the original selector switch is no longer available. If this kit has already been installed on unit, components may be ordered individually)	1
17-	66816GT	CONTACT, N.O.	
		(to SN 953)	
17-	66821GT	BASE, WITHOUT CONTACTS	
		(to SN 953)	
17-	80716GT	SWITCH, SELECTOR, BLACK	
		(to SN 953)	
17A	80716GT	SWITCH, SELECTOR, BLACK	1
		(from SN 954)	
17A-	80714GT	CONTACTOR BLOCK, N.O.	1
		(from SN 954)	
18	124644GT	KIT, A/IWP/DPL, BKPSH ZA2 TO ZB5 (to SN DPL02-953) (this is an update kit which contains the components listed below; the original black push button is no longer available. If this kit has already been installed on unit, components may be ordered individually) ..	1
18-	80076GT	BUTTON, PUSH, BLACK W/SEAL	
		(to SN 953)	
18-	66821GT	BASE, WITHOUT CONTACTS	
		(to SN 953)	
18-	66816GT	CONTACT, N.O.	
		(to SN 953)	
18A	80076GT	BUTTON, PUSH, BLACK W/SEAL	1
		(from SN 954)	
18A-	80714GT	CONTACTOR BLOCK, N.O.	2
		(from SN 954)	
19	124641GT	KIT, ESTOP, A/IWP/DPL (to SN DPL02-953) (this is an update kit which contains the components listed below; the original E-Stop button is no longer available. If this kit has already been installed on unit, components may be ordered individually) ..	1
19-	66812GT	BUTTON, PUSH, RED MUSHROOM HEAD	
		(to SN 953)	
19-	66818GT	CONTACT, NC	
		(to SN 953)	
19-	66821GT	BASE, WITHOUT CONTACTS	
		(to SN 953)	
19A	80719GT	BUTTON, STOP, RED (30 mm) (ANSI models) (from SN 954 to 1203)	1
19A-	80715GT	CONTACTOR BLOCK, N.C. (30 mm) (ANSI models) (from SN 954 to 1203)	1
19B	80713GT	BUTTON, STOP, RED (22 mm) (CE models) (from SN 954 to 1203)	1
19B-	80715GT	CONTACTOR BLOCK, N.C. (22 mm) (CE models) (from SN 954 to 1203)	1
19C	66812GT	BUTTON, PUSH, RED MUSHROOM HEAD	1
		(40 mm) (from SN 954)	
19C-	80715GT	CONTACTOR BLOCK, N.C.	1
		(40 mm) (from SN 954)	

601.1 Laser Locating Light, Tool Tray and Fluorescent Tube Caddy



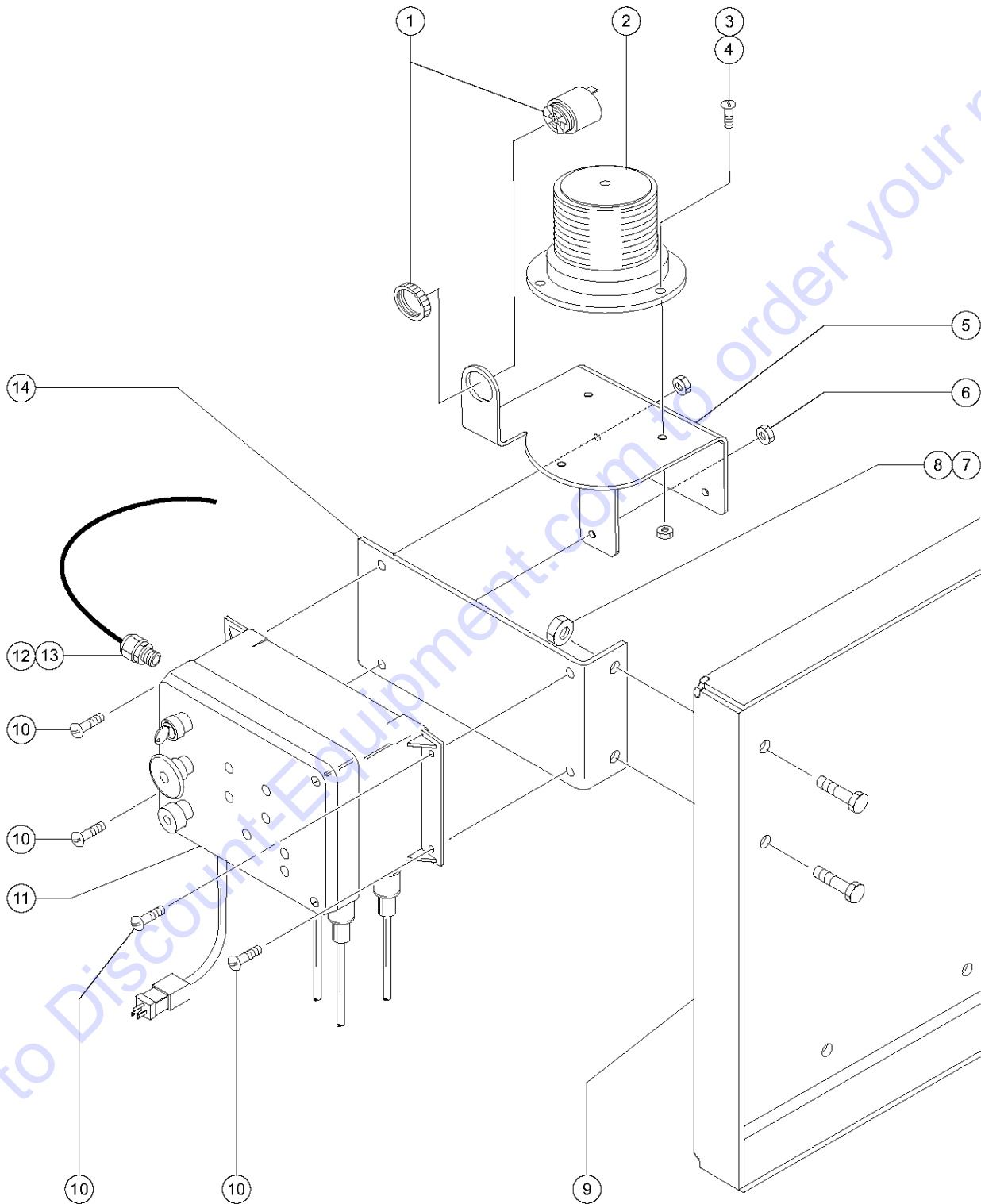
601.1 Laser Locating Light, Tool Tray and Fluorescent Tube Caddy

Item	Part No.	Description	Qty.
1	43078GT	LASER,LOCATING ACCESSORY does not include item 2	1
2	80997GT	FORMING, LASER LOCATOR	1
3	38226GT	TUBE CADDY,AWP PLATFORM***	1
4	9599-SGT	TOOL TRAY ACCESSORY***	1

Go to Discount-Equipment.com to order your parts



602.1 Operational Warning Light and Descent Alarm



602.1 Operational Warning Light and Descent Alarm

Item	Part No.	Description	Qty.
1	45383GT	ALARM, WARBLE TONE 5-30 VDC*** Does not include 72326 nut	1
1-	72326GT	NUT - PLASTIC, RING FOR ALARMS	
2	231237GT	STROBE, AC COMPAT., 12-80V AMB	1
2-	72282GT	LENS, AMBER, STROBE, FIREBOLT	
2-	226393GT	FLASHTUBE, STRAIGHT, 360DEG, BULB	
3	6606GT	SCREW, RHM, 10-32 X .75	
4	15513GT	NUT, HEX, 10-32	
5	41452-SGT	PLATE, STROBE/ALARM MTG, PAINTED	1
6	6091GT	NUT, NYLOCK, 1/4-20	
7	4828GT	NUT, NYLOCK, 3/8-16	
8	6175GT	SCREW, HHC, 3/8-16 X 1	
9	41245GT	BRKT., MAST BRACE W/DECAL, DPL-S	1
10	6090GT	SCREW, HHC, 1/4-20 X .75	
11		Ref. Ground Controls (refer to 405.1 or 406.1)	
12	7056GT	CONN, SQUEEZE, 1/2NPT .38-.50, SM	1
13	6935GT	LOCKNUT, ELEC, 1/2"	1
14		Ref. Ground Control Box Mounting Bracket (refer to 310.1)	



<u>Part no.</u>	<u>Page Number</u>	<u>Part no.</u>	<u>Page Number</u>	<u>Part no.</u>	<u>Page Number</u>
1487GT	161, 165, 169	7339GT	55, 57, 75, 139, 141, 145	15513GT	83, 87, 187
1488GT	161, 165, 169	7713GT	29, 33, 35, 37, 39, 41...	17626GT	83, 87
1505GT	173	8170GT	81, 85, 89	18189GT	81, 85, 89
4512GT	161, 165, 169	8214GT	29	18605GT	91
4828GT	25, 43, 47, 51, 75, 79...	8226GT	81, 85, 89	19274GT	91, 107, 111, 117
5365GT	79	8342GT	157	19491GT	77
5397GT	43, 47, 51, 175, 177, 179	8345GT	81, 85, 89	20342GT	121, 127, 135
6019GT	25, 75	8393GT	79, 175, 177, 179	21018GT	93, 95, 99, 101, 107, 111
6021GT	83, 87	8430GT	75	21019GT	181
6022GT	33, 35, 37, 39	8516GT	25, 79, 175, 177, 179	21618GT	91
6033GT	25	8849GT	61, 65, 69, 73	21982GT	105, 109, 113, 119, 125, 131
6052GT	33, 35, 37, 39, 41, 55...	8914GT	149	22541GT	173
6069GT	55, 57	8915GT	55, 57, 139, 141, 145, 147	22547GT	175, 177, 179
6082GT	29	8920GT	41	22699GT	139, 143, 145, 147, 149
6086GT	33, 43, 49, 53, 75	8991GT	151	22736GT	29
6090GT	25, 55, 57, 59, 63, 67...	8992GT	151	23394GT	139, 141, 145, 147, 149
6091GT	25, 55, 57, 59, 63, 67...	9503GT	151	23396GT	139, 143, 149
6095GT	27, 43, 47, 53	9505GT	151	23787-SGT	139, 143
6097GT	25, 33, 35, 37, 39, 41...	9509GT	151	23788GT	139, 143
6145GT	91	9513GT	151	24900GT	29
6175GT	75, 79, 83, 87, 187	9515GT	151	25628GT	159
6198GT	27	9517GT	151	25926GT	141, 147, 149
6271GT	161, 165, 169, 173	9599-SGT	185	27262GT	151
6356GT	27, 35, 37, 39, 173	10153GT	105, 109, 115, 121, 127, 133	27857GT	11, 15, 19
6534GT	43, 47, 51	10587GT	25, 75	27865GT	11, 15, 19
6540GT	145, 147, 173	10597GT	55, 57	27868GT	11, 15, 19
6587GT	161, 165, 169	10775GT	181	28157GT	11, 15
6606GT	187	10777GT	181	28174GT	11, 15, 19, 23
6610GT	29	11652GT	161, 165, 169	28176GT	11, 15, 19
6633GT	75, 145, 147	11890GT	43, 47, 51	28235GT	11, 15, 19, 23
6637GT	55, 57	12016GT	175, 177, 179	28236GT	11, 15, 19
6638GT	27, 55, 57, 81, 85, 89...	12340GT	157, 159	28487GT	161, 165, 169
6714GT	25	12456GT	183	28688GT	173
6825GT	25	12560GT	145, 147	31146GT	139, 141
6833GT	75, 149	12906GT	59, 63, 67, 71	31182GT	107, 111, 117, 121, 127, 135
6873GT	83, 87, 89	13008-3GT	151	31632-2000GT	79
6888GT	75, 81, 85, 89, 139, 141	13008-6GT	151	32469GT	55, 57
6889GT	91, 139, 141, 149	13585GT	183	32476GT	55, 57
6935GT	107, 111, 115, 121, 127, 135	13755GT	91, 157, 159	33578GT	119, 125, 133
7056GT	107, 111, 115, 121, 127, 135	13757GT	159	33580GT	115, 135, 141, 147
7057GT	75, 139, 141, 145, 147, 173	13918GT	75, 175, 177, 179	33581GT	119, 125, 133
7265GT	75	14182GT	161, 165	33582GT	107, 111, 117, 121, 127

<u>Part no.</u>	<u>Page Number</u>	<u>Part no.</u>	<u>Page Number</u>	<u>Part no.</u>	<u>Page Number</u>
33584GT	121, 127, 135	35760GT	37	38340GT	25
33585GT	107, 111, 117, 123, 127 137	35761GT	35, 39	38341GT	25
33586GT	121, 127, 135	35805GT	151	38447GT	33, 35, 37, 39
33587GT	107, 111, 123, 129	35846GT	121, 127, 135	38541PGT	75
33589GT	115, 135, 141, 147	35991GT	35, 37, 39, 55, 57, 59...	38546PGT	55, 57
33590GT	115, 133, 135, 147, 173, 183	37118GT	11, 15, 19	38583GT	107, 111, 117, 123, 129 137
33591GT	115, 133, 135, 141, 147 173	37384GT	43, 47, 51	38596GT	29
33605GT	107, 111, 115	37385GT	43, 47, 51	38601GT	33
33629GT	181	37386GT	43, 47, 51	38602GT	139, 141
33674GT	25, 75, 161, 165, 169	37387GT	43, 47, 51	38659GT	159
33720GT	25, 79, 161, 165, 169	37686GT	35, 37, 39	38698GT	141
33724GT	181	37691GT	139, 143, 149	38709GT	33, 35, 37, 39
33996GT	119, 125, 131	37704GT	107, 111, 117, 121, 105, 109	38979GT	35, 37, 39, 59, 63, 67...
35039GT	107, 111, 117, 121, 105, 109	37947GT	105, 109, 113, 119, 125 131	38980GT	43, 47, 51
35049GT	107, 111, 117, 121, 127 133	38005GT	41	38986GT	43, 47, 51
35065GT	173	38011GT	33, 35, 37, 39	39540GT	181
35695GT	43, 47, 51	38013GT	33, 35, 37, 39	39552GT	171
35697GT	43, 47, 51	38016GT	33, 35, 37, 39	39907GT	77
35698GT	43, 47, 51	38017GT	107, 111, 117, 123, 109, 117	40006PGT	25
35699GT	43, 47, 51	38018GT	107, 111, 117, 123, 129 137	40015PGT	25
35703-6813GT	43, 47, 51	38021GT	119, 125, 133	40018PGT	25
35704-6813GT	43, 47, 51	38026GT	41	40020GT	55, 57
35705GT	43, 47, 51	38028GT	33	40110GT	79
35706GT	33, 35, 37, 39, 41	38142GT	11, 15, 19	40236GT	161, 165, 169
35707GT	33, 35, 37, 39	38151GT	93, 95	40252GT	161, 169
35709GT	33, 35, 37, 39	38152GT	93, 95	40285GT	75
35710GT	33, 35, 37, 39	38153GT	93, 95	40290GT	25
35711GT	35, 37, 39	38154GT	93, 97	40291GT	25
35712GT	43, 47, 51	38155GT	93, 95, 99, 101	40292GT	25
35714GT	43, 47, 51	38156GT	93, 95, 99, 101	40313GT	59, 63, 67, 71
35715GT	35, 37, 39	38159GT	93, 95, 99, 101	40314GT	59, 63, 67, 71
35722GT	35, 37, 39	38160GT	93, 95, 99, 101	40318GT	93, 95, 99
35724GT	79	38161GT	93, 95, 99, 101	40319GT	93, 95, 99, 101
35725GT	79	38163GT	99, 101	40334GT	107, 111, 117, 121, 127 135
35726GT	79	38164GT	99, 101	40335GT	121, 127, 135
35727PGT	33	38187GT	45, 49, 53	40336GT	107, 111, 117, 121, 127 135
35730GT	71	38216GT	105, 109, 115, 119, 105, 109	40392GT	93, 95, 99, 101
35733GT	59, 63, 67, 71	38217GT	105, 109, 113, 119, 125 133	40399GT	99, 101
35734GT	59, 63, 67, 71	38226GT	185	40400GT	93, 97, 99
35757GT	33	38234GT	61, 63, 65, 69, 73	40401GT	93, 97, 99, 101
35758GT	35, 37, 39	38316GT	35, 37, 39	40417GT	79
35759GT	37, 39	38339GT	59, 63, 67, 73	40426GT	93, 95, 99, 101

<u>Part no.</u>	<u>Page Number</u>	<u>Part no.</u>	<u>Page Number</u>	<u>Part no.</u>	<u>Page Number</u>
40430GT	99, 101	41176GT	157	43774GT	83, 87, 91
40434GT	15, 19, 23	41178PGT	35, 37, 39	43956GT	121, 127, 135
40464GT	11, 15	41179GT	161, 165, 169	44365GT	79, 91
40465GT	11, 15, 19	41180GT	79	44622GT	59, 63, 67, 71
40466GT	11, 15, 19	41182GT	75	44895GT	59, 63, 67, 71
40467GT	11, 15, 19	41216GT	11, 15, 19	44991GT	95
40468GT	11, 15, 19	41221GT	11, 15	44999GT	11, 15
40469GT	11, 15, 19	41222GT	11, 15, 19	45183GT	101
40477GT	79	41223GT	27, 89	45383GT	187
40478GT	33	41224GT	43, 47, 51	45415GT	159
40494GT	31	41227GT	105, 109, 115, 121,	45425GT	33, 35, 37, 39
40495GT	31	41228GT	107, 109, 115, 121,	45437GT	183
40496GT	31	41229GT	127, 135	45470GT	173
40497GT	31	41230GT	161, 165, 169	46119GT	81, 85, 89
40514GT	11, 15, 19	41231GT	161, 165, 169	46120GT	81, 85, 89
40515GT	11, 15, 19	41233GT	81, 85	46230GT	11, 15
40516GT	11, 15, 19, 23	41234GT	161, 165, 171	46440GT	153, 155
40673GT	25	41235GT	119, 125, 131	46441GT	153, 155
40679GT	79	41236GT	105, 109, 113	46598GT	81, 85
40682GT	25	41237GT	119, 125, 131	46603GT	25
40684GT	79	41238GT	119, 125, 131	46608GT	107, 111, 115, 121,
40686GT	79	41239GT	105, 109, 113	46609GT	107, 111, 115, 121,
40687GT	157	41240GT	81, 85, 89	46610GT	107, 111, 117, 121,
40688GT	139, 141	41241GT	55, 57	46667GT	127, 135
40691GT	175, 177, 179	41242GT	75	46668GT	83, 87, 89
40693PGT	175, 177, 179	41243GT	75	46675GT	83, 87, 89
40694PGT	75	41244GT	75	48282GT	153, 155
40695GT	81, 85, 89	41245GT	75, 187	48427GT	161, 165, 169
40735GT	139, 141, 145, 147, 149	41255GT	161, 165, 169	49364GT	29
40945GT	43, 47, 51	41256GT	41	49377GT	29
40946GT	33, 35, 37, 39	41257GT	41	51496GT	27
41023GT	81, 87, 89	41263GT	11, 15, 19	52307GT	95, 101
41077GT	59, 63, 67, 71	41330GT	151	52316GT	95, 101
41162GT	55, 57	41331GT	151	52943GT	79
41164GT	139, 141	41333GT	93, 95, 99, 101	55010GT	153, 155
41165GT	25	41336GT	25	55018GT	153, 155
41168GT	175, 177, 179	41452-SGT	187	55019GT	153, 155
41169GT	175, 177, 179	41965GT	161, 165	55021GT	153, 155
41170GT	157	41966GT	175, 177, 179	55906GT	91
41171GT	157	41968GT	145, 147	57075GT	141
41174GT	25	43078GT	185	57147GT	71
41175GT	161, 165	43394GT	87	57160GT	83, 87

<u>Part no.</u>	<u>Page Number</u>	<u>Part no.</u>	<u>Page Number</u>	<u>Part no.</u>	<u>Page Number</u>
57162GT	81, 85, 89	80706GT	117, 135	85433GT	31
57193GT	175	80707GT	117, 135	85434GT	31
57193PGT	179	80709GT	117	85435GT	31
57266GT	175, 179	80711GT	107, 111, 117, 121, 127 137	85436GT	31
57738GT	27	80712GT	183	85437GT	31
57739GT	27	80713GT	183	85438GT	27
57808GT	75	80714GT	183	85440GT	27
58462GT	105, 109, 113, 119, 125 131	80715GT	183	85441GT	31
62050GT	11, 15, 19, 23	80716GT	183	85442GT	31
62051GT	11, 15, 19, 23	80719GT	183	85443GT	31
62052GT	11, 17, 19, 23	80940GT	17, 21, 23	85444GT	31
62939GT	13, 17, 19, 23	80943GT	79	85445GT	31
62940GT	13, 17, 19, 23	80950GT	79	85446GT	31
65292GT	13, 17	80997GT	185	85447GT	31
65293GT	13, 17	82366GT	13, 17, 21	85448GT	31
65294GT	13, 17	82481GT	23	85449GT	31
65295GT	13, 17	82487GT	23	85450GT	31
65296GT	13, 17	82783GT	13, 17, 21, 23	85451GT	31
66355GT	181	82801GT	23	85452GT	31
66356GT	181	82802GT	21, 23	85453GT	31
66717GT	83, 87, 89	82803GT	23	85454GT	31
66812GT	105, 109, 113, 119, 125, 131	82804GT	23	85455GT	31
66816GT	105, 109, 113, 119, 125, 131	82805GT	23	85456GT	31
66818GT	105, 109, 113, 119, 125, 131	82806GT	23	85457GT	113
66821GT	105, 109, 113, 119, 125 131	82807GT	23	85458GT	131
69248GT	25	82879GT	23	85459GT	131
69445GT	147	82889GT	13, 17	85461GT	19
69845GT	107, 117, 123, 137	82907GT	21	85462GT	23
69847GT	107, 117, 121, 135	82992GT	21, 23	90337GT	33
69850GT	77	82993GT	21, 23	96008-SGT	113, 131
69864GT	107, 111, 117, 121, 127 137	83093GT	113, 133	96010GT	105, 109, 113, 119, 125 133
71706GT	153, 155	83095GT	115, 133, 135, 147, 173 181	96011GT	113, 131
72282GT	187	85223GT	81, 87	96432GT	81, 87
72326GT	181, 187	85224GT	81, 87	96948GT	77
72893GT	13, 17	85225GT	151	97059GT	153, 155
80076GT	105, 109, 113, 119, 125 131	85226GT	151	97128GT	77
80624GT	159	85315GT	113, 131	97530GT	21
80625GT	159	85428GT	31	100060GT	141
80626GT	159	85429GT	31	100100GT	181
80627GT	159	85430GT	113	100102GT	141
80680GT	57	85431GT	131	100113GT	181
80705GT	117, 135	85432GT	31	100136GT	91

<u>Part no.</u>	<u>Page Number</u>	<u>Part no.</u>	<u>Page Number</u>	<u>Part no.</u>	<u>Page Number</u>
100138GT	91	115266GT	131	236376GT	169
100139GT	91	115267GT	131	236377GT	179
100142GT	81, 85	124050GT	59, 63, 67, 71, 73	236380GT	169, 179
100153GT	81, 85, 157	124051GT	59, 61, 63, 67, 69, 71...	1254648GT	57
100161GT	153, 155	124052GT	59, 61, 63, 67, 69, 71...	1254649GT	57
100169GT	83, 87	124121GT	133	1257696GT	107, 111, 117, 121, 127 137
100170GT	153, 155	124127GT	133	1261234GT	79
100256GT	181	124128GT	133	1262919GT	57
100323GT	147	124133GT	133	1268235GT	33
100866GT	93, 95, 99, 101	124163GT	29	1272242GT	21, 23
100867GT	95, 101	124185GT	95	1277226GT	119, 125, 133
100868GT	95, 101	124186GT	95	1298869GT	85, 89
100869GT	93, 95, 99, 101	124187GT	95	T112561GT	181
100901GT	77	124188GT	103	T112563GT	181
100987GT	93, 95	124199GT	101	T114290GT	81, 87
100988GT	99, 101	124552GT	29	T114885GT	93, 95
104935GT	81, 85, 91	124568GT	29		
105092GT	169	124569GT	29		
107018GT	27	124641GT	105, 109, 113, 119, 125, 131		
107030GT	27	124642GT	105, 109, 113, 119, 125, 131		
107032GT	85, 89	124644GT	105, 109, 113, 119, 125, 131		
107033GT	23	124646GT	107, 111, 117		
107034GT	163, 165, 171	124647GT	107, 111, 115		
107035GT	161, 165, 171	124792GT	29		
107036GT	163, 165, 171	124793GT	29		
107037GT	161, 165, 171	124975GT	183		
107038GT	171	133174GT	23		
107039GT	171	133175GT	21		
107040GT	163, 167, 171	144161GT	153, 155		
107041GT	169	145047GT	107, 111, 117, 123, 129 137		
109644GT	85	145124GT	91		
109679GT	81, 85, 91	145133GT	91		
109680GT	81, 87	145134GT	91		
109681GT	81, 87, 91	145254GT	89		
109689GT	29	145255GT	89		
109713GT	29	145256GT	155		
109715GT	29	145263GT	155		
109815GT	101	145264GT	155		
109870GT	73	145265GT	155		
109988GT	59, 63, 67, 71	145343GT	99, 101		
115053GT	105, 109, 115, 121, 127, 133	226393GT	187		
115054GT	105, 109, 115, 121, 127 135	231237GT	187		

California Proposition 65

 **WARNING**

Operating, servicing and maintaining this equipment, passenger vehicle or off-highway motor vehicle can expose you to chemicals including engine exhaust, carbon monoxide, phthalates, and lead, which are known to the State of California to cause cancer and birth defects or other reproductive harm. These chemicals can be emitted from or contained in other various parts and systems, fluids and some component wear by-products. To minimize exposure, avoid breathing exhaust, do not idle the engine except as necessary, service your equipment and vehicle in a well-ventilated area and wear gloves or wash your hands frequently when servicing your equipment or vehicle and after operation. For more information go to www.P65Warnings.ca.gov/passenger-vehicle.

Breathing diesel engine exhaust exposes you to chemicals known to the State of California to cause cancer and birth defects or other reproductive harm.

- Always start and operate the engine in a well-ventilated area.
- If in an enclosed area, vent the exhaust to the outside.
- Do not modify or tamper with the exhaust system.
- Do not idle the engine except as necessary.

For more information go to www.P65warnings.ca.gov/diesel.

Distributed By:

www.GSPro.com to order your parts

PARTS FINDER

**Search Website
by Part Number**



**Search Manual
Library For Parts
Manual & Lookup Part
Numbers – Purchase
or Request Quote**

Search Manuals

Enter your information to help us find the right parts manual for your machine.

* Brand:

* Model:

* Serial:

* Part Number:

SEARCH

**Can't Find Part or
Manual? Request Help
by Manufacturer,
Model & Description**

Parts Order Form

Please fill in the following information to help us find the right part for your machine.

Manufacturer:	<input type="text"/>
Model:	<input type="text"/>
Description:	<input type="text"/>
Part Number:	<input type="text"/>
Quantity:	<input type="text"/>
Notes:	<input type="text"/>

Submit

Discount-Equipment.com is your online resource for quality parts & equipment.

Florida: **561-964-4949** Outside Florida TOLL FREE: **877-690-3101**

Need parts?

Click on this link: <http://www.discount-equipment.com/category/5443-parts/> and choose one of the options to help get the right parts and equipment you are looking for. Please have the machine model and serial number available in order to help us get you the correct parts. If you don't find the part on the website or on one of the online manuals, please fill out the request form and one of our experienced staff members will get back to you with a quote for the right part that your machine needs.

We sell worldwide for the brands: Genie, Terex, JLG, MultiQuip, Mikasa, Essick, Whiteman, Mayco, Toro Stone, Diamond Products, Generac Magnum, Airman, Haulotte, Barreto, Power Blanket, Nifty Lift, Atlas Copco, Chicago Pneumatic, Allmand, Miller Curber, Skyjack, Lull, Skytrak, Tsurumi, Husquvarna Target, Stow, Wacker, Sakai, Mi-T-M, Sullair, Basic, Dynapac, MBW, Weber, Bartell, Bennar Newman, Haulotte, Ditch Runner, Menegotti, Morrison, Contec, Buddy, Crown, Edco, Wyco, Bomag, Laymor, EZ Trench, Bil-Jax, F.S. Curtis, Gehl Pavers, Heli, Honda, ICS/PowerGrit, IHI, Partner, Imer, Clipper, MMD, Koshin, Rice, CH&E, General Equipment, Amida, Coleman, NAC, Gradall, Square Shooter, Kent, Stanley, Tamco, Toku, Hatz, Kohler, Robin, Wisconsin, Northrock, Oztec, Toker TK, Rol-Air, APT, Wylie, Ingersoll Rand / Doosan, Innovatech, Con X, Ammann, Mecalac, Makinex, Smith Surface Prep, Small Line, Wanco, Yanmar