



A TEREX BRAND



Parts Manual

Serial Number Range

AWP Super Series

from SN 3896-101 to 3801-99999

from SN AWP02-21194 to
AWP05-49999

Part No. 38138

Rev H41

November 2018

Go to Discount-Equipment.com to order your parts

PARTS FINDER

**Search Website
by Part Number**



**Search Manual
Library For Parts
Manual & Lookup Part
Numbers – Purchase
or Request Quote**

Search Manuals

Enter your information to help us find the right parts manual for your machine.

* Brand:

* Model:

* Serial:

* Part Number:

SEARCH

**Can't Find Part or
Manual? Request Help
by Manufacturer,
Model & Description**

Parts Order Form

Please fill in the following information to help us find the right part for your machine.

Manufacturer:	<input type="text"/>
Model:	<input type="text"/>
Description:	<input type="text"/>
Part Number:	<input type="text"/>
Quantity:	<input type="text"/>
Notes:	<input type="text"/>

Discount-Equipment.com is your online resource for quality parts & equipment.

Florida: **561-964-4949** Outside Florida TOLL FREE: **877-690-3101**

Need parts?

Click on this link: <http://www.discount-equipment.com/category/5443-parts/> and choose one of the options to help get the right parts and equipment you are looking for. Please have the machine model and serial number available in order to help us get you the correct parts. If you don't find the part on the website or on one of the online manuals, please fill out the request form and one of our experienced staff members will get back to you with a quote for the right part that your machine needs.

We sell worldwide for the brands: Genie, Terex, JLG, MultiQuip, Mikasa, Essick, Whiteman, Mayco, Toro Stone, Diamond Products, Generac Magnum, Airman, Haulotte, Barreto, Power Blanket, Nifty Lift, Atlas Copco, Chicago Pneumatic, Allmand, Miller Curber, Skyjack, Lull, Skytrak, Tsurumi, Husquvarna Target, Stow, Wacker, Sakai, Mi-T-M, Sullair, Basic, Dynapac, MBW, Weber, Bartell, Bennar Newman, Haulotte, Ditch Runner, Menegotti, Morrison, Contec, Buddy, Crown, Edco, Wyco, Bomag, Laymor, EZ Trench, Bil-Jax, F.S. Curtis, Gehl Pavers, Heli, Honda, ICS/PowerGrit, IHI, Partner, Imer, Clipper, MMD, Koshin, Rice, CH&E, General Equipment, Amida, Coleman, NAC, Gradall, Square Shooter, Kent, Stanley, Tamco, Toku, Hatz, Kohler, Robin, Wisconsin, Northrock, Oztec, Toker TK, Rol-Air, APT, Wylie, Ingersoll Rand / Doosan, Innovatech, Con X, Ammann, Mecalac, Makinex, Smith Surface Prep, Small Line, Wanco, Yanmar

Genie
A TEREX BRAND

Model: AWP-30S
Serial number: AWP04-27772
Model year: 2008 Manufacture date: 07/1/08
Electrical Schematic: 250074
Power supply voltage/Pneumatic Pressure:
220 VAC, 50-60 Hz, 8 Amps
Nominal Power: 1.6 Hp / 1.1 kW
Machine weight: 783 lbs / 355 kg
Max Load: 350 lbs / 159 kg
Occupants and Equipment must not exceed:
350 lbs / 159 kg
Maximum allowable inclination of the chassis:
0°
Maximum Wind Speed:
Indoor: REFER TO OUTRIGGER DECAL
Outdoor: REFER TO OUTRIGGER DECAL
Gradeability: N/A
Maximum allowable side force: 45 lbs / 200 N
Maximum platform height: 29.5 ft / 9.0 m
Maximum Travel Height: N/A
Maximum number of platform occupants: 3
Country of manufacture: USA
This machine complies with:
EN 280
S2/37/EC



PMS 77322



AWP04 - 27772

Year of
manufacture

Sequence
number

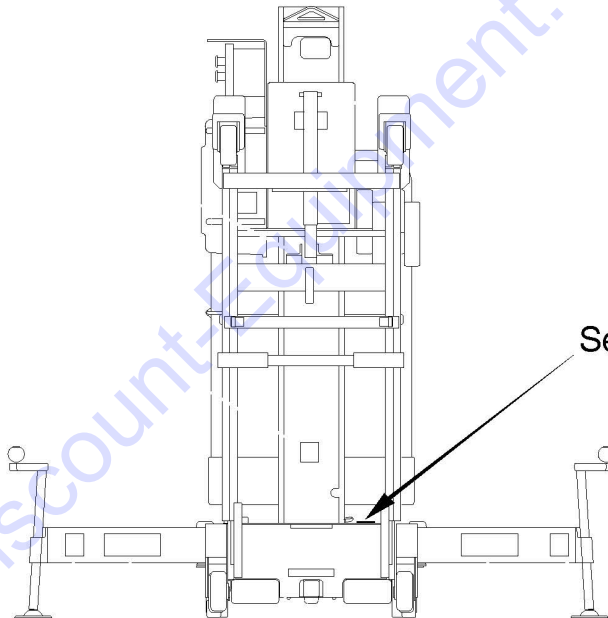


Table of Contents

This manual is updated frequently. For the most up-to-date parts information, visit www.discount-equipment.com

How to Read Your Serial Number.....	3
Parts Stocking List.....	7

Electronic Version

Click on any page number to view the figure.

100 Decals

101.1 Decals with Words (to SN AWP04-29899).....	10
101.2 Decals with Words (from SN AWP04-29900).....	14
102.1 Decals with Symbols.....	18

200 Base Components

201.1 Standard Base Assembly.....	22
202.1 Narrow Base Assembly, Standard and Rough Terrain.....	26
203.1 Rough Terrain Base Assembly.....	30
204.1 Outrigger Assembly.....	34
205.1 Outrigger Assembly Cross Reference, Standard Base, AC or DC Models (to serial number AWP04-29899).....	36
205.2 Outrigger Assembly Cross Reference, Standard Base (from serial number AWP04-29900).....	38
205.3 Outrigger Assembly Cross Reference, RT_Narrow, AC, DC (to serial number AWP04-29899).....	40
205.4 Outrigger Assembly Cross Reference, Narrow or RT Base (from serial number AWP04-29900).....	42
205.5 Outrigger Assembly Cross Reference, Standard Base, Air Powered (to serial number AWP04-29899).....	44
205.6 Outrigger Assembly Cross Reference, Narrow or RT Base, Air Powered (to serial number AWP04-29899).....	46

300 Mast Components

301.1 Number 1 and 2 Column Assemblies, All Models.....	48
302.1 Number 3 Column Assembly, AWP-15S.....	50
303.1 Number 3 and 4 Column Assemblies, AWP-20S.....	52
304.1 Number 3, 4 and 5 Column Assemblies, AWP-25S and AWP-36S.....	54
305.1 Number 3, 4, 5 and 6 Column Assemblies, AWP-30S and AWP-40S.....	56

306.1 Carriage Assembly.....	58
307.1 Lifting Chain Assembly, AWP-15S.....	62
308.1 Lifting Chain Assembly, AWP-20S.....	64
309.1 Lifting Chain Assembly, AWP-25S and AWP-36S.....	66
310.1 Lifting Chain Assembly, AWP-30S and AWP-40S.....	68
311.1 Sequencing Cables.....	70
312.1 Mast Covers.....	74
313.1 Loading Pivot Assembly.....	76
314.1 Number 1 Column Attached Parts, Standard Base with Tiltback Frame.....	78
315.1 Number 1 Column Attached Parts, Standard Base without Tiltback Frame.....	80
316.1 Number 1 Column Attached Parts, Narrow or Rough terrain Base.....	82
317.1 Tilt-back Frame Assembly.....	84
318.1 Outrigger Storage Bracket Assembly Cross Reference, Standard Base (from AWP04-29000).....	88
318.2 Outrigger Storage Bracket Assembly Cross Reference, Narrow or RT Base (from AWP04-29000).....	90

400 Power Groups

401.1 Battery Pack Assembly, DC Models.....	92
402.1 Battery Charger, ANSI Models.....	94
403.1 Battery Charger, CE Models.....	96
404.1 Battery Charger, Worldwide, Lester Model.....	98
405.1 Battery Charger, Worldwide, Signet Model.....	100
406.1 Power Unit installation, AC and DC Powered Models, Standard Base.....	102
407.1 Power Unit Installation, AC and DC Powered Models, Narrow or Rough Terrain Base Option.....	104
408.1 Power Unit Installation, Air Powered Models.....	106
409.1 Power Pack Installation, Air Powered Models with Narrow or Rough Terrain Base Option.....	108
410.1 Ground Controls, DC Models.....	110
411.1 Ground Controls, AC Models.....	114
412.1 Ground Controls, Air Powered Models.....	118
413.1 Platform Controls, ANSI Models.....	120
414.1 Platform Controls, CE Models.....	122
415.1 Control Cable Assembly, AWP-20S, AWP-30S and AWP-40S AC and DC Powered Models.....	124
416.1 Control Cable Assembly, AWP-15S, AWP-25S and AWP-36S, AC and DC Powered Models.....	126
417.1 Control Hose Assemblies, AWP-20S, AWP-30S and AWP-40S, Air Powered Models.....	128
418.1 Control Hose Assemblies, AWP-15S, AWP-25S and AWP-36S, Air Powered Models.....	130

500 Platform Components

501.1 Platform Assembly, Aluminum, Sliding Mid-rail Entry.....	132
--	-----

502.1 Platform Assembly, Aluminum, Gated Entry.....	134
503.1 Platform Assembly, Aluminum, Extra Large, Front and Side Entry.....	138
504.1 Platform Assembly, Fiberglass.....	140
600 Hydraulic Components	
601.1 Lift Cylinder.....	142
602.1 Hydraulic Power Unit, AC and DC Models (from SN 3896-101 to AWP02-4752).....	144
603.1 Hydraulic Power Unit, DC Powered Models (from AWP02-4753).....	146
604.1 Hydraulic Power Unit, AC Powered Models (from AWP02-4753).....	148
605.1 Hydraulic Power Unit, Air Powered Models (to SN 3897-4544).....	150
605.2 Hydraulic Power Unit, Air Powered Models, (from SN 3897-4545).....	152
606.1 Hydraulic Hoses and Fittings.....	154
607.1 Pneumatic Hoses and Fittings, Air Powered Models.....	156
700 Accessories	
701.1 Operational Warning Light and Descent Alarm.....	158
702.1 Tube Caddy, Tray and Platform Locating Light.....	160
Indices	
Part Number Index.....	162
Part Description Index.....	166
Cross References	
Fittings Cross Reference.....	174

Required Parts

The following parts are required to perform maintenance procedures as outlined in the Genie DPL Super Series Service Manual.

Description	Part No
Filter Element, 10 Micron.....	44788
Element - Hydraulic Return Filter	52465
O-ring Kit (for O-ring Face Seal Fitting).....	49612
Plug and Cap Kit (for O-ring Face Seal Fitting).....	49613
Dielectric Grease	66399

Recommended Parts

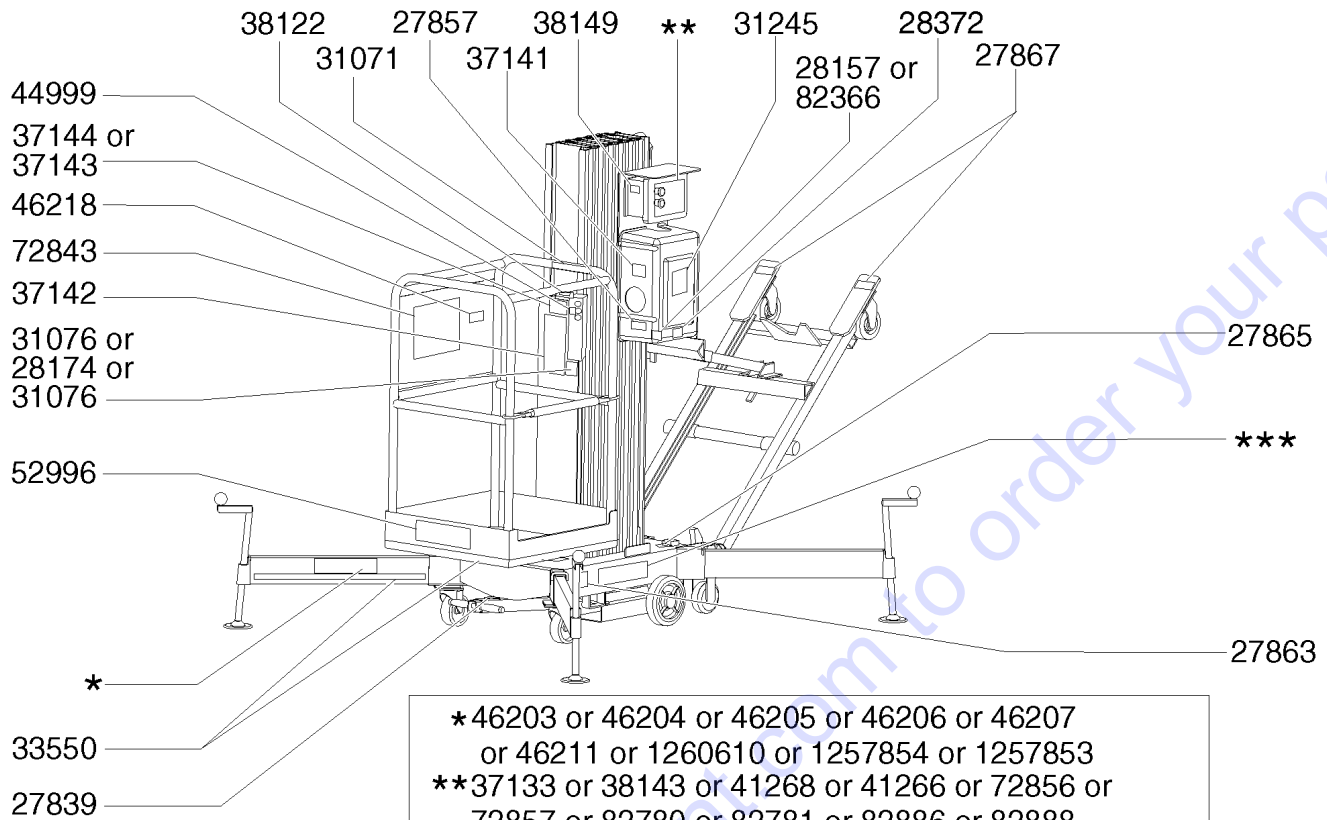
Description	Part No.
Genie Blue Paint, 1 Gallon	32150
Genie Blue Paint, 12 Ounce Aerosol.....	1484
Genie Gray Paint, 1 Gallon.....	32151
Genie Gray Paint, 12 Ounce Aerosol	1268

Manuals

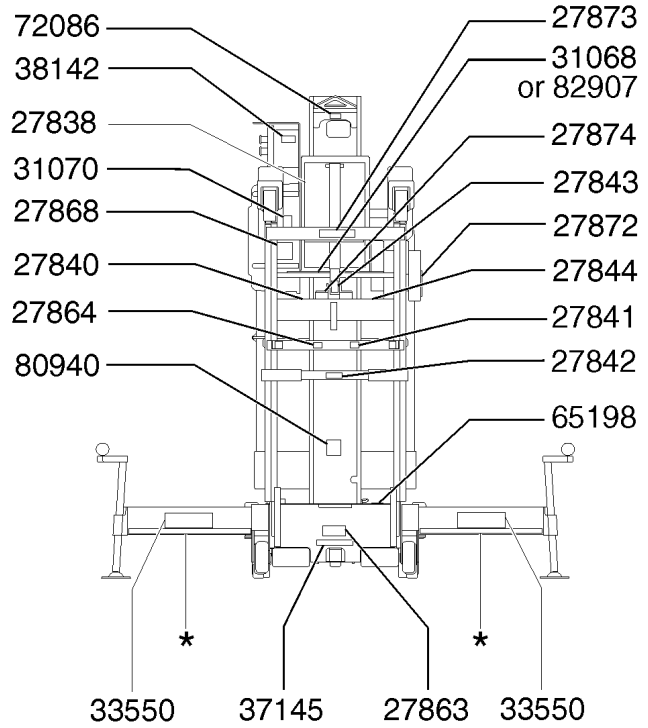
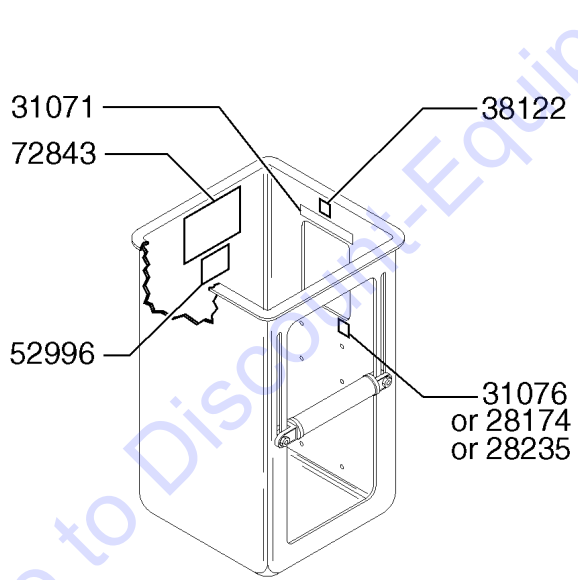
Genie Industries offers the following support documents for these models:

Title	Part No.
EMI Safety Manual	27581
Manual of Responsibilities	
ANSI A92.3	31587

101.1 Decals with Words (to SN AWP04-29899)



* 46203 or 46204 or 46205 or 46206 or 46207
 or 46211 or 1260610 or 1257854 or 1257853
 ** 37133 or 38143 or 41268 or 41266 or 72856 or
 72857 or 82780 or 82781 or 82886 or 82888
 *** 52998 or 52999 or 62992 or 62993 or 62994 or 62995



■ Shading indicates decal is hidden from view.



101.1 Decals with Words (to SN AWP04-29899)

Item	Part No.	Description	Qty.	Item	Part No.	Description	Qty.
--	40297GT	DECAL KIT,SAF/INST,AWPS W/O TB (models without tilt-back frame option; includes items 2, 4, 5, 8-11, 13, 14, 17-22, 24, 27, 28, 31-34, 47, 48, 56, 57, 60, and 65)		26	37133GT	DECAL, INTLCK DISPLY AWP STD.....1 (2 position key switch) (The AWP Super Series were produced using 10 different interlock display decals on the ground control box. Refer to the specific decal part number on the control box when ordering replacement part.)	1
--	40298GT	DECAL KIT,SAF/INST,AWPS W/ TB (models with tilt-back frame option; includes items 1-24, 27, 28, 31-34, 47, 48, 56, 57, 60 and 65)		27	37141GT	DECAL, NOTICE, MANUAL LOWERING.....1	1
--	41974GT	DECAL KIT,PLATFORM ONLY,AWP-S (includes items 21, 28, 32 and 48)		28	37142GT	DECAL,NOTICE,OPER.INST.,AWP-S.....1	1
1	27838GT	DECAL,TILTBACK OPERATION.....1 (models with tilt-back option)	1	29	37143GT	DECAL,NOTICE, LOAD CAP 300.....1 (136 kg)	1
2	27839GT	DECAL,SLIDING T-HANDLE.....1	1	30	37144GT	DECAL, NOTICE, LOAD CAP 350.....1 (159 kg)	1
3	27840GT	DECAL,LOCK PIN.....1 (models with tilt-back option)	1	31	37145GT	DECAL, MANUAL LOWERING VALVE....1	1
4	27841GT	DECAL,STOP BRACKET.....1	1	32	38122GT	DECAL,LABEL, OM STORAGE.....1	1
5	27842GT	DECAL,LOADING PIVOT.....1	1	33	38142GT	DECAL, LABEL, CIRCUIT BREAKER....1	1
6	27843GT	DECAL,TILTBACK STRUT.....1 (models with tilt-back option)	1	34	38143GT	DECAL, INTLCK DISPLY AWP NB/RT....1 (2 position key switch) (The AWP Super Series were produced using 10 different interlock display decals on the ground control box. Refer to the specific decal part number on the control box when ordering replacement part.)	1
7	27844GT	DECAL,STRUT SOCKET.....1 (models with tilt-back option)	1	35	38149GT	DECAL,LABEL,PATENTS.....1	1
8	27857GT	DECAL,COMPONENT DAMAGE,CAP....1	1	36	41266GT	DECAL,INTRLOCK.DISPLAY,AIR,STD...1 (2 position key switch) (The AWP Super Series were produced using 10 different interlock display decals on the ground control box. Refer to the specific decal part number on the control box when ordering replacement part.)	1
9	27863GT	DECAL,LOAD SHIFT HAZARD.....3	3	37	41268GT	DECAL,INTLOC.DISPLAY,AIR,NB/RT....1 (2 position key switch) (The AWP Super Series were produced using 10 different interlock display decals on the ground control box. Refer to the specific decal part number on the control box when ordering replacement part.)	1
10	27864GT	DECAL,LOWER STOP BRACKET.....1	1	38	44999GT	DECAL,LABEL, CONTROL ACTIVATE...1	1
11	27865GT	DECAL,BUBBLE LEVEL ***.....1	1	39	46203GT	DECAL,NOTICE,20 IN OUTRIGGR,CE...4	4
12	27867GT	DECAL,SWIVEL LOCK.....1 (models with tilt-back option)	1	40	46204GT	DECAL,NOTICE,26 IN OUTRIGGR,CE...4	4
13	27868GT	DECAL,DANGER-TIP OVER.....1	1	41	46205GT	DECAL,NOTICE,30.5 IN OUTRGR,CE...4	4
14	27872GT	DECAL,TIP OVER HAZARD.....1	1	42	46206GT	DECAL,NOTICE,36 IN OUTRIGGR,CE...4	4
15	27873GT	DECAL,MAINTAIN GRASP.....1 (models with tilt-back option)	1	43	46207GT	DECAL,NOTICE,40 IN OUTRIGGR,CE...4	4
16	27874GT	DECAL,INSERT PIN.....1 (models with tilt-back option)	1	44	46211GT	DECAL,NOTICE,85 IN OUTRIGGR,CE...4	4
17	28157GT	DECAL,USE DEXRON***.....1	1	45	46218GT	DECAL,NOTICE,SIDE FORCE 45,CE.....1	1
18	28372GT	DECAL,NOTICE,BATTERY CABLES....1	1	46	52996GT	DECAL,COSMETIC,GENIE LOGO.....1	1
19	31068GT	DECAL,DANGER,BATTERY SAFETY....1	1	47	52998GT	DECAL,COSMETIC,GENIE AWP-15S....2	2
20	31070GT	DECAL,DANGER,TIP-OVER HAZARD...1	1	48	52999GT	DECAL,COSMETIC,GENIE AWP-20S....2	2
21	31071GT	DECAL,WARNING,FAILURE TO READ.....1	1	49	62992GT	DECAL,COSMETIC,GENIE AWP-25S....2	2
22	31076GT	DECAL,CAUTION,8A MAX.115V AC**....1	1				
23	31077GT	DECAL,CAUTION,COLLISION HAZARD.....1 (models with tilt-back option)	1				
24	31245GT	DECAL,WARNING,COLLISION HAZARD.....1	1				
25	33550GT	TAPE,WARNING,BLK/YEL, 50****					

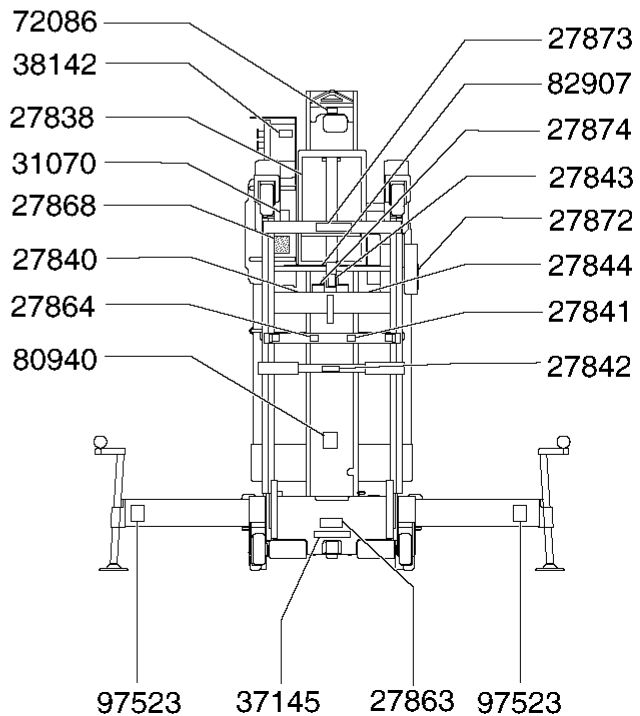
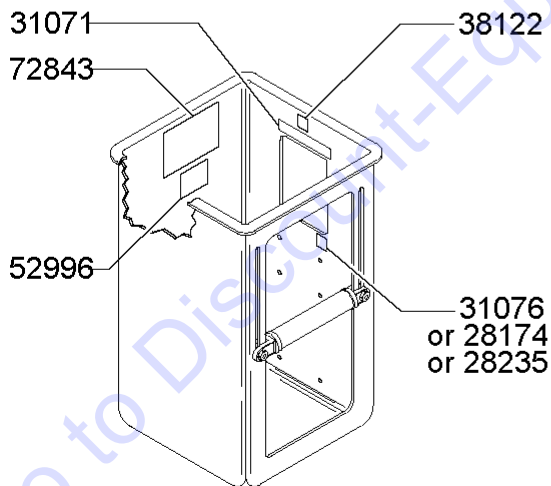
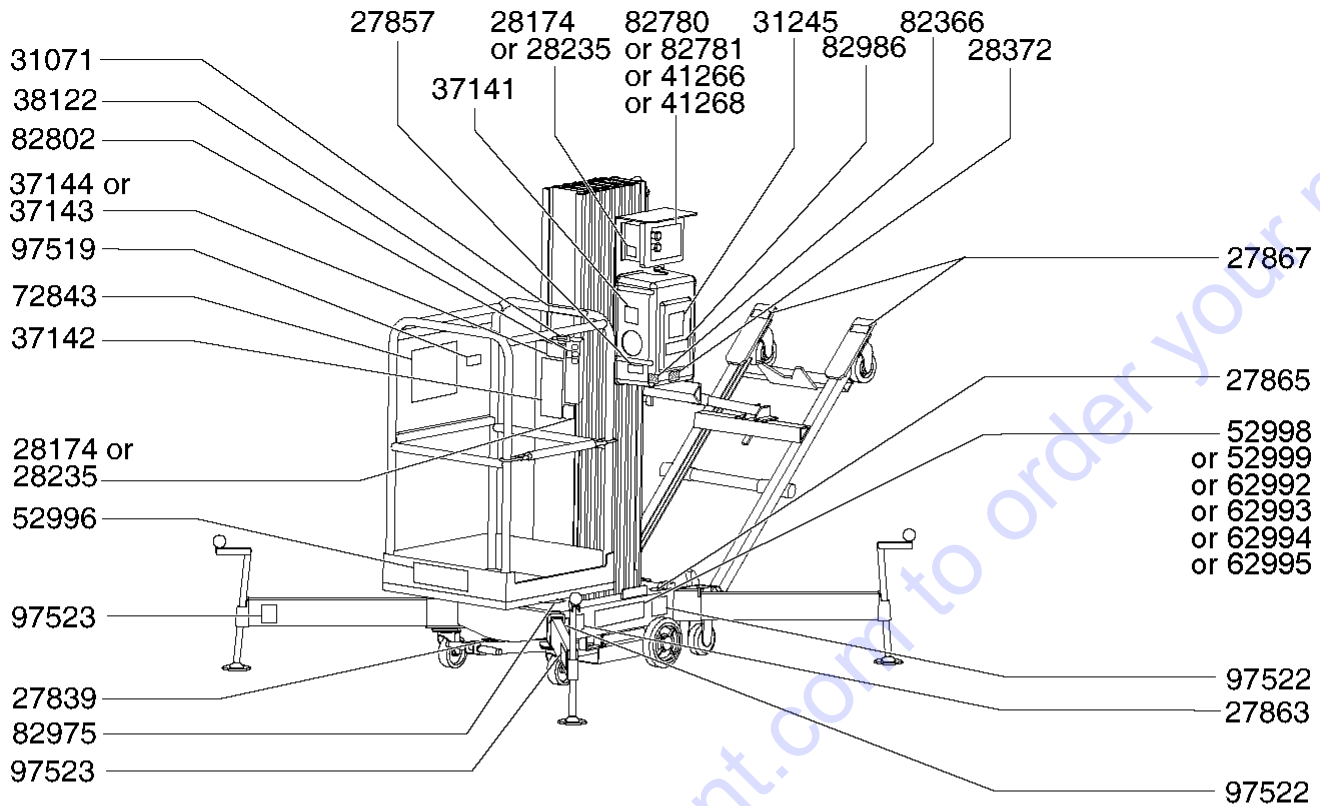
101.1 Decals with Words (to SN AWP04-29899) (continued)

Item	Part No.	Description	Qty.
50	62993GT	DECAL,COSMETIC,GENIE AWP-30S....2	
51	62994GT	DECAL,COSMETIC,GENIE AWP-36S....2	
52	62995GT	DECAL,COSMETIC,GENIE AWP-40S....2	
53	65198GT	DECAL,CSA SERIAL PLATE.....1	
54	72086GT	DECAL,LABEL,LIFTING EYE.....1	
55	72843GT	DECAL,DANGER,GENERAL SAFE,AWP*.....1	
56	72856GT	DECAL,INTLCK DISPLY AWP STD.....1 <i>(3 position key switch) (The AWP Super Series were produced using 10 different interlock display decals on the ground control box. Refer to the specific decal part number on the control box when ordering replacement part.)</i>	
57	72857GT	DECAL,INTLCK DISPLY AWP NB/RT.....1 <i>(3 position key switch) (The AWP Super Series were produced using 10 different interlock display decals on the ground control box. Refer to the specific decal part number on the control box when ordering replacement part.)</i>	
58	82366GT	DECAL,CHEVRON RANDO HD.....1	
59	82780GT	DECAL,INTLCK DISPLY AWP STD.....1 <i>(3 position key switch) (The AWP Super Series were produced using 10 different interlock display decals on the ground control box. Refer to the specific decal part number on the control box when ordering replacement part.)</i>	
60	82781GT	DECAL,INTLCK DISPLY AWP NB/RT.....1 <i>(3 position key switch) (The AWP Super Series were produced using 10 different interlock display decals on the ground control box. Refer to the specific decal part number on the control box when ordering replacement part.)</i>	
61	82886GT	DECAL, INTLCK DISPLY AWP STD.....1 <i>(2 position key switch) (The AWP Super Series were produced using 10 different interlock display decals on the ground control box. Refer to the specific decal part number on the control box when ordering replacement part.)</i>	
62	82888GT	DECAL, INTLCK DISPLY AWP NB/RT....1 <i>(2 position key switch) (The AWP Super Series were produced using 10 different interlock display decals on the ground control box. Refer to the specific decal part number on the control box when ordering replacement part.)</i>	
63	82907GT	DECAL,DANGER,BATTERY SAFETY.....1	
64	1257853GT	DECAL,DNGR,75",OUTRIGGR,CE	
65	1257854GT	DECAL,DNGR,60",OUTRIGGR,CE	
66	1260610GT	DECAL,DNGR,46",OUTRIGGR,CE	

This Page Intentionally Left Blank

Go to Discount-Equipment.com to order your parts

101.2 Decals with Words (from SN AWP04-29900)



Shading indicates decal is hidden from view.

101.2 Decals with Words (from SN AWP04-29900)

Item	Part No.	Description	Qty.	Item	Part No.	Description	Qty.
--	107065GT	DECAL KIT,SAF/INST,WRDS W/O TB (models without tilt-back frame option) (from S/N AWP04-29900) (includes items 2, 4, 5, 8-11, 13, 14, 17-21, 23, 24, 27, 28, 29, 39-41 and 44-50)		18	28235GT	DECAL,POWER TO PLATFORM 115V...2 (from S/N AWP04-29900) (AC)	2
--	107066GT	DECAL KIT,SAF/INST,WRDS W/ TB (models with tilt-back frame option) (from S/N AWP04-29900) (includes items 1-24, 27, 28, 29, 39-41 and 44-50)		19	28372GT	DECAL,NOTICE,BATTERY CABLES.....1 (from S/N AWP04-29900)	1
--	41974GT	DECAL KIT,PLATFORM ONLY,AWP-S (from S/N AWP04-29900) (includes items 21, 24, 28, 32, 40 and 48)		20	31070GT	DECAL,DANGER,TIP-OVER HAZARD...1 (from S/N AWP04-29900) (moving)	1
1	27838GT	DECAL,TILTBACK OPERATION.....1 (models with tiltback option) (from S/N AWP04-29900)	1	21	31071GT	DECAL,WARNING,FAILURE TO READ.....1 (from S/N AWP04-29900)	1
2	27839GT	DECAL,SLIDING T-HANDLE.....1 (from S/N AWP04-29900)	1	22	31245GT	DECAL,WARNING,COLLISION HAZARD.....1 (models with tiltback option) (from S/N AWP04-29900)	1
3	27840GT	DECAL,LOCK PIN.....1 (models with tiltback option) (from S/N AWP04-29900)	1	23	37141GT	DECAL, NOTICE, MANUAL LOWERING.....1 (from S/N AWP04-29900)	1
4	27841GT	DECAL,STOP BRACKET.....1 (from S/N AWP04-29900)	1	24	37142GT	DECAL,NOTICE,OPER.INST.,AWP-S.....1 (from S/N AWP04-29900)	1
5	27842GT	DECAL,LOADING PIVOT.....1 (from S/N AWP04-29900)	1	25	37143GT	DECAL,NOTICE, LOAD CAP 300.....1 (from S/N AWP04-29900) (136 kg)	1
6	27843GT	DECAL,TILTBACK STRUT.....1 (models with tiltback option) (from S/N AWP04-29900)	1	26	37144GT	DECAL, NOTICE, LOAD CAP 350.....1 (from S/N AWP04-29900) (159 kg)	1
7	27844GT	DECAL,STRUT SOCKET.....1 (models with tiltback option) (from S/N AWP04-29900)	1	27	37145GT	DECAL, MANUAL LOWERING VALVE....1 (from S/N AWP04-29900)	1
8	27857GT	DECAL,COMPONENT DAMAGE,CAP....1 (from S/N AWP04-29900)	1	28	38122GT	DECAL,LABEL, OM STORAGE.....1 (from S/N AWP04-29900)	1
9	27863GT	DECAL,LOAD SHIFT HAZARD.....3 (from S/N AWP04-29900)	3	29	38142GT	DECAL, LABEL, CIRCUIT BREAKER.....1 (AC Models) (from S/N AWP04-29900)	1
10	27864GT	DECAL,LOWER STOP BRACKET.....1 (from S/N AWP04-29900)	1	30	41266GT	DECAL,INTRLOCK.DISPLAY,AIR,STD...1 (Air Models) (from S/N AWP04-29900)	1
11	27865GT	DECAL,BUBBLE LEVEL***.....1 (from S/N AWP04-29900)	1	31	41268GT	DECAL,INTLOC.DISPLAY,AIR,NB/RT....1 (Air Models) (from S/N AWP04-29900)	1
12	27867GT	DECAL,SWIVEL LOCK.....1 (models with tiltback option) (from S/N AWP04-29900)	1	32	52996GT	DECAL,COSMETIC,GENIE LOGO.....1 (from S/N AWP04-29900)	1
13	27868GT	DECAL,DANGER-TIP OVER.....1 (from S/N AWP04-29900)	1	33	52998GT	DECAL,COSMETIC,GENIE AWP-15S....2 (from S/N AWP04-29900)	2
14	27872GT	DECAL,TIP OVER HAZARD.....1 (from S/N AWP04-29900) (Outriggers)	1	34	52999GT	DECAL,COSMETIC,GENIE AWP-20S....2 (from S/N AWP04-29900)	2
15	27873GT	DECAL,MAINTAIN GRASP.....1 (models with tiltback option) (from S/N AWP04-29900)	1	35	62992GT	DECAL,COSMETIC,GENIE AWP-25S....2 (from S/N AWP04-29900)	2
16	27874GT	DECAL,INSERT PIN.....1 (models with tiltback option) (from S/N AWP04-29900)	1	36	62993GT	DECAL,COSMETIC,GENIE AWP-30S....2 (from S/N AWP04-29900)	2
17	28174GT	DECAL, POWER TO PLATFORM 230V**.....2 (from S/N AWP04-29900) (AC)	2	37	62994GT	DECAL,COSMETIC,GENIE AWP-36S....2 (from S/N AWP04-29900)	2
				38	62995GT	DECAL,COSMETIC,GENIE AWP-40S....2 (from S/N AWP04-29900)	2
				39	72086GT	DECAL,LABEL,LIFTING EYE.....1 (from S/N AWP04-29900)	1
				40	72843GT	DECAL,DANGER,GENERAL SAFE,AWP*.....1 (from S/N AWP04-29900)	1
				41	82366GT	DECAL,CHEVRON RANDO HD.....1 (from S/N AWP04-29900)	1

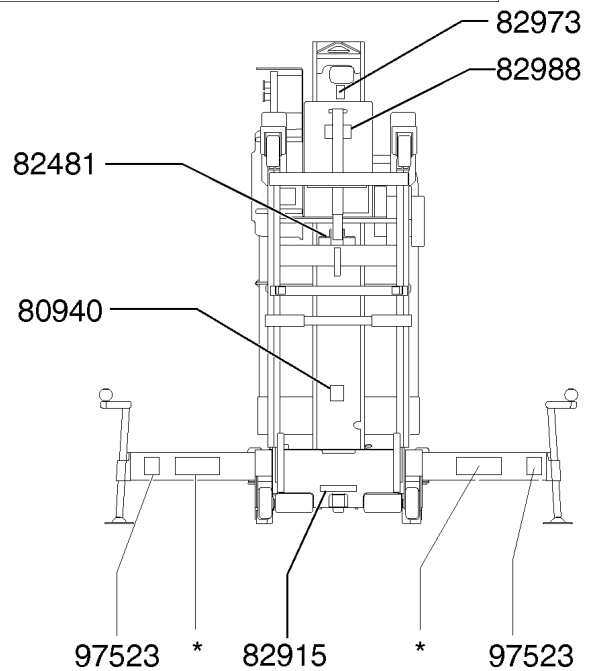
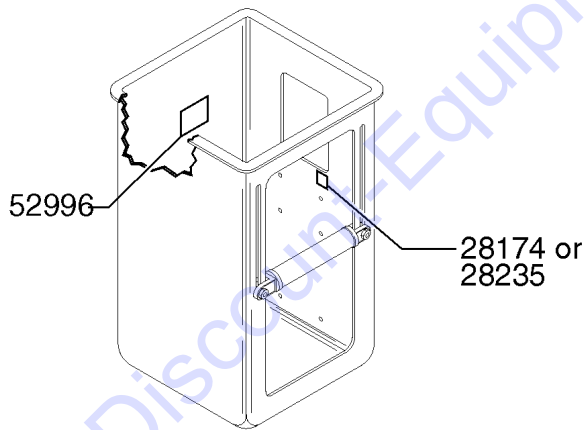
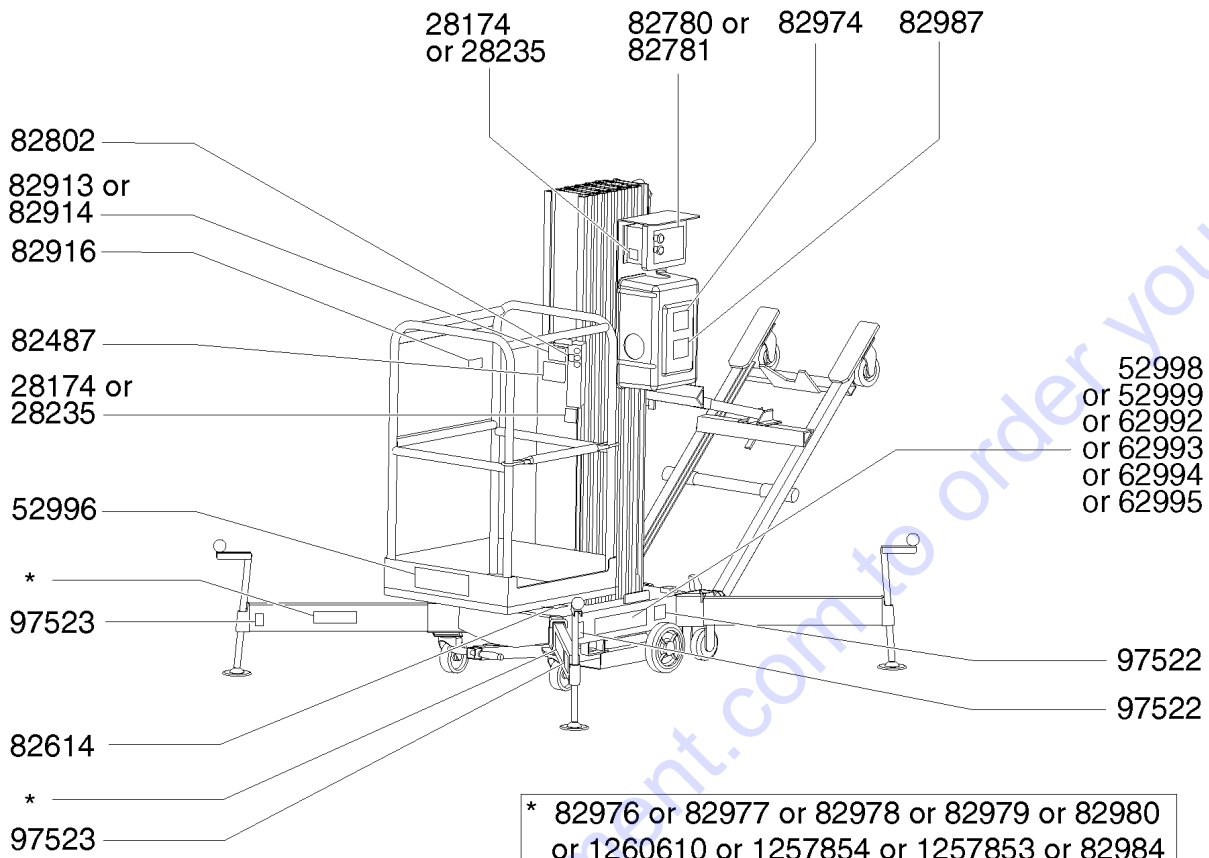
101.2 Decals with Words (from SN AWP04-29900)
(continued)

Item	Part No.	Description	Qty.
42	82780GT	DECAL,INTLCK DISPLY AWP STD.....1 (from S/N AWP04-29900) (AC/DC) (3-position key switch)	1
43	82781GT	DECAL,INTLCK DISPLY AWP NB/RT.....1 (from S/N AWP04-29900) (AC/DC) (3-position key switch)	1
44	82802GT	DECAL,LABEL,FUNCTION ENABLE.....1 (from S/N AWP04-29900)	1
45	82907GT	DECAL,DANGER,BATTERY SAFETY.....1 (from S/N AWP04-29900)	1
46	82975GT	DECAL,DANGER,COLLISION HAZARD.....1 (from S/N AWP04-29900)	1
47	82986GT	DECAL,DANGER,ELEC.HAZ.STAY CLR.....1 (from S/N AWP04-29900)	1
48	97519GT	DECAL,NOTICE,SIDE FORCE ANSI.....1 (from S/N AWP04-29900)	1
49	97522GT	DECAL,LABEL,WHEEL LOAD, AWP....4 (from S/N AWP04-29900)	4
50	97523GT	DECAL,LABEL,OUTRIGGER LOAD AWP.....4 (from S/N AWP04-29900)	4

This Page Intentionally Left Blank

Go to Discount-Equipment.com to order your parts

102.1 Decals with Symbols



■ Shading indicates decal is hidden from view.

102.1 Decals with Symbols

Item	Part No.	Description	Qty.	Item	Part No.	Description	Qty.
--	107067GT	DECAL KIT,SAF/INST,SYM/ NO TBF (models without tilt-back frame option) (includes items 1, 2, 10-12, 15, 18-21, 31, 33 and 34)		20	82916GT	DECAL,DANGER,MANUAL FORCE CE.....	1
--	107068GT	DECAL KIT,SAF/INST,SYM/ W/ TBF (models with tilt-back frame option) (includes items 1, 2, 10-12, 15, 18-21 and 31-34)		20	82973GT	DECAL,WARNING, INSERT PIN.....	1
1	28174GT	DECAL, POWER TO PLATFORM 230V**.....	2	21	82973GT	DECAL,WARNING, INSERT PIN.....	1
2	28235GT	DECAL,POWER TO PLATFORM 115V.....	2	21	82974GT	DECAL,WARNING,COLLISION HAZARD.....	1
3	52996GT	DECAL,COSMETIC,GENIE LOGO.....	1	22	82974GT	DECAL,WARNING,COLLISION HAZARD.....	1
4	52998GT	DECAL,COSMETIC,GENIE AWP-15S.....	2	22	82976GT	DECAL,DANGER,20 IN OUTRIGGR,CE..... (51 cm outrigger)	4
5	52999GT	DECAL,COSMETIC,GENIE AWP-20S.....	2	23	82976GT	DECAL,DANGER,20 IN OUTRIGGR,CE.....	4
6	62992GT	DECAL,COSMETIC,GENIE AWP-25S.....	2	23	82977GT	DECAL,DANGER,26 IN OUTRIGGR,CE..... (66 cm outrigger)	4
7	62993GT	DECAL,COSMETIC,GENIE AWP-30S.....	2	24	82977GT	DECAL,DANGER,26 IN OUTRIGGR,CE.....	4
8	62994GT	DECAL,COSMETIC,GENIE AWP-36S.....	2	24	82978GT	DECAL,DANGER,30.5 IN OUTRGR,CE..... (77 cm outrigger)	4
9	62995GT	DECAL,COSMETIC,GENIE AWP-40S.....	2	24	82978GT	DECAL,DANGER,30.5 IN OUTRGR,CE.....	4
10	80940GT	ASSY,SER # LABEL,POWERED/GR **..... (must provided serial number to order)	1	25	82978GT	DECAL,DANGER,30.5 IN OUTRGR,CE.....	4
10	82481GT	DECAL,SYMBOL-BATTERY SAFETY.....	1	25	82979GT	DECAL,DANGER,36 IN OUTRIGGR,CE..... (91 cm outrigger)	4
11	82481GT	DECAL,SYMBOL-BATTERY SAFETY.....	1	26	82979GT	DECAL,DANGER,36 IN OUTRIGGR,CE.....	4
11	82487GT	DECAL, SYMBOL - READ THE MANUAL.....	1	26	82980GT	DECAL,DANGER,40 IN OUTRIGGR,CE..... (1.02 cm outrigger)	4
12	82487GT	DECAL, SYMBOL - READ THE MANUAL.....	1	27	82980GT	DECAL,DANGER,40 IN OUTRIGGR,CE.....	4
12	82614GT	DECAL,DANGER,COLLISION HAZARD.....	1	27	82981GT	DECAL,DANGER,46 IN OUTRIGGR,CE..... (1.17 cm outrigger)	4
13	82614GT	DECAL,DANGER,COLLISION HAZARD.....	1	28	82982GT	DECAL,DANGER,60 IN OUTRIGGR,CE..... (1.52 cm outrigger)	4
13	82780GT	DECAL,INTLCK DISPLY AWP STD..... (AC/DC) (3-position key switch)	1	28	82984GT	DECAL,DANGER,85 IN OUTRIGGR,CE.....	4
14	82780GT	DECAL,INTLCK DISPLY AWP STD.....	1	29	82983GT	DECAL,DANGER,75 IN OUTRIGGR,CE..... (1.91 cm outrigger)	4
14	82781GT	DECAL,INTLCK DISPLY AWP NB/RT..... (AC/DC) (3-position key switch)	1	29	82987GT	DECAL,DANGER,ELEC.HAZ.SYMB.....	1
15	82781GT	DECAL,INTLCK DISPLY AWP NB/RT.....	1	30	82984GT	DECAL,DANGER,85 IN OUTRIGGR,CE..... (2.16 cm outrigger)	4
15	82802GT	DECAL,LABEL,FUNCTION ENABLE.....	1	30	82988GT	DECAL,TILTBACK OPERATION,SYMB..... (models with tilt-back option)	1
16	82802GT	DECAL,LABEL,FUNCTION ENABLE.....	1	31	82987GT	DECAL,DANGER,ELEC.HAZ.SYMB.....	1
16	82913GT	DECAL,DANGER, LOAD CAP 350.....	1				
17	82913GT	DECAL,DANGER, LOAD CAP 350.....	1				
17	82914GT	DECAL,DANGER, LOAD CAP 300.....	1				
18	82914GT	DECAL,DANGER, LOAD CAP 300.....	1				
18	82915GT	DECAL,LABEL,AUX LOWERING.....	1				
19	82915GT	DECAL,LABEL,AUX LOWERING.....	1				
19	82916GT	DECAL,DANGER,MANUAL FORCE CE.....	1				



102.1 Decals with Symbols
(continued)

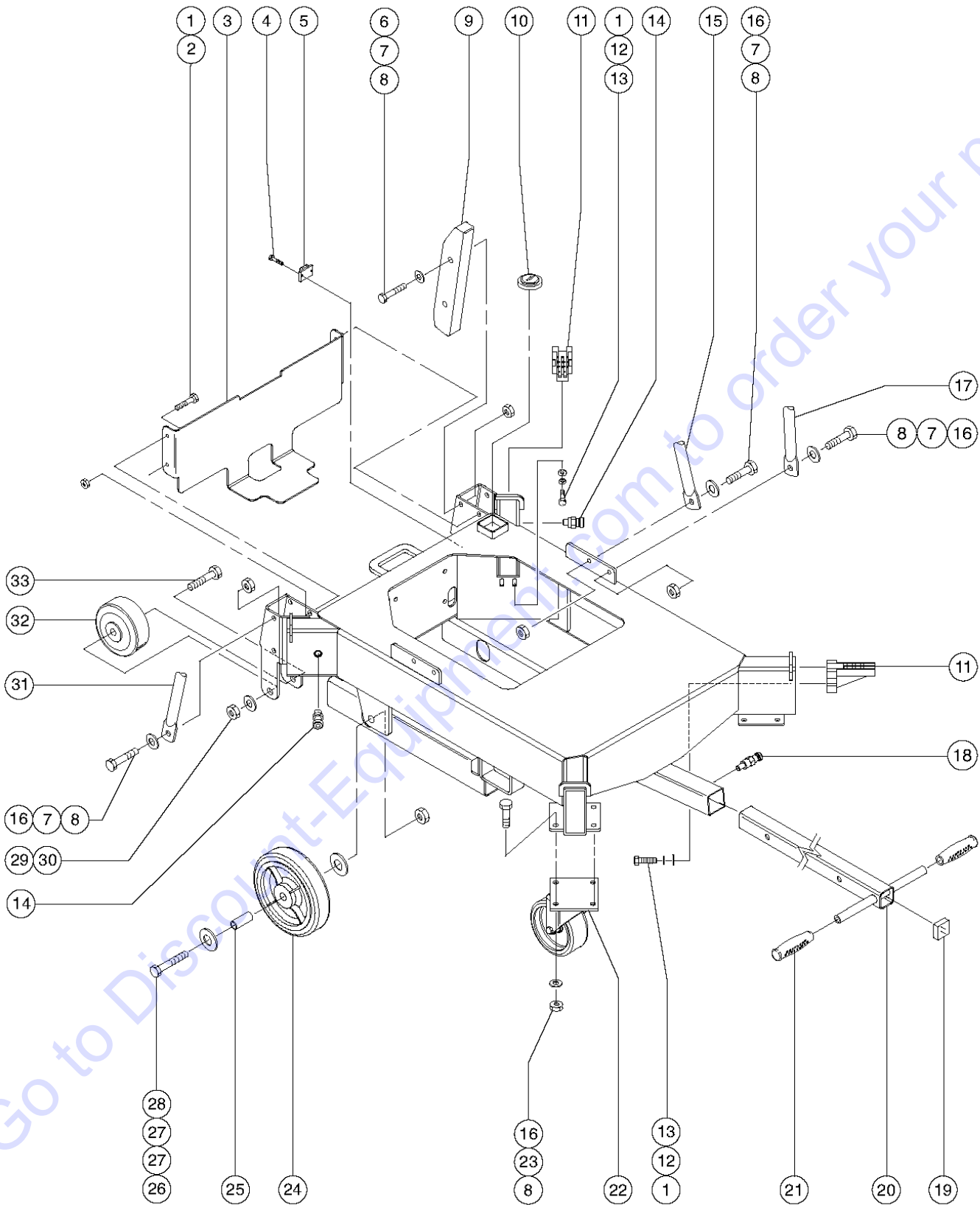
Item	Part No.	Description	Qty.
31	97522GT	DECAL,LABEL,WHEEL LOAD, AWP.....	4
32	82988GT	DECAL,TILTBACK OPERATION,SYMB..... <i>(models with tilt-back option)</i>	1
32	97523GT	DECAL,LABEL,OUTRIGGER LOAD AWP.....	4
33	1257853GT	DECAL,DNGR,75",OUTRIGGR,CE.....	4
33	97522GT	DECAL,LABEL,WHEEL LOAD, AWP.....	4
34	1257854GT	DECAL,DNGR,60",OUTRIGGR,CE.....	4
34	97523GT	DECAL,LABEL,OUTRIGGER LOAD AWP.....	4
35	1260610GT	DECAL,DNGR,46",OUTRIGGR,CE.....	4

Go to Discount-Equipment.com to order your parts

This Page Intentionally Left Blank

Go to Discount-Equipment.com to order your parts

201.1 Standard Base Assembly



201.1 Standard Base Assembly

Item	Part No.	Description	Qty.	Item	Part No.	Description	Qty.
--	38176GT	BASE ASSY., STD. AWP-S <i>(with decals) (all models except AWP-40S in Europe and Canada) (to SN AWP04-29899) (includes item 4, part number 80708 of item 5 and items 10, 14 and 18)</i>		5A	80708GT	TERMINAL STRIP ASSY,BASE,AWP-S 1 <i>(AC and DC models) (from SN AWP02-23038)</i>	
--	145349GT	BASE ASSY,STD,AWP-S,WRD <i>(with decals) (all models except AWP-40S in Europe and Canada) (from SN AWP04-29900 to AWP05-49999) (includes item 4, part number 80708 of item 5 and items 10, 14 and 18)</i>		--	74917GT	JUMPER COMB, 2-WAY,WIELAND	
--		Ref. BASE ASSY,STD.AWP-40S,CE & CSA <i>after AWP04-29899, no longer available</i>		--	76479GT	TERMINAL BLK,INLINE,2-PORT	
--	107069GT	BASE ASSY,STD W/ WORD DECALS <i>USA and Canada models except AWP-40S (from SN AWP04-29900) (includes items 4, 5, 10, 14 and 18)</i>		--	76480GT	TERMINAL BLK,END	
--		Ref. BASE ASSY,STD.AWP-40S,CE & CSA <i>after AWP04-29899, no longer available</i>		--	76481GT	TERMINAL BLK,END,4-PORT	
--	107070GT	BASE ASSY,STD W/ SYM DECALS <i>Asia, South America, Europe except AWP-40S (from SN AWP04-29900) (includes items 4, 5, 10, 14 and 18)</i>		6	5224GT	SCREW,HHC,3/8-16 X 2	
--		Ref. BASE ASSY,STD,SYM,AWP-40S,CE		7	6097GT	WASHER,FLAT,USS,3/8",Y	
1	6090GT	SCREW,HHC,1/4-20 X .75		8	4828GT	NUT,NYLOCK,3/8-16	
2	6091GT	NUT,NYLOCK,1/4-20		9	27415GT	BLOCK, GUIDE, AWP.....2	
3	38178GT	REAR CVR ASSY,STD,WRD,AWPSS <i>(all models) (to SN AWP04-29899)</i>		10	6714GT	LEVEL,BUBBLE.....1	
3A	38178GT	REAR CVR ASSY,STD,WRD,AWPSS.....1 <i>(USA, Australia, Canada) (from SN AWP04-29900)</i>		11		Ref. Outrigger Interlock Bracket Assembly, Standard Base <i>(refer to 205.1, 205.2 or 205.3)</i>	
3B	107073GT	REAR CVR ASSY,STD,SYM,AWPSS.....1 <i>(Asia, South America, Europe) (from SN AWP04-29900)</i>		12	6356GT	WASHER,LOCK,.25	
4	10153GT	SCREW,PHIL,PHM,6-32X.38,SF.TAP		13	6097GT	WASHER,FLAT,USS,3/8",Y	
5	40435GT	TERMINAL STRIP ASSY.BASE,AWP-S.....1 1 <i>AWP Super Series Models to AWP04-23037 were produced using two different terminal strips in the base assembly. Refer to the specific terminal strip assembly to determine the correct replacement parts or call the factory for assistance.</i>		14	6825GT	PIN,OUTRIGGER LOCK.....4	
--	33807GT	END PLATE,TERMINAL STRIP <i>(to SN AWP02-23037)</i>		15	32425-SGT	MAST BRACE,L.H.....1 <i>AWP-15S, AWP-20S, AWP-25S, AWP-30S (40.25 inches)</i>	
--	33808GT	TERMINAL STRIP,2 CONNECTOR <i>(to SN AWP02-23037)</i>		15A	32424-SGT	MAST BRACE,R.H. <i>AWP-15S, AWP-20S, AWP-25S, AWP-30S (40.25 inches)</i>	
--	33809GT	TERMINAL STRIP,4 CONNECTOR <i>(to SN AWP02-23037)</i>		15B	38344-SGT	STRUT,TILTBACK,L.H.AWP96.....1 <i>AWP-36S, AWP-40S (28.12 inches)</i>	
--	38970GT	JUMPER BAR <i>(to SN AWP02-23037)</i>		15C	38345-SGT	STRUT,TILTBACK,R.H.AWP96 <i>AWP-36S, AWP-40S (28.12 inches)</i>	
				16	6019GT	SCREW,HHC,3/8-16 X 1.25 GRD 5	
				17	38340-SGT	STRUT, TILTBACK,L.H.AWP96.....1 <i>AWP-36S, AWP-40S (41.13 inches)</i>	
				17A	38341-SGT	STRUT, TILTBACK,R.H.AWP96 <i>AWP-36S, AWP-40S (41.13 inches)</i>	
				18	32375GT	PIN,LOCK,LONG***1	
				19	46567GT	CAP, PLASTIC,1.75X.120.....1	
				20	37395GT	T-HANDLE WELDMENT,ZINC,SHORT....1 <i>AWP-20S, AWP-25S, AWP-36S (31.87 inches)</i>	
				20A	38348GT	WELDMENT,LONG T-HANDLE <i>AWP-30S, AWP-40S (37.87 inches)</i>	
				21	6587GT	HANDLE GRIP, RUBBER .75 X 4.5.....2	
				22	32451GT	CASTER,PERFORMA,SWV,5 X 2*.....2 <i>(to SN 3800-15876) (same fit and function, different color from PN 57732)</i>	
				22A	57732GT	CASTER,PL, SW,5 X 2, 375 LBS* <i>(from SN 3800-15877) (same fit and function, different color from PN 32451)</i>	
				23	5397GT	WASHER,FLAT,USS,5/16",Y	



201.1 Standard Base Assembly (continued)

Item	Part No.	Description	Qty.
24	32453GT	WHEEL,PERFORMA,8 X 2.....2 <i>(to SN 3800-15876) (same fit and function, different color from PN 57787)</i>	
24A	57787-SGT	KIT,WHEEL,TPE,8 X 2,3/4,1/2 <i>(from SN 3800-15877) (same fit and function, different color from PN 32453)</i>	
25	37202GT	BUSHING,3/4ODX2.44LGX.5ID.....2	
26	8357GT	SCREW,HHC,1/2-13 X 3.5	
27	6095GT	WASHER,FLAT,USS,1/2",Y	
28	6086GT	NUT,LP NYLOCK,1/2-13	
29	6198GT	NUT,NYLOCK,1/2-13	
30	13066GT	WASHER,FLAT,.5 HARDENED	
31	38343-SGT	STRUT,TILTBACK,R.H.AWP96.....1 <i>AWP-36S, AWP-40S (28.5 inches)</i>	
31A	38342-SGT	STRUT,TILTBACK,L.H.AWP96 <i>AWP-36S, AWP-40S (28.5 inches)</i>	
32	32452GT	WHEEL,PERFORMA,5X2**.....2 <i>(to SN 3800-15876) (includes mounting fasteners) (same fit and function, different color from PN 57785)</i>	
32A	57785GT	WHEEL,TPE,5 X 2, 3/4, 1/2** <i>(from SN 3800-15877) (includes mounting fasteners) (same fit and function, different color from PN 32452)</i>	
33	69226GT	SCREW,AXLE,1/2-13X3.38,W/GREAS...2	

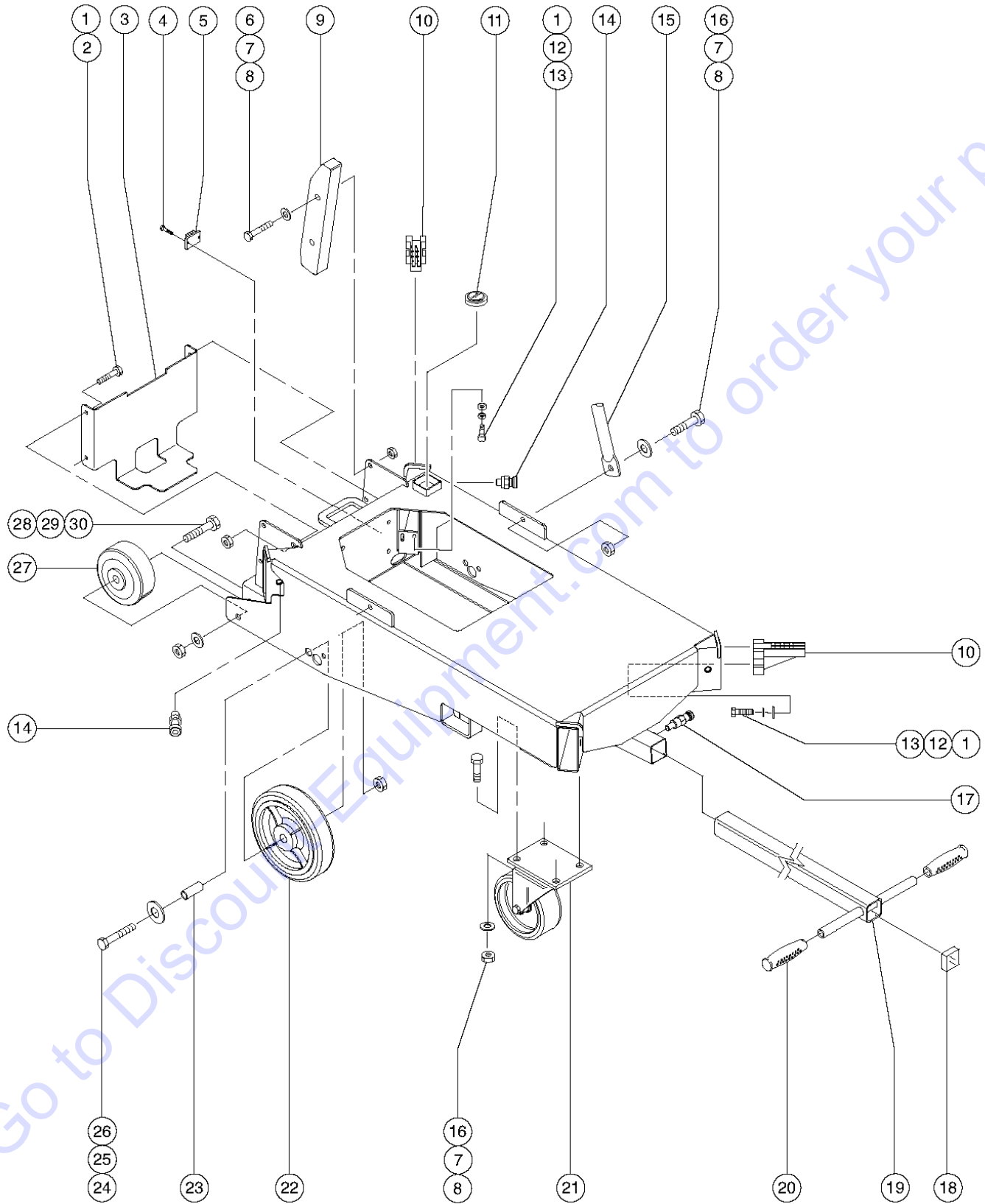
Footnotes

1: AWP Super Series Models to AWP04-23037 were produced using two different terminal strips in the base assembly. Refer to the specific terminal strip assembly to determine the correct replacement parts or call the factory for assistance.

This Page Intentionally Left Blank

Go to Discount-Equipment.com to order your parts

202.1 Narrow Base Assembly, Standard and Rough Terrain



202.1 Narrow Base Assembly, Standard and Rough Terrain

Item	Part No.	Description	Qty.	Item	Part No.	Description	Qty.
--	40272GT	BASE ASSY., NRW.& RT., AWP-S (all models) (to S/N AWP04- 29899) (includes items 11, 14 and 18) (Word Decals)		11	6714GT	LEVEL,BUBBLE.....	1
--	40272GT	BASE ASSY., NRW.& RT., AWP-S (USA, Australia, Canada) (from S/N AWP04- 29900) (includes items 11, 14 and 18) (Word Decals)		12	6356GT	WASHER,LOCK,.25	
--	107074GT	BASE ASSY,NRW,SYMB,AWPSS * (Asia, South America, Europe) (S/N from AWP04-29900) (includes items 11, 14 and 18)		13	6638GT	WASHER,FLAT,USS,1/4"Y	
--	80362GT	KIT,CONVERSION, RT BASE, AWP		14	6825GT	PIN,OUTRIGGER LOCK.....	4
1	6090GT	SCREW,HHC,1/4-20 X .75		15	32425-SGT	MAST BRACE,L.H.....	1
2	6091GT	NUT,NYLOCK,1/4-20				AWP-15S, AWP-20S, AWP-25S and AWP-30S (40.25 inches)	
3	40273GT	COVER ASSY W/WRD DECAL,NRW/RT*.....	1	15A	32424-SGT	MAST BRACE,R.H. AWP-15S, AWP-20S, AWP-25S and AWP-30S (40.25 inches)	
		(all models) (to S/N AWP04-29899)		16	6019GT	SCREW,HHC,3/8-16 X 1.25 GRD 5	
3A	40273GT	COVER ASSY W/WRD DECAL,NRW/RT*.....	1	17	35830GT	SNAP PIN, KIT(AWP,SLA &C,ST2).....	1
		(USA, Australia, Canada) (from AWP04-29900)		18	46567GT	CAP, PLASTIC,1.75X.120.....	1
3B	107075GT	COVER ASSY W/SYM DECAL,NRW/RT* (Asia, South America, Europe) (from S/N AWP04-29900)		19	37395GT	T-HANDLE WELDMENT,ZINC,SHORT....	1
4	10153GT	SCREW,PHIL,PHM,6-32X.38,SF.TAP				AWP-15S, AWP-20S, AWP-25S and AWP30S (31.87 inches)	
5	40435GT	TERMINAL STRIP ASSY.BASE,AWP-S.....	1	20	6587GT	HANDLE GRIP, RUBBER .75 X 4.5.....	2
		1 (AC and DC) (to S/N AWP02-23037) (Wago)		21	32451GT	CASTER,PERFORMA,SWV,5 X 2*.....	2
--	33807GT	END PLATE,TERMINAL STRIP				(to SN 3800-15876) (same fit and function, different color from PN 57732)	
--	33808GT	TERMINAL STRIP,2 CONNECTOR		21A	57732GT	CASTER,PL, SW,5 X 2, 375 LBS* (from SN 3800-15877) (same fit and function, different color from PN 32451)	
--	33809GT	TERMINAL STRIP,4 CONNECTOR		22	32453GT	WHEEL,PERFORMA,8 X 2.....	2
--	38970GT	JUMPER BAR				(to SN 3800-15876) (same fit and function, different color from PN 57787)	
5A	80708GT	TERMINAL STRIP ASSY.BASE,AWP-S.....	1	22A	57787-SGT	KIT,WHEEL,TPE,8 X 2,3/4,1/2 (from SN 3800-15877) (same fit and function, different color from PN 32453)	
		1 (AC and DC) (from S/N AWP02-23038) (Wieland)		23	37202GT	BUSHING,3/4ODX2.44LGX.5ID.....	2
--	74917GT	JUMPER COMB, 2-WAY,WIELAND		24	8357GT	SCREW,HHC,1/2-13 X 3.5	
--	76479GT	TERMINAL BLK,INLINE,2-PORT		25	6095GT	WASHER,FLAT,USS,1/2",Y	
--	76480GT	TERMINAL BLK,END		26	6086GT	NUT,LP NYLOCK,1/2-13	
--	76481GT	TERMINAL BLK,END,4-PORT		27	32452GT	WHEEL,PERFORMA,5X2**.....	2
6	5224GT	SCREW,HHC,3/8-16 X 2				(to SN 3800-15876) (includes mounting fasteners) (same fit and function, different color from PN 57785)	
7	6097GT	WASHER,FLAT,USS,3/8",Y		27A	57785GT	WHEEL,TPE,5 X 2, 3/4, 1/2** (from SN 3800-15877) (includes mounting fasteners) (same fit and function, different color from PN 32452)	
8	4828GT	NUT,NYLOCK,3/8-16		28	69226GT	SCREW,AXLE,1/2-13X3.38,W/GREAS...2	
9	27415GT	BLOCK, GUIDE, AWP.....	2	29	13066GT	WASHER,FLAT,.5 HARDENED	
10		Ref. Outrigger Interlock Bracket Assembly (AC and DC) (refer to 205.1, 205.2 or 205.3)		30	6198GT	NUT,NYLOCK,1/2-13	
10A		Ref. Outrigger Interlock Bracket Assembly (Air Models) (refer to 205.2 or 205.3)					

202.1 Narrow Base Assembly, Standard and Rough Terrain
(continued)

Item	Part No.	Description	Qty.
------	----------	-------------	------

Footnotes

1: AWP Super Series Models to AWP04-23037 were produced using two different terminal strips in the base assembly. Refer to the specific terminal strip assembly to determine the correct replacement parts or call the factory for assistance.

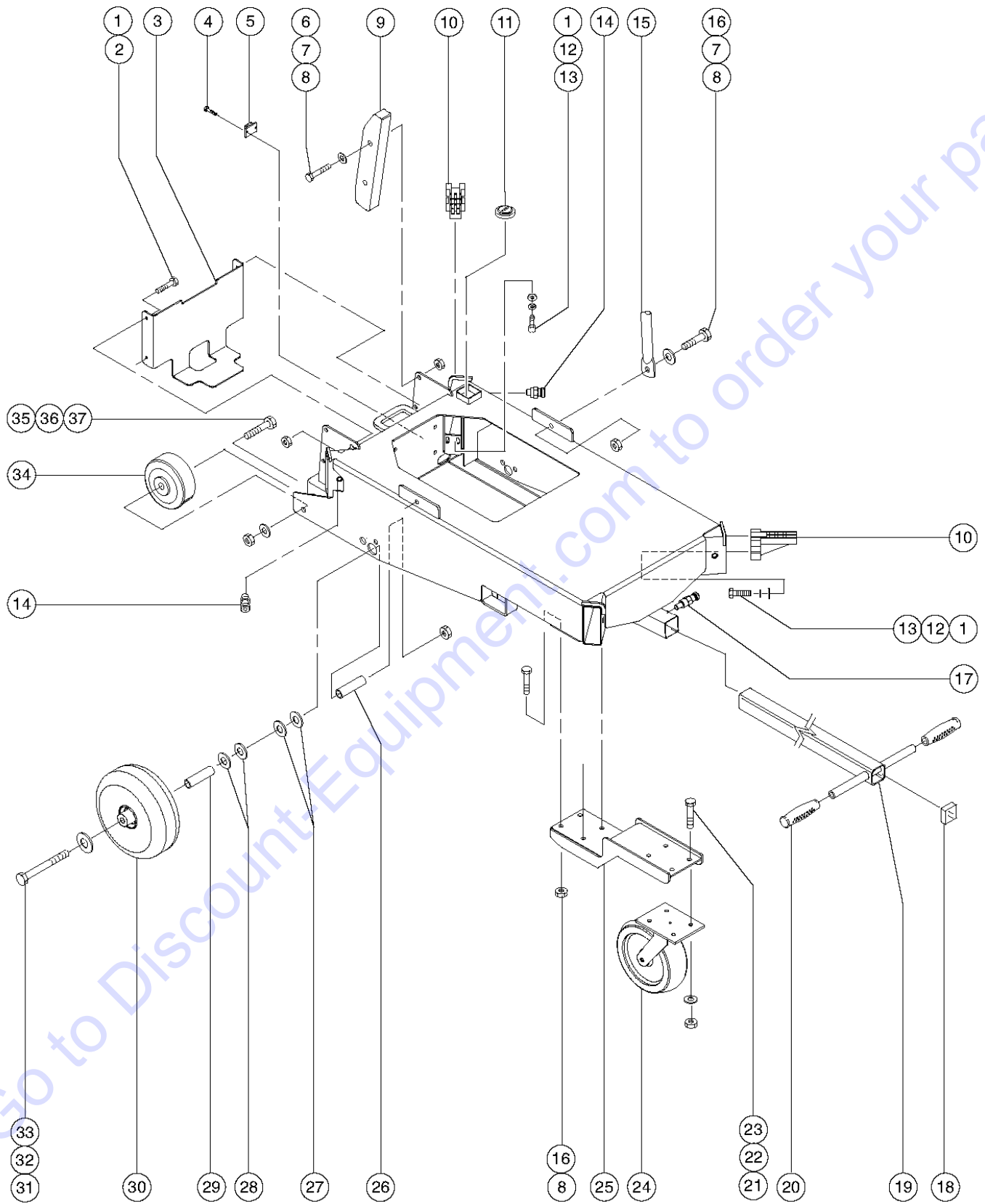
Go to Discount-Equipment.com to order your parts

202.1 Narrow Base Assembly, Standard and Rough Terrain
(continued)

This Page Intentionally Left Blank

Go to Discount-Equipment.com to order your parts

203.1 Rough Terrain Base Assembly



203.1 Rough Terrain Base Assembly

Item	Part No.	Description	Qty.	Item	Part No.	Description	Qty.
--	40272GT	BASE ASSY., NRW.& RT., AWP-S (all models) (to S/N AWP04-29899)		11	6714GT	LEVEL,BUBBLE.....	1
--	40272GT	BASE ASSY., NRW.& RT., AWP-S (USA, Australia, Canada) (from AWP04-29900) (includes items 11, 14 and 18)		12	6356GT	WASHER,LOCK,.25	
--	107074GT	BASE ASSY,NRW,SYMB,AWPSS * (from SN AWP04-29899)		13	6638GT	WASHER,FLAT,USS,1/4"Y	
--	80363GT	KIT,CONVERSION,NARROW BASE,AWP (converts standard to narrow)		14	6825GT	PIN,OUTRIGGER LOCK.....	4
1	6090GT	SCREW,HHC,1/4-20 X .75		15	32425-SGT	MAST BRACE,L.H.....	1
2	6091GT	NUT,NYLOCK,1/4-20				(AWP-15S, AWP-20S, AWP-25S, AND AWP-30S) (40.25 inches)	
3	40273GT	COVER ASSY W/WRD DECAL,NRW/RT*.....	1	15A	32424-SGT	MAST BRACE,R.H. (AWP-15S, AWP-20S, AWP-25S, AND AWP-30S) (40.25 inches)	
		(All Models) (to S/N AWP04-29899)		16	6019GT	SCREW,HHC,3/8-16 X 1.25 GRD 5	
3A	40273GT	COVER ASSY W/WRD DECAL,NRW/RT*.....	1	17	35830GT	SNAP PIN, KIT(AWP,SLA & C,ST2).....	1
		(USA, Australia, Canada) (from S/N AWP04-29900)		18	46567GT	CAP, PLASTIC, 1.75X.120.....	1
3B	107075GT	COVER ASSY W/SYM DECAL,NRW/RT* (Asia, South America, Europe) (from S/N AWP04-29900)		19	37395GT	T-HANDLE WELDMENT,ZINC,SHORT....	1
4	10153GT	SCREW,PHIL,PHM,6-32X.38,SF.TAP				(AWP-15S, AWP-20S, AWP-25S, AND AWP-30S) (31.87 inches)	
5	40435GT	TERMINAL STRIP ASSY.BASE,AWP-S.....	1	20	6587GT	HANDLE GRIP, RUBBER .75 X 4.5.....	2
		1 (AC and DC) (to S/N AWP02-23037) (Wago)		21	6175GT	SCREW,HHC,3/8-16 X 1	
--	33807GT	END PLATE,TERMINAL STRIP		22	5397GT	WASHER,FLAT,USS,5/16",Y	
--	33808GT	TERMINAL STRIP,2 CONNECTOR		23	7713GT	NUT, LP NYLOCK, 3/8-16	
--	33809GT	TERMINAL STRIP,4 CONNECTOR		24	38702GT	CASTER, 8", FULL PNEUMATIC.....	2
--	38970GT	JUMPER BAR		24A	38702GT	CASTER, 8", FULL PNEUMATIC.....	2
5A	80708GT	TERMINAL STRIP ASSY.BASE,AWP-S.....	1	24B	1261144GT	CASTER,8"FULL PNEUMATIC WITH BRAKE.....	2
		1 (AC and DC) (from S/N AWP02-23038) (Wieland)				CE market	
--	74917GT	JUMPER COMB, 2-WAY,WIELAND		25	38708-SGT	WELDMENT,CASTER MNT.AWP-S,RT.....	2
--	76479GT	TERMINAL BLK,INLINE,2-PORT		26	37202GT	BUSHING,3/4ODX2.44LGX.5ID.....	2
--	76480GT	TERMINAL BLK,END				(to SN 3899-11836)	
--	76481GT	TERMINAL BLK,END,4-PORT		26A	57099GT	SPACER,.75X1.00,2.50" LG.....	2
6	5224GT	SCREW,HHC,3/8-16 X 2				(from S/N 3899-11837)	
7	6097GT	WASHER,FLAT,USS,3/8",Y		27	6095GT	WASHER,FLAT,USS,1/2",Y (to SN 3899-11836)	
8	4828GT	NUT,NYLOCK,3/8-16		27A	30748GT	WASHER,SHIM,1.01 X 1.63 X.062 (from S/N 3899-11837)	
9	27415GT	BLOCK, GUIDE, AWP.....	2	28	6564GT	WASHER, SHIM,.765 X 1.312 X .093 (to SN 3899-11836)	
10		Ref. Outrigger Interlock Bracket Assembly.....	4	28A	30748GT	WASHER,SHIM,1.01 X 1.63 X.062 (from S/N 3899-11837)	
		(AC and DC) (refer to 205.1, 205.2 or 205.3)		29A	37202GT	BUSHING,3/4ODX2.44LGX.5ID.....	1
10A		Ref. Outrigger Interlock Bracket Assembly.....	4			(to SN 3899-11836)	
		(Air Models) (Refer to 205.2 or 205.3)		29B	57098GT	BUSHNG,SPANNER,.75X1.00X3.5 LG (from SN 3899-11837)	
				30	40624GT	WHEEL,PNEUM 10",3/4" HUB***.....	2
				--	80903GT	KIT,WHEEL,PNEUMATIC,AWP*** (to S/N 3899-11836) (upgrade from 3/4" to 1" wheel)	
				30A	57252GT	WHEEL,PNEUMATIC,10",1" HUB*** (from S/N 3899-11837)	

203.1 Rough Terrain Base Assembly (continued)

Item	Part No.	Description	Qty.
31	38601GT	SCREW,HHC,1/2-13 X 7.5 <i>(to SN 3899-11836)</i>	
31A	57100GT	SCREW,HHC,3/4-10 X 8 <i>(from S/N 3899-11837)</i>	
32	6095GT	WASHER,FLAT,USS,1/2",Y <i>(to SN 3899-11836)</i>	
32A	6564GT	WASHER, SHIM,.765 X 1.312 X .093 <i>(from S/N 3899-11837)</i>	
33	6086GT	NUT,LP NYLOCK,1/2-13 <i>(to SN 3899-11836)</i>	
33A	10258GT	NUT,NYLOCK,3/4-10,GRD.2 <i>(from SN 3899-11837)</i>	
34	32452GT	WHEEL,PERFORMA,5X2**.....2 <i>(to SN 3800-15876) (includes axle, nut and bushing, 1 ea.)</i>	
34A	57785GT	WHEEL,TPE,5 X 2, 3/4, 1/2**.....2 <i>(from SN 3800-15877) (does not include mounting fasteners)</i>	
35	69226GT	SCREW,AXLE,1/2-13X3.38,W/GREAS...2	
36	13066GT	WASHER,FLAT,.5 HARDENED	
37	6198GT	NUT,NYLOCK,1/2-13 <i>(to S/N AWP02- 23037)</i>	

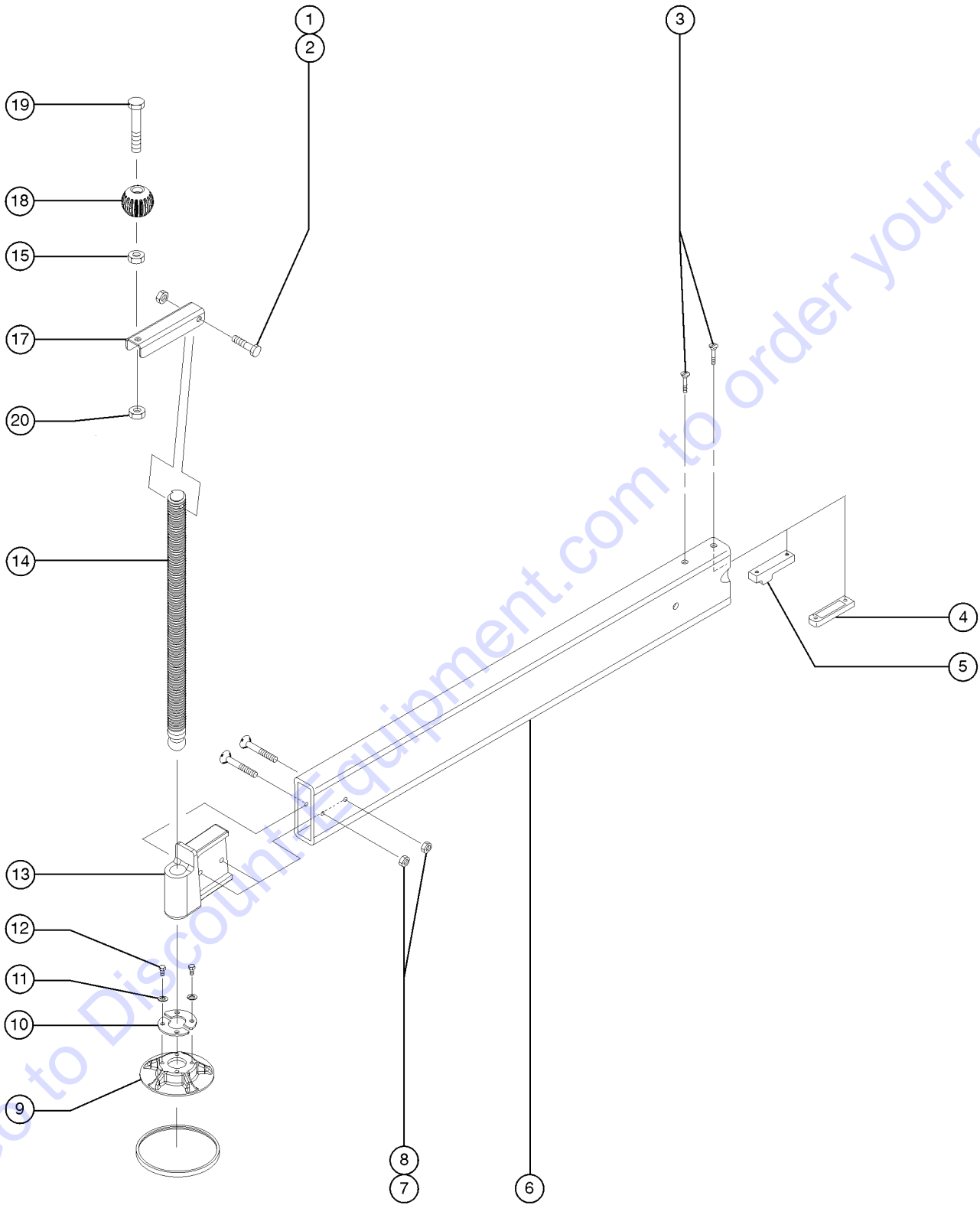
Footnotes

1: AWP Super Series Models to AWP04-23037 were produced using two different terminal strips in the base assembly. Refer to the specific terminal strip assembly to determine the correct replacement parts or call the factory for assistance.

This Page Intentionally Left Blank

Go to Discount-Equipment.com to order your parts

204.1 Outrigger Assembly



Geto Discount Equipment.com to order your parts

204.1 Outrigger Assembly

Item	Part No.	Description	Qty.
--	109713GT	LEVELING JACK ASSEMBLY,AWP*** <i>(includes items 1, 2 and 9 - 19)</i>	
--	124163GT	FOOTPAD SERVICE KIT.....1 <i>(to SN AWP07-58785) kit includes items 1-2, 9-12, and 14. if customer has already installed this kit and only needs the footpad order 124793.</i>	
1	49377GT	SCREW,HHC,M6 X 40.....1	
2	49364GT	NUT,NYLOCK,M6X1.00.....1	
3	38596GT	SCREW,FHM,10-32X.5PHIL.W/PATCH...2	
4		Ref. Outrigger Contact Assembly <i>(AC and DC Models) (refer to 205.1, 205.2, 205.3, or 205.4)</i>	
5		Ref. Outrigger Contact Assembly <i>(air models) (refer to 205.5 or 205.6)</i>	
6		Ref. Outrigger Tube Assembly <i>(refer to 205.1, 205.2, 205.3, 205.4, 205.5, or 205.6)</i>	
7	7713GT	NUT, LP NYLOCK, 3/8-16.....2	
8	6610GT	SCREW,FHS,3/8-16 X 2 GRD.8.....2	
9	124793GT	KIT,FOOTPAD,AWP.....1 <i>kit contains two parts; footpad casting and rubber pad. only order if you have previously installed 124163 or your unit is newer than AWP07-58785.</i>	
10	109715GT	PLATE,FOOTPAD RETAINER.....2	
11	124792GT	WASHER,LOCK SPLIT,6MM,11.8MM....4	
12	124552GT	SCREW,HHC,M6-12MM.....4	
13	24900GT	LEVELING JACK CASTING,AWP.....1	
14	109689GT	LEVELING ROD.....1	
15	124569GT	NUT,HEX,M10X1.5.LP.....1	
17	8214GT	HANDLE,LEVELING JACK,SHRT-ZINC.....1	
18	6082GT	HANDLE BALL KNOB.....1	
19	124568GT	SCREW,SHC,M10X1.5X55.....1	
20	22736GT	NUT,NYLOCK,M10X1.50.....1	

205.1 Outrigger Assembly Cross Reference, Standard Base, AC or DC Models (to serial number AWP04-29899)

Applicable Standard	AWP-15S	AWP-20S	AWP-25S	AWP-30S	AWP-36S	AWP-40S
ANSI (USA)						
Outrigger Assembly	38179	38179	38179	38180	38181	38182
Outrigger Tube Assembly	38183	38183	38183	38184	38185	38186
Base Interlock Bracket Assembly	40290	40290	40290	40291	40292	40293
Outrigger Contact Assembly	40494	40494	40494	40495	40497	40498
Outrigger Storage Bracket	40286	40286	40286	40286	40286	40286
CSA (Canada)						
Outrigger Assembly	38179	38180	38181	40485	40486	40486
Outrigger Tube Assembly	38183	38184	38185	40490	40491	40491
Base Interlock Bracket Assembly	40290	40291	40292	43031	43032	43032
Outrigger Contact Assembly	40494	40495	40497	40499	40500	40500
Outrigger Storage Bracket	40286	40286	43069	43068	43068	43068
CE (Europe) Indoor						
Outrigger Assembly	41961	41961	41962	40484	43023	43024
Outrigger Tube Assembly	41963	41963	41964	40489	43026	43027
Base Interlock Bracket Assembly	40290	40290	40291	41336	40292	40293
Outrigger Contact Assembly	40494	40494	40495	40496	40497	40498
Outrigger Storage Bracket	40286	40286	40286	43069	40286	40286
CE (Europe) Outdoor						
Outrigger Assembly	43025	43025	40487	40487	40488	43029
Outrigger Tube Assembly	43028	43028	40492	40492	40493	43030
Base Interlock Bracket Assembly	40290	40290	40291	41336	40292	40293
Outrigger Contact Assembly	43622	43622	43623	43623	43624	43625
Outrigger Storage Bracket	40286	40286	40286	43069	40286	40286

Outrigger Assembly includes items 1 through 20

Outrigger Tube Assembly includes items 3, 4, 7 and 8

205.1 Outrigger Assembly Cross Reference, Standard Base, AC or DC Models (to serial number AWP04-29899)

Item	Part No.	Description	Qty.	Item	Part No.	Description	Qty.
1	38179GT	OUTRIGGER ASSY.20"SUPER SERIES.....	4	43	40500GT	CONTACT ASSY.,60" OUTRIGGER	
2	38180GT	OUTRIGGER ASSY.26"SUPER SERIES		44	40496GT	CONTACT ASSY.,30.5" OUTRIGGER	
3	38181GT	OUTRIGGER ASSY.36"SUPER SERIES		45	43622GT	CONTACT ASSY.,46",CE OUTRIGGER	
4	38182GT	OUTRIGGER ASSY.40"SUPER SERIES		46	43624GT	CONTACT ASSY.,75",CE OUTRIGGER	
5	40485GT	OUTRIGGER ASSY.46"SUPER SERIES		47	43625GT	CONTACT ASSY.,85",CE OUTRIGGER	
6	40486GT	OUTRIGGER ASSY.60"SUPER SERIES		48	40286GT	WELDM.OUTRIG.STRG.BRKT.W/DECAL.4	
7	41961GT	OUTRIGGER ASSY.W/ 20" TUBE, CE		49	43069GT	WELDM.OUTRIG.STRG.BRKT.W/DECAL	
8	41962GT	OUTRIGGER ASSY.W/ 26" TUBE,CE		50	43068GT	WELDM.OUTRIG.STRG.BRKT.W/DECAL	
9	40484GT	OUTRIGGER ASSY,30.5"CE,S-SERIE		51	43623GT	CONTACT ASSY.,60",CE OUTRIGGER	
10	43023GT	OUTRIGGER ASSY 36" CE,S-SERIES					
11	43024GT	OUTRIGGER ASSY 40" CE,S-SERIES					
12	43025GT	OUTRIGGER ASSY 46" CE,S-SERIES					
13	40487GT	OUTRIGGER ASSY,60" CE,S-SERIES					
14	40488GT	OUTRIGGER ASSY,75" CE,S-SERIES					
15	43029GT	OUTRIGGER ASSY,85" CE,S-SERIES					
16	38183GT	OUTRIGGER TUBE 20"SUPER SERIES.....	4				
17	38184GT	OUTRIGGER TUBE 26"SUPER SERIES					
18	38185GT	OUTRIGGER TUBE 36"SUPER SERIES					
19	38186GT	OUTRIGGER TUBE 40"SUPER SERIES					
20	40490GT	OUTRIGGER TUBE 46"SUPER SERIES					
21	40491GT	OUTRIGGER TUBE 60"SUPER SERIES					
22	41963GT	OUTRIGGER,TUBE ASSY. 20", CE					
23	41964GT	OUTRIGGER,TUBE ASSY. 26", CE					
24	40489GT	OUTRIGGER TUBE 30.5"CE,S-SERIE					
25	43026GT	OUTRIGGER TUBE 36" CE,S-SERIES					
26	43027GT	OUTRIGGER TUBE 40" CE,S-SERIES					
27	43028GT	OUTRIGGER TUBE 46" CE,S-SERIES					
28	40492GT	OUTRIGGER TUBE 60" CE,S-SERIES					
29	40493GT	OUTRIGGER TUBE 75" CE,S-SERIES					
30	43030GT	OUTRIGGER TUBE 85" CE,S-SERIES					
31	40290GT	BRKT.INTLCK.CONTC.20"OUTRIGGER.4					
32	40291GT	BRKT.INTLCK.CONTC.26"OUTRIGGER					
33	40292GT	BRKT.INTLCK.CONTC.36"OUTRIGGER					
34	40293GT	BRKT.INTLCK.CONTC.40"OUTRIGGER					
35	43031GT	BRKT.INTLCK.CONTC.46"OUTRIGGER					
36	43032GT	BRKT.INTLCK.CONTC.60"OUTRIGGER					
37	41336GT	BRKT.INTLCK.CONTC.30.5"OUTRIGR					
38	40494GT	CONTACT ASSY., 20" OUTRIGGER.....	4				
39	40495GT	CONTACT ASSY,26" OUTRIGGER					
40	40497GT	CONTACT ASSY.,36" OUTRIGGER					
41	40498GT	CONTACT ASSY.,40" OUTRIGGER					
42	40499GT	CONTACT ASSY.,46" OUTRIGGER					

205.2 Outrigger Assembly Cross Reference, Standard Base (from serial number AWP04-29900)

Applicable Standard / Region	AWP-20S (AC or DC)	AWP-25S (AC or DC)	AWP-30S (AC or DC)	AWP-30S (Air)	AWP-36S (AC or DC)	AWP-40S (AC or DC)
ANSI (USA)						
Outrigger Assembly, Complete	107076	107076	107078	107095	107080	107082
Outrigger Tube Assembly (figure 204.1, item 6)	107100	107100	107102	107119	107104	107106
Interlock Bracket Assembly (figure 201.1, item 11)	40290	40290	40291	43006	40292	40293
Outrigger Contact Assembly (figure 204.1, item 4)	40494	40494	40495	40954	40497	40498
ANSI (Asia and South America)						
Outrigger Assembly, Complete	107077	107077	107079	107096	107081	107083
Outrigger Tube Assembly (figure 204.1, item 6)	107101	107101	107103	107120	107105	107107
Interlock Bracket Assembly (figure 201.1, item 11)	40290	40290	40291	43006	40292	40293
Outrigger Contact Assembly (figure 204.1, item 4)	40494	40494	40495	40954	40497	40498
CSA (Canada)						
Outrigger Assembly, Complete	107078	107080	107084	107097	107085	107085
Outrigger Tube Assembly (figure 204.1, item 6)	107102	107104	107111	107121	107112	107112
Interlock Bracket Assembly (figure 201.1, item 11)	40291	40292	43031	43010	43032	43032
Outrigger Contact Assembly (figure 204.1, item 4)	40495	40497	40499	40954	40500	40500
CE (Europe) Indo or						
Outrigger Assembly, Complete	107086	107087	107088	107098	107089	107090
Outrigger Tube Assembly (figure 204.1, item 6)	107108	107109	107110	107122	107115	107116
Interlock Bracket Assembly (figure 201.1, item 11)	40290	40291	41336	43007	40292	40293
Outrigger Contact Assembly (figure 204.1, item 4)	40494	40495	40496	40955	40497	40498
CE (Europe) Outdoor						
Outrigger Assembly, Complete	107091	107092	107092	107099	107093	107094
Outrigger Tube Assembly (figure 204.1, item 6)	107117	107113	107113	107124	107114	107118
Interlock Bracket Assembly (figure 201.1, item 11)	40290	40291	41336	43011	40292	40293
Outrigger Contact Assembly (figure 204.1, item 4)	43622	43623	43623	41491	43624	43625

Outrigger Assembly, Complete includes items 1 through 20, figure 204.1

Outrigger Tube Assembly includes items 3 through 8, figure 204.1

205.2 Outrigger Assembly Cross Reference, Standard Base (from serial number

AWP04-29900)

Item	Part No.	Description	Qty.	Item	Part No.	Description	Qty.
1	107076GT	OUTRIGGER ASSY,20", WRD DECALS.....4	4	44	107117GT	OUTRIG TUBE ASSY,46",CE,SYM	
2	107078GT	OUTRIGGER ASSY,26", WRD DECALS		45	107113GT	OUTRIG TUBE ASSY,60",CE,SYM	
3	107095GT	OUTRIGGER ASSY,AIR,26",WRD		46	107124GT	OUTRIG. TUBE ASSY,60",CE,SYM	
4	107080GT	OUTRIGGER ASSY,36",WRD DECALS		47	107114GT	OUTRIG TUBE ASSY,75",CE,SYM	
5	107082GT	OUTRIGGER ASSY,40",WRD DECALS		48	107118GT	OUTRIG TUBE ASSY,85",CE,SYM	
6	107077GT	OUTRIGGER ASSY,20", SYM DECALS		49	40290GT	BRKT.INTLCK.CONTC.20"OUTRIGGER.4	
7	107079GT	OUTRIGGER ASSY,26",SYM DECALS		50	40291GT	BRKT.INTLCK.CONTC.26"OUTRIGGER	
8	107096GT	OUTRIGGER ASSY,AIR,26",SYM		51	43006GT	BRKT.INTERLOCK ASSY,26"-AIR	
9	107081GT	OUTRIGGER ASSY,36",SYM DECALS		52	40292GT	BRKT.INTLCK.CONTC.36"OUTRIGGER	
10	107083GT	OUTRIGGER ASSY,40",SYM DECALS		53	40293GT	BRKT.INTLCK.CONTC.40"OUTRIGGER	
11	107084GT	OUTRIGGER ASSY,46",WRD DECALS		54	43031GT	BRKT.INTLCK.CONTC.46"OUTRIGGER	
12	107097GT	OUTRIGGER ASSY,AIR,46",WRD		55	43010GT	BRKT.INTERLOCK ASSY,46"-AIR	
13	107085GT	OUTRIGGER ASSY,60",WRD DECALS		56	43032GT	BRKT.INTLCK.CONTC.60"OUTRIGGER	
14	107086GT	OUTRIGGER ASSY,CE,20",SYM		57	41336GT	BRKT.INTLCK.CONTC.30.5"OUTRIGR	
15	107087GT	OUTRIGGER ASSY,CE,26",SYM		58	43007GT	BRKT.INTERLOCK ASSY,30.5"-AIR	
16	107088GT	OUTRIGGER ASSY,30.5",SYM		59	43011GT	BRKT.INTERLOCK ASSY,60"-AIR	
17	107098GT	OUTRIGGER ASSY,AIR,36",CE,SYM		60	40494GT	CONTACT ASSY., 20" OUTRIGGER.....4	
18	107089GT	OUTRIGGER ASSY,CE,36",SYM		61	40495GT	CONTACT ASSY,26" OUTRIGGER	
19	107090GT	OUTRIGGER ASSY,CE,40",SYM		63	40497GT	CONTACT ASSY.,36" OUTRIGGER	
20	107091GT	OUTRIGGER ASSY,CE,46",SYM		64	40498GT	CONTACT ASSY.,40" OUTRIGGER	
21	107092GT	OUTRIGGER ASSY,CE,60",SYM		66	40499GT	CONTACT ASSY.,46" OUTRIGGER	
22	107099GT	OUTRIGGER ASSY,AIR,75",CE,SYM		67	40954GT	CAM,MIDDLE	
23	107093GT	OUTRIGGER ASSY,CE,75",SYM		68	40500GT	CONTACT ASSY.,60" OUTRIGGER	
24	107094GT	OUTRIGGER ASSY,CE,85",SYM		69	40496GT	CONTACT ASSY.,30.5" OUTRIGGER	
25	107100GT	OUTRIG. TUBE ASSY,20",ANSI,WRD.....4	4	70	40955GT	CAM,LEFT	
26	107102GT	OUTRIG TUBE ASSY,26"CSA,WRD		71	43622GT	CONTACT ASSY.,46",CE OUTRIGGER	
27	107119GT	OUTRIG TUBE ASSY,26",ANSI,WRD		72	43623GT	CONTACT ASSY.,60",CE OUTRIGGER	
28	107104GT	OUTRIG TUBE ASSY,36",WRD DECAL		73	41491GT	CAM,DOUBLE LEFT	
29	107106GT	OUTRIG TUBE ASSY,40",ANSI,WRD		74	43624GT	CONTACT ASSY.,75",CE OUTRIGGER	
30	107101GT	OUTRIG. TUBE ASSY,20",ANSI,WRD		75	43625GT	CONTACT ASSY.,85",CE OUTRIGGER	
31	107103GT	OUTRIG TUBE ASSY,26",SYM DECAL					
32	107120GT	OUTRIG. TUBE ASSY,26",ANSI,SYM					
33	107105GT	OUTRIG TUBE ASSY,36",ANSI,SYM					
34	107107GT	OUTRIG TUBE ASSY,40",ANSI,SYM					
35	107111GT	OUTRIG TUBE ASSY,46",CSA,WRD					
36	107121GT	OUTRIG. TUBE ASSY,46",CSA,WRD					
37	107112GT	OUTRIG TUBE ASSY,60"CSA,WRD					
38	107108GT	OUTRIG TUBE ASSY,20",CE,SYM					
39	107109GT	OUTRIG TUBE ASSY,26",CE,SYM					
40	107110GT	OUTRIG TUBE ASSY,30.5",CE,SYM					
41	107122GT	OUTRIG. TUBE ASSY,30.5,CE,SYM					
42	107115GT	OUTRIG TUBE ASSY,36",CE,SYM					
43	107116GT	OUTRIG TUBE ASSY,40",CE,SYM					

205.3 Outrigger Assembly Cross Reference, RT_Narrow, AC, DC (to serial number AWP04-29899)

Applicable Standard / Region	AWP-15S	AWP-20S	AWP-25S	AWP-30S
ANSI				
Outrigger Assembly	38179	38179	38179	38180
Outrigger Tube Assembly	38183	38183	38183	38184
Base Interlock Bracket Assembly	40290	40290	40290	40291
Outrigger Contact Assembly	40494	40494	40494	40495
Outrigger Storage Bracket, Right	40504	40504	40504	40504
Outrigger Storage Bracket, Left	40505	40505	40505	40505
CSA (Canada)				
Outrigger Assembly	38179	38180	38181	40485
Outrigger Tube Assembly	38183	38184	38185	40490
Base Interlock Bracket Assembly	40290	40291	40292	43031
Outrigger Contact Assembly	40494	40495	40497	40499
Outrigger Storage Bracket, Right	40504	40504	43070	43070
Outrigger Storage Bracket, Left	40505	40505	43071	43071
CE (European) Indoor				
Outrigger Assembly	41961	41962	41962	43023
Outrigger Tube Assembly	41963	41964	41964	43026
Base Interlock Bracket Assembly	40290	40291	40291	40292
Outrigger Contact Assembly	40494	40495	40495	40497
Outrigger Storage Bracket, Right	40504	40504	40504	43070
Outrigger Storage Bracket, Left	40505	40505	40505	43071

Outrigger Assembly includes items 1 through 19

Outrigger Tube Assembly includes items 3 through 8

205.3 Outrigger Assembly Cross Reference, RT_Narrow, AC, DC (to serial number
AWP04-29899)

Item	Part No.	Description	Qty.
1	38179GT	OUTRIGGER ASSY.20"SUPER SERIES.....	4
2	38180GT	OUTRIGGER ASSY.26"SUPER SERIES	
3	38181GT	OUTRIGGER ASSY.36"SUPER SERIES	
4	38183GT	OUTRIGGER TUBE 20"SUPER SERIES.....	4
5	38184GT	OUTRIGGER TUBE 26"SUPER SERIES	
6	38185GT	OUTRIGGER TUBE 36"SUPER SERIES	
7	40290GT	BRKT.INTLCK.CONTC.20"OUTRIGGER.4	
8	40291GT	BRKT.INTLCK.CONTC.26"OUTRIGGER	
9	40292GT	BRKT.INTLCK.CONTC.36"OUTRIGGER	
10	40485GT	OUTRIGGER ASSY.46"SUPER SERIES	
11	40490GT	OUTRIGGER TUBE 46"SUPER SERIES	
12	40494GT	CONTACT ASSY., 20" OUTRIGGER.....	4
13	40495GT	CONTACT ASSY.,26" OUTRIGGER	
14	40497GT	CONTACT ASSY.,36" OUTRIGGER	
15	40499GT	CONTACT ASSY.,46" OUTRIGGER	
16	40504GT	O.R.STRG BRKT.W/DCL RH,NRRW/RT.....	4
17	40505GT	O.R.STRG BRKT W/DCL LH,NRRW/RT	
18	41961GT	OUTRIGGER ASSY.W/ 20" TUBE, CE	
19	41962GT	OUTRIGGER ASSY.W/ 26" TUBE, CE	
20	41963GT	OUTRIGGER,TUBE ASSY. 20", CE	
21	41964GT	OUTRIGGER,TUBE ASSY. 26", CE	
22	43023GT	OUTRIGGER ASSY 36" CE,S-SERIES	
23	43026GT	OUTRIGGER TUBE 36" CE,S-SERIES	
24	43031GT	BRKT.INTLCK.CONTC.46"OUTRIGGER	
25	43070GT	O.R.STRG BRKT.W/DCL RH,NRRW/RT	
26	43071GT	O.R.STRG BRKT W/DCL LH,NRRW/RT	

205.4 Outrigger Assembly Cross Reference, Narrow or RT Base (from serial number AWP04-29900)

Applicable Standard / Region	AWP-20S (AC or DC)	AWP-25S (AC or DC)	AWP-30S (AC or DC)	AWP-30S (Air)
ANSI (USA)				
Outrigger Assembly, Complete	107076	107076	107078	107095
Outrigger Tube Assembly (figure 204.1, item 6)	107100	107100	107102	107119
Interlock Bracket Assembly (figure 202.1 or 203.1, item 10)	40290	40290	40291	43006
Outrigger Contact Assembly (figure 204.1, item 4)	40494	40494	40495	107324
ANSI (Asia and South America)				
Outrigger Assembly, Complete	107077	107077	107079	107096
Outrigger Tube Assembly (figure 204.1, item 6)	107101	107101	107103	107120
Interlock Bracket Assembly (figure 202.1 or 203.1, item 10)	40290	40290	40291	43006
Outrigger Contact Assembly (figure 204.1, item 4)	40494	40494	40495	107325
CSA (Canada)				
Outrigger Assembly, Complete	107078	107080	107084	107097
Outrigger Tube Assembly (figure 204.1, item 6)	107102	107104	107111	107121
Interlock Bracket Assembly (figure 202.1 or 203.1, item 10)	40291	40292	43031	43010
Outrigger Contact Assembly (figure 204.1, item 4)	40495	40497	40499	107323
CE (European) Indoor				
Outrigger Assembly	107087	107087	107089	107098
Outrigger Tube Assembly (figure 204.1, item 6)	107109	107109	107115	107123
Interlock Bracket Assembly (figure 202.1 or 203.1, item 10)	40291	40291	40292	43008
Outrigger Contact Assembly (figure 204.1, item 4)	40495	40495	40497	107322

Outrigger Assembly includes items 1 through 20, figure 204.1

Outrigger Tube Assembly includes items 3 through 8, figure 204.1

205.4 Outrigger Assembly Cross Reference, Narrow or RT Base (from serial number
AWP04-29900)

Item	Part No.	Description	Qty.
1	40290GT	BRKT.INTLCK.CONTC.20"OUTRIGGER	
2	40291GT	BRKT.INTLCK.CONTC.26"OUTRIGGER	
3	40292GT	BRKT.INTLCK.CONTC.36"OUTRIGGER	
4	40494GT	CONTACT ASSY., 20" OUTRIGGER	
5	40495GT	CONTACT ASSY,26" OUTRIGGER	
6	40497GT	CONTACT ASSY.,36" OUTRIGGER	
7	40499GT	CONTACT ASSY.,46" OUTRIGGER	
8	43006GT	BRKT.INTERLOCK ASSY,26"-AIR	
9	43008GT	BRKT.INTERLOCK ASSY,36"-AIR	
10	43010GT	BRKT.INTERLOCK ASSY,46"-AIR	
11	43031GT	BRKT.INTLCK.CONTC.46"OUTRIGGER	
14	107076GT	OUTRIGGER ASSY,20", WRD DECALS.....	4
15	107077GT	OUTRIGGER ASSY,20", SYM DECALS.....	4
16	107078GT	OUTRIGGER ASSY,26", WRD DECALS.....	4
17	107079GT	OUTRIGGER ASSY,26",SYM DECALS.....	4
18	107080GT	OUTRIGGER ASSY,36",WRD DECALS.....	4
19	107084GT	OUTRIGGER ASSY,46",WRD DECALS.....	4
20	107087GT	OUTRIGGER ASSY,CE,26",SYM.....	4
21	107089GT	OUTRIGGER ASSY,CE,36",SYM.....	4
24	107095GT	OUTRIGGER ASSY,AIR,26",WRD.....	4
25	107096GT	OUTRIGGER ASSY,AIR,26",SYM.....	4
26	107097GT	OUTRIGGER ASSY,AIR,46",WRD.....	4
27	107098GT	OUTRIGGER ASSY,AIR,36",CE,SYM....	4
29	107100GT	OUTRIG.TUBE ASSY,20",ANSI,WRD	
30	107101GT	OUTRIG.TUBE ASSY,20",ANSI,WRD	
31	107102GT	OUTRIG TUBE ASSY,26"CSA,WRD	
32	107103GT	OUTRIG TUBE ASSY,26",SYM DECAL	
33	107104GT	OUTRIG TUBE ASSY,36",WRD DECAL	
34	107109GT	OUTRIG TUBE ASSY,26",CE,SYM	
35	107111GT	OUTRIG TUBE ASSY,46",CSA,WRD	
38	107115GT	OUTRIG TUBE ASSY,36",CE,SYM	
39	107119GT	OUTRIG TUBE ASSY,26",ANSI,WRD	
40	107120GT	OUTRIG. TUBE ASSY,26",ANSI,SYM	
41	107121GT	OUTRIG. TUBE ASSY,46",CSA,WRD	
42	107123GT	OUTRIG. TUBE ASSY,36",CE,SYM	
44	107322GT	OUTRIG CONTACT ASSY, AIR	
45	107323GT	OUTRIG CONTACT ASSY, AIR	
46	107324GT	OUTRIG CONTACT ASSY, AIR	
47	107325GT	OUTRIG CONTACT ASSY, AIR	

205.5 Outrigger Assembly Cross Reference, Standard Base, Air Powered (to serial number AWP04-29899)

Applicable Standard	AWP-15S	AWP-20S	AWP-25S	AWP-30S	AWP-36S	AWP-40S
ANSI						
Outrigger Assembly	41975	41975	41975	41976	41977	41978
Outrigger Tube Assembly	41990	41990	41990	41991	41992	43004
Base Interlock Bracket Assembly	43005	43005	43005	43006	43008	43009
Outrigger Interlock Cam (item 4)	40953	40953	40953	40954	40955	40954
Outrigger Storage Bracket	40286	40286	40286	40286	40286	40286
CSA (Canada)						
Outrigger Assembly	41975	41976	41977	41979	41980	41980
Outrigger Tube Assembly	41990	41991	41992	41993	41994	41994
Base Interlock Bracket Assembly	43005	43006	43008	43010	43011	43011
Outrigger Contact Assembly	40953	40954	40955	40953	41492	41492
Outrigger Storage Bracket	40286	40286	43069	43068	43068	43068
CE (European) Indoor						
Outrigger Assembly	41981	41981	41982	41983	41984	41985
Outrigger Tube Assembly	41995	41995	41996	41997	41998	41999
Base Interlock Bracket Assembly	43005	43005	43006	43007	43008	43009
Outrigger Interlock Cam (item 4)	40953	40953	40954	40955	40955	40954
Outrigger Storage Bracket	40286	40286	40286	43069	40286	40286
CE (European) Outdoor						
Outrigger Assembly	1258598	1258598	41987	41987	41988	41989
Outrigger Tube Assembly	1258602	1258602	1258603	1258603	1258604	43003
Base Interlock Bracket Assembly	43010	43010	43011	43011	43008	43009
Outrigger Interlock Cam (item 4)	40953	40953	41491	41491	40955	41625
Outrigger Storage Bracket	40286	40286	40286	43069	40286	40286

Outrigger Assembly includes items 1 through 20

Outrigger Tube Assembly includes items 3, 4, 7 and 8

205.5 Outrigger Assembly Cross Reference, Standard Base, Air Powered (to serial number AWP04-29899)

Item	Part No.	Description	Qty.	Item	Part No.	Description	Qty.
1	40286GT	WELDM.OUTRIG.STRG.BRKT.W/DECAL	4	44	1258602GT	OUTRIGGER TUBE,AWP-AIR,46",CE	
2	40953GT	CAM,RIGHT.....4		45	1258603GT	OUTRIGGER TUBE,AWP-AIR,60",CE	
3	40954GT	CAM,MIDDLE		46	1258604GT	OUTRIGGER TUBE,AWP-AIR,75",CE	
4	40955GT	CAM,LEFT					
5	41491GT	CAM,DOUBLE LEFT					
6	41492GT	CAM,DOUBLE RIGHT%%					
7		CAM,FULL (41625) (component no longer available)					
8	41975GT	OUTRIGGER ASSY,AIR,20"S-SERIES...4					
9	41976GT	OUTRIGGER ASSY,AIR,26"S-SERIES					
10	41977GT	OUTRIGGER ASSY,AIR,36"S-SERIES					
11	41978GT	OUTRIGGER ASSY,AWP-AIR,40"					
12	41979GT	OUTRIGGER ASSY,AWP-AIR,46"					
13	41980GT	OUTRIGGER ASSY,AWP-AIR,60"					
14	41981GT	OUTRIGGER ASSY,AIR,20",CE,					
15	41982GT	OUTRIGGER ASSY,AIR,26",CE					
16	41983GT	OUTRIGGER ASSY,AWP-AIR,30.5"CE					
17	41984GT	OUTRIGGER ASSY,AWP-AIR,36",CE					
18	41985GT	OUTRIGGER ASSY,AWP-AIR,40",CE					
19	41987GT	OUTRIGGER ASSY,AWP-AIR,60",CE					
20	41988GT	OUTRIGGER ASSY,AWP-AIR,75",CE					
21	41989GT	OUTRIGGER ASSY,AWP-AIR,85",CE					
22	41990GT	OUTRIGGER TUBE,AIR,20"S-SERIES...4					
23	41991GT	OUTRIGGER TUBE,AWP-AIR,26"					
24	41992GT	OUTRIGGER TUBE,AIR,36"S-SERIES					
25	41993GT	OUTRIGGER TUBE,AWP-AIR,46"					
26	41994GT	OUTRIGGER TUBE,AWP-AIR,60"					
27	41995GT	OUTRIGGER TUBE,AIR,20",CE					
28	41996GT	OUTRIGGER TUBE,AIR,26",CE					
29	41997GT	OUTRIGGER TUBE,AWP-AIR,30.5"CE					
30	41998GT	OUTRIGGER TUBE,AWP-AIR,36",CE					
31	41999GT	OUTRIGGER TUBE,AWP-AIR,40",CE					
32	43003GT	OUTRIGGER TUBE,AWP-AIR,85",CE					
33	43004GT	OUTRIGGER TUBE,AWP-AIR,40"					
34	43005GT	BRKT.INTERLOCK ASSY,20"-AIR.....4					
35	43006GT	BRKT.INTERLOCK ASSY,26"-AIR					
36	43007GT	BRKT.INTERLOCK ASSY,30.5"-AIR					
37	43008GT	BRKT.INTERLOCK ASSY,36"-AIR					
38	43009GT	BRKT.INTERLOCK ASSY,40"-AIR					
39	43010GT	BRKT.INTERLOCK ASSY,46"-AIR					
40	43011GT	BRKT.INTERLOCK ASSY,60"-AIR					
41	43068GT	WELDM.OUTRIG.STRG.BRKT.W/DECAL					
42	43069GT	WELDM.OUTRIG.STRG.BRKT.W/DECAL					
43	1258598GT	OUTRIGGER ASSY,AWP-AIR,46",CE.....4					

205.6 Outrigger Assembly Cross Reference, Narrow or RT Base, Air Powered (to serial number AWP04-29899)

Applicable Standard	AWP-15S	AWP-20S	AWP-25S	AWP-30S
ANSI				
Outrigger Assembly	41975	41975	41975	41976
Outrigger Tube Assembly	41990	41990	41990	41991
Base Interlock Bracket Assembly	43005	43005	43005	43006
Outrigger Interlock Cam (item 4)	40953	40953	40953	40954
Outrigger Storage Bracket, Right	40504	40504	40504	40504
Outrigger Storage Bracket, Left	40505	40505	40505	40505
CSA (Canada)				
Outrigger Assembly	41975	41976	41977	41979
Outrigger Tube Assembly	41990	41991	41992	41993
Base Interlock Bracket Assembly	43005	43006	43008	43010
Outrigger Interlock Cam (item 4)	40953	40954	40955	40953
Outrigger Storage Bracket, Right	40504	40504	43070	43070
Outrigger Storage Bracket, Left	40505	40505	43071	43071
CE (European) Indoor				
Outrigger Assembly	41981	41982	41982	41984
Outrigger Tube Assembly	41995	41996	41996	41998
Base Interlock Bracket Assembly	43005	43006	43006	43008
Outrigger Interlock Cam (item 4)	40953	40954	40954	40955
Outrigger Storage Bracket, Right	40504	40504	40504	43070
Outrigger Storage Bracket, Left	40505	40505	40505	43071

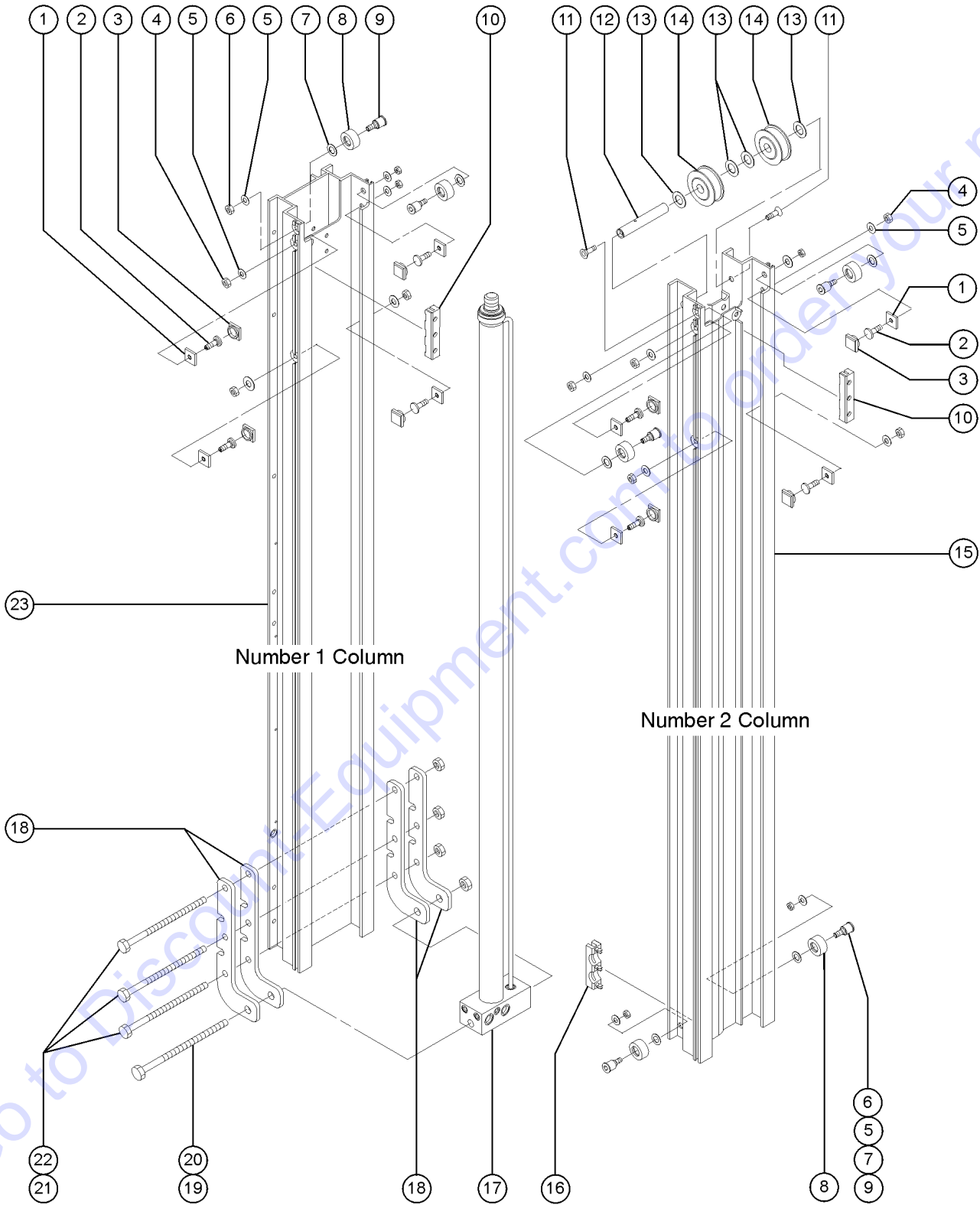
Outrigger Assembly includes items 1 through 20

Outrigger Tube Assembly includes items 3, 4, 7, and 8

205.6 Outrigger Assembly Cross Reference, Narrow or RT Base, Air Powered (to serial number AWP04-29899)

Item	Part No.	Description	Qty.
1	40504GT	O.R.STRG BRKT.W/DCL RH,NRRW/RT.....4	4
2	40505GT	O.R.STRG BRKT W/DCL LH,NRRW/RT	
3	40953GT	CAM,RIGHT.....4	4
4	40954GT	CAM,MIDDLE	
5	40955GT	CAM,LEFT	
6	41975GT	OUTRIGGER ASSY,AIR,20"S-SERIES...4	4
7	41976GT	OUTRIGGER ASSY,AIR,26"S-SERIES	
8	41977GT	OUTRIGGER ASSY,AIR,36"S-SERIES	
9	41979GT	OUTRIGGER ASSY,AWP-AIR,46"	
10	41981GT	OUTRIGGER ASSY,AIR,20",CE,	
11	41982GT	OUTRIGGER ASSY,AIR,26",CE	
12	41984GT	OUTRIGGER ASSY,AWP-AIR,36",CE	
13	41990GT	OUTRIGGER TUBE,AIR,20"S-SERIES...4	4
14	41991GT	OUTRIGGER TUBE,AWP-AIR,26"	
15	41992GT	OUTRIGGER TUBE,AIR,36"S-SERIES	
16	41993GT	OUTRIGGER TUBE,AWP-AIR,46"	
17	41995GT	OUTRIGGER TUBE,AIR,20",CE	
18	41996GT	OUTRIGGER TUBE,AIR,26",CE	
19	41998GT	OUTRIGGER TUBE,AWP-AIR,36",CE	
20	43005GT	BRKT.INTERLOCK ASSY,20"-AIR.....4	4
21	43006GT	BRKT.INTERLOCK ASSY,26"-AIR	
22	43008GT	BRKT.INTERLOCK ASSY,36"-AIR	
23	43010GT	BRKT.INTERLOCK ASSY,46"-AIR	
24	43070GT	O.R.STRG BRKT.W/DCL RH,NRRW/RT	
25	43071GT	O.R.STRG BRKT W/DCL LH,NRRW/RT	

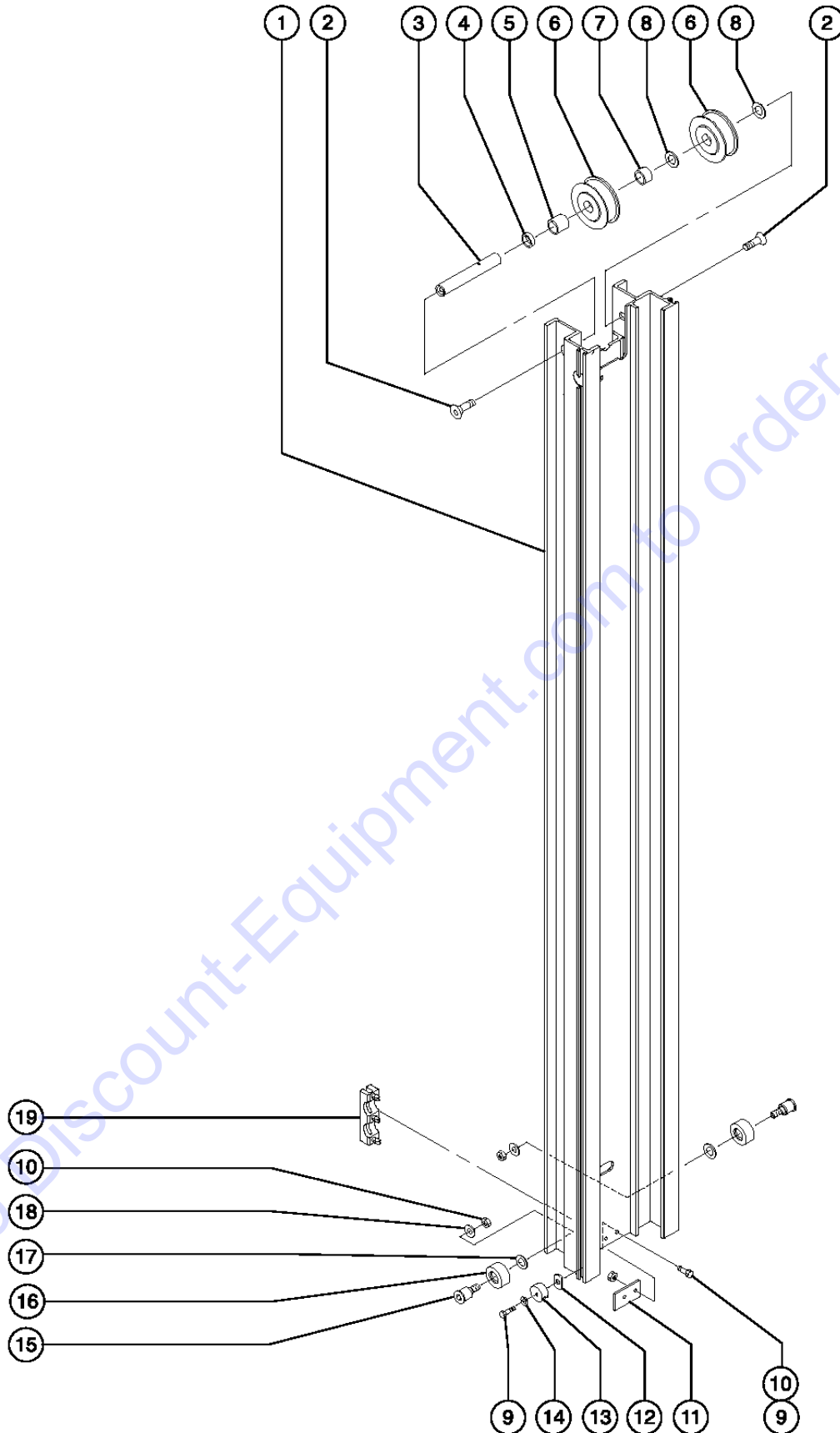
301.1 Number 1 and 2 Column Assemblies, All Models



301.1 Number 1 and 2 Column Assemblies, All Models

Item	Part No.	Description	Qty.
--	90337GT	BOE LUBE.....1 <i>lubricant</i>	1
1	38013GT	SHIM NUT,ADJUSTER.....8	8
2	40946GT	BOLT,SHIM.....8	8
3	38011GT	SHIM,SIDE PAD.....8	8
4	6022GT	NUT,HEX,3/8-16	
5	6097GT	WASHER,FLAT,USS,3/8",Y	
6	7713GT	NUT, LP NYLOCK, 3/8-16	
7	6052GT	WASHER,SHIM,.5 X .875 X .063	
8	38016GT	ROLLER,PLASTIC,AWP96**.....6	6
9	35706GT	BOLT,ROLLER,.470"(SHORT).....6	6
10	35709GT	BLOCK,SLIDE,UPPER.....2	2
11	45425GT	SCREW,FHS,3/8-16 X .75	
12	35707GT	SHAFT,LIFTING CHAINS,20MM DIA.....1	1
13	38709GT	WASHER,SHIM,.938 X 1.37 X .048	
14	38447GT	PULLEY W/BEARINGS.....2	2
15	35757GT	COLUMN, 72.5"SS (#2).....1 <i>AWP-15S, AWP-20S, AWP-25S, AWP-30S (column 2)</i>	1
15A	35771GT	COLUMN, 104.5"SS (#2) <i>AWP-36S and AWP-40S (column 2)</i>	
16	35710GT	BLOCK,SLIDE,LOWER.....1	1
17		Ref. Lift Cylinder <i>(refer to figure 601.1)</i>	
18	35727PGT	PLATE,CYLINDER MOUNT,PAINTED....4	4
19	1268235GT	SCREW,HHC,5/8-11 X 8.00	
20	38028GT	NUT,LP NYLOCK,5/8-11	
21	38601GT	SCREW,HHC,1/2-13 X 7.5	
22	6086GT	NUT,LP NYLOCK,1/2-13.....3 <i>AWP-15S, AWP-20S, AWP-25S, AWP-30S (column 1)</i>	3
23	40478GT	COLUMN ASSY, 72.5"SS (#1).....1 <i>AWP-15S, AWP-20S, AWP-25S, AWP-30S (column 1)</i>	1
23A	40479GT	COLUMN ASSY, 104.5"SS (#1) <i>AWP-36S and AWP-40S (column 1)</i>	

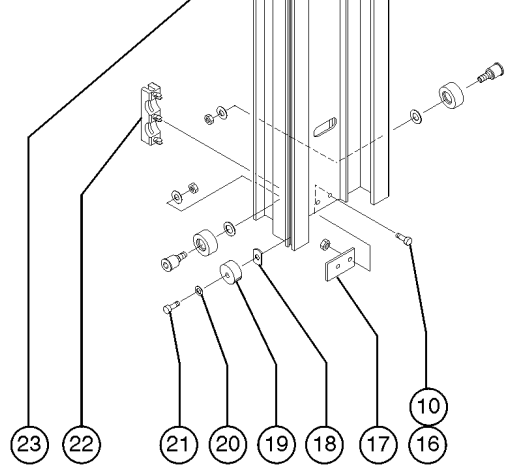
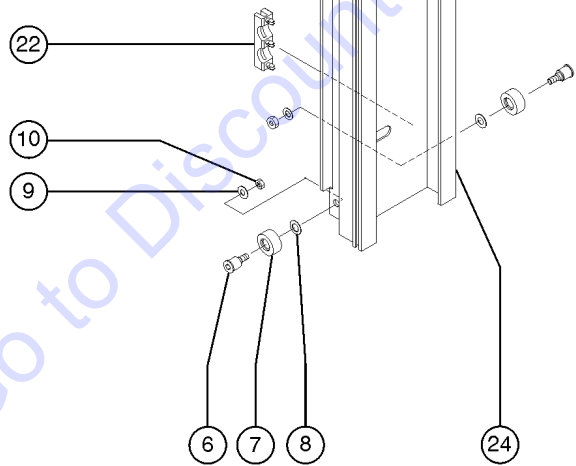
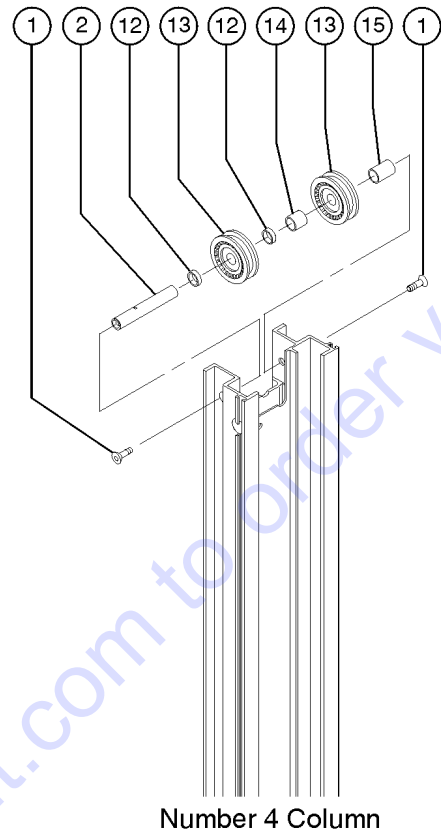
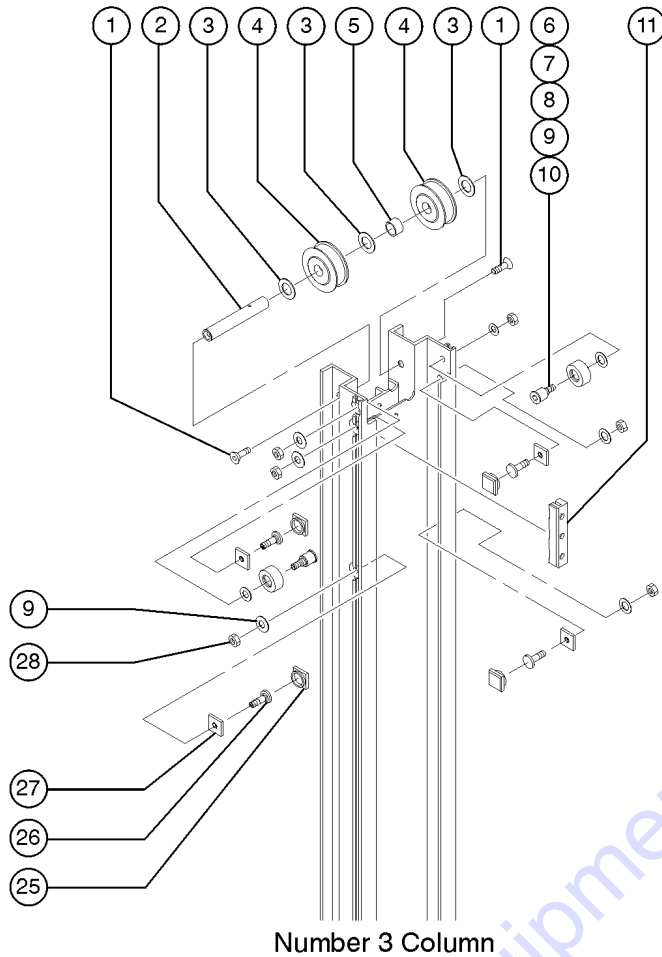
302.1 Number 3 Column Assembly, AWP-15S



302.1 Number 3 Column Assembly, AWP-15S

Item	Part No.	Description	Qty.
1	35760GT	COLUMN, 72.5"SS (#3 OR #5)*** <i>(column 3)</i>	1
2	45425GT	SCREW,FHS,3/8-16 X .75	
3	35707GT	SHAFT,LIFTING CHAINS,20MM DIA.....	1
4	35722GT	SPACER,SHAFT,.310.....	1
5	35711GT	SPACER,SHAFT,.840"LG.....	1
6	38447GT	PULLEY W/BEARINGS..... <i>(large chain) (3 inches)</i>	2
7	38316GT	SPACER,.560 AWP MAST.....	1
8	38709GT	WASHER,SHIM,.938 X 1.37 X .048	
9	8255GT	SCREW,HHC,3/8-16 X .75	
10	7713GT	NUT, LP NYLOCK, 3/8-16	
11	40627-SGT	PLATE,HOLD DOWN REINFORCEMENT.....	1
12	35991GT	NUT,WELD 1/4-20, PLATED L.L.**	
13	38983GT	BUMPER,MAST,RH.....	1
14	6638GT	WASHER,FLAT,USS,1/4"Y	
15	35706GT	BOLT,ROLLER,.470"(SHORT).....	2
16	38016GT	ROLLER,PLASTIC,AWP96**.....	2
17	6052GT	WASHER,SHIM,.5 X .875 X .063	
18	5397GT	WASHER,FLAT,USS,5/16",Y	
19	35710GT	BLOCK,SLIDE,LOWER.....	1

303.1 Number 3 and 4 Column Assemblies, AWP-20S



303.1 Number 3 and 4 Column Assemblies, AWP-20S

Item	Part No.	Description	Qty.
1	45425GT	SCREW,FHS,3/8-16 X .75	
2	35707GT	SHAFT,LIFTING CHAINS,20MM DIA.....2	
3	38709GT	WASHER,SHIM,.938 X 1.37 X .048	
4	38447GT	PULLEY W/BEARINGS.....2	
5	38316GT	SPACER,.560 AWP MAST.....1	
6	35706GT	BOLT,ROLLER,.470"(SHORT).....6	
7	80938GT	WHEEL, NYLON ROLLER.....6	
8	6052GT	WASHER,SHIM,.5 X .875 X .063	
9	6097GT	WASHER,FLAT,USS,3/8",Y	
10	7713GT	NUT, LP NYLOCK, 3/8-16	
11	35709GT	BLOCK,SLIDE,UPPER.....1	
12	35722GT	SPACER,SHAFT,.310.....2	
13	35715GT	PULLEY,SMALL CHAIN.....2	
14	35711GT	SPACER,SHAFT,.840"LG.....1	
15	37686GT	SPACER,SHAFT,1.400.....1	
16	8255GT	SCREW,HHC,3/8-16 X .75	
17	40627-SGT	PLATE,HOLD DOWN REINFORCEMENT.....1	
18	35991GT	NUT,WELD 1/4-20, PLATED L.L.**	
19	38983GT	BUMPER,MAST,RH.....1	
20	6638GT	WASHER,FLAT,USS,1/4"Y	
21	6090GT	SCREW,HHC,1/4-20 X .75	
22	35710GT	BLOCK,SLIDE,LOWER.....2	
23	35761GT	COLUMN, 72.5"SS (#4 OR #6)***.....1 (column 4)	
24	35758GT	COLUMN, 72.5"SS (#3 OR #5)***.....1	
25	38011GT	SHIM,SIDE PAD.....4 (column 3)	
26	40946GT	BOLT,SHIM.....4	
27	38013GT	SHIM NUT,ADJUSTER	
28	6022GT	NUT,HEX,3/8-16	

PARTS FINDER

**Search Website
by Part Number**



**Search Manual
Library For Parts
Manual & Lookup Part
Numbers – Purchase
or Request Quote**

Search Manuals

Enter your information to help us find the right parts manual for your machine.

* Brand:

* Model:

* Serial:

* Part Number:

SEARCH

**Can't Find Part or
Manual? Request Help
by Manufacturer,
Model & Description**

Parts Order Form

Please fill in the following information to help us find the right part for your machine.

Manufacturer:	<input type="text"/>
Model:	<input type="text"/>
Description:	<input type="text"/>
Part Number:	<input type="text"/>
Quantity:	<input type="text"/>
Notes:	<input type="text"/>

Submit

Discount-Equipment.com is your online resource for quality parts & equipment.

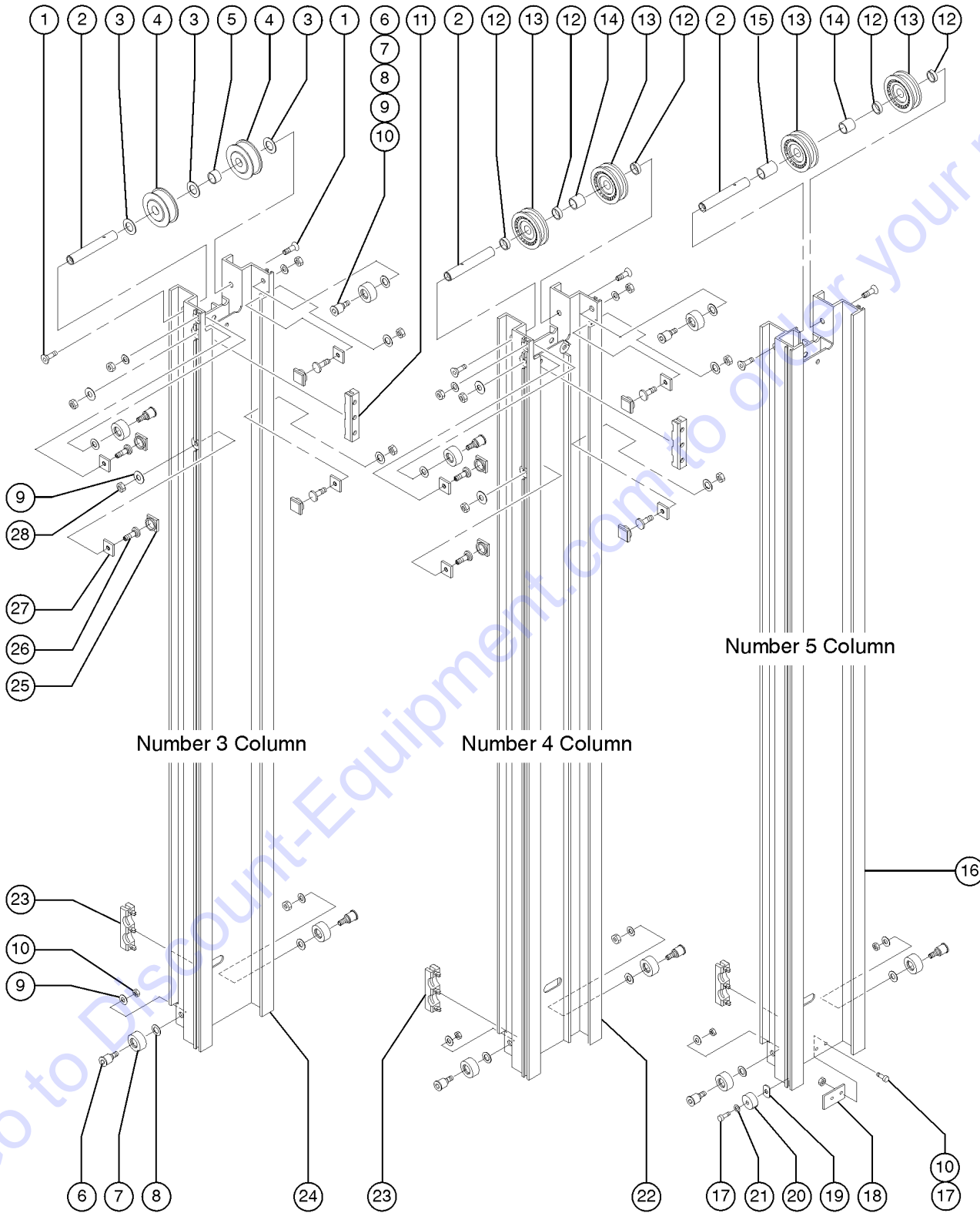
Florida: **561-964-4949** Outside Florida TOLL FREE: **877-690-3101**

Need parts?

Click on this link: <http://www.discount-equipment.com/category/5443-parts/> and choose one of the options to help get the right parts and equipment you are looking for. Please have the machine model and serial number available in order to help us get you the correct parts. If you don't find the part on the website or on one of the online manuals, please fill out the request form and one of our experienced staff members will get back to you with a quote for the right part that your machine needs.

We sell worldwide for the brands: Genie, Terex, JLG, MultiQuip, Mikasa, Essick, Whiteman, Mayco, Toro Stone, Diamond Products, Generac Magnum, Airman, Haulotte, Barreto, Power Blanket, Nifty Lift, Atlas Copco, Chicago Pneumatic, Allmand, Miller Curber, Skyjack, Lull, Skytrak, Tsurumi, Husquvarna Target, Stow, Wacker, Sakai, Mi-T-M, Sullair, Basic, Dynapac, MBW, Weber, Bartell, Bennar Newman, Haulotte, Ditch Runner, Menegotti, Morrison, Contec, Buddy, Crown, Edco, Wyco, Bomag, Laymor, EZ Trench, Bil-Jax, F.S. Curtis, Gehl Pavers, Heli, Honda, ICS/PowerGrit, IHI, Partner, Imer, Clipper, MMD, Koshin, Rice, CH&E, General Equipment, Amida, Coleman, NAC, Gradall, Square Shooter, Kent, Stanley, Tamco, Toku, Hatz, Kohler, Robin, Wisconsin, Northrock, Oztec, Toker TK, Rol-Air, APT, Wylie, Ingersoll Rand / Doosan, Innovatech, Con X, Ammann, Mecalac, Makinex, Smith Surface Prep, Small Line, Wanco, Yanmar

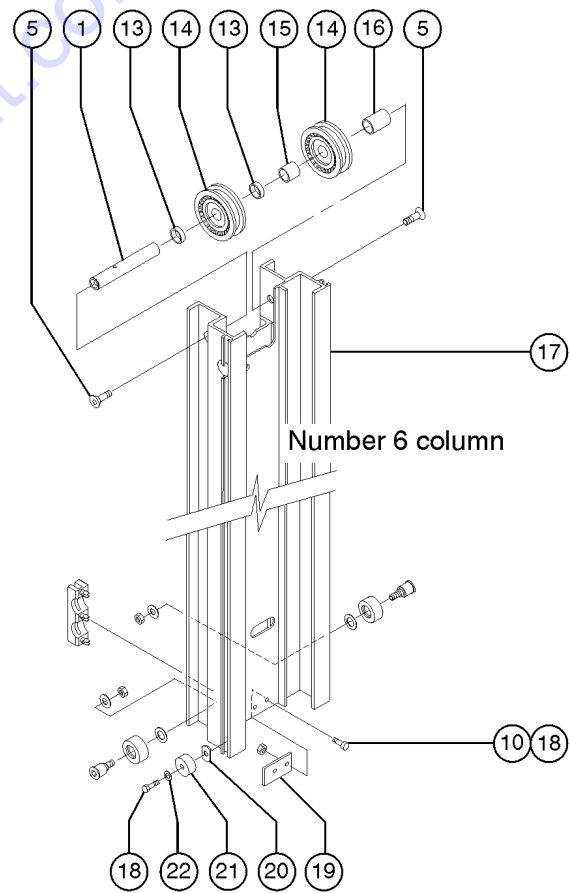
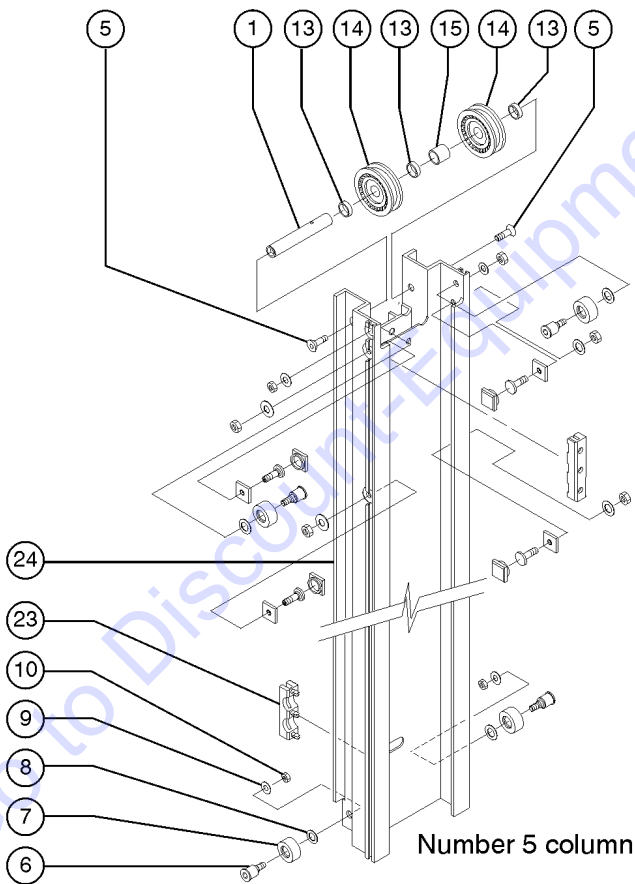
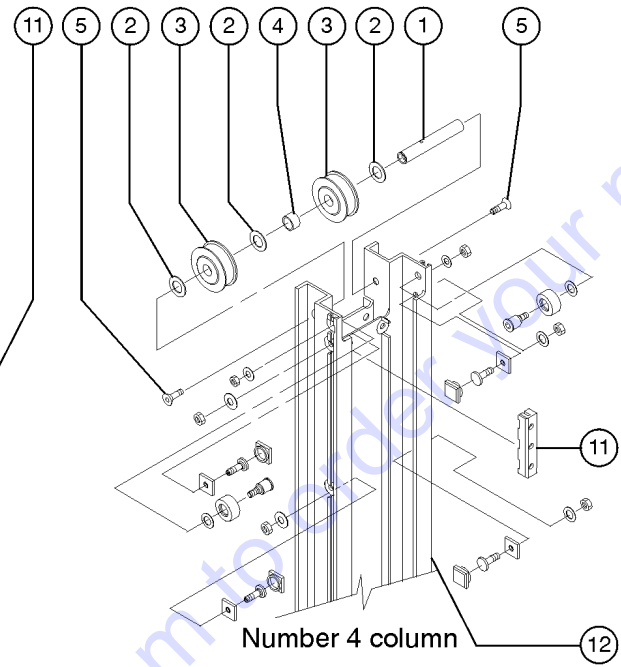
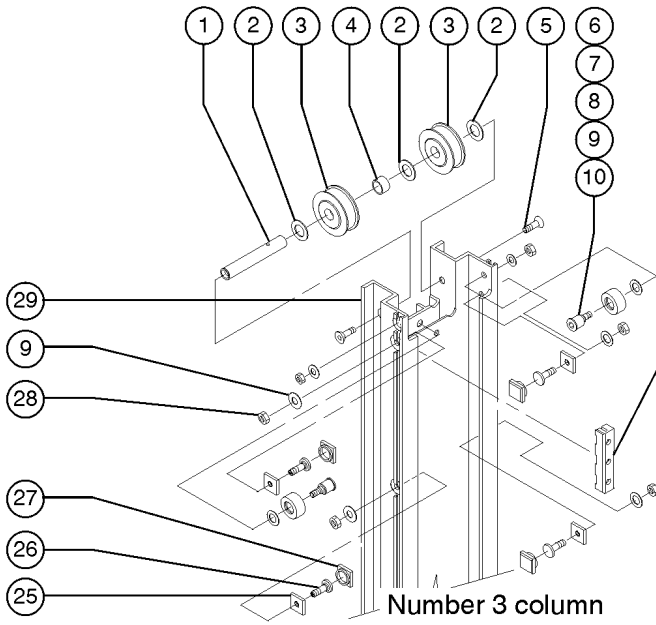
304.1 Number 3, 4 and 5 Column Assemblies, AWP-25S and AWP-36S



304.1 Number 3, 4 and 5 Column Assemblies, AWP-25S and AWP-36S

Item	Part No.	Description	Qty.
1	45425GT	SCREW,FHS,3/8-16 X .75	
2	35707GT	SHAFT,LIFTING CHAINS,20MM DIA.....3	
3	38709GT	WASHER,SHIM,.938 X 1.37 X .048.....3	
4	38447GT	PULLEY W/BEARINGS.....2	
5	38316GT	SPACER,.560 AWP MAST.....1	
6	35706GT	BOLT,ROLLER,.470"(SHORT).....10	
7	38016GT	ROLLER,PLASTIC,AWP96**.....10	
8	6052GT	WASHER,SHIM,.5 X .875 X .063	
9	6097GT	WASHER,FLAT,USS,3/8",Y	
10	7713GT	NUT, LP NYLOCK, 3/8-16	
11	35709GT	BLOCK,SLIDE,UPPER.....2	
12	35722GT	SPACER,SHAFT,.310.....5	
13	35715GT	PULLEY,SMALL CHAIN.....4	
14	35711GT	SPACER,SHAFT,.840"LG.....2	
15	37686GT	SPACER,SHAFT,1.400.....1	
16	35760GT	COLUMN, 72.5"SS (#3 OR #5)***.....1 <i>AWP-25S (column 5)</i>	
16A	35774GT	COLUMN, 104.5"SS (#5)*** <i>AWP-36S (column 5)</i>	
17	8255GT	SCREW,HHC,3/8-16 X .75	
18	40627-SGT	PLATE,HOLD DOWN REINFORCEMENT.....1	
19	35991GT	NUT,WELD 1/4-20, PLATED L.L.**.....1	
20	38983GT	BUMPER,MAST,RH.....1	
21	6638GT	WASHER,FLAT,USS,1/4"Y.....2	
22	35759GT	COLUMN, 72.5"SS (#4)***.....1 <i>AWP-25S (column 4)</i>	
22A	35773GT	COLUMN, 104.5"SS (#4) <i>AWP-36S (column 4)</i>	
23	35710GT	BLOCK,SLIDE,LOWER.....3	
24	35758GT	COLUMN, 72.5"SS (#3 OR #5)***.....1 <i>AWP-25S (column 3)</i>	
24A	35772GT	COLUMN, 104.5"SS (#3 OR #5)*** <i>AWP-36S (column 3)</i>	
25	38011GT	SHIM,SIDE PAD.....8	
26	40946GT	BOLT,SHIM.....8	
27	38013GT	SHIM NUT,ADJUSTER.....8	
28	46017GT	NUT,HEX,JAM,LP 3/8-16,	

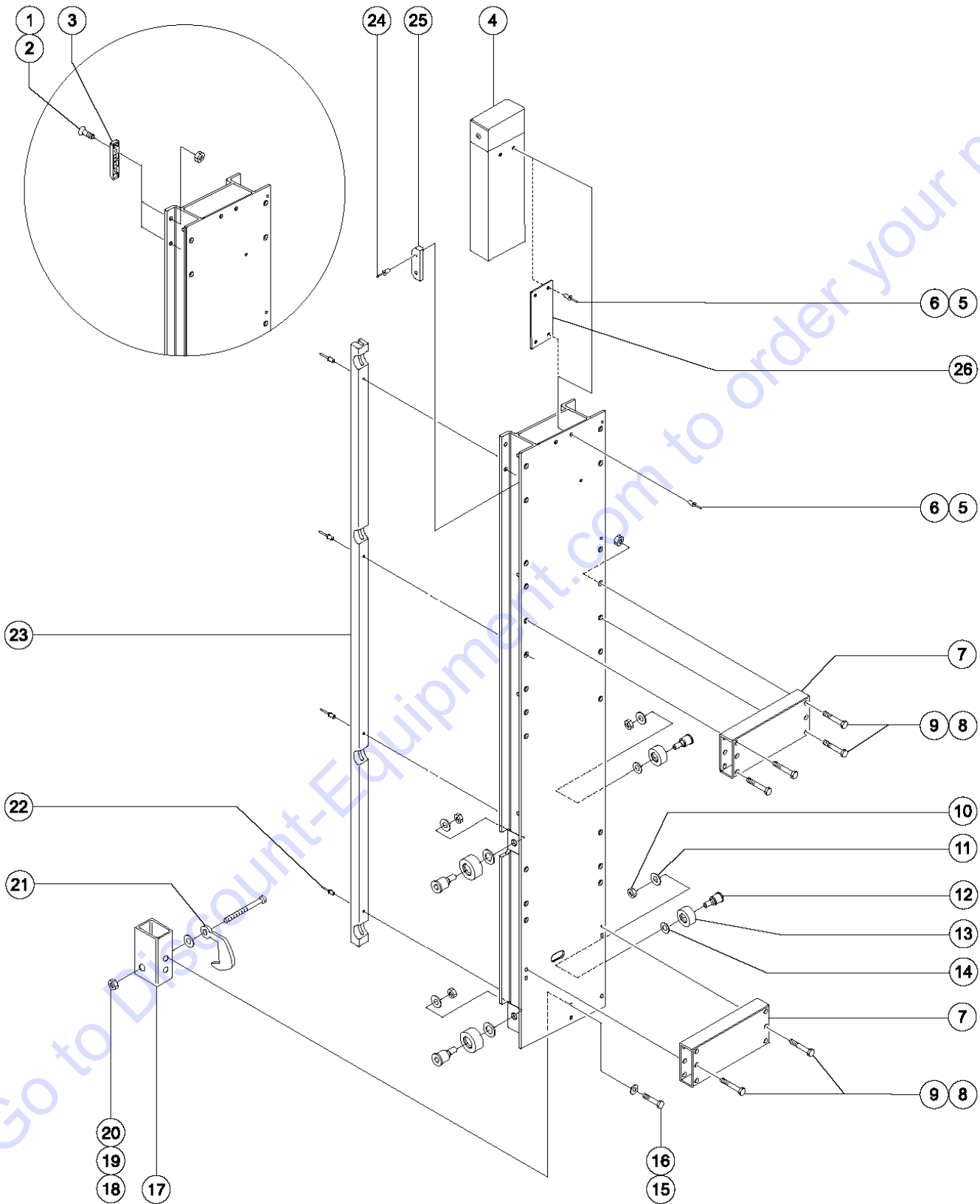
305.1 Number 3, 4, 5 and 6 Column Assemblies, AWP-30S and AWP-40S



305.1 Number 3, 4, 5 and 6 Column Assemblies, AWP-30S and AWP-40S

Item	Part No.	Description	Qty.
1	35707GT	SHAFT,LIFTING CHAINS,20MM DIA.....	4
2	38709GT	WASHER,SHIM,.938 X 1.37 X .048.....	6
3	38447GT	PULLEY W/BEARINGS.....	4
4	38316GT	SPACER,.560 AWP MAST.....	2
5	45425GT	SCREW,FHS,3/8-16 X .75	
6	35706GT	BOLT,ROLLER,.470"(SHORT).....	14
7	38016GT	ROLLER,PLASTIC,AWP96**.....	14
8	6052GT	WASHER,SHIM,.5 X .875 X .063	
9	6097GT	WASHER,FLAT,USS,3/8",Y	
10	7713GT	NUT, LP NYLOCK, 3/8-16	
11	35709GT	BLOCK,SLIDE,UPPER.....	3
12	35759GT	COLUMN, 72.5"SS (#4)***.....	1
		<i>AWP-30S (column 4)</i>	
12A	35773GT	COLUMN, 104.5"SS (#4) <i>AWP-40S (column 4)</i>	
13	35722GT	SPACER,SHAFT,.310.....	5
14	35715GT	PULLEY,SMALL CHAIN.....	4
15	35711GT	SPACER,SHAFT,.840"LG.....	2
16	37686GT	SPACER,SHAFT,1.400.....	1
17	35761GT	COLUMN, 72.5"SS (#4 OR #6)***.....	1
		<i>AWP-30S (column 6)</i>	
17A	35775GT	COLUMN, 104.5"SS (#6) <i>AWP-40S (column 6)</i>	
18	8255GT	SCREW,HHC,3/8-16 X .75.....	3
19	40627-SGT	PLATE,HOLD DOWN REINFORCEMENT.....	1
20	35991GT	NUT,WELD 1/4-20, PLATED L.L.**.....	1
21	38983GT	BUMPER,MAST,RH.....	1
22	6638GT	WASHER,FLAT,USS,1/4"Y	
23	35710GT	BLOCK,SLIDE,LOWER.....	3
24	35758GT	COLUMN, 72.5"SS (#3 OR #5)***.....	1
		<i>AWP-30S (column 5)</i>	
24A	35772GT	COLUMN, 104.5"SS (#3 OR #5)*** <i>AWP-40S (column 5)</i>	
25	38013GT	SHIM NUT,ADJUSTER.....	12
26	40946GT	BOLT,SHIM.....	12
27	38011GT	SHIM,SIDE PAD.....	12
28	6022GT	NUT,HEX,3/8-16	
29	35758GT	COLUMN, 72.5"SS (#3 OR #5)***.....	1
		<i>AWP-30S (column 3)</i>	
29A	35772GT	COLUMN, 104.5"SS (#3 OR #5)*** <i>AWP-40S (column 3)</i>	

306.1 Carriage Assembly



306.1 Carriage Assembly

Item	Part No.	Description	Qty.	Item	Part No.	Description	Qty.
--	40288GT	CARRIAGE ASSY,-20S,-30S,WORDS* (assemblies with word decals) (Asia, South America and Europe) (to SN AWP04-29899) (includes items 4-9, and 15-16)		--	40429GT	CARRIAGE ASSY. AWP-40S (Canada) (includes items 4-9, 15-16 and 19)	
--	40288GT	CARRIAGE ASSY,-20S,-30S,WORDS* (assemblies with word decals) (USA, Australia) (includes items 4-9, and 15-16)		--	107021GT	CARRIAGE ASY,-20,-30,FBRG,WRD* (Canada) (includes items 4-9, 15-16 and 19)	
--	40287GT	CARRIAGE ASY,-15,-25,-36,WRDS* (assemblies with word decals) (Asia, South America and Europe) (to SN AWP04-29899)		--	69234GT	CARRIAGE ASY,-15,-25,-36,WRDS* (Canada) (includes items 4-9, 15-16 and 19)	
--	40287GT	CARRIAGE ASY,-15,-25,-36,WRDS* (assemblies with word decals) (USA, Australia)		--	69236GT	CARRIAGE ASSY W/DEC AWPS** (Canada) (includes items 4-9, 15-16 and 19)	
--	40429GT	CARRIAGE ASSY. AWP-40S (assemblies with word decals) (Asia, South America and Europe) (to SN AWP04-29899) (includes items 4-9, and 15-16)		--	85243GT	CARRIAGE ASSY,-20S,-30S,SYM (assemblies with symbol decals) (Asia, South America and Europe) (from SN AWP-29900) (includes items 4-9 and 15-16)	
--	40429GT	CARRIAGE ASSY. AWP-40S (assemblies with word decals) (USA, Australia) (includes items 4-9, and 15-16)		--	85241GT	CARRIAGE ASSY,-15,-25,-36,SYM (assemblies with symbol decals) (Asia, South America and Europe) (from SN AWP-29900) (includes items 4-9 and 15-16)	
--	69235GT	CARRIAGE ASSY,-20S,-30S,WORDS* (assemblies with word decals) (Asia, South America and Europe) (to SN AWP04-29899) (includes items 4-9, 15-16 and 19)		--	107256GT	CARRIAGE ASSY, AWP, ALUM PLAT (assemblies with symbol decals) (Asia, South America and Europe) (from SN AWP-29900) (includes items 4-9 and 15-16)	
--	69235GT	CARRIAGE ASSY,-20S,-30S,WORDS* (assemblies with word decals) (USA, Australalia) (includes items 4-9, 15-16 and 19)		--	85244GT	CARRIAGE ASSY,-20S,-30S,SYM (assemblies with symbol decals) (Asia, South America and Europe) (from SN AWP04-29900) (includes items 4-9, 15-16 and 19)	
--	69233GT	CARRIAGE ASY,-15,-25,-36,WRDS* (assemblies with word decals) (Asia, South America and Europe) (to SN AWP04-29899) (includes items 4-9, 15-16 and 19)		--	85242GT	CARRIAGE ASSY,-15,-25,-36,SYM (assemblies with symbol decals) (Asia, South America and Europe) (from SN AWP04-29900) (includes items 4-9, 15-16 and 19)	
--	69233GT	CARRIAGE ASY,-15,-25,-36,WRDS* (assemblies with word decals) (USA, Australia) (includes items 4-9, 15-16 and 19)		--	107257GT	CARRIAGE ASSY, AWP, FIBER PLAT (assemblies with symbol decals) (Asia, South America and Europe) (from SN AWP04-29900) (includes items 4-9, 15-16 and 19)	
--	69236GT	CARRIAGE ASSY W/DEC AWPS** (assemblies with word decals) (Asia, South America and Europe) (to SN AWP04-29899) (includes items 4-9, 15-16 and 19)		1	14182GT	SCREW,FHS,1/4-20 X 1	
--	69236GT	CARRIAGE ASSY W/DEC AWPS** (assemblies with word decals) (USA, Australia) (includes items 4-9, 15-16 and 19)		2	6091GT	NUT,NYLOCK,1/4-20	
--	107020GT	CARRIAGE ASY,-20,-30,ALUM,WRD* (Canada) (includes items 4-9, and 15-16)		3	38014GT	SHIM, CARRIAGE.....2 to SN AWP04-30039	
--	69232GT	CARRIAGE ASY,-15,-25,-36,WRDS* (Canada) (includes items 4-9, 15-16 and 19)		4	40267GT	BOX,INSTRUCT. STORAGE,S SERIES (includes items 5 and 6)	
				--	2223GT	LANYARD ASSY HOIST/AWP-7***	
				--	38728GT	INSTRUCTION TUBE,AWP96	
				5	6271GT	RIVET,STL,STL.MAN,P,25 X .25.....3	
				6	75144GT	WASHER,FLAT,SAE 1/4,ZINC.....3	
				7	38989PGT	PLATE,MOTOR MNT.,JAPAN,"BLUE".....2	

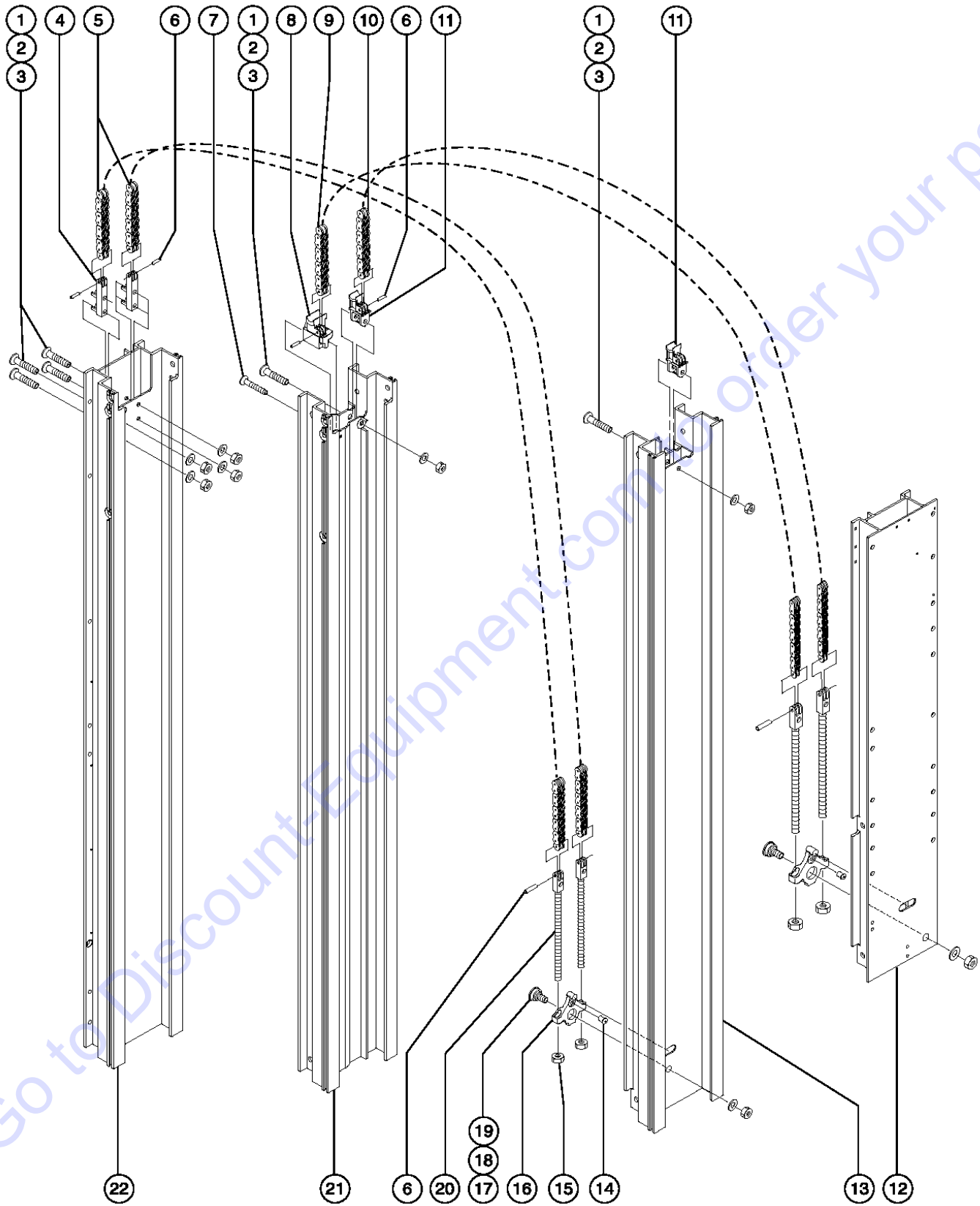
306.1 Carriage Assembly (continued)

Item	Part No.	Description	Qty.
8	6326GT	SCREW,HHC,3/8-16 X 3	
9	4828GT	NUT,NYLOCK,3/8-16	
10	7713GT	NUT, LP NYLOCK, 3/8-16	
11	6097GT	WASHER,FLAT,USS,3/8",Y	
12	35706GT	BOLT,ROLLER,.470"(SHORT).....4	4
13	38026GT	ROLLER, MACHINED AWP***.....4	4
14	6052GT	WASHER,SHIM,.5 X .875 X .063	
15	7339GT	SCREW,HHC,1/4-20 X .5	
16	6356GT	WASHER,LOCK,.25	
17	37389GT	TUBE,HOLD DOWN BRACKET-BLUE....1	1
18	7713GT	NUT, LP NYLOCK, 3/8-16	
19	6097GT	WASHER,FLAT,USS,3/8",Y	
20	13918GT	SCREW,HHC,3/8-16 X 1.75,GRD.8.....1	1
21	35789PGT	HOLD DOWN HOOK,AWP,"BLUE".....1	1
22	8920GT	RIVET,ALUM,ALUM,P,.156 X .375	
23	38005GT	SLIDE BLOCK,CARRIAGE%%.....1	1
24	69855GT	RIVET,ALUM,ALUM,.25 X 1.125 AL	
25	100171GT	SHIM,CARRIAGE,HDPE,POLYPROPYLE.2 to SN AWP04-30039	
26	46695-SGT	INSTR. TUBE MOUNT, FIBER PLAT.....1 (models with fiberglass platform)	1

This Page Intentionally Left Blank

Go to Discount-Equipment.com to order your parts

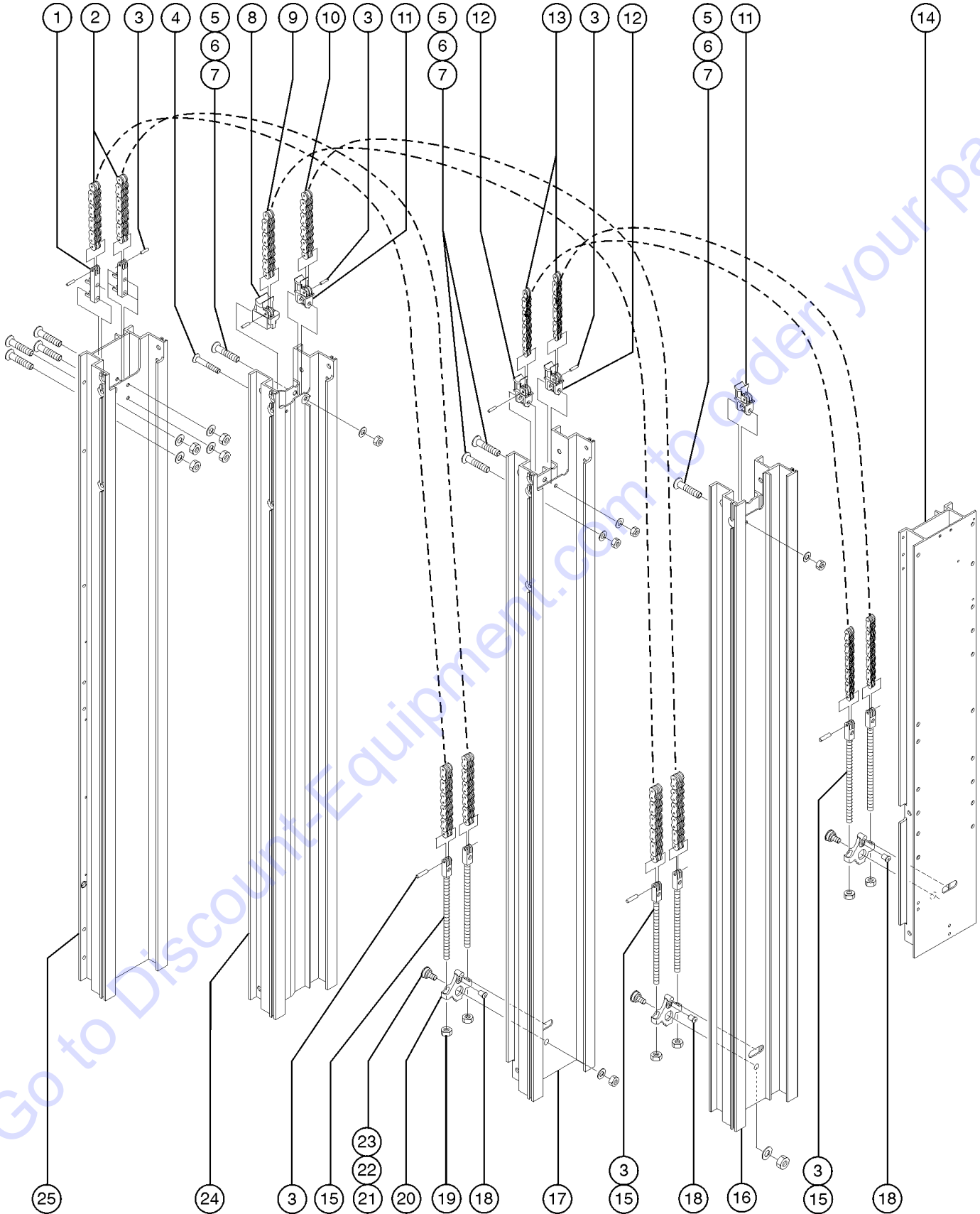
307.1 Lifting Chain Assembly, AWP-15S



307.1 Lifting Chain Assembly, AWP-15S

Item	Part No.	Description	Qty.
1	35714GT	SCREW,FHS,3/8-16 X 2.25	
2	5397GT	WASHER,FLAT,USS,5/16",Y	
3	4828GT	NUT,NYLOCK,3/8-16.....	6
4	35699GT	CHAIN TERMINAL CASTING,#1.....	2
5	37385GT	CHAIN ASSY#1,72.5"COL.S-SERIES (includes items 4 and 20)	
--	35704-6813GT	CHAIN,STD.LEAF AL544,68.13"	
6	6534GT	PIN,GROOVED- .200 X .75*.....	8
7	40945GT	SCREW,FHS,1/4-20 X 2.25	
8	35697GT	CHAIN TERM,CLEVIS CYL.,ZINC.....	1
9	37384GT	CHAIN ASSY#2,72.5"COL.S-SERIES..... (includes items 8 and 20)	
--	35704-6813GT	CHAIN,STD.LEAF AL544,68.13"	
10	37386GT	CHAIN ASSY,72.5"COL. S-SERIES..... (includes items 11 and 20)	
--	35704-6813GT	CHAIN,STD.LEAF AL544,68.13"	
11	35695GT	CHAIN TERM,PULLEY SUPORT-ZINC... (Double slot)	2
12		Ref. Carriage Assembly (refer to figure 306.1)	
13		Ref. Number 3 Column (refer to figure 302.1)	
14	11890GT	GLIDE BUTTON,SIDE,GLL,.100 TK.....	2
15	35712GT	NUT,NYLOCK,3/8-24	
16	35698GT	CHAIN TENSION ROCKER CAST.ZINC.....	2
17	35705GT	BOLT-ROCKER, S-SERIES.....	2
18	6095GT	WASHER,FLAT,USS,1/2",Y	
19	6198GT	NUT,NYLOCK,1/2-13	
20	38187GT	CHAIN TERM.LWR.SS(2 SLOT)*..... (includes item 6)	4
21		Ref. Number 2 Column (refer to figure 301.1)	
22		Ref. Number 1 Column (refer to figure 301.1)	

308.1 Lifting Chain Assembly, AWP-20S

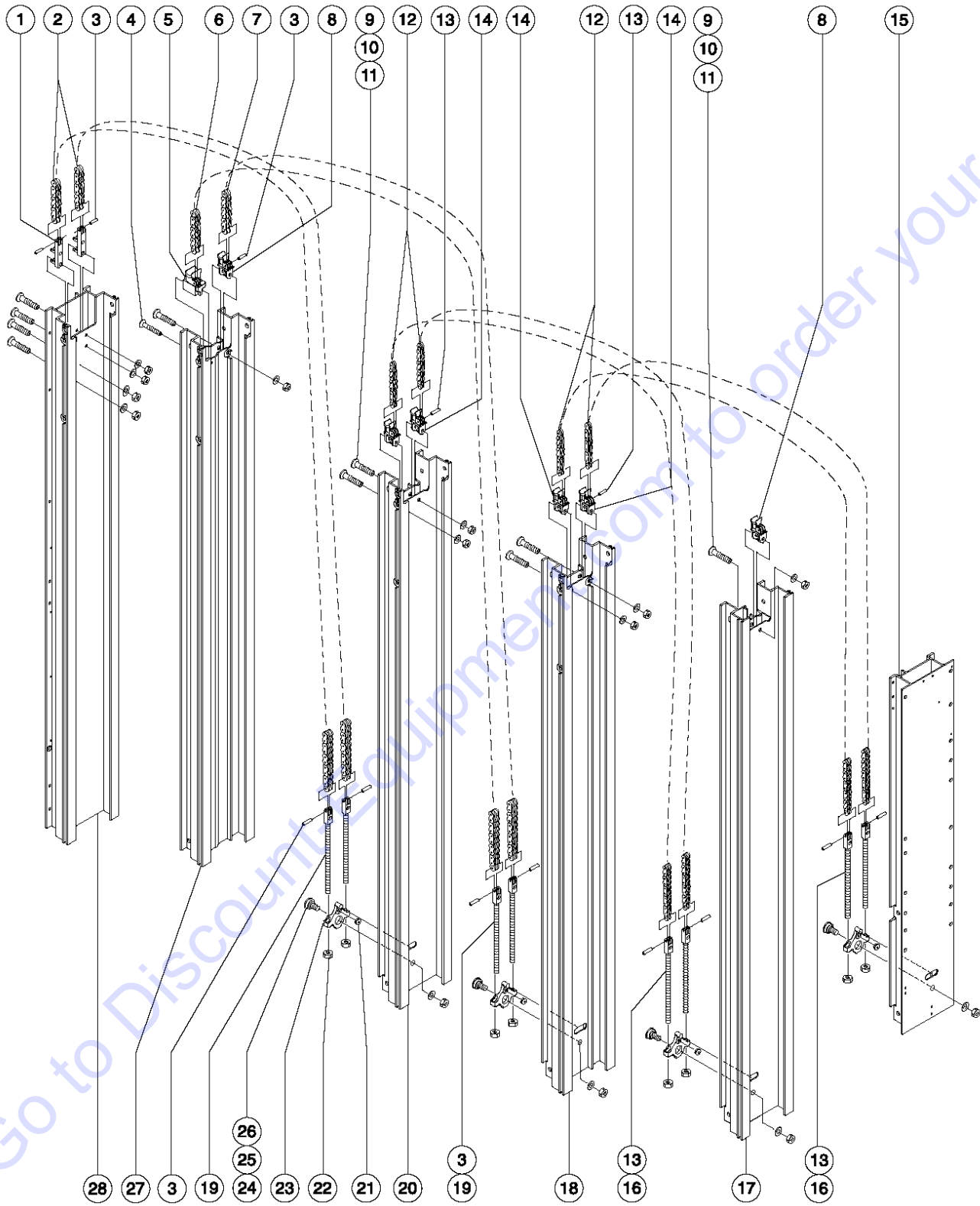


308.1 Lifting Chain Assembly, AWP-20S

Item	Part No.	Description	Qty.	Item	Part No.	Description	Qty.
1	35699GT	CHAIN TERMINAL CASTING,#1.....	2	25		Ref. Number 1 Column Assembly (refer to 301.1)	
2	37385GT	CHAIN ASSY#1,72.5"COL.S-SERIES.... (includes items 1, 3, and 15)	2				
--	35704-6813GT	CHAIN,STD.LEAF AL544,68.13"					
3	38986GT	PIN,GROOVED,.200 X .50* (to S/N 3896-1051)					
3A	6534GT	PIN,GROOVED- .200 X .75*..... (from S/N 3896-1052)	12				
4	40945GT	SCREW,FHS,1/4-20 X 2.25					
5	35714GT	SCREW,FHS,3/8-16 X 2.25					
6	5397GT	WASHER,FLAT,USS,5/16",Y					
7	4828GT	NUT,NYLOCK,3/8-16					
8	35697GT	CHAIN TERM,CLEVIS CYL.,ZINC.....	1				
9	37384GT	CHAIN ASSY#2,72.5"COL.S-SERIES.... (includes items 3, 8 and 15)	1				
--	35704-6813GT	CHAIN,STD.LEAF AL544,68.13" (68.5 inches)					
10	37386GT	CHAIN ASSY,72.5"COL. S-SERIES..... (includes items 3, 11 and 15)	1				
--	35704-6813GT	CHAIN,STD.LEAF AL544,68.13" (68.5 inches)					
11	35695GT	CHAIN TERM,PULLEY SUPORT-ZINC...2					
12	35695GT	CHAIN TERM,PULLEY SUPORT-ZINC (to S/N 3896-1051)					
12A	38980GT	CHAIN TERM,PULLEY SUPPORT-ZNC..... (from S/N 3896-1052)	2				
13	37387GT	CHAIN ASSY,72.5COL.(SM)S-SERIE.... (includes items 3, 12, and 15)	2				
--	35703-6813GT	CHAIN,STD.LEAF AL522,68.13" (68.5 inches)					
14		Ref. Carriage Assembly (refer to 306.1)					
15	38187GT	CHAIN TERM.LWR.SS(2 SLOT)* (to S/N 3896-1051)					
15A	41224GT	CHAIN TERM.LWR.SS(1 SLOT)..... (from S/N 3896-1052) (includes item 3)	2				
16		Ref. Number 4 Column Assembly (refer to 302.1)					
17		Ref. Number 3 Column Assembly (refer to 302.1)					
18	11890GT	GLIDE BUTTON,SIDE,GLL,.100 TK.....	3				
19	35712GT	NUT,NYLOCK,3/8-24					
20	35698GT	CHAIN TENSION ROCKER CAST.ZINC.....	3				
21	35705GT	BOLT-ROCKER, S-SERIES.....	3				
22	6095GT	WASHER,FLAT,USS,1/2",Y					
23	6086GT	NUT,LP NYLOCK,1/2-13					
24		Ref. Number 2 Column Assembly (refer to 301.1)					



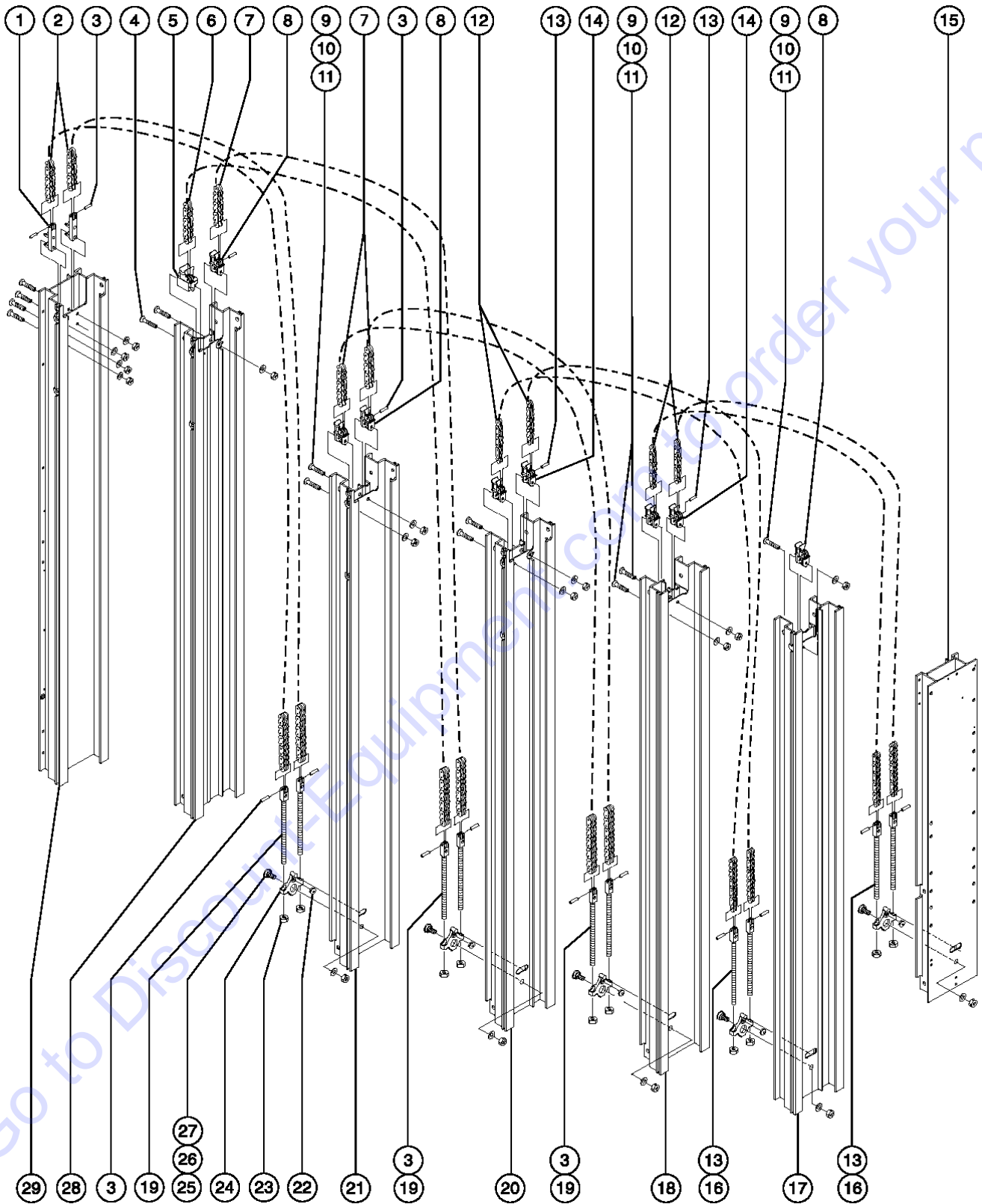
309.1 Lifting Chain Assembly, AWP-25S and AWP-36S



309.1 Lifting Chain Assembly, AWP-25S and AWP-36S

Item	Part No.	Description	Qty.	Item	Part No.	Description	Qty.
1	35699GT	CHAIN TERMINAL CASTING,#1.....	2	15	38187GT	CHAIN TERM.LWR.SS(2 SLOT)*.....	4
2	37385GT	CHAIN ASSY#1,72.5"COL.S-SERIES.....	1			(to S/N 3896-1051) (includes item 13)	
--	35704-6813GT	CHAIN,STD.LEAF AL544,68.13"				(shown) (Double Slot)	
		(68.5 inches)		15A	41224GT	CHAIN TERM.LWR.SS(1 SLOT)	
2A	37995GT	CHAIN ASSY#1,104.5"COL.S-SERIE.....	1			(from S/N 3896-1052) (includes item 13)	
		AWP-36S (includes item 19)				(Single Slot)	
--	35704-10063GT	CHAIN,STD.LEAF AL544,100.63"		17		Ref. Number 5 Column	
		(101 inches)				(refer to figure 304.1)	
3	6534GT	PIN,GROOVED-.200 X .75*.....	8	18		Ref. Number 4 Column	
		(to S/N 3896-1051)				(refer to figure 303.1)	
3A	38986GT	PIN,GROOVED,.200 X .50*		19	38187GT	CHAIN TERM.LWR.SS(2 SLOT)*.....	4
		(from S/N 3896-1052)				(includes item 3)	
4	40945GT	SCREW,FHS,1/4-20 X 2.25.....	1	20		Ref. Number 3 Column	
5	35697GT	CHAIN TERM,CLEVIS CYL.,ZINC.....	1			(refer to figure 302.1)	
6	37384GT	CHAIN ASSY#2,72.5"COL.S-SERIES.....	1	21	11890GT	GLIDE BUTTON,SIDE,GLL,.100 TK.....	4
		AWP-25S (includes items 3, 5 and 19)		22	35712GT	NUT,NYLOCK,3/8-24	
--	35704-6813GT	CHAIN,STD.LEAF AL544,68.13"		23	35698GT	CHAIN TENSION ROCKER	
		(68.5 inches)				CAST.ZINC.....	4
6A	37996GT	CHAIN ASSY#2,104.5"COL.S-SERIE.....	1	24	35705GT	BOLT-ROCKER, S-SERIES.....	4
		AWP-36S (includes items 3, 5 and 19)		25	6095GT	WASHER,FLAT,USS,1/2",Y	
--	35704-10063GT	CHAIN,STD.LEAF AL544,100.63"		26	6198GT	NUT,NYLOCK,1/2-13	
		(101 inches)		27		Ref. Number 2 Column	
7	37386GT	CHAIN ASSY,72.5"COL. S-SERIES.....	1			(refer to figure 301.1)	
		AWP-25S (includes items 3, 8 and 19)		28		Ref. Number 1 Column	
--	35704-6813GT	CHAIN,STD.LEAF AL544,68.13"				(refer to figure 301.1)	
		(68.5 inches)					
7A	37997GT	CHAIN ASSY.104.5"COL. S SERIES.....	1				
		AWP-36S (includes items 3, 8 and 19)					
--	35704-10063GT	CHAIN,STD.LEAF AL544,100.63"					
		(101 inches)					
8	35695GT	CHAIN TERM,PULLEY SUPORT-ZINC...2					
		(Double Slot)					
9	35714GT	SCREW,FHS,3/8-16 X 2.25					
10	5397GT	WASHER,FLAT,USS,5/16",Y					
11	4828GT	NUT,NYLOCK,3/8-16					
12	37387GT	CHAIN ASSY,72.5COL.(SM)S-SERIE.....	4				
		AWP-25S (includes items 13, 14 and 16)					
--	35703-6813GT	CHAIN,STD.LEAF AL522,68.13"					
		(68.5 inches)					
12A	43015GT	CHAIN ASSY.(SM)104.5" S-SERIES.....	4				
		AWP-36S (includes items 13, 14 and 16)					
--	35703-10063GT	CHAIN,STD.LEAF AL522,100.63"					
		(101 inches)					
13	35695GT	CHAIN TERM,PULLEY SUPORT-ZINC...2					
		(to S/N 3896-1051) (Double Slot)					
13A	38980GT	CHAIN TERM,PULLEY					
		SUPPORT-ZNC.....	4				
		(from S/N 3896-1052) (Single Slot)					
14		Ref. Carriage Assembly					
		(refer to 306.1)					

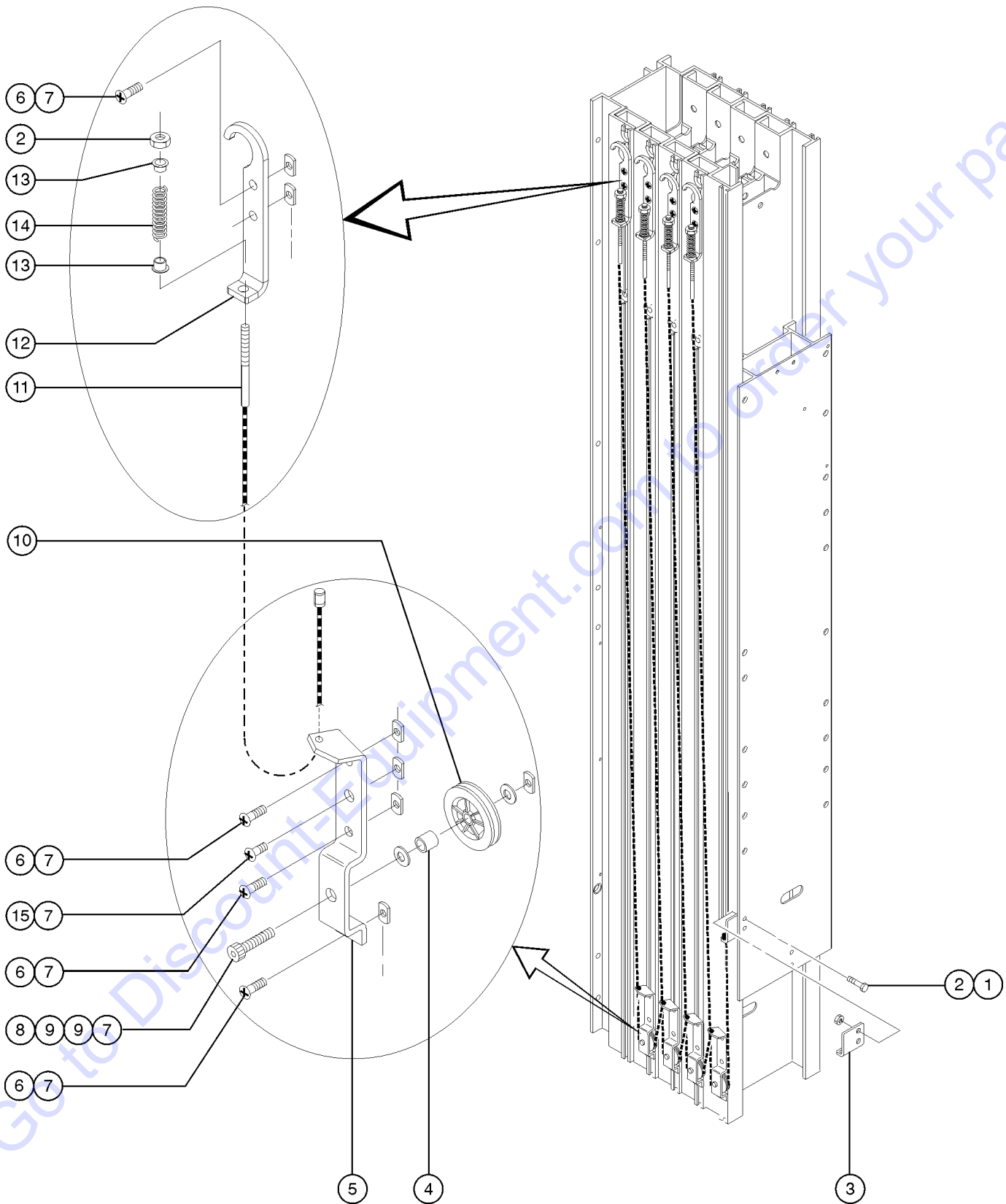
310.1 Lifting Chain Assembly, AWP-30S and AWP-40S



310.1 Lifting Chain Assembly, AWP-30S and AWP-40S

Item	Part No.	Description	Qty.	Item	Part No.	Description	Qty.
1	35699GT	CHAIN TERMINAL CASTING,#1.....	2	15		Ref. Carriage Assembly (refer to figure 306.1)	
2	37385GT	CHAIN ASSY#1,72.5"COL.S-SERIES.....	2	16	38187GT	CHAIN TERM.LWR.SS(2 SLOT)*.....	4
--	35704-6813GT	CHAIN,STD.LEAF AL544,68.13" (68.5 inches)				(to S/N 3896-1051) (includes item 3)	
2A	37995GT	CHAIN ASSY#1,104.5"COL.S-SERIE.....	2	16A	41224GT	CHAIN TERM.LWR.SS(1 SLOT) (from S/N 3896-1052) (includes item 3)	
--	35704-10063GT	CHAIN,STD.LEAF AL544,100.63" (101 inches)		17		Ref. Number 6 Column (refer to figure 305.1)	
3	6534GT	PIN,GROOVED- .200 X .75*.....	12	18		Ref. Number 5 Column (refer to figure 304.1)	
4	40945GT	SCREW,FHS,1/4-20 X 2.25		19	38187GT	CHAIN TERM.LWR.SS(2 SLOT)*.....	10
5	35697GT	CHAIN TERM,CLEVIS CYL.,ZINC.....	1			(includes item 3)	
6	37384GT	CHAIN ASSY#2,72.5"COL.S-SERIES.....	1	20		Ref. Number 4 Column (refer to figure 304.1)	
--	35704-6813GT	CHAIN,STD.LEAF AL544,68.13" (68.5 inches)		21		Ref. Number 3 Column (refer to figure 304.1)	
6A	37996GT	CHAIN ASSY#2,104.5"COL.S-SERIE.....	1	22	11890GT	GLIDE BUTTON,SIDE,GLL,.100 TK.....	5
--	35704-10063GT	CHAIN,STD.LEAF AL544,100.63" (101 inches)		23	35712GT	NUT,NYLOCK,3/8-24	
7	37386GT	CHAIN ASSY,72.5"COL. S-SERIES.....	3	25	35705GT	BOLT-ROCKER, S-SERIES.....	5
--	35704-6813GT	CHAIN,STD.LEAF AL544,68.13" (68.5 inches)		26	6095GT	WASHER,FLAT,USS,1/2",Y	
7A	37997GT	CHAIN ASSY.104.5"COL. S SERIES.....	3	27	6198GT	NUT,NYLOCK,1/2-13	
--	35704-10063GT	CHAIN,STD.LEAF AL544,100.63" (101 inches)		28		Ref. Number 2 Column (refer to figure 301.1)	
8	35695GT	CHAIN TERM,PULLEY SUPORT-ZINC...4 (Double Slot)		29		Ref. Number 1 Column (refer to figure 301.1)	
9	35714GT	SCREW,FHS,3/8-16 X 2.25.....	12				
10	5397GT	WASHER,FLAT,USS,5/16",Y					
11	4828GT	NUT,NYLOCK,3/8-16					
12	37387GT	CHAIN ASSY,72.5COL.(SM)S-SERIE.....	4				
--	35703-6813GT	CHAIN,STD.LEAF AL522,68.13" (68.5 inches)					
12A	43015GT	CHAIN ASSY.(SM)104.5" S-SERIES.....	4				
--	18191GT	Leaf Chain, 101 inches (101 inches)					
13	6534GT	PIN,GROOVED- .200 X .75*.....	8				
		(to S/N 3896-1051)					
13A	38986GT	PIN,GROOVED,.200 X .50* (from S/N 3896-1052)					
14	35695GT	CHAIN TERM,PULLEY SUPORT-ZINC...4 (to S/N 3896-1051) (Double Slot)					
14A	38980GT	CHAIN TERM,PULLEY SUPPORT-ZNC (from S/N 3896-1052) (Single Slot)					

311.1 Sequencing Cables



311.1 Sequencing Cables

Item	Part No.	Description	Qty.	Item	Part No.	Description	Qty.
1	6090GT	SCREW,HHC,1/4-20 X .75.....	2	--	41077GT	SCREW,SHC,1/4-20 X .875.....	5
2	6091GT	NUT,NYLOCK,1/4-20.....	4	9	12906GT	WASHER,FENDER,.25 X 1.25 X.062.....	4
--	6091GT	NUT,NYLOCK,1/4-20.....	5	--	12906GT	WASHER,FENDER,.25 X 1.25 X.062.....	6
--	6091GT	NUT,NYLOCK,1/4-20.....	6	--	12906GT	WASHER,FENDER,.25 X 1.25 X.062.....	8
--	6091GT	NUT,NYLOCK,1/4-20.....	7	--	12906GT	WASHER,FENDER,.25 X 1.25 X.062.....	10
3	35734GT	FORMING, SEQUENCING, CARR, ZN...1		10	35733GT	PULLEY,SEQUENCING,NYLATRON.....	2
4	44895GT	SPACER,TUBE,1/4X3/8X.50"LONG.....	2	--	35733GT	PULLEY,SEQUENCING,NYLATRON.....	3
--	44895GT	SPACER,TUBE,1/4X3/8X.50"LONG.....	3	--	35733GT	PULLEY,SEQUENCING,NYLATRON.....	4
--	44895GT	SPACER,TUBE,1/4X3/8X.50"LONG.....	4	--	35733GT	PULLEY,SEQUENCING,NYLATRON.....	5
--	44895GT	SPACER,TUBE,1/4X3/8X.50"LONG.....	5	11	40313GT	CABLE ASSY,SEQ.MAST,DPL.....	1
5	124041GT	RETROFIT KIT,MAST SEQ,AWP20.....	3	--	40313GT	CABLE ASSY,SEQ.MAST,DPL.....	2
--	124043GT	RETROFIT KIT,MAST SEQ,AWP25.....	4	--	40313GT	CABLE ASSY,SEQ.MAST,DPL.....	3
--	124044GT	RETROFIT KIT,MAST SEQ,AWP30.....	5	--	40313GT	CABLE ASSY,SEQ.MAST,DPL.....	4
--	124045GT	RETROFIT KIT,MAST SEQ,AWP36.....	4	11D	40314GT	CABLE,ASSY,SEQ.CARRIAGE**.....	1
--	124046GT	RETROFIT KIT,MAST SEQ,AWP40.....	5	--	40314GT	CABLE,ASSY,SEQ.CARRIAGE**.....	1
6	38979GT	SCREW,PHM,1/4-20X.5 PHIL.....	10	--	69223GT	SEQUENCE CABLE ASSY,CARRIAGE**.....	1
--	38979GT	SCREW,PHM,1/4-20X.5 PHIL.....	15	--	40315GT	CABLE ASSY,SEQ.#1 AWP-36/40S*.....	1
--	38979GT	SCREW,PHM,1/4-20X.5 PHIL.....	20	11G	40315GT	CABLE ASSY,SEQ.#1 AWP-36/40S*.....	1
--	38979GT	SCREW,PHM,1/4-20X.5 PHIL.....	25	11H	40316GT	CABLE ASSY,SEQ.AWP-36/40S.....	3
7	35991GT	NUT,WELD 1/4-20, PLATED L.L.**.....	12	--	40316GT	CABLE ASSY,SEQ.AWP-36/40S.....	4
--	35991GT	NUT,WELD 1/4-20, PLATED L.L.**.....	18	--	69225GT	SEQUENCE CABLE,AWP36S,40S**.....	3
--	35991GT	NUT,WELD 1/4-20, PLATED L.L.**.....	24	--	69225GT	SEQUENCE CABLE,AWP36S,40S**.....	4
--	35991GT	NUT,WELD 1/4-20, PLATED L.L.**.....	30				
8	41077GT	SCREW,SHC,1/4-20 X .875.....	2				
--	41077GT	SCREW,SHC,1/4-20 X .875.....	3				
--	41077GT	SCREW,SHC,1/4-20 X .875.....	4				

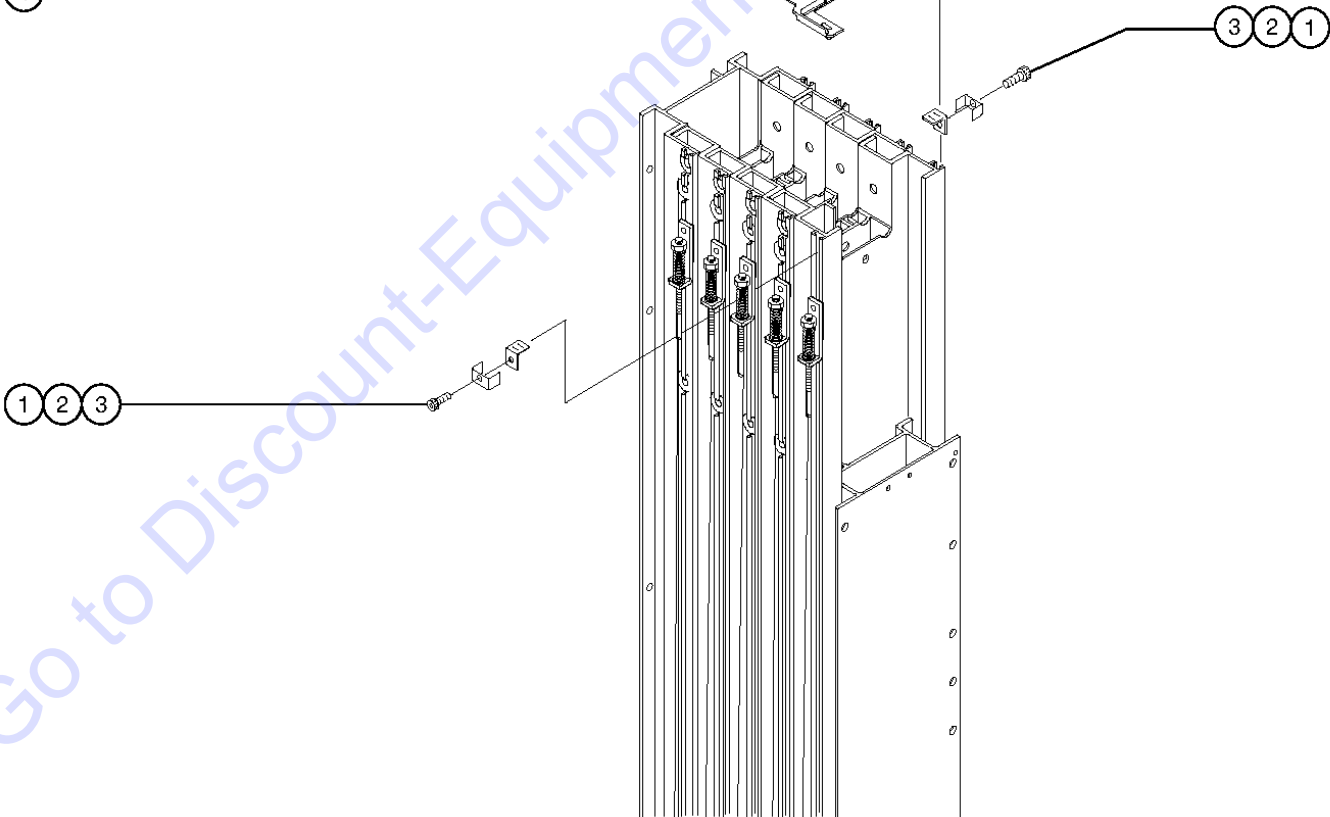
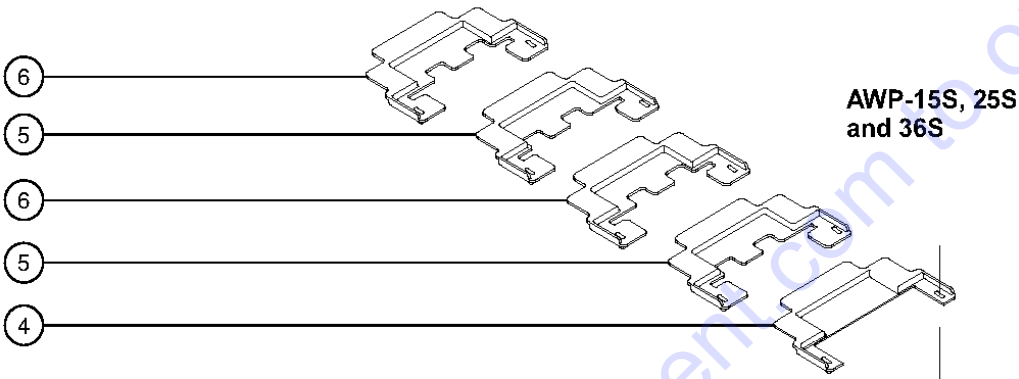
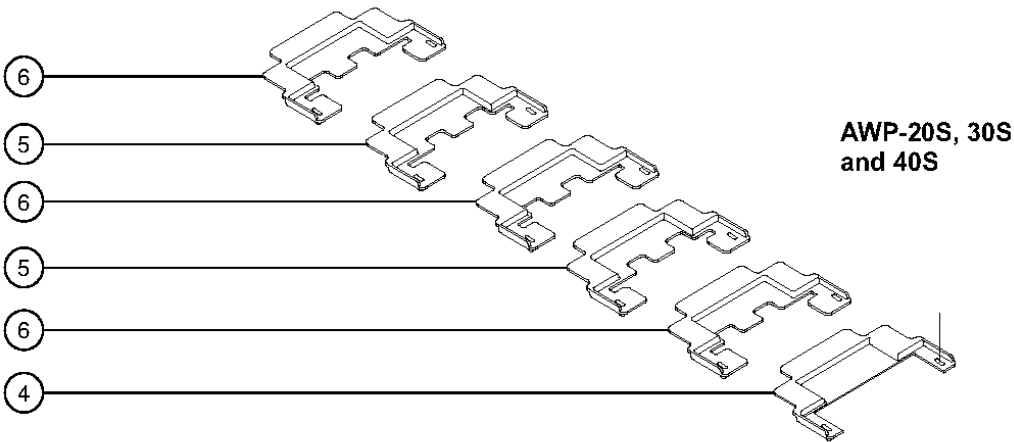
311.1 Sequencing Cables (continued)

Item	Part No.	Description	Qty.
11M	40317GT	CABLE,SEQ.AWP-36/40S-CARRIAGE...1 <i>AWP-36S and AWP-40S (to S/N 3899-11843) (includes item 3)</i>	
--	69224GT	SEQUENCE CABLE ASSY,CARRIAGE**.....1 <i>AWP-36S and AWP-40S (from S/N 3899-11844) (includes item 3)</i>	
12	57147GT	BRACKET,SEQUENCING,UPPER,ZI*** <i>AWP-40S, only, No. 1 Column (not shown)</i>	
12A	124041GT	RETROFIT KIT,MAST SEQ,AWP20.....4 <i>AWP-20S (includes items 5, 7, and 15)</i>	
12B	124043GT	RETROFIT KIT,MAST SEQ,AWP25.....4 <i>AWP-25S (includes items 5, 7, and 15)</i>	
12C	124045GT	RETROFIT KIT,MAST SEQ,AWP36.....4 <i>AWP-36S (includes items 5, 7, and 15)</i>	
12D	124044GT	RETROFIT KIT,MAST SEQ,AWP30.....5 <i>AWP-30S (includes items 5, 7, and 15)</i>	
13	38234GT	BUSHING,FLANGE,3/8 OD X 1/4 ID.....4 <i>AWP-15S (from S/N 3899-11844)</i>	
--	38234GT	BUSHING,FLANGE,3/8 OD X 1/4 ID.....6 <i>AWP-20S (from S/N 3899-11844)</i>	
--	38234GT	BUSHING,FLANGE,3/8 OD X 1/4 ID.....8 <i>AWP-25S and AWP-36S (from S/N 3899-11844)</i>	
--	38234GT	BUSHING,FLANGE,3/8 OD X 1/4 ID.....10 <i>AWP-30S and AWP-40S (from S/N 3899-11844)</i>	
14	8849GT	SPRING, TENSION CABLE.....2 <i>AWP-15S (from S/N 3899-11844)</i>	
--	8849GT	SPRING, TENSION CABLE.....3 <i>AWP-20S (from S/N 3899-11844)</i>	
--	8849GT	SPRING, TENSION CABLE.....4 <i>AWP-25S and AWP-36S (from S/N 3899-11844)</i>	
--	8849GT	SPRING, TENSION CABLE.....5 <i>AWP-30S and AWP-40S (from S/N 3899-11844)</i>	
15	109988GT	SCREW,PHM,1/4-20X.25 PHL.....3 <i>AWP-20S</i>	
--	109988GT	SCREW,PHM,1/4-20X.25 PHL.....4 <i>AWP-25S and AWP-36S</i>	
--	109988GT	SCREW,PHM,1/4-20X.25 PHL.....5 <i>AWP-30S and AWP-40S</i>	

This Page Intentionally Left Blank

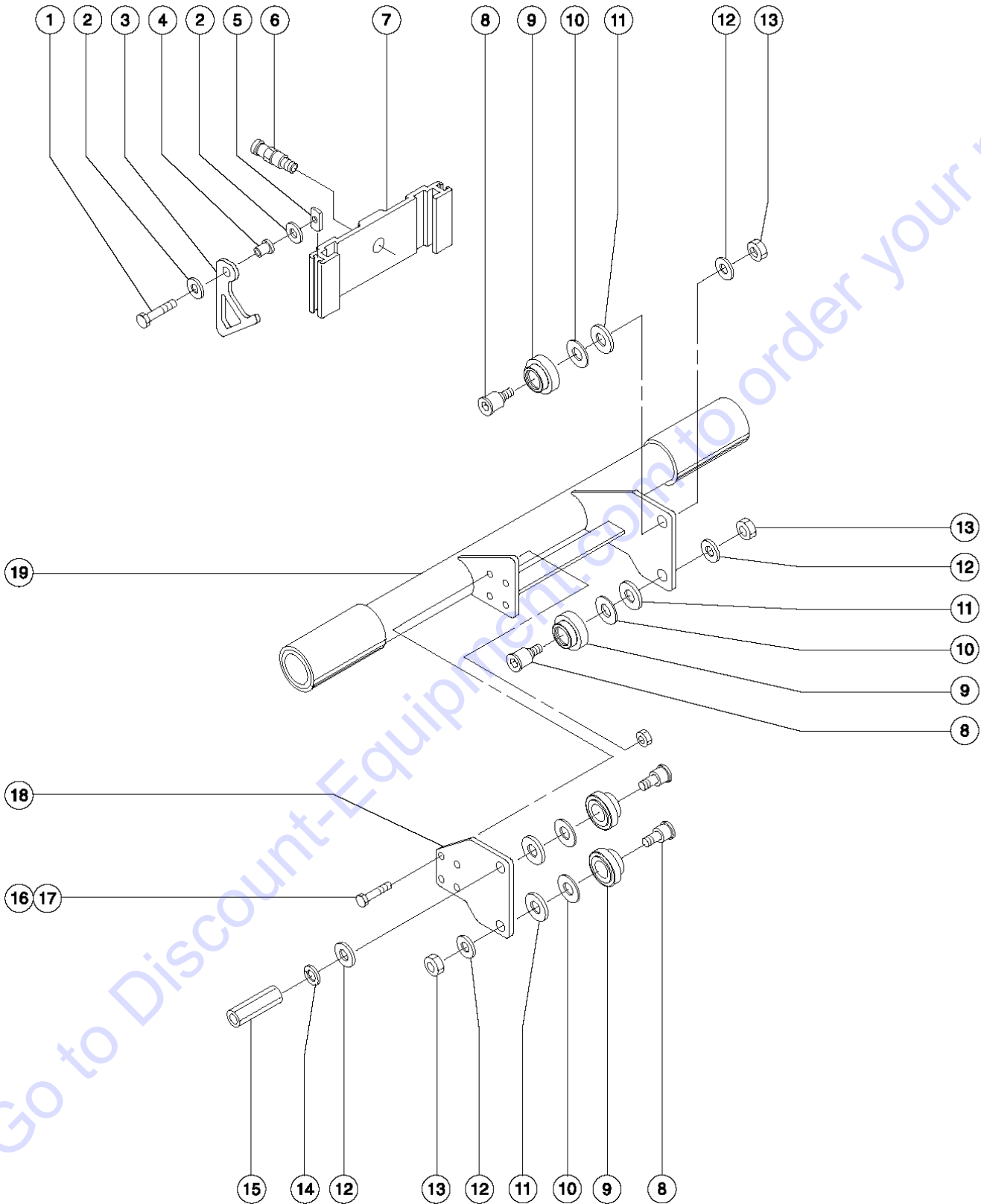
Go to Discount-Equipment.com to order your parts

312.1 Mast Covers



Item	Part No.	Description	Qty.
--		<i>AWP Super Series Models were produced using one of two different styles of mast covers; interlocking or overlapping. Interlocking mast covers are no longer available.</i>	
1	40004GT	SCREW,SHC,1/4-20 X .375 BLK.....6 AWP-15S	
--	40004GT	SCREW,SHC,1/4-20 X .375 BLK.....8 AWP-20S	
--	40004GT	SCREW,SHC,1/4-20 X .375 BLK.....10 AWP-25S and AWP-36S	
--	40004GT	SCREW,SHC,1/4-20 X .375 BLK.....12 AWP-30S and AWP-40S	
2	41055GT	WASHER,T-SLOT.....6 AWP-15S	
--	41055GT	WASHER,T-SLOT.....8 AWP-20S	
--	41055GT	WASHER,T-SLOT.....10 AWP-25S and AWP-36S	
--	41055GT	WASHER,T-SLOT.....12 AWP-30S and AWP-40S	
3	38730GT	NUT,WELD,ANGLE,1/4" T-SLOT.....6 AWP-15S	
--	38730GT	NUT,WELD,ANGLE,1/4" T-SLOT.....8 AWP-20S	
--	38730GT	NUT,WELD,ANGLE,1/4" T-SLOT.....10 AWP-25S and AWP-36S	
--	38730GT	NUT,WELD,ANGLE,1/4" T-SLOT.....12 AWP-30S and AWP-40S	
4	38315GT	FLAP,CARRIAGE COVER***.....1 All Models	
5	35786GT	FLAP,MAST COVER #2 & #4.....1 AWP-15S, AWP-20S	
5A	35786GT	FLAP,MAST COVER #2 & #4.....2 AWP-25S, AWP-36S, AWP-30S, AWP-40S	
6	38314GT	FLAP,MAST COVER #1,#3, & #5.....1 AWP-15S	
6A	38314GT	FLAP,MAST COVER #1,#3, & #5.....2 AWP-20S, AWP-25S, AWP-36S	
6B	38314GT	FLAP,MAST COVER #1,#3, & #5.....3 AWP-30S, AWP-40S	

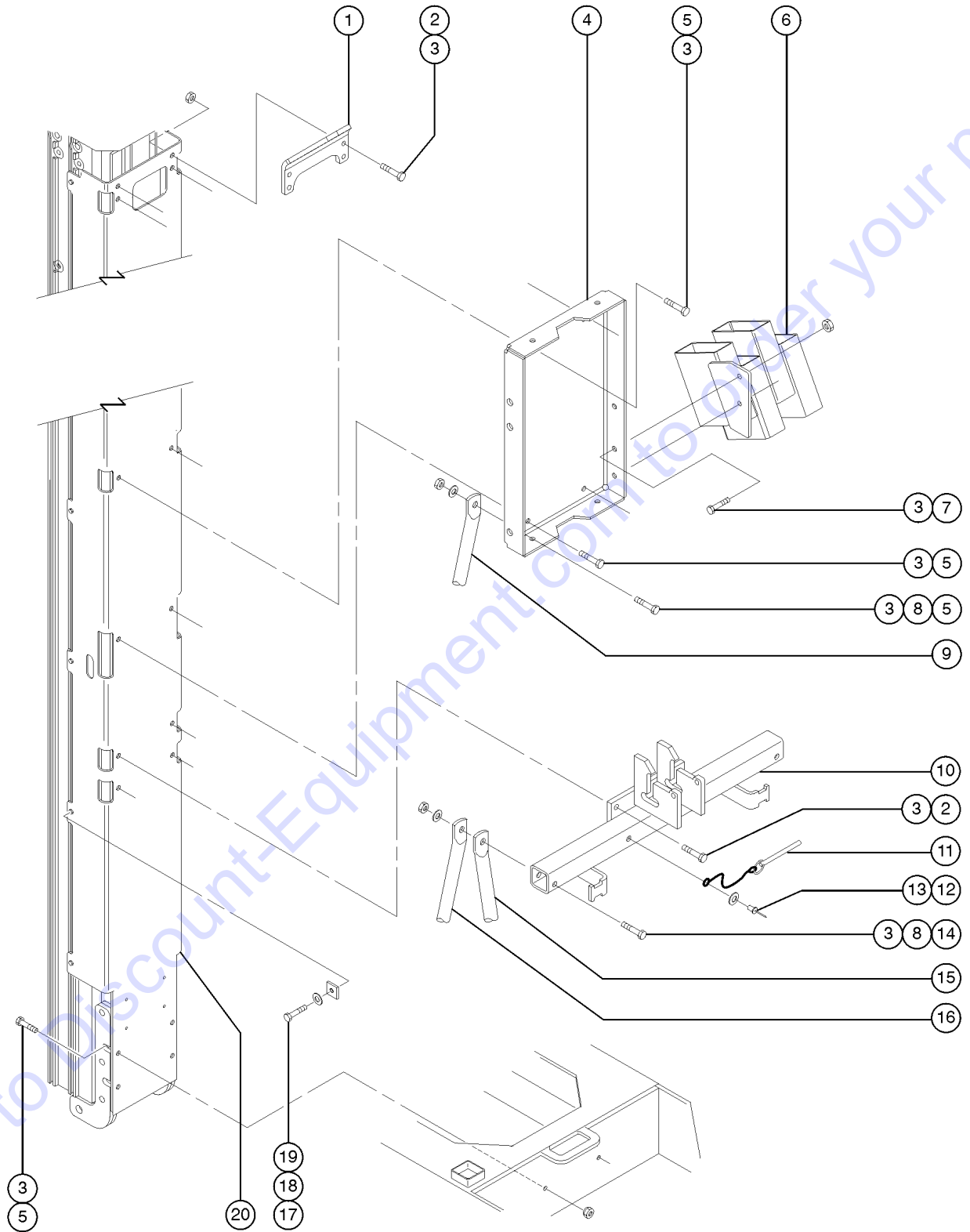
313.1 Loading Pivot Assembly



313.1 Loading Pivot Assembly

Item	Part No.	Description	Qty.
1	6090GT	SCREW,HHC,1/4-20 X .75	
2	6638GT	WASHER,FLAT,USS,1/4"Y	
3	38046-SGT	PIVOT SLIDER HOOK,BLUE.....1	1
4	35732GT	SPACER,TUBE,1/4 X 3/8 **.....1	1
5	35991GT	NUT,WELD 1/4-20, PLATED L.L.**.....1	1
6	32375GT	PIN,LOCK,LONG***.....1	1
7	40302GT	PIVOT STOP W/DECALS, AWP-S.....1 (USA, Canada, Australia) (to S/N AWP04-29899)	1
7A	100943GT	EXTRUSION, PIVOT SLIDER (from S/N AWP04-29900)	
8	38975GT	BOLT,ROLLER,.720"(LONG).....4	4
9	38347GT	ROLLER,LOADING,AWP,S-SERIES.....4	4
10	6563GT	WASHER,SHIM,.75 X 1.125 X.030	
11	6052GT	WASHER,SHIM,.5 X .875 X .063	
12	5397GT	WASHER,FLAT,USS,5/16",Y	
13	7713GT	NUT, LP NYLOCK, 3/8-16	
14	6021GT	WASHER,LOCK,.375	
15	38037GT	NUT,COUPLER,3/8-16 X 1.0 LG	
16	6888GT	SCREW,HHC,1/4-20 X 1	
17	6091GT	NUT,NYLOCK,1/4-20	
18	37645-SGT	PLATE,PIVOT BRKT ATTACH."BLUE".....1	1
19	38193GT	PIVOT WELD W/RUBBER, AWP-S (standard base without tilt-back frame)	
19A	40409GT	PIVOT WELD W/RUBBER, AWP-S,NRW (narrow or RT base without tilt-back frame)	
--	27769GT	BUMPER, AWPII TILTBACK	
--	40409GT	PIVOT WELD W/RUBBER, AWP-S,NRW (narrow or RT base without tilt-back frame)	
--	6271GT	RIVET,STL,STL.MAN,P,.25 X .25	

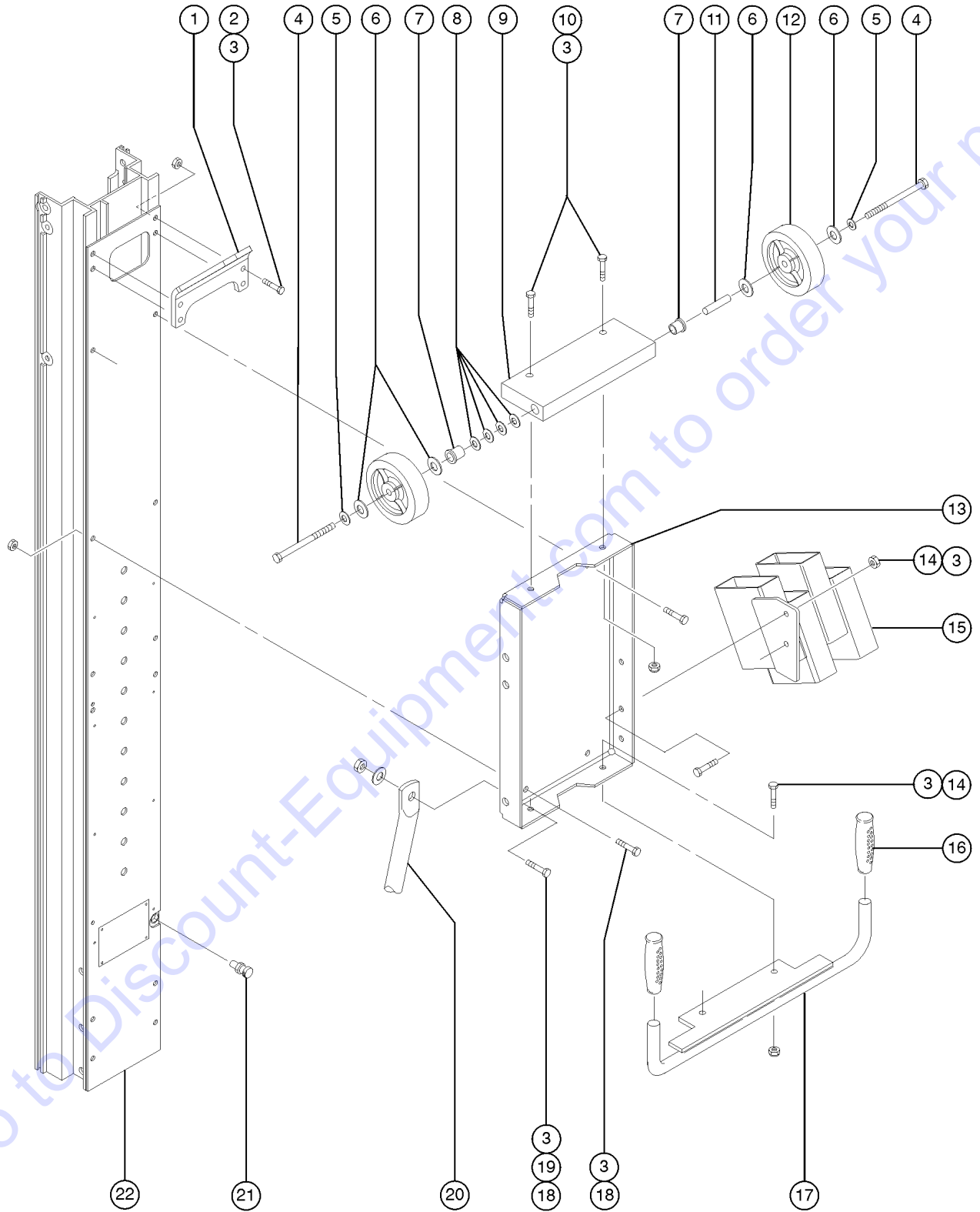
314.1 Number 1 Column Attached Parts, Standard Base with Tiltback Frame



314.1 Number 1 Column Attached Parts, Standard Base with Tiltback Frame

Item	Part No.	Description	Qty.	Item	Part No.	Description	Qty.
1	37711GT	FORMING, LIFTING EYE.....1 AWP-36S and AWP-40S	1	17	7339GT	SCREW,HHC,1/4-20 X .5.....14	14
--	41062GT	PLATE,LIFTING EYE, AWP AWP-15S, AWP-20S, AWP-25S and AWP-30S		18	25926GT	WASHER,FLAT,M6 PLTD.....14	14
2	8516GT	SCREW, HCC, 3/8-16 X 1.50		19	35991GT	NUT,WELD 1/4-20, PLATED L.L.**.....14	14
3	4828GT	NUT,NYLOCK,3/8-16		20A	38003PGT	PLATE,REINFORCE,104.5", "BLUE".....1 (AWP-15S, AWP-36S and AWP-40S) (to SN 34347)	1
4	38027-SGT	PLATE,MULTI-MAST MNT.BRKT.BL.....1 AWP-36S, AWP-40S	1	20B	109551GT	FORMING,COL REINFORCEMENT*** (AWP-15S, AWP-36S and AWP-40S) (from SN 34348 to 49999)	
--	43053GT	PLATE,MAST MOUNT BRKT.W/DECAL AWP-36S and AWP-40S (to S/N AWP02-29899		20C		Ref., PLATE,REINFORCEMENT,PAINTED** (AWP-20S, AWP-25S, AWP-30S) Refer to 315.1	
--	107382GT	PLATE, MAST MOUNT BRACKET (symbol) AWP-15S, AWP-20S, AWP-25S and AWP-30S (from S/N AWP02-29000)					
5	6019GT	SCREW,HHC,3/8-16 X 1.25 GRD 5					
6		Ref. Outrigger Storage Bracket Assembly with Decal (refer to figure 315.1) (refer to figure 315.1)					
7	6175GT	SCREW,HHC,3/8-16 X 1.....2	2				
8	6097GT	WASHER,FLAT,USS,3/8",Y					
9	38340GT	STRUT,TILTBACK,FRONT,L.H.AWP96...1 AWP-36S and AWP-40S (41.13 inches)	1				
--	38341GT	STRUT,TILTBACK,FRONT,R.H.AWP96 AWP-36S and AWP-40S (41.1 inches)					
9A	37344GT	BRACE,LH,FRONT MAST.....1 AWP-15S, AWP-20S, AWP-25S and AWP-30S (40.25 inches)	1				
--	37343GT	BRACE,RH,FRONT MAST AWP-15S, AWP-20S, AWP-25S and AWP-30S (40.25 inches)					
10	38196GT	BATT.PACK HANGER ASSY. AWP-S.....1 AWP-36S and AWP-40S (includes items 11-13)	1				
10A	43052GT	BATT.PACK HANGER ASSY. AWP-S AWP-15S, AWP-20S, AWP-25S and AWP-30S (includes items 11-13)					
--	107381GT	BATT.PACK HANGER ASSY. AWP-15S, AWP-20S, AWP-25S and AWP-30S (includes items 11-13)					
11	8525GT	STAB.RET.PIN ASSY,DPL / AWP.....1	1				
12	6271GT	RIVET,STL,STL.MAN,P,.25 X .25.....1	1				
13	6638GT	WASHER,FLAT,USS,1/4"Y.....1	1				
14	14033GT	SCREW,HHC,3/8-16 X 2.75.....2	2				
15	38342-SGT	STRUT,TILTBACK,L.H.AWP96.....1 AWP-36S and AWP-40S (28.5 inches)	1				
15A	38343-SGT	STRUT,TILTBACK,R.H.AWP96 AWP-36S and AWP-40S (28.5 inches)					
16	38344-SGT	STRUT,TILTBACK,L.H.AWP96.....1 AWP-36S and AWP-40S (28.12 inches)	1				
16A	38345-SGT	STRUT,TILTBACK,R.H.AWP96 AWP-36S and AWP-40S (28.12 inches)					

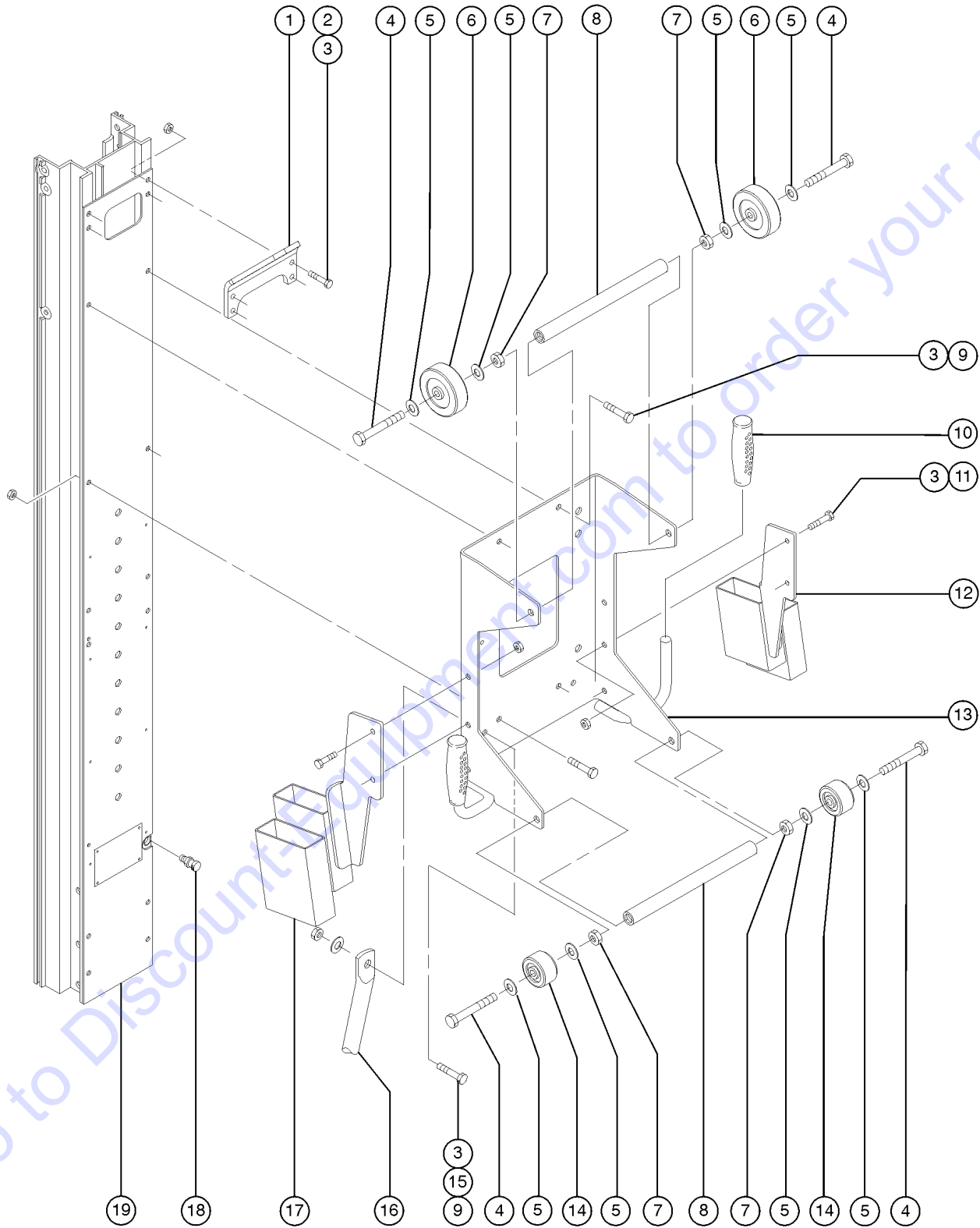
315.1 Number 1 Column Attached Parts, Standard Base without Tiltback Frame



315.1 Number 1 Column Attached Parts, Standard Base without Tiltback Frame

Item	Part No.	Description	Qty.
1	37711GT	FORMING, LIFTING EYE.....	1
2	8516GT	SCREW, HCC, 3/8-16 X 1.50	
3	4828GT	NUT,NYLOCK,3/8-16.....	16
4	8220GT	SCREW,HHC,1/2-13 X 4.....	2
5	6052GT	WASHER,SHIM,.5 X .875 X .063	
6	6564GT	WASHER, SHIM,.765 X 1.312 X .093	
7	32834GT	BUSHING,BRONZE,.50 X .75.....	2
8	6052GT	WASHER,SHIM,.5 X .875 X .063..... <i>AWP-15S models</i>	4
9	32365-SGT	COUNTERWEIGHT/AXLE,PAINTED.....	1
10	5224GT	SCREW,HHC,3/8-16 X 2.....	2
11	37202GT	BUSHING,3/4ODX2.44LGX.5ID.....	2
12	57788GT	WHEEL,POLY,6X2, 3/4**.....	2
13	38027-SGT	PLATE,MULTI-MAST MNT.BRKT.BL.....	1
14	6175GT	SCREW,HHC,3/8-16 X 1	
15		Ref. Outrigger Storage Bracket with Decal (refer to table on page 318.1)	
16	6587GT	HANDLE GRIP, RUBBER .75 X 4.5.....	2
17	38040GT	BATTERY BOX HANGER WELDMENT.....	1
18	6019GT	SCREW,HHC,3/8-16 X 1.25 GRD 5	
19	6097GT	WASHER,FLAT,USS,3/8",Y	
20	32425-SGT	MAST BRACE,L.H..... <i>AWP-20, AWP-25S, and AWP-30S (40.25 inches)</i>	1
20A	32424-SGT	MAST BRACE,R.H. <i>AWP-20, AWP-25S, and AWP-30S (40.25 inches) (not shown)</i>	
21	33674GT	PIN,LOCK,SHORT***.....	1
22A	38001PGT	PLATE,REINFORCEMENT,PAINTED**... <i>(AWP-20S, AWP-25S and AWP-30S) (to SN 34347)</i>	1
22B	109550GT	PLATE,COL REINFORCEMENT*** <i>(AWP-20S, AWP-25S and AWP-30S) (from SN 34348 to 49999)</i>	
22C	8920GT	RIVET,ALUM,ALUM,P,.156 X .375..... <i>(AWP-20S, AWP-25S and AWP-30S)</i>	8
22D		Ref., PLATE,REINFORCE,104.5", "BLUE"* <i>(AWP-15S, AWP-36S and AWP-40S) Refer to 314.1</i>	

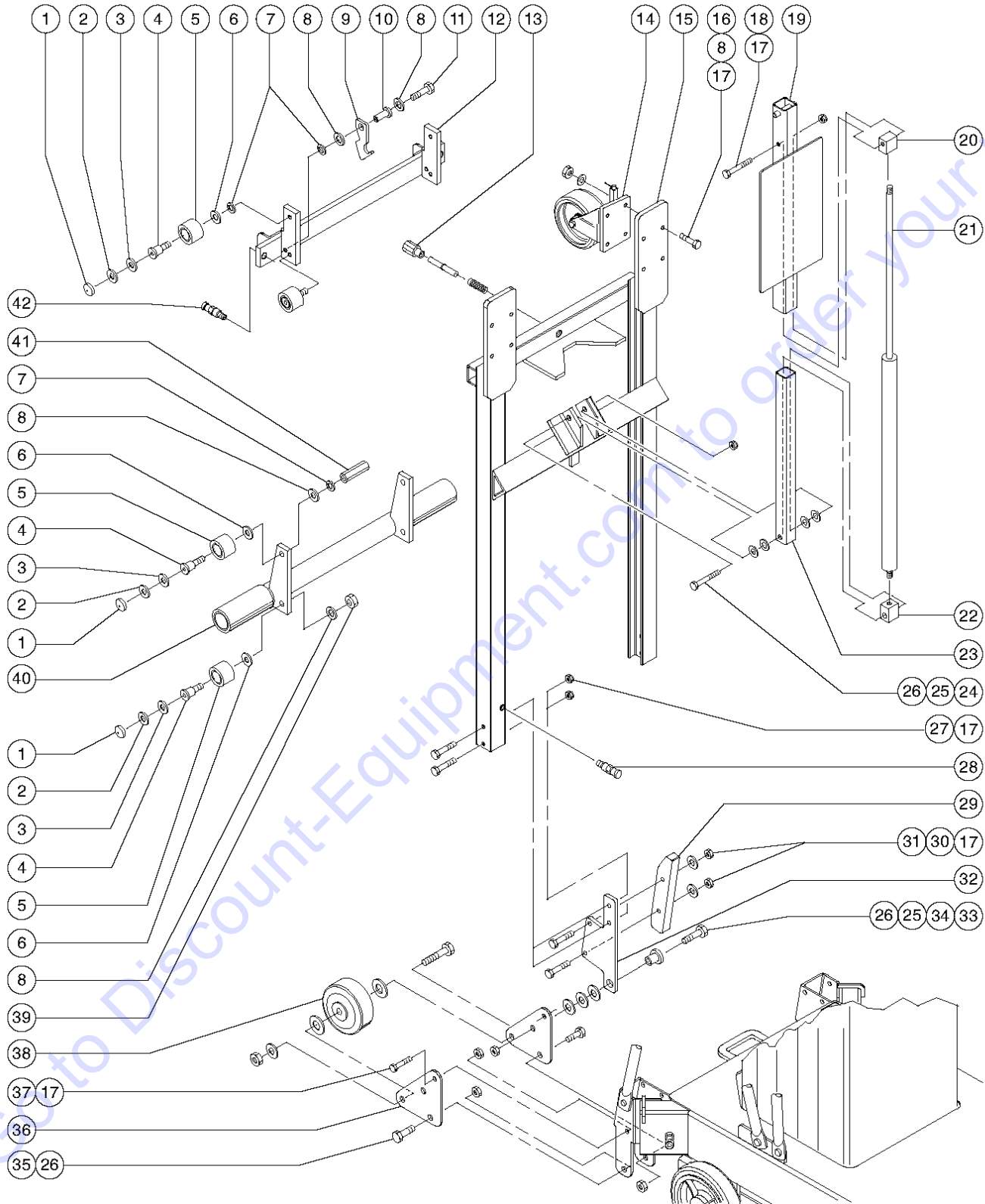
316.1 Number 1 Column Attached Parts, Narrow or Rough terrain Base



316.1 Number 1 Column Attached Parts, Narrow or Rough terrain Base

Item	Part No.	Description	Qty.
1	37711GT	FORMING, LIFTING EYE.....	1
2	8516GT	SCREW, HCC, 3/8-16 X 1.50	
3	4828GT	NUT,NYLOCK,3/8-16	
4	10598GT	SCREW,HHC,1/2-13 X 3	
5	6095GT	WASHER,FLAT,USS,1/2",Y	
6	57784GT	WHEEL,POLYOLEFIN,4X1.25,1/2.....	2
7	6034GT	NUT,HEX,JAM,1/2-13	
8	38724GT	COUPLER TUBE,13.62".....	2
9	6019GT	SCREW,HHC,3/8-16 X 1.25 GRD 5	
10	6587GT	HANDLE GRIP, RUBBER .75 X 4.5.....	2
11	6175GT	SCREW,HHC,3/8-16 X 1	
12		Ref. Outrigger Storage Bracket, Right Side with Decal (refer to 318.1)	
13	37724GT	WELDMENT,MULTI MAST,NARROW.....	1
14	57781GT	WHEEL,POLYOLEFIN, 2.5X1.25,1/2.....	2
15	6097GT	WASHER,FLAT,USS,3/8",Y	
16	32425-SGT	MAST BRACE,L.H..... AWP-15S, AWP-20S, AWP-25S, AWP-30S (40.25 inches)	1
16A	32424-SGT	MAST BRACE,R.H. AWP-15S, AWP-20S, AWP-25S, AWP-30S (not shown) (40.25 inches)	
17		Ref. Outrigger Storage Bracket, Left Side with Decal (refer to 318.1)	
18	33674GT	PIN,LOCK,SHORT***.....	1
19A		Ref., FORMING,COL REINFORCEMENT*** (AWP-15S, AWP-36S and AWP-40S) Refer to 314.1	
19B		Ref., PLATE,COL REINFORCEMENT*** (AWP-20S, AWP-25S and AWP-30S) Refer to 315.1	

317.1 Tilt-back Frame Assembly



317.1 Tilt-back Frame Assembly

Item	Part No.	Description	Qty.	Item	Part No.	Description	Qty.
--	40274GT	TILTBACK SHOCK ASSY,AWP36-S (includes items 19 - 28 and decal plate with decal)		16	8516GT	SCREW, HCC, 3/8-16 X 1.50	
--	40275GT	TILTBACK SHOCK ASSY,AWP40-S (includes items 19 - 28 and decal plate with decal)		17	4828GT	NUT,NYLOCK,3/8-16	
--	43058GT	TILTBACK SHOCK ASSY,AWP15/20S (includes items 19 - 28)		18	8178GT	SCREW,HHC,3/8-16 X 2.5	
--	43059GT	TILTBACK SHOCK ASSY,AWP25/30S (includes items 19 - 28)		19	40506GT	WELDMENT GAS.UPR.W/DECAL AWP-S.....1 AWP-36S AND AWP-40S	
--	43055GT	TILTBACK KIT 15/20AWP-S (includes items 1 - 30, 35 - 39 and 41 - 44)		19A	41033GT	WELDMENT,GAS SPRING HSING-SHOR AWP-15S, AWP-20S, AWP25S AND AWP-30S	
--	43056GT	TILTBACK KIT 25/30AWP-S (includes items 1 - 30, 35 - 39 and 41 - 44)		20	38324GT	BLOCK,UPPER GAS SPRING MOUNT.....1	
1	21279GT	BUTTON, .800 O.D. X .281.....8		21	38990GT	GAS SPRING AWP-36S,S-SERIES.....1	
2	21441GT	SHIM,.75 X.45 X.016.....8 (Quantity listed for this item is approximate. Actual quantity may vary to ensure proper fit.)		--	38322GT	GAS SPRING AWP-40S,S-SERIES	
3	21442GT	SHIM,.75 X.45 X.032.....8 (Quantity listed for this item is approximate. Actual quantity may vary to ensure proper fit.)		--	41053GT	GAS SPRING AWP-15/20S,S-SERIES	
4	21437GT	BOLT,ROLLER-SHORT STEM,.63.....8		--	41054GT	GAS SPRING AWP-25/30S,S-SERIES	
5	21278GT	ROLLER,NYLATRON 1.50 O.D.***.....8		22	38323GT	BLOCK,LOWER GAS SPRING MOUNT.....1	
6	8519GT	WASHER,SHIM,.5 X .875 X .033.....8		23	38318Z-SGT	TUBE,LWR.GAS SPRING,ZINC-LONG..1 AWP-36S AND AWP-40S	
7	6021GT	WASHER,LOCK,.375		24	6732GT	SCREW,HHC,1/2-13 X 3.25	
8	5397GT	WASHER,FLAT,USS,5/16",Y		25	6564GT	WASHER, SHIM,.765 X 1.312 X .093....14 (Quantity listed for this item is approximate. Actual quantity may vary to ensure proper fit.)	
9	24697-SGT	PIVOT RETAINER HOOK (SERVICE)....1		25A	6563GT	WASHER,SHIM,.75 X 1.125 X.030	
10	33720GT	BEARING,FLANGE,3/8 (AWP & ST)....1		26	6198GT	NUT,NYLOCK,1/2-13	
11	32317GT	SCREW,HHC,3/8-24 X 1 GR 8 YEL.....1		27	6708GT	SCREW,HHC,3/8-16 X 2.25	
12	40276GT	PIVOT STOP BRKT.ASSY,S-SERIES....1		28	6825GT	PIN,OUTRIGGER LOCK.....1	
13	25087GT	ASSY,SPRING PLUNGER,AWP TILTBK.....1		29	27415GT	BLOCK, GUIDE, AWP.....2	
--	25084GT	SPRING,AWP TILT-BACK.....1		30	6097GT	WASHER,FLAT,USS,3/8",Y	
--	25085GT	SPRING HOUSING,AWP TILT-BACK....1		31	5224GT	SCREW,HHC,3/8-16 X 2	
--	25086GT	SPRING PLUNGER,AWP TILT-BACK....1		32	37681-SGT	PLATE,TILTBACK HINGE,"BLUE".....2	
14	32454GT	CASTER,PERFORM,SWV.LCK,5 X 2**2 (to S/N 3800-15876) (same fit and function, different color from PN 57733)		33	9145GT	SCREW,HHC,1/2-13 X 2.5,GR5	
14A	57733GT	CASTER,PL,SW LOCK,5 X 2** (from S/N 3800-15877) (same fit and function, different color from PN 32454)		34	32834GT	BUSHING,BRONZE,.50 X .75.....2	
15	38195GT	TILTBACK FRAME W/DECALS,AWP-S*.....1 AWP-36S AND AWP-40S		35	10597GT	SCREW,HHC,1/2-13 X 1.25 GR5	
15A	43054GT	TILTBACK FRAME W/DECALS,AWP-S AWP-15S, AWP-20S, AWP-25S AND AWP-30S		36	37687-SGT	PLATE,BASE ATTACHMENT,TB,BLUE.....4	
				37	6019GT	SCREW,HHC,3/8-16 X 1.25 GRD 5	
				38	32452GT	WHEEL,PERFORMA,5X2**.....2 (to S/N 3800-15876) (same fit and function, different color from PN 57733) (includes axle, nut and bushing, 1 ea.)	
				38A	57785GT	WHEEL,TPE,5 X 2, 3/4, 1/2** (from S/N 3800-15877) (same fit and function, different color from PN 32454)	
				39	5408GT	NUT,LP NYLOCK,3/8-24.....3	
				40	32925GT	PIVOT WELD W/RUBBER.....1	
				--	27769GT	BUMPER, AWPII TILTBACK	

317.1 Tilt-back Frame Assembly
(continued)

Item	Part No.	Description	Qty.
--	6271GT	RIVET,STL,STL.MAN,P,.25 X .25	
41	6180GT	COUPLING,ROD,3/8-24.....	1
42	32375GT	PIN,LOCK,LONG***	2

Go to Discount-Equipment.com to order your parts

This Page Intentionally Left Blank

Go to Discount-Equipment.com to order your parts

318.1 Outrigger Storage Bracket Assembly Cross Reference, Standard Base (from AWP04-29000)

Figure	Rev	Description
318.1	A	Outrigger Storage Bracket Assembly Cross Reference (after serial number AWP04-29899)

Table 1
Standard Base

Applicable Standard / Region	AWP-20S (AC or DC)	AWP-25S (AC or DC)	AWP-30S (AC or DC)	AWP-30S (Air)	AWP-36S (AC or DC)	AWP-40S (AC or DC)
ANSI (USA) Outrigger Storage Bracket Assembly (figure 314.1)	40286	40286	40286	40286	40286	40286
ANSI (Asia and South America) Outrigger Storage Bracket Assembly (figure 314.1)	40286	40286	40286	40286	40286	40286
CSA (Canada) Outrigger Storage Bracket Assembly (figure 314.1)	40286	43069	43068	43068	43068	43068
CE (Europe) Indoor Outrigger Storage Bracket Assembly (figure 314.1)	40286	40286	43069	43069	40286	40286
CE (Europe) Outdoor Outrigger Storage Bracket Assembly (figure 314.1)	40286	40286	43069	43069	40286	40286

318.1 Outrigger Storage Bracket Assembly Cross Reference, Standard Base (from
AWP04-29000)

Item	Part No.	Description	Qty.
1	40286GT	WELDM.OUTRIG.STRG.BRKT.W/DECAL	
2	43069GT	WELDM.OUTRIG.STRG.BRKT.W/DECAL	
3	43068GT	WELDM.OUTRIG.STRG.BRKT.W/DECAL	

Go to Discount-Equipment.com to order your parts

318.2 Outrigger Storage Bracket Assembly Cross Reference, Narrow or RT Base (from AWP04-29000)

318.1

Outrigger Storage Bracket Assembly Cross Reference (after serial number AWP04-29899) Rev A

Table 2
Narrow Base or Rough Terrain Base

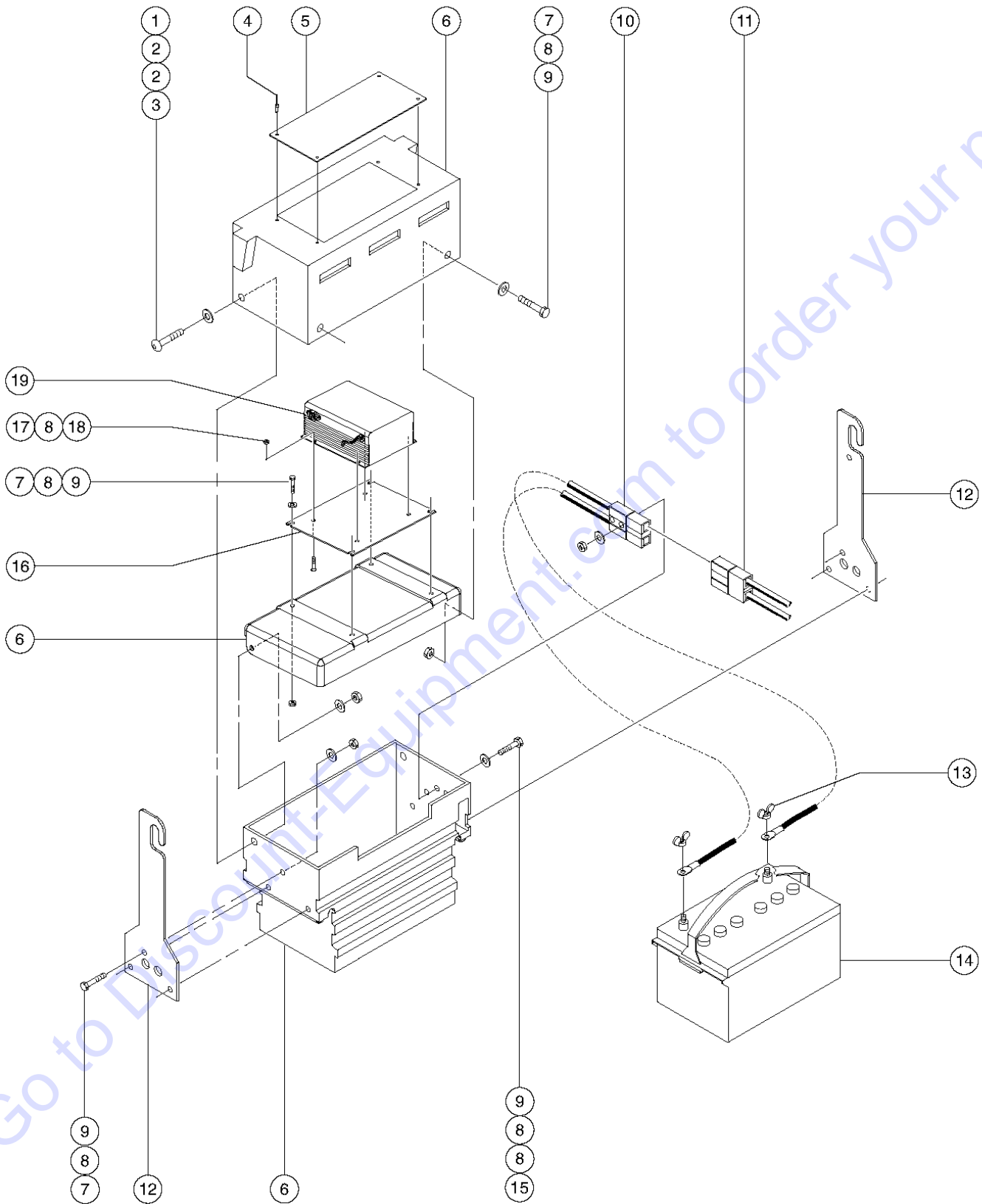
Applicable Standard / Region	AWP-20S (AC or DC)	AWP-25S (AC or DC)	AWP-30S (AC or DC)	AWP-30S (Air)
ANSI (USA)				
Outrigger Storage Bracket Assembly, Right side (figure 314.1)	40504	40504	40504	40504
Outrigger Storage Bracket Assembly, Left side (figure 314.1)	40505	40505	40505	40505
ANSI (Asia and South America)				
Outrigger Storage Bracket Assembly, Right side (figure 314.1)	40504	40504	40504	40504
Outrigger Storage Bracket Assembly, Left side (figure 314.1)	40505	40505	40505	40505
CSA (Canada)				
Outrigger Storage Bracket Assembly, Right side (figure 314.1)	40504	43070	43070	43070
Outrigger Storage Bracket Assembly, Left side (figure 314.1)	40505	43071	43071	43071
CE (European) Indoor				
Outrigger Storage Bracket Assembly, Right side (figure 314.1)	40504	40504	43070	43070
Outrigger Storage Bracket Assembly, Left side (figure 314.1)	40505	40505	43071	43071
CE (European) Outdoor				
Outrigger Storage Bracket Assembly, Right side (figure 314.1)	40504	40504	43070	43070
Outrigger Storage Bracket Assembly, Left side (figure 314.1)	40505	40505	43071	43071

318.2 Outrigger Storage Bracket Assembly Cross Reference, Narrow or RT Base (from
AWP04-29000)

Item	Part No.	Description	Qty.
1	40504GT	O.R.STRG BRKT.W/DCL RH,NRRW/RT	
2	40505GT	O.R.STRG BRKT W/DCL LH,NRRW/RT	
3	43070GT	O.R.STRG BRKT.W/DCL RH,NRRW/RT	
4	43071GT	O.R.STRG BRKT W/DCL LH,NRRW/RT	

Go to Discount-Equipment.com to order your parts

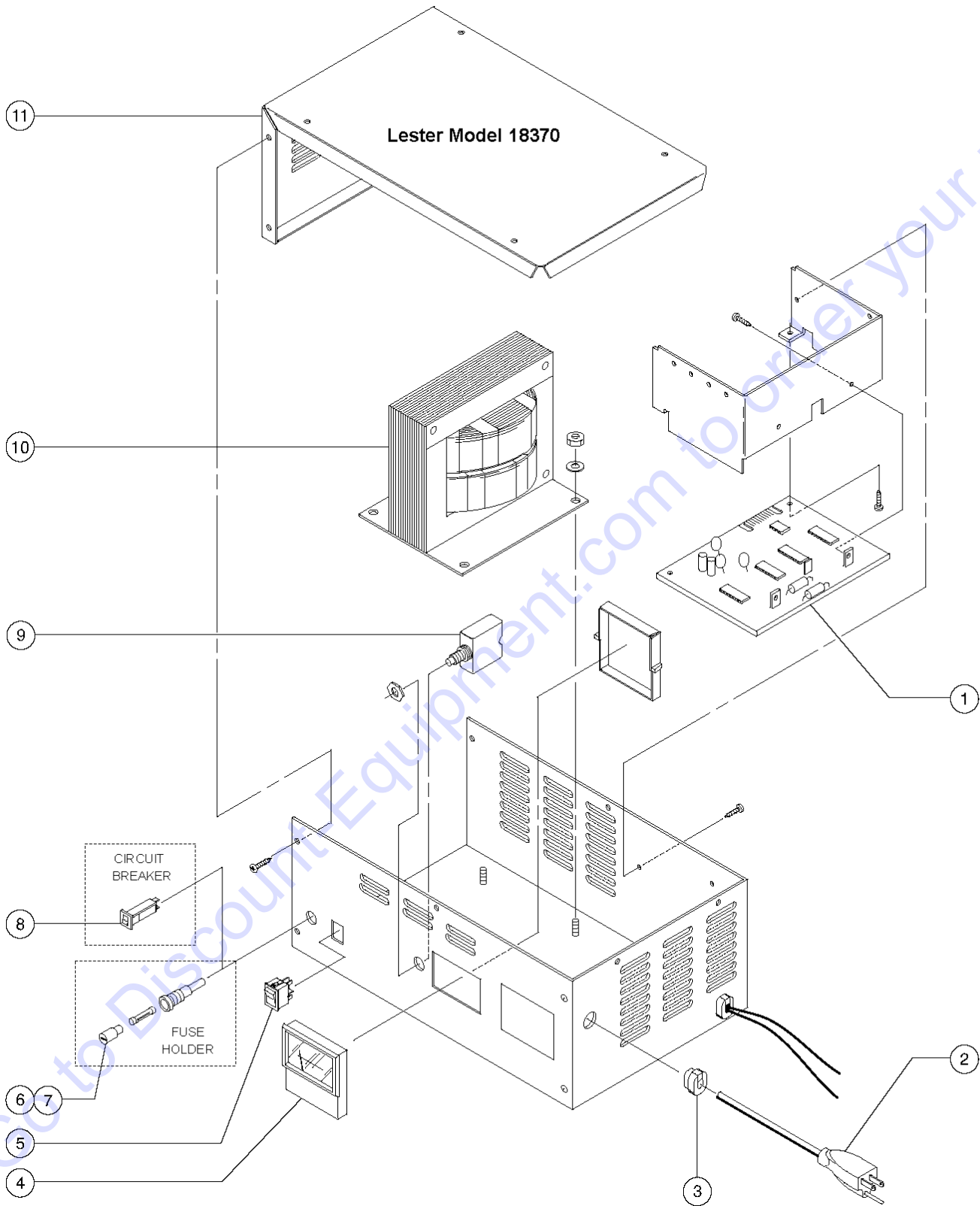
401.1 Battery Pack Assembly, DC Models



401.1 Battery Pack Assembly, DC Models

Item	Part No.	Description	Qty.	Item	Part No.	Description	Qty.
--		<i>AWP Super Series models were produced using two different threaded post sizes on the 57159 battery; 5/16" or 3/8". A serial number break was not available. Refer to the specific machine to determine the correct nut.</i>		--	69230GT	NUT,WING,3/8-16 <i>AWP Super Series models were produced using two different threaded post sizes on the 57159 battery; 5/16" or 3/8". A serial number break was not available. Refer to the specific machine to determine the correct nut.</i>	
--	85423GT	BATT.PACK,12VDC/HI-LO*** <i>(Instructions included)</i>		14	57159GT	BATTERY,12V GRP 27,105 AH, DRY.....1 <i>(models with dry battery option)</i>	
--	85424GT	BATT.PACK,N0 BATT,12VDC-HI/LO* <i>order battery separately</i>		14A	60499GT	BATTERY,12V GRP27TM,105 AH,WET <i>(models with wet battery option)</i>	
1	28487GT	SCREW,BHHS,3/8-16 X 1		14A	75442GT	BATTERY,12V,SCS225 130AH,DRY* <i>(models with wet battery option)</i>	
2	5397GT	WASHER,FLAT,USS,5/16",Y		15	6145GT	SCREW,HHC,1/4-20 X 1.5	
3	7713GT	NUT, LP NYLOCK, 3/8-16		16	80989GT	PLATE,12V CHARGER MOUNT.....1 <i>(models with Signet Charger)</i>	
4	8920GT	RIVET,ALUM,ALUM,P,.156 X .375		17	15513GT	NUT,HEX,10-32	
5	40508GT	BATTERY PLATE W/DECAL,S-SERIES.....1 <i>(to S/N 3800-14538)</i>	1	18	17626GT	SCREW,FHM,10-32 X .75	
6	38215GT	BATT.BOX, ASSY W/ DECALS.....1 <i>(from S/N 3800-14539)</i>	1	19		Ref. Battery Charger <i>(refer to figure 402.1, 403.1, 404.1 or 405.1)</i>	
7	6090GT	SCREW,HHC,1/4-20 X .75					
8	6638GT	WASHER,FLAT,USS,1/4"Y					
9	6889GT	NUT,LP NYLOCK,1/4-20					
10	38212GT	CABLE ASSY,BAT PACK/CLAMP POST.....1 <i>(clamp terminal post)</i>	1				
--	18189GT	BOOT,BATTERY TERMINAL,RED <i>(threaded terminal post)</i>					
10A	69228GT	CABLE ASSY,BAT PACK/RING-TERM <i>(threaded terminal post)</i>					
--	96110GT	BOOT,CABLE TERMINAL COVER					
11	38213GT	CABLE ASSY,ANDRSN,26",15S-30S <i>(DC Hydraulic Power Unit)</i>					
11A	38213GT	CABLE ASSY,ANDRSN,26",15S-30S <i>(DC Hydraulic Power Unit)</i>					
11B	38214GT	CABLE ASSY,ANDRSN,42",36/40-S <i>(option, Tiltback)</i>					
12	40301GT	HOOK,BATTERY BOX W/DECAL,--S--....2 <i>(USA, Australia, Canada) (with Word Decals)</i>	2				
--	33245PGT	PLATE,BATTERY BOX HOOK,PAINTED <i>(Asia, South America, Europe) (with Symbols Decals)</i>					
13	69229GT	NUT,WING 5/16-18 <i>AWP Super Series models were produced using two different threaded post sizes on the 57159 battery; 5/16" or 3/8". A serial number break was not available. Refer to the specific machine to determine the correct nut.</i>					

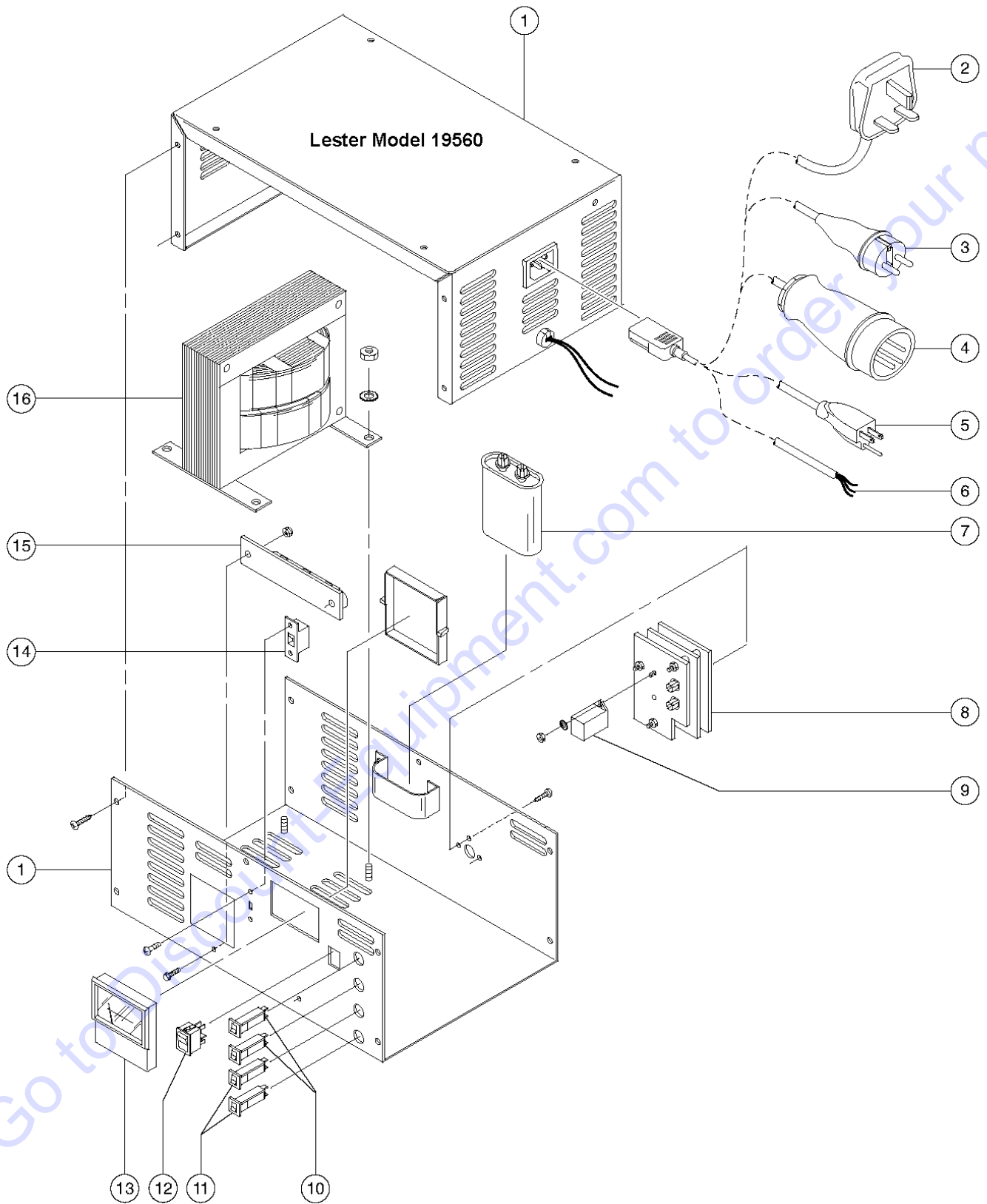
402.1 Battery Charger, ANSI Models



402.1 Battery Charger, ANSI Models

Item	Part No.	Description	Qty.
--		<i>The Lester Charger is not longer available as a replacement charger for the AWP Super Series. Please refer to 405.1 for replacement kit part number.</i>	
1	38165GT	TIMER, ELECTRONIC.....	1
2	40396GT	CORDSET-AC (38581 CHARGER).....	1
3	16364GT	BUSHING-6671 CHARG.,MOD# 6685....	1
4	38166GT	AMMETER, 12 AMP.....	1
5	40395GT	SWITCH-POWER,CHARGER, SP/ST.....	1
6	24036GT	FUSE HOLDER, CHARGER..... <i>models produced before 12/1/98</i>	1
7	33551GT	FUSE,3 AMP..... <i>models produced before 12/1/98</i>	1
8	65804GT	CIRCUIT BREAKER,4 AMP 38581..... <i>models produced after 11/30/98</i>	1
9	38175GT	CIRCUIT BREAKER-LESTER CHARGER.....	1
10	40394GT	TRANSFORMER, CHARGER (38581)....	1
11	41218GT	COVER,CHARGER #38581.....	1

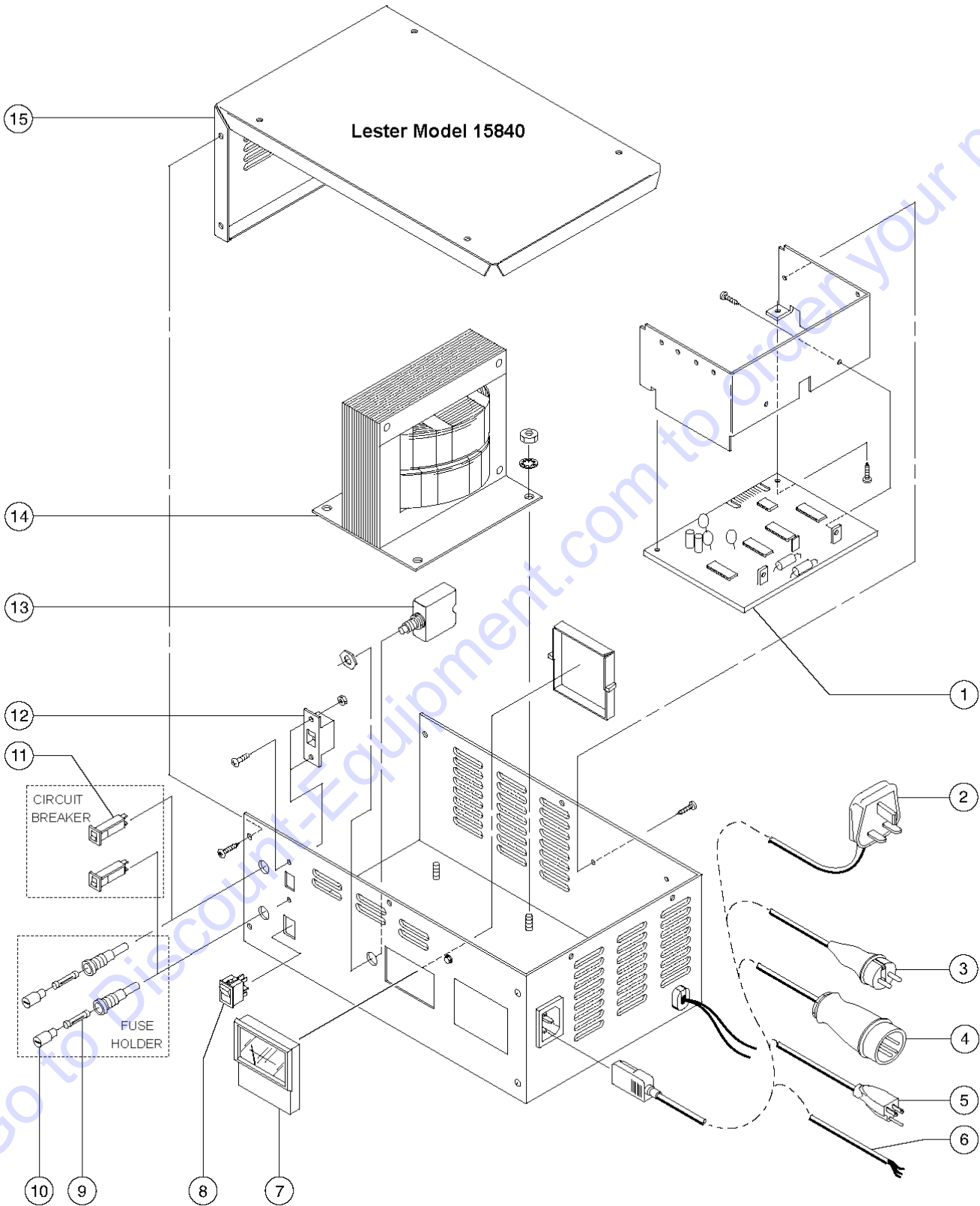
403.1 Battery Charger, CE Models



403.1 Battery Charger, CE Models

Item	Part No.	Description	Qty.
--		<i>The Lester Charger is not longer available as a replacement charger for the AWP Super Series. Please refer to 405.1 for replacement kit part number.</i>	
1	46314GT	CASE ASSY, CE CHARGER, 46588.....1	
2	55018GT	POWER CORD,UK-HIGH VOLTAGE, 8".....1 (8.25 inches)	
2A	100193GT	POWER CORD,UK-HIGH VOLTAGE, 98" (98 inches)	
3	55019GT	POWER CORD,NOVON, 8".....1 (8.25 inches)	
3A	100194GT	POWER CORD,NOVON, 98" (98 inches)	
4	71706GT	POWER CORD, UK 110, 115".....1 (78 inches) (includes item 6)	
--	144161GT	PLUG,PWR,UK,16AMP,3PIN,BLK	
5	55021GT	POWER CORD,US 110, 8".....1 (8.25 inches)	
5A	100195GT	POWER CORD,US 110, 79" (79 inches)	
6	48282GT	POWER CORD, IEC 320 BLANK, 79".....1	
7	46308GT	CAPACITOR, CE CHARGER, 46588.....1	
8	46309GT	TIMER ASSY,ELECTRONIC,CE CHARG.....1	
9	46310GT	RELAY,CHARGER CE, 46588.....1	
10	46312GT	CIRCUIT BREAKER,INPUT CE CHARG.....2	
11	46311GT	CIRCUIT BREAKER,OUTPUT CE CHAR.....2	
12	38174GT	SWITCH-POWER,CHARGER, DP/DT....1	
13	38166GT	AMMETER, 12 AMP.....1	
14	38173GT	SWITCH, VOLTAGE.....1	
15	27262GT	HEATSINK ASSY W/DIODES (23442)....1	
16	46317GT	TRANSFORMER, CE CHARGER, 46588.....1	

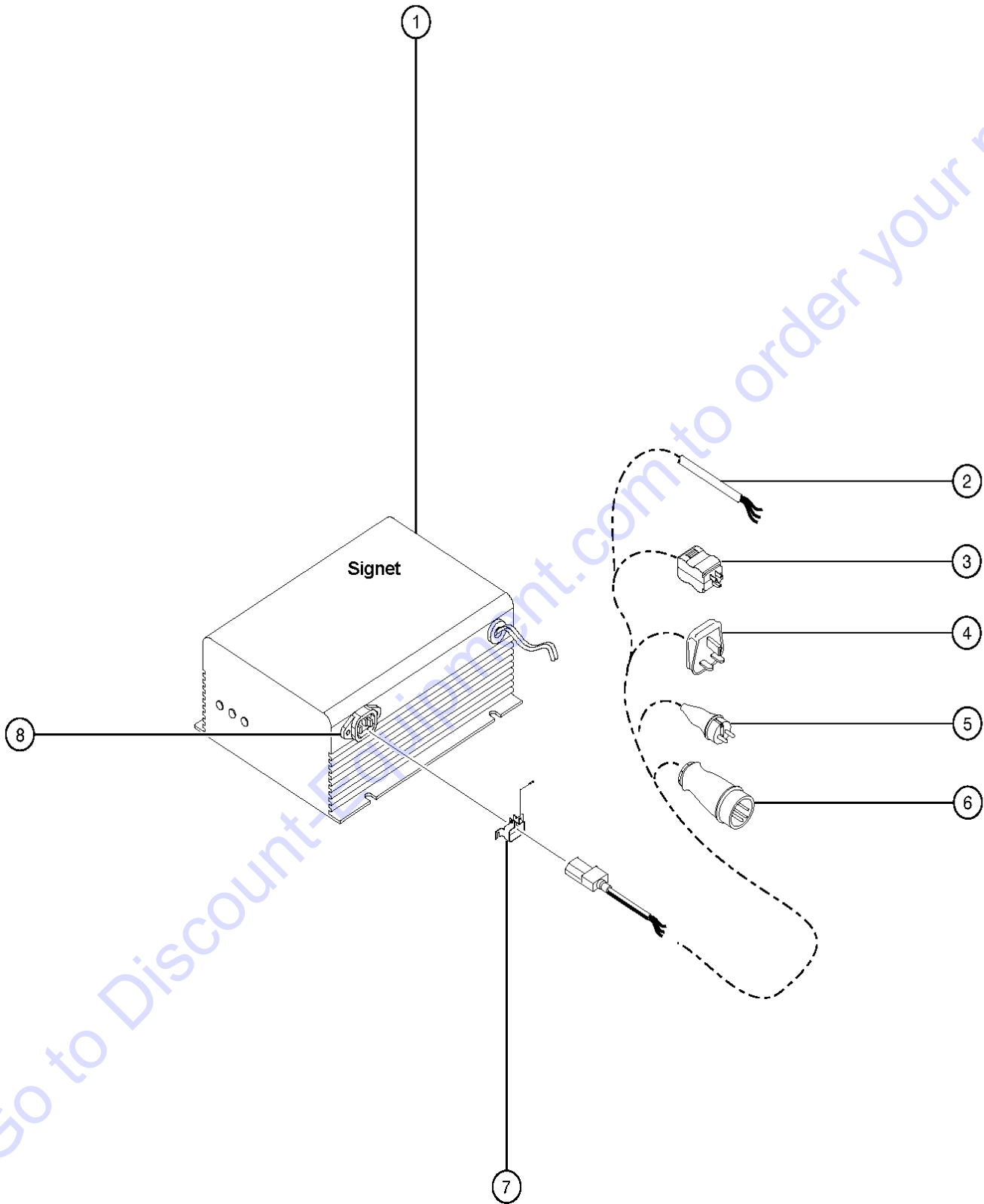
404.1 Battery Charger, Worldwide, Lester Model



404.1 Battery Charger, Worldwide, Lester Model

Item	Part No.	Description	Qty.
--		<i>The Lester Charger is not longer available as a replacement charger for the AWP Super Series. Please refer to 405.1 for replacement kit part number.</i>	
1	38165GT	TIMER, ELECTRONIC.....	1
2	55018GT	POWER CORD,UK-HIGH VOLTAGE, 8"..... (8.25 inches)	1
2A	100193GT	POWER CORD,UK-HIGH VOLTAGE, 98" (98 inches)	
3	55019GT	POWER CORD,NOVON, 8".....	1
		(8.25 inches)	
3A	100194GT	POWER CORD,NOVON, 98" (98 inches)	
4	71706GT	POWER CORD, UK 110, 115".....	1
		(78 inches) (includes item 6)	
--	144161GT	PLUG,PWR,UK,16AMP,3PIN,BLK	
5	55021GT	POWER CORD,US 110, 8".....	1
		(8.25 inches)	
5A	100195GT	POWER CORD,US 110, 79" (79 inches)	
6	48282GT	POWER CORD, IEC 320 BLANK, 79".....	1
7	38166GT	AMMETER, 12 AMP.....	1
8	38174GT	SWITCH-POWER,CHARGER, DP/DT....	1
9	33551GT	FUSE,3 AMP..... <i>models produced before 12/1/98</i>	2
10	24036GT	FUSE HOLDER, CHARGER..... <i>models produced before 12/1/98</i>	2
11	69231GT	CIRCUIT BREAKER,2AMP,WW..... <i>models produced after 11/30/98</i>	2
12	38173GT	SWITCH, VOLTAGE.....	1
13	38175GT	CIRCUIT BREAKER-LESTER CHARGER..... <i>includes mounting fastener</i>	1
14	38172GT	TRANSFORMER, CHARGER (31188)....	1
15	41288GT	POWER OPTION 12VDC, CWP/SP.....	1

405.1 Battery Charger, Worldwide, Signet Model

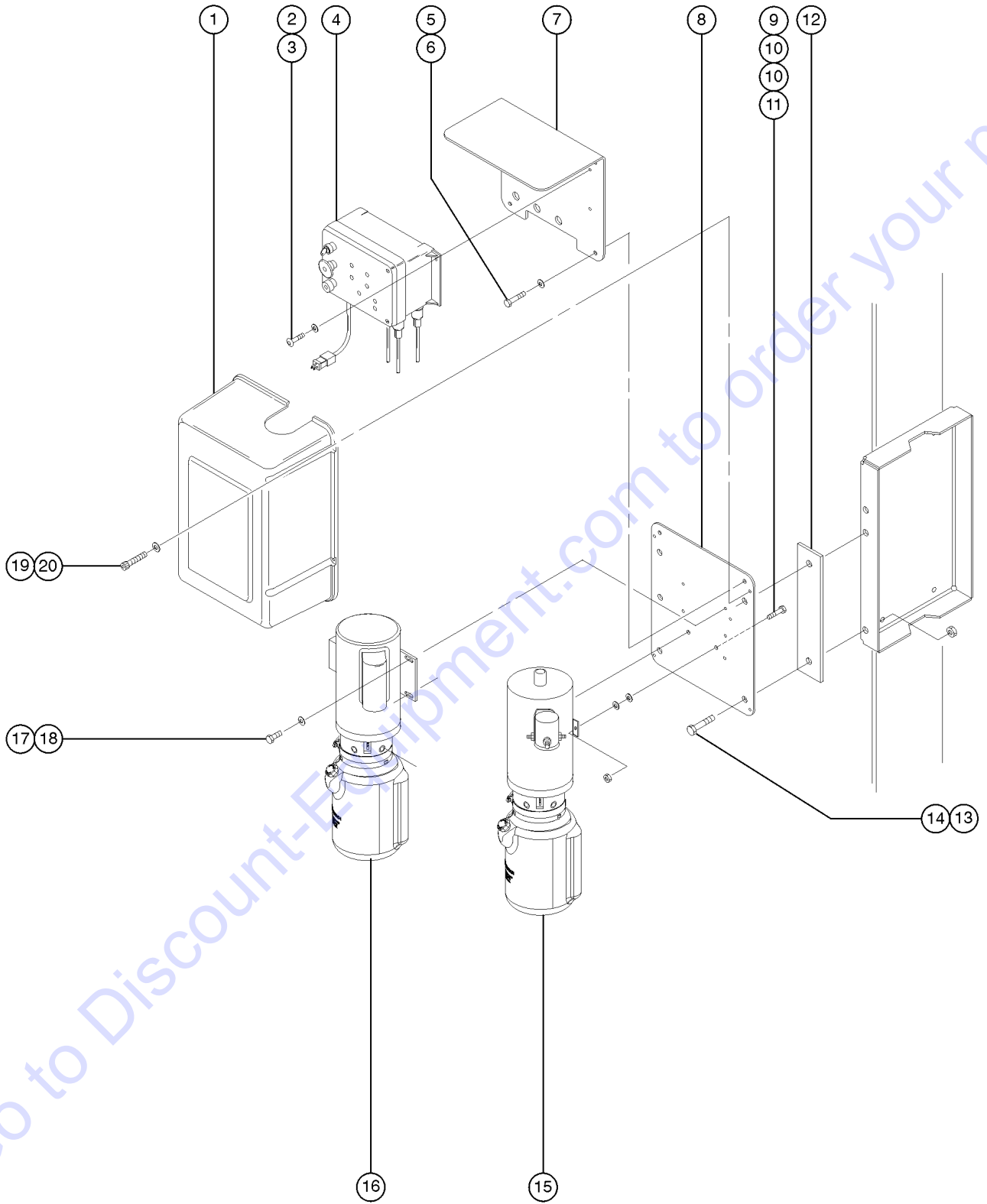


Go to Discount-Equipment.com to order your parts

405.1 Battery Charger, Worldwide, Signet Model

Item	Part No.	Description	Qty.
--	85460GT	MANUAL, SIGNET CHARGER - 80990	
1	80990GT	CHARGER,12VDC HI/LO, AWP/IWP.....1 <i>power cord not included</i>	
--	80889GT	KIT,CHARGER,AWP/IWP*** <i>(Signet) (cord must be ordered separately; see item 9 below)</i>	
--	97059GT	FUSE,BATTERY CHARGER***	
2	48282GT	POWER CORD, IEC 320 BLANK, 79".....1 <i>(79 inches)</i>	
3	55021GT	POWER CORD,US 110, 8".....1 <i>(8.25 inches)</i>	
3A	100195GT	POWER CORD,US 110, 79" <i>(79 inches)</i>	
4	55018GT	POWER CORD,UK-HIGH VOLTAGE, 8".....1 <i>(8.25 inches)</i>	
4A	100193GT	POWER CORD,UK-HIGH VOLTAGE, 98" <i>(98 inches)</i>	
5	55019GT	POWER CORD,NOVON, 8".....1 <i>(8.25 inches)</i>	
5A	100194GT	POWER CORD,NOVON, 98" <i>(98 inches)</i>	
6	71706GT	POWER CORD, UK 110, 115".....1 <i>(78 inches) (includes item 2)</i>	
--	144161GT	PLUG,PWR,UK,16AMP,3PIN,BLK	
7	55010GT	LOCK, CONNECTOR.....1	
8	46440GT	CONNECTOR,IEC 320 INLET.....1	
--	46441GT	PIN,CONNECTOR,IEC320	
9A	55021GT	POWER CORD,US 110, 8" <i>US models (for 80889)</i>	
9B	71706GT	POWER CORD, UK 110, 115" <i>UK 110V (for 80889)</i>	
9C	55018GT	POWER CORD,UK-HIGH VOLTAGE, 8" <i>UK/AUS 220V (for 80889)</i>	
9D	55019GT	POWER CORD,NOVON, 8" <i>EURO 220V (for 80889)</i>	

406.1 Power Unit installation, AC and DC Powered Models, Standard Base



Go to Discount-Equipment.com to order your parts

PARTS FINDER

**Search Website
by Part Number**



**Search Manual
Library For Parts
Manual & Lookup Part
Numbers – Purchase
or Request Quote**

Search Manuals

Enter your information to help us find the right parts manual for your machine.

* Brand:

* Model:

* Serial:

* Part Number:

SEARCH

**Can't Find Part or
Manual? Request Help
by Manufacturer,
Model & Description**

Parts Order Form

Please fill in the following information to help us find the right part for your machine.

Manufacturer:	<input type="text"/>
Model:	<input type="text"/>
Description:	<input type="text"/>
Part Number:	<input type="text"/>
Quantity:	<input type="text"/>
Notes:	<input type="text"/>

SEARCH

Discount-Equipment.com is your online resource for quality parts & equipment.

Florida: **561-964-4949** Outside Florida TOLL FREE: **877-690-3101**

Need parts?

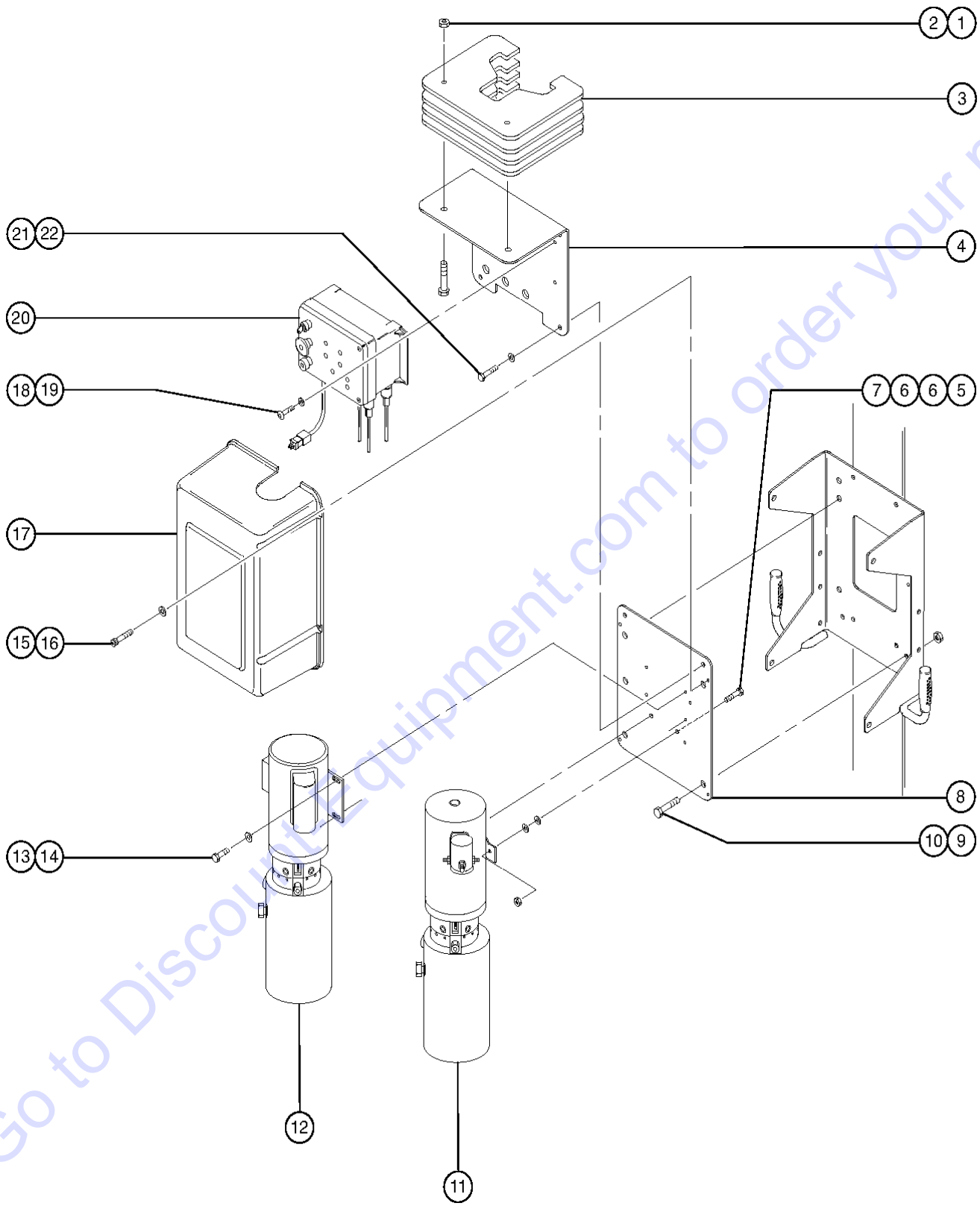
Click on this link: <http://www.discount-equipment.com/category/5443-parts/> and choose one of the options to help get the right parts and equipment you are looking for. Please have the machine model and serial number available in order to help us get you the correct parts. If you don't find the part on the website or on one of the online manuals, please fill out the request form and one of our experienced staff members will get back to you with a quote for the right part that your machine needs.

We sell worldwide for the brands: Genie, Terex, JLG, MultiQuip, Mikasa, Essick, Whiteman, Mayco, Toro Stone, Diamond Products, Generac Magnum, Airman, Haulotte, Barreto, Power Blanket, Nifty Lift, Atlas Copco, Chicago Pneumatic, Allmand, Miller Curber, Skyjack, Lull, Skytrak, Tsurumi, Husquvarna Target, Stow, Wacker, Sakai, Mi-T-M, Sullair, Basic, Dynapac, MBW, Weber, Bartell, Bennar Newman, Haulotte, Ditch Runner, Menegotti, Morrison, Contec, Buddy, Crown, Edco, Wyco, Bomag, Laymor, EZ Trench, Bil-Jax, F.S. Curtis, Gehl Pavers, Heli, Honda, ICS/PowerGrit, IHI, Partner, Imer, Clipper, MMD, Koshin, Rice, CH&E, General Equipment, Amida, Coleman, NAC, Gradall, Square Shooter, Kent, Stanley, Tamco, Toku, Hatz, Kohler, Robin, Wisconsin, Northrock, Oztec, Toker TK, Rol-Air, APT, Wylie, Ingersoll Rand / Doosan, Innovatech, Con X, Ammann, Mecalac, Makinex, Smith Surface Prep, Small Line, Wanco, Yanmar

406.1 Power Unit installation, AC and DC Powered Models, Standard Base

Item	Part No.	Description	Qty.	Item	Part No.	Description	Qty.
--	40281GT	PWR PACK,110VAC,2-POS KEYSWTC (to SN AWP04-29899) (includes items 1, 7, and 8)		1A	124650GT	COVER,MOTOR W/SYMBOL,AWP/IWP.....1 (Asia, South America, Europe) (to SN AWP04-29899)	1
--	107056GT	PWR PACK,85VAC,2-POS KEYSWTC (to SN AWP04-29899) (includes items 1, 7, and 8)		2	12011GT	SCREW,BHHS,1/4-20 X .5,Y/ZINC	
--	40282GT	PWR PACK 220VAC,2-POS KEYSWTC (to SN AWP04-29899) (includes items 1, 7, and 8)		3	6356GT	WASHER,LOCK,.25	
--	80482-SGT	PWR PACK,12VDC,3-POS KEYSWTC (to SN AWP04-29899) (includes items 1, 7, and 8)		4		Ref. Ground Controls (refer to figure 410.1 or 411.1)	
--	85378GT	PWR PACK,110VAC,3-POS KEYSWIT* (USA, Canada, Australia) (from SN AWP04-29900) (includes items 1, 7, and 8)		5	33681GT	SCREW,HHC,3/8-16 X .625	
--	85378GT	PWR PACK,110VAC,3-POS KEYSWIT* (Asia, South America, Europe) (from SN AWP04-21811) (includes items 1, 7, and 8)		6	6021GT	WASHER,LOCK,.375	
--	107057GT	PWR PACK,85VAC,3-POS KEYSWTC (USA, Canada, Australia) (from SN AWP04-29900) (includes items 1, 7, and 8)		7	37765-SGT	PLATE,CONTROL BOX,"BLUE".....1	1
--	107057GT	PWR PACK,85VAC,3-POS KEYSWTC (Asia, South America, Europe) (from SN AWP04-21811) (includes items 1, 7, and 8)		8	37764-SGT	PLATE,MOTOR MOUNT,"BLUE".....1	1
--	80484-SGT	PWR PACK,220VAC,3-POS KEYSWTC (USA, Canada, Australia) (from SN AWP04-29900) (includes items 1, 7, and 8)		9	6175GT	SCREW,HHC,3/8-16 X 1	
--	80484-SGT	PWR PACK,220VAC,3-POS KEYSWTC (Asia, South America, Europe) (from SN AWP04-21811) (includes items 1, 7, and 8)		10	5397GT	WASHER,FLAT,USS,5/16",Y	
--	107059GT	PWR PACK,110VAC,3-POS KEYSWIT (symbol) (Asia, South America, Europe) (from SN AWP04-29900) (includes items 1-8 and 16-20)		11	7713GT	NUT, LP NYLOCK, 3/8-16	
--	107058GT	PWR PACK,85VAC,3-POS KEYSWTC (symbol) (Asia, South America, Europe) (from SN AWP04-29900) (includes items 1-8 and 16-20)		12	40320GT	PLATE,SPACER,POWER UNIT.....1	1
--	107060GT	PWR PACK,220VAC,3-POS KEYSWTC (symbol) (Asia, South America, Europe) (from SN AWP04-29900) (includes items 1-8 and 16-20)		13	10597GT	SCREW,HHC,1/2-13 X 1.25 GR5	
--	107061GT	PWR PACK,12VAC,3-POS KEYSWTC (symbol) (Asia, South America, Europe) (from SN AWP04-29900) (includes items 1-8 and 16-20)		14	6198GT	NUT,NYLOCK,1/2-13	
1	124649GT	COVER,MOTOR W/WORDS,AWP/IW.....1 (USA, Canada, Australia)		15		Ref. DC Hydraulic Power Unit (refer to figure 603.1)	
				16		Ref. AC Hydraulic Power Unit (refer to figure 604.1)	
				17	7339GT	SCREW,HHC,1/4-20 X .5	
				18	6638GT	WASHER,FLAT,USS,1/4"Y	
				19	40004GT	SCREW,SHC,1/4-20 X .375 BLK	
				20	14295GT	WASHER,SHIM,.265 X .5 X .030	

407.1 Power Unit Installation, AC and DC Powered Models, Narrow or Rough Terrain Base Option

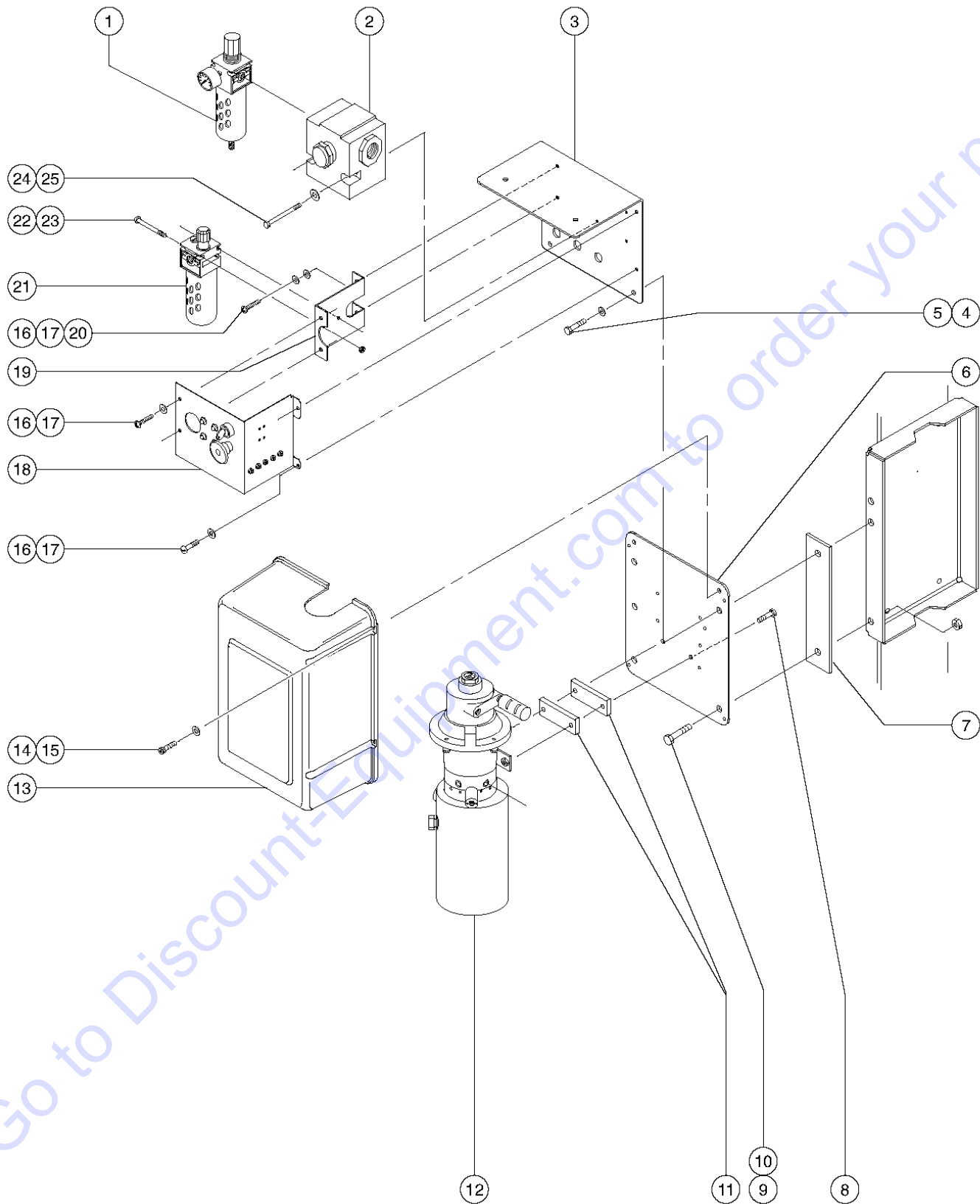


Go to DiscoveryEquipment.com to order your parts

407.1 Power Unit Installation, AC and DC Powered Models, Narrow or Rough Terrain Base Option

Item	Part No.	Description	Qty.
1	4828GT	NUT,NYLOCK,3/8-16	
2	6708GT	SCREW,HHC,3/8-16 X 2.25	
3	40623-SGT	COUNTERWEIGHT,AWP NRRW/RT,BLUE.....	4
4	37765-SGT	PLATE,CONTROL BOX,"BLUE".....	1
5	6175GT	SCREW,HHC,3/8-16 X 1	
6	5397GT	WASHER,FLAT,USS,5/16",Y	
7	7713GT	NUT, LP NYLOCK, 3/8-16	
8	37764-SGT	PLATE,MOTOR MOUNT,"BLUE".....	1
9	10597GT	SCREW,HHC,1/2-13 X 1.25 GR5	
10	6198GT	NUT,NYLOCK,1/2-13	
11		Ref. Hydraulic Power Unit - DC (refer to figure 603.1) (refer to figure 603.1)	
12		Ref. Hydraulic Power Unit - AC (refer to figure 604.1) (refer to figure 604.1)	
13	7339GT	SCREW,HHC,1/4-20 X .5	
14	6638GT	WASHER,FLAT,USS,1/4"Y	
15	40004GT	SCREW,SHC,1/4-20 X .375 BLK	
16	14295GT	WASHER,SHIM,.265 X .5 X .030.....	4
17	38197GT	COVER,MOTOR W/WORDS,S SERIES.....	1
18	43136GT	SCREW,PHM,1/4-20 X .625	
19	6356GT	WASHER,LOCK,.25	
20		Ref. Ground Controls (refer to figure 410.1 or 411.1)	
21	6021GT	WASHER,LOCK,.375	
22	33681GT	SCREW,HHC,3/8-16 X .625	

408.1 Power Unit Installation, Air Powered Models

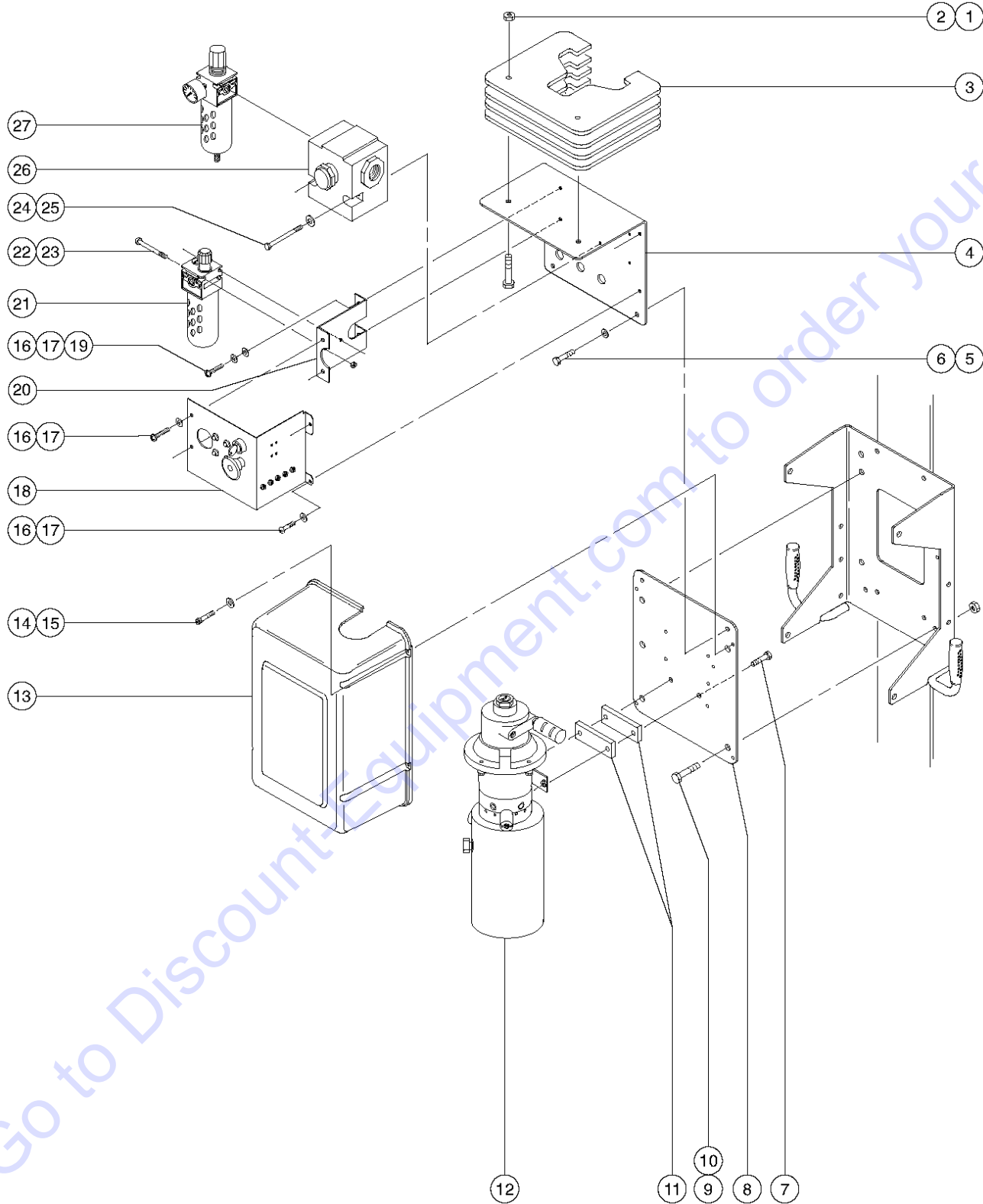


Go to Discount-Equipment.com to order your parts

408.1 Power Unit Installation, Air Powered Models

Item	Part No.	Description	Qty.
--	41193GT	KIT,FILTER,(40323) <i>includes items 1 and 21</i>	
--	41487GT	AIR GAUGE,.12 NPT(41193)	
1	69227GT	FILTER,REGULATOR.....	1
2	41192GT	VALVE,ON/OFF AIR.....	1
3	41200-SGT	PLATE,AIR CONTROLS,"BLUE".....	1
4	33681GT	SCREW,HHC,3/8-16 X .625	
5	6021GT	WASHER,LOCK,.375	
6	37764-SGT	PLATE,MOTOR MOUNT,"BLUE".....	1
7	40320GT	PLATE,SPACER,POWER UNIT..... AWP-15S	1
8	6019GT	SCREW,HHC,3/8-16 X 1.25 GRD 5	
9	10597GT	SCREW,HHC,1/2-13 X 1.25 GR5	
10	6198GT	NUT,NYLOCK,1/2-13	
11	41198-SGT	SPACER,AIR MOTOR,"BLUE".....	2
12		Ref. Hydraulic Power Unit -Air Powered <i>(refer to figure 605.1)</i>	
13	38197GT	COVER,MOTOR W/WORDS,S SERIES.....	1
14	40004GT	SCREW,SHC,1/4-20 X .375 BLK	
15	14295GT	WASHER,SHIM,.265 X .5 X .030	
16	38979GT	SCREW,PHM,1/4-20X.5 PHIL	
17	6356GT	WASHER,LOCK,.25	
18		Ref. Ground Controls Panel with Decal <i>(refer to figure 412.1)</i>	
19	41038-SGT	BRACKET,OILER,"BLUE".....	1
20	6638GT	WASHER,FLAT,USS,1/4"Y	
21	41534GT	LUBRICATOR, SUPER SERIES.....	1
22	41488GT	SCREW,PHILLIPS,RHM,10-32 X 2	
23	6178GT	NUT,NYLOCK,10-32	
24	41489GT	SCREW,SHC,5/16-18 X 2,PLATED	
25	6886GT	WASHER,LOCK,.313	

409.1 Power Pack Installation, Air Powered Models with Narrow or Rough Terrain Base Option



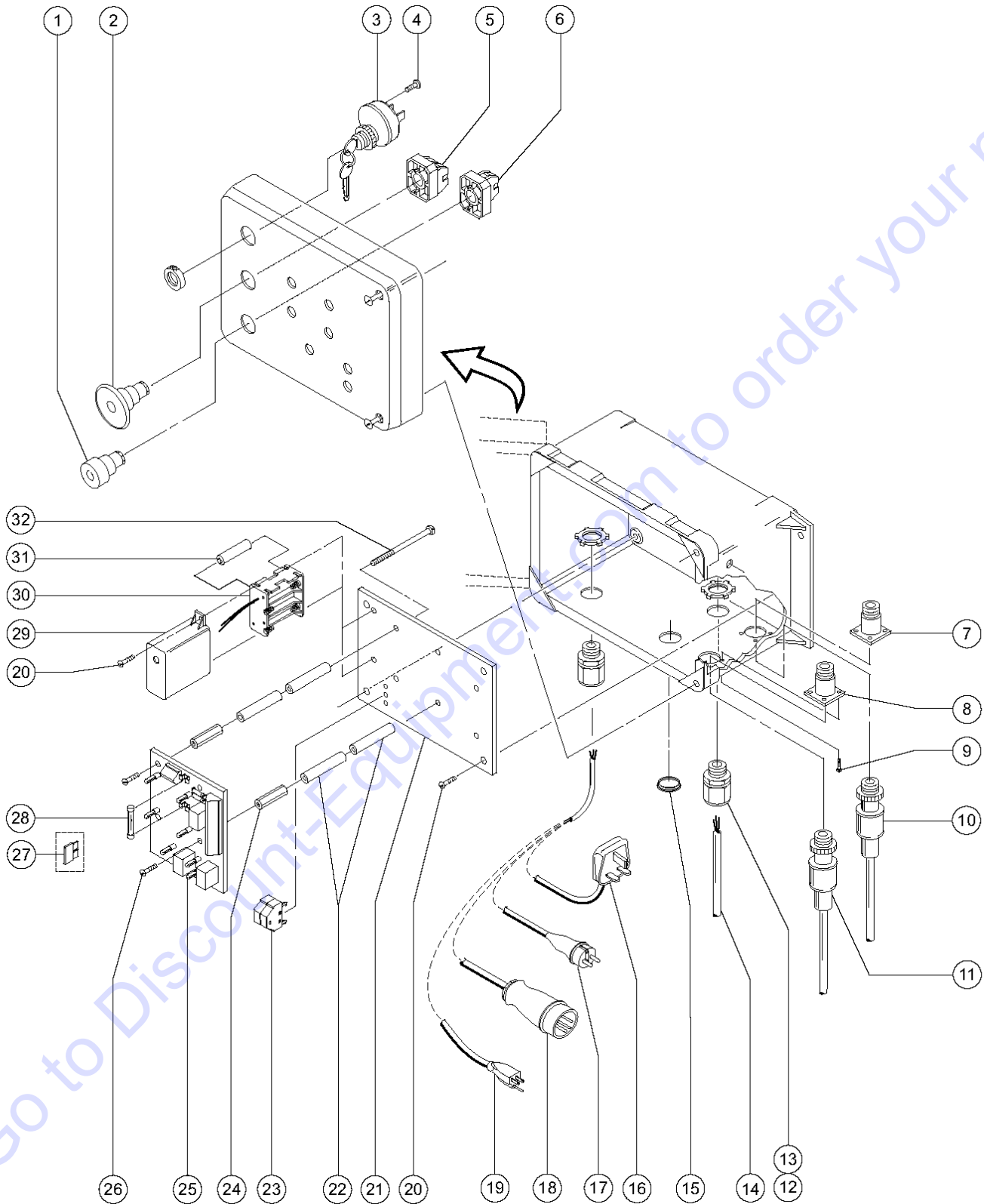
Go to Discount-Equipment.com to order your parts

409.1 Power Pack Installation, Air Powered Models with Narrow or Rough Terrain Base

Option

Item	Part No.	Description	Qty.
--	41193GT	KIT,FILTER,(40323) <i>includes items 21 and 27</i>	
--	41487GT	AIR GAUGE,.12 NPT(41193)	
1	4828GT	NUT,NYLOCK,3/8-16	
2	6708GT	SCREW,HHC,3/8-16 X 2.25	
3	40623-SGT	COUNTERWEIGHT,AWP NRRW/RT,BLUE.....	4
4	41200-SGT	PLATE,AIR CONTROLS,"BLUE"	
5	33681GT	SCREW,HHC,3/8-16 X .625	
6	6021GT	WASHER,LOCK,.375	
7	6019GT	SCREW,HHC,3/8-16 X 1.25 GRD 5	
8	37764-SGT	PLATE,MOTOR MOUNT,"BLUE"	
9	10597GT	SCREW,HHC,1/2-13 X 1.25 GR5	
10	6198GT	NUT,NYLOCK,1/2-13	
11	41198-SGT	SPACER,AIR MOTOR,"BLUE".....	2
12		Ref. Hydraulic Power Unit - Air Powered (refer to figure 605.1)	
13	38197GT	COVER,MOTOR W/WORDS,S SERIES.....	1
14	40004GT	SCREW,SHC,1/4-20 X .375 BLK	
15	14295GT	WASHER,SHIM,.265 X .5 X .030.....	4
16	38979GT	SCREW,PHM,1/4-20X.5 PHIL	
17	6356GT	WASHER,LOCK,.25	
18		Ref. Ground Controls Panel with Decal (refer to Figure 412.1)	
19	6638GT	WASHER,FLAT,USS,1/4"Y.....	4
20	41038-SGT	BRACKET,OILER,"BLUE"	
21	41534GT	LUBRICATOR, SUPER SERIES	
22	41488GT	SCREW,PHILLIPS,RHM,10-32 X 2.....	2
23	6178GT	NUT,NYLOCK,10-32.....	2
24	41489GT	SCREW,SHC,5/16-18 X 2,PLATED.....	2
25	6886GT	WASHER,LOCK,.313.....	2
26	41192GT	VALVE,ON/OFF AIR.....	1
27	69227GT	FILTER,REGULATOR.....	1

410.1 Ground Controls, DC Models



410.1 Ground Controls, DC Models

Item	Part No.	Description	Qty.	Item	Part No.	Description	Qty.
--	107167GT	GROUND CNTRL BOX ASSEMBLY,DC** (housing only) (from SN AWP02-21811) (includes part number 69847, see item 22)		--	58462GT	KEYSWITCH,2POS.MNTND W/BASE** (to SN AWP02-21810)	
--	40278GT	GROUND CNTRL.BOX W/DECALS DC** (housing) (includes part number 69847, see item 22) (to SN AWP02-21810)		--	66816GT	CONTACT,N.O.*** (to SN AWP02-21810)	
--	40283GT	GROUND CNTRL.BOX ASSY 12VDC*** (2 position key switch) (to SN AWP02-21810)		--	66821GT	BASE,WITHOUT CONTACTS (to SN AWP02-21810)	
--	85276GT	GROUND CNTRL.BOX ASSY 12VDC*** (3 position) (from SN AWP02-21811)		3B	96011GT	KIT, KEYSWITCH*** (from SN AWP02-21811)	
1	124644GT	KIT,A/IWP/DPL,BKPSH ZA2 TO ZB5.....1 (to SN AWP02-21810) (This is an update kit; the original black push button is no longer available from supplier. If this kit has already been installed on unit, please refer to 1A)	1	--	83093GT	KEY SINGLE***.....1 (from SN AWP02-21811)	1
--	66816GT	CONTACT,N.O.*** (to SN AWP02-21810)		--	85239GT	NUT,RETAINER (96008).....1 (from SN AWP02-21811)	1
--	66821GT	BASE,WITHOUT CONTACTS (to SN AWP02-21810)		--	96008-SGT	KEYSWITCH,3 POS. W/KEYS*** (from SN AWP02-21811)	
--	80076GT	BUTTON,PUSH,BLACK W/SEAL (to SN AWP02-21810)		--	96009GT	WASHER,NITRILE (from SN AWP02-21811)	
1A	80076GT	BUTTON,PUSH,BLACK W/SEAL (from SN AWP02-21811)		4	96010GT	SCREW,PHILLIPS,PHM,8-32 X.25**	
2	124641GT	KIT,ESTOP, A/IWP/DPL.....1 (to SN AWP02-21810) (This is an update kit; the original E-stop button is no longer available from supplier. If this kit has already been installed on unit, please refer to 2A)	1	5		REF. Base With Contact.....1 (to SN AWP02-21810) (refer to item 2)	1
--	66812GT	BUTTON,PUSH,RED MUSHROOM HEAD (to SN AWP02-21810)		5A	66817GT	BASE WITH 1 NC CONTACT, E-STOP...1 (from SN AWP02-21811)	
--	66818GT	CONTACT, N.C. (to SN AWP02-21810)		--	66818GT	CONTACT, N.C. (from SN AWP02-21811)	
--	66821GT	BASE,WITHOUT CONTACTS (to SN AWP02-21810)		6		Ref. Base With Contact.....1 (to SN AWP02-21810) (refer to item 1)	1
2A	66812GT	BUTTON,PUSH,RED MUSHROOM HEAD (from SN AWP02-21811)		6A	66815GT	BASE, W/1 N.O. CONTACTS***.....1 (from SN AWP02-21811)	1
--	21982GT	KEY,SINGLE*** (to SN AWP02-21810)		--	66816GT	CONTACT,N.O.*** (from SN AWP02-21811)	
--	37947GT	KEYS,10 PACK*** (to SN AWP02-21810)		--	66818GT	CONTACT, N.C. (from SN AWP02-21811)	
3A	124642GT	KIT,KEYSWITCH, A/IWP/DPL,2PKS.....1 (to SN AWP02-21810) (This is an update kit; the original key switch is no longer available from supplier. If this kit has already been installed on unit, please refer to 3A)	1	7	38217GT	HARNES, WIRE-CONTROL. S SERIES.....1	1
--	21982GT	KEY,SINGLE*** (to SN AWP02-21810)		8	38216GT	HARNES, WIRE-INTRLOCK.S SERIES.....1	1
--	37947GT	KEYS,10 PACK*** (to SN AWP02-21810)		9	10153GT	SCREW,PHIL,PHM,6-32X.38,SF.TAP.....8	8
				10		Ref. Power Cable Assembly, Ground Controls to Platform (refer to figure 415.1 or 416.1)	
				11		Ref. Power Cable Assembly, Ground Controls to Base (refer to figure 415.1 or 416.1)	
				12	7056GT	CONN,SQUEEZE,1/2NPT .38-.50,SM....2	2
				13	6935GT	LOCKNUT,ELEC,1/2".....2	2
				14	124645GT	CABLE ASY,AWP.GCBOX TO MOTOR	
				15	33605GT	PLUG,NYLON .812 BLACK DOMED.....1	1
				16	25388GT	PLUG,FUSED,250V,13AMP,U.K.**.....1	1
				17	1280665GT	PLUG, TYPE F, 230A, 50HZ, 16A, IP44.....1	1
				18	144161GT	PLUG,PWR,UK,16AMP,3PIN,BLK.....1	1

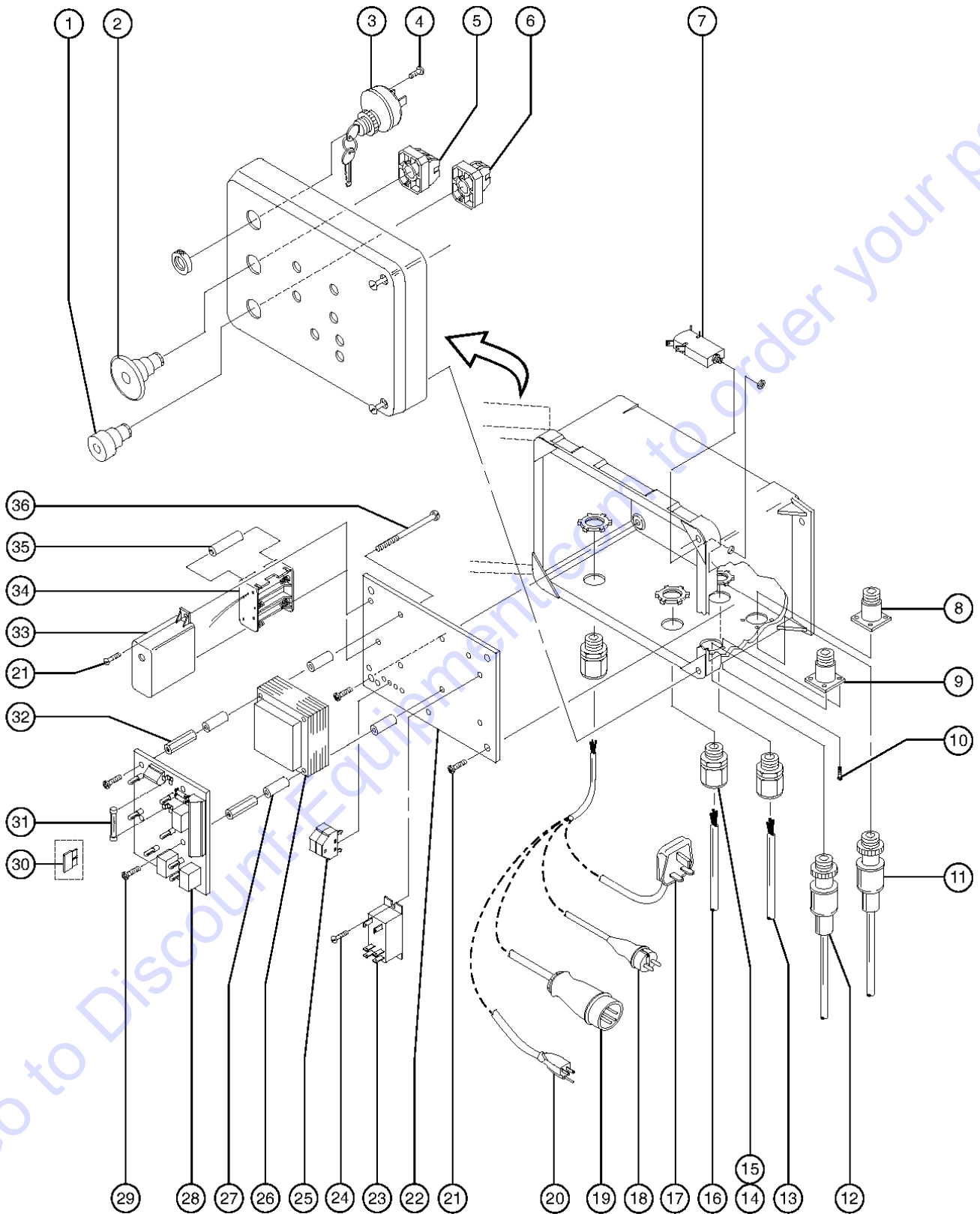
410.1 Ground Controls, DC Models (continued)

Item	Part No.	Description	Qty.
19	124646GT	CABLE ASY,A/IWP/DPL,PWR INPUT.....1	
20	31182GT	SCREW,PHIL,PHM,10-32 X.38,SEMS	
21	37704GT	PLATE,PANEL,AWP95.....1	
22	33582GT	SPACER,TRANSFORMER**12 <i>(to SN 3801-18334)</i>	
22A	69847GT	SPACER, TRANSFORMER** <i>(from SN 3801-18335)</i>	
23		TERM.STRIP ASSY.CONRL BOX-DC** (43621).....1 <i>(component no longer available)</i>	
--	40334GT	TERMINAL,4 CONDUCTOR <i>(to SN AWP02-23028)</i>	
--	40336GT	TERMINAL,END PLATE <i>(to SN AWP02-23028)</i>	
23A	80709GT	TERMINAL ASSY, CONTROL BOX, DC.....1 <i>(from AWP02-23029)</i>	
--	80705GT	TERMINAL, END PLATE <i>(from AWP02-23029)</i>	
--	80706GT	TERMINAL, 2 CONDUCTOR <i>(from AWP02-23029)</i>	
--	80707GT	TERMINAL, 4 CONDUCTOR <i>(from AWP02-23029)</i>	
24	33585GT	NUT,COUPLER,10-24 X .75.....4	
25	1257696GT	PCB,ASSY,AWP/IWP/DPL/CWP.....1 <i>(includes item 28)</i>	
26	21018GT	SCREW,PHIL,PHM,10-24 X.38,SEMS	
27	69864GT	FUSE,5 AMP,ATC.....1 <i>(AWP Super Series models were produced using three different fuses on the circuit board in the ground control box; Refer to the specific circuit board revision to determine the correct fuse type)</i>	
28	35039GT	FUSE,5 AMP.....1 <i>(With circuit board revision E and lower) (to SN AWP02-21810)</i>	
28A	80711GT	FUSE,7.5 AMP,ATC.....1 <i>(With circuit board revision F and higher) (from SN AWP02-21811)</i>	
29	145342GT	ASSY,BATT HOLDER W/COVER,AWP.....1 <i>includes battery holder (item 30)</i>	
30		BATTERY HOLDER.....1	
30	38017GT	BATTERY HOLDER	
31A	38018GT	BATTERY,AA,1.5V.....8	
31B	145047GT	BATTERY,AA,1.5V,CE.....8 <i>will also work for ANSI</i>	
32	33587GT	SCREW,RHM,10-24 X 3**	

This Page Intentionally Left Blank

Go to Discount-Equipment.com to order your parts

411.1 Ground Controls, AC Models



411.1 Ground Controls, AC Models

Item	Part No.	Description	Qty.	Item	Part No.	Description	Qty.
--	40277GT	GROUND CNTRL.BOX W/DECALS,AC** <i>(to SN AWP02-21810) (housing) (2-Position Key Switch) (includes Genie part number 69846, see item 27)</i>		2A	66812GT	BUTTON,PUSH,RED MUSHROOM HEAD.....1 <i>(from AWP02-21811)</i>	1
--	40279GT	GROUND CNTRL.BOX ASSY.110 AC** <i>(to SN AWP02-21810) (models with 2-Position key switch)</i>		--	21982GT	KEY,SINGLE*** <i>(to SN AWP02-21810)</i>	
--	40280GT	GROUND CNTRL.BOX ASSY.220 AC** <i>(to SN AWP02-21810) (models with 2-position key switch)</i>		--	37947GT	KEYS,10 PACK*** <i>(to SN AWP02-21810)</i>	
--	69290GT	GRND CNTRL BOX ASSY,85V AC,JA* <i>(to SN AWP02-21810) (Japanese models with 2-Position key switch)</i>		3A	124642GT	KIT,KEYSWITCH, A/IWP/DPL,2PKS <i>(to SN AWP02-21810) (this is an update kit; the original key switch is no longer available from the supplier. Please note, if this kit has already been installed on the unit, please refer to the part numbers listed below)</i>	
--	85318GT	GROUND CNTRL.BOX ASSY,110 AC** <i>(from SN AWP03-21811) (models with 3-position key switch)</i>		--	21982GT	KEY,SINGLE*** <i>(to SN AWP02-21810)</i>	
--	85320GT	GROUND CNTRL.BOX ASSY 220VAC** <i>(from SN AWP02-21811) (3-Position key switch)</i>		--	37947GT	KEYS,10 PACK*** <i>(to SN AWP02-21810)</i>	
--	85369GT	GRND CNTRL BOX ASSY,85 V, JA* <i>(from SN AWP02-21811) (Japanese models with 3-Position key switch)</i>		--	58462GT	KEYSWITCH,2POS.MNTND W/BASE** <i>(to SN AWP02-21810)</i>	
--	85473GT	GROUND CNTRL BOX W/DECALS,AC** <i>(from SN AWP02-21811) (housing) (models with 3-Position key switch) (includes Genie part number 69846, see item 27)</i>		--	66816GT	CONTACT,N.O.*** <i>(to SN AWP02-21810)</i>	
1	124644GT	KIT,A/IWP/DPL,BKPSH ZA2 TO ZB5.....1 <i>(to SN AWP02-21810) (this is an update kit; the original black push button is no longer available from the supplier. Please note, if this kit has already been installed on the unit, please refer to the part numbers listed below)</i>		--	66821GT	BASE,WITHOUT CONTACTS	
--	66816GT	CONTACT,N.O.*** <i>(to SN AWP02-21810)</i>		3B	96011GT	KIT, KEYSWITCH***.....1 <i>(from SN AWP02-21811)</i>	1
--	66821GT	BASE,WITHOUT CONTACTS <i>(to SN AWP02-21810)</i>		--	83093GT	KEY SINGLE*** <i>(from SN AWP02-21811)</i>	
--	80076GT	BUTTON,PUSH,BLACK W/SEAL <i>(to SN AWP02-21810)</i>		--	85239GT	NUT,RETAINER (96008) <i>(from SN AWP02-21811)</i>	
1A	80076GT	BUTTON,PUSH,BLACK W/SEAL <i>(from SN AWP02-21811)</i>		--	96008-SGT	KEYSWITCH,3 POS. W/KEYS*** <i>(from SN AWP02-21811)</i>	
2	124641GT	KIT,ESTOP, A/IWP/DPL.....1 <i>(to SN AWP02-21810) (this is an update kit; the original E-stop button is no longer available from the supplier. Please note, if this kit has already been installed on the unit, please refer to the part numbers listed below)</i>		--	96009GT	WASHER,NITRILE <i>(from SN AWP02-21811)</i>	
--	66812GT	BUTTON,PUSH,RED MUSHROOM HEAD <i>(to SN AWP02-21810)</i>		4	96010GT	SCREW,PHILLIPS,PHM,8-32 X.25**	
--	66818GT	CONTACT, N.C. <i>(to SN AWP02-21810)</i>		5		Ref. Base with Contact.....1 <i>(refer to item 2) (to SN AWP02-21810)</i>	1
--	66821GT	BASE,WITHOUT CONTACTS <i>(to SN AWP02-21810)</i>		5A	66817GT	BASE WITH 1 NC CONTACT, E-STOP <i>(from AWP02-21811)</i>	
				--	66818GT	CONTACT, N.C.....1 <i>(from AWP02-21811)</i>	1
				6		Ref. Base with Contact <i>(refer to item 1) (to SN AWP02-21810)</i>	
				6A	66815GT	BASE, W/1 N.O. CONTACTS*** <i>(from AWP02-21811)</i>	
				--	66818GT	CONTACT, N.C. <i>(from AWP02-21811)</i>	
				7	38021GT	CIRCUIT BREAKER, 8 AMP **.....1	1
				7A	1277226GT	ASSEMBLY,CIRCUIT BREAKER,15AMP	
				8	38217GT	HARNESS,WIRE-CONTROL. S SERIES.....1	1
				--	33578GT	CONNECTOR,MALE,PANEL MOUNT*	



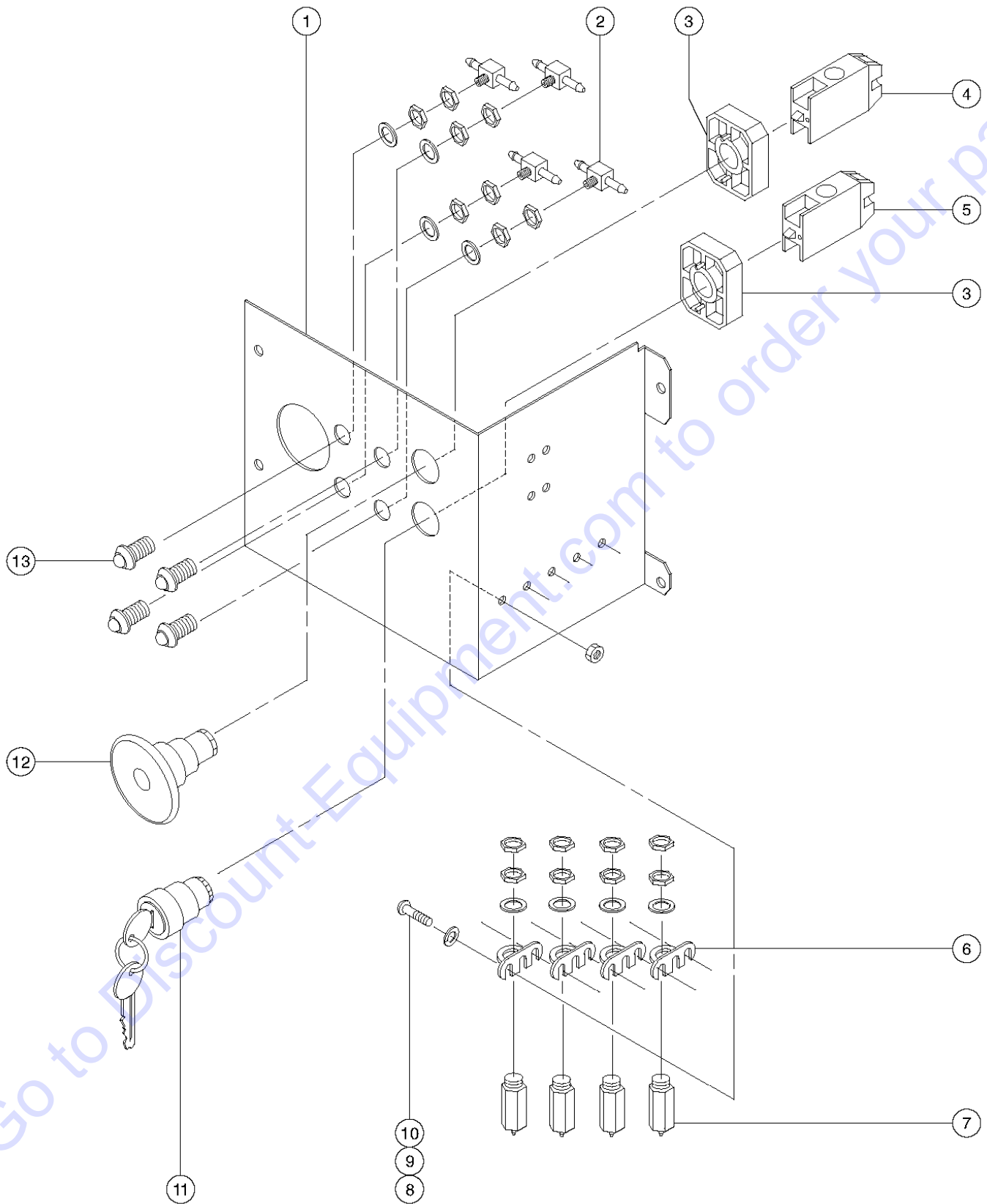
411.1 Ground Controls, AC Models
(continued)

Item	Part No.	Description	Qty.	Item	Part No.	Description	Qty.
9	38216GT	HARNESS,WIRE-INTRLOCK.S SERIES.....	1	31	35039GT	FUSE,5 AMP.....	1
--	33581GT	CONNECTOR,FEMALE,PANEL MOUNT*				(to SN AWP02-21810, with circuit board revision E and lower)	
10	10153GT	SCREW,PHIL,PHM,6-32X.38,SF.TAP		31A	80711GT	FUSE,7.5 AMP,ATC	
11		Ref. Power Cable Assembly, Ground Controls to Platform (refer to 415.1 or 416.1)				(from AWP02-21811, with circuit board revision F and higher)	
12		Ref. Power Cable Assembly, Ground Controls to Base (refer to 415.1 or 416.1)		32	33585GT	NUT,COUPLER,10-24 X .75.....	4
13	43956GT	WIRE CABLE,14/3 CON.TPE JKT*		33	145342GT	ASSY,BATT HOLDER W/COVER,AWP.....	1
14	7056GT	CONN,SQUEEZE,1/2NPT .38-.50,SM....	3			includes battery holder	
15	6935GT	LOCKNUT,ELEC,1/2".....	3	34		BATTERY HOLDER.....	1
16	43956GT	WIRE CABLE,14/3 CON.TPE JKT*		35A	38018GT	BATTERY,AA,1.5V.....	8
17	46608GT	POWER CORD-CONT. BOX UK 220V....	1	35B	145047GT	BATTERY,AA,1.5V,CE.....	8
18	46609GT	POWER CORD-CONT. BOX EURO 220V.....	1			will also work for ANSI	
19	46610GT	POWER CORD-CONT. BOX UK 110V....	1	36	69845GT	SCREW,RHM 10-24 X 2.75**	
20	35846GT	PIGTAIL,ASSY,AC/DC SJO 14/3**.....	1				
21	31182GT	SCREW,PHIL,PHM,10-32 X.38,SEMS					
22	37704GT	PLATE,PANEL,AWP95.....	1				
23	33584GT	RELAY,MOTOR CONTACTOR.....	1				
24	20342GT	#6 SQ.DR.SELF DRILL/TAP SCREW					
25	40507GT	TERM.STRIP ASSY.CONTROL BOX-AC (to SN AWP02-23028)					
--	40334GT	TERMINAL,4 CONDUCTOR (to SN AWP02-23028)					
--	40335GT	TERMINAL,2 CONDUCTOR (to SN AWP02-23028)					
--	40336GT	TERMINAL,END PLATE (to SN AWP02-23028)					
25A	80710GT	TERMINAL ASSY, CONTROL BOX, AC.....	1				
		(from SN AWP02-23029)					
--	80707GT	TERMINAL, 4 CONDUCTOR (from SN AWP02-23029)					
26	33586GT	TRANSFORMER (S-SERIES)****.....	1				
26A	69623GT	TRANSFORMER, 85V TO 105V, JA (Japanese models)					
27	33582GT	SPACER,TRANSFORMER**.....	12				
		(to SN 3801-18334)					
27A	69846GT	SPACER, TRANSFORMER, AC.....	8				
		(from SN 3801-18335)					
28	1257696GT	PCB,ASSY,AWP/IWP/DPL/CWP.....	1				
29	21018GT	SCREW,PHIL,PHM,10-24 X.38,SEMS					
30	69864GT	FUSE,5 AMP,ATC.....	1				
		(AWP Super Series models were produced using two different fuses on the Circuit Board in the ground control box; Refer to the specific Circuit Board revision to determine the correct fuse type)					

This Page Intentionally Left Blank

Go to Discount-Equipment.com to order your parts

412.1 Ground Controls, Air Powered Models



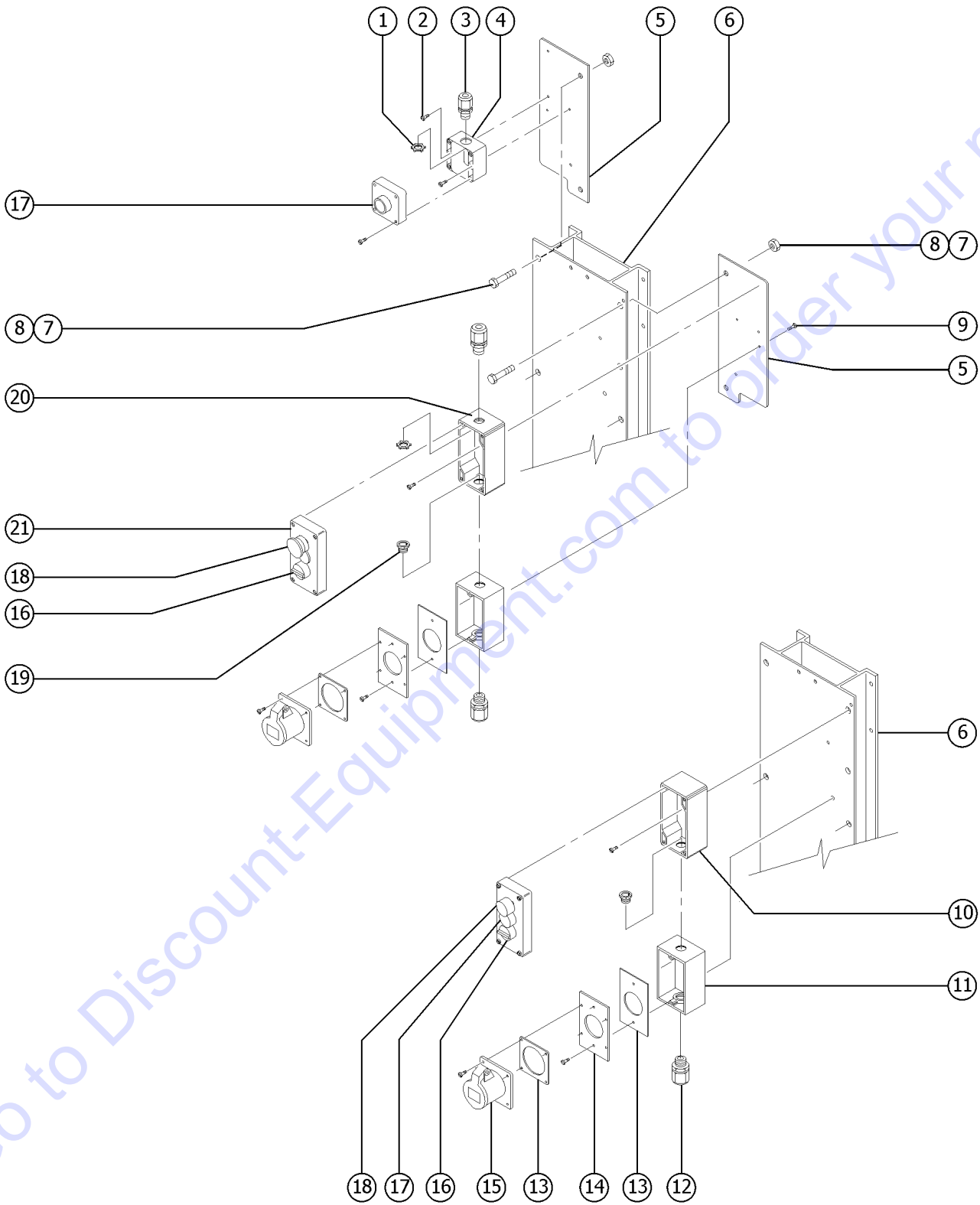
412.1 Ground Controls, Air Powered Models

Item	Part No.	Description	Qty.	Item	Part No.	Description	Qty.
1	41957GT	PANEL,AIR CONTROL,WORD,STD.....1 (to SN AWP02-29899)	1	13	40973GT	INDICATOR,OUTRIGGER.....4 (includes mounting fasteners)	4
--	107383GT	PANEL,AIR CONTROL,SYM,STD					
--	T107371GT	PANEL,AIR CONTRL;SYM,NRW					
--	T107374GT	PANEL,AIR CONTRL,WRD,NRW					
1A	107383GT	PANEL,AIR CONTROL,SYM,STD (Asia, South America, Europe) (from SN AWP02-29900)					
--	T107371GT	PANEL,AIR CONTRL;SYM,NRW					
2	41479GT	TEE,BRANCH,1/16 BARB X 10/32.....4 (includes mounting fasteners)	4				
3		REF; BASE.....2 (refer to items 11 or 12)	2				
4		REF; CONTACT BLOCK, N.C. (refer to item 12)					
5		REF; CONTACT BLOCK, N.O. (refer to Item 11)					
6	41521GT	BRACKET,VALVE MOUNT.....4	4				
7	40970GT	VALVE,2 POSITION 3 WAY.....4 (includes mounting fasteners)	4				
8	31182GT	SCREW,PHIL,PHM,10-32 X.38,SEMS...5	5				
9	6607GT	WASHER,LOCK,#10 PLTD.....2	2				
10	14392GT	NUT,LP NYLOCK,10-32.....4	4				
11	124676GT	KIT,KEYSWITCH AIRMOTOR AWP <i>This is an update kit required for models manufactured to serial number AWP08-60004. If this kit has already been installed on unit, please refer to the part numbers listed below).</i>					
11A	58462GT	KEYSWITCH,2POS.MNTND W/BASE** (from serial number AWP07-60005)					
--	124628GT	CONTACT NO PXBB3921 (from serial number AWP07-60005)					
--	21982GT	KEY,SINGLE*** (from serial number AWP07-60005)					
--	37947GT	KEYS,10 PACK*** (from serial number AWP07-60005)					
--	66821GT	BASE,WITHOUT CONTACTS (from serial number AWP07-60005)					
12	124677GT	KIT,E-STOP AIRMOTOR AWP CONT.P <i>This is an update kit required for models manufactured to serial number AWP08-60004. If this kit has already been installed on unit, please refer to the part numbers listed below).</i>					
12A	66812GT	BUTTON,PUSH,RED MUSHROOM HEAD (from serial number AWP07-60005)					
--	124629GT	CONTACT NC PXBB3311 (from serial number AWP07-60005)					
--	66821GT	BASE,WITHOUT CONTACTS (from serial number AWP07-60005)					

413.1 Platform Controls, ANSI Models

Item	Part No.	Description	Qty.	Item	Part No.	Description	Qty.
1	100256GT	CONTROL BOX,THREE BUTTON.....1 <i>Replaced 23380 at S/N AWP02-21811</i>		--	66818GT	CONTACT, N.C. <i>(to SN AWP02-21810)</i>	
2		Ref. Carriage Assembly <i>(refer to figure 306.1 or 307.1)</i>		--	66821GT	BASE,WITHOUT CONTACTS <i>(to SN AWP02-21810)</i>	
3	10775GT	T-BOX,2.75 X 4.5 X 2.0.....1		12A	80719GT	BUTTON, STOP, RED.....1 <i>(from SN AWP02-21811 AWP04-29899)</i>	
4	7057GT	CONN. SQZ,1/2NPT .39-.56 MED.....1		--	80715GT	CONTACTOR BLOCK,N.C.....1 <i>(from SN AWP02-21811 AWP04-29899)</i>	
5	21018GT	SCREW,PHIL,PHM,10-24 X.38,SEMS		--	80713GT	BUTTON,STOP,RED.....1 <i>(from SN AWP04-29900)</i>	
6	13585GT	OUTLET, 110V.....1		--	80715GT	CONTACTOR BLOCK,N.C.....1 <i>(from SN AWP04-29900)</i>	
7	45437GT	COVER,GFCI,WEATHERPROOF.....1 <i>(includes gasket and mounting fasteners)</i>		13A	100256GT	CONTROL BOX,THREE BUTTON <i>(complete, includes items 14-16) (for ANSI models from SN AWP04-30040, must order decal 82802)</i>	
7A	10777GT	COVER,BLANK <i>(includes gasket and mounting fasteners)</i>		13B	82802GT	DECAL,LABEL,FUNCTION ENABLE.....1 <i>(refer to 101.2)</i>	
8	12456GT	NIPPLE,1/2" CONDUIT.....1 <i>(to SN AWP02-21810)</i>					
8A	80712GT	NIPPLE,1/2" CONDUIT <i>(from SN AWP-21811)</i>					
9	230000GT	SCREW,FHS,10-24X.500					
10	124975GT	KIT,BLACK SELECTOR SWITCH.....1 <i>This is an update kit required for models manufactured to serial number AWP02-21810. If this kit has already been installed on unit, please refer to the part numbers listed below).</i>					
--	66816GT	CONTACT,N.O.*** <i>(to SN AWP02-21810)</i>					
--	66821GT	BASE,WITHOUT CONTACTS <i>(to SN AWP02-21810)</i>					
--	80716GT	SWITCH,SELECTOR,BLACK <i>(to SN AWP02-21810)</i>					
10A	80716GT	SWITCH,SELECTOR,BLACK.....1 <i>(from SN AWP-21811)</i>					
--	80714GT	CONTACTOR BLOCK,N.O. <i>(from SN AWP-21811)</i>					
11	124644GT	KIT,A/IWP/DPL,BKPSH ZA2 TO ZB5.....1 <i>This is an update kit required for models manufactured to serial number AWP02-21810. If this kit has already been installed on unit, please refer to the part numbers listed below).</i>					
--	66816GT	CONTACT,N.O.***2 <i>(to SN AWP02-21810)</i>					
11A	80076GT	BUTTON,PUSH,BLACK W/SEAL.....1 <i>(from SN AWP02-21811)</i>					
--	80714GT	CONTACTOR BLOCK,N.O.....2 <i>(from SN AWP02-21811)</i>					
12	124641GT	KIT,ESTOP, A/IWP/DPL.....1 <i>This is an update kit required for models manufactured to serial number AWP02-21810. If this kit has already been installed on unit, please refer to the part numbers listed below).</i>					
--	66812GT	BUTTON,PUSH,RED MUSHROOM HEAD <i>(to SN AWP02-21810)</i>					

414.1 Platform Controls, CE Models

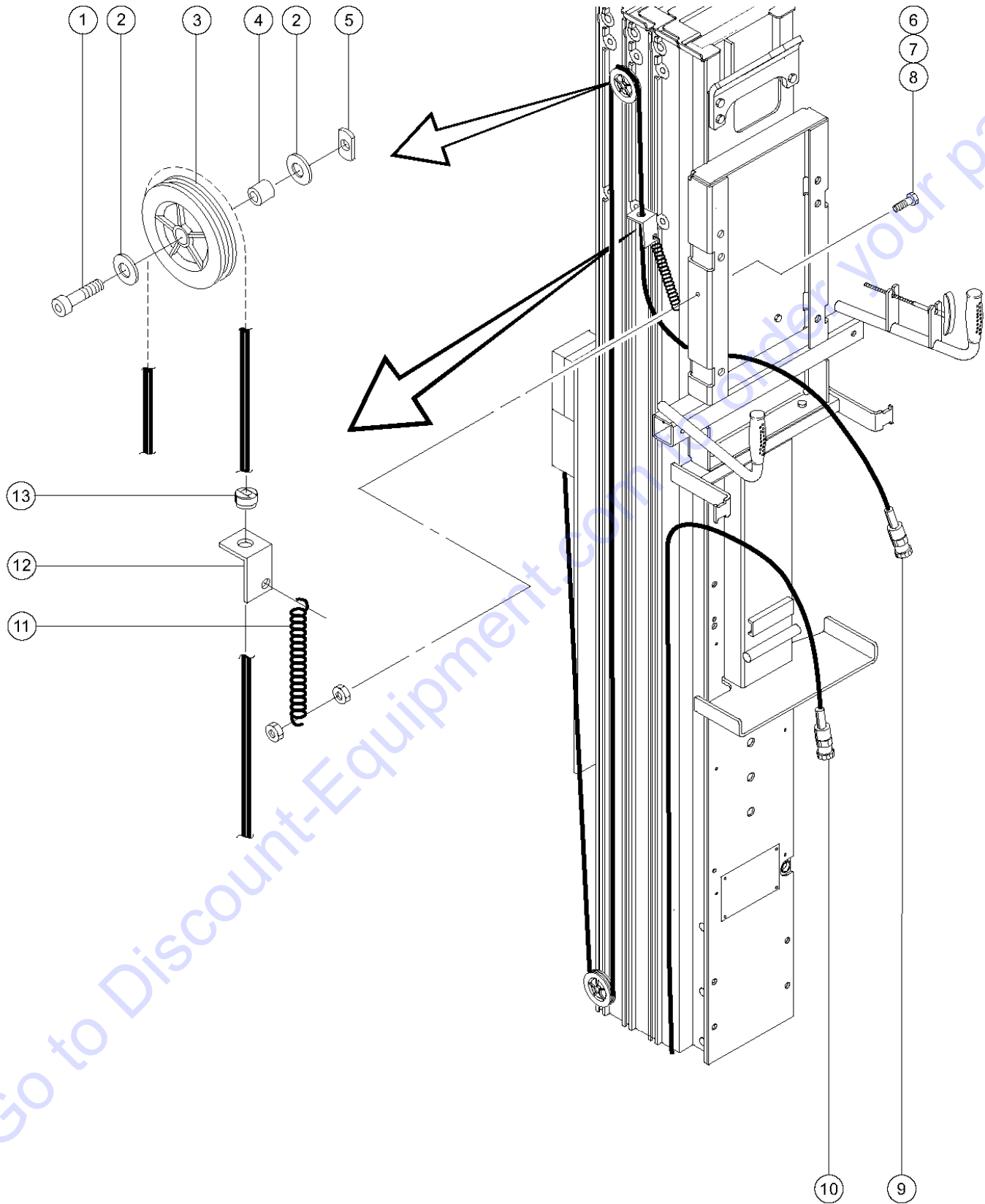


Go to Discount-Equipment.com to order your parts

414.1 Platform Controls, CE Models

Item	Part No.	Description	Qty.	Item	Part No.	Description	Qty.
--		<i>AWP Super Series models from AWP02-21811 to AWP04-29899 were produced using three different red emergency stop buttons in the platform control box. Refer to the specific control box to determine the correct replacement parts.</i>		--	80714GT	CONTACTOR BLOCK,N.O.....1 (from SN AWP02-21811)	1
1	6935GT	LOCKNUT,ELEC,1/2".....2	2	17	124644GT	KIT,A/IWP/DPL,BKPSH ZA2 TO ZB5.....1 (to SN AWP02-21810) (this is an update kit consisting of the part numbers listed below)	1
2	230000GT	SCREW,FHS,10-24X.500		--	66816GT	CONTACT,N.O.*** (to SN AWP02-21810)	
3	7056GT	CONN,SQUEEZE,1/2NPT .38-.50,SM....1		--	66821GT	BASE,WITHOUT CONTACTS (to SN AWP02-21810)	
4	80071GT	CONTROL BOX, ONE BUTTON, CE.....1 (to SN AWP04-29899)	1	--	80076GT	BUTTON,PUSH,BLACK W/SEAL (to SN AWP02-21810)	
5	41546GT	PLATE,CONTROLS MOUNTING.....2 (11.7" x 4.7") (to SN AWP04-29899)	2	17A	80076GT	BUTTON,PUSH,BLACK W/SEAL.....1 (from SN AWP02-21811)	1
5A	43141GT	PLATE,PLATFORM CONTROLS (6" x 3.25")		--	80714GT	CONTACTOR BLOCK,N.O.....2 (from SN AWP02-21811)	2
6		Ref. Carriage Assembly (refer to figure 306.1)		18	124641GT	KIT,ESTOP, A/IWP/DPL.....1 (to SN AWP02-21810) (this is an update kit consisting of the part numbers listed below)	1
7	7713GT	NUT, LP NYLOCK, 3/8-16		--	66812GT	BUTTON,PUSH,RED MUSHROOM HEAD (to SN AWP02-21810)	
8	8255GT	SCREW,HHC,3/8-16 X .75		--	66818GT	CONTACT, N.C. (to SN AWP02-21810)	
9	57075GT	SCREW,PHIL,8-32X.50,SELF TAP		--	66821GT	BASE,WITHOUT CONTACTS (to SN AWP02-21810)	
10	100256GT	CONTROL BOX,THREE BUTTON.....1 (from SN AWP04-29900)	1	18A	80713GT	BUTTON,STOP,RED (from SN AWP02-21811)	
11	10775GT	T-BOX,2.75 X 4.5 X 2.0.....1	1	--	80715GT	CONTACTOR BLOCK,N.C. (from SN AWP02-21811)	
12	7057GT	CONN. SQZ,1/2NPT .39-.56 MED.....1	1	19	12456GT	NIPPLE,1/2" CONDUIT.....1 (to SN AWP02-21810)	1
13	33724GT	KIT,GASKET,UK POWER TO PLAT.....1 (includes one each p/n 66355 and 66356)	1	19A	80712GT	NIPPLE,1/2" CONDUIT (from SN AWP02-21811)	
--	66355GT	GASKET, UK & DIN PWR. TO PLAT. 4.6 x 2.9 inches		20	80072GT	CONTROL BOX, TWO BUTTON, CE (to SN AWP02-29899)	
--	66356GT	GASKET, UK RECEPTACLE 2.9 x 2.9 inches		21A	100256GT	CONTROL BOX,THREE BUTTON (complete, includes items 14-16) (for CE models to AWP04-30039, must order decal 82802)	
--	66366GT	GASKET, UK RECEPTACLE 2.9 x 2.9 inches		21B	82802GT	DECAL,LABEL,FUNCTION ENABLE.....1 (refer to 101.2)	1
14	33629GT	PLATE,UK POWER TO PLATFORM.....1	1				
14	T112561GT	PLATE,UK,POWER TO PLAT.....1	1				
15	T112563GT	SVC KIT,UK RECEPT.REPLACEMENT.....1 (includes item 16)	1				
16	124975GT	KIT,BLACK SELECTOR SWITCH.....1 (to SN AWP02-21810) (this is an update kit consisting of the part numbers listed below)	1				
--	66816GT	CONTACT,N.O.*** (to SN AWP02-21810)					
--	66821GT	BASE,WITHOUT CONTACTS (to SN AWP02-21810)					
--	80716GT	SWITCH,SELECTOR,BLACK (to SN AWP02-21810)					
16A	80716GT	SWITCH,SELECTOR,BLACK.....1 (from SN AWP02-21811)	1				

415.1 Control Cable Assembly, AWP-20S, AWP-30S and AWP-40S AC and DC Powered Models

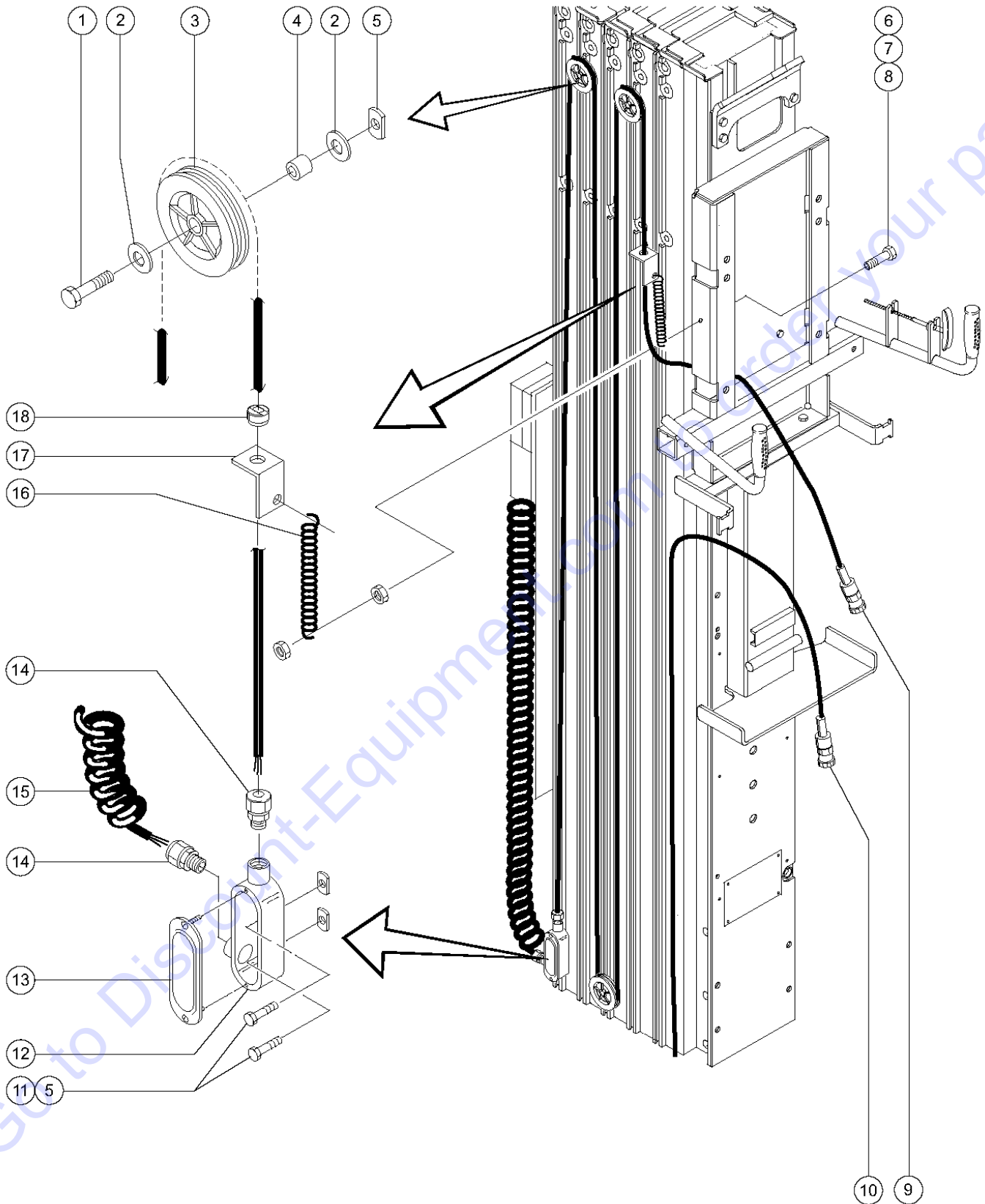


Go to Discount-Equipment.com to order your parts

415.1 Control Cable Assembly, AWP-20S, AWP-30S and AWP-40S AC and DC Powered Models

Item	Part No.	Description	Qty.	Item	Part No.	Description	Qty.
1	8915GT	SCREW,HHC,1/4-20 X 1.25		13	23788GT	BUSHING,STRAIN RELIEF, 53/64".....1	
2	22699GT	WASHER,FLAT,M10,ZINC PLTD.					
2	6638GT	WASHER,FLAT,USS,1/4"Y					
3	23394GT	PULLEY,ELEC.CNTRL.CABLE,AWP.....4 AWP-20S					
3A	23394GT	PULLEY,ELEC.CNTRL.CABLE,AWP.....6 AWP-30S, AWP-40S					
4	40735GT	SPACER, 1/4ID3/8OD, .875LG.....4 AWP-20S					
4A	40735GT	SPACER, 1/4ID3/8OD, .875LG.....6 AWP-30S, AWP-40S					
5	35991GT	NUT,WELD 1/4-20, PLATED L.L.**					
6	6888GT	SCREW,HHC,1/4-20 X 1					
7	6091GT	NUT,NYLOCK,1/4-20					
8	6889GT	NUT,LP NYLOCK,1/4-20					
9	35049GT	POWER CABLE,MAST TO PLAT.....1 AWP-20S					
--	33590GT	PLUG,CONNECTOR,FEMALE*					
--	33591GT	SEAL,CABLE CONNECTOR,HT SHRINK <i>includes heat shrink tubing</i>					
--	83095GT	PIN CONNECTOR,MALE					
9A	41227GT	POWER CABLE,MAST/PLAT AWP-30S					
--	33590GT	PLUG,CONNECTOR,FEMALE* <i>requires part number 33591; order separately</i>					
--	33591GT	SEAL,CABLE CONNECTOR,HT SHRINK <i>includes heat shrink tubing</i>					
--	83095GT	PIN CONNECTOR,MALE					
9B	38210GT	POWER CABLE,MAST/PLAT,AWP40-S AWP-40S					
--	33590GT	PLUG,CONNECTOR,FEMALE*					
--	33591GT	SEAL,CABLE CONNECTOR,HT SHRINK <i>includes heat shrink tubing</i>					
--	83095GT	PIN CONNECTOR,MALE					
10	38211GT	PWR CABLE,MAST/BASE SUP/SERIES.....1 <i>(to SN 3898-8016)</i>					
10A	46078GT	HARNESS,CONTROL BOX/BASE IWP <i>(from SN 3898-8017)</i>					
--	33580GT	PIN CONNECTOR,FEMALE ***					
--	33589GT	PLUG,CONNECTOR,MALE* <i>requires part number 33591; order separately</i>					
--	33591GT	SEAL,CABLE CONNECTOR,HT SHRINK <i>includes heat shrink tubing</i>					
11	23396GT	SPRING,CONTROL CABLE, AWP.....1					
12	23787-SGT	BRACKET,CONTROL CABLE TENSION.....1					

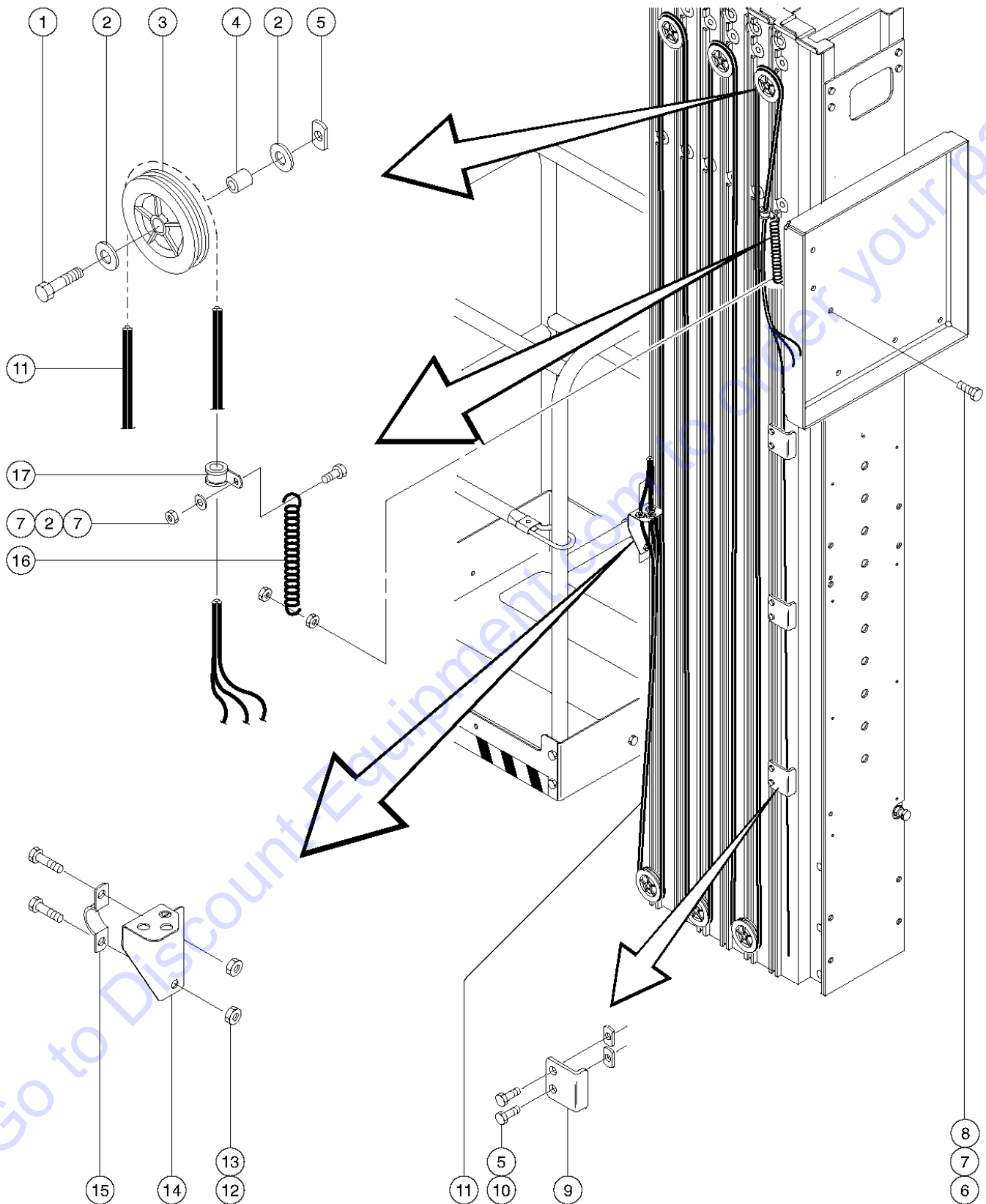
416.1 Control Cable Assembly, AWP-15S, AWP-25S and AWP-36S, AC and DC Powered Models



416.1 Control Cable Assembly, AWP-15S, AWP-25S and AWP-36S, AC and DC Powered Models

Item	Part No.	Description	Qty.	Item	Part No.	Description	Qty.
1	8915GT	SCREW,HHC,1/4-20 X 1.25		16	23396GT	SPRING,CONTROL CABLE, AWP.....1	1
2	22699GT	WASHER,FLAT,M10,ZINC PLTD.		17	23787-SGT	BRACKET,CONTROL CABLE TENSION.....1	1
2	6638GT	WASHER,FLAT,USS,1/4"Y		18	23788GT	BUSHING,STRAIN RELIEF, 53/64".....1	1
3	23394GT	PULLEY,ELEC.CNTRL.CABLE,AWP.....1 AWP-15S					
3A	23394GT	PULLEY,ELEC.CNTRL.CABLE,AWP.....3 AWP-25S, AWP-36S					
4	40735GT	SPACER, 1/4ID3/8OD, .875LG.....1 AWP-15S					
4A	40735GT	SPACER, 1/4ID3/8OD, .875LG.....3 AWP-25S, AWP-36S					
5	35991GT	NUT,WELD 1/4-20, PLATED L.L.**					
6	6888GT	SCREW,HHC,1/4-20 X 1					
7	6091GT	NUT,NYLOCK,1/4-20					
8	6889GT	NUT,LP NYLOCK,1/4-20					
9	38207GT	POWER CABLE,MAST TO PLAT,25-S AWP-15S, AWP-25S					
--	33590GT	PLUG,CONNECTOR,FEMALE* <i>requires part number 33591; order separately</i>					
--	33591GT	SEAL,CABLE CONNECTOR,HT SHRINK <i>includes heat shrink tubing</i>					
--	83095GT	PIN CONNECTOR,MALE					
9A	35049GT	POWER CABLE,MAST TO PLAT AWP-36S					
--	33590GT	PLUG,CONNECTOR,FEMALE* <i>requires part number 33591; order separately</i>					
--	33591GT	SEAL,CABLE CONNECTOR,HT SHRINK <i>includes heat shrink tubing</i>					
--	83095GT	PIN CONNECTOR,MALE					
10	38211GT	PWR CABLE,MAST/BASE SUP/SERIES.....1 <i>(to SN 3898-8016)</i>					
10A	46078GT	HARNESS,CONTROL BOX/BASE IWP <i>(from SN 3898-8017)</i>					
--	33580GT	PIN CONNECTOR,FEMALE ***					
--	33589GT	PLUG,CONNECTOR,MALE* <i>requires part number 33591; order separately</i>					
--	33591GT	SEAL,CABLE CONNECTOR,HT SHRINK <i>includes heat shrink tubing</i>					
11	7339GT	SCREW,HHC,1/4-20 X .5					
12	40285GT	OUTLET BOX,OVAL,DRILLED (LL19).....1					
13	6633GT	OUTLET BOX CAP.....1					
14	7057GT	CONN. SQZ,1/2NPT .39-.56 MED.....2					
15	12560GT	COIL CORD,16/6,24"COIL.....1 AWP-15S, AWP-25S					
15A	12560GT	COIL CORD,16/6,24"COIL AWP-36S					

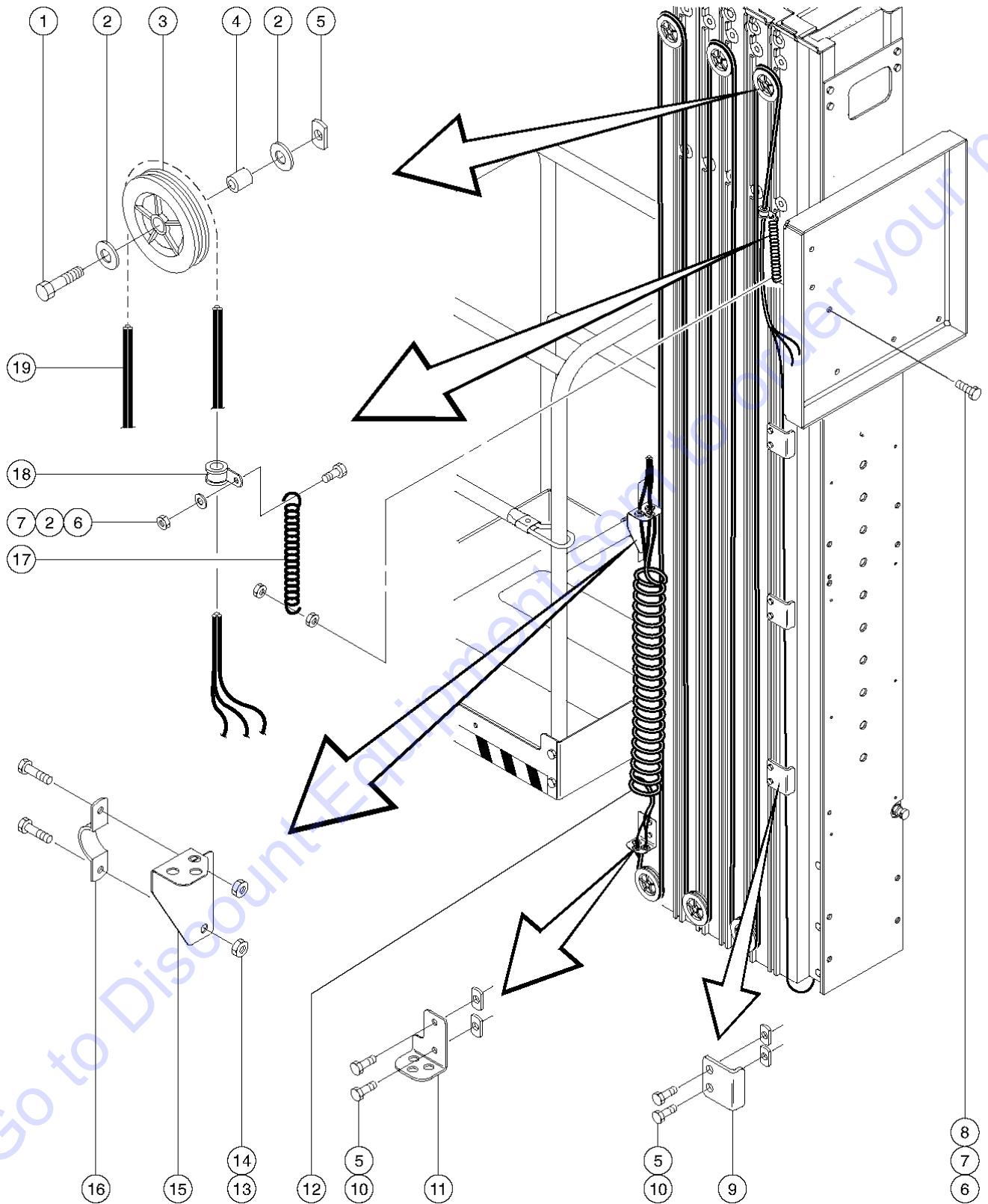
417.1 Control Hose Assemblies, AWP-20S, AWP-30S and AWP-40S, Air Powered Models



417.1 Control Hose Assemblies, AWP-20S, AWP-30S and AWP-40S, Air Powered Models

Item	Part No.	Description	Qty.
1	8915GT	SCREW,HHC,1/4-20 X 1.25.....4 AWP-20S	4
1A	8915GT	SCREW,HHC,1/4-20 X 1.25.....6 AWP-30S and AWP-40S	6
2	22699GT	WASHER,FLAT,M10,ZINC PLTD.....9 AWP-20S	9
2A	22699GT	WASHER,FLAT,M10,ZINC PLTD.....13 AWP-30S and AWP-40S	13
3	23394GT	PULLEY,ELEC.CNTRL.CABLE,AWP.....4 AWP-20S	4
3A	23394GT	PULLEY,ELEC.CNTRL.CABLE,AWP.....6 AWP-30S and AWP-40S	6
4	40735GT	SPACER, 1/4ID3/8OD, .875LG.....4 AWP-20S	4
4A	40735GT	SPACER, 1/4ID3/8OD, .875LG.....6 AWP-30S and AWP-40S	6
5	35991GT	NUT,WELD 1/4-20, PLATED L.L.**.....10 AWP-20S	10
5A	35991GT	NUT,WELD 1/4-20, PLATED L.L.**.....12 AWP-30S	12
5B	35991GT	NUT,WELD 1/4-20, PLATED L.L.**.....6 AWP-40S	6
6	6888GT	SCREW,HHC,1/4-20 X 1	
7	6091GT	NUT,NYLOCK,1/4-20.....1	1
8	6889GT	NUT,LP NYLOCK,1/4-20.....1	1
9	37691GT	FORMING, CABLE/HOSE, ZINC.....3 AWP-20S, AWP-30S	3
10	7339GT	SCREW,HHC,1/4-20 X .5.....6 AWP-20S, AWP-30S	6
11	41947GT	HOSE CONTROL,AWP-20S,STD,AIR	
11A	41953GT	HOSE CONTRL,AWP-20S,NRW/RT,AIR AWP-20S Models with Narrow or Rough Terrain Base	
11B	41949GT	HOSE CONTROL,AWP-30S,STD,AIR	
11C	41955GT	HOSE CONTRL,AWP-30S,NRW/RT,AIR AWP-30S Models with Narrow or Rough Terrain Base	
11D	41951GT	HOSE CONTROL,AWP-40S,STD,AIR	
12	4828GT	NUT,NYLOCK,3/8-16.....2	2
13	6175GT	SCREW,HHC,3/8-16 X 1	
14	41037-SGT	BRACKET,BULKHEAD,"BLUE"	
15	38586GT	CLAMP,PLATFORM MOUNT	
16	23396GT	SPRING,CONTROL CABLE, AWP	
17	6833GT	CLAMP,0.50,#8 X 1/4,RUB CUSH	

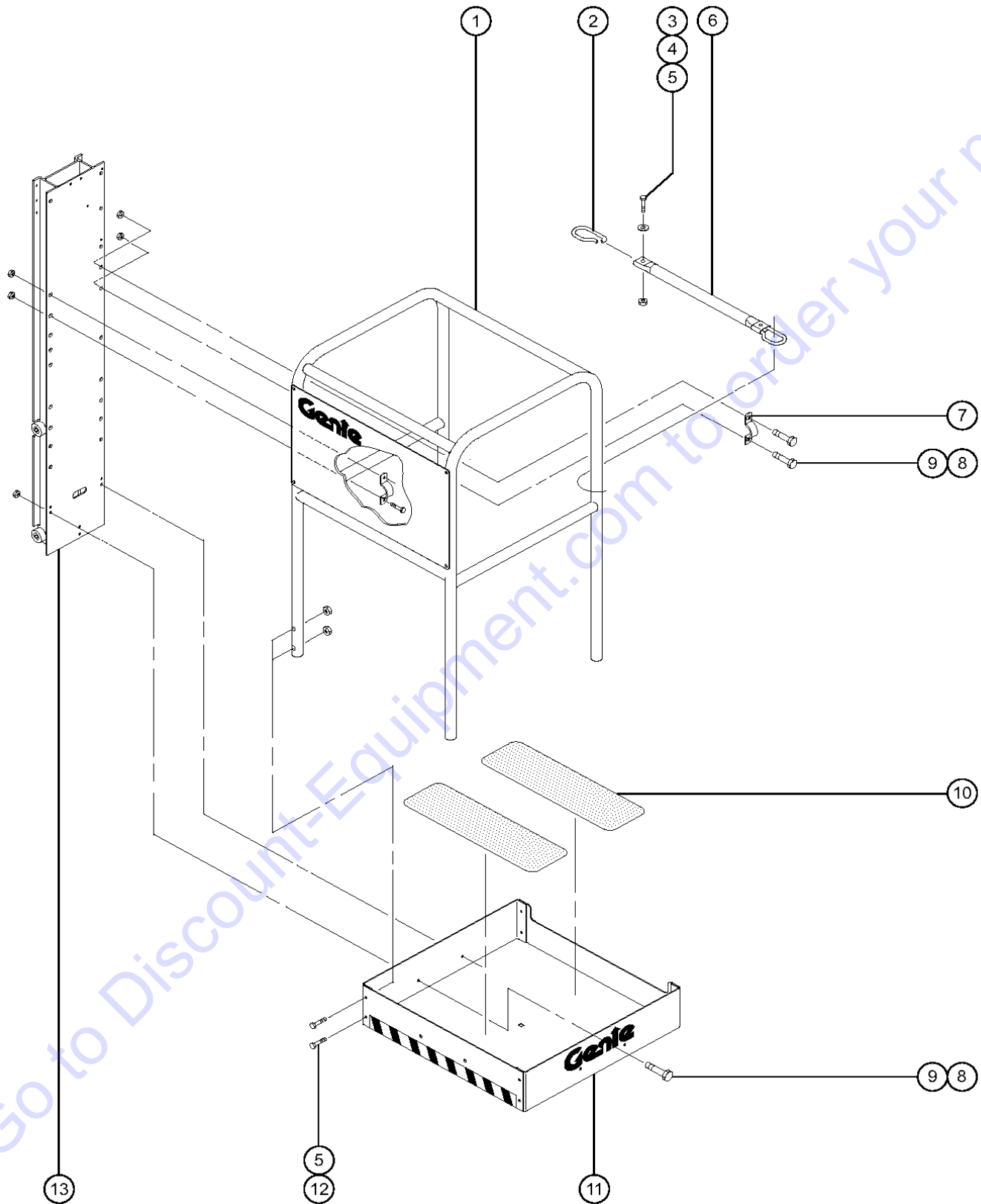
418.1 Control Hose Assemblies, AWP-15S, AWP-25S and AWP-36S, Air Powered Models



418.1 Control Hose Assemblies, AWP-15S, AWP-25S and AWP-36S, Air Powered Models

Item	Part No.	Description	Qty.
1	8915GT	SCREW,HHC,1/4-20 X 1.25.....1 AWP-20S	1
1A	8915GT	SCREW,HHC,1/4-20 X 1.25.....3 AWP-25S, AWP-36S	3
2	6638GT	WASHER,FLAT,USS,1/4"Y.....3 AWP-15S	3
2A	6638GT	WASHER,FLAT,USS,1/4"Y.....7 AWP-25S, AWP-36S	7
3	23394GT	PULLEY,ELEC.CNTRL.CABLE,AWP.....1 AWP-15S	1
3A	23394GT	PULLEY,ELEC.CNTRL.CABLE,AWP.....3 AWP-25S, AWP-36S	3
4	40735GT	SPACER, 1/4ID3/8OD, .875LG AWP-15S	
4A	40735GT	SPACER, 1/4ID3/8OD, .875LG AWP-25S, AWP-36S	
5	35991GT	NUT,WELD 1/4-20, PLATED L.L.**.....9 AWP-15S	9
5A	35991GT	NUT,WELD 1/4-20, PLATED L.L.**.....11 AWP-25S	11
5B	35991GT	NUT,WELD 1/4-20, PLATED L.L.**.....5 AWP-36S	5
6	6888GT	SCREW,HHC,1/4-20 X 1	
7	6091GT	NUT,NYLOCK,1/4-20.....2	2
8	6889GT	NUT,LP NYLOCK,1/4-20.....1	1
9	37691GT	FORMING, CABLE/HOSE, ZINC.....3 AWP-15S, AWP-25S	3
10	7339GT	SCREW,HHC,1/4-20 X .5.....8 AWP-15S, AWP-25S	8
10A	7339GT	SCREW,HHC,1/4-20 X .5.....2 AWP-36S	2
11	41490-SGT	BRACKET,COIL CORD,"BLUE".....1	1
12	41377GT	HOSE,PNEUMATIC COIL.....1	1
13	4828GT	NUT,NYLOCK,3/8-16.....2	2
14	6175GT	SCREW,HHC,3/8-16 X 1	
15	41037-SGT	BRACKET,BULKHEAD,"BLUE".....1	1
16	38586GT	CLAMP,PLATFORM MOUNT.....1	1
17	23396GT	SPRING,CONTROL CABLE, AWP	
18	6833GT	CLAMP,0.50,#8 X 1/4,RUB CUSH	
19	41946GT	HOSE CONTROL,AWP-15S,STD,AIR.....1	1
19A	41952GT	HOSE CNTRL,AWP-15S,NRW/RT,AIR Models with Narrow or Rough Terrain Base	
19B	41948GT	HOSE CONTROL,AWP-25S,STD,AIR	
19C	41954GT	HOSE CNTRL,AWP-25S,NRW/RT,AIR Models with Narrow or Rough Terrain Base	
19D	41950GT	HOSE CONTROL,AWP-36S,STD,AIR	

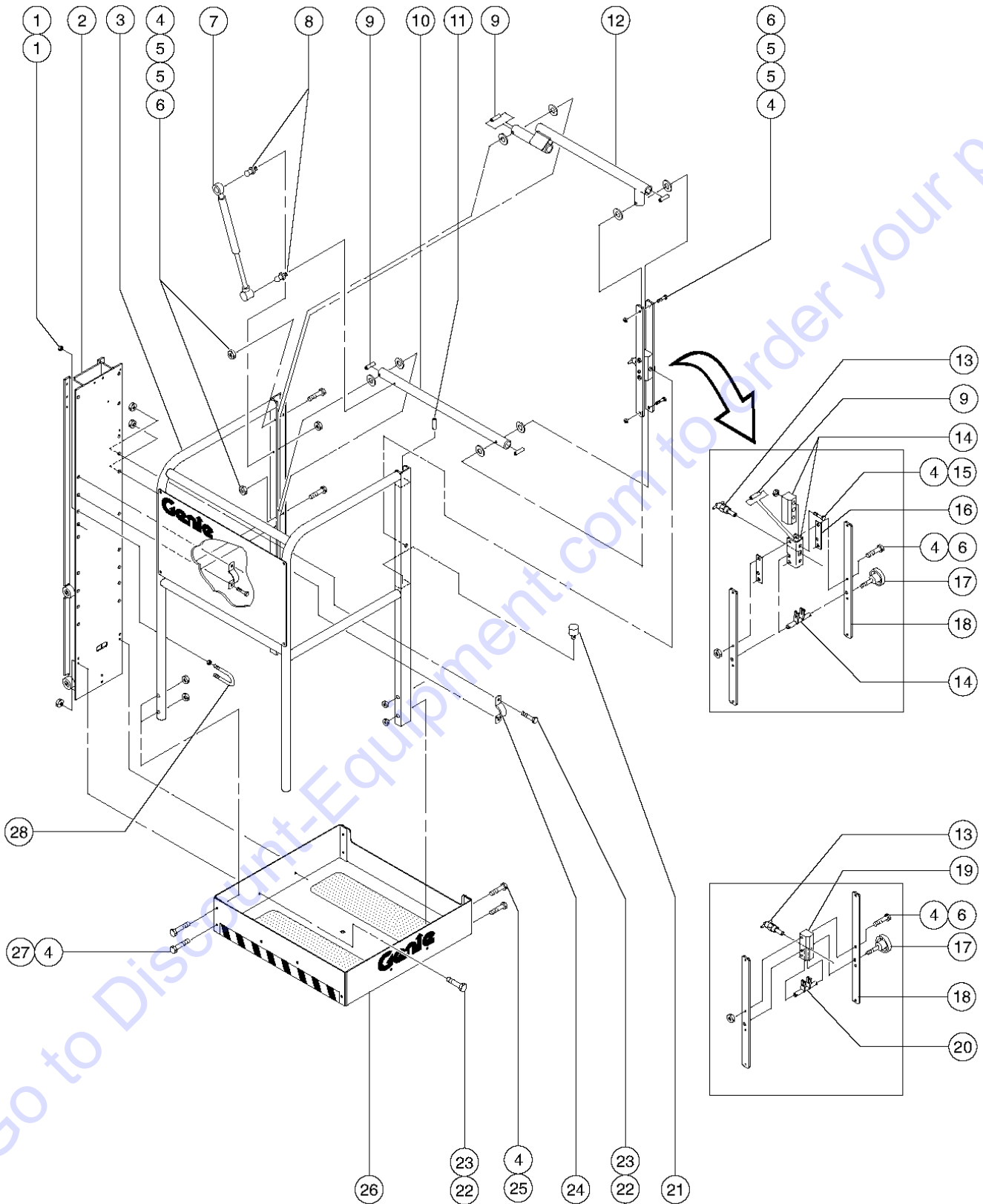
501.1 Platform Assembly, Aluminum, Sliding Mid-rail Entry



501.1 Platform Assembly, Aluminum, Sliding Mid-rail Entry

Item	Part No.	Description	Qty.
--	38202GT	PLAT.ASSY/DECALS,STD,AWP/IWP (all models) (to S/N AWP04-29899)	
--	85494GT	PLAT ASSY,STD,WORD,AWP/IWP (USA, Australia, and Canadian) (from S/N AWP04-29900)	
--	85495GT	PLAT.ASSY-STD-SYMBLS,IWP/AWP (Asia, South America and Europe) (from AWP04-29900)	
1	38203GT	RAILING ASSY,WORD, AWP-IWP&CWP.....1 (all models) (to A/N AWP04-29899) (includes items 2- 6)	
1A	85496GT	RAILING ASSY,WORD,AWP&IWP (USA, Australia and Canada models) (from S/N AWP04-29900) (includes items 2-6)	
1B	85497GT	RAILING ASSY,SYMBOLS,AWP&IWP** (Asia, South America and Europe) (from A/N AWP04-29900) (includes items 2-6)	
2	41292GT	MID-RAIL GUIDE WITH LOOM.....2	
--	31146GT	WIRE LOOM,.413" NON-SLIT***16-inches	
3	6888GT	SCREW,HHC,1/4-20 X 1	
4	56660GT	WASHER,RIVETING	
5	6091GT	NUT,NYLOCK,1/4-20	
6	37391GT	TUBE,STD.SLIDING MIDRAIL-21.....1	
7	38586GT	CLAMP,PLATFORM MOUNT.....2	
8	6175GT	SCREW,HHC,3/8-16 X 1	
9	4828GT	NUT,NYLOCK,3/8-16	
10	24537GT	TAPE,NON-SKID,DIE CUT,6"X 2'.....2	
11	38204GT	TOEBOARD-STD.W/DECALS AWP/IWP.....1 (includes item 10)	
12	4266GT	SCREW,HHC,1/4-20 X 2	
13		Ref. Carriage Assembly (refer to figure 306.1)	

502.1 Platform Assembly, Aluminum, Gated Entry



502.1 Platform Assembly, Aluminum, Gated Entry

Item	Part No.	Description	Qty.	Item	Part No.	Description	Qty.
--	40261GT	PLAT ASSY-GTD/STD-WORDS (Assemblies with Decals; all models) (to S/N AWP04-29899) (27 x 28 x 44.75 inches)		--	85334GT	RAILING ASSY-GTD/NAR-SYMBL,IWP (Asia, South America, Europe) (from SN AWP04-29900)	
--	40256GT	PLAT.ASSY W/DECALS,GATED,NRW. (Assemblies with Decals; all models) (to S/N AWP04-29899) (26 x 20 x 44.75 inches)		3C	38219GT	RAIL.WELD W/DECALS,GATED,ULTRA.....1 (from S/N AWP04-29900)	1
--	38218GT	PLAT.ASSY W/DECALS,GATED,ULTRA (Assemblies with Decals; all models) (to S/N AWP04-29899) (22 x 18 x 44.75 inches)		--	85335GT	RAIL ASSY-GTD/ULTRA-NRW/WORDS (USA, Australia, Canada) (from S/N AWP04-29900)	
--	85498GT	PLAT ASSY-GTD/STD-WORDS (Assemblies with Word Decals USA, Australia and Canada) (from S/N AWP04-29900) (27 x 28 x 44.75 inches)		--	85336GT	RAIL ASSY-GTD/ULTRA-NRW/SYMBL* (Asia, South America, Europe) (from SN AWP04-29900)	
--	85327GT	PLAT ASSY-GTD/NAR-WORDS-IWPSS (Assemblies with Word Decals USA, Australia and Canada) (from S/N AWP04-29900) (26 x 20 x 44.75 inches)		4	6091GT	NUT,NYLOCK,1/4-20	
--	85329GT	PLAT ASSY-GTD/ULTRA-NRW/WORDS (Assemblies with Word Decals USA, Australia and Canada) (from S/N AWP04-29900) (22 x 18 x 44.75 inches)		5	12013GT	SHIM,.375 X .063 (used to SN AWP15-81887)	
--	85499GT	PLAT ASSY-GTD/STD-SYMBOLS***** (Assemblies with Symbol Decals Asia, South America and Europe) (from S/N AWP04-29900) (27 x 28 x 44.75 inches)		6	6884GT	SCREW,HHC,1/4-20 X 2.5	
--	85328GT	PLAT ASSY-GTD/NAR-SYMBL,IWPSS (Assemblies with Symbol Decals Asia, South America and Europe) (from S/N AWP04-29900) (26 x 20 x 44.75 inches)		7	226802GT	GAS STRUT,20LB,13"EXT-9"CLOSED....1	1
--	85330GT	PLAT ASSY W/DECALS,SYMBOL *** (Assemblies with Symbol Decals Asia, South America and Europe) (from S/N AWP04-29900) (22 x 18 x 44.75 inches)		--	65874GT	CONNECTOR, NYLON END (35893)**	
1	4828GT	NUT,NYLOCK,3/8-16		8	40265GT	BALL STUD,GAS STRUT (38593)***.....2	2
2		Ref. Carriage Assembly (refer to figure 306.1) (refer to figure 306.1)		9	37719GT	BUSHING,1.5 X 3/8 OD X 1/4 ID.....6 (used to SN AWP15-81887)	6
3A	40262GT	RAIL.WELD W/DECALS,GATED,STD.....1 (to S/N AWP04-29899)	1	10A	824462GT	ASM, ARM, LOWER PIVOT STD.....1 (replaced 40264)	1
--	85331GT	RAILING ASSY-GTD/STD-WORDS (USA, Australia, Canada) (from S/N AWP04-29900)		10B	145191GT	ASM, TUBE AWP NRW GATED (replaced 40260)	
--	85332GT	RAILING ASSY-GTD/STD-SYMBOLS** (Asia, South America, Europe) (from SN AWP04-29900)		10C	145192GT	ASM, TUBE AWP ULT NRW GATED (replaced 38222)	
3B	40257GT	RAIL.WELD W/DECALS,GATED,NRW.....1 (from S/N AWP04-29900)	1	11	38338GT	PIN,SPRING,.25X.75 ZINC PLATED	
--	85333GT	RAILING ASSY-GTD/NAR-WORDS-IWP (USA, Australia, Canada) (from S/N AWP04-29900)		12A	824472GT	ASM, GATE ARM STD.....1 (replaced 37982)	1
				12B	824457GT	ASM, UPPER GATE ARM NRW (replaced 38050)	
				12C	824510GT	ASM, GATE ARM ULTRA NRW, UPPER (replaced 38048)	
				13	37732GT	PIN,PULL.....1	1
				14	38223GT	BRKT.LATCH ASSY.GATED,S SERIES.....1 (includes items 13, 19 and 20)	1
				15	38582GT	SCREW,SHC,1/4-20 X 1	
				16	37979GT	PLATE,SHIM.....2	2
				17	26787GT	KNOB.....2	2
				--	2095GT	SCREW,SET,HS 10-32 X 2.5	
				18	26780GT	PLATE,HINGE.....2	2
				19	57116GT	HOUSING, LATCH, AWP/IWP/CWP.....1	1
				20	57138GT	LATCH ROTATOR, GATED PLATFORM.....1	1
				21	26785GT	BUMPER,RUBBER.....1	1
				22	6175GT	SCREW,HHC,3/8-16 X 1	
				23	4828GT	NUT,NYLOCK,3/8-16	

502.1 Platform Assembly, Aluminum, Gated Entry
(continued)

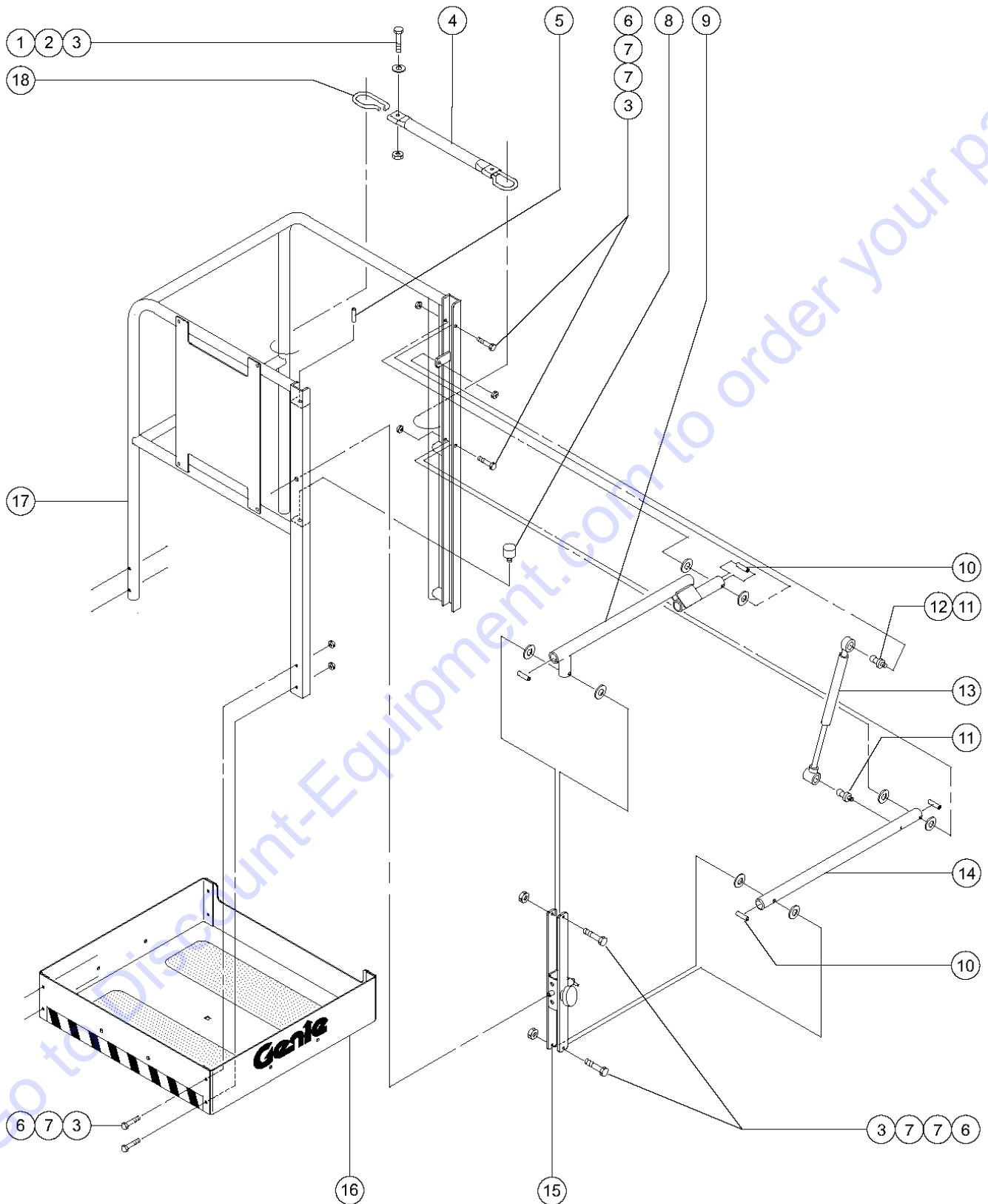
Item	Part No.	Description	Qty.
24	38586GT	CLAMP,PLATFORM MOUNT.....	2
25	6888GT	SCREW,HHC,1/4-20 X 1	
26A	38204GT	TOEBOARD-STD.W/DECALS AWP/IWP.....	1
26B	40258GT	TOEBOARD W/DECALS,NARROW	
26C	38220GT	TOEBOARD W/DECALS,ULTRA,NARROW	
--	24537GT	TAPE,NON-SKID,DIE CUT,6"X 2'	
27	4266GT	SCREW,HHC,1/4-20 X 2	
28	6550GT	U-BOLT,3/8 X 1 YZ	

Go to Discount-Equipment.com to order your parts

This Page Intentionally Left Blank

Go to Discount-Equipment.com to order your parts

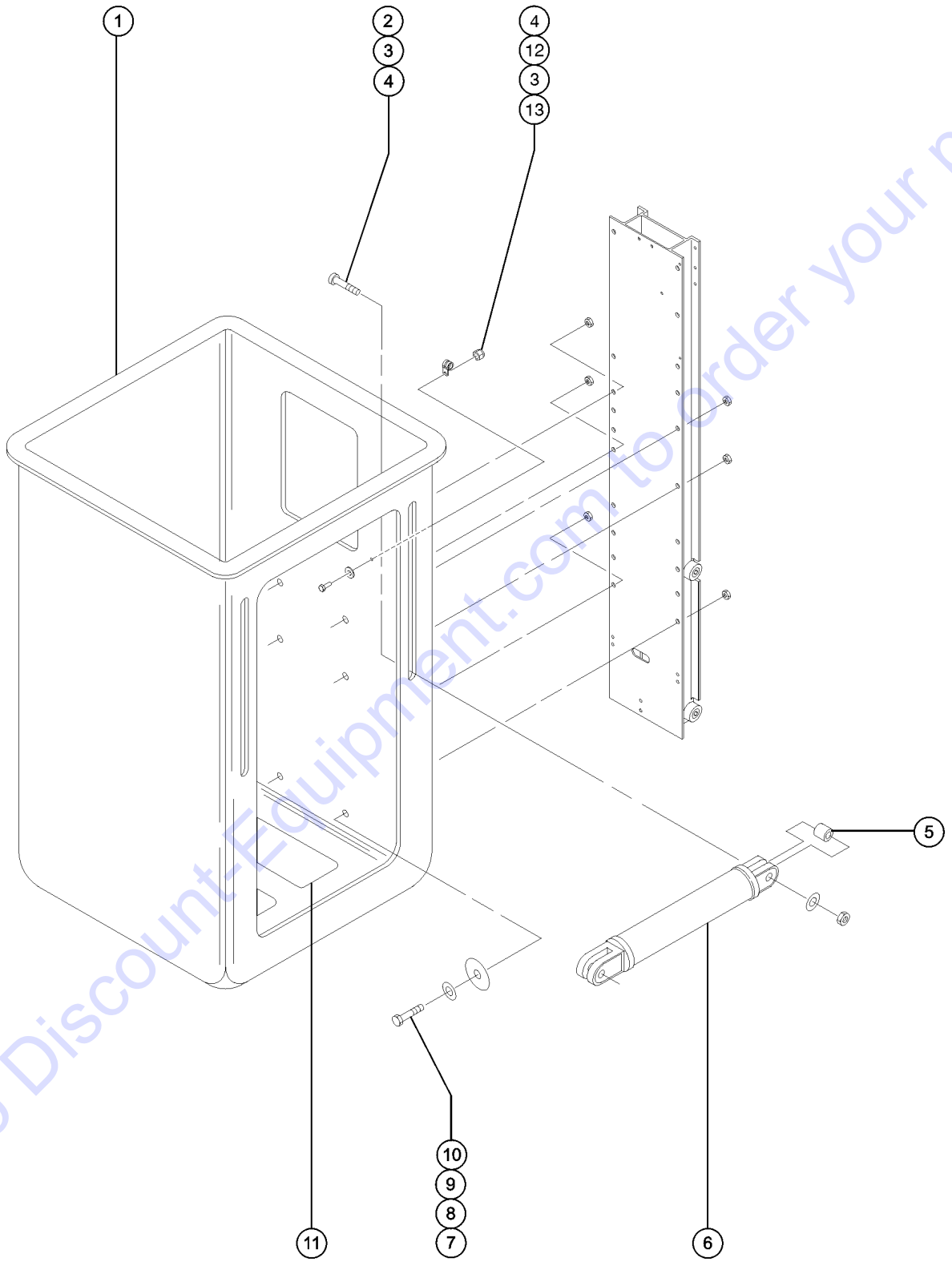
503.1 Platform Assembly, Aluminum, Extra Large, Front and Side Entry



503.1 Platform Assembly, Aluminum, Extra Large, Front and Side Entry

Item	Part No.	Description	Qty.
--	85337GT	PLATFORM ASSY,XL-WORD,IWP/AWP (USA, Australia, Canada) (from S/N AWP04-29900)	
--	85338GT	PLATFORM ASSY,XL-SYMBL,IWP**** (Asia, South America, Europe) (from S/N AWP04-29900)	
1	8915GT	SCREW,HHC,1/4-20 X 1.25	
2	6638GT	WASHER,FLAT,USS,1/4"Y	
3	6091GT	NUT,NYLOCK,1/4-20	
4	37391GT	TUBE,STD.SLIDING MIDRAIL-21.....1	
5	38338GT	PIN,SPRING,.25X.75 ZINC PLATED.....1	
6	6884GT	SCREW,HHC,1/4-20 X 2.5	
7	12013GT	SHIM,.375 X .063 (used to SN AWP15-81887)	
8	26785GT	BUMPER,RUBBER.....1	
9	824472GT	ASM, GATE ARM STD.....1 (replaced 37982)	
10	37719GT	BUSHING, 1.5 X 3/8 OD X 1/4 ID.....6 (used to SN AWP15-81887)	
11	40265GT	BALL STUD,GAS STRUT (38593)***.....2	
12	6002GT	NUT,LP NYLOCK,5/16-18	
13	226802GT	GAS STRUT,20LB,13"EXT-9"CLOSED....1	
14	40264GT	ARM,LWR.PIVOT ASSY.,STD.....1	
14	824462GT	ASM, ARM, LOWER PIVOT STD.....1 replaced 40264	
15		Ref. Gate Latch Assembly (refer to figure 502.1)	
16	44977GT	TOEBOARD-STD.W/DECALS,X-LARGE.1	
--	24537GT	TAPE,NON-SKID,DIE CUT,6"X 2'	
17A	44978GT	RAIL.WELD W/DECALS,GATED,X-LG....1 (all models) (to S/N AWP04-29899)	
17B	85339GT	RAILING ASSY,GTD-XLG, WORD,IWP (USA, Australia, Canada) (from S/N AWP04-29900)	
17C	85340GT	RAILING ASSY,GTD-XLG,SYMBL,IWP (Asia, South America, Europe models) (from AWP04-29900)	
18		Ref Mid-rail Guide Assembly.....2 (refer to figure 501.1)	
--	31146GT	WIRE LOOM,.413" NON-SLIT***.....16-inches	

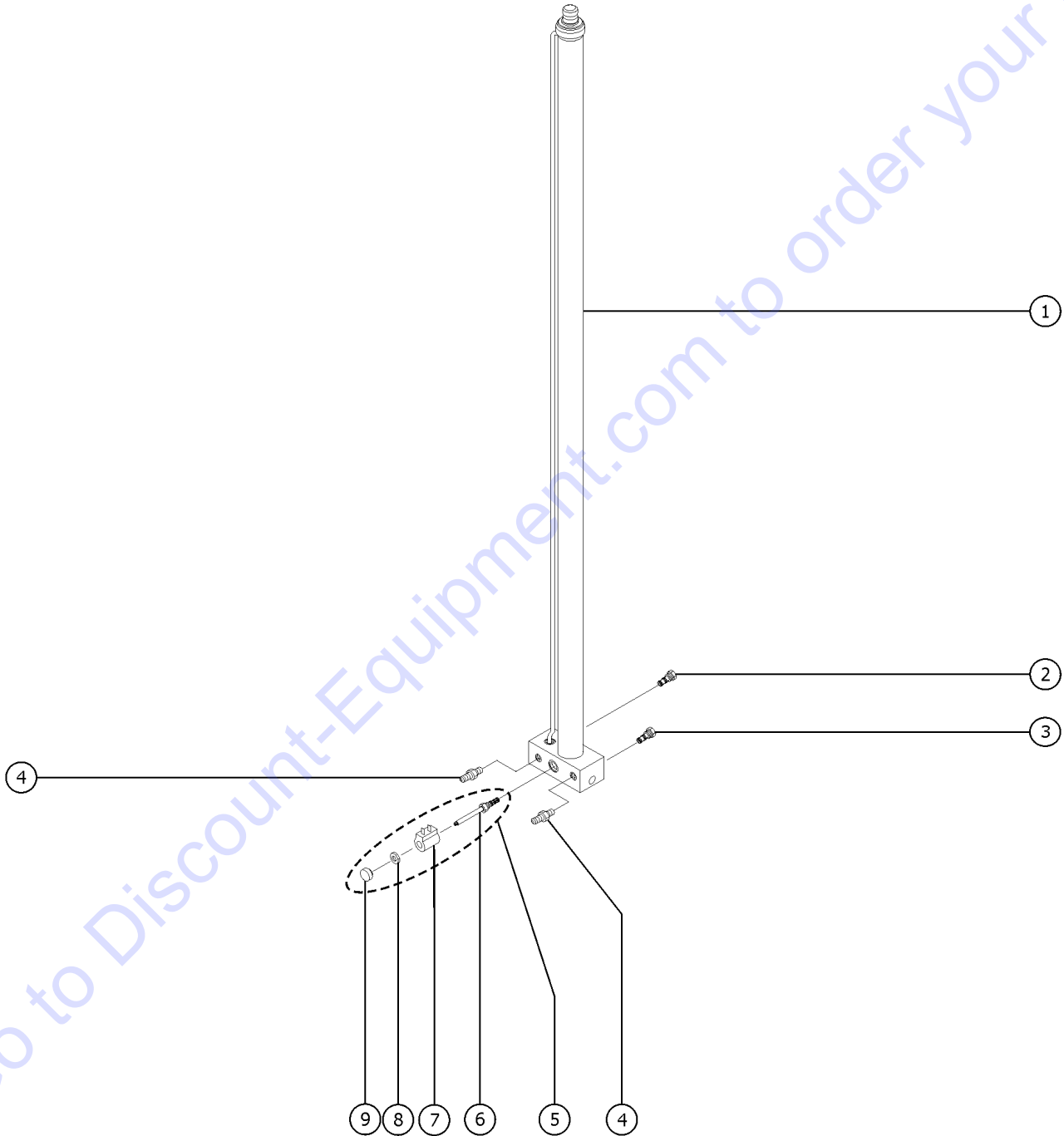
504.1 Platform Assembly, Fiberglass



504.1 Platform Assembly, Fiberglass

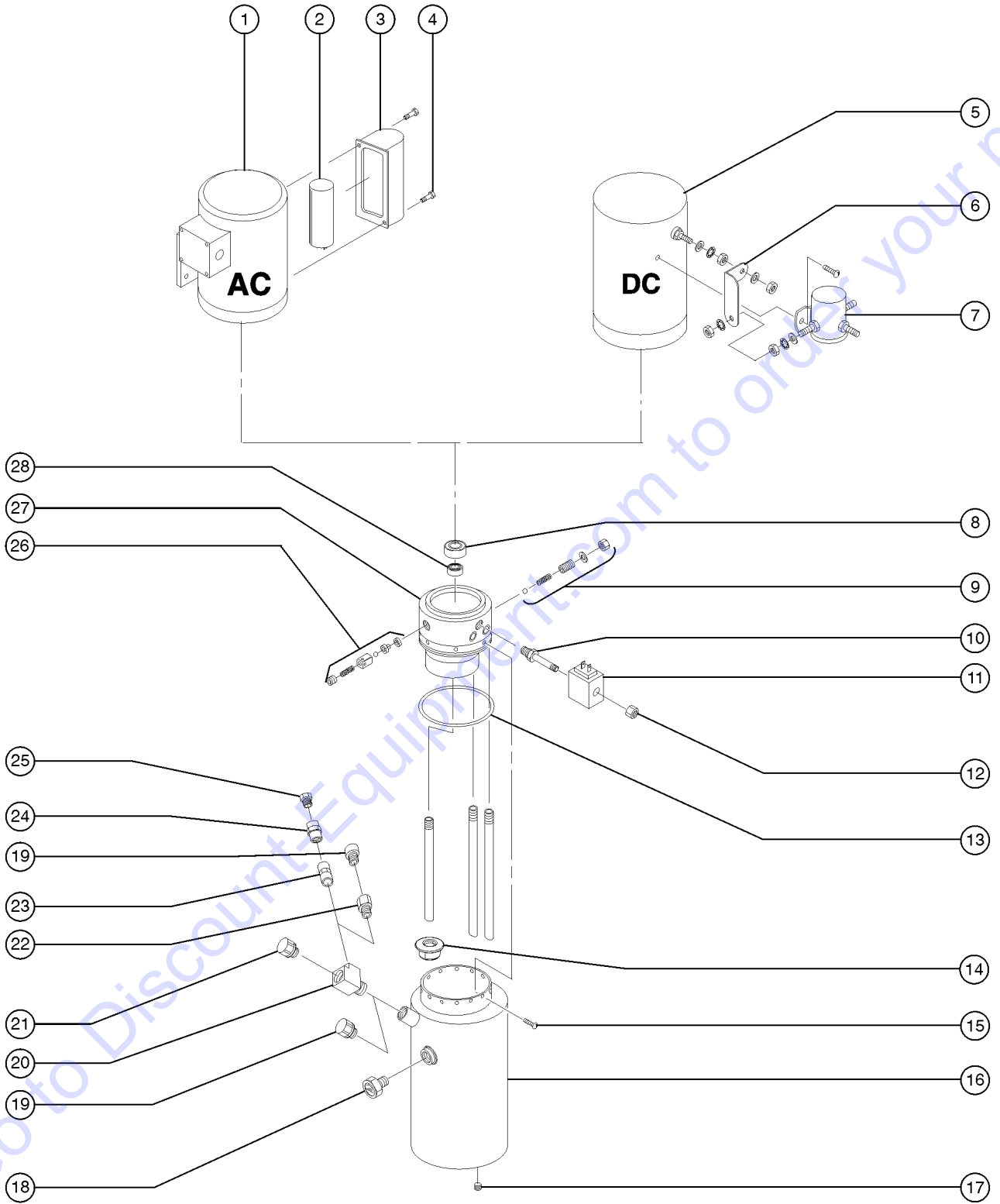
Item	Part No.	Description	Qty.
1	40268GT	PLAT.ASSY.FIBER,W/DECALS.....1 (all models) (to S/N AWP04-29899) (29 x26.5 x43.5)	1
1A	85355GT	PLAT ASSY-STD FIBER, WORD,IWP (USA, Australia, Canada) (from S/N AWP04-29900) (29 x 26.5 x 43.5)	
1B	85356GT	PLAT ASSY-STD FIBER, SYMBL,IWP (Asia, South America, Europe) (from S/N AWP04-29900) (29 x 26.5 x 43.5)	
1C	40270GT	PLAT.ASSY.W/ DECALS NRW. FIBER....1 (all models) (to S/N AWP04-29899) (26 x22.5 x43.5)	1
1D	85357GT	PLAT ASSY-NARW FIBER, WORD,IWP (USA, Australia, Canada) (from S/N AWP04-29900) (26 x 22 x 43.5)	
1E	85358GT	PLAT ASSY-NARW FIBER,SYMBL,IWP (Asia, South America, Europe) (from S/N AWP04-29900) (26 x 22 x 43.5)	
2	58587GT	SCREW,PPHMS,1/4-20X1.75Z,GR2 (replaced 23838)	
3	6638GT	WASHER,FLAT,USS,1/4"Y	
4	6889GT	NUT,LP NYLOCK,1/4-20	
5	8149GT	SPACER,NYLON .257 X .5 X .75".....2	2
6	40269GT	SLIDING MIDRAIL ASSY.STD.FIBER.....1	1
6A	40271GT	SLIDING MIDRAIL ASSY,NRW.FIBER	
7	8178GT	SCREW,HHC,3/8-16 X 2.5	
8	6097GT	WASHER,FLAT,USS,3/8",Y	
9	14016GT	WASHER,FLAT,502 X 1.747 X.04	
10	4828GT	NUT,NYLOCK,3/8-16	
11	47231GT	TAPE,NON-SKID,DIE CUT,4"X 16".....3	3
12	6833GT	CLAMP,0.50,#8 X 1/4,RUB CUSH	
13	80058GT	SCREW,PHP,1/4-20 X .875	

601.1 Lift Cylinder



Item	Part No.	Description	Qty.
1	80950GT	CYLINDER,LIFT 56.25"STROKE,DY* AWP-15S, AWP-20S, AWP-25S and AWP-30S	
--	1261234GT	GUIDE RING, LIFT CYLINDER, AWP (for black Dongyang cylinder 80950)	
--	40110GT	SEAL KIT,35736,37 SAME AS38168 (for blue Texas cylinder 35737)	
--	80943GT	SEAL KIT,DONYANG CYL (35737)* (for black Dongyang cylinder 80950)	
1A	80952GT	CYLINDER,LIFT 84.5" STROKE,DY* AWP-36S	
--	40111GT	SEAL KIT, 35738,SAME AS 38169 (for blue Texas cylinder 35739)	
--	80945GT	SEAL KIT, DY CYL (37367) (for black Dongyang cylinder 80952)	
1B	80951GT	CYLINDER,LIFT 78" STROKE, DY** AWP-40S	
--	40111GT	SEAL KIT, 35738,SAME AS 38169 (for blue Texas cylinder 37367)	
--	80944GT	SEAL KIT, DONYANG CYL (35739) (for black Dongyang cylinder 80951)	
2	35725GT	VALVE,FLOW CONTROL PREAS.COMP.....2 (1 gpm / 3.78 L/min)	
3	35726GT	VALVE,HYDRAULIC CHECK.....1	
4	13755GT	CONNECTOR,070120-4-4.....2	
5	40571GT	ASSY, MAN LWR VALVE W/HNDL, 12V.....1 (includes items 6-8) (for air powered models, refer to 607.1, item 21)	
--	35724GT	VALVE,NC SOLENOID,MANUAL LWR (includes items 7 and 8)	
--	40417GT	COIL, 12V DC	
--	40477GT	VALVE,CARTRIDGE*** (includes item 8)	
--	44979GT	SEAL KIT,39909,PLAT LWR VALVE*	
--	52943GT	NUT,SOLENOID VALVE COIL.....1	
6	35724GT	VALVE,NC SOLENOID,MANUAL LWR (includes item 7-8)	
6	40477GT	VALVE,CARTRIDGE***1 (includes item 8)	
7	40417GT	COIL, 12V DC.....1	
7	52943GT	NUT,SOLENOID VALVE COIL.....1	
8	38068GT	KNOB,PUSH/PULL,RED.....1	
8	52943GT	NUT,SOLENOID VALVE COIL.....1	
9	38068GT	KNOB,PUSH/PULL,RED.....1	

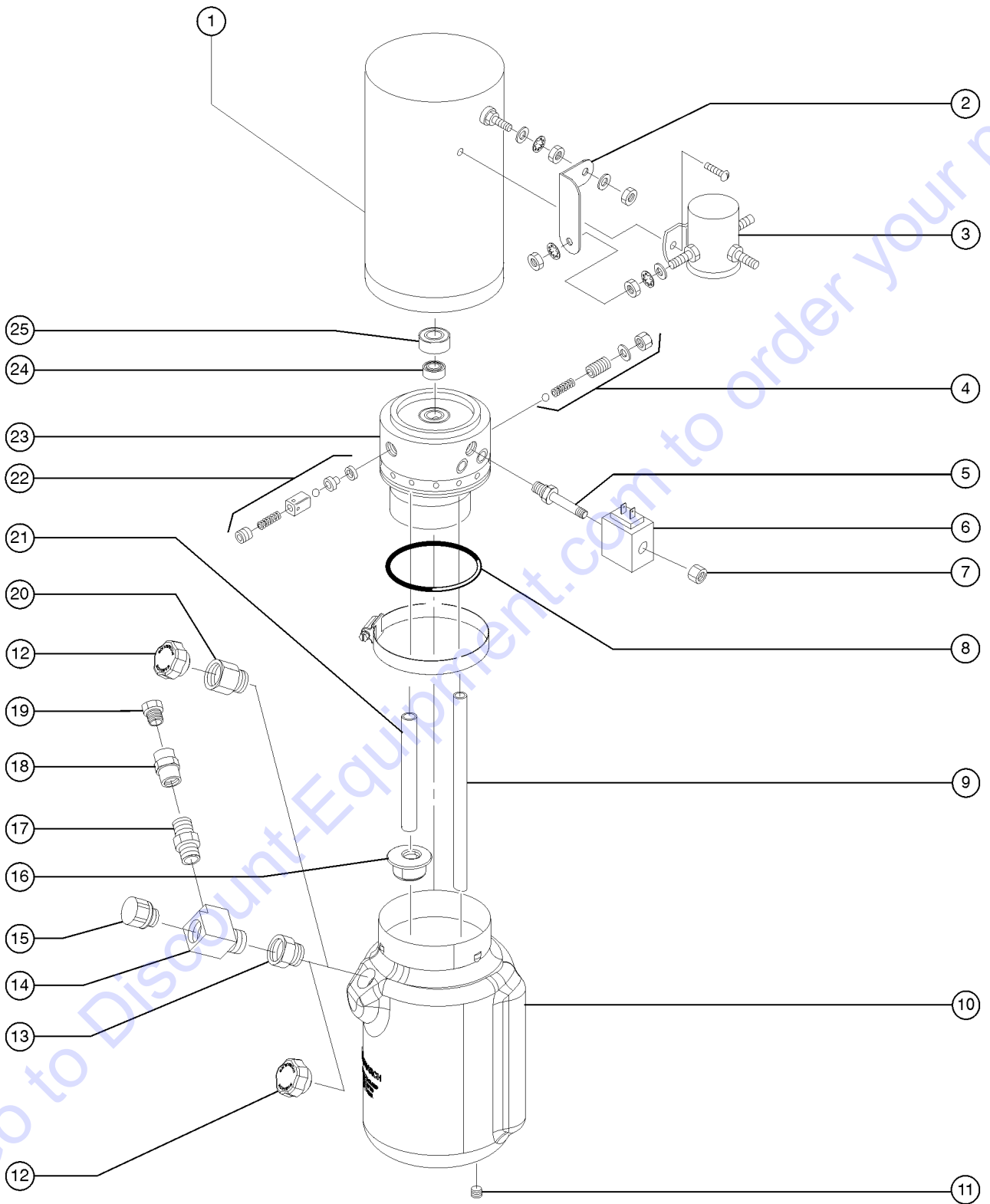
602.1 Hydraulic Power Unit, AC and DC Models (from SN 3896-101 to AWP02-4752)



602.1 Hydraulic Power Unit, AC and DC Models (from SN 3896-101 to AWP02-4752)

Item	Part No.	Description	Qty.	Item	Part No.	Description	Qty.
--	100989GT	POWER UNIT,12V DC*** (replaced 37407 and 100085 from SN AWP05-32781) (includes item 1 and plastic reservoir, part number 85218)		20	40704GT	TEE,STREET,3/8 NPT,BRASS.....1 (narrow or RT Base)	1
--	100990GT	POWER UNIT,110-220 AC*** (replaced 37408 and 100068 from SN AWP05-32781) (includes item 1 and plastic reservoir, part number 85218)		21	48520GT	3/8" NPT VALVE BREATHER CAP (narrow or RT Base)	
--	100991GT	POWER UNIT,85V AC*** (replaced 40322 and 100087 from SN AWP05-32781) (includes item 1 and plastic reservoir, part number 85218)		22	40706GT	ADAPTER,3/8 NPT,BRASS (narrow or RT Base) (to SN 3897-4544)	
--	85218GT	RESERVOIR W/DECAL,PLASTIC*** (not shown)		23	48519GT	3/8" NPT CHECK VALVE (narrow or RT Base) (from SN 3897-4545)	
1	145343GT	MOTOR,115/230V AC (124198) (ANSI models from SN 89262) (CE models from SN 60146)		24	46049GT	COUPLING,3/8X1.12,BRASS (narrow or RT Base) (from SN 3897-4545)	
1	38163GT	MOTOR, 115/230V AC.....1 (50/60 Hz) (includes item 8)	1	25	46051GT	BREATHER CAP,3/8"NPT,NI PLTD (narrow or RT Base) (from SN 3897-4545)	
2	40399GT	CAPACITOR,MOTOR.....1 (155V AC) (400-480 MFD)	1	26	38155GT	VALVE-CHECK KIT	
3	40430GT	COVER,CAPACITOR.....1	1	27	38154GT	PUMP ASSEMBLY,MONARCH,AC/DC***.....1 (includes items 9, 26 and 27)	1
4	45183GT	10-32 X .375 SELFTAP SL.HX.HD		28	40401GT	SEAL,MOTOR	
5	38151GT	MOTOR,12V DC***.....1 (includes item 8)	1				
--	38152GT	BRUSH KIT,12V DC MTR (08111-D) for motors with stamp "8111-D"					
--	41023GT	FUSE,175 AMP (not shown) between motor and battery pack					
--	66717GT	FUSE BLOCK, ANN & ANL FUSE					
--	T114885GT	BRUSH KIT,SVC,(MOTOR 38151)*** for motors with stamp "8111-I"					
6	44991GT	SOLENOID STRAP, MONARCH**.....1	1				
7	38153GT	SOLENOID,MOTOR START***.....1	1				
8	40400GT	BEARING,MOTOR					
9	38156GT	VALVE,RELIEF KIT,MONARCH**.....1	1				
10	40392GT	CARTRIDGE WITH NUT***.....1 (includes item 12) (coil sold separately)	1				
11	40319GT	COIL,10V DC***.....1	1				
12	100869GT	NUT,SOLENOID VALVE***.....1	1				
13	40318GT	SEAL,O-RING,PUMP***.....1	1				
14	38160GT	FILTER,PICK-UP SCREEN***.....1	1				
15	21018GT	SCREW,PHIL,PHM,10-24 X.38,SEMS					
16	40397GT	RESERVOIR W/DECAL,SUPER SERIES.....1 (Steel)	1				
17	40426GT	PLUG, PIPE, FLUSH 1/4 PTF.....1	1				
18	38161GT	GAUGE-SIGHT.....1	1				
19	38159GT	BREATHER CAP.....1 (narrow or RT Base) (to SN 3897-4544)	1				

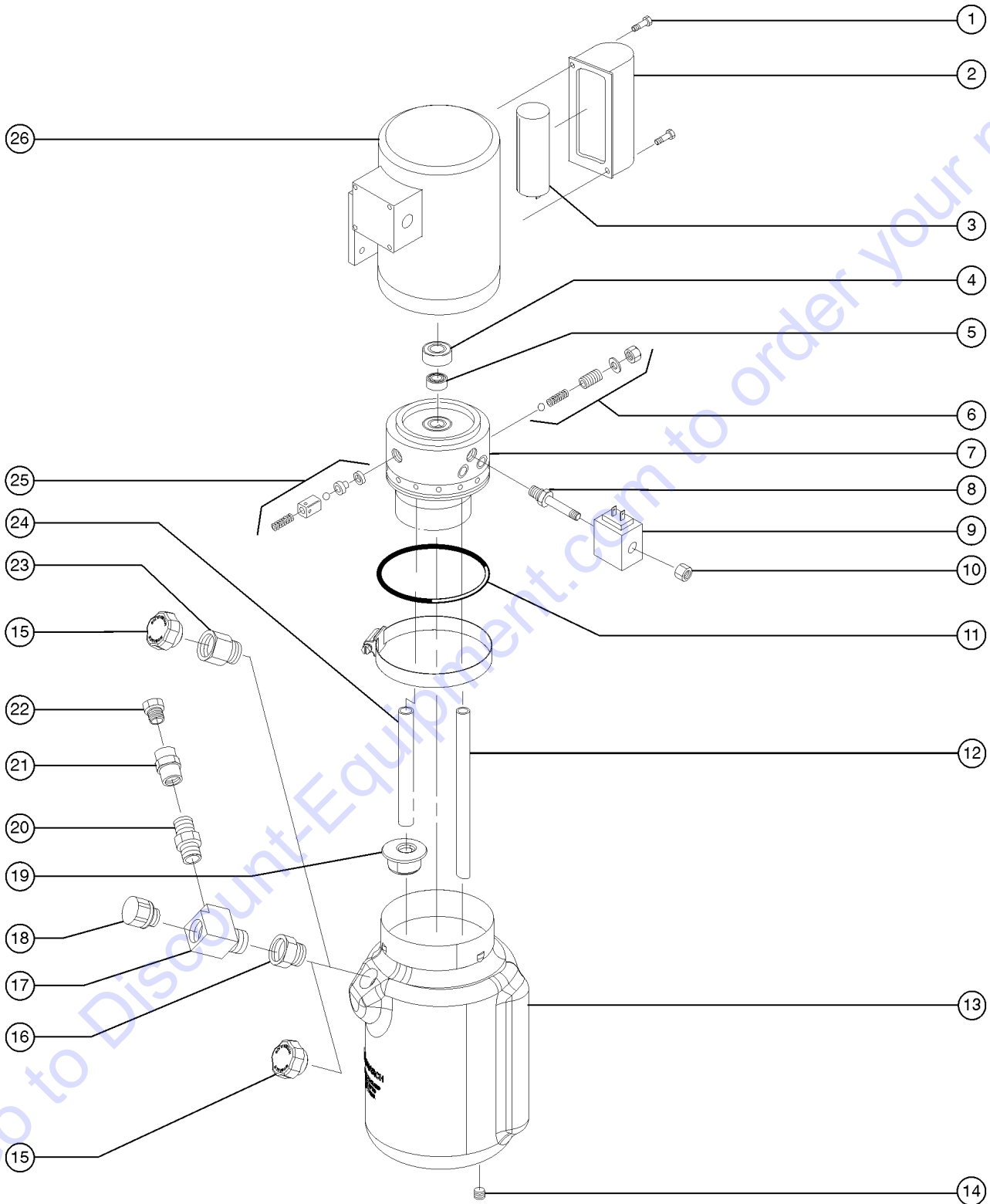
603.1 Hydraulic Power Unit, DC Powered Models (from AWP02-4753)



603.1 Hydraulic Power Unit, DC Powered Models (from AWP02-4753)

Item	Part No.	Description	Qty.	Item	Part No.	Description	Qty.
--	100989GT	POWER UNIT,12V DC***		13	100158GT	REDUCER,NYLON, 3/4NPT X 3/8NPT...1 <i>Narrow or RT Models</i>	1
1	38151GT	MOTOR,12V DC***.....1 <i>(includes item 25)</i>	1	14	40704GT	TEE,STREET,3/8 NPT,BRASS.....1 <i>Narrow or RT Models</i>	1
--	38152GT	BRUSH KIT,12V DC MTR (08111-D).....1 <i>for motors with stamp "8111-D"</i>	1	15	48520GT	3/8" NPT VALVE BREATHER CAP.....1 <i>Narrow or RT Models</i>	1
--	41023GT	FUSE,175 AMP <i>(not shown) between motor and battery pack</i>		16	38160GT	FILTER,PICK-UP SCREEN***.....1	1
--	66717GT	FUSE BLOCK, ANN & ANL FUSE		17	48519GT	3/8" NPT CHECK VALVE.....1 <i>Narrow or RT Models</i>	1
--	T114885GT	BRUSH KIT,SVC,(MOTOR 38151)*** <i>for motors with stamp "8111-I"</i>		18	46049GT	COUPLING,3/8X1.12,BRASS.....1 <i>Narrow or RT Models</i>	1
2	44991GT	SOLENOID STRAP, MONARCH**.....1	1	19	46051GT	BREATHER CAP,3/8"NPT,NI PLTD.....1 <i>Narrow or RT Models</i>	1
3	38153GT	SOLENOID,MOTOR START***.....1	1	20	100299GT	PIPE ADAPTER, 3/4-11 NPT.....1 <i>Japanese Models</i>	1
4	38156GT	VALVE,RELIEF KIT,MONARCH**.....1	1	21	58287GT	TUBE,SUCTION.....1	1
5	100866GT	VALVE,2-POS 2-WAY***.....1 <i>(to SN 32780)</i>	1	22	38155GT	VALVE-CHECK KIT.....1	1
--	40392GT	CARTRIDGE WITH NUT***.....1 <i>(to SN 32780) (for 38162)</i>	1	23	38154GT	PUMP ASSEMBLY,MONARCH,AC/DC***.....1 <i>(includes items 4, 22, and 24)</i>	1
5A	100866GT	VALVE,2-POS 2-WAY*** <i>(from SN 32781) (includes items 6 and 7)</i>		24	40401GT	SEAL,MOTOR.....1	1
--	100867GT	CARTRIDGE W/ NUT <i>(from SN 32781)</i>		25	40400GT	BEARING,MOTOR.....1	1
6	40319GT	COIL,10V DC***.....1 <i>(to SN 32780)</i>	1				
6A	100868GT	COIL,10V DC*** <i>(from SN 32781)</i>					
7	100869GT	NUT,SOLENOID VALVE***.....1 <i>(to SN 32780)</i>	1				
7A	100869GT	NUT,SOLENOID VALVE*** <i>(from SN 32781)</i>					
8	40318GT	SEAL,O-RING,PUMP***.....1	1				
9	58288GT	TUBE, RETURN.....1	1				
10	40397GT	RESERVOIR W/DECAL,SUPER SERIES.....1 <i>(to SN 27389) (not shown)</i>	1				
--	21018GT	SCREW,PHIL,PHM,10-24 X.38,SEMS <i>(to SN 27389) (not shown)</i>					
--	38161GT	GAUGE-SIGHT.....1 <i>(to SN 27389) (not shown)</i>	1				
10A	124183GT	RESERVOIR W/DECAL,PLASTIC***.....1 <i>(Shown, includes mounting clamp, decal and breather cap) (from SN 27390)</i>	1				
11	40426GT	PLUG, PIPE, FLUSH 1/4 PTF.....1 <i>(to SN 27389) (not shown)</i>	1				
11A	109802GT	PLUG,ORB #6.....1 <i>(from SN 27390)</i>	1				
12	38159GT	BREATHER CAP.....1 <i>(to SN 27389) (not shown)</i>	1				
12A	100255GT	BREATHER CAP (85218).....1 <i>(from SN 27390)</i>	1				

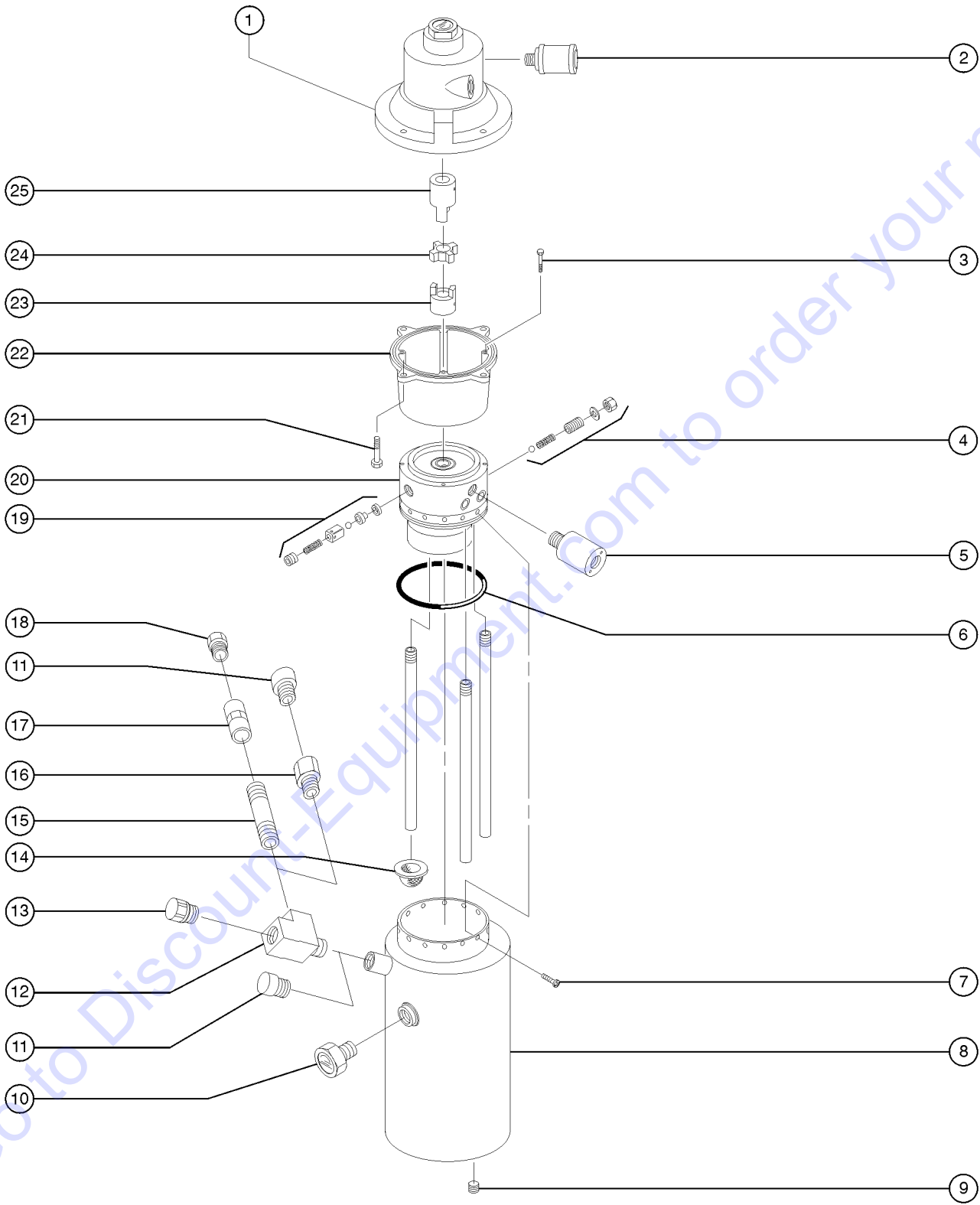
604.1 Hydraulic Power Unit, AC Powered Models (from AWP02-4753)



604.1 Hydraulic Power Unit, AC Powered Models (from AWP02-4753)

Item	Part No.	Description	Qty.	Item	Part No.	Description	Qty.
--	100990GT	POWER UNIT,110-220 AC*** (replaced 100086 at SN AWP05-32780)		18	48520GT	3/8" NPT VALVE BREATHER CAP.....1 Narrow or RT Models	1
1	45183GT	10-32 X .375 SELFTAP SL.HX.HD		19	38160GT	FILTER,PICK-UP SCREEN***.....1	1
2	40430GT	COVER,CAPACITOR.....1	1	20	48519GT	3/8" NPT CHECK VALVE.....1 Narrow or RT Models	1
3	40399GT	CAPACITOR,MOTOR.....1	1	21	46049GT	COUPLING,3/8X1.12,BRASS.....1 Narrow or RT Models	1
4	40401GT	SEAL,MOTOR.....1	1	22	46051GT	BREATHER CAP,3/8"NPT,NI PLTD.....1 Narrow or RT Models	1
5	40400GT	BEARING,MOTOR.....1	1	23	100299GT	PIPE ADAPTER, 3/4-11 NPT.....1	1
6	38156GT	VALVE,RELIEF KIT,MONARCH**.....1	1	24	58287GT	TUBE,SUCTION.....1	1
7	38154GT	PUMP ASSEMBLY,MONARCH,AC/DC***.....1 (included items 5, 6, and 25)	1	25	38155GT	VALVE-CHECK KIT.....1	1
8	100866GT	VALVE,2-POS 2-WAY***.....1 (from SN 32780) (includes items 9 and 10)	1	26	145343GT	MOTOR,115/230V AC (124198) (ANSI models from SN 89262) (CE models from SN 60146)	1
--	100867GT	CARTRIDGE W/ NUT.....1 (from SN 32780)	1	26	38163GT	MOTOR, 115/230V AC.....1 (includes item 4)	1
8A	100866GT	VALVE,2-POS 2-WAY*** (to SN 32779)					
--	40392GT	CARTRIDGE WITH NUT*** (to SN 32779) (for 38162)					
9	100868GT	COIL,10V DC***.....1 (from SN 32780)	1				
9A	40319GT	COIL,10V DC*** (to SN 32779)					
10	100869GT	NUT,SOLENOID VALVE***.....1 (from SN 32780)	1				
10A	100869GT	NUT,SOLENOID VALVE*** (to SN 32779)					
11	40318GT	SEAL,O-RING,PUMP***.....1	1				
12	58288GT	TUBE, RETURN.....1	1				
13	40397GT	RESERVOIR W/DECAL,SUPER SERIES.....1 (to SN 27389)	1				
--	21018GT	SCREW,PHIL,PHM,10-24 X.38,SEMS (to SN 27389)					
--	38161GT	GAUGE-SIGHT.....1 (to SN 27389)	1				
13A	124198GT	POWER UNIT,110/220VAC,50/60HZ.....1 (from SN 27390) includes mounting clamp, decal, and breather cap	1				
14	40426GT	PLUG, PIPE, FLUSH 1/4 PTF.....1 (to SN 27389)	1				
14A	109802GT	PLUG,ORB #6.....1 (from SN 27390)	1				
15	38159GT	BREATHER CAP.....1 (to SN 27389)	1				
15A	100255GT	BREATHER CAP (85218).....1 (from SN 27390)	1				
16	100158GT	REDUCER,NYLON, 3/4NPT X 3/8NPT...1 Narrow or RT Models	1				
17	40704GT	TEE,STREET,3/8 NPT,BRASS.....1 Narrow or RT Models	1				

605.1 Hydraulic Power Unit, Air Powered Models (to SN 3897-4544)



605.1 Hydraulic Power Unit, Air Powered Models (to SN 3897-4544)

Item	Part No.	Description	Qty.
--	100088GT	POWER UNIT,PNEUMATIC*** <i>(replaced P/N 40322 from S/N AWP04-28148) (includes plastic resevoir, 85218)</i>	
--	85218GT	RESERVOIR W/DECAL,PLASTIC***	
1	41924GT	MOTOR-AIR, SUPER SERIES.....1	
2	57191GT	MUFFLER, AIR MOTOR,1/4 NPT.....1	
3	12343GT	SCREW,HHC,1/4-20 X 3	
4	38156GT	VALVE,RELIEF KIT,MONARCH**.....1	
5	41930GT	VALVE-AIR PILOT,MTR.,S-SERIES.....1	
6	40318GT	SEAL,O-RING,PUMP***.....1	
7	21018GT	SCREW,PHIL,PHM,10-24 X.38,SEMS	
8	40397GT	RESERVOIR W/DECAL,SUPER SERIES.....1	
9	40426GT	PLUG, PIPE, FLUSH 1/4 PTF.....1	
10	38161GT	GAUGE-SIGHT.....1	
11	38159GT	BREATHER CAP.....1 <i>Models with Standard Base</i>	
11A	38159GT	BREATHER CAP.....1 <i>Models with Narrow or Rough Terrain Base (to SN 3897-4544)</i>	
12	40704GT	TEE,STREET,3/8 NPT,BRASS.....1 <i>Models with Narrow or Rough Terrain Base</i>	
13	48520GT	3/8" NPT VALVE BREATHER CAP.....1 <i>Models with Narrow or Rough Terrain Base</i>	
14	38160GT	FILTER,PICK-UP SCREEN***.....1	
15	48519GT	3/8" NPT CHECK VALVE.....1 <i>Models with Narrow or Rough Terrain Base (from SN 3897-4545)</i>	
16	40706GT	ADAPTER,3/8 NPT,BRASS.....1 <i>(to SN 3897-4544)</i>	
17	46049GT	COUPLING,3/8X1.12,BRASS.....1 <i>Models with Narrow or Rough Terrain Base (from SN 3897-4545)</i>	
18	46051GT	BREATHER CAP,3/8"NPT,NI PLTD.....1 <i>Models with Narrow or Rough Terrain Base (from SN 3897-4545)</i>	
19	38155GT	VALVE-CHECK KIT.....1	
20	41929GT	PUMP ASSY-AIR MTR,SUPER SERIES.....1 <i>(includes items 4, 6 and 19)</i>	
21	49857GT	SCREW,HHC,3/8-16 X .88,GRD 8	
22	41928GT	ADAPTER,PUMP/MTR HSING,AIR-S.....1	
23	41927GT	COUPLING,AIR MTR. SUPER SERIRS.....1	
24	41926GT	COUPLING-SPIDER,AIR S-SERIES.....1	
25	41925GT	COUPLING-MTR.SIDE,AIR S-SERIES...1	

PARTS FINDER

**Search Website
by Part Number**



**Search Manual
Library For Parts
Manual & Lookup Part
Numbers – Purchase
or Request Quote**

Search Manuals

Enter your information to help us find the right parts manual for your machine.

* Brand:

* Model:

* Serial:

* Part Number:

SEARCH

**Can't Find Part or
Manual? Request Help
by Manufacturer,
Model & Description**

Parts Order Form

Please fill in the following information to help us find the right part for your machine.

Manufacturer:	<input type="text"/>
Model:	<input type="text"/>
Description:	<input type="text"/>
Part Number:	<input type="text"/>
Quantity:	<input type="text"/>
Notes:	<input type="text"/>

Discount-Equipment.com is your online resource for quality parts & equipment.

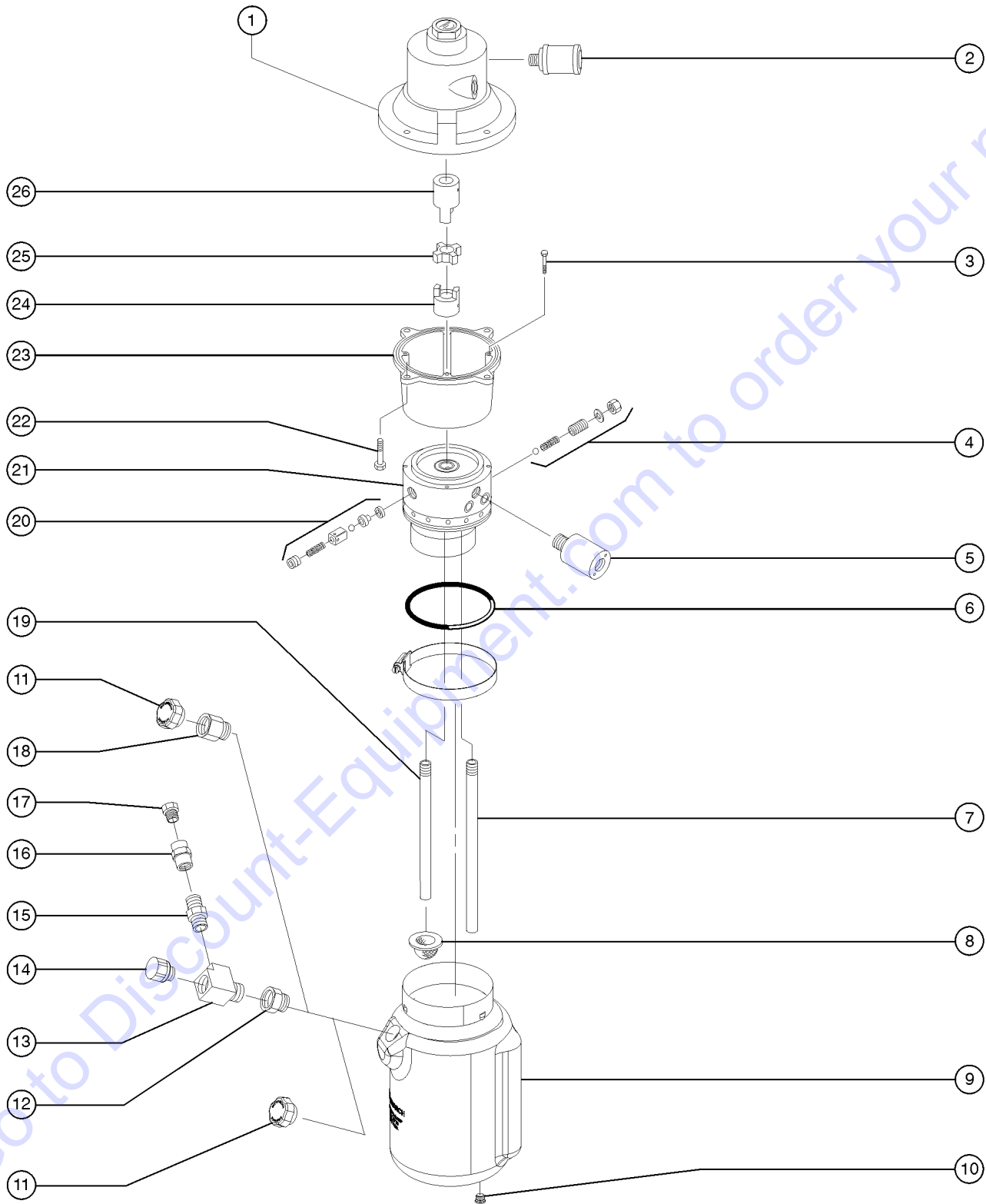
Florida: **561-964-4949** Outside Florida TOLL FREE: **877-690-3101**

Need parts?

Click on this link: <http://www.discount-equipment.com/category/5443-parts/> and choose one of the options to help get the right parts and equipment you are looking for. Please have the machine model and serial number available in order to help us get you the correct parts. If you don't find the part on the website or on one of the online manuals, please fill out the request form and one of our experienced staff members will get back to you with a quote for the right part that your machine needs.

We sell worldwide for the brands: Genie, Terex, JLG, MultiQuip, Mikasa, Essick, Whiteman, Mayco, Toro Stone, Diamond Products, Generac Magnum, Airman, Haulotte, Barreto, Power Blanket, Nifty Lift, Atlas Copco, Chicago Pneumatic, Allmand, Miller Curber, Skyjack, Lull, Skytrak, Tsurumi, Husquvarna Target, Stow, Wacker, Sakai, Mi-T-M, Sullair, Basic, Dynapac, MBW, Weber, Bartell, Bennar Newman, Haulotte, Ditch Runner, Menegotti, Morrison, Contec, Buddy, Crown, Edco, Wyco, Bomag, Laymor, EZ Trench, Bil-Jax, F.S. Curtis, Gehl Pavers, Heli, Honda, ICS/PowerGrit, IHI, Partner, Imer, Clipper, MMD, Koshin, Rice, CH&E, General Equipment, Amida, Coleman, NAC, Gradall, Square Shooter, Kent, Stanley, Tamco, Toku, Hatz, Kohler, Robin, Wisconsin, Northrock, Oztec, Toker TK, Rol-Air, APT, Wylie, Ingersoll Rand / Doosan, Innovatech, Con X, Ammann, Mecalac, Makinex, Smith Surface Prep, Small Line, Wanco, Yanmar

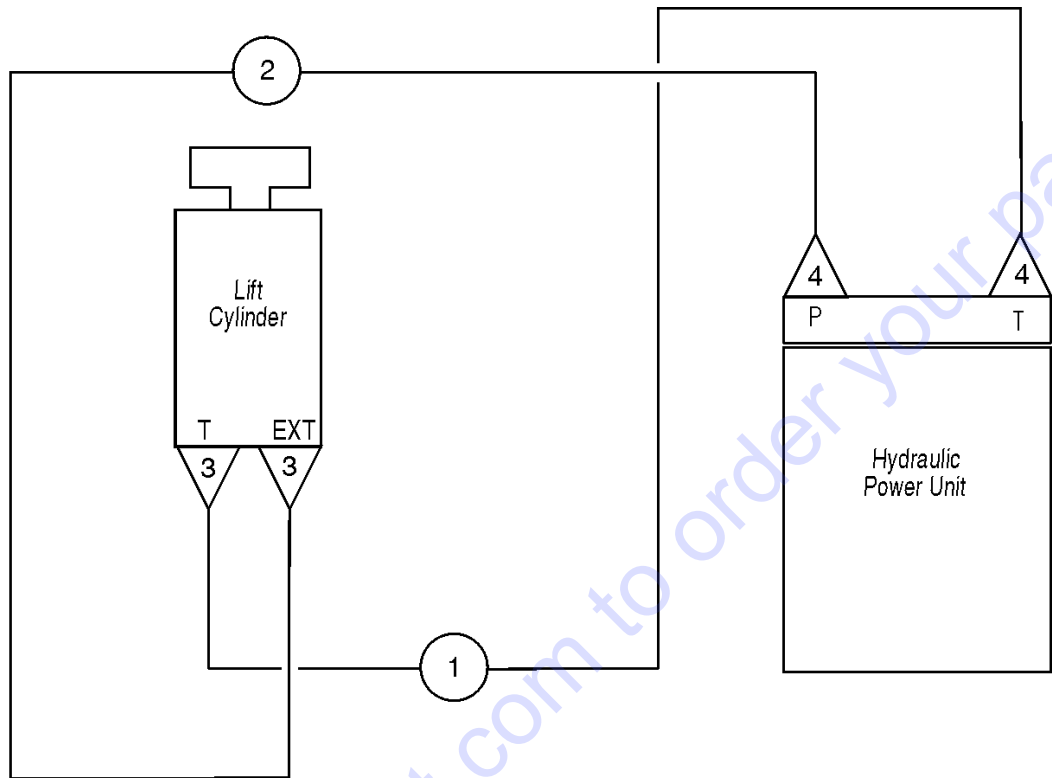
605.2 Hydraulic Power Unit, Air Powered Models, (from SN 3897-4545)






605.2 Hydraulic Power Unit, Air Powered Models, (from SN 3897-4545)

Item	Part No.	Description	Qty.	Item	Part No.	Description	Qty.
--	100088GT	POWER UNIT,PNEUMATIC*** (replaced P/N 40322 from S/N AWP04-28148) (includes plastic resevoir, 85218)		24	41927GT	COUPLING,AIR MTR. SUPER SERIRS.....	1
1	41924GT	MOTOR-AIR, SUPER SERIES.....	1	25	41926GT	COUPLING-SPIDER,AIR S-SERIES.....	1
2	57191GT	MUFFLER, AIR MOTOR,1/4 NPT.....	1	26	41925GT	COUPLING-MTR.SIDE,AIR S-SERIES...1	
3	12343GT	SCREW,HHC,1/4-20 X 3					
4	38156GT	VALVE,RELIEF KIT,MONARCH**.....	1				
5	41930GT	VALVE-AIR PILOT,MTR.,S-SERIES.....	1				
6	40318GT	SEAL,O-RING,PUMP***.....	1				
7	58288GT	TUBE, RETURN					
8	38160GT	FILTER,PICK-UP SCREEN***.....	1				
9	40397GT	RESERVOIR W/DECAL,SUPER SERIES.....	1				
--	21018GT	SCREW,PHIL,PHM,10-24 X.38,SEMS (to SN 27389) (not shown)					
--	38161GT	GAUGE-SIGHT.....	1				
9A	124183GT	RESERVOIR W/DECAL,PLASTIC*** (from SN 27390) (shown)					
10	40426GT	PLUG, PIPE, FLUSH 1/4 PTF.....	1				
10A	109802GT	PLUG,ORB #6 (from SN 27390)					
11	38159GT	BREATHER CAP.....	1				
11A	100255GT	BREATHER CAP (85218) (from SN 27390)					
12	100158GT	REDUCER,NYLON, 3/4NPT X 3/8NPT					
13	40704GT	TEE,STREET,3/8 NPT,BRASS.....	1				
14	48520GT	3/8" NPT VALVE BREATHER CAP.....	1				
15	48519GT	3/8" NPT CHECK VALVE.....	1				
16	46049GT	COUPLING,3/8X1.12,BRASS.....	1				
17	46051GT	BREATHER CAP,3/8"NPT,NI PLTD.....	1				
18	100299GT	PIPE ADAPTER, 3/4-11 NPT Japanese Models					
19	58287GT	TUBE,SUCTION					
20	38155GT	VALVE-CHECK KIT.....	1				
21	41929GT	PUMP ASSY-AIR MTR,SUPER SERIES.....	1				
22	49857GT	SCREW,HHC,3/8-16 X .88,GRD 8					
23	41928GT	ADAPTER,PUMP/MTR HSING,AIR-S.....	1				

606.1 Hydraulic Hoses and Fittings



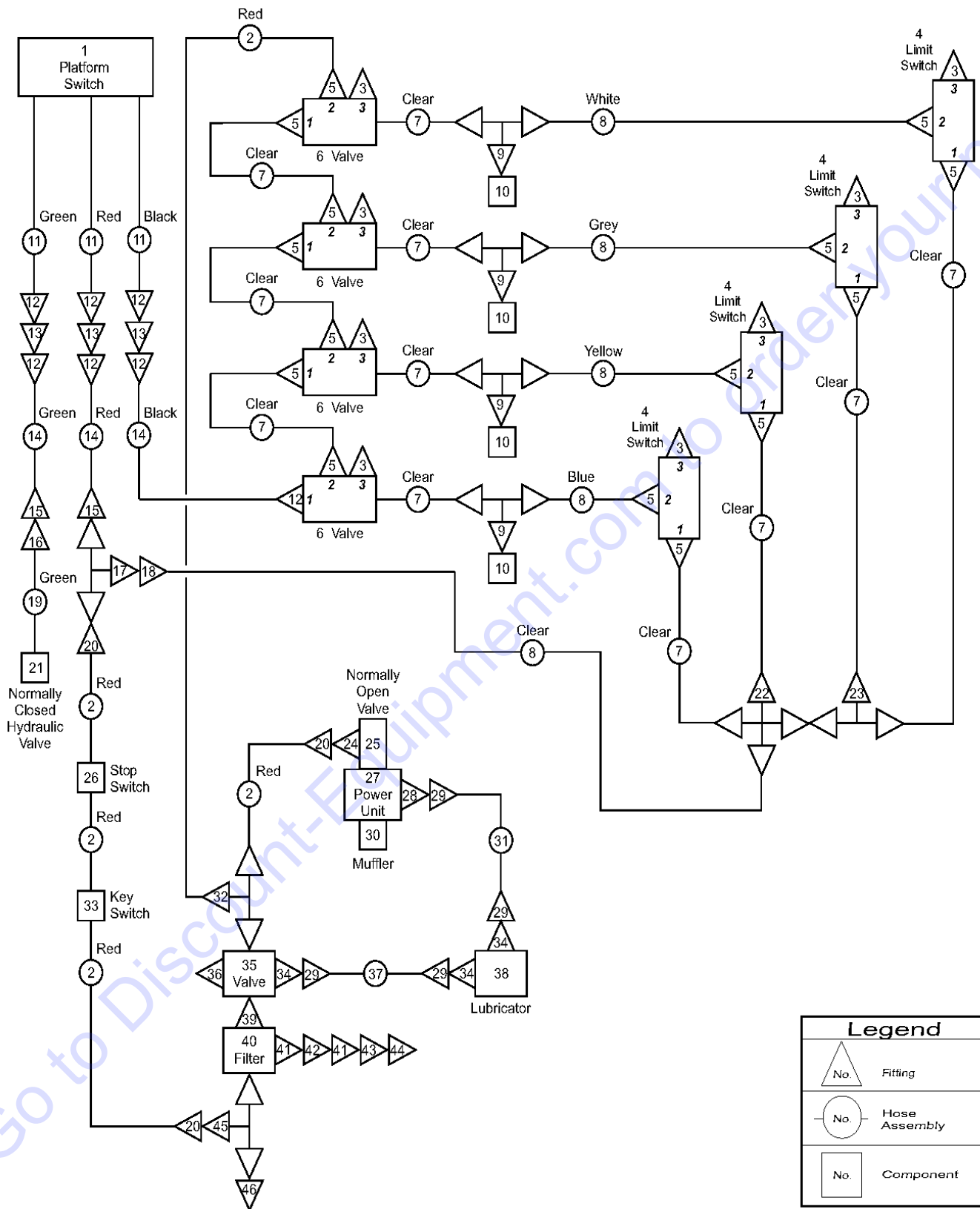
LEGEND	
	FITTING
	HOSE ASSEMBLY
	CONNECTOR

606.1 Hydraulic Hoses and Fittings

Item	Part No.	Description	Qty.
1	80623GT	HOSE ASSY,62.4",IWP-PRKR.....1 (Components: 78855, 78855, 78852 @ 62.4 inches)	1
2	115301GT	HOSE ASSY.....1 (Components: 78855, 78855, 78852 @ 63 inches)	1
3	13755GT	CONNECTOR,070120-4-4.....2	2
4	12340GT	ELBOW,070220-4-6.....2	2

Go to Discount-Equipment.com to order your parts

607.1 Pneumatic Hoses and Fittings, Air Powered Models

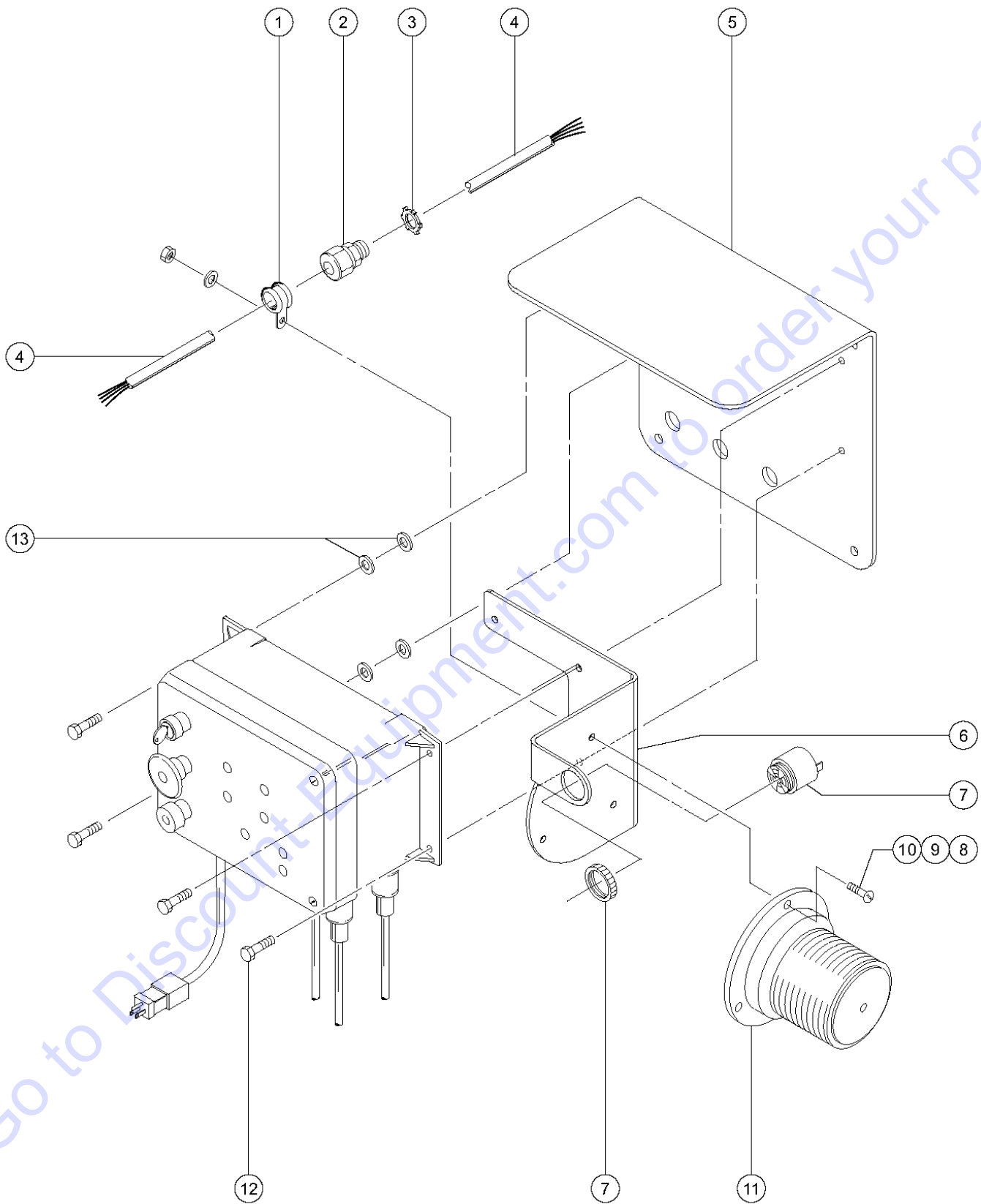


Legend	
	Fitting
	Hose Assembly
	Component

607.1 Pneumatic Hoses and Fittings, Air Powered Models

Item	Part No.	Description	Qty.	Item	Part No.	Description	Qty.
--	43077GT	FITTING, 1/16 BARBED, SPLICE		15	41471GT	ADAPTER, .12 MNPT X .12 BARB.....	2
1		Ref. Platform Switch (refer to Figure 501.1)		16	41472GT	ADAPTER, .12 FNPT X .25 PUSH.....	1
2	1619GT	HOSE-5/32 RED PNEUMATIC, BULK.....36-inches (replaced 41470)		17	41475GT	TEE, BRASS, 1/8 NPT.....	1
3	41476GT	BREATHER VENT, 10/32.....	8	18	41474GT	ADAPTER, .12 MNPT X 1/16 BARB.....	1
4		Ref. Outrigger Interlock Bracket Assembly (refer to 201.1)		19	41473GT	HOSE, 1/4, GREEN NYLON.....	3-inches
5	41477GT	ADAPTER, 10/32 X 1/16 BARB.....	15	20	41469GT	ADAPTER, .12 MNPT X 5/32 PUSH.....	3
6	40970GT	VALVE, 2 POSITION 3 WAY..... (includes mounting fasteners)	4	21	40971GT	VALVE, NC POPPET, DIR CONT.....	1
7	41480GT	HOSE, CLEAR, 1/8 X 1/16.....	168-inches	22	41484GT	CROSS, 1/16 BARB.....	1
8	41483GT	HOSE, 5 X 1/8 X 1/16.....	108-inches	23	41485GT	TEE, 1/16 BARB.....	1
9	41479GT	TEE, BRANCH, 1/16 BARB X 10/32.....	4	24	41482GT	ELBOW, STREET, 1/2 NPT.....	1
10	40973GT	INDICATOR, OUTRIGGER..... (includes mounting fasteners)	4	25	41930GT	VALVE-AIR PILOT, MTR., S-SERIES.....	1
11	41377GT	HOSE, PNEUMATIC COIL..... AWP-15S, AWP-25S, AWP-25S	1	26		Ref. Push Button with Base - Red Mushroom Head..... (refer to Figure 412.1)	1
12	41465GT	ADAPTER, 10/32 X .12 BARB..... AWP-15S, AWP-25S, AWP-36S (shown)	7	27		Ref. Hydraulic Power Unit..... (refer to Figure 604.1)	1
12A	41465GT	ADAPTER, 10/32 X .12 BARB..... AWP-20S, AWP-30S, AWP-40S	1	28	41467GT	ELBOW, .25 MNPT X .5 BARB.....	1
13	41464GT	FITTING, BULKHEAD, 10/32..... AWP-20S, AWP-30S, AWP-40S (shown)	3	29	42280GT	CLAMP, HOSE, .50.....	4
13A	41464GT	FITTING, BULKHEAD, 10/32..... AWP-15S, AWP-25S, AWP-36S	6	30	57191GT	MUFFLER, AIR MOTOR, 1/4 NPT.....	1
14	41946GT	HOSE CONTROL, AWP-15S, STD, AIR (3 tubes)		31	41463GT	HOSE, SYN FLEX.....	17-inches
--	41947GT	HOSE CONTROL, AWP-20S, STD, AIR (3 tubes)		32	41481GT	TEE, BRANCH, 5/32 PUSH X .12 MNPT...	1
--	41948GT	HOSE CONTROL, AWP-25S, STD, AIR (3 tubes)		33		Ref. Key Switch with Base..... (refer to Figure 412.1)	1
--	41949GT	HOSE CONTROL, AWP-30S, STD, AIR (3 tubes)		34	41461GT	ELBOW, 90 DEGR, .5 MNPT X .5 BARB...	3
--	41950GT	HOSE CONTROL, AWP-36S, STD, AIR (3 tubes)		35	41192GT	VALVE, ON/OFF AIR.....	1
--	41951GT	HOSE CONTROL, AWP-40S, STD, AIR (3 tubes)		36	41486GT	BREATHER VENT, 7/8 NPT.....	1
14A	41952GT	HOSE CONTRL, AWP-15S, NRW/RT, AIR AWP-15S Models with Narrow or Rough Terrain Base (3 tubes)		37	41463GT	HOSE, SYN FLEX.....	14-inches
--	41953GT	HOSE CONTRL, AWP-20S, NRW/RT, AIR AWP-20S Models with Narrow or Rough Terrain Base (3 tubes)		38	41534GT	LUBRICATOR, SUPER SERIES.....	1
--	41954GT	HOSE CONTRL, AWP-25S, NRW/RT, AIR AWP-25S Models with Narrow or Rough Terrain Base (3 tubes)		39	41195GT	NIPPLE, HEX, BRASS, .5 NPT.....	1
--	41955GT	HOSE CONTRL, AWP-30S, NRW/RT, AIR AWP-30S Models with Narrow or Rough Terrain Base (3 tubes)		40	69227GT	FILTER, REGULATOR.....	1
				41	41459GT	NIPPLE, 3" BRASS, .5 NPT.....	1

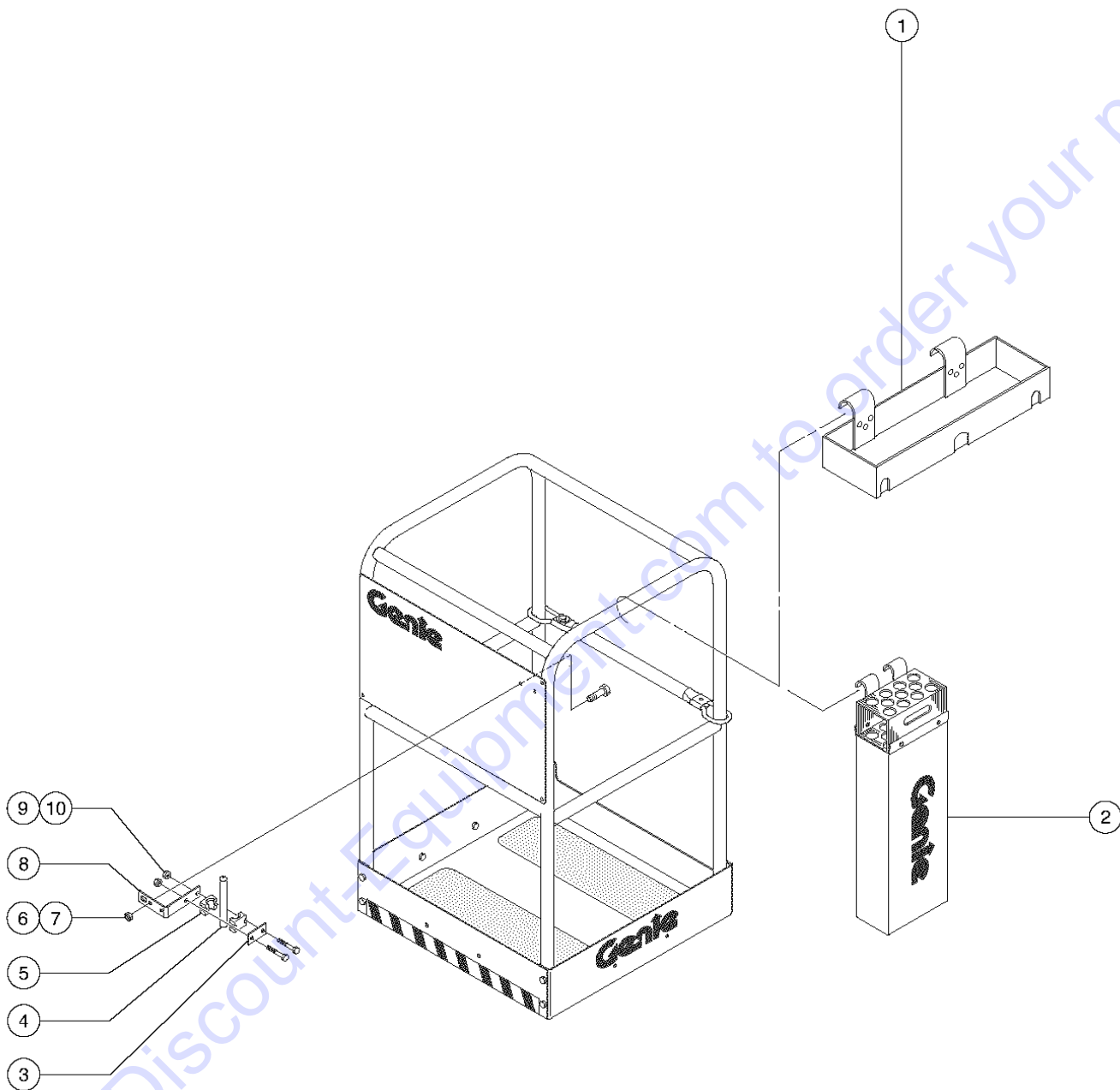
701.1 Operational Warning Light and Descent Alarm



701.1 Operational Warning Light and Descent Alarm

Item	Part No.	Description	Qty.
--		<i>The location of the descent alarm assembly is dependent on machine model and configuration. Right side installation shown.</i>	
--	37636-SGT	ACCS.DESCEM LIGHT/ALARM(SERV)	
1	45470GT	CLAMP,0.31,#5 X 1/4,RUB CUSH.....1	
2	33576GT	CONN,SQZ,BLK,1/2NPT,.38-.50,SM.....1	
3	6935GT	LOCKNUT,ELEC,1/2".....1	
4	6562GT	WIRE CABLE,16/4 SJO,BULK...32-Inches	
5	37765-SGT	PLATE,CONTROL BOX,"BLUE".....1	
6	41452-SGT	PLATE,STROBE/ALARM MTG,PAINTED.....1	
7	45383GT	ALARM,WARBLE TONE 5-30 VDC***.....1 <i>(Does not include 72326 nut)</i>	
--	72326GT	NUT - PLASTIC,RING FOR ALARMS	
8	6606GT	SCREW,RHM,10-32 X .75	
9	6607GT	WASHER,LOCK,#10 PLTD	
10	15513GT	NUT,HEX,10-32	
11	231237GT	STROBE, AC COMPAT., 12-80V AMB.....1	
--	226393GT	FLASHTUBE,STRAIGHT,360DEG,BULB	
--	72282GT	LENS,AMBER,STROBE,FIREBOLT	
12	43136GT	SCREW,PHM,1/4-20 X .625	
13	6638GT	WASHER,FLAT,USS,1/4"Y	

702.1 Tube Caddy, Tray and Platform Locating Light



Note:
 The Locating Light is mounted differently depending on the platform option. Refer to the instruction sheet that comes with the kit for mounting location.

702.1 Tube Caddy, Tray and Platform Locating Light

Item	Part No.	Description	Qty.
1	9599-SGT	TOOL TRAY ACCESSORY***.....	1
2	38226GT	TUBE CADDY,AWP PLATFORM***..... <i>(includes mounting hardware and assembly instructions)</i>	1
3	80995GT	PLATE, LASER LOCATOR.....	1
4	80993GT	LASER POINTER***.....	1
--	43078GT	LASER,LOCATING ACCESSORY <i>(includes items 3 and 5-10)</i>	
5	80994GT	CUSHION, LASER LOCATOR.....	2
6	4828GT	NUT,NYLOCK,3/8-16	
7	6175GT	SCREW,HHC,3/8-16 X 1	
8	80997GT	FORMING, LASER LOCATOR.....	1
9	6091GT	NUT,NYLOCK,1/4-20	
10	6637GT	SCREW,HHC,1/4-20 X 1.75	

Part Number Index

The Part Number Index is a numeric index of all part numbers included in this manual. The index shows what page(s) the part is used on.

Part Number	Page	Part Number	Page	Part Number	Page	Part Number	Page
100088GT	151, 153	107111GT	39, 43	1258604GT	45	27839GT	11-12, 15-16
100158GT	147, 149, 153	107112GT	39	1260610GT	12, 20	27840GT	11-12, 15-16
100171GT	60	107113GT	39	1261144GT	31-32	27841GT	11-12, 15-16
100193GT	97, 99, 101	107114GT	39	1261234GT	143	27842GT	11-12, 15-16
100194GT	97, 99, 101	107115GT	39, 43	1268235GT	49	27843GT	11-12, 15-16
100195GT	97, 99, 101	107116GT	39	1277226GT	115-116	27844GT	11-12, 15-16
100255GT	147, 149, 153	107117GT	39	1280665GT	111-112	27857GT	11-12, 15-16
100256GT	121, 123	107118GT	39	12906GT	71-72	27863GT	11-12, 15-16
100299GT	147, 149, 153	107119GT	39, 43	13066GT	24, 27, 32	27864GT	11-12, 15-16
100866GT	147, 149	107120GT	39, 43	13585GT	121	27865GT	11-12, 15-16
100867GT	147, 149	107121GT	39, 43	13755GT	143, 155	27867GT	11-12, 15-16
100868GT	147, 149	107122GT	39	13918GT	60	27868GT	11-12, 15-16
100869GT	145, 147, 149	107123GT	43	14016GT	141	27872GT	11-12, 15-16
100943GT	77	107124GT	39	14033GT	79	27873GT	11-12, 15-16
100989GT	145, 147	107167GT	111-112	14182GT	59-60	27874GT	11-12, 15-16
100990GT	145, 149	107256GT	59-60	14295GT	103, 105, 107,	28157GT	11-12
100991GT	145	107257GT	59-60		109	28174GT	15-16, 19-20
10153GT	23-24, 27, 31-32, 111-112, 116	107322GT	43	14392GT	119	28235GT	15-16, 19-20
10258GT	32	107323GT	43	144161GT	97, 99, 101, 111-112	28372GT	11-12, 15-16
10597GT	85-86, 103, 105, 107, 109	107324GT	43			28487GT	93
10598GT	83	107325GT	43	145047GT	112, 116	30748GT	31-32
107020GT	59-60	107381GT	79	145191GT	135-136	31068GT	11-12
107021GT	59-60	107382GT	79	145192GT	135-136	31070GT	11-12, 15-16
107056GT	103	107383GT	119	145342GT	112, 116	31071GT	11-12, 15-16
107057GT	103	10775GT	121, 123	145343GT	145, 149	31076GT	11-12
107058GT	103	10777GT	121	145349GT	23-24	31077GT	11-12
107059GT	103	109550GT	81	15513GT	93, 159	31146GT	133, 139
107060GT	103	109551GT	79	1619GT	157	31182GT	112, 116, 119
107061GT	103	109689GT	35	16364GT	95	31245GT	11-12, 15-16
107065GT	15-16	109713GT	35	17626GT	93	32317GT	85-86
107066GT	15-16	109715GT	35	18189GT	93	32365-SGT	81
107067GT	19-20	109802GT	147, 149, 153	18191GT	69	32375GT	23-24, 77, 86
107068GT	19-20	109988GT	72	20342GT	116	32424-SGT	23-24, 27, 31-32
107069GT	23-24	115301GT	155	2095GT	135-136		32, 81, 83
107070GT	23-24	11890GT	63, 65, 67, 69	21018GT	112, 116, 121, 145, 147, 149,	32425-SGT	23-24, 27, 31-32
107073GT	23-24	12011GT	103		151, 153	32451GT	23-24, 27
107074GT	27, 31-32	12013GT	135-136, 139	21278GT	85-86	32452GT	24, 27, 32, 85-86
107075GT	27, 31-32	12340GT	155	21279GT	85-86	32453GT	24, 27
107076GT	39, 43	12343GT	151, 153	21437GT	85-86	32454GT	85-86
107077GT	39, 43	124041GT	71-72	21441GT	85-86	32834GT	81, 85-86
107078GT	39, 43	124043GT	71-72	21442GT	85-86	32925GT	85-86
107079GT	39, 43	124044GT	71-72	21982GT	111-112, 115-116, 119	33245PGT	93
107080GT	39, 43	124045GT	71-72			33550GT	11-12
107081GT	39	124046GT	71-72	2223GT	59-60	33551GT	95, 99
107082GT	39	124163GT	35	226393GT	159	33576GT	159
107083GT	39	124183GT	147, 153	226802GT	135-136, 139	33578GT	115-116
107084GT	39, 43	124198GT	149	22699GT	125, 127, 129	33580GT	125, 127
107085GT	39	124552GT	35	22736GT	35	33581GT	116
107086GT	39	124568GT	35	23000GT	121, 123	33582GT	112, 116
107087GT	39, 43	124569GT	35	231237GT	159	33584GT	116
107088GT	39	12456GT	121, 123	23394GT	125, 127, 129,	33585GT	112, 116
107089GT	39, 43	124628GT	119		131	33586GT	116
107090GT	39	124629GT	119	23396GT	125, 127, 129,	33587GT	112
107091GT	39	124641GT	111-112, 115-116, 121, 123		131	33589GT	125, 127
107092GT	39			23787-SGT	125, 127	33590GT	125, 127
107093GT	39	124642GT	111-112, 115-116	23788GT	125, 127	33591GT	125, 127
107094GT	39			24036GT	95, 99	33605GT	111-112
107095GT	39, 43	124644GT	111-112, 115-116, 121, 123	24537GT	133, 136, 139	33629GT	123
107096GT	39, 43			24697-SGT	85-86	33674GT	81, 83
107097GT	39, 43	124645GT	111-112	24900GT	35	33681GT	103, 105, 107, 109
107098GT	39, 43	124646GT	112	25084GT	85-86		
107099GT	39	124649GT	103	25085GT	85-86	33720GT	85-86
107100GT	39, 43	124650GT	103	25086GT	85-86	33724GT	123
107101GT	39, 43	124676GT	119	25087GT	85-86	33807GT	23-24, 27, 31-32
107102GT	39, 43	124677GT	119	25388GT	111-112	33808GT	23-24, 27, 31-32
107103GT	39, 43	124792GT	35	25926GT	79	33809GT	23-24, 27, 31-32
107104GT	39, 43	124793GT	35	26780GT	135-136	35039GT	112, 116
107105GT	39	124975GT	121, 123	26785GT	135-136, 139	35049GT	125, 127
107106GT	39	12560GT	127	26787GT	135-136	35695GT	63, 65, 67, 69
107107GT	39	1257696GT	112, 116	27262GT	97	35697GT	63, 65, 67, 69
107108GT	39	1257853GT	12, 20	27415GT	23-24, 27, 31-32, 85-86	35698GT	63, 65, 67
107109GT	39, 43	1257854GT	12, 20			35699GT	63, 65, 67, 69
107110GT	39	1258598GT	45	27769GT	77, 85-86	35703-10063GT	67
		1258602GT	45	27838GT	11-12, 15-16	35703-6813GT	65, 67, 69
		1258603GT	45				

Part Number	Page	Part Number	Page	Part Number	Page	Part Number	Page
35704-10063GT	67, 69	38005GT	60	38316GT	51, 53, 55, 57	40313GT	71-72
35704-6813GT	63, 65, 67, 69	38011GT	49, 53, 55, 57	38318Z-SGT	85-86	40314GT	71-72
35705GT	63, 65, 67, 69	38013GT	49, 53, 55, 57	38322GT	85-86	40315GT	71-72
35706GT	49, 51, 53, 55, 57, 60	38014GT	59-60	38323GT	85-86	40316GT	71-72
35707GT	49, 51, 53, 55, 57	38016GT	49, 51, 55, 57	38324GT	85-86	40317GT	72
35709GT	49, 53, 55, 57	38017GT	112	38338GT	135-136, 139	40318GT	145, 147, 149, 151, 153
35710GT	49, 51, 53, 55, 57	38018GT	112, 116	38340-SGT	23-24	40319GT	145, 147, 149
35711GT	51, 53, 55, 57	38021GT	115-116	38340GT	79	40320GT	103, 107
35712GT	63, 65, 67, 69	38026GT	60	38341GT	79	40334GT	112, 116
35714GT	63, 65, 67, 69	38027-SGT	79, 81	38342-SGT	24, 79	40335GT	116
35715GT	53, 55, 57	38028GT	49	38343-SGT	24, 79	40336GT	112, 116
35722GT	51, 53, 55, 57	38037GT	77	38344-SGT	23-24, 79	40392GT	145, 147, 149
35724GT	143	38040GT	81	38345-SGT	23-24, 79	40394GT	95
35725GT	143	38046-SGT	77	38347GT	77	40395GT	95
35726GT	143	38068GT	143	38348GT	23-24	40396GT	95
35727PGT	49	38122GT	11-12, 15-16	38447GT	49, 51, 53, 55, 57	40397GT	145, 147, 149, 151, 153
35732GT	77	38142GT	11-12, 15-16	38582GT	135-136	40399GT	145, 149
35733GT	71-72	38143GT	11-12	38586GT	129, 131, 133, 136	40400GT	145, 147, 149
35734GT	71-72	38149GT	11-12	38596GT	35	40401GT	145, 147, 149
35757GT	49	38151GT	145, 147	38601GT	32, 49	40409GT	77
35758GT	53, 55, 57	38152GT	145, 147	38702GT	31-32	40417GT	143
35759GT	55, 57	38153GT	145, 147	38708-SGT	31-32	40426GT	145, 147, 149, 151, 153
35760GT	51, 55	38154GT	145, 147, 149	38709GT	49, 51, 53, 55, 57	40429GT	59-60
35761GT	53, 57	38155GT	151, 153	38724GT	83	40430GT	145, 149
35771GT	49	38156GT	145, 147, 149, 151, 153	38728GT	59-60	40435GT	23-24, 27, 31-32
35772GT	55, 57	38159GT	145, 147, 149, 151, 153	38730GT	75	40477GT	143
35773GT	55, 57	38160GT	145, 147, 149, 151, 153	38970GT	23-24, 27, 31-32	40478GT	49
35774GT	55	38161GT	145, 147, 149, 151, 153	38975GT	77	40479GT	49
35775GT	57	38163GT	145, 149	38979GT	71-72, 107, 109	40484GT	37
35786GT	75	38165GT	95, 99	38980GT	65, 67, 69	40485GT	37, 41
35789PGT	60	38166GT	95, 97, 99	38983GT	51, 53, 55, 57	40486GT	37
35830GT	27, 31-32	38172GT	99	38986GT	65, 67, 69	40487GT	37
35846GT	116	38173GT	97, 99	38989PGT	59-60	40488GT	37
35991GT	51, 53, 55, 57, 71-72, 77, 79, 125, 127, 129, 131	38174GT	97, 99	38990GT	85-86	40489GT	37
37133GT	11-12	38175GT	95, 99	40004GT	75, 103, 105, 107, 109	40490GT	37, 41
37141GT	11-12, 15-16	38176GT	23-24	40110GT	143	40491GT	37
37142GT	11-12, 15-16	38178GT	23-24	40111GT	143	40492GT	37
37143GT	11-12, 15-16	38179GT	37, 41	40256GT	135-136	40493GT	37
37144GT	11-12, 15-16	38180GT	37, 41	40257GT	135-136	40494GT	37, 39, 41, 43
37145GT	11-12, 15-16	38181GT	37, 41	40258GT	136	40495GT	37, 39, 41, 43
37202GT	24, 27, 31-32, 81	38182GT	37	40261GT	135-136	40496GT	37, 39
37343GT	79	38183GT	37, 41	40262GT	135-136	40497GT	37, 39, 41, 43
37344GT	79	38184GT	37, 41	40264GT	139	40498GT	37, 39
37384GT	63, 65, 67, 69	38185GT	37, 41	40265GT	135-136, 139	40499GT	37, 39, 41, 43
37385GT	63, 65, 67, 69	38186GT	37	40267GT	59-60	40500GT	37, 39
37386GT	63, 65, 67, 69	38187GT	63, 65, 67, 69	40268GT	141	40504GT	41, 47, 91
37387GT	65, 67, 69	38193GT	77	40269GT	141	40505GT	41, 47, 91
37389GT	60	38195GT	85-86	40270GT	141	40506GT	85-86
37391GT	133, 139	38196GT	79	40271GT	141	40507GT	116
37395GT	23-24, 27, 31-32	38197GT	105, 107, 109	40272GT	27, 31-32	40508GT	93
37636-SGT	159	38202GT	133	40273GT	27, 31-32	40571GT	143
37645-SGT	77	38203GT	133	40274GT	85-86	40623-SGT	105, 109
37681-SGT	85-86	38204GT	133, 136	40275GT	85-86	40624GT	31-32
37686GT	53, 55, 57	38207GT	127	40276GT	85-86	40627-SGT	51, 53, 55, 57
37687-SGT	85-86	38210GT	125	40277GT	115-116	40704GT	145, 147, 149, 151, 153
37691GT	129, 131	38211GT	125, 127	40278GT	111-112	40706GT	145, 151
37704GT	112, 116	38212GT	93	40279GT	115-116	40735GT	125, 127, 129, 131
37711GT	79, 81, 83	38213GT	93	40280GT	115-116	40945GT	63, 65, 67, 69
37719GT	135-136, 139	38214GT	93	40281GT	103	40946GT	49, 53, 55, 57
37724GT	83	38215GT	93	40282GT	103	40953GT	45, 47
37732GT	135-136	38216GT	111-112, 116	40283GT	111-112	40954GT	39, 45, 47
37764-SGT	103, 105, 107, 109	38217GT	111-112, 115-116	40285GT	127	40955GT	39, 45, 47
37765-SGT	103, 105, 159	38218GT	135-136	40286GT	37, 45, 89	40970GT	119, 157
37947GT	111-112, 115-116, 119	38219GT	135-136	40287GT	59-60	40971GT	157
37979GT	135-136	38220GT	136	40288GT	59-60	40973GT	119, 157
37995GT	67, 69	38223GT	135-136	40290GT	37, 39, 41, 43	41023GT	145, 147
37996GT	67, 69	38226GT	161	40291GT	37, 39, 41, 43	41033GT	85-86
37997GT	67, 69	38234GT	72	40292GT	37, 39, 41, 43	41037-SGT	129, 131
38001PGT	81	38314GT	75	40293GT	37, 39	41038-SGT	107, 109
38003PGT	79	38315GT	75	40297GT	11-12	41053GT	85-86
				40298GT	11-12	41054GT	85-86
				40301GT	93		
				40302GT	77		

Part Number Index (continued)

Part Number	Page	Part Number	Page	Part Number	Page	Part Number	Page
41055GT	75	41979GT	45, 47	46051GT	145, 147, 149,	58287GT	147, 149, 153
41062GT	79	41980GT	45		151, 153	58288GT	147, 149, 153
41077GT	71-72	41981GT	45, 47	46078GT	125, 127	58462GT	111-112, 115-116, 119
41192GT	107, 109, 157	41982GT	45, 47	46203GT	11-12	58587GT	141
41193GT	107, 109	41983GT	45	46204GT	11-12	6002GT	139
41195GT	157	41984GT	45, 47	46205GT	11-12	6019GT	23-24, 27, 31-32, 79, 81, 83, 85-86, 107, 109
41198-SGT	107, 109	41985GT	45	46206GT	11-12		77, 85-86, 103, 105, 107, 109
41200-SGT	107, 109	41987GT	45	46207GT	11-12	6022GT	49, 53, 57
41218GT	95	41988GT	45	46211GT	11-12	6034GT	83
41224GT	65, 67, 69	41989GT	45	46218GT	11-12	60499GT	93
41227GT	125	41990GT	45, 47	46308GT	97	6052GT	49, 51, 53, 55, 57, 60, 77, 81
41266GT	11-12, 15-16	41991GT	45, 47	46309GT	97	6082GT	35
41268GT	11-12, 15-16	41992GT	45, 47	46310GT	97	6086GT	24, 27, 32, 49, 65
41288GT	99	41993GT	45, 47	46311GT	97	6090GT	23-24, 27, 31-32, 53, 71-72, 77, 93
41292GT	133	41994GT	45	46312GT	97	6091GT	23-24, 27, 31-32, 59-60, 71-72, 77, 125, 127, 129, 131, 133, 135-136, 139, 161
41336GT	37, 39	41995GT	45, 47	46314GT	97	6095GT	24, 27, 31-32, 63, 65, 67, 69, 83
41377GT	131, 157	41996GT	45, 47	46317GT	97	6097GT	23-24, 27, 31-32, 49, 53, 55, 57, 60, 79, 81, 83, 85-86, 141
41452-SGT	159	41997GT	45	46440GT	101	6145GT	93
41459GT	157	41998GT	45, 47	46441GT	101	6175GT	31-32, 79, 81, 83, 103, 105, 129, 131, 133, 135-136, 161
41461GT	157	41999GT	45	46567GT	23-24, 27, 31-32	6178GT	107, 109
41463GT	157	42280GT	157	46608GT	116	6180GT	86
41464GT	157	4266GT	133, 136	46609GT	116	6198GT	24, 27, 32, 63, 67, 69, 85-86, 103, 105, 107, 109
41465GT	157	43003GT	45	46610GT	116	6271GT	59-60, 77, 79, 86
41467GT	157	43004GT	45	46695-SGT	60	62992GT	11-12, 15-16, 19-20
41469GT	157	43005GT	45, 47	47231GT	141	62993GT	12, 15-16, 19-20
41471GT	157	43006GT	39, 43, 45, 47	48282GT	97, 99, 101	62994GT	12, 15-16, 19-20
41472GT	157	43007GT	39, 45	4828GT	23-24, 27, 31-32, 60, 63, 65, 67, 69, 79, 81, 83, 85-86, 105, 109, 129, 131, 133, 135-136, 141, 161	62995GT	12, 15-16, 19-20
41473GT	157	43008GT	43, 45, 47			6326GT	60
41474GT	157	43009GT	45	48519GT	145, 147, 149,	6356GT	23-24, 27, 31-32, 60, 103, 105, 107, 109
41475GT	157	43010GT	39, 43, 45, 47		151, 153	65198GT	12
41476GT	157	43011GT	39, 45	48520GT	145, 147, 149,	6534GT	63, 65, 67, 69
41477GT	157	43015GT	67, 69		151, 153	6550GT	136
41479GT	119, 157	43023GT	37, 41	49364GT	35	6562GT	159
41480GT	157	43024GT	37	49377GT	35	6563GT	77, 85-86
41481GT	157	43025GT	37	49857GT	151, 153	6564GT	31-32, 81, 85-86
41482GT	157	43026GT	37, 41	5224GT	23-24, 27, 31-32, 81, 85-86	65804GT	95
41483GT	157	43027GT	37			65874GT	135-136
41484GT	157	43028GT	37	52943GT	143	6587GT	23-24, 27, 31-32, 81, 83
41485GT	157	43029GT	37	52996GT	11-12, 15-16, 19-20	6606GT	159
41486GT	157	43030GT	37	52998GT	11-12, 15-16, 19-20	6607GT	119, 159
41487GT	107, 109	43031GT	37, 39, 41, 43	52999GT	11-12, 15-16, 19-20	6610GT	35
41488GT	107, 109	43032GT	37, 39	5397GT	23-24, 31-32, 51, 63, 65, 67, 69, 77, 85-86, 93, 103, 105	6633GT	127
41489GT	107, 109	43052GT	79			66355GT	123
41490-SGT	131	43053GT	79	5408GT	85-86	66356GT	123
41491GT	39, 45	43054GT	85-86	55010GT	101	66366GT	123
41492GT	45	43055GT	85-86	55018GT	97, 99, 101	6637GT	161
41521GT	119	43056GT	85-86	55019GT	97, 99, 101	6638GT	27, 31-32, 51, 53, 55, 57, 77, 79, 93, 103, 105, 107, 109, 125,
41534GT	107, 109, 157	43058GT	85-86	55021GT	97, 99, 101		
41546GT	123	43059GT	85-86	56660GT	133		
41924GT	151, 153	43068GT	37, 45, 89	57075GT	123		
41925GT	151, 153	43069GT	37, 45, 89	57098GT	31-32		
41926GT	151, 153	43070GT	41, 47, 91	57099GT	31-32		
41927GT	151, 153	43071GT	41, 47, 91	57100GT	32		
41928GT	151, 153	43077GT	157	57116GT	135-136		
41929GT	151, 153	43078GT	161	57138GT	135-136		
41930GT	151, 153, 157	43136GT	105, 159	57147GT	72		
41946GT	131, 157	43141GT	123	57159GT	93		
41947GT	129, 157	43622GT	37, 39	57191GT	151, 153, 157		
41948GT	131, 157	43623GT	37, 39	57252GT	31-32		
41949GT	129, 157	43624GT	37, 39	57732GT	23-24, 27		
41950GT	131, 157	43625GT	37, 39	57733GT	85-86		
41951GT	129, 157	43956GT	116	57781GT	83		
41952GT	131, 157	44895GT	71-72	57784GT	83		
41953GT	129, 157	44977GT	139	57785GT	24, 27, 32, 85-86		
41954GT	131, 157	44978GT	139	57787-SGT	24, 27		
41955GT	129, 157	44979GT	143	57788GT	81		
41957GT	119	44991GT	145, 147				
41961GT	37, 41	44999GT	11-12				
41962GT	37, 41	45183GT	145, 149				
41963GT	37, 41	45383GT	159				
41964GT	37, 41	45425GT	49, 51, 53, 55, 57				
41974GT	11-12, 15-16	45437GT	121				
41975GT	45, 47	45470GT	159				
41976GT	45, 47	46017GT	55				
41977GT	45, 47	46049GT	145, 147, 149, 151, 153				
41978GT	45						

Part Number	Page	Part Number	Page	Part Number	Page
	127, 131, 139, 141, 159	80071GT	123	82987GT	19-20
66717GT	145, 147	80072GT	123	82988GT	19-20
66812GT	111-112, 115- 116, 119, 121, 123	80076GT	111-112, 115- 116, 121, 123	83093GT	111-112, 115- 116
66815GT	111-112, 115- 116	80362GT	27	83095GT	125, 127
66816GT	111-112, 115- 116, 121, 123	80363GT	31-32	8357GT	24, 27
66817GT	111-112, 115- 116	80482-SGT	103	8516GT	79, 81, 83, 85-86
66818GT	111-112, 115- 116, 121, 123	80484-SGT	103	8519GT	85-86
66821GT	111-112, 115- 116, 119, 121, 123	80623GT	155	85218GT	145, 151
6708GT	85-86, 105, 109	80705GT	112	85239GT	111-112, 115- 116
6714GT	23-24, 27, 31-32	80706GT	112	85241GT	59-60
6732GT	85-86	80707GT	112, 116	85242GT	59-60
6825GT	23-24, 27, 31- 32, 85-86	80708GT	23-24, 27, 31-32	85243GT	59-60
6833GT	129, 131, 141	80709GT	112	85244GT	59-60
6884GT	135-136, 139	80710GT	116	8525GT	79
6886GT	107, 109	80711GT	112, 116	85276GT	111-112
6888GT	77, 125, 127, 129, 131, 133, 136	80712GT	121, 123	85318GT	115-116
6889GT	93, 125, 127, 129, 131, 141	80713GT	121, 123	85320GT	115-116
69223GT	71-72	80714GT	121, 123	85327GT	135-136
69224GT	72	80715GT	121, 123	85328GT	135-136
69225GT	71-72	80716GT	121, 123	85329GT	135-136
69226GT	24, 27, 32	80719GT	121	85330GT	135-136
69227GT	107, 109, 157	80889GT	101	85331GT	135-136
69228GT	93	80903GT	31-32	85332GT	135-136
69229GT	93	80938GT	53	85333GT	135-136
69230GT	93	80940GT	19-20	85334GT	135-136
69231GT	99	80943GT	143	85335GT	135-136
69232GT	59-60	80944GT	143	85336GT	135-136
69233GT	59-60	80945GT	143	85337GT	139
69234GT	59-60	80950GT	143	85338GT	139
69235GT	59-60	80951GT	143	85339GT	139
69236GT	59-60	80952GT	143	85340GT	139
69290GT	115-116	80989GT	93	85355GT	141
6935GT	111-112, 116, 123, 159	80990GT	101	85356GT	141
69623GT	116	80993GT	161	85357GT	141
69845GT	116	80994GT	161	85358GT	141
69846GT	116	80995GT	161	85369GT	115-116
69847GT	112	80997GT	161	85378GT	103
69855GT	60	8149GT	141	85423GT	93
69864GT	112, 116	8178GT	85-86, 141	85424GT	93
7056GT	111-112, 116, 123	8214GT	35	85460GT	101
7057GT	121, 123, 127	8220GT	81	85473GT	115-116
71706GT	97, 99, 101	82366GT	12, 15-16	85494GT	133
72086GT	12, 15-16	82445GT	135-136	85495GT	133
72282GT	159	824462GT	135-136, 139	85496GT	133
72326GT	159	824472GT	135-136, 139	85497GT	133
72843GT	12, 15-16	824510GT	135-136	85498GT	135-136
72856GT	12	82481GT	19-20	85499GT	135-136
72857GT	12	82487GT	19-20	8849GT	72
7339GT	60, 79, 103, 105, 127, 129, 131	8255GT	51, 53, 55, 57, 123	8915GT	125, 127, 129, 131, 139
74917GT	23-24, 27, 31-32	82614GT	19-20	8920GT	60, 81, 93
75144GT	59-60	82780GT	12, 16, 19-20	90337GT	49
75442GT	93	82781GT	12, 16, 19-20	9145GT	85-86
76479GT	23-24, 27, 31-32	82802GT	16, 19-20, 121, 123	9599-SGT	161
76480GT	23-24, 27, 31-32	82886GT	12	96008-SGT	111-112, 115- 116
76481GT	23-24, 27, 31-32	82888GT	12	96009GT	111-112, 115- 116
7713GT	31-32, 35, 49, 51, 53, 55, 57, 60, 77, 93, 103, 105, 123	82907GT	12, 16	96010GT	111-112, 115- 116
80058GT	141	82913GT	19-20	96011GT	111-112, 115- 116
		82914GT	19-20	96110GT	93
		82915GT	19-20	97059GT	101
		82916GT	19-20	97519GT	16
		82973GT	19-20	97522GT	16, 20
		82974GT	19-20	97523GT	16, 20
		82975GT	16	T107371GT	119
		82976GT	19-20	T107374GT	119
		82977GT	19-20	T112561GT	123
		82978GT	19-20	T112563GT	123
		82979GT	19-20	T114885GT	145, 147
		82980GT	19-20		
		82981GT	19-20		
		82982GT	19-20		
		82983GT	19-20		
		82984GT	19-20		
		82986GT	16		

Part Description Index

The Part Description Index is an alphabetical index of all part descriptions included in this manual. The index shows what page(s) the part is used on.

- #**
#6 SQ.DR.SELF DRILL/TAP SCREW.....116
- 1**
10-32 X .375 SELFTAP SL.HX.HD.....145, 149
- 3**
3/8" NPT CHECK VALVE...145, 147, 149, 151, 153
3/8" NPT VALVE BREATHER CAP....145, 147, 149, 151, 153
- A**
ACCS.DESCEAD LIGHT/ALARM(SERV)...159
ADAPTER,.12 FNPT X .25 PUSH.....157
ADAPTER,.12 MNPT X .12 BARB.....157
ADAPTER,.12 MNPT X 1/16 BARB.....157
ADAPTER,.12 MNPT X 5/32 PUSH.....157
ADAPTER,10/32 X .12 BARB.....157
ADAPTER,10/32 X 1/16 BARB.....157
ADAPTER,3/8 NPT,BRASS.....145, 151
ADAPTER,PUMP/MTR HSING,AIR-S.....151, 153
AIR GAUGE,.12 NPT(41193).....107, 109
ALARM,WARBLE TONE 5-30 VDC***.....159
AMMETER, 12 AMP.....95, 97, 99
ARM,LWR.PIVOT ASSY.,STD.....139
ASM, GATE ARM STD.....135-136, 139
ASM, ARM, LOWER PIVOT STD.....135-136, 139
ASM, GATE ARM ULTRA NRW, UPPER.....135-136
ASM, TUBE AWP NRW GATED.....135-136
ASM, TUBE AWP ULT NRW GATED.....135-136
ASM, UPPER GATE ARM NRW.....135-136
A S S E M B L Y , C I R C U I T BREAKER,15AMP.....115-116
ASSY, MAN LWR VALVE W/HNDL,12V.....143
ASSY,BATT HOLDER W/COVER,AWP.....112, 116
ASSY,SER # LABEL,POWERED/GR **.....19-20
ASSY,SPRING PLUNGER,AWP TILTBK.....85-86
- B**
BALL STUD,GAS STRUT (38593)***.....135-136, 139
BASE ASSY,NRW,SYMB,AWPSS *.....27, 31-32
BASE ASSY,STD W/ SYM DECALS.....23-24
BASE ASSY,STD W/ WORD DECALS.....23-24
BASE ASSY,STD,AWP-S,WRD.....23-24
BASE ASSY., NRW.& RT., AWP-S.....27, 31-32
BASE ASSY., STD. AWP-S.....23-24
BASE WITH 1 NC CONTACT, E-STOP.....111-112, 115-116
BASE, W/1 N.O. CONTACTS***.....111-112, 115-116
BASE,WITHOUT CONTACTS...111-112, 115-116, 119, 121, 123
BATT.BOX, ASSY W/ DECALS.....93
BATT.PACK HANGER ASSY.....79
BATT.PACK HANGER ASSY.AWP-S.....79
BATT.PACK,12VDC/HI-LO***.....93
BATT.PACK,N0 BATT,12VDC-HI/LO*.....93
BATTERY BOX HANGER WELDMENT.....81
BATTERY HOLDER.....112, 116
BATTERY PLATE W/DECAL,S-SERIES.....93
BATTERY,12V GRP 27,105 AH, DRY.....93
BATTERY,12V GRP27TM,105 AH,WET.....93
BATTERY,12V,SCS225 130AH,DRY*.....93
BATTERY,AA,1.5V.....112, 116
BATTERY,AA,1.5V,CE.....112, 116
BEARING,FLANGE,3/8 (AWP & ST).....85-86
BEARING,MOTOR.....145, 147, 149
BLOCK, GUIDE, AWP...23-24, 27, 31-32, 85-86
BLOCK,LOWER GAS SPRING MOUNT.....85-86
BLOCK,SLIDE,LOWER.....49, 51, 53, 55, 57
BLOCK,SLIDE,UPPER.....49, 53, 55, 57
BLOCK,UPPER GAS SPRING MOUNT.....85-86
BOE LUBE.....49
BOLT,ROLLER,470"(SHORT).....49, 51, 53, 55, 57, 60
BOLT,ROLLER,.720"(LONG).....77
BOLT,ROLLER-SHORT STEM,.63.....85-86
BOLT,SHIM.....49, 53, 55, 57
BOLT-ROCKER, S-SERIES.....63, 65, 67, 69
BOOT,BATTERY TERMINAL,RED.....93
BOOT,CABLE TERMINAL COVER.....93
BOX,INSTRUCT. STORAGE,S SERIES.....59-60
BRACE,LH,FRONT MAST.....79
BRACE,RH,FRONT MAST.....79
BRACKET,BULKHEAD,"BLUE".....129, 131
BRACKET,COIL CORD,"BLUE".....131
BRACKET,CONTROL CABLE TENSION.....125, 127
BRACKET,OILER,"BLUE".....107, 109
BRACKET,SEQUENCING,UPPER,ZI***.....72
BRACKET,VALVE MOUNT.....119
BREATHER CAP.....145, 147, 149, 151, 153
BREATHER CAP (85218).....147, 149, 153
BREATHER CAP,3/8"NPT,NI PLTD.....145, 147, 149, 151, 153
BREATHER VENT,.75 NPT.....157
BREATHER VENT,10/32.....157
BRKT.INTERLOCK ASSY,20"-AIR.....45, 47
BRKT.INTERLOCK ASSY,26"-AIR.....39, 43, 45, 47
BRKT.INTERLOCK ASSY,30.5"-AIR.....39, 45
BRKT.INTERLOCK ASSY,36"-AIR.....43, 45, 47
BRKT.INTERLOCK ASSY,40"-AIR.....45
BRKT.INTERLOCK ASSY,46"-AIR.....39, 43, 45, 47
BRKT.INTERLOCK ASSY,60"-AIR.....39, 45
BRKT.INTLCK.CONTC.20"OUTRIGGER....37, 39, 41, 43
BRKT.INTLCK.CONTC.26"OUTRIGGER....37, 39, 41, 43
BRKT.INTLCK.CONTC.30.5"OUTRIGR....37, 39
BRKT.INTLCK.CONTC.36"OUTRIGGER....37, 39, 41, 43
BRKT.INTLCK.CONTC.40"OUTRIGGER....37, 39
BRKT.INTLCK.CONTC.46"OUTRIGGER....37, 39, 41, 43
BRKT.INTLCK.CONTC.60"OUTRIGGER....37, 39
BRKT.LATCH ASSY.GATED,S SERIES.....135-136
BRUSH KIT,12V DC MTR (08111-D).....145, 147
BRUSH KIT,SVC,(MOTOR 38151)***.....145, 147
BUMPER, AWPII TILTBACK.....77, 85-86
BUMPER,MAST,RH.....51, 53, 55, 57
BUMPER,RUBBER.....135-136, 139
BUSHING,1.5 X 3/8 OD X 1/4 ID.....135-136, 139
BUSHING,3/4ODX2.44LGX.5ID.....24, 27, 31-32, 81
BUSHING,BRONZE,.50 X .75.....81, 85-86
BUSHING,FLANGE,3/8 OD X 1/4 ID.....72
BUSHING,STRAIN RELIEF,53/64".....125, 127
BUSHING-6671 CHARG.,MOD# 6685.....95
BUSHNG,SPANNER,.75X1.00X3.5 LG.....31-32
BUTTON, .800 O.D. X .281.....85-86
BUTTON, STOP, RED.....121
BUTTON,PUSH,BLACK W/SEAL.....111-112, 115-116, 121, 123
BUTTON,PUSH,RED MUSHROOM HEAD.....111-112, 115-116, 119, 121, 123
BUTTON,STOP,RED.....121, 123
- C**
CABLE ASSY,ANDRSN,26",15S-30S.....93
CABLE ASSY,ANDRSN,42",36/40-S.....93
CABLE ASSY,BAT PACK/CLAMP POST.....93
CABLE ASSY,BAT PACK/RING-TERM.....93
CABLE ASSY,SEQ.MAST,DPL.....71-72
CABLE ASSY,SEQ. AWP-36/40S.....71-72
CABLE ASSY,SEQ.#1 AWP-36/40S*.....71-72
CABLE ASY,A/IWP/DPL,PWR INPUT.....112
CABLE ASY,AWP,GCBOX TO MOTOR.....111-112
CABLE,ASSY,SEQ.CARRIAGE**.....71-72
CABLE,SEQ.AWP-36/40S-CARRIAGE.....72
CAM,DOUBLE LEFT.....39, 45
CAM,DOUBLE RIGHT%.....45
CAM,FULL (41625).....45
CAM,LEFT.....39, 45, 47
CAM,MIDDLE.....39, 45, 47
CAM,RIGHT.....45, 47
CAP, PLASTIC,1.75X.120.....23-24, 27, 31-32
CAPACITOR, CE CHARGER, 46588.....97
CAPACITOR,MOTOR.....145, 149
CARRIAGE ASSY W/DEC AWPS**.....59-60
CARRIAGE ASSY, AWP, ALUM PLAT.....59-60
CARRIAGE ASSY, AWP, FIBER PLAT.....59-60
CARRIAGE ASSY,-15,-25,-36,SYM.....59-60
CARRIAGE ASSY,-20S,-30S,SYM.....59-60
CARRIAGE ASSY,-20S,-30S,WORDS*.....59-60

CARRIAGE ASSY. AWP-40S.....59-60
 CARRIAGE ASY,-15,-25,-36,WRDS*.....59-60
 CARRIAGE ASY,-20,-30,ALUM,WRD*.....59-60
 CARRIAGE ASY,-20,-30,FBRG,WRD*.....59-60
 CARTRIDGE W/ NUT.....147, 149
 CARTRIDGE WITH NUT***.....145, 147, 149
 CASE ASSY, CE CHARGER, 46588.....97
 CASTER, 8", FULL PNEUMATIC.....31-32
 CASTER,8"FULL PNEUMATIC WITH BRAKE.....31-32
 CASTER,PERFORM,SWV.LCK,5 X 2**.....85-86
 CASTER,PERFORMA,SWV,5 X 2*.....23-24, 27
 CASTER,PL, SW,5 X 2, 375 LBS*.....23-24, 27
 CASTER,PL,SW LOCK,5 X 2**.....85-86
 CHAIN ASSY#1,104.5"COL.S-SERIE.....67, 69
 CHAIN ASSY#1,72.5"COL.S-SERIES..63, 65, 67, 69
 CHAIN ASSY#2,104.5"COL.S-SERIE.....67, 69
 CHAIN ASSY#2,72.5"COL.S-SERIES..63, 65, 67, 69
 CHAIN ASSY,72.5"COL. S-SERIES.....63, 65, 67, 69
 CHAIN ASSY,72.5COL.(SM)S-SERIE.....65, 67, 69
 CHAIN ASSY.(SM)104.5" S-SERIES.....67, 69
 CHAIN ASSY.104.5"COL. S SERIES.....67, 69
 CHAIN TENSION ROCKER CAST.ZINC.....63, 65, 67
 CHAIN TERM,CLEVIS CYL.,ZINC.....63, 65, 67, 69
 CHAIN TERM,PULLEY SUPORT-ZINC.....63, 65, 67, 69
 CHAIN TERM,PULLEY SUPPORT-ZNC.....65, 67, 69
 CHAIN TERM.LWR.SS(1 SLOT).....65, 67, 69
 CHAIN TERM.LWR.SS(2 SLOT)*.....63, 65, 67, 69
 CHAIN TERMINAL CASTING,#1.....63, 65, 67, 69
 CHAIN,STD.LEAF AL522,100.63".....67
 CHAIN,STD.LEAF AL522,68.13".....65, 67, 69
 CHAIN,STD.LEAF AL544,100.63".....67, 69
 CHAIN,STD.LEAF AL544,68.13".....63, 65, 67, 69
 CHARGER,12VDC HI/LO, AWP/IWP.....101
 CIRCUIT BREAKER, 8 AMP **.....115-116
 CIRCUIT BREAKER,2AMP,WW.....99
 CIRCUIT BREAKER,4 AMP 38581.....95
 CIRCUIT BREAKER,INPUT CE CHARG.....97
 CIRCUIT BREAKER,OUTPUT CE CHAR.....97
 CIRCUIT BREAKER-LESTER CHARGER.95, 99
 CLAMP,0.31,#5 X 1/4,RUB CUSH.....159
 CLAMP,0.50,#8 X 1/4,RUB CUSH.....129, 131, 141
 CLAMP,HOSE,.50.....157
 CLAMP,PLATFORM MOUNT.....129, 131, 133, 136
 COIL CORD,16/6,24"COIL.....127
 COIL,10V DC***.....145, 147, 149
 COIL,12V DC.....143
 COLUMN ASSY, 104.5"SS (#1).....49
 COLUMN ASSY, 72.5"SS (#1).....49
 COLUMN, 104.5"SS (#2).....49
 COLUMN, 104.5"SS (#3 OR #5)***.....55, 57
 COLUMN, 104.5"SS (#4).....55, 57
 COLUMN, 104.5"SS (#5)***.....55
 COLUMN, 104.5"SS (#6).....57
 COLUMN, 72.5"SS (#2).....49
 COLUMN, 72.5"SS (#3 OR #5)***.....51, 53, 55, 57
 COLUMN, 72.5"SS (#4 OR #6)***.....53, 57
 COLUMN, 72.5"SS (#4)***.....55, 57
 CONN,SQUEEZE,1/2NPT .38-.50,SM.....111-112, 116, 123
 CONN,SQZ,BLK,1/2NPT,.38-.50,SM.....159
 CONN. SQZ,1/2NPT .39-.56 MED.....121, 123, 127
 CONNECTOR, NYLON END (35893)**.....135-136
 CONNECTOR,070120-4-4.....143, 155
 CONNECTOR,FEMALE,PANEL MOUNT*..116
 CONNECTOR,IEC 320 INLET.....101
 CONNECTOR,MALE,PANEL MOUNT*.....115-116
 CONTACT ASSY,26" OUTRIGGER.....37, 39, 41, 43
 CONTACT ASSY., 20" OUTRIGGER.....37, 39, 41, 43
 CONTACT ASSY,30.5" OUTRIGGER.....37, 39
 CONTACT ASSY.,36" OUTRIGGER.....37, 39, 41, 43
 CONTACT ASSY.,40" OUTRIGGER.....37, 39
 CONTACT ASSY.,46" OUTRIGGER.....37, 39, 41, 43
 CONTACT ASSY.,46",CE OUTRIGGER.....37, 39
 CONTACT ASSY.,60" OUTRIGGER.....37, 39
 CONTACT ASSY.,60",CE OUTRIGGER.....37, 39
 CONTACT ASSY.,75",CE OUTRIGGER.....37, 39
 CONTACT ASSY.,85",CE OUTRIGGER.....37, 39
 CONTACT NC PXBB3311.....119
 CONTACT NO PXBB3921.....119
 CONTACT, N.C.....111-112, 115-116, 121, 123
 CONTACT,N.O.***.....111-112, 115-116, 121, 123
 CONTACTOR BLOCK,N.C.....121, 123
 CONTACTOR BLOCK,N.O.....121, 123
 CONTROL BOX, ONE BUTTON, CE.....123
 CONTROL BOX, TWO BUTTON, CE.....123
 CONTROL BOX,THREE BUTTON.....121, 123
 CORDSET-AC (38581 CHARGER).....95
 C O U N T E R W E I G H T , A W P
 NRRW/RT,BLUE.....105, 109
 COUNTERWEIGHT/AXLE,PAINTED.....81
 COUPLER TUBE,13.62".....83
 COUPLING,3/8X1.12,BRASS...145, 147, 149, 151, 153
 COUPLING,AIR MTR. SUPER SERIRS.....151, 153
 COUPLING,ROD,3/8-24.....86
 COUPLING-MTR.SIDE,AIR S-SERIES.....151, 153
 COUPLING-SPIDER,AIR S-SERIES...151, 153
 COVER ASSY W/SYM DECAL,NRW/RT*...27, 31-32
 C O V E R A S S Y W / W R D
 DECAL,NRW/RT*.....27, 31-32
 COVER,BLANK.....121
 COVER,CAPACITOR.....145, 149
 COVER,CHARGER #38581.....95
 COVER,GFCI,WEATHERPROOF.....121
 COVER,MOTOR W/SYMBOL,AWP/IWP.....103
 COVER,MOTOR W/WORDS,AWP/IW.....103
 COVER,MOTOR W/WORDS,S SERIES.....105, 107, 109
 CROSS,1/16 BARB.....157
 CUSHION, LASER LOCATOR.....161
 CYLINDER,LIFT 56.25"STROKE,DY*.....143
 CYLINDER,LIFT 78" STROKE, DY**.....143
 CYLINDER,LIFT 84.5" STROKE,DY*.....143

D

DECAL KIT,PLATFORM ONLY,AWP-S.....11-12, 15-16
 DECAL KIT,SAF/INST,AWPS W/ TB.....11-12
 DECAL KIT,SAF/INST,AWPS W/O TB.....11-12
 DECAL KIT,SAF/INST,SYM/ NO TBF.....19-20
 DECAL KIT,SAF/INST,SYM/ W/ TBF.....19-20
 DECAL KIT,SAF/INST,WRDS W/ TB.....15-16
 DECAL KIT,SAF/INST,WRDS W/O TB.....15-16
 DECAL, INTLCK DISPLY AWP NB/RT.....11-12
 DECAL, INTLCK DISPLY AWP STD.....11-12
 DECAL, LABEL, CIRCUIT BREAKER...11-12, 15-16
 DECAL, MANUAL LOWERING VALVE.....11-12, 15-16
 DECAL, NOTICE, LOAD CAP 350.....11-12, 15-16
 DECAL, NOTICE, MANUAL LOWERING...11-12, 15-16
 DECAL, POWER TO PLATFORM 230V**...15-16, 19-20
 DECAL, SYMBOL - READ THE MANUAL...19-20
 DECAL,BUBBLE LEVEL***.....11-12, 15-16
 DECAL,CAUTION,8A MAX.115V AC**.....11-12
 DECAL,CAUTION,COLLISION HAZARD...11-12
 DECAL,CHEVRON RANDO HD.....12, 15-16
 DECAL,COMPONENT DAMAGE,CAP.....11-12, 15-16
 DECAL,COSMETIC,GENIE AWP-15S.....11-12, 15-16, 19-20
 DECAL,COSMETIC,GENIE AWP-20S.....11-12, 15-16, 19-20
 DECAL,COSMETIC,GENIE AWP-25S.....11-12, 15-16, 19-20
 DECAL,COSMETIC,GENIE AWP-30S.....12, 15-16, 19-20
 DECAL,COSMETIC,GENIE AWP-36S.....12, 15-16, 19-20
 DECAL,COSMETIC,GENIE AWP-40S.....12, 15-16, 19-20
 DECAL,COSMETIC,GENIE LOGO.....11-12, 15-16, 19-20
 DECAL,CSA SERIAL PLATE.....12
 DECAL,DANGER, LOAD CAP 300.....19-20
 DECAL,DANGER, LOAD CAP 350.....19-20
 DECAL,DANGER,20 IN OUTRIGGR,CE.....19-20
 DECAL,DANGER,26 IN OUTRIGGR,CE.....19-20
 DECAL,DANGER,30.5 IN OUTRGR,CE.....19-20

Part Description Index (continued)

DECAL,DANGER,36 IN OUTRIGGR,CE.....19-20	DECAL,NOTICE,85 IN OUTRIGGR,CE.....11-12	GAS SPRING AWP-36S,S-SERIES.....85-86
DECAL,DANGER,40 IN OUTRIGGR,CE.....19-20	DECAL,NOTICE,BATTERY CABLES.....11-12, 15-16	GAS SPRING AWP-40S,S-SERIES.....85-86
DECAL,DANGER,46 IN OUTRIGGR,CE.....19-20	DECAL,NOTICE,OPER.INST.,AWP-S.....11-12, 15-16	GAS STRUT,20LB,13"EXT-9"CLOSED.....135-136, 139
DECAL,DANGER,60 IN OUTRIGGR,CE.....19-20	DECAL,NOTICE,SIDE FORCE 45,CE.....11-12	GASKET, UK & DIN PWR. TO PLAT.....123
DECAL,DANGER,75 IN OUTRIGGR,CE.....19-20	DECAL,NOTICE,SIDE FORCE ANSI.....16	GASKET, UK RECEPTACLE.....123
DECAL,DANGER,85 IN OUTRIGGR,CE.....19-20	DECAL,POWER TO PLATFORM 115V.....15-16, 19-20	GAUGE-SIGHT.....145, 147, 149, 151, 153
DECAL,DANGER,BATTERY SAFETY.....11-12, 16	DECAL,SLIDING T-HANDLE.....11-12, 15-16	GLIDE BUTTON,SIDE,GLL,..100 TK.....63, 65, 67, 69
DECAL,DANGER,COLLISION HAZARD.....16, 19-20	DECAL,STOP BRACKET.....11-12, 15-16	GRND CNTRL BOX ASSY,85V AC,JA*.....115-116
DECAL,DANGER,ELEC.HAZ.STAY CLR.....16	DECAL,STRUT SOCKET.....11-12, 15-16	GRND CNTRL BOX ASSY,85 V, JA*.....115-116
DECAL,DANGER,ELEC.HAZ.SYMB.....19-20	DECAL,SWIVEL LOCK.....11-12, 15-16	G R O U N D C N T R L B O X
D E C A L , D A N G E R , G E N E R A L	DECAL,SYMBOL-BATTERY SAFETY.....19-20	ASSEMBLY,DC**.....111-112
SAFE,AWP*.....12, 15-16	DECAL,TILTBACK OPERATION.....11-12, 15-16	G R O U N D C N T R L B O X
DECAL,DANGER,MANUAL FORCE CE.....19-20	DECAL,TILTBACK OPERATION,SYMB.....19-20	W/DECALS,AC**.....115-116
DECAL,DANGER,TIP-OVER HAZARD.....11-12, 15-16	DECAL,TILTBACK STRUT.....11-12, 15-16	GROUND CNTRL.BOX ASSY 12VDC***..111-112
DECAL,DANGER-TIP OVER.....11-12, 15-16	DECAL,TIP OVER HAZARD.....11-12, 15-16	GROUND CNTRL.BOX ASSY 220VAC**.....115-116
DECAL,DNGR,46",OUTRIGGR,CE.....12, 20	DECAL,USE DEXRON***.....11-12	GROUND CNTRL.BOX ASSY,110 AC**.....115-116
DECAL,DNGR,60",OUTRIGGR,CE.....12, 20	DECAL,WARNING, INSERT PIN.....19-20	GROUND CNTRL.BOX ASSY.110 AC**.....115-116
DECAL,DNGR,75",OUTRIGGR,CE.....12, 20	DECAL,WARNING, COLLISION HAZARD...11-12, 15-16, 19-20	GROUND CNTRL.BOX ASSY.220 AC**.....115-116
DECAL,INSERT PIN.....11-12, 15-16	DECAL,WARNING,FAILURE TO READ.....11-12, 15-16	GROUND CNTRL.BOX W/DECALS
DECAL,INTLCK DISPLY AWP NB/RT.....12, 16, 19-20		DC**.....111-112
DECAL,INTLCK DISPLY AWP STD.....12, 16, 19-20	E	G R O U N D C N T R L B O X
DECAL,INTLOC.DISPLAY,AIR,NB/RT.....11-12, 15-16	ELBOW, 25 MNPT X .5 BARB.....157	W/DECALS,AC**.....115-116
DECAL,INTRLOCK.DISPLAY,AIR,STD.....11-12, 15-16	ELBOW,070220-4-6.....155	GUIDE RING, LIFT CYLINDER, AWP.....143
DECAL,LABEL, CONTROL ACTIVATE.....11-12	ELBOW,90 DEGR, 5 MNPT X .5BARB.....157	
DECAL,LABEL, OM STORAGE.....11-12, 15-16	ELBOW,STREET, 12 NPT.....157	H
DECAL,LABEL,AUX LOWERING.....19-20	END PLATE,TERMINAL STRIP.....23-24, 27, 31-32	HANDLE BALL KNOB.....35
DECAL,LABEL,FUNCTION ENABLE.....16, 19-20, 121, 123	EXTRUSION, PIVOT SLIDER.....77	HANDLE GRIP, RUBBER .75 X 4.5.....23-24, 27, 31-32, 81, 83
DECAL,LABEL,LIFTING EYE.....12, 15-16		HANDLE,LEVELING JACK,SHRT-ZINC.....35
DECAL,LABEL,OUTRIGGER LOAD AWP..16, 20	F	HARNES,CONTROL BOX/BASE IWP.....125, 127
DECAL,LABEL,PATENTS.....11-12	FILTER,PICK-UP SCREEN***...145, 147, 149, 151, 153	HARNES,WIRE-CONTROL. S
DECAL,LABEL,WHEEL LOAD, AWP.....16, 20	FILTER,REGULATOR.....107, 109, 157	SERIES.....111-112, 115-116
DECAL,LOAD SHIFT HAZARD.....11-12, 15-16	FITTING,1/16 BARBED, SPLICE.....157	HARNES,WIRE-INTRLOCK.S SERIES..111-112, 116
DECAL,LOADING PIVOT.....11-12, 15-16	FITTING,BULKHEAD,10/32.....157	HEATSINK ASSY W/DIODES (23442).....97
DECAL,LOCK PIN.....11-12, 15-16	FLAP,CARRIAGE COVER***.....75	HOLD DOWN HOOK,AWP,"BLUE".....60
DECAL,LOWER STOP BRACKET.....11-12, 15-16	FLAP,MAST COVER #1,#3,& #5.....75	HOOK,BATTERY BOX W/DECAL,-S-.....93
DECAL,MAINTAIN GRASP.....11-12, 15-16	FLAP,MAST COVER #2 & #4.....75	HOSE ASSY.....155
DECAL,NOTICE, LOAD CAP 300...11-12, 15-16	FLASHTUBE,STRAIGHT,360DEG,BULB....159	HOSE ASSY,62.4",IWP-PRKR.....155
DECAL,NOTICE,20 IN OUTRIGGR,CE.....11-12	FOOTPAD SERVICE KIT.....35	H O S E S E
DECAL,NOTICE,26 IN OUTRIGGR,CE.....11-12	FORMING, CABLE/HOSE, ZINC.....129, 131	CONTRL,AWP-15S,NRW/RT,AIR.....131, 157
DECAL,NOTICE,30.5 IN OUTRGR,CE.....11-12	FORMING, LASER LOCATOR.....161	H O S E S E
DECAL,NOTICE,36 IN OUTRIGGR,CE.....11-12	FORMING, LIFTING EYE.....79, 81, 83	CONTRL,AWP-20S,NRW/RT,AIR.....129, 157
DECAL,NOTICE,40 IN OUTRIGGR,CE.....11-12	FORMING, SEQUENCING, CARR, ZN.....71-72	H O S E S E
	FORMING, COL REINFORCEMENT***.....79	CONTRL,AWP-25S,NRW/RT,AIR.....131, 157
	FUSE BLOCK, ANN & ANL FUSE.....145, 147	H O S E S E
	FUSE HOLDER, CHARGER.....95, 99	CONTRL,AWP-30S,NRW/RT,AIR.....129, 157
	FUSE,175 AMP.....145, 147	HOSE CONTROL,AWP-15S,STD,AIR.....131, 157
	FUSE,3 AMP.....95, 99	HOSE CONTROL,AWP-20S,STD,AIR.....129, 157
	FUSE,5 AMP.....112, 116	HOSE CONTROL,AWP-25S,STD,AIR.....131, 157
	FUSE,5 AMP,ATC.....112, 116	HOSE CONTROL,AWP-30S,STD,AIR.....129, 157
	FUSE,7.5 AMP,ATC.....112, 116	HOSE CONTROL,AWP-36S,STD,AIR.....131, 157
	FUSE,BATTERY CHARGER***.....101	HOSE CONTROL,AWP-40S,STD,AIR.....129, 157
	G	
	GAS SPRING AWP-15/20S,S-SERIES.....85-86	
	GAS SPRING AWP-25/30S,S-SERIES.....85-86	

HOSE,1/4,GREEN NYLON.....157
 HOSE,5 X 1/8 X 1/16.....157
 HOSE,CLEAR,1/8 X 1/16.....157
 HOSE,PNEUMATIC COIL.....131, 157
 HOSE,SYNFLEX.....157
 HOSE-5/32 RED PNEUMATIC,BULK.....157
 HOUSING, LATCH, AWP/IWP/CWP...135-136

I

INDICATOR,OUTRIGGER.....119, 157
 INSTR. TUBE MOUNT, FIBER PLAT.....60
 INSTRUCTION TUBE,AWP96.....59-60

J

JUMPER BAR.....23-24, 27, 31-32
 JUMPER COMB, 2-WAY,WIELAND.....23-24,
 27, 31-32

K

KEY SINGLE***.....111-112, 115-116
 KEY,SINGLE***.....111-112, 115-116, 119
 KEYS,10 PACK***.....111-112, 115-116, 119
 KEYSWITCH,2POS.MNTND W/BASE**.....111-
 112, 115-116, 119
 KEYSWITCH,3 POS. W/KEYS***.....111-112,
 115-116
 KIT, KEYSWITCH***.....111-112, 115-116
 KIT,A/IWP/DPL,BKPSH ZA2 TO ZB5.....111-
 112, 115-116, 121, 123
 KIT,BLACK SELECTOR SWITCH.....121, 123
 KIT,CHARGER,AWP/IWP***.....101
 KIT,CONVERSION, RT BASE, AWP.....27
 K I T , C O N V E R S I O N , N A R R O W
 BASE,AWP.....31-32
 KIT,E-STOP AIRMOTOR AWP CONT.P.....119
 KIT,ESTOP, A/IWP/DPL.....111-112, 115-116,
 121, 123
 KIT,FILTER,(40323).....107, 109
 KIT,FOOTPAD,AWP.....35
 KIT,GASKET,UK POWER TO PLAT.....123
 KIT,KEYSWITCH AIRMOTOR AWP.....119
 KIT,KEYSWITCH, A/IWP/DPL,2PKS.....111-
 112, 115-116
 KIT,WHEEL,PNEUMATIC,AWP***.....31-32
 KIT,WHEEL,TPE,8 X 2,3/4,1/2.....24, 27
 KNOB.....135-136
 KNOB,PUSH/PULL,RED.....143

L

LANYARD ASSY HOIST/AWP-7***.....59-60
 LASER POINTER***.....161
 LASER,LOCATING ACCESSORY.....161
 L A T C H R O T A T O R , G A T E D
 PLATFORM.....135-136
 Leaf Chain, 101 inches.....69
 LENS,AMBER,STROBE,FIREBOLT.....159
 LEVEL,BUBBLE.....23-24, 27, 31-32
 LEVELING JACK ASSEMBLY,AWP***.....35
 LEVELING JACK CASTING,AWP.....35
 LEVELING ROD.....35
 LOCK, CONNECTOR.....101
 LOCKNUT,ELEC,1/2".....111-112, 116, 123,
 159
 LUBRICATOR, SUPER SERIES.....107, 109,
 157

M

MANUAL, SIGNET CHARGER - 80990.....101
 MAST BRACE,L.H.....23-24, 27, 31-32, 81, 83
 MAST BRACE,R.H.....23-24, 27, 31-32, 81,
 83
 MID-RAIL GUIDE WITH LOOM.....133
 MOTOR, 115/230V AC.....145, 149
 MOTOR,115/230V AC (124198).....145, 149
 MOTOR,12V DC***.....145, 147
 MOTOR-AIR, SUPER SERIES.....151, 153
 MUFFLER, AIR MOTOR,1/4 NPT.....151, 153,
 157

N

NIPPLE,1/2" CONDUIT.....121, 123
 NIPPLE,3" BRASS,.5NPT.....157
 NIPPLE,HEX,BRASS,.5 NPT.....157
 NUT - PLASTIC,RING FOR ALARMS.....159
 NUT, LP NYLOCK, 3/8-16...31-32, 35, 49, 51,
 53, 55, 57, 60, 77, 93, 103, 105, 123
 NUT,COUPLER,10-24 X .75.....112, 116
 NUT,COUPLER,3/8-16 X 1.0 LG.....77
 NUT,HEX,10-32.....93, 159
 NUT,HEX,3/8-16.....49, 53, 57
 NUT,HEX,JAM,1/2-13.....83
 NUT,HEX,JAM,LP 3/8-16.....55
 NUT,HEX,M10X1.5.LP.....35
 NUT,LP NYLOCK,1/2-13.....24, 27, 32, 49, 65
 NUT,LP NYLOCK,1/4-20.....93, 125, 127, 129,
 131, 141
 NUT,LP NYLOCK,10-32.....119
 NUT,LP NYLOCK,3/8-24.....85-86
 NUT,LP NYLOCK,5/16-18.....139
 NUT,LP NYLOCK,5/8-11.....49
 NUT,NYLOCK,1/2-13.....24, 27, 32, 63, 67, 69,
 85-86, 103, 105, 107, 109
 NUT,NYLOCK,1/4-20.....23-24, 27, 31-32, 59-
 60, 71-72, 77, 125, 127, 129, 131, 133, 135-
 136, 139, 161
 NUT,NYLOCK,10-32.....107, 109
 NUT,NYLOCK,3/4-10,GRD.2.....32
 NUT,NYLOCK,3/8-16.....23-24, 27, 31-32, 60,
 63, 65, 67, 69, 79, 81, 83, 85-86, 105, 109,
 129, 131, 133, 135-136, 141, 161
 NUT,NYLOCK,3/8-24.....63, 65, 67, 69
 NUT,NYLOCK,M10X1.50.....35
 NUT,NYLOCK,M6X1.00.....35
 NUT,RETAINER (96008).....111-112, 115-116
 NUT,SOLENOID VALVE COIL.....143
 NUT,SOLENOID VALVE***.....145, 147, 149
 NUT,WELD 1/4-20, PLATED L.L.**.....51, 53,
 55, 57, 71-72, 77, 79, 125, 127, 129, 131
 NUT,WELD,ANGLE,1/4" T-SLOT.....75
 NUT,WING 5/16-18.....93
 NUT,WING,3/8-16.....93

O

O.R.STRG BRKT W/DCL LH,NRRW/RT.....41,
 47, 91
 O.R.STRG BRKT.W/DCL RH,NRRW/RT.....41,
 47, 91
 OUTLET BOX CAP.....127
 OUTLET BOX,OVAL,DRILLED (LL19).....127
 OUTLET, 110V.....121
 OUTRIG CONTACT ASSY, AIR.....43
 OUTRIG TUBE ASSY,20",CE,SYM.....39
 OUTRIG TUBE ASSY,26",ANSI,WRD.....39, 43
 OUTRIG TUBE ASSY,26",CE,SYM.....39, 43

OUTRIG TUBE ASSY,26",SYM DECAL.....39,
 43
 OUTRIG TUBE ASSY,26"CSA,WRD.....39, 43
 OUTRIG TUBE ASSY,30.5",CE,SYM.....39
 OUTRIG TUBE ASSY,36",ANSI,SYM.....39
 OUTRIG TUBE ASSY,36",CE,SYM.....39, 43
 OUTRIG TUBE ASSY,36",WRD DECAL.....39,
 43
 OUTRIG TUBE ASSY,40",ANSI,SYM.....39
 OUTRIG TUBE ASSY,40",ANSI,WRD.....39
 OUTRIG TUBE ASSY,40",CE,SYM.....39
 OUTRIG TUBE ASSY,46",CE,SYM.....39
 OUTRIG TUBE ASSY,46",CSA,WRD.....39, 43
 OUTRIG TUBE ASSY,60",CE,SYM.....39
 OUTRIG TUBE ASSY,60"CSA,WRD.....39
 OUTRIG TUBE ASSY,75",CE,SYM.....39
 OUTRIG TUBE ASSY,85",CE,SYM.....39
 OUTRIG. TUBE ASSY,26",ANSI,SYM.....39, 43
 OUTRIG. TUBE ASSY,30.5,CE,SYM.....39
 OUTRIG. TUBE ASSY,36",CE,SYM.....43
 OUTRIG. TUBE ASSY,46",CSA,WRD.....39, 43
 OUTRIG. TUBE ASSY,60",CE,SYM.....39
 OUTRIG. TUBE ASSY,20",ANSI,WRD.....39, 43
 OUTRIGGER ASSY 36" CE,S-SERIES.....37,
 41
 OUTRIGGER ASSY 40" CE,S-SERIES.....37
 OUTRIGGER ASSY 46" CE,S-SERIES.....37
 OUTRIGGER ASSY,20", SYM DECALS.....39,
 43
 OUTRIGGER ASSY,20", WRD DECALS.....39,
 43
 OUTRIGGER ASSY,26", WRD DECALS.....39,
 43
 OUTRIGGER ASSY,26",SYM DECALS.....39,
 43
 OUTRIGGER ASSY,30.5",SYM.....39
 OUTRIGGER ASSY,30.5"CE,S-SERIE.....37
 OUTRIGGER ASSY,36",SYM DECALS.....39
 OUTRIGGER ASSY,36",WRD DECALS.....39,
 43
 OUTRIGGER ASSY,40",SYM DECALS.....39
 OUTRIGGER ASSY,40",WRD DECALS.....39
 OUTRIGGER ASSY,46",WRD DECALS.....39,
 43
 OUTRIGGER ASSY,60" CE,S-SERIES.....37
 OUTRIGGER ASSY,60",WRD DECALS.....39
 OUTRIGGER ASSY,75" CE,S-SERIES.....37
 OUTRIGGER ASSY,85" CE,S-SERIES.....37
 OUTRIGGER ASSY,AIR,20",CE.....45, 47
 OUTRIGGER ASSY,AIR,20"S-SERIES.....45,
 47
 OUTRIGGER ASSY,AIR,26",CE.....45, 47
 OUTRIGGER ASSY,AIR,26",SYM.....39, 43
 OUTRIGGER ASSY,AIR,26",WRD.....39, 43
 OUTRIGGER ASSY,AIR,26"S-SERIES.....45,
 47
 OUTRIGGER ASSY,AIR,36",CE,SYM.....39, 43
 OUTRIGGER ASSY,AIR,36"S-SERIES.....45,
 47
 OUTRIGGER ASSY,AIR,46",WRD.....39, 43
 OUTRIGGER ASSY,AIR,75",CE,SYM.....39
 OUTRIGGER ASSY,AWP-AIR,30.5"CE.....45
 OUTRIGGER ASSY,AWP-AIR,36",CE.....45, 47
 OUTRIGGER ASSY,AWP-AIR,40".....45
 OUTRIGGER ASSY,AWP-AIR,40",CE.....45
 OUTRIGGER ASSY,AWP-AIR,46".....45, 47
 OUTRIGGER ASSY,AWP-AIR,46",CE.....45
 OUTRIGGER ASSY,AWP-AIR,60".....45
 OUTRIGGER ASSY,AWP-AIR,60",CE.....45

Part Description Index (continued)

OUTRIGGER ASSY,AWP-AIR,75",CE.....45
 OUTRIGGER ASSY,AWP-AIR,85",CE.....45
 OUTRIGGER ASSY,CE,20",SYM.....39
 OUTRIGGER ASSY,CE,26",SYM.....39, 43
 OUTRIGGER ASSY,CE,36",SYM.....39, 43
 OUTRIGGER ASSY,CE,40",SYM.....39
 OUTRIGGER ASSY,CE,46",SYM.....39
 OUTRIGGER ASSY,CE,60",SYM.....39
 OUTRIGGER ASSY,CE,75",SYM.....39
 OUTRIGGER ASSY,CE,85",SYM.....39
 OUTRIGGER ASSY.20"SUPER SERIES.....37, 41
 OUTRIGGER ASSY.26"SUPER SERIES.....37, 41
 OUTRIGGER ASSY.36"SUPER SERIES.....37, 41
 OUTRIGGER ASSY.40"SUPER SERIES.....37
 OUTRIGGER ASSY.46"SUPER SERIES.....37, 41
 OUTRIGGER ASSY.60"SUPER SERIES.....37
 OUTRIGGER ASSY.W/ 20" TUBE, CE.....37, 41
 OUTRIGGER ASSY.W/ 26" TUBE,CE.....37, 41
 OUTRIGGER TUBE 20"SUPER SERIES.....37, 41
 OUTRIGGER TUBE 26"SUPER SERIES.....37, 41
 OUTRIGGER TUBE 30.5"CE,S-SERIE.....37
 OUTRIGGER TUBE 36" CE,S-SERIES.....37, 41
 OUTRIGGER TUBE 36"SUPER SERIES.....37, 41
 OUTRIGGER TUBE 40" CE,S-SERIES.....37
 OUTRIGGER TUBE 40"SUPER SERIES.....37
 OUTRIGGER TUBE 46" CE,S-SERIES.....37
 OUTRIGGER TUBE 46"SUPER SERIES.....37, 41
 OUTRIGGER TUBE 60" CE,S-SERIES.....37
 OUTRIGGER TUBE 60"SUPER SERIES.....37
 OUTRIGGER TUBE 75" CE,S-SERIES.....37
 OUTRIGGER TUBE 85" CE,S-SERIES.....37
 OUTRIGGER TUBE,AIR,20",CE.....45, 47
 OUTRIGGER TUBE,AIR,20"S-SERIES.....45, 47
 OUTRIGGER TUBE,AIR,26",CE.....45, 47
 OUTRIGGER TUBE,AIR,36"S-SERIES.....45, 47
 OUTRIGGER TUBE,AWP-AIR,26".....45, 47
 OUTRIGGER TUBE,AWP-AIR,30.5"CE.....45
 OUTRIGGER TUBE,AWP-AIR,36",CE.....45, 47
 OUTRIGGER TUBE,AWP-AIR,40".....45
 OUTRIGGER TUBE,AWP-AIR,40",CE.....45
 OUTRIGGER TUBE,AWP-AIR,46".....45, 47
 OUTRIGGER TUBE,AWP-AIR,46",CE.....45
 OUTRIGGER TUBE,AWP-AIR,60".....45
 OUTRIGGER TUBE,AWP-AIR,60",CE.....45
 OUTRIGGER TUBE,AWP-AIR,75",CE.....45
 OUTRIGGER TUBE,AWP-AIR,85",CE.....45
 OUTRIGGER,TUBE ASSY. 20", CE.....37, 41
 OUTRIGGER,TUBE ASSY. 26", CE.....37, 41

P

PANEL,AIR CONTRL,WDR,NRW.....119
 PANEL,AIR CONTRL;SYM,NRW.....119
 PANEL,AIR CONTROL,SYM,STD.....119
 PANEL,AIR CONTROL,WORD,STD.....119
 PCB,ASSY,AWP/IWP/DPL/CWP.....112, 116
 PIGTAIL,ASSY,AC/DC SJO 14/3**.....116
 PIN CONNECTOR,FEMALE ***.....125, 127

PIN CONNECTOR,MALE.....125, 127
 PIN,CONNECTOR,IEC320.....101
 PIN,GROOVED,.200 X .50*.....65, 67, 69
 PIN,GROOVED-.200 X .75*.....63, 65, 67, 69
 PIN,LOCK,LONG***.....23-24, 77, 86
 PIN,LOCK,SHORT***.....81, 83
 PIN,OUTRIGGER LOCK.....23-24, 27, 31-32, 85-86
 PIN,PULL.....135-136
 PIN,SPRING,.25X.75 ZINC PLATED.....135-136, 139
 PIPE ADAPTER, 3/4-11 NPT.....147, 149, 153
 PIVOT RETAINER HOOK (SERVICE).....85-86
 PIVOT SLIDER HOOK,BLUE.....77
 PIVOT STOP BRKT.ASSY,S-SERIES.....85-86
 PIVOT STOP W/DECALS, AWP-S.....77
 PIVOT WELD W/RUBBER.....85-86
 PIVOT WELD W/RUBBER, AWP-S.....77
 PIVOT WELD W/RUBBER, AWP-S,NRW.....77
 PLAT ASSY W/DECALS,SYMBOL***.....135-136
 PLAT ASSY,STD,WORD,AWP/IWP.....133
 PLAT ASSY-GTD/NAR-SYMBL,IWPSS.....135-136
 PLAT ASSY-GTD/NAR-WORDS-IWPSS...135-136
 PLAT ASSY-GTD/STD-SYMBOLS****.....135-136
 PLAT ASSY-GTD/STD-WORDS.....135-136
 P L A T A S S Y
 ASSY-GTD/ULTRA-NRW/WORDS.....135-136
 PLAT ASSY-NARW FIBER, WORD,IWP.....141
 PLAT ASSY-NARW FIBER,SYMBL,IWP.....141
 PLAT ASSY-STD FIBER, SYMBL,IWP.....141
 PLAT ASSY-STD FIBER, WORD,IWP.....141
 PLAT.ASSY W/DECALS,GATED,NRW.....135-136
 P L A T A S S Y
 W/DECALS,GATED,ULTRA.....135-136
 PLAT.ASSY-STD-SYMBLS,IWP/AWP.....133
 PLAT.ASSY.FIBER,W/DECALS.....141
 PLAT.ASSY.W/ DECALS NRW. FIBER.....141
 PLAT.ASSY/DECALS,STD,AWP/IWP.....133
 PLATE, LASER LOCATOR.....161
 PLATE, MAST MOUNT BRACKET.....79
 PLATE,12V CHARGER MOUNT.....93
 PLATE,AIR CONTROLS,"BLUE".....107, 109
 PLATE,BASE ATTACHMENT,TB,BLUE.....85-86
 PLATE,BATTERY BOX HOOK,PAINTED.....93
 PLATE,COL REINFORCEMENT***.....81
 PLATE,CONTROL BOX,"BLUE".....103, 105, 159
 PLATE,CONTROLS MOUNTING.....123
 PLATE,CYLINDER MOUNT,PAINTED.....49
 PLATE,FOOTPAD RETAINER.....35
 PLATE,HINGE.....135-136
 P L A T E , H O L D D O W N
 REINFORCEMENT.....51, 53, 55, 57
 PLATE,LIFTING EYE, AWP.....79
 PLATE,MAST MOUNT BRKT.W/DECAL.....79
 PLATE,MOTOR MNT.,JAPAN,"BLUE".....59-60
 PLATE,MOTOR MOUNT,"BLUE".....103, 105, 107, 109
 PLATE,MULTI-MAST MNT.BRKT.BL.....79, 81
 PLATE,PANEL,AWP95.....112, 116
 PLATE,PIVOT BRKT ATTACH."BLUE".....77
 PLATE,PLATFORM CONTROLS.....123
 PLATE,REINFORCE,104.5","BLUE**.....79

PLATE,REINFORCEMENT,PAINTED**.....81
 PLATE,SHIM.....135-136
 PLATE,SPACER,POWER UNIT.....103, 107
 PLATE,STROBE/ALARM MTG,PAINTED.....159
 PLATE,TILTBACK HINGE,"BLUE".....85-86
 PLATE,UK POWER TO PLATFORM.....123
 PLATE,UK,POWER TO PLAT.....123
 PLATFORM ASSY,XL-SYMBL,IWP****.....139
 PLATFORM ASSY,XL-WORD,IWP/AWP.....139
 PLUG, PIPE, FLUSH 1/4 PTF...145, 147, 149, 151, 153
 PLUG, TYPE F, 230A, 50HZ, 16A, IP44.....111-112
 PLUG,CONNECTOR,FEMALE*.....125, 127
 PLUG,CONNECTOR,MALE*.....125, 127
 PLUG,FUSED,250V,13AMP,U.K.**.....111-112
 PLUG,NYLON .812 BLACK DOMED.....111-112
 PLUG,ORB #6.....147, 149, 153
 PLUG,PWR,UK,16AMP,3PIN,BLK.....97, 99, 101, 111-112
 POWER CABLE,MAST TO PLAT.....125, 127
 POWER CABLE,MAST TO PLAT,25-S.....127
 POWER CABLE,MAST/PLAT.....125
 POWER CABLE,MAST/PLAT,AWP40-S.....125
 POWER CORD, IEC 320 BLANK, 79".....97, 99, 101
 POWER CORD, UK 110, 115".....97, 99, 101
 POWER CORD,NOVON, 8".....97, 99, 101
 POWER CORD,NOVON, 98".....97, 99, 101
 POWER CORD,UK-HIGH VOLTAGE, 8".....97, 99, 101
 POWER CORD,UK-HIGH VOLTAGE, 98".....97, 99, 101
 POWER CORD,US 110, 79".....97, 99, 101
 POWER CORD,US 110, 8".....97, 99, 101
 POWER CORD-CONT. BOX EURO 220V...116
 POWER CORD-CONT. BOX UK 110V.....116
 POWER CORD-CONT. BOX UK 220V.....116
 POWER OPTION 12VDC, CWP/SP.....99
 POWER UNIT,110-220 AC***.....145, 149
 POWER UNIT,110/220VAC,50/60HZ.....149
 POWER UNIT,12V DC***.....145, 147
 POWER UNIT,85V AC***.....145
 POWER UNIT,PNEUMATIC***.....151, 153
 PULLEY W/BEARINGS.....49, 51, 53, 55, 57
 PULLEY,ELEC.CNTRL.CABLE,AWP.....125, 127, 129, 131
 PULLEY,SEQUENCING,NYLATRON.....71-72
 PULLEY,SMALL CHAIN.....53, 55, 57
 P U M P
 ASSEMBLY,MONARCH,AC/DC***.....145, 147, 149
 PUMP ASSY-AIR MTR,SUPER SERIES...151, 153
 P W R
 C A B L E , M A S T / B A S E
 SUP/SERIES.....125, 127
 PWR PACK 220VAC,2-POS KEYSWTC.....103
 PWR PACK,110VAC,2-POS KEYSWTC.....103
 PWR PACK,110VAC,3-POS KEYSWIT.....103
 PWR PACK,110VAC,3-POS KEYSWIT*.....103
 PWR PACK,12VAC,3-POS KEYSWTC.....103
 PWR PACK,12VDC,3-POS KEYSWTC.....103
 PWR PACK,220VAC,3-POS KEYSWTC.....103
 PWR PACK,85VAC,2-POS KEYSWTC.....103
 PWR PACK,85VAC,3-POS KEYSWTC.....103

R

- RAIL ASSY-GTD/ULTRA-NRW/SYMBL*...135-136
 RAIL ASSY-GTD/ULTRA-NRW/WORDS...135-136
 RAIL.WELD W/DECALS,GATED,NRW.....135-136
 RAIL.WELD W/DECALS,GATED,STD.....135-136
R A I L . W E L D
 W/DECALS,GATED,ULTRA.....135-136
 RAIL.WELD W/DECALS,GATED,X-LG.....139
 RAILING ASSY,GTD-XLG, WORD,IWP.....139
 RAILING ASSY,GTD-XLG,SYMBL,IWP.....139
 RAILING ASSY,SYMBOLS,AWP&IWP**.....133
 RAILING ASSY,WORD, AWP-IWP&CWP...133
 RAILING ASSY,WORD,AWP&IWP.....133
 RAILING ASSY-GTD/NAR-SYMBL,IWP....135-136
R A I L I N G
 ASSY-GTD/NAR-WORDS-IWP.....135-136
 RAILING ASSY-GTD/STD-SYMBOLS**.....135-136
 RAILING ASSY-GTD/STD-WORDS.....135-136
 REAR CVR ASSY,STD,SYM,AWPSS.....23-24
 REAR CVR ASSY,STD,WRD,AWPSS.....23-24
 REDUCER,NYLON, 3/4NPT X 3/8NPT.....147, 149, 153
 Ref Mid-rail Guide Assembly.....139
 REF. Base With Contact.....111-112
 REF; BASE.....119
 REF; CONTACT BLOCK, N.C.....119
 REF; CONTACT BLOCK, N.O.....119
 RELAY,CHARGER CE, 46588.....97
 RELAY,MOTOR CONTACTOR.....116
 RESERVOIR W/DECAL,PLASTIC***.....145, 147, 151, 153
 RESERVOIR W/DECAL,SUPER SERIES.....145, 147, 149, 151, 153
 RETROFIT KIT,MAST SEQ,AWP20.....71-72
 RETROFIT KIT,MAST SEQ,AWP25.....71-72
 RETROFIT KIT,MAST SEQ,AWP30.....71-72
 RETROFIT KIT,MAST SEQ,AWP36.....71-72
 RETROFIT KIT,MAST SEQ,AWP40.....71-72
 RIVET,ALUM,ALUM,.25 X 1.125 AL.....60
 RIVET,ALUM,ALUM,P.156 X .375.....60, 81, 93
 RIVET,STL,STL.MAN,P.25 X .25.....59-60, 77, 79, 86
 ROLLER, MACHINED AWP***.....60
 ROLLER,LOADING,AWP,S-SERIES.....77
 ROLLER,NYLATRON 1.50 O.D.***.....85-86
 ROLLER,PLASTIC,AWP96**.....49, 51, 55, 57
- S**
 SCREW, HCC, 3/8-16 X 1.50.....79, 81, 83, 85-86
 SCREW,AXLE,1/2-13X3.38,W/GREAS.....24, 27, 32
 SCREW,BHHS,1/4-20 X .5,Y/ZINC.....103
 SCREW,BHHS,3/8-16 X 1.....93
 SCREW,FHM,10-32 X .75.....93
 SCREW,FHM,10-32X.5PHIL.W/PATCH.....35
 SCREW,FHS,1/4-20 X 1.....59-60
 SCREW,FHS,1/4-20 X 2.25.....63, 65, 67, 69
 SCREW,FHS,10-24X.500.....121, 123
 SCREW,FHS,3/8-16 X .75.....49, 51, 53, 55, 57
 SCREW,FHS,3/8-16 X 2 GRD.8.....35
 SCREW,FHS,3/8-16 X 2.25.....63, 65, 67, 69
 SCREW,HHC,1/2-13 X 1.25 GR5.....85-86, 103, 105, 107, 109
 SCREW,HHC,1/2-13 X 2.5,GR5.....85-86
 SCREW,HHC,1/2-13 X 3.....83
 SCREW,HHC,1/2-13 X 3.25.....85-86
 SCREW,HHC,1/2-13 X 3.5.....24, 27
 SCREW,HHC,1/2-13 X 4.....81
 SCREW,HHC,1/2-13 X 7.5.....32, 49
 SCREW,HHC,1/4-20 X .5.....60, 79, 103, 105, 127, 129, 131
 SCREW,HHC,1/4-20 X .75.....23-24, 27, 31-32, 53, 71-72, 77, 93
 SCREW,HHC,1/4-20 X 1.....77, 125, 127, 129, 131, 133, 136
 SCREW,HHC,1/4-20 X 1.25.....125, 127, 129, 131, 139
 SCREW,HHC,1/4-20 X 1.5.....93
 SCREW,HHC,1/4-20 X 1.75.....161
 SCREW,HHC,1/4-20 X 2.....133, 136
 SCREW,HHC,1/4-20 X 2.5.....135-136, 139
 SCREW,HHC,1/4-20 X 3.....151, 153
 SCREW,HHC,3/4-10 X 8.....32
 SCREW,HHC,3/8-16 X .625.....103, 105, 107, 109
 SCREW,HHC,3/8-16 X .75.....51, 53, 55, 57, 123
 SCREW,HHC,3/8-16 X .88,GRD 8.....151, 153
 SCREW,HHC,3/8-16 X 1.....31-32, 79, 81, 83, 103, 105, 129, 131, 133, 135-136, 161
 SCREW,HHC,3/8-16 X 1.25 GRD 5.....23-24, 27, 31-32, 79, 81, 83, 85-86, 107, 109
 SCREW,HHC,3/8-16 X 1.75,GRD.8.....60
 SCREW,HHC,3/8-16 X 2.....23-24, 27, 31-32, 81, 85-86
 SCREW,HHC,3/8-16 X 2.25.....85-86, 105, 109
 SCREW,HHC,3/8-16 X 2.5.....85-86, 141
 SCREW,HHC,3/8-16 X 2.75.....79
 SCREW,HHC,3/8-16 X 3.....60
 SCREW,HHC,3/8-24 X 1 GR 8 YEL.....85-86
 SCREW,HHC,5/8-11 X 8.00.....49
 SCREW,HHC,M6 X 40.....35
 SCREW,HHC,M6-12MM.....35
 SCREW,PHIL,8-32X.50,SELF TAP.....123
 SCREW,PHIL,PHM,10-24 X.38,SEMS.....112, 116, 121, 145, 147, 149, 151, 153
 SCREW,PHIL,PHM,10-32 X.38,SEMS.....112, 116, 119
 SCREW,PHIL,PHM,6-32X.38,SF.TAP.....23-24, 27, 31-32, 111-112, 116
 SCREW,PHILLIPS,PHM,8-32 X.25**.....111-112, 115-116
 SCREW,PHILLIPS,RHM,10-32 X 2.....107, 109
 SCREW,PHM,1/4-20 X .625.....105, 159
 SCREW,PHM,1/4-20X.25 PHL.....72
 SCREW,PHM,1/4-20X.5 PHIL.....71-72, 107, 109
 SCREW,PHP,1/4-20 X .875.....141
 SCREW,PPHMS,1/4-20X1.75Z,GR2.....141
 SCREW,RHM 10-24 X 2.75**.....116
 SCREW,RHM,10-24 X 3**.....112
 SCREW,RHM,10-32 X .75.....159
 SCREW,SET,HS 10-32 X.25.....135-136
 SCREW,SHC,1/4-20 X .375 BLK.....75, 103, 105, 107, 109
 SCREW,SHC,1/4-20 X .875.....71-72
 SCREW,SHC,1/4-20 X 1.....135-136
 SCREW,SHC,5/16-18 X 2,PLATED.....107, 109
 SCREW,SHC,M10X1.5X55.....35
 SEAL KIT, 35738,SAME AS 38169.....143
 SEAL KIT, DONYANG CYL (35739).....143
 SEAL KIT, DY CYL (37367).....143
 SEAL KIT,35736,37 SAME AS38168.....143
 SEAL KIT,39909,PLAT LWR VALVE*.....143
 SEAL KIT,DONYANG CYL (35737)*.....143
 SEAL,CABLE CONNECTOR,HT SHRINK.....125, 127
 SEAL,MOTOR.....145, 147, 149
 SEAL,O-RING,PUMP***.....145, 147, 149, 151, 153
 SEQUENCE CABLE ASSY,CARRIAGE**.....71-72
 SEQUENCE CABLE,AWP36S,40S**.....71-72
 SHAFT,LIFTING CHAINS,20MM DIA....49, 51, 53, 55, 57
 SHIM NUT,ADJUSTER.....49, 53, 55, 57
 SHIM, CARRIAGE.....59-60
 SHIM,.375 X .063.....135-136, 139
 SHIM,.75 X.45 X.016.....85-86
 SHIM,.75 X.45 X.032.....85-86
 SHIM,CARRIAGE,HDPE,POLYPROPYLE....60
 SHIM,SIDE PAD.....49, 53, 55, 57
 SLIDE BLOCK,CARRIAGE%.....60
 SLIDING MIDRAIL ASSY,NRW.FIBER.....141
 SLIDING MIDRAIL ASSY,STD.FIBER.....141
 SNAP PIN, KIT(AWP,SLA &C,ST2).....27, 31-32
 SOLENOID STRAP, MONARCH**.....145, 147
 SOLENOID,MOTOR START***.....145, 147
 SPACER, 1/4ID3/8OD, .875LG.....125, 127, 129, 131
 SPACER, TRANSFORMER**.....112
 SPACER, TRANSFORMER, AC.....116
 SPACER, 560 AWP MAST.....51, 53, 55, 57
 SPACER,.75X1.00,2.50" LG.....31-32
 SPACER,AIR MOTOR,"BLUE".....107, 109
 SPACER,NYLON .257 X .5 X .75".....141
 SPACER,SHAFT,310.....51, 53, 55, 57
 SPACER,SHAFT,840"LG.....51, 53, 55, 57
 SPACER,SHAFT,1.400.....53, 55, 57
 SPACER,TRANSFORMER**.....112, 116
 SPACER,TUBE,1/4 X 3/8 **.....77
 SPACER,TUBE,1/4X3/8X.50"LONG.....71-72
 SPRING HOUSING,AWP TILT-BACK.....85-86
 SPRING PLUNGER,AWP TILT-BACK.....85-86
 SPRING, TENSION CABLE.....72
 SPRING,AWP TILT-BACK.....85-86
 SPRING,CONTROL CABLE, AWP.....125, 127, 129, 131
 STAB.RET.PIN ASSY,DPL / AWP.....79
 STROBE, AC COMPAT., 12-80V AMB.....159
 STRUT, TILTBACK,L.H.AWP96.....23-24
 STRUT, TILTBACK,R.H.AWP96.....23-24
 STRUT,TILTBACK,FRONT,L.H.AWP96.....79
 STRUT,TILTBACK,FRONT,R.H.AWP96.....79
 STRUT,TILTBACK,L.H.AWP96.....23-24, 79
 STRUT,TILTBACK,R.H.AWP96.....23-24, 79
 SVC KIT,UK RECEPT.REPLACEMENT.....123
 SWITCH, VOLTAGE.....97, 99
 SWITCH,SELECTOR,BLACK.....121, 123
 SWITCH-POWER,CHARGER, DP/DT.....97, 99
 SWITCH-POWER,CHARGER, SP/ST.....95
- T**
 T-BOX,2.75 X 4.5 X 2.0.....121, 123
 T-HANDLE WELDMENT,ZINC,SHORT.....23-24, 27, 31-32
 TAPE,NON-SKID,DIE CUT,4"X 16".....141

Part Description Index (continued)

TAPE, NON-SKID, DIE CUT, 6" X 2'.....133, 136, 139
 TAPE, WARNING, BLK/YEL, 50'***.....11-12
 TEE, 1/16 BARB.....157
 TEE, BRANCH, 1/16 BARB X 10/32.....119, 157
 TEE, BRANCH, 5/32 PUSH X .12MNPT.....157
 TEE, BRASS, 1/8 NPT.....157
 TEE, STREET, 3/8 NPT, BRASS.....145, 147, 149, 151, 153
 TERM. STRIP ASSY. CONRL BOX-DC** (43621).....112
 TERM. STRIP ASSY. CONTROL BOX-AC.....116
 TERMINAL ASSY, CONTROL BOX, AC.....116
 TERMINAL ASSY, CONTROL BOX, DC.....112
 TERMINAL BLK, END.....23-24, 27, 31-32
 TERMINAL BLK, END, 4-PORT.....23-24, 27, 31-32
 TERMINAL BLK, INLINE, 2-PORT....23-24, 27, 31-32
 TERMINAL STRIP ASSY, BASE, AWP-S.....23-24, 27, 31-32
 TERMINAL STRIP ASSY, BASE, AWP-S.....23-24, 27, 31-32
 TERMINAL STRIP, 2 CONNECTOR.....23-24, 27, 31-32
 TERMINAL STRIP, 4 CONNECTOR.....23-24, 27, 31-32
 TERMINAL, 2 CONDUCTOR.....112
 TERMINAL, 4 CONDUCTOR.....112, 116
 TERMINAL, END PLATE.....112
 TERMINAL, 2 CONDUCTOR.....116
 TERMINAL, 4 CONDUCTOR.....112, 116
 TERMINAL, END PLATE.....112, 116
 TILTBACK FRAME W/DECALS, AWP-S.....85-86
 TILTBACK FRAME W/DECALS, AWP-S*.....85-86
 TILTBACK KIT 15/20AWP-S.....85-86
 TILTBACK KIT 25/30AWP-S.....85-86
 TILTBACK SHOCK ASSY, AWP15/20S.....85-86
 TILTBACK SHOCK ASSY, AWP25/30S.....85-86
 TILTBACK SHOCK ASSY, AWP36-S.....85-86
 TILTBACK SHOCK ASSY, AWP40-S.....85-86
 TIMER ASSY, ELECTRONIC, CE CHARG.....97
 TIMER, ELECTRONIC.....95, 99
 TOEBOARD W/DECALS, NARROW.....136
 T O E B O A R D W / D E C A L S W / D E C A L S, ULTRA, NARROW.....136
 T O E B O A R D - S T D . W / D E C A L S AWP/IWP.....133, 136
 TOEBOARD-STD.W/DECALS,X-LARGE....139
 TOOL TRAY ACCESSORY***.....161
 TRANSFORMER (S-SERIES)***.....116
 TRANSFORMER, 85V TO 105V, JA.....116
 TRANSFORMER, CE CHARGER, 46588.....97
 TRANSFORMER, CHARGER (31188).....99
 TRANSFORMER, CHARGER (38581).....95
 TUBE CADDY, AWP PLATFORM***.....161
 TUBE, RETURN.....147, 149, 153
 TUBE, HOLD DOWN BRACKET-BLUE.....60
 TUBE, LWR.GAS SPRING,ZINC-LONG.....85-86
 TUBE, STD.SLIDING MIDRAIL-21.....133, 139
 TUBE, SUCTION.....147, 149, 153

U

U-BOLT, 3/8 X 1 YZ.....136

V

VALVE, NC POPPET, DIR CONT.....157
 VALVE, 2 POSITION 3 WAY.....119, 157
 VALVE, 2-POS 2-WAY***.....147, 149
 VALVE, CARTRIDGE***.....143
 V A L V E , F L O W C O N T R O L P R E A S . C O M P 143
 VALVE, HYDRAULIC CHECK.....143
 VALVE, NC SOLENOID, MANUAL LWR.....143
 VALVE, ON/OFF AIR.....107, 109, 157
 VALVE, RELIEF KIT, MONARCH**.....145, 147, 149, 151, 153
 VALVE-AIR PILOT, MTR., S-SERIES.....151, 153, 157
 VALVE-CHECK KIT.....145, 147, 149, 151, 153

W

WASHER, SHIM,.765 X 1.312 X .093...31-32, 81, 85-86
 WASHER, FENDER,.25 X 1.25 X .062.....71-72
 WASHER, FLAT,.5 HARDENED.....24, 27, 32
 WASHER, FLAT, 502 X 1.747 X .04.....141
 WASHER, FLAT, M10, ZINC PLTD.....125, 127, 129
 WASHER, FLAT, M6 PLTD.....79
 WASHER, FLAT, SAE 1/4, ZINC.....59-60
 WASHER, FLAT, USS, 1/2", Y.....24, 27, 31-32, 63, 65, 67, 69, 83
 WASHER, FLAT, USS, 1/4"Y.....27, 31-32, 51, 53, 55, 57, 77, 79, 93, 103, 105, 107, 109, 125, 127, 131, 139, 141, 159
 WASHER, FLAT, USS, 3/8", Y.....23-24, 27, 31-32, 49, 53, 55, 57, 60, 79, 81, 83, 85-86, 141
 WASHER, FLAT, USS, 5/16", Y.....23-24, 31-32, 51, 63, 65, 67, 69, 77, 85-86, 93, 103, 105
 WASHER, LOCK SPLIT, 6MM, 11.8MM.....35
 WASHER, LOCK, #10 PLTD.....119, 159
 WASHER, LOCK,.25.....23-24, 27, 31-32, 60, 103, 105, 107, 109
 WASHER, LOCK,.313.....107, 109
 WASHER, LOCK,.375.....77, 85-86, 103, 105, 107, 109
 WASHER, NITRILE.....111-112, 115-116
 WASHER, RIVETING.....133
 WASHER, SHIM,.265 X .5 X .030.....103, 105, 107, 109
 WASHER, SHIM,.5 X .875 X .033.....85-86
 WASHER, SHIM,.5 X .875 X .063....49, 51, 53, 55, 57, 60, 77, 81
 WASHER, SHIM,.75 X 1.125 X .030.....77, 85-86
 WASHER, SHIM,.938 X 1.37 X .048.....49, 51, 53, 55, 57
 WASHER, SHIM, 1.01 X 1.63 X .062.....31-32
 WASHER, T-SLOT.....75
 WELDM. OUTRIG. STRG. BRKT.W/DECAL..37, 45, 89
 WELDMENT GAS. UPR.W/DECAL AWP-S.....85-86
 WELDMENT, CASTER MNT.AWP-S, RT.....31-32
 WELDMENT, GAS SPRING HSING-SHOR.....85-86
 WELDMENT, LONG T-HANDLE.....23-24
 WELDMENT, MULTI MAST, NARROW.....83
 WHEEL, NYLON ROLLER.....53
 WHEEL, PERFORMA, 5X2**.....24, 27, 32, 85-86

WHEEL, PERFORMA, 8 X 2.....24, 27
 WHEEL, PNEUM 10", 3/4" HUB***.....31-32
 WHEEL, PNEUMATIC, 10", 1" HUB***.....31-32
 WHEEL, POLY, 6X2, 3/4**.....81
 WHEEL, POLYOLEFIN, 2.5X1.25, 1/2.....83
 WHEEL, POLYOLEFIN, 4X1.25, 1/2.....83
 WHEEL, TPE, 5 X 2, 3/4, 1/2**.....24, 27, 32, 85-86
 WIRE CABLE, 14/3 CON.TPE JKT*.....116
 WIRE CABLE, 16/4 SJO, BULK.....159
 WIRE LOOM,.413" NON-SLIT***.....133, 139

This Page Intentionally Left Blank

Go to Discount-Equipment.com to order your parts

Fitting Cross References

Genie PN	Parker PN	Description	Genie PN	Parker PN	Description
12342	6-4 F5OX-S	CONNECTOR,STRAIGHT THREAD TO FLARE TUBE	42794	1 CR-S	ELBOW,90°,MALE PIPE
13757	4 R6X-S	RUN TEE,SWIVEL NUT,ORFS	42795	BV-0839	BALL VALVE
19685	12-10 C5OX-S	ELBOW,90°,STRAIGHT THREAD TO FLARE TUBE	42796	BV-0838	BALL VALVE
22664	12-10 C5OX	ELBOW,90°,STRAIGHT THREAD TO FLARE TUBE	42874	6-8 CLO-S	ELBOW,90°,MALE PIPE TO ORFS
27431	8-12 F5OX-S	CONNECTOR,STRAIGHT THREAD TO FLARE TUBE	42912	13943-6-4	HOSE END,90° FEMALE SWIVEL,JIC
28678	AS-B-33	SLEEVE,NYLON,1.81" ID	42920	BV-0840	BALL VALVE,90°
39871	6 WETX-WLN-S	UNION,90° BULKHEAD W/NUT,FLARE TUBE	42932	AS-B-17	SLEEVE,NYLON,1.22" ID
39872	4 R5OX-S	RUN TEE,STRAIGHT THREAD	42936	10243-2-4	HOSE END,FEMALE PIPE
39873	6 C5OX-S	ELBOW,90°,STRAIGHT THREAD TO FLARE TUBE	42953	1/2 DD-S	ELBOW,90°,FEMALE PIPE
39874	8-6 C5OX-S	ELBOW,90°,STRAIGHT THREAD TO FLARE TUBE	42956	6 WELO-WLNL-S	UNION,90° BULKHEAD W/NUT,ORFS
39875	4-6 C5OX-S	ELBOW,90°,STRAIGHT THREAD TO FLARE TUBE	45349	8 V5OX-S	ELBOW,45°,STRAIGHT THREAD TO FLARE TUBE
39876	6-8 C5OX-S	ELBOW,90°,STRAIGHT THREAD TO FLARE TUBE	45351	4 V5OX-S	ELBOW,45°,STRAIGHT THREAD TO FLARE TUBE
39877	4 F5OX-S	CONNECTOR,STRAIGHT THREAD TO FLARE TUBE	47223	10343-6-6	HOSE END,MALE,JIC
39878	6 F5OX-S	CONNECTOR,STRAIGHT THREAD TO FLARE TUBE	47419	PS690503-6-6	SWIVEL,90°,STRAIGHT THREAD TO 37° FLARE
39879	4-8 F5OX-S	CONNECTOR,STRAIGHT THREAD TO FLARE TUBE	48750	421-4	HOSE,1/4 INCH ID
39880	6-10 F5OX-S	CONNECTOR,STRAIGHT THREAD TO FLARE TUBE	48751	481TC-4	HOSE,1/4 INCH ID
39881	4-6 F5OX-S	CONNECTOR,STRAIGHT THREAD TO FLARE TUBE	48752	482TC-4	HOSE,1/4 INCH ID
39882	4-HP5ON-S	PLUG,STRAIGHT THREAD	48753	451TC-6	HOSE,3/8 INCH ID
39883	8-8 FTX-S	CONNECTOR,MALE PIPE TO FLARE TUBE	48754	482TC-6	HOSE,3/8 INCH ID
39885	269HB 12-12	ELBOW,90°,BEADED HOSE BARB TO MALE PIPE	48755	381-6	HOSE,3/8 INCH ID
39886	431-6	HOSE,3/8 INCH ID	48756	451TC-8	HOSE,1/2 INCH ID
39887	540N-2	HOSE,1/8 INCH ID	48757	482TC-8	HOSE,1/2 INCH ID
39888	801-8	HOSE,1/2 INCH ID	48758	381-8	HOSE,1/2 INCH ID
39889	801-12	HOSE,3/4 INCH ID	48759	381-10	HOSE,5/8 INCH ID
39890	10643-6-6	HOSE END,FEMALE SWIVEL,JIC	48760	451TC-10	HOSE,5/8 INCH ID
39891	13943-6-6	HOSE END,90° FEMALE SWIVEL,JIC	48761	482TC-12	HOSE,3/4 INCH ID
39892	13743-6-6	HOSE END,45° FEMALE SWIVEL,JIC	48762	451TC-12	HOSE,3/4 INCH ID
39894	30682-8-8	HOSE END,FEMALE SWIVEL,JIC	48763	772-12	HOSE,3/4 INCH ID
39895	30682-10-12	HOSE END,FEMALE SWIVEL,JIC	48764	881-16	HOSE,1 INCH ID
42286	8-8 CTX-S	ELBOW,90°,MALE PIPE TO FLARE TUBE	48765	772-16	HOSE,1 INCH ID
42756	8-12 CLO-S	ELBOW,90,MALE PIPE TO ORFS	48766	AS-B-15	SLEEVE,NYLON,1.06" ID
42757	8-12 FLO-S	CONNECTOR,MALE PIPE TO ORFS	48767	AS-B-22	SLEEVE,NYLON,1.42" ID
42758	4 JLO-S	UNION TEE,ORFS	48770	881-8	HOSE,1/2 INCH ID
42759	4-4 FLO-S	CONNECTOR,MALE PIPE TO ORFS			
42760	6-8 FLO-S	CONNECTOR,MALE PIPE TO ORFS			
42761	1J143-6-4	HOSE END,90° FEMALE SWIVEL,SEAL LOK			
42762	1J743-6-4	HOSE END,45° FEMALE SWIVEL,SEAL LOK			
42768	1JO43-4-4	HOSE END,MALE,SEAL LOK			
42776	601-8	HOSE,1/2 INCH ID			
42777	1J743-16-16	HOSE END,45° FEMALE SWIVEL,SEAL LOK			
42786	16 CLO-S	ELBOW,90°,MALE PIPE TO ORFS			
42787	16 R6LO-S	RUN TEE,SWIVEL NUT,ORFS			
42788	16-8 TRLO-BL-S	REDUCER,TUBE END TO SWIVEL,ORFS			
42789	6-6 CLO-S	ELBOW,90°,MALE PIPE TO ORFS			
42790	8-10 V5OLO-S	ELBOW,45°,STRAIGHT THREAD TO ORFS			
42791	3/4 CD-S	ELBOW,90°,MALE TO FEMALE PIPE			
42792	3/4 X 1/2 PTR-S	REDUCER,MALE TO FEMALE PIPE			
42793	1/2 CR-S	ELBOW,90°,MALE PIPE			

Fitting Cross References (Continued)

Genie PN	Parker PN	Description	Genie PN	Parker PN	Description
48771	881-10	HOSE,5/8 INCH ID	48847	13943-12-12	HOSE END,90° FEMALE SWIVEL,JIC
48772	381-4	HOSE,1/4 INCH ID	48848	10543-12-12	HOSE END,MALE,STRAIGHT THREAD
48773	AS-B-13	SLEEVE,NYLON,.86" ID	48849	1JC71-12-12	HOSE END,FEMALE SWIVEL,SEAL LOK
48800	1JC43-4-4	HOSE END,FEMALE SWIVEL,SEAL LOK	48850	1JS71-12-12	HOSE END,FEMALE SWIVEL,SEAL LOK
48801	1J743-4-4	HOSE END,45° FEMALE SWIVEL,SEAL LOK	48851	1J171-12-12	HOSE END,90° FEMALE SWIVEL,SEAL LOK
48802	1J943-4-4	HOSE END,90° FEMALE SWIVEL,SEAL LOK	48852	1J771-12-12	HOSE END,45° FEMALE SWIVEL,SEAL LOK
48804	1JM43-4-4	HOSE END,MALE,SEAL LOK, NO O-RING	48853	1J971-12-12	HOSE END,90° FEMALE SWIVEL,SEAL LOK
48805	10643-4-4	HOSE END,FEMALE SWIVEL,JIC	48854	1JC43-16-16	HOSE END,FEMALE SWIVEL,SEAL LOK
48806	13943-4-4	HOSE END,90° FEMALE SWIVEL,JIC	48855	1J943-16-16	HOSE END,90° FEMALE SWIVEL,SEAL LOK
48807	1JS43-4-4	HOSE END,FEMALE SWIVEL,SEAL LOK	48856	1J171-16-16	HOSE END,90° FEMALE SWIVEL,SEAL LOK
48808	3JC82-8-8	HOSE END,FEMALE SWIVEL,SEAL LOK	48857	1J971-16-16	HOSE END,90° FEMALE SWIVEL,SEAL LOK
48809	3JC82-12-12	HOSE END,FEMALE SWIVEL,SEAL LOK	48859	1JS43-8-4	HOSE END,FEMALE SWIVEL,SEAL LOK
48810	1JC43-6-4	HOSE END,FEMALE SWIVEL,SEAL LOK	48867	PD36BTL	DIAGNOSTIC NIPPLE,SEAL-LOK SWIVEL
48811	1J943-6-4	HOSE END,90° FEMALE SWIVEL,SEAL LOK	48873	6 PNLO-S	PLUG,TUBE END,ORFS
48812	1JC43-6-6	HOSE END,FEMALE SWIVEL,SEAL LOK	48874	6 PNTX-S	PLUG,FLARE TUBE
48813	1J143-6-6	HOSE END,90° FEMALE SWIVEL,SEAL LOK	48875	6 R6LO-S	RUN TEE,SWIVEL NUT,ORFS
48814	1J543-6-6	HOSE END,90° FEMALE SWIVEL,SEAL LOK	48877	4 F5OLO-SW/.025	CONNECTOR,STRAIGHT THREAD TO ORFS, W/.025 ORI
48815	1J743-6-6	HOSE END,45° FEMALE SWIVEL,SEAL LOK	48878	16-12 C5OLO-S	ELBOW,90°,STRAIGHT THREAD TO ORFS
48816	1J943-6-6	HOSE END,90° FEMALE SWIVEL,SEAL LOK	48879	8 C6LO-S	ELBOW,90°,SWIVEL NUT ORFS
48817	1JS43-6-8	HOSE END,FEMALE SWIVEL,SEAL LOK	48880	PD6-285	CAP,DIAGNOSTIC NIPPLE
48818	1J943-8-4	HOSE END,90° FEMALE SWIVEL,SEAL LOK	48881	6 HLO-S	UNION,ORFS
48819	1JC43-8-6	HOSE END,FEMALE SWIVEL,SEAL LOK	48883	8 P5ON-S	PLUG,STRAIGHT THREAD
48820	1J743-8-6	HOSE END,45° FEMALE SWIVEL,SEAL LOK	48884	8M18F87OMLO-S	CONNECTOR,METRIC,STRAIGHT THREAD TO ORFS
48821	1J943-8-6	HOSE END,90° FEMALE SWIVEL,SEAL LOK	48885	4 WGTX-WLN-S	CONNECTOR,BULKHEAD,FEMALE PIPE TO FLARE TUBE
48822	1JC43-8-8	HOSE END,FEMALE SWIVEL,SEAL LOK	48886	4 F5OLO-SW/2MM	CONNECTOR,MACHINED STRAIGHT THREAD TO ORFS
48823	1JS43-8-8	HOSE END,FEMALE SWIVEL,SEAL LOK	48887	4 CTX-S	ELBOW,90°,MALE PIPE TO FLARE TUBE
48824	1J143-8-8	HOSE END,90° FEMALE SWIVEL,SEAL LOK	48888	10-12 V5OLO-S	ELBOW,45°,STRAIGHT THREAD TO ORFS
48825	1J543-8-8	HOSE END,90° FEMALE SWIVEL,SEAL LOK	48890	4 S5OLO-S	BRANCH TEE,STRAIGHT THREAD TO ORFS
48826	1J743-8-8	HOSE END,45° FEMALE SWIVEL,SEAL LOK	48891	4 S6LO-S	BRANCH TEE,SWIVEL NUT TO ORFS
48827	1J943-8-8	HOSE END,90° FEMALE SWIVEL,SEAL LOK			
48828	1JC43-10-8	HOSE END,FEMALE SWIVEL,SEAL LOK			
48829	1JS43-10-8	HOSE END,FEMALE SWIVEL,SEAL LOK			
48830	1J743-10-8	HOSE END,45° FEMALE SWIVEL,SEAL LOK			
48831	1J943-10-8	HOSE END,90° FEMALE SWIVEL,SEAL LOK			
48833	1JC43-10-10	HOSE END,FEMALE SWIVEL,SEAL LOK			
48834	1J943-10-10	HOSE END,90° FEMALE SWIVEL,SEAL LOK			
48835	1JS43-10-12	HOSE END,FEMALE SWIVEL,SEAL LOK			
48836	1JC43-12-8	HOSE END,FEMALE SWIVEL,SEAL LOK			
48837	1JS43-12-8	HOSE END,FEMALE SWIVEL,SEAL LOK			
48838	1J743-12-8	HOSE END,45° FEMALE SWIVEL,SEAL LOK			
48839	1J943-12-8	HOSE END,90° FEMALE SWIVEL,SEAL LOK			
48840	1J943-12-10	HOSE END,90° FEMALE SWIVEL,SEAL LOK			
48841	1JC43-12-12	HOSE END,FEMALE SWIVEL,SEAL LOK			
48842	1JO43-12-12	HOSE END,MALE,SEAL LOK			
48843	1J143-12-12	HOSE END,90° FEMALE SWIVEL,SEAL LOK			
48844	1J543-12-12	HOSE END,90° FEMALE SWIVEL,SEAL LOK			
48845	1J743-12-12	HOSE END,45° FEMALE SWIVEL,SEAL LOK			
48846	1J943-12-12	HOSE END,90° FEMALE SWIVEL,SEAL LOK			

Fitting Cross References (Continued)

Genie PN	Parker PN	Description	Genie PN	Parker PN	Description
48892	6 C6LO-S	ELBOW,90°,SWIVEL NUT ORFS	48938	8 R6LO-S	RUN TEE,SWIVEL NUT,ORFS
48893	6 F5OHAO-S	UNION,STRAIGHT THREAD	48939	8 S6LO-S	BRANCH TEE,SWIVEL NUT TO ORFS
48894	8 WLO-WLNL-S	UNION,BULKHEAD,ORFS	48940	8 WJLO-WLNL-S	RUN TEE, BULKHEAD,ORFS
48895	DT-370-MSMO-5	VALVE,CHECK	48941	8-4 TRLO-S	REDUCER,TUBE END TO SWIVEL,ORFS
48896	6 JLO-S	UNION,TEE,ORFS	48942	8-6 C5OLO-S	ELBOW,90°,STRAIGHT THREAD TO ORFS
48897	DT-750-MSMS-5	VALVE,CHECK	48943	8-6 F5OLO-S	CONNECTOR,STRAIGHT THREAD TO ORFS
48898	DT-750-MOMS-5	VALVE,CHECK	48944	8-8 FLO-S	CONNECTOR,MALE PIPE TO ORFS
48899	DT-620-MOMS-5	VALVE,CHECK	48945	8 FTX-S	CONNECTOR,MALE PIPE TO FLARE TUBE
48900	4-6 F5OLO-SW/.035	CONNECTOR,STRAIGHT THREAD TO ORFS, W/.035 ORI	48946	8-10 F5OLO-S	CONNECTOR,STRAIGHT THREAD TO ORFS
48902	16-1 AOE4G-S	ELBOW,90° LONG,FEMALE PIPE TO STRAIGHT THREAD	48947	8-12 C5OLO-S	ELBOW,90°,STRAIGHT THREAD TO ORFS
48903	1 FF-S	NIPPLE,PIPE	48948	8-12 F5OLO-S	CONNECTOR,STRAIGHT THREAD TO ORFS
48904	4 C5OLO-S	ELBOW,90°,STRAIGHT THREAD TO ORFS	48949	8-16 F5OLO-S	CONNECTOR,STRAIGHT THREAD TO ORFS
48905	4 F5OLO-S	CONNECTOR,STRAIGHT THREAD TO ORFS	48950	10 C5OLO-S	ELBOW,90°,STRAIGHT THREAD TO ORFS
48906	4 R5OLO-S	RUN TEE,STRAIGHT THREAD	48951	10 CC5OLO-S	ELBOW,90° LONG,STRAIGHT THREAD TO ORFS
48907	4 V5OLO-S	ELBOW,45°,STRAIGHT THREAD TO ORFS	48952	10 F5OLO-S	CONNECTOR,STRAIGHT THREAD TO ORFS
48908	4 R6LO-S	RUN TEE,SWIVEL NUT,ORFS	48953	10 R5OLO-S	RUN TEE,STRAIGHT THREAD
48909	4 WJLO-WLNL-S	RUN TEE, BULKHEAD,ORFS	48954	10 S5OLO-S	BRANCH TEE,STRAIGHT THREAD TO ORFS
48910	4 GTX-S W/.030	CONNECTOR,FEMALE PIPE TO FLARE TUBE	48955	10 R6LO-S	RUN TEE,SWIVEL NUT,ORFS
48911	4-6 C5OLO-S	ELBOW,90°,STRAIGHT THREAD TO ORFS	48956	10-4 TRLO-BL-S	REDUCER,TUBE END TO SWIVEL,ORFS
48912	4-6 F5OLO-S	CONNECTOR,STRAIGHT THREAD TO ORFS	48957	10-6 TRLO-BL-S	REDUCER,TUBE END TO SWIVEL,ORFS
48913	4-6 F5OLO-SW/.030	CONNECTOR,STRAIGHT THREAD TO ORFS, W/.030 ORI	48958	10-12 F5OLO-S	CONNECTOR,STRAIGHT THREAD TO ORFS
48914	4-8 F5OLO-S	CONNECTOR,STRAIGHT THREAD TO ORFS	48959	12 C5OLO-S	ELBOW,90°,STRAIGHT THREAD TO ORFS
48915	6 C5OLO-S	ELBOW,90°,STRAIGHT THREAD TO ORFS	48960	12 F5OLO-S	CONNECTOR,STRAIGHT THREAD TO ORFS
48916	6 F5OLO-S	CONNECTOR,STRAIGHT THREAD TO ORFS	48961	12 R5OLO-S	RUN TEE,STRAIGHT THREAD
48917	6 FF5OLO-S	CONNECTOR,LONG,STRAIGHT THREAD TO ORFS	48962	12 S5OLO-S	BRANCH TEE,STRAIGHT THREAD TO ORFS
48918	6 R5OLO-S	RUN TEE,STRAIGHT THREAD	48963	12 V5OLO-S	ELBOW,45°,STRAIGHT THREAD TO ORFS
48919	6 S5OLO-S	BRANCH TEE,STRAIGHT THREAD TO ORFS	48964	12 R6LO-S	RUN TEE,SWIVEL NUT,ORFS
48920	6 V5OLO-S	ELBOW,45°,STRAIGHT THREAD TO ORFS	48965	12 CLO-S	ELBOW,90°,MALE PIPE TO ORFS
48921	6 FLO-S	CONNECTOR,MALE PIPE TO ORFS	48966	12 FLO-S	CONNECTOR,MALE PIPE TO ORFS
48922	6-6 FLO-S	CONNECTOR,MALE PIPE TO ORFS	48967	12 JLO-S	UNION TEE,ORFS
48923	6 P5ON-S	PLUG,STRAIGHT THREAD	48968	12 WLO-WLNL-S	UNION,BULKHEAD,ORFS
48925	6 WELO-S	UNION,90° BULKHEAD,ORFS	48969	12 WJLO-WLNL-S	RUN TEE, BULKHEAD,ORFS
48926	6-4 C5OLO-S	ELBOW,90°,STRAIGHT THREAD TO ORFS	48970	12 WELO-WLNL-S	UNION,90° BULKHEAD W/NUT,ORFS
48927	6-4 F5OLO-S	CONNECTOR,STRAIGHT THREAD TO ORFS			
48928	6-4 V5OLO-S	ELBOW,45°,STRAIGHT THREAD TO ORFS			
48929	6-8 C5OLO-S	ELBOW,90°,STRAIGHT THREAD TO ORFS			
48930	6-8 F5OLO-S	CONNECTOR,STRAIGHT THREAD TO ORFS			
48931	6-10 F5OLO-S	CONNECTOR,STRAIGHT THREAD TO ORFS			
48932	8 C5OLO-S	ELBOW,90°,STRAIGHT THREAD TO ORFS			
48933	8 F5OLO-S	CONNECTOR,STRAIGHT THREAD TO ORFS			
48934	8 FF5OLO-S	CONNECTOR,LONG,STRAIGHT THREAD TO ORFS			
48935	8 R5OLO-S	RUN TEE,STRAIGHT THREAD			
48936	8 S5OLO-S	BRANCH TEE,STRAIGHT THREAD TO ORFS			
48937	8 V5OLO-S	ELBOW,45°,STRAIGHT THREAD TO ORFS			

Fitting Cross References (Continued)

Genie PN	Parker PN	Description	Genie PN	Parker PN	Description
48971	12 G5G5JG5-S	TEE,FEMALE STRAIGHT THREAD	49612	PKT02586	O-RING KIT (ORFS FITTINGS)
48972	12 XHL6-S	ADAPTER, 37° MALE TO SWIVEL ORFS	49613	PKT06276	PLUG AND CAP KIT-SERVICE,ORFS
48973	12-1/2 F5OG-S	ADAPTER,FEMALE PIPE TO STRAIGHT THREAD	49728	10143-12-12	HOSE END, MALE PIPE
48974	12-10 C5OLO-S	ELBOW,90°,STRAIGHT THREAD TO ORFS	49729	16-1 F5OG-S	ADAPTER,FEMALE PIPE TO STRAIGHT THREAD
48975	12-10 F5OLO-S	CONNECTOR,STRAIGHT THREAD TO ORFS	49814	12-8 FLO-S	CONNECTOR,MALE PIPE TO ORFS
48976	12-16 C5OLO-S	ELBOW,90°,STRAIGHT THREAD TO ORFS	49829	DT-500-MOMF-5	VALVE,CHECK
48977	12-16 F5OLO-S	CONNECTOR,STRAIGHT THREAD TO ORFS	49831	881-12	HOSE,3/4 INCH ID
48978	12-16 V5OLO-S	ELBOW,45°,STRAIGHT THREAD TO ORFS	49834	16 JLO-S	UNION TEE,ORFS
48980	12-16 FLO-S	CONNECTOR,MALE PIPE TO ORFS	49838	12-8 TRLO-BL-S	REDUCER,TUBE END TO SWIVEL,ORFS
48983	16 C5OLO-S	ELBOW,90°,STRAIGHT THREAD TO ORFS	49840	8 JLO-S	UNION TEE,ORFS
48984	16 F5OLO-S	CONNECTOR,STRAIGHT THREAD TO ORFS	49844	10-8 TRLO-BL-S	REDUCER,TUBE END TO SWIVEL,ORFS
48985	16 V5OLO-S	ELBOW,45°,STRAIGHT THREAD TO ORFS	49854	8 P5ON-S	PLUG,STRAIGHT THREAD
48986	16 FLO-S	CONNECTOR,MALE PIPE TO ORFS	49855	1JC43-16-12	HOSE END,FEMALE SWIVEL,SEAL LOK
48988	16 CD45-S	ELBOW,45°,MALE TO FEMALE PIPE	49859	4 P5ON-S	PLUG,STRAIGHT THREAD
48989	12 CD45-S	ELBOW,45°,MALE TO FEMALE PIPE	49861	4 FF5OLO-S	CONNECTOR, LONG, STRAIGHT THREAD TO ORFS
48990	8 CD45-S	ELBOW,45°,MALE TO FEMALE PIPE	49867	12-3/4 F5OG-S	ADAPTER,FEMALE PIPE TO STRAIGHT THREAD
48991	16-12 FLO-S	CONNECTOR,MALE PIPE TO ORFS	51152	6 R6X-S	RUN TEE,SWIVEL NUT,ORFS
48992	16-12 V5OLO-S	ELBOW,45°,STRAIGHT THREAD TO ORFS	51153	6-4 TRTX-S	REDUCER,TUBE END TO SWIVEL,ORFS
48993	XV501-12	BALL VALVE	51154	4-4 GTX	CONNECTOR,FEMALE PIPE TO FLARE TUBE
48994	XV501-16	BALL VALVE	51264	881-12	HOSE,3/4 INCH ID
48995	XV510P-12	BALL VALVE	51265	8 JLO-S	UNION TEE,ORFS
48996	XV510P-16	BALL VALVE	51508	6 BTX-S	NUT,FLARE TUBE
48997	PD341	DIAGNOSTIC NIPPLE, STRAIGHT THREAD	51580	12-8 TRLO-BL-S	TUBE END REDUCER,ORFS
48998	PD 361	DIAGNOSTIC NIPPLE, STRAIGHT THREAD	51628	6 R6X-S	RUN TEE,SWIVEL NUT,ORFS
48999	DT-500-MOMS-5	VALVE,CHECK	51735	3/8 HHP	PLUG,PIPE THREAD
49201	10 V5OLO-S	ELBOW,45°,STRAIGHT THREAD TO ORFS	51803	1J943-6-8	HOSE END,90° FEMALE SWIVEL,SEAL LOK
49202	1JC43-12-10	HOSE END,FEMALE SWIVEL,SEAL LOK	53023	125HBL-5-4	FITTING,HOSE BARB TO MALE PIPE
49203	10-8 V5OLO-S	ELBOW,45°,STRAIGHT THREAD TO ORFS	53497	PKT02585	O-RING KIT
49205	6 F5OHAO-S	UNION,STRAIGHT THREAD	53499	1JC71-16-16	HOSE END,FEMALE SWIVEL,SEAL LOK
49207	PD34BTL	DIAGNOSTIC NIPPLE,SEAL-LOK SWIVEL	53500	3-904	O-RING,STRAIGHT THREAD,-4
49209	8M18F870MX-S	CONNECTOR,METRIC,STRAIGHT THREAD TO FLARE TUBE	53501	3-906	O-RING,STRAIGHT THREAD,-6
49212	8 WGTX-WLN-S	CONNECTOR,BULKHEAD,FEMALE PIPE TO FLARE TUBE	53502	3-908	O-RING,STRAIGHT THREAD,-8
49213	30682-8-8	HOSE END,FEMALE SWIVEL,JIC	53503	3-910	O-RING,STRAIGHT THREAD,-10
49216	831-8	HOSE,1/2 INCH ID			
49217	33982-8-8	HOSE END,90° FEMALE SWIVEL,JIC			
49219	PS-B-35	SLEEVE,NYLON,2.19" ID			
49418	4-6 V5OLO-S	ELBOW,45°,STRAIGHT THREAD TO ORFS			
49511	DT370-MOMS-5	VALVE,CHECK			
49512	1 DD-S	ELBOW,90°,FEMALE PIPE			
49513	1 FF-S	NIPPLE,PIPE			
49514	10 HP5ON-S	PLUG,STRAIGHT THREAD			
49515	12-16 CLO-S	ELBOW,90°,MALE PIPE TO ORFS			
49517	6 HP5ON-S	PLUG,STRAIGHT THREAD			
49519	16-12 F5OLO-S	CONNECTOR,STRAIGHT THREAD TO ORFS			
49520	4 VTX-S	ELBOW,45°,MALE PIPE TO FLARE TUBE			
49530	16 C6LO-S	ELBOW,90°,SWIVEL NUT ORFS			

Fitting Cross References (Continued)

Genie PN	Parker PN	Description	Genie PN	Parker PN	Description
53535	3-912	O-RING, STRAIGHT THREAD, -12	61083	24 F5OLO-S	CONNECTOR, STRAIGHT THREAD TO ORFS
53536	4-PNLO-S	PLUG, TUBE END, ORFS	61086	20 R5OLO-S	RUN TEE, STRAIGHT THREAD
53537	6 PNLO-S	PLUG, TUBE END, ORFS	61090	24-20 F5OLO-S	CONNECTOR, STRAIGHT THREAD TO ORFS
53538	8 PNLO-S	PLUG, TUBE END, ORFS	61091	1J943 24-24	HOSE END, 90° FEMALE SWIVEL, SEAL LOK
53539	10 PNLO-S	PLUG, TUBE END, ORFS	61093	1J978-12-12	HOSE END, 90° FEMALE SWIVEL, JIC
53540	12 PNLO-S	PLUG, TUBE END, ORFS	61095	1JS43-20-16	HOSE END, FEMALE SWIVEL, SEAL LOK
53946	129HB-5-4	FITTING, 90° HOSE BARB TO MALE PIPE	61100	811-24	HOSE, 1 1/2 INCH ID
53951	8-1/4F50G-S	ADAPTER, FEMALE PIPE TO STRAIGHT THREAD	61130	1JS43-24-24	HOSE END, FEMALE SWIVEL, SEAL LOK
53980	6 S6LO-S	BRANCH TEE, SWIVEL NUT TO ORFS	61131	1JS78 12-12	HOSE END, FEMALE SWIVEL, SEAL LOK
54132	4 C6LO-S	ELBOW, 90°, SWIVEL NUT ORFS	61132	1J778-12-12	HOSE END, 45° FEMALE SWIVEL, JIC
54135	11343-16-16	HOSE END, MALE SWIVEL, PIPE	61152	139HB-6-4	ELBOW, 45°, BARB TO MALE PIPE
54283	8-10 C5OLO-S	ELBOW, 90°, STRAIGHT THREAD TO ORFS	61251	BV-0750	BALL VALVE
54428	8M18C870MLO-S	ELBOW, 90° METRIC, STRAIGHT THREAD TO ORFS	61259	4 CC5OLO-S	ELBOW, 90° LONG, STRAIGHT THREAD TO ORFS
54803	FS-F-16-10	SLEEVE, FIRE, .96" ID	61260	20-12 TRLO-BL	REDUCER, TUBE END TO SWIVEL, ORFS
54954	10143-2-4	HOSE END, MALE PIPE	61262	12 C6LO-S	ELBOW, 90°, SWIVEL NUT ORFS
55190	3/8 HP-S	PLUG, PIPE THREAD	61263	20 F5OHAO-S	UNION, STRAIGHT THREAD
55448	8 HLO-S	UNION, ORFS	61264	6-10 C5OLO-S	ELBOW, 90°, STRAIGHT THREAD TO ORFS
55839	6 F65OX-S	CONNECTOR, STRAIGHT THREAD TO 37° SWIVEL	61265	6 WNLO-WLNL-S	UNION, BULKHEAD 45°, ORFS
55968	10 C5OX-S	ELBOW, 90°, STRAIGHT THREAD TO FLARE TUBE	61268	4 WNLO-WLNL-S	UNION, BULKHEAD 45°, ORFS
56003	6 CC5OLO-S	ELBOW, 90° LONG, STRAIGHT THREAD TO ORFS	61269	4 WLO-WLNL-S	UNION, BULKHEAD, ORFS
56166	BV-0837	BALL VALVE, 90°	61272	12 AOEL6	ELBOW, 90°, STRAIGHT THREAD TO ORFS SWIVEL
56188	10143-8-6	HOSE END, MALE PIPE	61316	482TC-16	HOSE, 1 INCH ID
56233	2-011	O-RING, ORFS, -4	61321	6 JLO-S	UNION TEE, ORFS
56234	2-012	O-RING, ORFS, -6	61327	782-12	HOSE, 3/4 INCH ID
56235	2-014	O-RING, ORFS, -8	61328	881-24	HOSE, 1 1/2 INCH ID
56236	2-016	O-RING, ORFS, -10	61336	11943-20-24	HOSE END, 90° FLANGE HEAD
56237	2-018	O-RING, ORFS, -12	61345	12 WJLO-WLNL-S	RUN TEE, BULKHEAD, ORFS
56238	2-021	O-RING, ORFS, -16	61346	8 WNLO-WLNL-S 4	UNION, BULKHEAD 45°, ORFS
56352	6 WLNL-S	LOCKNUT, BULKHEAD	61569	33782-8-8	HOSE END, 45° FEMALE SWIVEL, JIC
56353	3J782-12-12	HOSE END, 45° FEMALE SWIVEL, SEAL LOK	61610	12 FF5OLO-S	CONNECTOR, LONG, STRAIGHT THREAD TO ORFS
56354	3J982-12-12	HOSE END, 90° FEMALE SWIVEL, SEAL LOK	61742	1/8 X 1.5 FFF	NIPPLE, PIPE
56604	10-8 F5OLO-S	CONNECTOR, STRAIGHT THREAD TO ORFS	63426	8 PNTX-S	PLUG, FLARE TUBE
56639	3JC82-10-10	HOSE END, FEMALE SWIVEL, SEAL LOK			
56640	3J982-10-10	HOSE END, 90° FEMALE SWIVEL, SEAL LOK			
56655	3JC82-8-10	HOSE END, FEMALE SWIVEL, SEAL LOK			
56676	10-8 C5OLO-S	ELBOW, 90°, STRAIGHT THREAD TO ORFS			
56776	471TC-6	HOSE, 3/8 INCH ID			
56777	471TC-8	HOSE, 1/2 INCH ID			
56789	811-16	HOSE, 1 INCH ID			
57884	3/8 FF	NIPPLE, PIPE			
59335	6 FNL-S	CAP, TUBE END			
59342	4 FNL-S	CAP, TUBE END			
59371	8 HP5ON-S	PLUG, STRAIGHT THREAD			
60653	BV-0751	BALL VALVE			
60806	125HB-3-4	FITTING, HOSE BARB TO MALE PIPE			
61064	5-1/4 F5OG-S	ADAPTER, FEMALE PIPE TO STRAIGHT THREAD			
61079	4 WELO-WLNL-S	UNION, 90° BULKHEAD W/NUT, ORFS			
61080	6 WLO-WLNL-S	UNION, BULKHEAD, ORFS			

Fitting Cross References (Continued)

Genie PN	Parker PN	Description	Genie PN	Parker PN	Description
64271	4 WLO-WLNL-S	UNION,BULKHEAD,ORFS	75631	801-6	HOSE,3/8 INCH ID
64272	6 WLO-WLNL-S	UNION,BULKHEAD,ORFS	75654	20 F5OLO-S	CONNECTOR,STRAIGHT THREAD TO ORFS
65776	8 F65OL-S	CONNECTOR,STRAIGHT THREAD TO ORFS SWIVEL	75655	1J943-20-20	HOSE END,90° FEMALE SWIVEL,SEAL LOK
65880	6001012	O-RING KIT	75656	881-20	HOSE,1-1/4 INCH ID
66154	6 WTX-WLNS	UNION,BULKHEAD,FLARE TUBE	75971	8 F5OHAO-S	UNION,STRAIGHT THREAD
66155	6 WETX-S	UNION,BULKHEAD 90°,FLARE TUBE	77307	1JB43-8-8	HOSE END,BULKHEAD,SEAL LOK
66156	6 WLN-S	BULKHEAD LOCKNUT	77309	8 WLNL-S	BULKHEAD LOCKNUT
66389	6-8 F5OX-S	CONNECTOR,STRAIGHT THREAD TO FLARE TUBE	77379	8M18C87OMX-S	ELBOW,90° METRIC,STRAIGHT THREAD TO FLARE TUBE
66392	6 R5OX-S	RUN TEE,STRAIGHT THREAD	77703	3J982-8-8	HOSE END,90° FEMALE SWIVEL,SEAL LOK
66396	811-12	HOSE,3/4 INCH ID	77711	801-10	HOSE,5/8 INCH ID
66829	H3174PP	CLAMP,TUBE	77758	12 WNLO-WLNL-S	UNION,BULKHEAD 45°,ORFS
67217	4 KLO-S	UNION,CROSS,ORFS	78091	6 C6X-S	ELBOW,90°,SWIVEL NUT TO FLARE TUBE
67339	10-6 F5OX-S	CONNECTOR,STRAIGHT THREAD TO FLARE TUBE	78684	30582-8-8B	HOSE END,PUSH LOK,MALE
67357	13943-8-6	HOSE END,90° FEMALE SWIVEL,JIC	78852	549-2	HOSE,1/8 INCH ID
67358	10 HP5ON-S	PLUG,STRAIGHT THREAD	78855	10657-4-2	HOSE END,FEMALE SWIVEL,JIC
67371	12 S6LO-S	BRANCH TEE,SWIVEL NUT TO ORFS	79138	PS-B-37	SLEEVE,NYLON,2.38" ID
67498	4 FNL-S	CAP, TUBE END	79476	1JS43-6-8	HOSE END,FEMALE SWIVEL,SEAL LOK
67906	DC-370-F0F0-5	VALVE,CHECK	79847	12-3/4 A0EG-S	ELBOW,90°,STRAIGHT THREAD TO FEMALE PIPE
69316	8 FLO-S	CONNECTOR,MALE PIPE TO ORFS	80044	8 CLO-S	ELBOW,90°,MALE PIPE TO ORFS
69333	H3174PP	CLAMP,HYDRAULIC HOSE	80502	8 F5OX-S	CONNECTOR,STRAIGHT THREAD TO FLARE TUBE
69503	4 F65OX-S	CONNECTOR,STRAIGHT THREAD TO 37° SWIVEL	80503	8 C5OX-S	ELBOW,90°,STRAIGHT THREAD TO FLARE TUBE
69775	8 FNL-S	CAP, TUBE END	81010	AS-B-27	SLEEVE,NYLON,1.63" ID
71038	1/4X1/4F3HG-S	ADAPTER,CONVERSION	83052	821-6	HOSE,3/8 INCH ID
71196	12-8 F5OLO-S	CONNECTOR,STRAIGHT THREAD TO ORFS	83053	821-8	HOSE,1/2 INCH ID
71383	1/4 CD45-S	ELBOW,45°,MALE TO FEMALE PIPE	83054	821-12	HOSE,3/4 INCH ID
72270	12FNL-S	CAP, TUBE END	83055	30682-6-6	HOSE END,FEMALE SWIVEL,JIC
73436	60C-4	SLEEVE,COMPRESSION	83056	30682-12-12	HOSE END,FEMALE SWIVEL,JIC
73437	61C-4	NUT,COMPRESSION	83057	33782-6-6	HOSE END,45° FEMALE SWIVEL,JIC
73438	33482-4-4B	HOSE END,PUSH LOK,MALE	83058	33982-6-6	HOSE END,90° FEMALE SWIVEL,JIC
73767	1CD-S	ELBOW,90°,MALE TO FEMALE PIPE	83060	33982-12-12	HOSE END,90° FEMALE SWIVEL,JIC
73768	20-16-F5OG5-S	ADAPTER,FEMALE PIPE TO STRAIGHT THREAD	83063	13743-4-4	HOSE END,45° FEMALE SWIVEL,JIC
73769	16-20 F5OLO-S	CONNECTOR,STRAIGHT THREAD TO ORFS			
74660	6-8 F42EDMLO-S	CONNECTOR,MALE BSPP TO ORFS			
74661	8-8 F42EDMLO-S	CONNECTOR,MALE BSPP TO ORFS			
75007	4 FLO-S	CONNECTOR,MALE PIPE TO ORFS			
75008	1/8 HP-S	PLUG,PIPE THREAD			
75014	1/2 HP-S	PLUG,PIPE THREAD			
75042	8 WELO-WLNL-S	UNION,90° BULKHEAD W/NUT,ORFS			
75043	3/4 FF-S	NIPPLE,PIPE			
75254	24 F5OHAO-S	UNION,STRAIGHT THREAD			
75255	12 F5OHAO-S	UNION,STRAIGHT THREAD			
75256	XV506P-24	BALL VALVE			
75574	4 WLNL-S	BULKHEAD LOCKNUT			
75612	8 WJLO-WLNL-S	RUN TEE, BULKHEAD,ORFS			
75613	12-8 F5OG5-S	ADAPTER,FEMALE PIPE TO STRAIGHT THREAD			
75614	8 CC5OLO-S	ELBOW,90° LONG,STRAIGHT THREAD TO ORFS			
75628	1JB43-4-4	HOSE END,BULKHEAD,SEAL LOK			

Fitting Cross References (Continued)

Genie PN	Parker PN	Description	Genie PN	Parker PN	Description
83064	13743-8-8	HOSE END,45° FEMALE SWIVEL,JIC	89449	6 WJLO-WLNL-S	RUN TEE, BULKHEAD,ORFS
83065	13743-12-12	HOSE END,45° FEMALE SWIVEL,JIC	89489	4 WJMLO-S	BRANCH TEE,BULKHEAD,ORFS
83066	13943-8-8	HOSE END,90° FEMALE SWIVEL,JIC	89551	1JB43-6-6	HOSE END,BULKHEAD,SEAL LOK
83067	14143-6-6	HOSE END,90° FEMALE SWIVEL,JIC	89552	1JB43-8-8	HOSE END,BULKHEAD,SEAL LOK
83068	14143-8-8	HOSE END,90° FEMALE SWIVEL,JIC	89593	20 C5OLO-S	ELBOW,90°,STRAIGHT THREAD TO ORFS
83069	14143-12-12	HOSE END,90° FEMALE SWIVEL,JIC	94161	8-8 CLO-S	ELBOW,90°,MALE PIPE TO ORFS
83070	772-8	HOSE,1/2 INCH ID	94358	351TC-12	HOSE,3/4 INCH ID
83071	10671-8-8	HOSE END,FEMALE SWIVEL,JIC	94418	20 FLO-S	CONNECTOR,MALE PIPE TO ORFS
83072	10671-12-12	HOSE END,FEMALE SWIVEL,JIC	96358	12 TX-S	SLEEVE,FLARE TUBE
83073	13771-8-8	HOSE END,45° FEMALE SWIVEL,JIC	96359	12 BTX-S	NUT,FLARE TUBE
83074	13771-12-12	HOSE END,45° FEMALE SWIVEL,JIC	96397	8 F5OX-S	CONNECTOR,STRAIGHT THREAD TO FLARE TUBE
83075	13971-8-8	HOSE END,90° FEMALE SWIVEL,JIC	96398	12-8 F5OX-S	CONNECTOR,STRAIGHT THREAD TO FLARE TUBE
83076	13971-12-12	HOSE END,90° FEMALE SWIVEL,JIC	96402	10343-6-6	HOSE END,MALE,JIC
83077	14171-8-8	HOSE END,90° FEMALE SWIVEL,JIC	96407	30382-6-6B	HOSE END,MALE,JIC
83078	14171-12-12	HOSE END,90° FEMALE SWIVEL,JIC			
83080	13943-16-16	HOSE END,90° FEMALE SWIVEL,JIC			
83103	10671-16-12	HOSE END,FEMALE SWIVEL,JIC			
83104	10671-10-12	HOSE END,FEMALE SWIVEL,JIC			
83112	1JC71-8-8	HOSE END,FEMALE SWIVEL,SEAL LOK			
83113	1JS71-16-12	HOSE END,FEMALE SWIVEL,SEAL LOK			
83114	1JS71-10-12	HOSE END,FEMALE SWIVEL,SEAL LOK			
83115	1J971-8-8	HOSE END,90° FEMALE SWIVEL,SEAL LOK			
83116	1J171-8-8	HOSE END,90° FEMALE SWIVEL,SEAL LOK			
83117	1J771-8-8	HOSE END,45° FEMALE SWIVEL,SEAL LOK			
83127	1J543-6-8	HOSE END,90° FEMALE SWIVEL,JIC			
83128	1JC43-6-8	HOSE END,FEMALE SWIVEL,SEAL LOK			
87033	12-6 TRLO-S	REDUCER,TUBE END TO SWIVEL,ORFS			
87034	3J782-8-8	HOSE END,45° FEMALE SWIVEL,SEAL LOK			
87172	12 HP5ON-S	PLUG,STRAIGHT THREAD			
87185	8 WNLO-WLNL-S	UNION,BULKHEAD 45°,ORFS			
87246	4 C6X-S	ELBOW,90°,SWIVEL NUT TO FLARE TUBE			
87679	6 LHP-S	FLANGE SEAL FITTING, MALE			
87681	6PLS N0702	BONDED SEAL			
88100	SR88100	ADAPTER,OIL DRAIN,GM 3.0L			
88311	1JS43-20-20	HOSE END,FEMALE SWIVEL,SEAL LOK			
88353	20 V5OLO-S	ELBOW,45°,STRAIGHT THREAD TO ORFS			
88474	10081-20	Crimp Shell, 1.25"			
88475	1988-20-24	HOSE END,90° FLANGE HEAD			
88476	JS88-24-24	HOSE END,FEMALE SWIVEL,SEAL LOK			
88477	1JC88-20-20	HOSE END,FEMALE SWIVEL,SEAL LOK			
88478	811-20	HOSE,11/4 INCH ID			
88936	20-16 F5OLO-S	CONNECTOR,STRAIGHT THREAD TO ORFS			
88937	20-16 FLO-S	CONNECTOR,MALE PIPE TO ORFS			
88938	1JC88-16-16	HOSE END,FEMALE SWIVEL,SEAL LOK			
88939	1J988-16-16	HOSE END,90° FEMALE SWIVEL,ORFS			
88940	811-16	HOSE,1 INCH ID			
88944	1J988-20-20	HOSE END,90° FEMALE SWIVEL,ORFS			
89403	16 VLO-S	ELBOW,45°,MALE PIPE TO ORFS			

California Proposition 65



Operating, servicing and maintaining this equipment can expose you to chemicals including engine exhaust, carbon monoxide, phthalates, and lead, which are known to the State of California to cause cancer and birth defects or other reproductive harm. These chemicals can be emitted from or contained in other various parts and systems, fluids and some component wear by-products. To minimize exposure, avoid breathing exhaust, do not idle the engine except as necessary, service your equipment and vehicle in a well-ventilated area and wear gloves or wash your hands frequently when servicing your equipment or vehicle and after operation. For more information go to www.P65Warnings.ca.gov/passenger-vehicle.

Distributed By:

Go to Discount-Equipment.com to order your parts

PARTS FINDER

**Search Website
by Part Number**



**Search Manual
Library For Parts
Manual & Lookup Part
Numbers – Purchase
or Request Quote**

Search Manuals

Enter your information to help us find the right parts manual for your machine.

* Brand:

* Model:

* Serial:

* Part Number:

SEARCH

**Can't Find Part or
Manual? Request Help
by Manufacturer,
Model & Description**

Parts Order Form

Please fill in the following information to help us find the right part for your machine.

Manufacturer:	<input type="text"/>
Model:	<input type="text"/>
Description:	<input type="text"/>
Part Number:	<input type="text"/>
Quantity:	<input type="text"/>
Notes:	<input type="text"/>

Discount-Equipment.com is your online resource for quality parts & equipment.

Florida: **561-964-4949** Outside Florida TOLL FREE: **877-690-3101**

Need parts?

Click on this link: <http://www.discount-equipment.com/category/5443-parts/> and choose one of the options to help get the right parts and equipment you are looking for. Please have the machine model and serial number available in order to help us get you the correct parts. If you don't find the part on the website or on one of the online manuals, please fill out the request form and one of our experienced staff members will get back to you with a quote for the right part that your machine needs.

We sell worldwide for the brands: Genie, Terex, JLG, MultiQuip, Mikasa, Essick, Whiteman, Mayco, Toro Stone, Diamond Products, Generac Magnum, Airman, Haulotte, Barreto, Power Blanket, Nifty Lift, Atlas Copco, Chicago Pneumatic, Allmand, Miller Curber, Skyjack, Lull, Skytrak, Tsurumi, Husquvarna Target, Stow, Wacker, Sakai, Mi-T-M, Sullair, Basic, Dynapac, MBW, Weber, Bartell, Bennar Newman, Haulotte, Ditch Runner, Menegotti, Morrison, Contec, Buddy, Crown, Edco, Wyco, Bomag, Laymor, EZ Trench, Bil-Jax, F.S. Curtis, Gehl Pavers, Heli, Honda, ICS/PowerGrit, IHI, Partner, Imer, Clipper, MMD, Koshin, Rice, CH&E, General Equipment, Amida, Coleman, NAC, Gradall, Square Shooter, Kent, Stanley, Tamco, Toku, Hatz, Kohler, Robin, Wisconsin, Northrock, Oztec, Toker TK, Rol-Air, APT, Wylie, Ingersoll Rand / Doosan, Innovatech, Con X, Ammann, Mecalac, Makinex, Smith Surface Prep, Small Line, Wanco, Yanmar