



A TEREX BRAND



Parts Manual

Serial Number Range

GS-1530

GS-1532

GS-1930

GS-1932

from SN GS30D-40101

Part No. 1306055GT

Rev: A

September 2020

Go to Discount-Equipment.com to order your parts

PARTS FINDER

**Search Website
by Part Number**



**Search Manual
Library For Parts
Manual & Lookup Part
Numbers – Purchase
or Request Quote**

Search Manuals

Enter your information to help us find the right parts manual for your machine.

* Brand:

* Model:

* Serial:

* Part Number:

SEARCH

**Can't Find Part or
Manual? Request Help
by Manufacturer,
Model & Description**

Parts Order Form

Please fill in the following information to help us find the right part for your machine.

Manufacturer:	<input type="text"/>
Model:	<input type="text"/>
Description:	<input type="text"/>
Part Number:	<input type="text"/>
Quantity:	<input type="text"/>
Notes:	<input type="text"/>

Submit

Discount-Equipment.com is your online resource for quality parts & equipment.

Florida: **561-964-4949** Outside Florida TOLL FREE: **877-690-3101**

Need parts?

Click on this link: <http://www.discount-equipment.com/category/5443-parts/> and choose one of the options to help get the right parts and equipment you are looking for. Please have the machine model and serial number available in order to help us get you the correct parts. If you don't find the part on the website or on one of the online manuals, please fill out the request form and one of our experienced staff members will get back to you with a quote for the right part that your machine needs.

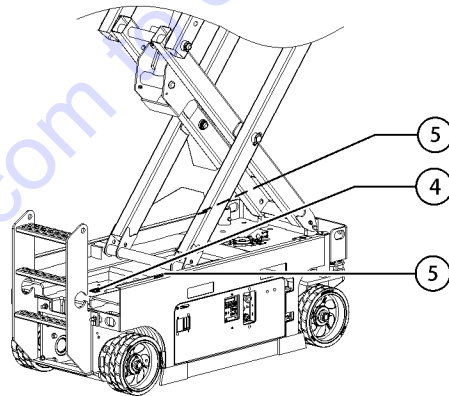
We sell worldwide for the brands: Genie, Terex, JLG, MultiQuip, Mikasa, Essick, Whiteman, Mayco, Toro Stone, Diamond Products, Generac Magnum, Airman, Haulotte, Barreto, Power Blanket, Nifty Lift, Atlas Copco, Chicago Pneumatic, Allmand, Miller Curber, Skyjack, Lull, Skytrak, Tsurumi, Husquvarna Target, Stow, Wacker, Sakai, Mi-T-M, Sullair, Basic, Dynapac, MBW, Weber, Bartell, Bennar Newman, Haulotte, Ditch Runner, Menegotti, Morrison, Contec, Buddy, Crown, Edco, Wyco, Bomag, Laymor, EZ Trench, Bil-Jax, F.S. Curtis, Gehl Pavers, Heli, Honda, ICS/PowerGrit, IHI, Partner, Imer, Clipper, MMD, Koshin, Rice, CH&E, General Equipment, Amida, Coleman, NAC, Gradall, Square Shooter, Kent, Stanley, Tamco, Toku, Hatz, Kohler, Robin, Wisconsin, Northrock, Oztec, Toker TK, Rol-Air, APT, Wylie, Ingersoll Rand / Doosan, Innovatech, Con X, Ammann, Mecalac, Makinex, Smith Surface Prep, Small Line, Wanco, Yanmar

Genie
A TEREX BRAND

Model:
Serial number: GS30D-123456
Year of manufacture: 2020
Electrical schematic number:
Machine unladen weight:
Rated work load (including occupants):
Maximum number of platform occupants:
Maximum allowable inclination of the chassis:
Outrigger retracted:
Outrigger deployed:

GS30 D -123456

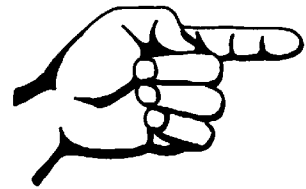
1 2 3



- 1 Model
- 2 Facility code
- 3 Sequence number

- 4 Serial label (located on chassis)
- 5 Serial number (stamped on chassis)

Please refer to section 001 for the Recommended Spare



This page intentionally left blank.

Go to Discount-Equipment.com to order your parts

Description	Page
001 Parts Stocking List	10
001.1 Parts Stocking List	10
100 Decals	12
101.1 Decals with Words, GS-1530 & GS-1532, Battery Side, ANSI & Australia	12
102.1 Decals with Words, GS-1530 & GS-1532, Ground Controls Side, ANSI & Australia	14
103.1 Decals with Words, GS-1530 & GS-1532, Platform, ANSI & Australia	18
104.1 Decals with Symbols, GS-1530 & GS-1532 Battery Side, ANSI & CE	20
105.1 Decals with Symbols, GS-1530 & GS-1532 Ground Control Side, ANSI & CE	22
106.1 Decals with Symbols, GS-1530 & GS-1532 Platform, ANSI & CE	26
107.1 Decals with Words, GS-1930 Battery Side, ANSI & Australia	28
108.1 Decals with Words, GS-1930 Ground Controls Side, ANSI & Australia	30
109.1 Decals with Words, GS-1930 Platform, ANSI & Australia	34
110.1 Decals with Symbols, GS-1930 Battery Side, ANSI & CE	36
111.1 Decals with Symbols, GS-1930 Ground Control Side, ANSI & CE	38
112.1 Decals with Symbols, GS-1930 Platform, ANSI & CE	42
113.1 Decals with Words, GS-1932 Battery Side, ANSI & Australia	44
114.1 Decals with Words, GS-1932 Ground Controls Side, ANSI & Australia	46
115.1 Decals with Words, GS-1932 Platform, ANSI & Australia	50
116.1 Decals with Symbols, GS-1932 Battery Side, ANSI & CE	52
117.1 Decals with Symbols, GS-1932 Ground Control Side, ANSI & CE	54
118.1 Decals with Symbols, GS-1932 Platform, ANSI & CE	58
200 Drive Chassis Components.....	60
201.1 Steer Linkage and Wheels	60
202.1 Non-steer Axle Installation, All Models	64
203.1 Level Sensor Installation, All models	66
204.1 Pothole Protection Assembly	68
205.1 Battery Pack Module	72
206.1 Battery Charger	74
207.1 Power Unit Module	76
208.1 Ground Controls	78
209.1 Electrical Wiring	82
210.1 Power Cables	84
300 Scissor Components	86
301.1 Scissor Assembly Installation	86
302.1 Scissor Assembly, GS-1530/1532	88
303.1 Scissor Assembly, GS-1930/1932	92
400 Platform Components	96

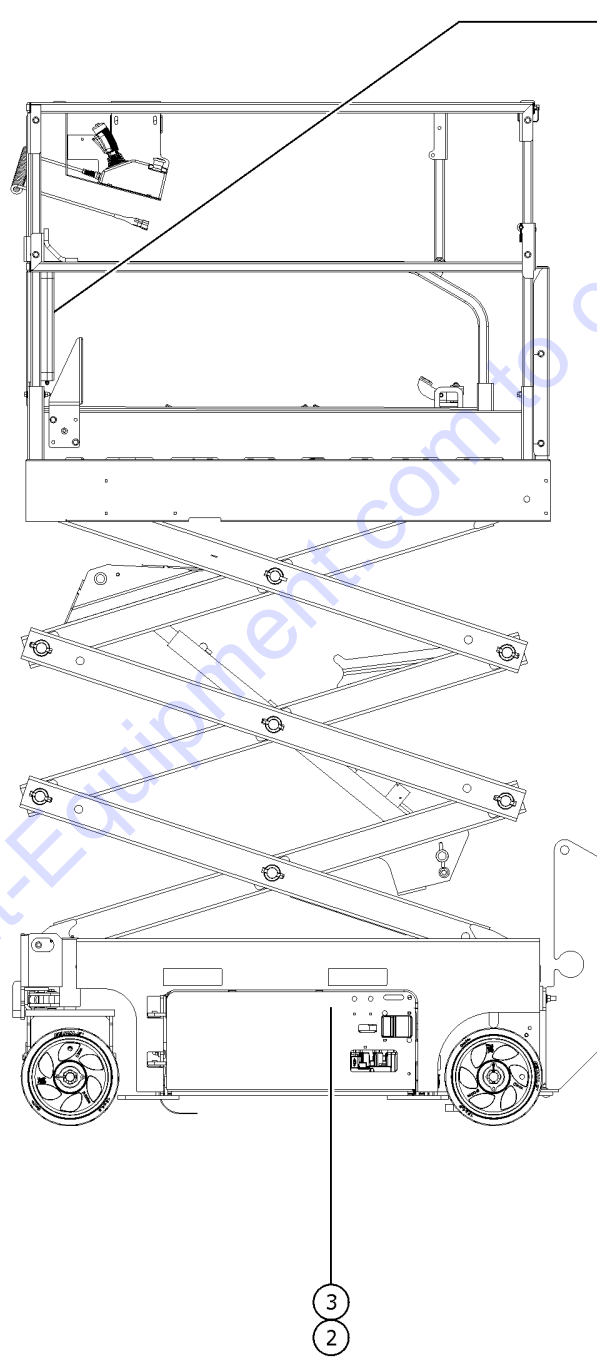
Table of Contents

Description	Page
401.1 Platform Components, GS-1530/1532	96
402.1 Platform Components, GS-1930/1932	102
403.1 Platform Gate	108
404.1 Power to Platform	110
405.1 Platform Controls	112
406.1 Joystick Controller	114
500 Hydraulic Components	116
501.1 Hydraulic Components	116
502.1 Power Unit	118
503.1 Lift Cylinder Assembly, All Models	120
504.1 Hydraulic Hoses and Fittings	122
600 Accessories	124
601.1 Padded Auxiliary Rail	124
602.1 PCON Guard	126
603.1 RCBO	128
604.1 Charger Isolation	130
700 Platform Overload	132
701.1 Platform Overload	132
Part Number Index	134

Go to Discount-Equipment.com to order your parts



001.1 Parts Stocking List



Go to Discount-Equipment.com to order your parts



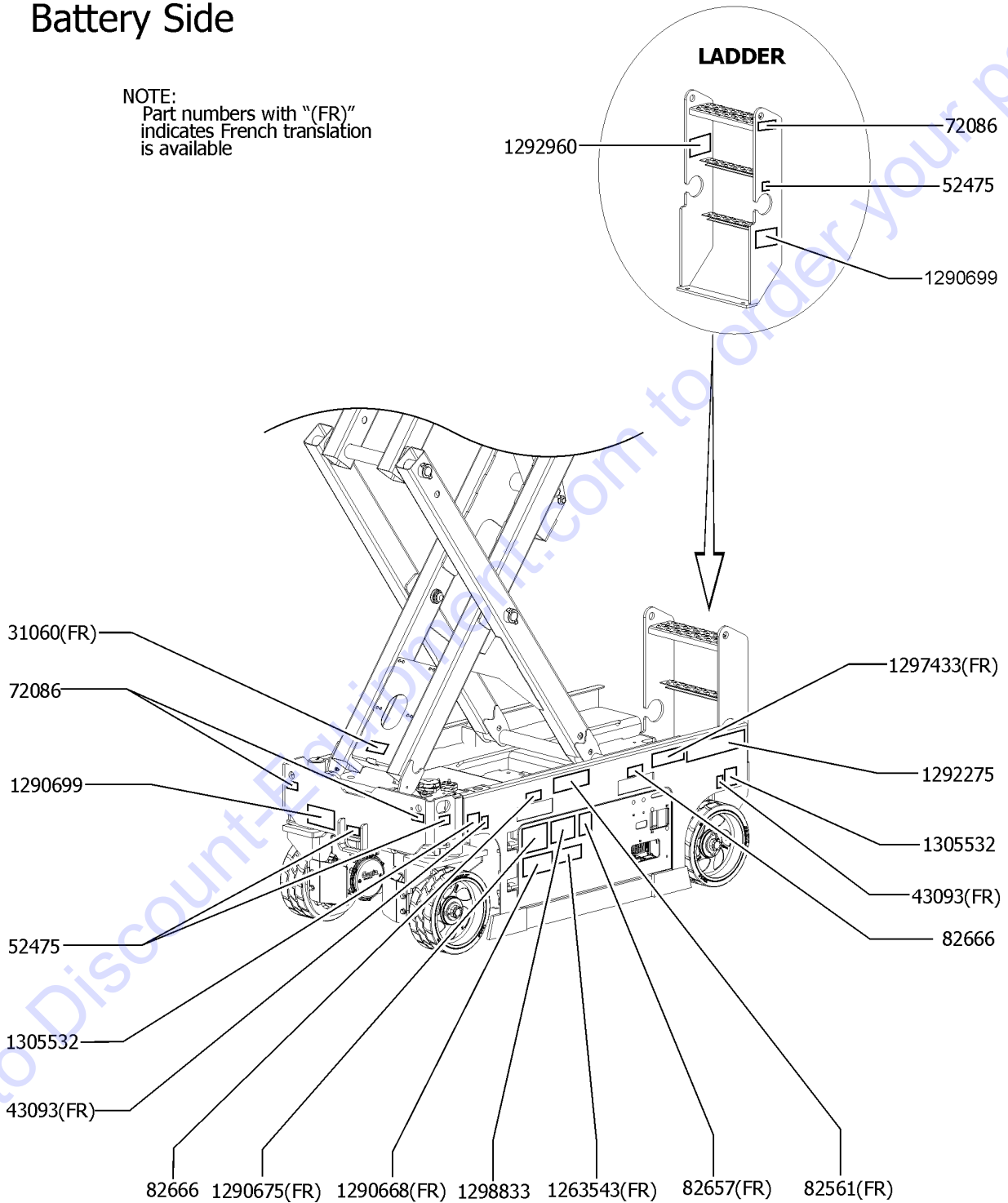
Item	Part No.	Description	Qty.
-	1257733GT	PAINT,WET,TRAFFIC BLACK (1 GL)** 1-gallon	
-	1258567GT	PAINT, AEROSOL, TRAFFIC BLACK 12-ounce spray paint	
-	1268GT	PAINT,AEROSOL,GENIE GRAY*** 12-ounce spray paint	
-	1484GT	PAINT,AEROSOL,BRIGHT BLUE*** 12-ounce spray paint	
-	32150GT	PAINT,WET,GENIE BLUE (1 GL)** 1-gallon	
-	32151GT	PAINT,WET,GENIE GRAY (1 GL)** 1-gallon	
-	66399GT	GREASE,DIELECTRIC 4 OZ**	
1	27581GT	MANUAL,AEM SAFETY	
1B	44163GT	MANUAL,RESPON,A92.6 SCISSOR	
2	1300318GT	FILTER, ELEMENT, SPIN ON	
3	78546GT	BREATHER CAP,HYD. TANK,1/4 NPT	

Go to Discount-Equipment.com to order your parts



Battery Side

NOTE:
Part numbers with "(FR)"
indicates French translation
is available



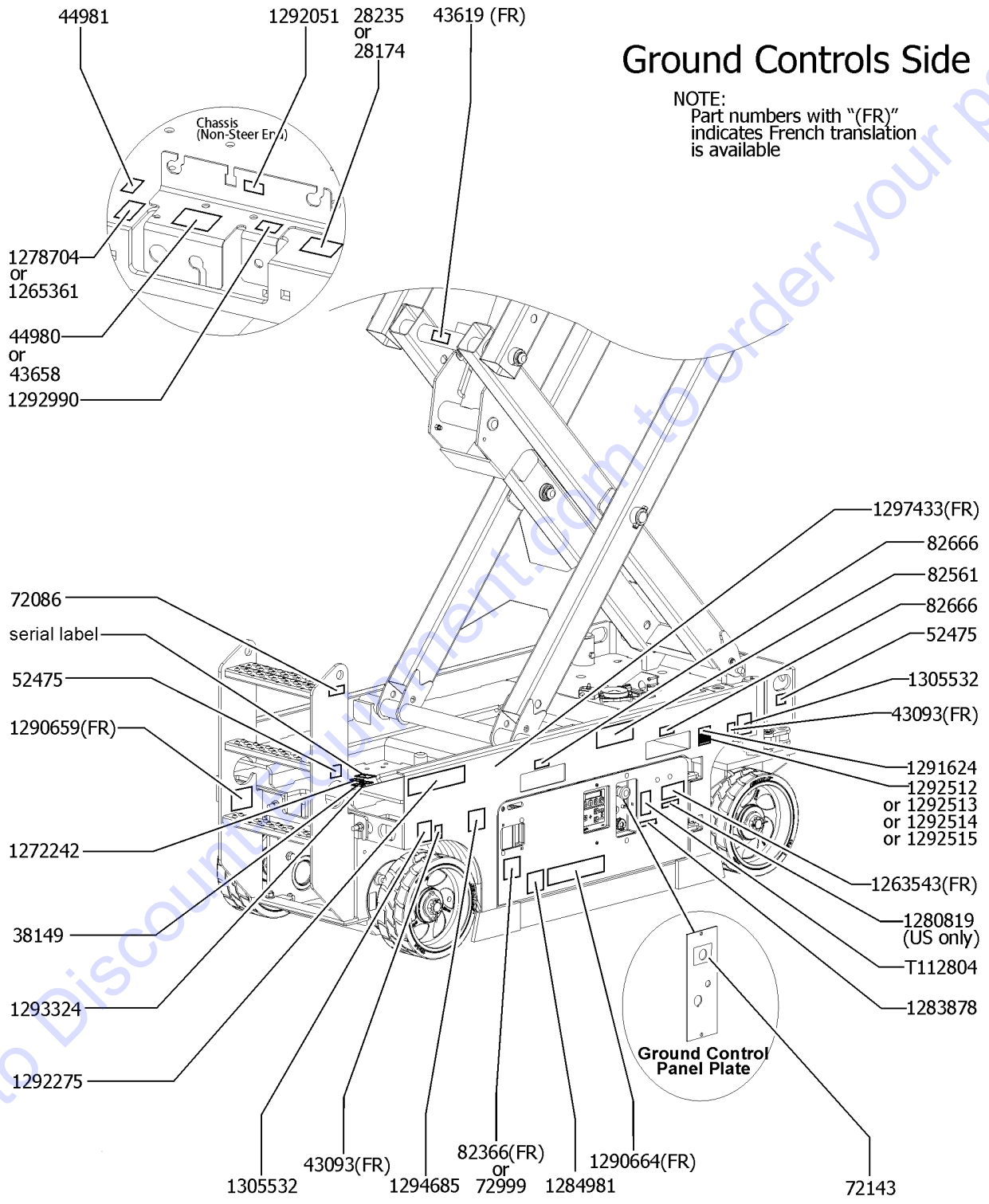
101.1 Decals with Words, GS-1530 & GS-1532, Battery Side, ANSI & Australia

Item	Part No.	Description	Qty.
1	31060GT	DECAL,DANGER DO NOT ALTER SWTC	1
2	43093GT	DECAL,LABEL,TIRE SPECS	2
3	52475GT	DECAL,LABEL,TRANSPORT TIEDOWN*	3
4	72086GT	DECAL,LABEL,LIFTING EYE	3
5	82561GT	DECAL,DANGER-USE SAFETY ARM	1
6	82657GT	DECAL,INSTRUCT,BATTERY CONNECT	1
7	82666GT	DECAL,LABEL,FORKLIFT POCKET	2
8	1263543GT	DECAL,COMPARTMENT ACCESS	1
9	1290668GT	DECAL,INSTRUCTIONS-CHARGER OP,GS-1330m	1
10	1290675GT	DECAL,DANGER,BATTERY SAFETY***,GS-1330m	1
11	1290699GT	DECAL,LABEL TRANSPORT DIAGRAM,GS-1330m	2
12	1292275GT	DECAL,ELECTRIC DRIVE,E-DRIVE	1
13	1292960GT	DECAL,DANGER,BRAKE REL SAFETY,GS-1330m	1
14	1297433GT	DECAL, DANGER, ELECRICAL HAZARD, SLAB	1
15	1298833GT	DECALS,DANGER,TIP-OVER,BATTERY	1
16	1305532GT	DECAL, LABEL, WHEEL LOAD, E-DRIVE, GS-1530/32	2

Go to Discount-Equipment.com to order your parts



102.1 Decals with Words, GS-1530 & GS-1532, Ground Controls Side, ANSI & Australia

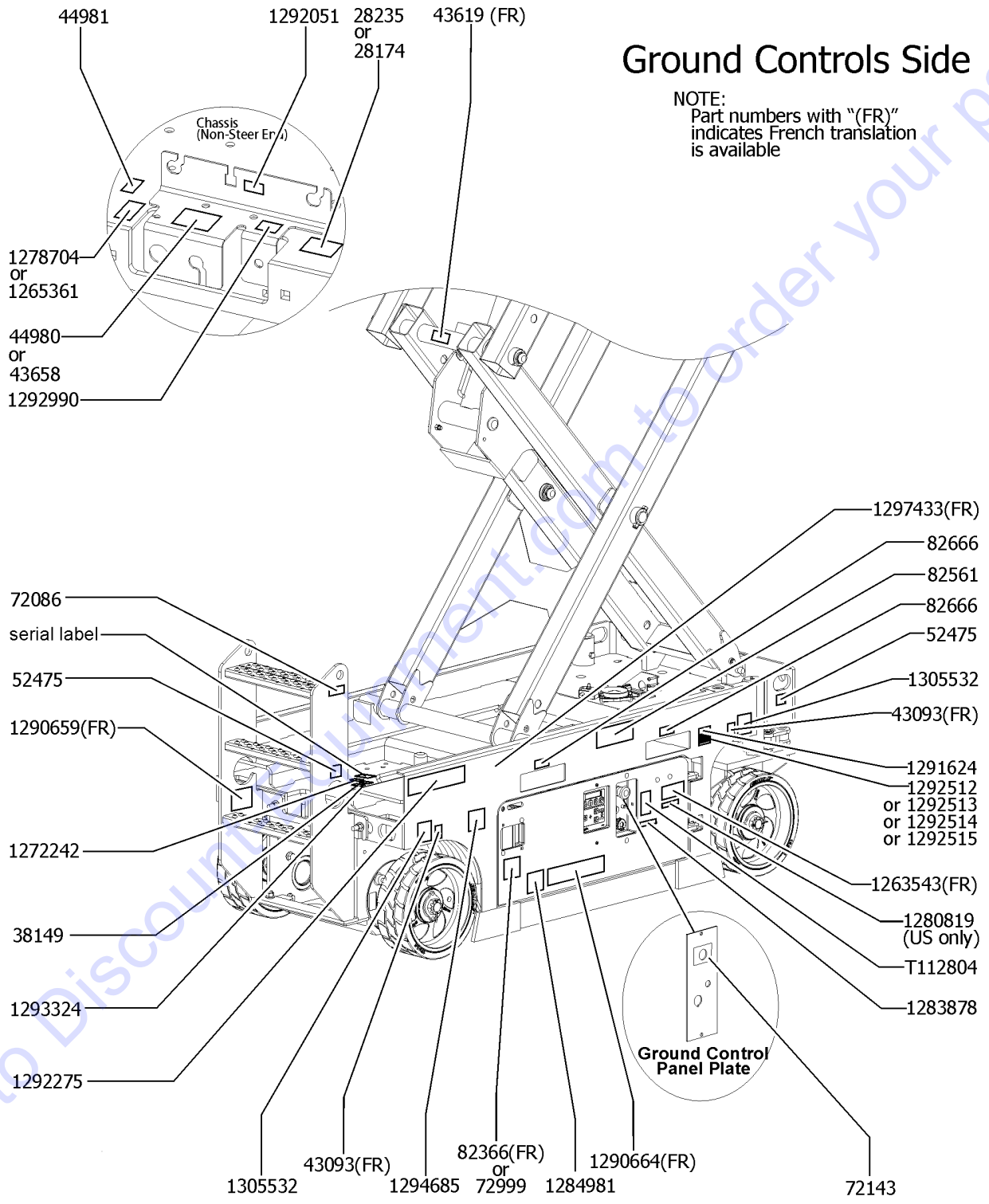


102.1 Decals with Words, GS-1530 & GS-1532, Ground Controls Side, ANSI & Australia

Item	Part No.	Description	Qty.
1	28174GT	DECAL,POWER TO PLATFORM 230V	1
2	28235GT	DECAL,POWER TO PLATFORM 115V	1
3	38149GT	DECAL,LABEL,PATENTS	1
4	43093GT	DECAL,LABEL,TIRE SPECS	2
5	43619GT	DECAL,LABEL,SAFETY ARM	1
6	43658GT	DECAL, LABEL, PWR TO CHARGER 230 EU	1
7	44980GT	DECAL, LABEL, PWR TO CHARGER 115 UK	1
8	44981GT	DECAL,LABEL,AIRLINE 110 PSI	1
9	52475GT	DECAL,LABEL,TRANSPORT TIEDOWN*	2
10	72086GT	DECAL,LABEL,LIFTING EYE	1
11	72143GT	DECAL, EMERGENCY STOP, GR	1
12	72999GT	DECAL,LABEL,PETRO CANADA***	1
13	82366GT	DECAL,CHEVRON RANDO HD	1
14	82561GT	DECAL,DANGER-USE SAFETY ARM	1
15	82666GT	DECAL,LABEL,FORKLIFT POCKET	2
16	1263543GT	DECAL,COMPARTMENT ACCESS	1
17	1265361GT	DECAL, BATTERY CHARGER INDICAT	1
18	1272242GT	DECAL,MACHINE REGISTRATION/OWNER TRANSFER	1
19	1278704GT	DECAL,CHARGE STATUS IND.	1
20	1280819GT	DECAL,WARNING,CANCER AND REPRODUCTIVE HARM, PROP 65	1
21	1283878GT	DECAL, TECHPRO LINK	1
22	1284981GT	DECAL,ACCUMULATOR EXPLOSION HARZARD,WORD	1
23	1290659GT	DECAL,DANGER,ELECT HAZARD,PLUG,GS-1330m	1
24	1290664GT	DECAL,OP INST,GCON,GS-1330m	1
25	1291624GT	DECAL COSM,GENIE LIFT CONNECT,LEXAN COVER	1
26	1292051GT	DECAL,EMERGENCY LOWERING,GS-1330m	1
27	1292275GT	DECAL,ELECTRIC DRIVE,E-DRIVE	1
28	1292512GT	DECAL COSM,GENIE LIFT CONNECT,ESN,SKU4-1	1



102.1 Decals with Words, GS-1530 & GS-1532, Ground Controls Side, ANSI & Australia



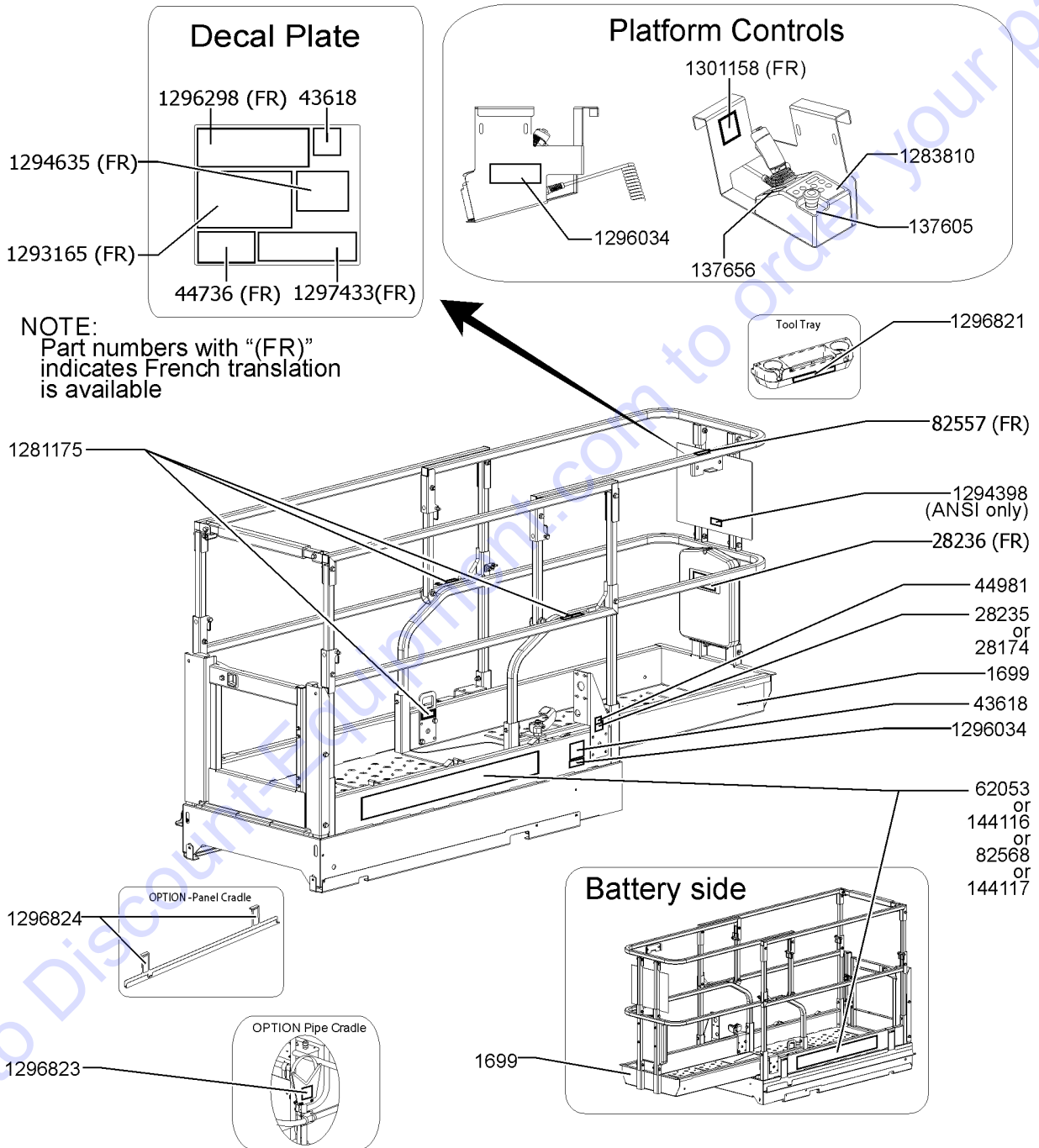
102.1 Decals with Words, GS-1530 & GS-1532, Ground Controls Side, ANSI & Australia

Item	Part No.	Description	Qty.
29	1292513GT	DECAL COSM,GENIE LIFT CONNECT,ESN,SKU4-2	1
30	1292514GT	DECAL COSM,GENIE LIFT CONNECT,ESN,SKU4-3	1
31	1292515GT	DECAL COSM,GENIE LIFT CONNECT,ESN,SKU4-4	1
32	1292990GT	DECAL,RELEASE BRAKE	1
		(E-drive only)	
33	1293324GT	DECAL, ICES-2/CAN-2 COMPLIANCE	1
34	1294685GT	DECAL,ANNUAL INSP***, MINI	1
35	1297433GT	DECAL, DANGER, ELECRICAL HAZARD, SLAB	1
36	1305532GT	DECAL, LABEL, WHEEL LOAD, E-DRIVE, GS-1530/32	2
37	T112804GT	DECAL,GCON PANEL,GS	1

Go to Discount-Equipment.com to order your parts



Platform, ANSI and Australia models

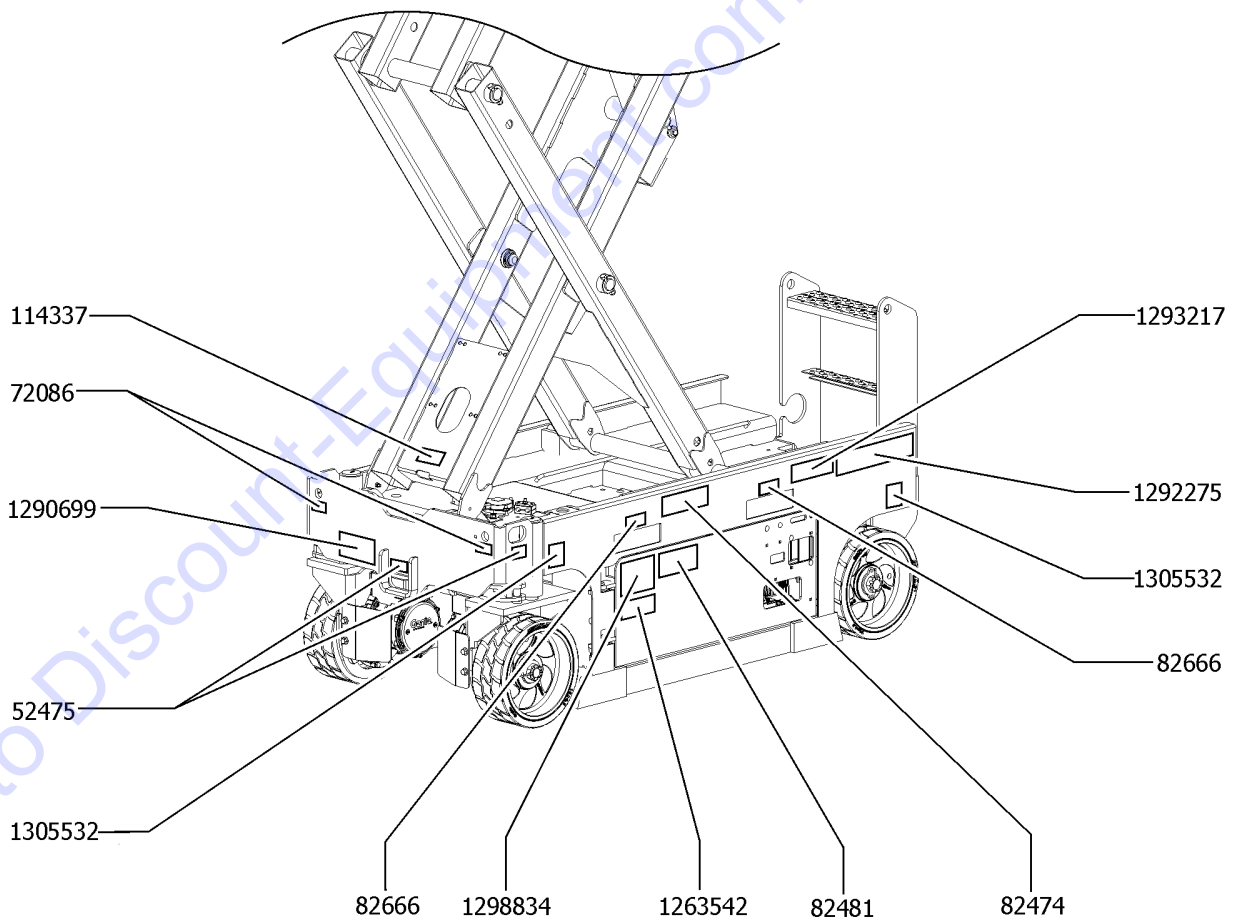
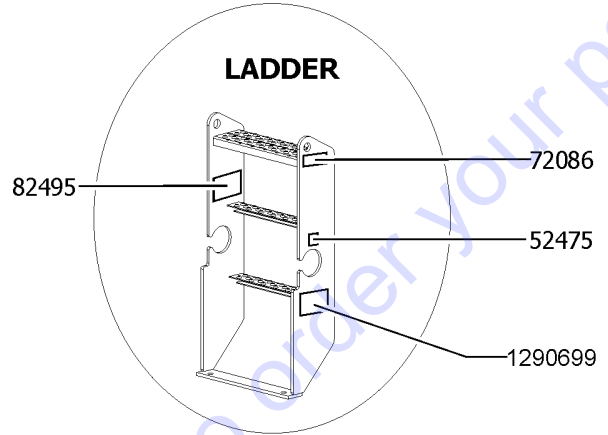


103.1 Decals with Words, GS-1530 & GS-1532, Platform, ANSI & Australia

Item	Part No.	Description	Qty.
1	1699GT	TAPE, WARN, BLACK/YELLOW, BULK	2
2	28174GT	DECAL,POWER TO PLATFORM 230V	1
3	28235GT	DECAL,POWER TO PLATFORM 115V	1
4	28236GT	DECAL,WARN,IMPROPER OPERATION	1
5	43618GT	DECAL,LABEL-DIRECTION ARROWS	2
6	44736GT	DECAL,DANGER,TIP-OVER,TILT	1
7	44981GT	DECAL,LABEL,AIRLINE 110 PSI	1
8	62053GT	DECAL,COSMETIC,GENIE GS-1530**	2
9	82557GT	DECAL,LABEL,PLAT CONT LOCATION	1
10	82568GT	DECAL COSMETIC GENIE GS-1532	2
11	137605GT	DECAL,E-STOP, GR/GRC/GS PCON	1
12	137656GT	DECAL, PROPEL, GR/GRC/GS, PCON	1
13	144116GT	DECAL,COSMETIC,GENIE,GS1530,BLK	2
14	144117GT	DECAL,COSMETIC,GENIE,GS1532,BLK	2
15	1281175GT	DECAL,LANYARD,FALL RESTRAINED	3
16	1283810GT	DECAL,STD,DUAL ZONE,GR/GS,UI	1
17	1293165GT	DECAL,DANGER/WARNING COMBO, GS-1330m	1
18	1294398GT	DECAL, ANSI/CSA COMPLIANT	1
19	1294635GT	DECAL, PLATFORM OVERLOAD LED INDICATOR LIGHT	1
20	1296034GT	DECAL, SMARTLINK, DUAL ZONE	2
21	1296298GT	DECAL, DANGER, MAX CAPACITY 600LBS, SIDE FORCE 45/90LBS	1
22	1296821GT	DECAL, WARNING, TOOL TRAY	1
23	1296823GT	DECAL, WARNING, PIPE CRADLE	1
24	1296824GT	DECAL, WARNING, PANEL CARRIER	2
25	1297433GT	DECAL, DANGER, ELECTRICAL HAZARD, SLAB	1
26	1301158GT	DECAL,LABEL,FAULT CODES	1



Battery Side



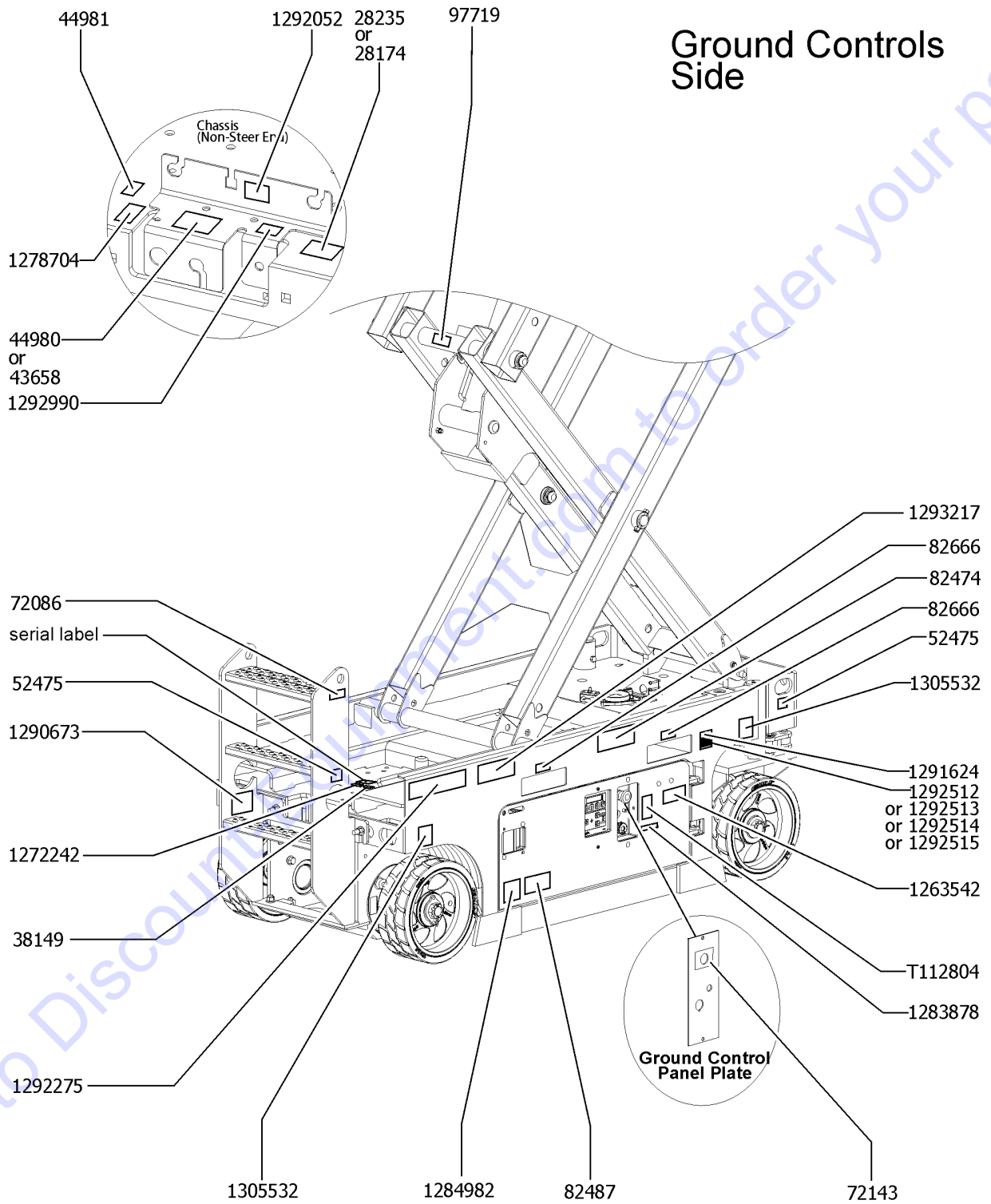
104.1 Decals with Symbols, GS-1530 & GS-1532 Battery Side, ANSI & CE

Item	Part No.	Description	Qty.
1	52475GT	DECAL,LABEL,TRANSPORT TIEDOWN*	3
2	72086GT	DECAL,LABEL,LIFTING EYE	3
3	82474GT	DECAL SYMBOL USE SAFETY ARM	1
4	82481GT	DECAL SYMBOL BATTERY SAFETY	1
5	82495GT	DECAL SYMBOL BRAKE REL SAFETY	1
6	82666GT	DECAL,LABEL,FORKLIFT POCKET	2
7	114337GT	DECAL SYMBOL TIP OVER LIMIT SWITCH	1
8	1263542GT	DECAL,IMPROPER OPERATION,SYMBOL	1
9	1290699GT	DECAL,LABEL TRANSPORT DIAGRAM,GS-1330m	2
10	1292275GT	DECAL,ELECTRIC DRIVE,E-DRIVE	1
11	1293217GT	DECAL SYMBOL ELECTRIC HAZARD GS-1330m	1
12	1298834GT	DECAL,DANGER,TIP-OVER,BATTERY	1
13	1305532GT	DECAL, LABEL, WHEEL LOAD, E-DRIVE, GS-1530/32	2

Go to Discount-Equipment.com to order your parts



105.1 Decals with Symbols, GS-1530 & GS-1532 Ground Control Side, ANSI & CE

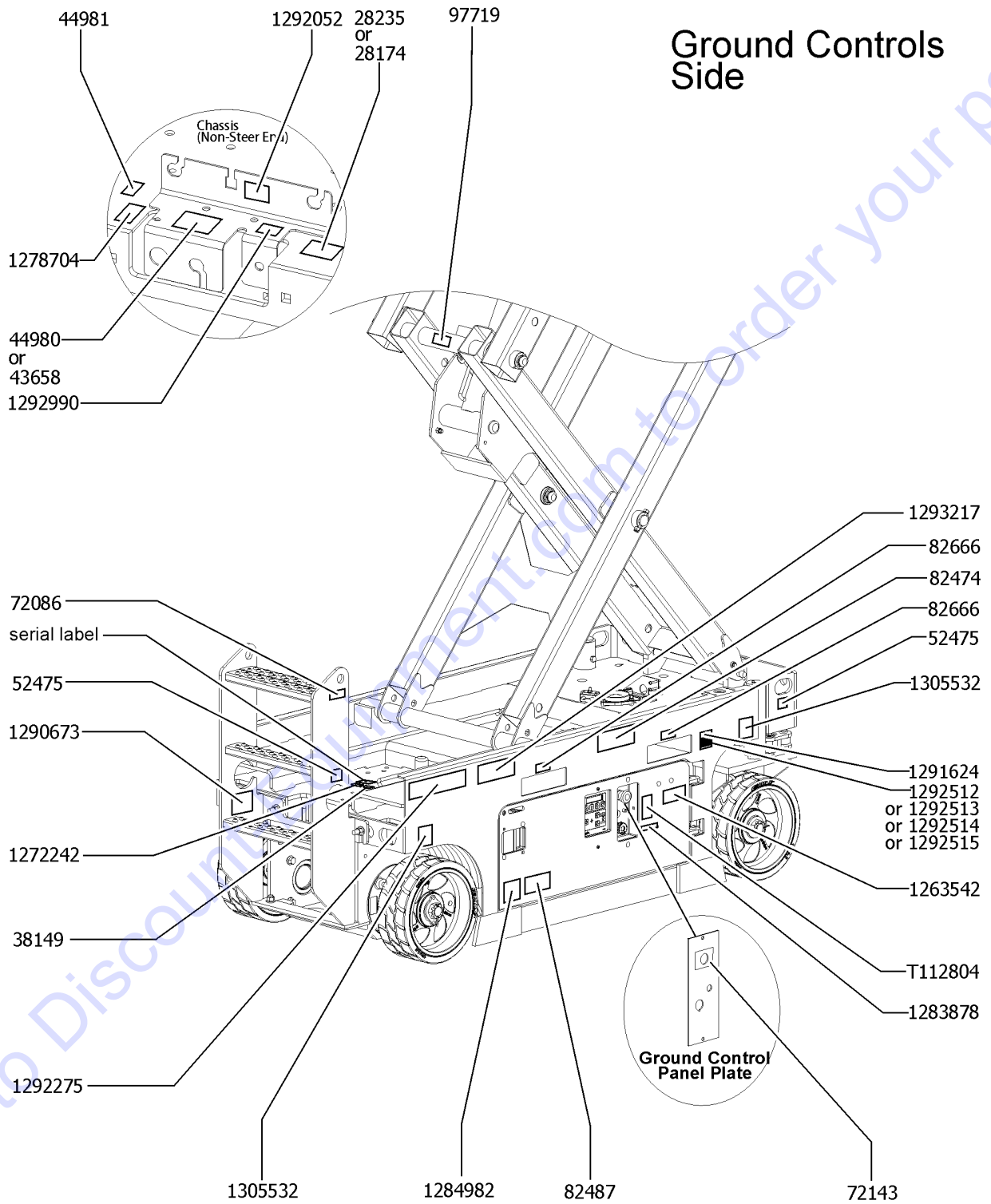


105.1 Decals with Symbols, GS-1530 & GS-1532 Ground Control Side, ANSI & CE

Item	Part No.	Description	Qty.
1	28174GT	DECAL,POWER TO PLATFORM 230V	1
2	28235GT	DECAL,POWER TO PLATFORM 115V	1
3	38149GT	DECAL,LABEL,PATENTS	1
4	43658GT	DECAL, LABEL, PWR TO CHARGER 230 EU	1
5	44980GT	DECAL, LABEL, PWR TO CHARGER 115 UK	1
6	44981GT	DECAL,LABEL,AIRLINE 110 PSI	1
7	52475GT	DECAL,LABEL,TRANSPORT TIEDOWN*	2
8	72086GT	DECAL,LABEL,LIFTING EYE	1
9	72143GT	DECAL, EMERGENCY STOP, GR	1
10	82474GT	DECAL SYMBOL USE SAFETY ARM	1
11	82487GT	DECAL, SYMBOL - READ THE MANUAL	1
12	82666GT	DECAL,LABEL,FORKLIFT POCKET	2
13	97719GT	DECAL, LABEL, SAFETY ARM SYMBOL	1
14	1263542GT	DECAL,IMPROPER OPERATION,SYMBOL	1
15	1272242GT	DECAL,MACHINE REGISTRATION/OWNER TRANSFER	1
16	1278704GT	DECAL,CHARGE STATUS IND.	1
17	1283878GT	DECAL, TECHPRO LINK	1
18	1284982GT	DECAL,ACCUMULATOR EXPLOSION HARZARD,SYMBOL	1
19	1290673GT	DECAL,SYM-ELEC HAZARD,PLUG,GS-1330m	1
20	1291624GT	DECAL COSM,GENIE LIFT CONNECT,LEXAN COVER	1
21	1292052GT	DECAL,LABEL,AUX LOWERING	1
22	1292275GT	DECAL,ELECTRIC DRIVE,E-DRIVE	1
23	1292512GT	DECAL COSM,GENIE LIFT CONNECT,ESN,SKU4-1	1
24	1292513GT	DECAL COSM,GENIE LIFT CONNECT,ESN,SKU4-2	1
25	1292514GT	DECAL COSM,GENIE LIFT CONNECT,ESN,SKU4-3	1
26	1292515GT	DECAL COSM,GENIE LIFT CONNECT,ESN,SKU4-4	1
27	1292990GT	DECAL,RELEASE BRAKE	1
28	1293217GT	DECAL SYMBOL ELECTRIC HAZARD GS-1330m	1



105.1 Decals with Symbols, GS-1530 & GS-1532 Ground Control Side, ANSI & CE



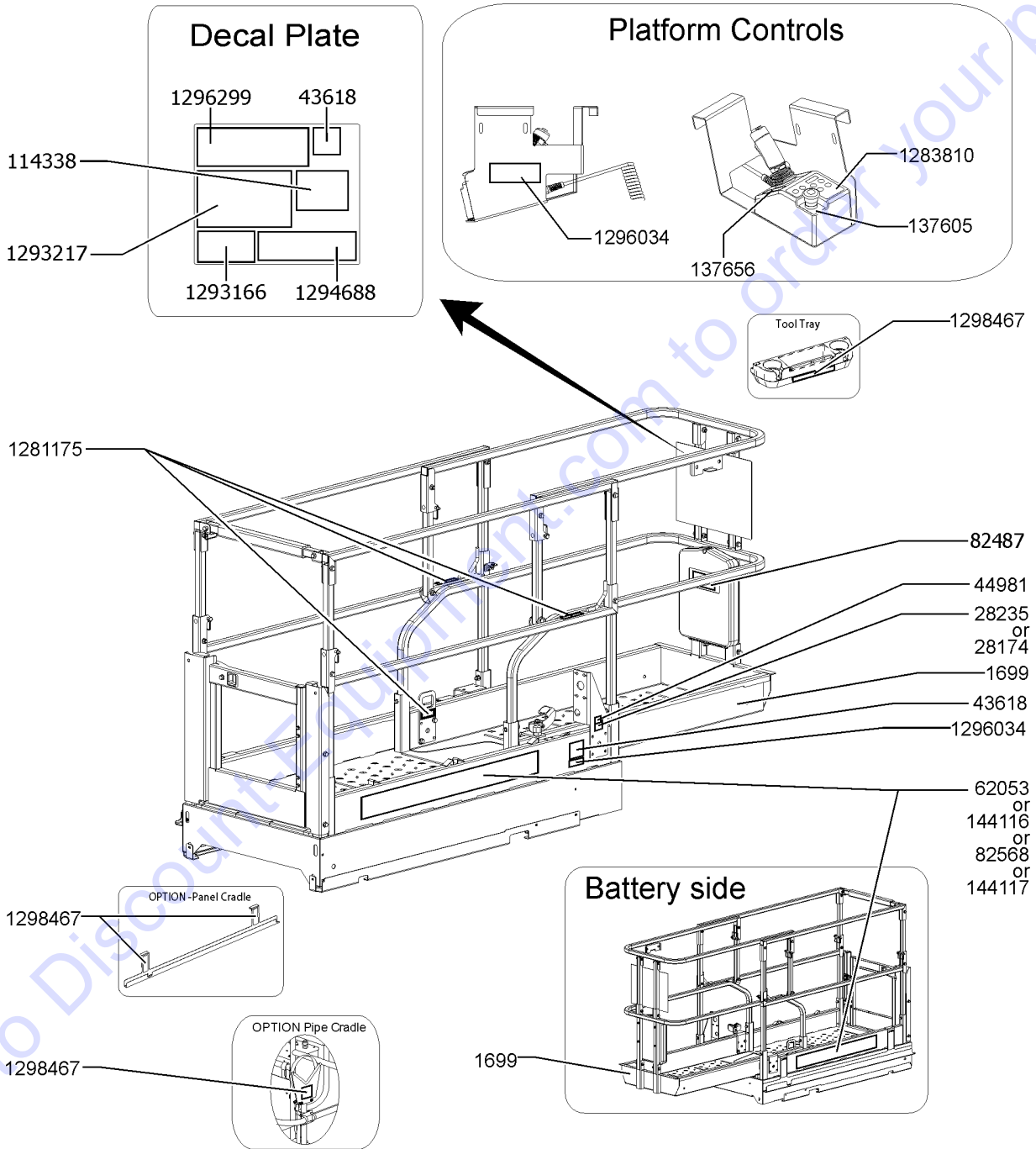
105.1 Decals with Symbols, GS-1530 & GS-1532 Ground Control Side, ANSI & CE

<i>Item</i>	<i>Part No.</i>	<i>Description</i>	<i>Qty.</i>
29	1305532GT	DECAL, LABEL, WHEEL LOAD, E-DRIVE, GS-1530/32	2
30	T112804GT	DECAL,GCON PANEL,GS	1

Go to Discount-Equipment.com to order your parts



Platform, ANSI and CE models



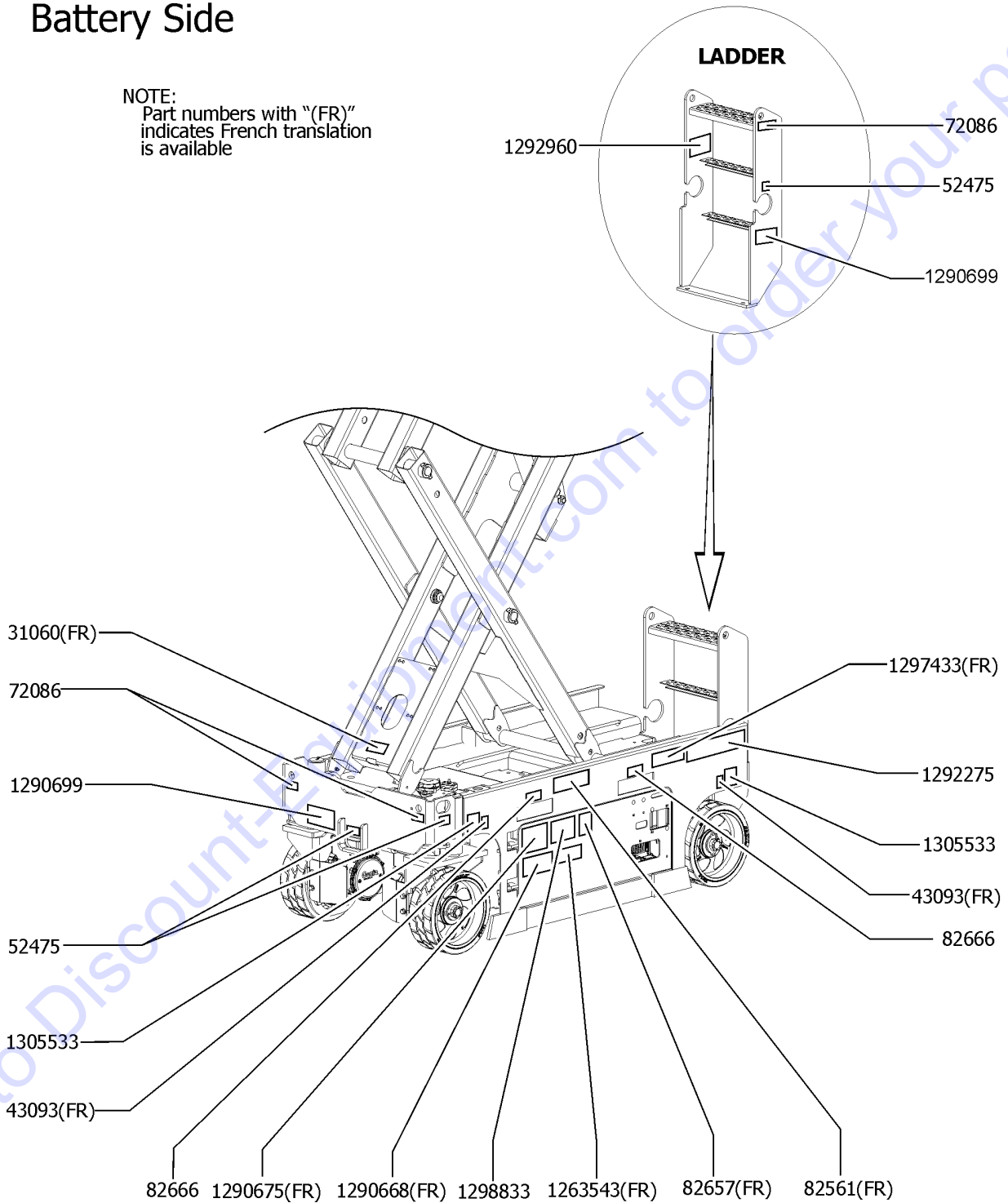
106.1 Decals with Symbols, GS-1530 & GS-1532 Platform, ANSI & CE

Item	Part No.	Description	Qty.
1	1699GT	TAPE, WARN, BLACK/YELLOW, BULK	2
2	28174GT	DECAL,POWER TO PLATFORM 230V	1
3	28235GT	DECAL,POWER TO PLATFORM 115V	1
4	43618GT	DECAL,LABEL-DIRECTION ARROWS	2
5	44981GT	DECAL,LABEL,AIRLINE 110 PSI	1
6	62053GT	DECAL,COSMETIC,GENIE GS-1530**	2
7	82487GT	DECAL, SYMBOL - READ THE MANUAL	1
8	82568GT	DECAL COSMETIC GENIE GS-1532	2
9	114338GT	DECAL SYMBOL TIP OVER TILT ALARM	1
10	137605GT	DECAL,E-STOP, GR/GRC/GS PCON	1
11	137656GT	DECAL, PROPEL, GR/GRC/GS, PCON	1
12	144116GT	DECAL,COSMETIC,GENIE,GS1530,BLK	2
13	144117GT	DECAL,COSMETIC,GENIE,GS1532,BLK	2
14	1281175GT	DECAL,LANYARD,FALL RESTRAINED	3
15	1283810GT	DECAL,STD,DUAL ZONE,GR/GS,UI	1
16	1293166GT	DECAL,TIP-OVER,CRUSH, GS-1330m	1
17	1293217GT	DECAL SYMBOL ELECTRIC HAZARD GS-1330m	1
18	1294688GT	DECAL,PLATFORM OVERLOAD, MINI	1
19	1296034GT	DECAL, SMARTLINK, DUAL ZONE	2
20	1296299GT	DECAL, DANGER, MAX CAPACITY 272KG, SIDE FORCE 200/400N	1
21	1298467GT	DECAL, SYMBOL, READ THE MANUAL, 2.38x1.25	4



Battery Side

NOTE:
Part numbers with "(FR)"
indicates French translation
is available



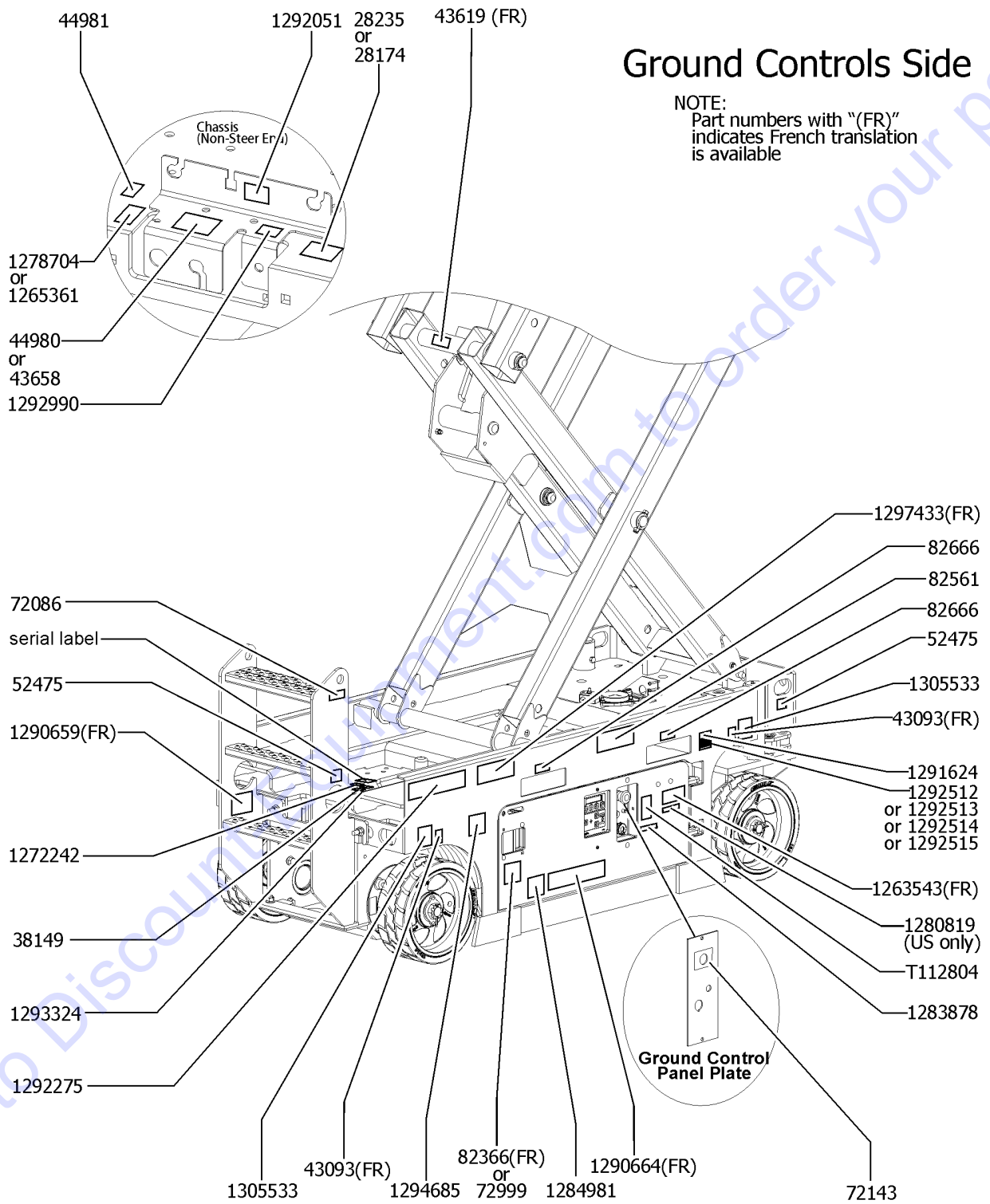
107.1 Decals with Words, GS-1930 Battery Side, ANSI & Australia

Item	Part No.	Description	Qty.
1	31060GT	DECAL,DANGER DO NOT ALTER SWTC	1
2	43093GT	DECAL,LABEL,TIRE SPECS	2
3	52475GT	DECAL,LABEL,TRANSPORT TIEDOWN*	3
4	72086GT	DECAL,LABEL,LIFTING EYE	3
5	82561GT	DECAL,DANGER-USE SAFETY ARM	1
6	82657GT	DECAL,INSTRUCT,BATTERY CONNECT	1
7	82666GT	DECAL,LABEL,FORKLIFT POCKET	2
8	1263543GT	DECAL,COMPARTMENT ACCESS	1
9	1290668GT	DECAL,INSTRUCTIONS-CHARGER OP,GS-1330m	1
10	1290675GT	DECAL,DANGER,BATTERY SAFETY***,GS-1330m	1
11	1290699GT	DECAL,LABEL TRANSPORT DIAGRAM,GS-1330m	2
12	1292275GT	DECAL,ELECTRIC DRIVE,E-DRIVE	1
13	1292960GT	DECAL,DANGER,BRAKE REL SAFETY,GS-1330m	1
14	1297433GT	DECAL, DANGER, ELECRICAL HAZARD, SLAB	1
15	1298833GT	DECALS,DANGER,TIP-OVER,BATTERY	1
16	1305533GT	DECAL, LABEL, WHEEL LOAD, E-DRIVE, GS-1930	2

Go to Discount-Equipment.com to order your parts



108.1 Decals with Words, GS-1930 Ground Controls Side, ANSI & Australia

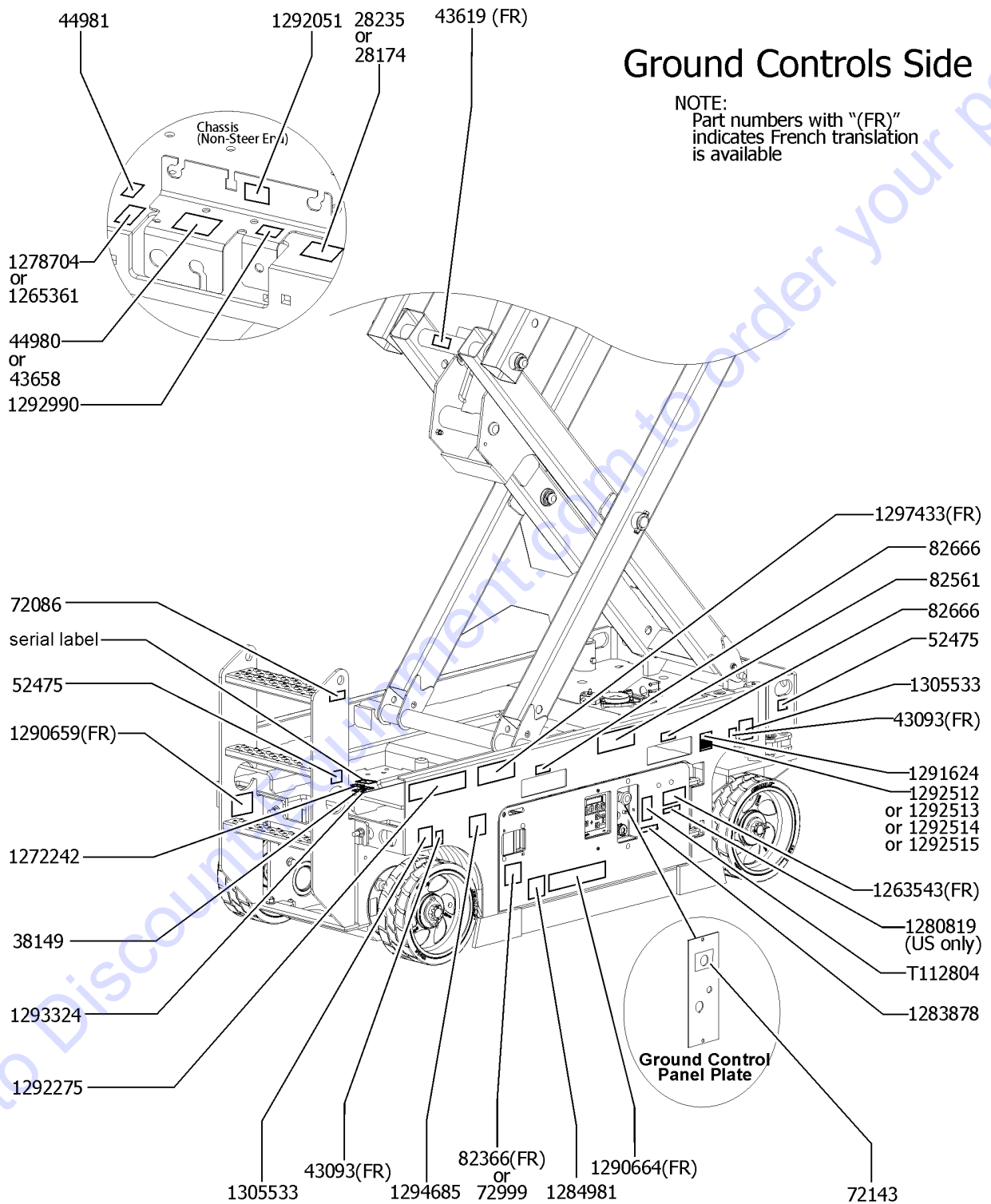


108.1 Decals with Words, GS-1930 Ground Controls Side, ANSI & Australia

Item	Part No.	Description	Qty.
1	28174GT	DECAL,POWER TO PLATFORM 230V	1
2	28235GT	DECAL,POWER TO PLATFORM 115V	1
3	38149GT	DECAL,LABEL,PATENTS	1
4	43093GT	DECAL,LABEL,TIRE SPECS	2
5	43619GT	DECAL,LABEL,SAFETY ARM	1
6	43658GT	DECAL, LABEL, PWR TO CHARGER 230 EU	1
7	44980GT	DECAL, LABEL, PWR TO CHARGER 115 UK	1
8	44981GT	DECAL,LABEL,AIRLINE 110 PSI	1
9	52475GT	DECAL,LABEL,TRANSPORT TIEDOWN*	2
10	72086GT	DECAL,LABEL,LIFTING EYE	1
11	72143GT	DECAL, EMERGENCY STOP, GR	1
12	72999GT	DECAL,LABEL,PETRO CANADA***	1
13	82366GT	DECAL,CHEVRON RANDO HD	1
14	82561GT	DECAL,DANGER-USE SAFETY ARM	1
15	82666GT	DECAL,LABEL,FORKLIFT POCKET	2
16	1263543GT	DECAL,COMPARTMENT ACCESS	1
17	1265361GT	DECAL, BATTERY CHARGER INDICAT	1
18	1272242GT	DECAL,MACHINE REGISTRATION/OWNER TRANSFER	1
19	1278704GT	DECAL,CHARGE STATUS IND.	1
20	1280819GT	DECAL,WARNING,CANCER AND REPRODUCTIVE HARM, PROP 65	1
21	1283878GT	DECAL, TECHPRO LINK	1
22	1284981GT	DECAL,ACCUMULATOR EXPLOSION HARZARD,WORD	1
23	1290659GT	DECAL,DANGER,ELECT HAZARD,PLUG,GS-1330m	1
24	1290664GT	DECAL,OP INST,GCON,GS-1330m	1
25	1291624GT	DECAL COSM,GENIE LIFT CONNECT,LEXAN COVER	1
26	1292051GT	DECAL,EMERGENCY LOWERING,GS-1330m	1
27	1292275GT	DECAL,ELECTRIC DRIVE,E-DRIVE	1
28	1292512GT	DECAL COSM,GENIE LIFT CONNECT,ESN,SKU4-1	1



108.1 Decals with Words, GS-1930 Ground Controls Side, ANSI & Australia



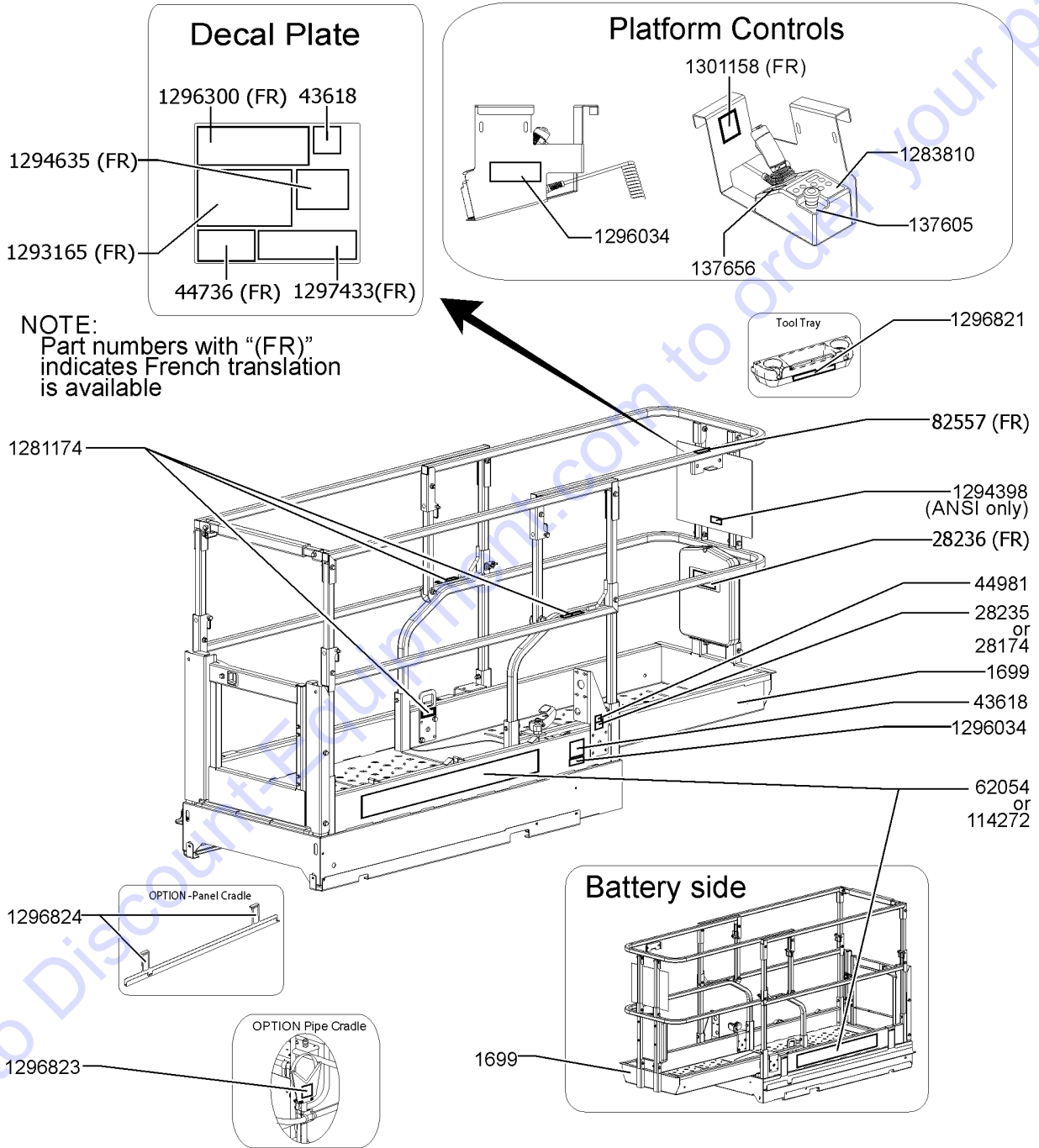
108.1 Decals with Words, GS-1930 Ground Controls Side, ANSI & Australia

Item	Part No.	Description	Qty.
29	1292513GT	DECAL COSM,GENIE LIFT CONNECT,ESN,SKU4-2	1
30	1292514GT	DECAL COSM,GENIE LIFT CONNECT,ESN,SKU4-3	1
31	1292515GT	DECAL COSM,GENIE LIFT CONNECT,ESN,SKU4-4	1
32	1292990GT	DECAL,RELEASE BRAKE	1
33	1293324GT	DECAL, ICES-2/CAN-2 COMPLIANCE	1
34	1294685GT	DECAL,ANNUAL INSP***, MINI	1
35	1297433GT	DECAL, DANGER, ELECTRICAL HAZARD, SLAB	1
36	1305533GT	DECAL, LABEL, WHEEL LOAD, E-DRIVE, GS-1930	2
37	T112804GT	DECAL,GCON PANEL,GS	1

Go to Discount-Equipment.com to order your parts



Platform, ANSI and Australia models

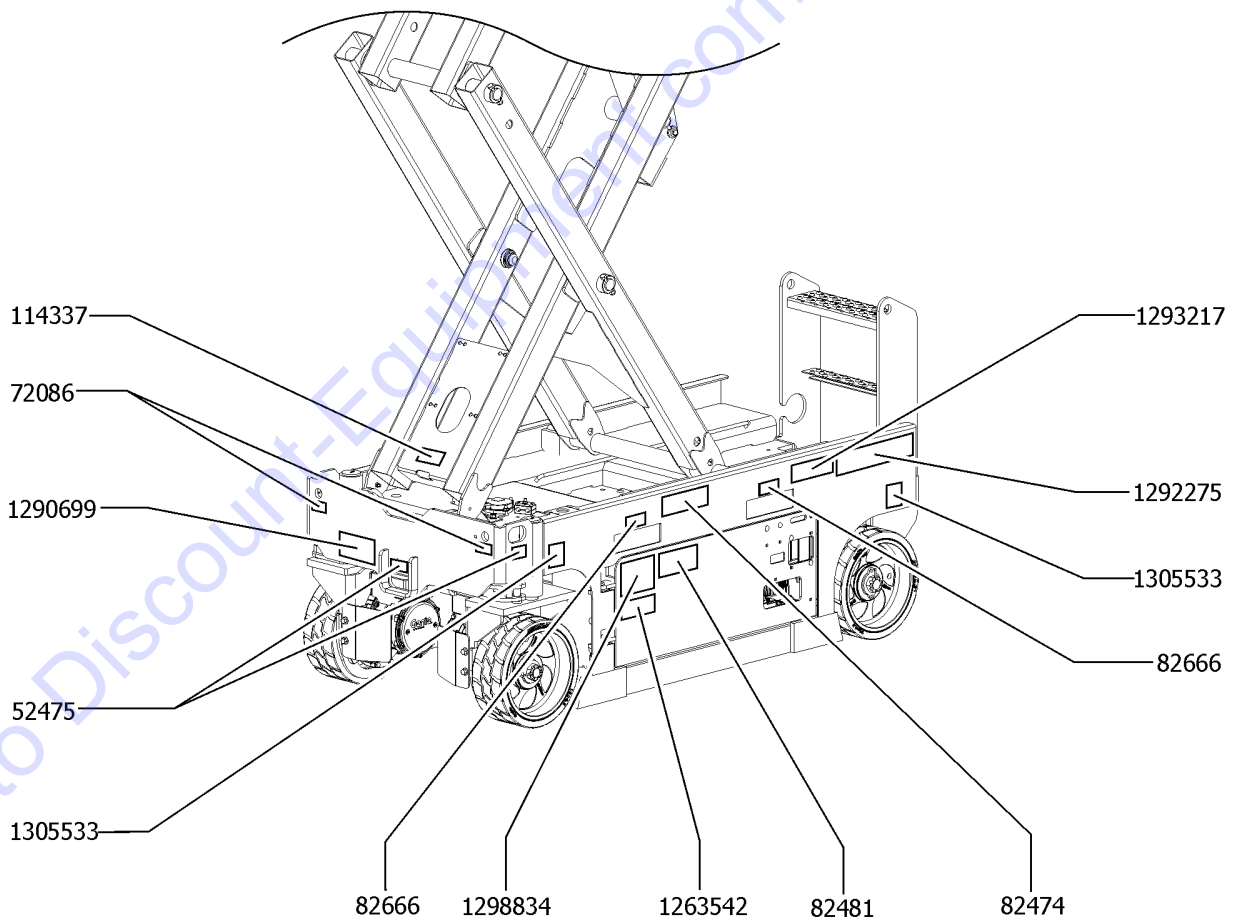
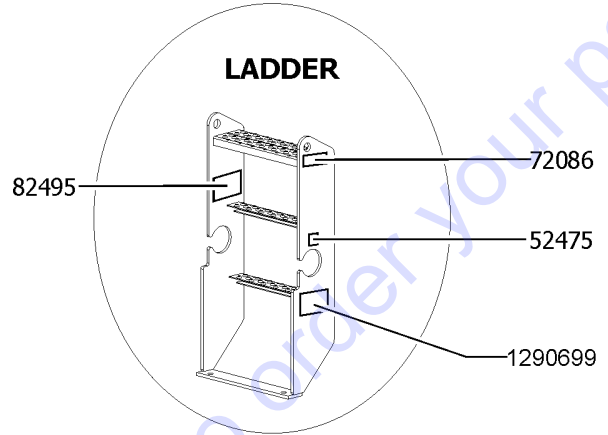


109.1 Decals with Words, GS-1930 Platform, ANSI & Australia

Item	Part No.	Description	Qty.
1	1699GT	TAPE, WARN, BLACK/YELLOW, BULK	2
2	28174GT	DECAL,POWER TO PLATFORM 230V	1
3	28235GT	DECAL,POWER TO PLATFORM 115V	1
4	28236GT	DECAL,WARN,IMPROPER OPERATION	1
5	43618GT	DECAL,LABEL-DIRECTION ARROWS	2
6	44736GT	DECAL,DANGER,TIP-OVER,TILT	1
7	44981GT	DECAL,LABEL,AIRLINE 110 PSI	1
8	62054GT	DECAL COSMETIC GENIE GS-1930	2
9	82557GT	DECAL,LABEL,PLAT CONT LOCATION	1
10	114272GT	DECAL,COSMETIC,GENIE,GS1930,BLK	2
11	137605GT	DECAL,E-STOP, GR/GRC/GS PCON	1
12	137656GT	DECAL, PROPEL, GR/GRC/GS, PCON	1
13	1281174GT	DECAL,LANYARD,FALL ARREST/FALL RESTRAINED	3
14	1283810GT	DECAL,STD,DUAL ZONE,GR/GS,UI	1
15	1293165GT	DECAL,DANGER/WARNING COMBO, GS-1330m	1
16	1294398GT	DECAL, ANSI/CSA COMPLIANT	1
17	1294635GT	DECAL, PLATFORM OVERLOAD LED INDICATOR LIGHT	1
18	1296034GT	DECAL, SMARTLINK, DUAL ZONE	2
19	1296300GT	DECAL, DANGER, MAX CAPACITY 500LBS, SIDE FORCE 45/90LBS	1
20	1296821GT	DECAL, WARNING, TOOL TRAY	1
21	1296823GT	DECAL, WARNING, PIPE CRADLE	1
22	1296824GT	DECAL, WARNING, PANEL CARRIER	2
23	1297433GT	DECAL, DANGER, ELECTRICAL HAZARD, SLAB	1
24	1301158GT	DECAL,LABEL,FAULT CODES	1



Battery Side



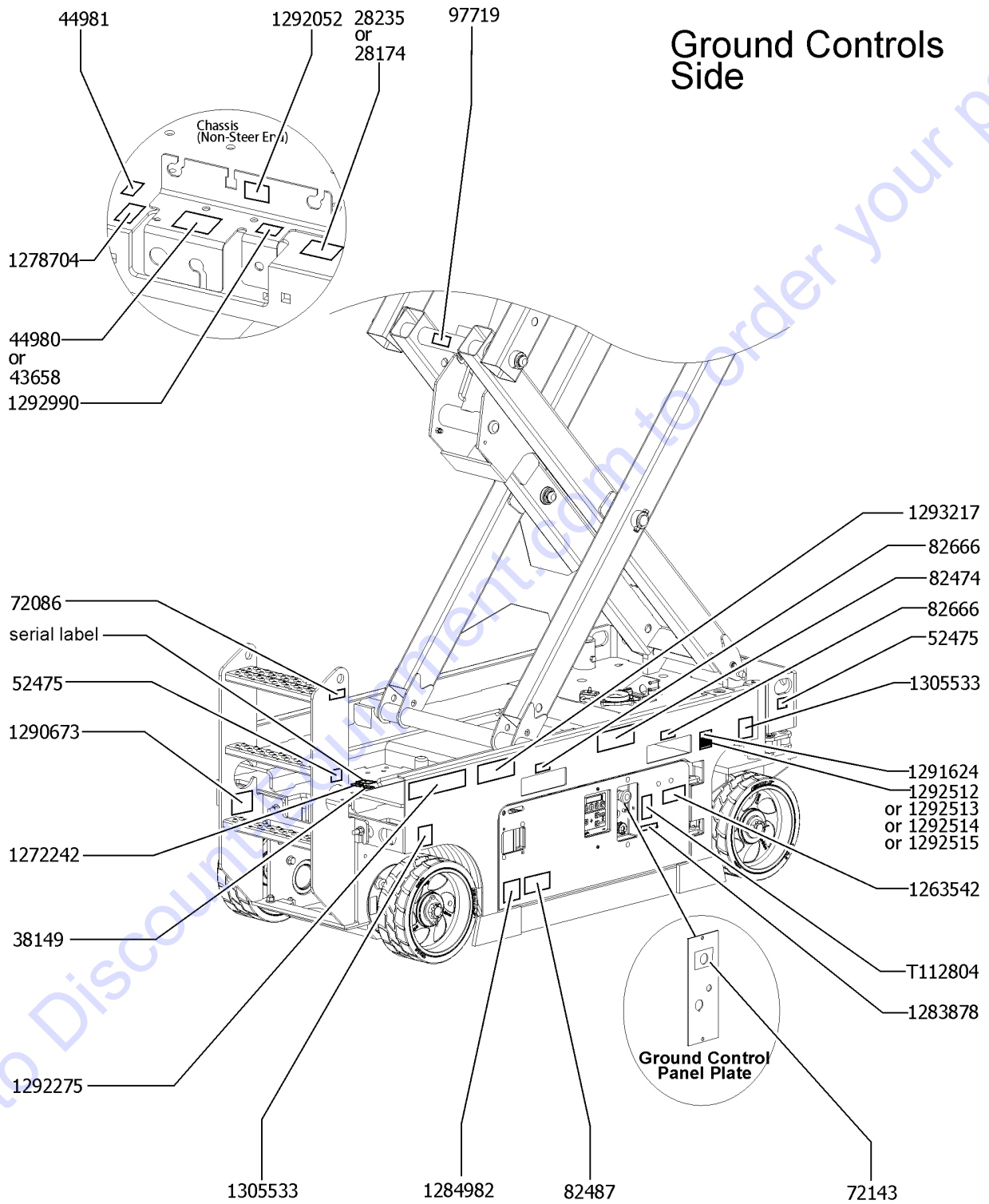
110.1 Decals with Symbols, GS-1930 Battery Side, ANSI & CE

Item	Part No.	Description	Qty.
1	52475GT	DECAL,LABEL,TRANSPORT TIEDOWN*	3
2	72086GT	DECAL,LABEL,LIFTING EYE	3
3	82474GT	DECAL SYMBOL USE SAFETY ARM	1
4	82481GT	DECAL SYMBOL BATTERY SAFETY	1
5	82495GT	DECAL SYMBOL BRAKE REL SAFETY	1
6	82666GT	DECAL,LABEL,FORKLIFT POCKET	2
7	114337GT	DECAL SYMBOL TIP OVER LIMIT SWITCH	1
8	1263542GT	DECAL,IMPROPER OPERATION,SYMBOL	1
9	1290699GT	DECAL,LABEL TRANSPORT DIAGRAM,GS-1330m	2
10	1292275GT	DECAL,ELECTRIC DRIVE,E-DRIVE	1
11	1293217GT	DECAL SYMBOL ELECTRIC HAZARD GS-1330m	1
12	1298834GT	DECAL,DANGER,TIP-OVER,BATTERY	1
13	1305533GT	DECAL, LABEL, WHEEL LOAD, E-DRIVE, GS-1930	2

Go to Discount-Equipment.com to order your parts



111.1 Decals with Symbols, GS-1930 Ground Control Side, ANSI & CE

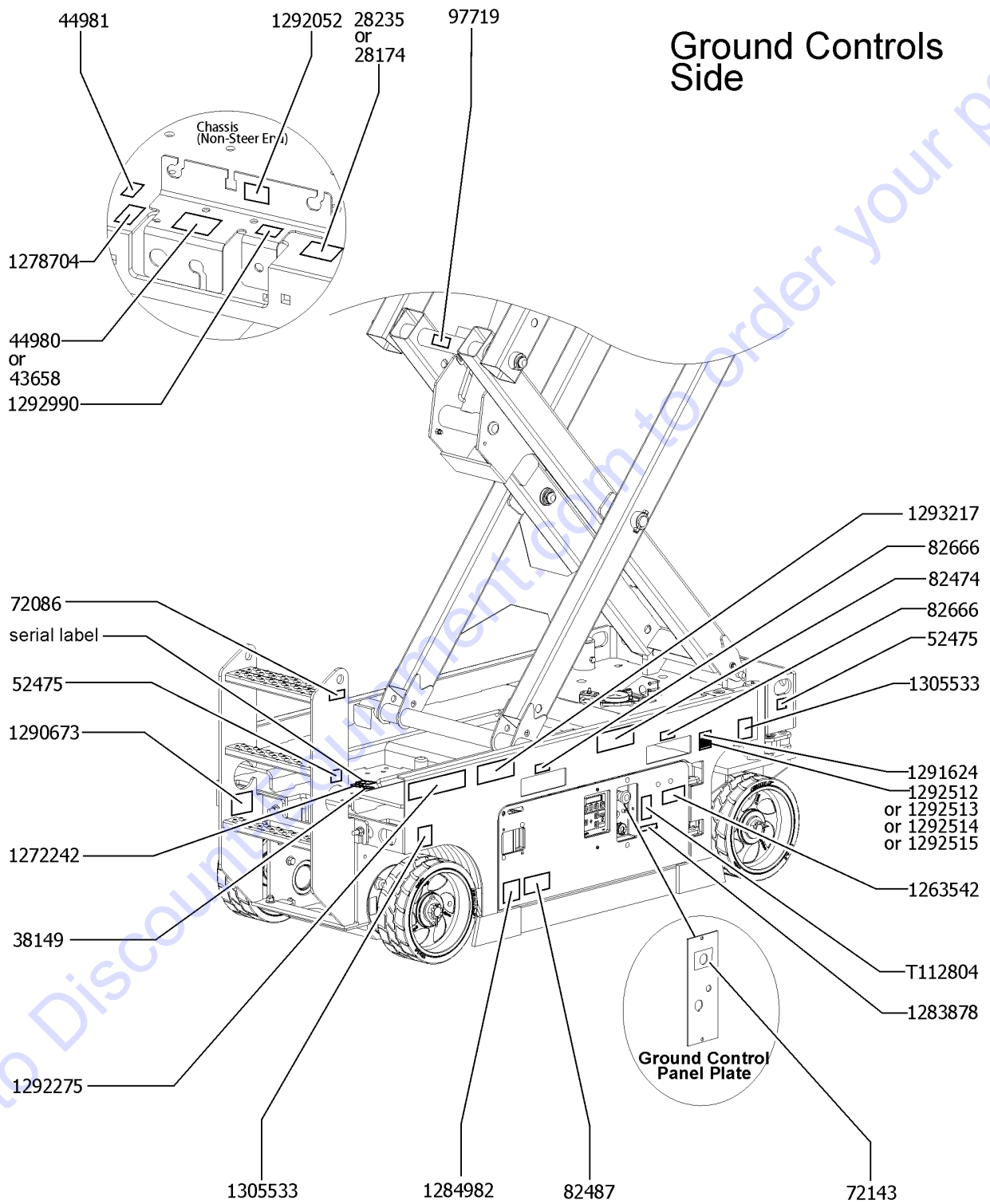


111.1 Decals with Symbols, GS-1930 Ground Control Side, ANSI & CE

Item	Part No.	Description	Qty.
1	28174GT	DECAL,POWER TO PLATFORM 230V	1
2	28235GT	DECAL,POWER TO PLATFORM 115V	1
3	38149GT	DECAL,LABEL,PATENTS	1
4	43658GT	DECAL, LABEL, PWR TO CHARGER 230 EU	1
5	44980GT	DECAL, LABEL, PWR TO CHARGER 115 UK	1
6	44981GT	DECAL,LABEL,AIRLINE 110 PSI	1
7	52475GT	DECAL,LABEL,TRANSPORT TIEDOWN*	2
8	72086GT	DECAL,LABEL,LIFTING EYE	1
9	72143GT	DECAL, EMERGENCY STOP, GR	1
10	82474GT	DECAL SYMBOL USE SAFETY ARM	1
11	82487GT	DECAL, SYMBOL - READ THE MANUAL	1
12	82666GT	DECAL,LABEL,FORKLIFT POCKET	2
13	97719GT	DECAL, LABEL, SAFETY ARM SYMBOL	1
14	1263542GT	DECAL,IMPROPER OPERATION,SYMBOL	1
15	1272242GT	DECAL,MACHINE REGISTRATION/OWNER TRANSFER	1
16	1278704GT	DECAL,CHARGE STATUS IND.	1
17	1283878GT	DECAL, TECHPRO LINK	1
18	1284982GT	DECAL,ACCUMULATOR EXPLOSION HARZARD,SYMBOL	1
19	1290673GT	DECAL,SYM-ELEC HAZARD,PLUG,GS-1330m	1
20	1291624GT	DECAL COSM,GENIE LIFT CONNECT,LEXAN COVER	1
21	1292052GT	DECAL,LABEL,AUX LOWERING	1
22	1292275GT	DECAL,ELECTRIC DRIVE,E-DRIVE	1
23	1292512GT	DECAL COSM,GENIE LIFT CONNECT,ESN,SKU4-1	1
24	1292513GT	DECAL COSM,GENIE LIFT CONNECT,ESN,SKU4-2	1
25	1292514GT	DECAL COSM,GENIE LIFT CONNECT,ESN,SKU4-3	1
26	1292515GT	DECAL COSM,GENIE LIFT CONNECT,ESN,SKU4-4	1
27	1292990GT	DECAL,RELEASE BRAKE	1
28	1293217GT	DECAL SYMBOL ELECTRIC HAZARD GS-1330m	1



111.1 Decals with Symbols, GS-1930 Ground Control Side, ANSI & CE



111.1 Decals with Symbols, GS-1930 Ground Control Side, ANSI & CE

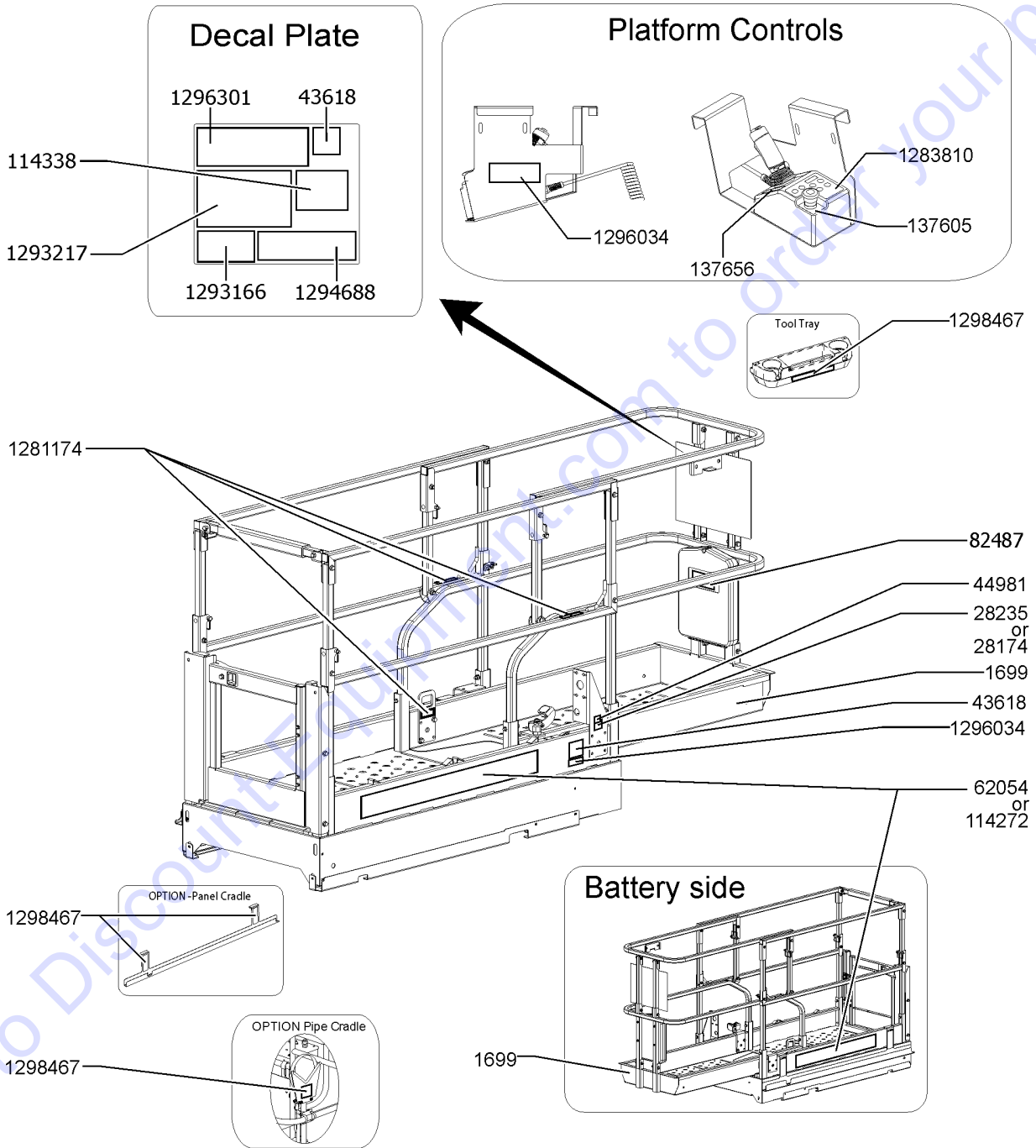
<i>Item</i>	<i>Part No.</i>	<i>Description</i>	<i>Qty.</i>
29	1305533GT	DECAL, LABEL, WHEEL LOAD, E-DRIVE, GS-1930	2
30	T112804GT	DECAL,GCON PANEL,GS	1

Go to Discount-Equipment.com to order your parts



112.1 Decals with Symbols, GS-1930 Platform, ANSI & CE

Platform, ANSI and CE models



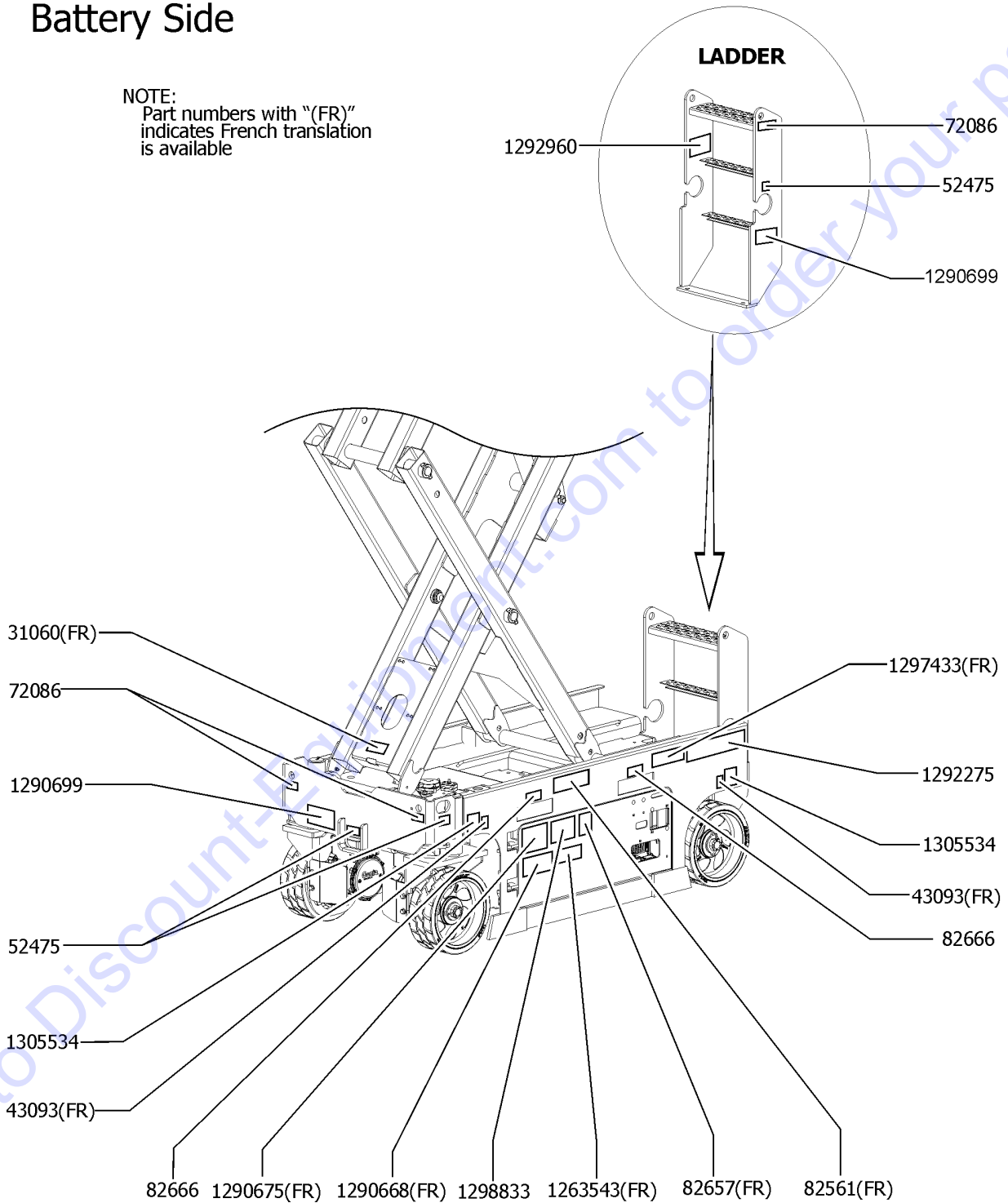
112.1 Decals with Symbols, GS-1930 Platform, ANSI & CE

Item	Part No.	Description	Qty.
1	1699GT	TAPE, WARN, BLACK/YELLOW, BULK	2
2	28174GT	DECAL,POWER TO PLATFORM 230V	1
3	28235GT	DECAL,POWER TO PLATFORM 115V	1
4	43618GT	DECAL,LABEL-DIRECTION ARROWS	2
5	44981GT	DECAL,LABEL,AIRLINE 110 PSI	1
6	62054GT	DECAL COSMETIC GENIE GS-1930	2
7	82487GT	DECAL, SYMBOL - READ THE MANUAL	1
8	114272GT	DECAL,COSMETIC,GENIE,GS1930,BLK	2
9	114338GT	DECAL SYMBOL TIP OVER TILT ALARM	1
10	137605GT	DECAL,E-STOP, GR/GRC/GS PCON	1
11	137656GT	DECAL, PROPEL, GR/GRC/GS, PCON	1
12	1281174GT	DECAL,LANYARD,FALL ARREST/FALL RESTRAINED	3
13	1283810GT	DECAL,STD,DUAL ZONE,GR/GS,UI	1
14	1293166GT	DECAL,TIP-OVER,CRUSH, GS-1330m	1
15	1293217GT	DECAL SYMBOL ELECTRIC HAZARD GS-1330m	1
16	1294688GT	DECAL,PLATFORM OVERLOAD, MINI	1
17	1296034GT	DECAL, SMARTLINK, DUAL ZONE	2
18	1296301GT	DECAL, DANGER, MAX CAPACITY 227KG, SIDE FORCE 200/400N	1
19	1298467GT	DECAL, SYMBOL, READ THE MANUAL, 2.38x1.25	4



Battery Side

NOTE:
Part numbers with "(FR)"
indicates French translation
is available



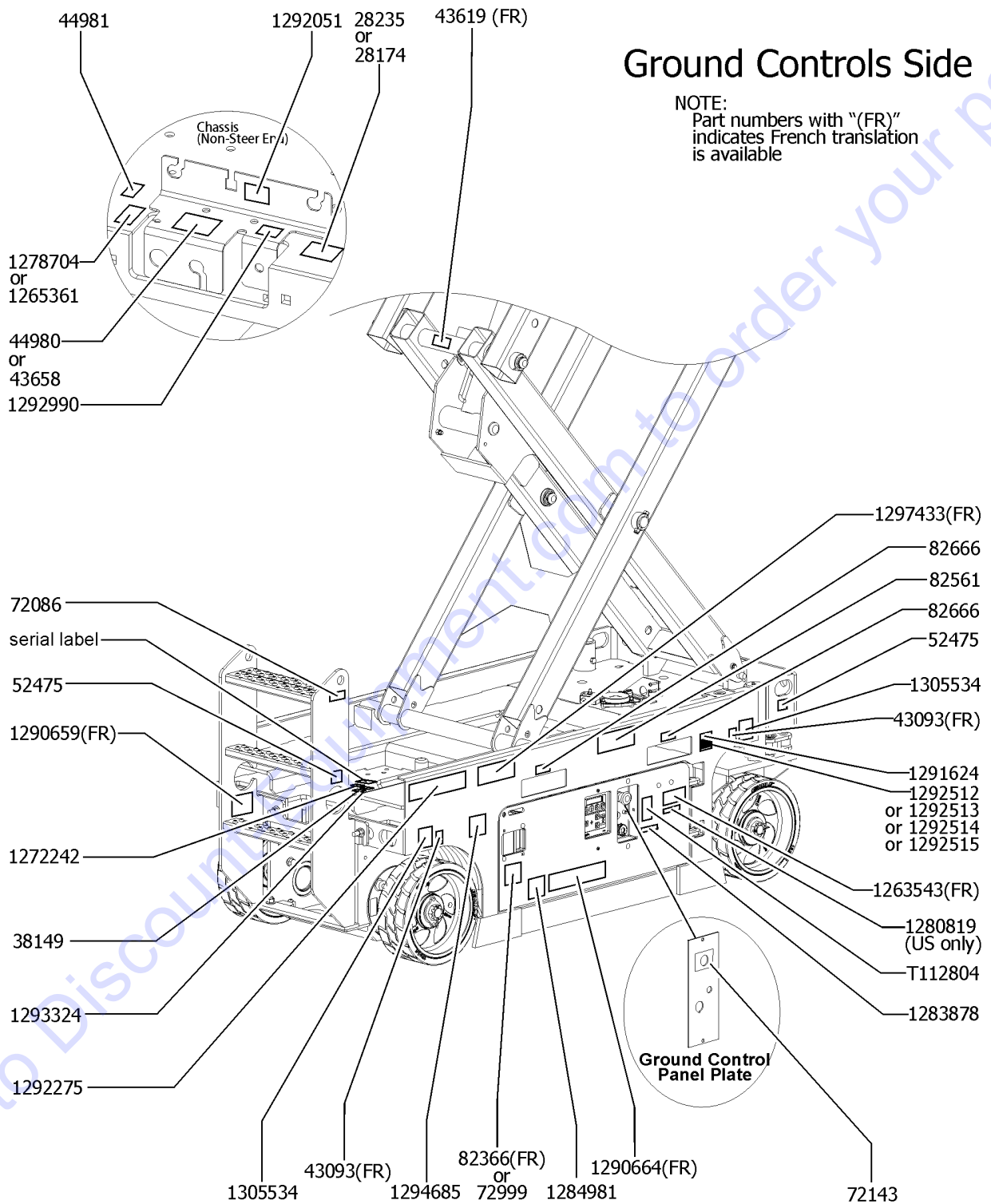
113.1 Decals with Words, GS-1932 Battery Side, ANSI & Australia

Item	Part No.	Description	Qty.
1	31060GT	DECAL,DANGER DO NOT ALTER SWTC	1
2	43093GT	DECAL,LABEL,TIRE SPECS	2
3	52475GT	DECAL,LABEL,TRANSPORT TIEDOWN*	3
4	72086GT	DECAL,LABEL,LIFTING EYE	3
5	82561GT	DECAL,DANGER-USE SAFETY ARM	1
6	82657GT	DECAL,INSTRUCT,BATTERY CONNECT	1
7	82666GT	DECAL,LABEL,FORKLIFT POCKET	2
8	1263543GT	DECAL,COMPARTMENT ACCESS	1
9	1290668GT	DECAL,INSTRUCTIONS-CHARGER OP,GS-1330m	1
10	1290675GT	DECAL,DANGER,BATTERY SAFETY***,GS-1330m	1
11	1290699GT	DECAL,LABEL TRANSPORT DIAGRAM,GS-1330m	2
12	1292275GT	DECAL,ELECTRIC DRIVE,E-DRIVE	1
13	1292960GT	DECAL,DANGER,BRAKE REL SAFETY,GS-1330m	1
14	1297433GT	DECAL, DANGER, ELECRICAL HAZARD, SLAB	1
15	1298833GT	DECALS,DANGER,TIP-OVER,BATTERY	1
16	1305534GT	DECAL, LABEL, WHEEL LOAD, E-DRIVE, GS-1932	2

Go to Discount-Equipment.com to order your parts



114.1 Decals with Words, GS-1932 Ground Controls Side, ANSI & Australia

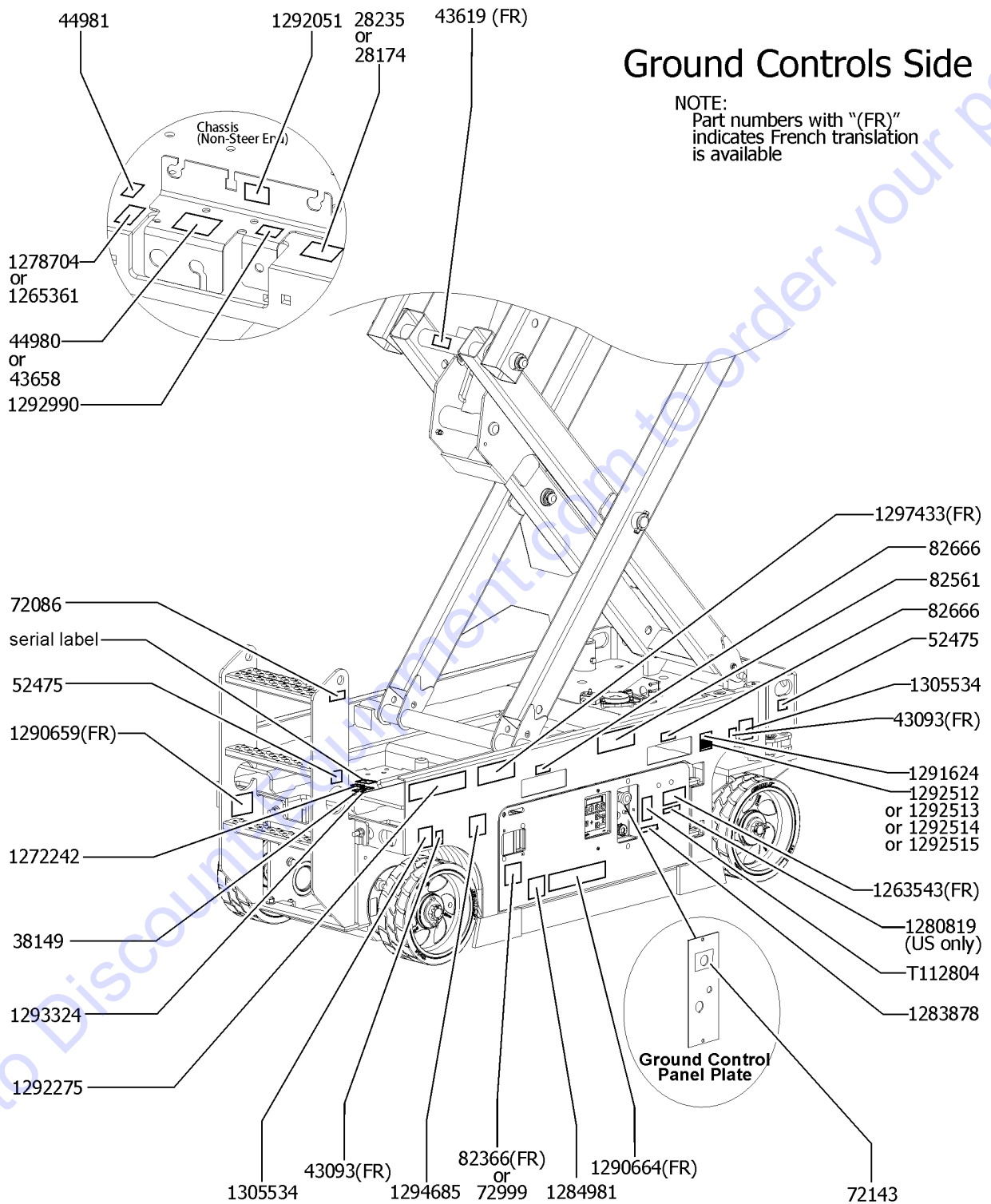


114.1 Decals with Words, GS-1932 Ground Controls Side, ANSI & Australia

Item	Part No.	Description	Qty.
1	28174GT	DECAL,POWER TO PLATFORM 230V	1
2	28235GT	DECAL,POWER TO PLATFORM 115V	1
3	38149GT	DECAL,LABEL,PATENTS	1
4	43093GT	DECAL,LABEL,TIRE SPECS	2
5	43619GT	DECAL,LABEL,SAFETY ARM	1
6	43658GT	DECAL, LABEL, PWR TO CHARGER 230 EU	1
7	44980GT	DECAL, LABEL, PWR TO CHARGER 115 UK	1
8	44981GT	DECAL,LABEL,AIRLINE 110 PSI	1
9	52475GT	DECAL,LABEL,TRANSPORT TIEDOWN*	2
10	72086GT	DECAL,LABEL,LIFTING EYE	1
11	72143GT	DECAL, EMERGENCY STOP, GR	1
12	72999GT	DECAL,LABEL,PETRO CANADA***	1
13	82366GT	DECAL,CHEVRON RANDO HD	1
14	82561GT	DECAL,DANGER-USE SAFETY ARM	1
15	82666GT	DECAL,LABEL,FORKLIFT POCKET	2
16	1263543GT	DECAL,COMPARTMENT ACCESS	1
17	1265361GT	DECAL, BATTERY CHARGER INDICAT	1
18	1272242GT	DECAL,MACHINE REGISTRATION/OWNER TRANSFER	1
19	1278704GT	DECAL,CHARGE STATUS IND.	1
20	1280819GT	DECAL,WARNING,CANCER AND REPRODUCTIVE HARM, PROP 65	1
21	1283878GT	DECAL, TECHPRO LINK	1
22	1284981GT	DECAL,ACCUMULATOR EXPLOSION HARZARD,WORD	1
23	1290659GT	DECAL,DANGER,ELECT HAZARD,PLUG,GS-1330m	1
24	1290664GT	DECAL,OP INST,GCON,GS-1330m	1
25	1291624GT	DECAL COSM,GENIE LIFT CONNECT,LEXAN COVER	1
26	1292051GT	DECAL,EMERGENCY LOWERING,GS-1330m	1
27	1292275GT	DECAL,ELECTRIC DRIVE,E-DRIVE	1
28	1292512GT	DECAL COSM,GENIE LIFT CONNECT,ESN,SKU4-1	1



114.1 Decals with Words, GS-1932 Ground Controls Side, ANSI & Australia



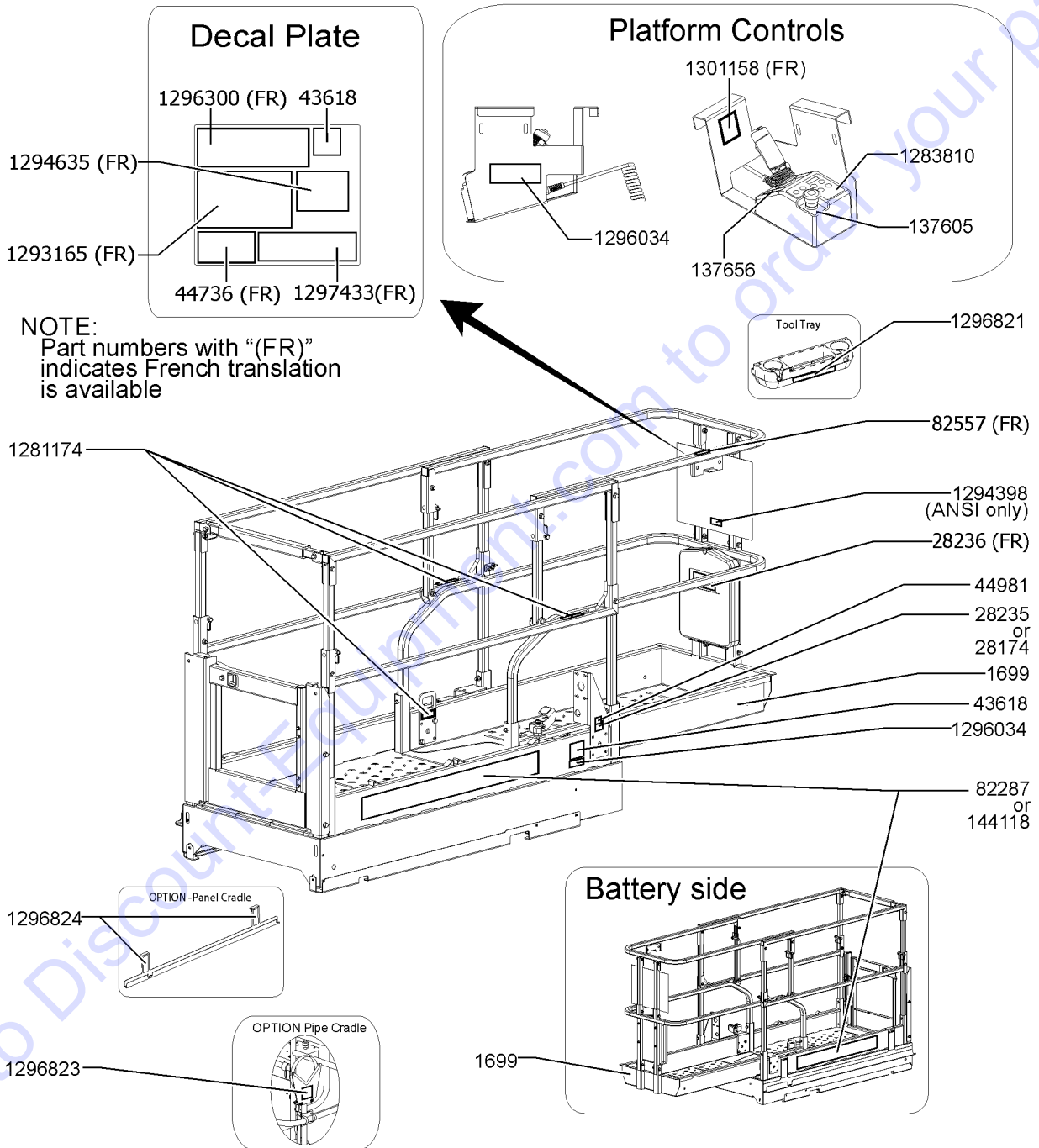
114.1 Decals with Words, GS-1932 Ground Controls Side, ANSI & Australia

Item	Part No.	Description	Qty.
29	1292513GT	DECAL COSM,GENIE LIFT CONNECT,ESN,SKU4-2	1
30	1292514GT	DECAL COSM,GENIE LIFT CONNECT,ESN,SKU4-3	1
31	1292515GT	DECAL COSM,GENIE LIFT CONNECT,ESN,SKU4-4	1
32	1292990GT	DECAL,RELEASE BRAKE	1
33	1293324GT	DECAL, ICES-2/CAN-2 COMPLIANCE	1
34	1294685GT	DECAL,ANNUAL INSP***, MINI	1
35	1297433GT	DECAL, DANGER, ELECRICAL HAZARD, SLAB	1
36	1305534GT	DECAL, LABEL, WHEEL LOAD, E-DRIVE, GS-1932	2
37	T112804GT	DECAL,GCON PANEL,GS	1

Go to Discount-Equipment.com to order your parts



Platform, ANSI and Australia models

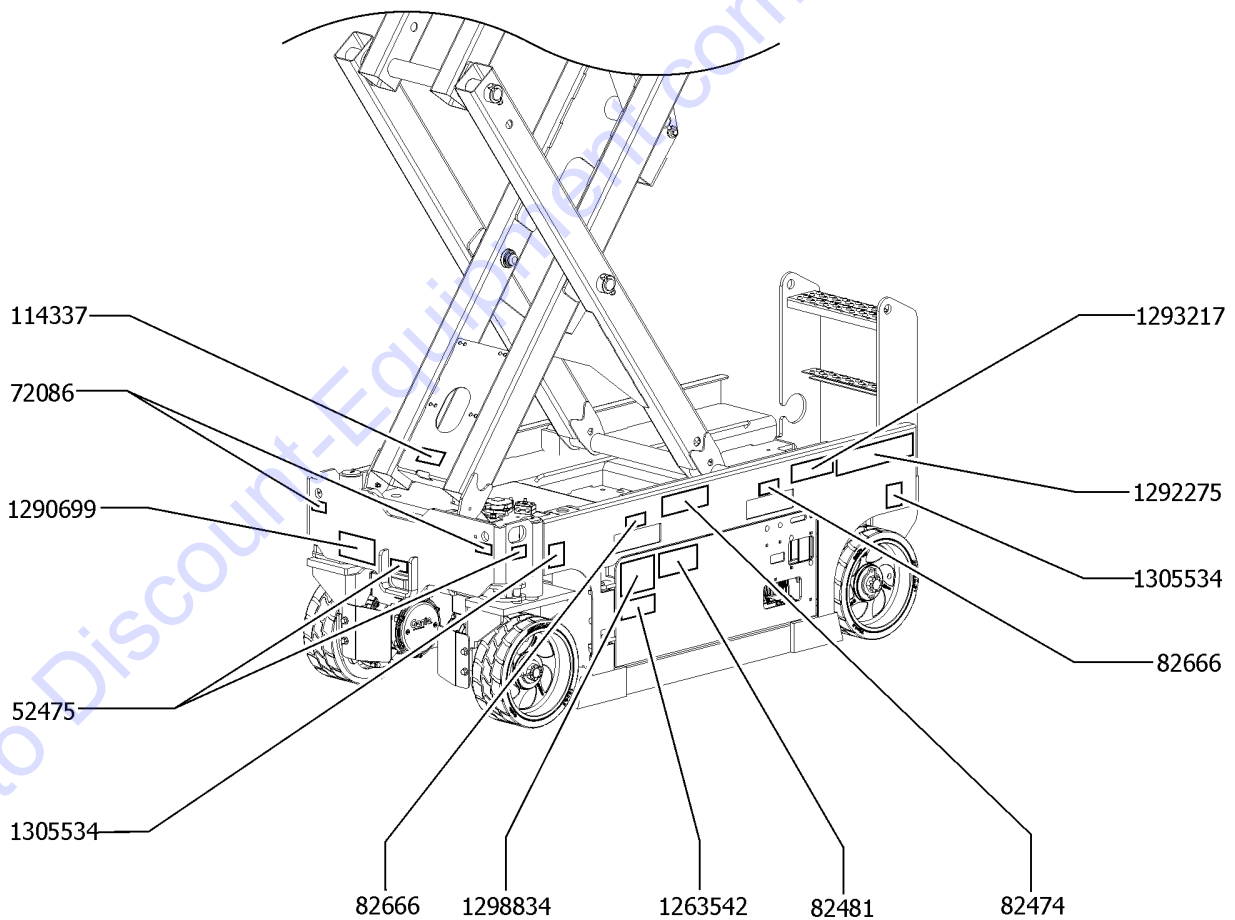
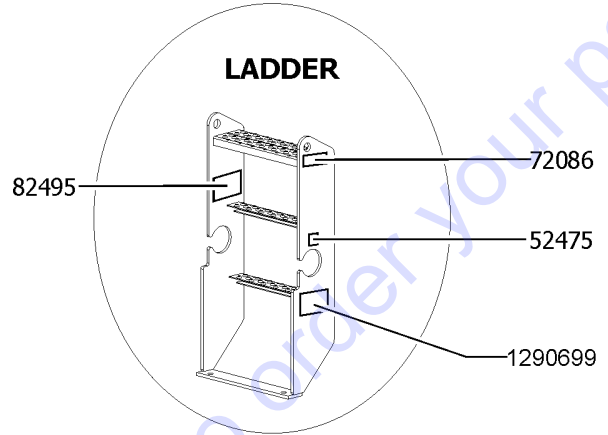


115.1 Decals with Words, GS-1932 Platform, ANSI & Australia

Item	Part No.	Description	Qty.
1	1699GT	TAPE, WARN, BLACK/YELLOW, BULK	2
2	28174GT	DECAL,POWER TO PLATFORM 230V	1
3	28235GT	DECAL,POWER TO PLATFORM 115V	1
4	28236GT	DECAL,WARN,IMPROPER OPERATION	1
5	43618GT	DECAL,LABEL-DIRECTION ARROWS	2
6	44736GT	DECAL,DANGER,TIP-OVER,TILT	1
7	44981GT	DECAL,LABEL,AIRLINE 110 PSI	1
8	82287GT	DECAL, COSMETIC, GENIE GS-1932	2
9	82557GT	DECAL,LABEL,PLAT CONT LOCATION	1
10	137605GT	DECAL,E-STOP, GR/GRC/GS PCON	1
11	137656GT	DECAL, PROPEL, GR/GRC/GS, PCON	1
12	144118GT	DECAL,COSMETIC,GENIE,GS1932,BLK	2
13	1281174GT	DECAL,LANYARD,FALL ARREST/FALL RESTRAINED	3
14	1283810GT	DECAL,STD,DUAL ZONE,GR/GS,UI	1
15	1293165GT	DECAL,DANGER/WARNING COMBO, GS-1330m	1
16	1294398GT	DECAL, ANSI/CSA COMPLIANT	1
17	1294635GT	DECAL, PLATFORM OVERLOAD LED INDICATOR LIGHT	1
18	1296034GT	DECAL, SMARTLINK, DUAL ZONE	2
19	1296300GT	DECAL, DANGER, MAX CAPACITY 500LBS, SIDE FORCE 45/90LBS	1
20	1296821GT	DECAL, WARNING, TOOL TRAY	1
21	1296823GT	DECAL, WARNING, PIPE CRADLE	1
22	1296824GT	DECAL, WARNING, PANEL CARRIER	2
23	1297433GT	DECAL, DANGER, ELECTRICAL HAZARD, SLAB	1
24	1301158GT	DECAL,LABEL,FAULT CODES	1



Battery Side



116.1 Decals with Symbols, GS-1932 Battery Side, ANSI & CE

Item	Part No.	Description	Qty.
1	52475GT	DECAL,LABEL,TRANSPORT TIEDOWN*	3
2	72086GT	DECAL,LABEL,LIFTING EYE	3
3	82474GT	DECAL SYMBOL USE SAFETY ARM	1
4	82481GT	DECAL SYMBOL BATTERY SAFETY	1
5	82495GT	DECAL SYMBOL BRAKE REL SAFETY	1
6	82666GT	DECAL,LABEL,FORKLIFT POCKET	2
7	114337GT	DECAL SYMBOL TIP OVER LIMIT SWITCH	1
8	1263542GT	DECAL,IMPROPER OPERATION,SYMBOL	1
9	1290699GT	DECAL,LABEL TRANSPORT DIAGRAM,GS-1330m	2
10	1292275GT	DECAL,ELECTRIC DRIVE,E-DRIVE	1
11	1293217GT	DECAL SYMBOL ELECTRIC HAZARD GS-1330m	1
12	1298834GT	DECAL,DANGER,TIP-OVER,BATTERY	1
13	1305534GT	DECAL, LABEL, WHEEL LOAD, E-DRIVE, GS-1932	2

Go to Discount-Equipment.com to order your parts



PARTS FINDER

**Search Website
by Part Number**



**Search Manual
Library For Parts
Manual & Lookup Part
Numbers – Purchase
or Request Quote**

Search Manuals

Enter your information to help us find the right parts manual for your machine.

* Brand:

* Model:

* Serial:

* Part Number:

SEARCH

**Can't Find Part or
Manual? Request Help
by Manufacturer,
Model & Description**

Parts Order Form

Please fill in the following information to help us find the right part for your machine.

Manufacturer:	<input type="text"/>
Model:	<input type="text"/>
Description:	<input type="text"/>
Part Number:	<input type="text"/>
Quantity:	<input type="text"/>
Notes:	<input type="text"/>

Submit

Discount-Equipment.com is your online resource for quality parts & equipment.

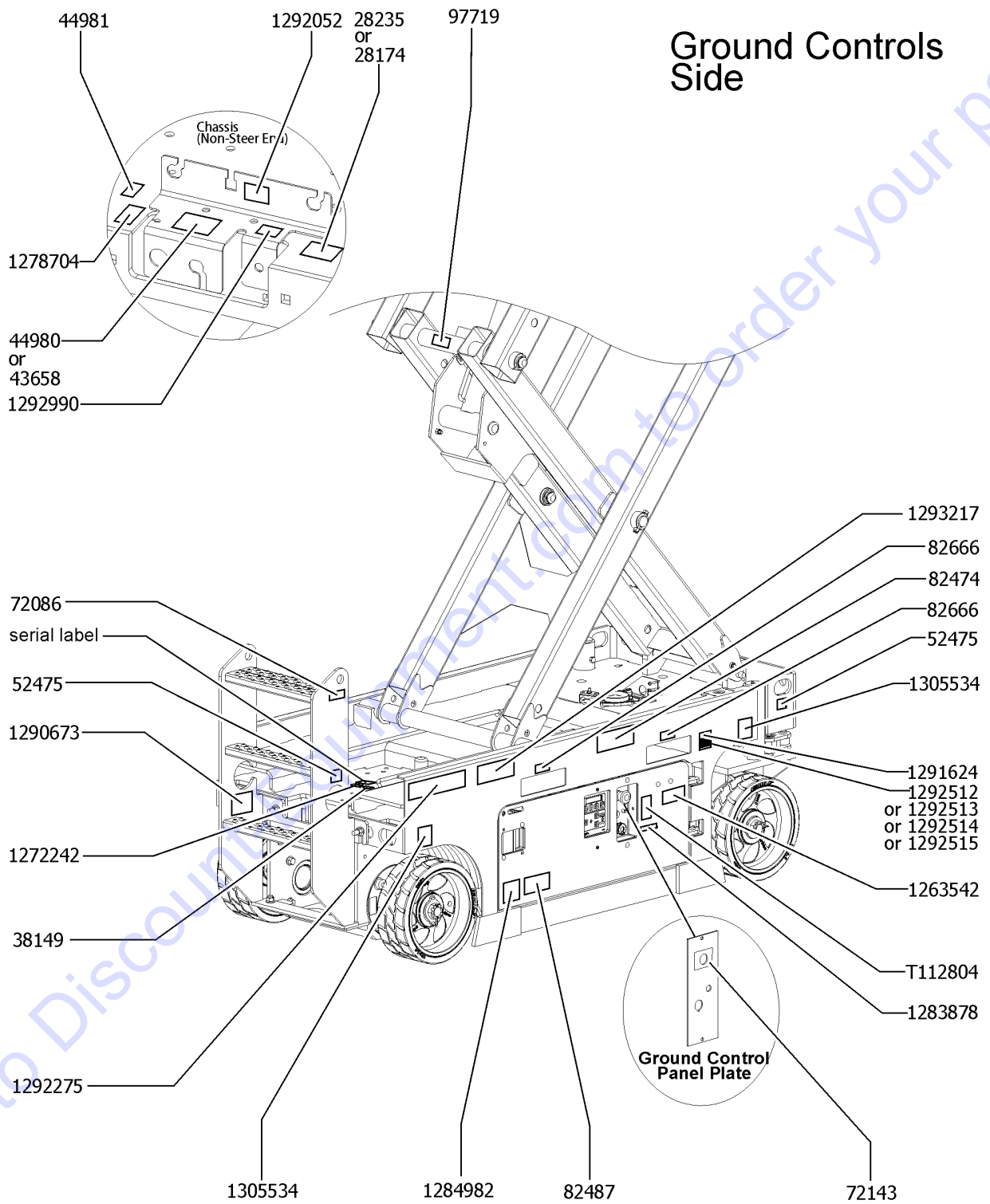
Florida: **561-964-4949** Outside Florida TOLL FREE: **877-690-3101**

Need parts?

Click on this link: <http://www.discount-equipment.com/category/5443-parts/> and choose one of the options to help get the right parts and equipment you are looking for. Please have the machine model and serial number available in order to help us get you the correct parts. If you don't find the part on the website or on one of the online manuals, please fill out the request form and one of our experienced staff members will get back to you with a quote for the right part that your machine needs.

We sell worldwide for the brands: Genie, Terex, JLG, MultiQuip, Mikasa, Essick, Whiteman, Mayco, Toro Stone, Diamond Products, Generac Magnum, Airman, Haulotte, Barreto, Power Blanket, Nifty Lift, Atlas Copco, Chicago Pneumatic, Allmand, Miller Curber, Skyjack, Lull, Skytrak, Tsurumi, Husquvarna Target, Stow, Wacker, Sakai, Mi-T-M, Sullair, Basic, Dynapac, MBW, Weber, Bartell, Bennar Newman, Haulotte, Ditch Runner, Menegotti, Morrison, Contec, Buddy, Crown, Edco, Wyco, Bomag, Laymor, EZ Trench, Bil-Jax, F.S. Curtis, Gehl Pavers, Heli, Honda, ICS/PowerGrit, IHI, Partner, Imer, Clipper, MMD, Koshin, Rice, CH&E, General Equipment, Amida, Coleman, NAC, Gradall, Square Shooter, Kent, Stanley, Tamco, Toku, Hatz, Kohler, Robin, Wisconsin, Northrock, Oztec, Toker TK, Rol-Air, APT, Wylie, Ingersoll Rand / Doosan, Innovatech, Con X, Ammann, Mecalac, Makinex, Smith Surface Prep, Small Line, Wanco, Yanmar

117.1 Decals with Symbols, GS-1932 Ground Control Side, ANSI & CE

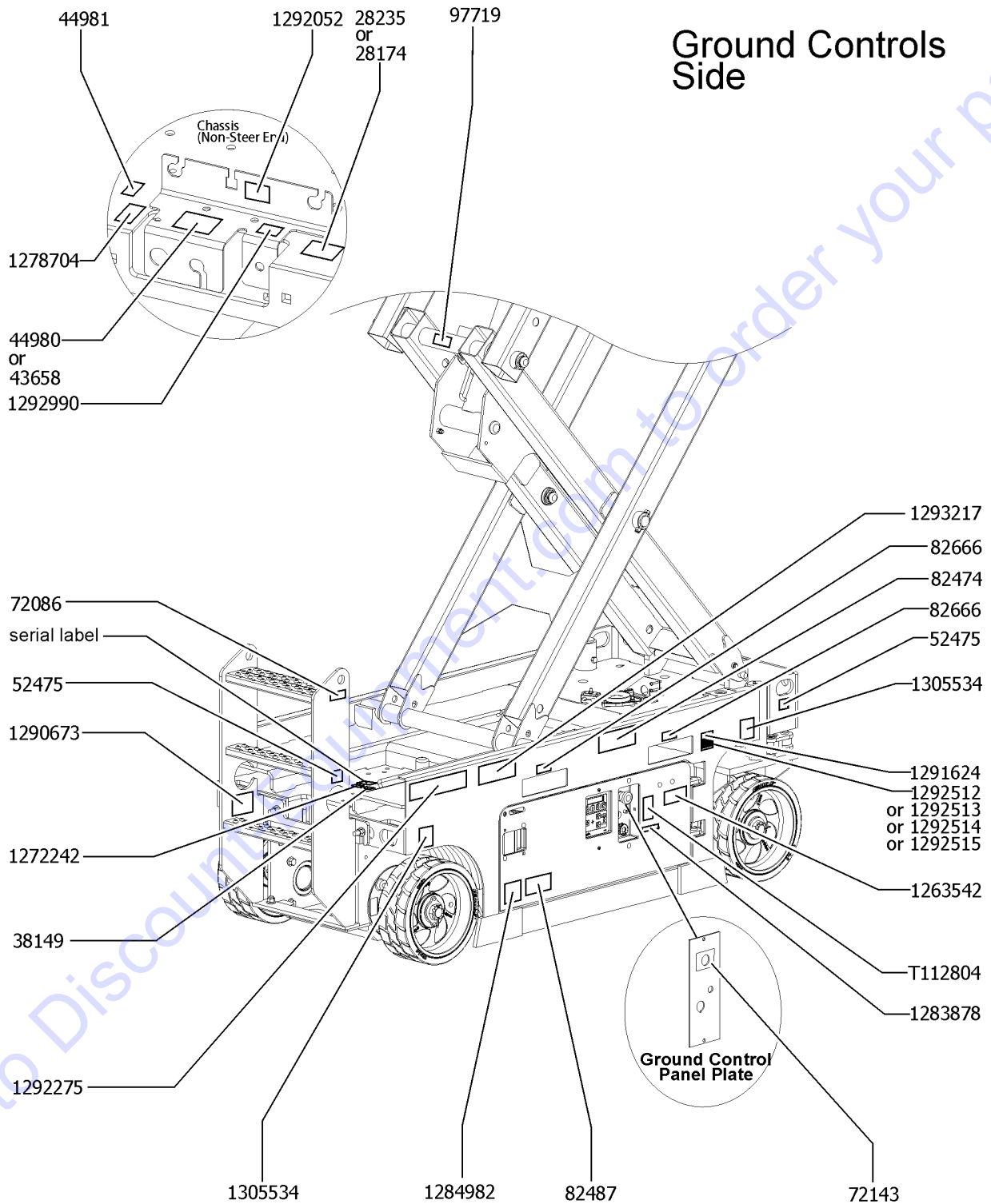


117.1 Decals with Symbols, GS-1932 Ground Control Side, ANSI & CE

Item	Part No.	Description	Qty.
1	28174GT	DECAL,POWER TO PLATFORM 230V	1
2	28235GT	DECAL,POWER TO PLATFORM 115V	1
3	38149GT	DECAL,LABEL,PATENTS	1
4	43658GT	DECAL, LABEL, PWR TO CHARGER 230 EU	1
5	44980GT	DECAL, LABEL, PWR TO CHARGER 115 UK	1
6	44981GT	DECAL,LABEL,AIRLINE 110 PSI	1
7	52475GT	DECAL,LABEL,TRANSPORT TIEDOWN*	2
8	72086GT	DECAL,LABEL,LIFTING EYE	1
9	72143GT	DECAL, EMERGENCY STOP, GR	1
10	82474GT	DECAL SYMBOL USE SAFETY ARM	1
11	82487GT	DECAL, SYMBOL - READ THE MANUAL	1
12	82666GT	DECAL,LABEL,FORKLIFT POCKET	2
13	97719GT	DECAL, LABEL, SAFETY ARM SYMBOL	1
14	1263542GT	DECAL,IMPROPER OPERATION,SYMBOL	1
15	1272242GT	DECAL,MACHINE REGISTRATION/OWNER TRANSFER	1
16	1278704GT	DECAL,CHARGE STATUS IND.	1
17	1283878GT	DECAL, TECHPRO LINK	1
18	1284982GT	DECAL,ACCUMULATOR EXPLOSION HARZARD,SYMBOL	1
19	1290673GT	DECAL,SYM-ELEC HAZARD,PLUG,GS-1330m	1
20	1291624GT	DECAL COSM,GENIE LIFT CONNECT,LEXAN COVER	1
21	1292052GT	DECAL,LABEL,AUX LOWERING	1
22	1292275GT	DECAL,ELECTRIC DRIVE,E-DRIVE	1
23	1292512GT	DECAL COSM,GENIE LIFT CONNECT,ESN,SKU4-1	1
24	1292513GT	DECAL COSM,GENIE LIFT CONNECT,ESN,SKU4-2	1
25	1292514GT	DECAL COSM,GENIE LIFT CONNECT,ESN,SKU4-3	1
26	1292515GT	DECAL COSM,GENIE LIFT CONNECT,ESN,SKU4-4	1
27	1292990GT	DECAL,RELEASE BRAKE	1
28	1293217GT	DECAL SYMBOL ELECTRIC HAZARD GS-1330m	1



117.1 Decals with Symbols, GS-1932 Ground Control Side, ANSI & CE



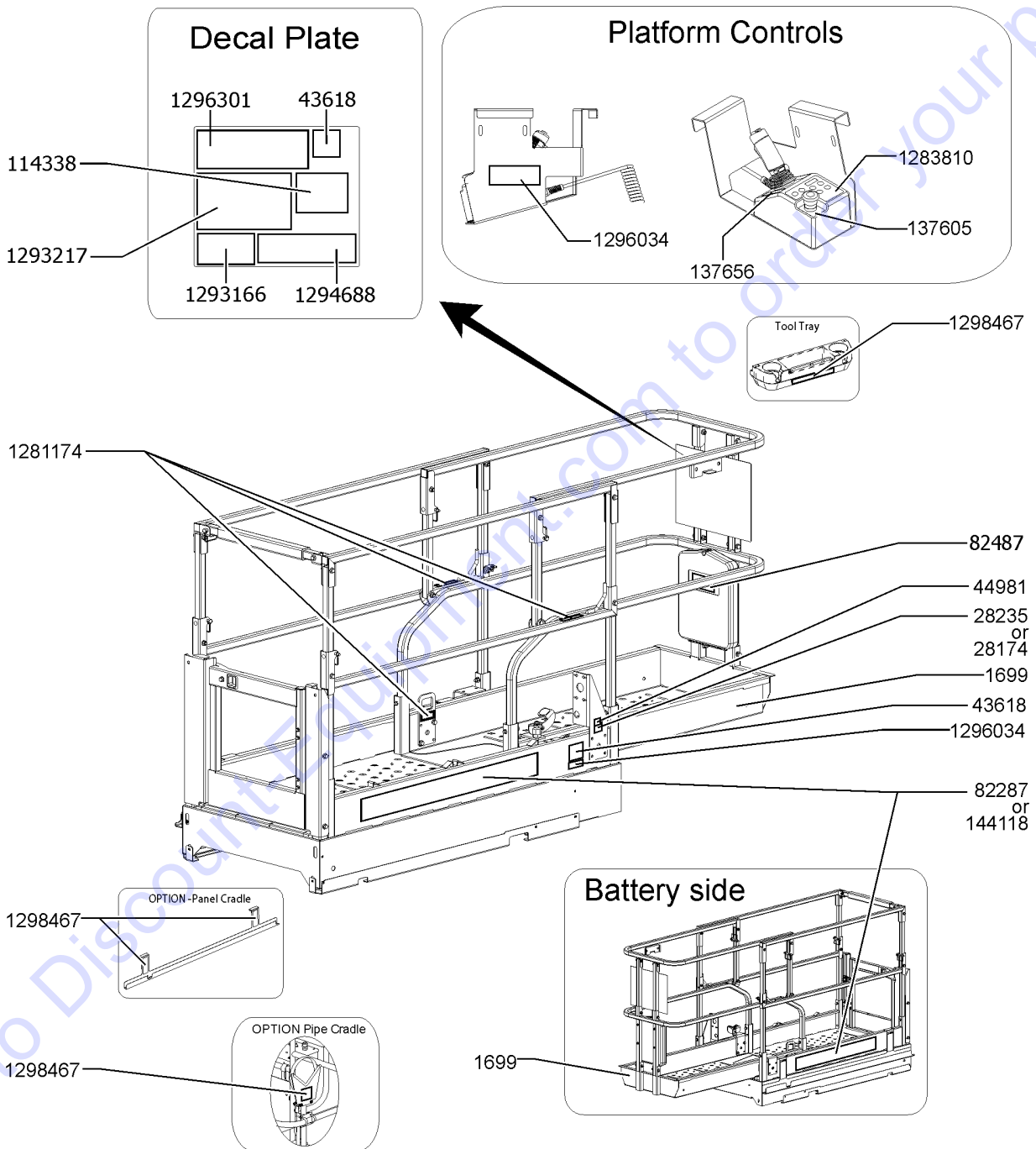
117.1 Decals with Symbols, GS-1932 Ground Control Side, ANSI & CE

<i>Item</i>	<i>Part No.</i>	<i>Description</i>	<i>Qty.</i>
29	1305534GT	DECAL, LABEL, WHEEL LOAD, E-DRIVE, GS-1932	2
30	T112804GT	DECAL,GCON PANEL,GS	1

Go to Discount-Equipment.com to order your parts



Platform, ANSI and CE models

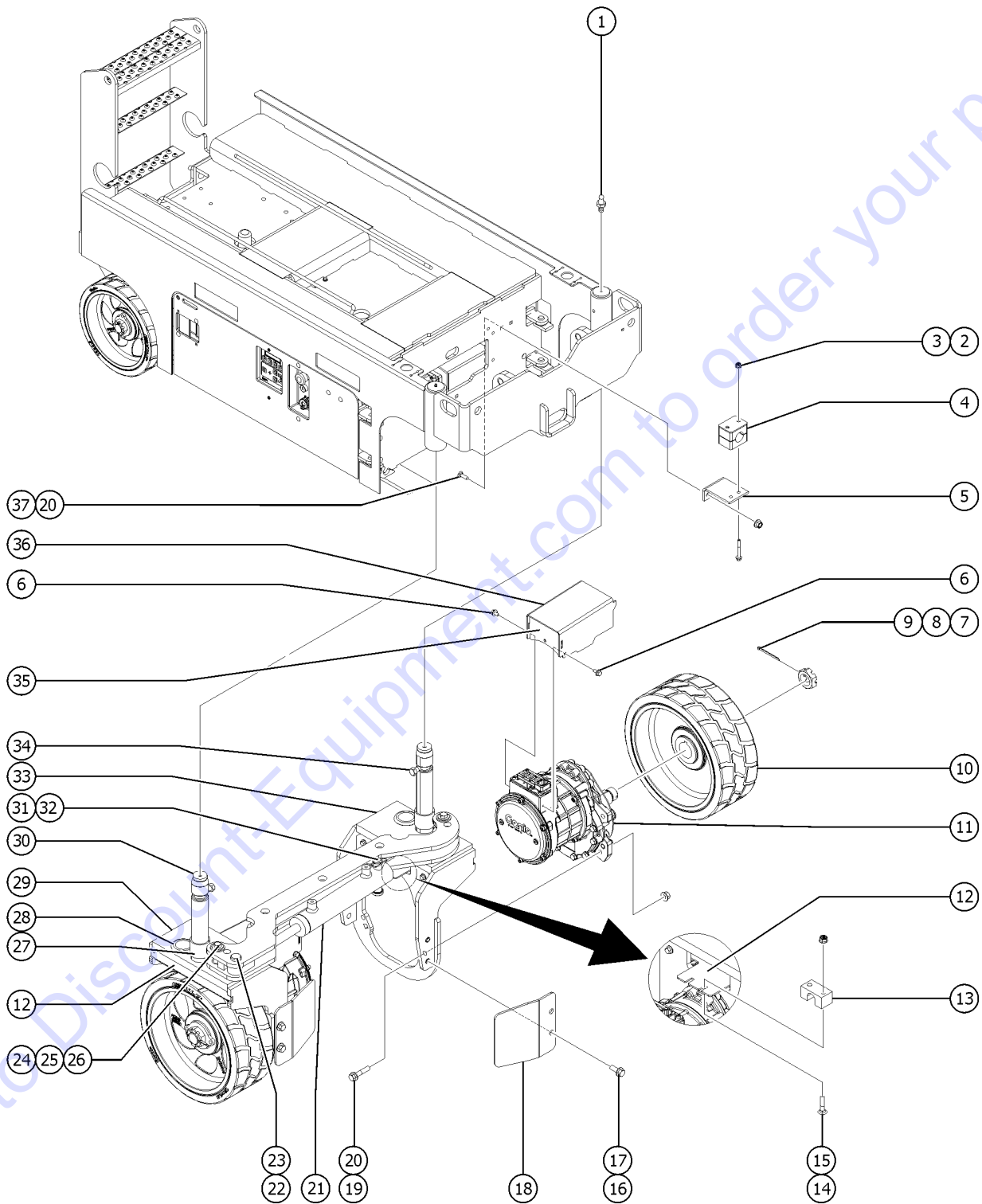


118.1 Decals with Symbols, GS-1932 Platform, ANSI & CE

Item	Part No.	Description	Qty.
1	1699GT	TAPE, WARN, BLACK/YELLOW, BULK	2
2	28174GT	DECAL,POWER TO PLATFORM 230V	1
3	28235GT	DECAL,POWER TO PLATFORM 115V	1
4	43618GT	DECAL,LABEL-DIRECTION ARROWS	2
5	44981GT	DECAL,LABEL,AIRLINE 110 PSI	1
6	82287GT	DECAL, COSMETIC, GENIE GS-1932	2
7	82487GT	DECAL, SYMBOL - READ THE MANUAL	1
8	114338GT	DECAL SYMBOL TIP OVER TILT ALARM	1
9	137605GT	DECAL,E-STOP, GR/GRC/GS PCON	1
10	137656GT	DECAL, PROPEL, GR/GRC/GS, PCON	1
11	144118GT	DECAL,COSMETIC,GENIE,GS1932,BLK	2
12	1281174GT	DECAL,LANYARD,FALL ARREST/FALL RESTRAINED	3
13	1283810GT	DECAL,STD,DUAL ZONE,GR/GS,UI	1
14	1293166GT	DECAL,TIP-OVER,CRUSH, GS-1330m	1
15	1293217GT	DECAL SYMBOL ELECTRIC HAZARD GS-1330m	1
16	1294688GT	DECAL,PLATFORM OVERLOAD, MINI	1
17	1296034GT	DECAL, SMARTLINK, DUAL ZONE	2
18	1296301GT	DECAL, DANGER, MAX CAPACITY 227KG, SIDE FORCE 200/400N	1
19	1298467GT	DECAL, SYMBOL, READ THE MANUAL, 2.38x1.25	4



201.1 Steer Linkage and Wheels

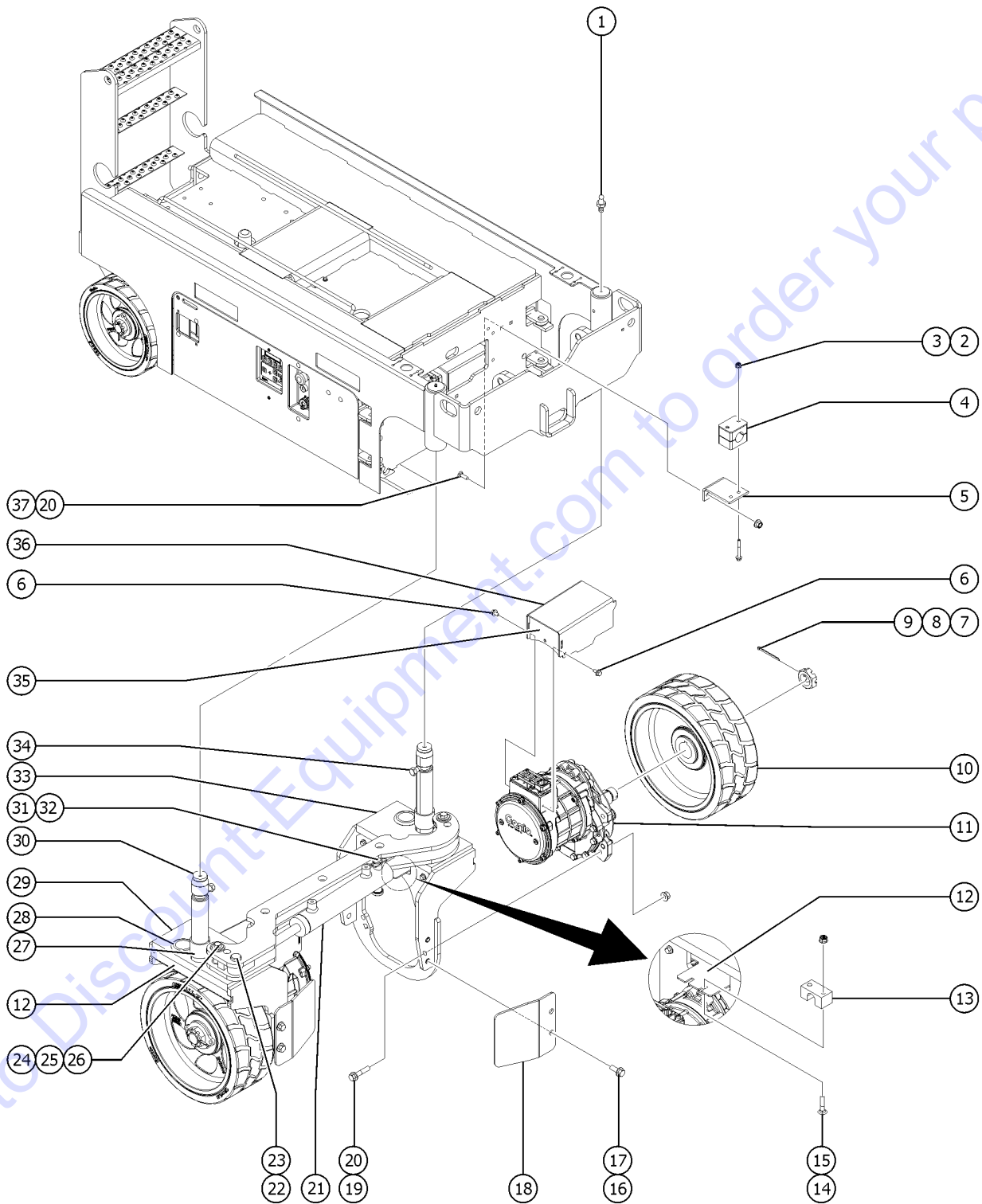


201.1 Steer Linkage and Wheels

Item	Part No.	Description	Qty.
1	66770GT	FITTING,STRAIGHT DRIVE-IN ZERK	2
2	1277924GT	NUT,NYLOCK FLG,1/4-20,F,ZAG	4
3	1253485GT	SCREW,HHF,1/4-20X2,8,ZAG	4
4	1291307GT	CLAMP,CABLE,ONE HOLE	2
5	1307201GT	FORMING, CABLE CLAMP SUPPORT,MINI,E-DRIVE	2
6	237238GT	SCREW,HHF,M6-1.0X12,DIN6921,10	4
7	42079GT	PIN,COTTER,.156 X 2.5	2
8	44780GT	NUT,CASTLE,1.125-18 UNEF	2
9	44781GT	KEY,RECTANGULAR,.31X.28X1.25"*	2
10	1301134GT	WHEEL/TIRE,GS30,E-DRIVE,EXML	2
11	1299144GT	DRIVETRAIN, MOTOR, GEARBOX, MINI	2
12	1307065GT	FORMING,CABLE TRAY,MINI YOKE,E-DRIVE	2
13	1307118GT	BLOCK,CABLE CLAMP,18MM	2
14	1256463GT	BOLT,CARRIAGE,1/4-20X1.25,5,ZA	4
15	1277924GT	NUT,NYLOCK FLG,1/4-20,F,ZAG	4
16	824090GT	SCREW,HHF,3/8-16X1,8,ZAG	4
17	39340GT	NUT, WELD, 3/8-16	4
18	1304171GT	FORMING PLATE GUARD, GS	2
19	824093GT	SCREW,HHF,3/8-16X1.75,8,ZAG	8
20	1274322GT	NUT,NYLOCK FLG,3/8-16,F,ZAG	10
21	105547GT	CYLINDER,GS/GR STEER***	1
22	1259193GT	PIN,CLEVIS,3/4X2,ZAG	1
23	1259194GT	CLIP,HAIR PIN,.125X2,.5-.75,ZAG	1
24	1256109GT	SCREW,HHC,3/8-16X.75,8,ZAG	4
25	1255758GT	WASHER,FLAT,3/8,USS,ZAG	4
26	47548GT	BEARING,FL,0.75ID X 1 OD X .49	4
27	119619GT	BEARING,1.5IDX1.75ODX1.5L,PTFE	2
28	1307119GT	GROMMENT,RUBBER 1.37X1.6X.83	2



201.1 Steer Linkage and Wheels



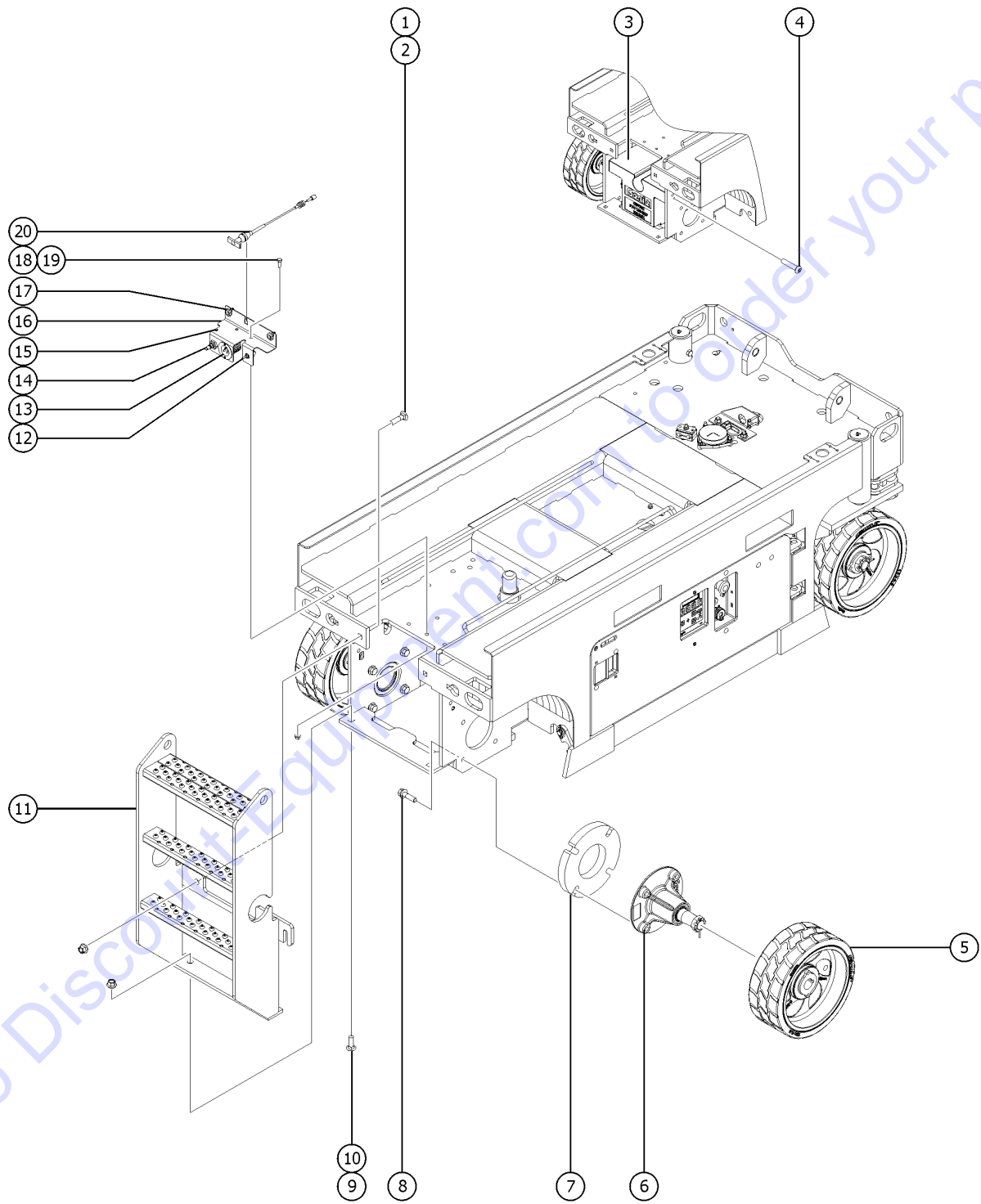
201.1 Steer Linkage and Wheels

Item	Part No.	Description	Qty.
29	1306057GT	WELDMENT, YOKE, 30", MINI, RT, E-DRIVE GS-1530, GS-1930 (ground control side)	1
29B	1306060GT	WELDMENT, YOKE, 32", MINI, RT, E-DRIVE GS-1532, GS-1932 (ground control side)	1
30	105565GT	WASHER, THRUST, GS	2
31	1259195GT	PIN, CLEVIS, 3/4X3.25, ZAG	1
32	824128GT	RUE RING, 3/4, ZAG	1
33	1306056GT	WELDMENT, YOKE, 30", MINI, LT, E-DRIVE GS-1530, GS-1930 (battery side)	1
33B	1306058GT	WELDMENT, YOKE, 32", MINI, LT, E-DRIVE GS-1532, GS-1932 (battery side)	1
34	1259192GT	SCREW, YOKE LOCK, ZAG	2
35	1306041GT	FORMING, TERMINAL COVER, SIDE	2
36	1306040GT	FORMING, TERMINAL COVER, TOP	2
37	1255757GT	BOLT, CARRIAGE, 3/8-16X1.25, 5, ZAG	2

Go to Discount-Equipment.com to order your parts

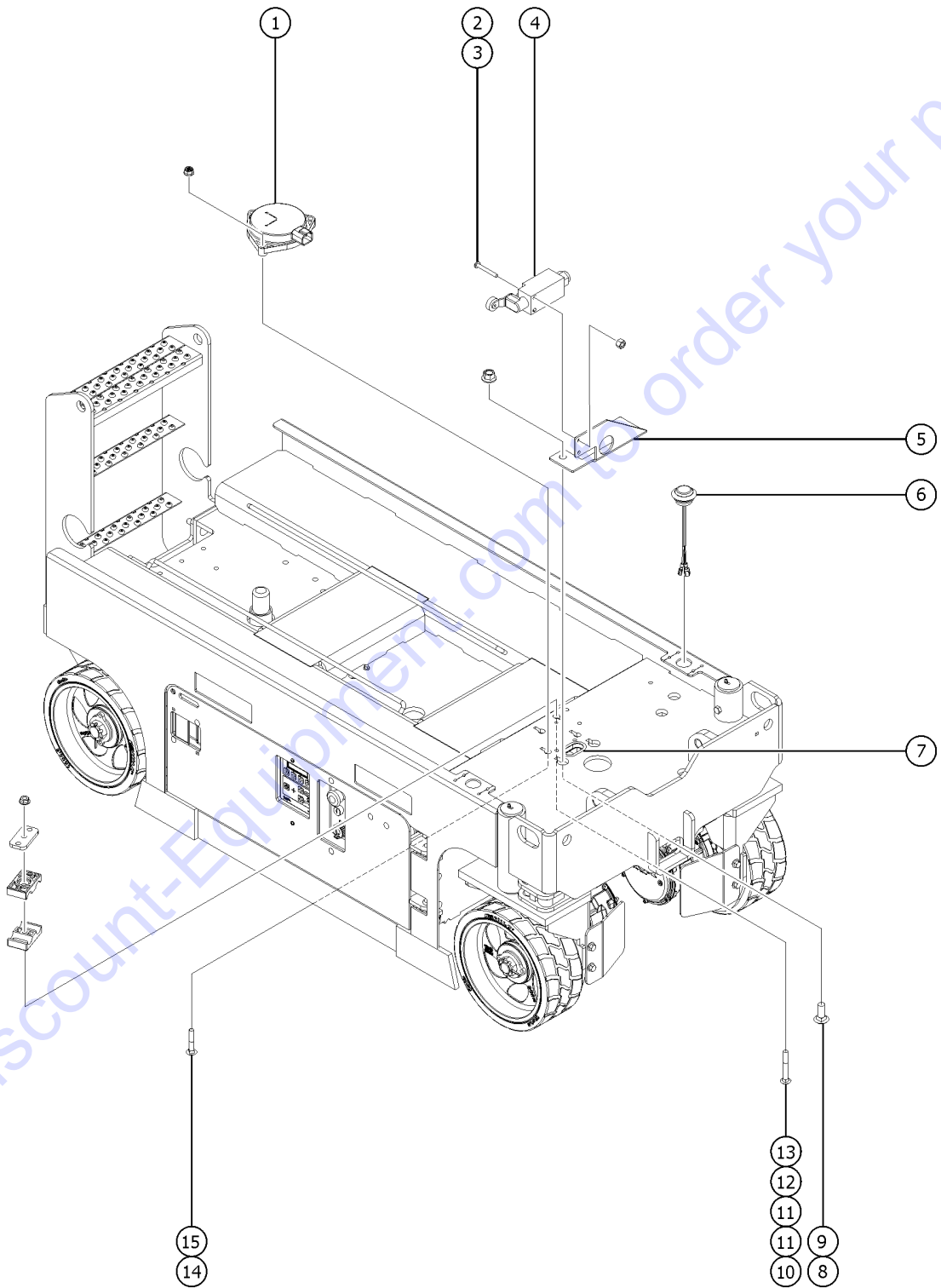


202.1 Non-steer Axle Installation, All Models



Item	Part No.	Description	Qty.
1	1255759GT	BOLT,CARRIAGE,1/2-13X2,5,ZAG	4
2	1274172GT	NUT,NYLOCK FLG,1/2-13,G,ZAG	4
3	1304829GT	CWT,REAR,GS1932,AUS	1
		GS-1932, AUS	
3B	1304828GT	CWT,REAR,GS1932,OUTDOOR	1
		GS-1932 outdoor, AUS	
3C	1301777GT	COUNTERWEIGHT,GS1932,E-DRIVE	1
		GS-1930	
4	1259191GT	SCREW,BHC,3/8-16X1.75,F835,ZAG	2
5	1301134GT	WHEEL/TIRE,GS30,E-DRIVE,EXML	2
6	1298930GT	ASSY,NON-DRIVE SPINDLE,GS30,E-DRIVE	2
7	78680GT	PLATE, BRAKE SPACER	2
		GS-1532, GS-1932	
8	1257862GT	SCREW,HHF,1/2-13X2.75,8,ZAG	4
9	1256179GT	BOLT,CARRIAGE,1/2-13X1.5,5,ZAG	2
10	1274172GT	NUT,NYLOCK FLG,1/2-13,G,ZAG	2
11	1304229GT	WELDMENT,LADEER,MINI,THREE RUNG	1
12	128584GT	SWITCH TOGGLE SPDT 2P MNT SHDR	1
13		Ref. Electrical Plugs and Cords	1
		(refer to 402.1)	
14	1292622GT	GS-4655 LIST OF SAFETY FUNCTION	1
15	1270281GT	ASSEMBLY, CHARGER STATUS LED, 2V, BCI	1
16	1303685GT	FORMING,REAR BRKT,E-DRIVE	1
16B	1303686GT	FORMING,REAR BRKT,E-DRIVE,US PLUG	1
		(US Plug option)	
17	128118GT	BUSHING,STRAIN RELIEF,.875/.40	
18	824067TAGT	SCREW, HHC, 3/8-16 X 1, 8, ZAG	2
19	1274322GT	NUT,NYLOCK FLG,3/8-16,F,ZAG	2
20	39232GT	CABLE, EMERGENCY DOWN	1

203.1 Level Sensor Installation, All models

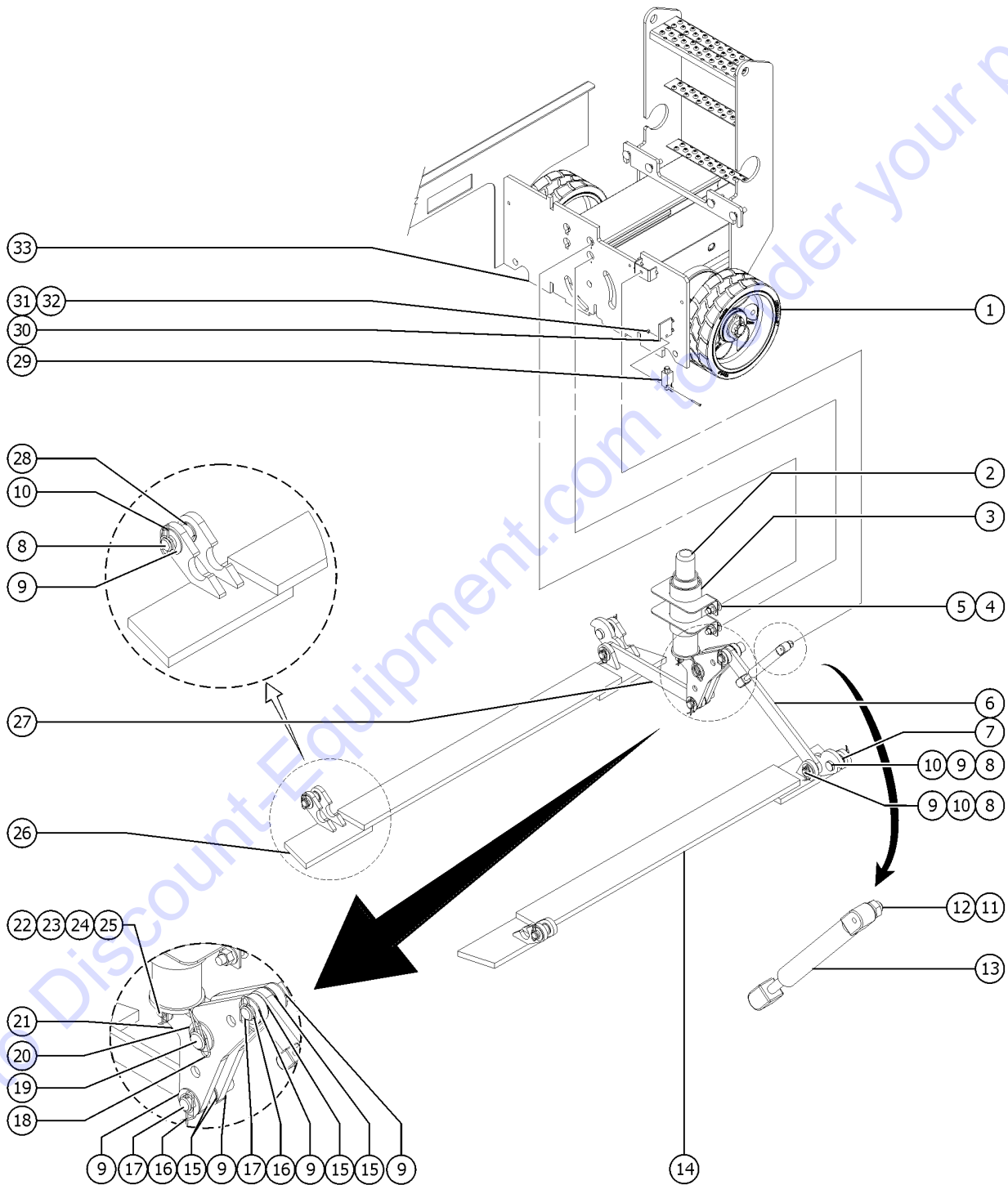


Item	Part No.	Description	Qty.
1	823368GT	SENSOR,LEVEL,UNIVERSAL	1
2	824216GT	SCREW,PHPM,10-32X1.5,ZAG	2
3	1274168GT	NUT,NYLOCK,10-32,A,ZAG	2
4	96948GT	SWITCH,LIMIT,W/ROLLER ARM***	1
5	1299695GT	FORMING,ALARM BRACKET,MINI	1
6	1261183GT	ASSEMBLY, VISUAL IND LIGHT	2
		(option)	
6-	1254572GT	LIGHT,TURN SIGNAL,1.25" LED,AM	2
6-	1270162GT	ASSEMBLY, BEACON LED, 24V	2
		for 1261183	
6-	1271521GT	HARNESS, BEACON, LCD, MINI	1
		for 1261183	
7	47238GT	GROMMET, RUBBER 1.5ID	1
8	824125GT	BOLT, CARRIAGE, 3/8-16 X 1, 5, ZAG	2
9	824029GT	NUT,TL FLG,3/8-16,G,ZAG	2
10	1255797GT	BOLT,CARRIAGE,1/4-20X2,5,ZAG	1
11	78736GT	CLAMP, 2 HOSE, PLASTIC, 5/8	2
12	112589GT	PLATE,HOSE ROUTING,BULKHEAD	1
13	1256679GT	NUT,SERRATED,1/4-20,8,ZAG	1
14	1255756GT	BOLT,CARRIAGE,1/4-20X1.5,5,ZAG	3
15	1277924GT	NUT,NYLOCK FLG,1/4-20,F,ZAG	3

Go to Discount-Equipment.com to order your parts



204.1 Pothole Protection Assembly

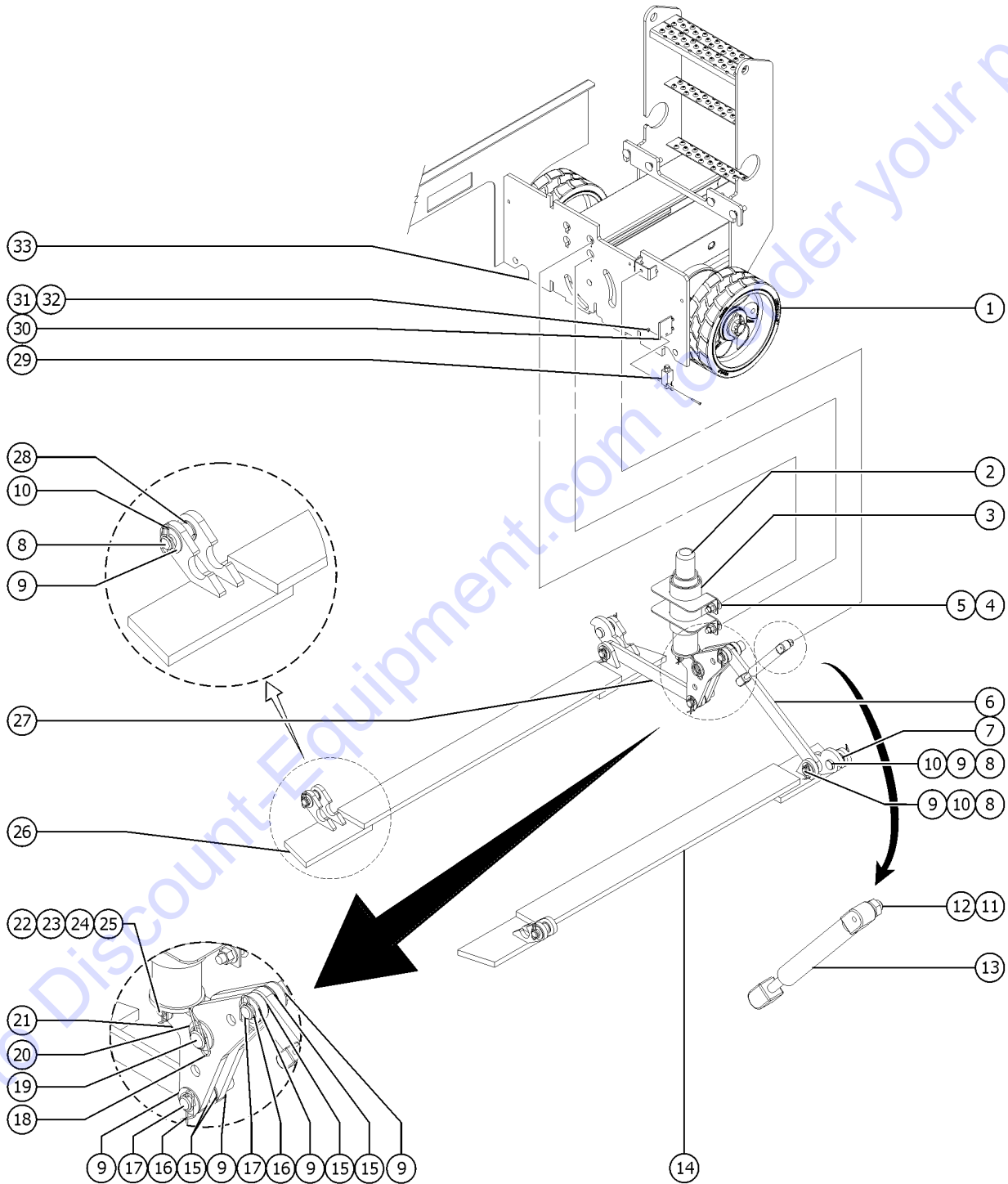


204.1 Pothole Protection Assembly

Item	Part No.	Description	Qty.
1		Ref.Wheel and Tire Assy (refer to 201.1)	
2	1300036GT	ASSY,POT HOLE PUSHER	1
3	1300053GT	WLDMT/ASSY,PH GUIDE,E-DRIVE	1
3-	1300540GT	BEARING,2.02IDX2.25ODX1.00L	1
4	1255757GT	BOLT,CARRIAGE,3/8-16X1.25,5,ZAG	4
5	1274322GT	NUT,NYLOCK FLG,3/8-16,F,ZAG	4
6	1300027GT	PLATE,POTHOLE LINK	1
7	1303129GT	BEARING,POTHOLE GUARD	2
8	1259197GT	PIN,CLEVIS,.625X1.88,ZAG	3
9	1259180GT	WASHER,SHIM,.625X1.188X.064,ZAG	8
10	1259177GT	RUE RING,5/8,ZAG	3
11	78086GT	BALL STUD, GAS STRUT, 3/8-16	1
12	824038GT	NUT,TL JAM,3/8-16,A,ZAG	1
13	39542GT	GAS SHOCK, SCISSORS***	1
14	1298928GT	WELDMENT, POTHOLE, LEFT SIDE	1
15	96085GT	WASHER, THRUST, .63 X 1.13 X .06	4
16	1259177GT	RUE RING,5/8,ZAG	2
17	1259179GT	PIN,CLEVIS,.625X1.79,ZAG	2
18	824128GT	RUE RING, 3/4, ZAG	1
19	96133GT	PIN,CLEVIS,0.75X2.44	1
20	1259686GT	WASHER,FLAT,.765X1.312X.093,ZAG	1
21	1300029GT	WLDMT/ASSY,PH BELLCRANK LINK	1
22	1259178GT	PIN,CLEVIS,.375X1.75,ZAG	1
23	1303148GT	RUE RING,3/8,ZAG	1
24	825358GT	WASHER,FLAT,5/16,USS,ZAG	1
25	96541GT	CAM FOLLOWER, 1.125 X .375, DELRIN	1
26	1298927GT	WELDMENT, POTHOLE, RIGHT SIDE	1
27	1300025GT	PLATE,POTHOLE LINK	1



204.1 Pothole Protection Assembly



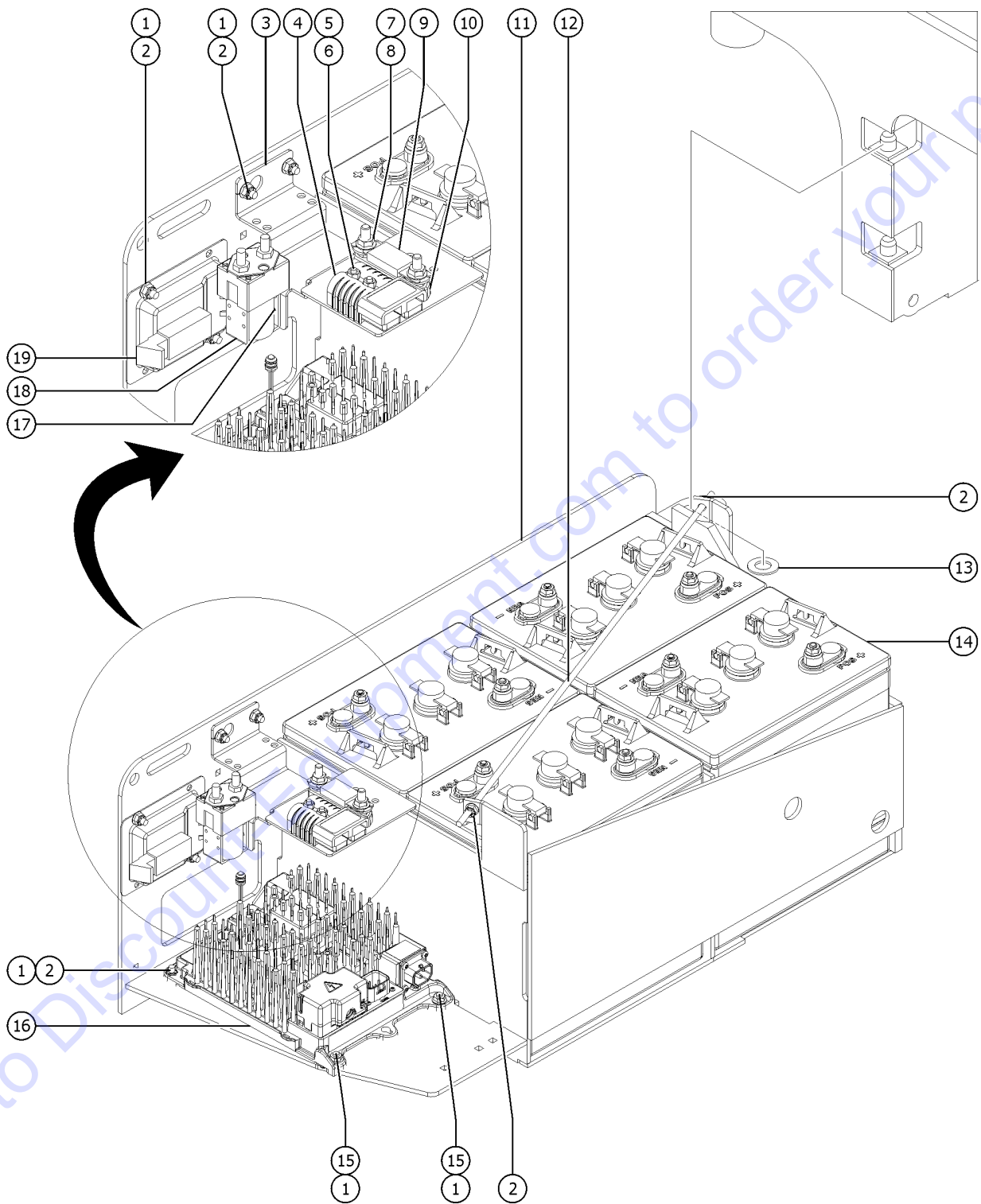
204.1 Pothole Protection Assembly

<i>Item</i>	<i>Part No.</i>	<i>Description</i>	<i>Qty.</i>
28	105156GT	BUSHING, FLNGD, .63 X .77 X .38	1
29	96948GT	SWITCH,LIMIT,W/ROLLER ARM***	1
29-	19491GT	CONTACTOR,LIMIT SWITCH	
29-	97128GT	ROLLER ARM,LIMIT SWITCH***	
30	1302399GT	PLATE, SWITCH BRACKET	1
31	1274168GT	NUT,NYLOCK,10-32,A,ZAG	2
32	1257264GT	SCREW,BHC,10-32X1.5,F835,ZAG	2
33	1298911GT	PLATE, REAR BULKHEAD	1

Go to Discount-Equipment.com to order your parts



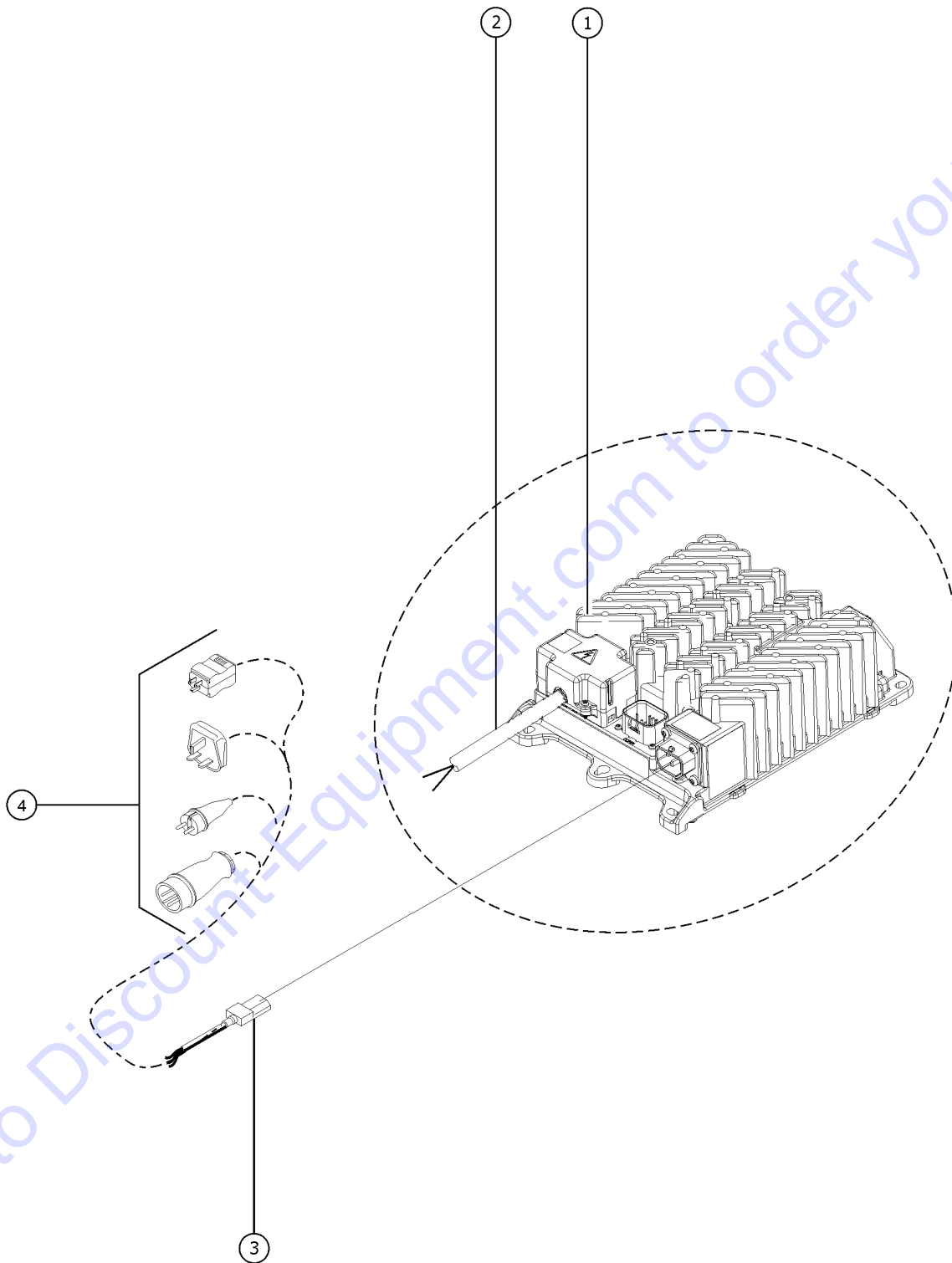
205.1 Battery Pack Module



Item	Part No.	Description	Qty.
1	824124GT	BOLT,CARRIAGE,1/4-20X.75,5,ZAG	
2	1277924GT	NUT,NYLOCK FLG,1/4-20,F,ZAG	
3	1290574GT	FORMING,CONTACTOR/FUSE BRACKET	1
4	1288481GT	QUICK DISCONNECT CASING, BATT SB120	1
5	825352GT	SCREW,PHPM,10-32X1.25,ZAG	2
6	1274168GT	NUT,NYLOCK,10-32,A,ZAG	2
7	1255805GT	NUT,SERRATED,5/16-18,8,ZAG	2
8	825358GT	WASHER,FLAT,5/16,USS,ZAG	2
9	40833GT	FUSE,275 AMP,VERY FAST ACTING	1
10	66717GT	FUSE BLOCK, ANN & ANL FUSE (includes mounting fasteners)	1
11	1303675GT	WLDMT,BATTERY TRAY ,GS	1
12	30784-2550GT	THREADED ROD,(1/4-20),25.50	1
13	1256863GT	WASHER,FLAT,.75,SAE,HRD,ZAG	2
14	76494GT	BATT, 6V, 225AH T105 LPT/3CAP***	4
14-	1255805GT	NUT,SERRATED,5/16-18,8,ZAG	
14B	1263152GT	FULLRIVER BATT, DC224-6,6V, 224AH, GS3246 AGM	4
14C	1257609GT	BATTERY,12V,150AH,T1275	4
14D	1299390GT	BATT,6V,210AH T605 LPT\3CAP	4
15	1256679GT	NUT,SERRATED,1/4-20,8,ZAG	2
16		Ref. Battery Charger	1
		(refer to 206.1)	
17	1257402GT	SCREW,PHPM,6-32X.25,ZAG	
18	1304130GT	CONTACTOR,24V,80A,SPST,SEAL,UNBRANDED	1
19	55675GT	LATCH, LRG PADDLE HANDLE GS90	1



206.1 Battery Charger



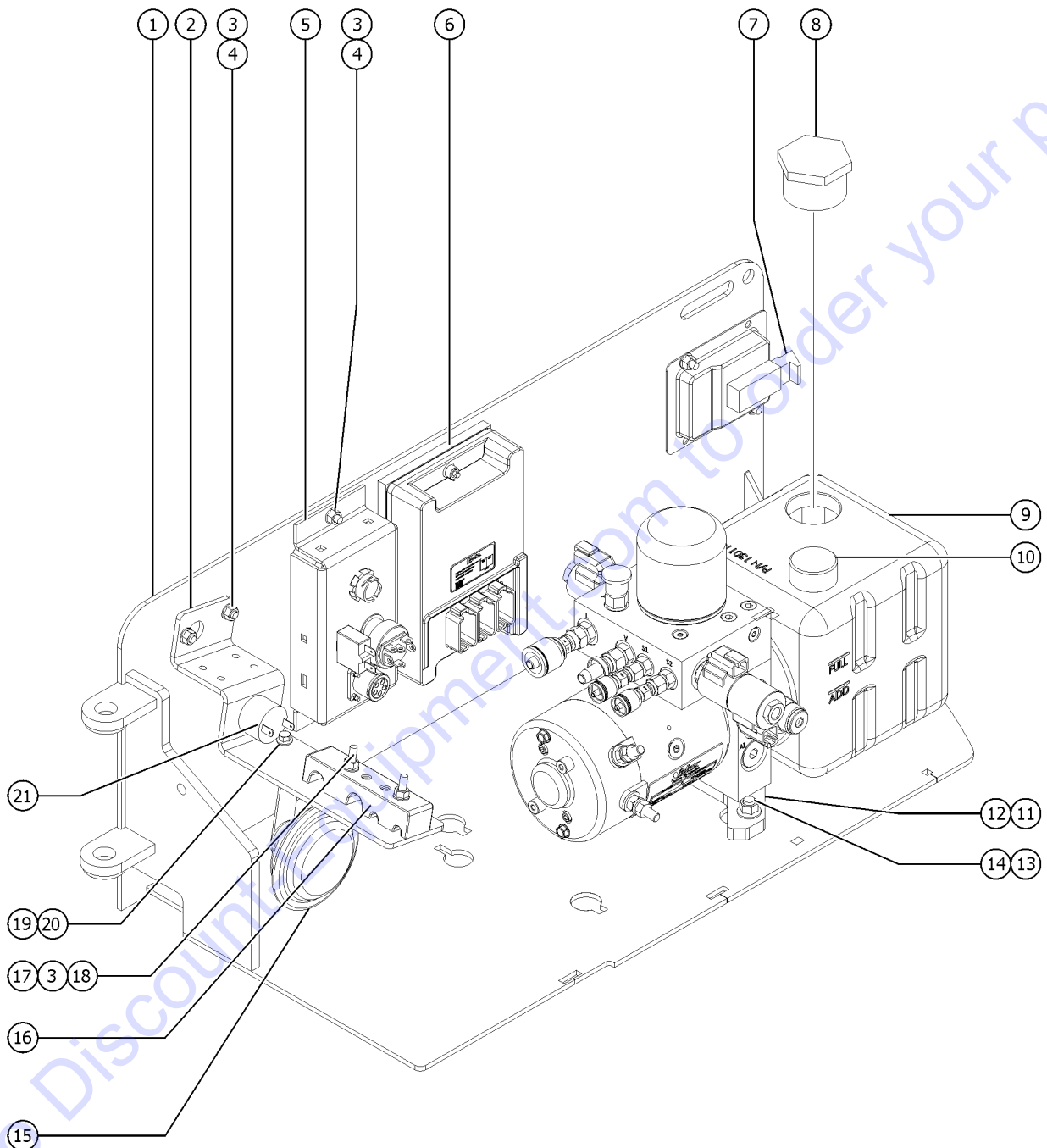
206.1 Battery Charger

Item	Part No.	Description	Qty.
1	1272232GT	CHARGER, 24V, 650W, USB	1
1-	1272557GT	POWER CORD, IEC 320, 90° power supply cord (ANSI/CSA models)	
1-	1272844GT	CABLE,CHARGER, DC, W/ BTS for AGM 'maintenance free' batteries	
1-	1279428GT	KIT,DC BLOCK ASSEMBLY	
1-	1288499GT	HARNESS,CHARGER EXTENSION 30DC	
1-	1288500GT	CABLE ASSY. CHARGER/BATTERY 30DC for standard 'flooded' batteries	
2		Ref. CABLE ASSY,CHARGER/BATTERY (refer to 210.1)	
3	1272557GT	POWER CORD, IEC 320, 90°	1
4		Ref. PLUG, ELECTRICAL	
		(refer to 403.1)	

Go to Discount-Equipment.com to order your parts



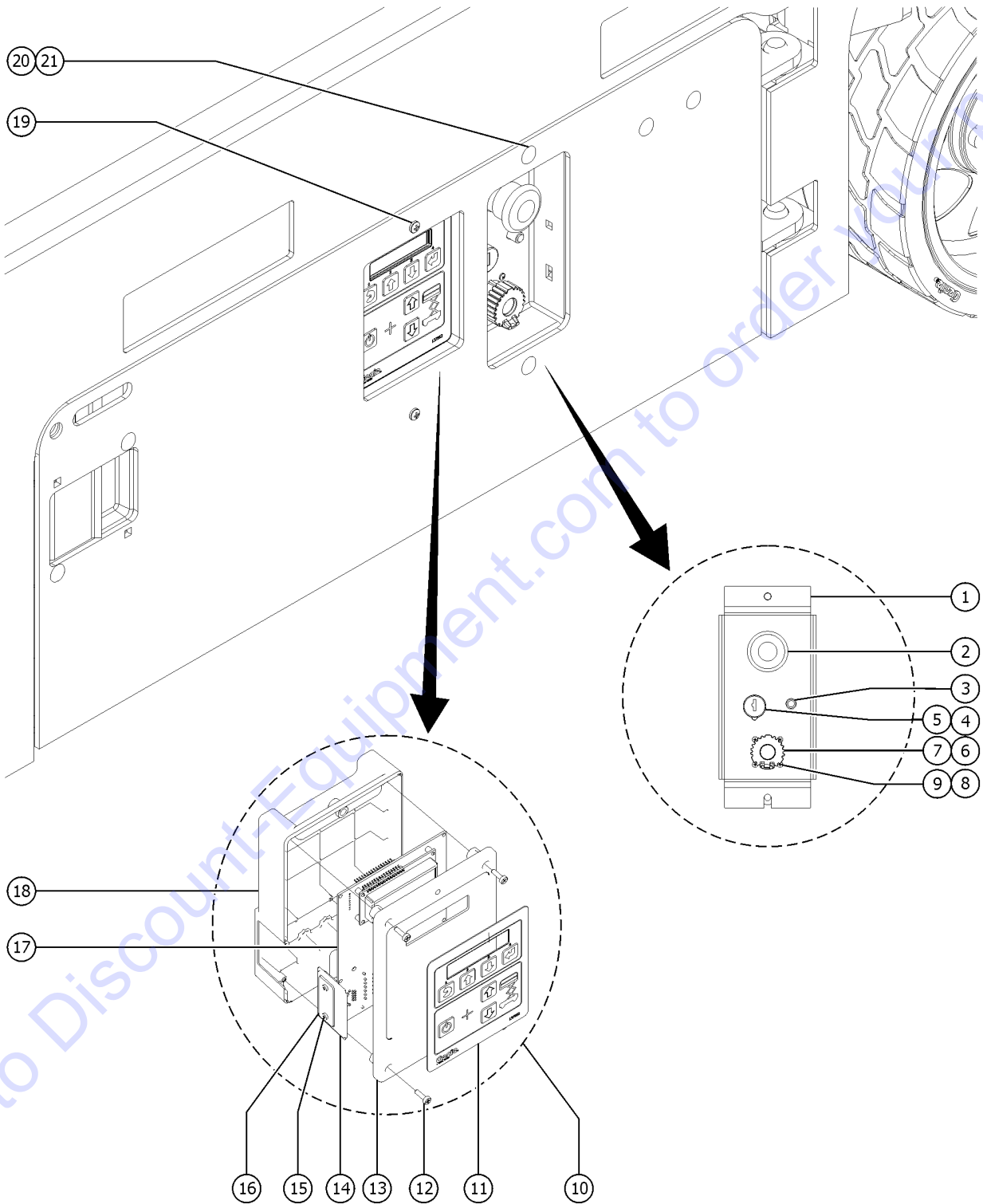
207.1 Power Unit Module



Item	Part No.	Description	Qty.
1	1298923GT	WELDMENT,GS HYD TRAY	1
2	1303364GT	FORMING, BRACKET, HYD HOSE CLAMP	1
3	824027GT	NUT,TL FLG,1/4-20,G,ZAG	5
4	824124GT	BOLT,CARRIAGE,1/4-20X.75,5,ZAG	3
5	1284781GT	FORMING,CONTROL PANEL,TECH PRO,METRIC	1
6	1252764GT	SPACER, GROUND CONTROL ECU	1
7	55675GT	LATCH, LRG PADDLE HANDLE GS90	1
8	66204GT	PLUG, 1-1/2" NPT HEX HEAD	1
9	1306167GT	POWER UNIT,2606 MOTOR,MINI SLAB,E-DRIVE	1
10	78546GT	BREATHER CAP,HYD. TANK,1/4 NPT	1
11	1287951GT	PLATE, POWER UNIT MOUNT	1
12	1260703GT	SCREW,FHS,3/8-16X1,F835,ZAG	2
13	1255757GT	BOLT,CARRIAGE,3/8-16X1.25,5,ZAG	2
14	1274322GT	NUT,NYLOCK FLG,3/8-16,F,ZAG	2
15	81579GT	HORN,24VDC,SPADE TERMINALS***	1
16	1304152GT	CLAMP,HOSE,HYD TRAY	1
17	1255797GT	BOLT,CARRIAGE,1/4-20X2,5,ZAG	2
18	824113GT	WASHER,FLAT,1/4,USS,ZAG	2
19	824068GT	SCREW, HHC, 3/8-16 X 1.25, 8, ZAG	1
20	1274322GT	NUT,NYLOCK FLG,3/8-16,F,ZAG	1
21	39540GT	ALARM, STEADY TONE***	1
21-	72326GT	NUT - PLASTIC,RING FOR ALARMS for 39540	1



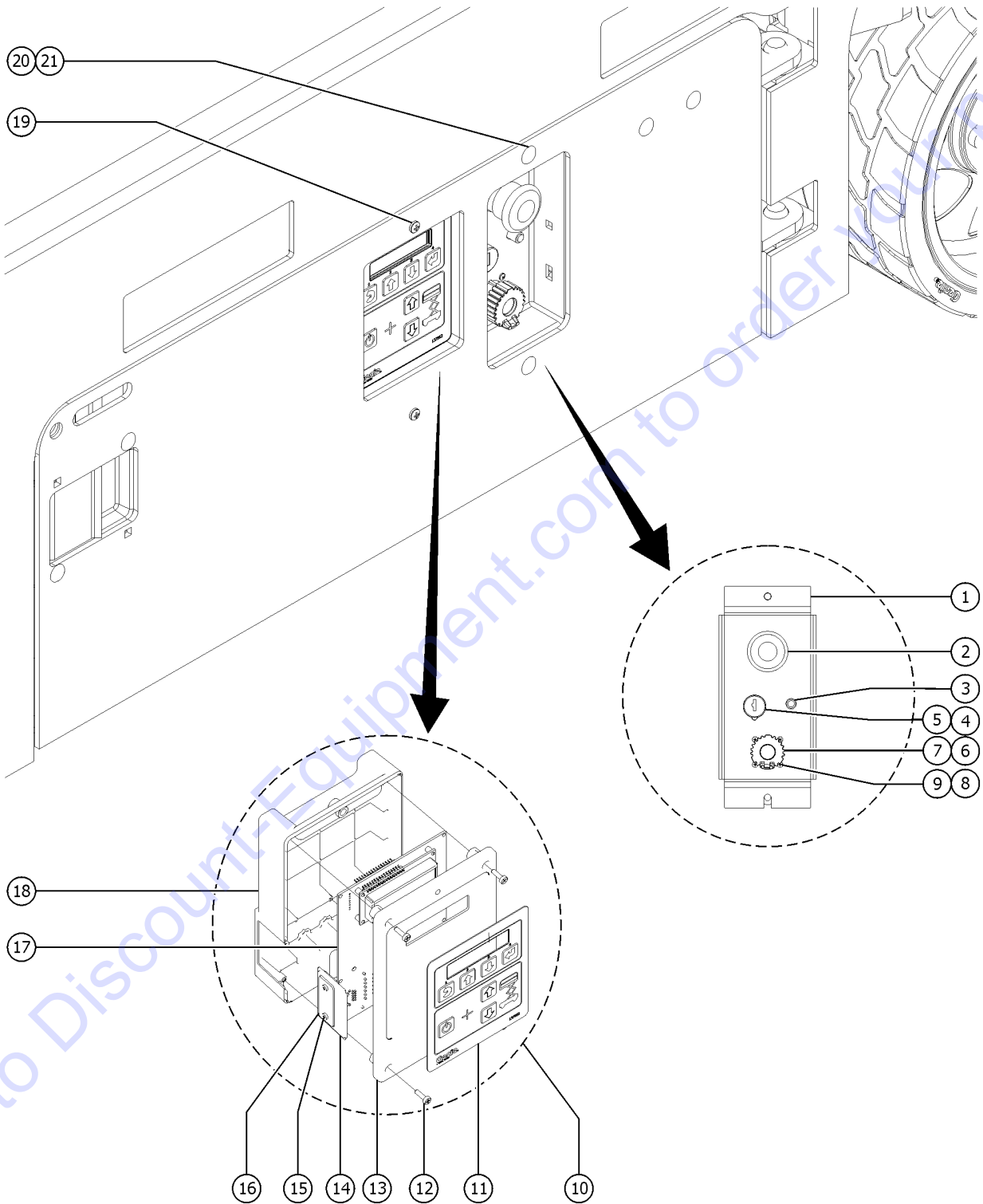
208.1 Ground Controls



Item	Part No.	Description	Qty.
1	1284781GT	FORMING,CONTROL PANEL,TECH PRO,METRIC	1
2	66812GT	BUTTON,PUSH,RED MUSHROOM HEAD	1
2-	58627GT	NUT	
2-	66817GT	BASE WITH 1 NC CONTACT, E-STOP	
3	96452GT	CIRCUIT BREAKER,7.0 AMP***	1
3-	122994GT	NICKEL PLATED JAM NUT	
3-	6700GT	WASHER,STAR,EXTERNAL	
4	96008-SGT	KEYSWITCH,3 POS. W/KEYS***	1
4-	37947GT	KEYS,10 PACK*** (sold seperately)	
4-	83093GT	KEY SINGLE*** (sold seperately)	
4-	85239GT	NUT,RETAINER (96008) (sold seperately)	
4-	96009GT	WASHER,NITRILE (sold seperately)	
4-	96010GT	SCREW,PHILLIPS,PHM,8-32 X.25** (sold seperately)	
5	96010GT	SCREW,PHILLIPS,PHM,8-32 X.25**	3
6	1272122GT	CONNECTOR, RECEPTACLE, 5 WAY, CIRCULAR	1
7	1272123GT	DUST CAP, RECEPTACLE, 5 WAY, CIRCULAR	1
8	1253477GT	SCREW,PHPM,4-40X.5,ZAG	4
9	826854GT	NUT,NYLOCK,4-40	4
10	1284285GT	GCON,STD,DUAL ZONE	
11	137562GT	DECAL,MEMBRANE, GR/GRC/GS GCON	1
12	137668GT	SCREW,PHM,6-19X.75, 48-2 TRI-L	4
13	T106366GT	ENCLOSURE,GC27-25/GC21-19,FRNT	1
14	T106363GT	ADAPTER, RJ45, GC27-25/GC21-19	1
15	137637GT	SCREW,PHM,4-20X.5, 48-2 TRI-L	2
16	T106362GT	COVER, RJ45, GC27-25/GC21-19	1
17	1256719GT	PCBA,GCON STD,PROP LIFT	1
18	T106372GT	ENCLOSURE, GC21-19, BK	1
19	51063GT	SCREW,PHILLIPS,RHM,10-32 X 1.5	2



208.1 Ground Controls



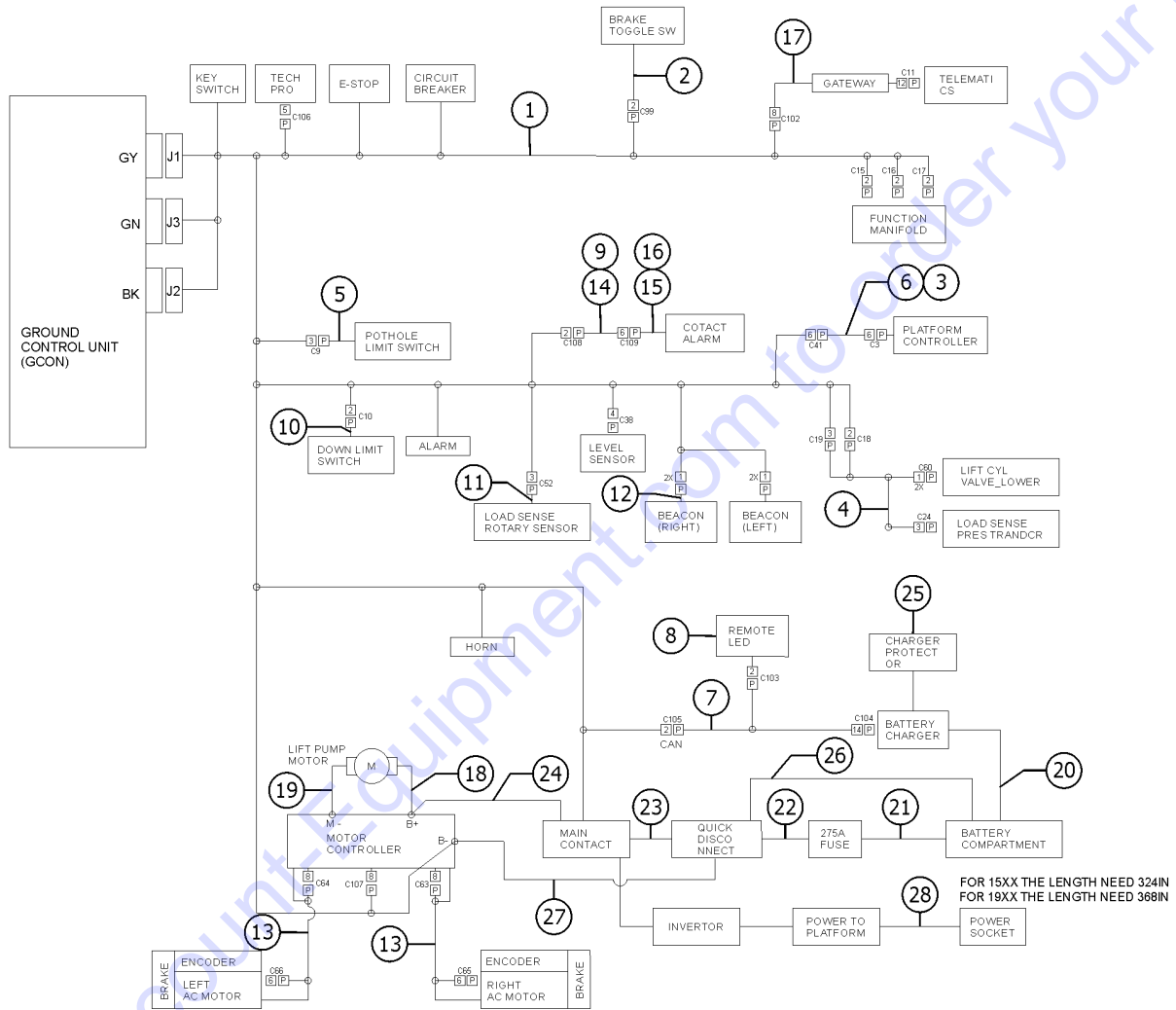
208.1 Ground Controls

<i>Item</i>	<i>Part No.</i>	<i>Description</i>	<i>Qty.</i>
20	824124GT	BOLT,CARRIAGE,1/4-20X.75,5,ZAG	2
21	824027GT	NUT,TL FLG,1/4-20,G,ZAG	2

Go to Discount-Equipment.com to order your parts



209.1 Electrical Wiring

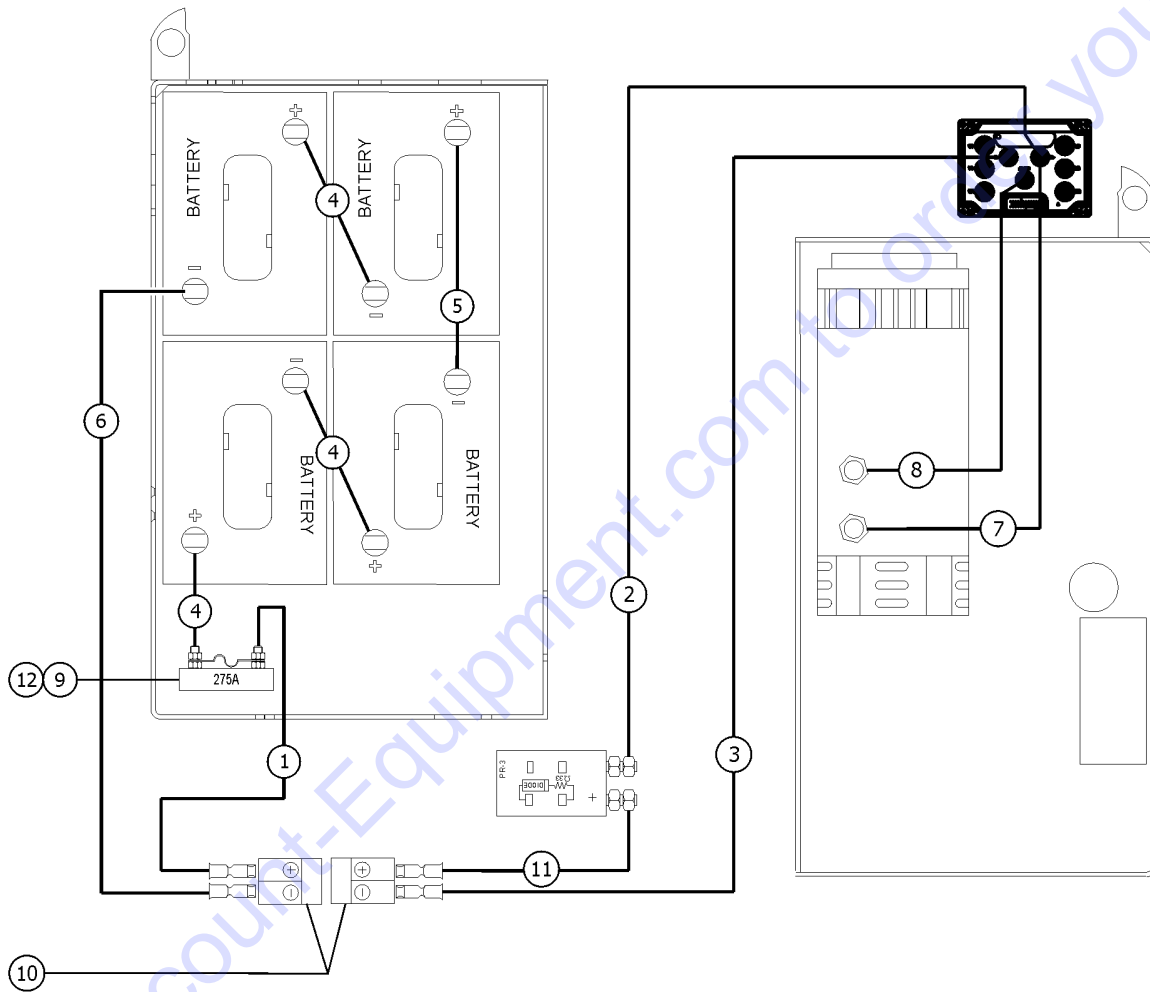


FOR 15XX THE LENGTH NEED 324IN
FOR 19XX THE LENGTH NEED 368IN

Item	Part No.	Description	Qty.
1	1302203GT	HARNESS,GROUND CONTROLLER,MINI E-DIRVE	1
2	1301854GT	CABLE, BRAKE RELEASE SWITCH	1
3	T112510GT	CABLE, PLATFORM CONTROL, 15XX	1
4	T112509GT	CABLE, LIFT CYL DOWN W/LS	1
5	1300886GT	ASSY,POTHOLE HARNESS,MINI, E-DRIVE	1
6	T112511GT	CABLE, PLATFORM CONTROL, 19XX	1
7	1272119GT	HARNESS,LED CHARGER,GS30	1
8	1270281GT	ASSEMBLY, CHARGER STATUS LED, 2V, BCI	1
9	1288571GT	CABLE,CONTACT ALARM,CHASSIS TO PLAT,15XX	1
10	T112507GT	ASSEMBLY, DOWN LIMIT, GS	1
11	T113136GT	ASSY,ROT SENSR W/HARNESS	1
12	1270162GT	ASSEMBLY, BEACON LED, 24V	2
13	1302204GT	COMPOSITE MOTOR CABLE,MINI E-DRIVE	2
14	1288726GT	CABLE,CONTACT ALARM,CHASSIS TO PLAT,19XX	1
15	1288574GT	CABLE,CONTACT ALARM,45IN LINK	1
16	1291051GT	HARNESS,CONTACT ALARM,GS30 PLATFORM	1
17	1289899GT	HARNESS, GATEWAY, GS	1
18	1298632GT	CABLE ASSY,MC TO POWER UNIT,RED	1
19	1298635GT	CABLE ASSY,MC TO POWER UNIT,BLK	1
20	1273576GT	CABLE ASSY,CHARGER/BATTERY	1
21	1298630GT	CABLE ASSY,BATT,5.50"RED	1
22	1298636GT	CABLE ASSY,FUSE TO QUIK,RED	1
23	1298638GT	CABLE ASSY,QUIK TO CONT,RED	1
24	1298634GT	CABLE ASSY,CONT TO MC,RED	1
25	1272557GT	POWER CORD, IEC 320, 90°	1
26	1298633GT	CABLE ASSY,BATT TO QUIK,BLK	1
27	1298637GT	CABLE ASSY,QUIK TO MC,BLK	1
28	43956GT	WIRE CABLE,14/3 CON.TPE JKT*	1



210.1 Power Cables

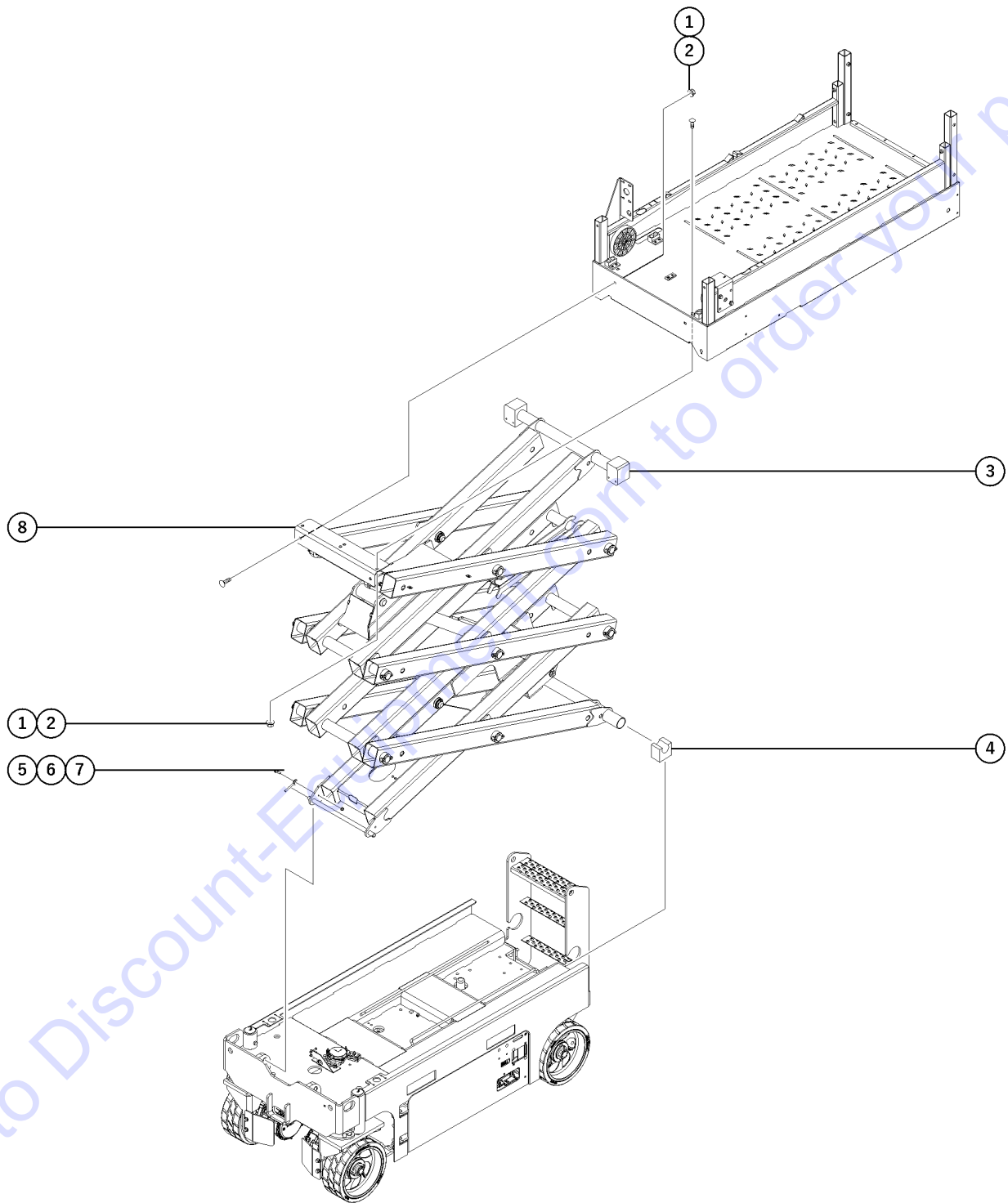


Item	Part No.	Description	Qty.
1	1298636GT	CABLE ASSY,FUSE TO QUIK,RED	1
2	1298634GT	CABLE ASSY,CONT TO MC,RED	1
3	1298637GT	CABLE ASSY,QUIK TO MC,BLK	1
4	1298630GT	CABLE ASSY,BATT,5.50"RED	3
5	1298631GT	CABLE ASSY,BATT,9.50"RED	1
6	1298633GT	CABLE ASSY,BATT TO QUIK,BLK	1
7	1298632GT	CABLE ASSY,MC TO POWER UNIT,RED	1
8	1268635GT	WIRE,14 GA,BL,GXL	1
9	66717GT	FUSE BLOCK, ANN & ANL FUSE	1
10	1288481GT	QUICK DISCONNECT CASING, BATT SB120	2
11	1298638GT	CABLE ASSY,QUIK TO CONT,RED	1
12	40833GT	FUSE,275 AMP,VERY FAST ACTING	1

Go to Discount-Equipment.com to order your parts



301.1 Scissor Assembly Installation

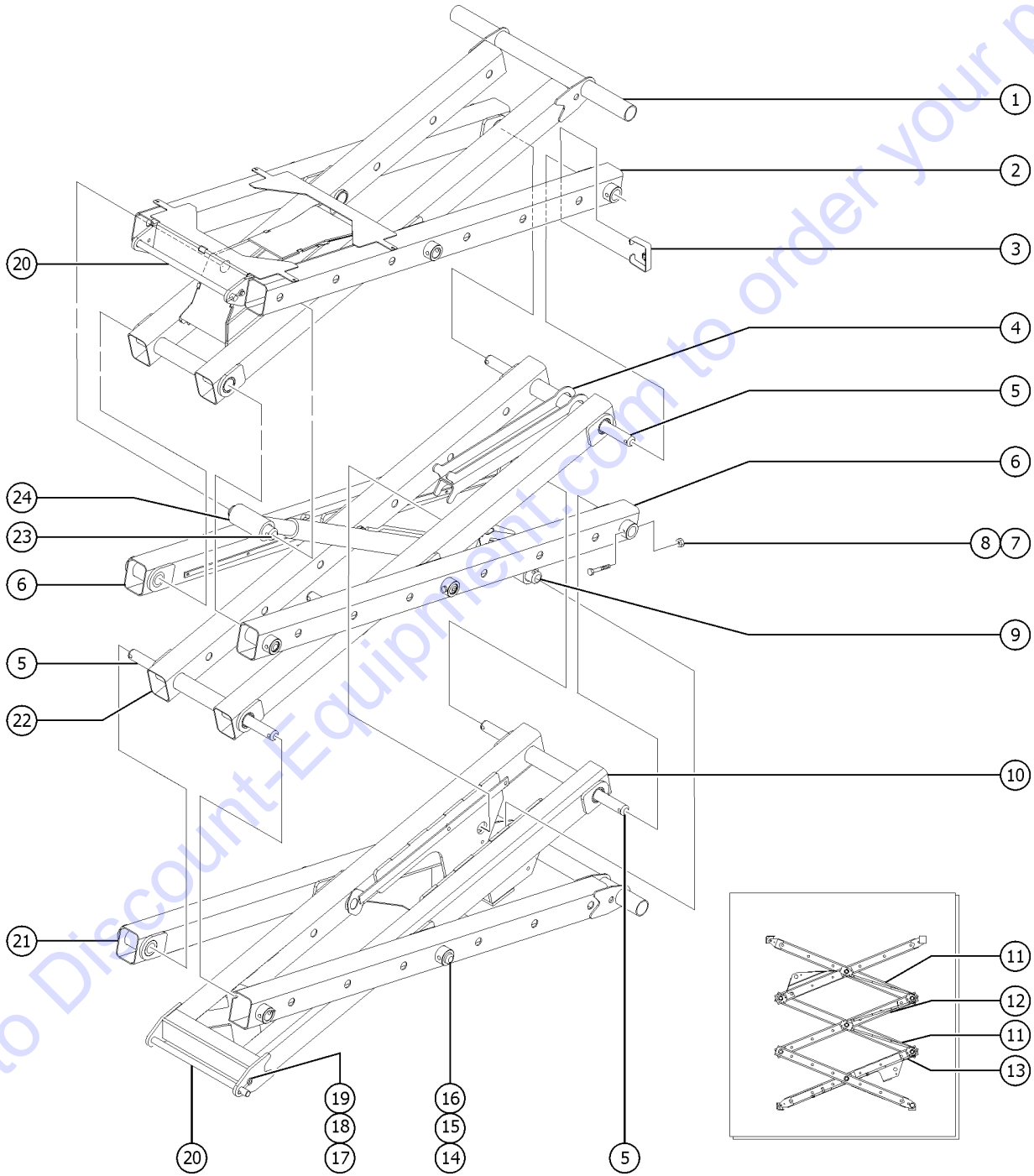


<i>Item</i>	<i>Part No.</i>	<i>Description</i>	<i>Qty.</i>
1	1251997GT	NUT,TL FLG,1/2-13,G,ZAG	4
2	1256115GT	BOLT,CARRIAGE,1/2-13X1.75,5,ZAG	4
3	1300941GT	SLIDER, UHMW, GS1530 PLATFORM	2
4	1287309GT	SLIDER,UHMW	2
5	8915GT	SCREW,HHC,1/4-20 X 1.25	2
6	825020GT	ROD END, .25 X 2.75, ZAG	2
7	6091GT	NUT,NYLOCK,1/4-20	2
8	132130GT	WELDMENT, PLATFORM MOUNT	1

Go to Discount-Equipment.com to order your parts



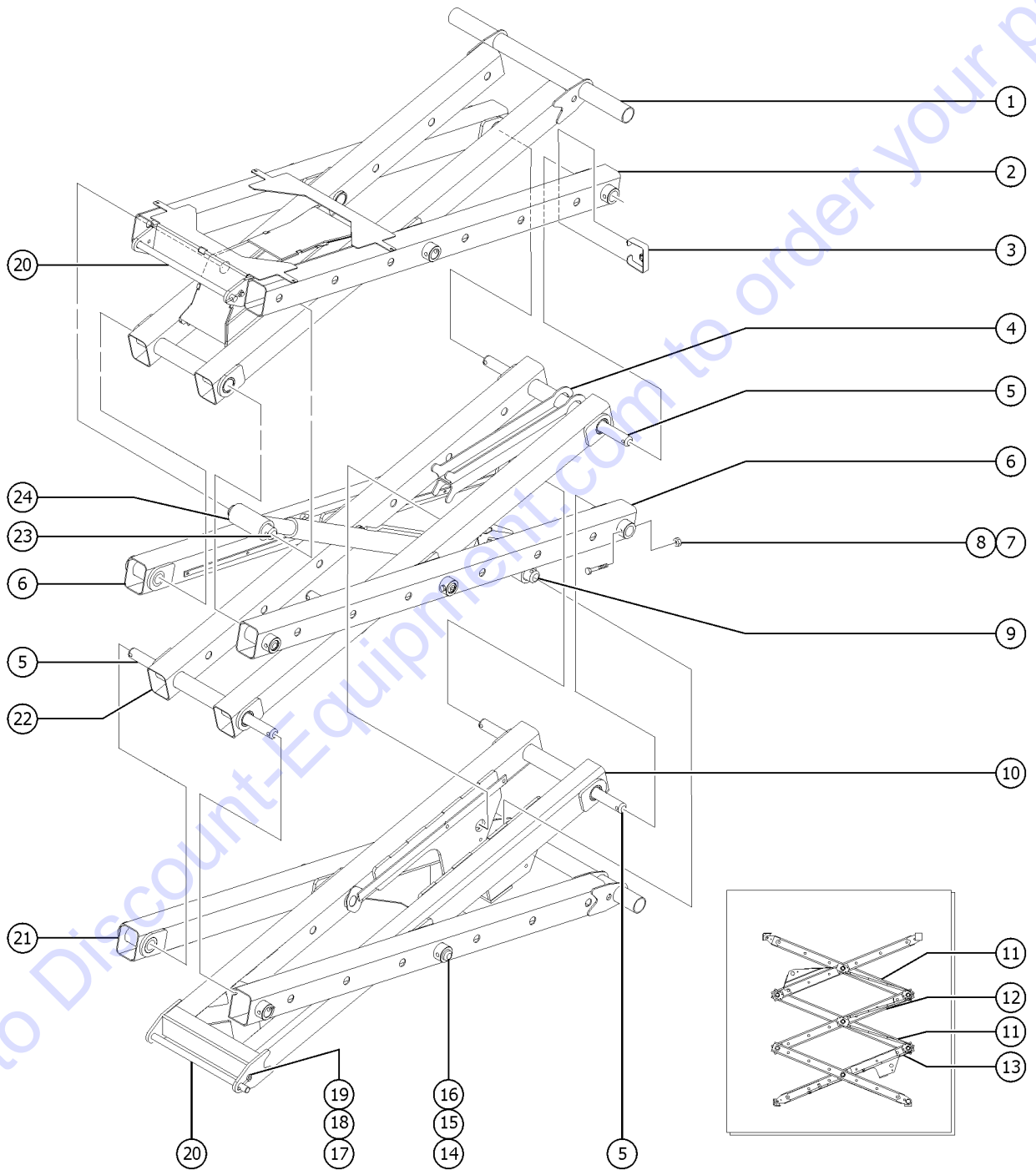
302.1 Scissor Assembly, GS-1530/1532



Item	Part No.	Description	Qty.
--	56926GT	CLIP,TIE HARNESS MOUNT*** not shown	
1	84578GT	INNER ARM ASSY,#3,15FT US part number	1
1A-	96487GT	BEARING, 1.26IN X 1.53OD X 1.25L	6
1B	132124GT	WLDMENT, LINK, TOP CYL MNT 1530 China part number	1
2	105280GT	WELDMNET, LINK PLATFORM MNT*** US part number	2
2B	132995GT	WELDMNET, LINK PLATFORM MNT, MET China part number	2
3	96331GT	LINK BUMPER	8
4	58000GT	SAFETY CHOCK, SCISSOR US part number	1
4B	132038GT	FORMING, SAFETY ARM China part number	2
5	105085GT	PIN, MINI END***	4
6	96121GT	WELDMNET, LINK, SINGLE US part number	2
6B	132087GT	WELDMNET, LINK, SINGLE US part number	2
7	824025GT	NUT, TL, 3/8-16, C, ZAG	
8	1256848GT	SCREW, HHC, 3/8-16X2.75, 8, ZAG	
9	47666GT	PIN, 1.50DIAX9.13LG, 1HOLE	1
10	105997GT	INNER ARM ASSY#1, 15&19FT, WORD (USA, Canada, and Australia)	1
10A-	105818GT	WLDTMT, LINK, #1 INNER, 15&19 FT US part number; (decals not included, refer to section one)	1
10A-	132937GT	WELDMNET, LINK, LWR CYL MNT China part number; (decals not included, refer to section one)	1
10A-	96487GT	BEARING, 1.26IN X 1.53OD X 1.25L	6
10B	105998GT	INNER ARM ASSY#1, 15&19FT, SYMB (Europe, Asia, South America)	1
10B-	105818GT	WLDTMT, LINK, #1 INNER, 15&19 FT US part number; (decals not included, refer to section one)	1
10B-	132937GT	WELDMNET, LINK, LWR CYL MNT China part number; (decals not included, refer to section one)	1
10B-	96487GT	BEARING, 1.26IN X 1.53OD X 1.25L	6
11	105183GT	WLDMT, CABLE BRIDGE, BOTTOM, MINI US part number	2
11B	132184GT	WLDMT, CABLE BRIDGE, BOTTOM, MINI China part number	2
12	105184GT	WELDMNET, CABLE BRIDGE, TOP, MINI US part number	1
12B	132185GT	WELDMNET, CABLE BRIDGE, TOP, MINI China part number	1
13	105182GT	WLDMT, CABLE BRIDGE, LOWER, MINI US part number	1

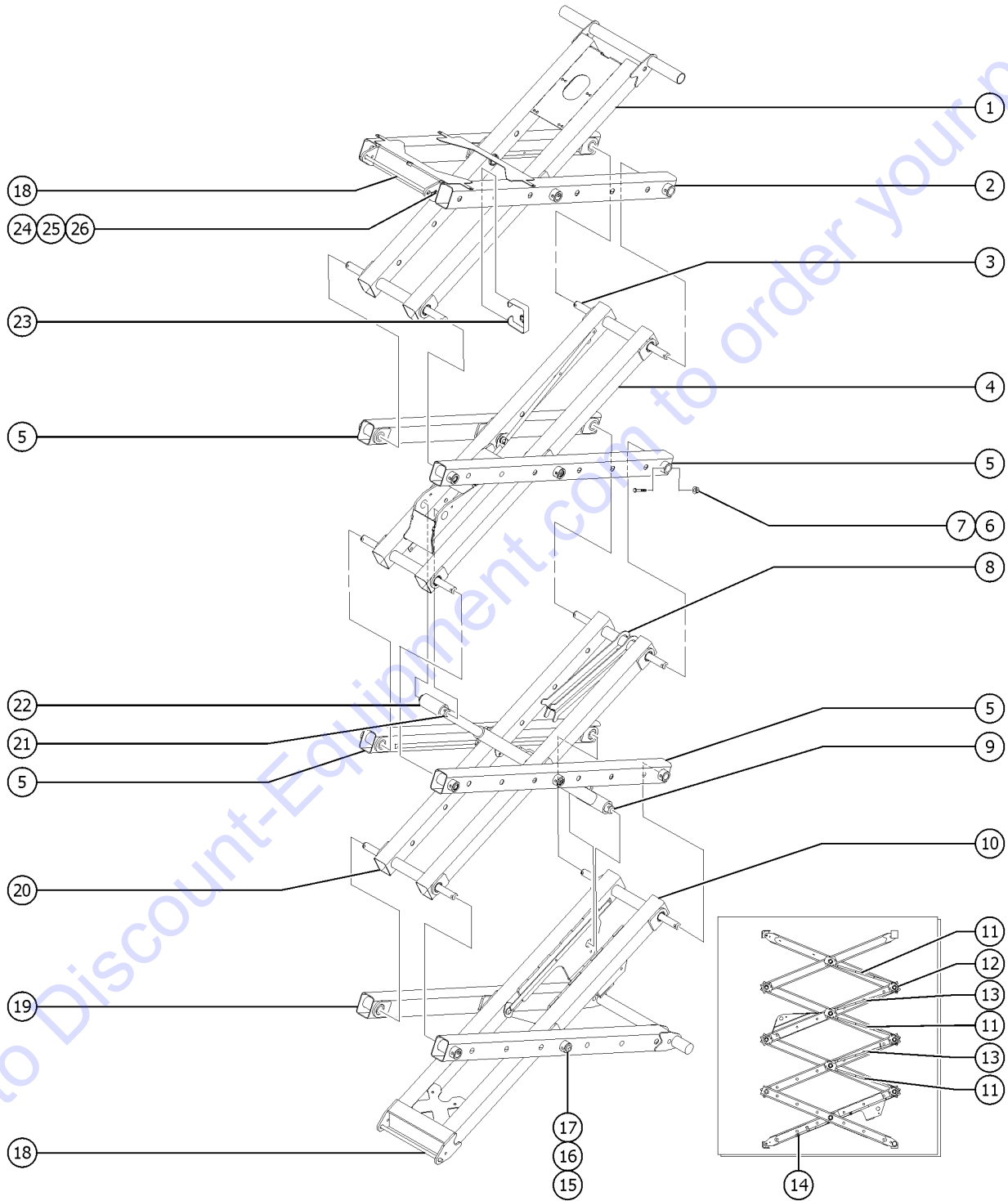


302.1 Scissor Assembly, GS-1530/1532



Item	Part No.	Description	Qty.
13B	132183GT	CABLE BRIDGE LOWER, MINI China part number	1
14	824164GT	SNAP RING,EXTERNAL,1.25,ZAG	6
15	1251799GT	WASHER,SHIM, 1.27X2.13X.13,ZAG	
16	96130GT	PIN, MINI, CENTRE	6
17	824080GT	SCREW,HHF,1/4-20X1.25,8,ZAG	
18	825020GT	ROD END, .25 X 2.75, ZAG	2
19	824027GT	NUT,TL FLG,1/4-20,G,ZAG	
20	96131GT	PIN, CHASSIS PIVOT	2
21	84581GT	OUTER ARM ASSY#1,15&19FT WORD (USA, Canada, and Australia)	1
21B	84583GT	OUTER ARM ASSY,#1,15&19FT SYMB US part number; (Europe, Asia, South America)	1
21C	132085GT	WELDMENT, LINK, CHASSIS SLIDER China part number; (Europe, Asia, South America)	1
22	84582GT	INNER ARM ASSY,#2,15/19 FT,WRD US part number; (decals not included, refer to section one)	1
22A-	96487GT	BEARING, 1.26IN X 1.53OD X 1.25L	8
22B	132086GT	WELDMENT, LINK, INNER #2 China part number; (decals not included, refer to section one)	1
22C	1275748GT	WELDMENT, LINK, INNER,#2, KO Korean market	1
23	96283GT	PIN, CYLINDER, SHORT	1
24		REF. LIFT CYLINDER (refer to 506.1)	

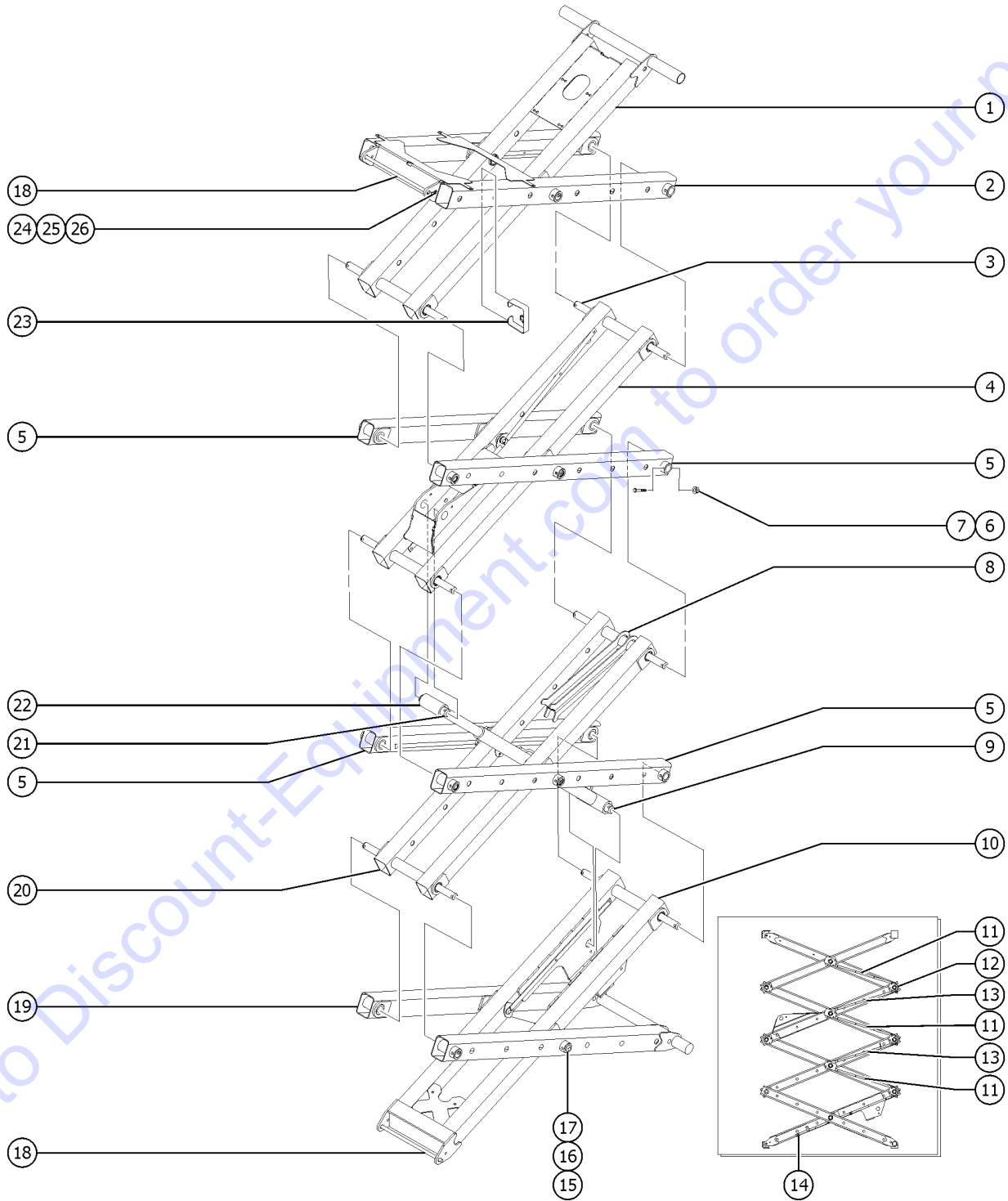
303.1 Scissor Assembly, GS-1930/1932



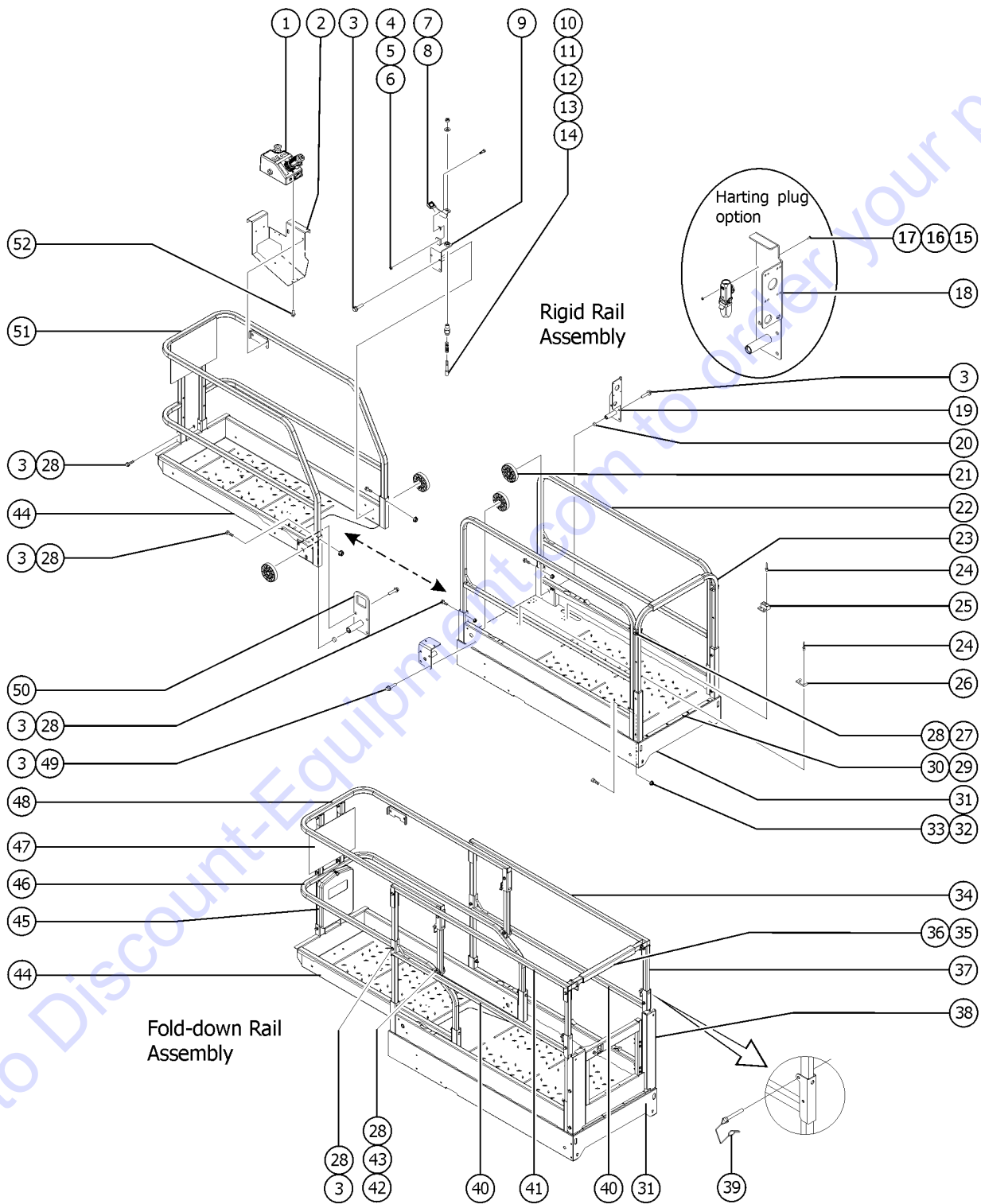
Item	Part No.	Description	Qty.
--	56926GT	CLIP,TIE HARNESS MOUNT*** not shown	
1	84579GT	INNER ARM ASSY,#4 19FT US part number	1
1A-	96487GT	BEARING, 1.26IN X 1.53OD X 1.25L	6
1B	132089GT	WELDMENT, LINK, PLAT SLIDER China part number	1
2	105280GT	WELDMENT, LINK PLATFORM MNT*** US part number	2
2B	132995GY	WELDMENT, LINK PLATFORM MNT, MET China part number	2
3	105085GT	PIN, MINI END***	6
4	84580GT	INNER ARM ASSY, #3, 19FT US part number	1
4A-	96487GT	BEARING, 1.26IN X 1.53OD X 1.25L	8
4B	132088GT	WELDMENT, LINK, UPPER CYL MNT China part number	1
5	96121GT	WELDMENT, LINK, SINGLE US part number	4
5B	132087GT	WELDMENT, LINK, SINGLE China part number	4
6	824029GT	NUT, TL FLG, 3/8-16, G, ZAG	
7	1256848GT	SCREW, HHC, 3/8-16X2.75, 8, ZAG	
8	58000GT	SAFETY CHOCK, SCISSOR US part number	1
8B	132038GT	FORMING, SAFETY ARM China part number	1
9	47666GT	PIN, 1.50DIA X 9.13LG, 1HOLE	1
10	105997GT	INNER ARM ASSY#1, 15&19FT, WORD (USA, Canada, Australia)	1
10A-	105818GT	WLDTMT, LINK, #1 INNER, 15&19 FT US part number; (decals not included, refer to section one)	1
10A-	132937GT	WELDMNET, LINK, LWR CYL MNT China part number; (decals not included, refer to section one)	1
10A-	96487GT	BEARING, 1.26IN X 1.53OD X 1.25L	6
10B	105998GT	INNER ARM ASSY#1, 15&19FT, SYMB (Europe, Asia, South America)	1
10B-	105818GT	WLDTMT, LINK, #1 INNER, 15&19 FT US part number; (decals not included, refer to section one)	1
10B-	132937GT	WELDMNET, LINK, LWR CYL MNT China part number; (decals not included, refer to section one)	1
10B-	96487GT	BEARING, 1.26IN X 1.53OD X 1.25L	6
11	105183GT	WLDMT, CABLE BRIDGE, BOTTOM, MINI US part number	3
11B	132184GT	WLDMT, CABLE BRIDGE, BOTTOM, MINI China part number	3
12	105185GT	CLIP, CABLEBRIDGE, MINI	3



303.1 Scissor Assembly, GS-1930/1932

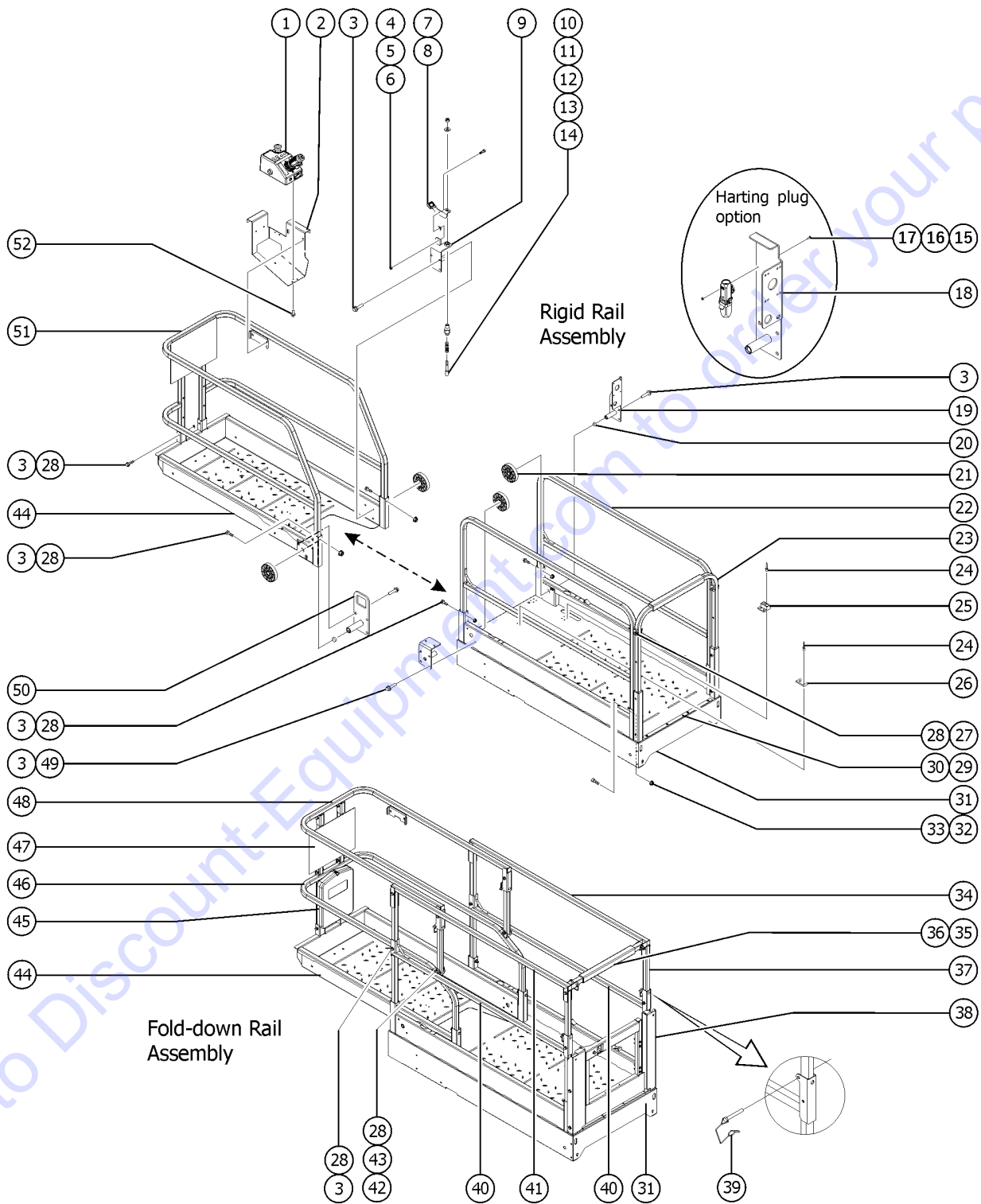


Item	Part No.	Description	Qty.
13	105184GT	WELDMENT,CABLE BRIDGE, TOP,MINI US part number	2
13B	132185GT	WELDMENT,CABLE BRIDGE, TOP,MINI China part number	3
14	105182GT	WLDMT,CABLE BRIDGE,LOWER,MINI US part number	1
14B	132183GT	CABLE BRIDGE LOWER, MINI China part number	1
15	824164GT	SNAP RING,EXTERNAL,1.25,ZAG	8
16	1251799GT	WASHER,SHIM, 1.27X2.13X.13,ZAG	
17	96130GT	PIN, MINI, CENTRE	8
18	96131GT	PIN, CHASSIS PIVOT	2
19	84581GT	OUTER ARM ASSY,#1,15&19FT WORD (USA, Canada, Australia)	1
19B	84583GT	OUTER ARM ASSY,#1,15&19FT SYMB US part number; (Europe, Asia, South America)	1
19C	132085GT	WELDMENT, LINK, CHASSIS SLIDER China part number; (Europe, Asia, South America)	1
20	84582GT	INNER ARM ASSY,#2,15/19 FT,WRD US part number	1
20B	132086GT	WELDMENT, LINK, INNER #2 China part number	1
21	96283GT	PIN, CYLINDER, SHORT	1
22		Ref. Lift Cylinder (refer to 506.1)	
23	96331GT	LINK BUMPER	8
24	824080GT	SCREW,HHF,1/4-20X1.25,8,ZAG	
25	825020GT	ROD END, .25 X 2.75, ZAG	2
26	824027GT	NUT,TL FLG,1/4-20,G,ZAG	



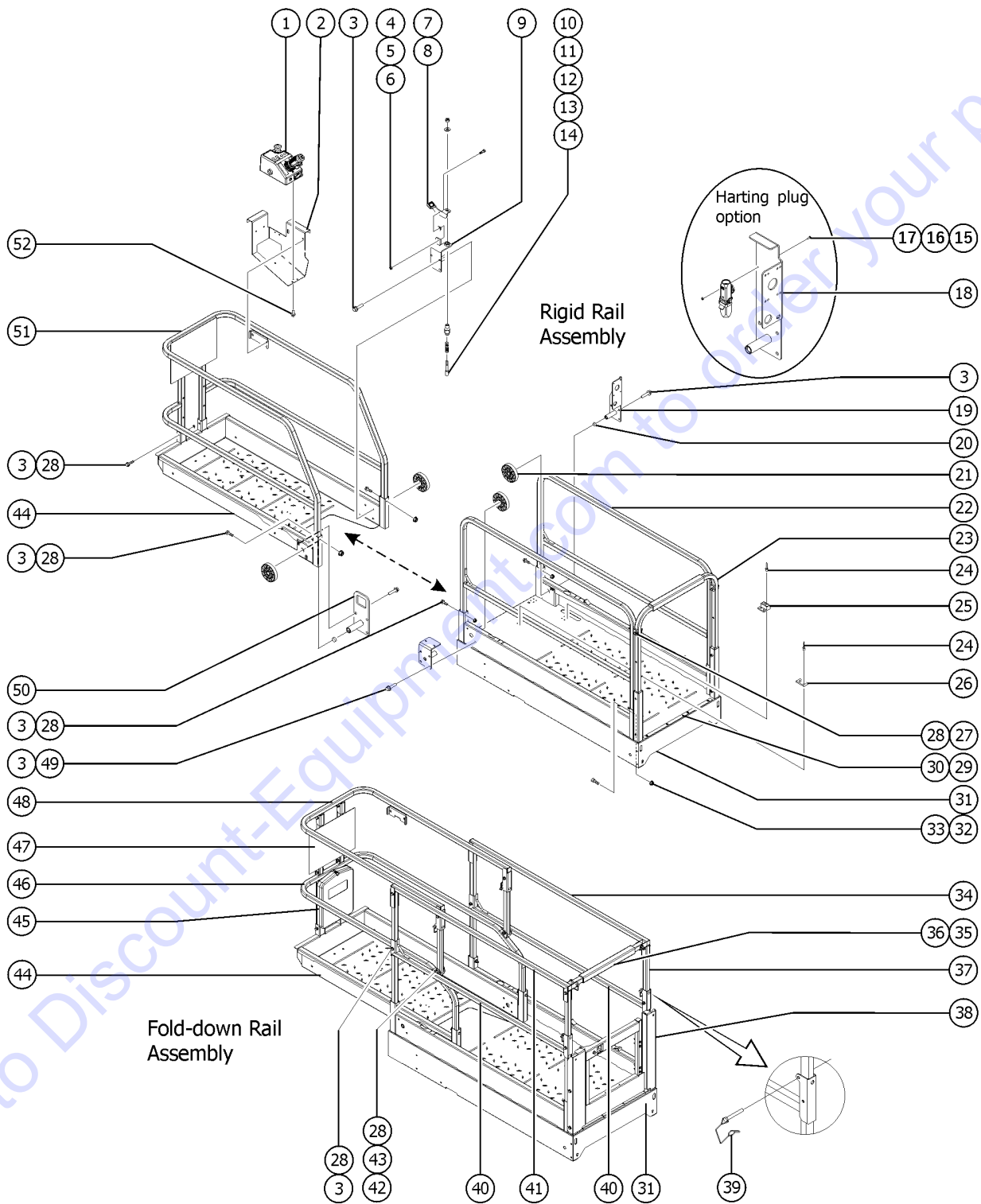
Item	Part No.	Description	Qty.
1		Ref. Platform Control Box (refer to 405.1)	
1B	1280957GT	PCON ASSEMBLY,HARTING CONN OPTION	
2		Ref. Platform Control Box Mount Bracket (refer to 405.1)	1
3	1253478GT	SCREW,HHF,3/8-16X2,8,ZAG	
4	1252977GT	NUT,TL JAM,5/16-18,A,ZAG	1
5	825358GT	WASHER,FLAT,5/16,USS,ZAG	1
6	1259223GT	BOLT,SHS,3/8X.375X5/16-18,ZAG	1
7	132996GT	BRACKET, FOOT PEDAL	1
8	47225GT	TAPE,NON-SKID,DIE CUT,1.38X1.5	1
9	132151GT	ROLLER SUPPORT BRACKET	1
10	1259181GT	PIN,LOCK,0.5X3.125,ZAG	1
11	39469GT	SPRING,COMPRESSION.485 X1.75**	1
12	41630GT	HOUSING, LOCK PIN	1
13	1255758GT	WASHER,FLAT,3/8,USS,ZAG	1
14	824038GT	NUT,TL JAM,3/8-16,A,ZAG	1
15	1253477GT	SCREW,PHPM,4-40X.5,ZAG	2
16	1280958GT	CABLE,PLATFORM CONTROL,GS,HARTING CONN OPTION	1
17	1259339GT	NUT,4-40,ZAG	2
18	1286357GT	WLDMT,ROLLER BRKT,RT,HARTING PLUG (decals not included, refer to section one)	1
19	132128	ROLLER BRKT RT (ground controls side)	1
20	21279GT	BUTTON, .800 O.D. X .281	4
21	47163GT	ROLLER,PLATFORM EXTENSION	4
22	1282138GT	WLDMT, MAIN SIDERAIL,METRIC	1
23	1287881GT	TUBE,WING GATE ENDRAIL,METRIC	1
24	39579GT	RIVET,STL,STL,.188 X .45	20
25	39310GT	WEAR/GUIDE PAD MAIN PLATFORM	4
26	39474GT	WEAR PAD,PLATFORM	2
27	1256693GT	SCREW,HHF,3/8-16X2.25,8,ZAG	





Item	Part No.	Description	Qty.
28	1274166GT	NUT,NYLOCK,3/8-16,C,ZAG	
29	1288281GT	PLATE, GATE LIP, MINI GS	1
30	1290029GT	RIVET, AL, AL, .25 X .875	4
31	1302484GT	WLDMNT, PLATFORM, GS1530, PUNCHED	1
32	39328GT	NUT, WELD, 3/8-16, BLACK	2
33	824067GT	SCREW, HHC, 3/8-16 X 1, 8, ZAG	2
34	132210GT	WLDMT, MAIN SIDERAIL, UPPER RT	1
34-	78038GT	CAP TUBE SQUARE 1.25X0.083	
35	47188GT	FOAM,CLOSED CELL 1.75X.250X18"	1
36	132212GT	TUBE SWING	1
37	132213GT	TUBE, VERT, FOLDING	1
38		Ref. SWING GATE ASSEMBLY	
		(refer to 403.1)	
39	1259182GT	PIN,WIRE LOCK 3/8 X 2.5,ZAG	6
39-	78022GT	LANYARD,BLACK NYLON,TYPE 1***	
		(CE & Australia models)	
40	132209GT	WLDMT, MAIN FOLDING SIDERAIL	2
41	132211GT	WLDMT, MAIN SIDERAIL UPPER LT	1
41-	78038GT	CAP TUBE SQUARE 1.25X0.083	
42	1277860GT	GLIDE BUTTON, FOLDING RAILS	2
43	1260926GT	BOLT,CARRIAGE,3/8-16X2.25,5,ZAG	2
44	1302489GT	WLDMNT, EXT DECK, MINI, PUNCHED	1
45	44743GT	MANUAL BOX W/DECALS***	1
		USA/Canada/Australia	
45B	24514GT	BOX,INSTRUCTION STORAGE	1
		Europe/Asia/South America (decal required; refer to Section100)	
45B-	824082GT	SCREW, HHF, 1/4-20 X 1.75, 8, ZAG	4
45B-	1271924GT	WELDMENT, CABLE TRACK	4
45B-	825358GT	WASHER,FLAT,5/16,USS,ZAG	4
46	1269307GT	WELDMENT, FOLDING, LOWER, EXTENSION	1
46-	78038GT	CAP TUBE SQUARE 1.25X0.083	
47	1269346GT	WLDMT,DECAL PLATE,NEW	1
		(decals not included, refer to section one)	



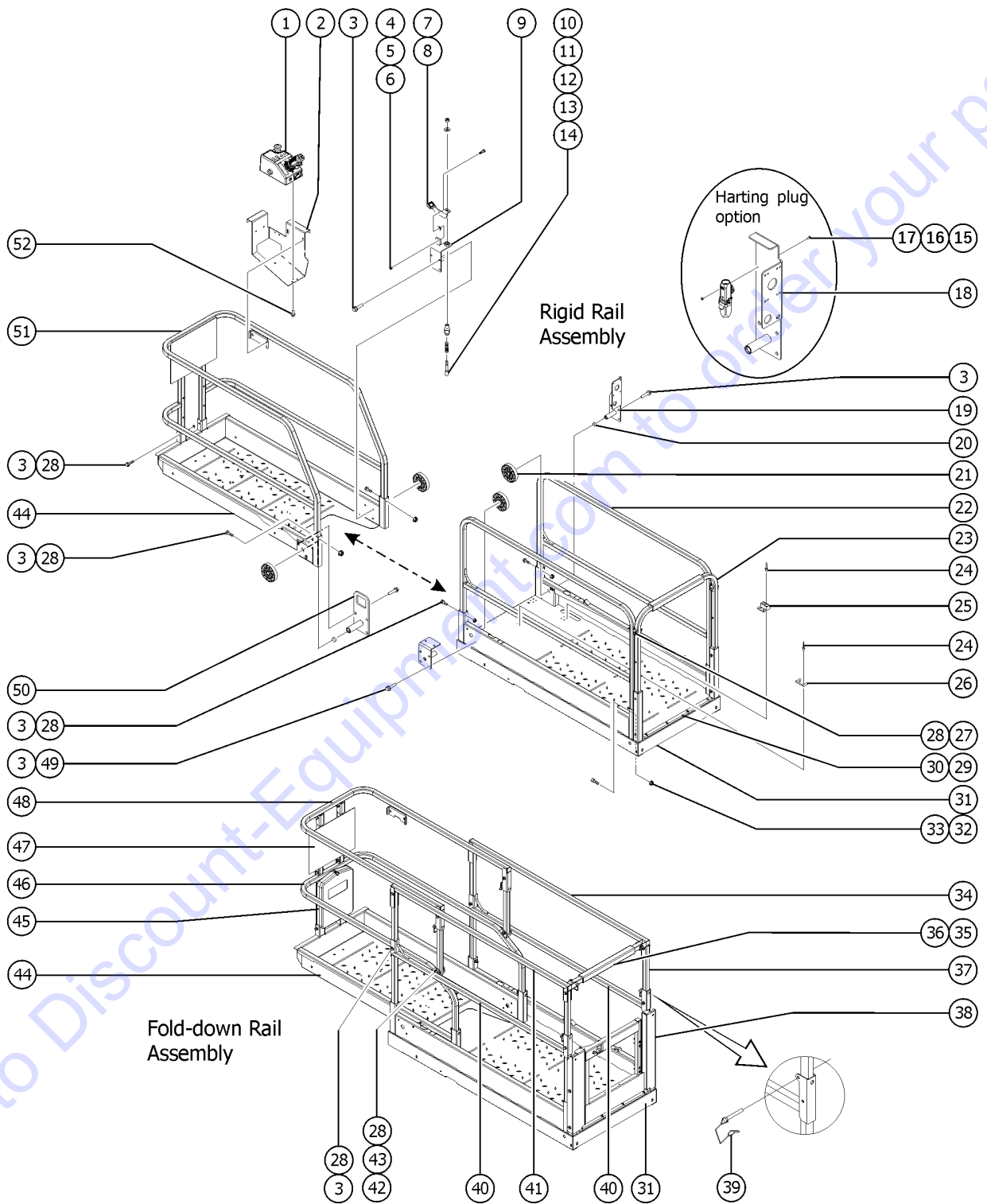


401.1 Platform Components, GS-1530/1532

Item	Part No.	Description	Qty.
48	1269302GT	WELDMENT, FOLDING, UPPER, EXTENSION	1
48-	78038GT	CAP TUBE SQUARE 1.25X0.083	
49	132127GT	ROLLER BRKT LEFT	1
50	132121GT	WELDMENT PLATFORM LANYARD (decals not included, refer to section one)	1
51	1282141GT	WLDMT, EXT SIDERAIL, METRIC (decals not included, refer to section one)	1
52	824078GT	SCREW,HHF,1/4-20X.75,8,ZAG	2

Go to Discount-Equipment.com to order your parts





PARTS FINDER

**Search Website
by Part Number**



**Search Manual
Library For Parts
Manual & Lookup Part
Numbers – Purchase
or Request Quote**

Search Manuals

Enter your information to help us find the right parts manual for your machine.

* Brand:

* Model:

* Serial:

* Part Number:

SEARCH

**Can't Find Part or
Manual? Request Help
by Manufacturer,
Model & Description**

Parts Order Form

Please fill in the following information to help us find the right part for your machine.

Manufacturer:	<input type="text"/>
Model:	<input type="text"/>
Description:	<input type="text"/>
Part Number:	<input type="text"/>
Quantity:	<input type="text"/>
Notes:	<input type="text"/>

Submit

Discount-Equipment.com is your online resource for quality parts & equipment.

Florida: **561-964-4949** Outside Florida TOLL FREE: **877-690-3101**

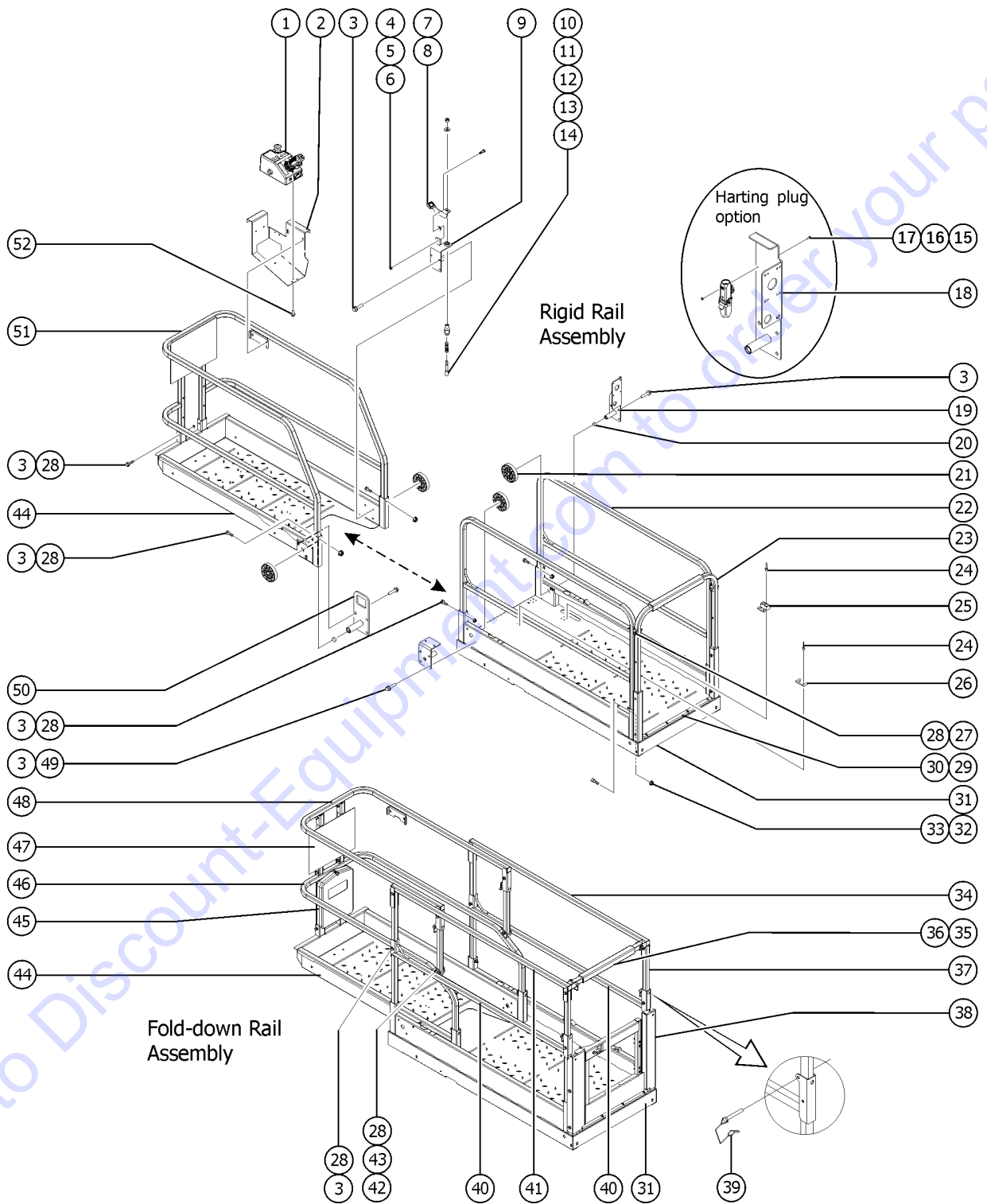
Need parts?

Click on this link: <http://www.discount-equipment.com/category/5443-parts/> and choose one of the options to help get the right parts and equipment you are looking for. Please have the machine model and serial number available in order to help us get you the correct parts. If you don't find the part on the website or on one of the online manuals, please fill out the request form and one of our experienced staff members will get back to you with a quote for the right part that your machine needs.

We sell worldwide for the brands: Genie, Terex, JLG, MultiQuip, Mikasa, Essick, Whiteman, Mayco, Toro Stone, Diamond Products, Generac Magnum, Airman, Haulotte, Barreto, Power Blanket, Nifty Lift, Atlas Copco, Chicago Pneumatic, Allmand, Miller Curber, Skyjack, Lull, Skytrak, Tsurumi, Husquvarna Target, Stow, Wacker, Sakai, Mi-T-M, Sullair, Basic, Dynapac, MBW, Weber, Bartell, Bennar Newman, Haulotte, Ditch Runner, Menegotti, Morrison, Contec, Buddy, Crown, Edco, Wyco, Bomag, Laymor, EZ Trench, Bil-Jax, F.S. Curtis, Gehl Pavers, Heli, Honda, ICS/PowerGrit, IHI, Partner, Imer, Clipper, MMD, Koshin, Rice, CH&E, General Equipment, Amida, Coleman, NAC, Gradall, Square Shooter, Kent, Stanley, Tamco, Toku, Hatz, Kohler, Robin, Wisconsin, Northrock, Oztec, Toker TK, Rol-Air, APT, Wylie, Ingersoll Rand / Doosan, Innovatech, Con X, Ammann, Mecalac, Makinex, Smith Surface Prep, Small Line, Wanco, Yanmar

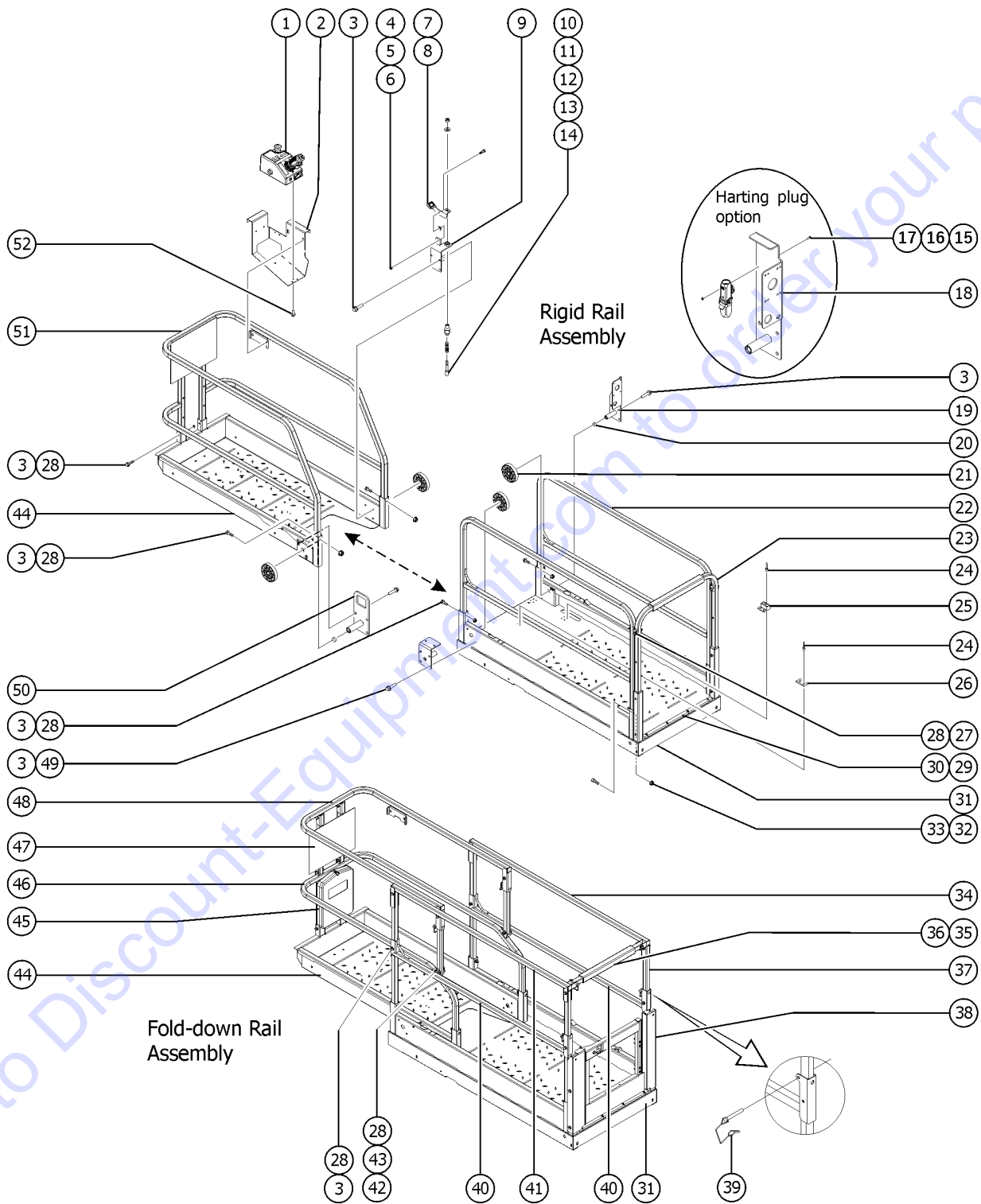
Item	Part No.	Description	Qty.
1		Ref. Platform Control Box (refer to 405.1)	
1B	1280957GT	PCON ASSEMBLY,HARTING CONN OPTION	
2		Ref. Platform Control Box Mount Bracket (refer to 405.1)	1
3	1253478GT	SCREW,HHF,3/8-16X2,8,ZAG	
4	1252977GT	NUT,TL JAM,5/16-18,A,ZAG	1
5	825358GT	WASHER,FLAT,5/16,USS,ZAG	1
6	1259223GT	BOLT,SHS,3/8X.375X5/16-18,ZAG	1
7	132996GT	BRACKET, FOOT PEDAL	1
8	47225GT	TAPE,NON-SKID,DIE CUT,1.38X1.5	1
9	132151GT	ROLLER SUPPORT BRACKET	1
10	1259181GT	PIN,LOCK,0.5X3.125,ZAG	1
11	39469GT	SPRING,COMPRESSION.485 X1.75**	1
12	41630GT	HOUSING, LOCK PIN	1
13	1255758GT	WASHER,FLAT,3/8,USS,ZAG	1
14	824038GT	NUT,TL JAM,3/8-16,A,ZAG	1
15	1253477GT	SCREW,PHPM,4-40X.5,ZAG	2
16	1280958GT	CABLE,PLATFORM CONTROL,GS,HARTING CONN OPTION	1
17	1259339GT	NUT,4-40,ZAG	2
18	1286357GT	WLDMT,ROLLER BRKT,RT,HARTING PLUG (decals not included, refer to section one)	1
19	132128	ROLLER BRKT RT (ground controls side)	1
20	21279GT	BUTTON, .800 O.D. X .281	4
21	47163GT	ROLLER,PLATFORM EXTENSION	4
22	1282138GT	WLDMT, MAIN SIDERAIL,METRIC	1
23	1287881GT	TUBE,WING GATE ENDRAIL,METRIC	1
24	39579GT	RIVET,STL,STL,.188 X .45	20
25	39310GT	WEAR/GUIDE PAD MAIN PLATFORM	4
26	39474GT	WEAR PAD,PLATFORM	2
27	1256693GT	SCREW,HHF,3/8-16X2.25,8,ZAG	





Item	Part No.	Description	Qty.
28	1274166GT	NUT,NYLOCK,3/8-16,C,ZAG	
29	1288281GT	PLATE, GATE LIP, MINI GS	1
30	1290029GT	RIVET, AL, AL, .25 X .875	4
31	1302477GT	WLDMNT, PLATFORM, GS1930, PUNCHED	1
32	39328GT	NUT, WELD, 3/8-16, BLACK	2
33	824067GT	SCREW, HHC, 3/8-16 X 1, 8, ZAG	2
34	132210GT	WLDMT, MAIN SIDERAIL, UPPER RT	1
34-	78038GT	CAP TUBE SQUARE 1.25X0.083	
35	47188GT	FOAM,CLOSED CELL 1.75X.250X18"	1
36	132212GT	TUBE SWING	1
37	132213GT	TUBE, VERT, FOLDING	1
38		Ref. SWING GATE ASSEMBLY (refer to 403.1)	
39	1259182GT	PIN,WIRE LOCK 3/8 X 2.5,ZAG	6
39-	78022GT	LANYARD,BLACK NYLON,TYPE 1*** (CE & Australia models)	
40	132209GT	WLDMT, MAIN FOLDING SIDERAIL	2
41	132211GT	WLDMT, MAIN SIDERAIL UPPER LT	1
41-	78038GT	CAP TUBE SQUARE 1.25X0.083	
42	1277860GT	GLIDE BUTTON, FOLDING RAILS	2
43	1260926GT	BOLT,CARRIAGE,3/8-16X2.25,5,ZAG	2
44	1302489GT	WLDMNT, EXT DECK, MINI, PUNCHED	1
45	44743GT	MANUAL BOX W/DECALS*** USA/Canada/Australia	1
45B	24514GT	BOX,INSTRUCTION STORAGE Europe/Asia/South America (decal required; refer to Section100)	1
45B-	824082GT	SCREW, HHF, 1/4-20 X 1.75, 8, ZAG	4
45B-	1271924GT	WELDMENT, CABLE TRACK	4
45B-	825358GT	WASHER,FLAT,5/16,USS,ZAG	4
46	1269307GT	WELDMENT, FOLDING, LOWER, EXTENSION	1
46-	78038GT	CAP TUBE SQUARE 1.25X0.083	
47	1269346GT	WLDMT,DECAL PLATE,NEW (decals not included, refer to section one)	1



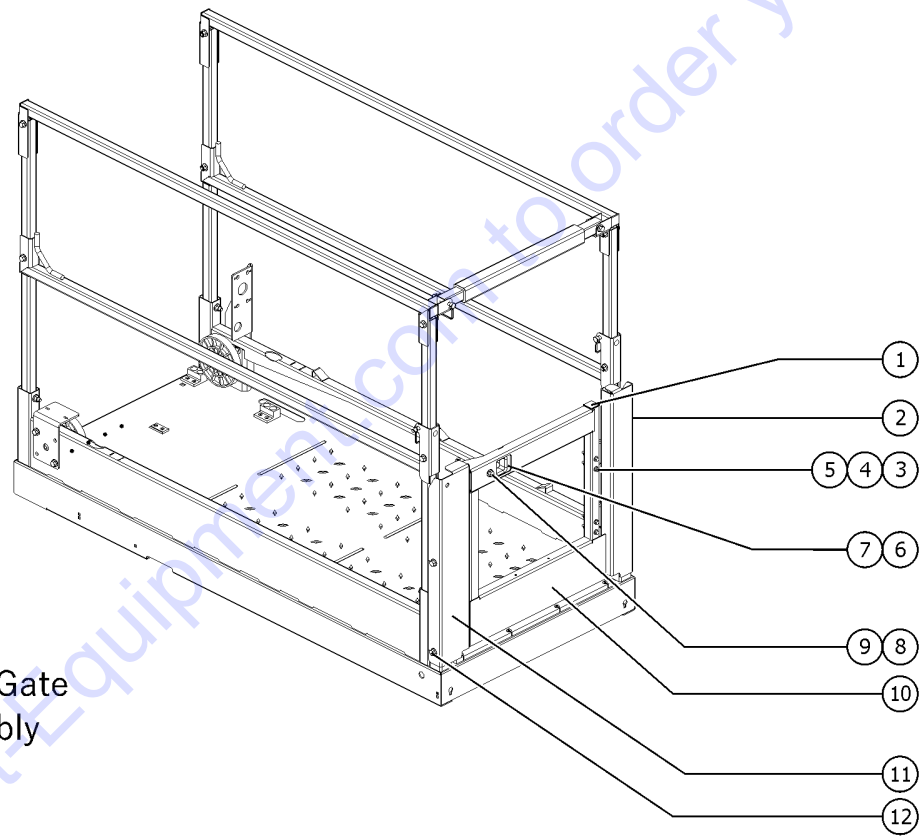


<i>Item</i>	<i>Part No.</i>	<i>Description</i>	<i>Qty.</i>
48	1269302GT	WELDMENT, FOLDING, UPPER, EXTENSION	1
48-	78038GT	CAP TUBE SQUARE 1.25X0.083	
49	132127GT	ROLLER BRKT LEFT	1
50	132121GT	WELDMENT PLATFORM LANYARD (decals not included, refer to section one)	1
51	1282141GT	WLDMT, EXT SIDERAIL, METRIC (decals not included, refer to section one)	1
52	824078GT	SCREW,HHF,1/4-20X.75,8,ZAG	2

Go to Discount-Equipment.com to order your parts



403.1 Platform Gate



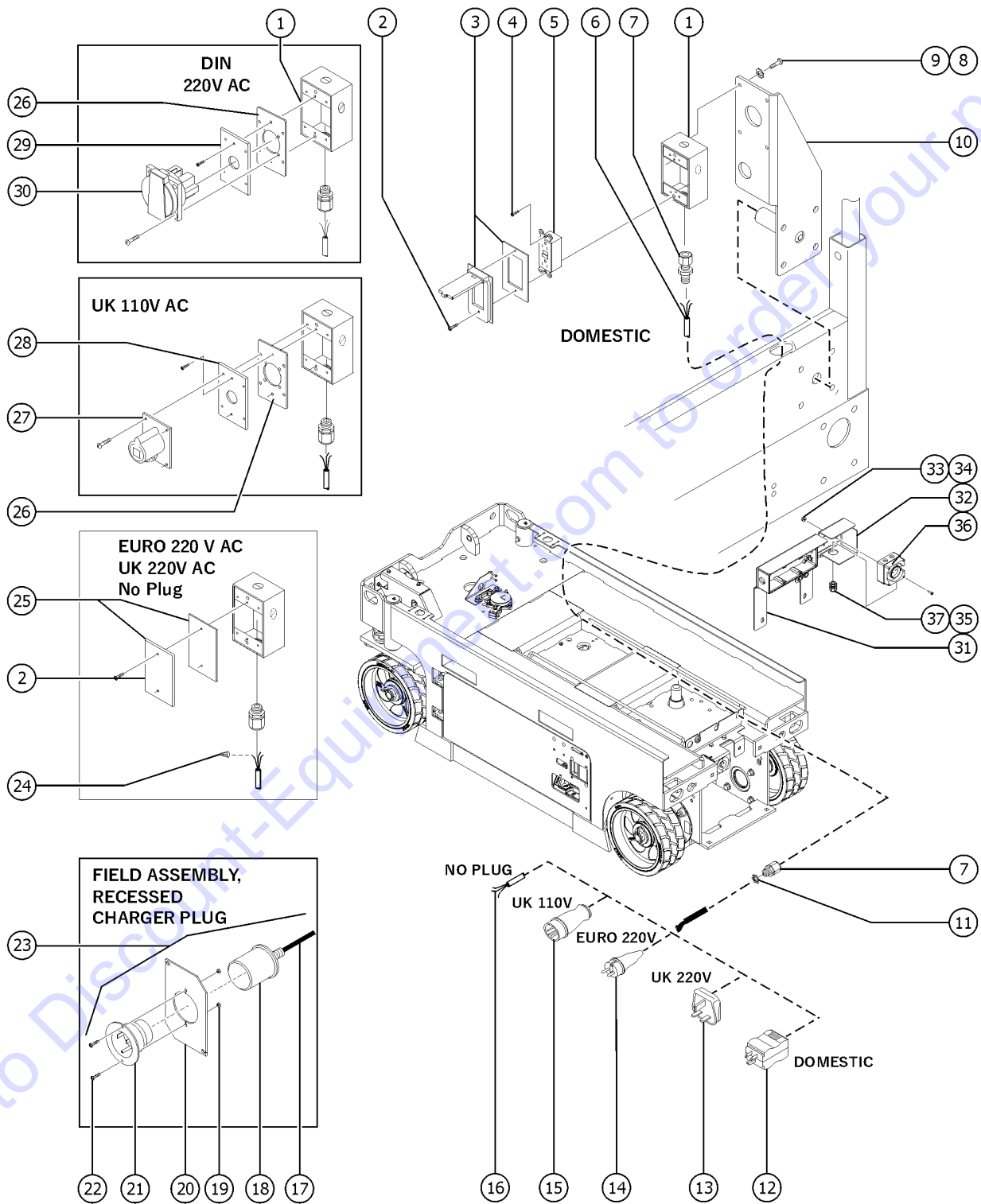
Swing Gate Assembly

<i>Item</i>	<i>Part No.</i>	<i>Description</i>	<i>Qty.</i>
1	78038GT	CAP TUBE SQUARE 1.25X0.083	1
2	1269338GT	FORMING, HALF GATE, HINGE	1
3	1253485GT	SCREW,HHF,1/4-20X2,8,ZAG	8
4	104804GT	HINGE, SPRING, LONG LEG	2
6	66544GT	LATCH HANDLE	1
7	22446GT	SPRING,COMPRESSION .835 X 2	1
9	1274166GT	NUT,NYLOCK,3/8-16,C,ZAG	1
10	132021GT	WELDMENT, HALF GATE	1
11	1269335GT	GATE, HALF, CATCH, WELDMENT	1
12	824094GT	SCREW, HHF, 3/8-16 X 2.75, 8, ZAG	2

Go to Discount-Equipment.com to order your parts

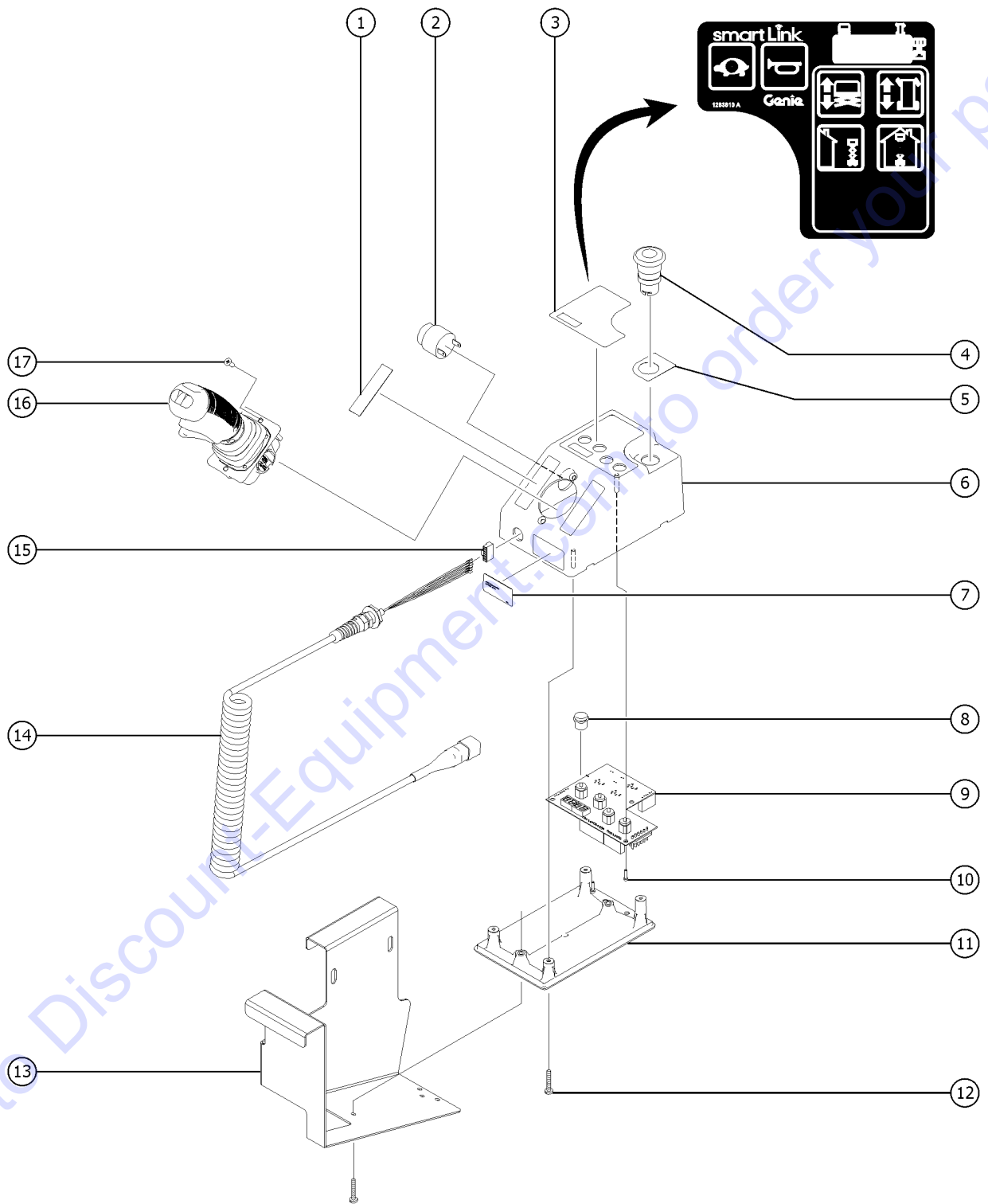


404.1 Power to Platform



Item	Part No.	Description	Qty.
20-	6091GT	NUT,NYLOCK,1/4-20 not included	2
21	105117GT	PLUG,FLG INLET,15A/125V,2PWGD	1
22	55906GT	SCREW, PHILLIPS, PHM, 8-32 X .5	2
23	105448GT	FIELD ASSY,REC.CHARGER PLUG	1
		(includes items 17-22)	
24	6626GT	WIRE CAP,ORANGE	1
25	10777GT	COVER,BLANK	1
26	66355GT	GASKET, UK & DIN PWR. TO PLAT	1
		(2.9 x 2.9 inches)	
27	T112560GT	RECEPTACLE,UK,110V	1
28	66356GT	GASKET, UK RECEPTACLE	1
		(2.9 x 2.9 inches)	
29	105483-SGT	PLATE,AC ADAPTER(ANSI/CSA)	1
30	66353GT	RECEPTACLE, DIN, 220V 50A	1
31	1305922GT	FORMING,AUS RCD BRACKET,GS30,E-DRIVE	1
32	1275423GT	PROTECTOR,AUS PECEPTACLE,GS30	1
33	824215GT	SCREW,PHPM,10-32X.75,ZAG	8
34	824032GT	NUT,TL FLG,10-32,F,ZAG	8
35	160412GT	JOINT,PG13.5,M20X1.5	2
36	1284302GT	RECEPTACLE,C66AI310,AUS	1
37	96009GT	WASHER,NITRILE	1
17	48282GT	POWER CORD, IEC 320 BLANK, 79"	1
18	105118GT	GASKET,(BOOT) FLANGE INLET PLG	1
19	18605GT	NUT,NYLOCK,8-32	2
20	105483-SGT	PLATE,AC ADAPTER(ANSI/CSA)	1
20-	6878GT	BOLT,CARRIAGE,1/4-20 X .75,G2	2
		not included	

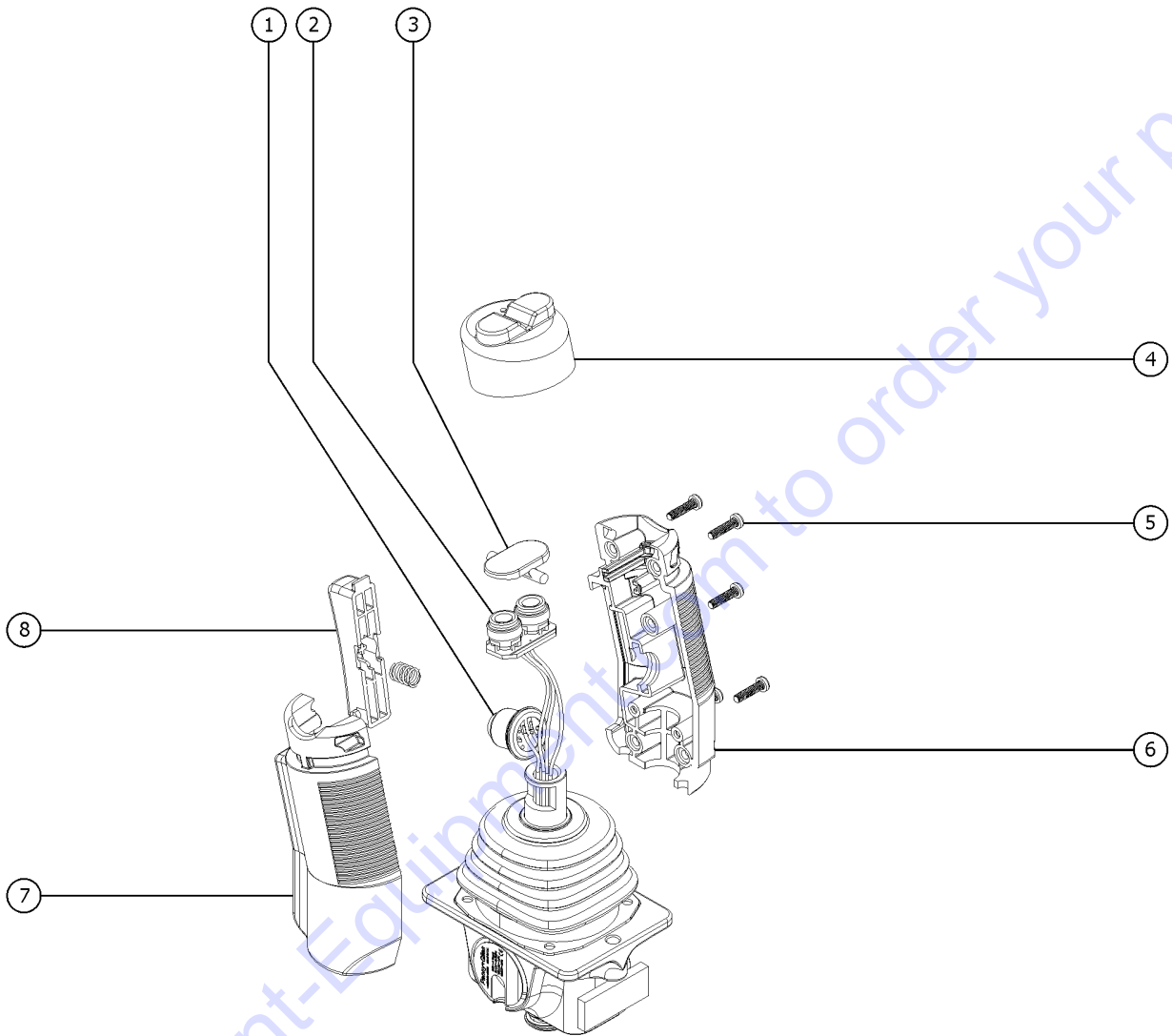
405.1 Platform Controls



Item	Part No.	Description	Qty.
A	1256727GT	PCON,STD,PROP LIFT,GR/GS complete platform control box with coil cord, bracket not included	1
A-	1258731GT	FLASH DRIVE,SL1K2.0 SOFTWARE (For proportional lift or upgrade kits only. Software update available on-line. Flash drive sold separately.)	1
A-	137587GT	HARNESS, ESTOP, GR/GRC/GS PCON	1
B	1280957GT	PCON ASSEMBLY,HARTING CONN OPTION	1
C	1280958GT	CABLE,PLATFORM CONTROL,GS,HARTING CONN OPTION	1
1	137656GT	DECAL, PROPEL, GR/GRC/GS, PCON	1
2	39540GT	ALARM, STEADY TONE*** order 72326 mounting ring separately	1
2-	72326GT	NUT - PLASTIC,RING FOR ALARMS for 39540	1
3	1283810GT	DECAL,STD,DUAL ZONE,GR/GS,UI	1
4	66812GT	BUTTON,PUSH,RED MUSHROOM HEAD	1
4-	66817GT	BASE WITH 1 NC CONTACT, E-STOP	1
5	137605GT	DECAL,E-STOP, GR/GRC/GS PCON	1
6	T106368GT	ENCLOSURE,GC14-1,TOP	1
7		(component no longer available) refer to 401.1	
8	T106373GT	CAP,BUTTON,K12	6
9	1283790GT	PCBA,PCON,STD,DUAL ZONE	1
10	137637GT	SCREW,PHM,4-20X.5, 48-2 TRI-L	1
11	T106370GT	ENCLOSURE,GC14-1/GC16-1, BOT	1
12	137640GT	SCREW,PHM,8-16X.75, 48-2 TRI-L	1
13	227167GT	FORMING, PLAT CONTROL BOX, MET (decals not included, refer to section one)	1
14	137611GT	ASSY, COIL CORD, GR/GRC/GS	1
15	137699GT	PLUG, 6POS ECO PWR	1
16		Ref., JOYSTICK (refer to 406.1)	1
17	229845GT	SCREW,BHSCS,M5X10,SS apply Loctite 243 or equivalent before installation	1



406.1 Joystick Controller



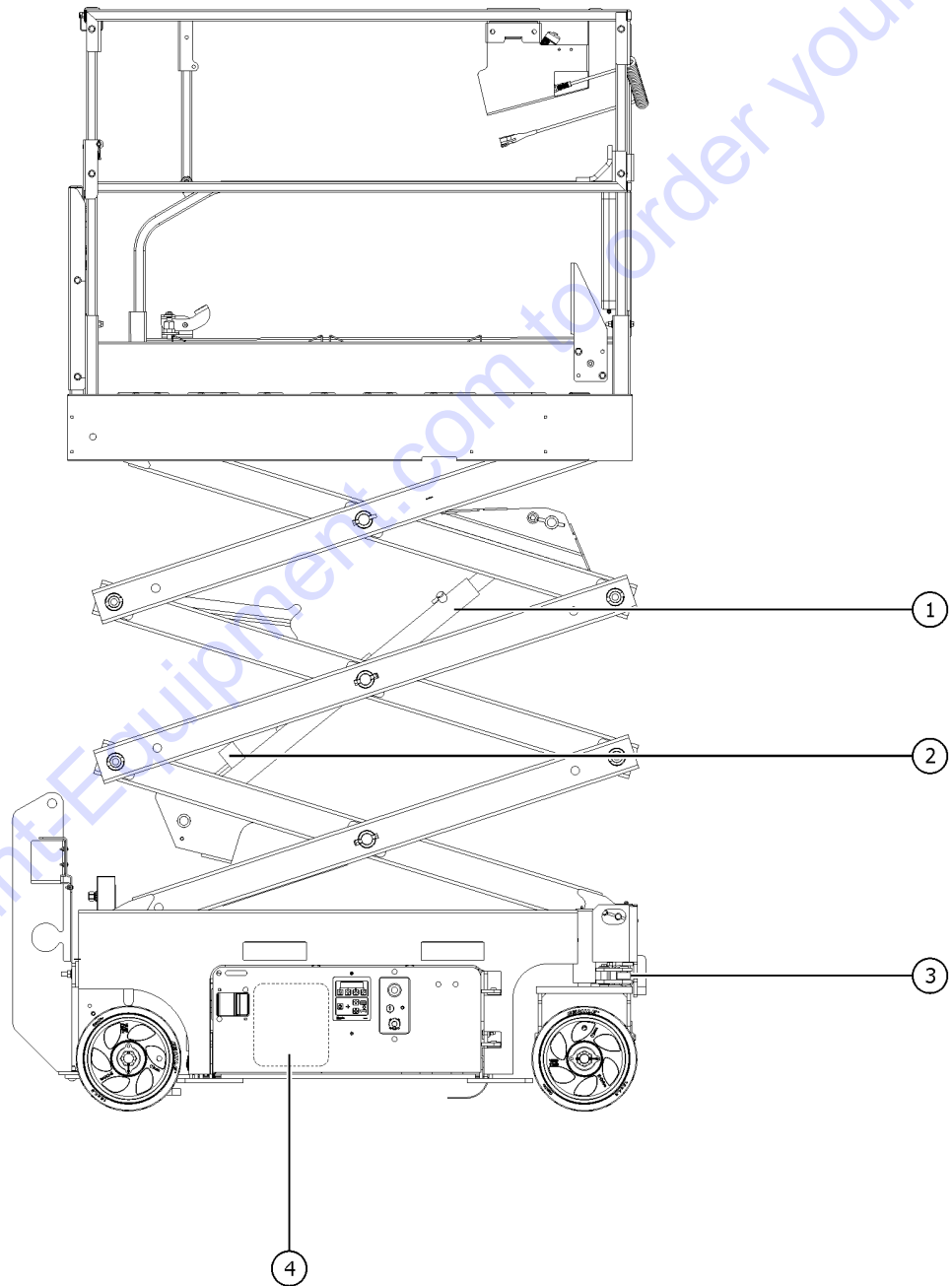
406.1 Joystick Controller

Item	Part No.	Description	Qty.
--	137634GT	JOYSTICK, HALL EFFECT, SINGLE	
--	229097GT	TERMINAL, SPLINE (AMP)	
--	214544GT	KIT,BOOT,JOYSTICK,SL1000	
		joystick boot	
1	235463GT	KIT,SWITCH,JYSTK,SL1000	
		function enable and steer switches	
2	235463GT	KIT,SWITCH,JYSTK,SL1000	
		function enable and steer switches	
3	229092GT	ROCKER,2 SWITCH	1
4	229093GT	BOOT, 2 SWITCH, SILICON	1
5	229086GT	SCREW, SELF TAP	2
6	229087GT	HANDLE HALF,RIGHT,W/TOP SWITCH	1
6B	229091GT	SCREW,GRUB,M5X8MM,HLF DOG,BZP	
		for 229087GT	
7	229088GT	HANDLE HALF,LEFT,W/TOP SWITCH	1
7B	229090GT	SCREW,GRUB,M5X8MM CUP(BLK)	
		for 229088GT	
8	229089GT	TRIGGER, EXTENDED	1
8-	229094GT	SPRING, HANDLE TRIGGER	1

Go to Discount-Equipment.com to order your parts



501.1 Hydraulic Components

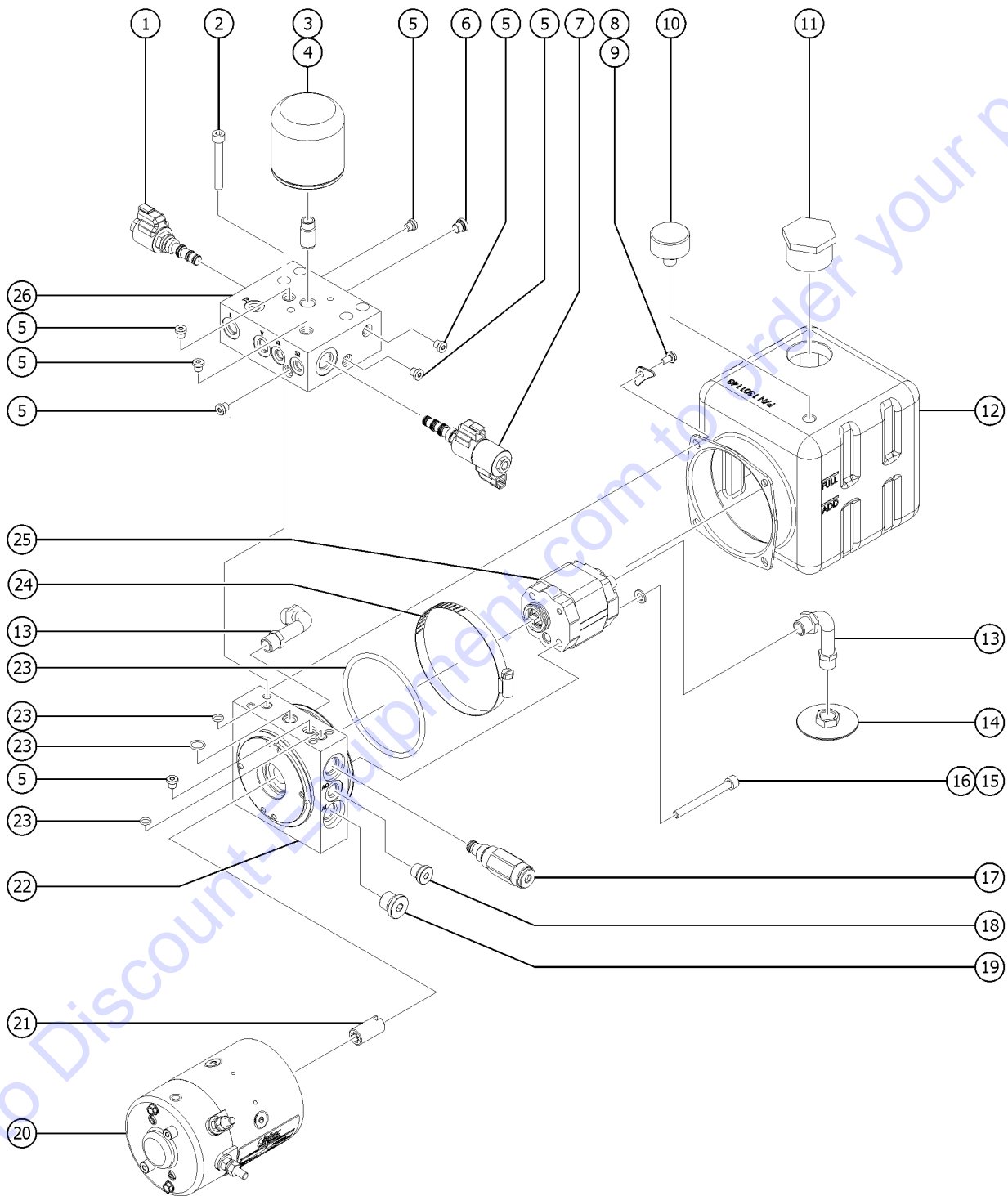


Item	Part No.	Description	Qty.
1		Ref. Lift Cylinder Assembly (refer to 503.1)	
2		Ref. Pressure Transducer (refer to 701.1)	
3	105547GT	CYLINDER,GS/GR STEER***	1
3-	105550GT	KIT,STEER CYL SEAL	
3-	105553GT	KIT,STEER CYL SEAL,040271P,HDM (for code H408147 and up)	
3-	105554GT	KIT,STEER CYL SEAL,040499P,HDM (for code H41109 and up)	
3-	105555GT	KIT,STEER CYL SEAL,040505P,HDM (for codes H41205, H41255, H51290, H501111, H505109, H509101, H60723 and H60870)	
4		Ref. Power unit (refer to 502.1)	

Go to Discount-Equipment.com to order your parts



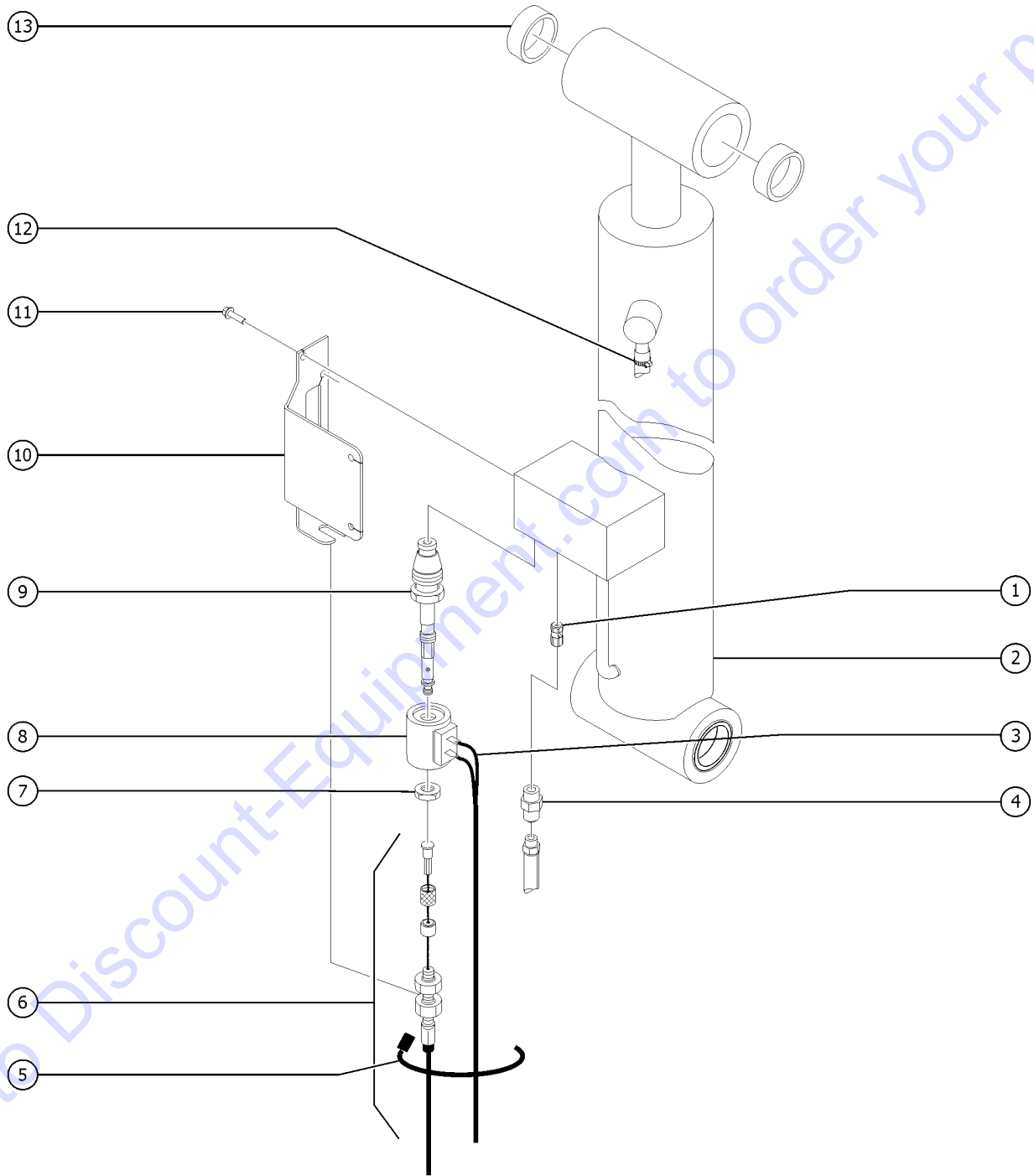
502.1 Power Unit



Item	Part No.	Description	Qty.
1	1303166GT	VALVE-SOLENOID, 2POS 4WAY, SV08-40-0-N-20ERZ	1
2	1302843GT	SCREW, GB/T70.1, M8X55, ZNCR, 12.9	4
3	1300318GT	FILTER, ELEMENT, SPIN ON	1
4	1300319GT	INSERT, THREADED, INTERNAL HEX	1
5	1302837GT	PLUG, M8X1, Y	7
6	1302836GT	PLUG, M10X1, Y	1
7	1303165GT	VALVE-SOLENOID, 3POS 4WAY, SV08-47A-0-N-20ERZ	1
8	1302840GT	SCREW, GB/T5789, M6X8, 8.8	4
9	1302841GT	WASHER, TRIANGULAR, PU-**-04-P	4
10	78546GT	BREATHER CAP, HYD. TANK, 1/4 NPT	1
11	66204GT	PLUG, 1-1/2" NPT HEX HEAD	1
12	1301148GT	TANK, HYD. POLYETHYLENE, MINI SLAB, E-DRIVE	1
13	1302844GT	SUCTION TUBE, NPT3/8	2
14	1302845GT	SUCTION FILTER, PU-LW1	1
15	1302838GT	SCREW, GB/T70.1, M8X80, 12.9	2
16	1302839GT	WASHER, GB/T848, 8, BZN, 300HV	2
17	1303167GT	RELIEF VALVE, RV08-20H-0-N-33/29	1
18	1302834GT	PLUG, SAE9, 16-18, Y	1
19	1302835GT	PLUG, SAE3/4-16, 200Z60680	1
20	1300178GT	PUMP MOTOR, POWER UNIT, 24V, 114MM, LONG	1
21	1302207GT	COUPLING, POWER UNIT, E-DRIVE	1
22	1301547GT	MANIFOLD BLOCK, CENTER BLOCK, POWER UNIT, E-DRIVE	1
23	1302833GT	SEAL KITS, O-RING, 109X5.3, 12.5X1.8, 8.5X1.8	1
24	1302842GT	HOSECLAMP, 118-140MM	1
25	1301544GT	GEAR PUMP, 1.5CC, MINI SLAB, E-DRIVE	1
26	1301548GT	MANIFOLD BLOCK, DEPUTY BLOCK, POWER UNIT, E-DRIVE	1



503.1 Lift Cylinder Assembly, All Models



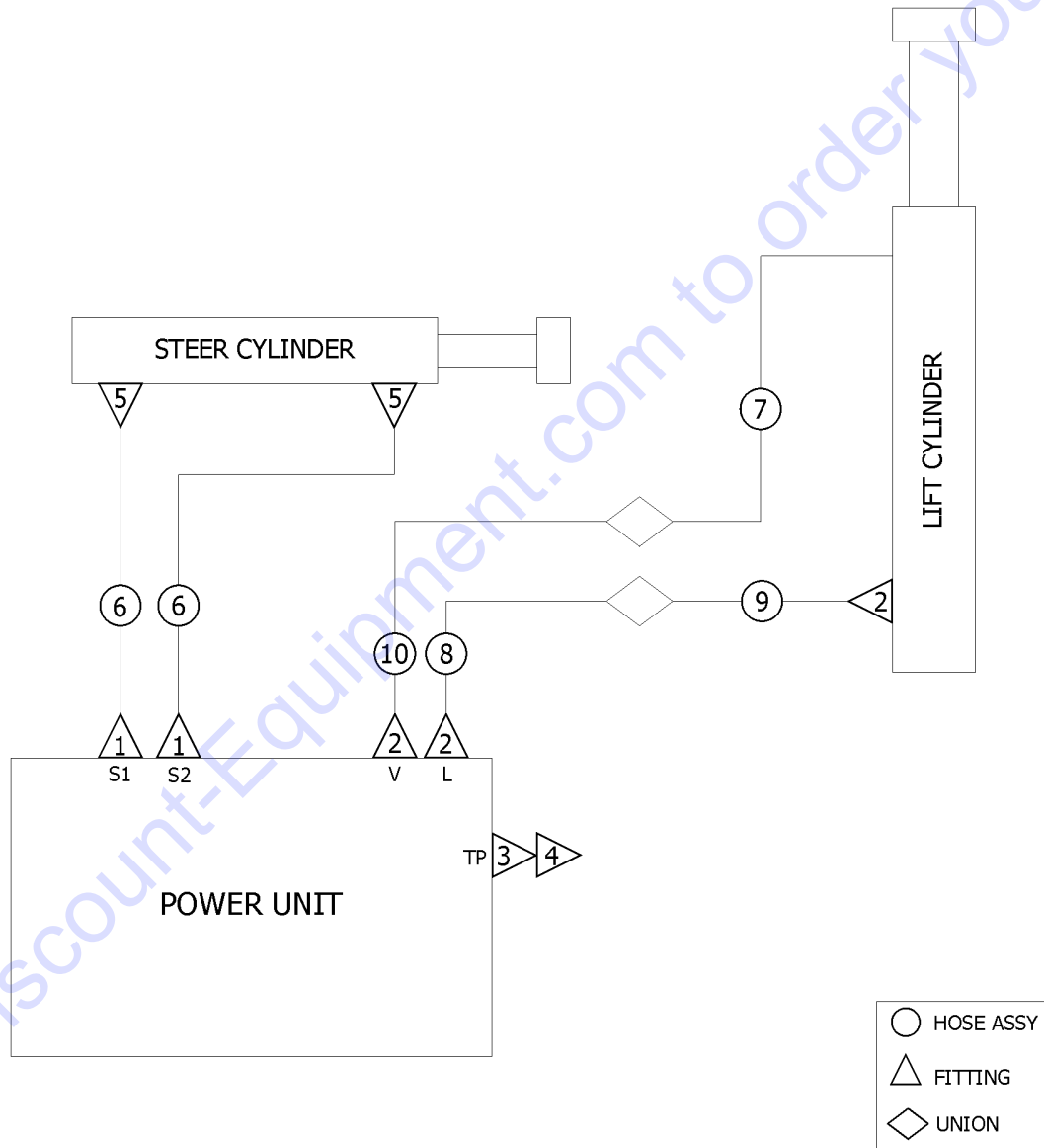
503.1 Lift Cylinder Assembly, All Models

Item	Part No.	Description	Qty.
1	55558GT	ORIFICE, LONG, .037*** (lift cylinder)	1
2	105543GT	CYLINDER, MINI LIFT	1
2-	105548GT	KIT, MINI LIFT CYL SEAL	
3		Ref. Down Coil Wire Harness (refer to 210.1)	
4	39878GT	CONNECTOR, 070120-6-6	1
5	28443GT	CABLE TIE, 11.5" BLACK	3
6		Ref. Emergency Down Cable (refer to 203.1)	
7	44973GT	NUT, COIL (39909)	1
8	84422GT	COIL-SOLENOID VALVE, 20V DC***	1
9	66465GT	VALVE, W/20V NC SOLENOID, MANUAL (includes items 7 and 8)	1
9-	40477GT	VALVE, CARTRIDGE***	
9-	44979GT	SEAL KIT, 39909, PLAT LWR VALVE*	
10	41557-SGT	CABLE BRACKET, PAINTED	1
11	824077GT	SCREW, HHF, 1/4-20 X .5, 8, ZAG	
12	96770GT	CLAMP, HOSE, 1 EAR, 11/16	
13	105478GT	BEARING, 1.5025IDX1.5075ODX1.5L	4

Go to Discount-Equipment.com to order your parts



504.1 Hydraulic Hoses and Fittings



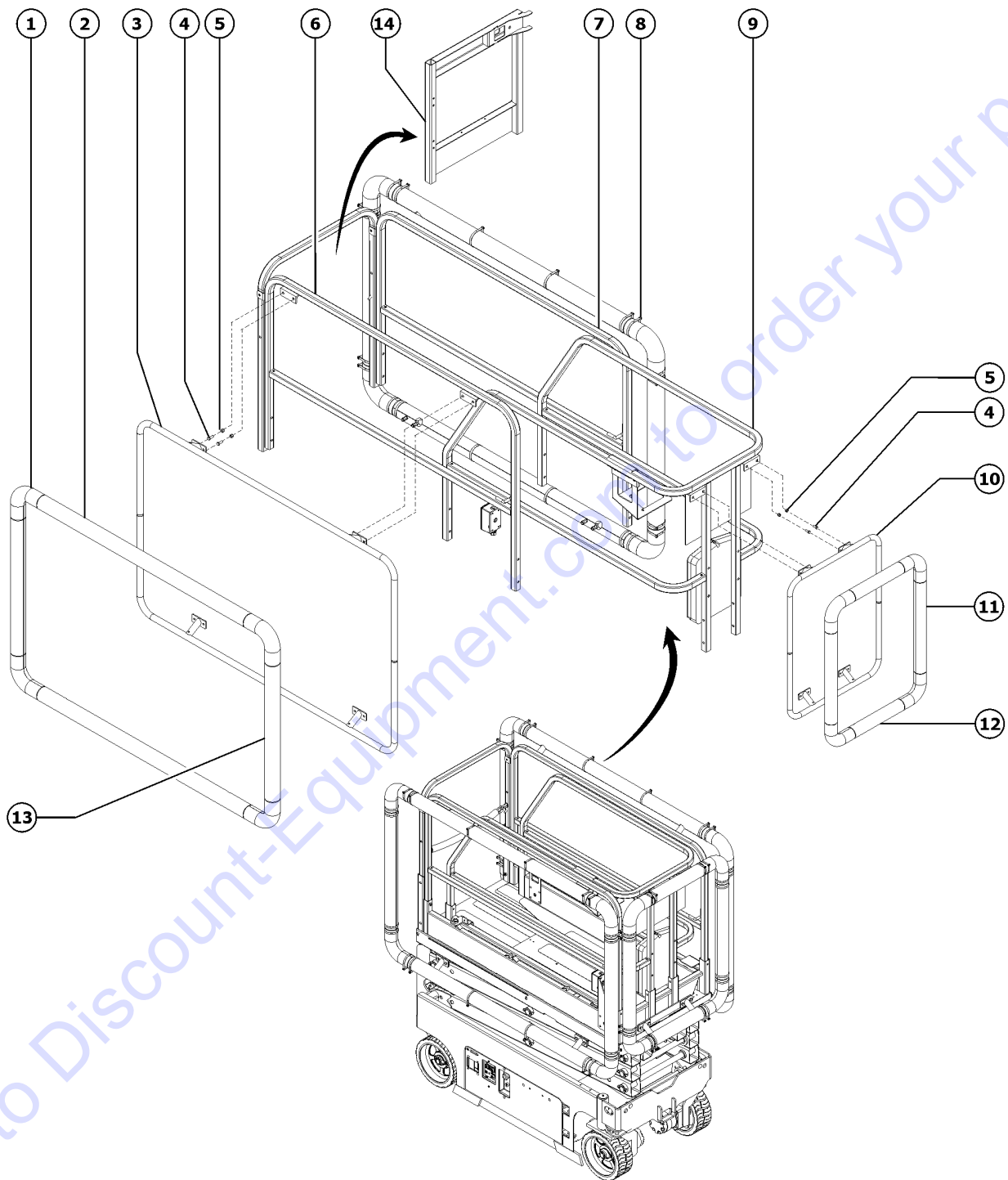
504.1 Hydraulic Hoses and Fittings

Item	Part No.	Description	Qty.
1	39877GT	CONNECTOR, 070120-4-4	2
2	39878GT	CONNECTOR,070120-6-6	3
3	48997GT	NIPPLE,DIAGNOSTIC,#4	1
4	48880GT	CAP,DIAGNOSTIC NIPPLE	1
5	13921GT	ELBOW, 07022-4-4	2
6	1288365-4800GT	HOSE ASSY, STEER	2
7	1262932GT	HOSE 75631X2720	1
8	1303525-4100GT	HOSE ASSY, POWER UNIT, MINI LIFT	1
9	1262931GT	HOSE 56776X1950	1
10	1303528-4000GT	HOSE ASSY, POWER UNIT, MINI VENT	1

Go to Discount-Equipment.com to order your parts



601.1 Padded Auxiliary Rail



Factory installed option only. After-market kit not available.



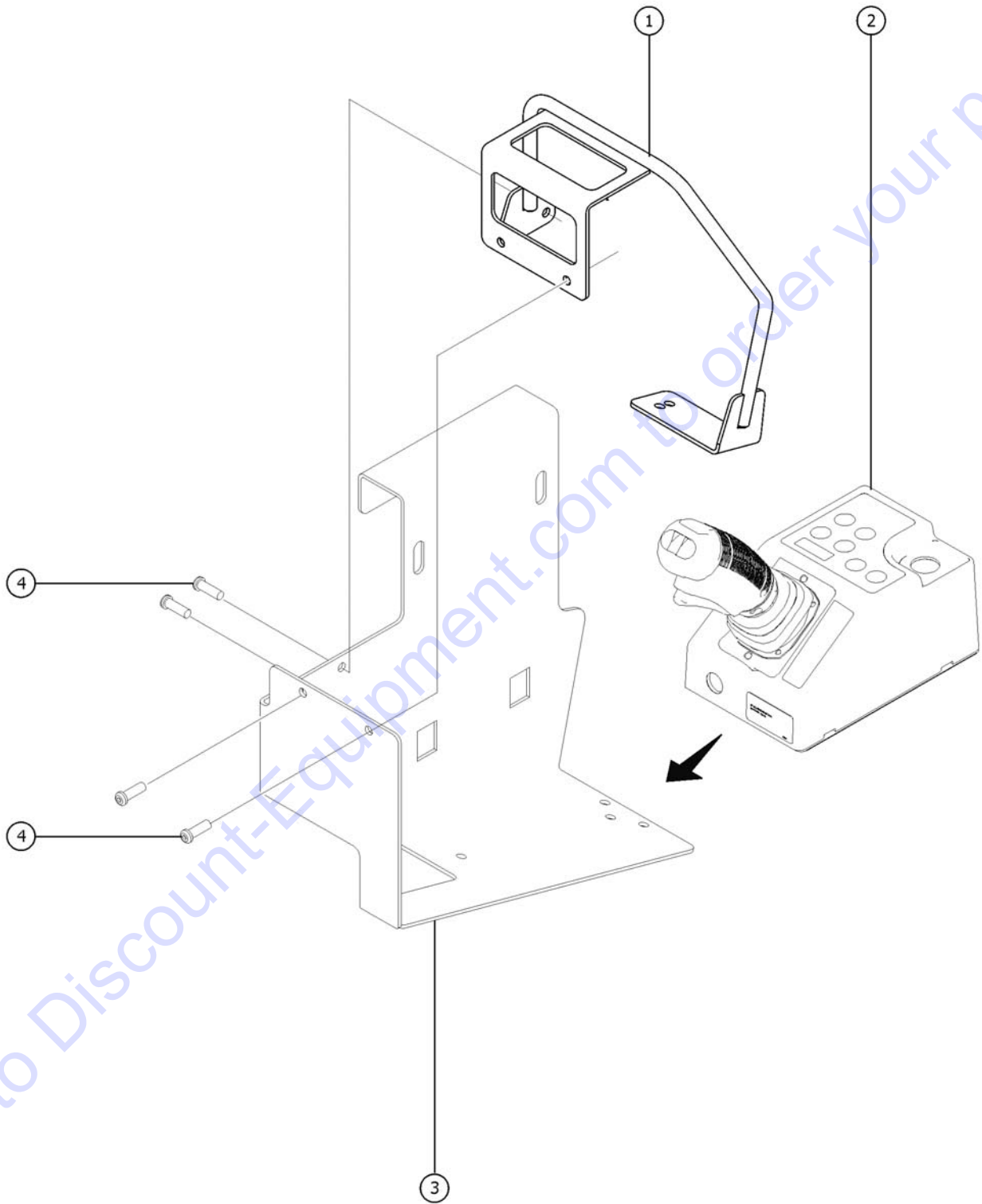
601.1 Padded Auxiliary Rail

Item	Part No.	Description	Qty.
1	238268GT	BUMPER,FOAM,FRONT ELBOW	12
2	825304GT	BUMPER, PAR, SIDE, HORIZONTAL	4
3	825302GT	WELDMENT, PAR, SIDE	2
4	6175GT	SCREW,HHC,3/8-16 X 1	
10	825307GT	WELDMENT, PAR, FRONT	1
11	825640GT	BUMPER, PAR, FRONT, VERTICAL	2
12	825309GT	BUMPER, PAR, FRONT, HORIZONTAL	2
13	825305GT	BUMPER, PAR, SIDE, VERTICAL	4
14		Ref. GATE ASSEMBLY (refer to 403.1) (the gate does not include padding)	

Go to Discount-Equipment.com to order your parts



602.1 PCON Guard



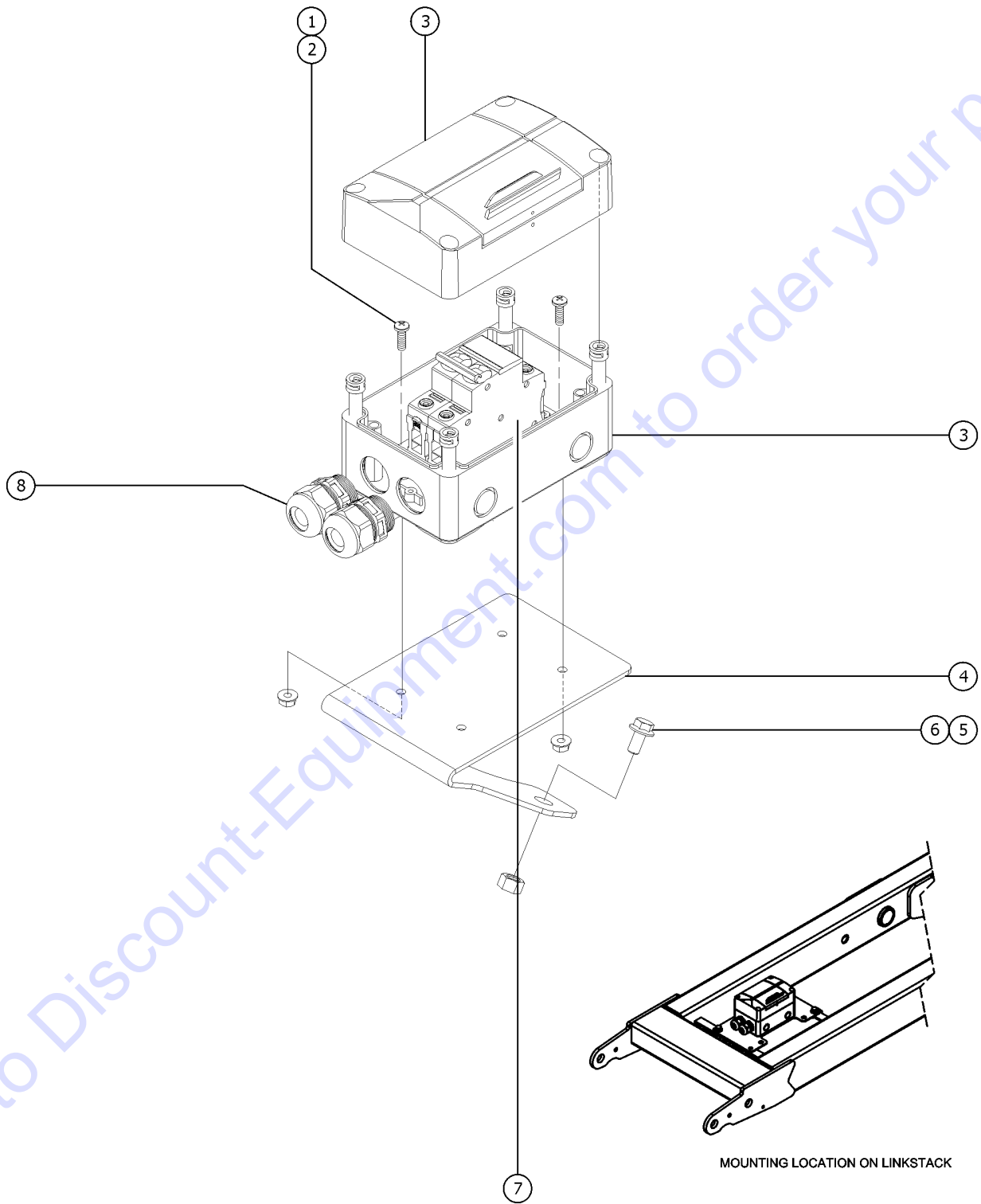
602.1 PCON Guard

Item	Part No.	Description	Qty.
1	1283768GT	KIT,PCON GUARD,SLAB/GR includes installation instructions	1
1-	1279627GT	WELDMENT, PCON GUARD	1
2		Ref. PCON, GR/GRC/GS (refer to 405.1)	1
3		Ref. FORMING, PLAT CONTROL, GR/GRC (refer to 405.1), (holes drilled for PCON Guard option)	4
4	7265GT	RIVET,STEEL,P, .25 X .375	4

Go to Discount-Equipment.com to order your parts



603.1 RCBO



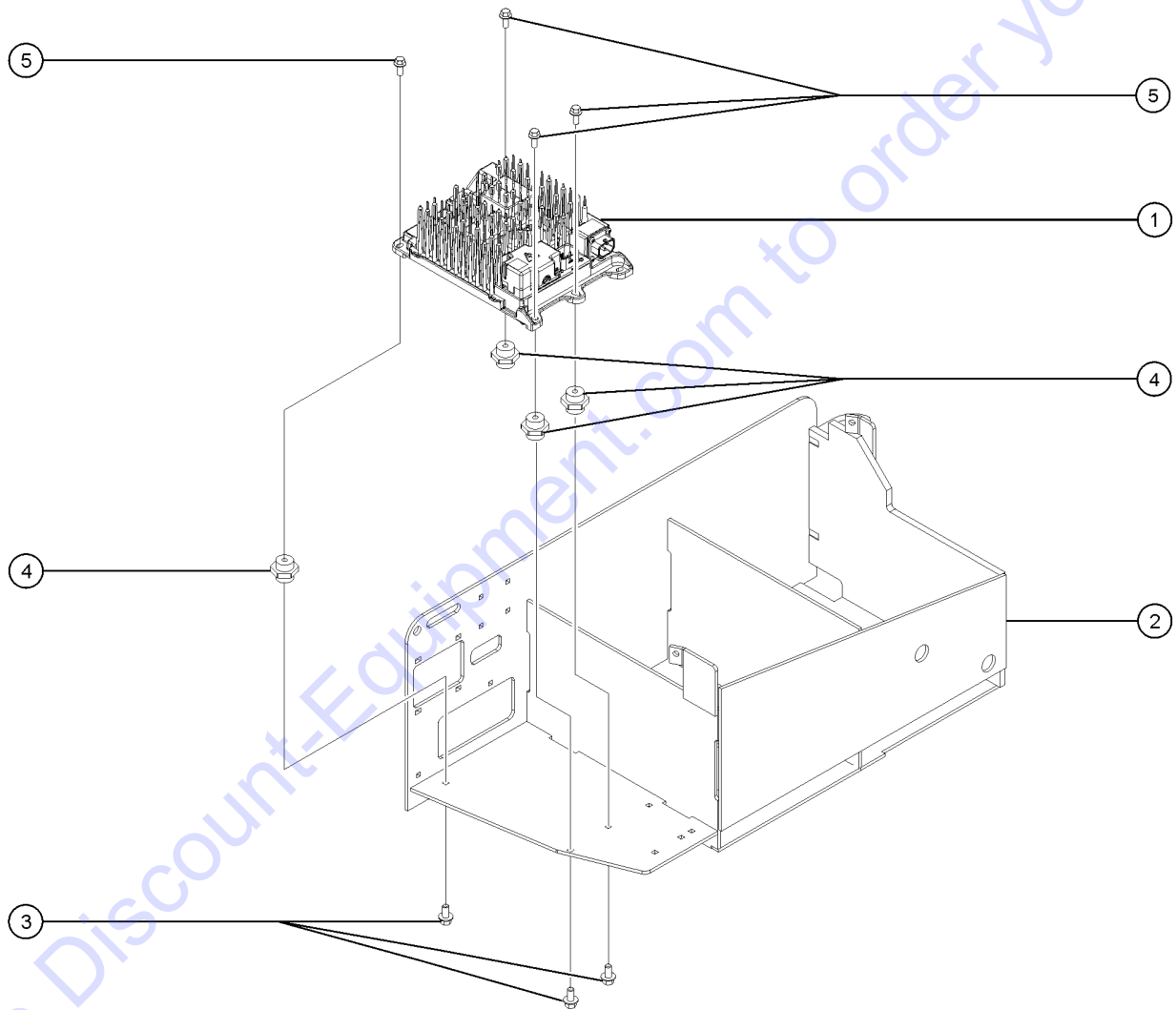
603.1 RCBO

Item	Part No.	Description	Qty.
1	1257227GT	SCREW,PHPM,10-32X.625,ZAG	2
2	1256467GT	NUT,TL FLG,10-24,F,Z	2
3	1269086GT	ENCLOSURE, FUSE, MODULAR, 150X	1
4	1279207GT	FORMING,RCBO,GS30	1
5	824089GT	SCREW, HHF, 3/8-16 X .75, 8, ZAG	2
6	232951GT	NUT, TL, M10-1.5,DIN980, ZAB	1
7	231868GT	RCBO,16A,30MA,6KA 110/230VAC	1
8	1280947GT	GLAND ASSY,M25,6-13MM	2
9	43956GT	WIRE CABLE,14/3 CON.TPE JKT* not shown	115
10	1280948GT	SLEEVE,CABLE-END,14AWG,2.5MM not shown	6

Go to Discount-Equipment.com to order your parts



604.1 Charger Isolation



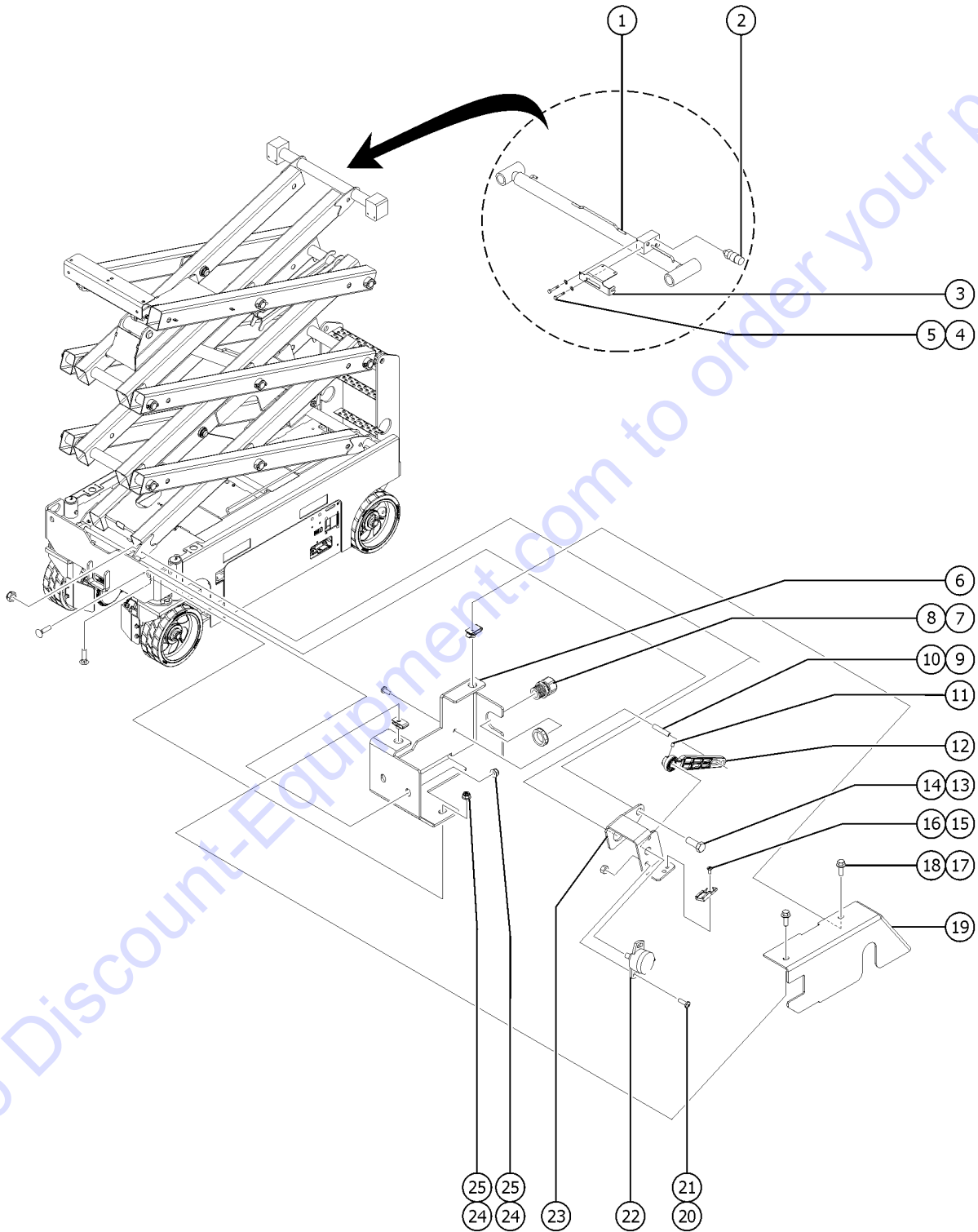
604.1 Charger Isolation

Item	Part No.	Description	Qty.
1		Ref.CHARGER, 24V, 650W, USB (refer to 206.1)	1
2	1303675GT	WLDMT,BATTERY TRAY ,GS	1
3	824077GT	SCREW, HHF, 1/4-20 X .5, 8, ZAG	3
4	1276847GT	ISOLATOR,SANDWICH,1/4-20,M2M	4
5	1256855GT	SCREW,HHF,1/4-20X.625,8,ZAG	4

Go to Discount-Equipment.com to order your parts



701.1 Platform Overload



Item	Part No.	Description	Qty.
1		Ref: Lift Cylinder (refer to 503.1)	1
2	1291577GT	PRESSURE TRANSDUCER,0-5K PSI	1
3	41557-SGT	CABLE BRACKET,PAINTED	1
4	7339GT	SCREW,HHC,1/4-20 X .5	2
5	6356GT	WASHER,LOCK,.25	2
6	1304100GT	FORMING,CHASSIS BRACKET,GS30	1
7	33576GT	CONN,SQZ,BLK,1/2NPT,.38-.50,SM	1
8	T115429GT	NUT,CORDGRIP,1/2 NPT	1
9	T113142GT	OFFSET, RDN, 1/4-1.25,10-32	1
10	1251757GT	SCREW,PHPM,10-32X.50,ZAG	1
11	229146GT	SCREW,SET,8-32X.25	1
12	T114082GT	LEVER ARM,ANGLE SENSR ACTUATOR	1
13	824068GT	SCREW, HHC, 3/8-16 X 1.25, 8, ZAG	1
14	1274322GT	NUT,NYLOCK FLG,3/8-16,F,ZAG	1
15	39579GT	RIVET,STL,STL,.188 X .45	1
16	T113139GT	CLIP,DTM,RECEPTACLE	1
17	824078GT	SCREW,HHF,1/4-20X.75,8,ZAG	2
18	56912GT	SPRING CLIP,1/4-20,.025-.15X.5	2
19	1304102GT	FORMING,SENSOR COVER	1
20	1257296GT	SCREW,PHPM-ST,8-32X.50,TYPE F,ZAG	2
21	1258187GT	NUT,TL,8-32,A,ZAG	2
22	T113136GT	ASSY,ROT SENSR W/HARNESS	1
23	161979GT	FRMG,ARM SENSOR BRCKT,MINI	1
24	1277924GT	NUT,NYLOCK FLG,1/4-20,F,ZAG	2
25	1256179GT	BOLT,CARRIAGE,1/2-13X1.5,5,ZAG	2



<u>Part no.</u>	<u>Page Number</u>	<u>Part no.</u>	<u>Page Number</u>	<u>Part no.</u>	<u>Page Number</u>
1268GT	11	40477GT	121	66356GT	111
1484GT	11	40833GT	73, 85	66399GT	11
1699GT	19, 27, 35, 43, 51, 59	41557-SGT	121, 133	66465GT	121
6091GT	87, 111	41630GT	97, 103	66544GT	109
6175GT	125	42079GT	61	66717GT	73, 85
6356GT	133	43093GT	13, 15, 29, 31, 45, 47	66770GT	61
6626GT	111	43618GT	19, 27, 35, 43, 51, 59	66812GT	79, 113
6700GT	79	43619GT	15, 31, 47	66817GT	79, 113
6878GT	111	43658GT	15, 23, 31, 39, 47, 55	72086GT	13, 15, 21, 23, 29, 31...
7265GT	127	43956GT	83, 129	72143GT	15, 23, 31, 39, 47, 55
7339GT	133	44163GT	11	72326GT	77, 113
8915GT	87	44736GT	19, 35, 51	72999GT	15, 31, 47
10777GT	111	44743GT	99, 105	76494GT	73
13921GT	123	44780GT	61	78022GT	99, 105
18605GT	111	44781GT	61	78038GT	99, 101, 105, 107, 109
19491GT	71	44973GT	121	78086GT	69
21279GT	97, 103	44979GT	121	78546GT	11, 77, 119
22446GT	109	44980GT	15, 23, 31, 39, 47, 55	78680GT	65
24514GT	99, 105	44981GT	15, 19, 23, 27, 31, 35...	78736GT	67
27581GT	11	47163GT	97, 103	81579GT	77
28174GT	15, 19, 23, 27, 31, 35...	47188GT	99, 105	82287GT	51, 59
28235GT	15, 19, 23, 27, 31, 35...	47225GT	97, 103	82366GT	15, 31, 47
28236GT	19, 35, 51	47238GT	67	82474GT	21, 23, 37, 39, 53, 55
28443GT	121	47548GT	61	82481GT	21, 37, 53
30784-2550GT	73	47666GT	89, 93	82487GT	23, 27, 39, 43, 55, 59
31060GT	13, 29, 45	48282GT	111	82495GT	21, 37, 53
32150GT	11	48880GT	123	82557GT	19, 35, 51
32151GT	11	48997GT	123	82561GT	13, 15, 29, 31, 45, 47
33576GT	133	51063GT	79	82568GT	19, 27
37947GT	79	52475GT	13, 15, 21, 23, 29, 31...	82657GT	13, 29, 45
38149GT	15, 23, 31, 39, 47, 55	55558GT	121	82666GT	13, 15, 21, 23, 29, 31...
39232GT	65	55675GT	73, 77	83093GT	79
39310GT	97, 103	55906GT	111	84422GT	121
39328GT	99, 105	56912GT	133	84578GT	89
39340GT	61	56926GT	89, 93	84579GT	93
39469GT	97, 103	58000GT	89, 93	84580GT	93
39474GT	97, 103	58627GT	79	84581GT	91, 95
39540GT	77, 113	62053GT	19, 27	84582GT	91, 95
39542GT	69	62054GT	35, 43	84583GT	91, 95
39579GT	97, 103, 133	66204GT	77, 119	85239GT	79
39877GT	123	66353GT	111	96008-SGT	79
39878GT	121, 123	66355GT	111	96009GT	79, 111

<u>Part no.</u>	<u>Page Number</u>	<u>Part no.</u>	<u>Page Number</u>	<u>Part no.</u>	<u>Page Number</u>
96010GT	79	114338GT	27, 43, 59	144118GT	51, 59
96085GT	69	119619GT	61	160412GT	111
96121GT	89, 93	122994GT	79	161979GT	133
96130GT	91, 95	128118GT	65	214544GT	115
96131GT	91, 95	128584GT	65	227167GT	113
96133GT	69	132021GT	109	229086GT	115
96283GT	91, 95	132038GT	89, 93	229087GT	115
96331GT	89, 95	132085GT	91, 95	229088GT	115
96452GT	79	132086GT	91, 95	229089GT	115
96487GT	89, 91, 93	132087GT	89, 93	229090GT	115
96541GT	69	132088GT	93	229091GT	115
96770GT	121	132089GT	93	229092GT	115
96948GT	67, 71	132121GT	101, 107	229093GT	115
97128GT	71	132124GT	89	229094GT	115
97719GT	23, 39, 55	132127GT	101, 107	229097GT	115
104804GT	109	132128	97, 103	229146GT	133
105085GT	89, 93	132130GT	87	229845GT	113
105117GT	111	132151GT	97, 103	231868GT	129
105118GT	111	132183GT	91, 95	232951GT	129
105156GT	71	132184GT	89, 93	235463GT	115
105182GT	89, 95	132185GT	89, 95	237238GT	61
105183GT	89, 93	132209GT	99, 105	238268GT	125
105184GT	89, 95	132210GT	99, 105	823368GT	67
105185GT	93	132211GT	99, 105	824025GT	89
105280GT	89, 93	132212GT	99, 105	824027GT	77, 81, 91, 95
105448GT	111	132213GT	99, 105	824029GT	67, 93
105478GT	121	132937GT	89, 93	824032GT	111
105483-SGT	111	132995GT	89	824038GT	69, 97, 103
105543GT	121	132995GY	93	824067GT	99, 105
105547GT	61, 117	132996GT	97, 103	824067TAGT	65
105548GT	121	137562GT	79	824068GT	77, 133
105550GT	117	137587GT	113	824077GT	121, 131
105553GT	117	137605GT	19, 27, 35, 43, 51, 59...	824078GT	101, 107, 133
105554GT	117	137611GT	113	824080GT	91, 95
105555GT	117	137634GT	115	824082GT	99, 105
105565GT	63	137637GT	79, 113	824089GT	129
105818GT	89, 93	137640GT	113	824090GT	61
105997GT	89, 93	137656GT	19, 27, 35, 43, 51, 59...	824093GT	61
105998GT	89, 93	137668GT	79	824094GT	109
112589GT	67	137699GT	113	824113GT	77
114272GT	35, 43	144116GT	19, 27	824124GT	73, 77, 81
114337GT	21, 37, 53	144117GT	19, 27	824125GT	67

<u>Part no.</u>	<u>Page Number</u>	<u>Part no.</u>	<u>Page Number</u>	<u>Part no.</u>	<u>Page Number</u>
824128GT	63, 69	1257264GT	71	1271521GT	67
824164GT	91, 95	1257296GT	133	1271924GT	99, 105
824215GT	111	1257402GT	73	1272119GT	83
824216GT	67	1257609GT	73	1272122GT	79
825020GT	87, 91, 95	1257733GT	11	1272123GT	79
825302GT	125	1257862GT	65	1272232GT	75
825304GT	125	1258187GT	133	1272242GT	15, 23, 31, 39, 47, 55
825305GT	125	1258567GT	11	1272557GT	75, 83
825307GT	125	1258731GT	113	1272844GT	75
825309GT	125	1259177GT	69	1273576GT	83
825352GT	73	1259178GT	69	1274166GT	99, 105, 109
825358GT	69, 73, 97, 99, 103, 105	1259179GT	69	1274168GT	67, 71, 73
825640GT	125	1259180GT	69	1274172GT	65
826854GT	79	1259181GT	97, 103	1274322GT	61, 65, 69, 77, 133
1251757GT	133	1259182GT	99, 105	1275423GT	111
1251799GT	91, 95	1259191GT	65	1275748GT	91
1251997GT	87	1259192GT	63	1276847GT	131
1252764GT	77	1259193GT	61	1277860GT	99, 105
1252977GT	97, 103	1259194GT	61	1277924GT	61, 67, 73, 133
1253477GT	79, 97, 103	1259195GT	63	1278704GT	15, 23, 31, 39, 47, 55
1253478GT	97, 103	1259197GT	69	1279207GT	129
1253485GT	61, 109	1259223GT	97, 103	1279428GT	75
1254572GT	67	1259339GT	97, 103	1279627GT	127
1255756GT	67	1259686GT	69	1280819GT	15, 31, 47
1255757GT	63, 69, 77	1260703GT	77	1280947GT	129
1255758GT	61, 97, 103	1260926GT	99, 105	1280948GT	129
1255759GT	65	1261183GT	67	1280957GT	97, 103, 113
1255797GT	67, 77	1262931GT	123	1280958GT	97, 103, 113
1255805GT	73	1262932GT	123	1281174GT	35, 43, 51, 59
1256109GT	61	1263152GT	73	1281175GT	19, 27
1256115GT	87	1263542GT	21, 23, 37, 39, 53, 55	1282138GT	97, 103
1256179GT	65, 133	1263543GT	13, 15, 29, 31, 45, 47	1282141GT	101, 107
1256463GT	61	1265361GT	15, 31, 47	1283768GT	127
1256467GT	129	1268635GT	85	1283790GT	113
1256679GT	67, 73	1269086GT	129	1283810GT	19, 27, 35, 43, 51, 59...
1256693GT	97, 103	1269302GT	101, 107	1283878GT	15, 23, 31, 39, 47, 55
1256719GT	79	1269307GT	99, 105	1284285GT	79
1256727GT	113	1269335GT	109	1284302GT	111
1256848GT	89, 93	1269338GT	109	1284781GT	77, 79
1256855GT	131	1269346GT	99, 105	1284981GT	15, 31, 47
1256863GT	73	1270162GT	67, 83	1284982GT	23, 39, 55
1257227GT	129	1270281GT	65, 83	1286357GT	97, 103

<u>Part no.</u>	<u>Page Number</u>	<u>Part no.</u>	<u>Page Number</u>	<u>Part no.</u>	<u>Page Number</u>
1287309GT	87	1296034GT	19, 27, 35, 43, 51, 59	1301158GT	19, 35, 51
1287881GT	97, 103	1296298GT	19	1301544GT	119
1287951GT	77	1296299GT	27	1301547GT	119
1288281GT	99, 105	1296300GT	35, 51	1301548GT	119
1288365-4800GT	123	1296301GT	43, 59	1301777GT	65
1288481GT	73, 85	1296821GT	19, 35, 51	1301854GT	83
1288499GT	75	1296823GT	19, 35, 51	1302203GT	83
1288500GT	75	1296824GT	19, 35, 51	1302204GT	83
1288571GT	83	1297433GT	13, 17, 19, 29, 33, 35...	1302207GT	119
1288574GT	83	1298467GT	27, 43, 59	1302399GT	71
1288726GT	83	1298630GT	83, 85	1302477GT	105
1289899GT	83	1298631GT	85	1302484GT	99
1290029GT	99, 105	1298632GT	83, 85	1302489GT	99, 105
1290574GT	73	1298633GT	83, 85	1302833GT	119
1290659GT	15, 31, 47	1298634GT	83, 85	1302834GT	119
1290664GT	15, 31, 47	1298635GT	83	1302835GT	119
1290668GT	13, 29, 45	1298636GT	83, 85	1302836GT	119
1290673GT	23, 39, 55	1298637GT	83, 85	1302837GT	119
1290675GT	13, 29, 45	1298638GT	83, 85	1302838GT	119
1290699GT	13, 21, 29, 37, 45, 53	1298833GT	13, 29, 45	1302839GT	119
1291051GT	83	1298834GT	21, 37, 53	1302840GT	119
1291307GT	61	1298911GT	71	1302841GT	119
1291577GT	133	1298923GT	77	1302842GT	119
1291624GT	15, 23, 31, 39, 47, 55	1298927GT	69	1302843GT	119
1292051GT	15, 31, 47	1298928GT	69	1302844GT	119
1292052GT	23, 39, 55	1298930GT	65	1302845GT	119
1292275GT	13, 15, 21, 23, 29, 31...	1299144GT	61	1303129GT	69
1292512GT	15, 23, 31, 39, 47, 55	1299390GT	73	1303148GT	69
1292513GT	17, 23, 33, 39, 49, 55	1299695GT	67	1303165GT	119
1292514GT	17, 23, 33, 39, 49, 55	1300025GT	69	1303166GT	119
1292515GT	17, 23, 33, 39, 49, 55	1300027GT	69	1303167GT	119
1292622GT	65	1300029GT	69	1303364GT	77
1292960GT	13, 29, 45	1300036GT	69	1303525-4100GT	123
1292990GT	17, 23, 33, 39, 49, 55	1300053GT	69	1303528-4000GT	123
1293165GT	19, 35, 51	1300178GT	119	1303675GT	73, 131
1293166GT	27, 43, 59	1300318GT	11, 119	1303685GT	65
1293217GT	21, 23, 27, 37, 39, 43...	1300319GT	119	1303686GT	65
1293324GT	17, 33, 49	1300540GT	69	1304100GT	133
1294398GT	19, 35, 51	1300886GT	83	1304102GT	133
1294635GT	19, 35, 51	1300941GT	87	1304130GT	73
1294685GT	17, 33, 49	1301134GT	61, 65	1304152GT	77
1294688GT	27, 43, 59	1301148GT	119	1304171GT	61

<u>Part no.</u>	<u>Page Number</u>	<u>Part no.</u>	<u>Page Number</u>	<u>Part no.</u>	<u>Page Number</u>
1304229GT	65				
1304828GT	65				
1304829GT	65				
1305532GT	13, 17, 21, 25				
1305533GT	29, 33, 37, 41				
1305534GT	45, 49, 53, 57				
1305922GT	111				
1306040GT	63				
1306041GT	63				
1306056GT	63				
1306057GT	63				
1306058GT	63				
1306060GT	63				
1306167GT	77				
1307065GT	61				
1307118GT	61				
1307119GT	61				
1307201GT	61				
T106362GT	79				
T106363GT	79				
T106366GT	79				
T106368GT	113				
T106370GT	113				
T106372GT	79				
T106373GT	113				
T112507GT	83				
T112509GT	83				
T112510GT	83				
T112511GT	83				
T112560GT	111				
T112804GT	17, 25, 33, 41, 49, 57				
T113136GT	83, 133				
T113139GT	133				
T113142GT	133				
T114082GT	133				
T115429GT	133				

California Proposition 65

 **WARNING**

Operating, servicing and maintaining this equipment, passenger vehicle or off-highway motor vehicle can expose you to chemicals including engine exhaust, carbon monoxide, phthalates, and lead, which are known to the State of California to cause cancer and birth defects or other reproductive harm. These chemicals can be emitted from or contained in other various parts and systems, fluids and some component wear by-products. To minimize exposure, avoid breathing exhaust, do not idle the engine except as necessary, service your equipment and vehicle in a well-ventilated area and wear gloves or wash your hands frequently when servicing your equipment or vehicle and after operation. For more information go to www.P65Warnings.ca.gov/passenger-vehicle.

Breathing diesel engine exhaust exposes you to chemicals known to the State of California to cause cancer and birth defects or other reproductive harm.

- Always start and operate the engine in a well-ventilated area.
- If in an enclosed area, vent the exhaust to the outside.
- Do not modify or tamper with the exhaust system.
- Do not idle the engine except as necessary.

For more information go to www.P65warnings.ca.gov/diesel.

Distributed By:

www.GSPOutlet.com to order your parts

PARTS FINDER

**Search Website
by Part Number**



**Search Manual
Library For Parts
Manual & Lookup Part
Numbers – Purchase
or Request Quote**

Search Manuals

Enter your information to help us find the right parts manual for your machine.

* Brand:

* Model:

* Serial:

* Part Number:

SEARCH

**Can't Find Part or
Manual? Request Help
by Manufacturer,
Model & Description**

Parts Order Form

Please fill in the following information to help us find the right part for your machine.

Manufacturer:	<input type="text"/>
Model:	<input type="text"/>
Description:	<input type="text"/>
Part Number:	<input type="text"/>
Quantity:	<input type="text"/>
Notes:	<input type="text"/>

SEARCH

Discount-Equipment.com is your online resource for quality parts & equipment.

Florida: **561-964-4949** Outside Florida TOLL FREE: **877-690-3101**

Need parts?

Click on this link: <http://www.discount-equipment.com/category/5443-parts/> and choose one of the options to help get the right parts and equipment you are looking for. Please have the machine model and serial number available in order to help us get you the correct parts. If you don't find the part on the website or on one of the online manuals, please fill out the request form and one of our experienced staff members will get back to you with a quote for the right part that your machine needs.

We sell worldwide for the brands: Genie, Terex, JLG, MultiQuip, Mikasa, Essick, Whiteman, Mayco, Toro Stone, Diamond Products, Generac Magnum, Airman, Haulotte, Barreto, Power Blanket, Nifty Lift, Atlas Copco, Chicago Pneumatic, Allmand, Miller Curber, Skyjack, Lull, Skytrak, Tsurumi, Husquvarna Target, Stow, Wacker, Sakai, Mi-T-M, Sullair, Basic, Dynapac, MBW, Weber, Bartell, Bennar Newman, Haulotte, Ditch Runner, Menegotti, Morrison, Contec, Buddy, Crown, Edco, Wyco, Bomag, Laymor, EZ Trench, Bil-Jax, F.S. Curtis, Gehl Pavers, Heli, Honda, ICS/PowerGrit, IHI, Partner, Imer, Clipper, MMD, Koshin, Rice, CH&E, General Equipment, Amida, Coleman, NAC, Gradall, Square Shooter, Kent, Stanley, Tamco, Toku, Hatz, Kohler, Robin, Wisconsin, Northrock, Oztec, Toker TK, Rol-Air, APT, Wylie, Ingersoll Rand / Doosan, Innovatech, Con X, Ammann, Mecalac, Makinex, Smith Surface Prep, Small Line, Wanco, Yanmar