



A TEREX BRAND



## Parts Manual

Serial Number Range

**GS-2032**  
**GS-2632**  
**GS-3232**

from SN GS32D-101 to  
GS32D-10000

Part No. 1303613GT  
Rev: A  
April 2020

Go to [Discount-Equipment.com](http://Discount-Equipment.com) to order your parts

# PARTS FINDER

**Search Website  
by Part Number**



**Search Manual  
Library For Parts  
Manual & Lookup Part  
Numbers – Purchase  
or Request Quote**

**Search Manuals**

Enter your information to help us find the right parts manual for your machine.

\* Brand:

\* Model:

\* Serial:

\* Part Number:

SEARCH

**Can't Find Part or  
Manual? Request Help  
by Manufacturer,  
Model & Description**

**Parts Order Form**

Please fill in the following information to help us find the right part for your machine.

Manufacturer:	<input type="text"/>
Model:	<input type="text"/>
Description:	<input type="text"/>
Part Number:	<input type="text"/>
Quantity:	<input type="text"/>
Notes:	<input type="text"/>
Submit	<input type="button" value="Submit"/>

Discount-Equipment.com is your online resource for quality parts & equipment.

Florida: **561-964-4949** Outside Florida TOLL FREE: **877-690-3101**

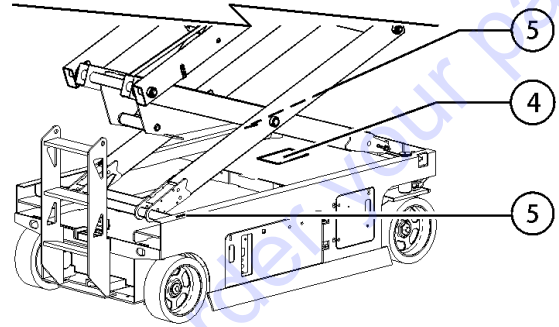
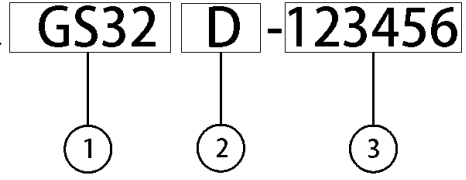
**Need parts?**

Click on this link: <http://www.discount-equipment.com/category/5443-parts/> and choose one of the options to help get the right parts and equipment you are looking for. Please have the machine model and serial number available in order to help us get you the correct parts. If you don't find the part on the website or on one of the online manuals, please fill out the request form and one of our experienced staff members will get back to you with a quote for the right part that your machine needs.

We sell worldwide for the brands: Genie, Terex, JLG, MultiQuip, Mikasa, Essick, Whiteman, Mayco, Toro Stone, Diamond Products, Generac Magnum, Airman, Haulotte, Barreto, Power Blanket, Nifty Lift, Atlas Copco, Chicago Pneumatic, Allmand, Miller Curber, Skyjack, Lull, Skytrak, Tsurumi, Husquvarna Target, Stow, Wacker, Sakai, Mi-T-M, Sullair, Basic, Dynapac, MBW, Weber, Bartell, Bennar Newman, Haulotte, Ditch Runner, Menegotti, Morrison, Contec, Buddy, Crown, Edco, Wyco, Bomag, Laymor, EZ Trench, Bil-Jax, F.S. Curtis, Gehl Pavers, Heli, Honda, ICS/PowerGrit, IHI, Partner, Imer, Clipper, MMD, Koshin, Rice, CH&E, General Equipment, Amida, Coleman, NAC, Gradall, Square Shooter, Kent, Stanley, Tamco, Toku, Hatz, Kohler, Robin, Wisconsin, Northrock, Oztec, Toker TK, Rol-Air, APT, Wylie, Ingersoll Rand / Doosan, Innovatech, Con X, Ammann, Mecalac, Makinex, Smith Surface Prep, Small Line, Wanco, Yanmar

**Genie**  
A TEREX BRAND

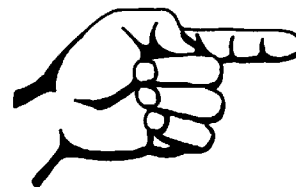
**Model:**  
**Serial number:** GS32D-123456  
**Year of manufacture:** 2020  
**Electrical schematic number:**  
**Machine unladen weight:**  
**Rated work load (including occupants):**  
**Maximum number of platform occupants:**  
**Maximum allowable inclination of the chassis:**  
**Outrigger retracted:**  
**Outrigger deployed:**



- 1 Model
- 2 Facility code
- 3 Sequence number

- 4 Serial label (located on chassis)
- 5 Serial number (stamped on chassis)

Please refer to section 001 for the Recommended Spare



This page intentionally left blank.

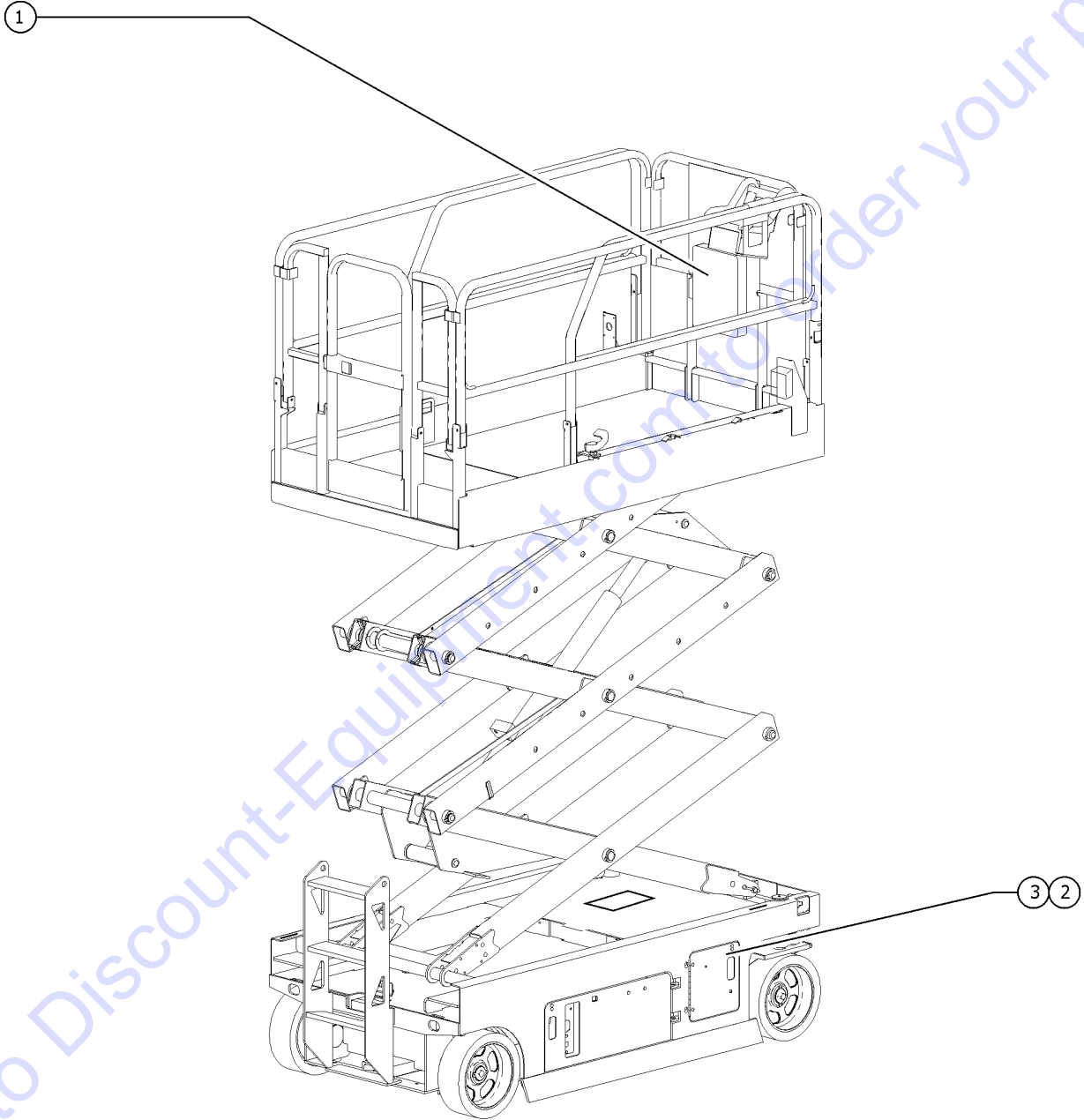
Go to Discount-Equipment.com to order your parts

<b>Description</b>	<b>Page</b>
<b>001 Parts Stocking List .....</b>	<b>10</b>
001.1 Parts Stocking List .....	10
<b>100 Decals .....</b>	<b>12</b>
101.1 Word Decals, GS-2032, Battery Side, ANSI & Australia .....	12
102.1 Word Decals, GS-2032, Ground Control Side, ANSI and Australia .....	14
103.1 Word Decals, GS-2032, Platform, ANSI .....	18
104.1 Word Decals, GS-2032, Platform, Australia .....	20
105.1 Word Decals, GS-2632, Battery Side, ANSI & Australia .....	22
106.1 Word Decals, GS-2632, Ground Control Side, ANSI and Australia .....	24
107.1 Word Decals, GS-2632, Platform, ANSI .....	28
108.1 Word Decals, GS-2632, Platform, Australia .....	30
109.1 Word Decals, GS-3232, Battery Side, ANSI & Australia .....	32
110.1 Word Decals, GS-3232, Ground Control Side, ANSI and Australia .....	34
111.1 Word Decals, GS-3232, Platform, ANSI .....	38
112.1 Word Decals, GS-3232, Platform, Australia .....	40
113.1 Symbol Decals, GS-2032, Battery Side, ANSI & CE .....	42
114.1 Symbol Decals, GS-2032, Ground Control Side, ANSI & CE .....	44
115.1 Symbol Decals, GS-2032, Platform, ANSI .....	46
116.1 Symbol Decals, GS-2032, Platform, CE .....	48
117.1 Symbol Decals, GS-2632, Battery Side, ANSI & CE .....	50
118.1 Symbol Decals, GS-2632, Ground Control Side, ANSI and CE .....	52
119.1 Symbol Decals, GS-2632, Platform, ANSI .....	54
120.1 Symbol Decals, GS-2632, Platform, CE .....	56
121.1 Symbol Decals, GS-3232, Battery Side, ANSI & CE .....	58
122.1 Symbol Decals, GS-3232, Ground Control Side, ANSI and CE .....	60
123.1 Symbol Decals, GS-3232, Platform, ANSI .....	62
124.1 Symbol Decals, GS-3232, Platform, CE .....	64
<b>200 Drive Chassis Components.....</b>	<b>66</b>
201.1 Steer Linkage and Wheels .....	66
202.1 Non-steer Axle Installation .....	70
203.1 Level Sensor Installation .....	74
204.1 Pothole Protection Assembly .....	78
205.1 Battery Pack Module .....	82
206.1 Battery Charger .....	84
207.1 Power Unit Module .....	86
208.1 Ground Controls .....	88
209.1 Electrical Wiring, GS-2032 and GS-2632 .....	92
210.1 Electrical Wiring, GS-3232 .....	96
211.1 Power Cables .....	100

Table of Contents

<b>Description</b>	<b>Page</b>
212.1 Outrigger Components, GS-3232 .....	102
213.1 Function Manifold and Accumulator Components, GS-2032 and GS-2632 .....	104
214.1 Function Manifold and Accumulator Components, GS-3232 .....	106
<b>300 Scissor Components .....</b>	<b>108</b>
301.1 Scissor Assembly Installation.....	108
302.1 Scissor Assembly, GS-2032 .....	110
303.1 Scissor Assembly, GS-2632 .....	114
304.1 Scissor Assembly, GS-3232 .....	118
<b>400 Platform Components.....</b>	<b>122</b>
401.1 Platform Components .....	122
402.1 Power to Platform.....	128
403.1 Platform Controls, 6 and 4 Button (Proportional Lift).....	132
404.1 Joystick Controller .....	136
<b>500 Hydraulic Components.....</b>	<b>138</b>
501.1 Hydraulic Components .....	138
502.1 Function Manifold .....	140
503.1 Brake Release Hand Pump Manifold.....	144
504.1 Hydraulic Power Unit, All Models.....	146
505.1 Lift Cylinder Assembly, All Models.....	148
506.1 Hydraulic Hoses and Fittings.....	150
507.1 Hydraulic Hoses and Fittings, Outriggers, GS-3232 .....	154
508.1 Outrigger Cylinders, Front and Rear, GS-3232.....	156
509.1 Outrigger Function Manifold, GS-3232 .....	158
<b>600 Accessories .....</b>	<b>160</b>
601.1 Alarm, Horn and Flashing Beacons .....	160
602.1 Air Line to Platform .....	162
603.1 RCBO .....	164
604.1 PCON Guard.....	166
<b>700 Platform Overload Components.....</b>	<b>168</b>
701.1 Platform Overload .....	168
<b>Part Number Index .....</b>	<b>170</b>

001.1 Parts Stocking List



Item	Part No.	Description	Qty.
--	66399	GREASE, DIELECTRIC 4 OZ** .....	
--		Ref. CHEVRON ULTRA-DUTY GREASE (LITHIUM), OR EQUIVALENT, EP NLGI 1 .....	
--		(source locally)	
--	1258567	PAINT, AEROSOL, TRAFFIC BLACK .....	
--		12-ounce spray paint	
--	1268	PAINT, AEROSOL, GENIE GRAY*** .....	
--		12-ounce spray paint	
--	1484	PAINT, AEROSOL, BRIGHT BLUE*** .....	
--		12-ounce spray paint	
--	1257733	PAINT, WET, TRAFFIC BLACK(1 GL)** .....	
--		1-gallon	
--	32150	PAINT, WET, GENIE BLUE (1 GL)** .....	
--		1-gallon	
--	32151	PAINT, WET, GENIE GRAY (1GL)** .....	
--		1-gallon	
--	49613	PLUG AND CAP KIT-SERVICE,ORFS* .....	
1	27581	MANUAL, SAFTY MANNAL .....	
1B	44163	MANUAL,RESPON,A92.6 SCISSOR .....	
2	44788	FILTER ELEMENT-10MICRON, PAPER* .....	
3	78546	BREATHER CAP, HYD. TANK, 1/4 NPT .....	

Go to Discount-Equipment.com to order your parts

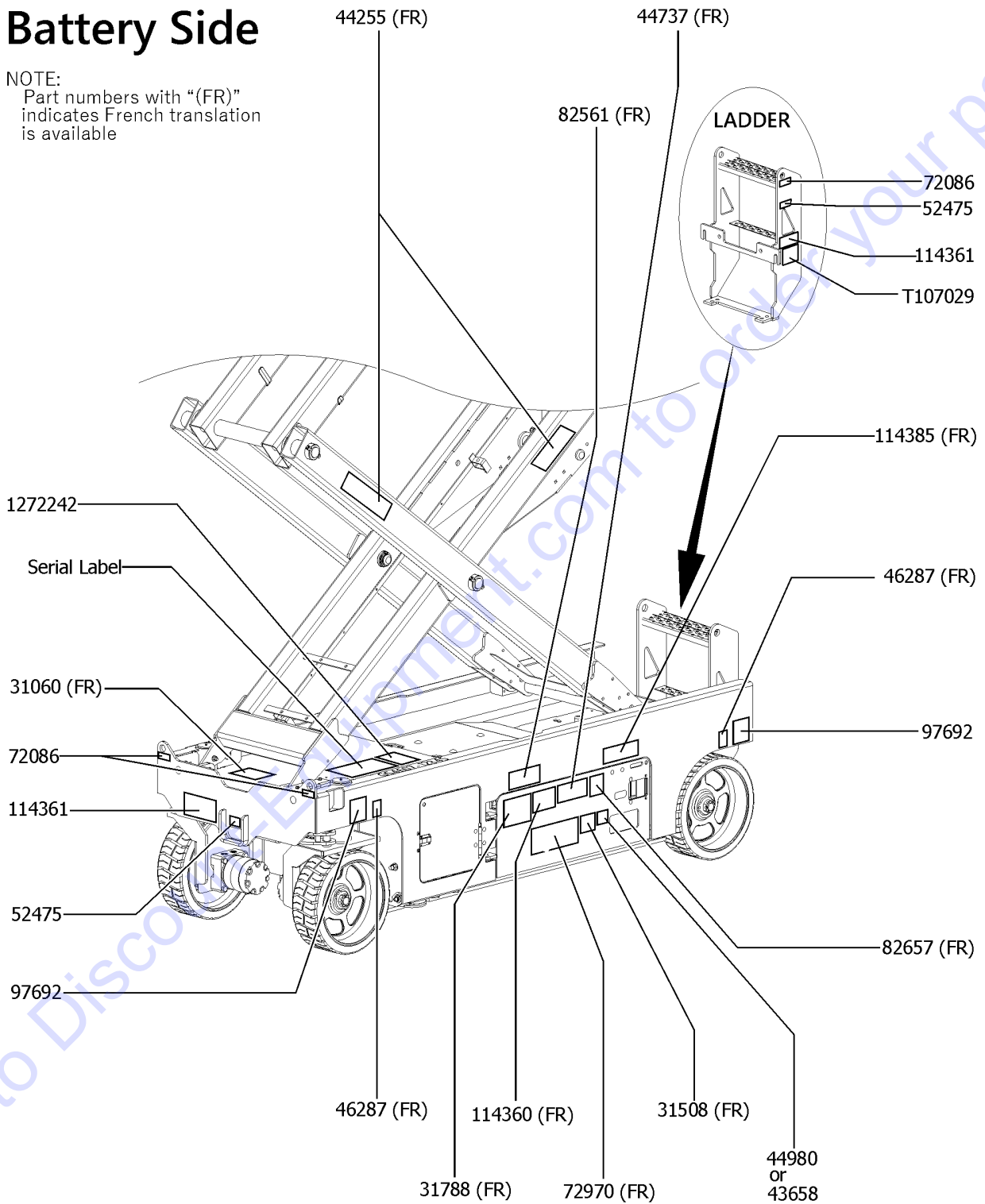




101.1 Word Decals, GS-2032, Battery Side, ANSI & Australia

# Battery Side

NOTE:  
Part numbers with "(FR)" indicates French translation is available



101.1 Word Decals, GS-2032, Battery Side, ANSI & Australia

Item	Part No.	Description	Qty.
1	31060	DECAL,DANGER DO NOT ALTER SWTC .....	1
2	31508	DECAL,DANGER,ELECT HAZARD,PLUG .....	1
3	31788	DECAL,DANGER,BATTERY SAFETY*** .....	1
4	43658	DECAL,LABEL,PWR TO CHARGER 230V .....	1
		(Australia models only)	
5	44255	DECAL,DANGER,CRUSHING HAZARD .....	2
6	44737	DECAL,DANGER,TIP-OVER,TRAYS .....	1
7	44980	DECAL,LABEL,PWR TO CHARGR 115V .....	1
		(Australia models only)	
8	46287	DECAL,LABEL-TIRE SPECS .....	2
9	52475	DECAL,LABEL,TRANSPORT TIEDOWN* .....	2
10	72086	DECAL,LABEL,LIFTING EYE .....	3
11	72970	DECAL,INSTRUCTIONS-CHARGER OP .....	1
12	82561	DECAL,DANGER-USE SAFETY ARM .....	1
13	82657	DECAL,INSTRUCT,BATTERY CONNECT .....	1
14	97692	DECAL,LABEL,WHEEL LOAD 2032 .....	2
15	114360	DECAL,DANGER-TIP-OVER,BATT .....	1
16	114361	DECAL,SYM-TIP-OVER,LIM SWITCH .....	2
17	114385	DECAL,DANGER,ELEC HAZARD,GS .....	1
18	1272242	DECAL,MACHINE REGISTRATION/OWNER TRANSFER .....	1
19	T107029GT	DECAL,DANGER,BRAKE REL SAFETY .....	1

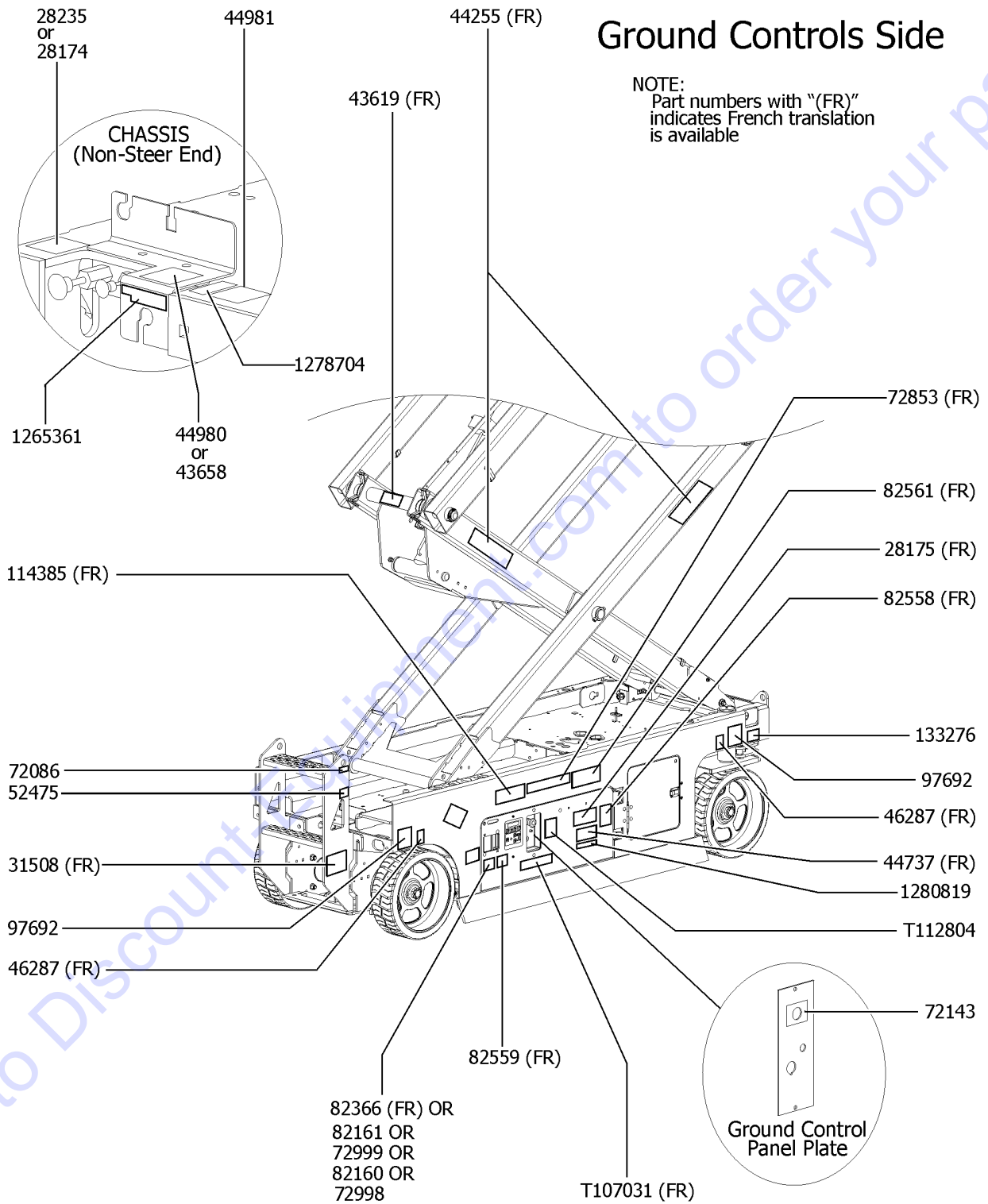
Go to Discount-Equipment.com to order your parts



102.1 Word Decals, GS-2032, Ground Control Side, ANSI and Australia

# Ground Controls Side

NOTE:  
Part numbers with "(FR)"  
indicates French translation  
is available



102.1 Word Decals, GS-2032, Ground Control Side, ANSI and Australia

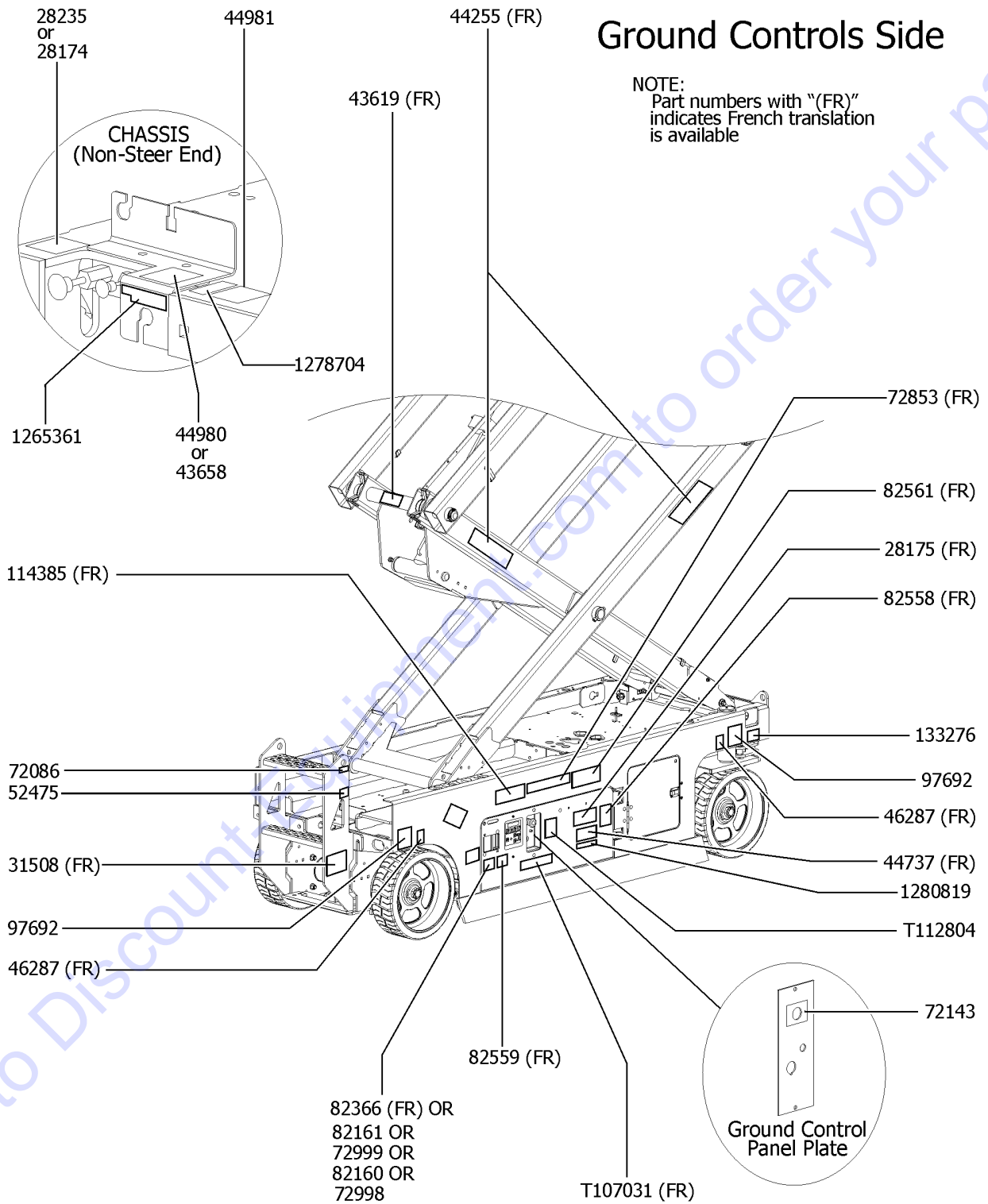
Item	Part No.	Description	Qty.
1	28174	DECAL, POWER TO PLATFORM 230V**	1
2	28175	DECAL,WARNING-COMPART ACCESS	1
3	28235	DECAL,POWER TO PLATFORM 115V	1
4	31508	DECAL,DANGER,ELECT HAZARD,PLUG	1
5	43619	DECAL,LABEL,SAFETY ARM	1
6	43658	DECAL,LABEL,PWR TO CHARGER 230V (ANSI models)	1
7	44255	DECAL,DANGER,CRUSHING HAZARD	2
8	46287	DECAL,LABEL-TIRE SPECS	2
9	44737	DECAL,DANGER,TIP-OVER,TRAYS	1
10	44980	DECAL,LABEL,PWR TO CHARGR 115V (ANSI models)	1
11	44981	DECAL,LABEL, AIR LINE 110 PSI (Option)	1
12	52475	DECAL,LABEL,TRANSPORT TIEDOWN*	1
13	72086	DECAL,LABEL,LIFTING EYE	1
14	72143	DECAL,EMERGENCY STOP,GR	1
15	72853	DECAL,DANGER,IMPROPER USE HAZ.	1
16	72998	DECAL, LABEL, QUINTOLUBRIK (models with Quintolub hydraulic oil)	1
17	72999	DECAL,LABEL,PETRO CANADA*** (models with Petro Canada hydraulic oil)	1
18	82160	DECAL, LABEL, STATOIL HYDRAWAY (models with Statoil hydraulic oil)	1
19	82161	DECAL,LABEL,UCON HYDROLUBE (models with Uconn Hydrolube hydraulic oil)	1
20	82366	DECAL,LABEL-CHEVRON RANDO (models with Chevron Random hydraulic oil)	1
21	82558	DECAL,WARN,SKIN INJECTION HAZ*	1
22	82559	DECAL,INSTRUCT-ANNUAL INSP REQ	1
23	82561	DECAL,DANGER-USE SAFETY ARM	1
24	97692	DECAL,LABEL,WHEEL LOAD 2032	2
25	114385	DECAL,DANGER,ELEC HAZARD,GS	1
26	133276	DECAL,EMERGENCY LOWERING	1
27	T107031GT	DECAL,OP INST,GCON	1
28	T112804GT	DECAL,GCON PANEL,GS	1



102.1 Word Decals, GS-2032, Ground Control Side, ANSI and Australia

# Ground Controls Side

NOTE:  
Part numbers with "(FR)"  
indicates French translation  
is available



102.1 Word Decals, GS-2032, Ground Control Side, ANSI and Australia

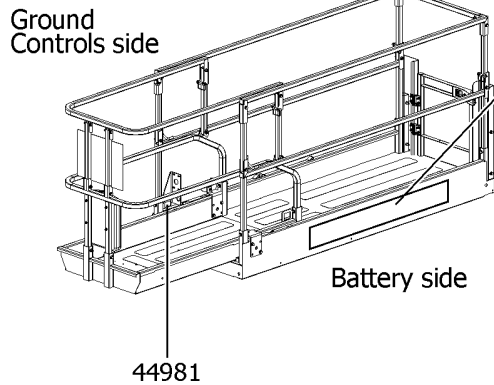
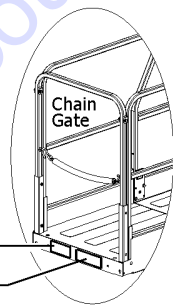
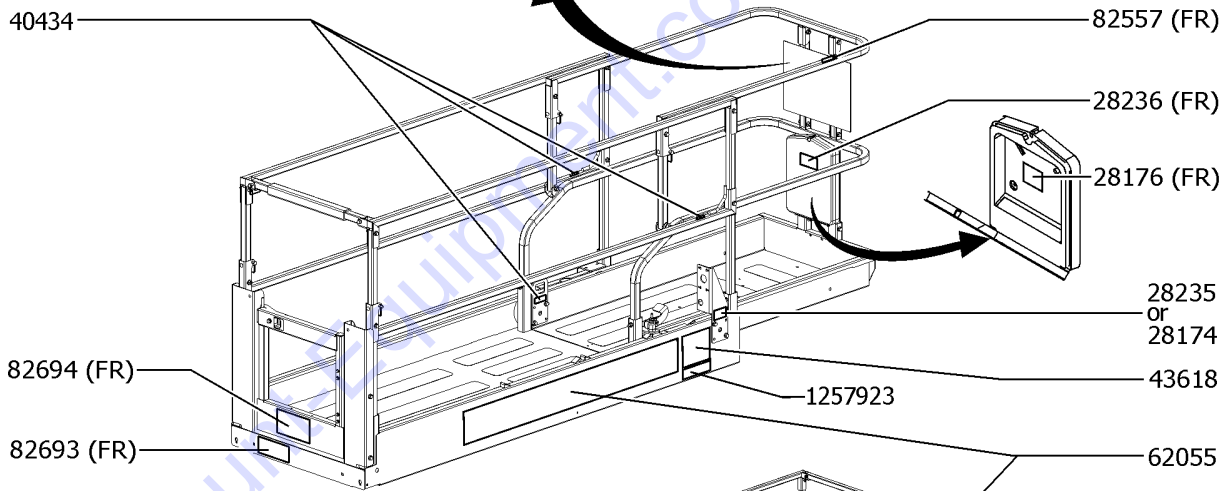
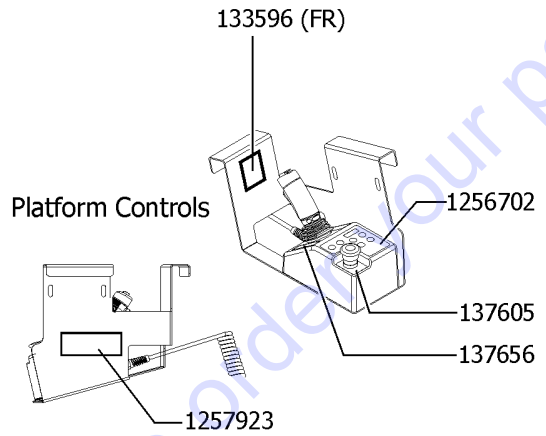
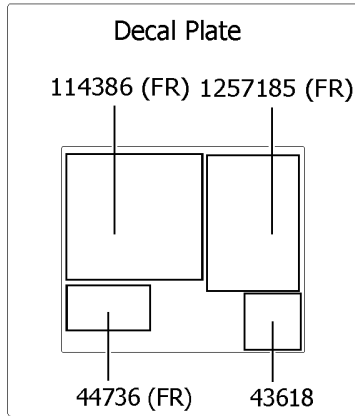
<i>Item</i>	<i>Part No.</i>	<i>Description</i>	<i>Qty.</i>
29	1265361	DECAL, BATTERY CHARGER INDICAT .....	1
30	1278704	DECAL,CHARGE STATUS IND. ....	1
31	1280819	DECAL,WARNING,CANCER AND REPRODUCTIVE HARM, PROP 65 .....	1

Go to Discount-Equipment.com to order your parts



# Platform, ANSI models

NOTE:  
Part numbers with "(FR)" indicates French translation is available



103.1 Word Decals, GS-2032, Platform, ANSI

Item	Part No.	Description	Qty.
--	137605	DECAL,E-STOP,GR/GRC/GS PCON .....	
1	28174	DECAL, POWER TO PLATFORM 230V** .....	1
2	28176	DECAL,LABEL,MANUAL NOT HERE .....	1
3	28235	DECAL,POWER TO PLATFORM 115V .....	1
4	28236	DECAL,WARN,IMPROPER OPERATION .....	1
5	40434	DECAL,LANYARD ANCHORAGE POINT .....	3
6	43618	DECAL, LABEL - DIRECTION ARROWS .....	2
7	44736	DECAL,DANGER,TIP-OVER,TILT .....	1
8	44981	DECAL,LABEL, AIR LINE 110 PSI .....	1
9	62055	DECAL,COSMETIC,GENIE GS-2032 .....	2
10	82557	DECAL,LABEL,PLAT CONT LOCATION .....	1
11	82693	DECAL,INSTR-MAX CAP 800 LBS .....	1
12	82694	DECAL,INSTR-SIDE FRC,ANSI 2032 .....	1
13	114386	DECAL,DANGER-GEN SAFETY .....	1
14	133596	DECAL,LABEL,FAULT CODES .....	1
15	137605	DECAL,E-STOP,GR/GRC/GS PCON .....	1
16	137656	DECAL,PROPEL,GR/GRC/GS,PCON .....	1
17	1256702	DECAL, UI, GS/GR, PROP LIFT .....	1
18	1257185	DECAL,OP INST,PLAT,GS32 ANSI .....	1
19	1257923	DECAL, SMARTLINK PROPORTIONAL .....	2

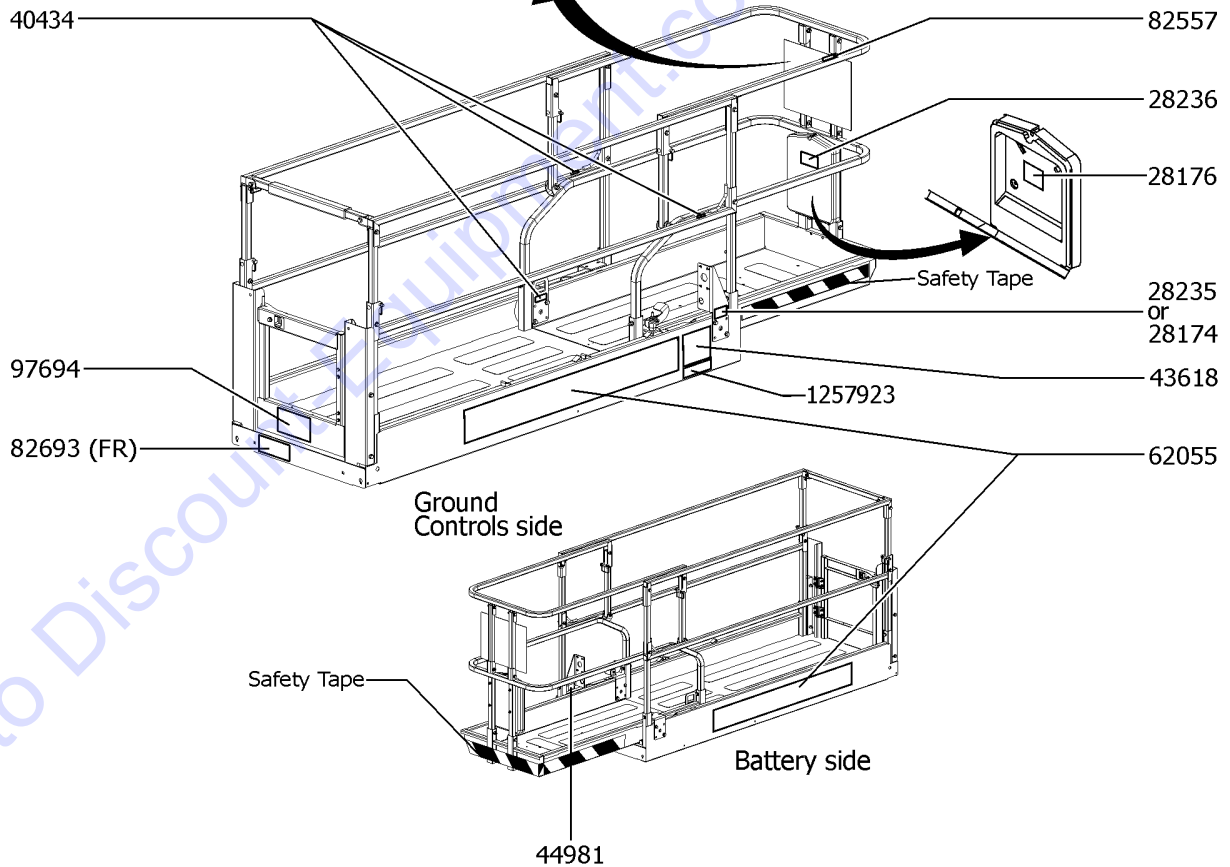
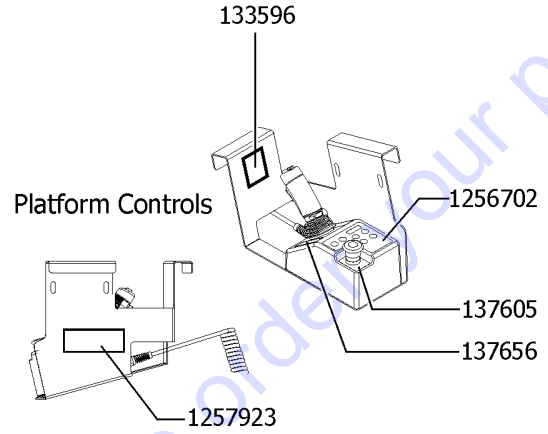
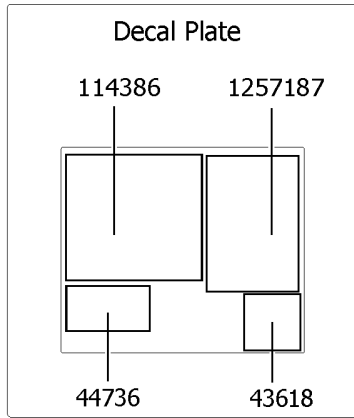
Go to DiscountEquipment.com to order your parts





# Platform, Australia models

NOTE:  
Part numbers with "(FR)" indicates French translation is available



104.1 Word Decals, GS-2032, Platform, Australia

Item	Part No.	Description	Qty.
1	28174	DECAL, POWER TO PLATFORM 230V** .....	1
2	28176	DECAL,LABEL,MANUAL NOT HERE .....	1
3	28235	DECAL,POWER TO PLATFORM 115V .....	1
4	28236	DECAL,WARN,IMPROPER OPERATION .....	1
5	40434	DECAL,LANYARD ANCHORAGE POINT .....	3
6	43618	DECAL, LABEL - DIRECTION ARROWS .....	2
7	44736	DECAL,DANGER,TIP-OVER,TILT .....	1
8	44981	DECAL,LABEL, AIR LINE 110 PSI .....	1
9	62055	DECAL,COSMETIC,GENIE GS-2032 .....	2
10	82557	DECAL,LABEL,PLAT CONT LOCATION .....	1
11	82693	DECAL,INSTR-MAX CAP 800 LBS .....	1
12	97694	DECAL,INSTR-MANUALFRC,AUS 2032 .....	1
13	114386	DECAL,DANGER-GEN SAFETY .....	1
14	133596	DECAL,LABEL,FAULT CODES .....	1
15	137605	DECAL,E-STOP,GR/GRC/GS PCON .....	1
16	137656	DECAL,PROPEL,GR/GRC/GS,PCON .....	1
17	1256702	DECAL, UI, GS/GR, PROP LIFT .....	1
18	1257187	DECAL,OP INST,PLAT,GS32,AUS .....	1
19	1257923	DECAL, SMARTLINK PROPORTIONAL .....	2

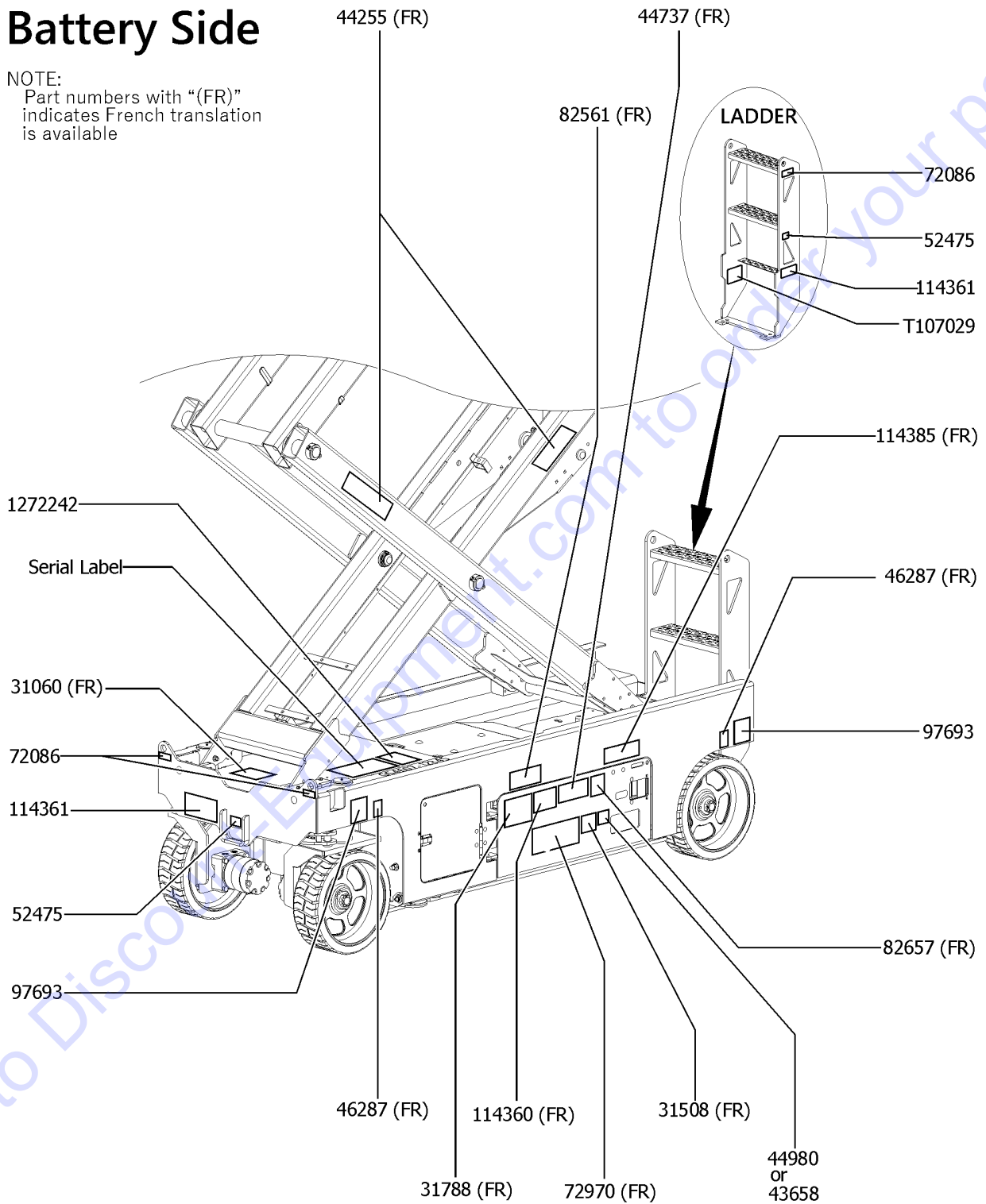
Go to Discount-Equipment.com to order your parts



105.1 Word Decals, GS-2632, Battery Side, ANSI & Australia

# Battery Side

NOTE:  
Part numbers with "(FR)" indicates French translation is available



105.1 Word Decals, GS-2632, Battery Side, ANSI & Australia

Item	Part No.	Description	Qty.
1	31060	DECAL,DANGER DO NOT ALTER SWTC .....	1
2	31508	DECAL,DANGER,ELECT HAZARD,PLUG .....	1
		(Australia models only)	
3	31788	DECAL,DANGER,BATTERY SAFETY*** .....	1
4	43658	DECAL,LABEL,PWR TO CHARGER 230V .....	1
		(Australia models only)	
5	44255	DECAL,DANGER,CRUSHING HAZARD .....	2
6	44737	DECAL,DANGER,TIP-OVER,TRAYS .....	1
7	44980	DECAL,LABEL,PWR TO CHARGR 115V .....	1
		(Australia models only)	
8	46287	DECAL,LABEL-TIRE SPECS .....	2
9	52475	DECAL,LABEL,TRANSPORT TIEDOWN* .....	2
10	72086	DECAL,LABEL,LIFTING EYE .....	3
11	72970	DECAL,INSTRUCTIONS-CHARGER OP .....	1
12	82561	DECAL,DANGER-USE SAFETY ARM .....	1
13	82657	DECAL,INSTRUCT,BATTERY CONNECT .....	1
14	97693	DECAL,LABEL,WHEEL LOAD 2632 .....	2
15	114360	DECAL,DANGER-TIP-OVER,BATT .....	1
16	114361	DECAL,SYM-TIP-OVER,LIM SWITCH .....	2
17	114385	DECAL,DANGER,ELEC HAZARD,GS .....	1
18	1272242	DECAL,MACHINE REGISTRATION/OWNER TRANSFER .....	1
19	T107029GT	DECAL,DANGER,BRAKE REL SAFETY .....	1

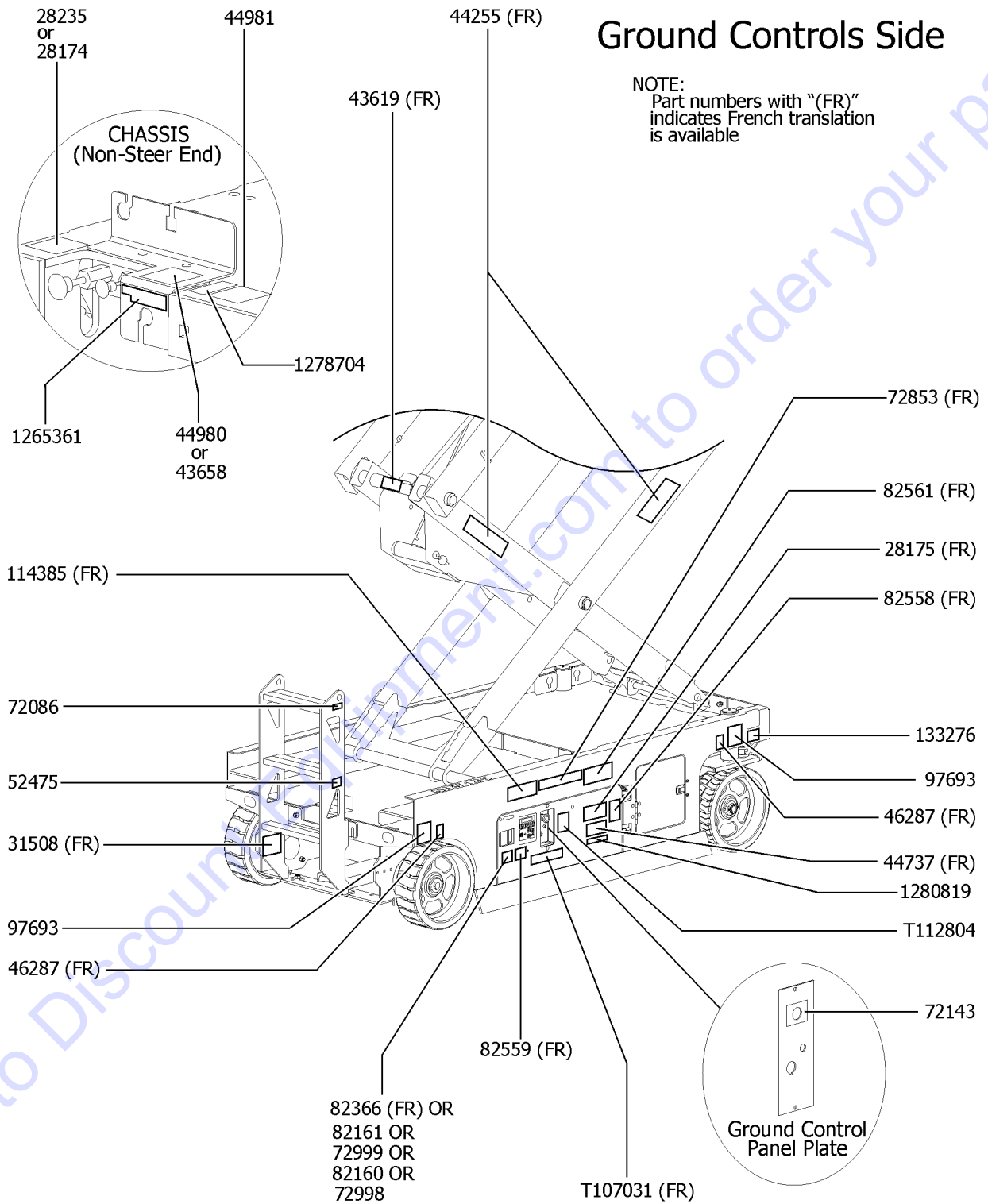
Go to Discount-Equipment.com to order your parts



106.1 Word Decals, GS-2632, Ground Control Side, ANSI and Australia

# Ground Controls Side

NOTE:  
Part numbers with "(FR)"  
indicates French translation  
is available



106.1 Word Decals, GS-2632, Ground Control Side, ANSI and Australia

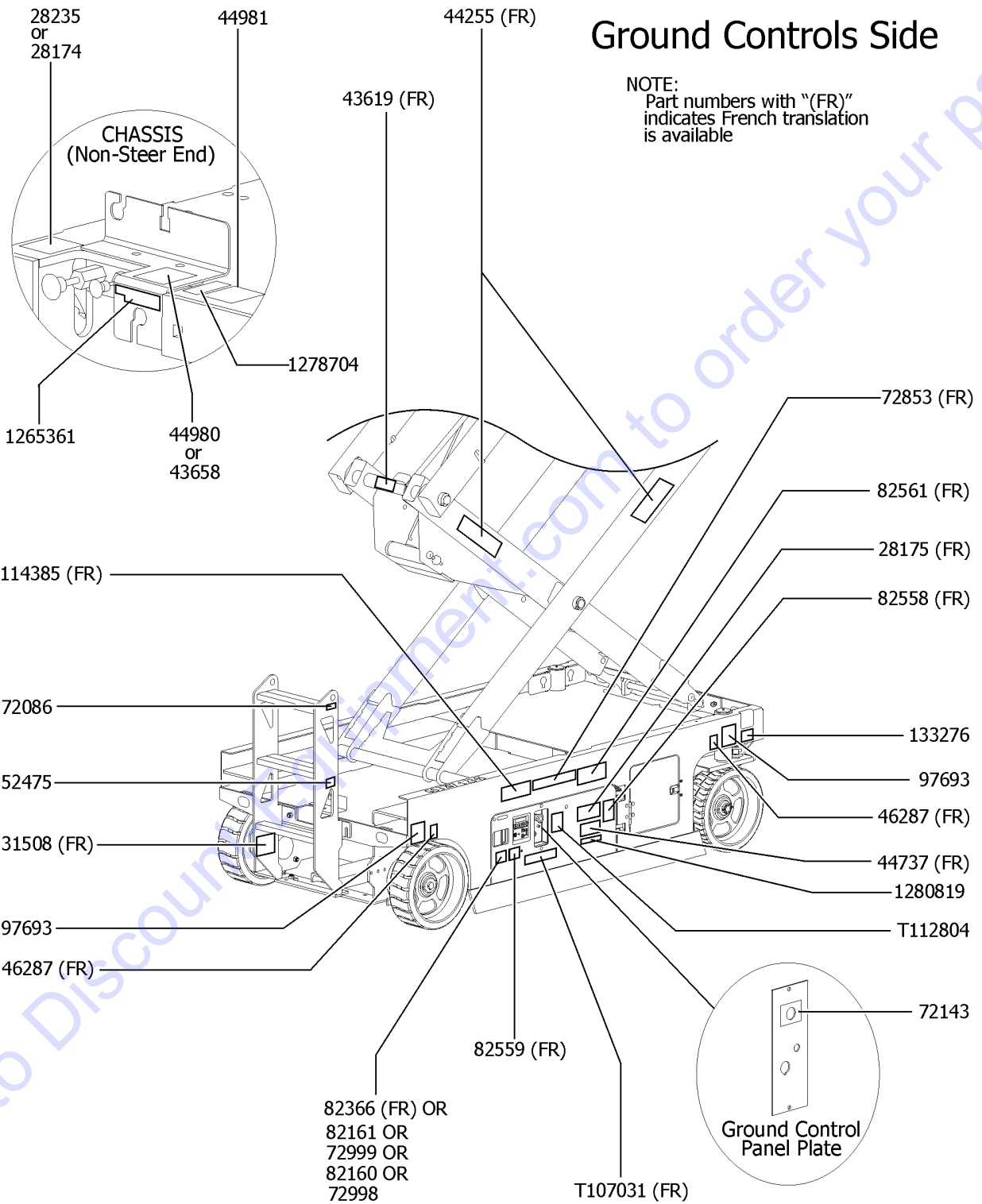
Item	Part No.	Description	Qty.
1	28174	DECAL, POWER TO PLATFORM 230V**	1
2	28175	DECAL,WARNING-COMPART ACCESS	1
3	28235	DECAL,POWER TO PLATFORM 115V	1
4	31508	DECAL,DANGER,ELECT HAZARD,PLUG (ANSI models)	1
5	43619	DECAL,LABEL,SAFETY ARM	1
6	43658	DECAL,LABEL,PWR TO CHARGER 230V (ANSI models)	1
7	44255	DECAL,DANGER,CRUSHING HAZARD	2
8	46287	DECAL,LABEL-TIRE SPECS	2
9	44737	DECAL,DANGER,TIP-OVER,TRAYS	1
10	44980	DECAL,LABEL,PWR TO CHARGR 115V (ANSI models)	1
11	44981	DECAL,LABEL, AIR LINE 110 PSI (Option)	1
12	52475	DECAL,LABEL,TRANSPORT TIEDOWN*	1
13	72086	DECAL,LABEL,LIFTING EYE	1
14	72143	DECAL,EMERGENCY STOP,GR	1
15	72853	DECAL,DANGER,IMPROPER USE HAZ.	1
16	72998	DECAL, LABEL, QUINTOLUBRIK (models with Quintolub hydraulic oil)	1
17	72999	DECAL,LABEL,PETRO CANADA*** (models with Petro Canada hydraulic oil)	1
18	82160	DECAL, LABEL, STATOIL HYDRAWAY (models with Statoil hydraulic oil)	1
19	82161	DECAL,LABEL,UCON HYDROLUBE (models with Uconn Hydrolube hydraulic oil)	1
20	82366	DECAL,LABEL-CHEVRON RANDO (models with Chevron Random hydraulic oil)	1
21	82558	DECAL,WARN,SKIN INJECTION HAZ*	1
22	82559	DECAL,INSTRUCT-ANNUAL INSP REQ	1
23	82561	DECAL,DANGER-USE SAFETY ARM	1
24	97693	DECAL,LABEL,WHEEL LOAD 2632	2
25	114385	DECAL,DANGER,ELEC HAZARD,GS	1
26	133276	DECAL,EMERGENCY LOWERING	1
27	T107031GT	DECAL,OP INST,GCON	1
28	T112804GT	DECAL,GCON PANEL,GS	1



106.1 Word Decals, GS-2632, Ground Control Side, ANSI and Australia

# Ground Controls Side

NOTE:  
Part numbers with "(FR)"  
indicates French translation  
is available



106.1 Word Decals, GS-2632, Ground Control Side, ANSI and Australia

<i>Item</i>	<i>Part No.</i>	<i>Description</i>	<i>Qty.</i>
29	1265361	DECAL, BATTERY CHARGER INDICAT .....	1
30	1278704	DECAL,CHARGE STATUS IND. ....	1
31	1280819	DECAL,WARNING,CANCER AND REPRODUCTIVE HARM, PROP 65 .....	1

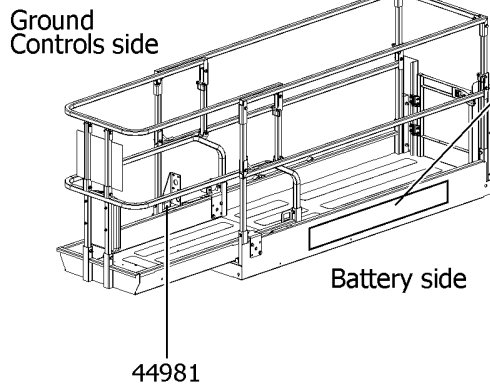
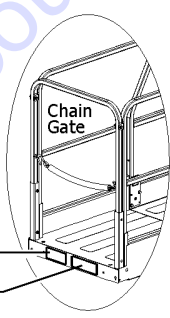
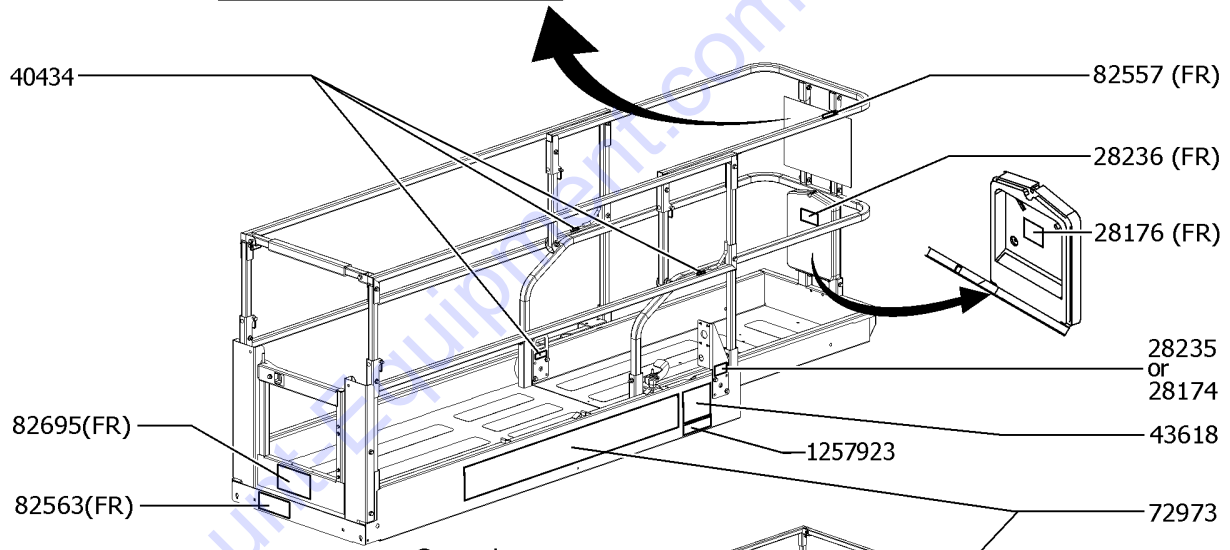
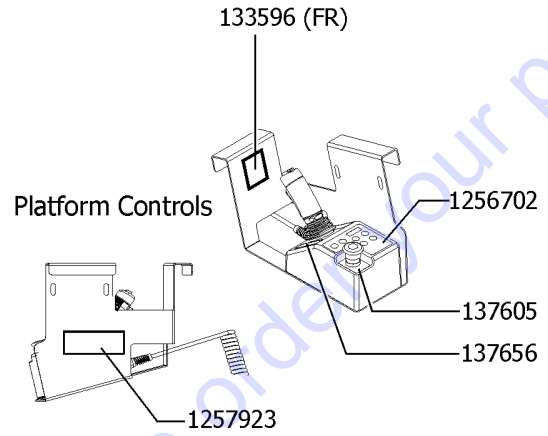
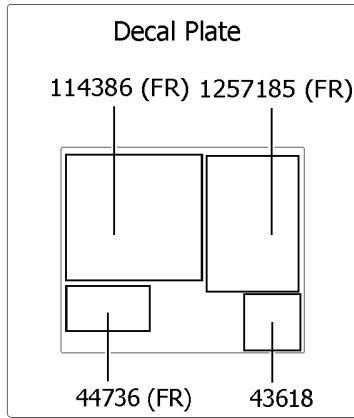
Go to Discount-Equipment.com to order your parts





# Platform, ANSI models

NOTE:  
Part numbers with "(FR)" indicates French translation is available



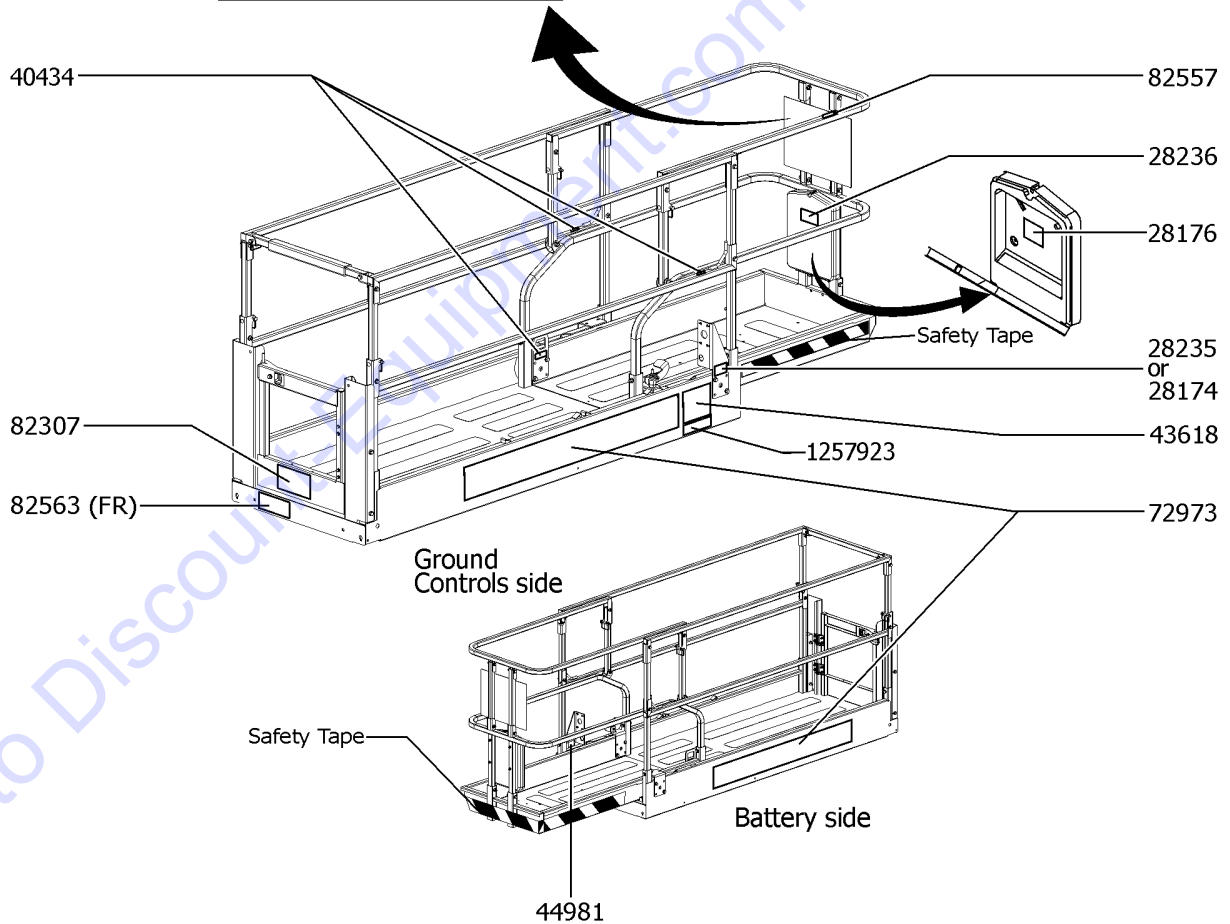
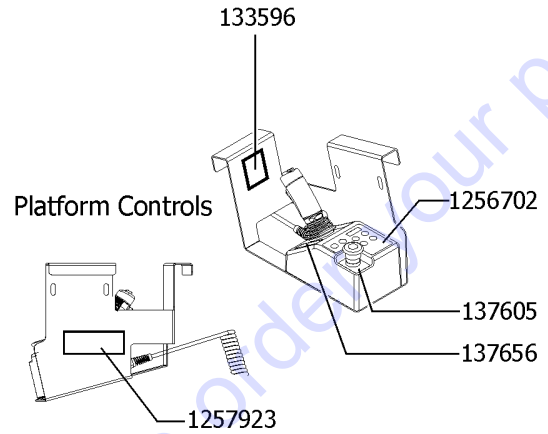
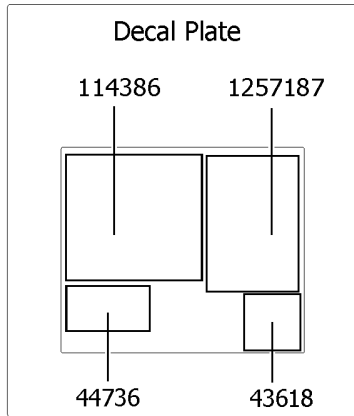
107.1 Word Decals, GS-2632, Platform, ANSI

Item	Part No.	Description	Qty.
1	28174	DECAL, POWER TO PLATFORM 230V** .....	1
2	28176	DECAL,LABEL,MANUAL NOT HERE .....	1
3	28235	DECAL,POWER TO PLATFORM 115V .....	1
4	28236	DECAL,WARN,IMPROPER OPERATION .....	1
5	40434	DECAL,LANYARD ANCHORAGE POINT .....	3
6	43618	DECAL, LABEL - DIRECTION ARROWS .....	2
7	44736	DECAL,DANGER,TIP-OVER,TILT .....	1
8	44981	DECAL,LABEL, AIR LINE 110 PSI .....	1
9	72973	DECAL,COSMETIC,GENIE GS-2632** .....	2
10	82557	DECAL,LABEL,PLAT CONT LOCATION .....	1
11	82563	DECAL,INSTR-MAX CAP 500 LBS for GS2632 models .....	1
12	82695	DECAL,INSTR-SIDE FRC,ANSI .....	1
13	114386	DECAL,DANGER-GEN SAFETY .....	1
14	133596	DECAL,LABEL,FAULT CODES .....	1
15	137605	DECAL,E-STOP,GR/GRC/GS PCON .....	1
16	137656	DECAL,PROPEL,GR/GRC/GS,PCON .....	1
17	1256702	DECAL, UI, GS/GR, PROP LIFT .....	1
18	1257185	DECAL,OP INST,PLAT,GS32 ANSI .....	1
19	1257923	DECAL, SMARTLINK PROPORTIONAL .....	2



# Platform, Australia models

NOTE:  
Part numbers with "(FR)"  
indicates French translation  
is available



108.1 Word Decals, GS-2632, Platform, Australia

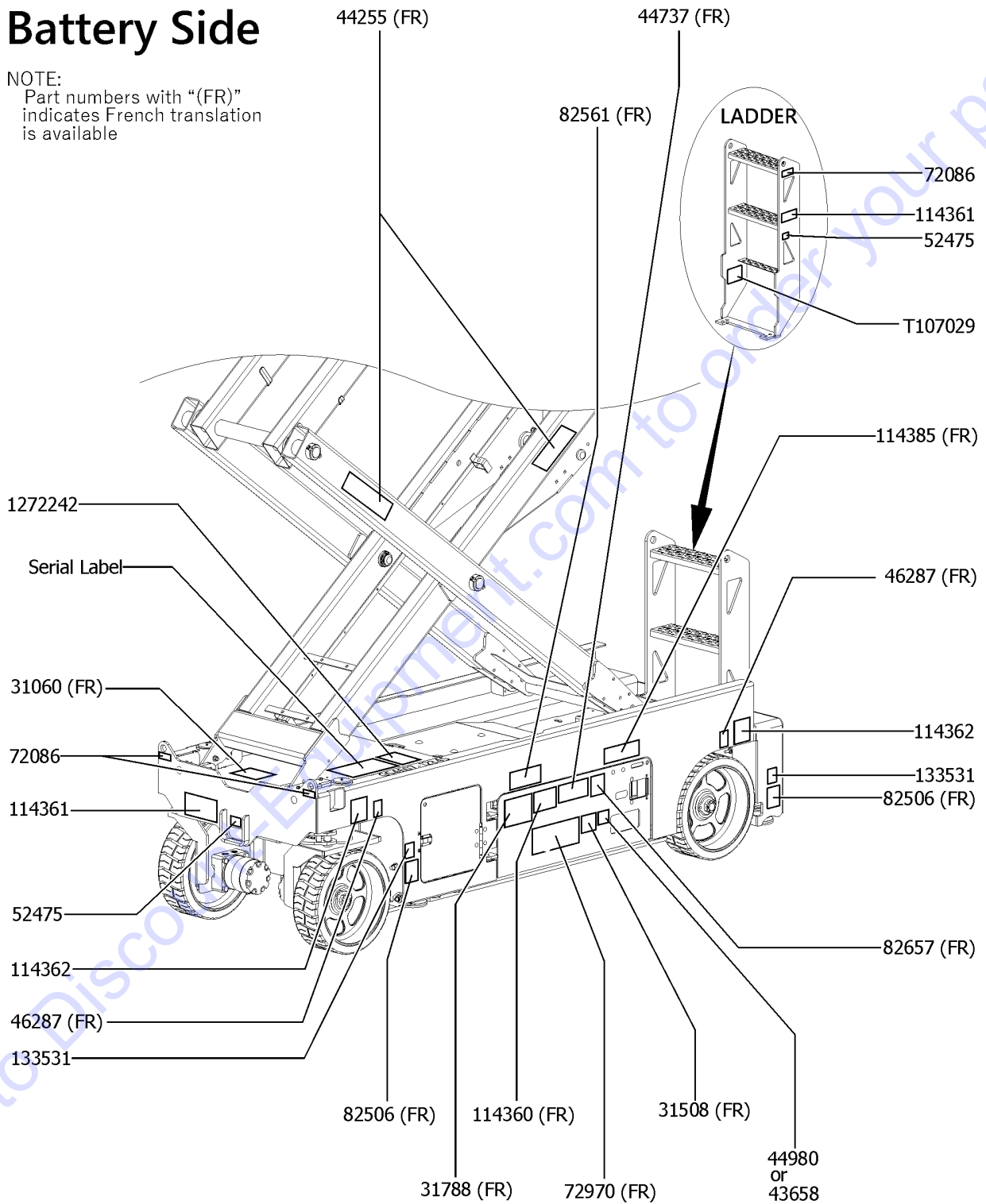
Item	Part No.	Description	Qty.
1	28174	DECAL, POWER TO PLATFORM 230V**	1
2	28176	DECAL,LABEL,MANUAL NOT HERE	1
3	28235	DECAL,POWER TO PLATFORM 115V	1
4	28236	DECAL,WARN,IMPROPER OPERATION	1
5	40434	DECAL,LANYARD ANCHORAGE POINT	3
6	43618	DECAL, LABEL - DIRECTION ARROWS	2
7	44736	DECAL,DANGER,TIP-OVER,TILT	1
8	44981	DECAL,LABEL, AIR LINE 110 PSI	1
9	72973	DECAL,COSMETIC,GENIE GS-2632**	2
10	82307	DECAL,INSTR,INDOOR,AUS-26/3232	1
11	82557	DECAL,LABEL,PLAT CONT LOCATION	1
12	82563	DECAL,INSTR-MAX CAP 500 LBS for GS2632 models	1
13	114386	DECAL,DANGER-GEN SAFETY	1
14	133596	DECAL,LABEL,FAULT CODES	1
15	137605	DECAL,E-STOP,GR/GRC/GS PCON	1
16	137656	DECAL,PROPEL,GR/GRC/GS,PCON	1
17	1256702	DECAL, UI, GS/GR, PROP LIFT	1
18	1257187	DECAL,OP INST,PLAT,GS32,AUS	1
19	1257923	DECAL, SMARTLINK PROPORTIONAL	2

Go to Discount-Equipment.com to order your parts



# Battery Side

NOTE:  
Part numbers with "(FR)" indicates French translation is available

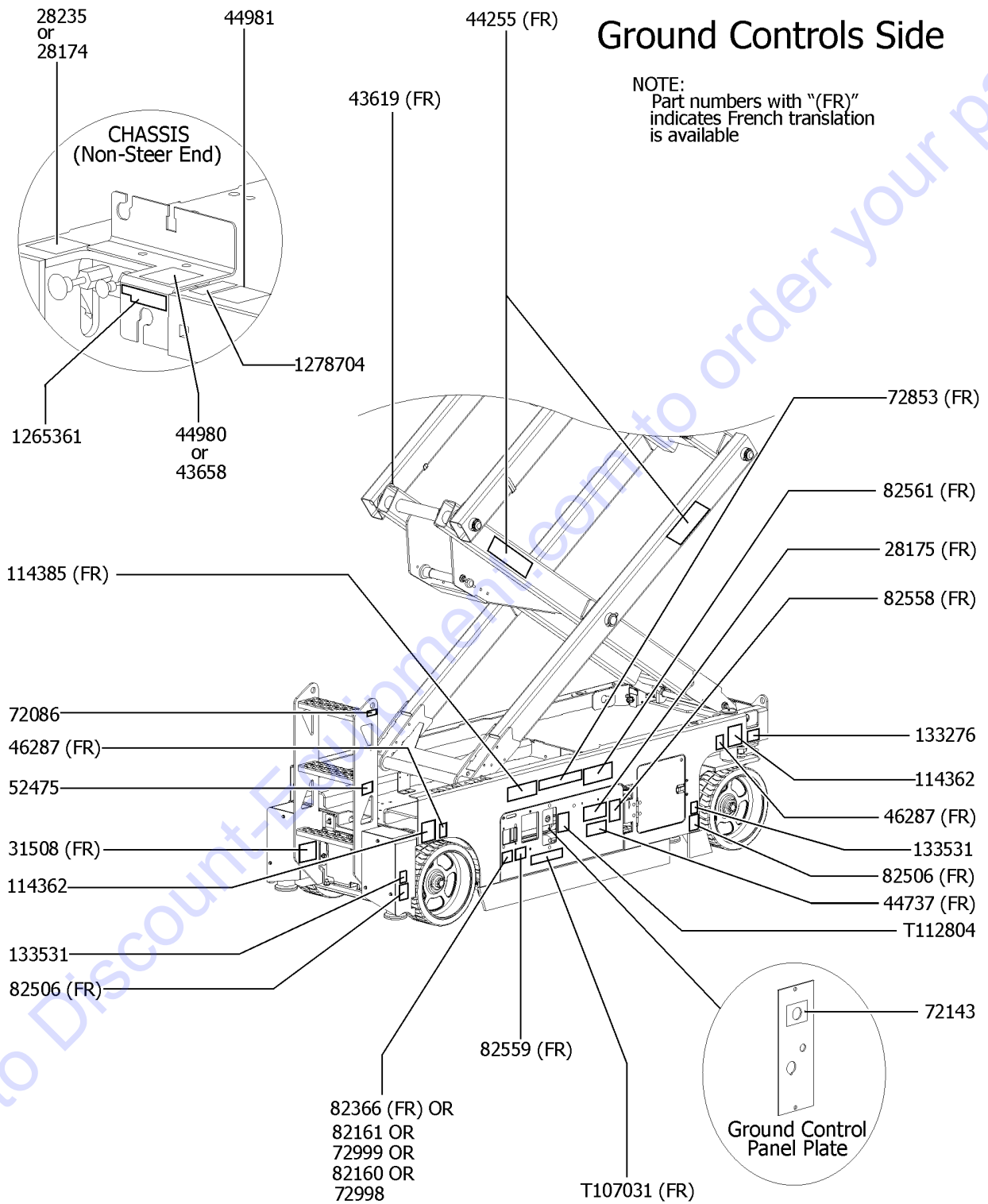


109.1 Word Decals, GS-3232, Battery Side, ANSI & Australia

Item	Part No.	Description	Qty.
1	31060	DECAL,DANGER DO NOT ALTER SWTC .....	1
2	31508	DECAL,DANGER,ELECT HAZARD,PLUG .....	1
		(Australia models only)	
3	31788	DECAL,DANGER,BATTERY SAFETY*** .....	1
4	43658	DECAL,LABEL,PWR TO CHARGER 230V .....	1
		(Australia models only)	
5	44255	DECAL,DANGER,CRUSHING HAZARD .....	2
6	44737	DECAL,DANGER,TIP-OVER,TRAYS .....	1
7	44980	DECAL,LABEL,PWR TO CHARGR 115V .....	1
		(Australia models only)	
8	46287	DECAL,LABEL-TIRE SPECS .....	2
9	52475	DECAL,LABEL,TRANSPORT TIEDOWN* .....	2
10	72086	DECAL,LABEL,LIFTING EYE .....	3
11	72970	DECAL,INSTRUCTIONS-CHARGER OP .....	1
12	82506	DECAL,WARNING-FOOT CRUSHING .....	2
13	82561	DECAL,DANGER-USE SAFETY ARM .....	1
14	82657	DECAL,INSTRUCT,BATTERY CONNECT .....	1
15	114360	DECAL,DANGER-TIP-OVER,BATT .....	1
16	114361	DECAL,SYM-TIP-OVER,LIM SWITCH .....	2
17	114362	DECAL,LABEL-WHEEL LOAD,GS-3232 .....	2
18	114385	DECAL,DANGER,ELEC HAZARD,GS .....	1
19	133531	LABEL,OUTRIGGER,LOAD,GS-3232 .....	2
20	1272242	DECAL,MACHINE REGISTRATION/OWNER TRANSFER .....	1
21	T107029GT	DECAL,DANGER,BRAKE REL SAFETY .....	1



110.1 Word Decals, GS-3232, Ground Control Side, ANSI and Australia



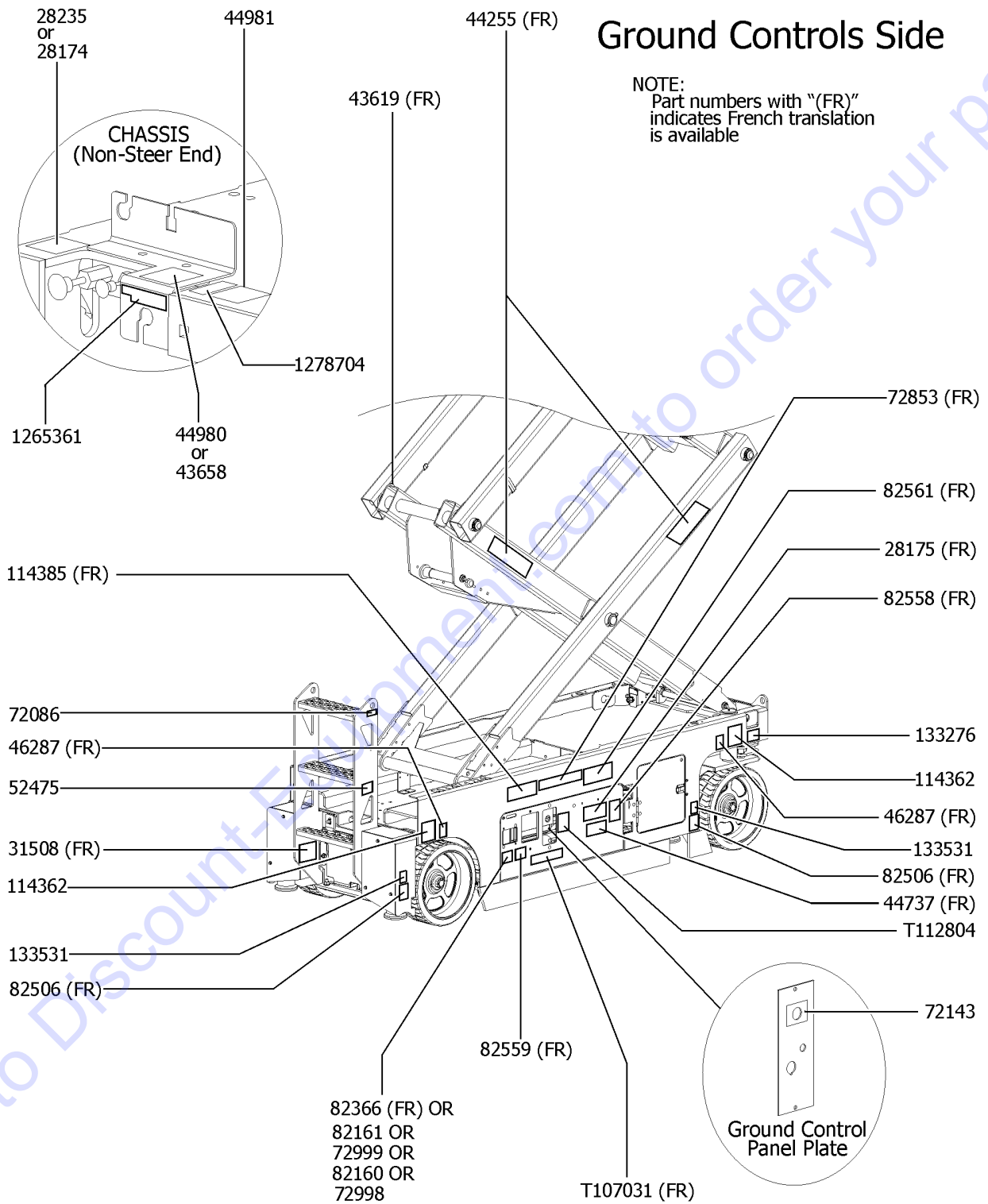
110.1 Word Decals, GS-3232, Ground Control Side, ANSI and Australia

Item	Part No.	Description	Qty.
1	28174	DECAL, POWER TO PLATFORM 230V**	1
2	28175	DECAL,WARNING-COMPART ACCESS	1
3	28235	DECAL,POWER TO PLATFORM 115V	1
4	31508	DECAL,DANGER,ELECT HAZARD,PLUG	1
5	43619	DECAL,LABEL,SAFETY ARM	1
6	43658	DECAL,LABEL,PWR TO CHARGER 230V (ANSI models)	1
7	44255	DECAL,DANGER,CRUSHING HAZARD	2
8	46287	DECAL,LABEL-TIRE SPECS	2
9	44737	DECAL,DANGER,TIP-OVER,TRAYS	1
10	44980	DECAL,LABEL,PWR TO CHARGR 115V (ANSI models)	1
11	44981	DECAL,LABEL, AIR LINE 110 PSI (Option)	1
12	52475	DECAL,LABEL,TRANSPORT TIEDOWN*	1
13	72086	DECAL,LABEL,LIFTING EYE	1
14	72143	DECAL,EMERGENCY STOP,GR	1
15	72853	DECAL,DANGER,IMPROPER USE HAZ.	1
16	72998	DECAL, LABEL, QUINTOLUBRIK (models with Quintolub hydraulic oil)	1
17	72999	DECAL,LABEL,PETRO CANADA*** (models with Petro Canada hydraulic oil)	1
18	82160	DECAL, LABEL, STATOIL HYDRAWAY (models with Statoil hydraulic oil)	1
19	82161	DECAL,LABEL,UCON HYDROLUBE (models with Uconn Hydrolube hydraulic oil)	1
20	82366	DECAL,LABEL-CHEVRON RANDO (models with Chevron Random hydraulic oil)	1
21	82506	DECAL,WARNING-FOOT CRUSHING	2
22	82558	DECAL,WARN,SKIN INJECTION HAZ*	1
23	82559	DECAL,INSTRUCT-ANNUAL INSP REQ	1
24	82561	DECAL,DANGER-USE SAFETY ARM	1
25	114362	DECAL,LABEL-WHEEL LOAD,GS-3232	2
26	114385	DECAL,DANGER,ELEC HAZARD,GS	1
27	133276	DECAL,EMERGENCY LOWERING	1
28	133531	LABEL,OUTRIGGER,LOAD,GS-3232	2





110.1 Word Decals, GS-3232, Ground Control Side, ANSI and Australia



110.1 Word Decals, GS-3232, Ground Control Side, ANSI and Australia

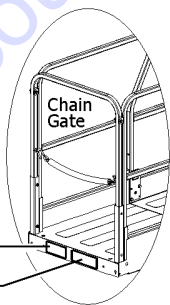
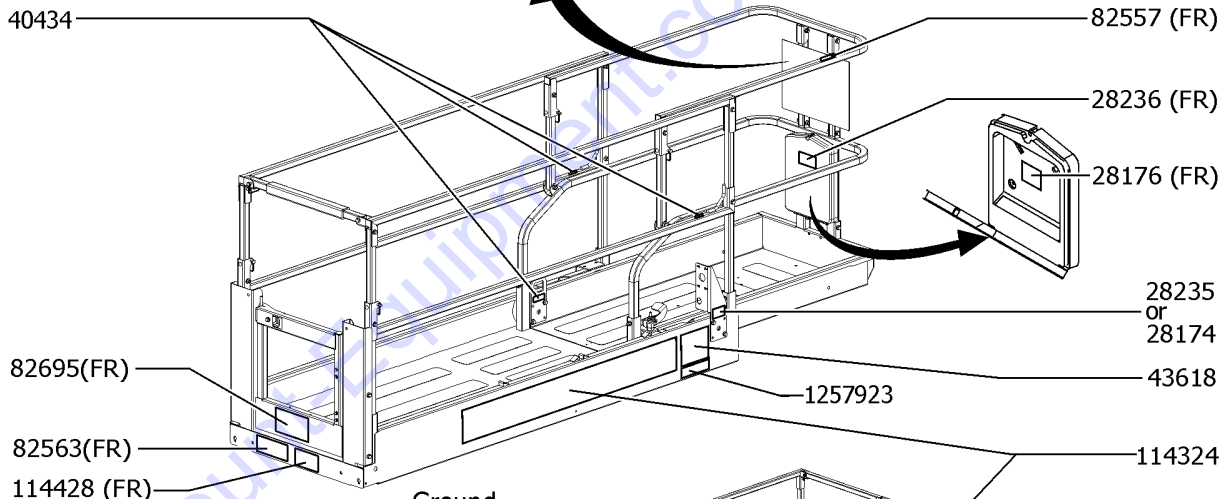
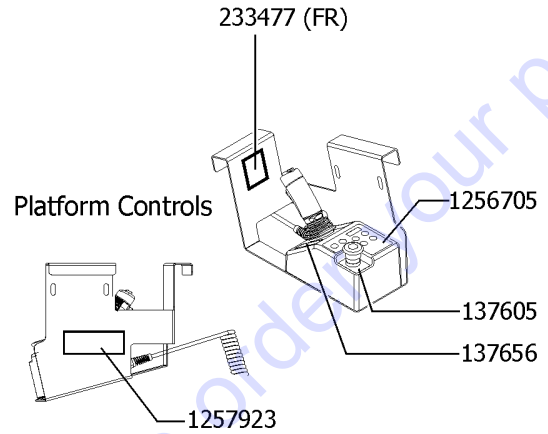
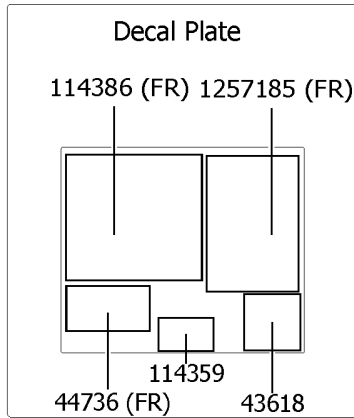
<i>Item</i>	<i>Part No.</i>	<i>Description</i>	<i>Qty.</i>
29	T107031GT	DECAL,OP INST,GCON .....	1
30	T112804GT	DECAL,GCON PANEL,GS .....	1
31	1265361	DECAL, BATTERY CHARGER INDICAT .....	1
32	1278704	DECAL,CHARGE STATUS IND. ....	1

Go to Discount-Equipment.com to order your parts

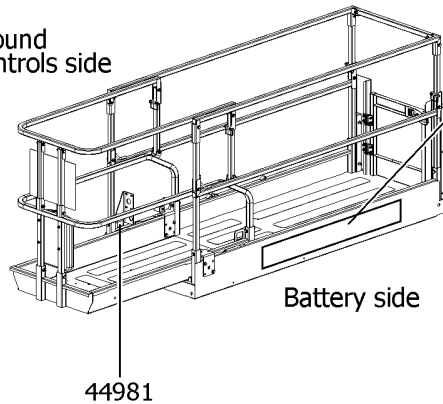


# Platform, ANSI models

NOTE:  
Part numbers with "(FR)" indicates French translation is available



Ground Controls side



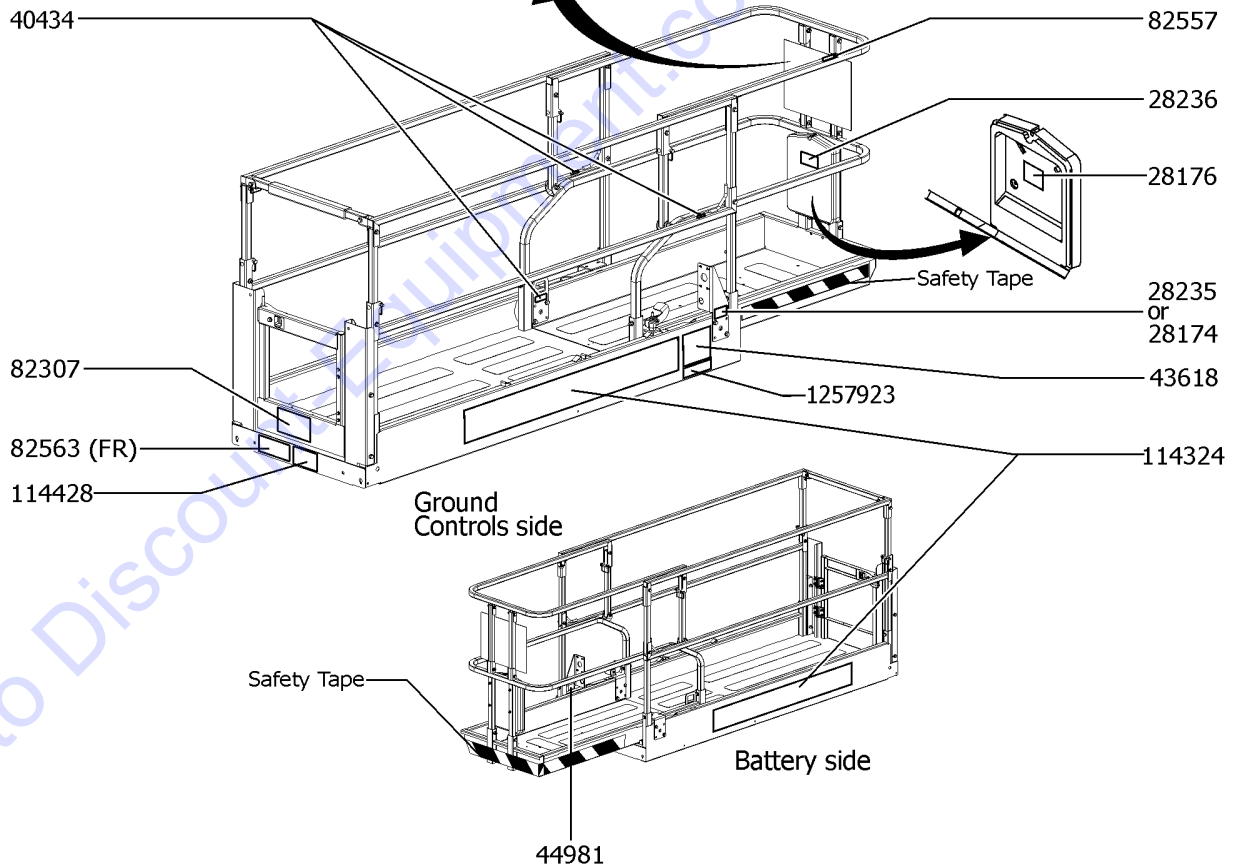
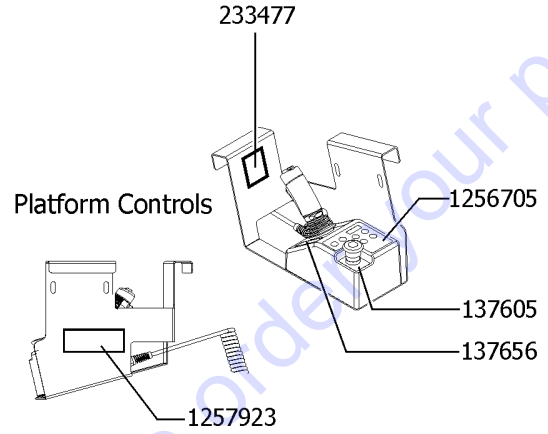
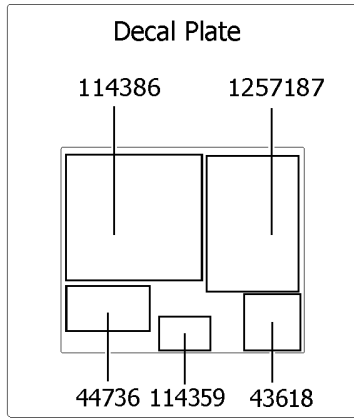
111.1 Word Decals, GS-3232, Platform, ANSI

Item	Part No.	Description	Qty.
1	28174	DECAL, POWER TO PLATFORM 230V** .....	1
2	28176	DECAL,LABEL,MANUAL NOT HERE .....	1
3	28235	DECAL,POWER TO PLATFORM 115V .....	1
4	28236	DECAL,WARN,IMPROPER OPERATION .....	1
5	40434	DECAL,LANYARD ANCHORAGE POINT .....	3
6	43618	DECAL, LABEL - DIRECTION ARROWS .....	2
7	44736	DECAL,DANGER,TIP-OVER,TILT .....	1
8	44981	DECAL,LABEL, AIR LINE 110 PSI .....	1
9	82557	DECAL,LABEL,PLAT CONT LOCATION .....	1
10	82563	DECAL,INSTR-MAX CAP 500 LBS .....	1
		for GS3232 models	
11	82695	DECAL,INSTR-SIDE FRC,ANSI .....	1
12	114324	DECAL,COSMETIC-GENIE GS-3232 .....	2
13	114359	DANGER/INSTR-OUTRGR OP-GS3232 .....	1
14	114386	DECAL,DANGER-GEN SAFETY .....	1
15	114428	DECAL,INSTRUCT,TRAVEL HEIGHT .....	1
16	137605	DECAL,E-STOP,GR/GRC/GS PCON .....	1
17	137656	DECAL,PROPEL,GR/GRC/GS,PCON .....	1
18	233477	DECAL,LABEL,FAULT CODES .....	1
19	1256705	DECAL, O/R, PROP LIFT, UI, SVC .....	1
20	1257185	DECAL,OP INST,PLAT,GS32 ANSI .....	1
21	1257923	DECAL, SMARTLINK PROPORTIONAL .....	2



# Platform, Australia models

NOTE:  
Part numbers with "(FR)"  
indicates French translation  
is available

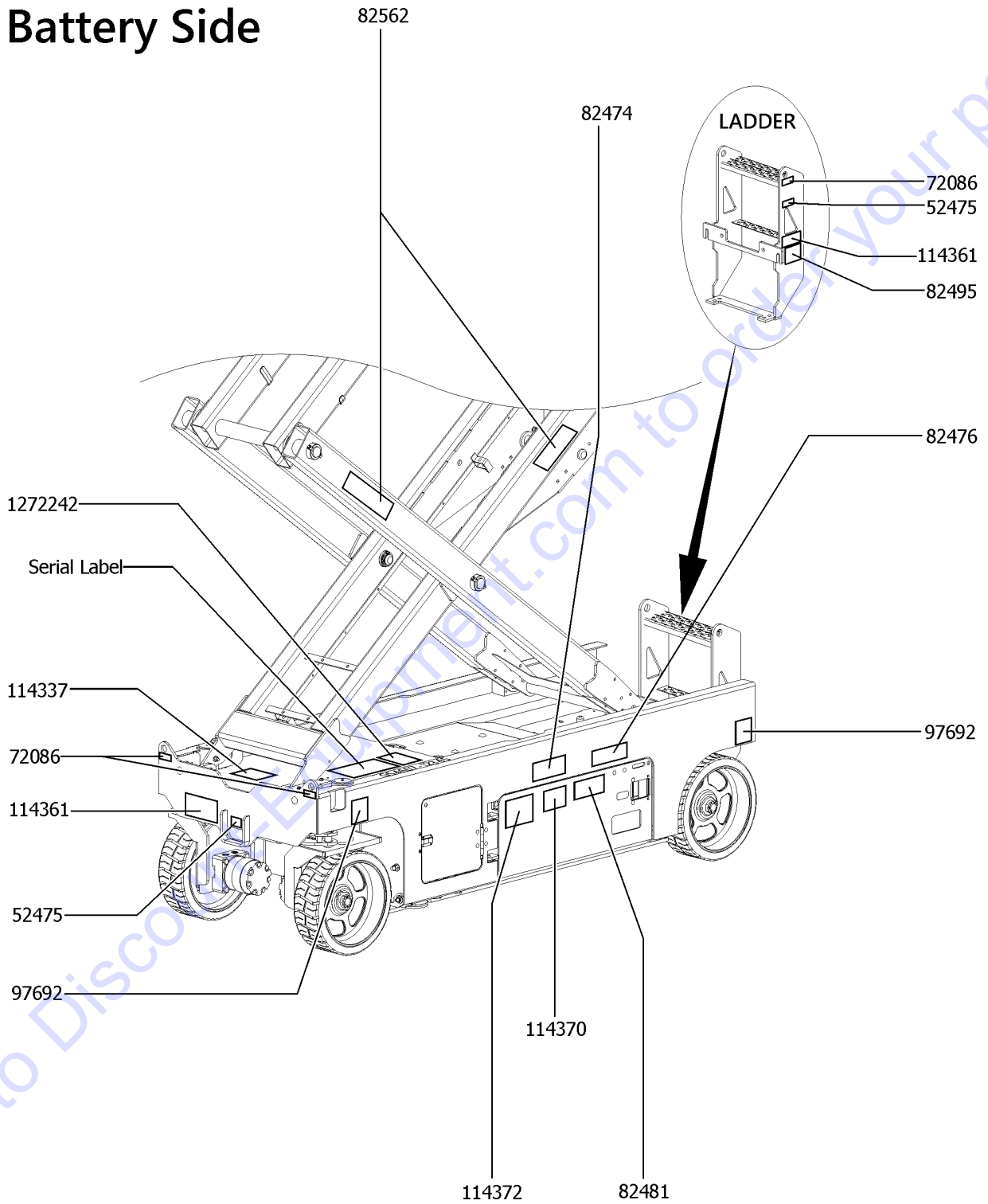


112.1 Word Decals, GS-3232, Platform, Australia

Item	Part No.	Description	Qty.
1	28174	DECAL, POWER TO PLATFORM 230V** .....	1
2	28176	DECAL,LABEL,MANUAL NOT HERE .....	1
3	28235	DECAL,POWER TO PLATFORM 115V .....	1
4	28236	DECAL,WARN,IMPROPER OPERATION .....	1
5	40434	DECAL,LANYARD ANCHORAGE POINT .....	3
6	43618	DECAL, LABEL - DIRECTION ARROWS .....	2
7	44736	DECAL,DANGER,TIP-OVER,TILT .....	1
8	44981	DECAL,LABEL, AIR LINE 110 PSI .....	1
		(Option)	
9	82307	DECAL,INSTR,INDOOR,AUS-26/3232 .....	1
10	82557	DECAL,LABEL,PLAT CONT LOCATION .....	1
11	82563	DECAL,INSTR-MAX CAP 500 LBS .....	1
		for GS3232 models	
12	114324	DECAL,COSMETIC-GENIE GS-3232 .....	1
13	114359	DANGER/INSTR-OUTRGR OP-GS3232 .....	1
14	114386	DECAL,DANGER-GEN SAFETY .....	1
15	114428	DECAL,INSTRUCT,TRAVEL HEIGHT .....	1
16	137605	DECAL,E-STOP,GR/GRC/GS PCON .....	1
17	137656	DECAL,PROPEL,GR/GRC/GS,PCON .....	1
18	233477	DECAL,LABEL,FAULT CODES .....	1
19	1256705	DECAL, O/R, PROP LIFT, UI, SVC .....	1
20	1257187	DECAL,OP INST,PLAT,GS32,AUS .....	1
21	1257923	DECAL, SMARTLINK PROPORTIONAL .....	2



# Battery Side



113.1 Symbol Decals, GS-2032, Battery Side, ANSI & CE

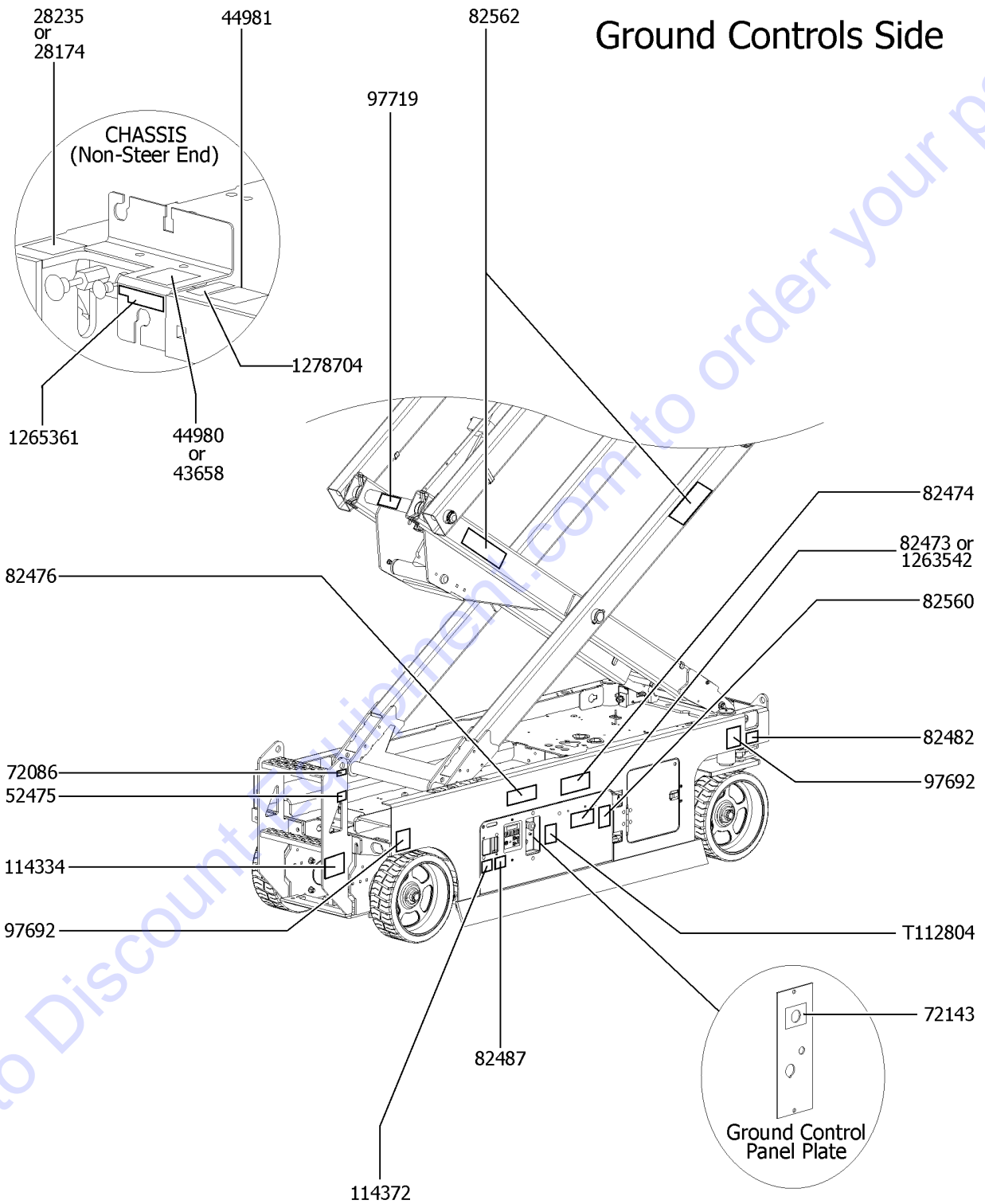
Item	Part No.	Description	Qty.
1	52475	DECAL,LABEL,TRANSPORT TIEDOWN* .....	2
2	72086	DECAL,LABEL,LIFTING EYE .....	3
3	82474	DECAL,SYMBOL-USE SAFETY ARM .....	1
4	82476	DECAL,SYMBOL-ELEC HAZARD,GS .....	1
5	82481	DECAL,SYMBOL-BATTERY SAFETY .....	1
6	82495	DECAL,SYMBOL-BRAKE REL SAFETY .....	1
7	82562	DECAL,SYMBOL-CRUSHING HAZARD .....	2
8	97692	DECAL,LABEL,WHEEL LOAD 2032 .....	2
9	114337	DECAL,SYM-TIP-OVER,LIM SWITCH .....	1
10	114361	DECAL,SYM-TIP-OVER,LIM SWITCH .....	2
11	114370	DECAL-SYM-TIP-OVR,BATTRIES .....	1
12	114372	DECAL SYMBOL TIP OVER TRAYS .....	1
13	1272242	DECAL,MACHINE REGISTRATION/OWNER TRANSFER .....	1

Go to Discount-Equipment.com to order your parts





114.1 Symbol Decals, GS-2032, Ground Control Side, ANSI & CE

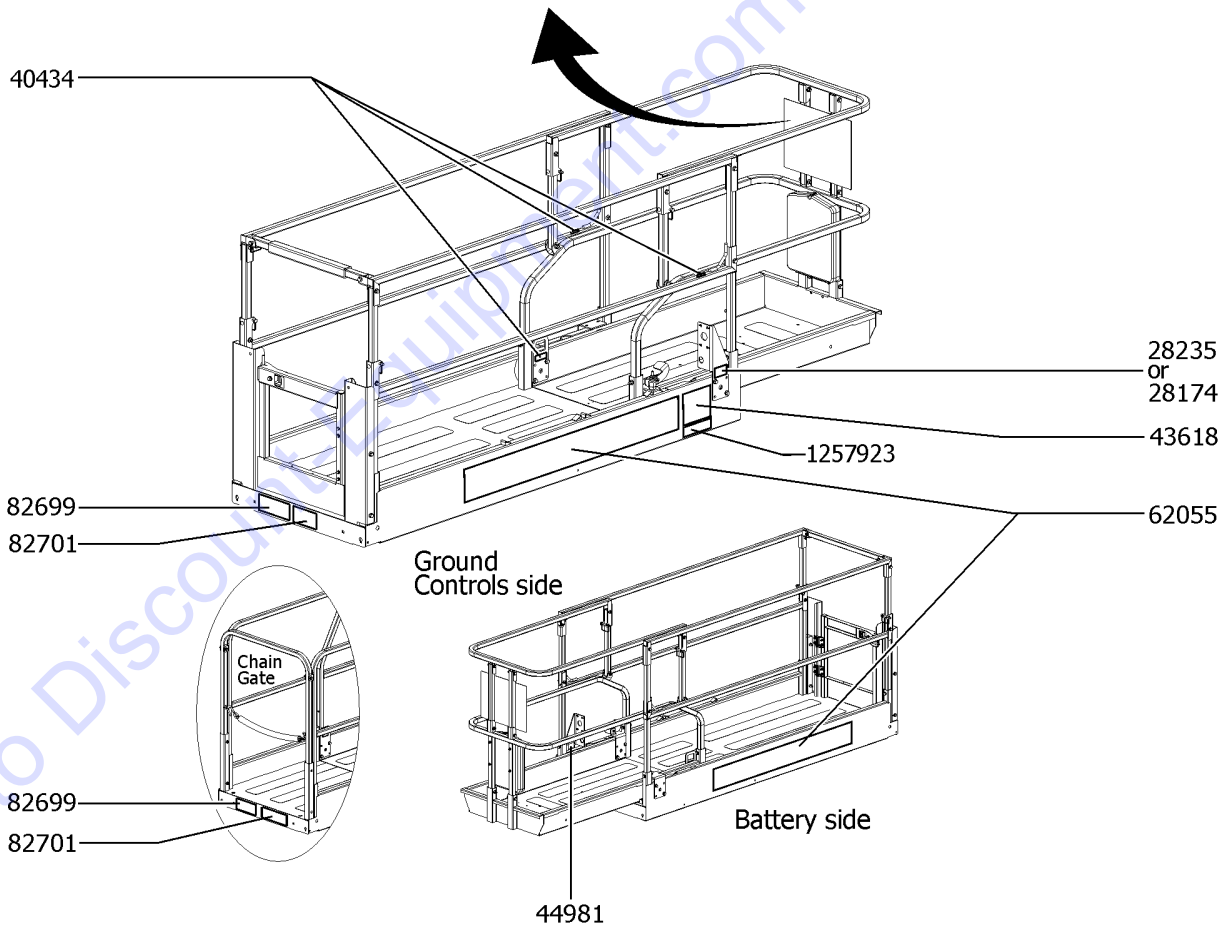
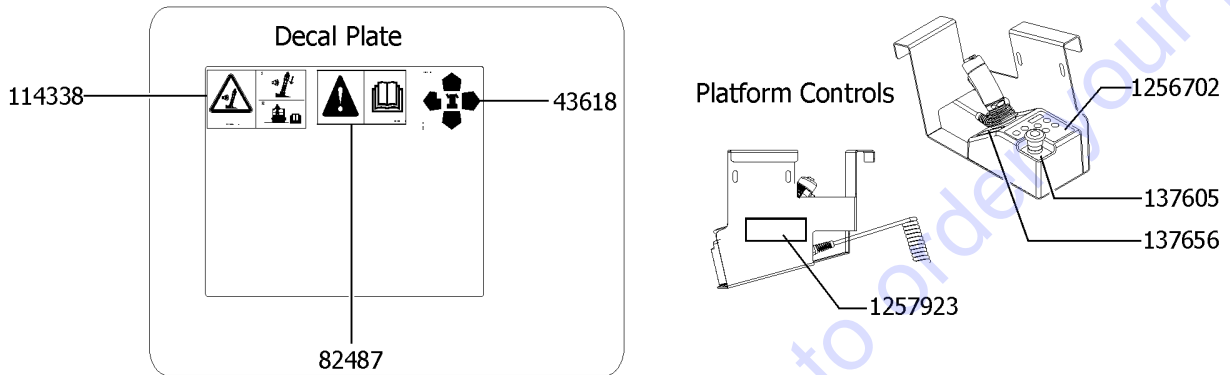


114.1 Symbol Decals, GS-2032, Ground Control Side, ANSI & CE

Item	Part No.	Description	Qty.
1	28174	DECAL, POWER TO PLATFORM 230V** .....	1
2	28235	DECAL,POWER TO PLATFORM 115V .....	1
3	43658	DECAL,LABEL,PWR TO CHARGER 230V .....	1
4	44980	DECAL,LABEL,PWR TO CHARGR 115V .....	1
5	44981	DECAL,LABEL, AIR LINE 110 PSI .....	1
		(Option)	
6	52475	DECAL,LABEL,TRANSPORT TIEDOWN* .....	1
7	72086	DECAL,LABEL,LIFTING EYE .....	1
8	72143	DECAL,EMERGENCY STOP,GR .....	1
9	82473	DECAL,SYMBOL-COMP ACCESS .....	1
10	82474	DECAL,SYMBOL-USE SAFETY ARM .....	1
11	82476	DECAL,SYMBOL-ELEC HAZARD,GS .....	1
12	82482	DECAL,LABEL,AUX LOWERING .....	1
13	82487	DECAL, SYMBOL - READ THE MANUAL .....	1
14	82560	DECAL,SYMBOL-SKIN INJECT HAZRD .....	1
15	82562	DECAL,SYMBOL-CRUSHING HAZARD .....	2
16	97692	DECAL,LABEL,WHEEL LOAD 2032 .....	2
17	97719	DECAL, LABEL, SAFETY ARM SYMB .....	1
18	114334	DECAL,SYM-ELEC HAZARD,PLUG .....	1
19	114372	DECAL SYMBOL TIP OVER TRAYS .....	1
20	T112804GT	DECAL,GCON PANEL,GS .....	1
21	1263542	DECAL, COMPARTMENT ACCESS .....	1
22	1265361	DECAL, BATTERY CHARGER INDICAT .....	1
23	1278704	DECAL,CHARGE STATUS IND. ....	1



# Platform, ANSI models



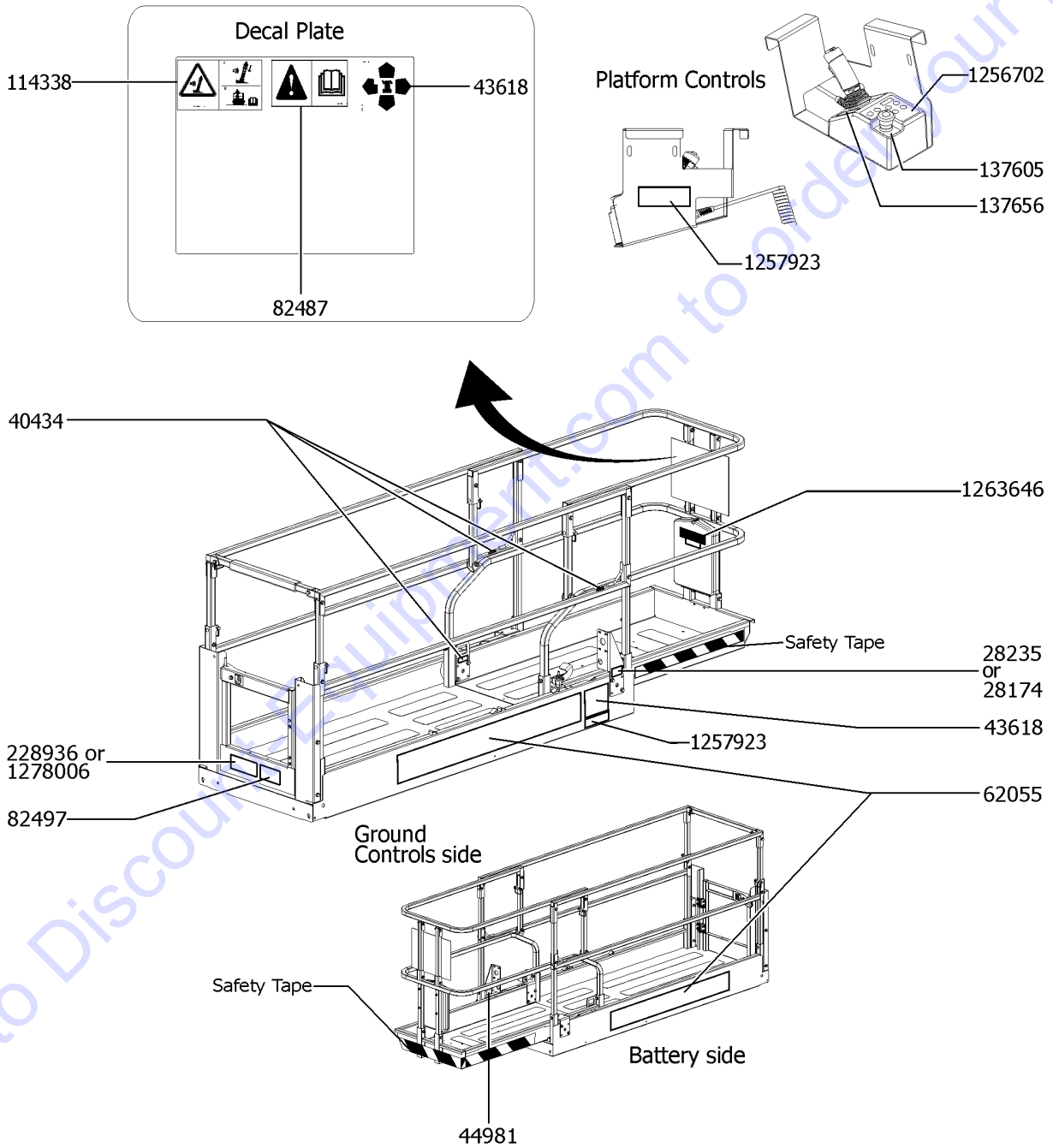
115.1 Symbol Decals, GS-2032, Platform, ANSI

Item	Part No.	Description	Qty.
1	28174	DECAL, POWER TO PLATFORM 230V** .....	1
2	28235	DECAL,POWER TO PLATFORM 115V .....	1
3	40434	DECAL,LANYARD ANCHORAGE POINT .....	3
4	43618	DECAL, LABEL - DIRECTION ARROWS .....	2
5	44981	DECAL,LABEL, AIR LINE 110 PSI .....	1
		(Option)	
6	62055	DECAL,COSMETIC,GENIE GS-2032 .....	2
7	82487	DECAL, SYMBOL - READ THE MANUAL .....	1
8	82699	DECAL,SYM-MAXCAP 800 .....	1
9	82701	DECAL,SYM-SIDE FORCE 534N .....	1
10	114338	DECAL,SYM-TIP-OVER,TILT ALARM .....	1
11	137605	DECAL,E-STOP,GR/GRC/GS PCON .....	1
12	137656	DECAL,PROPEL,GR/GRC/GS,PCON .....	1
13	1256702	DECAL, UI, GS/GR, PROP LIFT .....	1
14	1257923	DECAL, SMARTLINK PROPORTIONAL .....	2

Go to Discount-Equipment.com to order your parts



# Platform, CE models



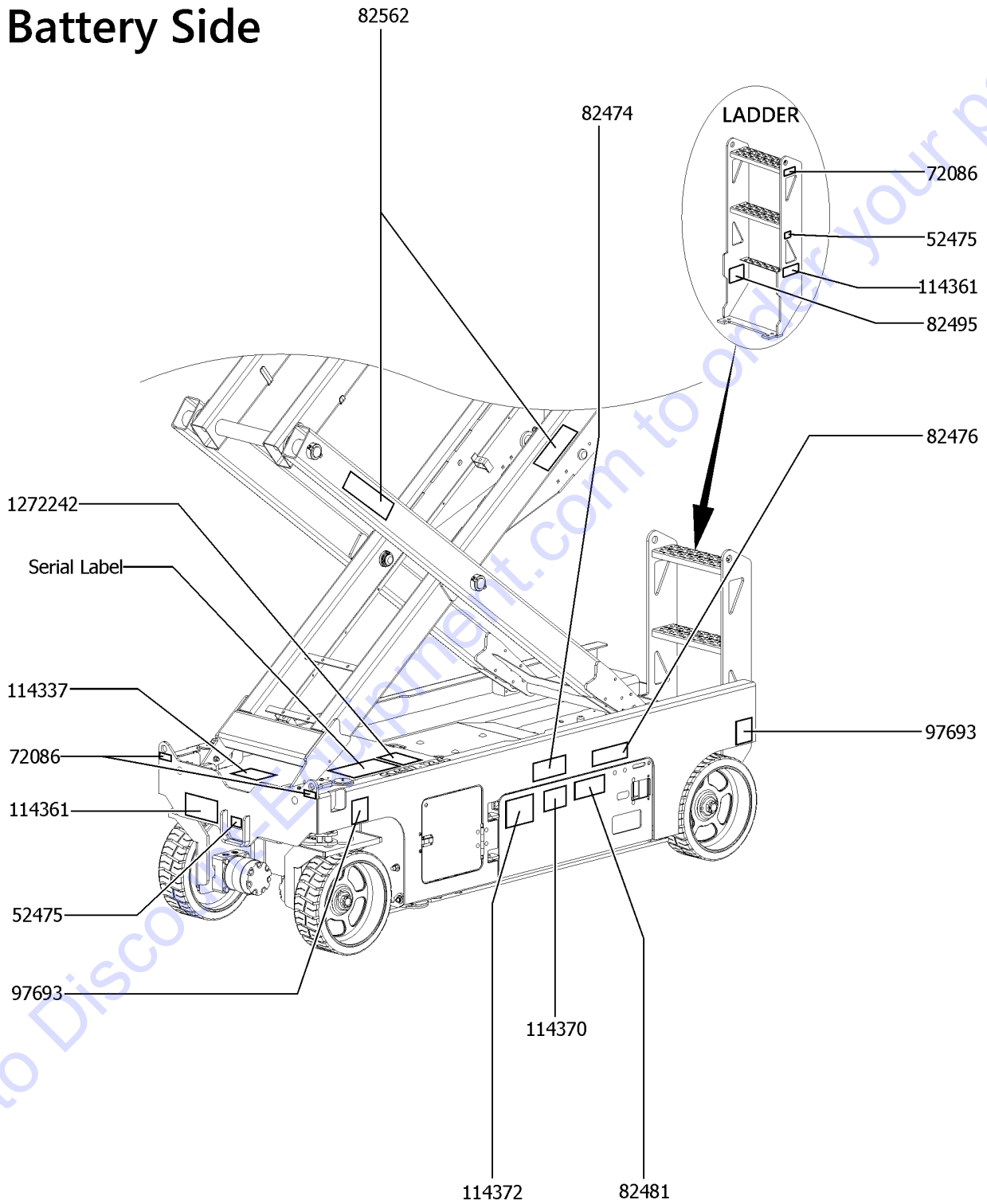
116.1 Symbol Decals, GS-2032, Platform, CE

Item	Part No.	Description	Qty.
1	28174	DECAL, POWER TO PLATFORM 230V** .....	1
2	28235	DECAL,POWER TO PLATFORM 115V .....	1
3	40434	DECAL,LANYARD ANCHORAGE POINT .....	3
4	43618	DECAL, LABEL - DIRECTION ARROWS .....	2
5	44981	DECAL,LABEL, AIR LINE 110 PSI .....	1
		(Option)	
6	62055	DECAL,COSMETIC,GENIE GS-2032 .....	2
7	82487	DECAL, SYMBOL - READ THE MANUAL .....	1
8	82497	DECAL,SYM-SIDEFORCE 200400 .....	1
9	114338	DECAL,SYM-TIP-OVER,TILT ALARM .....	1
10	137605	DECAL,E-STOP,GR/GRC/GS PCON .....	1
11	137656	DECAL,PROPEL,GR/GRC/GS,PCON .....	1
12	228936	DECAL,INST MAX CAP 363 KG,SYM .....	1
13	1256702	DECAL, UI, GS/GR, PROP LIFT .....	1
14	1257923	DECAL, SMARTLINK PROPORTIONAL .....	2
15	1263646	DECAL,QR CODE,PARTS&SERVICE MANUAL .....	1
16	1278006	DECAL, SYMBOL, CE, MAXIMUM CAPACITY, 363KG .....	1

Go to Discount-Equipment.com to order your parts



# Battery Side



117.1 Symbol Decals, GS-2632, Battery Side, ANSI & CE

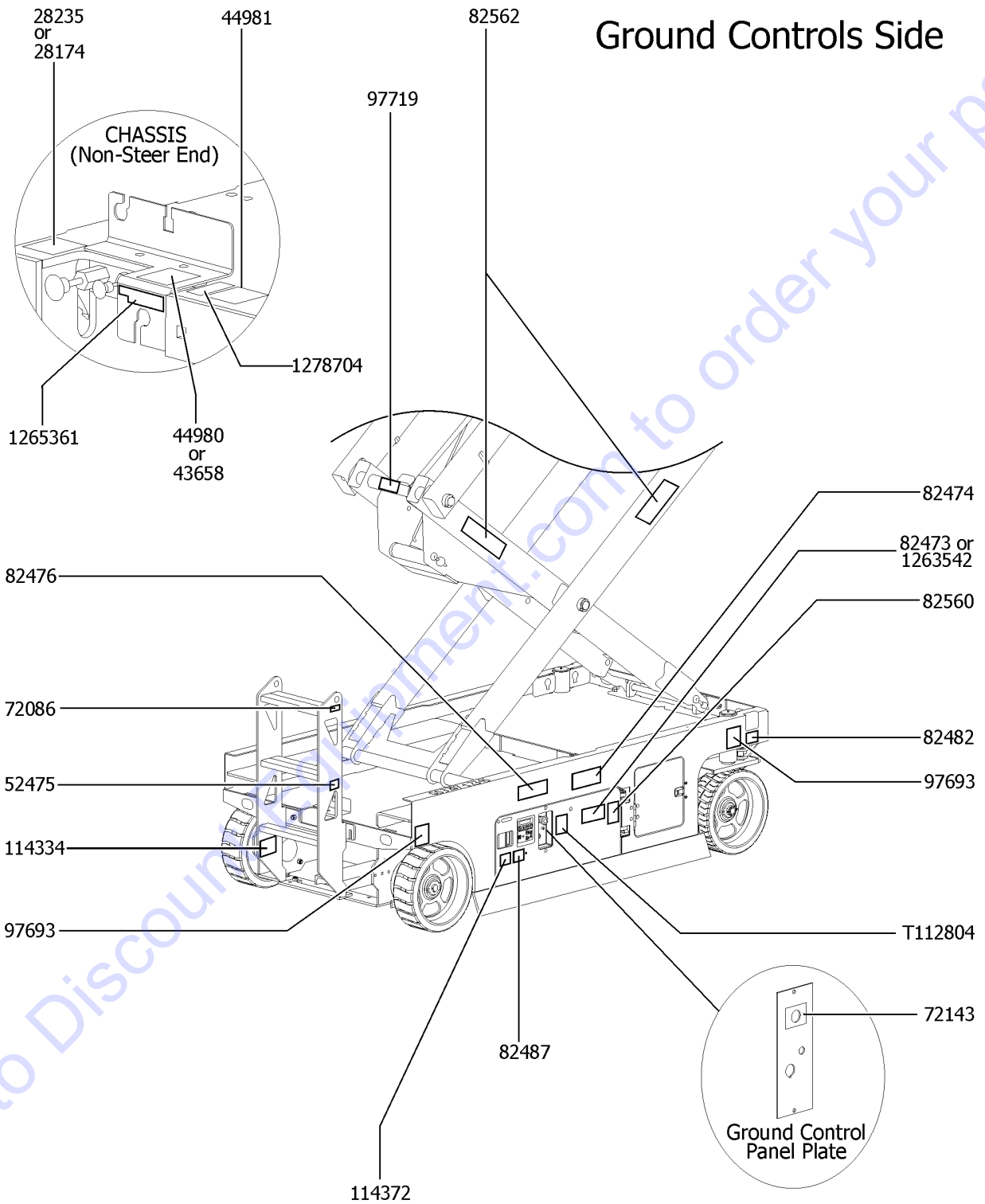
Item	Part No.	Description	Qty.
1	52475	DECAL,LABEL,TRANSPORT TIEDOWN* .....	2
2	72086	DECAL,LABEL,LIFTING EYE .....	3
3	82474	DECAL,SYMBOL-USE SAFETY ARM .....	1
4	82476	DECAL,SYMBOL-ELEC HAZARD,GS .....	1
5	82481	DECAL,SYMBOL-BATTERY SAFETY .....	1
6	82495	DECAL,SYMBOL-BRAKE REL SAFETY .....	1
7	82562	DECAL,SYMBOL-CRUSHING HAZARD .....	2
8	97693	DECAL,LABEL,WHEEL LOAD 2632 .....	2
9	114337	DECAL,SYM-TIP-OVER,LIM SWITCH .....	1
10	114361	DECAL,SYM-TIP-OVER,LIM SWITCH .....	2
11	114370	DECAL-SYM-TIP-OVR,BATTRIES .....	1
12	114372	DECAL SYMBOL TIP OVER TRAYS .....	1
13	1272242	DECAL,MACHINE REGISTRATION/OWNER TRANSFER .....	1

Go to Discount-Equipment.com to order your parts





118.1 Symbol Decals, GS-2632, Ground Control Side, ANSI and CE



118.1 Symbol Decals, GS-2632, Ground Control Side, ANSI and CE

Item	Part No.	Description	Qty.
1	28174	DECAL, POWER TO PLATFORM 230V** .....	1
2	28235	DECAL,POWER TO PLATFORM 115V .....	1
3	43658	DECAL,LABEL,PWR TO CHARGER 230V .....	1
4	44980	DECAL,LABEL,PWR TO CHARGR 115V .....	1
5	44981	DECAL,LABEL, AIR LINE 110 PSI .....	1
		(Option)	
6	52475	DECAL,LABEL,TRANSPORT TIEDOWN* .....	1
7	72086	DECAL,LABEL,LIFTING EYE .....	1
8	72143	DECAL,EMERGENCY STOP,GR .....	1
9	82473	DECAL,SYMBOL-COMP ACCESS .....	1
10	82474	DECAL,SYMBOL-USE SAFETY ARM .....	1
11	82476	DECAL,SYMBOL-ELEC HAZARD,GS .....	1
12	82482	DECAL,LABEL,AUX LOWERING .....	1
13	82487	DECAL, SYMBOL - READ THE MANUAL .....	1
14	82560	DECAL,SYMBOL-SKIN INJECT HAZRD .....	1
15	82562	DECAL,SYMBOL-CRUSHING HAZARD .....	2
16	97693	DECAL,LABEL,WHEEL LOAD 2632 .....	2
17	97719	DECAL, LABEL, SAFETY ARM SYMB .....	1
18	114334	DECAL,SYM-ELEC HAZARD,PLUG .....	1
19	114372	DECAL SYMBOL TIP OVER TRAYS .....	1
20	T112804GT	DECAL,GCON PANEL,GS .....	1
21	1263542	DECAL, COMPARTMENT ACCESS .....	1
22	1265361	DECAL, BATTERY CHARGER INDICAT .....	1
23	1278704	DECAL,CHARGE STATUS IND. ....	1



# PARTS FINDER

**Search Website  
by Part Number**



**Search Manual  
Library For Parts  
Manual & Lookup Part  
Numbers – Purchase  
or Request Quote**

**Search Manuals**

Enter your information to search for a manual or to purchase a manual or parts.

\* Brand:

\* Model:

\* Serial:

\* Part Number:

SEARCH

**Can't Find Part or  
Manual? Request Help  
by Manufacturer,  
Model & Description**

**Parts Order Form**

Please fill in the following information:

Manufacturer:

Model:

Description:

Quantity:

Part Number:

Part Name:

Part Description:

Part Location:

Part Condition:

Part Status:

Part Date:

Part Time:

Part Cost:

Part Price:

Part Tax:

Part Total:

Part Notes:

Part Comments:

Part Attachments:

Part Images:

Part Files:

Part Links:

Part Other:

Part Submit

Discount-Equipment.com is your online resource for quality parts & equipment.

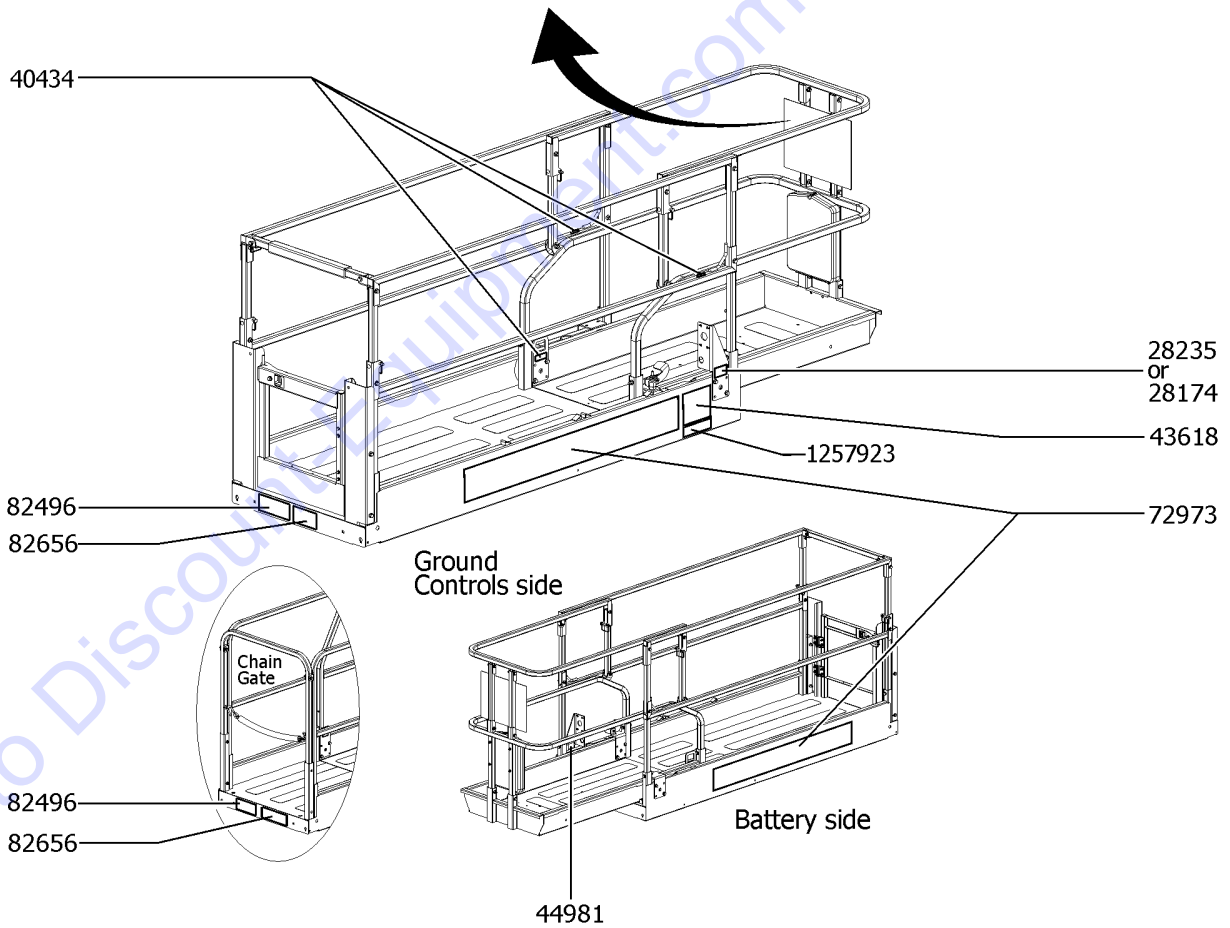
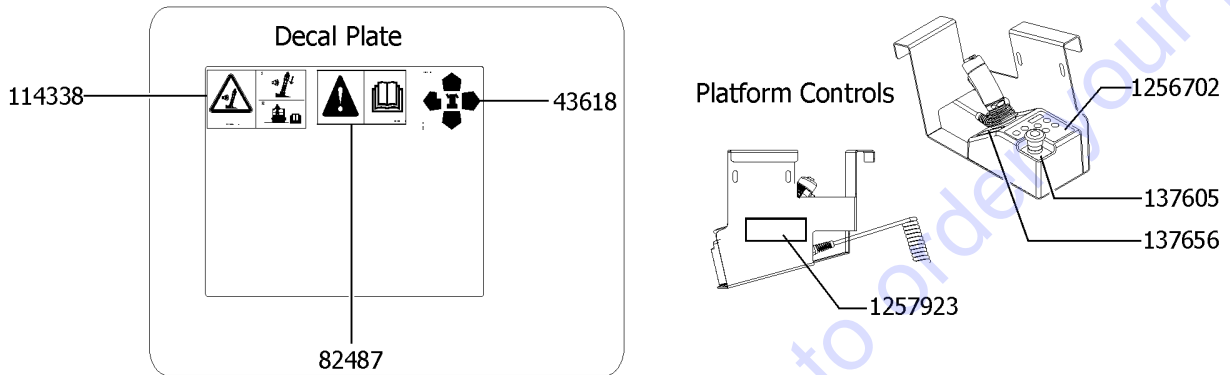
Florida: **561-964-4949** Outside Florida TOLL FREE: **877-690-3101**

**Need parts?**

Click on this link: <http://www.discount-equipment.com/category/5443-parts/> and choose one of the options to help get the right parts and equipment you are looking for. Please have the machine model and serial number available in order to help us get you the correct parts. If you don't find the part on the website or on one of the online manuals, please fill out the request form and one of our experienced staff members will get back to you with a quote for the right part that your machine needs.

We sell worldwide for the brands: Genie, Terex, JLG, MultiQuip, Mikasa, Essick, Whiteman, Mayco, Toro Stone, Diamond Products, Generac Magnum, Airman, Haulotte, Barreto, Power Blanket, Nifty Lift, Atlas Copco, Chicago Pneumatic, Allmand, Miller Curber, Skyjack, Lull, Skytrak, Tsurumi, Husquvarna Target, Stow, Wacker, Sakai, Mi-T-M, Sullair, Basic, Dynapac, MBW, Weber, Bartell, Bennar Newman, Haulotte, Ditch Runner, Menegotti, Morrison, Contec, Buddy, Crown, Edco, Wyco, Bomag, Laymor, EZ Trench, Bil-Jax, F.S. Curtis, Gehl Pavers, Heli, Honda, ICS/PowerGrit, IHI, Partner, Imer, Clipper, MMD, Koshin, Rice, CH&E, General Equipment, Amida, Coleman, NAC, Gradall, Square Shooter, Kent, Stanley, Tamco, Toku, Hatz, Kohler, Robin, Wisconsin, Northrock, Oztec, Toker TK, Rol-Air, APT, Wylie, Ingersoll Rand / Doosan, Innovatech, Con X, Ammann, Mecalac, Makinex, Smith Surface Prep, Small Line, Wanco, Yanmar

# Platform, ANSI models



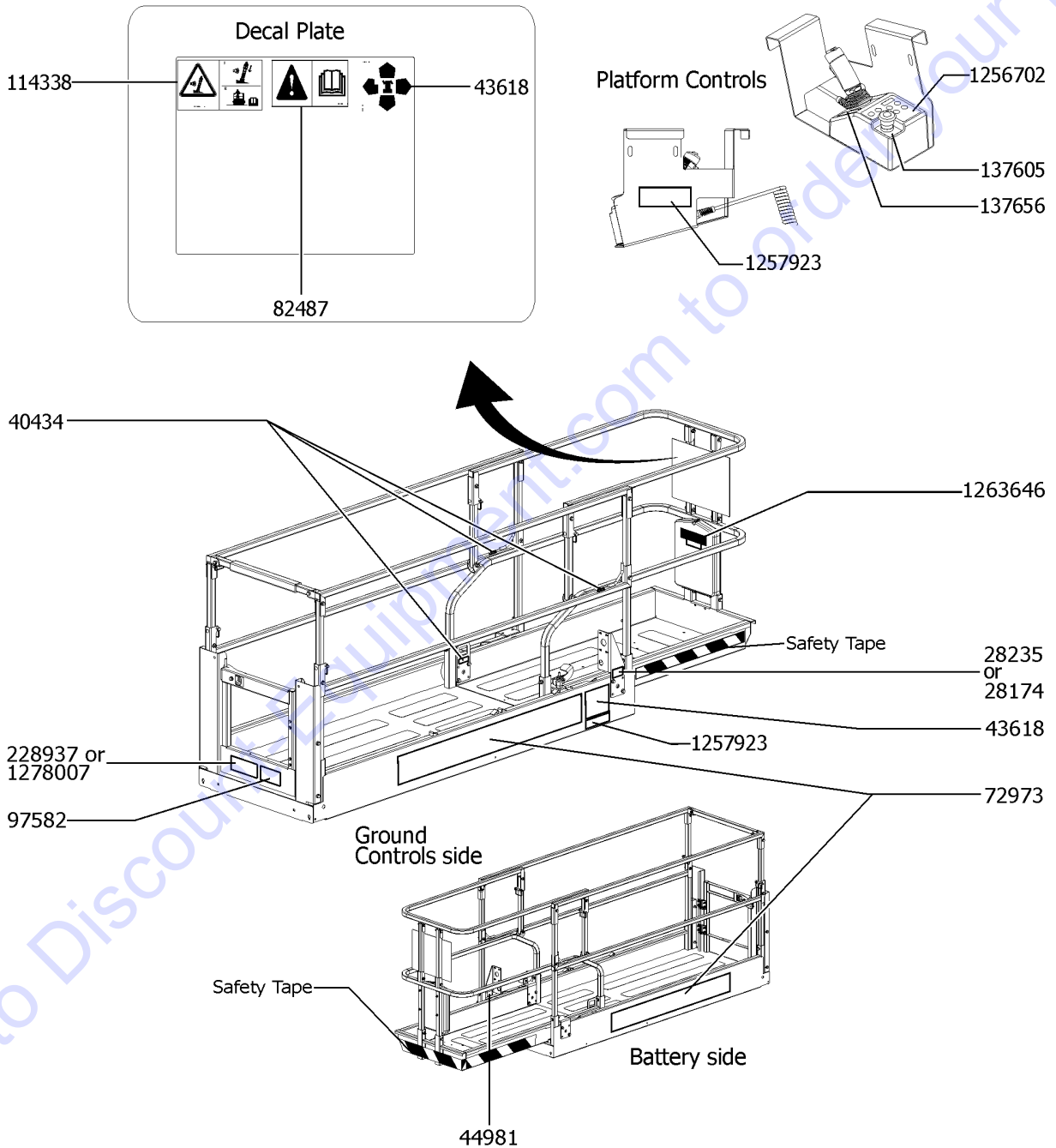
119.1 Symbol Decals, GS-2632, Platform, ANSI

Item	Part No.	Description	Qty.
1	28174	DECAL, POWER TO PLATFORM 230V** .....	1
2	28235	DECAL,POWER TO PLATFORM 115V .....	1
3	40434	DECAL,LANYARD ANCHORAGE POINT .....	3
4	43618	DECAL, LABEL - DIRECTION ARROWS .....	2
5	44981	DECAL,LABEL, AIR LINE 110 PSI .....	1
		(Option)	
6	72973	DECAL,COSMETIC,GENIE GS-2632** .....	2
7	82487	DECAL, SYMBOL - READ THE MANUAL .....	1
8	82496	DECAL,SYM-MAXCAP 500 .....	1
9	82656	DECAL,SYM-SIDE FORCE 445N .....	1
10	114338	DECAL,SYM-TIP-OVER,TILT ALARM .....	1
11	137605	DECAL,E-STOP,GR/GRC/GS PCON .....	1
12	137656	DECAL,PROPEL,GR/GRC/GS,PCON .....	1
13	1256702	DECAL, UI, GS/GR, PROP LIFT .....	1
14	1257923	DECAL, SMARTLINK PROPORTIONAL .....	2

Go to Discount-Equipment.com to order your parts



# Platform, CE models



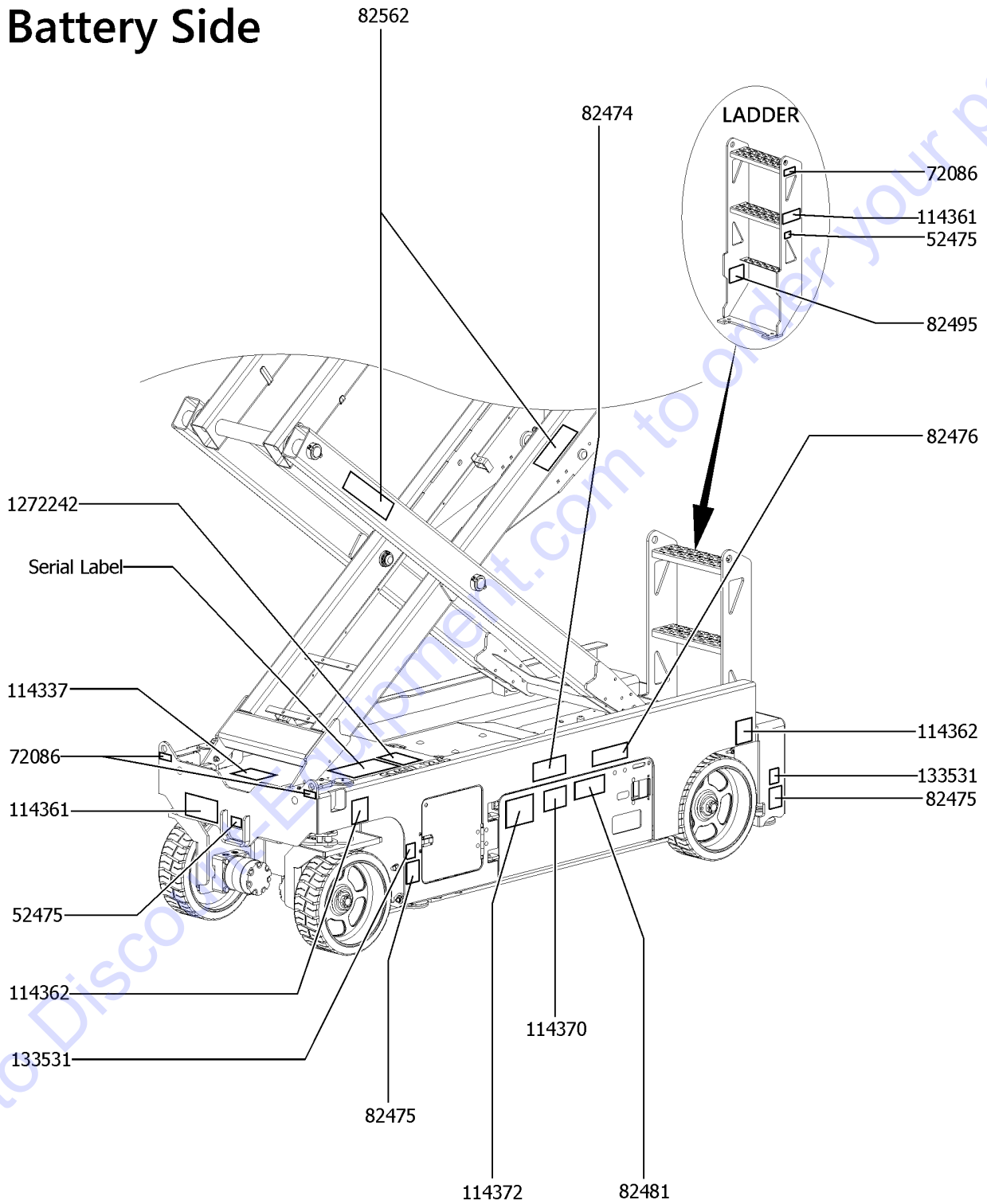
120.1 Symbol Decals, GS-2632, Platform, CE

Item	Part No.	Description	Qty.
1	28174	DECAL, POWER TO PLATFORM 230V** .....	1
2	28235	DECAL,POWER TO PLATFORM 115V .....	1
3	40434	DECAL,LANYARD ANCHORAGE POINT .....	3
4	43618	DECAL, LABEL - DIRECTION ARROWS .....	2
5	44981	DECAL,LABEL, AIR LINE 110 PSI .....	1
		(Option)	
6	72973	DECAL,COSMETIC,GENIE GS-2632** .....	2
7	82487	DECAL, SYMBOL - READ THE MANUAL .....	1
8	97582	DECAL,SYM-SIDEFORCE 400N ID .....	1
9	114338	DECAL,SYM-TIP-OVER,TILT ALARM .....	1
10	137605	DECAL,E-STOP,GR/GRC/GS PCON .....	1
11	137656	DECAL,PROPEL,GR/GRC/GS,PCON .....	1
12	228937	DECAL,SYM-MAXCAP CE GS2632 .....	1
13	1256702	DECAL, UI, GS/GR, PROP LIFT .....	1
14	1257923	DECAL, SMARTLINK PROPORTIONAL .....	2
15	1263646	DECAL,QR CODE,PARTS&SERVICE MANUAL .....	1
16	1278007	DECAL, SYMBOL, CE, MAXIMUM CAPACITY, 227KG .....	1

Go to Discount-Equipment.com to order your parts



# Battery Side





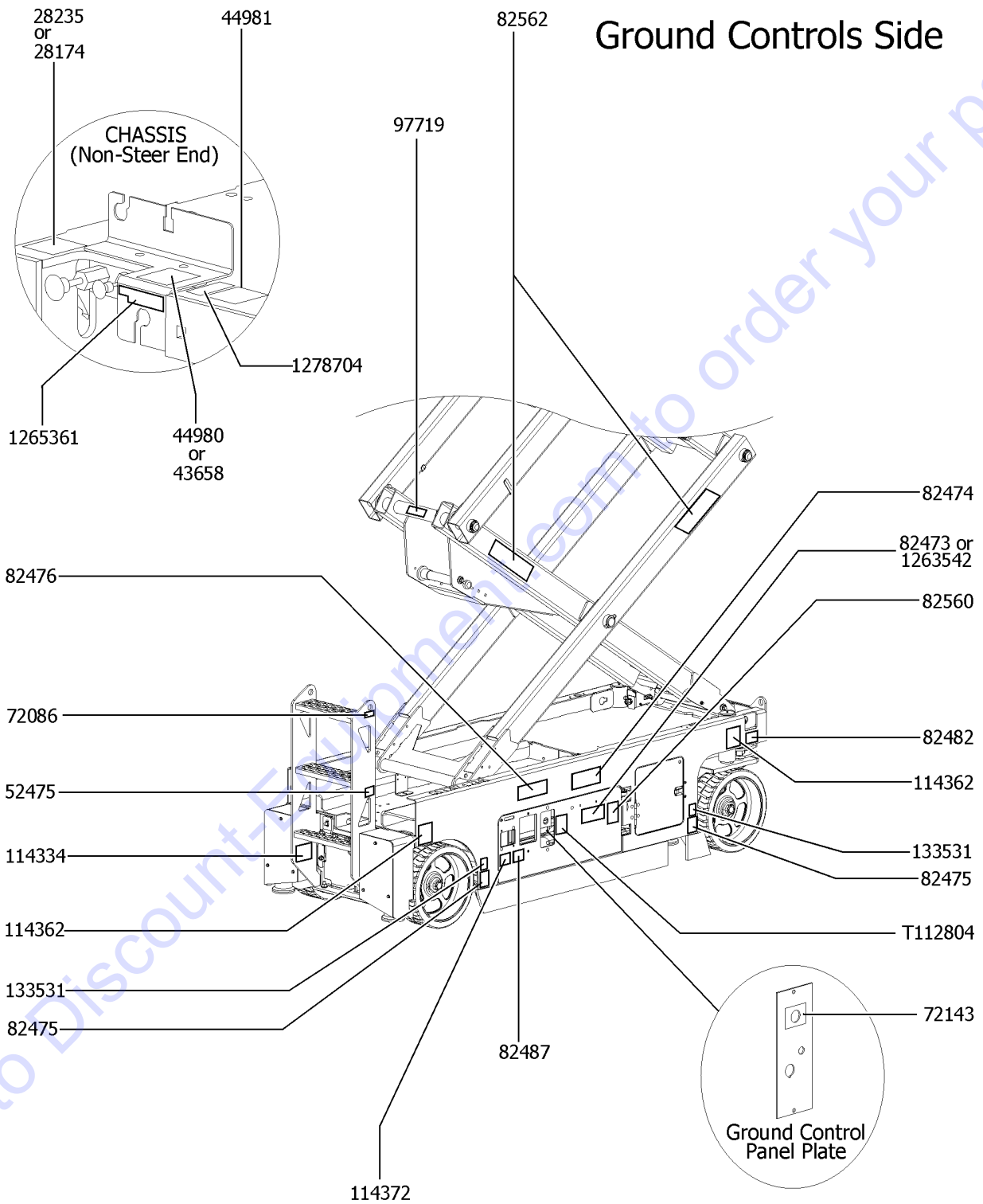
121.1 Symbol Decals, GS-3232, Battery Side, ANSI & CE

Item	Part No.	Description	Qty.
1	52475	DECAL,LABEL,TRANSPORT TIEDOWN* .....	2
2	72086	DECAL,LABEL,LIFTING EYE .....	3
3	82474	DECAL,SYMBOL-USE SAFETY ARM .....	1
4	82475	DECAL,SYMBOL-FOOT CRUSHING .....	2
5	82476	DECAL,SYMBOL-ELEC HAZARD,GS .....	1
6	82481	DECAL,SYMBOL-BATTERY SAFETY .....	1
7	82495	DECAL,SYMBOL-BRAKE REL SAFETY .....	1
8	82562	DECAL,SYMBOL-CRUSHING HAZARD .....	2
9	114337	DECAL,SYM-TIP-OVER,LIM SWITCH .....	1
10	114361	DECAL,SYM-TIP-OVER,LIM SWITCH .....	2
11	114362	DECAL,LABEL-WHEEL LOAD,GS-3232 .....	2
12	114370	DECAL-SYM-TIP-OVR,BATTRIES .....	1
13	114372	DECAL SYMBOL TIP OVER TRAYS .....	1
14	133531	LABEL,OUTRIGGER,LOAD,GS-3232 .....	2
15	1272242	DECAL,MACHINE REGISTRATION/OWNER TRANSFER .....	1

Go to Discount-Equipment.com to order your parts



122.1 Symbol Decals, GS-3232, Ground Control Side, ANSI and CE

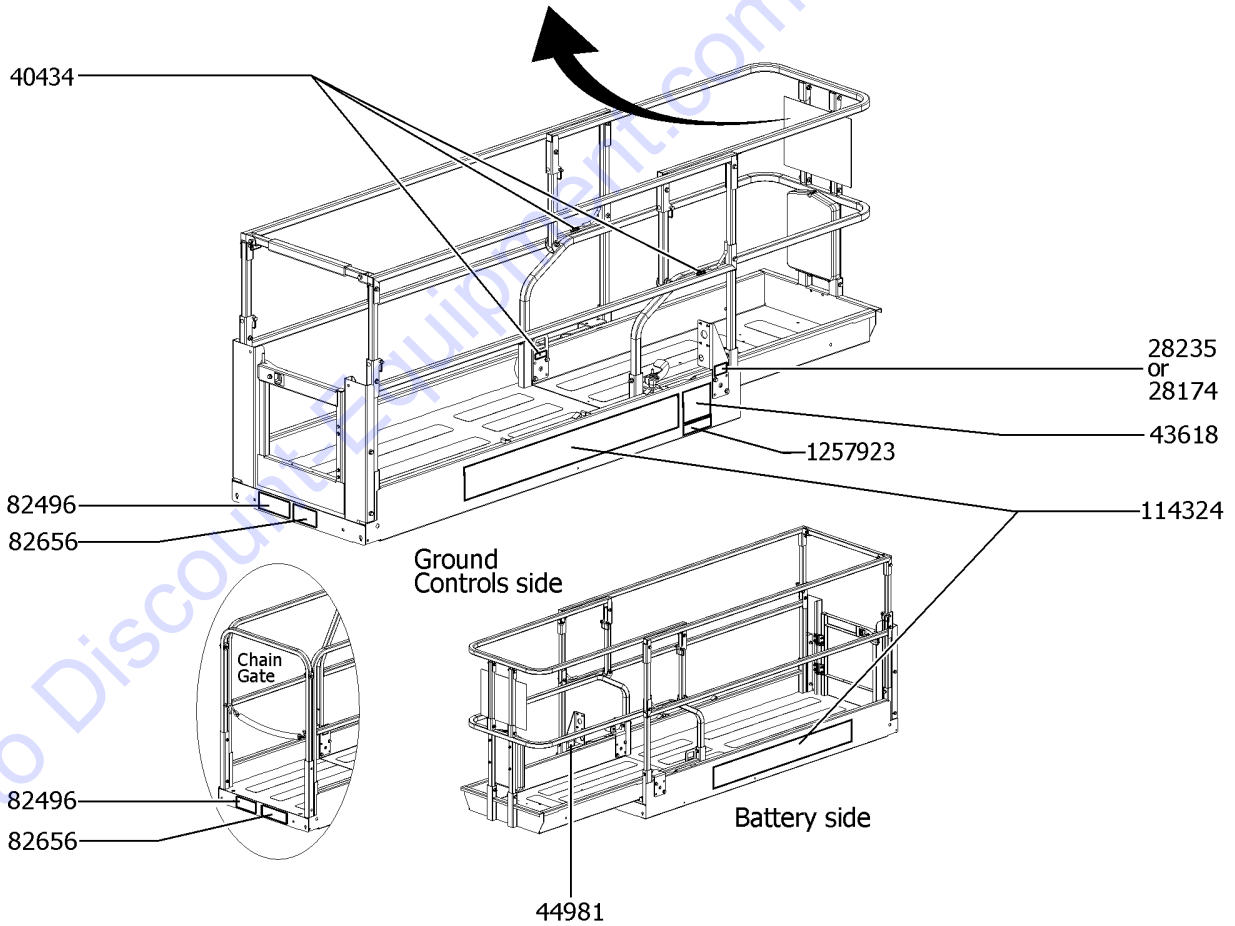
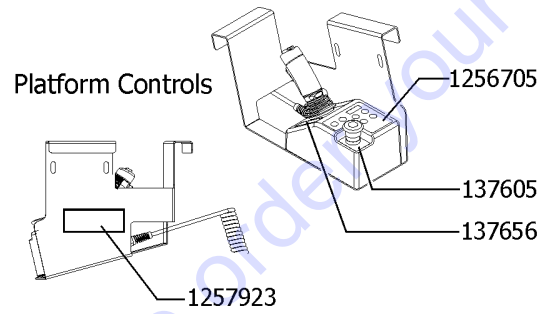
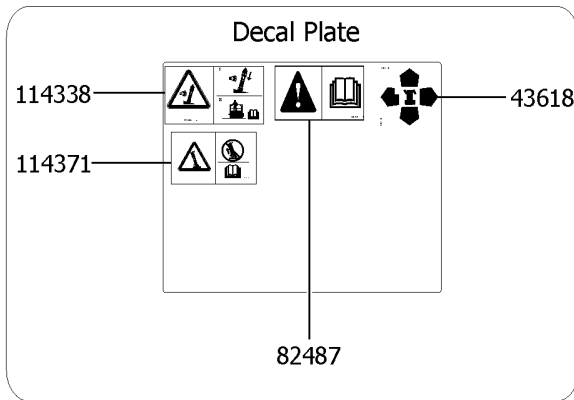


122.1 Symbol Decals, GS-3232, Ground Control Side, ANSI and CE

Item	Part No.	Description	Qty.
1	28174	DECAL, POWER TO PLATFORM 230V**	1
2	28235	DECAL,POWER TO PLATFORM 115V	1
3	43658	DECAL,LABEL,PWR TO CHARGER 230V	1
4	44980	DECAL,LABEL,PWR TO CHARGR 115V	1
5	44981	DECAL,LABEL, AIR LINE 110 PSI (Option)	1
6	52475	DECAL,LABEL,TRANSPORT TIEDOWN*	1
7	72086	DECAL,LABEL,LIFTING EYE	1
8	72143	DECAL,EMERGENCY STOP,GR	1
9	82473	DECAL,SYMBOL-COMP ACCESS	1
10	82474	DECAL,SYMBOL-USE SAFETY ARM	1
11	82475	DECAL,SYMBOL-FOOT CRUSHING	2
12	82476	DECAL,SYMBOL-ELEC HAZARD,GS	1
13	82482	DECAL,LABEL,AUX LOWERING	1
14	82487	DECAL, SYMBOL - READ THE MANUAL	1
15	82560	DECAL,SYMBOL-SKIN INJECT HAZRD	1
16	82562	DECAL,SYMBOL-CRUSHING HAZARD	2
17	97719	DECAL, LABEL, SAFETY ARM SYMB	1
18	114334	DECAL,SYM-ELEC HAZARD,PLUG	1
19	114362	DECAL,LABEL-WHEEL LOAD,GS-3232	2
20	114372	DECAL SYMBOL TIP OVER TRAYS	1
21	133531	LABEL,OUTRIGGER,LOAD,GS-3232	2
22	1263542	DECAL, COMPARTMENT ACCESS	1
23	T112804GT	DECAL,GCON PANEL,GS	1
24	1265361	DECAL, BATTERY CHARGER INDICAT	1
25	1278704	DECAL,CHARGE STATUS IND.	1



# Platform, ANSI models



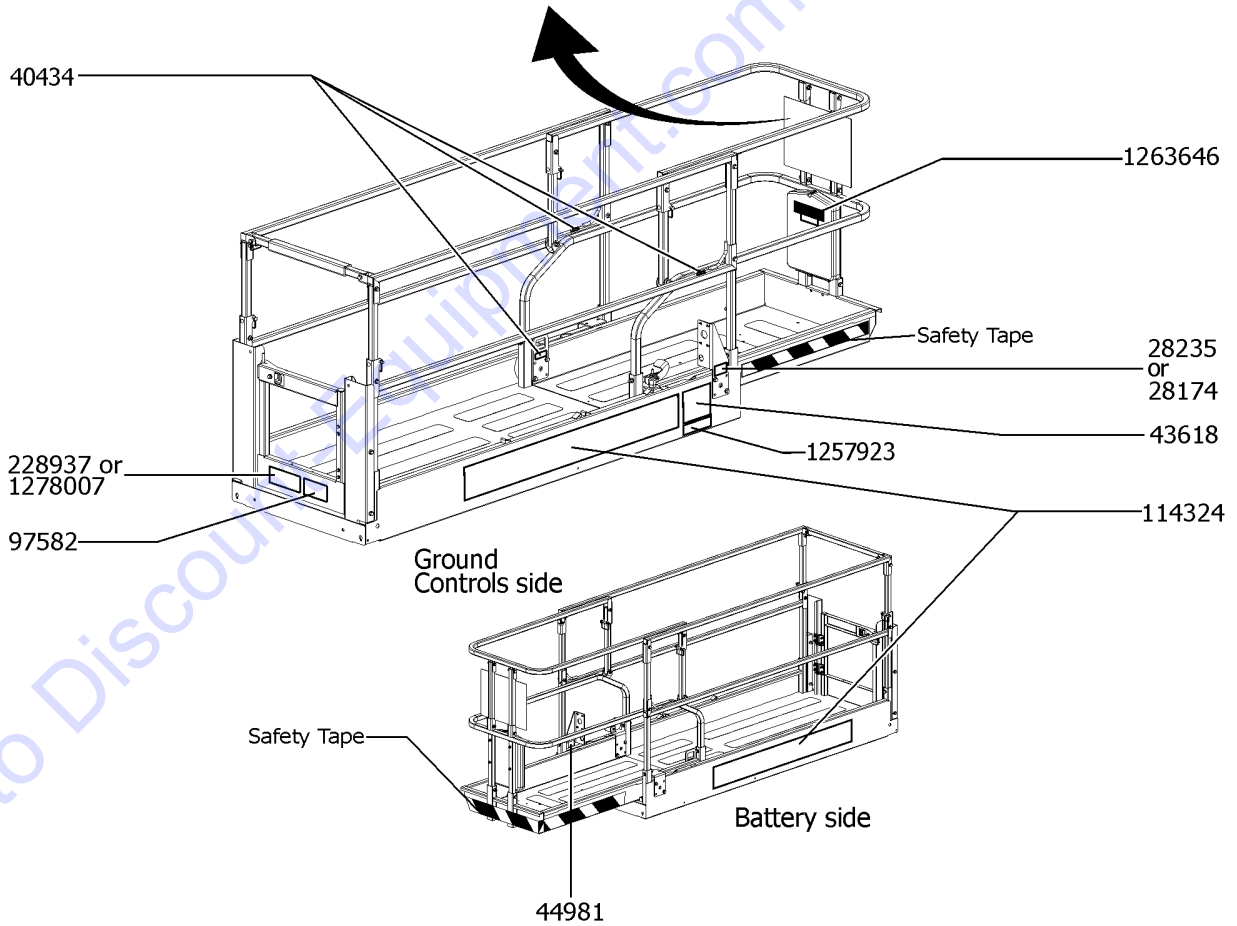
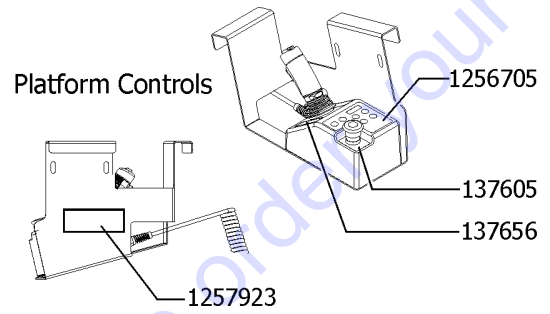
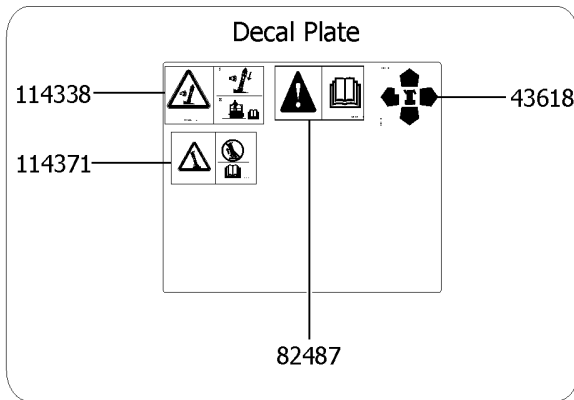
123.1 Symbol Decals, GS-3232, Platform, ANSI

Item	Part No.	Description	Qty.
1	28174	DECAL, POWER TO PLATFORM 230V** .....	1
2	28235	DECAL,POWER TO PLATFORM 115V .....	1
3	40434	DECAL,LANYARD ANCHORAGE POINT .....	3
4	43618	DECAL, LABEL - DIRECTION ARROWS .....	2
5	44981	DECAL,LABEL, AIR LINE 110 PSI .....	1
		(Option)	
6	82487	DECAL, SYMBOL - READ THE MANUAL .....	1
7	82496	DECAL,SYM-MAXCAP 500 .....	1
8	82656	DECAL,SYM-SIDE FORCE 445N .....	1
9	114324	DECAL,COSMETIC-GENIE GS-3232 .....	2
10	114338	DECAL,SYM-TIP-OVER,TILT ALARM .....	1
11	114371	DECAL,SYM-TIP-OVER,OUTRGR .....	1
12	137605	DECAL,E-STOP,GR/GRC/GS PCON .....	1
13	137656	DECAL,PROPEL,GR/GRC/GS,PCON .....	1
14	1256705	DECAL, O/R, PROP LIFT, UI, SVC .....	1
15	1257923	DECAL, SMARTLINK PROPORTIONAL .....	2

Go to Discount-Equipment.com to order your parts



# Platform, CE models



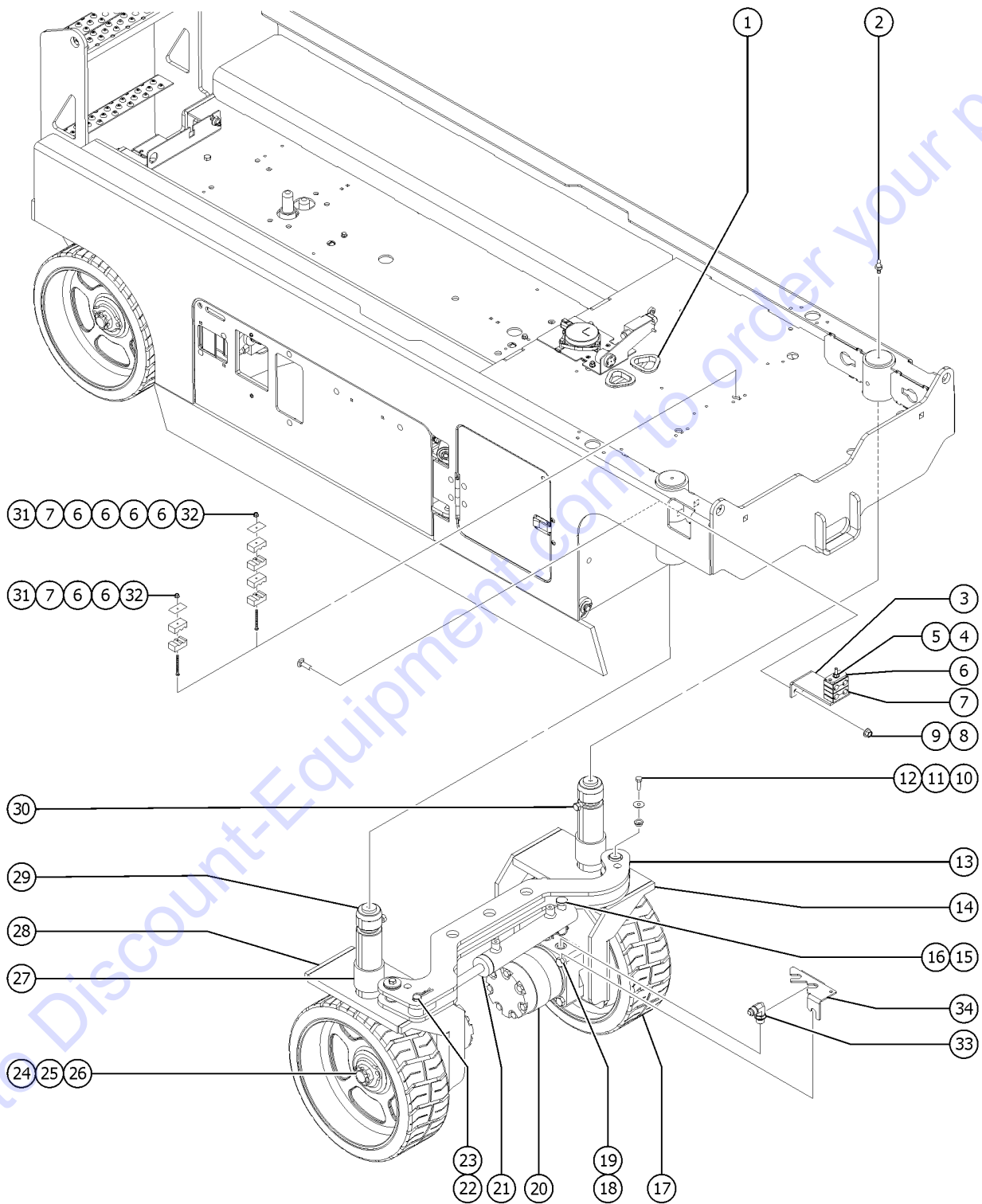
124.1 Symbol Decals, GS-3232, Platform, CE

Item	Part No.	Description	Qty.
1	28174	DECAL, POWER TO PLATFORM 230V** .....	1
2	28235	DECAL,POWER TO PLATFORM 115V .....	1
3	40434	DECAL,LANYARD ANCHORAGE POINT .....	3
4	43618	DECAL, LABEL - DIRECTION ARROWS .....	2
5	44981	DECAL,LABEL, AIR LINE 110 PSI .....	1
		(Option)	
6	82487	DECAL, SYMBOL - READ THE MANUAL .....	1
7	97582	DECAL,SYM-SIDEFORCE 400N ID .....	1
8	114324	DECAL,COSMETIC-GENIE GS-3232 .....	2
9	114338	DECAL,SYM-TIP-OVER,TILT ALARM .....	1
10	114371	DECAL,SYM-TIP-OVER,OUTRGR .....	1
11	137605	DECAL,E-STOP,GR/GRC/GS PCON .....	1
12	137656	DECAL,PROPEL,GR/GRC/GS,PCON .....	1
13	228937	DECAL,SYM-MAXCAP CE GS2632 .....	1
14	1256705	DECAL, O/R, PROP LIFT, UI, SVC .....	1
15	1257923	DECAL, SMARTLINK PROPORTIONAL .....	2
16	1263646	DECAL,QR CODE,PARTS&SERVICE MANUAL .....	1
17	1278007	DECAL, SYMBOL, CE, MAXIMUM CAPACITY, 227KG .....	1

Go to Discount-Equipment.com to order your parts



201.1 Steer Linkage and Wheels



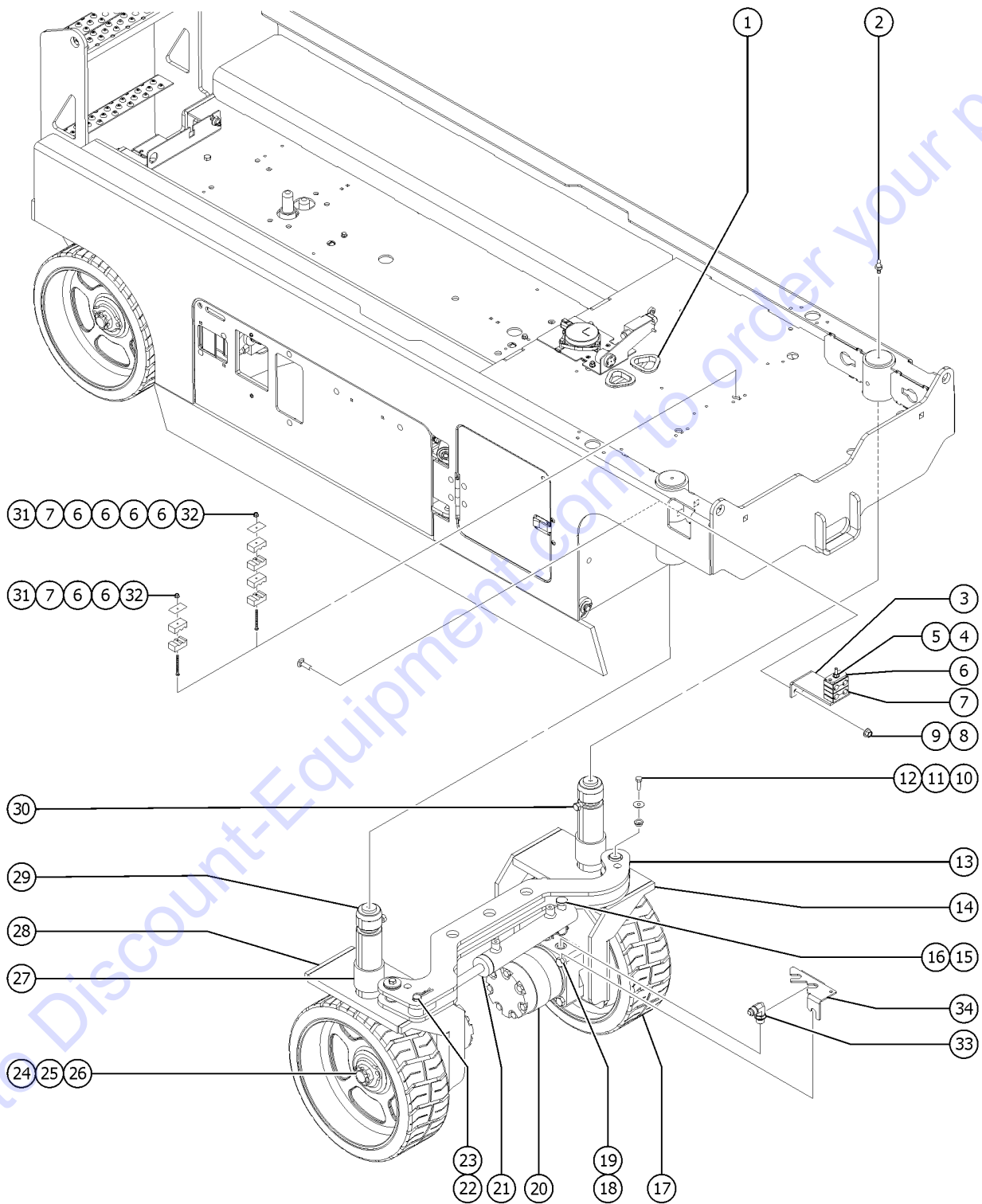


201.1 Steer Linkage and Wheels

Item	Part No.	Description	Qty.
1	47232GT	GROMMET,RUBBER 2 X 2.75	2
2	66770GT	FITTING,STRAIGHT DRIVE-IN ZERK	2
3	1299697GT	FORMING,HOSE CLAMP SUPPORT	1
4	824027GT	NUT,TL FLG,1/4-20,G,ZAG	
5	1256123GT	SCREW,HHC,1/4-20X3.25,8,ZAG	
6	132119GT	PLATE, HOSE ROUTING, BULKHEAD (as required)	
7	78736GT	CLAMP,2 HOSE,PLASTIC,5/8 (as required)	
8	824029GT	NUT,TL FLG,3/8-16,G,ZAG	2
9	1255757GT	BOLT,CARRIAGE,3/8-16X1.25,5,ZAG	
10	1256109GT	SCREW,HHC,3/8-16X.75,8,ZAG	2
11	824120GT	WASHER,FLAT, .375X1.50X.125,ZAG	2
12	47946GT	BEARING,1.00IDX1.25ODX0.49L	2
13	84699GT	TIE ROD ASSEMBLY, GS32	1
13-	47946GT	BEARING,1.00IDX1.25ODX0.49L	4
13-	132354GT	WLDMT,TIE ROD,GS32 (does not include bearings)	
14	132353GT	WLDMT,STEER YOKE,LT,GS32/46 (battery pack side)	1
15	1259195GT	PIN,CLEVIS,3/4X3.25,ZAG	1
16	824128GT	RUE RING,3/4,ZAG	1
17	1256051GT	WHEEL&TIRE ASSY,LP,15",EXMALE	2
18	1256287GT	SCREW,HHC,1/2-13X3.5,8,ZAG	8
19	1251997GT	NUT,TL FLG,1/2-13,G,ZAG	8
20		Ref. Drive Motor (refer to 501.1)	
21		Ref. Steer Cylinder (refer to 501.1)	
22	1259193GT	PIN,CLEVIS,3/4X2,ZAG	1
23	1259194GT	CLIP,HAIR PIN,.125X2,.5-.75,ZA	1
24	44780GT	NUT,CASTLE,1.125-18 UNEF	2
25	13635-10GT	PIN,COTTER,.156 X 1.75	2
26	44781GT	KEY,RECTANGULAR,.31X.28X1.25***	2



201.1 Steer Linkage and Wheels



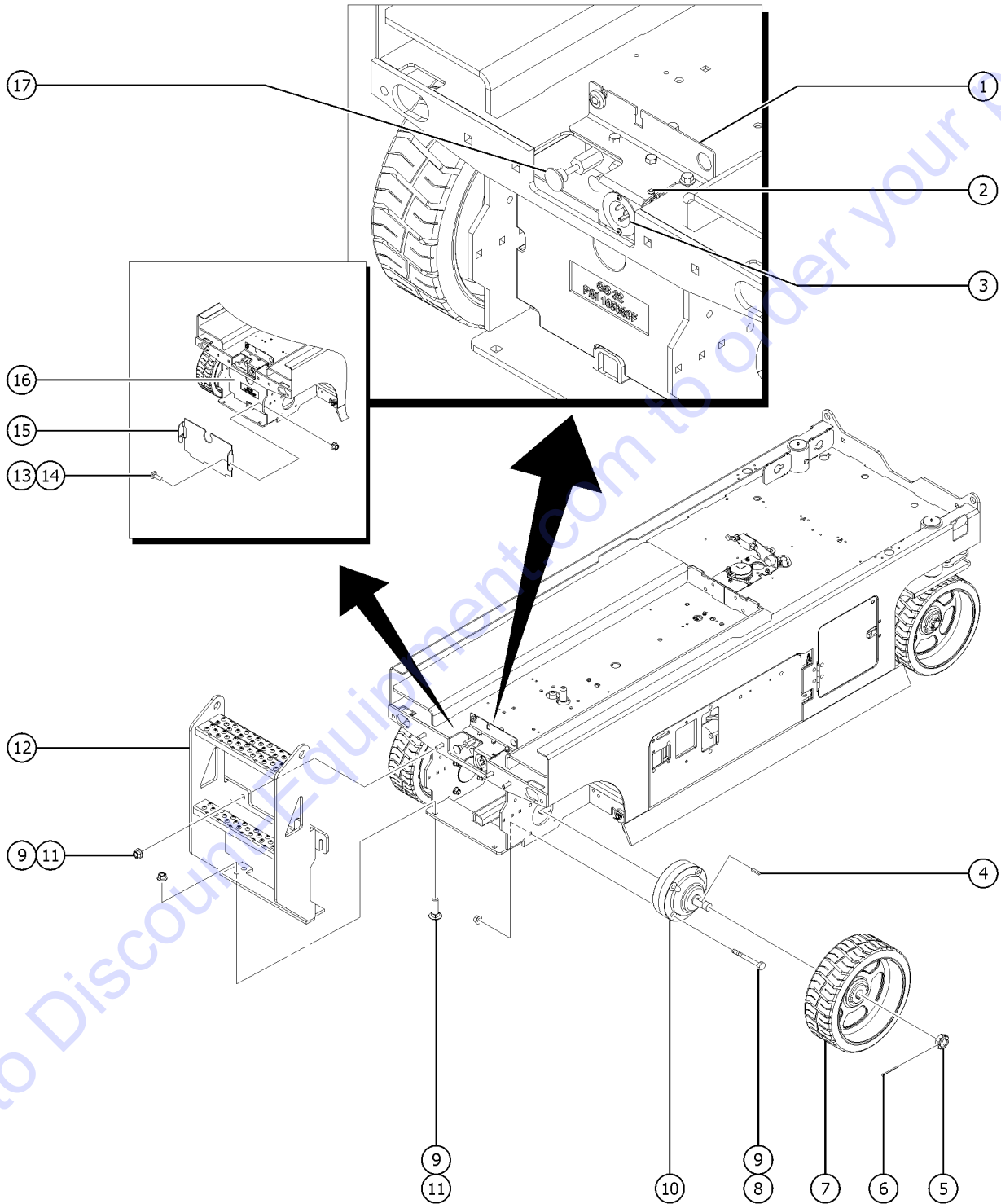
201.1 Steer Linkage and Wheels

Item	Part No.	Description	Qty.
27	18722GT	BEARING,2.25IDX2.50ODX1.50L*** .....	
28	132348GT	WLDMT,STEER YOKE,RT,GS32/46 .....	1
		(ground controls side)	
29	105565GT	WASHER, THRUST, GS .....	2
30	1259192GT	SCREW, YOKE LOCK, ZAG .....	
31	1256679GT	NUT,SERRATED,1/4-20,8,ZAG .....	1
32	1255797GT	BOLT,CARRIAGE,1/4-20X2.5,ZAG .....	1
		(GS2032, GS2632 only)	
32B	1258676GT	BOLT,CARRIAGE,1/4-20X2.5,ZAG .....	1
		(GS3232 only)	
33	39873GT	ELBOW,070220-6-6 .....	4
34	1266279GT	STEER FIXED PLATE,RIGHT .....	1
35	1266278GT	STEER FIXED PLATE,LEFT .....	1
		(not shown)	

Go to Discount-Equipment.com to order your parts



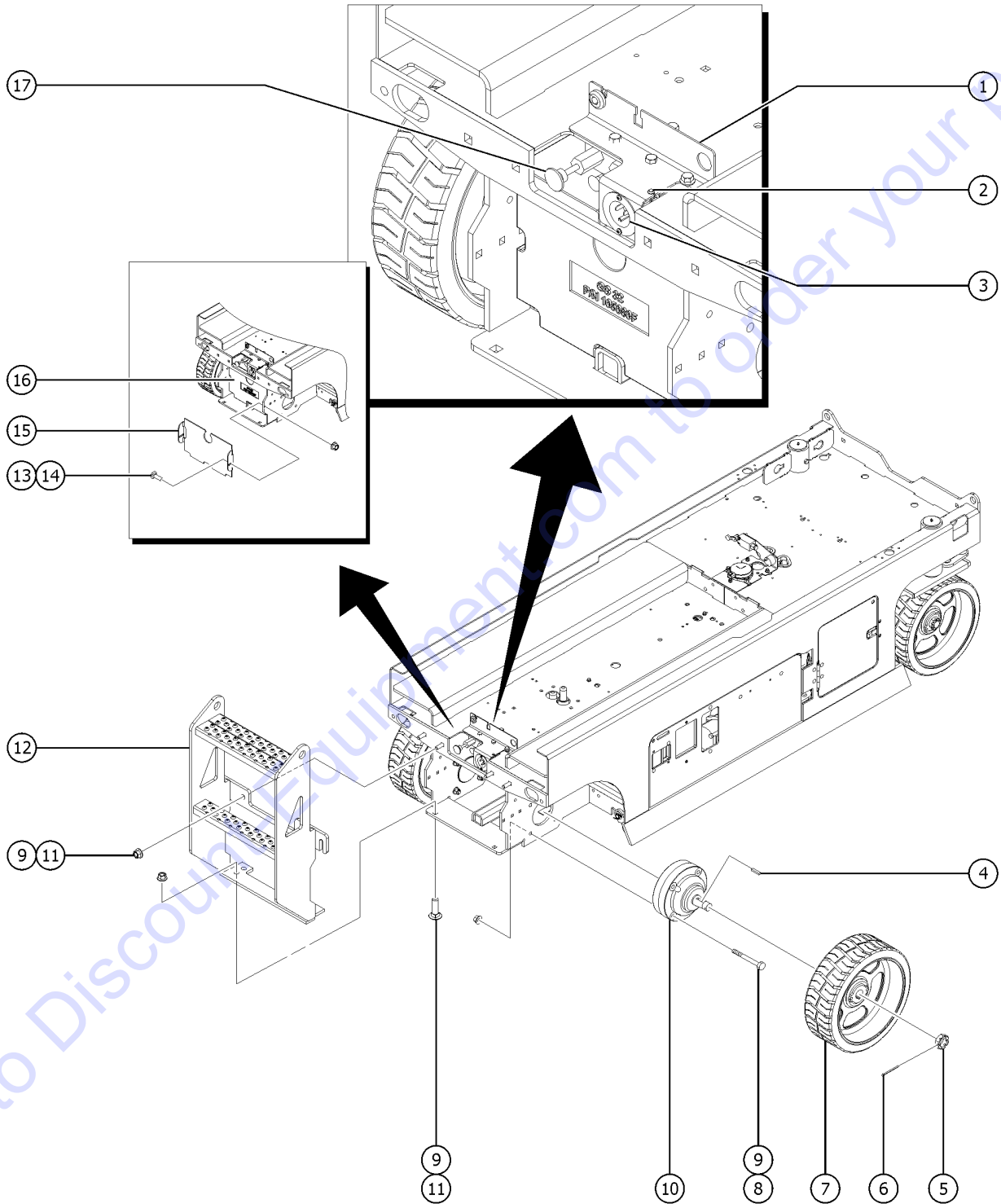
202.1 Non-steer Axle Installation



Item	Part No.	Description	Qty.
1	132614GT	GS3246_FORMING,ALT.PLUG BRKT,M .....	
2	1270281GT	ASSEMBLY, CHARGER STATUS LED, 2V .....	
3		PLUG, ELECTRICAL .....	
		(refer to 402.1)	
4	44781GT	KEY,RECTANGULAR,.31X.28X1.25** .....	2
5	44780GT	NUT,CASTLE,1.125-18 UNEF .....	2
6	42079GT	PIN,COTTER,.156 X 2.5 .....	2
7	1256051GT	WHEEL&TIRE ASSY,LP,15",EXMALE .....	2
8	1256287GT	SCREW,HHC,1/2-13X3.5,8,ZAG .....	
9	1251997GT	NUT,TL FLG,1/2-13,G,ZAG .....	
		(refer to 501.1)	
10		Ref: HYDRAULIC BRAKE .....	
		(refer to 501.1)	
11	1256115GT	BOLT,CARRIAGE,1/2-13X1.75,5,ZA. ....	
12	132373GT	WLDMT,GS32/46 LADDER*** .....	1
		GS-2032 (decals not included refer to section one)	
12B	132364GT	WELDMENT,20XX LADDER .....	1
		GS-2632, GS-3232 (decals not included refer to section one)	
13	1255757GT	BOLT,CARRIAGE,3/8-16X1.25,5,ZAG .....	
		GS-2032, GS-2632	
13B	60790GT	BOLT,CARRIAGE,3/8-16 X1.50,G5 .....	
		GS-3232	
14	824029GT	NUT,TL FLG,3/8-16,G,ZAG .....	
15	105140GT	FORMING,CWT,COVER,GS32 .....	
16	96982GT	STAB PKG,GS32 ROW .....	1
		GS-2032 (Australia & CE)	
16-	105080GT	COUNTERWEIGHT,GS32,REAR .....	1
16-	1275336GT	COUNTERWEIGHT,REAR CAST, GS2032 .....	1
16-	1278658GT	COUNTERWEIGHT,FRONT CAST, GS2033 .....	4
16-	1278657GT	FORMING,STOP,COUNTERWEIGHT .....	1
16-	1255759GT	BOLT,CARRIAGE,1/2-13X2,5,ZAG .....	2
16-	1251997GT	NUT,TL FLG,1/2-13,G,ZAG .....	4
16-	1255760GT	WASHER,FLAT,1/2,USS,ZAG .....	16
16-	1256112GT	SCREW,HHC,1/2-13X6,8,ZAG .....	4
16-	1256179GT	BOLT,CARRIAGE,1/2-13X1.5,5,ZAG .....	2
16-	1256106GT	NUT,TL,1/2-13,C,ZAG .....	4



202.1 Non-steer Axle Installation



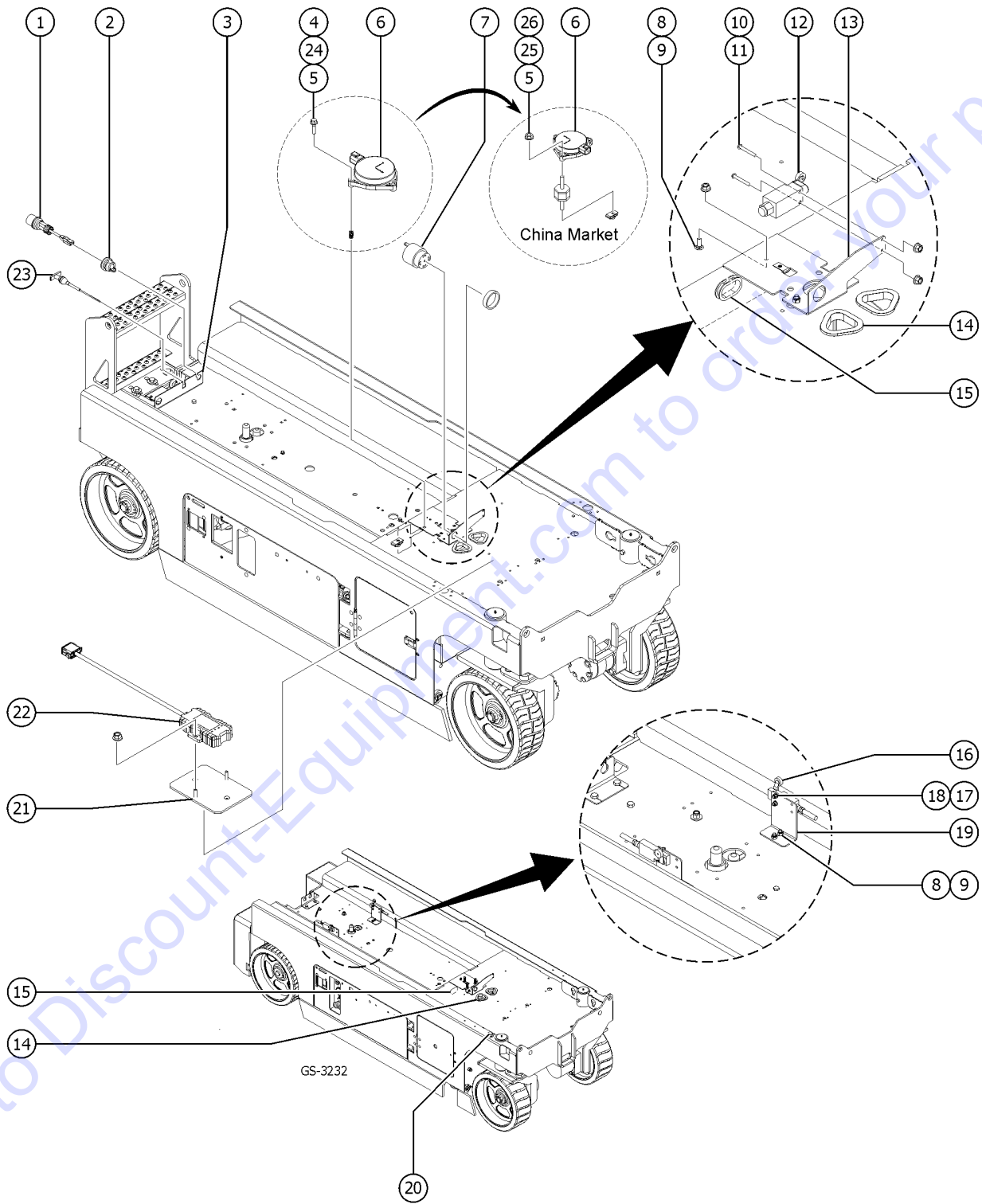
202.1 Non-steer Axle Installation

Item	Part No.	Description	Qty.
16-	1256168GT	SCREW,HHC,1/2-13X1.75,8,ZAG .....	4
16B	105669GT	STAB PKG 2632 ROW GS-2632 (Australia & CE) .....	1
16B-	105080GT	COUNTERWEIGHT,GS32,REAR .....	1
16C	96981GT	STAB PKG,GS32 STD GS-2632 (ANSI), GS-3232 (ANSI & CE & Australia) .....	1
16C-	105080GT	COUNTERWEIGHT,GS32,REAR .....	1
16C-	105100GT	PLATE,CWGT,GS32 REAR .....	1
17		Ref: BRAKE RELEASE MANIFOLD (refer to 503.1) .....	

Go to Discount-Equipment.com to order your parts



203.1 Level Sensor Installation



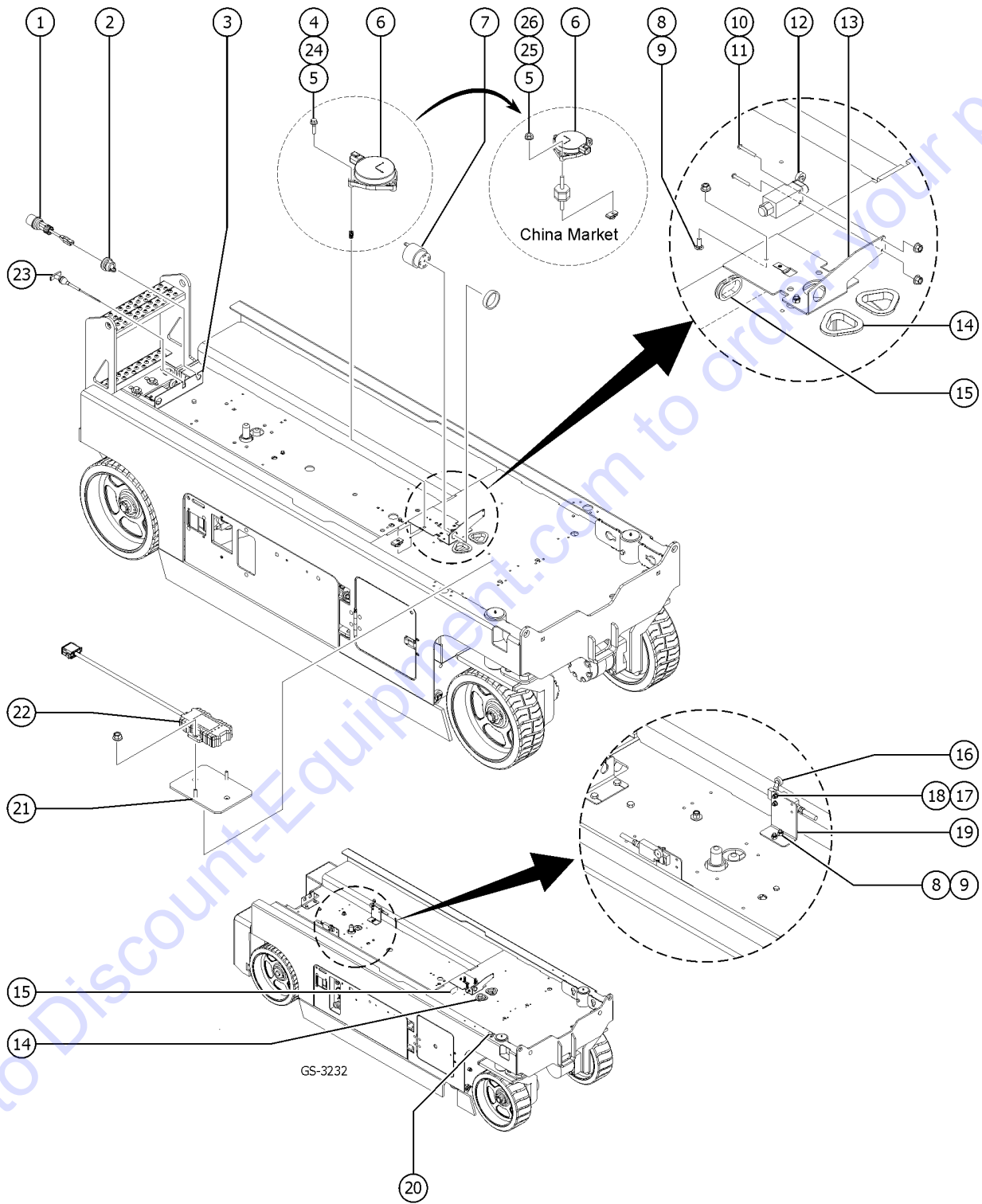


203.1 Level Sensor Installation

Item	Part No.	Description	Qty.
A	1289561GT	BRACKET, TELEMATICS .....	
A	1289520GT	MODULE, TELEMATICS, ZTR, M7, NORTH AMERICA .....	
A	1289521GT	MODULE, TELEMATICS, ZTR, M7, EMEA/APAC .....	
B	1284236GT	KIT, UTS LEVEL SENSOR CONVERSION, GS3232 (to convert from uts to analog and digital level sensors) .....	
B	1284414GT	GS3232 LEVEL SENSOR CONVERSION INSTALLATION INSTRUCTIONS .....	
		(instructions for 1284236)	
1		Ref. Electrical Plugs and Cords .....	
		(refer to 209.1, 210.1 or 403.1)	
2	128118GT	BUSHING,STRAIN RELIEF,.875/.40 .....	1
3	132614GT	GS3246_FORMING,ALT.PLUG BRKT,M .....	1
4	824063GT	SCREW, HHC, 1/4-20 X 1.75, 8, ZAG .....	3
		(use with 1263538)	
4B	824079GT	SCREW,HHF,1/4-20X1,8,ZAG .....	3
		(use with 823368)	
5	56912GT	SPRING CLIP,1/4-20,.025-.15X.54,ZAG .....	3
6	1294727GT	LEVEL SENSOR ASSY,32/46,METRIC .....	1
		GS-3232	
6B	1263538GT	LEVEL SENSOR ASSY, 32/46,UTS .....	1
		GS-2032, GS-2632	
6B-	823368GT	SENSOR,LEVEL,UNIVERSAL .....	1
		(shown), GS-2032, GS-2632	
7	39540GT	ALARM,STEADY TONE*** .....	1
		Does not include 72326GT nut	
7-	72326GT	NUT - PLASTIC,RING FOR ALARMS .....	
8	824124GT	BOLT,CARRIAGE,1/4-20X.75,5,ZAG .....	3
9	824027GT	NUT,TL FLG,1/4-20,G,ZAG .....	3
10	824216GT	SCREW,PHPM,10-32X1.5,ZAG .....	2
11	1274168GT	NUT,NYLOCK,10-32,A,ZAG .....	2
12	T112507GT	ASSEMBLY, DOWN LIMIT, GS .....	1
		(Includes plug)	
12-	19491GT	CONTACTOR,LIMIT SWITCH .....	
12-	96948GT	SWITCH,LIMIT,W/ROLLER ARM*** .....	
12-	97128GT	ROLLER ARM,LIMIT SWITCH*** .....	
13	1267821GT	FORMING, ALARM BRACKET, METRIC .....	
		(universal bracket for uts and digital level sensor)	
14	47232GT	GROMMET,RUBBER 2 X 2.75 .....	2
15	47238GT	GROMMET,RUBBER 1.5 ID .....	1
16	105664GT	ASSY,22 FT LIMIT SWITCH,GS3232 .....	1



203.1 Level Sensor Installation



Item	Part No.	Description	Qty.
16-		Ref.Wire Harness Assy GS-3232 (refer to 209.1, 210.1)	
17	1271081GT	NUT,NYLOCK,8-32,8,ZAG	2
18	1257909GT	SCREW,PHPM,8-32 X .875,ZAG	2
19	105736GT	FRMING,LMT SWCH BRKT,3232	1
20	6714GT	LEVEL,BUBBLE GS-3232	1
21	1289561GT	BRACKET, TELEMATICS	1
22	1289520GT	MODULE, TELEMATICS, ZTR, M7, NORTH AMERICA	1
23	39232GT	CABLE,EMERGENCY DOWN	1
24	39469GT	SPRING,COMPRESSION.485 X1.75** (for use with 228406)	3
25	1301073GT	ISOLATOR,1/4 THRD,HEX China market	3
26	1256679GT	NUT,SERRATED,1/4-20,8,ZAG China market	3

Go to Discount-Equipment.com to order your parts



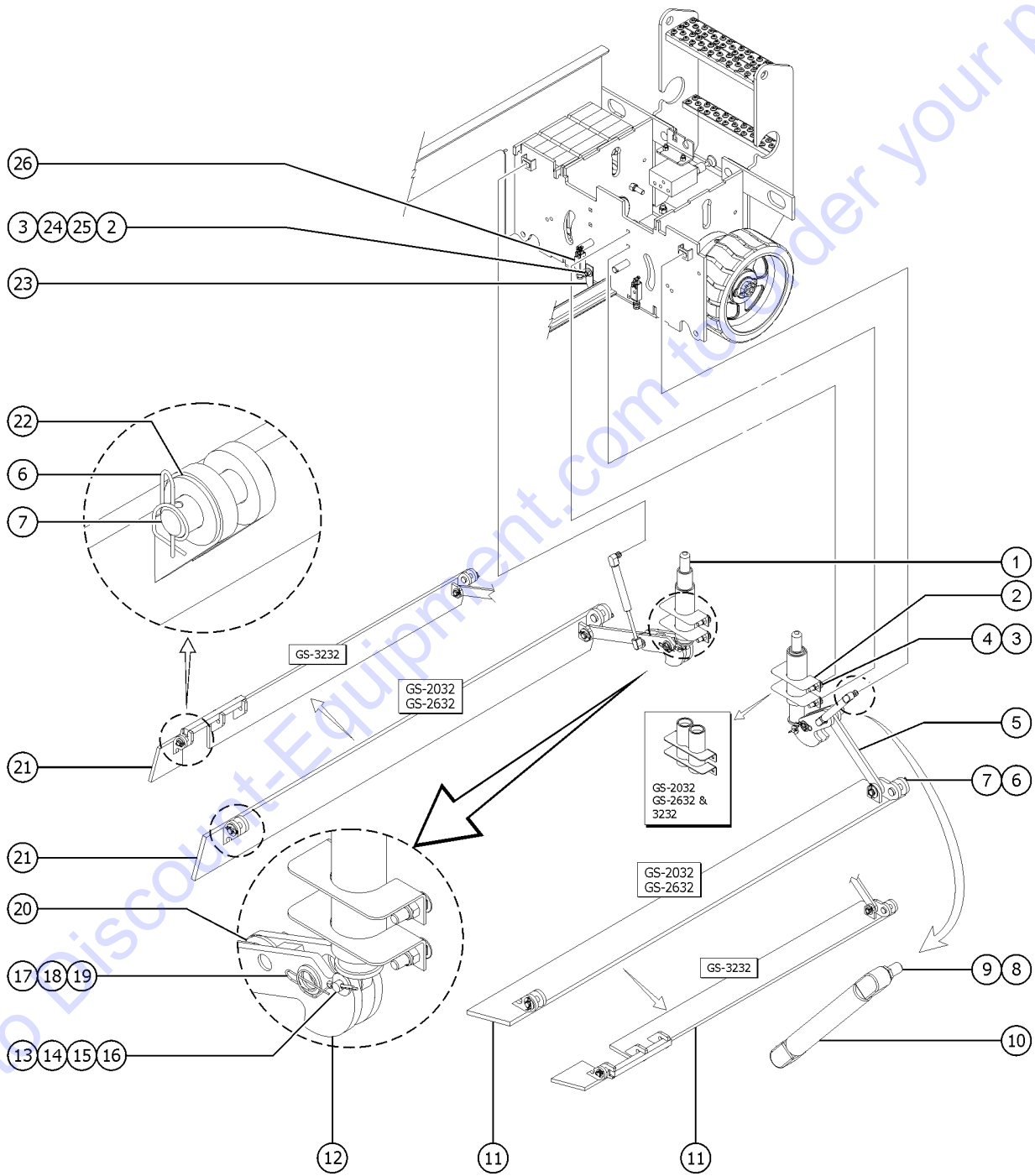


204.1 Pothole Protection Assembly

Item	Part No.	Description	Qty.
1	132994GT	ASSY,POT HOLE PUSHER,METRIC .....	
2	132163GT	WELDMENT, PH GUIDE,GS30/32 .....	2
2-	96408GT	BEARING,1.523IDX1.75ODX0.63L .....	
3	1255757GT	BOLT,CARRIAGE,3/8-16X1.25,5,ZAG .....	10
4	824029GT	NUT,TL FLG,3/8-16,G,ZAG .....	8
5	132371GT	PLATE, POTHOLE LINK .....	2
6	1259177GT	RUE RING,5/8,ZAG .....	6
7	1259197GT	PIN,CLEVIS,.625X1.88,ZAG .....	6
7B	105156GT	BUSHING,FLNGD,.63 X .77 X .38 (for 84574GT and 96638GT, sold separately)	
8	824038GT	NUT, TL JAM, 3/8-16, A, ZAG .....	2
9	78086GT	BALL STUD, GAS STRUT, 3/8-16 .....	
10	39542GT	GAS SHOCK,SCISSORS*** .....	2
11	132362GT	WELDMENT, POTHOLE, LEFT SIDE GS-2032, GS-2632 (battery pack side)	1
11B	109894GT	WLDMT,POTHOLE,LT,OR GS-3232 (battery pack side)	1
12	132133GT	WLDMT, POT HOLE BELLCRANK LINK .....	2
13	12016GT	PIN,COTTER,.125 X .75 .....	
14	825358GT	WASHER,FLAT,5/16,USS,ZAG .....	2
15	1259178GT	PIN,CLEVIS,.375X1.75,ZAG .....	2
16	96541GT	CAM FOLLOWER,1.125X.375,DELRIN .....	2
17	824128GT	RUE RING,3/4,ZAG .....	2
18	1259686GT	WASHER,FLAT,.765X1.312X.093,ZA .....	2
19	55355GT	SPACER,.75ID X 1.5OD X 1/4THK .....	
20	96085GT	WASHER,THRUST,.63 X 1.13 X .06 .....	
21	132357GT	WELDMENT, POTHOLE, RIGHT SIDE GS-2032, GS-2632 (ground controls side)	1
21B	109893GT	WLDMT,POTHOLE,RT,OR GS-3232 (battery pack side)	1
22	1259180GT	WASHER,SHIM,.625X1.188X.064,ZA .....	6
23	105060GT	GROUND STRAP, 8"LG .....	1
24	1255758GT	WASHER,FLAT,3/8,USS,ZAG .....	2



204.1 Pothole Protection Assembly



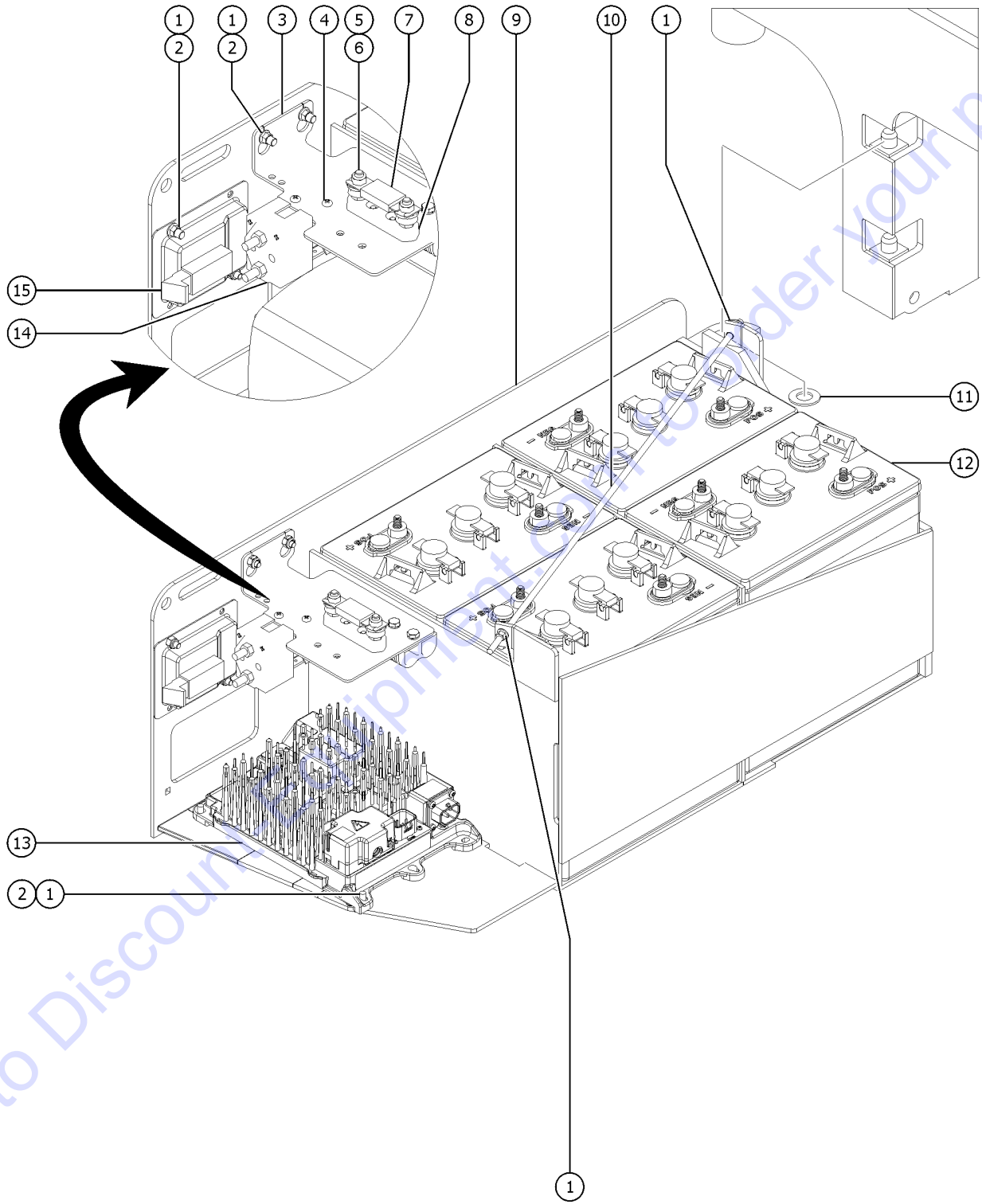
204.1 Pothole Protection Assembly

Item	Part No.	Description	Qty.
25	824025GT	NUT,TL,3/8-16,C,ZAG .....	2
26	96948GT	SWITCH,LIMIT,W/ROLLER ARM*** .....	2
26-	1256177GT	SCREW,PHPM,10-32X1.75,ZAG .....	
26-	19491GT	CONTACTOR,LIMIT SWITCH .....	
26-	274168GT	NUT,NYLOCK,10-32,A,ZAG .....	
26-	97128GT	ROLLER ARM,LIMIT SWITCH*** .....	

Go to Discount-Equipment.com to order your parts



205.1 Battery Pack Module



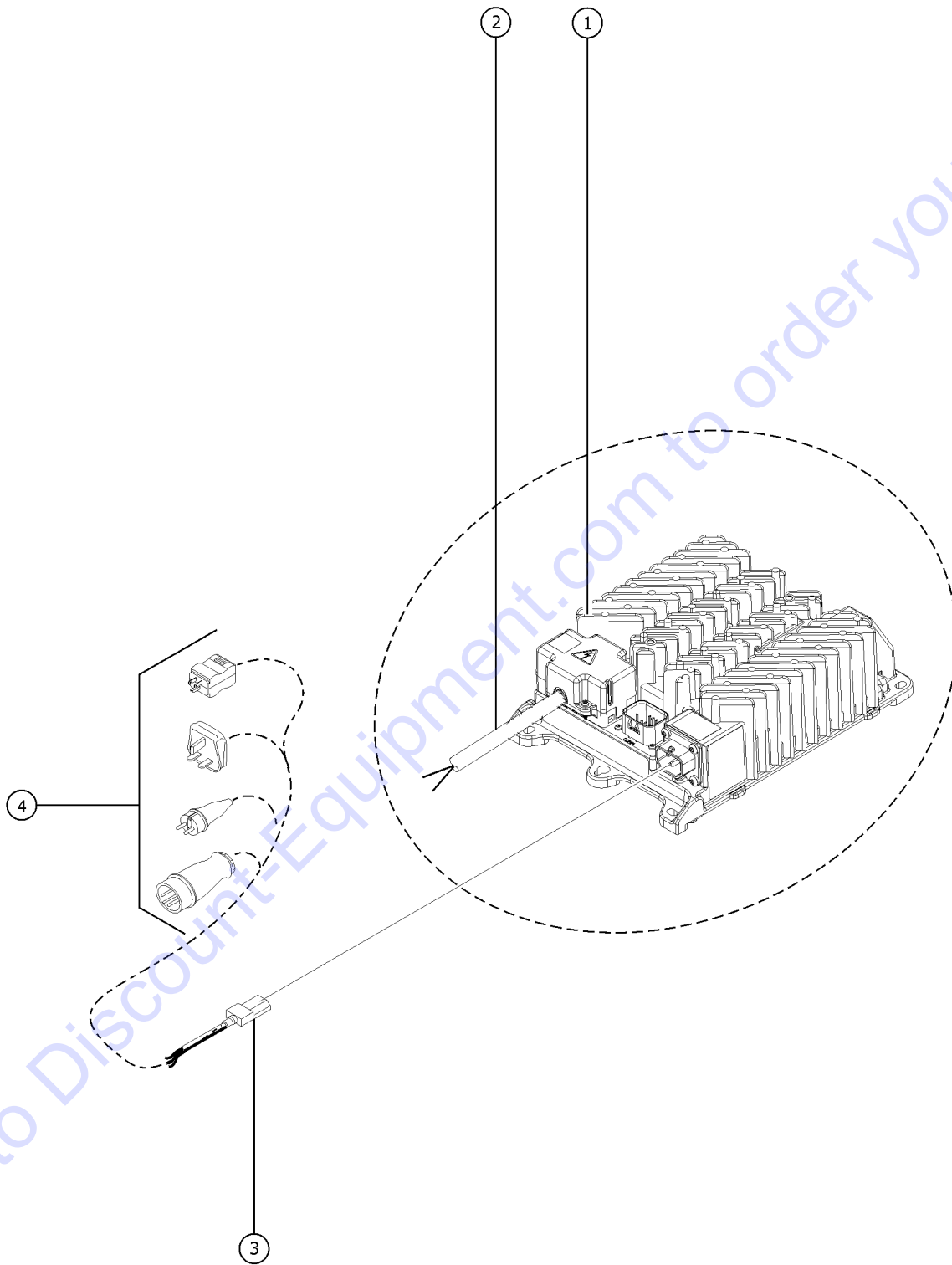


205.1 Battery Pack Module

Item	Part No.	Description	Qty.
1	824027GT	NUT,TL FLG,1/4-20,G,ZAG .....	10
2	824124GT	BOLT,CARRIAGE,1/4-20X.75,5,ZAG .....	8
3	1282144GT	FORMING, CONTACTOR/FUSE BRACKET,METRIC .....	1
4	825349GT	SCREW,PHPM,10-32X.38,ZAG .....	2
5	13000GT	SCREW,HHC,5/16-18 X 1.25 .....	2
6	1255805GT	NUT,SERRATED,5/16-18,8,ZAG .....	2
7	40833GT	FUSE,275 AMP,VERY FAST ACTING .....	1
8	66717GT	FUSE BLOCK, ANN & ANL FUSE .....	1
		(includes mounting fasteners)	
9	1273354GT	WLDMT, GS BATTERY TRAY .....	1
10	30784-2550GT	THREADED ROD,(1/4-20),25.50 .....	1
11	1256863GT	WASHER,FLAT,.75,SAE,HRD,ZAG .....	2
12	76494GT	BATT,6V,225AH T105 LPT\3CAP .....	4
12-	1255805GT	NUT,SERRATED,5/16-18,8,ZAG .....	
12-	137769GT	BATTERY WATERING HAND PUMP .....	
12-	137770GT	BATTERY WATERING KIT, 24V UNIV .....	
		(to watch the installation video, copy and paste this link to your web browser) https:	
		//www.youtube.com/watch?v=13zTfl-hWik	
12B	1263152GT	FULLRIVER BATT,DC224-6,6V,224AH,GS3246 AGM .....	4
12B-	137769GT	BATTERY WATERING HAND PUMP .....	
12B-	137770GT	BATTERY WATERING KIT, 24V UNIV .....	
		(to watch the installation video, copy and paste this link to your web browser) https:	
		//www.youtube.com/watch?v=13zTfl-hWik	
12C	1257609GT	BATTERY,6V,240AH,T125,LPT\3CAP .....	4
13		Ref. Battery Charger .....	
		(refer to 206.1)	
14	1270457GT	CONTACTOR, DRIVE, 24V, 180A UNBRANDED .....	1
15	55675GT	LATCH, LRG PADDLE HANDLE GS90 .....	1



206.1 Battery Charger



Go to Discount-Equipment.com to order your parts

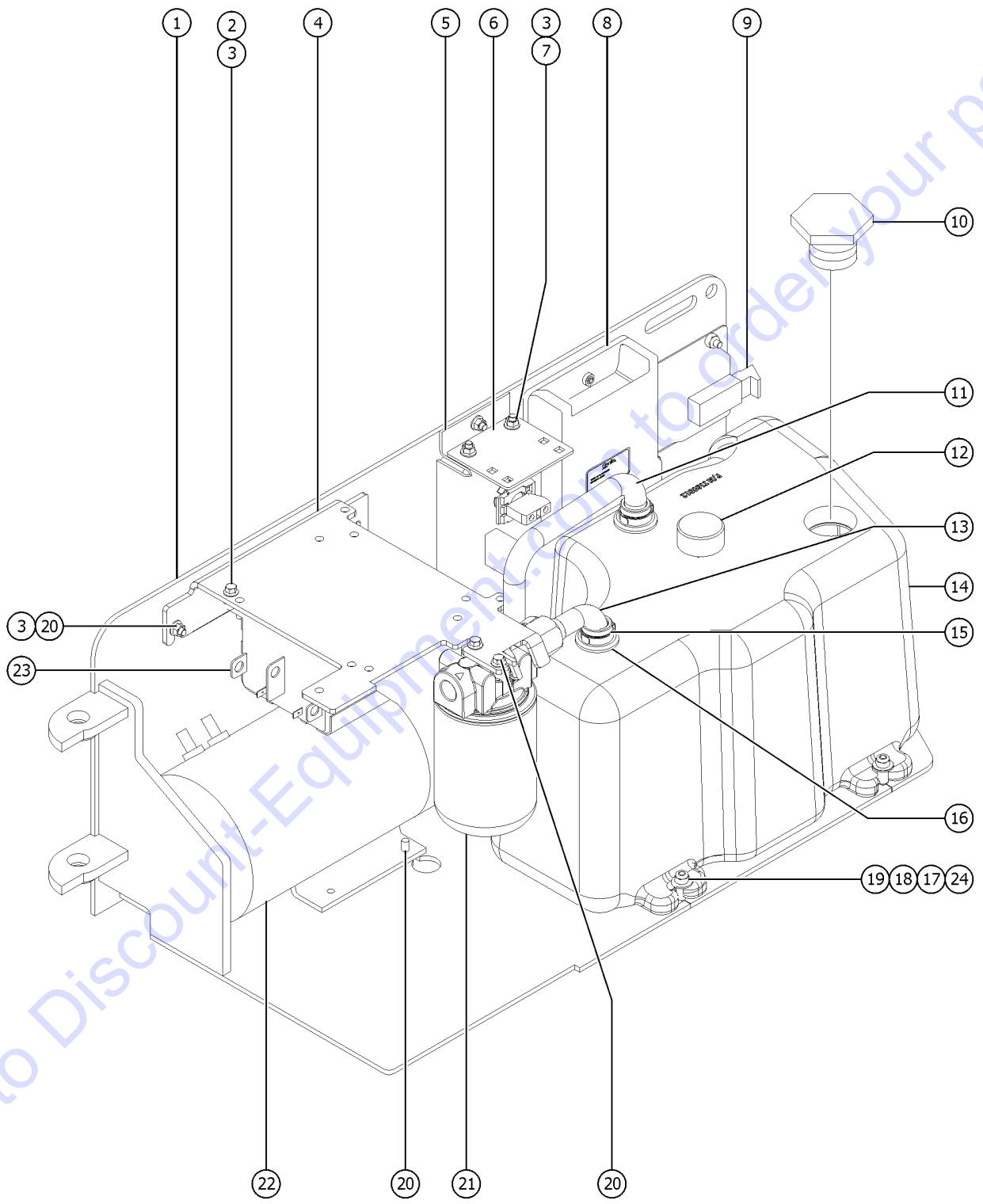
206.1 Battery Charger

Item	Part No.	Description	Qty.
A	105334GT	CONNECTOR, IEC CHARGER CORD ..... for 5-LED battery charger	
B	40833GT	FUSE,275 AMP,VERY FAST ACTING ..... for 5-LED battery charger	
C	1273576GT	CABLE ASSY,CHARGER/BATTERY ..... (for 1264372)	
1	1272232GT	CHARGER, 24V, 650W, USB ..... 1	
2		Ref. CABLE ASSY,CHARGER/BATTERY ..... (refer to 211.1)	
3	1272557GT	POWER CORD, IEC 320, 90 DEG ..... 1	
4		Ref. PLUG, ELECTRICAL ..... (refer to 402.1)	

Go to Discount-Equipment.com to order your parts



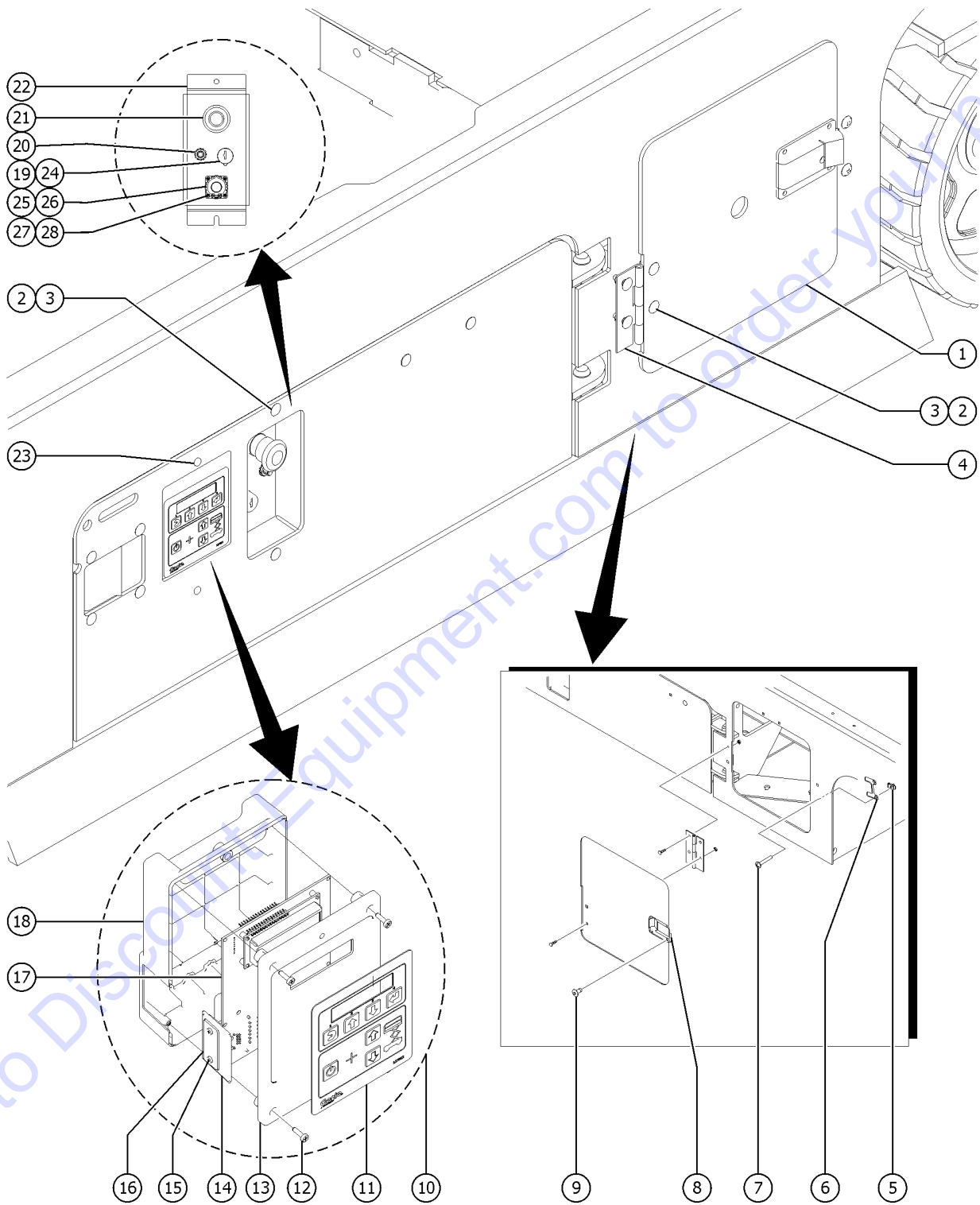
207.1 Power Unit Module



Item	Part No.	Description	Qty.
1	132901GT	ASSY, GS HYDRAULIC TRAY .....	1
1-	227166GT	WELDMENT, GS HYD TRAY, MET (decals not included, refer to section one) .....	1
2	824080GT	SCREW,HHF,1/4-20X1.25,8,ZAG .....	
		(refer to figure 208.1)	
3	824027GT	NUT,TL FLG,1/4-20,G,ZAG .....	
4	1273016GT	FORMING, FILTER-CNTRLR MOUNT .....	
5		Ref. FORMING, CONTROL PANEL .....	
		(refer to figure 208.1)	
6	227164GT	GS3246_PLATE, HARNESS MOUNT, MET .....	1
7	824124GT	BOLT,CARRIAGE,1/4-20X.75,5,ZAG .....	
8		Ref. GCON, GR/GRC/GS .....	
		(refer to figure 208.1)	
9	55675GT	LATCH, LRG PADDLE HANDLE GS90 .....	1
10	66204GT	FILTER CAP (PLUG 1-1/2" NPT HEX .....	1
11	1270598GT	TUBE,SLAB DRAW ASSEMBLY .....	
11-	1270600GT	TUBE,SLAB RETURN ASSEMBLY .....	
11-	1273016GT	FORMING, FILTER-CNTRLR MOUNT .....	
12	78546GT	BREATHER CAP,HYD.TANK,1/4 NPT .....	1
13	1270600GT	TUBE,SLAB RETURN ASSEMBLY .....	
14	226163GT	HYD. TANK KIT, GS30,32,46 .....	1
		(includes items 15 and 16)	
14-	T109012GT	TANK,HYD, SLAB SCISSORS .....	
15	96855GT	CLAMP,HOSE,1 EAR,1-1/16*** .....	2
16	96709GT	GROMMET,SLAB HYD TANK*** .....	2
17	96699GT	SLEEVE,TANK SUPPORT .....	
18	824113GT	WASHER,FLAT,1/4,USS,ZAG .....	
19	1256463GT	BOLT,CARRIAGE,1/4-20X1.25,5,ZAG .....	
20	824078GT	SCREW,HHF,1/4-20X.75,8,ZAG .....	
21		REF. FILTER ASSY .....	
		(refer to figure 501.1)	
22		REF. ELECTRIC MOTOR/PUMP .....	
		(refer to figure 505.1)	
23	1257840GT	MOTOR CONTROLLER, DC,24V,360A .....	
24	6091GT	NUT,NYLOCK,1/4-20 .....	3



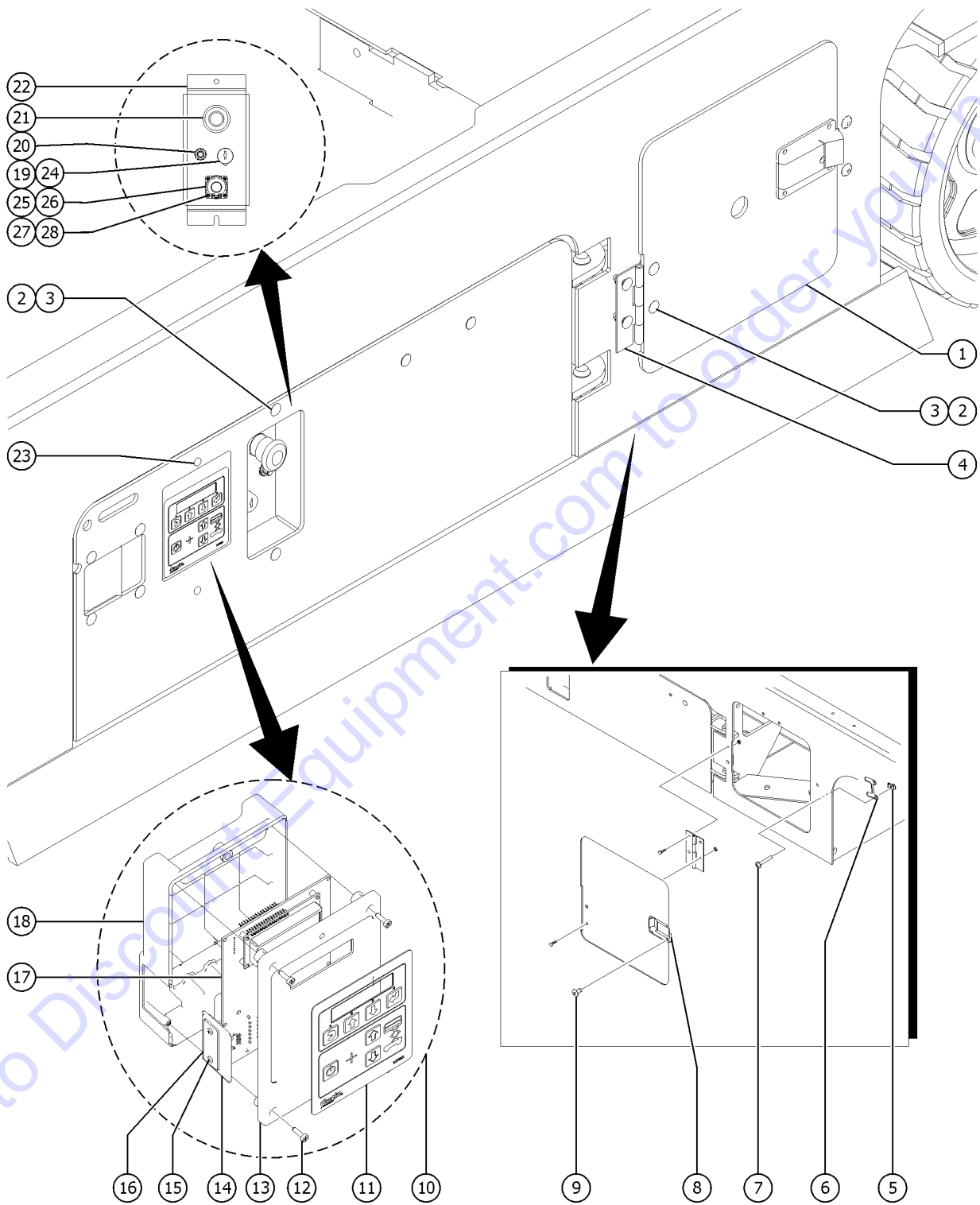
208.1 Ground Controls



Item	Part No.	Description	Qty.
A	1252764GT	SPACER, GROUND CONTROL ECU .....	1
B	824216GT	SCREW,PHPM,10-32X1.5,ZAG .....	
1	132556GT	PLATE SIDE DOOR HTA .....	1
2	824124GT	BOLT,CARRIAGE,1/4-20X.75,5,ZAG .....	6
3	824027GT	NUT,TL FLG,1/4-20,G,ZAG .....	6
4	105734GT	HINGE,ACCESS DOOR(13G) .....	1
5	56912GT	SPRING CLIP,1/4-20,.025-.15X.54,ZAG .....	2
6	132557GT	PLATE SIDE DOOR STOP HTA .....	1
7	1260984GT	SCREW,PHPM,1/4-20X.75,ZAG .....	2
8	105759GT	LATCH,COMPRESSION,SMALL .....	1
9	824206GT	RIVET, STL, STL, DOME, 1/8 X .25, ZAG .....	2
10	1256721GT	GCON,STD,PROP LIFT .....	1
		GS-2032 and GS-2632	
10B	1256722GT	GCON,O/R,PROP LIFT .....	1
		GS-3232	
10B-	1256808GT	LABEL,GCON O/R,SERIAL .....	
		(GS-3232)	
11	137562GT	DECAL,MEMBRANE, GR/GRC/GS GCON. ....	1
12	137668GT	SCREW,PHM,6-19X.75, 48-2 TRI-L .....	4
13	T106366GT	ENCLOSURE,GC27-25/GC21-19,FRNT .....	1
14	T106363GT	ADAPTER, RJ45, GC27-25/GC21-19 .....	1
15	137637GT	SCREW,PHM,4-20X.5, 48-2 TRI-L .....	2
16	T106362GT	COVER, RJ45, GC27-25/GC21-19 .....	1
17	1256719GT	PCBA,GCON STD,PROP LIFT .....	1
		GS-2032 and GS-2632	
17B	1256720GT	PCBA,GCON O/R,PROP LIFT .....	1
		GS-3232	
18	T106372GT	ENCLOSURE, GC21-19, BK .....	1
		GS-2032 and GS-2632	
18B	T106371GT	ENCLOSURE, GC27-25, BK .....	1
		(GS-3232)	
19	96008-SGT	KEYSWITCH,3 POS. W/KEYS*** .....	1
19-	37947GT	KEYS,10 PACK*** .....	
		(sold seperately)	
19-	83093GT	KEY SINGLE*** .....	
		(sold seperately)	
19-	85239GT	NUT,RETAINER (96008) .....	
		(sold seperately)	



208.1 Ground Controls

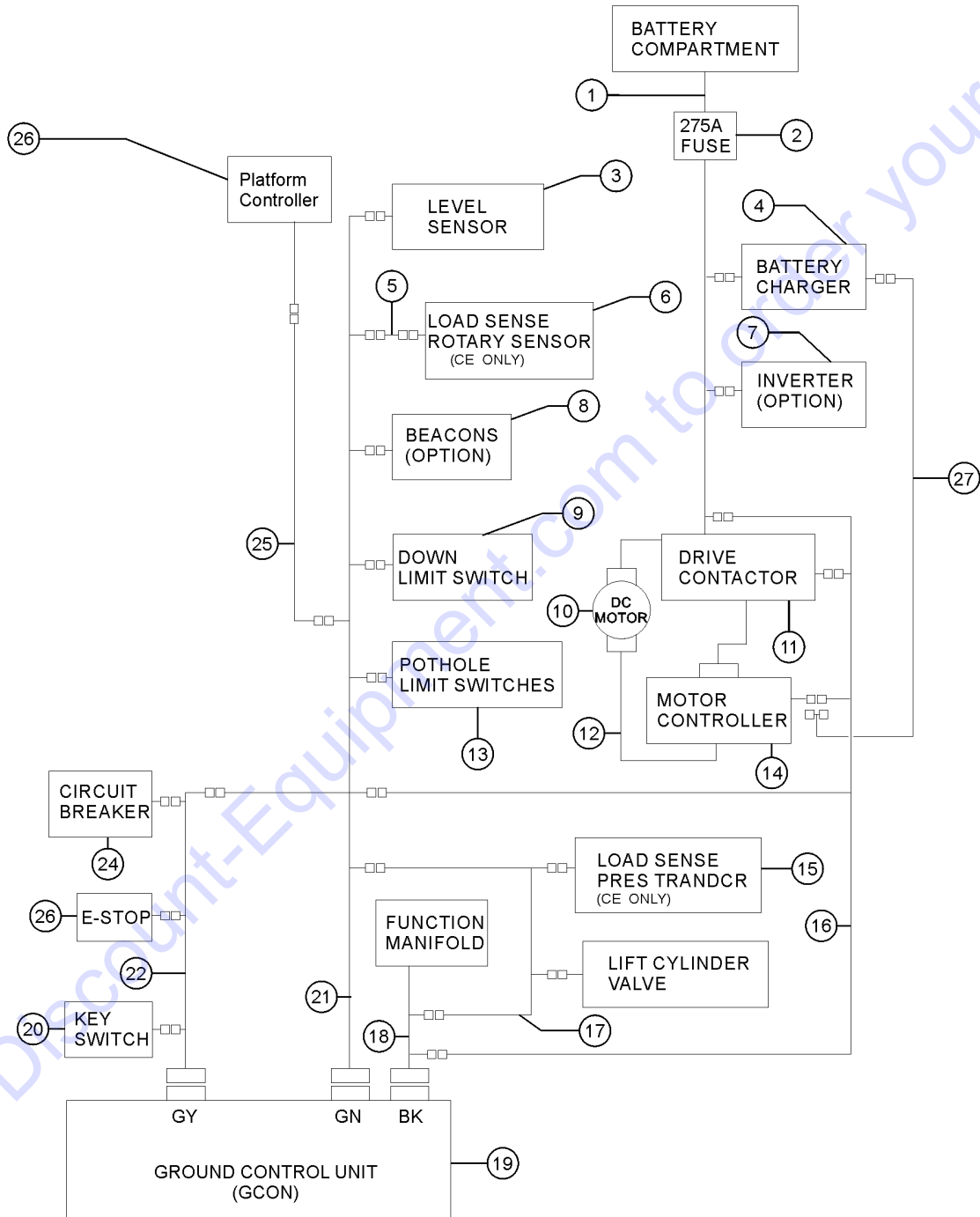




Item	Part No.	Description	Qty.
19-	96009GT	WASHER,NITRILE ..... (sold seperately)	
19-	96010GT	SCREW,PHILLIPS,PHM,8-32 X.25** ..... (sold seperately)	
20	96452GT	CIRCUIT BREAKER,7.0 AMP***	1
20-	122994GT	NICKEL PLATED JAM NUT	
20-	6700GT	WASHER,STAR,EXTERNAL,,375	
21	66812GT	BUTTON,PUSH,RED MUSHROOM HEAD	1
21-	58627GT	NUT	
21-	66817GT	BASE WITH 1 NC CONTACT, E-STOP	
22	1284781GT	FORMING,CONTROL PANEL,TECH PRO,METRIC	1
23	51063GT	SCREW,PHILLIPS,RHM,10-32 X 1.5	2
24	96010GT	SCREW,PHILLIPS,PHM,8-32 X.25**	3
25	1272122GT	CONNECTOR, RECEPTACLE, 5 WAY CIRCULAR	1
26	1272123GT	DUST CAP, RECEPTACLE, 5 WAY, C	1
27	1253477GT	SCREW,PHPM,4-40X.5,ZAG	4
28	826854GT	NUT,NYLOCK,4-40	4

Go to Discount-Equipment.com to order your parts

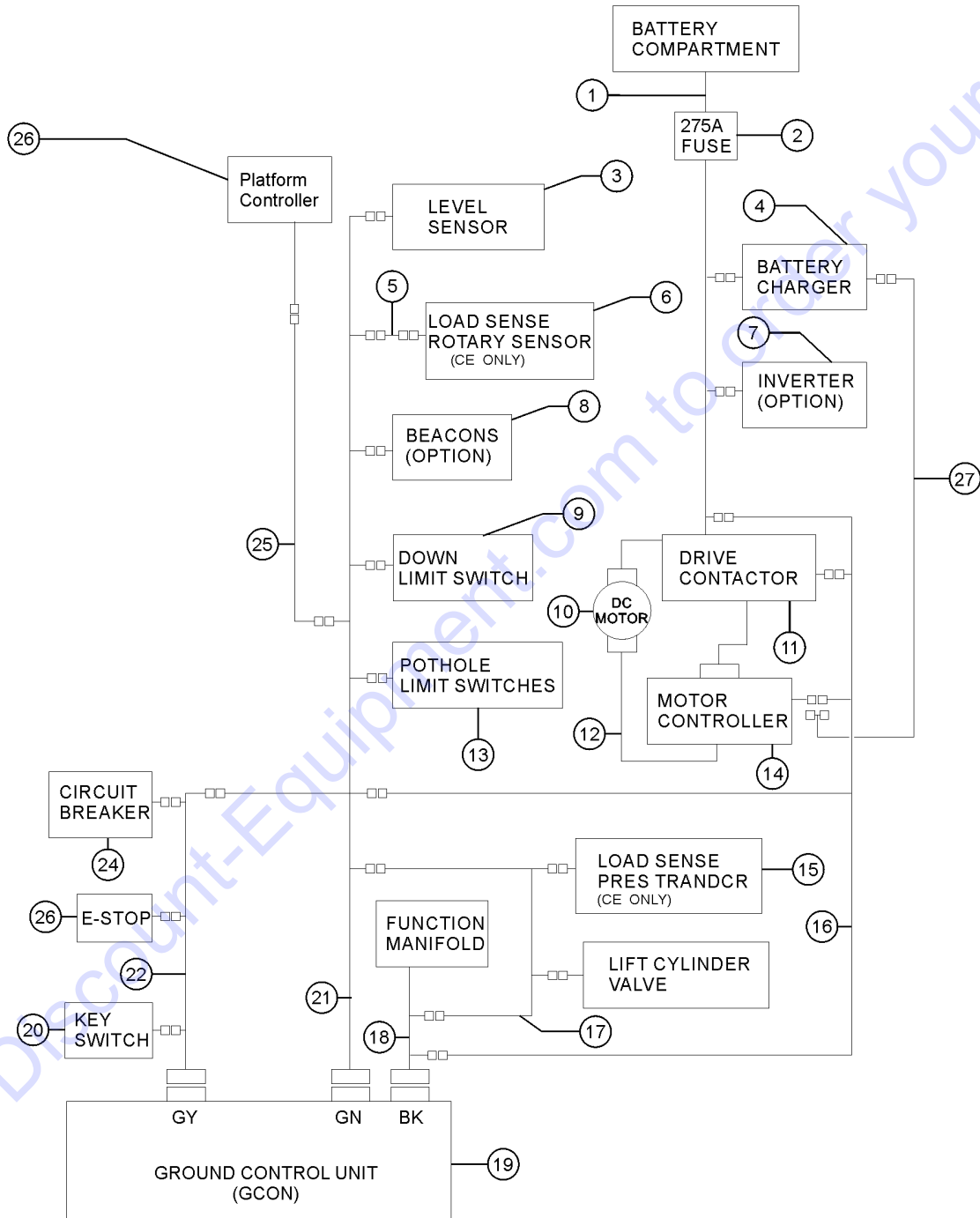




Item	Part No.	Description	Qty.
A	105214GT	CABLE TIE MOUNT, WINGED ..... not shown	
A	56926GT	CLIP, TIE HARNESS MOUNT*** ..... not shown	
B	1264822GT	KIT, TRC RETROFIT, STNDRD ..... Telematics (includes 1264834)	
B-	1264834GT	INSTRN, TRC RETROFIT, STNDRD .....	
1		REF. BATTERY CABLE ..... (refer to 211.1)	
2		REF. FUSE ..... (refer to 205.1)	
3		REF. LEVEL SENSOR ..... (refer to 203.1)	
4		REF. CHARGER ..... (refer to 206.1)	
5	T114031GT	HARNESS, ROTARY ANGLE .....	1
6	T113136GT	ASSY,ROT SENSR W/ HARNESS .....	1
7		REF. INVERTER ..... (refer to 604.1)	
8		REF. STOBE,BEACON ..... (refer to 601.1)	
9		REF. DOWN LIMIT, GS ..... (refer to 203.1)	
10		REF. ELECTRIC MOTOR ..... (refer to 504.1)	
11	1270457GT	CONTACTOR, DRIVE, 24V, 180A UNBRANDED .....	1
12		REF. BATTERY CABLE ..... (refer to 211.1)	
13	96853GT	ASSY,POTHOLE HARNESS GS32/GS46 .....	1
14		REF. MOTOR CONTROLLER ..... (refer to 207.1)	
15	229750GT	HARNESS,PRESS,TRANSDUCER*** .....	1
16	233431GT	HRNS,CONTACTOR SIGNL,GS30/32 .....	1
17	233053GT	CABLE,LFT CYL DN,20/26XX,W/LS ..... (CE, Australia)	1
17B	233054GT	CABLE,LFT CYL DN,20/26XX,WO/LS ..... (ANSI, CSA)	1
18	1257824GT	HARNESS,FUNCTION MANIFOLD,GS ..... (Black connector)	1
19		REF. GCON ..... refer to 208.1	
20		REF. KEYSWITCH ..... refer to 208.1	
21	1263221GT	HARNESS, GS SENSORS, ANSI,UTS ..... ANSI & CSA	
21B	1263220GT	HARNESS, GS SENSORS, CE,UTS ..... CE and AUS	
22	1258394GT	HARNESS,GS POWER CONTROL ..... (Grey connector)	



209.1 Electrical Wiring, GS-2032 and GS-2632

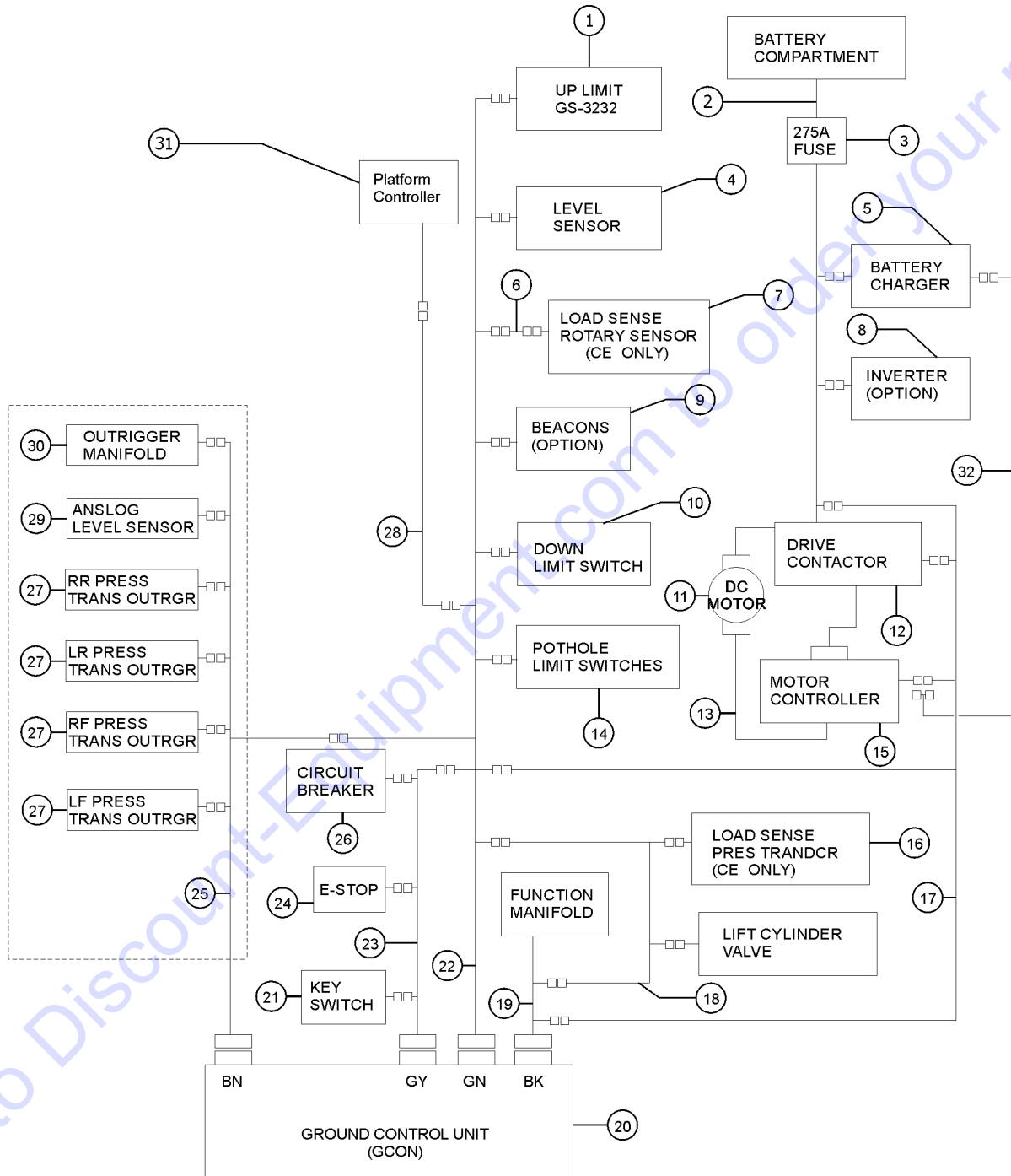


Item	Part No.	Description	Qty.
23		REF. E-STOP BUTTON ..... (refer to 208.1)	
24		REF. CIRCUIT BREAKER ..... (refer to 208.1)	
25	233050GT	CABLE, PLATFORM CONTROL, 20XX ..... GS-2032	1
25-	218579GT	WIRE CABLE 18/5 - UNSHIELDED ..... GS-2032	324
25-	231921GT	KIT,CONN,RECEPT W/PIN AND LOCK .....	
25-	231922GT	KIT,CONN,PLUG W/SCKT AND LOCK .....	
25B	233051GT	CABLE, PLATFORM CONTROL, 26XX ..... GS-2632	1
25B-	218579GT	WIRE CABLE 18/5 - UNSHIELDED ..... GS-2632	440
25B-	231921GT	KIT,CONN,RECEPT W/PIN AND LOCK ..... GS-2632	
25B-	231922GT	KIT,CONN,PLUG W/SCKT AND LOCK ..... GS-2632	
26		REF. PCON ..... (refer to 403.1)	
27	144213GT	CHARGER INTERLOCK CBLE,GS30/32 .....	

Go to Discount-Equipment.com to order your parts



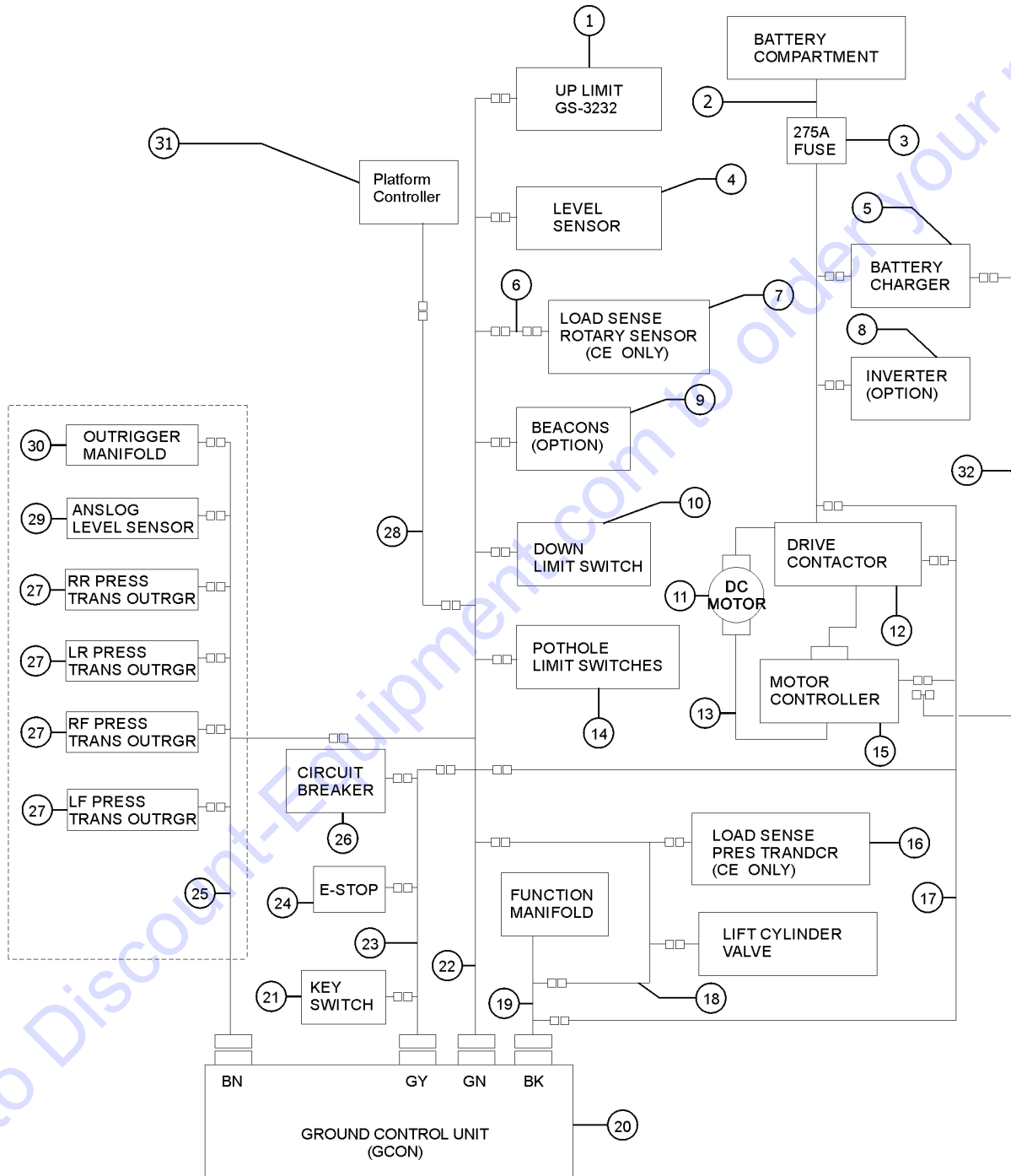
210.1 Electrical Wiring, GS-3232



Item	Part No.	Description	Qty.
A	1264822GT	KIT, TRC RETROFIT, STNDRD Telematics (includes 1264834)	
A-	1264834GT	INSTRN, TRC RETROFIT, STNDRD	
1	105664GT	ASSY,22 FT LIMIT SWITCH,GS3232	
2		REF. BATTERY CABLE (refer to 211.1)	
3		REF. FUSE (refer to 205.1)	
4		REF. LEVEL SENSOR (refer to 203.1)	
5		REF. CHARGER (refer to 206.1)	
6	T114031GT	HARNESS, ROTARY ANGLE	1
7	T113136GT	ASSY,ROT SENSR W/ HARNESS	1
8		REF. INVERTER (refer to 604.1)	
9		REF. STOBE,BEACON (refer to 601.1)	
10		REF. DOWN LIMIT, GS (refer to 203.1)	
11		REF. ELECTRIC MOTOR (refer to 504.1)	
12	1270457GT	CONTACTOR, DRIVE, 24V, 180A UNBRANDED	1
13		REF. BATTERY CABLE (refer to 211.1)	
14	96853GT	ASSY,POTHOLE HARNESS GS32/GS46	1
15		REF. MOTOR CONTROLLER (refer to 207.1)	
16		REF. PRESSURE TRANSDUCER HARNESS (refer to 701.1)	
17	233431GT	HRNS,CONTACTOR SIGNL,GS30/32	1
18	233055GT	CABLE,LIFT CYL DWN, 32XX,W/LS (Australia, CE)	1
18B	234168GT	CABLE,LIFT CYL DWN, 32XX,WO/LS (ANSI, CSA)	1
19	1257824GT	HARNESS,FUNCTION MANIFOLD,GS replaced T110889GT (Black connector)	1
20		REF. GCON (refer to 208.1)	
21		REF. KEYSWITCH (refer to 208.1)	
22	1284194GT	HARNESS, GS3232, SENSORS, ANSI (for use with 228406), ANSI & CSA	
22B	1284193GT	HARNESS, GS3232, SENSORS, CE (for use with 228406), CE & AUS	
23	1258394GT	HARNESS,GS POWER CONTROL	1
24		REF. E-STOP BUTTON (refer to 208.1)	



210.1 Electrical Wiring, GS-3232



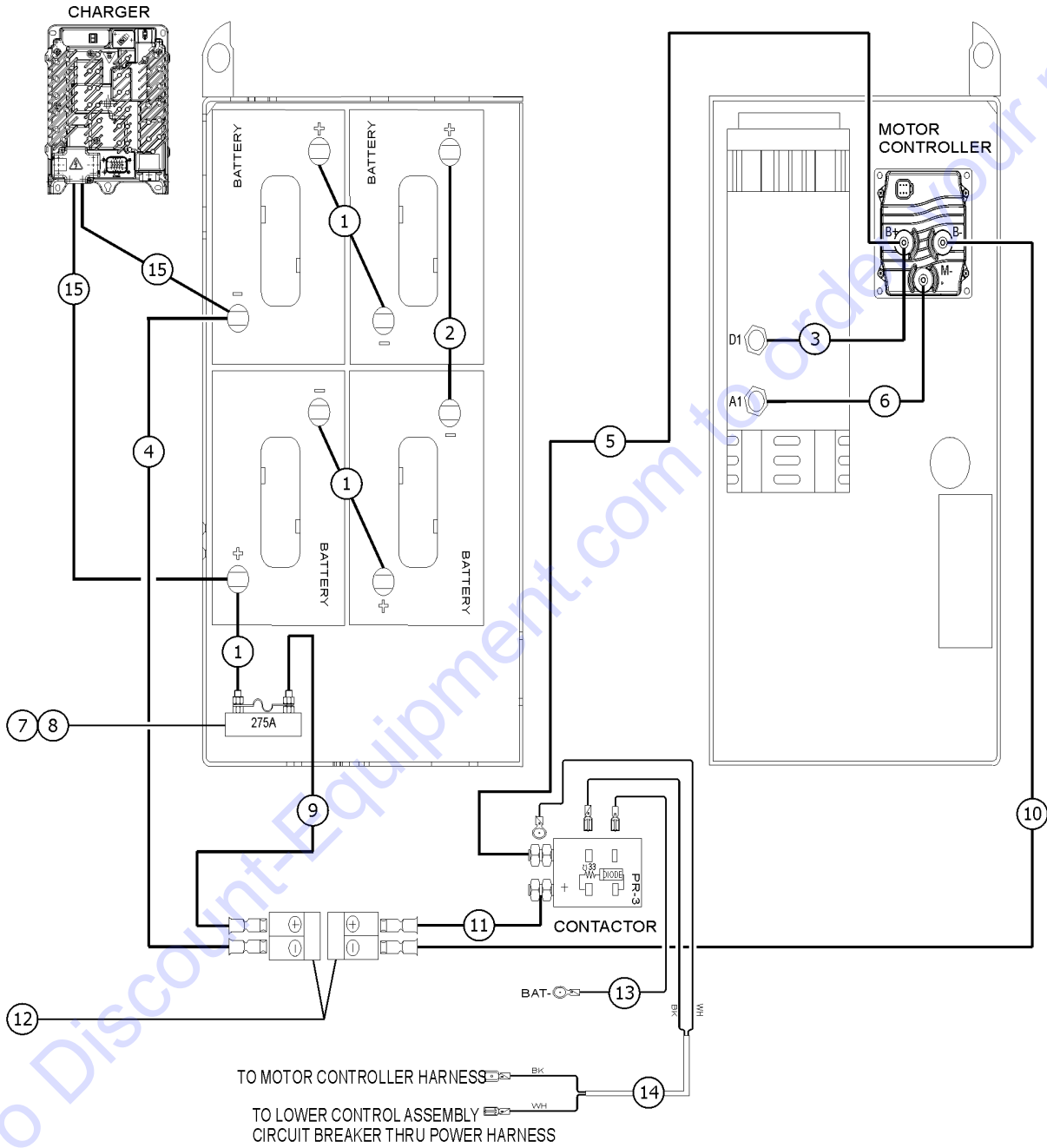


Item	Part No.	Description	Qty.
25	1284195GT	HARNES, GS3232, OUTRIGGER ..... (for use with 228406)	
26		REF. CIRCUIT BREAKER ..... (refer to 208.1)	
27	229750GT	HARNES,PRESS,TRANSDUCER*** ..... outriggers	1
28	233052GT	CABLE, PLATFORM CONTROL, 32XX .....	1
28-	218579GT	WIRE CABLE 18/5 - UNSHIELDED .....	518
28-	231921GT	KIT,CONN,RECEPT W/PIN AND LOCK .....	
28-	231922GT	KIT,CONN,PLUG W/SCKT AND LOCK .....	
29	105708GT	LEVEL SENSOR, ANALOG ..... (for use with 228406)	1
30		REF. OUTRIGGER MANIFOLD ..... (refer to 214.1)	
31		REF. PCON ..... (refer to 403.1)	
32	144213GT	CHARGER INTERLOCK CBLE,GS30/32 .....	

Go to Discount-Equipment.com to order your parts



211.1 Power Cables

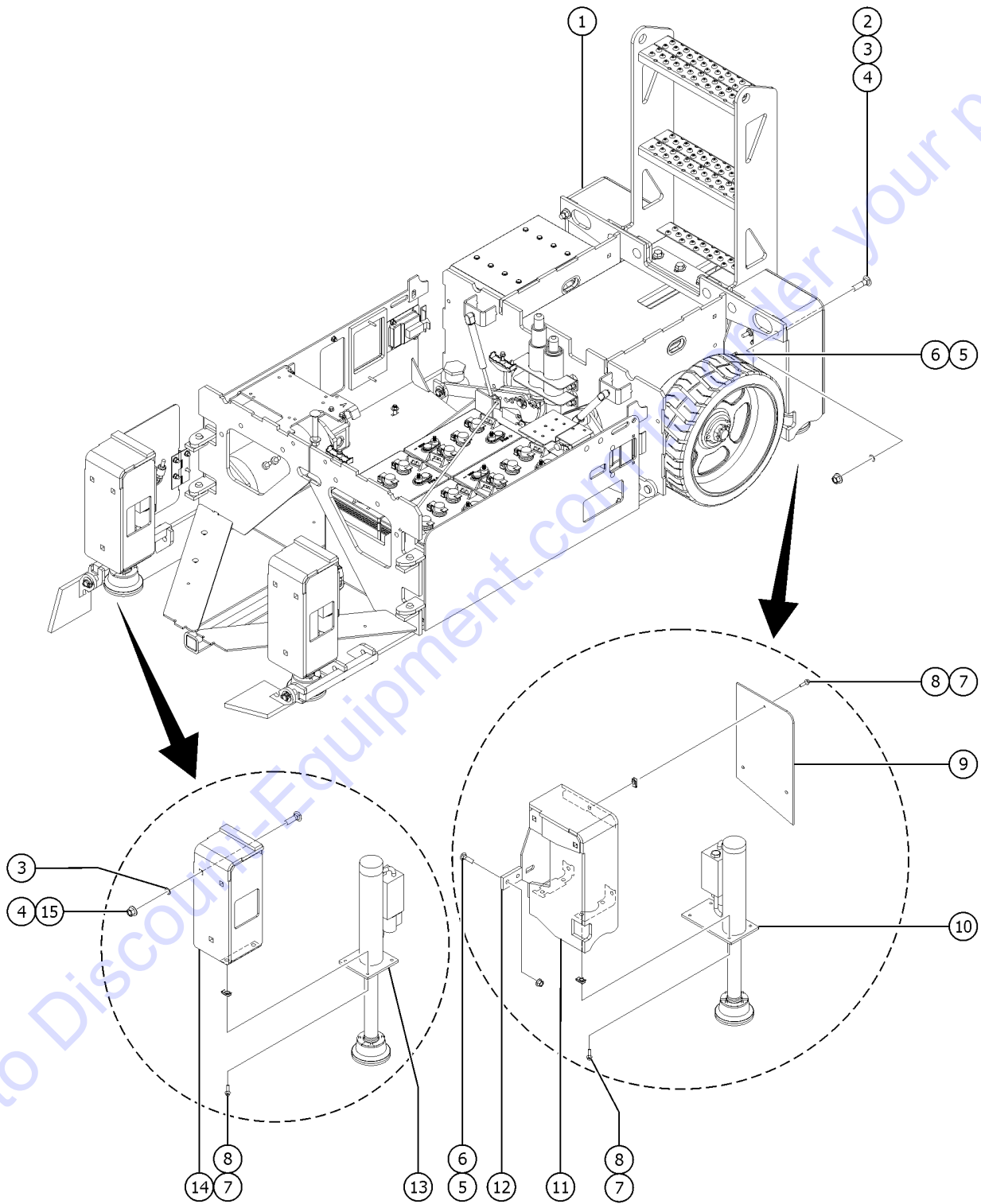


211.1 Power Cables

Item	Part No.	Description	Qty.
A	28131GT	WIRE LOOM,1.25 DIA .....	16
B	96110GT	BOOT,CABLE TERMINAL COVER .....	14
C	79140GT	BOOT,CABLE TERMINAL,RED,XL .....	2
1	96304GT	CABLE ASSY,BATT,5.50"RED .....	3
2	96306GT	CABLE ASSY,BATT,9.50"RED .....	1
3	1257054GT	CABLE ASSY., BATT. 14" RED .....	1
4	232578GT	CABLE ASSY,BATT, 20" BLK .....	1
5	1257059GT	CABLE ASSY., BATT. 75" RED .....	1
6	1257055GT	CABLE ASSY., BATT. 12" BLACK .....	1
7	66717GT	FUSE BLOCK, ANN & ANL FUSE .....	1
8	40833GT	FUSE,275 AMP,VERY FAST ACTING .....	1
9	232576GT	CABLE ASSY,BATT, 12" RED .....	1
10	1257058GT	CABLE ASSY., BATT. 79" BLACK .....	1
11	233371GT	CABLE ASSY,BATT,23"RED .....	1
12	66397GT	QUICK DISCONNECT CASING,BATT** .....	2
13	232582GT	GROUND WIRE ASSY,GS .....	1
14	233431GT	HRNS,CONTACTOR SIGNL,GS30/32 .....	1
15	1273576GT	CABLE ASSY,CHARGER/BATTERY .....	
		(for 1264372), (standard batteries)	
15B	1272844GT	CABLE,CHARGER, DC, W/ BTS .....	1
		(AGM batteries)	



212.1 Outrigger Components, GS-3232



# PARTS FINDER

**Search Website  
by Part Number**



**Search Manual  
Library For Parts  
Manual & Lookup Part  
Numbers – Purchase  
or Request Quote**

**Search Manuals**

Enter your information to help us find the right parts manual for your machine.

\* Brand:

\* Model:

\* Serial:

\* Part Number:

SEARCH

**Can't Find Part or  
Manual? Request Help  
by Manufacturer,  
Model & Description**

**Parts Order Form**

Please fill in the following information to help us find the right part for your machine.

Manufacturer:	<input type="text"/>
Model:	<input type="text"/>
Description:	<input type="text"/>
Part Number:	<input type="text"/>
Quantity:	<input type="text"/>
Notes:	<input type="text"/>
Submit:	<input type="button" value="Submit"/>

Discount-Equipment.com is your online resource for quality parts & equipment.

Florida: **561-964-4949** Outside Florida TOLL FREE: **877-690-3101**

**Need parts?**

Click on this link: <http://www.discount-equipment.com/category/5443-parts/> and choose one of the options to help get the right parts and equipment you are looking for. Please have the machine model and serial number available in order to help us get you the correct parts. If you don't find the part on the website or on one of the online manuals, please fill out the request form and one of our experienced staff members will get back to you with a quote for the right part that your machine needs.

We sell worldwide for the brands: Genie, Terex, JLG, MultiQuip, Mikasa, Essick, Whiteman, Mayco, Toro Stone, Diamond Products, Generac Magnum, Airman, Haulotte, Barreto, Power Blanket, Nifty Lift, Atlas Copco, Chicago Pneumatic, Allmand, Miller Curber, Skyjack, Lull, Skytrak, Tsurumi, Husquvarna Target, Stow, Wacker, Sakai, Mi-T-M, Sullair, Basic, Dynapac, MBW, Weber, Bartell, Bennar Newman, Haulotte, Ditch Runner, Menegotti, Morrison, Contec, Buddy, Crown, Edco, Wyco, Bomag, Laymor, EZ Trench, Bil-Jax, F.S. Curtis, Gehl Pavers, Heli, Honda, ICS/PowerGrit, IHI, Partner, Imer, Clipper, MMD, Koshin, Rice, CH&E, General Equipment, Amida, Coleman, NAC, Gradall, Square Shooter, Kent, Stanley, Tamco, Toku, Hatz, Kohler, Robin, Wisconsin, Northrock, Oztec, Toker TK, Rol-Air, APT, Wylie, Ingersoll Rand / Doosan, Innovatech, Con X, Ammann, Mecalac, Makinex, Smith Surface Prep, Small Line, Wanco, Yanmar

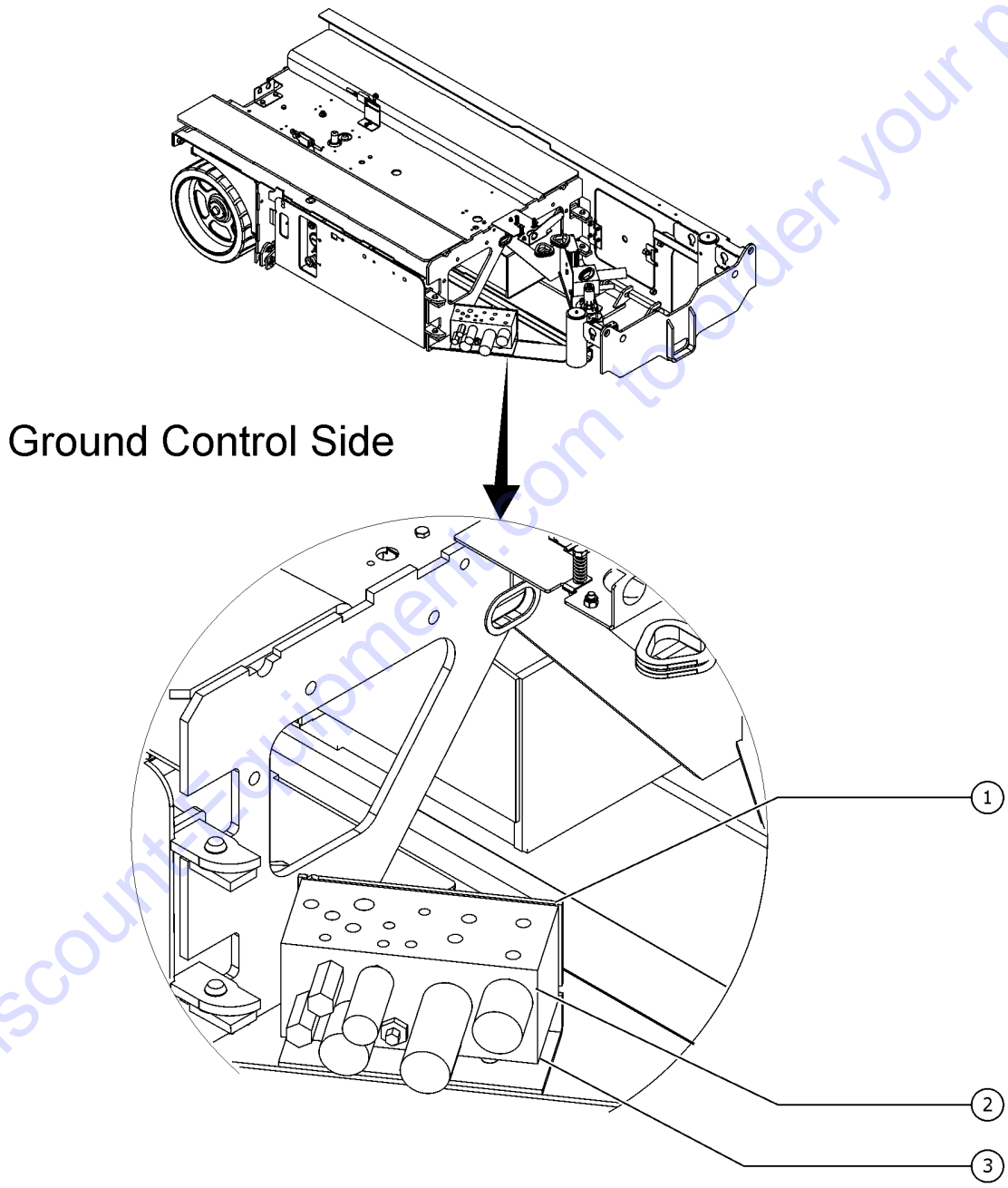
212.1 Outrigger Components, GS-3232

Item	Part No.	Description	Qty.
1	109735GT	WLDMT, OUTRIGGER, RR ..... (ground control side)	1
2		Ref. Outrigger Manifold ..... (refer to 509.1)	
3	105708GT	LEVEL SENSOR, ANALOG ..... (for use with 228406)	
4	6889GT	NUT,LP NYLOCK,1/4-20 .....	
5	80149GT	BOLT,CARRIAGE,1/4-20 X .5,G2 .....	
6	6878GT	BOLT,CARRIAGE,1/4-20 X .75,G2 .....	
7	6091GT	NUT,NYLOCK,1/4-20 .....	
8	132192GT	FORMING ACCUMULATOR CLAMP .....	
9	105210GT	FORMING, ACCUMULATOR BRACKET .....	
10	78422GT	ACCUMULATOR,180 PSI PRECHARGE* .....	
11		Ref. Function Manifold ..... (refer to 502.1)	
12	105644GT	FORMING,MANIFOLD BRKT, GS3232 .....	
13		Ref: Outrigger Cylinder, Front ..... (refer to 508.1)	
14	109749GT	WLDMT, OUTRIGGER, FRONT .....	2
15	1256115GT	BOLT,CARRIAGE,1/2-13X1.75,5,ZA. ....	6

Go to Discount-Equipment.com to order your parts



213.1 Function Manifold and Accumulator Components, GS-2032 and GS-2632



213.1 Function Manifold and Accumulator Components, GS-2032 and GS-2632  
Qty.

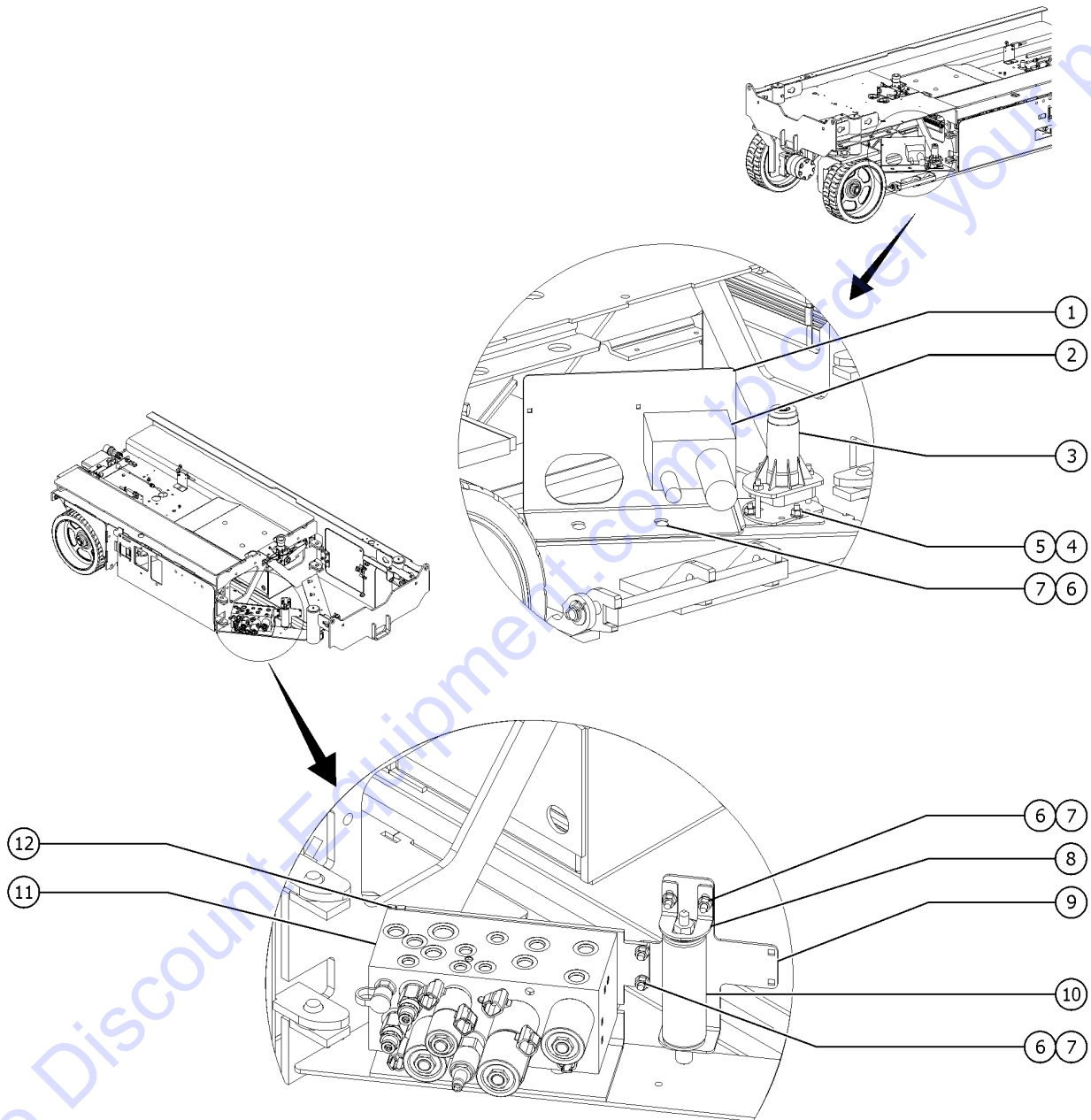
Item	Part No.	Description
1	132370GT	FORMING MANIFOLD MOUNT .....
2		Ref. Function Manifold .....
		(refer to 502.1)
3	78422GT	ACCUMULATOR,180 PSI PRECHARGE* .....
		(hidden from view)
3-	18504GT	NUT,LOCKING-LG.FLANGE,1/4-20 .....
3-	32339GT	CLAMP,1.75,#28 X 3/8,RUB CUSH* .....
3-	9116GT	BOLT,CARRIAGE,1/4-20x1.25,G2 .....

Go to Discount-Equipment.com to order your parts





214.1 Function Manifold and Accumulator Components, GS-3232



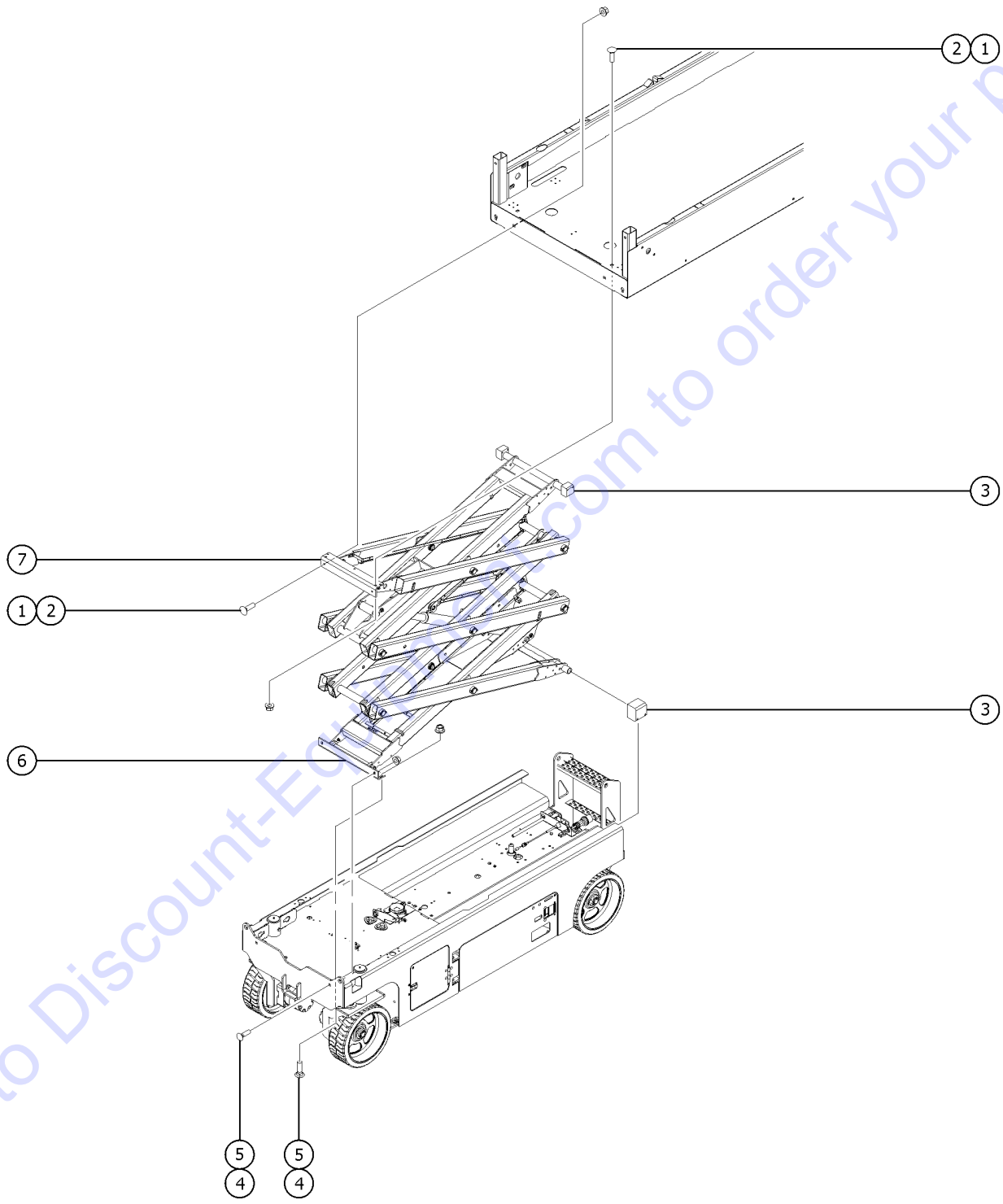
214.1 Function Manifold and Accumulator Components, GS-3232

<i>Item</i>	<i>Part No.</i>	<i>Description</i>	<i>Qty.</i>
1	105805GT	FORMING,COMPONENT BRKT,GS3232 .....	

Go to Discount-Equipment.com to order your parts



301.1 Scissor Assembly Installation

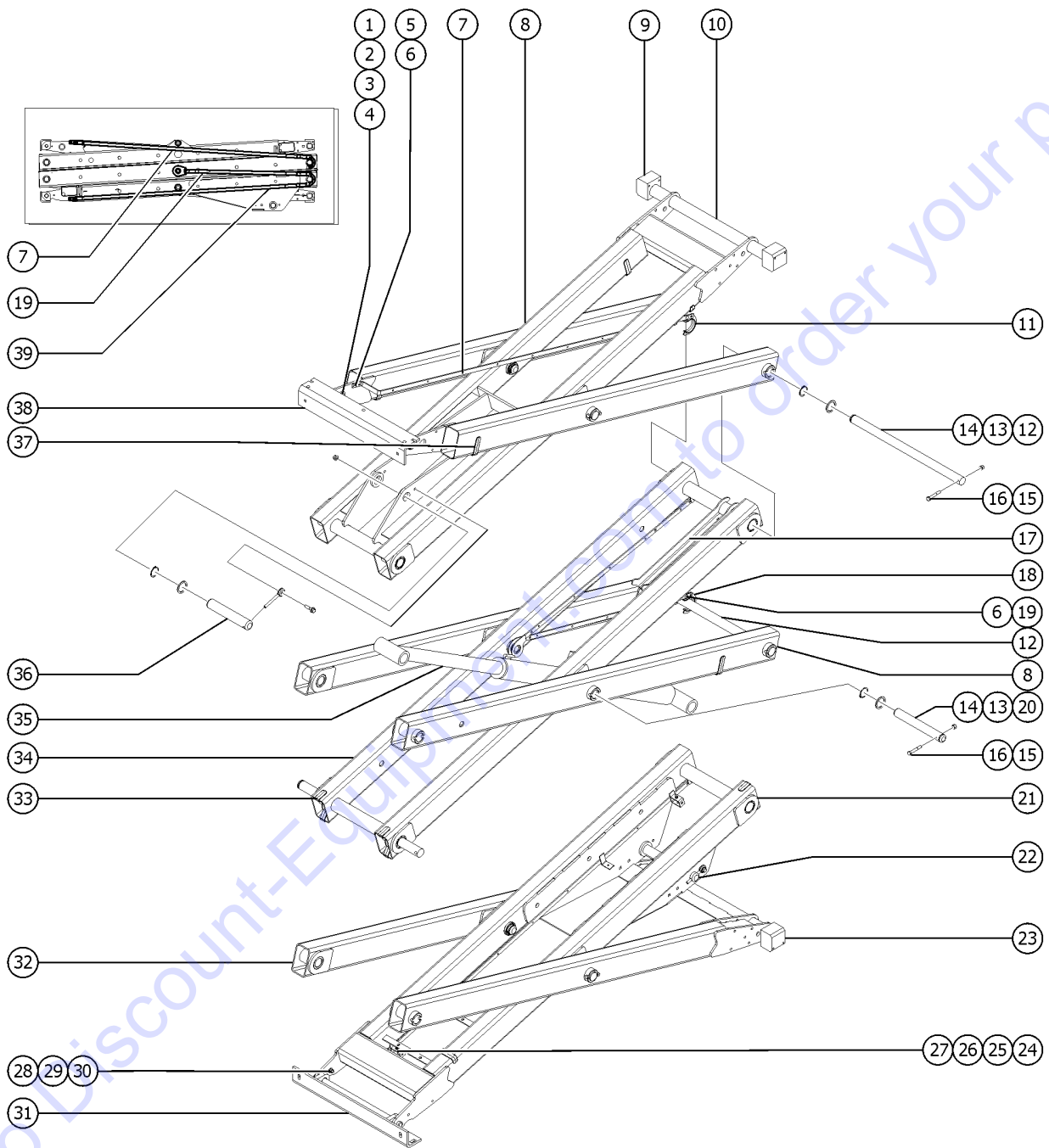


<i>Item</i>	<i>Part No.</i>	<i>Description</i>	<i>Qty.</i>
1	1255757GT	BOLT,CARRIAGE,3/8-16X1.25,5,ZAG .....	4

Go to Discount-Equipment.com to order your parts



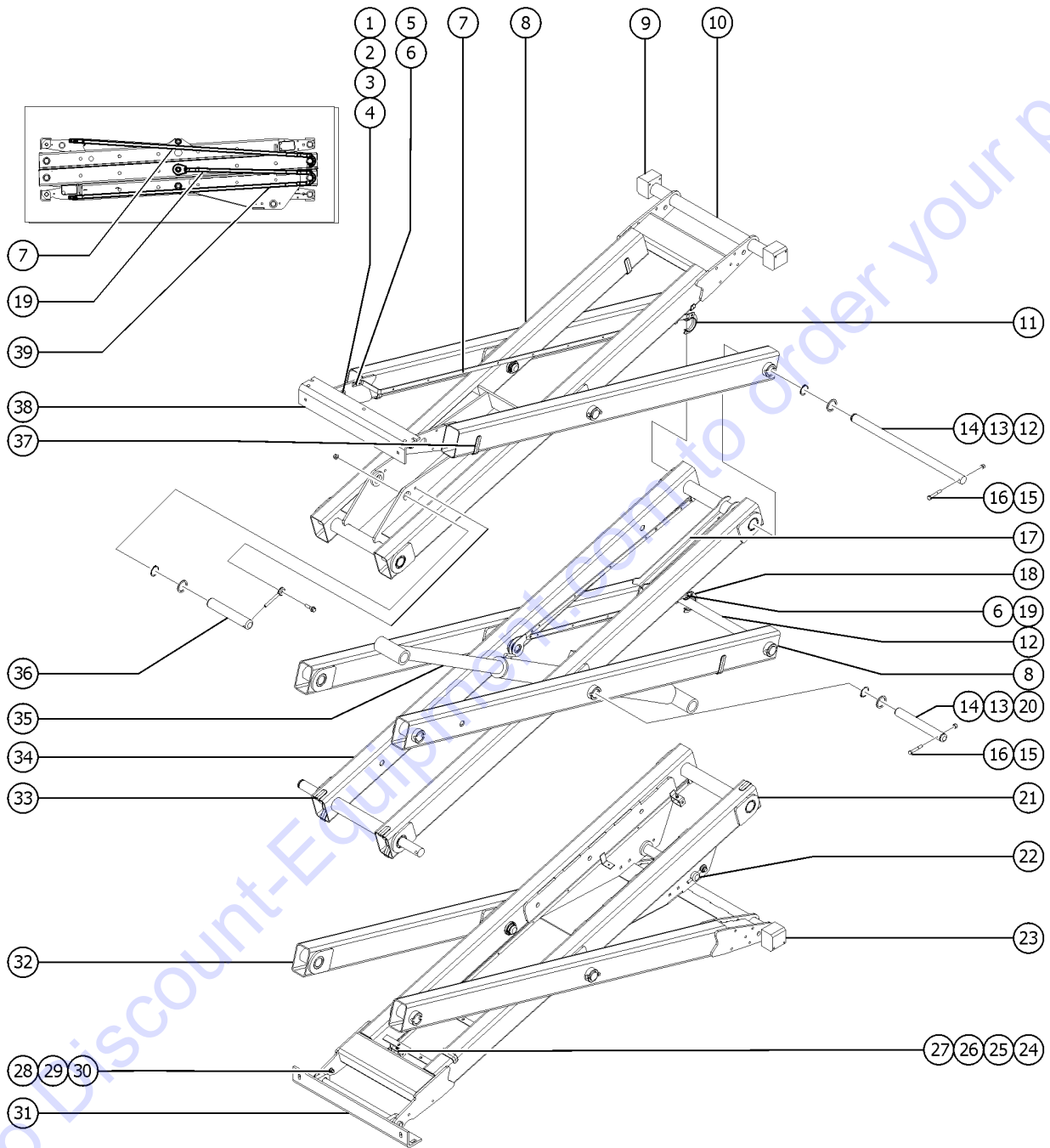
302.1 Scissor Assembly, GS-2032



Item	Part No.	Description	Qty.
1	96932GT	PIN, LINKSET MOUNT, 3/4" .....	1
2	825020GT	ROD END, .25 X 2.75, ZAG .....	2
3	824080GT	SCREW,HHF,1/4-20X1.25,8,ZAG .....	2
4	824027GT	NUT,TL FLG,1/4-20,G,ZAG .....	2
5	1256127GT	BOLT,CARRIAGE,1/4-20X1.5,ZAG .....	2
6	1256679GT	NUT,SERRATED,1/4-20,8,ZAG .....	5
7	132267GT	BAR,CABLE BRIDGE ARM,UPPER .....	1
8	132304GT	WLDMT,LINK,OUTER#3-20XX,#5-32XX .....	4
9		Ref. Platform Slider .....	
		(refer to 301.1)	
10	132299GT	WLDMT,LNK,INNER #3,2032 .....	1
11	105193GT	CLIP,CABLEBRIDGE, GS32/46 .....	2
12	96899GT	PIN, LONG, GS46 .....	4
13	1260941GT	WASHER,SHIM,1.54X2.00X.125,ZAG .....	10
14	825796GT	SNAP RING,EXTERNAL,1.50,ZAG .....	8
15	1256848GT	SCREW,HHC,3/8-16X2.75,8,ZAG .....	12
16	824025GT	NUT,TL,3/8-16,C,ZAG .....	10
17	58000GT	SAFETY CHOCK,SCISSOR .....	1
18	132273GT	WELDMENT.CABLE BRIDGE, TOP .....	2
		TOP	
18B	132270GT	WLDMT,CABLE BRIDGE,BOTTOM .....	2
		BOTTOM	
19	1260963GT	BOLT,CARRIAGE,1/4-20X.63,5,ZAG .....	2
20	96900GT	PIN, SHORT, GS46 .....	6
21	132274GT	WLDMT,LNK,INNER #1 .....	1
22	96662GT	PIN, LOWER CYLINDER MOUNT .....	1
23		Ref. Chassis Slider .....	
		(refer to 301.1)	
24	58592GT	PLATE,HOSE ROUTG,BULKHEAD(PTD) .....	2
25	78736GT	CLAMP,2 HOSE,PLASTIC,5/8 .....	4
26	1259201GT	BOLT,CARRIAGE,10-24X2,A,ZAG .....	3
27	1256467GT	NUT,TL FLG,10-24,F,ZAG .....	3



302.1 Scissor Assembly, GS-2032



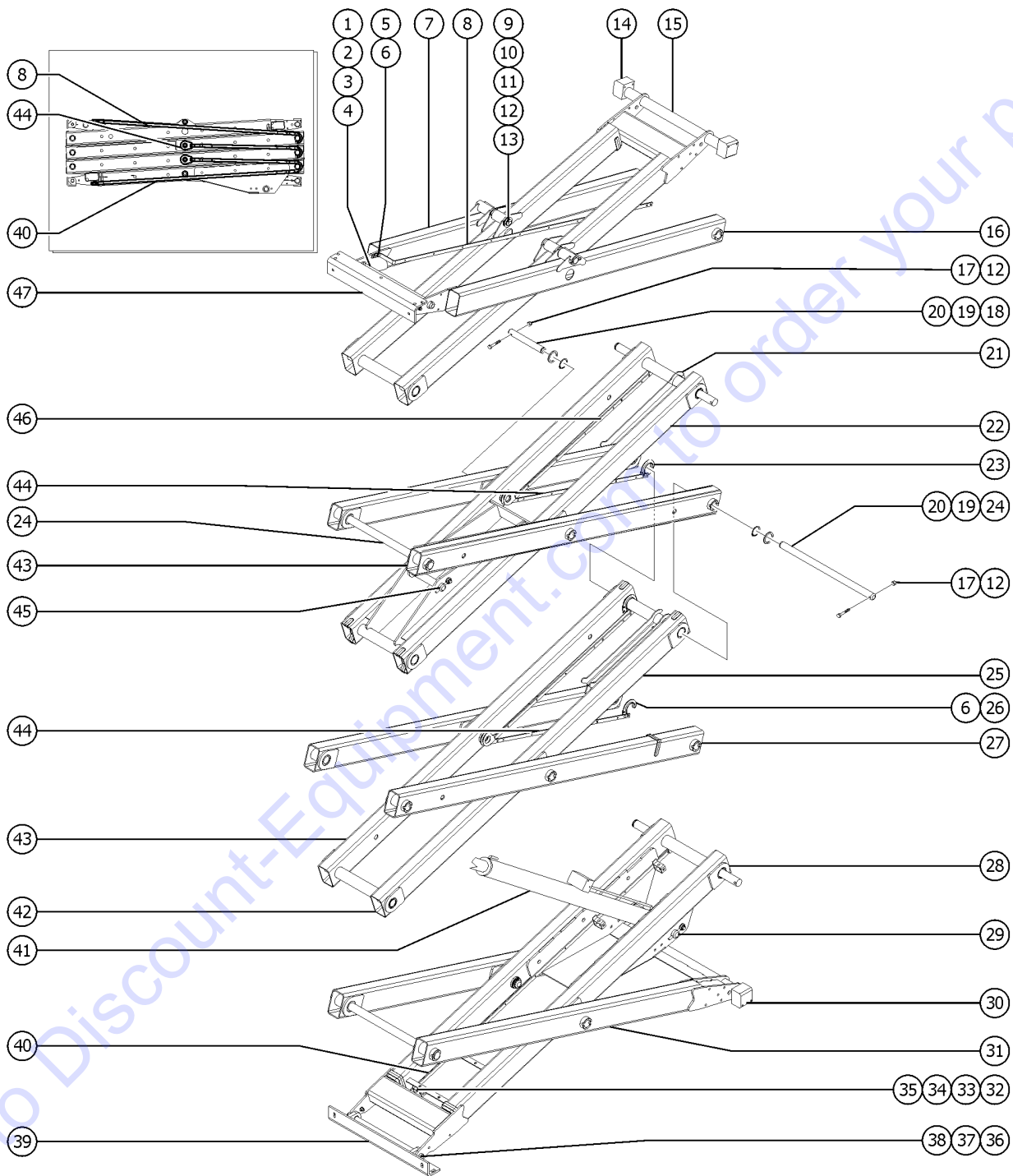
Item	Part No.	Description	Qty.
28	96862GT	PIN, LINKSET MOUNT, 1" .....	1
29	825019GT	ROD END,.375X3.69,ZAG .....	3
30	824092GT	SCREW,HHF,3/8-16X1.5,8,ZAG .....	3
31		Ref. Chassis Mount Assembly .....	
		(refer to 301.1)	
32	132288GT	WLDMT,LNK,OUTER #1,GS32 .....	1
33	96735GT	LINK BUMPER, 5" .....	4
34	132294GT	WLDMT,LNK,INNER #2 .....	1
34-	66055GT	BEARING,1.50IDX1.77ODX1.25L .....	8
35		Ref. Lift Cylinder .....	
		(refer to 505.1)	
36	96661GT	PIN, UPPER CYLINDER MOUNT .....	1
37	96836GT	LINK BUMPER, SHORT TUBE .....	8
38		Ref. Platform Mounting Assembly .....	
		(refer to 301.1)	
39	132266GT	WLDMNT,CABLE BRIDGE,LOWER .....	1

Go to Discount-Equipment.com to order your parts





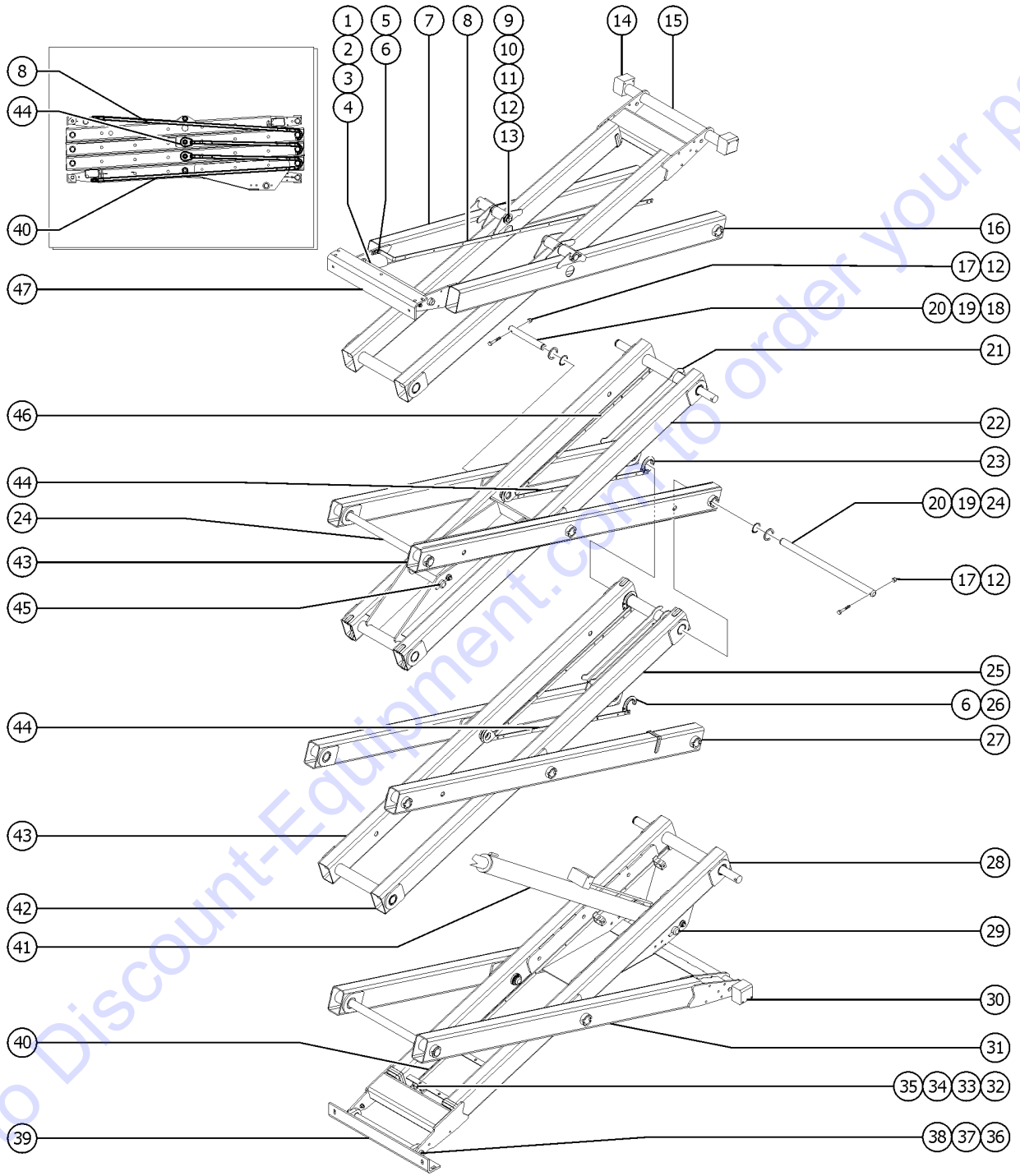
303.1 Scissor Assembly, GS-2632



Item	Part No.	Description	Qty.
1	96932GT	PIN, LINKSET MOUNT, 3/4" .....	1
2	825020GT	ROD END, .25 X 2.75, ZAG .....	2
3	824080GT	SCREW,HHF,1/4-20X1.25,8,ZAG .....	2
4	824027GT	NUT,TL FLG,1/4-20,G,ZAG .....	2
5	1256127GT	BOLT,CARRIAGE,1/4-20X1.5,ZAG .....	2
6	1256679GT	NUT,SERRATED,1/4-20,8,ZAG .....	6
7	132383GT	WLDMT,LNK,OUTER #4,26XX,RIGHT .....	1
8	132267GT	BAR,CABLE BRIDGE ARM,UPPER .....	
9	96130GT	PIN, MINI, CENTER .....	2
10	824164GT	SNAP RING,EXTERNAL,1.25,ZAG .....	2
11	824151GT	WASHER,SHIM,1.270X2.130X.062,Z .....	2
12	824025GT	NUT,TL,3/8-16,C,ZAG .....	14
13	1256848GT	SCREW,HHC,3/8-16X2.75,8,ZAG .....	2
14		Ref. Platform Slider (refer to 301.1) .....	
15	132379GT	WLDMT,LNK,INNER #4 .....	1
15-	66055GT	BEARING,1.50IDX1.77ODX1.25L .....	8
16	132385GT	WLDMT,LNK,OUTER #4,26XX,LEFT .....	1
17	1256848GT	SCREW,HHC,3/8-16X2.75,8,ZAG .....	12
18	96900GT	PIN, SHORT, GS46 .....	6
19	1260941GT	WASHER,SHIM,1.54X2.00X.125,ZAG .....	10
20	825796GT	SNAP RING,EXTERNAL,1.50,ZAG .....	12
21	58000GT	SAFETY CHOCK,SCISSOR .....	1
22	132275GT	TUBE,75.0X125.0X4.50X441.0 .....	1
22-	66055GT	BEARING,1.50IDX1.77ODX1.25L .....	8
23	105193GT	CLIP,CABLEBRIDGE, GS32/46 .....	
24	96899GT	PIN, LONG, GS46 .....	6
25	96836GT	LINK BUMPER, SHORT TUBE .....	8
26	1260963GT	BOLT,CARRIAGE,1/4-20X.63,5,ZAG .....	3



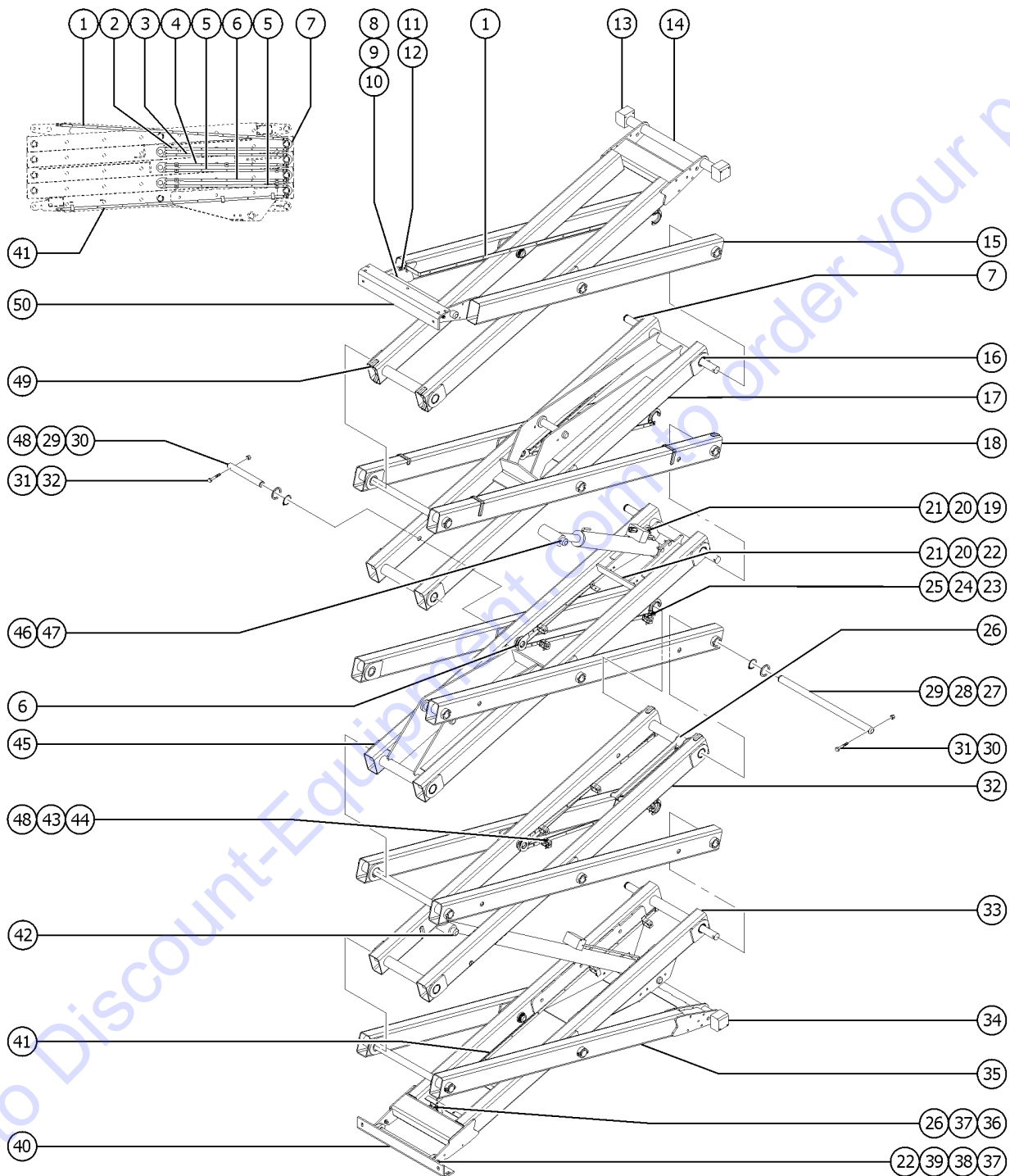
303.1 Scissor Assembly, GS-2632



Item	Part No.	Description	Qty.
27	132298GT	WLDMT,LNK,OUTER #2,#3,#4 .....	4
28	132274GT	WLDMT,LNK,INNER #1 .....	1
29	96662GT	PIN, LOWER CYLINDER MOUNT .....	1
30		Ref. Chassis Slider (refer to 301.1) .....	
31	132288GT	WLDMT,LNK,OUTER #1,GS32 .....	1
32	132119GT	PLATE, HOSE ROUTING, BULKHEAD .....	2
33	78736GT	CLAMP,2 HOSE,PLASTIC,5/8 .....	4
34	1259201GT	BOLT,CARRIAGE,10-24X2,A,ZAG .....	3
35	1256467GT	NUT,TL FLG,10-24,F,ZAG .....	3
36	96862GT	PIN, LINKSET MOUNT, 1" .....	1
37	825019GT	ROD END,.375X3.69,ZAG .....	3
38	824092GT	SCREW,HHF,3/8-16X1.5,8,ZAG .....	3
39		Ref. Chassis Mount Assembly (refer to 301.1) .....	
40	132266GT	WLDMNT,CABLE BRIDGE,LOWER .....	
41		Ref. Lift Cylinder (refer to 505.1) .....	
42	96735GT	LINK BUMPER, 5" .....	4
43	132294GT	WLDMT,LNK,INNER #2 .....	1
43-	66055GT	BEARING,1.50IDX1.77ODX1.25L .....	8
44	132273GT	WELDMNT.CABLE BRIDGE, TOP .....	
45	96812GT	PIN,LOWER CYL,ROD END .....	1
46	132270GT	WLDMT,CABLE BRIDGE,BOTTOM .....	
47		Ref. Platform Mount Assembly (refer to 301.1) .....	



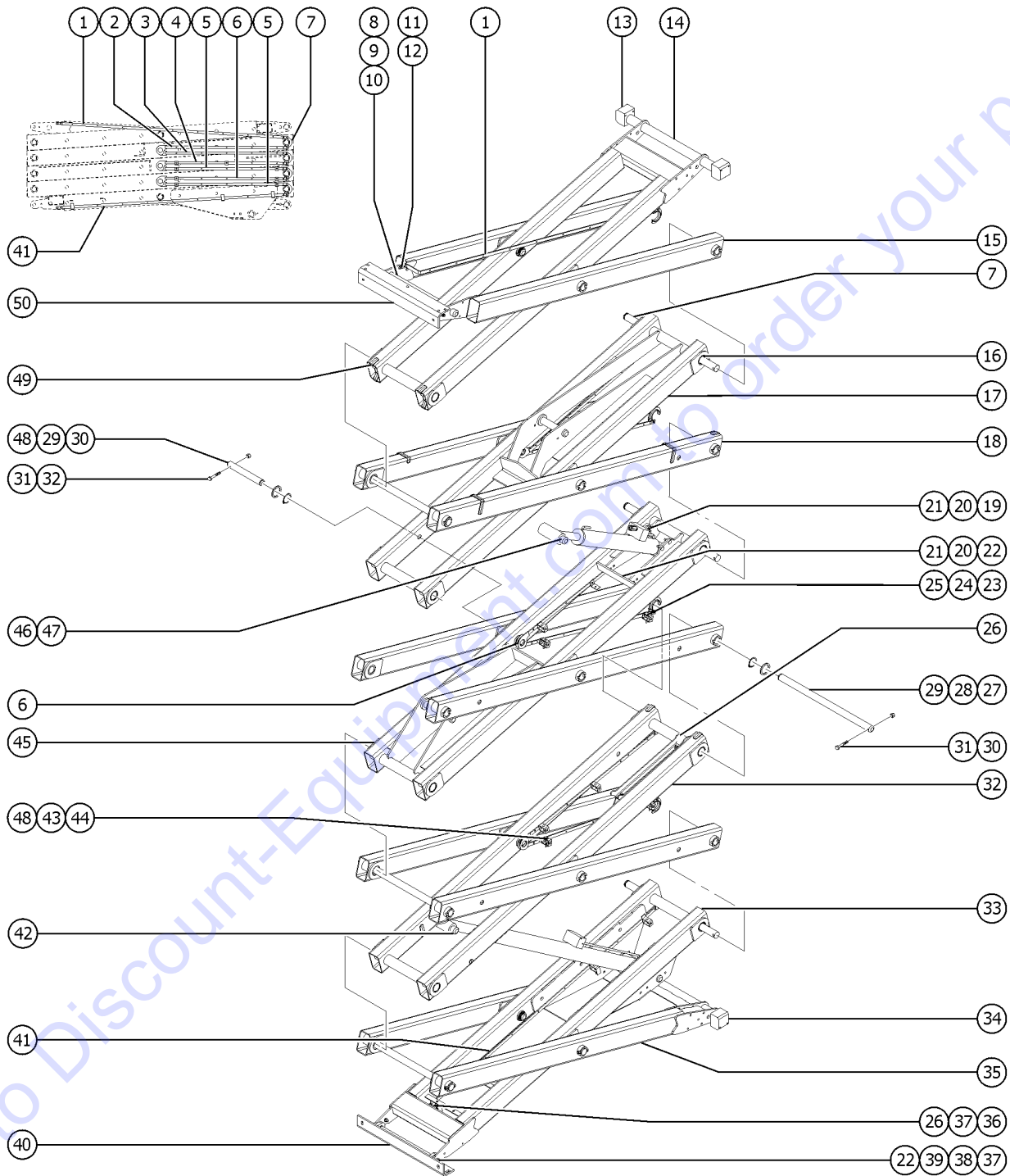
304.1 Scissor Assembly, GS-3232



Item	Part No.	Description	Qty.
1	132273GT	WELDMENT,CABLE BRIDGE, TOP .....	1
2	132270GT	WLDMT,CABLE BRIDGE,BOTTOM .....	1
3	132436GT	WLDMNT,CABLE BRIDGE,MID,32XX,M .....	1
4	132270GT	WLDMT,CABLE BRIDGE,BOTTOM .....	1
5	132392GT	WLDMNT,CABLE BRIDGE,BTM,32XX,M .....	2
6	105193GT	CLIP,CABLEBRIDGE, GS32/46 .....	6
7	96932GT	PIN, LINKSET MOUNT, 3/4" .....	
8	825020GT	ROD END, .25 X 2.75, ZAG .....	1
9	824080GT	SCREW,HHF,1/4-20X1.25,8,ZAG .....	2
10	824027GT	NUT,TL FLG,1/4-20,G,ZAG .....	2
11	1256679GT	NUT,SERRATED,1/4-20,8,ZAG .....	2
12	1256127GT	BOLT,CARRIAGE,1/4-20X1,5,ZAG .....	7
13	96595GT	SLIDER,UHMW*** .....	
14	1294708GT	WLDMT,LNK,INNER #5,3232 .....	1
14-	66055GT	BEARING,1.50IDX1.77ODX1.25L .....	1
15	132304GT	WLDMT,LINK,OUTER#3-20XX,#5-32XX .....	2
16	66055GT	BEARING,1.50IDX1.77ODX1.25L .....	1
16-	96836GT	LINK BUMPER, SHORT TUBE .....	8
17	132401GT	WLDMT,LINK,INNER#4,32XX .....	8
18	96735GT	LINK BUMPER, 5" .....	6
19	96700GT	PLATE, PIN RETAINER .....	
		(refer to 505.1)	
20	1256756GT	BOLT,CARRIAGE,3/8-16X1.5,5,ZAG .....	2
21	824029GT	NUT,TL FLG,3/8-16,G,ZAG .....	6
22	96971GT	FORMING,HOSE CLAMP,UPPERCYL .....	10
23	78736GT	CLAMP,2 HOSE,PLASTIC,5/8 .....	1
24	1259201GT	BOLT,CARRIAGE,10-24X2,A,ZAG .....	18
25	1256467GT	NUT,TL FLG,10-24,F,ZAG .....	9
26	58000GT	SAFETY CHOCK,SCISSOR .....	11



304.1 Scissor Assembly, GS-3232

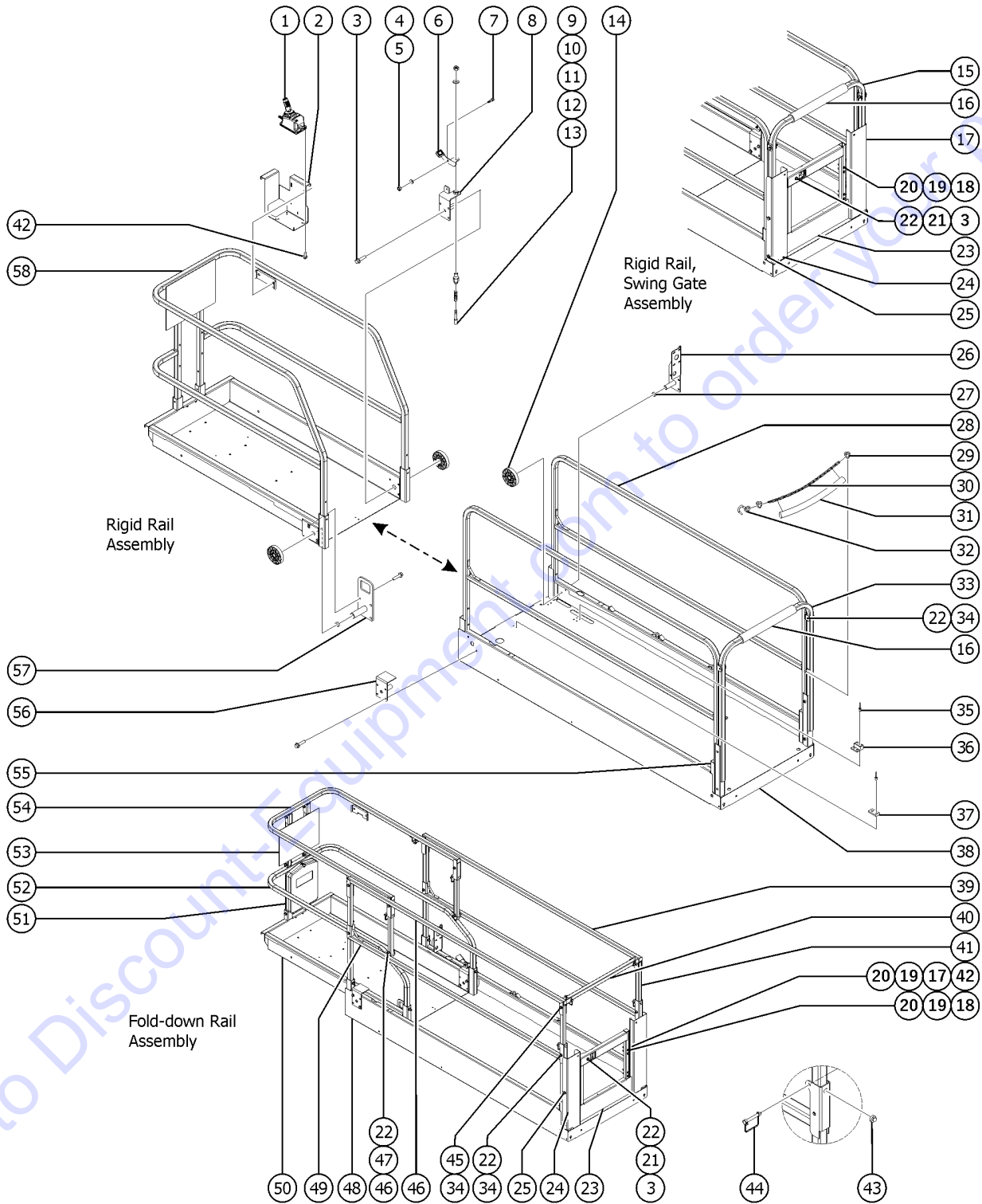


Item	Part No.	Description	Qty.
27	96899GT	PIN, LONG, GS46	1
28	1260941GT	WASHER, SHIM, 1.54X2.00X.125, ZAG	8
29	825796GT	SNAP RING, EXTERNAL, 1.50, ZAG	15
30	1256848GT	SCREW, HHC, 3/8-16X2.75, 8, ZAG	12
31	824025GT	NUT, TL, 3/8-16, C, ZAG	18
32	97234GT	INNER ARM ASSY, #2, GS32&46	18
33	132274GT	WLDMT, LNK, INNER #1	1
33-	96662GT	PIN, LOWER CYLINDER MOUNT	
34	96595GT	SLIDER, UHMW***	
35	132288GT	WLDMT, LNK, OUTER #1, GS32	1
36	1260962GT	BOLT, CARRIAGE, 10-24X2.5, A, ZAG	3
37	96862GT	PIN, LINKSET MOUNT, 1"	2
38	825019GT	ROD END, .375X3.69, ZAG	1
39	824092GT	SCREW, HHF, 3/8-16X1.5, 8, ZAG	4
40	132307GT	WELDMENT, CHASSIS MOUNT	1
41	132266GT	WLDMNT, CABLE BRIDGE, LOWER	1
42	96812GT	PIN, LOWER CYL, ROD END	
43	1256462GT	BOLT, CARRIAGE, 1/4-20X.5, 5, ZAG	2
44	132190GT	CLAMP	
45	96608GT	WLDMT, LNK, INNER #3, 32XX	4
45-	66055GT	BEARING, 1.50IDX1.77ODX1.25L	1
46	96661GT	PIN, UPPER CYLINDER MOUNT	8
47	96663GT	PIN, SADDLE CYLINDER MOUNT	1
48	96900GT	PIN, SHORT, GS46	1
49	96735GT	LINK BUMPER, 5"	6
50		Ref. Platform Mount Assembly (refer to 301.1)	





401.1 Platform Components

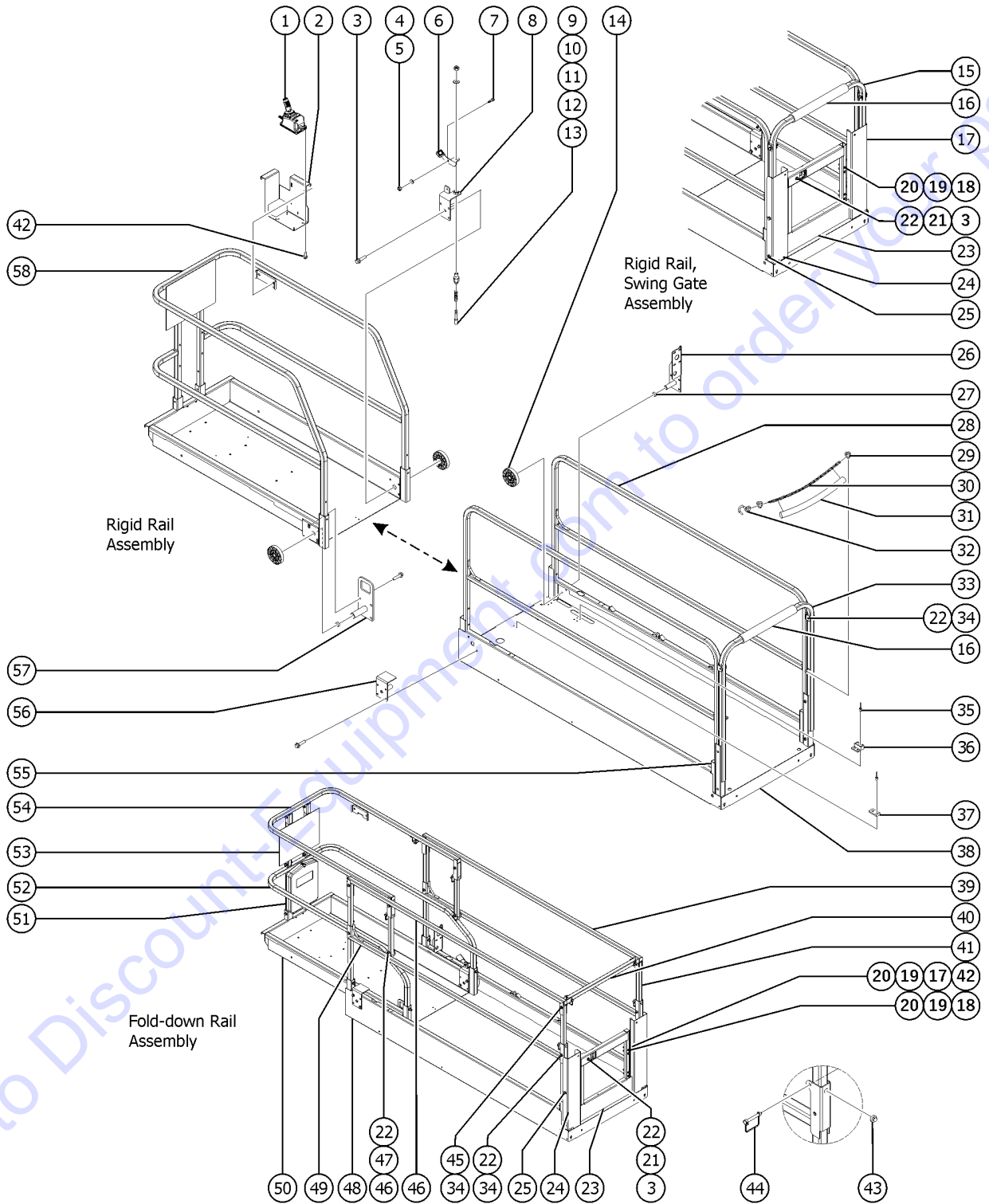


401.1 Platform Components

Item	Part No.	Description	Qty.
1		Ref. Platform Control Box ..... (refer to 403.1)	
2		Ref. Platform Control Box Mount ..... (refer to 403.1)	
3	1253478	SCREW,HHF,3/8-16X2,8,ZAG .....	8
4	1252977	NUT,TL JAM,5/16-18,A,ZAG .....	1
5	825358	WASHER,FLAT,5/16,USS,ZAG .....	1
6	46260	FOOTPEDAL W/NON-SKID TAPE,GS** .....	1
6-	47166	BRACKET,FOOT PEDAL ..... (non skid tape not included)	1
6-	47255	TAPE,NON-SKID,DIE CUT,1.38X1.5 ..... (sold separately)	
7	1259223	BOLT,SHS,3/8X.375X5/16-18,ZAG .....	1
8	132151	ROLLER SUPPORT BRACKET .....	1
9	1259181	PIN,LOCK,0.5X3.125,ZAG .....	1
10	39469	SPRING,COMPRESSION.485 X1.75** .....	1
11	41630	HOUSING, LOCK PIN .....	1
12	1255758	WASHER,FLAT,3/8,USS,ZAG .....	1
13	824038	NUT, TL JAM, 3/8-16, A, ZAG .....	1
14	47163	ROLLER,PLATFORM EXTENSION .....	4
15	105146	FORMING,SG HEADER RAIL,GS2032 .....	1
16	47188	FOAM,CLOSED CELL 1.75X.250X18" .....	1
16-	28443	CABLE TIE,11.5" BLACK .....	
17	132227	FORMING HALF GATE, HINGE ..... (ground controls side)	1
18	1253485	SCREW,HHF,1/4-20X2,8,ZAG .....	4
19	104804	HINGE, SPRING, LONG LEG .....	2
20	824027	NUT,TL FLG,1/4-20,G,ZAG .....	
21	65990-SGT	KIT,GATE LATCH ..... (includes latch, spring and hardware)	1
22	824029	NUT, TL FLG, 3/8-16, G, ZAG .....	5
23	132021	WLDMT, HALF GATE ..... (decals not included, refer to section one)	1
23-	22446	SPRING,COMPRESSION .835 X 2 ..... included in kit 65990-SGT	1
23-	66544	LATCH HANDLE ..... included in kit 65990-SGT	1



401.1 Platform Components

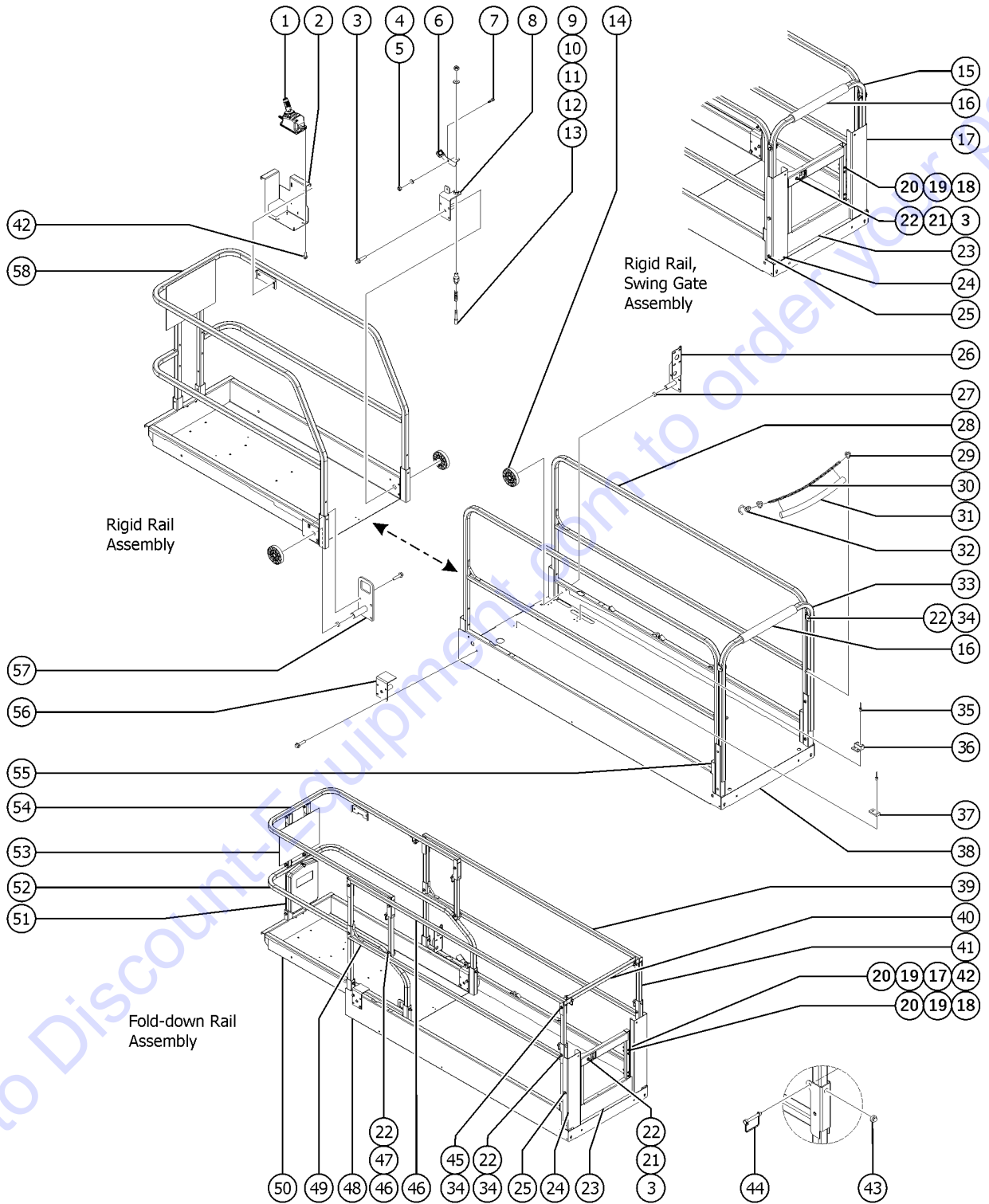


401.1 Platform Components

Item	Part No.	Description	Qty.
24	132237	WLDT HALF GATE CATCH ..... (battery pack side)	1
25	824094	SCREW,HHF,3/8-16X2.75,8,ZAG .....	2
26	132128	ROLLER BRKT RT ..... (ground controls side)	1
27	21279	BUTTON, .800 O.D. X .281 .....	3
28	97044	MAIN RAIL RIGID, SQ GS32 .....	2
29	105157	FIXED RAIL,CHAIN GATE,GS2032 ..... (GS-2032)	1
29-	96163	LINK,(SPLIT) OPEN-END .....	2
30	39509	CHAIN,3/16,OPEN LINK 22.5" .....	1
31	47224	TUBING,PVC,1",BLACK*** .....	
32	39510	RIGID EYE SNAP .....	1
33	105093	WELDMENT, CHAIN GATE .....	1
34	1256693	SCREW,HHF,3/8-16X2.25,8,ZAG .....	2
35	39579	RIVET,STL,STL,.188 X .45 .....	20
36	39310	WEAR/GUIDE PAD MAIN PLATFORM .....	4
37	39474	WEAR PAD,PLATFORM .....	2
38	132255	WLDMT,MAIN DECK,GS32 ..... (decals not included, refer to section one)	1
38-	47098	TAPE,NON-SKID,DIE CUT,4"X 40" ..... (not included sold separately)	
38-	47231	TAPE,NON-SKID,DIE CUT,4"X 16" ..... (not included sold separately)	
38-	47374	TAPE,NON-SKID,DIE CUT,4"X 32" ..... (not included sold separately)	
39	132248	WELDMENT, TOP RAIL,MAIL PLAT,RT ..... (ground controls side)	1
39-	78038	CAP, TUBE, SQ,1.25 X .083 .....	
40	105057	TUBE, ENTRY SWING, GS32 .....	1
41	66485	TUBE, VERT, FOLDING .....	6
42	824078	SCREW,HHF,1/4-20X.75,8,ZAG .....	
43	43392	BUMPER,BATTERY BOX & RAILS .....	4
44	1259182	PIN,WIRE LOCK 3/8 X 2.5,ZAG .....	5
44-	78022	LANYARD,BLACK NYLON,TYPE 1*** ..... (CE & Australia models)	
45	824025	NUT,TL,3/8-16,C,ZAG .....	2



401.1 Platform Components

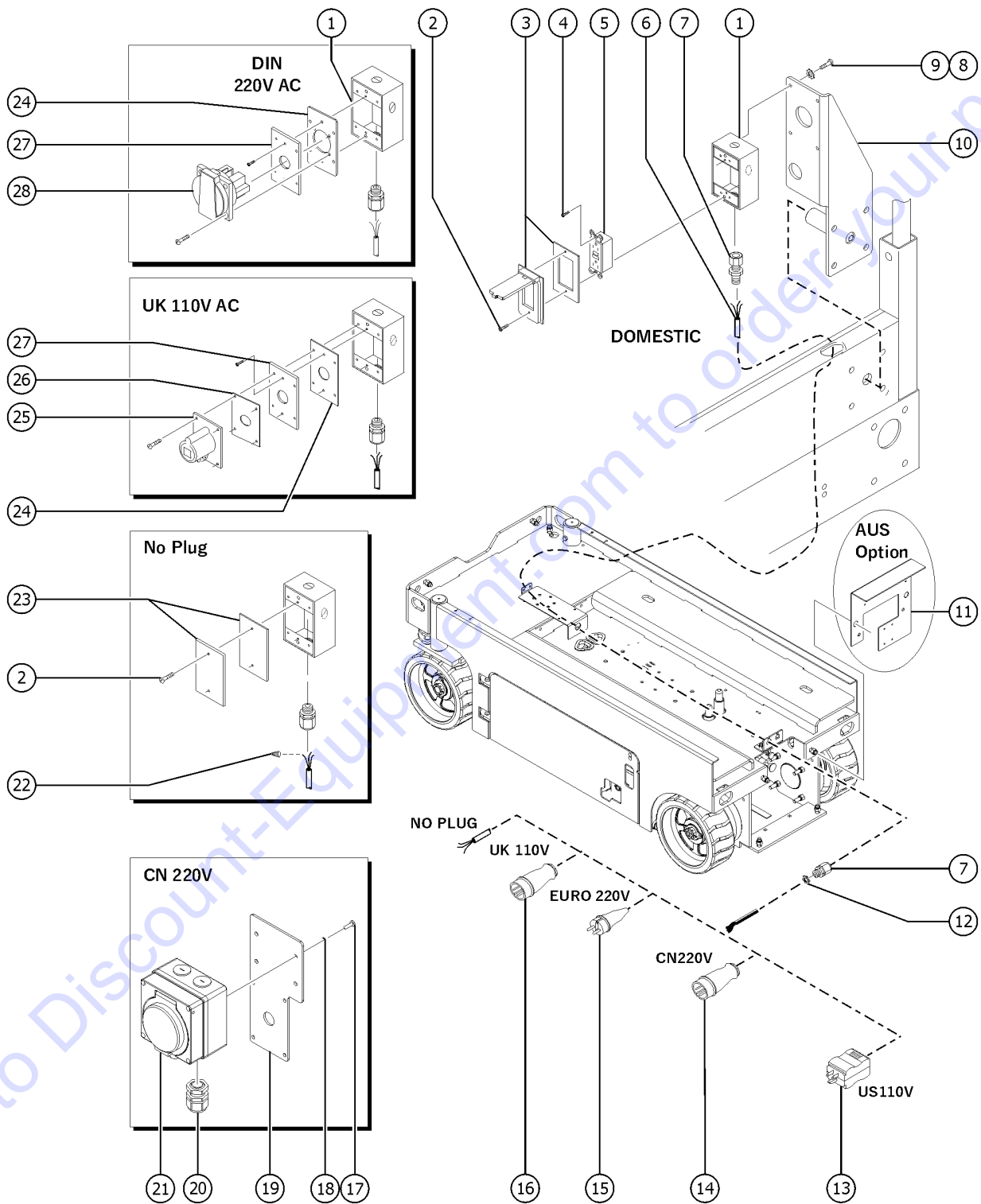


401.1 Platform Components

Item	Part No.	Description	Qty.
46	132240	WLDMT, TOP RAIL, MAIL PLAT, RT (battery pack side) (fold-down)	1
46-	78038	CAP, TUBE, SQ, 1.25 X .083	
47	1260926	BOLT, CARRIAGE, 3/8-16X2.25, 5, ZAG	4
48	1277860	GLIDE BUTTON, FOLDING RAILS	2
49	132244	WELDMENT, MAIN PLAT, LWR SIDERAIL (fold-down)	2
49-	39474	WEAR PAD, PLATFORM	1
49-	47231	TAPE, NON-SKID, DIE CUT, 4" X 16"	1
49-	47374	TAPE, NON-SKID, DIE CUT, 4" X 32"	3
49-	78038	CAP, TUBE, SQ, 1.25 X .083	
49-	T113787GT	RIVET, ALUM, STL., 188 X .250 for 39474GT	2
50	132249	WLDMT EXT DECK GS32	1
51	24514	BOX, INSTRUCTION STORAGE Europe/Asia/South America (decal required, refer to Section 100)	1
51-	1256855	SCREW, HHF, 1/4-20X.625, 8, ZAG	4
51-	824027	NUT, TL FLG, 1/4-20, G, ZAG	4
51-	824113	WASHER, FLAT, USS, 1/4, ZAG	4
52	1273880	WELDMENT, FOLDING, LOWER, EXTENSION	1
52-	78038	CAP, TUBE, SQ, 1.25 X .083 (not included sold separately)	
53	132207	WLDMT, DECAL PLATE (decals not included, refer to section one)	
54	1273881	WELDMENT, EXTENSION DECK RAIL, UPPER (decals not included, refer to section one)	
55	824067	SCREW, HHC, 3/8-16X1, 8, ZAG	2
56	132127	ROLLER BRKT LEFT (decals not included, refer to section one)	1
57	132121	WELDMENT PLATFORM LANYARD (decals not included, refer to section one)	1
57-	21279	BUTTON, .800 O.D. X .281 (sold separately)	1
58	105091	WELDMENT, EXT SIDERAIL *** (decals not included, refer to section one)	1



402.1 Power to Platform

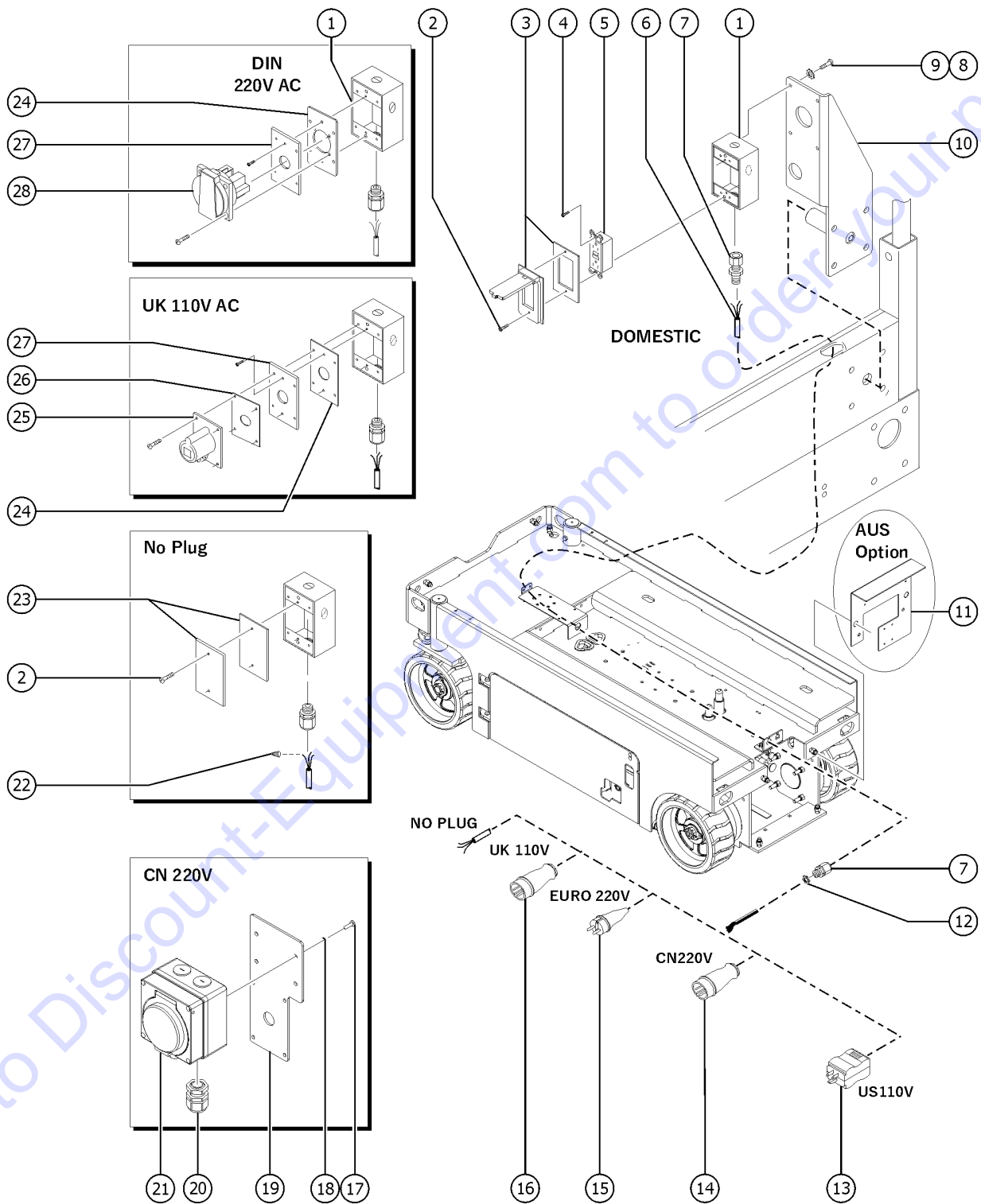


Item	Part No.	Description	Qty.
A	33724	KIT,GASKET,UK POWER TO PLAT ..... includes 1 each, items 24 and 26	
1	10775	T-BOX,2.75 X 4.5 X 2.0 .....	1
2	7127	SCREW,PHILLIPS,PHM,6-32 X .75 .....	
3	74006	COVER,GFCI,HORIZONTAL,WEATHER ..... (ANSI and CSA models) (includes gasket and mounting fasteners)	1
3B	105812	COVER,T-BOX LOCKABLE ..... EE rated (not shown)	1
4	45546	SCREW,RHM,6-32 X .5 .....	
5	13585	OUTLET, 110V ..... ANSI and CSA models	1
6	43956	WIRE CABLE,14/3 CON.TPE JKT* ..... GS-2032	456
6B	43956	WIRE CABLE,14/3 CON.TPE JKT* ..... GS-2632	516
6C	43956	WIRE CABLE,14/3 CON.TPE JKT* ..... GS-3232	624
7	7056	CONN,SQUEEZE,1/2NPT .38-.50,SM .....	1
8	57075	SCREW,PHIL,8-32X.50,SELF TAP .....	
9	44936	WASHER,STAR,EXTERNAL,#8 .....	4
10		Ref. ROLLER BRACKET ..... (refer to 401.1)	
11	6935	LOCKNUT,ELEC,1/2" .....	1
12	1276544	FORMING,AUS RCD BRACKET,GS32 ..... For GS2632/3232	1
12B	1295030	BRACKET APPLIANCE INLET,GS32 ..... For GS2032	1
13	105117	PLUG,FLG INLET,15A/125V,2PWGD .....	1
14	160413	PLUG;BULL;250V;10A;3PIN .....	1
15	6666	PLUG, ELECTRICAL, 220/50, NOVON .....	1
16	144161	PLUG,PWR,UK,16AMP,3PIN,BLK .....	1
17	160415	PLUG,PWR,UK,16AMP,3PIN,BL .....	4
18	160414	GS3246_GB/T 93,SPRING WASHER,D5 .....	4
19	160411	PLATE;SOCKET ASSEMBLE;GSXX SKT .....	1
20	160412	JOINT;PG13.5;M20x1.5 .....	1
21	160410	SOCHET;56MX0313;IP55;MANLAKIS .....	1
22	6626	WIRE CAP,ORANGE .....	1
23	10777	COVER,BLANK .....	1





402.1 Power to Platform

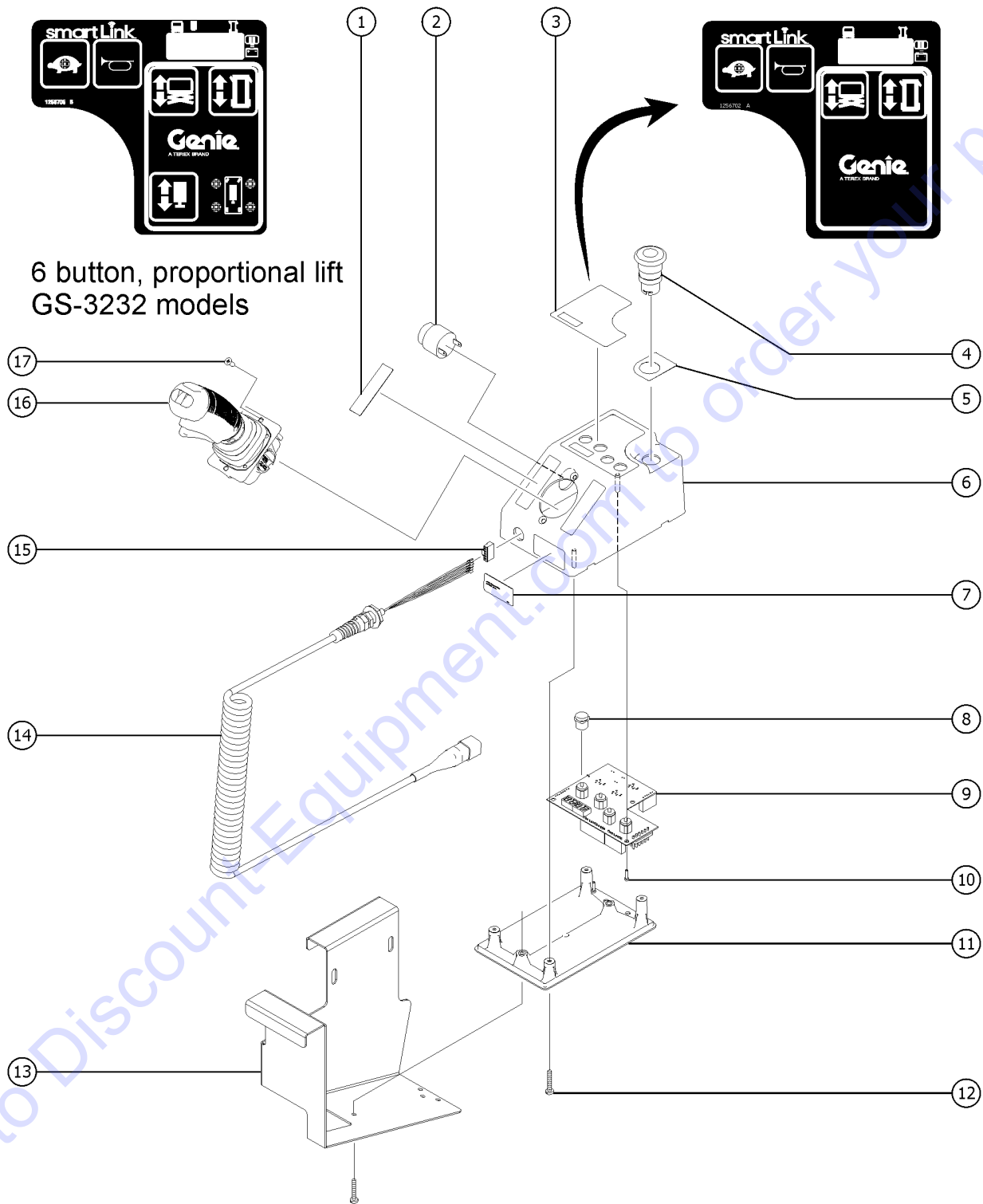


Item	Part No.	Description	Qty.
24	66355	GASKET, UK & DIN PWR. TO PLAT ..... 2.9 x 2.9 inches	1
25	T112563GT	SVC KIT,UK RECEPT.REPLACEMENT .....	1
26	66356	GASKET, UK RECEPTACLE ..... 2.9 x 2.9 inches	1
27	105483-SGT	PLATE,AC ADAPTER(ANSI/CSA) ..... ANSI/CSA	
27B	96236	PLATE,AC ADAPTER,DIN/UK*** .....	
27C	105090	PLATE, AC ADAPTER(AUS) .....	
28	66353	RECEPTACLE, DIN, 220V 50A .....	1

Go to Discount-Equipment.com to order your parts



403.1 Platform Controls, 6 and 4 Button (Proportional Lift)

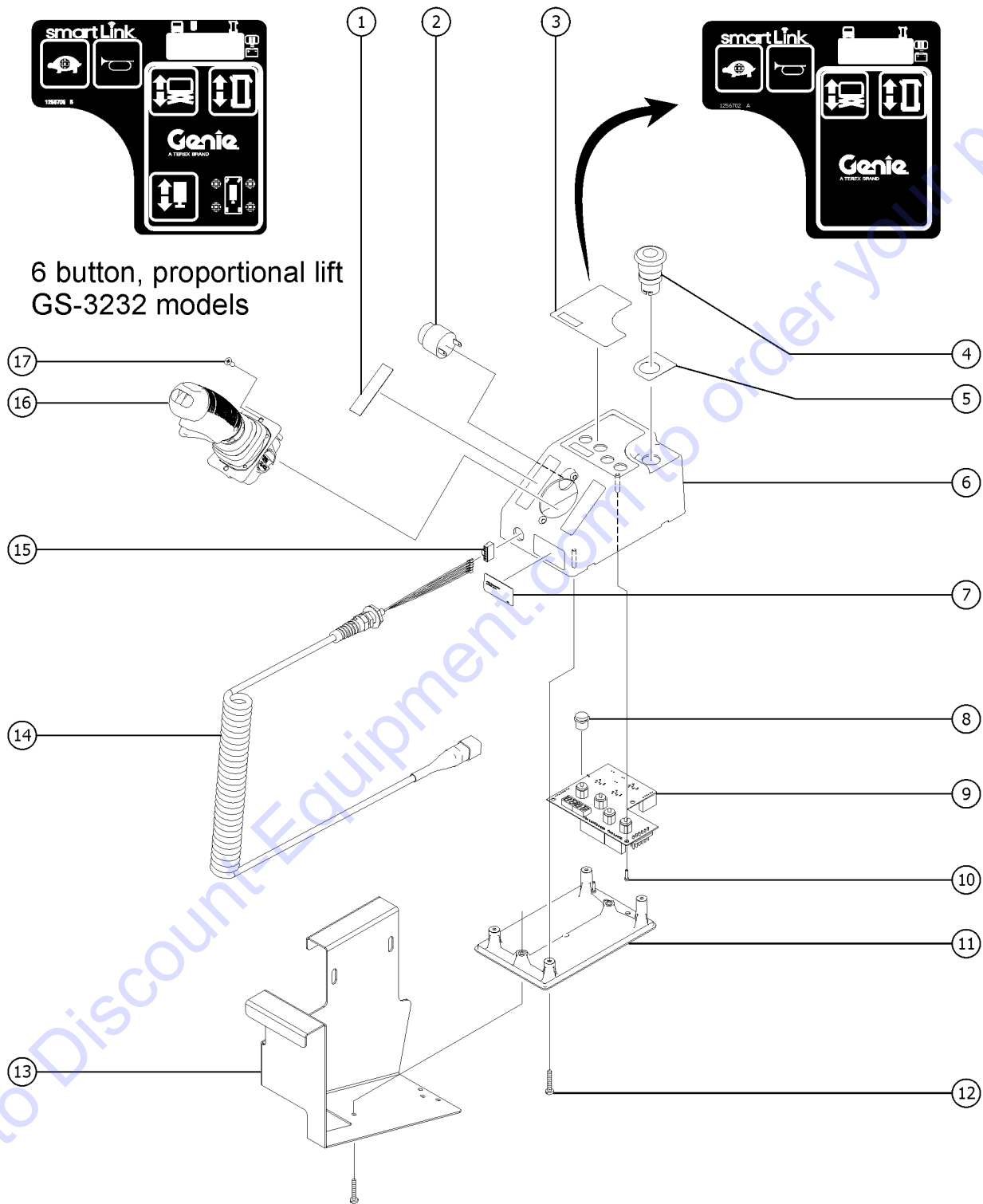


403.1 Platform Controls, 6 and 4 Button (Proportional Lift)

Item	Part No.	Description	Qty.
A	1256727	PCON,STD,PROP LIFT,GR/GS GS-2032 & GS-2632, complete platform control box with coil cord, bracket not included	...
A-	1258731	FLASH DRIVE,SL1K2.0 SOFTWARE (For proportional lift or upgrade kits only. Software update available on-line. Flash drive sold separately.)	
A-	137587	HARNESS, ESTOP, GR/GRC/GS PCON	
B	1256728	PCON,O/R,PROP LIFT,GS GS-3232, complete platform control box with coil cord, bracket not included	...
B-	1258731	FLASH DRIVE,SL1K2.0 SOFTWARE (For proportional lift or upgrade kits only. Software update available on-line. Flash drive sold separately.)	
B-	137587	HARNESS, ESTOP, GR/GRC/GS PCON	
1	137656	DECAL,PROPEL,GR/GRC/GS,PCON	1
2	39540	ALARM,STEADY TONE***	1
3	1256702	DECAL, UI, GS/GR, PROP LIFT GS-2032 & GS-2632 (models with 4 button, proportional controller)	1
3B	1256705	DECAL, O/R, PROP LIFT, UI, SVC GS-3232 (models with 6 button, proportional controller)	1
4	66812	BUTTON,PUSH,RED MUSHROOM HEAD	1
4-	66817	BASE WITH 1 NC CONTACT, E-STOP	
5	137605	DECAL,E-STOP,GR/GRC/GS PCON	1
6	1256656	ENCLOSURE,STD 4-BUTTON, TOP GS-2032 & GS-2632	1
6B	1256658	ENCLOSURE, O/R 5-BUTTON, TOP GS-3232	1
7		Ref. Decal not available separately	
8	T106373GT	CAP,BUTTON,K12 GS-2032 &, GS-2632	6
9	1256725	PCBA,PCON STD,PROP LIFT GS-2032 &, GS-2632	1
9B	1256726	PCBA,PCON O/R,PROP LIFT GS-3232	1
10	137637	SCREW,PHM,4-20X.5, 48-2 TRI-L	
11	T106370GT	ENCLOSURE,GC14-1/GC16-1, BOT	1
12	137640	SCREW,PHM,8-16X.75, 48-2 TRI-L	
13	T114397GT	FORMING,PLAT CONTROL BOX (decals not included, refer to section one)	
14	235464	KIT,COIL CORD,CONTRLR,SL1000 includes item 15	1
14-	231921	KIT,CONN,RECEPT W/PIN AND LOCK	
14-	231922	KIT,CONN,PLUG W/SCKT AND LOCK	
15	137699	PLUG, 6POS ECO PWR	1



403.1 Platform Controls, 6 and 4 Button (Proportional Lift)



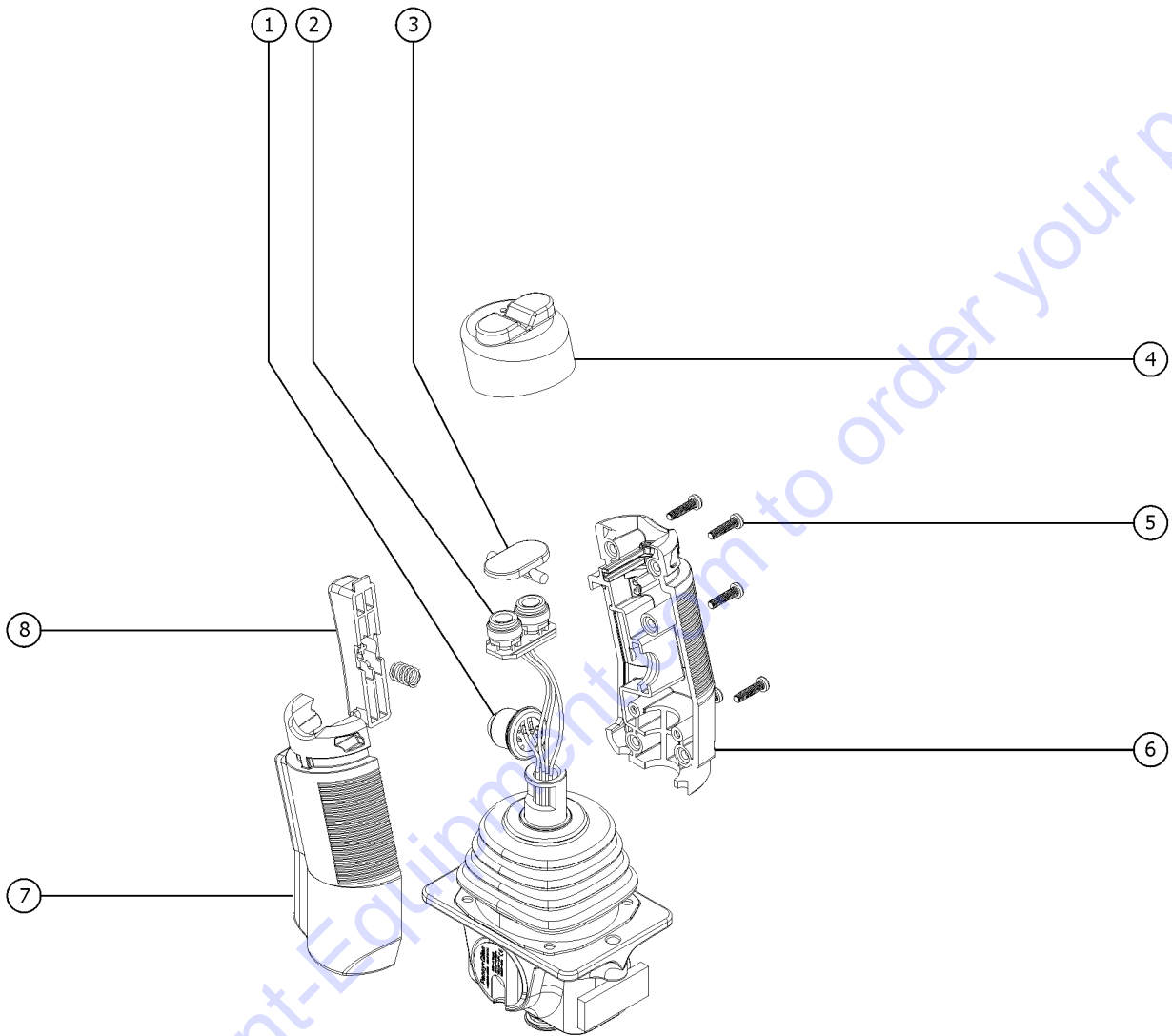
403.1 Platform Controls, 6 and 4 Button (Proportional Lift)

<i>Item</i>	<i>Part No.</i>	<i>Description</i>	<i>Qty.</i>
16		Ref., JOYSTICK .....	1
17	229845	SCREW,BHSCS,M5X10,SS apply Loctite 243 or equivalent before installation .....	

Go to Discount-Equipment.com to order your parts



404.1 Joystick Controller



404.1 Joystick Controller

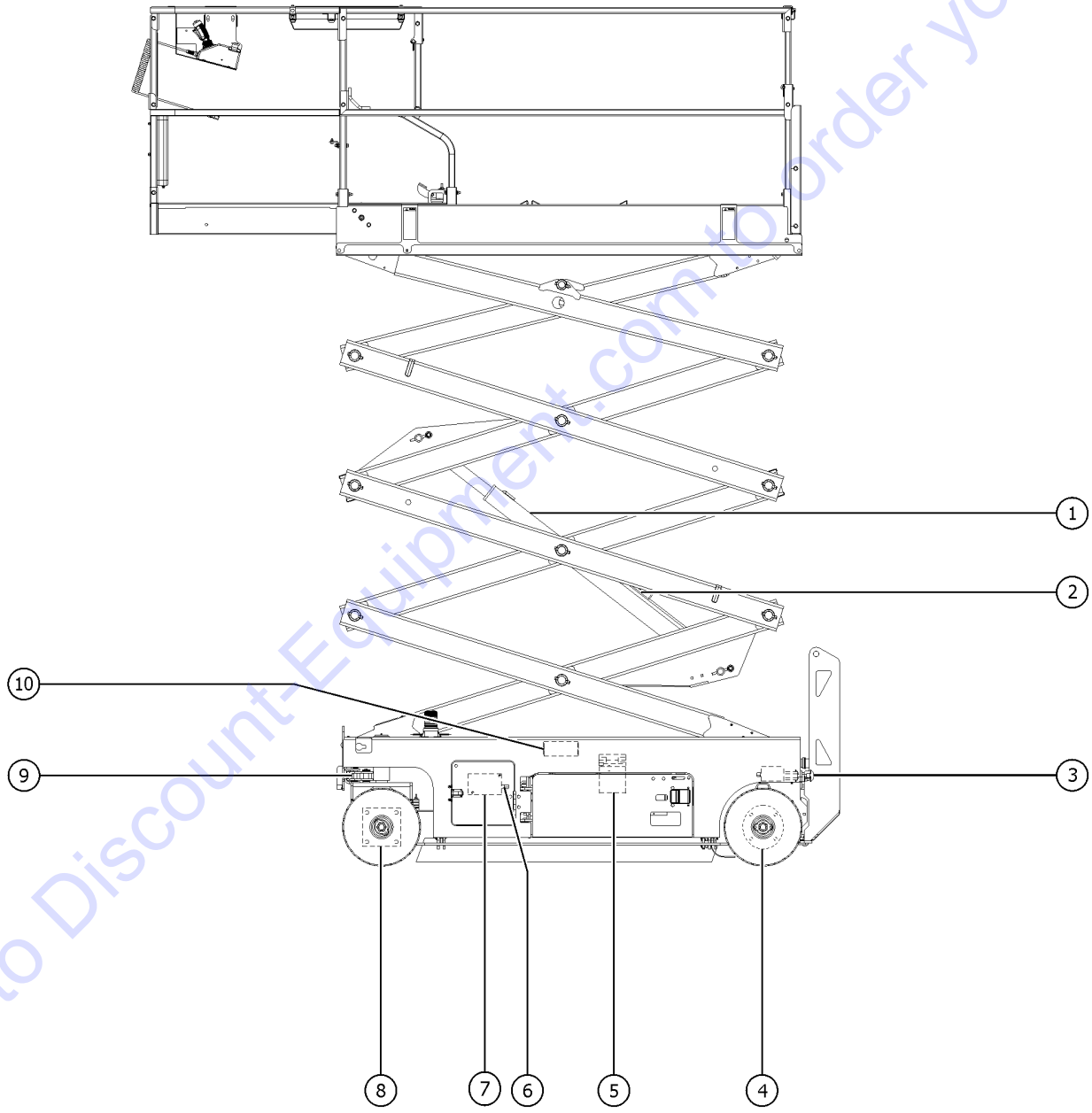
Item	Part No.	Description	Qty.
--	137634	JOYSTICK, HALL EFFECT, SINGLE .....	
--	229097	TERMINAL, SPLINE (AMP) .....	
--	214544	KIT,BOOT,JOYSTICK,SL1000 .....	
		joystick boot	
1	235463	KIT,SWITCH,JYSTK,SL1000 .....	
		function enable and steer switches	
2	235463	KIT,SWITCH,JYSTK,SL1000 .....	
		function enable and steer switches	
3	229092	ROCKER,2 SWITCH .....	1
4	229093	BOOT, 2 SWITCH, SILICON .....	1
5	229086	SCREW, SELF TAP .....	2
6	229087	HANDLE HALF,RIGHT,W/TOP SWITCH .....	1
		229091GT not included, order separately	
6B	229091	SCREW,GRUB,M5X8MM,HLF DOG,BZP .....	
		for 229087GT	
7	229088	HANDLE HALF,LEFT,W/TOP SWITCH .....	1
		229090GT not included, order separately	
7B	229090	SCREW,GRUB,M5X8MM CUP(BLK) .....	
		for 229088GT	
8	229089	TRIGGER, EXTENDED .....	1
8-	229094	SPRING, HANDLE TRIGGER .....	1

Go to Discount-Equipment.com to order your parts





501.1 Hydraulic Components

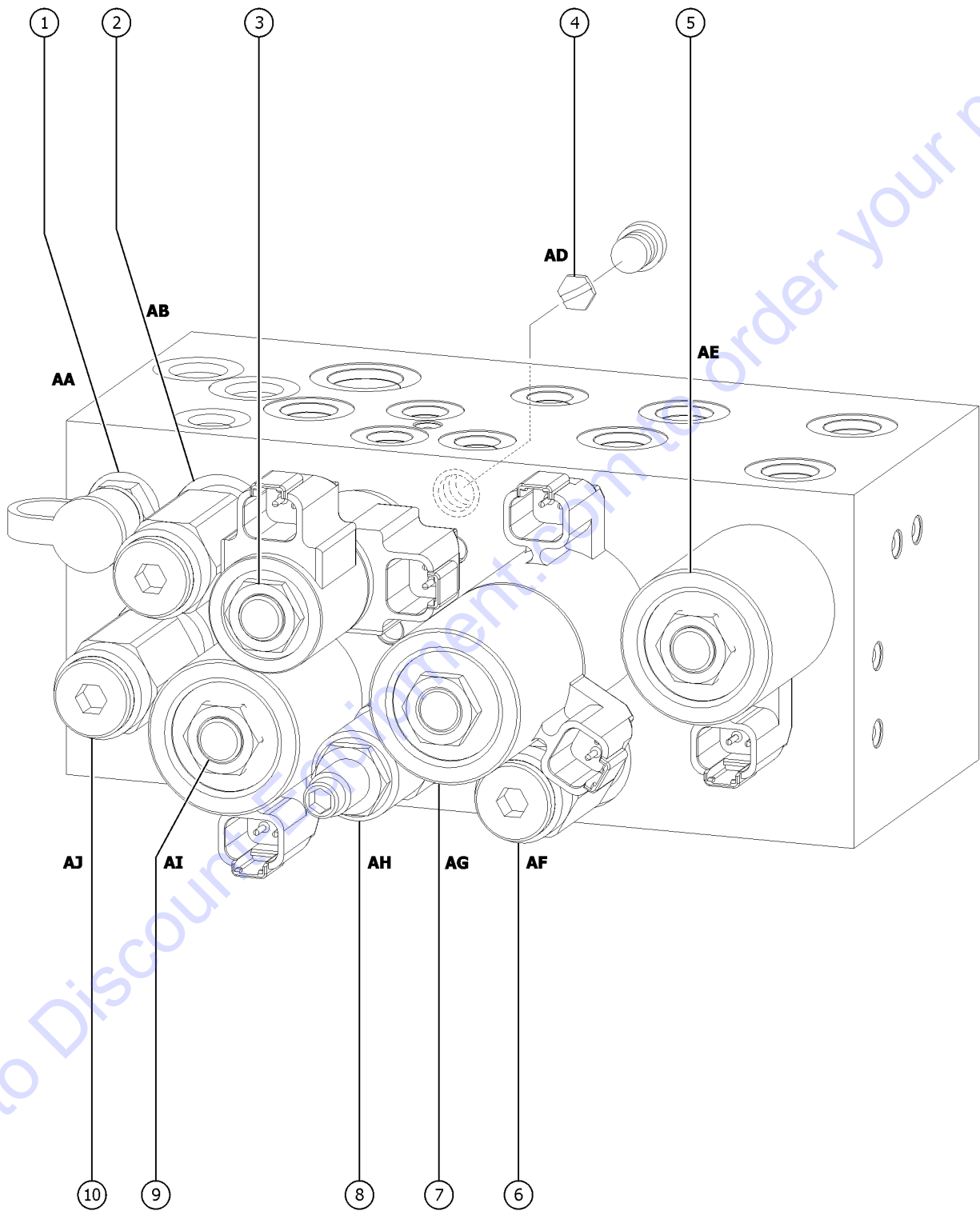


Item	Part No.	Description	Qty.
1		Ref. Lift Cylinder Assembly ..... (refer to 505.1)	
2		Ref. Pressure Transducer ..... (refer to 701.1)	
3		Ref. Brake Release Hand Pump Manifold ..... (refer to 503.1)	
4	96257GT	BRAKE, HYDRAULIC***	2
5	78622GT	FILTER ASSY,SAE8,10 MIC,PAPR** ..... (paper, standard)	1
5-	44788GT	FILTER ELEMENT,10MICRON,PAPER* ..... (paper, standard)	
6		Ref. Check Valve ..... (refer to 502.1)	
7		Ref. Function Manifold ..... (refer to 502.1)	
8	T108663GT	DRIVE MOTOR,22.9CI/REV	
8-	96419GT	SEAL KIT,RC SERIES DR MOTOR*** ..... for T108663	
9	105547GT	CYLINDER,GS/GR STEER***	1
9-	105550GT	KIT,STEER CYL SEAL	
9-	105553GT	KIT,STEER CYL SEAL,040271P,HDM ..... (for code H408147 and up)	
9-	105554GT	KIT,STEER CYL SEAL,040499P,HDM ..... (for code H41109 and up)	
9-	105555GT	KIT,STEER CYL SEAL,040505P,HDM ..... (for codes H41205, H41255, H51290, H501111, H505109, H509101, H60723 and H20970)	
10	78422GT	ACCUMULATOR,180 PSI PRECHARGE*	1

Go to Discount-Equipment.com to order your parts



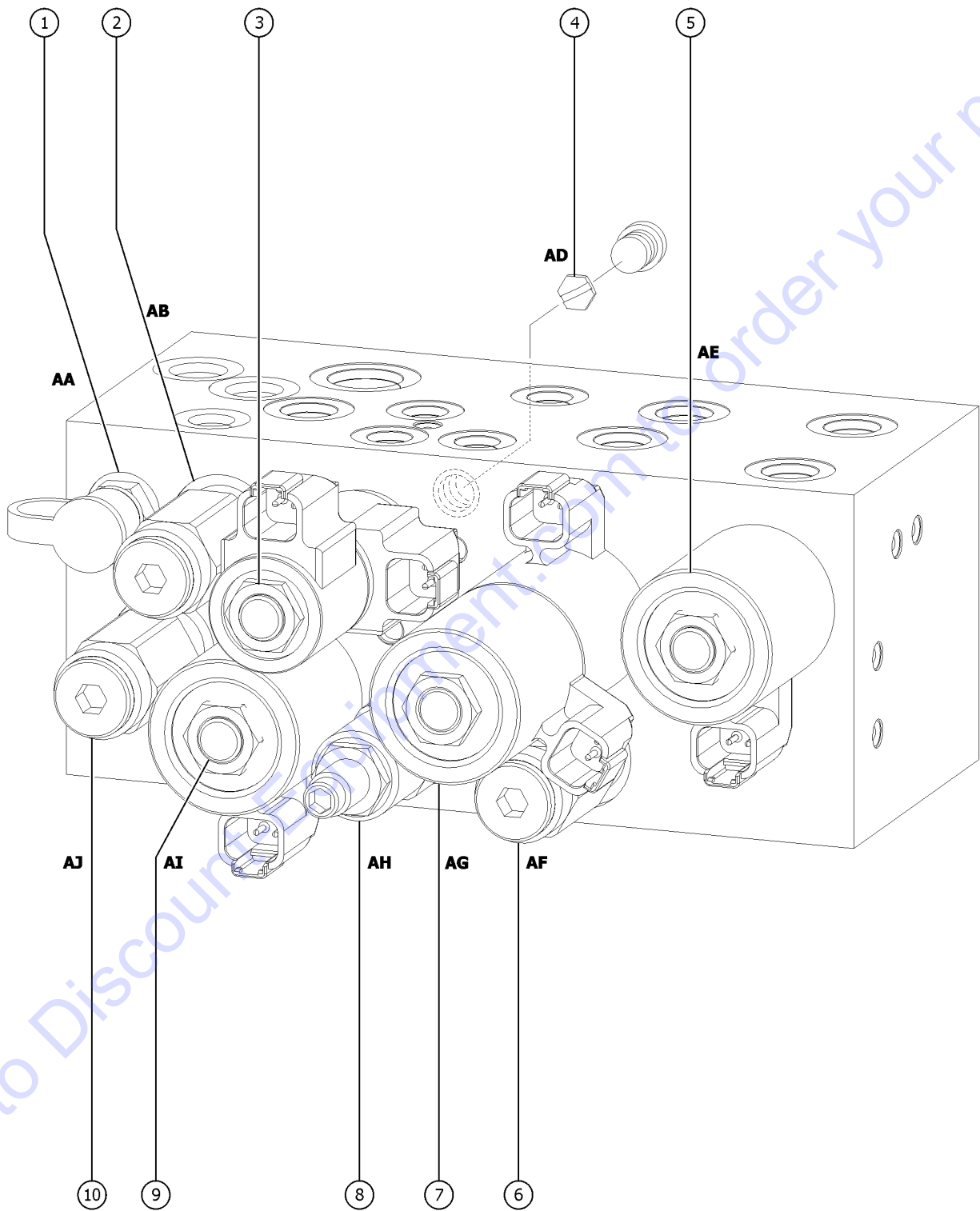
502.1 Function Manifold



Item	Part No.	Description	Qty.
-	105463GT	126,DYN.BRAKING,MANIF,32/46 .....	
-	150105GT	MANIFOLD,FUNCTION,2 SPEED (does not include check valve, item 4) .....	
-	49612GT	O-RING KIT (ORFS FITTINGS) .....	
-	49613GT	PLUG AND CAP KIT-SERVICE,ORFS* .....	
1	48997GT	NIPPLE,DIAGNOSTIC,#4 (AA, Testing) .....	
1-	20224GT	DIAGNOSTIC FEMALE Q-DSCNT .....	
1-	48880GT	CAP,DIAGNOSTIC NIPPLE .....	
2	65962GT	VALVE-RELIEF, 3700 PSI #8** (AB, System relief) .....	
2-	44226GT	SEAL KIT-FOR P.N.44167 .....	
3	44168GT	VALVE,SOLENOID,3POS 4WAY (AC, Steer left/right) .....	
3-	44174GT	NUT-COIL SHORT (sold separately) .....	
3-	44229GT	SEAL KIT, VALVE .....	
3-	44236GT	SPACER-DUAL COIL,#8*** (sold separately) .....	
3-	77709GT	COIL,#8 20VDC,DEUTSCH W/DIOD (sold separately) .....	
4	84386GT	CHECK DISK, NO SPRING (AD, Steer circuit) .....	
5	44171GT	VALVE-SOLENOID,2POS 4WAY** (AE, Drive speed select circuit) .....	
5-	44175GT	SPACER-DUAL COIL,#10, SCISSORS (sold separately) .....	
5-	44230GT	SEAL KIT-P.N.44169,44172,44171 .....	
5-	84385GT	COIL,20VDC DEUTCSH W/DIODE (sold separately) .....	
6	97409GT	VALVE,DIFF.AREA RELIEF,50PSI (AF, Brake release) .....	
7	150104GT	VALVE, DYN. BRAKING, GS32/46 .....	
7-	44175GT	SPACER-DUAL COIL,#10, SCISSORS (sold separately) .....	
7-	84385GT	COIL,20VDC DEUTCSH W/DIODE (sold separately) .....	
8	84384GT	PRTY,FLOW CNTRL VALVE,.75 GPM (AH, Steer circuit) .....	
8-	1261888GT	SEAL KIT (84384) .....	
		for 84384GT	
8-	44230GT	SEAL KIT-P.N.44169,44172,44171 .....	
9	44169GT	VALVE-SOLENOID, 2POS 4 WAY (AI, Platform up) .....	
9-	44175GT	SPACER-DUAL COIL,#10, SCISSORS (sold separately) .....	



502.1 Function Manifold

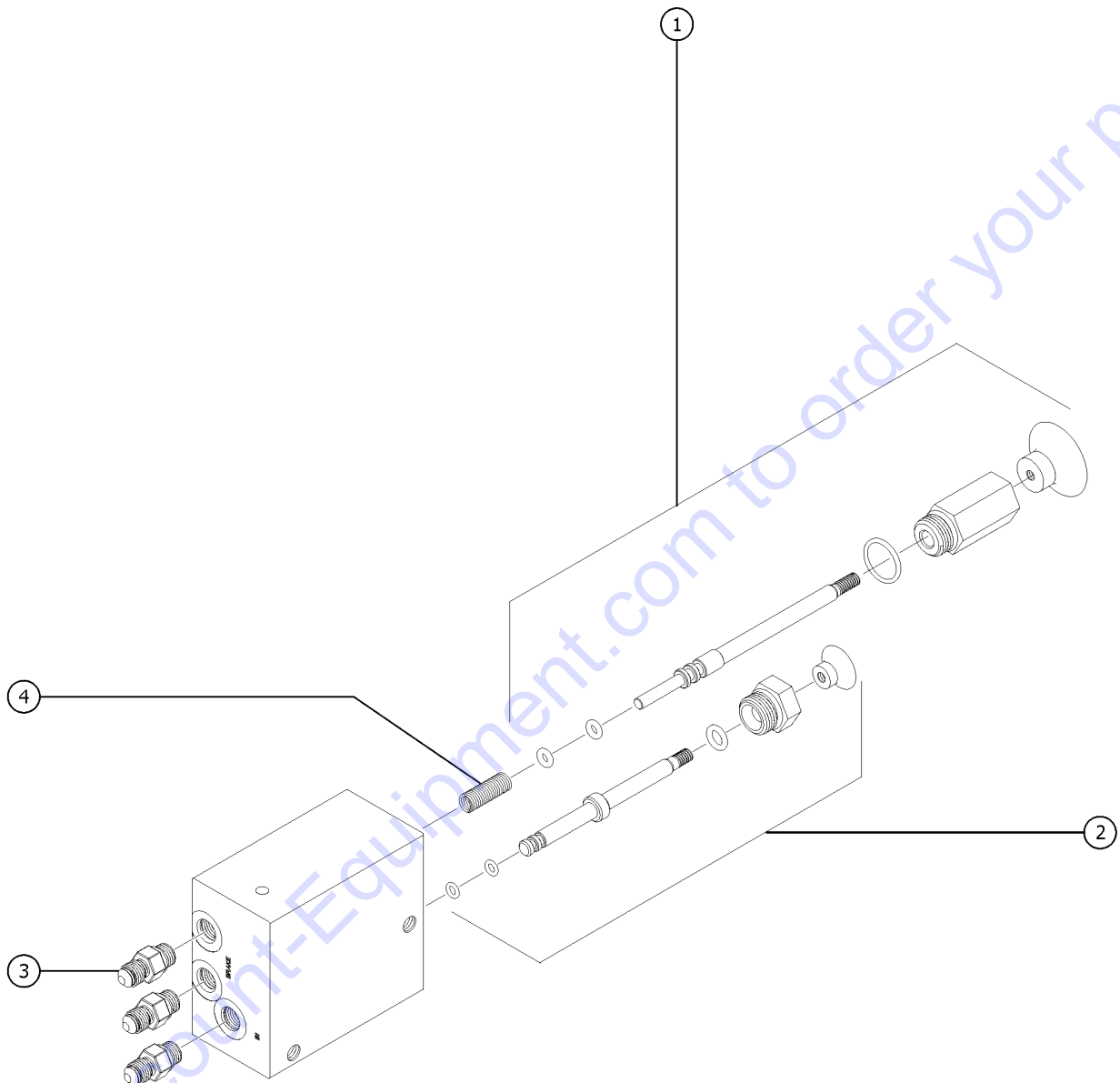


<i>Item</i>	<i>Part No.</i>	<i>Description</i>	<i>Qty.</i>
9-	44230GT	SEAL KIT-P.N.44169,44172,44171 .....	
9-	84385GT	COIL,20VDC DEUTCSH W/DIODE ..... (sold separately)	
10	65962GT	VALVE-RELIEF, 3700 PSI #8** ..... (AJ, Lift relief)	
10-	44226GT	SEAL KIT-FOR P.N.44167 .....	

Go to Discount-Equipment.com to order your parts



503.1 Brake Release Hand Pump Manifold



503.1 Brake Release Hand Pump Manifold

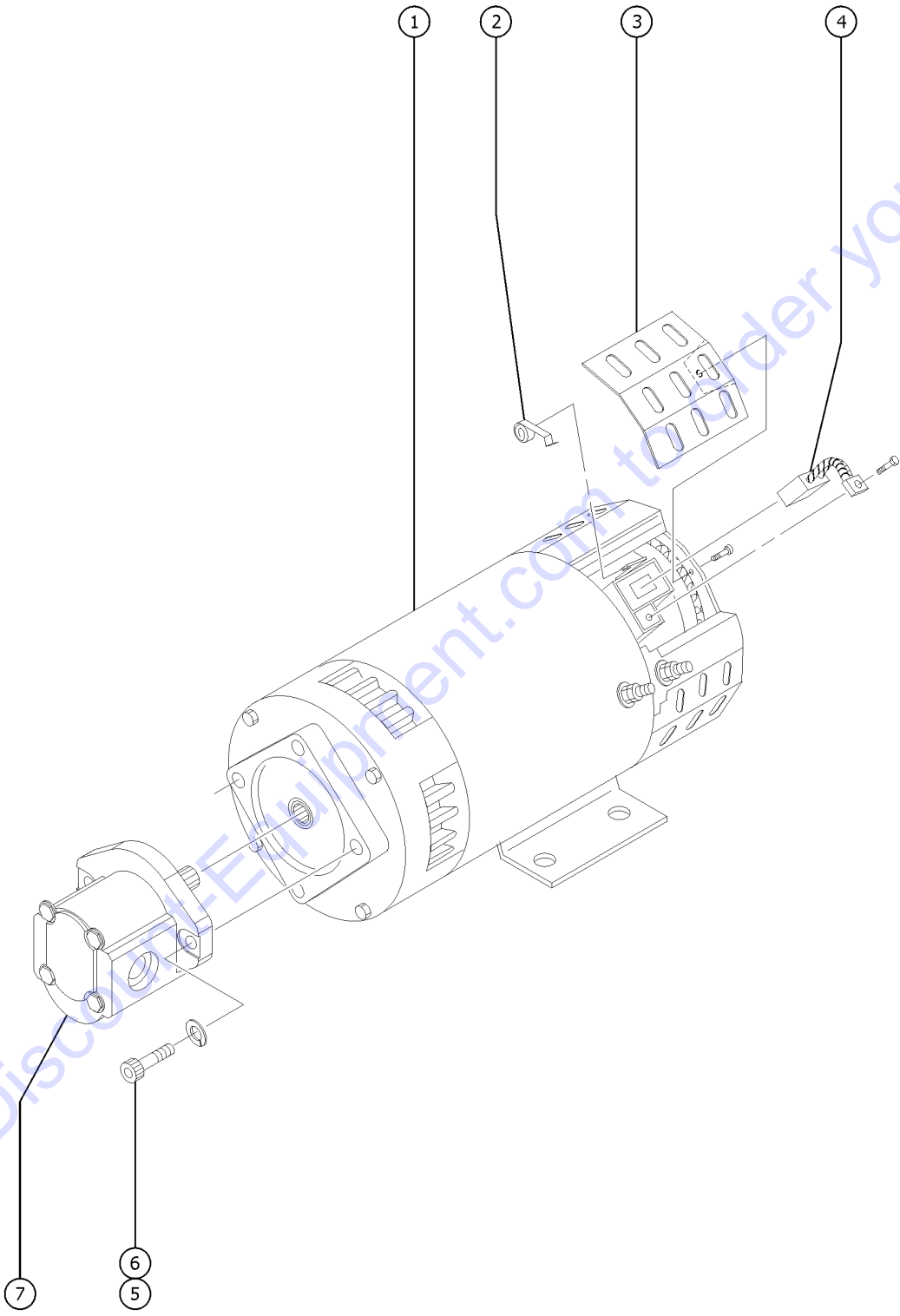
Item	Part No.	Description	Qty.
-	105067GT	MANIFOLD,BRAKE RELEASE ..... (includes items 1, 2 and 4)	
1	84739GT	VALVE,HAND PUMP ASSEMBLY*** .....	1
1-	84740GT	SEAL KIT,HAND PUMP*** .....	
1-	84742GT	KNOB,HAND PUMP (RED)*** .....	
2	84743GT	VALVE,PILOT OPERATED ASSEMBLY* .....	1
2-	84740GT	SEAL KIT,HAND PUMP*** .....	
2-	84746GT	KNOB,PILOT OP VALVE (BLACK)*** .....	
3	39877GT	CONNECTOR,070120-4-4 .....	3
4	84748GT	SPRING,HAND PUMP ROD .....	1

Go to Discount-Equipment.com to order your parts





504.1 Hydraulic Power Unit, All Models



Go to [DiscountEquipment.com](http://DiscountEquipment.com) to order your parts

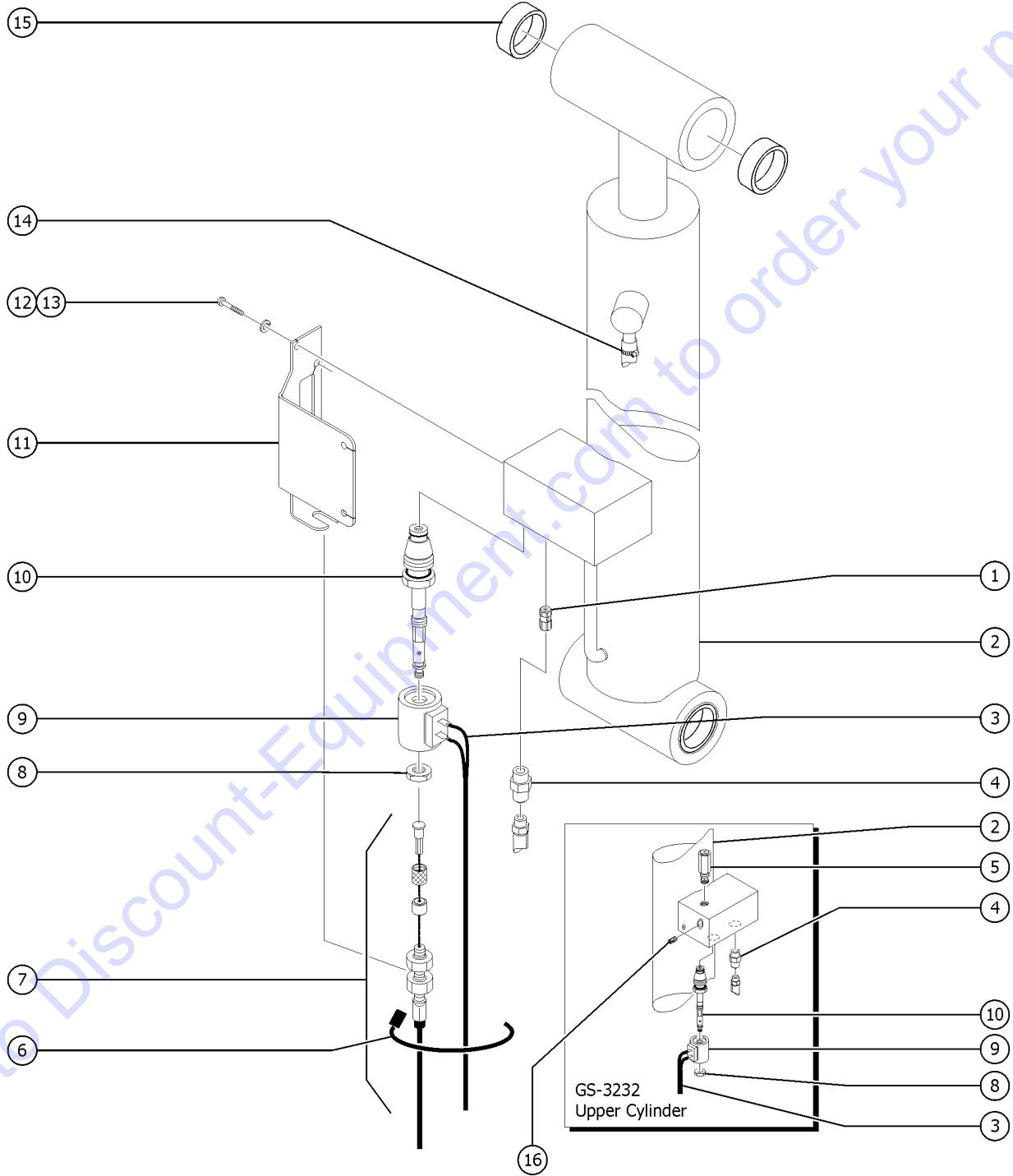


Item	Part No.	Description	Qty.
-	49812GT	ENCLOSING BAND KIT ..... Band Kit (EE models)	
-	78006GT	FORMING,PADLOCK BRACKET .....	
-	44716GT	HANDLE,ANDERSON CONNECTOR SB .....	
1	40844GT	MOTOR,ELECTRIC,24VDC 4.5HP .....	1
1-	43685GT	SEAL KIT,LIFT PUMP,BARNES** .....	
1-	44777GT	BEARING,MOTOR .....	
1-	44778GT	BEARING,MOTOR,36843,BRUSH END* .....	
2	44750GT	SPRING-BRUSH,40844, SCISSORS .....	4
3	44752GT	COVER-BRUSH INSPEC.40844,SCISS .....	4
4	44751GT	BRUSH,PWR UNIT (40844)** .....	4
5	55921GT	SCREW,SHC,3/8-24 X 1.25" .....	
6	6021GT	WASHER,LOCK,.375 .....	
7	T108662GT	PUMP,5.6CC GEAR,CCW .....	1
7-	236837GT	SEAL KIT,PUMP,5.6CC GEAR .....	

Go to Discount-Equipment.com to order your parts



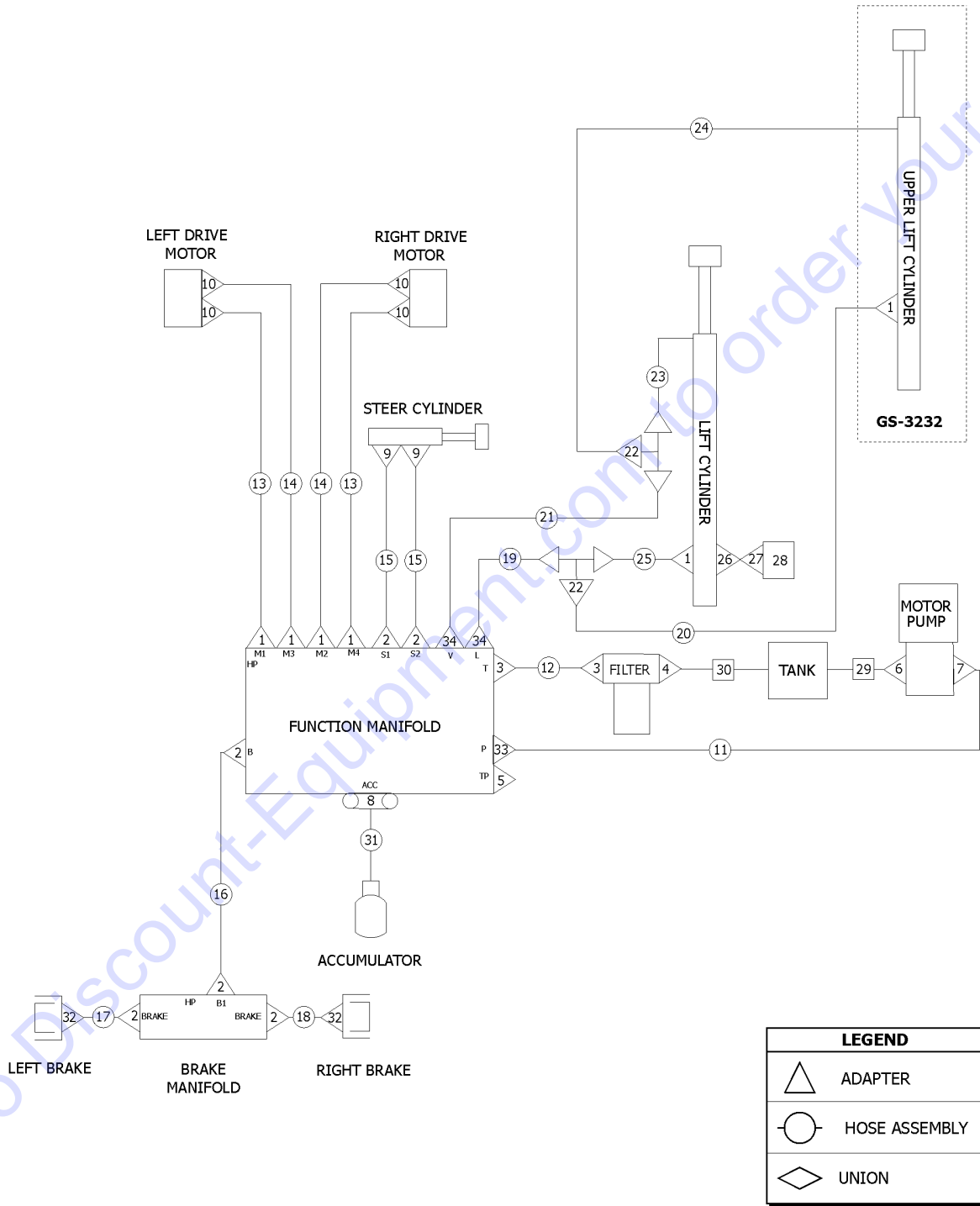
505.1 Lift Cylinder Assembly, All Models



Item	Part No.	Description	Qty.
1	55560GT	ORIFICE, LONG, .059" .....	
1-	105479GT	KIT, TWO ORIFICE, .059" .....	
1-	105481GT	KIT, ORIFICE, .059" .....	
2	105544GT	CYLINDER, 20XX LIFT GS-2032 .....	1
2-	105549GT	SEAL KIT (105545) (for PN 105544GT) .....	
2B	105545GT	CYLINDER, 26XX/32XX LIFT GS-2632 .....	1
2B-	105549GT	SEAL KIT (105545) (for PN 105545GT) .....	
2C	105546GT	CYLINDER, 32XX UPPER LIFT GS-3232 (upper cylinder) .....	1
2C-	105564GT	SEAL KIT (105546) (for PN 105546GT) .....	
2D	105545GT	CYLINDER, 26XX/32XX LIFT .....	1
2D-	105549GT	SEAL KIT (105545) (for PN 105545GT) .....	
3		Ref. Down Coil Wire Harness (refer to 211.1) .....	
4	39878GT	CONNECTOR, 070120-6-6 .....	1
5	237455GT	VALVE, RELIEF, 2900 PSI, BOSCH .....	
6	28443GT	CABLE TIE, 11.5" BLACK .....	3
7		Ref. Emergency Down Cable (refer to 203.1) .....	
8	44973GT	NUT, COIL (39909) .....	1
9	84422GT	COIL-SOLENOID VALVE, 20V DC*** (direct replacement for 66467GT) .....	1
10	66465GT	VALVE, W/20V NC SOLENOID, MANUAL (includes items 7 and 8) .....	1
10-	40477GT	VALVE, CARTRIDGE*** .....	
10-	44979GT	SEAL KIT, 39909, PLAT LWR VALVE* .....	
11	41557-SGT	CABLE BRACKET, PAINTED .....	1
12	7339GT	SCREW, HHC, 1/4-20 X .5 .....	
13	6356GT	WASHER, LOCK, .25 .....	
14	96770GT	CLAMP, HOSE, 1 EAR, 11/16 .....	1
15	105478GT	BEARING, 1.5025IDX1.5075ODX1.5L .....	4
16	55558GT	ORIFICE, LONG, .037*** GS-3232 .....	1



506.1 Hydraulic Hoses and Fittings



506.1 Hydraulic Hoses and Fittings

Item	Part No.	Description	Qty.
-		The hose lengths below reflect the length of the hose only. Refer to the 'Fittings Cross Reference' to match Genie part numbers to Parker part numbers.	
-	66765-3000GT	WIRE LOOM, SPIRAL, 1-5/8 ID 30" used as hose protection on 3/8 hoses, sold by the inch	
1	39878GT	CONNECTOR, 070120-6-6 GS-2032, GS-2632	4
1B	39878GT	CONNECTOR, 070120-6-6 GS-3232	5
2	39877GT	CONNECTOR, 070120-4-4	6
2-	39882GT	PLUG, HEX SOCKET, 090109B-4	1
3	66389GT	CONN, 070120-8-6	2
4	96398GT	CONNECTOR, 070120-12-8	1
5		Ref. Diagnostic Nipple (refer to 502.1)	
6	22664GT	ELBOW, 070220-12-10	1
7	39876GT	ELBOW, 070220-6-8	1
8	39877GT	CONNECTOR, 070120-4-4	1
9	13921GT	ELBOW, 070220-4-4 GS-2032, GS-2632	2
9B	13921GT	ELBOW, 070220-4-4 GS-3232	4
10	39873GT	ELBOW, 070220-6-6	4
11	1259183GT	HOSE, ASSY, PRESS, RYCO (Components: 1259073, 1259073, and 1259076 @ 50 inches)	1
11B	96744GT	HOSE, ASSY, PRESSURE (Components: 39890, 39890, and 56776 @ 50 inches)	1
12	1259184GT	HOSE, ASSY, MAN TO FILTER, RYCO (Components: 96406, 96406, and 1259077 @ 25 inches)	1
12B	96348GT	HOSE, ASSY, MAN TO FILTER (Components: 96406, 96406, and 75631 @ 25 inches)	1
13	105802GT	HOSE ASSY, DRIVE MOTORS, GS32 (Components: 39890, 39890, and 56776 @ 50 inches)	2
14	105579GT	HOSE ASSY, DRIVE MOTORS, GS32 (Components: 39890, 39890, and 56776 @ 54 inches)	2
15	1259062GT	HOSE, ASSY STEER, GS32/46 RYCO (Components: 1259079, 1259079, and 1259078 @ 36 inches)	2
15B	105578GT	HOSE, ASSY STEER, GS32/46 (Components: 78855, 78855, and 78852 @ 36 inches)	2
16	1294831GT	HOSE, ASSY, BRAKE MAN, GS32, RYCO (Components: 1259079, 1259079, and 1259078 @ 62 inches)	1
16B	105804GT	HOSE, ASSY, BRAKE MAN, GS32 (Components: 78855, 78855, and 78852 @ 62 inches)	1
17	1262934GT	HOSE 1259078X475, RYCO (Components: 1259079, 1259079, and 1259078 @ 17 inches)	2
17B	96391GT	HOSE 78852X475 (Components: 78855, 78855, and 78852 @ 17 inches)	2
18	1294831GT	HOSE, ASSY, BRAKE MAN, GS32, RYCO (Components: 1259079, 1259079, and 1259078 @ 62 inches)	1



# PARTS FINDER

**Search Website  
by Part Number**



**Search Manual  
Library For Parts  
Manual & Lookup Part  
Numbers – Purchase  
or Request Quote**

**Search Manuals**

Enter your information to help us find the right parts manual for your machine.

\* Brand:

\* Model:

\* Serial:

\* Part Number:

SEARCH

**Can't Find Part or  
Manual? Request Help  
by Manufacturer,  
Model & Description**

**Parts Order Form**

Please fill in the following information to help us find the right part for your machine.

Manufacturer:	<input type="text"/>
Model:	<input type="text"/>
Description:	<input type="text"/>
Part Number:	<input type="text"/>
Quantity:	<input type="text"/>
Notes:	<input type="text"/>

Discount-Equipment.com is your online resource for quality parts & equipment.

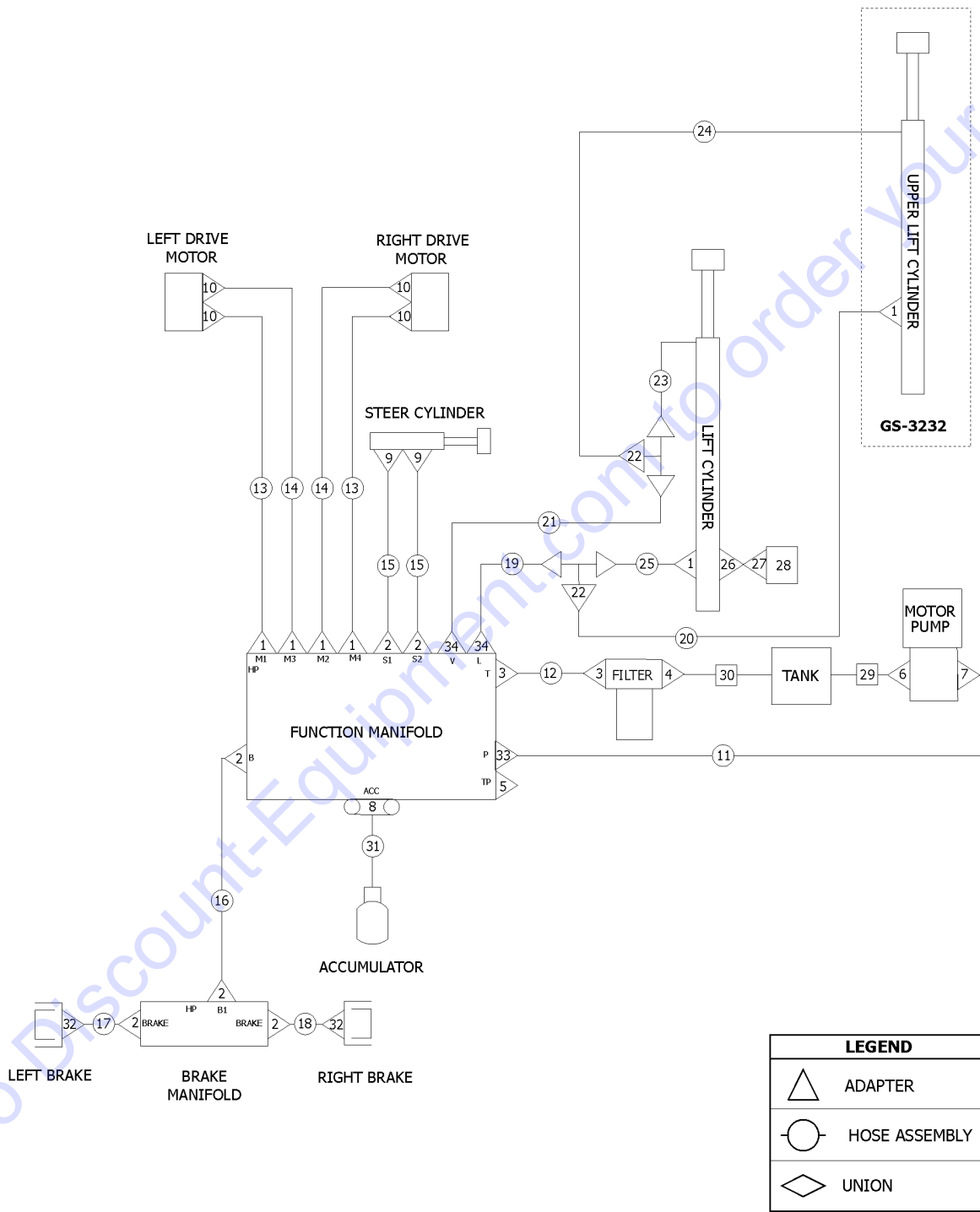
Florida: **561-964-4949** Outside Florida TOLL FREE: **877-690-3101**



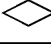
**Need parts?**

Click on this link: <http://www.discount-equipment.com/category/5443-parts/> and choose one of the options to help get the right parts and equipment you are looking for. Please have the machine model and serial number available in order to help us get you the correct parts. If you don't find the part on the website or on one of the online manuals, please fill out the request form and one of our experienced staff members will get back to you with a quote for the right part that your machine needs.

We sell worldwide for the brands: Genie, Terex, JLG, MultiQuip, Mikasa, Essick, Whiteman, Mayco, Toro Stone, Diamond Products, Generac Magnum, Airman, Haulotte, Barreto, Power Blanket, Nifty Lift, Atlas Copco, Chicago Pneumatic, Allmand, Miller Curber, Skyjack, Lull, Skytrak, Tsurumi, Husquvarna Target, Stow, Wacker, Sakai, Mi-T-M, Sullair, Basic, Dynapac, MBW, Weber, Bartell, Bennar Newman, Haulotte, Ditch Runner, Menegotti, Morrison, Contec, Buddy, Crown, Edco, Wyco, Bomag, Laymor, EZ Trench, Bil-Jax, F.S. Curtis, Gehl Pavers, Heli, Honda, ICS/PowerGrit, IHI, Partner, Imer, Clipper, MMD, Koshin, Rice, CH&E, General Equipment, Amida, Coleman, NAC, Gradall, Square Shooter, Kent, Stanley, Tamco, Toku, Hatz, Kohler, Robin, Wisconsin, Northrock, Oztec, Toker TK, Rol-Air, APT, Wylie, Ingersoll Rand / Doosan, Innovatech, Con X, Ammann, Mecalac, Makinex, Smith Surface Prep, Small Line, Wanco, Yanmar

506.1 Hydraulic Hoses and Fittings



LEGEND	
	ADAPTER
	HOSE ASSEMBLY
	UNION

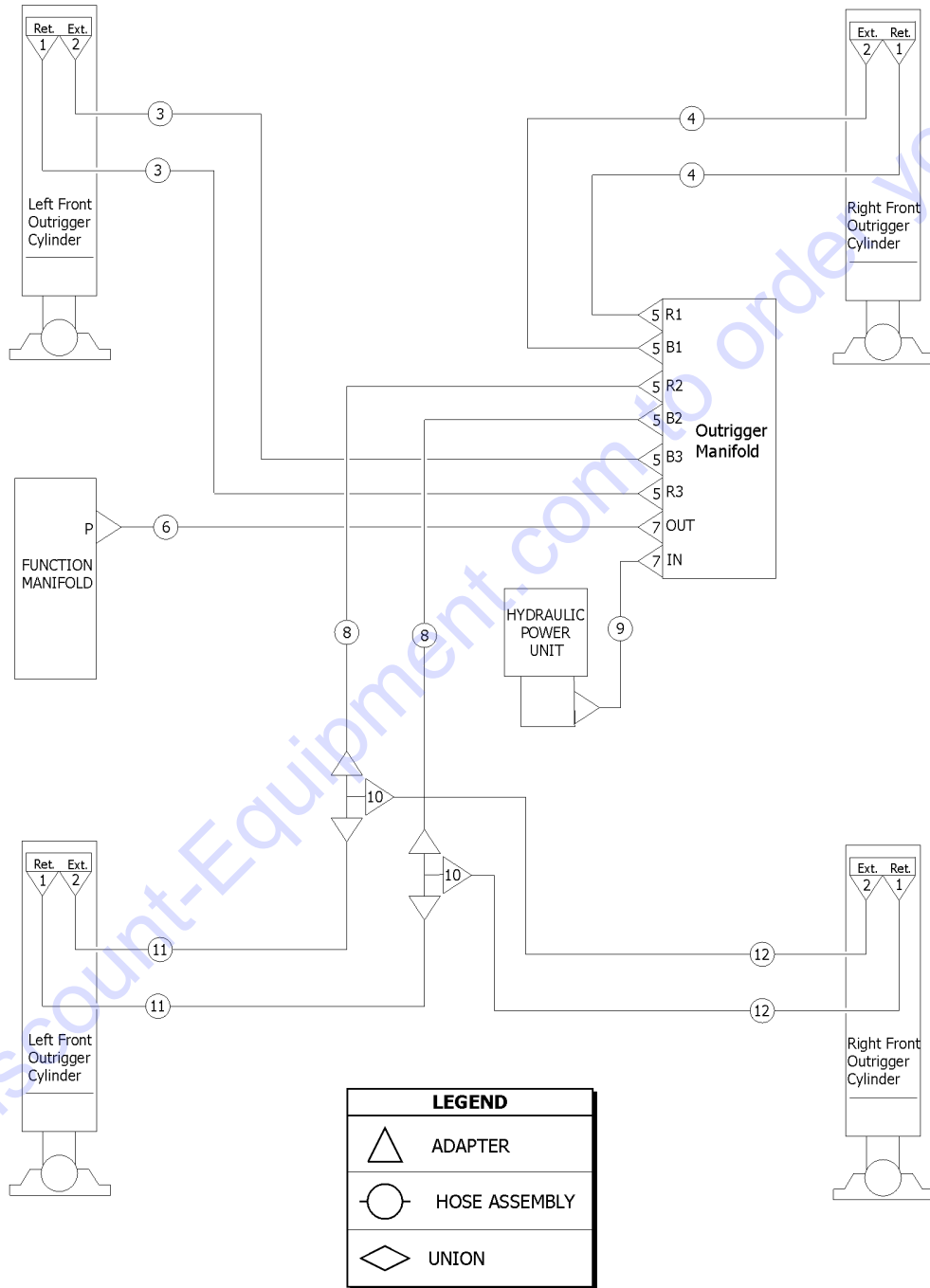


506.1 Hydraulic Hoses and Fittings

Item	Part No.	Description	Qty.
18B	105804GT	HOSE,ASSY,BRAKE MAN,GS32 (Components: 78855, 78855, and 78852 @ 62 inches)	1
19	1259083GT	HOSE, ASSY, LIFT RYCO (Components: 1259073, 1259073, and 1259076 @ 42 inches)	1
19B	96750GT	HOSE, ASSY, LIFT (Components: 39890, 39890, and 56776 @ 42 inches)	1
20	1259186GT	HOSE ASSY,UPPER LIFT,RYCO GS-3232 (Components: 1259073, 1259074, and 1259076 @ 300 inches)	1
20B	96880GT	HOSE ASSY,UPPER LIFT GS-3232 (Components: 39890, 39891, and 56776 @ 297 inches)	1
21	1259084GT	HOSE,ASSY,VENT RYCO (Components: 96406, 96407, and 1259077 @ 42 inches)	1
21B	96881GT	HOSE,ASSY,VENT (Components: 96406, 96407, and 75631 @ 42 inches)	1
22	51152GT	TEE,RUN 070432-6**** GS-3232	2
23	75631GT	HOSE,AIR 3/8 GS-3232 (for hose ends see items 31 & 34)	16 1- i nc hes
23B	1259085GT	HOSE,LOWER VENT RYCO GS-2032, GS-2632 (Components: 96406 and 1259077 @ 170.5 inches)	1
23C	96882GT	HOSE,LOWER VENT GS-2032, GS-2632 (Components: 75631 @ 161 inches)	1
24	1259185GT	HOSE, UP VENT, RYCO GS-3232 (Components: 1259058, and 1259077 @ 324 inches)	1
24B	96883GT	HOSE,UPPER VENT GS-3232 (Components: 105045, and 75631 @ 320 inches)	1
25	1259059GT	HOSE,LOWER VENT RYCO (Components: 1259075, 1259073, and 1259076 @ 127 inches)	1
25B	105046GT	HOSE ASSY,LOWER LIFT (Components: 39890, 47223, and 56776 @ 127 inches)	1
26	96885GT	CONN,SWIVEL,STR,THR,465OX-S	1
27	39881GT	CONNECTOR,070120-4-6	1
28		Ref. Pressure Switch (refer to 701.1)	
29	96354GT	TUBE, ASSY, DRAW	1
30	96355GT	TUBE, ASSY, RETURN	1
31	1262934GT	HOSE 1259078X475,RYCO (Components: 1259079, 1259079, and 1259078 @ 17 inches)	1
31B	105246GT	HOSE ASSY, MAN/ACCUM, GS32/46 (Components: 78855, 78855, and 78852 @ 17 inches)	
32	39877GT	CONNECTOR,070120-4-4	2
33	39878GT	CONNECTOR,070120-6-6 GS-2032, GS-2632	1
33B	237086GT	VALVE,CHECK,#6-#6,MJIC TO MORB GS-3232 (Australia, CE)	1
34	42283GT	ELBOW,070320-6-6 GS-2032, GS-2632	2
34B	130011GT	HOSE CLAMP, SAE #6 GS-3232	2



507.1 Hydraulic Hoses and Fittings, Outriggers, GS-3232



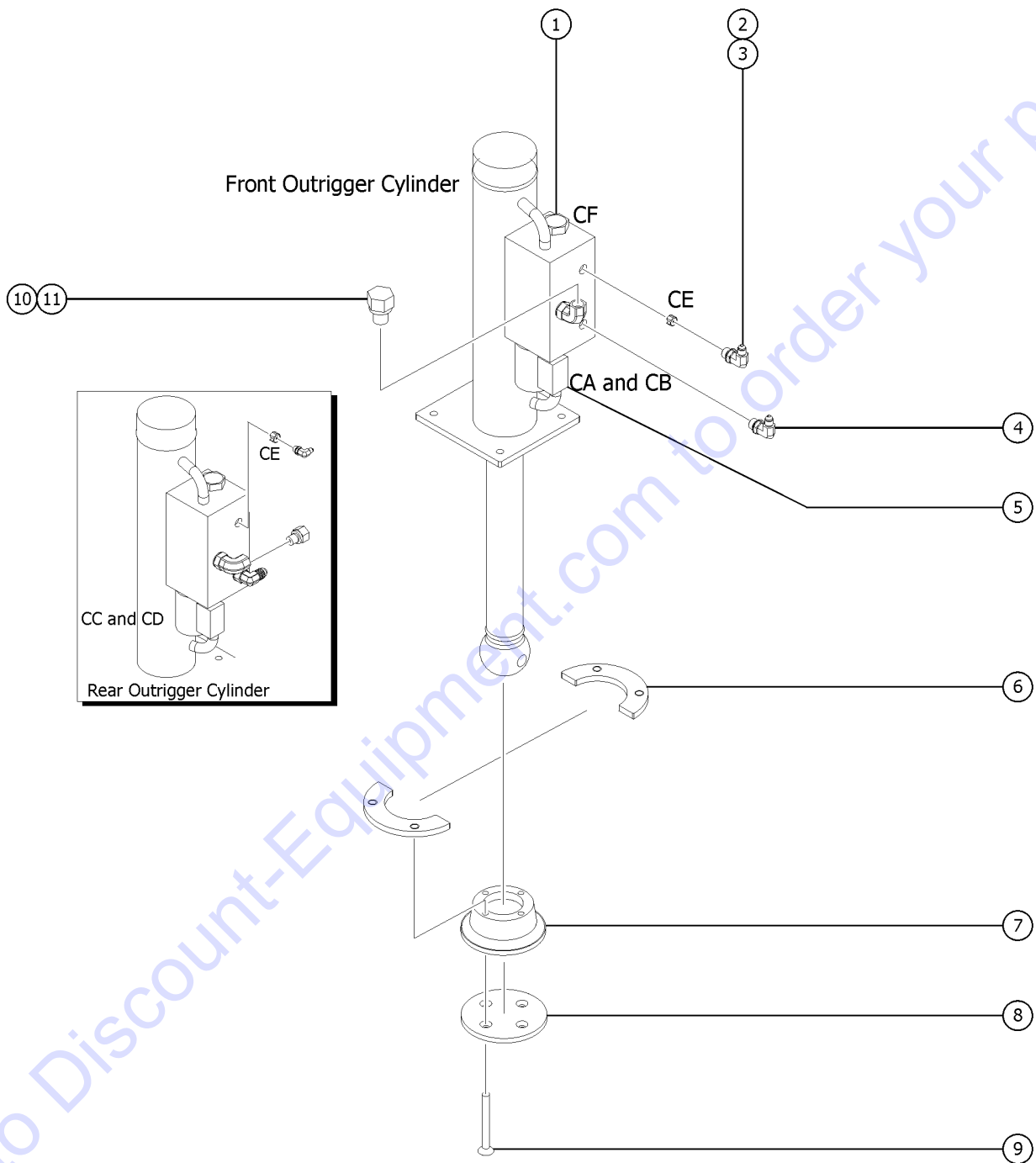
507.1 Hydraulic Hoses and Fittings, Outriggers, GS-3232

Item	Part No.	Description	Qty.
1	13921GT	ELBOW,070220-4-4 .....	4
2	39875GT	ELBOW,070220-4-6 .....	4
3	1294838GT	HOSE ASSY,LT FRONTO/R,GS3232,RYCO (Components: 1259079, 1259079, and 1259078 @ 12 inches) .....	2
4	1294835GT	HOSE ASSY,RT FRONT O/R,GS3232,RYCO (Components: 1259079, 1259079, and 1259078 @ 36 inches) .....	2
5	39877GT	CONNECTOR,070120-4-4 .....	4
6	1294833GT	HOSE ASSY,MANIFOLD, GS3232,RYCO (Components: 1259073, 1259073, and 1259076 @ 32 inches) .....	1
7	39878GT	CONNECTOR,070120-6-6 .....	2
8	1294834GT	HOSE ASSY,O/R MAN-T, GS3232,RYCO (Components: 1259079, 1259079, and 1259078 @ 60 inches) .....	2
9	1294832GT	HOSE ASSY,PUMP-O/R MAN, GS3232,RYCO (Components: 1259073, 1259073, and 1259076 @ 56 inches) .....	1
10	8342GT	TEE,UNION,070401-4 .....	4
11	1294837GT	HOSE ASSY,LT REAR O/R, GS3232,RYCO (Components: 1259079, 1259079, and 1259078 @ 16 inches) .....	2
12	1294836GT	HOSE ASSY,RT REAR O/R, GS3232,RYCO (Components: 1259079, 1259079, and 1259078 @ 24 inches) .....	2

Go to Discount-Equipment.com to order your parts



508.1 Outrigger Cylinders, Front and Rear, GS-3232



Go to Discount-Equipment.com to order your parts

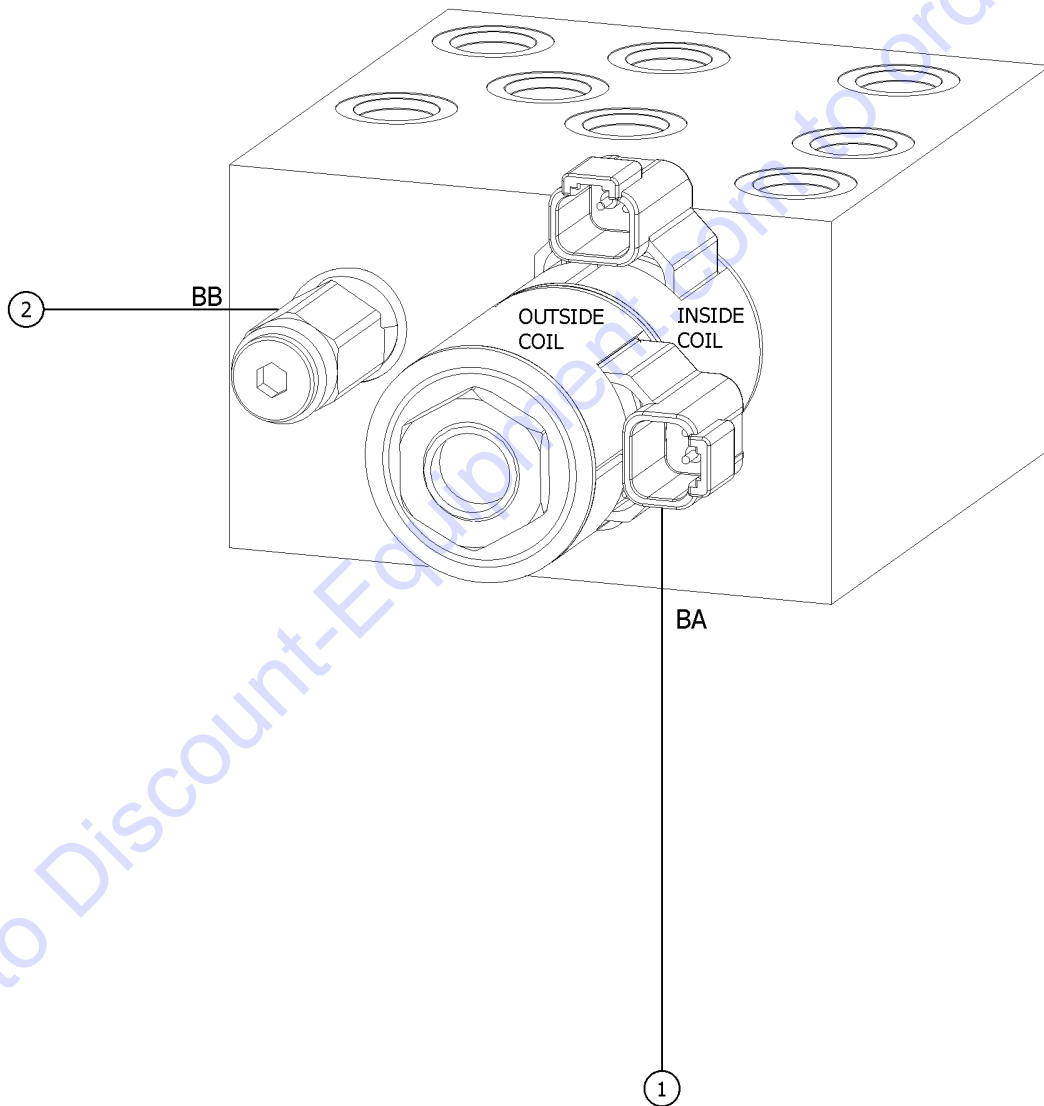
508.1 Outrigger Cylinders, Front and Rear, GS-3232

Item	Part No.	Description	Qty.
-	109877GT	CYLINDER,REAR OUTRIGGER order valves, orifice and fittings separately	
-	109878GT	CYLINDER,FRONT OUTRIGGER order valves, orifice and fittings separately	
-	144655GT	SEAL KIT,O/R CYLINDER*** for 109877GT and 109878GT	
1	105628GT	VALVE,CHECK,PILOT OPERATED (3500 psi, 240 bar)	1
1-	105695GT	SEAL KIT	
2	39875GT	ELBOW,070220-4-6	1
3	67744GT	ORIFICE,SHORT, 0.037 INCH (0.037 inch; 0.94 mm)	1
4	13921GT	ELBOW,070220-4-4	1
5	105629GT	VALVE,SOLENOID 2 POS, 2 WAY	1
5-	44228GT	SEAL KIT, VALVE	
6	109750GT	PLATE,FOOTPAD RING	2
7	109756GT	FOOTPAD,OUTRIGGER,3232	1
8	105575GT	FOOTPAD,NON MARKING	1
9	1260987GT	SCREW,FHS,1/4-20X2.25XF835,ZAG	16
10	229750GT	HARNES,PRESS,TRANSDUCER***	1
11	105652GT	FITTING,ELBOW 4-4, SAE	1

Go to Discount-Equipment.com to order your parts



509.1 Outrigger Function Manifold, GS-3232



Go to Discount-Equipment.com to order your parts

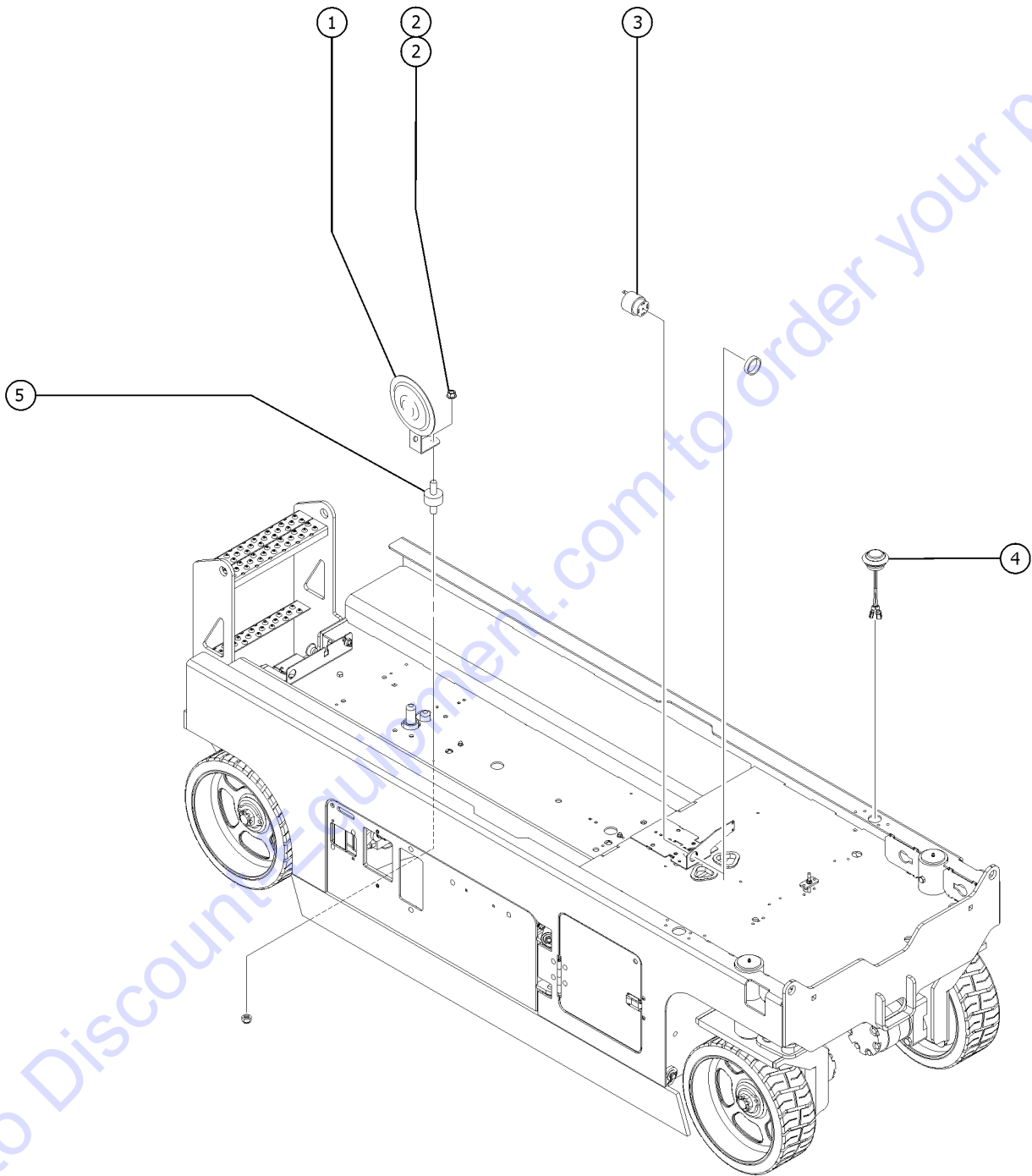
509.1 Outrigger Function Manifold, GS-3232

Item	Part No.	Description	Qty.
-	109757GT	MANIFOLD,OUTRIGGER OPTION .....	
-	49612GT	O-RING KIT (ORFS FITTINGS) .....	
-	49613GT	PLUG AND CAP KIT-SERVICE,ORFS* .....	
1	52376GT	VALVE,RELIEF,3500PSI*** (BB, Outrigger circuit) .....	
1-	44227GT	SEAL KIT, VALVE .....	
2	52380GT	VALVE,SOLENOID,3POS4WAY,GS68 (BA, Outrigger extend/retract) .....	
2-	44174GT	NUT-COIL SHORT .....	
2-	44175GT	SPACER-DUAL COIL,#10, SCISSORS .....	
2-	44230GT	SEAL KIT-P.N.44169,44172,44171 .....	
2-	84385GT	COIL,20VDC DEUTCSH W/DIODE .....	

Go to Discount-Equipment.com to order your parts



601.1 Alarm, Horn and Flashing Beacons





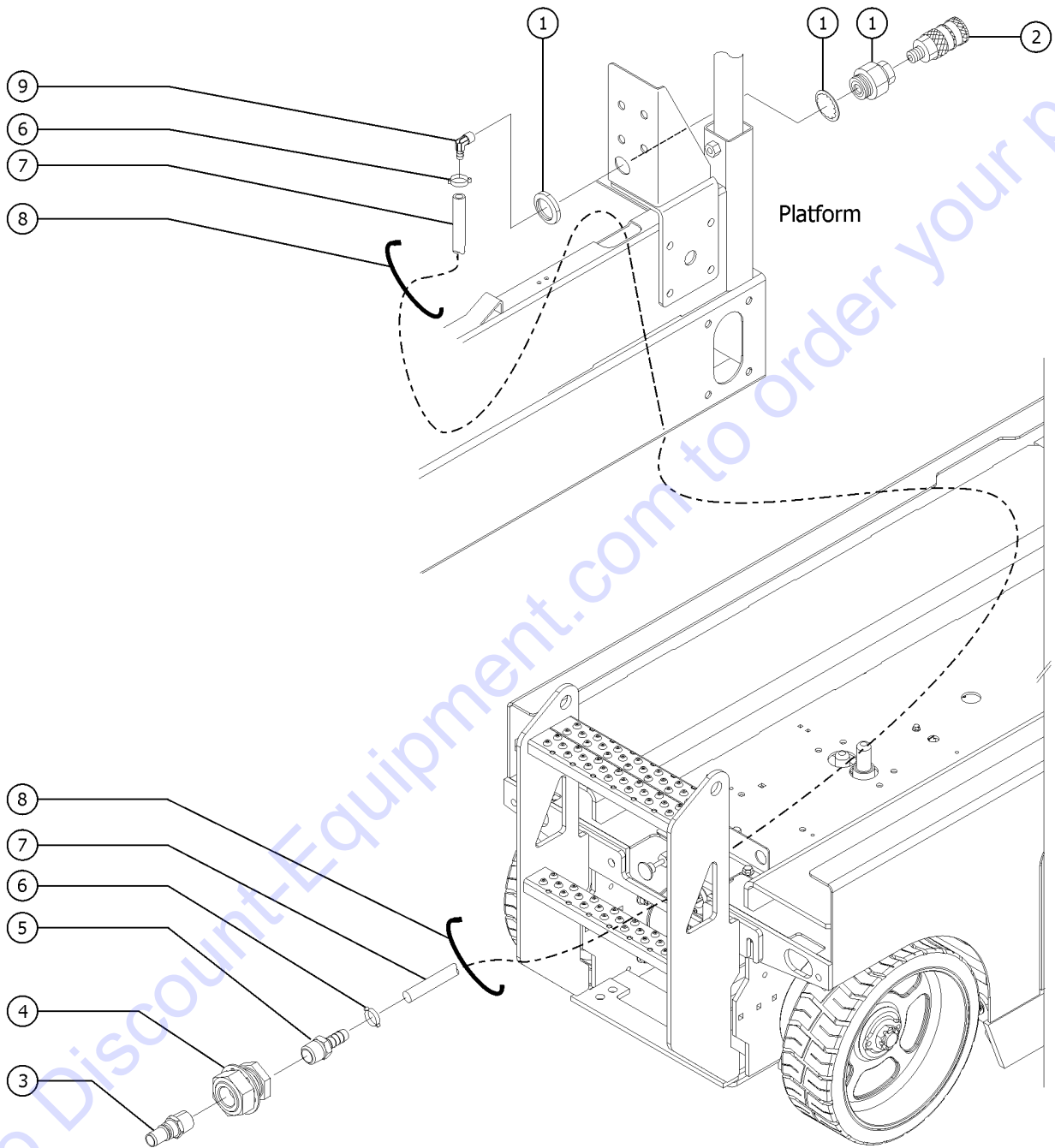
601.1 Alarm, Horn and Flashing Beacons

Item	Part No.	Description	Qty.
1	81579GT	HORN,24VDC,SPADE TERMINALS*** .....	1
2	1274167GT	NUT,NYLOCK FLG,5/16-18,F,ZAG .....	2
3	39540GT	ALARM,STEADY TONE*** Does not include 72326 nut; order separately .....	1
3-	72326GT	NUT - PLASTIC,RING FOR ALARMS .....	
		for 39540	
4	1261183GT	ASSEMBLY, VISUAL IND LIGHT .....	2
		All models	
4-	1270162GT	ASSEMBLY, BEACON LED, 24V .....	2
		for 1261183	
4-	1270662GT	HARNESS, BEACON, LED, LARGE .....	1
		for 1261183	
5	1275722GT	ISOLATOR,HORN,5/16-18 THRD .....	1

Go to Discount-Equipment.com to order your parts



602.1 Air Line to Platform

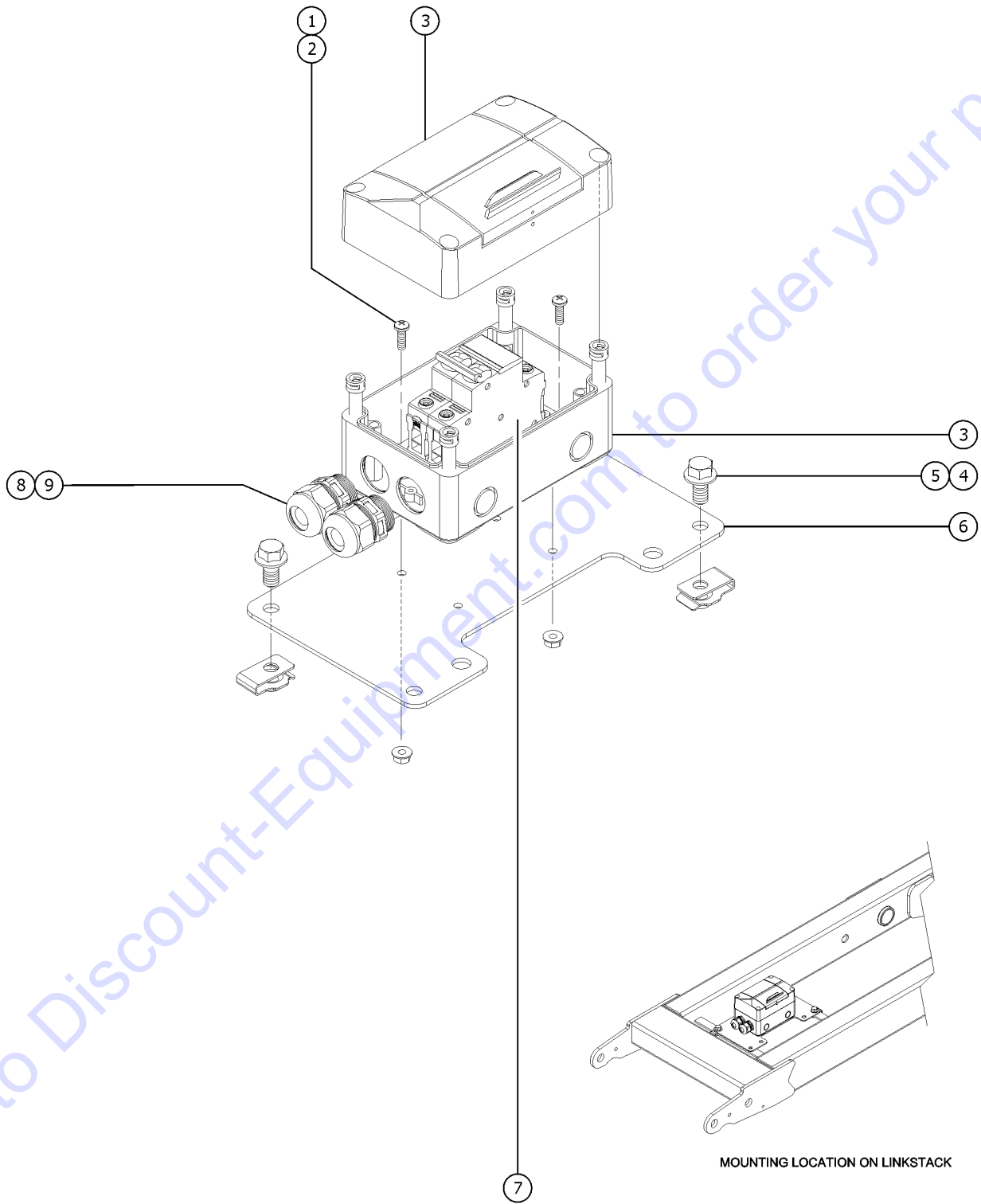


Item	Part No.	Description	Qty.
-	96731-SGT	AIR TO PLAT, GS20XX, ACC GS-2032, to SN GS32P-157400	
-	96990-SGT	AIR TO PLAT, GS26XX, ACC GS-2632, to SN GS32P-157400	
-	96991-SGT	AIR TO PLAT, GS3246, ACC GS-3232, to SN GS32P-157400	
1	27900GT	BULKHEAD,FEMALE X 6 X 6	1
2	27895GT	COUPLER,1/4"SERIES 3/8 MPT	1
3	27894GT	PLUG,1/4"SERIES,3/8 MPT	1
4	27900GT	BULKHEAD,FEMALE X 6 X 6	1
5	27901GT	HOSE END,BARBED,RIGID,-6-6	1
6	27902GT	CLAMP,HOSE,2 EAR, 5/8	2
7	27903GT	HOSE,LOW PRESSURE,.375 ID,BLK GS-2032	390
7B	27903GT	HOSE,LOW PRESSURE,.375 ID,BLK GS-2632	490
7C	27903GT	HOSE,LOW PRESSURE,.375 ID,BLK GS-3232	590
8	28443GT	CABLE TIE,11.5" BLACK	
9	27904GT	HOSE END,BARBED,RIGID,90DEG6-6	1

Go to Discount-Equipment.com to order your parts



603.1 RCBO

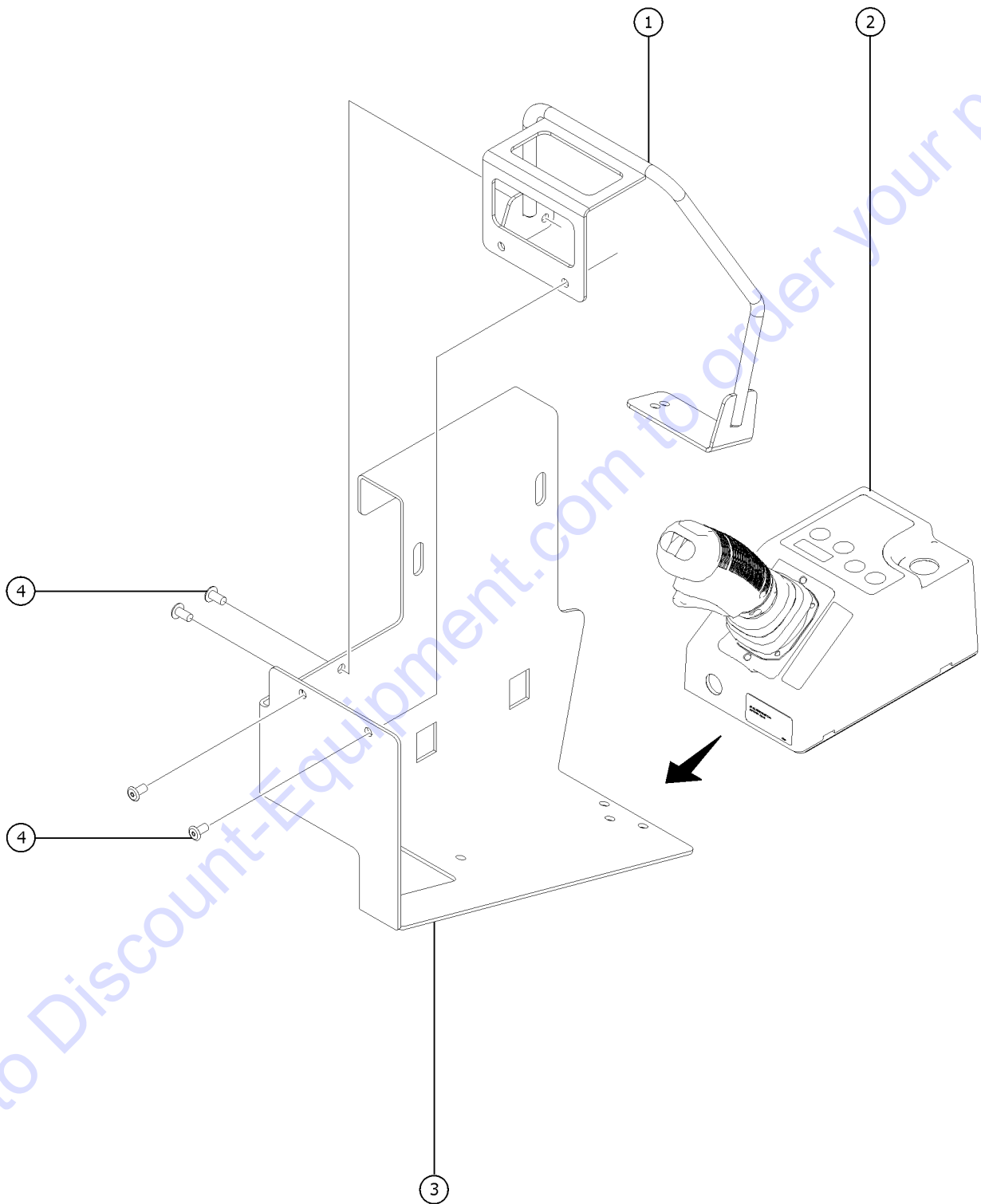


Item	Part No.	Description	Qty.
1	1257227GT	SCREW,PHPM,10-32X.625,ZAG .....	2
2	1256467GT	NUT,TL FLG,10-24,F,ZAG .....	2
3	1269086GT	ENCLOSURE, FUSE, MODULAR, 150X .....	1
4	824089GT	SCREW,HHF,3/8-16X.75,8,ZAG .....	2
5	29868GT	SPRING CLIP,3/8-16 .....	2
6	1274540GT	PLATE, RCBO, GS .....	1
7	231868GT	RCBO,16A,30MA,6KA 110/230VAC .....	1
8	1269087GT	CONNECTOR, SQUEEZE, M25 6-13MM .....	2
9	1269107GT	NUT, PLASTIC, M25, GREY .....	2
10	43956GT	WIRE CABLE,14/3 CON.TPE JKT* not shown .....	115
11	1262911GT	SLEEVE, CABLE-END, 14AWG, 2.5MM for 43956 .....	6

Go to Discount-Equipment.com to order your parts



604.1 PCON Guard



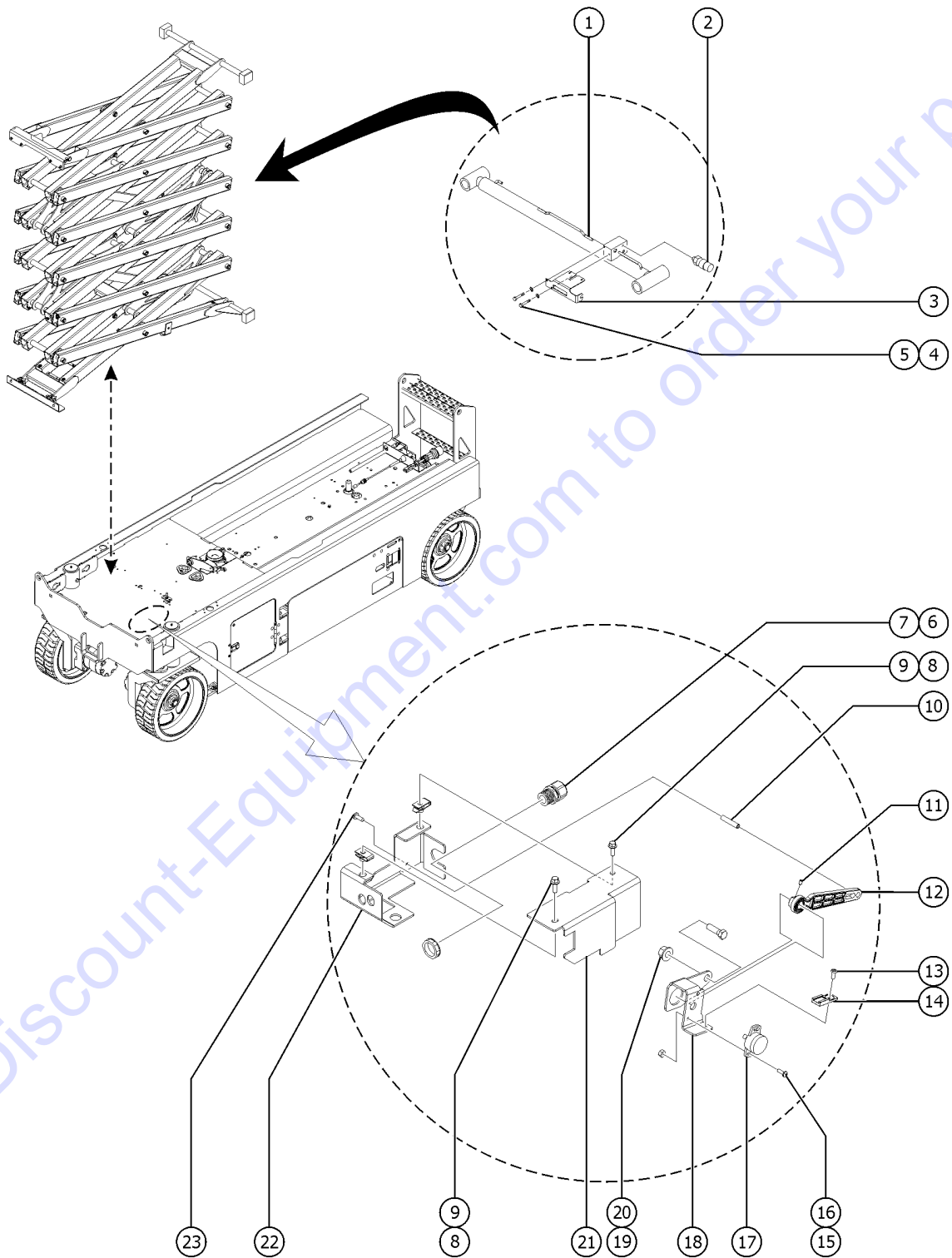
604.1 PCON Guard

Item	Part No.	Description	Qty.
1	1281105GT	OPTION,PCON GUARD ASSYEMBLY,GR-GS .....	1
1-	1290292GT	WELDMENT,PCON GUARD ASSEMBLY .....	1
2		Ref. PCON, GR/GRC/GS .....	1
		(refer to 403.1)	
3		Ref. FORMING, PLAT CONTROL, GR/GRC .....	4
		(refer to 403.1) (holes drilled for PCON Guard option)	
4	7265GT	RIVET,STEEL,P, .25 X .375 .....	4

Go to Discount-Equipment.com to order your parts



701.1 Platform Overload





Item	Part No.	Description	Qty.
1		Ref: Lift Cylinder ..... (refer to 506.1)	
2	229750GT	HARNES, PRESS, TRANSDUCER*** ..... GS-2032, GS-2632 (includes transducer)	1
2B	237472GT	PRESSURE TRANSDUCER, 1K-3K PSI ..... GS-3232 (Australia & CE)	1
3	41557-SGT	CABLE BRACKET, PAINTED .....	1
4	7339GT	SCREW, HHC, 1/4-20 X .5 .....	1
5	6356GT	WASHER, LOCK, .25 .....	1
6	33576GT	CONN, SQZ, BLK, 1/2NPT, .38-.50, SM .....	1
7	T115429GT	NUT, CORDGRIP, 1/2 NPT .....	1
8	824078GT	SCREW, HHF, 1/4-20X.75, 8, ZAG .....	2
9	56912GT	SPRING CLIP, 1/4-20, .025-.15X.54, ZAG .....	2
10	T113142GT	OFFSET, RDN, 1/4-1.25, 10-32 .....	1
11	229146GT	SCREW, SET, 8-32X.25 .....	1
12	T114082GT	LEVER ARM, ANGLE SENSR ACTUATOR .....	1
13	39579GT	RIVET, STL, STL, .188 X .45 .....	1
14	T113139GT	CLIP, DTM, RECEPTACLE .....	1
15	1257296GT	SCREW, PHPM-ST, 8-32X.50, TYPE F, ZAG .....	2
16	1258187GT	NUT, TL, 8-32, A, ZAG .....	2
17	T113136GT	ASSY, ROT SENSR W/ HARNESS .....	1
18	161981GT	FRMNG, ARM SENSOR BRCKT, 32/46 .....	1
19	824029GT	NUT, TL FLG, 3/8-16, G, ZAG .....	1
20	824068GT	SCREW, HHC, 3/8-16X1.25, 8, ZAG .....	1
21	161977GT	FRMG, SENSOR COVERING .....	1
22	227190GT	GS3246_FRMNG, CHASSIS BRCKT, MET .....	1
23	1251757GT	SCREW, PHPM, 10-32X.50, ZAG .....	1



<u>Part no.</u>	<u>Page Number</u>	<u>Part no.</u>	<u>Page Number</u>	<u>Part no.</u>	<u>Page Number</u>
1268	11	28174	15, 19, 21, 25, 29, 31...	41630	123
1484	11	28175	15, 25, 35	42079GT	71
6021GT	147	28176	19, 21, 29, 31, 39, 41	42283GT	153
6091GT	87, 103	28235	15, 19, 21, 25, 29, 31...	43392	125
6356GT	149, 169	28236	19, 21, 29, 31, 39, 41	43618	19, 21, 29, 31, 39, 41...
6626	129	28443	123	43619	15, 25, 35
6666	129	28443GT	149, 163	43658	13, 15, 23, 25, 33, 35...
6700GT	91	29868GT	165	43685GT	147
6714GT	77	30784-2550GT	83	43956	129
6878GT	103	31060	13, 23, 33	43956GT	165
6889GT	103	31508	13, 15, 23, 25, 33, 35	44163	11
6935	129	31788	13, 23, 33	44168GT	141
7056	129	32150	11	44169GT	141
7127	129	32151	11	44171GT	141
7265GT	167	32339GT	105	44174GT	141, 159
7339GT	149, 169	33576GT	169	44175GT	141, 159
8342GT	155	33724	129	44226GT	141, 143
9116GT	105	37947GT	89	44227GT	159
10775	129	39232GT	77	44228GT	157
10777	129	39310	125	44229GT	141
12016GT	79	39469	123	44230GT	141, 143, 159
13000GT	83	39469GT	77	44236GT	141
13585	129	39474	125, 127	44255	13, 15, 23, 25, 33, 35
13635-10GT	67	39509	125	44716GT	147
13921GT	151, 155, 157	39510	125	44736	19, 21, 29, 31, 39, 41
18504GT	105	39540	133	44737	13, 15, 23, 25, 33, 35
18722GT	69	39540GT	75, 161	44750GT	147
19491GT	75, 81	39542GT	79	44751GT	147
20224GT	141	39579	125	44752GT	147
21279	125, 127	39579GT	169	44777GT	147
22446	123	39873GT	69, 151	44778GT	147
22664GT	151	39875GT	155, 157	44780GT	67, 71
24514	127	39876GT	151	44781GT	67, 71
27581	11	39877GT	145, 151, 153, 155	44788	11
27894GT	163	39878GT	149, 151, 153, 155	44788GT	139
27895GT	163	39881GT	153	44936	129
27900GT	163	39882GT	151	44973GT	149
27901GT	163	40434	19, 21, 29, 31, 39, 41...	44979GT	149
27902GT	163	40477GT	149	44980	13, 15, 23, 25, 33, 35...
27903GT	163	40833GT	83, 85, 101	44981	15, 19, 21, 25, 29, 31...
27904GT	163	40844GT	147	45546	129
28131GT	101	41557-SGT	149, 169	46260	123

<u>Part no.</u>	<u>Page Number</u>	<u>Part no.</u>	<u>Page Number</u>	<u>Part no.</u>	<u>Page Number</u>
46287	13, 15, 23, 25, 33, 35	66356	131	82366	15, 25, 35
47098	125	66389GT	151	82473	45, 53, 61
47163	123	66397GT	101	82474	43, 45, 51, 53, 59, 61
47166	123	66399	11	82475	59, 61
47188	123	66465GT	149	82476	43, 45, 51, 53, 59, 61
47224	125	66485	125	82481	43, 51, 59
47231	125, 127	66544	123	82482	45, 53, 61
47232GT	67, 75	66717GT	83, 101	82487	45, 47, 49, 53, 55, 57...
47238GT	75	66765-3000GT	151	82495	43, 51, 59
47255	123	66770GT	67	82496	55, 63
47374	125, 127	66812	133	82497	49
47946GT	67	66812GT	91	82506	33, 35
48880GT	141	66817	133	82557	19, 21, 29, 31, 39, 41
48997GT	141	66817GT	91	82558	15, 25, 35
49612GT	141, 159	67744GT	157	82559	15, 25, 35
49613	11	72086	13, 15, 23, 25, 33, 35...	82560	45, 53, 61
49613GT	141, 159	72143	15, 25, 35, 45, 53, 61	82561	13, 15, 23, 25, 33, 35
49812GT	147	72326GT	75, 161	82562	43, 45, 51, 53, 59, 61
51063GT	91	72853	15, 25, 35	82563	29, 31, 39, 41
51152GT	153	72970	13, 23, 33	82656	55, 63
52376GT	159	72973	29, 31, 55, 57	82657	13, 23, 33
52380GT	159	72998	15, 25, 35	82693	19, 21
52475	13, 15, 23, 25, 33, 35...	72999	15, 25, 35	82694	19
55355GT	79	74006	129	82695	29, 39
55558GT	149	75631GT	153	82699	47
55560GT	149	76494GT	83	82701	47
55675GT	83, 87	77709GT	141	83093GT	89
55921GT	147	78006GT	147	84384GT	141
56912GT	75, 89, 169	78022	125	84385GT	141, 143, 159
56926GT	93	78038	125, 127	84386GT	141
57075	129	78086GT	79	84422GT	149
58000GT	111, 115, 119	78422GT	103, 105, 139	84699GT	67
58592GT	111	78546	11	84739GT	145
58627GT	91	78546GT	87	84740GT	145
60790GT	71	78622GT	139	84742GT	145
62055	19, 21, 47, 49	78736GT	67, 111, 117, 119	84743GT	145
65962GT	141, 143	79140GT	101	84746GT	145
65990-SGT	123	80149GT	103	84748GT	145
66055GT	113, 115, 117, 119, 121	81579GT	161	85239GT	89
66204GT	87	82160	15, 25, 35	96008-SGT	89
66353	131	82161	15, 25, 35	96009GT	91
66355	131	82307	31, 41	96010GT	91

<u>Part no.</u>	<u>Page Number</u>	<u>Part no.</u>	<u>Page Number</u>	<u>Part no.</u>	<u>Page Number</u>
96085GT	79	96932GT	111, 115, 119	105545GT	149
96110GT	101	96948GT	75, 81	105546GT	149
96130GT	115	96971GT	119	105547GT	139
96163	125	96981GT	73	105549GT	149
96236	131	96982GT	71	105550GT	139
96257GT	139	96990-SGT	163	105553GT	139
96304GT	101	96991-SGT	163	105554GT	139
96306GT	101	97044	125	105555GT	139
96348GT	151	97128GT	75, 81	105564GT	149
96354GT	153	97234GT	121	105565GT	69
96355GT	153	97409GT	141	105575GT	157
96391GT	151	97582	57, 65	105578GT	151
96398GT	151	97692	13, 15, 43, 45	105579GT	151
96408GT	79	97693	23, 25, 51, 53	105628GT	157
96419GT	139	97694	21	105629GT	157
96452GT	91	97719	45, 53, 61	105644GT	103
96541GT	79	104804	123	105652GT	157
96595GT	119, 121	105046GT	153	105664GT	75, 97
96608GT	121	105057	125	105669GT	73
96661GT	113, 121	105060GT	79	105695GT	157
96662GT	111, 117, 121	105067GT	145	105708GT	99, 103
96663GT	121	105080GT	71, 73	105734GT	89
96699GT	87	105090	131	105736GT	77
96700GT	119	105091	127	105759GT	89
96709GT	87	105093	125	105802GT	151
96731-SGT	163	105100GT	73	105804GT	151, 153
96735GT	113, 117, 119, 121	105117	129	105805GT	107
96744GT	151	105140GT	71	105812	129
96750GT	153	105146	123	109735GT	103
96770GT	149	105156GT	79	109749GT	103
96812GT	117, 121	105157	125	109750GT	157
96836GT	113, 115, 119	105193GT	111, 115, 119	109756GT	157
96853GT	93, 97	105210GT	103	109757GT	159
96855GT	87	105214GT	93	109877GT	157
96862GT	113, 117, 121	105246GT	153	109878GT	157
96880GT	153	105334GT	85	109893GT	79
96881GT	153	105463GT	141	109894GT	79
96882GT	153	105478GT	149	114324	39, 41, 63, 65
96883GT	153	105479GT	149	114334	45, 53, 61
96885GT	153	105481GT	149	114337	43, 51, 59
96899GT	111, 115, 121	105483-SGT	131	114338	47, 49, 55, 57, 63, 65
96900GT	111, 115, 121	105544GT	149	114359	39, 41

<u>Part no.</u>	<u>Page Number</u>	<u>Part no.</u>	<u>Page Number</u>	<u>Part no.</u>	<u>Page Number</u>
114360	13, 23, 33	132348GT	69	160412	129
114361	13, 23, 33, 43, 51, 59	132353GT	67	160413	129
114362	33, 35, 59, 61	132354GT	67	160414	129
114370	43, 51, 59	132357GT	79	160415	129
114371	63, 65	132362GT	79	161977GT	169
114372	43, 45, 51, 53, 59, 61	132364GT	71	161981GT	169
114385	13, 15, 23, 25, 33, 35	132370GT	105	214544	137
114386	19, 21, 29, 31, 39, 41	132371GT	79	218579GT	95, 99
114428	39, 41	132373GT	71	226163GT	87
122994GT	91	132379GT	115	227164GT	87
128118GT	75	132383GT	115	227166GT	87
130011GT	153	132385GT	115	227190GT	169
132021	123	132392GT	119	228936	49
132119GT	67, 117	132401GT	119	228937	57, 65
132121	127	132436GT	119	229086	137
132127	127	132556GT	89	229087	137
132128	125	132557GT	89	229088	137
132133GT	79	132614GT	71, 75	229089	137
132151	123	132901GT	87	229090	137
132163GT	79	132994GT	79	229091	137
132190GT	121	133276	15, 25, 35	229092	137
132192GT	103	133531	33, 35, 59, 61	229093	137
132207	127	133596	19, 21, 29, 31	229094	137
132227	123	137562GT	89	229097	137
132237	125	137587	133	229146GT	169
132240	127	137605	19, 21, 29, 31, 39, 41...	229750GT	93, 99, 157, 169
132244	127	137634	137	229845	135
132248	125	137637	133	231868GT	165
132249	127	137637GT	89	231921	133
132255	125	137640	133	231921GT	95, 99
132266GT	113, 117, 121	137656	19, 21, 29, 31, 39, 41...	231922	133
132267GT	111, 115	137668GT	89	231922GT	95, 99
132270GT	111, 117, 119	137699	133	232576GT	101
132273GT	111, 117, 119	137769GT	83	232578GT	101
132274GT	111, 117, 121	137770GT	83	232582GT	101
132275GT	115	144161	129	233050GT	95
132288GT	113, 117, 121	144213GT	95, 99	233051GT	95
132294GT	113, 117	144655GT	157	233052GT	99
132298GT	117	150104GT	141	233053GT	93
132299GT	111	150105GT	141	233054GT	93
132304GT	111, 119	160410	129	233055GT	97
132307GT	121	160411	129	233371GT	101

<u>Part no.</u>	<u>Page Number</u>	<u>Part no.</u>	<u>Page Number</u>	<u>Part no.</u>	<u>Page Number</u>
233431GT	93, 97, 101	825358GT	79	1256726	133
233477	39, 41	825796GT	111, 115, 121	1256727	133
234168GT	97	826854GT	91	1256728	133
235463	137	1251757GT	169	1256756GT	119
235464	133	1251997GT	67, 71	1256808GT	89
236837GT	147	1252764GT	89	1256848GT	111, 115, 121
237086GT	153	1252977	123	1256855	127
237455GT	149	1253477GT	91	1256863GT	83
237472GT	169	1253478	123	1257054GT	101
274168GT	81	1253485	123	1257055GT	101
823368GT	75	1255757GT	67, 71, 79, 109	1257058GT	101
824025	125	1255758	123	1257059GT	101
824025GT	81, 111, 115, 121	1255758GT	79	1257185	19, 29, 39
824027	123, 127	1255759GT	71	1257187	21, 31, 41
824027GT	67, 75, 83, 87, 89, 111	1255760GT	71	1257227GT	165
824029	123	1255797GT	69	1257296GT	169
824029GT	67, 71, 79, 119, 169	1255805GT	83	1257609GT	83
824038	123	1256051GT	67, 71	1257733	11
824038GT	79	1256106GT	71	1257824GT	93, 97
824063GT	75	1256109GT	67	1257840GT	87
824067	127	1256112GT	71	1257909GT	77
824068GT	169	1256115GT	71, 103	1257923	19, 21, 29, 31, 39, 41...
824078	125	1256123GT	67	1258187GT	169
824078GT	87, 169	1256127GT	111, 115, 119	1258394GT	93, 97
824079GT	75	1256168GT	73	1258567	11
824080GT	87, 111, 115, 119	1256177GT	81	1258676GT	69
824089GT	165	1256179GT	71	1258731	133
824092GT	113, 117, 121	1256287GT	67, 71	1259059GT	153
824094	125	1256462GT	121	1259062GT	151
824113	127	1256463GT	87	1259083GT	153
824113GT	87	1256467GT	111, 117, 119, 165	1259084GT	153
824120GT	67	1256656	133	1259085GT	153
824124GT	75, 83, 87, 89	1256658	133	1259177GT	79
824128GT	67, 79	1256679GT	69, 77, 111, 115, 119	1259178GT	79
824151GT	115	1256693	125	1259180GT	79
824164GT	115	1256702	19, 21, 29, 31, 47, 49...	1259181	123
824206GT	89	1256705	39, 41, 63, 65, 133	1259182	125
824216GT	75, 89	1256719GT	89	1259183GT	151
825019GT	113, 117, 121	1256720GT	89	1259184GT	151
825020GT	111, 115, 119	1256721GT	89	1259185GT	153
825349GT	83	1256722GT	89	1259186GT	153
825358	123	1256725	133	1259192GT	69

<u>Part no.</u>	<u>Page Number</u>	<u>Part no.</u>	<u>Page Number</u>	<u>Part no.</u>	<u>Page Number</u>
1259193GT	67	1272242	13, 23, 33, 43, 51, 59	1294838GT	155
1259194GT	67	1272557GT	85	1295030	129
1259195GT	67	1272844GT	101	1299697GT	67
1259197GT	79	1273016GT	87	1301073GT	77
1259201GT	111, 117, 119	1273354GT	83	T106362GT	89
1259223	123	1273576GT	85, 101	T106363GT	89
1259686GT	79	1273880	127	T106366GT	89
1260926	127	1273881	127	T106370GT	133
1260941GT	111, 115, 121	1274167GT	161	T106371GT	89
1260962GT	121	1274168GT	75	T106372GT	89
1260963GT	111, 115	1274540GT	165	T106373GT	133
1260984GT	89	1275336GT	71	T107029GT	13, 23, 33
1260987GT	157	1275722GT	161	T107031GT	15, 25, 37
1261183GT	161	1276544	129	T108662GT	147
1261888GT	141	1277860	127	T108663GT	139
1262911GT	165	1278006	49	T109012GT	87
1262934GT	151, 153	1278007	57, 65	T112507GT	75
1263152GT	83	1278657GT	71	T112563GT	131
1263220GT	93	1278658GT	71	T112804GT	15, 25, 37, 45, 53, 61
1263221GT	93	1278704	17, 27, 37, 45, 53, 61	T113136GT	93, 97, 169
1263538GT	75	1280819	17, 27	T113139GT	169
1263542	45, 53, 61	1281105GT	167	T113142GT	169
1263646	49, 57, 65	1282144GT	83	T113787GT	127
1264822GT	93, 97	1284193GT	97	T114031GT	93, 97
1264834GT	93, 97	1284194GT	97	T114082GT	169
1265361	17, 27, 37, 45, 53, 61	1284195GT	99	T114397GT	133
1266278GT	69	1284236GT	75	T115429GT	169
1266279GT	69	1284414GT	75		
1267821GT	75	1284781GT	91		
1269086GT	165	1289520GT	75, 77		
1269087GT	165	1289521GT	75		
1269107GT	165	1289561GT	75, 77		
1270162GT	161	1290292GT	167		
1270281GT	71	1294708GT	119		
1270457GT	83, 93, 97	1294727GT	75		
1270598GT	87	1294831GT	151		
1270600GT	87	1294832GT	155		
1270662GT	161	1294833GT	155		
1271081GT	77	1294834GT	155		
1272122GT	91	1294835GT	155		
1272123GT	91	1294836GT	155		
1272232GT	85	1294837GT	155		

California Proposition 65

 **WARNING**

Operating, servicing and maintaining this equipment, passenger vehicle or off-highway motor vehicle can expose you to chemicals including engine exhaust, carbon monoxide, phthalates, and lead, which are known to the State of California to cause cancer and birth defects or other reproductive harm. These chemicals can be emitted from or contained in other various parts and systems, fluids and some component wear by-products. To minimize exposure, avoid breathing exhaust, do not idle the engine except as necessary, service your equipment and vehicle in a well-ventilated area and wear gloves or wash your hands frequently when servicing your equipment or vehicle and after operation. For more information go to [www.P65Warnings.ca.gov/passenger-vehicle](http://www.P65Warnings.ca.gov/passenger-vehicle).

Breathing diesel engine exhaust exposes you to chemicals known to the State of California to cause cancer and birth defects or other reproductive harm.

- Always start and operate the engine in a well-ventilated area.
- If in an enclosed area, vent the exhaust to the outside.
- Do not modify or tamper with the exhaust system.
- Do not idle the engine except as necessary.

For more information go to [www.P65warnings.ca.gov/diesel](http://www.P65warnings.ca.gov/diesel).

Distributed By:

[www.GPSEquipment.com](http://www.GPSEquipment.com) to order your parts



# PARTS FINDER

**Search Website  
by Part Number**



**Search Manual  
Library For Parts  
Manual & Lookup Part  
Numbers – Purchase  
or Request Quote**

**Search Manuals**

Enter your information to help us find the right parts manual for your machine.

\* Brand:

\* Model:

\* Serial:

\* Part Number:

SEARCH

**Can't Find Part or  
Manual? Request Help  
by Manufacturer,  
Model & Description**

**Parts Order Form**

Please fill in the following information to help us find the right part for your machine.

Manufacturer:	<input type="text"/>
Model:	<input type="text"/>
Description:	<input type="text"/>
Part Number:	<input type="text"/>
Quantity:	<input type="text"/>
Notes:	<input type="text"/>

Submit

Discount-Equipment.com is your online resource for quality parts & equipment.

Florida: **561-964-4949** Outside Florida TOLL FREE: **877-690-3101**

**Need parts?**

Click on this link: <http://www.discount-equipment.com/category/5443-parts/> and choose one of the options to help get the right parts and equipment you are looking for. Please have the machine model and serial number available in order to help us get you the correct parts. If you don't find the part on the website or on one of the online manuals, please fill out the request form and one of our experienced staff members will get back to you with a quote for the right part that your machine needs.

We sell worldwide for the brands: Genie, Terex, JLG, MultiQuip, Mikasa, Essick, Whiteman, Mayco, Toro Stone, Diamond Products, Generac Magnum, Airman, Haulotte, Barreto, Power Blanket, Nifty Lift, Atlas Copco, Chicago Pneumatic, Allmand, Miller Curber, Skyjack, Lull, Skytrak, Tsurumi, Husquvarna Target, Stow, Wacker, Sakai, Mi-T-M, Sullair, Basic, Dynapac, MBW, Weber, Bartell, Bennar Newman, Haulotte, Ditch Runner, Menegotti, Morrison, Contec, Buddy, Crown, Edco, Wyco, Bomag, Laymor, EZ Trench, Bil-Jax, F.S. Curtis, Gehl Pavers, Heli, Honda, ICS/PowerGrit, IHI, Partner, Imer, Clipper, MMD, Koshin, Rice, CH&E, General Equipment, Amida, Coleman, NAC, Gradall, Square Shooter, Kent, Stanley, Tamco, Toku, Hatz, Kohler, Robin, Wisconsin, Northrock, Oztec, Toker TK, Rol-Air, APT, Wylie, Ingersoll Rand / Doosan, Innovatech, Con X, Ammann, Mecalac, Makinex, Smith Surface Prep, Small Line, Wanco, Yanmar