



A TEREX BRAND



Parts Manual

Serial Number Range

GS-2046
GS-2646
GS-3246
GS-4046

from SN GS46D-20101

Part No. 1304821GT
Rev: A
September 2020

Go to Discount-Equipment.com to order your parts

PARTS FINDER

**Search Website
by Part Number**



**Search Manual
Library For Parts
Manual & Lookup Part
Numbers – Purchase
or Request Quote**

Search Manuals

Enter your information to help us find the right parts manual for your machine.

* Brand:

* Model:

* Serial:

* Part Number:

SEARCH

**Can't Find Part or
Manual? Request Help
by Manufacturer,
Model & Description**

Parts Order Form

Please fill in the following information to help us find the right part for your machine.

Manufacturer:	<input type="text"/>
Model:	<input type="text"/>
Description:	<input type="text"/>
Part Number:	<input type="text"/>
Quantity:	<input type="text"/>
Notes:	<input type="text"/>

Submit

Discount-Equipment.com is your online resource for quality parts & equipment.

Florida: **561-964-4949** Outside Florida TOLL FREE: **877-690-3101**

Need parts?

Click on this link: <http://www.discount-equipment.com/category/5443-parts/> and choose one of the options to help get the right parts and equipment you are looking for. Please have the machine model and serial number available in order to help us get you the correct parts. If you don't find the part on the website or on one of the online manuals, please fill out the request form and one of our experienced staff members will get back to you with a quote for the right part that your machine needs.

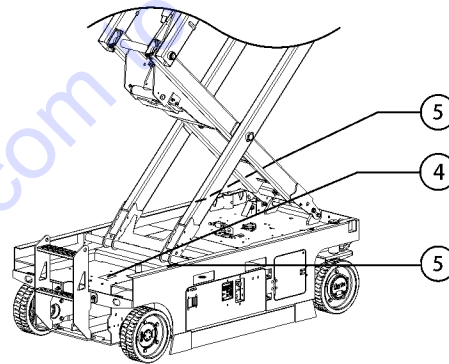
We sell worldwide for the brands: Genie, Terex, JLG, MultiQuip, Mikasa, Essick, Whiteman, Mayco, Toro Stone, Diamond Products, Generac Magnum, Airman, Haulotte, Barreto, Power Blanket, Nifty Lift, Atlas Copco, Chicago Pneumatic, Allmand, Miller Curber, Skyjack, Lull, Skytrak, Tsurumi, Husquvarna Target, Stow, Wacker, Sakai, Mi-T-M, Sullair, Basic, Dynapac, MBW, Weber, Bartell, Bennar Newman, Haulotte, Ditch Runner, Menegotti, Morrison, Contec, Buddy, Crown, Edco, Wyco, Bomag, Laymor, EZ Trench, Bil-Jax, F.S. Curtis, Gehl Pavers, Heli, Honda, ICS/PowerGrit, IHI, Partner, Imer, Clipper, MMD, Koshin, Rice, CH&E, General Equipment, Amida, Coleman, NAC, Gradall, Square Shooter, Kent, Stanley, Tamco, Toku, Hatz, Kohler, Robin, Wisconsin, Northrock, Oztec, Toker TK, Rol-Air, APT, Wylie, Ingersoll Rand / Doosan, Innovatech, Con X, Ammann, Mecalac, Makinex, Smith Surface Prep, Small Line, Wanco, Yanmar

Genie
A TEREX BRAND

Model:
Serial number: GS46D-123456
Year of manufacture: 2020
Electrical schematic number:
Machine unladen weight:
Rated work load (including occupants):
Maximum number of platform occupants:
Maximum allowable inclination of the chassis:
Outrigger retracted:
Outrigger deployed:

GS46 D -123456

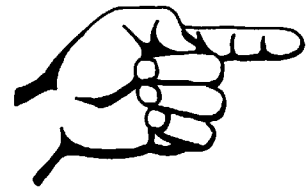
1 2 3



- 1 Model
- 2 Facility code
- 3 Sequence number

- 4 Serial label (located on chassis)
- 5 Serial number (stamped on chassis)

Please refer to section 001 for the Recommended Spare



This page intentionally left blank.

Go to Discount-Equipment.com to order your parts

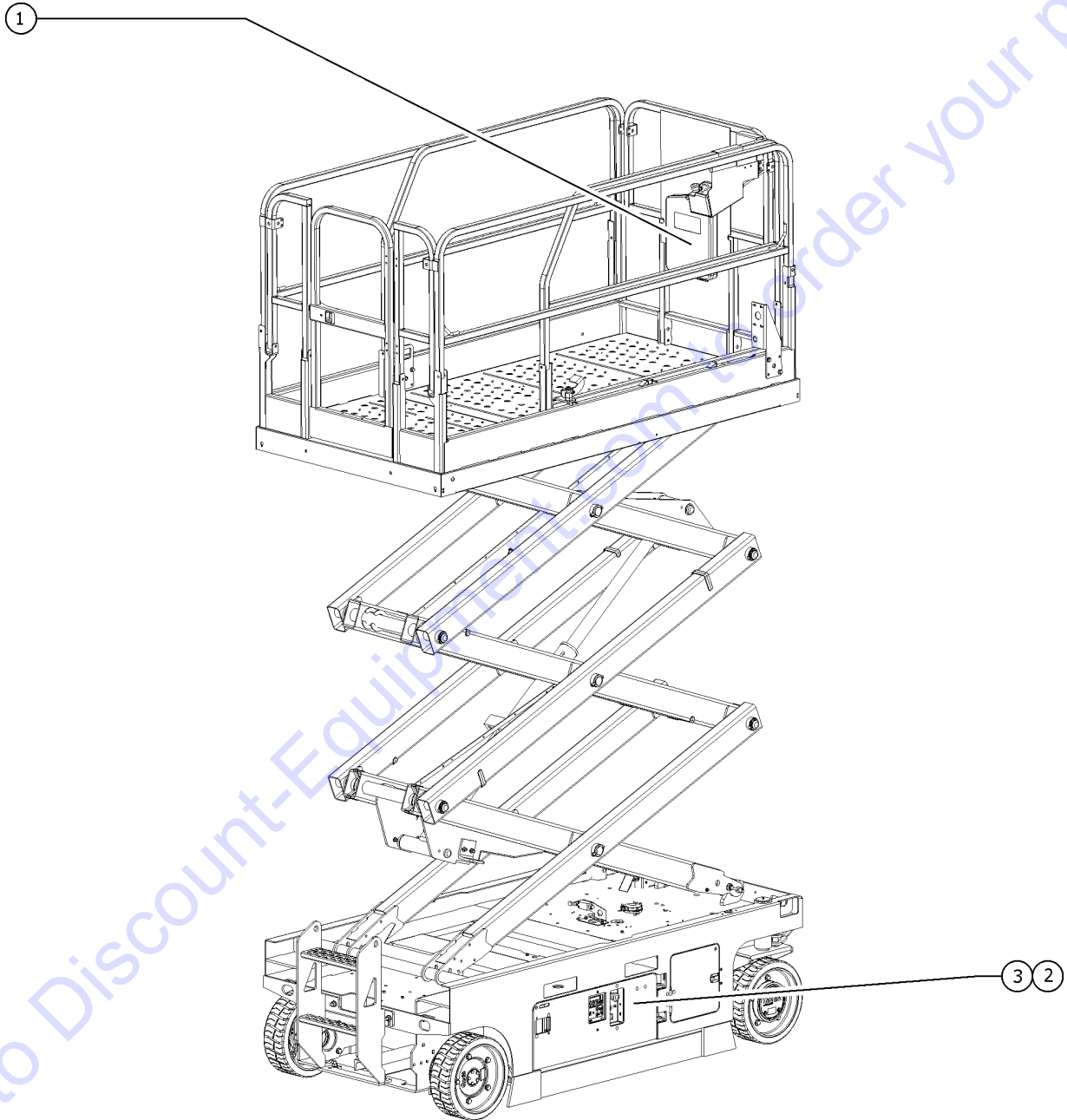
Description	Page
001 Parts Stocking List	10
001.1 Parts Stocking List	10
100 Decals	12
101.1 Word Decals, GS-2046, Battery Side, ANSI & Australia	12
102.1 Word Decals, GS-2046, Ground Control Side, ANSI and Australia	14
103.1 Word Decals, GS-2646, Battery Side, ANSI & Australia	18
104.1 Word Decals, GS-2646, Ground Control Side, ANSI and Australia	20
105.1 Word Decals, GS-3246, Battery Side, ANSI & Australia	24
106.1 Word Decals, GS-3246, Ground Control Side, ANSI and Australia	26
107.1 Word Decals, GS-4046, Battery Side, ANSI & Australia	30
108.1 Word Decals, GS-4046, Ground Control Side, ANSI and Australia	32
109.1 Word Decals, Platform, ANSI and Australia, All models	36
110.1 Symbol Decals, GS-2046, Battery Side, ANSI & CE	40
111.1 Symbol Decals, GS-2046, Ground Control Side, ANSI and CE	42
112.1 Symbol Decals, GS-2646, Battery Side, ANSI & CE	46
113.1 Symbol Decals, GS-2646, Ground Control Side, ANSI and CE	48
114.1 Symbol Decals, GS-3246, Battery Side, ANSI & CE	52
115.1 Symbol Decals, GS-3246, Ground Control Side, ANSI and CE	54
116.1 Symbol Decals, GS-4046, Battery Side, ANSI & CE	58
117.1 Symbol Decals, GS-4046, Ground Control Side, ANSI and CE	60
118.1 Symbol Decals, Platform, ANSI and CE, All models	64
200 Drive Chassis Components.....	66
201.1 Steer Linkage and Wheels	66
202.1 Non-steer Axle Installation.....	70
203.1 Level Sensor Installation	72
204.1 Pothole Protection Assembly	74
205.1 Battery Pack Module	78
206.1 Battery Charger	80
207.1 Power Unit Module	82
208.1 Ground Controls	84
209.1 Electrical Wiring.....	88
210.1 Power Cables	92
300 Scissor Components	94
301.1 Scissor Assembly Installation	94
302.1 Scissor Assembly, GS-2046	96
303.1 Scissor Assembly, GS-2646	100
304.1 Scissor Assembly, GS-3246	104
305.1 Scissor Assembly, GS-4046	108

Table of Contents

Description	Page
400 Platform Components	114
401.1 Platform Components	114
402.1 Power to Platform	120
403.1 Platform Controls	124
404.1 Joystick Controller	126
500 Hydraulic Components	128
501.1 Hydraulic Components	128
502.1 Power Unit	130
503.1 Lift Cylinder Assembly (GS2046, GS2646, GS3246)	134
503.2 Lift Cylinder Assembly (GS4046)	138
504.1 Hydraulic Hoses and Fittings (GS2046, GS2646, GS3246)	140
504.2 Hydraulic Hoses and Fittings (GS4046)	142
600 Accessories	144
601.1 Alarm, Horn and Flashing Beacons	144
602.1 RCBO	146
603.1 Charger Isolation	148
604.1 PCON Guard	150
605.1 Lift Guard Contact Alarm, View-1	152
606.1 Lift Guard Contact Alarm, View-1	154
700 Platform Overload	156
701.1 Platform Overload	156
Part Number Index	158

Go to Discount-Equipment.com to order your parts

001.1 Parts Stocking List



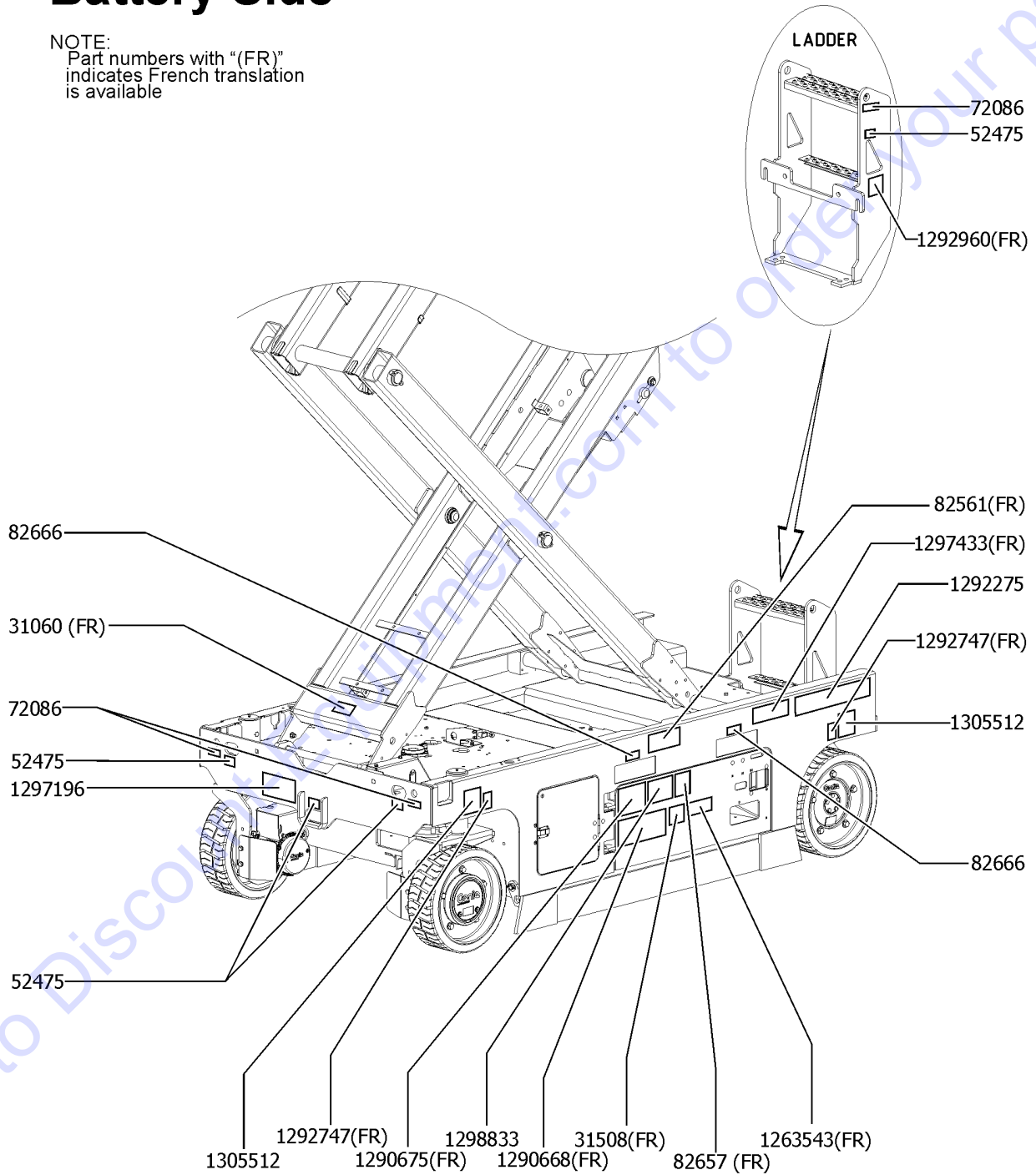
Item	Part No.	Description	Qty.
--	66399GT	GREASE,DIELECTRIC 4 OZ**	
--		Ref. CHEVRON ULTRA-DUTY GREASE (LITHIUM), OR EQUIVALENT, EP NLGI 1	
		(source locally)	
--	1258567GT	PAINT, AEROSOL, TRAFFIC BLACK	
		12-ounce spray paint	
--	1268GT	PAINT,AEROSOL,GENIE GRAY***	
		12-ounce spray paint	
--	1484GT	PAINT,AEROSOL,BRIGHT BLUE***	
		12-ounce spray paint	
--	1257733GT	PAINT,WET,TRAFFIC BLACK (1 GL)**	
		1-gallon	
--	32150GT	PAINT,WET,GENIE BLUE (1 GL)**	
		1-gallon	
--	32151GT	PAINT,WET,GENIE GRAY (1 GL)**	
		1-gallon	
--	49613GT	PLUG AND CAP KIT-SERVICE,ORFS*	
1	27581GT	MANUAL,AEM SAFETY	
1B	44163GT	MANUAL,RESPON,A92.6 SCISSOR	
2	1300318GT	FILTER, ELEMENT, SPIN ON	
3	78546GT	BREATHER CAP,HYD. TANK,1/4 NPT	

Go to Discount-Equipment.com to order your parts



Battery Side

NOTE:
Part numbers with "(FR)"
indicates French translation
is available



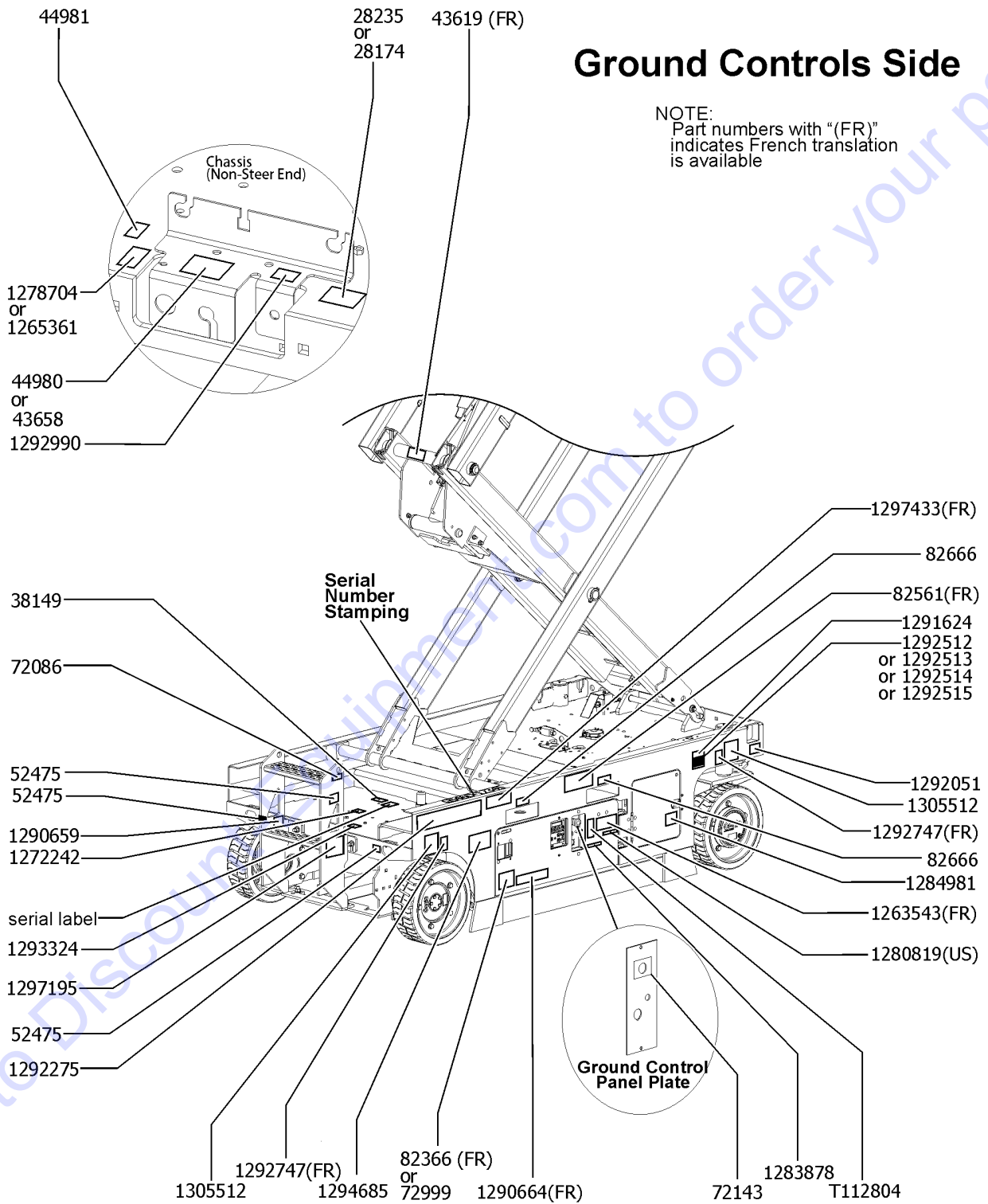
101.1 Word Decals, GS-2046, Battery Side, ANSI & Australia

Item	Part No.	Description	Qty.
1	31060GT	DECAL,DANGER DO NOT ALTER SWTC	1
2	31508GT	DECAL,DANGER,ELECT HAZARD,PLUG	1
3	52475GT	DECAL LABEL TRANSPORT TIE DOWN*	4
4	72086GT	DECAL,LABEL,LIFTING EYE	3
5	82561GT	DECAL,DANGER-USE SAFETY ARM	1
6	82657GT	DECAL,INSTRUCT,BATTERY CONNECT	1
7	82666GT	DECAL,LABEL,FORKLIFT POCKET	2
8	1263543GT	DECAL,WARNING-COMPART ACCESS	1
9	1290668GT	DECAL,INSTRUCTIONS-CHARGER OP, GS-1330m	1
10	1290675GT	DECAL,DANGER,BATTERY SAFETY***, GS-1330m	1
11	1292275GT	DECAL,ELECTRIC DRIVE,E-DRIVE	1
12	1292747GT	DECAL,LABEL-TIRE SPECS	2
13	1292960GT	DECAL DANGER BRAKE REL SAFETY, GS-1330m	1
14	1297196GT	DECAL, LABEL, TRANSPORT DIAGRAM	1
15	1297433GT	DECAL, DANGER, ELECTRICAL HAZARD, SLAB	1
16	1298833GT	DECAL, DANGER, TIP-OVER, BATTERY	1
17	1305512GT	DECAL,LABEL,WHEEL LOAD,E-DRIVE,GS-2046	2

Go to Discount-Equipment.com to order your parts



102.1 Word Decals, GS-2046, Ground Control Side, ANSI and Australia

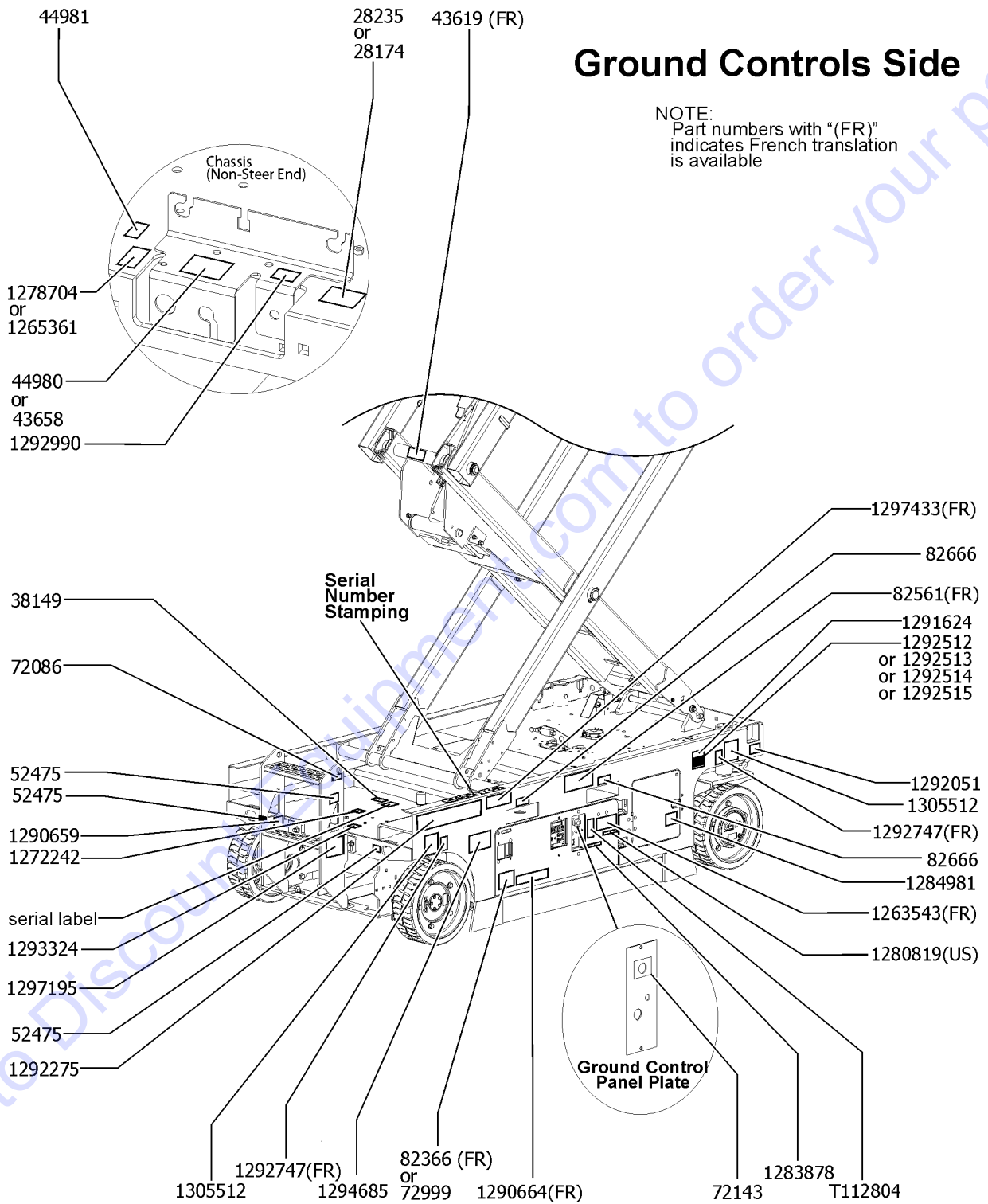


102.1 Word Decals, GS-2046, Ground Control Side, ANSI and Australia

Item	Part No.	Description	Qty.
1	28174GT	DECAL,POWER TO PLATFORM 230V	1
2	28235GT	DECAL,POWER TO PLATFORM 115V	1
3	38149GT	DECAL,LABEL,PATENTS	1
4	43619GT	DECAL LABEL SAFETY ARM	1
5	43658GT	DECAL,LABEL,PWR TO CHARGR 230V	1
6	44980GT	DECAL,LABEL,PWR TO CHARGER 115UK	1
7	44981GT	DECAL,LABEL, AIR LINE 110 PSI	1
8	52475GT	DECAL LABEL TRANSPORT TIE DOWN*	3
9	72086GT	DECAL,LABEL,LIFTING EYE	1
10	72143GT	DECAL, EMERGENCY STOP, GR	1
11	72999GT	DECAL,LABEL,PETRO CANADA***	1
12	82366GT	DECAL,LABEL-CHEVRON RANDO	1
13	82561GT	DECAL,DANGER-USE SAFETY ARM	1
14	82666GT	DECAL,LABEL,FORKLIFT POCKET	2
15	1263543GT	DECAL,WARNING-COMPART ACCESS	1
16	1265361GT	DECAL, BATTERY CHARGER INDICAT	1
17	1272242GT	DECAL,MACHINE REGISTRATION/OWNER TRANSFER	1
18	1278704GT	DECAL,CHARGE STATUS IND.	1
19	1280819GT	DECAL,WARNING,CANCER AND REPRODUCTIVE HARM, PROP 65	1
20	1283878GT	DECAL,TECH PRO LINK	1
21	1284981GT	DECAL,ACCUMULATOR EXPLOSION HAZARD,WORD	1
22	1290659GT	DECAL,DANGER,ELECT HAZARD,PLUG,GS-1330m	1
23	1290664GT	DECAL,OP INST,GCON,GS-1330m	1
24	1291624GT	DECAL COSM,GENIE UFT,CONNECT LEXAN COVER	1
25	1292051GT	DECAL,EMERGENCY LOWERING, GS-1330m	1
26	1292275GT	DECAL,ELECTRIC DRIVE,E-DRIVE	1
27	1292512GT	DECAL COSM,GENIE LIFT CONNECT,ESN,SKU4-1	1
28	1292513GT	DECAL COSM,GENIE LIFT CONNECT,ESN,SKU4-2	1



102.1 Word Decals, GS-2046, Ground Control Side, ANSI and Australia



102.1 Word Decals, GS-2046, Ground Control Side, ANSI and Australia

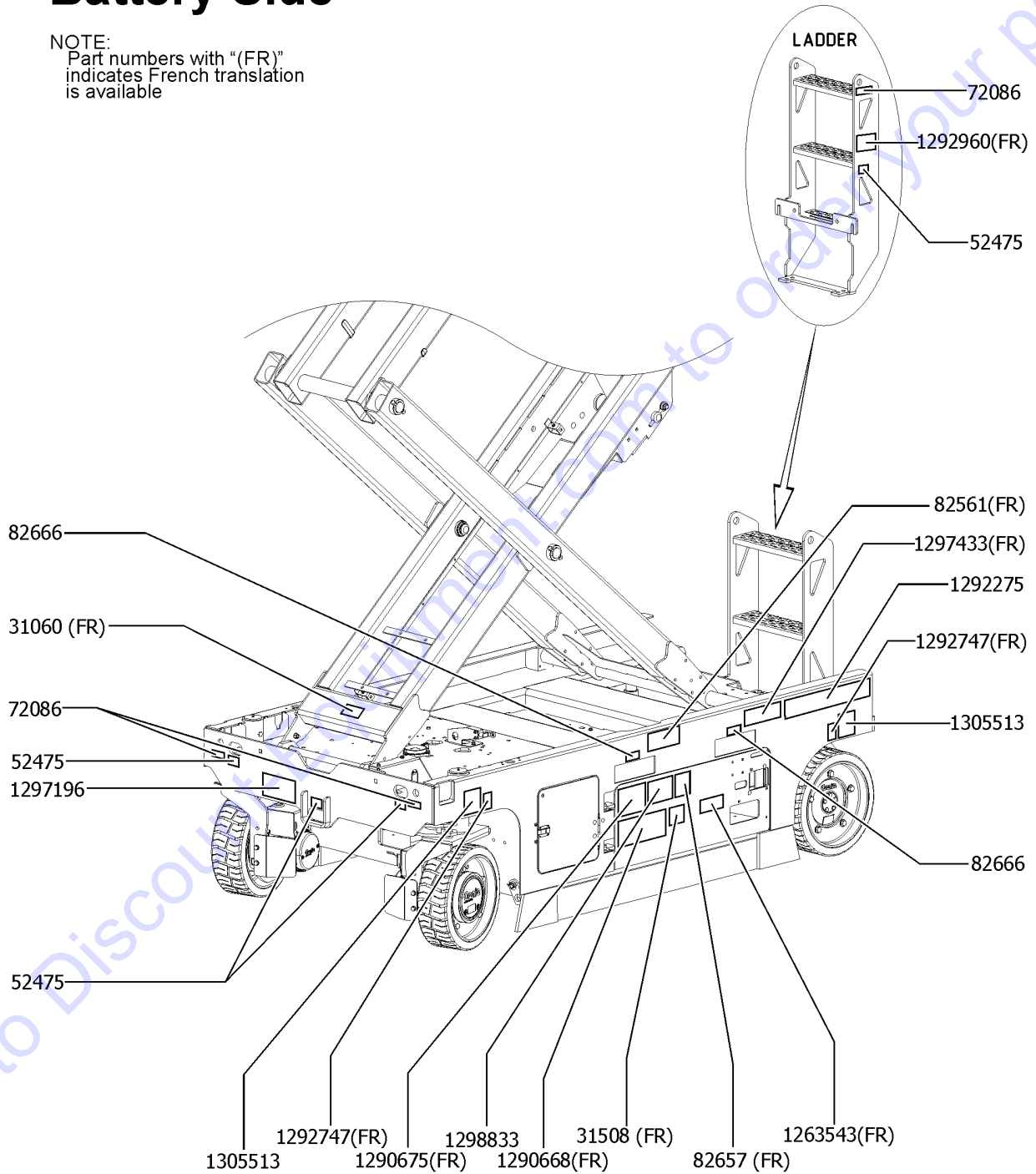
Item	Part No.	Description	Qty.
29	1292514GT	DECAL COSM,GENIE LIFT CONNECT,ESN,SKU4-3	1
30	1292515GT	DECAL COSM,GENIE LIFT CONNECT,ESN,SKU4-4	1
31	1292747GT	DECAL,LABEL-TIRE SPECS	2
32	1292990GT	DECAL,RELEASE BRAKE	1
33	1293324GT	DECAL,ICES-2/CAN-2 COMPLIANCE	1
34	1294685GT	DECAL,ANNUAL INSP***, MINI	1
35	1297195GT	DECAL, LABEL, TRANSPORT DIAGRAM	1
36	1297433GT	DECAL, DANGER, ELECTRICAL HAZARD, SLAB	1
37	1305512GT	DECAL,LABEL,WHEEL LOAD,E-DRIVE,GS-2046	2
38	T112804GT	DECAL,GCON PANEL,GS	1

Go to Discount-Equipment.com to order your parts



Battery Side

NOTE:
Part numbers with "(FR)"
indicates French translation
is available

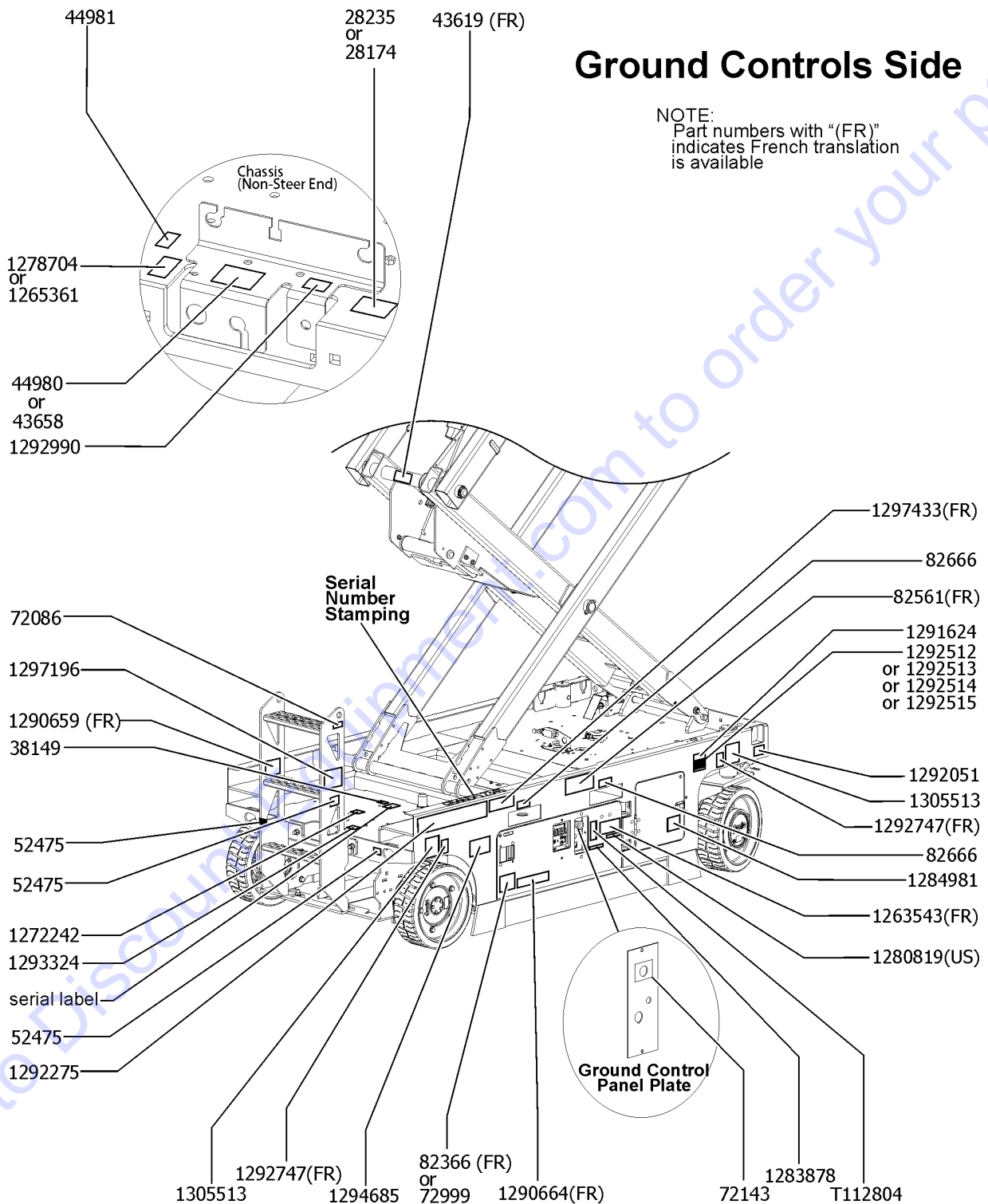


103.1 Word Decals, GS-2646, Battery Side, ANSI & Australia

Item	Part No.	Description	Qty.
1	31060GT	DECAL,DANGER DO NOT ALTER SWTC	1
2	31508GT	DECAL,DANGER,ELECT HAZARD,PLUG	1
3	52475GT	DECAL LABEL TRANSPORT TIE DOWN*	4
4	72086GT	DECAL,LABEL,LIFTING EYE	3
5	82561GT	DECAL,DANGER-USE SAFETY ARM	1
6	82657GT	DECAL,INSTRUCT,BATTERY CONNECT	1
7	82666GT	DECAL,LABEL,FORKLIFT POCKET	2
8	1263543GT	DECAL,WARNING-COMPART ACCESS	1
9	1290668GT	DECAL,INSTRUCTIONS-CHARGER OP, GS-1330m	1
10	1290675GT	DECAL,DANGER,BATTERY SAFETY***, GS-1330m	1
11	1292275GT	DECAL,ELECTRIC DRIVE,E-DRIVE	1
12	1292747GT	DECAL,LABEL-TIRE SPECS	2
13	1292960GT	DECAL DANGER BRAKE REL SAFETY, GS-1330m	1
14	1297196GT	DECAL, LABEL, TRANSPORT DIAGRAM	1
15	1297433GT	DECAL, DANGER, ELECTRICAL HAZARD, SLAB	1
16	1298833GT	DECAL, DANGER, TIP-OVER, BATTERY	1
17	1305513GT	DECAL,LABEL,WHEEL LOAD,E-DRIVE,GS-2646	2



104.1 Word Decals, GS-2646, Ground Control Side, ANSI and Australia

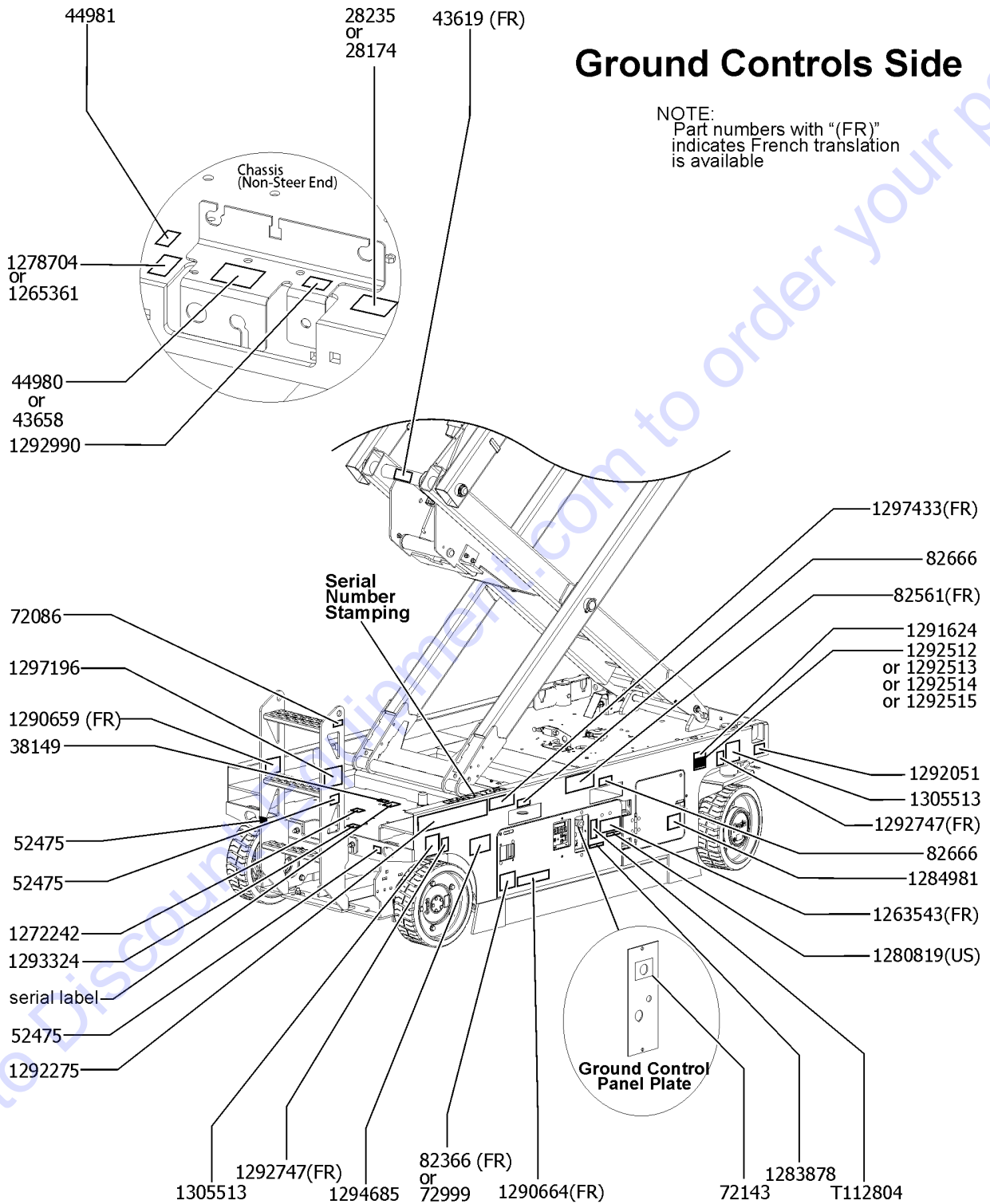


104.1 Word Decals, GS-2646, Ground Control Side, ANSI and Australia

Item	Part No.	Description	Qty.
1	28174GT	DECAL,POWER TO PLATFORM 230V	1
2	28235GT	DECAL,POWER TO PLATFORM 115V	1
3	38149GT	DECAL,LABEL,PATENTS	1
4	43619GT	DECAL LABEL SAFETY ARM	1
5	43658GT	DECAL,LABEL,PWR TO CHARGR 230V	1
6	44980GT	DECAL,LABEL,PWR TO CHARGER 115UK	1
7	44981GT	DECAL,LABEL, AIR LINE 110 PSI	1
8	52475GT	DECAL LABEL TRANSPORT TIE DOWN*	3
9	72086GT	DECAL,LABEL,LIFTING EYE	1
10	72143GT	DECAL, EMERGENCY STOP, GR	1
11	72999GT	DECAL,LABEL,PETRO CANADA***	1
12	82366GT	DECAL,LABEL-CHEVRON RANDO	1
13	82561GT	DECAL,DANGER-USE SAFETY ARM	1
14	82666GT	DECAL,LABEL,FORKLIFT POCKET	2
15	1263543GT	DECAL,WARNING-COMPART ACCESS	1
16	1265361GT	DECAL, BATTERY CHARGER INDICAT	1
17	1272242GT	DECAL,MACHINE REGISTRATION/OWNER TRANSFER	1
18	1278704GT	DECAL,CHARGE STATUS IND.	1
19	1280819GT	DECAL,WARNING,CANCER AND REPRODUCTIVE HARM, PROP 65	1
20	1283878GT	DECAL,TECH PRO LINK	1
21	1284981GT	DECAL,ACCUMULATOR EXPLOSION HAZARD,WORD	1
22	1290659GT	DECAL,DANGER,ELECT HAZARD,PLUG,GS-1330m	1
23	1290664GT	DECAL,OP INST,GCON,GS-1330m	1
24	1291624GT	DECAL COSM,GENIE UFT,CONNECT LEXAN COVER	1
25	1292051GT	DECAL,EMERGENCY LOWERING, GS-1330m	1
26	1292275GT	DECAL,ELECTRIC DRIVE,E-DRIVE	1
27	1292512GT	DECAL COSM,GENIE LIFT CONNECT,ESN,SKU4-1	1
28	1292513GT	DECAL COSM,GENIE LIFT CONNECT,ESN,SKU4-2	1



104.1 Word Decals, GS-2646, Ground Control Side, ANSI and Australia



104.1 Word Decals, GS-2646, Ground Control Side, ANSI and Australia

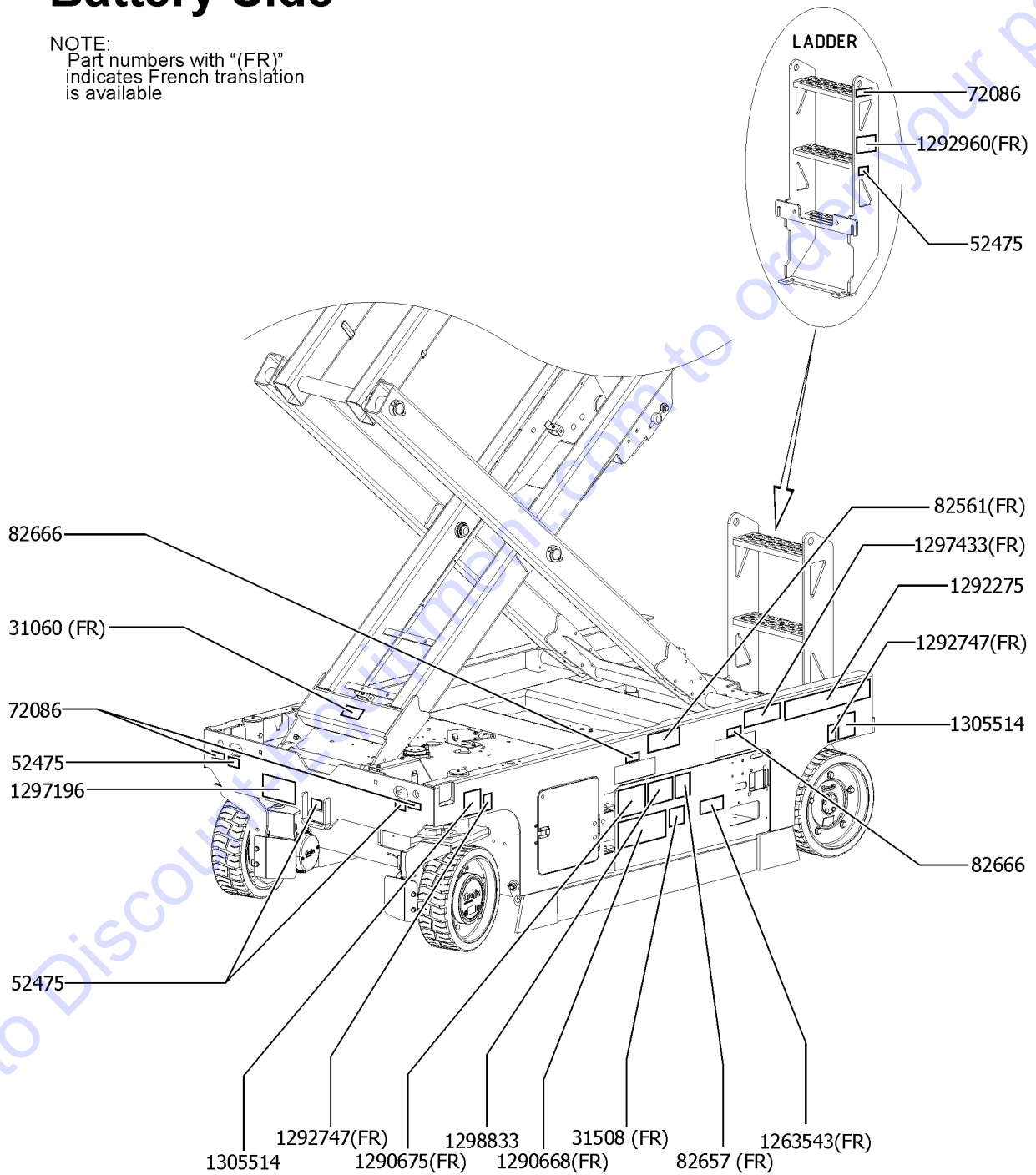
Item	Part No.	Description	Qty.
29	1292514GT	DECAL COSM,GENIE LIFT CONNECT,ESN,SKU4-3	1
30	1292515GT	DECAL COSM,GENIE LIFT CONNECT,ESN,SKU4-4	1
31	1292747GT	DECAL,LABEL-TIRE SPECS	2
32	1292990GT	DECAL,RELEASE BRAKE	1
33	1293324GT	DECAL,ICES-2/CAN-2 COMPLIANCE	1
34	1294685GT	DECAL,ANNUAL INSP**, MINI	1
35	1297196GT	DECAL, LABEL, TRANSPORT DIAGRAM	1
36	1297433GT	DECAL, DANGER, ELECTRICAL HAZARD, SLAB	1
37	1305513GT	DECAL,LABEL,WHEEL LOAD,E-DRIVE,GS-2646	2
38	T112804GT	DECAL,GCON PANEL,GS	1

Go to Discount-Equipment.com to order your parts



Battery Side

NOTE:
Part numbers with "(FR)"
indicates French translation
is available



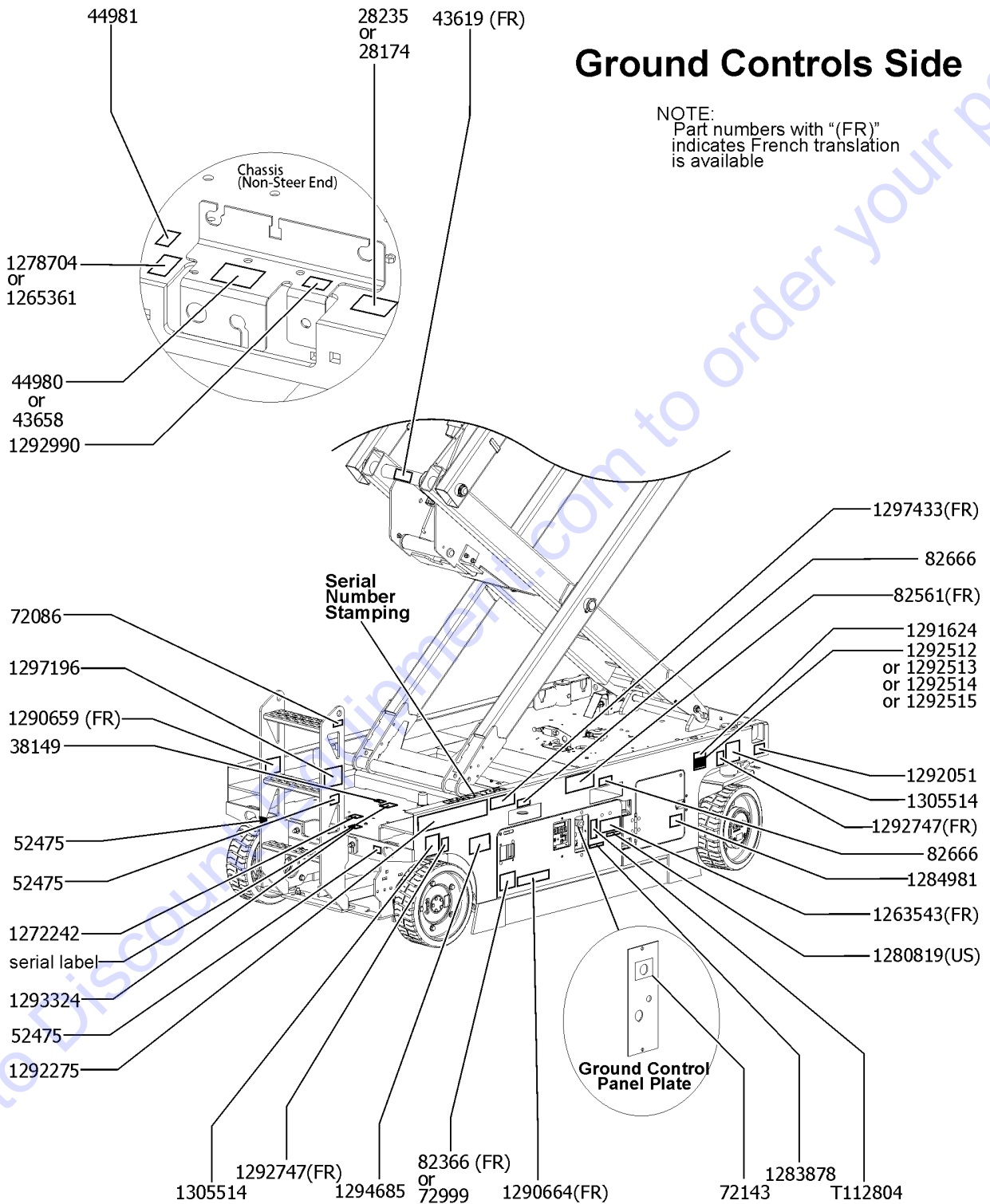
105.1 Word Decals, GS-3246, Battery Side, ANSI & Australia

Item	Part No.	Description	Qty.
1	31060GT	DECAL,DANGER DO NOT ALTER SWTC	1
2	31508GT	DECAL,DANGER,ELECT HAZARD,PLUG	1
3	52475GT	DECAL LABEL TRANSPORT TIE DOWN*	4
4	72086GT	DECAL,LABEL,LIFTING EYE	3
5	82561GT	DECAL,DANGER-USE SAFETY ARM	1
6	82657GT	DECAL,INSTRUCT,BATTERY CONNECT	1
7	82666GT	DECAL,LABEL,FORKLIFT POCKET	2
8	1263543GT	DECAL,WARNING-COMPART ACCESS	1
9	1290668GT	DECAL,INSTRUCTIONS-CHARGER OP, GS-1330m	1
10	1290675GT	DECAL,DANGER,BATTERY SAFETY***, GS-1330m	1
11	1292275GT	DECAL,ELECTRIC DRIVE,E-DRIVE	1
12	1292747GT	DECAL,LABEL-TIRE SPECS	2
13	1292960GT	DECAL DANGER BRAKE REL SAFETY, GS-1330m	1
14	1297196GT	DECAL, LABEL, TRANSPORT DIAGRAM	1
15	1297433GT	DECAL, DANGER, ELECTRICAL HAZARD, SLAB	1
16	1298833GT	DECAL, DANGER, TIP-OVER, BATTERY	1
17	1305514GT	DECAL,LABEL,WHEEL LOAD,E-DRIVE,GS-3246	2

Go to Discount-Equipment.com to order your parts



106.1 Word Decals, GS-3246, Ground Control Side, ANSI and Australia

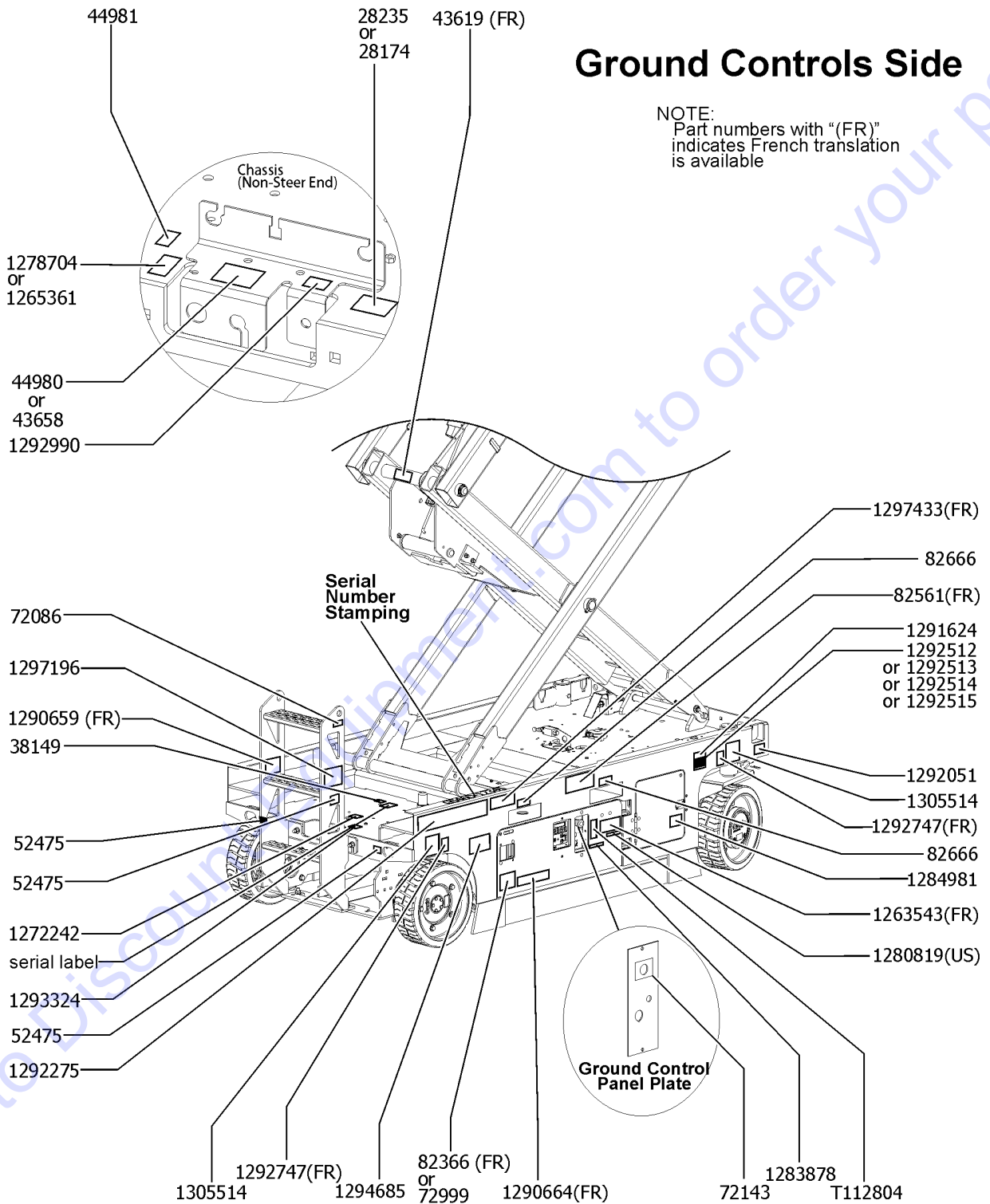


106.1 Word Decals, GS-3246, Ground Control Side, ANSI and Australia

Item	Part No.	Description	Qty.
1	28174GT	DECAL,POWER TO PLATFORM 230V	1
2	28235GT	DECAL,POWER TO PLATFORM 115V	1
3	38149GT	DECAL,LABEL,PATENTS	1
4	43619GT	DECAL LABEL SAFETY ARM	1
5	43658GT	DECAL,LABEL,PWR TO CHARGR 230V	1
6	44980GT	DECAL,LABEL,PWR TO CHARGER 115UK	1
7	44981GT	DECAL,LABEL, AIR LINE 110 PSI	1
8	52475GT	DECAL LABEL TRANSPORT TIE DOWN*	3
9	72086GT	DECAL,LABEL,LIFTING EYE	1
10	72143GT	DECAL, EMERGENCY STOP, GR	1
11	72999GT	DECAL,LABEL,PETRO CANADA***	1
12	82366GT	DECAL,LABEL-CHEVRON RANDO	1
13	82561GT	DECAL,DANGER-USE SAFETY ARM	1
14	82666GT	DECAL,LABEL,FORKLIFT POCKET	2
15	1263543GT	DECAL,WARNING-COMPART ACCESS	1
16	1265361GT	DECAL, BATTERY CHARGER INDICAT	1
17	1272242GT	DECAL,MACHINE REGISTRATION/OWNER TRANSFER	1
18	1278704GT	DECAL,CHARGE STATUS IND.	1
19	1280819GT	DECAL,WARNING,CANCER AND REPRODUCTIVE HARM, PROP 65	1
20	1283878GT	DECAL,TECH PRO LINK	1
21	1284981GT	DECAL,ACCUMULATOR EXPLOSION HAZARD,WORD	1
22	1290659GT	DECAL,DANGER,ELECT HAZARD,PLUG,GS-1330m	1
23	1290664GT	DECAL,OP INST,GCON,GS-1330m	1
24	1291624GT	DECAL COSM,GENIE UFT,CONNECT LEXAN COVER	1
25	1292051GT	DECAL,EMERGENCY LOWERING, GS-1330m	1
26	1292275GT	DECAL,ELECTRIC DRIVE,E-DRIVE	1
27	1292512GT	DECAL COSM,GENIE LIFT CONNECT,ESN,SKU4-1	1
28	1292513GT	DECAL COSM,GENIE LIFT CONNECT,ESN,SKU4-2	1



106.1 Word Decals, GS-3246, Ground Control Side, ANSI and Australia



106.1 Word Decals, GS-3246, Ground Control Side, ANSI and Australia

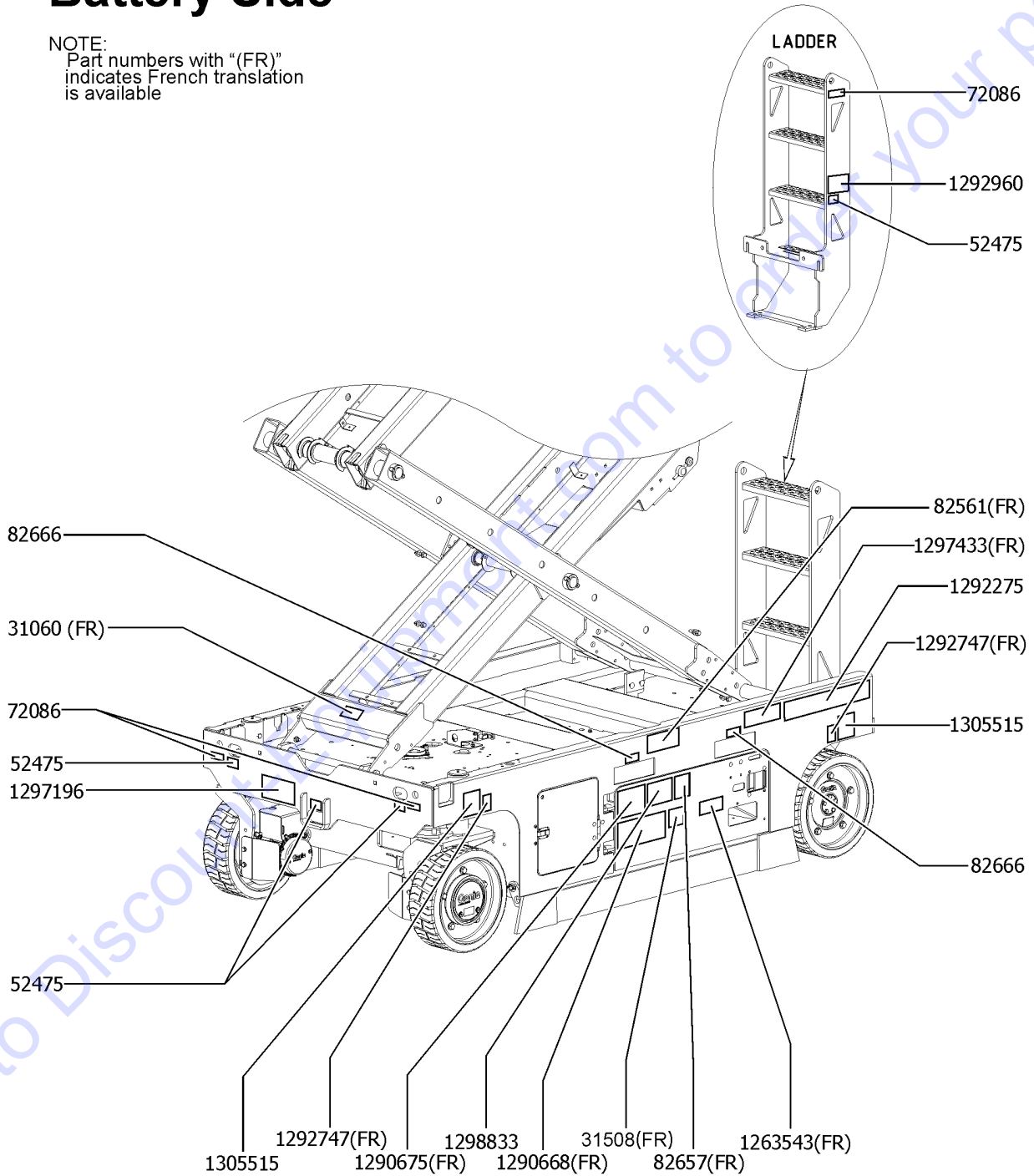
Item	Part No.	Description	Qty.
29	1292514GT	DECAL COSM,GENIE LIFT CONNECT,ESN,SKU4-3	1
30	1292515GT	DECAL COSM,GENIE LIFT CONNECT,ESN,SKU4-4	1
31	1292747GT	DECAL,LABEL-TIRE SPECS	2
32	1292990GT	DECAL,RELEASE BRAKE	1
33	1293324GT	DECAL,ICES-2/CAN-2 COMPLIANCE	1
34	1294685GT	DECAL,ANNUAL INSP***, MINI	1
35	1297196GT	DECAL, LABEL, TRANSPORT DIAGRAM	1
36	1297433GT	DECAL, DANGER, ELECTRICAL HAZARD, SLAB	1
37	1305514GT	DECAL,LABEL,WHEEL LOAD,E-DRIVE,GS-3246	2
38	T112804GT	DECAL,GCON PANEL,GS	1

Go to Discount-Equipment.com to order your parts



Battery Side

NOTE:
Part numbers with "(FR)"
indicates French translation
is available

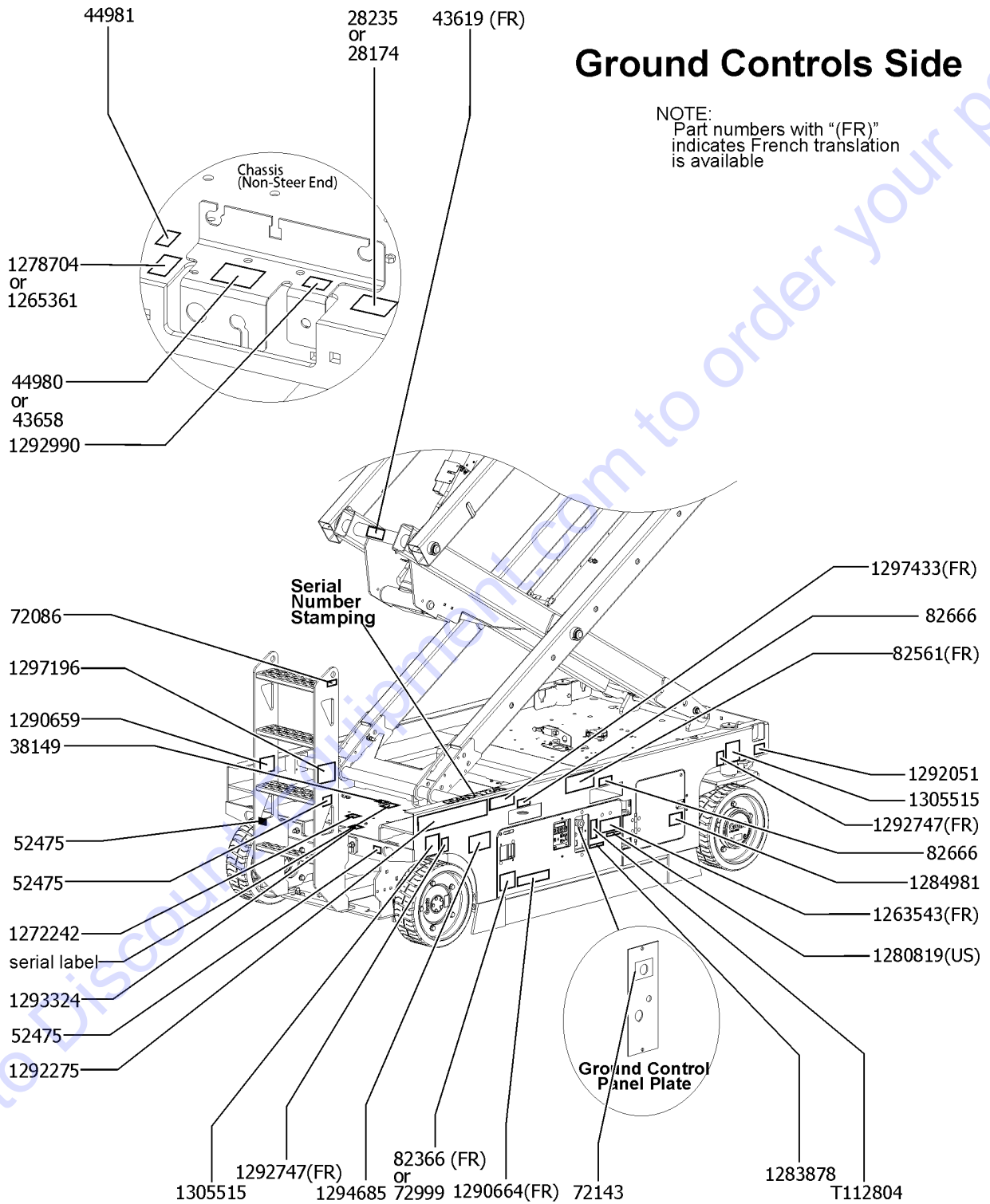


107.1 Word Decals, GS-4046, Battery Side, ANSI & Australia

Item	Part No.	Description	Qty.
1	31060GT	DECAL,DANGER DO NOT ALTER SWTC	1
2	31508GT	DECAL,DANGER,ELECT HAZARD,PLUG	1
3	52475GT	DECAL LABEL TRANSPORT TIE DOWN*	4
4	72086GT	DECAL,LABEL,LIFTING EYE	3
5	82561GT	DECAL,DANGER-USE SAFETY ARM	1
6	82657GT	DECAL,INSTRUCT,BATTERY CONNECT	1
7	82666GT	DECAL,LABEL,FORKLIFT POCKET	2
8	1263543GT	DECAL,WARNING-COMPART ACCESS	1
9	1290668GT	DECAL,INSTRUCTIONS-CHARGER OP, GS-1330m	1
10	1290675GT	DECAL,DANGER,BATTERY SAFETY***, GS-1330m	1
11	1292275GT	DECAL,ELECTRIC DRIVE,E-DRIVE	1
12	1292747GT	DECAL,LABEL-TIRE SPECS	2
13	1292960GT	DECAL DANGER BRAKE REL SAFETY, GS-1330m	1
14	1297196GT	DECAL, LABEL, TRANSPORT DIAGRAM	1
15	1297433GT	DECAL, DANGER, ELECTRICAL HAZARD, SLAB	1
16	1298833GT	DECAL, DANGER, TIP-OVER, BATTERY	1
17	1305515GT	DECAL,LABEL,WHEEL LOAD,E-DRIVE,GS-4046	2



108.1 Word Decals, GS-4046, Ground Control Side, ANSI and Australia

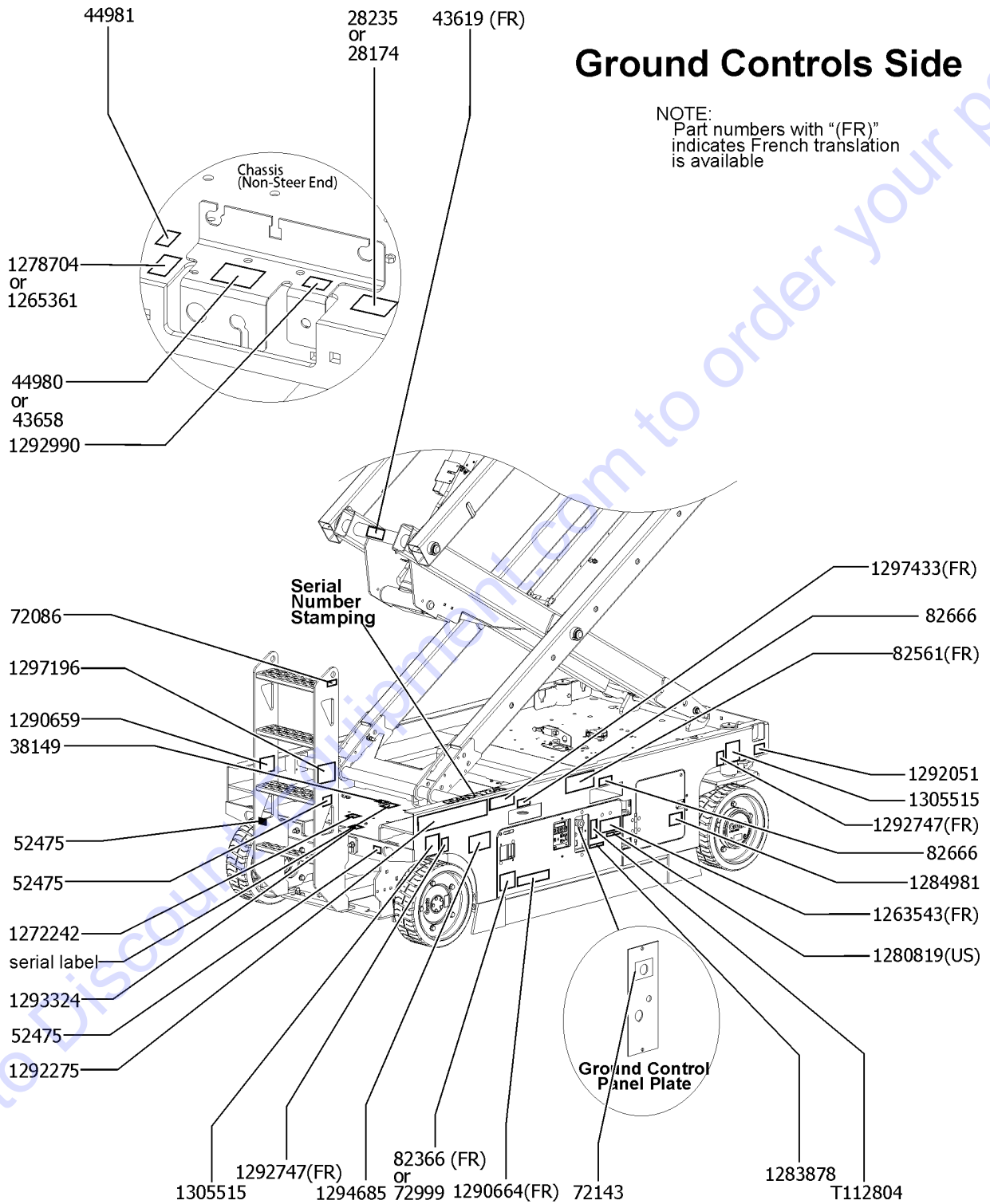


108.1 Word Decals, GS-4046, Ground Control Side, ANSI and Australia

Item	Part No.	Description	Qty.
1	28174GT	DECAL,POWER TO PLATFORM 230V	1
2	28235GT	DECAL,POWER TO PLATFORM 115V	1
3	38149GT	DECAL,LABEL,PATENTS	1
4	43619GT	DECAL LABEL SAFETY ARM	1
5	43658GT	DECAL,LABEL,PWR TO CHARGR 230V	1
6	44980GT	DECAL,LABEL,PWR TO CHARGER 115UK	1
7	44981GT	DECAL,LABEL, AIR LINE 110 PSI	1
8	52475GT	DECAL LABEL TRANSPORT TIE DOWN*	3
9	72086GT	DECAL,LABEL,LIFTING EYE	1
10	72143GT	DECAL, EMERGENCY STOP, GR	1
11	72999GT	DECAL,LABEL,PETRO CANADA***	1
12	82366GT	DECAL,LABEL-CHEVRON RANDO	1
13	82561GT	DECAL,DANGER-USE SAFETY ARM	1
14	82666GT	DECAL,LABEL,FORKLIFT POCKET	2
15	1263543GT	DECAL,WARNING-COMPART ACCESS	1
16	1265361GT	DECAL, BATTERY CHARGER INDICAT	1
17	1272242GT	DECAL,MACHINE REGISTRATION/OWNER TRANSFER	1
18	1278704GT	DECAL,CHARGE STATUS IND.	1
19	1280819GT	DECAL,WARNING,CANCER AND REPRODUCTIVE HARM, PROP 65	1
20	1283878GT	DECAL,TECH PRO LINK	1
21	1284981GT	DECAL,ACCUMULATOR EXPLOSION HAZARD,WORD	1
22	1290659GT	DECAL,DANGER,ELECT HAZARD,PLUG,GS-1330m	1
23	1290664GT	DECAL,OP INST,GCON,GS-1330m	1
24	1291624GT	DECAL COSM,GENIE UFT,CONNECT LEXAN COVER	1
25	1292051GT	DECAL,EMERGENCY LOWERING, GS-1330m	1
26	1292275GT	DECAL,ELECTRIC DRIVE,E-DRIVE	1
27	1292512GT	DECAL COSM,GENIE LIFT CONNECT,ESN,SKU4-1	1
28	1292513GT	DECAL COSM,GENIE LIFT CONNECT,ESN,SKU4-2	1



108.1 Word Decals, GS-4046, Ground Control Side, ANSI and Australia



108.1 Word Decals, GS-4046, Ground Control Side, ANSI and Australia

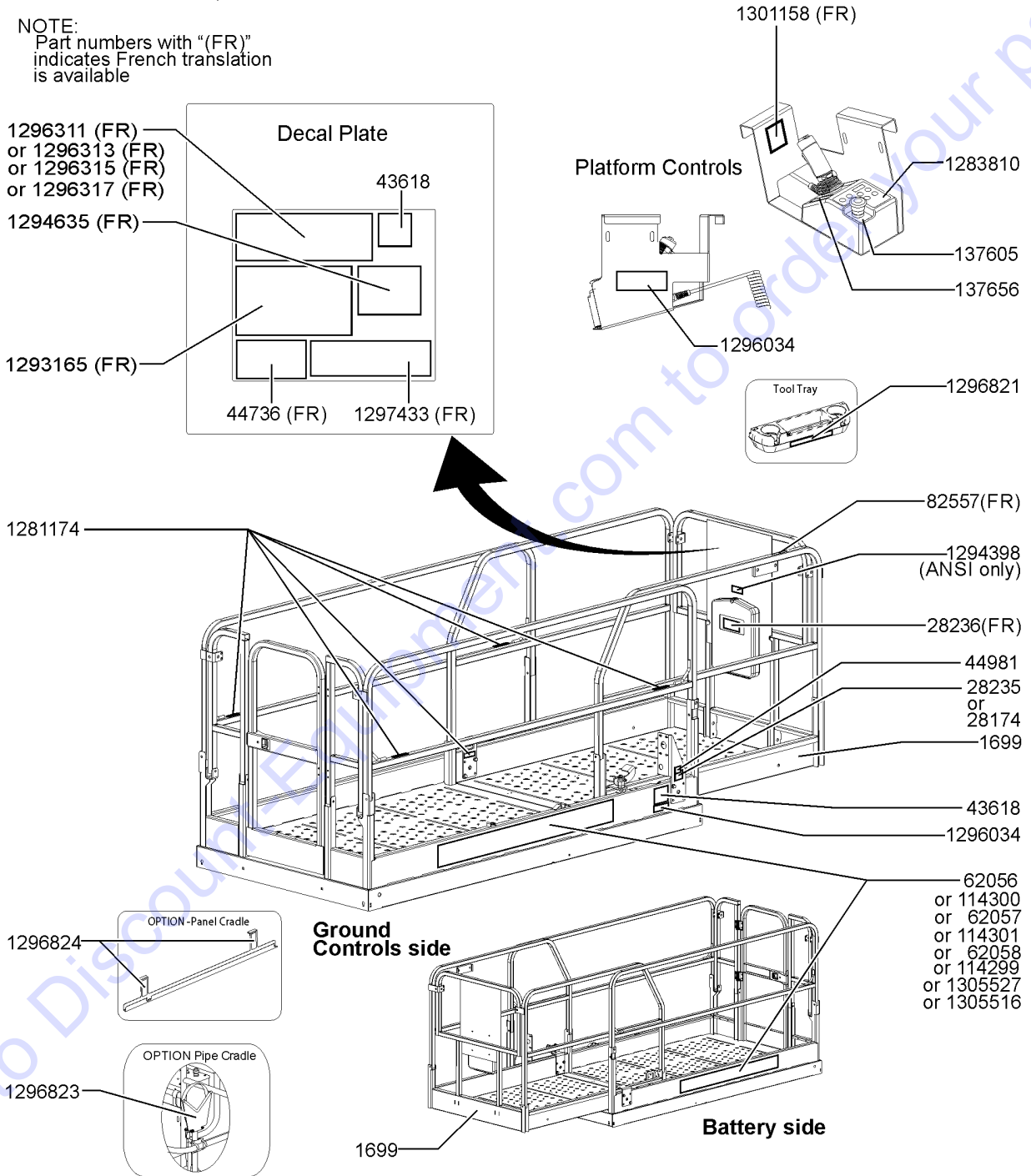
Item	Part No.	Description	Qty.
29	1292514GT	DECAL COSM,GENIE LIFT CONNECT,ESN,SKU4-3	1
30	1292515GT	DECAL COSM,GENIE LIFT CONNECT,ESN,SKU4-4	1
31	1292747GT	DECAL,LABEL-TIRE SPECS	2
32	1292990GT	DECAL,RELEASE BRAKE	1
33	1293324GT	DECAL,ICES-2/CAN-2 COMPLIANCE	1
34	1294685GT	DECAL,ANNUAL INSP***, MINI	1
35	1297196GT	DECAL, LABEL, TRANSPORT DIAGRAM	1
36	1297433GT	DECAL, DANGER, ELECTRICAL HAZARD, SLAB	1
37	1305515GT	DECAL,LABEL,WHEEL LOAD,E-DRIVE,GS-4046	2
38	T112804GT	DECAL,GCON PANEL,GS	1

Go to Discount-Equipment.com to order your parts



Platform, ANSI and Australia models

NOTE:
Part numbers with "(FR)" indicates French translation is available



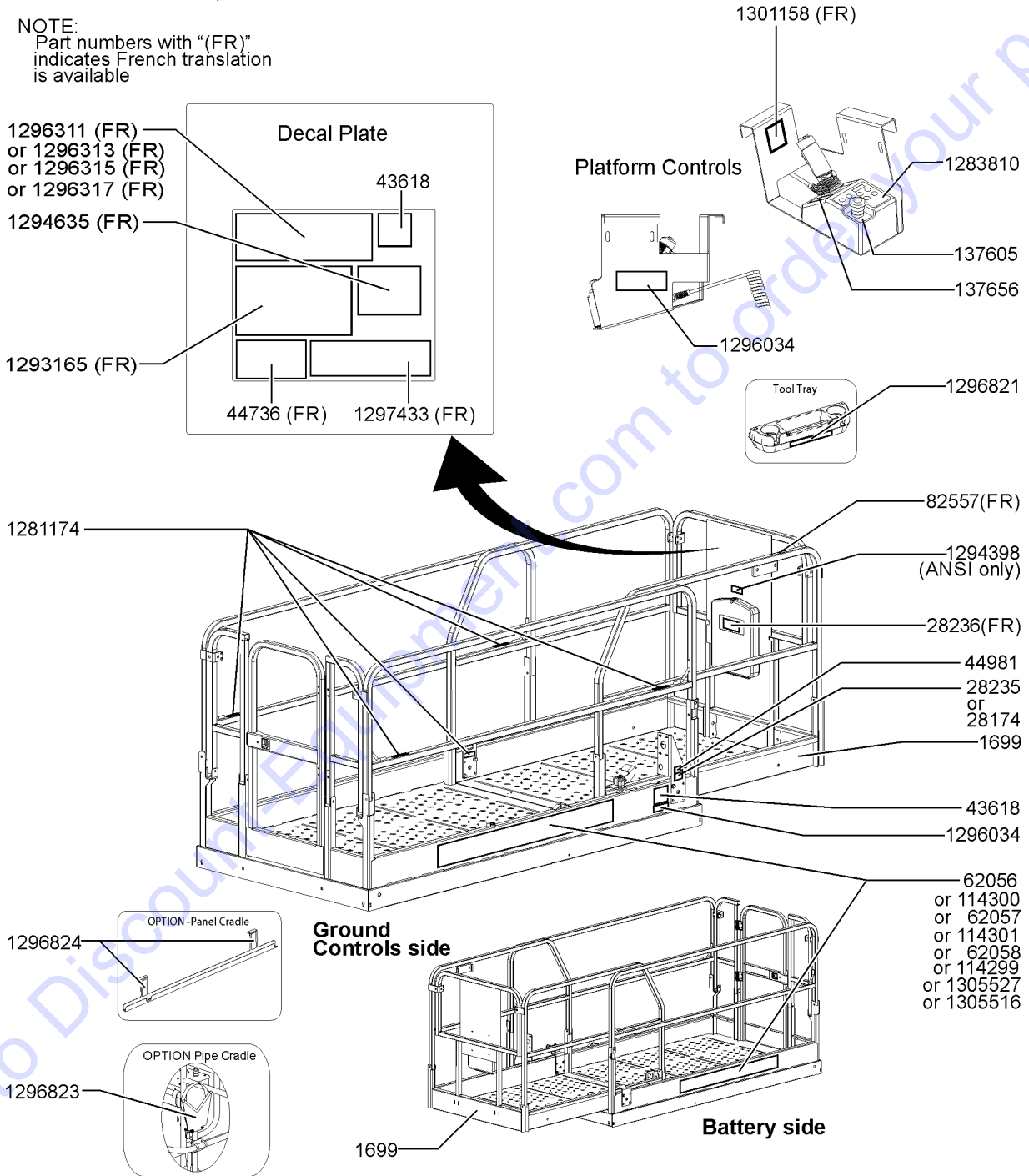
109.1 Word Decals, Platform, ANSI and Australia, All models

Item	Part No.	Description	Qty.
1	1699GT	TAPE, WARN, BLACK/YELLOW, BULK	139
2	28174GT	DECAL,POWER TO PLATFORM 230V	1
3	28235GT	DECAL,POWER TO PLATFORM 115V	1
4	28236GT	DECAL,WARN,IMPROPER OPERATION	1
5	43618GT	DECAL,LABEL-DIRECTION ARROWS	2
6	44736GT	DECAL,DANGER,TIP-OVER,TILT	1
7	44981GT	DECAL,LABEL, AIR LINE 110 PSI	1
		(Option)	
8	62056GT	DECAL,COSMETIC,GENIE GS-2046**	1
9	62057GT	DECAL,COSMETIC,GENIE GS-2646	2
10	62058GT	DECAL,COSMETIC,GENIE GS-3246	1
11	82557GT	DECAL,LABEL,PLAT CONT LOCATION	1
12	114299GT	DECAL,COSMETIC,GENIE,GS3246,BLK	1
13	114300GT	DECAL,COSMETIC,GENIE,GS2046,BLK	1
14	114301GT	DECAL,COSMETIC,GENIE,GS2646,BLK	1
15	137605GT	DECAL,E-STOP,GR/GRC/GS PCON	1
16	137656GT	DECAL,PROPEL,GR/GRC/GS,PCON	1
17	1281174GT	DECAL,LANYARD,FALL ARREST/FALL RESTRAINED	5
18	1283810GT	DECAL,STD,DUAL ZONE,GR/GS,UI	1
19	1293165GT	DECAL,DANGER/WARNING COMBO,GS-1330m	1
20	1294398GT	NEW ANSI CHECK MASK	1
		(ANSI only)	
21	1294635GT	DECAL,PLATFORM OVERLOAD LED INDICATOR LIGHT	1
22	1296034GT	DECAL, SMARTLINK, DUAL ZONE	2
23	1296311GT	DECAL, DANGER, MAX CAPACITY 1200LBS, SIDE FORCE 45/90LBS	1
24	1296313GT	DECAL, DANGER, MAX CAPACITY 1000LBS, SIDE FORCE 45/90LBS	1
25	1296315GT	DECAL, DANGER, MAX CAPACITY 700LBS, SIDE FORCE 45/90LBS	1
26	1296317GT	DECAL, DANGER, MAX CAPACITY 770LBS, SIDE FORCE 45/90LBS	1
27	1296821GT	DECAL, WARNING, TOOL TRAY	1
28	1296823GT	DECAL, WARNING, PIPE CRADLE	1



Platform, ANSI and Australia models

NOTE:
Part numbers with "(FR)" indicates French translation is available



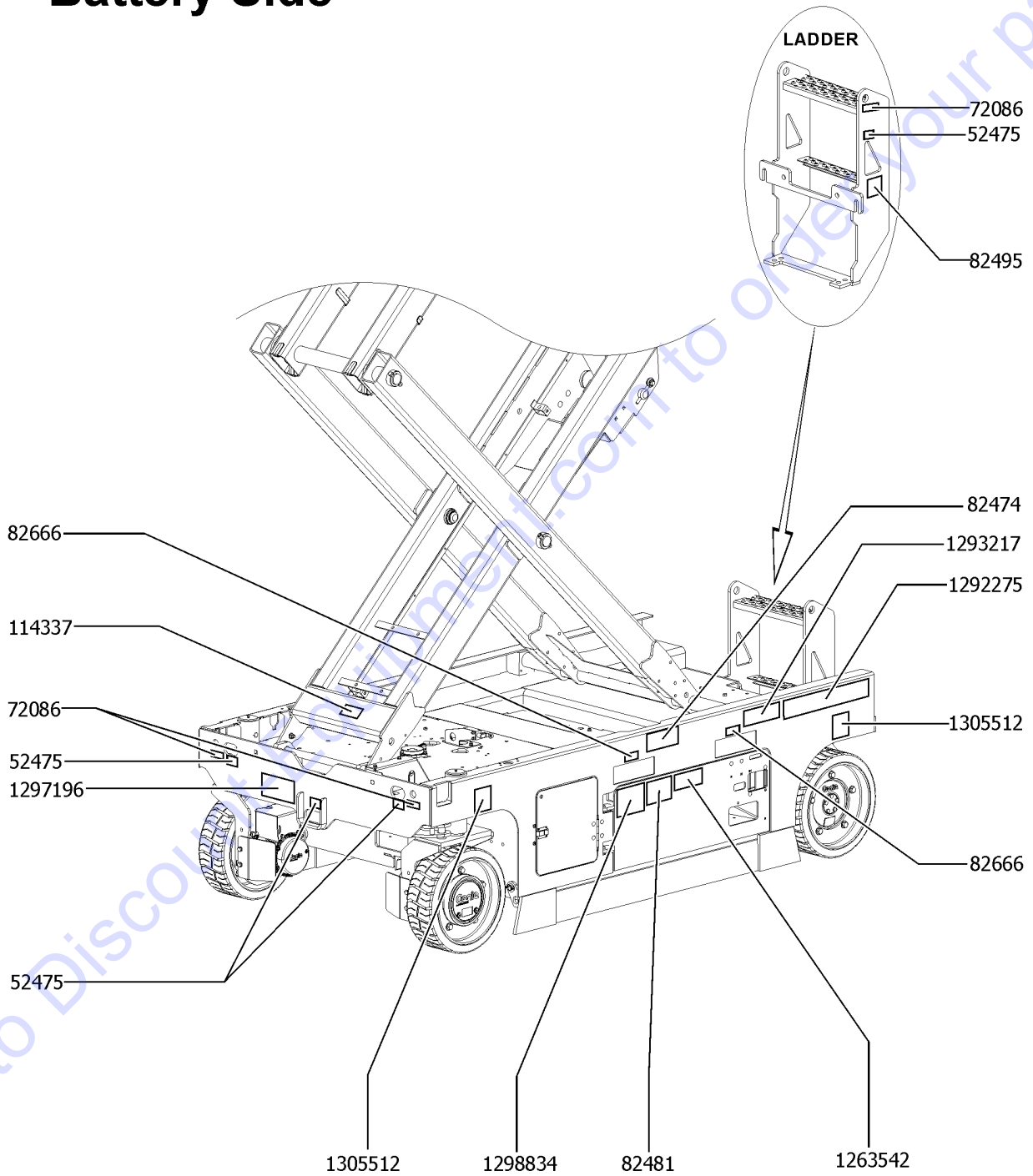
109.1 Word Decals, Platform, ANSI and Australia, All models

<i>Item</i>	<i>Part No.</i>	<i>Description</i>	<i>Qty.</i>
29	1296824GT	DECAL, WARNING, PANEL CARRIER	1
30	1297433GT	DECAL, DANGER, ELECTRICAL HAZARD, SLAB	1
31	1301158GT	DECAL,LABEL,FAULT CODES	1
32	1305516GT	DECAL,COSMETIC,GS-4046	1
33	1305527GT	DECAL,COSMETIC,GS-4046, BLACK	1

Go to Discount-Equipment.com to order your parts



Battery Side



110.1 Symbol Decals, GS-2046, Battery Side, ANSI & CE

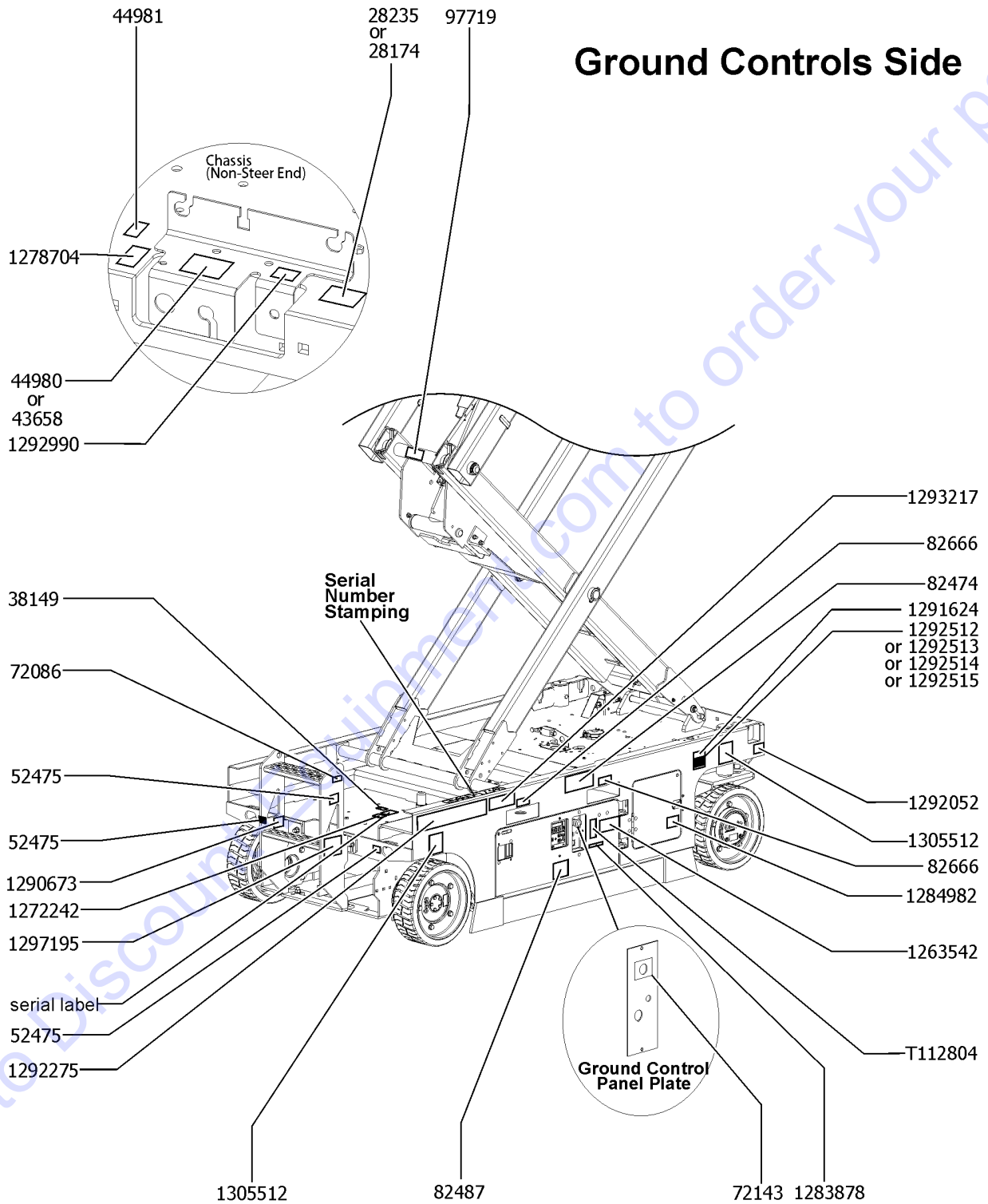
Item	Part No.	Description	Qty.
1	52475GT	DECAL LABEL TRANSPORT TIE DOWN*	4
2	72086GT	DECAL,LABEL,LIFTING EYE	3
3	82474GT	DECAL SYMBOL USE SAFETY ARM	1
4	82481GT	DECAL,SYMBOL-BATTERY SAFETY	1
5	82495GT	DECAL SYMBOL BRAKE REL SAFETY	1
6	82666GT	DECAL,LABEL,FORKLIFT POCKET	2
7	114337GT	DECAL SYMBOL TIP OVER LIMIT SWITCH	1
8	1263542GT	DECAL,SYMBOL-COMP ACCESS	1
9	1292275GT	DECAL,ELECTRIC DRIVE,E-DRIVE	1
10	1293217GT	DECAL SYMBOL ELECTRIC HAZARD GS-1330m	1
11	1297196GT	DECAL, LABEL, TRANSPORT DIAGRAM	1
12	1298834GT	DECAL,DANGER,TIP-OVER,BATTERY	1
13	1305512GT	DECAL,LABEL,WHEEL LOAD,E-DRIVE,GS-2046	2

Go to Discount-Equipment.com to order your parts



111.1 Symbol Decals, GS-2046, Ground Control Side, ANSI and CE

Ground Controls Side



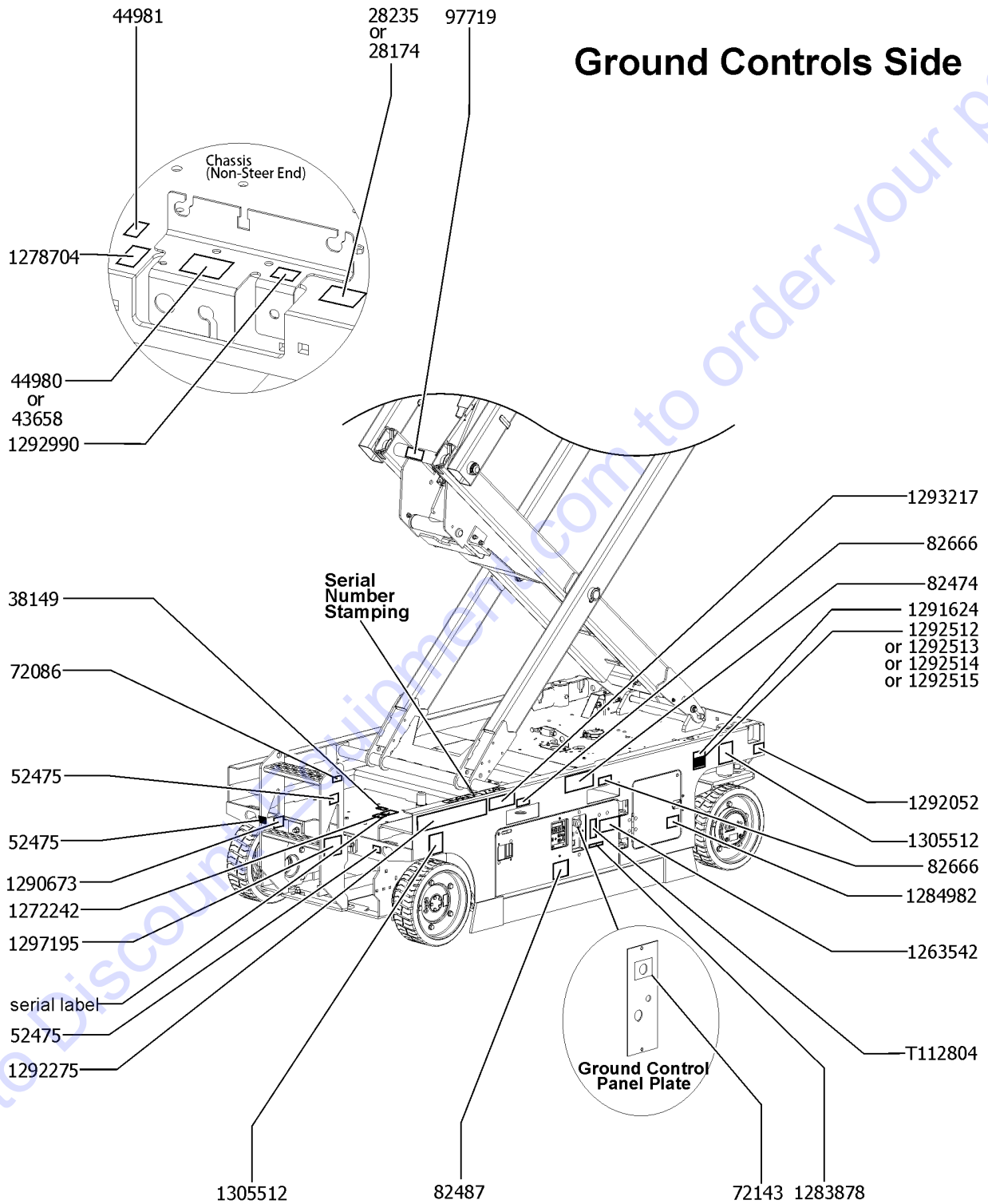
111.1 Symbol Decals, GS-2046, Ground Control Side, ANSI and CE

Item	Part No.	Description	Qty.
1	28174GT	DECAL,POWER TO PLATFORM 230V	1
2	28235GT	DECAL,POWER TO PLATFORM 115V	1
3	38149GT	DECAL,LABEL,PATENTS	1
4	43658GT	DECAL,LABEL,PWR TO CHARGR 230V	1
5	44980GT	DECAL,LABEL,PWR TO CHARGER 115UK	1
6	44981GT	DECAL,LABEL, AIR LINE 110 PSI	1
7	52475GT	DECAL LABEL TRANSPORT TIE DOWN*	3
8	72086GT	DECAL,LABEL,LIFTING EYE	1
9	72143GT	DECAL, EMERGENCY STOP, GR	1
10	82474GT	DECAL SYMBOL USE SAFETY ARM	1
11	82487GT	DECAL,SYMBOL-READ THE MANUAL	1
12	82666GT	DECAL,LABEL,FORKLIFT POCKET	2
13	97719GT	DECAL, LABEL, SAFETY ARM SYMBOL	1
14	1263542GT	DECAL,SYMBOL-COMP ACCESS	1
15	1272242GT	DECAL,MACHINE REGISTRATION/OWNER TRANSFER	1
16	1278704GT	DECAL,CHARGE STATUS IND.	1
17	1283878GT	DECAL,TECH PRO LINK	1
18	1284982GT	DECAL,ACCUMULATOR EXPLOSION HAZARD,SYMBOL	1
19	1290673GT	DECAL,SYM-ELEC HAZARD,PLUG,GS-1330m	1
20	1291624GT	DECAL COSM,GENIE UFT,CONNECT LEXAN COVER	1
21	1292052GT	DECAL,LABEL,AUX LOWERING	1
22	1292275GT	DECAL,ELECTRIC DRIVE,E-DRIVE	1
23	1292512GT	DECAL COSM,GENIE LIFT CONNECT,ESN,SKU4-1	1
24	1292513GT	DECAL COSM,GENIE LIFT CONNECT,ESN,SKU4-2	1
25	1292514GT	DECAL COSM,GENIE LIFT CONNECT,ESN,SKU4-3	1
26	1292515GT	DECAL COSM,GENIE LIFT CONNECT,ESN,SKU4-4	1
27	1292990GT	DECAL,RELEASE BRAKE	1
28	1293217GT	DECAL SYMBOL ELECTRIC HAZARD GS-1330m	1



111.1 Symbol Decals, GS-2046, Ground Control Side, ANSI and CE

Ground Controls Side



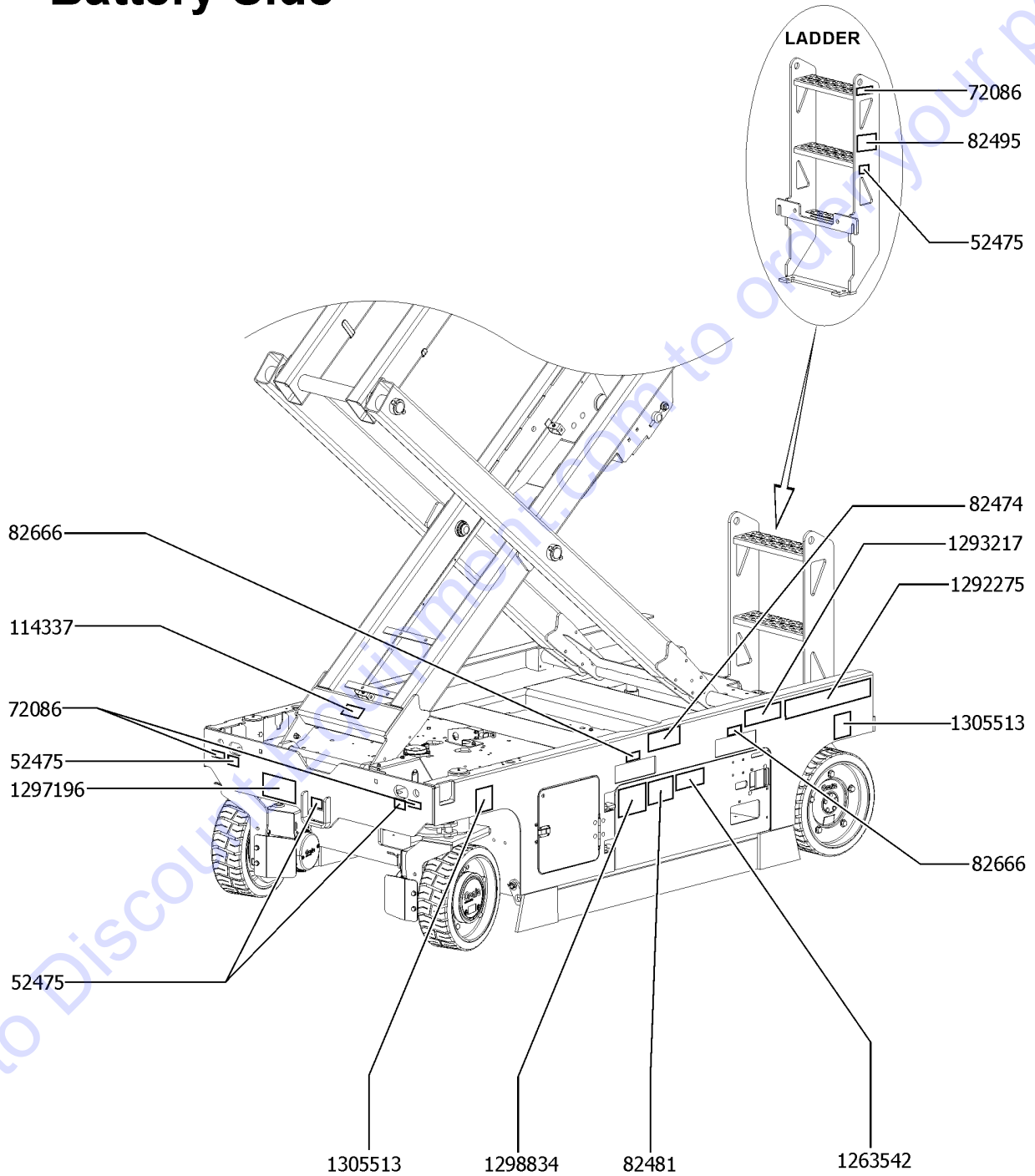
111.1 Symbol Decals, GS-2046, Ground Control Side, ANSI and CE

<i>Item</i>	<i>Part No.</i>	<i>Description</i>	<i>Qty.</i>
29	1297195GT	DECAL, LABEL, TRANSPORT DIAGRAM	1
30	1305512GT	DECAL,LABEL,WHEEL LOAD,E-DRIVE,GS-2046	2
31	T112804GT	DECAL,GCON PANEL,GS	1

Go to Discount-Equipment.com to order your parts



Battery Side



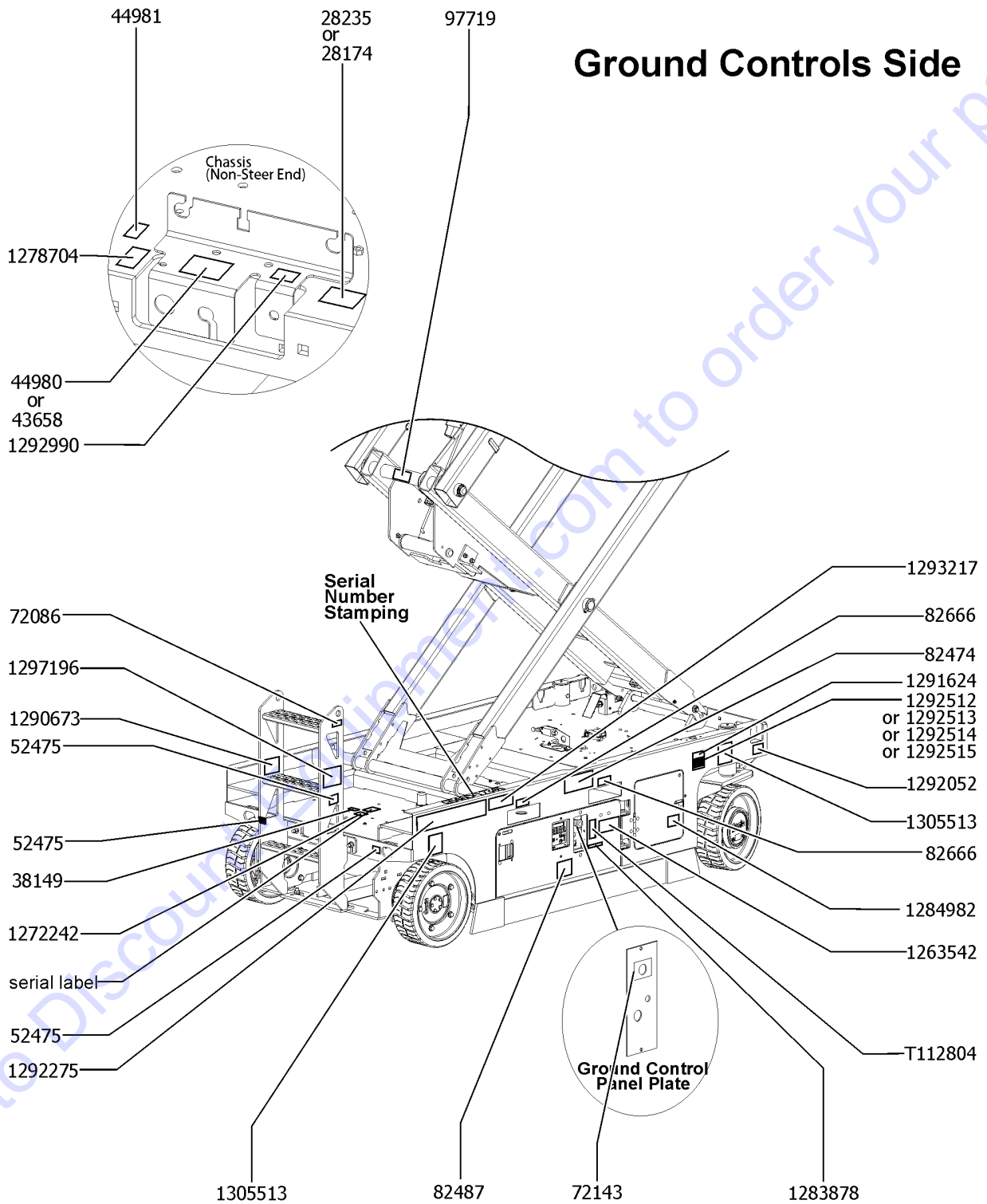
112.1 Symbol Decals, GS-2646, Battery Side, ANSI & CE

Item	Part No.	Description	Qty.
1	52475GT	DECAL LABEL TRANSPORT TIE DOWN*	4
2	72086GT	DECAL,LABEL,LIFTING EYE	3
3	82474GT	DECAL SYMBOL USE SAFETY ARM	1
4	82481GT	DECAL,SYMBOL-BATTERY SAFETY	1
5	82495GT	DECAL SYMBOL BRAKE REL SAFETY	1
6	82666GT	DECAL,LABEL,FORKLIFT POCKET	2
7	114337GT	DECAL SYMBOL TIP OVER LIMIT SWITCH	1
8	1263542GT	DECAL,SYMBOL-COMP ACCESS	1
9	1292275GT	DECAL,ELECTRIC DRIVE,E-DRIVE	1
10	1293217GT	DECAL SYMBOL ELECTRIC HAZARD GS-1330m	1
11	1297196GT	DECAL, LABEL, TRANSPORT DIAGRAM	1
12	1298834GT	DECAL,DANGER,TIP-OVER,BATTERY	1
13	1305513GT	DECAL,LABEL,WHEEL LOAD,E-DRIVE,GS-2646	2

Go to Discount-Equipment.com to order your parts



113.1 Symbol Decals, GS-2646, Ground Control Side, ANSI and CE

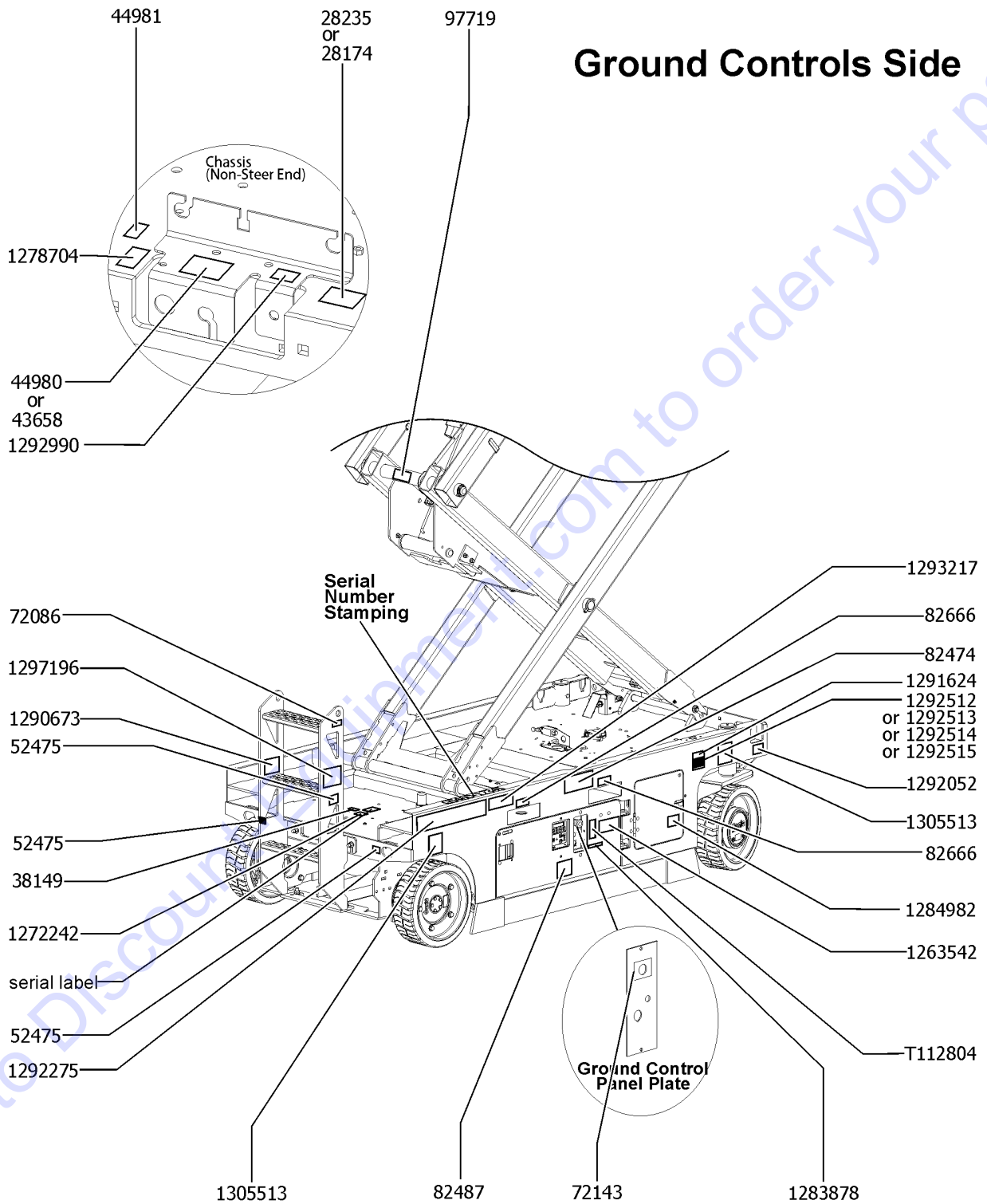


113.1 Symbol Decals, GS-2646, Ground Control Side, ANSI and CE

Item	Part No.	Description	Qty.
1	28174GT	DECAL,POWER TO PLATFORM 230V	1
2	28235GT	DECAL,POWER TO PLATFORM 115V	1
3	38149GT	DECAL,LABEL,PATENTS	1
4	43658GT	DECAL,LABEL,PWR TO CHARGR 230V	1
5	44980GT	DECAL,LABEL,PWR TO CHARGER 115UK	1
6	44981GT	DECAL,LABEL, AIR LINE 110 PSI	1
7	52475GT	DECAL LABEL TRANSPORT TIE DOWN*	3
8	72086GT	DECAL,LABEL,LIFTING EYE	1
9	72143GT	DECAL, EMERGENCY STOP, GR	1
10	82474GT	DECAL SYMBOL USE SAFETY ARM	1
11	82487GT	DECAL,SYMBOL-READ THE MANUAL	1
12	82666GT	DECAL,LABEL,FORKLIFT POCKET	2
13	97719GT	DECAL, LABEL, SAFETY ARM SYMBOL	1
14	1263542GT	DECAL,SYMBOL-COMP ACCESS	1
15	1272242GT	DECAL,MACHINE REGISTRATION/OWNER TRANSFER	1
16	1278704GT	DECAL,CHARGE STATUS IND.	1
17	1283878GT	DECAL,TECH PRO LINK	1
18	1284982GT	DECAL,ACCUMULATOR EXPLOSION HAZARD,SYMBOL	1
19	1290673GT	DECAL,SYM-ELEC HAZARD,PLUG,GS-1330m	1
20	1291624GT	DECAL COSM,GENIE UFT,CONNECT LEXAN COVER	1
21	1292052GT	DECAL,LABEL,AUX LOWERING	1
22	1292275GT	DECAL,ELECTRIC DRIVE,E-DRIVE	1
23	1292512GT	DECAL COSM,GENIE LIFT CONNECT,ESN,SKU4-1	1
24	1292513GT	DECAL COSM,GENIE LIFT CONNECT,ESN,SKU4-2	1
25	1292514GT	DECAL COSM,GENIE LIFT CONNECT,ESN,SKU4-3	1
26	1292515GT	DECAL COSM,GENIE LIFT CONNECT,ESN,SKU4-4	1
27	1292990GT	DECAL,RELEASE BRAKE	1
28	1293217GT	DECAL SYMBOL ELECTRIC HAZARD GS-1330m	1



113.1 Symbol Decals, GS-2646, Ground Control Side, ANSI and CE



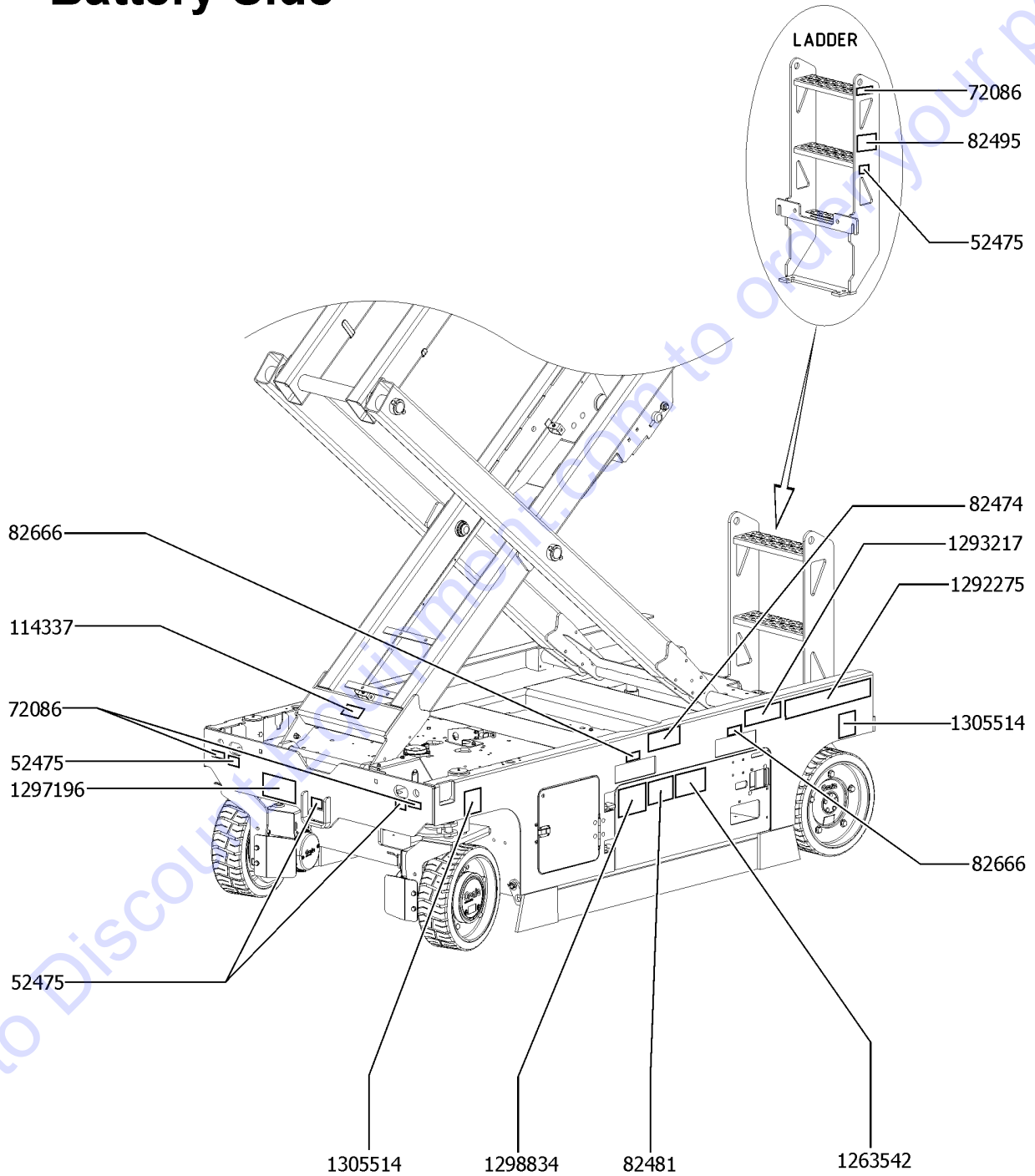
113.1 Symbol Decals, GS-2646, Ground Control Side, ANSI and CE

<i>Item</i>	<i>Part No.</i>	<i>Description</i>	<i>Qty.</i>
29	1297196GT	DECAL, LABEL, TRANSPORT DIAGRAM	1
30	1305513GT	DECAL,LABEL,WHEEL LOAD,E-DRIVE,GS-2646	2
31	T112804GT	DECAL,GCON PANEL,GS	1

Go to Discount-Equipment.com to order your parts



Battery Side



114.1 Symbol Decals, GS-3246, Battery Side, ANSI & CE

Item	Part No.	Description	Qty.
1	52475GT	DECAL LABEL TRANSPORT TIE DOWN*	4
2	72086GT	DECAL,LABEL,LIFTING EYE	3
3	82474GT	DECAL SYMBOL USE SAFETY ARM	1
4	82481GT	DECAL,SYMBOL-BATTERY SAFETY	1
5	82495GT	DECAL SYMBOL BRAKE REL SAFETY	1
6	82666GT	DECAL,LABEL,FORKLIFT POCKET	2
7	114337GT	DECAL SYMBOL TIP OVER LIMIT SWITCH	1
8	1263542GT	DECAL,SYMBOL-COMP ACCESS	1
9	1292275GT	DECAL,ELECTRIC DRIVE,E-DRIVE	1
10	1293217GT	DECAL SYMBOL ELECTRIC HAZARD GS-1330m	1
11	1297196GT	DECAL, LABEL, TRANSPORT DIAGRAM	1
12	1298834GT	DECAL,DANGER,TIP-OVER,BATTERY	1
13	1305514GT	DECAL,LABEL,WHEEL LOAD,E-DRIVE,GS-3246	2

Go to Discount-Equipment.com to order your parts



PARTS FINDER

**Search Website
by Part Number**



**Search Manual
Library For Parts
Manual & Lookup Part
Numbers – Purchase
or Request Quote**

Search Manuals

Enter your information to help us find the right parts manual for your machine.

* Brand:

* Model:

* Serial:

* Part Number:

SEARCH

**Can't Find Part or
Manual? Request Help
by Manufacturer,
Model & Description**

Parts Order Form

Please fill in the following information to help us find the right part for your machine.

Manufacturer:	<input type="text"/>
Model:	<input type="text"/>
Description:	<input type="text"/>
Part Number:	<input type="text"/>
Quantity:	<input type="text"/>
Notes:	<input type="text"/>

Discount-Equipment.com is your online resource for quality parts & equipment.

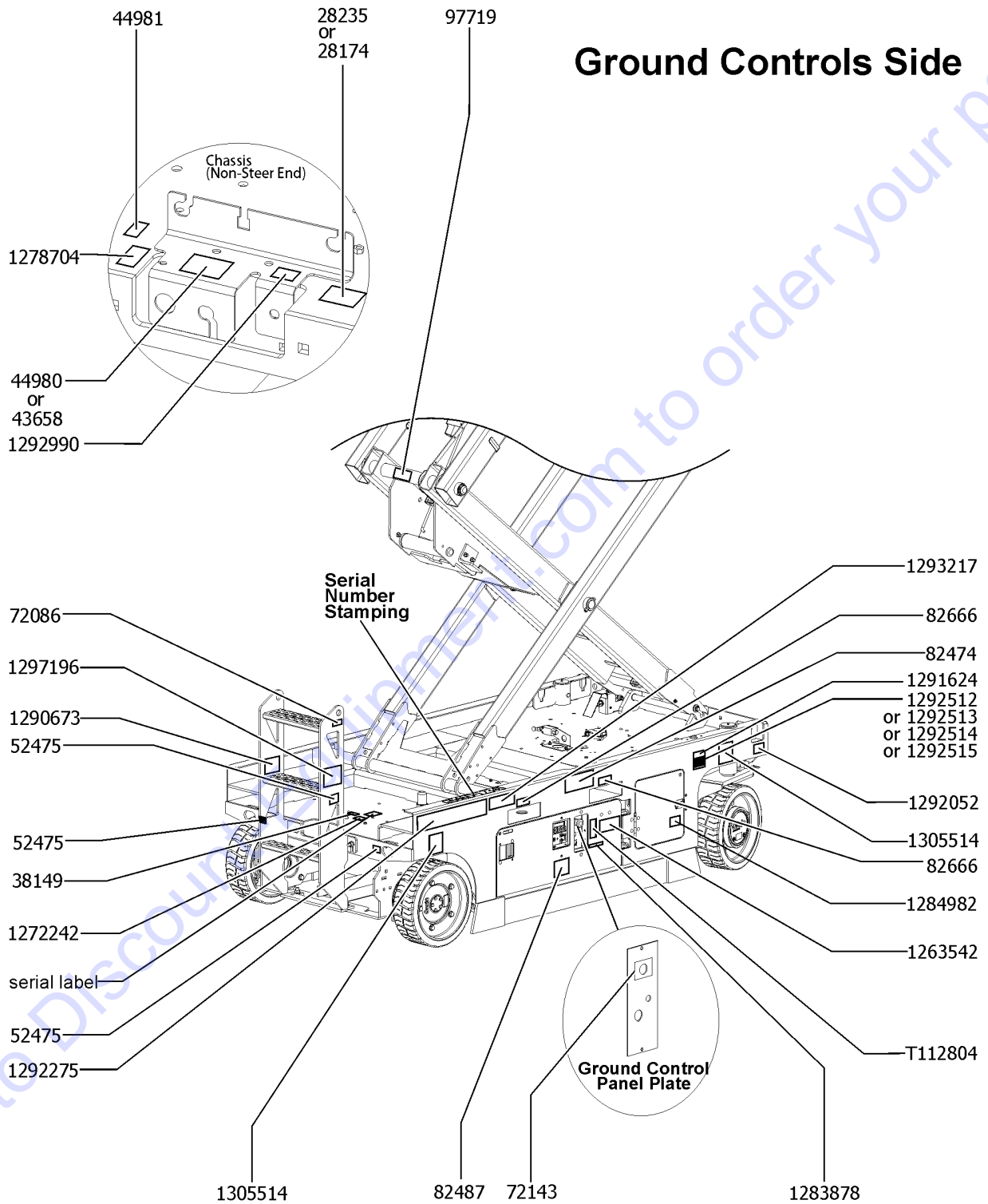
Florida: **561-964-4949** Outside Florida TOLL FREE: **877-690-3101**

Need parts?

Click on this link: <http://www.discount-equipment.com/category/5443-parts/> and choose one of the options to help get the right parts and equipment you are looking for. Please have the machine model and serial number available in order to help us get you the correct parts. If you don't find the part on the website or on one of the online manuals, please fill out the request form and one of our experienced staff members will get back to you with a quote for the right part that your machine needs.

We sell worldwide for the brands: Genie, Terex, JLG, MultiQuip, Mikasa, Essick, Whiteman, Mayco, Toro Stone, Diamond Products, Generac Magnum, Airman, Haulotte, Barreto, Power Blanket, Nifty Lift, Atlas Copco, Chicago Pneumatic, Allmand, Miller Curber, Skyjack, Lull, Skytrak, Tsurumi, Husquvarna Target, Stow, Wacker, Sakai, Mi-T-M, Sullair, Basic, Dynapac, MBW, Weber, Bartell, Bennar Newman, Haulotte, Ditch Runner, Menegotti, Morrison, Contec, Buddy, Crown, Edco, Wyco, Bomag, Laymor, EZ Trench, Bil-Jax, F.S. Curtis, Gehl Pavers, Heli, Honda, ICS/PowerGrit, IHI, Partner, Imer, Clipper, MMD, Koshin, Rice, CH&E, General Equipment, Amida, Coleman, NAC, Gradall, Square Shooter, Kent, Stanley, Tamco, Toku, Hatz, Kohler, Robin, Wisconsin, Northrock, Oztec, Toker TK, Rol-Air, APT, Wylie, Ingersoll Rand / Doosan, Innovatech, Con X, Ammann, Mecalac, Makinex, Smith Surface Prep, Small Line, Wanco, Yanmar

115.1 Symbol Decals, GS-3246, Ground Control Side, ANSI and CE

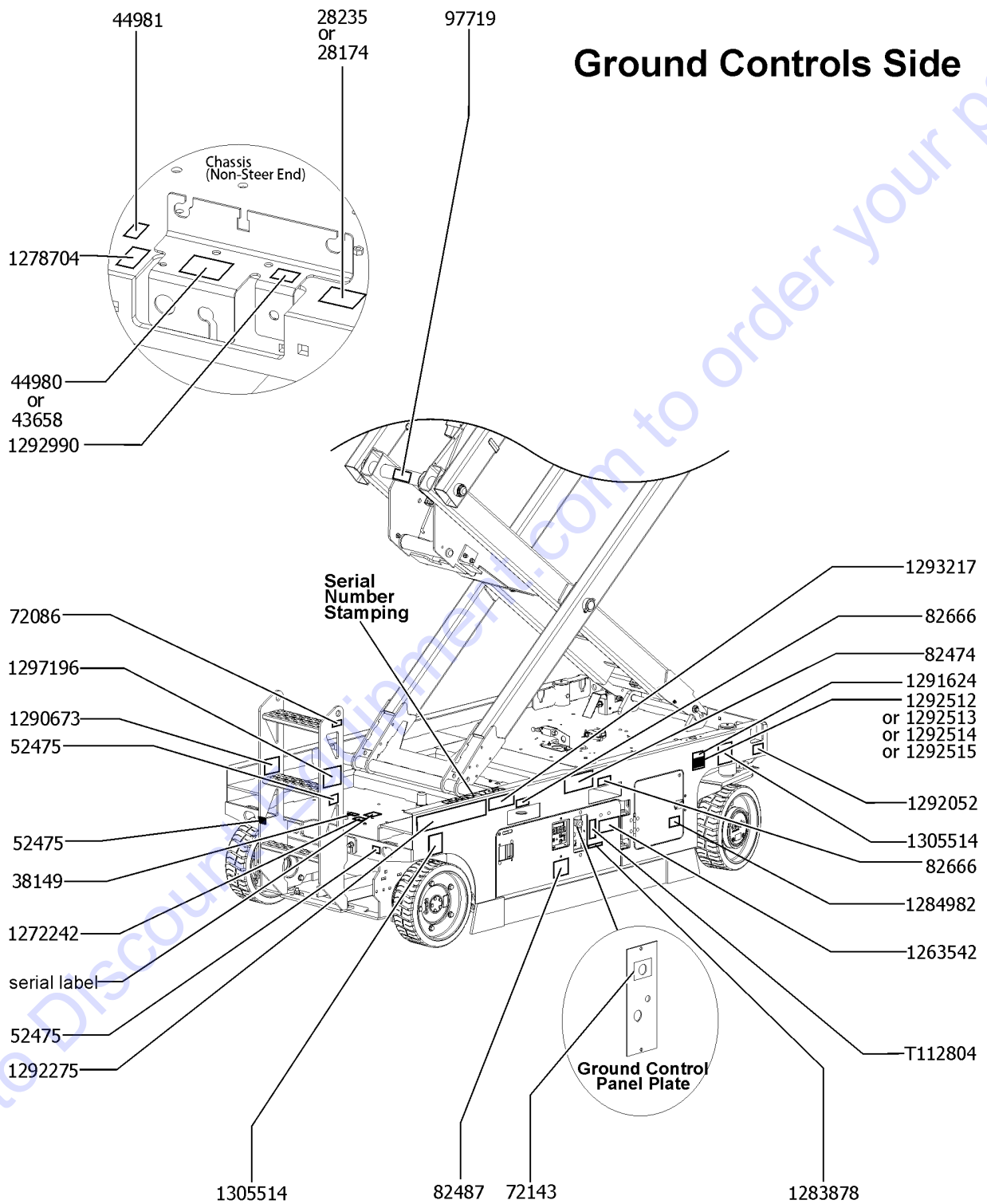


115.1 Symbol Decals, GS-3246, Ground Control Side, ANSI and CE

Item	Part No.	Description	Qty.
1	28174GT	DECAL,POWER TO PLATFORM 230V	1
2	28235GT	DECAL,POWER TO PLATFORM 115V	1
3	38149GT	DECAL,LABEL,PATENTS	1
4	43658GT	DECAL,LABEL,PWR TO CHARGR 230V	1
5	44980GT	DECAL,LABEL,PWR TO CHARGER 115UK	1
6	44981GT	DECAL,LABEL, AIR LINE 110 PSI	1
7	52475GT	DECAL LABEL TRANSPORT TIE DOWN*	3
8	72086GT	DECAL,LABEL,LIFTING EYE	1
9	72143GT	DECAL, EMERGENCY STOP, GR	1
10	82474GT	DECAL SYMBOL USE SAFETY ARM	1
11	82487GT	DECAL,SYMBOL-READ THE MANUAL	1
12	82666GT	DECAL,LABEL,FORKLIFT POCKET	2
13	97719GT	DECAL, LABEL, SAFETY ARM SYMBOL	1
14	1263542GT	DECAL,SYMBOL-COMP ACCESS	1
15	1272242GT	DECAL,MACHINE REGISTRATION/OWNER TRANSFER	1
16	1278704GT	DECAL,CHARGE STATUS IND.	1
17	1283878GT	DECAL,TECH PRO LINK	1
18	1284982GT	DECAL,ACCUMULATOR EXPLOSION HAZARD,SYMBOL	1
19	1290673GT	DECAL,SYM-ELEC HAZARD,PLUG,GS-1330m	1
20	1291624GT	DECAL COSM,GENIE UFT,CONNECT LEXAN COVER	1
21	1292052GT	DECAL,LABEL,AUX LOWERING	1
22	1292275GT	DECAL,ELECTRIC DRIVE,E-DRIVE	1
23	1292512GT	DECAL COSM,GENIE LIFT CONNECT,ESN,SKU4-1	1
24	1292513GT	DECAL COSM,GENIE LIFT CONNECT,ESN,SKU4-2	1
25	1292514GT	DECAL COSM,GENIE LIFT CONNECT,ESN,SKU4-3	1
26	1292515GT	DECAL COSM,GENIE LIFT CONNECT,ESN,SKU4-4	1
27	1292990GT	DECAL,RELEASE BRAKE	1
28	1293217GT	DECAL SYMBOL ELECTRIC HAZARD GS-1330m	1



115.1 Symbol Decals, GS-3246, Ground Control Side, ANSI and CE



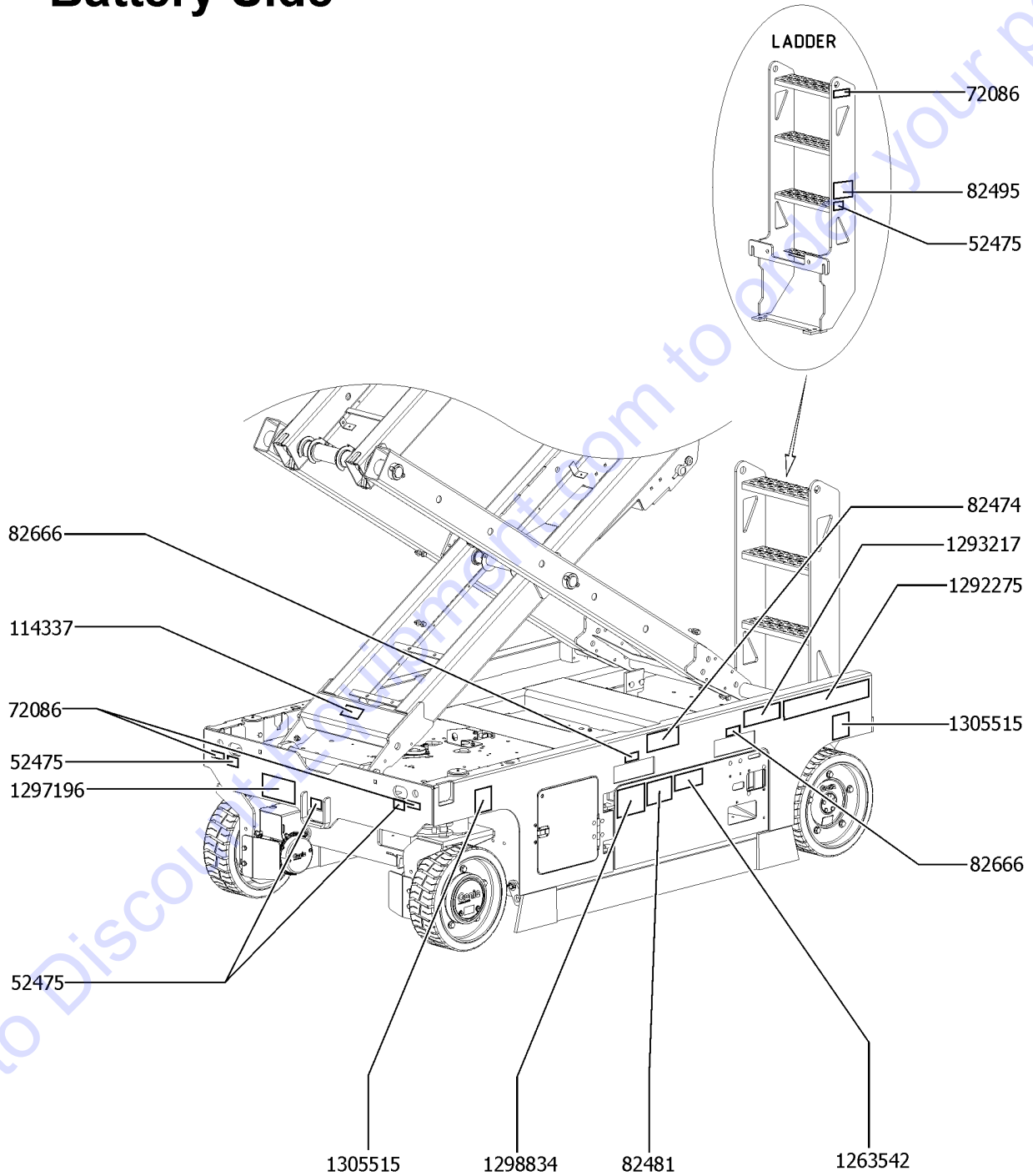
115.1 Symbol Decals, GS-3246, Ground Control Side, ANSI and CE

<i>Item</i>	<i>Part No.</i>	<i>Description</i>	<i>Qty.</i>
29	1297196GT	DECAL, LABEL, TRANSPORT DIAGRAM	1
30	1305514GT	DECAL,LABEL,WHEEL LOAD,E-DRIVE,GS-3246	2
31	T112804GT	DECAL,GCON PANEL,GS	1

Go to Discount-Equipment.com to order your parts



Battery Side



116.1 Symbol Decals, GS-4046, Battery Side, ANSI & CE

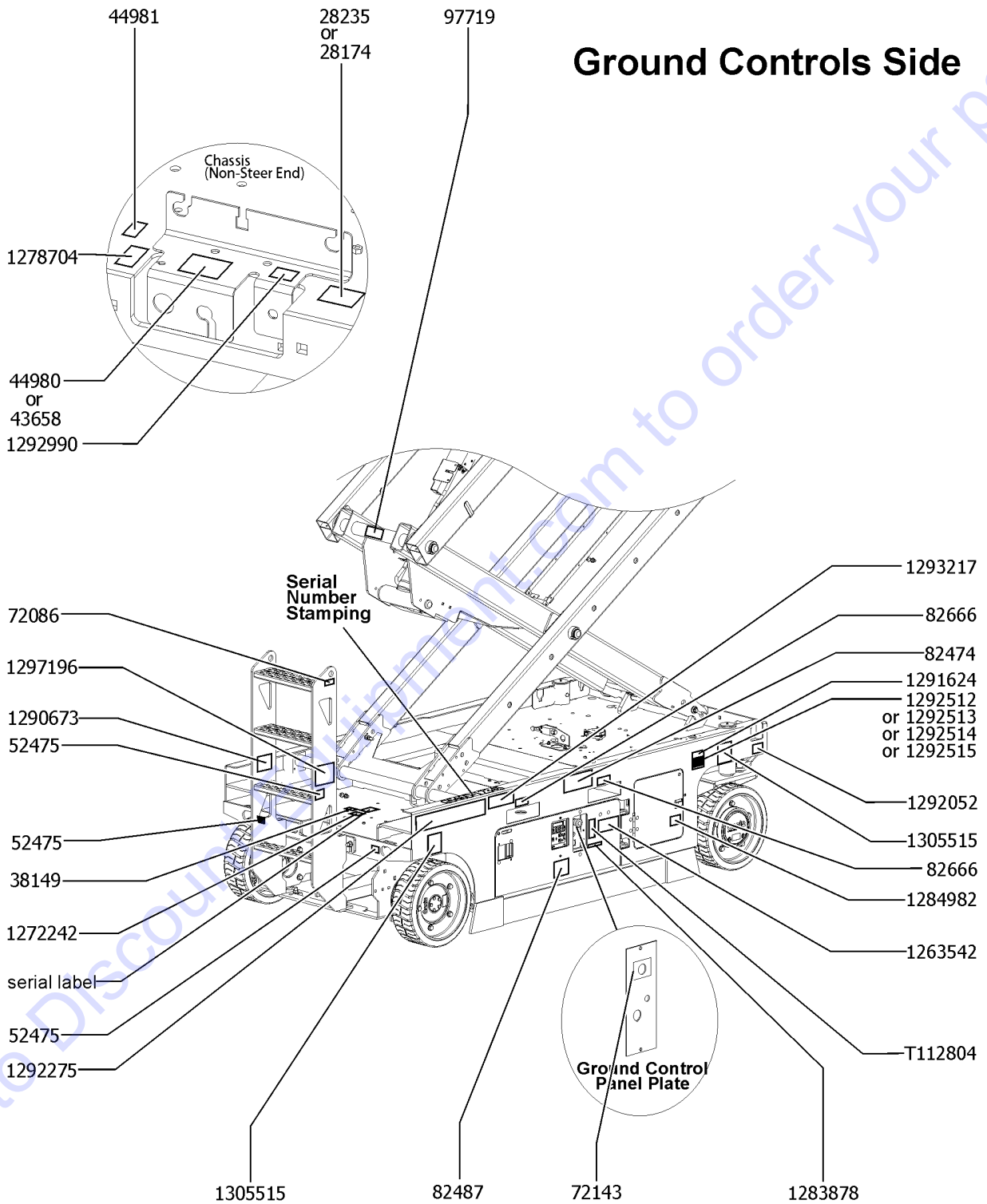
<i>Item</i>	<i>Part No.</i>	<i>Description</i>	<i>Qty.</i>
1	52475GT	DECAL LABEL TRANSPORT TIE DOWN*	4
2	72086GT	DECAL,LABEL,LIFTING EYE	3
3	82474GT	DECAL SYMBOL USE SAFETY ARM	1
4	82481GT	DECAL,SYMBOL-BATTERY SAFETY	1
5	82495GT	DECAL SYMBOL BRAKE REL SAFETY	1
6	82666GT	DECAL,LABEL,FORKLIFT POCKET	2
7	114337GT	DECAL SYMBOL TIP OVER LIMIT SWITCH	1
8	1263542GT	DECAL,SYMBOL-COMP ACCESS	1
9	1292275GT	DECAL,ELECTRIC DRIVE,E-DRIVE	1
10	1293217GT	DECAL SYMBOL ELECTRIC HAZARD GS-1330m	1
11	1297196GT	DECAL, LABEL, TRANSPORT DIAGRAM	1
12	1298834GT	DECAL,DANGER,TIP-OVER,BATTERY	1
13	1305515GT	DECAL,LABEL,WHEEL LOAD,E-DRIVE,GS-4046	2

Go to Discount-Equipment.com to order your parts



117.1 Symbol Decals, GS-4046, Ground Control Side, ANSI and CE

Ground Controls Side



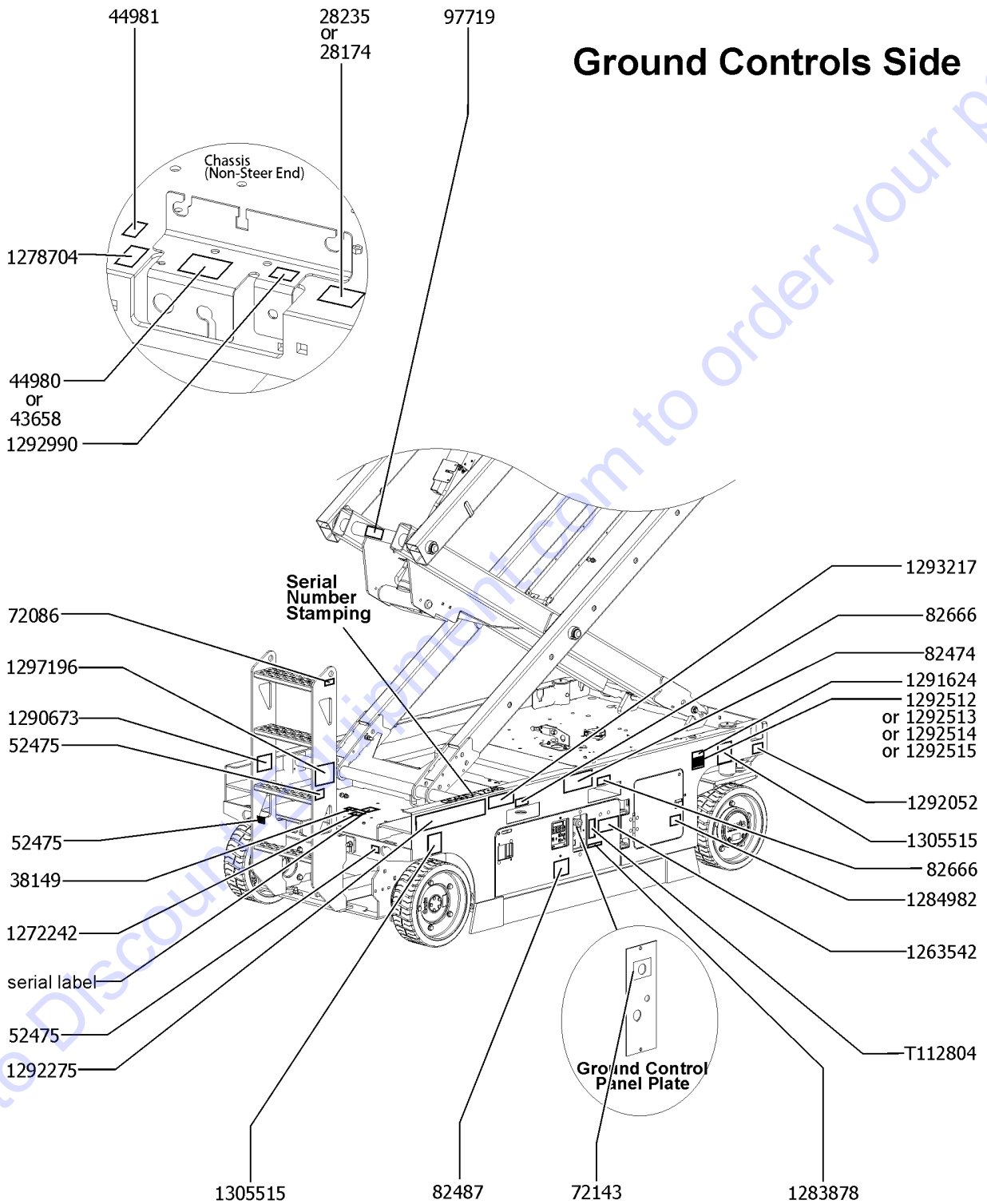
117.1 Symbol Decals, GS-4046, Ground Control Side, ANSI and CE

Item	Part No.	Description	Qty.
1	28174GT	DECAL,POWER TO PLATFORM 230V	1
2	28235GT	DECAL,POWER TO PLATFORM 115V	1
3	38149GT	DECAL,LABEL,PATENTS	1
4	43658GT	DECAL,LABEL,PWR TO CHARGR 230V	1
5	44980GT	DECAL,LABEL,PWR TO CHARGER 115UK	1
6	44981GT	DECAL,LABEL, AIR LINE 110 PSI	1
7	52475GT	DECAL LABEL TRANSPORT TIE DOWN*	3
8	72086GT	DECAL,LABEL,LIFTING EYE	1
9	72143GT	DECAL, EMERGENCY STOP, GR	1
10	82474GT	DECAL SYMBOL USE SAFETY ARM	1
11	82487GT	DECAL,SYMBOL-READ THE MANUAL	1
12	82666GT	DECAL,LABEL,FORKLIFT POCKET	2
13	97719GT	DECAL, LABEL, SAFETY ARM SYMBOL	1
14	1263542GT	DECAL,SYMBOL-COMP ACCESS	1
15	1272242GT	DECAL,MACHINE REGISTRATION/OWNER TRANSFER	1
16	1278704GT	DECAL,CHARGE STATUS IND.	1
17	1283878GT	DECAL,TECH PRO LINK	1
18	1284982GT	DECAL,ACCUMULATOR EXPLOSION HAZARD,SYMBOL	1
19	1290673GT	DECAL,SYM-ELEC HAZARD,PLUG,GS-1330m	1
20	1291624GT	DECAL COSM,GENIE UFT,CONNECT LEXAN COVER	1
21	1292052GT	DECAL,LABEL,AUX LOWERING	1
22	1292275GT	DECAL,ELECTRIC DRIVE,E-DRIVE	1
23	1292512GT	DECAL COSM,GENIE LIFT CONNECT,ESN,SKU4-1	1
24	1292513GT	DECAL COSM,GENIE LIFT CONNECT,ESN,SKU4-2	1
25	1292514GT	DECAL COSM,GENIE LIFT CONNECT,ESN,SKU4-3	1
26	1292515GT	DECAL COSM,GENIE LIFT CONNECT,ESN,SKU4-4	1
27	1292990GT	DECAL,RELEASE BRAKE	1
28	1293217GT	DECAL SYMBOL ELECTRIC HAZARD GS-1330m	1



117.1 Symbol Decals, GS-4046, Ground Control Side, ANSI and CE

Ground Controls Side



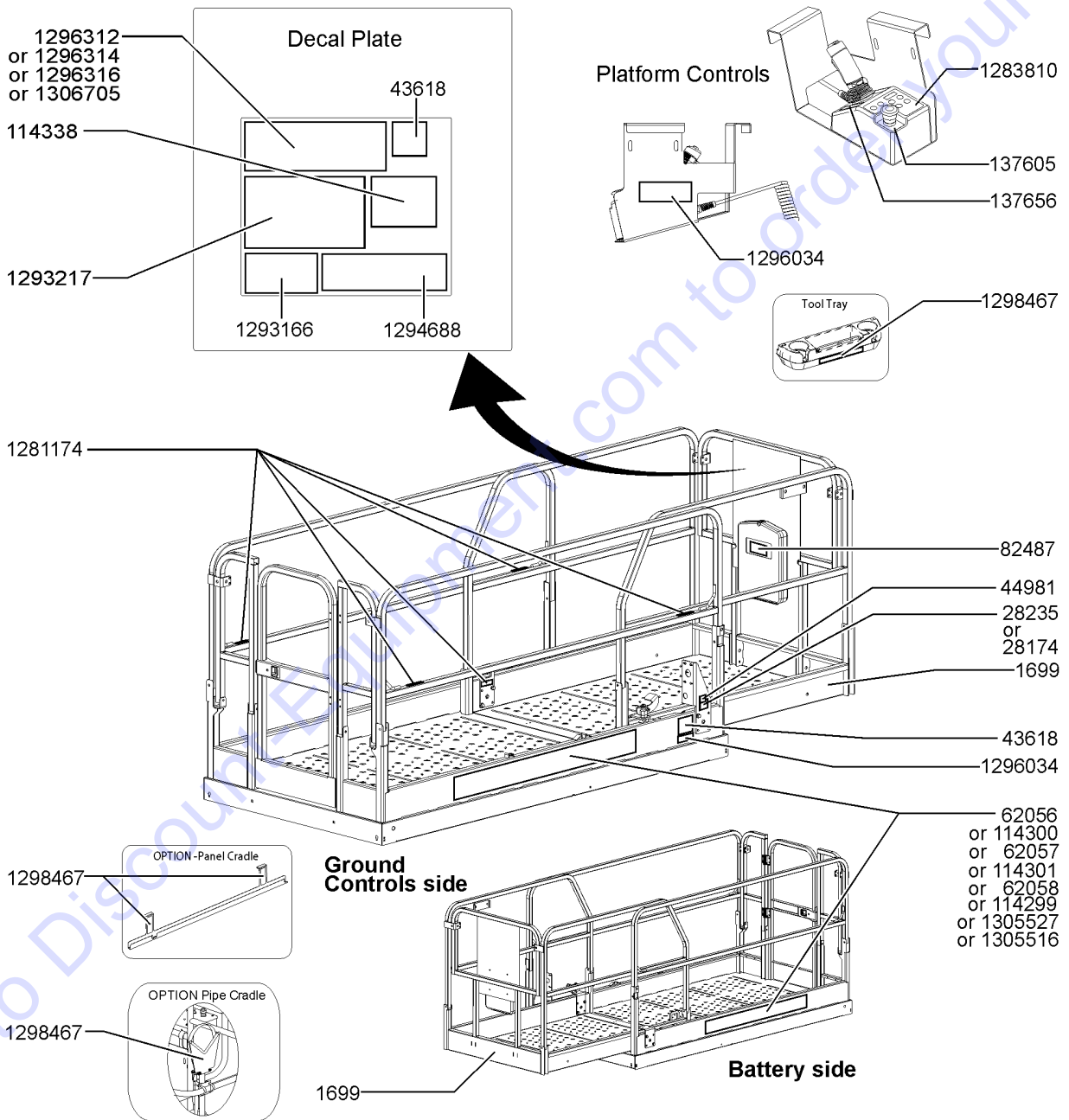
117.1 Symbol Decals, GS-4046, Ground Control Side, ANSI and CE

<i>Item</i>	<i>Part No.</i>	<i>Description</i>	<i>Qty.</i>
29	1297196GT	DECAL, LABEL, TRANSPORT DIAGRAM	1
30	1305515GT	DECAL,LABEL,WHEEL LOAD,E-DRIVE,GS-4046	2
31	T112804GT	DECAL,GCON PANEL,GS	1

Go to Discount-Equipment.com to order your parts



Platform, ANSI and CE models

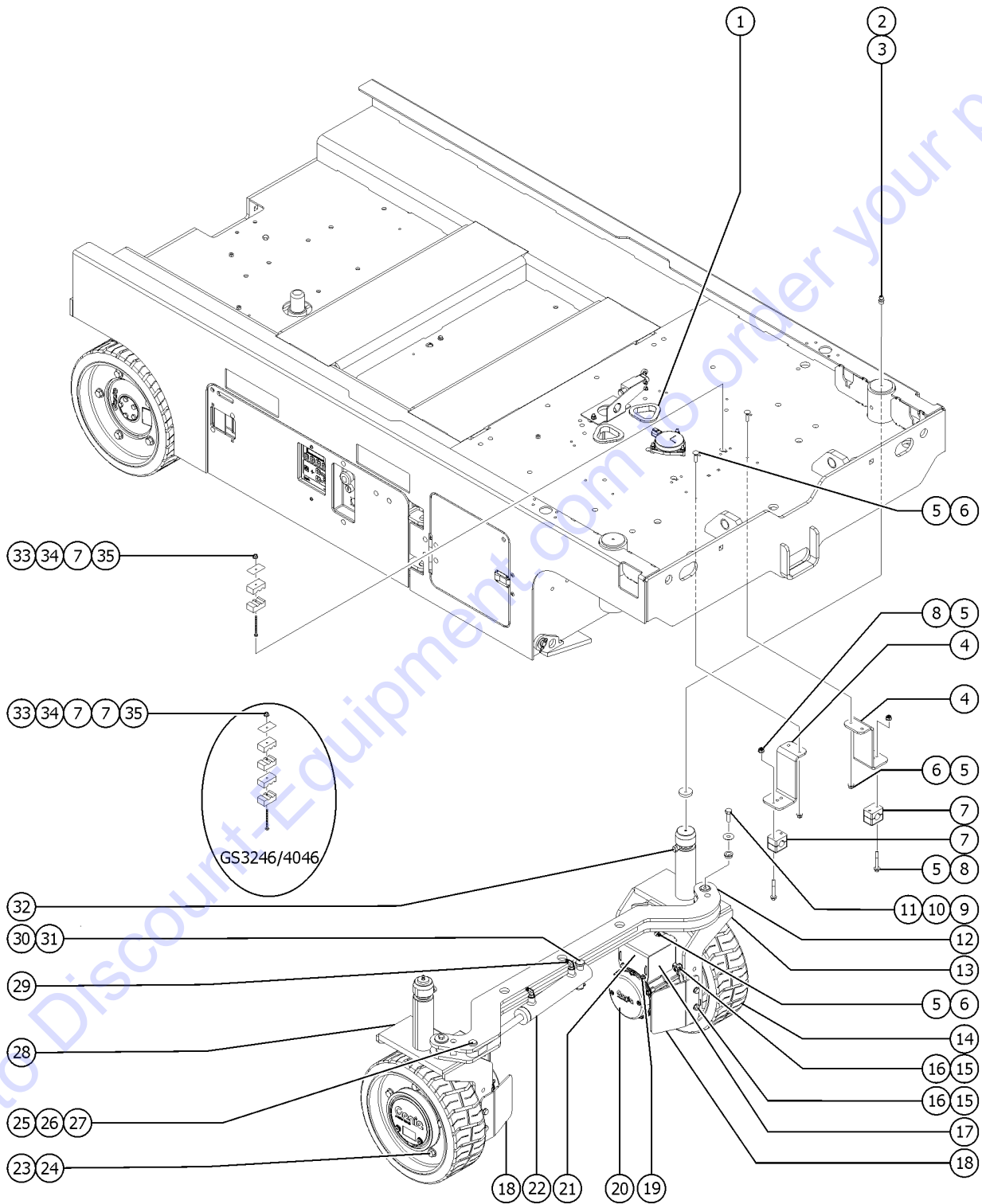


118.1 Symbol Decals, Platform, ANSI and CE, All models

Item	Part No.	Description	Qty.
1	1699GT	TAPE, WARN, BLACK/YELLOW, BULK	139
2	28174GT	DECAL,POWER TO PLATFORM 230V	1
3	28235GT	DECAL,POWER TO PLATFORM 115V	1
4	43618GT	DECAL,LABEL-DIRECTION ARROWS	2
5	44981GT	DECAL,LABEL, AIR LINE 110 PSI	1
6	62056GT	DECAL,COSMETIC,GENIE GS-2046**	2
7	62057GT	DECAL,COSMETIC,GENIE GS-2646	2
8	62058GT	DECAL,COSMETIC,GENIE GS-3246	2
9	82487GT	DECAL,SYMBOL-READ THE MANUAL	1
10	114299GT	DECAL,COSMETIC,GENIE,GS3246,BLK	2
11	114300GT	DECAL,COSMETIC,GENIE,GS2046,BLK	2
12	114301GT	DECAL,COSMETIC,GENIE,GS2646,BLK	2
13	114338GT	DECAL,SYM-TIP-OVR,TILT ALARM	1
14	137605GT	DECAL,E-STOP,GR/GRC/GS PCON	1
15	137656GT	DECAL,PROPEL,GR/GRC/GS,PCON	1
16	1281174GT	DECAL,LANYARD,FALL ARREST/FALL RESTRAINED	5
17	1283810GT	DECAL,STD,DUAL ZONE,GR/GS,UI	1
18	1293166GT	DECAL,TIP-OVER,CRUSH, GS-1330m	1
19	1293217GT	DECAL SYMBOL ELECTRIC HAZARD GS-1330m	1
20	1294688GT	DECAL,PLATFORM OVERLOAD, MINI	1
21	1296034GT	DECAL, SMARTLINK, DUAL ZONE	2
22	1296312GT	DECAL, DANGER, MAX CAPACITY 544KG, SIDE FORCE 200/400N	1
23	1296314GT	DECAL, DANGER, MAX CAPACITY454KG, SIDE FORCE 200/400N	1
24	1296316GT	DECAL, DANGER, MAX CAPACITY 318KG, SIDE FORCE 200/400N	1
25	1298467GT	DECAL, SYMBOL, READ THE MANUAL, 2.38x1.25	4
26	1305516GT	DECAL,COSMETIC,GS-4046	2
27	1305527GT	DECAL,COSMETIC,GS-4046, BLACK	2
28	1306705GT	DECAL, DANGER, MAX CAPACITY 350KG, SIDE FORCE 200/400N,E-DRIVE	1



201.1 Steer Linkage and Wheels

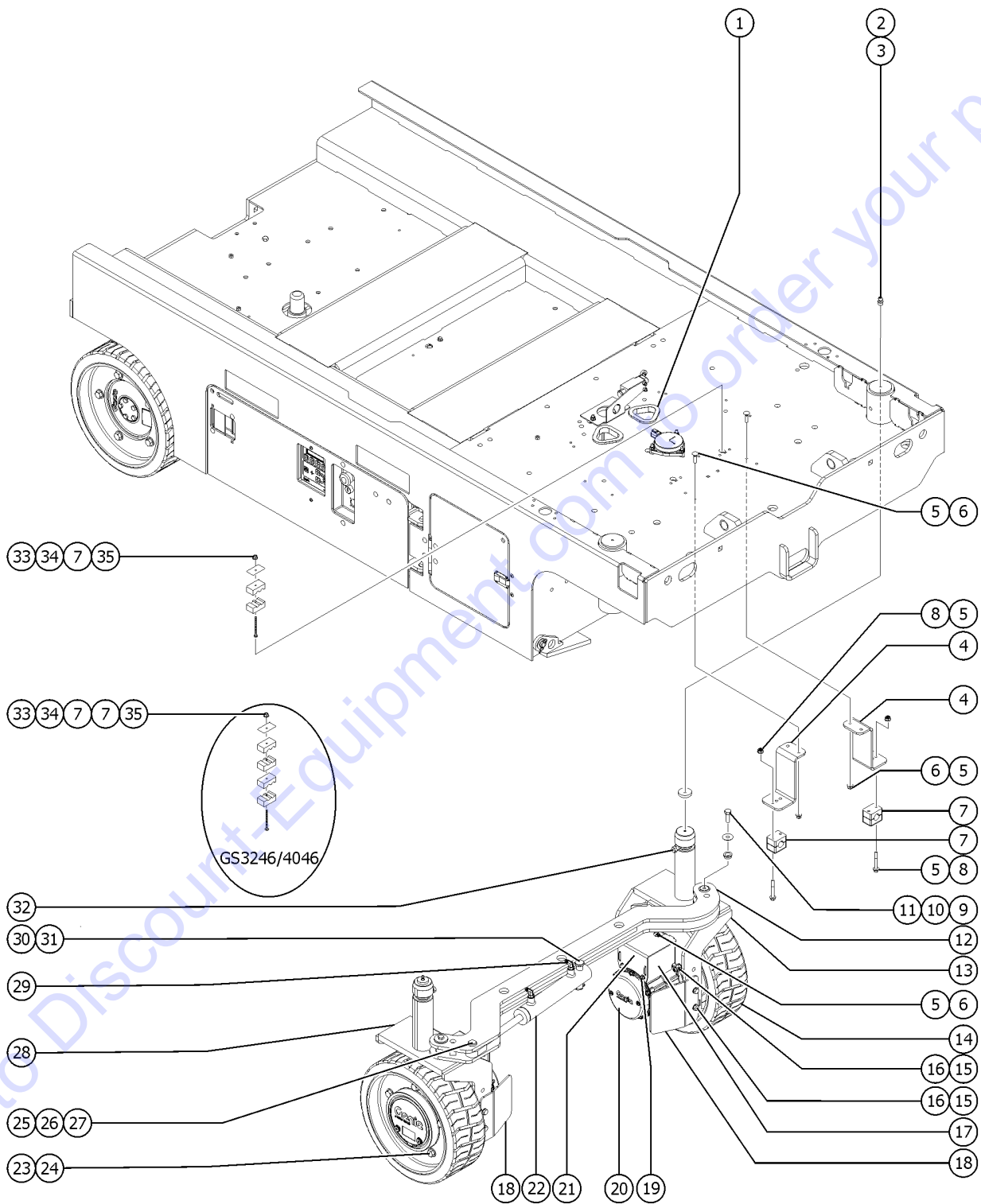


201.1 Steer Linkage and Wheels

Item	Part No.	Description	Qty.
1	105440GT	GROMMET, RUBBER 2.5 X 3.0	2
2	66770GT	FITTING,STRAIGHT DRIVE-IN ZERK	2
3	105565GT	WASHER,THRUST, GS	2
4	1305224GT	FORMING, CABLE CLAMP SUPPORT, E-DRIVE	2
5	1277924GT	NUT,NYLOCK FLG,1/4-20,F,ZAG	
6	1256127GT	BOLT,CARRIAGE,1/4-20X1",GR 5,ZAG	
7	1291307GT	SCREW,HHF,1/4-20X2,8,ZAG	2
8	1253485GT	SCREW,HHF,1/4-20X2,8,ZAG	4
9	1256109GT	SCREW,HHC,3/8-16X.75,8,ZAG	
10	824120GT	WASHER,FLAT,,375X1.50X.125,ZAG	2
11	47946GT	BEARING,1.00IDX1.25ODX0.49L	4
12	1300695GT	ASSY, TIE ROD, GS 46	1
12-	47946GT	BEARING,1.00IDX1.25ODX0.49L	
12-	132463GT	WLDMT,TIE ROD,GS46 (does not include bearings)	
13	1303530GT	WLDMT,STEER YOKE ,GS LG ,6BOLT ,L (battery pack side)	1
14	1288762GT	WHEEL ,GS4655	2
15	824068GT	SCREW,HHC,3/8-16X1.25,8,ZAG	
16	1304156GT	WASHER,FLAT,3/8,OD.7,HRD,ZAG	
17	1304173GT	FORMING, TERMINAL COVER, CABLE MOUNT	2
18	1304171GT	FORMING PLATE GUARD, GS	2
19	237238GT	SCREW,HHF,M6-1.0X12,DIN6921,10	
20	1299259GT	DRIVETRAIN, MOTOR, GEARBOX, HS	2
21	1304172GT	FORMING, TERMINAL COVER	2
22		Ref. Steer Cylinder (refer to 501.1)	
23	1256844GT	SCREW,HHC,1/2-13X1.5,8,ZAG	10
24	825353GT	WASHER,FLAT,1/2,SAE,HRD,ZAG	10
25	1259193GT	PIN,CLEVIS,3/4X2,ZAG	1
26	1259686GT	WASHER,FLAT,,.765X1.312X.093,ZAG	1



201.1 Steer Linkage and Wheels



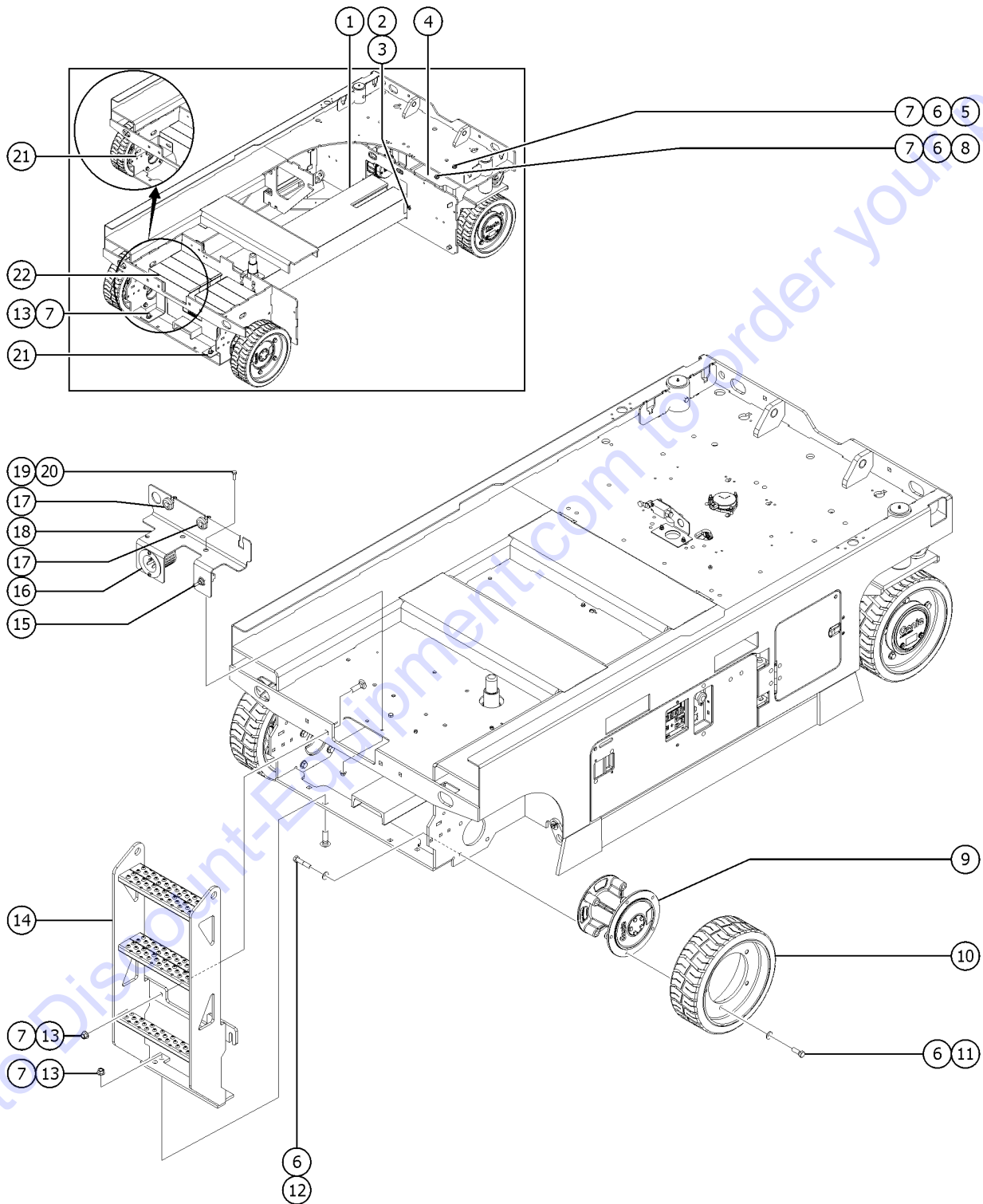
201.1 Steer Linkage and Wheels

Item	Part No.	Description	Qty.
27	1259194GT	CLIP,HAIR PIN,.125X2,.5-.75,ZAG	1
28	1303529GT	WLDMT,STEER YOKE,GS LG,6 BOLT,R (ground controls side)	1
29	13921GT	ELBOW,070220-4-4	2
30	1259195GT	PIN,CLEVIS,3/4X3.25,ZAG	1
31	824128GT	RUE RING,3/4,ZAG	1
32	1259192GT	SCREW, YOKE LOCK, ZAG	2
33	1256679GT	NUT,SERRATED,1/4-20,8,ZAG	1
34	58592GT	PLATE,HOSE ROUTG,BULKHEAD(PTD) (as required)	
35	1255797GT	BOLT,CARRIAGE,1/4-20X2.5,ZAG	1
		(GS2046, 2646 only)	
35B	1258676GT	BOLT,CARRIAGE,1/4-20X2.5,5,ZAG	1
		(GS3246, 4046 only)	

Go to Discount-Equipment.com to order your parts



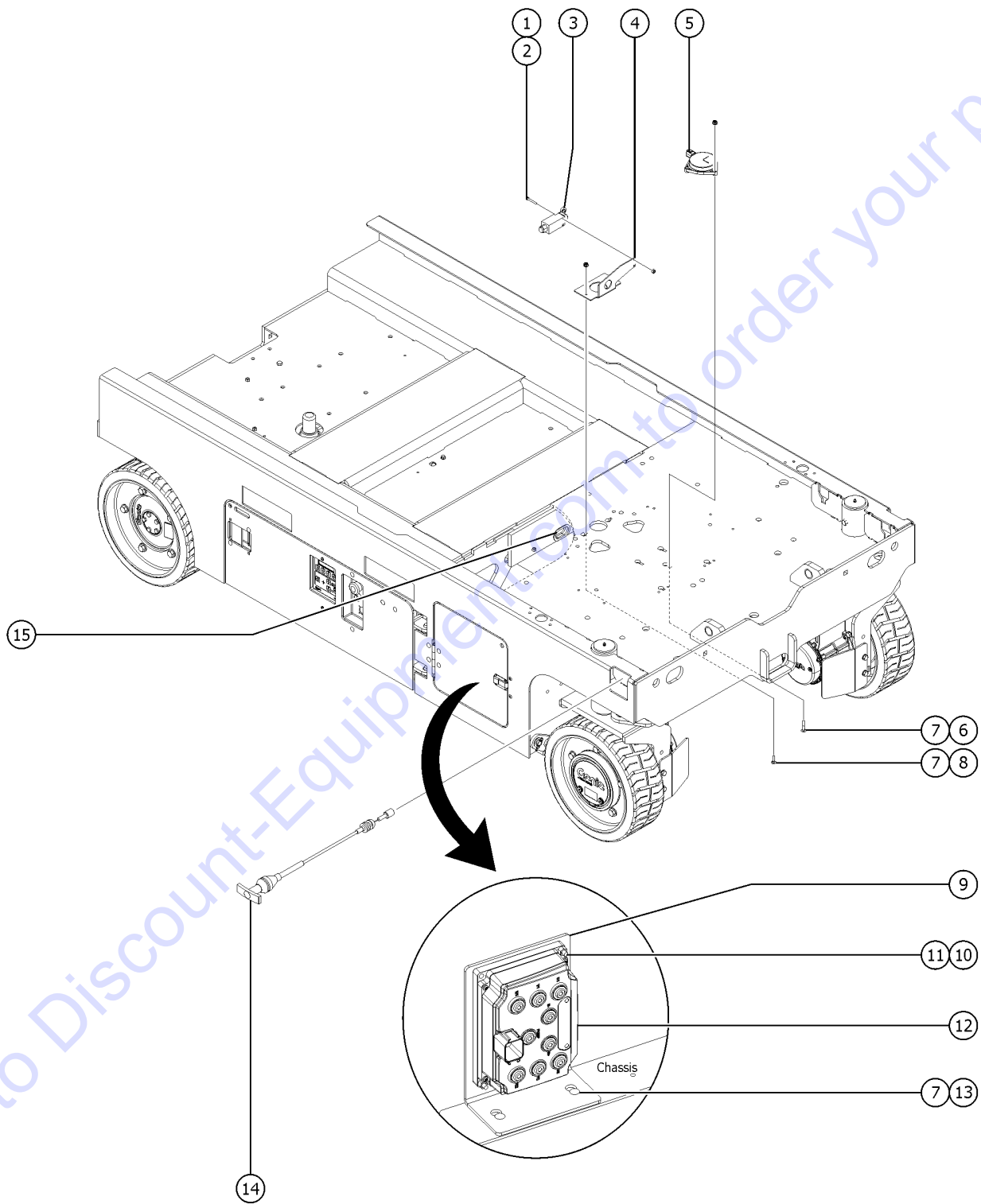
202.1 Non-steer Axle Installation



Item	Part No.	Description	Qty.
1	1301444GT	LARGE COUNTERWEIGHT, BELLY,GS46 (GS4046 only)	1
1B	1301445GT	LARGE MEDIUM COUNTERWEIGHT, BELLY (GS3246 New ANSI/CSA/CE only)	1
2	1256118GT	SCREW,HHC,3/8-16X1.5,8,ZAG	2
3	826793GT	WASHER,FLAT,3/8,SAE,HRD,ZAG	2
4	1301172GT	LARGE COUNTERWEIGHT, FRONT, RIGHT, G32/46 (GS2646,3246,4046 only)	1
5	1256287GT	SCREW,HHC,1/2-13X3.5,8,ZAG	1
6	825353GT	WASHER,FLAT,1/2,SAE,HRD,ZAG	
7	1274172GT	NUT,NYLOCK FLG,1/2-13,G,ZAG	
8	1256112GT	SCREW,HHC,1/2-13X6,8,ZAG	1
9	1300538GT	ASSY,SPINDLE,CHASSIS,LARGE	2
10	1288762GT	WHEEL ,GS4655	2
11	1256844GT	SCREW,HHC,1/2-13X1.5,8,ZAG	10
12	1257464GT	SCREW,HHC,1/2-13X2.5,8,ZAG	8
13	1256115GT	BOLT,CARRIAGE,1/2-13X1.75,5,ZA	
14	132364GT	WELDMENT,20XX LADDER (GS2046 only, decals not included refer to section one)	1
14B	132373GT	WLDMT,GS32/46 LADDER*** (GS2646, 3246 only, decals not included refer to section one)	1
14C	228367GT	WELDMENT, LADDER (GS4046 only, decals not included refer to section one)	1
15	128584GT	SWITCH TOGGLE SPDT 2P MNT SHDR	1
16		Ref. Electrical Plugs and Cords (refer to 402.1)	1
17	128118GT	BUSHING,STRAIN RELIEF,.875/.40	2
18	1303685GT	FORMING,REAR BRKT,E-DRIVE	1
18B	1303686GT	FORMING,REAR BRKT,E-DRIVE,US PLUG (US Plug option)	1
19	824067TAGT	SCREW, HHC, 3/8-16 X 1, 8, ZAG	2
20	1274322GT	NUT,NYLOCK FLG,3/8-16,F,ZAG	2
21	1299696GT	FORMING BRACKET ,CW,GS46	2
22	1299677GT	LARGE COUNTERWEIGHT, REAR, GS46 (GS2646, 3246 AUS)	2
22B	1299677GT	LARGE COUNTERWEIGHT, REAR, GS46 (GS4046 AUS only)	3



203.1 Level Sensor Installation

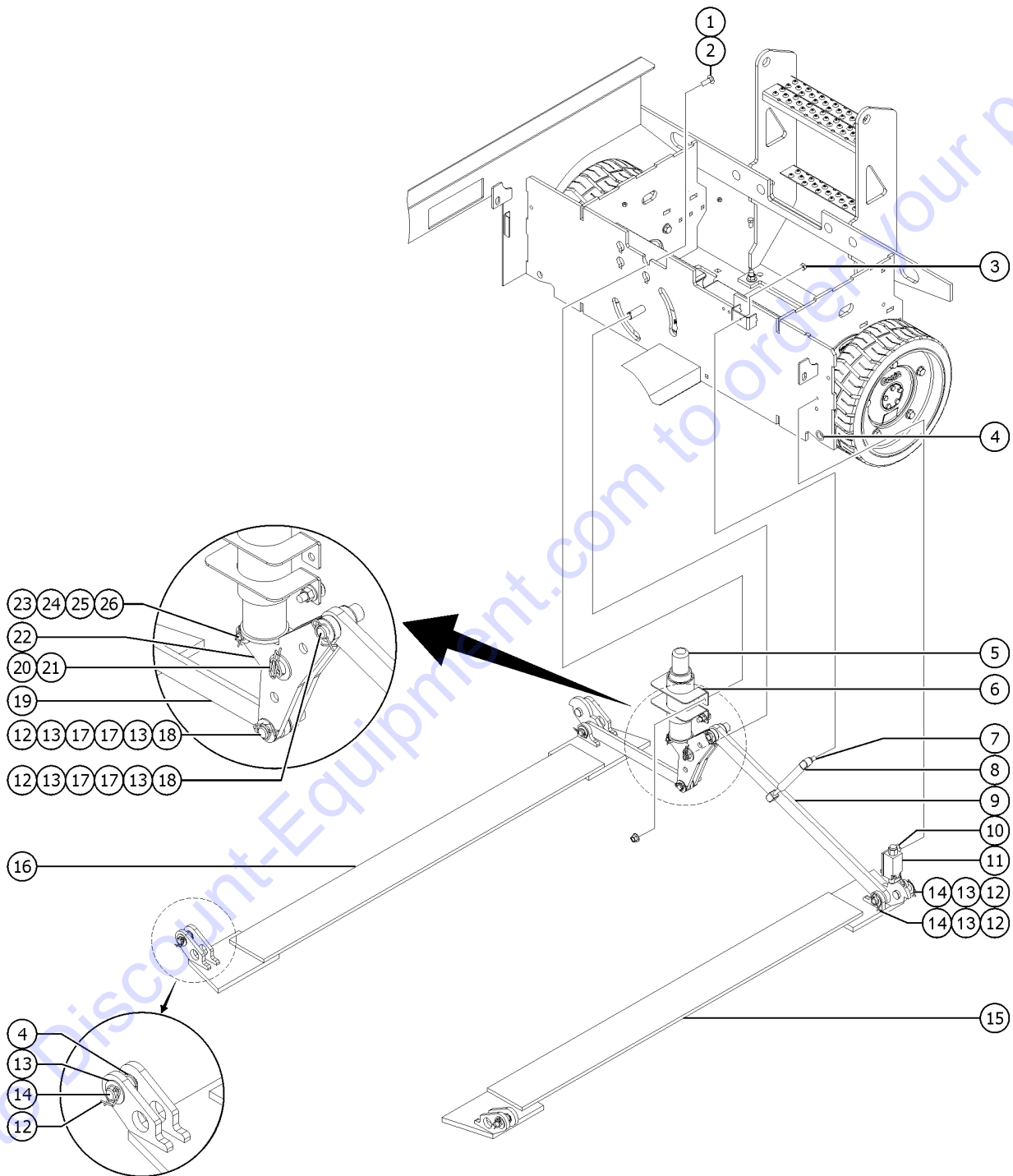


Item	Part No.	Description	Qty.
1	824216GT	SCREW,PHPM,10-32X1.5,ZAG	1
2	1274168GT	NUT,NYLOCK,10-32,A,ZAG	1
3	T112507GT	WIRE ASSY,DOWN LIMIT SW (Includes plug)	1
3-	19491GT	CONTACTOR,LIMIT SWITCH	
3-	96948GT	SWITCH,LIMIT,W/ROLLER ARM***	
3-	97128GT	ROLLER ARM,LIMIT SWITCH***	
4	1299642GT	LIMIT SWITCH BRACKET, LARGE	1
5	823368GT	SENSOR,LEVEL,UNIVERSAL	1
6	1255756GT	BOLT,CARRIAGE,1/4-20X1.5,5,ZAG	3
7	1277924GT	NUT,NYLOCK FLG,1/4-20,F,ZAG	5
8	1256127GT	BOLT,CARRIAGE,1/4-20X1",GR 5,ZAG	2
9	1299051GT	FORMING, MC BRACKET GS32/46	1
10	1256463GT	BOLT,CARRIAGE,1/4-20X1.25,5,ZAG	2
11	1274165GT	NUT,NYLOCK,1/4-20,C,ZAG	2
12	1293858GT	CONTROLLER, DUAL AC 120A, 200A PUMP	1
13	824124GT	BOLT,CARRIAGE,1/4-20X.75,5,ZAG	2
14	39232GT	CABLE, EMERGENCY DOWN	1
15	47238GT	GROMMET, RUBBER 1.5ID	1

Go to Discount-Equipment.com to order your parts



204.1 Pothole Protection Assembly

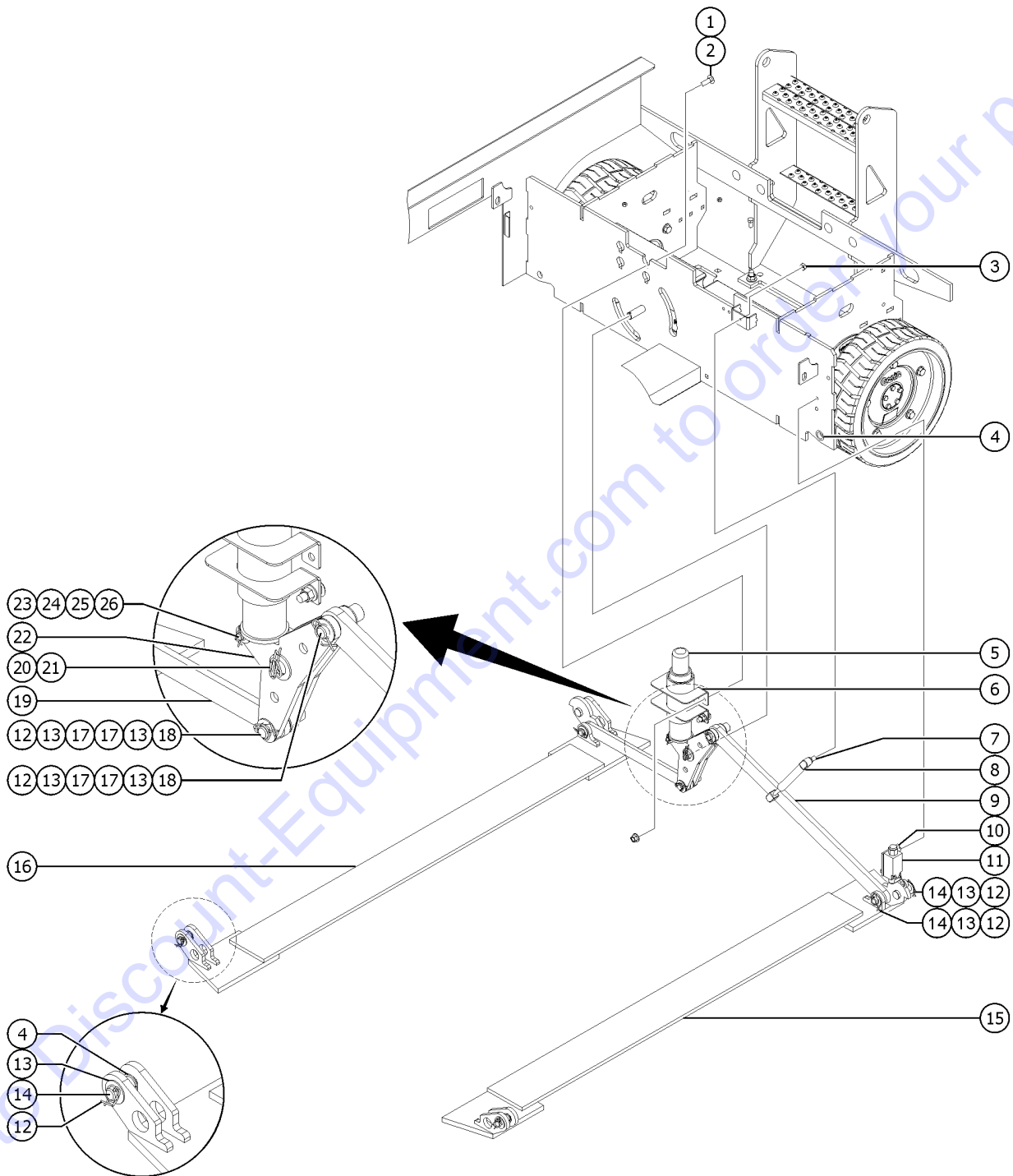


204.1 Pothole Protection Assembly

Item	Part No.	Description	Qty.
--	1299484GT	ASSY, POTHOLE SYSTEM, GS46	
1	1255757GT	SCREW,HHC,1/2-13X2.75,8,ZAG	4
2	1274322GT	NUT,NYLOCK FLG,3/8-16,F,ZAG	4
3	824038GT	NUT, TL JAM, 3/8-16, A, ZAG	1
4	105156GT	BUSHING, FLNGD, .63 X .77 X .38	2
5	1300036GT	ASSY,POT HOLE PUSHER	1
6	1300053GT	WLDMT/ASSY,PH GUIDE,E-DRIVE	1
6-	96408GT	BEARING, 1.523I X 1.75OD X O.63L	
7	78086GT	BALL STUD, GAS STRUT, 3/8-16	2
8	39542GT	GAS SHOCK, SCISSORS***	1
9	1300586GT	PLATE,POTHOLE LINK	1
10	1302399GT	PLATE, SWITCH BRACKET	1
11	96948GT	SWITCH,LIMIT,W/ROLLER ARM*** (down limit switch)	1
11-	1257264GT	SCREW,BHC,10-32X1.5,F835,ZAG	
11-	19491GT	CONTACTOR,LIMIT SWITCH	
11-	1274168GT	NUT,NYLOCK,10-32,A,ZAG	
11-	97128GT	ROLLER ARM,LIMIT SWITCH***	
12	1259177GT	RUE RING,5/8,ZAG	
13	1259180GT	WASHER,SHIM,.625X1.188X.064,ZAG	
14	1259197GT	PIN,CLEVIS,.625X1.88,ZAG	
15	1300620GT	WELDMENT,POTHOLE,LEFT SIDE (battery pack side)	1
16	1300619GT	WELDMENT,POTHOLE,RIGHT SIDE (ground controls side)	1
16-	105156GT	BUSHING, FLNGD, .63 X .77 X .38	
17	96085GT	WASHER, THRUST, .63 X 1.13 X .06	4
18	1259179GT	PIN,CLEVIS,.625X1.79,ZAG	2
19	1300621GT	PLATE,POTHOLE LINK	1
20	824128GT	RUE RING,3/4,ZAG	1
21	1259686GT	WASHER,FLAT,.765X1.312X.093,ZAG	1



204.1 Pothole Protection Assembly



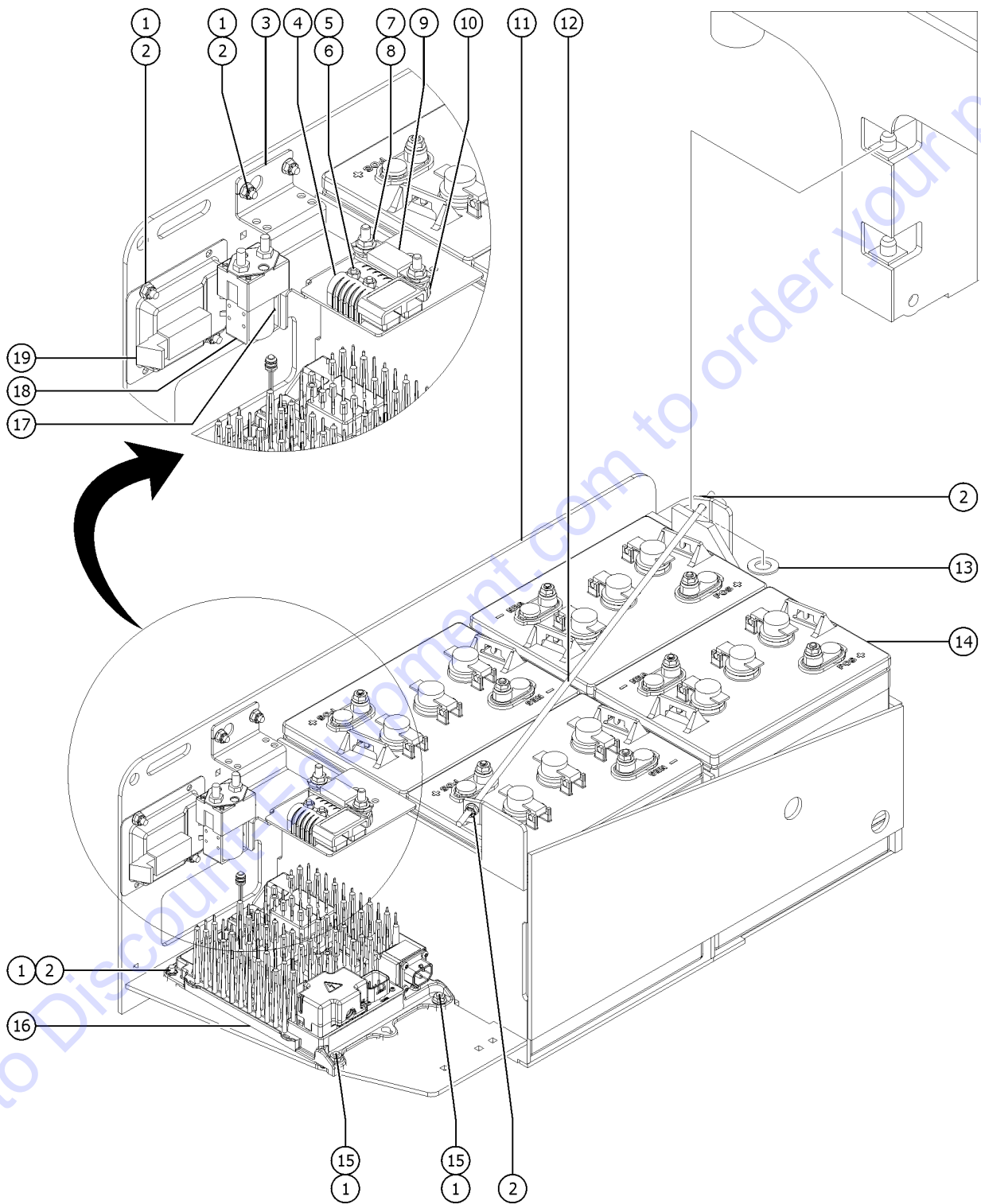
204.1 Pothole Protection Assembly

Item	Part No.	Description	Qty.
22	1300616GT	WLDMT/ASSY,PH BELLCRANK LINK	1
22-	105156GT	BUSHING, FLNGD, .63 X .77 X .38	
22-	96642GT	BEARING,.75ID X 1.0OD X 1.38LG	
23	1303148GT	RUE RING,3/8,ZAG	1
24	825358GT	WASHER,FLAT,5/16,USS,ZAG	1
25	1259178GT	PIN,CLEVIS,.375X1.75,ZAG	1
26	96541GT	CAM FOLLOWER, 1.125 X .375, DELRIN	1

Go to Discount-Equipment.com to order your parts



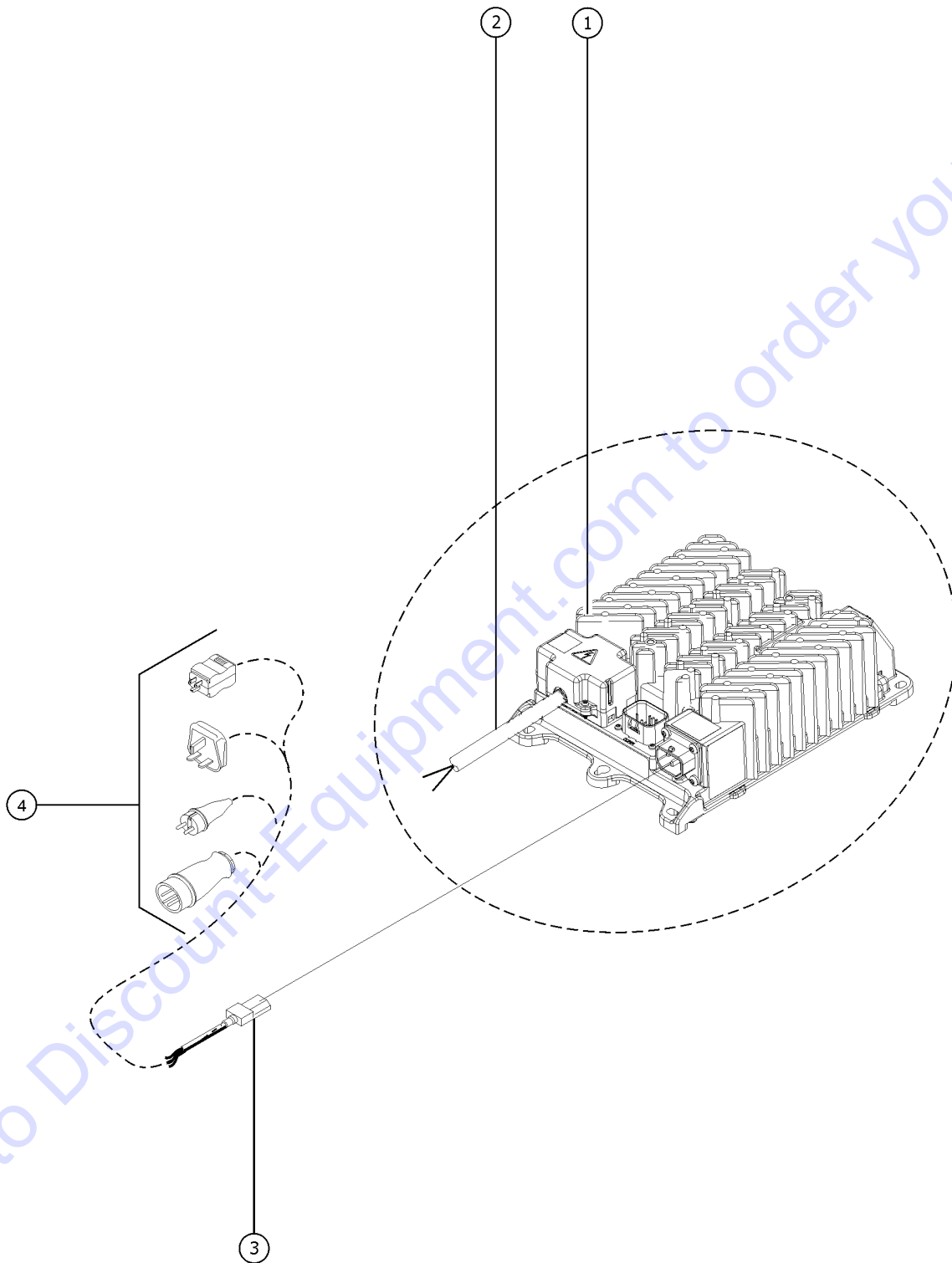
205.1 Battery Pack Module



Item	Part No.	Description	Qty.
1	824124GT	BOLT,CARRIAGE,1/4-20X.75,5,ZAG	
2	1277924GT	NUT,NYLOCK FLG,1/4-20,F,ZAG	
3	1290574GT	FORMING,CONTACTOR/FUSE BRACKET	1
4	1288481GT	QUICK DISCONNECT CASING,BATT SB120	1
5	826516GT	SCREW, PHPM, 10-32 X 1.0, ZAG	2
6	1256804GT	NUT,10-32,ZAG	2
7	1255805GT	NUT,SERRATED,5/16-18,8,ZAG	2
8	825358GT	WASHER,FLAT,5/16,USS,ZAG	2
9	40833GT	FUSE,275 AMP,VERY FAST ACTING	1
10	66717GT	FUSE BLOCK, ANN & ANL FUSE (includes mounting fasteners)	1
11	1303675GT	WLDMT,BATTERY TRAY ,GS	1
12	30784-2550GT	THREADED ROD,(1/4-20),25.50	1
13	1256863GT	WASHER,FLAT,.75,F436,HRD,ZAG	2
14	76494GT	BATT, 6V, 225AH T105 LPT/3CAP***	4
14-	1255805GT	NUT,SERRATED,5/16-18,8,ZAG	
14B	1263152GT	FULLRIVER BATT, DC224-6,6V, 224AH, GS3246 AGM	4
14C	1257609GT	BATTERY,12V,150AH,T1275	4
14D	1299390GT	BATT,6V,210AH T605 LPT\3CAP	4
15	1256679GT	NUT,SERRATED,1/4-20,8,ZAG	2
16		Ref. Battery Charger	1
		(refer to 206.1)	
17	1257402GT	SCREW,PHPM,6-32X.25,ZAG	
18	1304130GT	CONTACTOR,24V,80A,SPST,SEAL,UNBRANDED	1
19	55675GT	LATCH, LRG PADDLE HANDLE GS90	1



206.1 Battery Charger



Go to Discount-Equipment.com to order your parts

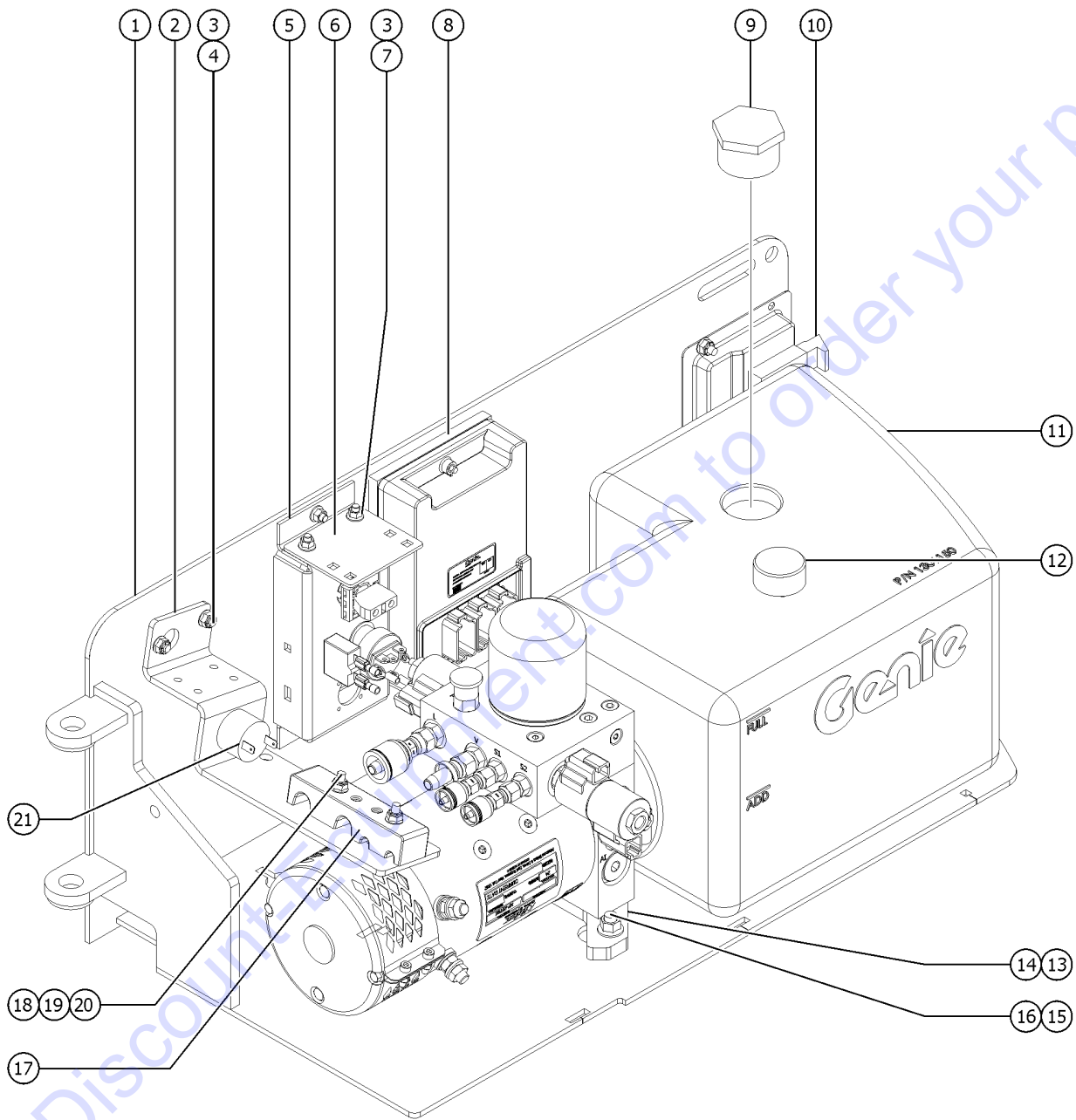
206.1 Battery Charger

Item	Part No.	Description	Qty.
1	1272232GT	CHARGER, 24V, 650W, USB	1
1-	1272557GT	POWER CORD,IEC 320,90 DEG power supply cord (ANSI/CSA models)	
1-	1272844GT	CABLE,CHARGER, DC, W/ BTS for AGM 'maintenance free' batteries	
1-	1279428GT	KIT,DC BLOCK ASSEMBLY	
1-	1288499GT	HARNESS,CHARGER EXTENSION 30DC	
1-	1288500GT	CABLE ASSY. CHARGER/BATTERY 30DC for standard 'flooded' batteries	
2		Ref. CABLE ASSY,CHARGER/BATTERY (refer to 210.1)	
3	1272557GT	POWER CORD,IEC 320,90 DEG	1
4		Ref. PLUG, ELECTRICAL	
		(refer to 403.1)	

Go to Discount-Equipment.com to order your parts

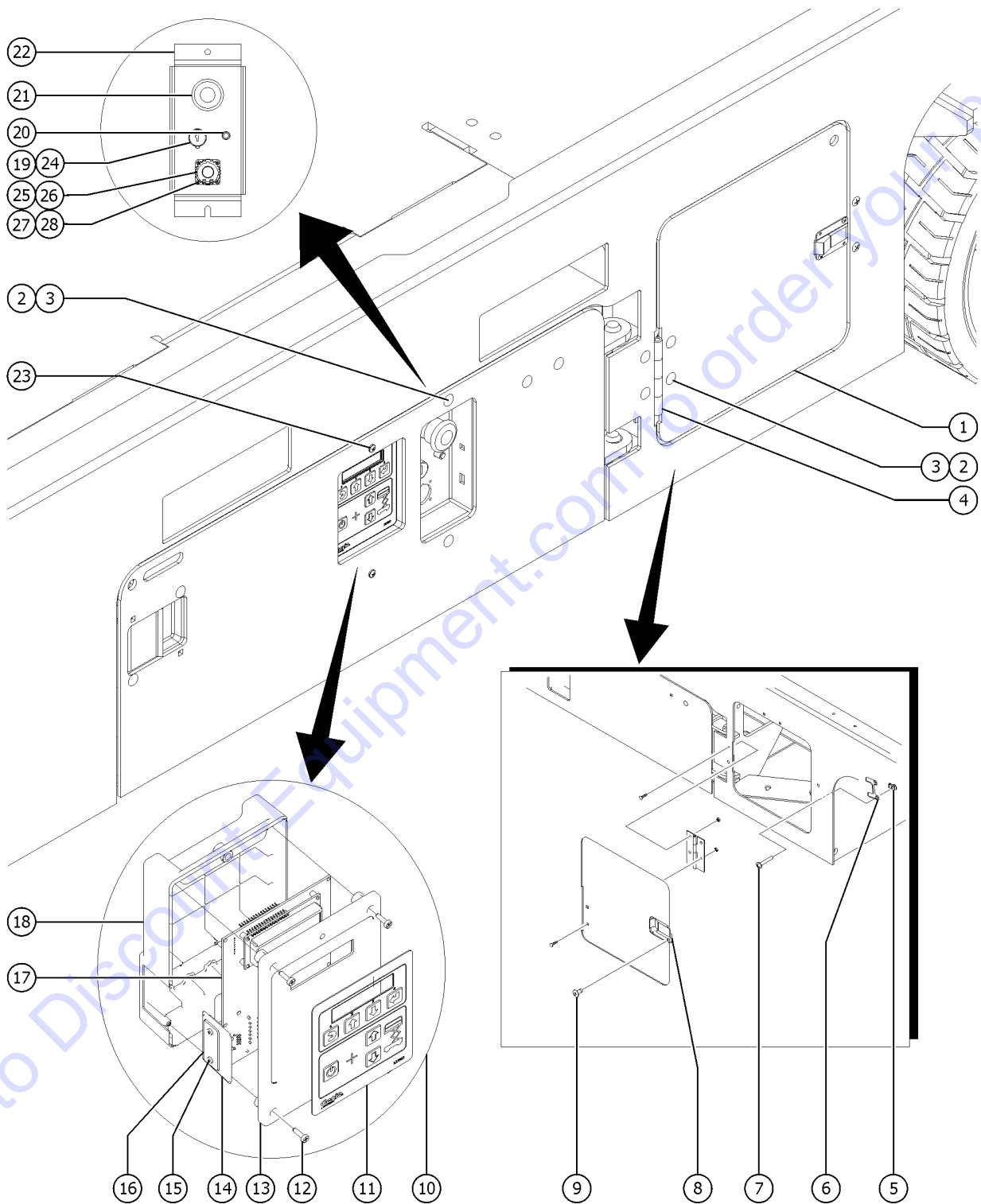


207.1 Power Unit Module



Item	Part No.	Description	Qty.
1	1300908GT	ASSEMBLY, HYDRAULIC TRAY, GS46	1
1-	1298923GT	WELDMENT, GS HYD TRAY	1
2	1303364GT	FORMING, BRACKET, HYD HOSE CLAMP	1
3	824080GT	SCREW, HHF, 1/4-20 X 1.25, 8, ZAG	
4	1277924GT	NUT, NYLOCK FLG, 1/4-20, F, ZAG	
5		Ref. FORMING, CONTROL PANEL (refer to 208.1)	
6	227164GT	GS3246_PLATE, HARNESS MOUNT, MET	1
7	824124GT	BOLT, CARRIAGE, 1/4-20X.75, 5, ZAG	
8		Ref. GCON, GR/GRC/GS (refer to 208.1)	
9	66204GT	PLUG, 1-1/2" NPT HEX HEAD	1
10	55675GT	LATCH, LRG PADDLE HANDLE GS90	1
11	1299666GT	POWER UNIT, 4046 SLAB (GS-4046)	1
11B	1303255GT	POWER UNIT, GS3246, E-DRIVE (GS-2046, GS-2646, GS-3246)	1
12	78546GT	BREATHER CAP, HYD. TANK, 1/4 NPT	1
13	1287951GT	PLATE, POWER UNIT MOUNT	1
14	1260703GT	SCREW, FHS, 3/8-16X1, F835, ZAG	2
15	1255757GT	SCREW, HHC, 1/2-13X2.75, 8, ZAG	2
16	1274322GT	NUT, NYLOCK FLG, 3/8-16, F, ZAG	2
17	1304152GT	CLAMP, HOSE, HYD TRAY	1
18	1255797GT	BOLT, CARRIAGE, 1/4-20X2, 5, ZAG	2
19	1277924GT	NUT, NYLOCK FLG, 1/4-20, F, ZAG	2
20	824113GT	WASHER, FLAT, 1/4, USS, ZAG	2
21	39540GT	ALARM, STEADY TONE***	1
21-	72326GT	NUT - PLASTIC, RING FOR ALARMS for 39540	

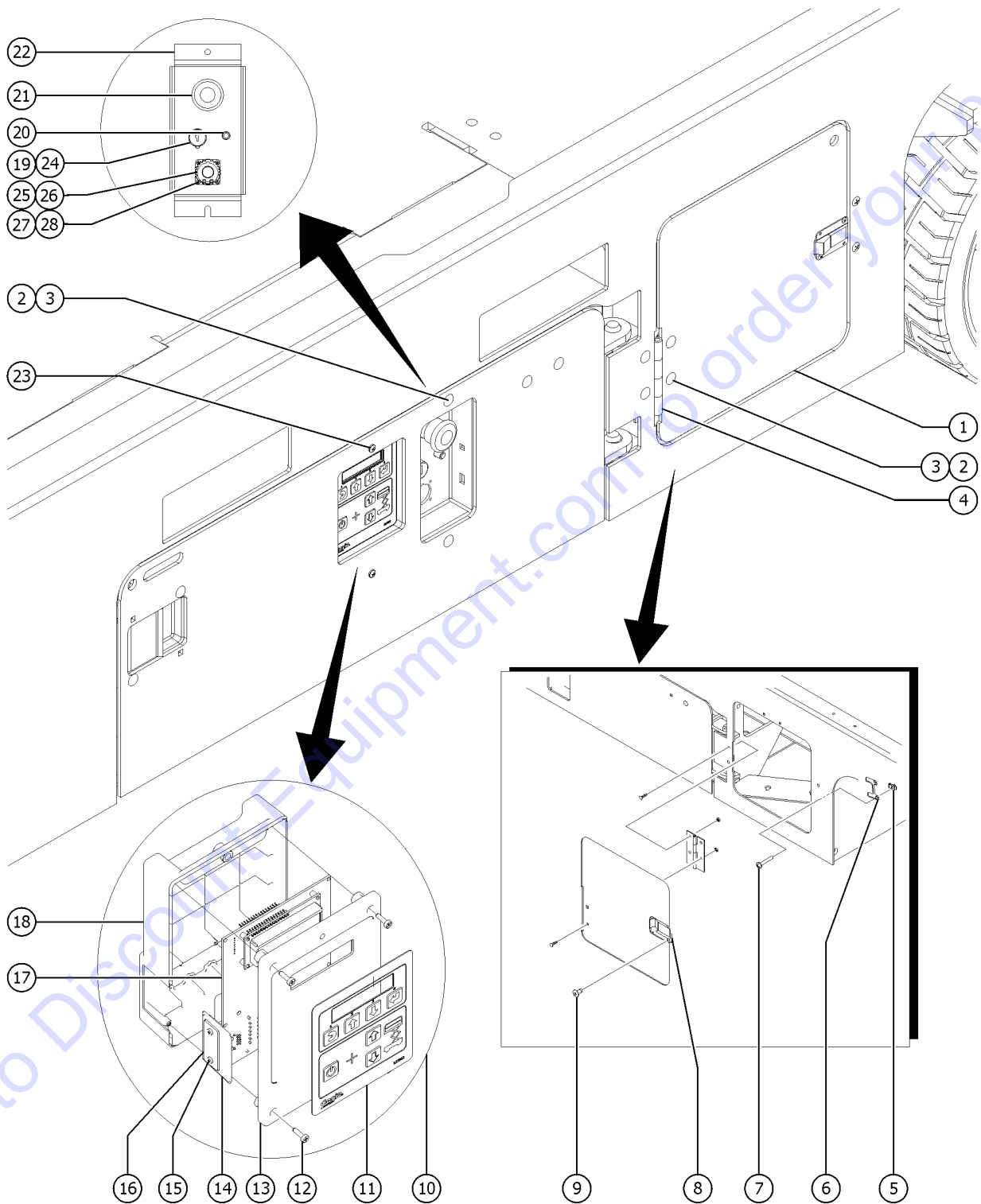
208.1 Ground Controls



Item	Part No.	Description	Qty.
A	1252764GT	SPACER, GROUND CONTROL ECU	1
B	824216GT	SCREW,PHPM,10-32X1.5,ZAG	
1	1299643GT	PLATE,SIDE DOOR	
2	824124GT	BOLT,CARRIAGE,1/4-20X.75,5,ZAG	6
3	1277924GT	NUT,NYLOCK FLG,1/4-20,F,ZAG	4
4	105734GT	HINGE,ACCESS DOOR(13G)	1
5	56912GT	SPRING CLIP,1/4-20,.025-.15X.54,ZAG	2
6	132557GT	PLATE SIDE DOOR STOP HTA	
7	1260984GT	SCREW,PHPM,1/4-20X.75,ZAG	2
8	105759GT	LATCH,COMPRESSION,SMALL	1
9	824206GT	RIVET,STL,STL,DOME,1/8X.25,ZAG	2
10	1284285GT	GCON,STD,DUAL ZONE	
11	137562GT	DECAL,MEMBRANE, GR/GRC/GS GCON	1
12	137668GT	SCREW,PHM,6-19X.75, 48-2 TRI-L	4
13	T106366GT	ENCLOSURE,GC27-25/GC21-19,FRNT	1
14	T106363GT	ADAPTER, RJ45, GC27-25/GC21-19	1
15	137637GT	SCREW,PHM,4-20X.5, 48-2 TRI-L	2
16	T106362GT	COVER, RJ45, GC27-25/GC21-19	1
17	1256719GT	PCBA,GCON STD,PROP LIFT	1
18	T106372GT	ENCLOSURE, GC21-19, BK	1
19	96008-SGT	KEYSWITCH,3 POS. W/KEYS***	1
19-	37947GT	KEYS,10 PACK*** (sold seperately)	
19-	83093GT	KEY SINGLE*** (sold seperately)	
19-	85239GT	NUT,RETAINER (96008) (sold seperately)	
19-	96009GT	WASHER,NITRILE (sold seperately)	
19-	96010GT	SCREW,PHILLIPS,PHM,8-32 X.25** (sold seperately)	
20	96452GT	CIRCUIT BREAKER,7.0 AMP***	1
20-	122994GT	NICKEL PLATED JAM NUT	



208.1 Ground Controls



208.1 Ground Controls

Item	Part No.	Description	Qty.
20-	6700GT	WASHER,STAR,EXTERNAL	375
21	66812GT	BUTTON,PUSH,RED MUSHROOM HEAD	1
21-	58627GT	NUT	
21-	66817GT	BASE WITH 1 NC CONTACT, E-STOP	
22	1284781GT	FORMING,CONTROL PANEL,TECH PRO,METRIC	1
23	51063GT	SCREW,PHILLIPS,RHM,10-32 X 1.5	2
24	96010GT	SCREW,PHILLIPS,PHM,8-32 X.25**	3
25	1272122GT	CONNECTOR, RECEPTACLE, 5 WAY, CIRCULAR	1
26	1272123GT	DUST CAP, RECEPTACLE, 5 WAY, CIRCULAR	1
27	1253477GT	SCREW,PHPM,4-40X.5,ZAG	4
28	826854GT	NUT,NYLOCK,4-40	4

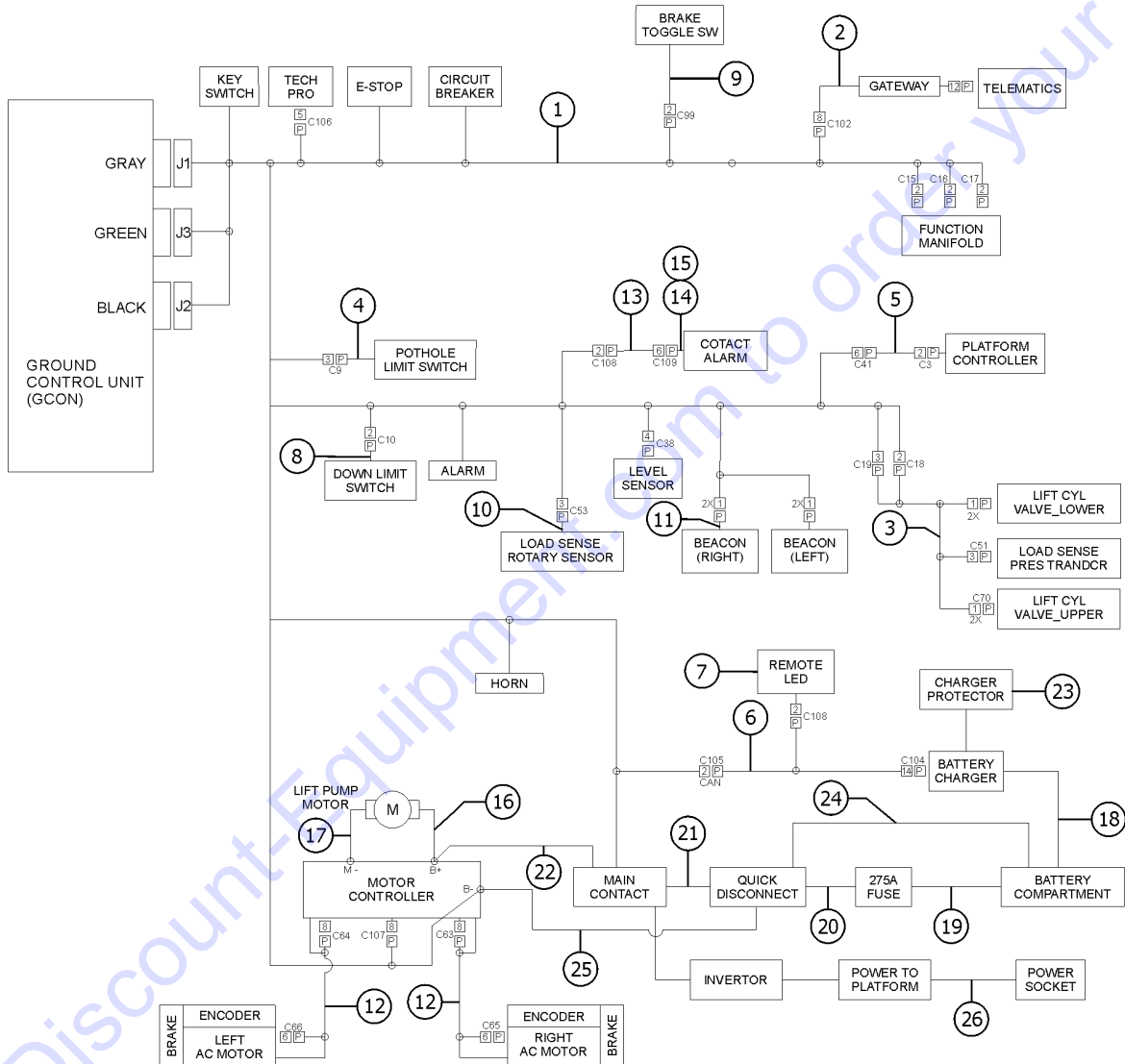
Go to Discount-Equipment.com to order your parts



Item	Part No.	Description	Qty.
1	1298407GT	HARNESS,GS GROUND CONTROLLER,GS46	1
2	1289899GT	HARNESS, GATEWAY, GS	1
3	233055GT	CABLE,LIFT CYL DWN,32XX,W/LS (GS-3246)	1
3B	233053GT	CABLE,LIFT CYL DWN,20/26XX,W/LS (GS-2046, GS-2646)	1
3C	236781GT	CABLE,LIFT CYL,DWN,GS4047 (GS-4046)	1
4	1300887GT	ASSY,POTHOLE HARNESS GS32/GS46, E-DRIVE (GS-2646, GS-3246, GS-4046)	1
4B	96853GT	ASSY,POTHOLE HARNESS GS32/GS46 (GS-2046)	1
5	233052GT	CABLE, PLATFORM CONTROL, 32XX (GS-3246)	1
5B	238006GT	CABLE,PLAT CNTRL,GS4047 (GS-4046)	1
5C	233050GT	CABLE, PLATFORM CONTROL, 20XX (GS-2046)	1
5D	233051GT	CABLE, PLATFORM CONTROL, 26XX (GS-2646)	1
6	1272121GT	HARNESS,LED CHARGER,GS46	1
7	1270281PGT	ASSEMBLY,CHARGER STATUS LED,2V,BCI	1
8	T112507GT	WIRE ASSY,DOWN LIMIT SW	1
9	1301854GT	CABLE, BRAKE RELEASE SWITCH	1
10	T113136GT	ASSY,ROT SENSR W/HARNESS	1
11	1270162GT	ASSY,BEACON,LED 24V	2
12	1303740GT	COMPOSITE MOTOR CABLE LARGE, E-DRIVE	2
13	1288729GT	CABLE,CONTACT ALARM,CHASSIS TO PLAT,32XX (GS-3246)	1
13B	1288730GT	CABLE,CONTACT ALARM,CHASSIS TO PLAT,4047 (GS-4046)	1
13C	1288727GT	CABLE,CONTACT ALARM,CHASSIS TO PLAT,20XX (GS-2046)	1
13D	1288728GT	CABLE,CONTACT ALARM,CHASSIS TO PLAT,26XX (GS-2646)	1
14	1288574GT	CABLE,CONTACT ALARM,45IN LINK	1
15	1291053GT	HARNESS,CONTACT ALARM,GS46 PLATFORM	1
16	1297793GT	CABLE ASSY,MC TO POWER UNIT,RED	1
17	1297796GT	CABLE ASSY,MC TO POWER UNIT,BLK	1
18	1273576GT	CABLE ASSY,CHARGER/BATTERY	1
19	1297791GT	CABLE ASSY,BATT,5.50"RED	1



209.1 Electrical Wiring

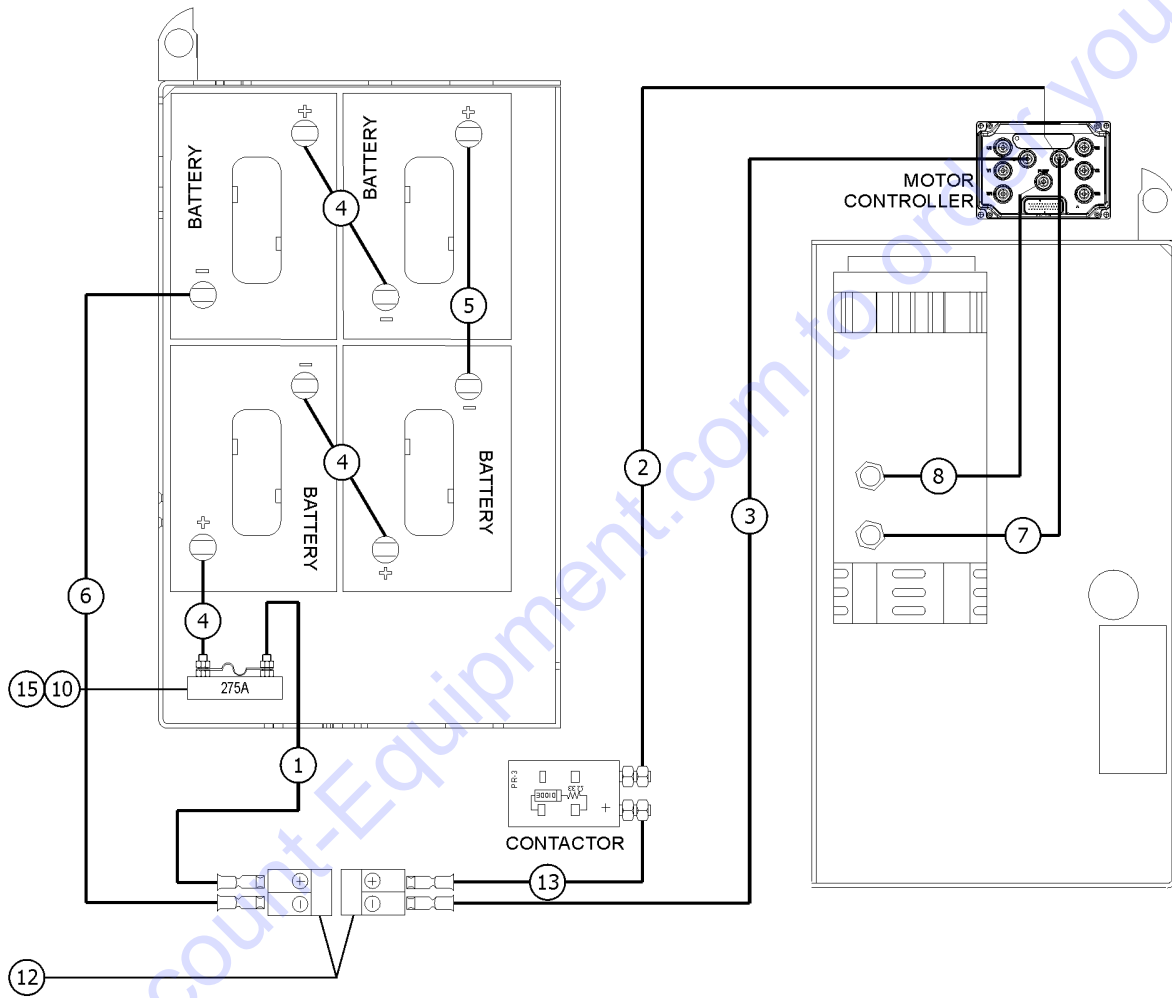


<i>Item</i>	<i>Part No.</i>	<i>Description</i>	<i>Qty.</i>
20	1297797GT	CABLE ASSY,FUSE TO QUIK,RED	1
21	1297799GT	CABLE ASSY,QUIK TO CONT,RED	1
22	1297795GT	CABLE ASSY,CONT TO MC,RED	1
23	1272557GT	POWER CORD,IEC 320,90 DEG	1
24	1297794GT	CABLE ASSY,BATT TO QUIK,BLK	1
25	1297798GT	CABLE ASSY,QUIK TO MC,BLK	1
26	43956GT	WIRE CABLE,14/3 CON.TPE JKT*	630

Go to Discount-Equipment.com to order your parts



210.1 Power Cables

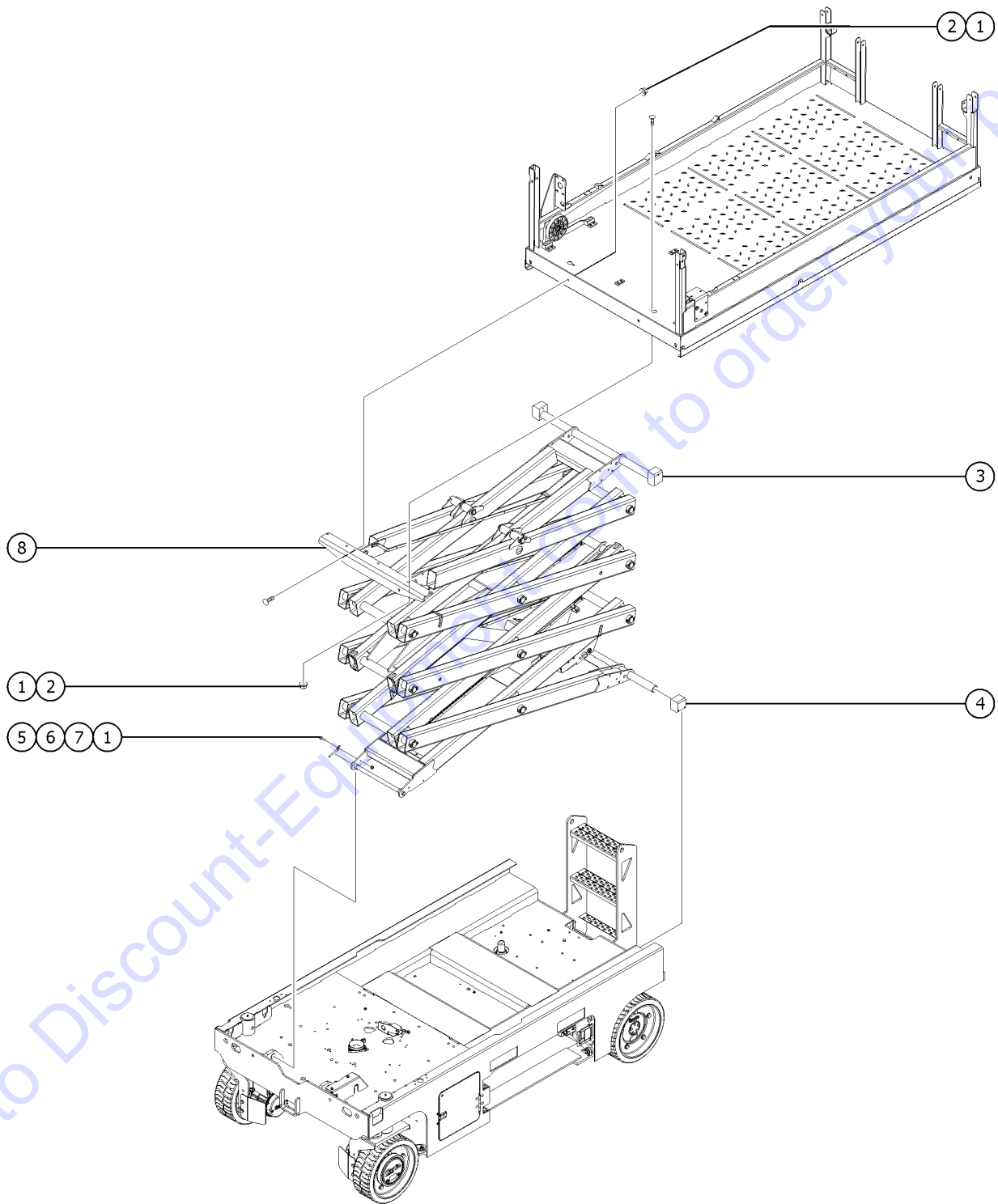


Item	Part No.	Description	Qty.
1	1297797GT	CABLE ASSY,FUSE TO QUIK,RED	1
2	1297795GT	CABLE ASSY,CONT TO MC,RED	1
3	1297798GT	CABLE ASSY,QUIK TO MC,BLK	1
4	1297791GT	CABLE ASSY,BATT,5.50"RED	3
5	1297792GT	CABLE ASSY,BATT,9.50"RED	1
6	1297794GT	CABLE ASSY,BATT TO QUIK,BLK	1
7	1297793GT	CABLE ASSY,MC TO POWER UNIT,RED	1
8	1297796GT	CABLE ASSY,MC TO POWER UNIT,BLK	1
9	28131GT	WIRE LOOM,1.25 DIA.	16
10	66717GT	FUSE BLOCK, ANN & ANL FUSE	1
11	96110GT	BOOT, CABLE, TERMINAL COVER	15
12	1288481GT	QUICK DISCONNECT CASING,BATT SB120	2
13	1297799GT	CABLE ASSY,QUIK TO CONT,RED	1
14	79140GT	BOOT,CABLE TERMINAL,RED,XL	1
15	40833GT	FUSE,275 AMP,VERY FAST ACTING	1

Go to Discount-Equipment.com to order your parts



301.1 Scissor Assembly Installation



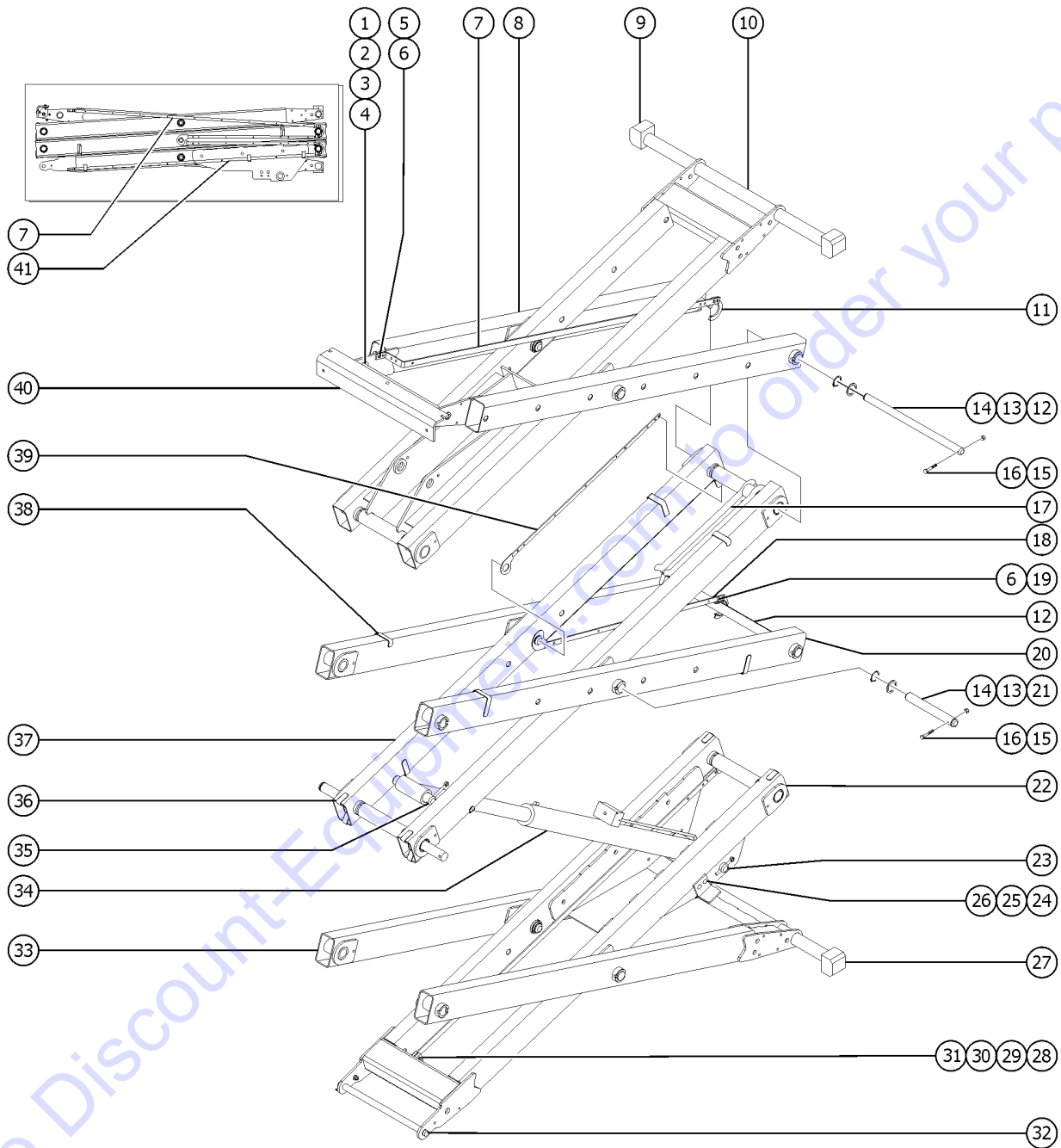
301.1 Scissor Assembly Installation

Item	Part No.	Description	Qty.
1	1274322GT	NUT,NYLOCK FLG,3/8-16,F,ZAG	6
2	1255757GT	SCREW,HHC,1/2-13X2.75,8,ZAG	4
3	1300939GT	SLIDER, UHMW, GSXX46 PLATFORM	2
4	96595GT	SLIDER,UHMW***	2
5	824092GT	SCREW, HHF, 3/8-16 X 1.5, 8, ZAG	2
6	825019GT	ROD END, .375X3.69, ZAG	2
7	1302259GT	PIN,LINKSET MOUNT	1
8	1301699GT	PLATFORM MOUNT WITH BEARING, GS46	1
8-	36369GT	BEARING, .75ID X 1"OD X .75LG**	2

Go to Discount-Equipment.com to order your parts

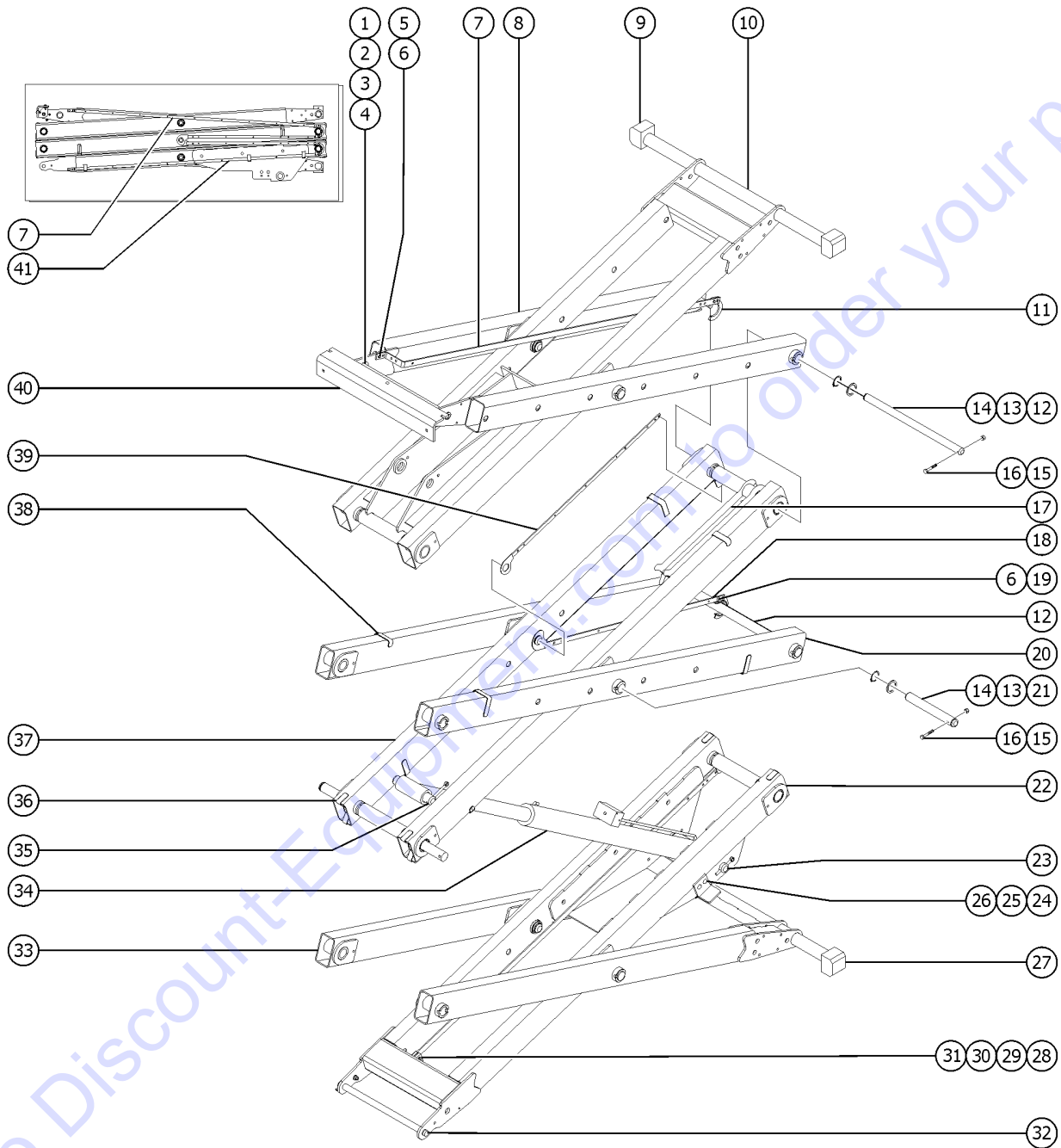


302.1 Scissor Assembly, GS-2046



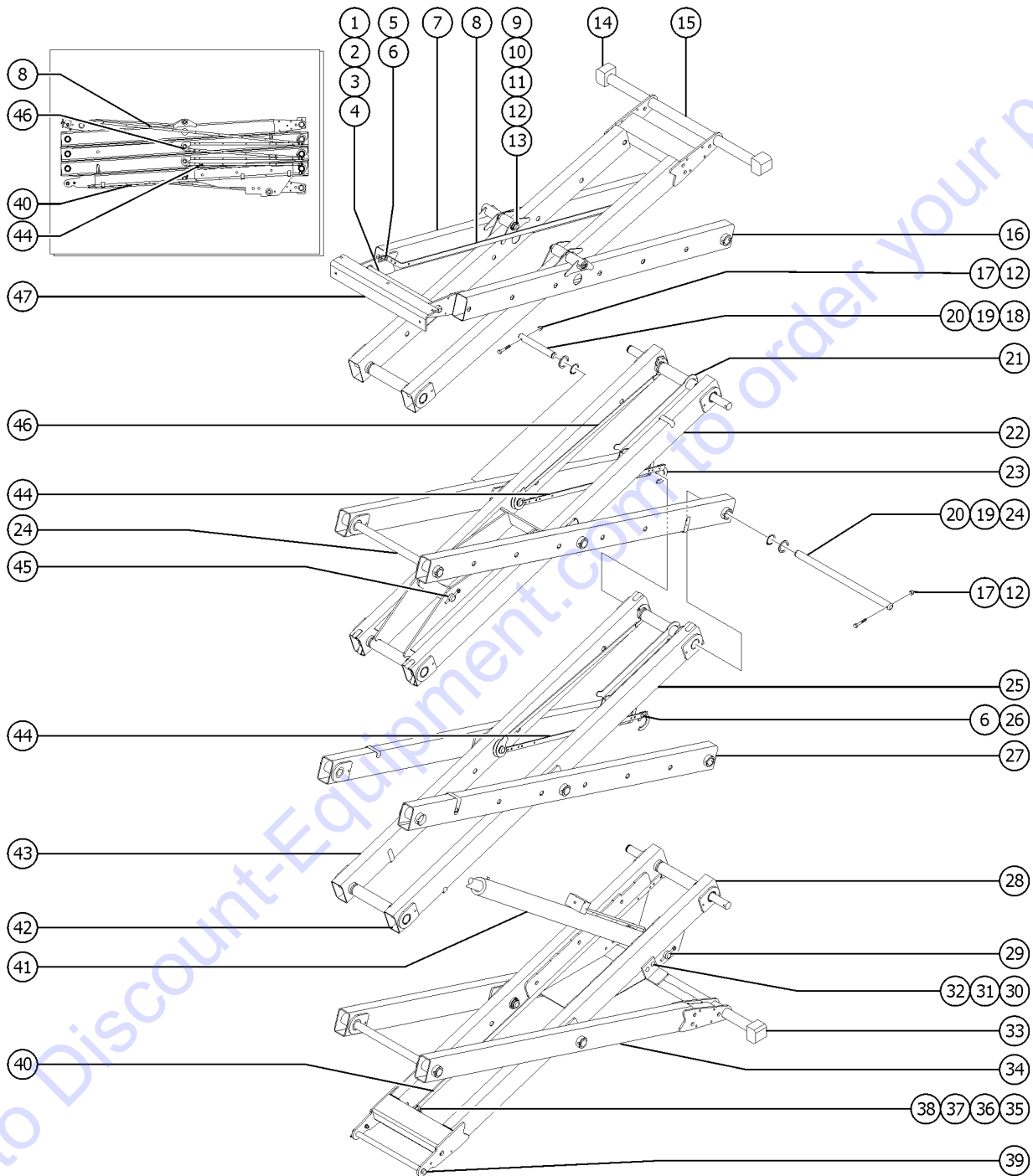
Item	Part No.	Description	Qty.
1	96932GT	PIN, LINKSET MOUNT, 3/4"	1
2	825020GT	ROD END, .25 X 2.75, ZAG	2
3	824080GT	SCREW, HHF, 1/4-20 X 1.25, 8, ZAG	2
4	1277924GT	NUT, NYLOCK FLG, 1/4-20, F, ZAG	2
5	1256127GT	BOLT, CARRIAGE, 1/4-20X1", GR 5, ZAG	2
6	1256679GT	NUT, SERRATED, 1/4-20, 8, ZAG	5
7	132267GT	BAR, CABLE BRIDGE ARM, UPPER	1
8	132304GT	WLDMT, LINK, OUTER#3-20XX, #5-32XX	2
9		Ref. Platform Slider (refer to 301.1)	
10	97233GT	INNER ARM ASSY, #3, 2046	1
10-	66055GT	BEARING, 1.50ID X 1.77OD X 1.25	6
10-	132518GT	WLDMT, LNK, INNER #3, 2046 (bearings not included)	
11	105193GT	CLIP, CABLEBRIDGE, GS32/46	2
12	96899GT	PIN, LONG, GS46	4
13	1260941GT	WASHER, SHIM, 1.54X2.00X.125, ZAG	10
14	825796GT	SNAP RING, EXTERNAL, 1.50, ZAG	8
15	1256848GT	SCREW, HHC, 3/8-16X2.75, 8, ZAG	10
16	1274166GT	NUT, NYLOCK, 3/8-16, C, ZAG	10
17	229571GT	ASSEMBLY, CHOCK	1
18	132270GT	WLDMT, CABLE BRIDGE, BOTTOM	2
19	1260963GT	BOLT, CARRIAGE, 1/4-20X.63, 5, ZAG	2
20	132298GT	WLDMT, LNK, OUTER #2, #3, #4	2
21	96900GT	PIN, SHORT, GS46	6
22	1300079GT	ASSEMBLY, LINK, INNER #1 (decals not included refer to section one)	1
22-	66055GT	BEARING, 1.50ID X 1.77OD X 1.25	6
22-	1299483GT	WELDMENT, LNK, LOWER1, E-DRIVE (bearings not included)	1
23	96662GT	PIN, LOWER CYLINDER MOUNT	1
24	1256756GT	BOLT, CARRIAGE, 3/8-16X1.5, 5, ZAG	2

302.1 Scissor Assembly, GS-2046



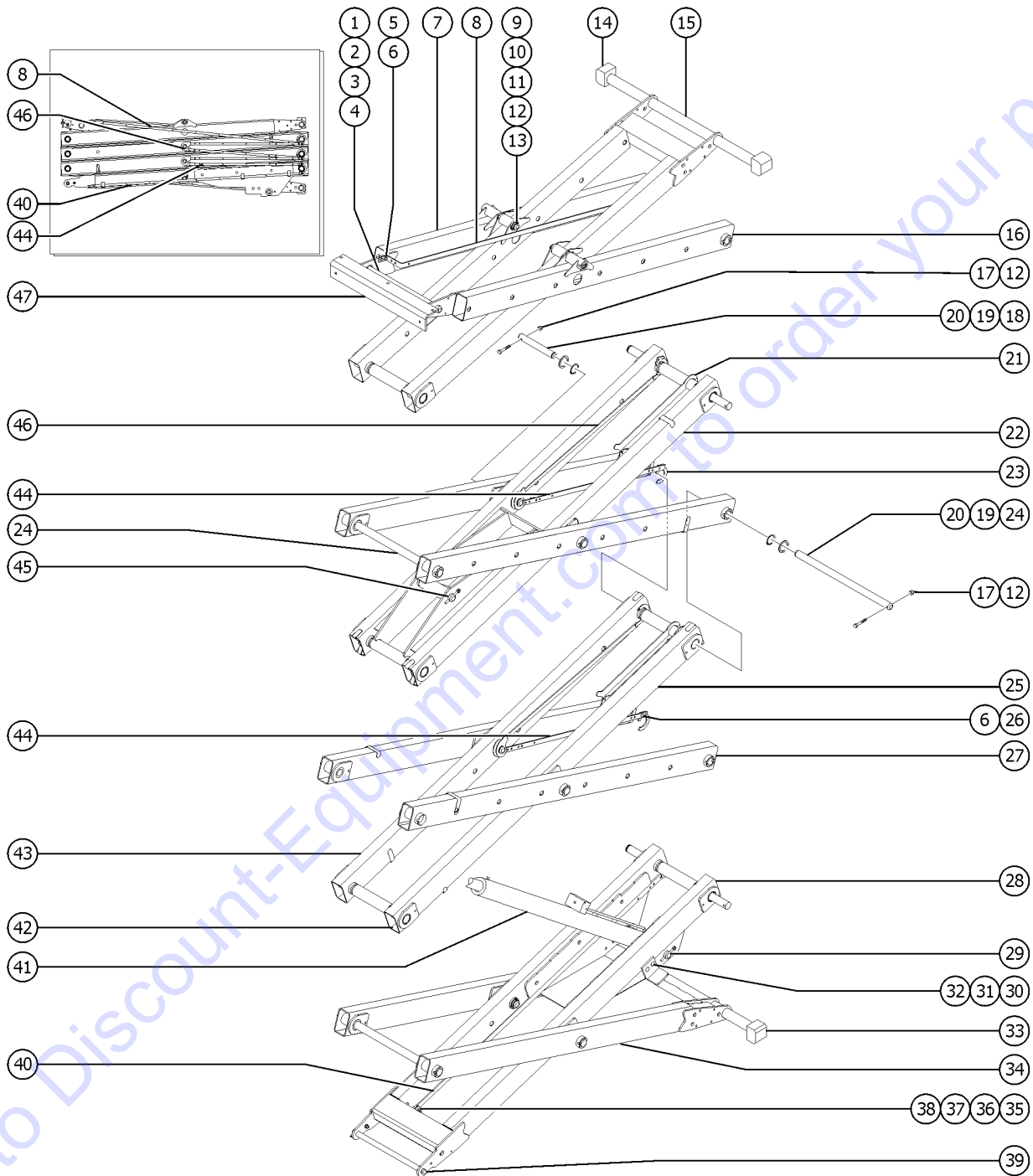
Item	Part No.	Description	Qty.
25	132522GT	FORMING,PH PUSHER, GS46	1
26	1274322GT	NUT,NYLOCK FLG,3/8-16,F,ZAG	9
27		Ref. Chassis Slider (refer to 301.1)	
28	132119GT	PLATE, HOSE ROUTING, BULKHEAD	2
29	78736GT	CLAMP,2 HOSE,PLASTIC	4
30	1259201GT	BOLT,CARRIAGE,10-24X2,A,ZAG	3
31	1274170GT	NUT, NYLOCK, 10-24, A, ZAG	3
32		Ref. PIN,LINKSET MOUNT (refer to 301.1)	1
33	132517GT	WLDMT,LINK,OUTER#1,XX46 (decal not included refer to section one)	1
34		Ref. Lift Cylinder (refer to 503.1)	
35	96661GT	PIN UPPER CYLINDER MOUNT	1
36	96735GT	LINK BUMPER, 5"	4
37	132294GT	WLDMT,LNK,INNER #2	1
37-	66055GT	BEARING,1.50ID X 1.77OD X 1.25	8
38	96836GT	LINK BUMPER, SHORT TUBE	8
39	132273GT	WELDMENT.CABLE BRIDGE, TOP	1
40		Ref. Platform Mounting Assembly (refer to 301.1)	
41	132266GT	WLDMNT,CABLE BRIDGE,LOWER	1

303.1 Scissor Assembly, GS-2646



Item	Part No.	Description	Qty.
1	96932GT	PIN, LINKSET MOUNT, 3/4"	1
2	825020GT	ROD END, .25 X 2.75, ZAG	2
3	824080GT	SCREW, HHF, 1/4-20 X 1.25, 8, ZAG	2
4	1277924GT	NUT, NYLOCK FLG, 1/4-20, F, ZAG	2
5	1256127GT	BOLT, CARRIAGE, 1/4-20X1", GR 5, ZAG	2
6	1256679GT	NUT, SERRATED, 1/4-20, 8, ZAG	6
7	132383GT	WLDMT, LNK, OUTER #4, 26XX, RIGHT (ground controls side)	1
8	132267GT	BAR, CABLE BRIDGE ARM, UPPER	
9	96130GT	PIN, MINI, CENTRE	2
10	824164GT	SNAP RING, EXTERNAL, 1.25, ZAG	2
11	824151GT	WASHER, SHIM, 1.270 X 2.130 X .062, ZAG	2
12	1274166GT	NUT, NYLOCK, 3/8-16, C, ZAG	14
13	1256848GT	SCREW, HHC, 3/8-16X2.75, 8, ZAG	2
14		Ref. Platform Slider (refer to 301.1)	
15	132525GT	WLDMT, LNK, INNER #4, 2646 (bearings not included)	1
15-	66055GT	BEARING, 1.50ID X 1.77OD X 1.25	6
16	132385GT	WLDMT, LNK, OUTER #4, 26XX, LEFT (battery pack side)	1
17	1256848GT	SCREW, HHC, 3/8-16X2.75, 8, ZAG	12
18	96900GT	PIN, SHORT, GS46	6
19	1260941GT	WASHER, SHIM, 1.54X2.00X.125, ZAG	10
20	825796GT	SNAP RING, EXTERNAL, 1.50, ZAG	12
21	229571GT	ASSEMBLY, CHOCK	1
22	132375GT	WLDMT, LNK, INNER #3, 26XX	1
22-	66055GT	BEARING, 1.50ID X 1.77OD X 1.25	8
23	105193GT	CLIP, CABLEBRIDGE, GS32/46	
24	96899GT	PIN, LONG, GS46	6
25	96836GT	LINK BUMPER, SHORT TUBE	8
26	1260963GT	BOLT, CARRIAGE, 1/4-20X.63, 5, ZAG	3

303.1 Scissor Assembly, GS-2646



PARTS FINDER

**Search Website
by Part Number**



**Search Manual
Library For Parts
Manual & Lookup Part
Numbers – Purchase
or Request Quote**

Search Manuals

Enter your information to help us find the right parts manual for your machine.

* Brand:

* Model:

* Serial:

* Part Number:

SEARCH

**Can't Find Part or
Manual? Request Help
by Manufacturer,
Model & Description**

Parts Order Form

Please fill in the following information to help us find the right part for your machine.

Manufacturer:	<input type="text"/>
Model:	<input type="text"/>
Description:	<input type="text"/>
Part Number:	<input type="text"/>
Quantity:	<input type="text"/>
Notes:	<input type="text"/>

Submit

Discount-Equipment.com is your online resource for quality parts & equipment.

Florida: **561-964-4949** Outside Florida TOLL FREE: **877-690-3101**

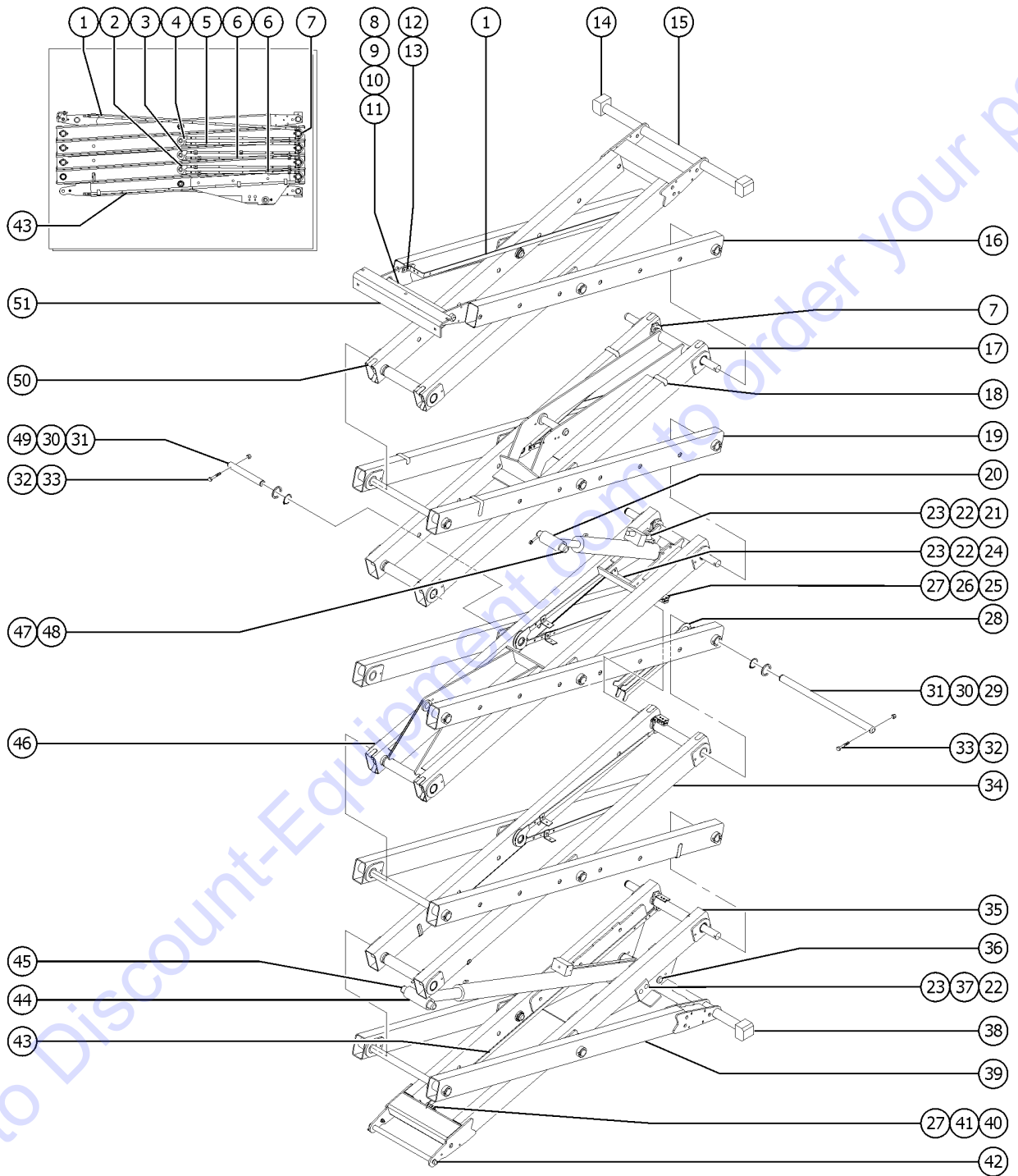
Need parts?

Click on this link: <http://www.discount-equipment.com/category/5443-parts/> and choose one of the options to help get the right parts and equipment you are looking for. Please have the machine model and serial number available in order to help us get you the correct parts. If you don't find the part on the website or on one of the online manuals, please fill out the request form and one of our experienced staff members will get back to you with a quote for the right part that your machine needs.

We sell worldwide for the brands: Genie, Terex, JLG, MultiQuip, Mikasa, Essick, Whiteman, Mayco, Toro Stone, Diamond Products, Generac Magnum, Airman, Haulotte, Barreto, Power Blanket, Nifty Lift, Atlas Copco, Chicago Pneumatic, Allmand, Miller Curber, Skyjack, Lull, Skytrak, Tsurumi, Husquvarna Target, Stow, Wacker, Sakai, Mi-T-M, Sullair, Basic, Dynapac, MBW, Weber, Bartell, Bennar Newman, Haulotte, Ditch Runner, Menegotti, Morrison, Contec, Buddy, Crown, Edco, Wyco, Bomag, Laymor, EZ Trench, Bil-Jax, F.S. Curtis, Gehl Pavers, Heli, Honda, ICS/PowerGrit, IHI, Partner, Imer, Clipper, MMD, Koshin, Rice, CH&E, General Equipment, Amida, Coleman, NAC, Gradall, Square Shooter, Kent, Stanley, Tamco, Toku, Hatz, Kohler, Robin, Wisconsin, Northrock, Oztec, Toker TK, Rol-Air, APT, Wylie, Ingersoll Rand / Doosan, Innovatech, Con X, Ammann, Mecalac, Makinex, Smith Surface Prep, Small Line, Wanco, Yanmar

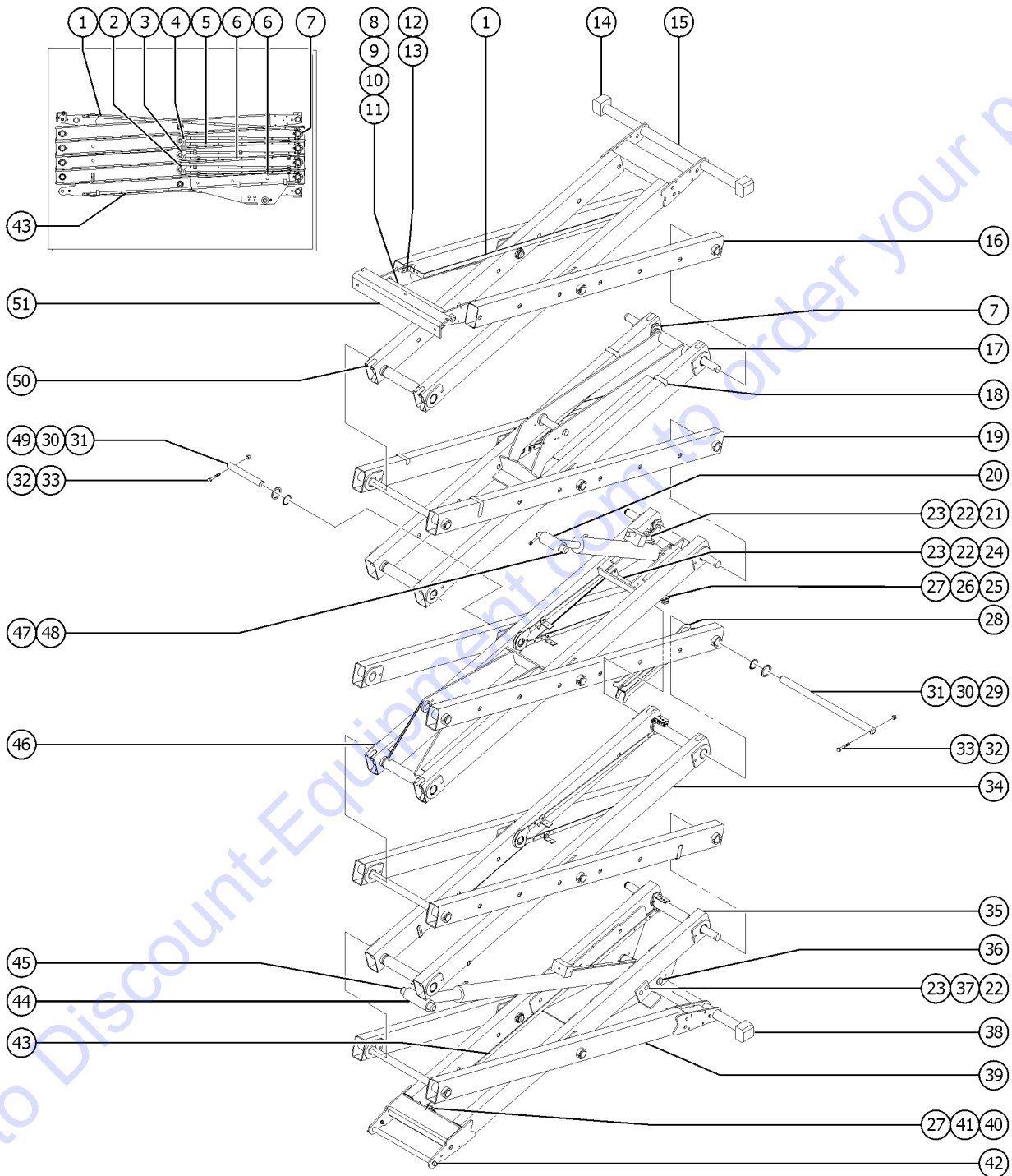
Item	Part No.	Description	Qty.
27	132298GT	WLDMT,LNK,OUTER #2,#3,#4	4
28	1300079GT	ASSEMBLY, LINK, INNER #1 (decal not included refer to section one)	1
28-	66055GT	BEARING,1.50ID X 1.77OD X 1.25	6
28-	1299483GT	WELDMENT, LNK, LOWER1 ,E-DRIVE (bearings not included)	1
29	96662GT	PIN, LOWER CYLINDER MOUNT	6
30	1256756GT	BOLT,CARRIAGE,3/8-16X1.5,5,ZAG (GS-2646)	2
31	130522GT	FORMING,PH PUSHER, GS46	1
32	1274322GT	NUT,NYLOCK FLG,3/8-16,F,ZAG	9
33		Ref. Chassis Slider (refer to 301.1)	
34	132517GT	WLDMT,LINK,OUTER#1,XX46 (decal not included refer to section one)	1
35	58592GT	PLATE,HOSE ROUTG,BULKHEAD(PTD) (as required)	2
36	78736GT	CLAMP,2 HOSE,PLASTIC	4
37	1259201GT	BOLT,CARRIAGE,10-24X2,A,ZAG	3
38	1274170GT	NUT, NYLOCK, 10-24, A, ZAG	3
39		Ref. PIN,LINKSET MOUNT (refer to 301.1)	1
40	132266GT	WLDMNT,CABLE BRIDGE,LOWER (GS-2646)	
41		Ref. Lift Cylinder (refer to 503.1)	
42	96735GT	LINK BUMPER, 5"	4
43	132294GT	WLDMT,LNK,INNER #2	1
43-	66055GT	BEARING,1.50ID X 1.77OD X 1.25	8
44	132270GT	WLDMT,CABLE BRIDGE,BOTTOM	
45	96812GT	PIN, LOWER CYL, ROD END	1
46	132273GT	WELDMENT.CABLE BRIDGE,TOP	
47		Ref. Platform Mount Assembly (refer to 301.1)	

304.1 Scissor Assembly, GS-3246



Item	Part No.	Description	Qty.
1	132267GT	BAR,CABLE BRIDGE ARM,UPPER	1
2	132390GT	WLDMNT,CABLE BRIDGE, TOP,32XX,M	1
3	132436GT	WLDMNT,CABLE BRIDGE,MID,32XX,M	1
4	132273GT	WELDMENT.CABLE BRIDGE, TOP	1
5	132270GT	WLDMT,CABLE BRIDGE,BOTTOM	1
6	132392GT	WLDMNT,CABLE BRIDGE,BTM,32XX,M	2
7	105193GT	CLIP,CABLEBRIDGE,GS32/46	4
8	96932GT	PIN, LINKSET MOUNT, 3/4"	1
9	825020GT	ROD END, .25 X 2.75, ZAG	2
10	824080GT	SCREW, HHF, 1/4-20 X 1.25, 8, ZAG	2
11	1277924GT	NUT,NYLOCK FLG,1/4-20,F,ZAG	2
12	1256127GT	BOLT,CARRIAGE,1/4-20X1",GR 5,ZAG	2
13	1256679GT	NUT,SERRATED,1/4-20,8,ZAG	7
14		Ref. Platform Slider	
		(refer to 301.1)	
15	132519GT	WLDMT,LINK,INNER#5,3246	1
15-	66055GT	BEARING,1.50ID X 1.77OD X 1.25	8
16	132304GT	WLDMT,LINK,OUTER#3-20XX,#5-32XX	2
17	132401GT	WLDMT,LINK,INNER#4,32XX	1
17-	66055GT	BEARING,1.50ID X 1.77OD X 1.25	8
18	96836GT	LINK BUMPER, SHORT TUBE	8
19	132298GT	WLDMT,LNK,OUTER #2,#3,#4	6
20		Ref. Lift Cylinder, Top	
		(refer to 503.1)	
21	96700GT	PLATE, PIN RETAINER	2
22	1256756GT	BOLT,CARRIAGE,3/8-16X1.5,5,ZAG	6
23	1274322GT	NUT,NYLOCK FLG,3/8-16,F,ZAG	10
24	96971GT	CLAMP,2 HOSE,PLASTIC	1
25	78736GT	CLAMP,2 HOSE,PLASTIC	18
26	1259201GT	BOLT,CARRIAGE,10-24X2,A,ZAG	9

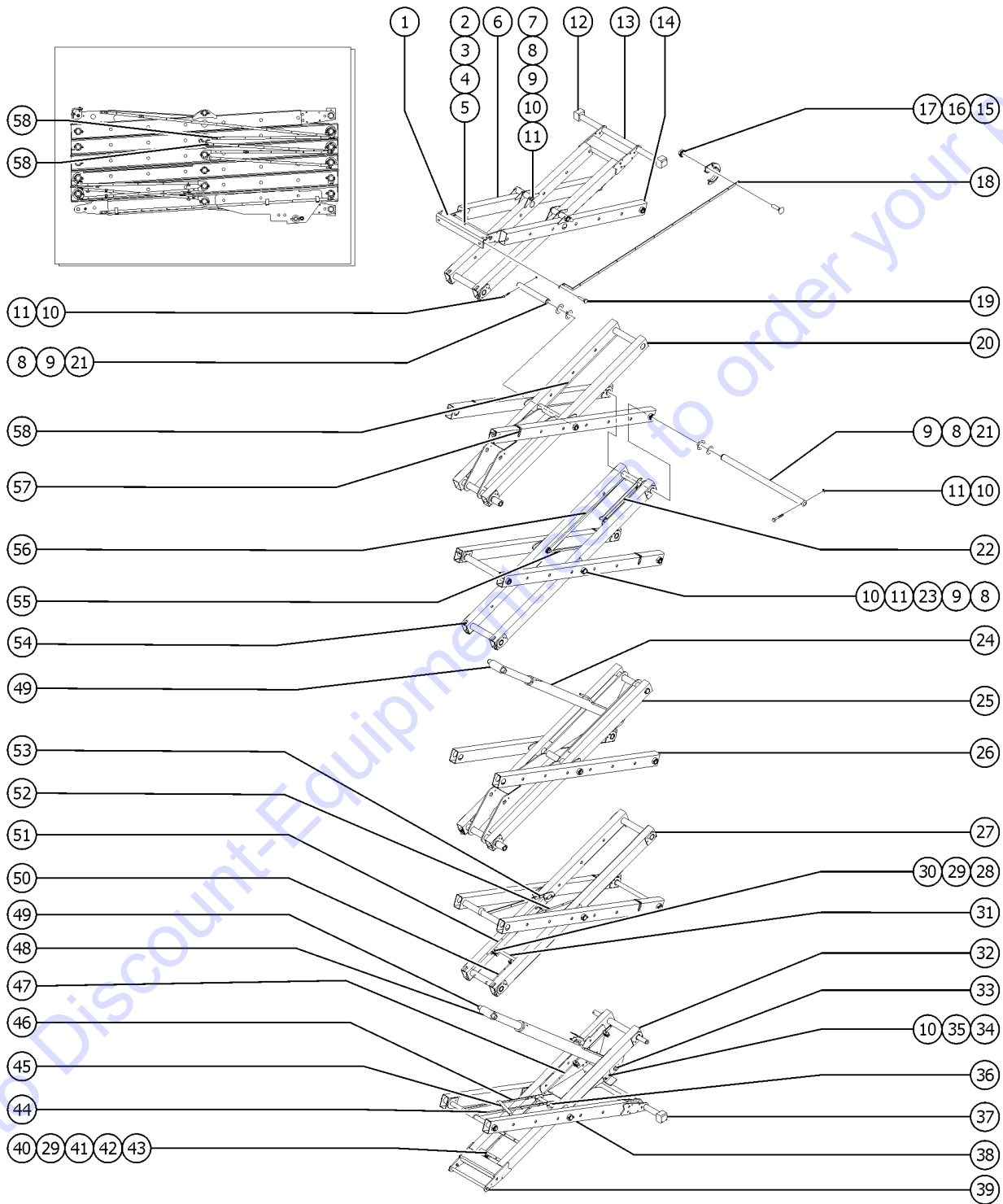
304.1 Scissor Assembly, GS-3246



Item	Part No.	Description	Qty.
27	1274170GT	NUT, NYLOCK, 10-24, A, ZAG	11
28	229571GT	ASSEMBLY, CHOCK	1
29	96899GT	PIN, LONG, GS46	8
30	1260941GT	WASHER, SHIM, 1.54X2.00X.125, ZAG	15
31	825796GT	SNAP RING, EXTERNAL, 1.50, ZAG	18
32	1256848GT	SCREW, HHC, 3/8-16X2.75, 8, ZAG	12
33	1274166GT	NUT, NYLOCK, 3/8-16, C, ZAG	18
34	132294GT	WLDMT, LNK, INNER #2	1
34-	66055GT	BEARING, 1.50ID X 1.77OD X 1.25	8
35	1300079GT	ASSEMBLY, LINK, INNER #1 (decal not included refer to section one)	1
35-	66055GT	BEARING, 1.50ID X 1.77OD X 1.25	6
35-	1299483GT	WELDMENT, LNK, LOWER1, E-DRIVE (bearings not included)	
36	96662GT	PIN, LOWER CYLINDER MOUNT	1
37	132522GT	FORMING, PH PUSHER, GS46	2
38		Ref. Chassis Slider (refer to 301.1)	
39	132517GT	WLDMT, LINK, OUTER#1, XX46 (decal not included refer to section one)	1
40	132119GT	PLATE, HOSE ROUTING, BULKHEAD	3
41	1260962GT	BOLT, CARRIAGE, 10-24X2.5, A, ZAG	2
42		Ref. PIN, LINKSET MOUNT (refer to 301.1)	1
43	132266GT	WLDMNT, CABLE BRIDGE, LOWER	1
44		Ref. Lift Cylinder, Bottom (refer to 503.1)	
45	96812GT	PIN, LOWER CYL, ROD END	1
46	132393GT	PIN, LOWER CYL, ROD END	1
47	96661GT	PIN UPPER CYLINDER MOUNT	1
48	96663GT	PIN UPPER CYLINDER MOUNT	1
49	96900GT	PIN, SHORT, GS46	6
50	96735GT	LINK BUMPER, 5"	8
51		Ref. Platform Mount Assembly (refer to 301.1)	

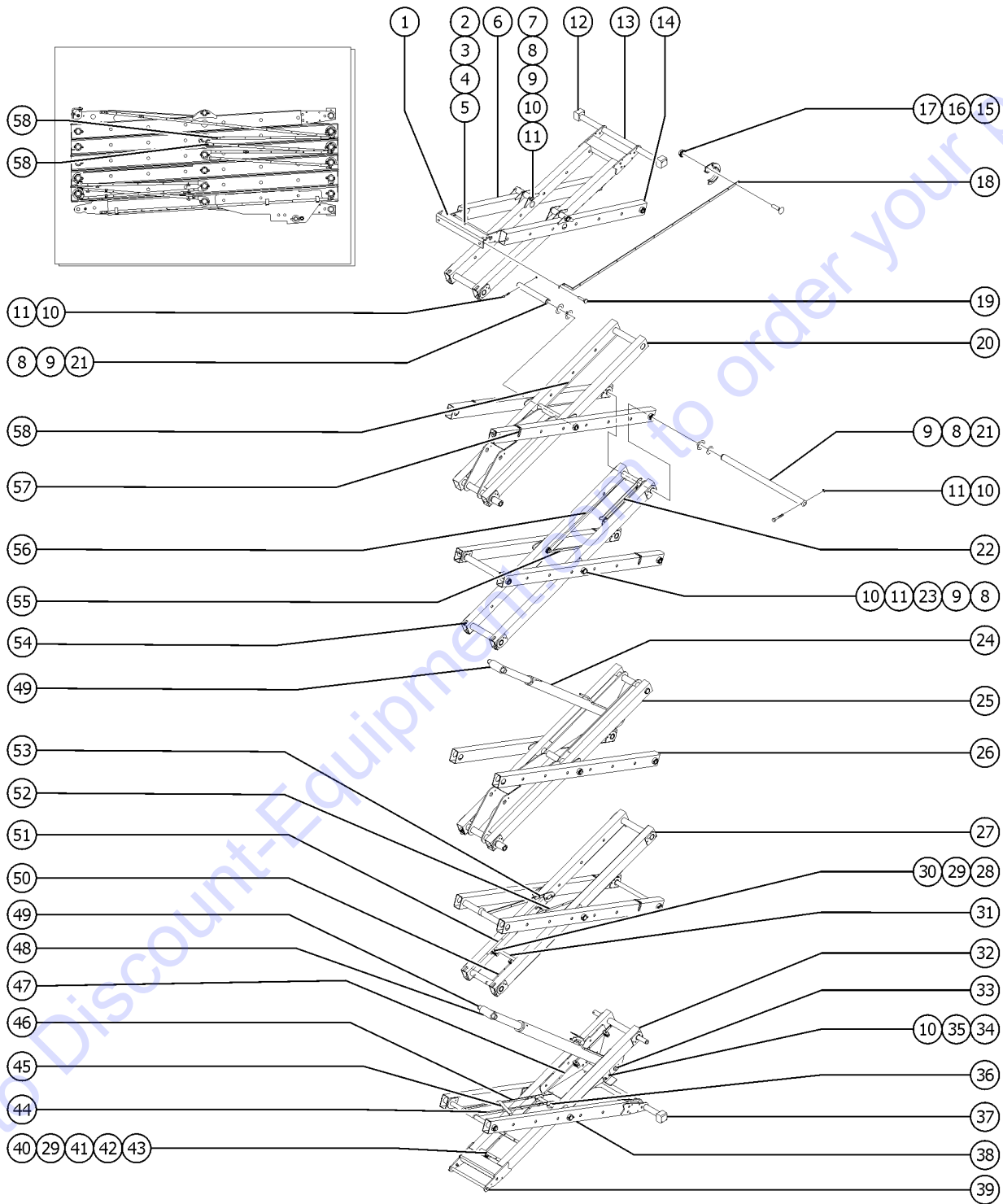


305.1 Scissor Assembly, GS-4046



Item	Part No.	Description	Qty.
1		Ref. Platform Mount Assembly (refer to 301.1)	
2	96932GT	PIN, LINKSET MOUNT, 3/4"	1
3	825020GT	ROD END, .25 X 2.75, ZAG	2
4	824080GT	SCREW, HHF, 1/4-20 X 1.25, 8, ZAG	
5	1277924GT	NUT, NYLOCK FLG, 1/4-20, F, ZAG	
6	132383GT	WLDMT, LNK, OUTER #4, 26XX, RIGHT (ground controls side)	1
7	96130GT	PIN, MINI, CENTRE	2
8	825796GT	SNAP RING, EXTERNAL, 1.50, ZAG	
9	1260941GT	WASHER, SHIM, 1.54X2.00X.125, ZAG	
10	1274166GT	NUT, NYLOCK, 3/8-16, C, ZAG	
11	1256848GT	SCREW, HHC, 3/8-16X2.75, 8, ZAG	
12		Ref. Platform Slider (refer to 301.1)	
13	229585GT	ASSEMBLY, LINK, INNER #6	1
13-	132525GT	WLDMT, LNK, INNER #4, 2646 (bearings not included)	
13-	66055GT	BEARING, 1.50ID X 1.77OD X 1.25	
13-	96487GT	BEARING, 1.26IN X 1.53OD X 1.25L	
14	132385GT	WLDMT, LNK, OUTER #4, 26XX, LEFT (battery pack side)	1
15	1256679GT	NUT, SERRATED, 1/4-20, 8, ZAG	22
16	1274333GT	CLIP, CABLE BRIDGE, GS47	12
17	1260963GT	BOLT, CARRIAGE, 1/4-20X.63, 5, ZAG	24
18	132267GT	BAR, CABLE BRIDGE ARM, UPPER	1
19	9116GT	BOLT, CARRIAGE, 1/4-20 X 1.25, G2	2
20	1260196GT	ASSEMBLY, LINK, INNER #5	1
21	96899GT	PIN, LONG, GS46	13
22	229571GT	ASSEMBLY, CHOCK	1
23	96900GT	PIN, SHORT, GS46	4
24		Ref. Lift Cylinder, Top (refer to 503.2)	
24-	66055GT	BEARING, 1.50ID X 1.77OD X 1.25	

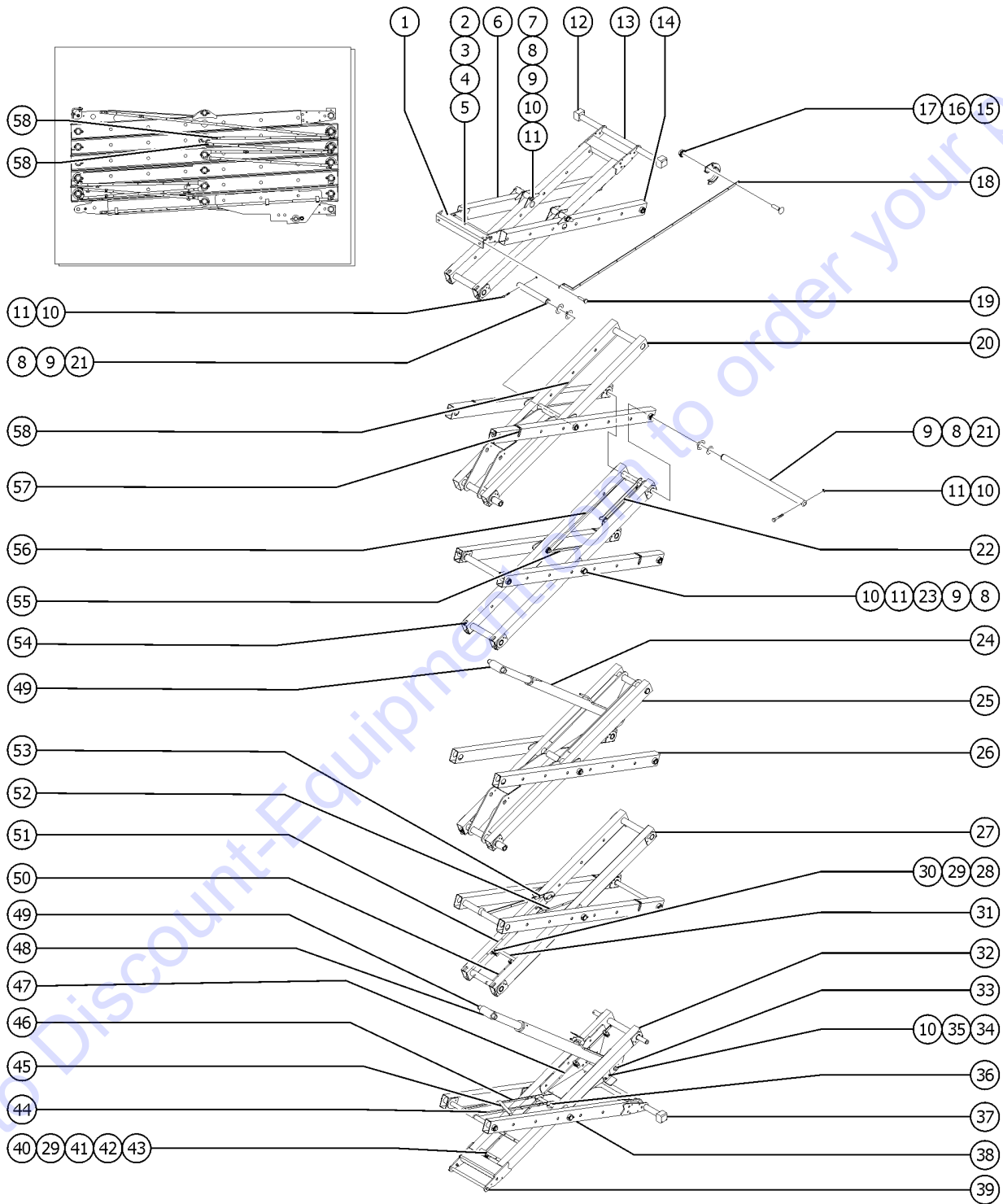
305.1 Scissor Assembly, GS-4046



Item	Part No.	Description	Qty.
25	1260306GT	ASSEMBLY, LINK, INNER #3	1
26	1290076GT	WELDMENT, LINK, OUTER #2,3,4,5	8
26-	66055GT	BEARING, 1.50ID X 1.77OD X 1.25	
27	1260199GT	ASSEMBLY, LINK, INNER #2,4	2
28	1261822GT	BOLT, CARRIAGE, 10-24 X 1.5", G2	12
29	105213GT	RUBBER CUSHION, CLAMP, SHORT	
30	105206GT	CLAMP, SHORT	12
31	1273387GT	FORMING, END CONNECTING	1
32	1300079GT	ASSEMBLY, LINK, INNER #1 (decal not included refer to section one)	1
32-	1299483GT	WELDMENT, LNK, LOWER1 ,E-DRIVE	1
32-	66055GT	BEARING, 1.50ID X 1.77OD X 1.25	
33	96662GT	PIN, LOWER CYLINDER MOUNT	1
34	1255757GT	SCREW, HHC, 1/2-13X2.75, 8, ZAG	
35	132522GT	FORMING, PH PUSHER, GS46	1
36	1261823GT	BEARING, 1.5ID X 1.75OD X 2.4L	2
37		Ref. Chassis Slider (refer to 301.1)	
38	132517GT	WLDMT, LINK, OUTER #1, XX46 (decal not included refer to section one)	1
39		Ref. PIN, LINKSET MOUNT (refer to 301.1)	
40	105208GT	RUBBER CUSHION, SEPARATOR	5
41	105205GT	CLAMP, LONG	
42	1256467GT	NUT, TL FLG, 10-24, F, Z	
43	1260962GT	BOLT, CARRIAGE, 10-24 X 2.5, A, ZAG	
44	1259948GT	WELDMENT, CABLE BRIDGE, TOP	1
45	1273385GT	FORMING, END CONNECTING	2
46	1259947GT	WELDMENT, CABLE BRIDGE, TOP	1
47	132266GT	WLDMNT, CABLE BRIDGE, LOWER	1
48		Ref. Lift Cylinder, Bottom (refer to 503.2)	
49	96661GT	PIN UPPER CYLINDER MOUNT	3



305.1 Scissor Assembly, GS-4046

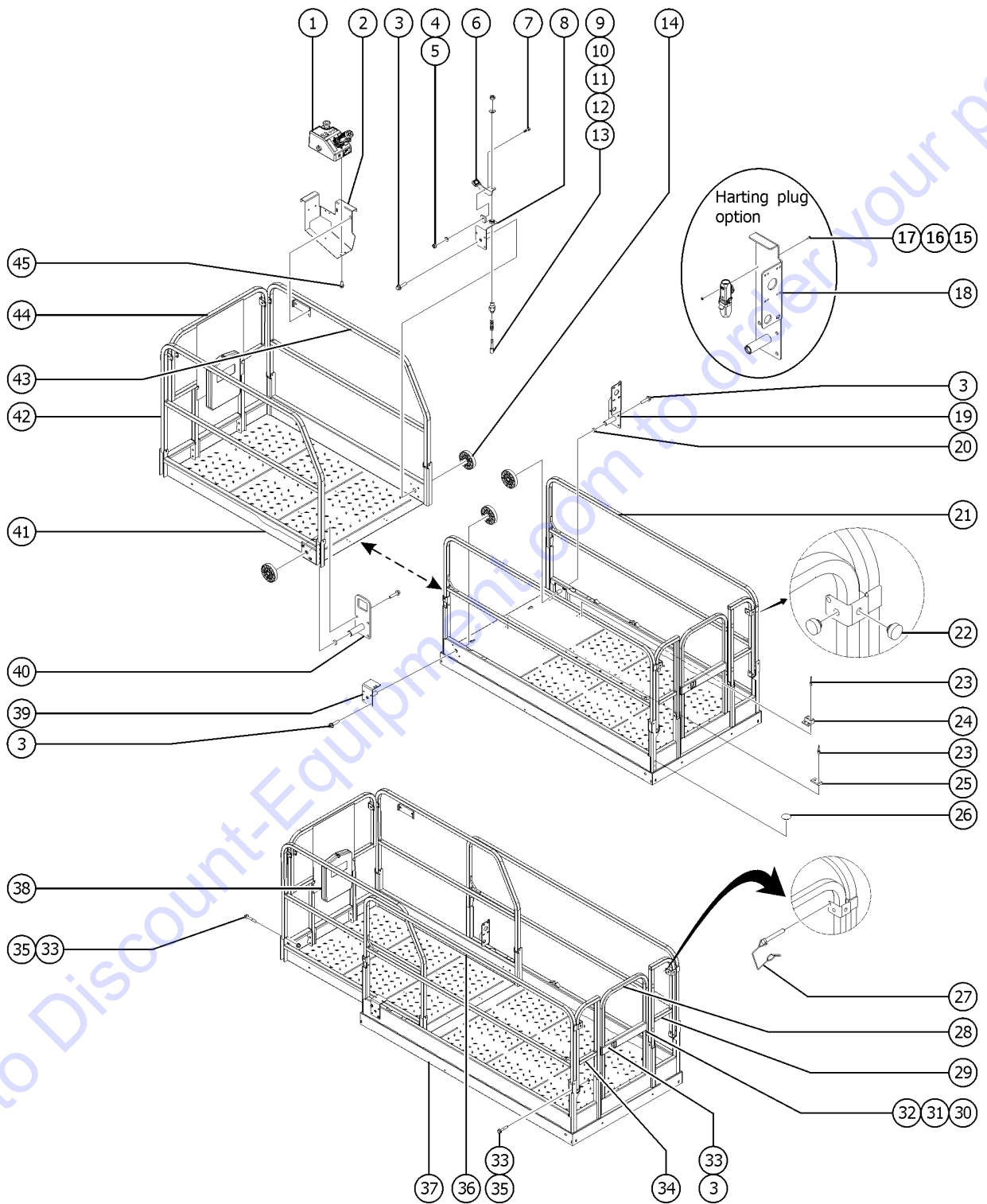


<i>Item</i>	<i>Part No.</i>	<i>Description</i>	<i>Qty.</i>
50	1255939GT	DECAL KIT,S60,PLAT,SYM,ANSI	1
51	1259946GT	WELDMENT, CABLE BRIDGE, BOTTOM	1
52	1259945GT	WELDMENT, CABLE BRIDGE, TOP	1
53	1259944GT	WELDMENT, CABLE BRIDGE, TOP	1
54	96735GT	LINK BUMPER, 5"	10
55	1259942GT	WELDMENT,CABLE BRIDGE,BOTTOM	1
56	132273GT	WELDMENT.CABLE BRIDGE, TOP	1
57	96836GT	LINK BUMPER, SHORT TUBE	8
58	1259943GT	BAR, CABLE BRIDGE ARM, SYM	2

Go to Discount-Equipment.com to order your parts



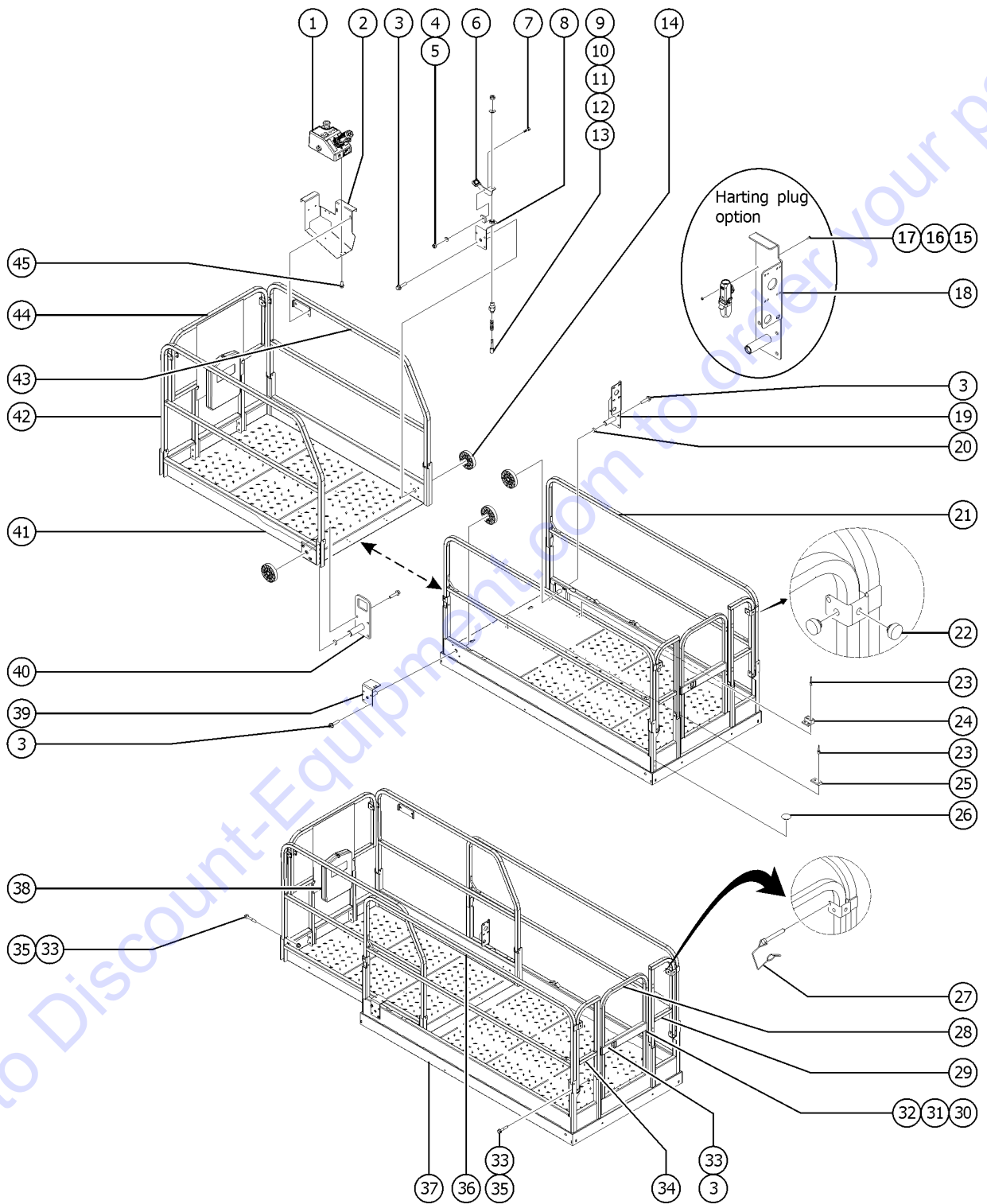
401.1 Platform Components



Item	Part No.	Description	Qty.
1		Ref. Platform Control Box (refer to 403.1)	
1B	1280957GT	PCON ASSEMBLY,HARTING CONN OPTION	1
2		Ref. Platform Control Box Mount Bracket (refer to 403.1)	
3	1253478GT	SCREW,HHF,3/8-16X2,8,ZAG	5
4	1252977GT	NUT,TL JAM,5/16-18,A,ZAG	1
5	825358GT	WASHER,FLAT,5/16,USS,ZAG	1
6	46260GT	FOOTPEDAL W/NON-SKID TAPE,GS**	1
6-	132996GT	BRACKET, FOOT PEDAL	1
6-	47225GT	TAPE,NON-SKID,DIE CUT,1.38X1.5 (not included sold separately)	
7	1259223GT	BOLT,SHS,3/8X.375X5/16-18,ZAG	1
8	132151GT	ROLLER SUPPORT BRACKET	1
9	1259181GT	PIN,LOCK,0.5X3.125,ZAG	1
10	39469GT	SPRING,COMPRESSION.485 X1.75**	1
11	41630GT	HOUSING, LOCK PIN	1
12	1255758GT	WASHER,FLAT,3/8,USS,ZAG	1
13	824038GT	NUT, TL JAM, 3/8-16, A, ZAG	1
14	47163GT	NUT, TL JAM, 3/8-16, A, ZAG	4
15	1253477GT	SCREW,PHPM,4-40X.5,ZAG	2
16	1280958GT	CABLE,PLATFORM CONTROL,GS,HARTING CONN OPTION	1
17	1259339GT	NUT,4-40,ZAG	2
18	1286357GT	WLDMT,ROLLER BRKT,RT,HARTING PLUG	1
19	132128GT	ROLLER BRKT RT (ground controls side)	1
20	21279GT	BUTTON, .800 O.D. X .281	3
21	132492GT	WELDMENT,UPPER EXT RAIL,GS32	1
22	43392GT	WLDMT,ENTRY SIDERAIL,LT	14
23	39579GT	RIVET,STL,STL,.188 X .45	20
24	39310GT	WEAR/GUIDE PAD MAIN PLATFORM	4
25	39474GT	WEAR PAD,PLATFORM	6



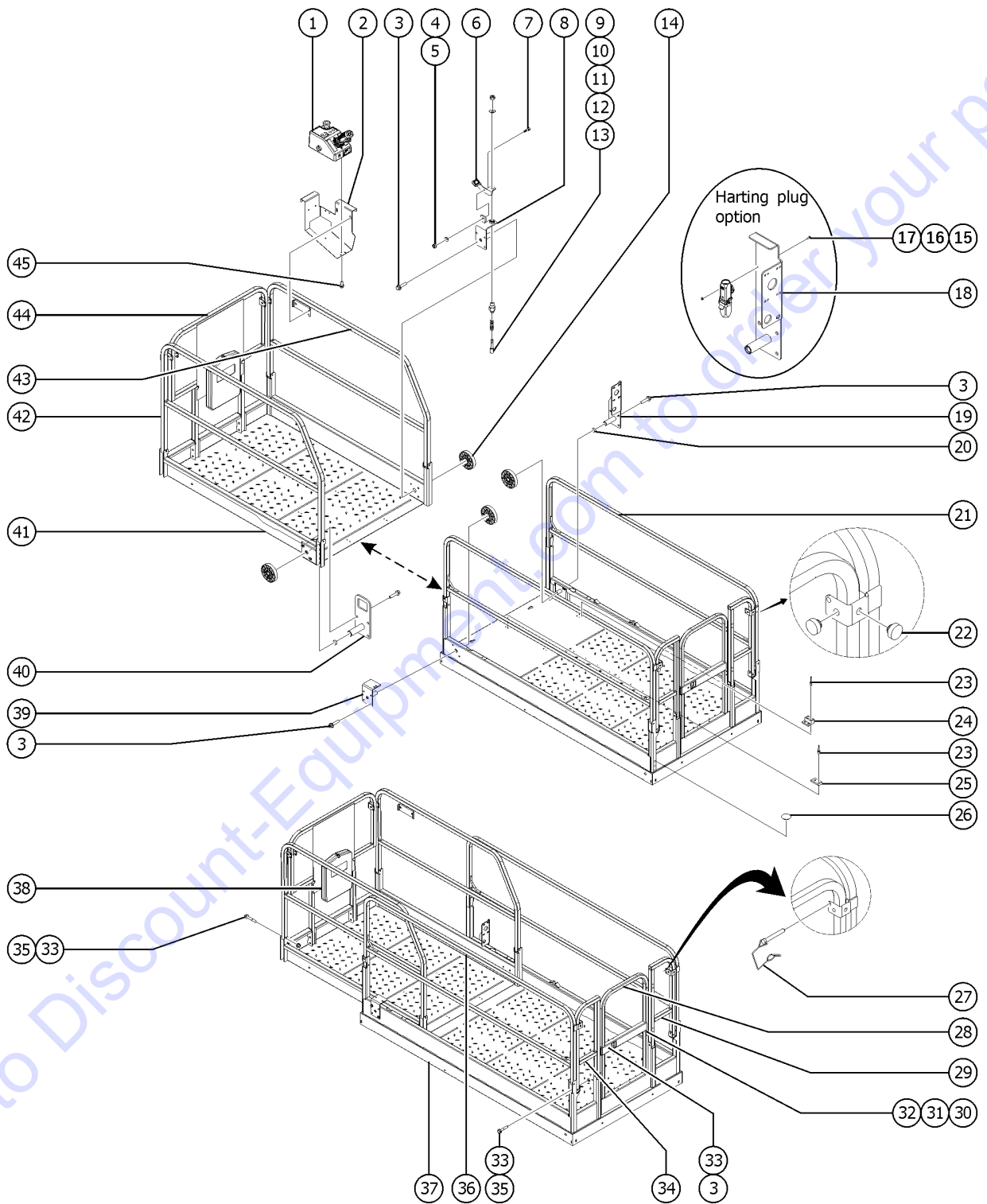
401.1 Platform Components



Item	Part No.	Description	Qty.
26	15243GT	PLUG,NYLON .875 BLACK DOMED	2
27	1259182GT	PIN,WIRE LOCK 3/8 X 2.5,ZAG	
27-	78022GT	LANYARD,BLACK NYLON,TYPE 1*** (CE & Australia models)	
28	132506GT	WELDMENT,FULL HEIGHT GATE	1
28B	65990-SGT	KIT,GATE LATCH (includes items 3 and 33)	
28B-	22446GT	SPRING,COMPRESSION .835 X 2 included in kit 65990-SGT	1
28B-	66544GT	LATCH HANDLE included in kit 65990-SGT	1
29	132514GT	WLDMT, ENTRY SIDERAIL,RT (ground controls side)	1
29-	78038GT	CAP, TUBE, SQ,1.25 X .083	
30	1253485GT	SCREW,HHF,1/4-20X2,8,ZAG	8
31	104804GT	HINGE, SPRING, LONG LEG	2
32	1277924GT	NUT,NYLOCK FLG,1/4-20,F,ZAG	8
33	1274322GT	NUT,NYLOCK FLG,3/8-16,F,ZAG	
34	132509GT	WLDMT,ENTRY SIDERAIL,LT (battery pack side)	1
34-	78038GT	CAP, TUBE, SQ,1.25 X .083 (not included sold separately)	
35	1256856GT	SCREW,HHF,3/8-16X2.5,8,ZAG	2
36	132486GT	WLDMT,MAIN SIDERAIL,LEFT (battery pack side)	1
37	1302134GT	WLDMNT, PLATFORM, LARGE, PUNCHED (decals not included, refer to section one)	1
38	24514GT	BOX,INSTRUCTION STORAGE (decals not included, refer to section one)	1
38-	1256855GT	SCREW,HHF,1/4-20X.625,8,ZAG	4
38-	1277924GT	NUT,NYLOCK FLG,1/4-20,F,ZAG	4
38-	825358GT	WASHER,FLAT,5/16,USS,ZAG	4
39	132127GT	ROLLER BRKT LEFT	1
40	132121GT	WELDMENT PLATFORM LANYARD (decals not included, refer to section one)	1
40-	21279GT	BUTTON, .800 O.D. X .281 (sold separately)	1
41	132140GT	WELDMENT, EXT PLATFORM	1
42	132493GT	WLDMT, EXT. SIDERAIL,LT (battery pack side)	1
42-	43392GT	WLDMT,ENTRY SIDERAIL,LT	3



401.1 Platform Components



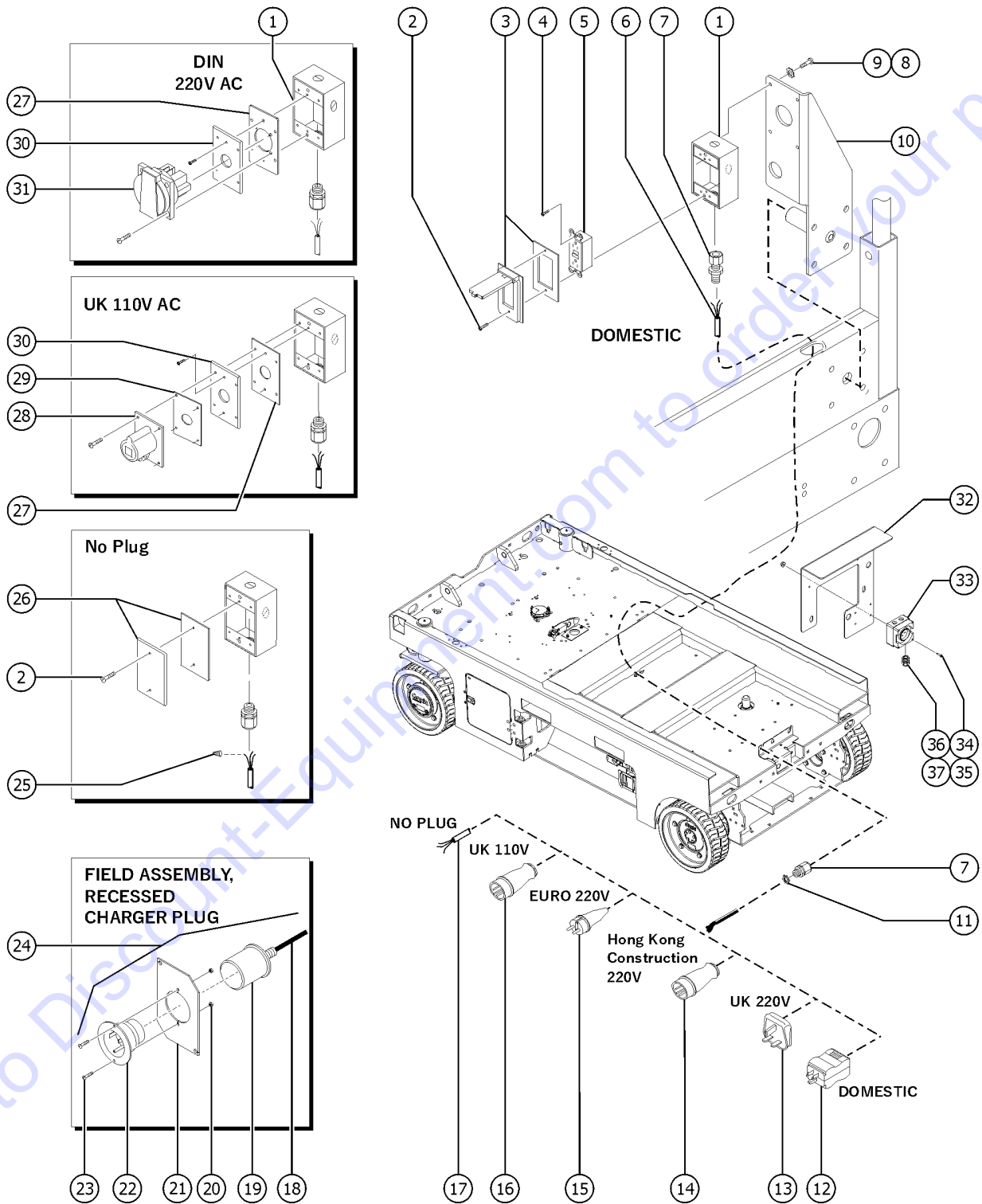
401.1 Platform Components

Item	Part No.	Description	Qty.
43	132499GT	WELDMENT,ENX SIDERAIL,RT (decals not included, refer to section one)	1
43-	43392GT	WLDMT,ENTRY SIDERAIL,LT	3
44	132501GT	WLDMT,DECAL PLATE,GS32	1
45	824078GT	SCREW,HHF,1/4-20X.75,8,ZAG	1

Go to Discount-Equipment.com to order your parts

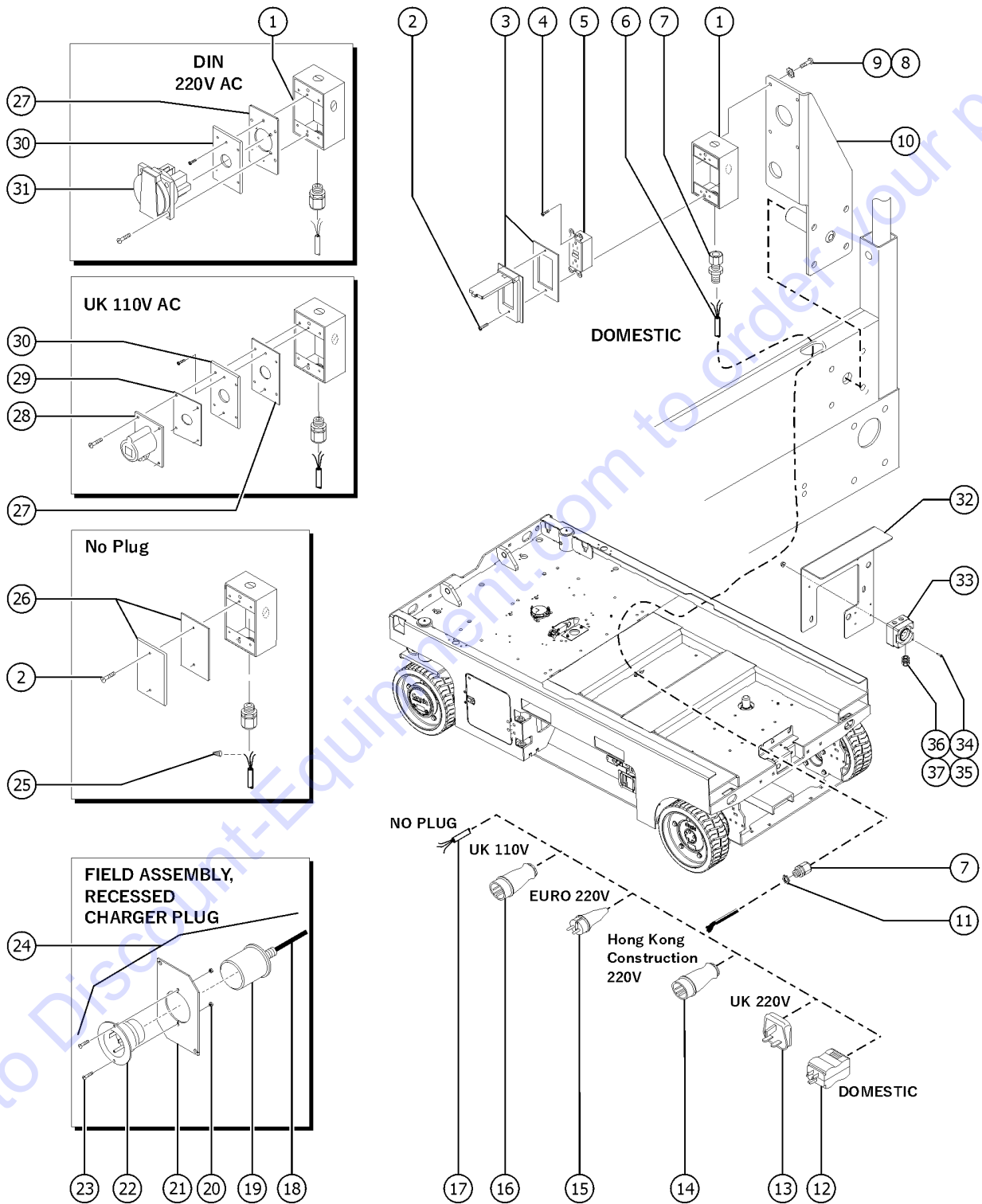


402.1 Power to Platform



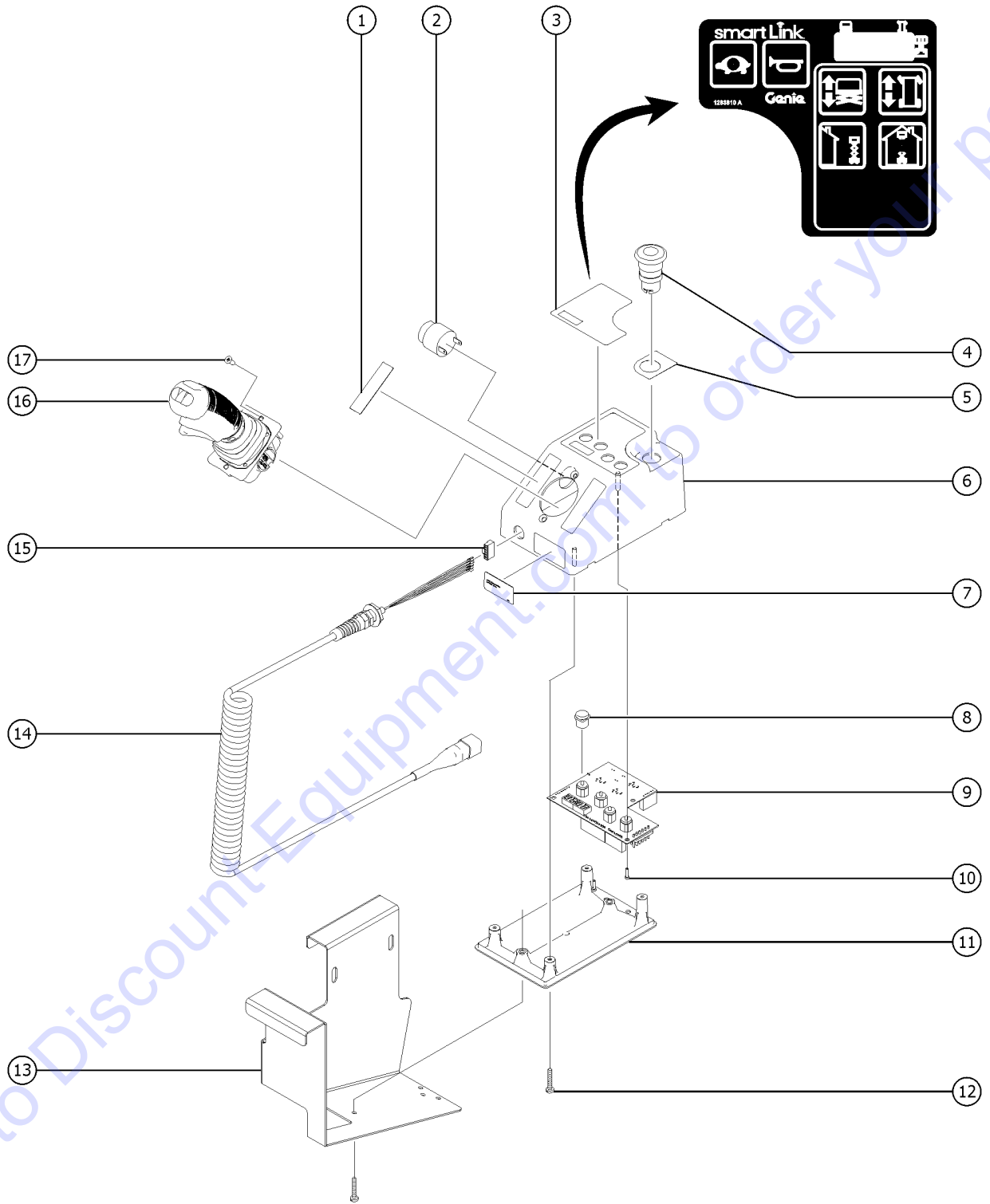
Item	Part No.	Description	Qty.
A	33724GT	KIT,GASKET,UK POWER TO PLAT (includes 1 each, items 27 and 29)	
1	10775GT	T-BOX,2.75 X 4.5 X 2.0	1
2	7127GT	SCREW,PHILLIPS,PHM,6-32 X .75	
3	74006GT	COVER,GFCI,HORIZONTAL,WEATHER (ANSI and CSA models) (includes gasket and mounting fasteners)	1
3B	105812GT	COVER,T-BOX LOCKABLE EE rated (not shown)	1
4	45546GT	SCREW,RHM,6-32 X .5	
5	13585GT	OUTLET, 110V ANSI and CSA models	1
6	43956GT	WIRE CABLE,14/3 CON.TPE JKT* GS-2046	456
6B	43956GT	WIRE CABLE,14/3 CON.TPE JKT* GS-2646	516
6C	43956GT	WIRE CABLE,14/3 CON.TPE JKT* GS-3246	624
7	7056GT	CONN,SQUEEZE,1/2NPT .38-.50,SM	1
8	57075GT	SCREW,PHIL,8-32X.50,SELF TAP	
9	44936GT	WASHER,STAR,EXTERNAL,#8	4
10		Ref. ROLLER BRACKET (refer to 401.1)	
11	6935GT	LOCKNUT,ELEC,1/2"	1
12	6595GT	PLUG,ELECTRICAL,DOMESTIC	2
13	25388GT	PLUG,FUSED,250V,13AMP,U.K.**	
14	1263471GT	PLUG,IEC60309 CEE, 3PIN 220-24 (Hong Kong Construction)	1
15	1280665GT	PLUG, TYPE F, 230A, 50HZ, 16A, IP44	
16	144161GT	PLUG,PWR,UK,16AMP,3PIN,BLK	
17	105117GT	PLUG,FLG INLET,15A/125V,2PWGD	
17-	105118GT	GASKET,(BOOT) FLANGE INLET PLG	
18	48282GT	POWER CORD, IEC 320 BLANK, 79"	1
19	105118GT	GASKET,(BOOT) FLANGE INLET PLG	1
20	1258187GT	NUT,TL,8-32,A,ZAG	2
21	105483-SGT	PLATE,AC ADAPTER(ANSI/CSA)	1
21-	6091GT	NUT,NYLOCK,1/4-20	2
21-	6878GT	BOLT,CARRIAGE,1/4-20 X .75,G2 not included	2

402.1 Power to Platform



Item	Part No.	Description	Qty.
22	105117GT	PLUG,FLG INLET,15A/125V,2PWGD	1
23	1268950GT	SCREW,PHPM,8-32X.50,ZAG	2
24	105448GT	FIELD ASSY,REC.CHARGER PLUG	1
25	6626GT	WIRE CAP,ORANGE	1
26	10777GT	COVER,BLANK	1
27	66355GT	GASKET, UK & DIN PWR. TO PLAT 2.9 x 2.9 inches	1
28	T112560GT	RECEPTACLE,UK,110V	1
29	66356GT	GASKET, UK RECEPTACLE 2.9 x 2.9 inches	1
30	105483-SGT	PLATE,AC ADAPTER(ANSI/CSA) ANSI/CSA	
30B	96236GT	PLATE,AC ADAPTER,DIN/UK***	
30C	T112561GT	PLATE,UK,POWER TO PLAT	
30D	105090GT	PLATE, AC ADAPTER(AUS)	
31	66353GT	RECEPTACLE, DIN, 220V 50A	1
32	1275425GT	FORMING,AUS RCD BRACKET,GS47	1
33	1284302GT	RECEPTACLE,C66AI310,AUS	1
34	824215GT	SCREW,PHPM,10-32X.75,ZAG	8
35	824032GT	NUT,TL FLG,10-32,F,ZAG	8
36	160412GT	JOINT,PG13.5,M20X1.5	2
37	96009GT	WASHER,NITRILE	1

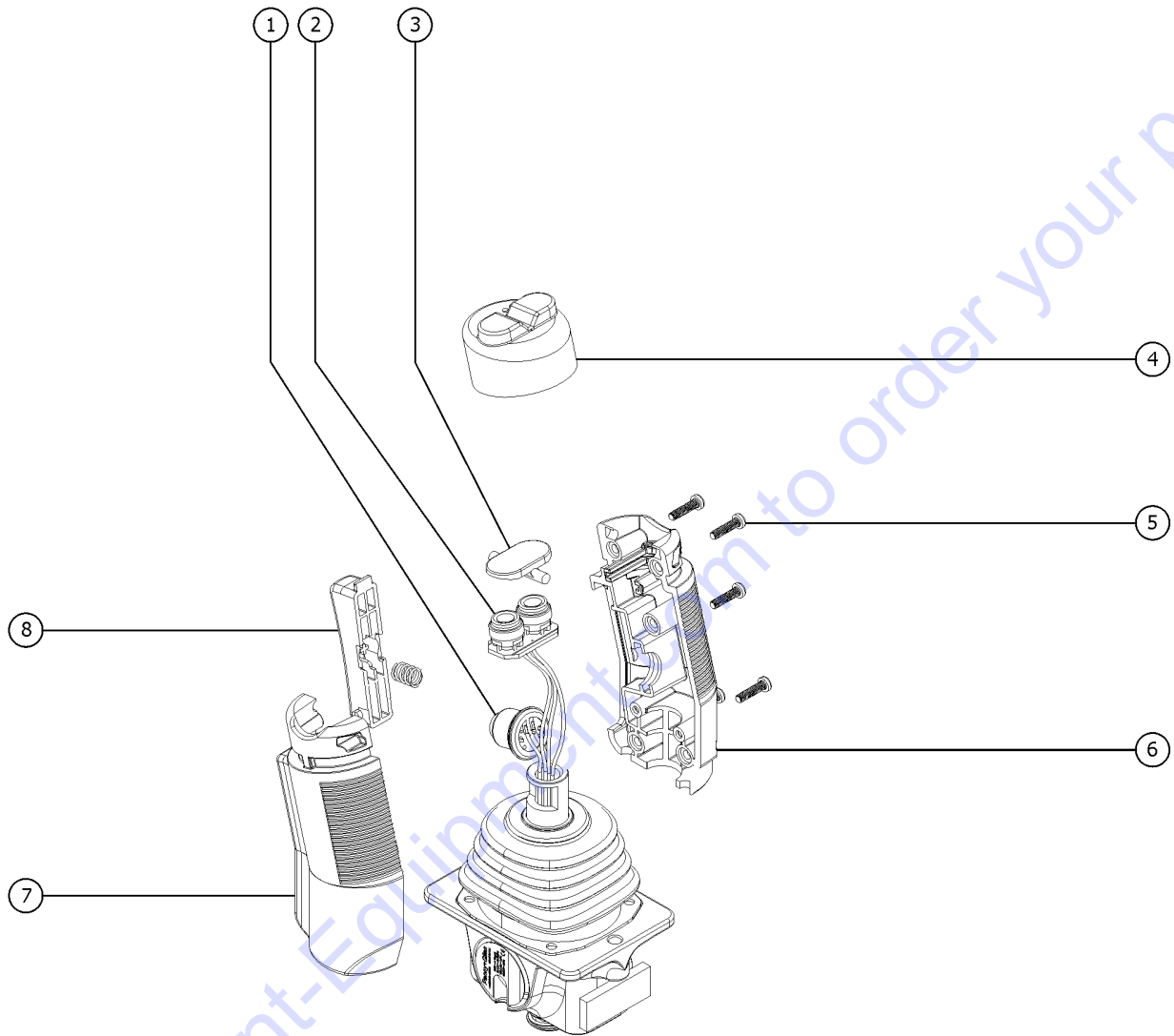
403.1 Platform Controls



Item	Part No.	Description	Qty.
A	1256727GT	PCON,STD,PROP LIFT,GR/GS complete platform control box with coil cord, bracket not included	1
A-	1258731GT	FLASH DRIVE,SL1K2.0 SOFTWARE (For proportional lift or upgrade kits only. Software update available on-line. Flash drive sold separately.)	1
A-	137587GT	HARNESS, ESTOP, GR/GRC/GS PCON	1
B	1280957GT	PCON ASSEMBLY,HARTING CONN OPTION	1
C	1280958GT	CABLE,PLATFORM CONTROL,GS,HARTING CONN OPTION	1
1	137656GT	DECAL,PROPEL,GR/GRC/GS,PCON	1
2	39540GT	ALARM,STEADY TONE*** order 72326 mounting ring separately	1
2-	72326GT	NUT - PLASTIC,RING FOR ALARMS for 39540	1
3	1283810GT	DECAL,STD,DUAL ZONE,GR/GS,UI	1
4	66812GT	BUTTON,PUSH,RED MUSHROOM HEAD	1
4-	66817GT	BASE WITH 1 NC CONTACT, E-STOP	1
5	137605GT	DECAL,E-STOP,GR/GRC/GS PCON	1
6	T106368GT	ENCLOSURE,GC14-1,TOP	1
7		(component no longer available) refer to 401.1	
8	T106373GT	CAP,BUTTON,K12	6
9	1283790GT	PCBA,PCON,STD,DUAL ZONE	1
10	137637GT	SCREW,PHM,4-20X.5, 48-2 TRI-L	1
11	T106370GT	ENCLOSURE,GC14-1/GC16-1, BOT	1
12	137640GT	SCREW,PHM,8-16X.75, 48-2 TRI-L	1
13	T114397GT	FORMING,PLAT CONTROL BOX (decals not included, refer to section one)	1
14	137611GT	ASSY, COIL CORD, GR/GRC/GS	1
15	137699GT	PLUG, 6POS ECO PWR	1
16		Ref., JOYSTICK (refer to 404.1)	1
17	229845GT	SCREW,BHSCS,M5X10,SS apply Loctite 243 or equivalent before installation	1



404.1 Joystick Controller



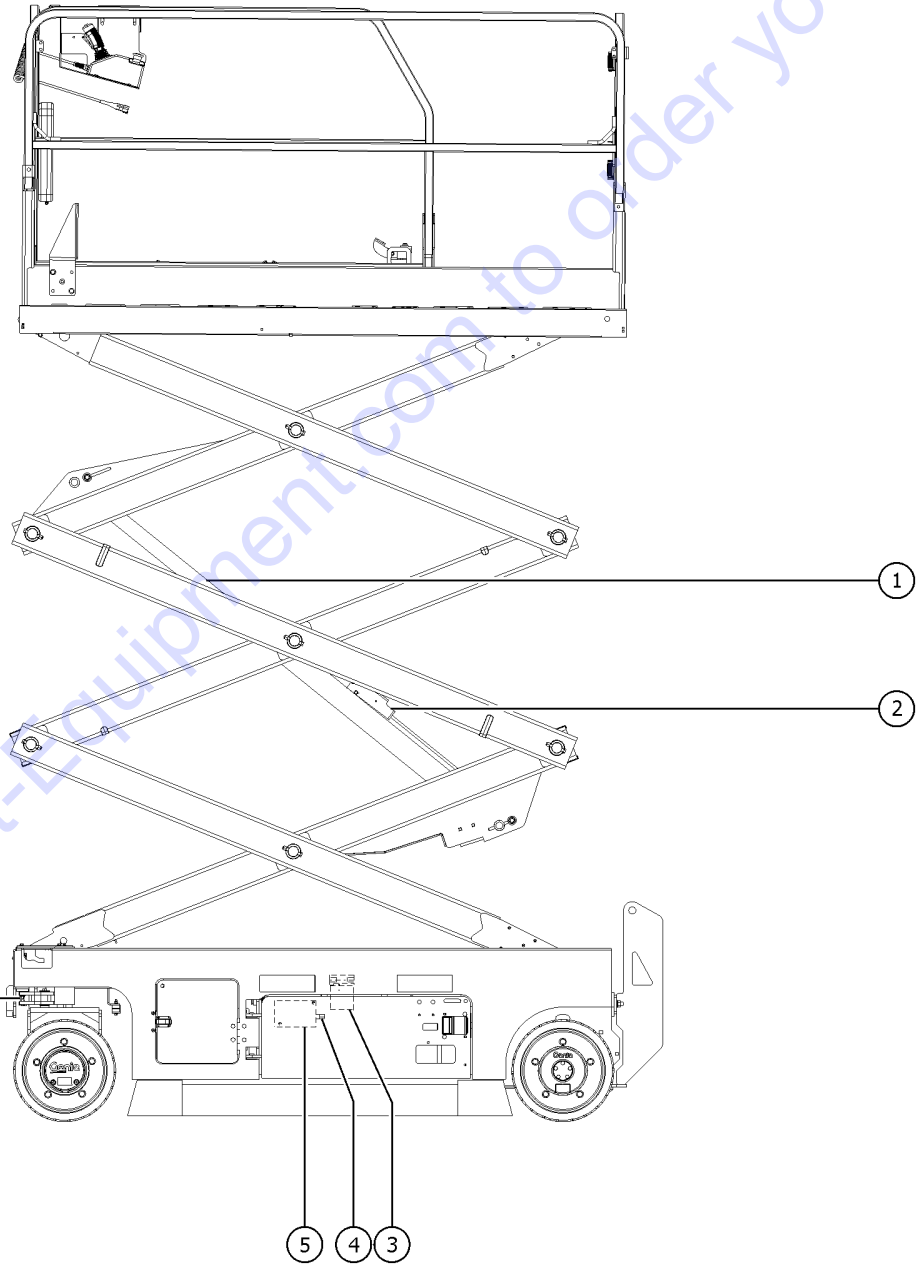
404.1 Joystick Controller

Item	Part No.	Description	Qty.
--	137634GT	JOYSTICK, HALL EFFECT, SINGLE	
--	229097GT	TERMINAL, SPLINE (AMP)	
--	214544GT	KIT,BOOT,JOYSTICK,SL1000	
		joystick boot	
1	235463GT	KIT,SWITCH,JYSTK,SL1000	
		function enable and steer switches	
2	235463GT	KIT,SWITCH,JYSTK,SL1000	
		function enable and steer switches	
3	229092GT	ROCKER,2 SWITCH	1
4	229093GT	BOOT, 2 SWITCH, SILICON	1
5	229086GT	SCREW, SELF TAP	2
6	229087GT	HANDLE HALF,RIGHT,W/TOP SWITCH	1
6B	229091GT	SCREW,GRUB,M5X8MM,HLF DOG,BZP	
		for 229087GT	
7	229088GT	HANDLE HALF,LEFT,W/TOP SWITCH	1
7B	229090GT	SCREW,GRUB,M5X8MM CUP(BLK)	
		for 229088GT	
8	229089GT	TRIGGER, EXTENDED	1
8-	229094GT	SPRING, HANDLE TRIGGER	1

Go to Discount-Equipment.com to order your parts



501.1 Hydraulic Components



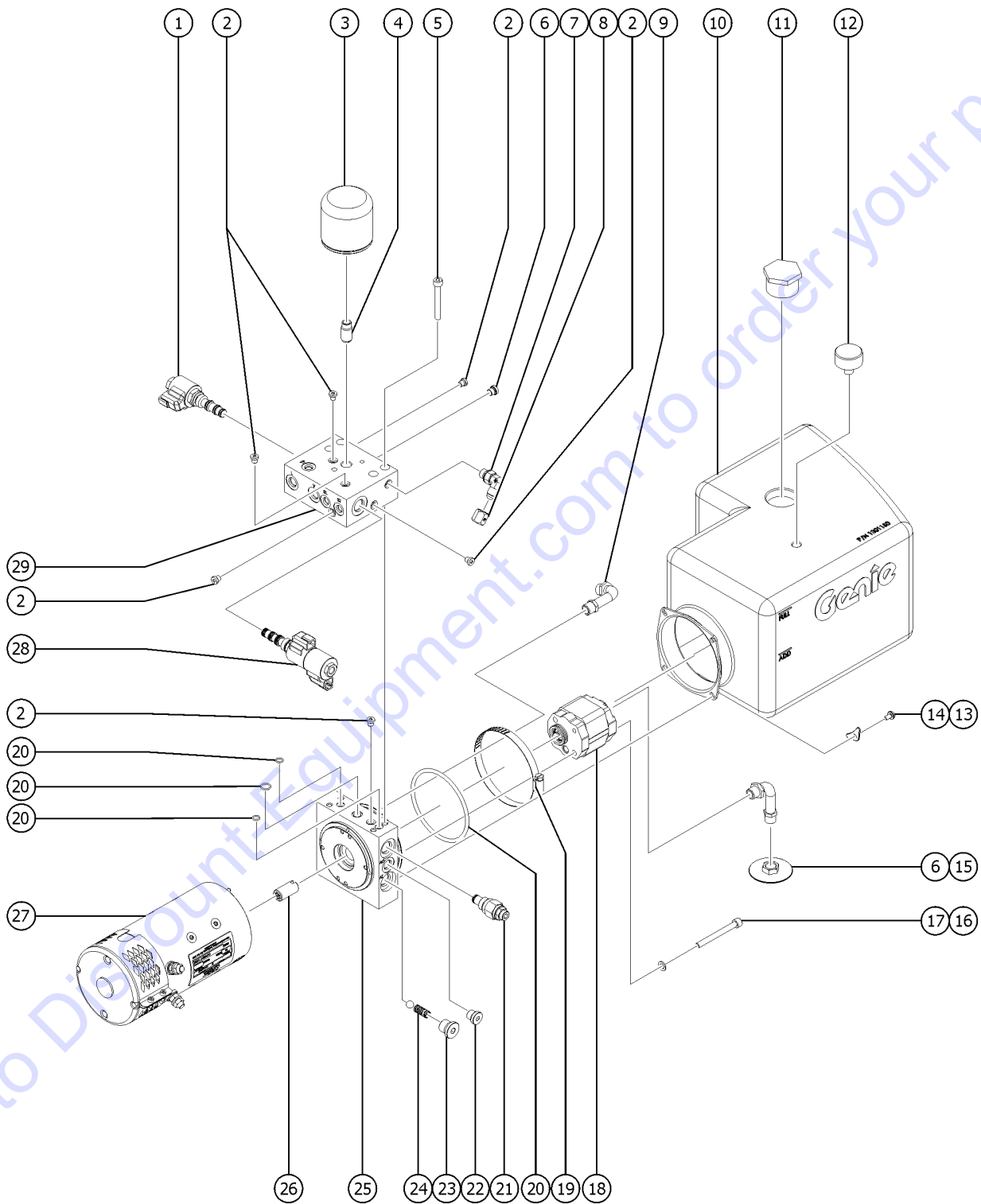
501.1 Hydraulic Components

Item	Part No.	Description	Qty.
1		Ref. Lift Cylinder Assembly (refer to 503.1, 503.2)	
2		Ref. Pressure Transducer (refer to 701.1)	
3		Ref. Filter, Element, Spin On (refer to 502.1)	
4		Ref. Check Valve (refer to 502.1)	
5		Ref. Power Unit (refer to 502.2)	
6	105547GT	CYLINDER,GS/GR STEER***	1
6-	105550GT	KIT,STEER CYL SEAL	
6-	105553GT	KIT,STEER CYL SEAL,040271P,HDM (for code H408147 and up)	
6-	105554GT	KIT,STEER CYL SEAL,040499P,HDM (for code H41109 and up)	
6-	105555GT	KIT,STEER CYL SEAL,040505P,HDM (for codes H41205, H41255, H51290, H501111, H505109, H509101, H60723 and H60870)	

Go to Discount-Equipment.com to order your parts



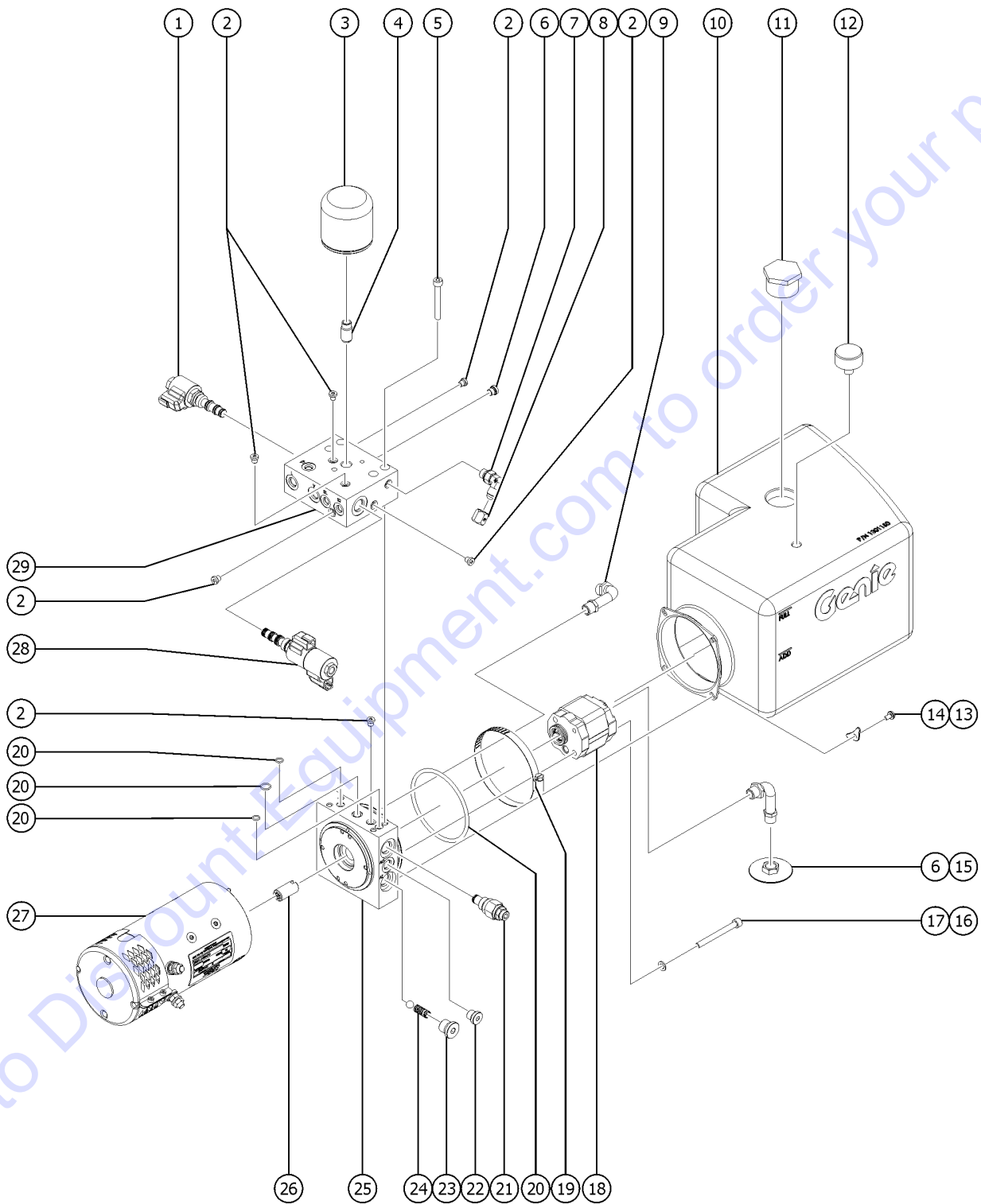
502.1 Power Unit



Item	Part No.	Description	Qty.
1	1303166GT	VALVE-SOLENOID, 2POS 4WAY, SV08-40-0-N-20ERZ	1
2	1302837GT	PLUG, M8X1, Y	6
3	1300318GT	FILTER, ELEMENT, SPIN ON	1
4	1300319GT	INSERT, THREADED, INTERNAL HEX	1
5	1302843GT	SCREW, GB/T70.1, M8X55, ZNCR, 12.9	4
6	1302836GT	PLUG, M10X1, Y	1
7	1307058GT	ELBOW, POWER UNIT	1
8	1307059GT	CAP, POWER UNIT	1
9	1302844GT	SUCTION TUBE, NPT3/8	1
10	1301150GT	TANK, HYD. POLYETHYLENE, GS4046 SLAB, E-DRIVE (GS-4046)	1
10B	1301149GT	TANK, HYD. POLYETHYLENE, MID/LARGE SLAB, E-DRIVE (GS-2046, GS-2646, GS-3246)	1
11	66204GT	PLUG, 1-1/2" NPT HEX HEAD	1
12	78546GT	BREATHER CAP, HYD. TANK, 1/4 NPT	1
13	1302840GT	SCREW, GB/T5789, M6X8, 8.8	4
14	1302841GT	WASHER, TRIANGULAR, PU-**-04-P	4
15	1302845GT	SUCTION FILTER, PU-LW1	1
16	1302838GT	SCREW, GB/T70.1, M8X80, 12.9	2
17	1302839GT	WASHER, GB/T848, 8, BZN, 300HV	2
18	1301546GT	GEAR PUMP, 3.8CC, GS4046, E-DRIVE (GS-4046)	1
18B	1301545GT	GEAR PUMP, 2.9CC, MID/LARGE SLAB, E-DRIVE (GS-2046, GS-2646, GS-3246)	1
19	1302842GT	HOSECLAMP, 118-140MM	1
20	1302833GT	SEAL KITS, O-RING, 109X5.3, 12.5X1.8, 8.5X1.8	1
21	1303167GT	RELIEF VALVE, RV08-20H-0-N-33/29	1
22	1302834GT	PLUG, SAE9, 16-18, Y	1
23	1302835GT	PLUG, SAE3/4-16, 200Z60680	1
24	1303256GT	CHECK VALVE, E-DRIVE MANIFOLD	1
25	1301547GT	MANIFOLD BLOCK, CENTER BLOCK, POWER UNIT, E-DRIVE	1
26	1303167GT	RELIEF VALVE, RV08-20H-0-N-33/29	1



502.1 Power Unit

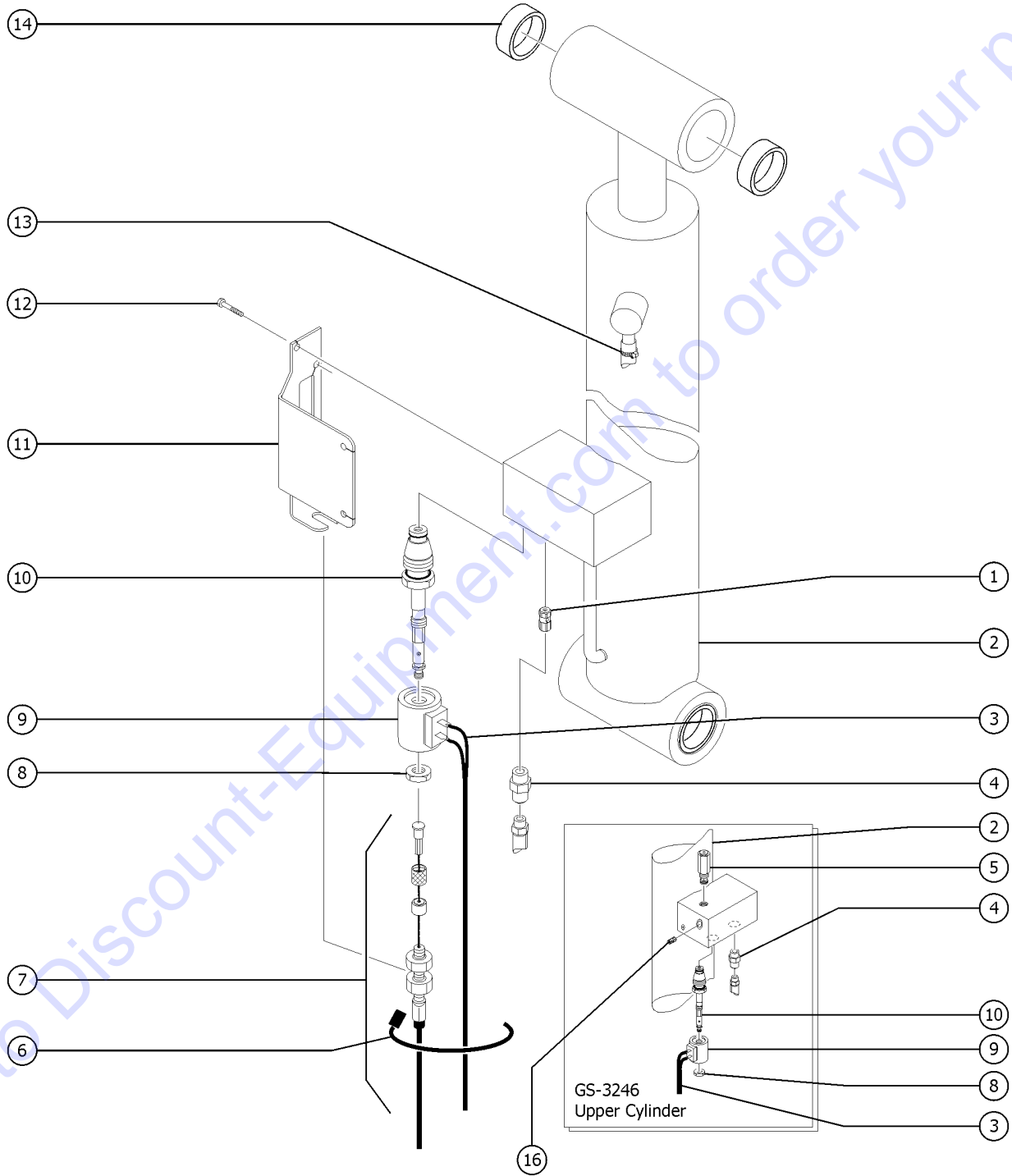


<i>Item</i>	<i>Part No.</i>	<i>Description</i>	<i>Qty.</i>
27	1300180GT	PUMP MOTOR, POWER UNIT, 24V, 125MM, LONG (GS-4046)	1
27B	1300179GT	PUMP MOTOR, POWER UNIT, 24V, 125MM, SHORT (GS-2046, GS-2646, GS-3246)	1
28	1303167GT	RELIEF VALVE, RV08-20H-0-N-33/29	1
29	1301548GT	MANIFOLD BLOCK, DEPUTY BLOCK, POWER UNIT, E-DRIVE	1

Go to Discount-Equipment.com to order your parts



503.1 Lift Cylinder Assembly (GS2046, GS2646, GS3246)

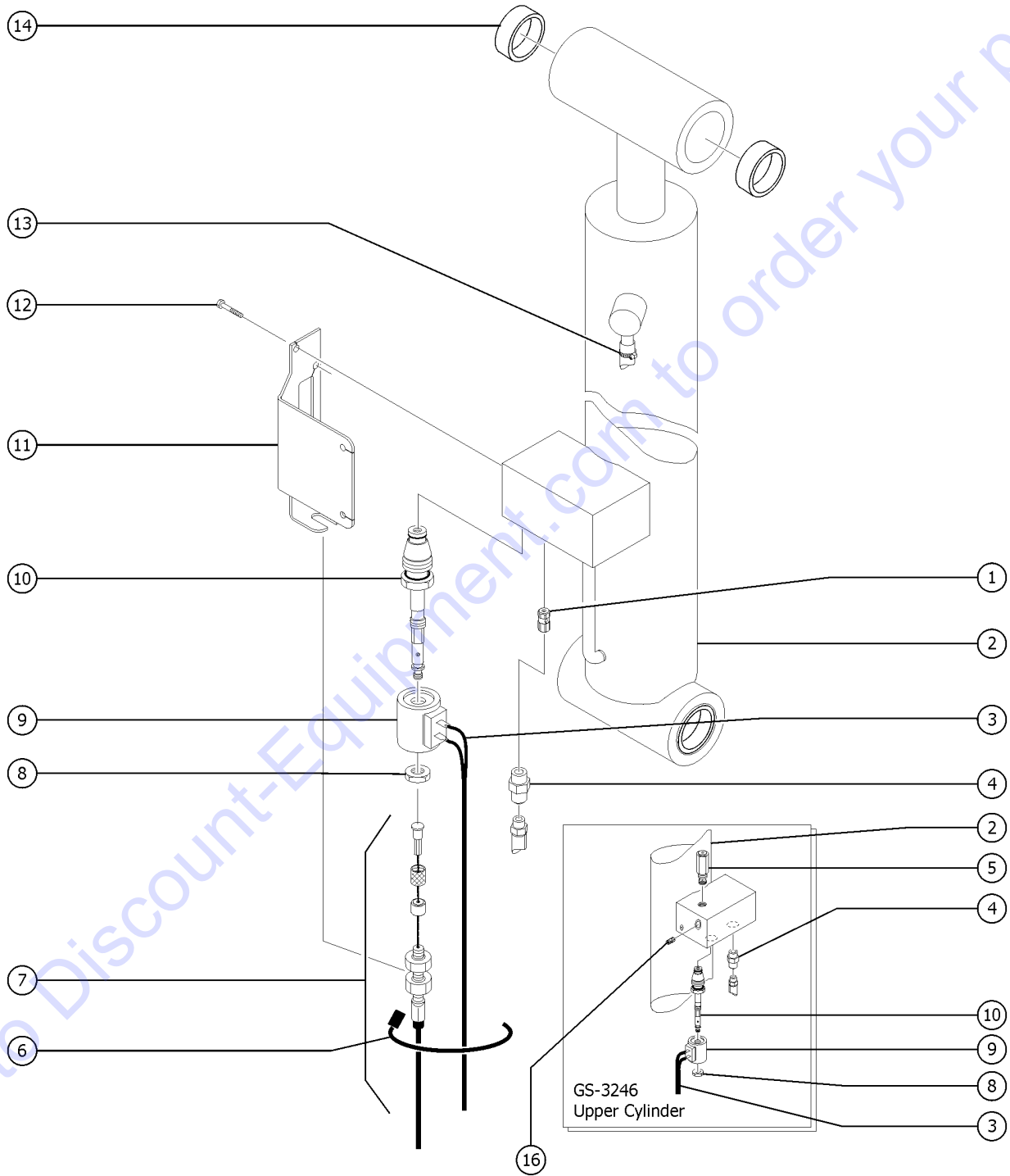


503.1 Lift Cylinder Assembly (GS2046, GS2646, GS3246)

Item	Part No.	Description	Qty.
1	55560GT	ORIFICE, LONG, .059"	
1-	105479GT	KIT, TWO ORIFICE, .059"	
1-	105481GT	KIT, ORIFICE, .059"	
2	105544GT	CYLINDER, 20XX LIFT	1
		(GS-2046)	
2-	105549	SEAL KIT (105545)	
		(for PN 105544GT)	
2B	105545	CYLINDER, 26XX/32XX LIFT	1
		(GS-2646)	
2B-	105549	SEAL KIT (105545)	
		(for PN 105545GT)	
2C	105546	CYLINDER, 32XX UPPER LIFT	1
		(GS-3246), (upper cylinder)	
2C-	105564	SEAL KIT (105546)	
		(for PN 105546GT)	
2D	105545	CYLINDER, 26XX/32XX LIFT	1
		(GS-3246), (lower cylinder)	
2D-	105549	SEAL KIT (105545)	
		(for PN 105545GT)	
3		Ref. Down Coil Wire Harness	1
		(refer to 210.1)	
4	39878GT	CONNECTOR, 070120-6-6	1
5	97130GT	VALVE-RELIEF, 2500PSI	
5-	44227GT	SEAL KIT, VALVE	
		for 97130	
5B	237455GT	VALVE, RELIEF, 2900 PSI, BOSCH	
6	28443GT	CABLE TIE, 11.5" BLACK	3
7		Ref. Emergency Down Cable	
		(refer to 203.1)	
8	44973GT	NUT, COIL (39909)	1
9	84422GT	COIL-SOLENOID VALVE, 20V DC***	1
10	66465GT	VALVE, W/20V NC SOLENOID, MANUAL	1
		(includes items 7 and 8)	
10-	40477GT	VALVE, CARTRIDGE***	
10-	44979GT	SEAL KIT, 39909, PLAT LWR VALVE*	
11	41557-SGT	CABLE BRACKET, PAINTED	1
12	7339GT	SCREW, HHC, 1/4-20 X .5	
13	6356GT	WASHER, LOCK, .25	
14	96770GT	CLAMP, HOSE, 1 EAR, 11/16	1
15	105478GT	BEARING, 1.5025IDX1.5075ODX1.5L	4



503.1 Lift Cylinder Assembly (GS2046, GS2646, GS3246)



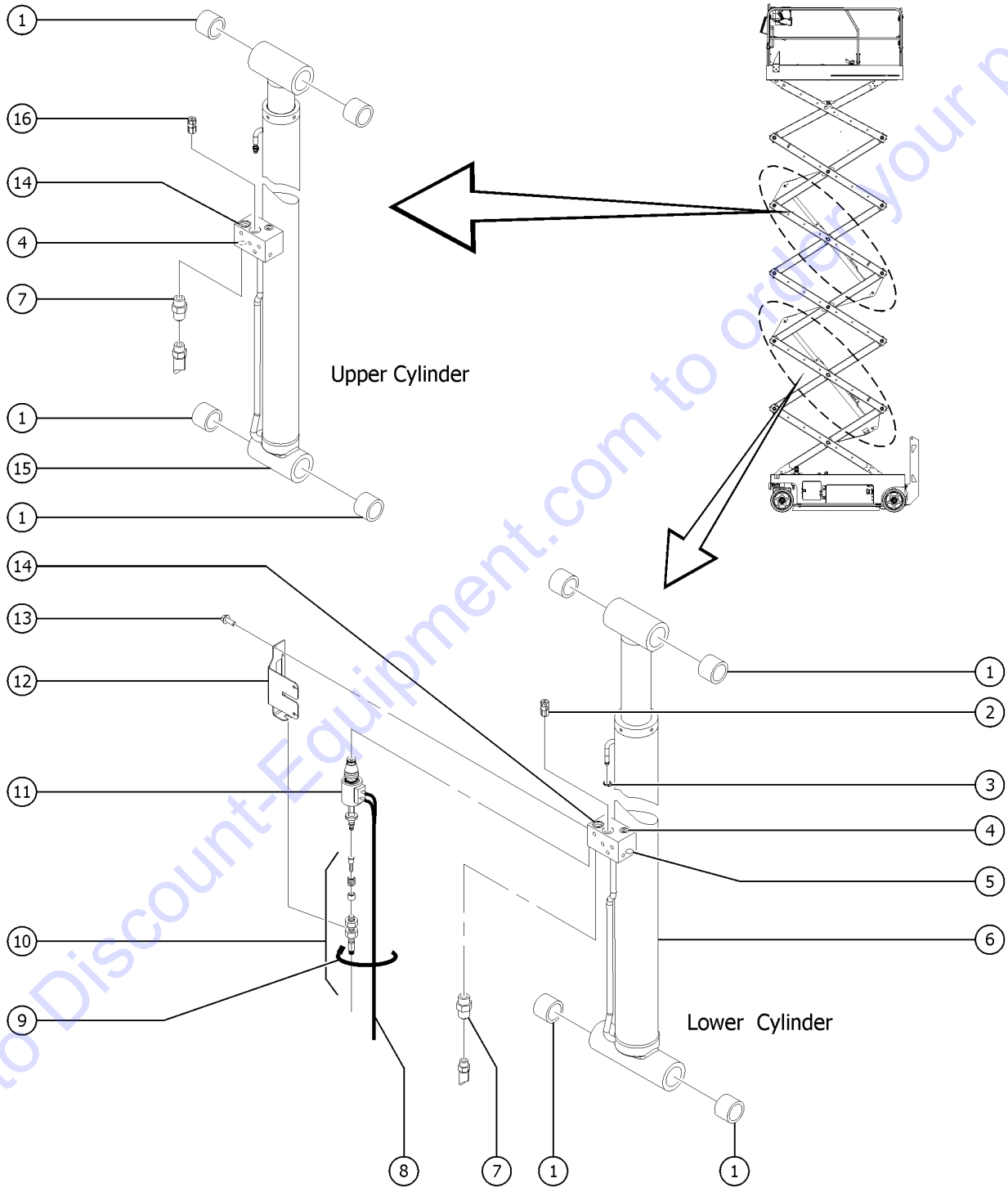
503.1 Lift Cylinder Assembly (GS2046, GS2646, GS3246)

<i>Item</i>	<i>Part No.</i>	<i>Description</i>	<i>Qty.</i>
16	55558GT	ORIFICE, LONG, .037*** GS-3246	1

Go to Discount-Equipment.com to order your parts

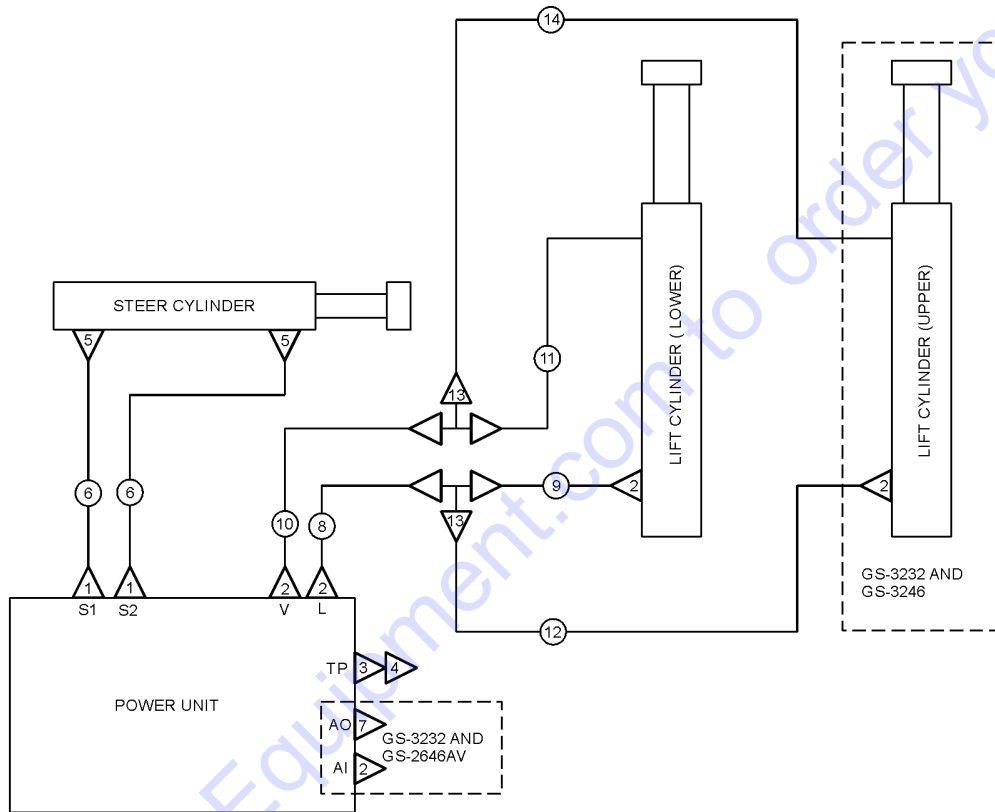


503.2 Lift Cylinder Assembly (GS4046)



Item	Part No.	Description	Qty.
1	66055GT	BEARING,1.50ID X 1.77OD X 1.25	8
2	214817GT	ORIFICE,LONG,.076"	1
3	96770GT	CLAMP, HOSE, 1 EAR, 11/16	1
4	52368GT	VALVE,CHECK,GS68 (SIZE8 8)	2
5	1295821GT	PRESSURE,TRANSDUCER,1-3K PSI	1
6	1264781GT	LOWER CYL,4047 LIFT,3.5" BORE,DONGYANG	1
6-	1282019GT	SEAL KIT for 1264781	
7	39878GT	CONNECTOR, 070120-6-6	4
		(two per cylinder)	
8		Ref. Down Coil Wire Harness	
		(refer to 210.2)	
9	28443GT	CABLE TIE,11.5" BLACK	3
10		Ref. Emergency Down Cable	
		(refer to 203.1)	
11	229615GT	VALVE, PROPORTIONAL, SP08-20	1
		(includes p/n 44973)	
12	132013GT	FORMING VERTICLE CABLE COVER	1
13	824077GT	SCREW, HHF, 1/4-20 X .5, 8, ZAG	2
14	236279GT	VALVE,RELIEF,SIZE 8,3500 PSI	2
		(one per cylinder)	
15	1264780GT	UPPER CYL,4047 LIFT,3" BORE,DONGYANG	1
15-	1282018GT	SEAL KIT for 1264780	
16	55560GT	ORIFICE,LONG, .059"	1

504.1 Hydraulic Hoses and Fittings (GS2046, GS2646, GS3246)



LEGEND	
	FITTING
	HOSE ASSEMBLY
	TEE-FITTING

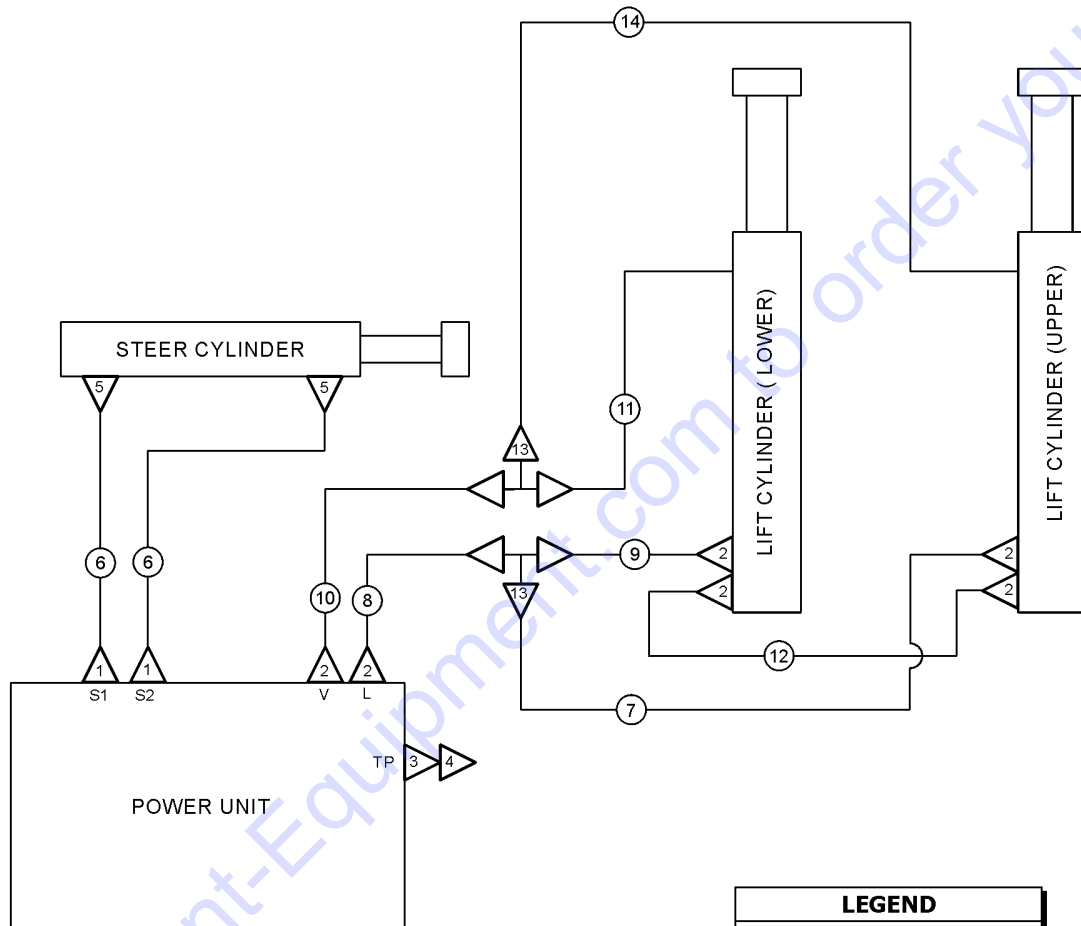
504.1 Hydraulic Hoses and Fittings (GS2046, GS2646, GS3246)

Item	Part No.	Description	Qty.
1	39877GT	CONNECTOR, 070120-4-4	2
2	39878GT	CONNECTOR, 070120-6-6	5
3	48997GT	NIPPLE,DIAGNOSTIC,#4 PORT***	1
4	48880GT	CAP,DIAGNOSTIC NIPPLE	1
5	13921GT	ELBOW,070220-4-4	2
6	1288365-5750GT	HOSE ASSY, STEER, RYCO	2
7	237086GT	GS3246_VALVE,CHECK,#6-#6,MJIC TO MORB	1
8	1288926-4600GT	HOSE ASSY,LIFT,RYCO	1
9	1259059GT	HOSE,LOWER VENT RYCO	1
10	1298646-4400GT	HOSE ASSY, POWER UNIT, VENT, RYCO	1
11	1259085GT	HOSE,LOWER VENT RYCO	1
12	1259186GT	HOSE ASSY,UPPER LIFT,RYCO	1
13	51152GT	TEE,RUN 070432-6*****	2
14	1259185GT	HOSE, UP VENT, RYCO	1

Go to Discount-Equipment.com to order your parts



504.2 Hydraulic Hoses and Fittings (GS4046)



LEGEND	
	FITTING
	HOSE ASSEMBLY
	TEE-FITTING

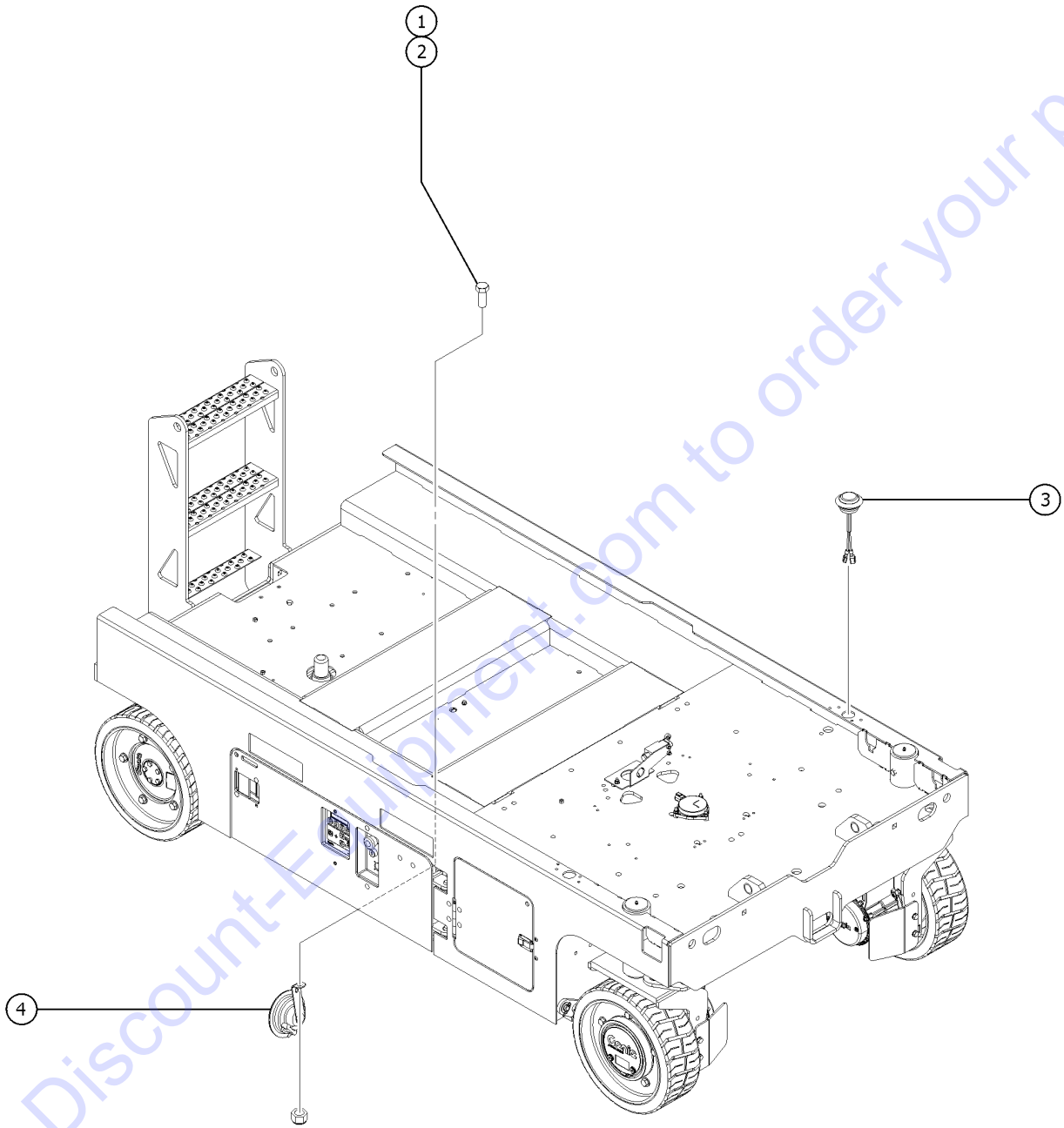
504.2 Hydraulic Hoses and Fittings (GS4046)

Item	Part No.	Description	Qty.
1	39877GT	CONNECTOR, 070120-4-4	2
2	39878GT	CONNECTOR, 070120-6-6	6
3	48997GT	NIPPLE,DIAGNOSTIC,#4 PORT***	1
4	48880GT	CAP,DIAGNOSTIC NIPPLE	1
5	13921GT	ELBOW,070220-4-4	2
6	1288365-5750GT	HOSE ASSY, STEER, RYCO	2
7	1260604GT	HOSE,ASSY,UPPER LIFT	1
8	1288926-4450GT	HOSE ASSY, POWER UNIT, LIFT, RYCO	1
9	105046GT	HOSE ASSY,LOWER LIFT	1
10	1298646-4400GT	HOSE ASSY, POWER UNIT, VENT, RYCO	1
11	1259085GT	HOSE,LOWER VENT RYCO	1
12	1260603GT	HOSE,ASSY,CYL TO CYL	1
13	51152GT	TEE,RUN 070432-6*****	2
14	1260605GT	HOSE,VENT,UPPER	1

Go to Discount-Equipment.com to order your parts



601.1 Alarm, Horn and Flashing Beacons



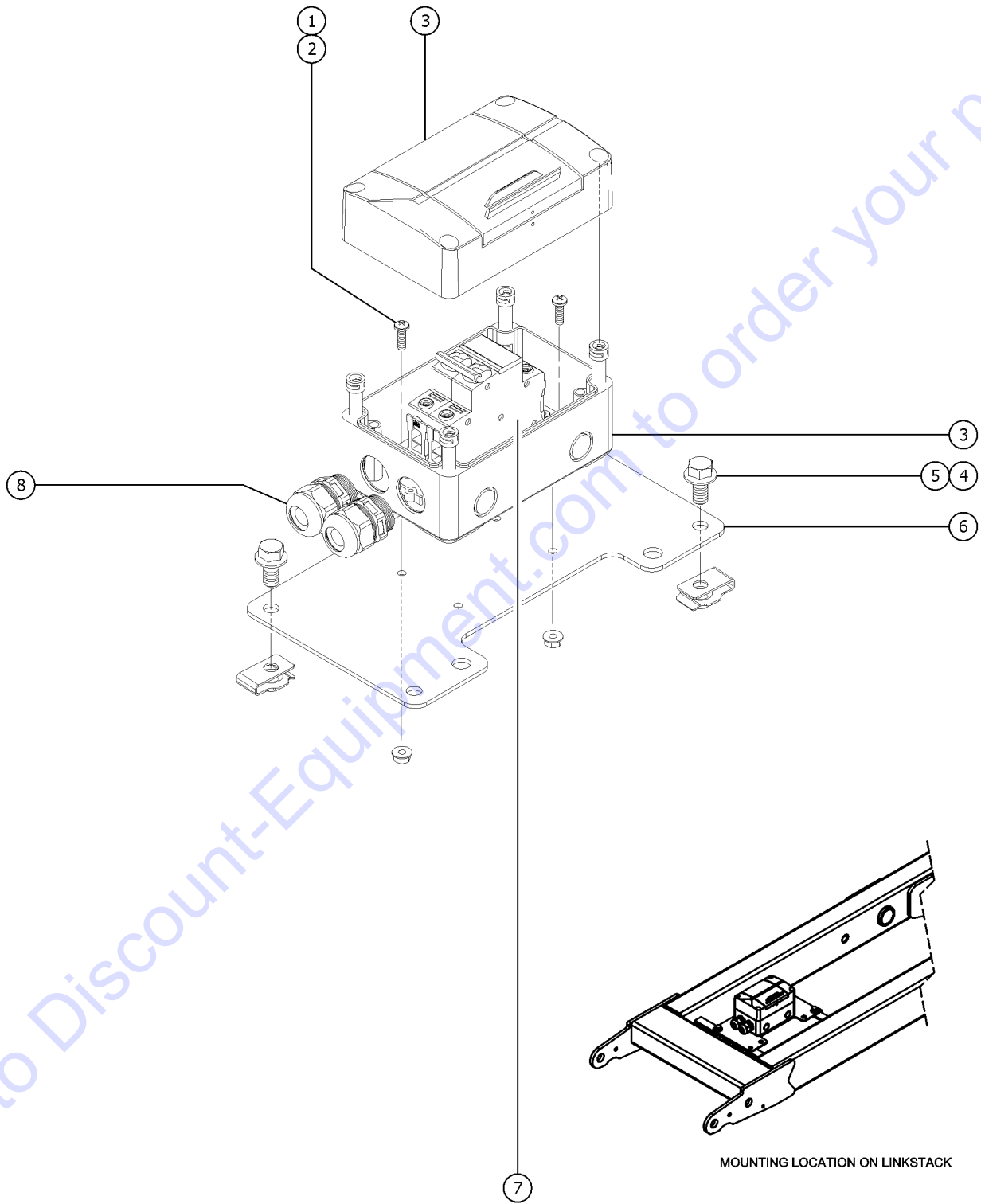
601.1 Alarm, Horn and Flashing Beacons

Item	Part No.	Description	Qty.
1	824067GT	SCREW, HHC, 3/8-16 X 1, 8, ZAG	1
2	1274166GT	NUT,NYLOCK,3/8-16,C,ZAG	1
3	1261183GT	ASSEMBLY, VISUAL IND LIGHT	2
3-	1254572GT	LIGHT,TURN SIGNAL,1.25" LED,AM	2
3-	1270162GT	ASSY,BEACON,LED 24V	2
		for 1261183	
3-	1271521GT	HARNES, BEACON, LCD, MINI	1
		for 1261183	
4	81579GT	HORN,24VDC,SPADE TERMINALS***	1

Go to Discount-Equipment.com to order your parts



602.1 RCBO



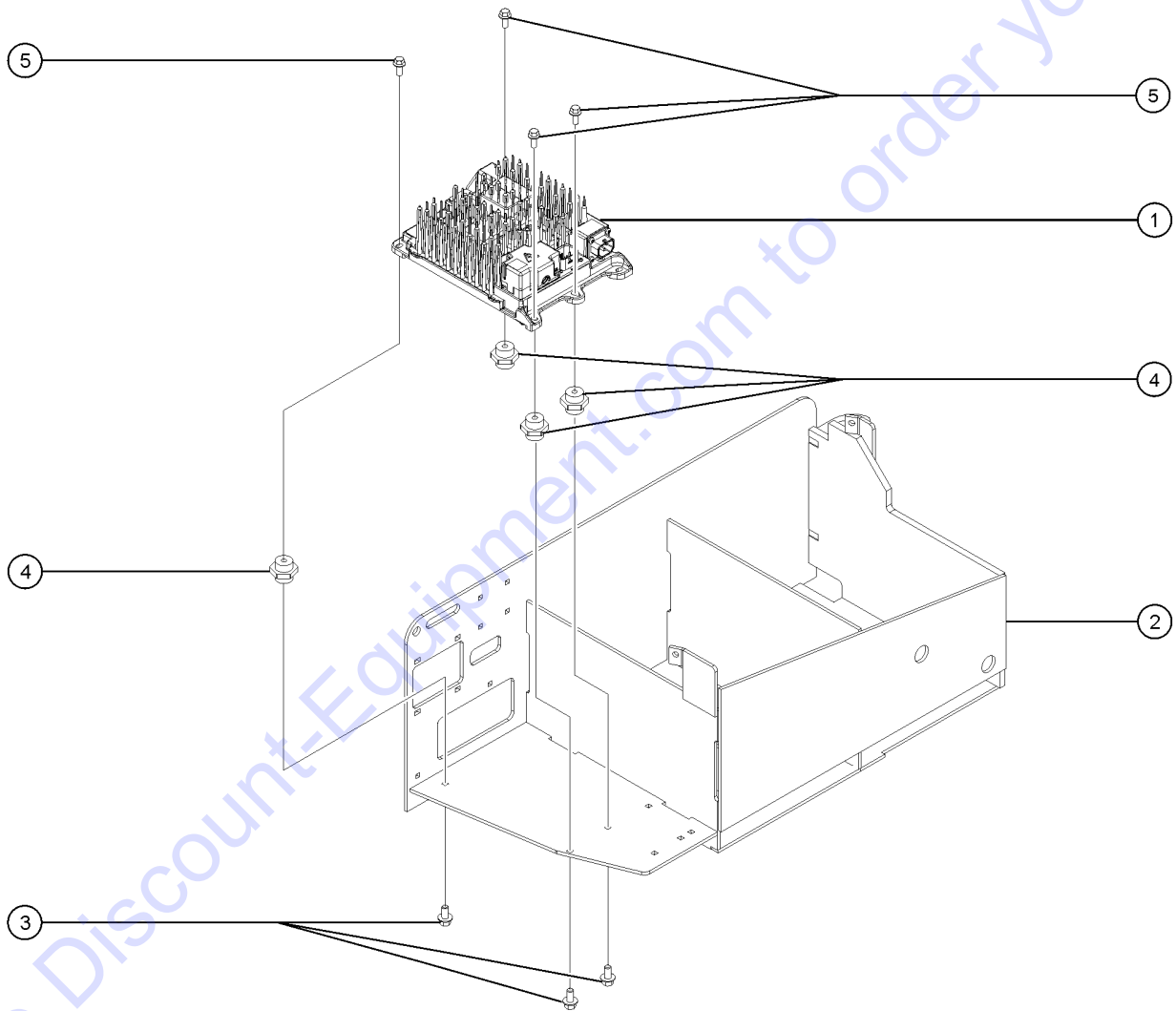
602.1 RCBO

Item	Part No.	Description	Qty.
1	1257227GT	SCREW,PHPM,10-32X.625,ZAG	2
2	1283004GT	NUT,NYLOCK FLG,10-24,A,ZAG	2
3	1269086GT	ENCLOSURE, FUSE, MODULAR, 150X	1
4	824089GT	SCREW,HHF,3/8-16X.75,8,ZAG	2
5	29868GT	SPRING CLIP,3/8-16,.05-.20X.73,ZAG	2
6	1274540GT	PLATE, RCBO, GS	1
7	231868GT	RCBO,16A,30MA,6KA 110/230VAC	1
8	1280947GT	GLAND ASSY,M25,6-13MM	2
9	43956GT	WIRE CABLE,14/3 CON.TPE JKT*	115
10	1280948GT	SLEEVE,CABLE-END,14AWG,2.5MM for 43956	6

Go to Discount-Equipment.com to order your parts



603.1 Charger Isolation



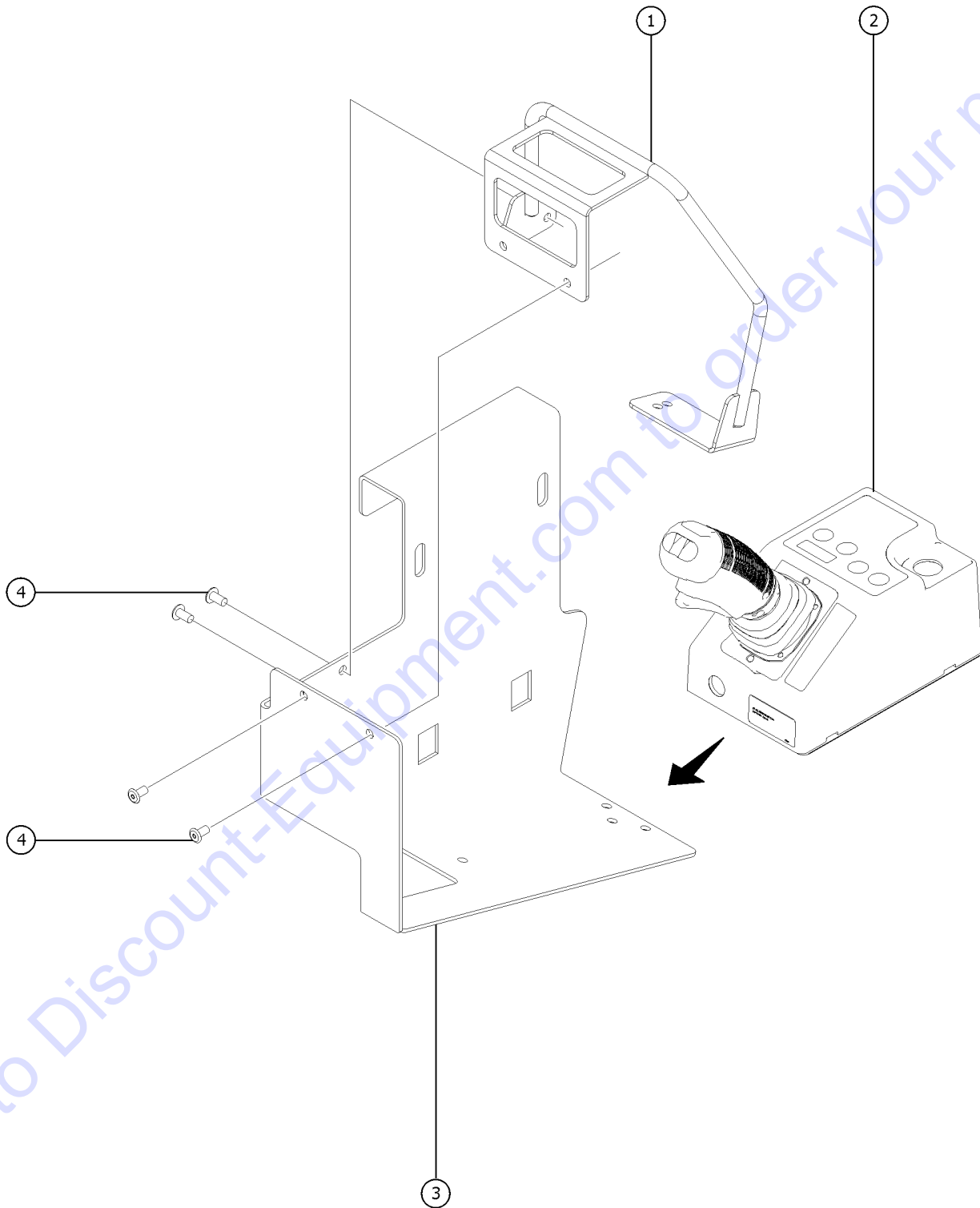
603.1 Charger Isolation

Item	Part No.	Description	Qty.
1		Ref.CHARGER, 24V, 650W, USB (refer to 206.1)	1
2	1273354GT	WLDMT, GS BATTERY TRAY	1
3	824077GT	SCREW, HHF, 1/4-20 X .5, 8, ZAG	3
4	1276847GT	ISOLATOR,SANDWICH,1/4-20,M2M	4
5	1256855GT	SCREW,HHF,1/4-20X.625,8,ZAG	4

Go to Discount-Equipment.com to order your parts



604.1 PCON Guard



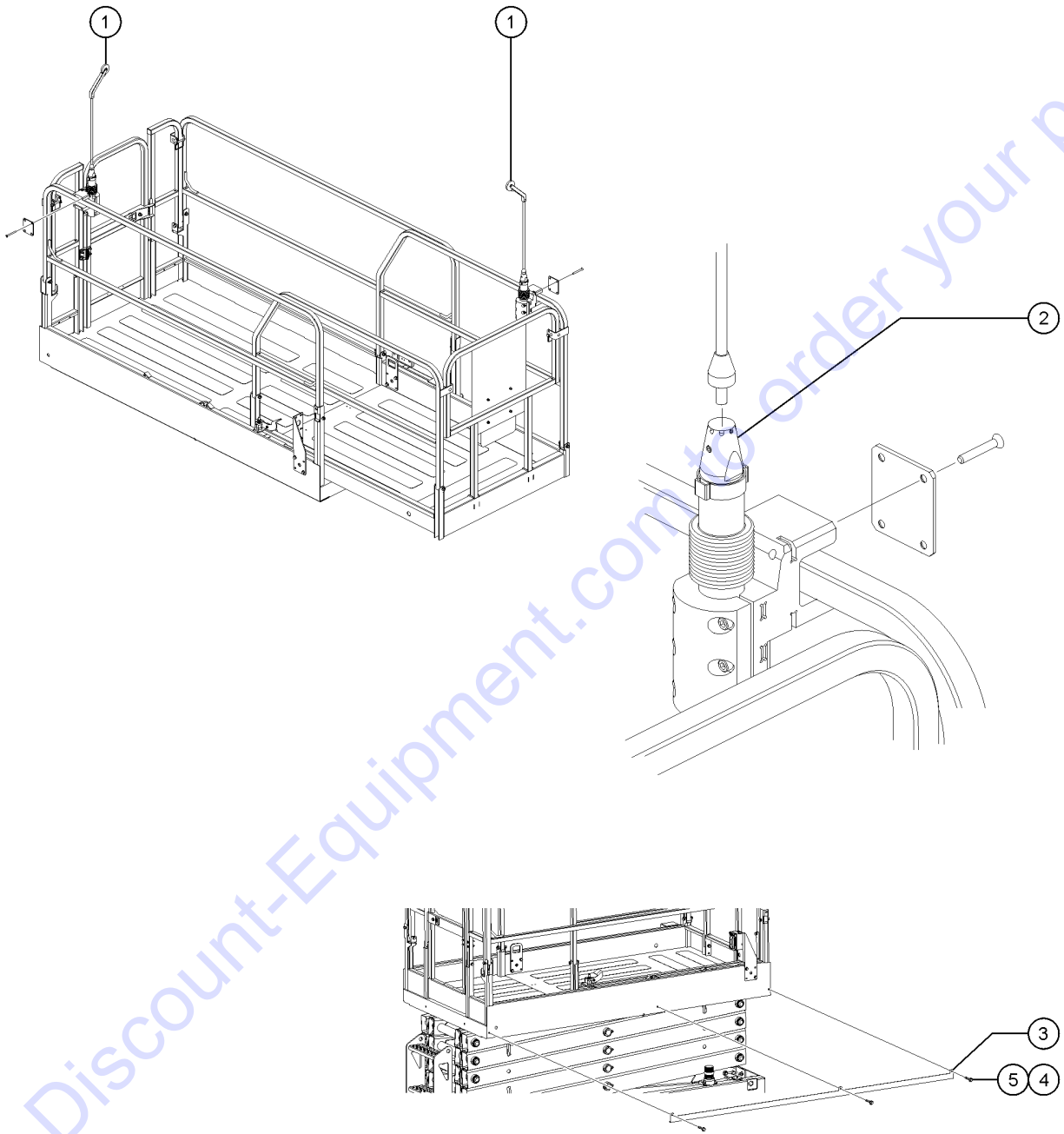
604.1 PCON Guard

<i>Item</i>	<i>Part No.</i>	<i>Description</i>	<i>Qty.</i>
1	1290292GT	WELDMENT,PCON GUARD ASSEMBLY	1
2		Ref. PCON, GR/GRC/GS	
		(refer to 403.1)	
3		Ref. FORMING, PLAT CONTROL, GR/GRC	4
		(refer to 403.1), (holes drilled for PCON Guard option)	
4	6271GT	RIVET, ALUM, ALUM, P, .25 x .375	4

Go to Discount-Equipment.com to order your parts



605.1 Lift Guard Contact Alarm, View-1

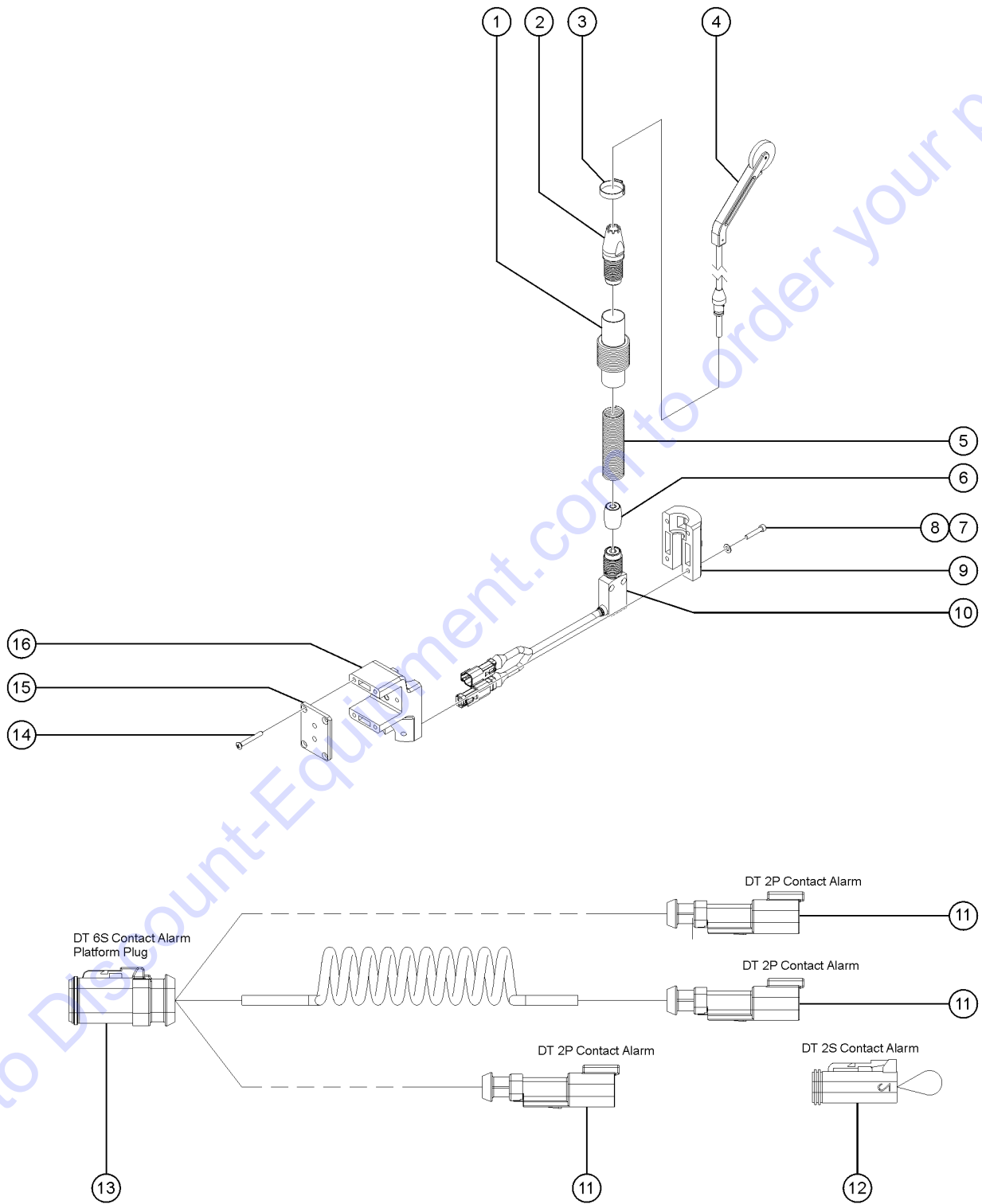


Go to Discount-Equipment.com to order your parts

Item	Part No.	Description	Qty.
-	1289420GT	KIT, CONTACT ALARM, GS2046 for GS-2046	1
-	1289421GT	KIT, CONTACT ALARM, GS2646 for GS-2646	1
-	1289422GT	KIT, CONTACT ALARM, GS3246 for GS-3246	1
-	1288727GT	CABLE, CONTACT ALARM, CHASSIS TO PLAT, 20XX GS-2046 Only	1
-	1288573GT	HARNESS, CONTACT ALARM, ESTOP SPLICE	1
-	1288572GT	CABLE, CONTACT ALARM, 20IN LINK	1
-	1288574GT	CABLE, CONTACT ALARM, 45IN LINK	1
-	1288728GT	CABLE, CONTACT ALARM, CHASSIS TO PLAT, 26XX GS-2646 Only	1
-	1288729GT	CABLE, CONTACT ALARM, CHASSIS TO PLAT, 32XX GS-3246 Only	1
1	1287673GT	ASSEMBLY, LIFTGUARD CONTACT ALARM (refer to 604.1)	2
2	1288530GT	ASSEMBLY, LIFTGUARD KNUCKLE (refer to 604.1)	2
3	1288734GT	FORMING, CONTACT ALARM, CABLE GUIDE, BAT, GS46 Battery Side	1
3B	1288735GT	FORMING, CONTACT ALARM, CABLE GUIDE, CNTRL, GS46 Ground control side	1
4	824078GT	SCREW, HHF, 1/4-20X.75, 8, ZAG GS-2046	4
4B	824078GT	SCREW, HHF, 1/4-20X.75, 8, ZAG GS-2646, GS-3246	6
5	824027GT	NUT, TL FLG, 1/4-20, G, ZAG GS-2046	4
5B	824027GT	NUT, TL FLG, 1/4-20, G, ZAG GS-2646, GS-3246	6



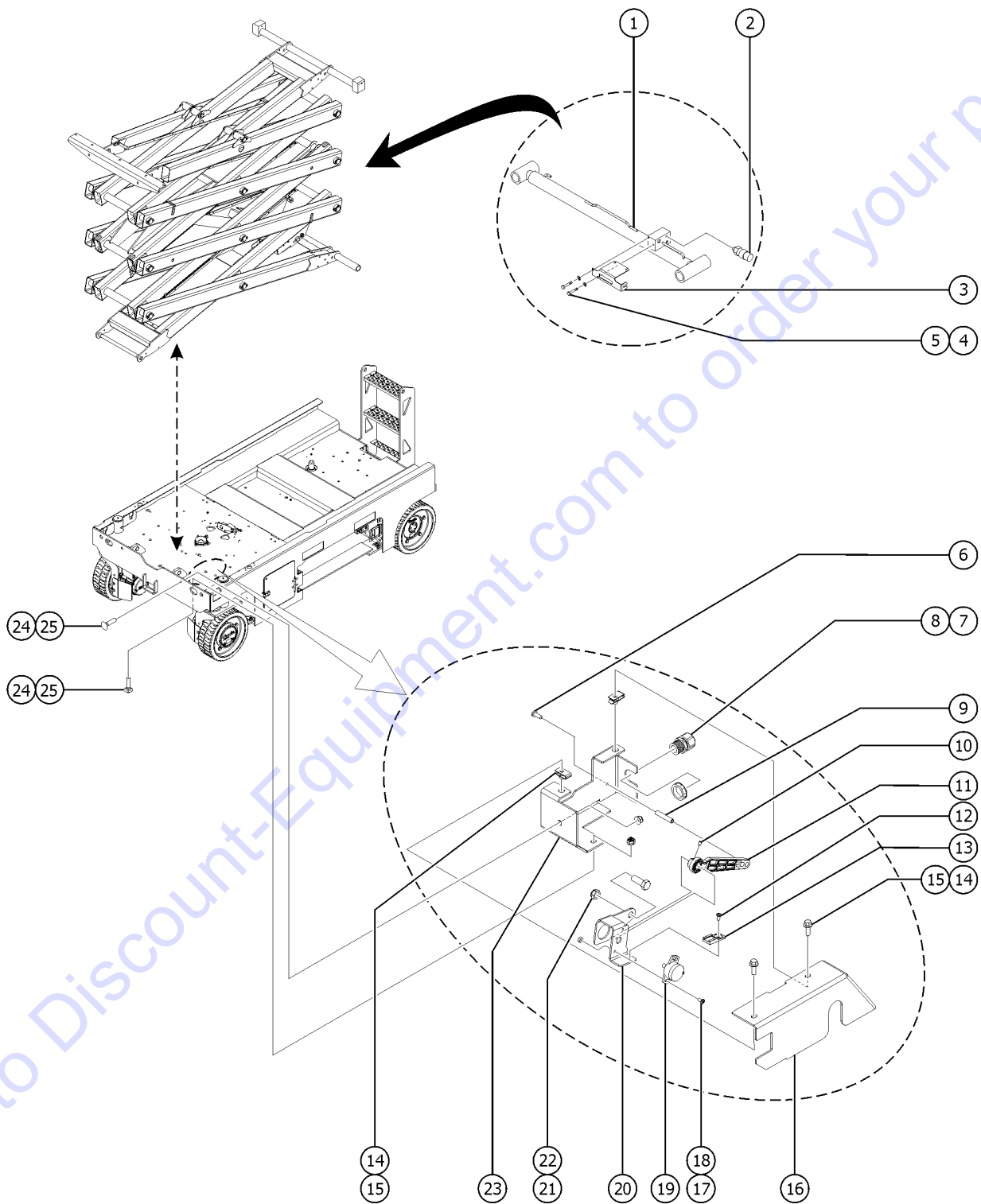
606.1 Lift Guard Contact Alarm, View-1



Item	Part No.	Description	Qty.
-	1287673GT	ASSEMBLY, LIFTGUARD CONTACT ALARM (Includes items 1-10, 14-16)	1
-	1288530GT	ASSEMBLY, LIFTGUARD KNUCKLE (part of assy 1287673, includes items 1-3, 5, 6 and 10)	1
-	1288741GT	HARNESS, CONTACT ALARM, GS46 PLATFORM (Includes items 11 - 13)	1
1	1287687GT	BELLOW, LIFTGUARD CONTACT ALARM	1
2	1287678GT	ASSEMBLY, UPPER WHISKER MOUNTING	1
3	1298716GT	CLAMP, STEPLESS, ONE EAR	1
4	1287674GT	ASSEMBLY, WHISKER	1
5	1287691GT	SPRING, TENSION, CONTACT ALARM	1
6	1287680GT	ASSEMBLY, MAGNETIC SNAP BARREL	1
7	1288435GT	SCREW, SHC, 10-24X1, F837, 18.8, NYL, SS	4
8	1288438GT	WASHER, FLAT, 0.219X0.437X0.031, SS	4
9	1289608GT	BRACKET, RT LIFTGUARD, PART 2/2	1
10	1287682GT	ASSEMBLY, LIMIT SWITCH MOUNT	1
11	1288352GT	CONN, RECEP, 2 WAY, DT, 14-18GA, CE09	3
11-	60439GT	LOCK, RECEP 2 WAY, 14-18GA	
12	119056GT	CONN PLUG 2 WAY ENDCAP DT	1
12-	60425GT	LOCK, PLUG 2 WAY, 14-18GA	
13	1288576GT	CONN, PLUG, 6WAY, DT, 14-18GA, CE13	1
13-	60431GT	LOCK, PLUG 6 WAY, 14-18GA	
14	1288437GT	SCREW, OHPM, 10-24X1.5, NYL, SS	4
15	1287689GT	PLATE, LIFTGUARD BRACKET	1
16	1289603GT	BRACKET, RT LIFTGUARD, PART 1/2	1



701.1 Platform Overload



Item	Part No.	Description	Qty.
1		Ref: Lift Cylinder (refer to 503.1, 503.2)	1
2	1291577GT	HANDLE,ANDERSON CONNECTOR SB (includes transducer)	1
3	41557-SGT	CABLE BRACKET,PAINTED	1
4	7339GT	SCREW,HHC,1/4-20 X .5	1
5	6356GT	WASHER,LOCK,.25	1
6	1251757GT	SCREW,PHPM,10-32X.50,ZAG	1
7	33576GT	CONN,SQZ,BLK,1/2NPT,.38-.50,SM	1
8	T115429GT	NUT,CORDGRIP,1/2 NPT	1
9	T113142GT	OFFSET, RDN, 1/4-1.25,10-32	1
10	229146GT	SCREW,SET,8-32X.25	1
11	T114082GT	LEVER ARM,ANGLE SENSR ACTUATOR	1
12	39579GT	RIVET,STL,STL,.188 X .45	1
13	T113139GT	CLIP,DTM,RECEPTACLE	1
14	824078GT	SCREW,HHF,1/4-20X.75,8,ZAG	2
15	56912GT	SPRING CLIP,1/4-20,.025-.15X.54,ZAG	2
16	1304102GT	FORMING,SENSOR COVER	1
17	1257296GT	SCREW,PHPM-ST,8-32X.50,TYPE F,ZAG	2
18	1271081GT	NUT,NYLOCK,8-32,8,ZAG	2
19	T113136GT	ASSY,ROT SENSR W/HARNESS	1
20	161981GT	FRMNG,ARM SENSOR BRCKT,32/46	1
21	1274322GT	NUT,NYLOCK FLG,3/8-16,F,ZAG	1
22	824068GT	SCREW,HHC,3/8-16X1.25,8,ZAG	1
23	1304101GT	FORMING,CHASSIS BRACKET,GS32/46	1
24	1256179GT	BOLT,CARRIAGE,1/2-13X1.5,5,ZAG	2
25	1277924GT	NUT,NYLOCK FLG,1/4-20,F,ZAG	2



<u>Part no.</u>	<u>Page Number</u>	<u>Part no.</u>	<u>Page Number</u>	<u>Part no.</u>	<u>Page Number</u>
1268GT	11	39232GT	73	55675GT	79, 83
1484GT	11	39310GT	115	56912GT	85, 157
1699GT	37, 65	39469GT	115	57075GT	121
6091GT	121	39474GT	115	58592GT	69, 103
6271GT	151	39540GT	83, 125	58627GT	87
6356GT	135, 157	39542GT	75	60425GT	155
6595GT	121	39579GT	115, 157	60431GT	155
6626GT	123	39877GT	141, 143	60439GT	155
6700GT	87	39878GT	135, 139, 141, 143	62056GT	37, 65
6878GT	121	40477GT	135	62057GT	37, 65
6935GT	121	40833GT	79, 93	62058GT	37, 65
7056GT	121	41557-SGT	135, 157	65990-SGT	117
7127GT	121	41630GT	115	66055GT	97, 99, 101, 103, 105, 107
7339GT	135, 157	43392GT	115, 117, 119	66204GT	83, 131
9116GT	109	43618GT	37, 65	66353GT	123
10775GT	121	43619GT	15, 21, 27, 33	66355GT	123
10777GT	123	43658GT	15, 21, 27, 33, 43, 49...	66356GT	123
13585GT	121	43956GT	91, 121, 147	66399GT	11
13921GT	69, 141, 143	44163GT	11	66465GT	135
15243GT	117	44227GT	135	66544GT	117
19491GT	73, 75	44736GT	37	66717GT	79, 93
21279GT	115, 117	44936GT	121	66770GT	67
22446GT	117	44973GT	135	66812GT	87, 125
24514GT	117	44979GT	135	66817GT	87, 125
25388GT	121	44980GT	15, 21, 27, 33, 43, 49...	72086GT	13, 15, 19, 21, 25, 27...
27581GT	11	44981GT	15, 21, 27, 33, 37, 43...	72143GT	15, 21, 27, 33, 43, 49...
28131GT	93	45546GT	121	72326GT	83, 125
28174GT	15, 21, 27, 33, 37, 43...	46260GT	115	72999GT	15, 21, 27, 33
28235GT	15, 21, 27, 33, 37, 43...	47163GT	115	74006GT	121
28236GT	37	47225GT	115	76494GT	79
28443GT	135, 139	47238GT	73	78022GT	117
29868GT	147	47946GT	67	78038GT	117
30784-2550GT	79	48282GT	121	78086GT	75
31060GT	13, 19, 25, 31	48880GT	141, 143	78546GT	11, 83, 131
31508GT	13, 19, 25, 31	48997GT	141, 143	78736GT	99, 103, 105
32150GT	11	49613GT	11	79140GT	93
32151GT	11	51063GT	87	81579GT	145
33576GT	157	51152GT	141, 143	82366GT	15, 21, 27, 33
33724GT	121	52368GT	139	82474GT	41, 43, 47, 49, 53, 55...
36369GT	95	52475GT	13, 15, 19, 21, 25, 27...	82481GT	41, 47, 53, 59
37947GT	85	55558GT	137	82487GT	43, 49, 55, 61, 65
38149GT	15, 21, 27, 33, 43, 49...	55560GT	135, 139	82495GT	41, 47, 53, 59

<u>Part no.</u>	<u>Page Number</u>	<u>Part no.</u>	<u>Page Number</u>	<u>Part no.</u>	<u>Page Number</u>
82557GT	37	105118GT	121	132140GT	117
82561GT	13, 15, 19, 21, 25, 27...	105156GT	75, 77	132151GT	115
82657GT	13, 19, 25, 31	105193GT	97, 101, 105	132266GT	99, 103, 107, 111
82666GT	13, 15, 19, 21, 25, 27...	105205GT	111	132267GT	97, 101, 105, 109
83093GT	85	105206GT	111	132270GT	97, 103, 105
84422GT	135	105208GT	111	132273GT	99, 103, 105, 113
85239GT	85	105213GT	111	132294GT	99, 103, 107
96008-SGT	85	105440GT	67	132298GT	97, 103, 105
96009GT	85, 123	105448GT	123	132304GT	97, 105
96010GT	85, 87	105478GT	135	132364GT	71
96085GT	75	105479GT	135	132373GT	71
96110GT	93	105481GT	135	132375GT	101
96130GT	101, 109	105483-SGT	121, 123	132383GT	101, 109
96236GT	123	105544GT	135	132385GT	101, 109
96408GT	75	105545	135	132390GT	105
96452GT	85	105546	135	132392GT	105
96487GT	109	105547GT	129	132393GT	107
96541GT	77	105549	135	132401GT	105
96595GT	95	105550GT	129	132436GT	105
96642GT	77	105553GT	129	132463GT	67
96661GT	99, 107, 111	105554GT	129	132486GT	117
96662GT	97, 103, 107, 111	105555GT	129	132492GT	115
96663GT	107	105564	135	132493GT	117
96700GT	105	105565GT	67	132499GT	119
96735GT	99, 103, 107, 113	105734GT	85	132501GT	119
96770GT	135, 139	105759GT	85	132506GT	117
96812GT	103, 107	105812GT	121	132509GT	117
96836GT	99, 101, 105, 113	114299GT	37, 65	132514GT	117
96853GT	89	114300GT	37, 65	132517GT	99, 103, 107, 111
96899GT	97, 101, 107, 109	114301GT	37, 65	132518GT	97
96900GT	97, 101, 107, 109	114337GT	41, 47, 53, 59	132519GT	105
96932GT	97, 101, 105, 109	114338GT	65	132522GT	99, 107, 111
96948GT	73, 75	119056GT	155	132525GT	101, 109
96971GT	105	122994GT	85	132557GT	85
97128GT	73, 75	128118GT	71	132996GT	115
97130GT	135	128584GT	71	137562GT	85
97233GT	97	130522GT	103	137587GT	125
97719GT	43, 49, 55, 61	132013GT	139	137605GT	37, 65, 125
104804GT	117	132119GT	99, 107	137611GT	125
105046GT	143	132121GT	117	137634GT	127
105090GT	123	132127GT	117	137637GT	85, 125
105117GT	121, 123	132128GT	115	137640GT	125

<u>Part no.</u>	<u>Page Number</u>	<u>Part no.</u>	<u>Page Number</u>	<u>Part no.</u>	<u>Page Number</u>
137656GT	37, 65, 125	824067GT	145	1256127GT	67, 73, 97, 101, 105
137668GT	85	824067TAGT	71	1256179GT	157
137699GT	125	824068GT	67, 157	1256287GT	71
144161GT	121	824077GT	139, 149	1256463GT	73
160412GT	123	824078GT	119, 153, 157	1256467GT	111
161981GT	157	824080GT	83, 97, 101, 105, 109	1256679GT	69, 79, 97, 101, 105, 109
214544GT	127	824089GT	147	1256719GT	85
214817GT	139	824092GT	95	1256727GT	125
227164GT	83	824113GT	83	1256756GT	97, 103, 105
228367GT	71	824120GT	67	1256804GT	79
229086GT	127	824124GT	73, 79, 83, 85	1256844GT	67, 71
229087GT	127	824128GT	69, 75	1256848GT	97, 101, 107, 109
229088GT	127	824151GT	101	1256855GT	117, 149
229089GT	127	824164GT	101	1256856GT	117
229090GT	127	824206GT	85	1256863GT	79
229091GT	127	824215GT	123	1257227GT	147
229092GT	127	824216GT	73, 85	1257264GT	75
229093GT	127	825019GT	95	1257296GT	157
229094GT	127	825020GT	97, 101, 105, 109	1257402GT	79
229097GT	127	825353GT	67, 71	1257464GT	71
229146GT	157	825358GT	77, 79, 115, 117	1257609GT	79
229571GT	97, 101, 107, 109	825796GT	97, 101, 107, 109	1257733GT	11
229585GT	109	826516GT	79	1258187GT	121
229615GT	139	826793GT	71	1258567GT	11
229845GT	125	826854GT	87	1258676GT	69
231868GT	147	1251757GT	157	1258731GT	125
233050GT	89	1252764GT	85	1259059GT	141
233051GT	89	1252977GT	115	1259085GT	141, 143
233052GT	89	1253477GT	87, 115	1259177GT	75
233053GT	89	1253478GT	115	1259178GT	77
233055GT	89	1253485GT	67, 117	1259179GT	75
235463GT	127	1254572GT	145	1259180GT	75
236279GT	139	1255756GT	73	1259181GT	115
236781GT	89	1255757GT	75, 83, 95, 111	1259182GT	117
237086GT	141	1255758GT	115	1259185GT	141
237238GT	67	1255797GT	69, 83	1259186GT	141
237455GT	135	1255805GT	79	1259192GT	69
238006GT	89	1255939GT	113	1259193GT	67
823368GT	73	1256109GT	67	1259194GT	69
824027GT	153	1256112GT	71	1259195GT	69
824032GT	123	1256115GT	71	1259197GT	75
824038GT	75, 115	1256118GT	71	1259201GT	99, 103, 105

<u>Part no.</u>	<u>Page Number</u>	<u>Part no.</u>	<u>Page Number</u>	<u>Part no.</u>	<u>Page Number</u>
1259223GT	115	1272557GT	81, 91	1287682GT	155
1259339GT	115	1272844GT	81	1287687GT	155
1259686GT	67, 75	1273354GT	149	1287689GT	155
1259942GT	113	1273385GT	111	1287691GT	155
1259943GT	113	1273387GT	111	1287951GT	83
1259944GT	113	1273576GT	89	1288352GT	155
1259945GT	113	1274165GT	73	1288365-5750GT	141, 143
1259946GT	113	1274166GT	97, 101, 107, 109, 145	1288435GT	155
1259947GT	111	1274168GT	73, 75	1288437GT	155
1259948GT	111	1274170GT	99, 103, 107	1288438GT	155
1260196GT	109	1274172GT	71	1288481GT	79, 93
1260199GT	111	1274322GT	71, 75, 83, 95, 99, 103	1288499GT	81
1260306GT	111	1274333GT	109	1288500GT	81
1260603GT	143	1274540GT	147	1288530GT	153, 155
1260604GT	143	1275425GT	123	1288572GT	153
1260605GT	143	1276847GT	149	1288573GT	153
1260703GT	83	1277924GT	67, 73, 79, 83, 85, 97...	1288574GT	89, 153
1260941GT	97, 101, 107, 109	1278704GT	15, 21, 27, 33, 43, 49...	1288576GT	155
1260962GT	107, 111	1279428GT	81	1288727GT	89, 153
1260963GT	97, 101, 109	1280665GT	121	1288728GT	89, 153
1260984GT	85	1280819GT	15, 21, 27, 33	1288729GT	89, 153
1261183GT	145	1280947GT	147	1288730GT	89
1261822GT	111	1280948GT	147	1288734GT	153
1261823GT	111	1280957GT	115, 125	1288735GT	153
1263152GT	79	1280958GT	115, 125	1288741GT	155
1263471GT	121	1281174GT	37, 65	1288762GT	67, 71
1263542GT	41, 43, 47, 49, 53, 55...	1282018GT	139	1288926-4450GT	143
1263543GT	13, 15, 19, 21, 25, 27...	1282019GT	139	1288926-4600GT	141
1264780GT	139	1283004GT	147	1289420GT	153
1264781GT	139	1283790GT	125	1289421GT	153
1265361GT	15, 21, 27, 33	1283810GT	37, 65, 125	1289422GT	153
1268950GT	123	1283878GT	15, 21, 27, 33, 43, 49...	1289603GT	155
1269086GT	147	1284285GT	85	1289608GT	155
1270162GT	89, 145	1284302GT	123	1289899GT	89
1270281PGT	89	1284781GT	87	1290076GT	111
1271081GT	157	1284981GT	15, 21, 27, 33	1290292GT	151
1271521GT	145	1284982GT	43, 49, 55, 61	1290574GT	79
1272121GT	89	1286357GT	115	1290659GT	15, 21, 27, 33
1272122GT	87	1287673GT	153, 155	1290664GT	15, 21, 27, 33
1272123GT	87	1287674GT	155	1290668GT	13, 19, 25, 31
1272232GT	81	1287678GT	155	1290673GT	43, 49, 55, 61
1272242GT	15, 21, 27, 33, 43, 49...	1287680GT	155	1290675GT	13, 19, 25, 31

<u>Part no.</u>	<u>Page Number</u>	<u>Part no.</u>	<u>Page Number</u>	<u>Part no.</u>	<u>Page Number</u>
1291053GT	89	1297795GT	91, 93	1301172GT	71
1291307GT	67	1297796GT	89, 93	1301444GT	71
1291577GT	157	1297797GT	91, 93	1301445GT	71
1291624GT	15, 21, 27, 33, 43, 49...	1297798GT	91, 93	1301545GT	131
1292051GT	15, 21, 27, 33	1297799GT	91, 93	1301546GT	131
1292052GT	43, 49, 55, 61	1298407GT	89	1301547GT	131
1292275GT	13, 15, 19, 21, 25, 27...	1298467GT	65	1301548GT	133
1292512GT	15, 21, 27, 33, 43, 49...	1298646-4400GT	141, 143	1301699GT	95
1292513GT	15, 21, 27, 33, 43, 49...	1298716GT	155	1301854GT	89
1292514GT	17, 23, 29, 35, 43, 49...	1298833GT	13, 19, 25, 31	1302134GT	117
1292515GT	17, 23, 29, 35, 43, 49...	1298834GT	41, 47, 53, 59	1302259GT	95
1292747GT	13, 17, 19, 23, 25, 29...	1298923GT	83	1302399GT	75
1292960GT	13, 19, 25, 31	1299051GT	73	1302833GT	131
1292990GT	17, 23, 29, 35, 43, 49...	1299259GT	67	1302834GT	131
1293165GT	37	1299390GT	79	1302835GT	131
1293166GT	65	1299483GT	97, 103, 107, 111	1302836GT	131
1293217GT	41, 43, 47, 49, 53, 55...	1299484GT	75	1302837GT	131
1293324GT	17, 23, 29, 35	1299642GT	73	1302838GT	131
1293858GT	73	1299643GT	85	1302839GT	131
1294398GT	37	1299666GT	83	1302840GT	131
1294635GT	37	1299677GT	71	1302841GT	131
1294685GT	17, 23, 29, 35	1299696GT	71	1302842GT	131
1294688GT	65	1300036GT	75	1302843GT	131
1295821GT	139	1300053GT	75	1302844GT	131
1296034GT	37, 65	1300079GT	97, 103, 107, 111	1302845GT	131
1296311GT	37	1300179GT	133	1303148GT	77
1296312GT	65	1300180GT	133	1303166GT	131
1296313GT	37	1300318GT	11, 131	1303167GT	131, 133
1296314GT	65	1300319GT	131	1303255GT	83
1296315GT	37	1300538GT	71	1303256GT	131
1296316GT	65	1300586GT	75	1303364GT	83
1296317GT	37	1300616GT	77	1303529GT	69
1296821GT	37	1300619GT	75	1303530GT	67
1296823GT	37	1300620GT	75	1303675GT	79
1296824GT	39	1300621GT	75	1303685GT	71
1297195GT	17, 45	1300695GT	67	1303686GT	71
1297196GT	13, 19, 23, 25, 29, 31...	1300887GT	89	1303740GT	89
1297433GT	13, 17, 19, 23, 25, 29...	1300908GT	83	1304101GT	157
1297791GT	89, 93	1300939GT	95	1304102GT	157
1297792GT	93	1301149GT	131	1304130GT	79
1297793GT	89, 93	1301150GT	131	1304152GT	83
1297794GT	91, 93	1301158GT	39	1304156GT	67

<u>Part no.</u>	<u>Page Number</u>	<u>Part no.</u>	<u>Page Number</u>	<u>Part no.</u>	<u>Page Number</u>
1304171GT	67				
1304172GT	67				
1304173GT	67				
1305224GT	67				
1305512GT	13, 17, 41, 45				
1305513GT	19, 23, 47, 51				
1305514GT	25, 29, 53, 57				
1305515GT	31, 35, 59, 63				
1305516GT	39, 65				
1305527GT	39, 65				
1306705GT	65				
1307058GT	131				
1307059GT	131				
T106362GT	85				
T106363GT	85				
T106366GT	85				
T106368GT	125				
T106370GT	125				
T106372GT	85				
T106373GT	125				
T112507GT	73, 89				
T112560GT	123				
T112561GT	123				
T112804GT	17, 23, 29, 35, 45, 51...				
T113136GT	89, 157				
T113139GT	157				
T113142GT	157				
T114082GT	157				
T114397GT	125				
T115429GT	157				

Go to Discount-Equipment.com to order your parts

California Proposition 65

 **WARNING**

Operating, servicing and maintaining this equipment, passenger vehicle or off-highway motor vehicle can expose you to chemicals including engine exhaust, carbon monoxide, phthalates, and lead, which are known to the State of California to cause cancer and birth defects or other reproductive harm. These chemicals can be emitted from or contained in other various parts and systems, fluids and some component wear by-products. To minimize exposure, avoid breathing exhaust, do not idle the engine except as necessary, service your equipment and vehicle in a well-ventilated area and wear gloves or wash your hands frequently when servicing your equipment or vehicle and after operation. For more information go to www.P65Warnings.ca.gov/passenger-vehicle.

Breathing diesel engine exhaust exposes you to chemicals known to the State of California to cause cancer and birth defects or other reproductive harm.

- Always start and operate the engine in a well-ventilated area.
- If in an enclosed area, vent the exhaust to the outside.
- Do not modify or tamper with the exhaust system.
- Do not idle the engine except as necessary.

For more information go to www.P65warnings.ca.gov/diesel.

Distributed By:

www.GSPOutlet.com to order your parts

PARTS FINDER

**Search Website
by Part Number**



**Search Manual
Library For Parts
Manual & Lookup Part
Numbers – Purchase
or Request Quote**

Search Manuals

Enter your information to help us find the right parts manual for your machine.

* Brand:

* Model:

* Serial:

* Part Number:

SEARCH

**Can't Find Part or
Manual? Request Help
by Manufacturer,
Model & Description**

Parts Order Form

Please fill in the following information to help us find the right part for your machine.

Manufacturer:	<input type="text"/>
Model:	<input type="text"/>
Description:	<input type="text"/>
Part Number:	<input type="text"/>
Quantity:	<input type="text"/>
Notes:	<input type="text"/>

Discount-Equipment.com is your online resource for quality parts & equipment.

Florida: **561-964-4949** Outside Florida TOLL FREE: **877-690-3101**

Need parts?

Click on this link: <http://www.discount-equipment.com/category/5443-parts/> and choose one of the options to help get the right parts and equipment you are looking for. Please have the machine model and serial number available in order to help us get you the correct parts. If you don't find the part on the website or on one of the online manuals, please fill out the request form and one of our experienced staff members will get back to you with a quote for the right part that your machine needs.

We sell worldwide for the brands: Genie, Terex, JLG, MultiQuip, Mikasa, Essick, Whiteman, Mayco, Toro Stone, Diamond Products, Generac Magnum, Airman, Haulotte, Barreto, Power Blanket, Nifty Lift, Atlas Copco, Chicago Pneumatic, Allmand, Miller Curber, Skyjack, Lull, Skytrak, Tsurumi, Husquvarna Target, Stow, Wacker, Sakai, Mi-T-M, Sullair, Basic, Dynapac, MBW, Weber, Bartell, Bennar Newman, Haulotte, Ditch Runner, Menegotti, Morrison, Contec, Buddy, Crown, Edco, Wyco, Bomag, Laymor, EZ Trench, Bil-Jax, F.S. Curtis, Gehl Pavers, Heli, Honda, ICS/PowerGrit, IHI, Partner, Imer, Clipper, MMD, Koshin, Rice, CH&E, General Equipment, Amida, Coleman, NAC, Gradall, Square Shooter, Kent, Stanley, Tamco, Toku, Hatz, Kohler, Robin, Wisconsin, Northrock, Oztec, Toker TK, Rol-Air, APT, Wylie, Ingersoll Rand / Doosan, Innovatech, Con X, Ammann, Mecalac, Makinex, Smith Surface Prep, Small Line, Wanco, Yanmar