



A TEREX BRAND



Parts Manual

Serial Number Range

GS-2032
GS-2632
GS-3232

from SN GS32D-10101

Part No. 1306158GT
Rev: A
September 2020

Go to Discount-Equipment.com to order your parts

PARTS FINDER

**Search Website
by Part Number**



**Search Manual
Library For Parts
Manual & Lookup Part
Numbers – Purchase
or Request Quote**

Search Manuals

Enter your information to help us find the right parts manual for your machine.

* Brand:

* Model:

* Serial:

* Part Number:

SEARCH

**Can't Find Part or
Manual? Request Help
by Manufacturer,
Model & Description**

Parts Order Form

Please fill in the following information to help us find the right part for your machine.

Manufacturer:	<input type="text"/>
Model:	<input type="text"/>
Description:	<input type="text"/>
Part Number:	<input type="text"/>
Quantity:	<input type="text"/>
Notes:	<input type="text"/>

Submit

Discount-Equipment.com is your online resource for quality parts & equipment.

Florida: **561-964-4949** Outside Florida TOLL FREE: **877-690-3101**

Need parts?

Click on this link: <http://www.discount-equipment.com/category/5443-parts/> and choose one of the options to help get the right parts and equipment you are looking for. Please have the machine model and serial number available in order to help us get you the correct parts. If you don't find the part on the website or on one of the online manuals, please fill out the request form and one of our experienced staff members will get back to you with a quote for the right part that your machine needs.

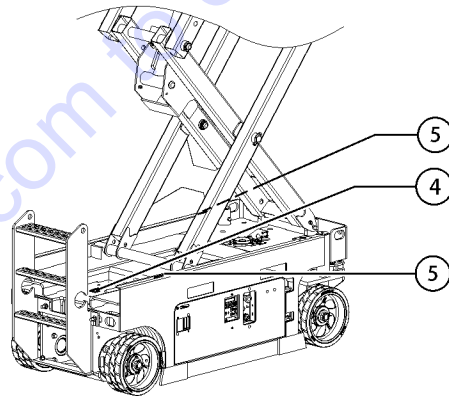
We sell worldwide for the brands: Genie, Terex, JLG, MultiQuip, Mikasa, Essick, Whiteman, Mayco, Toro Stone, Diamond Products, Generac Magnum, Airman, Haulotte, Barreto, Power Blanket, Nifty Lift, Atlas Copco, Chicago Pneumatic, Allmand, Miller Curber, Skyjack, Lull, Skytrak, Tsurumi, Husquvarna Target, Stow, Wacker, Sakai, Mi-T-M, Sullair, Basic, Dynapac, MBW, Weber, Bartell, Bennar Newman, Haulotte, Ditch Runner, Menegotti, Morrison, Contec, Buddy, Crown, Edco, Wyco, Bomag, Laymor, EZ Trench, Bil-Jax, F.S. Curtis, Gehl Pavers, Heli, Honda, ICS/PowerGrit, IHI, Partner, Imer, Clipper, MMD, Koshin, Rice, CH&E, General Equipment, Amida, Coleman, NAC, Gradall, Square Shooter, Kent, Stanley, Tamco, Toku, Hatz, Kohler, Robin, Wisconsin, Northrock, Oztec, Toker TK, Rol-Air, APT, Wylie, Ingersoll Rand / Doosan, Innovatech, Con X, Ammann, Mecalac, Makinex, Smith Surface Prep, Small Line, Wanco, Yanmar

Genie
A TEREX BRAND

Model:
Serial number: GS32D-123456
Year of manufacture: 2020
Electrical schematic number:
Machine unladen weight:
Rated work load (including occupants):
Maximum number of platform occupants:
Maximum allowable inclination of the chassis:
Outrigger retracted:
Outrigger deployed:

GS32 D -123456

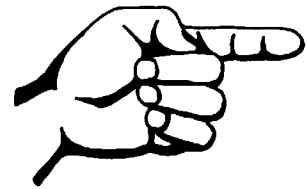
1 2 3



- 1 Model
- 2 Facility code
- 3 Sequence number

- 4 Serial label (located on chassis)
- 5 Serial number (stamped on chassis)

Please refer to section 001 for the Recommended Spare



This page intentionally left blank.

Go to Discount-Equipment.com to order your parts

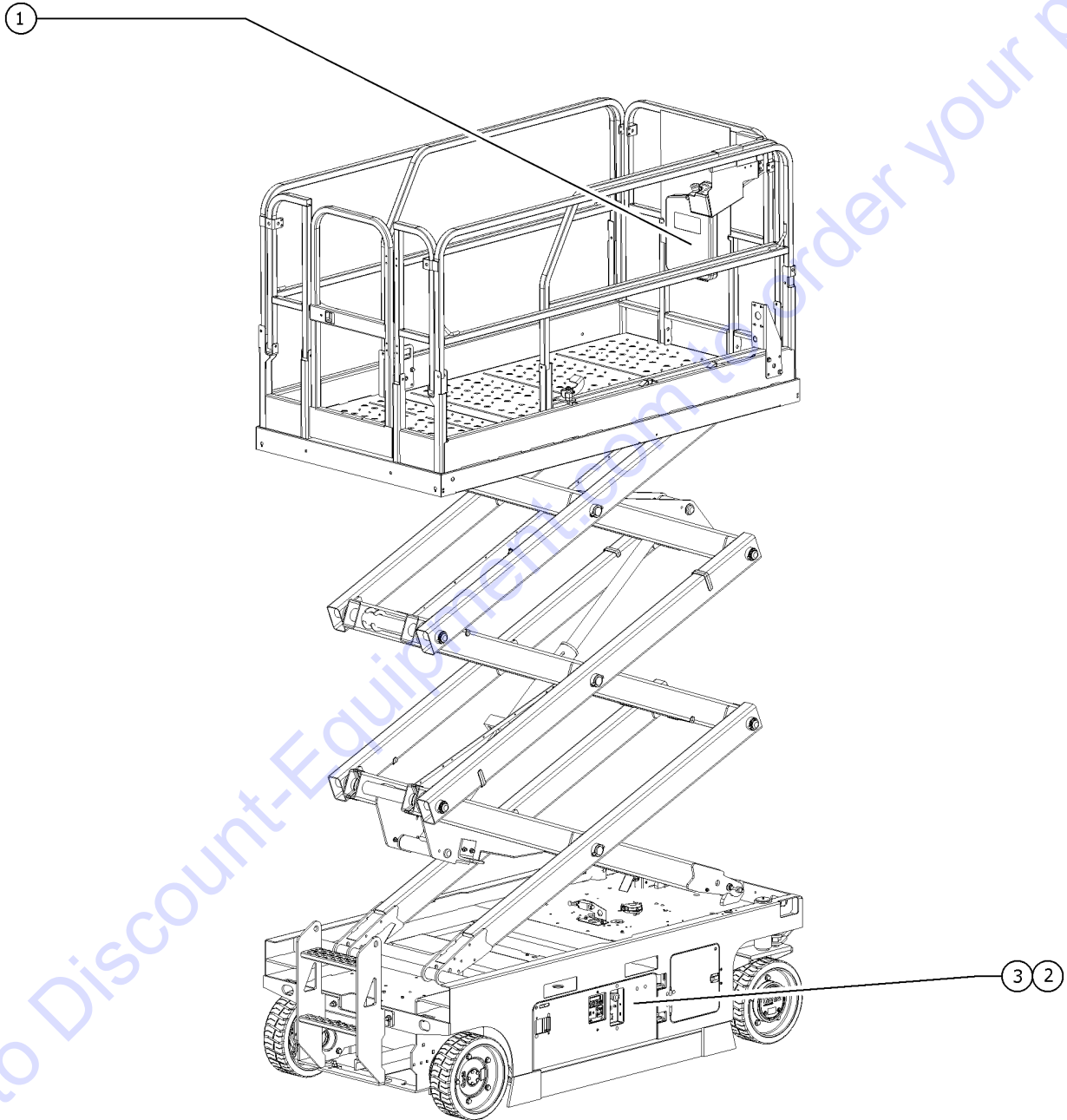
Description	Page
001 Parts Stocking List	10
001.1 Parts Stocking List	10
100 Decals	12
101.1 Word Decals, GS-2032, Battery Side, ANSI & Australia	12
102.1 Word Decals, GS-2032, Ground Control Side, ANSI and Australia	14
103.1 Word Decals, GS-2632, Battery Side, ANSI & Australia	18
104.1 Word Decals, GS-2632, Ground Control Side, ANSI and Australia	20
105.1 Word Decals, GS-3232, Battery Side, ANSI & Australia	24
106.1 Word Decals, GS-3232, Ground Control Side, ANSI and Australia	26
107.1 Word Decals, Platform, ANSI and Australia, All models	30
108.1 Symbol Decals, GS-2032, Battery Side, ANSI & CE	34
109.1 Symbol Decals, GS-2032, Ground Control Side, ANSI and CE	36
110.1 Symbol Decals, GS-2632, Battery Side, ANSI & CE	40
111.1 Symbol Decals, GS-2632, Ground Control Side, ANSI and CE	42
112.1 Symbol Decals, GS-3232, Battery Side, ANSI & CE	46
113.1 Symbol Decals, GS-3232, Ground Control Side, ANSI and CE	48
114.1 Symbol Decals, Platform, ANSI and CE, All models	52
200 Drive Chassis Components.....	54
201.1 Steer Linkage and Wheels	54
202.1 Non-steer Axle Installation.....	58
203.1 Level Sensor Installation	60
204.1 Pothole Protection Assembly	62
205.1 Battery Pack Module	66
206.1 Battery Charger	68
207.1 Power Unit Module	70
208.1 Ground Controls	72
209.1 Electrical Wiring - GS-2032/2632	76
210.1 Electrical Wiring - GS-3232	80
211.1 Power Cables	84
212.1 Outrigger Components, GS-3232	86
300 Scissor Components	88
301.1 Scissor Assembly Installation	88
302.1 Scissor Assembly, GS-2032	90
303.1 Scissor Assembly, GS-2632	94
304.1 Scissor Assembly, GS-3232	98
400 Platform Components	102
401.1 Platform Components	102

Table of Contents

Description	Page
402.1 Power to Platform	108
403.1 Platform Controls	112
404.1 Joystick Controller	114
500 Hydraulic Components	116
501.1 Hydraulic Components	116
502.1 Power Unit	118
503.1 Lift Cylinder Assembly, All Models	120
504.1 Hydraulic Hoses and Fittings	122
505.1 Hydraulic Hoses and Fittings, Outriggers, GS-3232	124
506.1 Outrigger Cylinders, Front and Rear, GS-3232	126
507.1 Outrigger Function Manifold, GS-3232	128
600 Accessories	130
601.1 RCBO	130
602.1 Charger Isolation	132
603.1 PCON Guard	134
604.1 Bumper Assembly Tray	136
605.1 Lift Guard Contact Alarm, View-1	138
606.1 Lift Guard Contact Alarm, View-2	140
700 Platform Overload	142
701.1 Platform Overload	142
Part Number Index	144

Go to Discount-Equipment.com to order your parts

001.1 Parts Stocking List



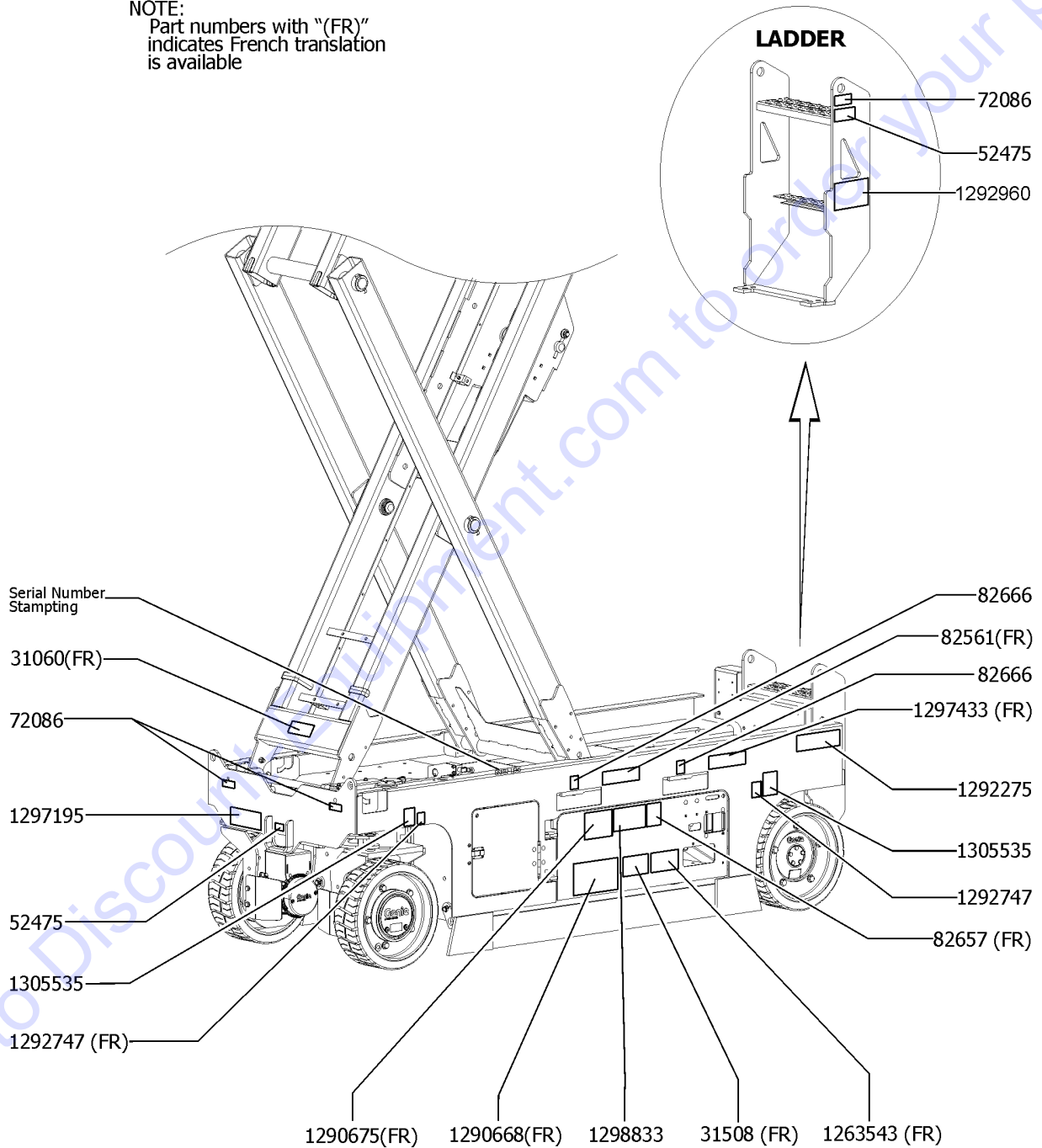
Item	Part No.	Description	Qty.
--	66399GT	GREASE,DIELECTRIC 4 OZ**	
--		Ref. CHEVRON ULTRA-DUTY GREASE (LITHIUM), OR EQUIVALENT, EP NLGI 1	
--	1258567GT	PAINT, AEROSOL, TRAFFIC BLACK 12-ounce spray paint	
--	1268GT	PAINT,AEROSOL,GENIE GRAY*** 12-ounce spray paint	
--	1484GT	PAINT,AEROSOL,BRIGHT BLUE*** 12-ounce spray paint	
--	1257733GT	PAINT,WET,TRAFFIC BLACK (1 GL)** 1-gallon	
--	32150GT	PAINT,WET,GENIE BLUE (1 GL)** 1-gallon	
--	32151GT	PAINT,WET,GENIE GRAY (1 GL)** 1-gallon	
--	49613GT	PLUG AND CAP KIT-SERVICE,ORFS*	
1	27581GT	MANUAL,AEM SAFETY	
1B	44163GT	MANUAL,RESPON,A92.6 SCISSOR	
2	1300318GT	FILTER, ELEMENT, SPIN ON	
3	78546GT	BREATHER CAP,HYD. TANK,1/4 NPT	

Go to Discount-Equipment.com to order your parts



Battery Side

NOTE:
Part numbers with "(FR)"
indicates French translation
is available

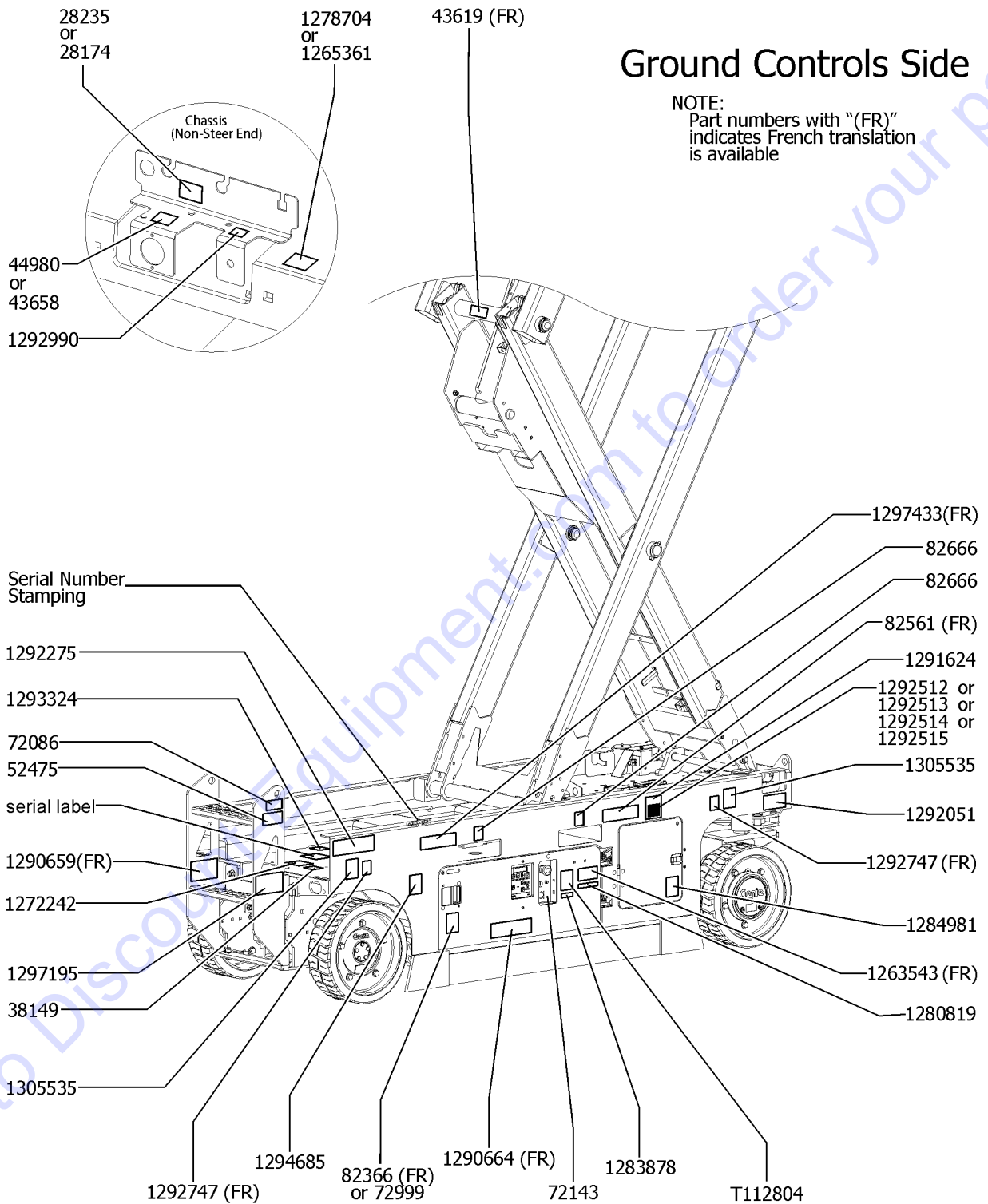


101.1 Word Decals, GS-2032, Battery Side, ANSI & Australia

Item	Part No.	Description	Qty.
1	31060GT	DECAL,DANGER DO NOT ALTER SWTC	1
2	31508GT	DECAL,DANGER,ELECT HAZARD,PLUG	1
3	52475GT	DECAL LABEL TRANSPORT TIE DOWN*	2
4	72086GT	DECAL,LABEL,LIFTING EYE	3
5	82561GT	DECAL,DANGER-USE SAFETY ARM	1
6	82657GT	DECAL,INSTRUCT,BATTERY CONNECT	1
7	82666GT	DECAL,LABEL,FORKLIFT POCKET	2
8	1263543GT	DECAL,WARNING-COMPART ACCESS	1
9	1290668GT	DECAL,INSTRUCTIONS-CHARGER OP, GS-1330m	1
10	1290675GT	DECAL,DANGER,BATTERY SAFETY***, GS-1330m	1
11	1292275GT	DECAL,ELECTRIC DRIVE,E-DRIVE	1
12	1292747GT	DECAL,LABEL-TIRE SPECS	2
13	1292960GT	DECAL DANGER BRAKE REL SAFETY, GS-1330m	1
14	1297195GT	DECAL, LABEL, TRANSPORT DIAGRAM	1
15	1297433GT	DECAL, DANGER, ELECTRICAL HAZARD, SLAB	1
16	1298833GT	DECAL, DANGER, TIP-OVER, BATTERY	1
17	1305535GT	DECAL, LABEL, WHEEL LOAD, E-DRIVE, GS-2032	2



102.1 Word Decals, GS-2032, Ground Control Side, ANSI and Australia

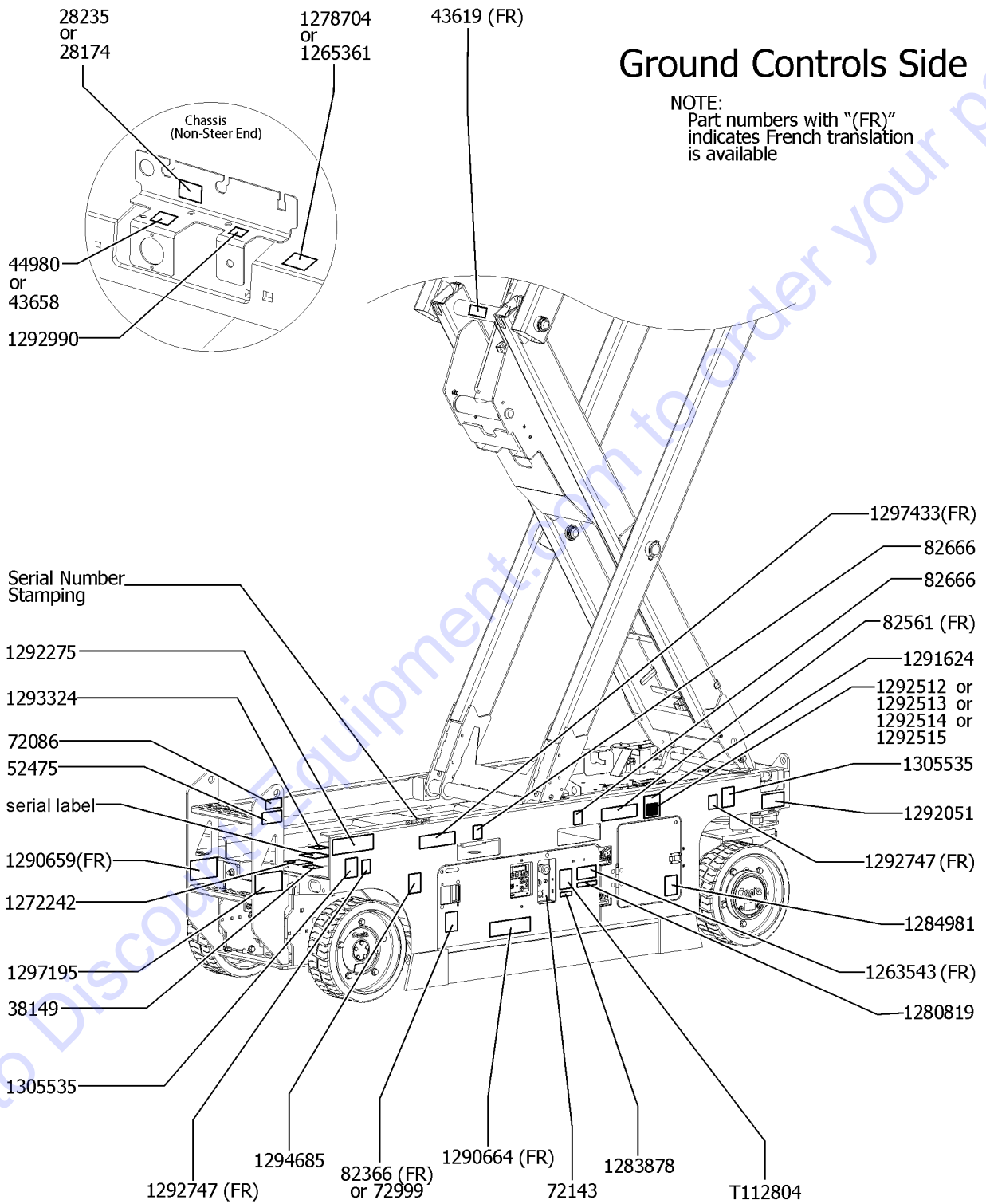


102.1 Word Decals, GS-2032, Ground Control Side, ANSI and Australia

Item	Part No.	Description	Qty.
1	28174GT	DECAL,POWER TO PLATFORM 230V	1
2	28235GT	DECAL,POWER TO PLATFORM 115V	1
3	38149GT	DECAL,LABEL,PATENTS	1
4	43619GT	DECAL LABEL SAFETY ARM	1
5	43658GT	DECAL,LABEL,PWR TO CHARGR 230V	1
6	44980GT	DECAL,LABEL,PWR TO CHARGER 115UK	1
7	52475GT	DECAL LABEL TRANSPORT TIE DOWN*	1
8	72143GT	DECAL, EMERGENCY STOP, GR	1
9	72086GT	DECAL,LABEL,LIFTING EYE	1
10	72999GT	DECAL,LABEL,PETRO CANADA***	1
11	82366GT	DECAL,LABEL-CHEVRON RANDO	1
12	82561GT	DECAL,DANGER-USE SAFETY ARM	1
13	82666GT	DECAL,LABEL,FORKLIFT POCKET	2
14	1263543GT	DECAL,WARNING-COMPART ACCESS	1
15	1265361GT	DECAL, BATTERY CHARGER INDICAT	1
16	1272242GT	DECAL,MACHINE REGISTRATION/OWNER TRANSFER	1
17	1278704GT	DECAL,CHARGE STATUS IND.	1
18	1280819GT	DECAL,WARNING,CANCER AND REPRODUCTIVE HARM, PROP 65	1
19	1283878GT	DECAL,TECH PRO LINK	1
20	1284981GT	DECAL,ACCUMULATOR EXPLOSION HAZARD,WORD	1
21	1290659GT	DECAL,DANGER,ELECT HAZARD,PLUG,GS-1330m	1
22	1290664GT	DECAL,OP INST,GCON,GS-1330m	1
23	1291624GT	DECAL COSM,GENIE UFT,CONNECT LEXAN COVER	1
24	1292051GT	DECAL,EMERGENCY LOWERING, GS-1330m	1
25	1292275GT	DECAL,ELECTRIC DRIVE,E-DRIVE	1
26	1292512GT	DECAL COSM,GENIE LIFT CONNECT,ESN,SKU4-1	1
27	1292513GT	DECAL COSM,GENIE LIFT CONNECT,ESN,SKU4-2	1
28	1292514GT	DECAL COSM,GENIE LIFT CONNECT,ESN,SKU4-3	1



102.1 Word Decals, GS-2032, Ground Control Side, ANSI and Australia



102.1 Word Decals, GS-2032, Ground Control Side, ANSI and Australia

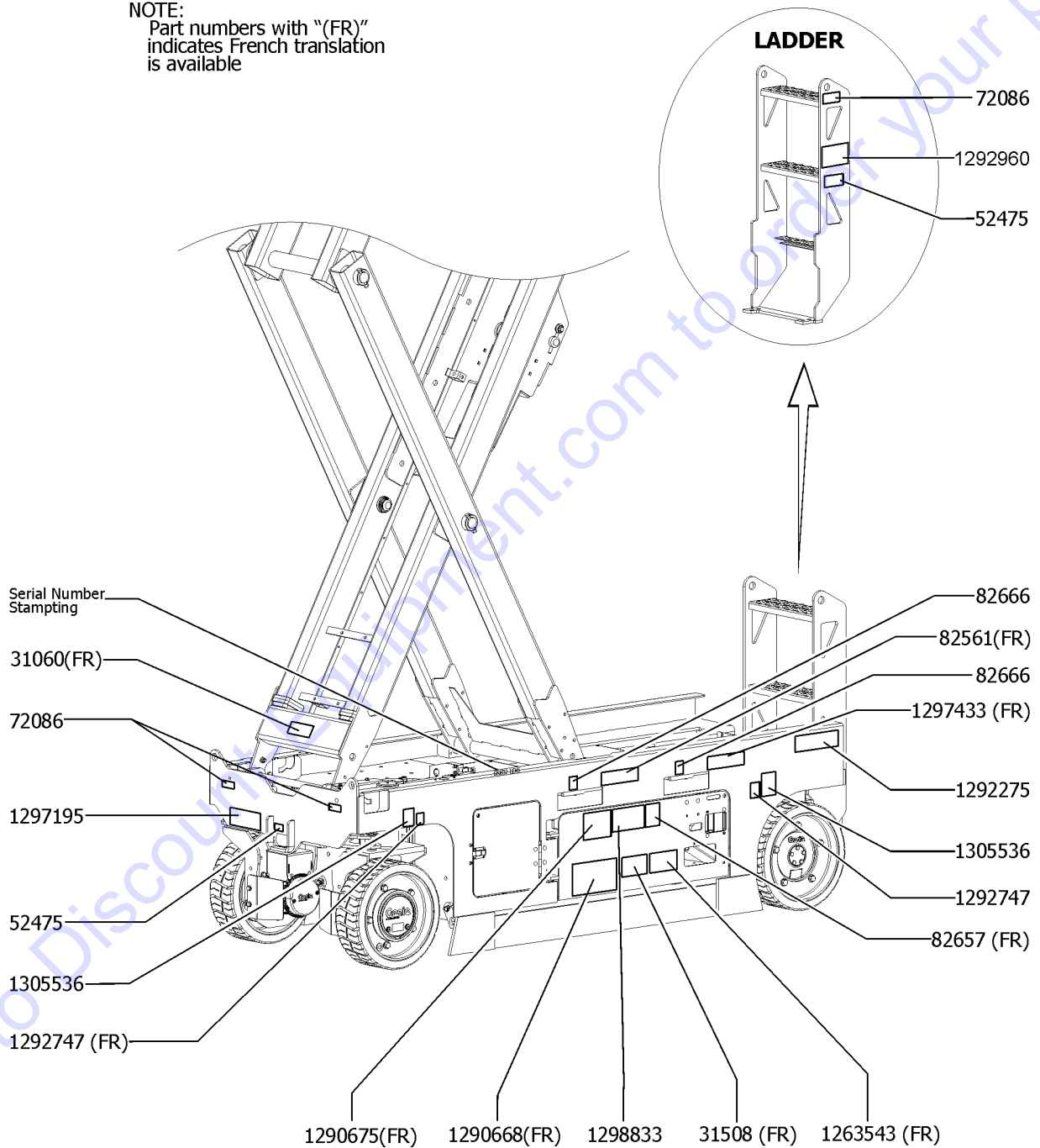
<i>Item</i>	<i>Part No.</i>	<i>Description</i>	<i>Qty.</i>
29	1292515GT	DECAL COSM,GENIE LIFT CONNECT,ESN,SKU4-4	1
30	1292747GT	DECAL,LABEL-TIRE SPECS	2
31	1292990GT	DECAL,RELEASE BRAKE	1
32	1293324GT	DECAL,ICES-2/CAN-2 COMPLIANCE	1
33	1294685GT	DECAL,ANNUAL INSP***, MINI	1
34	1297195GT	DECAL, LABEL, TRANSPORT DIAGRAM	1
35	1297433GT	DECAL, DANGER, ELECRICAL HAZARD, SLAB	1
36	1305535GT	DECAL, LABEL, WHEEL LOAD, E-DRIVE, GS-2032	2
37	T112804GT	DECAL,GCON PANEL,GS	1

Go to Discount-Equipment.com to order your parts



Battery Side

NOTE:
Part numbers with "(FR)"
indicates French translation
is available



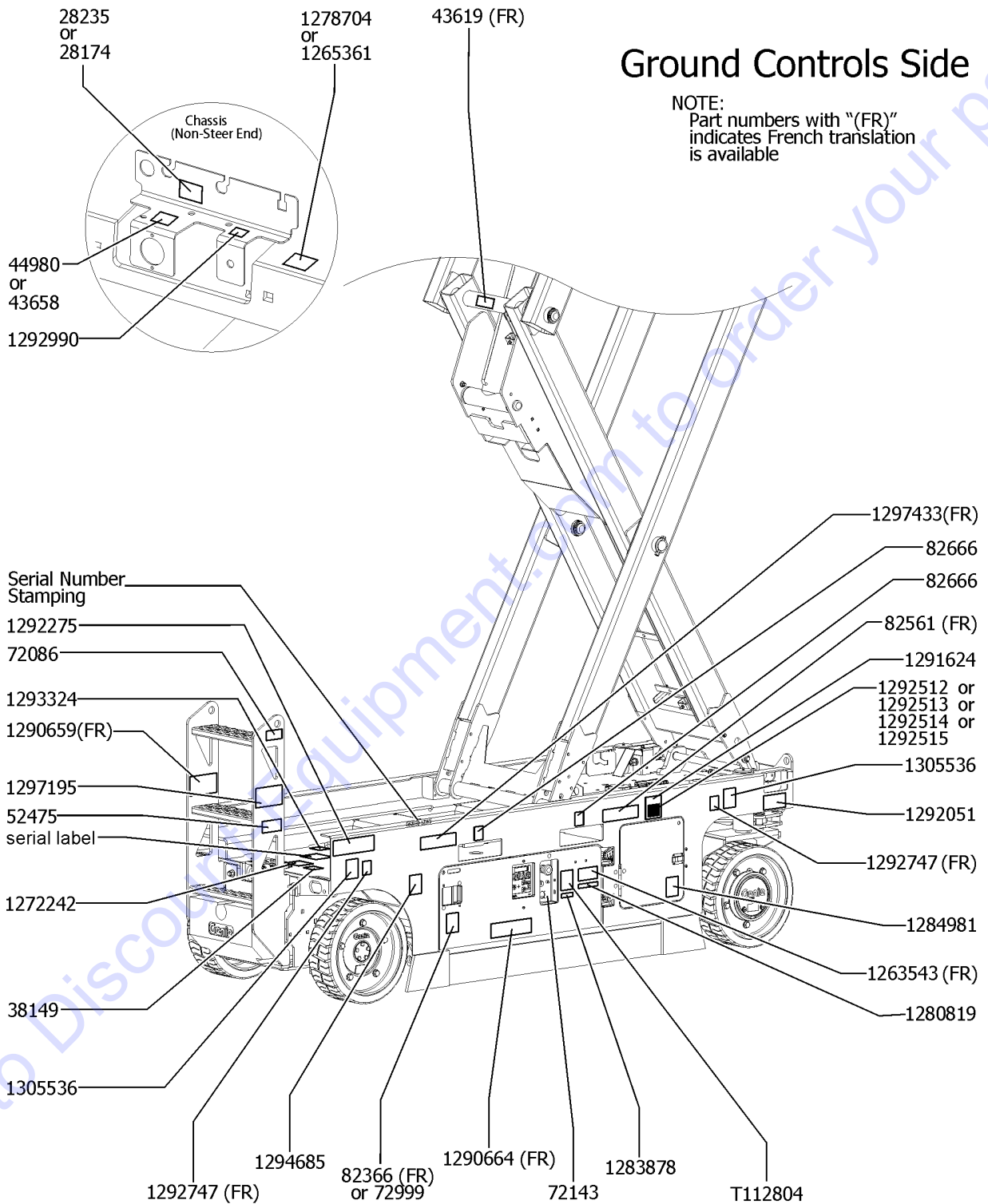
103.1 Word Decals, GS-2632, Battery Side, ANSI & Australia

Item	Part No.	Description	Qty.
1	31060GT	DECAL,DANGER DO NOT ALTER SWTC	1
2	31508GT	DECAL,DANGER,ELECT HAZARD,PLUG	1
3	52475GT	DECAL LABEL TRANSPORT TIE DOWN*	2
4	72086GT	DECAL,LABEL,LIFTING EYE	3
5	82561GT	DECAL,DANGER-USE SAFETY ARM	1
6	82657GT	DECAL,INSTRUCT,BATTERY CONNECT	1
7	82666GT	DECAL,LABEL,FORKLIFT POCKET	2
8	1263543GT	DECAL,WARNING-COMPART ACCESS	1
9	1290668GT	DECAL,INSTRUCTIONS-CHARGER OP, GS-1330m	1
10	1290675GT	DECAL,DANGER,BATTERY SAFETY***, GS-1330m	1
11	1292275GT	DECAL,ELECTRIC DRIVE,E-DRIVE	1
12	1292747GT	DECAL,LABEL-TIRE SPECS	2
13	1292960GT	DECAL DANGER BRAKE REL SAFETY, GS-1330m	1
14	1297195GT	DECAL, LABEL, TRANSPORT DIAGRAM	1
15	1297433GT	DECAL, DANGER, ELECTRICAL HAZARD, SLAB	1
16	1298833GT	DECAL, DANGER, TIP-OVER, BATTERY	1
17	1305536GT	DECAL, LABEL, WHEEL LOAD, E-DRIVE, GS-2632	2

Go to Discount-Equipment.com to order your parts



104.1 Word Decals, GS-2632, Ground Control Side, ANSI and Australia

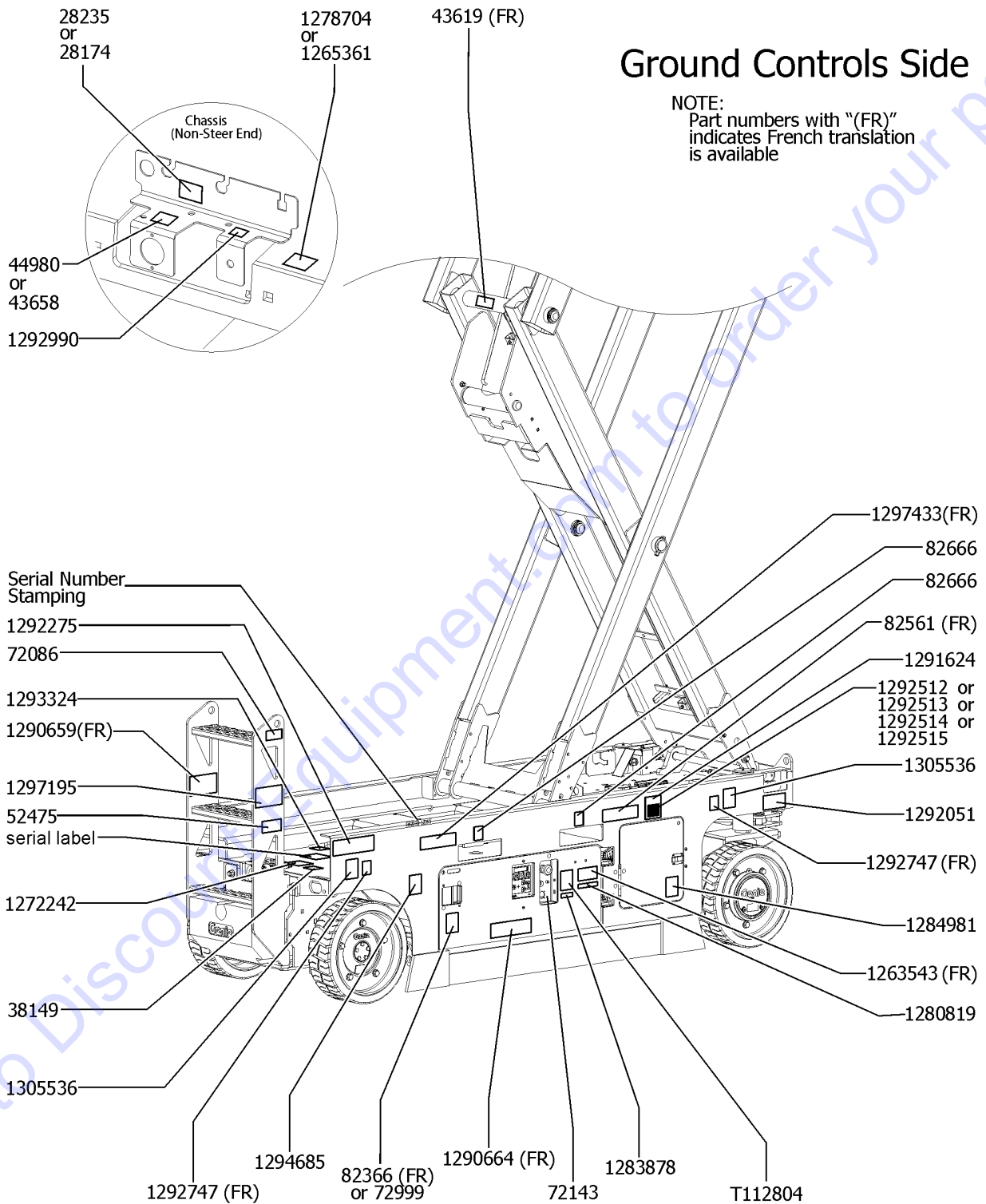


104.1 Word Decals, GS-2632, Ground Control Side, ANSI and Australia

Item	Part No.	Description	Qty.
1	28174GT	DECAL,POWER TO PLATFORM 230V	1
2	28235GT	DECAL,POWER TO PLATFORM 115V	1
3	38149GT	DECAL,LABEL,PATENTS	1
4	43619GT	DECAL LABEL SAFETY ARM	1
5	43658GT	DECAL,LABEL,PWR TO CHARGR 230V	1
6	44980GT	DECAL,LABEL,PWR TO CHARGER 115UK	1
7	52475GT	DECAL LABEL TRANSPORT TIE DOWN*	1
8	72143GT	DECAL, EMERGENCY STOP, GR	1
9	72086GT	DECAL,LABEL,LIFTING EYE	1
10	72999GT	DECAL,LABEL,PETRO CANADA***	1
11	82366GT	DECAL,LABEL-CHEVRON RANDO	1
12	82561GT	DECAL,DANGER-USE SAFETY ARM	1
13	82666GT	DECAL,LABEL,FORKLIFT POCKET	2
14	1263543GT	DECAL,WARNING-COMPART ACCESS	1
15	1265361GT	DECAL, BATTERY CHARGER INDICAT	1
16	1272242GT	DECAL,MACHINE REGISTRATION/OWNER TRANSFER	1
17	1278704GT	DECAL,CHARGE STATUS IND.	1
18	1280819GT	DECAL,WARNING,CANCER AND REPRODUCTIVE HARM, PROP 65	1
19	1283878GT	DECAL,TECH PRO LINK	1
20	1284981GT	DECAL,ACCUMULATOR EXPLOSION HAZARD,WORD	1
21	1290659GT	DECAL,DANGER,ELECT HAZARD,PLUG,GS-1330m	1
22	1290664GT	DECAL,OP INST,GCON,GS-1330m	1
23	1291624GT	DECAL COSM,GENIE UFT,CONNECT LEXAN COVER	1
24	1292051GT	DECAL,EMERGENCY LOWERING, GS-1330m	1
25	1292275GT	DECAL,ELECTRIC DRIVE,E-DRIVE	1
26	1292512GT	DECAL COSM,GENIE LIFT CONNECT,ESN,SKU4-1	1
27	1292513GT	DECAL COSM,GENIE LIFT CONNECT,ESN,SKU4-2	1
28	1292514GT	DECAL COSM,GENIE LIFT CONNECT,ESN,SKU4-3	1



104.1 Word Decals, GS-2632, Ground Control Side, ANSI and Australia



104.1 Word Decals, GS-2632, Ground Control Side, ANSI and Australia

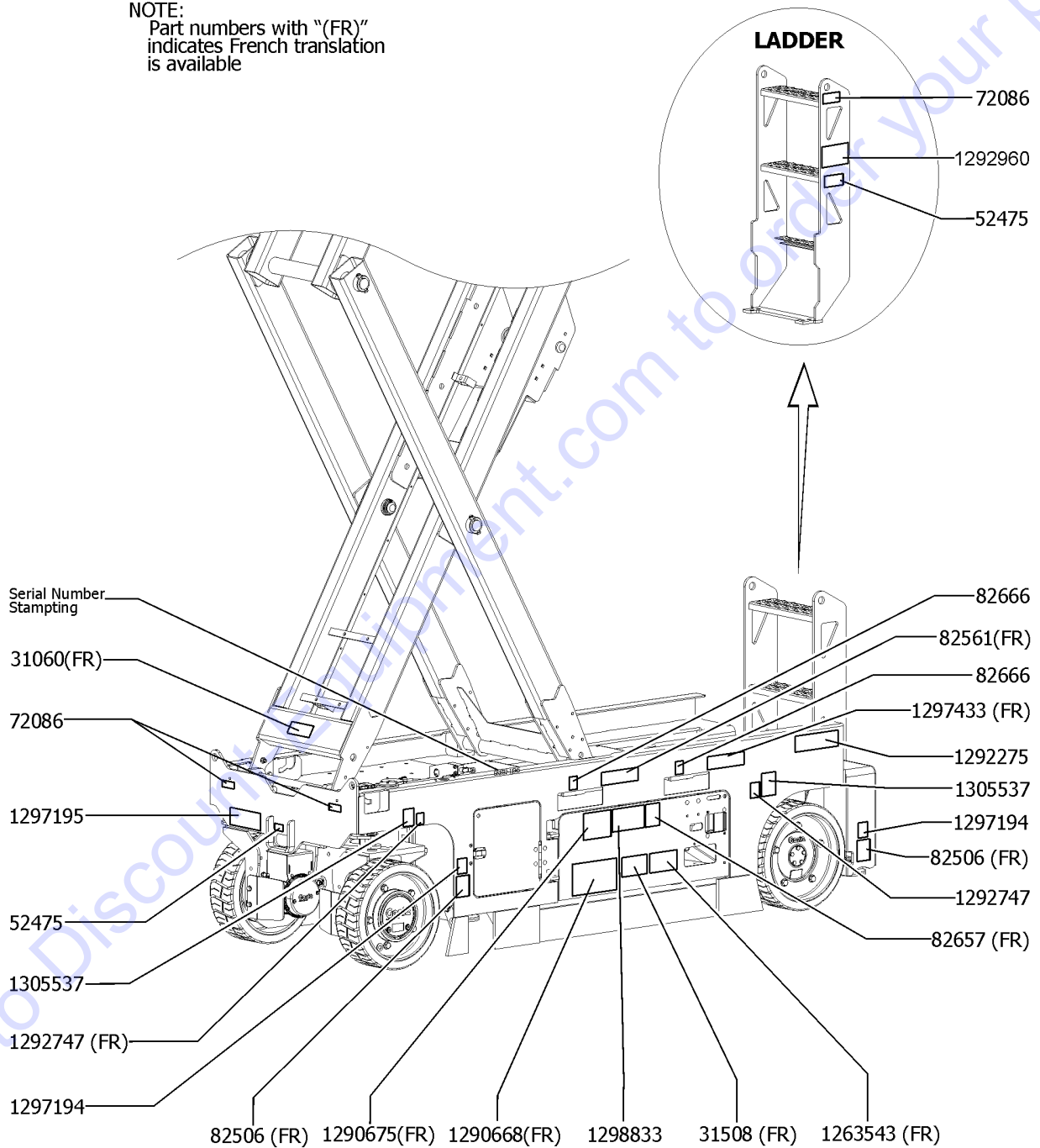
Item	Part No.	Description	Qty.
29	1292515GT	DECAL COSM,GENIE LIFT CONNECT,ESN,SKU4-4	1
30	1292747GT	DECAL,LABEL-TIRE SPECS	2
31	1292990GT	DECAL,RELEASE BRAKE	1
32	1293324GT	DECAL,ICES-2/CAN-2 COMPLIANCE	1
33	1294685GT	DECAL,ANNUAL INSP***, MINI	1
34	1297195GT	DECAL, LABEL, TRANSPORT DIAGRAM	1
35	1297433GT	DECAL, DANGER, ELECTRICAL HAZARD, SLAB	1
36	1305536GT	DECAL, LABEL, WHEEL LOAD, E-DRIVE, GS-2632	2
37	T112804GT	DECAL,GCON PANEL,GS	1

Go to Discount-Equipment.com to order your parts



Battery Side

NOTE:
Part numbers with "(FR)"
indicates French translation
is available

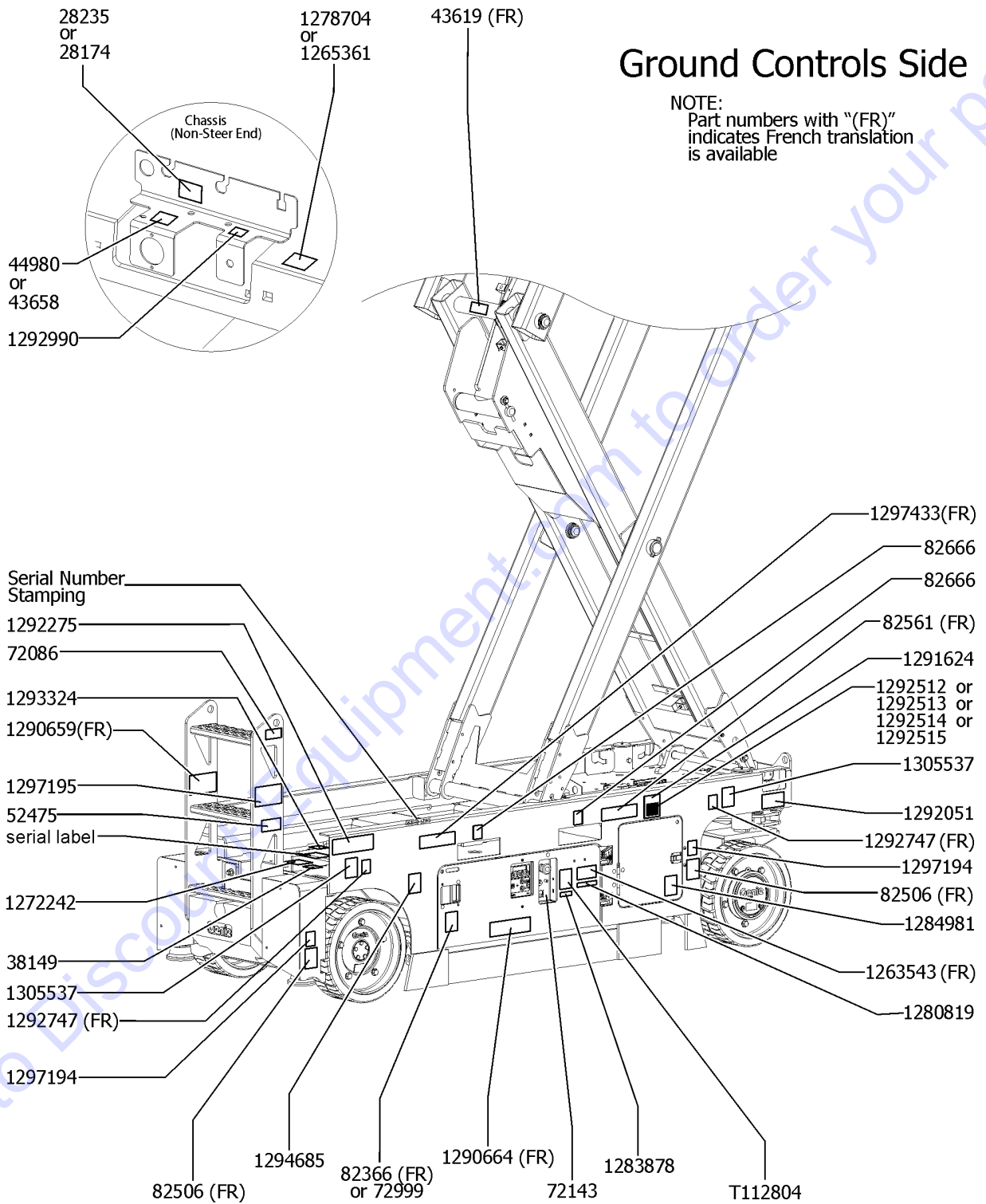


105.1 Word Decals, GS-3232, Battery Side, ANSI & Australia

Item	Part No.	Description	Qty.
1	31060GT	DECAL,DANGER DO NOT ALTER SWTC	1
2	31508GT	DECAL,DANGER,ELECT HAZARD,PLUG	1
3	52475GT	DECAL LABEL TRANSPORT TIE DOWN*	2
4	72086GT	DECAL,LABEL,LIFTING EYE	3
5	82506GT	DECAL,WARNING-FOOT CRUSHING	2
6	82561GT	DECAL,DANGER-USE SAFETY ARM	1
7	82657GT	DECAL,INSTRUCT,BATTERY CONNECT	1
8	82666GT	DECAL,LABEL,FORKLIFT POCKET	2
9	1263543GT	DECAL,WARNING-COMPART ACCESS	1
10	1290668GT	DECAL,INSTRUCTIONS-CHARGER OP, GS-1330m	1
11	1290675GT	DECAL,DANGER,BATTERY SAFETY***, GS-1330m	1
12	1292275GT	DECAL,ELECTRIC DRIVE,E-DRIVE	1
13	1292747GT	DECAL,LABEL-TIRE SPECS	2
14	1292960GT	DECAL DANGER BRAKE REL SAFETY, GS-1330m	1
15	1297194GT	DECAL, LABEL, OUTRIGGER LOAD, GS-3232	2
16	1297195GT	DECAL, LABEL, TRANSPORT DIAGRAM	1
17	1297433GT	DECAL, DANGER, ELECRICAL HAZARD, SLAB	1
18	1298833GT	DECAL, DANGER, TIP-OVER, BATTERY	1
19	1305537GT	DECAL, LABEL, WHEEL LOAD, E-DRIVE, GS-3232	2



106.1 Word Decals, GS-3232, Ground Control Side, ANSI and Australia

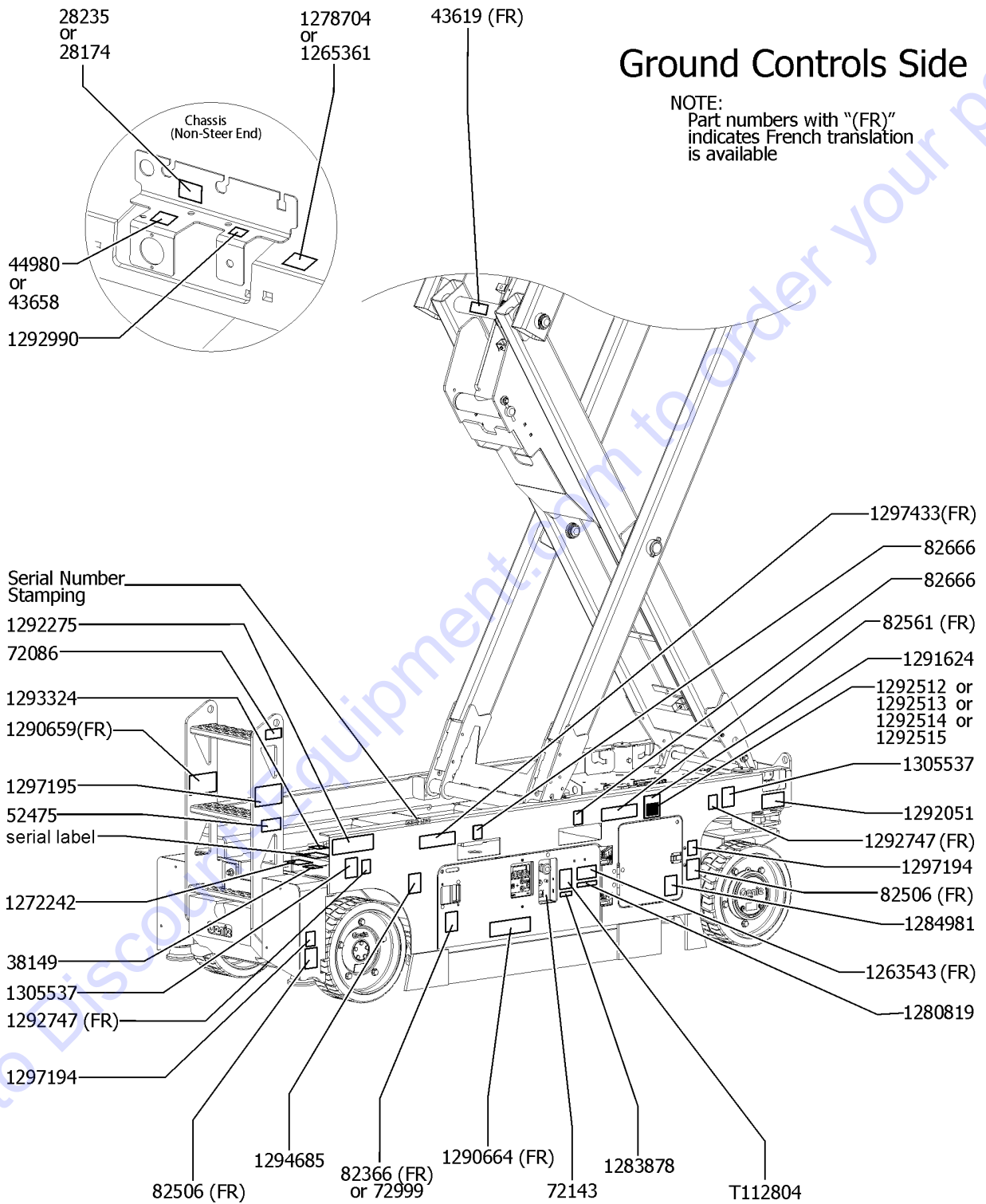


106.1 Word Decals, GS-3232, Ground Control Side, ANSI and Australia

Item	Part No.	Description	Qty.
1	28174GT	DECAL,POWER TO PLATFORM 230V	1
2	28235GT	DECAL,POWER TO PLATFORM 115V	1
3	38149GT	DECAL,LABEL,PATENTS	1
4	43619GT	DECAL LABEL SAFETY ARM	1
5	43658GT	DECAL,LABEL,PWR TO CHARGR 230V	1
6	44980GT	DECAL,LABEL,PWR TO CHARGER 115UK	1
7	52475GT	DECAL LABEL TRANSPORT TIE DOWN*	1
8	72143GT	DECAL, EMERGENCY STOP, GR	1
9	72086GT	DECAL,LABEL,LIFTING EYE	1
10	72999GT	DECAL,LABEL,PETRO CANADA***	1
11	82366GT	DECAL,LABEL-CHEVRON RANDO	1
12	82506GT	DECAL,WARNING-FOOT CRUSHING	2
13	82561GT	DECAL,DANGER-USE SAFETY ARM	1
14	82666GT	DECAL,LABEL,FORKLIFT POCKET	2
15	1263543GT	DECAL,WARNING-COMPART ACCESS	1
16	1265361GT	DECAL, BATTERY CHARGER INDICAT	1
17	1272242GT	DECAL,MACHINE REGISTRATION/OWNER TRANSFER	1
18	1278704GT	DECAL,CHARGE STATUS IND.	1
19	1280819GT	DECAL,WARNING,CANCER AND REPRODUCTIVE HARM, PROP 65	1
20	1283878GT	DECAL,TECH PRO LINK	1
21	1284981GT	DECAL,ACCUMULATOR EXPLOSION HAZARD,WORD	1
22	1290659GT	DECAL,DANGER,ELECT HAZARD,PLUG,GS-1330m	1
23	1290664GT	DECAL,OP INST,GCON,GS-1330m	1
24	1291624GT	DECAL COSM,GENIE UFT,CONNECT LEXAN COVER	1
25	1292051GT	DECAL,EMERGENCY LOWERING, GS-1330m	1
26	1292275GT	DECAL,ELECTRIC DRIVE,E-DRIVE	1
27	1292512GT	DECAL COSM,GENIE LIFT CONNECT,ESN,SKU4-1	1
28	1292513GT	DECAL COSM,GENIE LIFT CONNECT,ESN,SKU4-2	1



106.1 Word Decals, GS-3232, Ground Control Side, ANSI and Australia



106.1 Word Decals, GS-3232, Ground Control Side, ANSI and Australia

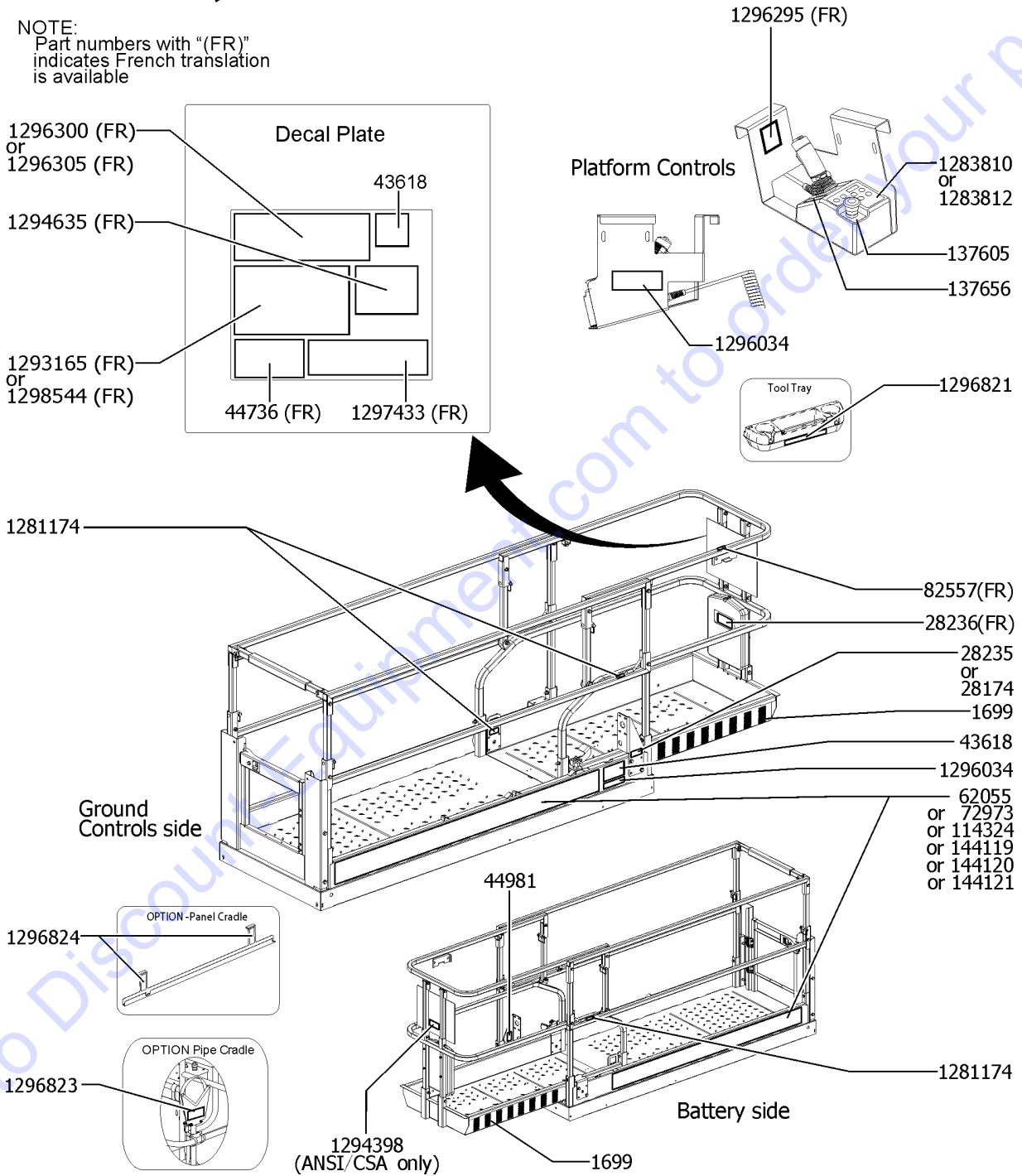
Item	Part No.	Description	Qty.
29	1292514GT	DECAL COSM,GENIE LIFT CONNECT,ESN,SKU4-3	1
30	1292515GT	DECAL COSM,GENIE LIFT CONNECT,ESN,SKU4-4	1
31	1292747GT	DECAL,LABEL-TIRE SPECS	2
32	1292990GT	DECAL,RELEASE BRAKE	1
33	1293324GT	DECAL,ICES-2/CAN-2 COMPLIANCE	1
34	1294685GT	DECAL,ANNUAL INSP***, MINI	1
35	1297194GT	DECAL, LABEL, OUTRIGGER LOAD, GS-3232	2
36	1297195GT	DECAL, LABEL, TRANSPORT DIAGRAM	1
37	1297433GT	DECAL, DANGER, ELECRICAL HAZARD, SLAB	1
38	1305537GT	DECAL, LABEL, WHEEL LOAD, E-DRIVE, GS-3232	2
39	T112804GT	DECAL,GCON PANEL,GS	1

Go to Discount-Equipment.com to order your parts



Platform, ANSI and Australia models

NOTE:
Part numbers with "(FR)" indicates French translation is available



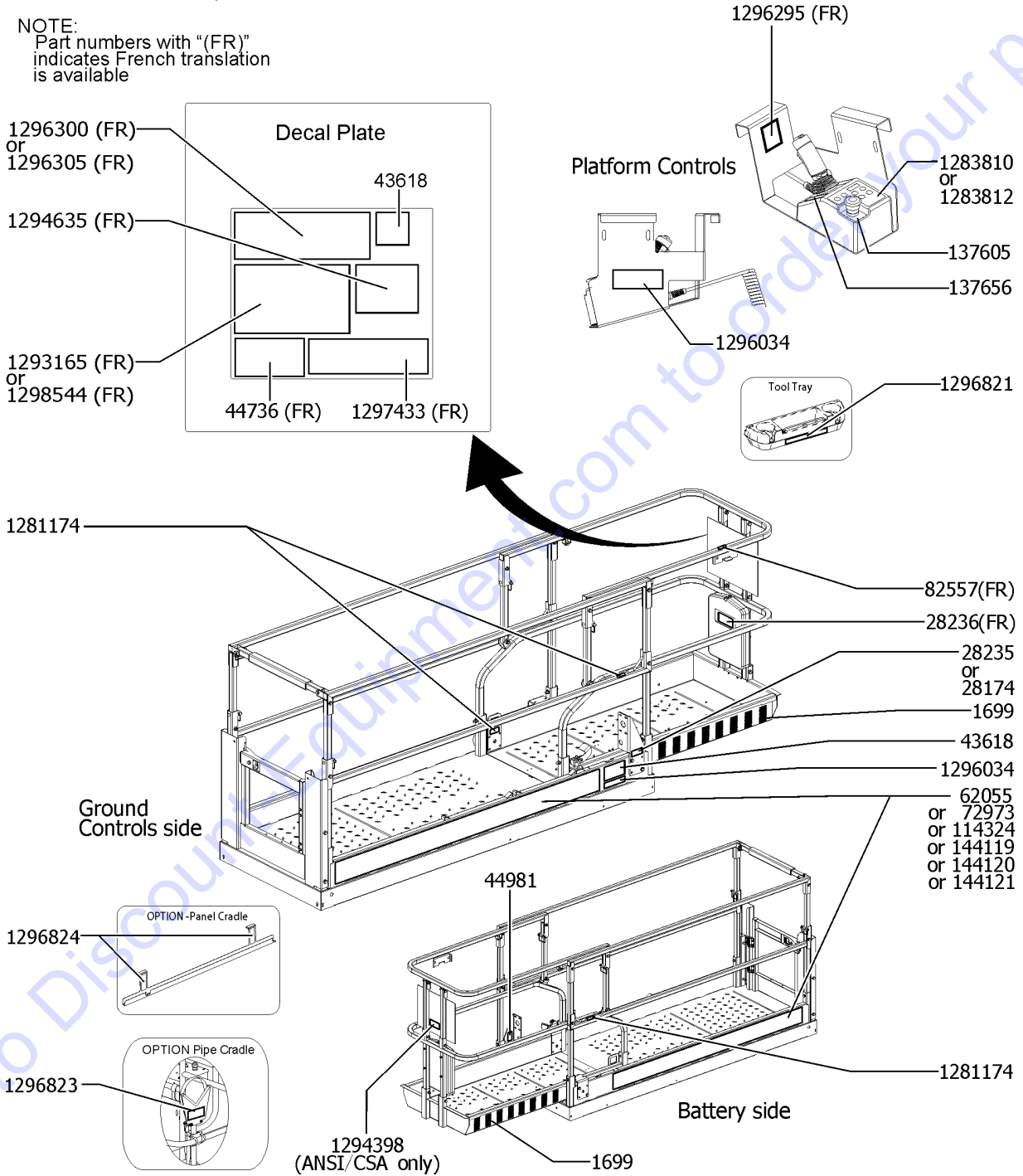
107.1 Word Decals, Platform, ANSI and Australia, All models

Item	Part No.	Description	Qty.
1	1699GT	TAPE, WARN, BLACK/YELLOW, BULK	52
2	28174GT	DECAL,POWER TO PLATFORM 230V	1
3	28235GT	DECAL,POWER TO PLATFORM 115V	1
4	28236GT	DECAL,WARN,IMPROPER OPERATION	1
5	43618GT	DECAL,LABEL-DIRECTION ARROWS	2
6	44736GT	DECAL,DANGER,TIP-OVER,TILT	1
7	44981GT	DECAL,LABEL, AIR LINE 110 PSI	1
		(Airline to platform Option)	
8	62055GT	DECAL,COSMETIC,GENIE GS-2032	1
		(GS-2032)	
9	72973GT	DECAL,COSMETIC,GENIE GS-2632	1
		(GS-2632)	
10	82557GT	DECAL,LABEL,PLAT CONT LOCATION	1
11	114324GT	DECAL,COSMETIC-GENIE GS-3232	1
		(GS-3232)	
12	137605GT	DECAL,E-STOP,GR/GRC/GS PCON	1
13	137656GT	DECAL,PROPEL,GR/GRC/GS,PCON	1
14	144119GT	DECAL,COSMETIC,GENIE,GS2032,BLK	1
		(GS-2032)	
15	144120GT	DECAL,COSMETIC,GENIE,GS2632,BLK	1
		(GS-2632)	
16	144121GT	DECAL,COSMETIC,GENIE,GS3232,BLK	1
		(GS-3232)	
17	1281174GT	DECAL,LANYARD,FALL ARREST/FALL RESTRAINED	3
18	1283810GT	DECAL,STD,DUAL ZONE,GR/GS,UI	1
		(GS-2032/2632)	
19	1283812GT	DECAL,O/R,DUAL ZONE,GS,UI	1
		(GS-3232)	
20	1293165GT	DECAL,DANGER/WARNING COMBO,GS-1330m	1
		(GS-2032/2632)	
21	1294398GT	NEW ANSI CHECK MASK	1
		(ANSI/CSA Only)	
22	1294635GT	DECAL,PLATFORM OVERLOAD LED INDICATOR LIGHT	1
23	1296034GT	DECAL, SMARTLINK, DUAL ZONE	2
24	1296295GT	DECAL,LABEL,FAULT CODES	1
25	1296300GT	DECAL, DANGER, MAX CAPACITY 500LBS, SIDE FORCE 45/90LBS	1
		(GS-2632/3232)	
26	1296305GT	DECAL, DANGER, MAX CAPACITY 800LBS, SIDE FORCE 45/90LBS	1
		(GS-2032)	
27	1296821GT	DECAL, WARNING, TOOL TRAY	1
28	1296823GT	DECAL, WARNING, PIPE CRADLE	1
		Pipe Cradle Option	



Platform, ANSI and Australia models

NOTE:
Part numbers with "(FR)" indicates French translation is available



107.1 Word Decals, Platform, ANSI and Australia, All models

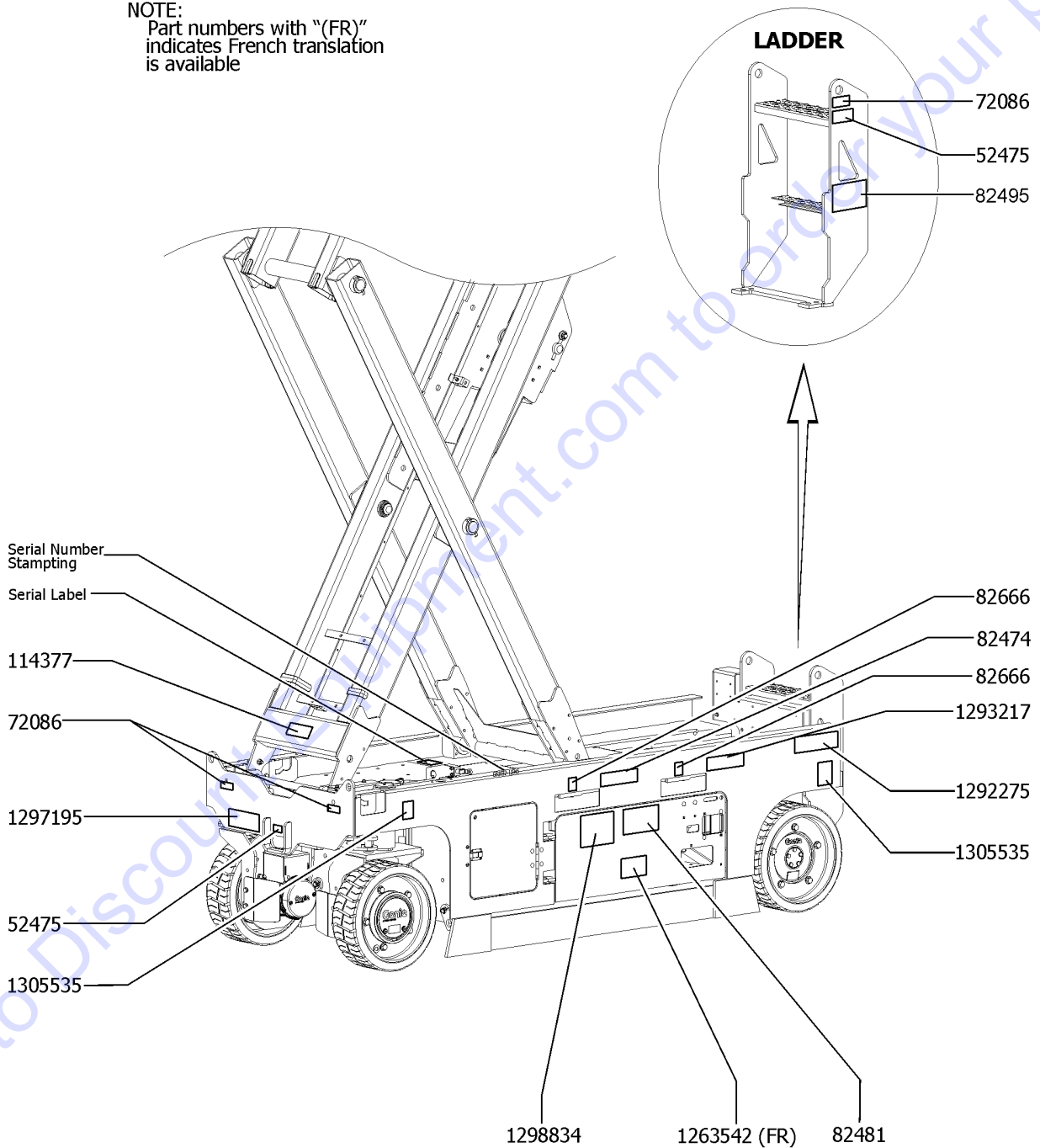
<i>Item</i>	<i>Part No.</i>	<i>Description</i>	<i>Qty.</i>
29	1296824GT	DECAL, WARNING, PANEL CARRIER Panel Cradle Option	2
30	1297433GT	DECAL, DANGER, ELECTRICAL HAZARD, SLAB	1
31	1298544GT	DECAL, DANGER, TIP-OVER, CRUSH, OUTRIGGER (GS-3232)	1

Go to Discount-Equipment.com to order your parts



Battery Side

NOTE:
Part numbers with "(FR)"
indicates French translation
is available



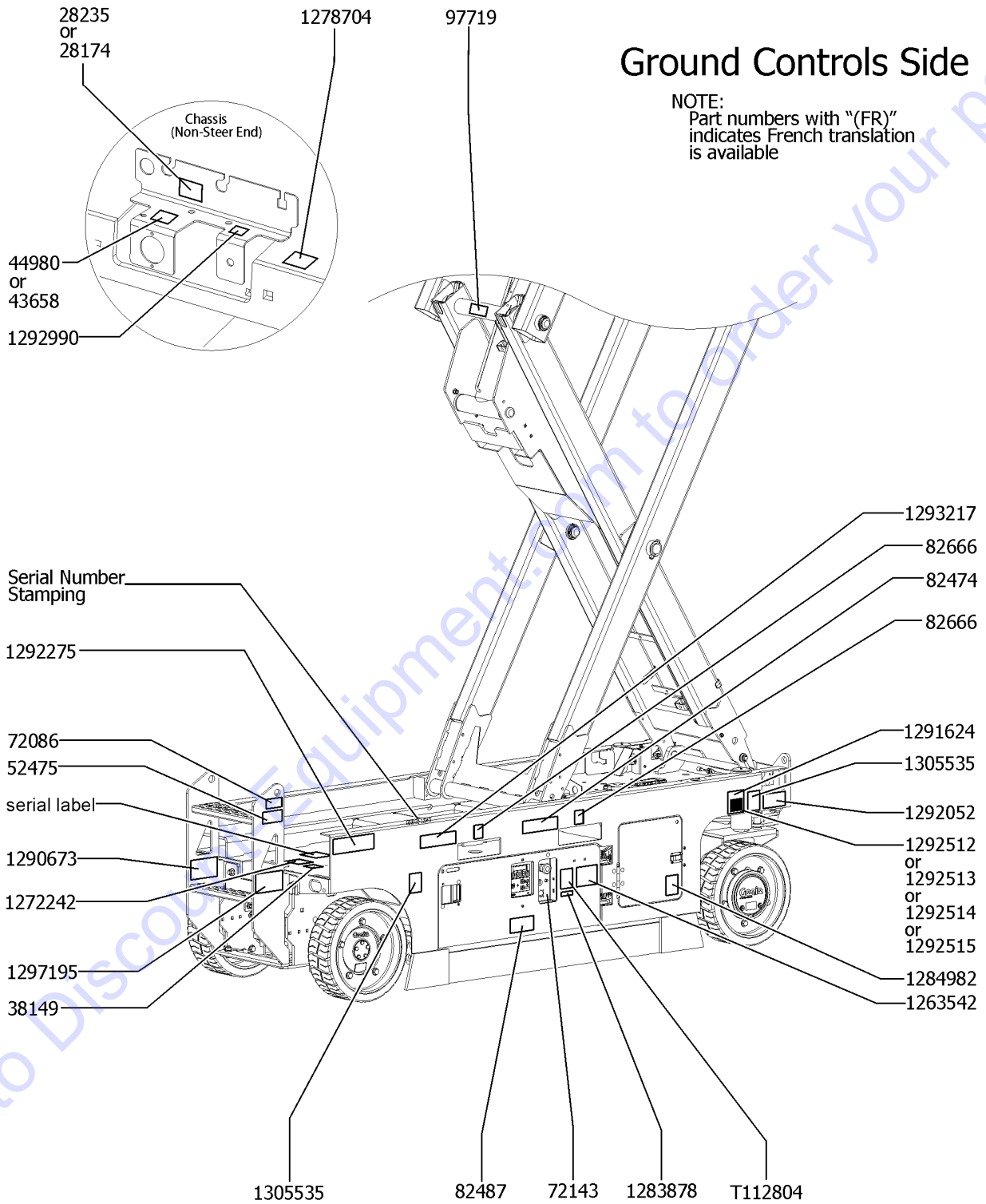
108.1 Symbol Decals, GS-2032, Battery Side, ANSI & CE

Item	Part No.	Description	Qty.
1	52475GT	DECAL LABEL TRANSPORT TIE DOWN*	2
2	72086GT	DECAL,LABEL,LIFTING EYE	3
3	82474GT	DECAL SYMBOL USE SAFETY ARM	1
4	82481GT	DECAL,SYMBOL-BATTERY SAFETY	1
5	82495GT	DECAL SYMBOL BRAKE REL SAFETY	1
6	82666GT	DECAL,LABEL,FORKLIFT POCKET	2
7	114377GT	EA-ELECT. CDC BOX 4LT	1
8	1263542GT	DECAL,SYMBOL-COMP ACCESS	1
9	1292275GT	DECAL,ELECTRIC DRIVE,E-DRIVE	1
10	1293217GT	DECAL SYMBOL ELECTRIC HAZARD GS-1330m	1
11	1297195GT	DECAL, LABEL, TRANSPORT DIAGRAM	1
12	1298834GT	DECAL,DANGER,TIP-OVER,BATTERY	1
13	1305535GT	DECAL, LABEL, WHEEL LOAD, E-DRIVE, GS-2032	2

Go to Discount-Equipment.com to order your parts



109.1 Symbol Decals, GS-2032, Ground Control Side, ANSI and CE

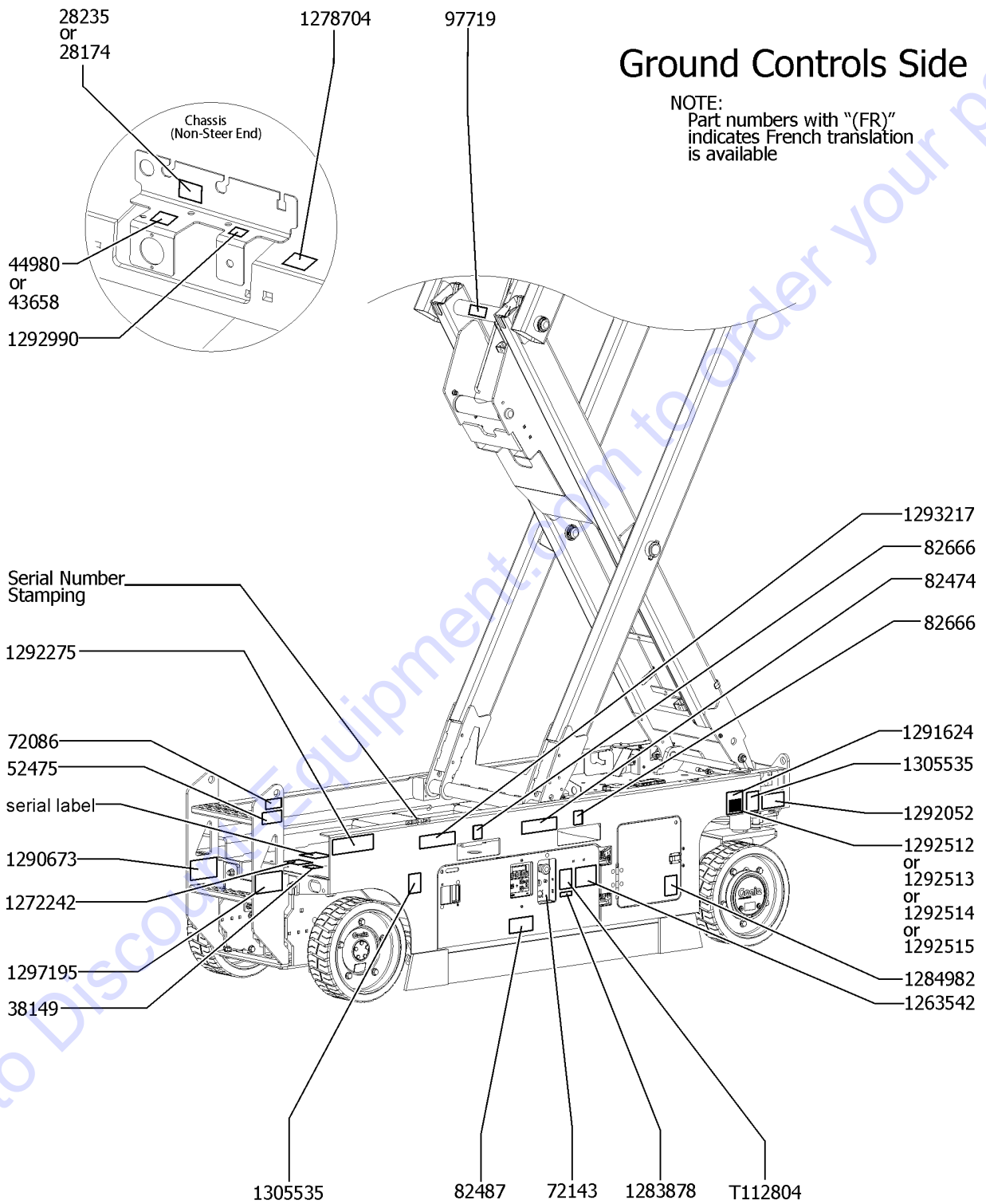


109.1 Symbol Decals, GS-2032, Ground Control Side, ANSI and CE

Item	Part No.	Description	Qty.
1	28174GT	DECAL,POWER TO PLATFORM 230V	1
2	28235GT	DECAL,POWER TO PLATFORM 115V	1
3	38149GT	DECAL,LABEL,PATENTS	1
4	43658GT	DECAL,LABEL,PWR TO CHARGR 230V	1
5	44980GT	DECAL,LABEL,PWR TO CHARGER 115UK	1
6	52475GT	DECAL LABEL TRANSPORT TIE DOWN*	1
7	72086GT	DECAL,LABEL,LIFTING EYE	1
8	72143GT	DECAL, EMERGENCY STOP, GR	1
9	82474GT	DECAL SYMBOL USE SAFETY ARM	1
10	82487GT	DECAL,SYMBOL-READ THE MANUAL	1
11	82666GT	DECAL,LABEL,FORKLIFT POCKET	2
12	97719GT	DECAL, LABEL, SAFETY ARM SYMBOL	1
13	1263542GT	DECAL,SYMBOL-COMP ACCESS	1
14	1272242GT	DECAL,MACHINE REGISTRATION/OWNER TRANSFER	1
15	1278704GT	DECAL,CHARGE STATUS IND.	1
16	1283878GT	DECAL,TECH PRO LINK	1
17	1284982GT	DECAL,ACCUMULATOR EXPLOSION HAZARD,SYMBOL	1
18	1290673GT	DECAL,SYM-ELEC HAZARD,PLUG,GS-1330m	1
19	1291624GT	DECAL COSM,GENIE UFT,CONNECT LEXAN COVER	1
20	1292052GT	DECAL,LABEL,AUX LOWERING	1
21	1292275GT	DECAL,ELECTRIC DRIVE,E-DRIVE	1
22	1292512GT	DECAL COSM,GENIE LIFT CONNECT,ESN,SKU4-1	1
23	1292513GT	DECAL COSM,GENIE LIFT CONNECT,ESN,SKU4-2	1
24	1292514GT	DECAL COSM,GENIE LIFT CONNECT,ESN,SKU4-3	1
25	1292515GT	DECAL COSM,GENIE LIFT CONNECT,ESN,SKU4-4	1
26	1292990GT	DECAL,RELEASE BRAKE	1
27	1293217GT	DECAL SYMBOL ELECTRIC HAZARD GS-1330m	1
28	1297195GT	DECAL, LABEL, TRANSPORT DIAGRAM	1



109.1 Symbol Decals, GS-2032, Ground Control Side, ANSI and CE



109.1 Symbol Decals, GS-2032, Ground Control Side, ANSI and CE

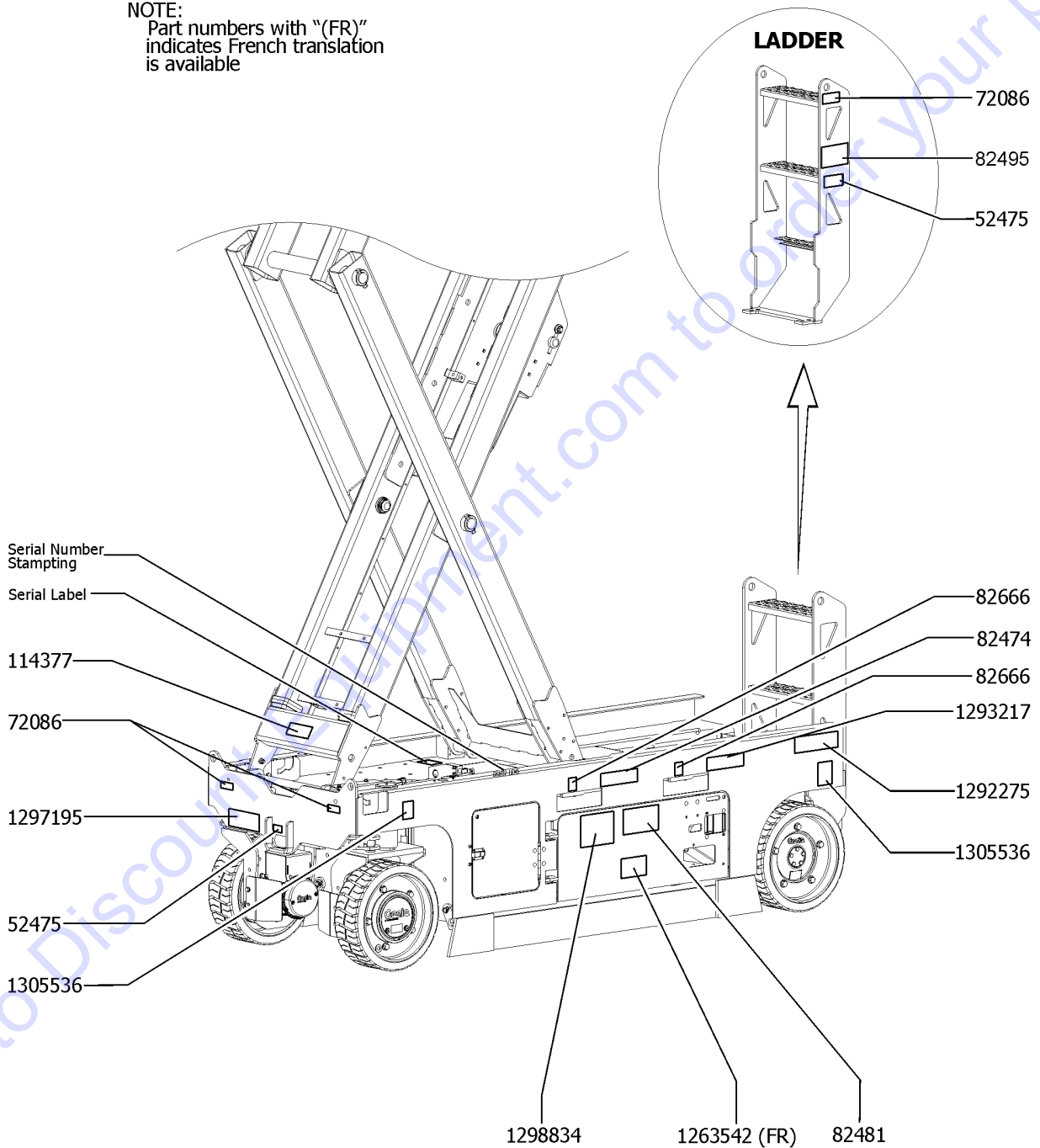
<i>Item</i>	<i>Part No.</i>	<i>Description</i>	<i>Qty.</i>
29	1305535GT	DECAL, LABEL, WHEEL LOAD, E-DRIVE, GS-2032	2
30	T112804GT	DECAL,GCON PANEL,GS	1

Go to Discount-Equipment.com to order your parts



Battery Side

NOTE:
Part numbers with "(FR)"
indicates French translation
is available



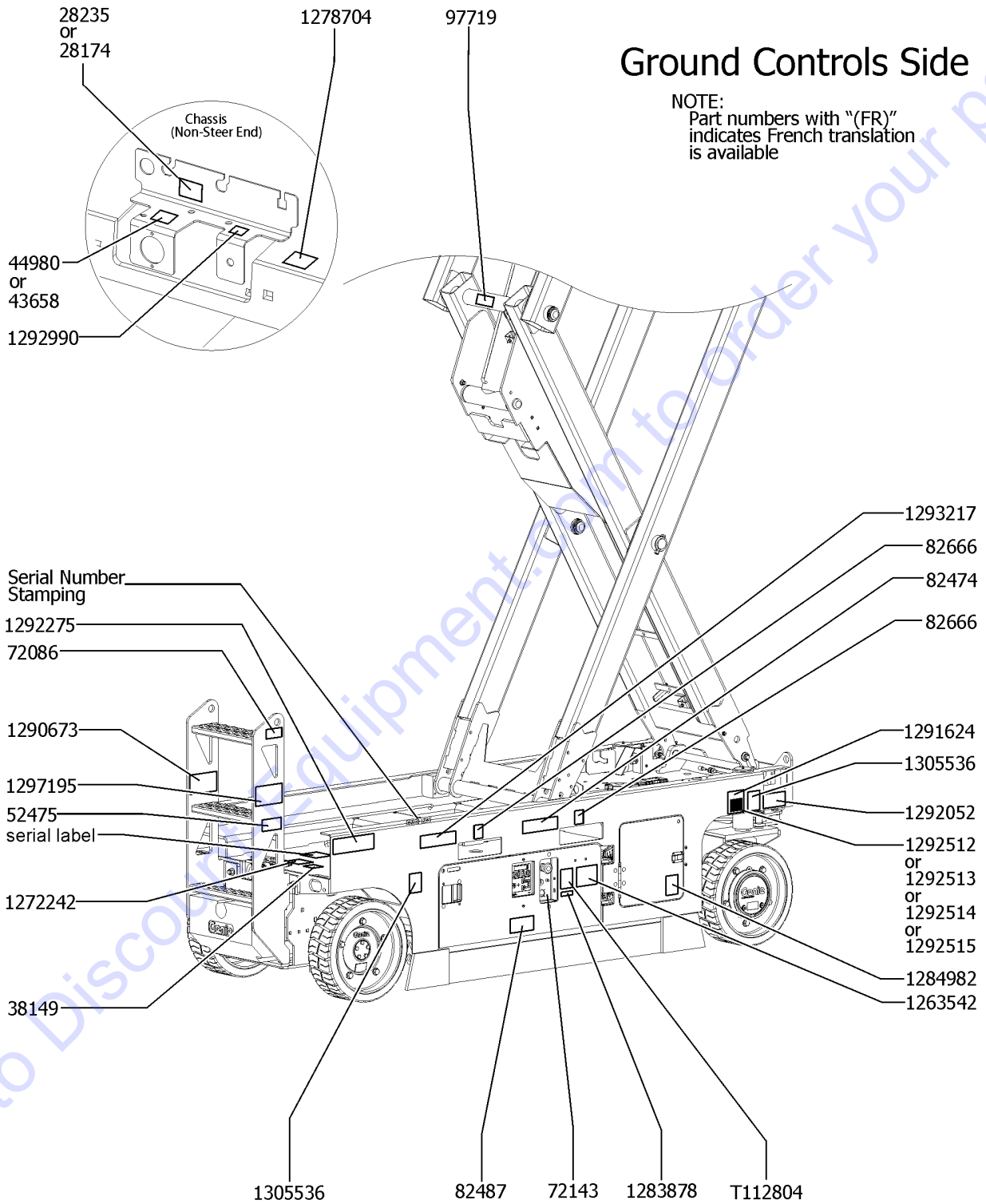
110.1 Symbol Decals, GS-2632, Battery Side, ANSI & CE

Item	Part No.	Description	Qty.
1	52475GT	DECAL LABEL TRANSPORT TIE DOWN*	2
2	72086GT	DECAL,LABEL,LIFTING EYE	3
3	82474GT	DECAL SYMBOL USE SAFETY ARM	1
4	82481GT	DECAL,SYMBOL-BATTERY SAFETY	1
5	82495GT	DECAL SYMBOL BRAKE REL SAFETY	1
6	82666GT	DECAL,LABEL,FORKLIFT POCKET	2
7	114377GT	EA-ELECT. CDC BOX 4LT	1
8	1263542GT	DECAL,SYMBOL-COMP ACCESS	1
9	1292275GT	DECAL,ELECTRIC DRIVE,E-DRIVE	1
10	1293217GT	DECAL SYMBOL ELECTRIC HAZARD GS-1330m	1
11	1297195GT	DECAL, LABEL, TRANSPORT DIAGRAM	1
12	1298834GT	DECAL,DANGER,TIP-OVER,BATTERY	1
13	1305536GT	DECAL, LABEL, WHEEL LOAD, E-DRIVE, GS-2632	2

Go to Discount-Equipment.com to order your parts



111.1 Symbol Decals, GS-2632, Ground Control Side, ANSI and CE

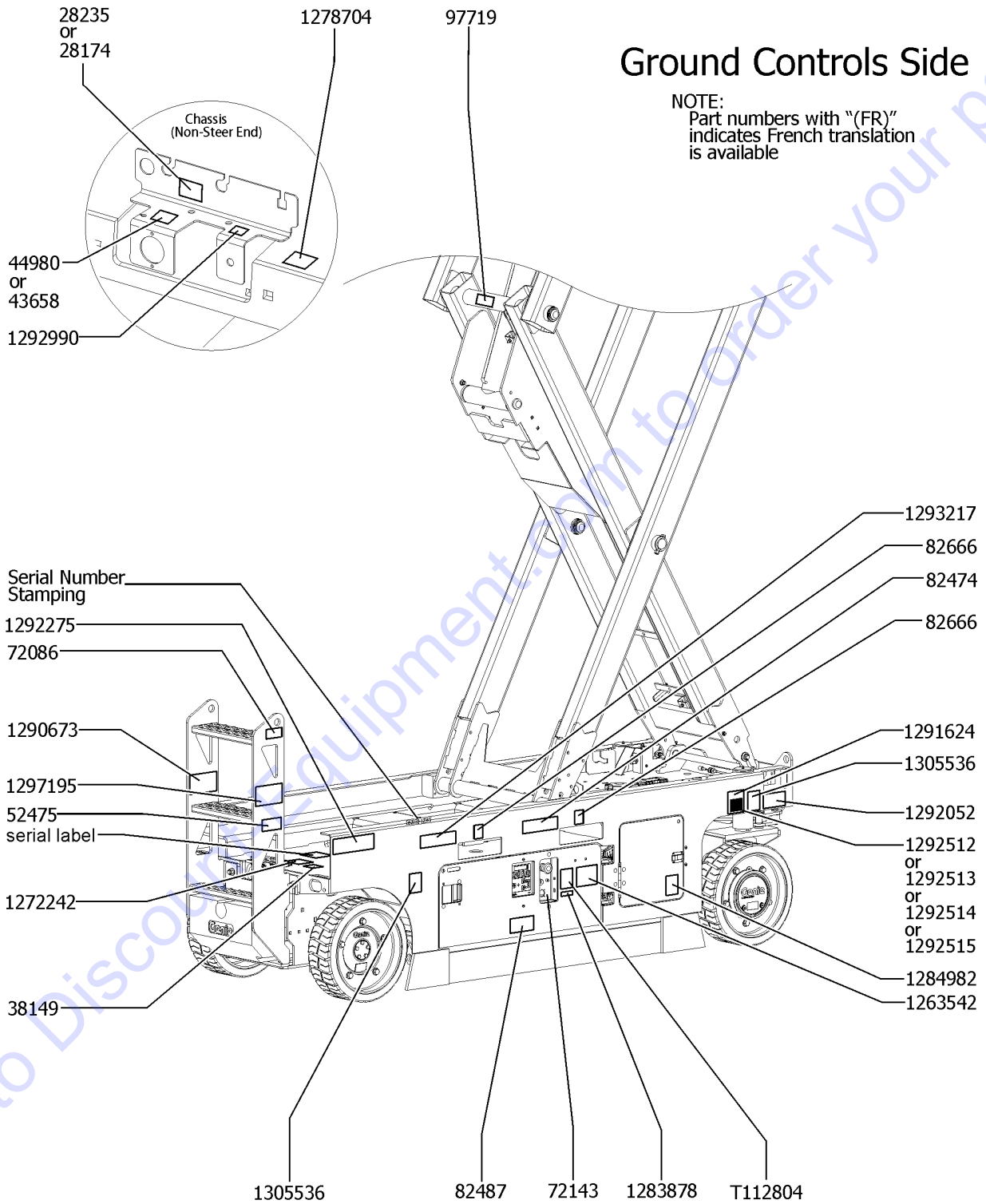


111.1 Symbol Decals, GS-2632, Ground Control Side, ANSI and CE

Item	Part No.	Description	Qty.
1	28174GT	DECAL,POWER TO PLATFORM 230V	1
2	28235GT	DECAL,POWER TO PLATFORM 115V	1
3	38149GT	DECAL,LABEL,PATENTS	1
4	43658GT	DECAL,LABEL,PWR TO CHARGR 230V	1
5	44980GT	DECAL,LABEL,PWR TO CHARGER 115UK	1
6	52475GT	DECAL LABEL TRANSPORT TIE DOWN*	1
7	72086GT	DECAL,LABEL,LIFTING EYE	1
8	72143GT	DECAL, EMERGENCY STOP, GR	1
9	82474GT	DECAL SYMBOL USE SAFETY ARM	1
10	82487GT	DECAL,SYMBOL-READ THE MANUAL	1
11	82666GT	DECAL,LABEL,FORKLIFT POCKET	2
12	97719GT	DECAL, LABEL, SAFETY ARM SYMBOL	1
13	1263542GT	DECAL,SYMBOL-COMP ACCESS	1
14	1272242GT	DECAL,MACHINE REGISTRATION/OWNER TRANSFER	1
15	1278704GT	DECAL,CHARGE STATUS IND.	1
16	1283878GT	DECAL,TECH PRO LINK	1
17	1284982GT	DECAL,ACCUMULATOR EXPLOSION HAZARD,SYMBOL	1
18	1290673GT	DECAL,SYM-ELEC HAZARD,PLUG,GS-1330m	1
19	1291624GT	DECAL COSM,GENIE UFT,CONNECT LEXAN COVER	1
20	1292052GT	DECAL,LABEL,AUX LOWERING	1
21	1292275GT	DECAL,ELECTRIC DRIVE,E-DRIVE	1
22	1292512GT	DECAL COSM,GENIE LIFT CONNECT,ESN,SKU4-1	1
23	1292513GT	DECAL COSM,GENIE LIFT CONNECT,ESN,SKU4-2	1
24	1292514GT	DECAL COSM,GENIE LIFT CONNECT,ESN,SKU4-3	1
25	1292515GT	DECAL COSM,GENIE LIFT CONNECT,ESN,SKU4-4	1
26	1292990GT	DECAL,RELEASE BRAKE	1
27	1293217GT	DECAL SYMBOL ELECTRIC HAZARD GS-1330m	1
28	1297195GT	DECAL, LABEL, TRANSPORT DIAGRAM	1



111.1 Symbol Decals, GS-2632, Ground Control Side, ANSI and CE



111.1 Symbol Decals, GS-2632, Ground Control Side, ANSI and CE

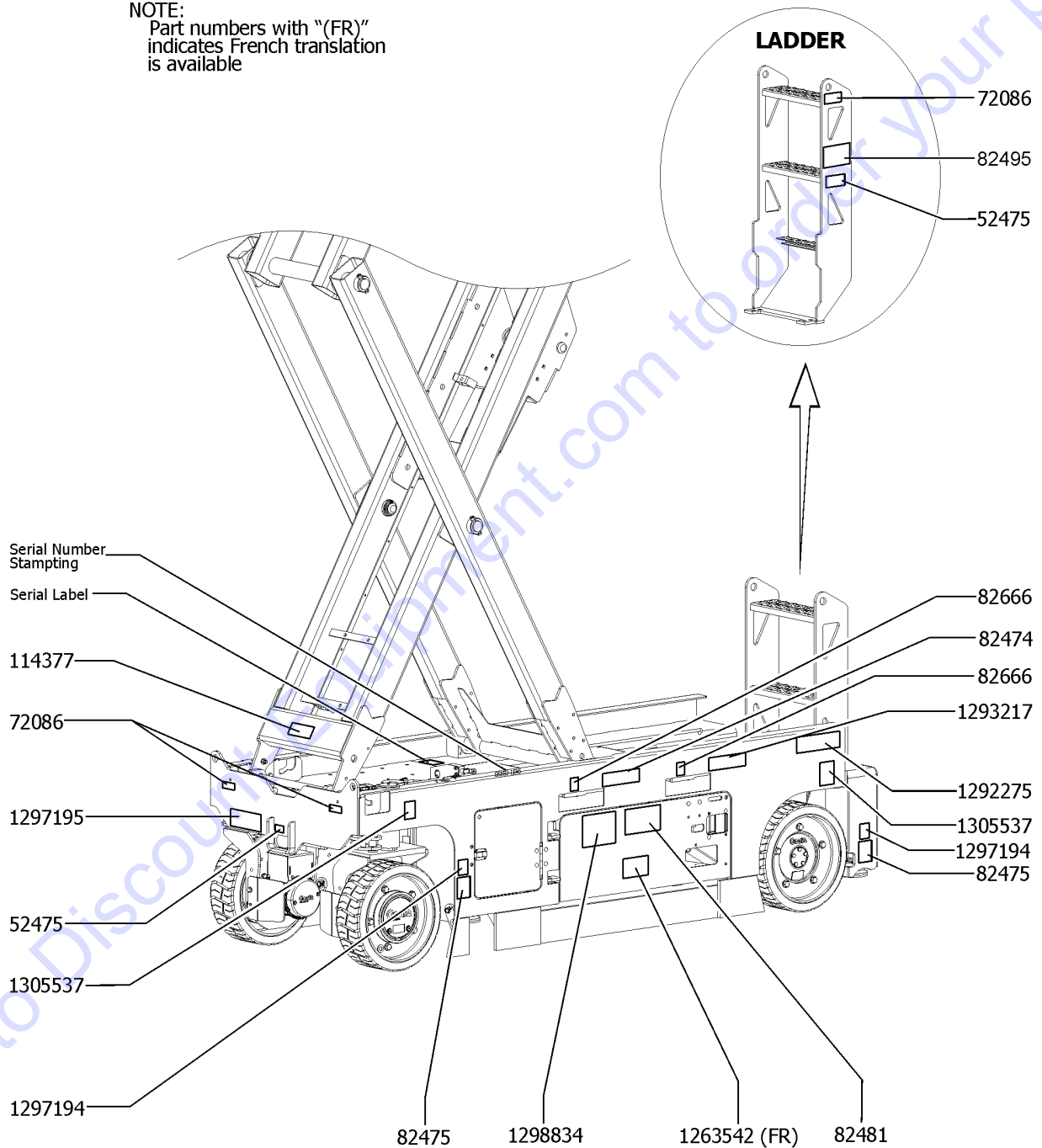
<i>Item</i>	<i>Part No.</i>	<i>Description</i>	<i>Qty.</i>
29	1305536GT	DECAL, LABEL, WHEEL LOAD, E-DRIVE, GS-2632	2
30	T112804GT	DECAL,GCON PANEL,GS	1

Go to Discount-Equipment.com to order your parts



Battery Side

NOTE:
Part numbers with "(FR)"
indicates French translation
is available



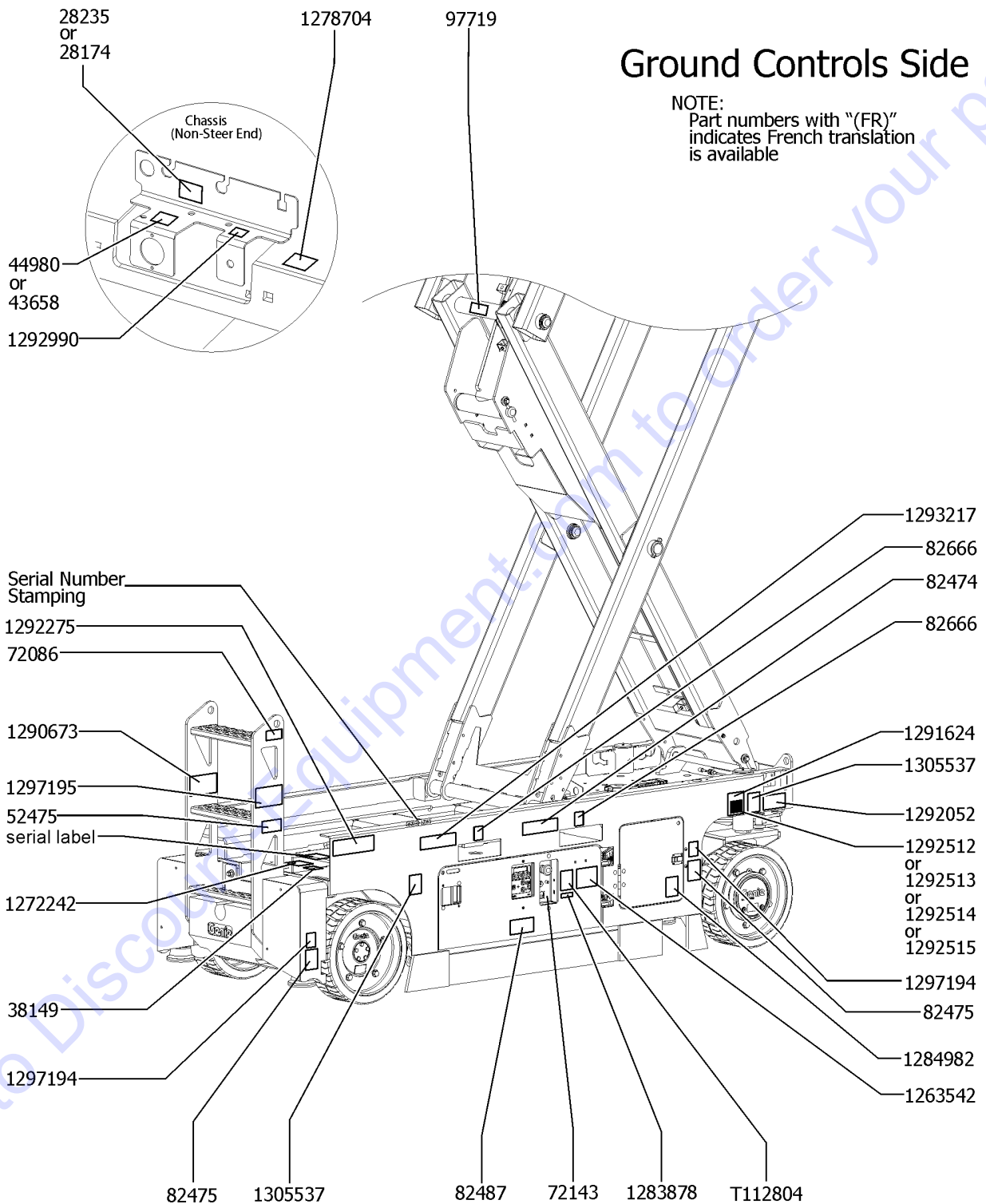
112.1 Symbol Decals, GS-3232, Battery Side, ANSI & CE

Item	Part No.	Description	Qty.
1	52475GT	DECAL LABEL TRANSPORT TIE DOWN*	2
2	72086GT	DECAL,LABEL,LIFTING EYE	3
3	82474GT	DECAL SYMBOL USE SAFETY ARM	1
4	82481GT	DECAL,SYMBOL-BATTERY SAFETY	1
5	82475GT	DECAL,WARNING,CRUSHING HAZARD	2
6	82495GT	DECAL SYMBOL BRAKE REL SAFETY	1
7	82666GT	DECAL,LABEL,FORKLIFT POCKET	2
8	114377GT	EA-ELECT. CDC BOX 4LT	1
9	1263542GT	DECAL,SYMBOL-COMP ACCESS	1
10	1292275GT	DECAL,ELECTRIC DRIVE,E-DRIVE	1
11	1293217GT	DECAL SYMBOL ELECTRIC HAZARD GS-1330m	1
12	1297194GT	DECAL, LABEL, OUTRIGGER LOAD, GS-3232	2
13	1297195GT	DECAL, LABEL, TRANSPORT DIAGRAM	1
14	1298834GT	DECAL,DANGER,TIP-OVER,BATTERY	1
15	1305537GT	DECAL, LABEL, WHEEL LOAD, E-DRIVE, GS-3232	2

Go to Discount-Equipment.com to order your parts



113.1 Symbol Decals, GS-3232, Ground Control Side, ANSI and CE

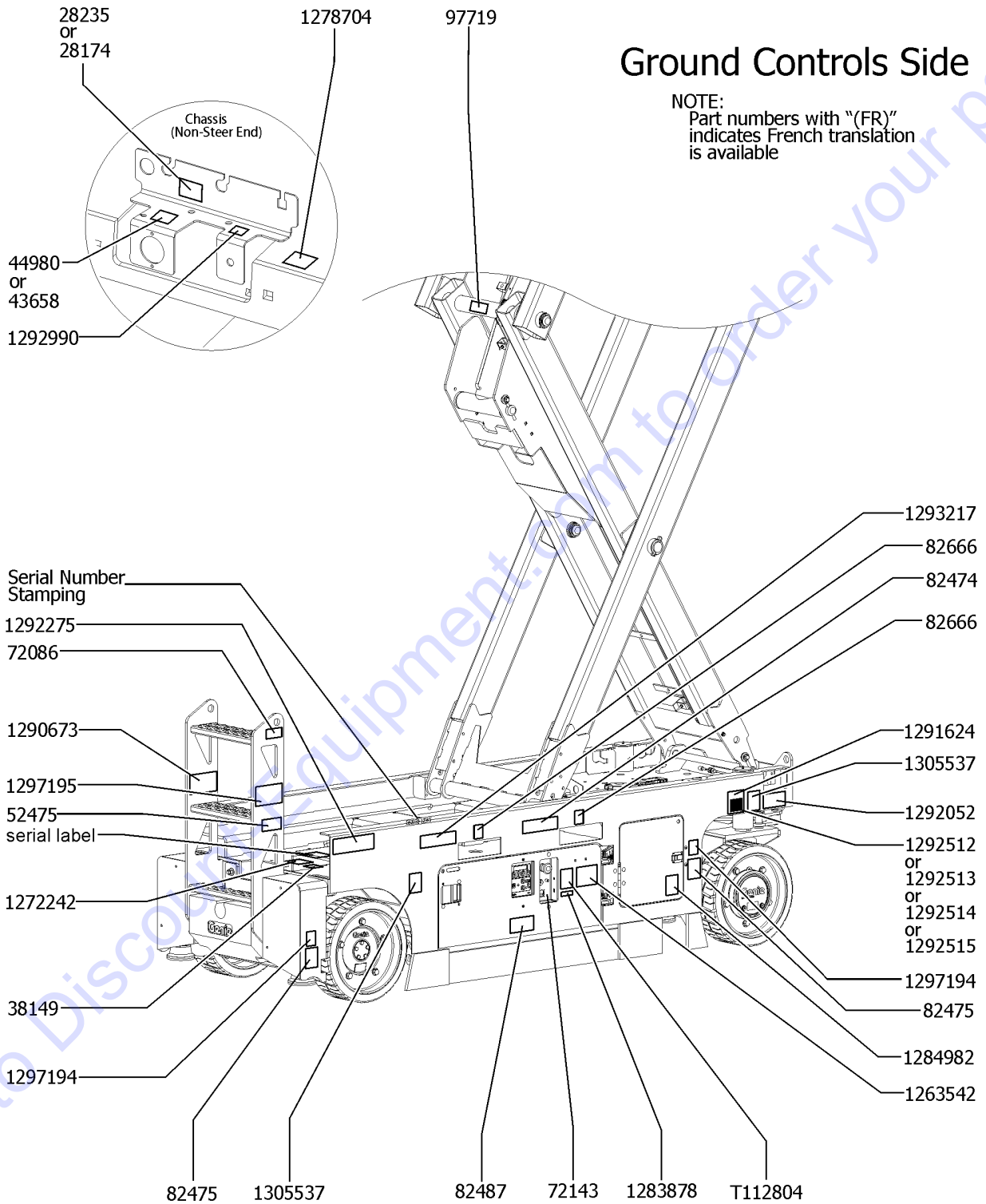


113.1 Symbol Decals, GS-3232, Ground Control Side, ANSI and CE

Item	Part No.	Description	Qty.
1	28174GT	DECAL,POWER TO PLATFORM 230V	1
2	28235GT	DECAL,POWER TO PLATFORM 115V	1
3	38149GT	DECAL,LABEL,PATENTS	1
4	43658GT	DECAL,LABEL,PWR TO CHARGR 230V	1
5	44980GT	DECAL,LABEL,PWR TO CHARGER 115UK	1
6	52475GT	DECAL LABEL TRANSPORT TIE DOWN*	1
7	72086GT	DECAL,LABEL,LIFTING EYE	1
8	72143GT	DECAL, EMERGENCY STOP, GR	1
9	82474GT	DECAL SYMBOL USE SAFETY ARM	1
10	82475GT	DECAL,WARNING,CRUSHING HAZARD	2
11	82487GT	DECAL,SYMBOL-READ THE MANUAL	1
12	82666GT	DECAL,LABEL,FORKLIFT POCKET	2
13	97719GT	DECAL, LABEL, SAFETY ARM SYMBOL	1
14	1263542GT	DECAL,SYMBOL-COMP ACCESS	1
15	1272242GT	DECAL,MACHINE REGISTRATION/OWNER TRANSFER	1
16	1278704GT	DECAL,CHARGE STATUS IND.	1
17	1283878GT	DECAL,TECH PRO LINK	1
18	1284982GT	DECAL,ACCUMULATOR EXPLOSION HAZARD,SYMBOL	1
19	1290673GT	DECAL,SYM-ELEC HAZARD,PLUG,GS-1330m	1
20	1291624GT	DECAL COSM,GENIE UFT,CONNECT LEXAN COVER	1
21	1292052GT	DECAL,LABEL,AUX LOWERING	1
22	1292275GT	DECAL,ELECTRIC DRIVE,E-DRIVE	1
23	1292512GT	DECAL COSM,GENIE LIFT CONNECT,ESN,SKU4-1	1
24	1292513GT	DECAL COSM,GENIE LIFT CONNECT,ESN,SKU4-2	1
25	1292514GT	DECAL COSM,GENIE LIFT CONNECT,ESN,SKU4-3	1
26	1292515GT	DECAL COSM,GENIE LIFT CONNECT,ESN,SKU4-4	1
27	1292990GT	DECAL,RELEASE BRAKE	1
28	1293217GT	DECAL SYMBOL ELECTRIC HAZARD GS-1330m	1



113.1 Symbol Decals, GS-3232, Ground Control Side, ANSI and CE



113.1 Symbol Decals, GS-3232, Ground Control Side, ANSI and CE

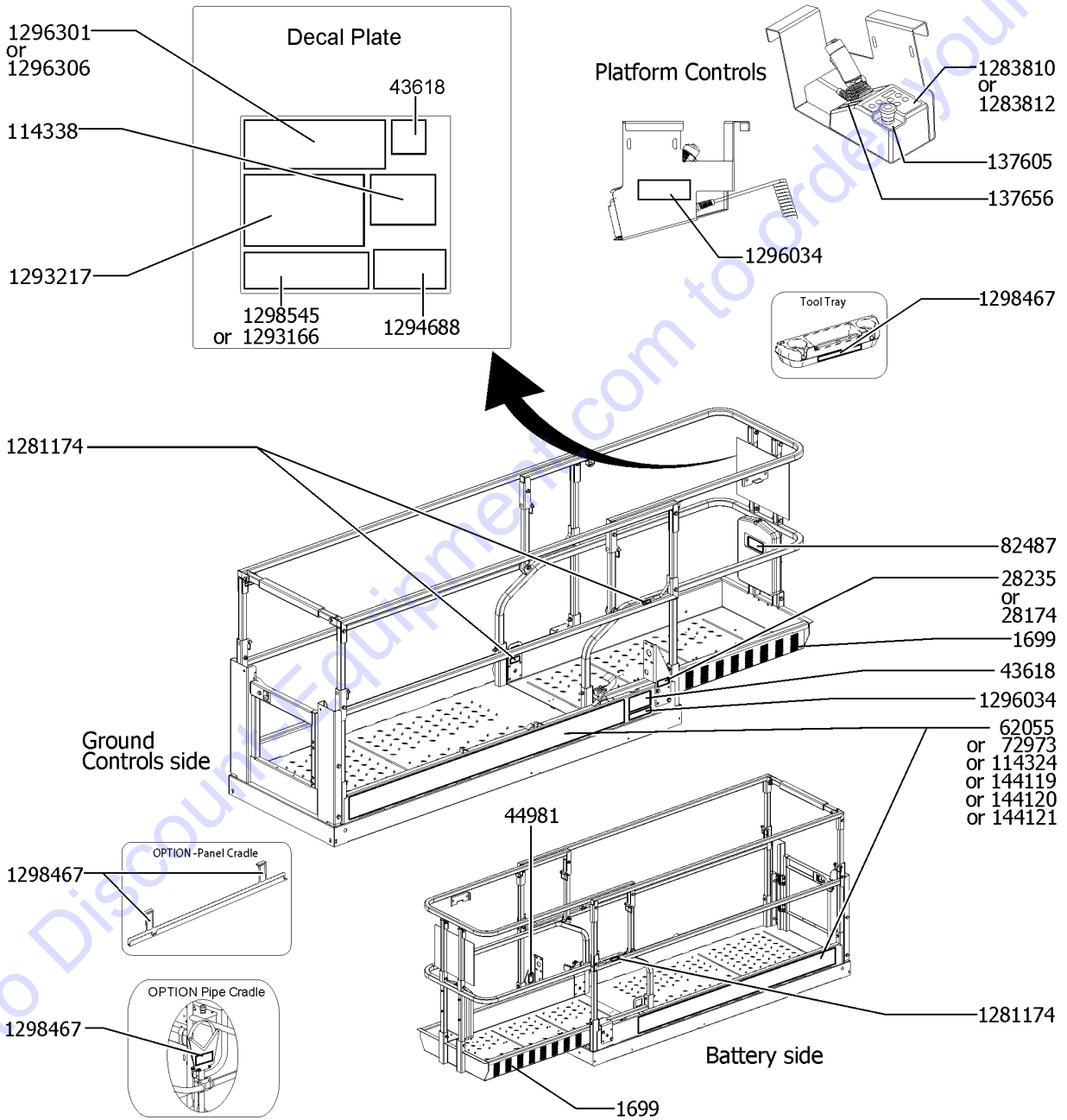
<i>Item</i>	<i>Part No.</i>	<i>Description</i>	<i>Qty.</i>
29	1297194GT	DECAL, LABEL, OUTRIGGER LOAD, GS-3232	2
30	1297195GT	DECAL, LABEL, TRANSPORT DIAGRAM	1
31	1305537GT	DECAL, LABEL, WHEEL LOAD, E-DRIVE, GS-3232	2
32	T112804GT	DECAL,GCON PANEL,GS	1

Go to Discount-Equipment.com to order your parts



Platform, ANSI and Australia models

NOTE:
Part numbers with "(FR)"
indicates French translation
is available



114.1 Symbol Decals, Platform, ANSI and CE, All models

Item	Part No.	Description	Qty.
1	1699GT	TAPE, WARN, BLACK/YELLOW, BULK	52
2	28174GT	DECAL,POWER TO PLATFORM 230V	1
3	28235GT	DECAL,POWER TO PLATFORM 115V	1
4	43618GT	DECAL,LABEL-DIRECTION ARROWS	1
5	44981GT	DECAL,LABEL, AIR LINE 110 PSI (Airline to platform Option)	1
6	62055GT	DECAL,COSMETIC,GENIE GS-2032 (GS-2032)	1
7	72973GT	DECAL,COSMETIC,GENIE GS-2632 (GS-2632)	1
8	82487GT	DECAL,SYMBOL-READ THE MANUAL	1
9	114324GT	DECAL,COSMETIC-GENIE GS-3232 (GS-3232)	1
10	114338GT	DECAL,SYM-TIP-OVR,TILT ALARM	1
11	137605GT	DECAL,E-STOP,GR/GRC/GS PCON	1
12	137656GT	DECAL,PROPEL,GR/GRC/GS,PCON	1
13	144119GT	DECAL,COSMETIC,GENIE,GS2032,BLK (GS-2032)	1
14	144120GT	DECAL,COSMETIC,GENIE,GS2632,BLK (GS-2632)	1
15	144121GT	DECAL,COSMETIC,GENIE,GS3232,BLK (GS-3232)	1
16	1281174GT	DECAL,LANYARD,FALL ARREST/FALL RESTRAINED	3
17	1283810GT	DECAL,STD,DUAL ZONE,GR/GS,UI (GS-2632/3232)	1
18	1283812GT	DECAL,O/R,DUAL ZONE,GS,UI (GS-3232)	1
19	1293166GT	DECAL,TIP-OVER,CRUSH, GS-1330m (GS-2032/2632)	1
20	1293217GT	DECAL SYMBOL ELECTRIC HAZARD GS-1330m	1
21	1294688GT	DECAL,PLATFORM OVERLOAD, MINI	1
22	1296034GT	DECAL, SMARTLINK, DUAL ZONE	2
23	1296301GT	DECAL, DANGER, MAX CAPACITY 227KG, SIDE FORCE 200/400N (GS-2632/3232)	1
24	1296306GT	DECAL, DANGER, MAX CAPACITY 363KG, SIDE FORCE 200/400N (GS-2032)	1
25	1298467GT	DECAL, SYMBOL, READ THE MANUAL, 2.38x1.25 Option	4
26	1298545GT	DECAL, DANGER,TIP-OVER,CRUSH, OUTRIGGER (GS-3232)	1



PARTS FINDER

**Search Website
by Part Number**



**Search Manual
Library For Parts
Manual & Lookup Part
Numbers – Purchase
or Request Quote**

Search Manuals

Enter your information to help us find the right parts manual for your machine.

* Brand:

* Model:

* Serial:

* Part Number:

SEARCH

**Can't Find Part or
Manual? Request Help
by Manufacturer,
Model & Description**

Parts Order Form

Please fill in the following information to help us find the right part for your machine.

Manufacturer:	<input type="text"/>
Model:	<input type="text"/>
Description:	<input type="text"/>
Part Number:	<input type="text"/>
Quantity:	<input type="text"/>
Notes:	<input type="text"/>

Submit

Discount-Equipment.com is your online resource for quality parts & equipment.

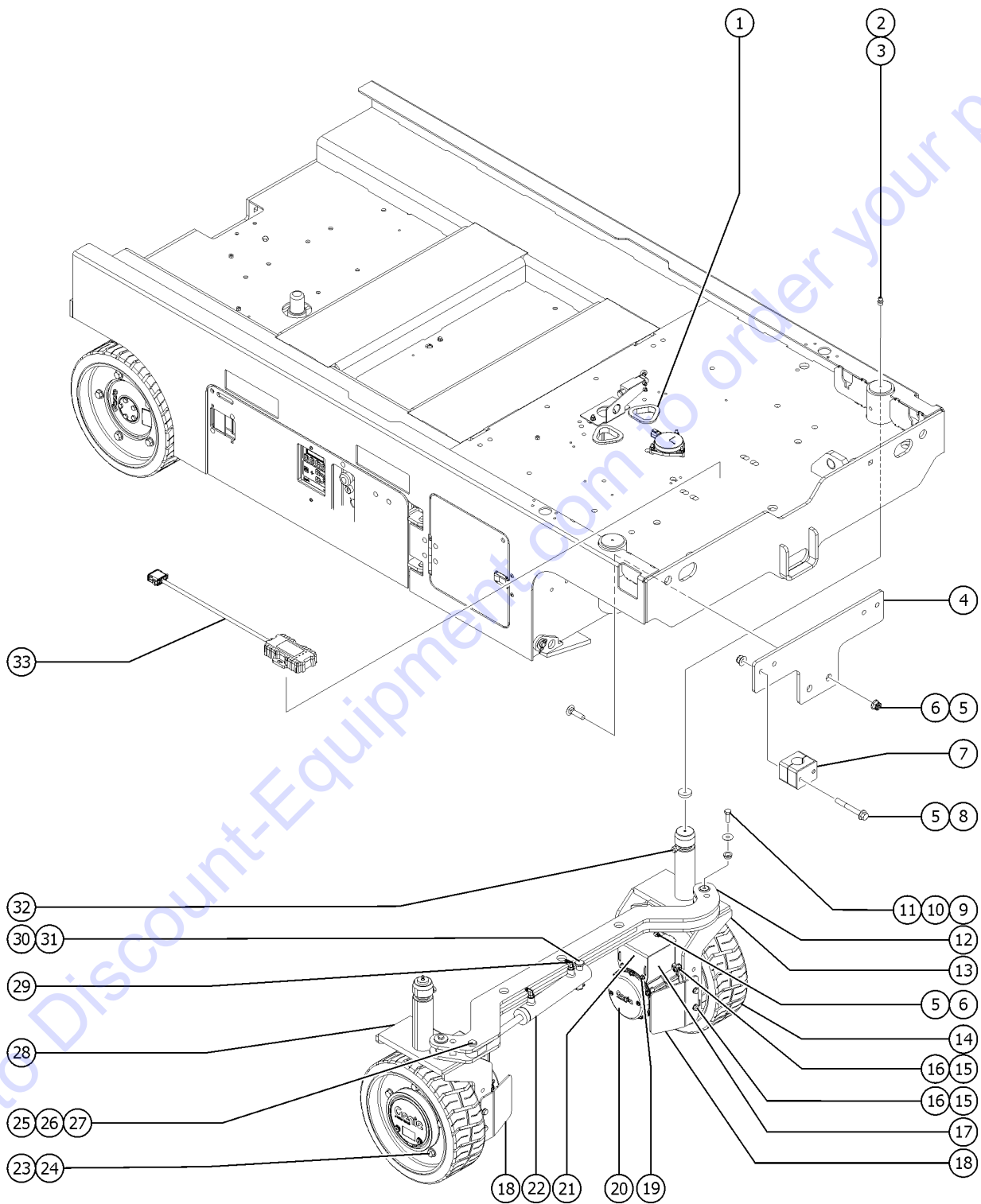
Florida: **561-964-4949** Outside Florida TOLL FREE: **877-690-3101**

Need parts?

Click on this link: <http://www.discount-equipment.com/category/5443-parts/> and choose one of the options to help get the right parts and equipment you are looking for. Please have the machine model and serial number available in order to help us get you the correct parts. If you don't find the part on the website or on one of the online manuals, please fill out the request form and one of our experienced staff members will get back to you with a quote for the right part that your machine needs.

We sell worldwide for the brands: Genie, Terex, JLG, MultiQuip, Mikasa, Essick, Whiteman, Mayco, Toro Stone, Diamond Products, Generac Magnum, Airman, Haulotte, Barreto, Power Blanket, Nifty Lift, Atlas Copco, Chicago Pneumatic, Allmand, Miller Curber, Skyjack, Lull, Skytrak, Tsurumi, Husquvarna Target, Stow, Wacker, Sakai, Mi-T-M, Sullair, Basic, Dynapac, MBW, Weber, Bartell, Bennar Newman, Haulotte, Ditch Runner, Menegotti, Morrison, Contec, Buddy, Crown, Edco, Wyco, Bomag, Laymor, EZ Trench, Bil-Jax, F.S. Curtis, Gehl Pavers, Heli, Honda, ICS/PowerGrit, IHI, Partner, Imer, Clipper, MMD, Koshin, Rice, CH&E, General Equipment, Amida, Coleman, NAC, Gradall, Square Shooter, Kent, Stanley, Tamco, Toku, Hatz, Kohler, Robin, Wisconsin, Northrock, Oztec, Toker TK, Rol-Air, APT, Wylie, Ingersoll Rand / Doosan, Innovatech, Con X, Ammann, Mecalac, Makinex, Smith Surface Prep, Small Line, Wanco, Yanmar

201.1 Steer Linkage and Wheels

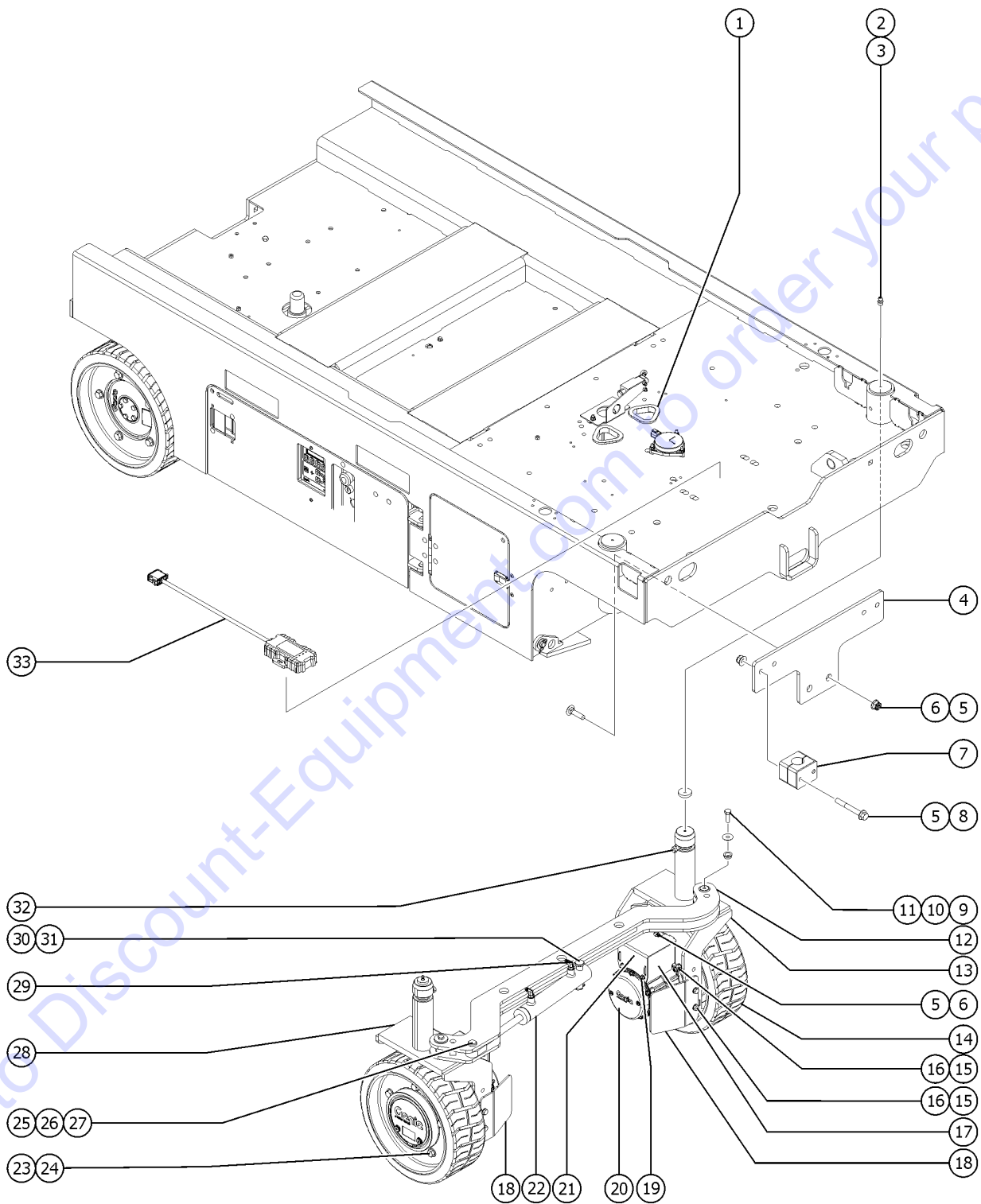


201.1 Steer Linkage and Wheels

Item	Part No.	Description	Qty.
1	105440GT	GROMMET, RUBBER 2.5 X 3.0	2
2	66770GT	FITTING,STRAIGHT DRIVE-IN ZERK	2
3	105565GT	WASHER,THRUST, GS	2
4	1305297GT	PLATE,CABLE CLAMP,GSXX32	1
5	1277924GT	NUT,NYLOCK FLG,1/4-20,F,ZAG	6
6	1256127GT	BOLT,CARRIAGE,1/4-20X1",GR 5,ZAG	2
7	1291307GT	SCREW,HHF,1/4-20X2,8,ZAG (as required)	2
8	1253485GT	SCREW,HHF,1/4-20X2,8,ZAG	4
9	1256109GT	SCREW,HHC,3/8-16X.75,8,ZAG	
10	824120GT	WASHER,FLAT,,375X1.50X.125,ZAG	2
11	47946GT	BEARING,1.00IDX1.25ODX0.49L	4
12	132354GT	WLDMT,TIE ROD,GS32	1
12-	47946GT	BEARING,1.00IDX1.25ODX0.49L	
13	1303530GT	WLDMT,STEER YOKE ,GS LG ,6BOLT ,L (battery pack side)	1
14	1288762GT	WHEEL ,GS4655	2
15	824068GT	SCREW,HHC,3/8-16X1.25,8,ZAG	
16	1304156GT	WASHER,FLAT,3/8,OD.7,HRD,ZAG	
17	1304173GT	FORMING, TERMINAL COVER, CABLE MOUNT	2
18	1304171GT	FORMING PLATE GUARD, GS	2
19	237238GT	SCREW,HHF,M6-1.0X12,DIN6921,10	
20	1299259GT	DRIVETRAIN, MOTOR, GEARBOX, HS	2
21	1304172GT	FORMING, TERMINAL COVER	2
22		Ref. Steer Cylinder (refer to 501.1)	
23	1256844GT	SCREW,HHC,1/2-13X1.5,8,ZAG	10
24	825353GT	WASHER,FLAT,1/2,SAE,HRD,ZAG	10
25	1259193GT	PIN,CLEVIS,3/4X2,ZAG	1
26	1259686GT	WASHER,FLAT,,765X1.312X.093,ZAG	1
27	1259194GT	CLIP,HAIR PIN,,125X2,,5-.75,ZAG	1



201.1 Steer Linkage and Wheels



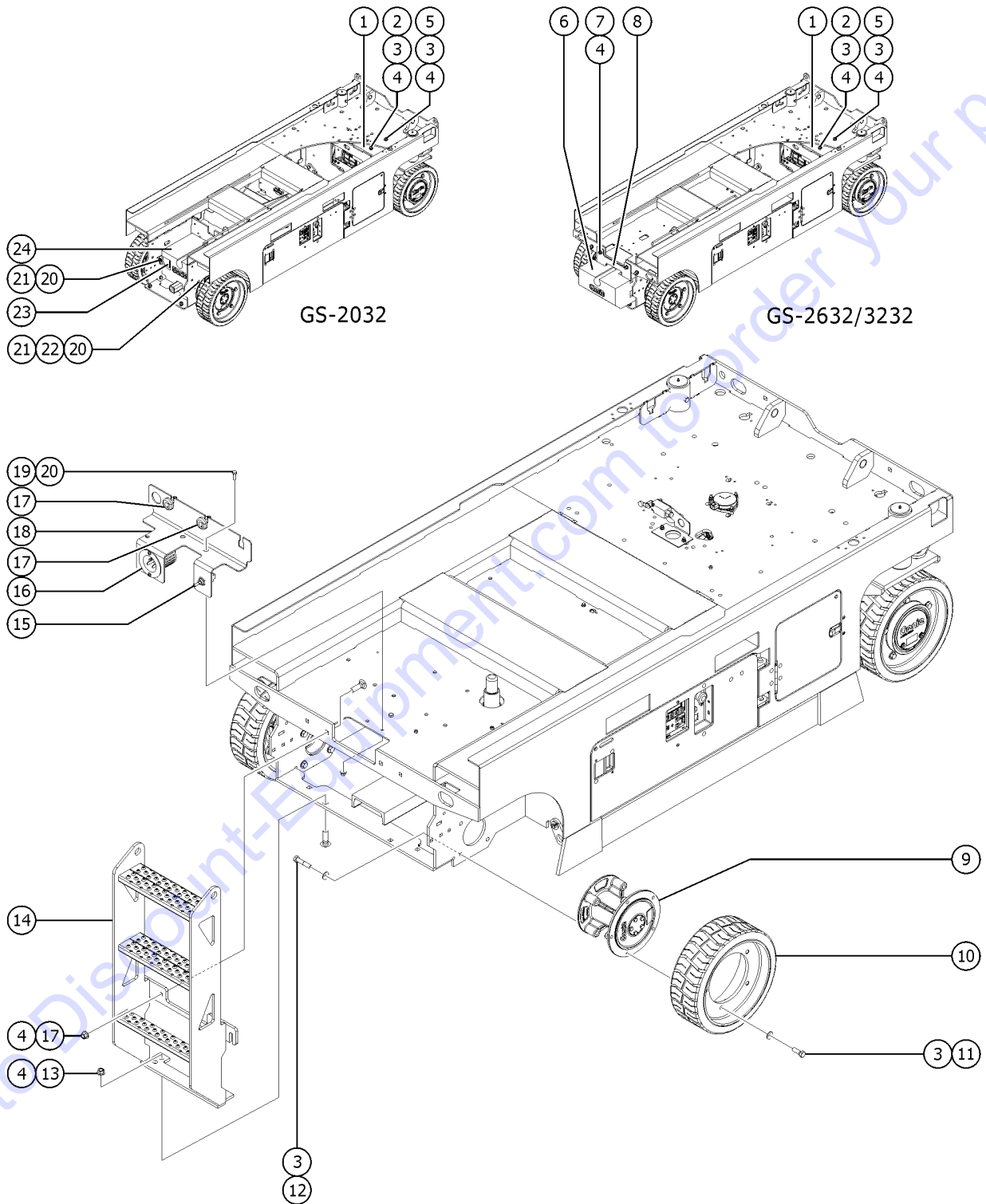
201.1 Steer Linkage and Wheels

Item	Part No.	Description	Qty.
28	1303529GT	WLDMT,STEER YOKE,GS LG,6 BOLT,R (ground controls side)	1
29	13921GT	ELBOW,070220-4-4	2
30	1259195GT	PIN,CLEVIS,3/4X3.25,ZAG	1
31	824128GT	RUE RING,3/4,ZAG	1
32	1259192GT	SCREW, YOKE LOCK, ZAG	2
33	1289520GT	MODULE, TELEMATICS, ZTR, M7, NORTH AMERICA Telematic Option	1

Go to Discount-Equipment.com to order your parts

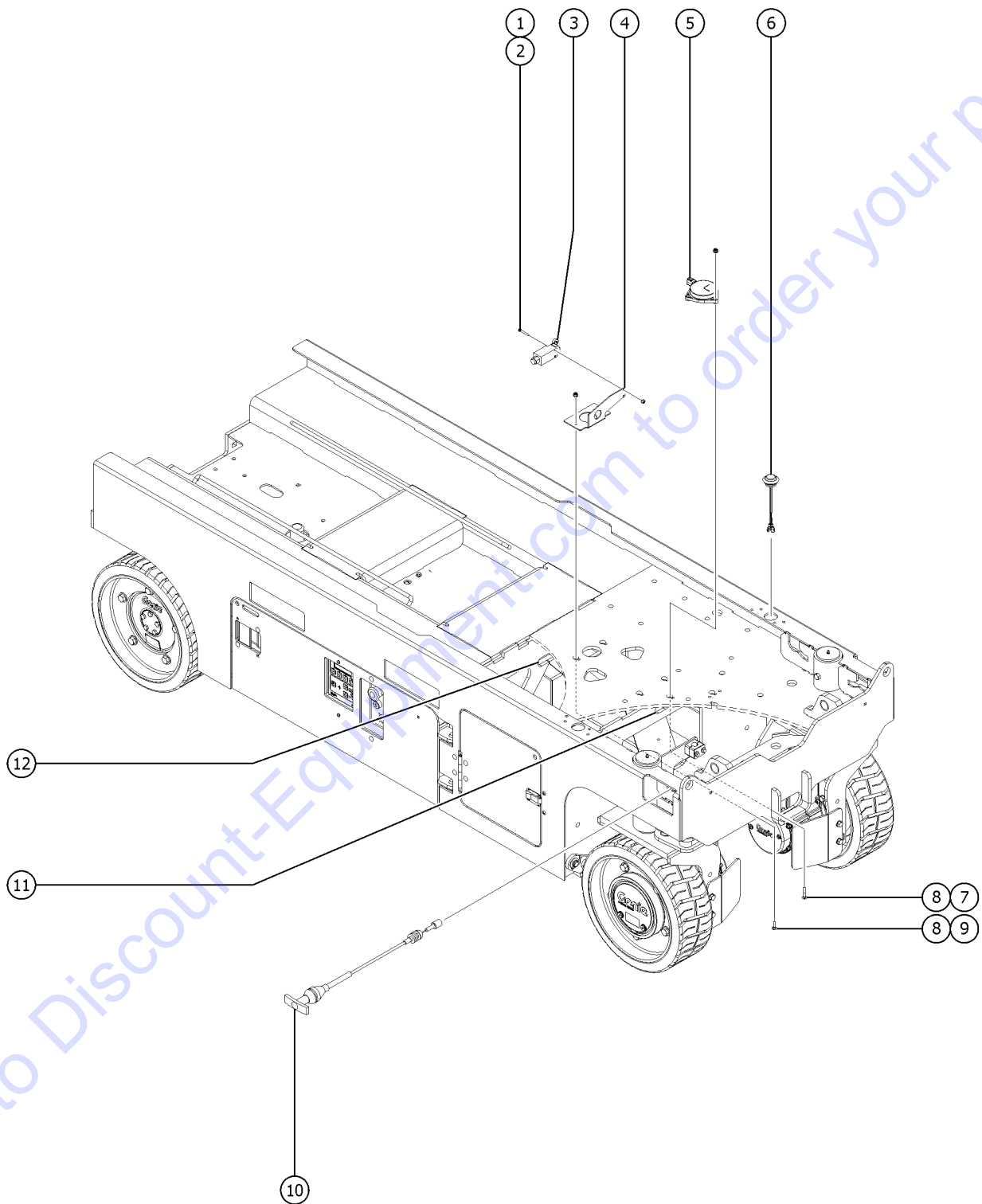


202.1 Non-steer Axle Installation



Item	Part No.	Description	Qty.
1	1301172GT	LARGE COUNTERWEIGHT, FRONT, RIGHT, G32/46 (GS-2032,2632 only)	1
2	1256112GT	SCREW,HHC,1/2-13X6,8,ZAG	1
3	825353GT	WASHER,FLAT,1/2,SAE,HRD,ZAG	
4	1274172GT	NUT,NYLOCK FLG,1/2-13,G,ZAG	
5	1256287GT	SCREW,HHC,1/2-13X3.5,8,ZAG	1
6	1306776GT	COUNTERWEIGHT, REAR-640, GS32 (GS2632,3232 only)	1
7	1256115GT	BOLT,CARRIAGE,1/2-13X1.75,5,ZA	
8	1306778GT	PLATE,CWT BRKT,GS32 (GS2632,3232 only)	1
9	1300538GT	ASSY,SPINDLE,CHASSIS,LARGE	2
10	1288762GT	WHEEL ,GS4655	2
11	1256844GT	SCREW,HHC,1/2-13X1.5,8,ZAG	10
12	1306174GT	SCREW,HHC,1/2-13X2.75,8,ZAG	8
13	1256179GT	BOLT,CARRIAGE,1/2-13X1.5,5,ZAG	
14	132364GT	WELDMENT,20XX LADDER (GS2032 only, decals not included refer to section one)	1
14B	132373GT	WLDMT,GS32/46 LADDER*** (GS2632,3232 only, decals not included refer to section one)	1
15	128584GT	SWITCH TOGGLE SPDT 2P MNT SHDR	1
16		Ref. Electrical Plugs and Cords (refer to 402.1)	1
17	128118GT	BUSHING,STRAIN RELIEF,.875/.40	2
18	1303686GT	FORMING,REAR BRKT,E-DRIVE,US PLUG (US Plug option)	1
19	824067TAGT	SCREW, HHC, 3/8-16 X 1, 8, ZAG	2
20	1274322GT	NUT,NYLOCK FLG,3/8-16,F,ZAG	
21	1255757GT	SCREW,HHC,1/2-13X2.75,8,ZAG	
22	1304862GT	FORMING,CWT LIMIT,RT (GS2032 only)	1
23	1304861GT	FORMING,CWT LIMIT,LF (GS2032 only)	1
24	1304831GT	COUNTERWEIGHT, REAR-300, GS32 (GS2032 only)	1

203.1 Level Sensor Installation

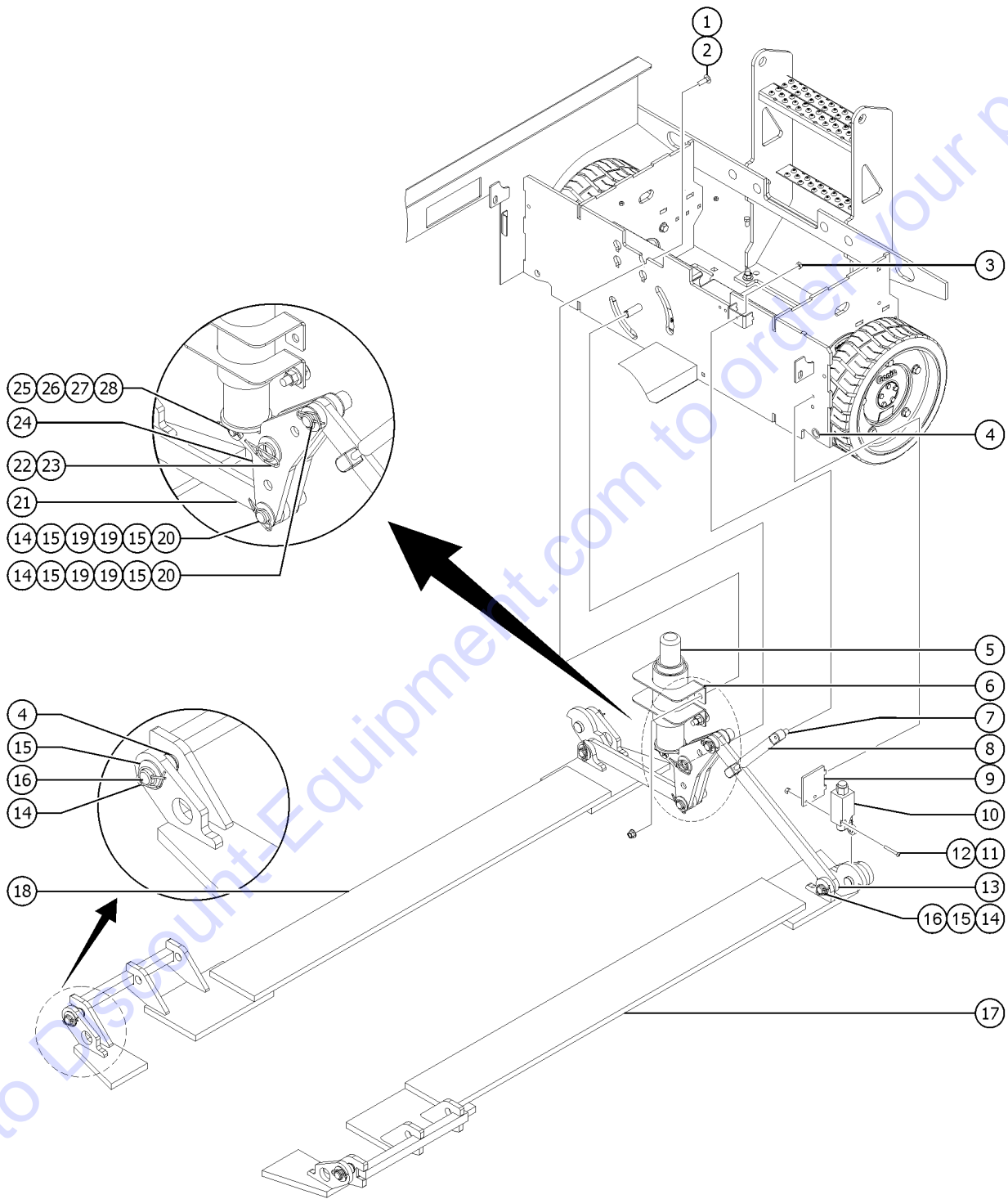


Item	Part No.	Description	Qty.
1	824216GT	SCREW,PHPM,10-32X1.5,ZAG	1
2	1274168GT	NUT,NYLOCK,10-32,A,ZAG	1
3	T112507GT	WIRE ASSY,DOWN LIMIT SW (Includes plug)	1
3-	19491GT	CONTACTOR,LIMIT SWITCH	
3-	96948GT	SWITCH,LIMIT,W/ROLLER ARM***	
3-	97128GT	ROLLER ARM,LIMIT SWITCH***	
4	1299642GT	LIMIT SWITCH BRACKET, LARGE	1
5	823368GT	SENSOR,LEVEL,UNIVERSAL	1
6	1261183GT	ASSEMBLY, VISUAL IND LIGHT (Optional)	2
7	1255756GT	BOLT,CARRIAGE,1/4-20X1.5,5,ZAG	3
8	1277924GT	NUT,NYLOCK FLG,1/4-20,F,ZAG	5
9	1256127GT	BOLT,CARRIAGE,1/4-20X1",GR 5,ZAG	2
10	39232GT	CABLE, EMERGENCY DOWN	1
11	47238GT	GROMMET, RUBBER 1.5ID	1
12	105440GT	GROMMET, RUBBER 2.5 X 3.0	1

Go to Discount-Equipment.com to order your parts



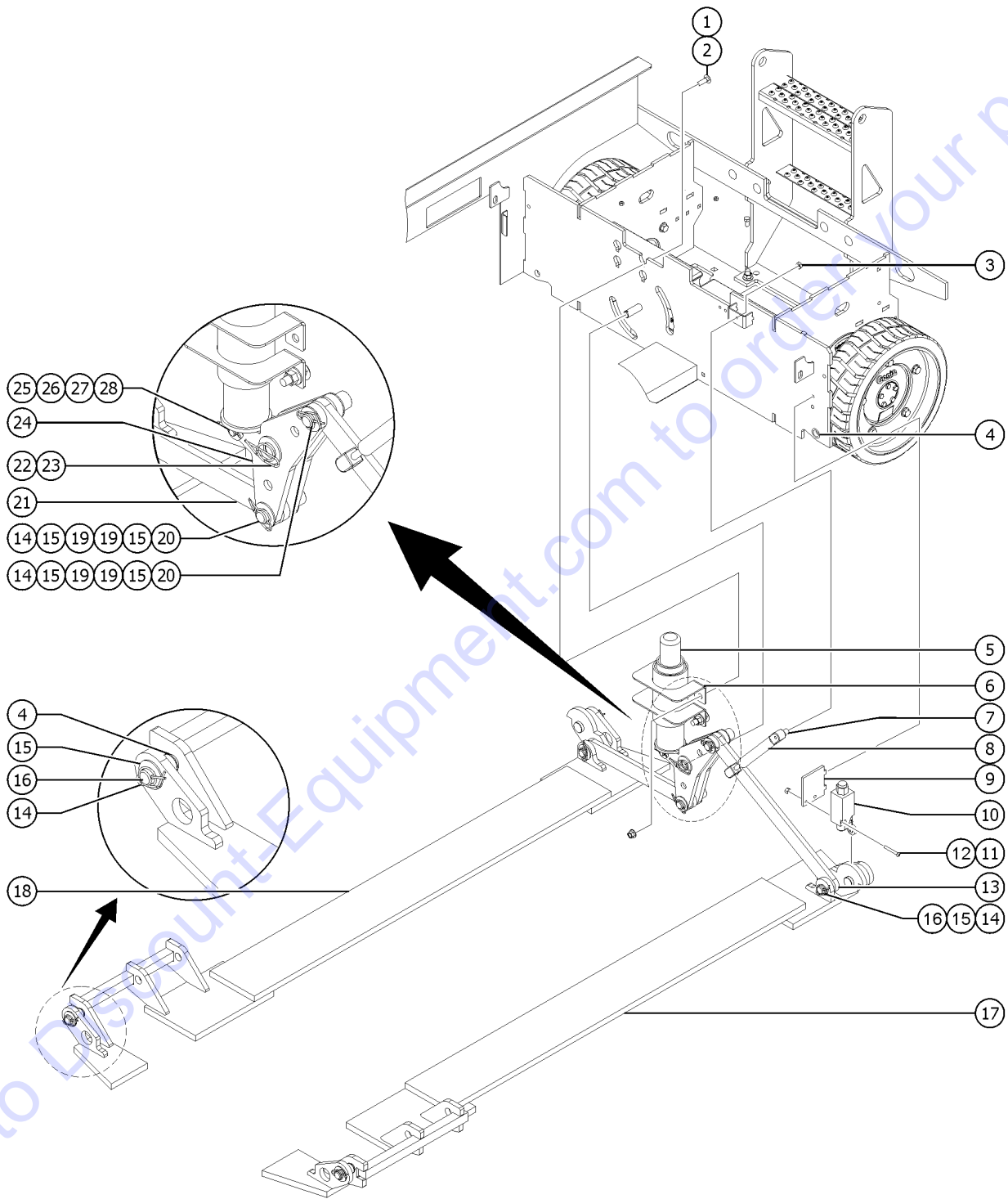
204.1 Pothole Protection Assembly



Item	Part No.	Description	Qty.
--	1300747GT	ASSY,POTHOLE SYSTEM,GS2032/2632 (GS2032,GS2632 only)	
--	1299048GT	ASSY, POTHOLE SYSTEM, GS3232,E-DRIVE (GS3232 only)	
1	1255757GT	SCREW,HHC,1/2-13X2.75,8,ZAG	4
2	824029GT	NUT,TL FLG,3/8-16,G,ZAG	4
3	824038GT	NUT, TL JAM, 3/8-16, A, ZAG	1
4	105156GT	BUSHING, FLNGD, .63 X .77 X .38	2
5	1300036GT	ASSY,POT HOLE PUSHER	1
6	1300053GT	WLDMT/ASSY,PH GUIDE,E-DRIVE	1
6-	96408GT	BEARING, 1.523I X 1.75OD X O.63L	
7	78086GT	BALL STUD, GAS STRUT, 3/8-16	2
8	39542GT	GAS SHOCK, SCISSORS***	1
9	1302399GT	PLATE, SWITCH BRACKET	1
10	96948GT	SWITCH,LIMIT,W/ROLLER ARM*** (down limit switch)	1
10-	19491GT	CONTACTOR,LIMIT SWITCH	
10-	97128GT	ROLLER ARM,LIMIT SWITCH***	
11	1257264GT	SCREW,BHC,10-32X1.5,F835,ZAG	2
12	1274168GT	NUT,NYLOCK,10-32,A,ZAG	2
13	1300729GT	PLATE,POTHOLE LINK	1
14	1259177GT	RUE RING,5/8,ZAG	
15	1259180GT	WASHER,SHIM,.625X1.188X.064,ZAG	
16	1259197GT	PIN,CLEVIS,.625X1.88,ZAG	
17	1300620GT	WELDMENT,POTHOLE,LEFT SIDE (GS2032,GS2632 only)	1
17B	1300742GT	WELDMENT, POTHOLE, LT,OR (GS3232 only)	1
18	1300619GT	WELDMENT,POTHOLE,RIGHT SIDE (GS2032,GS2632 only)	1
18-	105156GT	BUSHING, FLNGD, .63 X .77 X .38	
18B	1300741GT	WELDMENT, POTHOLE, RT,OR (GS3232 only)	1
19	96085GT	WASHER, THRUST, .63 X 1.13 X .06	4
20	1259179GT	PIN,CLEVIS,.625X1.79,ZAG	2



204.1 Pothole Protection Assembly



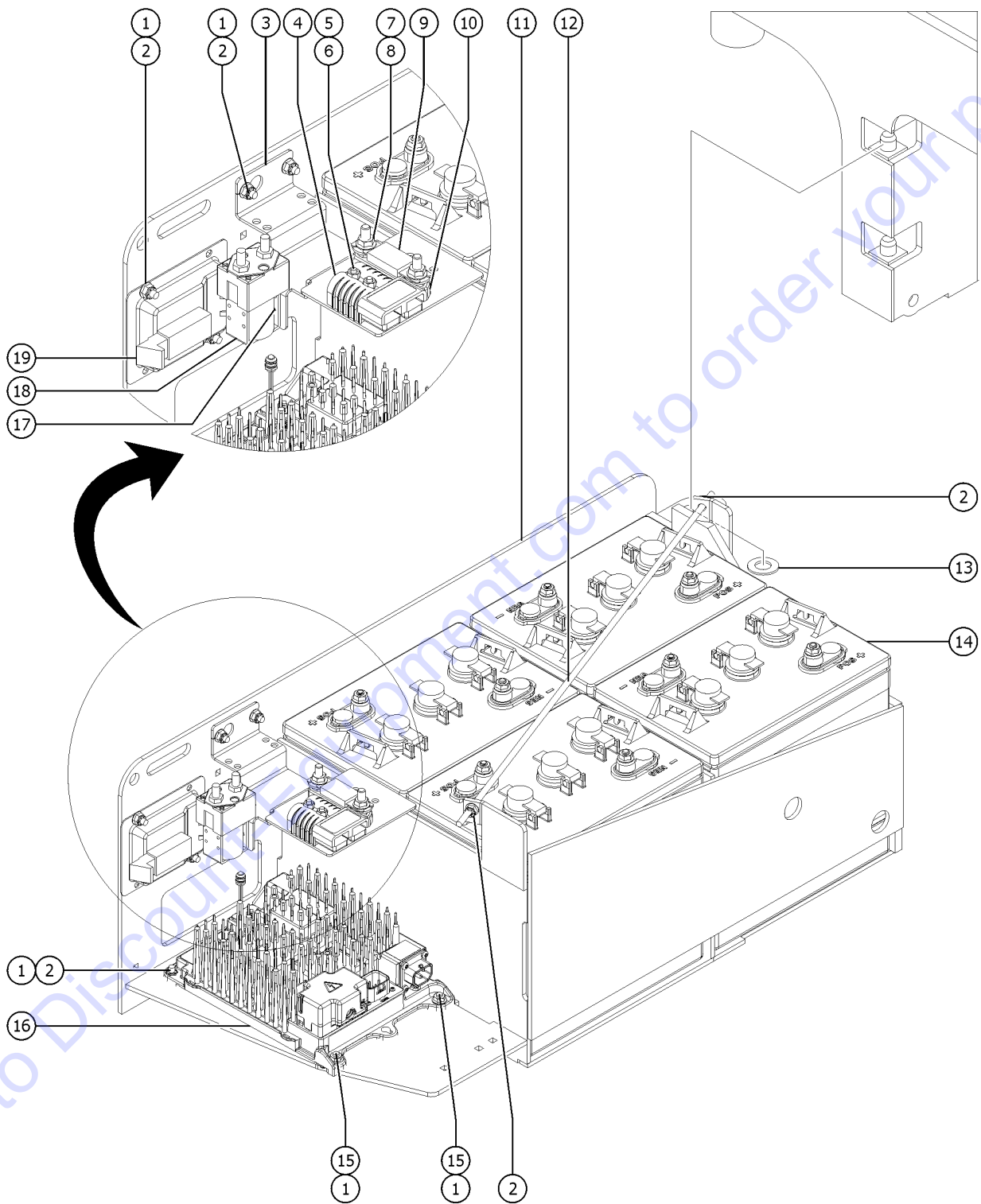
204.1 Pothole Protection Assembly

Item	Part No.	Description	Qty.
21	1300025GT	PLATE,POTHOLE LINK,L	1
22	824128GT	RUE RING,3/4,ZAG	1
23	1259686GT	WASHER,FLAT,.765X1.312X.093,ZAG	1
24	1300029GT	WLDMT/ASSY,PH BELLCRANK LINK	1
24-	105156GT	BUSHING, FLNGD, .63 X .77 X .38	
24--	96642GT	BEARING,.75ID X 1.0OD X 1.38LG	
25	1303148GT	RUE RING,3/8,ZAG	1
26	825358GT	WASHER,FLAT,5/16,USS,ZAG	1
27	1259178GT	PIN,CLEVIS,.375X1.75,ZAG	1
28	96541GT	CAM FOLLOWER, 1.125 X .375, DELRIN	1

Go to Discount-Equipment.com to order your parts

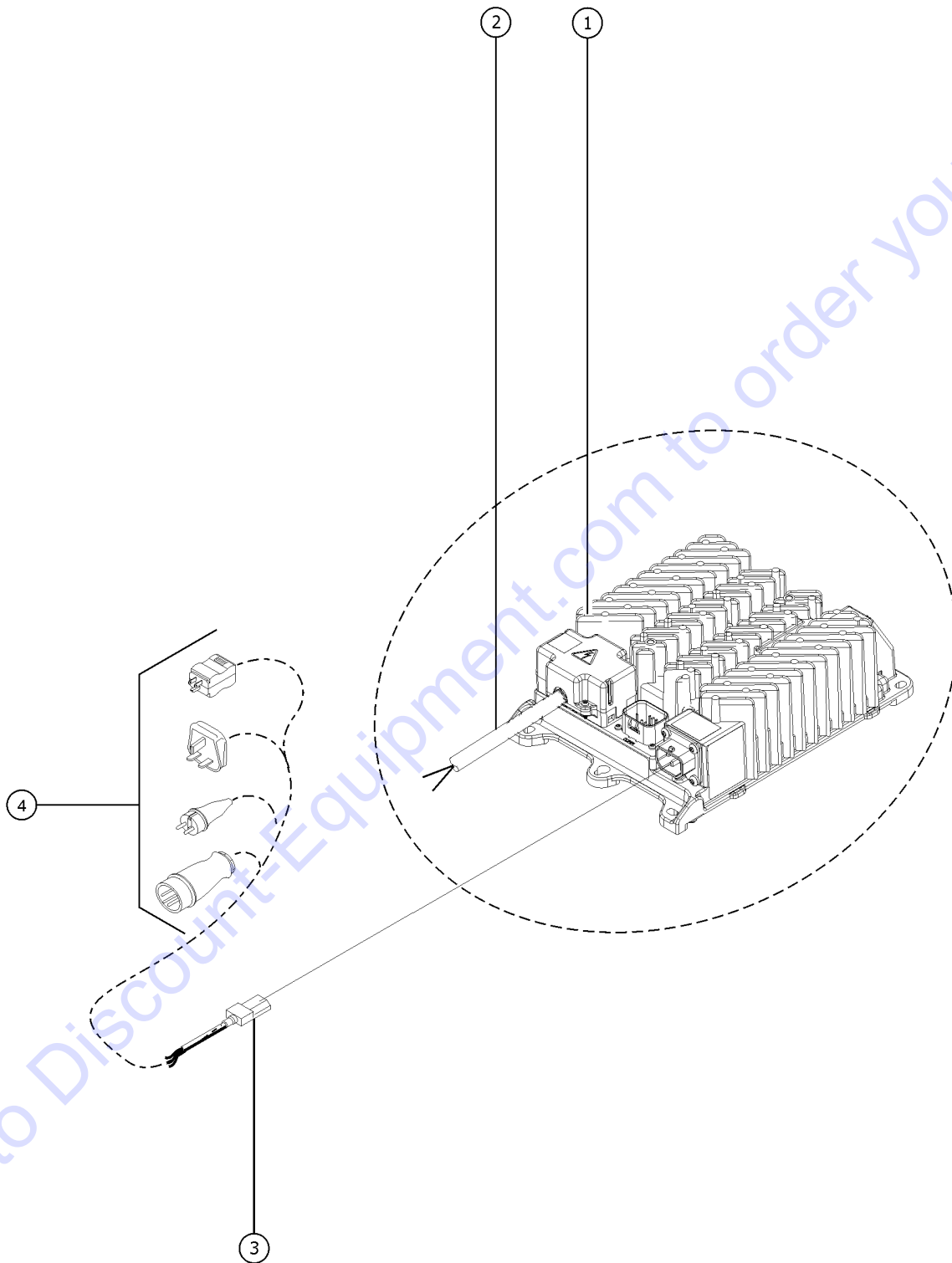


205.1 Battery Pack Module



Item	Part No.	Description	Qty.
1	824124GT	BOLT,CARRIAGE,1/4-20X.75,5,ZAG	
2	1277924GT	NUT,NYLOCK FLG,1/4-20,F,ZAG	
3	1290574GT	FORMING,CONTACTOR/FUSE BRACKET	1
4	1288481GT	QUICK DISCONNECT CASING,BATT SB120	1
5	825352GT	SCREW,PHPM,10-32X1.25,ZAG	2
6	1274168GT	NUT,NYLOCK,10-32,A,ZAG	2
7	1255805GT	NUT,SERRATED,5/16-18,8,ZAG	2
8	825358GT	WASHER,FLAT,5/16,USS,ZAG	2
9	40833GT	FUSE,275 AMP,VERY FAST ACTING	1
10	66717GT	FUSE BLOCK, ANN & ANL FUSE (includes mounting fasteners)	1
11	1303675GT	WLDMT,BATTERY TRAY ,GS	1
12	30784-2550GT	THREADED ROD,(1/4-20),25.50	1
13	1256863GT	WASHER,FLAT,.75,F436,HRD,ZAG	2
14	1299390GT	BATT,6V,210AH T605 LPT\3CAP	4
15	1256679GT	NUT,SERRATED,1/4-20,8,ZAG	2
16		Ref. Battery Charger	1
		(refer to 206.1)	
17	1257402GT	SCREW,PHPM,6-32X.25,ZAG	
18	1304130GT	CONTACTOR,24V,80A,SPST,SEAL,UNBRANDED	1
19	55675GT	LATCH, LRG PADDLE HANDLE GS90	1

206.1 Battery Charger



Go to Discount-Equipment.com to order your parts

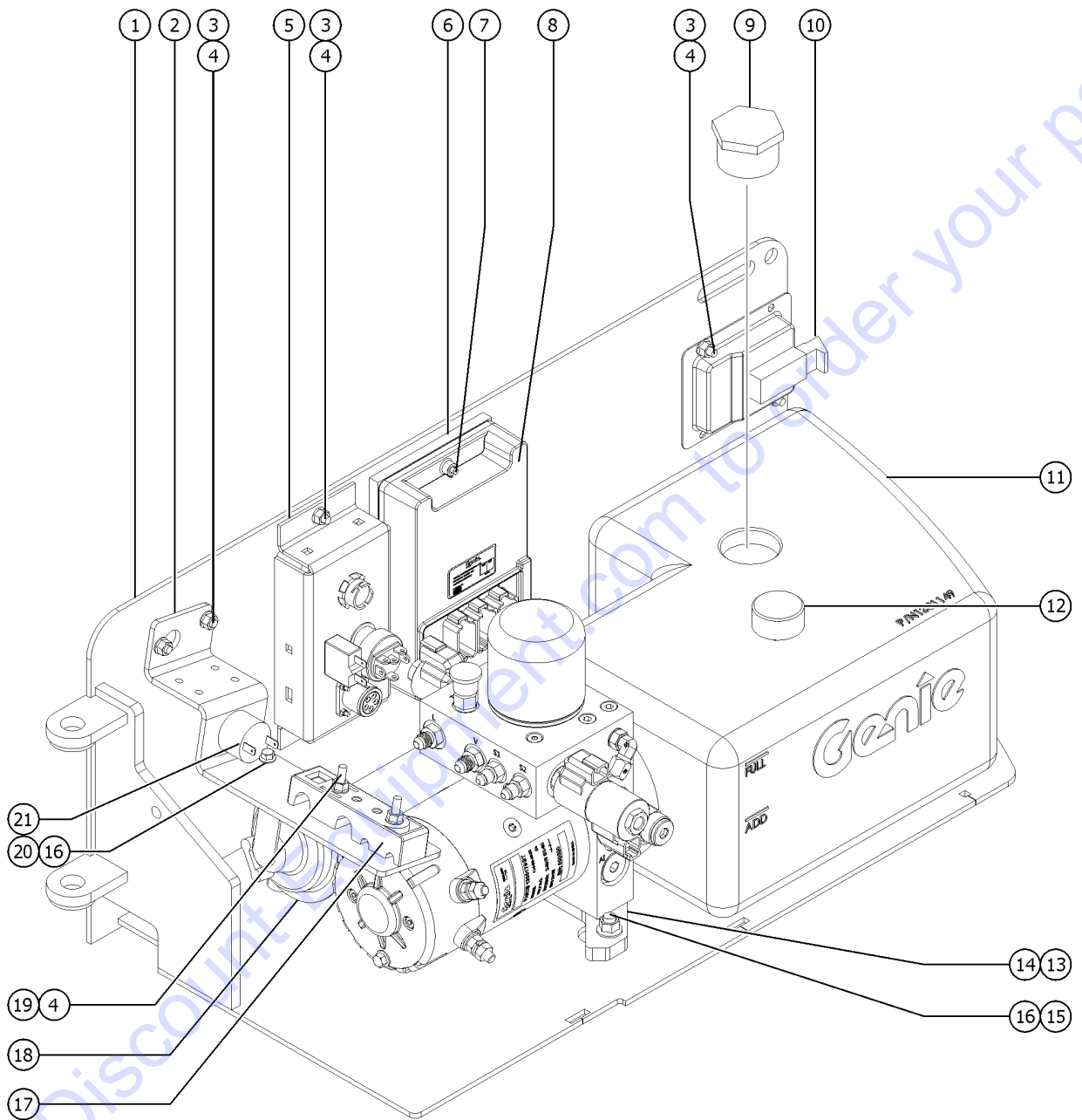
206.1 Battery Charger

Item	Part No.	Description	Qty.
1	1272232GT	CHARGER, 24V, 650W, USB	1
1-	1272557GT	POWER CORD,IEC 320,90 DEG power supply cord (ANSI/CSA models)	
1-	1272844GT	CABLE,CHARGER, DC, W/ BTS for AGM 'maintenance free' batteries	
1-	1279428GT	KIT,DC BLOCK ASSEMBLY	
1-	1288499GT	HARNESS,CHARGER EXTENSION 30DC	
1-	1288500GT	CABLE ASSY. CHARGER/BATTERY 30DC for standard 'flooded' batteries	
2		Ref. CABLE ASSY,CHARGER/BATTERY (refer to 210.1)	
3	1272557GT	POWER CORD,IEC 320,90 DEG	1
4		Ref. PLUG, ELECTRICAL	
		(refer to 402.1)	

Go to Discount-Equipment.com to order your parts



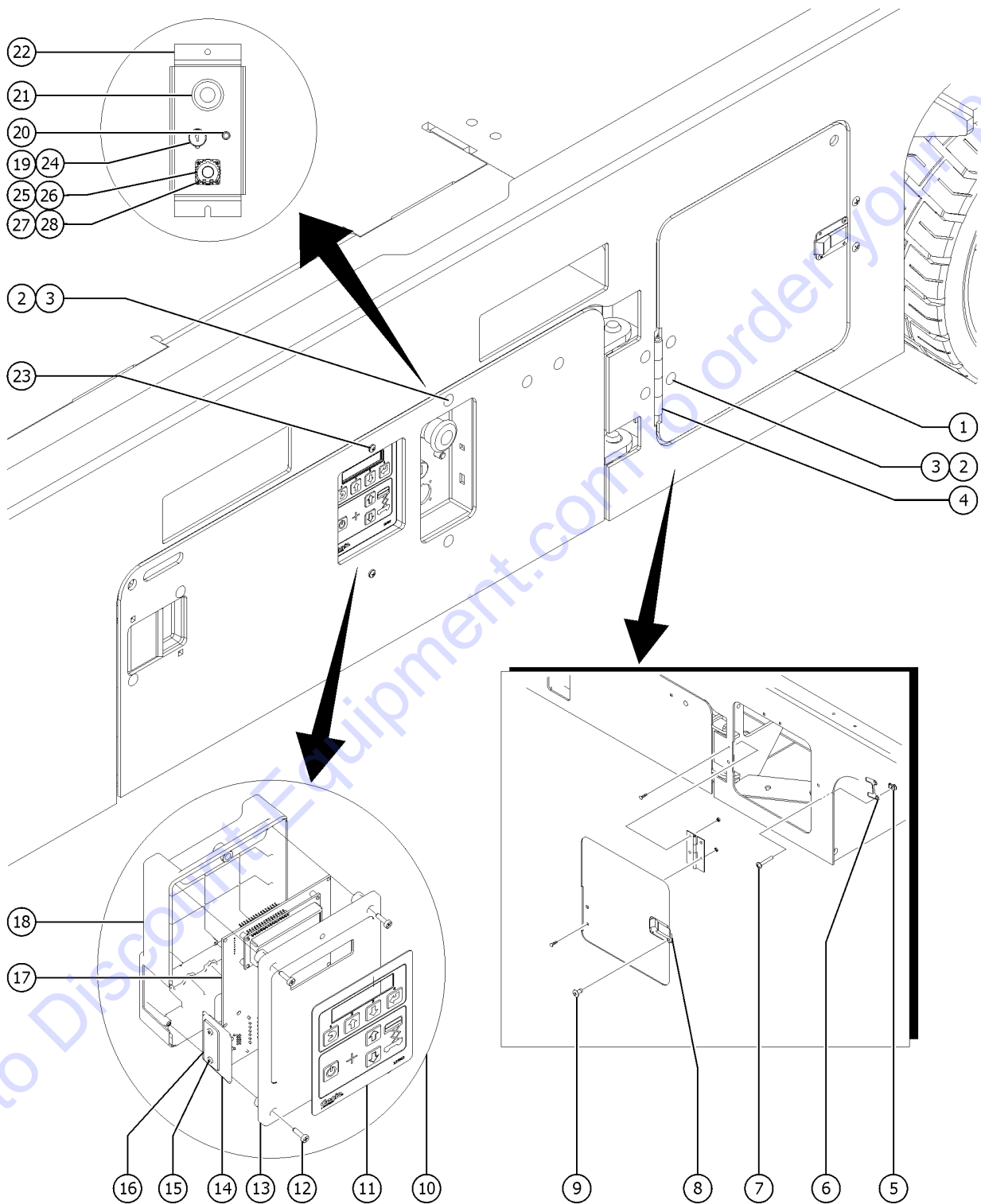
207.1 Power Unit Module



Item	Part No.	Description	Qty.
1	1298923GT	WELDMENT,GS HYD TRAY	1
2	1303364GT	FORMING, BRACKET, HYD HOSE CLAMP	1
3	824124GT	BOLT,CARRIAGE,1/4-20X.75,5,ZAG	
4	824027GT	NUT,TL FLG,1/4-20,G,ZAG	
5	1284781GT	FORMING,CONTROL PANEL,TECH PRO,METRIC	1
6	1252764GT	SPACER, GROUND CONTROL ECU	1
7	51063GT	SCREW,PHILLIPS,RHM,10-32 X 1.5	1
8		Ref. GCON, GR/GRC/GS	
		(refer to 208.1)	
9	66204GT	PLUG, 1-1/2" NPT HEX HEAD	1
10	55675GT	LATCH, LRG PADDLE HANDLE GS90	1
11	1300745GT	POWER UNIT,MID SLAB	1
		GS2032,2632 only	
11B	1300568GT	POWER UNIT,GS3232,E-DRIVE	1
		GS3232 only	
12	78546GT	BREATHER CAP,HYD. TANK,1/4 NPT	1
13	1287951GT	PLATE, POWER UNIT MOUNT	1
14	1260703GT	SCREW,FHS,3/8-16X1,F835,ZAG	2
15	1255757GT	SCREW,HHC,1/2-13X2.75,8,ZAG	2
16	1274322GT	NUT,NYLOCK FLG,3/8-16,F,ZAG	2
17	1304152GT	CLAMP,HOSE,HYD TRAY	1
18	81579GT	HORN,24VDC,SPADE TERMINALS***	1
19	1255797GT	BOLT,CARRIAGE,1/4-20X2,5,ZAG	2
20	824068GT	SCREW,HHC,3/8-16X1.25,8,ZAG	1
21	39540GT	ALARM,STEADY TONE***	1
21-	72326GT	NUT - PLASTIC,RING FOR ALARMS	1
		for 39540	



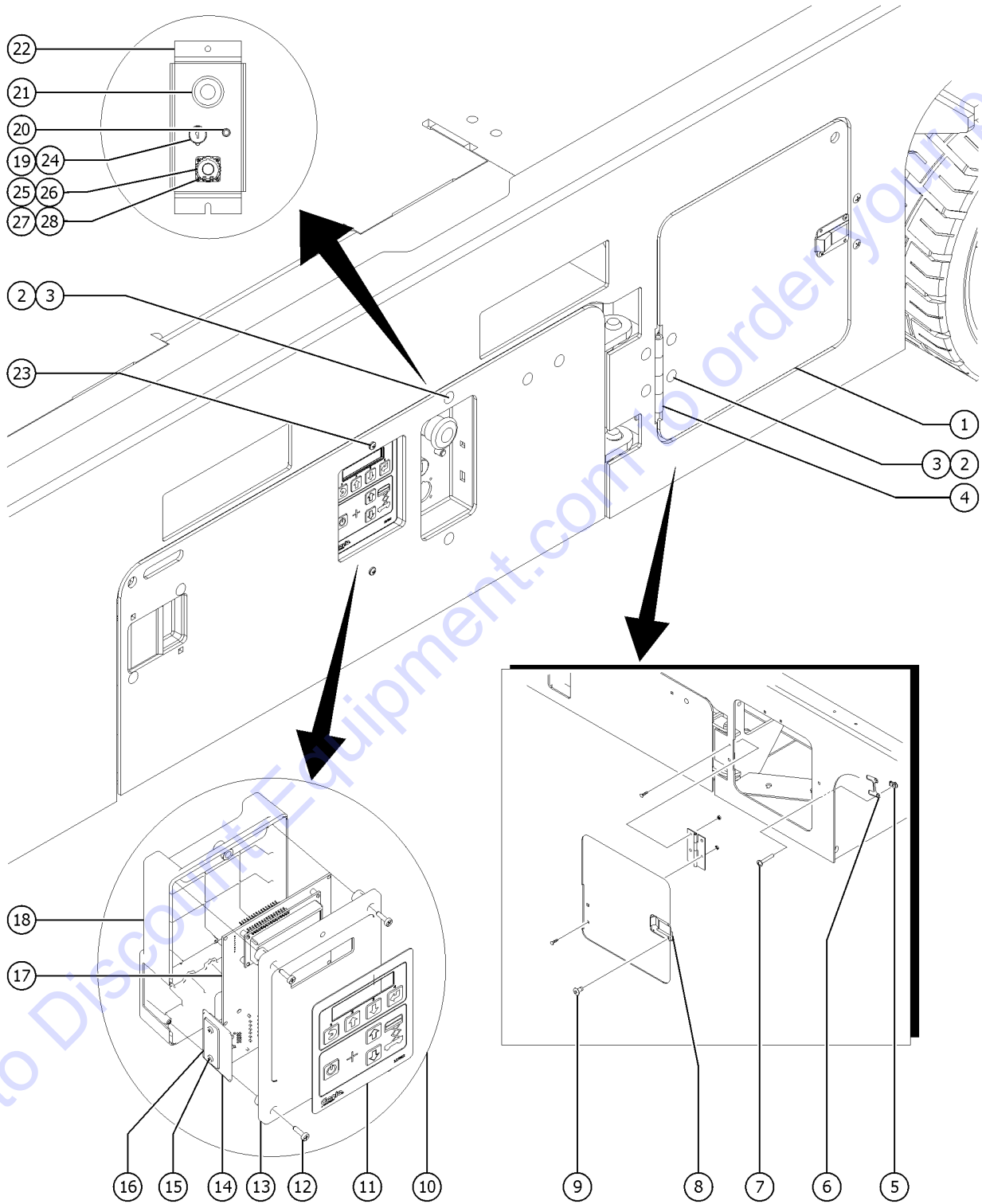
208.1 Ground Controls



Item	Part No.	Description	Qty.
A	1252764GT	SPACER, GROUND CONTROL ECU	1
B	824216GT	SCREW,PHPM,10-32X1.5,ZAG	
1	1299643GT	PLATE,SIDE DOOR	
2	824124GT	BOLT,CARRIAGE,1/4-20X.75,5,ZAG	6
3	1277924GT	NUT,NYLOCK FLG,1/4-20,F,ZAG	4
4	105734GT	HINGE,ACCESS DOOR(13G)	1
5	56912GT	SPRING CLIP,1/4-20,.025-.15X.54,ZAG	2
6	132557GT	PLATE SIDE DOOR STOP HTA	
7	1260984GT	SCREW,PHPM,1/4-20X.75,ZAG	2
8	105759GT	LATCH,COMPRESSION,SMALL	1
9	824206GT	RIVET,STL,STL,DOME,1/8X.25,ZAG	2
10	1284285GT	GCON,STD,DUAL ZONE (GS2032/2632 only)	
10B	1284286GT	GCON,O/R,DUAL ZONE	
		(GS3232 only)	
11	137562GT	DECAL,MEMBRANE, GR/GRC/GS GCON	1
12	137668GT	SCREW,PHM,6-19X.75, 48-2 TRI-L	4
13	T106366GT	ENCLOSURE,GC27-25/GC21-19,FRNT	1
14	T106363GT	ADAPTER, RJ45, GC27-25/GC21-19	1
15	137637GT	SCREW,PHM,4-20X.5, 48-2 TRI-L	2
16	T106362GT	COVER, RJ45, GC27-25/GC21-19	1
17	1256719GT	PCBA,GCON STD,PROP LIFT	1
18	T106372GT	ENCLOSURE, GC21-19, BK	1
19	96008-SGT	KEYSWITCH,3 POS. W/KEYS***	1
19-	37947GT	KEYS,10 PACK*** (sold seperately)	
19-	83093GT	KEY SINGLE*** (sold seperately)	
19-	85239GT	NUT,RETAINER (96008) (sold seperately)	
19-	96009GT	WASHER,NITRILE (sold seperately)	
19-	96010GT	SCREW,PHILLIPS,PHM,8-32 X.25** (sold seperately)	
20	96452GT	CIRCUIT BREAKER,7.0 AMP***	1



208.1 Ground Controls

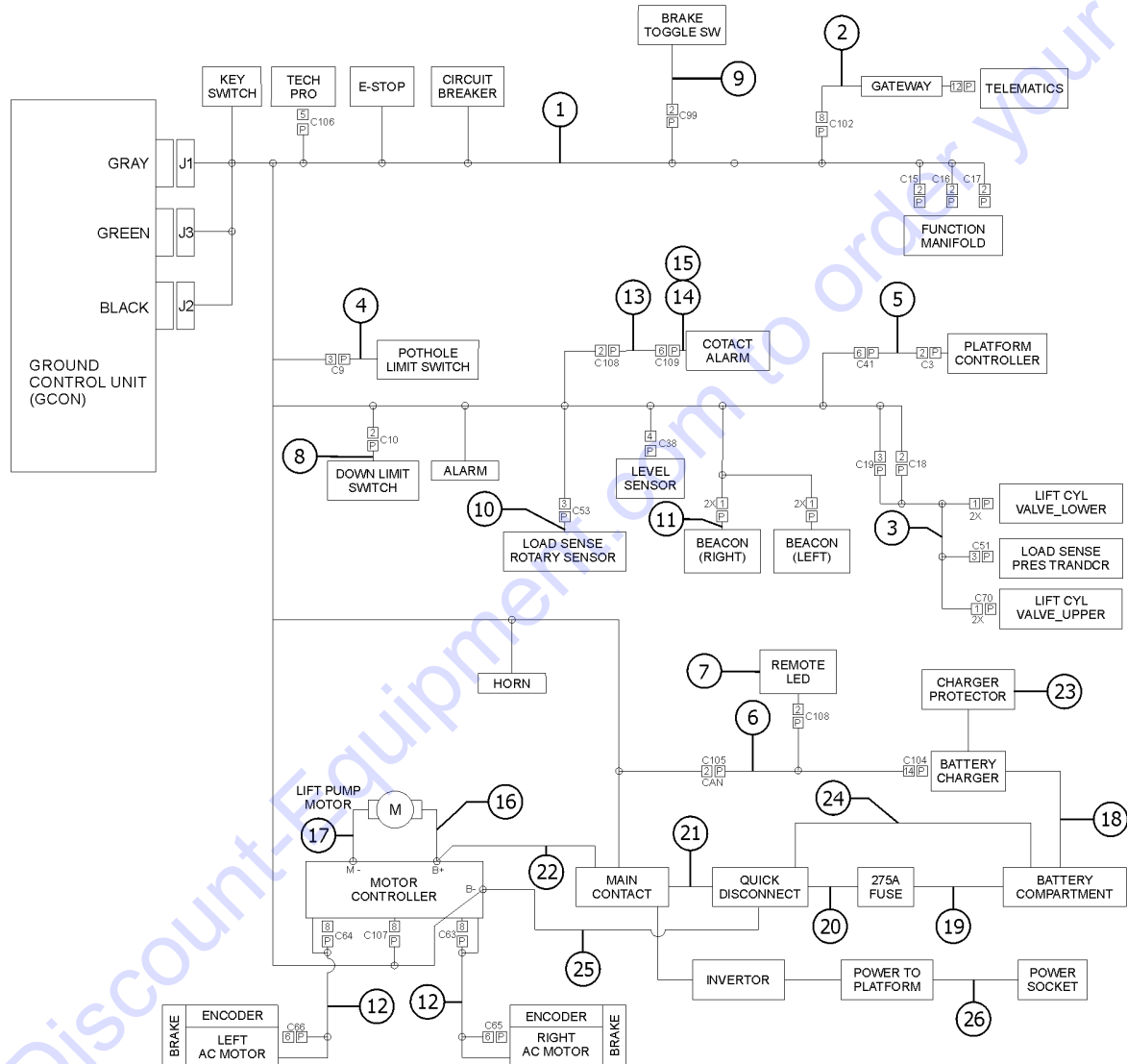


Item	Part No.	Description	Qty.
20-	122994GT	NICKEL PLATED JAM NUT	
20-	6700GT	WASHER,STAR,EXTERNAL	375
21	66812GT	BUTTON,PUSH,RED MUSHROOM HEAD	1
21-	58627GT	NUT	
21-	66817GT	BASE WITH 1 NC CONTACT, E-STOP	
22	1284781GT	FORMING,CONTROL PANEL,TECH PRO,METRIC	1
23	51063GT	SCREW,PHILLIPS,RHM,10-32 X 1.5	2
24	96010GT	SCREW,PHILLIPS,PHM,8-32 X.25**	3
25	1272122GT	CONNECTOR, RECEPTACLE, 5 WAY, CIRCULAR	1
26	1272123GT	DUST CAP, RECEPTACLE, 5 WAY, CIRCULAR	1
27	1253477GT	SCREW,PHPM,4-40X.5,ZAG	4
28	826854GT	NUT,NYLOCK,4-40	4

Go to Discount-Equipment.com to order your parts



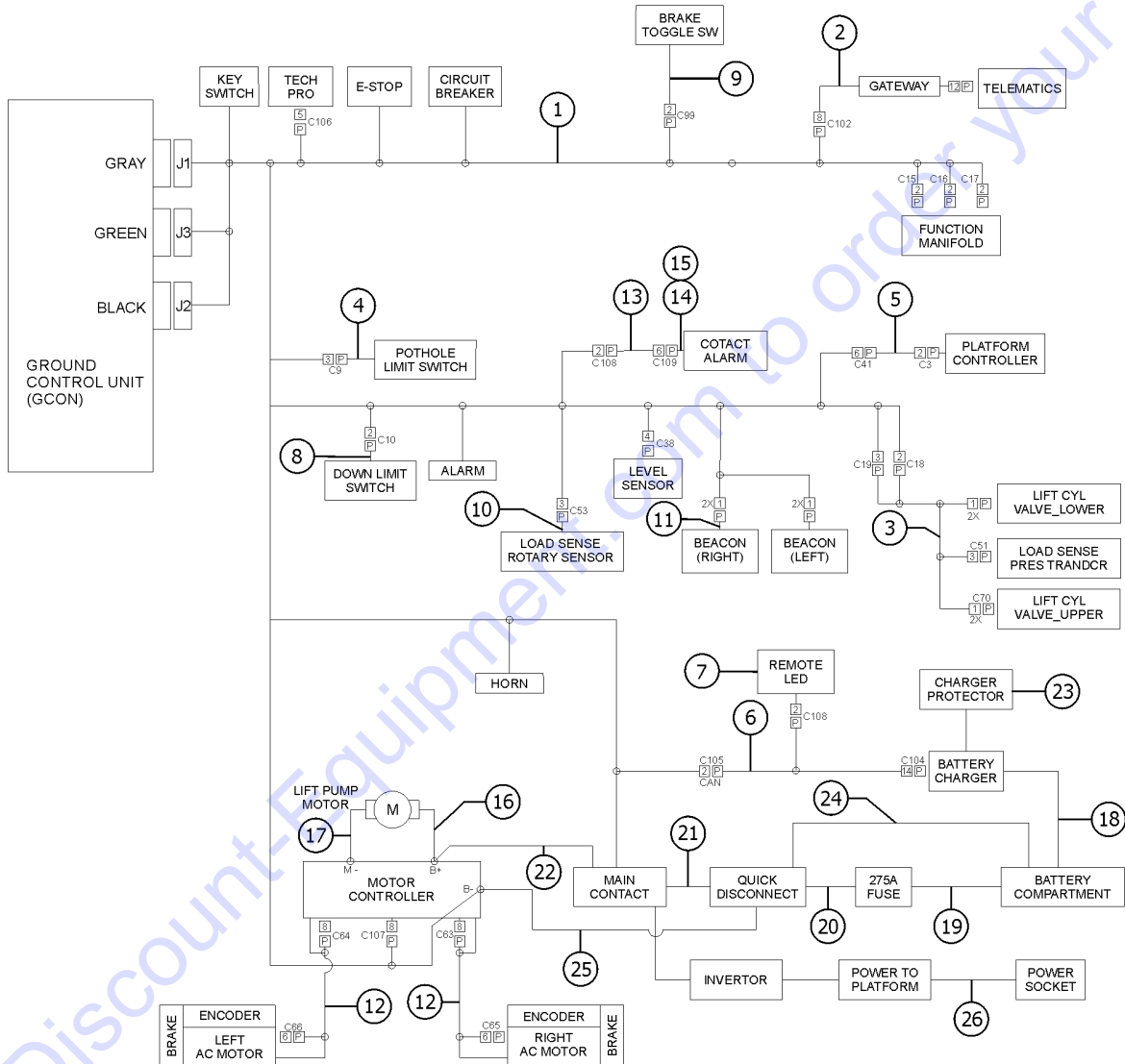
209.1 Electrical Wiring - GS-2032/2632



Item	Part No.	Description	Qty.
1	1298407GT	HARNESS,GS GROUND CONTROLLER,GS46	1
2	1289899GT	HARNESS, GATEWAY, GS	1
3	233053GT	CABLE,LIFT CYL DWN,20/26XX,W/LS (GS-2032, GS-2632)	
4	1300887GT	ASSY,POTHOLE HARNESS GS32/GS46, E-DRIVE	1
5	233050GT	CABLE, PLATFORM CONTROL, 20XX (GS-2032)	
5B	233051GT	CABLE, PLATFORM CONTROL, 26XX (GS-2632)	
6	1272121GT	HARNESS,LED CHARGER,GS46	1
7	1270281PGT	ASSEMBLY,CHARGER STATUS LED,2V,BCI	1
8	T112507GT	WIRE ASSY,DOWN LIMIT SW	1
9	1301854GT	CABLE, BRAKE RELEASE SWITCH	1
10	T113136GT	ASSY,ROT SENSR W/HARNESS	1
11	1270162GT	ASSY,BEACON,LED 24V	2
12	1303546GT	COMPOSITE MOTOR CABLE MID,E-DRIVE	2
13	1288727GT	CABLE,CONTACT ALARM,CHASSIS TO PLAT,20XX (GS-2032)	
13B	1288728GT	CABLE,CONTACT ALARM,CHASSIS TO PLAT,26XX (GS-2632)	
14	1288574GT	CABLE,CONTACT ALARM,45IN LINK	1
15	1291053GT	HARNESS,CONTACT ALARM,GS46 PLATFORM	1
16	1297793GT	CABLE ASSY,MC TO POWER UNIT,RED	1
17	1297796GT	CABLE ASSY,MC TO POWER UNIT,BLK	1
18	1273576GT	CABLE ASSY,CHARGER/BATTERY	1
19	1297791GT	CABLE ASSY,BATT,5.50"RED	1
20	1297797GT	CABLE ASSY,FUSE TO QUIK,RED	1
21	1297799GT	CABLE ASSY,QUIK TO CONT,RED	1
22	1297795GT	CABLE ASSY,CONT TO MC,RED	1
23	1272557GT	POWER CORD,IEC 320,90 DEG	1
24	1297794GT	CABLE ASSY,BATT TO QUIK,BLK	1
25	1297798GT	CABLE ASSY,QUIK TO MC,BLK	1
26	43956GT	WIRE CABLE,14/3 CON.TPE JKT* (GS-2632)	551



209.1 Electrical Wiring - GS-2032/2632

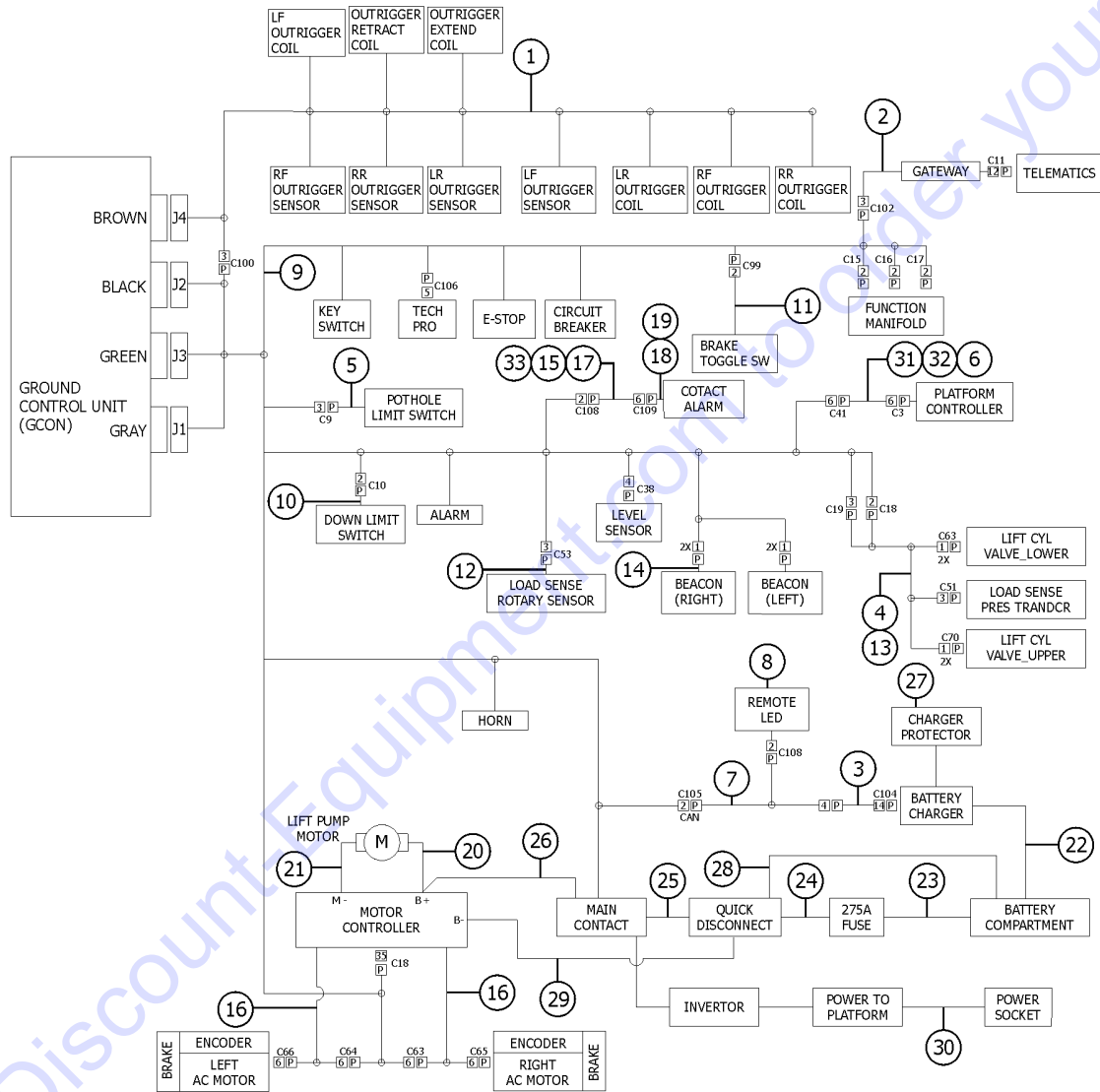


<i>Item</i>	<i>Part No.</i>	<i>Description</i>	<i>Qty.</i>
26B	43956GT	WIRE CABLE,14/3 CON.TPE JKT* (GS-2032)	433

Go to Discount-Equipment.com to order your parts



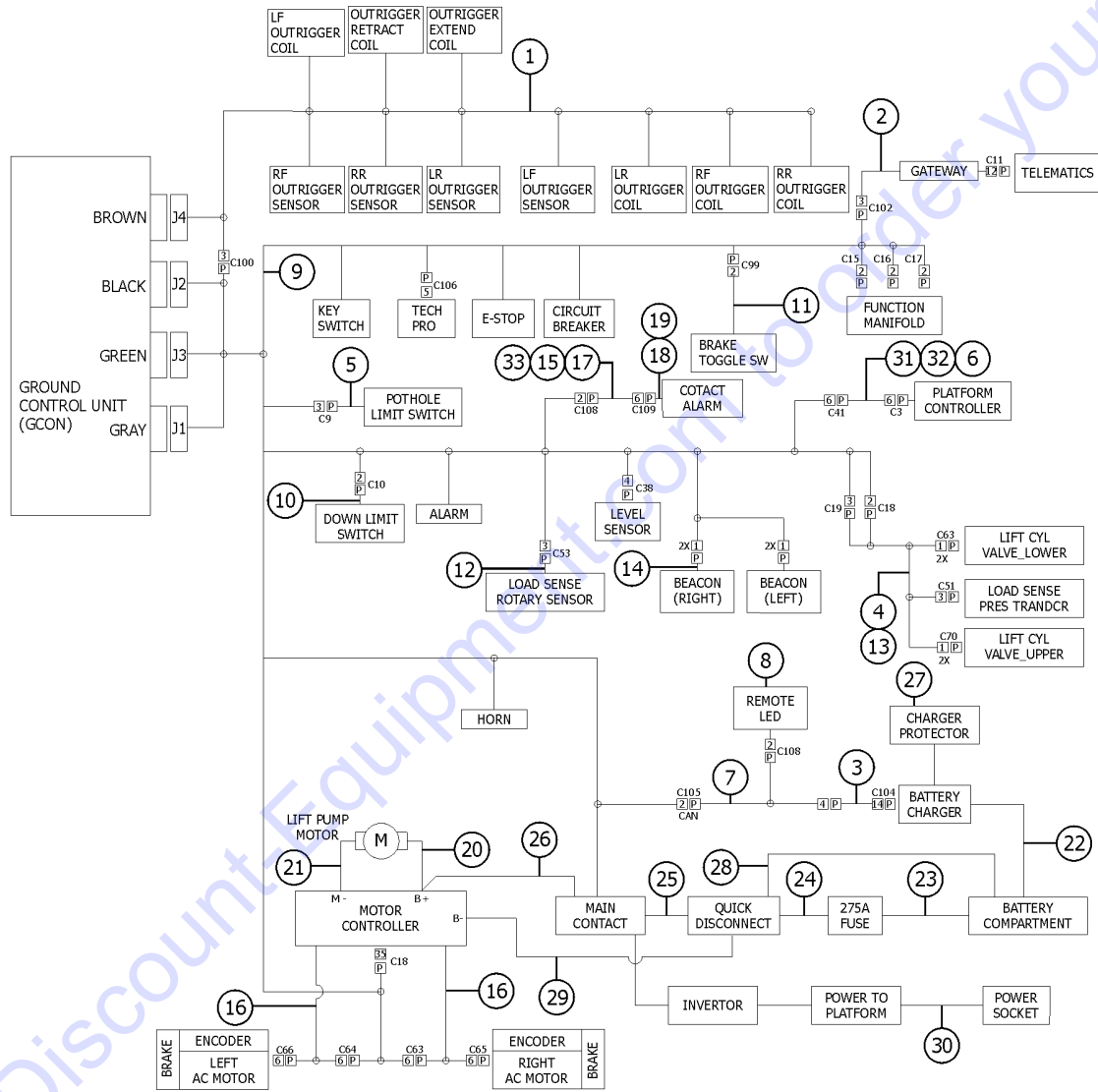
210.1 Electrical Wiring - GS-3232



Item	Part No.	Description	Qty.
1	1303748GT	HARNESS,GS GROUND CONTROLLER,GS3232	1
2	1289899GT	HARNESS, GATEWAY, GS	1
3	1265771GT	HARNESS, CHARGER CONTROL	1
4	233055GT	CABLE,LIFT CYL DWN,32XX,W/LS	1
5	1300887GT	ASSY,POTHOLE HARNESS GS32/GS46, E-DRIVE	1
6	233052GT	CABLE, PLATFORM CONTROL, 32XX	1
7	1273394GT	HARNESS, CHARGER EXTENSION	1
8	1270281PGT	ASSEMBLY,CHARGER STATUS LED,2V,BCI	1
9	1304120GT	HARNESS,OUTRIGGER 3232,E-DRIVE	1
10	T112507GT	WIRE ASSY,DOWN LIMIT SW	1
11	1301854GT	CABLE, BRAKE RELEASE SWITCH	1
12	T113136GT	ASSY,ROT SENSR W/HARNESS	1
13	233053GT	CABLE,LIFT CYL DWN,20/26XX,W/LS	1
14	1270162GT	ASSY,BEACON,LED 24V	2
15	1288727GT	CABLE,CONTACT ALARM,CHASSIS TO PLAT,20XX	1
16	1303546GT	COMPOSITE MOTOR CABLE MID,E-DRIVE	2
17	1288729GT	CABLE,CONTACT ALARM,CHASSIS TO PLAT,32XX	1
18	1288574GT	CABLE,CONTACT ALARM,45IN LINK	1
19	1291052GT	HARNESS,CONTACT ALARM,GS32 PLATFORM	1
20	1297793GT	CABLE ASSY,MC TO POWER UNIT,RED	1
21	1297796GT	CABLE ASSY,MC TO POWER UNIT,BLK	1
22	1273576GT	CABLE ASSY,CHARGER/BATTERY	1
23	1297791GT	CABLE ASSY,BATT,5.50"RED	1
24	1297797GT	CABLE ASSY,FUSE TO QUIK,RED	1
25	1297799GT	CABLE ASSY,QUIK TO CONT,RED	1
26	1297795GT	CABLE ASSY,CONT TO MC,RED	1
27	1272557GT	POWER CORD,IEC 320,90 DEG	1
28	1297794GT	CABLE ASSY,BATT TO QUIK,BLK	1



210.1 Electrical Wiring - GS-3232



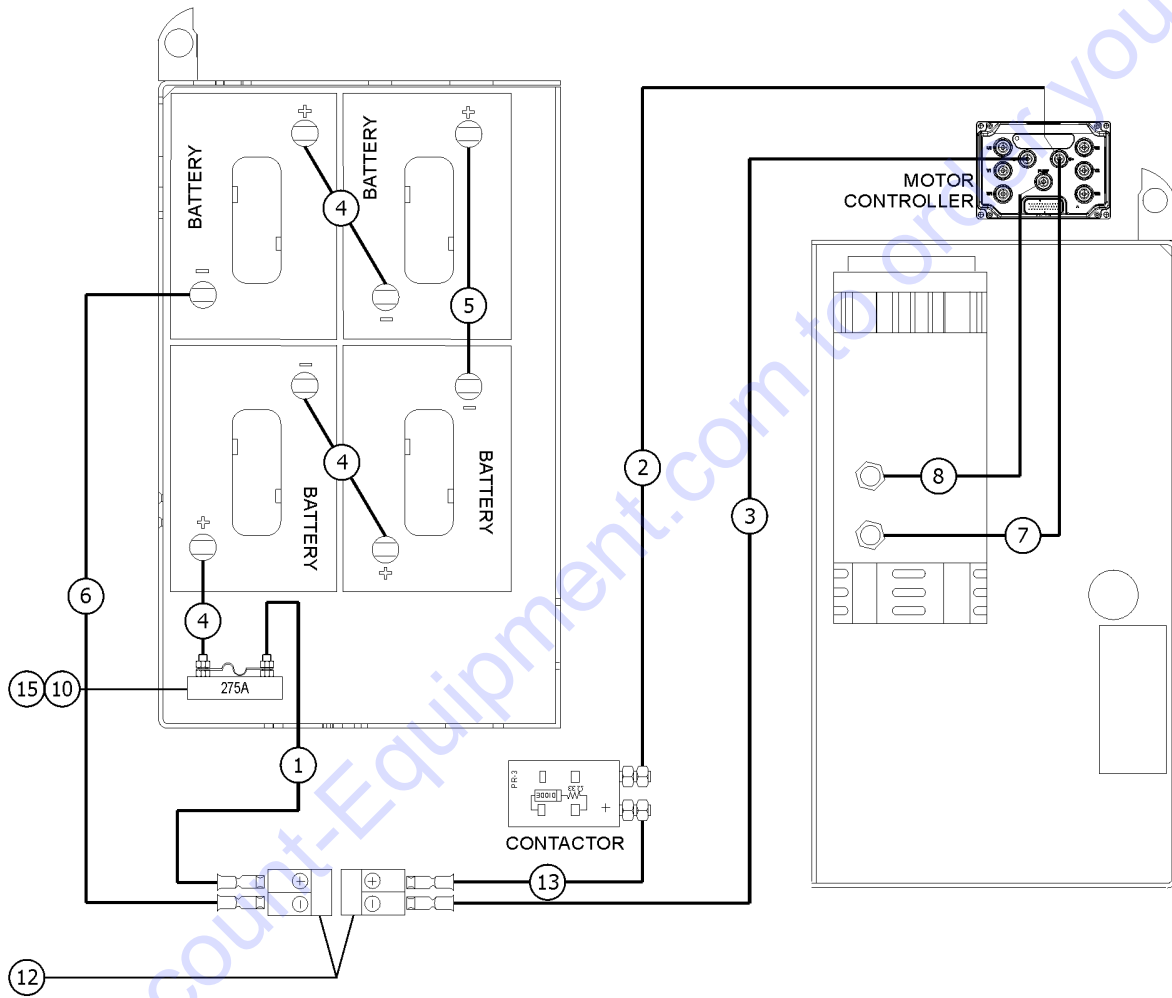
210.1 Electrical Wiring - GS-3232

<i>Item</i>	<i>Part No.</i>	<i>Description</i>	<i>Qty.</i>
29	1297798GT	CABLE ASSY,QUIK TO MC,BLK	1
30	43956GT	WIRE CABLE,14/3 CON.TPE JKT*	630
31	233050GT	CABLE, PLATFORM CONTROL, 20XX	1
32	233051GT	CABLE, PLATFORM CONTROL, 26XX	1
33	1288728GT	CABLE,CONTACT ALARM,CHASSIS TO PLAT,26XX	1

Go to Discount-Equipment.com to order your parts



211.1 Power Cables

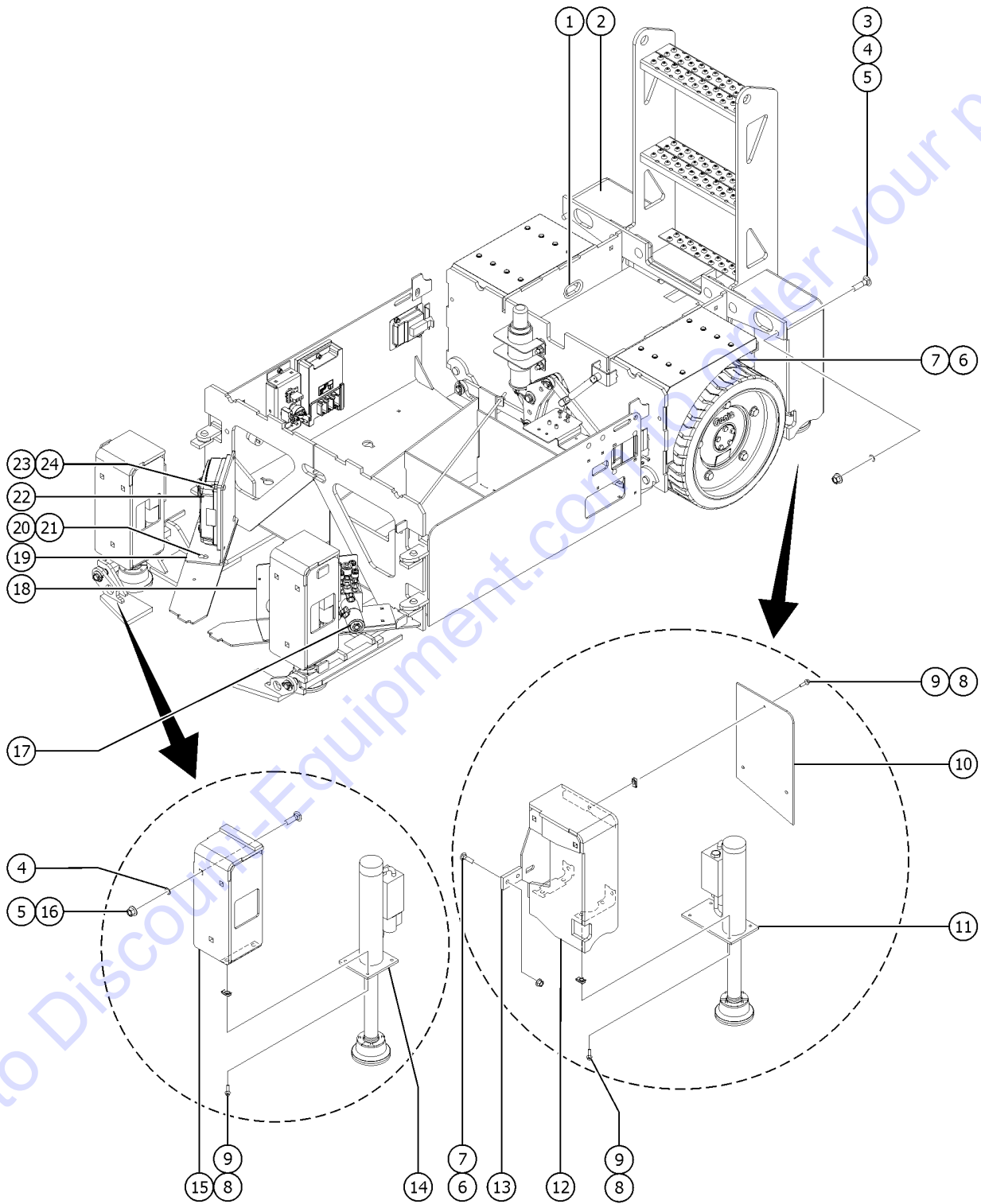


Item	Part No.	Description	Qty.
1	1297797GT	CABLE ASSY,FUSE TO QUIK,RED	1
2	1297795GT	CABLE ASSY,CONT TO MC,RED	1
3	1297798GT	CABLE ASSY,QUIK TO MC,BLK	1
4	1297791GT	CABLE ASSY,BATT,5.50"RED	3
5	1297792GT	CABLE ASSY,BATT,9.50"RED	1
6	1297794GT	CABLE ASSY,BATT TO QUIK,BLK	1
7	1297793GT	CABLE ASSY,MC TO POWER UNIT,RED	1
8	1297796GT	CABLE ASSY,MC TO POWER UNIT,BLK	1
9	28131GT	WIRE LOOM,1.25 DIA.	16
10	66717GT	FUSE BLOCK, ANN & ANL FUSE	1
11	96110GT	BOOT, CABLE, TERMINAL COVER	15
12	1288481GT	QUICK DISCONNECT CASING,BATT SB120	2
13	1297799GT	CABLE ASSY,QUIK TO CONT,RED	1
14	79140GT	BOOT,CABLE TERMINAL,RED,XL	1
15	40833GT	FUSE,275 AMP,VERY FAST ACTING	1

Go to Discount-Equipment.com to order your parts



212.1 Outrigger Components, GS-3232

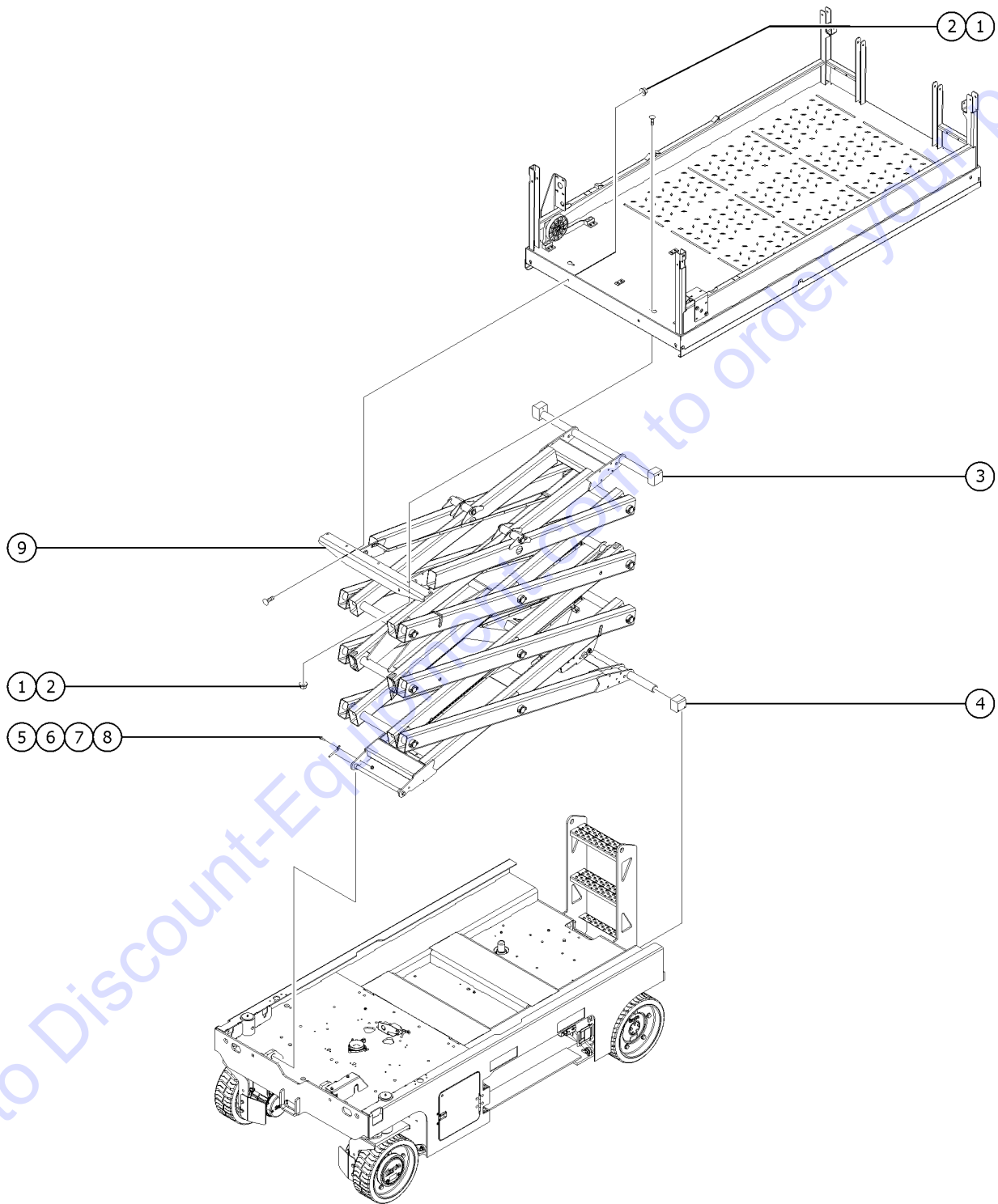


212.1 Outrigger Components, GS-3232

Item	Part No.	Description	Qty.
1	131582GT	GROMMET,RUBBER,1.50IDX.375	2
2	1304908GT	WLDMT, OUTRIGGER, RR	2
3	1255759GT	BOLT,CARRIAGE,1/2-13X2,5,ZAG	4
4	105634GT	PUSH RETAINER, 1/2" SCREW	4
5	1274172GT	NUT,NYLOCK FLG,1/2-13,G,ZAG	4
6	1256756GT	BOLT,CARRIAGE,3/8-16X1.5,5,ZAG	6
7	1274166GT	NUT,NYLOCK,3/8-16,C,ZAG	6
8	824079GT	SCREW,HHF,1/4-20X1,8,ZAG	22
9	56912GT	SPRING CLIP,1/4-20,.025-.15X.54,ZAG	22
10	109745GT	PLATE,REAR COVER	2
11		Ref: Outrigger Cylinder, Rear (refer to 506.1)	
12	1304907GT	WLDMT, OUTRIGGER, LR	2
13	105758GT	PLATE, SHEAR, OUTRIGGER	2
14		Ref: Outrigger Cylinder, Front (refer to 506.1)	
15	1304815GT	WLDMT, OUTRIGGER, FRONT	2
16	1256115GT	BOLT,CARRIAGE,1/2-13X1.75,5,ZA	6
17	1291577GT	HANDLE,ANDERSON CONNECTOR SB	1
18	1301745GT	FORMING,3232 COMPONENT BRRACKET,E-DRIVE	1
18-	824124GT	BOLT,CARRIAGE,1/4-20X.75,5,ZAG	2
18-	1277924GT	NUT,NYLOCK FLG,1/4-20,F,ZAG	2
19	1299051GT	FORMING, MC BRACKET GS32/46	1
20	824124GT	BOLT,CARRIAGE,1/4-20X.75,5,ZAG	2
21	1277924GT	NUT,NYLOCK FLG,1/4-20,F,ZAG	2
22	1293858GT	CONTROLLER, DUAL AC 120A, 200A PUMP	1
23	1256463GT	BOLT,CARRIAGE,1/4-20X1.25,5,ZAG	4
24	1274165GT	NUT,NYLOCK,1/4-20,C,ZAG	4



301.1 Scissor Assembly Installation

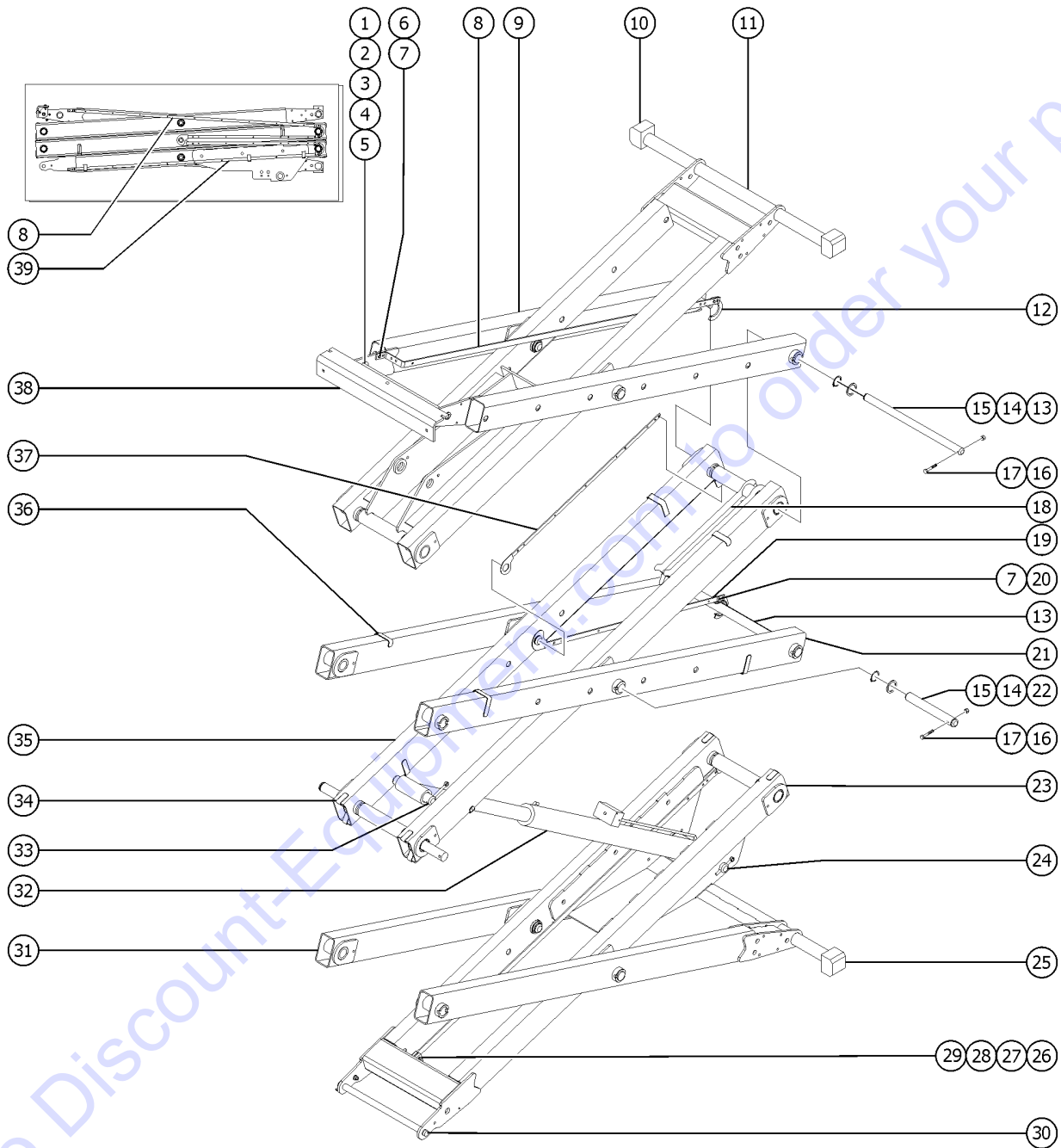


<i>Item</i>	<i>Part No.</i>	<i>Description</i>	<i>Qty.</i>
1	1274322GT	NUT,NYLOCK FLG,3/8-16,F,ZAG	6
2	1255757GT	SCREW,HHC,1/2-13X2.75,8,ZAG	4
3	1300939GT	SLIDER, UHMW, GSXX46 PLATFORM	2
4	96595GT	SLIDER,UHMW***	2
5	824092GT	SCREW, HHF, 3/8-16 X 1.5, 8, ZAG	2
6	825019GT	ROD END, .375X3.69, ZAG	2
7	824029GT	NUT,TL FLG,3/8-16,G,ZAG	2
8	1302259GT	PIN,LINKSET MOUNT	1
9	132310GT	WELDMENT,PLATFORM MOUNT	1

Go to Discount-Equipment.com to order your parts



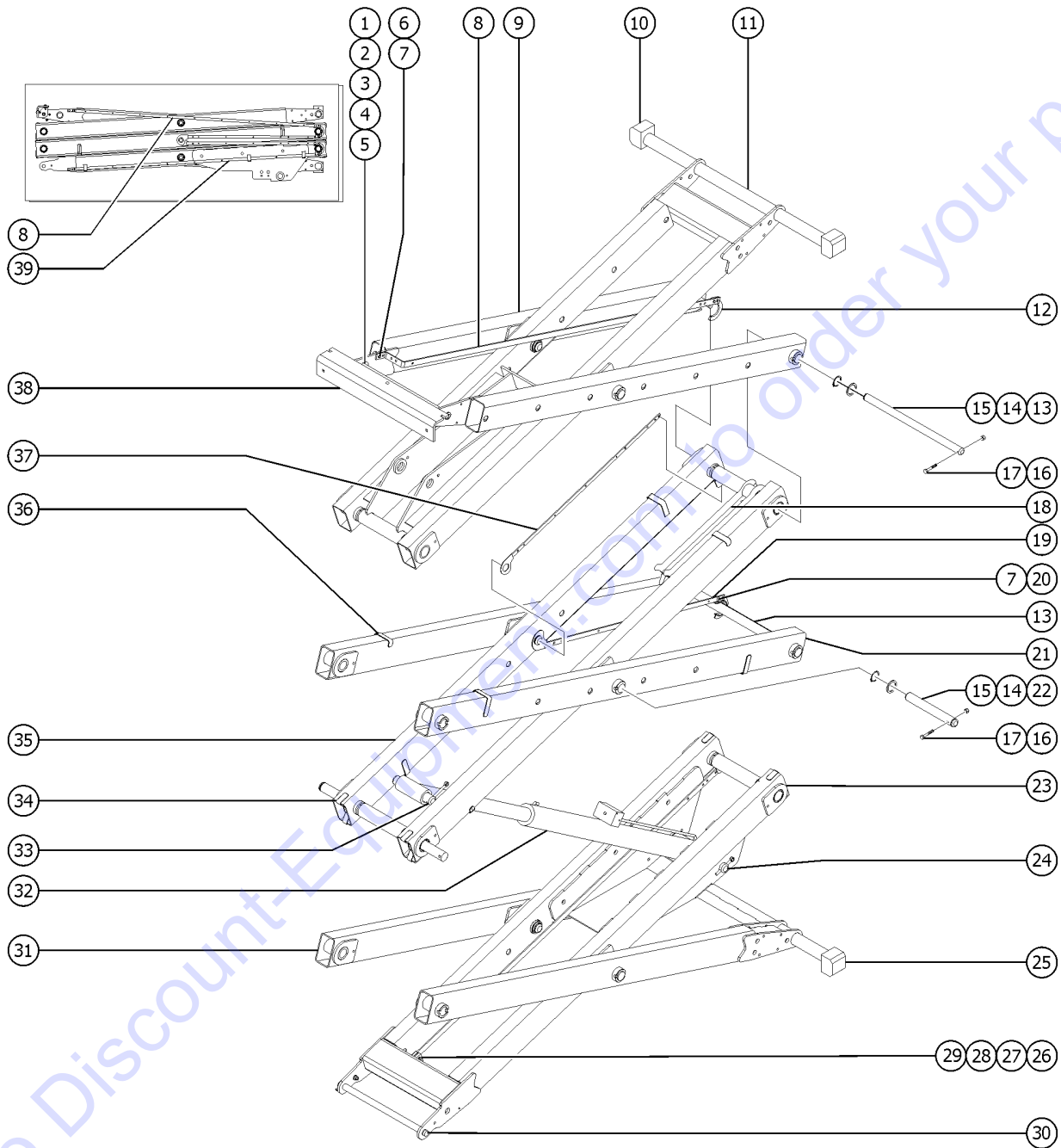
302.1 Scissor Assembly, GS-2032



Item	Part No.	Description	Qty.
1	96932GT	PIN, LINKSET MOUNT, 3/4"	1
2	825020GT	ROD END, .25 X 2.75, ZAG	2
3	824080GT	SCREW, HHF, 1/4-20 X 1.25, 8, ZAG	2
4	1277924GT	NUT,NYLOCK FLG,1/4-20,F,ZAG	2
5	36369GT	BEARING, .75ID X 1"OD X .75LG**	2
6	1256127GT	BOLT,CARRIAGE,1/4-20X1",GR 5,ZAG	2
7	1256679GT	NUT,SERRATED,1/4-20,8,ZAG	5
8	132267GT	BAR,CABLE BRIDGE ARM,UPPER	1
9	132304GT	WLDMT,LINK,OUTER#3-20XX,#5-32XX	2
10		Ref. Platform Slider	
		(refer to 301.1)	
11	132299GT	WLDMT,LNK,INNER #3,2032	1
11-	66055GT	BEARING,1.50ID X 1.77OD X 1.25	6
12	105193GT	CLIP,CABLEBRIDGE,GS32/46	2
13	96899GT	PIN, LONG, GS46	4
14	1260941GT	WASHER,SHIM,1.54X2.00X.125,ZAG	10
15	825796GT	SNAP RING,EXTERNAL,1.50,ZAG	8
16	1256848GT	SCREW,HHC,3/8-16X2.75,8,ZAG	10
17	1274166GT	NUT,NYLOCK,3/8-16,C,ZAG	10
18	229571GT	ASSEMBLY, CHOCK	1
19	132270GT	WLDMT,CABLE BRIDGE,BOTTOM	2
20	1260963GT	BOLT,CARRIAGE,1/4-20X.63,5,ZAG	2
21	132298GT	WLDMT,LNK,OUTER #2,#3,#4	2
22	96900GT	PIN, SHORT, GS46	6
23	1300079GT	ASSEMBLY, LINK, INNER #1	1
		(decals not included refer to section one)	
23-	66055GT	BEARING,1.50ID X 1.77OD X 1.25	6
23-	1299483GT	WELDMENT, LNK, LOWER1 ,E-DRIVE	1
		(bearings not included)	
24	96662GT	PIN, LOWER CYLINDER MOUNT	1
25		Ref. Chassis Slider	
		(refer to 301.1)	



302.1 Scissor Assembly, GS-2032

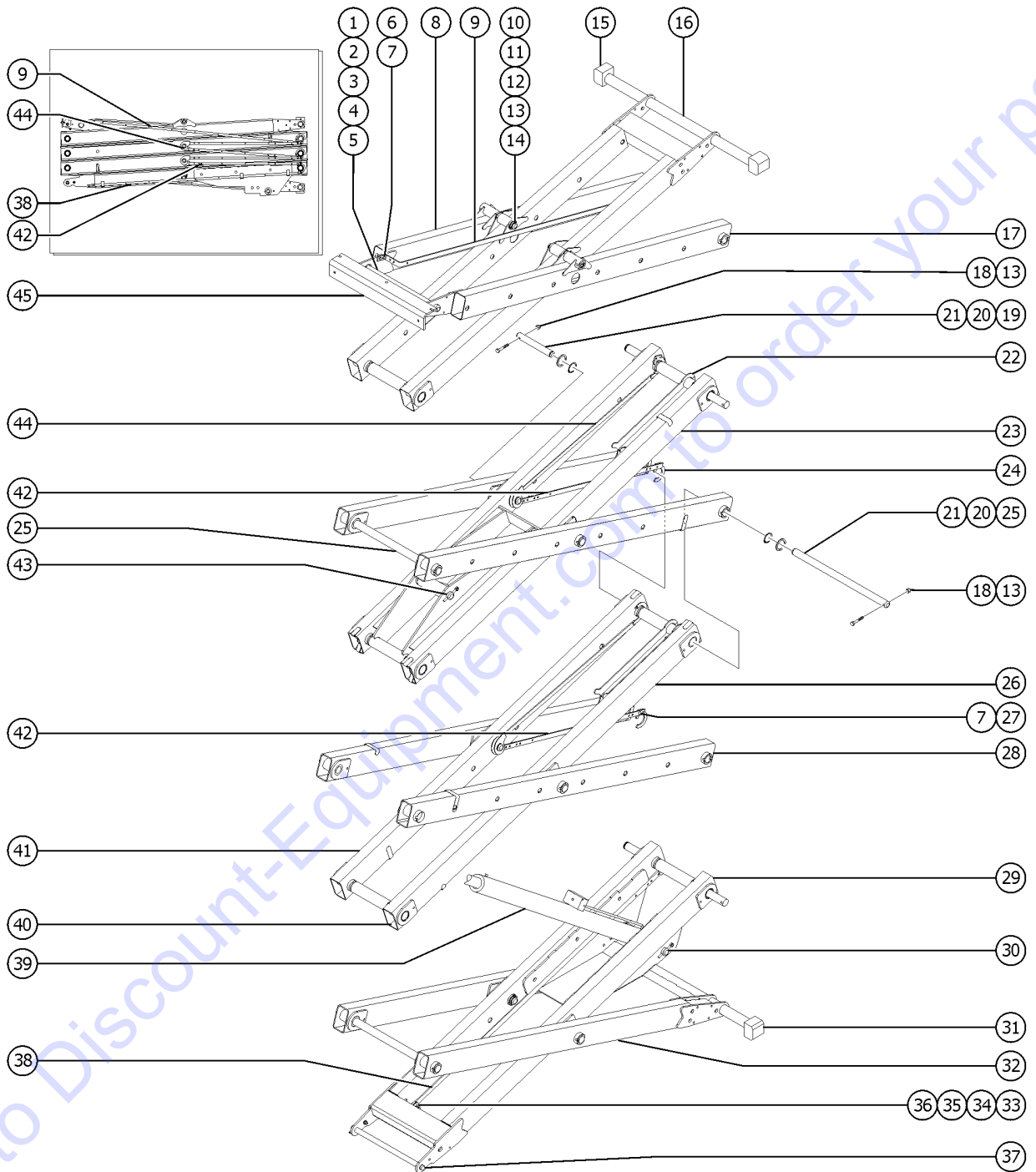


Item	Part No.	Description	Qty.
26	132119GT	PLATE, HOSE ROUTING, BULKHEAD	2
27	78736GT	CLAMP,2 HOSE,PLASTIC	4
28	1259201GT	BOLT,CARRIAGE,10-24X2,A,ZAG	3
29	1274170GT	NUT, NYLOCK, 10-24, A, ZAG	3
30		Ref. Pin, Linkset Mount	1
		(refer to 301.1)	
31	132288GT	WLDMT,LNK,OUTER #1,GS32	1
		(decal not included refer to section one)	
32		Ref. Lift Cylinder	
		(refer to 503.1)	
33	96661GT	PIN UPPER CYLINDER MOUNT	1
34	96735GT	LINK BUMPER, 5"	4
35	132294GT	WLDMT,LNK,INNER #2	1
35-	66055GT	BEARING,1.50ID X 1.77OD X 1.25	8
36	96836GT	LINK BUMPER, SHORT TUBE	8
37	132273GT	WELDMNT.CABLE BRIDGE, TOP	1
38		Ref. Platform Mounting Assembly	
		(refer to 301.1)	
39	132266GT	WLDMNT,CABLE BRIDGE,LOWER	1

Go to Discount-Equipment.com to order your parts

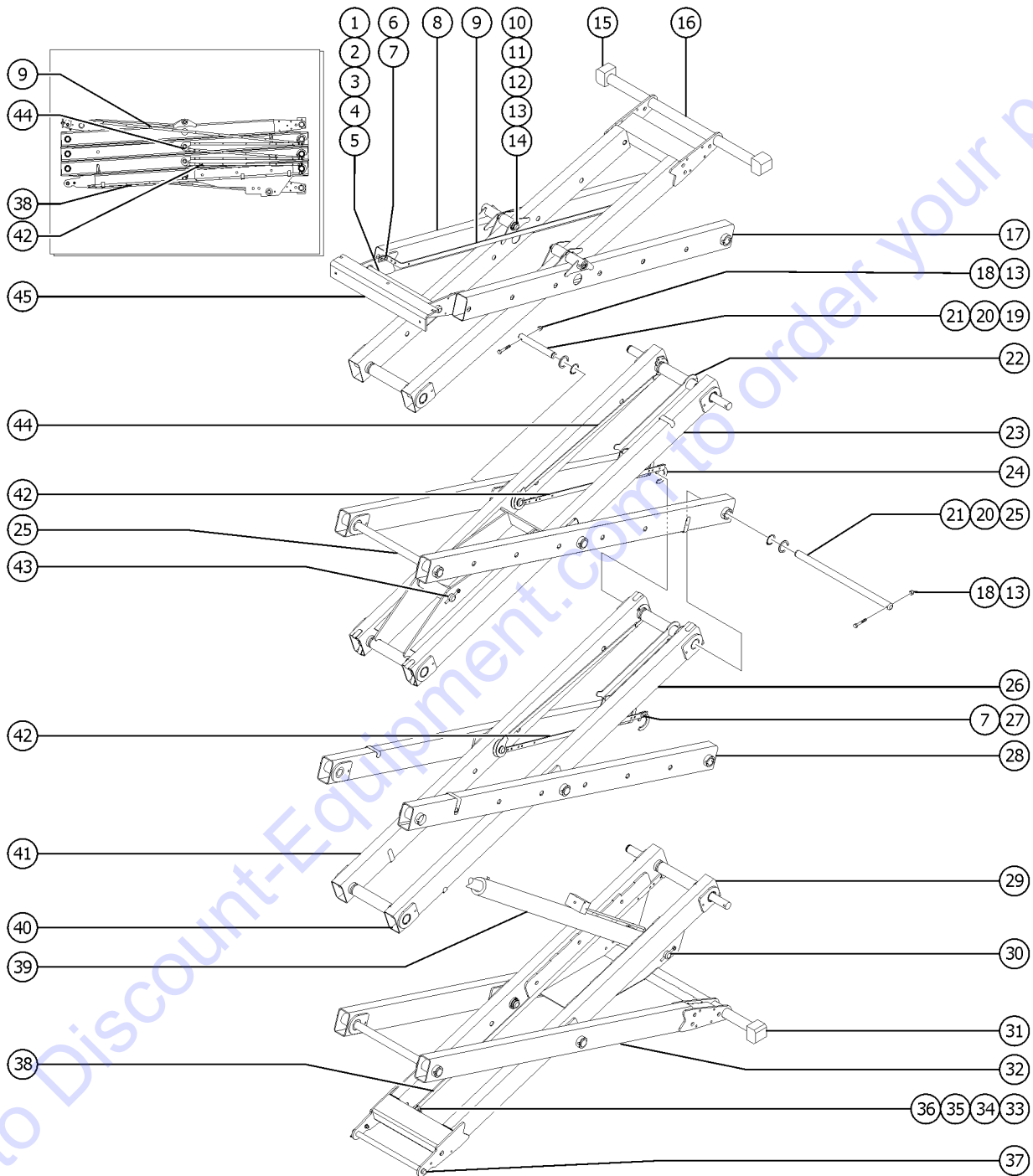


303.1 Scissor Assembly, GS-2632



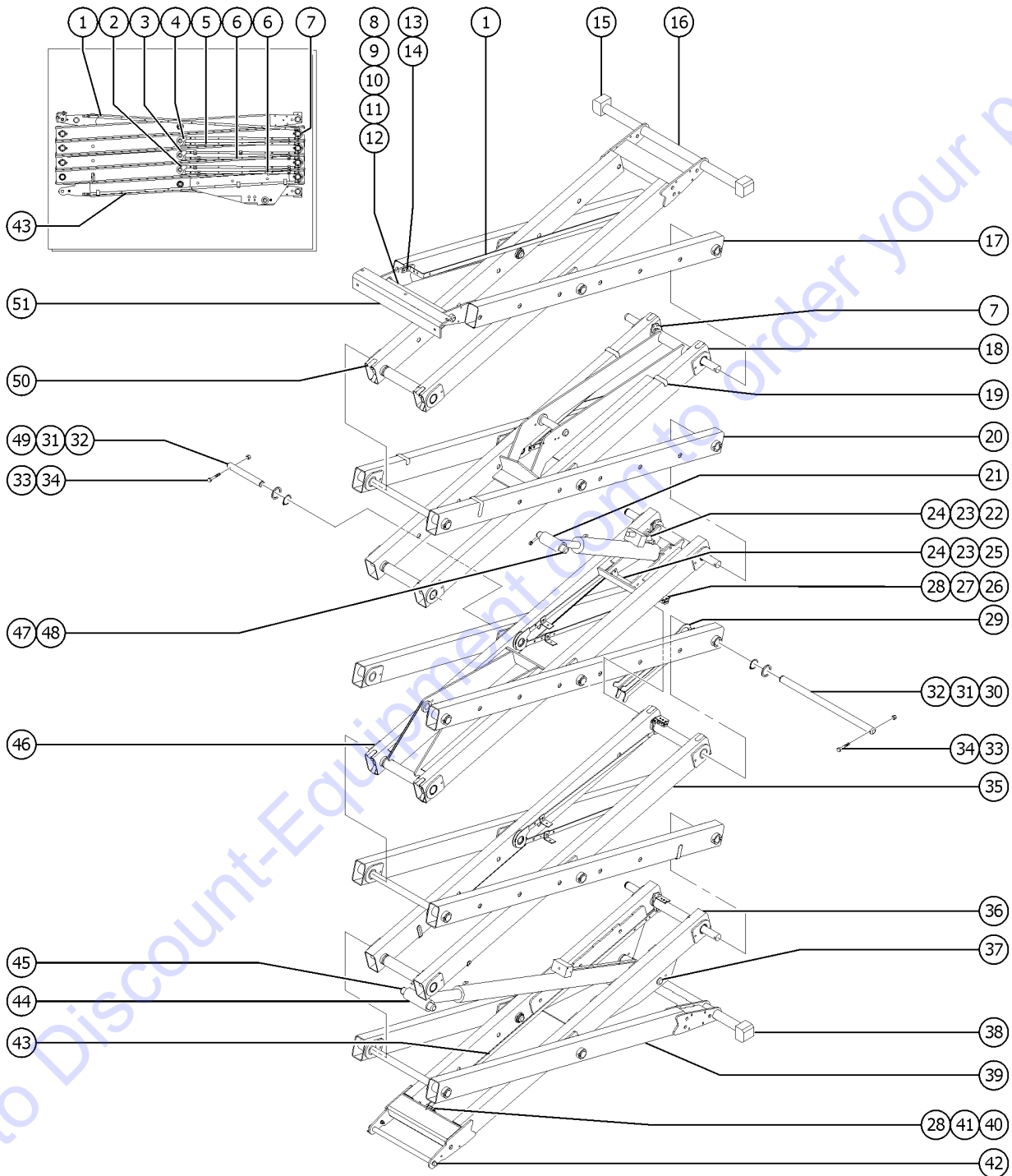
Item	Part No.	Description	Qty.
1	96932GT	PIN, LINKSET MOUNT, 3/4"	1
2	825020GT	ROD END, .25 X 2.75, ZAG	2
3	824080GT	SCREW, HHF, 1/4-20 X 1.25, 8, ZAG	2
4	1277924GT	NUT, NYLOCK FLG, 1/4-20, F, ZAG	2
5	36369GT	BEARING, .75ID X 1"OD X .75LG**	2
6	1256127GT	BOLT, CARRIAGE, 1/4-20X1", GR 5, ZAG	2
7	1256679GT	NUT, SERRATED, 1/4-20, 8, ZAG	6
8	132383GT	WLDMT, LNK, OUTER #4, 26XX, RIGHT (ground controls side)	1
9	132267GT	BAR, CABLE BRIDGE ARM, UPPER	
10	96130GT	PIN, MINI, CENTRE	2
11	824164GT	SNAP RING, EXTERNAL, 1.25, ZAG	2
12	824151GT	WASHER, SHIM, 1.270 X 2.130 X .062, ZAG	2
13	1274166GT	NUT, NYLOCK, 3/8-16, C, ZAG	14
14	1256848GT	SCREW, HHC, 3/8-16X2.75, 8, ZAG	2
15		Ref. Platform Slider	
		(refer to 301.1)	
16	132379GT	WLDMT, LNK, INNER #4, 2632 (bearings not included)	1
16-	66055GT	BEARING, 1.50ID X 1.77OD X 1.25	6
17	132385GT	WLDMT, LNK, OUTER #4, 26XX, LEFT (battery pack side)	1
18	1256848GT	SCREW, HHC, 3/8-16X2.75, 8, ZAG	12
19	96900GT	PIN, SHORT, GS46	6
20	1260941GT	WASHER, SHIM, 1.54X2.00X.125, ZAG	10
21	825796GT	SNAP RING, EXTERNAL, 1.50, ZAG	12
22	229571GT	ASSEMBLY, CHOCK	1
23	132375GT	WLDMT, LNK, INNER #3, 26XX	1
23-	66055GT	BEARING, 1.50ID X 1.77OD X 1.25	8
24	105193GT	CLIP, CABLEBRIDGE, GS32/46	
25	96899GT	PIN, LONG, GS46	6
26	96836GT	LINK BUMPER, SHORT TUBE	8

303.1 Scissor Assembly, GS-2632



Item	Part No.	Description	Qty.
27	1260963GT	BOLT,CARRIAGE,1/4-20X.63,5,ZAG	3
28	132298GT	WLDMT,LNK,OUTER #2,#3,#4	4
29	1300079GT	ASSEMBLY, LINK, INNER #1	1
		(decal not included refer to section one)	
29-	66055GT	BEARING,1.50ID X 1.77OD X 1.25	6
29-	1299483GT	WELDMNT, LNK, LOWER1 ,E-DRIVE	1
		(bearings not included)	
30	96662GT	PIN, LOWER CYLINDER MOUNT	6
31		Ref. Chassis Slider	
		(refer to 301.1)	
32	132288GT	WLDMT,LNK,OUTER #1,GS32	1
		(decal not included refer to section one)	
33	58592GT	PLATE,HOSE ROUTG,BULKHEAD(PTD)	2
		(as required)	
34	78736GT	CLAMP,2 HOSE,PLASTIC	4
35	1259201GT	BOLT,CARRIAGE,10-24X2,A,ZAG	3
36	1274170GT	NUT, NYLOCK, 10-24, A, ZAG	3
37		Ref. Pin, Linkset Mount	1
		(refer to 301.1)	
38	132266GT	WLDMNT,CABLE BRIDGE,LOWER	
39		Ref. Lift Cylinder	
		(refer to 503.1)	
40	96735GT	LINK BUMPER, 5"	4
41	132294GT	WLDMT,LNK,INNER #2	1
41-	66055GT	BEARING,1.50ID X 1.77OD X 1.25	8
42	132270GT	WLDMT,CABLE BRIDGE,BOTTOM	
43	96812GT	PIN, LOWER CYL, ROD END	1
44	132273GT	WELDMNT.CABLE BRIDGE,TOP	
45		Ref. Platform Mount Assembly	
		(refer to 301.1)	

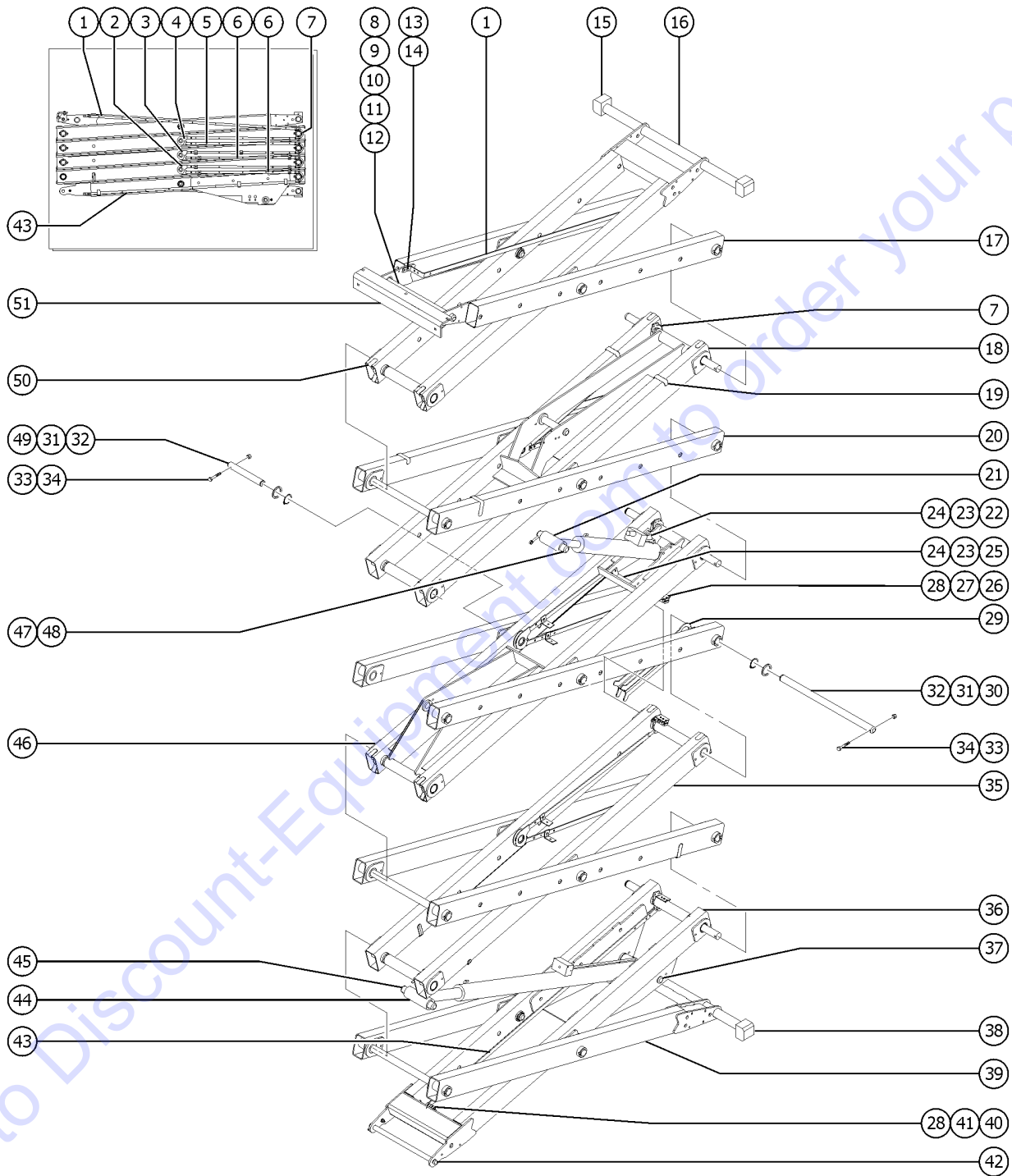
304.1 Scissor Assembly, GS-3232



Item	Part No.	Description	Qty.
1	132267GT	BAR,CABLE BRIDGE ARM,UPPER	1
2	132390GT	WLDMNT,CABLE BRIDGE, TOP,32XX,M	1
3	132436GT	WLDMNT,CABLE BRIDGE,MID,32XX,M	1
4	132273GT	WELDMENT.CABLE BRIDGE, TOP	1
5	132270GT	WLDMT,CABLE BRIDGE,BOTTOM	1
6	132392GT	WLDMNT,CABLE BRIDGE,BTM,32XX,M	2
7	105193GT	CLIP,CABLEBRIDGE,GS32/46	4
8	96932GT	PIN, LINKSET MOUNT, 3/4"	1
9	825020GT	ROD END, .25 X 2.75, ZAG	2
10	824080GT	SCREW, HHF, 1/4-20 X 1.25, 8, ZAG	2
11	1277924GT	NUT,NYLOCK FLG,1/4-20,F,ZAG	2
12	36369GT	BEARING, .75ID X 1"OD X .75LG**	2
13	1256127GT	BOLT,CARRIAGE,1/4-20X1",GR 5,ZAG	2
14	1256679GT	NUT,SERRATED,1/4-20,8,ZAG	7
15		Ref. Platform Slider	
		(refer to 301.1)	
16	1294708GT	WLDMT,LNK,INNER #5,3232	1
16-	66055GT	BEARING,1.50ID X 1.77OD X 1.25	8
17	132304GT	WLDMT,LINK,OUTER#3-20XX,#5-32XX	2
18	132401GT	WLDMT,LINK,INNER#4,32XX	1
18-	66055GT	BEARING,1.50ID X 1.77OD X 1.25	8
19	96836GT	LINK BUMPER, SHORT TUBE	8
20	132298GT	WLDMT,LNK,OUTER #2,#3,#4	6
21		Ref. Lift Cylinder, Top	
		(refer to 503.1)	
22	132521GT	PLATE, PIN RETAINER	2
23	1256756GT	BOLT,CARRIAGE,3/8-16X1.5,5,ZAG	4
24	1274322GT	NUT,NYLOCK FLG,3/8-16,F,ZAG	8
25	96971GT	CLAMP,2 HOSE,PLASTIC	1
26	78736GT	CLAMP,2 HOSE,PLASTIC	18

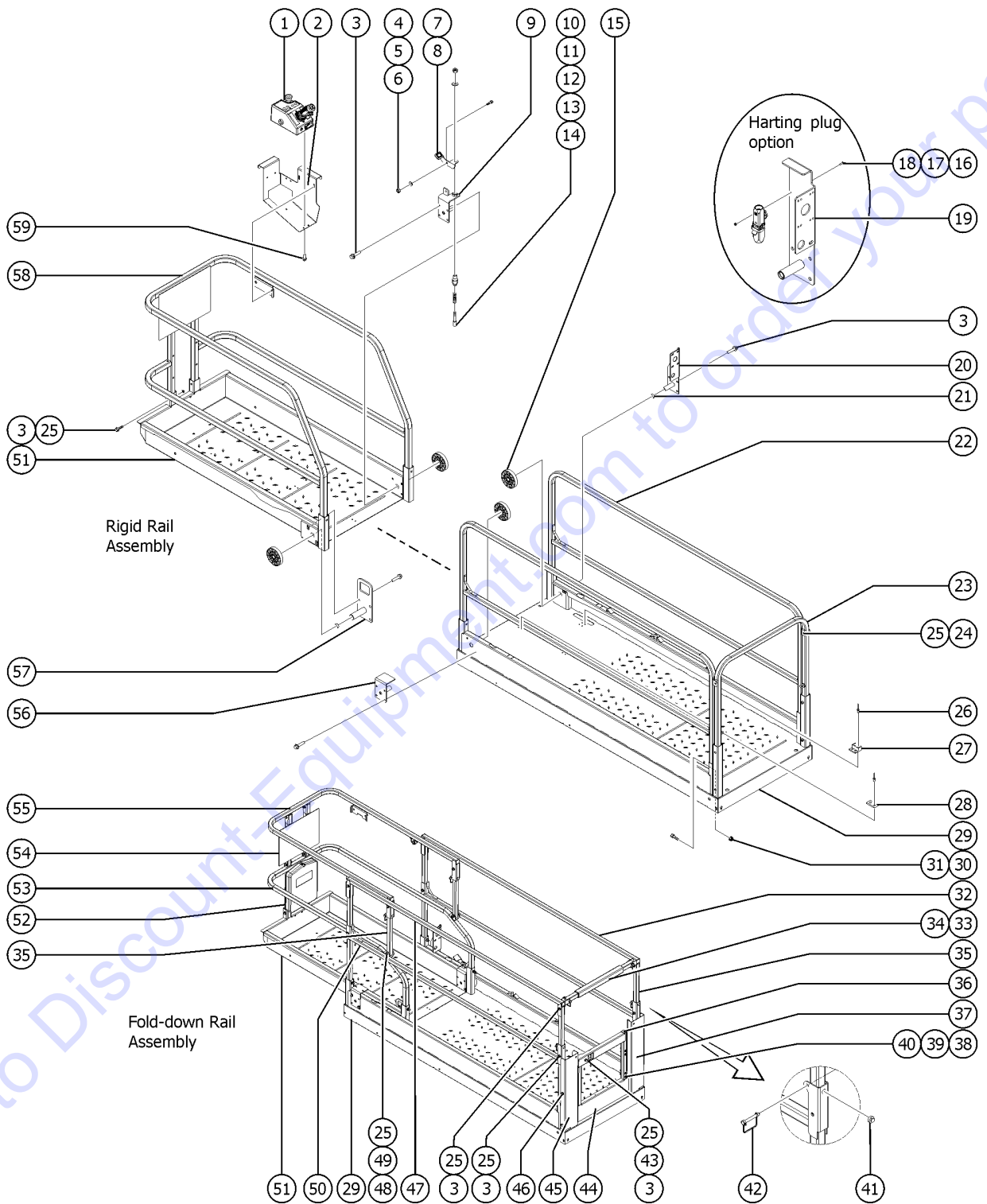


304.1 Scissor Assembly, GS-3232



Item	Part No.	Description	Qty.
27	1259201GT	BOLT,CARRIAGE,10-24X2,A,ZAG	9
28	1274170GT	NUT, NYLOCK, 10-24, A, ZAG	11
29	229571GT	ASSEMBLY, CHOCK	1
30	96899GT	PIN, LONG, GS46	8
31	1260941GT	WASHER,SHIM,1.54X2.00X.125,ZAG	15
32	825796GT	SNAP RING,EXTERNAL,1.50,ZAG	18
33	1256848GT	SCREW,HHC,3/8-16X2.75,8,ZAG	12
34	1274166GT	NUT,NYLOCK,3/8-16,C,ZAG	18
35	132294GT	WLDMT,LNK,INNER #2	1
35-	66055GT	BEARING,1.50ID X 1.77OD X 1.25	8
36	1300079GT	ASSEMBLY, LINK, INNER #1 (decal not included refer to section one)	1
36-	66055GT	BEARING,1.50ID X 1.77OD X 1.25	6
36-	1299483GT	WELDMNT, LNK, LOWER1 ,E-DRIVE (bearings not included)	
37	96662GT	PIN, LOWER CYLINDER MOUNT	1
38		Ref. Chassis Slider	
		(refer to 301.1)	
39	132288GT	WLDMT,LNK,OUTER #1,GS32 (decal not included refer to section one)	1
40	132119GT	PLATE, HOSE ROUTING, BULKHEAD	3
41	1260962GT	BOLT,CARRIAGE,10-24X2.5,A,ZAG	2
42		Ref. Pin, Linkset Mount	1
		(refer to 301.1)	
43	132266GT	WLDMNT,CABLE BRIDGE,LOWER	1
44		Ref. Lift Cylinder, Bottom	
		(refer to 503.1)	
45	96812GT	PIN, LOWER CYL, ROD END	1
46	132393GT	PIN, LOWER CYL, ROD END	1
47	96661GT	PIN UPPER CYLINDER MOUNT	1
48	96663GT	PIN UPPER CYLINDER MOUNT	1
49	96900GT	PIN, SHORT, GS46	6
50	96735GT	LINK BUMPER, 5"	8
51		Ref. Platform Mount Assembly	
		(refer to 301.1)	

401.1 Platform Components



PARTS FINDER

**Search Website
by Part Number**



**Search Manual
Library For Parts
Manual & Lookup Part
Numbers – Purchase
or Request Quote**

Search Manuals

Enter your information to help us find the right parts manual for your machine.

* Brand:

* Model:

* Serial:

* Part Number:

SEARCH

**Can't Find Part or
Manual? Request Help
by Manufacturer,
Model & Description**

Parts Order Form

Please fill in the following information to help us find the right part for your machine.

Manufacturer:	<input type="text"/>
Model:	<input type="text"/>
Description:	<input type="text"/>
Part Number:	<input type="text"/>
Quantity:	<input type="text"/>
Notes:	<input type="text"/>

Discount-Equipment.com is your online resource for quality parts & equipment.

Florida: **561-964-4949** Outside Florida TOLL FREE: **877-690-3101**

Need parts?

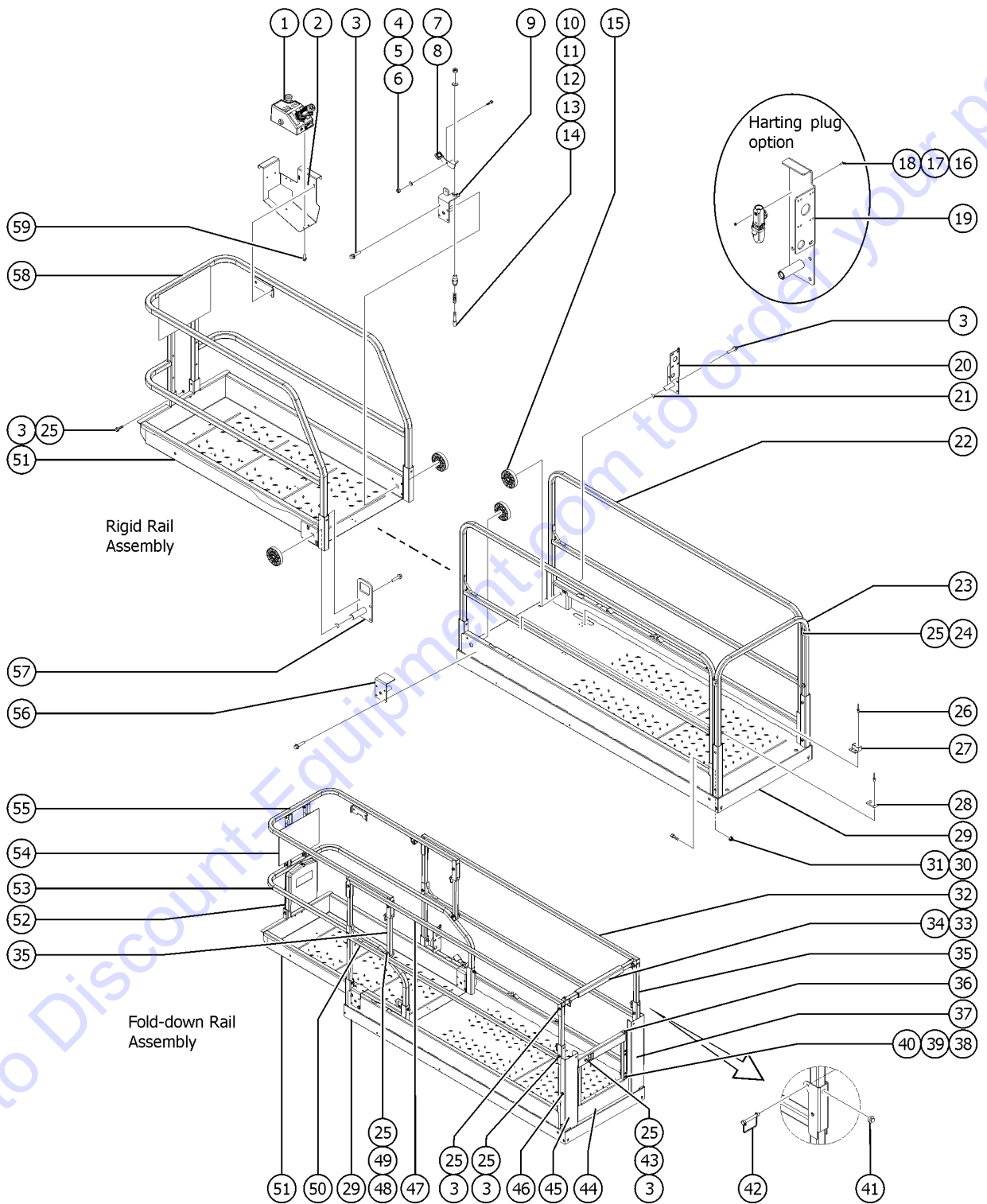
Click on this link: <http://www.discount-equipment.com/category/5443-parts/> and choose one of the options to help get the right parts and equipment you are looking for. Please have the machine model and serial number available in order to help us get you the correct parts. If you don't find the part on the website or on one of the online manuals, please fill out the request form and one of our experienced staff members will get back to you with a quote for the right part that your machine needs.

We sell worldwide for the brands: Genie, Terex, JLG, MultiQuip, Mikasa, Essick, Whiteman, Mayco, Toro Stone, Diamond Products, Generac Magnum, Airman, Haulotte, Barreto, Power Blanket, Nifty Lift, Atlas Copco, Chicago Pneumatic, Allmand, Miller Curber, Skyjack, Lull, Skytrak, Tsurumi, Husquvarna Target, Stow, Wacker, Sakai, Mi-T-M, Sullair, Basic, Dynapac, MBW, Weber, Bartell, Bennar Newman, Haulotte, Ditch Runner, Menegotti, Morrison, Contec, Buddy, Crown, Edco, Wyco, Bomag, Laymor, EZ Trench, Bil-Jax, F.S. Curtis, Gehl Pavers, Heli, Honda, ICS/PowerGrit, IHI, Partner, Imer, Clipper, MMD, Koshin, Rice, CH&E, General Equipment, Amida, Coleman, NAC, Gradall, Square Shooter, Kent, Stanley, Tamco, Toku, Hatz, Kohler, Robin, Wisconsin, Northrock, Oztec, Toker TK, Rol-Air, APT, Wylie, Ingersoll Rand / Doosan, Innovatech, Con X, Ammann, Mecalac, Makinex, Smith Surface Prep, Small Line, Wanco, Yanmar

Item	Part No.	Description	Qty.
1		Ref. Platform Control Box (refer to 403.1)	
2		Ref. Platform Control Box Mount Bracket (refer to 403.1)	
3	1253478GT	SCREW,HHF,3/8-16X2,8,ZAG	5
4	1252977GT	NUT,TL JAM,5/16-18,A,ZAG	1
5	825358GT	WASHER,FLAT,5/16,USS,ZAG	1
6	1259223GT	BOLT,SHS,3/8X.375X5/16-18,ZAG	1
7	46260GT	FOOTPEDAL W/NON-SKID TAPE,GS**	1
8	47225GT	TAPE,NON-SKID,DIE CUT,1.38X1.5	1
9	132151GT	ROLLER SUPPORT BRACKET	1
10	1259181GT	PIN,LOCK,0.5X3.125,ZAG	1
11	39469GT	SPRING,COMPRESSION.485 X1.75**	1
12	41630GT	HOUSING, LOCK PIN	1
13	1255758GT	WASHER,FLAT,3/8,USS,ZAG	1
14	824038GT	NUT, TL JAM, 3/8-16, A, ZAG	1
15	47163GT	NUT, TL JAM, 3/8-16, A, ZAG	4
16	1253477GT	SCREW,PHPM,4-40X.5,ZAG	2
17	1280958GT	CABLE,PLATFORM CONTROL,GS,HARTING CONN OPTION	1
18	1259339GT	NUT,4-40,ZAG	2
19	1286357GT	WLDMT,ROLLER BRKT,RT,HARTING PLUG	1
20	132128GT	ROLLER BRKT RT (ground controls side)	1
21	21279GT	BUTTON, .800 O.D. X .281	3
22	66893GT	WELDMENT, MAIN SIDERAIL	1
23	105093GT	WELDMENT, CHAIN GATE	
24	1256693GT	SCREW,HHF,3/8-16X2.25,8,ZAG	
25	1274322GT	NUT,NYLOCK FLG,3/8-16,F,ZAG	
26	39579GT	RIVET,STL,STL,.188 X .45	20
27	39310GT	WEAR/GUIDE PAD MAIN PLATFORM	4
28	39474GT	WEAR PAD,PLATFORM	6



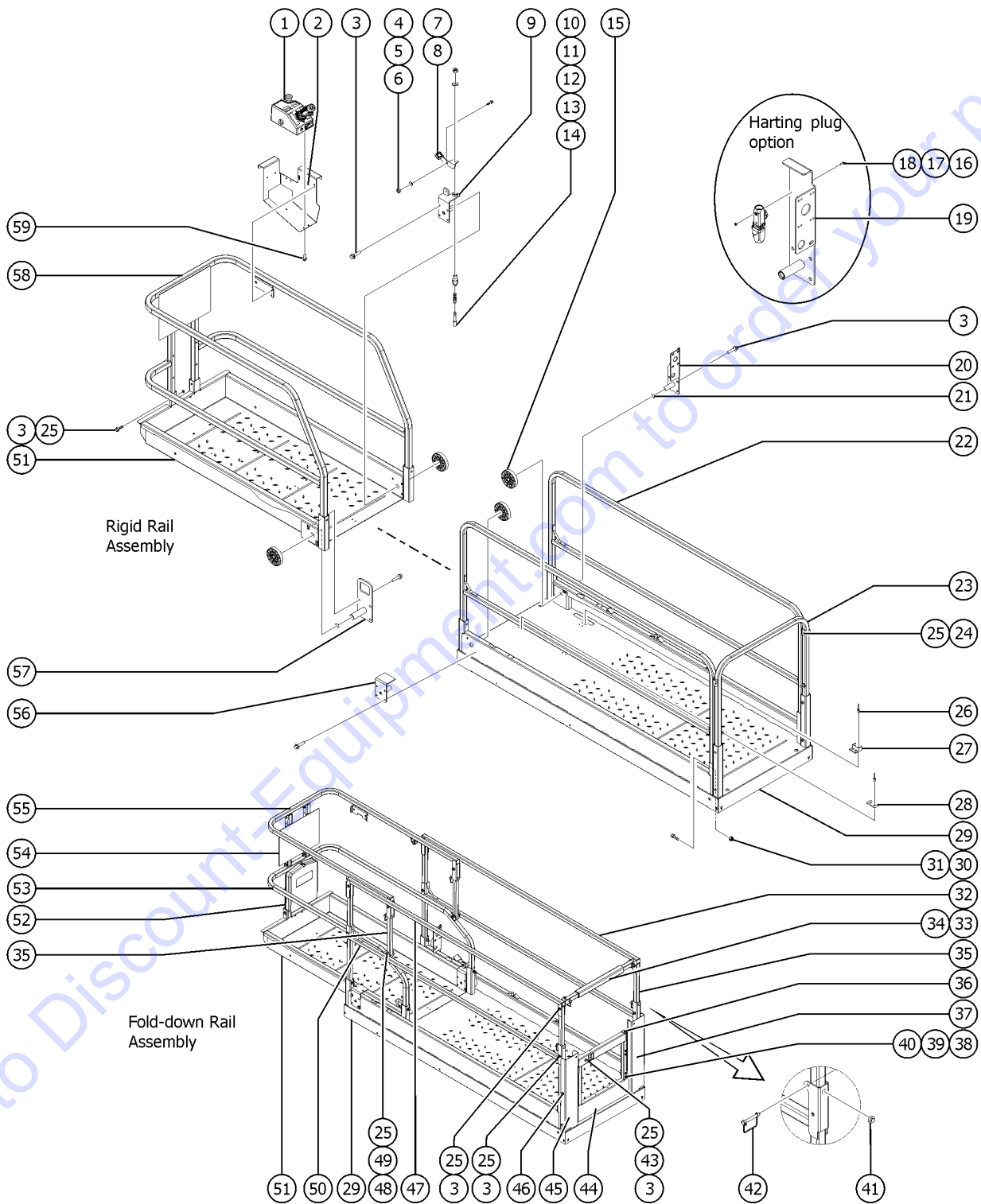
401.1 Platform Components



Item	Part No.	Description	Qty.
29	1302363GT	WLDMNT, PLATFORM, MIDI, PUNCHED	1
30	39328GT	NUT, WELD, 3/8-16, BLACK	
31	824067GT	SCREW, HHC, 3/8-16 X 1, 8, ZAG	
32	132248GT	WELDMENT, FULL HEIGHT GATE	1
32-	78038GT	CAP, TUBE, SQ, 1.25 X .083	
33	47188GT	FOAM, CLOSED CELL 1.75X.250X18"	1
34	105057GT	TUBE, ENTRY SWING, GS32	1
35	66485GT	WLDMT, ENTRY SIDERAIL, RT	1
36	78038GT	CAP, TUBE, SQ, 1.25 X .083	1
37	132227GT	FORMING HALF GATE, HINGE	1
38	1253485GT	SCREW, HHF, 1/4-20X2, 8, ZAG	4
39	104804GT	HINGE, SPRING, LONG LEG	2
40	1277924GT	NUT, NYLOCK FLG, 1/4-20, F, ZAG	4
41	43392GT	WLDMT, ENTRY SIDERAIL, LT	
42	1259182GT	PIN, WIRE LOCK 3/8 X 2.5, ZAG	
43	65990-SGT	KIT, GATE LATCH (includes latch, spring and hardware)	1
44	132021GT	WLDMT, HALF GATE (decals not included, refer to section one)	1
45	132237GT	WLDT HALF GATE CATCH (battery pack side)	1
46	824094GT	SCREW, HHF, 3/8-16X2.75, 8, ZAG	4
47	132240GT	WLDMT, TOP RAIL, MAIL PLAT, RT (fold-down)	4
47-	78038GT	CAP, TUBE, SQ, 1.25 X .083	
48	1260926GT	BOLT, CARRIAGE, 3/8-16X2.25, 5, ZAG	2
49	1277860GT	GLIDE BUTTON, FOLDING RAILS	2
50	132244GT	WELDMENT, MAIN PLAT, LWR SIDERAIL (fold-down)	1
51	1302369GT	WLDMNT, EXT DECK, MIDI, PUNCHED	1
52	24514GT	BOX, INSTRUCTION STORAGE (decals not included, refer to section one)	1
53	1273880GT	WELDMENT, FOLDING, LOWER, EXTENSION	1
54	132207GT	WLDMT, DECAL PLATE (decals not included, refer to section one)	3



401.1 Platform Components



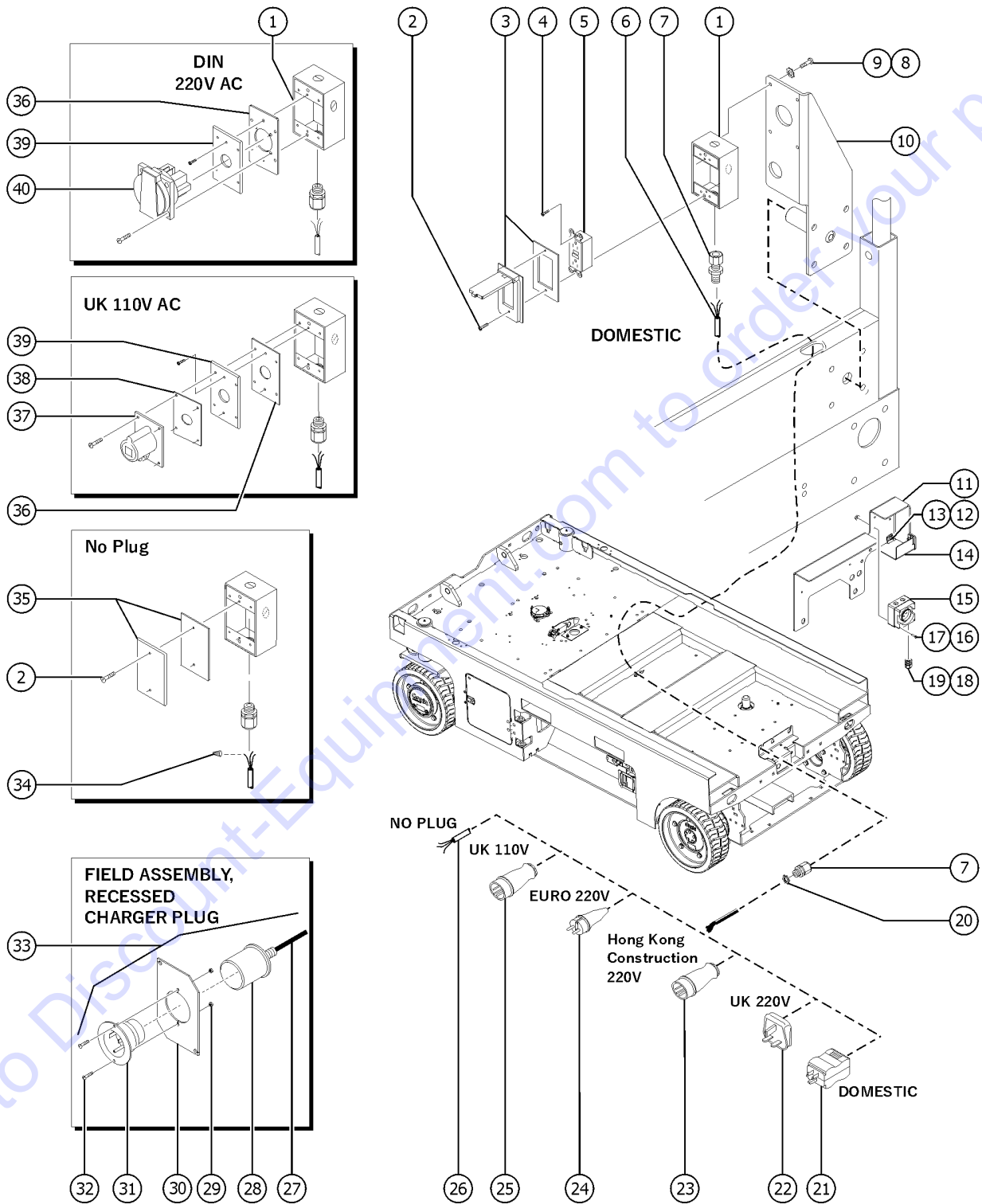
401.1 Platform Components

<i>Item</i>	<i>Part No.</i>	<i>Description</i>	<i>Qty.</i>
55	1273881GT	WELDMENT,EXTENSION DECK RAIL,UPPER (decals not included, refer to section one)	1
56	132127GT	ROLLER BRKT LEFT	3
57	132121GT	WELDMENT PLATFORM LANYARD	1
58	105091GT	WELDMENT,EXT SIDERAIL ***	1
59	824078GT	SCREW,HHF,1/4-20X.75,8,ZAG	1

Go to Discount-Equipment.com to order your parts

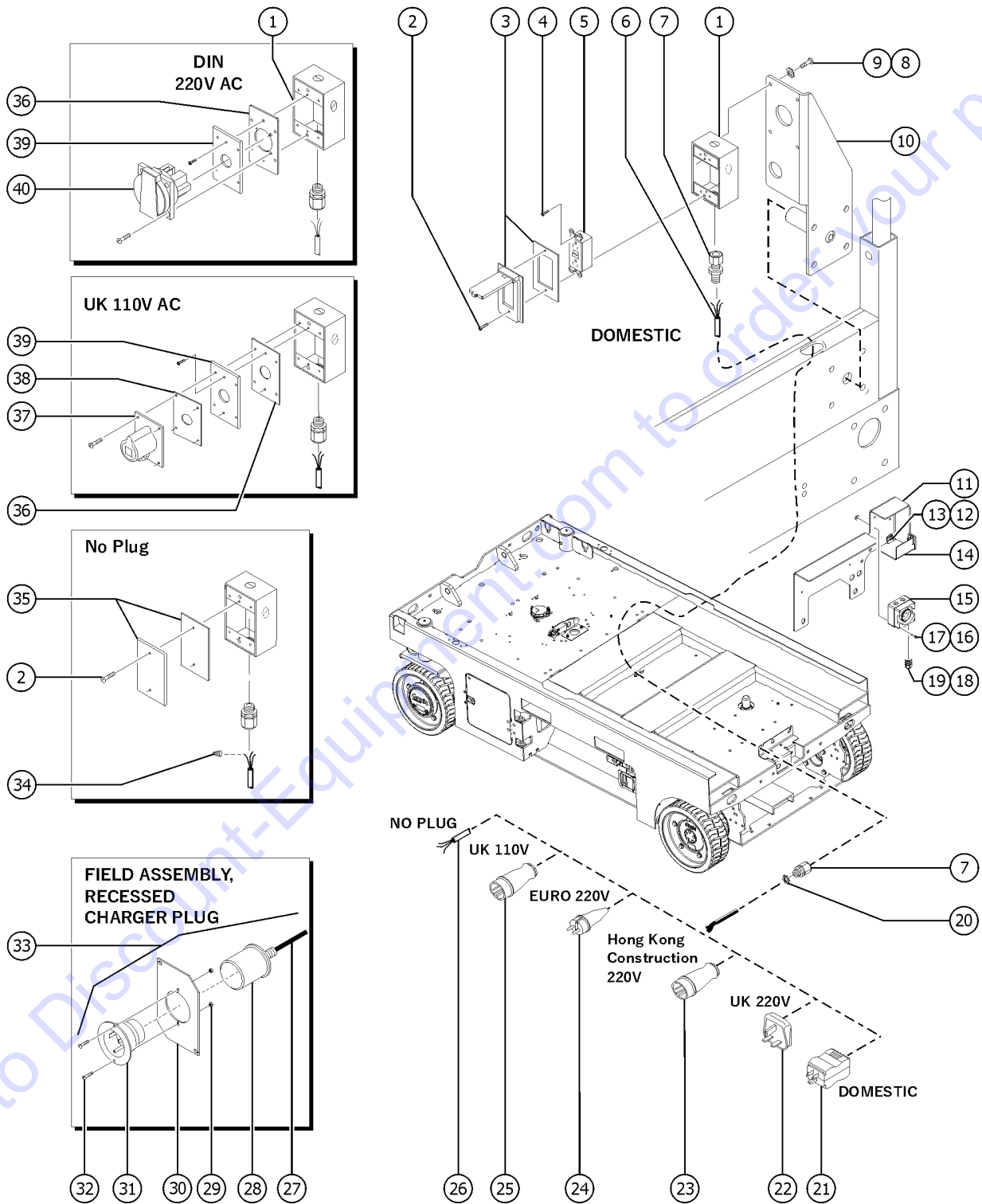


402.1 Power to Platform



Item	Part No.	Description	Qty.
A	33724GT	KIT,GASKET,UK POWER TO PLAT (includes 1 each, items 27 and 29)	
1	10775GT	T-BOX,2.75 X 4.5 X 2.0	1
2	7127GT	SCREW,PHILLIPS,PHM,6-32 X .75	
3	74006GT	COVER,GFCI,HORIZONTAL,WEATHER (ANSI and CSA models) (includes gasket and mounting fasteners)	1
3B	105812GT	COVER,T-BOX LOCKABLE EE rated (not shown)	1
4	45546GT	SCREW,RHM,6-32 X .5	
5	13585GT	OUTLET, 110V ANSI and CSA models	1
6	43956GT	WIRE CABLE,14/3 CON.TPE JKT* GS-2032	456
6B	43956GT	WIRE CABLE,14/3 CON.TPE JKT* GS-2632	516
6C	43956GT	WIRE CABLE,14/3 CON.TPE JKT* GS-3232	624
7	7056GT	CONN,SQUEEZE,1/2NPT .38-.50,SM	1
8	57075GT	SCREW,PHIL,8-32X.50,SELF TAP	
9	44936GT	WASHER,STAR,EXTERNAL,#8	4
10		Ref. ROLLER BRACKET (refer to 401.1)	
11	1305634GT	FORMING,AUS BRKT,GS32 AUS plug option	1
12	824078GT	SCREW,HHF,1/4-20X.75,8,ZAG AUS plug option	2
13	56912GT	SPRING CLIP,1/4-20,.025-.15X.54,ZAG AUS plug option	2
14	1305746GT	FORMING,AUS BRKT GUARD,GS32 AUS plug option	1
15	1284302GT	RECEPTACLE,C66AI310,AUS AUS plug option	1
16	824215GT	SCREW,PHPM,10-32X.75,ZAG AUS plug option	4
17	824032GT	NUT,TL FLG,10-32,F,ZAG AUS plug option	4
18	160412GT	JOINT,PG13.5,M20X1.5 AUS plug option	2
19	96009GT	WASHER,NITRILE AUS plug option	1
20	6935GT	LOCKNUT,ELEC,1/2"	1
21	6595GT	PLUG,ELECTRICAL,DOMESTIC	2
22	25388GT	PLUG,FUSED,250V,13AMP,U.K.**	
23	1263471GT	PLUG,IEC60309 CEE, 3PIN 220-24 (Hong Kong Construction)	1
24	1280665GT	PLUG, TYPE F, 230A, 50HZ, 16A, IP44	

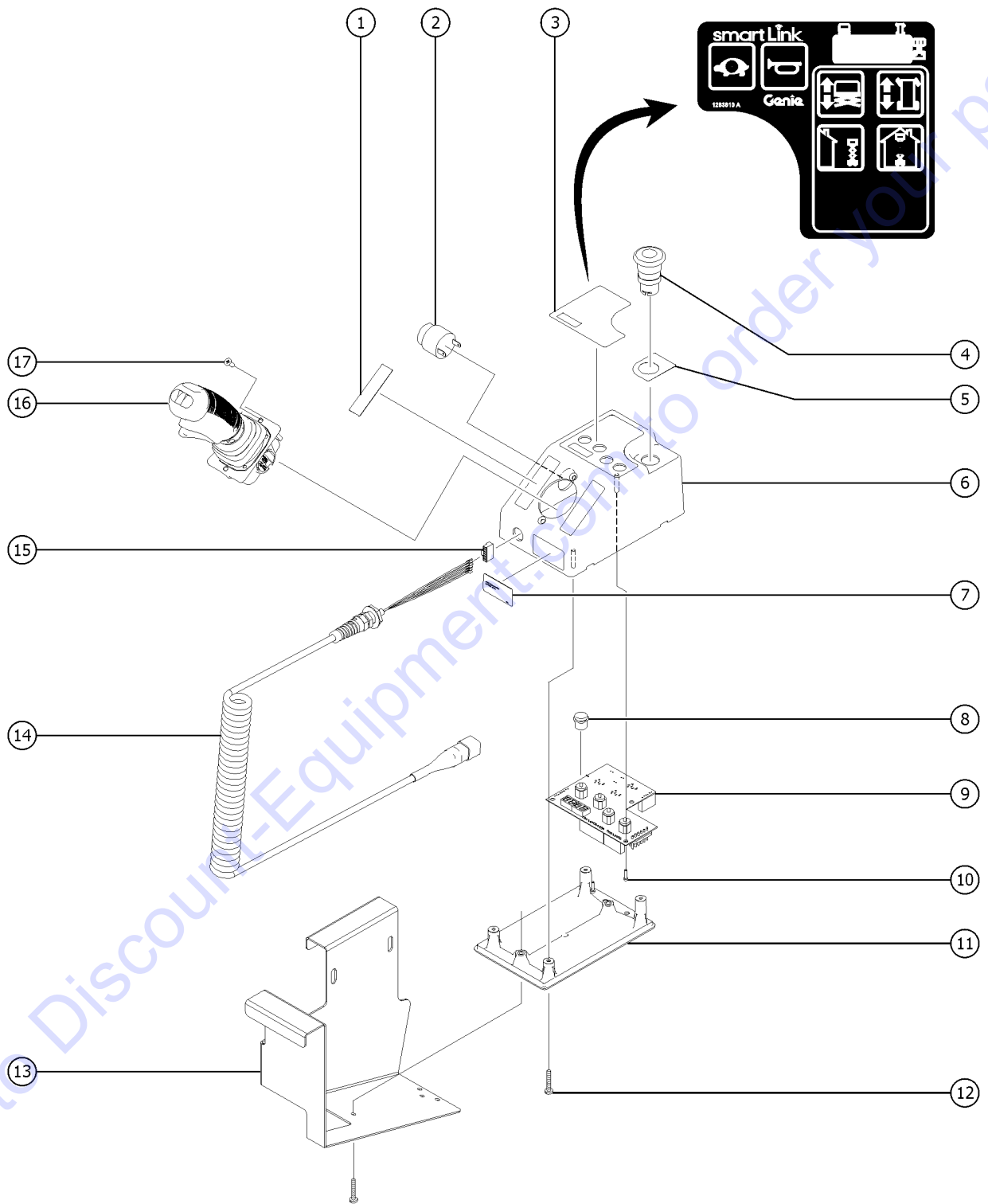
402.1 Power to Platform



Item	Part No.	Description	Qty.
25	144161GT	PLUG,PWR,UK,16AMP,3PIN,BLK	
26	105117GT	PLUG,FLG INLET,15A/125V,2PWGD	
26-	105118GT	GASKET,(BOOT) FLANGE INLET PLG	
27	48282GT	POWER CORD, IEC 320 BLANK, 79"	1
28	105118GT	GASKET,(BOOT) FLANGE INLET PLG	1
29	1258187GT	NUT,TL,8-32,A,ZAG	2
30	105483-SGT	PLATE,AC ADAPTER(ANSI/CSA)	1
30-	6091GT	NUT,NYLOCK,1/4-20	2
30-	6878GT	BOLT,CARRIAGE,1/4-20 X .75,G2 not included	2
31	105117GT	PLUG,FLG INLET,15A/125V,2PWGD	1
32	1268950GT	SCREW,PHPM,8-32X.50,ZAG	2
33	105448GT	FIELD ASSY,REC.CHARGER PLUG	1
34	6626GT	WIRE CAP,ORANGE	1
35	10777GT	COVER,BLANK	1
36	66355GT	GASKET, UK & DIN PWR. TO PLAT 2.9 x 2.9 inches	1
37	T112560GT	RECEPTACLE,UK,110V	1
38	66356GT	GASKET, UK RECEPTACLE 2.9 x 2.9 inches	1
39	105483-SGT	PLATE,AC ADAPTER(ANSI/CSA) ANSI/CSA	
39B	96236GT	PLATE,AC ADAPTER,DIN/UK***	
39C	T112561GT	PLATE,UK,POWER TO PLAT	
39D	105090GT	PLATE, AC ADAPTER(AUS)	
40	66353GT	RECEPTACLE, DIN, 220V 50A	1



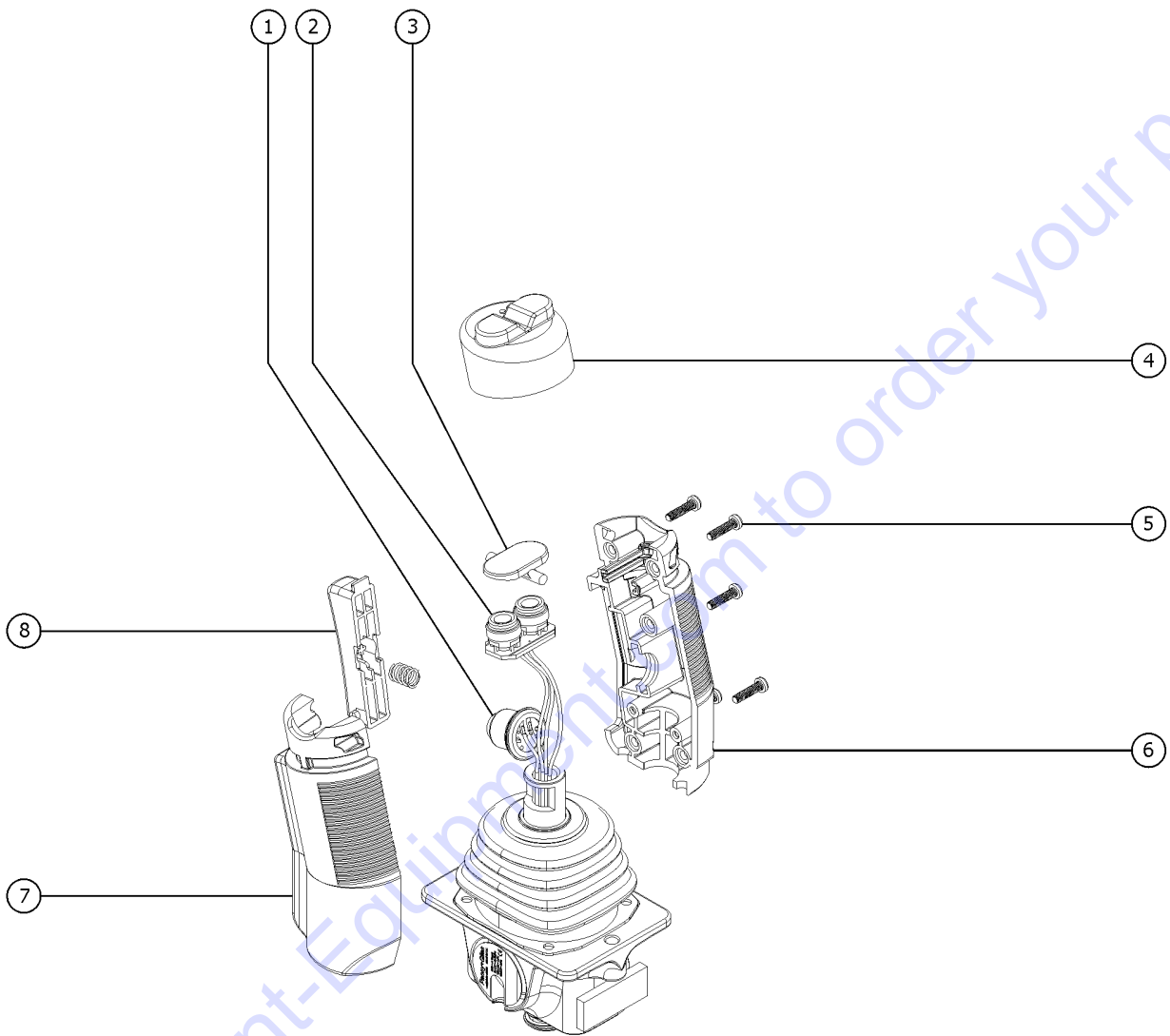
403.1 Platform Controls



Item	Part No.	Description	Qty.
A	1256727GT	PCON,STD,PROP LIFT,GR/GS complete platform control box with coil cord, bracket not included	1
A-	1258731GT	FLASH DRIVE,SL1K2.0 SOFTWARE (For proportional lift or upgrade kits only. Software update available on-line. Flash drive sold separately.)	1
A-	137587GT	HARNESS, ESTOP, GR/GRC/GS PCON	1
B	1280957GT	PCON ASSEMBLY,HARTING CONN OPTION	1
C	1280958GT	CABLE,PLATFORM CONTROL,GS,HARTING CONN OPTION	1
1	137656GT	DECAL,PROPEL,GR/GRC/GS,PCON	1
2	39540GT	ALARM,STEADY TONE*** order 72326 mounting ring separately	1
2-	72326GT	NUT - PLASTIC,RING FOR ALARMS for 39540	1
3	1283810GT	DECAL,STD,DUAL ZONE,GR/GS,UI	1
4	66812GT	BUTTON,PUSH,RED MUSHROOM HEAD	1
4-	66817GT	BASE WITH 1 NC CONTACT, E-STOP	1
5	137605GT	DECAL,E-STOP,GR/GRC/GS PCON	1
6	T106368GT	ENCLOSURE,GC14-1,TOP	1
7		(component no longer available) refer to section one	
8	T106373GT	CAP,BUTTON,K12	6
9	1283790GT	PCBA,PCON,STD,DUAL ZONE	1
10	137637GT	SCREW,PHM,4-20X.5, 48-2 TRI-L	1
11	T106370GT	ENCLOSURE,GC14-1/GC16-1, BOT	1
12	137640GT	SCREW,PHM,8-16X.75, 48-2 TRI-L	1
13	227167GT	FORMING, PLAT CONTROL BOX, MET (decals not included, refer to section one)	1
14	137611GT	ASSY, COIL CORD, GR/GRC/GS	1
15	137699GT	PLUG, 6POS ECO PWR	1
16		Ref., JOYSTICK (refer to 404.1)	1
17	229845GT	SCREW,BHSCS,M5X10,SS apply Loctite 243 or equivalent before installation	1



404.1 Joystick Controller



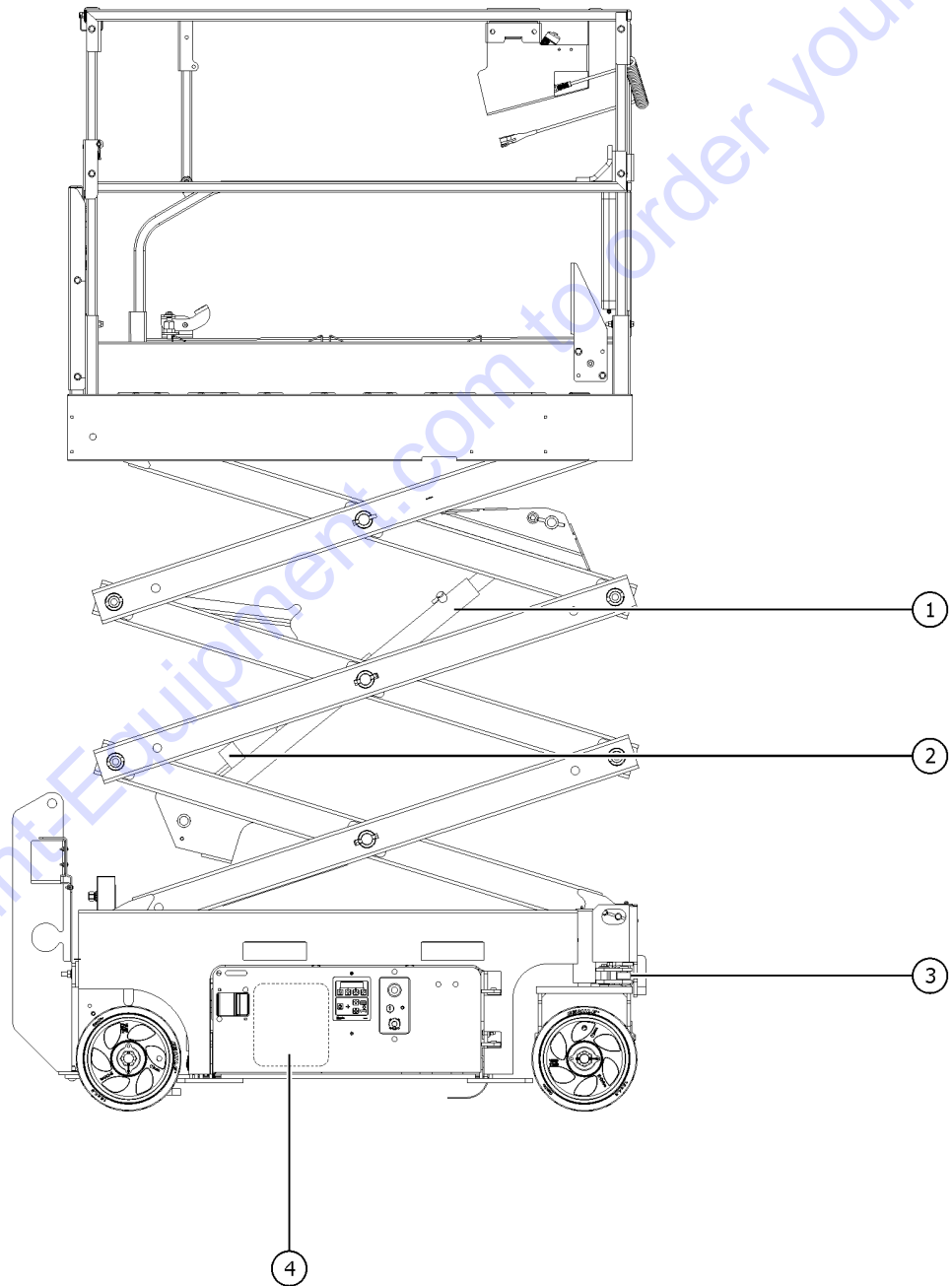
404.1 Joystick Controller

Item	Part No.	Description	Qty.
--	137634GT	JOYSTICK, HALL EFFECT, SINGLE	
--	229097GT	TERMINAL, SPLINE (AMP)	
--	214544GT	KIT,BOOT,JOYSTICK,SL1000	
		joystick boot	
1	235463GT	KIT,SWITCH,JYSTK,SL1000	
		function enable and steer switches	
2	235463GT	KIT,SWITCH,JYSTK,SL1000	
		function enable and steer switches	
3	229092GT	ROCKER,2 SWITCH	1
4	229093GT	BOOT, 2 SWITCH, SILICON	1
5	229086GT	SCREW, SELF TAP	2
6	229087GT	HANDLE HALF,RIGHT,W/TOP SWITCH	1
6B	229091GT	SCREW,GRUB,M5X8MM,HLF DOG,BZP	
		for 229087GT	
7	229088GT	HANDLE HALF,LEFT,W/TOP SWITCH	1
7B	229090GT	SCREW,GRUB,M5X8MM CUP(BLK)	
		for 229088GT	
8	229089GT	TRIGGER, EXTENDED	1
8-	229094GT	SPRING, HANDLE TRIGGER	1

Go to Discount-Equipment.com to order your parts



501.1 Hydraulic Components

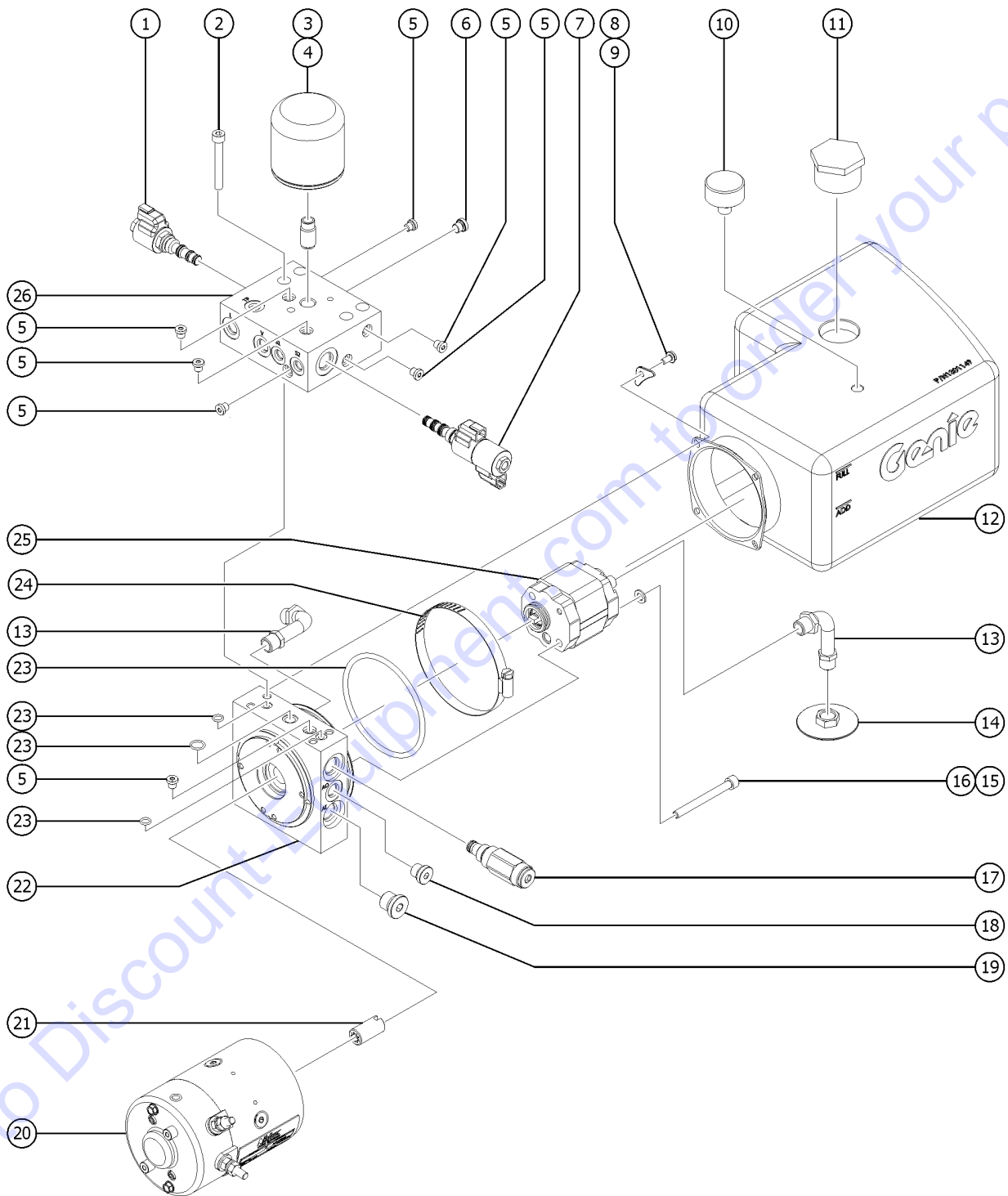


Item	Part No.	Description	Qty.
1		Ref. Lift Cylinder Assembly (refer to 503.1)	
2		Ref. Pressure Transducer (refer to 701.1)	
3	105547GT	CYLINDER,GS/GR STEER***	1
3-	105550GT	KIT,STEER CYL SEAL	
3-	105553GT	KIT,STEER CYL SEAL,040271P,HDM (for code H408147 and up)	
3-	105554GT	KIT,STEER CYL SEAL,040499P,HDM (for code H41109 and up)	
3-	105555GT	KIT,STEER CYL SEAL,040505P,HDM (for codes H41205, H41255, H51290, H501111, H505109, H509101, H60723 and H60870)	
4		Ref. Power Unit (refer to 502.1)	

Go to Discount-Equipment.com to order your parts



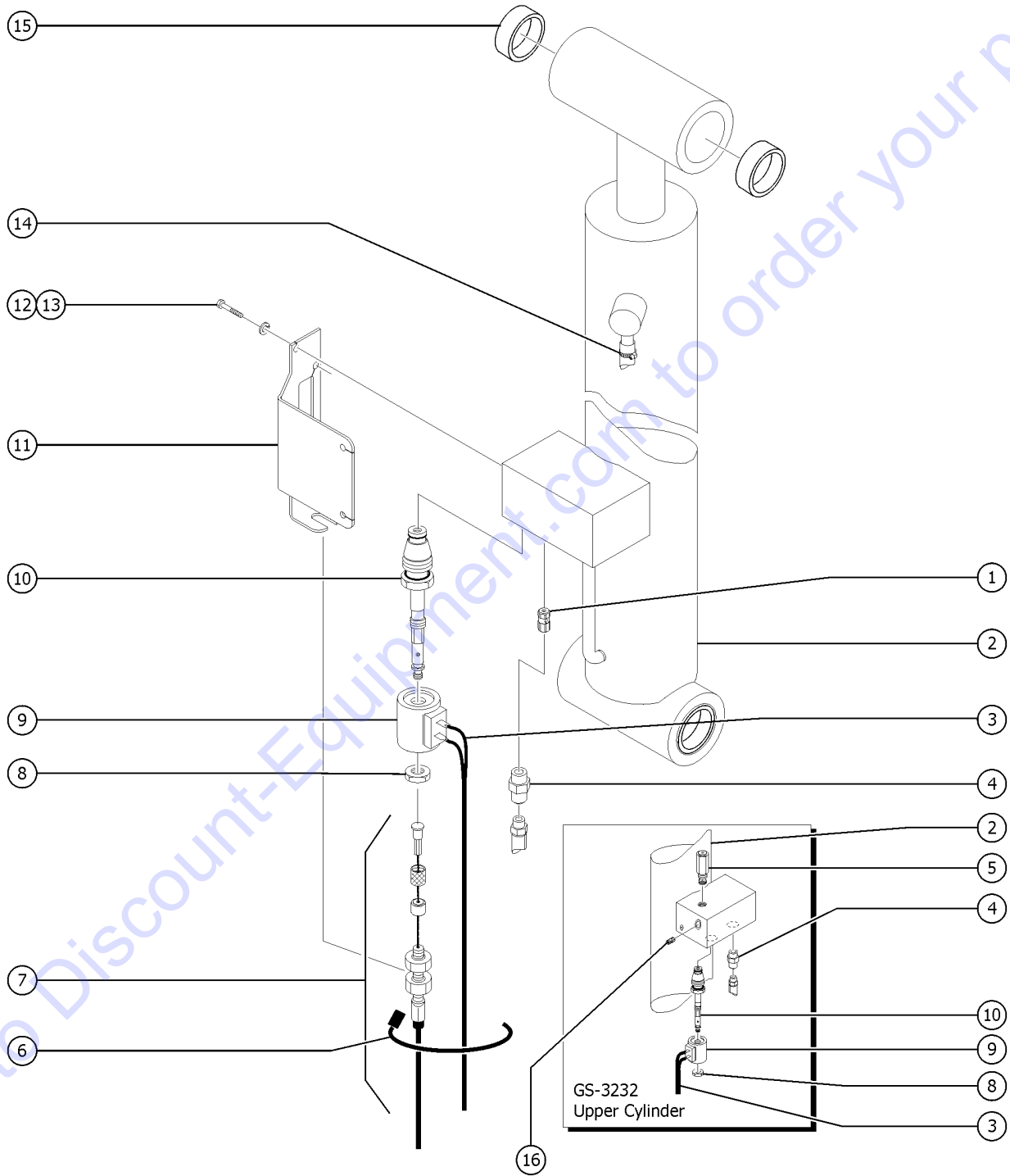
502.1 Power Unit



Item	Part No.	Description	Qty.
1	1303166GT	VALVE-SOLENOID, 2POS 4WAY, SV08-40-0-N-20ERZ	1
2	1302843GT	SCREW, GB/T70.1, M8X55, ZNCR, 12.9	4
3	1300318GT	FILTER, ELEMENT, SPIN ON	1
4	1300319GT	INSERT, THREADED, INTERNAL HEX	1
5	1302837GT	PLUG, M8X1, Y	7
6	1302836GT	PLUG, M10X1, Y	1
7	1303165GT	VALVE-SOLENOID, 3POS 4WAY, SV08-47A-0-N-20ERZ	1
8	1302840GT	SCREW, GB/T5789, M6X8, 8.8	4
9	1302841GT	WASHER, TRIANGULAR, PU-**-04-P	4
10	78546GT	BREATHER CAP, HYD. TANK, 1/4 NPT	1
11	66204GT	PLUG, 1-1/2" NPT HEX HEAD	1
12	1301149GT	TANK, HYD. POLYETHYLENE, MID/LARGE SLAB, E-DRIVE	1
13	1302844GT	SUCTION TUBE, NPT3/8	2
14	1302845GT	SUCTION FILTER, PU-LW1	1
15	1302838GT	SCREW, GB/T70.1, M8X80, 12.9	2
16	1302839GT	WASHER, GB/T848, 8, BZN, 300HV	2
17	1303167GT	RELIEF VALVE, RV08-20H-0-N-33/29	1
18	1302834GT	PLUG, SAE9, 16-18, Y	1
		(GS2032,2632 only)	
19	1302835GT	PLUG, SAE3/4-16, 200Z60680	1
		(GS2032,2632 only)	
19B	1303257GT	THE VALVE CORE, E-DRIVE MANIFOLD	1
		(GS3232 only)	
20	1300178GT	PUMP MOTOR, POWER UNIT, 24V, 114MM, LONG	1
21	1302207GT	COUPLING, POWER UNIT, E-DRIVE	1
22	1301547GT	MANIFOLD BLOCK, CENTER BLOCK, POWER UNIT, E-DRIVE	1
23	1302833GT	SEAL KITS, O-RING, 109X5.3, 12.5X1.8, 8.5X1.8	1
24	1302842GT	HOSECLAMP, 118-140MM	1
25	1301544GT	GEAR PUMP, 1.5CC, MINI SLAB, E-DRIVE	1
26	1301548GT	MANIFOLD BLOCK, DEPUTY BLOCK, POWER UNIT, E-DRIVE	1



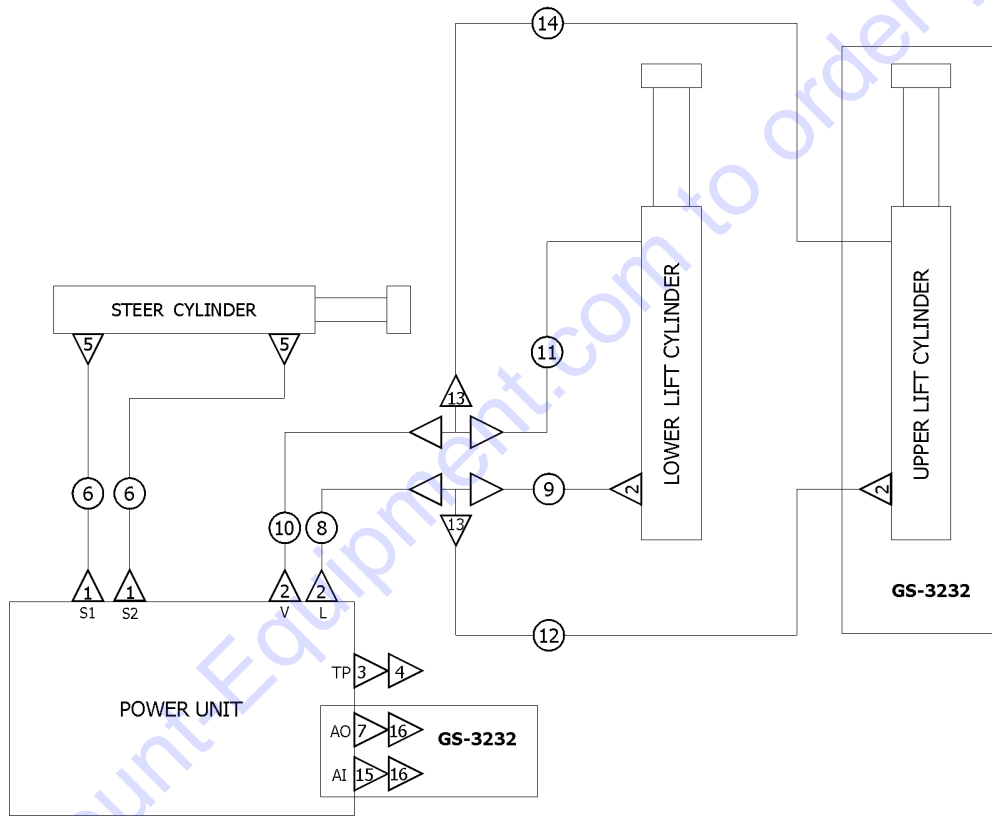
503.1 Lift Cylinder Assembly, All Models



Item	Part No.	Description	Qty.
1	55560GT	ORIFICE, LONG, .059"	
1-	105479GT	KIT, TWO ORIFICE, .059"	
1-	105481GT	KIT, ORIFICE, .059"	
2	105544GT	CYLINDER, 20XX LIFT (GS-2032)	1
2-	105549	SEAL KIT (105545) (for PN 105544GT)	
2B	105545	CYLINDER, 26XX/32XX LIFT (GS-2632)	1
2B-	105549	SEAL KIT (105545) (for PN 105545GT)	
2C	105546	CYLINDER, 32XX UPPER LIFT (GS-3232), (upper cylinder)	1
2C-	105564	SEAL KIT (105546) (for PN 105546GT)	
3		Ref. Down Coil Wire Harness (refer to 209.1, 210.1)	1
4	39878GT	CONNECTOR, 070120-6-6	1
5	237455GT	VALVE, RELIEF, 2900 PSI, BOSCH	
6	28443GT	CABLE TIE, 11.5" BLACK	3
7		Ref. Emergency Down Cable (refer to 203.1)	
8	44973GT	NUT, COIL (39909)	1
9	84422GT	COIL-SOLENOID VALVE, 20V DC*** (direct replacement for 66467GT)	1
10	66465GT	VALVE, W/20V NC SOLENOID, MANUAL (includes items 7 and 8)	1
10-	40477GT	VALVE, CARTRIDGE***	
10-	44979GT	SEAL KIT, 39909, PLAT LWR VALVE*	
11	41557-SGT	CABLE BRACKET, PAINTED	1
12	7339GT	SCREW, HHC, 1/4-20 X .5	
13	6356GT	WASHER, LOCK, .25	
14	96770GT	CLAMP, HOSE, 1 EAR, 11/16	1
15	105478GT	BEARING, 1.5025IDX1.5075ODX1.5L	4
16	55558GT	ORIFICE, LONG, .037*** GS-3232	1



504.1 Hydraulic Hoses and Fittings



LEGEND	
	ADAPTER
	HOSE ASSEMBLY
	UNION

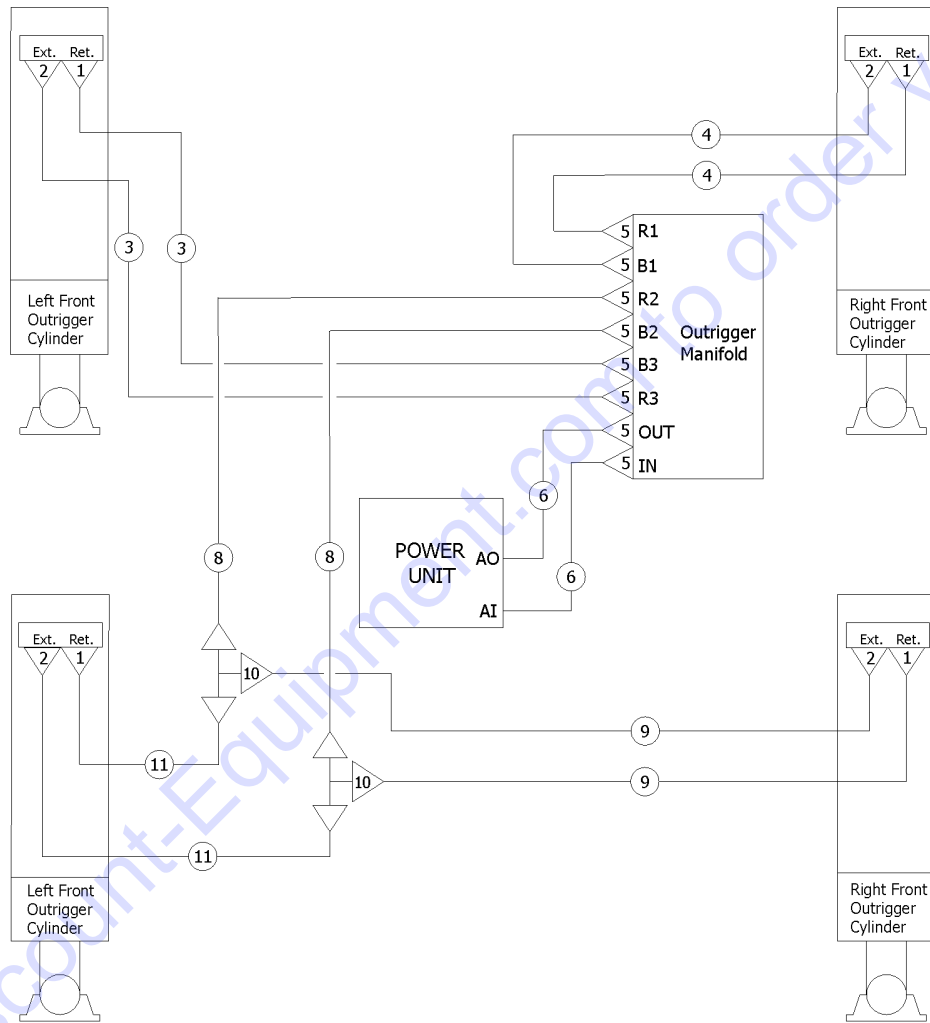
504.1 Hydraulic Hoses and Fittings

Item	Part No.	Description	Qty.
1	39877GT	CONNECTOR, 070120-4-4	2
2	39878GT	CONNECTOR, 070120-6-6	4
3	48997GT	NIPPLE,DIAGNOSTIC,#4 PORT***	1
4	48880GT	CAP,DIAGNOSTIC NIPPLE	1
5	13921GT	ELBOW,070220-4-4	2
6	1288365-5750GT	HOSE ASSY, STEER, RYCO	2
7	237086GT	GS3246_VALVE,CHECK,#6-#6,MJIC TO MORB	1
8	1288926-4600GT	HOSE ASSY,LIFT,RYCO	1
9	1259059GT	HOSE,LOWER VENT RYCO	1
10	1298646-4400GT	HOSE ASSY, POWER UNIT, VENT, RYCO	1
11	1259085GT	HOSE,LOWER VENT RYCO	1
12	1259186GT	HOSE ASSY,UPPER LIFT,RYCO	1
13	51152GT	TEE,RUN 070432-6*****	2
14	1259185GT	HOSE, UP VENT, RYCO	1
15	1304157GT	CONN,070122-6-6	1
16	1304158GT	ELBOW,SWIVEL 90D, 070221-L-6-6	2

Go to Discount-Equipment.com to order your parts



505.1 Hydraulic Hoses and Fittings, Outriggers, GS-3232



LEGEND	
	ADAPTER
	HOSE ASSEMBLY
	UNION

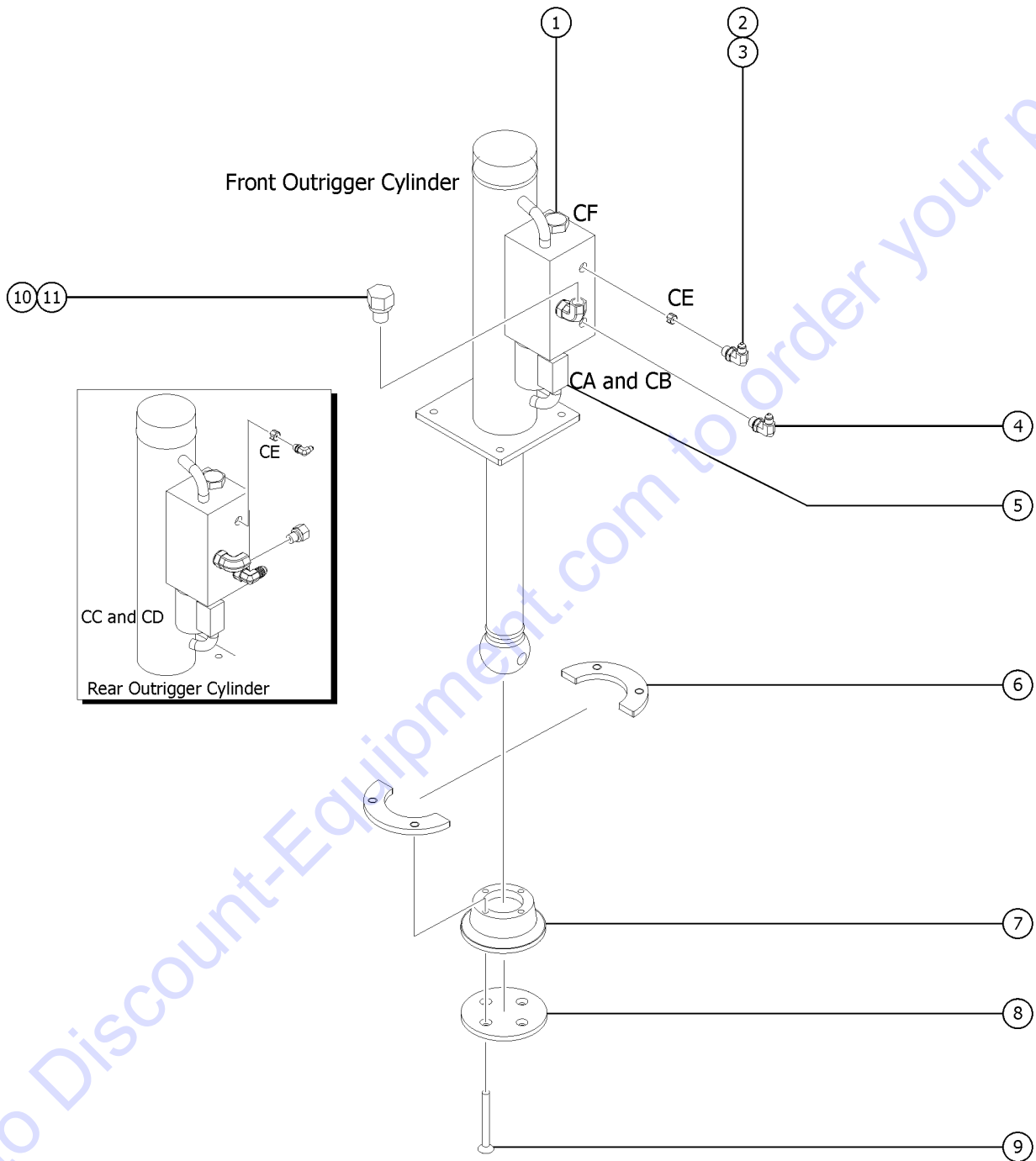
505.1 Hydraulic Hoses and Fittings, Outriggers, GS-3232

Item	Part No.	Description	Qty.
1	13921GT	ELBOW,070220-4-4	4
2	39875GT	ELBOW,070220-4-6	4
3	105645GT	HOSE ASSY,LT FRONTO/R,GS3232	2
4	105648GT	HOSE ASSY,RT FRONT O/R,GS3232	2
5	39877GT	CONNECTOR, 070120-4-4	6
6	1288926-6250GT	HOSE ASSY, POWER UNIT TO OUTRIGGERS	2
7	39878GT	CONNECTOR, 070120-6-6	2
8	105649GT	HOSE ASSY,O/R MAN-T, GS3232	2
9	105647GT	HOSE ASSY,RT REAR O/R, GS3232	2
10	1304576GT	PARKER HOSE OPTION, E-DRIVE GS4046	2
11	105646GT	HOSE ASSY,LT REAR O/R, GS3232	2

Go to Discount-Equipment.com to order your parts



506.1 Outrigger Cylinders, Front and Rear, GS-3232



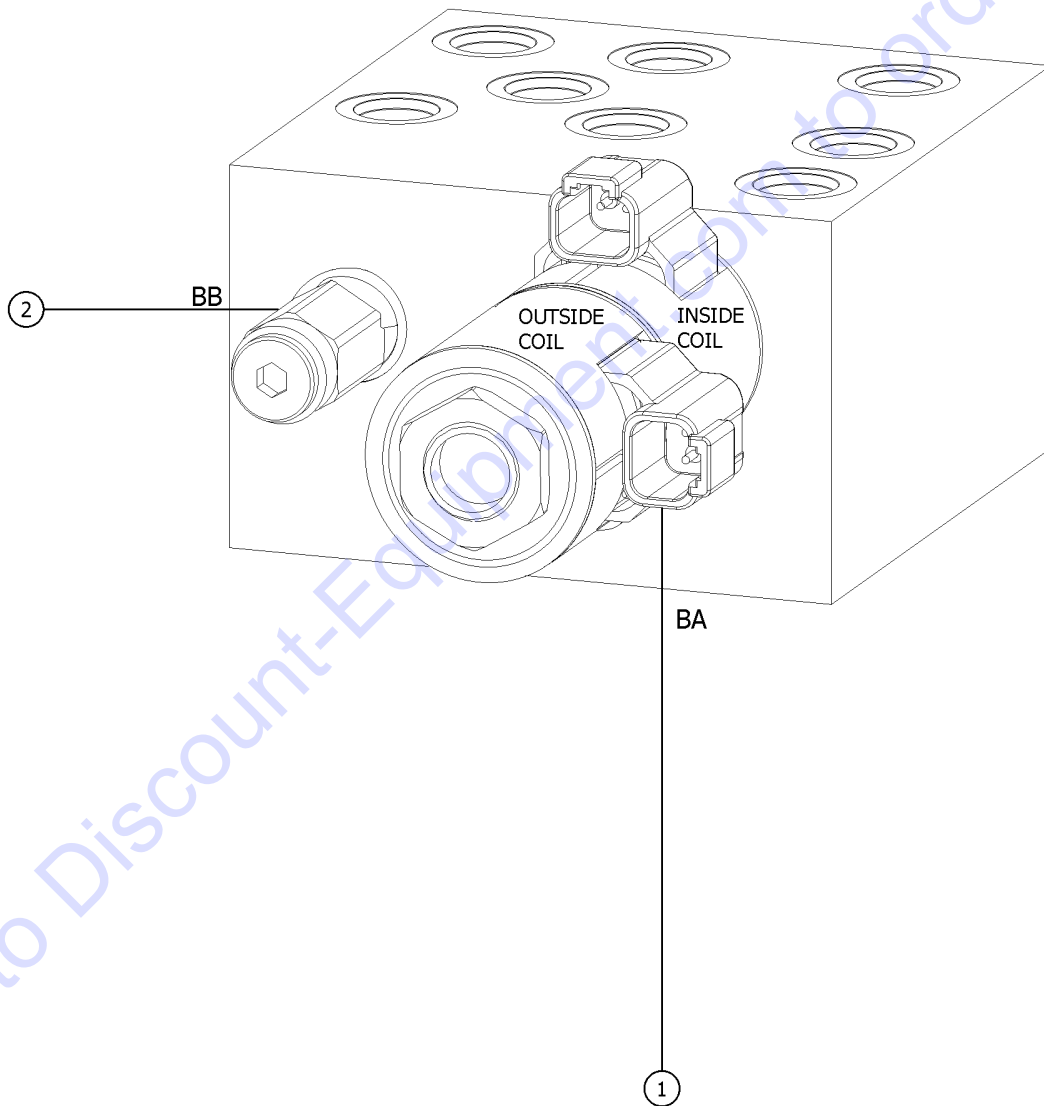
506.1 Outrigger Cylinders, Front and Rear, GS-3232

Item	Part No.	Description	Qty.
-	109877GT	CYLINDER,REAR OUTRIGGER order valves, orifice and fittings separately	
-	109878GT	CYLINDER,FRONT OUTRIGGER order valves, orifice and fittings separately	
-	144655GT	SEAL KIT,O/R CYLINDER*** for 109877GT and 109878GT	
1	105628GT	VALVE,CHECK,PILOT OPERATED (3500 psi, 240 bar)	1
1-	105695GT	SEAL KIT	
2	39875GT	ELBOW,070220-4-6	1
3	67744GT	ORIFICE,SHORT, 0.037 INCH (0.037 inch; 0.94 mm)	1
4	13921GT	ELBOW,070220-4-4	1
5	105629GT	VALVE,SOLENOID 2 POS, 2 WAY	1
5-	44228GT	SEAL KIT, VALVE	
6	109750GT	PLATE,FOOTPAD RING	2
7	109756GT	FOOTPAD,OUTRIGGER,3232	1
8	105575GT	FOOTPAD,NON MARKING	1
9	1260987GT	SCREW,FHS,1/4-20X2.25XF835,ZAG	16
10	229750GT	HARNESS,PRESS,TRANSDUCER***	1
11	105652GT	FITTING,ELBOW 4-4, SAE	1

Go to Discount-Equipment.com to order your parts



507.1 Outrigger Function Manifold, GS-3232



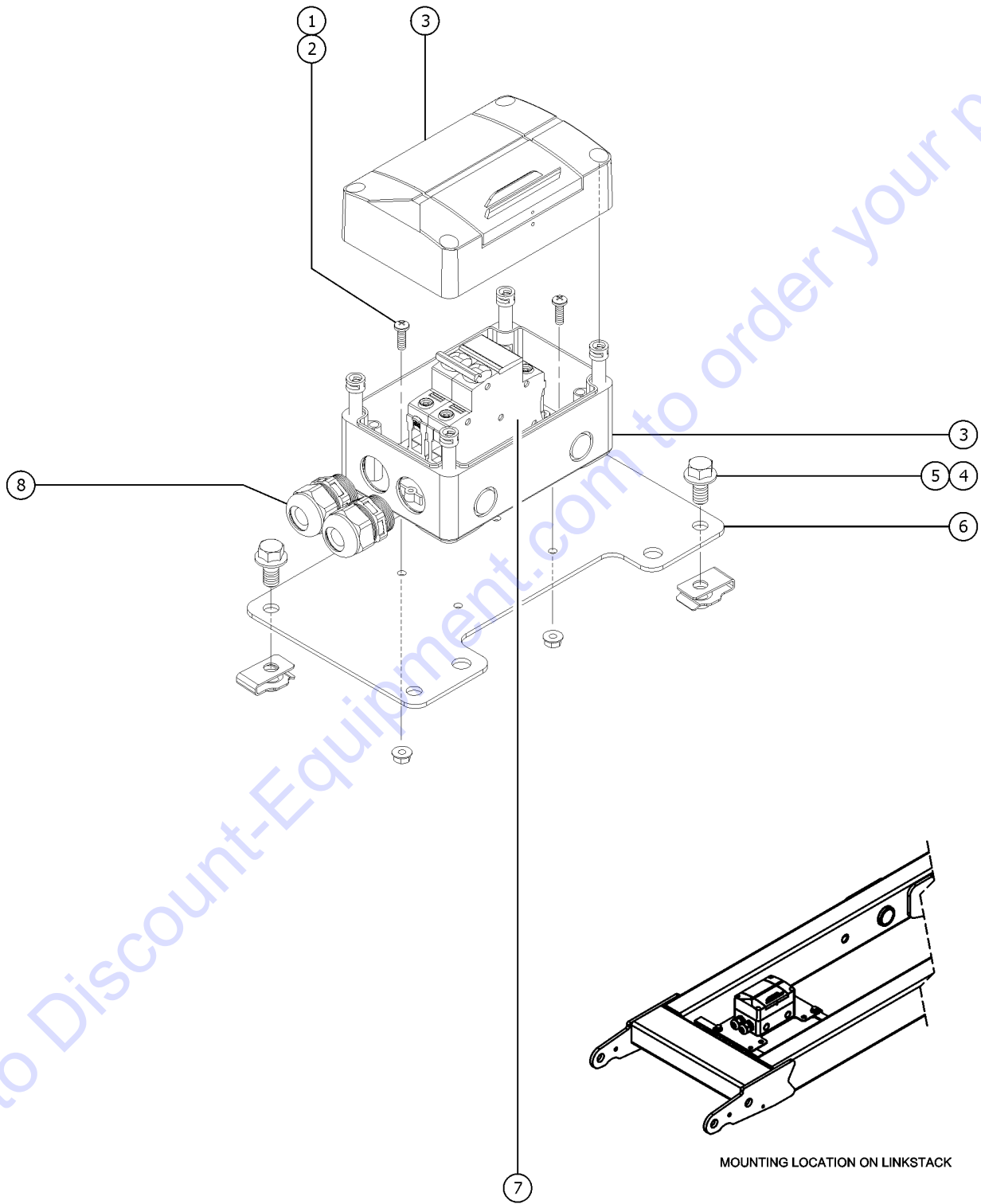
507.1 Outrigger Function Manifold, GS-3232

Item	Part No.	Description	Qty.
-	109757GT	MANIFOLD,OUTRIGGER OPTION	
-	49612GT	O-RING KIT (ORFS FITTINGS)	
-	49613GT	PLUG AND CAP KIT-SERVICE,ORFS*	
1	52376GT	VALVE,RELIEF,3500PSI*** (BB, Outrigger circuit)	
1-	44227GT	SEAL KIT, VALVE	
2	52380GT	VALVE,SOLENOID,3POS4WAY,GS68 (BA, Outrigger extend/retract)	
2-	44174GT	NUT-COIL SHORT	
2-	44175GT	SPACER-DUAL COIL,#10, SCISSORS	
2-	44230GT	SEAL KIT-P.N.44169,44172,44171	
2-	84385GT	COIL,20VDC DEUTCSH W/DIODE	

Go to Discount-Equipment.com to order your parts



601.1 RCBO



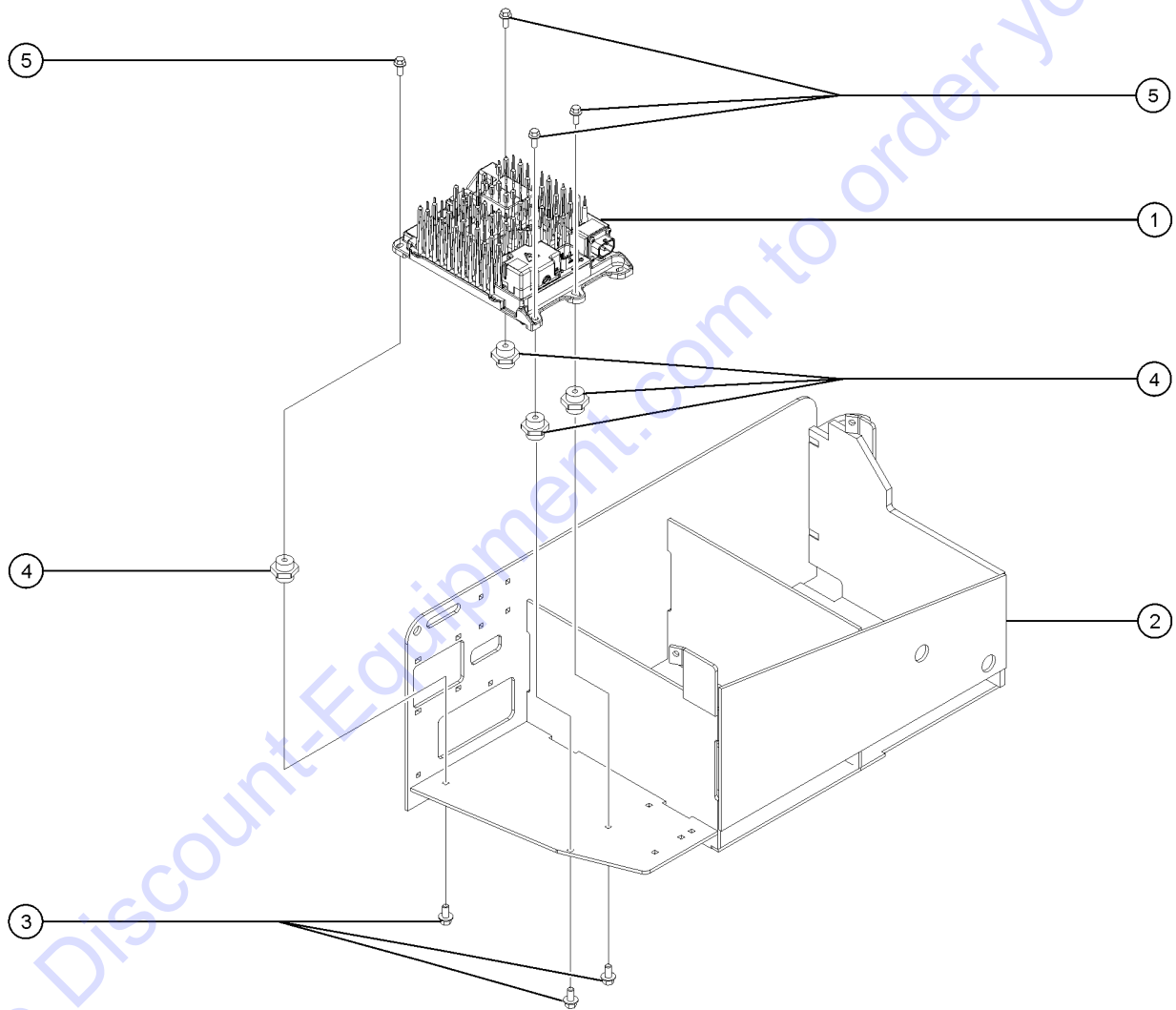
601.1 RCBO

Item	Part No.	Description	Qty.
1	1257227GT	SCREW,PHPM,10-32X.625,ZAG	2
2	1283004GT	NUT,NYLOCK FLG,10-24,A,ZAG	2
3	1269086GT	ENCLOSURE, FUSE, MODULAR, 150X	1
4	824089GT	SCREW,HHF,3/8-16X.75,8,ZAG	2
5	29868GT	SPRING CLIP,3/8-16,.05-.20X.73,ZAG	2
6	1274540GT	PLATE, RCBO, GS	1
7	231868GT	RCBO,16A,30MA,6KA 110/230VAC	1
8	1280947GT	GLAND ASSY,M25,6-13MM	2
9	43956GT	WIRE CABLE,14/3 CON.TPE JKT* not shown	115
10	1280948GT	SLEEVE,CABLE-END,14AWG,2.5MM for 43956, not shown	6

Go to Discount-Equipment.com to order your parts



602.1 Charger Isolation



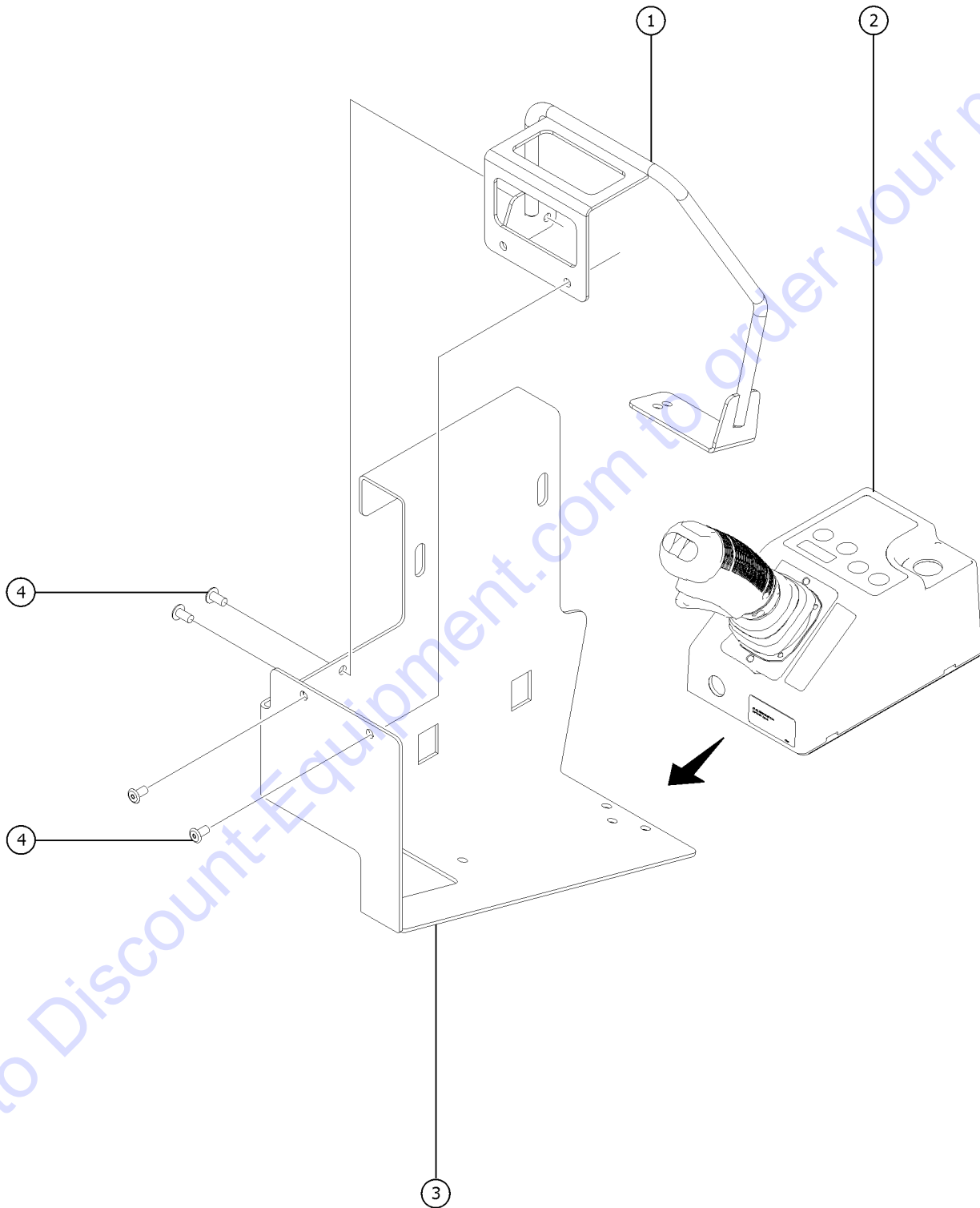
602.1 Charger Isolation

Item	Part No.	Description	Qty.
1		Ref.CHARGER, 24V, 650W, USB (refer to 206.1)	1
2	1273354GT	WLDMT, GS BATTERY TRAY	1
3	824077GT	SCREW, HHF, 1/4-20 X .5, 8, ZAG	3
4	1276847GT	ISOLATOR,SANDWICH,1/4-20,M2M	4
5	1256855GT	SCREW,HHF,1/4-20X.625,8,ZAG	4

Go to Discount-Equipment.com to order your parts



603.1 PCON Guard



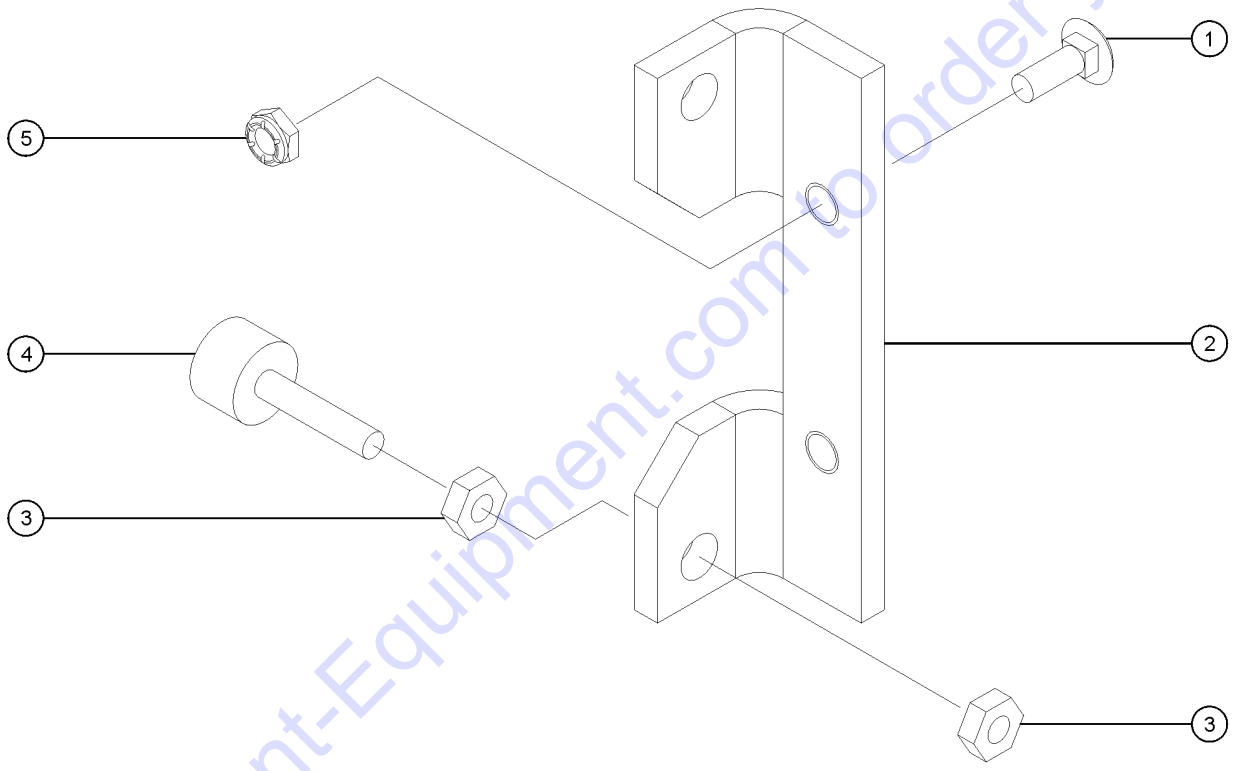
603.1 PCON Guard

Item	Part No.	Description	Qty.
1	1290292GT	WELDMENT,PCON GUARD ASSEMBLY	1
2		Ref. PCON, GR/GRC/GS	
		(refer to 403.1)	
3		Ref. FORMING, PLAT CONTROL, GR/GRC	4
		(refer to 403.1), (holes drilled for PCON Guard option)	
4	6271GT	RIVET, ALUM, ALUM, P, .25 x .375	4

Go to Discount-Equipment.com to order your parts



604.1 Bumper Assembly Tray



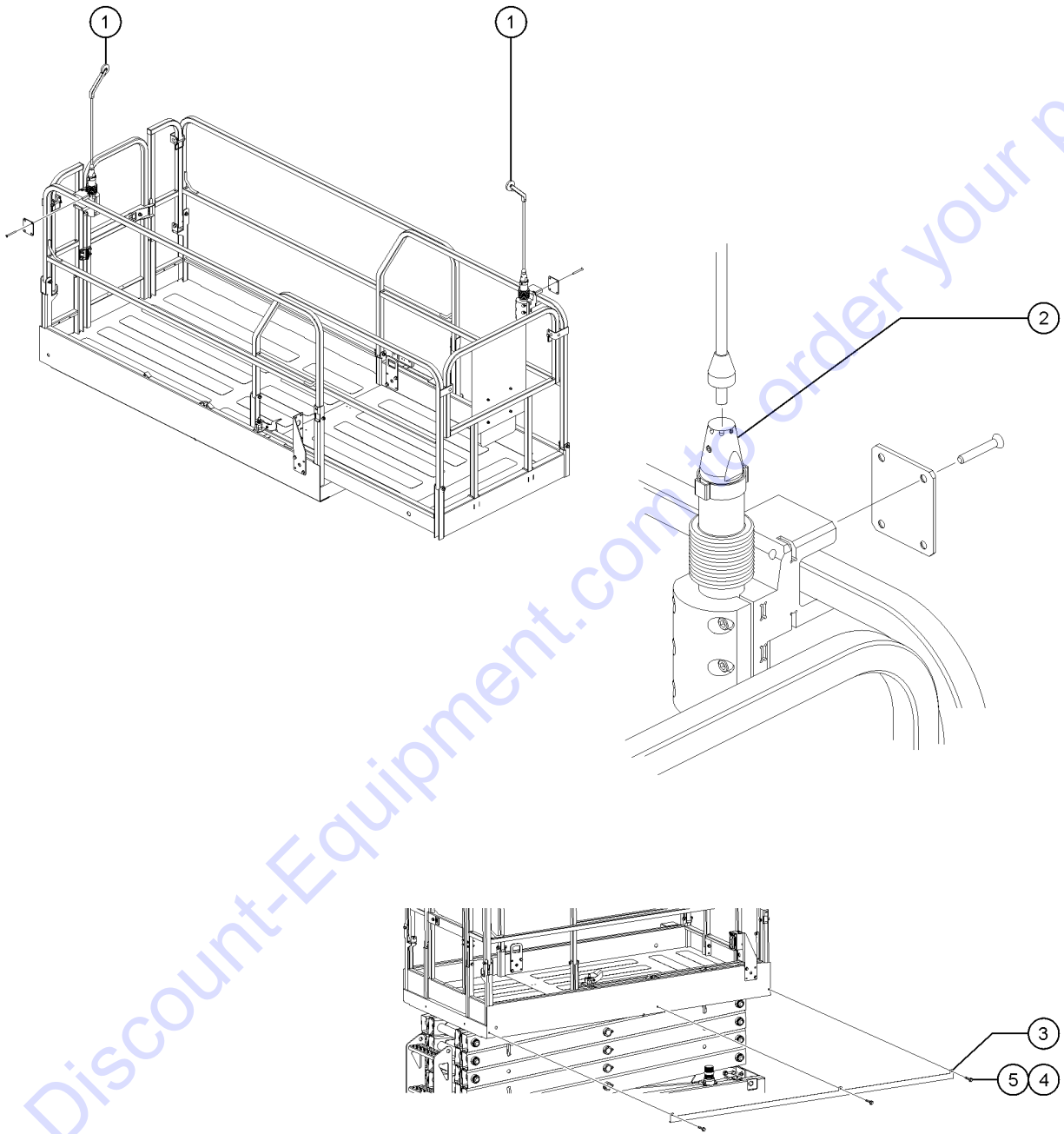
604.1 Bumper Assembly Tray

<i>Item</i>	<i>Part No.</i>	<i>Description</i>	<i>Qty.</i>
1	824124GT	BOLT,CARRIAGE,1/4-20X.75,5,ZAG	2
2	1290291GT	BRACKET,BATTERY TRAY BUMPER	1
3	824037GT	NUT, HH JAM, 1/4-20, A, ZAG	4
4	36388GT	BUMPER,RUBBER,.75 X .50H,STUD	2
5	824027GT	NUT,TL FLG,1/4-20,G,ZAG	2

Go to Discount-Equipment.com to order your parts



605.1 Lift Guard Contact Alarm, View-1

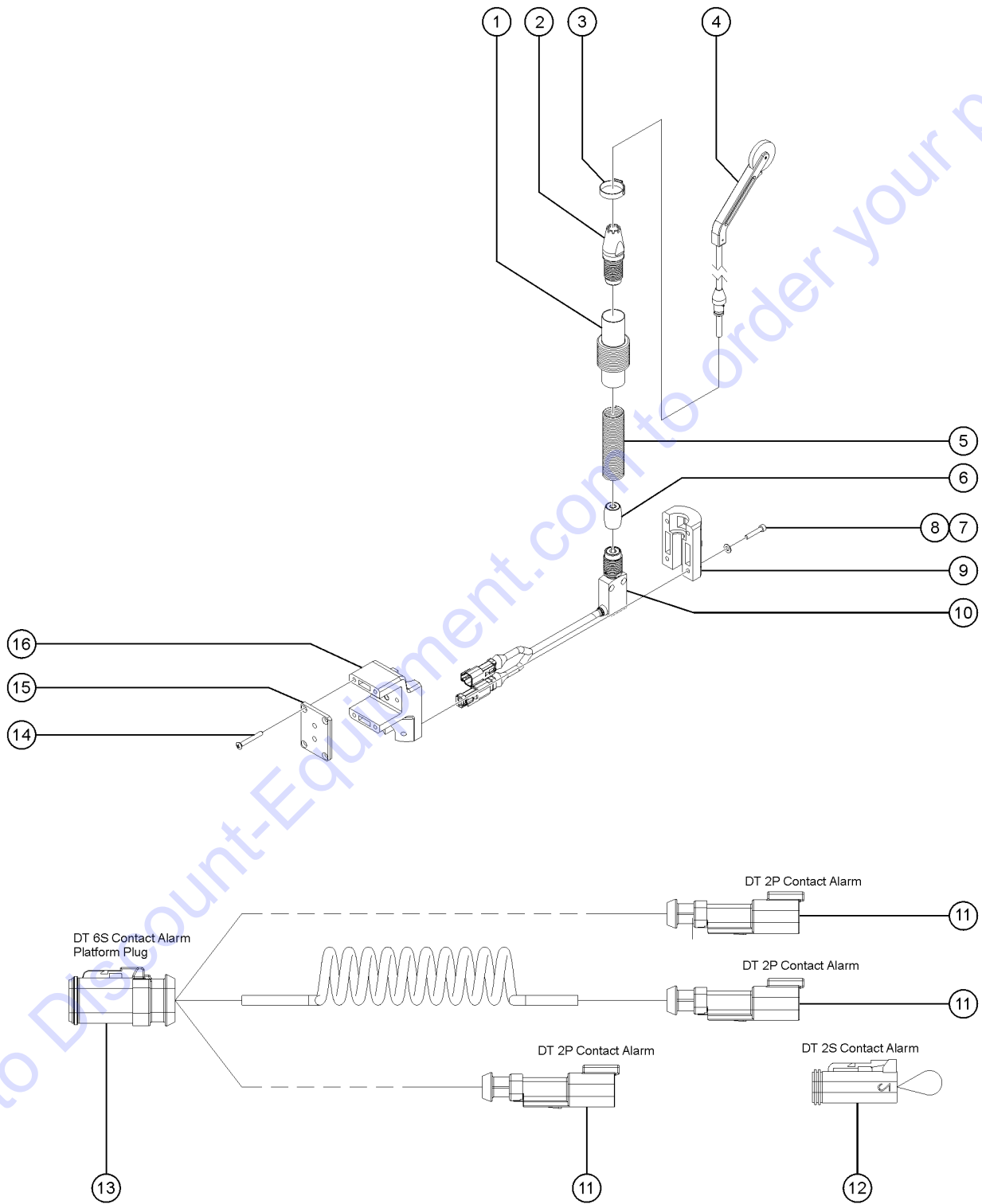


Go to Discount-Equipment.com to order your parts

Item	Part No.	Description	Qty.
-	1289420GT	KIT, CONTACT ALARM, GS2046 For GS-2032	1
-	1289421GT	KIT, CONTACT ALARM, GS2646 For GS-2632	1
-	1289422GT	KIT, CONTACT ALARM, GS3246 For GS-3232	1
-	1288727GT	CABLE, CONTACT ALARM, CHASSIS TO PLAT, 20XX GS2032 only	1
-	1288573GT	HARNESS, CONTACT ALARM, ESTOP SPLICE	1
-	1288572GT	CABLE, CONTACT ALARM, 20IN LINK	1
-	1288574GT	CABLE, CONTACT ALARM, 45IN LINK	1
-	1288728GT	CABLE, CONTACT ALARM, CHASSIS TO PLAT, 26XX GS2632 only	1
-	1288729GT	CABLE, CONTACT ALARM, CHASSIS TO PLAT, 32XX GS3232 only	1
1	1287673GT	ASSEMBLY, LIFTGUARD CONTACT ALARM (refer to 603.1)	2
2	1288530GT	ASSEMBLY, LIFTGUARD KNUCKLE (refer to 603.1)	2
3	1288734GT	FORMING, CONTACT ALARM, CABLE GUIDE, BAT, GS46 Battery Side	1
3B	1288735GT	FORMING, CONTACT ALARM, CABLE GUIDE, CNTRL, GS46 Ground control side	1
4	824078GT	SCREW, HHF, 1/4-20X.75, 8, ZAG GS-2032	4
4B	824078GT	SCREW, HHF, 1/4-20X.75, 8, ZAG GS2632, GS3232	6
5	824027GT	NUT, TL FLG, 1/4-20, G, ZAG GS2032	4
5B	824027GT	NUT, TL FLG, 1/4-20, G, ZAG GS2632, GS3232	6



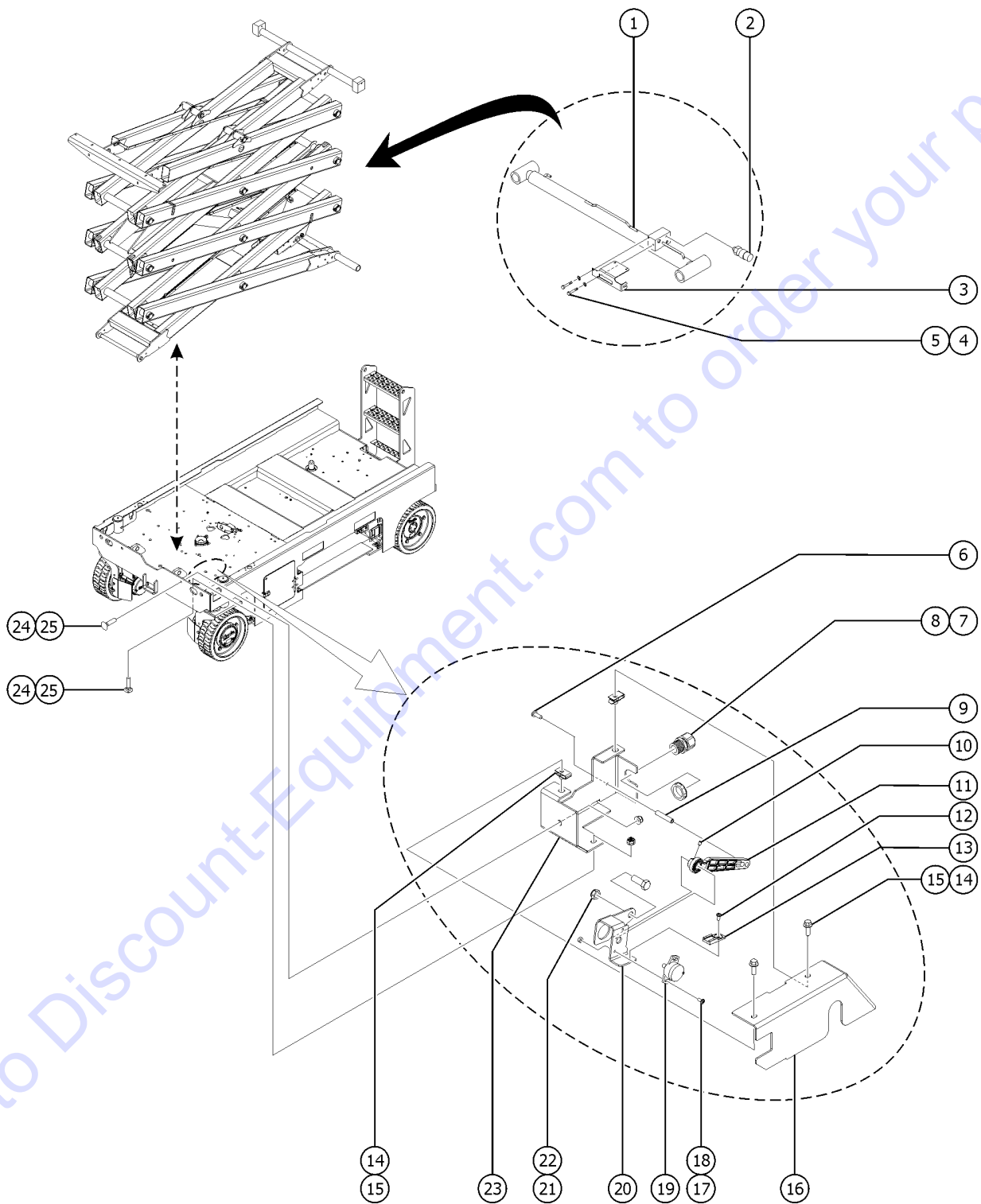
606.1 Lift Guard Contact Alarm, View-2



Item	Part No.	Description	Qty.
-	1287673GT	ASSEMBLY, LIFTGUARD CONTACT ALARM (Includes items 1-10, 14-16)	1
-	1288530GT	ASSEMBLY, LIFTGUARD KNUCKLE (part of assy 1287673, includes items 1-3, 5, 6 and 10)	1
-	1291052GT	HARNES, CONTACT ALARM, GS32 PLATFORM (Includes items 11 - 13)	1
1	1287687GT	BELLOW, LIFTGUARD CONTACT ALARM	1
2	1287678GT	ASSEMBLY, UPPER WHISKER MOUNTING	1
3	1298716GT	CLAMP, STEPLESS, ONE EAR	1
4	1287674GT	ASSEMBLY, WHISKER	1
5	1287691GT	SPRING, TENSION, CONTACT ALARM	1
6	1287680GT	ASSEMBLY, MAGNETIC SNAP BARREL	1
7	1288435GT	SCREW, SHC, 10-24X1, F837, 18.8, NYL, SS	4
8	1288438GT	WASHER, FLAT, 0.219X0.437X0.031, SS	4
9	1289608GT	BRACKET, RT LIFTGUARD, PART 2/2	1
10	1287682GT	ASSEMBLY, LIMIT SWITCH MOUNT	1
11	1288352GT	CONN, RECEP, 2 WAY, DT, 14-18GA, CE09	3
11-	60439GT	LOCK, RECEP 2 WAY, 14-18GA	
12	119056GT	CONN PLUG 2 WAY ENDCAP DT	1
12-	60425GT	LOCK, PLUG 2 WAY, 14-18GA	
13	1288576GT	CONN, PLUG, 6WAY, DT, 14-18GA, CE13	1
13-	60431GT	LOCK, PLUG 6 WAY, 14-18GA	
14	1288437GT	SCREW, OHPM, 10-24X1.5, NYL, SS	4
15	1287689GT	PLATE, LIFTGUARD BRACKET	1
16	1289603GT	BRACKET, RT LIFTGUARD, PART 1/2	1



701.1 Platform Overload



Item	Part No.	Description	Qty.
1		Ref: Lift Cylinder (refer to 503.1)	1
2	1291577	PRESSURE TRANSDUCER,0-5K PSI (includes transducer)	1
3	41557-SGT	CABLE BRACKET,PAINTED	1
4	7339GT	SCREW,HHC,1/4-20 X .5	1
5	6356GT	WASHER,LOCK,.25	1
6	1251757GT	SCREW,PHPM,10-32X.50,ZAG	1
7	33576GT	CONN,SQZ,BLK,1/2NPT,.38-.50,SM	1
8	T115429GT	NUT,CORDGRIP,1/2 NPT	1
9	T113142GT	OFFSET, RDN, 1/4-1.25,10-32	1
10	229146GT	SCREW,SET,8-32X.25	1
11	T114082GT	LEVER ARM,ANGLE SENSR ACTUATOR	1
12	39579GT	RIVET,STL,STL,.188 X .45	1
13	T113139GT	CLIP,DTM,RECEPTACLE	1
14	824078GT	SCREW,HHF,1/4-20X.75,8,ZAG	2
15	56912GT	SPRING CLIP,1/4-20,.025-.15X.54,ZAG	2
16	1304102GT	FORMING,SENSOR COVER	1
17	1257296GT	SCREW,PHPM-ST,8-32X.50,TYPE F,ZAG	2
18	1271081GT	NUT,NYLOCK,8-32,8,ZAG	2
19	T113136GT	ASSY,ROT SENSR W/HARNESS	1
20	161981GT	FRMNG,ARM SENSOR BRCKT,32/46	1
21	1274322GT	NUT,NYLOCK FLG,3/8-16,F,ZAG	1
22	824068GT	SCREW,HHC,3/8-16X1.25,8,ZAG	1
23	1304101GT	FORMING,CHASSIS BRACKET,GS32/46	1
24	1256127GT	BOLT,CARRIAGE,1/4-20X1",GR 5,ZAG	2
25	1277924GT	NUT,NYLOCK FLG,1/4-20,F,ZAG	2



<u>Part no.</u>	<u>Page Number</u>	<u>Part no.</u>	<u>Page Number</u>	<u>Part no.</u>	<u>Page Number</u>
1268GT	11	39328GT	105	51063GT	71, 75
1484GT	11	39469GT	103	51152GT	123
1699GT	31, 53	39474GT	103	52376GT	129
6091GT	111	39540GT	71, 113	52380GT	129
6271GT	135	39542GT	63	52475GT	13, 15, 19, 21, 25, 27...
6356GT	121, 143	39579GT	103, 143	55558GT	121
6595GT	109	39875GT	125, 127	55560GT	121
6626GT	111	39877GT	123, 125	55675GT	67, 71
6700GT	75	39878GT	121, 123, 125	56912GT	73, 87, 109, 143
6878GT	111	40477GT	121	57075GT	109
6935GT	109	40833GT	67, 85	58592GT	97
7056GT	109	41557-SGT	121, 143	58627GT	75
7127GT	109	41630GT	103	60425GT	141
7339GT	121, 143	43392GT	105	60431GT	141
10775GT	109	43618GT	31, 53	60439GT	141
10777GT	111	43619GT	15, 21, 27	62055GT	31, 53
13585GT	109	43658GT	15, 21, 27, 37, 43, 49	65990-SGT	105
13921GT	57, 123, 125, 127	43956GT	77, 79, 83, 109, 131	66055GT	91, 93, 95, 97, 99, 101
19491GT	61, 63	44163GT	11	66204GT	71, 119
21279GT	103	44174GT	129	66353GT	111
24514GT	105	44175GT	129	66355GT	111
25388GT	109	44227GT	129	66356GT	111
27581GT	11	44228GT	127	66399GT	11
28131GT	85	44230GT	129	66465GT	121
28174GT	15, 21, 27, 31, 37, 43...	44736GT	31	66485GT	105
28235GT	15, 21, 27, 31, 37, 43...	44936GT	109	66717GT	67, 85
28236GT	31	44973GT	121	66770GT	55
28443GT	121	44979GT	121	66812GT	75, 113
29868GT	131	44980GT	15, 21, 27, 37, 43, 49	66817GT	75, 113
30784-2550GT	67	44981GT	31, 53	66893GT	103
31060GT	13, 19, 25	45546GT	109	67744GT	127
31508GT	13, 19, 25	46260GT	103	72086GT	13, 15, 19, 21, 25, 27...
32150GT	11	47163GT	103	72143GT	15, 21, 27, 37, 43, 49
32151GT	11	47188GT	105	72326GT	71, 113
33576GT	143	47225GT	103	72973GT	31, 53
33724GT	109	47238GT	61	72999GT	15, 21, 27
36369GT	91, 95, 99	47946GT	55	74006GT	109
36388GT	137	48282GT	111	78038GT	105
37947GT	73	48880GT	123	78086GT	63
38149GT	15, 21, 27, 37, 43, 49	48997GT	123	78546GT	11, 71, 119
39232GT	61	49612GT	129	78736GT	93, 97, 99
39310GT	103	49613GT	11, 129	79140GT	85

<u>Part no.</u>	<u>Page Number</u>	<u>Part no.</u>	<u>Page Number</u>	<u>Part no.</u>	<u>Page Number</u>
81579GT	71	104804GT	105	109750GT	127
82366GT	15, 21, 27	105057GT	105	109756GT	127
82474GT	35, 37, 41, 43, 47, 49	105090GT	111	109757GT	129
82475GT	47, 49	105091GT	107	109877GT	127
82481GT	35, 41, 47	105093GT	103	109878GT	127
82487GT	37, 43, 49, 53	105117GT	111	114324GT	31, 53
82495GT	35, 41, 47	105118GT	111	114338GT	53
82506GT	25, 27	105156GT	63, 65	114377GT	35, 41, 47
82557GT	31	105193GT	91, 95, 99	119056GT	141
82561GT	13, 15, 19, 21, 25, 27	105440GT	55, 61	122994GT	75
82657GT	13, 19, 25	105448GT	111	128118GT	59
82666GT	13, 15, 19, 21, 25, 27...	105478GT	121	128584GT	59
83093GT	73	105479GT	121	131582GT	87
84385GT	129	105481GT	121	132021GT	105
84422GT	121	105483-SGT	111	132119GT	93, 101
85239GT	73	105544GT	121	132121GT	107
96008-SGT	73	105545	121	132127GT	107
96009GT	73, 109	105546	121	132128GT	103
96010GT	73, 75	105547GT	117	132151GT	103
96085GT	63	105549	121	132207GT	105
96110GT	85	105550GT	117	132227GT	105
96130GT	95	105553GT	117	132237GT	105
96236GT	111	105554GT	117	132240GT	105
96408GT	63	105555GT	117	132244GT	105
96452GT	73	105564	121	132248GT	105
96541GT	65	105565GT	55	132266GT	93, 97, 101
96595GT	89	105575GT	127	132267GT	91, 95, 99
96642GT	65	105628GT	127	132270GT	91, 97, 99
96661GT	93, 101	105629GT	127	132273GT	93, 97, 99
96662GT	91, 97, 101	105634GT	87	132288GT	93, 97, 101
96663GT	101	105645GT	125	132294GT	93, 97, 101
96735GT	93, 97, 101	105646GT	125	132298GT	91, 97, 99
96770GT	121	105647GT	125	132299GT	91
96812GT	97, 101	105648GT	125	132304GT	91, 99
96836GT	93, 95, 99	105649GT	125	132310GT	89
96899GT	91, 95, 101	105652GT	127	132354GT	55
96900GT	91, 95, 101	105695GT	127	132364GT	59
96932GT	91, 95, 99	105734GT	73	132373GT	59
96948GT	61, 63	105758GT	87	132375GT	95
96971GT	99	105759GT	73	132379GT	95
97128GT	61, 63	105812GT	109	132383GT	95
97719GT	37, 43, 49	109745GT	87	132385GT	95

<u>Part no.</u>	<u>Page Number</u>	<u>Part no.</u>	<u>Page Number</u>	<u>Part no.</u>	<u>Page Number</u>
132390GT	99	233051GT	77, 83	1253477GT	75, 103
132392GT	99	233052GT	81	1253478GT	103
132393GT	101	233053GT	77, 81	1253485GT	55, 105
132401GT	99	233055GT	81	1255756GT	61
132436GT	99	235463GT	115	1255757GT	59, 63, 71, 89
132521GT	99	237086GT	123	1255758GT	103
132557GT	73	237238GT	55	1255759GT	87
137562GT	73	237455GT	121	1255797GT	71
137587GT	113	823368GT	61	1255805GT	67
137605GT	31, 53, 113	824027GT	71, 137, 139	1256109GT	55
137611GT	113	824029GT	63, 89	1256112GT	59
137634GT	115	824032GT	109	1256115GT	59, 87
137637GT	73, 113	824037GT	137	1256127GT	55, 61, 91, 95, 99, 143
137640GT	113	824038GT	63, 103	1256179GT	59
137656GT	31, 53, 113	824067GT	105	1256287GT	59
137668GT	73	824067TAGT	59	1256463GT	87
137699GT	113	824068GT	55, 71, 143	1256679GT	67, 91, 95, 99
144119GT	31, 53	824077GT	133	1256693GT	103
144120GT	31, 53	824078GT	107, 109, 139, 143	1256719GT	73
144121GT	31, 53	824079GT	87	1256727GT	113
144161GT	111	824080GT	91, 95, 99	1256756GT	87, 99
144655GT	127	824089GT	131	1256844GT	55, 59
160412GT	109	824092GT	89	1256848GT	91, 95, 101
161981GT	143	824094GT	105	1256855GT	133
214544GT	115	824120GT	55	1256863GT	67
227167GT	113	824124GT	67, 71, 73, 87, 137	1257227GT	131
229086GT	115	824128GT	57, 65	1257264GT	63
229087GT	115	824151GT	95	1257296GT	143
229088GT	115	824164GT	95	1257402GT	67
229089GT	115	824206GT	73	1257733GT	11
229090GT	115	824215GT	109	1258187GT	111
229091GT	115	824216GT	61, 73	1258567GT	11
229092GT	115	825019GT	89	1258731GT	113
229093GT	115	825020GT	91, 95, 99	1259059GT	123
229094GT	115	825352GT	67	1259085GT	123
229097GT	115	825353GT	55, 59	1259177GT	63
229146GT	143	825358GT	65, 67, 103	1259178GT	65
229571GT	91, 95, 101	825796GT	91, 95, 101	1259179GT	63
229750GT	127	826854GT	75	1259180GT	63
229845GT	113	1251757GT	143	1259181GT	103
231868GT	131	1252764GT	71, 73	1259182GT	105
233050GT	77, 83	1252977GT	103	1259185GT	123

<u>Part no.</u>	<u>Page Number</u>	<u>Part no.</u>	<u>Page Number</u>	<u>Part no.</u>	<u>Page Number</u>
1259186GT	123	1274168GT	61, 63, 67	1288438GT	141
1259192GT	57	1274170GT	93, 97, 101	1288481GT	67, 85
1259193GT	55	1274172GT	59, 87	1288499GT	69
1259194GT	55	1274322GT	59, 71, 89, 99, 103, 143	1288500GT	69
1259195GT	57	1274540GT	131	1288530GT	139, 141
1259197GT	63	1276847GT	133	1288572GT	139
1259201GT	93, 97, 101	1277860GT	105	1288573GT	139
1259223GT	103	1277924GT	55, 61, 67, 73, 87, 91...	1288574GT	77, 81, 139
1259339GT	103	1278704GT	15, 21, 27, 37, 43, 49	1288576GT	141
1259686GT	55, 65	1279428GT	69	1288727GT	77, 81, 139
1260703GT	71	1280665GT	109	1288728GT	77, 83, 139
1260926GT	105	1280819GT	15, 21, 27	1288729GT	81, 139
1260941GT	91, 95, 101	1280947GT	131	1288734GT	139
1260962GT	101	1280948GT	131	1288735GT	139
1260963GT	91, 97	1280957GT	113	1288762GT	55, 59
1260984GT	73	1280958GT	103, 113	1288926-4600GT	123
1260987GT	127	1281174GT	31, 53	1288926-6250GT	125
1261183GT	61	1283004GT	131	1289420GT	139
1263471GT	109	1283790GT	113	1289421GT	139
1263542GT	35, 37, 41, 43, 47, 49	1283810GT	31, 53, 113	1289422GT	139
1263543GT	13, 15, 19, 21, 25, 27	1283812GT	31, 53	1289520GT	57
1265361GT	15, 21, 27	1283878GT	15, 21, 27, 37, 43, 49	1289603GT	141
1265771GT	81	1284285GT	73	1289608GT	141
1268950GT	111	1284286GT	73	1289899GT	77, 81
1269086GT	131	1284302GT	109	1290291GT	137
1270162GT	77, 81	1284781GT	71, 75	1290292GT	135
1270281PGT	77, 81	1284981GT	15, 21, 27	1290574GT	67
1271081GT	143	1284982GT	37, 43, 49	1290659GT	15, 21, 27
1272121GT	77	1286357GT	103	1290664GT	15, 21, 27
1272122GT	75	1287673GT	139, 141	1290668GT	13, 19, 25
1272123GT	75	1287674GT	141	1290673GT	37, 43, 49
1272232GT	69	1287678GT	141	1290675GT	13, 19, 25
1272242GT	15, 21, 27, 37, 43, 49	1287680GT	141	1291052GT	81, 141
1272557GT	69, 77, 81	1287682GT	141	1291053GT	77
1272844GT	69	1287687GT	141	1291307GT	55
1273354GT	133	1287689GT	141	1291577	143
1273394GT	81	1287691GT	141	1291577GT	87
1273576GT	77, 81	1287951GT	71	1291624GT	15, 21, 27, 37, 43, 49
1273880GT	105	1288352GT	141	1292051GT	15, 21, 27
1273881GT	107	1288365-5750GT	123	1292052GT	37, 43, 49
1274165GT	87	1288435GT	141	1292275GT	13, 15, 19, 21, 25, 27...
1274166GT	87, 91, 95, 101	1288437GT	141	1292512GT	15, 21, 27, 37, 43, 49

<u>Part no.</u>	<u>Page Number</u>	<u>Part no.</u>	<u>Page Number</u>	<u>Part no.</u>	<u>Page Number</u>
1292513GT	15, 21, 27, 37, 43, 49	1298716GT	141	1302833GT	119
1292514GT	15, 21, 29, 37, 43, 49	1298833GT	13, 19, 25	1302834GT	119
1292515GT	17, 23, 29, 37, 43, 49	1298834GT	35, 41, 47	1302835GT	119
1292747GT	13, 17, 19, 23, 25, 29	1298923GT	71	1302836GT	119
1292960GT	13, 19, 25	1299048GT	63	1302837GT	119
1292990GT	17, 23, 29, 37, 43, 49	1299051GT	87	1302838GT	119
1293165GT	31	1299259GT	55	1302839GT	119
1293166GT	53	1299390GT	67	1302840GT	119
1293217GT	35, 37, 41, 43, 47, 49...	1299483GT	91, 97, 101	1302841GT	119
1293324GT	17, 23, 29	1299642GT	61	1302842GT	119
1293858GT	87	1299643GT	73	1302843GT	119
1294398GT	31	1300025GT	65	1302844GT	119
1294635GT	31	1300029GT	65	1302845GT	119
1294685GT	17, 23, 29	1300036GT	63	1303148GT	65
1294688GT	53	1300053GT	63	1303165GT	119
1294708GT	99	1300079GT	91, 97, 101	1303166GT	119
1296034GT	31, 53	1300178GT	119	1303167GT	119
1296295GT	31	1300318GT	11, 119	1303257GT	119
1296300GT	31	1300319GT	119	1303364GT	71
1296301GT	53	1300538GT	59	1303529GT	57
1296305GT	31	1300568GT	71	1303530GT	55
1296306GT	53	1300619GT	63	1303546GT	77, 81
1296821GT	31	1300620GT	63	1303675GT	67
1296823GT	31	1300729GT	63	1303686GT	59
1296824GT	33	1300741GT	63	1303748GT	81
1297194GT	25, 29, 47, 51	1300742GT	63	1304101GT	143
1297195GT	13, 17, 19, 23, 25, 29...	1300745GT	71	1304102GT	143
1297433GT	13, 17, 19, 23, 25, 29...	1300747GT	63	1304120GT	81
1297791GT	77, 81, 85	1300887GT	77, 81	1304130GT	67
1297792GT	85	1300939GT	89	1304152GT	71
1297793GT	77, 81, 85	1301149GT	119	1304156GT	55
1297794GT	77, 81, 85	1301172GT	59	1304157GT	123
1297795GT	77, 81, 85	1301544GT	119	1304158GT	123
1297796GT	77, 81, 85	1301547GT	119	1304171GT	55
1297797GT	77, 81, 85	1301548GT	119	1304172GT	55
1297798GT	77, 83, 85	1301745GT	87	1304173GT	55
1297799GT	77, 81, 85	1301854GT	77, 81	1304576GT	125
1298407GT	77	1302207GT	119	1304815GT	87
1298467GT	53	1302259GT	89	1304831GT	59
1298544GT	33	1302363GT	105	1304861GT	59
1298545GT	53	1302369GT	105	1304862GT	59
1298646-4400GT	123	1302399GT	63	1304907GT	87

<u>Part no.</u>	<u>Page Number</u>	<u>Part no.</u>	<u>Page Number</u>	<u>Part no.</u>	<u>Page Number</u>
1304908GT	87				
1305297GT	55				
1305535GT	13, 17, 35, 39				
1305536GT	19, 23, 41, 45				
1305537GT	25, 29, 47, 51				
1305634GT	109				
1305746GT	109				
1306174GT	59				
1306776GT	59				
1306778GT	59				
T106362GT	73				
T106363GT	73				
T106366GT	73				
T106368GT	113				
T106370GT	113				
T106372GT	73				
T106373GT	113				
T112507GT	61, 77, 81				
T112560GT	111				
T112561GT	111				
T112804GT	17, 23, 29, 39, 45, 51				
T113136GT	77, 81, 143				
T113139GT	143				
T113142GT	143				
T114082GT	143				
T115429GT	143				

Go to Discount-Equipment.com to order your parts



California Proposition 65

 **WARNING**

Operating, servicing and maintaining this equipment, passenger vehicle or off-highway motor vehicle can expose you to chemicals including engine exhaust, carbon monoxide, phthalates, and lead, which are known to the State of California to cause cancer and birth defects or other reproductive harm. These chemicals can be emitted from or contained in other various parts and systems, fluids and some component wear by-products. To minimize exposure, avoid breathing exhaust, do not idle the engine except as necessary, service your equipment and vehicle in a well-ventilated area and wear gloves or wash your hands frequently when servicing your equipment or vehicle and after operation. For more information go to www.P65Warnings.ca.gov/passenger-vehicle.

Breathing diesel engine exhaust exposes you to chemicals known to the State of California to cause cancer and birth defects or other reproductive harm.

- Always start and operate the engine in a well-ventilated area.
- If in an enclosed area, vent the exhaust to the outside.
- Do not modify or tamper with the exhaust system.
- Do not idle the engine except as necessary.

For more information go to www.P65warnings.ca.gov/diesel.

Distributed By:

www.GSPOutlet.com to order your parts

PARTS FINDER

**Search Website
by Part Number**



**Search Manual
Library For Parts
Manual & Lookup Part
Numbers – Purchase
or Request Quote**

Search Manuals

Enter your information to help us find the right parts manual for your machine.

* Brand:

* Model:

* Serial:

* Part Number:

SEARCH

**Can't Find Part or
Manual? Request Help
by Manufacturer,
Model & Description**

Parts Order Form

Please fill in the following information to help us find the right part for your machine.

MANUFACTURER:

MODEL:

DESCRIPTION:

DATE:

TIME:

PHONE:

EMAIL:

ADDRESS:

CITY:

STATE:

ZIP:

SEARCH

Discount-Equipment.com is your online resource for quality parts & equipment.

Florida: **561-964-4949** Outside Florida TOLL FREE: **877-690-3101**

Need parts?

Click on this link: <http://www.discount-equipment.com/category/5443-parts/> and choose one of the options to help get the right parts and equipment you are looking for. Please have the machine model and serial number available in order to help us get you the correct parts. If you don't find the part on the website or on one of the online manuals, please fill out the request form and one of our experienced staff members will get back to you with a quote for the right part that your machine needs.

We sell worldwide for the brands: Genie, Terex, JLG, MultiQuip, Mikasa, Essick, Whiteman, Mayco, Toro Stone, Diamond Products, Generac Magnum, Airman, Haulotte, Barreto, Power Blanket, Nifty Lift, Atlas Copco, Chicago Pneumatic, Allmand, Miller Curber, Skyjack, Lull, Skytrak, Tsurumi, Husquvarna Target, Stow, Wacker, Sakai, Mi-T-M, Sullair, Basic, Dynapac, MBW, Weber, Bartell, Bennar Newman, Haulotte, Ditch Runner, Menegotti, Morrison, Contec, Buddy, Crown, Edco, Wyco, Bomag, Laymor, EZ Trench, Bil-Jax, F.S. Curtis, Gehl Pavers, Heli, Honda, ICS/PowerGrit, IHI, Partner, Imer, Clipper, MMD, Koshin, Rice, CH&E, General Equipment, Amida, Coleman, NAC, Gradall, Square Shooter, Kent, Stanley, Tamco, Toku, Hatz, Kohler, Robin, Wisconsin, Northrock, Oztec, Toker TK, Rol-Air, APT, Wylie, Ingersoll Rand / Doosan, Innovatech, Con X, Ammann, Mecalac, Makinex, Smith Surface Prep, Small Line, Wanco, Yanmar