



A TEREX BRAND



# Parts Manual

## Serial Number Range

**GS-2032**

from SN GS3215A-140498 to  
GS3215A-142676

**GS-2632**

from SN GS3216P-142677 to  
GS3216P-148699

**GS-3232**

from SN GS32P-148700

Part No. 1273389GT

Rev B3

November 2018

Go to Discount-Equipment.com to order your parts

# PARTS FINDER

**Search Website  
by Part Number**



**Search Manual  
Library For Parts  
Manual & Lookup Part  
Numbers – Purchase  
or Request Quote**

**Search Manuals**

Enter your information to help us find the right parts manual for your machine.

\* Brand:

\* Model:

\* Serial:

\* Part Number:

SEARCH

**Can't Find Part or  
Manual? Request Help  
by Manufacturer,  
Model & Description**

**Parts Order Form**

Please fill in the following information to help us find the right part for your machine.

Manufacturer:	<input type="text"/>
Model:	<input type="text"/>
Description:	<input type="text"/>
Part Number:	<input type="text"/>
Quantity:	<input type="text"/>
Notes:	<input type="text"/>

Submit

Discount-Equipment.com is your online resource for quality parts & equipment.

Florida: **561-964-4949** Outside Florida TOLL FREE: **877-690-3101**

**Need parts?**

Click on this link: <http://www.discount-equipment.com/category/5443-parts/> and choose one of the options to help get the right parts and equipment you are looking for. Please have the machine model and serial number available in order to help us get you the correct parts. If you don't find the part on the website or on one of the online manuals, please fill out the request form and one of our experienced staff members will get back to you with a quote for the right part that your machine needs.

We sell worldwide for the brands: Genie, Terex, JLG, MultiQuip, Mikasa, Essick, Whiteman, Mayco, Toro Stone, Diamond Products, Generac Magnum, Airman, Haulotte, Barreto, Power Blanket, Nifty Lift, Atlas Copco, Chicago Pneumatic, Allmand, Miller Curber, Skyjack, Lull, Skytrak, Tsurumi, Husquvarna Target, Stow, Wacker, Sakai, Mi-T-M, Sullair, Basic, Dynapac, MBW, Weber, Bartell, Bennar Newman, Haulotte, Ditch Runner, Menegotti, Morrison, Contec, Buddy, Crown, Edco, Wyco, Bomag, Laymor, EZ Trench, Bil-Jax, F.S. Curtis, Gehl Pavers, Heli, Honda, ICS/PowerGrit, IHI, Partner, Imer, Clipper, MMD, Koshin, Rice, CH&E, General Equipment, Amida, Coleman, NAC, Gradall, Square Shooter, Kent, Stanley, Tamco, Toku, Hatz, Kohler, Robin, Wisconsin, Northrock, Oztec, Toker TK, Rol-Air, APT, Wylie, Ingersoll Rand / Doosan, Innovatech, Con X, Ammann, Mecalac, Makinex, Smith Surface Prep, Small Line, Wanco, Yanmar

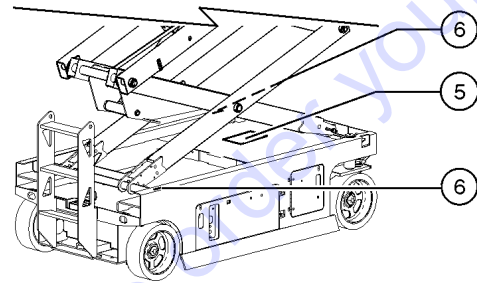
To August 31, 2016

**Genie**  
A TEREX BRAND

Model:  
**Serial number:** GS3216P-123456  
**Manufacture date:** 1/2/16      **Model year:** 2016  
**Electrical schematic number:**  
**Machine unladen weight:**  
**Rated work load (including occupants):**  
**Maximum number of platform occupants:**  
**Maximum allowable inclination of the chassis:**  
**Outrigger retracted:**  
**Outrigger deployed:**

GS32 16 P - 123456

1 2 3 4



- 1 Model
- 2 Model year
- 3 Facility code

- 4 Sequence number
- 5 Serial label (located on chassis)
- 6 Serial number (stamped on chassis)

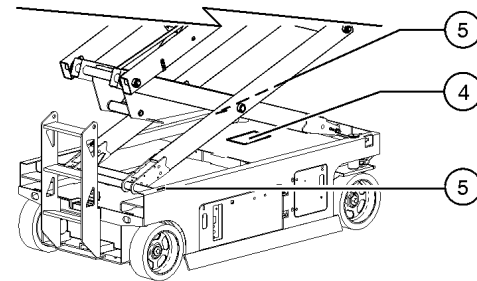
From September 1, 2016

**Genie**  
A TEREX BRAND

Model:  
**Serial number:** GS32P-123456  
**Year of manufacture:** 2016  
**Electrical schematic number:**  
**Machine unladen weight:**  
**Rated work load (including occupants):**  
**Maximum number of platform occupants:**  
**Maximum allowable inclination of the chassis:**  
**Outrigger retracted:**  
**Outrigger deployed:**

GS32 P - 123456

1 2 3



- 1 Model
- 2 Facility code
- 3 Sequence number

- 4 Serial label (located on chassis)
- 5 Serial number (stamped on chassis)

## Table of Contents

This manual is updated frequently. For the most up-to-date parts information, visit [www.discount-equipment.com](http://www.discount-equipment.com)

How to Read Your Serial Number.....	3
Parts Stocking List.....	7

**Electronic Version**

Click on any page number to view the figure.

**001 Parts Stocking List**

001.1 Parts Stocking List.....	10
--------------------------------	----

**100 Decals**

101.1 Word Decals, GS-2032, Battery Side, ANSI & Australia.....	12
102.1 Word Decals, GS-2032, Ground Control Side, ANSI and Australia.....	14
103.1 Word Decals, GS-2032, Platform, ANSI.....	16
104.1 Word Decals, GS-2032, Platform, Australia.....	18
105.1 Word Decals, GS-2632, Battery Side, ANSI & Australia.....	20
106.1 Word Decals, GS-2632, Ground Control Side, ANSI and Australia.....	22
107.1 Word Decals, GS-2632, Platform, ANSI.....	24
108.1 Word Decals, GS-2632, Platform, Australia.....	26
109.1 Word Decals, GS-3232, Battery Side, ANSI & Australia.....	28
110.1 Word Decals, GS-3232, Ground Control Side, ANSI and Australia.....	30
111.1 Word Decals, GS-3232, Platform, ANSI.....	32
112.1 Word Decals, GS-3232, Platform, Australia.....	34
113.1 Symbol Decals, GS-2032, Battery Side, ANSI & CE..	36
114.1 Symbol Decals, GS-2032, Ground Control Side, ANSI & CE.....	38
115.1 Symbol Decals, GS-2032, Platform, ANSI.....	40
116.1 Symbol Decals, GS-2032, Platform, CE.....	42
117.1 Symbol Decals, GS-2632, Battery Side, ANSI & CE..	44
118.1 Symbol Decals, GS-2632, Ground Control Side, ANSI and CE.....	46
119.1 Symbol Decals, GS-2632, Platform, ANSI.....	48
120.1 Symbol Decals, GS-2632, Platform, CE.....	50

121.1 Symbol Decals, GS-3232, Battery Side, ANSI & CE..	52
122.1 Symbol Decals, GS-3232, Ground Control Side, ANSI and CE.....	54
123.1 Symbol Decals, GS-3232, Platform, ANSI.....	56
124.1 Symbol Decals, GS-3232, Platform, CE.....	58

**200 Drive Chassis Components**

201.1 Steer Linkage and Wheels.....	60
202.1 Non-steer Axle Installation.....	62
203.1 Level Sensor Installation.....	64
204.1 Pothole Protection Assembly.....	66
205.1 Battery Pack Module.....	68
206.1 Battery Charger.....	70
207.1 Power Unit Module (to SN GS3216P-147310).....	72
207.2 Power Unit Module (from SN GS3216P-147311).....	74
208.1 Ground Controls.....	76
209.1 Electrical Wiring, GS-2032 and GS-2632.....	78
210.1 Electrical Wiring, GS-3232.....	80
211.1 Power Cables.....	82
212.1 Outrigger Components, GS-3232.....	84
213.1 Function Manifold and Accumulator Components, GS-2032 and GS-2632.....	86
214.1 Function Manifold and Accumulator Components, GS-3232.....	88

**300 Scissor Components**

301.1 Scissor Assembly Installation.....	90
302.1 Scissor Assembly, GS-2032.....	92
303.1 Scissor Assembly, GS-2632.....	94
304.1 Scissor Assembly, GS-3232.....	96

**400 Platform Components**

401.1 Platform Components (to SN GS32P-153435).....	98
401.2 Platform Components (from SN GS32P-153436)....	102
402.1 Power to Platform.....	106
403.1 Platform Controls, 6 and 4 Button (Proportional Lift).	108
404.1 Joystick Controller.....	110

**500 Hydraulic Components**

501.1 Hydraulic Components.....	112
502.1 Function Manifold.....	114
503.1 Brake Release Hand Pump Manifold.....	116
504.1 Hydraulic Power Unit, All Models.....	118
505.1 Lift Cylinder Assembly, All Models.....	120
506.1 Hydraulic Hoses and Fittings.....	122
507.1 Hydraulic Hoses and Fittings, Outriggers, GS-3232.	124
508.1 Outrigger Cylinders, Front and Rear, GS-3232.....	126
509.1 Outrigger Function Manifold, GS-3232.....	128

**600 Accessories**

601.1 Alarm, Horn and Flashing Beacons.....130  
602.1 Air Line to Platform.....132  
603.1 Platform Work Light.....134  
604.1 Voltage Inverter.....136  
605.1 RCBO.....138  
606.1 PCON Guard.....140

**700 Platform Overload Components**

701.1 Platform Overload.....142

**Indices**

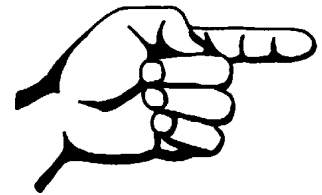
Part Number Index.....144  
Part Description Index.....147

**Cross References**

Fittings Cross Reference.....152

Go to [Discount-Equipment.com](http://Discount-Equipment.com) to order your parts

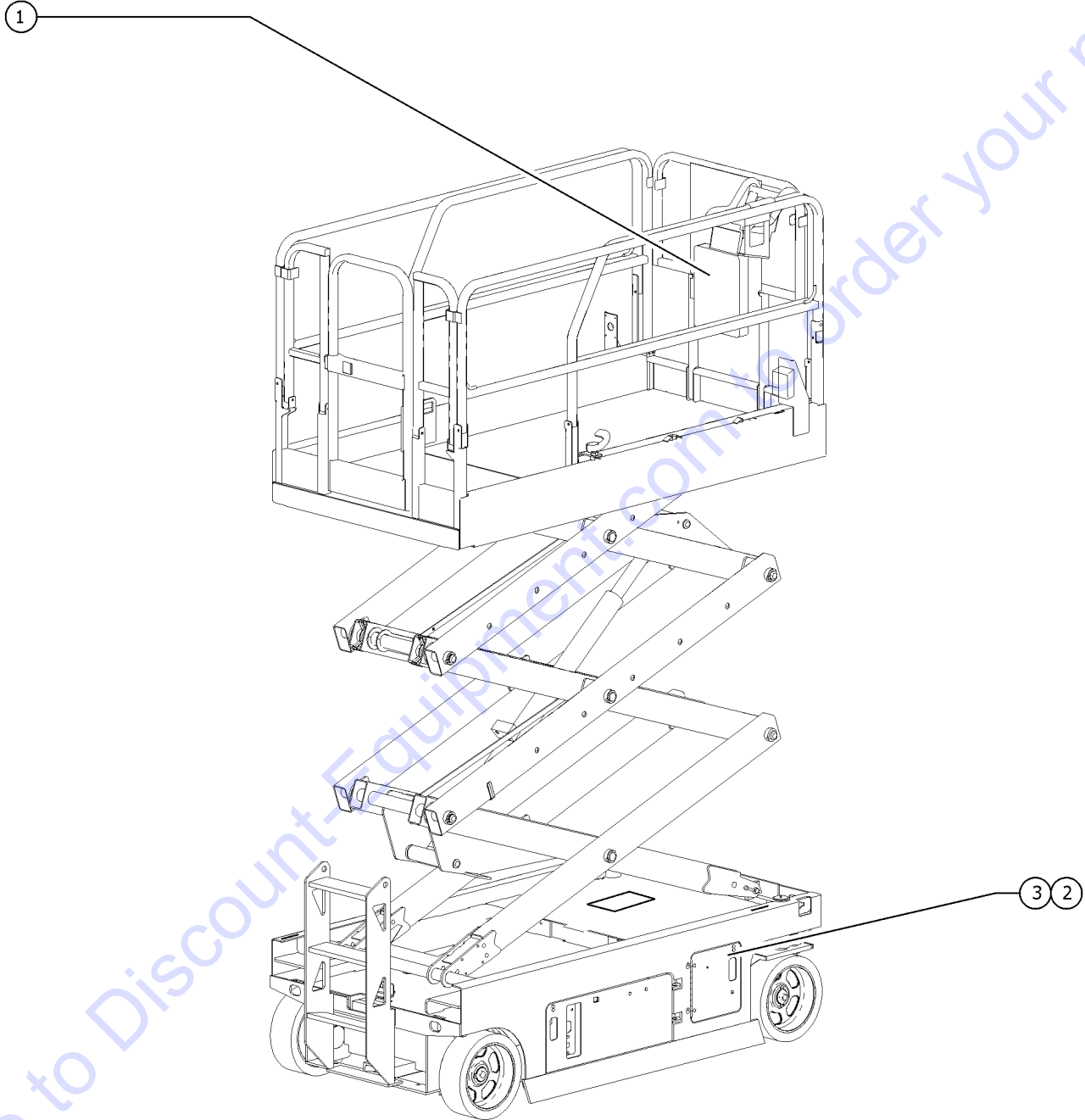
Please refer to section 001 for the Recommended Spare Parts List.



This page intentionally left blank.

Go to Discount-Equipment.com to order your parts

001.1 Parts Stocking List



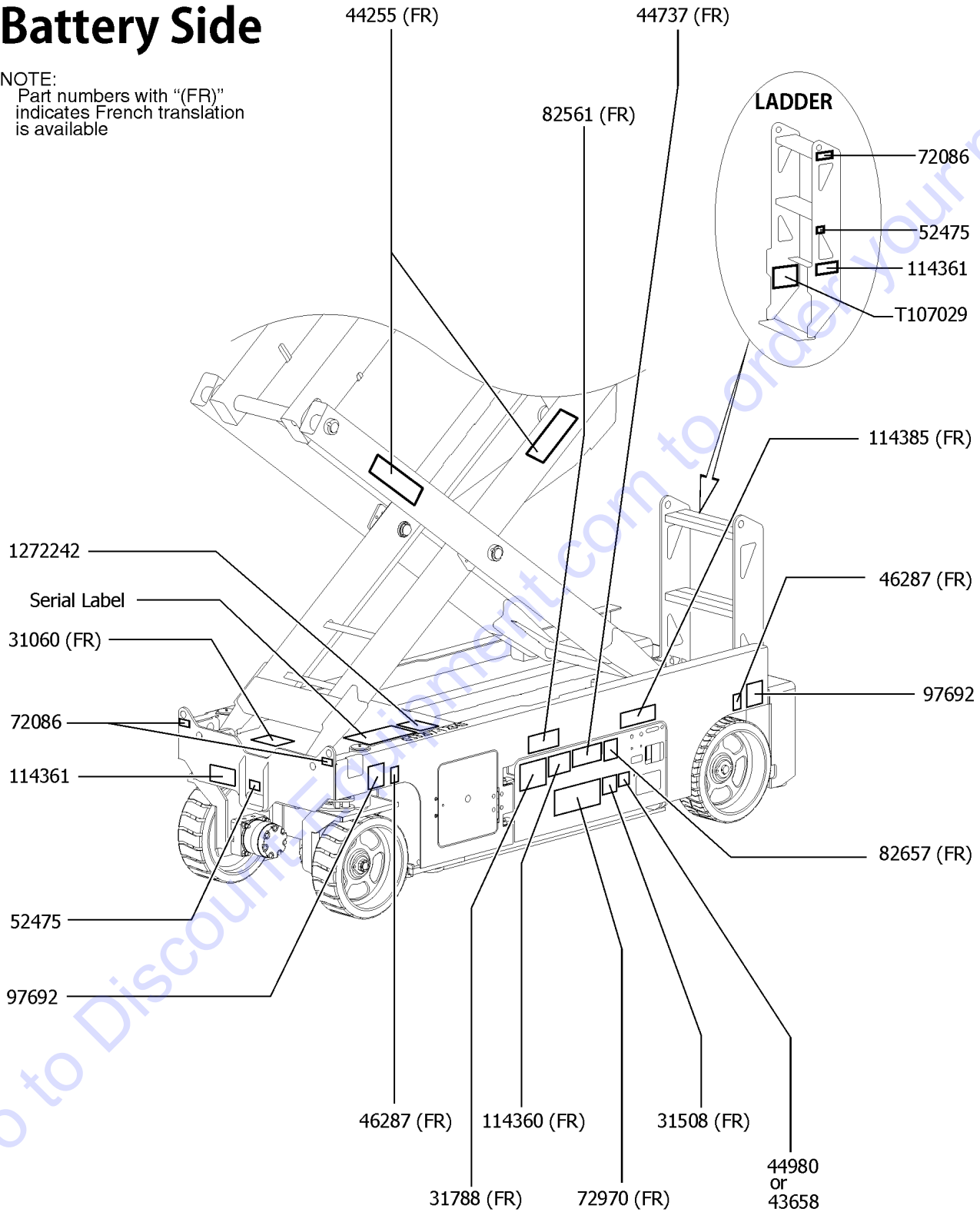
Item	Part No.	Description	Qty.
--	66399GT	GREASE,DIELECTRIC 4 OZ**	
--		Ref. CHEVRON ULTRA-DUTY GREASE (LITHIUM), OR EQUIVALENT, EP NLGI 1 (source locally)	
--	1258567GT	PAINT, AEROSOL, TRAFFIC BLACK 12-ounce spray paint	
--	1268GT	PAINT,AEROSOL,GENIE GRAY*** 12-ounce spray paint	
--	1484GT	PAINT,AEROSOL,BRIGHT BLUE*** 12-ounce spray paint	
--	1257733GT	PAINT,WET,TRAFFIC BLACK (1 GL)** 1-gallon	
--	32150GT	PAINT,WET,GENIE BLUE (1 GL)** 1-gallon	
--	32151GT	PAINT,WET,GENIE GRAY (1 GL)** 1-gallon	
--	49613GT	PLUG AND CAP KIT-SERVICE,ORFS*	
1A	27581GT	MANUAL,AEM SAFETY	
1B	44163GT	MANUAL,RESPON,A92.6 SCISSOR	
2	44788GT	FILTER ELEMENT,10MICRON,PAPER*	
3	78546GT	BREATHER CAP,HYD. TANK,1/4 NPT	



101.1 Word Decals, GS-2032, Battery Side, ANSI & Australia

# Battery Side

NOTE:  
Part numbers with "(FR)" indicates French translation is available



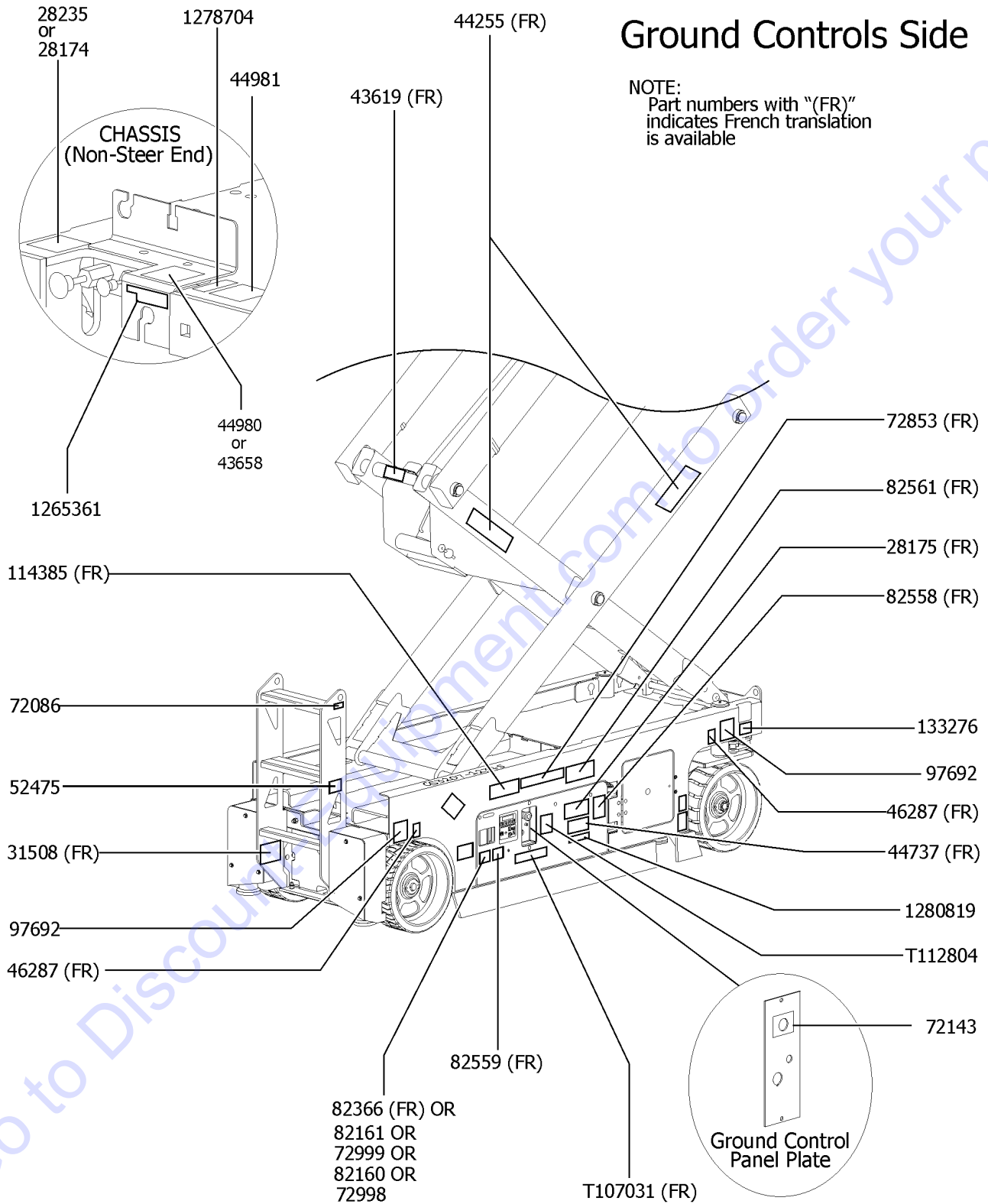
## 101.1 Word Decals, GS-2032, Battery Side, ANSI &amp; Australia

Item	Part No.	Description	Qty.
1	31060GT	DECAL,DANGER DO NOT ALTER SWTC.....	1
2	31508GT	DECAL,DANGER,ELECT HAZARD,PLUG..... <i>(Australia models only)</i>	1
3	31788GT	DECAL,DANGER,BATTERY SAFETY***.....	1
4	43658GT	DECAL,LABEL,PWR TO CHARGR 230V..... <i>(Australia models only)</i>	1
5	44255GT	DECAL,DANGER,CRUSHING HAZARD.....	2
6	44737GT	DECAL DANGER TIP OVER TRAYS.....	1
7	44980GT	DECAL,LABEL,PWR TO CHARGR 115V..... <i>(Australia models only)</i>	1
8	46287GT	DECAL,LABEL-TIRE SPECS.....	2
9	52475GT	DECAL,LABEL, TRANSPORT TIEDOWN*.....	2
10	72086GT	DECAL,LABEL,LIFTING EYE.....	3
11	72970GT	DECAL,INSTRUCTIONS-CHARGER OP.....	1
12	82561GT	DECAL,DANGER-USE SAFETY ARM.....	1
13	82657GT	DECAL,INSTRUCT,BATTERY CONNECT.....	1
14	97692GT	DECAL,LABEL,WHEEL LOAD 2032.....	2
15	114360GT	DECAL,DANGER-TIP-OVER,BATT.....	1
16	114361GT	DECAL,LABEL-TRANSPORT DIGRAM.....	2
17	114385GT	DECAL,DANGER,ELEC HAZARD,GS.....	1
18	1272242GT	DECAL,MACHINE REGISTRATION/OWNER TRANSFER....	1
19	T107029GT	DECAL,DANGER,BRAKE REL SAFETY.....	1

102.1 Word Decals, GS-2032, Ground Control Side, ANSI and Australia

# Ground Controls Side

NOTE:  
Part numbers with "(FR)" indicates French translation is available

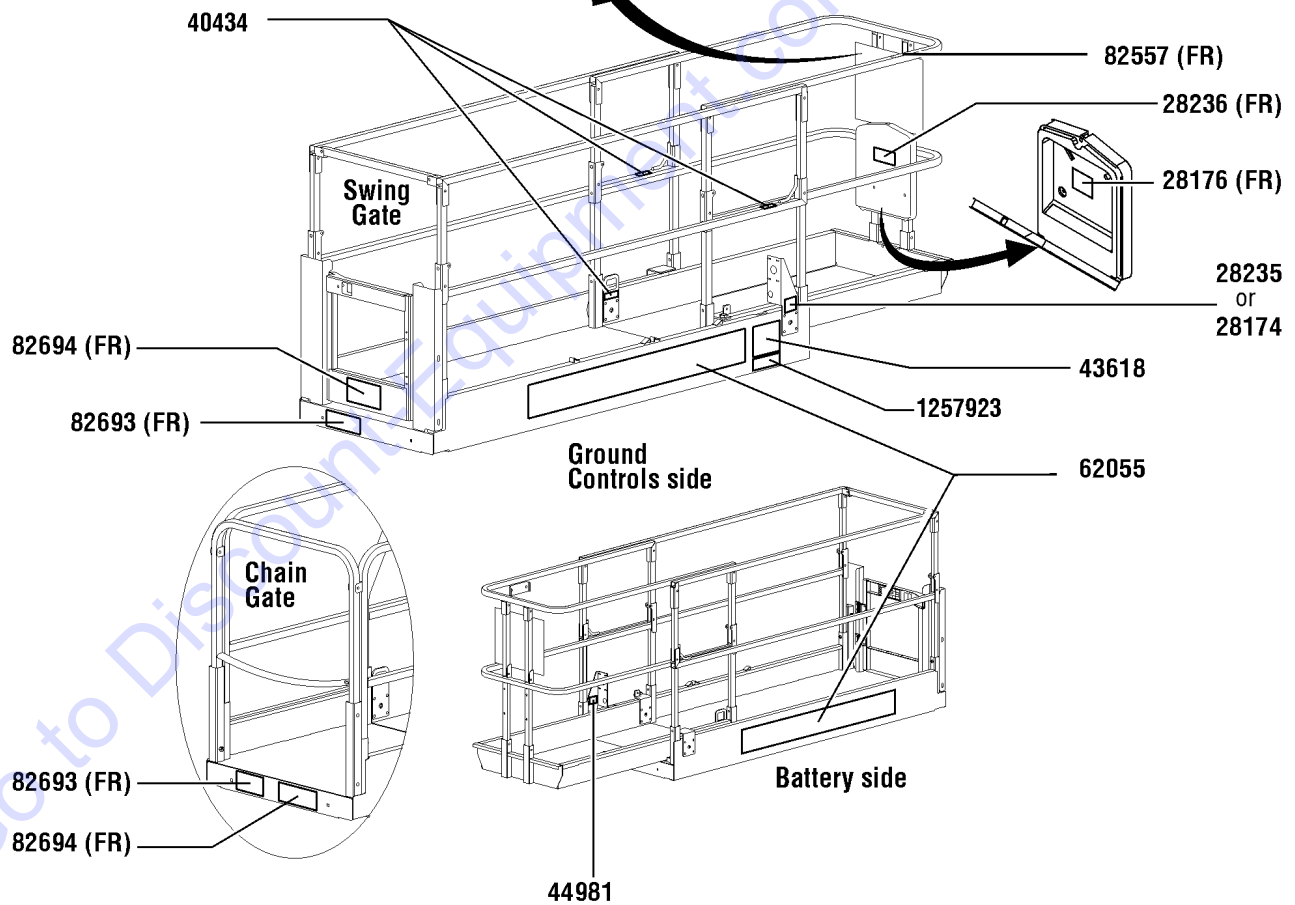
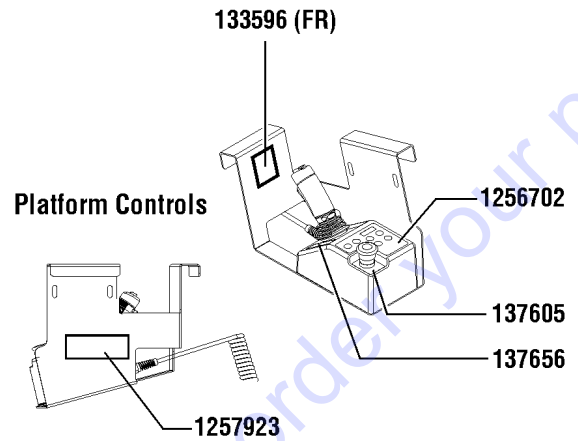
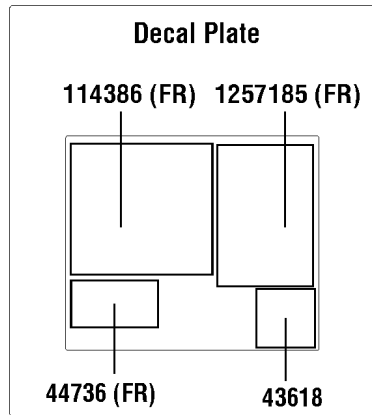


## 102.1 Word Decals, GS-2032, Ground Control Side, ANSI and Australia

Item	Part No.	Description	Qty.	Item	Part No.	Description	Qty.
1	28174GT	DECAL, POWER TO PLATFORM 230V**.....1	1	29	1265361GT	DECAL, BATTERY CHARGER INDICAT.....1 (ANSI from SN 146463 to 157195) (AUS from 146463)	1
2	28175GT	DECAL,WARNING-COMPART ACCESS.....1	1	30	1278704GT	DECAL,CHARGE STATUS IND.....1 (ANSI from SN 157196)	1
3	28235GT	DECAL,POWER TO PLATFORM 115V...1	1	31	1280819GT	DECAL,WARNING,CANCER AND REPRODUCTIVE HARM, PROP 65.....1 (ANSI US only from SN 159075)	1
4	31508GT	DECAL,DANGER,ELECT HAZARD,PLUG.....1 (ANSI models)	1				
5	43619GT	DECAL,LABEL,SAFETY ARM.....1	1				
6	43658GT	DECAL,LABEL,PWR TO CHARGR 230V.....1 (ANSI models)	1				
7	44255GT	DECAL,DANGER,CRUSHING HAZARD.....2	2				
8	46287GT	DECAL,LABEL-TIRE SPECS.....2	2				
9	44737GT	DECAL DANGER TIP OVER TRAYS.....1	1				
10	44980GT	DECAL,LABEL,PWR TO CHARGR 115V.....1 (ANSI models)	1				
11	44981GT	DECAL,LABEL, AIR LINE 110 PSI.....1 (Option)	1				
12	52475GT	DECAL,LABEL,TRANSPORT TIEDOWN*.....1	1				
13	72086GT	DECAL,LABEL,LIFTING EYE.....1	1				
14	72143GT	DECAL,EMERGENCY STOP,GR.....1	1				
15	72853GT	DECAL,DANGER,IMPROPER USE HAZ.....1	1				
16	72998GT	DECAL,LABEL,QUINTOLUBRIK.....1 (models with Quintolub hydraulic oil)	1				
17	72999GT	DECAL,LABEL,PETRO CANADA***.....1 (models with Petro Canada hydraulic oil)	1				
18	82160GT	DECAL,LABEL,STATOIL HYDRA WAY.....1 (models with Statoil hydraulic oil)	1				
19	82161GT	DECAL,LABEL,UCON HYDROLUBE.....1 (models with UConn Hydrolube hydraulic oil)	1				
20	82366GT	DECAL,CHEVRON RANDO HD.....1 (models with Chevron Random hydraulic oil)	1				
21	82558GT	DECAL,WARN,SKIN INJECTION HAZ*.....1	1				
22	82559GT	DECAL,INSTRUCT-ANNUAL INSP REQ.....1	1				
23	82561GT	DECAL,DANGER-USE SAFETY ARM...1	1				
24	97692GT	DECAL,LABEL,WHEEL LOAD 2032.....2	2				
25	114385GT	DECAL,DANGER,ELEC HAZARD,GS....1	1				
26	133276GT	DECAL,EMERGENCY LOWERING.....1	1				
27	T107031GT	DECAL,OP INST,GCON.....1	1				
28	T112804GT	DECAL,GCON PANEL,GS.....1	1				

# Platform, ANSI models

NOTE:  
Part numbers with "(FR)" indicates French translation is available

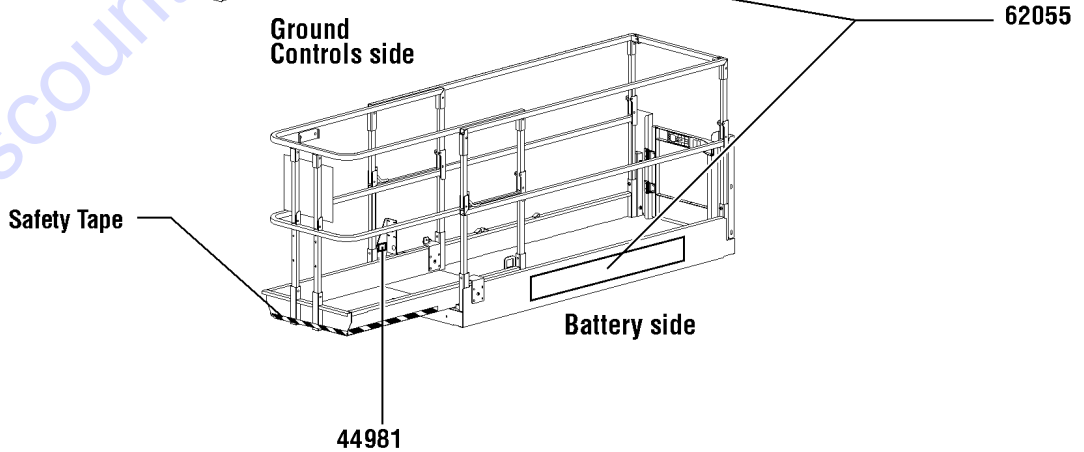
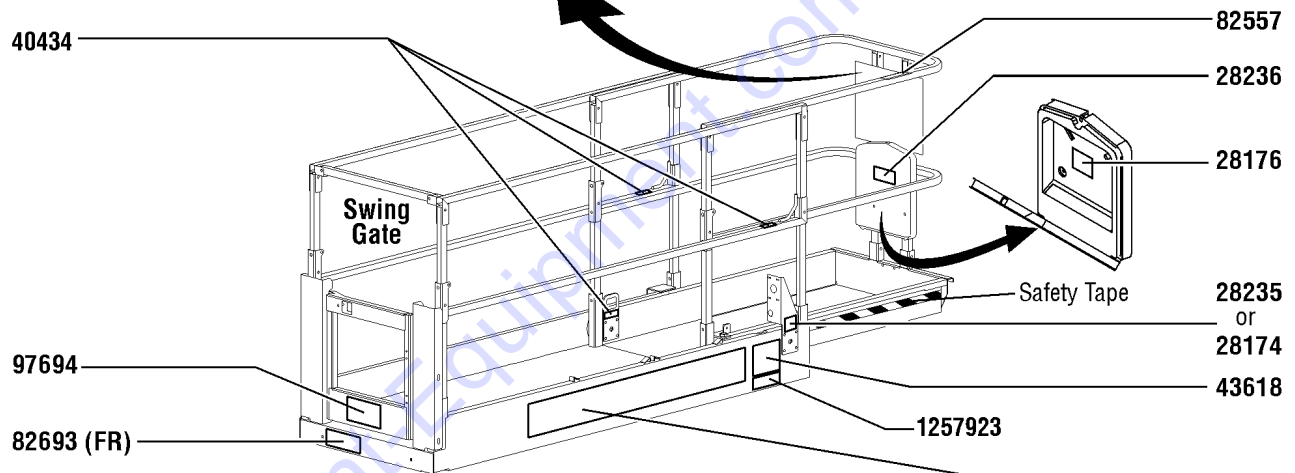
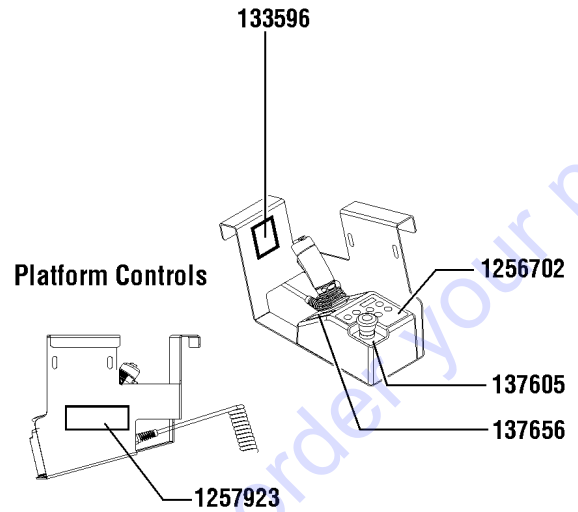
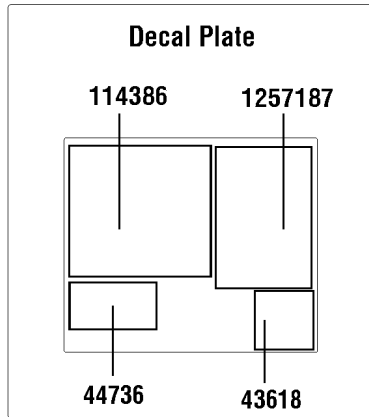


## 103.1 Word Decals, GS-2032, Platform, ANSI

Item	Part No.	Description	Qty.
--	137605GT	DECAL,E-STOP,GR/GRC/GS PCON	
1	28174GT	DECAL, POWER TO PLATFORM 230V**.....1	1
2	28176GT	DECAL,LABEL,MANUAL NOT HERE.....1	1
3	28235GT	DECAL,POWER TO PLATFORM 115V...1	1
4	28236GT	DECAL,WARN,IMPROPER OPERATION.....1	1
5	40434GT	DECAL,LANYARD ANCHORAGE POINT.....3	3
6	43618GT	DECAL, LABEL - DIRECTION ARROWS.....2	2
7	44736GT	DECAL,DANGER,TIP-OVER,TILT.....1	1
8	44981GT	DECAL,LABEL, AIR LINE 110 PSI.....1	1
9	62055GT	DECAL,COSMETIC,GENIE GS-2032....2	2
10	82557GT	DECAL,LABEL,PLAT CONT LOCATION.....1	1
11	82693GT	DECAL,INSTR-MAX CAP 800 LBS.....1	1
12	82694GT	DECAL,INSTR-SIDE FRC,ANSI 2032....1	1
13	114386GT	DECAL,DANGER-GEN SAFETY.....1	1
14	133596GT	DECAL,LABEL,FAULT CODES.....1	1
15	137605GT	DECAL,E-STOP,GR/GRC/GS PCON....1	1
16	137656GT	DECAL,PROPEL,GR/GRC/GS,PCON....1	1
17	1256702GT	DECAL, UI, GS/GR, PROP LIFT.....1	1
18	1257185GT	DECAL,OP INST,PLAT,GS32 ANSI.....1	1
19	1257923GT	DECAL, SMARTLINK PROPORTIONAL.....2	2

# Platform, Australia models

NOTE:  
Part numbers with "(FR)"  
indicates French translation  
is available



## 104.1 Word Decals, GS-2032, Platform, Australia

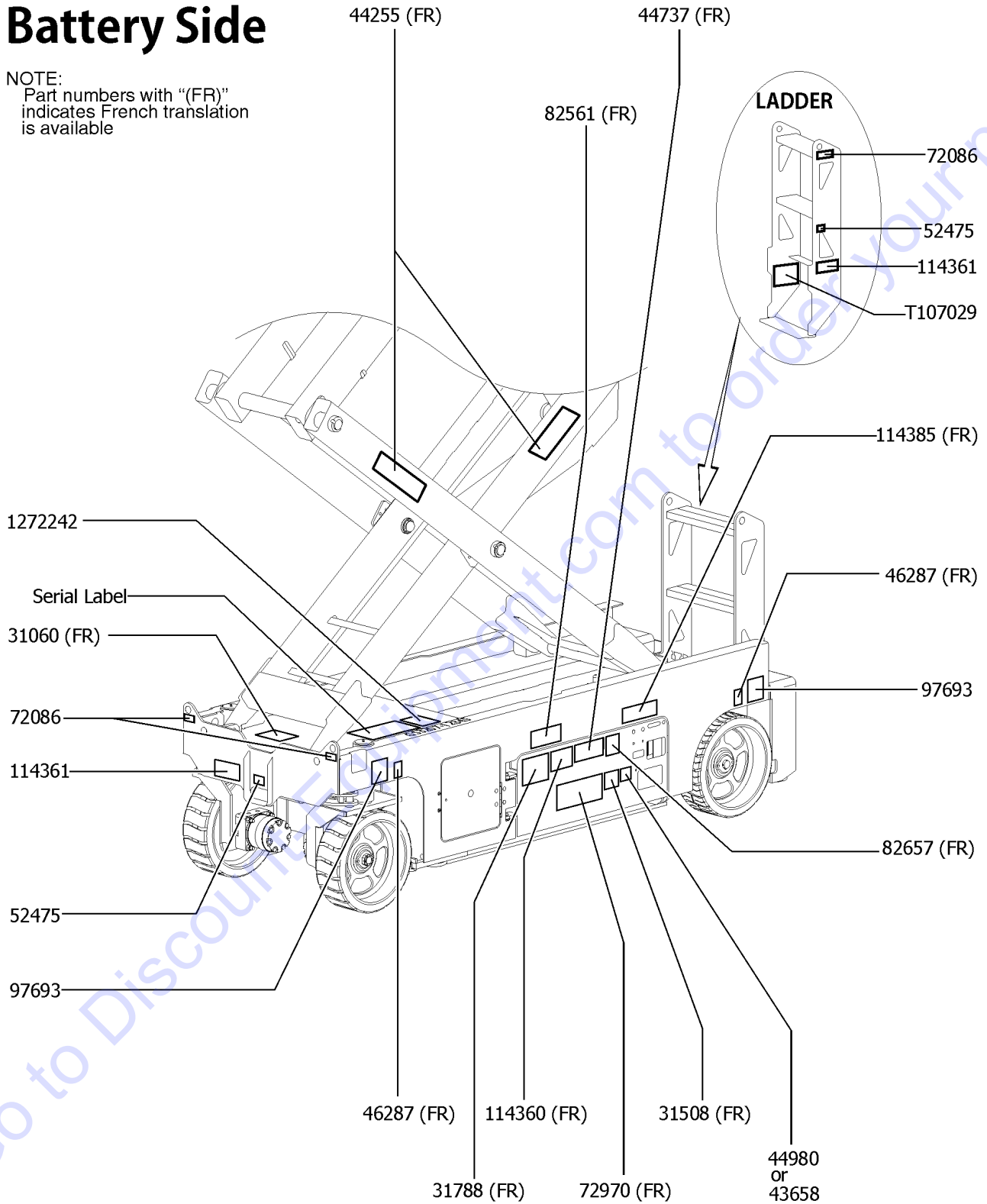
Item	Part No.	Description	Qty.
1	28174GT	DECAL, POWER TO PLATFORM 230V**.....	1
2	28176GT	DECAL,LABEL,MANUAL NOT HERE.....	1
3	28235GT	DECAL,POWER TO PLATFORM 115V...1	1
4	28236GT	DECAL,WARN,IMPROPER OPERATION.....	1
5	40434GT	DECAL,LANYARD ANCHORAGE POINT.....	3
6	43618GT	DECAL, LABEL - DIRECTION ARROWS.....	2
7	44736GT	DECAL,DANGER,TIP-OVER,TILT.....	1
8	44981GT	DECAL,LABEL, AIR LINE 110 PSI..... (Option)	1
9	62055GT	DECAL,COSMETIC,GENIE GS-2032....	2
10	82557GT	DECAL,LABEL,PLAT CONT LOCATION.....	1
11	82693GT	DECAL,INSTR-MAX CAP 800 LBS.....	1
12	97694GT	DECAL,INSTR-MANUALFRC,AUS 2032.....	1
13	114386GT	DECAL,DANGER-GEN SAFETY.....	1
14	133596GT	DECAL,LABEL,FAULT CODES.....	1
15	137605GT	DECAL,E-STOP,GR/GRC/GS PCON....	1
16	137656GT	DECAL,PROPEL,GR/GRC/GS,PCON....	1
17	1256702GT	DECAL, UI, GS/GR, PROP LIFT.....	1
18	1257187GT	DECAL,OP INST,PLAT,GS32,AUS.....	1
19	1257923GT	DECAL, SMARTLINK PROPORTIONAL.....	2



105.1 Word Decals, GS-2632, Battery Side, ANSI & Australia

# Battery Side

NOTE:  
Part numbers with "(FR)" indicates French translation is available



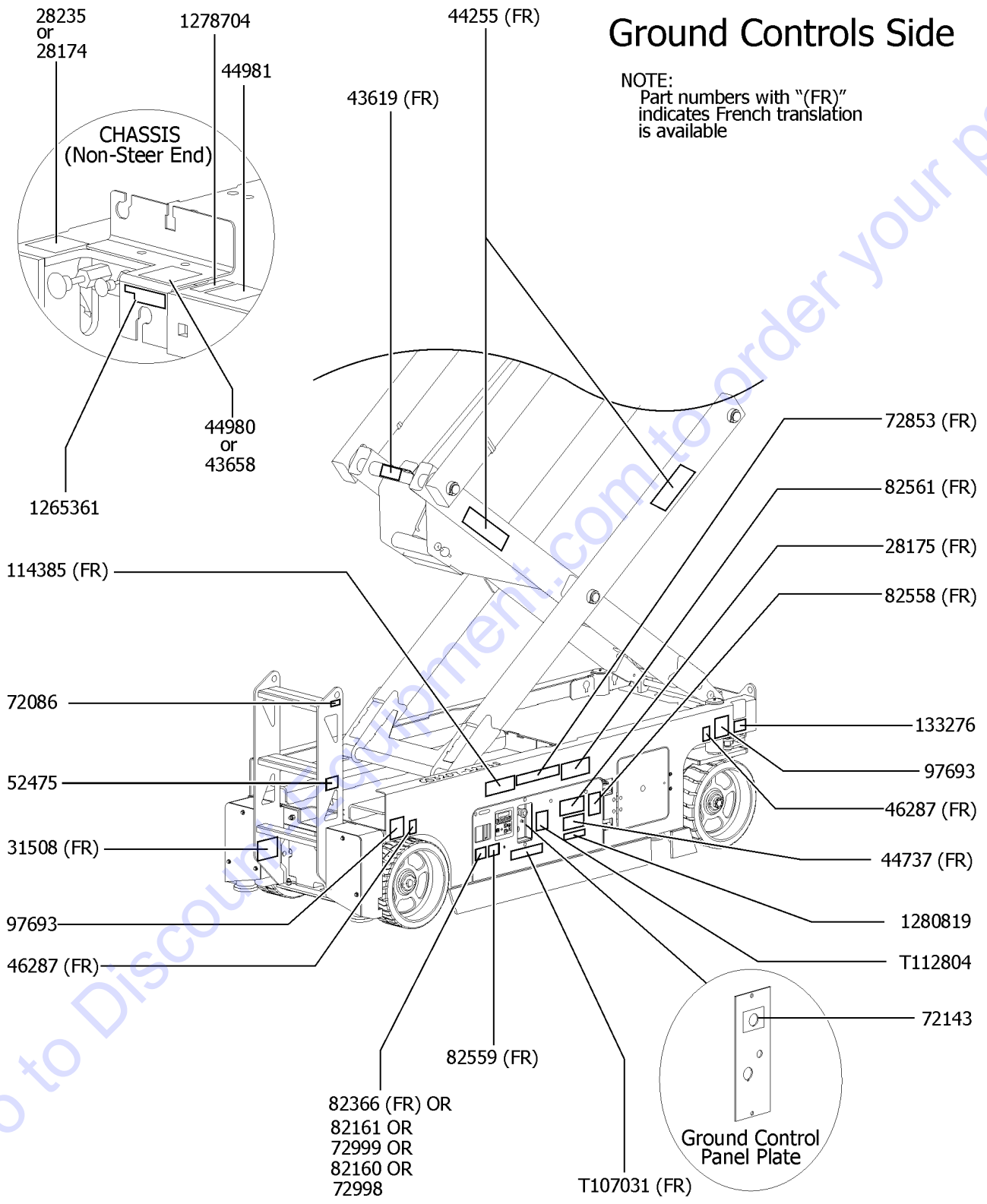
## 105.1 Word Decals, GS-2632, Battery Side, ANSI &amp; Australia

Item	Part No.	Description	Qty.
1	31060GT	DECAL,DANGER DO NOT ALTER SWTC.....	1
2	31508GT	DECAL,DANGER,ELECT HAZARD,PLUG..... <i>(Australia models only)</i>	1
3	31788GT	DECAL,DANGER,BATTERY SAFETY***.....	1
4	43658GT	DECAL,LABEL,PWR TO CHARGR 230V..... <i>(Australia models only)</i>	1
5	44255GT	DECAL,DANGER,CRUSHING HAZARD.....	2
6	44737GT	DECAL DANGER TIP OVER TRAYS.....	1
7	44980GT	DECAL,LABEL,PWR TO CHARGR 115V..... <i>(Australia models only)</i>	1
8	46287GT	DECAL,LABEL-TIRE SPECS.....	2
9	52475GT	DECAL,LABEL, TRANSPORT TIEDOWN*.....	2
10	72086GT	DECAL,LABEL,LIFTING EYE.....	3
11	72970GT	DECAL,INSTRUCTIONS-CHARGER OP.....	1
12	82561GT	DECAL,DANGER-USE SAFETY ARM.....	1
13	82657GT	DECAL,INSTRUCT,BATTERY CONNECT.....	1
14	97693GT	DECAL,LABEL,WHEEL LOAD 2632.....	2
15	114360GT	DECAL,DANGER-TIP-OVER,BATT.....	1
16	114361GT	DECAL,LABEL-TRANSPORT DIGRAM.....	2
17	114385GT	DECAL,DANGER,ELEC HAZARD,GS.....	1
18	1272242GT	DECAL,MACHINE REGISTRATION/OWNER TRANSFER....	1
19	T107029GT	DECAL,DANGER,BRAKE REL SAFETY.....	1

106.1 Word Decals, GS-2632, Ground Control Side, ANSI and Australia

# Ground Controls Side

NOTE:  
Part numbers with "(FR)" indicates French translation is available

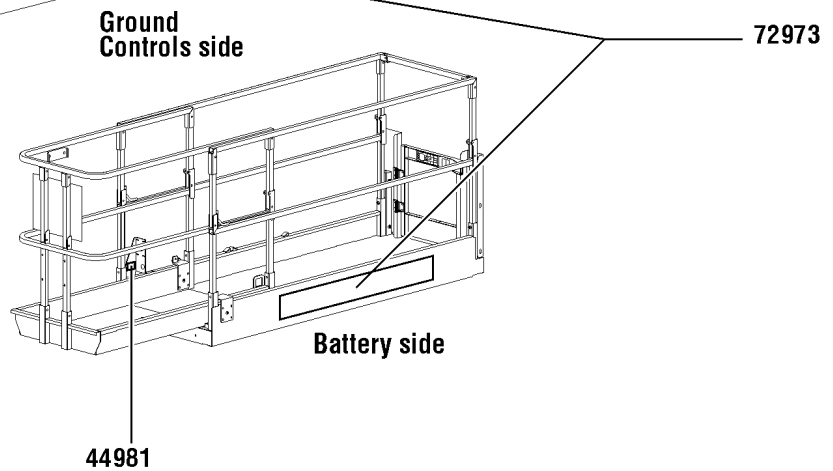
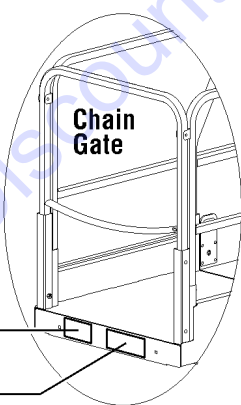
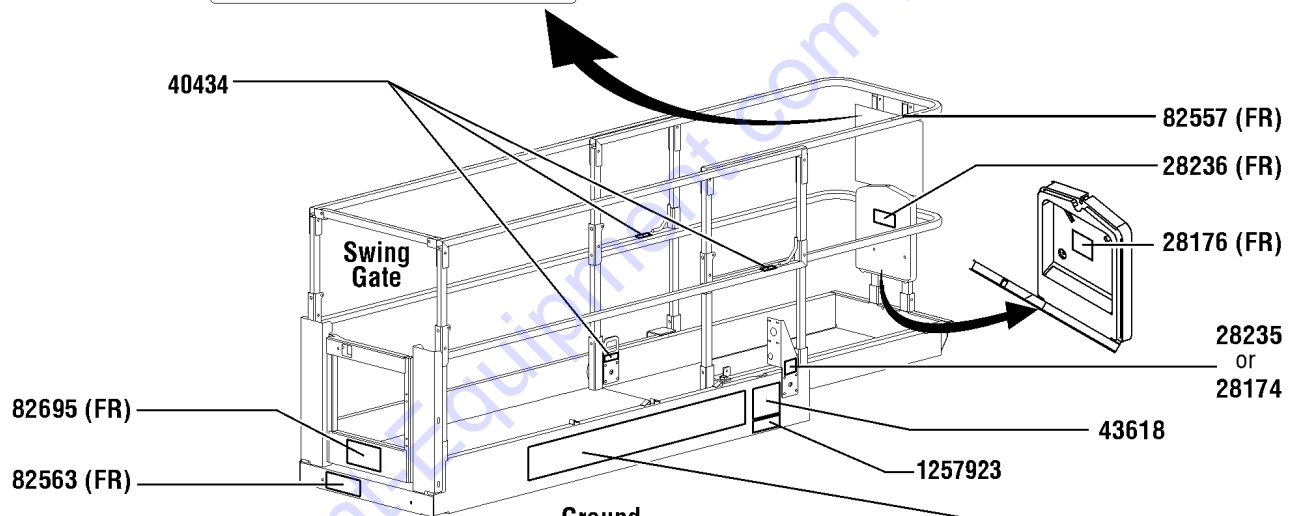
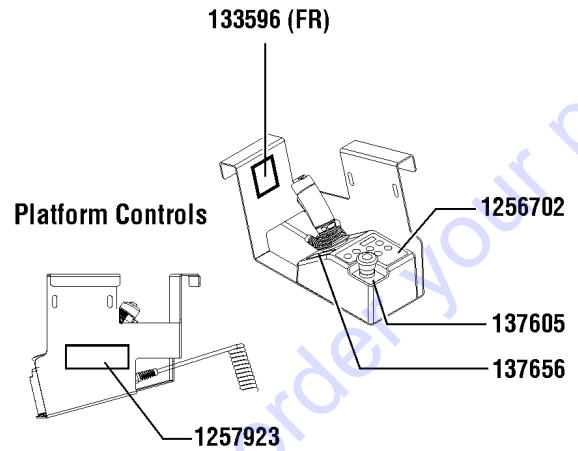
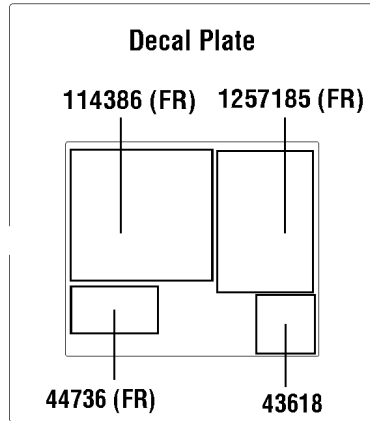


## 106.1 Word Decals, GS-2632, Ground Control Side, ANSI and Australia

Item	Part No.	Description	Qty.	Item	Part No.	Description	Qty.
1	28174GT	DECAL, POWER TO PLATFORM 230V**.....	1	28	T112804GT	DECAL,GCON PANEL,GS.....	1
2	28175GT	DECAL,WARNING-COMPART ACCESS.....	1	29	1265361GT	DECAL, BATTERY CHARGER INDICAT.....	1
3	28235GT	DECAL,POWER TO PLATFORM 115V.....	1			(ANSI from SN 146463 to 157195) (AUS from 146463)	
4	31508GT	DECAL,DANGER,ELECT HAZARD,PLUG.....	1	30	1278704GT	DECAL,CHARGE STATUS IND.....	1
		(For ANSI models only)				(ANSI from SN 157196)	
5	43619GT	DECAL,LABEL,SAFETY ARM.....	1	31	1280819GT	DECAL,WARNING,CANCER AND REPRODUCTIVE HARM, PROP 65.....	1
6	43658GT	DECAL,LABEL,PWR TO CHARGR 230V.....	1			(ANSI US only from SN 159075)	
		(For ANSI models only)					
7	44255GT	DECAL,DANGER,CRUSHING HAZARD.....	2				
8	46287GT	DECAL,LABEL-TIRE SPECS.....	2				
9	44737GT	DECAL DANGER TIP OVER TRAYS.....	1				
10	44980GT	DECAL,LABEL,PWR TO CHARGR 115V.....	1				
		(For ANSI models only)					
11	44981GT	DECAL,LABEL, AIR LINE 110 PSI.....	1				
		(Option)					
12	52475GT	DECAL,LABEL,TRANSPORT TIEDOWN*.....	1				
13	72086GT	DECAL,LABEL,LIFTING EYE.....	1				
14	72143GT	DECAL,EMERGENCY STOP,GR.....	1				
15	72853GT	DECAL,DANGER,IMPROPER USE HAZ.....	1				
16	72998GT	DECAL,LABEL,QUINTOLUBRIK.....	1				
		(models with Quintolub hydraulic oil)					
17	72999GT	DECAL,LABEL,PETRO CANADA***.....	1				
		(For models with Petro Canada hydraulic oil only)					
18	82160GT	DECAL,LABEL,STATOIL HYDRA WAY.....	1				
		(For models with Statoil hydraulic oil only)					
19	82161GT	DECAL,LABEL,UCON HYDROLUBE.....	1				
		(For models with Ucon Hydrolube hydraulic oil only)					
20	82366GT	DECAL,CHEVRON RANDO HD.....	1				
		(For models with Chevron Rando hydraulic oil only)					
21	82558GT	DECAL,WARN,SKIN INJECTION HAZ*.....	1				
22	82559GT	DECAL,INSTRUCT-ANNUAL INSP REQ.....	1				
23	82561GT	DECAL,DANGER-USE SAFETY ARM.....	1				
24	97693GT	DECAL,LABEL,WHEEL LOAD 2632.....	2				
25	114385GT	DECAL,DANGER,ELEC HAZARD,GS.....	1				
26	133276GT	DECAL,EMERGENCY LOWERING.....	1				
27	T107031GT	DECAL,OP INST,GCON.....	1				

# Platform, ANSI models

NOTE:  
Part numbers with "(FR)" indicates French translation is available

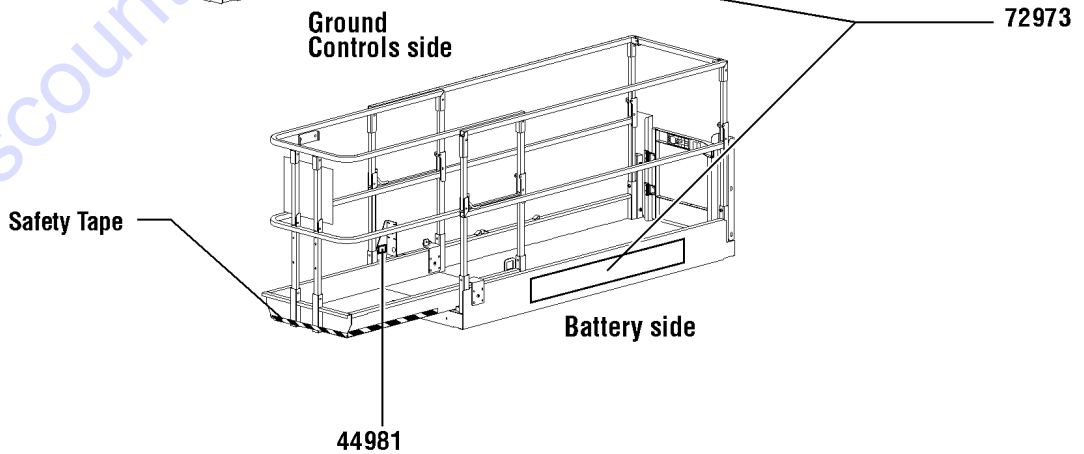
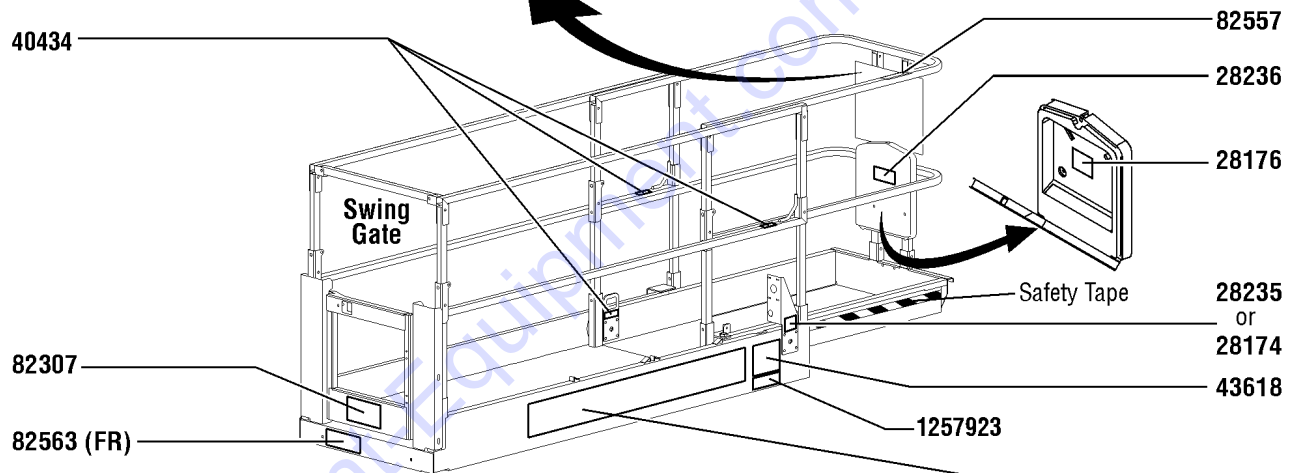
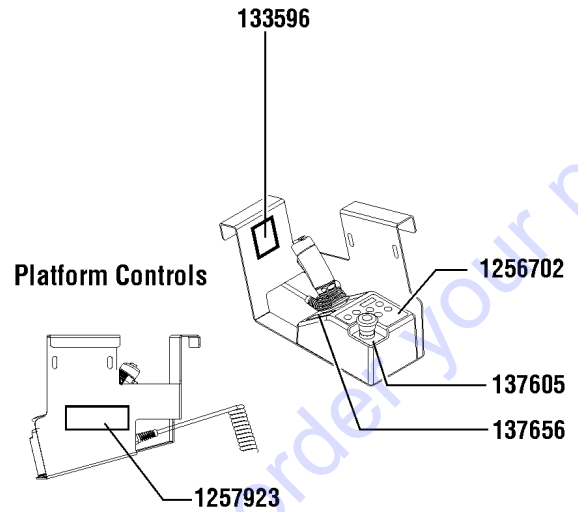
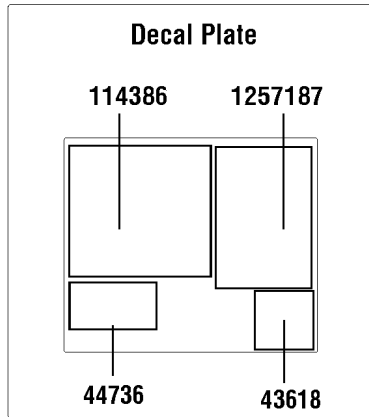


## 107.1 Word Decals, GS-2632, Platform, ANSI

Item	Part No.	Description	Qty.
1	28174GT	DECAL, POWER TO PLATFORM 230V**.....	1
2	28176GT	DECAL,LABEL,MANUAL NOT HERE.....	1
3	28235GT	DECAL,POWER TO PLATFORM 115V...1	1
4	28236GT	DECAL,WARN,IMPROPER OPERATION.....	1
5	40434GT	DECAL,LANYARD ANCHORAGE POINT.....	3
6	43618GT	DECAL, LABEL - DIRECTION ARROWS.....	2
7	44736GT	DECAL,DANGER,TIP-OVER,TILT.....	1
8	44981GT	DECAL,LABEL, AIR LINE 110 PSI.....	1
9	72973GT	DECAL,COSMETIC,GENIE GS-2632**...2	2
10	82557GT	DECAL,LABEL,PLAT CONT LOCATION.....	1
11	82563GT	DECAL,INSTR-MAX CAP 500 LBS.....1 <i>for GS2632 models</i>	1
12	82695GT	DECAL,INSTR-SIDE FRC,ANSI.....	1
13	114386GT	DECAL,DANGER-GEN SAFETY.....	1
14	133596GT	DECAL,LABEL,FAULT CODES.....	1
15	137605GT	DECAL,E-STOP,GR/GRC/GS PCON.....	1
16	137656GT	DECAL,PROPEL,GR/GRC/GS,PCON.....	1
17	1256702GT	DECAL, UI, GS/GR, PROP LIFT.....	1
18	1257185GT	DECAL,OP INST,PLAT,GS32 ANSI.....	1
19	1257923GT	DECAL, SMARTLINK PROPORTIONAL.....	2

# Platform, Australia models

NOTE:  
Part numbers with "(FR)"  
indicates French translation  
is available



## 108.1 Word Decals, GS-2632, Platform, Australia

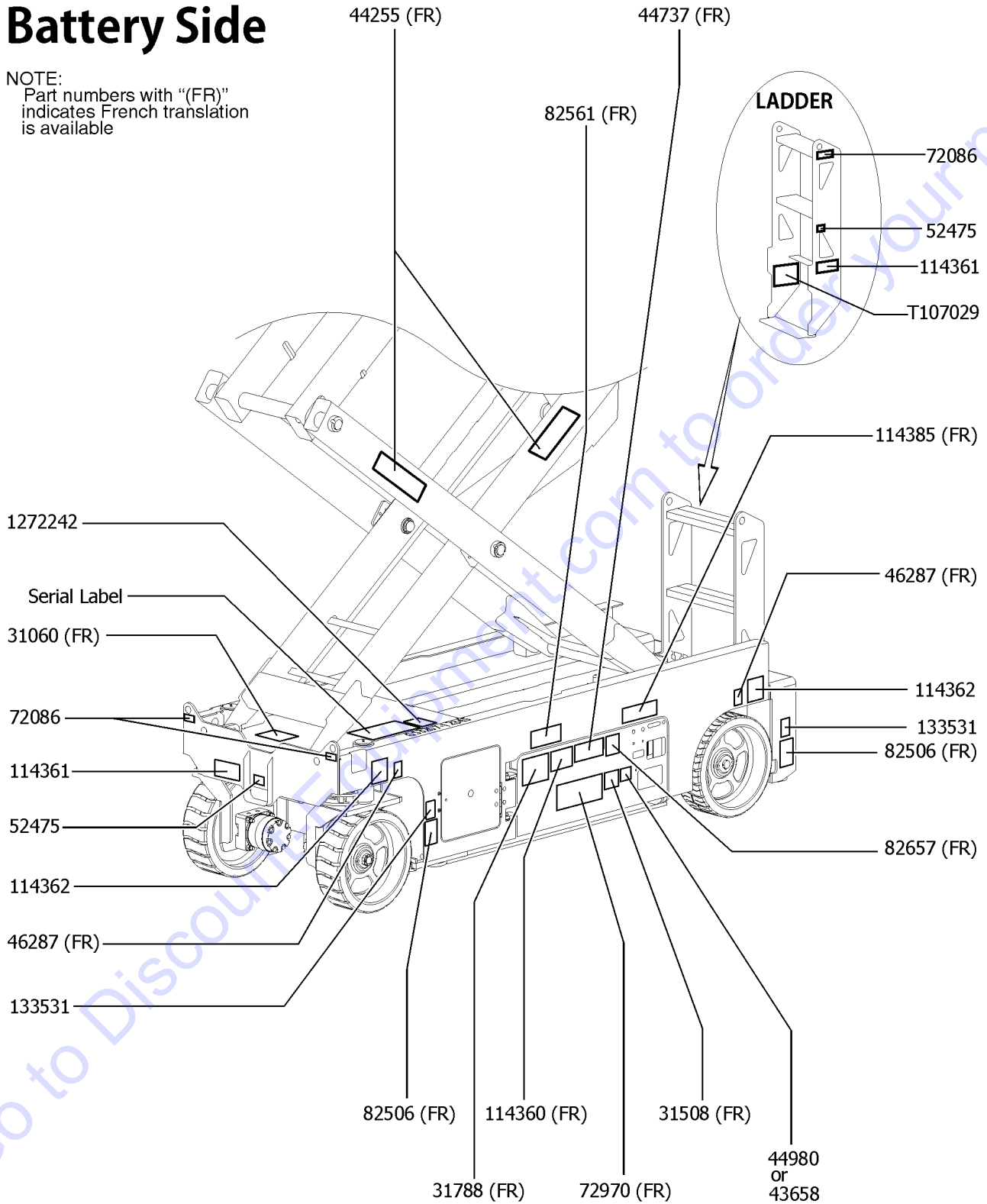
Item	Part No.	Description	Qty.
1	28174GT	DECAL, POWER TO PLATFORM 230V**.....	1
2	28176GT	DECAL,LABEL,MANUAL NOT HERE.....	1
3	28235GT	DECAL,POWER TO PLATFORM 115V...1	1
4	28236GT	DECAL,WARN,IMPROPER OPERATION.....	1
5	40434GT	DECAL,LANYARD ANCHORAGE POINT.....	3
6	43618GT	DECAL, LABEL - DIRECTION ARROWS.....	2
7	44736GT	DECAL,DANGER,TIP-OVER,TILT.....	1
8	44981GT	DECAL,LABEL, AIR LINE 110 PSI..... (Option)	1
9	72973GT	DECAL,COSMETIC,GENIE GS-2632**...1	1
10	82307GT	DECAL,INSTR,INDOOR,AUS-26/3232...1	1
11	82557GT	DECAL,LABEL,PLAT CONT LOCATION.....	1
12	82563GT	DECAL,INSTR-MAX CAP 500 LBS..... for GS-2632 models	1
13	114386GT	DECAL,DANGER-GEN SAFETY.....	1
14	133596GT	DECAL,LABEL,FAULT CODES.....	1
15	137605GT	DECAL,E-STOP,GR/GRC/GS PCON.....	1
16	137656GT	DECAL,PROPEL,GR/GRC/GS,PCON.....	1
17	1256702GT	DECAL, UI, GS/GR, PROP LIFT.....	1
18	1257187GT	DECAL,OP INST,PLAT,GS32,AUS.....	1
19	1257923GT	DECAL, SMARTLINK PROPORTIONAL.....	2



109.1 Word Decals, GS-3232, Battery Side, ANSI & Australia

# Battery Side

NOTE:  
Part numbers with "(FR)" indicates French translation is available



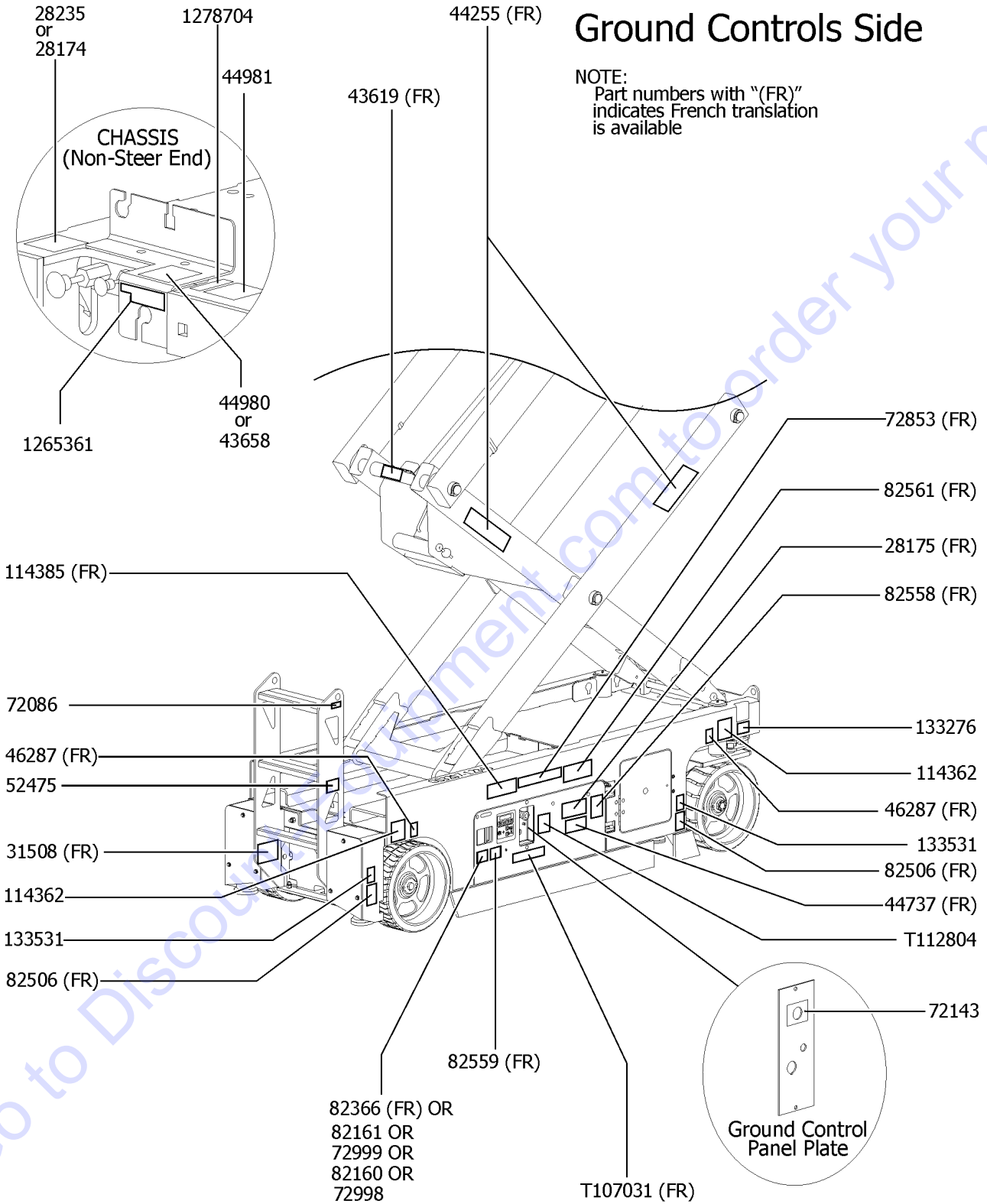
## 109.1 Word Decals, GS-3232, Battery Side, ANSI &amp; Australia

Item	Part No.	Description	Qty.
1	31060GT	DECAL,DANGER DO NOT ALTER SWTC.....	1
2	31508GT	DECAL,DANGER,ELECT HAZARD,PLUG..... <i>(Australia models only)</i>	1
3	31788GT	DECAL,DANGER,BATTERY SAFETY***.....	1
4	43658GT	DECAL,LABEL,PWR TO CHARGR 230V..... <i>(Australia models only)</i>	1
5	44255GT	DECAL,DANGER,CRUSHING HAZARD.....	1
6	44737GT	DECAL DANGER TIP OVER TRAYS.....	1
7	44980GT	DECAL,LABEL,PWR TO CHARGR 115V..... <i>(Australia models only)</i>	1
8	46287GT	DECAL,LABEL-TIRE SPECS.....	2
9	52475GT	DECAL,LABEL,TRANSPORT TIEDOWN*.....	2
10	72086GT	DECAL,LABEL,LIFTING EYE.....	3
11	72970GT	DECAL,INSTRUCTIONS-CHARGER OP.....	1
12	82506GT	DECAL,WARNING-FOOT CRUSHING.....	2
13	82561GT	DECAL,DANGER-USE SAFETY ARM.....	1
14	82657GT	DECAL,INSTRUCT,BATTERY CONNECT.....	1
15	114360GT	DECAL,DANGER-TIP-OVER,BATT.....	1
16	114361GT	DECAL,LABEL-TRANSPORT DIGRAM.....	2
17	114362GT	DECAL,LABEL-WHEEL LOAD,GS-3232.....	2
18	114385GT	DECAL,DANGER,ELEC HAZARD,GS.....	1
19	133531GT	LABEL,OUTRIGGER,LOAD,GS-3232.....	2
20	1272242GT	DECAL,MACHINE REGISTRATION/OWNER TRANSFER.....	1
21	T107029GT	DECAL,DANGER,BRAKE REL SAFETY.....	1

110.1 Word Decals, GS-3232, Ground Control Side, ANSI and Australia

# Ground Controls Side

NOTE:  
Part numbers with "(FR)" indicates French translation is available

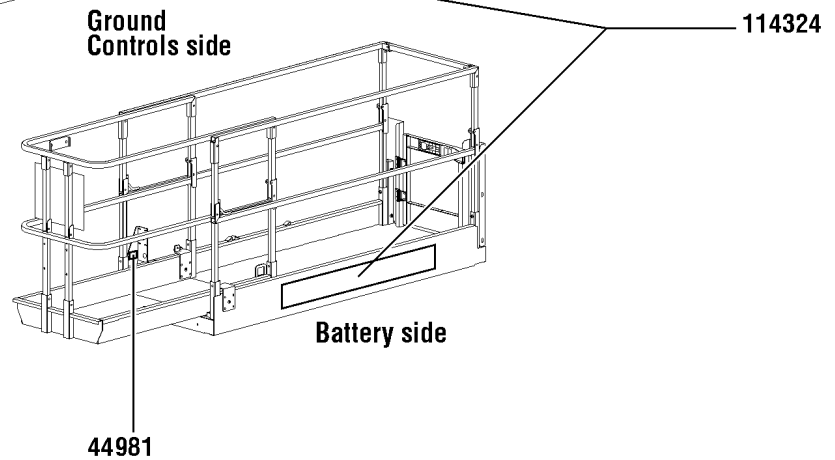
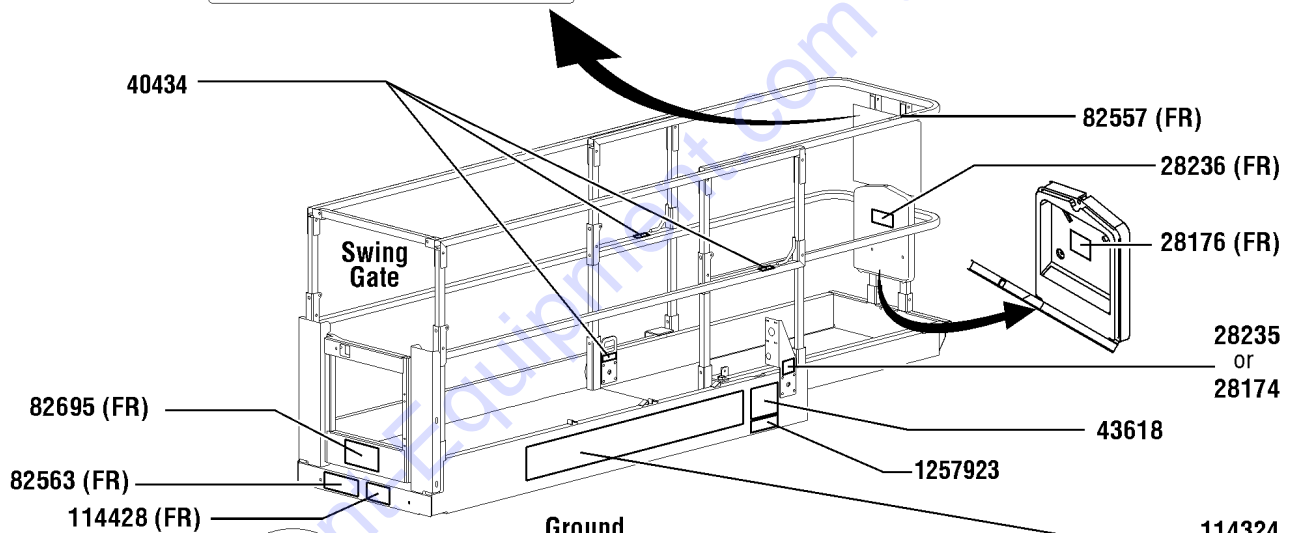
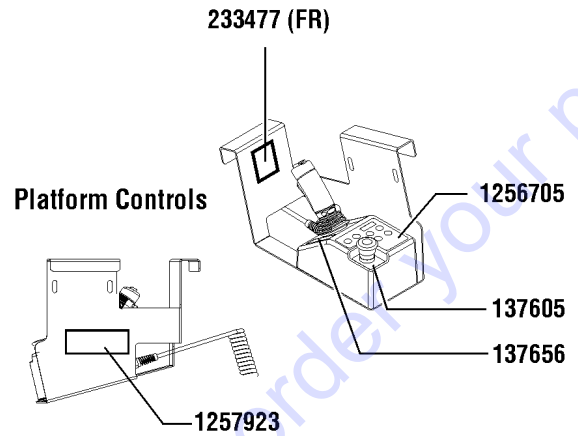
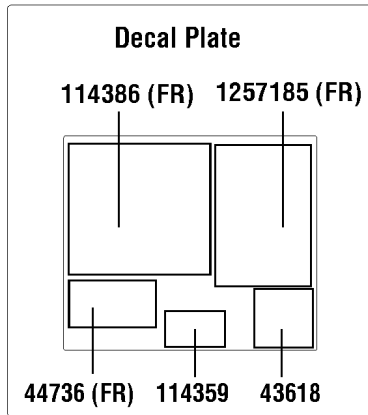


## 110.1 Word Decals, GS-3232, Ground Control Side, ANSI and Australia

Item	Part No.	Description	Qty.	Item	Part No.	Description	Qty.
1	28174GT	DECAL, POWER TO PLATFORM 230V**.....	1	27	133276GT	DECAL,EMERGENCY LOWERING.....	1
2	28175GT	DECAL,WARNING-COMPART ACCESS.....	1	28	133531GT	LABEL,OUTRIGGER,LOAD,GS-3232.....	2
3	28235GT	DECAL,POWER TO PLATFORM 115V.....	1	29	T107031GT	DECAL,OP INST,GCON.....	1
4	31508GT	DECAL,DANGER,ELECT HAZARD,PLUG..... <i>(For ANSI models only)</i>	1	30	T112804GT	DECAL,GCON PANEL,GS.....	1
5	43619GT	DECAL,LABEL,SAFETY ARM.....	1	31	1265361GT	DECAL, BATTERY CHARGER INDICAT..... <i>(ANSI from SN 146463 to 157195) (AUS from 146463)</i>	1
6	43658GT	DECAL,LABEL,PWR TO CHARGR 230V..... <i>(For ANSI models only)</i>	1	32	1278704GT	DECAL,CHARGE STATUS IND..... <i>(ANSI from 157196)</i>	1
7	44255GT	DECAL,DANGER,CRUSHING HAZARD.....	2				
8	46287GT	DECAL,LABEL-TIRE SPECS.....	2				
9	44737GT	DECAL DANGER TIP OVER TRAYS.....	1				
10	44980GT	DECAL,LABEL,PWR TO CHARGR 115V..... <i>(For ANSI models only)</i>	1				
11	44981GT	DECAL,LABEL, AIR LINE 110 PSI..... <i>(Option)</i>	1				
12	52475GT	DECAL,LABEL,TRANSPORT TIEDOWN*.....	1				
13	72086GT	DECAL,LABEL,LIFTING EYE.....	1				
14	72143GT	DECAL,EMERGENCY STOP,GR.....	1				
15	72853GT	DECAL,DANGER,IMPROPER USE HAZ.....	1				
16	72998GT	DECAL,LABEL,QUINTOLUBRIK..... <i>(models with Quintolub hydraulic oil)</i>	1				
17	72999GT	DECAL,LABEL,PETRO CANADA***..... <i>(For models with Petro Canada hydraulic oil only)</i>	1				
18	82160GT	DECAL,LABEL,STATOIL HYDRA WAY..... <i>(For models with Statoil hydraulic oil only)</i>	1				
19	82161GT	DECAL,LABEL,UCON HYDROLUBE..... <i>(For models with Ucon Hydrolube hydraulic oil only)</i>	1				
20	82366GT	DECAL,CHEVRON RANDO HD..... <i>(For models with Chevron Rando hydraulic oil only)</i>	1				
21	82506GT	DECAL,WARNING-FOOT CRUSHING....	2				
22	82558GT	DECAL,WARN,SKIN INJECTION HAZ*.....	1				
23	82559GT	DECAL,INSTRUCT-ANNUAL INSP REQ.....	1				
24	82561GT	DECAL,DANGER-USE SAFETY ARM....	1				
25	114362GT	DECAL,LABEL-WHEEL LOAD,GS-3232.....	2				
26	114385GT	DECAL,DANGER,ELEC HAZARD,GS....	1				

# Platform, ANSI models

NOTE:  
Part numbers with "(FR)" indicates French translation is available

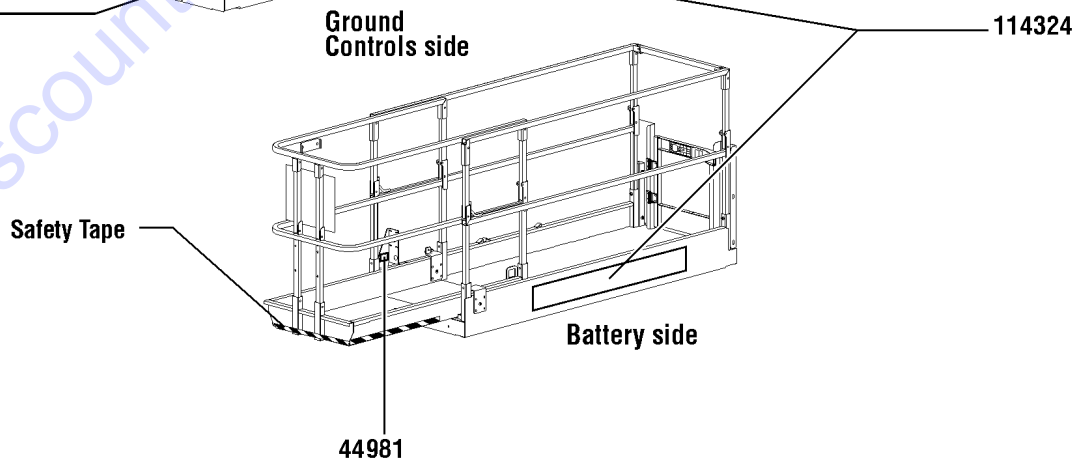
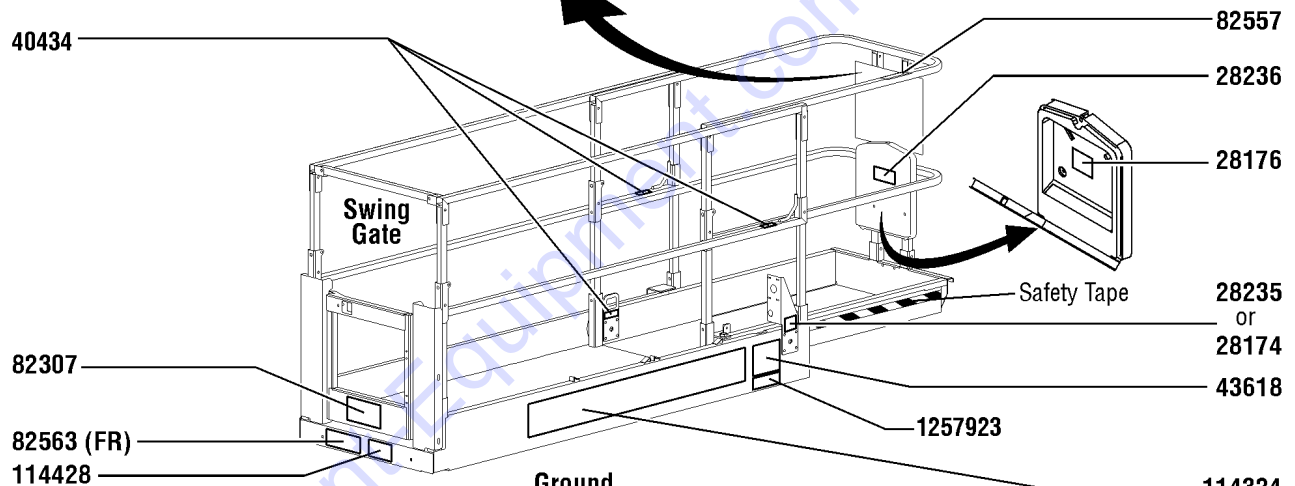
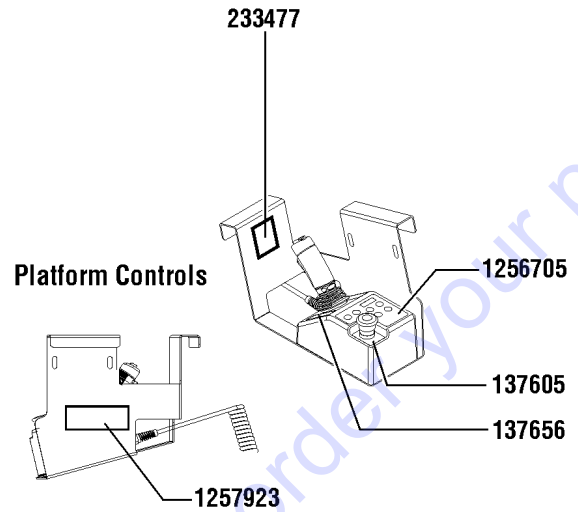
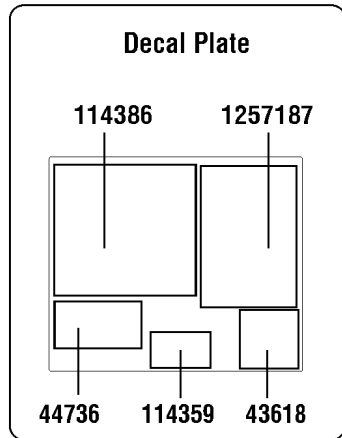


## 111.1 Word Decals, GS-3232, Platform, ANSI

Item	Part No.	Description	Qty.
1	28174GT	DECAL, POWER TO PLATFORM 230V**.....	1
2	28176GT	DECAL,LABEL,MANUAL NOT HERE.....	1
3	28235GT	DECAL,POWER TO PLATFORM 115V...1	1
4	28236GT	DECAL,WARN,IMPROPER OPERATION.....	1
5	40434GT	DECAL,LANYARD ANCHORAGE POINT.....	3
6	43618GT	DECAL, LABEL - DIRECTION ARROWS.....	2
7	44736GT	DECAL,DANGER,TIP-OVER,TILT.....	1
8	44981GT	DECAL,LABEL, AIR LINE 110 PSI.....	1
9	82557GT	DECAL,LABEL,PLAT CONT LOCATION.....	1
10	82563GT	DECAL,INSTR-MAX CAP 500 LBS.....1 <i>for GS3232 models</i>	1
11	82695GT	DECAL,INSTR-SIDE FRC,ANSI.....	1
12	114324GT	DECAL,COSMETIC-GENIE GS-3232....	2
13	114359GT	DANGER/INSTR-OUTRGR OP-GS3232.....	1
14	114386GT	DECAL,DANGER-GEN SAFETY.....	1
15	114428GT	DECAL,INSTRUCT,TRAVEL HEIGHT....	1
16	137605GT	DECAL,E-STOP,GR/GRC/GS PCON....	1
17	137656GT	DECAL,PROPEL,GR/GRC/GS,PCON....	1
18	233477GT	DECAL,LABEL,FAULT CODES.....	1
19	1256705GT	DECAL, O/R, PROP LIFT, UI, SVC.....	1
20	1257185GT	DECAL,OP INST,PLAT,GS32 ANSI.....	1
21	1257923GT	DECAL, SMARTLINK PROPORTIONAL.....	2

# Platform, Australia models

NOTE:  
Part numbers with "(FR)"  
indicates French translation  
is available



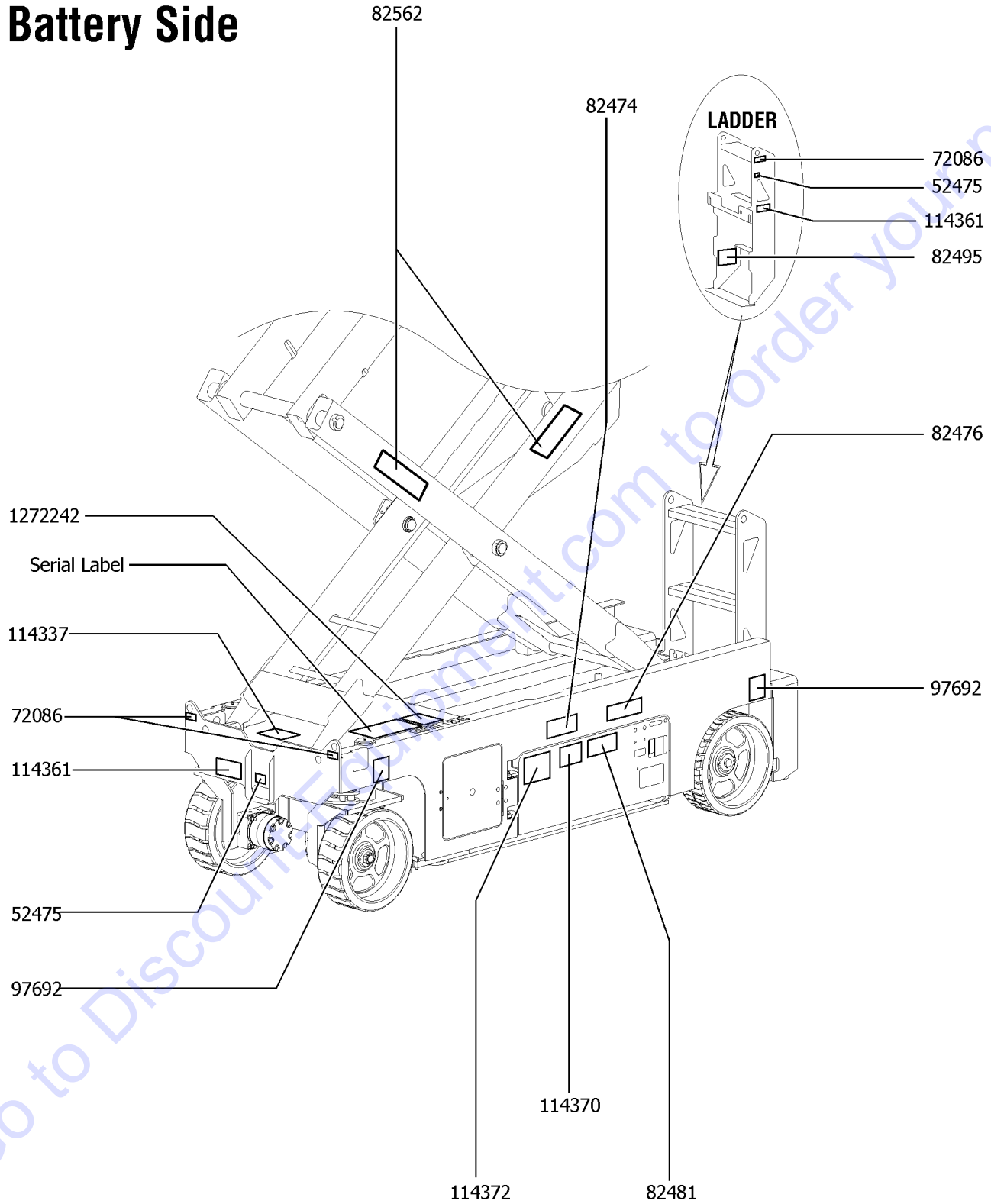
## 112.1 Word Decals, GS-3232, Platform, Australia

Item	Part No.	Description	Qty.
1	28174GT	DECAL, POWER TO PLATFORM 230V**.....	1
2	28176GT	DECAL,LABEL,MANUAL NOT HERE.....	1
3	28235GT	DECAL,POWER TO PLATFORM 115V...1	1
4	28236GT	DECAL,WARN,IMPROPER OPERATION.....	1
5	40434GT	DECAL,LANYARD ANCHORAGE POINT.....	3
6	43618GT	DECAL, LABEL - DIRECTION ARROWS.....	2
7	44736GT	DECAL,DANGER,TIP-OVER,TILT.....	1
8	44981GT	DECAL,LABEL, AIR LINE 110 PSI..... (Option)	1
9	82307GT	DECAL,INSTR,INDOOR,AUS-26/3232...1	1
10	82557GT	DECAL,LABEL,PLAT CONT LOCATION.....	1
11	82563GT	DECAL,INSTR-MAX CAP 500 LBS..... for GS3232 models	1
12	114324GT	DECAL,COSMETIC-GENIE GS-3232....1	1
13	114359GT	DANGER/INSTR-OUTRGR OP-GS3232.....	1
14	114386GT	DECAL,DANGER-GEN SAFETY.....	1
15	114428GT	DECAL,INSTRUCT,TRAVEL HEIGHT....1	1
16	137605GT	DECAL,E-STOP,GR/GRC/GS PCON....1	1
17	137656GT	DECAL,PROPEL,GR/GRC/GS,PCON....1	1
18	233477GT	DECAL,LABEL,FAULT CODES.....	1
19	1256705GT	DECAL, O/R, PROP LIFT, UI, SVC.....	1
20	1257187GT	DECAL,OP INST,PLAT,GS32,AUS.....	1
21	1257923GT	DECAL, SMARTLINK PROPORTIONAL.....	2



113.1 Symbol Decals, GS-2032, Battery Side, ANSI & CE

# Battery Side

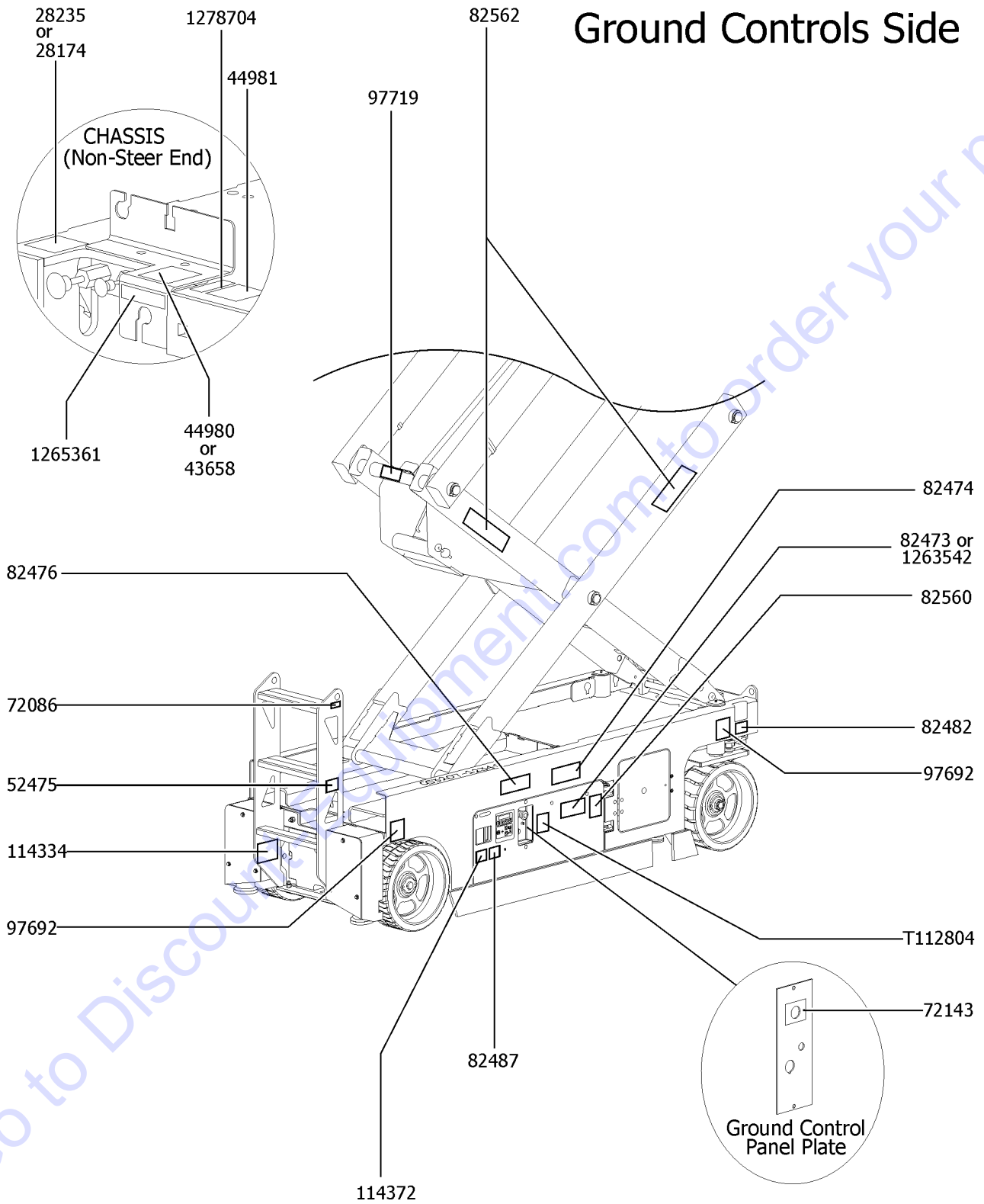


## 113.1 Symbol Decals, GS-2032, Battery Side, ANSI &amp; CE

Item	Part No.	Description	Qty.
1	52475GT	DECAL,LABEL,TRANSPORT TIEDOWN*.....	2
2	72086GT	DECAL,LABEL,LIFTING EYE.....	3
3	82474GT	DECAL,SYMBOL-USE SAFETY ARM....	1
4	82476GT	DECAL,SYMBOL-ELEC HAZARD,GS....	1
5	82481GT	DECAL,SYMBOL-BATTERY SAFETY....	1
6	82495GT	DECAL,SYMBOL-BRAKE REL SAFETY.....	1
7	82562GT	DECAL,SYMBOL-CRUSHING HAZARD.....	2
8	97692GT	DECAL,LABEL,WHEEL LOAD 2032....	2
9	114337GT	DECAL,SYM-TIP-OVER,LIM SWITCH....	1
10	114361GT	DECAL,LABEL-TRANSPORT DIGRAM.....	2
11	114370GT	DECAL-SYM-TIP-OVR,BATTRIES.....	1
12	114372GT	DECAL SYMBOL TIP OVER TRAYS.....	1
13	1272242GT	DECAL,MACHINE REGISTRATION/OWNER TRANSFER....	1

114.1 Symbol Decals, GS-2032, Ground Control Side, ANSI & CE

# Ground Controls Side

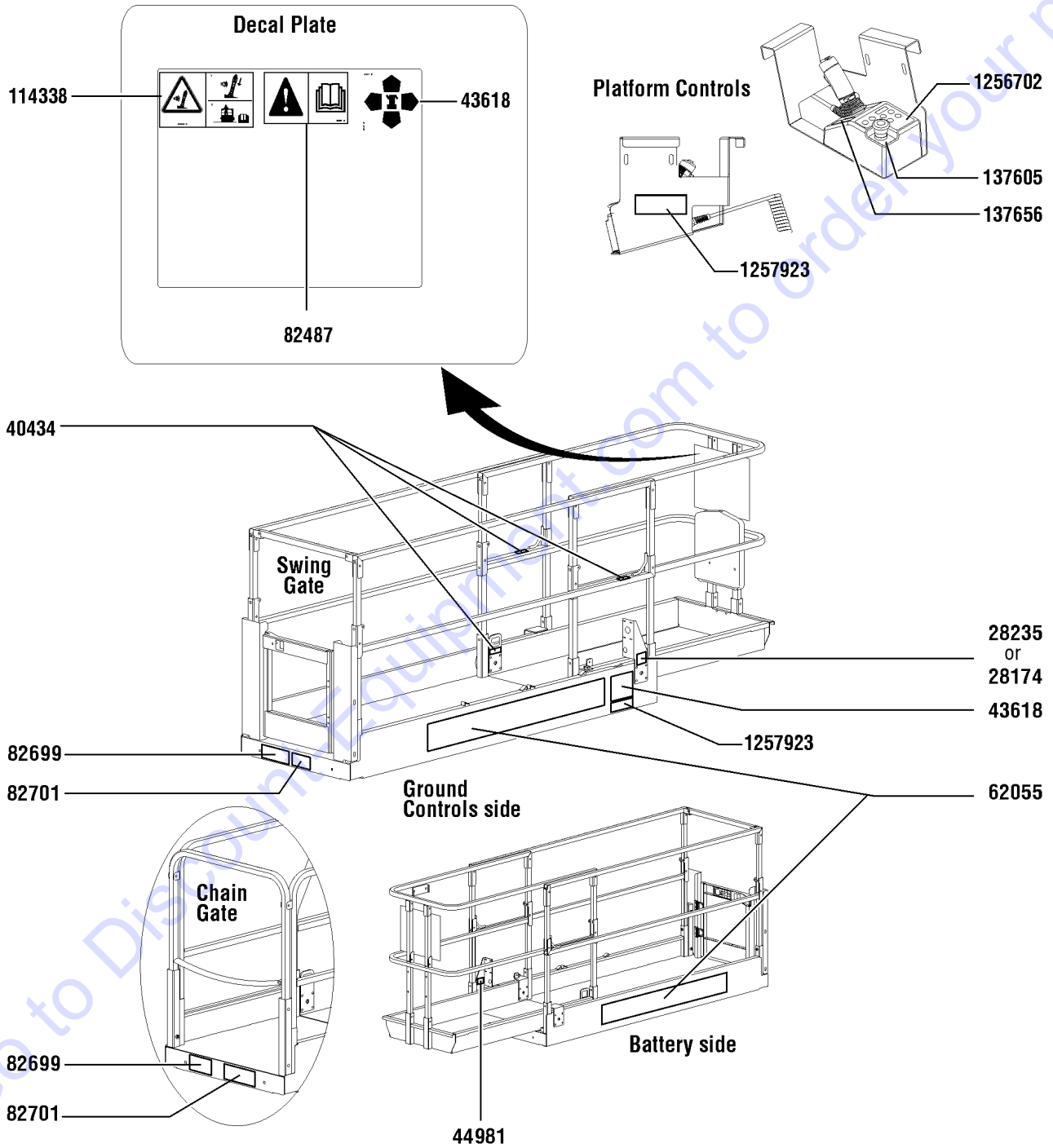


## 114.1 Symbol Decals, GS-2032, Ground Control Side, ANSI &amp; CE

Item	Part No.	Description	Qty.
1	28174GT	DECAL, POWER TO PLATFORM 230V**.....	1
2	28235GT	DECAL,POWER TO PLATFORM 115V...1	1
3	43658GT	DECAL,LABEL,PWR TO CHARGR 230V.....	1
4	44980GT	DECAL,LABEL,PWR TO CHARGR 115V.....	1
5	44981GT	DECAL,LABEL, AIR LINE 110 PSI.....1 (Option)	1
6	52475GT	DECAL,LABEL,TRANSPORT TIEDOWN*.....	1
7	72086GT	DECAL,LABEL,LIFTING EYE.....	1
8	72143GT	DECAL,EMERGENCY STOP,GR.....	1
9	82473GT	DECAL,SYMBOL-COMP ACCESS.....1 to SN GS32P-150574	1
10	82474GT	DECAL,SYMBOL-USE SAFETY ARM...1	1
11	82476GT	DECAL,SYMBOL-ELEC HAZARD,GS....1	1
12	82482GT	DECAL,LABEL,AUX LOWERING.....	1
13	82487GT	DECAL, SYMBOL - READ THE MANUAL.....	1
14	82560GT	DECAL,SYMBOL-SKIN INJECT HAZRD.....	1
15	82562GT	DECAL,SYMBOL-CRUSHING HAZARD.....	2
16	97692GT	DECAL,LABEL,WHEEL LOAD 2032.....	2
17	97719GT	DECAL, LABEL, SAFETY ARM SYMB...1	1
18	114334GT	DECAL,SYM-ELEC HAZARD,PLUG.....	1
19	114372GT	DECAL SYMBOL TIP OVER TRAYS.....	1
20	T112804GT	DECAL,GCON PANEL,GS.....	1
21	1263542GT	DECAL, COMPARTMENT ACCESS.....1 from SN GS32P-150575	1
22	1265361GT	DECAL, BATTERY CHARGER INDICAT..... from SN 146463 to 157195	1
23	1278704GT	DECAL,CHARGE STATUS IND.....1 from 157196	1

115.1 Symbol Decals, GS-2032, Platform, ANSI

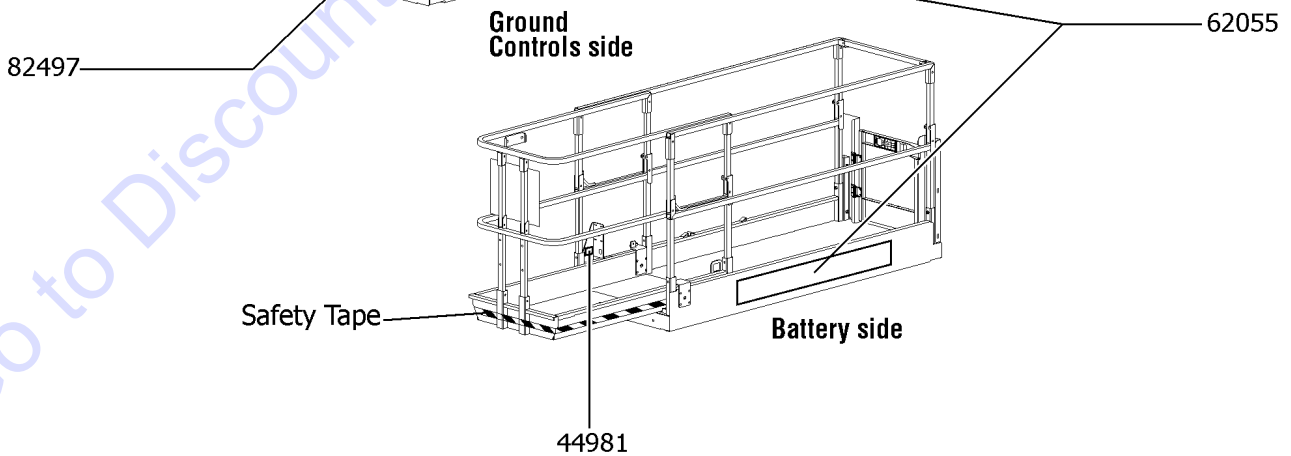
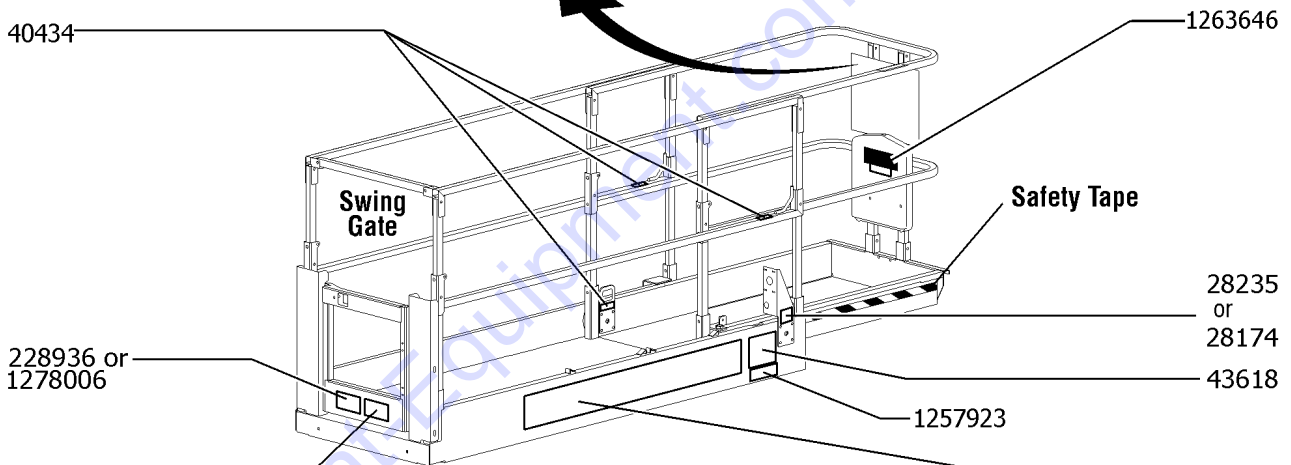
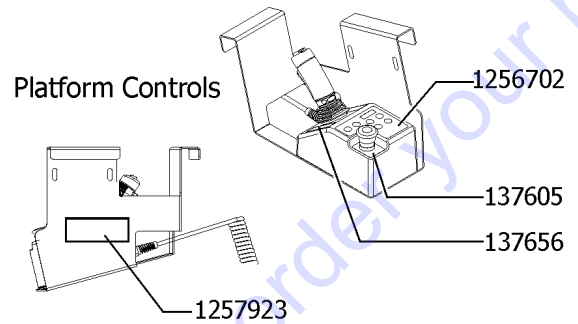
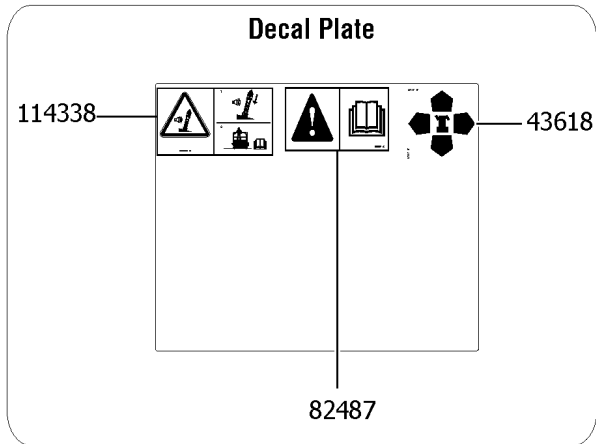
# Platform, ANSI models



## 115.1 Symbol Decals, GS-2032, Platform, ANSI

Item	Part No.	Description	Qty.
1	28174GT	DECAL, POWER TO PLATFORM 230V**.....	1
2	28235GT	DECAL,POWER TO PLATFORM 115V...1	1
3	40434GT	DECAL,LANYARD ANCHORAGE POINT.....	3
4	43618GT	DECAL, LABEL - DIRECTION ARROWS.....	2
5	44981GT	DECAL,LABEL, AIR LINE 110 PSI.....1 (Option)	1
6	62055GT	DECAL,COSMETIC,GENIE GS-2032.....2	2
7	82487GT	DECAL, SYMBOL - READ THE MANUAL.....	1
8	82699GT	DECAL,SYM-MAXCAP 800.....	1
9	82701GT	DECAL,SYM-SIDE FORCE 534N.....	1
10	114338GT	DECAL,SYM-TIP-OVER,TILT ALARM.....	1
11	137605GT	DECAL,E-STOP,GR/GRC/GS PCON.....	1
13	137656GT	DECAL,PROPEL,GR/GRC/GS,PCON.....	1
14	1256702GT	DECAL, UI, GS/GR, PROP LIFT.....	1
15	1257923GT	DECAL, SMARTLINK PROPORTIONAL.....	2

# Platform, CE models



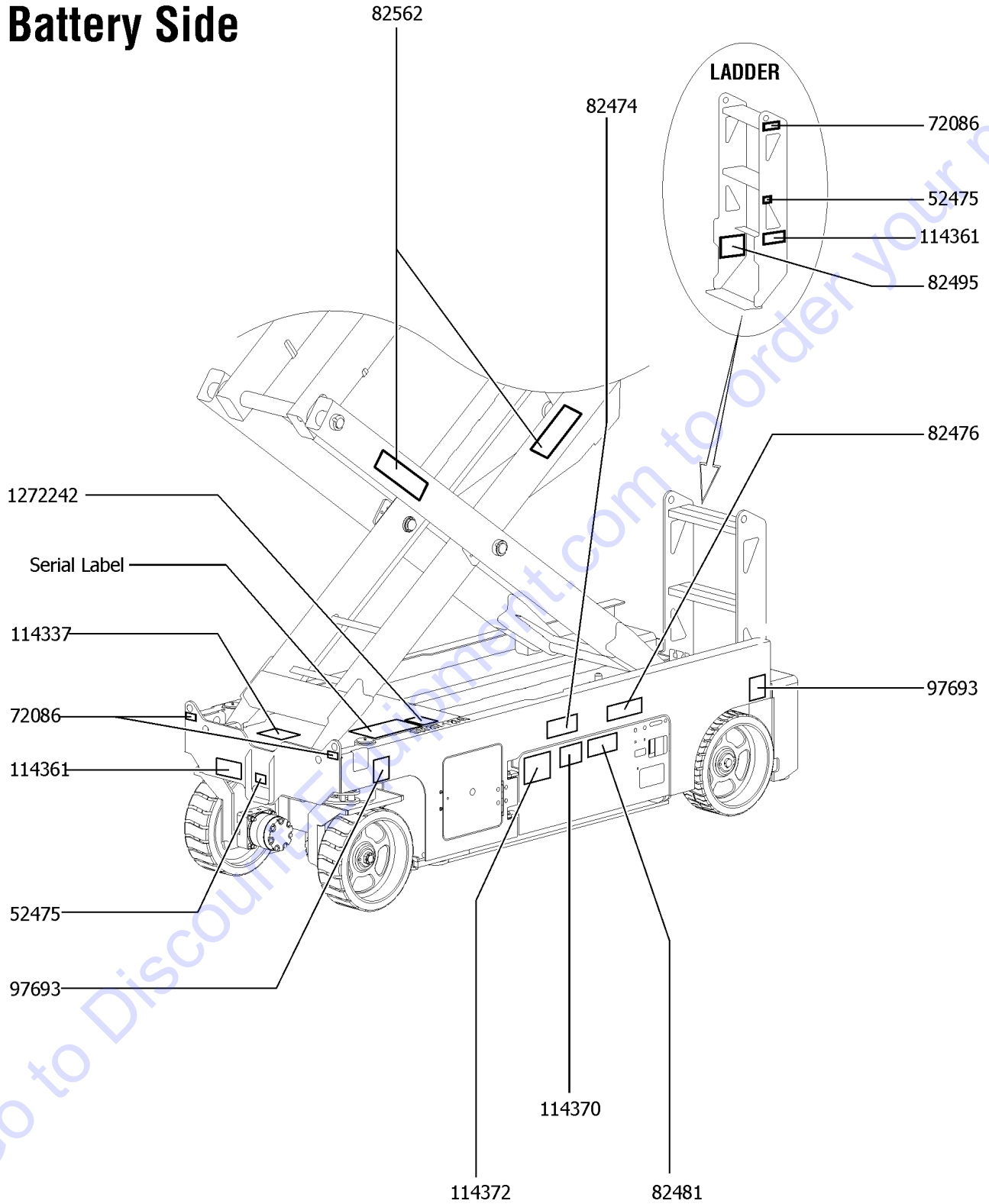
## 116.1 Symbol Decals, GS-2032, Platform, CE

Item	Part No.	Description	Qty.
1	28174GT	DECAL, POWER TO PLATFORM 230V**.....	1
2	28235GT	DECAL,POWER TO PLATFORM 115V...1	1
3	40434GT	DECAL,LANYARD ANCHORAGE POINT.....	3
4	43618GT	DECAL, LABEL - DIRECTION ARROWS.....	2
5	44981GT	DECAL,LABEL, AIR LINE 110 PSI.....1 (Option)	1
6	62055GT	DECAL,COSMETIC,GENIE GS-2032.....2	2
7	82487GT	DECAL, SYMBOL - READ THE MANUAL.....	1
8	82497GT	DECAL,SYM-SIDEFORCE 200400.....1	1
9	114338GT	DECAL,SYM-TIP-OVER,TILT ALARM....1	1
10	137605GT	DECAL,E-STOP,GR/GRC/GS PCON....1	1
11	137656GT	DECAL,PROPEL,GR/GRC/GS,PCON....1	1
12	228936GT	DECAL,INST MAX CAP 363 KG,SYM....1 to SN GS32P-150574	1
13	1256702GT	DECAL, UI, GS/GR, PROP LIFT.....1	1
14	1257923GT	DECAL, SMARTLINK PROPORTIONAL.....	2
15	1263646GT	DECAL,QR CODE,PARTS&SERVICE MANUAL.....	1
16	1278006GT	DECAL, SYMBOL, CE, MAXIMUM CAPACITY, 363KG.....1 from SN GS32P-150575	1



117.1 Symbol Decals, GS-2632, Battery Side, ANSI & CE

# Battery Side

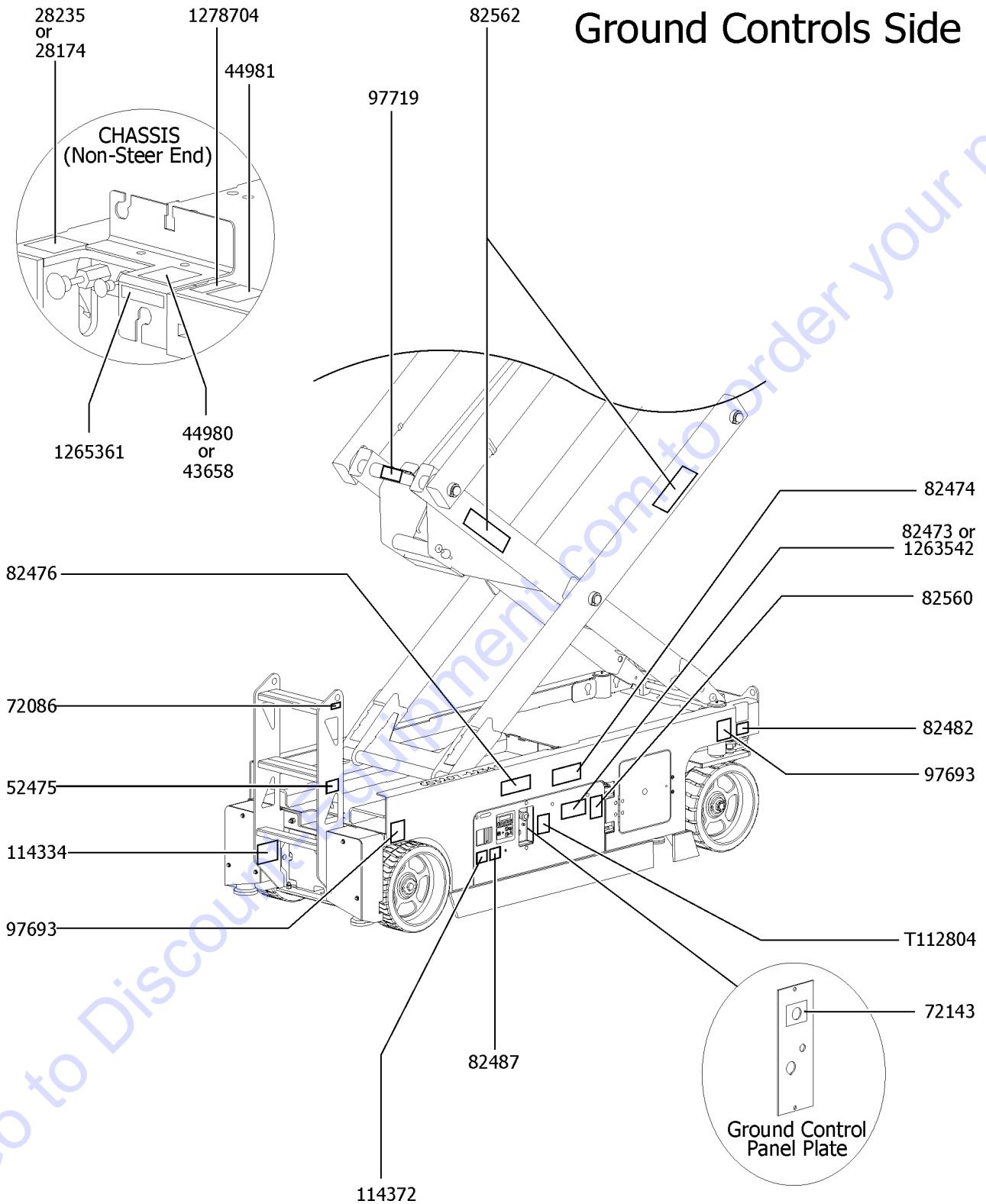


## 117.1 Symbol Decals, GS-2632, Battery Side, ANSI &amp; CE

Item	Part No.	Description	Qty.
1	52475GT	DECAL,LABEL,TRANSPORT TIEDOWN*.....	2
2	72086GT	DECAL,LABEL,LIFTING EYE.....	3
3	82474GT	DECAL,SYMBOL-USE SAFETY ARM....	1
4	82476GT	DECAL,SYMBOL-ELEC HAZARD,GS....	1
5	82481GT	DECAL,SYMBOL-BATTERY SAFETY....	1
6	82495GT	DECAL,SYMBOL-BRAKE REL SAFETY.....	1
7	82562GT	DECAL,SYMBOL-CRUSHING HAZARD.....	2
8	97693GT	DECAL,LABEL,WHEEL LOAD 2632....	2
9	114337GT	DECAL,SYM-TIP-OVER,LIM SWITCH....	1
10	114361GT	DECAL,LABEL-TRANSPORT DIGRAM.....	2
11	114370GT	DECAL-SYM-TIP-OVR,BATTRIES.....	1
12	114372GT	DECAL SYMBOL TIP OVER TRAYS.....	1
13	1272242GT	DECAL,MACHINE REGISTRATION/OWNER TRANSFER....	1

118.1 Symbol Decals, GS-2632, Ground Control Side, ANSI and CE

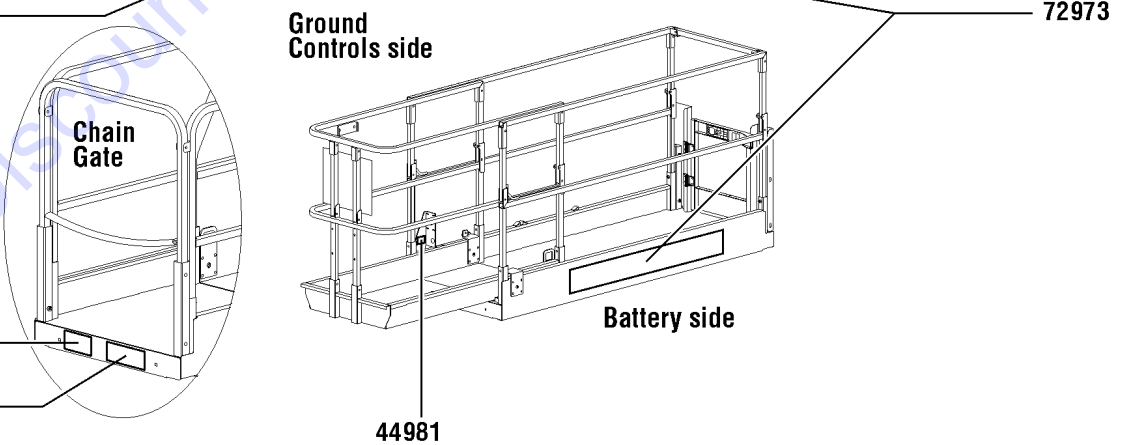
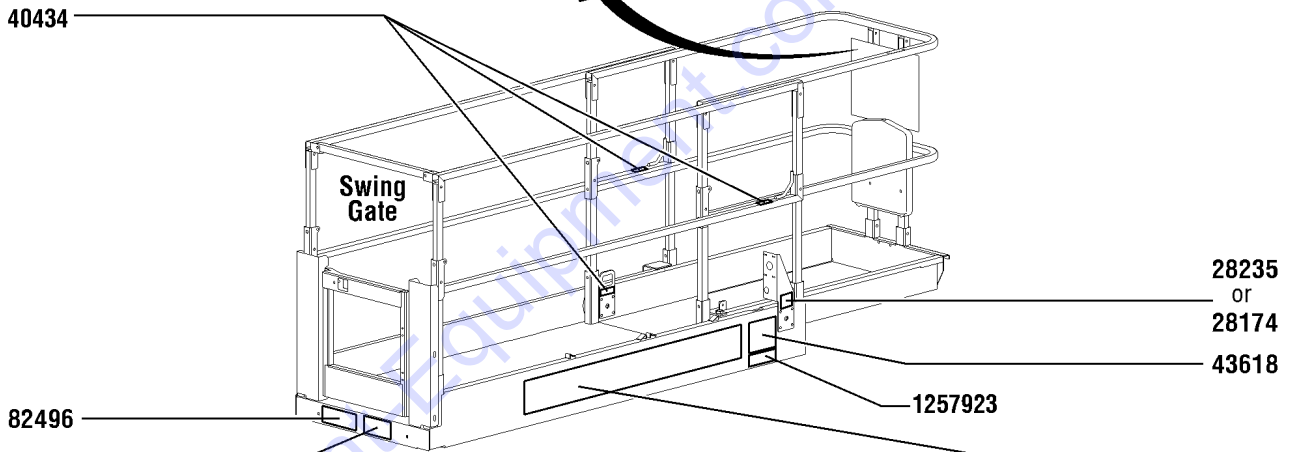
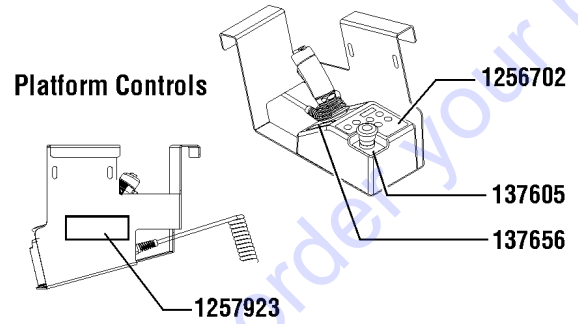
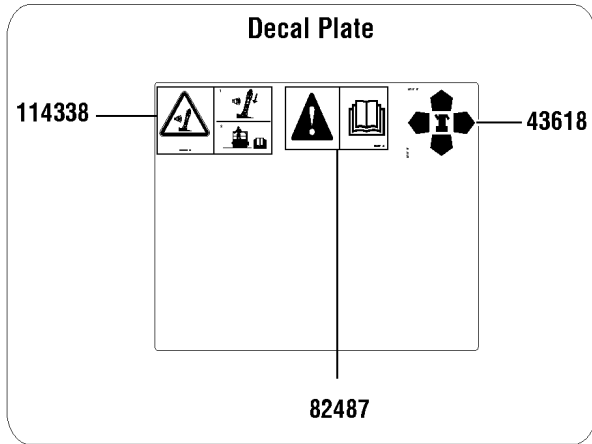
# Ground Controls Side



## 118.1 Symbol Decals, GS-2632, Ground Control Side, ANSI and CE

Item	Part No.	Description	Qty.
1	28174GT	DECAL, POWER TO PLATFORM 230V**.....	1
2	28235GT	DECAL,POWER TO PLATFORM 115V...1	1
3	43658GT	DECAL,LABEL,PWR TO CHARGR 230V.....	1
4	44980GT	DECAL,LABEL,PWR TO CHARGR 115V.....	1
5	44981GT	DECAL,LABEL, AIR LINE 110 PSI.....1 (Option)	1
6	52475GT	DECAL,LABEL,TRANSPORT TIEDOWN*.....	1
7	72086GT	DECAL,LABEL,LIFTING EYE.....	1
8	72143GT	DECAL,EMERGENCY STOP,GR.....	1
9	82473GT	DECAL,SYMBOL-COMP ACCESS.....1 to SN GS32P-150574	1
10	82474GT	DECAL,SYMBOL-USE SAFETY ARM...1	1
11	82476GT	DECAL,SYMBOL-ELEC HAZARD,GS....1	1
12	82482GT	DECAL,LABEL,AUX LOWERING.....	1
13	82487GT	DECAL, SYMBOL - READ THE MANUAL.....	1
14	82560GT	DECAL,SYMBOL-SKIN INJECT HAZRD.....	1
15	82562GT	DECAL,SYMBOL-CRUSHING HAZARD.....	2
16	97693GT	DECAL,LABEL,WHEEL LOAD 2632.....2	2
17	97719GT	DECAL, LABEL, SAFETY ARM SYMB...1	1
18	114334GT	DECAL,SYM-ELEC HAZARD,PLUG.....1	1
19	114372GT	DECAL SYMBOL TIP OVER TRAYS.....1	1
20	1263542GT	DECAL, COMPARTMENT ACCESS.....1	1
21	T112804GT	DECAL,GCON PANEL,GS.....1 from SN GS32P-150575	1
22	1265361GT	DECAL, BATTERY CHARGER INDICAT.....1 from SN 146463 to 157195	1
23	1278704GT	DECAL,CHARGE STATUS IND.....1 from 157196	1

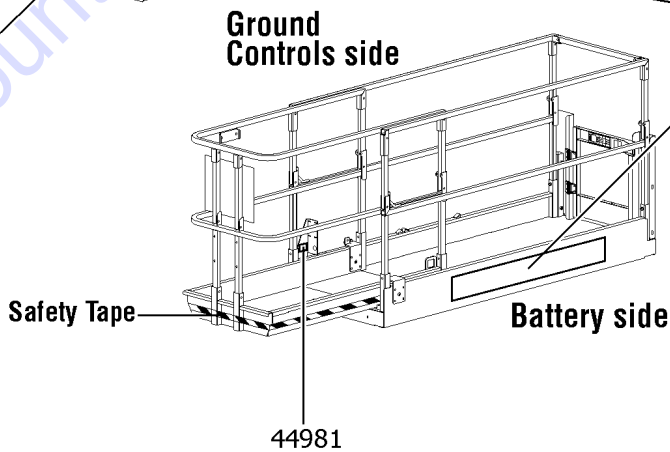
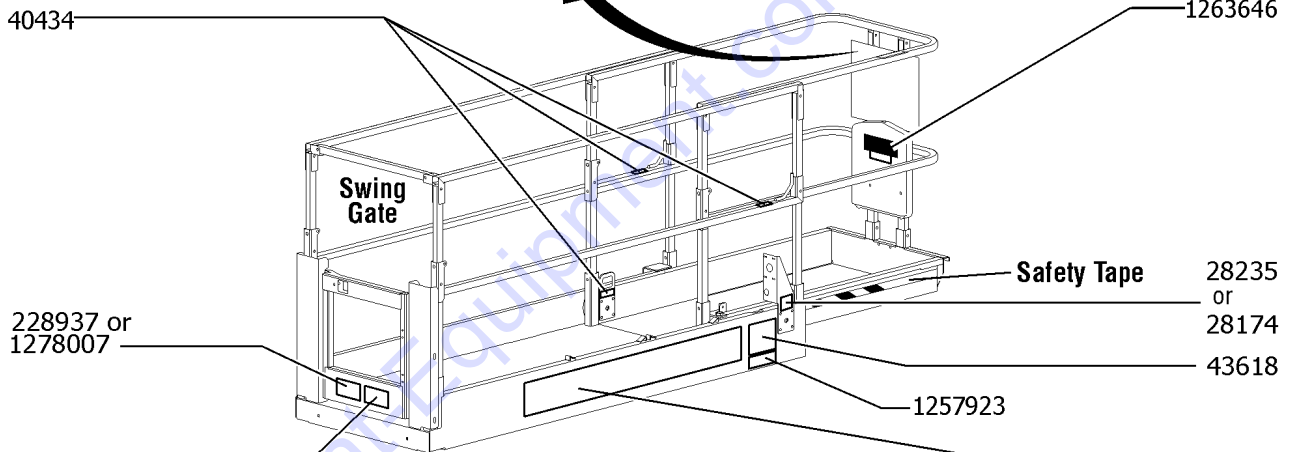
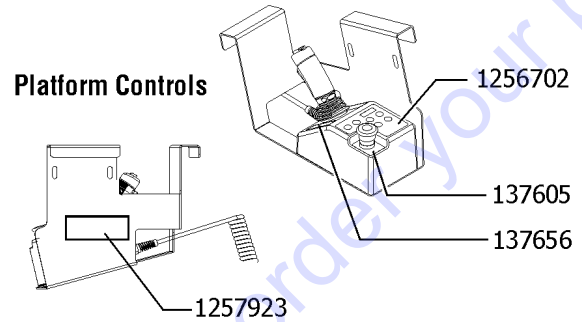
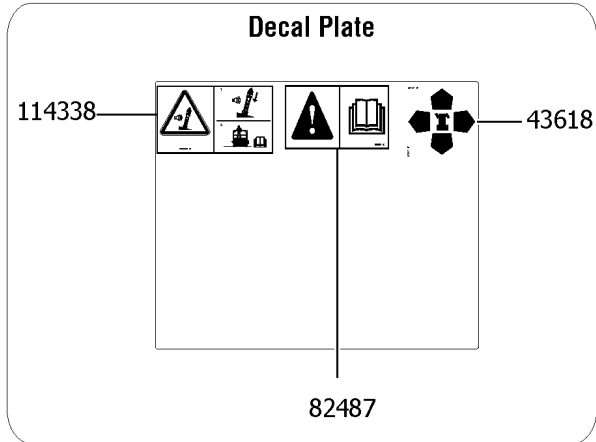
# Platform, ANSI models



## 119.1 Symbol Decals, GS-2632, Platform, ANSI

Item	Part No.	Description	Qty.
1	28174GT	DECAL, POWER TO PLATFORM 230V**.....	1
2	28235GT	DECAL,POWER TO PLATFORM 115V....	1
3	40434GT	DECAL,LANYARD ANCHORAGE POINT.....	3
4	43618GT	DECAL, LABEL - DIRECTION ARROWS.....	2
5	44981GT	DECAL,LABEL, AIR LINE 110 PSI..... (Option)	1
6	72973GT	DECAL,COSMETIC,GENIE GS-2632**...2	2
7	82487GT	DECAL, SYMBOL - READ THE MANUAL.....	1
8	82496GT	DECAL,SYM-MAXCAP 500.....	1
9	82656GT	DECAL,SYM-SIDE FORCE 445N.....	1
10	114338GT	DECAL,SYM-TIP-OVER,TILT ALARM....	1
11	137605GT	DECAL,E-STOP,GR/GRC/GS PCON....	1
12	137656GT	DECAL,PROPEL,GR/GRC/GS,PCON....	1
13	1256702GT	DECAL, UI, GS/GR, PROP LIFT.....	1
14	1257923GT	DECAL, SMARTLINK PROPORTIONAL.....	2

# Platform, CE models



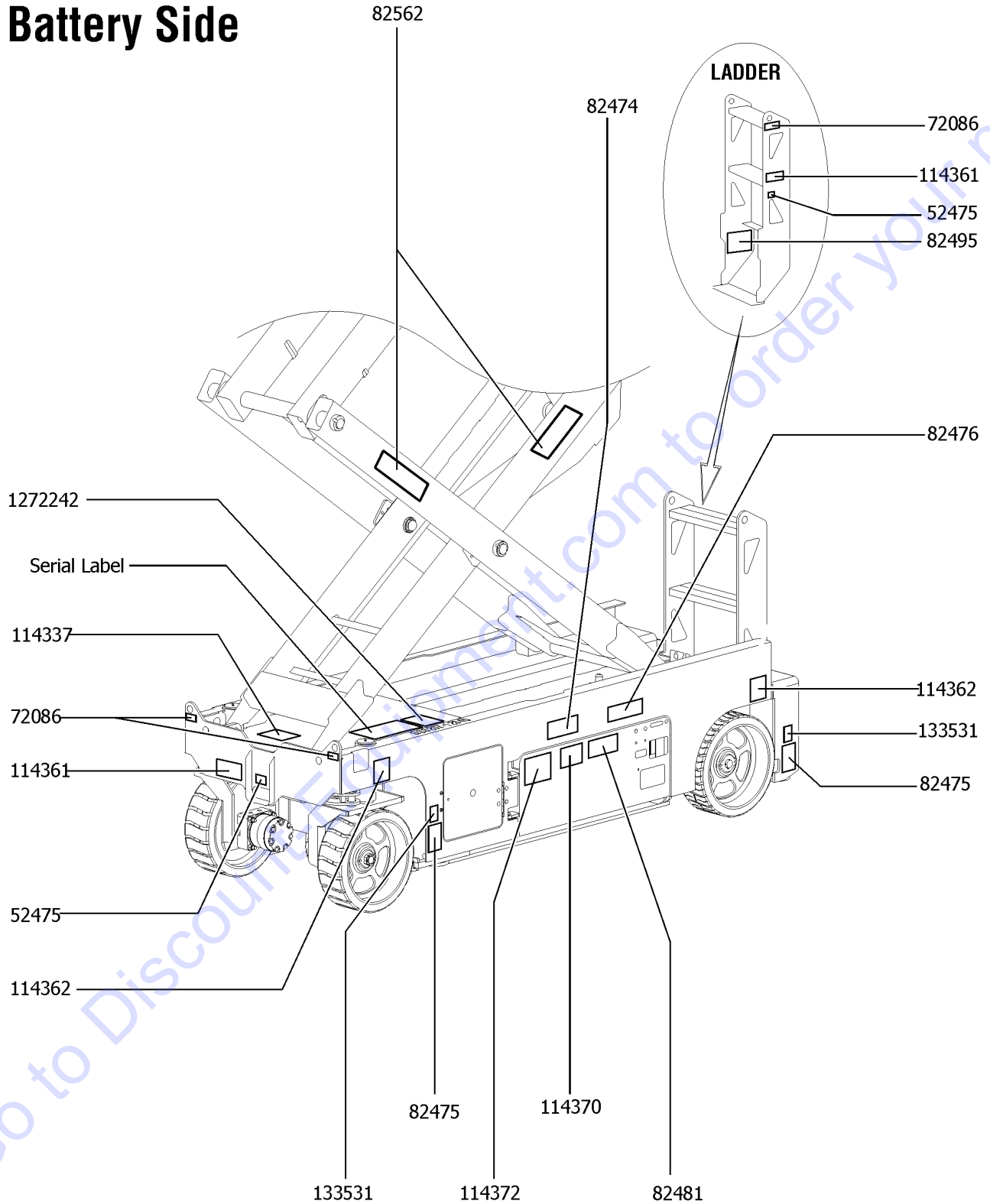
## 120.1 Symbol Decals, GS-2632, Platform, CE

Item	Part No.	Description	Qty.
1	28174GT	DECAL, POWER TO PLATFORM 230V**.....	1
2	28235GT	DECAL,POWER TO PLATFORM 115V...1	1
3	40434GT	DECAL,LANYARD ANCHORAGE POINT.....	3
4	43618GT	DECAL, LABEL - DIRECTION ARROWS.....	2
5	44981GT	DECAL,LABEL, AIR LINE 110 PSI.....1 (Option)	1
6	72973GT	DECAL,COSMETIC,GENIE GS-2632**...2	2
7	82487GT	DECAL, SYMBOL - READ THE MANUAL.....	1
8	97582GT	DECAL,SYM-SIDEFORCE 400N ID.....1	1
9	114338GT	DECAL,SYM-TIP-OVER,TILT ALARM....1	1
10	137605GT	DECAL,E-STOP,GR/GRC/GS PCON....1	1
11	137656GT	DECAL,PROPEL,GR/GRC/GS,PCON....1	1
12	228937GT	DECAL,SYM-MAXCAP CE GS2632.....1 to SN GS32P-150574	1
13	1256702GT	DECAL, UI, GS/GR, PROP LIFT.....1	1
14	1257923GT	DECAL, SMARTLINK PROPORTIONAL.....	2
15	1263646GT	DECAL,QR CODE,PARTS&SERVICE MANUAL.....	1
16	1278007GT	DECAL, SYMBOL, CE, MAXIMUM CAPACITY, 227KG.....1 from SN GS32P-150575	1



121.1 Symbol Decals, GS-3232, Battery Side, ANSI & CE

# Battery Side



## 121.1 Symbol Decals, GS-3232, Battery Side, ANSI &amp; CE

Item	Part No.	Description	Qty.
1	52475GT	DECAL,LABEL,TRANSPORT TIEDOWN*.....	2
2	72086GT	DECAL,LABEL,LIFTING EYE.....	3
3	82474GT	DECAL,SYMBOL-USE SAFETY ARM....	1
4	82475GT	DECAL,SYMBOL-FOOT CRUSHING....	2
5	82476GT	DECAL,SYMBOL-ELEC HAZARD,GS....	1
6	82481GT	DECAL,SYMBOL-BATTERY SAFETY....	1
7	82495GT	DECAL,SYMBOL-BRAKE REL SAFETY.....	1
8	82562GT	DECAL,SYMBOL-CRUSHING HAZARD.....	2
9	114337GT	DECAL,SYM-TIP-OVER,LIM SWITCH....	1
10	114361GT	DECAL,LABEL-TRANSPORT DIGRAM.....	2
11	114362GT	DECAL,LABEL-WHEEL LOAD,GS-3232.....	2
12	114370GT	DECAL-SYM-TIP-OVR,BATTRIES.....	1
13	114372GT	DECAL SYMBOL TIP OVER TRAYS.....	1
14	133531GT	LABEL,OUTRIGGER,LOAD,GS-3232....	2

# PARTS FINDER

**Search Website  
by Part Number**



**Search Manual  
Library For Parts  
Manual & Lookup Part  
Numbers – Purchase  
or Request Quote**

**Search Manuals**

Enter your information to help us find the right parts manual for your machine.

\* Brand:

\* Model:

\* Serial:

\* Part Number:

SEARCH

**Can't Find Part or  
Manual? Request Help  
by Manufacturer,  
Model & Description**

**Parts Order Form**

Please fill in the following information to help us find the right part for your machine.

Manufacturer:	<input type="text"/>
Model:	<input type="text"/>
Description:	<input type="text"/>
Part Number:	<input type="text"/>
Quantity:	<input type="text"/>
Notes:	<input type="text"/>

Submit

Discount-Equipment.com is your online resource for quality parts & equipment.

Florida: **561-964-4949** Outside Florida TOLL FREE: **877-690-3101**

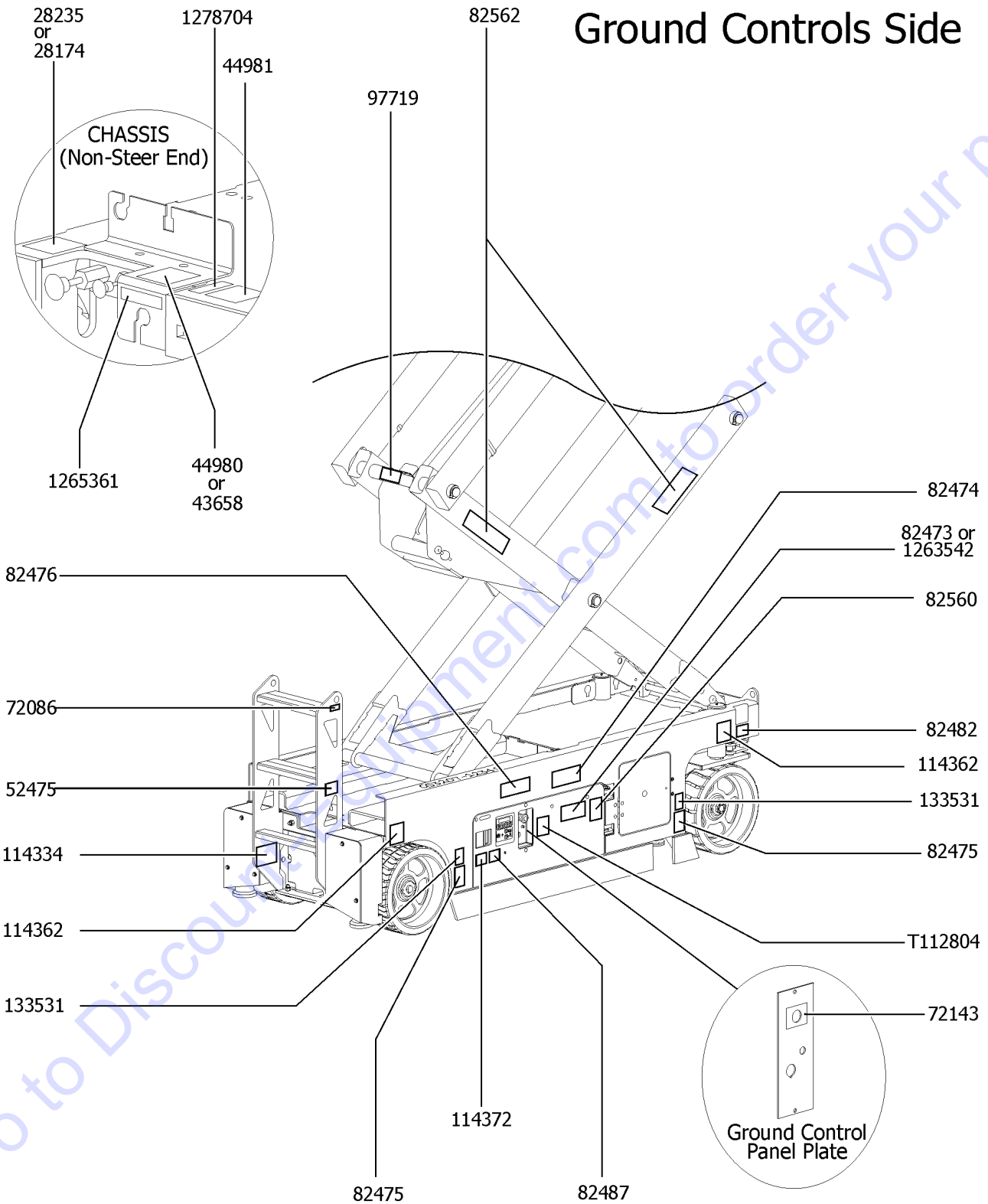
**Need parts?**

Click on this link: <http://www.discount-equipment.com/category/5443-parts/> and choose one of the options to help get the right parts and equipment you are looking for. Please have the machine model and serial number available in order to help us get you the correct parts. If you don't find the part on the website or on one of the online manuals, please fill out the request form and one of our experienced staff members will get back to you with a quote for the right part that your machine needs.

We sell worldwide for the brands: Genie, Terex, JLG, MultiQuip, Mikasa, Essick, Whiteman, Mayco, Toro Stone, Diamond Products, Generac Magnum, Airman, Haulotte, Barreto, Power Blanket, Nifty Lift, Atlas Copco, Chicago Pneumatic, Allmand, Miller Curber, Skyjack, Lull, Skytrak, Tsurumi, Husquvarna Target, Stow, Wacker, Sakai, Mi-T-M, Sullair, Basic, Dynapac, MBW, Weber, Bartell, Bennar Newman, Haulotte, Ditch Runner, Menegotti, Morrison, Contec, Buddy, Crown, Edco, Wyco, Bomag, Laymor, EZ Trench, Bil-Jax, F.S. Curtis, Gehl Pavers, Heli, Honda, ICS/PowerGrit, IHI, Partner, Imer, Clipper, MMD, Koshin, Rice, CH&E, General Equipment, Amida, Coleman, NAC, Gradall, Square Shooter, Kent, Stanley, Tamco, Toku, Hatz, Kohler, Robin, Wisconsin, Northrock, Oztec, Toker TK, Rol-Air, APT, Wylie, Ingersoll Rand / Doosan, Innovatech, Con X, Ammann, Mecalac, Makinex, Smith Surface Prep, Small Line, Wanco, Yanmar

122.1 Symbol Decals, GS-3232, Ground Control Side, ANSI and CE

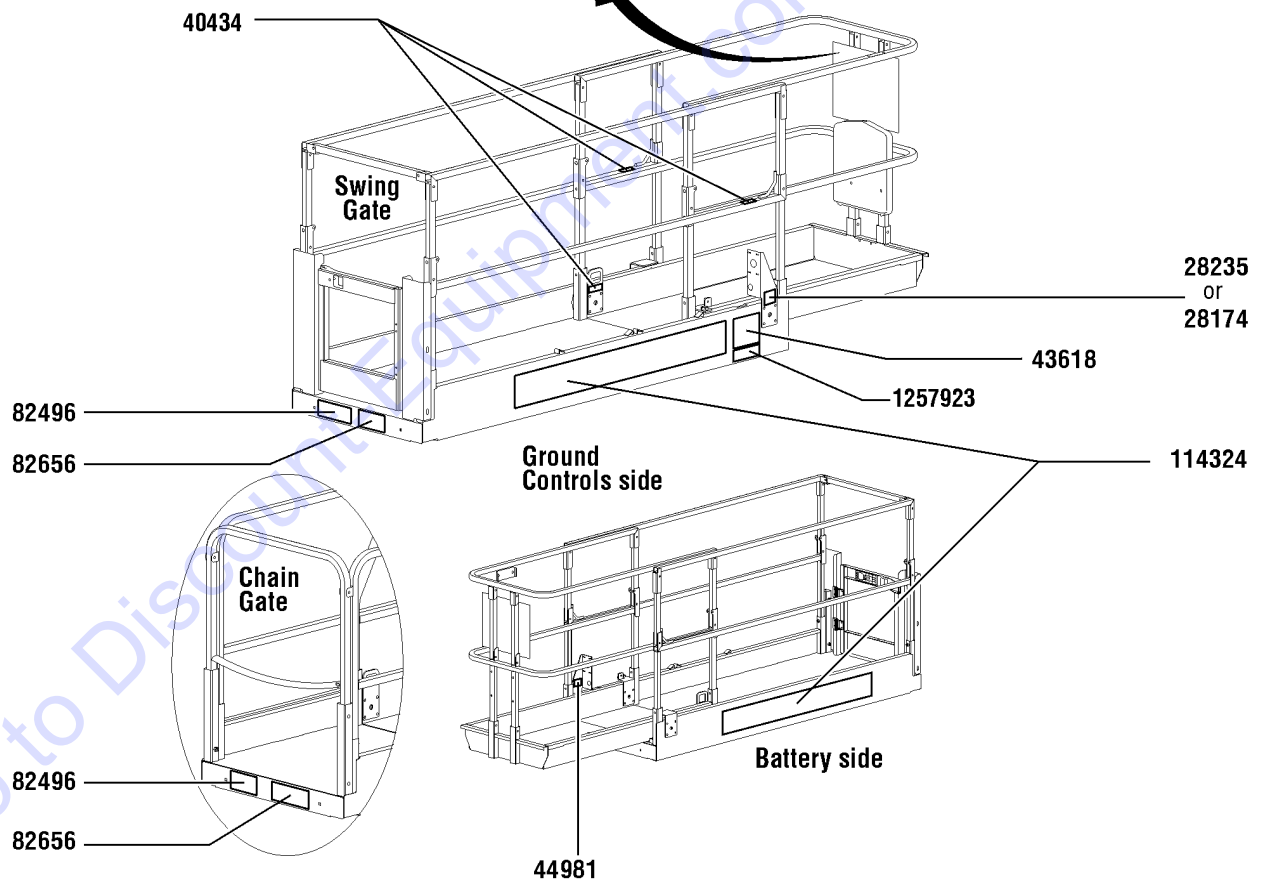
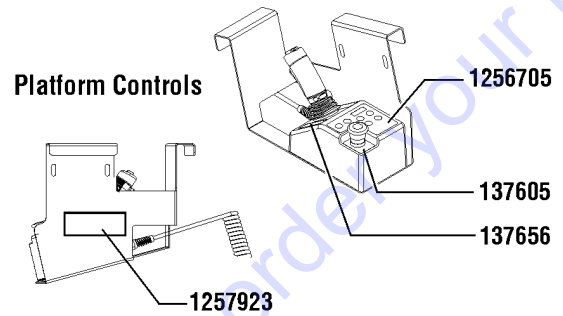
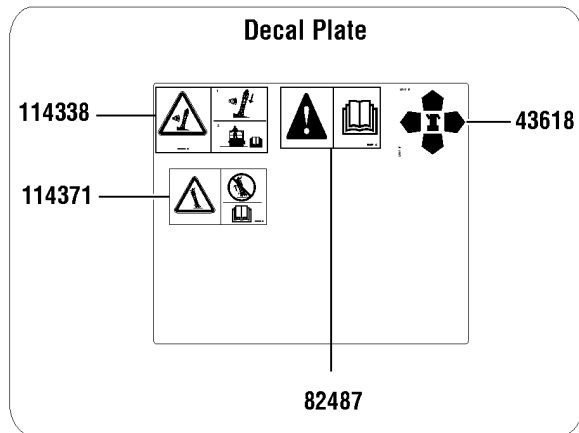
Ground Controls Side



## 122.1 Symbol Decals, GS-3232, Ground Control Side, ANSI and CE

Item	Part No.	Description	Qty.
1	28174GT	DECAL, POWER TO PLATFORM 230V**.....	1
2	28235GT	DECAL,POWER TO PLATFORM 115V...1	1
3	43658GT	DECAL,LABEL,PWR TO CHARGR 230V.....	1
4	44980GT	DECAL,LABEL,PWR TO CHARGR 115V.....	1
5	44981GT	DECAL,LABEL, AIR LINE 110 PSI.....1 (Option)	1
6	52475GT	DECAL,LABEL,TRANSPORT TIEDOWN*.....	1
7	72086GT	DECAL,LABEL,LIFTING EYE.....	1
8	72143GT	DECAL,EMERGENCY STOP,GR.....	1
9	82473GT	DECAL,SYMBOL-COMP ACCESS.....1 to SN GS32P-150574	1
10	82474GT	DECAL,SYMBOL-USE SAFETY ARM...1	1
11	82475GT	DECAL,SYMBOL-FOOT CRUSHING....2	2
12	82476GT	DECAL,SYMBOL-ELEC HAZARD,GS....1	1
13	82482GT	DECAL,LABEL,AUX LOWERING.....1	1
14	82487GT	DECAL, SYMBOL - READ THE MANUAL.....	1
15	82560GT	DECAL,SYMBOL-SKIN INJECT HAZRD.....	1
16	82562GT	DECAL,SYMBOL-CRUSHING HAZARD.....	2
17	97719GT	DECAL, LABEL, SAFETY ARM SYMB...1	1
18	114334GT	DECAL,SYM-ELEC HAZARD,PLUG.....1	1
19	114362GT	DECAL,LABEL-WHEEL LOAD,GS-3232.....	2
20	114372GT	DECAL SYMBOL TIP OVER TRAYS.....1	1
21	133531GT	LABEL,OUTRIGGER,LOAD,GS-3232....2	2
22	1263542GT	DECAL, COMPARTMENT ACCESS.....1 from SN GS32P-150575	1
23	T112804GT	DECAL,GCON PANEL,GS.....	1
24	1265361GT	DECAL, BATTERY CHARGER INDICAT..... from SN 146463 to 157195	1
25	1278704GT	DECAL,CHARGE STATUS IND.....1 from 157196	1

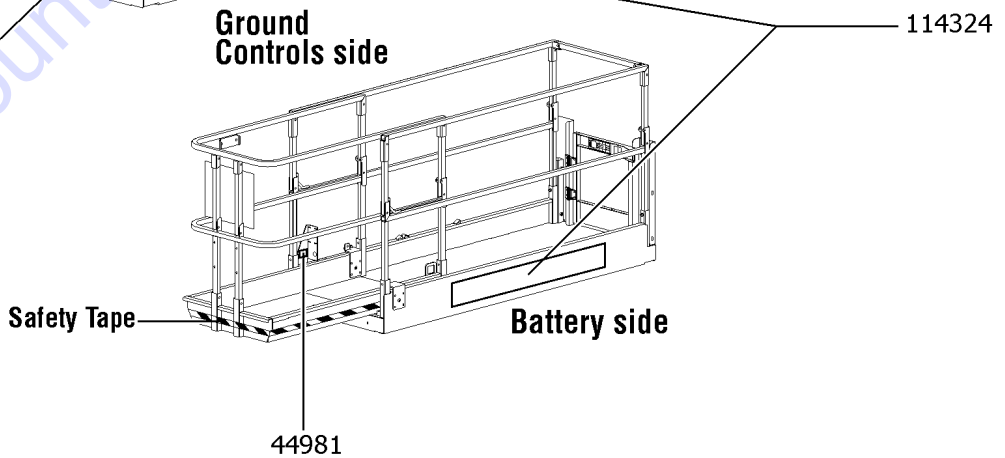
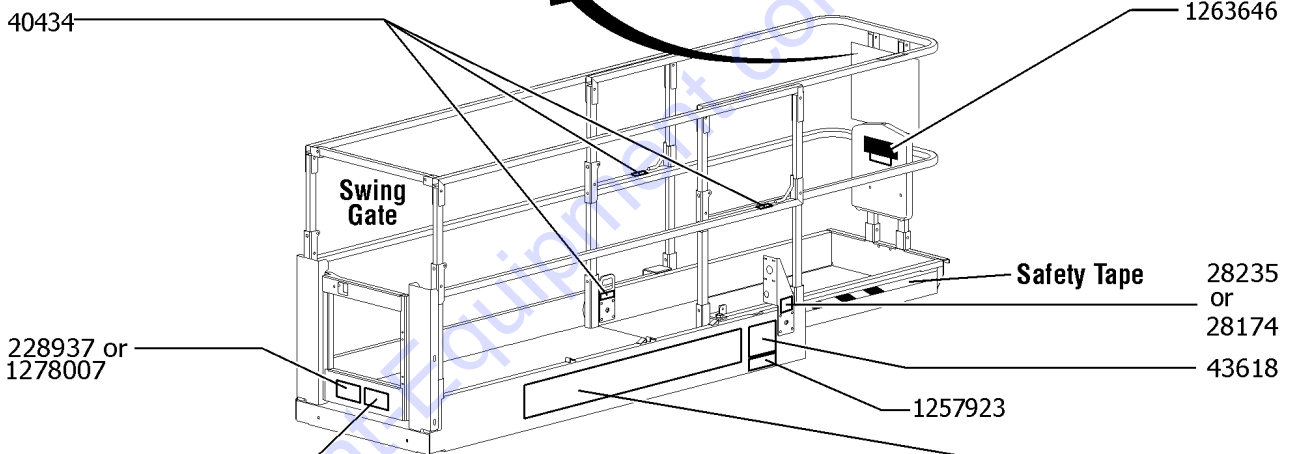
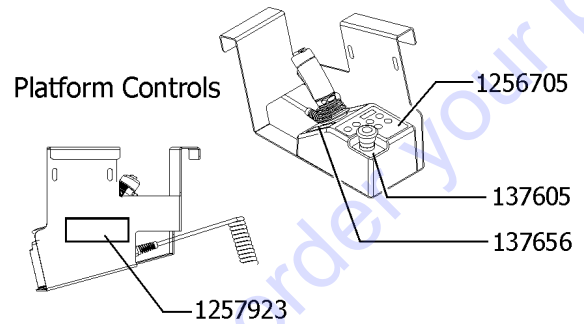
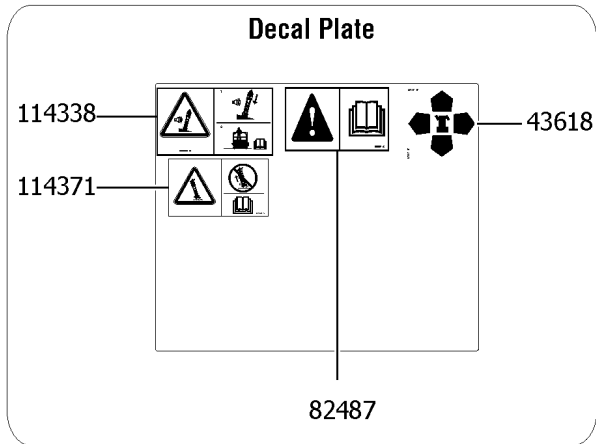
# Platform, ANSI models



## 123.1 Symbol Decals, GS-3232, Platform, ANSI

Item	Part No.	Description	Qty.
1	28174GT	DECAL, POWER TO PLATFORM 230V**.....	1
2	28235GT	DECAL,POWER TO PLATFORM 115V...1	1
3	40434GT	DECAL,LANYARD ANCHORAGE POINT.....	3
4	43618GT	DECAL, LABEL - DIRECTION ARROWS.....	2
5	44981GT	DECAL,LABEL, AIR LINE 110 PSI.....1 (Option)	1
6	82487GT	DECAL, SYMBOL - READ THE MANUAL.....	1
7	82496GT	DECAL,SYM-MAXCAP 500.....	1
8	82656GT	DECAL,SYM-SIDE FORCE 445N.....	1
9	114324GT	DECAL,COSMETIC-GENIE GS-3232....	2
10	114338GT	DECAL,SYM-TIP-OVER,TILT ALARM....	1
11	114371GT	DECAL,SYM-TIP-OVER,OUTRGR.....	1
12	137605GT	DECAL,E-STOP,GR/GRC/GS PCON....	1
13	137656GT	DECAL,PROPEL,GR/GRC/GS,PCON....	1
14	1256705GT	DECAL, O/R, PROP LIFT, UI, SVC.....	1
15	1257923GT	DECAL, SMARTLINK PROPORTIONAL.....	2

# Platform, CE models

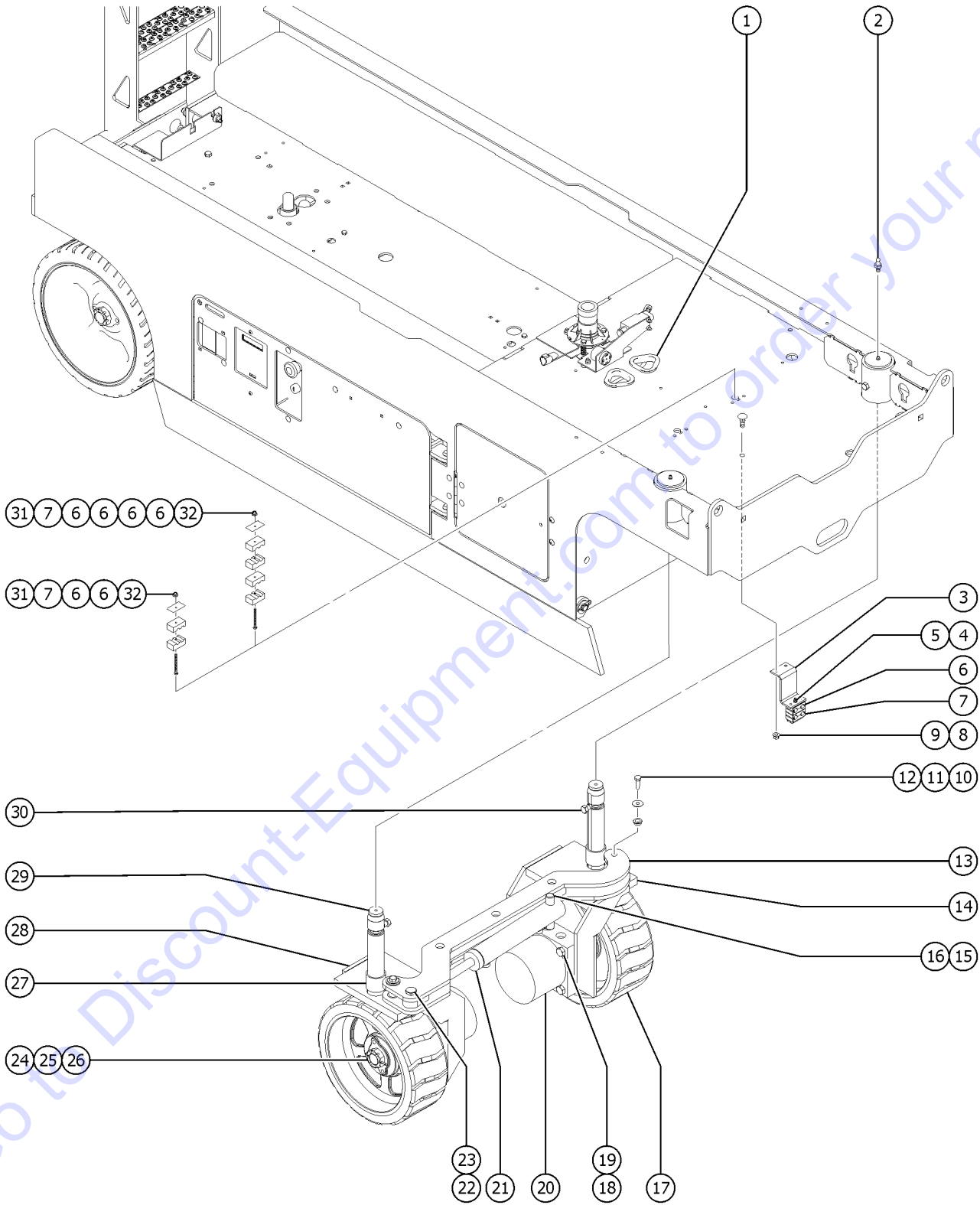




## 124.1 Symbol Decals, GS-3232, Platform, CE

Item	Part No.	Description	Qty.
1	28174GT	DECAL, POWER TO PLATFORM 230V**.....	1
2	28235GT	DECAL,POWER TO PLATFORM 115V....	1
3	40434GT	DECAL,LANYARD ANCHORAGE POINT.....	3
4	43618GT	DECAL, LABEL - DIRECTION ARROWS.....	2
5	44981GT	DECAL,LABEL, AIR LINE 110 PSI..... (Option)	1
6	82487GT	DECAL, SYMBOL - READ THE MANUAL.....	1
7	97582GT	DECAL,SYM-SIDEFORCE 400N ID.....	1
8	114324GT	DECAL,COSMETIC-GENIE GS-3232....	2
9	114338GT	DECAL,SYM-TIP-OVER,TILT ALARM....	1
10	114371GT	DECAL,SYM-TIP-OVER,OUTRGR.....	1
11	137605GT	DECAL,E-STOP,GR/GRC/GS PCON....	1
12	137656GT	DECAL,PROPEL,GR/GRC/GS,PCON....	1
13	228937GT	DECAL,SYM-MAXCAP CE GS2632..... to SN GS32P-150574	1
14	1256705GT	DECAL, O/R, PROP LIFT, UI, SVC.....	1
15	1257923GT	DECAL, SMARTLINK PROPORTIONAL.....	2
16	1263646GT	DECAL,QR CODE,PARTS&SERVICE MANUAL.....	1
17	1278007GT	DECAL, SYMBOL, CE, MAXIMUM CAPACITY, 227KG..... from SN GS32P-150575	1

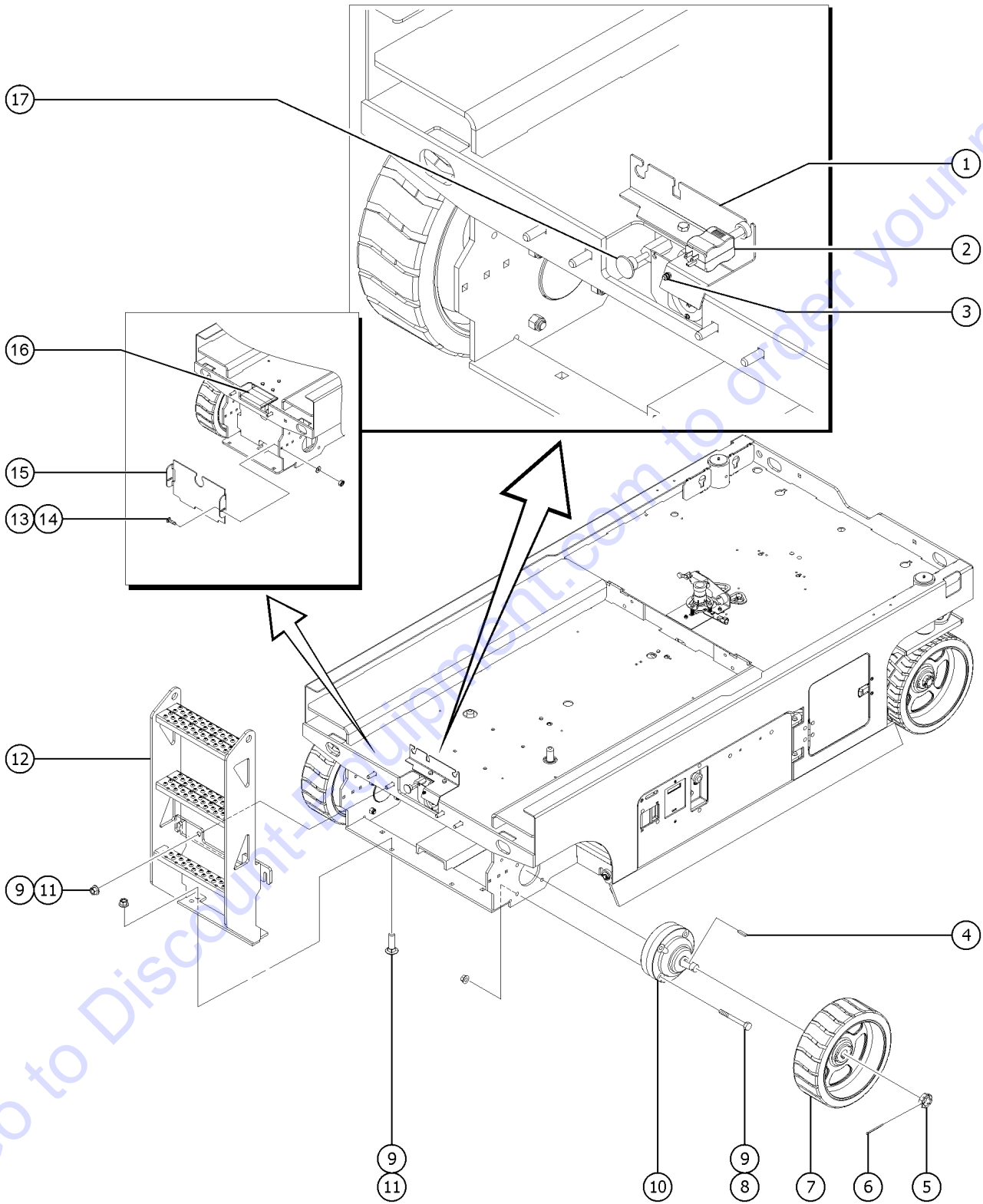
201.1 Steer Linkage and Wheels



## 201.1 Steer Linkage and Wheels

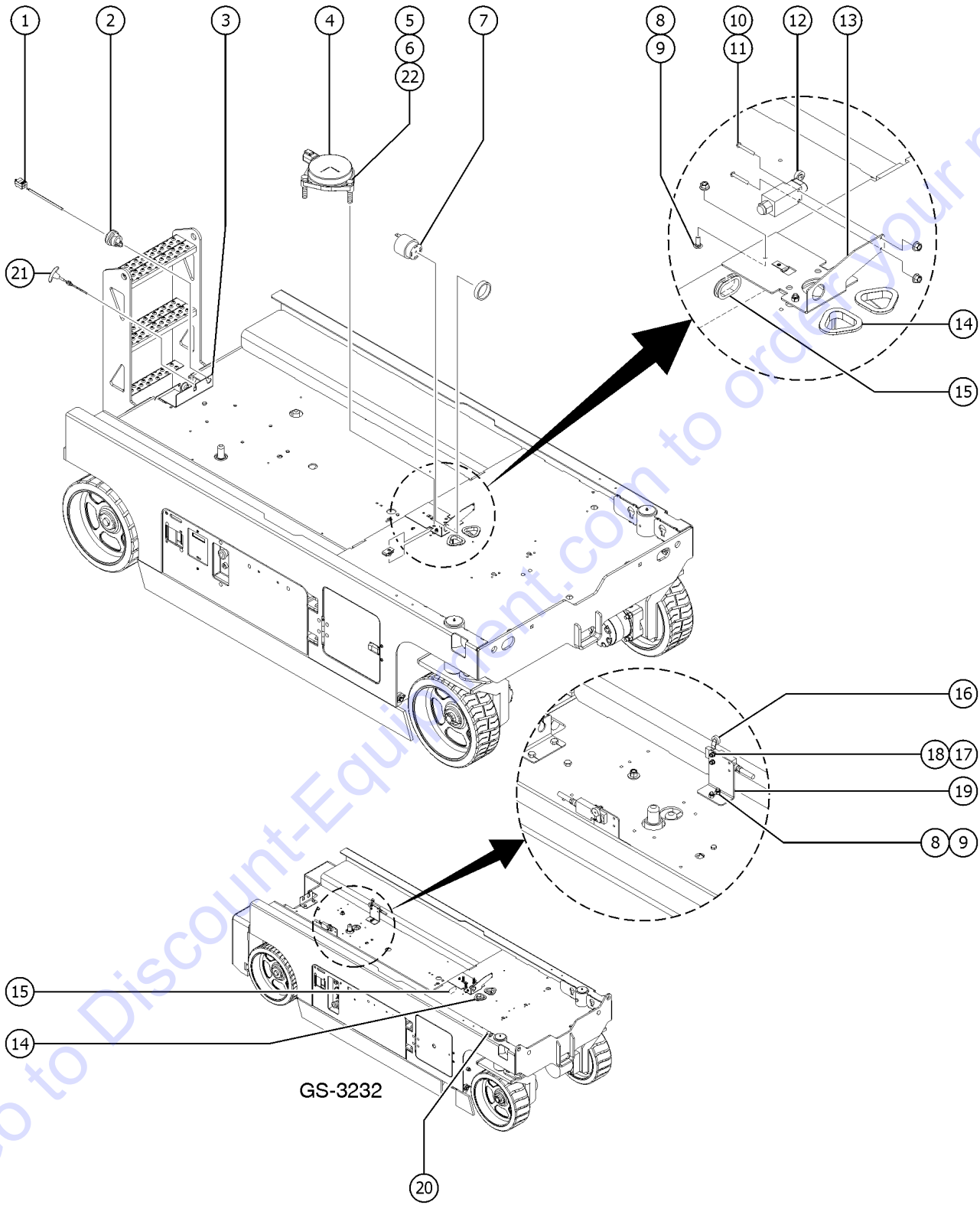
Item	Part No.	Description	Qty.
1	47232GT	GROMMET,RUBBER 2 X 2.75.....	2
2	66770GT	FITTING,STRAIGHT DRIVE-IN ZERK....	2
3	105051GT	FORMING,HOSE CLAMP SUPPORT.....	1
4	824027GT	NUT,TL FLG,1/4-20,G,ZAG	
5	1256123GT	SCREW,HHC,1/4-20X3.25,8,ZAG	
6	78736GT	CLAMP,2 HOSE,PLASTIC,5/8 <i>(as required)</i>	
7	58592GT	PLATE,HOSE ROUTG,BULKHEAD(PTD) <i>(as required)</i>	
8	824029GT	NUT,TL FLG,3/8-16,G,ZAG.....	2
9	1255757GT	BOLT,CARRIAGE,3/8-16X1.25,5,ZAG	
10	1256109GT	SCREW,HHC,3/8-16X.75,8,ZAG.....	2
11	824120GT	WASHER,FLAT,.375X1.50X.125,ZAG....	2
12	47946GT	BEARING,1.00IDX1.25ODX0.49L.....	2
13	84699GT	TIE ROD ASSEMBLY, GS32.....	1
--	47946GT	BEARING,1.00IDX1.25ODX0.49L.....	4
--	96831GT	WLDMT,TIE ROD,GS32 <i>(does not include bearings)</i>	
14	96573GT	WLDMT,STEER YOKE,LT,GS32/46..... <i>(battery pack side)</i>	1
15	1259195GT	PIN,CLEVIS,3/4X3.25,ZAG.....	1
16	824128GT	RUE RING,3/4,ZAG.....	1
17	105454GT	WHEEL & TIRE ASSY LP,15".....	2
18	1256287GT	SCREW,HHC,1/2-13X3.5,8,ZAG.....	8
19	1251997GT	NUT,TL FLG,1/2-13,G,ZAG.....	8
20		Ref. Drive Motor <i>(refer to 501.1)</i>	
21		Ref. Steer Cylinder <i>(refer to 501.1)</i>	
22	1259193GT	PIN,CLEVIS,3/4X2,ZAG.....	1
23	1259194GT	CLIP,HAIR PIN,.125X2.5-.75,ZAG.....	1
24	44780GT	NUT,CASTLE,1.125-18 UNEF.....	2
25	13635-10GT	PIN,COTTER,.156 X 1.75.....	2
26	44781GT	KEY,RECTANGULAR,.31X.28X1.25**.....	2
27	18722GT	BEARING,2.25IDX2.50ODX1.50L***	
28	96572GT	WLDMT,STEER YOKE,RT,GS32/46..... <i>(ground controls side)</i>	1
29	105565GT	WASHER,THRUST, GS.....	2
30	1259192GT	SCREW, YOKE LOCK, ZAG	
31	1256679GT	NUT,SERRATED,1/4-20,8,ZAG.....	1
32A	1255797GT	BOLT,CARRIAGE,1/4-20X2.5,ZAG..... <i>(GS2032, GS2632 only)</i>	1
32B	1258676GT	BOLT,CARRIAGE,1/4-20X2.5,5,ZAG..... <i>(GS3232 only)</i>	1

202.1 Non-steer Axle Installation



Item	Part No.	Description	Qty.
1	1273055GT	FORMING, PLUG/LED BRACKET	
2		PLUG, ELECTRICAL <i>refer to 402.1</i>	
3	1270281GT	ASSEMBLY, CHARGER STATUS LED, 2V	
4	44781GT	KEY,RECTANGULAR,.31X.28X1.25**.....2	
5	44780GT	NUT,CASTLE,1.125-18 UNEF.....2	
6	42079GT	PIN,COTTER,.156 X 2.5.....2	
7	105454GT	WHEEL & TIRE ASSY LP,15".....2	
8	1256287GT	SCREW,HHC,1/2-13X3.5,8,ZAG	
9	1251997GT	NUT,TL FLG,1/2-13,G,ZAG	
10		Ref: HYDRAULIC BRAKE <i>(refer to 501.1)</i>	
11	1256115GT	BOLT,CARRIAGE,1/2-13X1.75,5,ZA	
12A	144387GT	LADDER ASSY,26XX-32XX,WORD,ENG GS-2632, GS-3232 <i>(decals not included refer to section one)</i> ; from SN GS32P-60000	
12A	96570GT	WLDMT,GS32/46 LADDER*** .....1 GS-2632, GS-3232 <i>(decals not included refer to section one)</i>	
12B	96895GT	WELDMNT,20XX LADDER.....1 GS-2032 <i>(decals not included refer to section one)</i>	
13A	1255757GT	BOLT,CARRIAGE,3/8-16X1.25,5,ZAG GS-2032, GS-2632	
13B	60790GT	BOLT, CARRIAGE, 3/8-16 X 1.50, G5 GS-3232	
14	824029GT	NUT,TL FLG,3/8-16,G,ZAG	
15	105140GT	FORMING,CWT,COVER,GS32	
16A	105080GT	COUNTERWEIGHT,GS32,REAR.....1 GS-2032, GS-3232 <i>Australia &amp; CE (inside rear chassis)</i>	
16B	105080GT	COUNTERWEIGHT,GS32,REAR.....1 GS-2632 <i>ANSI, Australia &amp; CE (inside rear chassis)</i>	
16C	105100GT	PLATE,CWGT,GS32 REAR.....1 GS-2632 & GS-3232 <i>(rear stack plate)</i>	
17		Ref: BRAKE RELEASE MANIFOLD <i>(refer to 503.1)</i>	

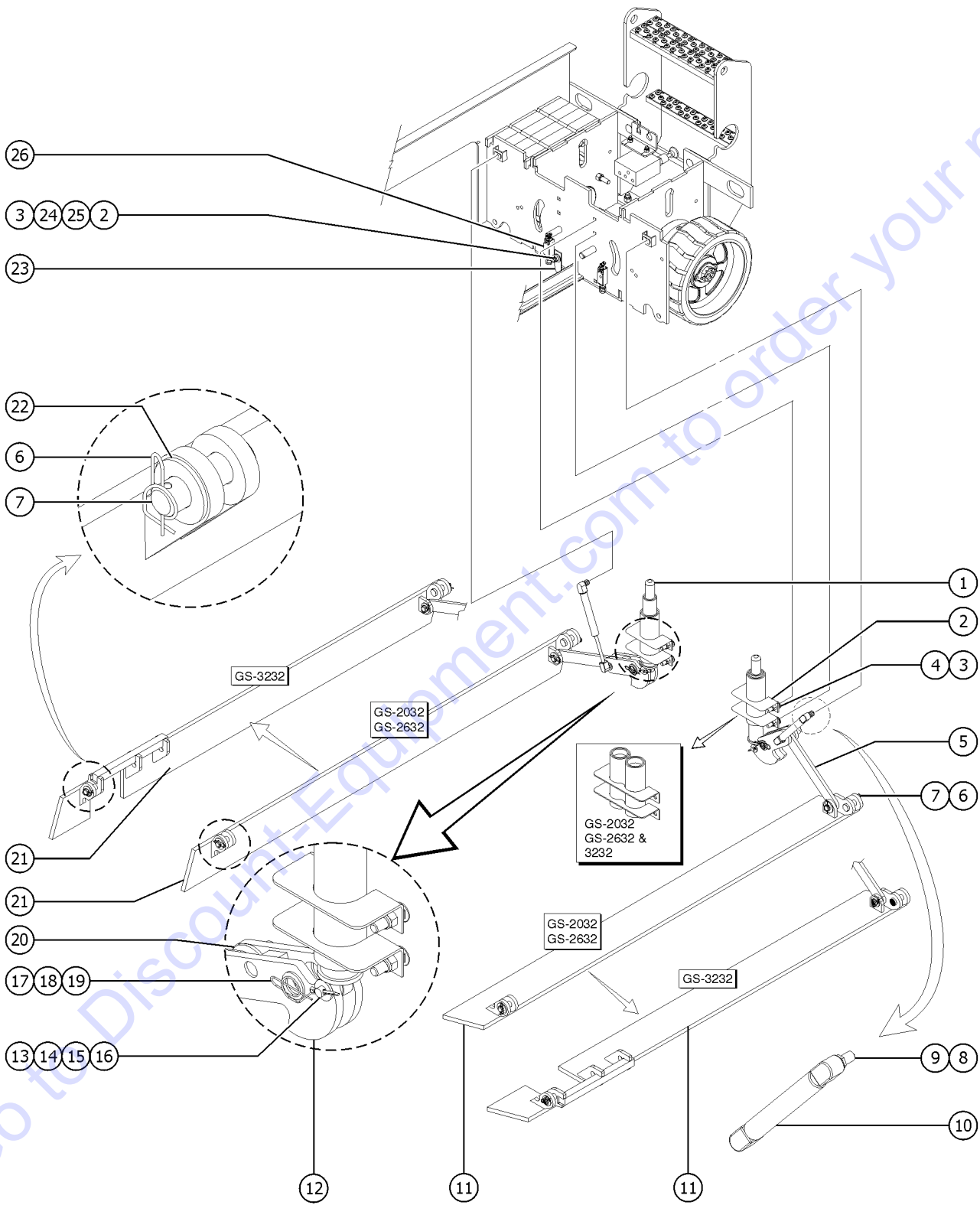
203.1 Level Sensor Installation



## 203.1 Level Sensor Installation

Item	Part No.	Description	Qty.	Item	Part No.	Description	Qty.
--	1284236GT	KIT, UTS LEVEL SENSOR CONVERSION, GS3232 <i>(to convert from uts to analog and digital level sensors)</i>		18	1257909GT	SCREW,PHPM,8-32 X .875,ZAG.....	2
--	1284414GT	GS3232 LEVEL SENSOR CONVERSION INSTALLATION INSTRUCTIONS <i>(instructions for 1284236)</i>		19	105736GT	FRMING,LMT SWCH BRKT,3232.....	1
1		Ref. Electrical Plugs and Cords <i>(refer to 209.1, 210.1 or 403.1)</i>		20	6714GT	LEVEL,BUBBLE.....	1
2	128118GT	BUSHING,STRAIN RELIEF,.875/.40.....	1	21	39232GT	CABLE,EMERGENCY DOWN.....	1
3A	144226GT	FORMING,REC.PLG BRKT.....	1	22	39469GT	SPRING,COMPRESSION.485 X1.75**...3 <i>(for use with 228406)</i>	3
3B	1273055GT	FORMING, PLUG/LED BRACKET.....	1				
4A	228406GT	ASSY,LVL SNSR W/ CONNECTOR.....	1				
4B	228406GT	ASSY,LVL SNSR W/ CONNECTOR.....	1				
4C	823368GT	SENSOR,LEVEL,UNIVERSAL.....	1				
5A	824063GT	SCREW,HHC,1/4-20X1.75,8,ZAG.....	3				
5B	824079GT	SCREW,HHF,1/4-20X1,8,ZAG.....	3				
6	56912GT	SPRING CLIP,1/4-20,.025-.15X.54,ZAG.....	3				
7	39540GT	ALARM,STEADY TONE***.....	1				
--	72326GT	NUT - PLASTIC,RING FOR ALARMS					
8	824124GT	BOLT,CARRIAGE,1/4-20X.75,5,ZAG.....	3				
9	824027GT	NUT,TL FLG,1/4-20,G,ZAG.....	3				
10	824216GT	SCREW,PHPM,10-32X1.5,ZAG.....	2				
11	274168GT	NUT,NYLOCK,10-32,A,ZAG.....	2				
12	T112507GT	ASSEMBLY, DOWN LIMIT, GS.....	1				
--	19491GT	CONTACTOR,LIMIT SWITCH					
--	96948GT	SWITCH,LIMIT,W/ROLLER ARM***					
--	97128GT	ROLLER ARM,LIMIT SWITCH***					
13	1264129GT	BRACKET, UTS, LARGE <i>(universal bracket for uts and digital level sensor)</i>					
14	47232GT	GROMMET,RUBBER 2 X 2.75.....	2				
15	47238GT	GROMMET,RUBBER 1.5 ID.....	1				
16	105664GT	ASSY,22 FT LIMIT SWITCH,GS3232.....	1				
--		Ref.Wire Harness Assy GS-3232 <i>(refer to 209.1, 210.1)</i>					
17	1258187GT	NUT,TL,8-32,A,ZAG.....	2				

204.1 Pothole Protection Assembly

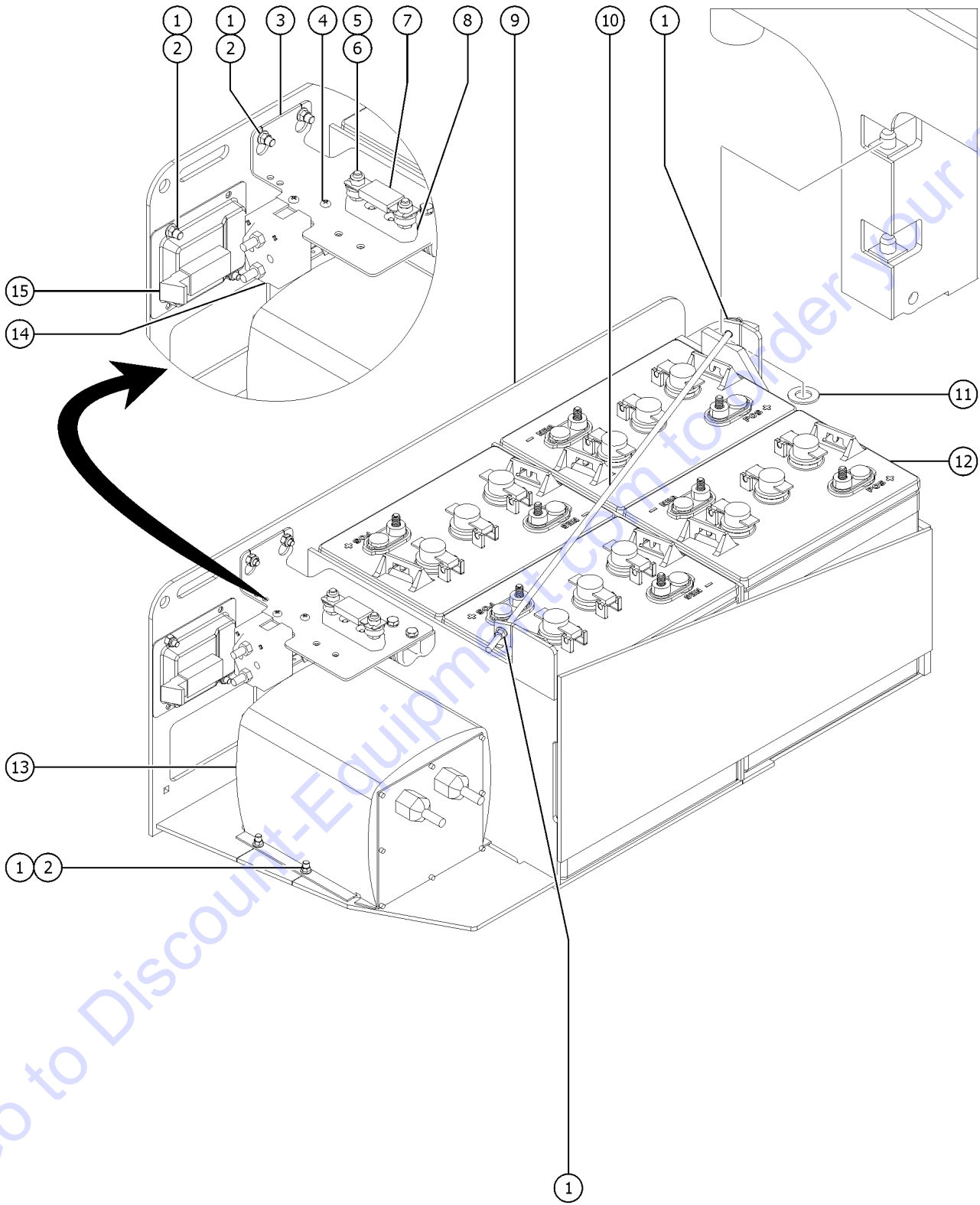




## 204.1 Pothole Protection Assembly

Item	Part No.	Description	Qty.
1	96839GT	ASSY,POT HOLE PUSHER,GS***	
2	96524GT	WLDMT/ASSY, PH GUIDE,GS30/32.....2	
--	96408GT	BEARING,1.523IDX1.75ODX0.63L	
3	1255757GT	BOLT,CARRIAGE,3/8-16X1.25,5,ZAG...10	
4	824029GT	NUT,TL FLG,3/8-16,G,ZAG.....8	
5	96637GT	PLATE, POTHOLE LINK.....2	
6	1259177GT	RUE RING,5/8,ZAG.....6	
7A	1259197GT	PIN,CLEVIS,.625X1.88,ZAG.....6	
7B	105156GT	BUSHING,FLNGD,.63 X .77 X .38 (for 84574GT and 96638GT, sold separately)	
8	824038GT	NUT, TL JAM, 3/8-16, A, ZAG.....2	
9	78086GT	BALL STUD, GAS STRUT, 3/8-16	
10	39542GT	GAS SHOCK,SCISSORS***.....2	
11A	96639GT	WELDMENT, POTHOLE, LEFT SIDE....1 GS-2032, GS-2632 (battery pack side)	
11B	109894GT	WLDMT,POTHOLE,LT,OR.....1 GS-3232 (battery pack side)	
--	96642GT	BEARING,.75ID X 1.0OD X 1.38LG	
12A	84574GT	POTHL BELL CRNK LINK ASSYGS30.....2	
13	12016GT	PIN,COTTER,.125 X .75	
14	825358GT	WASHER,FLAT,5/16,USS,ZAG.....2	
15	1259178GT	PIN,CLEVIS,.375X1.75,ZAG.....2	
16	96541GT	CAM FOLLOWER,1.125X.375,DELRLIN.2	
17	824128GT	RUE RING,3/4,ZAG.....2	
18	1259686GT	WASHER,FLAT,.765X1.312X.093,ZA....2	
19	55355GT	SPACER,.75ID X 1.5OD X 1/4THK	
20	96085GT	WASHER,THRUST,.63 X 1.13 X .06	
21A	96638GT	WELDMENT, POTHOLE, RIGHT SIDE...1 GS-2032, GS-2632 (ground controls side)	
21B	109893GT	WLDMT,POTHOLE,RT,OR.....1 GS-3232 (battery pack side)	
22	1259180GT	WASHER,SHIM,.625X1.188X.064,ZA....6	
23	105060GT	GROUND STRAP, 8"LG.....1	
24	1255758GT	WASHER,FLAT,3/8,USS,ZAG.....2	
25	824025GT	NUT,TL,3/8-16,C,ZAG.....2	
26	96948GT	SWITCH,LIMIT,W/ROLLER ARM***.....2 (down limit switch)	
--	1256177GT	SCREW,PHPM,10-32X1.75,ZAG	
--	19491GT	CONTACTOR,LIMIT SWITCH	
--	274168GT	NUT,NYLOCK,10-32,A,ZAG	
--	97128GT	ROLLER ARM,LIMIT SWITCH***	

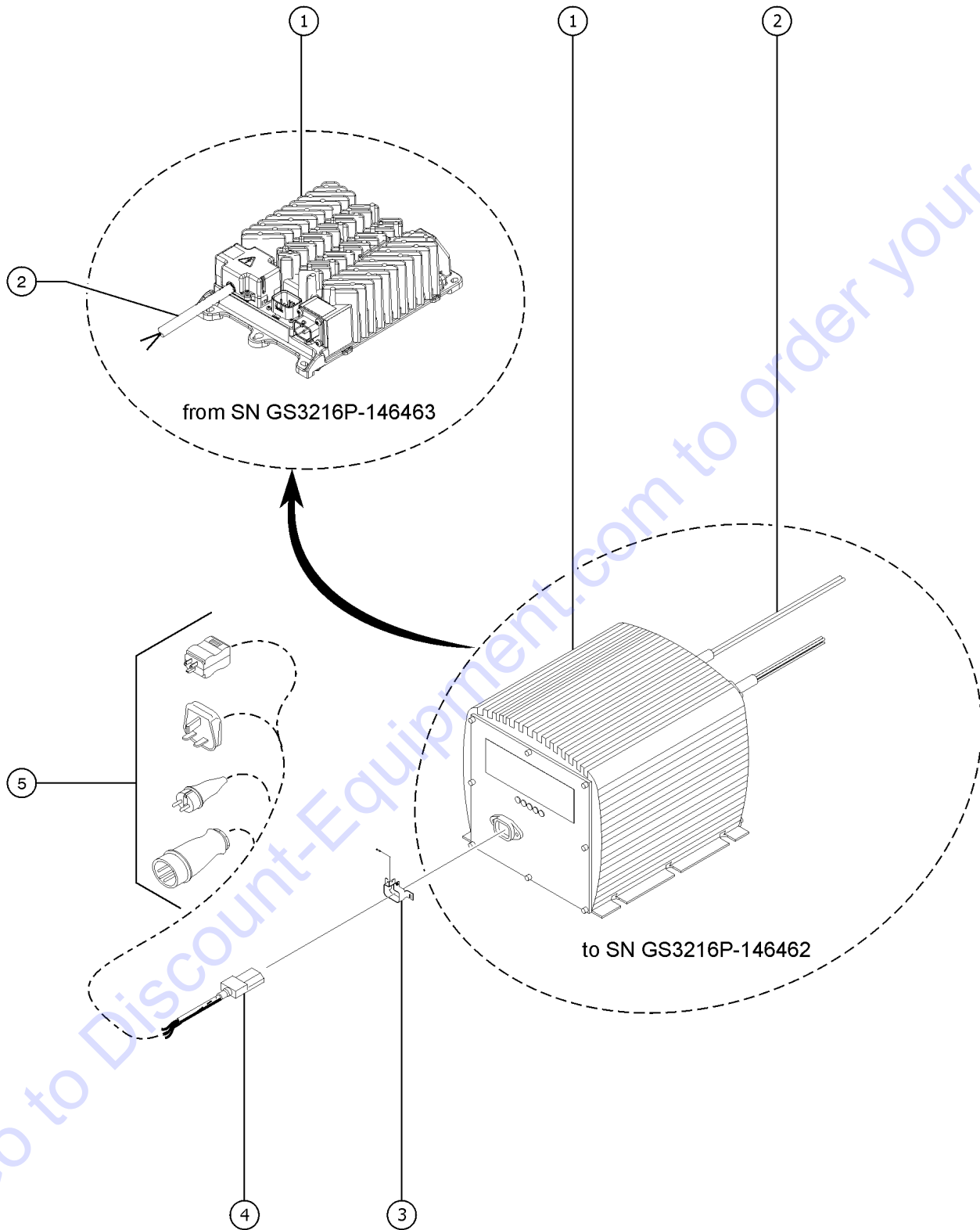
205.1 Battery Pack Module



## 205.1 Battery Pack Module

Item	Part No.	Description	Qty.
1	824027GT	NUT,TL FLG,1/4-20,G,ZAG.....	10
2	824124GT	BOLT,CARRIAGE,1/4-20X.75,5,ZAG.....	8
3A	232531GT	FORMING,CONTACTOR MOUNT,GS..... to SN GS32 16P-146462	1
3B	1273054GT	FORMING, CONTACTOR/FUSE BRACKET..... from SN GS32 16P-146463	1
4	825349GT	SCREW,PHPM,10-32X.38,ZAG.....	2
5	13000GT	SCREW,HHC,5/16-18 X 1.25.....	2
6	1255805GT	NUT,SERRATED,5/16-18,8,ZAG.....	2
7	40833GT	FUSE,275 AMP,VERY FAST ACTING.....	1
8	66717GT	FUSE BLOCK, ANN & ANL FUSE..... (includes mounting fasteners)	1
9A	105467GT	WLDMT,GS BATTERY TRAY..... to SN GS32 16P-146462	1
9B	1272991GT	WLDMT,BATTERY TRAY,GS..... from SN GS32 16P-146463	1
10	30784-2550GT	THREADED ROD,(1/4-20),25.50.....	1
11	1256863GT	WASHER,FLAT,.75,SAE,HRD,ZAG.....	2
12A	76502GT	BATTERY,T105 W/LPT,3 CAP,DRY**.....	4
--	1255805GT	NUT,SERRATED,5/16-18,8,ZAG	
--	137769GT	BATTERY WATERING HAND PUMP	
--	137770GT	BATTERY WATERING KIT, 24V UNIV (to watch the installation video, copy and paste this link to your web browser) <a href="https://www.youtube.com/watch?v=13zTt-hWik">https://www.youtube.com/watch?v=13zTt-hWik</a>	
12B	105150GT	BATTERY, AGM, 6V, (TROJAN) *** .....	4
--	137769GT	BATTERY WATERING HAND PUMP	
--	137770GT	BATTERY WATERING KIT, 24V UNIV (to watch the installation video, copy and paste this link to your web browser) <a href="https://www.youtube.com/watch?v=13zTt-hWik">https://www.youtube.com/watch?v=13zTt-hWik</a>	
13		Ref. Battery Charger (refer to 206.1)	
14A	74267GT	CONTACTOR,DRIVE,24V,180A***..... to SN GS32 16P-144081	1
14B	1270456GT	CONTACTOR,DRIVE,24V,180A..... from SN GS32 16P-144082	1
15	55675GT	LATCH, LRG PADDLE HANDLE GS90...	1

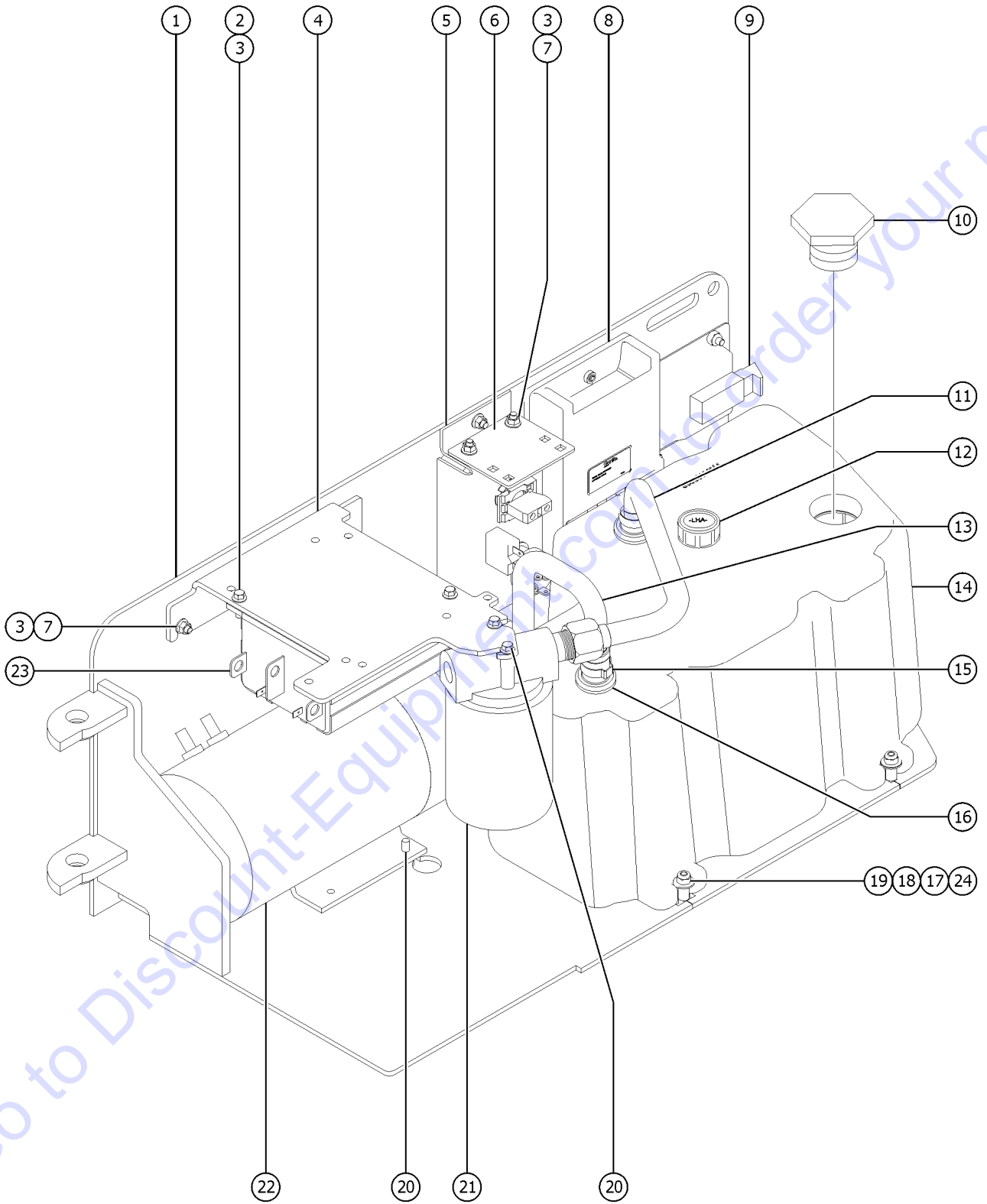
206.1 Battery Charger



## 206.1 Battery Charger

Item	Part No.	Description	Qty.
A	105334GT	CONNECTOR, IEC CHARGER CORD <i>for 5-LED battery charger</i>	
B	97059GT	FUSE,BATTERY CHARGER*** <i>for 5-LED battery charger</i>	
C	1273576GT	CABLE ASSY,CHARGER/BATTERY <i>(for 1264372)</i>	
1A	105739GT	CHARGER,BAT,24VDC,H/LO GEN2.....1 <i>to SN GS3216P-146462. Signet battery charger. NOTE: Some machines are equipped with an alternative-brand battery charger. Inspect your machine before ordering OR contact Discount-equipment if needed.</i>	
--	144180GT	MANUAL,OWNERS,CHARGER,105739	
--	219480GT	KIT,BATTERY CHARGER,24V <i>(includes 105739 charger, fasteners, ring terminals and instructions for field installation)</i>	
1B		Ref. Field Assembly Recessed Charger Plug.....1 <i>to SN GS3016P-146463 (refer to 406.1)</i>	
1C	1264372GT	CHARGER,24V,650W,USB.....1 <i>from SN 158209</i>	
--	1270281GT	ASSEMBLY, CHARGER STATUS LED, 2V.....1 <i>LED harness assembly connects to 1272120GT</i>	
--	1272120GT	HARNESS,LED CHARGER,GS32 <i>wire harness with 15-pin connector</i>	
--	1272557GT	POWER CORD, IEC 320, 90 DEG <i>power supply cord (ANSI/CSA models)</i>	
--	1272844GT	CABLE,CHARGER, DC, W/ BTS <i>for AGM 'maintenance free' batteries</i>	
--	1273576GT	CABLE ASSY,CHARGER/BATTERY <i>for standard 'flooded' batteries</i>	
--	1279428GT	KIT,DC BLOCK ASSEMBLY	
2		Ref. CABLE ASSY,CHARGER/BATTERY <i>(refer to 211.1)</i>	
3	55010GT	LOCK, CONNECTOR.....1 <i>(includes fasteners)</i>	
4A	144130GT	POWER CORD, IEC 320, 115".....1 <i>to SN GS3016P-146462</i>	
4B	1272557GT	POWER CORD, IEC 320, 90 DEG.....1 <i>from SN GS3016P-146463</i>	
5		Ref. PLUG, ELECTRICAL <i>(refer to 402.1)</i>	

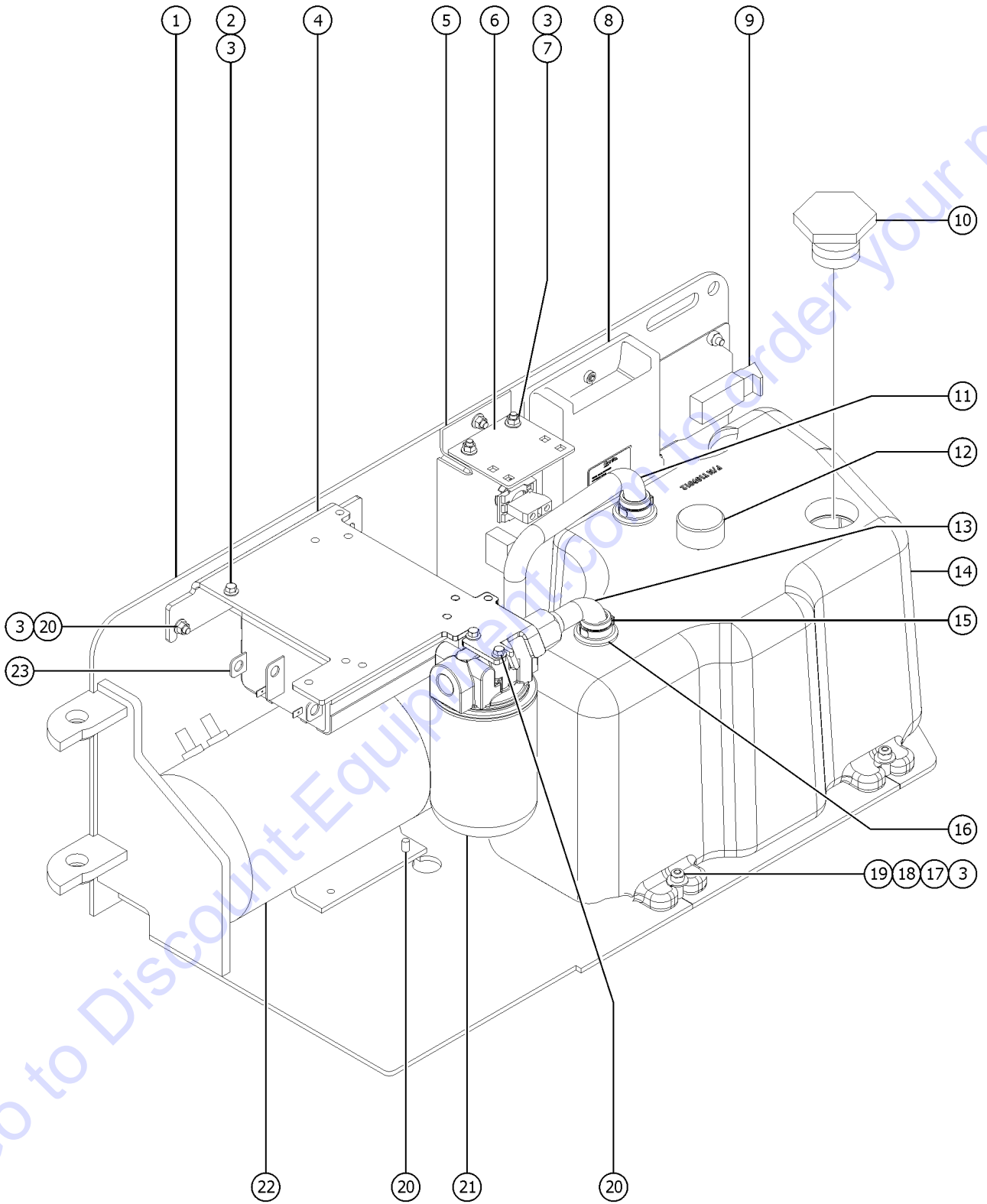
207.1 Power Unit Module (to SN GS3216P-147310)



## 207.1 Power Unit Module (to SN GS3216P-147310)

Item	Part No.	Description	Qty.
1A	231114GT	HYDR TRAY ASSY W/WORDS.....1	
--	T113296GT	WELDMENT,GS HYD TRAY (decals not included, refer to section one)	
1B	231167GT	HYDR TRAY ASSY,GS30 W/SYMBOLS.....1	
--	T113296GT	WELDMENT,GS HYD TRAY (decals not included, refer to section one)	
2	824080GT	SCREW,HHF,1/4-20X1.25,8,ZAG	
3	824027GT	NUT,TL FLG,1/4-20,G,ZAG	
4	105308GT	FORMING, FILTER-CNTRLR MOUNT....1	
5		Ref. FORMING, CONTROL PANEL (refer to 208.1)	
6	T108326GT	PLATE,HARNES MOUNT.....1	
7	824124GT	BOLT,CARRIAGE,1/4-20X.75,5,ZAG	
8		Ref. GCON, GR/GRC/GS (refer to figure 208.1)	
9	55675GT	LATCH, LRG PADDLE HANDLE GS90...1	
10	66204GT	FILTER CAP (PLUG 1-1/2" NPT HEX....1	
11	96355GT	TUBE, ASSY, RETURN.....1	
12	78546GT	BREATHER CAP,HYD. TANK,1/4 NPT.....1	
13	96354GT	TUBE, ASSY, DRAW.....1	
14	226163GT	HYD. TANK KIT, GS30,32,46.....1 (includes items 15 and 16)	
--	T109012GT	TANK,HYD, SLAB SCISSORS	
15	96855GT	CLAMP,HOSE,1 EAR,1-1/16***.....2	
16	96709GT	GROMMET,SLAB HYD TANK***.....2	
17	96699GT	SLEEVE,TANK SUPPORT	
18	824113GT	WASHER,FLAT,USS,1/4,ZAG	
19	1256463GT	BOLT,CARRIAGE,1/4-20X1.25,5,ZAG	
20	824078GT	SCREW,HHF,1/4-20X.75,8,ZAG	
21		REF. FILTER ASSY (refer to figure 501.1)	
22		REF. ELECTRIC MOTOR/PUMP (refer to figure 504.1)	
23A	823408GT	MOTOR CONTROLLER, DC,24V,300A.....1 to SN P-143602	
23B	1257840GT	MOTOR CONTROLLER, DC,24V,360A from SN P-143603	
23C	232534GT	KIT,CONTACTOR,GS	
23D	1261335GT	KIT,BATT. CABLE ASSY.,GS30/32.....1 "All models with motor controller, 823408GT, installed"	
23E	233379GT	KIT, INVERTER JUMPER, GS.....1 "All models with motor controller, 823408GT, installed"	
24	6091GT	NUT,NYLOCK,1/4-20.....3	

207.2 Power Unit Module (from SN GS3216P-147311)

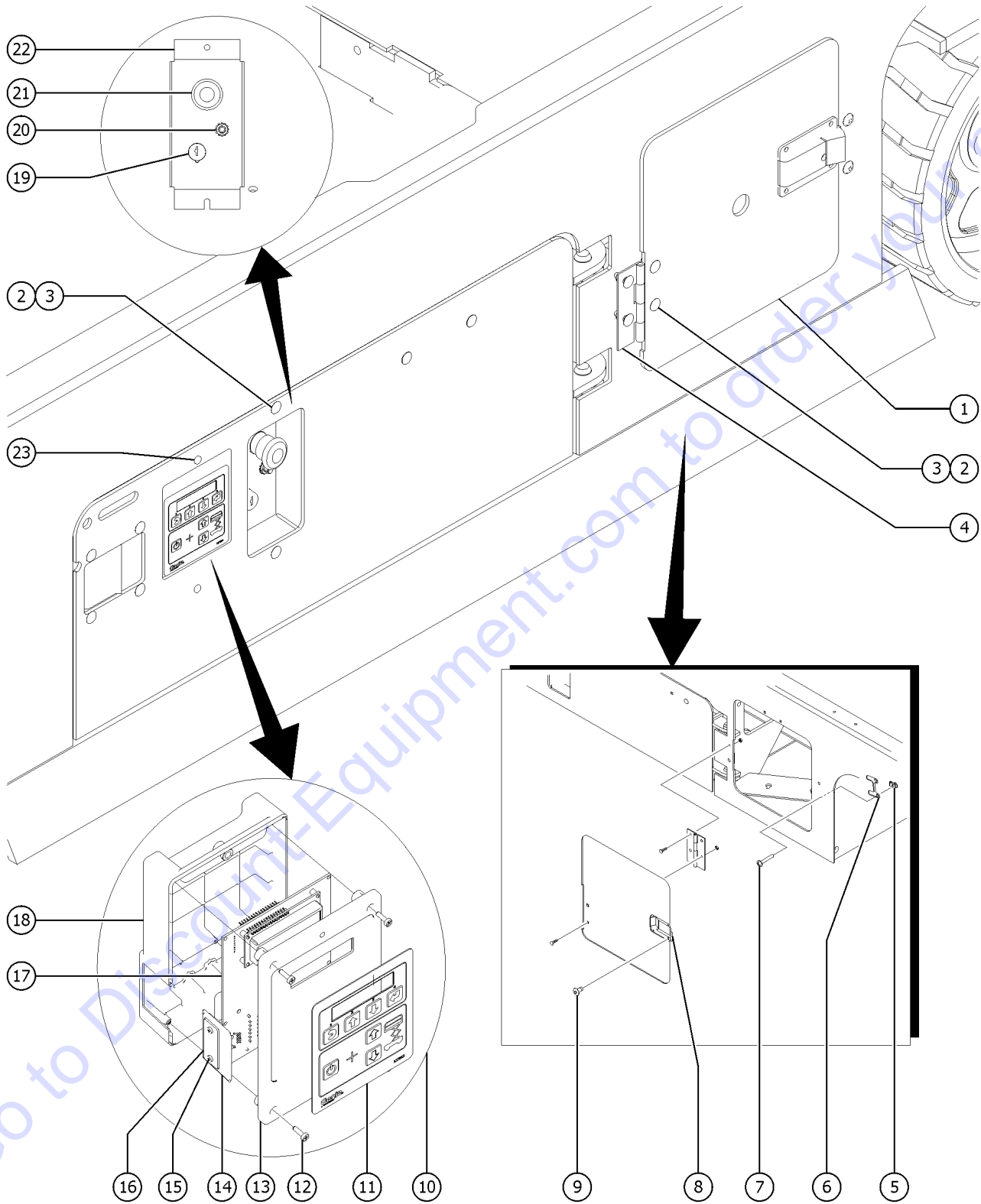




## 207.2 Power Unit Module (from SN GS3216P-147311)

Item	Part No.	Description	Qty.	Item	Part No.	Description	Qty.
1A	231114GT	HYDR TRAY ASSY W/WORDS.....	1	13B	1276561GT	TUBE, SLAB RETURN ASSEMBLY <i>from SN GS32P-149743</i>	
--	T113296GT	WELDMENT,GS HYD TRAY <i>(decals not included, refer to section one)</i>		14	226163GT	HYD. TANK KIT, GS30,32,46.....	1
1B	231167GT	HYDR TRAY ASSY,GS30 W/SYMBOLS.....	1	--	T109012GT	TANK,HYD, SLAB SCISSORS	
--	T113296GT	WELDMENT,GS HYD TRAY <i>(decals not included, refer to section one)</i>		15	96855GT	CLAMP,HOSE,1 EAR,1-1/16***.....	2
2	824080GT	SCREW,HHF,1/4-20X1.25,8,ZAG <i>(refer to figure 208.1)</i>		16	96709GT	GROMMET,SLAB HYD TANK***.....	2
3	824027GT	NUT,TL FLG,1/4-20,G,ZAG		17	96699GT	SLEEVE,TANK SUPPORT	
4A	1280158GT	KIT,SLAB HYD TANK TUBE REPLACEMENT <i>from SN GS3216P-147311 to 149742 (includes draw tube, return tube, and filter control mount)</i>		18	824113GT	WASHER,FLAT,USS,1/4,ZAG	
--	1270598GT	TUBE, SLAB DRAW ASSEMBLY <i>from SN GS3216P-147311 to 149742</i>		19	1256463GT	BOLT,CARRIAGE,1/4-20X1.25,5,ZAG	
--	1276561GT	TUBE, SLAB RETURN ASSEMBLY <i>from SN GS3216P-147311 to 149742</i>		20	824078GT	SCREW,HHF,1/4-20X.75,8,ZAG	
4B	1276662GT	FORMING,FILTER-CONTROLLER MOUNT <i>from SN GS32P-149743</i>		21		REF. FILTER ASSY <i>(refer to figure 501.1)</i>	
5		Ref. FORMING, CONTROL PANEL		22		REF. ELECTRIC MOTOR/PUMP <i>(refer to figure 505.1)</i>	
6	T108326GT	PLATE,HARNESS MOUNT.....	1	23	1257840GT	MOTOR CONTROLLER, DC,24V,360A	
7	824124GT	BOLT,CARRIAGE,1/4-20X.75,5,ZAG		24	6091GT	NUT,NYLOCK,1/4-20.....	3
8		Ref. GCON, GR/GRC/GS <i>(refer to figure 208.1)</i>					
9	55675GT	LATCH, LRG PADDLE HANDLE GS90...1					
10	66204GT	FILTER CAP (PLUG 1-1/2" NPT HEX.....1					
11A	1280158GT	KIT,SLAB HYD TANK TUBE REPLACEMENT <i>from SN GS3216P-147311 to 149742 (includes draw tube, return tube, and filter control mount)</i>					
--	1276561GT	TUBE, SLAB RETURN ASSEMBLY <i>from SN GS3216P-147311 to 149742</i>					
--	1276562GT	FORMING,FILTER-CONTROLLER MOUNT <i>from SN GS3216P-147311 to 149742</i>					
11B	1270598GT	TUBE, SLAB DRAW ASSEMBLY <i>from SN GS3216P-147311 to 149742</i>					
12	78546GT	BREATHING CAP,HYD. TANK,1/4 NPT.....1					
13A	1280158GT	KIT,SLAB HYD TANK TUBE REPLACEMENT <i>from SN GS3216P-147311 to 149742 (includes draw tube, return tube, and filter control mount)</i>					
--	1270598GT	TUBE, SLAB DRAW ASSEMBLY <i>from SN GS3216P-147311 to 149742</i>					
--	1276562GT	FORMING,FILTER-CONTROLLER MOUNT <i>from SN GS3216P-147311 to 149742</i>					

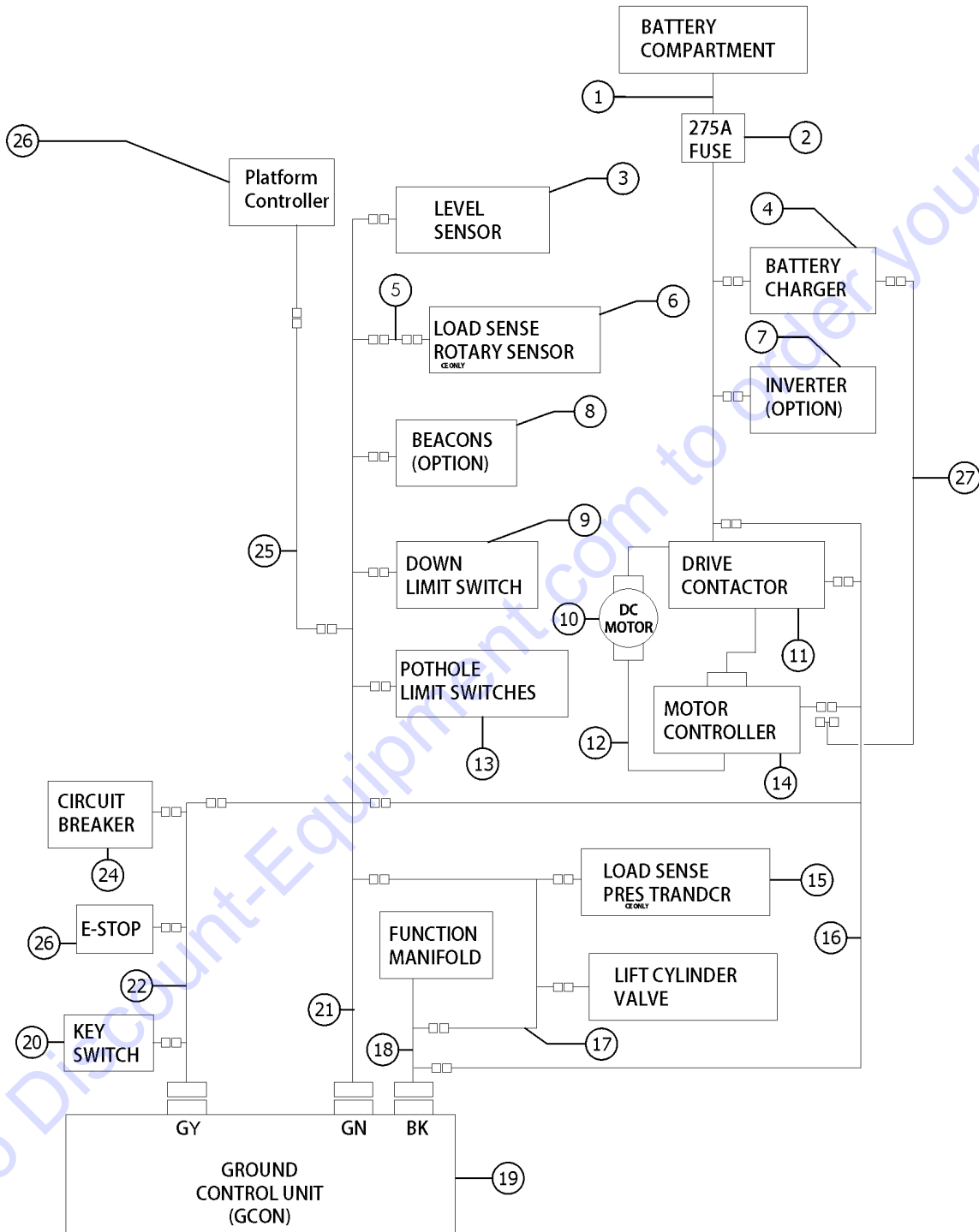
208.1 Ground Controls



## 208.1 Ground Controls

Item	Part No.	Description	Qty.	Item	Part No.	Description	Qty.
A	1252764GT	SPACER, GROUND CONTROL ECU.....1		21	66812GT	BUTTON,PUSH,RED MUSHROOM HEAD.....1	
B	824216GT	SCREW,PHPM,10-32X1.5,ZAG		--	58627GT	NUT	
1	105732GT	PLATE,SIDE DOOR***.....1		--	66817GT	BASE WITH 1 NC CONTACT, E-STOP	
2	824124GT	BOLT,CARRIAGE,1/4-20X.75,5,ZAG.....6		22	T108327GT	FORMING,CONTROL PANEL.....1	
3	824027GT	NUT,TL FLG,1/4-20,G,ZAG.....6		23	51063GT	SCREW,PHILLIPS,RHM,10-32 X 1.5.....2	
4	105734GT	HINGE,ACCESS DOOR(13G).....1					
5	56912GT	SPRING CLIP,1/4-20,.025-.15X.54,ZAG.....2					
6	105572GT	PLATE,SIDE DOOR STOP***.....1					
7	1260984GT	SCREW,PHPM,1/4-20X.75,ZAG.....2					
8	105759GT	LATCH,COMPRESSION,SMALL.....1					
9	824206GT	RIVET,STL,STL,DOME,1/8X.25,ZAG....2					
10A	1256721GT	GCON,STD,PROP LIFT.....1 GS-2032 and GS-2632					
10B	1256722GT	GCON,O/R,PROP LIFT.....1 GS-3232					
--	1256808GT	LABEL,GCON O/R,SERIAL (GS-3232)					
11	137562GT	DECAL,MEMBRANE, GR/GRC/GS GCON.....1					
12	137668GT	SCREW,PHM,6-19X.75, 48-2 TRI-L.....4					
13	T106366GT	ENCLOSURE,GC27-25/GC21-19,FRNT.1					
14	T106363GT	ADAPTER, RJ45, GC27-25/GC21-19.....1					
15	137637GT	SCREW,PHM,4-20X.5, 48-2 TRI-L.....2					
16	T106362GT	COVER, RJ45, GC27-25/GC21-19.....1					
17A	1256719GT	PCBA,GCON STD,PROP LIFT.....1 GS-2032 and GS-2632					
17B	1256720GT	PCBA,GCON O/R,PROP LIFT.....1 GS-3232					
18A	T106372GT	ENCLOSURE, GC21-19, BK.....1 GS-2032 and GS-2632					
18B	T106371GT	ENCLOSURE, GC27-25, BK.....1 (GS-3232)					
19	96008-SGT	KEYSWITCH,3 POS. W/KEYS***.....1					
--	37947GT	KEYS,10 PACK*** (sold seperately)					
--	83093GT	KEY SINGLE*** (sold seperately)					
--	85239GT	NUT,RETAINER (96008) (sold seperately)					
--	96009GT	WASHER,NITRILE (sold seperately)					
--	96010GT	SCREW,PHILLIPS,PHM,8-32 X.25** (sold seperately)					
20	96452GT	CIRCUIT BREAKER,7.0 AMP***.....1					
--	122994GT	NICKEL PLATED JAM NUT					
--	6700GT	WASHER,STAR,EXTERNAL,,375					

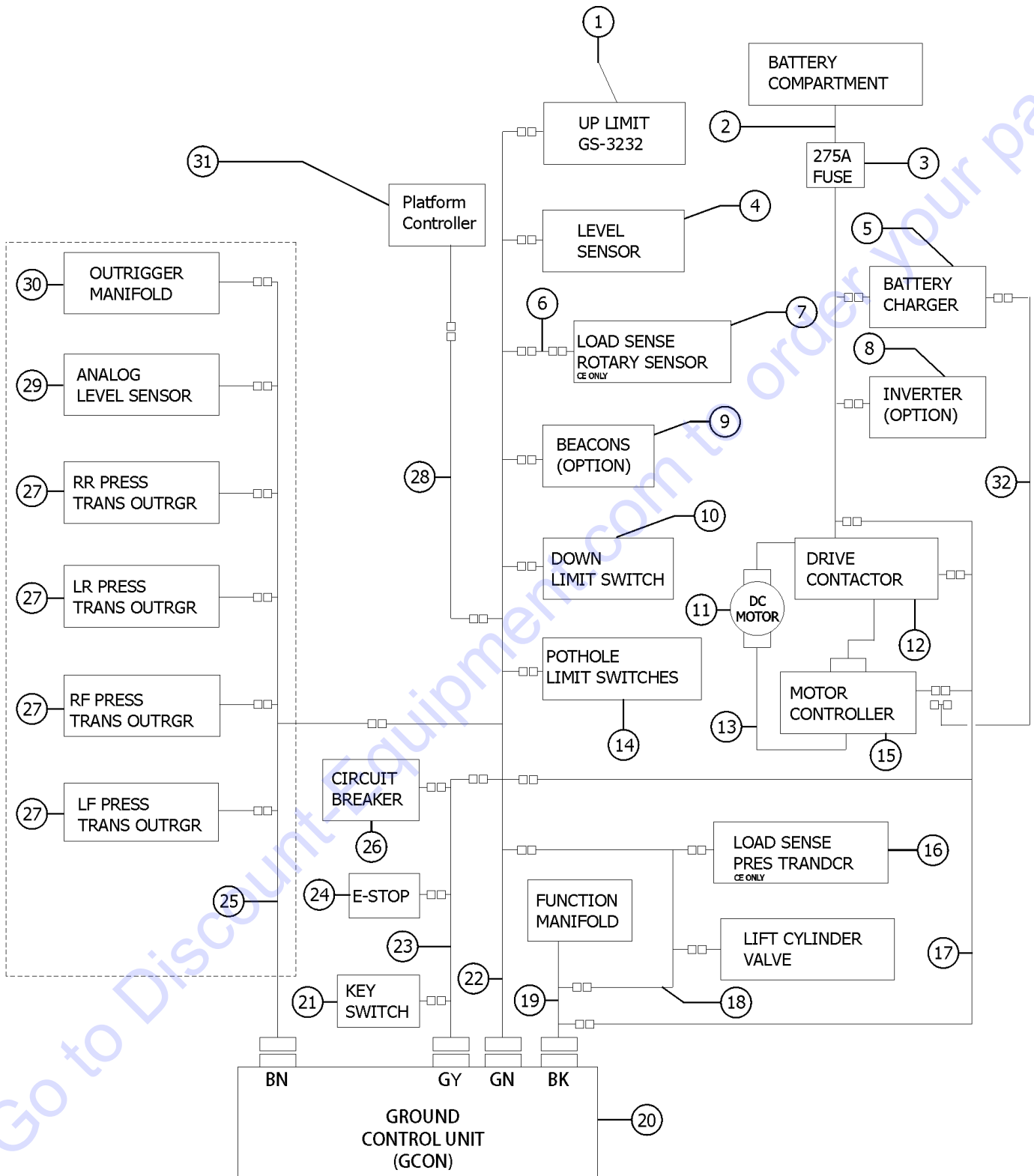
209.1 Electrical Wiring, GS-2032 and GS-2632



## 209.1 Electrical Wiring, GS-2032 and GS-2632

Item	Part No.	Description	Qty.	Item	Part No.	Description	Qty.
A	105214GT	CABLE TIE MOUNT, WINGED <i>not shown</i>		22	1258394GT	HARNESS,GS POWER CONTROL <i>from SN 135000 (Grey connector)</i>	
A	56926GT	CLIP,TIE HARNESS MOUNT*** <i>not shown</i>		23		REF. E-STOP BUTTON <i>refer to 208.1</i>	
B	1264822GT	KIT, TRC RETROFIT, STNDRD <i>Telematics (includes 1264834)</i>		24		REF. CIRCUIT BREAKER <i>refer to 208.1</i>	
--	1264834GT	INSTRN, TRC RETROFIT, STNDRD		25A	233050GT	CABLE, PLATFORM CONTROL, 20XX...1 GS-2032	
1		REF. BATTERY CABLE <i>refer to 211.1</i>		--	218579GT	WIRE CABLE 18/5 - UNSHIELDED.....324-inches GS-2032	
2		REF. FUSE <i>refer to 205.1</i>		--	231921GT	KIT,CONN,RECEPT W/PIN AND LOCK	
3		REF. LEVEL SENSOR <i>refer to 203.1</i>		--	231922GT	KIT,CONN,PLUG W/SCKT AND LOCK	
4		REF. CHARGER <i>refer to 206.1</i>		25B	233051GT	CABLE, PLATFORM CONTROL, 26XX...1 GS-2632	
5	T114031GT	HARNESS, ROTARY ANGLE.....1		--	218579GT	WIRE CABLE 18/5 - UNSHIELDED.....440-inches GS-2632	
6	T113136GT	ASSY,ROT SENSR W/ HARNESS.....1		--	231921GT	KIT,CONN,RECEPT W/PIN AND LOCK GS-2632	
7		REF. INVERTER <i>refer to 604.1</i>		--	231922GT	KIT,CONN,PLUG W/SCKT AND LOCK GS-2632	
8		REF. STOBE,BEACON <i>refer to 601.1</i>		26		REF. PCON <i>refer to 403.1</i>	
9		REF. DOWN LIMIT, GS <i>refer to 203.1</i>		27A	144213GT	CHARGER INTERLOCK CBLE,GS30/32	
10		REF. ELECTRIC MOTOR <i>refer to 504.1</i>					
11A	74267GT	CONTACTOR,DRIVE,24V,180A***.....1 <i>to SN GS3216P-143899</i>					
11B	1270456GT	CONTACTOR,DRIVE,24V,180A <i>from SN GS3216P-143900</i>					
12		REF. BATTERY CABLE <i>refer to 211.1</i>					
13	96309GT	ASSY,POTHOLE HARNESS,GS.....1					
14		REF. MOTOR CONTROLLER <i>refer to 207.1</i>					
15	229750GT	HARNESS,PRESS,TRANSDUCER***....1					
16	233431GT	HRNS,CONTACTOR SIGNL,GS30/32....1					
17A	233053GT	CABLE,LFT CYL DN,20/26XX,W/LS.....1 <i>(CE, Australia)</i>					
17B	233054GT	CABLE,LFT CYL DN,20/26XX,WO/LS....1 <i>(ANSI, CSA)</i>					
18	1257824GT	HARNESS,FUNCTION MANIFOLD,GS...1 <i>(Black connector)</i>					
19		REF. GCON <i>refer to 208.1</i>					
20		REF. KEYSWITCH <i>refer to 208.1</i>					
21A	1263221GT	HARNESS, GS SENSORS, ANSI,UTS <i>ANSI &amp; CSA</i>					
21B	1263220GT	HARNESS, GS SENSORS, CE,UTS <i>CE and AUS</i>					

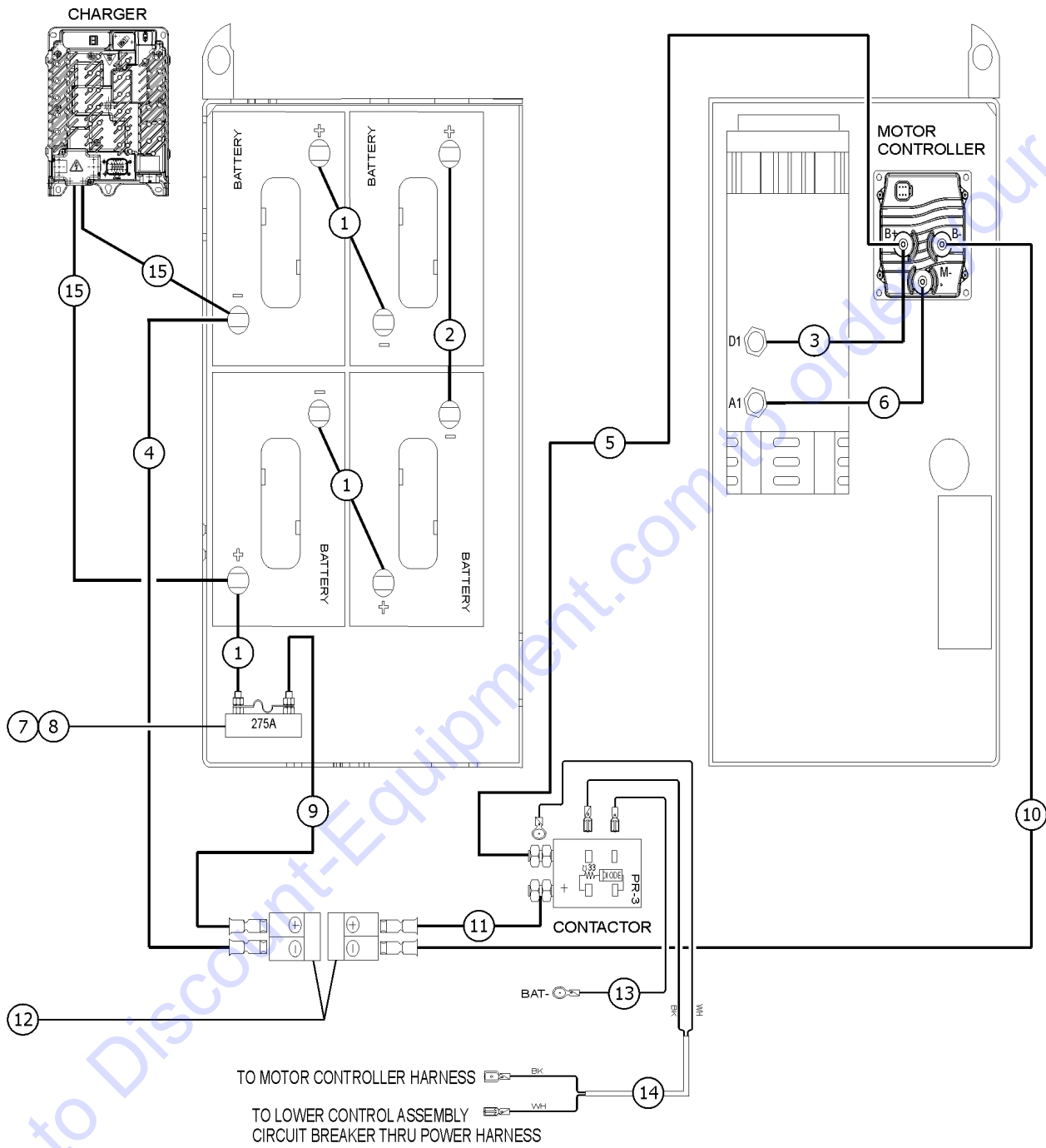
210.1 Electrical Wiring, GS-3232



## 210.1 Electrical Wiring, GS-3232

Item	Part No.	Description	Qty.	Item	Part No.	Description	Qty.
B	1264822GT	KIT, TRC RETROFIT, STNDRD <i>Telematics (includes 1264834)</i>		22C	1284194GT	HARNESS, GS3232, SENSORS, ANSI <i>(for use with 228406, from SN GS32P-158569) ANSI &amp; CSA</i>	
--	1264834GT	INSTRN, TRC RETROFIT, STNDRD		22D	1284193GT	HARNESS, GS3232, SENSORS, CE <i>(for use with 228406, from SN GS32P-158569) CE &amp; AUS</i>	
1	105664GT	ASSY,22 FT LIMIT SWITCH,GS3232		23	T110890GT	HARNESS, GS POWER CONTRL.....1 <i>(Grey connector)</i>	
2		REF. BATTERY CABLE <i>refer to 211.1</i>		24		REF. E-STOP BUTTON <i>refer to 208.1</i>	
3		REF. FUSE <i>refer to 205.1</i>		25A	229670GT	HARNESS, OUTRIGGER, GS3232.....1 <i>(for use with 823368, to SN GS32P-158568)</i>	
4		REF. LEVEL SENSOR <i>refer to 203.1</i>		25B	1284195GT	HARNESS, GS3232, OUTRIGGER <i>(for use with 228406, from SN GS32P-158569)</i>	
5		REF. CHARGER <i>refer to 206.1</i>		26		REF. CIRCUIT BREAKER <i>refer to 208.1</i>	
6	T114031GT	HARNESS, ROTARY ANGLE.....1		27	229750GT	HARNESS,PRESS,TRANSDUCER*** ....1 <i>outriggers</i>	
7	T113136GT	ASSY,ROT SENSR W/ HARNESS.....1		28	233052GT	CABLE, PLATFORM CONTROL, 32XX...1	
8		REF. INVERTER <i>refer to 604.1</i>		--	218579GT	WIRE CABLE 18/5 - UNSHIELDED.....518-inches	
9		REF. STOBE,BEACON <i>refer to 601.1</i>		--	231921GT	KIT,CONN,RECEPT W/PIN AND LOCK	
10		REF. DOWN LIMIT, GS <i>refer to 203.1</i>		--	231922GT	KIT,CONN,PLUG W/SCKT AND LOCK	
11		REF. ELECTRIC MOTOR <i>refer to 504.1</i>		29	105708GT	LEVEL SENSOR, ANALOG.....1 <i>(for use with 228406)</i>	
12A	74267GT	CONTACTOR,DRIVE,24V,180A*** .....1 <i>to SN GS3216P-143899</i>		30		REF. OUTRIGGER MANIFOLD <i>refer to 214.1</i>	
12B	1270456GT	CONTACTOR,DRIVE,24V,180A <i>from SN GS3216P-143900</i>		31		REF. PCON <i>refer to 403.1</i>	
13		REF. BATTERY CABLE <i>refer to 211.1</i>		32	144213GT	CHARGER INTERLOCK CBLE,GS30/32	
14	96309GT	ASSY,POTHOLE HARNESS,GS.....1					
15		REF. MOTOR CONTROLLER <i>refer to 207.1</i>					
16		REF. PRESSURE TRANSDUCER HARNESS.....1 <i>refer to 701.1</i>					
17	233431GT	HRNS,CONTACTOR SIGNAL,GS30/32.....1					
18A	233055GT	CABLE,LIFT CYL DWN, 32XX,W/LS.....1 <i>(Australia, CE)</i>					
18B	234168GT	CABLE,LIFT CYL DWN, 32XX,WO/LS....1 <i>(ANSI, CSA)</i>					
19	1257824GT	HARNESS,FUNCTION MANIFOLD,GS...1 <i>replaced T110889GT (Black connector)</i>					
20		REF. GCON <i>refer to 208.1</i>					
21		REF. KEYSWITCH <i>refer to 208.1</i>					
22A	1263532GT	HARNESS, GS SENSORS, ANSI, 323 <i>(for use with 823368, to SN GS32P-158568) ANSI &amp; CSA</i>					
22B	1263533GT	HARNESS, GS SENSORS, CE, 3232 <i>(for use with 823368, to SN GS32P-158568) CE &amp; AUS</i>					

211.1 Power Cables





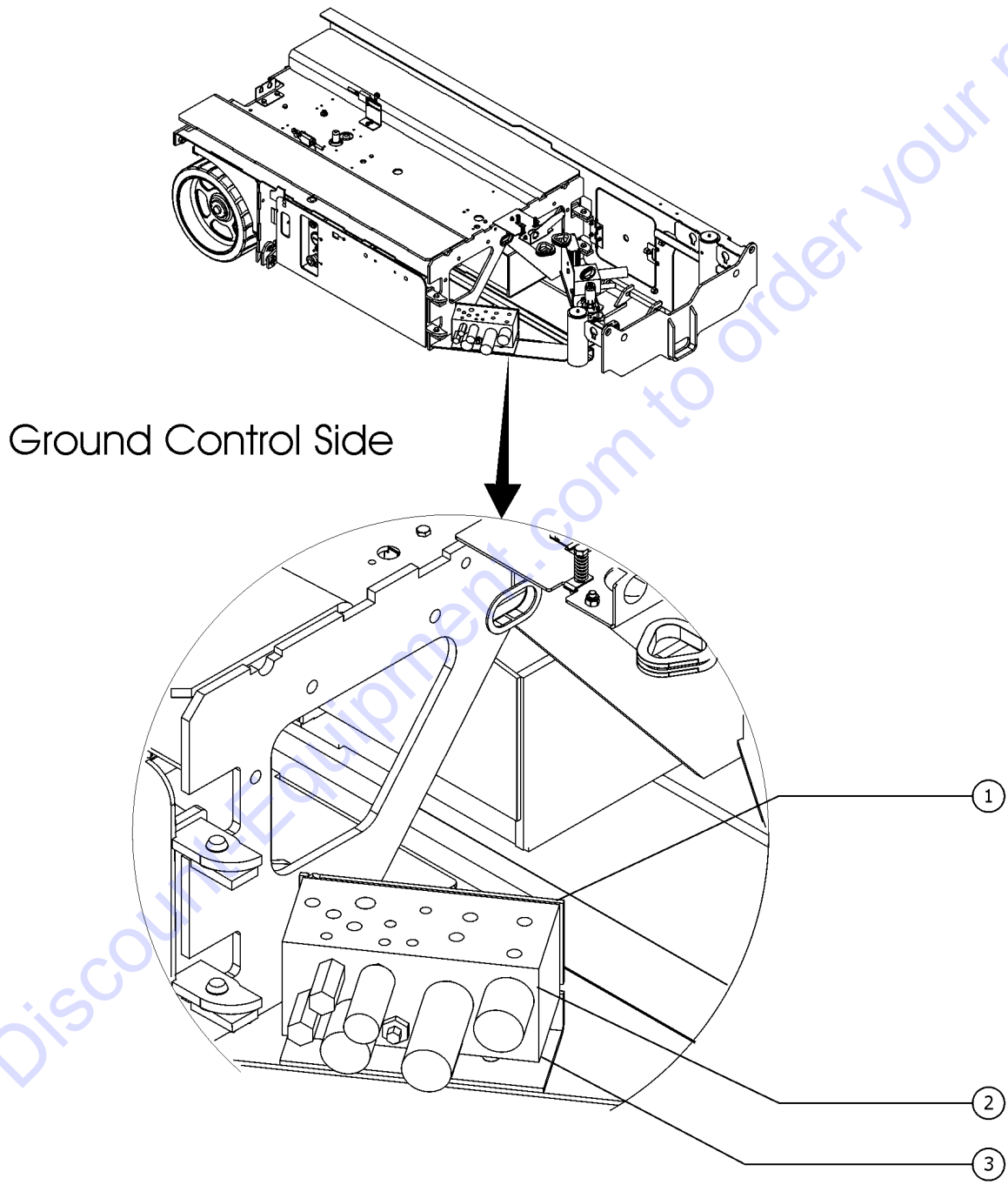
Item	Part No.	Description	Qty.
A	28131GT	WIRE LOOM,1.25 DIA.....16-inches	
B	96110GT	BOOT,CABLE TERMINAL COVER.....14	
C	79140GT	BOOT,CABLE TERMINAL,RED,XL.....2	
1	96304GT	CABLE ASSY,BATT,5.50"RED.....3	
2	96306GT	CABLE ASSY,BATT,9.50"RED.....1	
3	1257054GT	CABLE ASSY., BATT. 14" RED.....1	
4	232578GT	CABLE ASSY,BATT, 20" BLK.....1	
5	1257059GT	CABLE ASSY., BATT. 75" RED.....1	
6	1257055GT	CABLE ASSY., BATT. 12" BLACK.....1	
7	66717GT	FUSE BLOCK, ANN & ANL FUSE.....1	
8	40833GT	FUSE,275 AMP,VERY FAST ACTING.....1	
9	232576GT	CABLE ASSY,BATT, 12" RED.....1	
10	1257058GT	CABLE ASSY., BATT. 79" BLACK.....1	
11	233371GT	CABLE ASSY,BATT,23"RED.....1	
12	66397GT	QUICK DISCONNECT CASING,BATT** .....2	
13	232582GT	GROUND WIRE ASSY,GS.....1	
14	233431GT	HRNS,CONTACTOR SIGNL,GS30/32.....1	
15A	1273576GT	CABLE ASSY,CHARGER/BATTERY (for 1264372) (from SN GS4616P-146463) (standard batteries)	
15B	1272844GT	CABLE,CHARGER, DC, W/ BTS.....1 (to SN GS4616P-146462) (AGM batteries)	



## 212.1 Outrigger Components, GS-3232

Item	Part No.	Description	Qty.
1	109735GT	WLDMT, OUTRIGGER, RR.....1 (ground control side)	1
2	1255759GT	BOLT,CARRIAGE,1/2-13X2,5,ZAG.....4	4
3	105634GT	PUSH RETAINER, 1/2" SCREW.....10	10
4	1251997GT	NUT,TL FLG,1/2-13,G,ZAG.....10	10
5	1256756GT	BOLT,CARRIAGE,3/8-16X1.5,5,ZAG.....6	6
6	824029GT	NUT,TL FLG,3/8-16,G,ZAG.....6	6
7	824079GT	SCREW,HHF,1/4-20X1,8,ZAG.....22	22
8	56912GT	SPRING CLIP,1/4-20,.025-.15X.54,ZAG.....22	22
9	109745GT	PLATE,REAR COVER.....2	2
10		Ref: Outrigger Cylinder, Rear (refer to 508.1)	
11	109737GT	WLDMT, OUTRIGGER, LR.....2 (battery pack side)	2
12	105758GT	PLATE, SHEAR, OUTRIGGER.....2	2
13		Ref: Outrigger Cylinder, Front (refer to 508.1)	
14	109749GT	WLDMT, OUTRIGGER, FRONT.....2	2
15	1256115GT	BOLT,CARRIAGE,1/2-13X1.75,5,ZA.....6	6

213.1 Function Manifold and Accumulator Components, GS-2032 and GS-2632

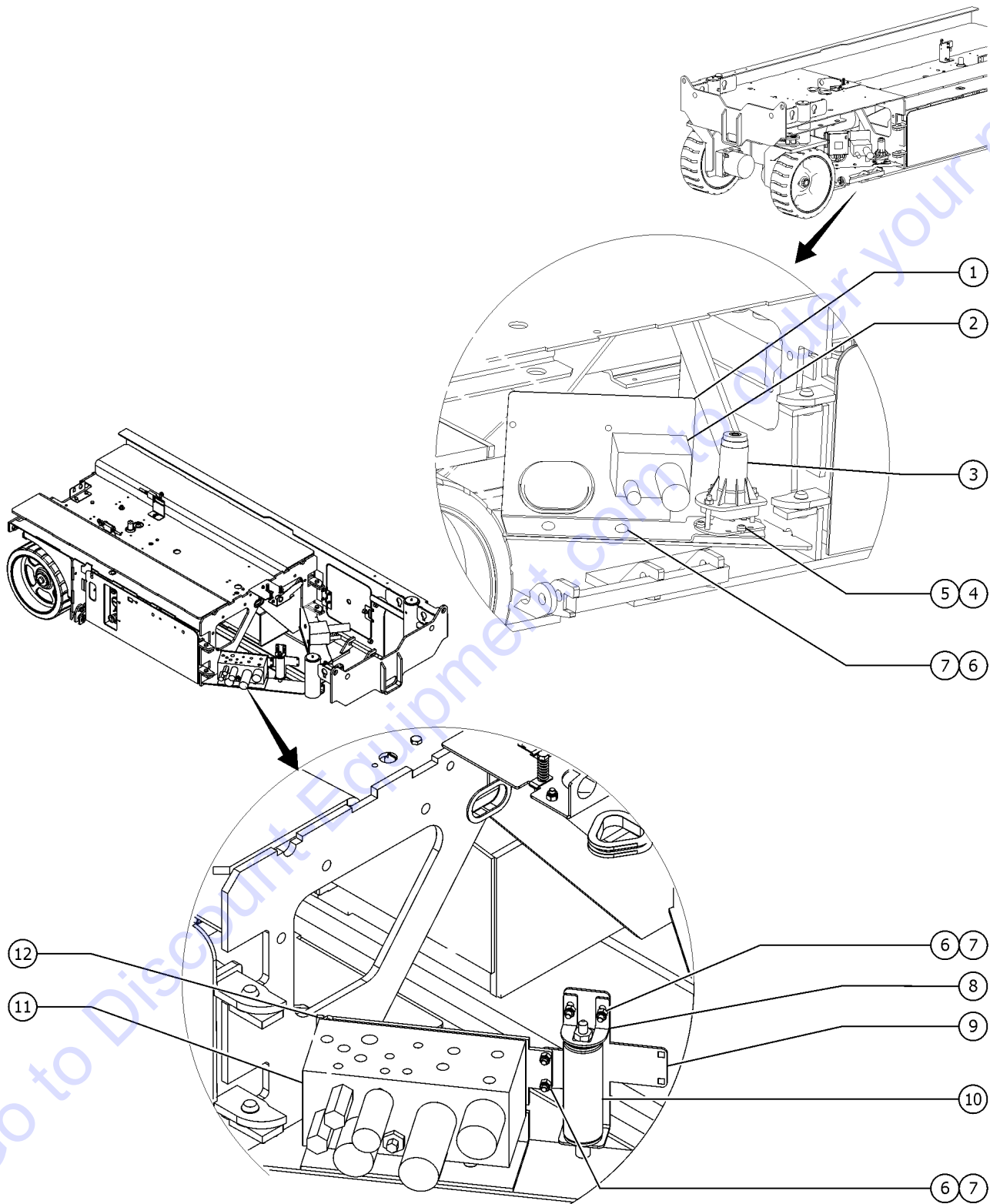


## 213.1 Function Manifold and Accumulator Components, GS-2032 and GS-2632

Item	Part No.	Description	Qty.
1	105574GT	FORMING,MANIFOLD MOUNT	
2		Ref. Function Manifold <i>(refer to 502.1)</i>	
3	78422GT	ACCUMULATOR,180 PSI PRECHARGE* <i>(hidden from view)</i>	
--	18504GT	NUT,LOCKING-LG.FLANGE,1/4-20	
--	32339GT	CLAMP,1.75,#28 X 3/8,RUB CUSH*	
--	9116GT	BOLT,CARRIAGE,1/4-20x1.25,G2	

Go to Discount-Equipment.com to order your parts

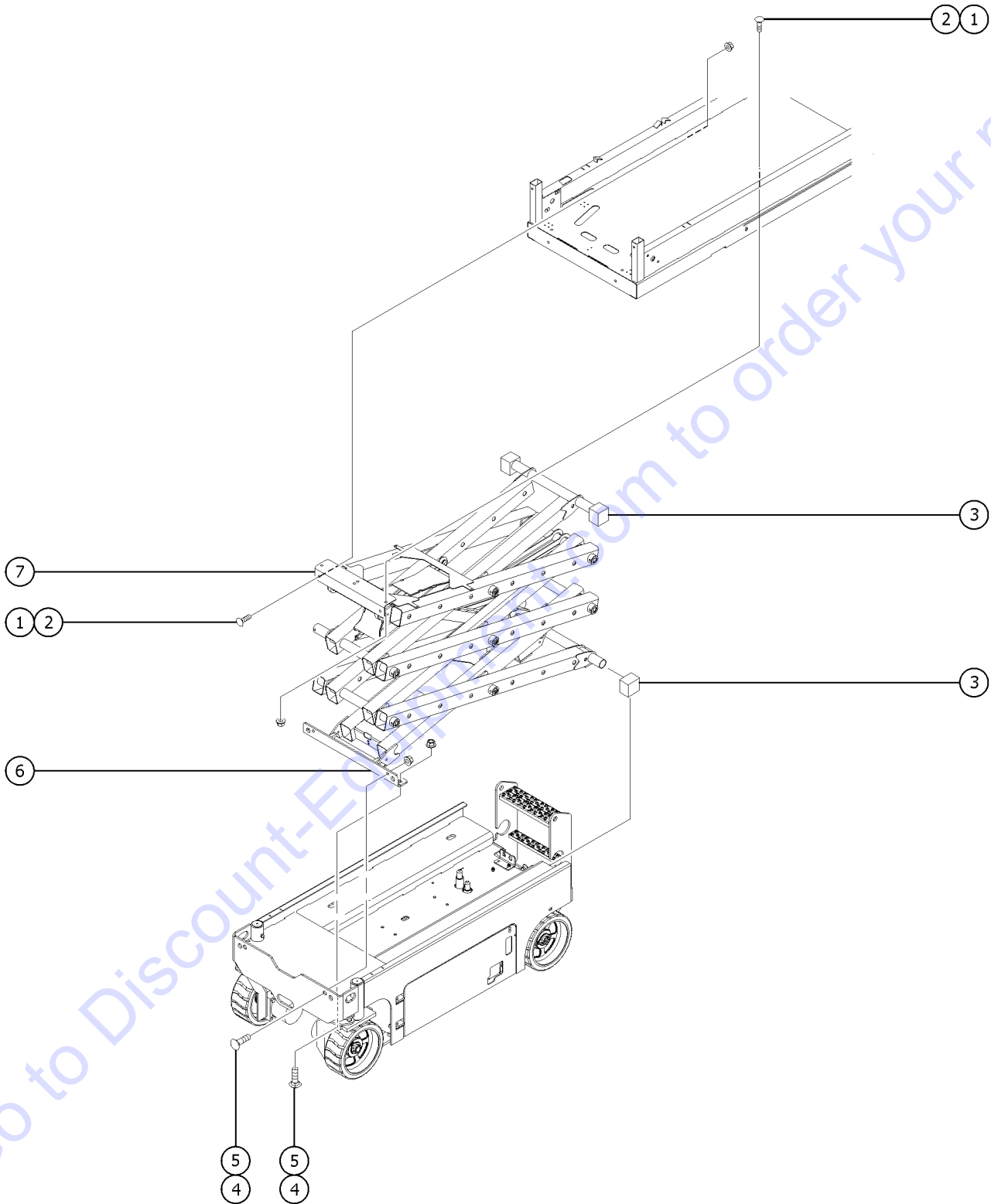
214.1 Function Manifold and Accumulator Components, GS-3232



## 214.1 Function Manifold and Accumulator Components, GS-3232

Item	Part No.	Description	Qty.
1A	105643GT	FORMING,COMPONENT BRKT, GS3232	
2		Ref. Outrigger Manifold <i>(refer to 509.1)</i>	
3	105708GT	LEVEL SENSOR, ANALOG <i>(for use with 228406)</i>	
4	6889GT	NUT,LP NYLOCK,1/4-20	
5	80149GT	BOLT,CARRIAGE,1/4-20 X .5,G2	
6	6878GT	BOLT,CARRIAGE,1/4-20 X .75,G2	
7	6091GT	NUT,NYLOCK,1/4-20	
8	105211GT	FORMING, ACCUMULATOR CLAMP	
9	105210GT	FORMING, ACCUMULATOR BRACKET	
10	78422GT	ACCUMULATOR,180 PSI PRECHARGE*	
11		Ref. Function Manifold <i>(refer to 502.1)</i>	
12	105644GT	FORMING,MANIFOLD BRKT, GS3232	

301.1 Scissor Assembly Installation



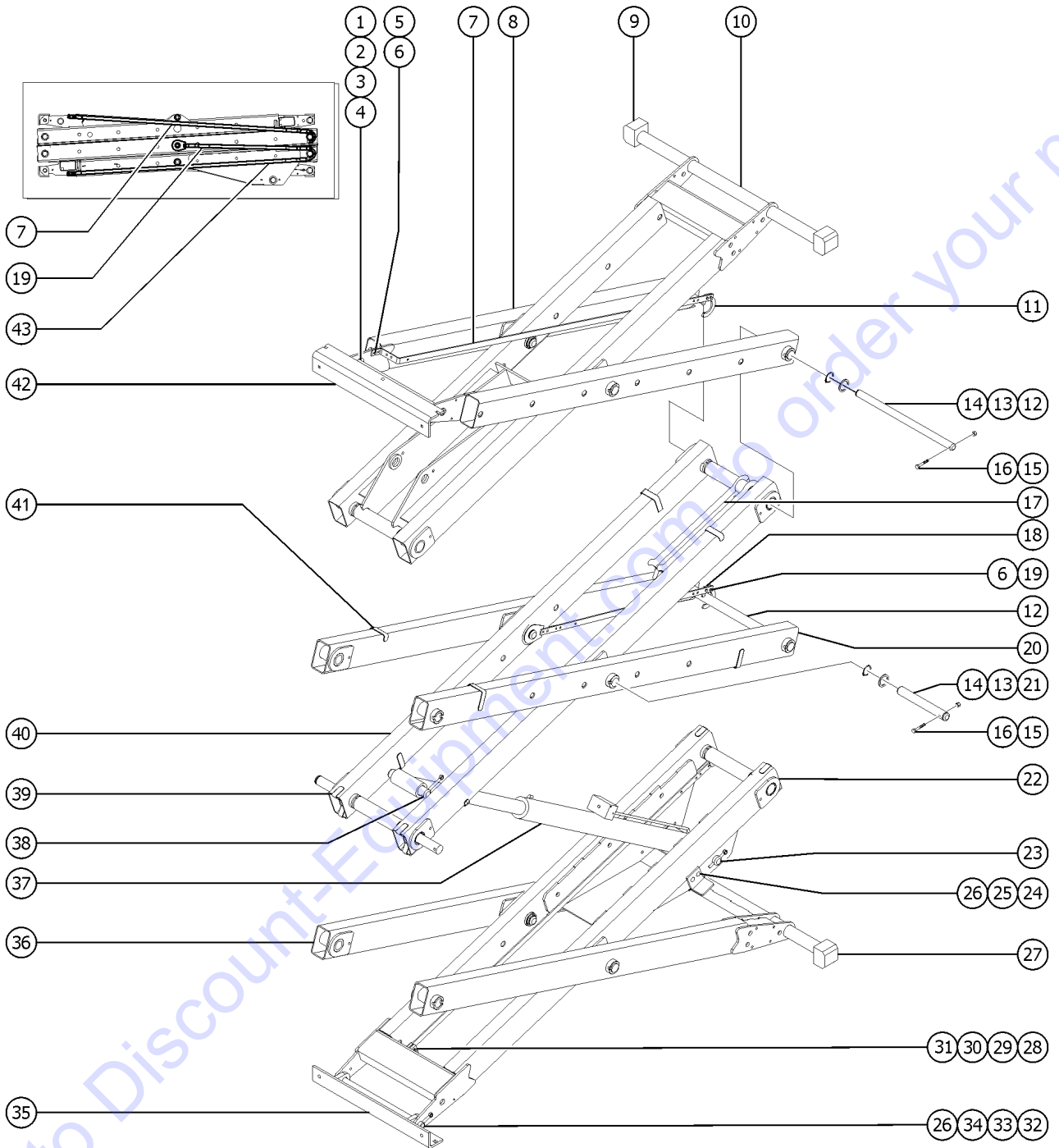


## 301.1 Scissor Assembly Installation

Item	Part No.	Description	Qty.
1	1255757GT	BOLT,CARRIAGE,3/8-16X1.25,5,ZAG.....4	4
2	824029GT	NUT,TL FLG,3/8-16,G,ZAG.....4	4
3	96595GT	SLIDER,UHMW.....4	4
4	1256115GT	BOLT,CARRIAGE,1/2-13X1.75,5,ZA.....4	4
5	1251997GT	NUT,TL FLG,1/2-13,G,ZAG.....4	4
6	97241GT	CHASSIS MOUNT ASSY, GS32&46.....1	1
--	51474GT	BEARING,1.00IDX1.25ODX0.75L.....2	2
7	84747GT	PLATFORM MOUNT ASSY, GS32&46....1	1
--	36369GT	BEARING,0.75IDX1.00ODX0.75L.....2	2

Go to Discount-Equipment.com to order your parts

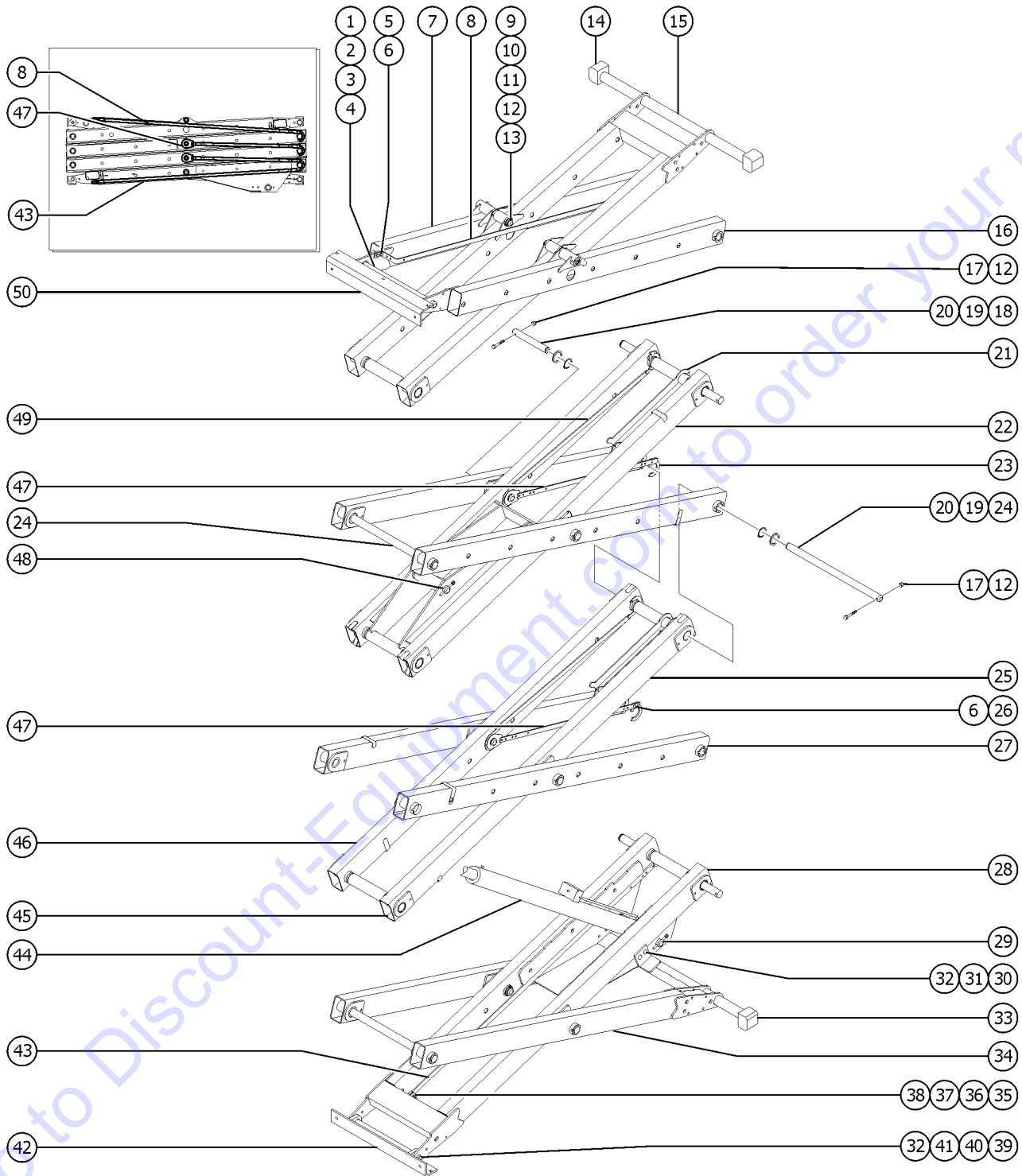
302.1 Scissor Assembly, GS-2032



## 302.1 Scissor Assembly, GS-2032

Item	Part No.	Description	Qty.	Item	Part No.	Description	Qty.
1	96932GT	PIN, LINKSET MOUNT, 3/4".....	1	31	1256467GT	NUT,TL FLG,10-24,F,ZAG.....	3
2	825020GT	ROD END, .25 X 2.75, ZAG.....	2	32	96862GT	PIN, LINKSET MOUNT, 1".....	1
3	824080GT	SCREW,HHF,1/4-20X1.25,8,ZAG.....	2	33	825019GT	ROD END,.375X3.69,ZAG.....	3
4	824027GT	NUT,TL FLG,1/4-20,G,ZAG.....	2	34	824092GT	SCREW,HHF,3/8-16X1.5,8,ZAG.....	3
5	1256127GT	BOLT,CARRIAGE,1/4-20X1.5,ZAG.....	2	35		Ref. Chassis Mount Assembly (refer to 301.1)	
6	1256679GT	NUT,SERRATED,1/4-20,8,ZAG.....	5	36A	105029GT	WLDMT,LNK,OUTER #1,GS32.....	1
7	105189GT	BAR,CABLE BRIDGE ARM,UPPER.....	1			(decal not included refer to section one)	
8	96611GT	WLDMT,LNK,OUT #3-20XX,#5-32XX.....	2	36B	96603GT	WLDMT,LNK,OUTER #1,XX46.....	1
9		Ref. Platform Slider (refer to 301.1)				(decal not included refer to section one)	
10A	84696GT	INNER ARM ASSY,#3 GS2032.....	1	37		Ref. Lift Cylinder (refer to 505.1)	
--	105030GT	WLDMT,LNK,INNER #3,2032.....	1	38	96661GT	PIN, UPPER CYLINDER MOUNT.....	1
		(bearings not included)		39	96735GT	LINK BUMPER, 5".....	4
--	66055GT	BEARING,1.50IDX1.77ODX1.25L.....	6	40	97234GT	INNER ARM ASSY, #2, GS32&46.....	1
10B	97233GT	INNER ARM ASSY, #3, 2046.....	1	--	66055GT	BEARING,1.50IDX1.77ODX1.25L.....	8
--	66055GT	BEARING,1.50IDX1.77ODX1.25L.....	6	41	96836GT	LINK BUMPER, SHORT TUBE.....	8
--	96606GT	WLDMT,LNK,INNER #3,2046 (bearings not included)		42		Ref. Platform Mounting Assembly (refer to 301.1)	
11	105193GT	CLIP,CABLEBRIDGE, GS32/46.....	2	43	105186GT	WLDMNT,CABLE BRIDGE,LOWER.....	1
12	96899GT	PIN, LONG, GS46.....	4				
13	1260941GT	WASHER,SHIM,1.54X2.00X.125,ZAG.....	10				
14	825796GT	SNAP RING,EXTERNAL,1.50,ZAG.....	8				
15	1256848GT	SCREW,HHC,3/8-16X2.75,8,ZAG.....	12				
16	824025GT	NUT,TL,3/8-16,C,ZAG.....	10				
17	58000GT	SAFETY CHOCK,SCISSOR.....	1				
18A	105191GT	WELDMENT.CABLE BRIDGE, TOP.....	2				
18B	105190GT	WLDMT,CABLE BRIDGE,BOTTOM.....	2				
19	1260963GT	BOLT,CARRIAGE,1/4-20X.63,5,ZAG.....	2				
20	96605GT	WLDMT,LNK,OUTER #2,#3,#4.....	2				
21	96900GT	PIN, SHORT, GS46.....	6				
22	237565GT	INNER ARM ASSEMBLY #1,GS32/46.....	1				
		(decal not included refer to section one)					
--	66055GT	BEARING,1.50IDX1.77ODX1.25L.....	6				
--	96601GT	WLDMT,LNK,INNER #1.....	1				
		(bearings not included)					
23	96662GT	PIN, LOWER CYLINDER MOUNT.....	1				
24	1256756GT	BOLT,CARRIAGE,3/8-16X1.5,5,ZAG.....	2				
25	105074GT	FORMING,PH PUSHER, GS46.....	1				
26	824029GT	NUT,TL FLG,3/8-16,G,ZAG.....	9				
27		Ref. Chassis Slider (refer to 301.1)					
28	58592GT	PLATE,HOSE ROUTG,BULKHEAD(PTD).....	2				
29	78736GT	CLAMP,2 HOSE,PLASTIC,5/8.....	4				
30	1259201GT	BOLT,CARRIAGE,10-24X2,A,ZAG.....	3				

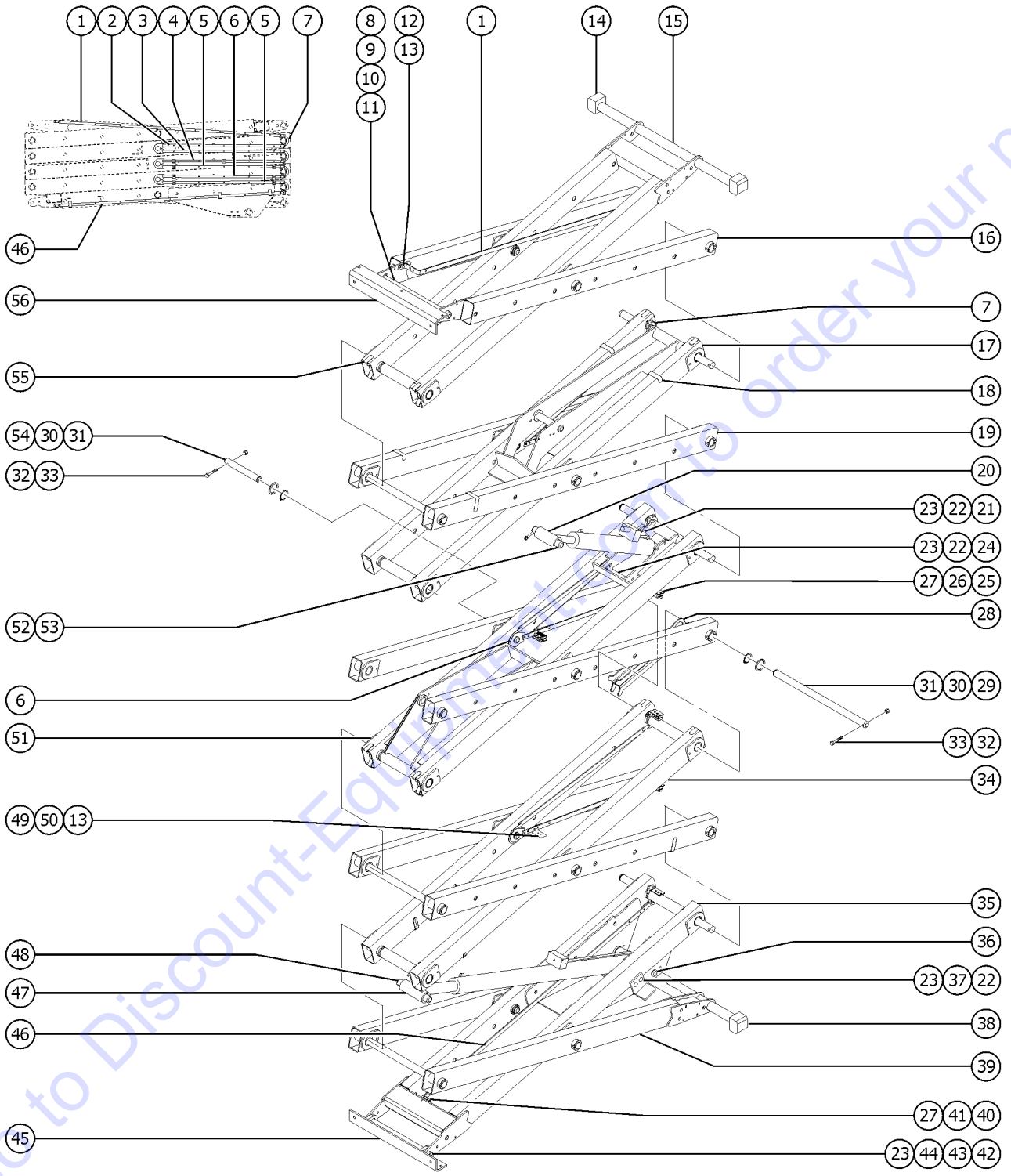
303.1 Scissor Assembly, GS-2632



## 303.1 Scissor Assembly, GS-2632

Item	Part No.	Description	Qty.	Item	Part No.	Description	Qty.
1	96932GT	PIN, LINKSET MOUNT, 3/4".....	1	33		Ref. Chassis Slider <i>refer to 301.1)</i>	
2	825020GT	ROD END, .25 X 2.75, ZAG.....	2	34A	105029GT	WLDMT,LNK,OUTER #1,GS32.....	1 <i>(decals not included refer to section one)</i>
3	824080GT	SCREW,HHF,1/4-20X1.25,8,ZAG.....	2	34B	96603GT	WLDMT,LNK,OUTER #1,XX46.....	1 <i>(decals not included refer to section one)</i>
4	824027GT	NUT,TL FLG,1/4-20,G,ZAG.....	2	35	58592GT	PLATE,HOSE ROUTG,BULKHEAD(PTD).....	2
5	1256127GT	BOLT,CARRIAGE,1/4-20X1.5,ZAG.....	2	36	78736GT	CLAMP,2 HOSE,PLASTIC,5/8.....	4
6	1256679GT	NUT,SERRATED,1/4-20,8,ZAG.....	6	37	1259201GT	BOLT,CARRIAGE,10-24X2,A,ZAG.....	3
7	96615GT	WLDMT,LNK,OUTER #4,26XX.....	1 <i>(ground controls side)</i>	38	1256467GT	NUT,TL FLG,10-24,F,ZAG.....	3
8	105189GT	BAR,CABLE BRIDGE ARM,UPPER		39	96862GT	PIN, LINKSET MOUNT, 1".....	1
9	96130GT	PIN, MINI, CENTER.....	2	40	825019GT	ROD END,.375X3.69,ZAG.....	3
10	824164GT	SNAP RING,EXTERNAL,1.25,ZAG.....	2	41	824092GT	SCREW,HHF,3/8-16X1.5,8,ZAG.....	3
11	824151GT	WASHER,SHIM,1.270X2.130X.062,Z.....	2	42		Ref. Chassis Mount Assembly <i>(refer to 301.1)</i>	
12	824025GT	NUT,TL,3/8-16,C,ZAG.....	14	43	105186GT	WLDMNT,CABLE BRIDGE,LOWER	
13	1256848GT	SCREW,HHC,3/8-16X2.75,8,ZAG.....	2	44		Ref. Lift Cylinder <i>(refer to 505.1)</i>	
14		Ref. Platform Slider <i>(refer to 301.1)</i>		45	96735GT	LINK BUMPER, 5".....	4
15A	84698GT	INNER ARM ASSY,#4 GS2632.....	1	46	97234GT	INNER ARM ASSY, #2, GS32&46.....	1
--	105031GT	WLDMT,LNK,INNER #4,2632.....	1 <i>bearings not included)</i>	--	66055GT	BEARING,1.50IDX1.77ODX1.25L.....	8
--	66055GT	BEARING,1.50IDX1.77ODX1.25L.....	8	47	105191GT	WELDMENT.CABLE BRIDGE,TOP	
15B	97243GT	INNER ARM ASSY #4, 2646.....	1	48	96812GT	PIN,LOWER CYL,ROD END.....	1
--	66055GT	BEARING,1.50IDX1.77ODX1.25L.....	6	49	105190GT	WLDMT,CABLE BRIDGE,BOTTOM	
16	96616GT	WLDMT,LNK,OUTER #4,26XX,LEFT.....	1 <i>(battery pack side)</i>	50		Ref. Platform Mount Assembly <i>(refer to 301.1)</i>	
17	1256848GT	SCREW,HHC,3/8-16X2.75,8,ZAG.....	12				
18	96900GT	PIN, SHORT, GS46.....	6				
19	1260941GT	WASHER,SHIM,1.54X2.00X.125,ZAG.....	10				
20	825796GT	SNAP RING,EXTERNAL,1.50,ZAG.....	12				
21	58000GT	SAFETY CHOCK,SCISSOR.....	1				
22	97244GT	INNER ARM ASSY #3, 2632/2646.....	1				
--	66055GT	BEARING,1.50IDX1.77ODX1.25L.....	8				
23	105193GT	CLIP,CABLEBRIDGE, GS32/46					
24	96899GT	PIN, LONG, GS46.....	6				
25	96836GT	LINK BUMPER, SHORT TUBE.....	8				
26	1260963GT	BOLT,CARRIAGE,1/4-20X.63,5,ZAG.....	3				
27	96605GT	WLDMT,LNK,OUTER #2,#3,#4.....	4				
28	237565GT	INNER ARM ASSEMBLY #1,GS32/46.....	1 <i>(decals not included refer to section one)</i>				
--	66055GT	BEARING,1.50IDX1.77ODX1.25L.....	6				
--	96601GT	WLDMT,LNK,INNER #1.....	1 <i>(bearings not included)</i>				
29	96662GT	PIN, LOWER CYLINDER MOUNT.....	1				
30	1256756GT	BOLT,CARRIAGE,3/8-16X1.5,5,ZAG.....	2				
31	105074GT	FORMING,PH PUSHER, GS46.....	1				
32	824029GT	NUT,TL FLG,3/8-16,G,ZAG.....	9				

304.1 Scissor Assembly, GS-3232

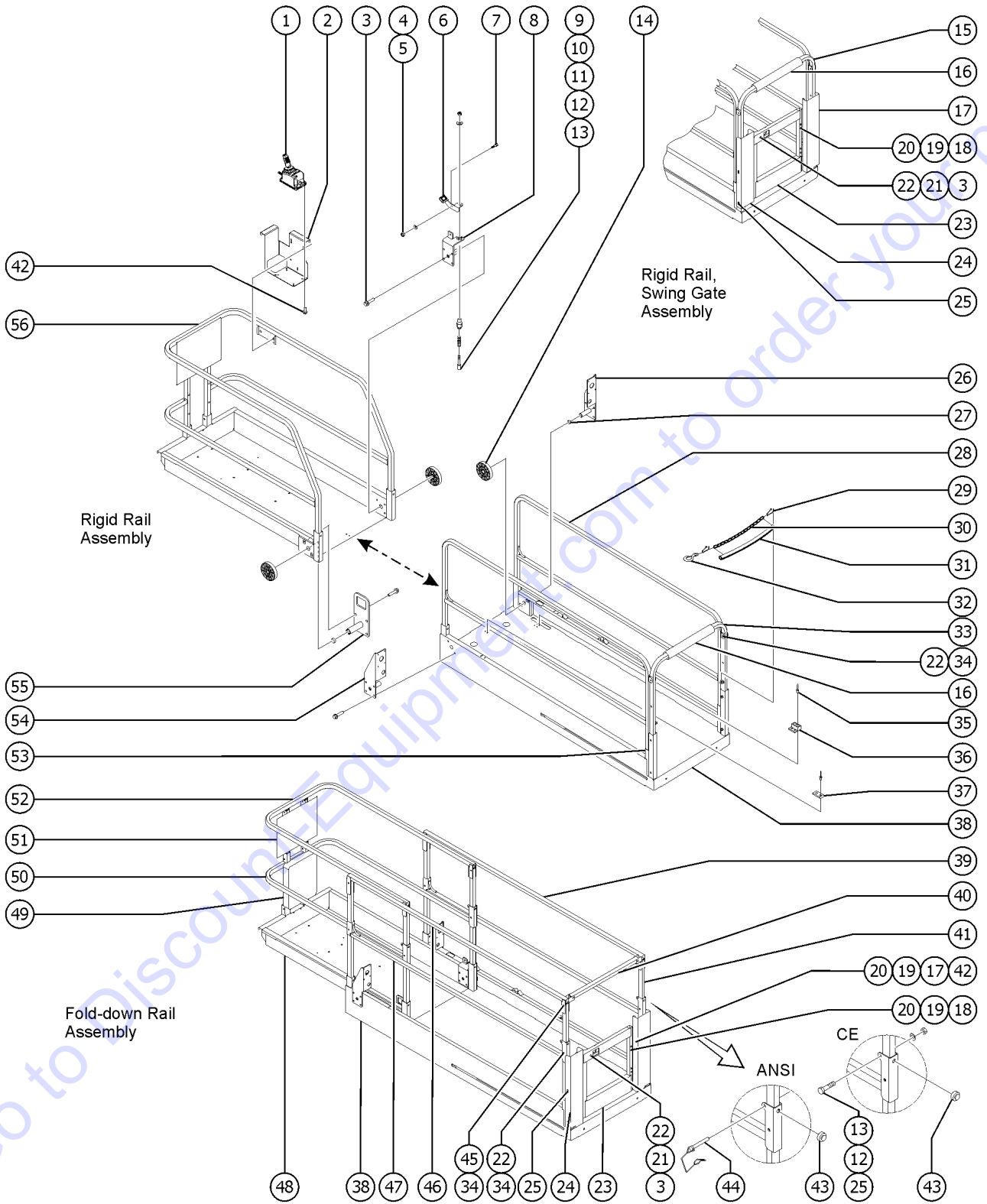


A TEREX BRAND

## 304.1 Scissor Assembly, GS-3232

Item	Part No.	Description	Qty.	Item	Part No.	Description	Qty.
1	105191GT	WELDMENT,CABLE BRIDGE, TOP		--	96662GT	PIN, LOWER CYLINDER MOUNT	
2	105190GT	WLDMT,CABLE BRIDGE,BOTTOM.....1		36	105074GT	FORMING,PH PUSHER, GS46.....1	
3	105192GT	WELDMENT,CABLE BRIDGE***.....1		37		FORMING,PH PUSHER, GS46.....2	
4	105188GT	WLDMT,CABLE BRIDGE,BOTTOM,3246.....1		38	105029GT	WLDMT,LNK,OUTER #1,GS32 (refer to 301.1)	
5	105187GT	WELDMENT,CABLE BRIDGE, TOP,32XX.....2		39A	96603GT	WLDMT,LNK,OUTER #1,XX46.....1 (decal not included refer to section one)	
6	105193GT	CLIP,CABLEBRIDGE, GS32/46.....6		39B	58592GT	PLATE,HOSE ROUTG,BULKHEAD(PTD).....1 (decal not included refer to section one)	
7	96932GT	PIN, LINKSET MOUNT, 3/4"		40	1260962GT	BOLT,CARRIAGE,10-24X2.5,A,ZAG.....3	
8	825020GT	ROD END, .25 X 2.75, ZAG.....1		41	96862GT	PIN, LINKSET MOUNT, 1".....2	
9	824080GT	SCREW,HHF,1/4-20X1.25,8,ZAG.....2		42	825019GT	ROD END,.375X3.69,ZAG.....1	
10	824027GT	NUT,TL FLG,1/4-20,G,ZAG.....2		43	824092GT	SCREW,HHF,3/8-16X1.5,8,ZAG.....4	
11	1256127GT	BOLT,CARRIAGE,1/4-20X1.5,ZAG.....2		44		SCREW,HHF,3/8-16X1.5,8,ZAG.....4	
12	1256679GT	NUT,SERRATED,1/4-20,8,ZAG.....2		45	105186GT	WLDMNT,CABLE BRIDGE,LOWER (refer to 301.1)	
13		NUT,SERRATED,1/4-20,8,ZAG.....7		46		WLDMNT,CABLE BRIDGE,LOWER.....1	
14	115114GT	INNER ARM ASSY #5, 3232 (refer to 301.1)		47	96812GT	PIN,LOWER CYL,ROD END	
15	97245GT	INNER ARM ASSY #5, 3246.....1		48	105021GT	FORMING,CB HOSE CLAMP.....1	
--	66055GT	BEARING,1.50IDX1.77ODX1.25L.....1		49	1256462GT	BOLT,CARRIAGE,1/4-20X.5,5,ZAG.....2	
16	96611GT	WLDMT,LNK,OUT #3-20XX,#5-32XX.....2		50	96608GT	WLDMT,LNK,INNER #3,32XX.....4	
17	66055GT	BEARING,1.50IDX1.77ODX1.25L.....1		51	66055GT	BEARING,1.50IDX1.77ODX1.25L.....1	
--	96836GT	LINK BUMPER, SHORT TUBE.....8		--	96661GT	PIN, UPPER CYLINDER MOUNT.....8	
18	96605GT	WLDMT,LNK,OUTER #2,#3,#4.....8		52	96663GT	PIN,SADDLE CYLINDER MOUNT.....1	
19		WLDMT,LNK,OUTER #2,#3,#4.....6		53	96900GT	PIN, SHORT, GS46.....1	
20	96700GT	PLATE, PIN RETAINER (refer to 505.1)		54	96735GT	LINK BUMPER, 5".....6	
21	1256756GT	BOLT,CARRIAGE,3/8-16X1.5,5,ZAG.....2		55		LINK BUMPER, 5".....8	
22	824029GT	NUT,TL FLG,3/8-16,G,ZAG.....6		56		Ref. Platform Mount Assembly (refer to 301.1)	
23	96971GT	FORMING,HOSE CLAMP,UPPER CYL.....10					
24	78736GT	CLAMP2 HOSE,PLASTIC,5/8.....1					
25	1259201GT	BOLT,CARRIAGE,10-24X2,A,ZAG.....18					
26	1256467GT	NUT,TL FLG,10-24,F,ZAG.....9					
27	58001GT	SAFETY CHOCK-SCISSOR.....11					
28	96899GT	PIN, LONG, GS46.....1					
29	1260941GT	WASHER,SHIM,1.54X2.00X.125,ZAG...8					
30	825796GT	SNAP RING,EXTERNAL,1.50,ZAG.....15					
31	1256848GT	SCREW,HHC,3/8-16X2.75,8,ZAG.....12					
32	824025GT	NUT,TL,3/8-16,C,ZAG.....18					
33	97234GT	INNER ARM ASSY, #2, GS32&46.....18					
34	66055GT	BEARING,1.50IDX1.77ODX1.25L.....1					
--	237565GT	INNER ARM ASSEMBLY #1,GS32/46....8					
35	66055GT	BEARING,1.50IDX1.77ODX1.25L.....1 (decal not included refer to section one)					
--	96601GT	WLDMT,LNK,INNER #1.....6					

401.1 Platform Components (to SN GS32P-153435)





## 401.1 Platform Components (to SN GS32P-153435)

Item	Part No.	Description	Qty.	Item	Part No.	Description	Qty.
1		Ref. Platform Control Box (refer to 403.1)		25	824094GT	SCREW,HHF,3/8-16X2.75,8,ZAG.....	2
2		Ref. Platform Control Box Mount (refer to 403.1)		26	84587GT	ROLLER BRACKET ASSY, GRND CNTR.....	1
3	1253478GT	SCREW,HHF,3/8-16X2,8,ZAG.....	8	27	21279GT	BUTTON, .800 O.D. X .281.....	3
4	1252977GT	NUT,TL JAM,5/16-18,A,ZAG.....	1	28	97044GT	MAIN RAIL RIGID, SQ GS32.....	2
5	825358GT	WASHER,FLAT,5/16,USS,ZAG.....	1	29	97305GT	CHAIN GATE ASSY, COM GS32.....	1
6	46260GT	FOOTPEDAL W/NON-SKID TAPE,GS**.....	1	--	96163GT	LINK,(SPLIT) OPEN-END.....	2
--	47166GT	BRACKET,FOOT PEDAL..... (non skid tape not included)	1	30	39509GT	CHAIN,3/16,OPEN LINK 22.5".....	1
--	47225GT	TAPE,NON-SKID,DIE CUT,1.38X1.5 (sold separately)		31	47224GT	TUBING,PVC,1",BLACK***	
7	1259223GT	BOLT,SHS,3/8X.375X5/16-18,ZAG.....	1	32	39510GT	RIGID EYE SNAP.....	1
8	96413GT	WLDMT,LOCKING ROLLER SUPPORT.....	1	33	105093GT	WELDMNT, CHAIN GATE.....	1
9	1259181GT	PIN,LOCK,0.5X3.125,ZAG.....	1	34	1256693GT	SCREW,HHF,3/8-16X2.25,8,ZAG.....	2
10	39469GT	SPRING,COMPRESSION.485 X1.75**.....	1	35	39579GT	RIVET,STL,STL,.188 X .45.....	20
11	41630GT	HOUSING, LOCK PIN.....	1	36	39310GT	WEAR/GUIDE PAD MAIN PLATFORM....	4
12	1255758GT	WASHER,FLAT,3/8,USS,ZAG.....	1	37	39474GT	WEAR PAD,PLATFORM.....	2
13	824038GT	NUT, TL JAM, 3/8-16, A, ZAG.....	1	38	1284266GT	WLDMT,MAIN DECK,GS32..... (decals not included, refer to section one)	1
14	47163GT	ROLLER,PLATFORM EXTENSION.....	4	--	47098GT	TAPE,NON-SKID,DIE CUT,4"X 40" (not included sold separately)	
15	105146GT	FORMING,SG HEADER RAIL,GS2032....	1	--	47231GT	TAPE,NON-SKID,DIE CUT,4"X 16" (not included sold separately)	
16	47188GT	FOAM,CLOSED CELL 1.75X.250X18"....	1	--	47374GT	TAPE,NON-SKID,DIE CUT,4"X 32" (not included sold separately)	
--	28443GT	CABLE TIE,11.5" BLACK		39	84685GT	MAIN FLDG RAIL ASSY,UPR RT,32..... (ground controls side)	1
17	105004GT	FORMING, HALF GATE, HINGE..... (ground controls side)	1	--	78038GT	CAP, TUBE, SQ,1.25 X .083	
18	1253485GT	SCREW,HHF,1/4-20X2,8,ZAG.....	4	40	105057GT	TUBE, ENTRY SWING, GS32.....	1
19	104804GT	HINGE, SPRING, LONG LEG.....	2	41	66485GT	TUBE, VERT, FOLDING.....	6
20	824027GT	NUT,TL FLG,1/4-20,G,ZAG		42	824078GT	SCREW,HHF,1/4-20X.75,8,ZAG	
21	65990-SGT	KIT,GATE LATCH..... (includes latch, spring and hardware)	1	43	43392GT	BUMPER,BATTERY BOX & RAILS.....	4
22	824029GT	NUT,TL FLG,3/8-16,G,ZAG.....	3	44	1259182GT	PIN,WIRE LOCK 3/8 X 2.5,ZAG.....	5
23A	84690GT	SWING GATE ASSY,GS32,COMPLETE..... (decals not included, refer to section one)	1	--	78022GT	LANYARD,BLACK NYLON,TYPE 1*** (CE & Australia models)	
23B	97110GT	SWING GATE ASSY,GS30/32**..... (decals not included, refer to section one)	1	45	824025GT	NUT,TL,3/8-16,C,ZAG.....	2
23C	66551GT	WELDMNT, HALF GATE..... (decals not included, refer to section one)	1	46	84684GT	MAIN FLDG RAIL ASSY,UPR L,GS32.... (battery pack side) (fold-down)	1
23D	65990-SGT	KIT,GATE LATCH (includes latch, spring and hardware)		--	78038GT	CAP, TUBE, SQ,1.25 X .083	
--	22446GT	SPRING,COMPRESSION .835 X 2..... included in kit 65990-SGT	1	47	84683GT	MAIN FLDG RAIL ASSY, LWR, GS32..... (fold-down)	2
--	66544GT	LATCH HANDLE..... included in kit 65990-SGT	1	--	105024GT	WLDMT, EXT. DECK, GS32.....	1
24	105099GT	WLDT, HALF GATE CATCH, GS32..... (battery pack side)	1	--	39474GT	WEAR PAD,PLATFORM.....	1
				--	47231GT	TAPE,NON-SKID,DIE CUT,4"X 16".....	1
				--	47374GT	TAPE,NON-SKID,DIE CUT,4"X 32".....	3
				--	78038GT	CAP, TUBE, SQ,1.25 X .083	
				--	T113787GT	RIVET,ALUM,STL,.188 X .250..... for 39474GT	2

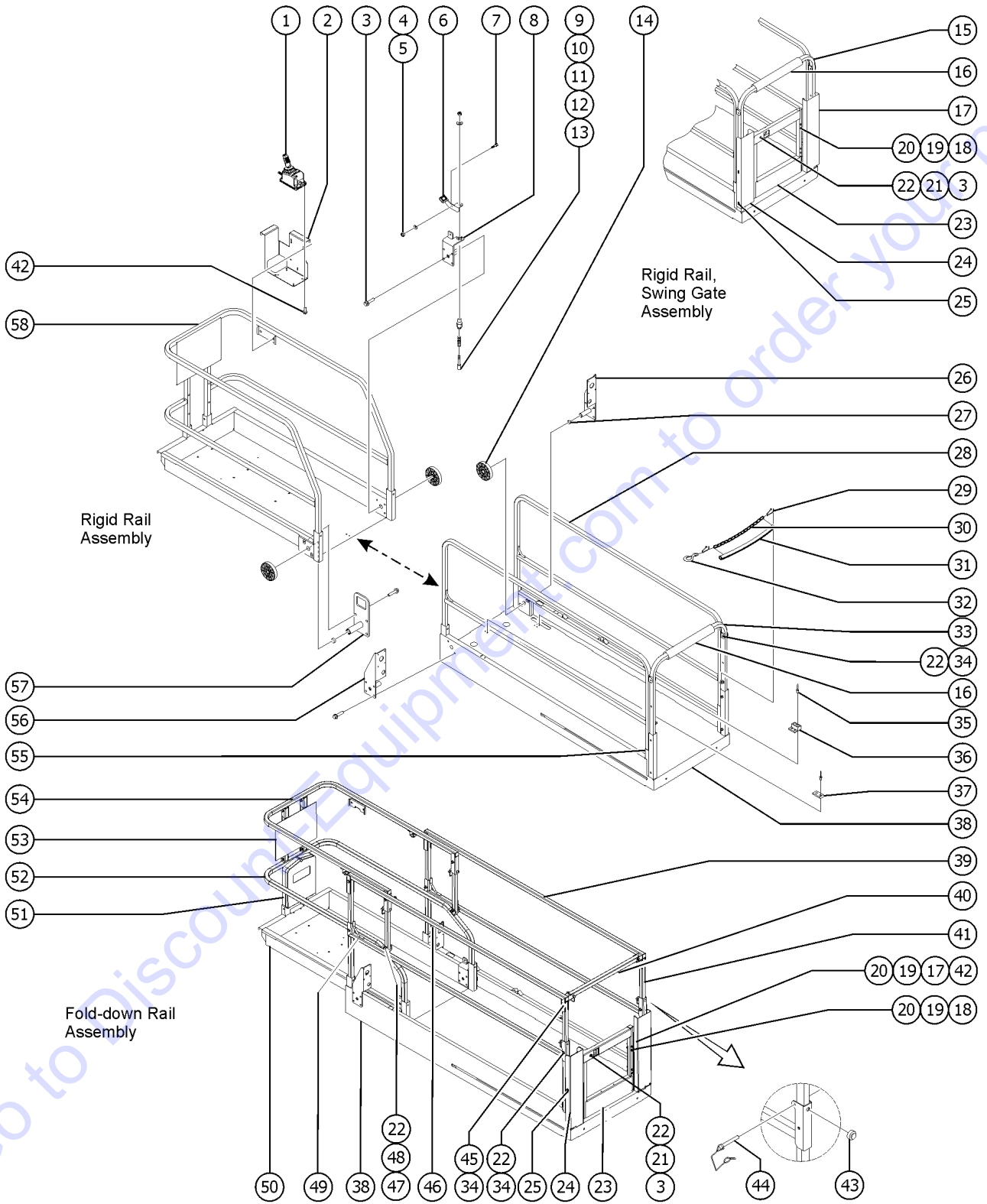
### 401.1 Platform Components (to SN GS32P-153435) (continued)

Item	Part No.	Description	Qty.
48A	84680GT	EXT. DECK ASSY, GS32.....1 <i>(ANSI and CSA models)</i>	1
48B	84681GT	EXT. DECK ASSY, GS32 CE.....1 <i>(CE models)</i>	1
49A	44743GT	MANUAL BOX W/DECALS***.....1 <i>USA/Canada/Australia</i>	1
--	1256855GT	SCREW,HHF,1/4-20X.625,8,ZAG.....4	4
--	824027GT	NUT,TL FLG,1/4-20,G,ZAG.....4	4
--	824113GT	WASHER,FLAT,USS,1/4,ZAG.....4	4
49B	24514GT	BOX,INSTRUCTION STORAGE.....1 <i>Europe/Asia/South America (decal required; refer to Section100)</i>	1
--	1256855GT	SCREW,HHF,1/4-20X.625,8,ZAG.....4	4
--	824027GT	NUT,TL FLG,1/4-20,G,ZAG.....4	4
--	824113GT	WASHER,FLAT,USS,1/4,ZAG.....4	4
50	105023GT	WLDMT, LOWER EXT RAIL.....1	1
--	78038GT	CAP, TUBE, SQ,1.25 X .083 <i>(not included sold separately)</i>	
51	96849GT	WELDMENT, DECAL PLATE <i>(decals not included, refer to section one)</i>	
52A	105026GT	WELDMENT,UPPER EXT RAIL,GS32** <i>(decals not included, refer to section one)</i>	
--	78038GT	CAP, TUBE, SQ,1.25 X .083 <i>(not included sold separately)</i>	
52B	84686GT	EXT FLDG RAIL ASSY,UPR,32,WO** <i>word decals</i>	
52C	84687GT	EXT FLDG RAIL ASSY, UPR, 32, S <i>symbol decals</i>	
53	824067GT	SCREW,HHC,3/8-16X1,8,ZAG.....2	2
54	96246GT	WELDMENT,ROLLER BRACKET,LT***.....1 <i>(decals not included, refer to section one)</i>	1
55	96200GT	WLDMT, LANYARD ROLLER BRKT.....1 <i>(decals not included, refer to section one)</i>	1
--	21279GT	BUTTON, .800 O.D. X .281.....1 <i>(sold separately)</i>	1
56	105091GT	WELDMENT,EXT SIDERAIL ***.....1 <i>(decals not included, refer to section one)</i>	1

***This Page Intentionally Left Blank***

Go to Discount-Equipment.com to order your parts

401.2 Platform Components (from SN GS32P-153436)



A TEREX BRAND

# PARTS FINDER

**Search Website  
by Part Number**



**Search Manual  
Library For Parts  
Manual & Lookup Part  
Numbers – Purchase  
or Request Quote**

**Search Manuals**

Enter your information to help us find the right parts manual for your machine.

\* Brand:

\* Model:

\* Serial:

\* Part Number:

SEARCH

**Can't Find Part or  
Manual? Request Help  
by Manufacturer,  
Model & Description**

**Parts Order Form**

Please fill in the following information to help us find the right part for your machine.

Manufacturer:	<input type="text"/>
Model:	<input type="text"/>
Description:	<input type="text"/>
Part Number:	<input type="text"/>
Quantity:	<input type="text"/>
Notes:	<input type="text"/>

Discount-Equipment.com is your online resource for quality parts & equipment.

Florida: **561-964-4949** Outside Florida TOLL FREE: **877-690-3101**

**Need parts?**

Click on this link: <http://www.discount-equipment.com/category/5443-parts/> and choose one of the options to help get the right parts and equipment you are looking for. Please have the machine model and serial number available in order to help us get you the correct parts. If you don't find the part on the website or on one of the online manuals, please fill out the request form and one of our experienced staff members will get back to you with a quote for the right part that your machine needs.

We sell worldwide for the brands: Genie, Terex, JLG, MultiQuip, Mikasa, Essick, Whiteman, Mayco, Toro Stone, Diamond Products, Generac Magnum, Airman, Haulotte, Barreto, Power Blanket, Nifty Lift, Atlas Copco, Chicago Pneumatic, Allmand, Miller Curber, Skyjack, Lull, Skytrak, Tsurumi, Husquvarna Target, Stow, Wacker, Sakai, Mi-T-M, Sullair, Basic, Dynapac, MBW, Weber, Bartell, Bennar Newman, Haulotte, Ditch Runner, Menegotti, Morrison, Contec, Buddy, Crown, Edco, Wyco, Bomag, Laymor, EZ Trench, Bil-Jax, F.S. Curtis, Gehl Pavers, Heli, Honda, ICS/PowerGrit, IHI, Partner, Imer, Clipper, MMD, Koshin, Rice, CH&E, General Equipment, Amida, Coleman, NAC, Gradall, Square Shooter, Kent, Stanley, Tamco, Toku, Hatz, Kohler, Robin, Wisconsin, Northrock, Oztec, Toker TK, Rol-Air, APT, Wylie, Ingersoll Rand / Doosan, Innovatech, Con X, Ammann, Mecalac, Makinex, Smith Surface Prep, Small Line, Wanco, Yanmar

## 401.2 Platform Components (from SN GS32P-153436)

Item	Part No.	Description	Qty.	Item	Part No.	Description	Qty.
1		Ref. Platform Control Box (refer to 403.1)		25	824094GT	SCREW,HHF,3/8-16X2.75,8,ZAG.....	2
2		Ref. Platform Control Box Mount (refer to 403.1)		26	84587GT	ROLLER BRACKET ASSY, GRND CNTR.....	1
3	1253478GT	SCREW,HHF,3/8-16X2,8,ZAG.....	8	27	21279GT	BUTTON, .800 O.D. X .281.....	3
4	1252977GT	NUT,TL JAM,5/16-18,A,ZAG.....	1	28	97044GT	MAIN RAIL RIGID, SQ GS32.....	2
5	825358GT	WASHER,FLAT,5/16,USS,ZAG.....	1	29	97305GT	CHAIN GATE ASSY, COM GS32.....	1
6	46260GT	FOOTPEDAL W/NON-SKID TAPE,GS**.....	1	--	96163GT	LINK,(SPLIT) OPEN-END.....	2
--	47166GT	BRACKET,FOOT PEDAL..... (non skid tape not included)	1	30	39509GT	CHAIN,3/16,OPEN LINK 22.5".....	1
--	47225GT	TAPE,NON-SKID,DIE CUT,1.38X1.5 (sold separately)		31	47224GT	TUBING,PVC,1",BLACK***	
7	1259223GT	BOLT,SHS,3/8X.375X5/16-18,ZAG.....	1	32	39510GT	RIGID EYE SNAP.....	1
8	96413GT	WLDMT,LOCKING ROLLER SUPPORT.....	1	33	105093GT	WELDMENT, CHAIN GATE.....	1
9	1259181GT	PIN,LOCK,0.5X3.125,ZAG.....	1	34	1256693GT	SCREW,HHF,3/8-16X2.25,8,ZAG.....	2
10	39469GT	SPRING,COMPRESSION.485 X1.75**.....	1	35	39579GT	RIVET,STL,STL,.188 X .45.....	20
11	41630GT	HOUSING, LOCK PIN.....	1	36	39310GT	WEAR/GUIDE PAD MAIN PLATFORM....	4
12	1255758GT	WASHER,FLAT,3/8,USS,ZAG.....	1	37	39474GT	WEAR PAD,PLATFORM.....	2
13	824038GT	NUT, TL JAM, 3/8-16, A, ZAG.....	1	38	1284266GT	WLDMT,MAIN DECK,GS32..... (decals not included, refer to section one)	1
14	47163GT	ROLLER,PLATFORM EXTENSION.....	4	--	47098GT	TAPE,NON-SKID,DIE CUT,4"X 40" (not included sold separately)	
15	105146GT	FORMING,SG HEADER RAIL,GS2032....	1	--	47231GT	TAPE,NON-SKID,DIE CUT,4"X 16" (not included sold separately)	
16	47188GT	FOAM,CLOSED CELL 1.75X.250X18"....	1	--	47374GT	TAPE,NON-SKID,DIE CUT,4"X 32" (not included sold separately)	
--	28443GT	CABLE TIE,11.5" BLACK		39	84685GT	MAIN FLDG RAIL ASSY,UPR RT,32..... (ground controls side)	1
17	105004GT	FORMING, HALF GATE, HINGE..... (ground controls side)	1	--	78038GT	CAP, TUBE, SQ,1.25 X .083	
18	1253485GT	SCREW,HHF,1/4-20X2,8,ZAG.....	4	40	105057GT	TUBE, ENTRY SWING, GS32.....	1
19	104804GT	HINGE, SPRING, LONG LEG.....	2	41	66485GT	TUBE, VERT, FOLDING.....	6
20	824027GT	NUT,TL FLG,1/4-20,G,ZAG		42	824078GT	SCREW,HHF,1/4-20X.75,8,ZAG	
21	65990-SGT	KIT,GATE LATCH..... (includes latch, spring and hardware)	1	43	43392GT	BUMPER,BATTERY BOX & RAILS.....	4
22	824029GT	NUT,TL FLG,3/8-16,G,ZAG.....	5	44	1259182GT	PIN,WIRE LOCK 3/8 X 2.5,ZAG.....	5
23A	84690GT	SWING GATE ASSY,GS32,COMPLETE..... (decals not included, refer to section one)	1	--	78022GT	LANYARD,BLACK NYLON,TYPE 1*** (CE & Australia models)	
23B	97110GT	SWING GATE ASSY,GS30/32**..... (decals not included, refer to section one)	1	45	824025GT	NUT,TL,3/8-16,C,ZAG.....	2
23C	66551GT	WELDMENT, HALF GATE..... (decals not included, refer to section one)	1	46	84684GT	MAIN FLDG RAIL ASSY,UPR L,GS32.... (battery pack side) (fold-down)	1
23D	65990-SGT	KIT,GATE LATCH (includes latch, spring and hardware)		--	78038GT	CAP, TUBE, SQ,1.25 X .083	
--	22446GT	SPRING,COMPRESSION .835 X 2..... included in kit 65990-SGT	1	47	1260926GT	BOLT,CARRIAGE,3/8-16X2.25,5,ZAG....	4
--	66544GT	LATCH HANDLE..... included in kit 65990-SGT	1	48	1277860GT	GLIDE BUTTON, FOLDING RAILS.....	2
24	105099GT	WLDT, HALF GATE CATCH, GS32..... (battery pack side)	1	49	1274085GT	WELDMENT, FOLDING, SIDE RAIL, MAIN.....	2
				--	105024GT	WLDMT, EXT. DECK, GS32.....	1
				--	39474GT	WEAR PAD,PLATFORM.....	1
				--	47231GT	TAPE,NON-SKID,DIE CUT,4"X 16".....	1

### 401.2 Platform Components (from SN GS32P-153436) (continued)

Item	Part No.	Description	Qty.
--	47374GT	TAPE, NON-SKID, DIE CUT, 4" X 32".....	3
--	78038GT	CAP, TUBE, SQ, 1.25 X .083	
--	T113787GT	RIVET, ALUM, STL, .188 X .250..... <i>for 39474GT</i>	2
50A	84680GT	EXT. DECK ASSY, GS32..... <i>(ANSI and CSA models)</i>	1
50B	84681GT	EXT. DECK ASSY, GS32 CE..... <i>(CE models)</i>	1
51A	44743GT	MANUAL BOX W/DECALS***..... <i>USA/Canada/Australia</i>	1
--	1256855GT	SCREW, HHF, 1/4-20X.625, 8, ZAG.....	4
--	824027GT	NUT, TL FLG, 1/4-20, G, ZAG.....	4
--	824113GT	WASHER, FLAT, USS, 1/4, ZAG.....	4
51B	24514GT	BOX, INSTRUCTION STORAGE..... <i>Europe/Asia/South America (decals required; refer to Section 100)</i>	1
--	1256855GT	SCREW, HHF, 1/4-20X.625, 8, ZAG.....	4
--	824027GT	NUT, TL FLG, 1/4-20, G, ZAG.....	4
--	824113GT	WASHER, FLAT, USS, 1/4, ZAG.....	4
51C	824082GT	SCREW, HHF, 1/4-20X1.75, 8, ZAG.....	4
--	824027GT	NUT, TL FLG, 1/4-20, G, ZAG.....	4
52	1274082GT	WELDMENT, FOLDING, LOWER, EXTENSION.....	1
--	78038GT	CAP, TUBE, SQ, 1.25 X .083 <i>(not included sold separately)</i>	
53	96849GT	WELDMENT, DECAL PLATE <i>(decals not included, refer to section one)</i>	
54	1274083GT	WELDMENT, EXTENSION DECK RAIL, UPPER <i>(decals not included, refer to section one)</i>	
--	78038GT	CAP, TUBE, SQ, 1.25 X .083 <i>(not included sold separately)</i>	
55	824067GT	SCREW, HHC, 3/8-16X1, 8, ZAG.....	2
56	96246GT	WELDMENT, ROLLER BRACKET, LT***..... <i>(decals not included, refer to section one)</i>	1
57	96200GT	WLDMT, LANYARD ROLLER BRKT..... <i>(decals not included, refer to section one)</i>	1
--	21279GT	BUTTON, .800 O.D. X .281..... <i>(sold separately)</i>	1
58	105091GT	WELDMENT, EXT SIDERAIL***..... <i>(decals not included, refer to section one)</i>	1

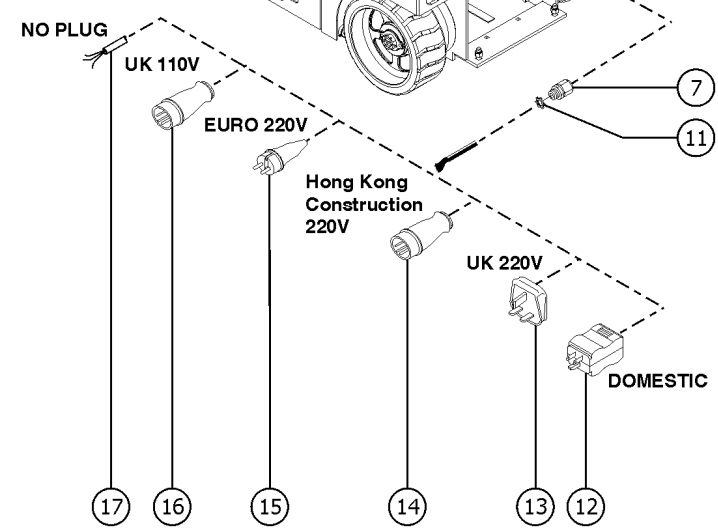
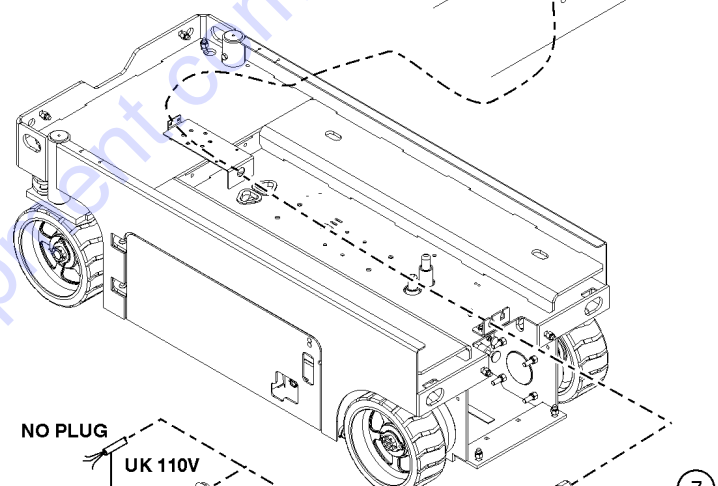
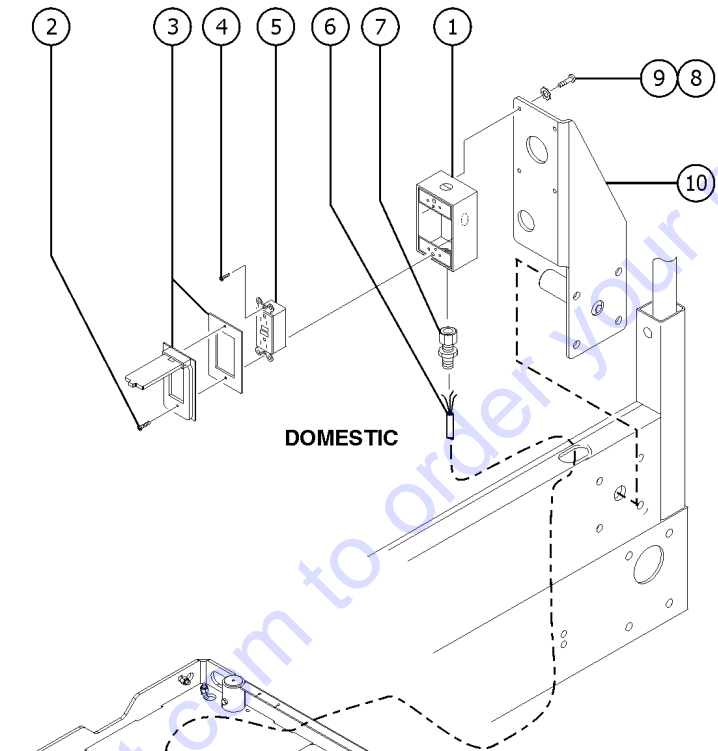
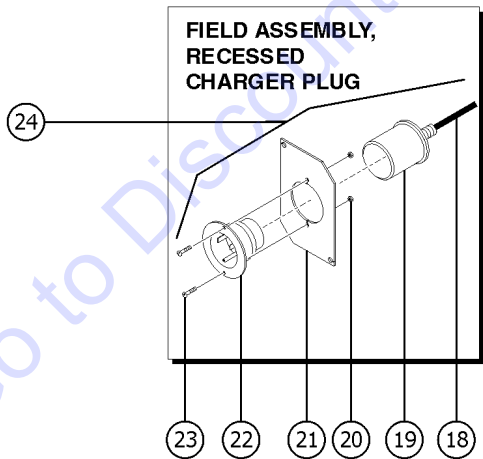
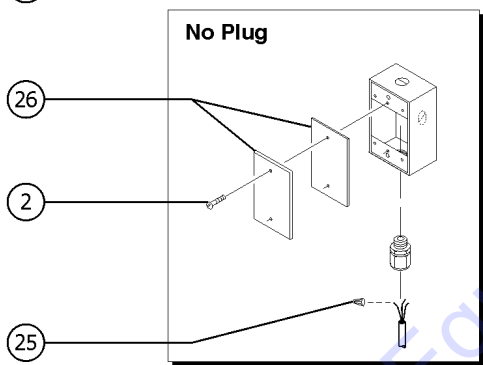
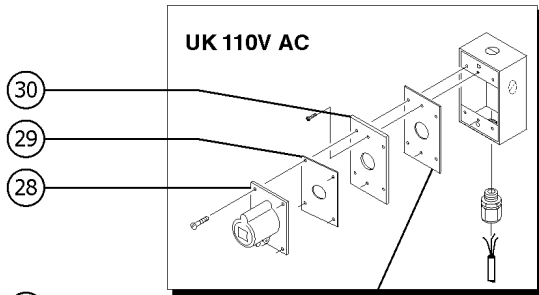
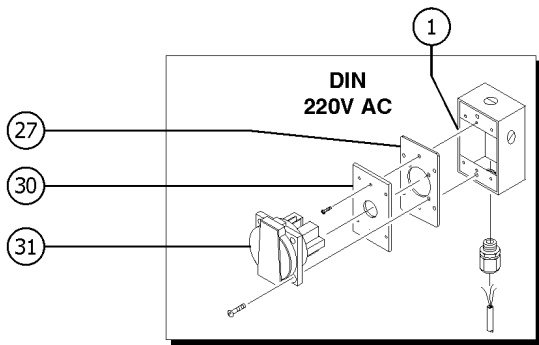
401.2 Platform Components (from SN GS32P-153436)  
(continued)

***This Page Intentionally Left Blank***

Go to Discount-Equipment.com to order your parts



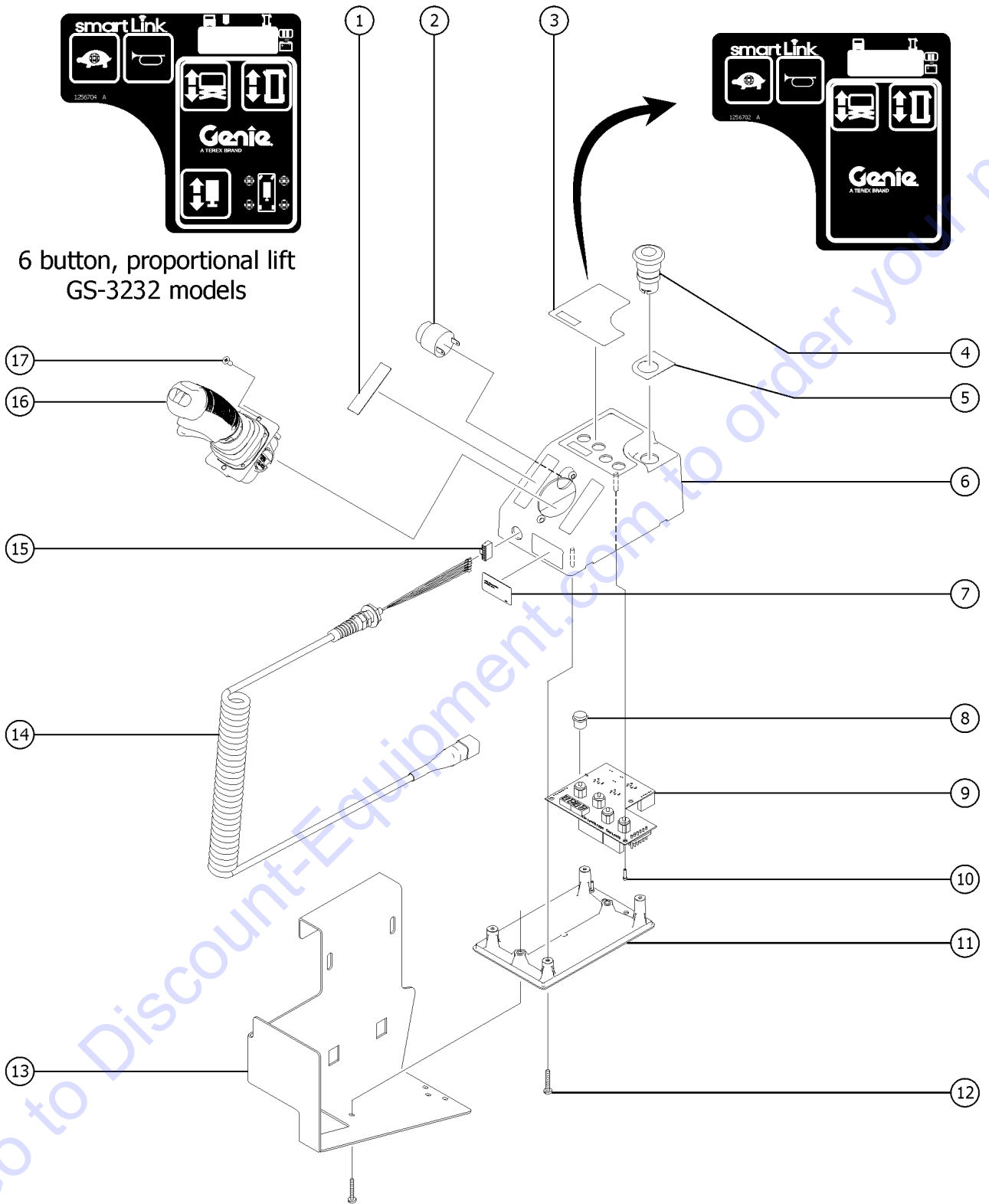
402.1 Power to Platform



## 402.1 Power to Platform

Item	Part No.	Description	Qty.	Item	Part No.	Description	Qty.
A	33724GT	KIT,GASKET,UK POWER TO PLAT. <i>includes 1 each, items 27 and 29</i>		--	6878GT	BOLT,CARRIAGE,1/4-20 X .75,G2.....2 <i>not included</i>	2
1	10775GT	T-BOX,2.75 X 4.5 X 2.0.....1	1	22	105117GT	PLUG,FLG INLET,15A/125V,2PWGD.....1 <i>ANSI models to SN GS3216P-146462</i>	1
2	7127GT	SCREW,PHILLIPS,PHM,6-32 X .75		23	55906GT	SCREW,PHILLIPS,PHM,8-32 X .5.....2 <i>ANSI models to SN GS3216P-146462</i>	2
3A	74006GT	COVER,GFCI,HORIZONTAL,WEATHER.1 <i>(ANSI and CSA models) (includes gasket and mounting fasteners)</i>	1	24	105448GT	FIELD ASSY,REC.CHARGER PLUG.....1 <i>includes items 18-23 to SN GS3216P-146462</i>	1
3B	105812GT	COVER,T-BOX LOCKABLE.....1 <i>EE rated (not shown)</i>	1	25	6626GT	WIRE CAP,ORANGE.....1	1
4	45546GT	SCREW,RHM,6-32 X .5		26	10777GT	COVER,BLANK.....1	1
5	13585GT	OUTLET, 110V.....1 <i>ANSI and CSA models</i>	1	27	66355GT	GASKET, UK & DIN PWR. TO PLAT.....1 <i>2.9 x 2.9 inches</i>	1
6A	43956GT	WIRE CABLE,14/3 CON.TPE JKT*.....456-inches <i>GS-2032</i>	456	28	T112563GT	SVC KIT,UK RECEPT.REPLACEMENT.....1	1
6B	43956GT	WIRE CABLE,14/3 CON.TPE JKT*.....516-inches <i>GS-2632</i>	516	29	66356GT	GASKET, UK RECEPTACLE.....1 <i>2.9 x 2.9 inches</i>	1
6C	43956GT	WIRE CABLE,14/3 CON.TPE JKT*.....624-inches <i>GS-3232</i>	624	30A	105483-SGT	PLATE,AC ADAPTER(ANSI/CSA) <i>ANSI/CSA</i>	
7	7056GT	CONN,SQUEEZE,1/2NPT .38-.50,SM....1	1	30B	96236GT	PLATE,AC ADAPTER,DIN/UK***	
8	57075GT	SCREW,PHIL,8-32X.50,SELF TAP		30C	105090GT	PLATE, AC ADAPTER(AUS)	
9	44936GT	WASHER,STAR,EXTERNAL,#8.....4	4	31	66353GT	RECEPTACLE, DIN, 220V 50A.....1	1
10		Ref. ROLLER BRACKET <i>refer to 401.1</i>					
11	6935GT	LOCKNUT,ELEC,1/2".....1	1				
12A	6595GT	PLUG,ELECTRICAL,DOMESTIC.....1 <i>to SN GS3216P-146462</i>	1				
12B	6595GT	PLUG,ELECTRICAL,DOMESTIC.....2 <i>from SN GS3216P-146463</i>	2				
13	25388GT	PLUG,FUSED,250V,13AMP,U.K.**					
14	1263471GT	PLUG,IEC60309 CEE, 3PIN 220-24.....1 <i>(Hong Kong Construction)</i>	1				
15	1280665GT	PLUG, TYPE F, 230A, 50HZ, 16A, IP44					
16	144161GT	PLUG,PWR,UK,16AMP,3PIN,BLK					
17	105117GT	PLUG,FLG INLET,15A/125V,2PWGD					
--	105118GT	GASKET,(BOOT) FLANGE INLET PLG					
18	48282GT	POWER CORD, IEC 320 BLANK, 79".....1 <i>ANSI models to SN GS3216P-146462</i>	1				
19	105118GT	GASKET,(BOOT) FLANGE INLET PLG.....1 <i>ANSI models to SN GS3216P-146462</i>	1				
20	18605GT	NUT,NYLOCK,8-32.....2 <i>ANSI models to SN GS3216P-146462</i>	2				
21	105483-SGT	PLATE,AC ADAPTER(ANSI/CSA).....1 <i>ANSI models to SN GS3216P-146462</i>	1				
--	6091GT	NUT,NYLOCK,1/4-20.....2 <i>not included</i>	2				

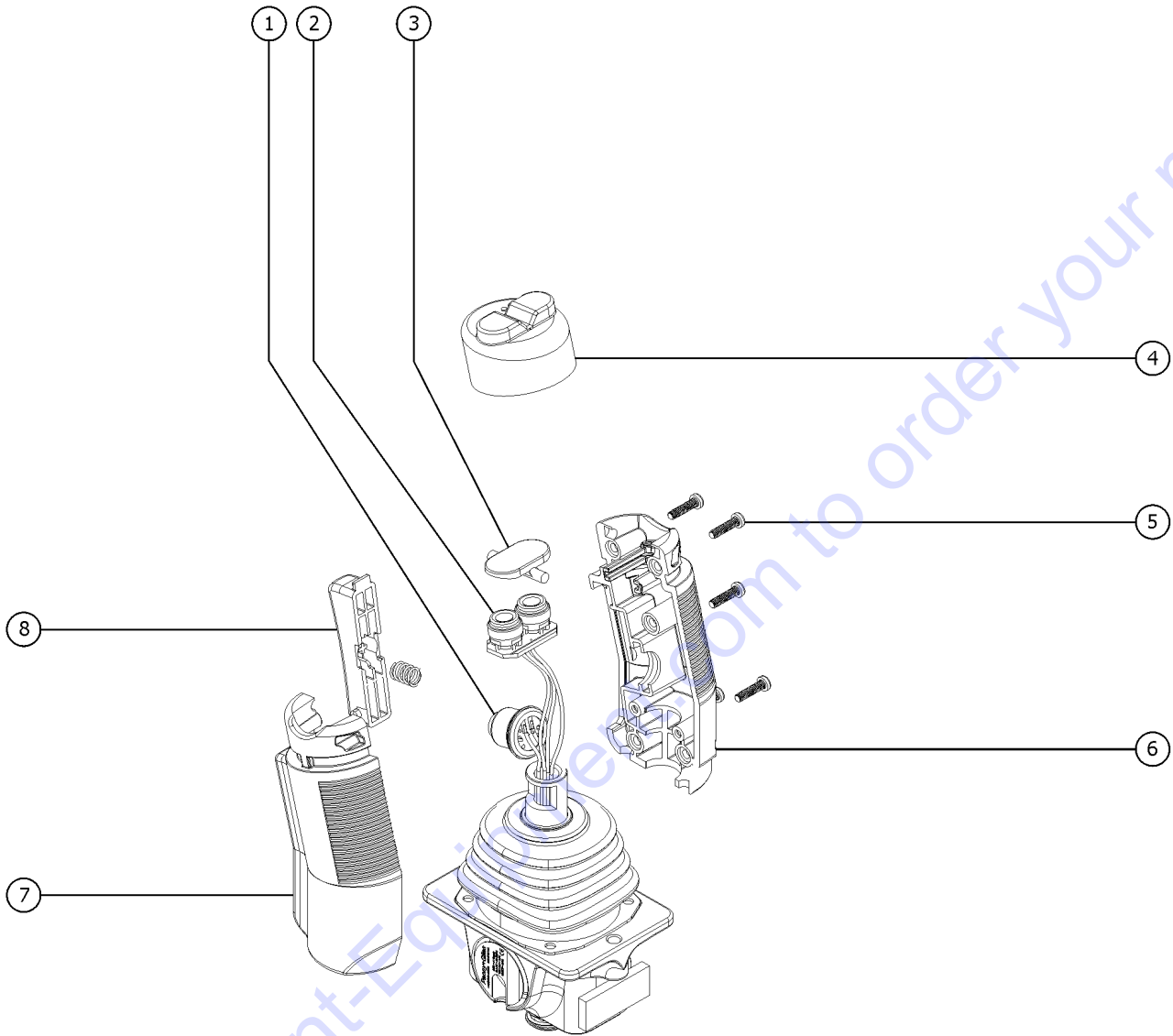
403.1 Platform Controls, 6 and 4 Button (Proportional Lift)



## 403.1 Platform Controls, 6 and 4 Button (Proportional Lift)

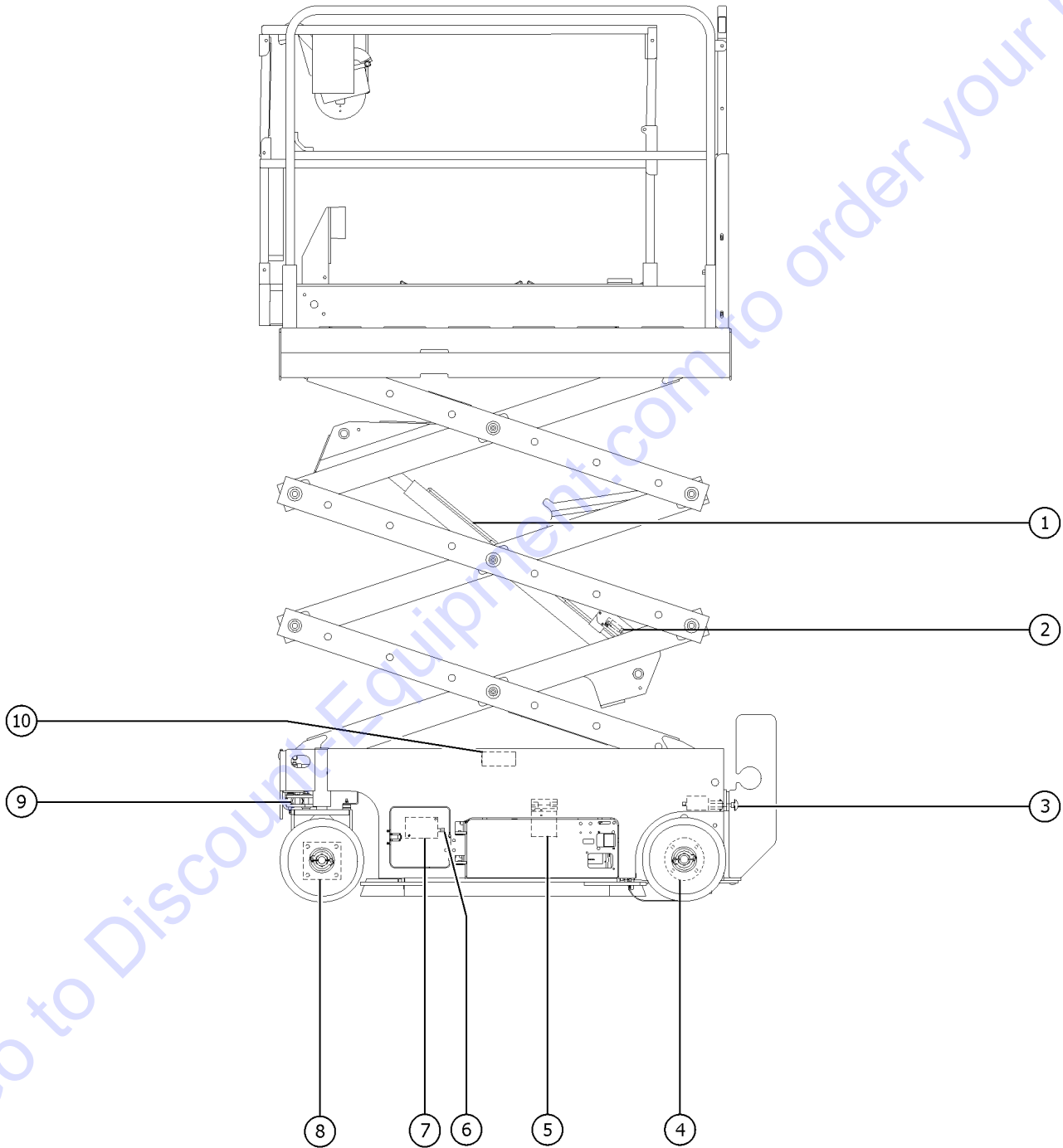
Item	Part No.	Description	Qty.	Item	Part No.	Description	Qty.
A	1256727GT	PCON,STD,PROP LIFT,GR/GS GS-2032 & GS-2632, complete platform control box with coil cord, bracket not included		15	137699GT	PLUG, 6POS ECO PWR.....	1
--	1258731GT	FLASH DRIVE,SL1K2.0 SOFTWARE (For proportional lift or upgrade kits only. Software update available on-line. Flash drive sold separately.)		16		Ref., JOYSTICK..... (refer to 406.1)	1
--	137587GT	HARNESS, ESTOP, GR/GRC/GS PCON		17	229845GT	SCREW,BHSCS,M5X10,SS apply Loctite 243 or equivalent before installation	
B	1256728GT	PCON,O/R,PROP LIFT,GS GS-3232, complete platform control box with coil cord, bracket not included					
--	1258731GT	FLASH DRIVE,SL1K2.0 SOFTWARE (For proportional lift or upgrade kits only. Software update available on-line. Flash drive sold separately.)					
--	137587GT	HARNESS, ESTOP, GR/GRC/GS PCON					
1	137656GT	DECAL,PROPEL,GR/GRC/GS,PCON.....	1				
2	39540GT	ALARM,STEADY TONE***.....	1				
3A	1256702GT	DECAL, UI, GS/GR, PROP LIFT..... GS-2032 & GS-2632 (models with 4 button, proportional controller)	1				
3B	1256705GT	DECAL, O/R, PROP LIFT, UI, SVC..... GS-3232 (models with 4 button, proportional controller)	1				
4	66812GT	BUTTON,PUSH,RED MUSHROOM HEAD.....	1				
--	66817GT	BASE WITH 1 NC CONTACT, E-STOP					
5	137605GT	DECAL,E-STOP,GR/GRC/GS PCON.....	1				
6A	1256656GT	ENCLOSURE,STD 4-BUTTON,TOP..... GS-2032 & GS-2632	1				
6B	1256658GT	ENCLOSURE, O/R 5-BUTTON,TOP..... GS-3232	1				
7		Ref. Decal not available separately					
8	T106373GT	CAP,BUTTON,K12..... GS-2032 &, GS-2632	6				
9A	1256725GT	PCBA,PCON STD,PROP LIFT..... GS-2032 &, GS-2632	1				
9B	1256726GT	PCBA,PCON O/R,PROP LIFT..... GS-3232	1				
10	137637GT	SCREW,PHM,4-20X.5, 48-2 TRI-L					
11	T106370GT	ENCLOSURE,GC14-1/GC16-1, BOT.....	1				
12	137640GT	SCREW,PHM,8-16X.75, 48-2 TRI-L					
13	T114397GT	FORMING,PLAT CONTROL BOX (decals not included, refer to section one)					
14	235464GT	KIT,COIL CORD,CONTRLR,SL1000..... includes item 15	1				
--	231921GT	KIT,CONN,RECEPT W/PIN AND LOCK					
--	231922GT	KIT,CONN,PLUG W/SCKT AND LOCK					

404.1 Joystick Controller



Item	Part No.	Description	Qty.
--	137634GT	JOYSTICK, HALL EFFECT, SINGLE	
--	229097GT	TERMINAL, SPLINE (AMP)	
--	214544GT	KIT,BOOT,JOYSTICK,SL1000 <i>joystick boot</i>	
1	235463GT	KIT,SWITCH,JYSTK,SL1000 <i>function enable and steer switches</i>	
2	235463GT	KIT,SWITCH,JYSTK,SL1000 <i>function enable and steer switches</i>	
3	229092GT	ROCKER,2 SWITCH.....	1
4	229093GT	BOOT, 2 SWITCH, SILICON.....	1
5	229086GT	SCREW, SELF TAP.....	2
6A	229087GT	HANDLE HALF,RIGHT,W/TOP SWITCH..... <i>229091GT not included, order separately</i>	1
6B	229091GT	SCREW,GRUB,M5X8MM,HLF DOG,BZP <i>for 229087GT</i>	
7A	229088GT	HANDLE HALF,LEFT,W/TOP SWITCH... <i>229090GT not included, order separately</i>	1
7B	229090GT	SCREW,GRUB,M5X8MM CUP(BLK) <i>for 229088GT</i>	
8	229089GT	TRIGGER, EXTENDED.....	1
--	229094GT	SPRING, HANDLE TRIGGER.....	1

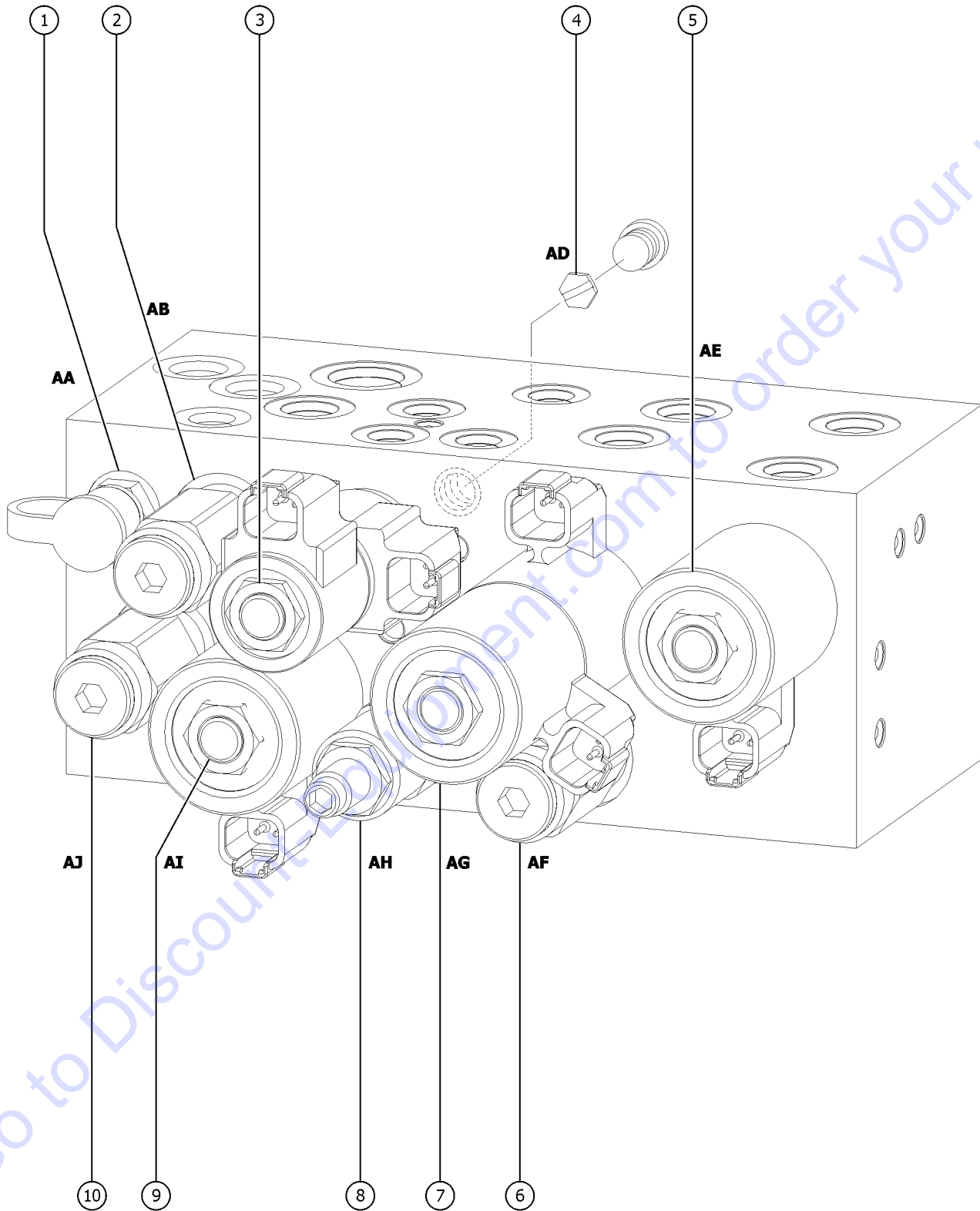
501.1 Hydraulic Components



Item	Part No.	Description	Qty.
1		Ref. Lift Cylinder Assembly (refer to 505.1)	
2		Ref. Pressure Transducer (refer to 701.1)	
3		Ref. Brake Release Hand Pump Manifold (refer to 503.1)	
4	96257GT	BRAKE, HYDRAULIC***.....	2
5A	78622GT	FILTER ASSY,SAE8,10 MIC,PAPR**..... (paper, standard)	1
--	44788GT	FILTER ELEMENT,10MICRON,PAPER* (paper, standard)	
5B	T114321GT	FILTER ASSY,FIBRGLS,#8-#8..... (fiberglass, optional upgrade)	1
--	44207GT	FILTER ELEMENT,BETA(10)=200 (fiberglass, optional upgrade)	
6		Ref. Check Valve (refer to 502.1)	
7		Ref. Function Manifold (refer to 502.1)	
8A	96417GT	DRIVE MOTOR,18.3 CU. IN/REV..... to SN GS3216P-145830	2
--	96419GT	SEAL KIT,RC SERIES DR MOTOR*** for 96417	
8B	T108663GT	DRIVE MOTOR,22.9CI/REV from SN GS3216P-145831	
--	96419GT	SEAL KIT,RC SERIES DR MOTOR*** for T108663	
9	105547GT	CYLINDER,GS/GR STEER***.....	1
--	105550GT	KIT,STEER CYL SEAL	
--	105553GT	KIT,STEER CYL SEAL,040271P,HDM (for code H408147 and up)	
--	105554GT	KIT,STEER CYL SEAL,040499P,HDM (for code H41109 and up)	
--	105555GT	KIT,STEER CYL SEAL,040505P,HDM (for codes H41205, H41255, H51290, H501111, H505109, H509101, H60723 and H60870)	
10	78422GT	ACCUMULATOR,180 PSI PRECHARGE*.....	1



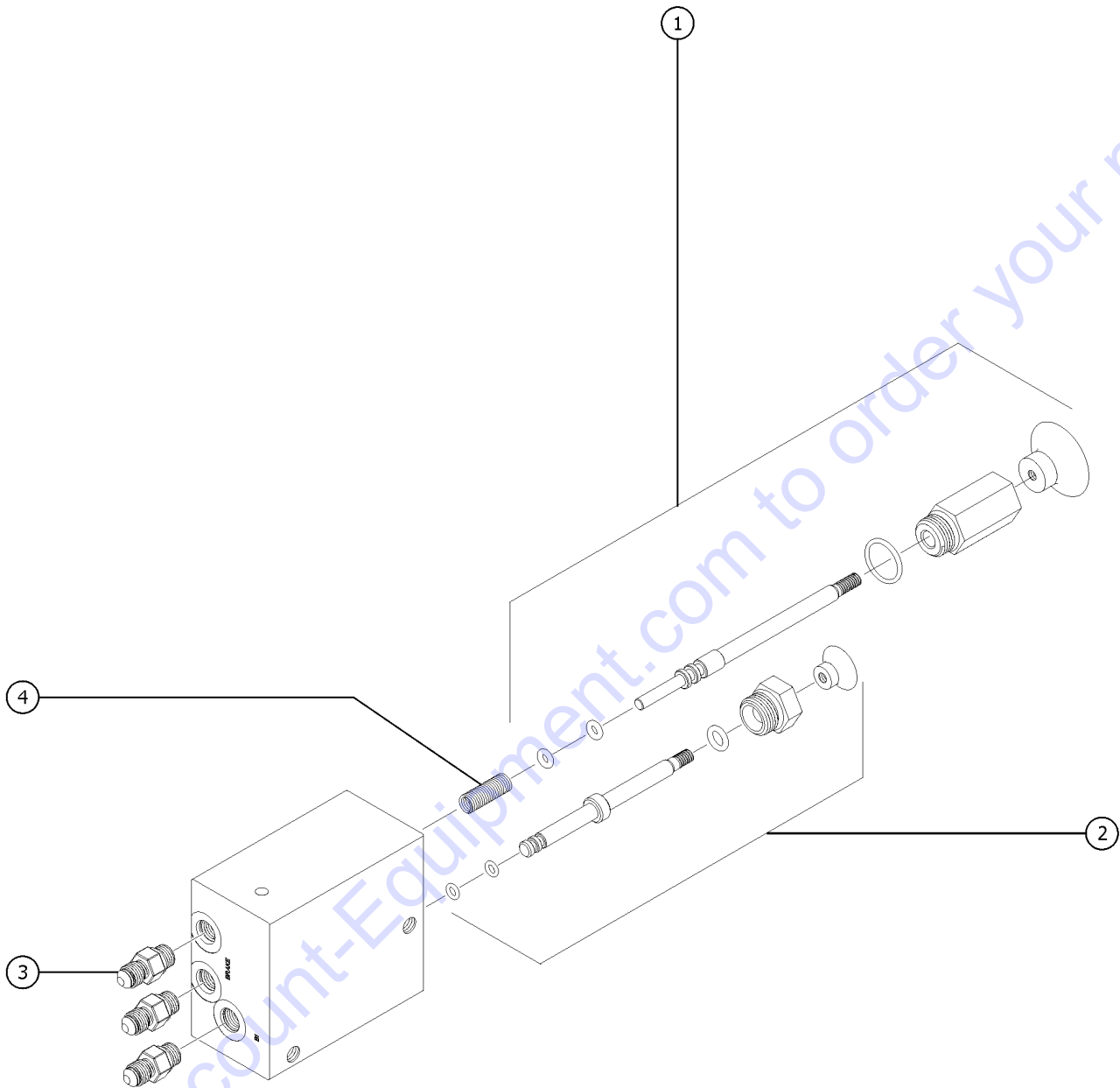
502.1 Function Manifold



## 502.1 Function Manifold

Item	Part No.	Description	Qty.	Item	Part No.	Description	Qty.
--	105463GT	126,DYN.BRAKING,MANIF,32/46		10	65962GT	VALVE-RELIEF, 3700 PSI #8** (AJ, Lift relief)	
--	150105GT	MANIFOLD,FUNCTION,2 SPEED (does not include check valve, item 4)		--	44226GT	SEAL KIT-FOR P.N.44167	
--	49612GT	O-RING KIT (ORFS FITTINGS)					
--	49613GT	PLUG AND CAP KIT-SERVICE,ORFS*					
1	48997GT	NIPPLE,DIAGNOSTIC,#4 (AA, Testing)					
--	20224GT	DIAGNOSTIC FEMALE Q-DSCNT					
--	48880GT	CAP,DIAGNOSTIC NIPPLE					
2	65962GT	VALVE-RELIEF, 3700 PSI #8** (AB, System relief)					
--	44226GT	SEAL KIT-FOR P.N.44167					
3	44168GT	VALVE,SOLENOID,3POS 4WAY (AC, Steer left/right)					
--	44174GT	NUT-COIL SHORT (sold separately)					
--	44229GT	SEAL KIT, VALVE					
--	44236GT	SPACER-DUAL COIL,#8*** (sold separately)					
--	77709GT	COIL,#8 20VDC,DEUTSCH W/DIODE (sold separately)					
4	84386GT	CHECK DISK, NO SPRING (AD, Steer circuit)					
5	44171GT	VALVE-SOLENOID,2POS 4WAY** (AE, Drive speed select circuit)					
--	44175GT	SPACER-DUAL COIL,#10, SCISSORS (sold separately)					
--	44230GT	SEAL KIT-P.N.44169,44172,44171					
--	84385GT	COIL,20VDC DEUTCSH W/DIODE (sold separately)					
6	97409GT	VALVE,DIFF.AREA RELIEF,50PSI (AF, Brake release)					
7	150104GT	VALVE, DYN. BRAKING, GS32/46					
--	44175GT	SPACER-DUAL COIL,#10, SCISSORS (sold separately)					
--	84385GT	COIL,20VDC DEUTCSH W/DIODE (sold separately)					
8	84384GT	PRTY,FLOW CNTRL VALVE,.75 GPM (AH, Steer circuit)					
--	1261888GT	SEAL KIT (84384) for 84384GT					
--	44230GT	SEAL KIT-P.N.44169,44172,44171					
9	44169GT	VALVE-SOLENOID, 2POS 4 WAY (AI, Platform up)					
--	44175GT	SPACER-DUAL COIL,#10, SCISSORS (sold separately)					
--	44230GT	SEAL KIT-P.N.44169,44172,44171					
--	84385GT	COIL,20VDC DEUTCSH W/DIODE (sold separately)					

503.1 Brake Release Hand Pump Manifold

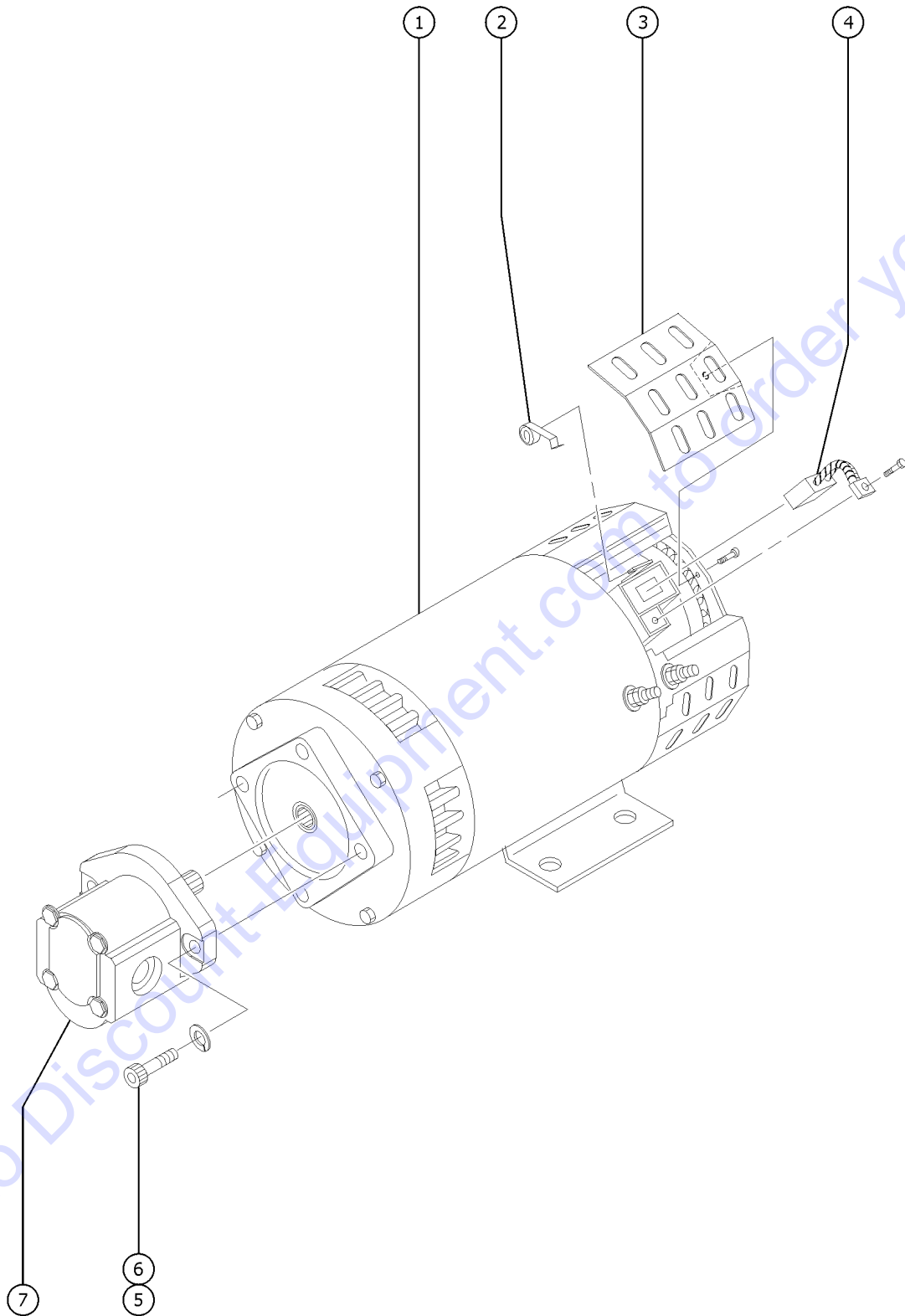


## 503.1 Brake Release Hand Pump Manifold

Item	Part No.	Description	Qty.
--	105067GT	MANIFOLD,BRAKE RELEASE <i>(includes items 1, 2 and 4)</i>	
1	84739GT	VALVE,HAND PUMP ASSEMBLY***.....1	1
--	84740GT	SEAL KIT,HAND PUMP***	
--	84742GT	KNOB,HAND PUMP (RED)***	
2	84743GT	VALVE,PILOT OPERATED ASSEMBLY*.....1	1
--	84740GT	SEAL KIT,HAND PUMP***	
--	84746GT	KNOB,PILOT OP VALVE (BLACK)***	
3	39877GT	CONNECTOR,070120-4-4.....3	3
4	84748GT	SPRING,HAND PUMP ROD.....1	1

Go to Discount-Equipment.com to order your parts

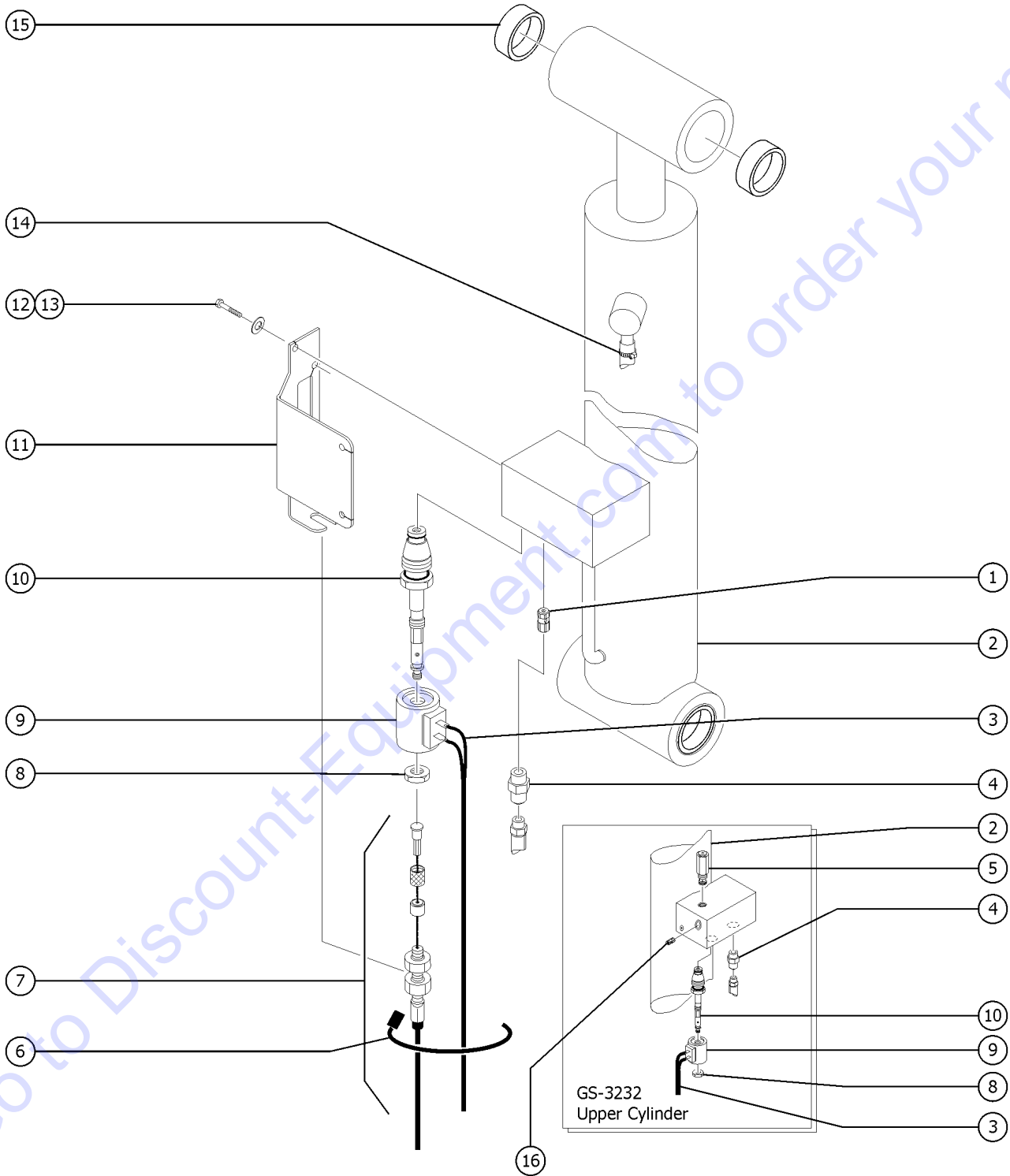
504.1 Hydraulic Power Unit, All Models



## 504.1 Hydraulic Power Unit, All Models

Item	Part No.	Description	Qty.
--	49812GT	ENCLOSING BAND KIT <i>Band Kit (EE models)</i>	
--	78006GT	FORMING,PADLOCK BRACKET	
--	44716GT	HANDLE,ANDERSON CONNECTOR SB	
1	40844GT	MOTOR,ELECTRIC,24VDC 4.5HP.....1	
--	43685GT	SEAL KIT,LIFT PUMP,BARNES**	
--	44777GT	BEARING,MOTOR	
--	44778GT	BEARING,MOTOR,36843,BRUSH END*	
2	44750GT	SPRING-BRUSH,40844, SCISSORS....4	
3	44752GT	COVER-BRUSH INSPEC.40844,SCISS.....4	
4	44751GT	BRUSH,PWR UNIT (40844)**.....4	
5	55921GT	SCREW,SHC,3/8-24 X 1.25"	
6	6021GT	WASHER,LOCK, .375	
7	T108662GT	PUMP,5.6CC GEAR,CCW.....1	
--	236837GT	SEAL KIT,PUMP,5.6CC GEAR	

505.1 Lift Cylinder Assembly, All Models

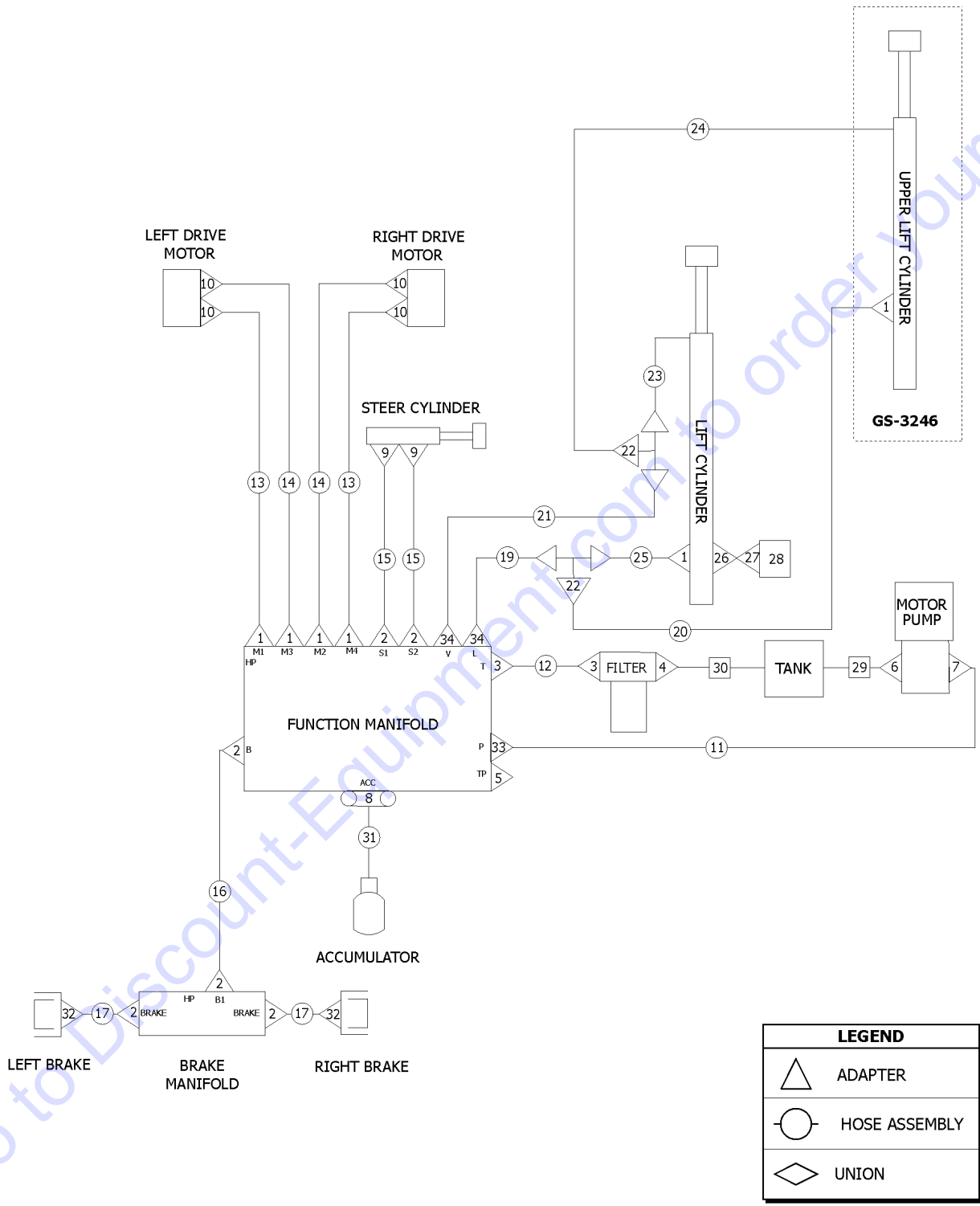


## 505.1 Lift Cylinder Assembly, All Models

Item	Part No.	Description	Qty.
1	55560GT	ORIFICE, LONG, .059"	
--	105479GT	KIT, TWO ORIFICE, .059"	
--	105481GT	KIT, ORIFICE, .059"	
2A	105544GT	CYLINDER, 20XX LIFT.....1 GS-2032	
--	105549GT	SEAL KIT (105545) (for PN 105544GT)	
2B	105545GT	CYLINDER, 26XX/32XX LIFT.....1 GS-2632	
--	105549GT	SEAL KIT (105545) (for PN 105545GT)	
2C	105546GT	CYLINDER, 32XX UPPER LIFT.....1 GS-3232 (upper cylinder)	
--	105564GT	SEAL KIT (105546) (for PN 105546GT)	
2D	105545GT	CYLINDER, 26XX/32XX LIFT.....1 GS-3232 (lower cylinder)	
--	105549GT	SEAL KIT (105545) (for PN 105545GT)	
3		Ref. Down Coil Wire Harness (refer to 211.1)	
4	39878GT	CONNECTOR, 070120-6-6.....1	
5	237455GT	VALVE, RELIEF, 2900 PSI, BOSCH	
6	28443GT	CABLE TIE, 11.5" BLACK.....3	
7		Ref. Emergency Down Cable (refer to 203.1)	
8	44973GT	NUT, COIL (39909).....1	
9	84422GT	COIL-SOLENOID VALVE, 20V DC***.....1 (direct replacement for 66467GT)	
10	66465GT	VALVE, W/20V NC SOLENOID, MANUAL.....1 (includes items 7 and 8)	
--	40477GT	VALVE, CARTRIDGE***	
--	44979GT	SEAL KIT, 39909, PLAT LWR VALVE*	
11	41557-SGT	CABLE BRACKET, PAINTED.....1	
12	7339GT	SCREW, HHC, 1/4-20 X .5	
13	6356GT	WASHER, LOCK, .25	
14	96770GT	CLAMP, HOSE, 1 EAR, 11/16.....1	
15	105478GT	BEARING, 1.5025IDX1.5075ODX1.5L.....4	
16	55558GT	ORIFICE, LONG, .037***.....1 GS-3232	



506.1 Hydraulic Hoses and Fittings



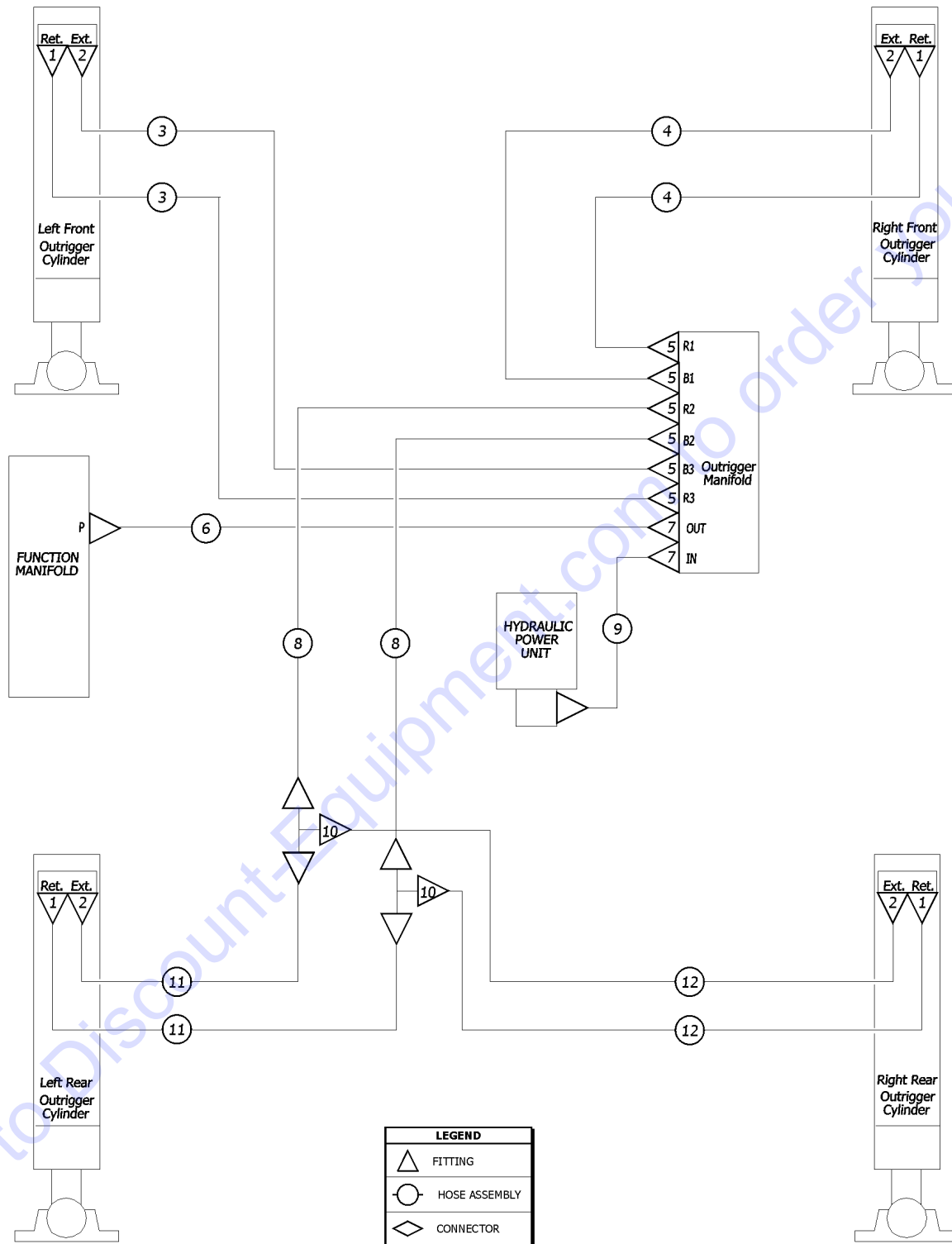
Go to Discount-Equipment.com to order your parts

LEGEND	
	ADAPTER
	HOSE ASSEMBLY
	UNION

506.1 Hydraulic Hoses and Fittings

Item	Part No.	Description	Qty.	Item	Part No.	Description	Qty.
--		<i>The hose lengths below reflect the length of the hose only. Refer to the 'Fittings Cross Reference' to match Genie part numbers to Parker part numbers.</i>		21	96881GT	HOSE,ASSY,VENT.....1 (Components: 96406, 96407, and 75631 @ 42 inches)	1
--	66765-3000GT	WIRE LOOM, SPIRAL, 1-5/8 ID 30" used as hose protection on 3/8 hoses, sold by the inch		22	51152GT	TEE, RUN 070432-6****.....2 GS-3232	2
1A	39878GT	CONNECTOR, 070120-6-6.....4 GS-2032, GS-2632	4	23A	75631GT	HOSE, AIR 3/8.....161-inches GS-3232 (for hose ends see items 31 & 34)	1
1B	39878GT	CONNECTOR, 070120-6-6.....5 GS-3232	5	23B	96882GT	HOSE, LOWER VENT.....1 GS-2032, GS-2632 (Components: 75631 @ 161 inches)	1
2	39877GT	CONNECTOR, 070120-4-4.....6	6	24	96883GT	HOSE, UPPER VENT.....1 GS-3232 (Components: 105045, and 75631 @ 320 inches)	1
--	39882GT	PLUG, HEX SOCKET, 090109B-4.....1	1	25	105046GT	HOSE ASSY, LOWER LIFT.....1 (Components: 39890, 47223, and 56776 @ 127 inches)	1
3	66389GT	CONN, 070120-8-6.....2	2	26	96885GT	CONN, SWIVEL, STR, THR, 465OX-S.....1	1
4	96398GT	CONNECTOR, 070120-12-8.....1	1	27	39881GT	CONNECTOR, 070120-4-6.....1	1
5		Ref. Diagnostic Nipple (refer to 502.1)		28		Ref. Pressure Switch.....1 (refer to 701.1)	1
6	22664GT	ELBOW, 070220-12-10.....1	1	29	96354GT	TUBE, ASSY, DRAW.....1	1
7	39876GT	ELBOW, 070220-6-8.....1	1	30	96355GT	TUBE, ASSY, RETURN.....1	1
8	39877GT	CONNECTOR, 070120-4-4.....1	1	31	105246GT	HOSE ASSY, MAN/ACCUM, GS32/46...1 (Components: 78855, 78855, and 78852 @ 17 inches)	1
9A	13921GT	ELBOW, 070220-4-4.....2 GS-2032, GS-2632	2	32	39877GT	CONNECTOR, 070120-4-4.....2	2
9B	13921GT	ELBOW, 070220-4-4.....4 GS-3232	4	33A	39878GT	CONNECTOR, 070120-6-6.....1 GS-2032, GS-2632	1
10	39873GT	ELBOW, 070220-6-6.....4	4	33B	237086GT	VALVE, CHECK, #6-#6, MJIC TO MORB...1 GS-3232 (Australia, CE)	1
11	96744GT	HOSE, ASSY, PRESSURE.....1 (Components: 39890, 39890, and 56776 @ 50 inches)	1	34A	42283GT	ELBOW, 070320-6-6.....2 GS-2032, GS-2632	2
12	96348GT	HOSE, ASSY, MAN TO FILTER.....1 (Components: 96406, 96406, and 75631 @ 25 inches)	1	34B	130011GT	HOSE CLAMP, SAE #6.....2 GS-3232	2
13	105802GT	HOSE ASSY, DRIVE MOTORS, GS32....2 (Components: 39890, 39890, and 56776 @ 50 inches)	2				
14	105579GT	HOSE ASSY, DRIVE MOTORS, GS32....2 (Components: 39890, 39890, and 56776 @ 54 inches)	2				
15	105578GT	HOSE, ASSY STEER, GS32/46.....2 (Components: 78855, 78855, and 78852 @ 36 inches)	2				
16	105804GT	HOSE, ASSY, BRAKE MAN, GS32.....1 (Components: 78855, 78855, and 78852 @ 62 inches)	1				
17	96391GT	HOSE, ASSY.....2 (Components: 78855, 78855, and 78852 @ 17 inches)	2				
19	96750GT	HOSE, ASSY, LIFT.....1 (Components: 39890, 39890, and 56776 @ 42 inches)	1				
20	96880GT	HOSE, ASSY, UPPER LIFT.....1 GS-3232 (Components: 39890, 39891, and 56776 @ 297 inches)	1				

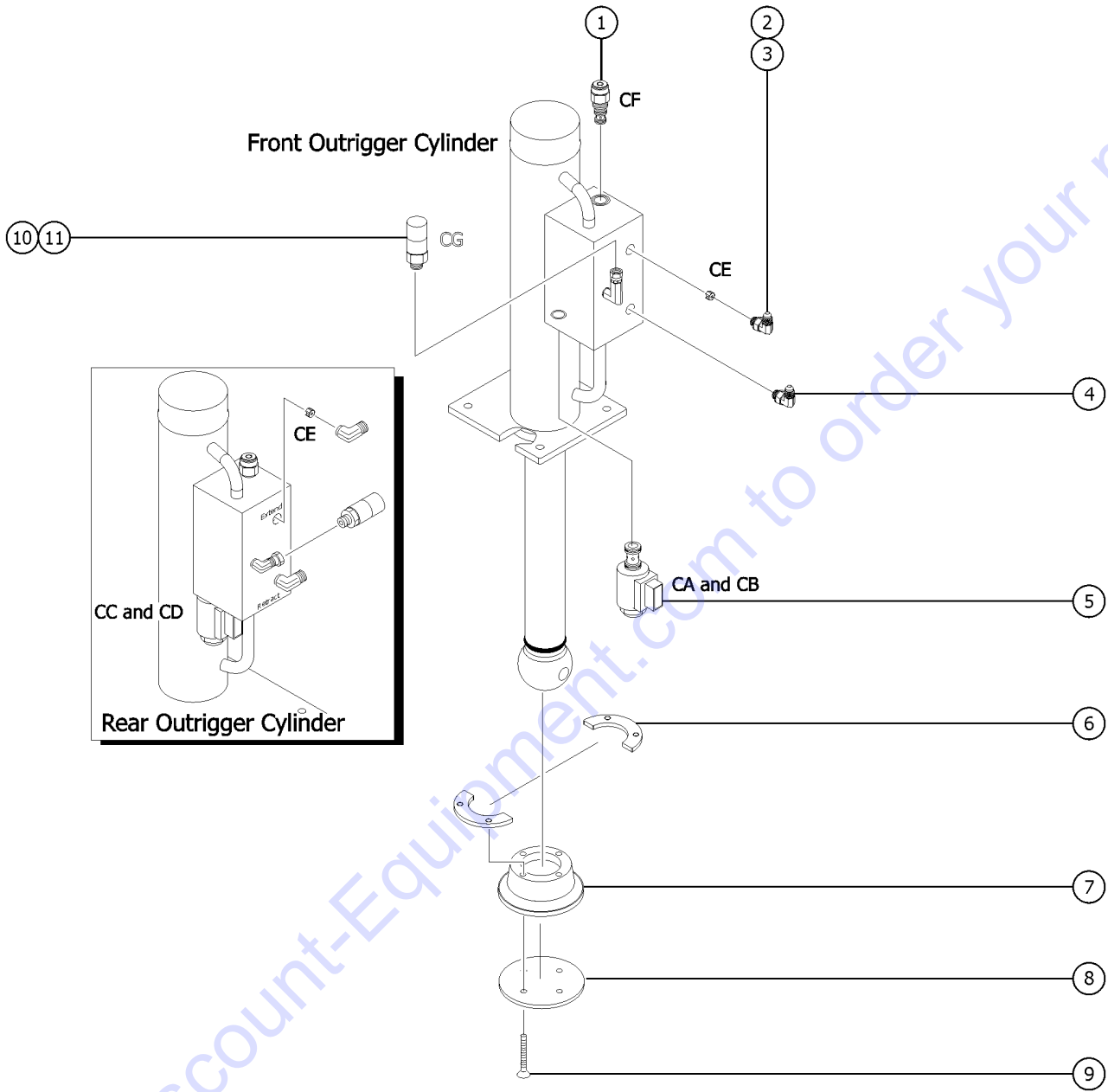
507.1 Hydraulic Hoses and Fittings, Outriggers, GS-3232



## 507.1 Hydraulic Hoses and Fittings, Outriggers, GS-3232

Item	Part No.	Description	Qty.
1	13921GT	ELBOW,070220-4-4.....	4
2	39875GT	ELBOW,070220-4-6.....	4
3	105645GT	HOSE ASSY,LT FRONTO/R,GS3232....2 (Components: 78855, 78855, and 78852 @ 12 inches)	2
4	105648GT	HOSE ASSY,RT FRONT O/R,GS3232....2 (Components: 78855, 78855, and 78852 @ 36 inches)	2
5	39877GT	CONNECTOR,070120-4-4.....	6
6	105650GT	HOSE ASSY,MANIFOLD, GS3232.....1 (Components: 39890, 39890, and 56776 @ 32 inches)	1
7	39878GT	CONNECTOR,070120-6-6.....	2
8	105649GT	HOSE ASSY,O/R MAN-T, GS3232.....2 (Components: 78855, 78855, and 78852 @ 60 inches)	2
9	105651GT	HOSE ASSY,PUMP-O/R MAN, GS3232.....	1
		(Components: 39890, 39890, and 56776 @ 56 inches)	
10	8342GT	TEE,UNION,070401-4.....	4
11	105646GT	HOSE ASSY,LT REAR O/R, GS3232....2 (Components: 78855, 78855, and 78852 @ 16 inches)	2
12	105647GT	HOSE ASSY,RT REAR O/R, GS3232....2 (Components: 78855, 78855, and 78852 @ 24 inches)	2

508.1 Outrigger Cylinders, Front and Rear, GS-3232

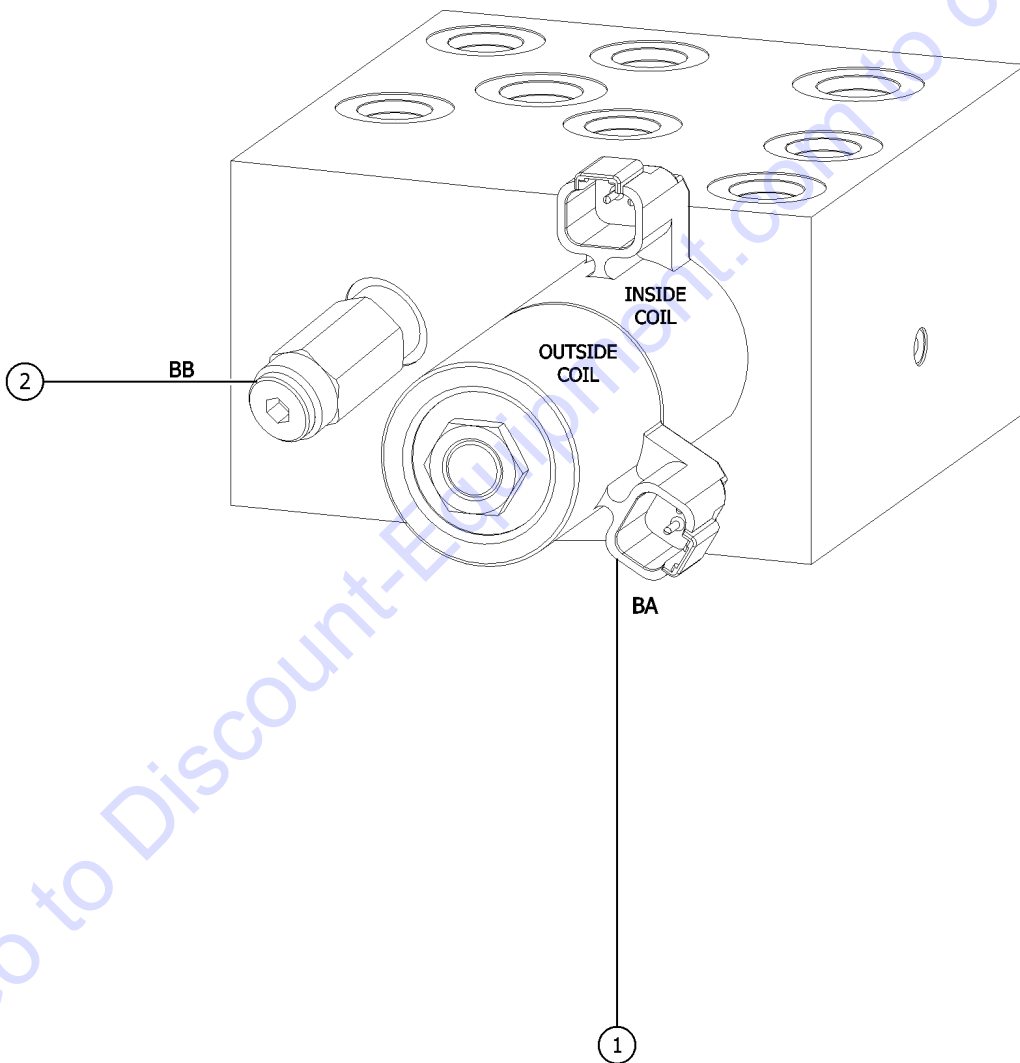


Go to Discount-Equipment.com to order your parts

## 508.1 Outrigger Cylinders, Front and Rear, GS-3232

Item	Part No.	Description	Qty.
--	109877GT	CYLINDER,REAR OUTRIGGER <i>order valves, orifice and fittings separately</i>	
--	109878GT	CYLINDER,FRONT OUTRIGGER <i>order valves, orifice and fittings separately</i>	
--	144655GT	SEAL KIT,O/R CYLINDER*** <i>for 109877GT and 109878GT</i>	
1	105628GT	VALVE,CHECK,PILOT OPERATED.....1 <i>(3500 psi, 240 bar)</i>	
--	105695GT	SEAL KIT	
2	39875GT	ELBOW,070220-4-6.....1	
3	67744GT	ORIFICE,SHORT, 0.037 INCH.....1 <i>(0.037 inch; 0.94 mm)</i>	
4	13921GT	ELBOW,070220-4-4.....1	
5	105629GT	VALVE,SOLENOID 2 POS, 2 WAY.....1	
--	44228GT	SEAL KIT, VALVE	
6	109750GT	PLATE,FOOTPAD RING.....2	
7	109756GT	FOOTPAD,OUTRIGGER,3232.....1	
8	105575GT	FOOTPAD,NON MARKING.....1	
9	1260987GT	SCREW,FHS,1/4-20X2.25XF835,ZAG..16	
10	229750GT	HARNES,PRESS,TRANSDUCER***.....1	
11	105652GT	FITTING,ELBOW 4-4, SAE.....1	

509.1 Outrigger Function Manifold, GS-3232



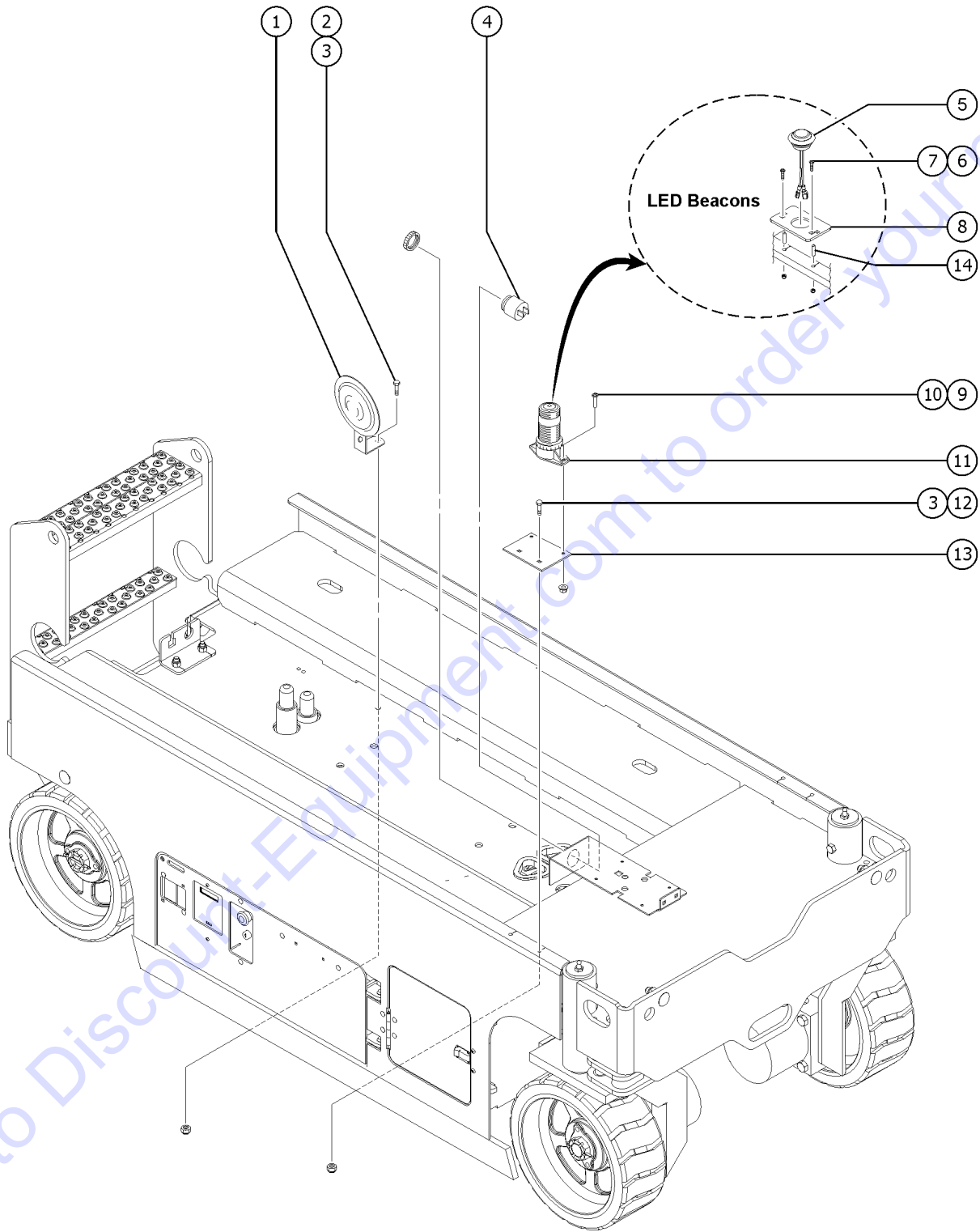
## 509.1 Outrigger Function Manifold, GS-3232

Item	Part No.	Description	Qty.
--	109757GT	MANIFOLD,OUTRIGGER OPTION	
--	49612GT	O-RING KIT (ORFS FITTINGS)	
--	49613GT	PLUG AND CAP KIT-SERVICE,ORFS*	
1	52376GT	VALVE,RELIEF,3500PSI*** (BB, Outrigger circuit)	
--	44227GT	SEAL KIT, VALVE	
2	52380GT	VALVE,SOLENOID,3POS4WAY,GS68 (BA, Outrigger extend/retract)	
--	44174GT	NUT-COIL SHORT	
--	44175GT	SPACER-DUAL COIL,#10, SCISSORS	
--	44230GT	SEAL KIT-P.N.44169,44172,44171	
--	84385GT	COIL,20VDC DEUTCSH W/DIODE	

Go to Discount-Equipment.com to order your parts



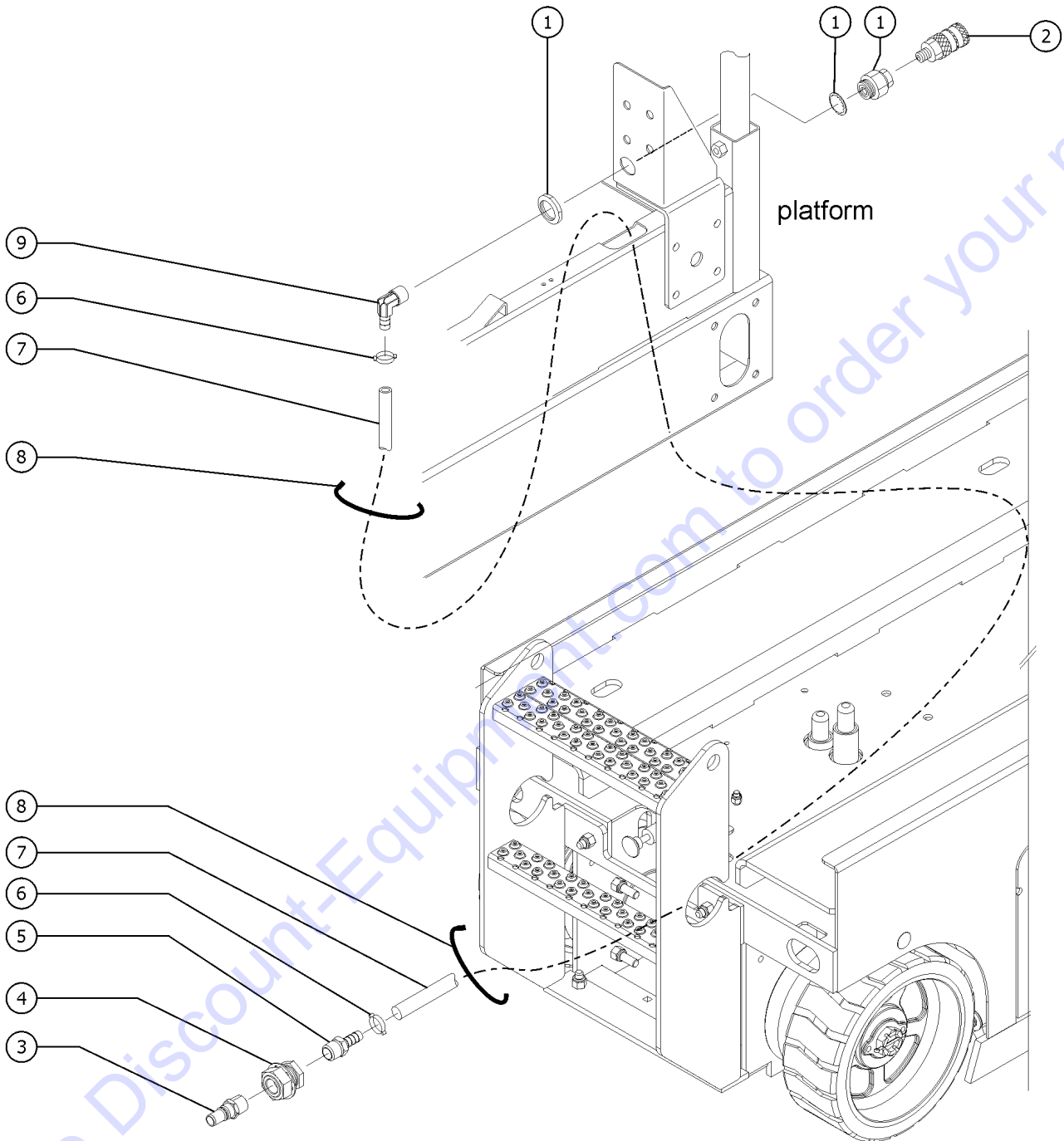
601.1 Alarm, Horn and Flashing Beacons



## 601.1 Alarm, Horn and Flashing Beacons

Item	Part No.	Description	Qty.	Item	Part No.	Description	Qty.
--	105797GT	KIT,BEACON,GS32/46 <i>ANSI models to SN GS3216P-144146</i>		12	824124GT	BOLT,CARRIAGE,1/4-20X.75,5,ZAG.....4 <i>ANSI models to SN GS3216P-144146</i>	4
--	1260386GT	VISUAL INDICATOR LIGHTS <i>CE Models to SN GS3216P-144146</i>		13	96363GT	PLATE,BEACON MOUNT.....2 <i>ANSI models to SN GS3216P-144146</i>	2
--	1260386GT	VISUAL INDICATOR LIGHTS <i>All models from SN GS3216P-144147</i>		15	96699GT	SLEEVE,TANK SUPPORT.....4 <i>CE Models to SN GS3216P-144146</i>	4
1	81579GT	HORN,24VDC,SPADE TERMINALS*** .....1	1	15B	96699GT	SLEEVE,TANK SUPPORT.....4 <i>All models from SN GS3216P-144147</i>	4
2	824090GT	SCREW,HFH,3/8-16X1,8,ZAG.....2	2				
3	824029GT	NUT,TL FLG,3/8-16,G,ZAG.....2	2				
4	39540GT	ALARM,STEADY TONE*** .....1 <i>Does not include 72326 nut; order separately</i>	1				
--	72326GT	NUT - PLASTIC,RING FOR ALARMS <i>for 39540</i>					
5A	1261183GT	ASSEMBLY, VISUAL IND LIGHT.....2 <i>CE Models to SN GS3216P-144146</i>	2				
--	1270162GT	ASSEMBLY, BEACON LED, 24V.....2 <i>for 1261183</i>	2				
--	1270662GT	HARNESS, BEACON, LED, LARGE.....1 <i>for 1261183</i>	1				
5B	1261183GT	ASSEMBLY, VISUAL IND LIGHT.....2 <i>All models from SN GS3216P-144147</i>	2				
--	1270162GT	ASSEMBLY, BEACON LED, 24V.....2 <i>for 1261183</i>	2				
--	1270662GT	HARNESS, BEACON, LED, LARGE.....1 <i>for 1261183</i>	1				
6	9116GT	BOLT,CARRIAGE,1/4-20x1.25,G2.....4 <i>CE Models to SN GS3216P-144146</i>	4				
6B	9116GT	BOLT,CARRIAGE,1/4-20x1.25,G2.....4 <i>All models from SN GS3216P-144147</i>	4				
7	6889GT	NUT,LP NYLOCK,1/4-20.....4 <i>CE Models to SN GS3216P-144146</i>	4				
7B	6889GT	NUT,LP NYLOCK,1/4-20.....4 <i>All models from SN GS3216P-144147</i>	4				
8	1261143GT	PLATE,VISUAL IND LIGHT MOUNT.....2 <i>CE Models to SN GS3216P-144146</i>	2				
8B	1261143GT	PLATE,VISUAL IND LIGHT MOUNT.....2 <i>All models from SN GS3216P-144147</i>	2				
9	824215GT	SCREW,PHPM,10-32X.75,ZAG.....4 <i>CE Models to SN GS3216P-144146</i>	4				
9B	824215GT	SCREW,PHPM,10-32X.75,ZAG.....4 <i>All models from SN GS3216P-144147</i>	4				
10	274168GT	NUT,NYLOCK,10-32,A,ZAG.....2 <i>ANSI models to SN GS3216P-144146</i>	2				
11	231931GT	STROBE,BEACON, AC COMP 12-80V...2 <i>ANSI models to SN GS3216P-144146</i>	2				
--	105556GT	LENS,FLASHING BEACON <i>for 231931</i>					
--	105557GT	BULB,FLASHING BEACON <i>for 231931</i>					

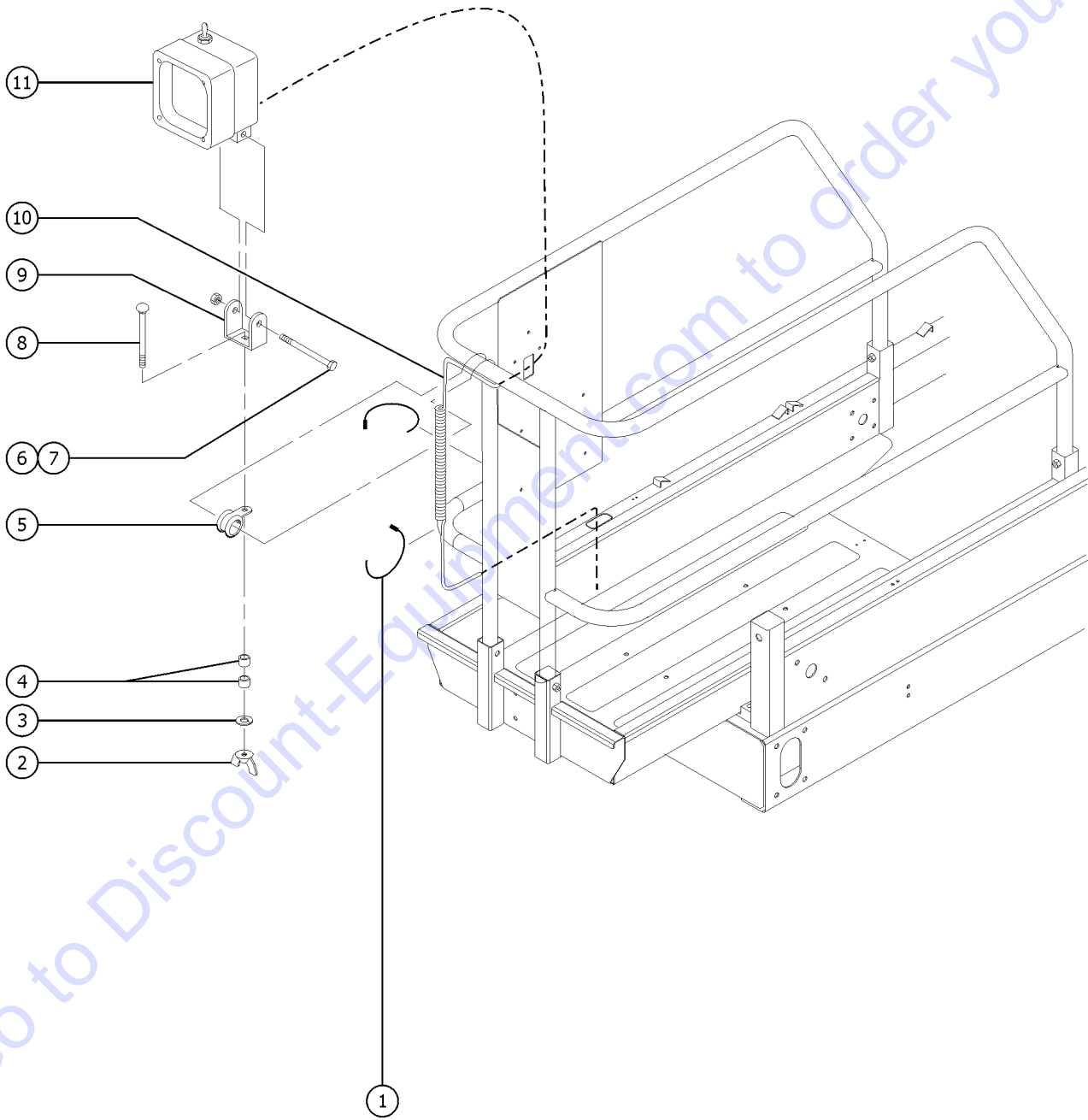
602.1 Air Line to Platform



## 602.1 Air Line to Platform

Item	Part No.	Description	Qty.
--	96731-SGT	AIR TO PLAT, GS20XX, ACC GS-2032, to SN GS32P-157400	
--	96990-SGT	AIR TO PLAT, GS26XX, ACC GS-2632, to SN GS32P-157400	
--	96991-SGT	AIR TO PLAT, GS3246, ACC GS-3232, to SN GS32P-157400	
1	27900GT	BULKHEAD,FEMALE X 6 X 6.....	1
2	27895GT	COUPLER,1/4"SERIES 3/8 MPT.....	1
3A	96542GT	PLUG,1/4"SERIES,3/8 P-LOCK*** to SN GS32P-157400	1
3B	27894GT	PLUG,1/4"SERIES,3/8 MPT..... from SN GS32P-157401	1
4	27900GT	BULKHEAD,FEMALE X 6 X 6..... from SN GS32P-157401	1
5	27901GT	HOSE END,BARBED,RIGID,-6-6.....	1
6	27902GT	CLAMP,HOSE,2 EAR, 5/8.....	2
7A	27903GT	HOSE,LOW PRESSURE,,375 ID,BLK.....390-inches GS-2032	
7B	27903GT	HOSE,LOW PRESSURE,,375 ID,BLK.....490-inches GS-2632	
7C	27903GT	HOSE,LOW PRESSURE,,375 ID,BLK.....590-inches GS-3232	
8	28443GT	CABLE TIE,11.5" BLACK	
9	27904GT	HOSE END,BARBED,RIGID,90DEG6-6.....	1

603.1 Platform Work Light

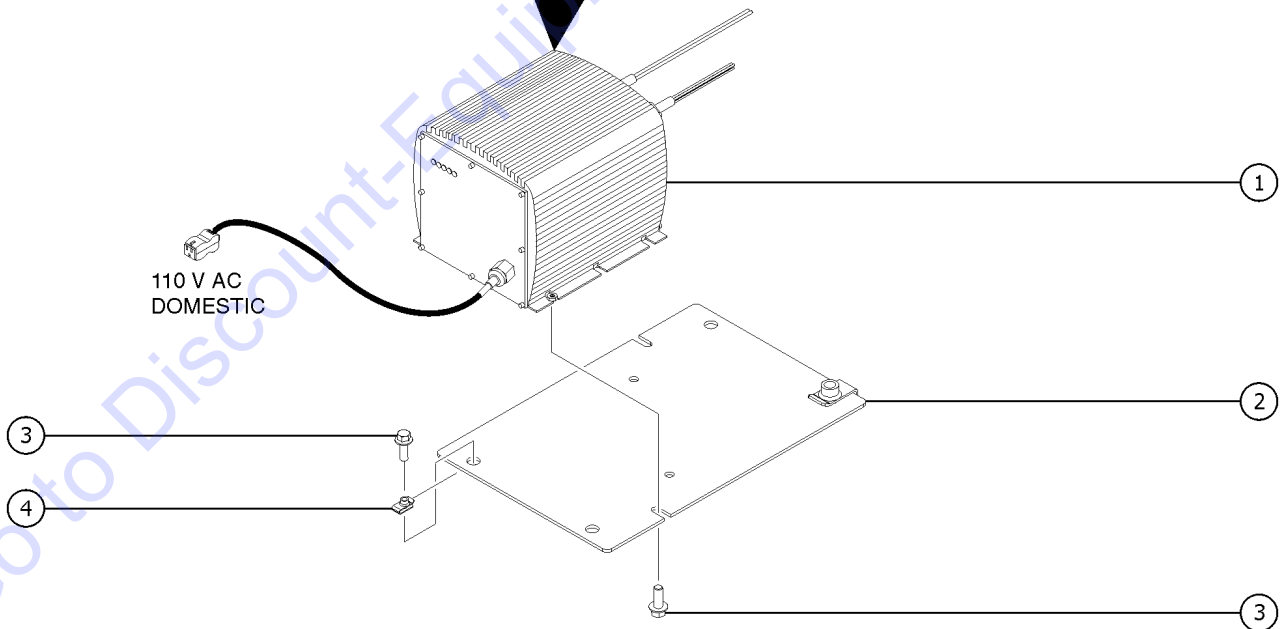
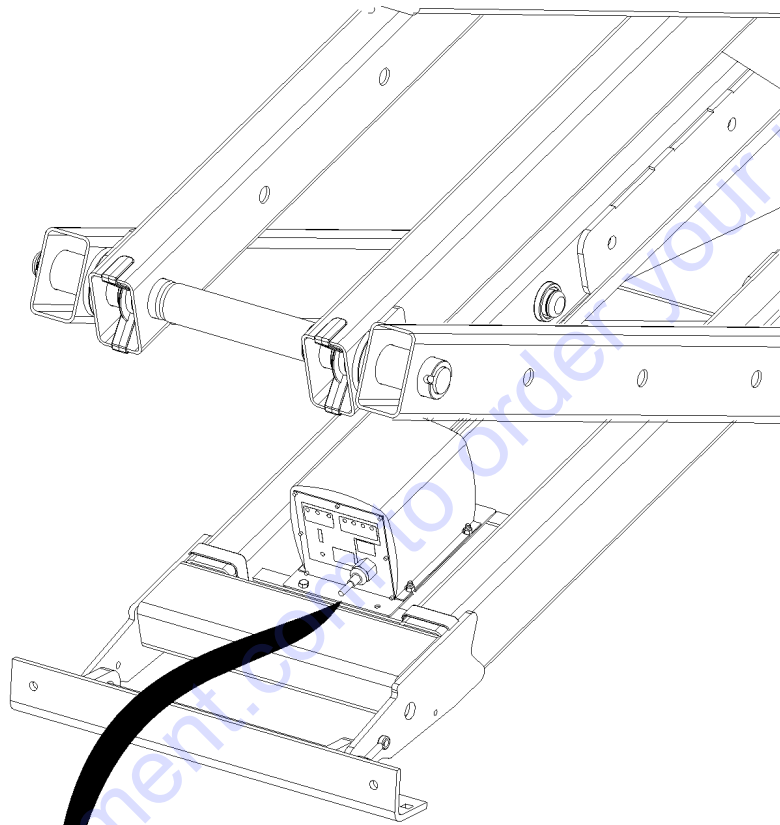


Go to Discount-Equipment.com to order your parts

## 603.1 Platform Work Light

Item	Part No.	Description	Qty.
--	105973GT	WORKLIGHT CABLE,GS19/20XX <i>(linkset) GS-2032</i>	
--	105971GT	WORKLIGHT PIGTAIL ASSY <i>(chassis) GS-2032</i>	
--	105974GT	WORKLIGHT CABLE,GS26XX <i>(linkset) GS-2632</i>	
--	105971GT	WORKLIGHT PIGTAIL ASSY <i>(chassis) GS-2632</i>	
--	105975GT	WORKLIGHT CABLE,GS32XX <i>(linkset) GS-3232</i>	
--	105971GT	WORKLIGHT PIGTAIL ASSY <i>(chassis) GS-3232</i>	
1	28443GT	CABLE TIE,11.5" BLACK.....	10
2	69229GT	NUT,WING 5/16-18.....	1
3	6886GT	WASHER,LOCK,.313	
4	5397GT	WASHER,FLAT,USS,5/16",Y..... <i>add sufficient washers to equal aproximately 0.435 inch thickness of each spacer</i>	2
5	33784GT	CLAMP,1.31,#21 X 1/4,RUB CUSH.....	1
6	50793GT	SCREW,HHC,5/16-18 X 2	
7	6782GT	NUT,NYLOCK,5/16-18	
8	65439GT	BOLT,CARRIAGE,5/16-18 X 2.0,G2	
9	144009GT	WORKLIGHT BRACKET.....	1
10	65721GT	COIL CORD,WORKLIGHT(144011).....	1
11	144011GT	WORKLIGHT,24V,COIL CORD.....	1

604.1 Voltage Inverter



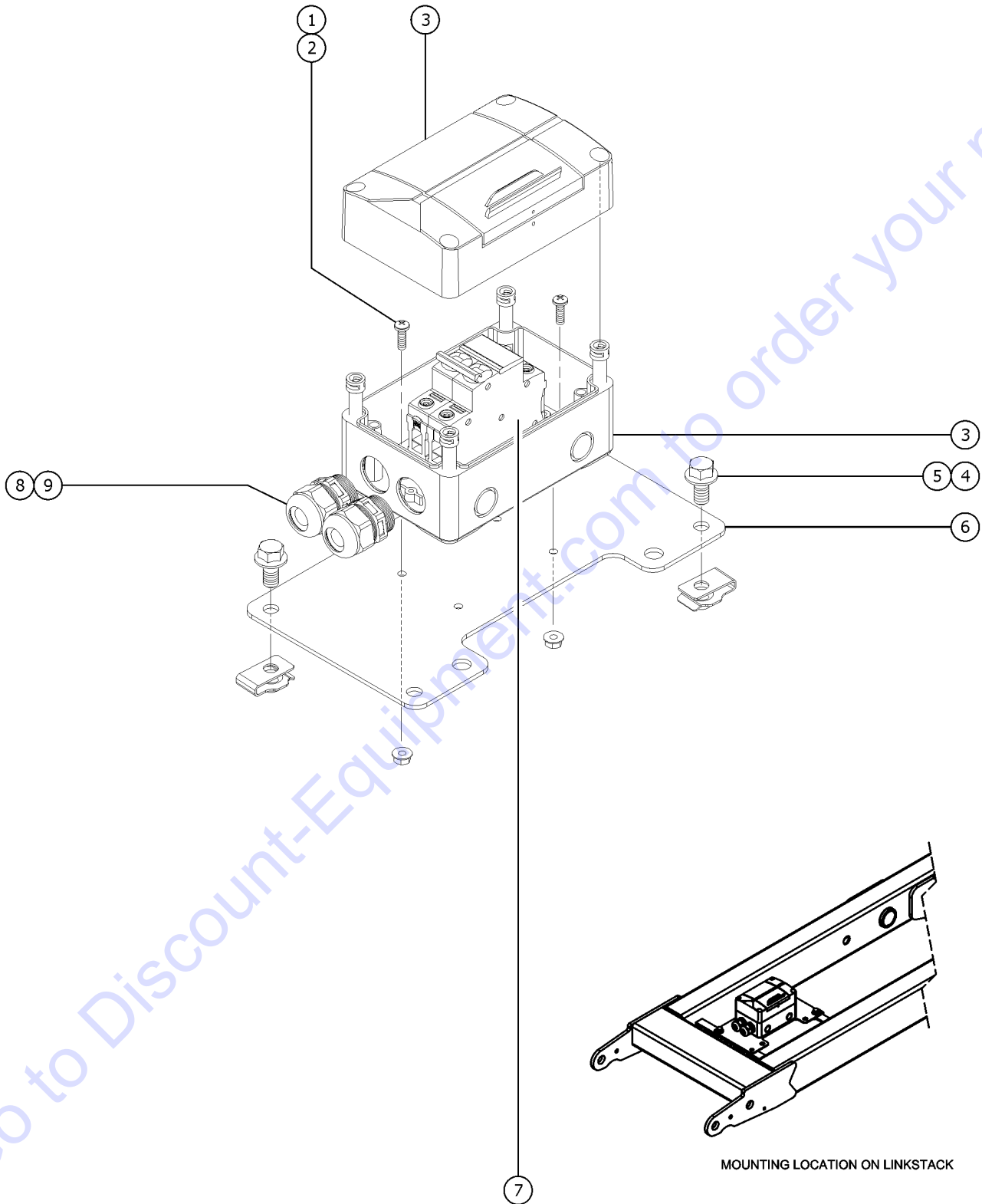
## 604.1 Voltage Inverter

Item	Part No.	Description	Qty.
1	96950GT	INVERTER,24VDC,110/230 VAC***.....1	
2	105129GT	PLATE, INVERTER MOUNT.....1	
3	824078GT	SCREW,HHF,1/4-20X.75,8,ZAG.....4	
4	56912GT	SPRING CLIP,1/4-20,.025-.15X.54,ZAG.....2	

Go to Discount-Equipment.com to order your parts

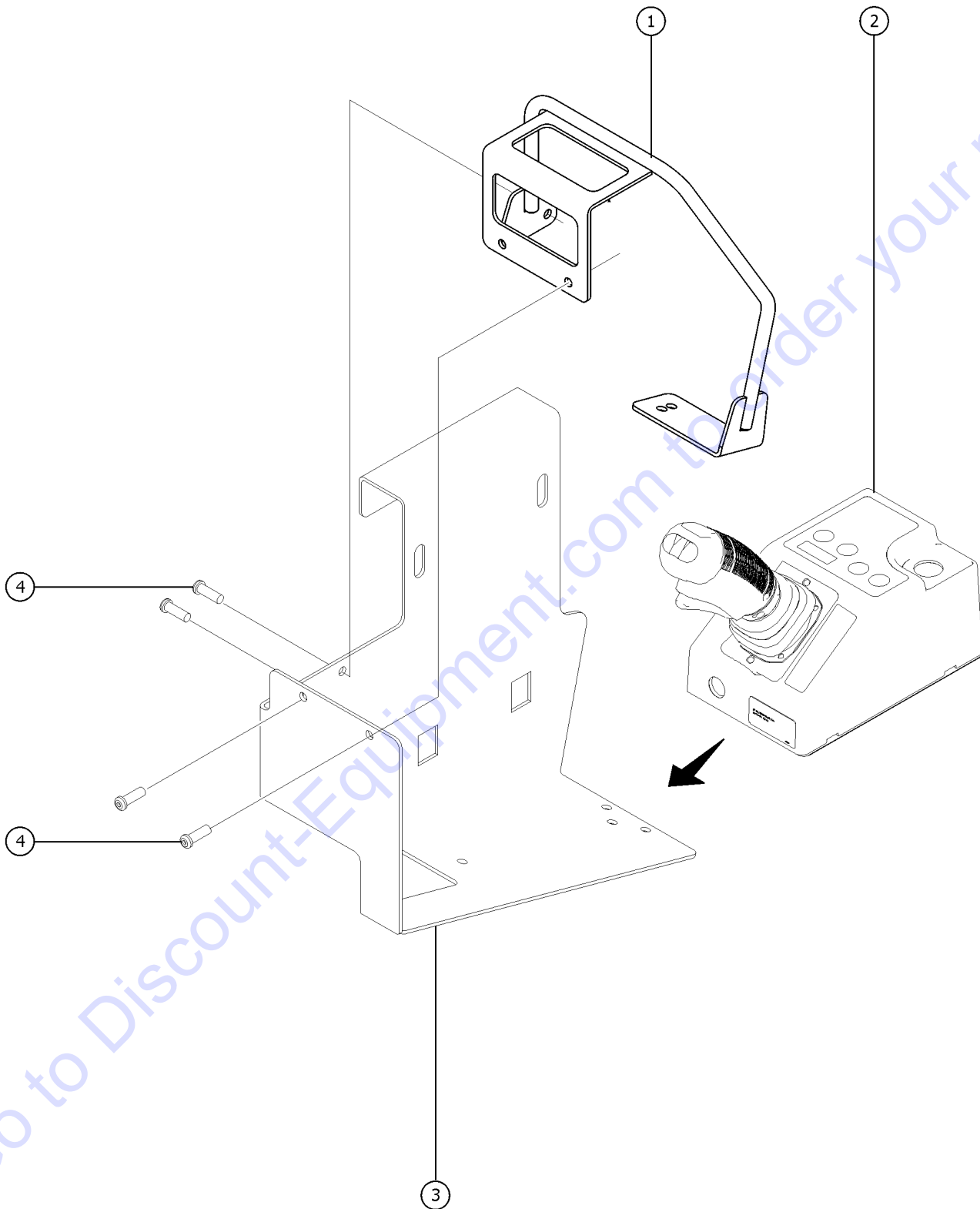


605.1 RCBO



Item	Part No.	Description	Qty.
1	1257227GT	SCREW,PHPM,10-32X.625,ZAG.....	2
2	1256467GT	NUT,TL FLG,10-24,F,ZAG.....	2
3	1269086GT	ENCLOSURE, FUSE, MODULAR, 150X.....	1
4	824089GT	SCREW,HHF,3/8-16X.75,8,ZAG.....	2
5	29868GT	SPRING CLIP,3/8-16,.05-.20X.73,ZAG...	2
6	1274540GT	PLATE, RCBO, GS.....	1
7	231868GT	RCBO,16A,30MA,6KA 110/230VAC.....	1
8	1269087GT	CONNECTOR, SQUEEZE, M25, 6-13MM.....	2
9	1269107GT	NUT, PLASTIC, M25, GREY.....	2
10	43956GT	WIRE CABLE,14/3 CON.TPE JKT*..... <i>not shown</i>	115-inches
11	1262911GT	SLEEVE, CABLE-END, 14AWG, 2.5MM..... <i>for 43956</i>	6

606.1 PCON Guard

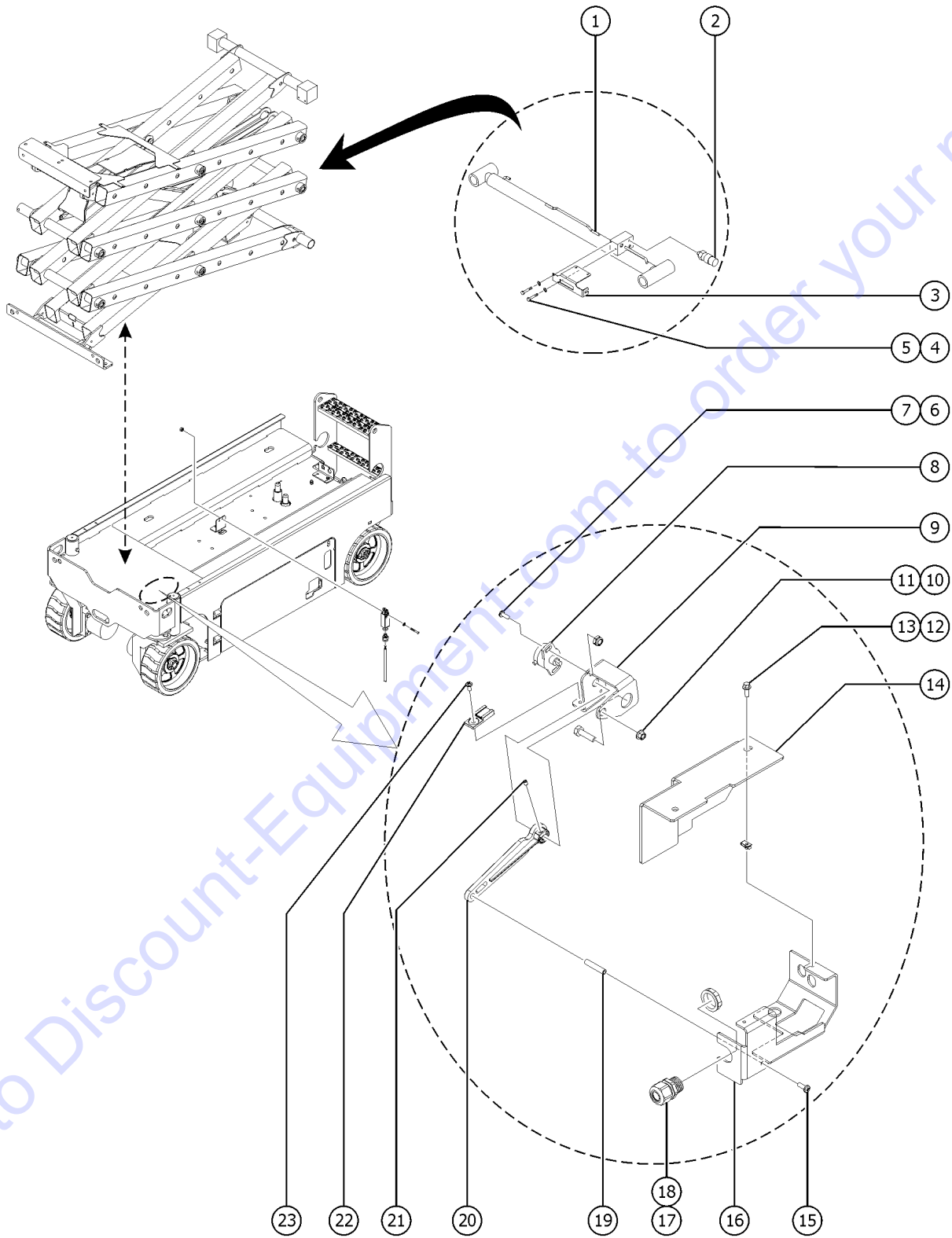


Go to Discount-Equipment.com to order your parts

Item	Part No.	Description	Qty.
1	1283768GT	KIT,PCON GUARD,SLAB/GR <i>includes installation instructions</i>	
--	1279627GT	WELDMENT, PCON GUARD.....	1
2		Ref. PCON, GR/GRC/GS..... <i>refer to 403.1</i>	1
3		Ref. FORMING, PLAT CONTROL, GR/GRC..... <i>refer to 403.1 (holes drilled for PCON Guard option from SN 154144)</i>	4
4	7265GT	RIVET,STEEL,P, .25 X .375.....	4

Go to Discount-Equipment.com to order your parts

701.1 Platform Overload



Item	Part No.	Description	Qty.
1		Ref: Lift Cylinder.....1 (refer to 505.1)	1
2A	229750GT	HARNESS,PRESS,TRANSDUCER***.....1 GS-2032, GS-2632 (includes transducer)	1
2B	237472GT	PRESSURE TRANSDUCER,1K-3K PSI.....1 GS-3232 (Australia & CE)	1
3	41557-SGT	CABLE BRACKET,PAINTED.....1	1
4	7339GT	SCREW,HHC,1/4-20 X .5.....1	1
5	6356GT	WASHER,LOCK,.25.....1	1
6	1257296GT	SCREW,PHPM-ST,8-32X.50,TYPE F,ZAG.....2	2
7	1258187GT	NUT,TL,8-32,A,ZAG.....2	2
8	T113136GT	ASSY,ROT SENSR W/ HARNESS.....1	1
9	161981GT	FRMNG,ARM SENSOR BRCKT,32/46....1	1
10	824029GT	NUT,TL FLG,3/8-16,G,ZAG.....1	1
11	824068GT	SCREW,HHC,3/8-16X1.25,8,ZAG.....1	1
12	824078GT	SCREW,HHF,1/4-20X.75,8,ZAG.....2	2
13	56912GT	SPRING CLIP,1/4-20,.025-.15X.54,ZAG.....2	2
14	161977GT	FRMG,SENSOR COVERING.....1	1
15	1251757GT	SCREW,PHPM,10-32X.50,ZAG.....1	1
16	161975GT	FRMG,CHASSIS BRKTING.....1	1
17	33576GT	CONN,SQZ,BLK,1/2NPT,.38-.50,SM.....1	1
18	T115429GT	NUT,CORDGRIP,1/2 NPT.....1	1
19	T113142GT	OFFSET, RDN, 1/4-1.25,10-32.....1	1
20	T114082GT	LEVER ARM,ANGLE SENSR ACTUATOR.....1	1
21	229146GT	SCREW,SET,8-32X.25.....1	1
22	T113139GT	CLIP,DTM,RECEPTACLE.....1	1
23	39579GT	RIVET,STL,STL,.188 X .45.....1	1

## Part Number Index

The Part Number Index is a numeric index of all part numbers included in this manual. The index shows what page(s) the part is used on.

Part Number	Page	Part Number	Page	Part Number	Page	Part Number	Page
104804GT	99-100, 103-104	105647GT	125	1256287GT	61, 63	1263533GT	81
105004GT	99-100, 103-104	105648GT	125	1256462GT	97	1263542GT	39, 47, 55
105021GT	97	105649GT	125	1256463GT	73, 75	1263646GT	43, 51, 59
105023GT	100	105650GT	125	1256467GT	93, 95, 97, 139	1264129GT	65
105024GT	99-100, 103-104	105651GT	125	1256656GT	109	1264372GT	71
105026GT	100	105652GT	127	1256658GT	109	1264822GT	79, 81
105029GT	93, 95, 97	105664GT	65, 81	1256679GT	61, 93, 95, 97	1264834GT	79, 81
105030GT	93	105695GT	127	1256693GT	99-100, 103-104	1265361GT	15, 23, 31, 39,
105031GT	95	105708GT	81, 89	1256702GT	17, 19, 25, 27,		47, 55
105046GT	123	105732GT	77		41, 43, 49, 51,	1268GT	11
105051GT	61	105734GT	77		109	1269086GT	139
105057GT	99-100, 103-104	105736GT	65	1256705GT	33, 35, 57, 59,	1269087GT	139
105060GT	67	105739GT	71		109	1269107GT	139
105067GT	117	105758GT	85	1256719GT	77	1270162GT	131
105074GT	93, 95, 97	105759GT	77	1256720GT	77	1270281GT	63, 71
105080GT	63	105797GT	131	1256721GT	77	1270456GT	69, 79, 81
105090GT	107	105802GT	123	1256722GT	77	1270598GT	75
105091GT	100, 104	105804GT	123	1256725GT	109	1270662GT	131
105093GT	99-100, 103-104	105812GT	107	1256726GT	109	1272120GT	71
105099GT	99-100, 103-104	105971GT	135	1256727GT	109	1272242GT	13, 21, 29, 37, 45
105100GT	63	105973GT	135	1256728GT	109	1272557GT	71
105117GT	107	105974GT	135	1256756GT	85, 93, 95, 97	1272844GT	71, 83
105118GT	107	105975GT	135	1256808GT	77	1272991GT	69
105129GT	137	10775GT	107	1256848GT	93, 95, 97	1273054GT	69
105140GT	63	10777GT	107	1256855GT	100, 104	1273055GT	63, 65
105146GT	99-100, 103-104	109735GT	85	1256863GT	69	1273576GT	71, 83
105150GT	69	109737GT	85	1257054GT	83	1274082GT	104
105156GT	67	109745GT	85	1257055GT	83	1274083GT	104
105186GT	93, 95, 97	109749GT	85	1257058GT	83	1274085GT	103-104
105187GT	97	109750GT	127	1257059GT	83	1274540GT	139
105188GT	97	109756GT	127	1257185GT	17, 25, 33	1276561GT	75
105189GT	93, 95	109757GT	129	1257187GT	19, 27, 35	1276562GT	75
105190GT	93, 95, 97	109877GT	127	1257227GT	139	1276662GT	75
105191GT	93, 95, 97	109878GT	127	1257296GT	143	1277860GT	103-104
105192GT	97	109893GT	67	1257733GT	11	1278006GT	43
105193GT	93, 95, 97	109894GT	67	1257824GT	79, 81	1278007GT	51, 59
105210GT	89	114324GT	33, 35, 57, 59	1257840GT	73, 75	1278704GT	15, 23, 31, 39,
105211GT	89	114334GT	39, 47, 55	1257909GT	65		47, 55
105214GT	79	114337GT	37, 45, 53	1257923GT	17, 19, 25, 27,	1279428GT	71
105246GT	123	114338GT	41, 43, 49, 51,		33, 35, 41, 43,	1279627GT	141
105308GT	73		57, 59		49, 51, 57, 59	1280158GT	75
105334GT	71	114359GT	33, 35	1258187GT	65, 143	1280665GT	107
105448GT	107	114360GT	13, 21, 29	1258394GT	79	1280819GT	15, 23
105454GT	61, 63	114361GT	13, 21, 29, 37,	1258567GT	11	128118GT	65
105463GT	115		45, 53	1258676GT	61	1283768GT	141
105467GT	69	114362GT	29, 31, 53, 55	1258731GT	109	1284193GT	81
105478GT	121	114370GT	37, 45, 53	1259177GT	67	1284194GT	81
105479GT	121	114371GT	57, 59	1259178GT	67	1284195GT	81
105481GT	121	114372GT	37, 39, 45, 47,	1259180GT	67	1284236GT	65
105483-SGT	107		53, 55	1259181GT	99-100, 103-104	1284266GT	99-100, 103-104
105544GT	121	114385GT	13, 15, 21, 23,	1259182GT	99-100, 103-104	1284414GT	65
105545GT	121		29, 31	1259192GT	61	13000GT	69
105546GT	121	114386GT	17, 19, 25, 27,	1259193GT	61	130011GT	123
105547GT	113		33, 35	1259194GT	61	133276GT	15, 23, 31
105549GT	121	114428GT	33, 35	1259195GT	61	133531GT	29, 31, 53, 55
105550GT	113	115114GT	97	1259197GT	67	133596GT	17, 19, 25, 27
105553GT	113	12016GT	67	1259201GT	93, 95, 97	13585GT	107
105554GT	113	122994GT	77	1259223GT	99-100, 103-104	13635-10GT	61
105555GT	113	1251757GT	143	1259686GT	67	137562GT	77
105556GT	131	1251997GT	61, 63, 85, 91	1260386GT	131	137587GT	109
105557GT	131	1252764GT	77	1260926GT	103-104	137605GT	17, 19, 25, 27,
105564GT	121	1252977GT	99-100, 103-104	1260941GT	93, 95, 97		33, 35, 41, 43,
105565GT	61	1253478GT	99-100, 103-104	1260962GT	97		49, 51, 57, 59,
105572GT	77	1253485GT	99-100, 103-104	1260963GT	93, 95		109
105574GT	87	1255757GT	61, 63, 67, 91	1260984GT	77	137634GT	111
105575GT	127	1255758GT	67, 99-100, 103-	1260987GT	127	137637GT	77, 109
105578GT	123		104	1261143GT	131	137640GT	109
105579GT	123	1255759GT	85	1261183GT	131	137656GT	17, 19, 25, 27,
105628GT	127	1255797GT	61	1261335GT	73		33, 35, 41, 43,
105629GT	127	1255805GT	69	1261888GT	115		49, 51, 57, 59,
105634GT	85	1256109GT	61	1262911GT	139		109
105643GT	89	1256115GT	63, 85, 91	1263220GT	79	137668GT	77
105644GT	89	1256123GT	61	1263221GT	79	137699GT	109
105645GT	125	1256127GT	93, 95, 97	1263471GT	107	137769GT	69
105646GT	125	1256177GT	67	1263532GT	81	137770GT	69





## Part Number Index (continued)

Part Number	Page	Part Number	Page	Part Number	Page	Part Number	Page
78622GT	113	82656GT	49, 57	96638GT	67	T114031GT	79, 81
78736GT	61, 93, 95, 97	82657GT	13, 21, 29	96639GT	67	T114082GT	143
79140GT	83	82693GT	17, 19	96642GT	67	T114321GT	113
80149GT	89	82694GT	17	96661GT	93, 97	T114397GT	109
81579GT	131	82695GT	25, 33	96662GT	93, 95, 97	T115429GT	143
82160GT	15, 23, 31	82699GT	41	96663GT	97		
82161GT	15, 23, 31	82701GT	41	96699GT	73, 75, 131		
82307GT	27, 35	83093GT	77	96700GT	97		
823368GT	65	8342GT	125	96709GT	73, 75		
823408GT	73	84384GT	115	96731-SGT	133		
82366GT	15, 23, 31	84385GT	115, 129	96735GT	93, 95, 97		
824025GT	67, 93, 95, 97, 99-100, 103-104	84386GT	115	96744GT	123		
824027GT	61, 65, 69, 73, 75, 77, 93, 95, 97, 99-100, 103- 104	84422GT	121	96750GT	123		
824029GT	61, 63, 67, 85, 91, 93, 95, 97, 99-100, 103- 104, 131, 143	84574GT	67	96770GT	121		
824038GT	67, 99-100, 103- 104	84587GT	99-100, 103-104	96812GT	95, 97		
824063GT	65	84680GT	100, 104	96831GT	61		
824067GT	100, 104	84681GT	100, 104	96836GT	93, 95, 97		
824068GT	143	84683GT	99-100	96839GT	67		
824078GT	73, 75, 99-100, 103-104, 137, 143	84684GT	99-100, 103-104	96849GT	100, 104		
824079GT	65, 85	84685GT	99-100, 103-104	96855GT	73, 75		
824080GT	73, 75, 93, 95, 97	84686GT	100	96862GT	93, 95, 97		
824082GT	104	84687GT	100	96880GT	123		
824089GT	139	84690GT	99-100, 103-104	96881GT	123		
824090GT	131	84696GT	93	96882GT	123		
824092GT	93, 95, 97	84698GT	95	96883GT	123		
824094GT	99-100, 103-104	84699GT	61	96885GT	123		
824113GT	73, 75, 100, 104	84739GT	117	96895GT	63		
824120GT	61	84740GT	117	96899GT	93, 95, 97		
824124GT	65, 69, 73, 75, 77, 131	84742GT	117	96900GT	93, 95, 97		
824128GT	61, 67	84743GT	117	96932GT	93, 95, 97		
824151GT	95	84746GT	117	96948GT	65, 67		
824164GT	95	84747GT	91	96950GT	137		
824206GT	77	84748GT	117	96971GT	97		
824215GT	131	85239GT	77	96990-SGT	133		
824216GT	65, 77	9116GT	87, 131	96991-SGT	133		
82473GT	39, 47, 55	96008-SGT	77	97044GT	99-100, 103-104		
82474GT	37, 39, 45, 47, 53, 55	96009GT	77	97059GT	71		
82475GT	53, 55	96010GT	77	97110GT	99-100, 103-104		
82476GT	37, 39, 45, 47, 53, 55	96085GT	67	97128GT	65, 67		
82481GT	37, 45, 53	96110GT	83	97233GT	93		
82482GT	39, 47, 55	96130GT	95	97234GT	93, 95, 97		
82487GT	39, 41, 43, 47, 49, 51, 55, 57, 59	96163GT	99-100, 103-104	97241GT	91		
82495GT	37, 45, 53	96200GT	100, 104	97243GT	95		
82496GT	49, 57	96236GT	107	97244GT	95		
82497GT	43	96246GT	100, 104	97245GT	97		
825019GT	93, 95, 97	96257GT	113	97305GT	99-100, 103-104		
825020GT	93, 95, 97	96304GT	83	97409GT	115		
82506GT	29, 31	96306GT	83	97582GT	51, 59		
825349GT	69	96309GT	79, 81	97692GT	13, 15, 37, 39		
825358GT	67, 99-100, 103- 104	96348GT	123	97693GT	21, 23, 45, 47		
82557GT	17, 19, 25, 27, 33, 35	96354GT	73, 123	97694GT	19		
82558GT	15, 23, 31	96355GT	73, 123	97719GT	39, 47, 55		
82559GT	15, 23, 31	96363GT	131	T106362GT	77		
82560GT	39, 47, 55	96391GT	123	T106363GT	77		
82561GT	13, 15, 21, 23, 29, 31	96398GT	123	T106366GT	77		
82562GT	37, 39, 45, 47, 53, 55	96408GT	67	T106370GT	109		
82563GT	25, 27, 33, 35	96413GT	99-100, 103-104	T106371GT	77		
825796GT	93, 95, 97	96417GT	113	T106372GT	77		
		96419GT	113	T106373GT	109		
		96452GT	77	T107029GT	13, 21, 29		
		96524GT	67	T107031GT	15, 23, 31		
		96541GT	67	T108326GT	73, 75		
		96542GT	133	T108327GT	77		
		96570GT	63	T108662GT	119		
		96572GT	61	T108663GT	113		
		96573GT	61	T109012GT	73, 75		
		96595GT	91	T110890GT	81		
		96601GT	93, 95, 97	T112507GT	65		
		96603GT	93, 95, 97	T112563GT	107		
		96605GT	93, 95, 97	T112804GT	15, 23, 31, 39, 47, 55		
		96606GT	93				
		96608GT	97	T113136GT	79, 81, 143		
		96611GT	93, 97	T113139GT	143		
		96615GT	95	T113142GT	143		
		96616GT	95	T113296GT	73, 75		
		96637GT	67	T113787GT	99-100, 104		

The Part Description Index is an alphabetical index of all part descriptions included in this manual. The index shows what page(s) the part is used on.

**1**

126,DYN.BRAKING,MANIF,32/46.....115

**A**

ACCUMULATOR,180 PSI PRECHARGE\*...87, 89, 113  
 ADAPTER, RJ45, GC27-25/GC21-19.....77  
 AIR TO PLAT, GS20XX, ACC.....133  
 AIR TO PLAT, GS26XX, ACC.....133  
 AIR TO PLAT, GS3246, ACC.....133  
 ALARM,STEADY TONE\*\*\*.....65, 109, 131  
 ASSEMBLY, BEACON LED, 24V.....131  
 ASSEMBLY, CHARGER STATUS LED, 2V.....63, 71  
 ASSEMBLY, DOWN LIMIT, GS.....65  
 ASSEMBLY, VISUAL IND LIGHT.....131  
 ASSY,22 FT LIMIT SWITCH,GS3232.....65, 81  
 ASSY,LVL SNSR W/ CONNECTOR.....65  
 ASSY,POT HOLE PUSHER,GS\*\*\*.....67  
 ASSY,POTHOLE HARNESS,GS.....79, 81  
 ASSY,ROT SNSR W/ HARNESS.....79, 81, 143

**B**

BALL STUD, GAS STRUT, 3/8-16.....67  
 BAR,CABLE BRIDGE ARM,UPPER.....93, 95  
 BASE WITH 1 NC CONTACT, E-STOP.....77, 109  
 BATTERY WATERING HAND PUMP.....69  
 BATTERY WATERING KIT, 24V UNIV.....69  
 BATTERY, AGM, 6V, (TROJAN) \*\*\*.....69  
 BATTERY,T105 W/LPT,3 CAP,DRY\*\*\*.....69  
 BEARING,.75ID X 1.0OD X 1.38LG.....67  
 BEARING,0.75IDX1.00ODX0.75L.....91  
 BEARING,1.00IDX1.25ODX0.49L.....61  
 BEARING,1.00IDX1.25ODX0.75L.....91  
 BEARING,1.5025IDX1.5075ODX1.5L.....121  
 BEARING,1.50IDX1.77ODX1.25L.....93, 95, 97  
 BEARING,1.523IDX1.75ODX0.63L.....67  
 BEARING,2.25IDX2.50ODX1.50L\*\*\*.....61  
 BEARING,MOTOR.....119  
 BEARING,MOTOR,36843,BRUSH END\*.....119  
 BOLT, CARRIAGE, 3/8-16 X 1.50, G5.....63  
 BOLT,CARRIAGE,1/2-13X1.75,5,ZA.....63, 85, 91  
 BOLT,CARRIAGE,1/2-13X2.5,ZAG.....85  
 BOLT,CARRIAGE,1/4-20 X .5,G2.....89  
 BOLT,CARRIAGE,1/4-20 X .75,G2.....89, 107  
 BOLT,CARRIAGE,1/4-20X.5,5,ZAG.....97  
 BOLT,CARRIAGE,1/4-20X.63,5,ZAG.....93, 95  
 BOLT,CARRIAGE,1/4-20X.75,5,ZAG.....65, 69, 73, 75, 77, 131  
 BOLT,CARRIAGE,1/4-20X1.25,5,ZAG.....73, 75  
 BOLT,CARRIAGE,1/4-20x1.25,G2.....87, 131  
 BOLT,CARRIAGE,1/4-20X1.5,ZAG.....93, 95, 97  
 BOLT,CARRIAGE,1/4-20X2.5,ZAG.....61  
 BOLT,CARRIAGE,1/4-20X2.5,5,ZAG.....61  
 BOLT,CARRIAGE,10-24X2,A,ZAG.....93, 95, 97  
 BOLT,CARRIAGE,10-24X2.5,A,ZAG.....97  
 BOLT,CARRIAGE,3/8-16X1.25,5,ZAG.....61, 63, 67, 91

BOLT,CARRIAGE,3/8-16X1.5,5,ZAG.....85, 93, 95, 97  
 BOLT,CARRIAGE,3/8-16X2.25,5,ZAG.....103-104  
 BOLT,CARRIAGE,5/16-18 X 2.0,G2.....135  
 BOLT,SHS,3/8X.375X5/16-18,ZAG.....99-100, 103-104  
 BOOT, 2 SWITCH, SILICON.....111  
 BOOT,CABLE TERMINAL COVER.....83  
 BOOT,CABLE TERMINAL,RED,XL.....83  
 BOX,INSTRUCTION STORAGE.....100, 104  
 BRACKET, UTS, LARGE.....65  
 BRACKET,FOOT PEDAL.....99-100, 103-104  
 BRAKE, HYDRAULIC\*\*\*.....113  
 BREATHER CAP,HYD. TANK,1/4 NPT.....11, 73, 75  
 BRUSH,PWR UNIT (40844)\*\*.....119  
 BULB,FLASHING BEACON.....131  
 BULKHEAD,FEMALE X 6 X 6.....133  
 BUMPER,BATTERY BOX & RAILS.....99-100, 103-104  
 BUSHING,FLNGD, 63 X .77 X .38.....67  
 BUSHING,STRAIN RELIEF,.875/.40.....65  
 BUTTON, .800 O.D. X .281.....99-100, 103-104  
 BUTTON,PUSH,RED MUSHROOM HEAD.....77, 109

**C**

CABLE ASSY,BATT, 12" RED.....83  
 CABLE ASSY,BATT, 20" BLK.....83  
 CABLE ASSY,BATT,23"RED.....83  
 CABLE ASSY,BATT,5.50"RED.....83  
 CABLE ASSY,BATT,9.50"RED.....83  
 CABLE ASSY,CHARGER/BATTERY.....71, 83  
 CABLE ASSY., BATT. 12" BLACK.....83  
 CABLE ASSY., BATT. 14" RED.....83  
 CABLE ASSY., BATT. 75" RED.....83  
 CABLE ASSY., BATT. 79" BLACK.....83  
 CABLE BRACKET,PAINTED.....121, 143  
 CABLE TIE MOUNT, WINGED.....79  
 CABLE TIE,11.5" BLACK.....99-100, 103-104, 121, 133, 135  
 CABLE, PLATFORM CONTROL, 20XX.....79  
 CABLE, PLATFORM CONTROL, 26XX.....79  
 CABLE, PLATFORM CONTROL, 32XX.....81  
 CABLE,CHARGER, DC, W/ BTS.....71, 83  
 CABLE,EMERGENCY DOWN.....65  
 CABLE,LFT CYL DN,20/26XX,W/LS.....79  
 CABLE,LFT CYL DN,20/26XX,W/LS.....79  
 CABLE,LIFT CYL DWN, 32XX,W/LS.....81  
 CABLE,LIFT CYL DWN, 32XX,W/LS.....81  
 CAM FOLLOWER,1.125X.375,DELRLN.....67  
 CAP, TUBE, SQ,1.25 X .083.....99-100, 103-104  
 CAP,BUTTON,K12.....109  
 CAP,DIAGNOSTIC NIPPLE.....115  
 CHAIN GATE ASSY, COM GS32.....99-100, 103-104  
 CHAIN,3/16,OPEN LINK 22.5".....99-100, 103-104  
 CHARGER INTERLOCK CBLE,GS30/32.....79, 81  
 CHARGER,24V,650W,USB.....71  
 CHARGER,BAT,24VDC,H/LO GEN2.....71  
 CHASSIS MOUNT ASSY, GS32&46.....91  
 CHECK DISK, NO SPRING.....115

CIRCUIT BREAKER,7.0 AMP\*\*\*.....77  
 CLAMP, HOSE, 1 EAR, 11/16.....121  
 CLAMP,1.31,#21 X 1/4,RUB CUSH.....135  
 CLAMP,1.75,#28 X 3/8,RUB CUSH\*.....87  
 CLAMP,2 HOSE,PLASTIC,5/8.....61, 93, 95, 97  
 CLAMP,HOSE,1 EAR,1-1/16\*\*\*.....73, 75  
 CLAMP,HOSE,2 EAR, 5/8.....133  
 CLIP,CABLEBRIDGE, GS32/46.....93, 95, 97  
 CLIP,DTM,RECEPTACLE.....143  
 CLIP,HAIR PIN, 125X2,.5-.75,ZAG.....61  
 CLIP,TIE HARNESS MOUNT\*\*\*.....79  
 COIL CORD,WORKLIGHT(144011).....135  
 COIL,#8 20VDC,DEUTSCH W/DIOD.....115  
 COIL,20VDC DEUTCSH W/DIODE.....115, 129  
 COIL-SOLENOID VALVE,20V DC\*\*\*.....121  
 CONN,070120-8-6.....123  
 CONN,SQUEEZE,1/2NPT .38-50,SM.....107  
 CONN,SQZ,BLK,1/2NPT.38-50,SM.....143  
 CONN,SWIVEL,STR,THR,465OX-S.....123  
 CONNECTOR, 070120-12-8.....123  
 CONNECTOR, IEC CHARGER CORD.....71  
 CONNECTOR, SQUEEZE, M25, 6-13MM..139  
 CONNECTOR,070120-4-4.....117, 123, 125  
 CONNECTOR,070120-4-6.....123  
 CONNECTOR,070120-6-6.....121, 123, 125  
 CONTACTOR,DRIVE,24V,180A.....69, 79, 81  
 CONTACTOR,DRIVE,24V,180A\*\*\*.....69, 79, 81  
 CONTACTOR,LIMIT SWITCH.....65, 67  
 COUNTERWEIGHT,GS32,REAR.....63  
 COUPLER,1/4"SERIES 3/8 MPT.....133  
 COVER, RJ45, GC27-25/GC21-19.....77  
 COVER,BLANK.....107  
 COVER,GFCI,HORIZONTAL,WEATHER.....107  
 COVER,T-BOX LOCKABLE.....107  
 COVER-BRUSH INSPEC.40844,SCISS.....119  
 CYLINDER, 20XX LIFT.....121  
 CYLINDER, 26XX/32XX LIFT.....121  
 CYLINDER, 32XX UPPER LIFT.....121  
 CYLINDER,FRONT OUTRIGGER.....127  
 CYLINDER,GS/GR STEER\*\*\*.....113  
 CYLINDER,REAR OUTRIGGER.....127

**D**

DANGER/INSTR-OUTRGR OP-GS3232.....33, 35  
 DECAL DANGER TIP OVER TRAYS.....13, 15, 21, 23, 29, 31  
 DECAL SYMBOL TIP OVER TRAYS.....37, 39, 45, 47, 53, 55  
 DECAL, BATTERY CHARGER INDICAT.....15, 23, 31, 39, 47, 55  
 DECAL, COMPARTMENT ACCESS.....39, 47, 55  
 DECAL, LABEL - DIRECTION ARROWS.....17, 19, 25, 27, 33, 35, 41, 43, 49, 51, 57, 59  
 DECAL, LABEL, SAFETY ARM SYMB.....39, 47, 55  
 DECAL, O/R, PROP LIFT, UI, SVC.....33, 35, 57, 59, 109  
 DECAL, POWER TO PLATFORM 230V\*\*...15, 17, 19, 23, 25, 27, 31, 33, 35, 39, 41, 43, 47, 49, 51, 55, 57, 59  
 DECAL, SMARTLINK PROPORTIONAL.....17, 19, 25, 27, 33, 35, 41, 43, 49, 51, 57, 59

## Part Description Index (continued)

- DECAL, SYMBOL - READ THE MANUAL...39, 41, 43, 47, 49, 51, 55, 57, 59
- DECAL, SYMBOL, CE, MAXIMUM CAPACITY, 227KG.....51, 59
- DECAL, SYMBOL, CE, MAXIMUM CAPACITY, 363KG.....43
- DECAL, UI, GS/GR, PROP LIFT.....17, 19, 25, 27, 41, 43, 49, 51, 109
- DECAL, CHARGE STATUS IND.....15, 23, 31, 39, 47, 55
- DECAL, CHEVRON RANDO HD.....15, 23, 31
- DECAL, COSMETIC, GENIE GS-2032...17, 19, 41, 43
- DECAL, COSMETIC, GENIE GS-2632\*\*.....25, 27, 49, 51
- DECAL, COSMETIC-GENIE GS-3232...33, 35, 57, 59
- DECAL, DANGER DO NOT ALTER SWTC.....13, 21, 29
- DECAL, DANGER, BATTERY SAFETY\*\*\*.....13, 21, 29
- DECAL, DANGER, BRAKE REL SAFETY.....13, 21, 29
- DECAL, DANGER, CRUSHING HAZARD.....13, 15, 21, 23, 29, 31
- DECAL, DANGER, ELEC HAZARD, GS.....13, 15, 21, 23, 29, 31
- D E C A L , D A N G E R , E L E C T HAZARD, PLUG.....13, 15, 21, 23, 29, 31
- DECAL, DANGER, IMPROPER USE HAZ.....15, 23, 31
- DECAL, DANGER, TIP-OVER, TILT.....17, 19, 25, 27, 33, 35
- DECAL, DANGER-GEN SAFETY.....17, 19, 25, 27, 33, 35
- DECAL, DANGER-TIP-OVER, BATT.....13, 21, 29
- DECAL, DANGER-USE SAFETY ARM.....13, 15, 21, 23, 29, 31
- DECAL, E-STOP, GR/GRC/GS PCON...17, 19, 25, 27, 33, 35, 41, 43, 49, 51, 57, 59, 109
- DECAL, EMERGENCY LOWERING.....15, 23, 31
- DECAL, EMERGENCY STOP, GR.....15, 23, 31, 39, 47, 55
- DECAL, GCON PANEL, GS.....15, 23, 31, 39, 47, 55
- DECAL, INST MAX CAP 363 KG, SYM.....43
- DECAL, INSTR, INDOOR, AUS-26/3232.....27, 35
- DECAL, INSTR-MANUALFRC, AUS 2032.....19
- DECAL, INSTR-MAX CAP 500 LBS.....25, 27, 33, 35
- DECAL, INSTR-MAX CAP 800 LBS.....17, 19
- DECAL, INSTR-SIDE FRC, ANSI.....25, 33
- DECAL, INSTR-SIDE FRC, ANSI 2032.....17
- D E C A L , I N S T R U C T , B A T T E R Y CONNECT.....13, 21, 29
- DECAL, INSTRUCT, TRAVEL HEIGHT.....33, 35
- DECAL, INSTRUCT-ANNUAL INSP REQ.....15, 23, 31
- DECAL, INSTRUCTIONS-CHARGER OP.....13, 21, 29
- DECAL, LABEL, AIR LINE 110 PSI.....15, 17, 19, 23, 25, 27, 31, 33, 35, 39, 41, 43, 47, 49, 51, 55, 57, 59
- DECAL, LABEL, AUX LOWERING.....39, 47, 55
- DECAL, LABEL, FAULT CODES.....17, 19, 25, 27, 33, 35
- DECAL, LABEL, LIFTING EYE....13, 15, 21, 23, 29, 31, 37, 39, 45, 47, 53, 55
- DECAL, LABEL, MANUAL NOT HERE...17, 19, 25, 27, 33, 35
- DECAL, LABEL, PETRO CANADA\*\*\*.....15, 23, 31
- DECAL, LABEL, PLAT CONT LOCATION.....17, 19, 25, 27, 33, 35
- DECAL, LABEL, PWR TO CHARGR 115V....13, 15, 21, 23, 29, 31, 39, 47, 55
- DECAL, LABEL, PWR TO CHARGR 230V....13, 15, 21, 23, 29, 31, 39, 47, 55
- DECAL, LABEL, QUINTOLUBRIK.....15, 23, 31
- DECAL, LABEL, SAFETY ARM.....15, 23, 31
- DECAL, LABEL, STATOIL HYDRA WAY.....15, 23, 31
- DECAL, LABEL, TRANSPORT TIEDOWN\*...13, 15, 21, 23, 29, 31, 37, 39, 45, 47, 53, 55
- DECAL, LABEL, UCON HYDROLUBE.....15, 23, 31
- DECAL, LABEL, WHEEL LOAD 2032.....13, 15, 37, 39
- DECAL, LABEL, WHEEL LOAD 2632.....21, 23, 45, 47
- DECAL, LABEL-TIRE SPECS.....13, 15, 21, 23, 29, 31
- DECAL, LABEL-TRANSPORT DIGRAM.....13, 21, 29, 37, 45, 53
- DECAL, LABEL-WHEEL LOAD, GS-3232.....29, 31, 53, 55
- DECAL, LANYARD ANCHORAGE POINT...17, 19, 25, 27, 33, 35, 41, 43, 49, 51, 57, 59
- DECAL, MACHINE REGISTRATION/OWNER TRANSFER.....13, 21, 29, 37, 45
- DECAL, MEMBRANE, GR/GRC/GS GCON...77
- DECAL, OP INST, GCON.....15, 23, 31
- DECAL, OP INST, PLAT, GS32 ANSI.....17, 25, 33
- DECAL, OP INST, PLAT, GS32, AUS.....19, 27, 35
- DECAL, POWER TO PLATFORM 115V.....15, 17, 19, 23, 25, 27, 31, 33, 35, 39, 41, 43, 47, 49, 51, 55, 57, 59
- DECAL, PROPEL, GR/GRC/GS, PCON.....17, 19, 25, 27, 33, 35, 41, 43, 49, 51, 57, 59, 109
- DECAL, QR CODE, PARTS&SERVICE MANUAL.....43, 51, 59
- DECAL, SYM-ELEC HAZARD, PLUG.....39, 47, 55
- DECAL, SYM-MAXCAP 500.....49, 57
- DECAL, SYM-MAXCAP 800.....41
- DECAL, SYM-MAXCAP CE GS2632.....51, 59
- DECAL, SYM-SIDE FORCE 445N.....49, 57
- DECAL, SYM-SIDE FORCE 534N.....41
- DECAL, SYM-SIDEFORCE 200400.....43
- DECAL, SYM-SIDEFORCE 400N ID.....51, 59
- DECAL, SYM-TIP-OVER, LIM SWITCH.....37, 45, 53
- DECAL, SYM-TIP-OVER, OUTRGR.....57, 59
- DECAL, SYM-TIP-OVER, TILT ALARM.....41, 43, 49, 51, 57, 59
- DECAL, SYMBOL-BATTERY SAFETY.....37, 45, 53
- DECAL, SYMBOL-BRAKE REL SAFETY.....37, 45, 53
- DECAL, SYMBOL-COMP ACCESS.....39, 47, 55
- DECAL, SYMBOL-CRUSHING HAZARD.....37, 39, 45, 47, 53, 55
- DECAL, SYMBOL-ELEC HAZARD, GS.....37, 39, 45, 47, 53, 55
- DECAL, SYMBOL-FOOT CRUSHING.....53, 55
- DECAL, SYMBOL-SKIN INJECT HAZRD...39, 47, 55
- DECAL, SYMBOL-USE SAFETY ARM.....37, 39, 45, 47, 53, 55
- DECAL, WARN, IMPROPER OPERATION...17, 19, 25, 27, 33, 35
- DECAL, WARN, SKIN INJECTION HAZ\*.....15, 23, 31
- DECAL, WARNING, CANCER AND REPRODUCTIVE HARM, PROP 65.....15, 23
- DECAL, WARNING-COMPART ACCESS...15, 23, 31
- DECAL, WARNING-FOOT CRUSHING.....29, 31
- DECAL-SYM-TIP-OVR, BATTERIES.....37, 45, 53
- DIAGNOSTIC FEMALE Q-DSCNT.....115
- DRIVE MOTOR, 18.3 CU. IN/REV.....113
- DRIVE MOTOR, 22.9CI/REV.....113

## E

- ELBOW, 070220-12-10.....123
- ELBOW, 070220-4-4.....123, 125, 127
- ELBOW, 070220-4-6.....125, 127
- ELBOW, 070220-6-6.....123
- ELBOW, 070220-6-8.....123
- ELBOW, 070320-6-6.....123
- ENCLOSING BAND KIT.....119
- ENCLOSURE, FUSE, MODULAR, 150X....139
- ENCLOSURE, GC21-19, BK.....77
- ENCLOSURE, GC27-25, BK.....77
- ENCLOSURE, O/R 5-BUTTON, TOP.....109
- ENCLOSURE, GC14-1/GC16-1, BOT.....109
- ENCLOSURE, GC27-25/GC21-19, FRNT.....77
- ENCLOSURE, STD 4-BUTTON, TOP.....109
- EXT FLDG RAIL ASSY, UPR, 32, S.....100
- EXT FLDG RAIL ASSY, UPR, 32, WO\*\*.....100
- EXT. DECK ASSY, GS32.....100, 104
- EXT. DECK ASSY, GS32 CE.....100, 104

## F

- FIELD ASSY, REC. CHARGER PLUG.....107
- FILTER ASSY, FIBRGLS, #8-#8.....113
- FILTER ASSY, SAE8, 10 MIC, PAPER\*\*.....113
- FILTER CAP (PLUG 1-1/2" NPT HEX.....73, 75
- FILTER ELEMENT, 10MICRON, PAPER\*.....11, 113
- FILTER ELEMENT, BETA(10)=200.....113
- FITTING, ELBOW 4-4, SAE.....127
- FITTING, STRAIGHT DRIVE-IN ZERK.....61
- FLASH DRIVE, SL1K2.0 SOFTWARE.....109
- FOAM, CLOSED CELL 1.75X.250X18".....99-100, 103-104
- FOOTPAD, NON MARKING.....127
- FOOTPAD, OUTRIGGER, 3232.....127
- FOOTPEDAL W/NON-SKID TAPE, GS\*\*.....99-100, 103-104
- FORMING, ACCUMULATOR BRACKET.....89
- FORMING, ACCUMULATOR CLAMP.....89
- FORMING, CONTACTOR/FUSE BRACKET.....69
- FORMING, FILTER-CNTRLR MOUNT.....73
- FORMING, HALF GATE, HINGE.....99-100, 103-104
- FORMING, PLUG/LED BRACKET.....63, 65

- FORMING,CB HOSE CLAMP.....97  
 FORMING,COMPONENT BRKT, GS3232.....89  
 FORMING,CONTACTOR MOUNT,GS.....69  
 FORMING,CONTROL PANEL.....77  
 FORMING,CWT,COVER,GS32.....63  
 FORMING, FILTER - CONTROLLER MOUNT.....75  
 FORMING,HOSE CLAMP SUPPORT.....61  
 FORMING,HOSE CLAMP,UPPER CYL.....97  
 FORMING,MANIFOLD BRKT, GS3232.....89  
 FORMING,MANIFOLD MOUNT.....87  
 FORMING,PADLOCK BRACKET.....119  
 FORMING,PH PUSHER, GS46.....93, 95, 97  
 FORMING,PLAT CONTROL BOX.....109  
 FORMING,REC.PLG BRKT.....65  
 FORMING,SG HEADER RAIL,GS2032.....99-100, 103-104  
 FRMG,CHASSIS BRKTING.....143  
 FRMG,SENSOR COVERING.....143  
 FRMG,LMT SWCH BRKT,3232.....65  
 FRMG,ARM SENSOR BRCKT,32/46.....143  
 FUSE BLOCK, ANN & ANL FUSE.....69, 83  
 FUSE,275 AMP,VERY FAST ACTING.....69, 83  
 FUSE,BATTERY CHARGER\*\*\*.....71
- G**
- GAS SHOCK,SCISSORS\*\*\*.....67  
 GASKET, UK & DIN PWR. TO PLAT.....107  
 GASKET, UK RECEPTACLE.....107  
 GASKET,(BOOT) FLANGE INLET PLG.....107  
 GCON,O/R,PROP LIFT.....77  
 GCON,STD,PROP LIFT.....77  
 GLIDE BUTTON, FOLDING RAILS.....103-104  
 GREASE,DIELECTRIC 4 OZ\*\*.....11  
 GROMMET,RUBBER 1.5 ID.....65  
 GROMMET,RUBBER 2 X 2.75.....61, 65  
 GROMMET,SLAB HYD TANK\*\*\*.....73, 75  
 GROUND STRAP, 8"LG.....67  
 GROUND WIRE ASSY,GS.....83  
 GS3232 LEVEL SENSOR CONVERSION INSTALLATION INSTRUCTIONS.....65
- H**
- HANDLE HALF,LEFT,W/TOP SWITCH.....111  
 HANDLE HALF,RIGHT,W/TOP SWITCH.....111  
 HANDLE,ANDERSON CONNECTOR SB...119  
 HARNESS, BEACON, LED, LARGE.....131  
 HARNESS, ESTOP, GR/GRC/GS PCON...109  
 HARNESS, GS POWER CONTRL.....81  
 HARNESS, GS SENSORS, ANSI, 323.....81  
 HARNESS, GS SENSORS, ANSI,UTS.....79  
 HARNESS, GS SENSORS, CE, 3232.....81  
 HARNESS, GS SENSORS, CE,UTS.....79  
 HARNESS, GS3232, OUTRIGGER.....81  
 HARNESS, GS3232, SENSORS, ANSI.....81  
 HARNESS, GS3232, SENSORS, CE.....81  
 HARNESS, OUTRIGGER, GS3232.....81  
 HARNESS, ROTARY ANGLE.....79, 81  
 HARNESS,FUNCTION MANIFOLD,GS.....79, 81  
 HARNESS,GS POWER CONTROL.....79  
 HARNESS,LED CHARGER,GS32.....71  
 HARNESS,PRESS,TRANSDUCER\*\*\*.....79, 81, 127, 143  
 HINGE, SPRING, LONG LEG.....99-100, 103-104  
 HINGE,ACCESS DOOR(13G).....77  
 HORN,24VDC,SPADE TERMINALS\*\*\*.....131
- HOSE ASSY, MAN/ACCUM, GS32/46.....123  
 HOSE ASSY,DRIVE MOTORS,GS32.....123  
 HOSE ASSY,LOWER LIFT.....123  
 HOSE ASSY,LT FRONTO/R,GS3232.....125  
 HOSE ASSY,LT REAR O/R, GS3232.....125  
 HOSE ASSY,MANIFOLD, GS3232.....125  
 HOSE ASSY,O/R MAN-T, GS3232.....125  
 HOSE ASSY,PUMP-O/R MAN,GS3232.....125  
 HOSE ASSY,RT FRONT O/R,GS3232.....125  
 HOSE ASSY,RT REAR O/R, GS3232.....125  
 HOSE CLAMP, SAE #6.....123  
 HOSE END,BARBED,RIGID,-6-6.....133  
 HOSE END,BARBED,RIGID,90DEG6-6.....133  
 HOSE, ASSY.....123  
 HOSE, ASSY, LIFT.....123  
 HOSE, ASSY, MAN TO FILTER.....123  
 HOSE, ASSY, PRESSURE.....123  
 HOSE,AIR 3/8.....123  
 HOSE,ASSY STEER,GS32/46.....123  
 HOSE,ASSY,BRAKE MAN,GS32.....123  
 HOSE,ASSY,UPPER LIFT.....123  
 HOSE,ASSY,VENT.....123  
 HOSE,LOW PRESSURE,-375 ID,BLK.....133  
 HOSE,LOWER VENT.....123  
 HOSE,UPPER VENT.....123  
 HOUSING, LOCK PIN.....99-100, 103-104  
 HRNS,CONTACTOR SIGNL,GS30/32.....79, 81, 83  
 HYD. TANK KIT, GS30,32,46.....73, 75  
 HYDR TRAY ASSY W/WORDS.....73, 75  
 HYDR TRAY ASSY,GS30 W/SYMBOLS.....73, 75
- I**
- INNER ARM ASSEMBLY #1,GS32/46.....93, 95, 97  
 INNER ARM ASSY #3, 2632/2646.....95  
 INNER ARM ASSY #4, 2646.....95  
 INNER ARM ASSY #5, 3232.....97  
 INNER ARM ASSY #5, 3246.....97  
 INNER ARM ASSY, #2, GS32&46.....93, 95, 97  
 INNER ARM ASSY, #3, 2046.....93  
 INNER ARM ASSY,#3 GS2032.....93  
 INNER ARM ASSY,#4 GS2632.....95  
 INSTRN, TRC RETROFIT, STNDRD.....79, 81  
 INVERTER,24VDC,110/230 VAC\*\*\*.....137
- J**
- JOYSTICK, HALL EFFECT, SINGLE.....111
- K**
- KEY SINGLE\*\*\*.....77  
 KEY,RECTANGULAR,31X.28X1.25\*\*.....61, 63  
 KEYS,10 PACK\*\*\*.....77  
 KEYSWITCH,3 POS. W/KEYS\*\*\*.....77  
 KIT, INVERTER JUMPER, GS.....73  
 KIT, TRC RETROFIT, STNDRD.....79, 81  
 KIT, UTS LEVEL SENSOR CONVERSION, GS3232.....65  
 KIT,BATT. CABLE ASSY.,GS30/32.....73  
 KIT,BATTERY CHARGER,24V.....71  
 KIT,BEACON,GS32/46.....131  
 KIT,BOOT,JOYSTICK,SL1000.....111  
 KIT,COIL CORD,CONTRLR,SL1000.....109  
 KIT,CONN,PLUG W/SCKT AND LOCK.....79, 81, 109  
 KIT,CONN,RECEPT W/PIN AND LOCK.....79, 81, 109
- KIT,CONTACTOR,GS.....73  
 KIT,DC BLOCK ASSEMBLY.....71  
 KIT,GASKET,UK POWER TO PLAT.....107  
 KIT,GATE LATCH.....99-100, 103-104  
 KIT,ORIFICE,.059".....121  
 KIT,PCON GUARD,SLAB/GR.....141  
 KIT,SLAB HYD TANK TUBE REPLACEMENT.....75  
 KIT,STEER CYL SEAL.....113  
 KIT,STEER CYL SEAL,040271P,HDM.....113  
 KIT,STEER CYL SEAL,040499P,HDM.....113  
 KIT,STEER CYL SEAL,040505P,HDM.....113  
 KIT,SWITCH,JYSTK,SL1000.....111  
 KIT,TWO ORIFICE,.059".....121  
 KNOB,HAND PUMP (RED)\*\*\*.....117  
 KNOB,PILOT OP VALVE (BLACK)\*\*\*.....117
- L**
- LABEL,GCON O/R,SERIAL.....77  
 LABEL,OUTRIGGER,LOAD,GS-3232...29, 31, 53, 55  
 LADDER ASSY,26XX-32XX,WORD,ENG.....63  
 LANYARD,BLACK NYLON,TYPE 1\*\*\*.....99-100, 103-104  
 LATCH HANDLE.....99-100, 103-104  
 LATCH, LRG PADDLE HANDLE GS90.....69, 73, 75  
 LATCH,COMPRESSION,SMALL.....77  
 LENS,FLASHING BEACON.....131  
 LEVEL SENSOR, ANALOG.....81, 89  
 LEVEL,BUBBLE.....65  
 LEVER ARM,ANGLE SENSR ACTUATOR.....143  
 LINK BUMPER, 5".....93, 95, 97  
 LINK BUMPER, SHORT TUBE.....93, 95, 97  
 LINK,(SPLIT) OPEN-END.....99-100, 103-104  
 LOCK, CONNECTOR.....71  
 LOCKNUT,ELEC,1/2".....107
- M**
- MAIN FLDG RAIL ASSY, LWR, GS32.....99-100  
 MAIN FLDG RAIL ASSY,UPR L,GS32.....99-100, 103-104  
 MAIN FLDG RAIL ASSY,UPR RT,32...99-100, 103-104  
 MAIN RAIL RIGID, SQ GS32.....99-100, 103-104  
 MANIFOLD,BRAKE RELEASE.....117  
 MANIFOLD,FUNCTION,2 SPEED.....115  
 MANIFOLD,OUTRIGGER OPTION.....129  
 MANUAL BOX W/DECALS\*\*\*.....100, 104  
 MANUAL,AEM SAFETY.....11  
 MANUAL,OWNERS,CHARGER,105739.....71  
 MANUAL,RESPON,A92.6 SCISSOR.....11  
 MOTOR CONTROLLER, DC,24V,300A.....73  
 MOTOR CONTROLLER, DC,24V,360A.....73, 75  
 MOTOR,ELECTRIC,24VDC 4.5HP.....119
- N**
- NICKEL PLATED JAM NUT.....77  
 NIPPLE,DIAGNOSTIC,#4.....115  
 NUT.....77  
 NUT - PLASTIC,RING FOR ALARMS...65, 131  
 NUT, PLASTIC, M25, GREY.....139  
 NUT, TL JAM, 3/8-16, A, ZAG.....67, 99-100, 103-104

## Part Description Index (continued)

NUT,CASTLE,1.125-18 UNEF.....61, 63  
 NUT,COIL (39909).....121  
 NUT,CORDGRIP,1/2 NPT.....143  
 NUT,LOCKING-LG.FLANGE,1/4-20.....87  
 NUT,LP NYLOCK,1/4-20.....89, 131  
 NUT,NYLOCK,1/4-20.....73, 75, 89, 107  
 NUT,NYLOCK,10-32,A,ZAG.....65, 67, 131  
 NUT,NYLOCK,5/16-18.....135  
 NUT,NYLOCK,8-32.....107  
 NUT,RETAINER (96008).....77  
 NUT,SERRATED,1/4-20,8,ZAG.....61, 93, 95, 97  
 NUT,SERRATED,5/16-18,8,ZAG.....69  
 NUT,TL FLG,1/2-13,G,ZAG.....61, 63, 85, 91  
 NUT,TL FLG,1/4-20,G,ZAG.....61, 65, 69, 73, 75, 77, 93, 95, 97, 99-100, 103-104  
 NUT,TL FLG,10-24,F,ZAG.....93, 95, 97, 139  
 NUT,TL FLG,3/8-16,G,ZAG.....61, 63, 67, 85, 91, 93, 95, 97, 99-100, 103-104, 131, 143  
 NUT,TL JAM,5/16-18,A,ZAG.....99-100, 103-104  
 NUT,TL,3/8-16,C,ZAG.....67, 93, 95, 97, 99-100, 103-104  
 NUT,TL,8-32,A,ZAG.....65, 143  
 NUT,WING 5/16-18.....135  
 NUT-COIL SHORT.....115, 129

**O**

O-RING KIT (ORFS FITTINGS).....115, 129  
 OFFSET, RDN, 1/4-1.25,10-32.....143  
 ORIFICE, LONG, .037\*\*\*.....121  
 ORIFICE, LONG, .059".....121  
 ORIFICE, SHORT, 0.037 INCH.....127  
 OUTLET, 110V.....107

**P**

PAINT, AEROSOL, TRAFFIC BLACK.....11  
 PAINT,AEROSOL,BRIGHT BLUE\*\*\*.....11  
 PAINT,AEROSOL,GENIE GRAY\*\*\*.....11  
 PAINT,WET,GENIE BLUE (1 GL)\*\*.....11  
 PAINT,WET,GENIE GRAY (1 GL)\*\*.....11  
 PAINT,WET,TRAFFIC BLACK (1 GL)\*\*.....11  
 PCBA,GCON O/R,PROP LIFT.....77  
 PCBA,GCON STD,PROP LIFT.....77  
 PCBA,PCON O/R,PROP LIFT.....109  
 PCBA,PCON STD,PROP LIFT.....109  
 PCON,O/R,PROP LIFT,GS.....109  
 PCON,STD,PROP LIFT,GR/GS.....109  
 PIN, LINKSET MOUNT, 1".....93, 95, 97  
 PIN, LINKSET MOUNT, 3/4".....93, 95, 97  
 PIN, LONG, GS46.....93, 95, 97  
 PIN, LOWER CYLINDER MOUNT.....93, 95, 97  
 PIN, MINI, CENTER.....95  
 PIN, SHORT, GS46.....93, 95, 97  
 PIN, UPPER CYLINDER MOUNT.....93, 97  
 PIN,CLEVIS, .375X1.75,ZAG.....67  
 PIN,CLEVIS, .625X1.88,ZAG.....67  
 PIN,CLEVIS,3/4X2,ZAG.....61  
 PIN,CLEVIS,3/4X3.25,ZAG.....61  
 PIN,COTTER, .125 X .75.....67  
 PIN,COTTER, .156 X 1.75.....61  
 PIN,COTTER, .156 X 2.5.....63  
 PIN,LOCK,0.5X3.125,ZAG.....99-100, 103-104  
 PIN,LOWER CYL,ROD END.....95, 97  
 PIN,SADDLE CYLINDER MOUNT.....97  
 PIN,WIRE LOCK 3/8 X 2.5,ZAG.....99-100, 103-104  
 PLATE, AC ADAPTER(AUS).....107

PLATE, INVERTER MOUNT.....137  
 PLATE, PIN RETAINER.....97  
 PLATE, POTHOLE LINK.....67  
 PLATE, RCBO, GS.....139  
 PLATE, SHEAR, OUTRIGGER.....85  
 PLATE,AC ADAPTER(ANSI/CSA).....107  
 PLATE,AC ADAPTER,DIN/UK\*\*\*.....107  
 PLATE,BEACON MOUNT.....131  
 PLATE,CWGT,GS32 REAR.....63  
 PLATE,FOOTPAD RING.....127  
 PLATE,HARNESS MOUNT.....73, 75  
 PLATE,HOSE ROUTG,BULKHEAD(PTD).....61, 93, 95, 97  
 PLATE,REAR COVER.....85  
 PLATE,SIDE DOOR STOP\*\*\*.....77  
 PLATE,SIDE DOOR\*\*\*.....77  
 PLATE,VISUAL IND LIGHT MOUNT.....131  
 PLATFORM MOUNT ASSY, GS32&46.....91  
 PLUG AND CAP KIT-SERVICE,ORFS\*.....11, 115, 129  
 PLUG, 6POS ECO PWR.....109  
 PLUG, ELECTRICAL.....63  
 PLUG, TYPE F, 230A, 50HZ, 16A, IP44.....107  
 PLUG, 1/4"SERIES,3/8 MPT.....133  
 PLUG, 1/4"SERIES,3/8 P-LOCK\*\*\*.....133  
 PLUG,ELECTRICAL,DOMESTIC.....107  
 PLUG,FLG INLET,15A/125V,2PWGD.....107  
 PLUG,FUSED,250V,13AMP,U.K.\*\*.....107  
 PLUG,HEX SOCKET,090109B-4.....123  
 PLUG,IEC60309 CEE, 3PIN 220-24.....107  
 PLUG,PWR,UK,16AMP,3PIN,BLK.....107  
 POTHOLE BELL CRNK LINK ASSYGS30.....67  
 POWER CORD, IEC 320 BLANK, 79".....107  
 POWER CORD, IEC 320, 115".....71  
 POWER CORD, IEC 320, 90 DEG.....71  
 PRESSURE TRANSDUCER,1K-3K PSI.....143  
 PRTY,FLOW CNTRL VALVE, .75 GPM.....115  
 PUMP,5.6CC GEAR,CCW.....119  
 PUSH RETAINER, 1/2" SCREW.....85

**Q**

QUICK DISCONNECT CASING,BATT\*\*.....83

**R**

RCBO,16A,30MA,6KA 110/230VAC.....139  
 RECEPTACLE, DIN, 220V 50A.....107  
 REF. BATTERY CABLE.....79, 81  
 REF. CHARGER.....79, 81  
 REF. CIRCUIT BREAKER.....79, 81  
 REF. DOWN LIMIT, GS.....79, 81  
 REF. E-STOP BUTTON.....79, 81  
 REF. ELECTRIC MOTOR.....79, 81  
 REF. ELECTRIC MOTOR/PUMP.....73, 75  
 REF. FILTER ASSY.....73, 75  
 REF. FUSE.....79, 81  
 REF. GCON.....79, 81  
 REF. INVERTER.....79, 81  
 REF. KEYSWITCH.....79, 81  
 REF. LEVEL SENSOR.....79, 81  
 REF. MOTOR CONTROLLER.....79, 81  
 REF. OUTRIGGER MANIFOLD.....81  
 REF. PCON.....79, 81  
 REF. PRESSURE TRANSDUCER HARNESS.....81  
 REF. STOBE,BEACON.....79, 81  
 Ref: BRAKE RELEASE MANIFOLD.....63  
 Ref: HYDRAULIC BRAKE.....63  
 Ref: Lift Cylinder.....143

Ref: Outrigger Cylinder, Front.....85  
 Ref: Outrigger Cylinder, Rear.....85  
 RIGID EYE SNAP.....99-100, 103-104  
 RIVET,ALUM,STL, .188 X .250.....99-100, 104  
 RIVET,STEEL,P, .25 X .375.....141  
 RIVET,STL,STL, .188 X .45.....99-100, 103-104, 143  
 RIVET,STL,STL,DOME,1/8X.25,ZAG.....77  
 ROCKER,2 SWITCH.....111  
 ROD END, .25 X 2.75, ZAG.....93, 95, 97  
 ROD END, .375X3.69,ZAG.....93, 95, 97  
 ROLLER ARM,LIMIT SWITCH\*\*\*.....65, 67  
 ROLLER BRACKET ASSY, GRND CNTR...99-100, 103-104  
 ROLLER,PLATFORM EXTENSION.....99-100, 103-104  
 RUE RING,3/4,ZAG.....61, 67  
 RUE RING,5/8,ZAG.....67

**S**

SAFETY CHOCK,SCISSOR.....93, 95  
 SAFETY CHOCK-SCISSOR.....97  
 SCREW, SELF TAP.....111  
 SCREW, YOKE LOCK, ZAG.....61  
 SCREW,BHSCS,M5X10,SS.....109  
 SCREW,FHS,1/4-20X2.25XF835,ZAG.....127  
 SCREW,GRUB,M5X8MM CUP(BLK).....111  
 SCREW,GRUB,M5X8MM,HLF DOG,BZP...111  
 SCREW,HHC,1/2-13X3.5,8,ZAG.....61, 63  
 SCREW,HHC,1/4-20 X .5.....121, 143  
 SCREW,HHC,1/4-20X1.75,8,ZAG.....65  
 SCREW,HHC,1/4-20X3.25,8,ZAG.....61  
 SCREW,HHC,3/8-16X.75,8,ZAG.....61  
 SCREW,HHC,3/8-16X1.8,ZAG.....100, 104  
 SCREW,HHC,3/8-16X1.25,8,ZAG.....143  
 SCREW,HHC,3/8-16X2.75,8,ZAG.....93, 95, 97  
 SCREW,HHC,5/16-18 X 1.25.....69  
 SCREW,HHC,5/16-18 X 2.....135  
 SCREW,HHF,1/4-20X.625,8,ZAG.....100, 104  
 SCREW,HHF,1/4-20X.75,8,ZAG.....73, 75, 99-100, 103-104, 137, 143  
 SCREW,HHF,1/4-20X1.8,ZAG.....65, 85  
 SCREW,HHF,1/4-20X1.25,8,ZAG.....73, 75, 93, 95, 97  
 SCREW,HHF,1/4-20X1.75,8,ZAG.....104  
 SCREW,HHF,1/4-20X2.8,ZAG.....99-100, 103-104  
 SCREW,HHF,3/8-16X.75,8,ZAG.....139  
 SCREW,HHF,3/8-16X1.8,ZAG.....131  
 SCREW,HHF,3/8-16X1.5,8,ZAG.....93, 95, 97  
 SCREW,HHF,3/8-16X2.8,ZAG.....99-100, 103-104  
 SCREW,HHF,3/8-16X2.25,8,ZAG.....99-100, 103-104  
 SCREW,HHF,3/8-16X2.75,8,ZAG.....99-100, 103-104  
 SCREW,PHIL,8-32X.50,SELF TAP.....107  
 SCREW,PHILLIPS,PHM,6-32 X .75.....107  
 SCREW,PHILLIPS,PHM,8-32 X .5.....107  
 SCREW,PHILLIPS,PHM,8-32 X.25\*\*.....77  
 SCREW,PHILLIPS,RHM,10-32 X 1.5.....77  
 SCREW,PHM,4-20X.5, 48-2 TRI-L.....77, 109  
 SCREW,PHM,6-19X.75, 48-2 TRI-L.....77  
 SCREW,PHM,8-16X.75, 48-2 TRI-L.....109  
 SCREW,PHPM,1/4-20X.75,ZAG.....77  
 SCREW,PHPM,10-32X.38,ZAG.....69  
 SCREW,PHPM,10-32X.50,ZAG.....143  
 SCREW,PHPM,10-32X.625,ZAG.....139  
 SCREW,PHPM,10-32X.75,ZAG.....131



## Fitting Cross References

Genie PN	Parker PN	Description	Genie PN	Parker PN	Description
12342	6-4 F5OX-S	CONNECTOR,STRAIGHT THREAD TO FLARE TUBE	42794	1 CR-S	ELBOW,90°,MALE PIPE
13757	4 R6X-S	RUN TEE,SWIVEL NUT,ORFS	42795	BV-0839	BALL VALVE
19685	12-10 C5OX-S	ELBOW,90°,STRAIGHT THREAD TO FLARE TUBE	42796	BV-0838	BALL VALVE
22664	12-10 C5OX	ELBOW,90°,STRAIGHT THREAD TO FLARE TUBE	42874	6-8 CLO-S	ELBOW,90°,MALE PIPE TO ORFS
27431	8-12 F5OX-S	CONNECTOR,STRAIGHT THREAD TO FLARE TUBE	42912	13943-6-4	HOSE END,90° FEMALE SWIVEL,JIC
28678	AS-B-33	SLEEVE,NYLON,1.81" ID	42920	BV-0840	BALL VALVE,90°
39871	6 WETX-WLN-S	UNION,90° BULKHEAD W/NUT,FLARE TUBE	42932	AS-B-17	SLEEVE,NYLON,1.22" ID
39872	4 R5OX-S	RUN TEE,STRAIGHT THREAD	42936	10243-2-4	HOSE END,FEMALE PIPE
39873	6 C5OX-S	ELBOW,90°,STRAIGHT THREAD TO FLARE TUBE	42953	1/2 DD-S	ELBOW,90°,FEMALE PIPE
39874	8-6 C5OX-S	ELBOW,90°,STRAIGHT THREAD TO FLARE TUBE	42956	6 WELO-WLNL-S	UNION,90° BULKHEAD W/NUT,ORFS
39875	4-6 C5OX-S	ELBOW,90°,STRAIGHT THREAD TO FLARE TUBE	45349	8 V5OX-S	ELBOW,45°,STRAIGHT THREAD TO FLARE TUBE
39876	6-8 C5OX-S	ELBOW,90°,STRAIGHT THREAD TO FLARE TUBE	45351	4 V5OX-S	ELBOW,45°,STRAIGHT THREAD TO FLARE TUBE
39877	4 F5OX-S	CONNECTOR,STRAIGHT THREAD TO FLARE TUBE	47223	10343-6-6	HOSE END,MALE,JIC
39878	6 F5OX-S	CONNECTOR,STRAIGHT THREAD TO FLARE TUBE	47419	PS690503-6-6	SWIVEL,90°,STRAIGHT THREAD TO 37° FLARE
39879	4-8 F5OX-S	CONNECTOR,STRAIGHT THREAD TO FLARE TUBE	48750	421-4	HOSE,1/4 INCH ID
39880	6-10 F5OX-S	CONNECTOR,STRAIGHT THREAD TO FLARE TUBE	48751	481TC-4	HOSE,1/4 INCH ID
39881	4-6 F5OX-S	CONNECTOR,STRAIGHT THREAD TO FLARE TUBE	48752	482TC-4	HOSE,1/4 INCH ID
39882	4-HP5ON-S	PLUG,STRAIGHT THREAD	48753	451TC-6	HOSE,3/8 INCH ID
39883	8-8 FTX-S	CONNECTOR,MALE PIPE TO FLARE TUBE	48754	482TC-6	HOSE,3/8 INCH ID
39885	269HB 12-12	ELBOW,90°,BEADED HOSE BARB TO MALE PIPE	48755	381-6	HOSE,3/8 INCH ID
39886	431-6	HOSE,3/8 INCH ID	48756	451TC-8	HOSE,1/2 INCH ID
39887	540N-2	HOSE,1/8 INCH ID	48757	482TC-8	HOSE,1/2 INCH ID
39888	801-8	HOSE,1/2 INCH ID	48758	381-8	HOSE,1/2 INCH ID
39889	801-12	HOSE,3/4 INCH ID	48759	381-10	HOSE,5/8 INCH ID
39890	10643-6-6	HOSE END,FEMALE SWIVEL,JIC	48760	451TC-10	HOSE,5/8 INCH ID
39891	13943-6-6	HOSE END,90° FEMALE SWIVEL,JIC	48761	482TC-12	HOSE,3/4 INCH ID
39892	13743-6-6	HOSE END,45° FEMALE SWIVEL,JIC	48762	451TC-12	HOSE,3/4 INCH ID
39894	30682-8-8	HOSE END,FEMALE SWIVEL,JIC	48763	772-12	HOSE,3/4 INCH ID
39895	30682-10-12	HOSE END,FEMALE SWIVEL,JIC	48764	881-16	HOSE,1 INCH ID
42286	8-8 CTX-S	ELBOW,90°,MALE PIPE TO FLARE TUBE	48765	772-16	HOSE,1 INCH ID
42756	8-12 CLO-S	ELBOW,90,MALE PIPE TO ORFS	48766	AS-B-15	SLEEVE,NYLON,1.06" ID
42757	8-12 FLO-S	CONNECTOR,MALE PIPE TO ORFS	48767	AS-B-22	SLEEVE,NYLON,1.42" ID
42758	4 JLO-S	UNION TEE,ORFS	48770	881-8	HOSE,1/2 INCH ID
42759	4-4 FLO-S	CONNECTOR,MALE PIPE TO ORFS			
42760	6-8 FLO-S	CONNECTOR,MALE PIPE TO ORFS			
42761	1J143-6-4	HOSE END,90° FEMALE SWIVEL,SEAL LOK			
42762	1J743-6-4	HOSE END,45° FEMALE SWIVEL,SEAL LOK			
42768	1JO43-4-4	HOSE END,MALE,SEAL LOK			
42776	601-8	HOSE,1/2 INCH ID			
42777	1J743-16-16	HOSE END,45° FEMALE SWIVEL,SEAL LOK			
42786	16 CLO-S	ELBOW,90°,MALE PIPE TO ORFS			
42787	16 R6LO-S	RUN TEE,SWIVEL NUT,ORFS			
42788	16-8 TRLO-BL-S	REDUCER,TUBE END TO SWIVEL,ORFS			
42789	6-6 CLO-S	ELBOW,90°,MALE PIPE TO ORFS			
42790	8-10 V5OLO-S	ELBOW,45°,STRAIGHT THREAD TO ORFS			
42791	3/4 CD-S	ELBOW,90°,MALE TO FEMALE PIPE			
42792	3/4 X 1/2 PTR-S	REDUCER,MALE TO FEMALE PIPE			
42793	1/2 CR-S	ELBOW,90°,MALE PIPE			

## Fitting Cross References (Continued)

Genie PN	Parker PN	Description	Genie PN	Parker PN	Description
48771	881-10	HOSE,5/8 INCH ID	48847	13943-12-12	HOSE END,90° FEMALE SWIVEL,JIC
48772	381-4	HOSE,1/4 INCH ID	48848	10543-12-12	HOSE END,MALE,STRAIGHT THREAD
48773	AS-B-13	SLEEVE,NYLON,.86" ID	48849	1JC71-12-12	HOSE END,FEMALE SWIVEL,SEAL LOK
48800	1JC43-4-4	HOSE END,FEMALE SWIVEL,SEAL LOK	48850	1JS71-12-12	HOSE END,FEMALE SWIVEL,SEAL LOK
48801	1J743-4-4	HOSE END,45° FEMALE SWIVEL,SEAL LOK	48851	1J171-12-12	HOSE END,90° FEMALE SWIVEL,SEAL LOK
48802	1J943-4-4	HOSE END,90° FEMALE SWIVEL,SEAL LOK	48852	1J771-12-12	HOSE END,45° FEMALE SWIVEL,SEAL LOK
48804	1JM43-4-4	HOSE END,MALE,SEAL LOK, NO O-RING	48853	1J971-12-12	HOSE END,90° FEMALE SWIVEL,SEAL LOK
48805	10643-4-4	HOSE END,FEMALE SWIVEL,JIC	48854	1JC43-16-16	HOSE END,FEMALE SWIVEL,SEAL LOK
48806	13943-4-4	HOSE END,90° FEMALE SWIVEL,JIC	48855	1J943-16-16	HOSE END,90° FEMALE SWIVEL,SEAL LOK
48807	1JS43-4-4	HOSE END,FEMALE SWIVEL,SEAL LOK	48856	1J171-16-16	HOSE END,90° FEMALE SWIVEL,SEAL LOK
48808	3JC82-8-8	HOSE END,FEMALE SWIVEL,SEAL LOK	48857	1J971-16-16	HOSE END,90° FEMALE SWIVEL,SEAL LOK
48809	3JC82-12-12	HOSE END,FEMALE SWIVEL,SEAL LOK	48859	1JS43-8-4	HOSE END,FEMALE SWIVEL,SEAL LOK
48810	1JC43-6-4	HOSE END,FEMALE SWIVEL,SEAL LOK	48867	PD36BTL	DIAGNOSTIC NIPPLE,SEAL-LOK SWIVEL
48811	1J943-6-4	HOSE END,90° FEMALE SWIVEL,SEAL LOK	48873	6 PNLO-S	PLUG,TUBE END,ORFS
48812	1JC43-6-6	HOSE END,FEMALE SWIVEL,SEAL LOK	48874	6 PNTX-S	PLUG,FLARE TUBE
48813	1J143-6-6	HOSE END,90° FEMALE SWIVEL,SEAL LOK	48875	6 R6LO-S	RUN TEE,SWIVEL NUT,ORFS
48814	1J543-6-6	HOSE END,90° FEMALE SWIVEL,SEAL LOK	48877	4 F5OLO-SW/.025	CONNECTOR,STRAIGHT THREAD TO ORFS, W/.025 ORI
48815	1J743-6-6	HOSE END,45° FEMALE SWIVEL,SEAL LOK	48878	16-12 C5OLO-S	ELBOW,90°,STRAIGHT THREAD TO ORFS
48816	1J943-6-6	HOSE END,90° FEMALE SWIVEL,SEAL LOK	48879	8 C6LO-S	ELBOW,90°,SWIVEL NUT ORFS
48817	1JS43-6-8	HOSE END,FEMALE SWIVEL,SEAL LOK	48880	PD6-285	CAP,DIAGNOSTIC NIPPLE
48818	1J943-8-4	HOSE END,90° FEMALE SWIVEL,SEAL LOK	48881	6 HLO-S	UNION,ORFS
48819	1JC43-8-6	HOSE END,FEMALE SWIVEL,SEAL LOK	48883	8 P5ON-S	PLUG,STRAIGHT THREAD
48820	1J743-8-6	HOSE END,45° FEMALE SWIVEL,SEAL LOK	48884	8M18F87OMLO-S	CONNECTOR,METRIC,STRAIGHT THREAD TO ORFS
48821	1J943-8-6	HOSE END,90° FEMALE SWIVEL,SEAL LOK	48885	4 WGTX-WLN-S	CONNECTOR,BULKHEAD,FEMALE PIPE TO FLARE TUBE
48822	1JC43-8-8	HOSE END,FEMALE SWIVEL,SEAL LOK	48886	4 F5OLO-SW/2MM	CONNECTOR,MACHINED STRAIGHT THREAD TO ORFS
48823	1JS43-8-8	HOSE END,FEMALE SWIVEL,SEAL LOK	48887	4 CTX-S	ELBOW,90°,MALE PIPE TO FLARE TUBE
48824	1J143-8-8	HOSE END,90° FEMALE SWIVEL,SEAL LOK	48888	10-12 V5OLO-S	ELBOW,45°,STRAIGHT THREAD TO ORFS
48825	1J543-8-8	HOSE END,90° FEMALE SWIVEL,SEAL LOK	48890	4 S5OLO-S	BRANCH TEE,STRAIGHT THREAD TO ORFS
48826	1J743-8-8	HOSE END,45° FEMALE SWIVEL,SEAL LOK	48891	4 S6LO-S	BRANCH TEE,SWIVEL NUT TO ORFS
48827	1J943-8-8	HOSE END,90° FEMALE SWIVEL,SEAL LOK			
48828	1JC43-10-8	HOSE END,FEMALE SWIVEL,SEAL LOK			
48829	1JS43-10-8	HOSE END,FEMALE SWIVEL,SEAL LOK			
48830	1J743-10-8	HOSE END,45° FEMALE SWIVEL,SEAL LOK			
48831	1J943-10-8	HOSE END,90° FEMALE SWIVEL,SEAL LOK			
48833	1JC43-10-10	HOSE END,FEMALE SWIVEL,SEAL LOK			
48834	1J943-10-10	HOSE END,90° FEMALE SWIVEL,SEAL LOK			
48835	1JS43-10-12	HOSE END,FEMALE SWIVEL,SEAL LOK			
48836	1JC43-12-8	HOSE END,FEMALE SWIVEL,SEAL LOK			
48837	1JS43-12-8	HOSE END,FEMALE SWIVEL,SEAL LOK			
48838	1J743-12-8	HOSE END,45° FEMALE SWIVEL,SEAL LOK			
48839	1J943-12-8	HOSE END,90° FEMALE SWIVEL,SEAL LOK			
48840	1J943-12-10	HOSE END,90° FEMALE SWIVEL,SEAL LOK			
48841	1JC43-12-12	HOSE END,FEMALE SWIVEL,SEAL LOK			
48842	1JO43-12-12	HOSE END,MALE,SEAL LOK			
48843	1J143-12-12	HOSE END,90° FEMALE SWIVEL,SEAL LOK			
48844	1J543-12-12	HOSE END,90° FEMALE SWIVEL,SEAL LOK			
48845	1J743-12-12	HOSE END,45° FEMALE SWIVEL,SEAL LOK			
48846	1J943-12-12	HOSE END,90° FEMALE SWIVEL,SEAL LOK			



## Fitting Cross References (Continued)

Genie PN	Parker PN	Description	Genie PN	Parker PN	Description
48892	6 C6LO-S	ELBOW,90°,SWIVEL NUT ORFS	48938	8 R6LO-S	RUN TEE,SWIVEL NUT,ORFS
48893	6 F5OHAO-S	UNION,STRAIGHT THREAD	48939	8 S6LO-S	BRANCH TEE,SWIVEL NUT TO ORFS
48894	8 WLO-WLNL-S	UNION,BULKHEAD,ORFS	48940	8 WJLO-WLNL-S	RUN TEE, BULKHEAD,ORFS
48895	DT-370-MSMO-5	VALVE,CHECK	48941	8-4 TRLO-S	REDUCER,TUBE END TO SWIVEL,ORFS
48896	6 JLO-S	UNION,TEE,ORFS	48942	8-6 C5OLO-S	ELBOW,90°,STRAIGHT THREAD TO ORFS
48897	DT-750-MSMS-5	VALVE,CHECK	48943	8-6 F5OLO-S	CONNECTOR,STRAIGHT THREAD TO ORFS
48898	DT-750-MOMS-5	VALVE,CHECK	48944	8-8 FLO-S	CONNECTOR,MALE PIPE TO ORFS
48899	DT-620-MOMS-5	VALVE,CHECK	48945	8 FTX-S	CONNECTOR,MALE PIPE TO FLARE TUBE
48900	4-6 F5OLO-SW/.035	CONNECTOR,STRAIGHT THREAD TO ORFS, W/.035 ORI	48946	8-10 F5OLO-S	CONNECTOR,STRAIGHT THREAD TO ORFS
48902	16-1 AOE4G-S	ELBOW,90° LONG,FEMALE PIPE TO STRAIGHT THREAD	48947	8-12 C5OLO-S	ELBOW,90°,STRAIGHT THREAD TO ORFS
48903	1 FF-S	NIPPLE,PIPE	48948	8-12 F5OLO-S	CONNECTOR,STRAIGHT THREAD TO ORFS
48904	4 C5OLO-S	ELBOW,90°,STRAIGHT THREAD TO ORFS	48949	8-16 F5OLO-S	CONNECTOR,STRAIGHT THREAD TO ORFS
48905	4 F5OLO-S	CONNECTOR,STRAIGHT THREAD TO ORFS	48950	10 C5OLO-S	ELBOW,90°,STRAIGHT THREAD TO ORFS
48906	4 R5OLO-S	RUN TEE,STRAIGHT THREAD	48951	10 CC5OLO-S	ELBOW,90° LONG,STRAIGHT THREAD TO ORFS
48907	4 V5OLO-S	ELBOW,45°,STRAIGHT THREAD TO ORFS	48952	10 F5OLO-S	CONNECTOR,STRAIGHT THREAD TO ORFS
48908	4 R6LO-S	RUN TEE,SWIVEL NUT,ORFS	48953	10 R5OLO-S	RUN TEE,STRAIGHT THREAD
48909	4 WJLO-WLNL-S	RUN TEE, BULKHEAD,ORFS	48954	10 S5OLO-S	BRANCH TEE,STRAIGHT THREAD TO ORFS
48910	4 GTX-S W/.030	CONNECTOR,FEMALE PIPE TO FLARE TUBE	48955	10 R6LO-S	RUN TEE,SWIVEL NUT,ORFS
48911	4-6 C5OLO-S	ELBOW,90°,STRAIGHT THREAD TO ORFS	48956	10-4 TRLO-BL-S	REDUCER,TUBE END TO SWIVEL,ORFS
48912	4-6 F5OLO-S	CONNECTOR,STRAIGHT THREAD TO ORFS	48957	10-6 TRLO-BL-S	REDUCER,TUBE END TO SWIVEL,ORFS
48913	4-6 F5OLO-SW/.030	CONNECTOR,STRAIGHT THREAD TO ORFS, W/.030 ORI	48958	10-12 F5OLO-S	CONNECTOR,STRAIGHT THREAD TO ORFS
48914	4-8 F5OLO-S	CONNECTOR,STRAIGHT THREAD TO ORFS	48959	12 C5OLO-S	ELBOW,90°,STRAIGHT THREAD TO ORFS
48915	6 C5OLO-S	ELBOW,90°,STRAIGHT THREAD TO ORFS	48960	12 F5OLO-S	CONNECTOR,STRAIGHT THREAD TO ORFS
48916	6 F5OLO-S	CONNECTOR,STRAIGHT THREAD TO ORFS	48961	12 R5OLO-S	RUN TEE,STRAIGHT THREAD
48917	6 FF5OLO-S	CONNECTOR,LONG,STRAIGHT THREAD TO ORFS	48962	12 S5OLO-S	BRANCH TEE,STRAIGHT THREAD TO ORFS
48918	6 R5OLO-S	RUN TEE,STRAIGHT THREAD	48963	12 V5OLO-S	ELBOW,45°,STRAIGHT THREAD TO ORFS
48919	6 S5OLO-S	BRANCH TEE,STRAIGHT THREAD TO ORFS	48964	12 R6LO-S	RUN TEE,SWIVEL NUT,ORFS
48920	6 V5OLO-S	ELBOW,45°,STRAIGHT THREAD TO ORFS	48965	12 CLO-S	ELBOW,90°,MALE PIPE TO ORFS
48921	6 FLO-S	CONNECTOR,MALE PIPE TO ORFS	48966	12 FLO-S	CONNECTOR,MALE PIPE TO ORFS
48922	6-6 FLO-S	CONNECTOR,MALE PIPE TO ORFS	48967	12 JLO-S	UNION TEE,ORFS
48923	6 P5ON-S	PLUG,STRAIGHT THREAD	48968	12 WLO-WLNL-S	UNION,BULKHEAD,ORFS
48925	6 WELO-S	UNION,90° BULKHEAD,ORFS	48969	12 WJLO-WLNL-S	RUN TEE, BULKHEAD,ORFS
48926	6-4 C5OLO-S	ELBOW,90°,STRAIGHT THREAD TO ORFS	48970	12 WELO-WLNL-S	UNION,90° BULKHEAD W/NUT,ORFS
48927	6-4 F5OLO-S	CONNECTOR,STRAIGHT THREAD TO ORFS			
48928	6-4 V5OLO-S	ELBOW,45°,STRAIGHT THREAD TO ORFS			
48929	6-8 C5OLO-S	ELBOW,90°,STRAIGHT THREAD TO ORFS			
48930	6-8 F5OLO-S	CONNECTOR,STRAIGHT THREAD TO ORFS			
48931	6-10 F5OLO-S	CONNECTOR,STRAIGHT THREAD TO ORFS			
48932	8 C5OLO-S	ELBOW,90°,STRAIGHT THREAD TO ORFS			
48933	8 F5OLO-S	CONNECTOR,STRAIGHT THREAD TO ORFS			
48934	8 FF5OLO-S	CONNECTOR,LONG,STRAIGHT THREAD TO ORFS			
48935	8 R5OLO-S	RUN TEE,STRAIGHT THREAD			
48936	8 S5OLO-S	BRANCH TEE,STRAIGHT THREAD TO ORFS			
48937	8 V5OLO-S	ELBOW,45°,STRAIGHT THREAD TO ORFS			

## Fitting Cross References (Continued)

Genie PN	Parker PN	Description	Genie PN	Parker PN	Description
48971	12 G5G5JG5-S	TEE,FEMALE STRAIGHT THREAD	49612	PKT02586	O-RING KIT (ORFS FITTINGS)
48972	12 XHL6-S	ADAPTER, 37° MALE TO SWIVEL ORFS	49613	PKT06276	PLUG AND CAP KIT-SERVICE,ORFS
48973	12-1/2 F5OG-S	ADAPTER,FEMALE PIPE TO STRAIGHT THREAD	49728	10143-12-12	HOSE END, MALE PIPE
48974	12-10 C5OLO-S	ELBOW,90°,STRAIGHT THREAD TO ORFS	49729	16-1 F5OG-S	ADAPTER,FEMALE PIPE TO STRAIGHT THREAD
48975	12-10 F5OLO-S	CONNECTOR,STRAIGHT THREAD TO ORFS	49814	12-8 FLO-S	CONNECTOR,MALE PIPE TO ORFS
48976	12-16 C5OLO-S	ELBOW,90°,STRAIGHT THREAD TO ORFS	49829	DT-500-MOMF-5	VALVE,CHECK
48977	12-16 F5OLO-S	CONNECTOR,STRAIGHT THREAD TO ORFS	49831	881-12	HOSE,3/4 INCH ID
48978	12-16 V5OLO-S	ELBOW,45°,STRAIGHT THREAD TO ORFS	49834	16 JLO-S	UNION TEE,ORFS
48980	12-16 FLO-S	CONNECTOR,MALE PIPE TO ORFS	49838	12-8 TRLO-BL-S	REDUCER,TUBE END TO SWIVEL,ORFS
48983	16 C5OLO-S	ELBOW,90°,STRAIGHT THREAD TO ORFS	49840	8 JLO-S	UNION TEE,ORFS
48984	16 F5OLO-S	CONNECTOR,STRAIGHT THREAD TO ORFS	49844	10-8 TRLO-BL-S	REDUCER,TUBE END TO SWIVEL,ORFS
48985	16 V5OLO-S	ELBOW,45°,STRAIGHT THREAD TO ORFS	49854	8 P5ON-S	PLUG,STRAIGHT THREAD
48986	16 FLO-S	CONNECTOR,MALE PIPE TO ORFS	49855	1JC43-16-12	HOSE END,FEMALE SWIVEL,SEAL LOK
48988	16 CD45-S	ELBOW,45°,MALE TO FEMALE PIPE	49859	4 P5ON-S	PLUG,STRAIGHT THREAD
48989	12 CD45-S	ELBOW,45°,MALE TO FEMALE PIPE	49861	4 FF5OLO-S	CONNECTOR, LONG, STRAIGHT THREAD TO ORFS
48990	8 CD45-S	ELBOW,45°,MALE TO FEMALE PIPE	49867	12-3/4 F5OG-S	ADAPTER,FEMALE PIPE TO STRAIGHT THREAD
48991	16-12 FLO-S	CONNECTOR,MALE PIPE TO ORFS	51152	6 R6X-S	RUN TEE,SWIVEL NUT,ORFS
48992	16-12 V5OLO-S	ELBOW,45°,STRAIGHT THREAD TO ORFS	51153	6-4 TRTX-S	REDUCER,TUBE END TO SWIVEL,ORFS
48993	XV501-12	BALL VALVE	51154	4-4 GTX	CONNECTOR,FEMALE PIPE TO FLARE TUBE
48994	XV501-16	BALL VALVE	51264	881-12	HOSE,3/4 INCH ID
48995	XV510P-12	BALL VALVE	51265	8 JLO-S	UNION TEE,ORFS
48996	XV510P-16	BALL VALVE	51508	6 BTX-S	NUT,FLARE TUBE
48997	PD341	DIAGNOSTIC NIPPLE, STRAIGHT THREAD	51580	12-8 TRLO-BL-S	TUBE END REDUCER,ORFS
48998	PD 361	DIAGNOSTIC NIPPLE, STRAIGHT THREAD	51628	6 R6X-S	RUN TEE,SWIVEL NUT,ORFS
48999	DT-500-MOMS-5	VALVE,CHECK	51735	3/8 HHP	PLUG,PIPE THREAD
49201	10 V5OLO-S	ELBOW,45°,STRAIGHT THREAD TO ORFS	51803	1J943-6-8	HOSE END,90° FEMALE SWIVEL,SEAL LOK
49202	1JC43-12-10	HOSE END,FEMALE SWIVEL,SEAL LOK	53023	125HBL-5-4	FITTING,HOSE BARB TO MALE PIPE
49203	10-8 V5OLO-S	ELBOW,45°,STRAIGHT THREAD TO ORFS	53497	PKT02585	O-RING KIT
49205	6 F5OHAO-S	UNION,STRAIGHT THREAD	53499	1JC71-16-16	HOSE END,FEMALE SWIVEL,SEAL LOK
49207	PD34BTL	DIAGNOSTIC NIPPLE,SEAL-LOK SWIVEL	53500	3-904	O-RING,STRAIGHT THREAD,-4
49209	8M18F870MX-S	CONNECTOR,METRIC,STRAIGHT THREAD TO FLARE TUBE	53501	3-906	O-RING,STRAIGHT THREAD,-6
49212	8 WGTX-WLN-S	CONNECTOR,BULKHEAD,FEMALE PIPE TO FLARE TUBE	53502	3-908	O-RING,STRAIGHT THREAD,-8
49213	30682-8-8	HOSE END,FEMALE SWIVEL,JIC	53503	3-910	O-RING,STRAIGHT THREAD,-10
49216	831-8	HOSE,1/2 INCH ID			
49217	33982-8-8	HOSE END,90° FEMALE SWIVEL,JIC			
49219	PS-B-35	SLEEVE,NYLON,2.19" ID			
49418	4-6 V5OLO-S	ELBOW,45°,STRAIGHT THREAD TO ORFS			
49511	DT370-MOMS-5	VALVE,CHECK			
49512	1 DD-S	ELBOW,90°,FEMALE PIPE			
49513	1 FF-S	NIPPLE,PIPE			
49514	10 HP5ON-S	PLUG,STRAIGHT THREAD			
49515	12-16 CLO-S	ELBOW,90°,MALE PIPE TO ORFS			
49517	6 HP5ON-S	PLUG,STRAIGHT THREAD			
49519	16-12 F5OLO-S	CONNECTOR,STRAIGHT THREAD TO ORFS			
49520	4 VTX-S	ELBOW,45°,MALE PIPE TO FLARE TUBE			
49530	16 C6LO-S	ELBOW,90°,SWIVEL NUT ORFS			

## Fitting Cross References (Continued)

Genie PN	Parker PN	Description	Genie PN	Parker PN	Description
53535	3-912	O-RING,STRAIGHT THREAD,-12	61083	24 F5OLO-S	CONNECTOR,STRAIGHT THREAD TO ORFS
53536	4-PNLO-S	PLUG,TUBE END,ORFS	61086	20 R5OLO-S	RUN TEE,STRAIGHT THREAD
53537	6 PNLO-S	PLUG,TUBE END,ORFS	61090	24-20 F5OLO-S	CONNECTOR,STRAIGHT THREAD TO ORFS
53538	8 PNLO-S	PLUG,TUBE END,ORFS	61091	1J943 24-24	HOSE END,90° FEMALE SWIVEL,SEAL LOK
53539	10 PNLO-S	PLUG,TUBE END,ORFS	61093	1J978-12-12	HOSE END,90° FEMALE SWIVEL,JIC
53540	12 PNLO-S	PLUG,TUBE END,ORFS	61095	1JS43-20-16	HOSE END,FEMALE SWIVEL,SEAL LOK
53946	129HB-5-4	FITTING,90° HOSE BARB TO MALE PIPE	61100	811-24	HOSE,11/2 INCH ID
53951	8-1/4F5OG-S	ADAPTER,FEMALE PIPE TO STRAIGHT THREAD	61130	1JS43-24-24	HOSE END,FEMALE SWIVEL,SEAL LOK
53980	6 S6LO-S	BRANCH TEE,SWIVEL NUT TO ORFS	61131	1JS78 12-12	HOSE END,FEMALE SWIVEL,SEAL LOK
54132	4 C6LO-S	ELBOW,90°,SWIVEL NUT ORFS	61132	1J778-12-12	HOSE END,45° FEMALE SWIVEL,JIC
54135	11343-16-16	HOSE END,MALE SWIVEL,PIPE	61152	139HB-6-4	ELBOW,45°,BARB TO MALE PIPE
54283	8-10 C5OLO-S	ELBOW,90°,STRAIGHT THREAD TO ORFS	61251	BV-0750	BALL VALVE
54428	8M18C870MLO-S	ELBOW, 90° METRIC, STRAIGHT THREAD TO ORFS	61259	4 CC5OLO-S	ELBOW,90° LONG,STRAIGHT THREAD TO ORFS
54803	FS-F-16-10	SLEEVE,FIRE,.96" ID	61260	20-12 TRLO-BL	REDUCER,TUBE END TO SWIVEL,ORFS
54954	10143-2-4	HOSE END, MALE PIPE	61262	12 C6LO-S	ELBOW,90°,SWIVEL NUT ORFS
55190	3/8 HP-S	PLUG,PIPE THREAD	61263	20 F5OHAO-S	UNION,STRAIGHT THREAD
55448	8 HLO-S	UNION,ORFS	61264	6-10 C5OLO-S	ELBOW,90°,STRAIGHT THREAD TO ORFS
55839	6 F65OX-S	CONNECTOR,STRAIGHT THREAD TO 37° SWIVEL	61265	6 WNLO-WLNL-S	UNION,BULKHEAD 45°,ORFS
55968	10 C5OX-S	ELBOW,90°,STRAIGHT THREAD TO FLARE TUBE	61268	4 WNLO-WLNL-S	UNION,BULKHEAD 45°,ORFS
56003	6 CC5OLO-S	ELBOW,90° LONG,STRAIGHT THREAD TO ORFS	61269	4 WLO-WLNL-S	UNION,BULKHEAD,ORFS
56166	BV-0837	BALL VALVE,90°	61272	12 AOEL6	ELBOW,90°,STRAIGHT THREAD TO ORFS SWIVEL
56188	10143-8-6	HOSE END, MALE PIPE	61316	482TC-16	HOSE,1 INCH ID
56233	2-011	O-RING,ORFS,-4	61321	6 JLO-S	UNION TEE,ORFS
56234	2-012	O-RING,ORFS,-6	61327	782-12	HOSE,3/4 INCH ID
56235	2-014	O-RING,ORFS,-8	61328	881-24	HOSE,11/2 INCH ID
56236	2-016	O-RING,ORFS,-10	61336	11943-20-24	HOSE END,90° FLANGE HEAD
56237	2-018	O-RING,ORFS,-12	61345	12 WJLO-WLNL-S	RUN TEE, BULKHEAD,ORFS
56238	2-021	O-RING,ORFS,-16	61346	8 WNLO-WLNL-S 4	UNION,BULKHEAD 45°,ORFS
56352	6 WLNL-S	LOCKNUT,BULKHEAD	61569	33782-8-8	HOSE END,45° FEMALE SWIVEL,JIC
56353	3J782-12-12	HOSE END,45° FEMALE SWIVEL,SEAL LOK	61610	12 FF5OLO-S	CONNECTOR,LONG,STRAIGHT THREAD TO ORFS
56354	3J982-12-12	HOSE END,90° FEMALE SWIVEL,SEAL LOK	61742	1/8 X 1.5 FFF	NIPPLE,PIPE
56604	10-8 F5OLO-S	CONNECTOR,STRAIGHT THREAD TO ORFS	63426	8 PNTX-S	PLUG,FLARE TUBE
56639	3JC82-10-10	HOSE END,FEMALE SWIVEL,SEAL LOK			
56640	3J982-10-10	HOSE END,90° FEMALE SWIVEL,SEAL LOK			
56655	3JC82-8-10	HOSE END,FEMALE SWIVEL,SEAL LOK			
56676	10-8 C5OLO-S	ELBOW,90°,STRAIGHT THREAD TO ORFS			
56776	471TC-6	HOSE,3/8 INCH ID			
56777	471TC-8	HOSE,1/2 INCH ID			
56789	811-16	HOSE,1 INCH ID			
57884	3/8 FF	NIPPLE,PIPE			
59335	6 FNL-S	CAP,TUBE END			
59342	4 FNL-S	CAP,TUBE END			
59371	8 HP5ON-S	PLUG,STRAIGHT THREAD			
60653	BV-0751	BALL VALVE			
60806	125HB-3-4	FITTING,HOSE BARB TO MALE PIPE			
61064	5-1/4 F5OG-S	ADAPTER,FEMALE PIPE TO STRAIGHT THREAD			
61079	4 WELO-WLNL-S	UNION,90° BULKHEAD W/NUT,ORFS			
61080	6 WLO-WLNL-S	UNION,BULKHEAD,ORFS			

## Fitting Cross References (Continued)

Genie PN	Parker PN	Description	Genie PN	Parker PN	Description
64271	4 WLO-WLNL-S	UNION,BULKHEAD,ORFS	75631	801-6	HOSE,3/8 INCH ID
64272	6 WLO-WLNL-S	UNION,BULKHEAD,ORFS	75654	20 F5OLO-S	CONNECTOR,STRAIGHT THREAD TO ORFS
65776	8 F65OL-S	CONNECTOR,STRAIGHT THREAD TO ORFS SWIVEL	75655	1J943-20-20	HOSE END,90° FEMALE SWIVEL,SEAL LOK
65880	6001012	O-RING KIT	75656	881-20	HOSE,1-1/4 INCH ID
66154	6 WTX-WLNS	UNION,BULKHEAD,FLARE TUBE	75971	8 F5OHAO-S	UNION,STRAIGHT THREAD
66155	6 WETX-S	UNION,BULKHEAD 90°,FLARE TUBE	77307	1JB43-8-8	HOSE END,BULKHEAD,SEAL LOK
66156	6 WLN-S	BULKHEAD LOCKNUT	77309	8 WLNL-S	BULKHEAD LOCKNUT
66389	6-8 F5OX-S	CONNECTOR,STRAIGHT THREAD TO FLARE TUBE	77379	8M18C87OMX-S	ELBOW,90° METRIC,STRAIGHT THREAD TO FLARE TUBE
66392	6 R5OX-S	RUN TEE,STRAIGHT THREAD	77703	3J982-8-8	HOSE END,90° FEMALE SWIVEL,SEAL LOK
66396	811-12	HOSE,3/4 INCH ID	77711	801-10	HOSE,5/8 INCH ID
66829	H3174PP	CLAMP,TUBE	77758	12 WNLO-WLNL-S	UNION,BULKHEAD 45°,ORFS
67217	4 KLO-S	UNION,CROSS,ORFS	78091	6 C6X-S	ELBOW,90°,SWIVEL NUT TO FLARE TUBE
67339	10-6 F5OX-S	CONNECTOR,STRAIGHT THREAD TO FLARE TUBE	78684	30582-8-8B	HOSE END,PUSH LOK,MALE
67357	13943-8-6	HOSE END,90° FEMALE SWIVEL,JIC	78852	549-2	HOSE,1/8 INCH ID
67358	10 HP5ON-S	PLUG,STRAIGHT THREAD	78855	10657-4-2	HOSE END,FEMALE SWIVEL,JIC
67371	12 S6LO-S	BRANCH TEE,SWIVEL NUT TO ORFS	79138	PS-B-37	SLEEVE,NYLON,2.38" ID
67498	4 FNL-S	CAP, TUBE END	79476	1JS43-6-8	HOSE END,FEMALE SWIVEL,SEAL LOK
67906	DC-370-F0F0-5	VALVE,CHECK	79847	12-3/4 A0EG-S	ELBOW,90°,STRAIGHT THREAD TO FEMALE PIPE
69316	8 FLO-S	CONNECTOR,MALE PIPE TO ORFS	80044	8 CLO-S	ELBOW,90°,MALE PIPE TO ORFS
69333	H3174PP	CLAMP,HYDRAULIC HOSE	80502	8 F5OX-S	CONNECTOR,STRAIGHT THREAD TO FLARE TUBE
69503	4 F65OX-S	CONNECTOR,STRAIGHT THREAD TO 37° SWIVEL	80503	8 C5OX-S	ELBOW,90°,STRAIGHT THREAD TO FLARE TUBE
69775	8 FNL-S	CAP, TUBE END	81010	AS-B-27	SLEEVE,NYLON,1.63" ID
71038	1/4X1/4F3HG-S	ADAPTER,CONVERSION	83052	821-6	HOSE,3/8 INCH ID
71196	12-8 F5OLO-S	CONNECTOR,STRAIGHT THREAD TO ORFS	83053	821-8	HOSE,1/2 INCH ID
71383	1/4 CD45-S	ELBOW,45°,MALE TO FEMALE PIPE	83054	821-12	HOSE,3/4 INCH ID
72270	12FNL-S	CAP, TUBE END	83055	30682-6-6	HOSE END,FEMALE SWIVEL,JIC
73436	60C-4	SLEEVE,COMPRESSION	83056	30682-12-12	HOSE END,FEMALE SWIVEL,JIC
73437	61C-4	NUT,COMPRESSION	83057	33782-6-6	HOSE END,45° FEMALE SWIVEL,JIC
73438	33482-4-4B	HOSE END,PUSH LOK,MALE	83058	33982-6-6	HOSE END,90° FEMALE SWIVEL,JIC
73767	1CD-S	ELBOW,90°,MALE TO FEMALE PIPE	83060	33982-12-12	HOSE END,90° FEMALE SWIVEL,JIC
73768	20-16-F5OG5-S	ADAPTER,FEMALE PIPE TO STRAIGHT THREAD	83063	13743-4-4	HOSE END,45° FEMALE SWIVEL,JIC
73769	16-20 F5OLO-S	CONNECTOR,STRAIGHT THREAD TO ORFS			
74660	6-8 F42EDMLO-S	CONNECTOR,MALE BSPP TO ORFS			
74661	8-8 F42EDMLO-S	CONNECTOR,MALE BSPP TO ORFS			
75007	4 FLO-S	CONNECTOR,MALE PIPE TO ORFS			
75008	1/8 HP-S	PLUG,PIPE THREAD			
75014	1/2 HP-S	PLUG,PIPE THREAD			
75042	8 WELO-WLNL-S	UNION,90° BULKHEAD W/NUT,ORFS			
75043	3/4 FF-S	NIPPLE,PIPE			
75254	24 F5OHAO-S	UNION,STRAIGHT THREAD			
75255	12 F5OHAO-S	UNION,STRAIGHT THREAD			
75256	XV506P-24	BALL VALVE			
75574	4 WLNL-S	BULKHEAD LOCKNUT			
75612	8 WJLO-WLNL-S	RUN TEE, BULKHEAD,ORFS			
75613	12-8 F5OG5-S	ADAPTER,FEMALE PIPE TO STRAIGHT THREAD			
75614	8 CC5OLO-S	ELBOW,90° LONG,STRAIGHT THREAD TO ORFS			
75628	1JB43-4-4	HOSE END,BULKHEAD,SEAL LOK			

## Fitting Cross References (Continued)

Genie PN	Parker PN	Description	Genie PN	Parker PN	Description
83064	13743-8-8	HOSE END,45° FEMALE SWIVEL,JIC	89449	6 WJLO-WLNL-S	RUN TEE, BULKHEAD,ORFS
83065	13743-12-12	HOSE END,45° FEMALE SWIVEL,JIC	89489	4 WJMLO-S	BRANCH TEE,BULKHEAD,ORFS
83066	13943-8-8	HOSE END,90° FEMALE SWIVEL,JIC	89551	1JB43-6-6	HOSE END,BULKHEAD,SEAL LOK
83067	14143-6-6	HOSE END,90° FEMALE SWIVEL,JIC	89552	1JB43-8-8	HOSE END,BULKHEAD,SEAL LOK
83068	14143-8-8	HOSE END,90° FEMALE SWIVEL,JIC	89593	20 C5OLO-S	ELBOW,90°,STRAIGHT THREAD TO ORFS
83069	14143-12-12	HOSE END,90° FEMALE SWIVEL,JIC	94161	8-8 CLO-S	ELBOW,90°,MALE PIPE TO ORFS
83070	772-8	HOSE,1/2 INCH ID	94358	351TC-12	HOSE,3/4 INCH ID
83071	10671-8-8	HOSE END,FEMALE SWIVEL,JIC	94418	20 FLO-S	CONNECTOR,MALE PIPE TO ORFS
83072	10671-12-12	HOSE END,FEMALE SWIVEL,JIC	96358	12 TX-S	SLEEVE,FLARE TUBE
83073	13771-8-8	HOSE END,45° FEMALE SWIVEL,JIC	96359	12 BTX-S	NUT,FLARE TUBE
83074	13771-12-12	HOSE END,45° FEMALE SWIVEL,JIC	96397	8 F5OX-S	CONNECTOR,STRAIGHT THREAD TO FLARE TUBE
83075	13971-8-8	HOSE END,90° FEMALE SWIVEL,JIC	96398	12-8 F5OX-S	CONNECTOR,STRAIGHT THREAD TO FLARE TUBE
83076	13971-12-12	HOSE END,90° FEMALE SWIVEL,JIC	96402	10343-6-6	HOSE END,MALE,JIC
83077	14171-8-8	HOSE END,90° FEMALE SWIVEL,JIC	96407	30382-6-6B	HOSE END,MALE,JIC
83078	14171-12-12	HOSE END,90° FEMALE SWIVEL,JIC			
83080	13943-16-16	HOSE END,90° FEMALE SWIVEL,JIC			
83103	10671-16-12	HOSE END,FEMALE SWIVEL,JIC			
83104	10671-10-12	HOSE END,FEMALE SWIVEL,JIC			
83112	1JC71-8-8	HOSE END,FEMALE SWIVEL,SEAL LOK			
83113	1JS71-16-12	HOSE END,FEMALE SWIVEL,SEAL LOK			
83114	1JS71-10-12	HOSE END,FEMALE SWIVEL,SEAL LOK			
83115	1J971-8-8	HOSE END,90° FEMALE SWIVEL,SEAL LOK			
83116	1J171-8-8	HOSE END,90° FEMALE SWIVEL,SEAL LOK			
83117	1J771-8-8	HOSE END,45° FEMALE SWIVEL,SEAL LOK			
83127	1J543-6-8	HOSE END,90° FEMALE SWIVEL,JIC			
83128	1JC43-6-8	HOSE END,FEMALE SWIVEL,SEAL LOK			
87033	12-6 TRLO-S	REDUCER,TUBE END TO SWIVEL,ORFS			
87034	3J782-8-8	HOSE END,45° FEMALE SWIVEL,SEAL LOK			
87172	12 HP5ON-S	PLUG,STRAIGHT THREAD			
87185	8 WNLO-WLNL-S	UNION,BULKHEAD 45°,ORFS			
87246	4 C6X-S	ELBOW,90°,SWIVEL NUT TO FLARE TUBE			
87679	6 LHP-S	FLANGE SEAL FITTING, MALE			
87681	6PLS N0702	BONDED SEAL			
88100	SR88100	ADAPTER,OIL DRAIN,GM 3.0L			
88311	1JS43-20-20	HOSE END,FEMALE SWIVEL,SEAL LOK			
88353	20 V5OLO-S	ELBOW,45°,STRAIGHT THREAD TO ORFS			
88474	10081-20	Crimp Shell, 1.25"			
88475	1988-20-24	HOSE END,90° FLANGE HEAD			
88476	JS88-24-24	HOSE END,FEMALE SWIVEL,SEAL LOK			
88477	1JC88-20-20	HOSE END,FEMALE SWIVEL,SEAL LOK			
88478	811-20	HOSE,11/4 INCH ID			
88936	20-16 F5OLO-S	CONNECTOR,STRAIGHT THREAD TO ORFS			
88937	20-16 FLO-S	CONNECTOR,MALE PIPE TO ORFS			
88938	1JC88-16-16	HOSE END,FEMALE SWIVEL,SEAL LOK			
88939	1J988-16-16	HOSE END,90° FEMALE SWIVEL,ORFS			
88940	811-16	HOSE,1 INCH ID			
88944	1J988-20-20	HOSE END,90° FEMALE SWIVEL,ORFS			
89403	16 VLO-S	ELBOW,45°,MALE PIPE TO ORFS			

California Proposition 65



Operating, servicing and maintaining this equipment can expose you to chemicals including engine exhaust, carbon monoxide, phthalates, and lead, which are known to the State of California to cause cancer and birth defects or other reproductive harm. These chemicals can be emitted from or contained in other various parts and systems, fluids and some component wear by-products. To minimize exposure, avoid breathing exhaust, do not idle the engine except as necessary, service your equipment and vehicle in a well-ventilated area and wear gloves or wash your hands frequently when servicing your equipment or vehicle and after operation. For more information go to [www.P65Warnings.ca.gov/passenger-vehicle](http://www.P65Warnings.ca.gov/passenger-vehicle).

Breathing diesel engine exhaust exposes you to chemicals known to the State of California to cause cancer and birth defects or other reproductive harm.

- Always start and operate the engine in a well-ventilated area.
- If in an enclosed area, vent the exhaust to the outside.
- Do not modify or tamper with the exhaust system.
- Do not idle the engine except as necessary.

For more information go to [www.P65warnings.ca.gov/diesel](http://www.P65warnings.ca.gov/diesel).

Distributed By:

to order your parts

# PARTS FINDER

**Search Website  
by Part Number**



**Search Manual  
Library For Parts  
Manual & Lookup Part  
Numbers – Purchase  
or Request Quote**

**Search Manuals**

Enter your information to help us find the right parts manual for your machine.

\* Brand:

\* Model:

\* Serial:

\* Part Number:

SEARCH

**Can't Find Part or  
Manual? Request Help  
by Manufacturer,  
Model & Description**

**Parts Order Form**

Please fill in the following information to help us find the right part for your machine.

Manufacturer:	<input type="text"/>
Model:	<input type="text"/>
Description:	<input type="text"/>
Part Number:	<input type="text"/>
Quantity:	<input type="text"/>
Notes:	<input type="text"/>

Submit

Discount-Equipment.com is your online resource for quality parts & equipment.

Florida: **561-964-4949** Outside Florida TOLL FREE: **877-690-3101**

**Need parts?**

Click on this link: <http://www.discount-equipment.com/category/5443-parts/> and choose one of the options to help get the right parts and equipment you are looking for. Please have the machine model and serial number available in order to help us get you the correct parts. If you don't find the part on the website or on one of the online manuals, please fill out the request form and one of our experienced staff members will get back to you with a quote for the right part that your machine needs.

We sell worldwide for the brands: Genie, Terex, JLG, MultiQuip, Mikasa, Essick, Whiteman, Mayco, Toro Stone, Diamond Products, Generac Magnum, Airman, Haulotte, Barreto, Power Blanket, Nifty Lift, Atlas Copco, Chicago Pneumatic, Allmand, Miller Curber, Skyjack, Lull, Skytrak, Tsurumi, Husquvarna Target, Stow, Wacker, Sakai, Mi-T-M, Sullair, Basic, Dynapac, MBW, Weber, Bartell, Bennar Newman, Haulotte, Ditch Runner, Menegotti, Morrison, Contec, Buddy, Crown, Edco, Wyco, Bomag, Laymor, EZ Trench, Bil-Jax, F.S. Curtis, Gehl Pavers, Heli, Honda, ICS/PowerGrit, IHI, Partner, Imer, Clipper, MMD, Koshin, Rice, CH&E, General Equipment, Amida, Coleman, NAC, Gradall, Square Shooter, Kent, Stanley, Tamco, Toku, Hatz, Kohler, Robin, Wisconsin, Northrock, Oztec, Toker TK, Rol-Air, APT, Wylie, Ingersoll Rand / Doosan, Innovatech, Con X, Ammann, Mecalac, Makinex, Smith Surface Prep, Small Line, Wanco, Yanmar