



A TEREX BRAND



# Parts Manual

Serial Number Range

**GS-4047**

from GS47D-6859

Part No. 1285639GT

Rev A4

November 2018

Go to [Discount-Equipment.com](http://Discount-Equipment.com) to order your parts

# PARTS FINDER

**Search Website  
by Part Number**



**Search Manual  
Library For Parts  
Manual & Lookup Part  
Numbers – Purchase  
or Request Quote**

**Search Manuals**

Enter your information to help us find the right parts manual for your machine.

\* Brand:

\* Model:

\* Serial:

\* Part Number:

SEARCH

**Can't Find Part or  
Manual? Request Help  
by Manufacturer,  
Model & Description**

**Parts Order Form**

Please fill in the following information to help us find the right part for your machine.

Manufacturer:	<input type="text"/>
Model:	<input type="text"/>
Description:	<input type="text"/>
Part Number:	<input type="text"/>
Quantity:	<input type="text"/>
Notes:	<input type="text"/>

Discount-Equipment.com is your online resource for quality parts & equipment.

Florida: **561-964-4949** Outside Florida TOLL FREE: **877-690-3101**

**Need parts?**

Click on this link: <http://www.discount-equipment.com/category/5443-parts/> and choose one of the options to help get the right parts and equipment you are looking for. Please have the machine model and serial number available in order to help us get you the correct parts. If you don't find the part on the website or on one of the online manuals, please fill out the request form and one of our experienced staff members will get back to you with a quote for the right part that your machine needs.

We sell worldwide for the brands: Genie, Terex, JLG, MultiQuip, Mikasa, Essick, Whiteman, Mayco, Toro Stone, Diamond Products, Generac Magnum, Airman, Haulotte, Barreto, Power Blanket, Nifty Lift, Atlas Copco, Chicago Pneumatic, Allmand, Miller Curber, Skyjack, Lull, Skytrak, Tsurumi, Husquvarna Target, Stow, Wacker, Sakai, Mi-T-M, Sullair, Basic, Dynapac, MBW, Weber, Bartell, Bennar Newman, Haulotte, Ditch Runner, Menegotti, Morrison, Contec, Buddy, Crown, Edco, Wyco, Bomag, Laymor, EZ Trench, Bil-Jax, F.S. Curtis, Gehl Pavers, Heli, Honda, ICS/PowerGrit, IHI, Partner, Imer, Clipper, MMD, Koshin, Rice, CH&E, General Equipment, Amida, Coleman, NAC, Gradall, Square Shooter, Kent, Stanley, Tamco, Toku, Hatz, Kohler, Robin, Wisconsin, Northrock, Oztec, Toker TK, Rol-Air, APT, Wylie, Ingersoll Rand / Doosan, Innovatech, Con X, Ammann, Mecalac, Makinex, Smith Surface Prep, Small Line, Wanco, Yanmar

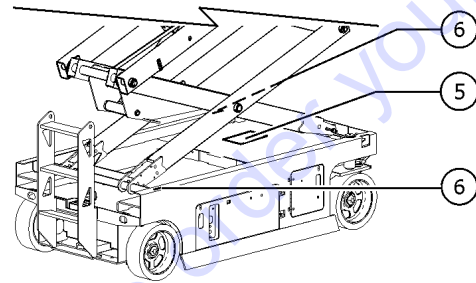
To August 31, 2016

**Genie**  
A TEREX BRAND

**Model:**  
**Serial number:** GS4716D-123456  
**Manufacture date:** 1/2/16      **Model year:** 2016  
**Electrical schematic number:**  
**Machine unladen weight:**  
**Rated work load (including occupants):**  
**Maximum number of platform occupants:**  
**Maximum allowable inclination of the chassis:**  
**Outrigger retracted:**  
**Outrigger deployed:**

GS47 16 D - 123456

(1)      (2)      (3)      (4)



- 1 Model
- 2 Model year
- 3 Facility code

- 4 Sequence number
- 5 Serial label (located on chassis)
- 6 Serial number (stamped on chassis)

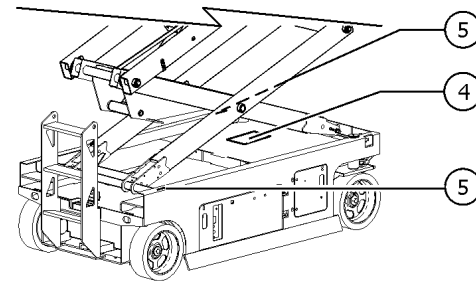
From September 1, 2016

**Genie**  
A TEREX BRAND

**Model:**  
**Serial number:** GS47D-123456  
**Year of manufacture:** 2016  
**Electrical schematic number:**  
**Machine unladen weight:**  
**Rated work load (including occupants):**  
**Maximum number of platform occupants:**  
**Maximum allowable inclination of the chassis:**  
**Outrigger retracted:**  
**Outrigger deployed:**

GS47 D - 123456

(1)      (2)      (3)



- 1 Model
- 2 Facility code
- 3 Sequence number

- 4 Serial label (located on chassis)
- 5 Serial number (stamped on chassis)

## Table of Contents

This manual is updated frequently. For the most up-to-date parts information, visit [www.discount-equipment.com](http://www.discount-equipment.com)

How to Read Your Serial Number.....	3
Parts Stocking List.....	7

**Electronic Version**

Click on any page number to view the figure.

**001 Parts Stocking List**

001.1 Parts Stocking List.....	10
--------------------------------	----

**100 Decals**

101.1 Word Decals, Battery Side.....	12
102.1 Word Decals, Ground Control Side.....	14
103.1 Word Decals, Platform.....	16
104.1 Symbol Decals, Battery Side.....	18
105.1 Symbol Decals, Ground Control Side.....	20
106.1 Symbol Decals, Platform.....	22

**200 Drive Chassis Components**

201.1 Steer Linkage and Wheels.....	24
202.1 Non-Steer Axle Installation.....	26
203.1 Level Sensor Installation.....	28
204.1 Pot Hole Protection Assembly.....	30
205.1 Battery Pack Tray.....	32
206.1 Battery Charger.....	34
207.1 Power Unit Module.....	36
208.1 Ground Controls.....	38
209.1 Electrical Wiring.....	40
210.1 Power Cables.....	42
211.1 Accumulator, Lift Pressure Select and Function Manifolds.....	44

**300 Scissor Components**

301.1 Scissor Assembly Installation.....	46
302.1 Scissor Assembly.....	48
303.1 Scissor Assembly, Hose Clamps.....	50

**400 Platform Components**

401.1 Platform Components.....	52
--------------------------------	----

402.1 Power to Platform.....	56
403.1 Platform Controls.....	58
404.1 Joystick Controller.....	60

**500 Hydraulic Components**

501.1 Hydraulic Components.....	62
502.1 Function Manifold.....	64
503.1 Brake Release Hand Pump Manifold.....	66
504.1 Hydraulic Power Unit.....	68
505.1 Lift Cylinder Assemblies.....	70
506.1 Hydraulic Hoses and Fittings.....	72

**600 Accessories**

601.1 Alarm, Horn and Flashing Beacons.....	74
602.1 Air Line to Platform.....	76
603.1 RCBO.....	78
604.1 Voltage Inverter.....	80

**700 Platform Overload Components**

701.1 Platform Overload.....	82
------------------------------	----

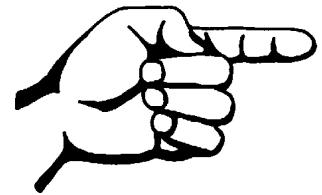
**Indices**

Part Number Index.....	84
Part Description Index.....	86

**Cross References**

Fittings Cross Reference.....	90
-------------------------------	----

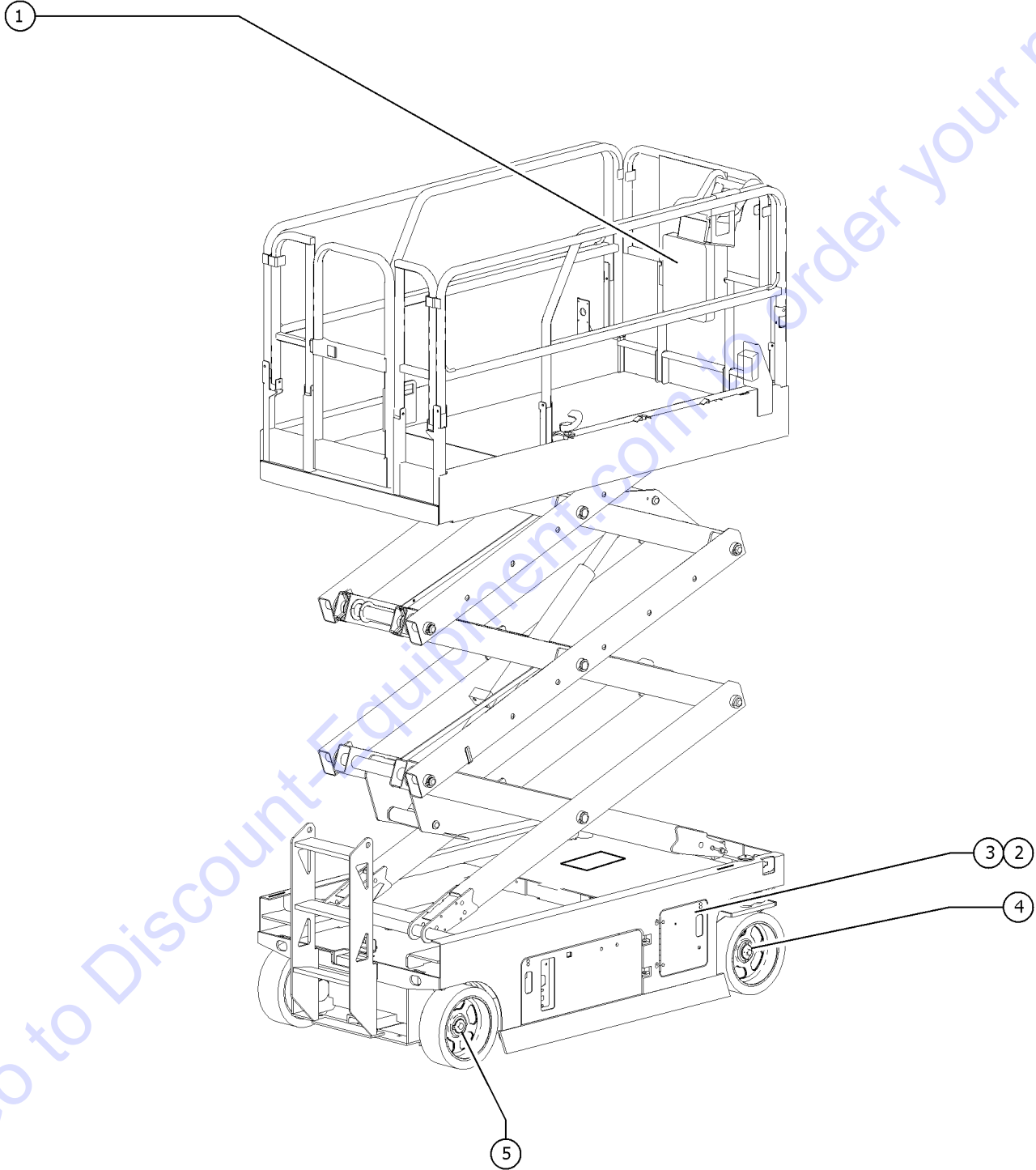
Please refer to section 001 for the Recommended Spare Parts List.



This page intentionally left blank.

Go to Discount-Equipment.com to order your parts

001.1 Parts Stocking List

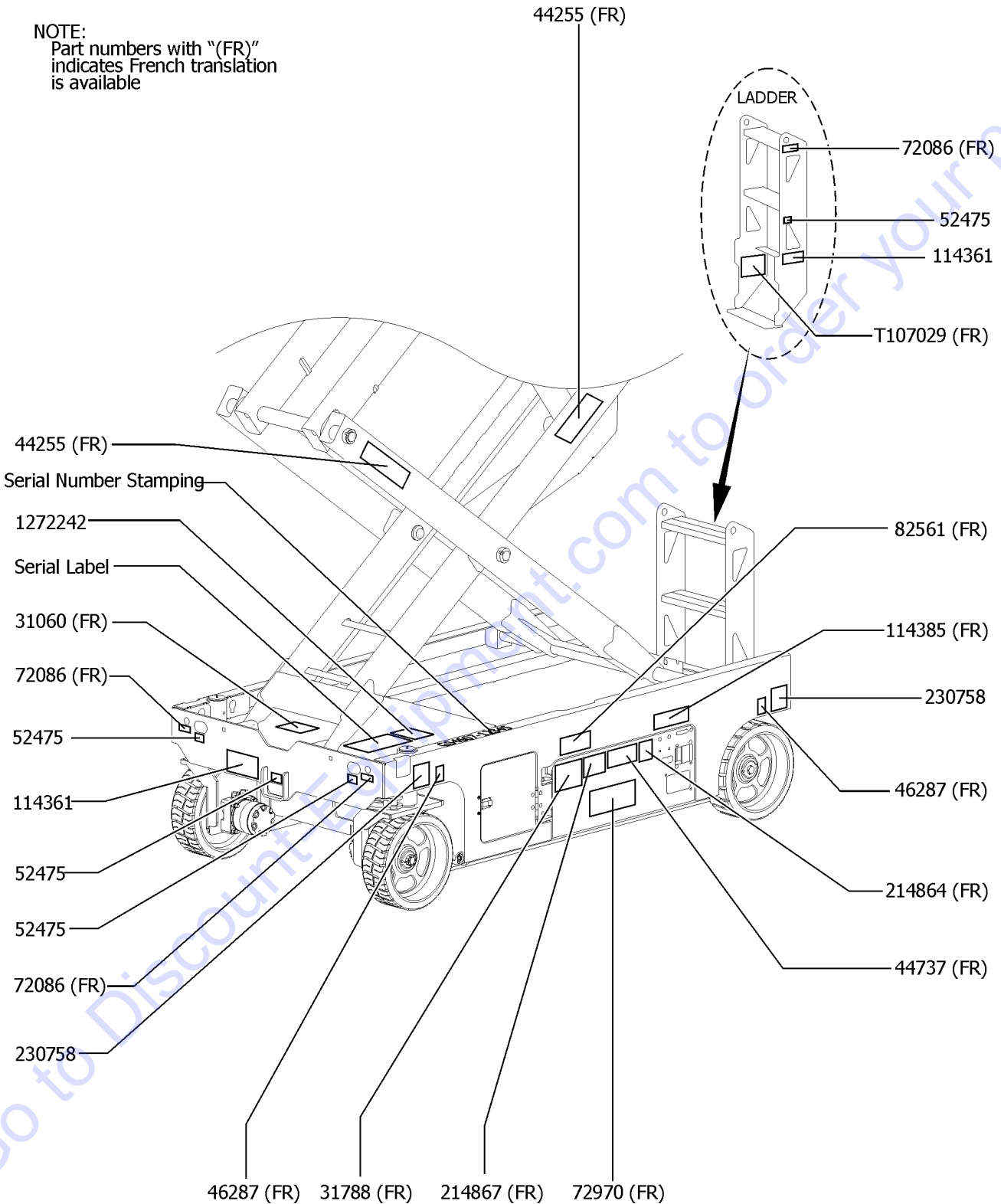


Item	Part No.	Description	Qty.
--	66399GT	GREASE,DIELECTRIC 4 OZ**	
--		Ref. CHEVRON ULTRA-DUTY GREASE (LITHIUM), OR EQUIVALENT, EP NLGI 1 <i>(source locally)</i>	
--	1484GT	PAINT,AEROSOL,BRIGHT BLUE*** <i>12-ounce spray paint</i>	
--	1268GT	PAINT,AEROSOL,GENIE GRAY*** <i>12-ounce spray paint</i>	
--	49613GT	PLUG AND CAP KIT-SERVICE,ORFS*	
1A	27581GT	MANUAL,AEM SAFETY	
1B	44163GT	MANUAL,RESPON,A92.6 SCISSOR	
2	44788GT	FILTER ELEMENT,10MICRON,PAPER*	
3	78546GT	BREATHER CAP,HYD. TANK, 1/4 NPT	
4	13635-10GT	PIN,COTTER,.156 X 1.75	
5	42079GT	PIN,COTTER,.156 X 2.5	

Go to Discount-Equipment.com to order your parts

101.1 Word Decals, Battery Side

NOTE:  
Part numbers with "(FR)"  
indicates French translation  
is available

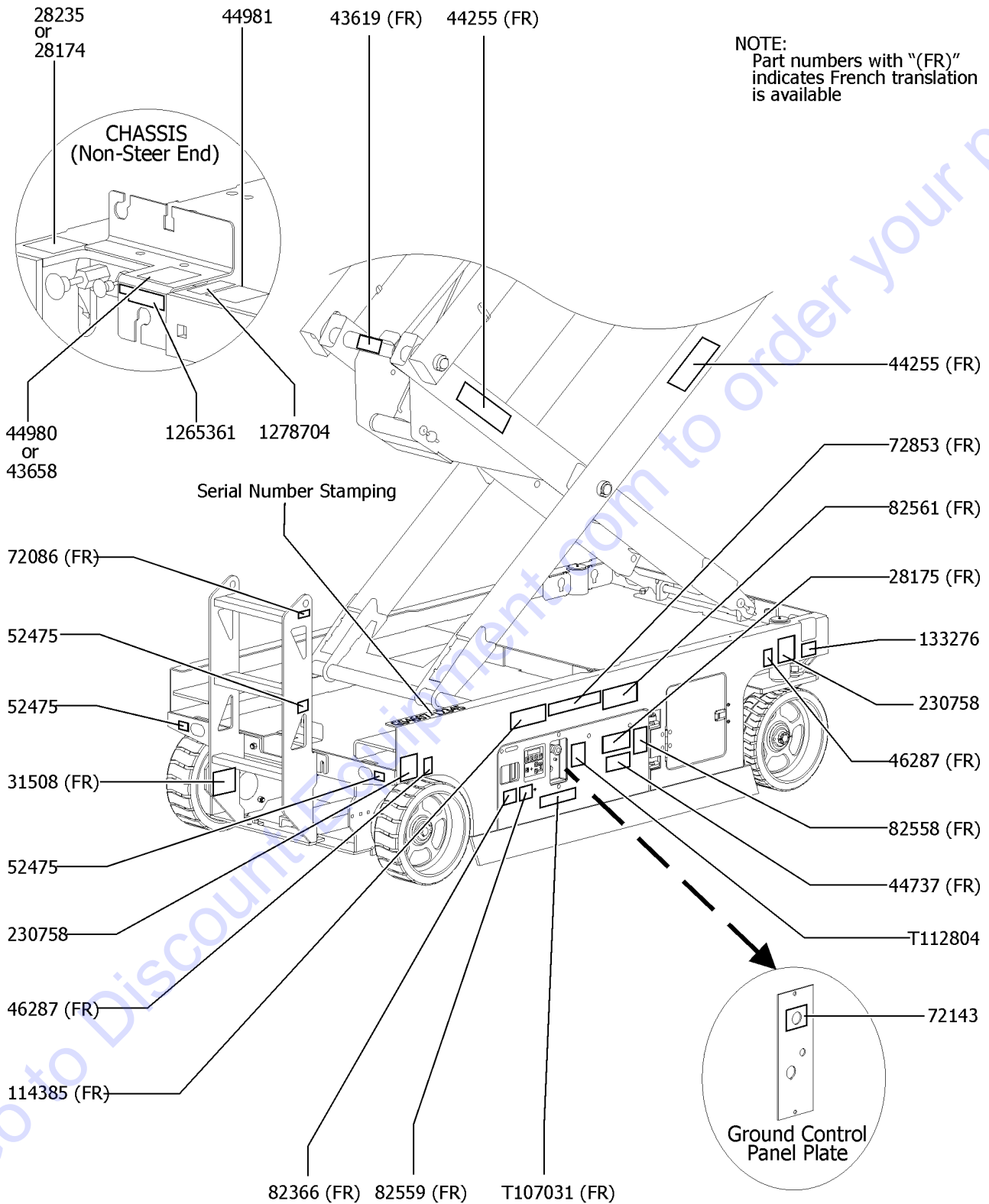




## 101.1 Word Decals, Battery Side

Item	Part No.	Description	Qty.
1	31060GT	DECAL,DANGER DO NOT ALTER SWTC.....	1
2	31788GT	DECAL,DANGER,BATTERY SAFETY***.....	1
3	44255GT	DECAL,DANGER,CRUSHING HAZARD.....	2
4	44737GT	DECAL DANGER TIP OVER TRAYS.....	1
5	46287GT	DECAL,LABEL-TIRE SPECS.....	2
6	52475GT	DECAL,LABEL,TRANSPORT TIEDOWN*.....	4
7	72086GT	DECAL,LABEL,LIFTING EYE.....	3
8	72970GT	DECAL,INSTRUCTIONS-CHARGER OP.....	1
9	82561GT	DECAL,DANGER-USE SAFETY ARM....	1
10	114361GT	DECAL,LABEL-TRANSPORT DIGRAM.....	2
11	114385GT	DECAL,DANGER,ELEC HAZARD,GS....	1
12	214864GT	DECAL,BATTERY CONNECTION,GS-4047.....	1
13	214867GT	DECAL,DANGER-TIP-OVER,BATT,4047.1	1
14	230758GT	DECAL,LABEL,WHEEL LOAD,GS-4047.....	2
15	T107029GT	DECAL,DANGER,BRAKE REL SAFETY.....	1
16	1272242GT	DECAL,MACHINE REGISTRATION/OWNER TRANSFER....	1

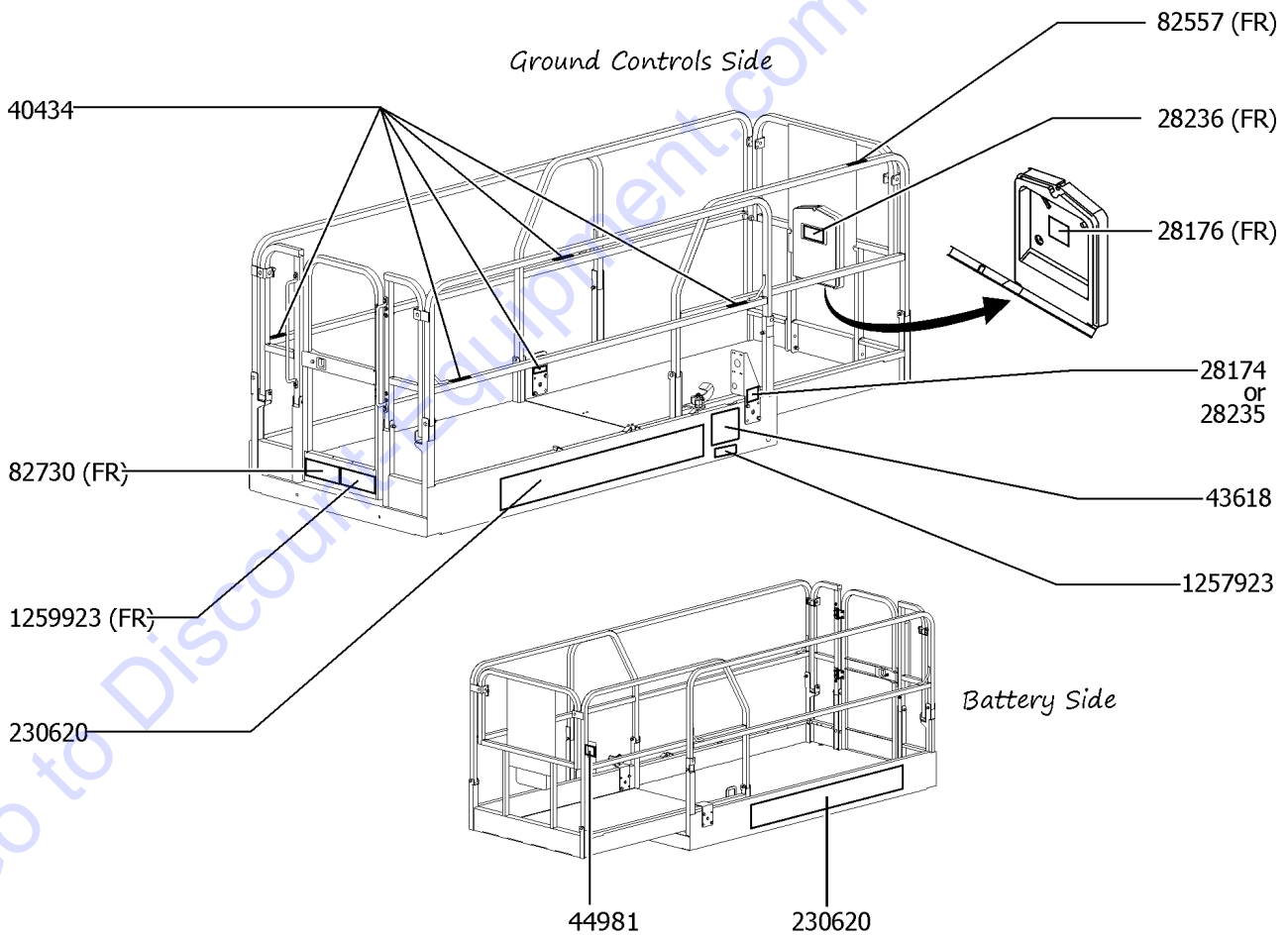
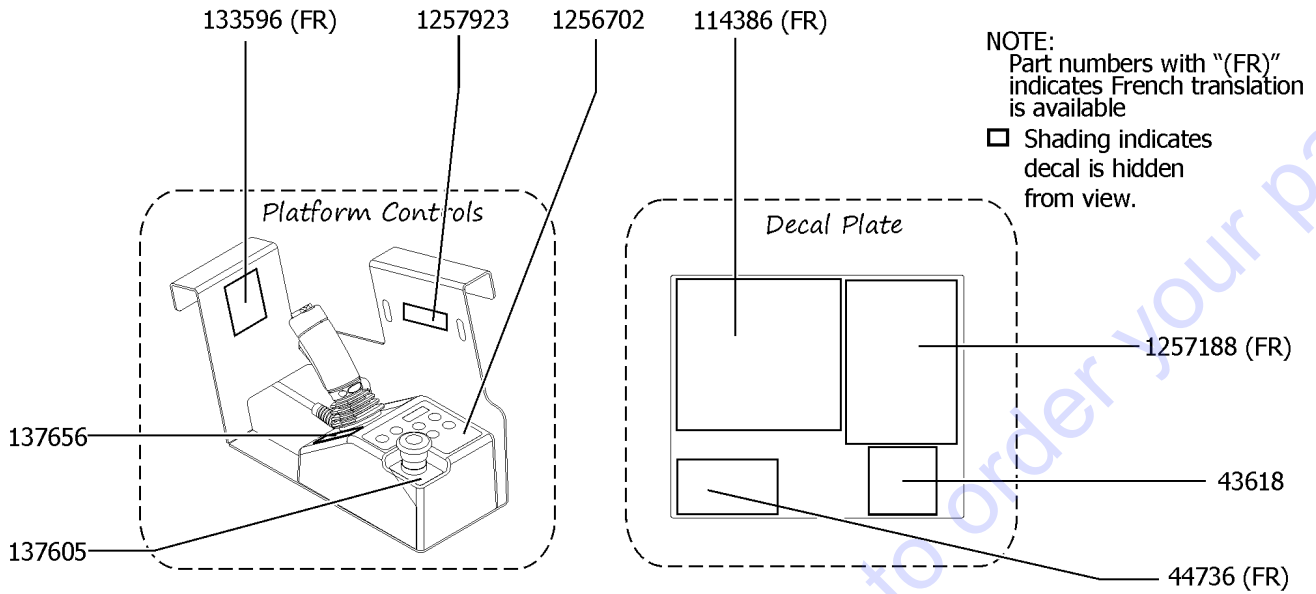
102.1 Word Decals, Ground Control Side



## 102.1 Word Decals, Ground Control Side

Item	Part No.	Description	Qty.
1	28174GT	DECAL, POWER TO PLATFORM 230V**.....1 <i>Option, power to platform</i>	1
2	28175GT	DECAL,WARNING-COMPART ACCESS.....1	1
3	28235GT	DECAL,POWER TO PLATFORM 115V...1 <i>Option, power to platform</i>	1
4	31508GT	DECAL,DANGER,ELECT HAZARD,PLUG.....1	1
5	43619GT	DECAL,LABEL,SAFETY ARM.....1	1
6	43658GT	DECAL,LABEL,PWR TO CHARGR 230V.....1 <i>Option, power to charger</i>	1
7	44255GT	DECAL,DANGER,CRUSHING HAZARD.....2	2
8	44737GT	DECAL DANGER TIP OVER TRAYS.....1	1
9	44980GT	DECAL,LABEL,PWR TO CHARGR 115V.....1 <i>Option, power to charger</i>	1
10	44981GT	DECAL,LABEL, AIR LINE 110 PSI.....1 <i>Option, airline to platform</i>	1
11	46287GT	DECAL,LABEL-TIRE SPECS.....2	2
12	52475GT	DECAL,LABEL,TRANSPORT TIEDOWN*.....3	3
13	72086GT	DECAL,LABEL,LIFTING EYE.....1	1
14	72143GT	DECAL,EMERGENCY STOP,GR.....1	1
15	72853GT	DECAL,DANGER,IMPROPER USE HAZ.....1	1
16	82366GT	DECAL,CHEVRON RANDO HD.....1 <i>Option, hydraulic oil</i>	1
17	82558GT	DECAL,WARN,SKIN INJECTION HAZ*.....1	1
18	82559GT	DECAL,INSTRUCT-ANNUAL INSP REQ.....1	1
19	82561GT	DECAL,DANGER-USE SAFETY ARM...1	1
20	114385GT	DECAL,DANGER,ELEC HAZARD,GS....1	1
21	133276GT	DECAL,EMERGENCY LOWERING.....1	1
22	230758GT	DECAL,LABEL,WHEEL LOAD,GS-4047.....2	2
23	1265361GT	DECAL, BATTERY CHARGER INDICAT.....1	1
24	1278704GT	DECAL,CHARGE STATUS IND.....1 <i>from SN GS47D-6635</i>	1
25	T107031GT	DECAL,OP INST,GCON.....1	1
26	T112804GT	DECAL,GCON PANEL,GS.....1	1

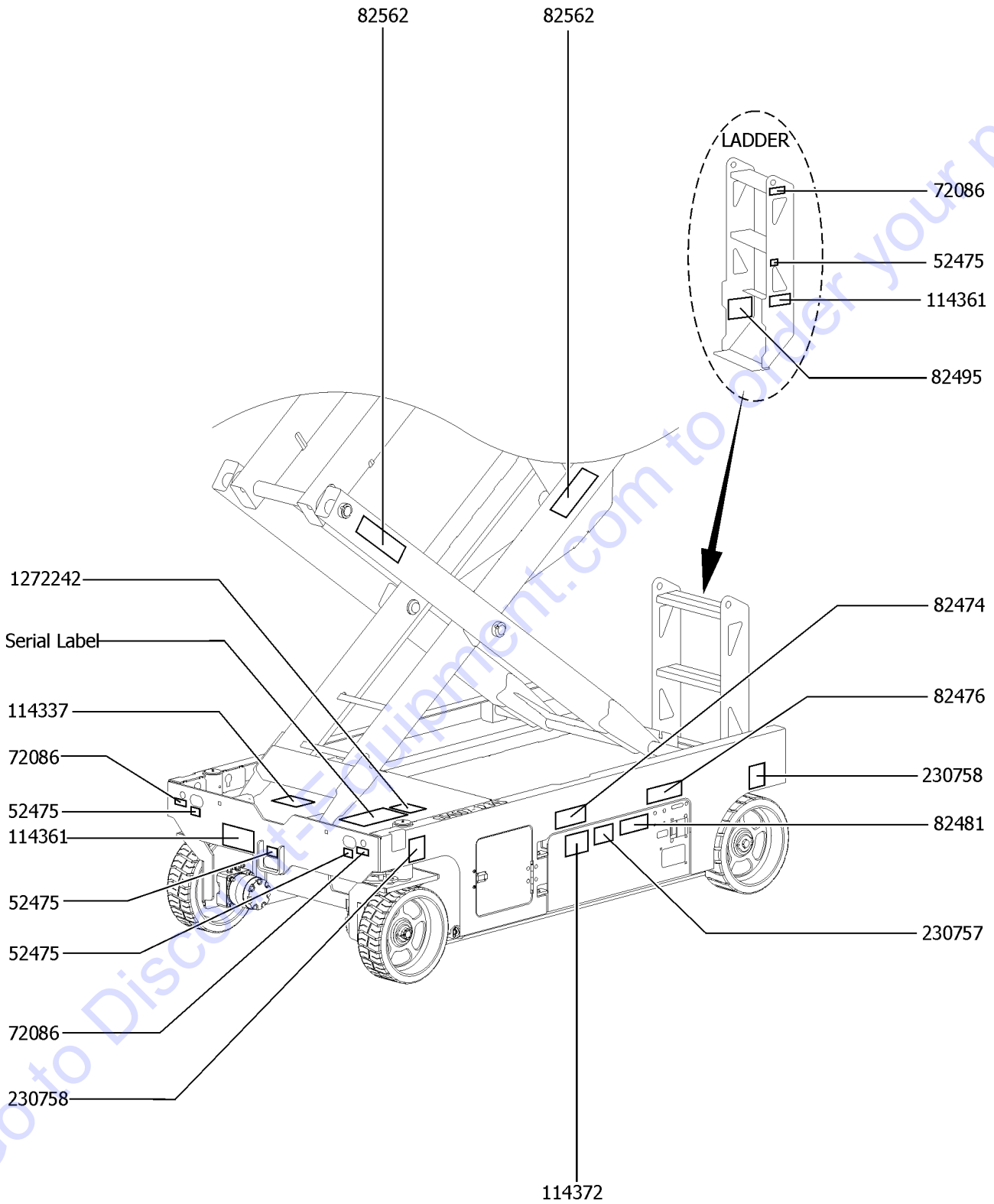
103.1 Word Decals, Platform



## 103.1 Word Decals, Platform

Item	Part No.	Description	Qty.
1	28174GT	DECAL, POWER TO PLATFORM 230V** .....1 <i>Option, power to platform</i>	1
2	28176GT	DECAL,LABEL,MANUAL NOT HERE.....1	1
3	28235GT	DECAL,POWER TO PLATFORM 115V...1 <i>Option, power to platform</i>	1
4	28236GT	DECAL,WARN,IMPROPER OPERATION.....1	1
5	40434GT	DECAL,LANYARD ANCHORAGE POINT.....5	5
6	43618GT	DECAL, LABEL - DIRECTION ARROWS.....2	2
7	44736GT	DECAL,DANGER,TIP-OVER,TILT.....1	1
8	44981GT	DECAL,LABEL, AIR LINE 110 PSI.....1 <i>Option, airline to platform</i>	1
9	82557GT	DECAL,LABEL,PLAT CONT LOCATION.....1	1
10	82730GT	DECAL,INSTR-SIDE FRC,ANSI 3246.....1	1
11	114386GT	DECAL,DANGER-GEN SAFETY.....1	1
12	133596GT	DECAL,LABEL,FAULT CODES.....1	1
13	137605GT	DECAL,E-STOP,GR/GRC/GS PCON.....1	1
14	137656GT	DECAL,PROPEL,GR/GRC/GS,PCON.....1	1
15	230620GT	DECAL,COSMETIC,GS-4047.....2	2
16	1256702GT	DECAL, UI, GS/GR, PROP LIFT.....1	1
17	1257188GT	DECAL,OP INST,PLAT,GS46 ANSI.....1	1
18	1257923GT	DECAL, SMARTLINK PROPORTIONAL.....2	2
19	1259923GT	DECAL,INSTR-MAX CAP, 4047.....1	1

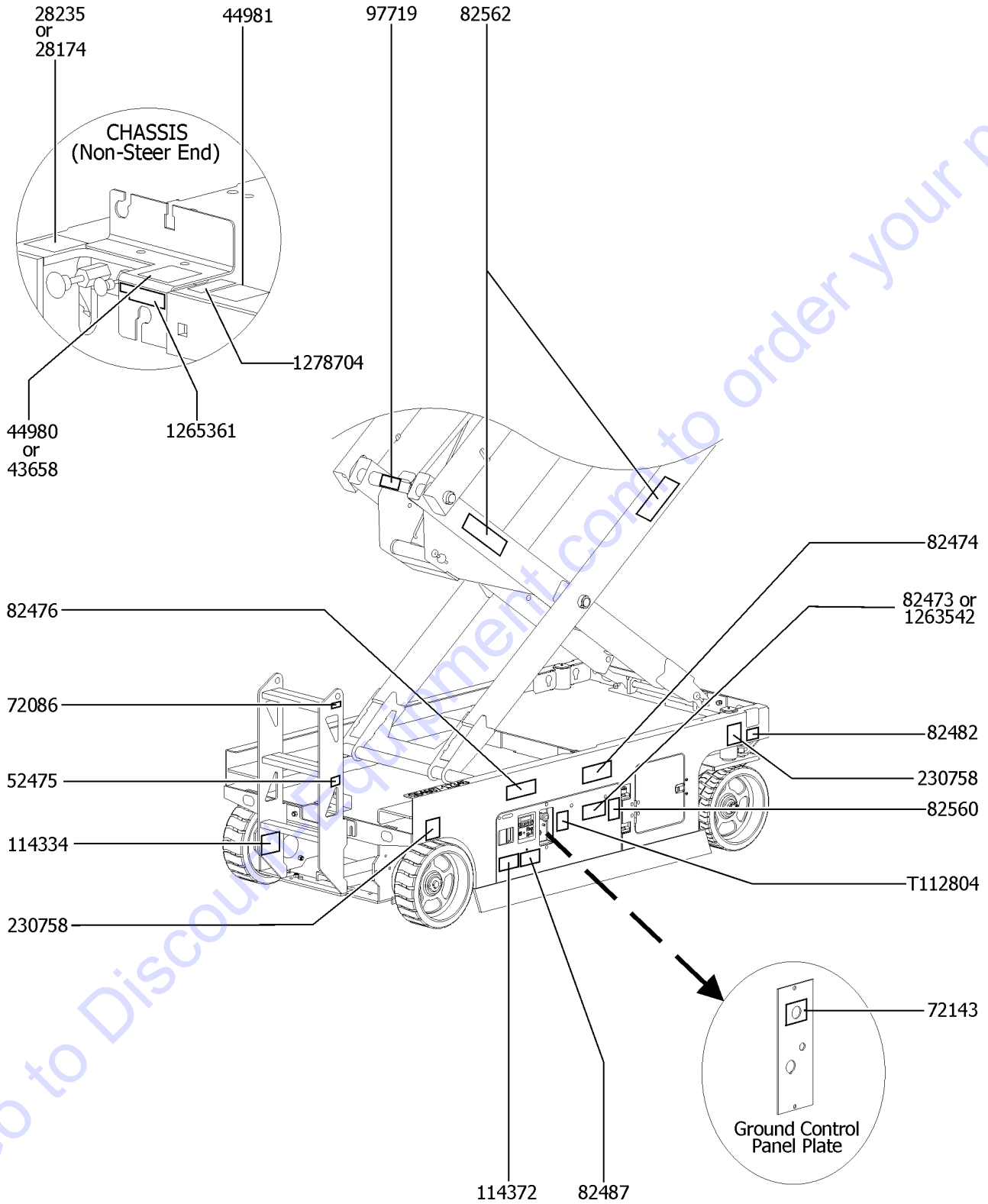
104.1 Symbol Decals, Battery Side



## 104.1 Symbol Decals, Battery Side

Item	Part No.	Description	Qty.
A	1261982GT	DECAL KIT, SYM, PLAT, ANSI <i>Decal kit, Platform</i>	
B	1261998GT	OPTION, SYM DECALS, ANSI, 4047 <i>Decal Kit, Complete</i>	
1	52475GT	DECAL, LABEL, TRANSPORT TIEDOWN*.....	4
2	72086GT	DECAL, LABEL, LIFTING EYE.....	3
3	82474GT	DECAL, SYMBOL-USE SAFETY ARM....	1
4	82476GT	DECAL, SYMBOL-ELEC HAZARD, GS....	1
5	82481GT	DECAL, SYMBOL-BATTERY SAFETY....	1
6	82495GT	DECAL, SYMBOL-BRAKE REL SAFETY.....	1
7	82562GT	DECAL, SYMBOL-CRUSHING HAZARD.....	2
8	114337GT	DECAL, SYM-TIP-OVER, LIM SWITCH....	1
9	114361GT	DECAL, LABEL-TRANSPORT DIGRAM.....	2
10	114372GT	DECAL SYMBOL TIP OVER TRAYS....	1
11	230757GT	DECAL, SYM, TIPOVER, BATT, GS-4047...	1
12	230758GT	DECAL, LABEL, WHEEL LOAD, GS-4047.....	2
13	1272242GT	DECAL, MACHINE REGISTRATION/OWNER TRANSFER....	1

105.1 Symbol Decals, Ground Control Side



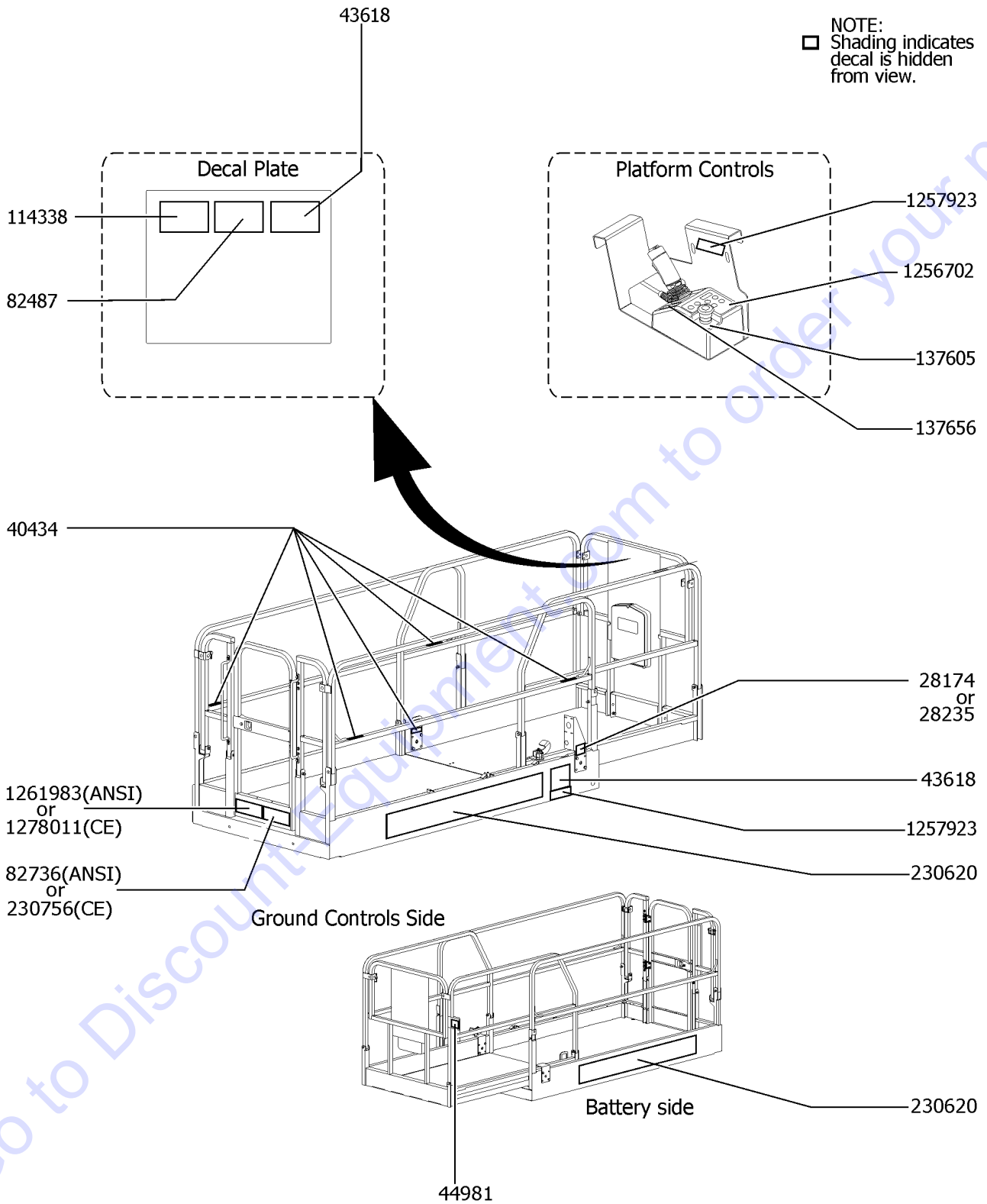


## 105.1 Symbol Decals, Ground Control Side

Item	Part No.	Description	Qty.
A		REF: GS-4047 Symbol Decal Kits <i>Ref to 104.1</i>	
1	28174GT	DECAL, POWER TO PLATFORM 230V**.....1 <i>Option, power to platform</i>	1
2	28235GT	DECAL,POWER TO PLATFORM 115V...1 <i>Option, power to platform</i>	1
3	43658GT	DECAL,LABEL,PWR TO CHARGR 230V.....1 <i>Option, power to charger</i>	1
4	44980GT	DECAL,LABEL,PWR TO CHARGR 115V.....1 <i>Option, power to charger</i>	1
5	44981GT	DECAL,LABEL, AIR LINE 110 PSI.....1 <i>Option, airline to platform</i>	1
6	52475GT	DECAL,LABEL,TRANSPORT TIEDOWN*.....1	1
7	72086GT	DECAL,LABEL,LIFTING EYE.....1	1
8	72143GT	DECAL,EMERGENCY STOP,GR.....1	1
10	82474GT	DECAL,SYMBOL-USE SAFETY ARM....1	1
11	82476GT	DECAL,SYMBOL-ELEC HAZARD,GS....1	1
12	82482GT	DECAL,LABEL,AUX LOWERING.....1	1
13	82487GT	DECAL, SYMBOL - READ THE MANUAL.....1	1
14	82560GT	DECAL,SYMBOL-SKIN INJECT HAZRD.....1	1
15	82562GT	DECAL,SYMBOL-CRUSHING HAZARD.....2	2
16	97719GT	DECAL, LABEL, SAFETY ARM SYMB...1	1
17	114334GT	DECAL,SYM-ELEC HAZARD,PLUG.....1	1
18	114372GT	DECAL SYMBOL TIP OVER TRAYS.....1	1
19	230758GT	DECAL,LABEL,WHEEL LOAD,GS-4047.....2	2
20	1263542GT	DECAL, COMPARTMENT ACCESS.....1	1
21	1265361GT	DECAL, BATTERY CHARGER INDICAT.....1 <i>from SN GS47D-6635</i>	1
22	1278704GT	DECAL,CHARGE STATUS IND.....1 <i>from SN GS47D-6635</i>	1
23	T112804GT	DECAL,GCON PANEL,GS.....1	1

106.1 Symbol Decals, Platform

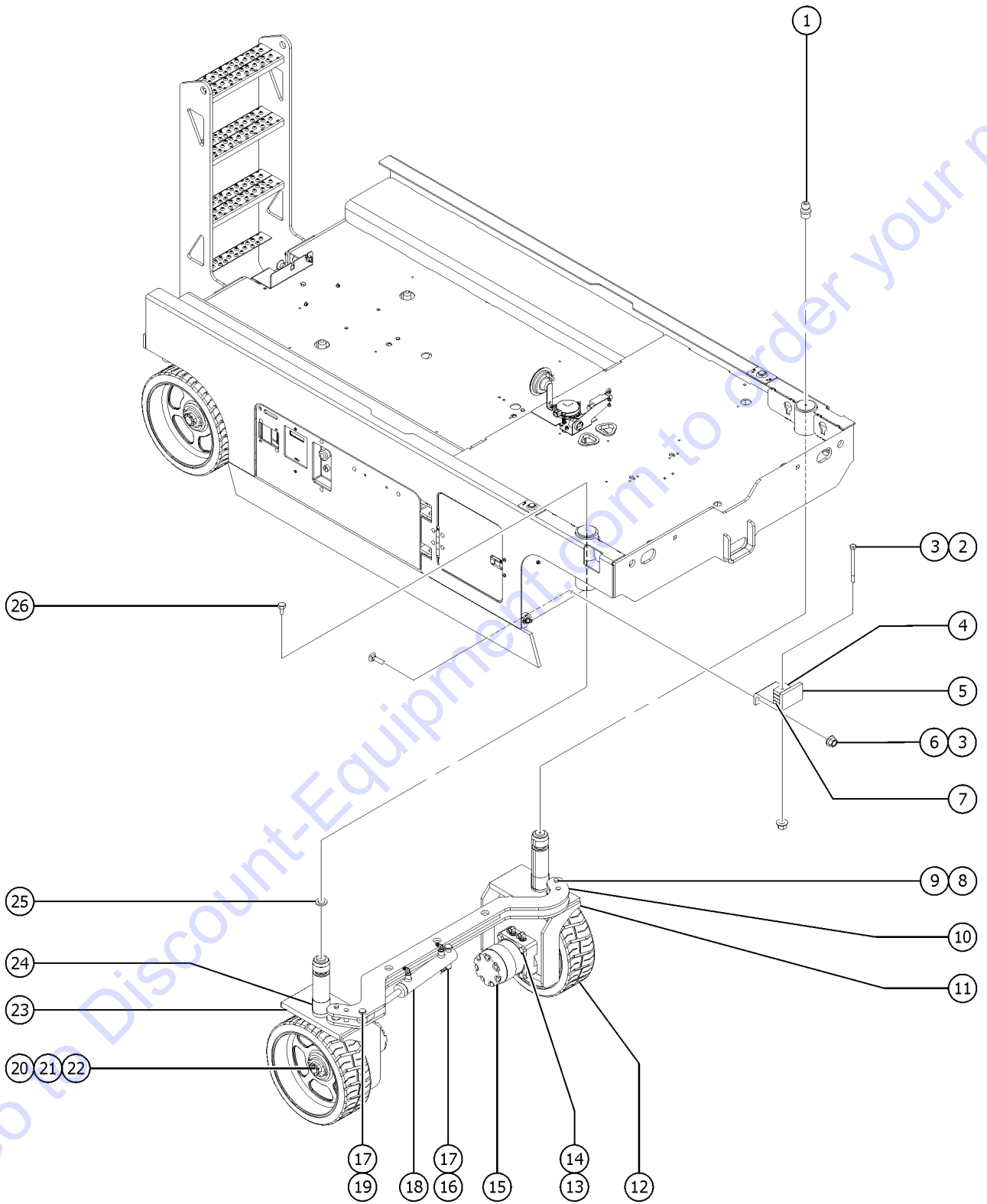
NOTE:  
☐ Shading indicates  
decals hidden  
from view.



## 106.1 Symbol Decals, Platform

Item	Part No.	Description	Qty.
A		REF: GS-4047 Symbol Decal Kits <i>Ref to 104.1</i>	
1	28174GT	DECAL, POWER TO PLATFORM 230V**.....1 <i>Option, power to platform</i>	1
2	28235GT	DECAL,POWER TO PLATFORM 115V...1 <i>Option, power to platform</i>	1
3	40434GT	DECAL,LANYARD ANCHORAGE POINT.....5	5
4	43618GT	DECAL, LABEL - DIRECTION ARROWS.....2	2
5	44981GT	DECAL,LABEL, AIR LINE 110 PSI.....1 <i>Option, airline to platform</i>	1
6	82487GT	DECAL, SYMBOL - READ THE MANUAL.....1	1
7	82736GT	DECAL,SYM-SIDE FORCE.....1	1
8	114338GT	DECAL,SYM-TIP-OVER,TILT ALARM.....1	1
9	137605GT	DECAL,E-STOP,GR/GRC/GS PCON....1	1
10	137656GT	DECAL,PROPEL,GR/GRC/GS,PCON....2	2
11	230620GT	DECAL,COSMETIC,GS-4047.....2	2
12	1256702GT	DECAL, UI, GS/GR, PROP LIFT.....2	2
13	1257923GT	DECAL, SMARTLINK PROPORTIONAL.....2	2
14	1261983GT	DECAL,SYM,MAX CAP,4047,ANSI.....1	1
15	1278011GT	DECAL, SYMBOL, CE, MAXIMUM CAPACITY, 350KG.....1	1
16	230756GT	DECAL,MANUAL FORCE,GS-4047.....1	1

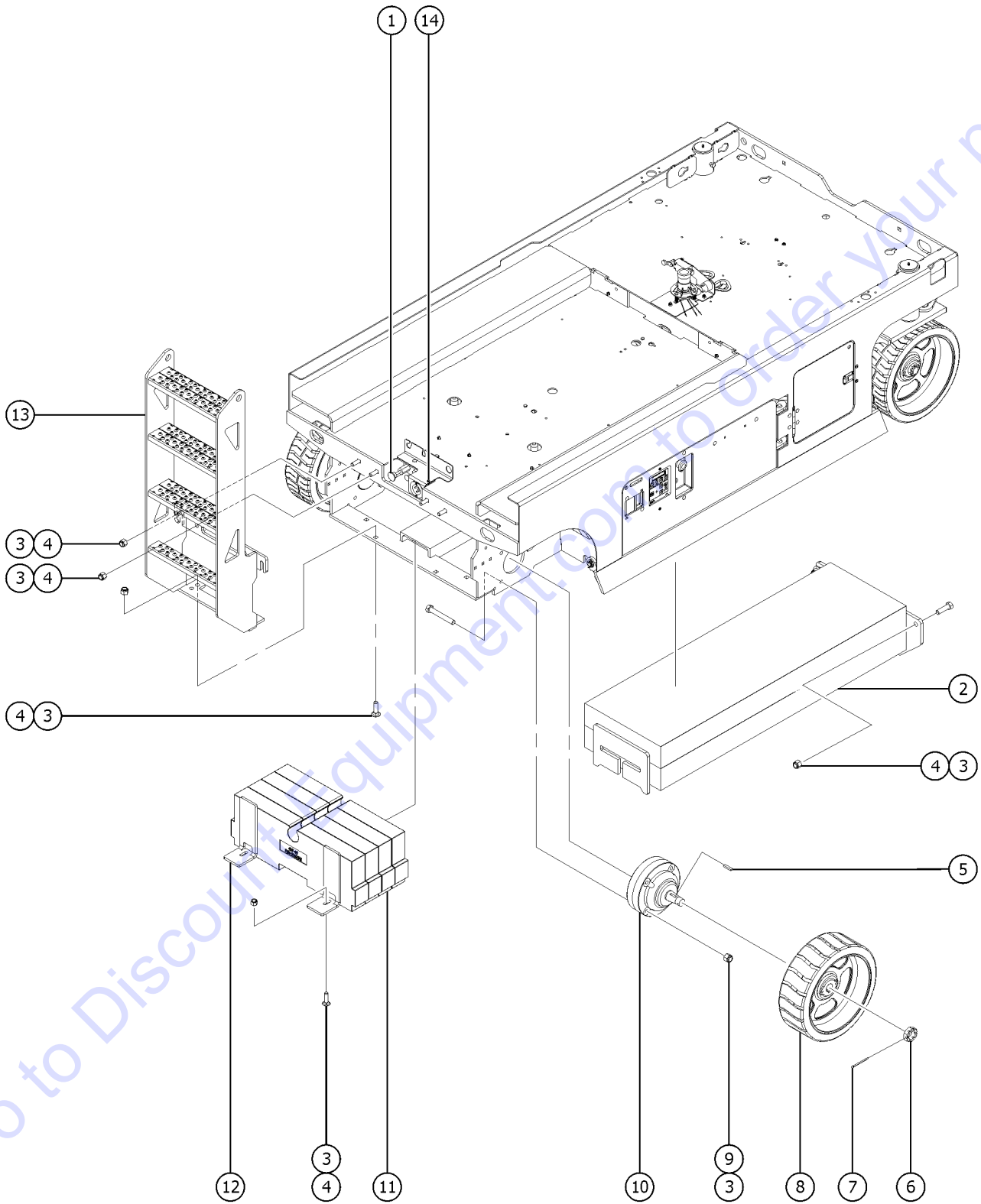
201.1 Steer Linkage and Wheels



## 201.1 Steer Linkage and Wheels

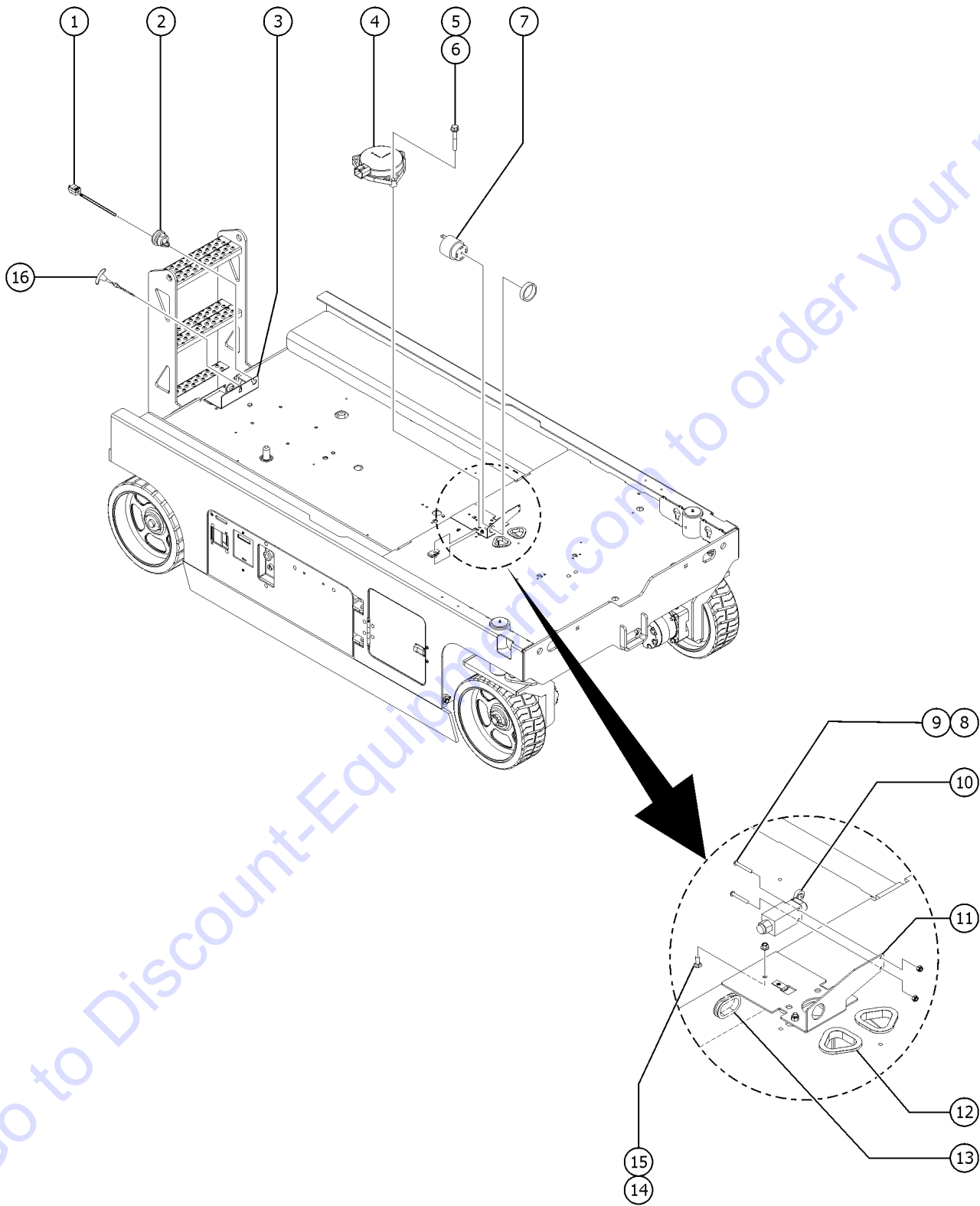
Item	Part No.	Description	Qty.
1	66770GT	FITTING,STRAIGHT DRIVE-IN ZERK...2	
2	1256123GT	SCREW,HHC,1/4-20X3.25,8,ZAG.....1	
3	824027GT	NUT,TL FLG,1/4-20,G,ZAG	
4	78736GT	CLAMP,2 HOSE,PLASTIC,5/8.....4	
5	230364GT	FORMING,HOSE CLAMP SPT,PTD,BLU.....1	
6	824124GT	BOLT,CARRIAGE,1/4-20X.75,5,ZAG	
7	58592GT	PLATE,HOSE ROUTG,BULKHEAD(PTD).....1	
8	8255GT	SCREW,HHC,3/8-16 X .75	
9	47946GT	BEARING,1.00IDX1.25ODX0.49L.....2	
10	97267GT	TIE ROD ASSY, GS46.....1 (battery pack side)	
--	47946GT	BEARING,1.00IDX1.25ODX0.49L.....4	
--	96574GT	WLDMT,TIE ROD,GS46.....1	
11	96573GT	WLDMT,STEER YOKE,LT,GS32/46.....1 (battery pack side)	
12	1256051GT	WHEEL & TIRE ASSY LP,15",EXMALE.....2	
13	1256287GT	SCREW,HHC,1/2-13X3.5,8,ZAG	
14	1251997GT	NUT,TL FLG,1/2-13,G,ZAG	
15		Ref. Drive Motor (refer to 501.1)	
16	1259195GT	PIN,CLEVIS,3/4X3.25,ZAG.....1	
17	21253GT	CLIP,HAIR PIN .125 X 2.....2	
18		Ref. Steer Cylinder (refer to 501.1)	
19	1259193GT	PIN,CLEVIS,3/4X2,ZAG.....1	
20	44780GT	NUT,CASTLE,1.125-18 UNEF.....2	
21	13635-10GT	PIN,COTTER,.156 X 1.75.....2	
22	44781GT	KEY,RECTANGULAR,.31X.28X1.25"*.....2	
23	96572GT	WLDMT,STEER YOKE,RT,GS32/46.....1 (ground controls side)	
24	18722GT	BEARING,2.25IDX2.50ODX1.50L ***.....2	
25	824120GT	WASHER,FLAT,.375X1.50X.125,ZAG.....2	
26	1256109GT	SCREW,HHC,3/8-16X.75,8,ZAG	

202.1 Non-Steer Axle Installation



Item	Part No.	Description	Qty.
1		REF: BRAKE RELEASE MANIFOLD (refer to 503.1)	
2	96876GT	COUNTERWEIGHT, BELLY.....1 <i>inside front center of chassis)</i>	1
3	1251997GT	NUT,TL FLG,1/2-13,G,ZAG	
4	1256115GT	BOLT,CARRIAGE,1/2-13X1.75,5,ZA	
5	44781GT	KEY,RECTANGULAR,.31X.28X1.25"*.....2	2
6	44780GT	NUT,CASTLE,1.125-18 UNEF.....2	2
7	42079GT	PIN,COTTER,.156 X 2.5.....2	2
8	1256051GT	WHEEL & TIRE ASSY LP,15",EXMALE.....2	2
9	1256287GT	SCREW,HHC,1/2-13X3.5,8,ZAG.....4	4
10		REF: HYDRAULIC BRAKE (refer to 501.1)	
11	96887GT	CWT, REAR, XX46.....1	1
12	1273381GT	FORMING, CWT CLAMP.....1	1
13	1273371GT	WELDMENT,LADDER,GS4047.....1	1
14	1270281GT	ASSEMBLY, CHARGER STATUS LED, 2V.....1	1

203.1 Level Sensor Installation



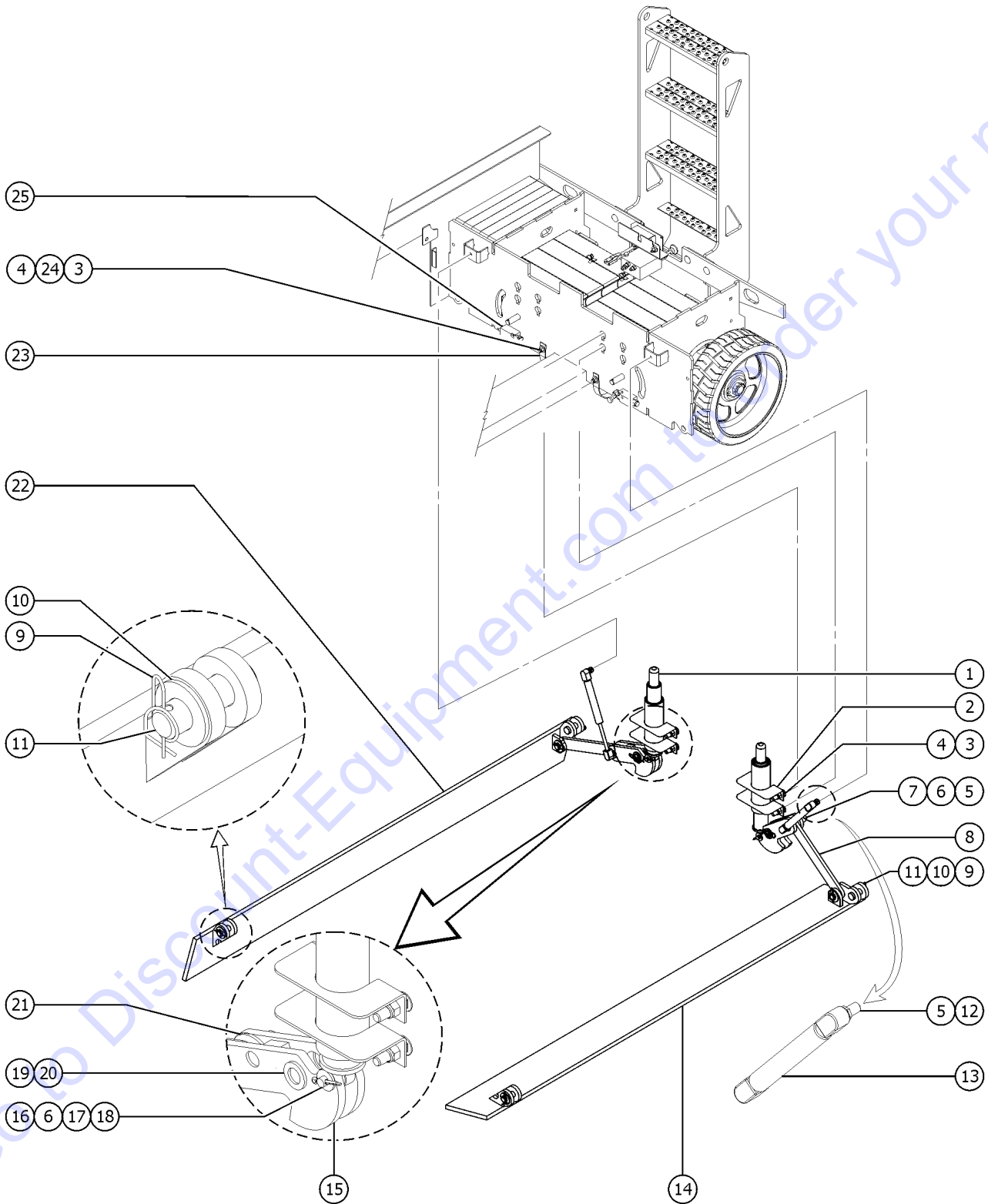
Go to Discount-Equipment.com to order your parts



## 203.1 Level Sensor Installation

Item	Part No.	Description	Qty.
1		REF. Electrical Plugs and Cords <i>(refer to 402.1)</i>	
2	128118GT	BUSHING,STRAIN RELIEF,875/.40.....1	
3A	144226GT	FORMING,REC.PLG BRKT.....1 <i>CE models</i>	
3B	1282153GT	FORMING,REC.PLG BRKT,METRIC.....1 <i>US market</i>	
3C	1282145GT	FORMING, PLUG/LED BRACKET,METRIC.....1 <i>AUS market</i>	
4	823368GT	SENSOR,LEVEL,UNIVERSAL.....1	
5	824079GT	SCREW,HHF,1/4-20X1,8,ZAG.....3	
6	56912GT	SPRING CLIP,1/4-20,.025-.15X.54,ZAG.....3	
7	39540GT	ALARM,STEADY TONE***.....1 <i>order 72326 mounting ring separately</i>	
--	72326GT	NUT - PLASTIC,RING FOR ALARMS <i>for 39540</i>	
8	824216GT	SCREW,PHPM,10-32X1.5,ZAG	
9	1274168GT	NUT,NYLOCK,10-32,A,ZAG	
10	T112507GT	ASSEMBLY, DOWN LIMIT, GS.....1 <i>(Includes plug)</i>	
--	19491GT	CONTACTOR,LIMIT SWITCH	
--	96948GT	SWITCH,LIMIT,W/ROLLER ARM***	
--	97128GT	ROLLER ARM,LIMIT SWITCH***	
11	96870GT	FORMING,ALARM BRACKET.....1	
12	47232GT	GROMMET,RUBBER 2 X 2.75.....2	
13	47238GT	GROMMET,RUBBER 1.5 ID.....1	
14	824124GT	BOLT,CARRIAGE,1/4-20X.75,5,ZAG	
15	824027GT	NUT,TL FLG,1/4-20,G,ZAG	
16	39232GT	CABLE,EMERGENCY DOWN.....1	

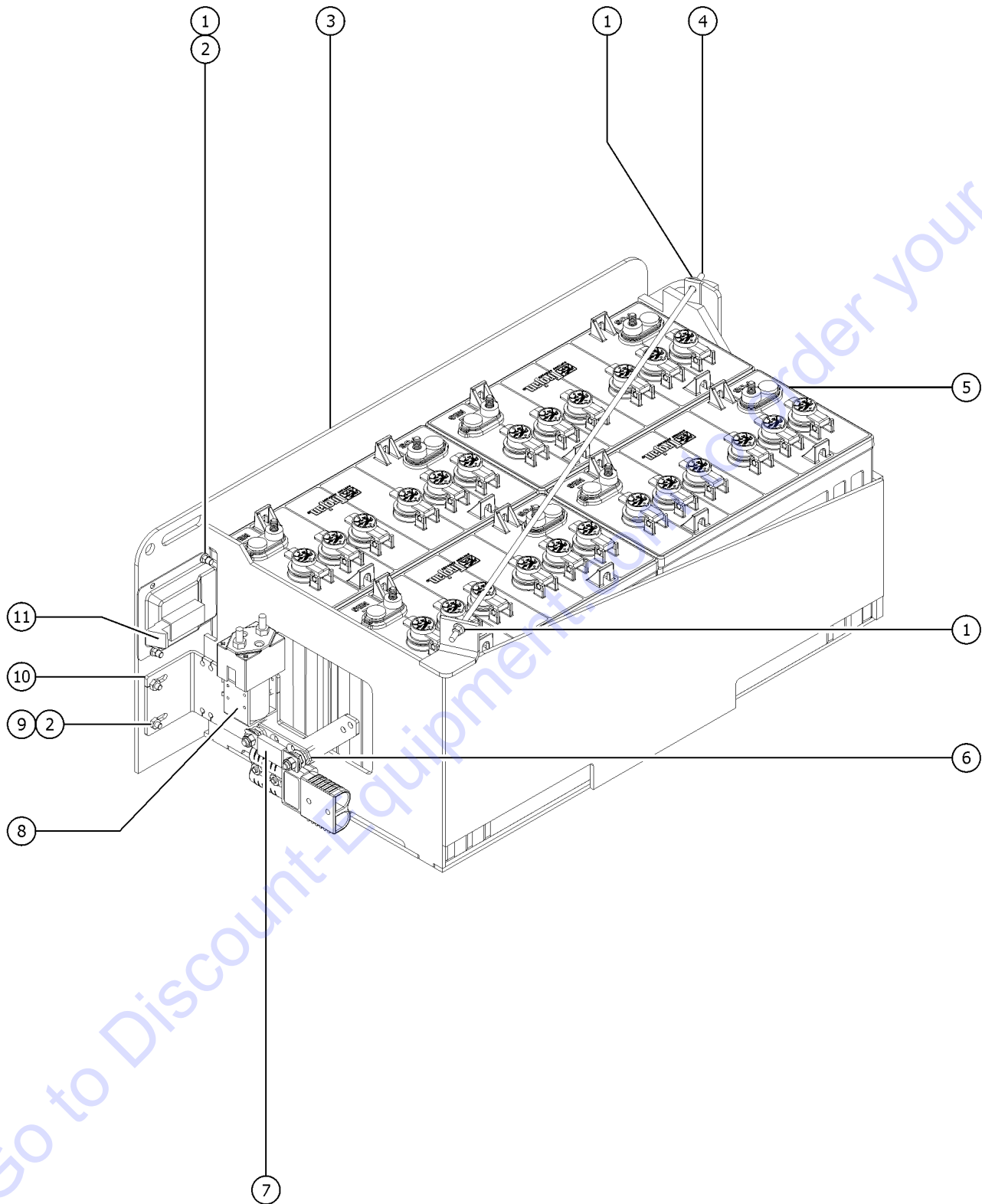
204.1 Pot Hole Protection Assembly



## 204.1 Pot Hole Protection Assembly

Item	Part No.	Description	Qty.
1	132588GT	ASSY,POT HOLE SYSTEM,GSXX46.....	2
--	132097GT	WLDMT, POT HOLE ACTUATOR.....	1
--	25817GT	BEARING, 1.00IDX1.25ODX1.00L.....	1
--	96838GT	SPRING, POTHOLE PUSHER.....	1
--	96840GT	PIN,PH ACTUATOR.....	1
2	132465GT	WELDMENT,PH GUIDE,GS46..... (ground controls side)	2
--	96408GT	BEARING, 1.523IDX1.75ODX0.63L	
3	1255757GT	BOLT,CARRIAGE,3/8-16X1.25,5,ZAG	
4	824029GT	NUT,TL FLG,3/8-16,G,ZAG	
5	78086GT	BALL STUD, GAS STRUT, 3/8-16	
6	825358GT	WASHER,FLAT,5/16,USS,ZAG	
7	96643GT	PIN, POTHOLE LINK PIVOT.....	2
8	132371GT	PLATE, POTHOLE LINK.....	2
9	1259177GT	RUE RING,5/8,ZAG	
10	1259180GT	WASHER,SHIM,.625X1.188X.064,ZA	
11	1259197GT	PIN,CLEVIS,.625X1.88,ZAG.....	4
--	105156GT	BUSHING,FLNGD,.63 X .77 X .38..... (sold seperately)	4
12	824038GT	NUT, TL JAM, 3/8-16, A, ZAG	
13	39542GT	GAS SHOCK,SCISSORS***.....	2
14	132362GT	WELDMENT, POTHOLE, LEFT SIDE.... (battery pack side)	1
15	84574GT	POT HOLE BELL CRNK LINK ASSYGS30.....	2
--	132133GT	WLDMT, POT HOLE BELLCRANK LINK.....	1
--	96642GT	BEARING,.75ID X 1.00D X 1.38LG.....	1
16	12016GT	PIN,COTTER,.125 X .75	
17	1259178GT	PIN,CLEVIS,.375X1.75,ZAG.....	2
18	96541GT	CAM FOLLOWER,1.125X.375,DELFIN.2	
19	1259686GT	WASHER,FLAT,.765X1.312X.093,ZA	
20	55355GT	SPACER,.75ID X 1.5OD X 1/4THK	
21	96085GT	WASHER,THRUST,.63 X 1.13 X .06	
22	132357GT	WELDMENT, POTHOLE, RIGHT SIDE... (ground controls side)	1
23	105060GT	GROUND STRAP, 8"LG.....	2
24	1255758GT	WASHER,FLAT,3/8,USS,ZAG	
25	96948GT	SWITCH,LIMIT,W/ROLLER ARM***.....	2
--	1256177GT	SCREW,PHPM,10-32X1.75,ZAG.....	4
--	19491GT	CONTACTOR,LIMIT SWITCH	
--	824032GT	NUT,TL FLG,10-32,F,ZAG.....	4
--	97128GT	ROLLER ARM,LIMIT SWITCH***	

205.1 Battery Pack Tray

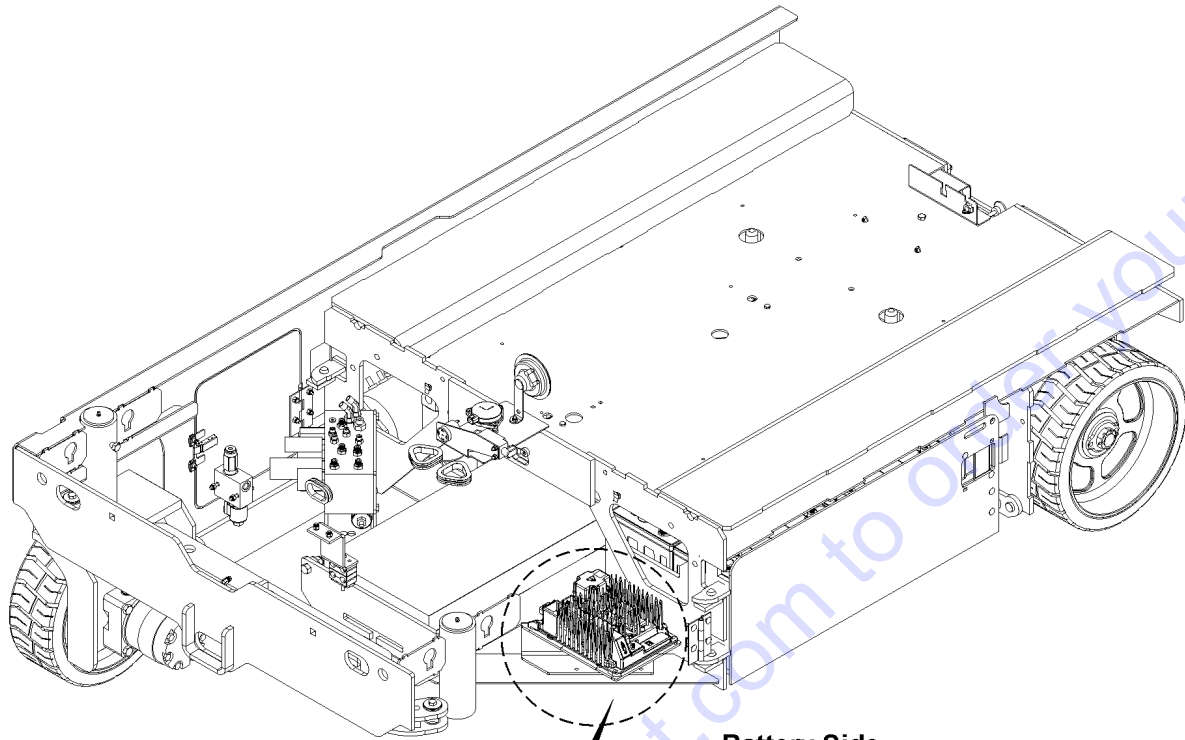


## 205.1 Battery Pack Tray

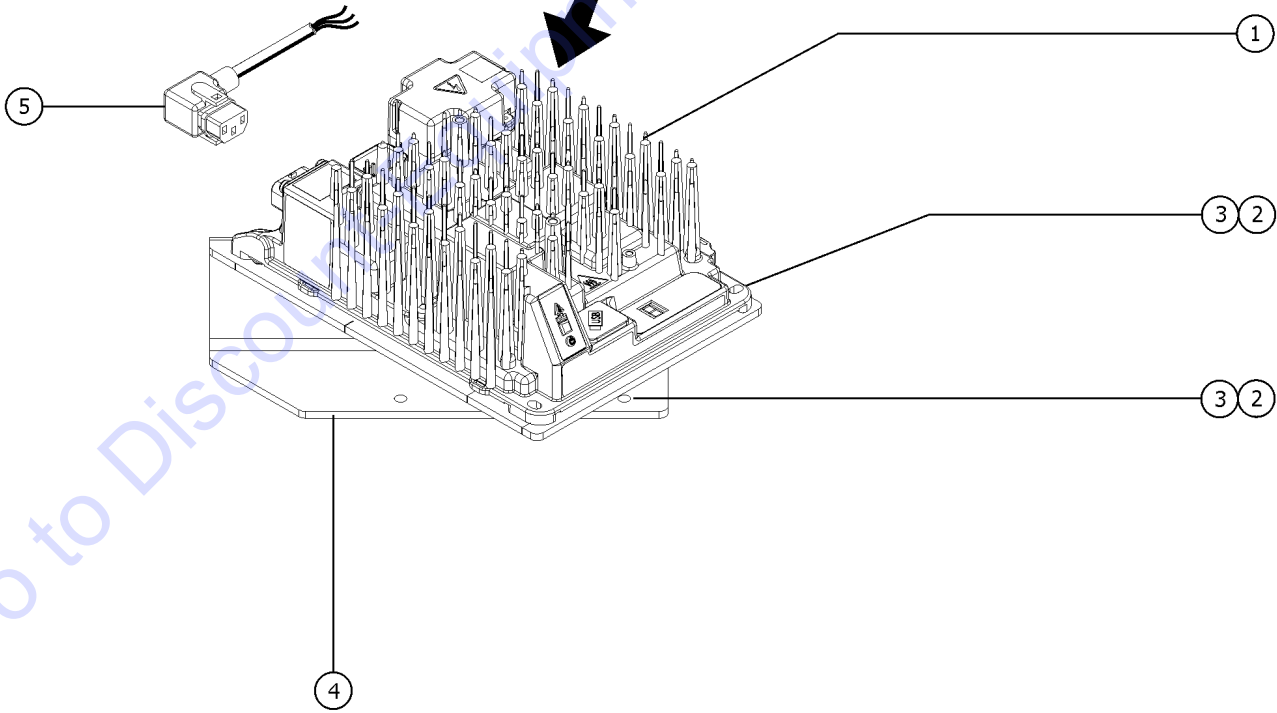
Item	Part No.	Description	Qty.
1	824027GT	NUT,TL FLG,1/4-20,G,ZAG.....6	6
2	824124GT	BOLT,CARRIAGE,1/4-20X.75,5,ZAG.....4	4
3A	T108670GT	WLDMT,GS4047 BATTERY TRAY.....1 <i>FLA</i>	1
4	237165GT	THREADED ROD,1/4-20,28.5".....1 <i>(air hose sold seperately)</i>	1
--	75631GT	HOSE,AIR 3/8.....26.5-inches	
5	T113971GT	BATTERY,12V,150AH, T1275.....4	4
6	66717GT	FUSE BLOCK, ANN & ANL FUSE.....1 <i>(includes mounting fasteners)</i>	1
7	40833GT	FUSE,275 AMP,VERY FAST ACTING.....1	1
8	1270457GT	CONTACTOR,DRIVE,24V,180A.....1	1
9	1256679GT	NUT,SERRATED,1/4-20,8,ZAG.....2	2
10	1273388GT	FORMING, FUSE BRACKET.....1	1
11	55675GT	LATCH, LRG PADDLE HANDLE GS90...1	1

Go to Discount-Equipment.com to order your parts

206.1 Battery Charger



Battery Side

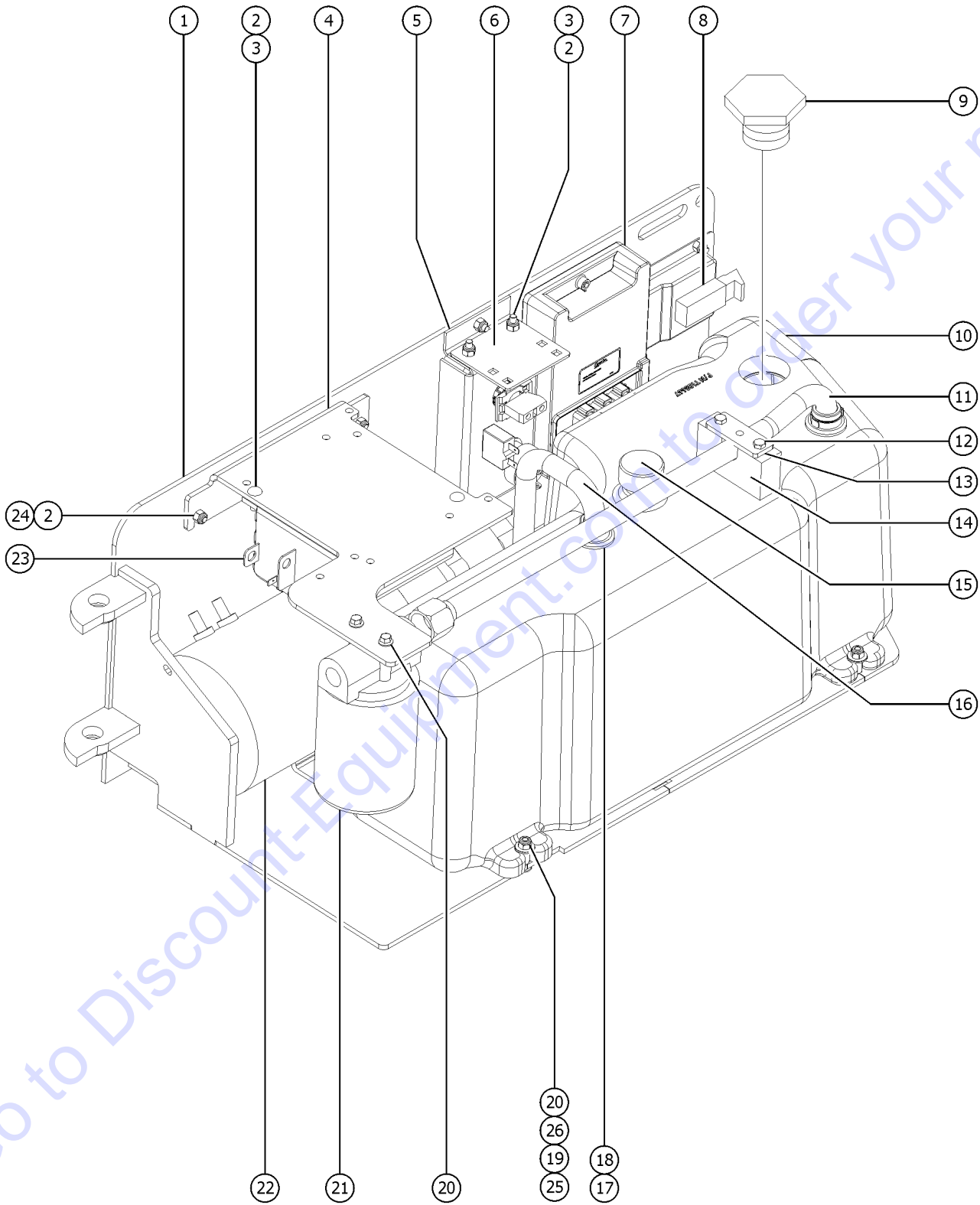


## 206.1 Battery Charger

Item	Part No.	Description	Qty.
A		REF. Side Door <i>(refer to 208.1 Ground Controls)</i>	
1	1272232GT	CHARGER,24V,650W,USB <i>From SN 4716D-3102</i>	
--		ASSEMBLY,CHARGER STATUS LED,2V <i>refer to 209.1</i>	
2	824027GT	NUT,TL FLG,1/4-20,G,ZAG	
3	1256127GT	BOLT,CARRIAGE,1/4-20X1.5,ZAG	
4	1278664GT	FORMING,CHARGER MOUNT,4047 <i>From SN 4716D-3102</i>	
5	1272557GT	POWER CORD, IEC 320, 90 DEG <i>From SN 4716D-3102</i>	

Go to Discount-Equipment.com to order your parts

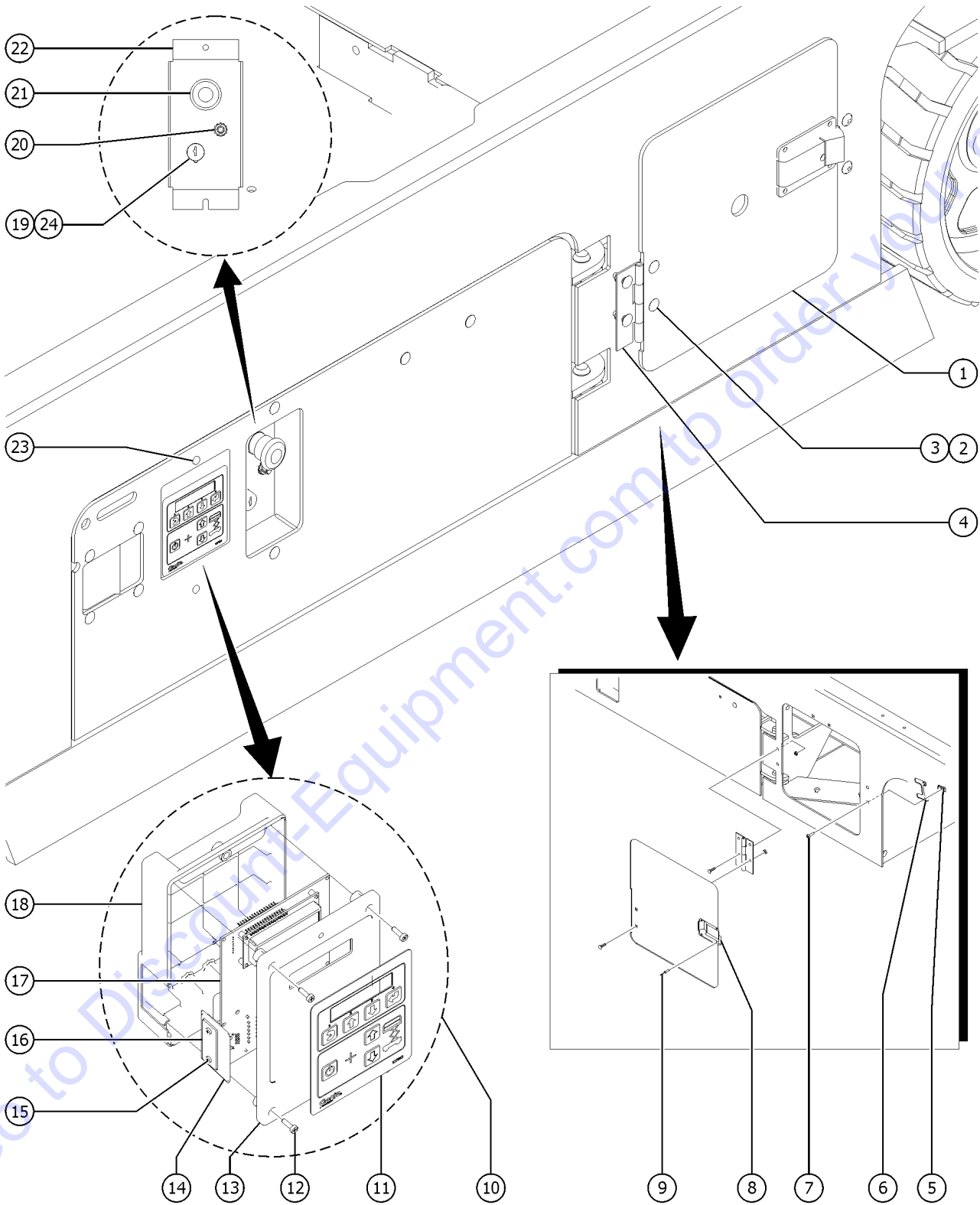
207.1 Power Unit Module





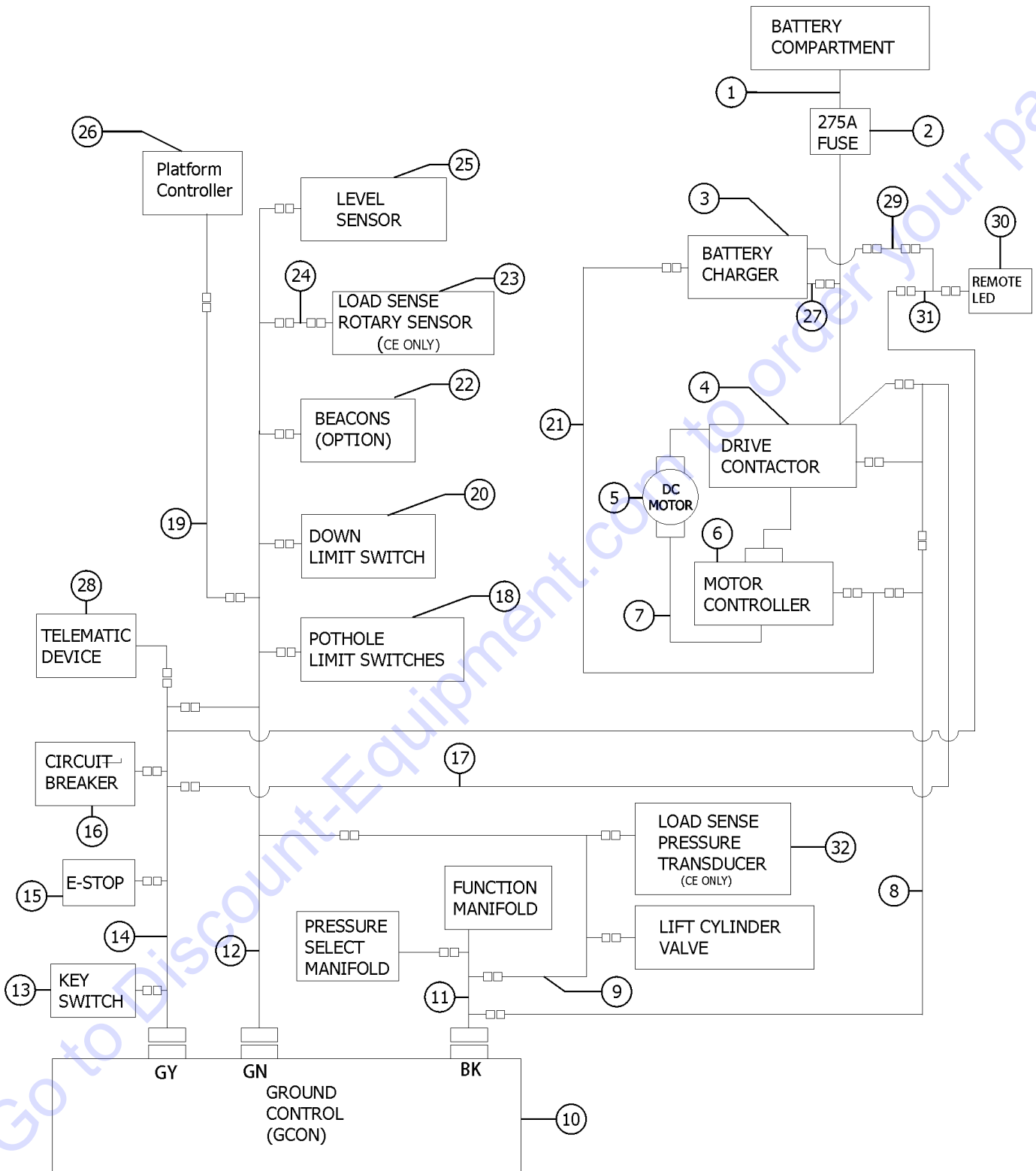
Item	Part No.	Description	Qty.
1	T113296GT	WELDMENT,GS HYD TRAY.....1 <i>(decals not included, refer to section one)</i>	1
2	824124GT	BOLT,CARRIAGE,1/4-20X.75,5,ZAG	
3	824027GT	NUT,TL FLG,1/4-20,G,ZAG.....1	1
4	1273379GT	FORMING,FILTER-CNTRLR MOUNT.....1	1
5		REF. FORMING,CONTROL PANEL <i>(refer to figure 208.1)</i>	
6	T108326GT	PLATE,HARNESS MOUNT.....1	1
7		REF. GCON <i>(refer to figure 208.1)</i>	
8	55675GT	LATCH, LRG PADDLE HANDLE GS90...1	1
9	66204GT	FILTER CAP (PLUG 1-1/2" NPT HEX....1	1
10	T108667GT	TANK,HYDRAULIC,6.5 GAL.....1	1
11	228339GT	ASSEMBLY,TANK RETURN,TUBE.....1	1
12	1256454GT	SCREW,HHC,M6-1.0X55,DIN931,10.....2	2
13	1273380GT	PLATE,CLAMP.....1	1
14	228361GT	CLAMP, RETURN LINE.....1	1
15	78546GT	BREATHER CAP,HYD. TANK, 1/4 NPT....1	1
16	96354GT	TUBE, ASSY, DRAW.....1	1
17	96855GT	CLAMP,HOSE,1 EAR,1-1/16***.....2	2
18	96709GT	GROMMET,SLAB HYD TANK***.....2	2
19	96699GT	SLEEVE,TANK SUPPORT	
20	9116GT	BOLT,CARRIAGE,1/4-20x1.25,G2	
21		REF. FILTER ASSY <i>(refer to figure 501.1)</i>	
22		REF. ELECTRIC MOTOR/PUMP <i>(refer to figure 504.1)</i>	
23	1257840GT	MOTOR CONTROLLER, DC,24V,360A.....1	1
24	1256679GT	NUT,SERRATED,1/4-20,8,ZAG.....2	2
25	6091GT	NUT,NYLOCK,1/4-20.....3	3
26	6638GT	WASHER,FLAT,USS,1/4"Y	

208.1 Ground Controls



Item	Part No.	Description	Qty.
1	105732GT	PLATE,SIDE DOOR*** .....1 (used on both sides)	1
2	824124GT	BOLT,CARRIAGE,1/4-20X.75,5,ZAG.....4	4
3	824027GT	NUT,TL FLG,1/4-20,G,ZAG.....4	4
4	105734GT	HINGE,ACCESS DOOR(13G).....1	1
5	56912GT	SPRING CLIP,1/4-20,.025-.15X.54,ZAG.....2	2
6	105572GT	PLATE,SIDE DOOR STOP*** .....1	1
7	1260984GT	SCREW,PHPM,1/4-20X.75,ZAG.....2	2
8	105759GT	LATCH,COMPRESSION,SMALL.....1	1
9	6272GT	RIVET,STL,STL,P,.125 X .25.....4	4
10	1256721GT	GCON,STD,PROP LIFT.....1 (models with 4 button, proportional controller)	1
11	137562GT	DECAL,MEMBRANE, GR/GRC/GS GCON.....1	1
12	137668GT	SCREW,PHM,6-19X.75, 48-2 TRI-L.....4	4
13	T106366GT	ENCLOSURE,GC27-25/GC21-19,FRNT.1	1
14	T106363GT	ADAPTER, RJ45, GC27-25/GC21-19.....1	1
15	137637GT	SCREW,PHM,4-20X.5, 48-2 TRI-L.....2	2
16	T106362GT	COVER, RJ45, GC27-25/GC21-19.....1	1
17	1256719GT	PCBA,GCON STD,PROP LIFT.....1 (models with 4 button, proportional controller)	1
18	T106372GT	ENCLOSURE, GC21-19, BK.....1	1
19	96008-SGT	KEYSWITCH,3 POS. W/KEYS*** .....1	1
--	37947GT	KEYS,10 PACK***	
--	83093GT	KEY SINGLE***	
--	85239GT	NUT,RETAINER (96008)	
--	88827GT	GASKET,KEYSWITCH,PLASTIC***	
--	96010GT	SCREW,PHILLIPS,PHM,8-32 X.25**	
20	96452GT	CIRCUIT BREAKER,7.0 AMP*** .....1	1
--	122994GT	NICKEL PLATED JAM NUT	
--	6700GT	WASHER,STAR,EXTERNAL,,375	
21	66812GT	BUTTON,PUSH,RED MUSHROOM HEAD.....1	1
--	58627GT	NUT	
--	66817GT	BASE WITH 1 NC CONTACT, E-STOP	
22	T108327GT	FORMING,CONTROL PANEL.....1	1
23	51063GT	SCREW,PHILLIPS,RHM,10-32 X 1.5.....2	2
24	96010GT	SCREW,PHILLIPS,PHM,8-32 X.25**.....3	3

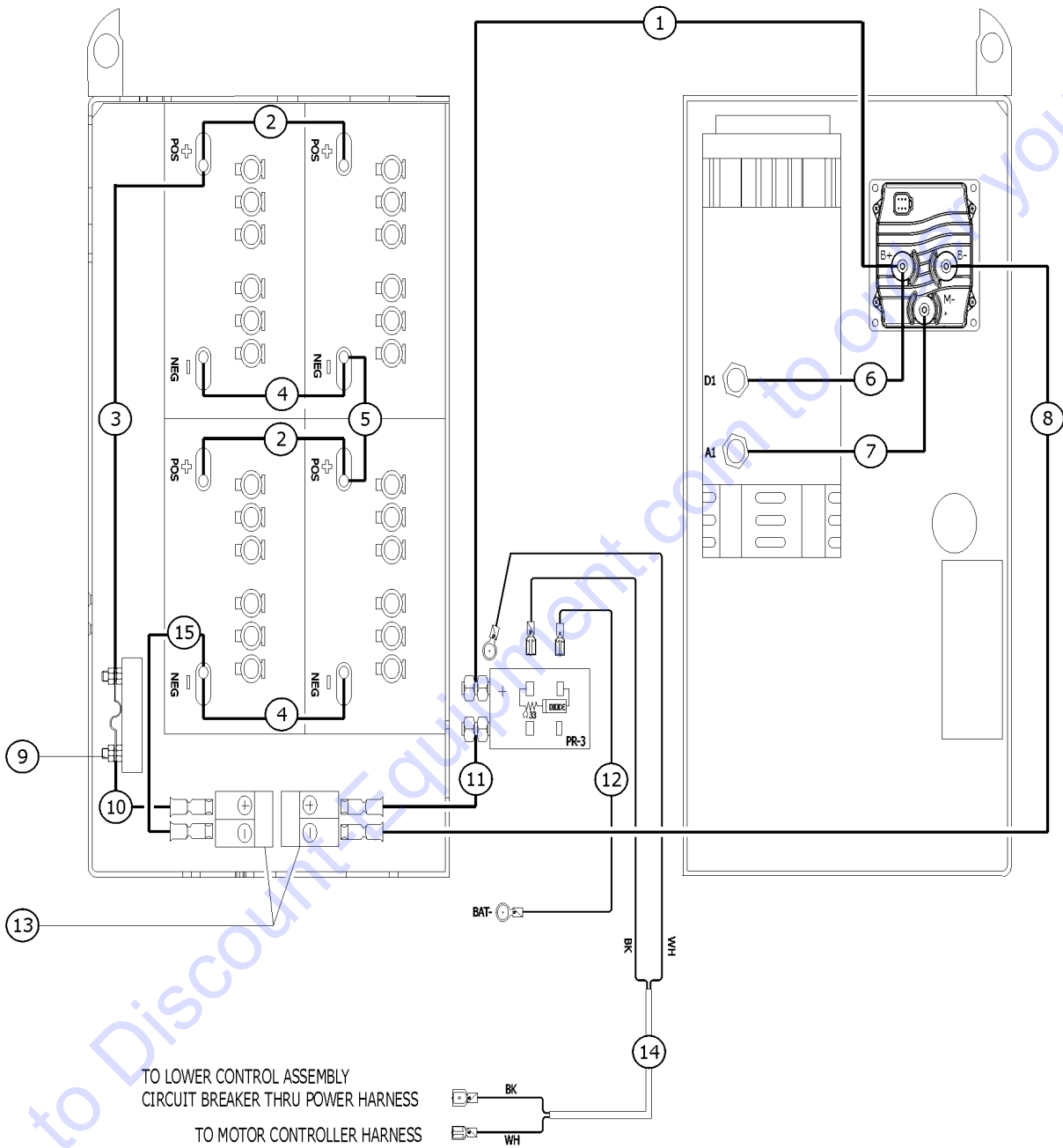
209.1 Electrical Wiring



209.1 Electrical Wiring

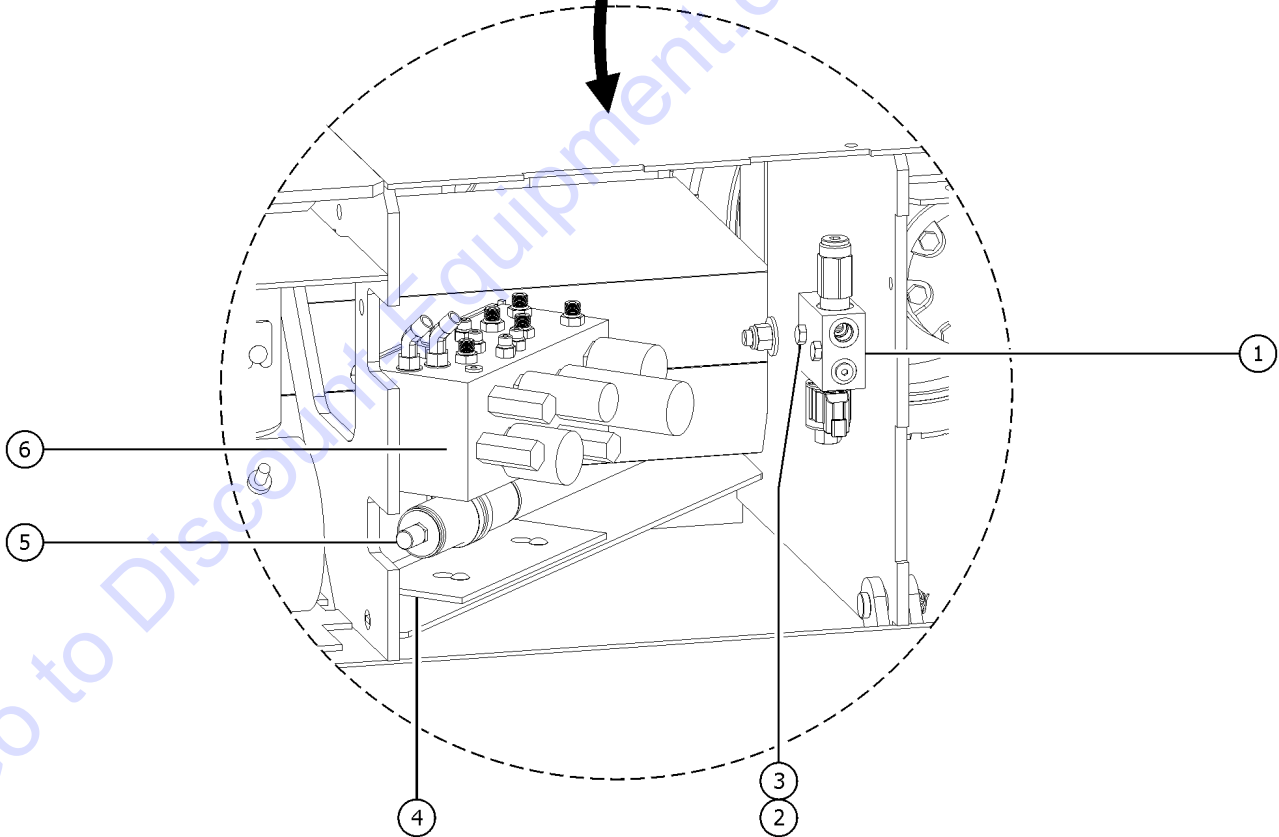
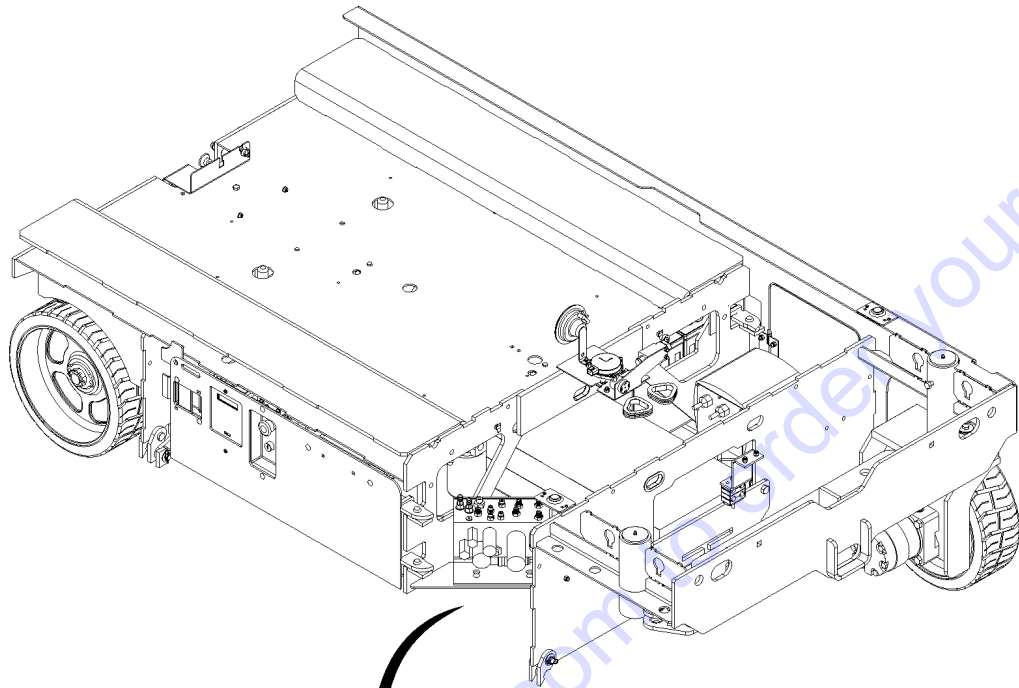
Item	Part No.	Description	Qty.	Item	Part No.	Description	Qty.
--	T112509GT	CABLE, LIFT CYL DOWN W/LS <i>(not shown)</i>		22		REF: Strobe Beacon <i>(refer to 601.1)</i>	
--	T112508GT	CABLE, LIFT CYL DOWN WO/LS <i>(not shown)</i>		23	T113136GT	ASSY,ROT SENSR W/ HARNESS.....1	
--	105214GT	CABLE TIE MOUNT, WINGED <i>(not shown)</i>		24	T114031GT	HARNESS, ROTARY ANGLE.....1	
--	56926GT	CLIP,TIE HARNESS MOUNT*** <i>(not shown)</i>		25		REF: Level Sensor <i>(refer to 203.1)</i>	
--	1264822GT	KIT, TRC RETROFIT, STNDRD <i>Telematics (includes 1264834)</i>		26		REF: Platform Controls (PCON) <i>(refer to 403.1)</i>	
--	1264834GT	INSTRN, TRC RETROFIT, STNDRD		27	1273351GT	CABLE,CHARGER,DC,W/BTS <i>(AGM Batteries)</i>	
1		REF: Battery Cable <i>(refer to 210.1)</i>		28	1283053GT	HARNESS, TELEMATICS, GS SLAB.....1 <i>from SN GS47D-7082</i>	
2		REF: Fuse <i>(refer to 205.1)</i>		29	1265771GT	HARNESS, CHARGER CONTROL.....1 <i>from SN GS4716D-3102</i>	
3		REF: Battery Charger <i>(refer to 206.1)</i>		30	1270281GT	ASSEMBLY, CHARGER STATUS LED, 2V.....1 <i>from SN GS4716D-3971</i>	
4		REF: Drive Contactor.....1 <i>(refer to 205.1)</i>		31	1273394GT	HARNESS, CHARGER EXTENSION.....1 <i>from SN GS4716D-3971</i>	
5		REF: Electric Motor <i>(refer to 504.1)</i>		32		REF:Pressure Transducer <i>(refer to 701.1)</i>	
6		REF: Motor Contoller <i>(refer to 207.1)</i>					
7		REF: Battery Cable <i>(refer to 210.1)</i>					
8	232580GT	HARNESS,DIODE JUMPER.....1					
9	236781GT	CABLE,LIFT CYL,GS4047.....1					
10		REF: Ground Controls (GCON) <i>(refer to 208.1)</i>					
11	1257845GT	HARNESS, FUNC. MANIFOLD, GS47....1					
12A	T110891GT	HARNESS, GS SENSORS, CE.....1 <i>(Green connector)</i>					
12B	1263220GT	HARNESS, GS SENSORS, CE,UTS.....1					
12C	1263221GT	HARNESS, GS SENSORS, ANSI,UTS...1					
13		REF: Key Switch <i>(refer to 208.1)</i>					
14	1258394GT	HARNESS,GS POWER CONTROL.....1 <i>(Grey connector)</i>					
15		REF: E-Stop <i>(refer to 208.1)</i>					
16		REF: Circuit Breaker <i>(refer to 208.1)</i>					
17	233430GT	HRNS,CONTACTOR SIGNAL,GS46.....1					
18	96853GT	ASSY,POTHOLE HARNESS GS32/GS46.....1					
19	1260202GT	CABLE,PLAT CNTRL,GS4047.....1					
20		REF: Down Limit <i>(refer to 203.1)</i>					
21	825013GT	CHARGER INTERLOCK CBLE,GS47					

210.1 Power Cables



Item	Part No.	Description	Qty.
A	28131GT	WIRE LOOM,1.25 DIA.....16-inches	
B	96110GT	BOOT,CABLE TERMINAL COVER.....11	
C	79140GT	BOOT,CABLE TERMINAL,RED,XL.....6	
1	1257858GT	CABLE ASSY., BATT. 101", RED.....1	
2	1252766GT	CABLE ASSY,BATT,11"RED.....2	
3	236806GT	CABLE ASSY,BATT,30.5" RED.....1	
4	1252765GT	CABLE ASSY,BATT,11"BLACK.....2	
5	236824GT	CABLE ASSY,BATT,11" BLACK.....1	
6	1257054GT	CABLE ASSY., BATT. 14" RED.....1	
7	1257055GT	CABLE ASSY., BATT. 12" BLACK.....1	
8	1257855GT	CABLE ASSY., BATT. 106" BLACK.....1	
9	66717GT	FUSE BLOCK, ANN & ANL FUSE.....1	
10	236821GT	CABLE ASSY,BATT,10.5" RED.....1	
11	233371GT	CABLE ASSY,BATT,23"RED.....1	
12	1264227GT	GROUND WIRE ASSY,GS4047.....1	
13A	66397GT	QUICK DISCONNECT CASING,BATT** .....2	
13B	44716GT	HANDLE,ANDERSON CONNECTOR SB.....1	
14	233430GT	HRNS,CONTACTOR SIGNAL,GS46.....1	

211.1 Accumulator, Lift Pressure Select and Function Manifolds

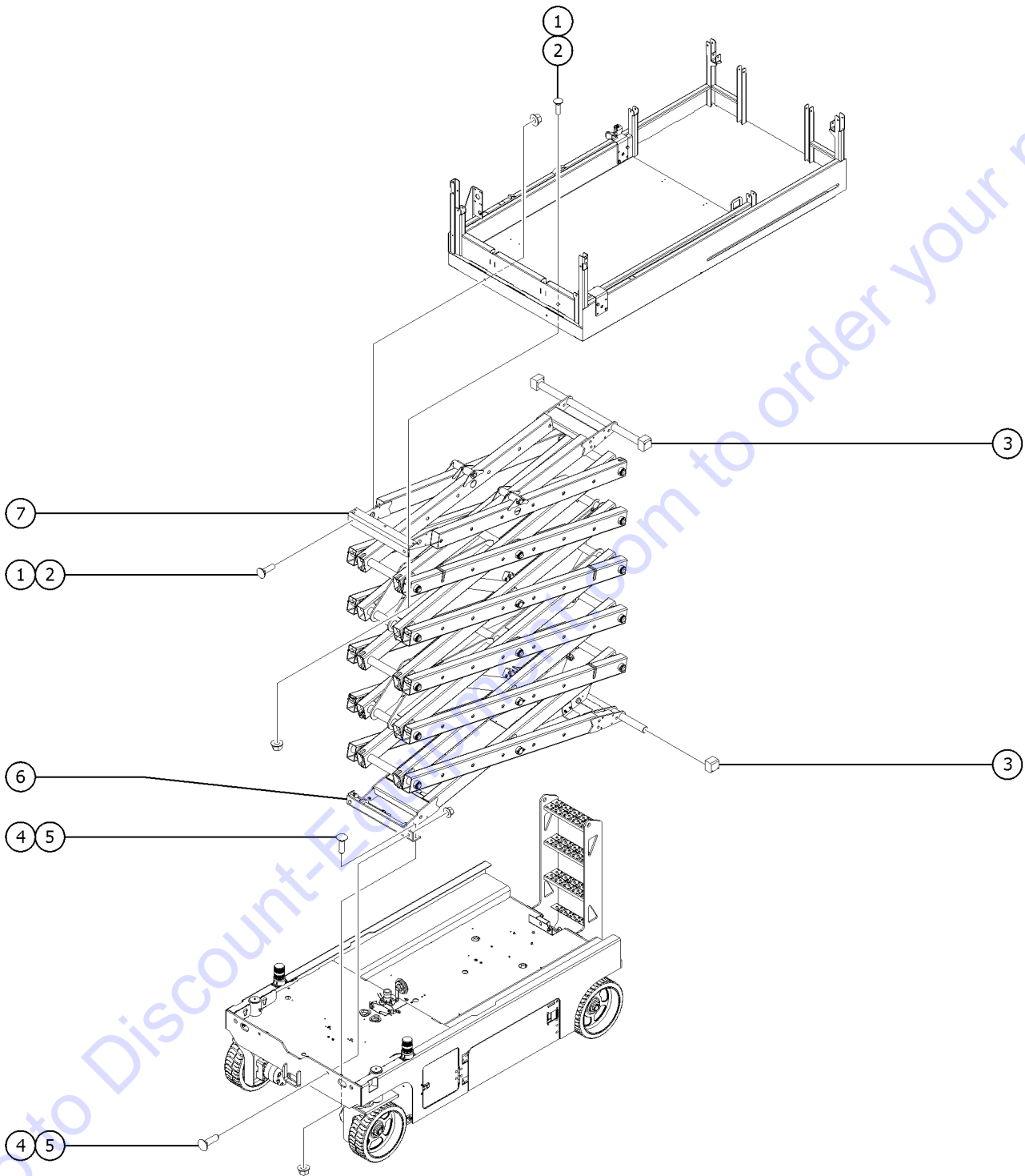




## 211.1 Accumulator, Lift Pressure Select and Function Manifolds

Item	Part No.	Description	Qty.
1	229606GT	MANIFOLD,LIFT PRESSURE SELECT..1	
--	119827GT	COIL, 20V, ZENER DIODE DEUTSCH	
--	229616GT	VALVE,RELIEF,SZ8, 3500 PSI	
--	44997GT	VALVE,SOLENOID,2POS 2WAY N.O.*	
2	824064GT	SCREW,HHC,1/4-20X2.25,8,ZAG.....2	
3	824027GT	NUT,TL FLG,1/4-20,G,ZAG.....2	
4	105574GT	FORMING,MANIFOLD MOUNT.....1	
5	78422GT	ACCUMULATOR,180 PSI PRECHARGE*.....1	
--	18504GT	NUT,LOCKING-LG.FLANGE,1/4-20	
--	32339GT	CLAMP,1.75,#28 X 3/8,RUB CUSH*	
--	9116GT	BOLT,CARRIAGE,1/4-20x1.25,G2	
6		Ref. Function Manifold.....1 (refer to 502.1)	

301.1 Scissor Assembly Installation

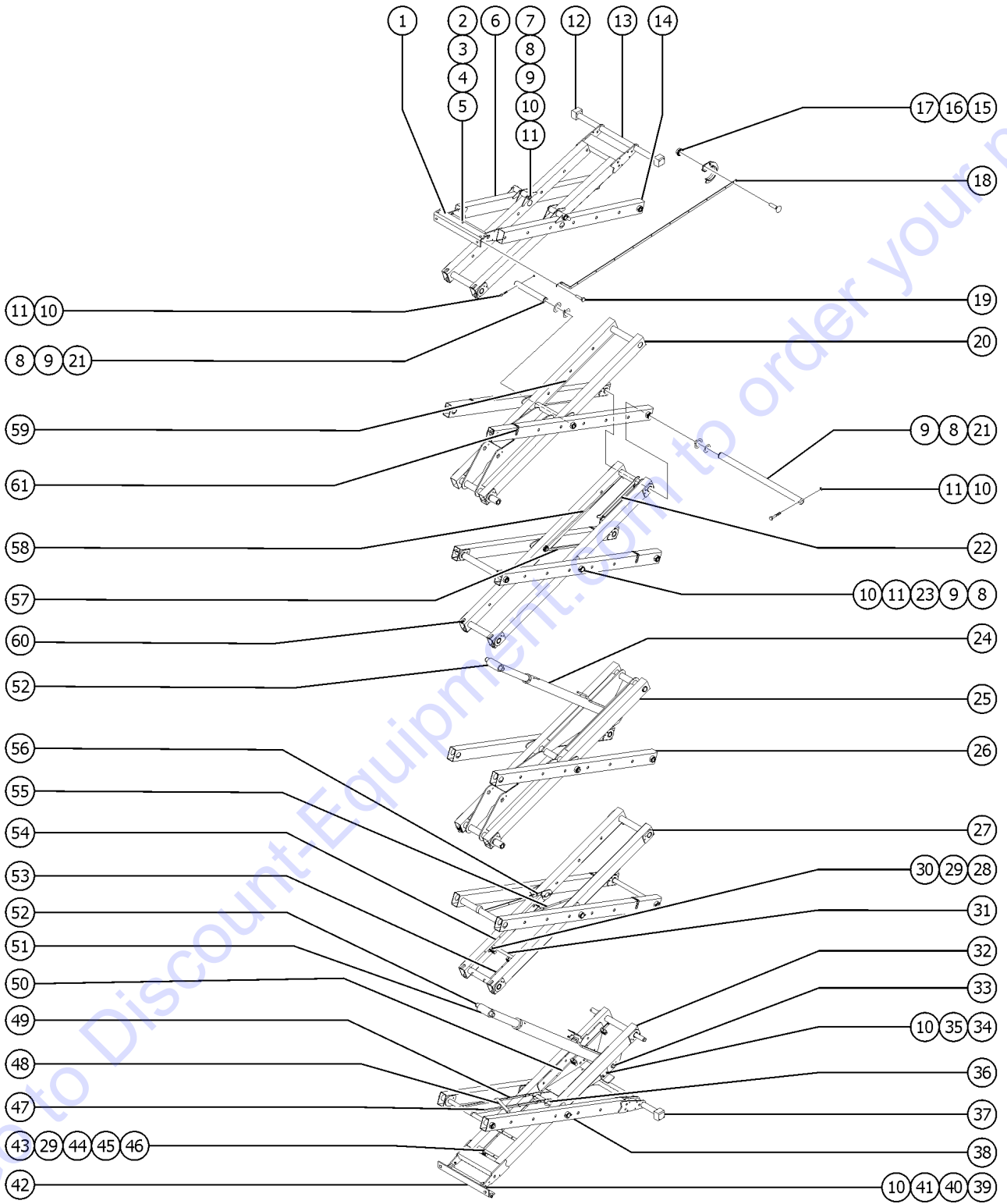


## 301.1 Scissor Assembly Installation

Item	Part No.	Description	Qty.
1	1255757GT	BOLT,CARRIAGE,3/8-16X1.25,5,ZAG.....8	
2	824029GT	NUT,TL FLG,3/8-16,G,ZAG.....8	
3	96595GT	SLIDER,UHMW.....4	
4	1256115GT	BOLT,CARRIAGE,1/2-13X1.75,5,ZA.....8	
5	1251997GT	NUT,TL FLG,1/2-13,G,ZAG.....8	
6	97241GT	CHASSIS MOUNT ASSY, GS32&46.....1	
--	51474GT	BEARING,1.00IDX1.25ODX0.75L	
7	84747GT	PLATFORM MOUNT ASSY, GS32&46....1	
--	36369GT	BEARING,0.75IDX1.00ODX0.75L	

Go to Discount-Equipment.com to order your parts

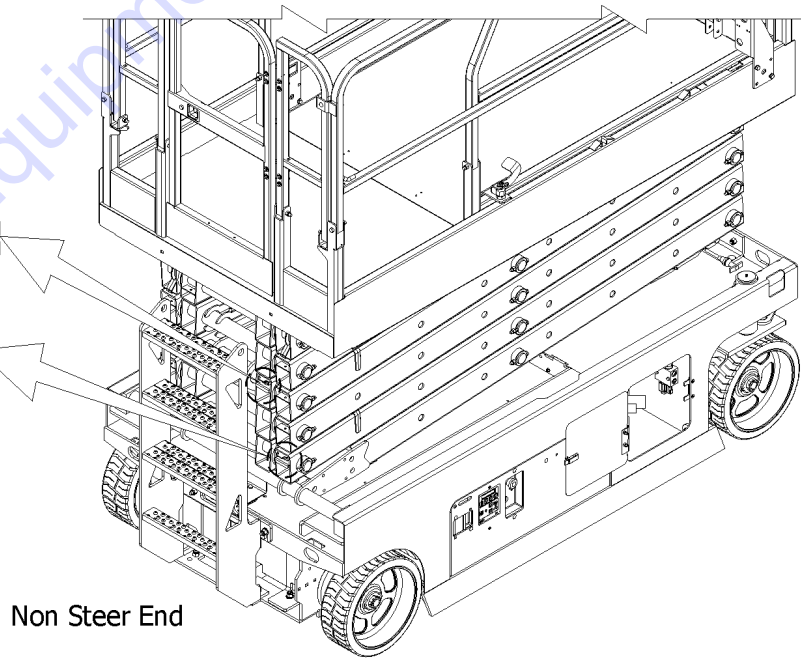
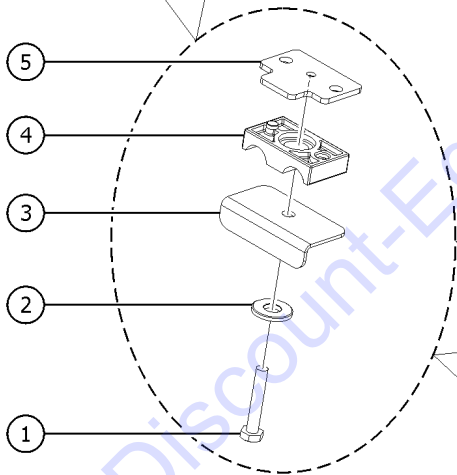
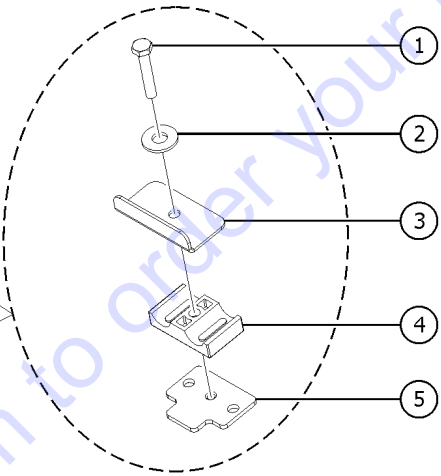
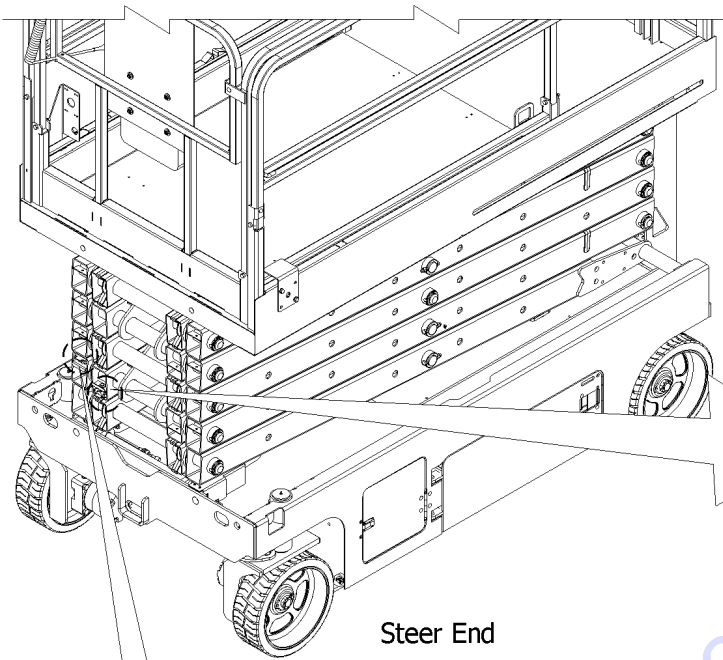
302.1 Scissor Assembly



## 302.1 Scissor Assembly

Item	Part No.	Description	Qty.	Item	Part No.	Description	Qty.
1		Ref. Platform Mount Assembly (refer to 301.1)		35	105074GT	FORMING,PH PUSHER, GS46.....	2
2	96932GT	PIN, LINKSET MOUNT, 3/4".....	1	36	1261823GT	BEARING,1.5IDX1.75ODX2.4L.....	2
3	825020GT	ROD END, .25 X 2.75, ZAG.....	2	37		Ref. Chassis Slider (refer 301.1)	
4	824080GT	SCREW,HHF,1/4-20X1.25,8,ZAG		38	96603GT	WLDMT,LNK,OUTER #1,XX46.....	1
5	824027GT	NUT,TL FLG,1/4-20,G,ZAG				(decal not included refer to section one)	
6	96615GT	WLDMT,LNK,OUTER #4,26XX.....	1	39	96862GT	PIN, LINKSET MOUNT, 1"	
		(ground controls side)		40	825019GT	ROD END,.375X3.69,ZAG.....	6
7	96130GT	PIN, MINI, CENTER.....	2	41	8516GT	SCREW, HCC, 3/8-16 X 1.50	
8	825796GT	SNAP RING,EXTERNAL,1.50,ZAG		42		Ref. Chassis Mount Assembly (refer 301.1)	
9	1260941GT	WASHER,SHIM,1.54X2.00X.125,ZAG		43	105208GT	RUBBER CUSHION,SEPARATOR.....	5
10	824025GT	NUT,TL,3/8-16,C,ZAG		44	105205GT	CLAMP, LONG	
11	1256848GT	SCREW,HHC,3/8-16X2.75,8,ZAG		45	1256467GT	NUT,TL FLG,10-24,F,ZAG	
12		Ref. Platform Slider (refer 301.1)		46	1260962GT	BOLT,CARRIAGE,10-24X2.5,A,ZAG	
13	1273427GT	ASSEMBLY,LINK,INNER #6.....	1	47	1273370GT	WELDMENT,CABLE BRIDGE TOP.....	1
--	66055GT	BEARING,1.50IDX1.77ODX1.25L		48	1273385GT	FORMING, END CONNECTING.....	2
--	96487GT	BEARING,1.26IDX1.53ODX1.25L		49	1273367GT	WELDMENT, CABLE BRIDGE, TOP.....	1
14	96616GT	WLDMT,LNK,OUTER #4,26XX,LEFT.....	1	50	105186GT	WLDMNT,CABLE BRIDGE,LOWER.....	1
		(battery pack side)		51		Ref. Lift Cylinder, Bottom (refer 505.1)	
15	1256679GT	NUT,SERRATED,1/4-20,8,ZAG.....	22	52	96661GT	PIN, UPPER CYLINDER MOUNT.....	3
16	105193GT	CLIP,CABLEBRIDGE, GS32/46.....	12	53	1273361GT	WELDMENT, CABLE BRIDGE, BOTTOM.....	1
17	1260963GT	BOLT,CARRIAGE,1/4-20X.63,5,ZAG.....	24	54	1273366GT	WELDMENT, CABLE BRIDGE, BOTTOM.....	1
18	105189GT	BAR,CABLE BRIDGE ARM,UPPER.....	1	55	1273365GT	WELDMENT, CABLE BRIDGE, TOP.....	1
19	9116GT	BOLT,CARRIAGE,1/4-20x1.25,G2.....	2	56	1273364GT	WELDMENT, CABLE BRIDGE, TOP.....	1
20	1273419GT	ASSEMBLY,LINK,INNER #5.....	1	57	1273573GT	WLDMT,CABLE BRIDGE,BOTTOM.....	1
21	96899GT	PIN, LONG, GS46.....	13	58	105191GT	WELDMENT.CABLE BRIDGE, TOP.....	1
22	58000GT	SAFETY CHOCK,SCISSOR.....	1	59	1273386GT	BAR, CABLE BRIDGE ARM.....	2
23	96900GT	PIN, SHORT, GS46.....	4	60	96735GT	LINK BUMPER, 5".....	10
24		Ref. Lift Cylinder, Top (refer 505.1)		61	96836GT	LINK BUMPER, SHORT TUBE.....	8
--	66055GT	BEARING,1.50IDX1.77ODX1.25L					
25	1273421GT	ASSEMBLY,LINK,INNER #3.....	1				
26	229579GT	WELDMENT,LINK,OUTER,#2,3,4,5.....	8				
--	66055GT	BEARING,1.50IDX1.77ODX1.25L					
27	1273420GT	ASSEMBLY,LINK,INNER #2,4.....	2				
28	1261822GT	BOLT,CARRIAGE,10-24 X 1.5",G2.....	12				
29	105213GT	RUBBER CUSHION, CLAMP,SHORT					
30	105206GT	CLAMP, SHORT.....	12				
31	1273387GT	FORMING, END CONNECTING.....	1				
32	1273426GT	ASSEMBLY,LINK,INNER #1.....	1				
		(decal not included refer to section one)					
--	66055GT	BEARING,1.50IDX1.77ODX1.25L					
33	96662GT	PIN, LOWER CYLINDER MOUNT.....	1				
34	1255757GT	BOLT,CARRIAGE,3/8-16X1.25,5,ZAG					

303.1 Scissor Assembly, Hose Clamps

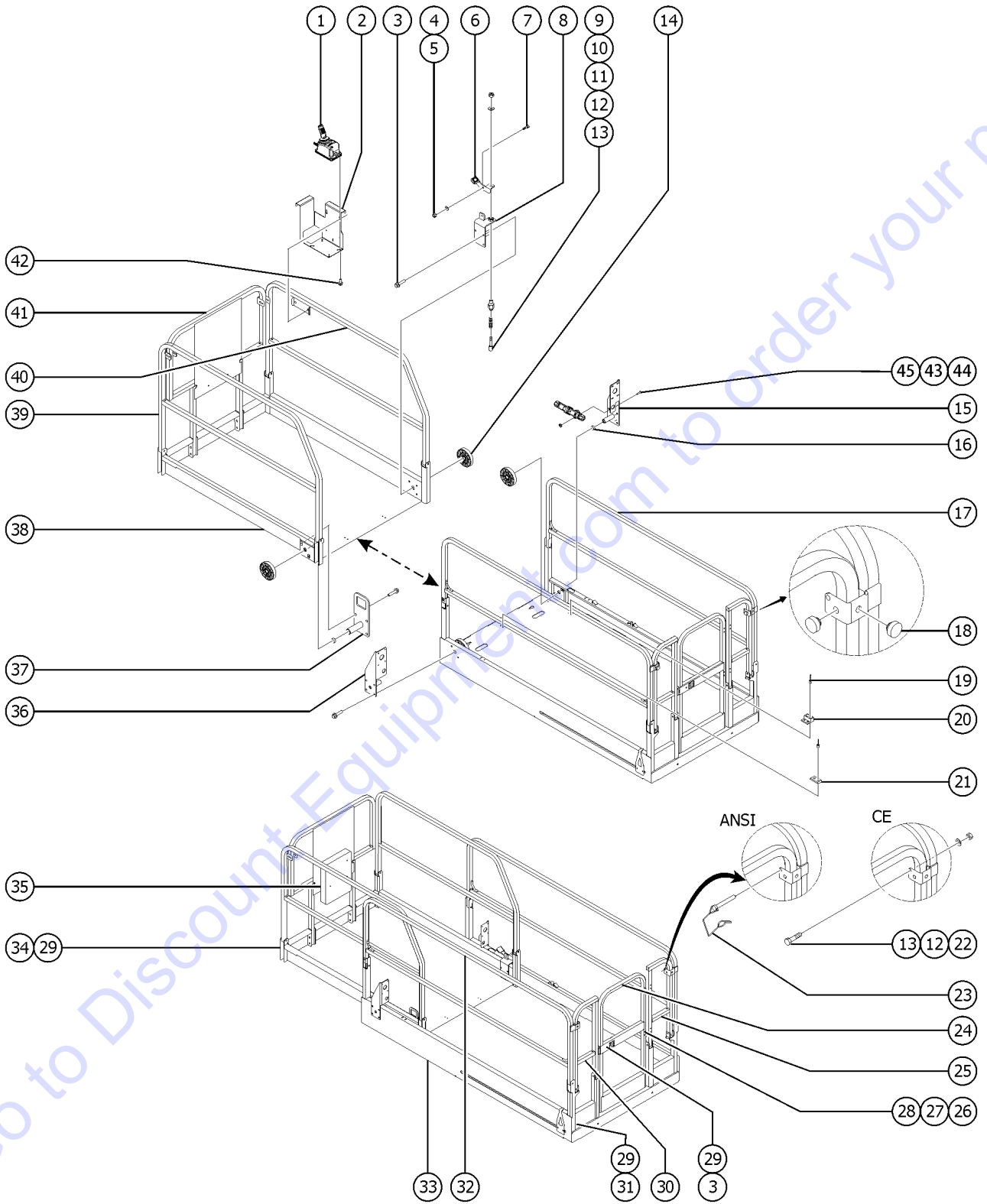


## 303.1 Scissor Assembly, Hose Clamps

Item	Part No.	Description	Qty.
1	238348GT	SCREW, HHC, 1/4-20 X 1.5"L, STL GR8.....	4
2	5397GT	WASHER, FLAT, USS, 5/16", Y.....	4
3	1273384GT	FORMING, HOSE CLAMP.....	4
4	78736GT	CLAMP, 2 HOSE, PLASTIC, 5/8.....	4
5	1273383GT	PLATE, RETAINER.....	4

Go to Discount-Equipment.com to order your parts

401.1 Platform Components





## 401.1 Platform Components

Item	Part No.	Description	Qty.	Item	Part No.	Description	Qty.
1A		Ref. Platform Control Box (refer to 403.1)		24D	65990-SGT	KIT,GATE LATCH (includes items 3 and 29)	
1B	1280957GT	PCON ASSEMBLY,HARTING CONN OPTION.....	1	--	22446GT	SPRING,COMPRESSION .835 X 2.....	1
2		Ref. Platform Control Box Mount Bracket (refer to 403.1)		--	66544GT	LATCH HANDLE.....	1
3	1253478GT	SCREW,HHF,3/8-16X2,8,ZAG.....	5	25	66923GT	WLDMT, ENTRY SIDERAIL, RT.....	1
4	1252977GT	NUT,TL JAM,5/16-18,A,ZAG.....	1			(ground controls side)	
5	825358GT	WASHER,FLAT,5/16,USS,ZAG.....	1	--	78038GT	CAP, TUBE, SQ,1.25 X .083	
6	46260GT	FOOTPEDAL W/NON-SKID TAPE,GS**.....	1	26	1253485GT	SCREW,HHF,1/4-20X2,8,ZAG.....	8
--	47166GT	BRACKET,FOOT PEDAL.....	1	27	104804GT	HINGE, SPRING, LONG LEG.....	2
--	47225GT	TAPE,NON-SKID,DIE CUT,1.38X1.5 (not included sold separately)		28	824027GT	NUT,TL FLG,1/4-20,G,ZAG.....	8
7	1259223GT	BOLT,SHS,3/8X.375X5/16-18,ZAG.....	1	29	824029GT	NUT,TL FLG,3/8-16,G,ZAG	
8	96413GT	WLDMT,LOCKING ROLLER SUPPORT.....	1	30	66920GT	WLDMT, ENTRY SIDERAIL, LT.....	1
9	1259181GT	PIN,LOCK,0.5X3.125,ZAG.....	1			(battery pack side)	
10	39469GT	SPRING,COMPRESSION.485 X1.75**...	1	--	78038GT	CAP, TUBE, SQ,1.25 X .083 (not included sold separately)	
11	41630GT	HOUSING, LOCK PIN.....	1	31	1260926GT	BOLT,CARRIAGE,3/8-16X2.25,5,ZAG.....	2
12	1255758GT	WASHER,FLAT,3/8,USS,ZAG.....	4	32	82053-SGT	RAIL-GS46 PLAT,MAINDECK LT****.....	1
13	824038GT	NUT, TL JAM, 3/8-16, A, ZAG.....	4			(battery pack side)	
14	47163GT	ROLLER,PLATFORM EXTENSION.....	4	--	43392GT	BUMPER,BATTERY BOX & RAILS.....	3
15A	84587GT	ROLLER BRACKET ASSY, GRND CNTR.....	1	--	47098GT	TAPE,NON-SKID,DIE CUT,4"X 40" (not included sold separately)	
		(ground controls side)		--	47231GT	TAPE,NON-SKID,DIE CUT,4"X 16" (not included sold separately)	
15B	1280962GT	WLDMT,ROLLER BRKT,RT.....	1	--	47374GT	TAPE,NON-SKID,DIE CUT,4"X 32" (not included sold separately)	
		to SN GS47D-7541		33A	96718GT	WLDMT, MAIN DECK, GSXX46.....	1
15C	1286357GT	WLDMT,ROLLER BRKT,RT,HARTING PLUG.....	1			(decals not included, refer to section one) , to SN GS47D-7220	
		from SN GS47D-7542		33B	1284269GT	WLDMT,MAIN DECK,GS46,MET.....	1
16	21279GT	BUTTON, .800 O.D. X .281.....	3			(decals not included, refer to section one) , from SN GS47D-7221	
17	82052-SGT	RAIL-GS46 PLAT,MAINDECK RT****.....	1	34	1256856GT	SCREW,HHF,3/8-16X2.5,8,ZAG	
		(ground controls side)		35	24514GT	BOX,INSTRUCTION STORAGE.....	1
18	43392GT	BUMPER,BATTERY BOX & RAILS.....	14			(decals not included, refer to section one)	
19	39579GT	RIVET,STL,STL,.188 X .45.....	20	--	1256855GT	SCREW,HHF,1/4-20X.625,8,ZAG.....	4
20	39310GT	WEAR/GUIDE PAD MAIN PLATFORM...4		--	824027GT	NUT,TL FLG,1/4-20,G,ZAG.....	4
21	39474GT	WEAR PAD,PLATFORM.....	3	--	825358GT	WASHER,FLAT,5/16,USS,ZAG.....	4
22	824094GT	SCREW,HHF,3/8-16X2.75,8,ZAG.....	3	36	96246GT	WELDMENT,ROLLER BRACKET,LT***.....	1
23	1259182GT	PIN,WIRE LOCK 3/8 X 2.5,ZAG		37	96200GT	WLDMT, LANYARD ROLLER BRKT.....	1
--	78022GT	LANYARD,BLACK NYLON,TYPE 1***				(decals not included, refer to section one)	
24A	96760GT	ASSY, PLATFORM GATE, GSXX46.....	1	--	21279GT	BUTTON, .800 O.D. X .281.....	1
		COMPLETE (decals not included, refer to section one)				(sold separately)	
24B	97242GT	SWING GATE ASSY, GS46 WELD.....	1	38	97258GT	EXT. DECK ASSY, GS46.....	1
		(decals not included, refer to section one)		--	39474GT	WEAR PAD,PLATFORM.....	2
24C	66512GT	WLDMT, FULL HEIGHT GATE.....	1	--	47374GT	TAPE,NON-SKID,DIE CUT,4"X 32".....	7
				--	96719GT	WLDMT, EXT. DECK, GSXX46.....	1

401.1 Platform Components  
(continued)

Item	Part No.	Description	Qty.
--	T113787GT	RIVET,ALUM,STL,.188 X .250.....4 <i>for 39474GT</i>	4
39	97263GT	LEFT EX. RAIL, GS46.....1 <i>(battery pack side)</i>	1
--	43392GT	BUMPER,BATTERY BOX & RAILS.....3	3
40	97264GT	RIGHT EXT RAIL, GS46 (SYMBOL) <i>(decals not included, refer to section one)</i>	3
--	43392GT	BUMPER,BATTERY BOX & RAILS.....3	3
41A	97259GT	EXT. ENDRAIL ASSY, GS46 (WORD).....1 <i>Word decals</i>	1
41B	97260GT	EXT. ENDRAIL ASSY, GS46 (SYMB) <i>Symbol decals</i>	1
42	824078GT	SCREW,HHF,1/4-20X.75,8,ZAG.....1	1
43	1280958GT	CABLE,PLATFORM CONTROL,GS,HARTING CONN OPTION.....1	1
44	1253477GT	SCREW,PHPM,4-40X.5,ZAG.....1	1
45	1259339GT	NUT,4-40,ZAG.....1	1

Go to Discount-Equipment.com to order your parts

# PARTS FINDER

**Search Website  
by Part Number**



**Search Manual  
Library For Parts  
Manual & Lookup Part  
Numbers – Purchase  
or Request Quote**

**Search Manuals**

Enter your information to help us find the right parts manual for your machine.

\* Brand:

\* Model:

\* Serial:

\* Part Number:

SEARCH

**Can't Find Part or  
Manual? Request Help  
by Manufacturer,  
Model & Description**

**Parts Order Form**

Please fill in the following information to help us find the right part for your machine.

Manufacturer:	<input type="text"/>
Model:	<input type="text"/>
Description:	<input type="text"/>
Part Number:	<input type="text"/>
Quantity:	<input type="text"/>
Notes:	<input type="text"/>

Discount-Equipment.com is your online resource for quality parts & equipment.

Florida: **561-964-4949** Outside Florida TOLL FREE: **877-690-3101**

**Need parts?**

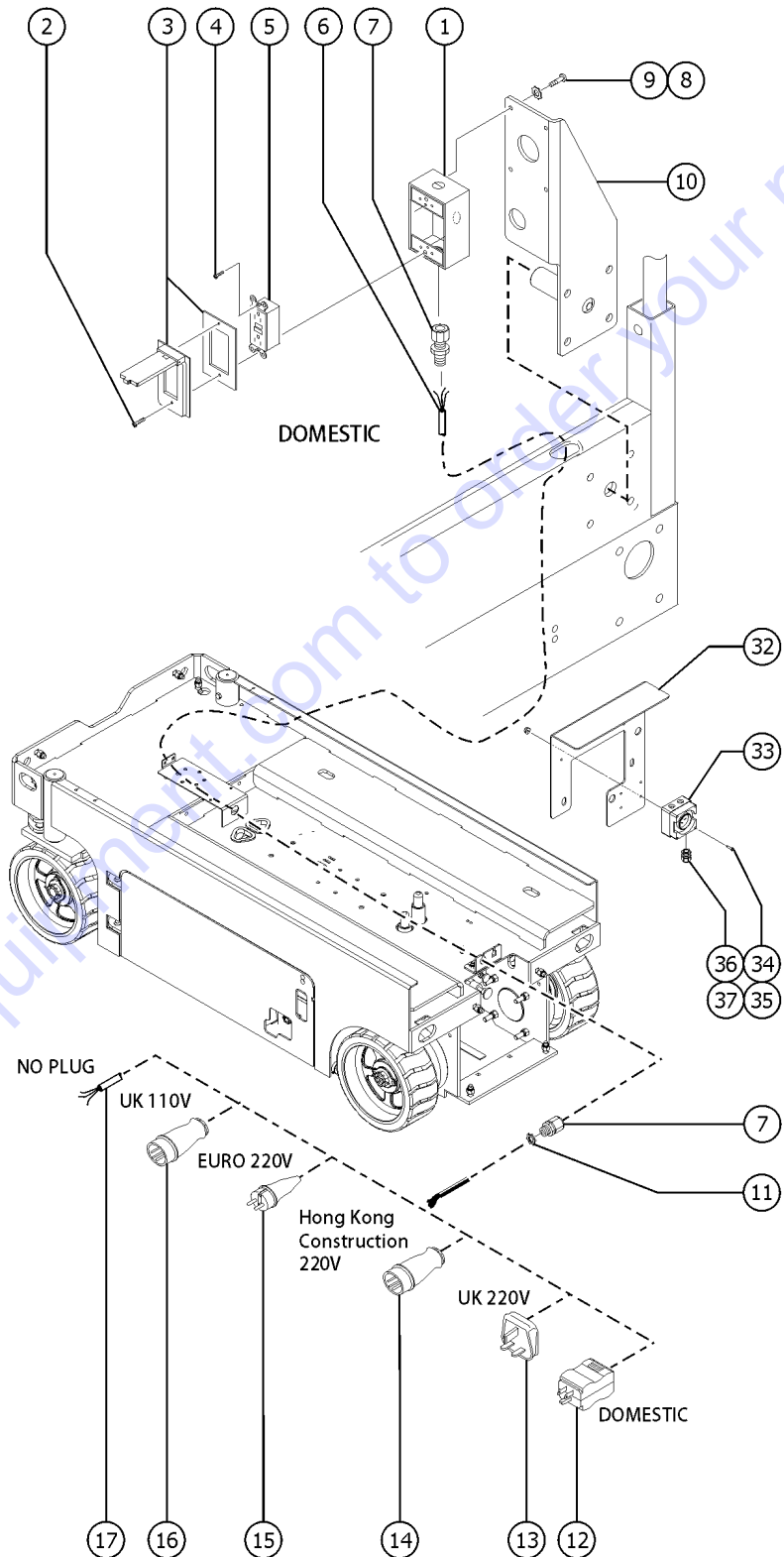
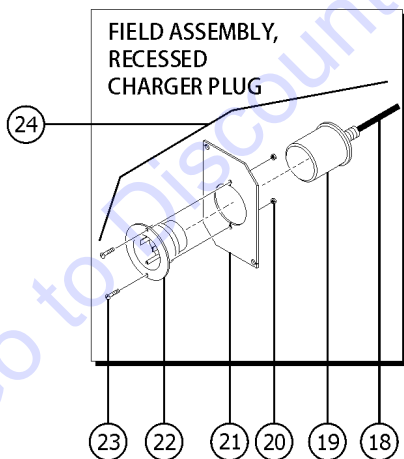
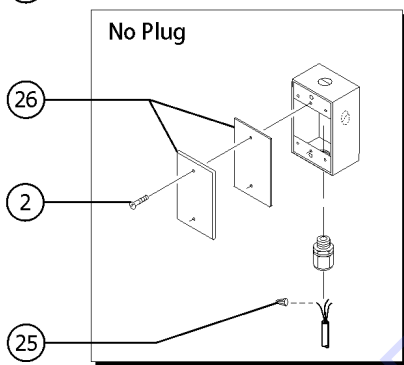
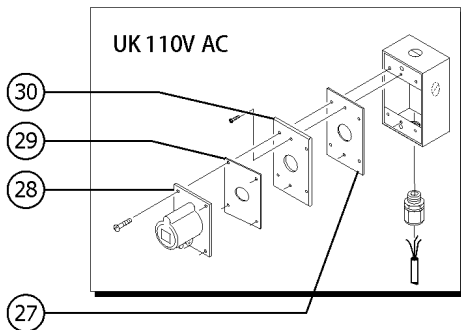
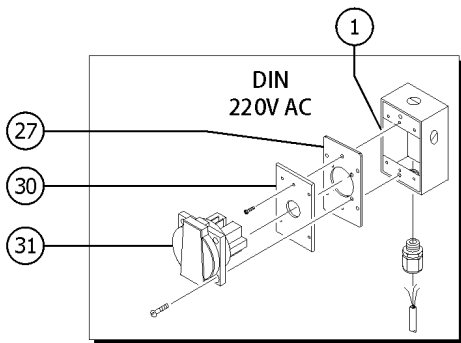
Click on this link: <http://www.discount-equipment.com/category/5443-parts/> and choose one of the options to help get the right parts and equipment you are looking for. Please have the machine model and serial number available in order to help us get you the correct parts. If you don't find the part on the website or on one of the online manuals, please fill out the request form and one of our experienced staff members will get back to you with a quote for the right part that your machine needs.

We sell worldwide for the brands: Genie, Terex, JLG, MultiQuip, Mikasa, Essick, Whiteman, Mayco, Toro Stone, Diamond Products, Generac Magnum, Airman, Haulotte, Barreto, Power Blanket, Nifty Lift, Atlas Copco, Chicago Pneumatic, Allmand, Miller Curber, Skyjack, Lull, Skytrak, Tsurumi, Husquvarna Target, Stow, Wacker, Sakai, Mi-T-M, Sullair, Basic, Dynapac, MBW, Weber, Bartell, Bennar Newman, Haulotte, Ditch Runner, Menegotti, Morrison, Contec, Buddy, Crown, Edco, Wyco, Bomag, Laymor, EZ Trench, Bil-Jax, F.S. Curtis, Gehl Pavers, Heli, Honda, ICS/PowerGrit, IHI, Partner, Imer, Clipper, MMD, Koshin, Rice, CH&E, General Equipment, Amida, Coleman, NAC, Gradall, Square Shooter, Kent, Stanley, Tamco, Toku, Hatz, Kohler, Robin, Wisconsin, Northrock, Oztec, Toker TK, Rol-Air, APT, Wylie, Ingersoll Rand / Doosan, Innovatech, Con X, Ammann, Mecalac, Makinex, Smith Surface Prep, Small Line, Wanco, Yanmar

*This Page Intentionally Left Blank*

Go to Discount-Equipment.com to order your parts

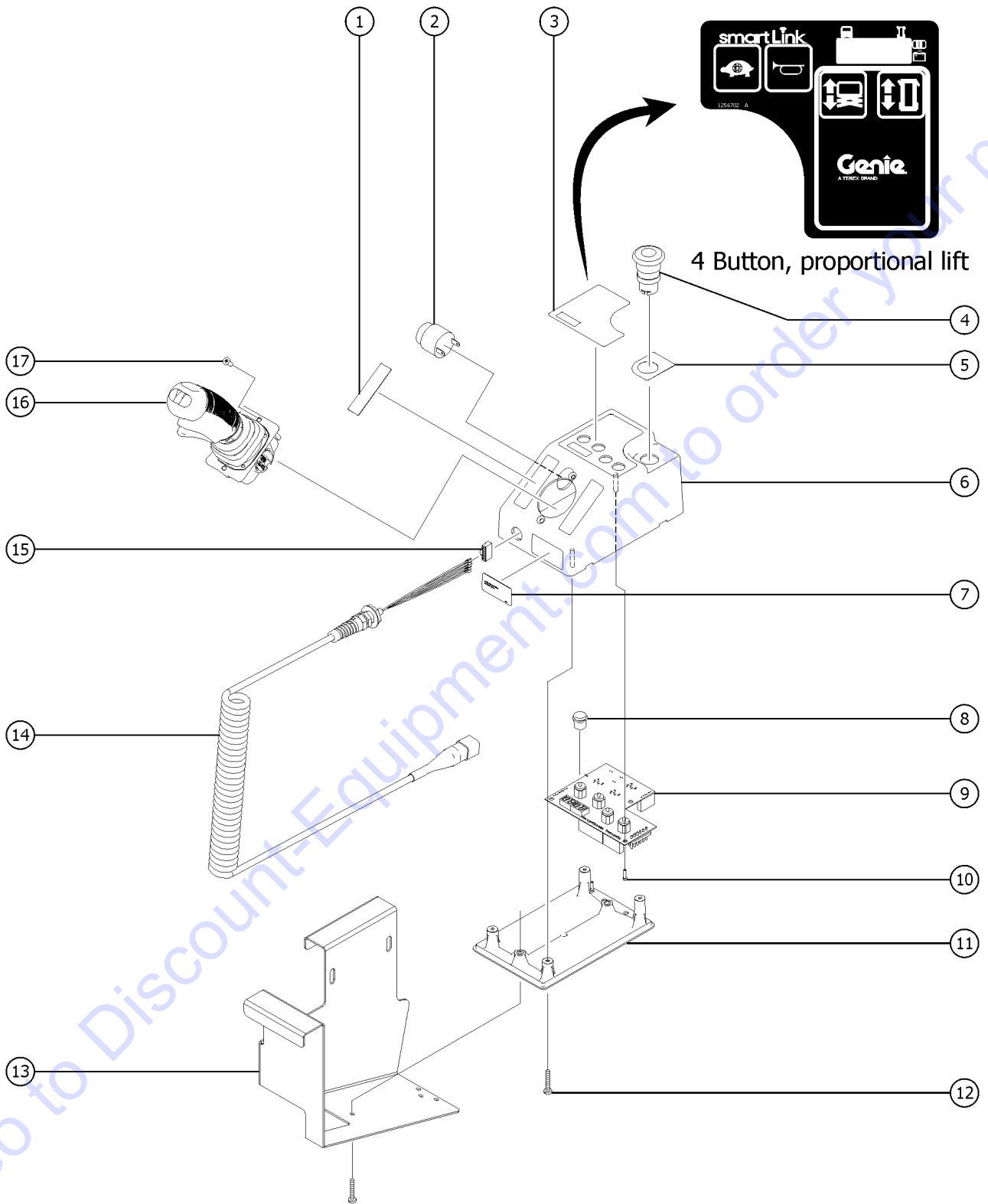
402.1 Power to Platform



## 402.1 Power to Platform

Item	Part No.	Description	Qty.	Item	Part No.	Description	Qty.
A	33724GT	KIT,GASKET,UK POWER TO PLAT. <i>includes 1 each, items 27 and 29</i>		--	6878GT	BOLT,CARRIAGE,1/4-20 X .75,G2.....2 <i>not included</i>	2
1	10775GT	T-BOX,2.75 X 4.5 X 2.0.....1	1	22	105117GT	PLUG,FLG INLET,15A/125V,2PWGD.....1 <i>to SN GS4616P-139710</i>	1
2	7127GT	SCREW,PHILLIPS,PHM,6-32 X .75		23	55906GT	SCREW,PHILLIPS,PHM,8-32 X .5.....2 <i>to SN GS4616P-139710</i>	2
3A	74006GT	COVER,GFCI,HORIZONTAL,WEATHER.1 <i>(ANSI and CSA models) (includes gasket and mounting fasteners)</i>	1	24	105448GT	FIELD ASSY,REC.CHARGER PLUG.....1 <i>includes items 18-23 to SN GS4616P-139710</i>	1
3B	105812GT	COVER,T-BOX LOCKABLE.....1 <i>EE rated (not shown)</i>	1	25	6626GT	WIRE CAP,ORANGE.....1	1
4	45546GT	SCREW,RHM,6-32 X .5		26	10777GT	COVER,BLANK.....1	1
5	13585GT	OUTLET, 110V.....1 <i>ANSI and CSA models</i>	1	27	66355GT	GASKET, UK & DIN PWR. TO PLAT.....1 <i>2.9 x 2.9 inches</i>	1
6A	43956GT	WIRE CABLE,14/3 CON.TPE JKT*.....456-inches <i>GS-2046</i>	1	28A	T112563GT	SVC KIT,UK RECEPT.REPLACEMENT.....1 <i>to SN GS47D-7144</i>	1
6B	43956GT	WIRE CABLE,14/3 CON.TPE JKT*.....516-inches <i>GS-2646</i>	1	28B	T112560GT	RECEPTACLE,UK,110V.....1 <i>CE models, from SN GS47D-7145</i>	1
6C	43956GT	WIRE CABLE,14/3 CON.TPE JKT*.....624-inches <i>GS-3246</i>	1	29	66356GT	GASKET, UK RECEPTACLE.....1 <i>2.9 x 2.9 inches, to SN GS47D-7144</i>	1
7	7056GT	CONN,SQUEEZE,1/2NPT .38-.50,SM....1	1	30A	105483-SGT	PLATE,AC ADAPTER(ANSI/CSA) <i>ANSI/CSA</i>	
8	57075GT	SCREW,PHIL,8-32X.50,SELF TAP		30B	96236GT	PLATE,AC ADAPTER,DIN/UK*** <i>to SN GS47D-7144</i>	
9	44936GT	WASHER,STAR,EXTERNAL,#8.....4	4	30C	T112561GT	PLATE,UK,POWER TO PLAT <i>CE models, from SN GS47D-7145</i>	
10		Ref. ROLLER BRACKET <i>refer to 401.1</i>		30D	105090GT	PLATE, AC ADAPTER(AUS)	
11	6935GT	LOCKNUT,ELEC,1/2".....1	1	31	66353GT	RECEPTACLE, DIN, 220V 50A.....1	1
12A	6595GT	PLUG,ELECTRICAL,DOMESTIC.....1 <i>to SN GS4616P-139710</i>	1	32	1275425GT	FORMING,AUS RCD BRACKET,GS47...1	1
12B	6595GT	PLUG,ELECTRICAL,DOMESTIC.....2 <i>from SN GS4616P-139711</i>	2	33	1284302GT	RECEPTACLE,C66A1310,AUS.....1	1
13	25388GT	PLUG,FUSED,250V,13AMP,U.K.**		34	824215GT	SCREW,PHPM,10-32X.75,ZAG.....8	8
14	1263471GT	PLUG,IEC60309 CEE, 3PIN 220-24.....1 <i>(Hong Kong Construction)</i>	1	35	824032GT	NUT,TL FLG,10-32,F,ZAG.....8	8
15	1280665GT	PLUG, TYPE F, 230A, 50HZ, 16A, IP44		36	160412GT	JOINT,PG13.5,M20X1.5.....2	2
16	144161GT	PLUG,PWR,UK,16AMP,3PIN,BLK		37	96009GT	WASHER,NITRILE.....1	1
17	105117GT	PLUG,FLG INLET,15A/125V,2PWGD					
--	105118GT	GASKET,(BOOT) FLANGE INLET PLG					
18	48282GT	POWER CORD, IEC 320 BLANK, 79".....1 <i>to SN GS4616P-139710</i>	1				
19	105118GT	GASKET,(BOOT) FLANGE INLET PLG.....1 <i>to SN GS4616P-139710</i>	1				
20	18605GT	NUT,NYLOCK,8-32.....2 <i>to SN GS4616P-139710</i>	2				
21	105483-SGT	PLATE,AC ADAPTER(ANSI/CSA).....1 <i>to SN GS4616P-139710</i>	1				
--	6091GT	NUT,NYLOCK,1/4-20.....2 <i>not included</i>	2				

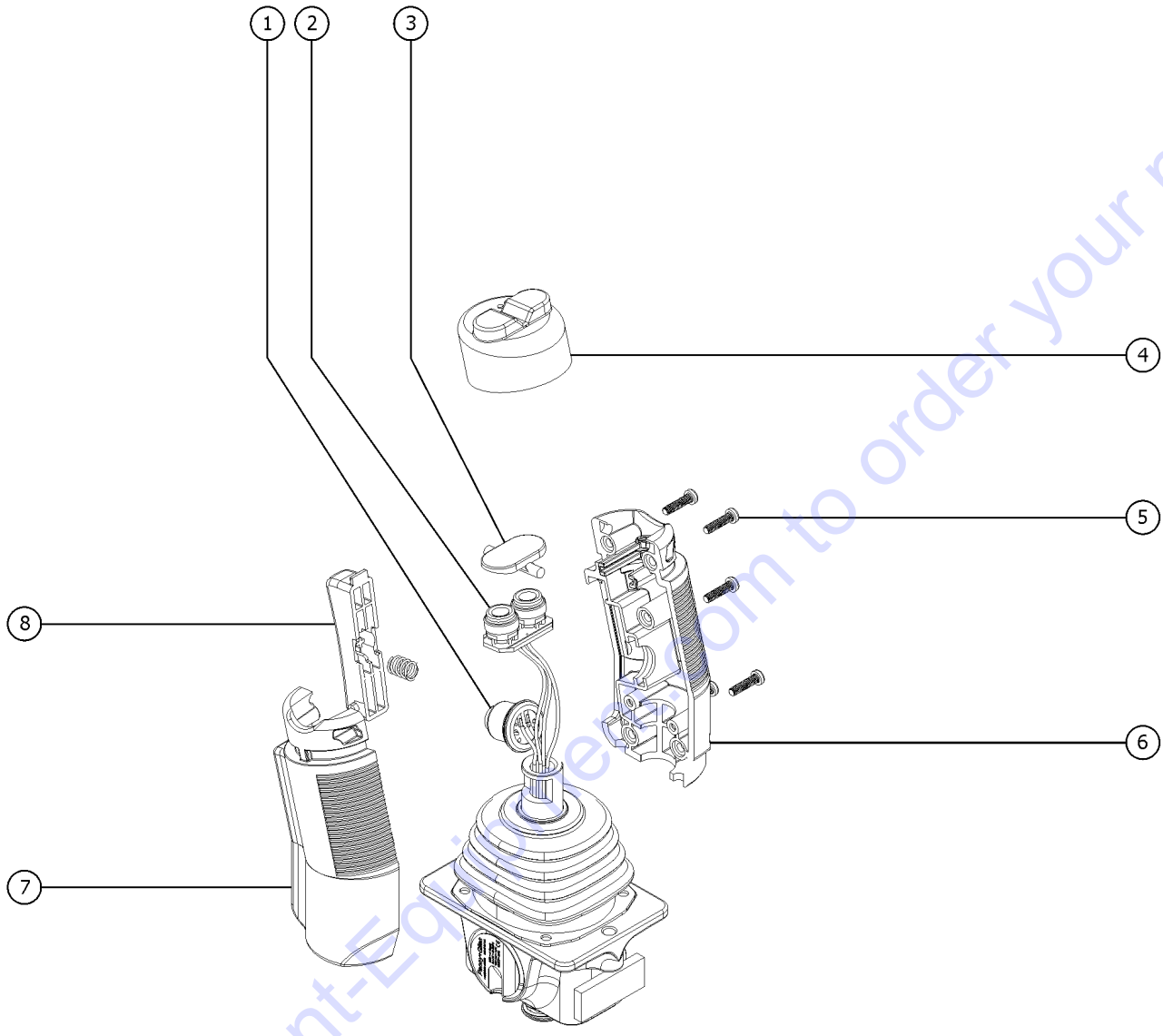
403.1 Platform Controls



Item	Part No.	Description	Qty.
A	1256727GT	PCON,STD,PROP LIFT,GR/GS <i>complete platform control box with coil cord, bracket not included</i>	
--	1258731GT	FLASH DRIVE,SL1K2.0 SOFTWARE <i>(For proportional lift or upgrade kits only. Software update available on-line. Flash drive sold separately.)</i>	
--	137587GT	HARNESS, ESTOP, GR/GRC/GS PCON	
B	1280957GT	PCON ASSEMBLY,HARTING CONN OPTION.....	1
C	1280958GT	CABLE,PLATFORM CONTROL,GS,HARTING CONN OPTION.....	1
1	137656GT	DECAL,PROPEL,GR/GRC/GS,PCON.....	1
		<i>(refer to 103.1 or 106.1)</i>	
2A	39540GT	ALARM,STEADY TONE***.....	1
		<i>order 72326 mounting ring separately</i>	
2B	72326GT	NUT - PLASTIC,RING FOR ALARMS <i>for 39540</i>	
3		Ref: UI, GR/GRC/GS PCON DECAL.....	1
		<i>(refer to 103.1 or 106.1)</i>	
4	66812GT	BUTTON,PUSH,RED MUSHROOM HEAD.....	1
--	66817GT	BASE WITH 1 NC CONTACT, E-STOP.....	1
5		Ref: DECAL,E-STOP,GR/GRC/GS PCON.....	1
		<i>(refer to 103.1 or 106.1)</i>	
6	T106368GT	ENCLOSURE, GC14-1, TOP.....	1
7	137642GT	LABEL, GR/GRC/GS PCON.....	1
8	T106373GT	CAP,BUTTON,K12.....	6
9	1256725GT	PCBA,PCON STD,PROP LIFT.....	1
10	137637GT	SCREW,PHM,4-20X.5, 48-2 TRI-L.....	1
11	T106370GT	ENCLOSURE,GC14-1/GC16-1, BOT.....	1
12	137640GT	SCREW,PHM,8-16X.75, 48-2 TRI-L.....	1
13	227167GT	FORMING, PLAT CONTROL BOX, MET.....	1
14	235464GT	KIT,COIL CORD,CONTRLR,SL1000.....	1
--	231921GT	KIT,CONN,RECEPT W/PIN AND LOCK	
--	231922GT	KIT,CONN,PLUG W/SCKT AND LOCK	
15	137699GT	PLUG, 6POS ECO PWR.....	1
16		REF: Joystick.....	1
		<i>(refer to 404.1)</i>	
17	229845GT	SCREW,BHSCS,M5X10,SS <i>apply Loctite 243 or equivalent before installation</i>	



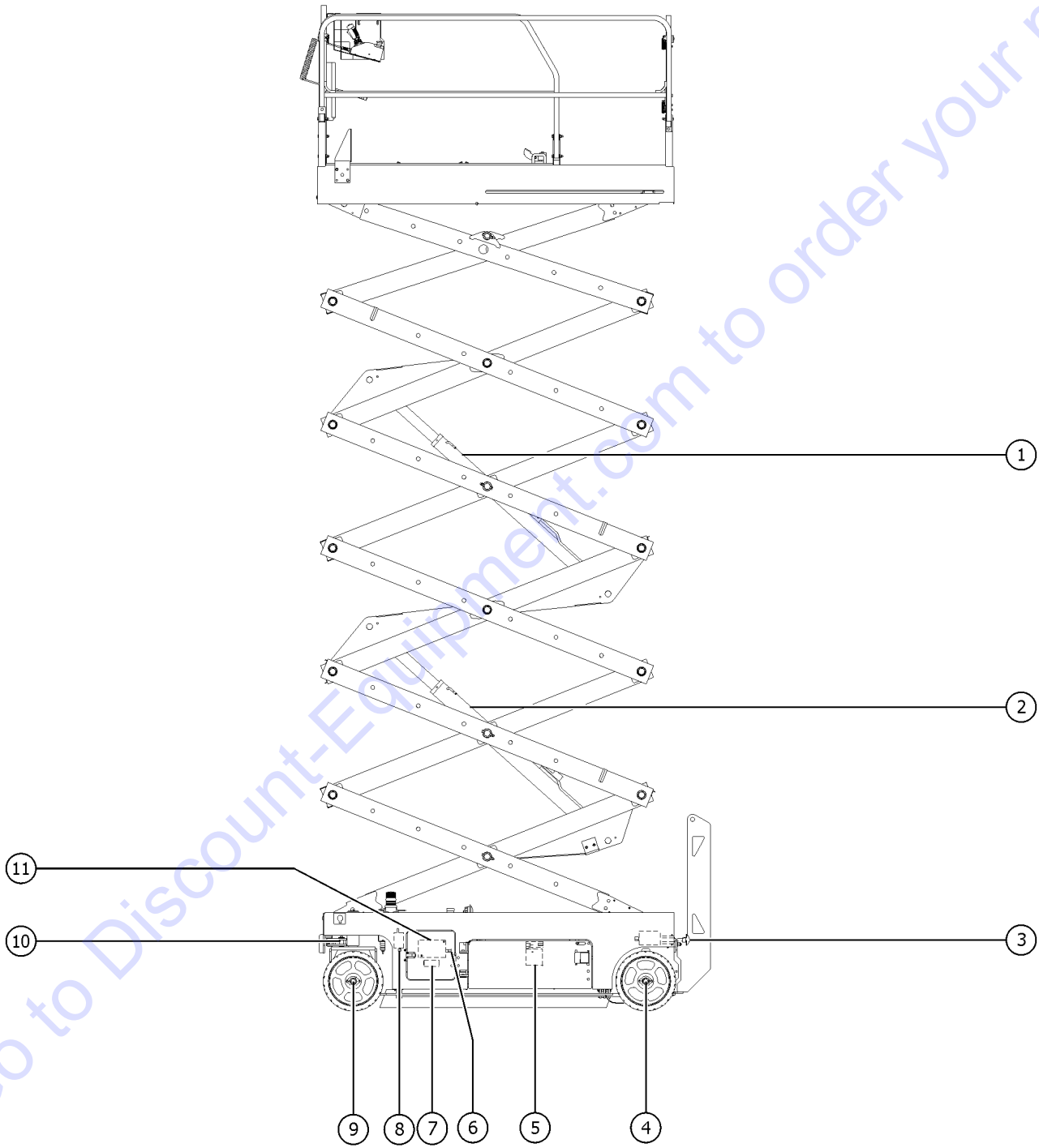
404.1 Joystick Controller



Go to Discount-Equipment.com to order your parts

Item	Part No.	Description	Qty.
--	137634GT	JOYSTICK, HALL EFFECT, SINGLE	
--	235462GT	KIT,STR SWITCH,JYSTK,SL1000	
--	229097GT	TERMINAL, SPLINE (AMP)	
--	214544GT	KIT,BOOT,JOYSTICK,SL1000 <i>joystick boot</i>	
1	235463GT	KIT,SWITCH,JYSTK,SL1000	
2	235463GT	KIT,SWITCH,JYSTK,SL1000	
3	229092GT	ROCKER,2 SWITCH.....	1
4	229093GT	BOOT, 2 SWITCH, SILICON.....	1
5	229086GT	SCREW, SELF TAP.....	5
6A	229087GT	HANDLE HALF,RIGHT,W/TOP SWITCH.....	1
6B	229091GT	SCREW,GRUB,M5X8MM,HLF DOG,BZP <i>for 229087</i>	
7A	229088GT	HANDLE HALF,LEFT,W/TOP SWITCH....	1
7B	229090GT	SCREW,GRUB,M5X8MM CUP(BLK) <i>for 229088</i>	
8A	229089GT	TRIGGER, EXTENDED.....	1
8B	229094GT	SPRING, HANDLE TRIGGER.....	1

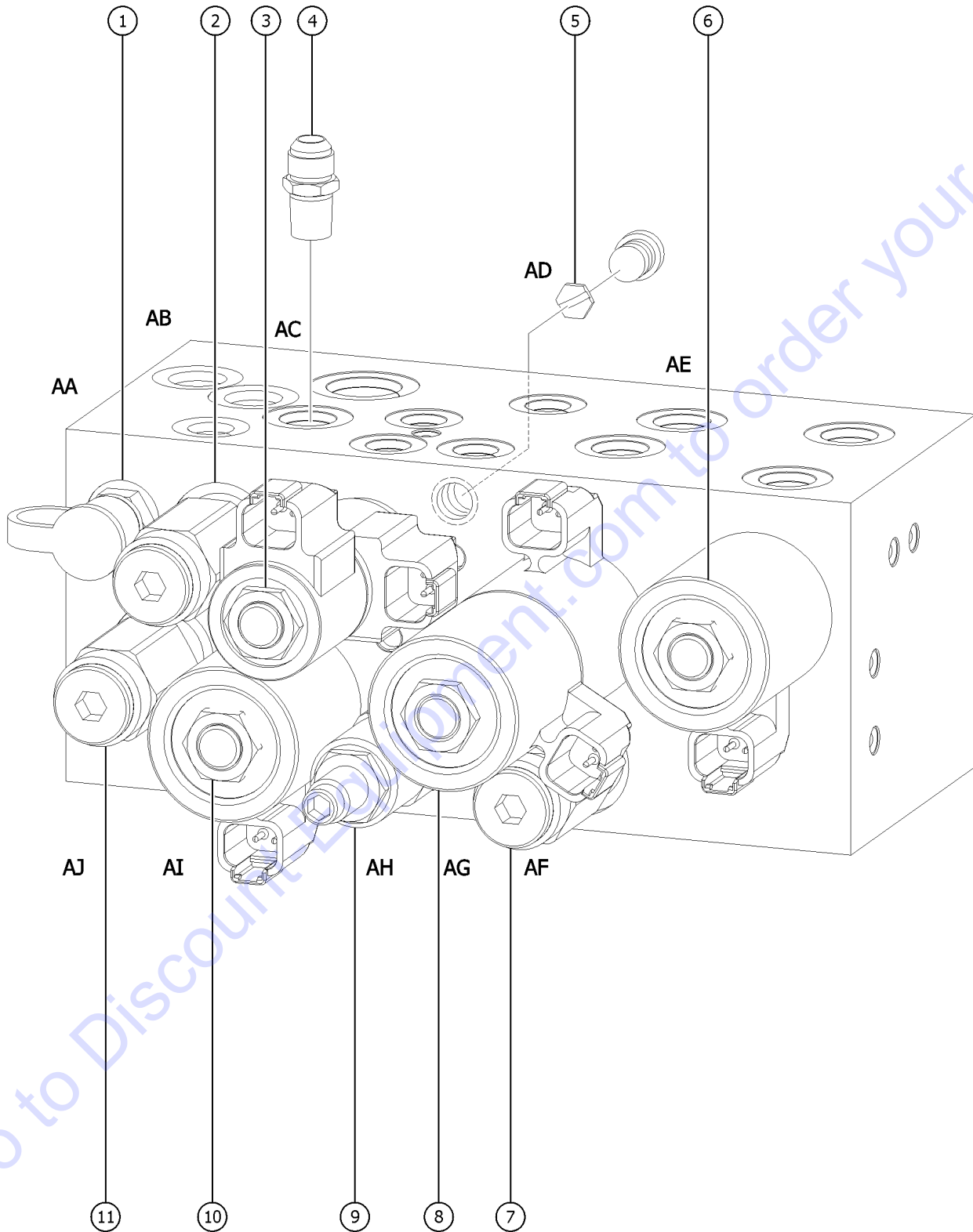
501.1 Hydraulic Components



Go to Discount-Equipment.com to order your parts

Item	Part No.	Description	Qty.
1		Ref: Upper Lift Cylinder (refer to 505.1)	
2		Ref: Lower Lift Cylinder (refer to 505.1)	
3		Ref: Brake Release Hand Pump (refer to 503.1)	
4	T108664GT	BRAKE, HYDRAULIC, 15KIP-IN.....	2
5	78622GT	FILTER ASSY, SAE8, 10 MIC, PAPER**.....	1
--	44207GT	FILTER ELEMENT, BETA(10)=200	
--	44788GT	FILTER ELEMENT, 10MICRON, PAPER*	
6		Ref: Check Valve (refer to 502.1)	
7		Ref: Accumulator (refer to 211.1)	
8		Ref: Lift Pressure Select Manifold (refer to 211.1)	
9	T108663GT	DRIVE MOTOR, 22.9CI/REV.....	2
--	44780GT	NUT, CASTLE, 1.125-18 UNEF	
--	96419GT	SEAL KIT, RC SERIES DR MOTOR*** (for PN T108663)	
10	105547GT	CYLINDER, GS/GR STEER***.....	1
--	105550GT	KIT, STEER CYL SEAL	
11		Ref: Function Manifold (refer to 502.1)	

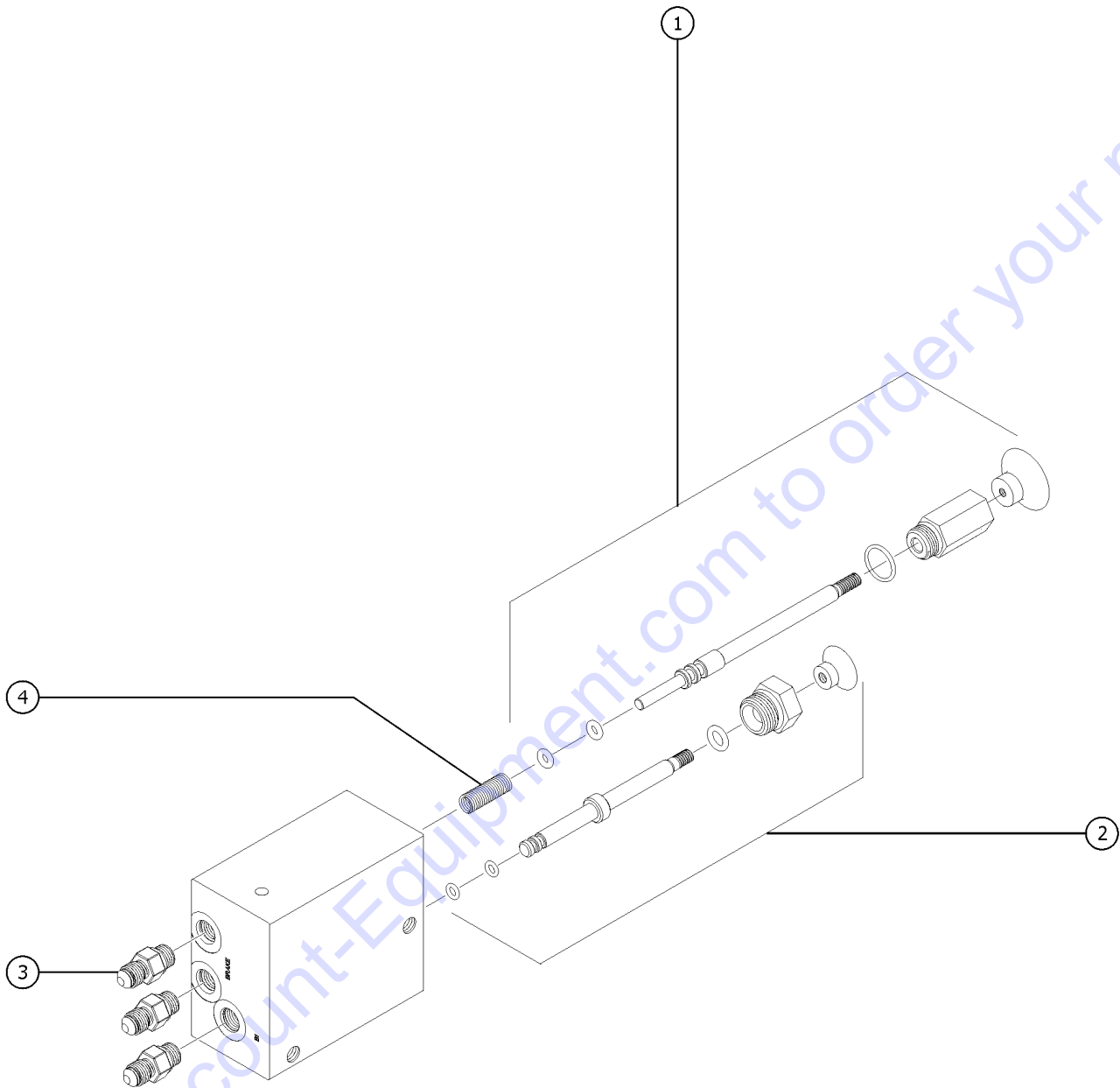
502.1 Function Manifold



## 502.1 Function Manifold

Item	Part No.	Description	Qty.	Item	Part No.	Description	Qty.
A	150105GT	MANIFOLD,FUNCTION,2 SPEED <i>(does not include check valve, item 4)</i>		11	65962GT	VALVE-RELIEF, 3700 PSI #8** <i>(AJ, Lift relief)</i>	
B	49612GT	O-RING KIT (ORFS FITTINGS)		--	44226GT	SEAL KIT-FOR P.N.44167	
C	49613GT	PLUG AND CAP KIT-SERVICE,ORFS*					
1	48997GT	NIPPLE,DIAGNOSTIC,#4 <i>(AA, Testing)</i>					
--	20224GT	DIAGNOSTIC FEMALE Q-DSCNT					
--	48880GT	CAP,DIAGNOSTIC NIPPLE					
2	65962GT	VALVE-RELIEF, 3700 PSI #8** <i>(AB, System relief)</i>					
--	44226GT	SEAL KIT-FOR P.N.44167					
3	44168GT	VALVE,SOLENOID,3POS 4WAY <i>(AC, Steer left/right)</i>					
--	44174GT	NUT-COIL SHORT <i>(sold separately)</i>					
--	44229GT	SEAL KIT, VALVE					
--	44236GT	SPACER-DUAL COIL,#8*** <i>(sold separately)</i>					
--	77709GT	COIL,#8 20VDC,DEUTSCH W/DIODE <i>(sold separately)</i>					
4	237086GT	VALVE,CHECK,#6-#6,MJIC TO MORB <i>(sold separately)</i>					
5	84386GT	CHECK DISK, NO SPRING <i>(AD, Steer circuit)</i>					
6	44171GT	VALVE-SOLENOID,2POS 4WAY** <i>(AE, Drive speed select circuit)</i>					
--	44175GT	SPACER-DUAL COIL,#10, SCISSORS <i>(sold separately)</i>					
--	44230GT	SEAL KIT-P.N.44169,44172,44171					
--	84385GT	COIL,20VDC DEUTCSH W/DIODE <i>(sold separately)</i>					
7	97409GT	VALVE,DIFF.AREA RELIEF,50PSI <i>(AF, Brake release)</i>					
8	150104GT	VALVE, DYN. BRAKING, GS32/46					
--	44175GT	SPACER-DUAL COIL,#10, SCISSORS <i>(sold separately)</i>					
--	84385GT	COIL,20VDC DEUTCSH W/DIODE <i>(sold separately)</i>					
9	84384GT	PRTY,FLOW CNTRL VALVE,.75 GPM <i>(AH, Steer circuit)</i>					
--	1261888GT	SEAL KIT (84384) <i>for 84384</i>					
--	44230GT	SEAL KIT-P.N.44169,44172,44171					
10	44169GT	VALVE-SOLENOID, 2POS 4 WAY <i>(AI, Platform up)</i>					
--	44175GT	SPACER-DUAL COIL,#10, SCISSORS <i>(sold separately)</i>					
--	44230GT	SEAL KIT-P.N.44169,44172,44171					
--	84385GT	COIL,20VDC DEUTCSH W/DIODE <i>(sold separately)</i>					

503.1 Brake Release Hand Pump Manifold



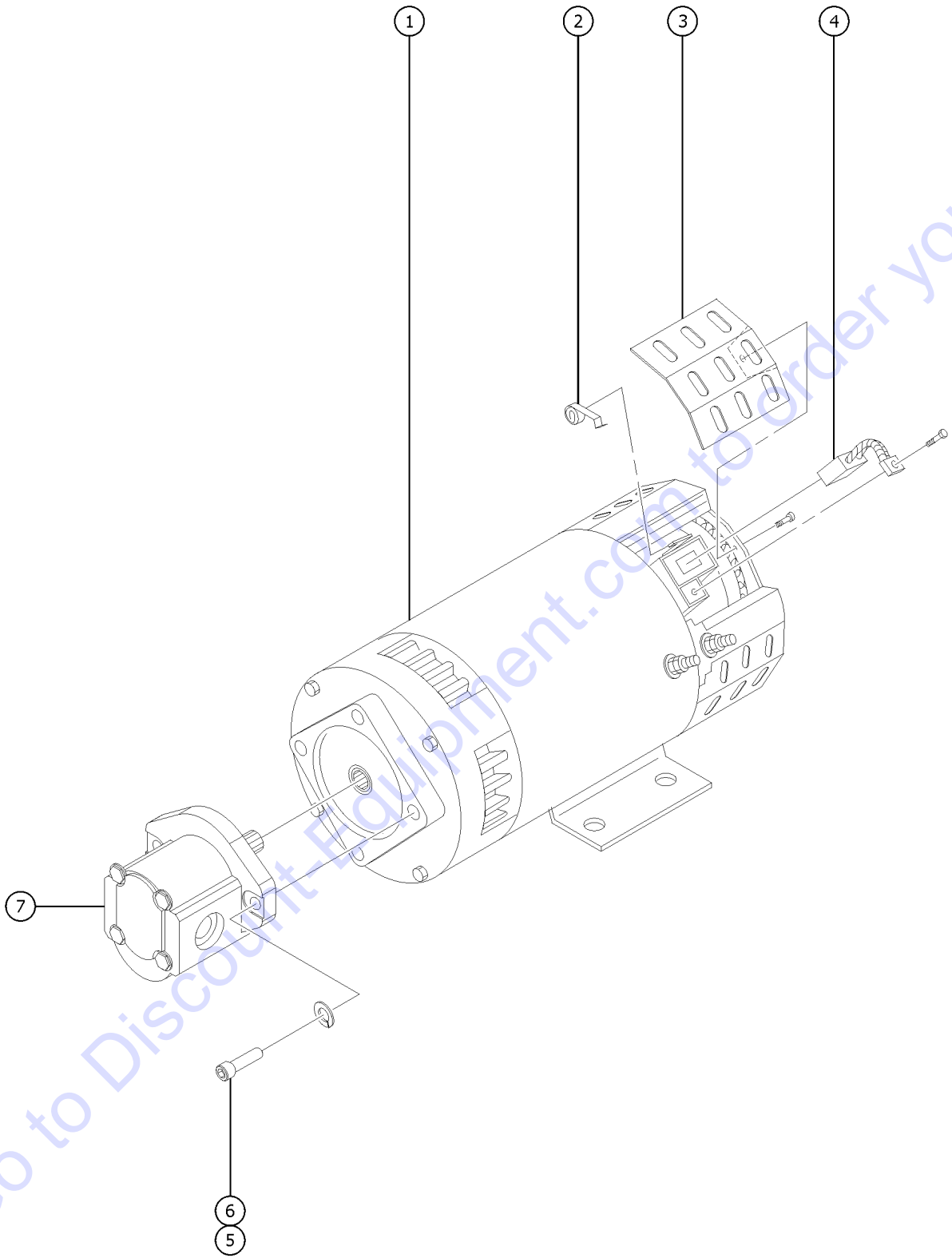
## 503.1 Brake Release Hand Pump Manifold

Item	Part No.	Description	Qty.
--	105067GT	MANIFOLD,BRAKE RELEASE <i>(includes items 1, 2 and 4)</i>	
1	84739GT	VALVE,HAND PUMP ASSEMBLY***.....1	1
--	84740GT	SEAL KIT,HAND PUMP***	
--	84742GT	KNOB,HAND PUMP (RED)***	
2	84743GT	VALVE,PILOT OPERATED ASSEMBLY*.....1	1
--	84740GT	SEAL KIT,HAND PUMP***	
--	84746GT	KNOB,PILOT OP VALVE (BLACK)***	
3		Ref: Connector.....3 <i>(refer to 506.1)</i>	3
4	84748GT	SPRING,HAND PUMP ROD.....1	1

Go to Discount-Equipment.com to order your parts



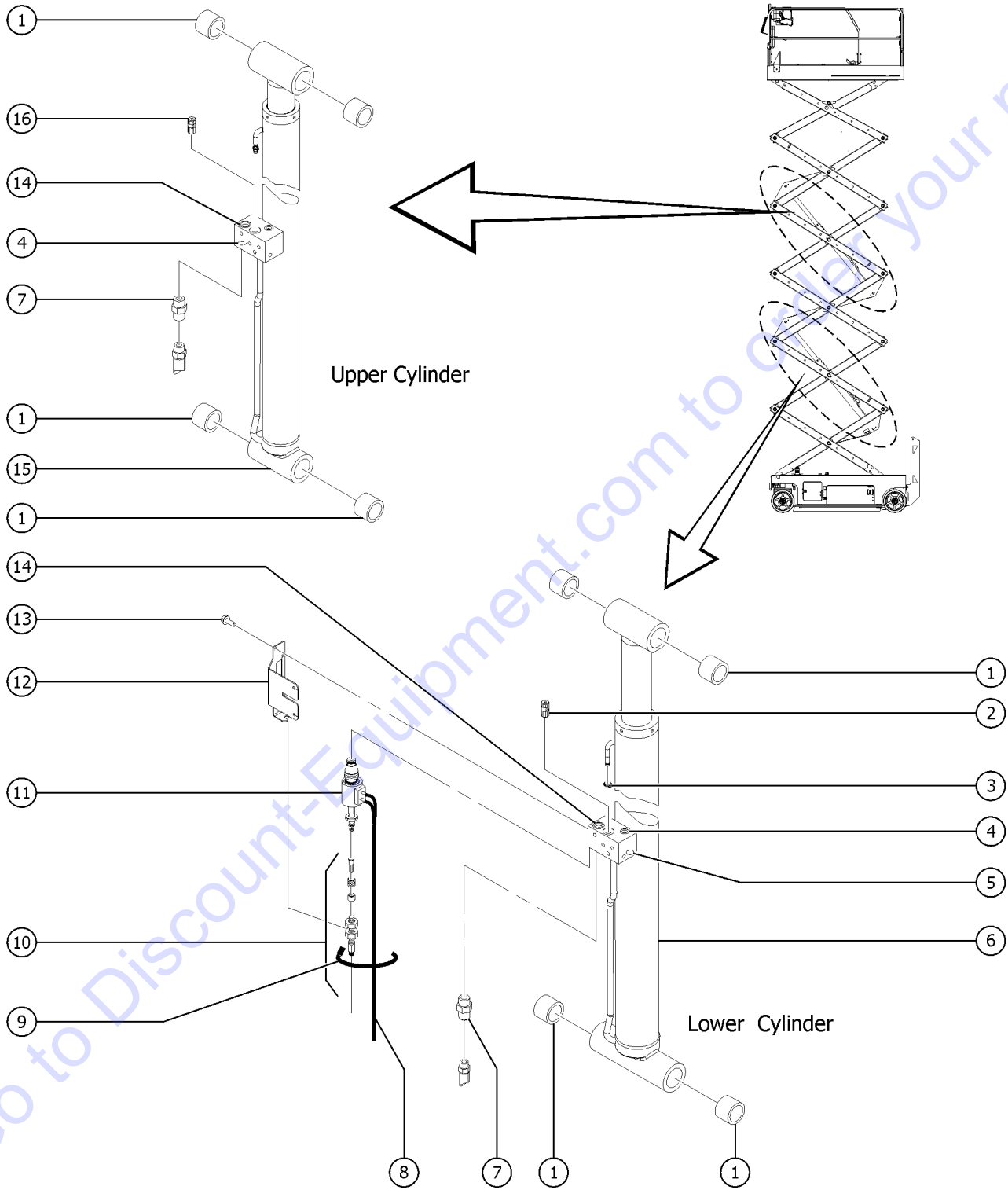
504.1 Hydraulic Power Unit



Item	Part No.	Description	Qty.
1	40844GT	MOTOR,ELECTRIC,24VDC 4.5HP.....1	1
--	43685GT	SEAL KIT,LIFT PUMP,BARNES**	
--	44777GT	BEARING,MOTOR	
--	44778GT	BEARING,MOTOR,36843,BRUSH END*	
2	44750GT	SPRING-BRUSH,40844, SCISSORS	
3	44752GT	COVER-BRUSH INSPEC.40844,SCISS.....4	4
4	44751GT	BRUSH,PWR UNIT (40844)**.....4	4
5	824100GT	SCREW,SHC,3/8-24X1.25,A574,ZAG....4	4
6	824110GT	WASHER,LOCK,3/8,ZAG.....4	4
7	T108662GT	PUMP,5.6CC GEAR,CCW.....1	1
--	236837GT	SEAL KIT,PUMP,5.6CC GEAR <i>For Bosch PN 9510290037</i>	

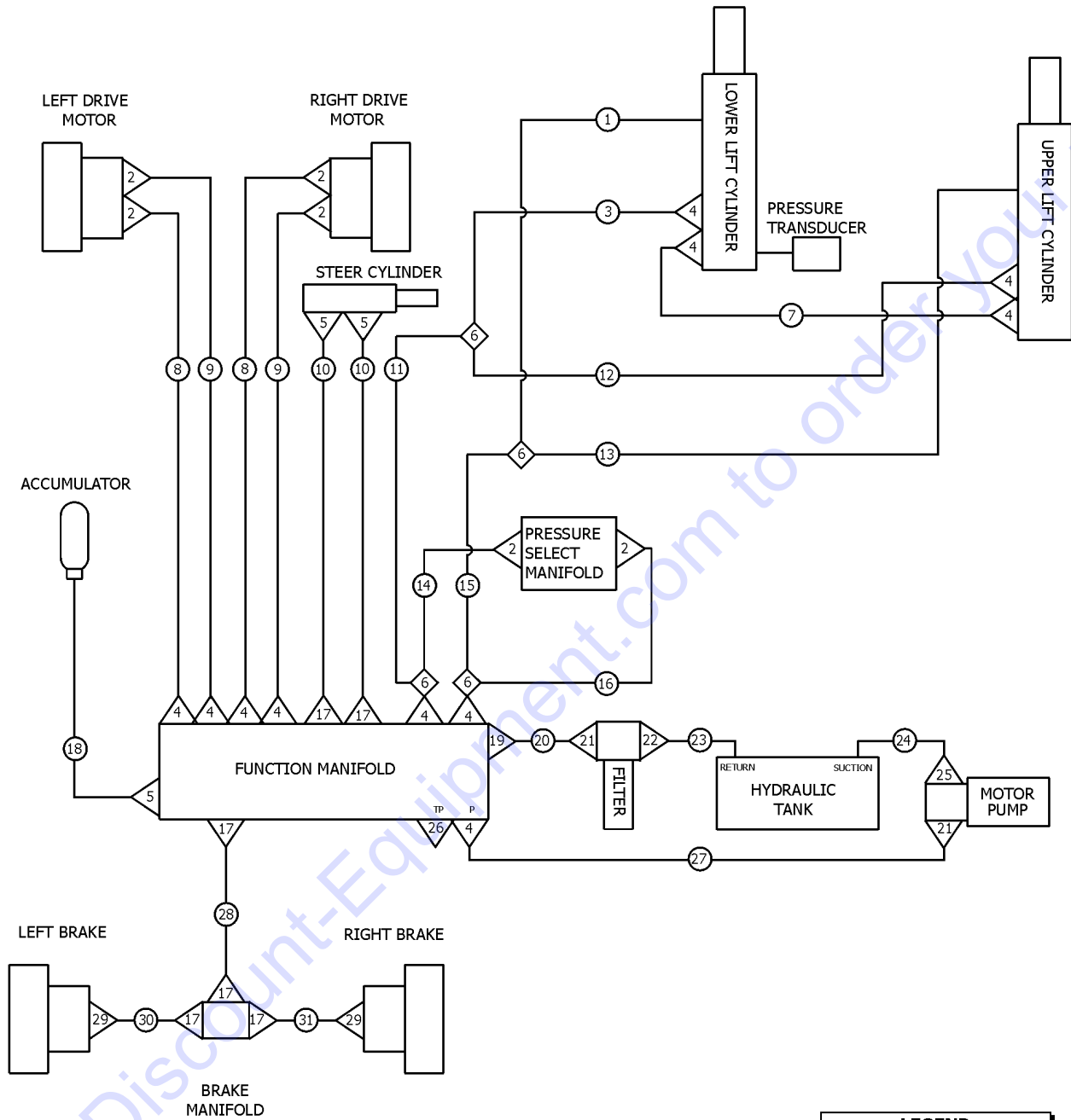
Go to Discount-Equipment.com to order your parts

505.1 Lift Cylinder Assemblies



Item	Part No.	Description	Qty.
1	66055GT	BEARING,1.50IDX1.77ODX1.25L.....	8
2	214817GT	ORIFICE,LONG,.076".....	1
3	96770GT	CLAMP, HOSE, 1 EAR, 11/16.....	1
4	52368GT	VALVE,CHECK,GS68 (SIZE8 8).....	2
5	237472GT	PRESSURE TRANSDUCER,1K-3K PSI.....	1
6	1264781GT	LOWER CYL,4047 LIFT,3.5" BORE,DONGYANG.....	1
--	1282019GT	SEAL KIT for 1264781	
7	39878GT	CONNECTOR,070120-6-6.....	4
		(two per cylinder)	
8		Ref. Down Coil Wire Harness (Refer to 210.1)	
9	28443GT	CABLE TIE,11.5" BLACK.....	3
10		Ref. Emergency Down Cable (Refer to 203.1)	
11	229615GT	VALVE, PROPORTIONAL, SP08-20.....	1
		(includes p/n 44973)	
12	132013GT	FORMING VERTICLE CABLE COVER...1	
13	824077GT	SCREW, HHF, 1/4-20 X .5, 8, ZAG.....	2
14	236279GT	VALVE,RELIEF,SIZE 8,3500 PSI.....	2
		(one per cylinder)	
15	1264780GT	UPPER CYL,4047 LIFT,3" BORE,DONGYANG.....	1
--	1282018GT	SEAL KIT for 1264780	
16	55560GT	ORIFICE,LONG, .059".....	1

506.1 Hydraulic Hoses and Fittings

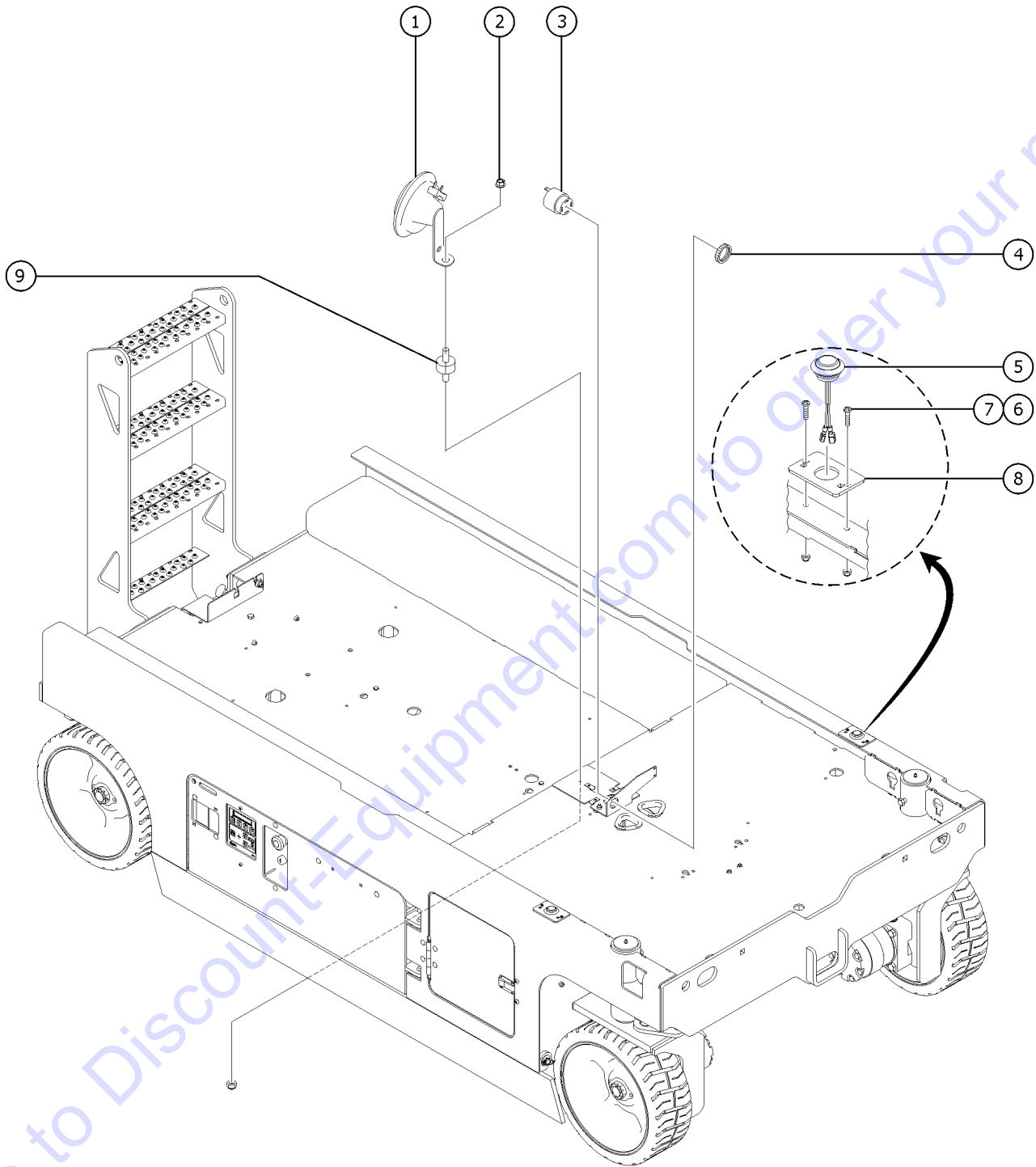


LEGEND	
	ADAPTER
	HOSE ASSEMBLY
	UNION

506.1 Hydraulic Hoses and Fittings

Item	Part No.	Description	Qty.	Item	Part No.	Description	Qty.
--		<i>"The hose lengths below reflect the length of the hose only. Refer to the 'Fittings Cross Reference' to match Genie part numbers to Parker part numbers."</i>		20	236914GT	HOSE,ASSY,MAN TO FILTER.....1 <i>"(Components: 96406, 96406, and 75631 @ 55 inches)"</i>	1
--	216276GT	WIRE LOOM,BLACK SPIRAL,1.10".....98-inches		21	39876GT	ELBOW,070220-6-8.....2	2
1	96882GT	HOSE,LOWER VENT.....1 <i>(Components: 75631 @ 161 inches)</i>	1	22	96398GT	CONNECTOR, 070120-12-8.....1	1
2	39873GT	ELBOW,070220-6-6.....6	6	23	228339GT	ASSEMBLY,TANK RETURN,TUBE.....1	1
3	105046GT	HOSE ASSY,LOWER LIFT.....1 <i>"(Components: 39890, 47223, and 56776 @ 127 inches)"</i>	1	24	96354GT	TUBE, ASSY, DRAW.....1	1
4	39878GT	CONNECTOR,070120-6-6.....11	11	25	22664GT	ELBOW,070220-12-10.....1	1
5	13921GT	ELBOW,070220-4-4.....3	3	26	48997GT	NIPPLE,DIAGNOSTIC,#4.....1	1
6	51152GT	TEE,RUN 070432-6****.....4	4	27	236913GT	HOSE,ASSY,PRESSURE.....1 <i>"(Components: 39890, 39890, and 56776 @ 60 inches)"</i>	1
7	1260603GT	HOSE,ASSY,CYL TO CYL.....1 <i>(Components: 39890, 39890, and 56776 @ 340 inches)</i>	1	28	105577GT	HOSE,ASSY,BRAKE,GS46.....1 <i>"(Components: 78855, 78855, and 78852 @ 65 inches)"</i>	1
8	105801GT	HOSE ASSY,DRIVE MOTORS,GS46.....2 <i>(Components: 39890, 39890, and 56776 @ 60 inches)</i>	2	29	45351GT	ELBOW,070320-4-4.....2	2
9	105580GT	HOSE ASSY,DRIVE MOTORS,GS46.....2 <i>(Components: 39890, 39890, and 56776 @ 64 inches)</i>	2	30	105803GT	HOSE,ASSY, BRAKE MAN,GS46.....1 <i>"(Components: 78855, 78855, and 78852 @ 22 inches)"</i>	1
10	105578GT	HOSE,ASSY STEER,GS32/46.....2 <i>(Components: 78855, 78855, and 78852 @ 36 inches)</i>	2	31	96749GT	HOSE, ASSY, BRAKE MAN, GS46.....1 <i>"(Components: 78855, 78855, and 78852 @ 20 inches)"</i>	1
11	96750GT	HOSE, ASSY, LIFT.....1 <i>(Components: 39890, 39890, and 56776 @ 42 inches)</i>	1				
12	1260604GT	HOSE,ASSY,UPPER LIFT.....1 <i>(Components: 39890, 39891, and 56776 @ 344 inches)</i>	1				
13	1260605GT	HOSE,VENT,UPPER.....1 <i>(Components: 105045 and 75631 @ 372 inches)</i>	1				
14	215749GT	HOSE,ASSY,PRESS SELECTOR,PRESS.....1 <i>(Components: 39890, 39890, and 56776 @ 18 inches)</i>	1				
15	96881GT	HOSE,ASSY,VENT.....1 <i>(Components: 96406, 96407, and 75631 @ 42 inches)</i>	1				
16	236917GT	HOSE,ASSY,PRESSURE SELECTOR....1 <i>Components: 96406, 105045, and 75631 @ 18 inches)</i>	1				
17	39877GT	CONNECTOR,070120-4-4.....6	6				
18	105246GT	HOSE ASSY, MAN/ACCUM, GS32/46....1 <i>"(Components: 78855, 78855, and 78852 @ 17 inches)"</i>	1				
19	66389GT	CONN,070120-8-6.....1	1				

601.1 Alarm, Horn and Flashing Beacons



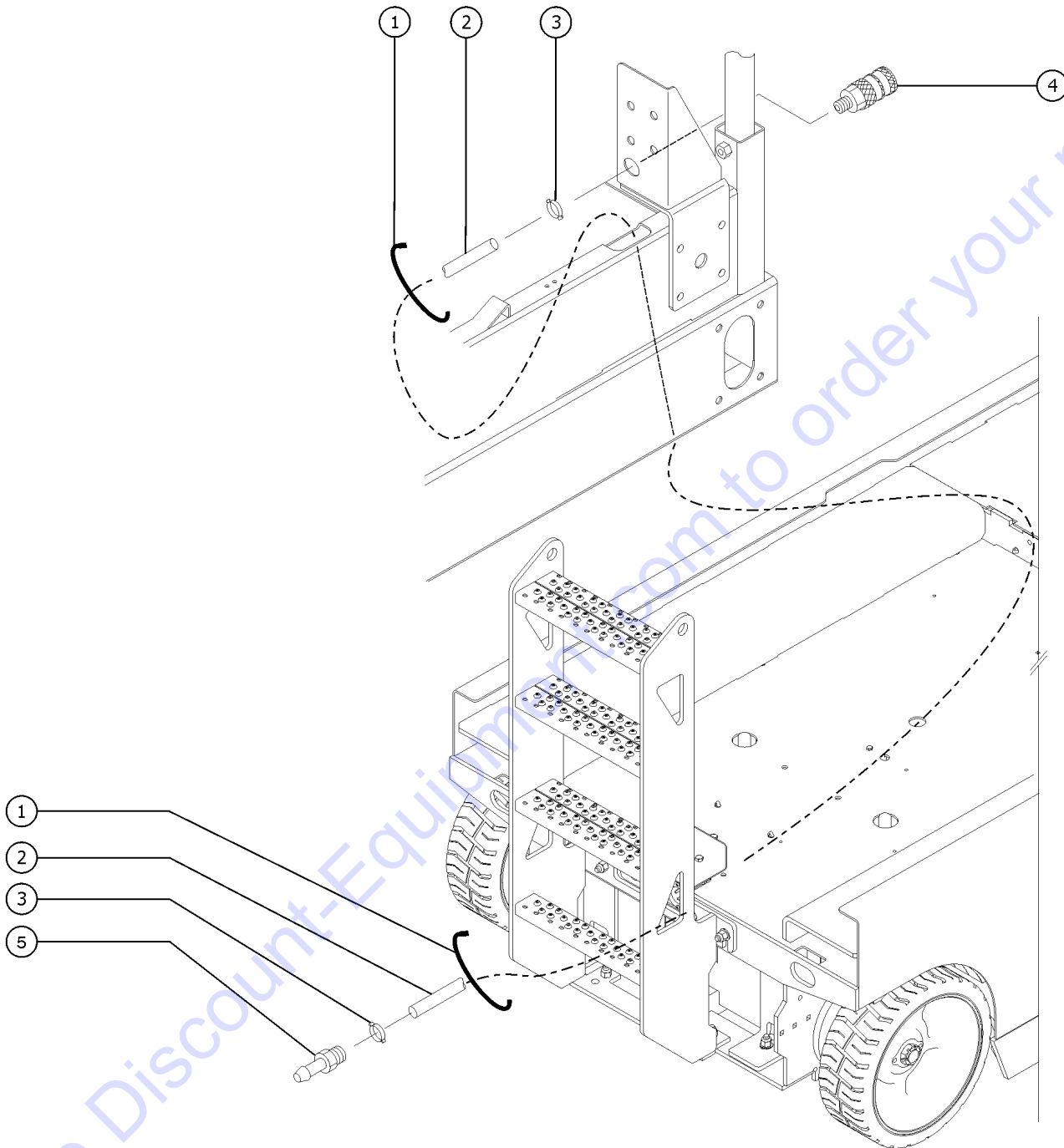
## 601.1 Alarm, Horn and Flashing Beacons

Item	Part No.	Description	Qty.
A	1260386GT	VISUAL INDICATOR LIGHTS	
1	81579GT	HORN,24VDC,SPADE TERMINALS***.....1	
2A	6091GT	NUT,NYLOCK,1/4-20	
2B	824028GT	NUT,TL FLG,5/16-18,G,ZAG	
3	39540GT	ALARM,STEADY TONE***.....1 <i>Does not include 72326 nut</i>	
4	72326GT	NUT - PLASTIC,RING FOR ALARMS.....1	
5A	1261183GT	ASSEMBLY, VISUAL IND LIGHT.....2	
--	1254572GT	LIGHT,TURN SIGNAL,1.25" LED,AMB	
--	1261526GT	HARNESS,VISUAL IND LIGHTS,MINI	
5B	1270162GT	ASSEMBLY, BEACON LED, 24V.....2	
--	1270662GT	HARNESS, BEACON, LED, LARGE.....1	
6	1255756GT	BOLT,CARRIAGE,1/4-20X1.5,5,ZAG.....4	
7	824027GT	NUT,TL FLG,1/4-20,G,ZAG.....4	
8	1261778GT	PLATE,VISUAL ALARM MOUNT,METRIC.....2	
9	1275722GT	ISOLATOR,HORN,5/16-18 THRD.....1	

Go to Discount-Equipment.com to order your parts



602.1 Air Line to Platform

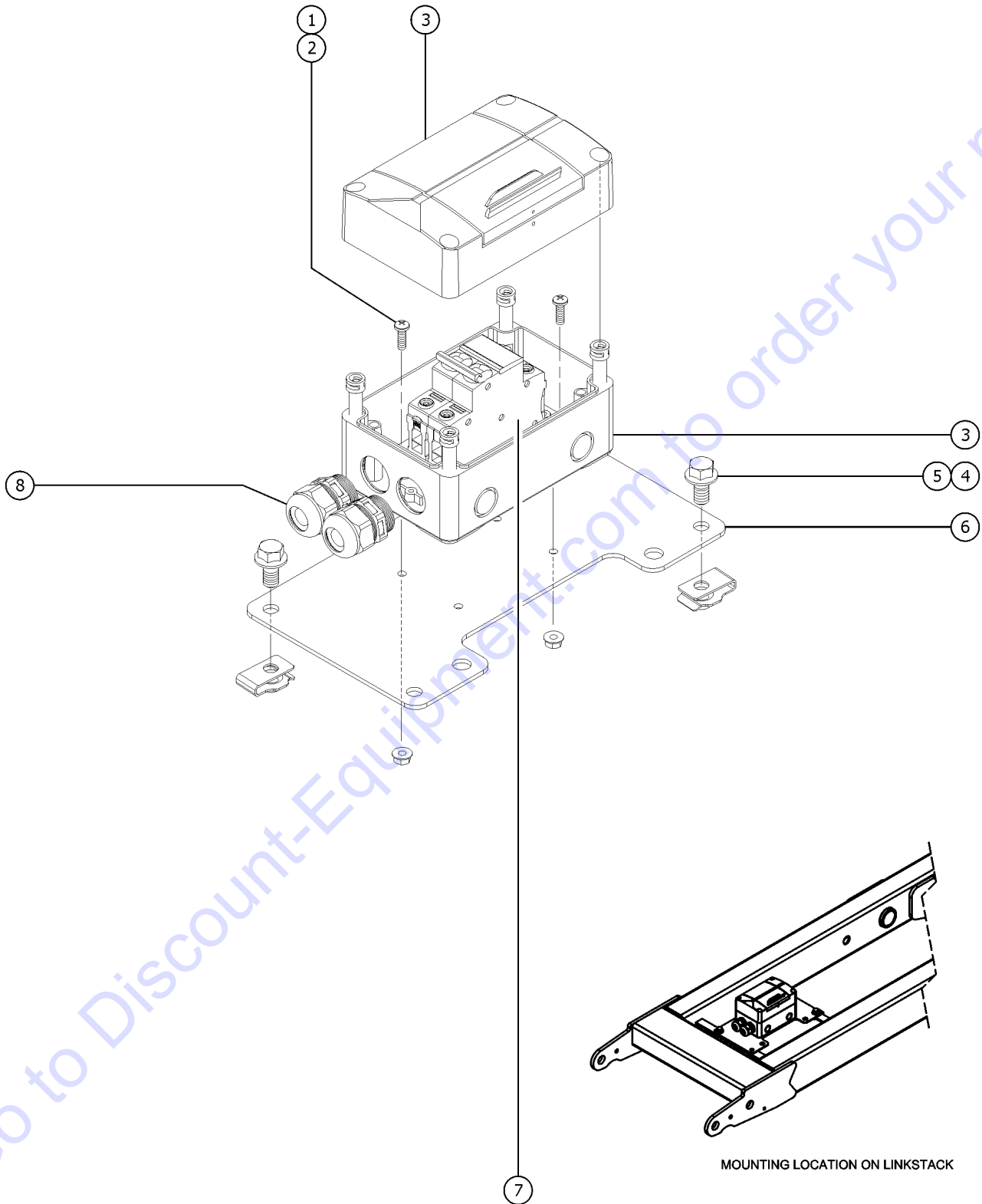


## 602.1 Air Line to Platform

Item	Part No.	Description	Qty.
1	28443GT	CABLE TIE,11.5" BLACK	
2	27903GT	HOSE,LOW PRESSURE,.375 ID,BLK.....744-inches	
3	45454GT	CLAMP,RUB CUSH,0.75,#12 X 3/8*.....1	
4	96354GT	TUBE, ASSY, DRAW.....1	
5	96542GT	PLUG,1/4"SERIES,3/8 P-LOCK***.....1	

Go to Discount-Equipment.com to order your parts

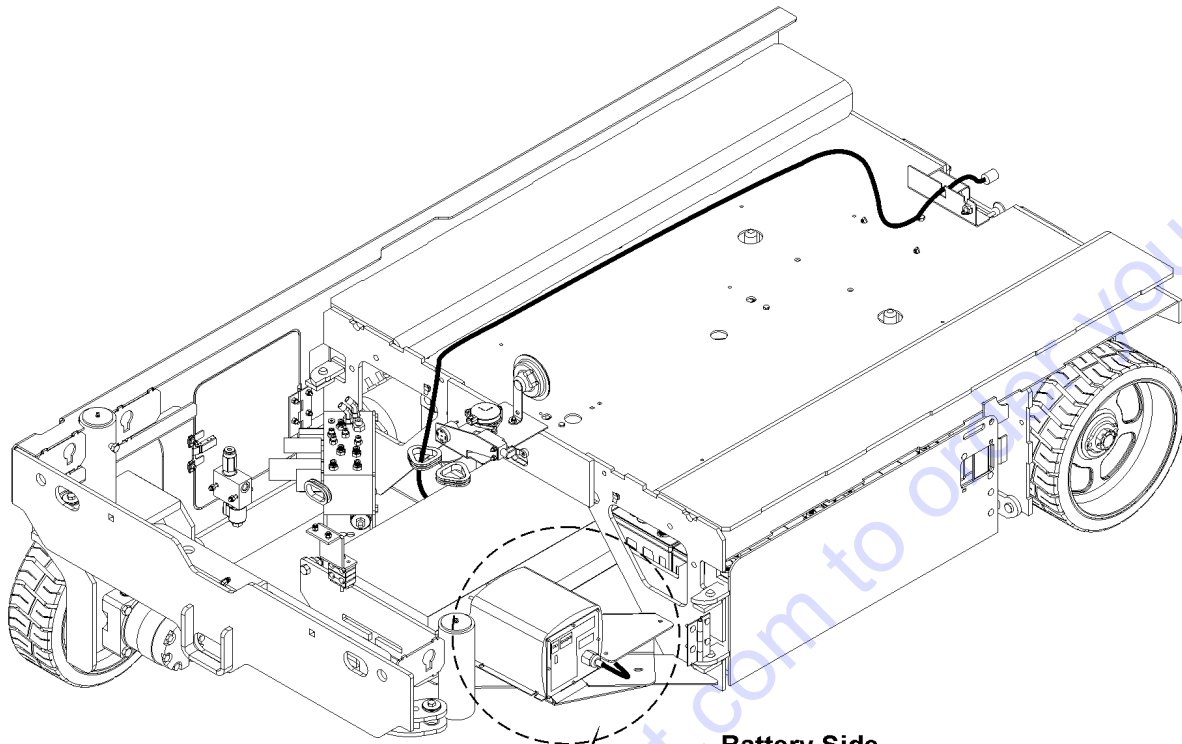
603.1 RCBO



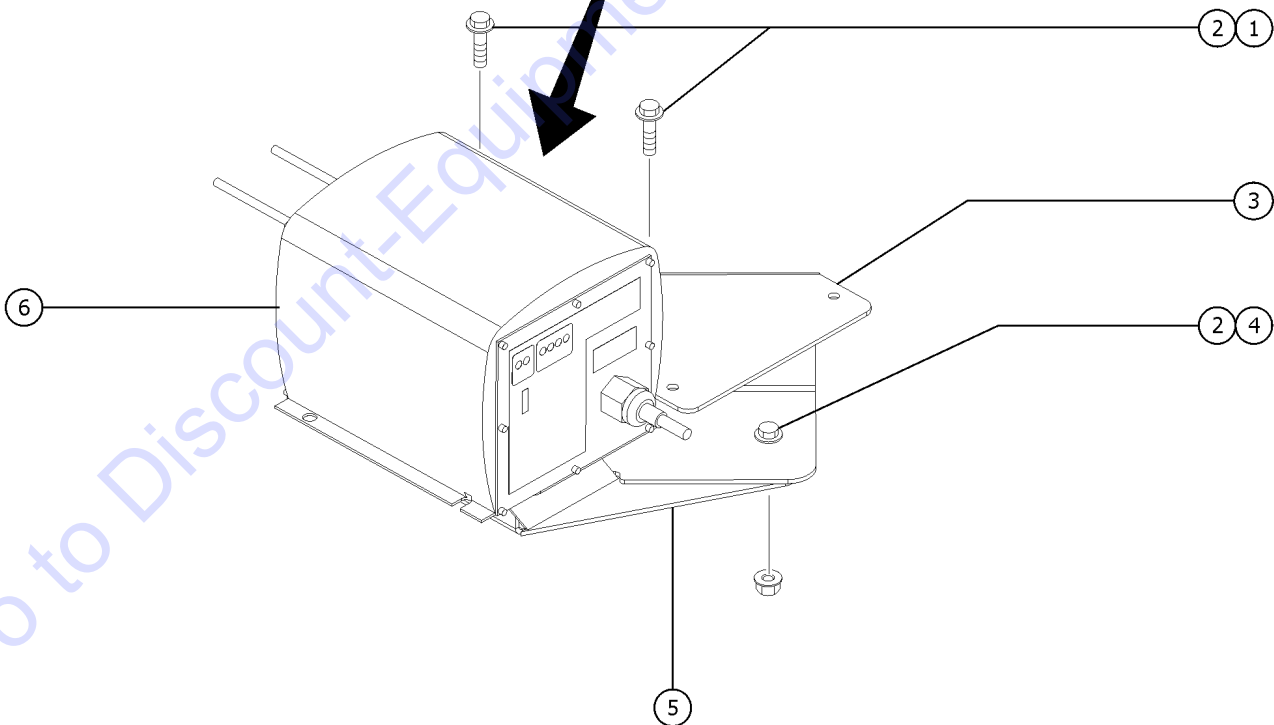
Go to Discount-Equipment.com to order your parts

Item	Part No.	Description	Qty.
1	1257227GT	SCREW,PHPM,10-32X.625,ZAG.....	2
2	1256467GT	NUT,TL FLG,10-24,F,ZAG.....	2
3	1269086GT	ENCLOSURE, FUSE, MODULAR, 150X.....	1
4	824089GT	SCREW,HHF,3/8-16X.75,8,ZAG.....	2
5	29868GT	SPRING CLIP,3/8-16,.05-.20X.73,ZAG...	2
6	1274540GT	PLATE, RCBO, GS.....	1
7	231868GT	RCBO,16A,30MA,6KA 110/230VAC.....	1
8	1280947GT	GLAND ASSY,M25,6-13MM.....	2
9	43956GT	WIRE CABLE,14/3 CON.TPE JKT*.....115-inches <i>not shown</i>	
10	1280948GT	SLEEVE,CABLE-END,14AWG,2.5MM.... <i>for 43956</i>	6

604.1 Voltage Inverter



Battery Side

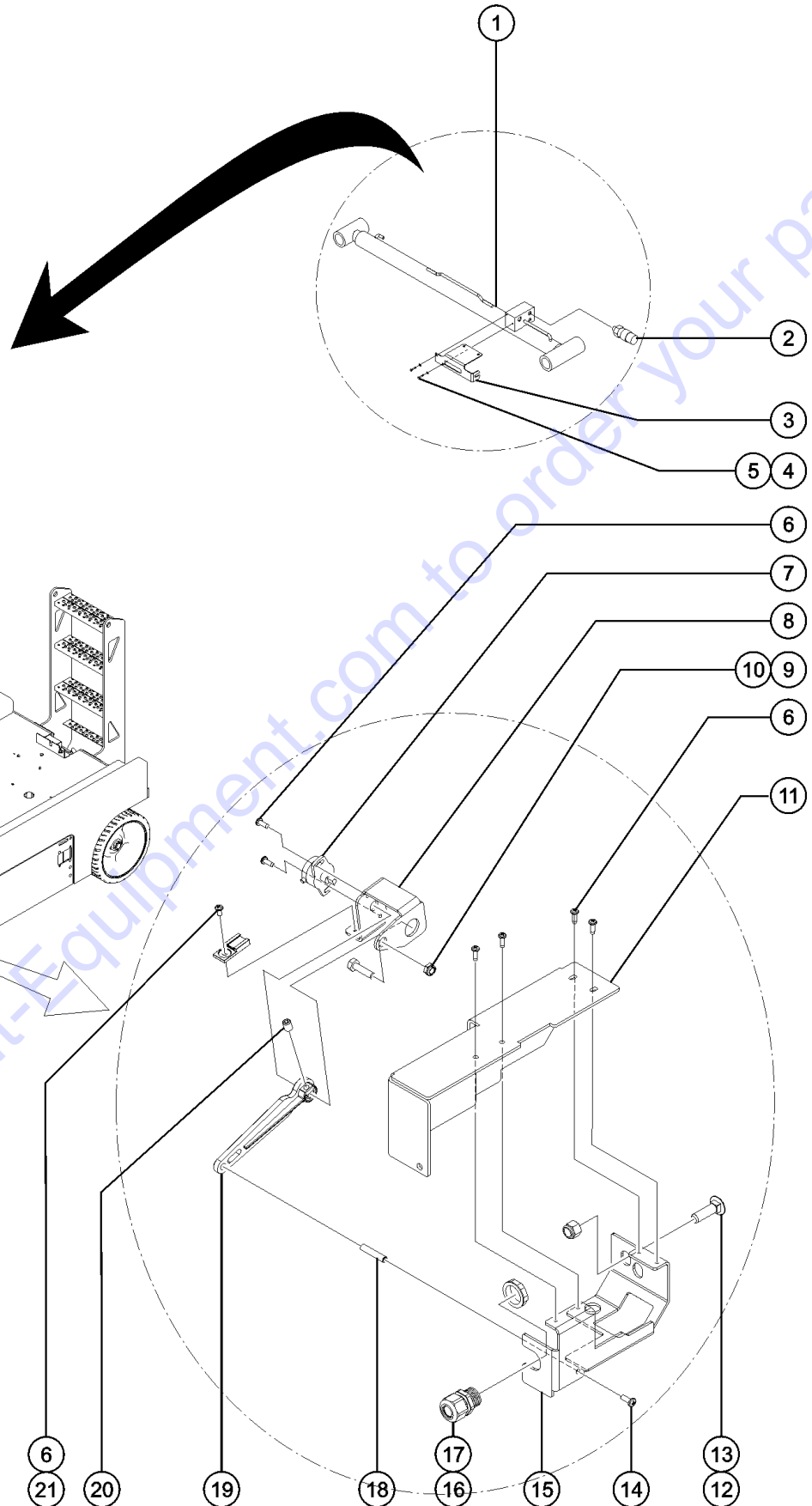
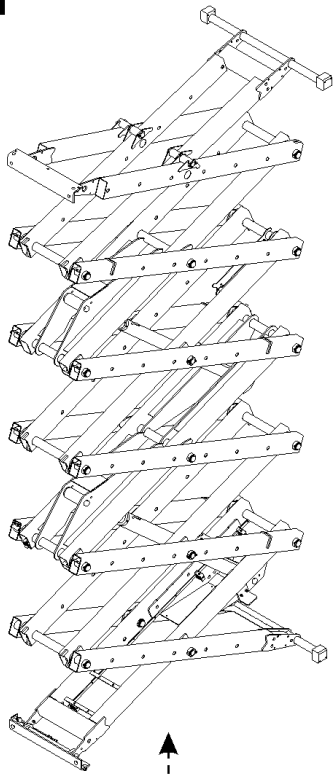


## 604.1 Voltage Inverter

Item	Part No.	Description	Qty.
1	824078GT	SCREW,HHF,1/4-20X.75,8,ZAG.....	6
2	824027GT	NUT,TL FLG,1/4-20,G,ZAG.....	8
3	1273457GT	FORMING,CHRGER MT PROTECTION,ANSI,47.....	1
		<i>mount for charger, refer to item 5 for inverter mount</i>	
4	824079GT	SCREW,HHF,1/4-20X1,8,ZAG.....	2
5	1273456GT	INVERTER BRACKET,GS4047,ANSI....	4
6	96950GT	INVERTER,24VDC,110/230 VAC***.....	1

Go to Discount-Equipment.com to order your parts

701.1 Platform Overload



Go to Discount-Equipment.com to order your parts

Item	Part No.	Description	Qty.
1		Ref: Lift Cylinder (refer to 505.1)	
2	237472GT	PRESSURE TRANSDUCER,1K-3K PSI.....	1
3	41557-SGT	CABLE BRACKET,PAINTED.....	1
4	7339GT	SCREW,HHC,1/4-20 X .5	
5	6356GT	WASHER,LOCK,.25	
6	229655GT	SCREW,PHM,8-32X.313,SELF TAP.....	7
7	T113136GT	ASSY,ROT SENSR W/ HARNESS.....	1
8	227169GT	FRMNG,ARM SENSOR BRCKT,32/46....	1
9	7713GT	NUT, LP NYLOCK, 3/8-16	
10	6175GT	SCREW,HHC,3/8-16 X 1	
11	227170GT	FRMNG,SENSOR COVER,32/46.....	1
12	96203GT	BOLT,CARRIAGE,1/2-13X1.75, G5	
13	6198GT	NUT,NYLOCK,1/2-13	
14	49819GT	SCREW,PHILLIPS,PHM,10-32 X .5	
15	T113141GT	FRMNG,CHASSIS BRKT.....	1
16	33576GT	CONN,SQZ,BLK,1/2NPT,.38-.50,SM.....	1
17	T115429GT	NUT,CORDGRIP,1/2 NPT.....	1
18	T113142GT	OFFSET, RDN, 1/4-1.25,10-32.....	1
19	T114082GT	LEVER ARM,ANGLE SENSR ACTUATOR.....	1
20	229146GT	SCREW,SET,8-32X.25	
21	T113139GT	CLIP,DTM,RECEPTACLE.....	1



## Part Number Index

The Part Number Index is a numeric index of all part numbers included in this manual. The index shows what page(s) the part is used on.

Part Number	Page	Part Number	Page	Part Number	Page	Part Number	Page
104804GT	53-54	1257054GT	43	1273385GT	49	215749GT	73
105046GT	73	1257055GT	43	1273386GT	49	216276GT	73
105060GT	31	1257188GT	17	1273387GT	49	22446GT	53-54
105067GT	67	1257227GT	79	1273388GT	33	22664GT	73
105074GT	49	1257840GT	37	1273394GT	41	227167GT	59
105090GT	57	1257845GT	41	1273419GT	49	227169GT	83
105117GT	57	1257855GT	43	1273420GT	49	227170GT	83
105118GT	57	1257858GT	43	1273421GT	49	228339GT	37, 73
105156GT	31	1257923GT	17, 23	1273426GT	49	228361GT	37
105186GT	49	1258394GT	41	1273427GT	49	229086GT	61
105189GT	49	1258731GT	59	1273456GT	81	229087GT	61
105191GT	49	1259177GT	31	1273457GT	81	229088GT	61
105193GT	49	1259178GT	31	1273573GT	49	229089GT	61
105205GT	49	1259180GT	31	1274168GT	29	229090GT	61
105206GT	49	1259181GT	53-54	1274540GT	79	229091GT	61
105208GT	49	1259182GT	53-54	1275425GT	57	229092GT	61
105213GT	49	1259193GT	25	1275722GT	75	229093GT	61
105214GT	41	1259195GT	25	1278011GT	23	229094GT	61
105246GT	73	1259197GT	31	1278664GT	35	229097GT	61
105448GT	57	1259223GT	53-54	1278704GT	15, 21	229146GT	83
105483-SGT	57	1259339GT	54	1280665GT	57	229579GT	49
105547GT	63	1259686GT	31	1280947GT	79	229606GT	45
105550GT	63	1259923GT	17	1280948GT	79	229615GT	71
105572GT	39	1260202GT	41	1280957GT	53-54, 59	229616GT	45
105574GT	45	1260386GT	75	1280958GT	54, 59	229655GT	83
105577GT	73	1260603GT	73	1280962GT	53-54	229845GT	59
105578GT	73	1260604GT	73	128118GT	29	230364GT	25
105580GT	73	1260605GT	73	1282018GT	71	230620GT	17, 23
105732GT	39	1260926GT	53-54	1282019GT	71	230756GT	23
105734GT	39	1260941GT	49	1282145GT	29	230757GT	19
105759GT	39	1260962GT	49	1282153GT	29	230758GT	13, 15, 19, 21
105801GT	73	1260963GT	49	1283053GT	41	231868GT	79
105803GT	73	1260984GT	39	1284269GT	53-54	231921GT	59
105812GT	57	1261183GT	75	1284302GT	57	231922GT	59
10775GT	57	1261526GT	75	1286357GT	53-54	232580GT	41
10777GT	57	1261778GT	75	132013GT	71	233371GT	43
114334GT	21	1261822GT	49	132097GT	31	233430GT	41, 43
114337GT	19	1261823GT	49	132133GT	31	235462GT	61
114338GT	23	1261888GT	65	132357GT	31	235463GT	61
114361GT	13, 19	1261982GT	19	132362GT	31	235464GT	59
114372GT	19, 21	1261983GT	23	132371GT	31	236279GT	71
114385GT	13, 15	1261998GT	19	132465GT	31	236781GT	41
114386GT	17	1263220GT	41	132588GT	31	236806GT	43
119827GT	45	1263221GT	41	133276GT	15	236821GT	43
12016GT	31	1263471GT	57	133596GT	17	236824GT	43
122994GT	39	1263542GT	21	13585GT	57	236837GT	69
1251997GT	25, 27, 47	1264227GT	43	13635-10GT	11, 25	236913GT	73
1252765GT	43	1264780GT	71	137562GT	39	236914GT	73
1252766GT	43	1264781GT	71	137587GT	59	236917GT	73
1252977GT	53-54	1264822GT	41	137605GT	17, 23	237086GT	65
1253477GT	54	1264834GT	41	137634GT	61	237165GT	33
1253478GT	53-54	1265361GT	15, 21	137637GT	39, 59	237472GT	71, 83
1253485GT	53-54	1265771GT	41	137640GT	59	238348GT	51
1254572GT	75	1268GT	11	137642GT	59	24514GT	53-54
1255756GT	75	1269086GT	79	137656GT	17, 23, 59	25388GT	57
1255757GT	31, 47, 49	1270162GT	75	137668GT	39	25817GT	31
1255758GT	31, 53-54	1270281GT	27, 41	137699GT	59	27581GT	11
1256051GT	25, 27	1270457GT	33	13921GT	73	27903GT	77
1256109GT	25	1270662GT	75	144161GT	57	28131GT	43
1256115GT	27, 47	1272232GT	35	144226GT	29	28174GT	15, 17, 21, 23
1256123GT	25	1272242GT	13, 19	1484GT	11	28175GT	15
1256127GT	35	1272557GT	35	150104GT	65	28176GT	17
1256177GT	31	1273351GT	41	150105GT	65	28235GT	15, 17, 21, 23
1256287GT	25, 27	1273361GT	49	160412GT	57	28236GT	17
1256454GT	37	1273364GT	49	18504GT	45	28443GT	71, 77
1256467GT	49, 79	1273365GT	49	18605GT	57	29868GT	79
1256679GT	33, 37, 49	1273366GT	49	18722GT	25	31060GT	13
1256702GT	17, 23	1273367GT	49	19491GT	29, 31	31508GT	15
1256719GT	39	1273370GT	49	20224GT	65	31788GT	13
1256721GT	39	1273371GT	27	21253GT	25	32339GT	45
1256725GT	59	1273379GT	37	21279GT	53-54	33576GT	83
1256727GT	59	1273380GT	37	214544GT	61	33724GT	57
1256848GT	49	1273381GT	27	214817GT	71	36369GT	47
1256855GT	53-54	1273383GT	51	214864GT	13	37947GT	39
1256856GT	53-54	1273384GT	51	214867GT	13	39232GT	29

Part Number	Page	Part Number	Page	Part Number	Page	Part Number	Page
39310GT	53-54	55560GT	71	824089GT	79	96709GT	37
39469GT	53-54	55675GT	33, 37	824094GT	53-54	96718GT	53-54
39474GT	53-54	55906GT	57	824100GT	69	96719GT	53-54
39540GT	29, 59, 75	56912GT	29, 39	824110GT	69	96735GT	49
39542GT	31	56926GT	41	824120GT	25	96749GT	73
39579GT	53-54	57075GT	57	824124GT	25, 29, 33, 37, 39	96750GT	73
39873GT	73	58000GT	49	824215GT	57	96760GT	53-54
39876GT	73	58592GT	25	824216GT	29	96770GT	71
39877GT	73	58627GT	39	82474GT	19, 21	96836GT	49
39878GT	71, 73	6091GT	37, 57, 75	82476GT	19, 21	96838GT	31
40434GT	17, 23	6175GT	83	82481GT	19	96840GT	31
40833GT	33	6198GT	83	82482GT	21	96853GT	41
40844GT	69	6272GT	39	82487GT	21, 23	96855GT	37
41557-SGT	83	6356GT	83	82495GT	19	96862GT	49
41630GT	53-54	6595GT	57	825013GT	41	96870GT	29
42079GT	11, 27	65962GT	65	825019GT	49	96876GT	27
43392GT	53-54	65990-SGT	53-54	825020GT	49	96881GT	73
43618GT	17, 23	66055GT	49, 71	825358GT	31, 53-54	96882GT	73
43619GT	15	66204GT	37	82557GT	17	96887GT	27
43658GT	15, 21	6626GT	57	82558GT	15	96899GT	49
43685GT	69	66353GT	57	82559GT	15	96900GT	49
43956GT	57, 79	66355GT	57	8255GT	25	96932GT	49
44163GT	11	66356GT	57	82560GT	21	96948GT	29, 31
44168GT	65	66389GT	73	82561GT	13, 15	96950GT	81
44169GT	65	6638GT	37	82562GT	19, 21	97128GT	29, 31
44171GT	65	66397GT	43	825796GT	49	97241GT	47
44174GT	65	66399GT	11	82730GT	17	97242GT	53-54
44175GT	65	66512GT	53-54	82736GT	23	97258GT	53-54
44207GT	63	66544GT	53-54	83093GT	39	97259GT	54
44226GT	65	66717GT	33, 43	84384GT	65	97260GT	54
44229GT	65	66770GT	25	84385GT	65	97263GT	54
44230GT	65	66812GT	39, 59	84386GT	65	97264GT	54
44236GT	65	66817GT	39, 59	84574GT	31	97267GT	25
44255GT	13, 15	66920GT	53-54	84587GT	53-54	97409GT	65
44716GT	43	66923GT	53-54	84739GT	67	97719GT	21
44736GT	17	6700GT	39	84740GT	67	T106362GT	39
44737GT	13, 15	6878GT	57	84742GT	67	T106363GT	39
44750GT	69	6935GT	57	84743GT	67	T106366GT	39
44751GT	69	7056GT	57	84746GT	67	T106368GT	59
44752GT	69	7127GT	57	84747GT	47	T106370GT	59
44777GT	69	72086GT	13, 15, 19, 21	84748GT	67	T106372GT	39
44778GT	69	72143GT	15, 21	8516GT	49	T106373GT	59
44780GT	25, 27, 63	72326GT	29, 59, 75	85239GT	39	T107029GT	13
44781GT	25, 27	72853GT	15	88827GT	39	T107031GT	15
44788GT	11, 63	72970GT	13	9116GT	37, 45, 49	T108326GT	37
44936GT	57	7339GT	83	96008-SGT	39	T108327GT	39
44980GT	15, 21	74006GT	57	96009GT	57	T108662GT	69
44981GT	15, 17, 21, 23	75631GT	33	96010GT	39	T108663GT	63
44997GT	45	7713GT	83	96085GT	31	T108664GT	63
45351GT	73	77709GT	65	96110GT	43	T108667GT	37
45454GT	77	78022GT	53-54	96130GT	49	T108670GT	33
45546GT	57	78038GT	53-54	96200GT	53-54	T110891GT	41
46260GT	53-54	78086GT	31	96203GT	83	T112507GT	29
46287GT	13, 15	78422GT	45	96236GT	57	T112508GT	41
47098GT	53-54	78546GT	11, 37	96246GT	53-54	T112509GT	41
47163GT	53-54	78622GT	63	96354GT	37, 73, 77	T112560GT	57
47166GT	53-54	78736GT	25, 51	96398GT	73	T112561GT	57
47225GT	53-54	79140GT	43	96408GT	31	T112563GT	57
47231GT	53-54	81579GT	75	96413GT	53-54	T112804GT	15, 21
47232GT	29	82052-SGT	53-54	96419GT	63	T113136GT	41, 83
47238GT	29	82053-SGT	53-54	96452GT	39	T113139GT	83
47374GT	53-54	823368GT	29	96487GT	49	T113141GT	83
47946GT	25	82366GT	15	96541GT	31	T113142GT	83
48282GT	57	824025GT	49	96542GT	77	T113296GT	37
48880GT	65	824027GT	25, 29, 33, 35,	96572GT	25	T113787GT	54
48997GT	65, 73		37, 39, 45, 49,	96573GT	25	T113971GT	33
49612GT	65		53-54, 75, 81	96574GT	25	T114031GT	41
49613GT	11, 65	824028GT	75	96595GT	47	T114082GT	83
49819GT	83	824029GT	31, 47, 53-54	96603GT	49	T115429GT	83
51063GT	39	824032GT	31, 57	96615GT	49		
51152GT	73	824038GT	31, 53-54	96616GT	49		
51474GT	47	824064GT	45	96642GT	31		
52368GT	71	824077GT	71	96643GT	31		
52475GT	13, 15, 19, 21	824078GT	54, 81	96661GT	49		
5397GT	51	824079GT	29, 81	96662GT	49		
55355GT	31	824080GT	49	96699GT	37		

## Part Description Index

The Part Description Index is an alphabetical index of all part descriptions included in this manual. The index shows what page(s) the part is used on.

**A**

ACCUMULATOR,180 PSI PRECHARGE\*.....45  
 ADAPTER, RJ45, GC27-25/GC21-19.....39  
 ALARM,STEADY TONE\*\*\*.....29, 59, 75  
 ASSEMBLY, BEACON LED, 24V.....75  
 ASSEMBLY, CHARGER STATUS LED, 2V.....27, 41  
 ASSEMBLY, DOWN LIMIT, GS.....29  
 ASSEMBLY, VISUAL IND LIGHT.....75  
 ASSEMBLY,CHARGER STATUS LED,2V.....35  
 ASSEMBLY,LINK,INNER #1.....49  
 ASSEMBLY,LINK,INNER #2,4.....49  
 ASSEMBLY,LINK,INNER #3.....49  
 ASSEMBLY,LINK,INNER #5.....49  
 ASSEMBLY,LINK,INNER #6.....49  
 ASSEMBLY,TANK RETURN,TUBE.....37, 73  
 ASSY, PLATFORM GATE, GSXX46.....53-54  
 ASSY,POT HOLE SYSTEM,GSXX46.....31  
 ASSY,POTHOLE HARNESS GS32/GS46.....41  
 ASSY,ROT SENSR W/ HARNESS.....41, 83

**B**

BALL STUD, GAS STRUT, 3/8-16.....31  
 BAR, CABLE BRIDGE ARM.....49  
 BAR,CABLE BRIDGE ARM,UPPER.....49  
 BASE WITH 1 NC CONTACT, E-STOP.....39, 59  
 BATTERY,12V,150AH, T1275.....33  
 BEARING,.75ID X 1.00D X 1.38LG.....31  
 BEARING,0.75IDX1.00ODX0.75L.....47  
 BEARING,1.00IDX1.25ODX0.49L.....25  
 BEARING,1.00IDX1.25ODX0.75L.....47  
 BEARING,1.00IDX1.25ODX1.00L.....31  
 BEARING,1.26IDX1.53ODX1.25L.....49  
 BEARING,1.50IDX1.77ODX1.25L.....49, 71  
 BEARING,1.523IDX1.75ODX0.63L.....31  
 BEARING,1.5IDX1.75ODX2.4L.....49  
 BEARING,2.25IDX2.50ODX1.50L\*\*\*.....25  
 BEARING,MOTOR.....69  
 BEARING,MOTOR,36843,BRUSH END\*.....69  
 BOLT,CARRIAGE,1/2-13X1.75, G5.....83  
 BOLT,CARRIAGE,1/2-13X1.75,5,ZA.....27, 47  
 BOLT,CARRIAGE,1/4-20 X .75,G2.....57  
 BOLT,CARRIAGE,1/4-20X.63,5,ZAG.....49  
 BOLT,CARRIAGE,1/4-20X.75,5,ZAG.....25, 29, 33, 37, 39  
 BOLT,CARRIAGE,1/4-20x1.25,G2.....37, 45, 49  
 BOLT,CARRIAGE,1/4-20X1.5,5,ZAG.....75  
 BOLT,CARRIAGE,1/4-20X1.5,ZAG.....35  
 BOLT,CARRIAGE,10-24 X 1.5",G2.....49  
 BOLT,CARRIAGE,10-24X2.5,A,ZAG.....49  
 BOLT,CARRIAGE,3/8-16X1.25,5,ZAG.....31, 47, 49  
 BOLT,CARRIAGE,3/8-16X2.25,5,ZAG.....53-54  
 BOLT,SHS,3/8X.375X5/16-18,ZAG.....53-54  
 BOOT, 2 SWITCH, SILICON.....61  
 BOOT,CABLE TERMINAL COVER.....43  
 BOOT,CABLE TERMINAL,RED,XL.....43  
 BOX,INSTRUCTION STORAGE.....53-54  
 BRACKET,FOOT PEDAL.....53-54  
 BRAKE,HYDRAULIC,15KIP-IN.....63  
 BREATHER CAP,HYD. TANK,1/4 NPT.....11, 37  
 BRUSH,PWR UNIT (40844)\*\*.....69  
 BUMPER,BATTERY BOX & RAILS.....53-54

BUSHING,FLNGD, .63 X .77 X .38.....31  
 BUSHING,STRAIN RELIEF,.875/.40.....29  
 BUTTON, .800 O.D. X .281.....53-54  
 BUTTON,PUSH,RED MUSHROOM HEAD.....39, 59

**C**

CABLE ASSY,BATT,11" BLACK.....43  
 CABLE ASSY,BATT,11"BLACK.....43  
 CABLE ASSY,BATT,11"RED.....43  
 CABLE ASSY,BATT,23"RED.....43  
 CABLE ASSY,BATT,30.5" RED.....43  
 CABLE ASSY,BATT.10.5" RED.....43  
 CABLE ASSY, BATT. 101", RED.....43  
 CABLE ASSY, BATT. 106" BLACK.....43  
 CABLE ASSY, BATT. 12" BLACK.....43  
 CABLE ASSY, BATT. 14" RED.....43  
 CABLE BRACKET,PAINTED.....83  
 CABLE TIE MOUNT, WINGED.....41  
 CABLE TIE,11.5" BLACK.....71, 77  
 CABLE, LIFT CYL DOWN W/LS.....41  
 CABLE, LIFT CYL DOWN W/LS.....41  
 CABLE,CHARGER,DC,W/BTS.....41  
 CABLE,EMERGENCY DOWN.....29  
 CABLE,LIFT CYL,GS4047.....41  
 CABLE,PLAT CNTRL,GS4047.....41  
 CABLE,PLATFORM CONTROL,GS,HARTING CONN OPTION.....54, 59  
 CAM FOLLOWER,1.125X.375,DELRI.....31  
 CAP, TUBE, SQ,1.25 X .083.....53-54  
 CAP,BUTTON,K12.....59  
 CAP,DIAGNOSTIC NIPPLE.....65  
 CHARGER INTERLOCK CBLE,GS47.....41  
 CHARGER,24V,650W,USB.....35  
 CHASSIS MOUNT ASSY, GS32&46.....47  
 CHECK DISK, NO SPRING.....65  
 CIRCUIT BREAKER,7.0 AMP\*\*\*.....39  
 CLAMP, HOSE, 1 EAR, 11/16.....71  
 CLAMP, RETURN LINE.....37  
 CLAMP, SHORT.....49  
 CLAMP,1.75,#28 X 3/8,RUB CUSH\*.....45  
 CLAMP,2 HOSE,PLASTIC,5/8.....25, 51  
 CLAMP,HOSE,1 EAR,1-1/16\*\*\*.....37  
 CLAMP,LONG.....49  
 CLAMP,RUB CUSH,0.75,#12 X 3/8\*.....77  
 CLIP,CABLEBRIDGE, GS32/46.....49  
 CLIP,DTM,RECEPTACLE.....83  
 CLIP,HAIR PIN .125 X 2.....25  
 CLIP,TIE HARNESS MOUNT\*\*\*.....41  
 COIL, 20V, ZENER DIODE DEUTSCH.....45  
 COIL,#8 20VDC,DEUTSCH W/DIOD.....65  
 COIL,20VDC DEUTSCH W/DIODE.....65  
 CONN,070120-8-6.....73  
 CONN,SQUEEZE,1/2NPT .38-.50,SM.....57  
 CONN,SQZ,BLK,1/2NPT,.38-.50,SM.....83  
 CONNECTOR, 070120-12-8.....73  
 CONNECTOR,070120-4-4.....73  
 CONNECTOR,070120-6-6.....71, 73  
 CONTACTOR,DRIVE,24V,180A.....33  
 CONTACTOR,LIMIT SWITCH.....29, 31  
 COUNTERWEIGHT, BELLY.....27  
 COVER, RJ45, GC27-25/GC21-19.....39  
 COVER,BLANK.....57  
 COVER,GFCI,HORIZONTAL,WEATHER.....57  
 COVER,T-BOX LOCKABLE.....57  
 COVER-BRUSH INSPEC.40844,SCISS.....69

CWT, REAR, XX46.....27  
 CYLINDER,GS/GR STEER\*\*\*.....63

**D**

DECAL DANGER TIP OVER TRAYS.....13, 15  
 DECAL KIT, SYM, PLAT, ANSI.....19  
 DECAL SYMBOL TIP OVER TRAYS.....19, 21  
 DECAL, BATTERY CHARGER INDICAT.....15, 21  
 DECAL, COMPARTMENT ACCESS.....21  
 DECAL, LABEL - DIRECTION ARROWS.....17, 23  
 DECAL, LABEL, SAFETY ARM SYMB.....21  
 DECAL, POWER TO PLATFORM 230V\*\*.....15, 17, 21, 23  
 DECAL, SMARTLINK PROPORTIONAL.....17, 23  
 DECAL, SYMBOL - READ THE MANUAL...21, 23  
 DECAL, SYMBOL, CE, MAXIMUM CAPACITY, 350KG.....23  
 DECAL, UI, GS/GR, PROP LIFT.....17, 23  
 D E C A L , B A T T E R Y CONNECTION,GS-4047.....13  
 DECAL,CHARGE STATUS IND.....15, 21  
 DECAL,CHEVRON RANDO HD.....15  
 DECAL,COSMETIC,GS-4047.....17, 23  
 DECAL,DANGER DO NOT ALTER SWTC.....13  
 DECAL,DANGER,BATTERY SAFETY\*\*\*.....13  
 DECAL,DANGER,BRAKE REL SAFETY.....13  
 DECAL,DANGER,CRUSHING HAZARD.....13, 15  
 DECAL,DANGER,ELEC HAZARD,GS.....13, 15  
 DECAL,DANGER,ELECT HAZARD,PLUG.....15  
 DECAL,DANGER,IMPROPER USE HAZ.....15  
 DECAL,DANGER,TIP-OVER,TILT.....17  
 DECAL,DANGER-GEN SAFETY.....17  
 DECAL,DANGER-TIP-OVER,BATT,4047.....13  
 DECAL,DANGER-USE SAFETY ARM.....13, 15  
 DECAL,E-STOP,GR/GRC/GS PCON.....17, 23  
 DECAL,EMERGENCY LOWERING.....15  
 DECAL,EMERGENCY STOP,GR.....15, 21  
 DECAL,GCON PANEL,GS.....15, 21  
 DECAL,INSTR-MAX CAP, 4047.....17  
 DECAL,INSTR-SIDE FRC,ANSI 3246.....17  
 DECAL,INSTRUCT-ANNUAL INSP REQ.....15  
 DECAL,INSTRUCTIONS-CHARGER OP.....13  
 DECAL,LABEL, AIR LINE 110 PSI.....15, 17, 21, 23  
 DECAL,LABEL,AUX LOWERING.....21  
 DECAL,LABEL,FAULT CODES.....17  
 DECAL,LABEL,LIFTING EYE.....13, 15, 19, 21  
 DECAL,LABEL,MANUAL NOT HERE.....17  
 DECAL,LABEL,PLAT CONT LOCATION.....17  
 DECAL,LABEL,PWR TO CHARGR 115V.....15, 21  
 DECAL,LABEL,PWR TO CHARGR 230V....15, 21  
 DECAL,LABEL,SAFETY ARM.....15  
 DECAL,LABEL,TRANSPORT TIEDOWN\*..13, 15, 19, 21  
 DECAL,LABEL,WHEEL LOAD,GS-4047.....13, 15, 19, 21  
 DECAL,LABEL-TIRE SPECS.....13, 15  
 DECAL,LABEL-TRANSPORT DIGRAM.....13, 19

DECAL,LANYARD ANCHORAGE POINT...17, 23	FORMING,CHARGER	MT HOSE,VENT,UPPER.....73
DECAL,MACHINE REGISTRATION/OWNER TRANSFER.....13, 19	PROTECTION,ANSI,47.....81	HOUSING, LOCK PIN.....53-54
DECAL,MANUAL FORCE,GS-4047.....23	FORMING,CONTROL PANEL.....39	HRNS,CONTACTOR SIGNAL,GS46.....41, 43
DECAL,MEMBRANE, GR/GRC/GS GCON...39	FORMING,CNTRLR MOUNT.....37	
DECAL,OP INST,GCON.....15	FORMING,HOSE CLAMP SPT,PTD,BLU.....25	<b>I</b>
DECAL,OP INST,PLAT,GS46 ANSI.....17	FORMING,MANIFOLD MOUNT.....45	INSTRN, TRC RETROFIT, STNDRD.....41
DECAL,POWER TO PLATFORM 115V.....15, 17, 21, 23	FORMING,PH PUSHER, GS46.....49	INVERTER BRACKET,GS4047,ANSI.....81
DECAL,PROPEL,GR/GRC/GS,PCON.....17, 23, 59	FORMING,REC.PLG BRKT.....29	INVERTER,24VDC,110/230 VAC***.....81
DECAL,SYM,MAX CAP,4047,ANSI.....23	FORMING,REC.PLG BRKT,METRIC.....29	ISOLATOR,HORN,5/16-18 THRD.....75
DECAL,SYM,TIPOVER,BATT,GS-4047.....19	FRMG,CHASSIS BRKT.....83	
DECAL,SYM-ELEC HAZARD,PLUG.....21	FRMNG,ARM SENSOR BRCKT,32/46.....83	<b>J</b>
DECAL,SYM-SIDE FORCE.....23	FRMNG,SENSOR COVER,32/46.....83	JOINT,PG13.5,M20X1.5.....57
DECAL,SYM-TIP-OVER,LIM SWITCH.....19	FUSE BLOCK, ANN & ANL FUSE.....33, 43	JOYSTICK, HALL EFFECT, SINGLE.....61
DECAL,SYM-TIP-OVER,TILT ALARM.....23	FUSE,275 AMP,VERY FAST ACTING.....33	
DECAL,SYMBOL-BATTERY SAFETY.....19		<b>K</b>
DECAL,SYMBOL-BRAKE REL SAFETY.....19	<b>G</b>	KEY SINGLE***.....39
DECAL,SYMBOL-CRUSHING HAZARD.....19, 21	GAS SHOCK,SCISSORS***.....31	KEY,RECTANGULAR,.31X.28X1.25**.....25, 27
DECAL,SYMBOL-ELEC HAZARD,GS.....19, 21	GASKET, UK & DIN PWR. TO PLAT.....57	KEYS,10 PACK***.....39
DECAL,SYMBOL-SKIN INJECT HAZRD.....21	GASKET, UK RECEPTACLE.....57	KEYSWITCH,3 POS. W/KEYS***.....39
DECAL,SYMBOL-USE SAFETY ARM.....19, 21	GASKET,(BOOT) FLANGE INLET PLG.....57	KIT, TRC RETROFIT, STNDRD.....41
DECAL,WARN,IMPROPER OPERATION.....17	GASKET,KEYSWITCH,PLASTIC***.....39	KIT,BOOT,JOYSTICK,SL1000.....61
DECAL,WARN,SKIN INJECTION HAZ*.....15	GCON,STD,PROP LIFT.....39	KIT,COIL CORD,CONTRLR,SL1000.....59
DECAL,WARNING-COMPART ACCESS.....15	GLAND ASSY,M25,6-13MM.....79	KIT,CONN,PLUG W/SCKT AND LOCK.....59
DIAGNOSTIC FEMALE Q-DSCNT.....65	GREASE,DIELECTRIC 4 OZ**.....11	KIT,CONN,RECEPT W/PIN AND LOCK.....59
DRIVE MOTOR,22.9CI/REV.....63	GROMMET,RUBBER 1.5 ID.....29	KIT,GASKET,UK POWER TO PLAT.....57
	GROMMET,RUBBER 2 X 2.75.....29	KIT,GATE LATCH.....53-54
	GROMMET,SLAB HYD TANK***.....37	KIT,STEER CYL SEAL.....63
	GROUND STRAP, 8"LG.....31	KIT,STR SWITCH,JYSTK,SL1000.....61
	GROUND WIRE ASSY,GS4047.....43	KIT,SWITCH,JYSTK,SL1000.....61
		KNOB,HAND PUMP (RED)***.....67
<b>E</b>	<b>H</b>	KNOB,PILOT OP VALVE (BLACK)***.....67
ELBOW,070220-12-10.....73	HANDLE HALF,LEFT,W/TOP SWITCH.....61	
ELBOW,070220-4-4.....73	HANDLE HALF,RIGHT,W/TOP SWITCH.....61	<b>L</b>
ELBOW,070220-6-6.....73	HANDLE,ANDERSON CONNECTOR SB.....43	LABEL, GR/GRC/GS PCON.....59
ELBOW,070220-6-8.....73	HARNESS, BEACON, LED, LARGE.....75	LANYARD,BLACK NYLON,TYPE 1***.....53-54
ELBOW,070320-4-4.....73	HARNESS, CHARGER CONTROL.....41	LATCH HANDLE.....53-54
ENCLOSURE, FUSE, MODULAR, 150X.....79	HARNESS, CHARGER EXTENSION.....41	LATCH, LRG PADDLE HANDLE GS90.....33, 37
ENCLOSURE, GC14-1, TOP.....59	HARNESS, ESTOP, GR/GRC/GS PCON.....59	LATCH,COMPRESSION,SMALL.....39
ENCLOSURE, GC21-19, BK.....39	HARNESS, FUNC. MANIFOLD, GS47.....41	LEFT EX. RAIL, GS46.....54
ENCLOSURE,GC14-1/GC16-1, BOT.....59	HARNESS, GS SENSORS, ANSI,UTS.....41	LEVER ARM,ANGLE SENSR ACTUATOR....83
ENCLOSURE,GC27-25/GC21-19,FRNT.....39	HARNESS, GS SENSORS, CE.....41	LIGHT,TURN SIGNAL,1.25" LED,AMB.....75
EXT. DECK ASSY, GS46.....53-54	HARNESS, GS SENSORS, CE,UTS.....41	LINK BUMPER, 5".....49
EXT. ENDRAIL ASSY, GS46 (SYMB).....54	HARNESS, ROTARY ANGLE.....41	LINK BUMPER, SHORT TUBE.....49
EXT. ENDRAIL ASSY, GS46 (WORD).....54	HARNESS, TELEMATICS, GS SLAB.....41	LOCKNUT,ELEC,1/2".....57
	HARNESS,DIODE JUMPER.....41	LOWER CYL,4047 LIFT,3.5" BORE,DONGYANG.....71
	HARNESS,GS POWER CONTROL.....41	
	HARNESS,VISUAL IND LIGHTS,MINI.....75	<b>M</b>
	HINGE, SPRING, LONG LEG.....53-54	MANIFOLD,BRAKE RELEASE.....67
	HINGE,ACCESS DOOR(13G).....39	MANIFOLD,FUNCTION,2 SPEED.....65
	HORN,24VDC,SPADE TERMINALS***.....75	MANIFOLD,LIFT PRESSURE SELECT.....45
	HOSE ASSY, MAN/ACCUM, GS32/46.....73	MANUAL,AEM SAFETY.....11
	HOSE ASSY,DRIVE MOTORS,GS46.....73	MANUAL,RESPON,A92.6 SCISSOR.....11
	HOSE ASSY,LOWER LIFT.....73	MOTOR CONTROLLER, DC,24V,360A.....37
	HOSE, ASSY, BRAKE MAN, GS46.....73	MOTOR,ELECTRIC,24VDC 4.5HP.....69
	HOSE, ASSY, LIFT.....73	
	HOSE,AIR 3/8.....33	<b>N</b>
	HOSE,ASSY STEER,GS32/46.....73	NICKEL PLATED JAM NUT.....39
	HOSE,ASSY, BRAKE MAN,GS46.....73	NIPPLE,DIAGNOSTIC,#4.....65, 73
	HOSE,ASSY,BRAKE,GS46.....73	NUT.....39
	HOSE,ASSY,CYL TO CYL.....73	NUT - PLASTIC,RING FOR ALARMS...29, 59, 75
	HOSE,ASSY,MAN TO FILTER.....73	NUT, LP NYLOCK, 3/8-16.....83
	HOSE,ASSY,PRESS SELECTOR,PRESS.....73	NUT, TL JAM, 3/8-16, A, ZAG.....31, 53-54
	HOSE,ASSY,PRESSURE.....73	NUT,4-40,ZAG.....54
	HOSE,ASSY,PRESSURE SELECTOR.....73	
	HOSE,ASSY,UPPER LIFT.....73	
	HOSE,ASSY,VENT.....73	
	HOSE,LOW PRESSURE,.375 ID,BLK.....77	
	HOSE,LOWER VENT.....73	

## Part Description Index (continued)

NUT,CASTLE,1.125-18 UNEF.....25, 27, 63	PLUG AND CAP KIT-SERVICE,ORFS*.....11, 65	ROCKER,2 SWITCH.....61
NUT,CORDGRIP,1/2 NPT.....83	PLUG, 6POS ECO PWR.....59	ROD END, .25 X 2.75, ZAG.....49
NUT,LOCKING-LG.FLANGE,1/4-20.....45	PLUG, TYPE F, 230A, 50HZ, 16A, IP44.....57	ROD END, .375X3.69,ZAG.....49
NUT,NYLOCK,1/2-13.....83	PLUG,1/4"SERIES,3/8 P-LOCK***.....77	ROLLER ARM,LIMIT SWITCH***.....29, 31
NUT,NYLOCK,1/4-20.....37, 57, 75	PLUG,ELECTRICAL,DOMESTIC.....57	ROLLER BRACKET ASSY, GRND CNTR...53-54
NUT,NYLOCK,10-32,A,ZAG.....29	PLUG,FLG INLET,15A/125V,2PWGD.....57	ROLLER,PLATFORM EXTENSION.....53-54
NUT,NYLOCK,8-32.....57	PLUG,FUSED,250V,13AMP,U.K.**.....57	RUBBER CUSHION, CLAMP,SHORT.....49
NUT,RETAINER (96008).....39	PLUG,IEC60309 CEE, 3PIN 220-24.....57	RUBBER CUSHION,SEPARATOR.....49
NUT,SERRATED,1/4-20,8,ZAG.....33, 37, 49	PLUG,PWR,UK,16AMP,3PIN,BLK.....57	RUE RING,5/8,ZAG.....31
NUT,TL FLG,1/2-13,G,ZAG.....25, 27, 47	POTILE BELL CRNK LINK ASSYGS30.....31	
NUT,TL FLG,1/4-20,G,ZAG.....25, 29, 33, 35, 37, 39, 45, 49, 53-54, 75, 81	POWER CORD, IEC 320 BLANK, 79".....57	
NUT,TL FLG,10-24,F,ZAG.....49, 79	POWER CORD, IEC 320, 90 DEG.....35	
NUT,TL FLG,10-32,F,ZAG.....31, 57	PRESSURE TRANSDUCER,1K-3K PSI.....71, 83	
NUT,TL FLG,3/8-16,G,ZAG.....31, 47, 53-54	PRTY,FLOW CNTRL VALVE,.75 GPM.....65	
NUT,TL FLG,5/16-18,G,ZAG.....75	PUMP,5.6CC GEAR,CCW.....69	
NUT,TL JAM,5/16-18,A,ZAG.....53-54		
NUT,TL,3/8-16,C,ZAG.....49		
NUT-COIL SHORT.....65		
	<b>Q</b>	<b>S</b>
<b>O</b>	QUICK DISCONNECT CASING,BATT**.....43	SAFETY CHOCK,SCISSOR.....49
O-RING KIT (ORFS FITTINGS).....65		SCREW, HCC, 3/8-16 X 1.50.....49
OFFSET, RDN, 1/4-1.25,10-32.....83		SCREW, HHC, 1/4-20 X 1.5"L, STL GR8.....51
OPTION,SYM DECALS,ANSI,4047.....19		SCREW, HHF, 1/4-20 X .5, 8, ZAG.....71
ORIFICE, LONG, .059".....71		SCREW, SELF TAP.....61
ORIFICE, LONG, .076".....71		SCREW, BHSCS, M5X10, SS.....59
OUTLET, 110V.....57		SCREW, GRUB, M5X8MM CUP(BLK).....61
	<b>R</b>	SCREW, GRUB, M5X8MM, HLF DOG, BZP.....61
<b>P</b>	RAIL-GS46 PLAT,MAINDECK LT****.....53-54	SCREW, HHC, 1/2-13X3.5, 8, ZAG.....25, 27
PAINT,AEROSOL,BRIGHT BLUE***.....11	RAIL-GS46 PLAT,MAINDECK RT****.....53-54	SCREW, HHC, 1/4-20 X .5.....83
PAINT,AEROSOL,GENIE GRAY***.....11	RCBO,16A,30MA,6KA 110/230VAC.....79	SCREW, HHC, 1/4-20X2.25, 8, ZAG.....45
PCBA,GCON STD,PROP LIFT.....39	RECEPTACLE, DIN, 220V 50A.....57	SCREW, HHC, 1/4-20X3.25, 8, ZAG.....25
PCBA,PCON STD,PROP LIFT.....59	RECEPTACLE,C66AI310,AUS.....57	SCREW, HHC, 3/8-16 X .75.....25
PCON ASSEMBLY,HARTING CONN	RECEPTACLE,UK,110V.....57	SCREW, HHC, 3/8-16 X 1.....83
OPTION.....53-54, 59	REF. ELECTRIC MOTOR/PUMP.....37	SCREW, HHC, 3/8-16X2.75, 8, ZAG.....49
PCON,STD,PROP LIFT,GR/GS.....59	REF. Electrical Plugs and Cords.....29	SCREW, HHC, M6-1.0X55,DIN931,10.....37
PIN, LINKSET MOUNT, 1".....49	REF. FILTER ASSY.....37	SCREW, HHF, 1/4-20X.625, 8, ZAG.....53-54
PIN, LINKSET MOUNT, 3/4".....49	REF. FORMING,CONTROL PANEL.....37	SCREW, HHF, 1/4-20X.75, 8, ZAG.....54, 81
PIN, LONG, GS46.....49	REF. GCON.....37	SCREW, HHF, 1/4-20X1.8, ZAG.....29, 81
PIN, LOWER CYLINDER MOUNT.....49	REF. Side Door.....35	SCREW, HHF, 1/4-20X1.25, 8, ZAG.....49
PIN, MINI, CENTER.....49	Ref: Accumulator.....63	SCREW, HHF, 1/4-20X2.8, ZAG.....53-54
PIN, POTHOLE LINK PIVOT.....31	REF: Battery Cable.....41	SCREW, HHF, 3/8-16X.75, 8, ZAG.....79
PIN, SHORT, GS46.....49	REF: Battery Charger.....41	SCREW, HHF, 3/8-16X2.8, ZAG.....53-54
PIN, UPPER CYLINDER MOUNT.....49	Ref: Brake Release Hand Pump.....63	SCREW, HHF, 3/8-16X2.5, 8, ZAG.....53-54
PIN,CLEVIS,.375X1.75,ZAG.....31	REF: BRAKE RELEASE MANIFOLD.....27	SCREW, HHF, 3/8-16X2.75, 8, ZAG.....53-54
PIN,CLEVIS,.625X1.88,ZAG.....31	Ref: Check Valve.....63	SCREW, PHIL, 8-32X.50, SELF TAP.....57
PIN,CLEVIS,3/4X2,ZAG.....25	REF: Circuit Breaker.....41	SCREW, PHILLIPS, PHM, 10-32 X .5.....83
PIN,CLEVIS,3/4X3.25,ZAG.....25	Ref: Connector.....67	SCREW, PHILLIPS, PHM, 6-32 X .75.....57
PIN,COTTER,.125 X .75.....31	Ref: DECAL,E-STOP,GR/GRC/GS PCON.....59	SCREW, PHILLIPS, PHM, 8-32 X .5.....57
PIN,COTTER,.156 X 1.75.....11, 25	REF: Down Limit.....41	SCREW, PHILLIPS, PHM, 8-32 X.25***.....39
PIN,COTTER,.156 X 2.5.....11, 27	REF: Drive Contactor.....41	SCREW, PHILLIPS, RHM, 10-32 X 1.5.....39
PIN,LOCK,0.5X3.125,ZAG.....53-54	REF: E-Stop.....41	SCREW, PHM, 4-20X.5, 48-2 TRI-L.....39, 59
PIN,PH ACTUATOR.....31	REF: Electric Motor.....41	SCREW, PHM, 6-19X.75, 48-2 TRI-L.....39
PIN,WIRE LOCK 3/8 X 2.5,ZAG.....53-54	Ref: Function Manifold.....63	SCREW, PHM, 8-16X.75, 48-2 TRI-L.....59
PLATE, AC ADAPTER(AUS).....57	REF: Fuse.....41	SCREW, PHM, 8-32X.313, SELF TAP.....83
PLATE, POTHOLE LINK.....31	REF: Ground Controls (GCON).....41	SCREW, PHPM, 1/4-20X.75, ZAG.....39
PLATE, RCBO, GS.....79	REF: GS-4047 Symbol Decal Kits.....21, 23	SCREW, PHPM, 10-32X.625, ZAG.....79
PLATE, RETAINER.....51	REF: HYDRAULIC BRAKE.....27	SCREW, PHPM, 10-32X1.5, ZAG.....29
PLATE,AC ADAPTER(ANSI/CSA).....57	REF: Joystick.....59	SCREW, PHPM, 10-32X1.75, ZAG.....31
PLATE,AC ADAPTER,DIN/UK***.....57	REF: Key Switch.....41	SCREW, PHPM, 4-40X.5, ZAG.....54
PLATE,CLAMP.....37	REF: Level Sensor.....41	SCREW, RHM, 6-32 X .5.....57
PLATE,HARNESS MOUNT.....37	Ref: Lift Cylinder.....83	SCREW, SET, 8-32X.25.....83
PLATE,HOSE ROUTG,BULKHEAD(PTD).....25	Ref: Lift Pressure Select Manifold.....63	SCREW, SHC, 3/8-24X1.25,A574,ZAG.....69
PLATE,SIDE DOOR STOP***.....39	REF: Lower Lift Cylinder.....63	SEAL KIT.....71
PLATE,SIDE DOOR***.....39	REF: Motor Contoller.....41	SEAL KIT (84384).....65
PLATE,UK,POWER TO PLAT.....57	REF: Platform Controls (PCON).....41	SEAL KIT, VALVE.....65
PLATE,VISUAL ALARM MOUNT,METRIC.....75	REF: Strobe Beacon.....41	SEAL KIT,HAND PUMP***.....67
PLATFORM MOUNT ASSY, GS32&46.....47	Ref: UI, GR/GRC/GS PCON DECAL.....59	SEAL KIT,LIFT PUMP,BARNES***.....69
	REF: Upper Lift Cylinder.....63	SEAL KIT,PUMP,5.6CC GEAR.....69
	REF:Pressure Transducer.....41	SEAL KIT,RC SERIES DR MOTOR***.....63
	RIGHT EXT RAIL, GS46 (SYMBOL).....54	SEAL KIT-FOR P.N.44167.....65
	RIVET,ALUM,STL,.188 X .250.....54	SEAL KIT-P.N.44169,44172,44171.....65
	RIVET,STL,STL,.188 X .45.....53-54	SENSOR,LEVEL,UNIVERSAL.....29
	RIVET,STL,STL,P,.125 X .25.....39	SLEEVE,CABLE-END,14AWG,2.5MM.....79
		SLEEVE,TANK SUPPORT.....37

SLIDER,UHMMW.....47  
 SNAP RING,EXTERNAL,1.50,ZAG.....49  
 SPACER,.75ID X 1.5OD X 1/4THK.....31  
 SPACER-DUAL COIL,#10, SCISSORS.....65  
 SPACER-DUAL COIL,#8\*\*\*.....65  
 SPRING CLIP,1/4-20,.025-.15X.54,ZAG.....29,  
 39  
 SPRING CLIP,3/8-16,.05-.20X.73,ZAG.....79  
 SPRING, HANDLE TRIGGER.....61  
 SPRING, POTHOLE PUSHER.....31  
 SPRING,COMPRESSION .835 X 2.....53-54  
 SPRING,COMPRESSION.485 X1.75\*\*.....53-  
 54  
 SPRING,HAND PUMP ROD.....67  
 SPRING-BRUSH,40844, SCISSORS.....69  
 SVC KIT,UK RECEPT.REPLACEMENT.....57  
 SWING GATE ASSY, GS46 WELD.....53-54  
 SWITCH,LIMIT,W/ROLLER ARM\*\*\*.....29, 31

**T**

T-BOX,2.75 X 4.5 X 2.0.....57  
 TANK,HYDRAULIC,6.5 GAL.....37  
 TAPE, NON-SKID,DIE CUT,1.38X1.5.....53-54  
 TAPE, NON-SKID,DIE CUT,4"X 16".....53-54  
 TAPE, NON-SKID,DIE CUT,4"X 32".....53-54  
 TAPE, NON-SKID,DIE CUT,4"X 40".....53-54  
 TEE,RUN 070432-6\*\*\*\*.....73  
 TERMINAL, SPLINE (AMP).....61  
 THREADED ROD,1/4-20,28.5".....33  
 TIE ROD ASSY, GS46.....25  
 TRIGGER, EXTENDED.....61  
 TUBE, ASSY, DRAW.....37, 73, 77

**U**

UPPER CYL,4047 LIFT,3"  
 BORE,DONGYANG.....71

**V**

VALVE, DYN. BRAKING, GS32/46.....65  
 VALVE, PROPORTIONAL, SP08-20.....71  
 VALVE,CHECK,#6-#6,MJIC TO MORB.....65  
 VALVE,CHECK,GS68 (SIZE 8).....71  
 VALVE,DIFF.AREA RELIEF,50PSI.....65  
 VALVE,HAND PUMP ASSEMBLY\*\*\*.....67  
 VALVE,PILOT OPERATED ASSEMBLY\*.....67  
 VALVE,RELIEF,SIZE 8,3500 PSI.....71  
 VALVE,RELIEF,SZ8, 3500 PSI.....45  
 VALVE,SOLENOID,2POS 2WAY N.O.\*.....45  
 VALVE,SOLENOID,3POS 4WAY.....65  
 VALVE-RELIEF, 3700 PSI #8\*\*.....65  
 VALVE-SOLENOID, 2POS 4 WAY.....65  
 VALVE-SOLENOID,2POS 4WAY\*\*.....65  
 VISUAL INDICATOR LIGHTS.....75

**W**

WASHER,FLAT,,375X1.50X.125,ZAG.....25  
 WASHER,FLAT,,765X1.312X.093,ZA.....31  
 WASHER,FLAT,3/8,USS,ZAG.....31, 53-54  
 WASHER,FLAT,5/16,USS,ZAG.....31, 53-54  
 WASHER,FLAT,USS,1/4"Y.....37  
 WASHER,FLAT,USS,5/16",Y.....51  
 WASHER,LOCK,.25.....83  
 WASHER,LOCK,3/8,ZAG.....69  
 WASHER,NITRILE.....57  
 WASHER,SHIM,,625X1.188X.064,ZA.....31  
 WASHER,SHIM,1.54X2.00X.125,ZAG.....49  
 WASHER,STAR,EXTERNAL,#8.....57

WASHER,STAR,EXTERNAL,,375.....39  
 WASHER,THRUST,.63 X 1.13 X .06.....31  
 WEAR PAD,PLATFORM.....53-54  
 WEAR/GUIDE PAD MAIN PLATFORM.....53-  
 54  
 WELDMNT, CABLE BRIDGE, BOTTOM.....49  
 WELDMNT, CABLE BRIDGE, TOP.....49  
 WELDMNT, POTHOLE, LEFT SIDE.....31  
 WELDMNT, POTHOLE, RIGHT SIDE.....31  
 WELDMNT,CABLE BRIDGE TOP.....49  
 WELDMNT,GS HYD TRAY.....37  
 WELDMNT,LADDER,GS4047.....27  
 WELDMNT,LINK,OUTER,#2,3,4,5.....49  
 WELDMNT,PH GUIDE,GS46.....31  
 WELDMNT,ROLLER BRACKET,LT\*\*\*.....53-  
 54  
 WELDMNT.CABLE BRIDGE, TOP.....49  
 WHEEL & TIRE ASSY LP,15",EXMALE.....25,  
 27  
 WIRE CABLE,14/3 CON.TPE JKT\*.....57, 79  
 WIRE CAP,ORANGE.....57  
 WIRE LOOM,1.25 DIA.....43  
 WIRE LOOM,BLACK SPIRAL,1.10".....73  
 WLDMNT,CABLE BRIDGE,LOWER.....49  
 WLDMT, ENTRY SIDERAIL, LT.....53-54  
 WLDMT, ENTRY SIDERAIL, RT.....53-54  
 WLDMT, EXT. DECK, GSXX46.....53-54  
 WLDMT, FULL HEIGHT GATE.....53-54  
 WLDMT, LANYARD ROLLER BRKT.....53-54  
 WLDMT, MAIN DECK, GSXX46.....53-54  
 WLDMT, POT HOLE ACTUATOR.....31  
 WLDMT, POT HOLE BELLCRANK LINK.....31  
 WLDMT,CABLE BRIDGE,BOTTOM.....49  
 WLDMT,GS4047 BATTERY TRAY.....33  
 WLDMT,LNK,OUTER #1,XX46.....49  
 WLDMT,LNK,OUTER #4,26XX.....49  
 WLDMT,LNK,OUTER #4,26XX,LEFT.....49  
 WLDMT,LOCKING ROLLER SUPPORT.....53-  
 54  
 WLDMT,MAIN DECK,GS46,MET.....53-54  
 WLDMT,ROLLER BRKT,RT.....53-54  
 WLDMT,ROLLER BRKT,RT,HARTING  
 PLUG.....53-54  
 WLDMT,STEER YOKE,LT,GS32/46.....25  
 WLDMT,STEER YOKE,RT,GS32/46.....25  
 WLDMT,TIE ROD,GS46.....25

## Fitting Cross References

Genie PN	Parker PN	Description	Genie PN	Parker PN	Description
12342	6-4 F5OX-S	CONNECTOR,STRAIGHT THREAD TO FLARE TUBE	42794	1 CR-S	ELBOW,90°,MALE PIPE
13757	4 R6X-S	RUN TEE,SWIVEL NUT,ORFS	42795	BV-0839	BALL VALVE
19685	12-10 C5OX-S	ELBOW,90°,STRAIGHT THREAD TO FLARE TUBE	42796	BV-0838	BALL VALVE
22664	12-10 C5OX	ELBOW,90°,STRAIGHT THREAD TO FLARE TUBE	42874	6-8 CLO-S	ELBOW,90°,MALE PIPE TO ORFS
27431	8-12 F5OX-S	CONNECTOR,STRAIGHT THREAD TO FLARE TUBE	42912	13943-6-4	HOSE END,90° FEMALE SWIVEL,JIC
28678	AS-B-33	SLEEVE,NYLON,1.81" ID	42920	BV-0840	BALL VALVE,90°
39871	6 WETX-WLN-S	UNION,90° BULKHEAD W/NUT,FLARE TUBE	42932	AS-B-17	SLEEVE,NYLON,1.22" ID
39872	4 R5OX-S	RUN TEE,STRAIGHT THREAD	42936	10243-2-4	HOSE END,FEMALE PIPE
39873	6 C5OX-S	ELBOW,90°,STRAIGHT THREAD TO FLARE TUBE	42953	1/2 DD-S	ELBOW,90°,FEMALE PIPE
39874	8-6 C5OX-S	ELBOW,90°,STRAIGHT THREAD TO FLARE TUBE	42956	6 WELO-WLNL-S	UNION,90° BULKHEAD W/NUT,ORFS
39875	4-6 C5OX-S	ELBOW,90°,STRAIGHT THREAD TO FLARE TUBE	45349	8 V5OX-S	ELBOW,45°,STRAIGHT THREAD TO FLARE TUBE
39876	6-8 C5OX-S	ELBOW,90°,STRAIGHT THREAD TO FLARE TUBE	45351	4 V5OX-S	ELBOW,45°,STRAIGHT THREAD TO FLARE TUBE
39877	4 F5OX-S	CONNECTOR,STRAIGHT THREAD TO FLARE TUBE	47223	10343-6-6	HOSE END,MALE,JIC
39878	6 F5OX-S	CONNECTOR,STRAIGHT THREAD TO FLARE TUBE	47419	PS690503-6-6	SWIVEL,90°,STRAIGHT THREAD TO 37° FLARE
39879	4-8 F5OX-S	CONNECTOR,STRAIGHT THREAD TO FLARE TUBE	48750	421-4	HOSE,1/4 INCH ID
39880	6-10 F5OX-S	CONNECTOR,STRAIGHT THREAD TO FLARE TUBE	48751	481TC-4	HOSE,1/4 INCH ID
39881	4-6 F5OX-S	CONNECTOR,STRAIGHT THREAD TO FLARE TUBE	48752	482TC-4	HOSE,1/4 INCH ID
39882	4-HP5ON-S	PLUG,STRAIGHT THREAD	48753	451TC-6	HOSE,3/8 INCH ID
39883	8-8 FTX-S	CONNECTOR,MALE PIPE TO FLARE TUBE	48754	482TC-6	HOSE,3/8 INCH ID
39885	269HB 12-12	ELBOW,90°,BEADED HOSE BARB TO MALE PIPE	48755	381-6	HOSE,3/8 INCH ID
39886	431-6	HOSE,3/8 INCH ID	48756	451TC-8	HOSE,1/2 INCH ID
39887	540N-2	HOSE,1/8 INCH ID	48757	482TC-8	HOSE,1/2 INCH ID
39888	801-8	HOSE,1/2 INCH ID	48758	381-8	HOSE,1/2 INCH ID
39889	801-12	HOSE,3/4 INCH ID	48759	381-10	HOSE,5/8 INCH ID
39890	10643-6-6	HOSE END,FEMALE SWIVEL,JIC	48760	451TC-10	HOSE,5/8 INCH ID
39891	13943-6-6	HOSE END,90° FEMALE SWIVEL,JIC	48761	482TC-12	HOSE,3/4 INCH ID
39892	13743-6-6	HOSE END,45° FEMALE SWIVEL,JIC	48762	451TC-12	HOSE,3/4 INCH ID
39894	30682-8-8	HOSE END,FEMALE SWIVEL,JIC	48763	772-12	HOSE,3/4 INCH ID
39895	30682-10-12	HOSE END,FEMALE SWIVEL,JIC	48764	881-16	HOSE,1 INCH ID
42286	8-8 CTX-S	ELBOW,90°,MALE PIPE TO FLARE TUBE	48765	772-16	HOSE,1 INCH ID
42756	8-12 CLO-S	ELBOW,90,MALE PIPE TO ORFS	48766	AS-B-15	SLEEVE,NYLON,1.06" ID
42757	8-12 FLO-S	CONNECTOR,MALE PIPE TO ORFS	48767	AS-B-22	SLEEVE,NYLON,1.42" ID
42758	4 JLO-S	UNION TEE,ORFS	48770	881-8	HOSE,1/2 INCH ID
42759	4-4 FLO-S	CONNECTOR,MALE PIPE TO ORFS			
42760	6-8 FLO-S	CONNECTOR,MALE PIPE TO ORFS			
42761	1J143-6-4	HOSE END,90° FEMALE SWIVEL,SEAL LOK			
42762	1J743-6-4	HOSE END,45° FEMALE SWIVEL,SEAL LOK			
42768	1JO43-4-4	HOSE END,MALE,SEAL LOK			
42776	601-8	HOSE,1/2 INCH ID			
42777	1J743-16-16	HOSE END,45° FEMALE SWIVEL,SEAL LOK			
42786	16 CLO-S	ELBOW,90°,MALE PIPE TO ORFS			
42787	16 R6LO-S	RUN TEE,SWIVEL NUT,ORFS			
42788	16-8 TRLO-BL-S	REDUCER,TUBE END TO SWIVEL,ORFS			
42789	6-6 CLO-S	ELBOW,90°,MALE PIPE TO ORFS			
42790	8-10 V5OLO-S	ELBOW,45°,STRAIGHT THREAD TO ORFS			
42791	3/4 CD-S	ELBOW,90°,MALE TO FEMALE PIPE			
42792	3/4 X 1/2 PTR-S	REDUCER,MALE TO FEMALE PIPE			
42793	1/2 CR-S	ELBOW,90°,MALE PIPE			

## Fitting Cross References (Continued)

Genie PN	Parker PN	Description	Genie PN	Parker PN	Description
48771	881-10	HOSE,5/8 INCH ID	48847	13943-12-12	HOSE END,90° FEMALE SWIVEL,JIC
48772	381-4	HOSE,1/4 INCH ID	48848	10543-12-12	HOSE END,MALE,STRAIGHT THREAD
48773	AS-B-13	SLEEVE,NYLON,.86" ID	48849	1JC71-12-12	HOSE END,FEMALE SWIVEL,SEAL LOK
48800	1JC43-4-4	HOSE END,FEMALE SWIVEL,SEAL LOK	48850	1JS71-12-12	HOSE END,FEMALE SWIVEL,SEAL LOK
48801	1J743-4-4	HOSE END,45° FEMALE SWIVEL,SEAL LOK	48851	1J171-12-12	HOSE END,90° FEMALE SWIVEL,SEAL LOK
48802	1J943-4-4	HOSE END,90° FEMALE SWIVEL,SEAL LOK	48852	1J771-12-12	HOSE END,45° FEMALE SWIVEL,SEAL LOK
48804	1JM43-4-4	HOSE END,MALE,SEAL LOK, NO O-RING	48853	1J971-12-12	HOSE END,90° FEMALE SWIVEL,SEAL LOK
48805	10643-4-4	HOSE END,FEMALE SWIVEL,JIC	48854	1JC43-16-16	HOSE END,FEMALE SWIVEL,SEAL LOK
48806	13943-4-4	HOSE END,90° FEMALE SWIVEL,JIC	48855	1J943-16-16	HOSE END,90° FEMALE SWIVEL,SEAL LOK
48807	1JS43-4-4	HOSE END,FEMALE SWIVEL,SEAL LOK	48856	1J171-16-16	HOSE END,90° FEMALE SWIVEL,SEAL LOK
48808	3JC82-8-8	HOSE END,FEMALE SWIVEL,SEAL LOK	48857	1J971-16-16	HOSE END,90° FEMALE SWIVEL,SEAL LOK
48809	3JC82-12-12	HOSE END,FEMALE SWIVEL,SEAL LOK	48859	1JS43-8-4	HOSE END,FEMALE SWIVEL,SEAL LOK
48810	1JC43-6-4	HOSE END,FEMALE SWIVEL,SEAL LOK	48867	PD36BTL	DIAGNOSTIC NIPPLE,SEAL-LOK SWIVEL
48811	1J943-6-4	HOSE END,90° FEMALE SWIVEL,SEAL LOK	48873	6 PNLO-S	PLUG,TUBE END,ORFS
48812	1JC43-6-6	HOSE END,FEMALE SWIVEL,SEAL LOK	48874	6 PNTX-S	PLUG,FLARE TUBE
48813	1J143-6-6	HOSE END,90° FEMALE SWIVEL,SEAL LOK	48875	6 R6LO-S	RUN TEE,SWIVEL NUT,ORFS
48814	1J543-6-6	HOSE END,90° FEMALE SWIVEL,SEAL LOK	48877	4 F5OLO-SW/.025	CONNECTOR,STRAIGHT THREAD TO ORFS, W/.025 ORI
48815	1J743-6-6	HOSE END,45° FEMALE SWIVEL,SEAL LOK	48878	16-12 C5OLO-S	ELBOW,90°,STRAIGHT THREAD TO ORFS
48816	1J943-6-6	HOSE END,90° FEMALE SWIVEL,SEAL LOK	48879	8 C6LO-S	ELBOW,90°,SWIVEL NUT ORFS
48817	1JS43-6-8	HOSE END,FEMALE SWIVEL,SEAL LOK	48880	PD6-285	CAP,DIAGNOSTIC NIPPLE
48818	1J943-8-4	HOSE END,90° FEMALE SWIVEL,SEAL LOK	48881	6 HLO-S	UNION,ORFS
48819	1JC43-8-6	HOSE END,FEMALE SWIVEL,SEAL LOK	48883	8 P5ON-S	PLUG,STRAIGHT THREAD
48820	1J743-8-6	HOSE END,45° FEMALE SWIVEL,SEAL LOK	48884	8M18F87OMLO-S	CONNECTOR,METRIC,STRAIGHT THREAD TO ORFS
48821	1J943-8-6	HOSE END,90° FEMALE SWIVEL,SEAL LOK	48885	4 WGTX-WLN-S	CONNECTOR,BULKHEAD,FEMALE PIPE TO FLARE TUBE
48822	1JC43-8-8	HOSE END,FEMALE SWIVEL,SEAL LOK	48886	4 F5OLO-SW/2MM	CONNECTOR,MACHINED STRAIGHT THREAD TO ORFS
48823	1JS43-8-8	HOSE END,FEMALE SWIVEL,SEAL LOK	48887	4 CTX-S	ELBOW,90°,MALE PIPE TO FLARE TUBE
48824	1J143-8-8	HOSE END,90° FEMALE SWIVEL,SEAL LOK	48888	10-12 V5OLO-S	ELBOW,45°,STRAIGHT THREAD TO ORFS
48825	1J543-8-8	HOSE END,90° FEMALE SWIVEL,SEAL LOK	48890	4 S5OLO-S	BRANCH TEE,STRAIGHT THREAD TO ORFS
48826	1J743-8-8	HOSE END,45° FEMALE SWIVEL,SEAL LOK	48891	4 S6LO-S	BRANCH TEE,SWIVEL NUT TO ORFS
48827	1J943-8-8	HOSE END,90° FEMALE SWIVEL,SEAL LOK			
48828	1JC43-10-8	HOSE END,FEMALE SWIVEL,SEAL LOK			
48829	1JS43-10-8	HOSE END,FEMALE SWIVEL,SEAL LOK			
48830	1J743-10-8	HOSE END,45° FEMALE SWIVEL,SEAL LOK			
48831	1J943-10-8	HOSE END,90° FEMALE SWIVEL,SEAL LOK			
48833	1JC43-10-10	HOSE END,FEMALE SWIVEL,SEAL LOK			
48834	1J943-10-10	HOSE END,90° FEMALE SWIVEL,SEAL LOK			
48835	1JS43-10-12	HOSE END,FEMALE SWIVEL,SEAL LOK			
48836	1JC43-12-8	HOSE END,FEMALE SWIVEL,SEAL LOK			
48837	1JS43-12-8	HOSE END,FEMALE SWIVEL,SEAL LOK			
48838	1J743-12-8	HOSE END,45° FEMALE SWIVEL,SEAL LOK			
48839	1J943-12-8	HOSE END,90° FEMALE SWIVEL,SEAL LOK			
48840	1J943-12-10	HOSE END,90° FEMALE SWIVEL,SEAL LOK			
48841	1JC43-12-12	HOSE END,FEMALE SWIVEL,SEAL LOK			
48842	1JO43-12-12	HOSE END,MALE,SEAL LOK			
48843	1J143-12-12	HOSE END,90° FEMALE SWIVEL,SEAL LOK			
48844	1J543-12-12	HOSE END,90° FEMALE SWIVEL,SEAL LOK			
48845	1J743-12-12	HOSE END,45° FEMALE SWIVEL,SEAL LOK			
48846	1J943-12-12	HOSE END,90° FEMALE SWIVEL,SEAL LOK			



## Fitting Cross References (Continued)

Genie PN	Parker PN	Description	Genie PN	Parker PN	Description
48892	6 C6LO-S	ELBOW,90°,SWIVEL NUT ORFS	48938	8 R6LO-S	RUN TEE,SWIVEL NUT,ORFS
48893	6 F5OHAO-S	UNION,STRAIGHT THREAD	48939	8 S6LO-S	BRANCH TEE,SWIVEL NUT TO ORFS
48894	8 WLO-WLNL-S	UNION,BULKHEAD,ORFS	48940	8 WJLO-WLNL-S	RUN TEE, BULKHEAD,ORFS
48895	DT-370-MSMO-5	VALVE,CHECK	48941	8-4 TRLO-S	REDUCER,TUBE END TO SWIVEL,ORFS
48896	6 JLO-S	UNION,TEE,ORFS	48942	8-6 C5OLO-S	ELBOW,90°,STRAIGHT THREAD TO ORFS
48897	DT-750-MSMS-5	VALVE,CHECK	48943	8-6 F5OLO-S	CONNECTOR,STRAIGHT THREAD TO ORFS
48898	DT-750-MOMS-5	VALVE,CHECK	48944	8-8 FLO-S	CONNECTOR,MALE PIPE TO ORFS
48899	DT-620-MOMS-5	VALVE,CHECK	48945	8 FTX-S	CONNECTOR,MALE PIPE TO FLARE TUBE
48900	4-6 F5OLO-SW/.035	CONNECTOR,STRAIGHT THREAD TO ORFS, W/.035 ORI	48946	8-10 F5OLO-S	CONNECTOR,STRAIGHT THREAD TO ORFS
48902	16-1 AOE4G-S	ELBOW,90° LONG,FEMALE PIPE TO STRAIGHT THREAD	48947	8-12 C5OLO-S	ELBOW,90°,STRAIGHT THREAD TO ORFS
48903	1 FF-S	NIPPLE,PIPE	48948	8-12 F5OLO-S	CONNECTOR,STRAIGHT THREAD TO ORFS
48904	4 C5OLO-S	ELBOW,90°,STRAIGHT THREAD TO ORFS	48949	8-16 F5OLO-S	CONNECTOR,STRAIGHT THREAD TO ORFS
48905	4 F5OLO-S	CONNECTOR,STRAIGHT THREAD TO ORFS	48950	10 C5OLO-S	ELBOW,90°,STRAIGHT THREAD TO ORFS
48906	4 R5OLO-S	RUN TEE,STRAIGHT THREAD	48951	10 CC5OLO-S	ELBOW,90° LONG,STRAIGHT THREAD TO ORFS
48907	4 V5OLO-S	ELBOW,45°,STRAIGHT THREAD TO ORFS	48952	10 F5OLO-S	CONNECTOR,STRAIGHT THREAD TO ORFS
48908	4 R6LO-S	RUN TEE,SWIVEL NUT,ORFS	48953	10 R5OLO-S	RUN TEE,STRAIGHT THREAD
48909	4 WJLO-WLNL-S	RUN TEE, BULKHEAD,ORFS	48954	10 S5OLO-S	BRANCH TEE,STRAIGHT THREAD TO ORFS
48910	4 GTX-S W/.030	CONNECTOR,FEMALE PIPE TO FLARE TUBE	48955	10 R6LO-S	RUN TEE,SWIVEL NUT,ORFS
48911	4-6 C5OLO-S	ELBOW,90°,STRAIGHT THREAD TO ORFS	48956	10-4 TRLO-BL-S	REDUCER,TUBE END TO SWIVEL,ORFS
48912	4-6 F5OLO-S	CONNECTOR,STRAIGHT THREAD TO ORFS	48957	10-6 TRLO-BL-S	REDUCER,TUBE END TO SWIVEL,ORFS
48913	4-6 F5OLO-SW/.030	CONNECTOR,STRAIGHT THREAD TO ORFS, W/.030 ORI	48958	10-12 F5OLO-S	CONNECTOR,STRAIGHT THREAD TO ORFS
48914	4-8 F5OLO-S	CONNECTOR,STRAIGHT THREAD TO ORFS	48959	12 C5OLO-S	ELBOW,90°,STRAIGHT THREAD TO ORFS
48915	6 C5OLO-S	ELBOW,90°,STRAIGHT THREAD TO ORFS	48960	12 F5OLO-S	CONNECTOR,STRAIGHT THREAD TO ORFS
48916	6 F5OLO-S	CONNECTOR,STRAIGHT THREAD TO ORFS	48961	12 R5OLO-S	RUN TEE,STRAIGHT THREAD
48917	6 FF5OLO-S	CONNECTOR,LONG,STRAIGHT THREAD TO ORFS	48962	12 S5OLO-S	BRANCH TEE,STRAIGHT THREAD TO ORFS
48918	6 R5OLO-S	RUN TEE,STRAIGHT THREAD	48963	12 V5OLO-S	ELBOW,45°,STRAIGHT THREAD TO ORFS
48919	6 S5OLO-S	BRANCH TEE,STRAIGHT THREAD TO ORFS	48964	12 R6LO-S	RUN TEE,SWIVEL NUT,ORFS
48920	6 V5OLO-S	ELBOW,45°,STRAIGHT THREAD TO ORFS	48965	12 CLO-S	ELBOW,90°,MALE PIPE TO ORFS
48921	6 FLO-S	CONNECTOR,MALE PIPE TO ORFS	48966	12 FLO-S	CONNECTOR,MALE PIPE TO ORFS
48922	6-6 FLO-S	CONNECTOR,MALE PIPE TO ORFS	48967	12 JLO-S	UNION TEE,ORFS
48923	6 P5ON-S	PLUG,STRAIGHT THREAD	48968	12 WLO-WLNL-S	UNION,BULKHEAD,ORFS
48925	6 WELO-S	UNION,90° BULKHEAD,ORFS	48969	12 WJLO-WLNL-S	RUN TEE, BULKHEAD,ORFS
48926	6-4 C5OLO-S	ELBOW,90°,STRAIGHT THREAD TO ORFS	48970	12 WELO-WLNL-S	UNION,90° BULKHEAD W/NUT,ORFS
48927	6-4 F5OLO-S	CONNECTOR,STRAIGHT THREAD TO ORFS			
48928	6-4 V5OLO-S	ELBOW,45°,STRAIGHT THREAD TO ORFS			
48929	6-8 C5OLO-S	ELBOW,90°,STRAIGHT THREAD TO ORFS			
48930	6-8 F5OLO-S	CONNECTOR,STRAIGHT THREAD TO ORFS			
48931	6-10 F5OLO-S	CONNECTOR,STRAIGHT THREAD TO ORFS			
48932	8 C5OLO-S	ELBOW,90°,STRAIGHT THREAD TO ORFS			
48933	8 F5OLO-S	CONNECTOR,STRAIGHT THREAD TO ORFS			
48934	8 FF5OLO-S	CONNECTOR,LONG,STRAIGHT THREAD TO ORFS			
48935	8 R5OLO-S	RUN TEE,STRAIGHT THREAD			
48936	8 S5OLO-S	BRANCH TEE,STRAIGHT THREAD TO ORFS			
48937	8 V5OLO-S	ELBOW,45°,STRAIGHT THREAD TO ORFS			

## Fitting Cross References (Continued)

Genie PN	Parker PN	Description	Genie PN	Parker PN	Description
48971	12 G5G5JG5-S	TEE,FEMALE STRAIGHT THREAD	49612	PKT02586	O-RING KIT (ORFS FITTINGS)
48972	12 XHL6-S	ADAPTER, 37° MALE TO SWIVEL ORFS	49613	PKT06276	PLUG AND CAP KIT-SERVICE,ORFS
48973	12-1/2 F5OG-S	ADAPTER,FEMALE PIPE TO STRAIGHT THREAD	49728	10143-12-12	HOSE END, MALE PIPE
48974	12-10 C5OLO-S	ELBOW,90°,STRAIGHT THREAD TO ORFS	49729	16-1 F5OG-S	ADAPTER,FEMALE PIPE TO STRAIGHT THREAD
48975	12-10 F5OLO-S	CONNECTOR,STRAIGHT THREAD TO ORFS	49814	12-8 FLO-S	CONNECTOR,MALE PIPE TO ORFS
48976	12-16 C5OLO-S	ELBOW,90°,STRAIGHT THREAD TO ORFS	49829	DT-500-MOMF-5	VALVE,CHECK
48977	12-16 F5OLO-S	CONNECTOR,STRAIGHT THREAD TO ORFS	49831	881-12	HOSE,3/4 INCH ID
48978	12-16 V5OLO-S	ELBOW,45°,STRAIGHT THREAD TO ORFS	49834	16 JLO-S	UNION TEE,ORFS
48980	12-16 FLO-S	CONNECTOR,MALE PIPE TO ORFS	49838	12-8 TRLO-BL-S	REDUCER,TUBE END TO SWIVEL,ORFS
48983	16 C5OLO-S	ELBOW,90°,STRAIGHT THREAD TO ORFS	49840	8 JLO-S	UNION TEE,ORFS
48984	16 F5OLO-S	CONNECTOR,STRAIGHT THREAD TO ORFS	49844	10-8 TRLO-BL-S	REDUCER,TUBE END TO SWIVEL,ORFS
48985	16 V5OLO-S	ELBOW,45°,STRAIGHT THREAD TO ORFS	49854	8 P5ON-S	PLUG,STRAIGHT THREAD
48986	16 FLO-S	CONNECTOR,MALE PIPE TO ORFS	49855	1JC43-16-12	HOSE END,FEMALE SWIVEL,SEAL LOK
48988	16 CD45-S	ELBOW,45°,MALE TO FEMALE PIPE	49859	4 P5ON-S	PLUG,STRAIGHT THREAD
48989	12 CD45-S	ELBOW,45°,MALE TO FEMALE PIPE	49861	4 FF5OLO-S	CONNECTOR, LONG, STRAIGHT THREAD TO ORFS
48990	8 CD45-S	ELBOW,45°,MALE TO FEMALE PIPE	49867	12-3/4 F5OG-S	ADAPTER,FEMALE PIPE TO STRAIGHT THREAD
48991	16-12 FLO-S	CONNECTOR,MALE PIPE TO ORFS	51152	6 R6X-S	RUN TEE,SWIVEL NUT,ORFS
48992	16-12 V5OLO-S	ELBOW,45°,STRAIGHT THREAD TO ORFS	51153	6-4 TRTX-S	REDUCER,TUBE END TO SWIVEL,ORFS
48993	XV501-12	BALL VALVE	51154	4-4 GTX	CONNECTOR,FEMALE PIPE TO FLARE TUBE
48994	XV501-16	BALL VALVE	51264	881-12	HOSE,3/4 INCH ID
48995	XV510P-12	BALL VALVE	51265	8 JLO-S	UNION TEE,ORFS
48996	XV510P-16	BALL VALVE	51508	6 BTX-S	NUT,FLARE TUBE
48997	PD341	DIAGNOSTIC NIPPLE, STRAIGHT THREAD	51580	12-8 TRLO-BL-S	TUBE END REDUCER,ORFS
48998	PD 361	DIAGNOSTIC NIPPLE, STRAIGHT THREAD	51628	6 R6X-S	RUN TEE,SWIVEL NUT,ORFS
48999	DT-500-MOMS-5	VALVE,CHECK	51735	3/8 HHP	PLUG,PIPE THREAD
49201	10 V5OLO-S	ELBOW,45°,STRAIGHT THREAD TO ORFS	51803	1J943-6-8	HOSE END,90° FEMALE SWIVEL,SEAL LOK
49202	1JC43-12-10	HOSE END,FEMALE SWIVEL,SEAL LOK	53023	125HBL-5-4	FITTING,HOSE BARB TO MALE PIPE
49203	10-8 V5OLO-S	ELBOW,45°,STRAIGHT THREAD TO ORFS	53497	PKT02585	O-RING KIT
49205	6 F5OHAO-S	UNION,STRAIGHT THREAD	53499	1JC71-16-16	HOSE END,FEMALE SWIVEL,SEAL LOK
49207	PD34BTL	DIAGNOSTIC NIPPLE,SEAL-LOK SWIVEL	53500	3-904	O-RING,STRAIGHT THREAD,-4
49209	8M18F870MX-S	CONNECTOR,METRIC,STRAIGHT THREAD TO FLARE TUBE	53501	3-906	O-RING,STRAIGHT THREAD,-6
49212	8 WGTX-WLN-S	CONNECTOR,BULKHEAD,FEMALE PIPE TO FLARE TUBE	53502	3-908	O-RING,STRAIGHT THREAD,-8
49213	30682-8-8	HOSE END,FEMALE SWIVEL,JIC	53503	3-910	O-RING,STRAIGHT THREAD,-10
49216	831-8	HOSE,1/2 INCH ID			
49217	33982-8-8	HOSE END,90° FEMALE SWIVEL,JIC			
49219	PS-B-35	SLEEVE,NYLON,2.19" ID			
49418	4-6 V5OLO-S	ELBOW,45°,STRAIGHT THREAD TO ORFS			
49511	DT370-MOMS-5	VALVE,CHECK			
49512	1 DD-S	ELBOW,90°,FEMALE PIPE			
49513	1 FF-S	NIPPLE,PIPE			
49514	10 HP5ON-S	PLUG,STRAIGHT THREAD			
49515	12-16 CLO-S	ELBOW,90°,MALE PIPE TO ORFS			
49517	6 HP5ON-S	PLUG,STRAIGHT THREAD			
49519	16-12 F5OLO-S	CONNECTOR,STRAIGHT THREAD TO ORFS			
49520	4 VTX-S	ELBOW,45°,MALE PIPE TO FLARE TUBE			
49530	16 C6LO-S	ELBOW,90°,SWIVEL NUT ORFS			

## Fitting Cross References (Continued)

Genie PN	Parker PN	Description	Genie PN	Parker PN	Description
53535	3-912	O-RING,STRAIGHT THREAD,-12	61083	24 F5OLO-S	CONNECTOR,STRAIGHT THREAD TO ORFS
53536	4-PNLO-S	PLUG,TUBE END,ORFS	61086	20 R5OLO-S	RUN TEE,STRAIGHT THREAD
53537	6 PNLO-S	PLUG,TUBE END,ORFS	61090	24-20 F5OLO-S	CONNECTOR,STRAIGHT THREAD TO ORFS
53538	8 PNLO-S	PLUG,TUBE END,ORFS	61091	1J943 24-24	HOSE END,90° FEMALE SWIVEL,SEAL LOK
53539	10 PNLO-S	PLUG,TUBE END,ORFS	61093	1J978-12-12	HOSE END,90° FEMALE SWIVEL,JIC
53540	12 PNLO-S	PLUG,TUBE END,ORFS	61095	1JS43-20-16	HOSE END,FEMALE SWIVEL,SEAL LOK
53946	129HB-5-4	FITTING,90° HOSE BARB TO MALE PIPE	61100	811-24	HOSE,11/2 INCH ID
53951	8-1/4F50G-S	ADAPTER,FEMALE PIPE TO STRAIGHT THREAD	61130	1JS43-24-24	HOSE END,FEMALE SWIVEL,SEAL LOK
53980	6 S6LO-S	BRANCH TEE,SWIVEL NUT TO ORFS	61131	1JS78 12-12	HOSE END,FEMALE SWIVEL,SEAL LOK
54132	4 C6LO-S	ELBOW,90°,SWIVEL NUT ORFS	61132	1J778-12-12	HOSE END,45° FEMALE SWIVEL,JIC
54135	11343-16-16	HOSE END,MALE SWIVEL,PIPE	61152	139HB-6-4	ELBOW,45°,BARB TO MALE PIPE
54283	8-10 C5OLO-S	ELBOW,90°,STRAIGHT THREAD TO ORFS	61251	BV-0750	BALL VALVE
54428	8M18C870MLO-S	ELBOW, 90° METRIC, STRAIGHT THREAD TO ORFS	61259	4 CC5OLO-S	ELBOW,90° LONG,STRAIGHT THREAD TO ORFS
54803	FS-F-16-10	SLEEVE,FIRE,-96" ID	61260	20-12 TRLO-BL	REDUCER,TUBE END TO SWIVEL,ORFS
54954	10143-2-4	HOSE END, MALE PIPE	61262	12 C6LO-S	ELBOW,90°,SWIVEL NUT ORFS
55190	3/8 HP-S	PLUG,PIPE THREAD	61263	20 F5OHAO-S	UNION,STRAIGHT THREAD
55448	8 HLO-S	UNION,ORFS	61264	6-10 C5OLO-S	ELBOW,90°,STRAIGHT THREAD TO ORFS
55839	6 F65OX-S	CONNECTOR,STRAIGHT THREAD TO 37° SWIVEL	61265	6 WNLO-WLNL-S	UNION,BULKHEAD 45°,ORFS
55968	10 C5OX-S	ELBOW,90°,STRAIGHT THREAD TO FLARE TUBE	61268	4 WNLO-WLNL-S	UNION,BULKHEAD 45°,ORFS
56003	6 CC5OLO-S	ELBOW,90° LONG,STRAIGHT THREAD TO ORFS	61269	4 WLO-WLNL-S	UNION,BULKHEAD,ORFS
56166	BV-0837	BALL VALVE,90°	61272	12 AOEL6	ELBOW,90°,STRAIGHT THREAD TO ORFS SWIVEL
56188	10143-8-6	HOSE END, MALE PIPE	61316	482TC-16	HOSE,1 INCH ID
56233	2-011	O-RING,ORFS,-4	61321	6 JLO-S	UNION TEE,ORFS
56234	2-012	O-RING,ORFS,-6	61327	782-12	HOSE,3/4 INCH ID
56235	2-014	O-RING,ORFS,-8	61328	881-24	HOSE,11/2 INCH ID
56236	2-016	O-RING,ORFS,-10	61336	11943-20-24	HOSE END,90° FLANGE HEAD
56237	2-018	O-RING,ORFS,-12	61345	12 WJLO-WLNL-S	RUN TEE, BULKHEAD,ORFS
56238	2-021	O-RING,ORFS,-16	61346	8 WNLO-WLNL-S 4	UNION,BULKHEAD 45°,ORFS
56352	6 WLNL-S	LOCKNUT,BULKHEAD	61569	33782-8-8	HOSE END,45° FEMALE SWIVEL,JIC
56353	3J782-12-12	HOSE END,45° FEMALE SWIVEL,SEAL LOK	61610	12 FF5OLO-S	CONNECTOR,LONG,STRAIGHT THREAD TO ORFS
56354	3J982-12-12	HOSE END,90° FEMALE SWIVEL,SEAL LOK	61742	1/8 X 1.5 FFF	NIPPLE,PIPE
56604	10-8 F5OLO-S	CONNECTOR,STRAIGHT THREAD TO ORFS	63426	8 PNTX-S	PLUG,FLARE TUBE
56639	3JC82-10-10	HOSE END,FEMALE SWIVEL,SEAL LOK			
56640	3J982-10-10	HOSE END,90° FEMALE SWIVEL,SEAL LOK			
56655	3JC82-8-10	HOSE END,FEMALE SWIVEL,SEAL LOK			
56676	10-8 C5OLO-S	ELBOW,90°,STRAIGHT THREAD TO ORFS			
56776	471TC-6	HOSE,3/8 INCH ID			
56777	471TC-8	HOSE,1/2 INCH ID			
56789	811-16	HOSE,1 INCH ID			
57884	3/8 FF	NIPPLE,PIPE			
59335	6 FNL-S	CAP,TUBE END			
59342	4 FNL-S	CAP,TUBE END			
59371	8 HP50N-S	PLUG,STRAIGHT THREAD			
60653	BV-0751	BALL VALVE			
60806	125HB-3-4	FITTING,HOSE BARB TO MALE PIPE			
61064	5-1/4 F50G-S	ADAPTER,FEMALE PIPE TO STRAIGHT THREAD			
61079	4 WELO-WLNL-S	UNION,90° BULKHEAD W/NUT,ORFS			
61080	6 WLO-WLNL-S	UNION,BULKHEAD,ORFS			

## Fitting Cross References (Continued)

Genie PN	Parker PN	Description	Genie PN	Parker PN	Description
64271	4 WLO-WLNL-S	UNION,BULKHEAD,ORFS	75631	801-6	HOSE,3/8 INCH ID
64272	6 WLO-WLNL-S	UNION,BULKHEAD,ORFS	75654	20 F5OLO-S	CONNECTOR,STRAIGHT THREAD TO ORFS
65776	8 F65OL-S	CONNECTOR,STRAIGHT THREAD TO ORFS SWIVEL	75655	1J943-20-20	HOSE END,90° FEMALE SWIVEL,SEAL LOK
65880	6001012	O-RING KIT	75656	881-20	HOSE,1-1/4 INCH ID
66154	6 WTX-WLNS	UNION,BULKHEAD,FLARE TUBE	75971	8 F5OHAO-S	UNION,STRAIGHT THREAD
66155	6 WETX-S	UNION,BULKHEAD 90°,FLARE TUBE	77307	1JB43-8-8	HOSE END,BULKHEAD,SEAL LOK
66156	6 WLN-S	BULKHEAD LOCKNUT	77309	8 WLNL-S	BULKHEAD LOCKNUT
66389	6-8 F5OX-S	CONNECTOR,STRAIGHT THREAD TO FLARE TUBE	77379	8M18C87OMX-S	ELBOW,90° METRIC,STRAIGHT THREAD TO FLARE TUBE
66392	6 R5OX-S	RUN TEE,STRAIGHT THREAD	77703	3J982-8-8	HOSE END,90° FEMALE SWIVEL,SEAL LOK
66396	811-12	HOSE,3/4 INCH ID	77711	801-10	HOSE,5/8 INCH ID
66829	H3174PP	CLAMP,TUBE	77758	12 WNLO-WLNL-S	UNION,BULKHEAD 45°,ORFS
67217	4 KLO-S	UNION,CROSS,ORFS	78091	6 C6X-S	ELBOW,90°,SWIVEL NUT TO FLARE TUBE
67339	10-6 F5OX-S	CONNECTOR,STRAIGHT THREAD TO FLARE TUBE	78684	30582-8-8B	HOSE END,PUSH LOK,MALE
67357	13943-8-6	HOSE END,90° FEMALE SWIVEL,JIC	78852	549-2	HOSE,1/8 INCH ID
67358	10 HP5ON-S	PLUG,STRAIGHT THREAD	78855	10657-4-2	HOSE END,FEMALE SWIVEL,JIC
67371	12 S6LO-S	BRANCH TEE,SWIVEL NUT TO ORFS	79138	PS-B-37	SLEEVE,NYLON,2.38" ID
67498	4 FNL-S	CAP, TUBE END	79476	1JS43-6-8	HOSE END,FEMALE SWIVEL,SEAL LOK
67906	DC-370-F0F0-5	VALVE,CHECK	79847	12-3/4 A0EG-S	ELBOW,90°,STRAIGHT THREAD TO FEMALE PIPE
69316	8 FLO-S	CONNECTOR,MALE PIPE TO ORFS	80044	8 CLO-S	ELBOW,90°,MALE PIPE TO ORFS
69333	H3174PP	CLAMP,HYDRAULIC HOSE	80502	8 F5OX-S	CONNECTOR,STRAIGHT THREAD TO FLARE TUBE
69503	4 F65OX-S	CONNECTOR,STRAIGHT THREAD TO 37° SWIVEL	80503	8 C5OX-S	ELBOW,90°,STRAIGHT THREAD TO FLARE TUBE
69775	8 FNL-S	CAP, TUBE END	81010	AS-B-27	SLEEVE,NYLON,1.63" ID
71038	1/4X1/4F3HG-S	ADAPTER,CONVERSION	83052	821-6	HOSE,3/8 INCH ID
71196	12-8 F5OLO-S	CONNECTOR,STRAIGHT THREAD TO ORFS	83053	821-8	HOSE,1/2 INCH ID
71383	1/4 CD45-S	ELBOW,45°,MALE TO FEMALE PIPE	83054	821-12	HOSE,3/4 INCH ID
72270	12FNL-S	CAP, TUBE END	83055	30682-6-6	HOSE END,FEMALE SWIVEL,JIC
73436	60C-4	SLEEVE,COMPRESSION	83056	30682-12-12	HOSE END,FEMALE SWIVEL,JIC
73437	61C-4	NUT,COMPRESSION	83057	33782-6-6	HOSE END,45° FEMALE SWIVEL,JIC
73438	33482-4-4B	HOSE END,PUSH LOK,MALE	83058	33982-6-6	HOSE END,90° FEMALE SWIVEL,JIC
73767	1CD-S	ELBOW,90°,MALE TO FEMALE PIPE	83060	33982-12-12	HOSE END,90° FEMALE SWIVEL,JIC
73768	20-16-F5OG5-S	ADAPTER,FEMALE PIPE TO STRAIGHT THREAD	83063	13743-4-4	HOSE END,45° FEMALE SWIVEL,JIC
73769	16-20 F5OLO-S	CONNECTOR,STRAIGHT THREAD TO ORFS			
74660	6-8 F42EDMLO-S	CONNECTOR,MALE BSPP TO ORFS			
74661	8-8 F42EDMLO-S	CONNECTOR,MALE BSPP TO ORFS			
75007	4 FLO-S	CONNECTOR,MALE PIPE TO ORFS			
75008	1/8 HP-S	PLUG,PIPE THREAD			
75014	1/2 HP-S	PLUG,PIPE THREAD			
75042	8 WELO-WLNL-S	UNION,90° BULKHEAD W/NUT,ORFS			
75043	3/4 FF-S	NIPPLE,PIPE			
75254	24 F5OHAO-S	UNION,STRAIGHT THREAD			
75255	12 F5OHAO-S	UNION,STRAIGHT THREAD			
75256	XV506P-24	BALL VALVE			
75574	4 WLNL-S	BULKHEAD LOCKNUT			
75612	8 WJLO-WLNL-S	RUN TEE, BULKHEAD,ORFS			
75613	12-8 F5OG5-S	ADAPTER,FEMALE PIPE TO STRAIGHT THREAD			
75614	8 CC5OLO-S	ELBOW,90° LONG,STRAIGHT THREAD TO ORFS			
75628	1JB43-4-4	HOSE END,BULKHEAD,SEAL LOK			

## Fitting Cross References (Continued)

Genie PN	Parker PN	Description	Genie PN	Parker PN	Description
83064	13743-8-8	HOSE END,45° FEMALE SWIVEL,JIC	89449	6 WJLO-WLNL-S	RUN TEE, BULKHEAD,ORFS
83065	13743-12-12	HOSE END,45° FEMALE SWIVEL,JIC	89489	4 WJMLO-S	BRANCH TEE,BULKHEAD,ORFS
83066	13943-8-8	HOSE END,90° FEMALE SWIVEL,JIC	89551	1JB43-6-6	HOSE END,BULKHEAD,SEAL LOK
83067	14143-6-6	HOSE END,90° FEMALE SWIVEL,JIC	89552	1JB43-8-8	HOSE END,BULKHEAD,SEAL LOK
83068	14143-8-8	HOSE END,90° FEMALE SWIVEL,JIC	89593	20 C5OLO-S	ELBOW,90°,STRAIGHT THREAD TO ORFS
83069	14143-12-12	HOSE END,90° FEMALE SWIVEL,JIC	94161	8-8 CLO-S	ELBOW,90°,MALE PIPE TO ORFS
83070	772-8	HOSE,1/2 INCH ID	94358	351TC-12	HOSE,3/4 INCH ID
83071	10671-8-8	HOSE END,FEMALE SWIVEL,JIC	94418	20 FLO-S	CONNECTOR,MALE PIPE TO ORFS
83072	10671-12-12	HOSE END,FEMALE SWIVEL,JIC	96358	12 TX-S	SLEEVE,FLARE TUBE
83073	13771-8-8	HOSE END,45° FEMALE SWIVEL,JIC	96359	12 BTX-S	NUT,FLARE TUBE
83074	13771-12-12	HOSE END,45° FEMALE SWIVEL,JIC	96397	8 F5OX-S	CONNECTOR,STRAIGHT THREAD TO FLARE TUBE
83075	13971-8-8	HOSE END,90° FEMALE SWIVEL,JIC	96398	12-8 F5OX-S	CONNECTOR,STRAIGHT THREAD TO FLARE TUBE
83076	13971-12-12	HOSE END,90° FEMALE SWIVEL,JIC	96402	10343-6-6	HOSE END,MALE,JIC
83077	14171-8-8	HOSE END,90° FEMALE SWIVEL,JIC	96407	30382-6-6B	HOSE END,MALE,JIC
83078	14171-12-12	HOSE END,90° FEMALE SWIVEL,JIC			
83080	13943-16-16	HOSE END,90° FEMALE SWIVEL,JIC			
83103	10671-16-12	HOSE END,FEMALE SWIVEL,JIC			
83104	10671-10-12	HOSE END,FEMALE SWIVEL,JIC			
83112	1JC71-8-8	HOSE END,FEMALE SWIVEL,SEAL LOK			
83113	1JS71-16-12	HOSE END,FEMALE SWIVEL,SEAL LOK			
83114	1JS71-10-12	HOSE END,FEMALE SWIVEL,SEAL LOK			
83115	1J971-8-8	HOSE END,90° FEMALE SWIVEL,SEAL LOK			
83116	1J171-8-8	HOSE END,90° FEMALE SWIVEL,SEAL LOK			
83117	1J771-8-8	HOSE END,45° FEMALE SWIVEL,SEAL LOK			
83127	1J543-6-8	HOSE END,90° FEMALE SWIVEL,JIC			
83128	1JC43-6-8	HOSE END,FEMALE SWIVEL,SEAL LOK			
87033	12-6 TRLO-S	REDUCER,TUBE END TO SWIVEL,ORFS			
87034	3J782-8-8	HOSE END,45° FEMALE SWIVEL,SEAL LOK			
87172	12 HP5ON-S	PLUG,STRAIGHT THREAD			
87185	8 WNLO-WLNL-S	UNION,BULKHEAD 45°,ORFS			
87246	4 C6X-S	ELBOW,90°,SWIVEL NUT TO FLARE TUBE			
87679	6 LHP-S	FLANGE SEAL FITTING, MALE			
87681	6PLS N0702	BONDED SEAL			
88100	SR88100	ADAPTER,OIL DRAIN,GM 3.0L			
88311	1JS43-20-20	HOSE END,FEMALE SWIVEL,SEAL LOK			
88353	20 V5OLO-S	ELBOW,45°,STRAIGHT THREAD TO ORFS			
88474	10081-20	Crimp Shell, 1.25"			
88475	1988-20-24	HOSE END,90° FLANGE HEAD			
88476	JS88-24-24	HOSE END,FEMALE SWIVEL,SEAL LOK			
88477	1JC88-20-20	HOSE END,FEMALE SWIVEL,SEAL LOK			
88478	811-20	HOSE,11/4 INCH ID			
88936	20-16 F5OLO-S	CONNECTOR,STRAIGHT THREAD TO ORFS			
88937	20-16 FLO-S	CONNECTOR,MALE PIPE TO ORFS			
88938	1JC88-16-16	HOSE END,FEMALE SWIVEL,SEAL LOK			
88939	1J988-16-16	HOSE END,90° FEMALE SWIVEL,ORFS			
88940	811-16	HOSE,1 INCH ID			
88944	1J988-20-20	HOSE END,90° FEMALE SWIVEL,ORFS			
89403	16 VLO-S	ELBOW,45°,MALE PIPE TO ORFS			

California Proposition 65



Operating, servicing and maintaining this equipment can expose you to chemicals including engine exhaust, carbon monoxide, phthalates, and lead, which are known to the State of California to cause cancer and birth defects or other reproductive harm. These chemicals can be emitted from or contained in other various parts and systems, fluids and some component wear by-products. To minimize exposure, avoid breathing exhaust, do not idle the engine except as necessary, service your equipment and vehicle in a well-ventilated area and wear gloves or wash your hands frequently when servicing your equipment or vehicle and after operation. For more information go to [www.P65Warnings.ca.gov/passenger-vehicle](http://www.P65Warnings.ca.gov/passenger-vehicle).

Distributed By:

Go to [Discount-Equipment.com](http://Discount-Equipment.com) to order your parts

# PARTS FINDER

**Search Website  
by Part Number**



**Search Manual  
Library For Parts  
Manual & Lookup Part  
Numbers – Purchase  
or Request Quote**

**Search Manuals**

Enter your information to help us find the right parts manual for your machine.

\* Brand:

\* Model:

\* Serial:

\* Part Number:

SEARCH

**Can't Find Part or  
Manual? Request Help  
by Manufacturer,  
Model & Description**

**Parts Order Form**

Please fill in the following information to help us find the right part for your machine.

Manufacturer:	<input type="text"/>
Model:	<input type="text"/>
Description:	<input type="text"/>
Part Number:	<input type="text"/>
Quantity:	<input type="text"/>
Notes:	<input type="text"/>

Submit

Discount-Equipment.com is your online resource for quality parts & equipment.

Florida: **561-964-4949** Outside Florida TOLL FREE: **877-690-3101**

**Need parts?**

Click on this link: <http://www.discount-equipment.com/category/5443-parts/> and choose one of the options to help get the right parts and equipment you are looking for. Please have the machine model and serial number available in order to help us get you the correct parts. If you don't find the part on the website or on one of the online manuals, please fill out the request form and one of our experienced staff members will get back to you with a quote for the right part that your machine needs.

We sell worldwide for the brands: Genie, Terex, JLG, MultiQuip, Mikasa, Essick, Whiteman, Mayco, Toro Stone, Diamond Products, Generac Magnum, Airman, Haulotte, Barreto, Power Blanket, Nifty Lift, Atlas Copco, Chicago Pneumatic, Allmand, Miller Curber, Skyjack, Lull, Skytrak, Tsurumi, Husquvarna Target, Stow, Wacker, Sakai, Mi-T-M, Sullair, Basic, Dynapac, MBW, Weber, Bartell, Bennar Newman, Haulotte, Ditch Runner, Menegotti, Morrison, Contec, Buddy, Crown, Edco, Wyco, Bomag, Laymor, EZ Trench, Bil-Jax, F.S. Curtis, Gehl Pavers, Heli, Honda, ICS/PowerGrit, IHI, Partner, Imer, Clipper, MMD, Koshin, Rice, CH&E, General Equipment, Amida, Coleman, NAC, Gradall, Square Shooter, Kent, Stanley, Tamco, Toku, Hatz, Kohler, Robin, Wisconsin, Northrock, Oztec, Toker TK, Rol-Air, APT, Wylie, Ingersoll Rand / Doosan, Innovatech, Con X, Ammann, Mecalac, Makinex, Smith Surface Prep, Small Line, Wanco, Yanmar