



A TEREX BRAND



Parts Manual

Serial Number Range

GS-2046

from SN GS46D-9638 to

GS-2646

GS46D-20000

GS-3246

Part No. 1285638GT

Rev A4

November 2018

Go to Discount-Equipment.com to order your parts

PARTS FINDER

**Search Website
by Part Number**



**Search Manual
Library For Parts
Manual & Lookup Part
Numbers – Purchase
or Request Quote**

Search Manuals

Enter your information to help us find the right parts manual for your machine.

* Brand:

* Model:

* Serial:

* Part Number:

SEARCH

**Can't Find Part or
Manual? Request Help
by Manufacturer,
Model & Description**

Parts Order Form

Please fill in the following information to help us find the right part for your machine.

Manufacturer:	<input type="text"/>
Model:	<input type="text"/>
Description:	<input type="text"/>
Part Number:	<input type="text"/>
Quantity:	<input type="text"/>
Notes:	<input type="text"/>

Submit

Discount-Equipment.com is your online resource for quality parts & equipment.

Florida: **561-964-4949** Outside Florida TOLL FREE: **877-690-3101**

Need parts?

Click on this link: <http://www.discount-equipment.com/category/5443-parts/> and choose one of the options to help get the right parts and equipment you are looking for. Please have the machine model and serial number available in order to help us get you the correct parts. If you don't find the part on the website or on one of the online manuals, please fill out the request form and one of our experienced staff members will get back to you with a quote for the right part that your machine needs.

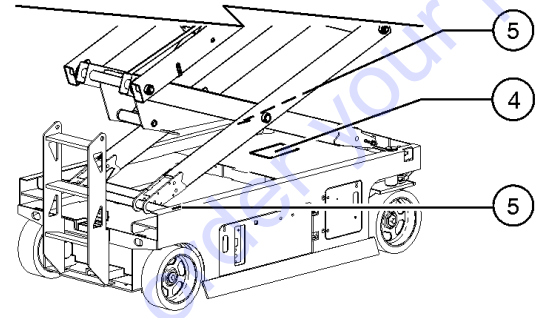
We sell worldwide for the brands: Genie, Terex, JLG, MultiQuip, Mikasa, Essick, Whiteman, Mayco, Toro Stone, Diamond Products, Generac Magnum, Airman, Haulotte, Barreto, Power Blanket, Nifty Lift, Atlas Copco, Chicago Pneumatic, Allmand, Miller Curber, Skyjack, Lull, Skytrak, Tsurumi, Husquvarna Target, Stow, Wacker, Sakai, Mi-T-M, Sullair, Basic, Dynapac, MBW, Weber, Bartell, Bennar Newman, Haulotte, Ditch Runner, Menegotti, Morrison, Contec, Buddy, Crown, Edco, Wyco, Bomag, Laymor, EZ Trench, Bil-Jax, F.S. Curtis, Gehl Pavers, Heli, Honda, ICS/PowerGrit, IHI, Partner, Imer, Clipper, MMD, Koshin, Rice, CH&E, General Equipment, Amida, Coleman, NAC, Gradall, Square Shooter, Kent, Stanley, Tamco, Toku, Hatz, Kohler, Robin, Wisconsin, Northrock, Oztec, Toker TK, Rol-Air, APT, Wylie, Ingersoll Rand / Doosan, Innovatech, Con X, Ammann, Mecalac, Makinex, Smith Surface Prep, Small Line, Wanco, Yanmar

Genie
A TEREX BRAND

Model:
Serial number: GS46D-9750
Year of manufacture: 2016
Electrical schematic number:
Machine unladen weight:
Rated work load (including occupants):
Maximum number of platform occupants:
Maximum allowable inclination of the chassis:
Outrigger retracted:
Outrigger deployed:

GS46 D - 9750

1 2 3



- 1 Model
- 2 Facility code
- 3 Sequence number

- 4 Serial label (located on chassis)
- 5 Serial number (stamped on chassis)

Go to Discount-Equipment.com to get your parts

Table of Contents

This manual is updated frequently. For the most up-to-date parts information, visit www.discount-equipment.com

How to Read Your Serial Number.....	3
Parts Stocking List.....	7

Electronic Version

Click on any page number to view the figure.

001 Parts Stocking List

001.1 Parts Stocking List.....	10
--------------------------------	----

100 Decals

101.1 Word Decals, GS-2046, Battery Side, ANSI & Australia.....	12
102.1 Word Decals, GS-2046, Ground Control Side, ANSI and Australia.....	14
103.1 Word Decals, GS-2046, Platform, ANSI.....	16
104.1 Word Decals, GS-2046, Platform, Australia.....	18
105.1 Word Decals, GS-2646, Battery Side, ANSI & Australia.....	20
106.1 Word Decals, GS-2646, Ground Control Side, ANSI and Australia.....	22
107.1 Word Decals, GS-2646, Platform, ANSI.....	24
108.1 Word Decals, GS-2646, Platform, Australia.....	26
109.1 Word Decals, GS-3246, Battery Side, ANSI & Australia.....	28
110.1 Word Decals, GS-3246, Ground Control Side, ANSI and Australia.....	30
111.1 Word Decals, GS-3246, Platform, ANSI.....	32
112.1 Word Decals, GS-3246, Platform, Australia.....	34
113.1 Symbol Decals, GS-2046, Battery Side, ANSI & CE..	36
114.1 Symbol Decals, GS-2046, Ground Control Side, ANSI and CE.....	38
115.1 Symbol Decals, GS-2046, Platform, ANSI.....	40
116.1 Symbol Decals, GS-2046, Platform, CE.....	42
117.1 Symbol Decals, GS-2646, Battery Side, ANSI & CE..	44
118.1 Symbol Decals, GS-2646, Ground Control Side, ANSI and CE.....	46
119.1 Symbol Decals, GS-2646, Platform, ANSI.....	48
120.1 Symbol Decals, GS-2646, Platform, CE.....	50

121.1 Symbol Decals, GS-3246, Battery Side, ANSI & CE..	52
122.1 Symbol Decals, GS-3246, Ground Control Side, ANSI and CE.....	54
123.1 Symbol Decals, GS-3246, Platform, ANSI.....	56
124.1 Symbol Decals, GS-3246, Platform, CE.....	58

200 Drive Chassis Components

201.1 Steer Linkage and Wheels.....	60
202.1 Non-steer Axle Installation.....	62
203.1 Level Sensor Installation.....	64
204.1 Pothole Protection Assembly.....	66
205.1 Battery Pack Module.....	68
205.2 Battery Pack Tray.....	70
206.1 Battery Charger.....	72
207.1 Power Unit Module (to SN GS4616D-3985).....	74
207.2 Power Unit Module (from SN GS4616D-3986).....	76
208.1 Ground Controls.....	78
209.1 Electrical Wiring.....	80
210.1 Power Cables.....	82
210.2 Power Cables.....	84
211.1 Function Manifold and Accumulator Components....	86

300 Scissor Components

301.1 Scissor Assembly Installation.....	88
302.1 Scissor Assembly, GS-2046.....	90
303.1 Scissor Assembly, GS-2646.....	92

400 Platform Components

401.1 Platform Components.....	94
402.1 Power to Platform.....	98
403.1 Platform Controls.....	100
404.1 Joystick Controller.....	102

500 Hydraulic Components

501.1 Hydraulic Components.....	104
502.1 Function Manifold.....	106
503.1 Brake Release Hand Pump Manifold.....	108
504.1 Hydraulic Power Unit, All Models.....	110
505.1 Lift Cylinder Assembly, All Models.....	112
506.1 Hydraulic Hoses and Fittings.....	114

500 Platform Components

501.1 Hydraulic Components.....	116
502.1 Function Manifold.....	118
503.1 Brake Release Hand Pump Manifold.....	120
504.1 Hydraulic Power Unit, All Models.....	122
505.1 Lift Cylinder Assembly, All Models.....	124
506.1 Hydraulic Hoses and Fittings.....	126

600 Accessories

601.1 Alarm, Horn and Flashing Beacons.....	128
602.1 Air Line to Platform.....	130
603.1 Platform Work Light.....	132
604.1 Voltage Inverter.....	134
604.2 Voltage Inverter.....	136
605.1 Pipe Cradle Assembly.....	138
606.1 Panel Carrier Assembly, GS-2046, GS-2646 (ANSI/CSA models).....	140
607.1 RCBO.....	142
608.1 Charger Isolation.....	144

700 Platform Overload Components

701.1 Platform Overload.....	146
------------------------------	-----

Indices

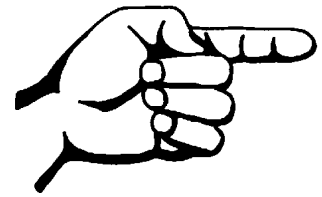
Part Number Index.....	148
Part Description Index.....	151

Cross References

Fittings Cross Reference.....	156
-------------------------------	-----

Go to Discount-Equipment.com to order your parts

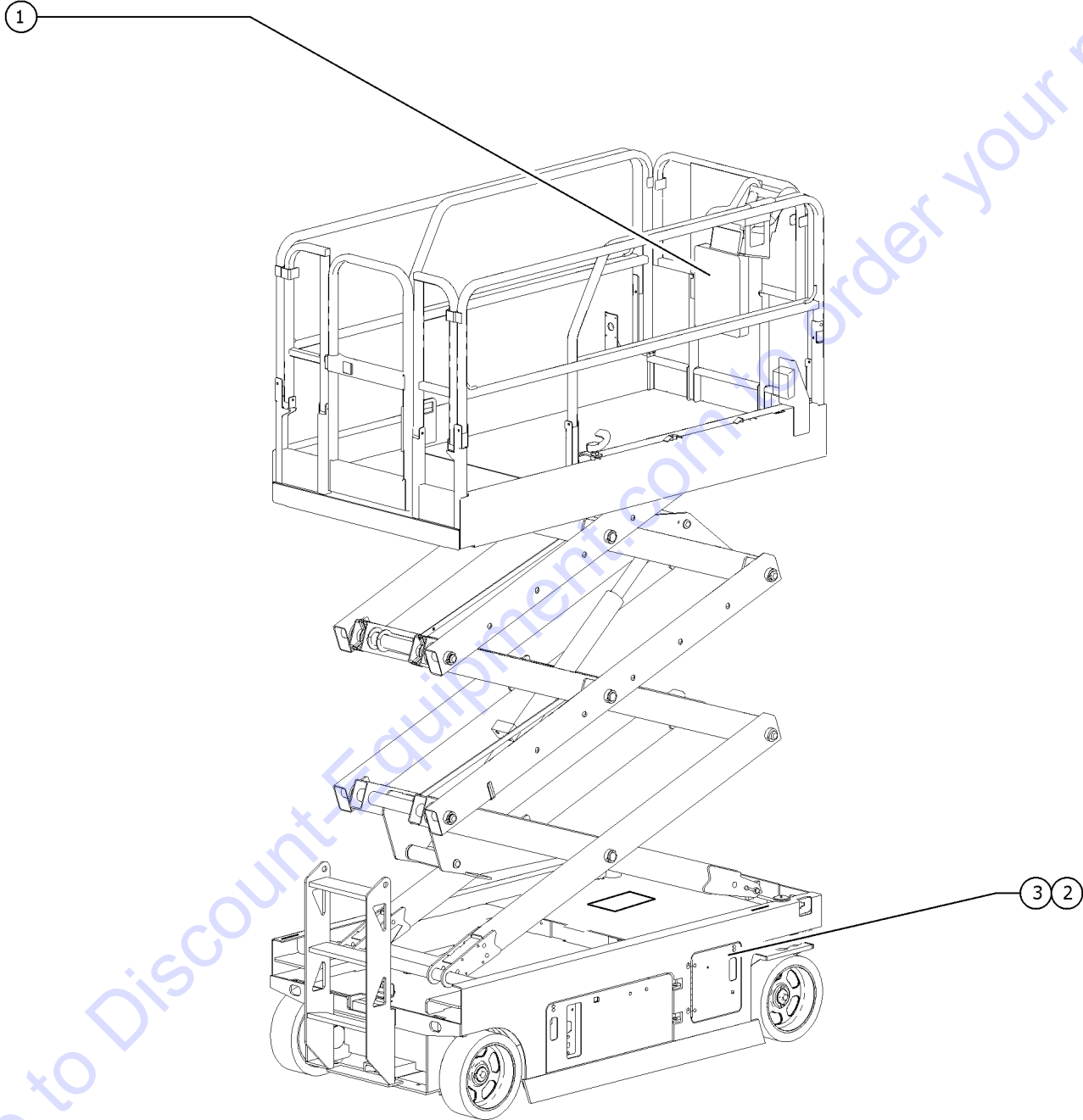
Please refer to section 001 for the Recommended Spare Parts List.



This page intentionally left blank.

Go to Discount-Equipment.com to order your parts

001.1 Parts Stocking List

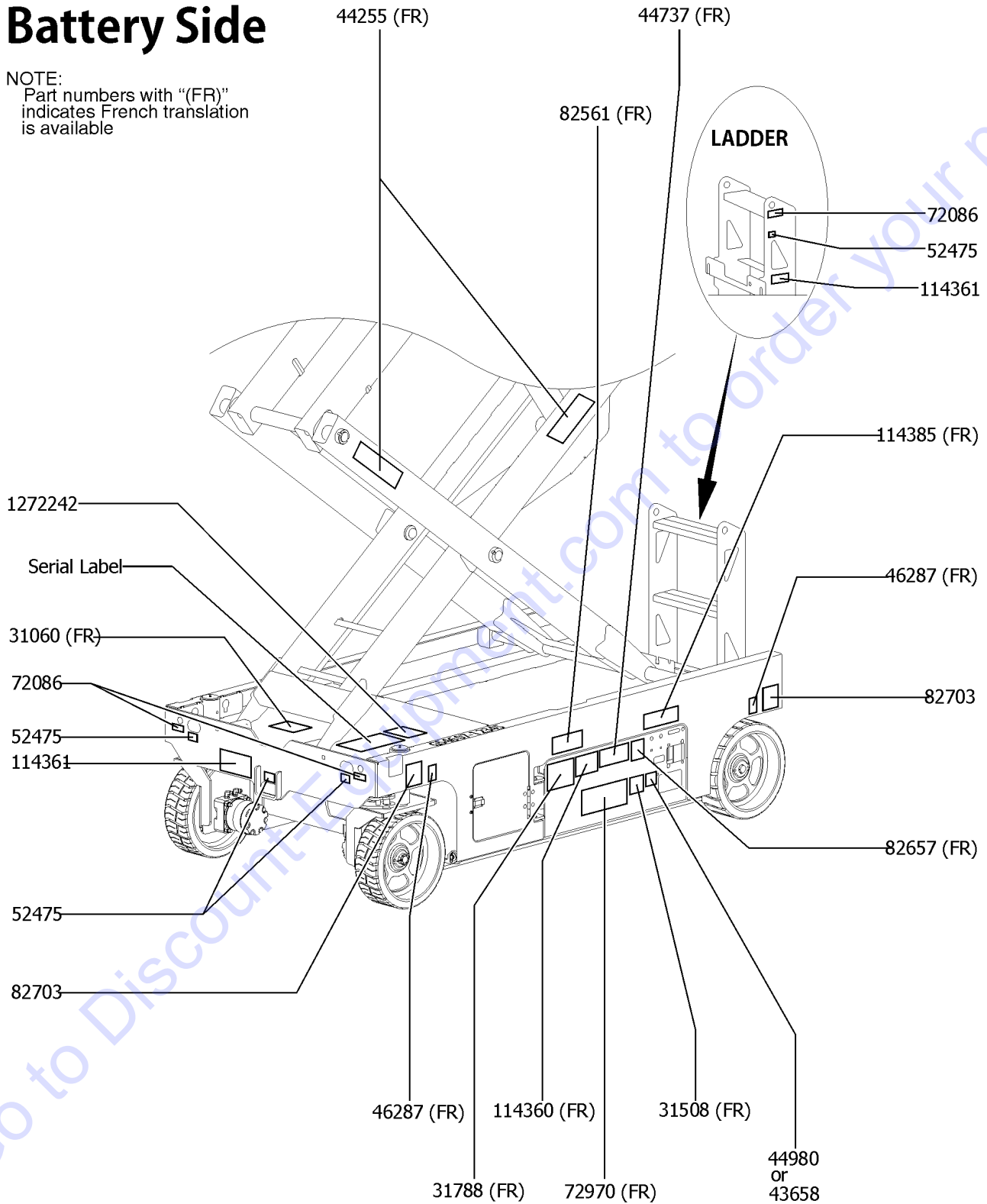


Item	Part No.	Description	Qty.
--	66399GT	GREASE,DIELECTRIC 4 OZ**	
--		Ref. CHEVRON ULTRA-DUTY GREASE (LITHIUM), OR EQUIVALENT, EP NLGI 1 (source locally)	
--	1258567GT	PAINT, AEROSOL, TRAFFIC BLACK 12-ounce spray paint	
--	1268GT	PAINT,AEROSOL,GENIE GRAY*** 12-ounce spray paint	
--	1484GT	PAINT,AEROSOL,BRIGHT BLUE*** 12-ounce spray paint	
--	1257733GT	PAINT,WET,TRAFFIC BLACK (1 GL)** 1-gallon	
--	32150GT	PAINT,WET,GENIE BLUE (1 GL)** 1-gallon	
--	32151GT	PAINT,WET,GENIE GRAY (1 GL)** 1-gallon	
--	49613GT	PLUG AND CAP KIT-SERVICE,ORFS*	
1A	27581GT	MANUAL,AEM SAFETY	
1B	44163GT	MANUAL,RESPON,A92.6 SCISSOR	
2	44788GT	FILTER ELEMENT,10MICRON,PAPER*	
3	78546GT	BREATHER CAP,HYD. TANK,1/4 NPT	

101.1 Word Decals, GS-2046, Battery Side, ANSI & Australia

Battery Side

NOTE:
Part numbers with "(FR)" indicates French translation is available



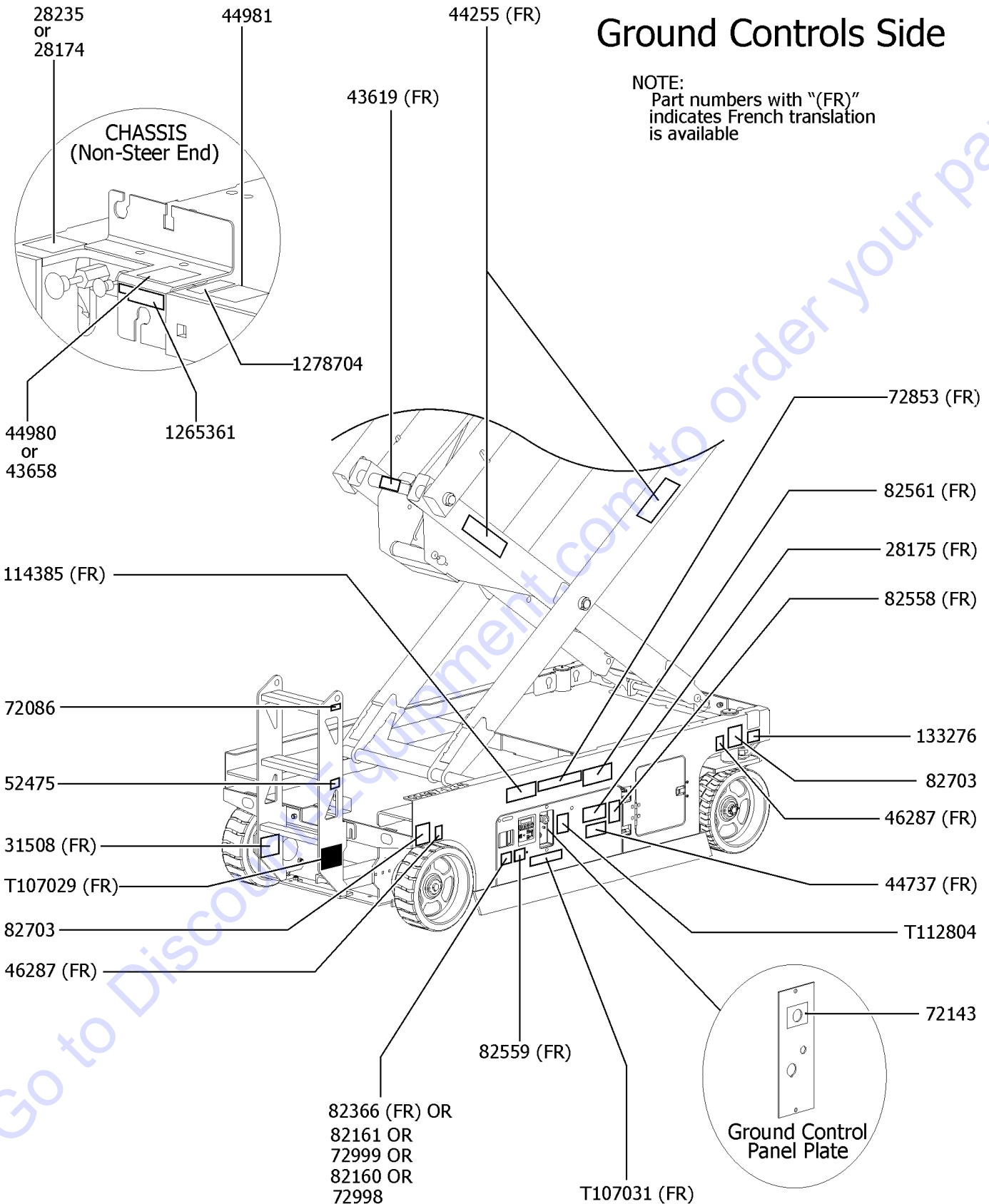
101.1 Word Decals, GS-2046, Battery Side, ANSI & Australia

Item	Part No.	Description	Qty.
1	31060GT	DECAL,DANGER DO NOT ALTER SWTC.....	1
2	31508GT	DECAL,DANGER,ELECT HAZARD,PLUG..... <i>(Australia models only)</i>	1
3	31788GT	DECAL,DANGER,BATTERY SAFETY***.....	1
4	43658GT	DECAL,LABEL,PWR TO CHARGR 230V..... <i>(Australia models only)</i>	1
5	44255GT	DECAL,DANGER,CRUSHING HAZARD.....	2
6	44737GT	DECAL DANGER TIP OVER TRAYS.....	1
7	44980GT	DECAL,LABEL,PWR TO CHARGR 115V..... <i>(Australia models only)</i>	1
8	46287GT	DECAL,LABEL-TIRE SPECS.....	2
9	52475GT	DECAL,LABEL,TRANSPORT TIEDOWN*.....	4
10	72086GT	DECAL,LABEL,LIFTING EYE.....	3
11	72970GT	DECAL,INSTRUCTIONS-CHARGER OP.....	1
12	82561GT	DECAL,DANGER-USE SAFETY ARM.....	1
13	82657GT	DECAL,INSTRUCT,BATTERY CONNECT.....	1
14	82703GT	DECAL,LABEL,WHEEL LOAD 2046.....	2
15	114360GT	DECAL,DANGER-TIP-OVER,BATT.....	1
16	114361GT	DECAL,LABEL-TRANSPORT DIGRAM.....	2
17	114385GT	DECAL,DANGER,ELEC HAZARD,GS.....	1
18	1272242GT	DECAL,MACHINE REGISTRATION/OWNER TRANSFER....	1

102.1 Word Decals, GS-2046, Ground Control Side, ANSI and Australia

Ground Controls Side

NOTE:
Part numbers with "(FR)" indicates French translation is available

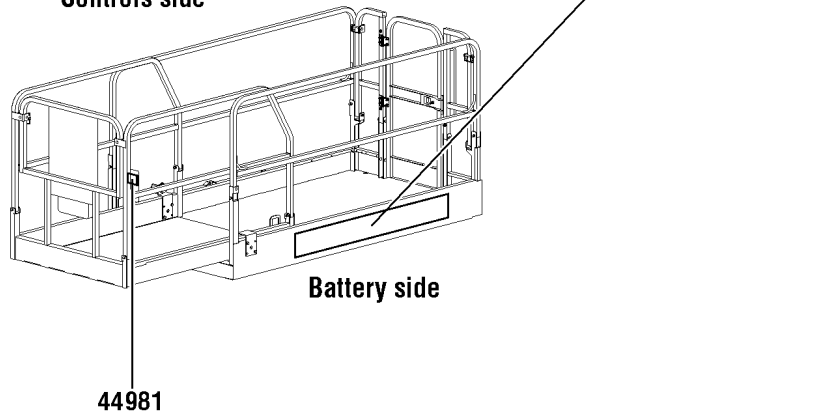
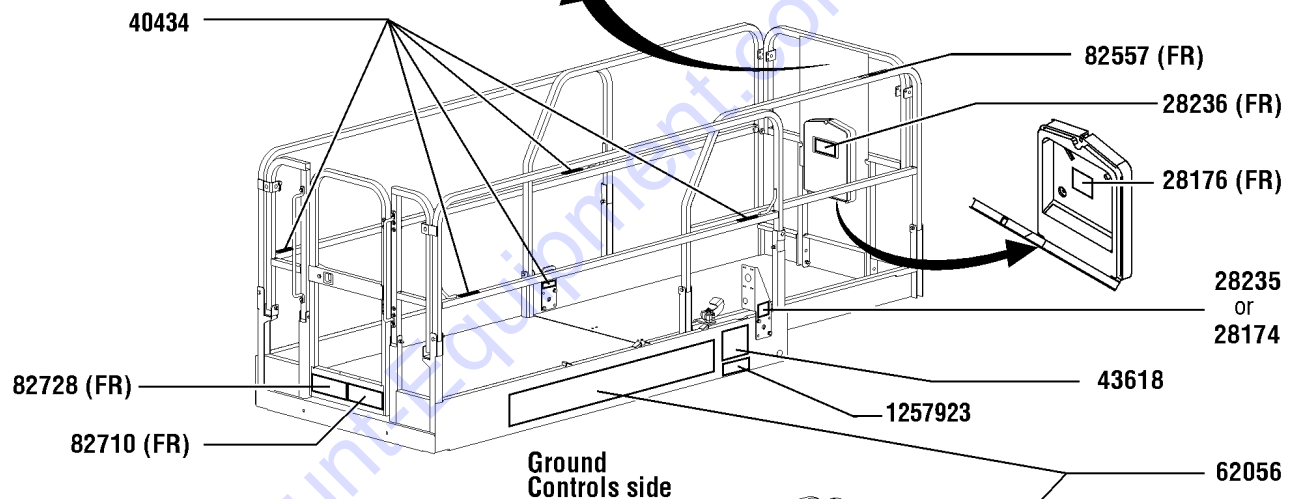
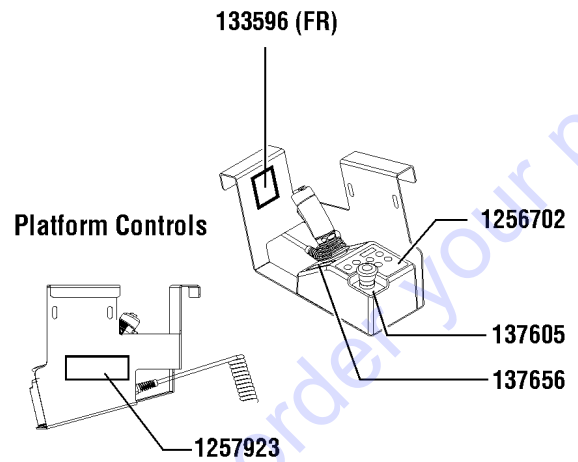
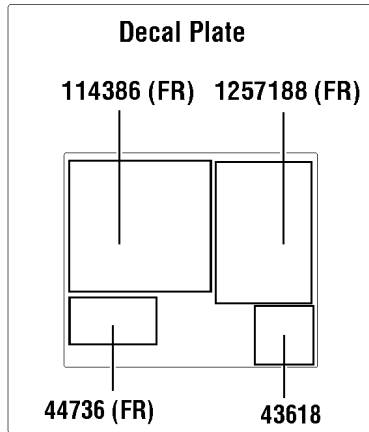


102.1 Word Decals, GS-2046, Ground Control Side, ANSI and Australia

Item	Part No.	Description	Qty.	Item	Part No.	Description	Qty.
1	28174GT	DECAL, POWER TO PLATFORM 230V**.....	1	27	1265361GT	DECAL, BATTERY CHARGER INDICAT.....	1
2	28175GT	DECAL,WARNING-COMPART ACCESS.....	1			<i>from SN GS46P-143361</i>	
3	28235GT	DECAL,POWER TO PLATFORM 115V...1		28	1278704GT	DECAL,CHARGE STATUS IND.....1	
4	31508GT	DECAL,DANGER,ELECT HAZARD,PLUG.....	1			<i>from SN GS46D-9041</i>	
		(ANSI models)		29	T107029GT	DECAL,DANGER,BRAKE REL SAFETY.....	1
5	43619GT	DECAL,LABEL,SAFETY ARM.....1		30	T107031GT	DECAL,OP INST,GCON.....1	
6	43658GT	DECAL,LABEL,PWR TO CHARGR 230V.....	1	31	T112804GT	DECAL,GCON PANEL,GS.....1	
		(ANSI models)					
7	44255GT	DECAL,DANGER,CRUSHING HAZARD.....	2				
8	44737GT	DECAL DANGER TIP OVER TRAYS.....1					
9	44980GT	DECAL,LABEL,PWR TO CHARGR 115V.....	1				
		(ANSI models)					
10	44981GT	DECAL,LABEL, AIR LINE 110 PSI.....1					
		(Option)					
11	46287GT	DECAL,LABEL-TIRE SPECS.....2					
12	52475GT	DECAL,LABEL,TRANSPORT TIEDOWN*.....	1				
13	72086GT	DECAL,LABEL,LIFTING EYE.....1					
14	72143GT	DECAL,EMERGENCY STOP,GR.....1					
15	72853GT	DECAL,DANGER,IMPROPER USE HAZ.....	1				
16	72998GT	DECAL,LABEL,QUINTOLUBRIK.....1					
		(models with Quintolub hydraulic oil)					
17	72999GT	DECAL,LABEL,PETRO CANADA***.....1					
		(For models with Petro Canada hydraulic oil only)					
18	82160GT	DECAL,LABEL,STATOIL HYDRA WAY.....	1				
		(For models with Statoil hydraulic oil only)					
19	82161GT	DECAL,LABEL,UCON HYDROLUBE.....1					
		(For models with Ucon Hydrolube hydraulic oil only)					
20	82366GT	DECAL,CHEVRON RANDO HD.....1					
		(For models with Chevron Rando hydraulic oil only)					
21	82558GT	DECAL,WARN,SKIN INJECTION HAZ*.....	1				
22	82559GT	DECAL,INSTRUCT-ANNUAL INSP REQ.....	1				
23	82561GT	DECAL,DANGER-USE SAFETY ARM....1					
24	82703GT	DECAL,LABEL,WHEEL LOAD 2046.....2					
25	114385GT	DECAL,DANGER,ELEC HAZARD,GS....1					
26	133276GT	DECAL,EMERGENCY LOWERING.....1					

Platform, ANSI models

NOTE:
Part numbers with "(FR)"
indicates French translation
is available

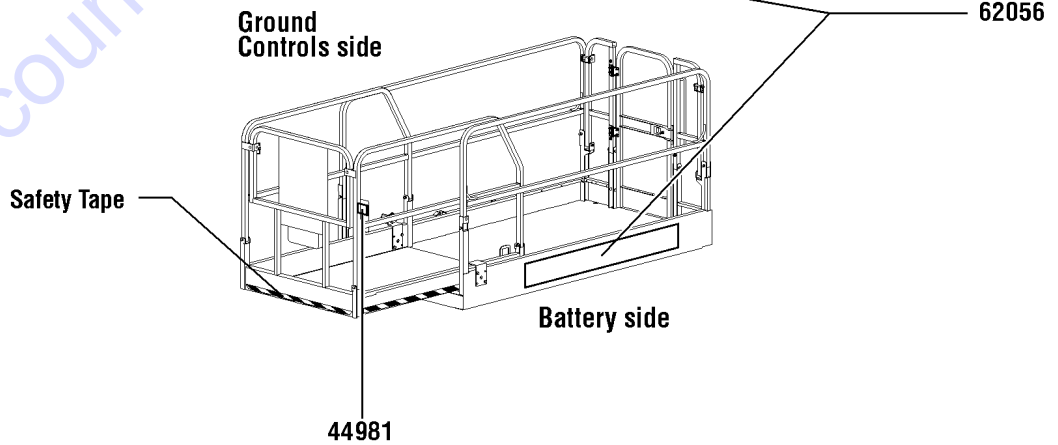
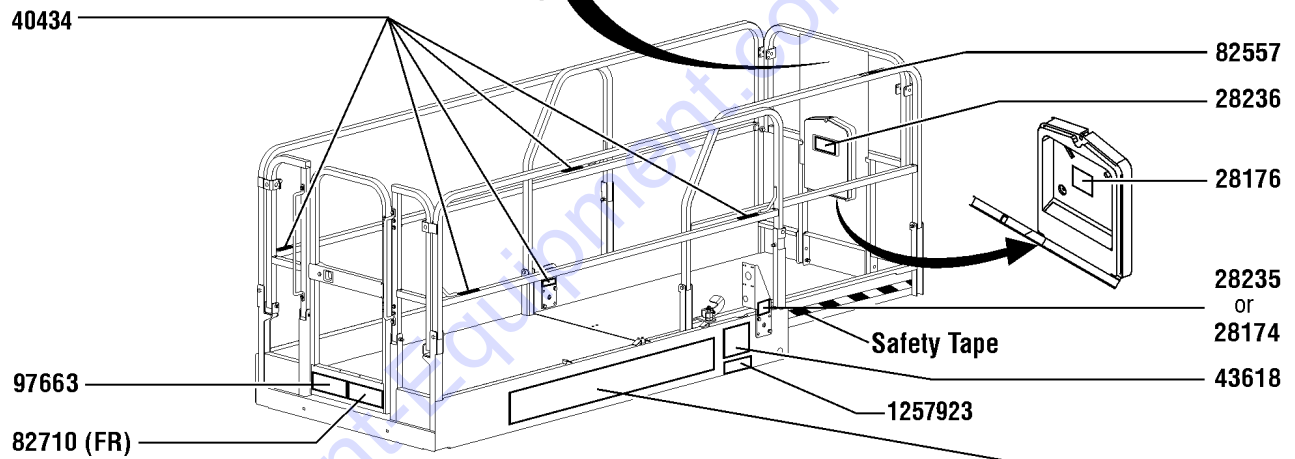
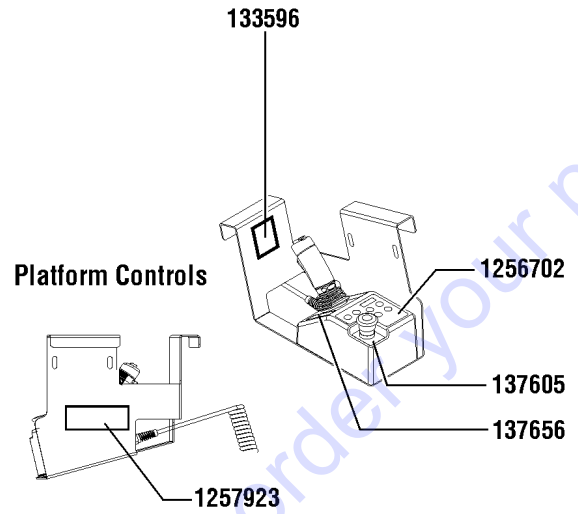
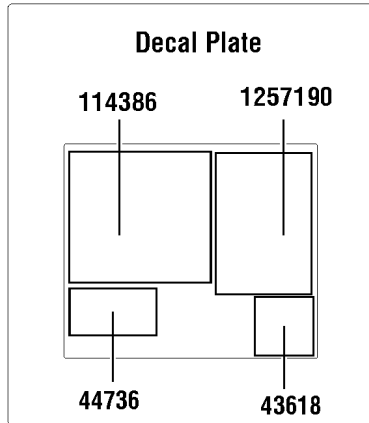


103.1 Word Decals, GS-2046, Platform, ANSI

Item	Part No.	Description	Qty.
1	28174GT	DECAL, POWER TO PLATFORM 230V**.....	1
2	28176GT	DECAL,LABEL,MANUAL NOT HERE.....	1
3	28235GT	DECAL,POWER TO PLATFORM 115V...1	1
4	28236GT	DECAL,WARN,IMPROPER OPERATION.....	1
5	40434GT	DECAL,LANYARD ANCHORAGE POINT.....	5
6	43618GT	DECAL, LABEL - DIRECTION ARROWS.....	2
7	44736GT	DECAL,DANGER,TIP-OVER,TILT.....	1
8	44981GT	DECAL,LABEL, AIR LINE 110 PSI..... (Option)	1
9	62056GT	DECAL,COSMETIC,GENIE GS-2046**...2	2
10	82557GT	DECAL,LABEL,PLAT CONT LOCATION.....	1
11	82710GT	DECAL,INSTR-MAX CAP 1200LBS..... GS-2046	1
12	82728GT	DECAL,INSTR-SIDE FRC,ANSI 2046.....	1
13	114386GT	DECAL,DANGER-GEN SAFETY.....	1
14	133596GT	DECAL,LABEL,FAULT CODES.....	1
15	137605GT	DECAL,E-STOP,GR/GRC/GS PCON.....	1
16	137656GT	DECAL,PROPEL,GR/GRC/GS,PCON.....	1
17	1256702GT	DECAL, UI, GS/GR, PROP LIFT.....	1
18	1257188GT	DECAL,OP INST,PLAT,GS46 ANSI.....	1
19	1257923GT	DECAL, SMARTLINK PROPORTIONAL.....	2

Platform, Australia models

NOTE:
Part numbers with "(FR)"
indicates French translation
is available



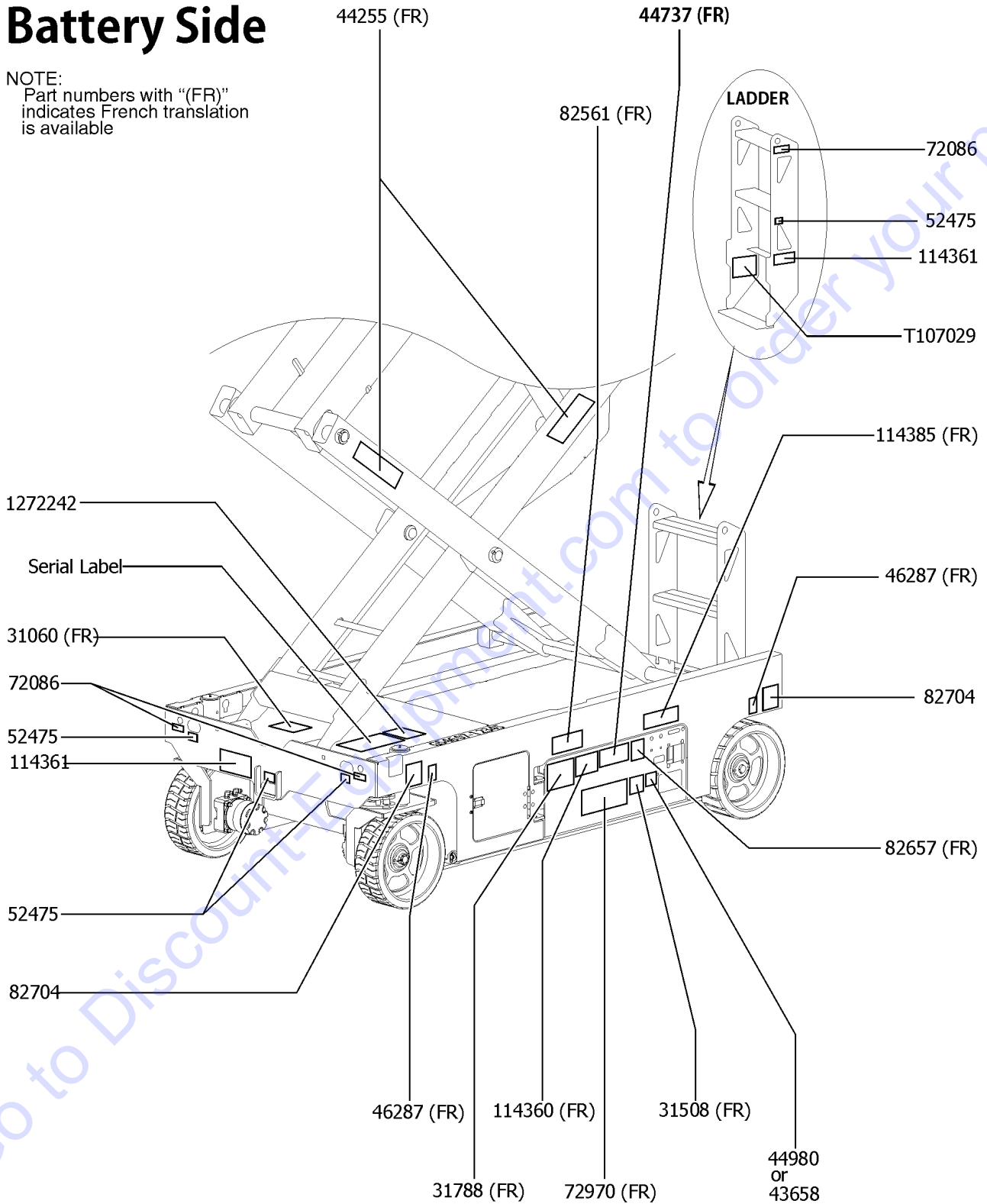
104.1 Word Decals, GS-2046, Platform, Australia

Item	Part No.	Description	Qty.
1	28174GT	DECAL, POWER TO PLATFORM 230V**.....	1
2	28176GT	DECAL,LABEL,MANUAL NOT HERE.....	1
3	28235GT	DECAL,POWER TO PLATFORM 115V...1	1
4	28236GT	DECAL,WARN,IMPROPER OPERATION.....	1
5	40434GT	DECAL,LANYARD ANCHORAGE POINT.....	5
6	43618GT	DECAL, LABEL - DIRECTION ARROWS.....	2
7	44736GT	DECAL,DANGER,TIP-OVER,TILT.....	1
8	44981GT	DECAL,LABEL, AIR LINE 110 PSI..... (Option)	1
9	62056GT	DECAL,COSMETIC,GENIE GS-2046**...2	2
10	82557GT	DECAL,LABEL,PLAT CONT LOCATION.....	1
11	82710GT	DECAL,INSTR-MAX CAP 1200LBS..... GS-2046	1
12	97663GT	DECAL,INSTR-MANUALFRC,AUS 400N..... GS-2046	1
13	114386GT	DECAL,DANGER-GEN SAFETY.....	1
14	133596GT	DECAL,LABEL,FAULT CODES.....	1
15	137605GT	DECAL,E-STOP,GR/GRC/GS PCON.....	1
16	137656GT	DECAL,PROPEL,GR/GRC/GS,PCON.....	1
17	1256702GT	DECAL, UI, GS/GR, PROP LIFT.....	1
18	1257190GT	DECAL,OP INST,PLAT,GS46,AUS.....	1
19	1257923GT	DECAL, SMARTLINK PROPORTIONAL.....	2

105.1 Word Decals, GS-2646, Battery Side, ANSI & Australia

Battery Side

NOTE:
Part numbers with "(FR)" indicates French translation is available



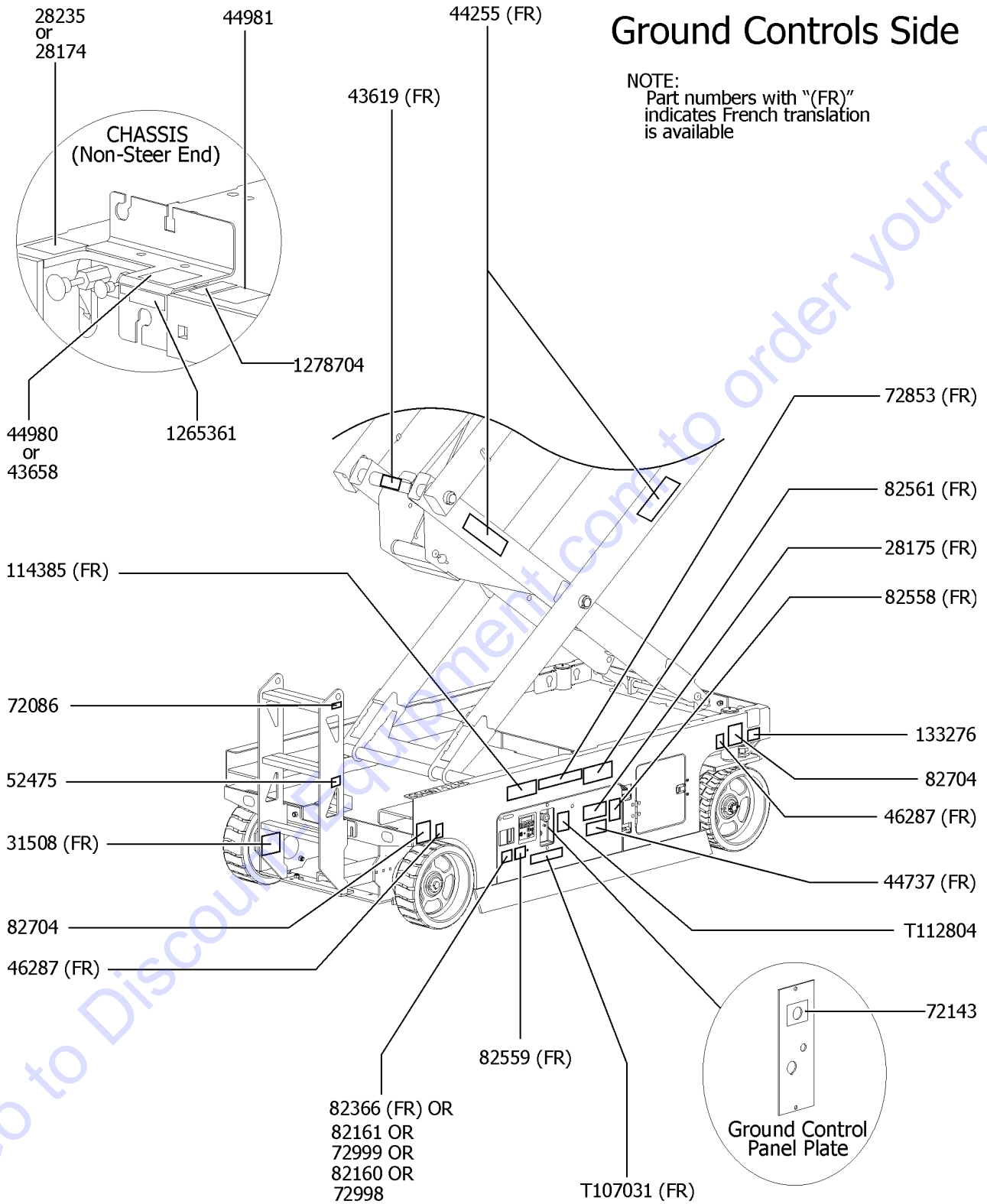
105.1 Word Decals, GS-2646, Battery Side, ANSI & Australia

Item	Part No.	Description	Qty.
1	31060GT	DECAL,DANGER DO NOT ALTER SWTC.....	1
2	31508GT	DECAL,DANGER,ELECT HAZARD,PLUG..... <i>(Australia models only)</i>	1
3	31788GT	DECAL,DANGER,BATTERY SAFETY***.....	1
4	43658GT	DECAL,LABEL,PWR TO CHARGR 230V..... <i>(Australia models only)</i>	1
5	44255GT	DECAL,DANGER,CRUSHING HAZARD.....	2
6	44737GT	DECAL DANGER TIP OVER TRAYS.....	1
7	44980GT	DECAL,LABEL,PWR TO CHARGR 115V..... <i>(Australia models only)</i>	1
8	46287GT	DECAL,LABEL-TIRE SPECS.....	2
9	52475GT	DECAL,LABEL, TRANSPORT TIEDOWN*.....	4
10	72086GT	DECAL,LABEL,LIFTING EYE.....	3
11	72970GT	DECAL,INSTRUCTIONS-CHARGER OP.....	1
12	82561GT	DECAL,DANGER-USE SAFETY ARM.....	1
13	82657GT	DECAL,INSTRUCT,BATTERY CONNECT.....	1
14	82704GT	DECAL,LABEL,WHEEL LOAD 2646.....	2
15	114360GT	DECAL,DANGER-TIP-OVER,BATT.....	1
16	114361GT	DECAL,LABEL-TRANSPORT DIGRAM.....	2
17	114385GT	DECAL,DANGER,ELEC HAZARD,GS.....	1
18	1272242GT	DECAL,MACHINE REGISTRATION/OWNER TRANSFER....	1
19	T107029GT	DECAL,DANGER,BRAKE REL SAFETY.....	1

106.1 Word Decals, GS-2646, Ground Control Side, ANSI and Australia

Ground Controls Side

NOTE:
Part numbers with "(FR)" indicates French translation is available

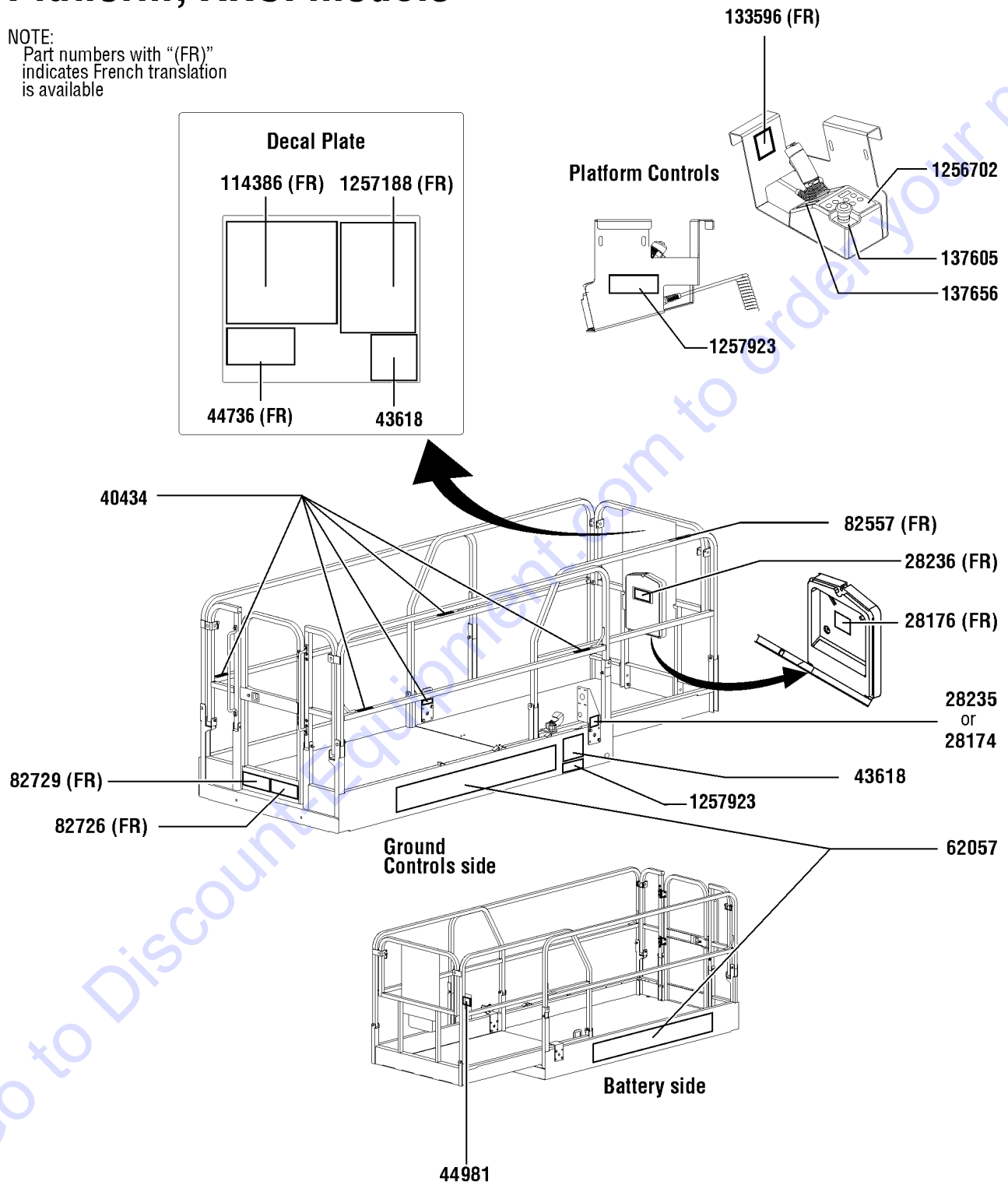


106.1 Word Decals, GS-2646, Ground Control Side, ANSI and Australia

Item	Part No.	Description	Qty.	Item	Part No.	Description	Qty.
1	28174GT	DECAL, POWER TO PLATFORM 230V**.....	1	27	1265361GT	DECAL, BATTERY CHARGER INDICAT.....	1
2	28175GT	DECAL,WARNING-COMPART ACCESS.....	1			<i>from SN GS46-143361</i>	
3	28235GT	DECAL,POWER TO PLATFORM 115V...1		28	1278704GT	DECAL,CHARGE STATUS IND.....1	
4	31508GT	DECAL,DANGER,ELECT HAZARD,PLUG.....	1			<i>from GS46D-9041</i>	
		<i>(ANSI models only)</i>		29	T107031GT	DECAL,OP INST,GCON.....1	
5	43619GT	DECAL,LABEL,SAFETY ARM.....1		30	T112804GT	DECAL,GCON PANEL,GS.....1	
6	43658GT	DECAL,LABEL,PWR TO CHARGR 230V.....	1				
		<i>(ANSI models only)</i>					
7	44255GT	DECAL,DANGER,CRUSHING HAZARD.....	2				
8	44737GT	DECAL DANGER TIP OVER TRAYS.....1					
9	44980GT	DECAL,LABEL,PWR TO CHARGR 115V.....	1				
		<i>(ANSI models only)</i>					
10	44981GT	DECAL,LABEL, AIR LINE 110 PSI.....1					
		<i>(Option)</i>					
11	46287GT	DECAL,LABEL-TIRE SPECS.....2					
12	52475GT	DECAL,LABEL,TRANSPORT TIEDOWN*.....	1				
13	72086GT	DECAL,LABEL,LIFTING EYE.....1					
14	72143GT	DECAL,EMERGENCY STOP,GR.....1					
15	72853GT	DECAL,DANGER,IMPROPER USE HAZ.....	1				
16	72998GT	DECAL,LABEL,QUINTOLUBRIK.....1					
		<i>(models with Quintolub hydraulic oil)</i>					
17	72999GT	DECAL,LABEL,PETRO CANADA***.....1					
		<i>(For models with Petro Canada hydraulic oil only)</i>					
18	82160GT	DECAL,LABEL,STATOIL HYDRA WAY.....	1				
		<i>(For models with Statoil hydraulic oil only)</i>					
19	82161GT	DECAL,LABEL,UCON HYDROLUBE.....1					
		<i>(For models with Ucon Hydrolube hydraulic oil only)</i>					
20	82366GT	DECAL,CHEVRON RANDO HD.....1					
		<i>(For models with Chevron Rando hydraulic oil only)</i>					
21	82558GT	DECAL,WARN,SKIN INJECTION HAZ*.....	1				
22	82559GT	DECAL,INSTRUCT-ANNUAL INSP REQ.....	1				
23	82561GT	DECAL,DANGER-USE SAFETY ARM....1					
24	82704GT	DECAL,LABEL,WHEEL LOAD 2646.....2					
25	114385GT	DECAL,DANGER,ELEC HAZARD,GS.....1					
26	133276GT	DECAL,EMERGENCY LOWERING.....1					

Platform, ANSI models

NOTE:
Part numbers with "(FR)"
indicates French translation
is available

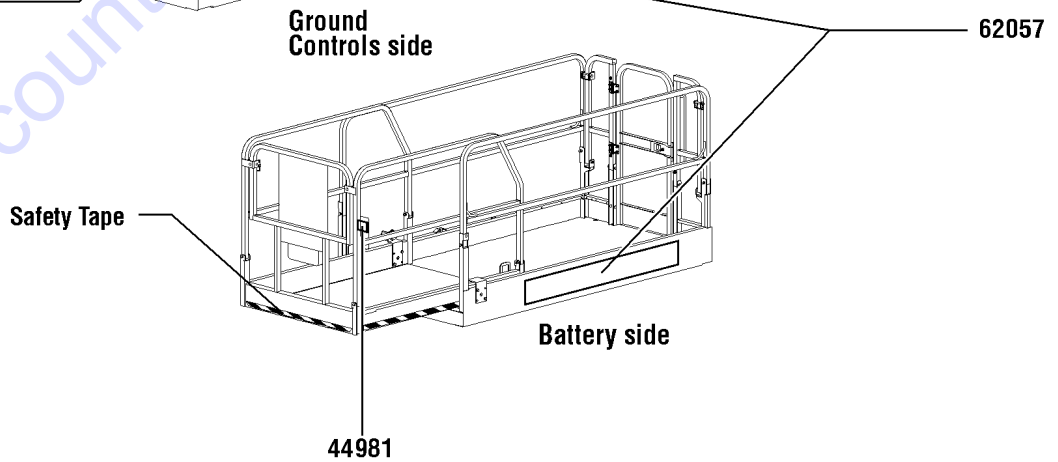
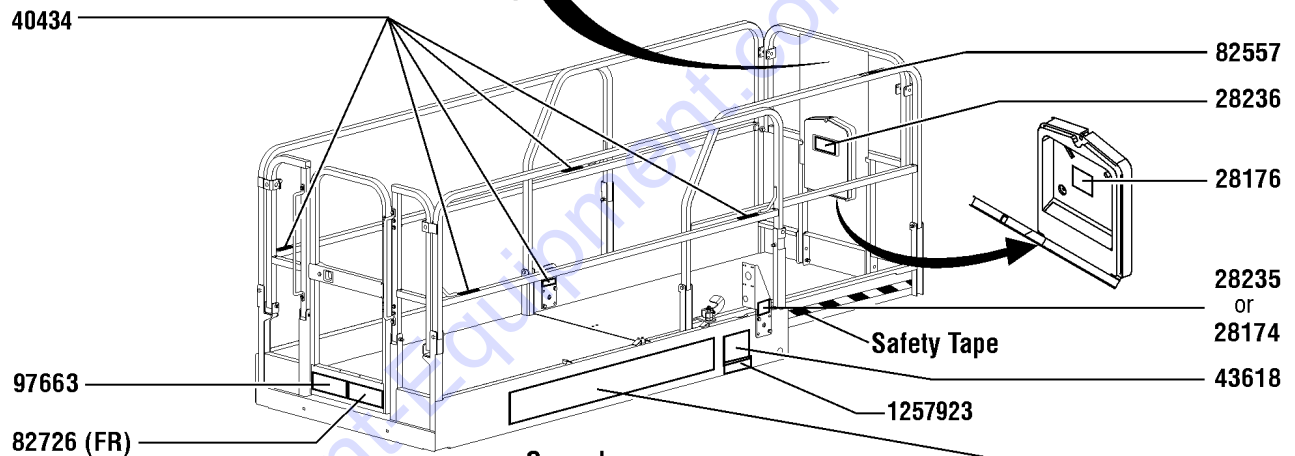
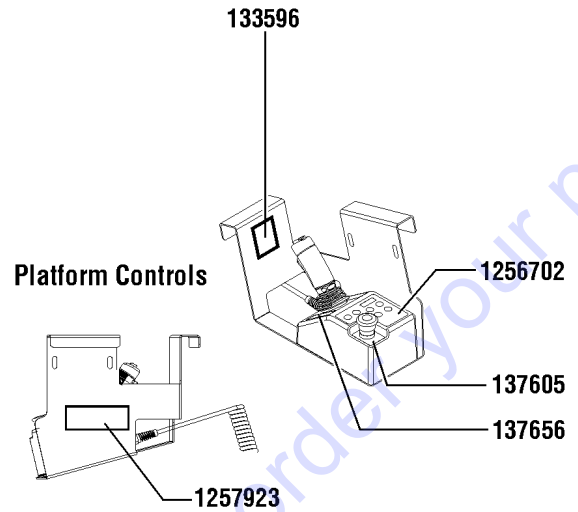
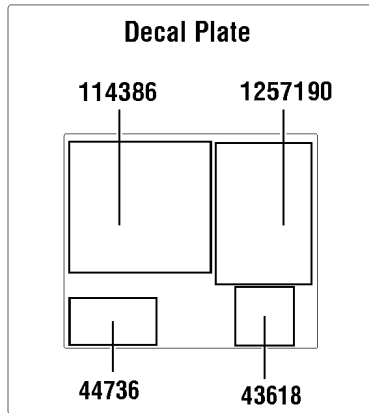


107.1 Word Decals, GS-2646, Platform, ANSI

Item	Part No.	Description	Qty.
1	28174GT	DECAL, POWER TO PLATFORM 230V**.....	1
2	28176GT	DECAL,LABEL,MANUAL NOT HERE.....	1
3	28235GT	DECAL,POWER TO PLATFORM 115V...1	1
4	28236GT	DECAL,WARN,IMPROPER OPERATION.....	1
5	40434GT	DECAL,LANYARD ANCHORAGE POINT.....	5
6	43618GT	DECAL, LABEL - DIRECTION ARROWS.....	2
7	44736GT	DECAL,DANGER,TIP-OVER,TILT.....	1
8	44981GT	DECAL,LABEL, AIR LINE 110 PSI..... (Option)	1
9	62057GT	DECAL,COSMETIC,GENIE GS-2646....	2
10	82557GT	DECAL,LABEL,PLAT CONT LOCATION.....	1
11	82726GT	DECAL,INSTRUCT,MAXCAP1000LBS... GS-2646	1
12	82729GT	NOTICE,SIDE FRC ANSI2646.....	1
13	114386GT	DECAL,DANGER-GEN SAFETY.....	1
14	133596GT	DECAL,LABEL,FAULT CODES.....	1
15	137605GT	DECAL,E-STOP,GR/GRC/GS PCON....	1
16	137656GT	DECAL,PROPEL,GR/GRC/GS,PCON....	1
17	1256702GT	DECAL, UI, GS/GR, PROP LIFT.....	1
18	1257188GT	DECAL,OP INST,PLAT,GS46 ANSI.....	1
19	1257923GT	DECAL, SMARTLINK PROPORTIONAL.....	2

Platform, Australia models

NOTE:
Part numbers with "(FR)"
indicates French translation
is available



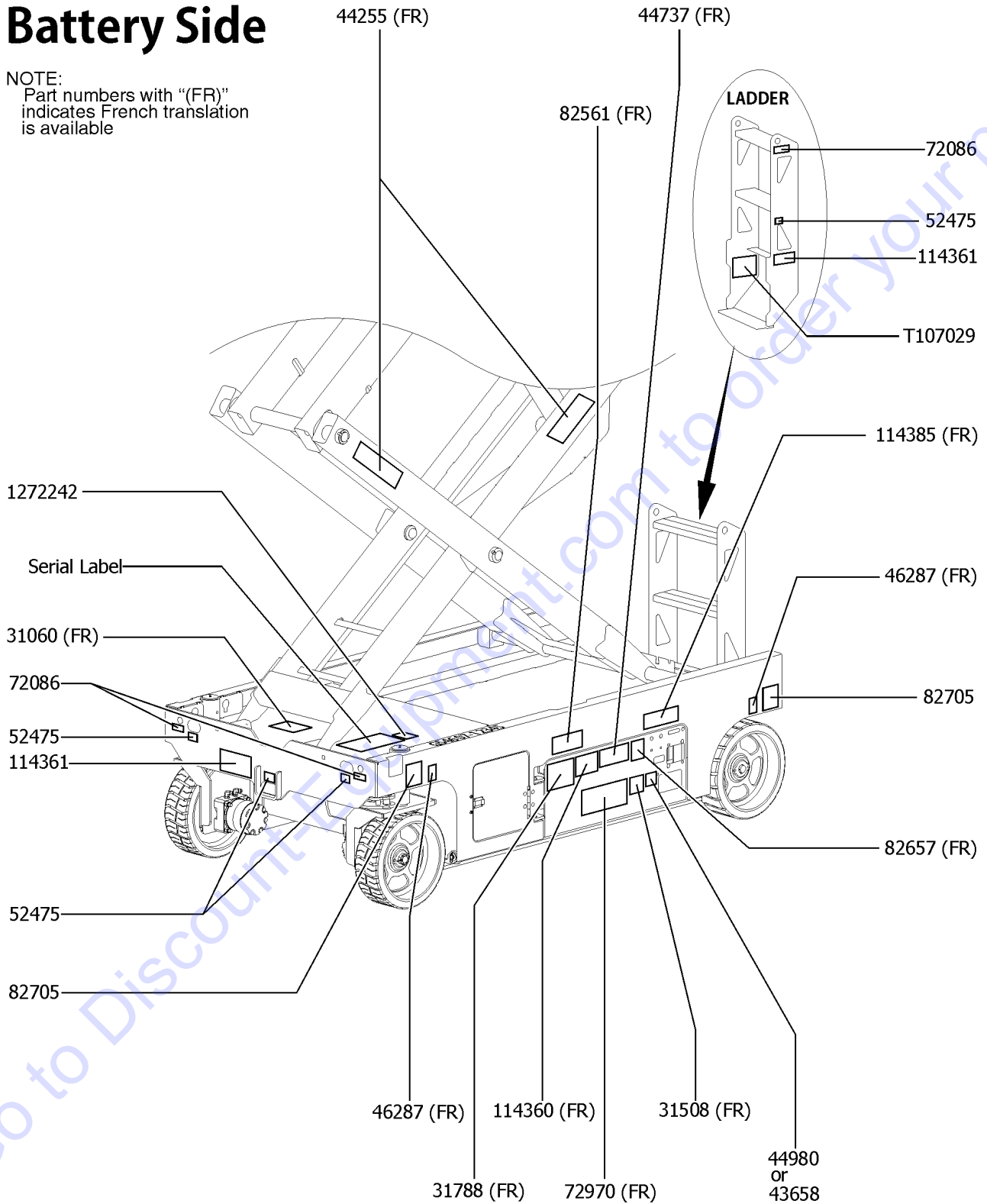
108.1 Word Decals, GS-2646, Platform, Australia

Item	Part No.	Description	Qty.
1	28174GT	DECAL, POWER TO PLATFORM 230V**.....	1
2	28176GT	DECAL,LABEL,MANUAL NOT HERE.....	1
3	28235GT	DECAL,POWER TO PLATFORM 115V...1	1
4	28236GT	DECAL,WARN,IMPROPER OPERATION.....	1
5	40434GT	DECAL,LANYARD ANCHORAGE POINT.....	5
6	43618GT	DECAL, LABEL - DIRECTION ARROWS.....	2
7	44736GT	DECAL,DANGER,TIP-OVER,TILT.....	1
8	44981GT	DECAL,LABEL, AIR LINE 110 PSI..... (Option)	1
9	62057GT	DECAL,COSMETIC,GENIE GS-2646....	2
10	82557GT	DECAL,LABEL,PLAT CONT LOCATION.....	1
11	82726GT	DECAL,INSTRUCT,MAXCAP1000LBS... GS-2646	1
12	97663GT	DECAL,INSTR-MANUALFRC,AUS 400N..... GS-2646	1
13	114386GT	DECAL,DANGER-GEN SAFETY.....	1
14	133596GT	DECAL,LABEL,FAULT CODES.....	1
15	137605GT	DECAL,E-STOP,GR/GRC/GS PCON....	1
16	137656GT	DECAL,PROPEL,GR/GRC/GS,PCON....	1
17	1256702GT	DECAL, UI, GS/GR, PROP LIFT.....	1
18	1257190GT	DECAL,OP INST,PLAT,GS46,AUS.....	1
19	1257923GT	DECAL, SMARTLINK PROPORTIONAL.....	2

109.1 Word Decals, GS-3246, Battery Side, ANSI & Australia

Battery Side

NOTE:
Part numbers with "(FR)" indicates French translation is available



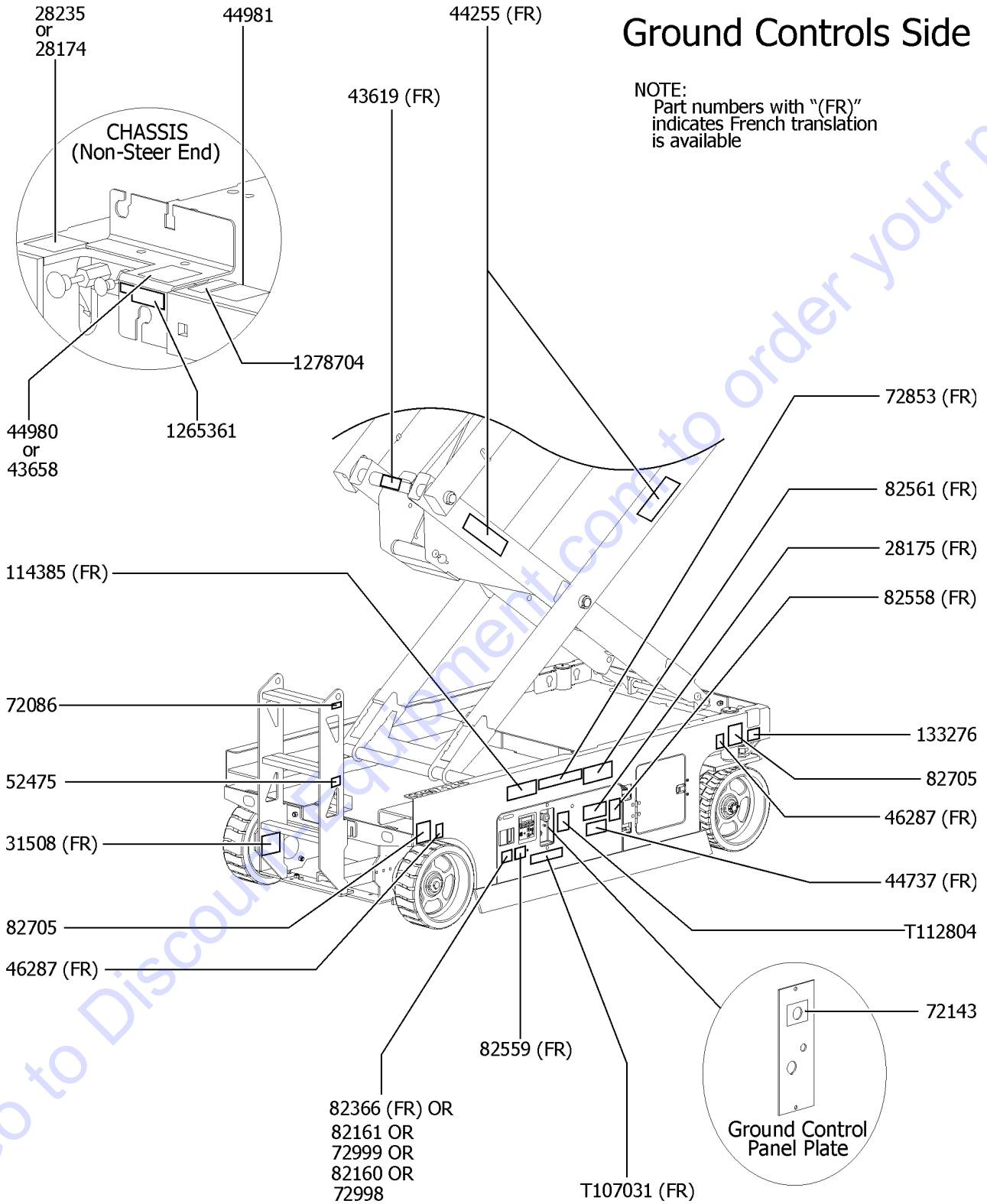
109.1 Word Decals, GS-3246, Battery Side, ANSI & Australia

Item	Part No.	Description	Qty.
1	31060GT	DECAL,DANGER DO NOT ALTER SWTC.....	1
2	31508GT	DECAL,DANGER,ELECT HAZARD,PLUG..... <i>(Australia models only)</i>	1
3	31788GT	DECAL,DANGER,BATTERY SAFETY***.....	1
4	43658GT	DECAL,LABEL,PWR TO CHARGR 230V..... <i>(Australia models only)</i>	1
5	44255GT	DECAL,DANGER,CRUSHING HAZARD.....	2
6	44737GT	DECAL DANGER TIP OVER TRAYS.....	1
7	44980GT	DECAL,LABEL,PWR TO CHARGR 115V..... <i>(Australia models only)</i>	1
8	46287GT	DECAL,LABEL-TIRE SPECS.....	2
9	52475GT	DECAL,LABEL, TRANSPORT TIEDOWN*.....	4
10	72086GT	DECAL,LABEL,LIFTING EYE.....	3
11	72970GT	DECAL,INSTRUCTIONS-CHARGER OP.....	1
12	82561GT	DECAL,DANGER-USE SAFETY ARM.....	1
13	82657GT	DECAL,INSTRUCT,BATTERY CONNECT.....	1
14	82705GT	DECAL,LABEL,WHEEL LOAD 3246.....	2
15	114360GT	DECAL,DANGER-TIP-OVER,BATT.....	1
16	114361GT	DECAL,LABEL-TRANSPORT DIGRAM.....	2
17	114385GT	DECAL,DANGER,ELEC HAZARD,GS.....	1
18	1272242GT	DECAL,MACHINE REGISTRATION/OWNER TRANSFER....	1
19	T107029GT	DECAL,DANGER,BRAKE REL SAFETY.....	1

110.1 Word Decals, GS-3246, Ground Control Side, ANSI and Australia

Ground Controls Side

NOTE:
Part numbers with "(FR)" indicates French translation is available



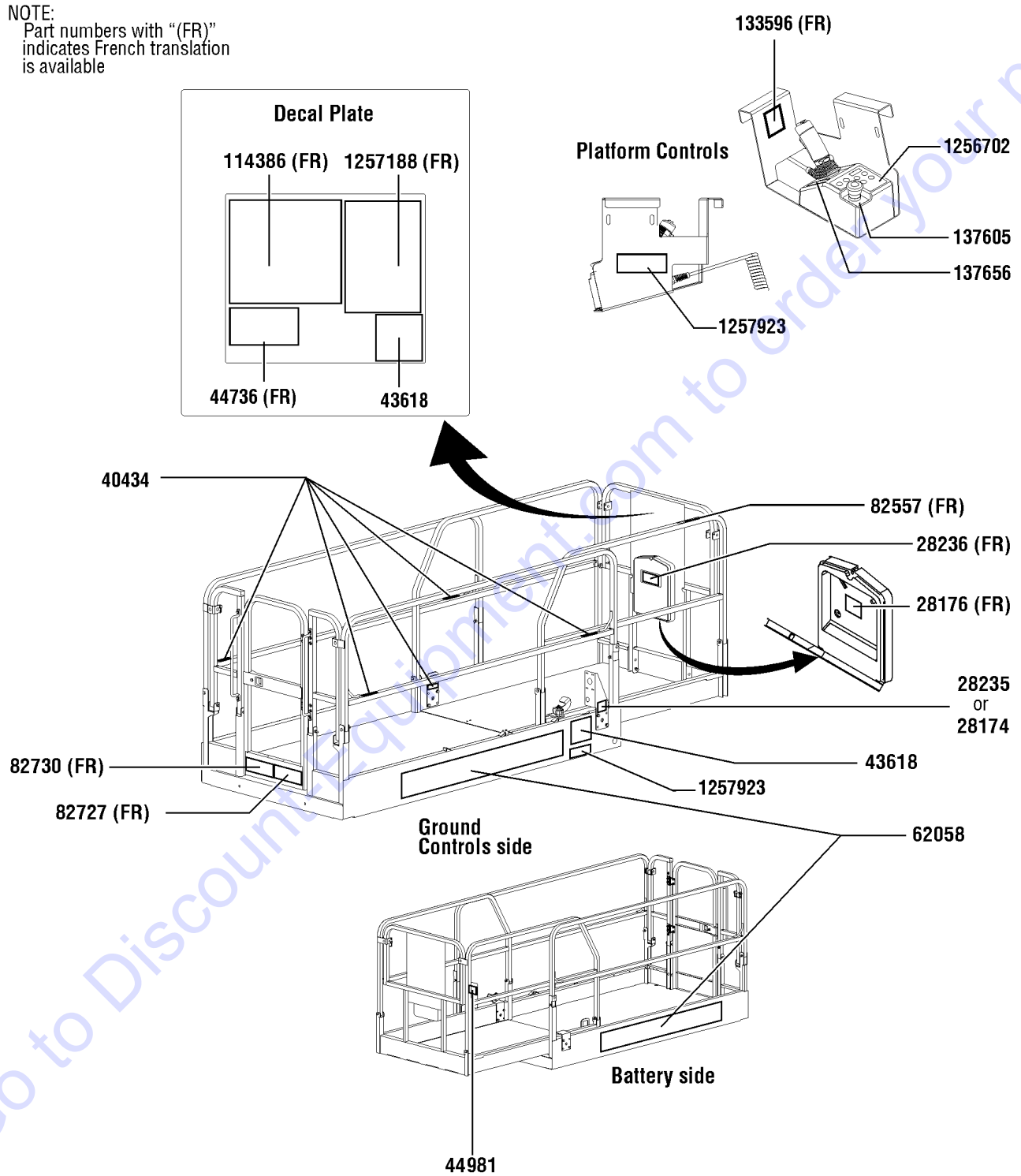
110.1 Word Decals, GS-3246, Ground Control Side, ANSI and Australia

Item	Part No.	Description	Qty.	Item	Part No.	Description	Qty.
1	28174GT	DECAL, POWER TO PLATFORM 230V**.....	1	27	1265361GT	DECAL, BATTERY CHARGER INDICAT.....	1
2	28175GT	DECAL,WARNING-COMPART ACCESS.....	1			<i>from SN GS46P-143361</i>	
3	28235GT	DECAL,POWER TO PLATFORM 115V...1		28	1278704GT	DECAL,CHARGE STATUS IND.....1	
4	31508GT	DECAL,DANGER,ELECT HAZARD,PLUG.....	1			<i>from SN GS46D-9041</i>	
		<i>(ANSI models)</i>		29	T107031GT	DECAL,OP INST,GCON.....1	
5	43619GT	DECAL,LABEL,SAFETY ARM.....1		30	T112804GT	DECAL,GCON PANEL,GS.....1	
6	43658GT	DECAL,LABEL,PWR TO CHARGR 230V.....	1				
		<i>(ANSI models)</i>					
7	44255GT	DECAL,DANGER,CRUSHING HAZARD.....	2				
8	44737GT	DECAL DANGER TIP OVER TRAYS.....1					
9	44980GT	DECAL,LABEL,PWR TO CHARGR 115V.....	1				
		<i>(ANSI models)</i>					
10	44981GT	DECAL,LABEL, AIR LINE 110 PSI.....1					
		<i>(Option)</i>					
11	46287GT	DECAL,LABEL-TIRE SPECS.....2					
12	52475GT	DECAL,LABEL,TRANSPORT TIEDOWN*.....	1				
13	72086GT	DECAL,LABEL,LIFTING EYE.....1					
14	72143GT	DECAL,EMERGENCY STOP,GR.....1					
15	72853GT	DECAL,DANGER,IMPROPER USE HAZ.....	1				
16	72998GT	DECAL,LABEL,QUINTOLUBRIK.....1					
		<i>(models with Quintolub hydraulic oil)</i>					
17	72999GT	DECAL,LABEL,PETRO CANADA***.....1					
		<i>(For models with Petro Canada hydraulic oil only)</i>					
18	82160GT	DECAL,LABEL,STATOIL HYDRA WAY.....	1				
		<i>(For models with Statoil hydraulic oil only)</i>					
19	82161GT	DECAL,LABEL,UCON HYDROLUBE.....1					
		<i>(For models with Ucon Hydrolube hydraulic oil only)</i>					
20	82366GT	DECAL,CHEVRON RANDO HD.....1					
		<i>(For models with Chevron Rando hydraulic oil only)</i>					
21	82558GT	DECAL,WARN,SKIN INJECTION HAZ*.....	1				
22	82559GT	DECAL,INSTRUCT-ANNUAL INSP REQ.....	1				
23	82561GT	DECAL,DANGER-USE SAFETY ARM....1					
24	82705GT	DECAL,LABEL,WHEEL LOAD 3246.....2					
25	114385GT	DECAL,DANGER,ELEC HAZARD,GS....1					
26	133276GT	DECAL,EMERGENCY LOWERING.....1					

111.1 Word Decals, GS-3246, Platform, ANSI

Platform, ANSI models

NOTE:
Part numbers with "(FR)"
indicates French translation
is available

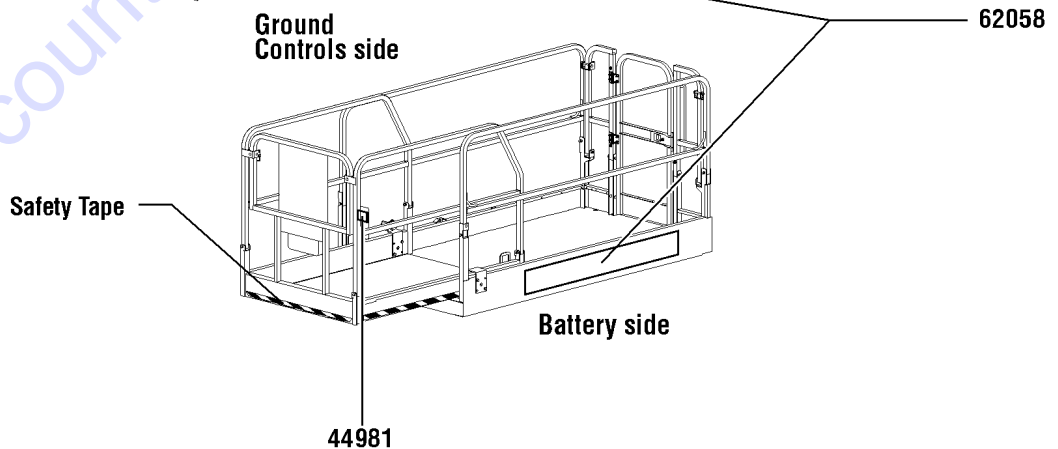
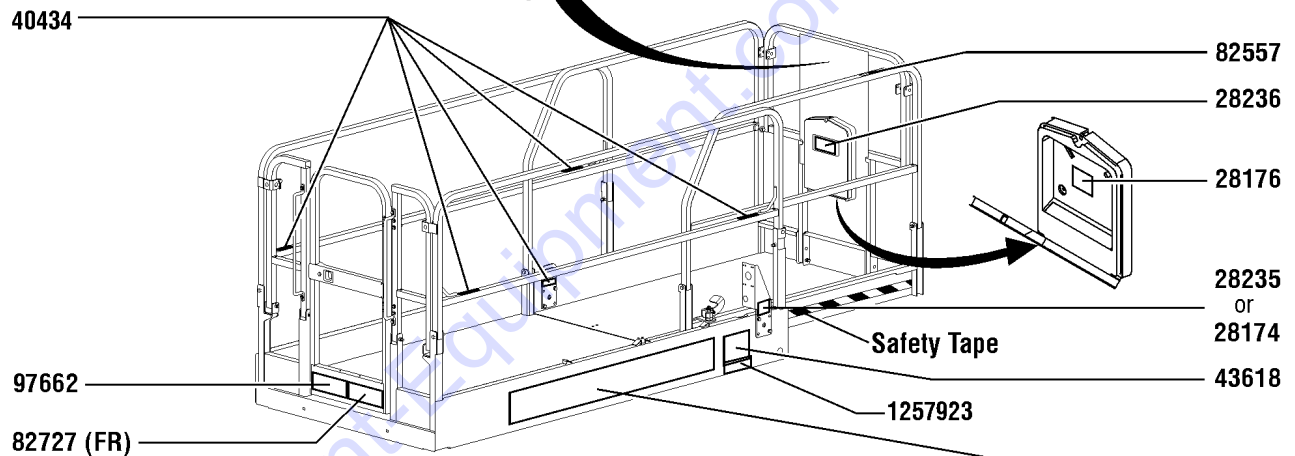
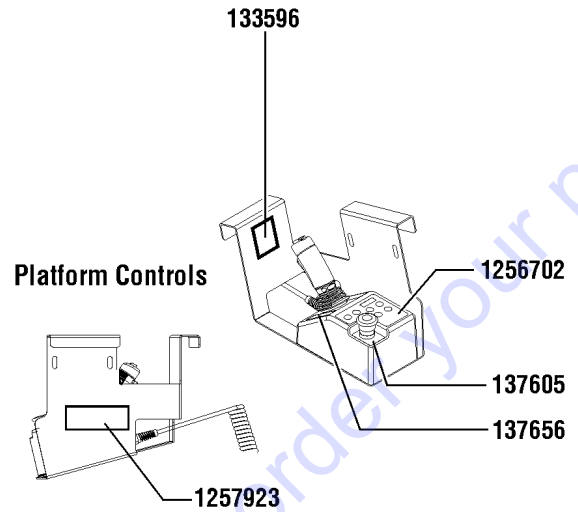
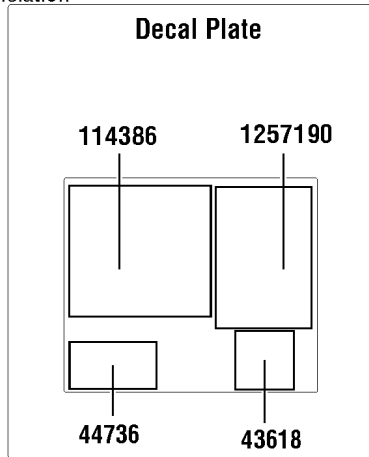


111.1 Word Decals, GS-3246, Platform, ANSI

Item	Part No.	Description	Qty.
1	28174GT	DECAL, POWER TO PLATFORM 230V**.....	1
2	28176GT	DECAL,LABEL,MANUAL NOT HERE.....	1
3	28235GT	DECAL,POWER TO PLATFORM 115V...1	1
4	28236GT	DECAL,WARN,IMPROPER OPERATION.....	1
5	40434GT	DECAL,LANYARD ANCHORAGE POINT.....	5
6	43618GT	DECAL, LABEL - DIRECTION ARROWS.....	2
7	44736GT	DECAL,DANGER,TIP-OVER,TILT.....	1
8	44981GT	DECAL,LABEL, AIR LINE 110 PSI..... (Option)	1
9	62058GT	DECAL,COSMETIC,GENIE GS-3246....	2
10	82557GT	DECAL,LABEL,PLAT CONT LOCATION.....	1
11	82727GT	DECAL,INSTR-MAX CAP 700LBS..... GS-3246	1
12	82730GT	DECAL,INSTR-SIDE FRC,ANSI 3246....	1
13	114386GT	DECAL,DANGER-GEN SAFETY.....	1
14	133596GT	DECAL,LABEL,FAULT CODES.....	1
15	137605GT	DECAL,E-STOP,GR/GRC/GS PCON....	1
16	137656GT	DECAL,PROPEL,GR/GRC/GS,PCON....	1
17	1256702GT	DECAL, UI, GS/GR, PROP LIFT.....	1
18	1257188GT	DECAL,OP INST,PLAT,GS46 ANSI.....	1
19	1257923GT	DECAL, SMARTLINK PROPORTIONAL.....	2

Platform, Australia models

NOTE:
Part numbers with "(FR)"
indicates French translation
is available

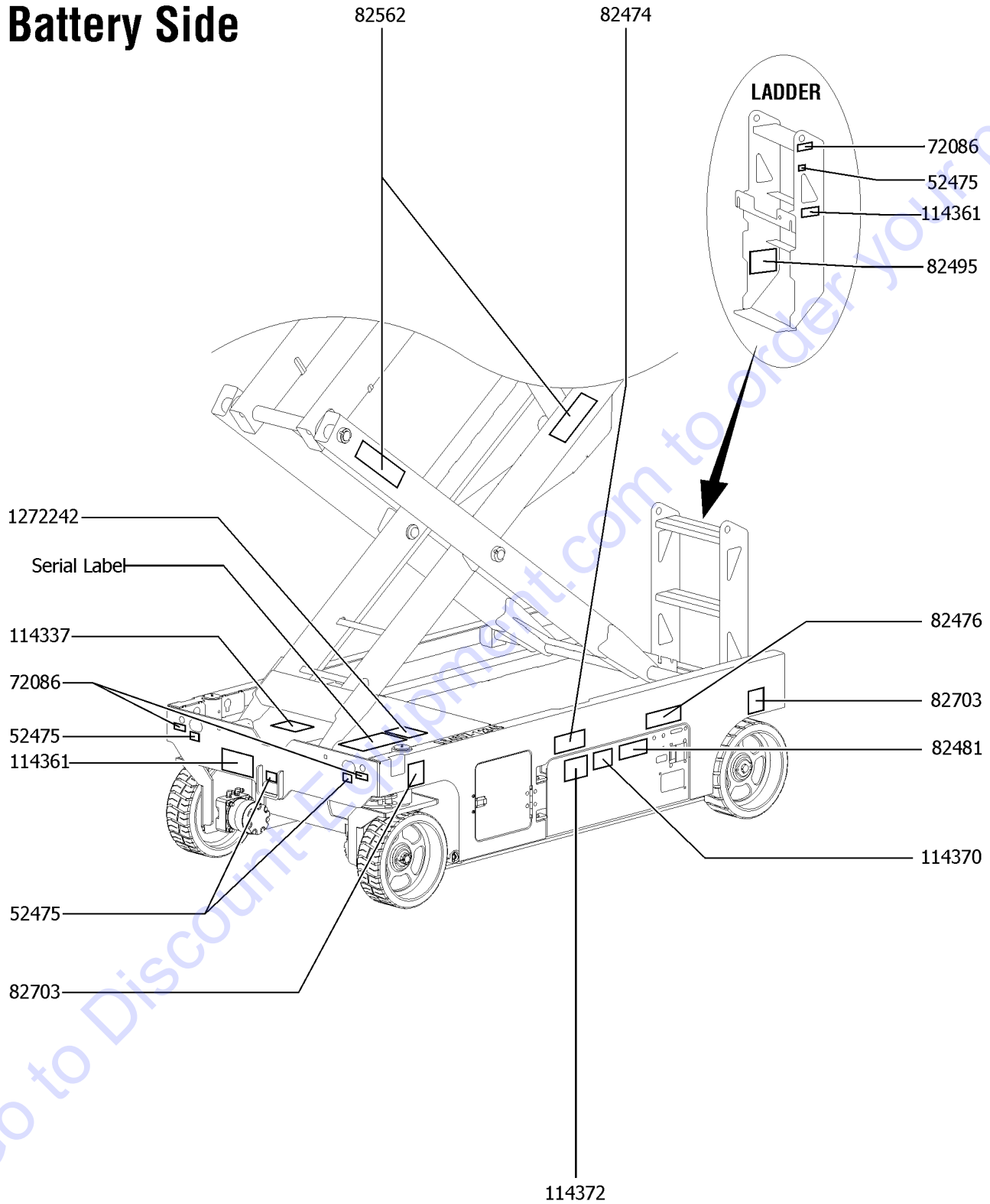


112.1 Word Decals, GS-3246, Platform, Australia

Item	Part No.	Description	Qty.
1	28174GT	DECAL, POWER TO PLATFORM 230V**.....	1
2	28176GT	DECAL,LABEL,MANUAL NOT HERE.....	1
3	28235GT	DECAL,POWER TO PLATFORM 115V...1	1
4	28236GT	DECAL,WARN,IMPROPER OPERATION.....	1
5	40434GT	DECAL,LANYARD ANCHORAGE POINT.....	5
6	43618GT	DECAL, LABEL - DIRECTION ARROWS.....	2
7	44736GT	DECAL,DANGER,TIP-OVER,TILT.....	1
8	44981GT	DECAL,LABEL, AIR LINE 110 PSI..... (Option)	1
9	62058GT	DECAL,COSMETIC,GENIE GS-3246.....	1
10	82557GT	DECAL,LABEL,PLAT CONT LOCATION.....	1
11	82727GT	DECAL,INSTR-MAX CAP 700LBS..... GS-3246	1
12	97662GT	DECAL,INSTR-MANUALFRC,AUS 3246.....	1
13	114386GT	DECAL,DANGER-GEN SAFETY.....	1
14	133596GT	DECAL,LABEL,FAULT CODES.....	1
15	137605GT	DECAL,E-STOP,GR/GRC/GS PCON.....	1
16	137656GT	DECAL,PROPEL,GR/GRC/GS,PCON.....	1
17	1256702GT	DECAL, UI, GS/GR, PROP LIFT.....	1
18	1257190GT	DECAL,OP INST,PLAT,GS46,AUS.....	1
19	1257923GT	DECAL, SMARTLINK PROPORTIONAL.....	2

113.1 Symbol Decals, GS-2046, Battery Side, ANSI & CE

Battery Side

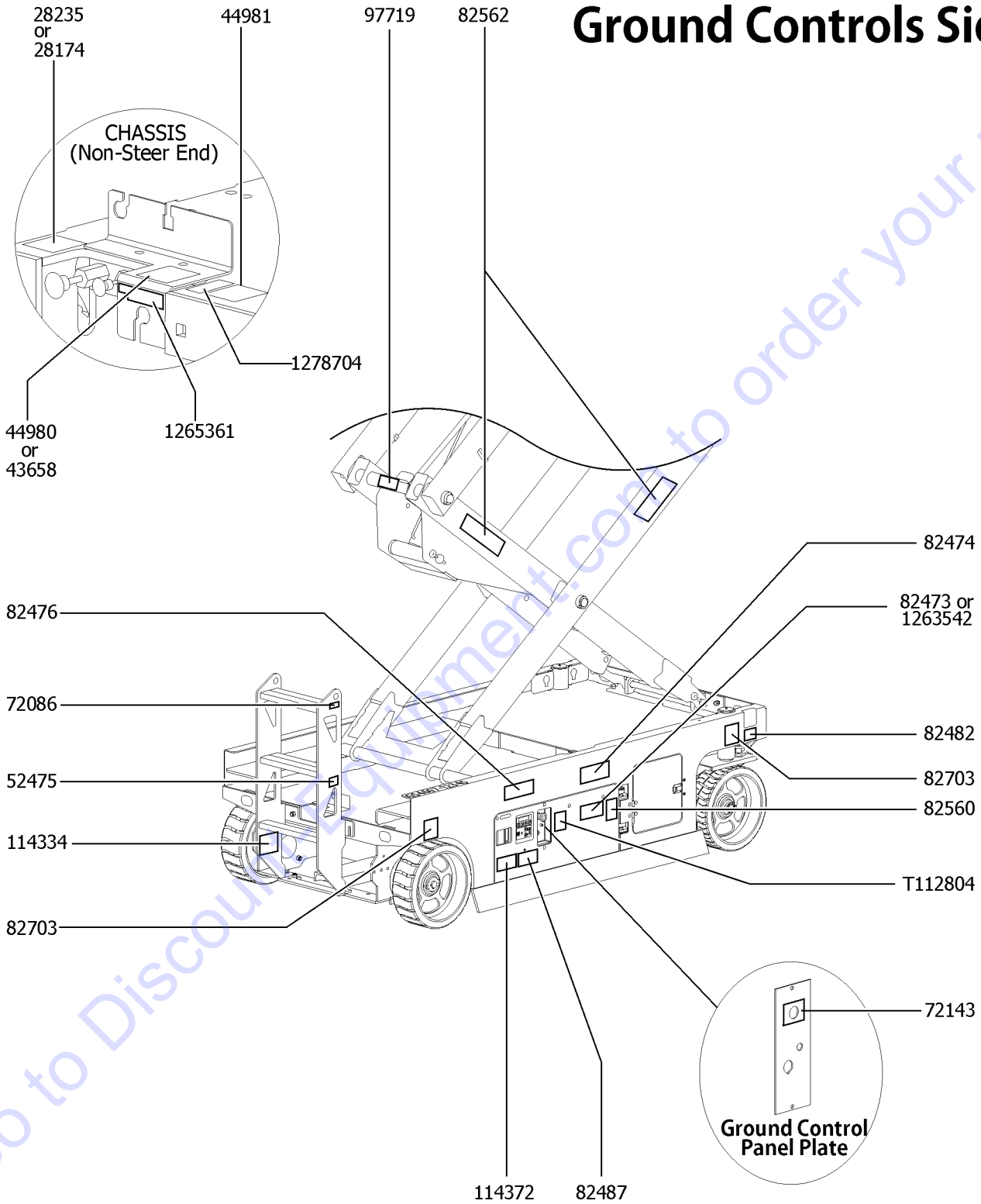


113.1 Symbol Decals, GS-2046, Battery Side, ANSI & CE

Item	Part No.	Description	Qty.
1	52475GT	DECAL,LABEL,TRANSPORT TIEDOWN*.....	4
2	72086GT	DECAL,LABEL,LIFTING EYE.....	3
3	82474GT	DECAL,SYMBOL-USE SAFETY ARM....	1
4	82476GT	DECAL,SYMBOL-ELEC HAZARD,GS....	1
5	82481GT	DECAL,SYMBOL-BATTERY SAFETY....	1
6	82495GT	DECAL,SYMBOL-BRAKE REL SAFETY.....	1
7	82562GT	DECAL,SYMBOL-CRUSHING HAZARD.....	2
8	82703GT	DECAL,LABEL,WHEEL LOAD 2046....	2
9	114337GT	DECAL,SYM-TIP-OVER,LIM SWITCH....	1
10	114361GT	DECAL,LABEL-TRANSPORT DIGRAM.....	2
11	114370GT	DECAL-SYM-TIP-OVR,BATTRIES.....	1
12	114372GT	DECAL SYMBOL TIP OVER TRAYS.....	1
13	1272242GT	DECAL,MACHINE REGISTRATION/OWNER TRANSFER....	1

114.1 Symbol Decals, GS-2046, Ground Control Side, ANSI and CE

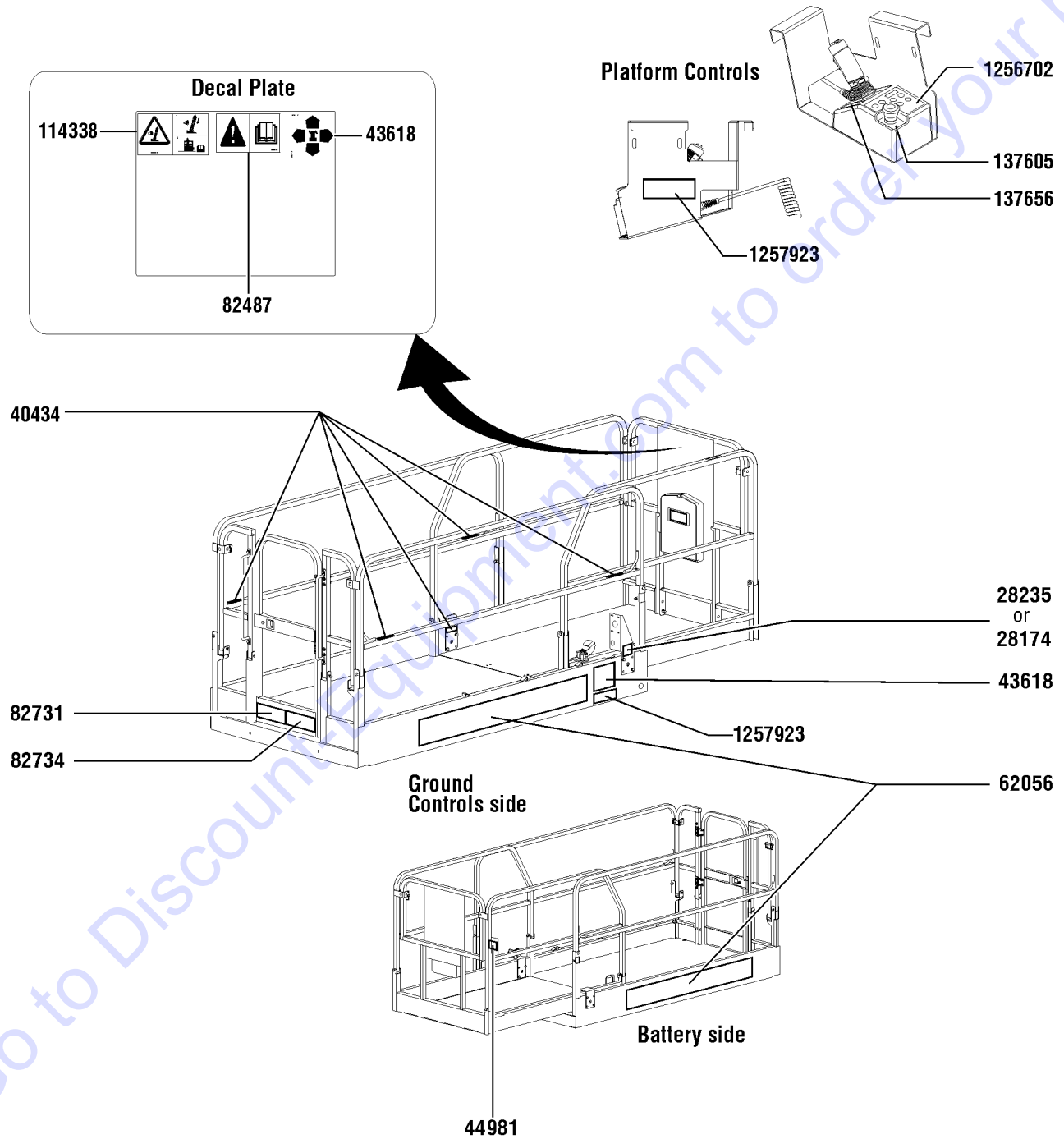
Ground Controls Side



114.1 Symbol Decals, GS-2046, Ground Control Side, ANSI and CE

Item	Part No.	Description	Qty.
1	28174GT	DECAL, POWER TO PLATFORM 230V**.....	1
2	28235GT	DECAL,POWER TO PLATFORM 115V...1	1
3	43658GT	DECAL,LABEL,PWR TO CHARGR 230V.....	1
4	44980GT	DECAL,LABEL,PWR TO CHARGR 115V.....	1
5	44981GT	DECAL,LABEL, AIR LINE 110 PSI.....1 (Option)	1
6	52475GT	DECAL,LABEL,TRANSPORT TIEDOWN*.....	1
7	72086GT	DECAL,LABEL,LIFTING EYE.....	1
8	72143GT	DECAL,EMERGENCY STOP,GR.....	1
9	82473GT	DECAL,SYMBOL-COMP ACCESS.....	1
10	82474GT	DECAL,SYMBOL-USE SAFETY ARM....	1
11	82476GT	DECAL,SYMBOL-ELEC HAZARD,GS....	1
12	82482GT	DECAL,LABEL,AUX LOWERING.....	1
13	82487GT	DECAL, SYMBOL - READ THE MANUAL.....	1
14	82560GT	DECAL,SYMBOL-SKIN INJECT HAZRD.....	1
15	82562GT	DECAL,SYMBOL-CRUSHING HAZARD.....	2
16	82703GT	DECAL,LABEL,WHEEL LOAD 2046....	2
17	97719GT	DECAL, LABEL, SAFETY ARM SYMB....	1
18	114334GT	DECAL,SYM-ELEC HAZARD,PLUG.....	1
19	114372GT	DECAL SYMBOL TIP OVER TRAYS.....	1
20	1263542GT	DECAL, COMPARTMENT ACCESS.....	1
21	1265361GT	DECAL, BATTERY CHARGER INDICAT..... from SN GS46D-9041	1
22	1278704GT	DECAL,CHARGE STATUS IND..... from SN GS46D-9041	1
23	T112804GT	DECAL,GCON PANEL,GS.....	1

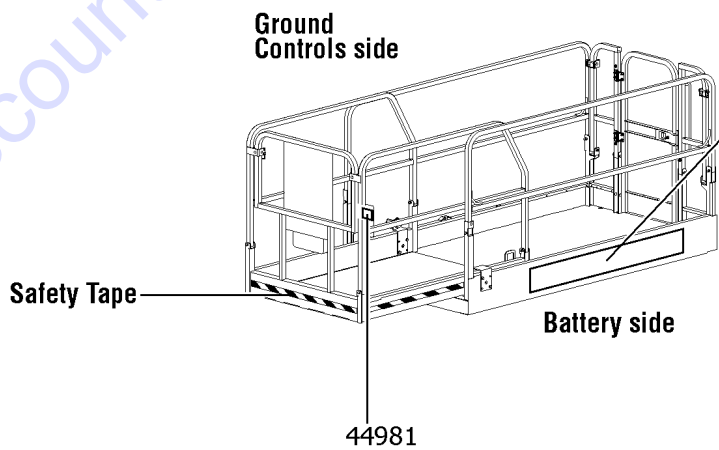
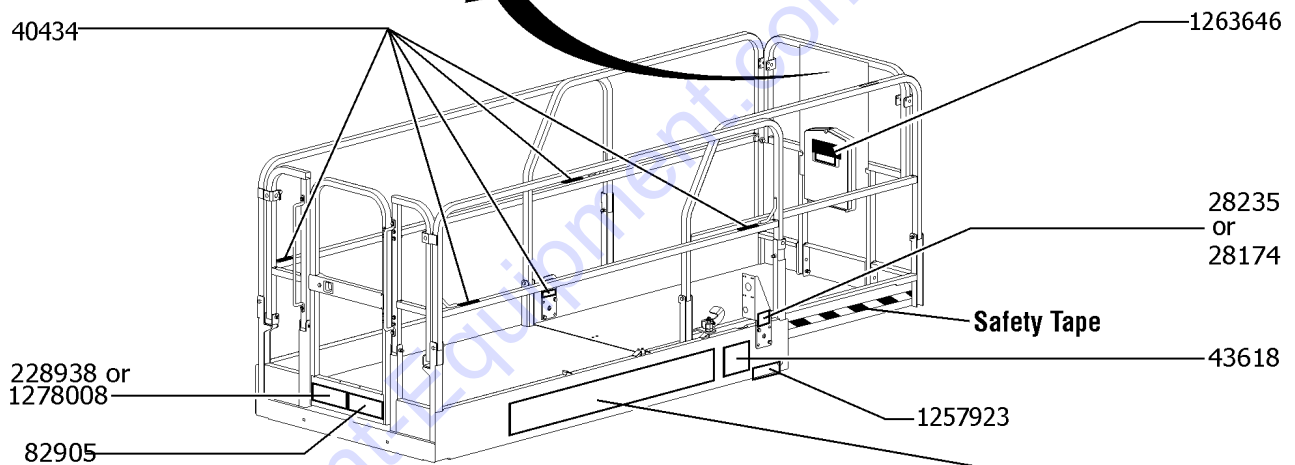
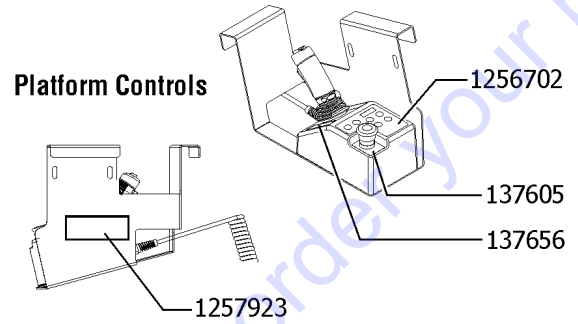
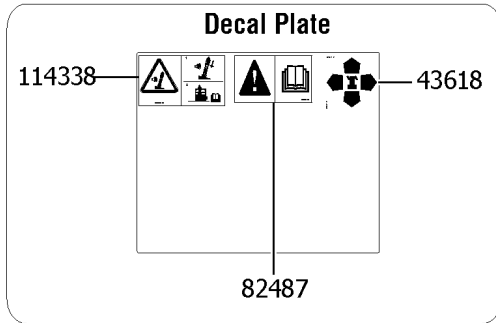
Platform, ANSI models



115.1 Symbol Decals, GS-2046, Platform, ANSI

Item	Part No.	Description	Qty.
1	28174GT	DECAL, POWER TO PLATFORM 230V**.....	1
2	28235GT	DECAL,POWER TO PLATFORM 115V.....	1
3	40434GT	DECAL,LANYARD ANCHORAGE POINT.....	5
4	43618GT	DECAL, LABEL - DIRECTION ARROWS.....	2
5	44981GT	DECAL,LABEL, AIR LINE 110 PSI..... (Option)	1
6	62056GT	DECAL,COSMETIC,GENIE GS-2046**.....	2
7	82487GT	DECAL, SYMBOL - READ THE MANUAL.....	1
8	82731GT	DECAL,SYM-MAXCAP 1200.....	1
9	82734GT	DECAL,SYM-SIDE FORCE 2046.....	1
10	114338GT	DECAL,SYM-TIP-OVER,TILT ALARM.....	1
11	137605GT	DECAL,E-STOP,GR/GRC/GS PCON.....	1
13	137656GT	DECAL,PROPEL,GR/GRC/GS,PCON.....	1
14	1256702GT	DECAL, UI, GS/GR, PROP LIFT.....	1
16	1257923GT	DECAL, SMARTLINK PROPORTIONAL.....	2

Platform, CE models

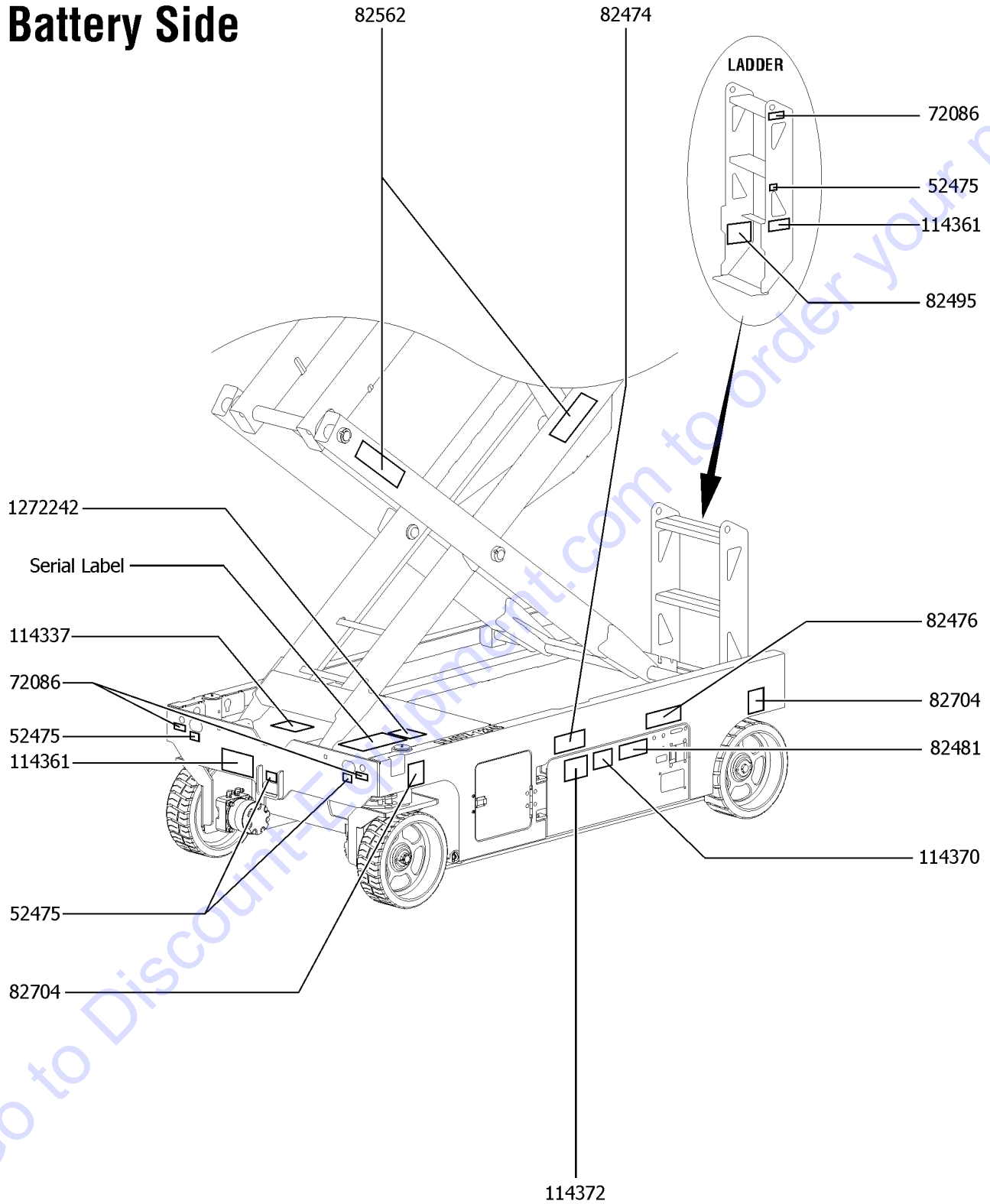


116.1 Symbol Decals, GS-2046, Platform, CE

Item	Part No.	Description	Qty.
1	28174GT	DECAL, POWER TO PLATFORM 230V**.....	1
2	28235GT	DECAL,POWER TO PLATFORM 115V....	1
3	40434GT	DECAL,LANYARD ANCHORAGE POINT.....	5
4	43618GT	DECAL, LABEL - DIRECTION ARROWS.....	2
5	44981GT	DECAL,LABEL, AIR LINE 110 PSI..... (Option)	1
6	62056GT	DECAL,COSMETIC,GENIE GS-2046**...2	
7	82487GT	DECAL, SYMBOL - READ THE MANUAL.....	1
8	82905GT	DECAL,SYM-SIDEFORCE 400N.....	1
9	114338GT	DECAL,SYM-TIP-OVER,TILT ALARM....	1
10	137605GT	DECAL,E-STOP,GR/GRC/GS PCON....	1
11	137656GT	DECAL,PROPEL,GR/GRC/GS,PCON....	1
12	228938GT	DECAL,SYM,MAXCAP CE,GS2046.....	1
13	1256702GT	DECAL, UI, GS/GR, PROP LIFT.....	1
14	1257923GT	DECAL, SMARTLINK PROPORTIONAL.....	2
15	1263646GT	DECAL,QR CODE,PARTS&SERVICE MANUAL.....	1
16	1278008GT	DECAL, SYMBOL, CE, MAXIMUM CAPACITY, 544KG.....	1

117.1 Symbol Decals, GS-2646, Battery Side, ANSI & CE

Battery Side

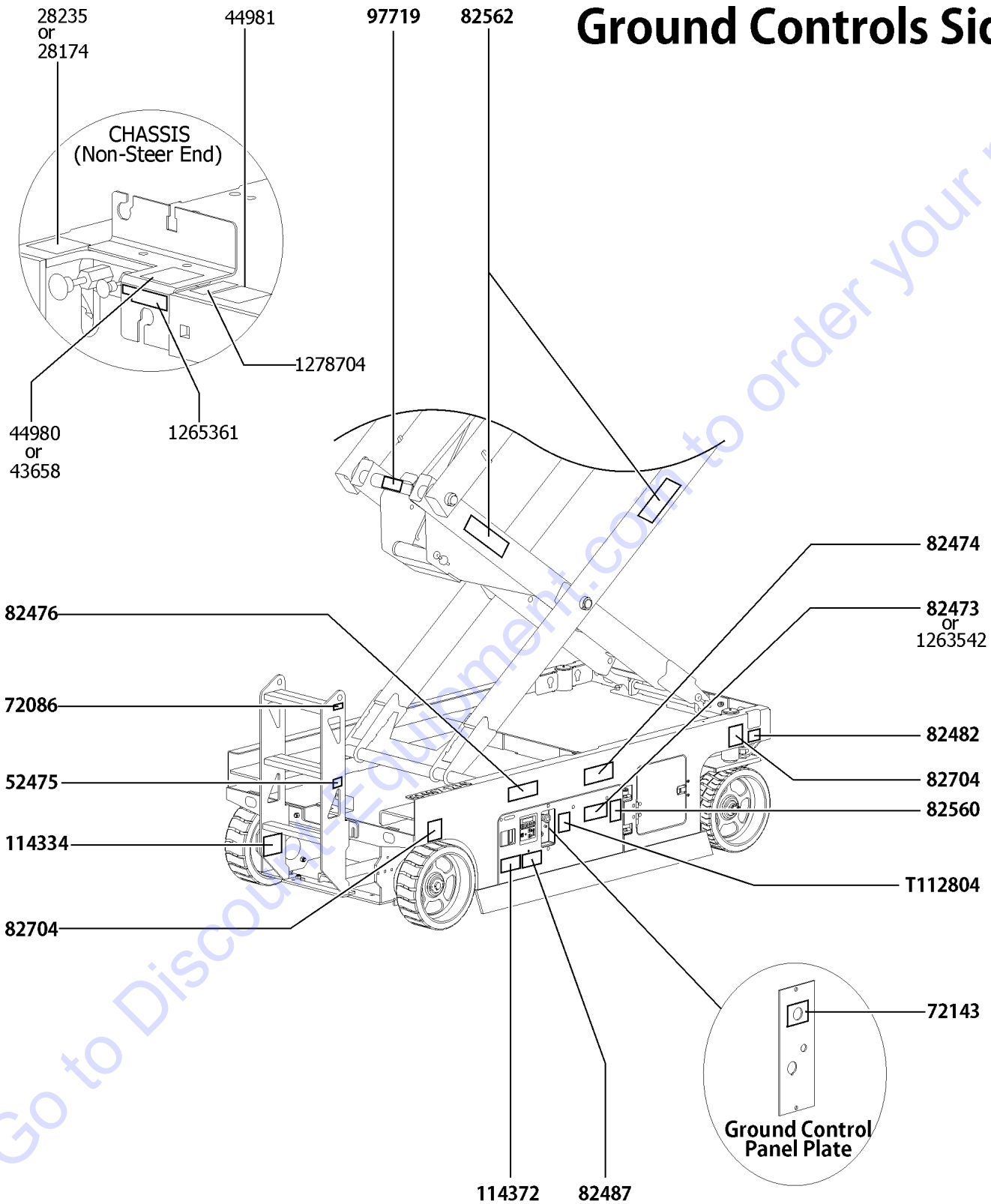


117.1 Symbol Decals, GS-2646, Battery Side, ANSI & CE

Item	Part No.	Description	Qty.
1	52475GT	DECAL,LABEL,TRANSPORT TIEDOWN*.....	4
2	72086GT	DECAL,LABEL,LIFTING EYE.....	3
3	82474GT	DECAL,SYMBOL-USE SAFETY ARM....	1
4	82476GT	DECAL,SYMBOL-ELEC HAZARD,GS....	1
5	82481GT	DECAL,SYMBOL-BATTERY SAFETY....	1
6	82495GT	DECAL,SYMBOL-BRAKE REL SAFETY.....	1
7	82562GT	DECAL,SYMBOL-CRUSHING HAZARD.....	2
8	82704GT	DECAL,LABEL,WHEEL LOAD 2646....	2
9	114337GT	DECAL,SYM-TIP-OVER,LIM SWITCH....	1
10	114361GT	DECAL,LABEL-TRANSPORT DIGRAM.....	2
11	114370GT	DECAL-SYM-TIP-OVR,BATTRIES.....	1
12	114372GT	DECAL SYMBOL TIP OVER TRAYS.....	1
13	1272242GT	DECAL,MACHINE REGISTRATION/OWNER TRANSFER....	1

118.1 Symbol Decals, GS-2646, Ground Control Side, ANSI and CE

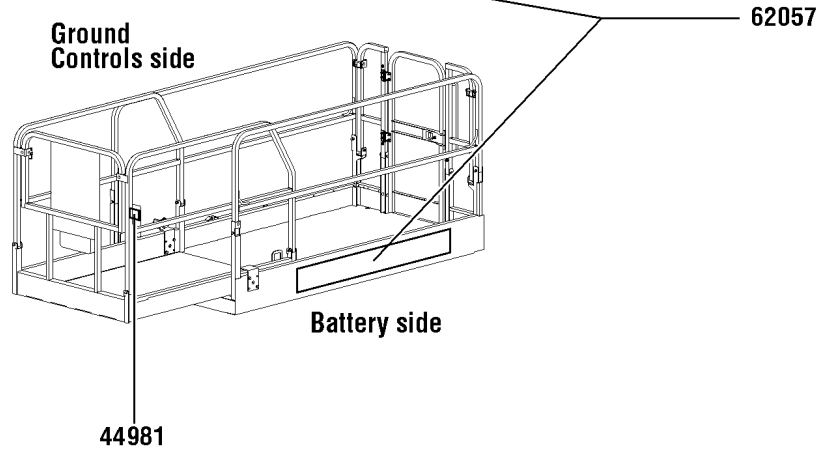
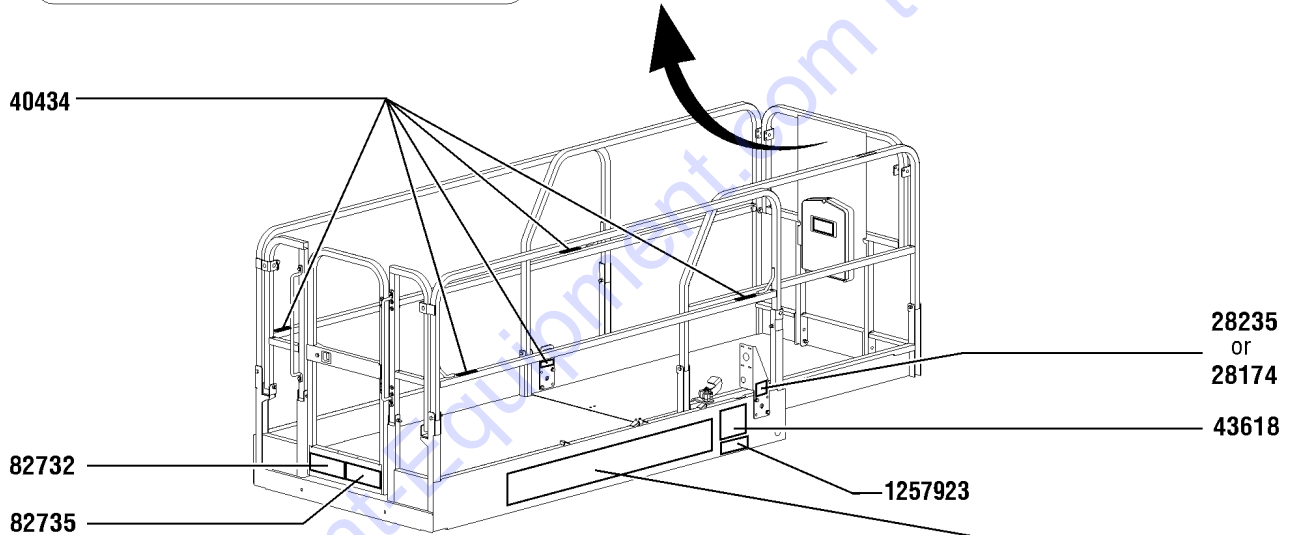
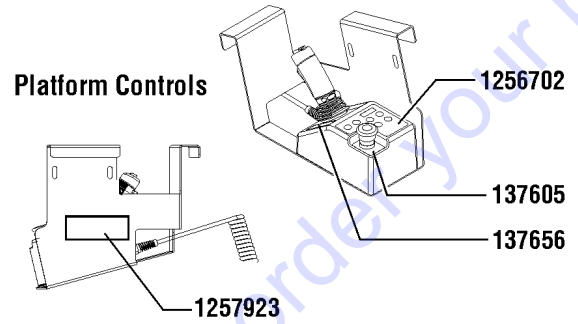
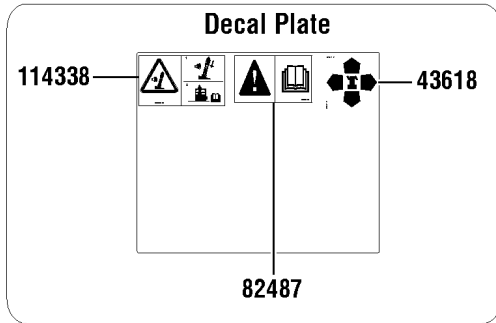
Ground Controls Side



118.1 Symbol Decals, GS-2646, Ground Control Side, ANSI and CE

Item	Part No.	Description	Qty.
1	28174GT	DECAL, POWER TO PLATFORM 230V**.....	1
2	28235GT	DECAL,POWER TO PLATFORM 115V...1	1
3	43658GT	DECAL,LABEL,PWR TO CHARGR 230V.....	1
4	44980GT	DECAL,LABEL,PWR TO CHARGR 115V.....	1
5	44981GT	DECAL,LABEL, AIR LINE 110 PSI.....1 (Option)	1
6	52475GT	DECAL,LABEL,TRANSPORT TIEDOWN*.....	1
7	72086GT	DECAL,LABEL,LIFTING EYE.....	1
8	72143GT	DECAL,EMERGENCY STOP,GR.....	1
9	82473GT	DECAL,SYMBOL-COMP ACCESS.....	1
10	82474GT	DECAL,SYMBOL-USE SAFETY ARM....	1
11	82476GT	DECAL,SYMBOL-ELEC HAZARD,GS....	1
12	82482GT	DECAL,LABEL,AUX LOWERING.....	1
13	82487GT	DECAL, SYMBOL - READ THE MANUAL.....	1
14	82560GT	DECAL,SYMBOL-SKIN INJECT HAZRD.....	1
15	82562GT	DECAL,SYMBOL-CRUSHING HAZARD.....	2
16	82704GT	DECAL,LABEL,WHEEL LOAD 2646....	2
17	97719GT	DECAL, LABEL, SAFETY ARM SYMB....	1
18	114334GT	DECAL,SYM-ELEC HAZARD,PLUG.....	1
19	114372GT	DECAL SYMBOL TIP OVER TRAYS.....	1
20	1263542GT	DECAL, COMPARTMENT ACCESS.....	1
21	1265361GT	DECAL, BATTERY CHARGER INDICAT..... from SN GS46D-9041	1
22	1278704GT	DECAL,CHARGE STATUS IND..... from SN GS46D-9041	1
23	T112804GT	DECAL,GCON PANEL,GS.....	1

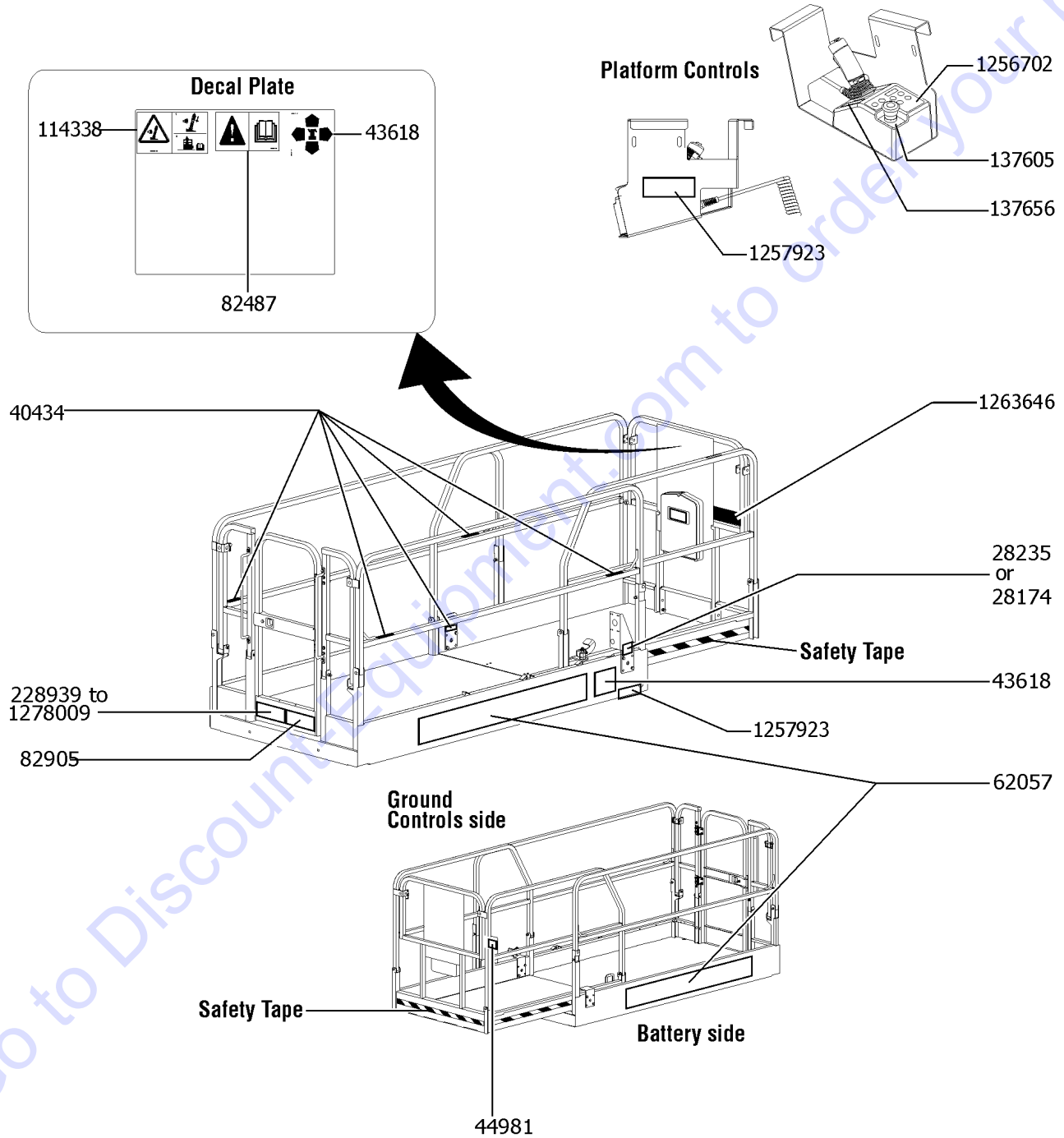
Platform, ANSI models



119.1 Symbol Decals, GS-2646, Platform, ANSI

Item	Part No.	Description	Qty.
1	28174GT	DECAL, POWER TO PLATFORM 230V**.....	1
2	28235GT	DECAL,POWER TO PLATFORM 115V...1	1
3	40434GT	DECAL,LANYARD ANCHORAGE POINT.....	5
4	43618GT	DECAL, LABEL - DIRECTION ARROWS.....	2
5	44981GT	DECAL,LABEL, AIR LINE 110 PSI.....1 (Option)	1
6	62057GT	DECAL,COSMETIC,GENIE GS-2646.....2	2
7	82487GT	DECAL, SYMBOL - READ THE MANUAL.....	1
8	82732GT	DECAL,SYM-MAXCAP 1000.....1	1
9	82735GT	DECAL,SYM-SIDE FORCE 2646.....1	1
10	114338GT	DECAL,SYM-TIP-OVER,TILT ALARM....1	1
11	137605GT	DECAL,E-STOP,GR/GRC/GS PCON....1	1
13	137656GT	DECAL,PROPEL,GR/GRC/GS,PCON....1	1
14	1256702GT	DECAL, UI, GS/GR, PROP LIFT.....1	1
16	1257923GT	DECAL, SMARTLINK PROPORTIONAL.....	2

Platform, CE models

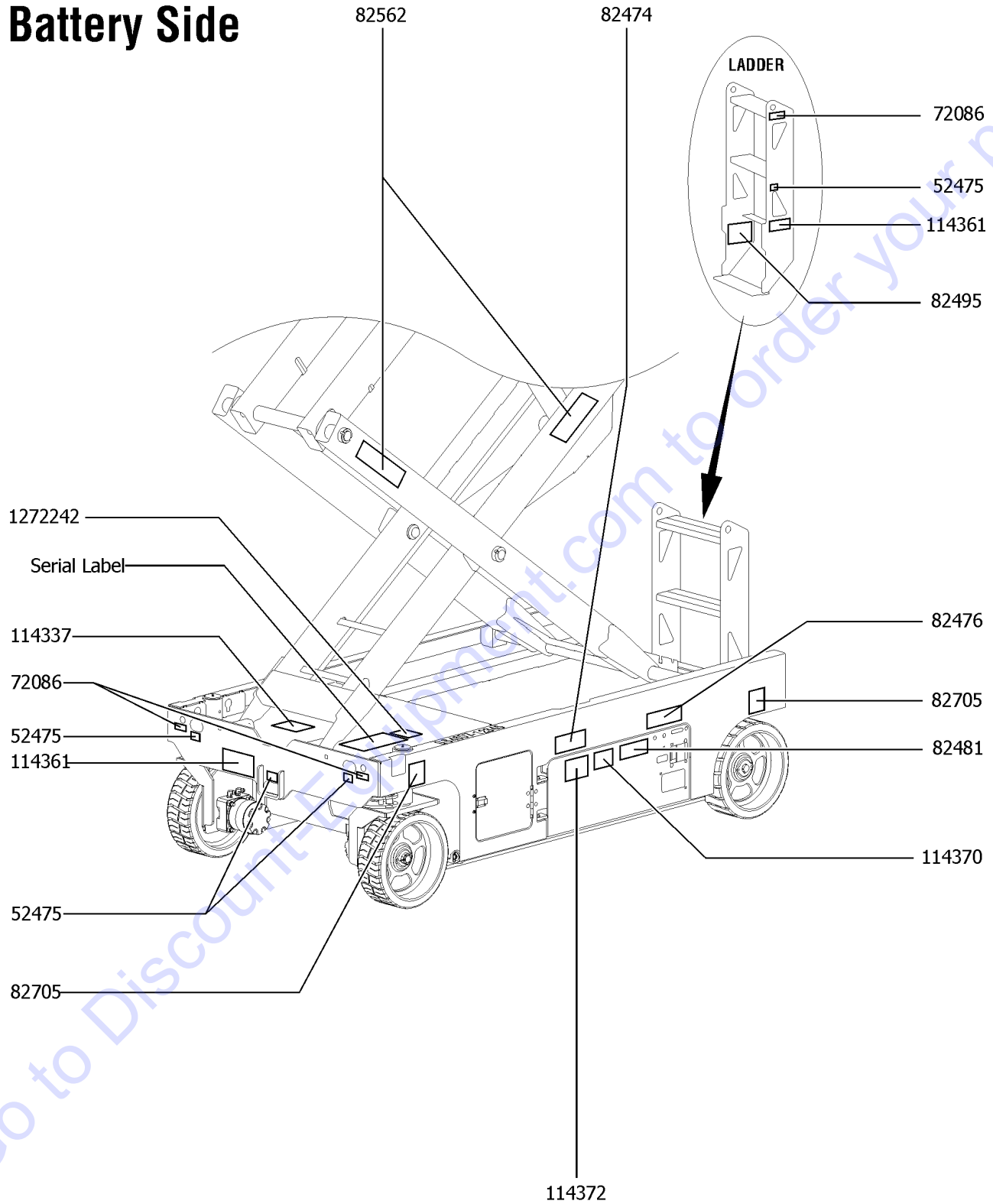


120.1 Symbol Decals, GS-2646, Platform, CE

Item	Part No.	Description	Qty.
1	28174GT	DECAL, POWER TO PLATFORM 230V**.....	1
2	28235GT	DECAL,POWER TO PLATFORM 115V....	1
3	40434GT	DECAL,LANYARD ANCHORAGE POINT.....	5
4	43618GT	DECAL, LABEL - DIRECTION ARROWS.....	2
5	44981GT	DECAL,LABEL, AIR LINE 110 PSI..... (Option)	1
6	62057GT	DECAL,COSMETIC,GENIE GS-2646.....	2
7	82487GT	DECAL, SYMBOL - READ THE MANUAL.....	1
8	82905GT	DECAL,SYM-SIDEFORCE 400N.....	1
9	114338GT	DECAL,SYM-TIP-OVER,TILT ALARM....	1
10	137605GT	DECAL,E-STOP,GR/GRC/GS PCON....	1
11	137656GT	DECAL,PROPEL,GR/GRC/GS,PCON....	1
12	228939GT	DECAL,SYM,MAX CAP,CE,GS2646....	1
13	1256702GT	DECAL, UI, GS/GR, PROP LIFT.....	1
14	1257923GT	DECAL, SMARTLINK PROPORTIONAL.....	2
15	1263646GT	DECAL,QR CODE,PARTS&SERVICE MANUAL.....	1
16	1278009GT	DECAL, SYMBOL, CE, MAXIMUM CAPACITY, 454KG.....	1

121.1 Symbol Decals, GS-3246, Battery Side, ANSI & CE

Battery Side



121.1 Symbol Decals, GS-3246, Battery Side, ANSI & CE

Item	Part No.	Description	Qty.
1	52475GT	DECAL,LABEL,TRANSPORT TIEDOWN*.....	4
2	72086GT	DECAL,LABEL,LIFTING EYE.....	3
3	82474GT	DECAL,SYMBOL-USE SAFETY ARM....	1
4	82476GT	DECAL,SYMBOL-ELEC HAZARD,GS....	1
5	82481GT	DECAL,SYMBOL-BATTERY SAFETY....	1
6	82495GT	DECAL,SYMBOL-BRAKE REL SAFETY.....	1
7	82562GT	DECAL,SYMBOL-CRUSHING HAZARD.....	2
8	82705GT	DECAL,LABEL,WHEEL LOAD 3246....	2
9	114337GT	DECAL,SYM-TIP-OVER,LIM SWITCH....	1
10	114361GT	DECAL,LABEL-TRANSPORT DIGRAM.....	2
11	114370GT	DECAL-SYM-TIP-OVR,BATTRIES.....	1
12	114372GT	DECAL SYMBOL TIP OVER TRAYS.....	1
13	1272242GT	DECAL,MACHINE REGISTRATION/OWNER TRANSFER....	1

PARTS FINDER

**Search Website
by Part Number**



**Search Manual
Library For Parts
Manual & Lookup Part
Numbers – Purchase
or Request Quote**

Search Manuals

Enter your information to help us find the right parts manual for your machine.

* Brand:

* Model:

* Serial:

* Part Number:

SEARCH

**Can't Find Part or
Manual? Request Help
by Manufacturer,
Model & Description**

Parts Order Form

Please fill in the following information to help us find the right part for your machine.

Manufacturer:	<input type="text"/>
Model:	<input type="text"/>
Description:	<input type="text"/>
Part Number:	<input type="text"/>
Quantity:	<input type="text"/>
Notes:	<input type="text"/>

Submit

Discount-Equipment.com is your online resource for quality parts & equipment.

Florida: **561-964-4949** Outside Florida TOLL FREE: **877-690-3101**

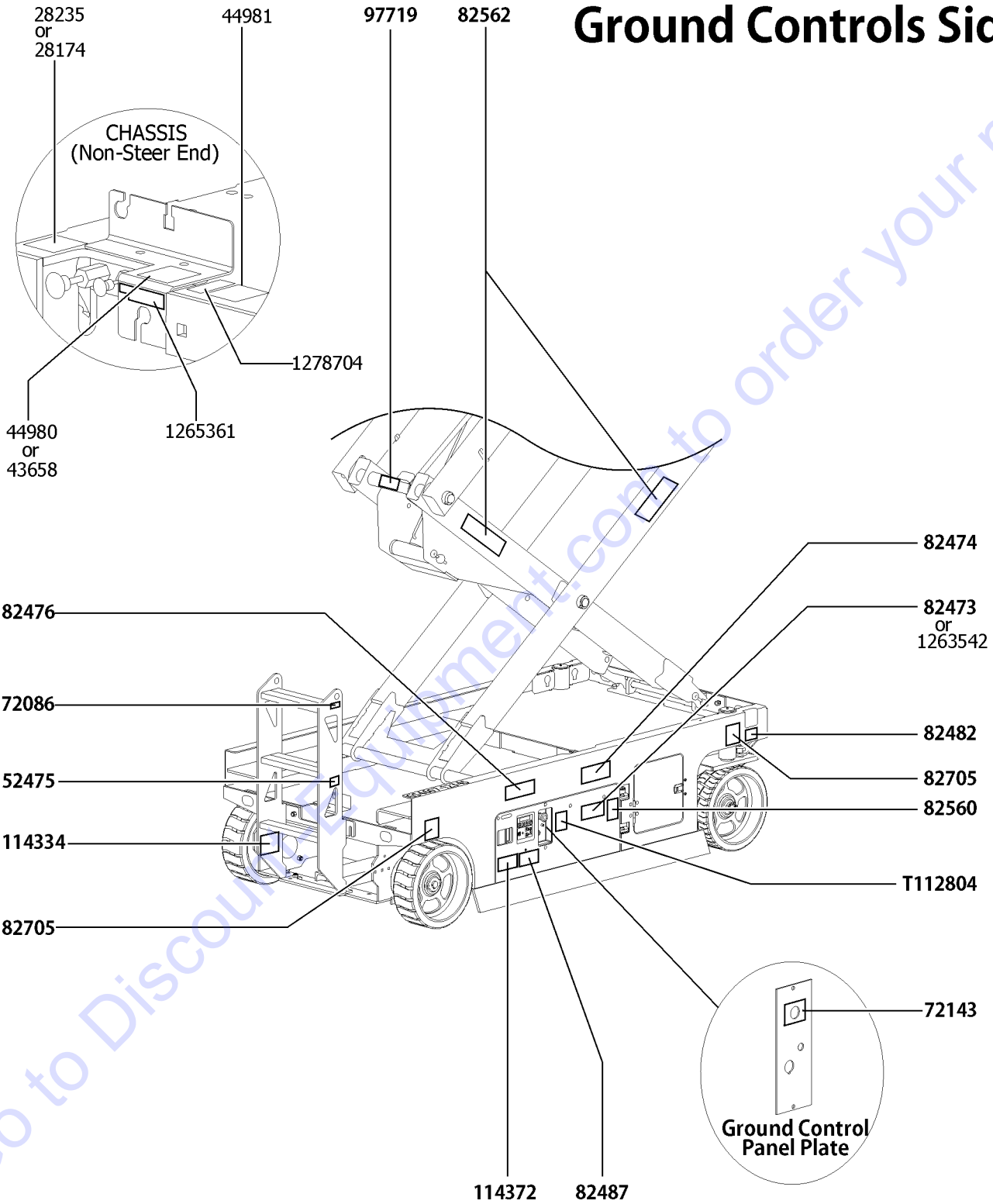
Need parts?

Click on this link: <http://www.discount-equipment.com/category/5443-parts/> and choose one of the options to help get the right parts and equipment you are looking for. Please have the machine model and serial number available in order to help us get you the correct parts. If you don't find the part on the website or on one of the online manuals, please fill out the request form and one of our experienced staff members will get back to you with a quote for the right part that your machine needs.

We sell worldwide for the brands: Genie, Terex, JLG, MultiQuip, Mikasa, Essick, Whiteman, Mayco, Toro Stone, Diamond Products, Generac Magnum, Airman, Haulotte, Barreto, Power Blanket, Nifty Lift, Atlas Copco, Chicago Pneumatic, Allmand, Miller Curber, Skyjack, Lull, Skytrak, Tsurumi, Husquvarna Target, Stow, Wacker, Sakai, Mi-T-M, Sullair, Basic, Dynapac, MBW, Weber, Bartell, Bennar Newman, Haulotte, Ditch Runner, Menegotti, Morrison, Contec, Buddy, Crown, Edco, Wyco, Bomag, Laymor, EZ Trench, Bil-Jax, F.S. Curtis, Gehl Pavers, Heli, Honda, ICS/PowerGrit, IHI, Partner, Imer, Clipper, MMD, Koshin, Rice, CH&E, General Equipment, Amida, Coleman, NAC, Gradall, Square Shooter, Kent, Stanley, Tamco, Toku, Hatz, Kohler, Robin, Wisconsin, Northrock, Oztec, Toker TK, Rol-Air, APT, Wylie, Ingersoll Rand / Doosan, Innovatech, Con X, Ammann, Mecalac, Makinex, Smith Surface Prep, Small Line, Wanco, Yanmar

122.1 Symbol Decals, GS-3246, Ground Control Side, ANSI and CE

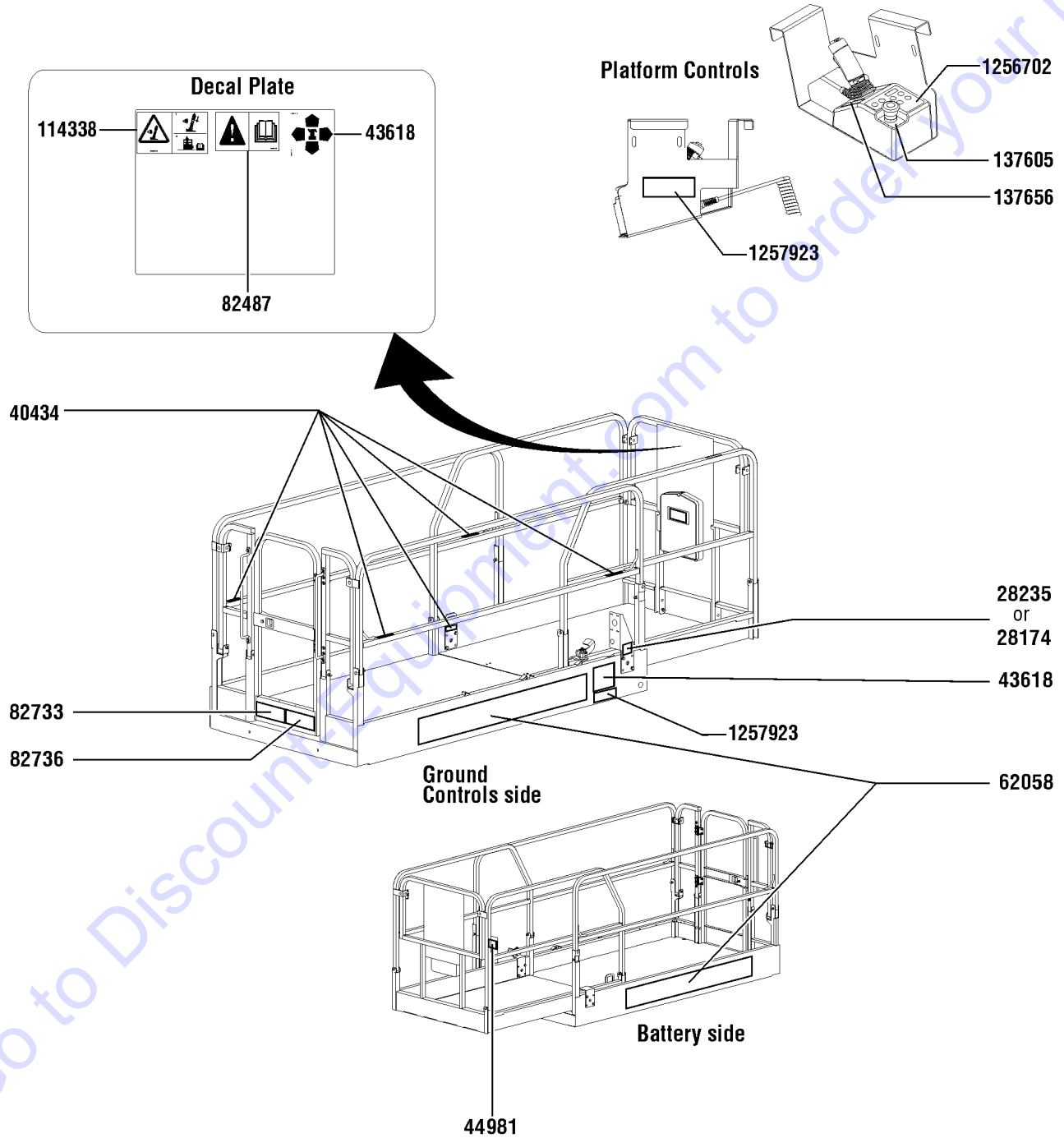
Ground Controls Side



122.1 Symbol Decals, GS-3246, Ground Control Side, ANSI and CE

Item	Part No.	Description	Qty.
1	28174GT	DECAL, POWER TO PLATFORM 230V**.....	1
2	28235GT	DECAL,POWER TO PLATFORM 115V...1	1
3	43658GT	DECAL,LABEL,PWR TO CHARGR 230V.....	1
4	44980GT	DECAL,LABEL,PWR TO CHARGR 115V.....	1
5	44981GT	DECAL,LABEL, AIR LINE 110 PSI.....1 (Option)	1
6	52475GT	DECAL,LABEL,TRANSPORT TIEDOWN*.....	1
7	72086GT	DECAL,LABEL,LIFTING EYE.....	1
8	72143GT	DECAL,EMERGENCY STOP,GR.....	1
9	82473GT	DECAL,SYMBOL-COMP ACCESS.....	1
10	82474GT	DECAL,SYMBOL-USE SAFETY ARM....	1
11	82476GT	DECAL,SYMBOL-ELEC HAZARD,GS....	1
12	82482GT	DECAL,LABEL,AUX LOWERING.....	1
13	82487GT	DECAL, SYMBOL - READ THE MANUAL.....	1
14	82560GT	DECAL,SYMBOL-SKIN INJECT HAZRD.....	1
15	82562GT	DECAL,SYMBOL-CRUSHING HAZARD.....	2
16	82705GT	DECAL,LABEL,WHEEL LOAD 3246....	2
17	97719GT	DECAL, LABEL, SAFETY ARM SYMB....	1
18	114334GT	DECAL,SYM-ELEC HAZARD,PLUG.....	1
19	114372GT	DECAL SYMBOL TIP OVER TRAYS.....	1
20	1263542GT	DECAL, COMPARTMENT ACCESS.....	1
21	1265361GT	DECAL, BATTERY CHARGER INDICAT..... from SN GS46D-9041	1
22	1278704GT	DECAL,CHARGE STATUS IND..... from SN GS46D-9041	1
23	T112804GT	DECAL,GCON PANEL,GS.....	1

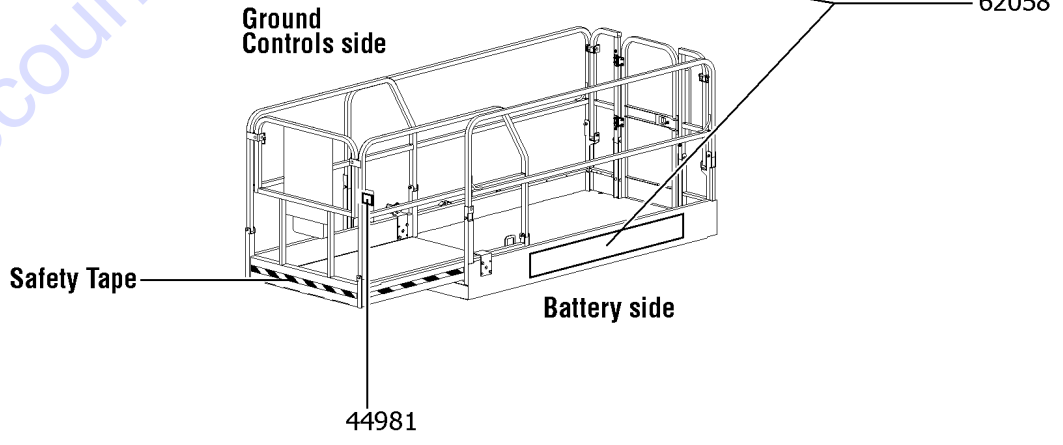
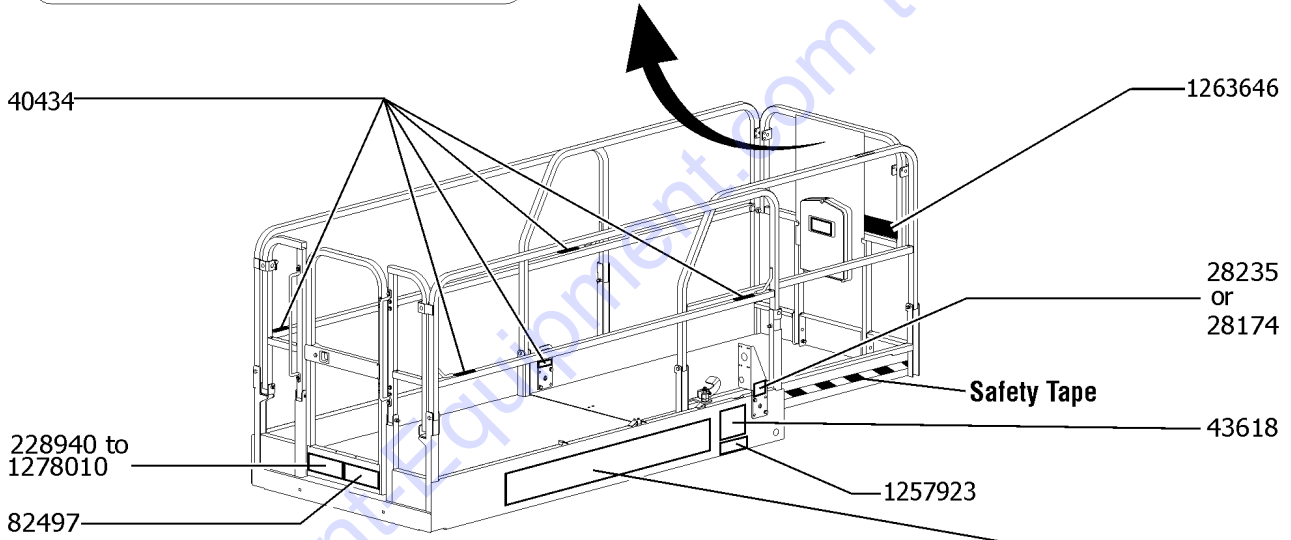
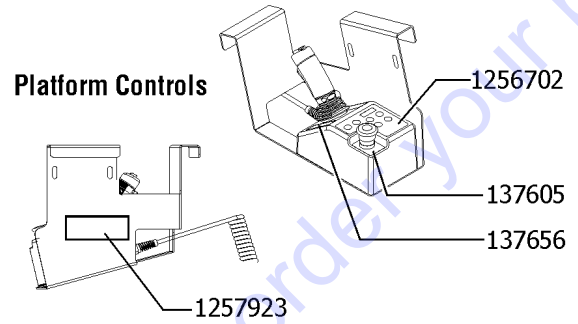
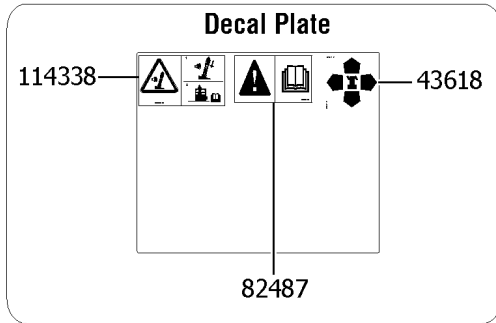
Platform, ANSI models



123.1 Symbol Decals, GS-3246, Platform, ANSI

Item	Part No.	Description	Qty.
1	28174GT	DECAL, POWER TO PLATFORM 230V**.....	1
2	28235GT	DECAL,POWER TO PLATFORM 115V...1	1
3	40434GT	DECAL,LANYARD ANCHORAGE POINT.....	5
4	43618GT	DECAL, LABEL - DIRECTION ARROWS.....	2
5	44981GT	DECAL,LABEL, AIR LINE 110 PSI.....1 (Option)	1
6	62058GT	DECAL,COSMETIC,GENIE GS-3246....2	2
7	82487GT	DECAL, SYMBOL - READ THE MANUAL.....	1
8	82733GT	DECAL,SYM-MAXCAP 700.....	1
9	82736GT	DECAL,SYM-SIDE FORCE.....	1
10	114338GT	DECAL,SYM-TIP-OVER,TILT ALARM....1	1
11	137605GT	DECAL,E-STOP,GR/GRC/GS PCON....1	1
12	137656GT	DECAL,PROPEL,GR/GRC/GS,PCON....1	1
13	1256702GT	DECAL, UI, GS/GR, PROP LIFT.....	1
14	1257923GT	DECAL, SMARTLINK PROPORTIONAL.....	2

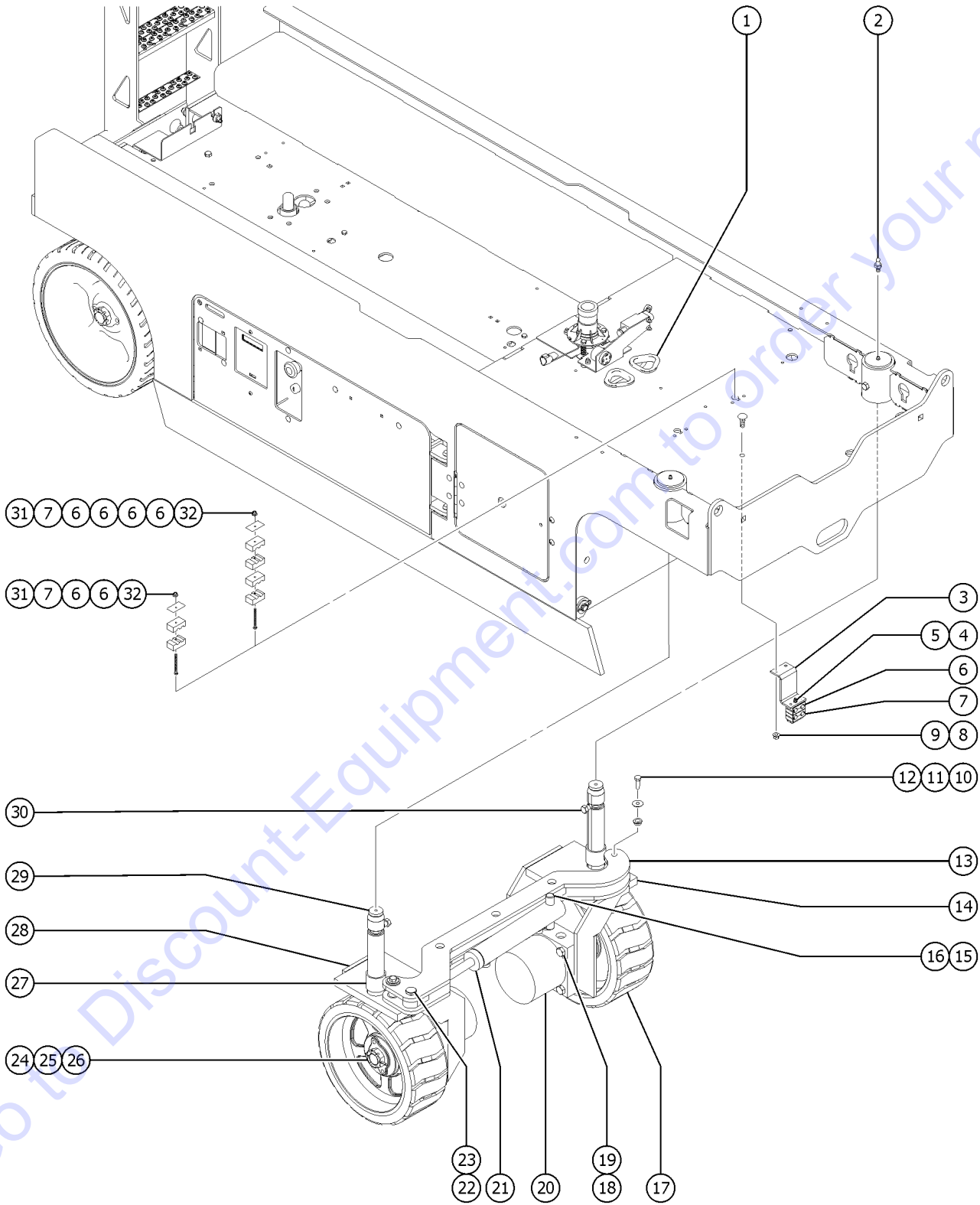
Platform, CE models



124.1 Symbol Decals, GS-3246, Platform, CE

Item	Part No.	Description	Qty.
1	28174GT	DECAL, POWER TO PLATFORM 230V**.....	1
2	28235GT	DECAL,POWER TO PLATFORM 115V...1	1
3	40434GT	DECAL,LANYARD ANCHORAGE POINT.....	5
4	43618GT	DECAL, LABEL - DIRECTION ARROWS.....	2
5	44981GT	DECAL,LABEL, AIR LINE 110 PSI.....1 (Option)	1
6	62058GT	DECAL,COSMETIC,GENIE GS-3246.....2	2
7	82487GT	DECAL, SYMBOL - READ THE MANUAL.....	1
8	82497GT	DECAL,SYM-SIDEFORCE 200400.....1	1
9	114338GT	DECAL,SYM-TIP-OVER,TILT ALARM....1	1
10	137605GT	DECAL,E-STOP,GR/GRC/GS PCON....1	1
11	137656GT	DECAL,PROPEL,GR/GRC/GS,PCON....1	1
12	228940GT	DECAL,SYM-MAX CAP CE GS3246.....1	1
13	1256702GT	DECAL, UI, GS/GR, PROP LIFT.....1	1
14	1257923GT	DECAL, SMARTLINK PROPORTIONAL.....	2
15	1263646GT	DECAL,QR CODE,PARTS&SERVICE MANUAL.....	1
16	1278010GT	DECAL, SYMBOL, CE, MAXIMUM CAPACITY, 318KG.....	1

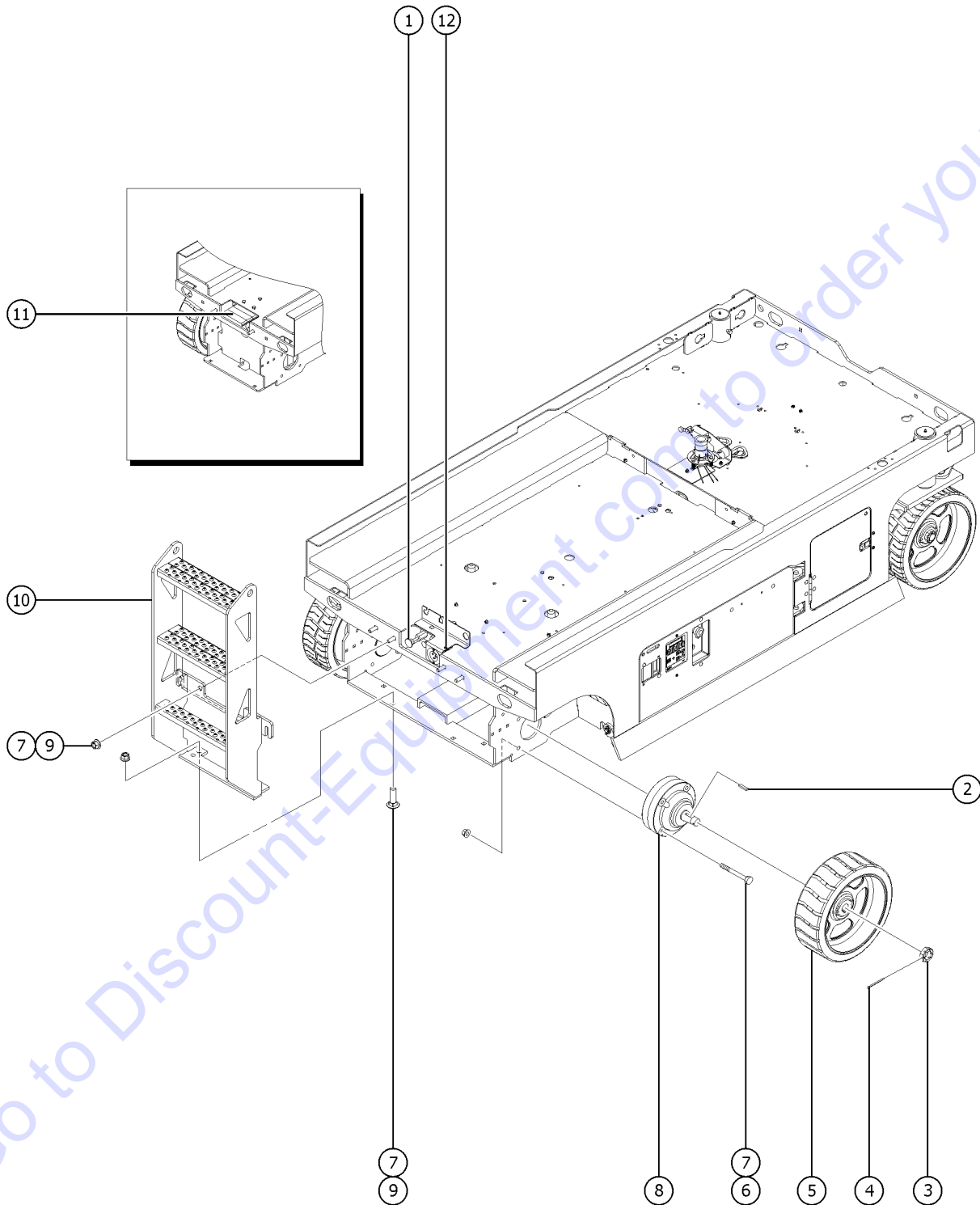
201.1 Steer Linkage and Wheels



201.1 Steer Linkage and Wheels

Item	Part No.	Description	Qty.
1	47232GT	GROMMET,RUBBER 2 X 2.75.....	2
2	66770GT	FITTING,STRAIGHT DRIVE-IN ZERK....	2
3	230364GT	FORMING,HOSE CLAMP SPT,PTD,BLU.....	1
4	824027GT	NUT,TL FLG,1/4-20,G,ZAG	
5	1256123GT	SCREW,HHC,1/4-20X3.25,8,ZAG	
6	78736GT	CLAMP,2 HOSE,PLASTIC,5/8 (as required)	
7	58592GT	PLATE,HOSE ROUTG,BULKHEAD(PTD) (as required)	
8	824029GT	NUT,TL FLG,3/8-16,G,ZAG.....	2
9	1255757GT	BOLT,CARRIAGE,3/8-16X1.25,5,ZAG	
10	1256109GT	SCREW,HHC,3/8-16X.75,8,ZAG.....	2
11	824120GT	WASHER,FLAT,.375X1.50X.125,ZAG....	2
12	47946GT	BEARING,1.00IDX1.25ODX0.49L.....	2
13	97267GT	TIE ROD ASSY, GS46.....	1
--	47946GT	BEARING,1.00IDX1.25ODX0.49L.....	4
--	96574GT	WLDMT,TIE ROD,GS46 (does not include bearings)	
14	96573GT	WLDMT,STEER YOKE,LT,GS32/46.....	1
		(battery pack side)	
15	1259195GT	PIN,CLEVIS,3/4X3.25,ZAG.....	1
16	824128GT	RUE RING,3/4,ZAG.....	1
17	105454GT	WHEEL & TIRE ASSY LP,15".....	2
18	1256287GT	SCREW,HHC,1/2-13X3.5,8,ZAG.....	8
19	1251997GT	NUT,TL FLG,1/2-13,G,ZAG.....	8
20		Ref. Drive Motor (refer to 501.1)	
21		Ref. Steer Cylinder (refer to 501.1)	
22	1259193GT	PIN,CLEVIS,3/4X2,ZAG.....	1
23	1259194GT	CLIP,HAIR PIN,.125X2,.5-.75,ZAG.....	1
24	44780GT	NUT,CASTLE,1.125-18 UNEF.....	2
25	13635-10GT	PIN,COTTER,.156 X 1.75.....	2
26	44781GT	KEY,RECTANGULAR,.31X.28X1.25".....	2
27	18722GT	BEARING,2.25IDX2.50ODX1.50L***	
28	96572GT	WLDMT,STEER YOKE,RT,GS32/46.....	1
		(ground controls side)	
29	105565GT	WASHER,THRUST, GS.....	2
30	1259192GT	SCREW, YOKE LOCK, ZAG	
31	1256679GT	NUT,SERRATED,1/4-20,8,ZAG.....	1
32A	1255797GT	BOLT,CARRIAGE,1/4-20X2.5,ZAG.....	1
		(GS2046, 2646 only)	
32B	1258676GT	BOLT,CARRIAGE,1/4-20X2.5,5,ZAG.....	1
		(GS3246, only)	

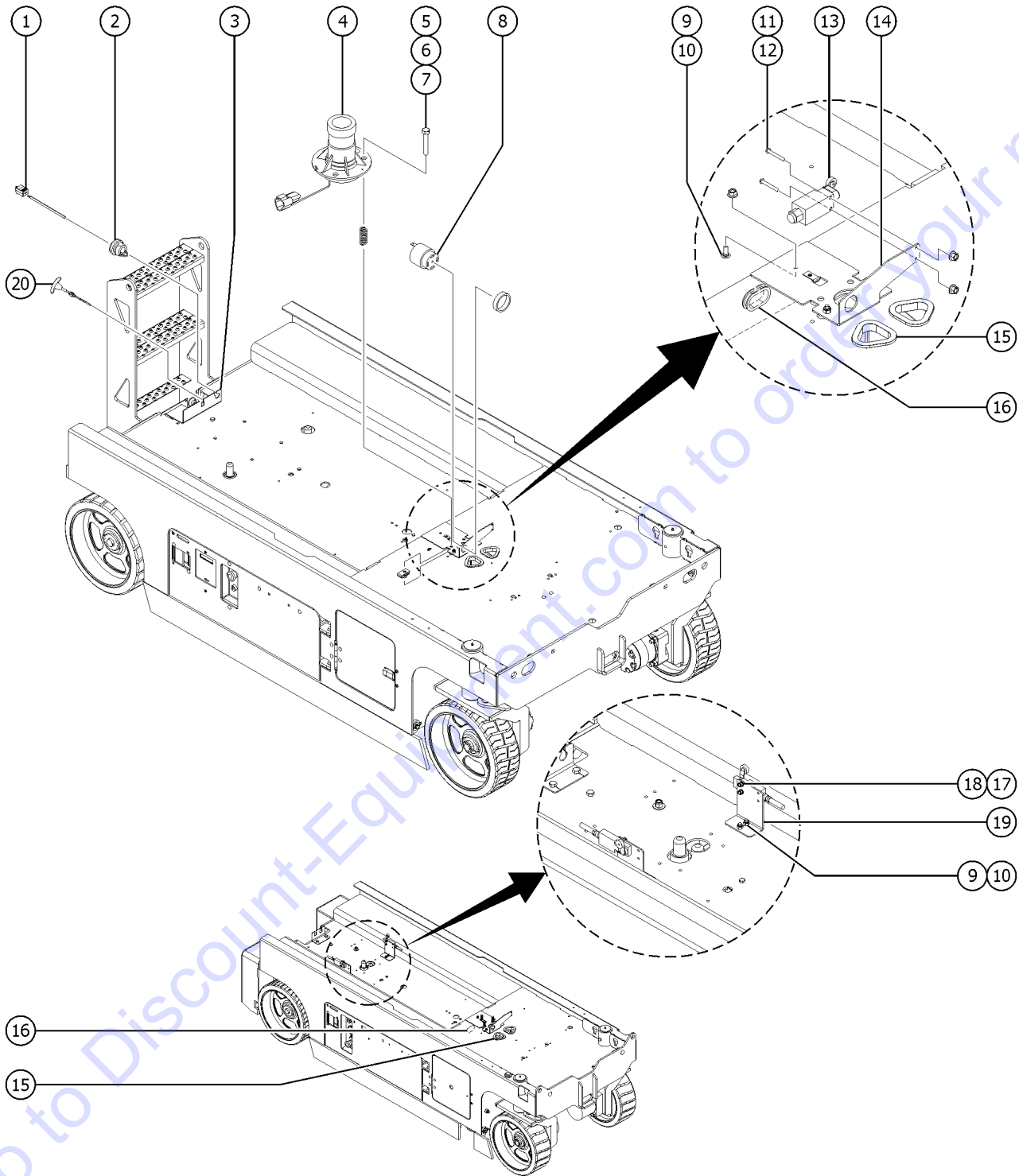
202.1 Non-steer Axle Installation



202.1 Non-steer Axle Installation

Item	Part No.	Description	Qty.
1		Ref: BRAKE RELEASE MANIFOLD (refer to 503.1)	
2	44781GT	KEY,RECTANGULAR,.31X.28X1.25**.....2	
3	44780GT	NUT,CASTLE,1.125-18 UNEF.....2	
4	42079GT	PIN,COTTER,.156 X 2.5.....2	
5	105454GT	WHEEL & TIRE ASSY LP,15".....2	
5	1256051GT	WHEEL & TIRE ASSY LP,15",EXMALE.....2	
6	1256287GT	SCREW,HHC,1/2-13X3.5,8,ZAG	
7	1251997GT	NUT,TL FLG,1/2-13,G,ZAG	
8		Ref: HYDRAULIC BRAKE (refer to 501.1)	
9	1256115GT	BOLT,CARRIAGE,1/2-13X1.75,5,ZA	
10A	96570GT	WLDMT,GS32/46 LADDER***1 GS-2646, GS-3246 (decals not included refer to section one)	
10B	96895GT	WELDMENT,20XX LADDER.....1 GS-2046 (decals not included refer to section one)	
11A	96887GT	CWT, REAR, XX46.....1 GS-2046, GS-2646, GS-3246 Australia & CE (inside rear chassis)	
11B	96876GT	COUNTERWEIGHT, BELLY.....1 GS-2646, GS-3246 (inside front center of chassis)	
12	1270281GT	ASSEMBLY, CHARGER STATUS LED, 2V.....1	

203.1 Level Sensor Installation

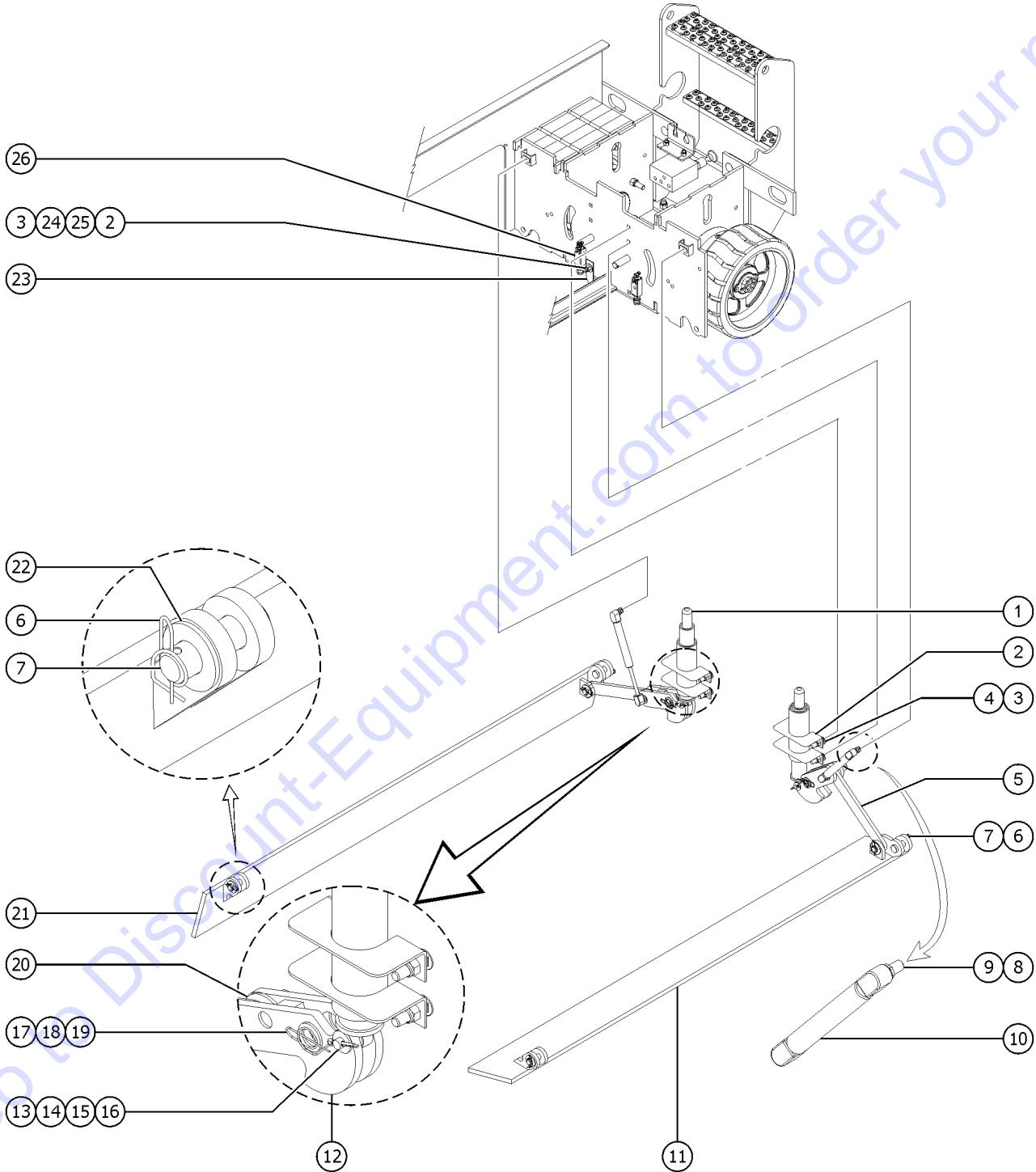


A TEREX BRAND

203.1 Level Sensor Installation

Item	Part No.	Description	Qty.
1		Ref. Electrical Plugs and Cords (refer to 402.1)	
2	128118GT	BUSHING,STRAIN RELIEF,.875/.40.....1	
3A	144226GT	FORMING,REC.PLG BRKT.....1 CE	
3B	1282153GT	FORMING,REC.PLG BRKT,METRIC.....1 US market	
3C	1282145GT	FORMING, PLUG/LED BRACKET,METRIC.....1 AUS market	
4	823368GT	SENSOR,LEVEL,UNIVERSAL.....1 (use with 1264843, 1264129)	
5	824063GT	SCREW,HHC,1/4-20X1.75,8,ZAG.....3	
6	39469GT	SPRING,COMPRESSION.485 X1.75**...3	
7	56912GT	SPRING CLIP,1/4-20,.025-.15X.54,ZAG.....3	
8	39540GT	ALARM,STEADY TONE***.....1 Does not include 72326GT nut	
--	72326GT	NUT - PLASTIC,RING FOR ALARMS	
9	824124GT	BOLT,CARRIAGE,1/4-20X.75,5,ZAG.....3	
10	824027GT	NUT,TL FLG,1/4-20,G,ZAG.....3	
11	824216GT	SCREW,PHPM,10-32X1.5,ZAG.....2	
12	1274168GT	NUT,NYLOCK,10-32,A,ZAG.....2	
13	T112507GT	ASSEMBLY, DOWN LIMIT, GS.....1 (Includes plug)	
--	19491GT	CONTACTOR,LIMIT SWITCH	
--	96948GT	SWITCH,LIMIT,W/ROLLER ARM***	
--	97128GT	ROLLER ARM,LIMIT SWITCH***	
14	96870GT	FORMING,ALARM BRACKET.....1 (for use with 228406)	
15	47232GT	GROMMET,RUBBER 2 X 2.75.....2	
16	47238GT	GROMMET,RUBBER 1.5 ID.....1	
17	1258187GT	NUT,TL,8-32,A,ZAG.....2	
18	1257909GT	SCREW,PHPM,8-32 X .875,ZAG.....2	
19	105736GT	FRMING,LMT SWCH BRKT,3232.....1	
20	39232GT	CABLE,EMERGENCY DOWN.....1	

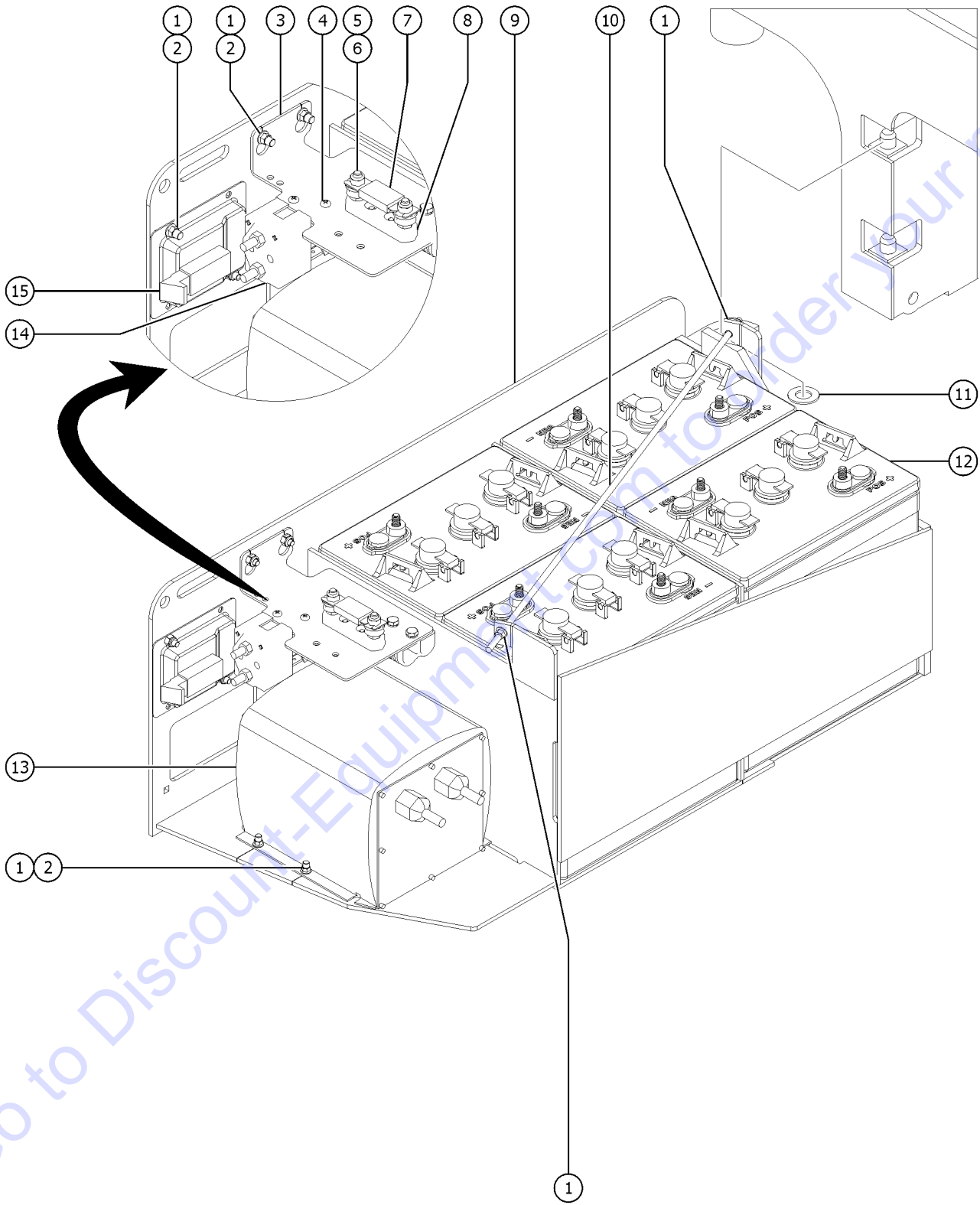
204.1 Pothole Protection Assembly



204.1 Pothole Protection Assembly

Item	Part No.	Description	Qty.
1	132588GT	ASSY,POT HOLE SYSTEM,GSXX46	
2	132465GT	WELDMENT,PH GUIDE,GS46.....2	
--	96408GT	BEARING,1.523IDX1.75ODX0.63L	
3	1255757GT	BOLT,CARRIAGE,3/8-16X1.25,5,ZAG...10	
4	824029GT	NUT,TL FLG,3/8-16,G,ZAG.....8	
5A	132371GT	PLATE, POTHOLE LINK.....2	
5B	105156GT	BUSHING,FLNGD,.63 X .77 X .38 (sold seperately)	
6	1259177GT	RUE RING,5/8,ZAG.....6	
7	1259197GT	PIN,CLEVIS,.625X1.88,ZAG.....6	
8	824038GT	NUT, TL JAM, 3/8-16, A, ZAG.....2	
9	78086GT	BALL STUD, GAS STRUT, 3/8-16	
10	39542GT	GAS SHOCK,SCISSORS***2	
11	132362GT	WELDMENT, POTHOLE, LEFT SIDE.....1 (battery pack side)	
12	132133GT	WLDMT, POT HOLE BELLCRANK LINK.....2	
--	105156GT	BUSHING,FLNGD,.63 X .77 X .38	
--	96642GT	BEARING,.75ID X 1.00D X 1.38LG	
13	12016GT	PIN,COTTER,.125 X .75	
14	825358GT	WASHER,FLAT,5/16,USS,ZAG.....2	
15	1259178GT	PIN,CLEVIS,.375X1.75,ZAG.....2	
16	96541GT	CAM FOLLOWER,1.125X.375,DELRIN.2	
17	824128GT	RUE RING,3/4,ZAG.....2	
18	1259686GT	WASHER,FLAT,.765X1.312X.093,ZA....2	
19	55355GT	SPACER,.75ID X 1.5OD X 1/4THK	
20	96085GT	WASHER,THRUST,.63 X 1.13 X .06	
21	132357GT	WELDMENT, POTHOLE, RIGHT SIDE...1 (ground controls side)	
--	105156GT	BUSHING,FLNGD,.63 X .77 X .38	
22	1259180GT	WASHER,SHIM,.625X1.188X.064,ZA....6	
23	105060GT	GROUND STRAP, 8"LG.....1	
24	1255758GT	WASHER,FLAT,3/8,USS,ZAG.....2	
25	824025GT	NUT,TL,3/8-16,C,ZAG.....2	
26	96948GT	SWITCH,LIMIT,W/ROLLER ARM***2 (down limit switch)	
--	1256177GT	SCREW,PHPM,10-32X1.75,ZAG	
--	19491GT	CONTACTOR,LIMIT SWITCH	
--	824032GT	NUT,TL FLG,10-32,F,ZAG	
--	97128GT	ROLLER ARM,LIMIT SWITCH***	

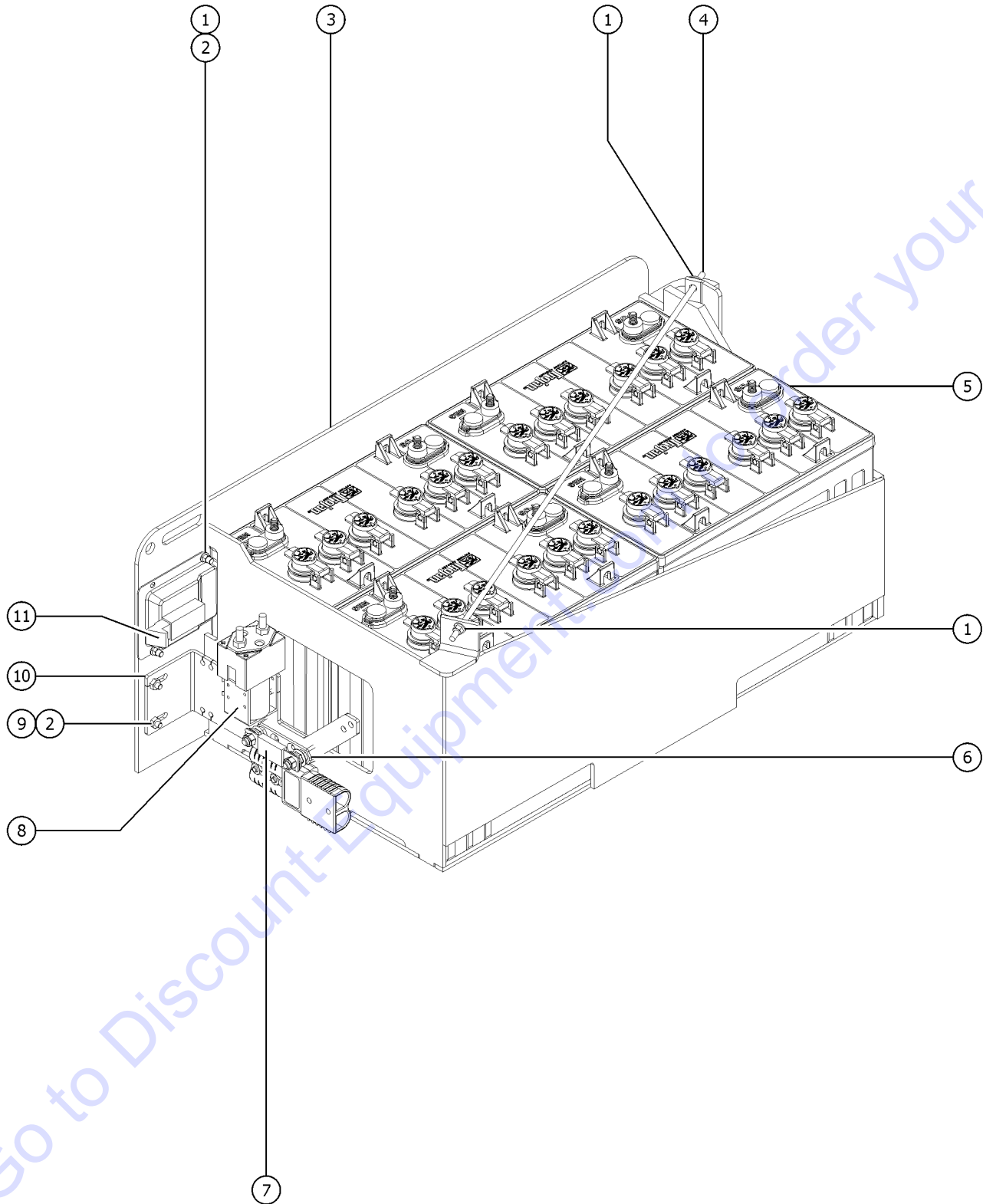
205.1 Battery Pack Module



205.1 Battery Pack Module

Item	Part No.	Description	Qty.
1	824027GT	NUT,TL FLG,1/4-20,G,ZAG.....	10
2	824124GT	BOLT,CARRIAGE,1/4-20X.75,5,ZAG.....	8
3	1273054GT	FORMING, CONTACTOR/FUSE BRACKET.....	1
4	825349GT	SCREW,PHPM,10-32X.38,ZAG.....	2
5	13000GT	SCREW,HHC,5/16-18 X 1.25.....	2
6	1255805GT	NUT,SERRATED,5/16-18,8,ZAG.....	2
7	40833GT	FUSE,275 AMP,VERY FAST ACTING.....	1
8	66717GT	FUSE BLOCK, ANN & ANL FUSE..... (includes mounting fasteners)	1
9	105467GT	WLDMT,GS BATTERY TRAY.....	1
10	30784-2550GT	THREADED ROD,(1/4-20),25.50.....	1
11	1256863GT	WASHER,FLAT,.75,SAE,HRD,ZAG.....	2
12A	76502GT	BATTERY,T105 W/LPT,3 CAP,DRY**.....	4
--	1255805GT	NUT,SERRATED,5/16-18,8,ZAG	
12B	105150GT	BATTERY, AGM, 6V, (TROJAN) ***.....	4
12C	1286454GT	BATTERY PACKAGE,T1275,FLA,GS46.....	4
13		Ref. Battery Charger (refer to 206.1)	
14	74267GT	CONTACTOR,DRIVE,24V,180A***.....	1
15	55675GT	LATCH, LRG PADDLE HANDLE GS90....	1

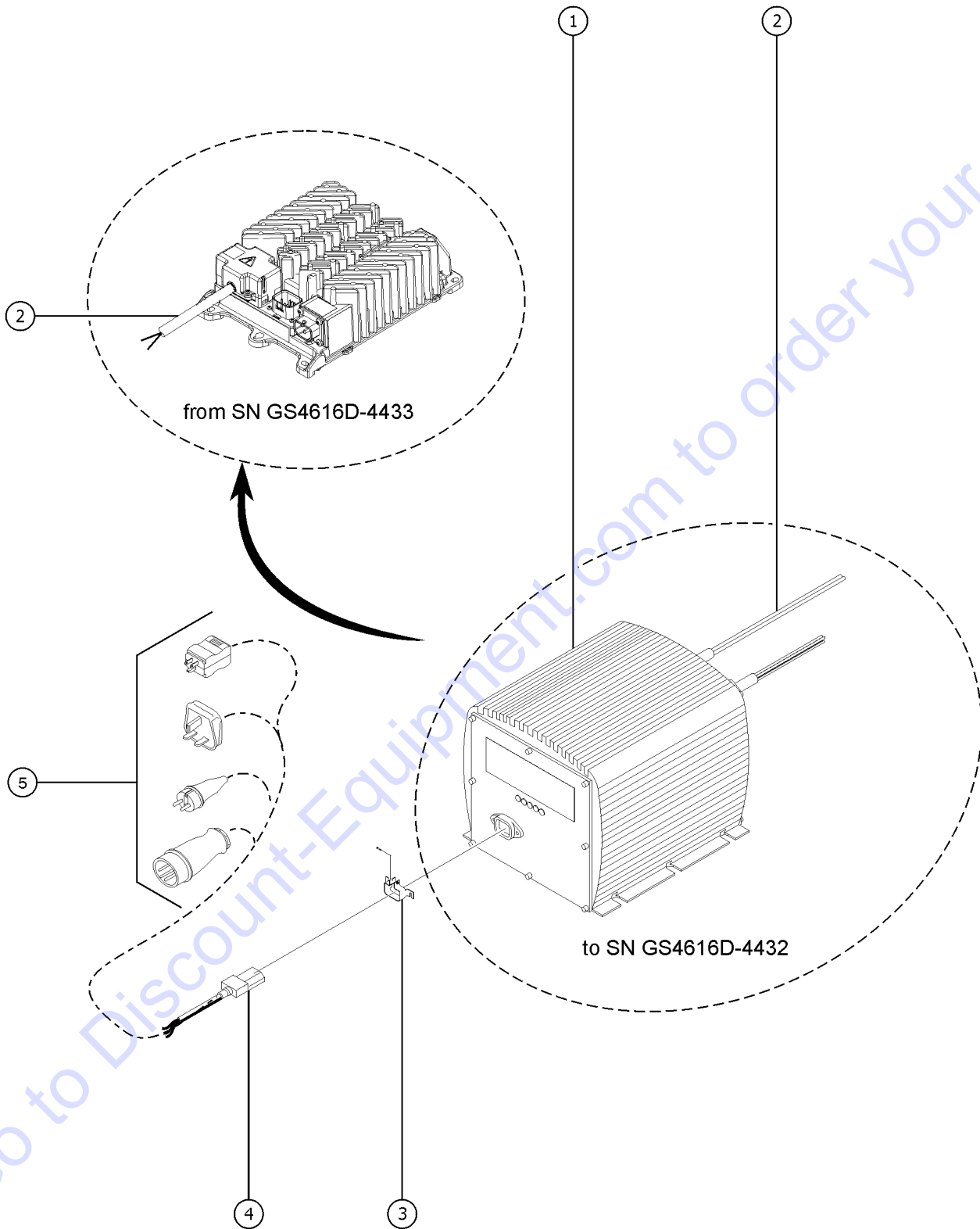
205.2 Battery Pack Tray



205.2 Battery Pack Tray

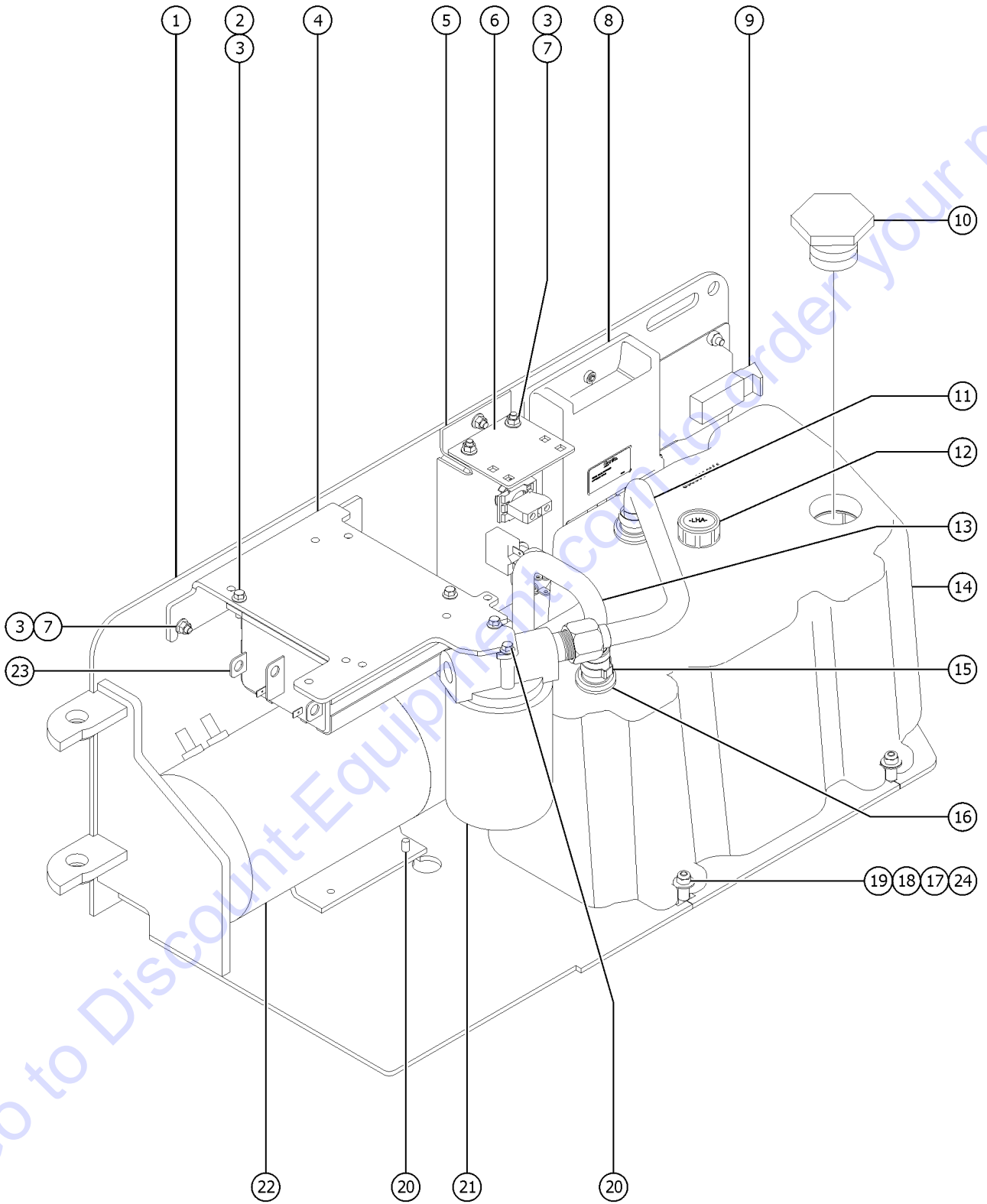
Item	Part No.	Description	Qty.
1	824027GT	NUT,TL FLG,1/4-20,G,ZAG.....6	6
2	824124GT	BOLT,CARRIAGE,1/4-20X.75,5,ZAG.....4	4
3A	T108670GT	WLDMT,GS4047 BATTERY TRAY.....1 <i>FLA battery</i>	1
3B	1256686GT	WLDMT,GS4047 BATTERY TRAY2.....1 <i>AGM battery</i>	1
4	237165GT	THREADED ROD,1/4-20,28.5".....1 <i>(air hose sold seperately)</i>	1
--	75631GT	HOSE,AIR 3/8.....26.5inches	
5A	T113971GT	BATTERY,12V,150AH, T1275.....4	4
5B	1256078GT	AGM BATTERY,DC150-12,DP CYCLE....4	4
6	66717GT	FUSE BLOCK, ANN & ANL FUSE.....1 <i>includes mounting fasteners)</i>	1
7	40833GT	FUSE,275 AMP,VERY FAST ACTING....1	1
8	1270457GT	CONTACTOR,DRIVE,24V,180A.....1	1
9	1256679GT	NUT,SERRATED,1/4-20,8,ZAG.....2	2
10	1273388GT	FORMING, FUSE BRACKET.....1	1
11	55675GT	LATCH, LRG PADDLE HANDLE GS90...1	1

206.1 Battery Charger



Item	Part No.	Description	Qty.
A	105334GT	CONNECTOR, IEC CHARGER CORD <i>for 5-LED battery charger</i>	
B	97059GT	FUSE,BATTERY CHARGER*** <i>for 5-LED battery charger</i>	
C	1273576GT	CABLE ASSY,CHARGER/BATTERY <i>(for 1264372)</i>	
1	1272232GT	CHARGER,24V,650W,USB.....1 <i>(from SN GS4616D-4433)</i>	
--	1272121GT	HARNESS,LED CHARGER,GS46 <i>wire harness with 15-pin connector</i>	
--	1272844GT	CABLE,CHARGER, DC, W/ BTS <i>for AGM 'maintenance free' batteries</i>	
--	1273576GT	CABLE ASSY,CHARGER/BATTERY <i>for standard 'flooded' batteries</i>	
2		Ref. CABLE ASSY,CHARGER/BATTERY <i>(refer to 210.1)</i>	
3	55010GT	LOCK, CONNECTOR.....1 <i>(includes fasteners)</i>	
4B	1272557GT	POWER CORD, IEC 320, 90 DEG.....1 <i>(from SN GS4616D-4433)</i>	
5		Ref. PLUG, ELECTRICAL <i>(refer to 402.1)</i>	

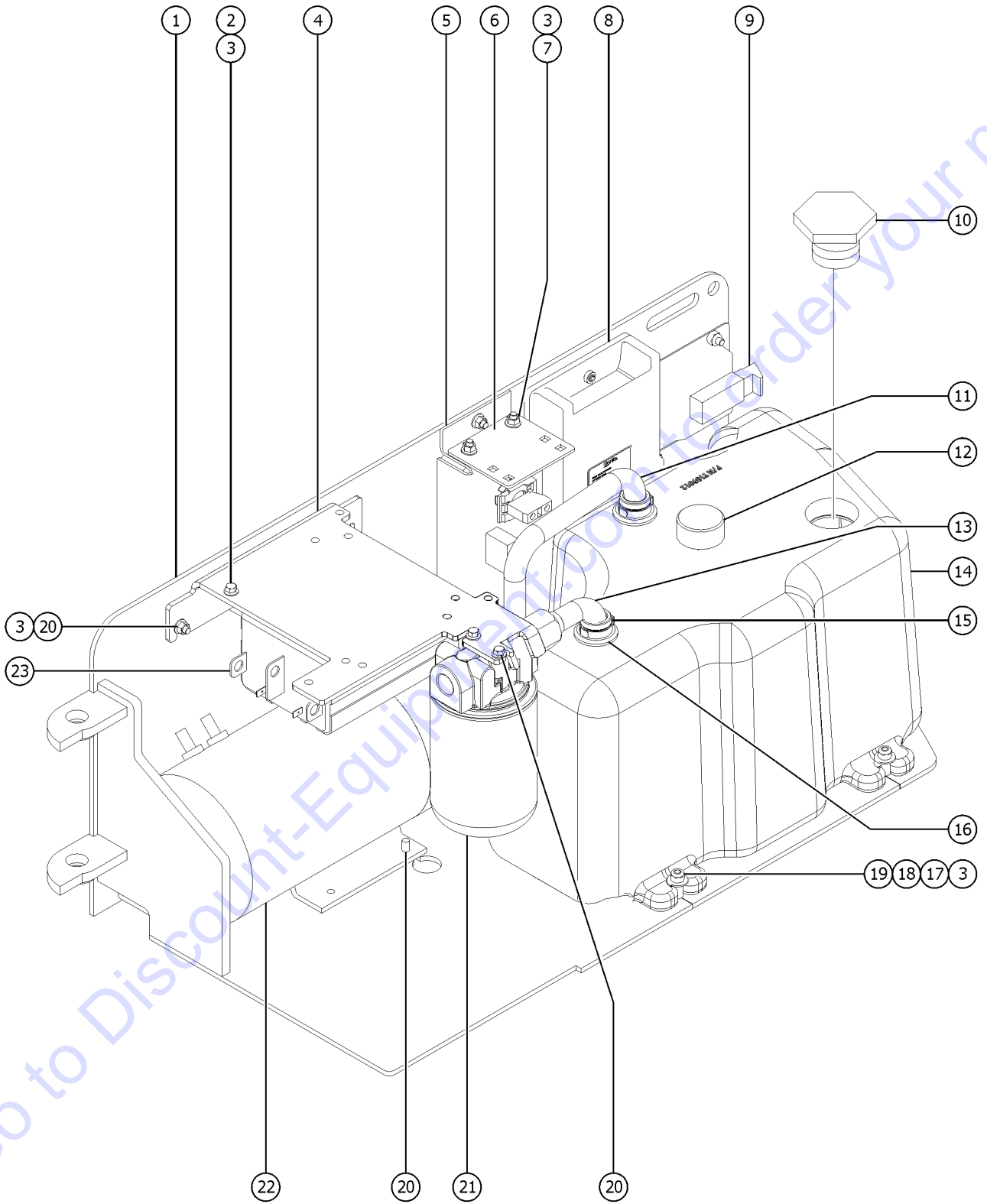
207.1 Power Unit Module (to SN GS4616D-3985)



207.1 Power Unit Module (to SN GS4616D-3985)

Item	Part No.	Description	Qty.
1A	231114GT	HYDR TRAY ASSY W/WORDS.....1	
--	T113296GT	WELDMENT,GS HYD TRAY (decals not included, refer to section one)	
1B	231167GT	HYDR TRAY ASSY,GS30 W/SYMBOLS.....1	
--	T113296GT	WELDMENT,GS HYD TRAY (decals not included, refer to section one)	
2	824080GT	SCREW,HHF,1/4-20X1.25,8,ZAG	
3	824027GT	NUT,TL FLG,1/4-20,G,ZAG	
4	105308GT	FORMING, FILTER-CNTRLR MOUNT....1	
5		Ref. FORMING, CONTROL PANEL (refer to 208.1)	
6	T108326GT	PLATE,HARNESS MOUNT.....1	
7	824124GT	BOLT,CARRIAGE,1/4-20X.75,5,ZAG	
8		Ref. GCON, GR/GRC/GS (refer to figure 208.1)	
9	55675GT	LATCH, LRG PADDLE HANDLE GS90...1	
10	66204GT	FILTER CAP (PLUG 1-1/2" NPT HEX....1	
11	96355GT	TUBE, ASSY, RETURN.....1	
12	78546GT	BREATHER CAP,HYD. TANK,1/4 NPT.....1	
13	96354GT	TUBE, ASSY, DRAW.....1	
14	226163GT	HYD. TANK KIT, GS30,32,46.....1 (includes items 15 and 16)	
--	T109012GT	TANK,HYD, SLAB SCISSORS	
15	96855GT	CLAMP,HOSE,1 EAR,1-1/16***.....2	
16	96709GT	GROMMET,SLAB HYD TANK***.....2	
17	96699GT	SLEEVE,TANK SUPPORT	
18	6638GT	WASHER,FLAT,USS,1/4"Y	
19	9116GT	BOLT,CARRIAGE,1/4-20x1.25,G2	
20	824078GT	SCREW,HHF,1/4-20X.75,8,ZAG	
21		REF. FILTER ASSY (refer to figure 501.1)	
22		REF. ELECTRIC MOTOR/PUMP (refer to figure 505.1)	
23A	1257840GT	MOTOR CONTROLLER, DC,24V,360A.....1	
23B	1257840GT	MOTOR CONTROLLER, DC,24V,360A	
23C	232534GT	KIT,CONTACTOR,GS	
23D	1261335GT	KIT,BATT. CABLE ASSY.,GS30/32.....1 All models with motor controller, 823408GT, installed	
23E	1261334GT	KIT,BATT. CABLE ASSY.,GS46.....1 All models with motor controller, 823408GT, installed	
23F	233379GT	KIT, INVERTER JUMPER, GS.....1 All models with motor controller, 823408GT, installed	
24	6091GT	NUT,NYLOCK,1/4-20	

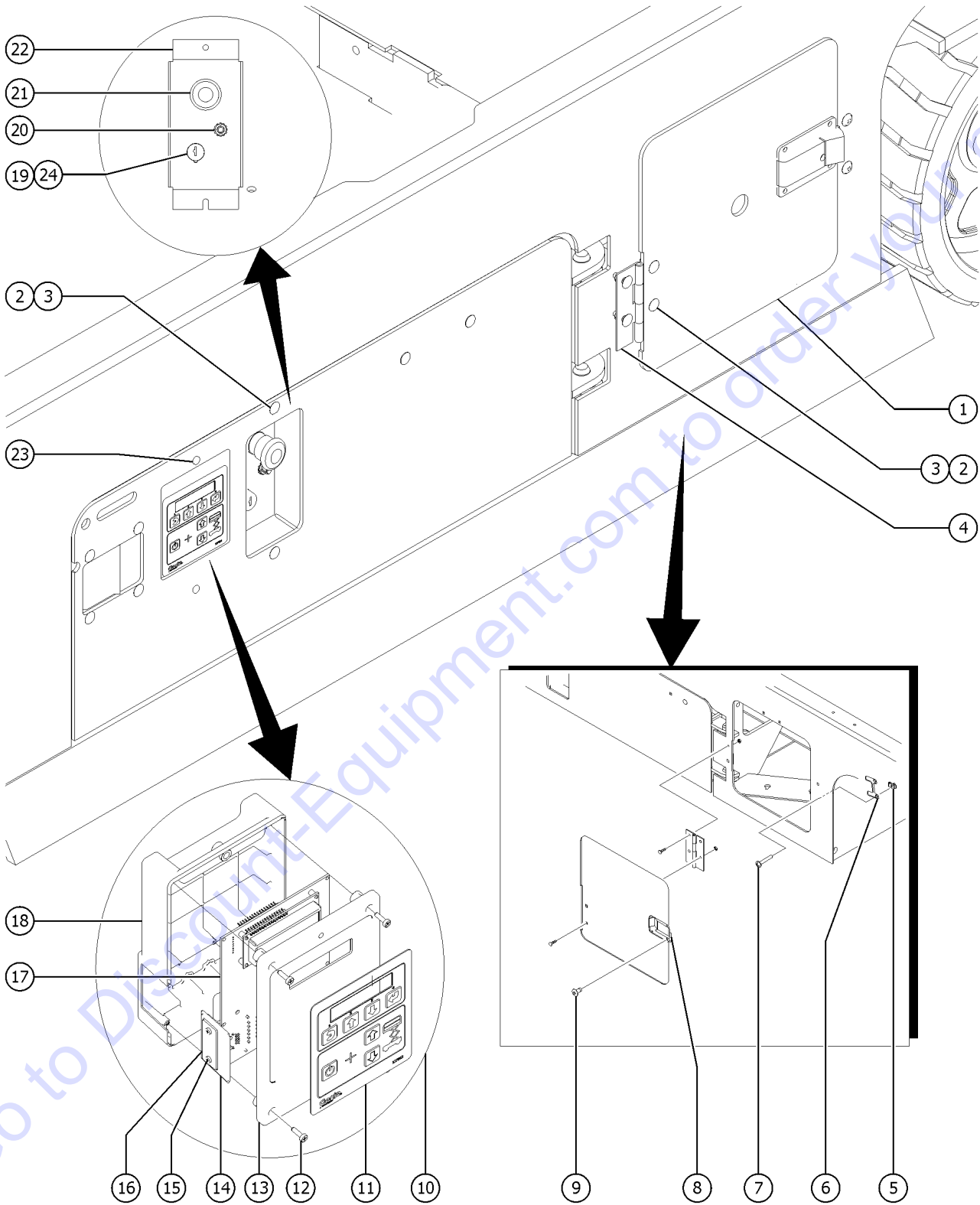
207.2 Power Unit Module (from SN GS4616D-3986)



207.2 Power Unit Module (from SN GS4616D-3986)

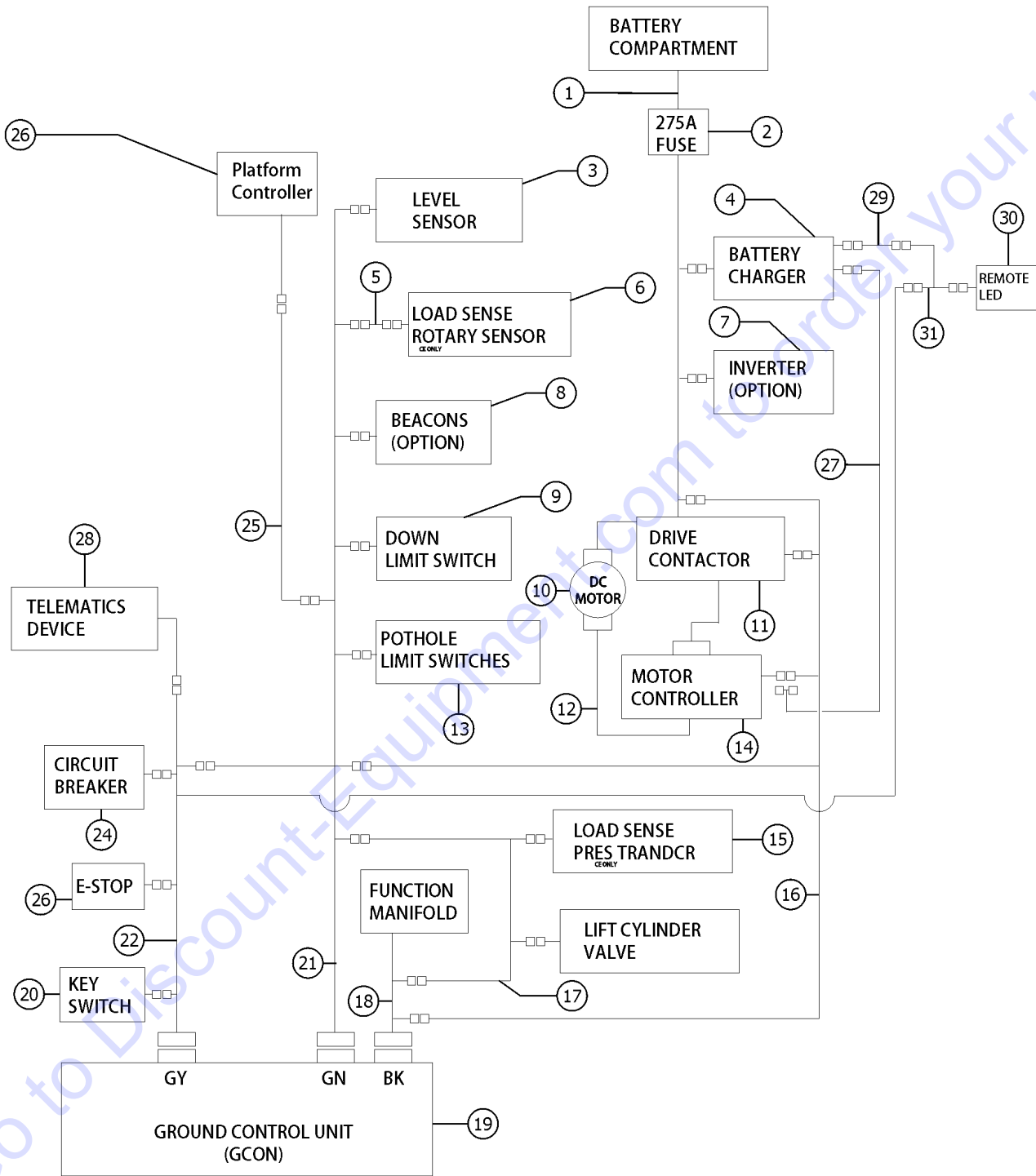
Item	Part No.	Description	Qty.	Item	Part No.	Description	Qty.
1A	231114GT	HYDR TRAY ASSY W/WORDS.....1		19	9116GT	BOLT,CARRIAGE,1/4-20x1.25,G2	
--	T113296GT	WELDMENT,GS HYD TRAY (decals not included, refer to section one)		20	824078GT	SCREW,HHF,1/4-20X.75,8,ZAG	
1B	231167GT	HYDR TRAY ASSY,GS30 W/SYMBOLS.....1		21		REF. FILTER ASSY (refer to figure 501.1)	
--	T113296GT	WELDMENT,GS HYD TRAY (decals not included, refer to section one)		22		REF. ELECTRIC MOTOR/PUMP (refer to figure 505.1)	
2	824080GT	SCREW,HHF,1/4-20X1.25,8,ZAG (refer to figure 208.1)		23A	1257840GT	MOTOR CONTROLLER, DC,24V,360A	
3	824027GT	NUT,TL FLG,1/4-20,G,ZAG		23B	232534GT	KIT,CONTACTOR,GS	
4A	1280158GT	KIT,SLAB HYD TANK TUBE REPLACEMENT (includes draw tube, return tube, and filter control mount)		24	6091GT	NUT,NYLOCK,1/4-20	
--	1270598GT	TUBE, SLAB DRAW ASSEMBLY					
--	1276561GT	TUBE, SLAB RETURN ASSEMBLY					
4B	1276562GT	FORMING,FILTER-CONTROLLER MOUNT					
5		Ref. FORMING, CONTROL PANEL					
6	T108326GT	PLATE,HARNESS MOUNT.....1					
7	824124GT	BOLT,CARRIAGE,1/4-20X.75,5,ZAG					
8		Ref. GCON, GR/GRC/GS (refer to figure 208.1)					
9	55675GT	LATCH, LRG PADDLE HANDLE GS90...1					
10	66204GT	FILTER CAP (PLUG 1-1/2" NPT HEX.....1					
11A	1280158GT	KIT,SLAB HYD TANK TUBE REPLACEMENT (includes draw tube, return tube, and filter control mount)					
--	1276561GT	TUBE, SLAB RETURN ASSEMBLY					
--	1276562GT	FORMING,FILTER-CONTROLLER MOUNT					
11B	1270598GT	TUBE, SLAB DRAW ASSEMBLY					
12	78546GT	BREATHER CAP,HYD. TANK,1/4 NPT.....1					
13A	1280158GT	KIT,SLAB HYD TANK TUBE REPLACEMENT (includes draw tube, return tube, and filter control mount)					
--	1270598GT	TUBE, SLAB DRAW ASSEMBLY					
--	1276562GT	FORMING,FILTER-CONTROLLER MOUNT					
13B	1276561GT	TUBE, SLAB RETURN ASSEMBLY					
14	226163GT	HYD. TANK KIT, GS30,32,46.....1 (includes items 15 and 16)					
--	T109012GT	TANK,HYD, SLAB SCISSORS					
15	96855GT	CLAMP,HOSE,1 EAR,1-1/16***.....2					
16	96709GT	GROMMET,SLAB HYD TANK***.....2					
17	96699GT	SLEEVE,TANK SUPPORT					
18	6638GT	WASHER,FLAT,USS,1/4"Y					

208.1 Ground Controls



Item	Part No.	Description	Qty.
A	1252764GT	SPACER, GROUND CONTROL ECU.....1	
B	824216GT	SCREW,PHPM,10-32X1.5,ZAG	
1	105732GT	PLATE,SIDE DOOR***1 (used on both sides)	
2	824124GT	BOLT,CARRIAGE,1/4-20X.75,5,ZAG.....6	
3	824027GT	NUT,TL FLG,1/4-20,G,ZAG.....6	
4	105734GT	HINGE,ACCESS DOOR(13G).....1	
5	56912GT	SPRING CLIP,1/4-20,.025-.15X.54,ZAG.....2	
6	105572GT	PLATE,SIDE DOOR STOP***1	
7	1260984GT	SCREW,PHPM,1/4-20X.75,ZAG.....2	
8	105759GT	LATCH,COMPRESSION,SMALL.....1	
9	824206GT	RIVET,STL,STL,DOME,1/8X.25,ZAG.....2	
10	1256721GT	GCON,STD,PROP LIFT.....1	
11	137562GT	DECAL,MEMBRANE, GR/GRC/GS GCON.....1	
12	137668GT	SCREW,PHM,6-19X.75, 48-2 TRI-L.....4	
13	T106366GT	ENCLOSURE,GC27-25/GC21-19,FRNT.1	
14	T106363GT	ADAPTER, RJ45, GC27-25/GC21-19.....1	
15	137637GT	SCREW,PHM,4-20X.5, 48-2 TRI-L.....2	
16	T106362GT	COVER, RJ45, GC27-25/GC21-19.....1	
17	1256719GT	PCBA,GCON STD,PROP LIFT.....1	
18	T106372GT	ENCLOSURE, GC21-19, BK.....1	
19	96008-SGT	KEYSWITCH,3 POS. W/KEYS***1	
--	37947GT	KEYS,10 PACK*** (sold seperately)	
--	83093GT	KEY SINGLE*** (sold seperately)	
--	85239GT	NUT,RETAINER (96008) (sold seperately)	
--	96009GT	WASHER,NITRILE (sold seperately)	
--	96010GT	SCREW,PHILLIPS,PHM,8-32 X.25** (sold seperately)	
20	96452GT	CIRCUIT BREAKER,7.0 AMP***1	
--	122994GT	NICKEL PLATED JAM NUT	
--	6700GT	WASHER,STAR,EXTERNAL,,375	
21	66812GT	BUTTON,PUSH,RED MUSHROOM HEAD.....1	
--	58627GT	NUT	
--	66817GT	BASE WITH 1 NC CONTACT, E-STOP	
22	T108327GT	FORMING,CONTROL PANEL.....1	
23	51063GT	SCREW,PHILLIPS,RHM,10-32 X 1.5.....2	
24	96010GT	SCREW,PHILLIPS,PHM,8-32 X.25**.....3	

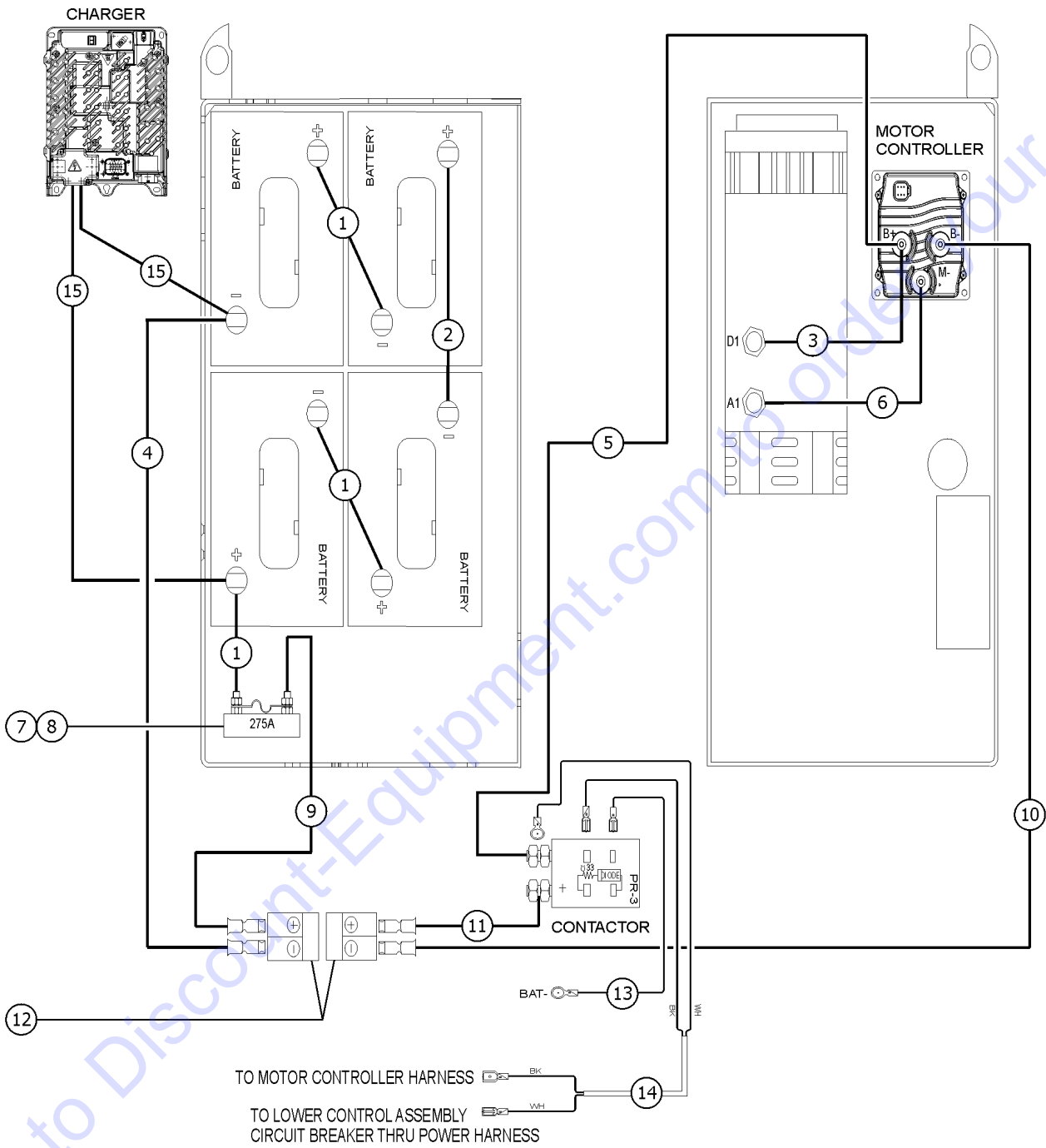
209.1 Electrical Wiring



209.1 Electrical Wiring

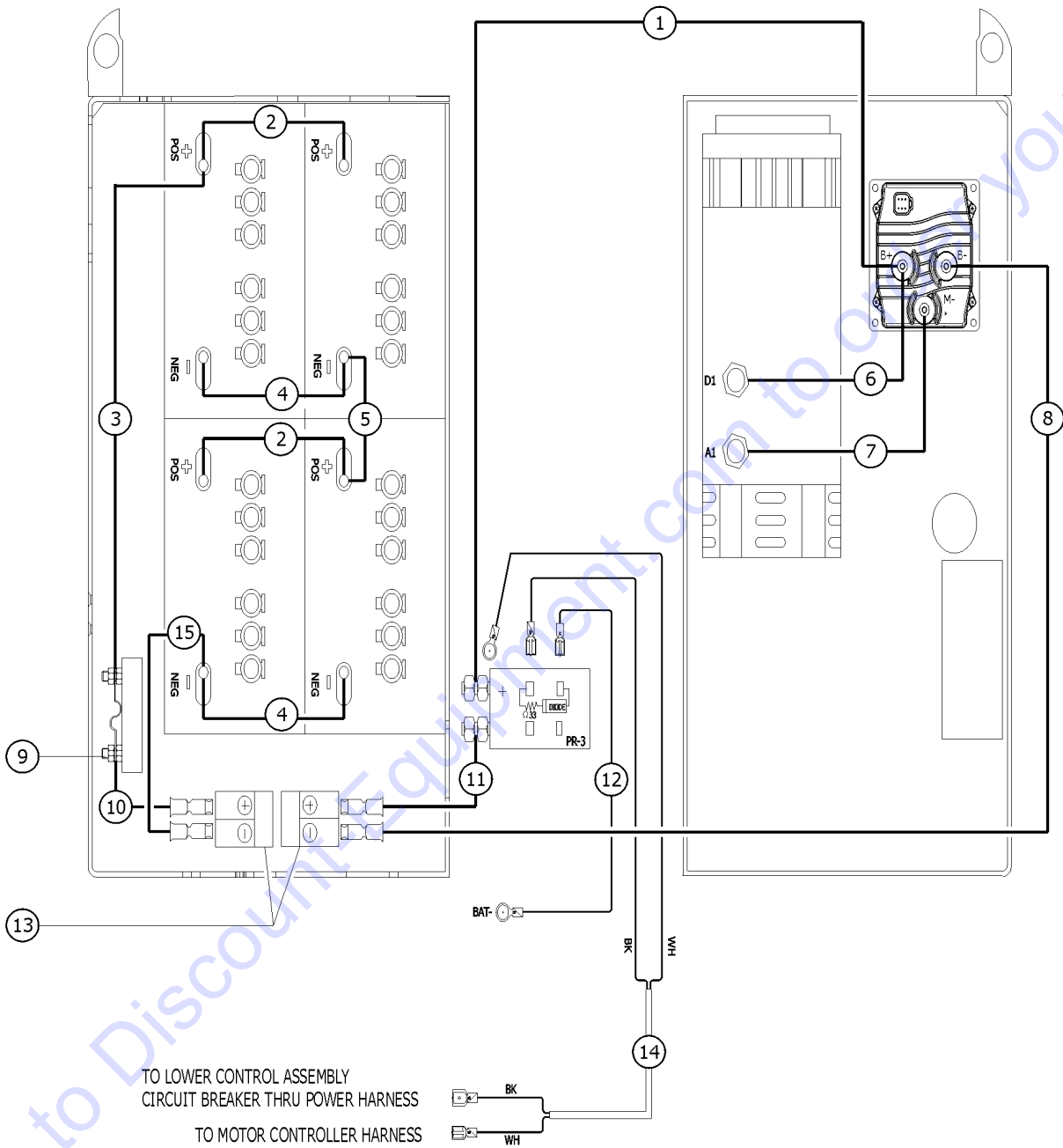
Item	Part No.	Description	Qty.	Item	Part No.	Description	Qty.
A	105214GT	CABLE TIE MOUNT, WINGED <i>not shown</i>		--	233644GT	RESISTOR,200 OHM 10W,CERAMIC <i>for 233711GT</i>	
A	56926GT	CLIP,TIE HARNESS MOUNT*** <i>not shown</i>		--	233711GT	HRNS ASSY,RESISTOR DIODE <i>for 228786GT and T110891GT</i>	
B	1264822GT	KIT, TRC RETROFIT, STNDRD <i>Telematics (includes 1264834)</i>		21C	1263220GT	HARNESS, GS SENSORS, CE,UTS <i>for UTS only</i>	
--	1264834GT	INSTRN, TRC RETROFIT, STNDRD		22A	T110890GT	HARNESS, GS POWER CONTRL.....1 <i>(Grey connector)</i>	
1		REF. BATTERY CABLE <i>refer to 210.1</i>		22B	1258394GT	HARNESS,GS POWER CONTROL.....1 <i>from SN GS46D-9971</i>	
2		REF. FUSE <i>refer to 205.1</i>		23		REF. E-STOP BUTTON <i>refer to 208.1</i>	
3		REF. LEVEL SENSOR <i>refer to 203.1</i>		24		REF. CIRCUIT BREAKER <i>refer to 208.1</i>	
4		REF. CHARGER <i>refer to 206.1</i>		25A	233050GT	CABLE, PLATFORM CONTROL, 20XX...1 GS-2046	
5	T114031GT	HARNESS, ROTARY ANGLE.....1		--	218579GT	WIRE CABLE 18/5 - UNSHIELDED.....324-inches GS-2046	
6	T113136GT	ASSY,ROT SENSR W/ HARNESS.....1		--	231921GT	KIT,CONN,RECEPT W/PIN AND LOCK	
7		REF. INVERTER <i>refer to 604.1</i>		--	231922GT	KIT,CONN,PLUG W/SCKT AND LOCK	
8		REF. STOBE,BEACON <i>refer to 601.1</i>		25B	233051GT	CABLE, PLATFORM CONTROL, 26XX...1 GS-2646	
9		REF. DOWN LIMIT, GS <i>refer to 203.1</i>		--	218579GT	WIRE CABLE 18/5 - UNSHIELDED.....440-inches GS-2646	
10		REF. ELECTRIC MOTOR <i>refer to 504.1</i>		--	231921GT	KIT,CONN,RECEPT W/PIN AND LOCK	
11	1270457GT	CONTACTOR,DRIVE,24V,180A		--	231922GT	KIT,CONN,PLUG W/SCKT AND LOCK	
12		REF. BATTERY CABLE <i>refer to 210.1</i>		25C	233052GT	CABLE, PLATFORM CONTROL, 32XX...1 <i>from SN GS46D-9971</i>	
13	96309GT	ASSY,POTHOLE HARNESS,GS.....1		26		REF. PCON <i>refer to 403.1</i>	
13	96853GT	ASSY,POTHOLE HARNESS GS32/GS46.....1		27	144215GT	CHARGER INTERLOCK CABLE,GS46	
14		REF. MOTOR CONTROLLER <i>refer to 207.1</i>		28	1283053GT	HARNESS, TELEMATICS, GS SLAB.....1 <i>from SN GS46D-9971</i>	
15	229750GT	HARNESS,PRESS,TRANSDUCER***1		29	1265771GT	HARNESS, CHARGER CONTROL.....1 <i>from SN GS4616D-4433</i>	
16	233430GT	HRNS,CONTACTOR SIGNAL,GS46.....1		30	1270281GT	ASSEMBLY, CHARGER STATUS LED, 2V.....1 <i>from SN GS4616D-5044</i>	
17A	233055GT	CABLE,LIFT CYL DWN, 32XX,W/LS.....1 GS-2046, GS-2646 (ANSI, CSA)		31	1273394GT	HARNESS, CHARGER EXTENSION.....1 <i>from SN GS4616D-5044</i>	
17B	233053GT	CABLE,LFT CYL DN,20/26XX,W/LS GS-2046, GS-2646 (CE, Australia)					
18	1257824GT	HARNESS,FUNCTION MANIFOLD,GS...1 <i>replaced T110889GT (Black connector)</i>					
19		REF. GCON <i>refer to 208.1</i>					
20		REF. KEYSWITCH <i>refer to 208.1</i>					
21A	1263221GT	HARNESS, GS SENSORS, ANSI,UTS...1					
--	233711GT	HRNS ASSY,RESISTOR DIODE <i>for 228786GT and T110891GT</i>					
21B	T110891GT	HARNESS, GS SENSORS, CE.....1 <i>(Green connector)</i>					

210.1 Power Cables



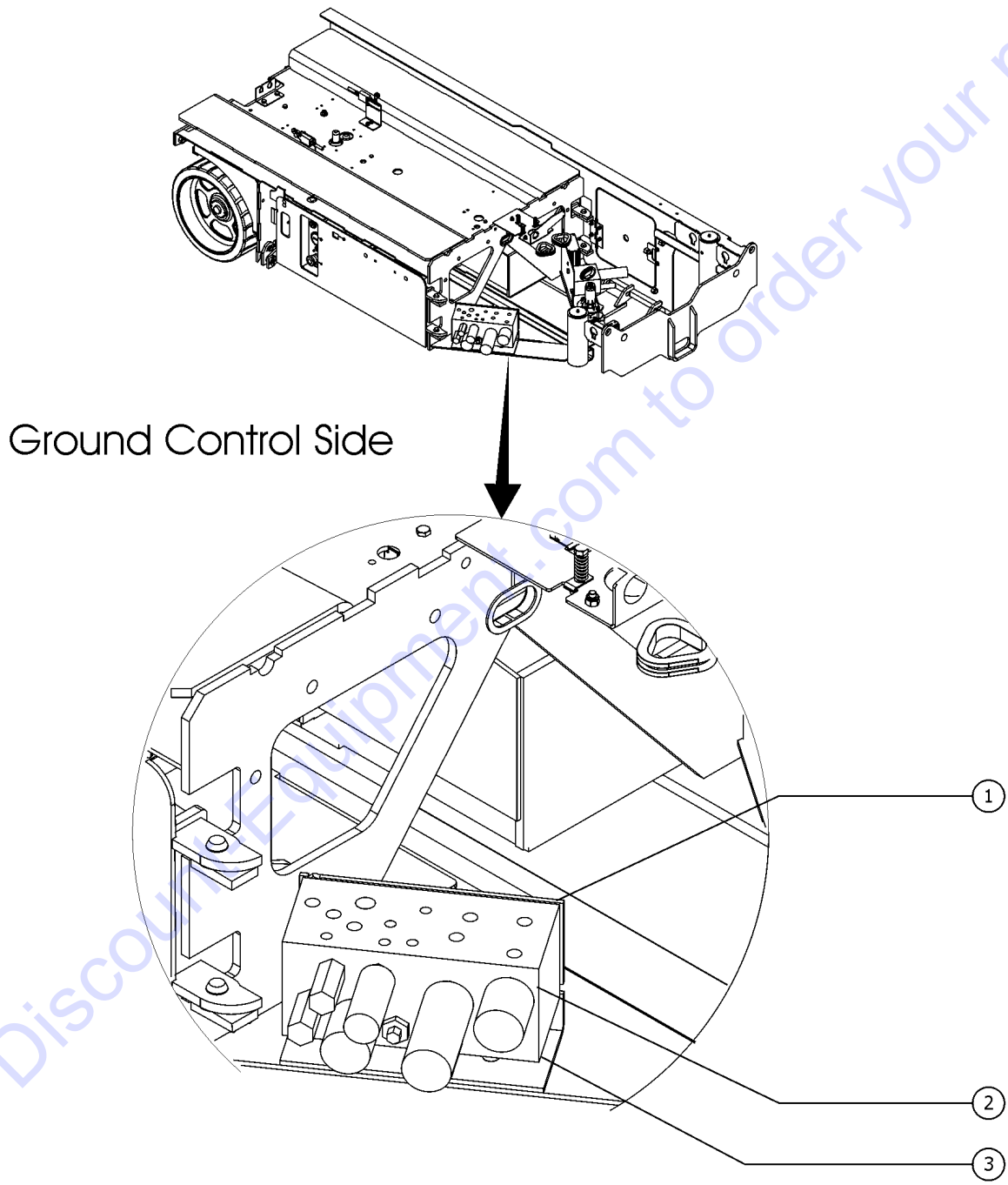
Item	Part No.	Description	Qty.
A	28131GT	WIRE LOOM,1.25 DIA.....16-inches	
B	96110GT	BOOT,CABLE TERMINAL COVER.....14	
C	79140GT	BOOT,CABLE TERMINAL,RED,XL.....2	
1	96304GT	CABLE ASSY,BATT,5.50"RED.....3	
2	96306GT	CABLE ASSY,BATT,9.50"RED.....1	
3	1257054GT	CABLE ASSY., BATT. 14" RED.....1	
4	232578GT	CABLE ASSY,BATT, 20" BLK.....1	
5	1257057GT	CABLE ASSY., BATT. 88.5" RED.....1	
6	1257055GT	CABLE ASSY., BATT. 12" BLACK.....1	
7	66717GT	FUSE BLOCK, ANN & ANL FUSE.....1	
8	40833GT	FUSE,275 AMP,VERY FAST ACTING.....1	
9	232576GT	CABLE ASSY,BATT, 12" RED.....1	
10	1257056GT	CABLE ASSY., BATT. 93" BLACK.....1	
11	233371GT	CABLE ASSY,BATT,23"RED.....1	
12	66397GT	QUICK DISCONNECT CASING,BATT**2	
13	232582GT	GROUND WIRE ASSY,GS.....1	
14	233430GT	HRNS,CONTACTOR SIGNAL,GS46.....1	
15	1272844GT	CABLE,CHARGER, DC, W/ BTS.....1 (AGM batteries)	

210.2 Power Cables



Item	Part No.	Description	Qty.
A	28131GT	WIRE LOOM,1.25 DIA.....16 inches	
B	96110GT	BOOT,CABLE TERMINAL COVER.....11	
C	79140GT	BOOT,CABLE TERMINAL,RED,XL.....6	
1	1257858GT	CABLE ASSY., BATT. 101", RED.....1	
2	1252766GT	CABLE ASSY,BATT,11"RED.....2	
3	236806GT	CABLE ASSY,BATT,30.5" RED.....1	
4	1252765GT	CABLE ASSY,BATT,11"BLACK.....2	
5	236824GT	CABLE ASSY,BATT,11" BLACK.....1	
6	1257054GT	CABLE ASSY., BATT. 14" RED.....1	
7	1257055GT	CABLE ASSY., BATT. 12" BLACK.....1	
8	1257855GT	CABLE ASSY., BATT. 106" BLACK.....1	
9	66717GT	FUSE BLOCK, ANN & ANL FUSE.....1	
10	236821GT	CABLE ASSY,BATT,10.5" RED.....1	
11	233371GT	CABLE ASSY,BATT,23"RED.....1	
12	1264227GT	GROUND WIRE ASSY,GS4047.....1	
13A	66397GT	QUICK DISCONNECT CASING,BATT**2	
13B	44716GT	HANDLE,ANDERSON CONNECTOR SB.....1	
14	233430GT	HRNS,CONTACTOR SIGNAL,GS46.....1	
15	236824GT	CABLE ASSY,BATT,11" BLACK.....1	

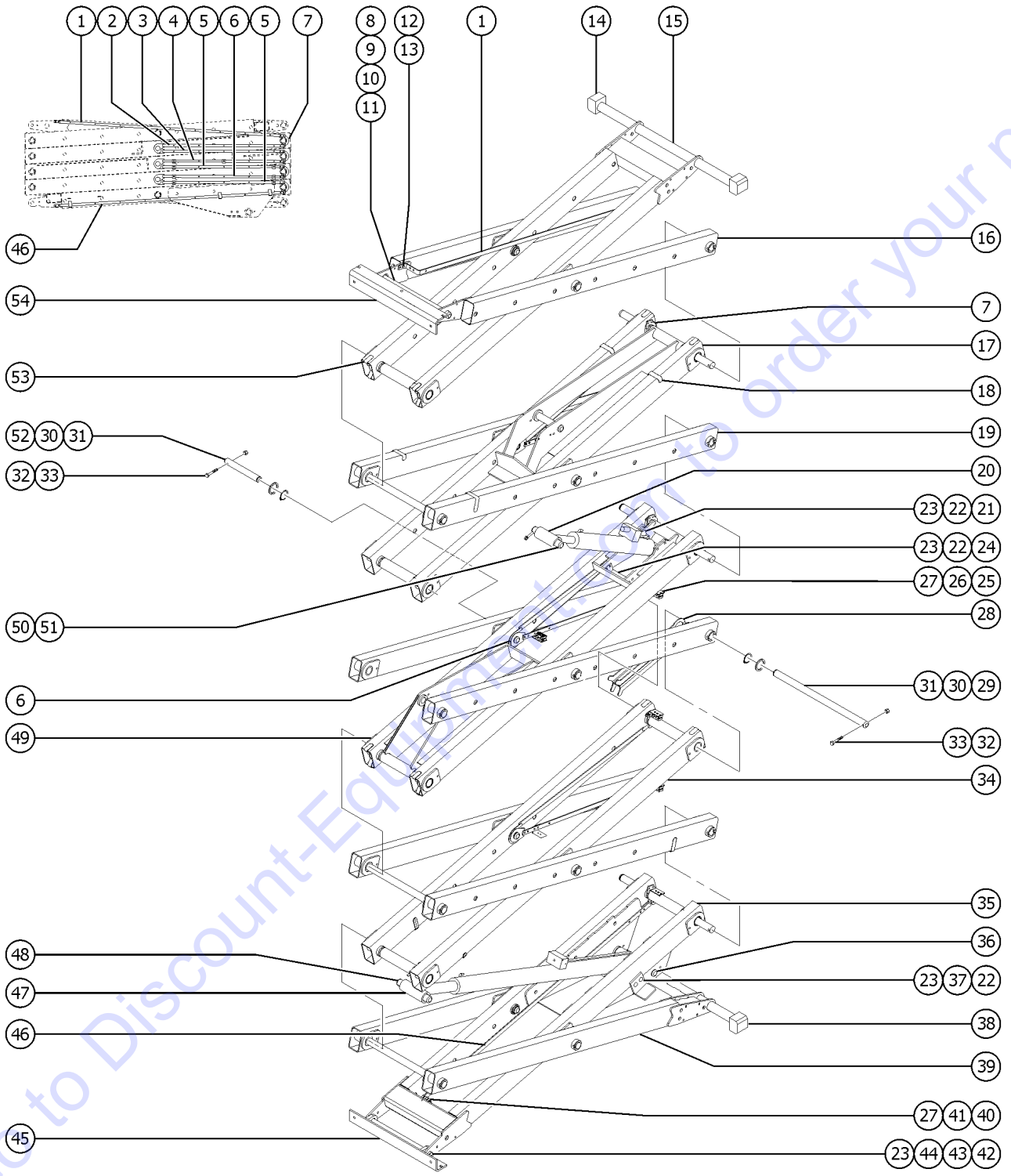
211.1 Function Manifold and Accumulator Components



211.1 Function Manifold and Accumulator Components

Item	Part No.	Description	Qty.
1	105574GT	FORMING,MANIFOLD MOUNT	
2		Ref. Function Manifold <i>(refer to 502.1)</i>	
3	78422GT	ACCUMULATOR,180 PSI PRECHARGE* <i>(hidden from view)</i>	
--	32339GT	CLAMP,1.75,#28 X 3/8,RUB CUSH* <i>(hidden from view)</i>	
--	824024GT	NUT,TL,1/4-20,C,ZAG <i>(hidden from view)</i>	
--	9116GT	BOLT,CARRIAGE,1/4-20x1.25,G2 <i>(hidden from view)</i>	

301.1 Scissor Assembly Installation

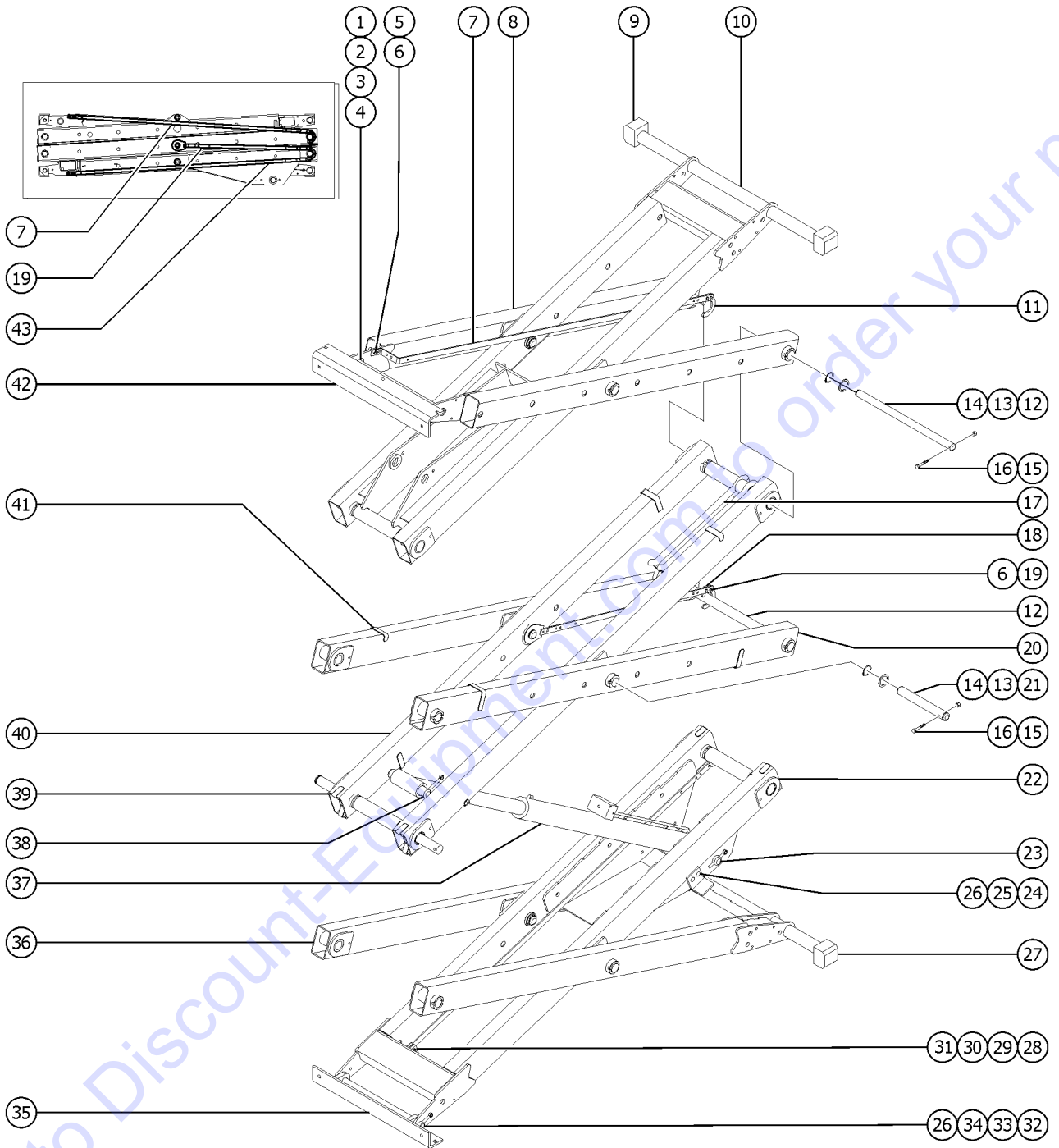


301.1 Scissor Assembly Installation

Item	Part No.	Description	Qty.
1	1255757GT	BOLT,CARRIAGE,3/8-16X1.25,5,ZAG.....4	4
2	824029GT	NUT,TL FLG,3/8-16,G,ZAG.....4	4
3	96595GT	SLIDER,UHMW.....4	4
4	1256115GT	BOLT,CARRIAGE,1/2-13X1.75,5,ZA.....4	4
5	1251997GT	NUT,TL FLG,1/2-13,G,ZAG.....4	4
6	97241GT	CHASSIS MOUNT ASSY, GS32&46.....1	1
--	51474GT	BEARING,1.00IDX1.25ODX0.75L.....2	2
7	84747GT	PLATFORM MOUNT ASSY, GS32&46....1	1
--	36369GT	BEARING,0.75IDX1.00ODX0.75L.....2	2

Go to Discount-Equipment.com to order your parts

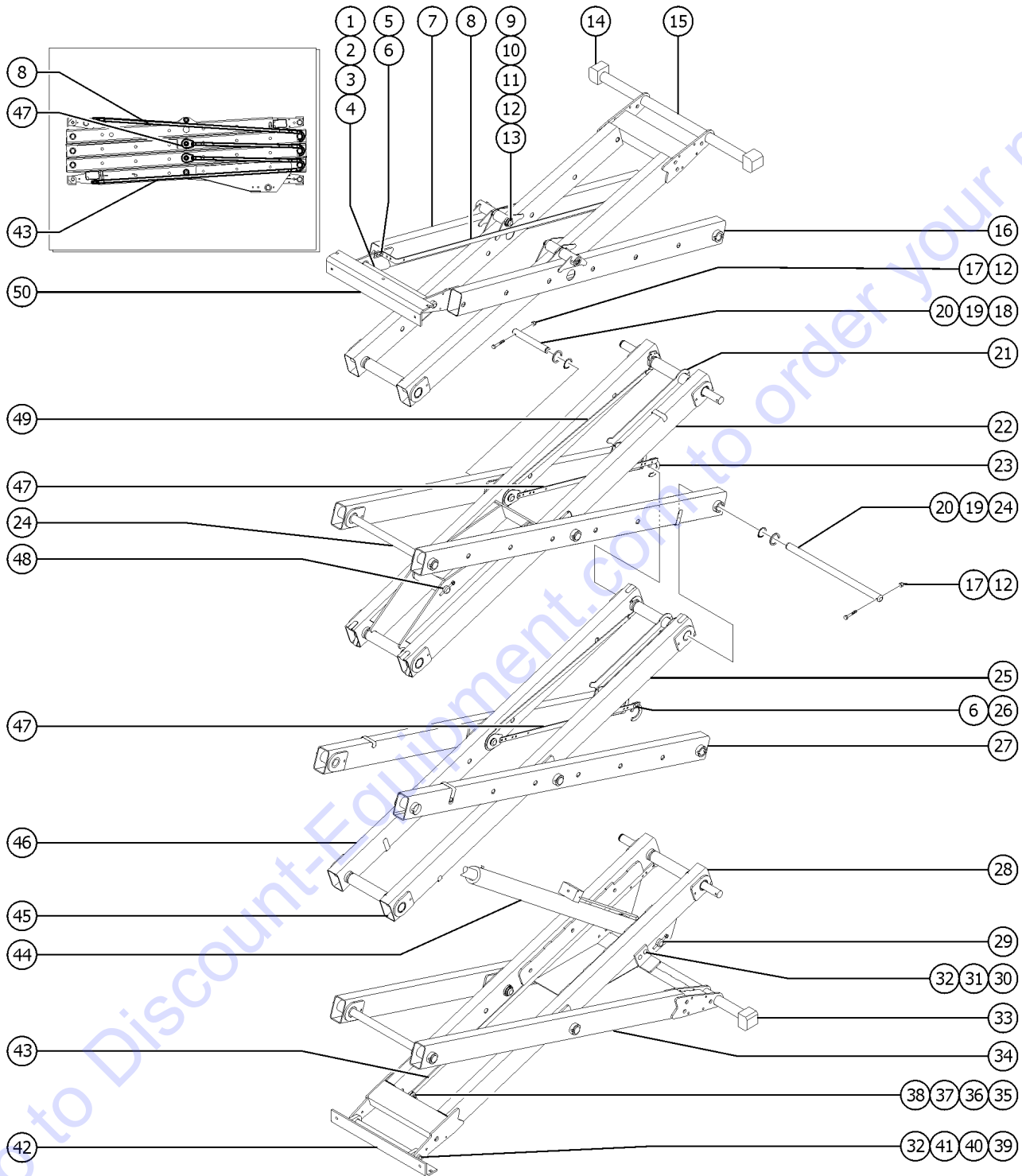
302.1 Scissor Assembly, GS-2046



302.1 Scissor Assembly, GS-2046

Item	Part No.	Description	Qty.	Item	Part No.	Description	Qty.
1	96932GT	PIN, LINKSET MOUNT, 3/4".....	1	31	1256467GT	NUT,TL FLG,10-24,F,ZAG.....	3
2	825020GT	ROD END, .25 X 2.75, ZAG.....	2	32	96862GT	PIN, LINKSET MOUNT, 1".....	1
3	824080GT	SCREW,HHF,1/4-20X1.25,8,ZAG.....	2	33	825019GT	ROD END,.375X3.69,ZAG.....	3
4	824027GT	NUT,TL FLG,1/4-20,G,ZAG.....	2	34	824092GT	SCREW,HHF,3/8-16X1.5,8,ZAG.....	3
5	1256127GT	BOLT,CARRIAGE,1/4-20X1.5,ZAG.....	2	35		Ref. Chassis Mount Assembly (refer to 301.1)	
6	1256679GT	NUT,SERRATED,1/4-20,8,ZAG.....	5	36A	105029GT	WLDMT,LNK,OUTER #1,GS32.....	1
7	105189GT	BAR,CABLE BRIDGE ARM,UPPER.....	1			(decal not included refer to section one)	
8	96611GT	WLDMT,LNK,OUT #3-20XX,#5-32XX.....	2	36B	96603GT	WLDMT,LNK,OUTER #1,XX46.....	1
9		Ref. Platform Slider (refer to 301.1)				(decal not included refer to section one)	
10A	84696GT	INNER ARM ASSY,#3 GS2032.....	1	37		Ref. Lift Cylinder (refer to 505.1)	
--	105030GT	WLDMT,LNK,INNER #3,2032.....	1	38	96661GT	PIN, UPPER CYLINDER MOUNT.....	1
		(bearings not included)		39	96735GT	LINK BUMPER, 5".....	4
--	66055GT	BEARING,1.50IDX1.77ODX1.25L.....	6	40	97234GT	INNER ARM ASSY, #2, GS32&46.....	1
10B	97233GT	INNER ARM ASSY, #3, 2046.....	1	--	66055GT	BEARING,1.50IDX1.77ODX1.25L.....	8
--	66055GT	BEARING,1.50IDX1.77ODX1.25L.....	6	41	96836GT	LINK BUMPER, SHORT TUBE.....	8
--	96606GT	WLDMT,LNK,INNER #3,2046 (bearings not included)		42		Ref. Platform Mounting Assembly (refer to 301.1)	
11	105193GT	CLIP,CABLEBRIDGE, GS32/46.....	2	43	105186GT	WLDMNT,CABLE BRIDGE,LOWER.....	1
12	96899GT	PIN, LONG, GS46.....	4				
13	1260941GT	WASHER,SHIM,1.54X2.00X.125,ZAG.....	10				
14	825796GT	SNAP RING,EXTERNAL,1.50,ZAG.....	8				
15	1256848GT	SCREW,HHC,3/8-16X2.75,8,ZAG.....	10				
16	824025GT	NUT,TL,3/8-16,C,ZAG.....	10				
17	58000GT	SAFETY CHOCK,SCISSOR.....	1				
18A	105191GT	WELDMENT.CABLE BRIDGE, TOP.....	2				
18B	105190GT	WLDMT,CABLE BRIDGE,BOTTOM.....	2				
19	1260963GT	BOLT,CARRIAGE,1/4-20X.63,5,ZAG.....	2				
20	96605GT	WLDMT,LNK,OUTER #2,#3,#4.....	2				
21	96900GT	PIN, SHORT, GS46.....	6				
22	237565GT	INNER ARM ASSEMBLY #1,GS32/46.....	1				
		(decal not included refer to section one)					
--	66055GT	BEARING,1.50IDX1.77ODX1.25L.....	6				
--	96601GT	WLDMT,LNK,INNER #1.....	1				
		(bearings not included)					
23	96662GT	PIN, LOWER CYLINDER MOUNT.....	1				
24	1256756GT	BOLT,CARRIAGE,3/8-16X1.5,5,ZAG.....	2				
25	105074GT	FORMING,PH PUSHER, GS46.....	1				
26	824029GT	NUT,TL FLG,3/8-16,G,ZAG.....	9				
27		Ref. Chassis Slider (refer to 301.1)					
28	58592GT	PLATE,HOSE ROUTG,BULKHEAD(PTD).....	2				
29	78736GT	CLAMP,2 HOSE,PLASTIC,5/8.....	4				
30	1259201GT	BOLT,CARRIAGE,10-24X2,A,ZAG.....	3				

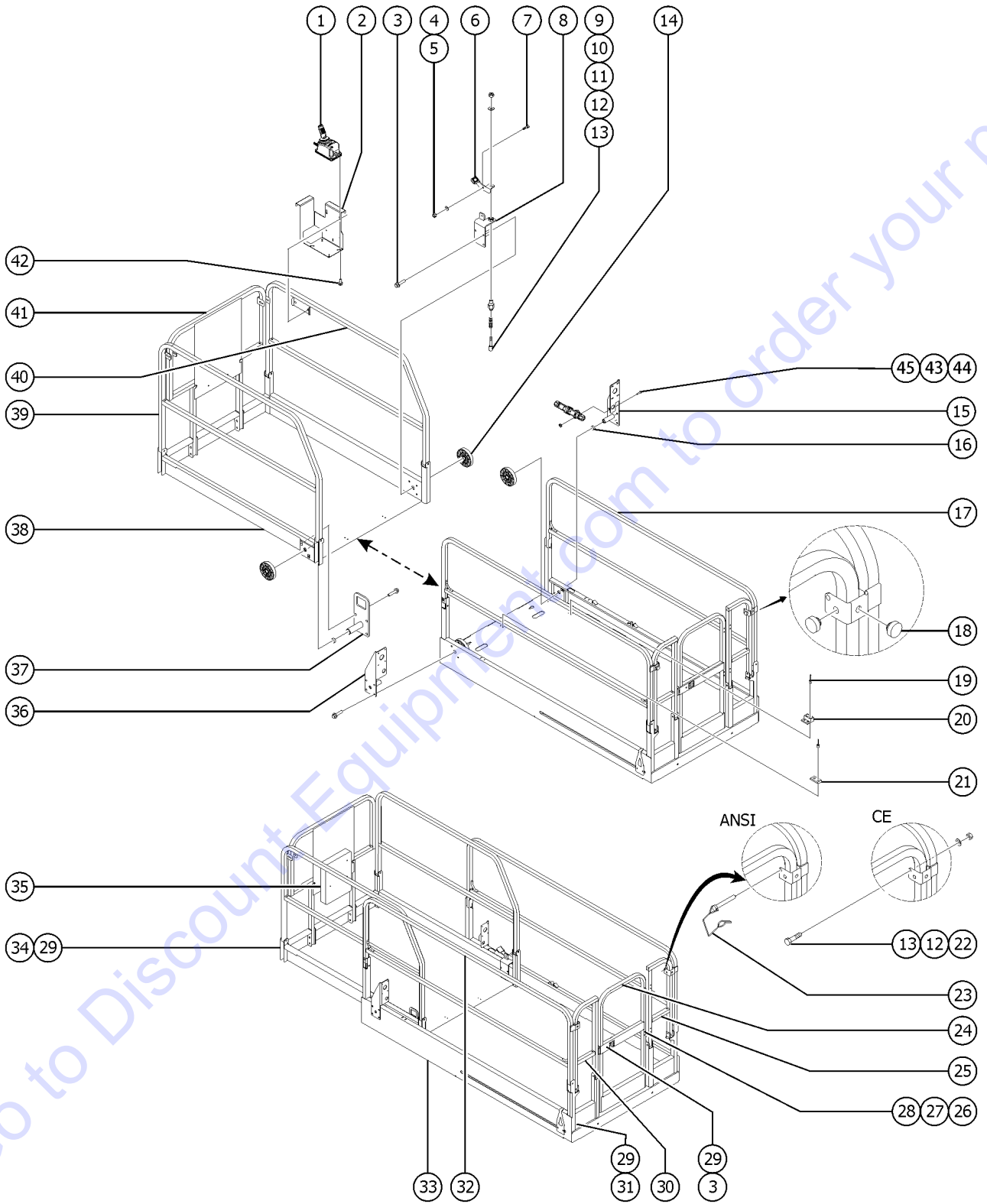
303.1 Scissor Assembly, GS-2646



303.1 Scissor Assembly, GS-2646

Item	Part No.	Description	Qty.	Item	Part No.	Description	Qty.
1	96932GT	PIN, LINKSET MOUNT, 3/4".....	1	32	824029GT	NUT,TL FLG,3/8-16,G,ZAG.....	9
2	825020GT	ROD END, .25 X 2.75, ZAG.....	2	33		Ref. Chassis Slider <i>refer to 301.1)</i>	
3	824080GT	SCREW,HHF,1/4-20X1.25,8,ZAG.....	2	34A	105029GT	WLDMT,LNK,OUTER #1,GS32.....	1
4	824027GT	NUT,TL FLG,1/4-20,G,ZAG.....	2			<i>(decals not included refer to section one)</i>	
5	1256127GT	BOLT,CARRIAGE,1/4-20X1.5,ZAG.....	2	34B	96603GT	WLDMT,LNK,OUTER #1,XX46.....	1
6	1256679GT	NUT,SERRATED,1/4-20,8,ZAG.....	6			<i>(decals not included refer to section one)</i>	
7	96615GT	WLDMT,LNK,OUTER #4,26XX.....	1	35	58592GT	PLATE,HOSE ROUTG,BULKHEAD(PTD).....	2
		<i>(ground controls side)</i>		36	78736GT	CLAMP,2 HOSE,PLASTIC,5/8.....	4
8	105189GT	BAR,CABLE BRIDGE ARM,UPPER		37	1259201GT	BOLT,CARRIAGE,10-24X2,A,ZAG.....	3
9	96130GT	PIN, MINI, CENTER.....	2	38	1256467GT	NUT,TL FLG,10-24,F,ZAG.....	3
10	824164GT	SNAP RING,EXTERNAL,1.25,ZAG.....	2	39	96862GT	PIN, LINKSET MOUNT, 1".....	1
11	824151GT	WASHER,SHIM,1.270X2.130X.062,Z.....	2	40	825019GT	ROD END,375X3.69,ZAG.....	3
12	824025GT	NUT,TL,3/8-16,C,ZAG.....	14	41	824092GT	SCREW,HHF,3/8-16X1.5,8,ZAG.....	3
13	1256848GT	SCREW,HHC,3/8-16X2.75,8,ZAG.....	2	42		Ref. Chassis Mount Assembly <i>(refer to 301.1)</i>	
14		Ref. Platform Slider <i>(refer to 301.1)</i>		43	105186GT	WLDMT,CABLE BRIDGE,LOWER GS-2646	
15A	84698GT	INNER ARM ASSY,#4 GS2632.....	1	44		Ref. Lift Cylinder <i>(refer to 505.1)</i>	
--	105031GT	WLDMT,LNK,INNER #4,2632.....	1	45	96735GT	LINK BUMPER, 5".....	4
		<i>bearings not included)</i>		46	97234GT	INNER ARM ASSY, #2, GS32&46.....	1
--	66055GT	BEARING,1.50IDX1.77ODX1.25L.....	8	--	66055GT	BEARING,1.50IDX1.77ODX1.25L.....	8
15B	97243GT	INNER ARM ASSY #4, 2646.....	1	47	105191GT	WELDMENT.CABLE BRIDGE,TOP	
--	66055GT	BEARING,1.50IDX1.77ODX1.25L.....	6	48	96812GT	PIN,LOWER CYL,ROD END.....	1
16	96616GT	WLDMT,LNK,OUTER #4,26XX,LEFT.....	1	49	105190GT	WLDMT,CABLE BRIDGE,BOTTOM	
		<i>(battery pack side)</i>		50		Ref. Platform Mount Assembly <i>(refer to 301.1)</i>	
17	1256848GT	SCREW,HHC,3/8-16X2.75,8,ZAG.....	12				
18	96900GT	PIN, SHORT, GS46.....	6				
19	1260941GT	WASHER,SHIM,1.54X2.00X.125,ZAG.....	10				
20	825796GT	SNAP RING,EXTERNAL,1.50,ZAG.....	12				
21	58000GT	SAFETY CHOCK,SCISSOR.....	1				
22	97244GT	INNER ARM ASSY #3, 2632/2646.....	1				
--	66055GT	BEARING,1.50IDX1.77ODX1.25L.....	8				
23	105193GT	CLIP,CABLEBRIDGE, GS32/46					
24	96899GT	PIN, LONG, GS46.....	6				
25	96836GT	LINK BUMPER, SHORT TUBE.....	8				
26	1260963GT	BOLT,CARRIAGE,1/4-20X.63,5,ZAG.....	3				
27	96605GT	WLDMT,LNK,OUTER #2,#3,#4.....	4				
28	237565GT	INNER ARM ASSEMBLY #1,GS32/46.....	1				
		<i>(decals not included refer to section one)</i>					
--	66055GT	BEARING,1.50IDX1.77ODX1.25L.....	6				
--	96601GT	WLDMT,LNK,INNER #1.....	1				
		<i>(bearings not included)</i>					
29	96662GT	PIN, LOWER CYLINDER MOUNT.....	1				
30	1256756GT	BOLT,CARRIAGE,3/8-16X1.5,5,ZAG.....	2				
		GS-2646					
31	105074GT	FORMING,PH PUSHER, GS46.....	1				

401.1 Platform Components



401.1 Platform Components

Item	Part No.	Description	Qty.	Item	Part No.	Description	Qty.
1A		Ref. Platform Control Box (refer to 403.1)		24C	66512GT	WLDMT, FULL HEIGHT GATE.....	1
1B	1280957GT	PCON ASSEMBLY,HARTING CONN OPTION.....	1	24D	65990-SGT	KIT,GATE LATCH (includes items 3 and 29)	
2		Ref. Platform Control Box Mount Bracket (refer to 403.1)		--	22446GT	SPRING,COMPRESSION .835 X 2.....	1
3	1253478GT	SCREW,HHF,3/8-16X2,8,ZAG.....	5	--	66544GT	LATCH HANDLE.....	1
4	1252977GT	NUT,TL JAM,5/16-18,A,ZAG.....	1	25	66923GT	WLDMT, ENTRY SIDERAIL, RT.....	1
5	825358GT	WASHER,FLAT,5/16,USS,ZAG.....	1	--	78038GT	CAP, TUBE, SQ,1.25 X .083	
6	46260GT	FOOTPEDAL W/NON-SKID TAPE,GS**.....	1	26	1253485GT	SCREW,HHF,1/4-20X2,8,ZAG.....	8
--	47166GT	BRACKET,FOOT PEDAL.....	1	27	104804GT	HINGE, SPRING, LONG LEG.....	2
--	47225GT	TAPE,NON-SKID,DIE CUT,1.38X1.5 (not included sold separately)		28	824027GT	NUT,TL FLG,1/4-20,G,ZAG.....	8
7	1259223GT	BOLT,SHS,3/8X.375X5/16-18,ZAG.....	1	29	824029GT	NUT,TL FLG,3/8-16,G,ZAG	
8	96413GT	WLDMT,LOCKING ROLLER SUPPORT.....	1	30	66920GT	WLDMT, ENTRY SIDERAIL, LT.....	1
9	1259181GT	PIN,LOCK,0.5X3.125,ZAG.....	1	--	78038GT	CAP, TUBE, SQ,1.25 X .083 (not included sold separately)	
10	39469GT	SPRING,COMPRESSION.485 X1.75**...	1	31	1260926GT	BOLT,CARRIAGE,3/8-16X2.25,5,ZAG.....	2
11	41630GT	HOUSING, LOCK PIN.....	1	32	82053-SGT	RAIL-GS46 PLAT,MAINDECK LT****.....	1
12	1255758GT	WASHER,FLAT,3/8,USS,ZAG.....	4	--	43392GT	BUMPER,BATTERY BOX & RAILS.....	3
13	824038GT	NUT, TL JAM, 3/8-16, A, ZAG.....	4	--	47098GT	TAPE,NON-SKID,DIE CUT,4"X 40" (not included sold separately)	
14	47163GT	ROLLER,PLATFORM EXTENSION.....	4	--	47231GT	TAPE,NON-SKID,DIE CUT,4"X 16" (not included sold separately)	
15A	84587GT	ROLLER BRACKET ASSY, GRND CNTR.....	1	--	47374GT	TAPE,NON-SKID,DIE CUT,4"X 32" (not included sold separately)	
15B	1280962GT	WLDMT,ROLLER BRKT,RT.....	1	33A	96718GT	WLDMT, MAIN DECK, GSXX46.....	1
15C	1286357GT	WLDMT,ROLLER BRKT,RT,HARTING PLUG.....	1			(decals not included, refer to section one) , to SN GS46D-10338	
16	21279GT	BUTTON, .800 O.D. X .281.....	3	33B	1284269GT	WLDMT,MAIN DECK,GS46,MET.....	1
17	82052-SGT	RAIL-GS46 PLAT,MAINDECK RT****.....	1			(decals not included, refer to section one) , from SN GS46D-10339	
18	43392GT	BUMPER,BATTERY BOX & RAILS.....	14	34	1256856GT	SCREW,HHF,3/8-16X2.5,8,ZAG	
19	39579GT	RIVET,STL,STL,.188 X .45.....	20	35	24514GT	BOX,INSTRUCTION STORAGE.....	1
20	39310GT	WEAR/GUIDE PAD MAIN PLATFORM...4		--	1256855GT	SCREW,HHF,1/4-20X.625,8,ZAG.....	4
21	39474GT	WEAR PAD,PLATFORM.....	3	--	824027GT	NUT,TL FLG,1/4-20,G,ZAG.....	4
22	824094GT	SCREW,HHF,3/8-16X2.75,8,ZAG.....	3	--	825358GT	WASHER,FLAT,5/16,USS,ZAG.....	4
23	1259182GT	PIN,WIRE LOCK 3/8 X 2.5,ZAG		36	96246GT	WELDMENT,ROLLER BRACKET,LT***.....	1
--	78022GT	LANYARD,BLACK NYLON,TYPE 1*** (CE & Australia models)		37	96200GT	WLDMT, LANYARD ROLLER BRKT.....	1
24A	96760GT	ASSY, PLATFORM GATE, GSXX46.....	1			(decals not included, refer to section one)	
24B	97242GT	SWING GATE ASSY, GS46 WELD.....	1	--	21279GT	BUTTON, .800 O.D. X .281.....	1
		(decals not included, refer to section one)				(sold separately)	
				38	97258GT	EXT. DECK ASSY, GS46.....	1
				--	39474GT	WEAR PAD,PLATFORM.....	2
				--	47374GT	TAPE,NON-SKID,DIE CUT,4"X 32".....	7

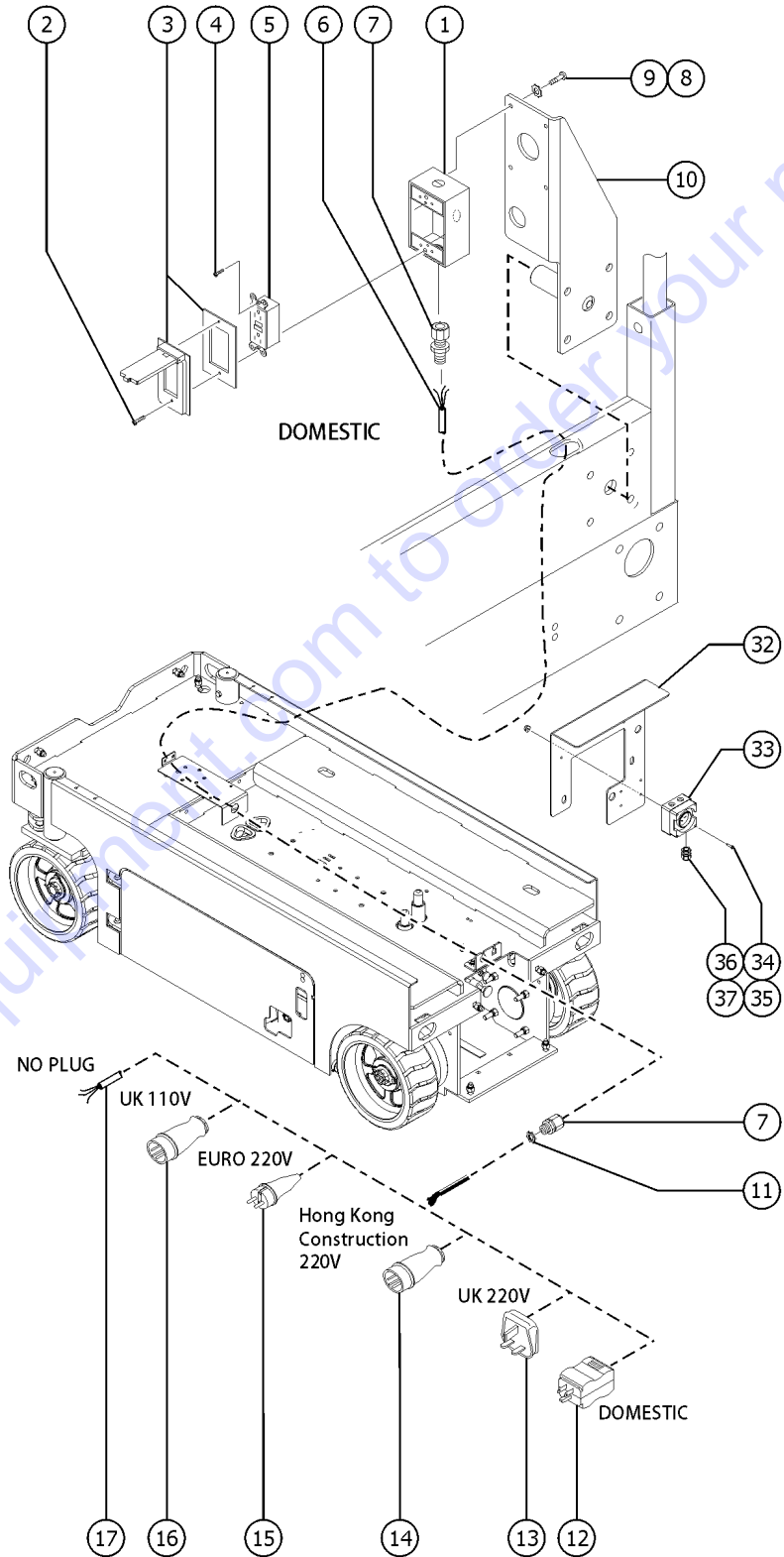
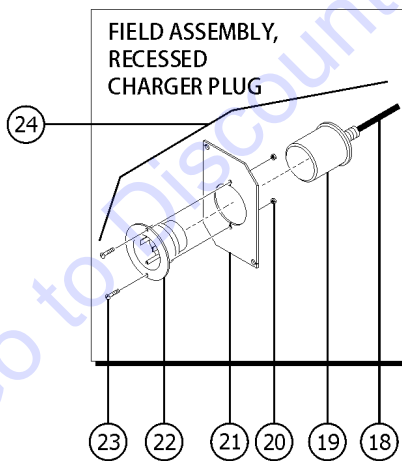
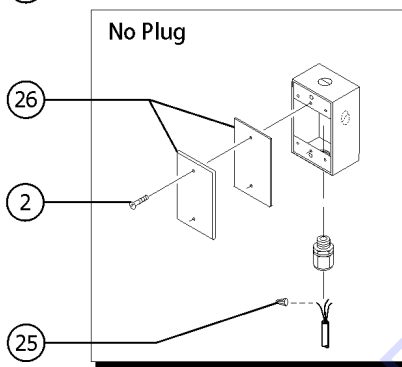
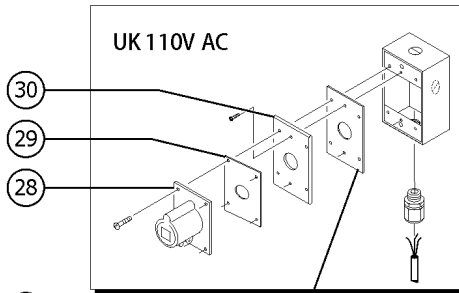
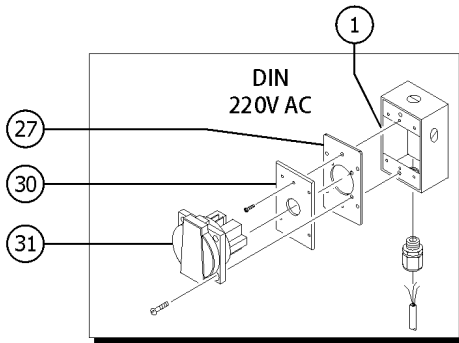
401.1 Platform Components
(continued)

Item	Part No.	Description	Qty.
--	96719GT	WLDMT, EXT. DECK, GSXX46.....	1
--	T113787GT	RIVET,ALUM,STL,.188 X .250..... <i>for 39474GT</i>	4
39	97263GT	LEFT EX. RAIL, GS46..... <i>(battery pack side)</i>	1
--	43392GT	BUMPER,BATTERY BOX & RAILS.....	3
40	97264GT	RIGHT EXT RAIL, GS46 (SYMBOL) <i>(decals not included, refer to section one)</i>	
--	43392GT	BUMPER,BATTERY BOX & RAILS.....	3
41A	97259GT	EXT. ENDRAIL ASSY, GS46 (WORD)..... <i>Word decals</i>	1
41B	97260GT	EXT. ENDRAIL ASSY, GS46 (SYMB) <i>Symbol decals</i>	
42	824078GT	SCREW,HHF,1/4-20X.75,8,ZAG.....	1
43	1280958GT	CABLE,PLATFORM CONTROL,GS,HARTING CONN OPTION.....	1
44	1253477GT	SCREW,PHPM,4-40X.5,ZAG.....	1
45	1259339GT	NUT,4-40,ZAG.....	1

This Page Intentionally Left Blank

Go to Discount-Equipment.com to order your parts

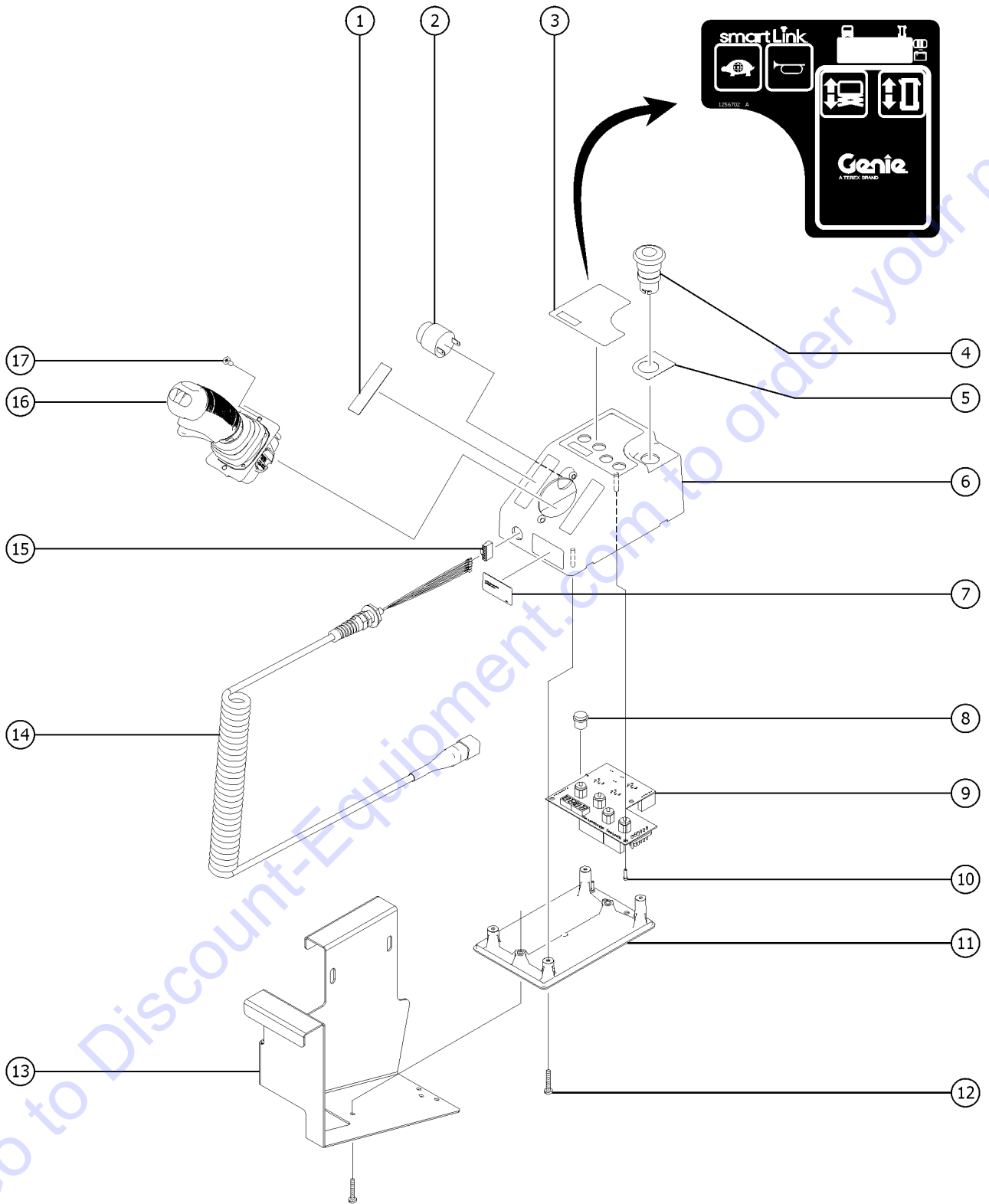
402.1 Power to Platform



402.1 Power to Platform

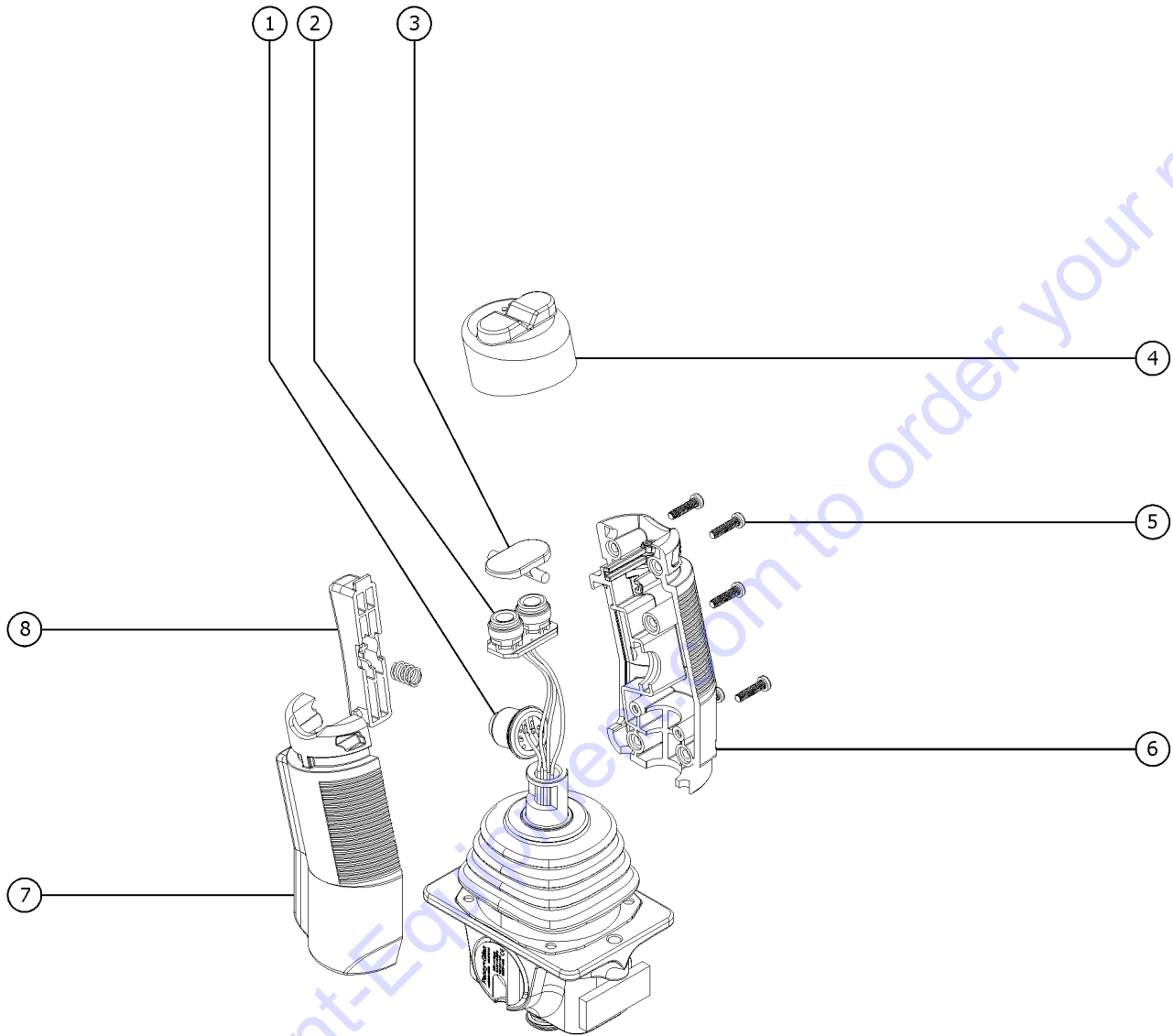
Item	Part No.	Description	Qty.	Item	Part No.	Description	Qty.
A	33724GT	KIT,GASKET,UK POWER TO PLAT. <i>includes 1 each, items 27 and 29</i>		--	6878GT	BOLT,CARRIAGE,1/4-20 X .75,G2.....2 <i>not included</i>	2
1	10775GT	T-BOX,2.75 X 4.5 X 2.0.....1	1	22	105117GT	PLUG,FLG INLET,15A/125V,2PWGD.....1 <i>to SN GS4616P-139710</i>	1
2	7127GT	SCREW,PHILLIPS,PHM,6-32 X .75		23	1268950GT	SCREW,PHPM,8-32X.50,ZAG.....2	2
3A	74006GT	COVER,GFCI,HORIZONTAL,WEATHER.1 <i>(ANSI and CSA models) (includes gasket and mounting fasteners)</i>	1	23	55906GT	SCREW,PHILLIPS,PHM,8-32 X .5.....2 <i>to SN GS4616P-139710</i>	2
3B	105812GT	COVER,T-BOX LOCKABLE.....1 <i>EE rated (not shown)</i>	1	24	105448GT	FIELD ASSY,REC.CHARGER PLUG.....1 <i>includes items 18-23 to SN GS4616P-139710</i>	1
4	45546GT	SCREW,RHM,6-32 X .5		25	6626GT	WIRE CAP,ORANGE.....1	1
5	13585GT	OUTLET, 110V.....1 <i>ANSI and CSA models</i>	1	26	10777GT	COVER,BLANK.....1	1
6A	43956GT	WIRE CABLE,14/3 CON.TPE JKT*.....456-inches <i>GS-2046</i>	1	27	66355GT	GASKET, UK & DIN PWR. TO PLAT.....1 <i>2.9 x 2.9 inches</i>	1
6B	43956GT	WIRE CABLE,14/3 CON.TPE JKT*.....516-inches <i>GS-2646</i>	1	28A	T112563GT	SVC KIT,UK RECEPT.REPLACEMENT.....1 <i>to SN GS46D-10210</i>	1
6C	43956GT	WIRE CABLE,14/3 CON.TPE JKT*.....624-inches <i>GS-3246</i>	1	28B	T112560GT	RECEPTACLE,UK,110V.....1 <i>from SN GS46D-10211</i>	1
7	7056GT	CONN,SQUEEZE,1/2NPT .38-.50,SM....1	1	29	66356GT	GASKET, UK RECEPTACLE.....1 <i>2.9 x 2.9 inches, to SN GS46D-10210</i>	1
8	57075GT	SCREW,PHIL,8-32X.50,SELF TAP		30A	105483-SGT	PLATE,AC ADAPTER(ANSI/CSA) <i>ANSI/CSA</i>	1
9	44936GT	WASHER,STAR,EXTERNAL,#8.....4	4	30B	96236GT	PLATE,AC ADAPTER,DIN/UK*** <i>to SN GS46D-10210</i>	1
10		Ref. ROLLER BRACKET <i>refer to 401.1</i>		30C	T112561GT	PLATE,UK,POWER TO PLAT <i>from SN GS46D-10211</i>	1
11	6935GT	LOCKNUT,ELEC,1/2".....1	1	30D	105090GT	PLATE, AC ADAPTER(AUS)	1
12A	6595GT	PLUG,ELECTRICAL,DOMESTIC.....1 <i>to SN GS4616P-139710</i>	1	31	66353GT	RECEPTACLE, DIN, 220V 50A.....1	1
12B	6595GT	PLUG,ELECTRICAL,DOMESTIC.....2 <i>from SN GS4616P-139711</i>	2	32	1275424GT	FORMING,AUS RCD BRACKET,GS46...1	1
13	25388GT	PLUG,FUSED,250V,13AMP,U.K.**		33	1284302GT	RECEPTACLE,C66AI310,AUS.....1	1
14	1263471GT	PLUG,IEC60309 CEE, 3PIN 220-24.....1 <i>(Hong Kong Construction)</i>	1	34	824215GT	SCREW,PHPM,10-32X.75,ZAG.....8	8
15	1280665GT	PLUG, TYPE F, 230A, 50HZ, 16A, IP44		35	824032GT	NUT,TL FLG,10-32,F,ZAG.....8	8
16	144161GT	PLUG,PWR,UK,16AMP,3PIN,BLK		36	160412GT	JOINT,PG13.5,M20X1.5.....2	2
17	105117GT	PLUG,FLG INLET,15A/125V,2PWGD		37	96009GT	WASHER,NITRILE.....1	1
--	105118GT	GASKET,(BOOT) FLANGE INLET PLG					
18	48282GT	POWER CORD, IEC 320 BLANK, 79".....1 <i>to SN GS4616P-139710</i>	1				
19	105118GT	GASKET,(BOOT) FLANGE INLET PLG.....1 <i>to SN GS4616P-139710</i>	1				
20	1258187GT	NUT,TL,8-32,A,ZAG.....2	2				
20	18605GT	NUT,NYLOCK,8-32.....2 <i>to SN GS4616P-139710</i>	2				
21	105483-SGT	PLATE,AC ADAPTER(ANSI/CSA).....1 <i>to SN GS4616P-139710</i>	1				
--	6091GT	NUT,NYLOCK,1/4-20.....2 <i>not included</i>	2				

403.1 Platform Controls



Item	Part No.	Description	Qty.
A	1256727GT	PCON,STD,PROP LIFT,GR/GS <i>complete platform control box with coil cord, bracket not included</i>	
--	1258731GT	FLASH DRIVE,SL1K2.0 SOFTWARE <i>(For proportional lift or upgrade kits only. Software update available on-line. Flash drive sold separately.)</i>	
--	137587GT	HARNESS, ESTOP, GR/GRC/GS PCON	
B	1280957GT	PCON ASSEMBLY,HARTING CONN OPTION.....	1
C	1280958GT	CABLE,PLATFORM CONTROL,GS,HARTING CONN OPTION.....	1
1	137656GT	DECAL,PROPEL,GR/GRC/GS,PCON.....	1
2A	39540GT	ALARM,STEADY TONE*** <i>order 72326 mounting ring separately</i>	1
2B	72326GT	NUT - PLASTIC,RING FOR ALARMS <i>for 39540</i>	
3	1256702GT	DECAL, UI, GS/GR, PROP LIFT..... <i>(models with 4 button, proportional controller)</i>	1
4	66812GT	BUTTON,PUSH,RED MUSHROOM HEAD.....	1
--	66817GT	BASE WITH 1 NC CONTACT, E-STOP	
5	137605GT	DECAL,E-STOP,GR/GRC/GS PCON.....	1
6	1256656GT	ENCLOSURE,STD 4-BUTTON,TOP.....	1
7		<i>(component no longer available)</i>	
8	T106373GT	CAP,BUTTON,K12.....	6
9	1256725GT	PCBA,PCON STD,PROP LIFT.....	1
10	137637GT	SCREW,PHM,4-20X.5, 48-2 TRI-L	
11	T106370GT	ENCLOSURE,GC14-1/GC16-1, BOT.....	1
12	137640GT	SCREW,PHM,8-16X.75, 48-2 TRI-L	
13	227167GT	FORMING, PLAT CONTROL BOX, MET <i>(decals not included, refer to section one)</i>	
14	235464GT	KIT,COIL CORD,CONTRLR,SL1000..... <i>includes item 15</i>	1
--	231921GT	KIT,CONN,RECEPT W/PIN AND LOCK	
--	231922GT	KIT,CONN,PLUG W/SCKT AND LOCK	
15	137699GT	PLUG, 6POS ECO PWR.....	1
16		Ref., JOYSTICK..... <i>(refer to 404.1)</i>	1
17	229845GT	SCREW,BHSCS,M5X10,SS <i>apply Loctite 243 or equivalent before installation</i>	

404.1 Joystick Controller



Go to Discount-Equipment.com to order your parts

PARTS FINDER

**Search Website
by Part Number**



**Search Manual
Library For Parts
Manual & Lookup Part
Numbers – Purchase
or Request Quote**

Search Manuals

Enter your information to help us find the right parts manual for your machine.

* Brand:

* Model:

* Serial:

* Part Number:

SEARCH

**Can't Find Part or
Manual? Request Help
by Manufacturer,
Model & Description**

Parts Order Form

Please fill in the following information to help us find the right part for your machine.

Manufacturer:	<input type="text"/>
Model:	<input type="text"/>
Description:	<input type="text"/>
Part Number:	<input type="text"/>
Quantity:	<input type="text"/>
Notes:	<input type="text"/>
Submit:	<input type="button" value="Submit"/>

Discount-Equipment.com is your online resource for quality parts & equipment.

Florida: **561-964-4949** Outside Florida TOLL FREE: **877-690-3101**

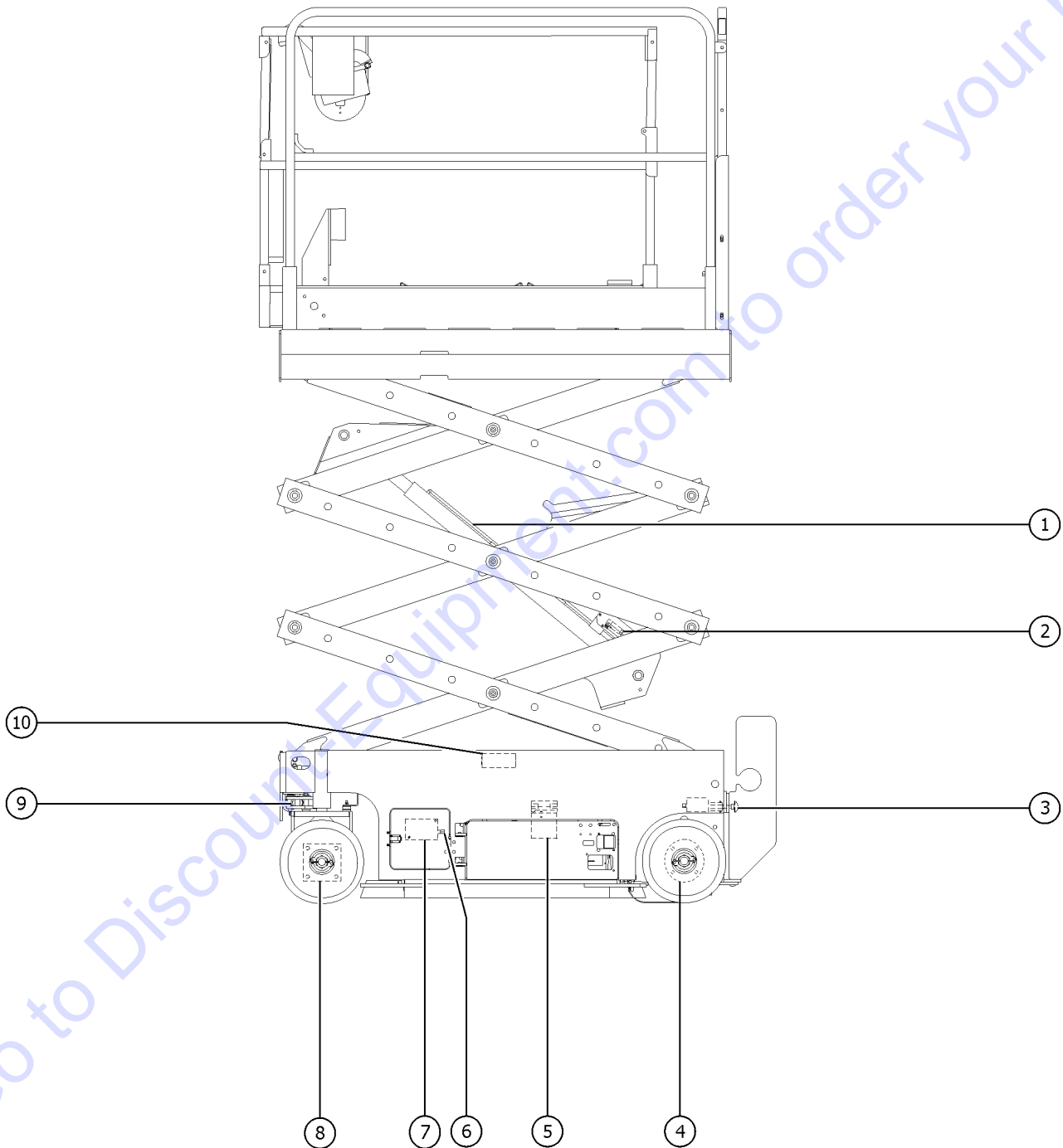
Need parts?

Click on this link: <http://www.discount-equipment.com/category/5443-parts/> and choose one of the options to help get the right parts and equipment you are looking for. Please have the machine model and serial number available in order to help us get you the correct parts. If you don't find the part on the website or on one of the online manuals, please fill out the request form and one of our experienced staff members will get back to you with a quote for the right part that your machine needs.

We sell worldwide for the brands: Genie, Terex, JLG, MultiQuip, Mikasa, Essick, Whiteman, Mayco, Toro Stone, Diamond Products, Generac Magnum, Airman, Haulotte, Barreto, Power Blanket, Nifty Lift, Atlas Copco, Chicago Pneumatic, Allmand, Miller Curber, Skyjack, Lull, Skytrak, Tsurumi, Husquvarna Target, Stow, Wacker, Sakai, Mi-T-M, Sullair, Basic, Dynapac, MBW, Weber, Bartell, Bennar Newman, Haulotte, Ditch Runner, Menegotti, Morrison, Contec, Buddy, Crown, Edco, Wyco, Bomag, Laymor, EZ Trench, Bil-Jax, F.S. Curtis, Gehl Pavers, Heli, Honda, ICS/PowerGrit, IHI, Partner, Imer, Clipper, MMD, Koshin, Rice, CH&E, General Equipment, Amida, Coleman, NAC, Gradall, Square Shooter, Kent, Stanley, Tamco, Toku, Hatz, Kohler, Robin, Wisconsin, Northrock, Oztec, Toker TK, Rol-Air, APT, Wylie, Ingersoll Rand / Doosan, Innovatech, Con X, Ammann, Mecalac, Makinex, Smith Surface Prep, Small Line, Wanco, Yanmar

Item	Part No.	Description	Qty.
--	137634GT	JOYSTICK, HALL EFFECT, SINGLE	
--	229097GT	TERMINAL, SPLINE (AMP)	
--	214544GT	KIT,BOOT,JOYSTICK,SL1000 <i>joystick boot</i>	
1	235463GT	KIT,SWITCH,JYSTK,SL1000 <i>function enable and steer switches</i>	
2	235463GT	KIT,SWITCH,JYSTK,SL1000 <i>function enable and steer switches</i>	
3	229092GT	ROCKER,2 SWITCH.....	1
4	229093GT	BOOT, 2 SWITCH, SILICON.....	1
5	229086GT	SCREW, SELF TAP.....	2
6A	229087GT	HANDLE HALF,RIGHT,W/TOP SWITCH.....	1
6B	229091GT	SCREW,GRUB,M5X8MM,HLF DOG,BZP <i>for 229087GT</i>	
7A	229088GT	HANDLE HALF,LEFT,W/TOP SWITCH....	1
7B	229090GT	SCREW,GRUB,M5X8MM CUP(BLK) <i>for 229088GT</i>	
8	229089GT	TRIGGER, EXTENDED.....	1
--	229094GT	SPRING, HANDLE TRIGGER.....	1

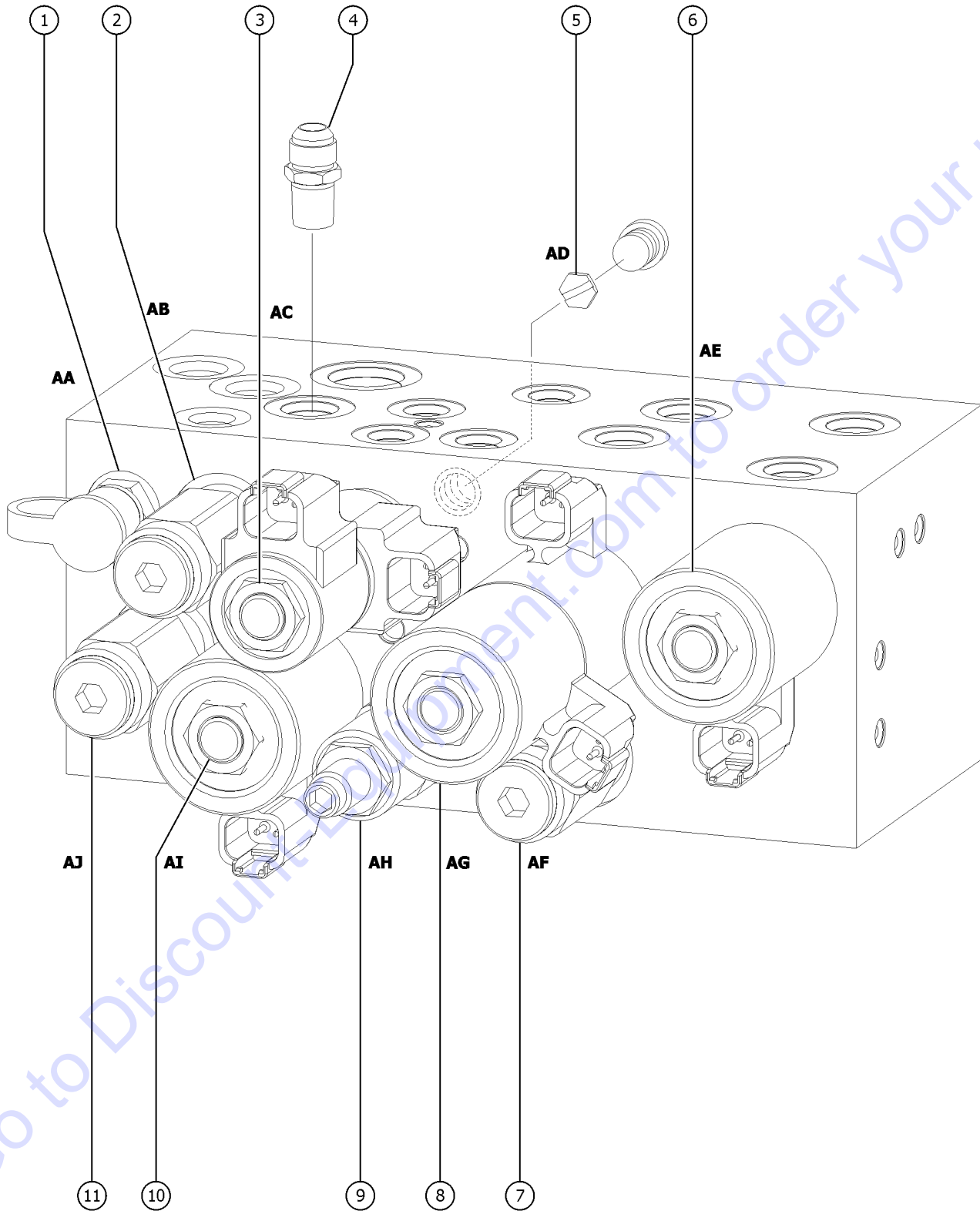
501.1 Hydraulic Components



Go to DiscountEquipment.com to order your parts

Item	Part No.	Description	Qty.
1		Ref. Lift Cylinder Assembly (refer to 505.1)	
2		Ref. Pressure Transducer (refer to 701.1)	
3		Ref. Brake Release Hand Pump Manifold (refer to 503.1)	
4	96257GT	BRAKE, HYDRAULIC***.....	2
5A	78622GT	FILTER ASSY,SAE8,10 MIC,PAPR**..... (paper, standard)	1
--	44788GT	FILTER ELEMENT,10MICRON,PAPER* (paper, standard)	
5B	T114321GT	FILTER ASSY,FIBRGLS,#8-#8..... (fiberglass, optional upgrade)	1
--	44207GT	FILTER ELEMENT,BETA(10)=200 (fiberglass, optional upgrade)	
6		Ref. Check Valve (refer to 502.1)	
7		Ref. Function Manifold (refer to 502.1)	
8	T108663GT	DRIVE MOTOR,22.9CI/REV	
--	96419GT	SEAL KIT,RC SERIES DR MOTOR*** for T108663	
9	105547GT	CYLINDER,GS/GR STEER***.....	1
--	105550GT	KIT,STEER CYL SEAL	
--	105553GT	KIT,STEER CYL SEAL,040271P,HDM (for code H408147 and up)	
--	105554GT	KIT,STEER CYL SEAL,040499P,HDM (for code H41109 and up)	
--	105555GT	KIT,STEER CYL SEAL,040505P,HDM (for codes H41205, H41255, H51290, H501111, H505109, H509101, H60723 and H60870)	
10	78422GT	ACCUMULATOR,180 PSI PRECHARGE*.....	1

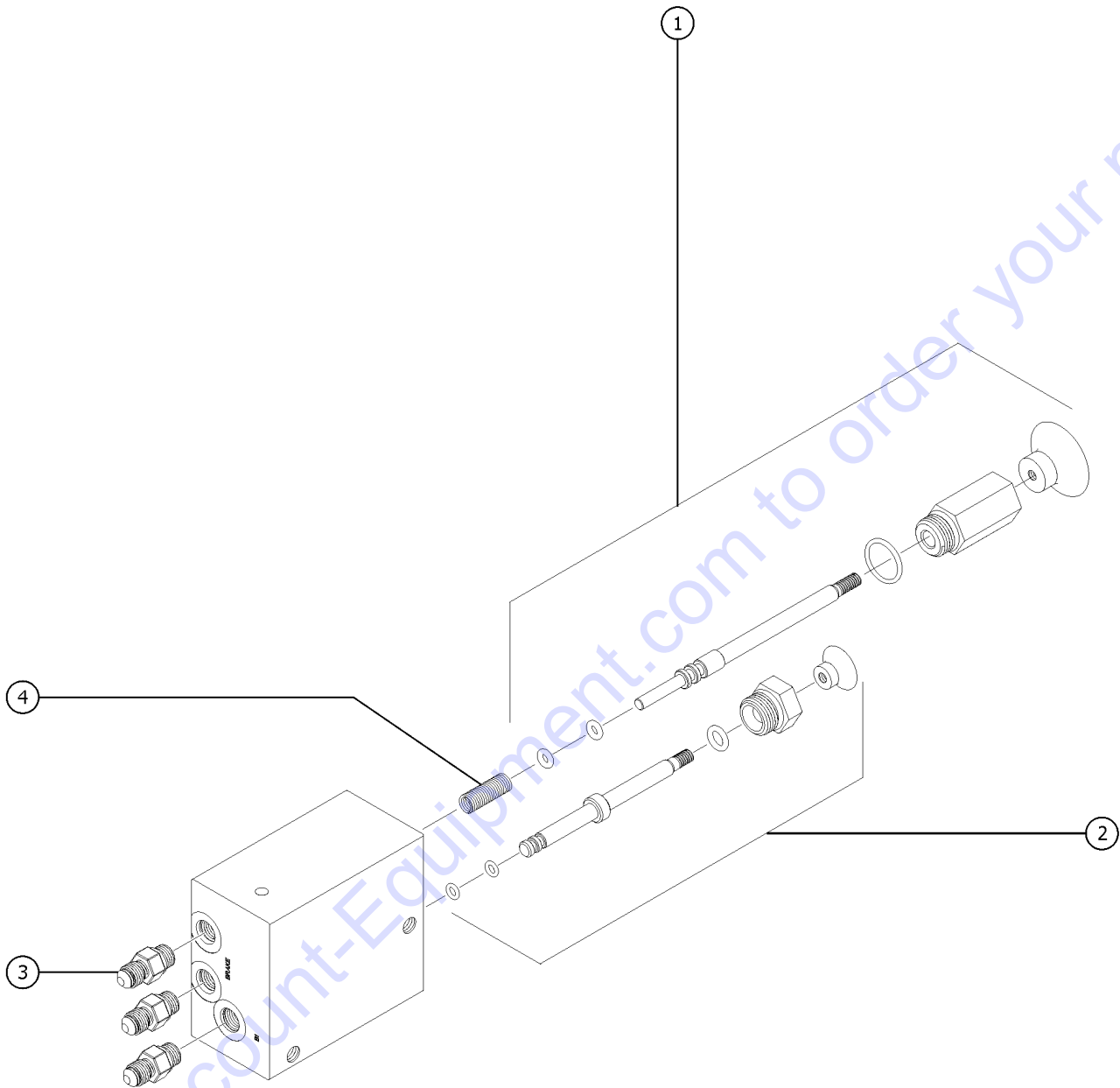
502.1 Function Manifold



502.1 Function Manifold

Item	Part No.	Description	Qty.	Item	Part No.	Description	Qty.
--	105463GT	126,DYN.BRAKING,MANIF,32/46		--	84385GT	COIL,20VDC DEUTCSH W/DIODE <i>(sold separately)</i>	
--	105947GT	FUNCTION MANIFOLD ASSEMBLY <i>(does not include check valve, item 4)</i>		11	65962GT	VALVE-RELIEF, 3700 PSI #8** <i>(AJ, Lift relief)</i>	
--	49612GT	O-RING KIT (ORFS FITTINGS)		--	44226GT	SEAL KIT-FOR P.N.44167	
--	49613GT	PLUG AND CAP KIT-SERVICE,ORFS*					
1	48997GT	NIPPLE,DIAGNOSTIC,#4 <i>(AA, Testing)</i>					
--	20224GT	DIAGNOSTIC FEMALE Q-DSCNT					
--	48880GT	CAP,DIAGNOSTIC NIPPLE					
2	65962GT	VALVE-RELIEF, 3700 PSI #8** <i>(AB, System relief)</i>					
--	44226GT	SEAL KIT-FOR P.N.44167					
3	44168GT	VALVE,SOLENOID,3POS 4WAY <i>(AC, Steer left/right)</i>					
--	44174GT	NUT-COIL SHORT <i>(sold separately)</i>					
--	44229GT	SEAL KIT, VALVE					
--	44236GT	SPACER-DUAL COIL,#8*** <i>(sold separately)</i>					
--	77709GT	COIL,#8 20VDC,DEUTSCH W/DIODE <i>(sold separately)</i>					
4	237086GT	VALVE,CHECK,#6-#6,MJIC TO MORB <i>GS-3246 (Australia & CE) (sold separately)</i>					
5	84386GT	CHECK DISK, NO SPRING <i>(AD, Steer circuit)</i>					
6	44171GT	VALVE-SOLENOID,2POS 4WAY** <i>(AE, Drive speed select circuit)</i>					
--	44175GT	SPACER-DUAL COIL,#10, SCISSORS <i>(sold separately)</i>					
--	44230GT	SEAL KIT-P.N.44169,44172,44171					
--	84385GT	COIL,20VDC DEUTCSH W/DIODE <i>(sold separately)</i>					
7	97409GT	VALVE,DIFF.AREA RELIEF,50PSI <i>(AF, Brake release)</i>					
8	150104GT	VALVE, DYN. BRAKING, GS32/46					
--	44175GT	SPACER-DUAL COIL,#10, SCISSORS <i>(sold separately)</i>					
--	84385GT	COIL,20VDC DEUTCSH W/DIODE <i>(sold separately)</i>					
9	84384GT	PRTY,FLOW CNTRL VALVE,.75 GPM <i>(AH, Steer circuit)</i>					
--	1261888GT	SEAL KIT (84384) <i>for 84384GT</i>					
--	44230GT	SEAL KIT-P.N.44169,44172,44171					
10	44169GT	VALVE-SOLENOID, 2POS 4 WAY <i>(AI, Platform up)</i>					
--	44175GT	SPACER-DUAL COIL,#10, SCISSORS <i>(sold separately)</i>					
--	44230GT	SEAL KIT-P.N.44169,44172,44171					

503.1 Brake Release Hand Pump Manifold

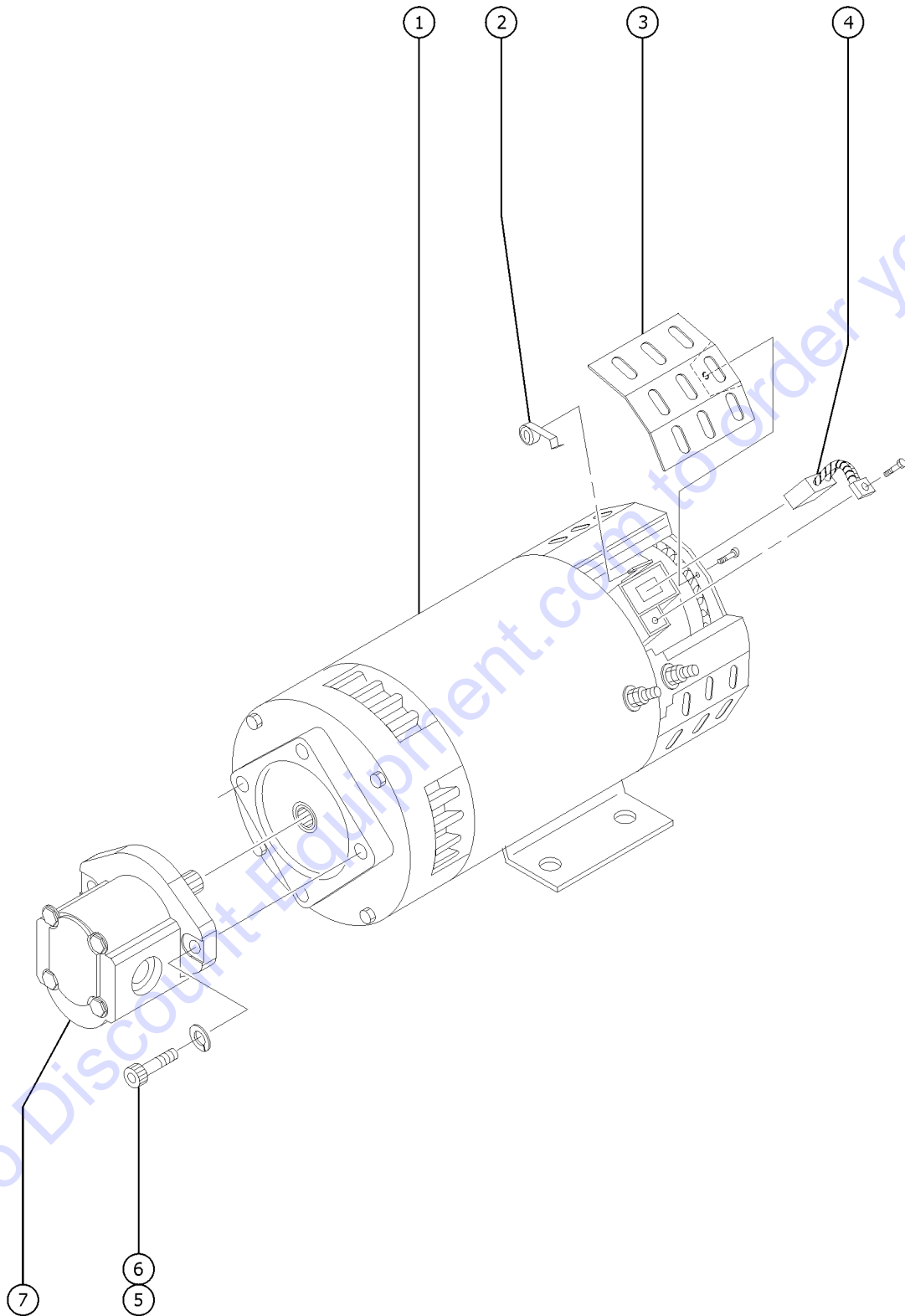


503.1 Brake Release Hand Pump Manifold

Item	Part No.	Description	Qty.
--	105067GT	MANIFOLD,BRAKE RELEASE <i>(includes items 1, 2 and 4)</i>	
1	84739GT	VALVE,HAND PUMP ASSEMBLY***.....1	1
--	84740GT	SEAL KIT,HAND PUMP***	
--	84742GT	KNOB,HAND PUMP (RED)***	
2	84743GT	VALVE,PILOT OPERATED ASSEMBLY*.....1	1
--	84740GT	SEAL KIT,HAND PUMP***	
--	84746GT	KNOB,PILOT OP VALVE (BLACK)***	
3	39877GT	CONNECTOR,070120-4-4.....3	3
4	84748GT	SPRING,HAND PUMP ROD.....1	1

Go to Discount-Equipment.com to order your parts

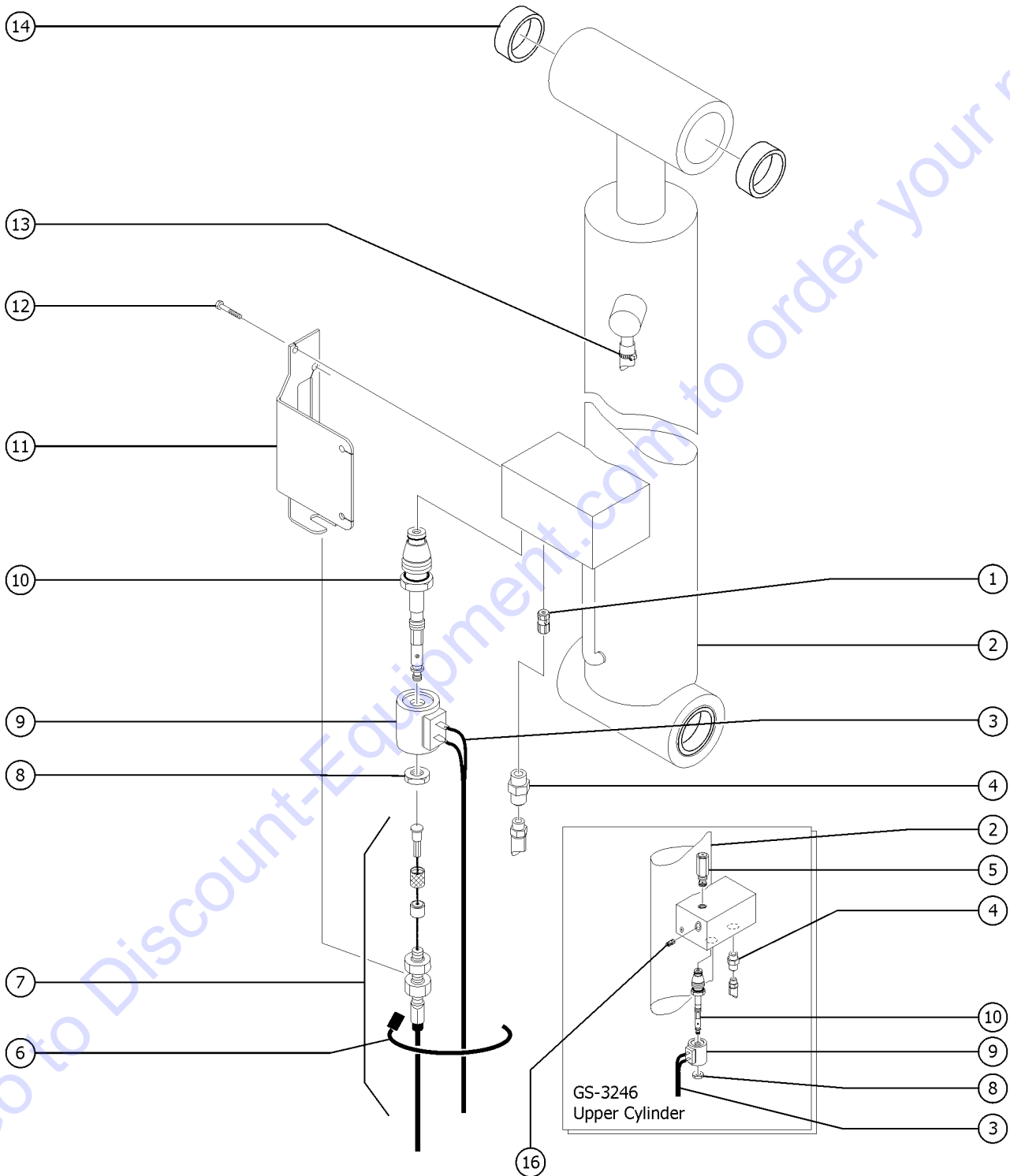
504.1 Hydraulic Power Unit, All Models



504.1 Hydraulic Power Unit, All Models

Item	Part No.	Description	Qty.
--	49812GT	ENCLOSING BAND KIT <i>Band Kit (EE models)</i>	
--	78006GT	FORMING,PADLOCK BRACKET	
--	44716GT	HANDLE,ANDERSON CONNECTOR SB	
1	40844GT	MOTOR,ELECTRIC,24VDC 4.5HP.....1	
--	43685GT	SEAL KIT,LIFT PUMP,BARNES**	
--	44777GT	BEARING,MOTOR	
--	44778GT	BEARING,MOTOR,36843,BRUSH END*	
2	44750GT	SPRING-BRUSH,40844, SCISSORS....4	
3	44752GT	COVER-BRUSH INSPEC.40844,SCISS.....4	
4	44751GT	BRUSH,PWR UNIT (40844)**.....4	
5	824100GT	SCREW,SHC,3/8-24X1.25,A574,ZAG	
6	824110GT	WASHER,LOCK,3/8,ZAG	
7	T108662GT	PUMP,5.6CC GEAR,CCW.....1	
--	236837GT	SEAL KIT,PUMP,5.6CC GEAR <i>for T108662GT</i>	

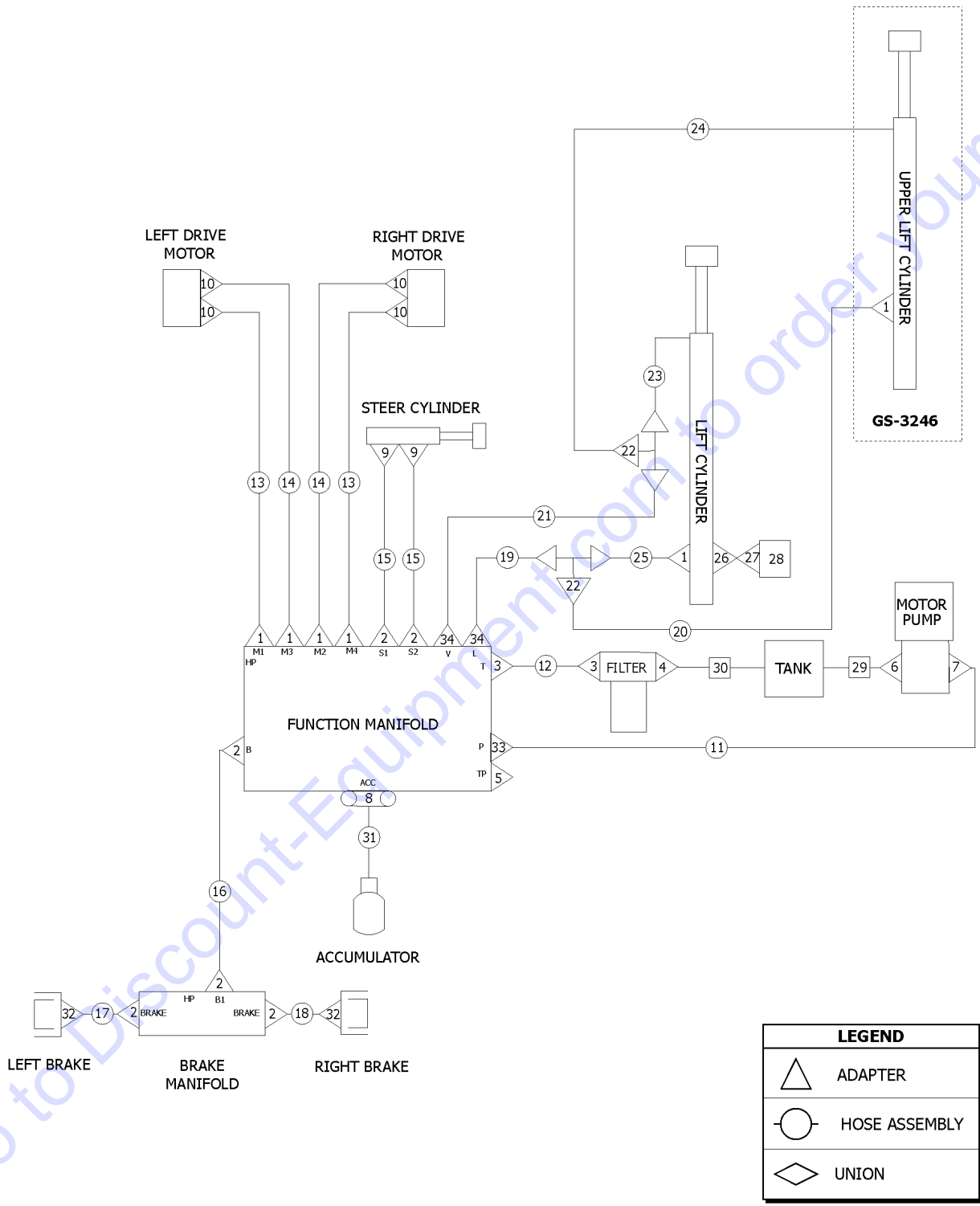
505.1 Lift Cylinder Assembly, All Models



505.1 Lift Cylinder Assembly, All Models

Item	Part No.	Description	Qty.
1A	55560GT	ORIFICE, LONG, .059"	
--	105479GT	KIT, TWO ORIFICE, .059"	
--	105481GT	KIT, ORIFICE, .059"	
2B	105545GT	CYLINDER, 26XX/32XX LIFT.....1 GS-2646	
--	105549GT	SEAL KIT (105545) (for PN 105545GT)	
2C	105546GT	CYLINDER, 32XX UPPER LIFT.....1 GS-3246 (upper cylinder)	
--	105564GT	SEAL KIT (105546) (for PN 105546GT)	
2D	105545GT	CYLINDER, 26XX/32XX LIFT.....1 GS-3246 (lower cylinder)	
--	105549GT	SEAL KIT (105545) (for PN 105545GT)	
3		Ref. Down Coil Wire Harness (refer to 210.1)	
4	39878GT	CONNECTOR, 070120-6-6.....1	
5A	97130GT	VALVE-RELIEF, 2500PSI	
--	44227GT	SEAL KIT, VALVE for 97130	
5B	237455GT	VALVE, RELIEF, 2900 PSI, BOSCH	
6	28443GT	CABLE TIE, 11.5" BLACK.....3	
7		Ref. Emergency Down Cable (refer to 203.1)	
8	44973GT	NUT, COIL (39909).....1	
9	84422GT	COIL-SOLENOID VALVE, 20V DC***.....1 (direct replacement for 66467GT)	
10	66465GT	VALVE, W/20V NC SOLENOID, MANUAL.....1 (includes items 7 and 8)	
--	40477GT	VALVE, CARTRIDGE***	
--	44979GT	SEAL KIT, 39909, PLAT LWR VALVE*	
11	41557-SGT	CABLE BRACKET, PAINTED.....1	
12	7339GT	SCREW, HHC, 1/4-20 X .5	
13	6356GT	WASHER, LOCK, .25	
14	96770GT	CLAMP, HOSE, 1 EAR, 11/16.....1	
15	105478GT	BEARING, 1.5025IDX1.5075ODX1.5L.....4	
16	55558GT	ORIFICE, LONG, .037***.....1 GS-3246	

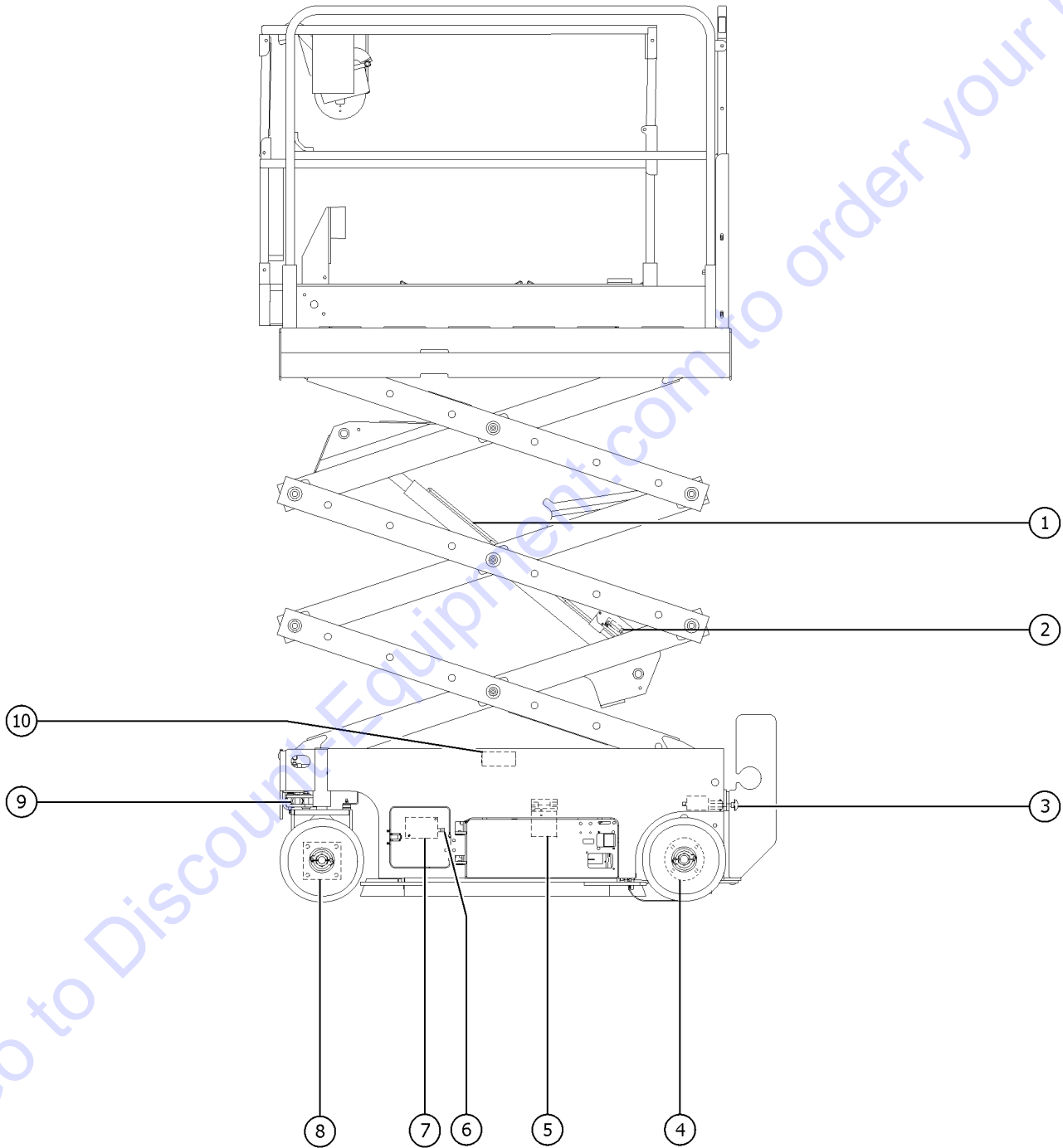
506.1 Hydraulic Hoses and Fittings



506.1 Hydraulic Hoses and Fittings

Item	Part No.	Description	Qty.	Item	Part No.	Description	Qty.
--		<i>The hose lengths below reflect the length of the hose only. Refer to the 'Fittings Cross Reference' to match Genie part numbers to Parker part numbers.</i>		22	51152GT	TEE,RUN 070432-6***** GS-3246	2
--	66765-3000GT	WIRE LOOM, SPIRAL, 1-5/8 ID 30" used as hose protection on 3/8 hoses, sold by the inch		23	96882GT	HOSE, LOWER VENT (Components: 75631 @ 161 inches)	1
1	39878GT	CONNECTOR, 070120-6-6	5	24	96883GT	HOSE, UPPER VENT GS-3246 (Components: 105045, and 75631 @ 320 inches)	1
2	39877GT	CONNECTOR, 070120-4-4	6	25	105046GT	HOSE ASSY, LOWER LIFT (Components: 39890, 47223, and 56776 @ 127 inches)	1
--	39882GT	PLUG, HEX SOCKET, 090109B-4	1	26	96885GT	CONN, SWIVEL, STR, THR, 465OX-S	1
3	66389GT	CONN, 070120-8-6	2	27	39881GT	CONNECTOR, 070120-4-6	1
4	96398GT	CONNECTOR, 070120-12-8	1	28		Ref. Pressure Switch 701.1	1
5		Ref. Diagnostic Nipple 502.1		29	96354GT	TUBE, ASSY, DRAW	1
6	22664GT	ELBOW, 070220-12-10	1	30	96355GT	TUBE, ASSY, RETURN	1
7	39876GT	ELBOW, 070220-6-8	1	31	105246GT	HOSE ASSY, MAN/ACCUM, GS32/46 (Components: 78855, 78855, and 78852 @ 17 inches)	1
8	39877GT	CONNECTOR, 070120-4-4	1	32	39877GT	CONNECTOR, 070120-4-4	2
9	13921GT	ELBOW, 070220-4-4 GS-2046, GS-2646	2	33A	39878GT	CONNECTOR, 070120-6-6	1
10	39873GT	ELBOW, 070220-6-6	4	33B	237086GT	VALVE, CHECK, #6-#6, MJIC TO MORB GS-3246 (Australia, CE)	1
11	96744GT	HOSE, ASSY, PRESSURE (Components: 39890, 39890, and 56776 @ 50 inches)	1	34A	42283GT	ELBOW, 070320-6-6	2
12	96348GT	HOSE, ASSY, MAN TO FILTER (Components: 96406, 96406, and 75631 @ 25 inches)	1	34B	130011GT	HOSE CLAMP, SAE #6 GS-3246	2
13	105801GT	HOSE ASSY, DRIVE MOTORS, GS46 (Components: 39890, 39890, and 56776 @ 60 inches)	2				
14	105580GT	HOSE ASSY, DRIVE MOTORS, GS46 (Components: 39890, 39890, and 56776 @ 64 inches)	4				
15	105578GT	HOSE, ASSY STEER, GS32/46 (Components: 78855, 78855, and 78852 @ 36 inches)	2				
16	105577GT	HOSE, ASSY, BRAKE, GS46 (Components: 78855, 78855, and 78852 @ 65 inches)	1				
17	105803GT	HOSE, ASSY, BRAKE MAN, GS46 (Components: 39890, 39890, and 78852 @ 22 inches)	2				
18	96749GT	HOSE, ASSY, BRAKE MAN, GS46 (Components: 78855, 78855, and 78852 @ 20 inches)	2				
19	96750GT	HOSE, ASSY, LIFT (Components: 39890, 39891, and 56776 @ 42 inches)	1				
20	96880GT	HOSE, ASSY, UPPER LIFT GS-3246 (Components: 39890, 39891, and 56776 @ 297 inches)	1				
21	96881GT	HOSE, ASSY, VENT (Components: 96406, 96407, and 75631 @ 42 inches)	1				

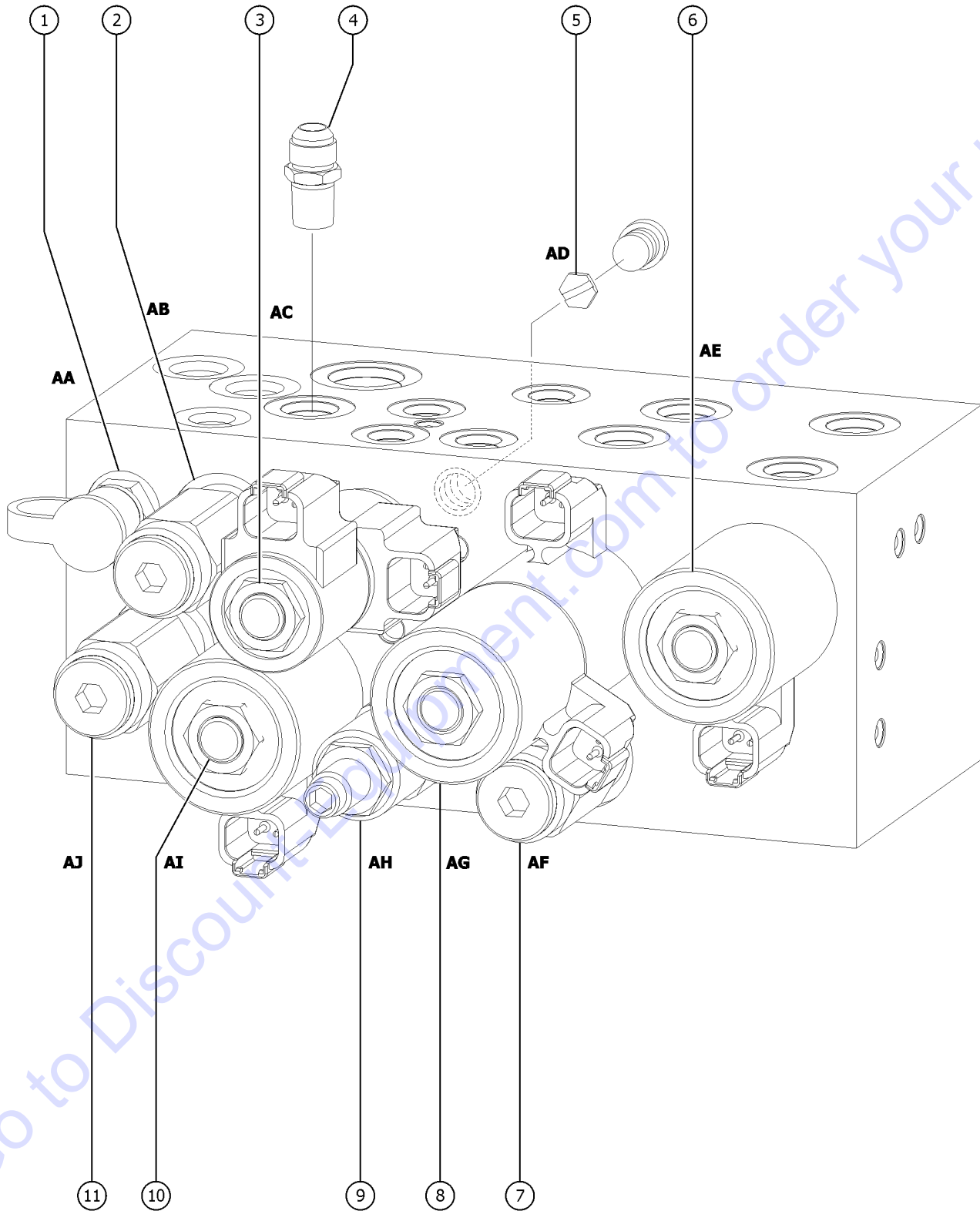
501.1 Hydraulic Components



501.1 Hydraulic Components

Item	Part No.	Description	Qty.
1		Ref. Lift Cylinder Assembly (refer to 505.1)	
2		Ref. Pressure Transducer (refer to 701.1)	
3		Ref. Brake Release Hand Pump Manifold (refer to 503.1)	
4	96257GT	BRAKE, HYDRAULIC***.....	2
5A	78622GT	FILTER ASSY,SAE8,10 MIC,PAPR**..... (paper, standard)	1
--	44788GT	FILTER ELEMENT,10MICRON,PAPER* (paper, standard)	
5B	T114321GT	FILTER ASSY,FIBRGLS,#8-#8..... (fiberglass, optional upgrade)	1
--	44207GT	FILTER ELEMENT,BETA(10)=200 (fiberglass, optional upgrade)	
6		Ref. Check Valve (refer to 502.1)	
7		Ref. Function Manifold (refer to 502.1)	
8	T108663GT	DRIVE MOTOR,22.9CI/REV	
--	96419GT	SEAL KIT,RC SERIES DR MOTOR*** for T108663	
9	105547GT	CYLINDER,GS/GR STEER***.....	1
--	105550GT	KIT,STEER CYL SEAL	
--	105553GT	KIT,STEER CYL SEAL,040271P,HDM (for code H408147 and up)	
--	105554GT	KIT,STEER CYL SEAL,040499P,HDM (for code H41109 and up)	
--	105555GT	KIT,STEER CYL SEAL,040505P,HDM (for codes H41205, H41255, H51290, H501111, H505109, H509101, H60723 and H60870)	
10	78422GT	ACCUMULATOR,180 PSI PRECHARGE*.....	1

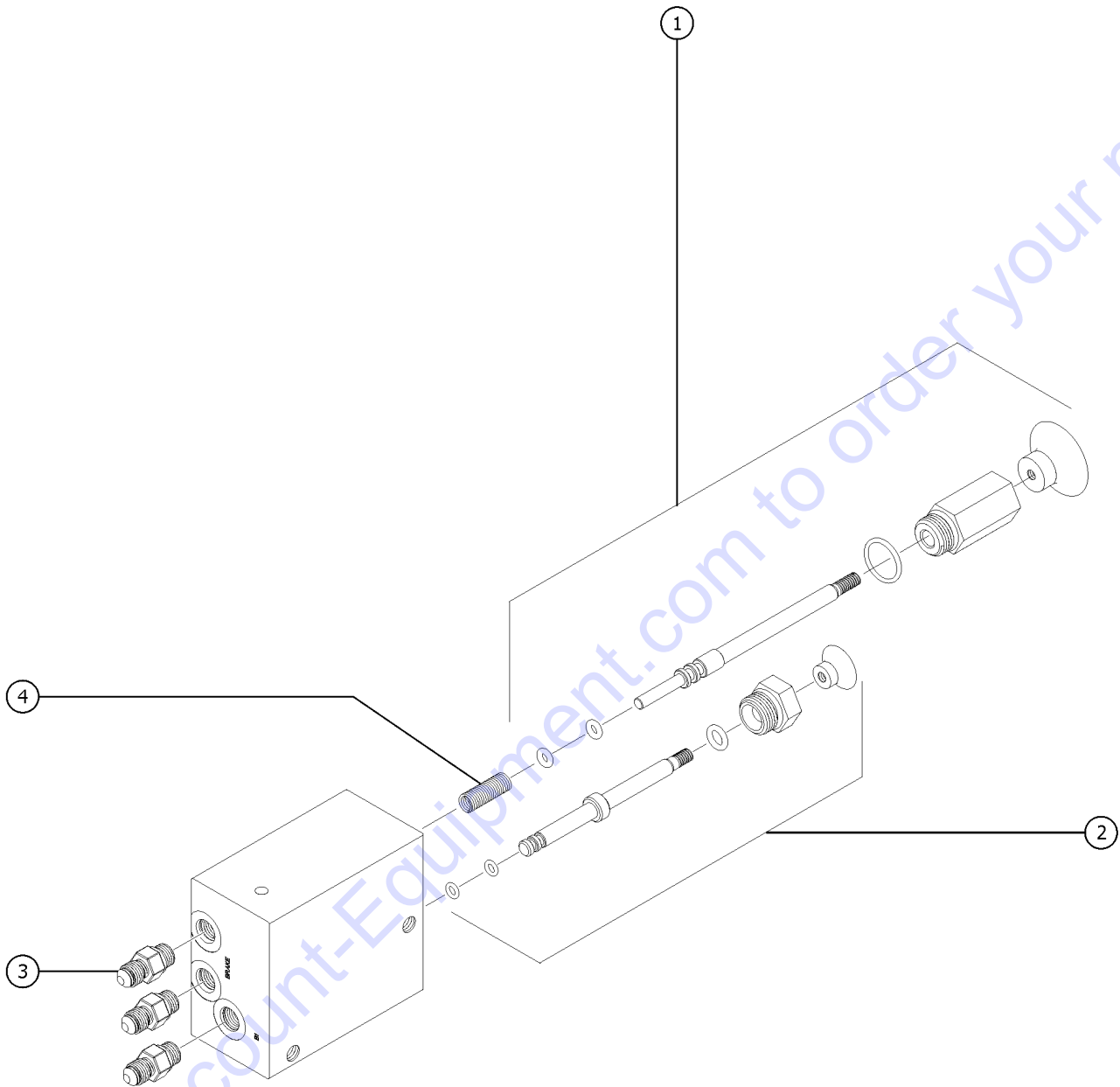
502.1 Function Manifold



502.1 Function Manifold

Item	Part No.	Description	Qty.	Item	Part No.	Description	Qty.
--	105463GT	126,DYN.BRAKING,MANIF,32/46		--	84385GT	COIL,20VDC DEUTCSH W/DIODE <i>(sold separately)</i>	
--	105947GT	FUNCTION MANIFOLD ASSEMBLY <i>(does not include check valve, item 4)</i>		11	65962GT	VALVE-RELIEF, 3700 PSI #8** <i>(AJ, Lift relief)</i>	
--	49612GT	O-RING KIT (ORFS FITTINGS)		--	44226GT	SEAL KIT-FOR P.N.44167	
--	49613GT	PLUG AND CAP KIT-SERVICE,ORFS*					
1	48997GT	NIPPLE,DIAGNOSTIC,#4 <i>(AA, Testing)</i>					
--	20224GT	DIAGNOSTIC FEMALE Q-DSCNT					
--	48880GT	CAP,DIAGNOSTIC NIPPLE					
2	65962GT	VALVE-RELIEF, 3700 PSI #8** <i>(AB, System relief)</i>					
--	44226GT	SEAL KIT-FOR P.N.44167					
3	44168GT	VALVE,SOLENOID,3POS 4WAY <i>(AC, Steer left/right)</i>					
--	44174GT	NUT-COIL SHORT <i>(sold separately)</i>					
--	44229GT	SEAL KIT, VALVE					
--	44236GT	SPACER-DUAL COIL,#8*** <i>(sold separately)</i>					
--	77709GT	COIL,#8 20VDC,DEUTSCH W/DIODE <i>(sold separately)</i>					
4	237086GT	VALVE,CHECK,#6-#6,MJIC TO MORB <i>GS-3246 (Australia & CE) (sold separately)</i>					
5	84386GT	CHECK DISK, NO SPRING <i>(AD, Steer circuit)</i>					
6	44171GT	VALVE-SOLENOID,2POS 4WAY** <i>(AE, Drive speed select circuit)</i>					
--	44175GT	SPACER-DUAL COIL,#10, SCISSORS <i>(sold separately)</i>					
--	44230GT	SEAL KIT-P.N.44169,44172,44171					
--	84385GT	COIL,20VDC DEUTCSH W/DIODE <i>(sold separately)</i>					
7	97409GT	VALVE,DIFF.AREA RELIEF,50PSI <i>(AF, Brake release)</i>					
8	150104GT	VALVE, DYN. BRAKING, GS32/46					
--	44175GT	SPACER-DUAL COIL,#10, SCISSORS <i>(sold separately)</i>					
--	84385GT	COIL,20VDC DEUTCSH W/DIODE <i>(sold separately)</i>					
9	84384GT	PRTY,FLOW CNTRL VALVE,.75 GPM <i>(AH, Steer circuit)</i>					
--	1261888GT	SEAL KIT (84384) <i>for 84384GT</i>					
--	44230GT	SEAL KIT-P.N.44169,44172,44171					
10	44169GT	VALVE-SOLENOID, 2POS 4 WAY <i>(AI, Platform up)</i>					
--	44175GT	SPACER-DUAL COIL,#10, SCISSORS <i>(sold separately)</i>					
--	44230GT	SEAL KIT-P.N.44169,44172,44171					

503.1 Brake Release Hand Pump Manifold

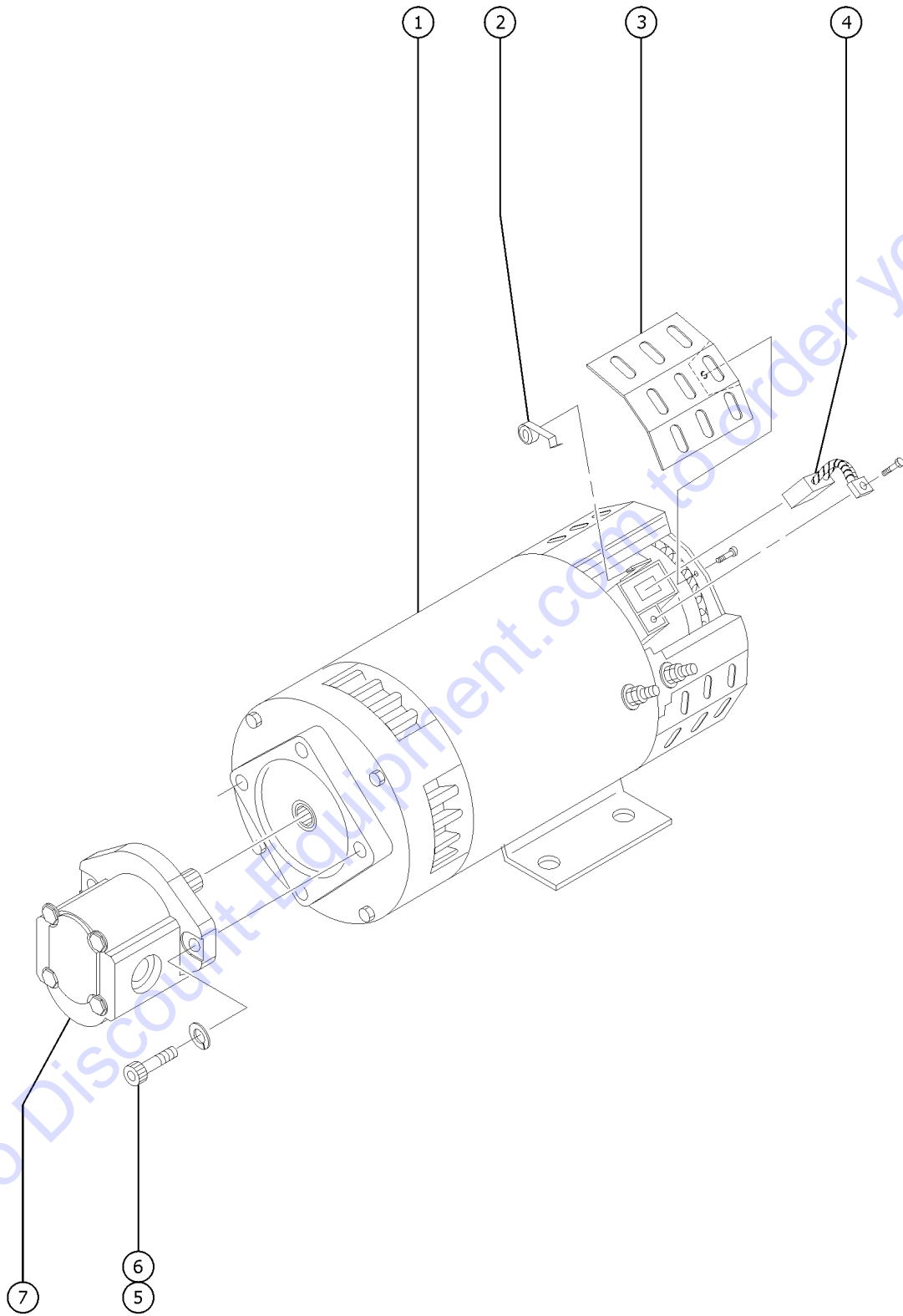


503.1 Brake Release Hand Pump Manifold

Item	Part No.	Description	Qty.
--	105067GT	MANIFOLD,BRAKE RELEASE (includes items 1, 2 and 4)	
1	84739GT	VALVE,HAND PUMP ASSEMBLY***.....1	1
--	84740GT	SEAL KIT,HAND PUMP***	
--	84742GT	KNOB,HAND PUMP (RED)***	
2	84743GT	VALVE,PILOT OPERATED ASSEMBLY*.....1	1
--	84740GT	SEAL KIT,HAND PUMP***	
--	84746GT	KNOB,PILOT OP VALVE (BLACK)***	
3	39877GT	CONNECTOR,070120-4-4.....3	3
4	84748GT	SPRING,HAND PUMP ROD.....1	1

Go to Discount-Equipment.com to order your parts

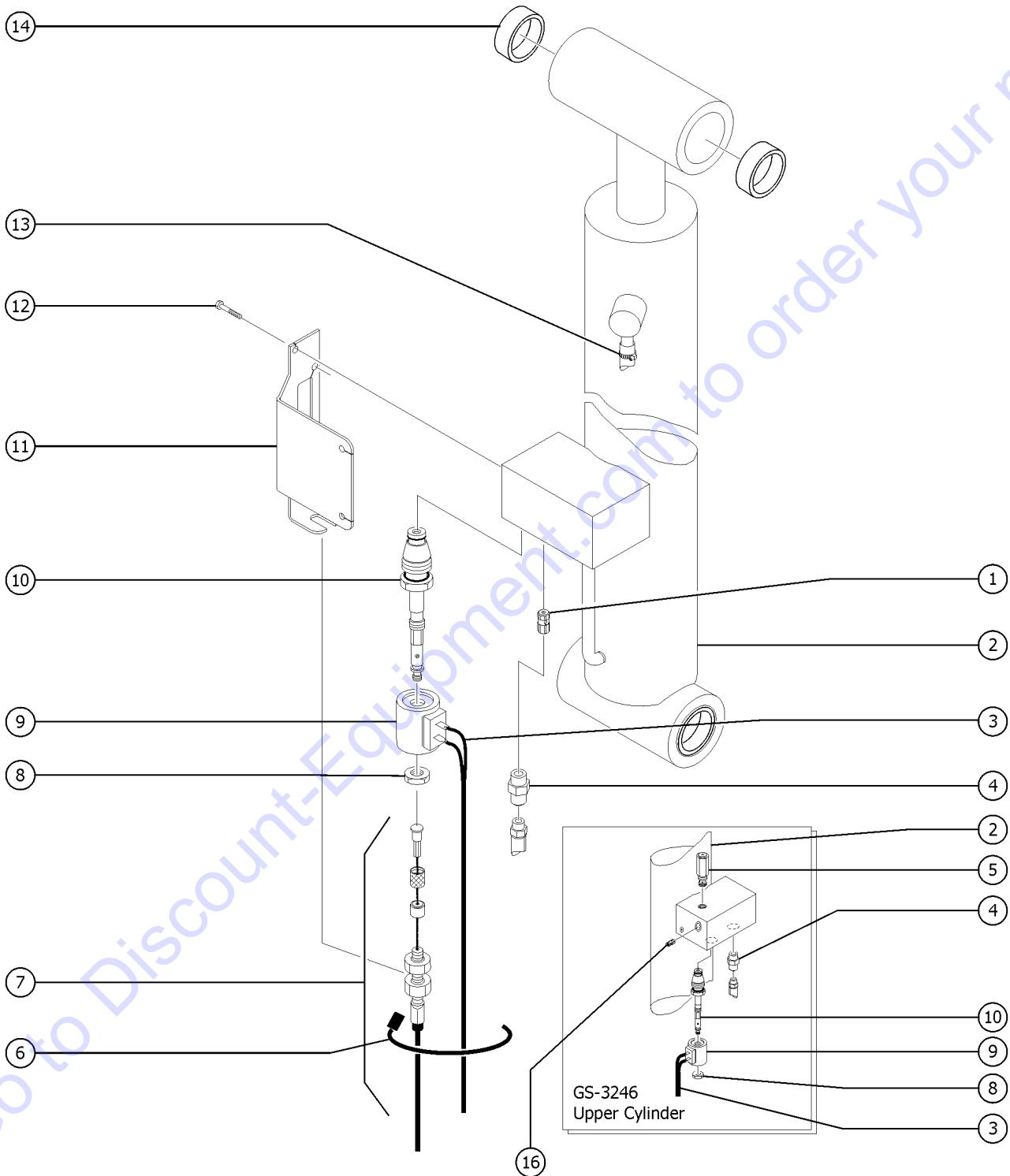
504.1 Hydraulic Power Unit, All Models



504.1 Hydraulic Power Unit, All Models

Item	Part No.	Description	Qty.
--	49812GT	ENCLOSING BAND KIT <i>Band Kit (EE models)</i>	
--	78006GT	FORMING,PADLOCK BRACKET	
--	44716GT	HANDLE,ANDERSON CONNECTOR SB	
1	40844GT	MOTOR,ELECTRIC,24VDC 4.5HP.....1	
--	43685GT	SEAL KIT,LIFT PUMP,BARNES**	
--	44777GT	BEARING,MOTOR	
--	44778GT	BEARING,MOTOR,36843,BRUSH END*	
2	44750GT	SPRING-BRUSH,40844, SCISSORS....4	
3	44752GT	COVER-BRUSH INSPEC.40844,SCISS.....4	
4	44751GT	BRUSH,PWR UNIT (40844)**.....4	
5	824100GT	SCREW,SHC,3/8-24X1.25,A574,ZAG	
6	824110GT	WASHER,LOCK,3/8,ZAG	
7	T108662GT	PUMP,5.6CC GEAR,CCW.....1	
--	236837GT	SEAL KIT,PUMP,5.6CC GEAR <i>for T108662GT</i>	

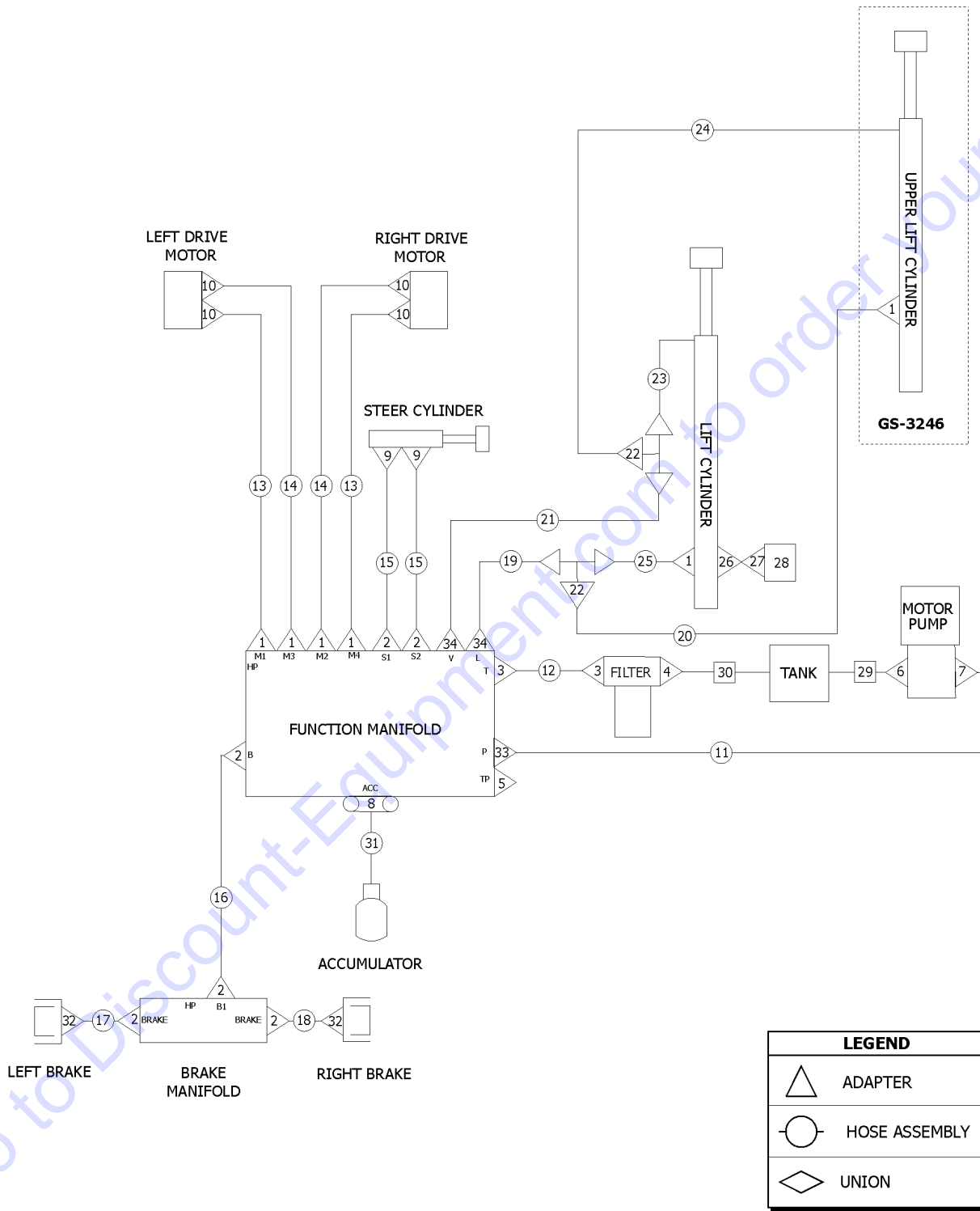
505.1 Lift Cylinder Assembly, All Models



505.1 Lift Cylinder Assembly, All Models

Item	Part No.	Description	Qty.
1A	55560GT	ORIFICE, LONG, .059"	
--	105479GT	KIT, TWO ORIFICE, .059"	
--	105481GT	KIT, ORIFICE, .059"	
2A	105544GT	CYLINDER, 20XX LIFT.....1 GS-2046	
--	105549GT	SEAL KIT (105545) (for PN 105544GT)	
3		Ref. Down Coil Wire Harness (refer to 210.1)	
4	39878GT	CONNECTOR, 070120-6-6.....1	
5A	97130GT	VALVE-RELIEF, 2500PSI	
--	44227GT	SEAL KIT, VALVE for 97130	
5B	237455GT	VALVE, RELIEF, 2900 PSI, BOSCH	
6	28443GT	CABLE TIE, 11.5" BLACK.....3	
7		Ref. Emergency Down Cable (refer to 203.1)	
8	44973GT	NUT, COIL (39909).....1	
9	84422GT	COIL-SOLENOID VALVE, 20V DC***.....1 (direct replacement for 66467GT)	
10	66465GT	VALVE, W/20V NC SOLENOID, MANUAL.....1 (includes items 7 and 8)	
--	40477GT	VALVE, CARTRIDGE***	
--	44979GT	SEAL KIT, 39909, PLAT LWR VALVE*	
11	41557-SGT	CABLE BRACKET, PAINTED.....1	
12	824077GT	SCREW, HHF, 1/4-20 X .5, 8, ZAG	
13	96770GT	CLAMP, HOSE, 1 EAR, 11/16.....1	
14	105478GT	BEARING, 1.5025IDX1.5075ODX1.5L.....4	

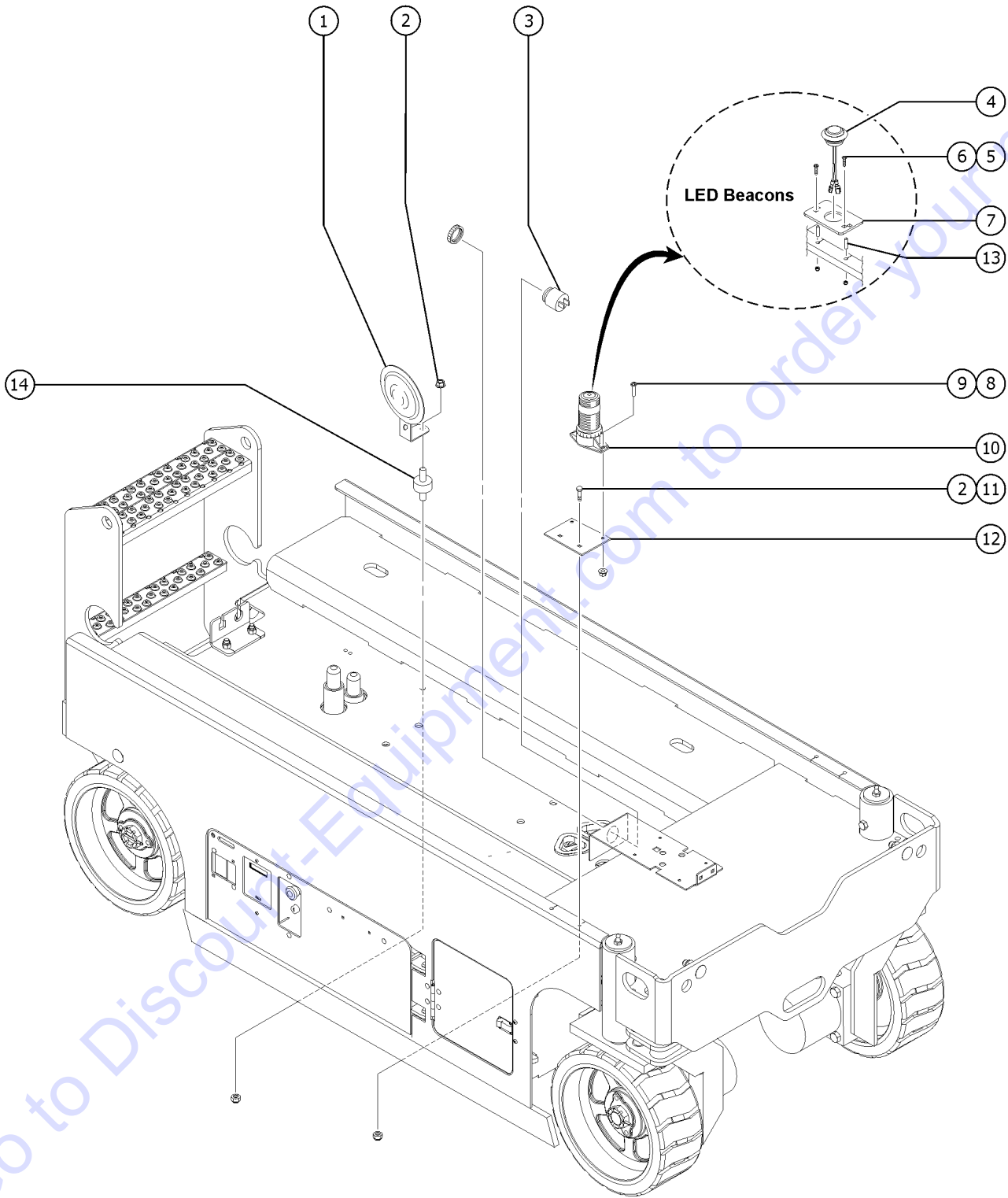
506.1 Hydraulic Hoses and Fittings



506.1 Hydraulic Hoses and Fittings

Item	Part No.	Description	Qty.	Item	Part No.	Description	Qty.
--		<i>The hose lengths below reflect the length of the hose only. Refer to the 'Fittings Cross Reference' to match Genie part numbers to Parker part numbers.</i>		25	105046GT	HOSE ASSY,LOWER LIFT.....1 (Components: 39890, 47223, and 56776 @ 127 inches)	1
--	66765-3000GT	WIRE LOOM,SPIRAL,1-5/8 ID 30" used as hose protection on 3/8 hoses, sold by the inch		26	96885GT	CONN,SWIVEL,STR,THR,465OX-S.....1	1
1	39878GT	CONNECTOR,070120-6-6.....	5	27	39881GT	CONNECTOR,070120-4-6.....	1
2	39877GT	CONNECTOR,070120-4-4.....	6	28		Ref.Pressure Switch 701.1.....	1
--	39882GT	PLUG,HEX SOCKET,090109B-4.....	1	29	96354GT	TUBE, ASSY, DRAW.....	1
3	66389GT	CONN,070120-8-6.....	2	30	96355GT	TUBE, ASSY, RETURN.....	1
4	96398GT	CONNECTOR, 070120-12-8.....	1	31	105246GT	HOSE ASSY, MAN/ACCUM, GS32/46....1 (Components: 78855, 78855, and 78852 @ 17 inches)	1
5		Ref. Diagnostic Nipple 502.1		32	39877GT	CONNECTOR,070120-4-4.....	2
6	22664GT	ELBOW,070220-12-10.....	1	33A	39878GT	CONNECTOR,070120-6-6.....	1
7	39876GT	ELBOW,070220-6-8.....	1	34A	42283GT	ELBOW,070320-6-6.....	2
8	39877GT	CONNECTOR,070120-4-4.....	1				
9	13921GT	ELBOW,070220-4-4..... GS-2046, GS-2646	2				
10	39873GT	ELBOW,070220-6-6.....	4				
11	96744GT	HOSE, ASSY, PRESSURE..... (Components: 39890, 39890, and 56776 @ 50 inches)	1				
12	96348GT	HOSE, ASSY, MAN TO FILTER..... (Components: 96406, 96406, and 75631 @ 25 inches)	1				
13	105801GT	HOSE ASSY,DRIVE MOTORS,GS46.... (Components: 39890, 39890, and 56776 @ 60 inches)	2				
14	105580GT	HOSE ASSY,DRIVE MOTORS,GS46.... (Components: 39890, 39890, and 56776 @ 64 inches)	4				
15	105578GT	HOSE,ASSY STEER,GS32/46..... (Components: 78855, 78855, and 78852 @ 36 inches)	2				
16	105577GT	HOSE,ASSY,BRAKE,GS46..... (Components: 78855, 78855, and 78852 @ 65 inches)	1				
17	105803GT	HOSE,ASSY, BRAKE MAN,GS46..... (Components: 39890, 39890, and 78852 @ 22 inches)	2				
18	96749GT	HOSE, ASSY, BRAKE MAN, GS46..... (Components: 78855, 78855, and 78852 @ 20 inches)	2				
19	96750GT	HOSE, ASSY, LIFT..... (Components: 39890, 39891, and 56776 @ 42 inches)	1				
21	96881GT	HOSE,ASSY,VENT..... (Components: 96406, 96407, and 75631 @ 42 inches)	1				
23	96882GT	HOSE,LOWER VENT..... (Components: 75631 @ 161 inches)	1				

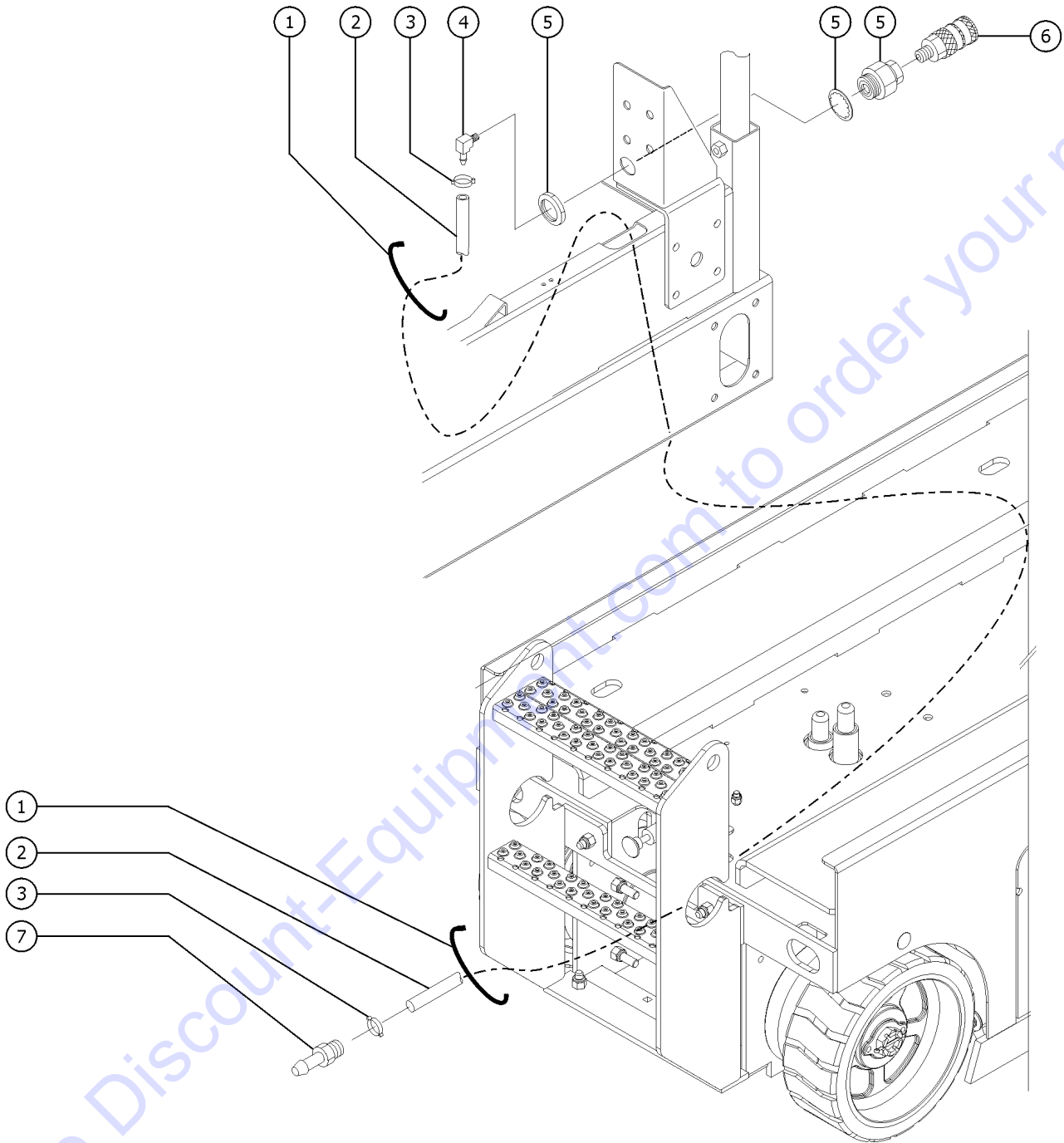
601.1 Alarm, Horn and Flashing Beacons



601.1 Alarm, Horn and Flashing Beacons

Item	Part No.	Description	Qty.	Item	Part No.	Description	Qty.
--	105797GT	KIT,BEACON,GS32/46 <i>ANSI models to SN GS4616D-4590</i>		13B	96699GT	SLEEVE,TANK SUPPORT.....4 <i>All models from SN GS4616D-4591</i>	4
--	1260386GT	VISUAL INDICATOR LIGHTS <i>All models from SN GS4616D-4591</i>		14	1275722GT	ISOLATOR,HORN,5/16-18 THRD.....1	1
1	81579GT	HORN,24VDC,SPADE TERMINALS***1					
2A	6091GT	NUT,NYLOCK,1/4-20					
2B	824028GT	NUT,TL FLG,5/16-18,G,ZAG.....2					
3	39540GT	ALARM,STEADY TONE***1 <i>Does not include 72326 nut; order separately</i>					
--	72326GT	NUT - PLASTIC,RING FOR ALARMS <i>for 39540</i>					
4A	1261183GT	ASSEMBLY, VISUAL IND LIGHT.....2 <i>CE Models to SN GS4616D-4590</i>					
--	1254572GT	LIGHT,TURN SIGNAL,1.25" LED,AMB....2					
--	1270162GT	ASSEMBLY, BEACON LED, 24V.....2 <i>for 1261183</i>					
--	1271521GT	HARNES, BEACON, LED, MINI.....1 <i>for 1261183</i>					
4B	1261183GT	ASSEMBLY, VISUAL IND LIGHT.....2 <i>All models from SN GS4616D-4591</i>					
--	1254572GT	LIGHT,TURN SIGNAL,1.25" LED,AMB....2					
--	1270162GT	ASSEMBLY, BEACON LED, 24V.....2 <i>for 1261183</i>					
--	1271521GT	HARNES, BEACON, LED, MINI.....1 <i>for 1261183</i>					
5	1255756GT	BOLT,CARRIAGE,1/4-20X1.5,5,ZAG.....4					
6	824027GT	NUT,TL FLG,1/4-20,G,ZAG.....4					
7A	1261143GT	PLATE,VISUAL IND LIGHT MOUNT.....2 <i>CE Models to SN GS4616D-4590</i>					
7B	1261143GT	PLATE,VISUAL IND LIGHT MOUNT.....2 <i>All models from SN GS4616D-4591</i>					
8A	824215GT	SCREW,PHPM,10-32X.75,ZAG.....4 <i>CE Models to SN GS4616D-4590</i>					
8B	824215GT	SCREW,PHPM,10-32X.75,ZAG.....4 <i>All models from SN GS4616D-4591</i>					
9	824032GT	NUT,TL FLG,10-32,F,ZAG.....2 <i>ANSI models to SN GS4616D-4590</i>					
10	231931GT	STROBE,BEACON, AC COMP 12-80V...2 <i>ANSI models to SN GS4616D-4590</i>					
--	105556GT	LENS,FLASHING BEACON <i>for 231931</i>					
--	105557GT	BULB,FLASHING BEACON <i>for 231931</i>					
11	824124GT	BOLT,CARRIAGE,1/4-20X.75,5,ZAG.....4 <i>ANSI models to SN GS4616D-4590</i>					
12	96363GT	PLATE,BEACON MOUNT.....2 <i>ANSI models to SN GS4616D-4590</i>					
13A	96699GT	SLEEVE,TANK SUPPORT.....4 <i>CE Models to SN GS4616D-4590</i>					

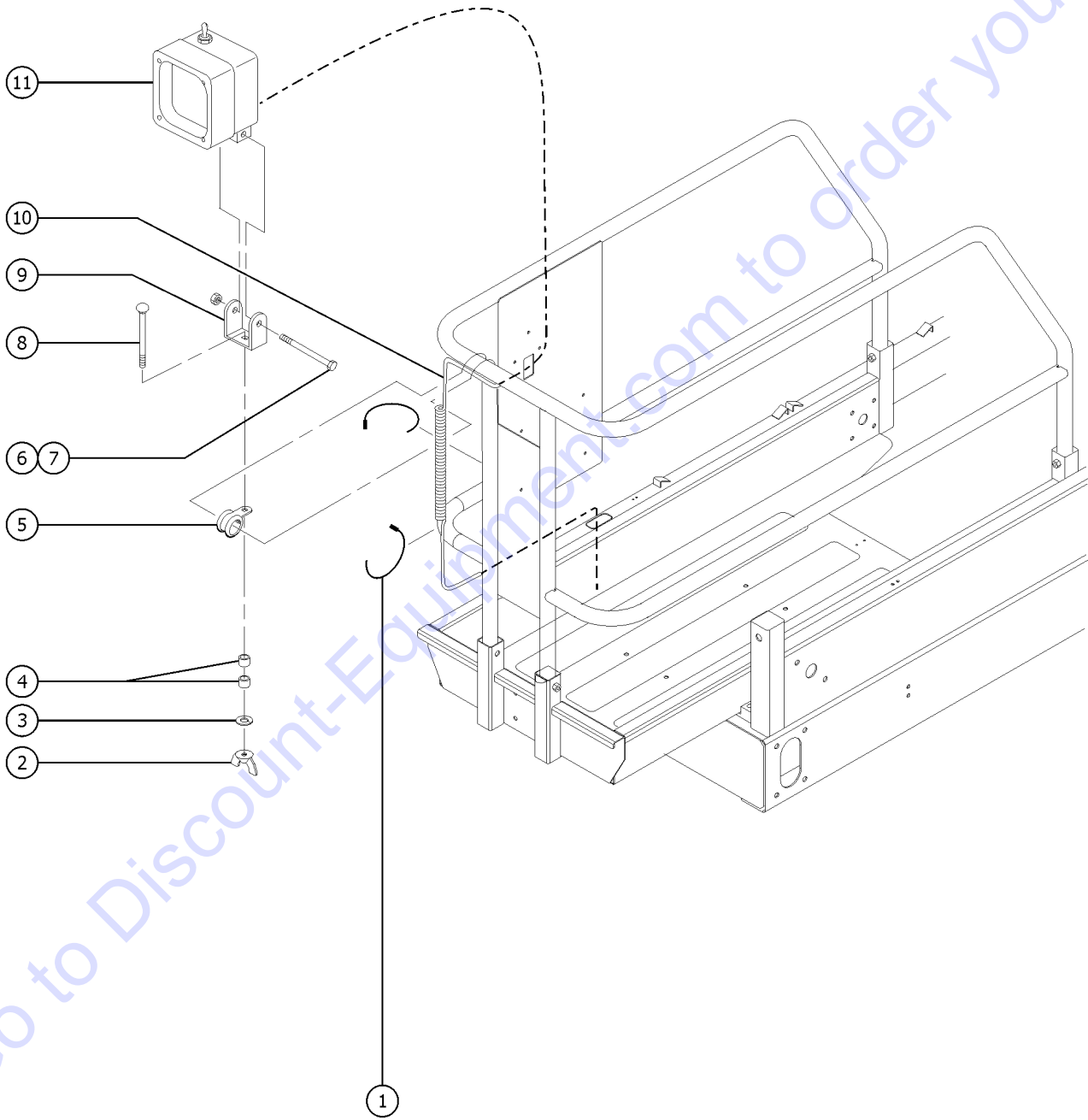
602.1 Air Line to Platform



602.1 Air Line to Platform

Item	Part No.	Description	Qty.
--	96731-SGT	AIR TO PLAT, GS20XX, ACC GS-2046	
--	96990-SGT	AIR TO PLAT, GS26XX, ACC GS-2646	
--	96991-SGT	AIR TO PLAT, GS3246, ACC GS-3246	
1	28443GT	CABLE TIE, 11.5" BLACK	
2A	27903GT	HOSE, LOW PRESSURE, .375 ID, BLK.....390-inches GS-2046	
2B	27903GT	HOSE, LOW PRESSURE, .375 ID, BLK.....490-inches GS-2646	
2C	27903GT	HOSE, LOW PRESSURE, .375 ID, BLK.....590-inches GS-3246	
3	27902GT	CLAMP, HOSE, 2 EAR, 5/8.....2	
4	27904GT	HOSE END, BARBED, RIGID, 90DEG 6-6.....1	
5	27900GT	BULKHEAD, FEMALE X 6 X 6.....1	
6	27895GT	COUPLER, 1/4" SERIES 3/8 MPT.....1	
7	96542GT	PLUG, 1/4" SERIES, 3/8 P-LOCK***1	

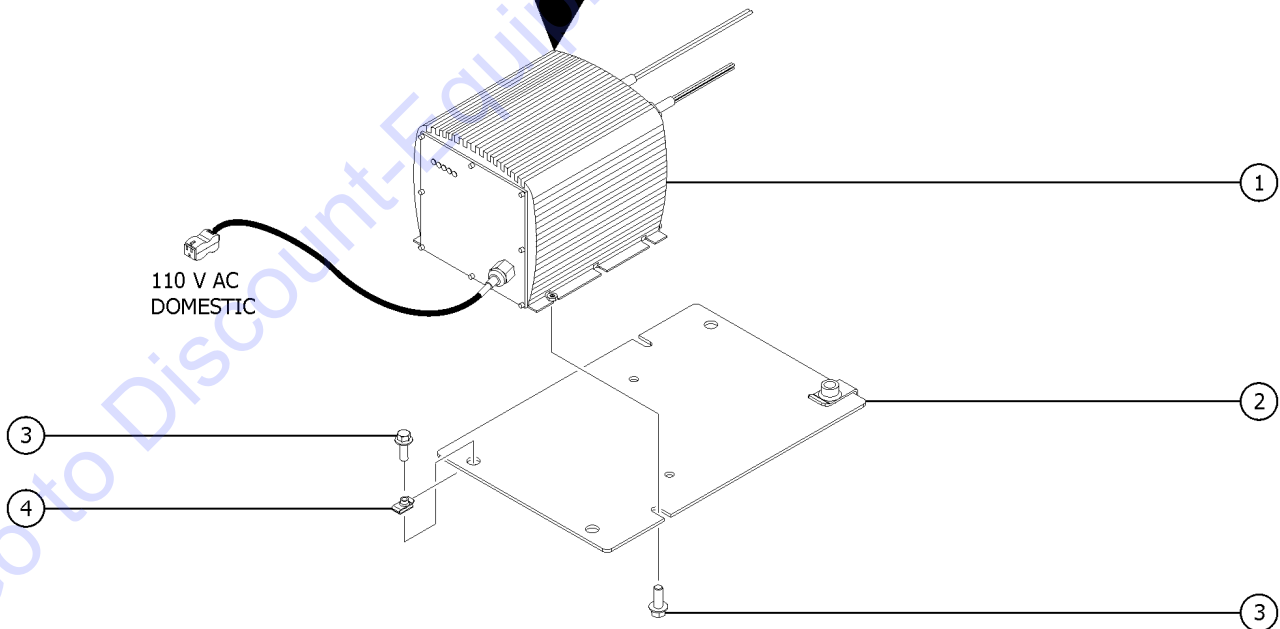
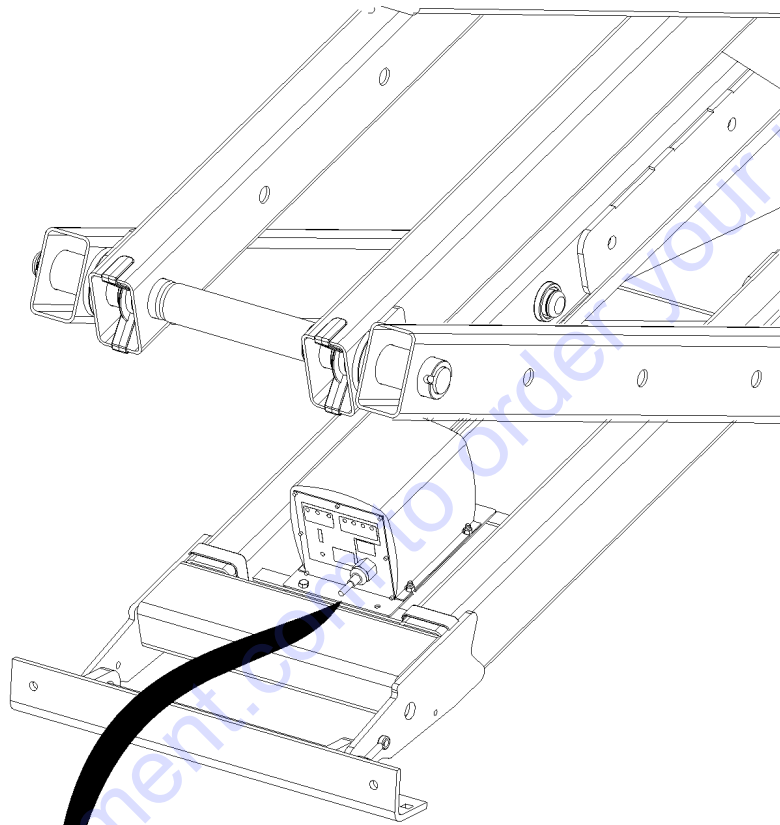
603.1 Platform Work Light



603.1 Platform Work Light

Item	Part No.	Description	Qty.
--	105973GT	WORKLIGHT CABLE,GS19/20XX <i>(linkset) GS-2046</i>	
--	105971GT	WORKLIGHT PIGTAIL ASSY <i>(chassis)</i>	
--	105974GT	WORKLIGHT CABLE,GS26XX <i>(linkset) GS-2646</i>	
--	105971GT	WORKLIGHT PIGTAIL ASSY <i>(chassis)</i>	
--	105975GT	WORKLIGHT CABLE,GS32XX <i>GS-3246</i>	
--	105971GT	WORKLIGHT PIGTAIL ASSY <i>(chassis)</i>	
1	28443GT	CABLE TIE,11.5" BLACK.....	10
2	69229GT	NUT,WING 5/16-18.....	1
3	6886GT	WASHER,LOCK,.313	
4	5397GT	WASHER,FLAT,USS,5/16",Y..... <i>add sufficient washers to equal aproximately 0.435 inch thickness of each spacer</i>	2
5	33784GT	CLAMP,1.31,#21 X 1/4,RUB CUSH.....	1
6	50793GT	SCREW,HHC,5/16-18 X 2	
7	6782GT	NUT,NYLOCK,5/16-18	
8	65439GT	BOLT,CARRIAGE,5/16-18 X 2.0,G2	
9	144009GT	WORKLIGHT BRACKET.....	1
10	65721GT	COIL CORD,WORKLIGHT(144011).....	1
11	144011GT	WORKLIGHT,24V,COIL CORD.....	1

604.1 Voltage Inverter

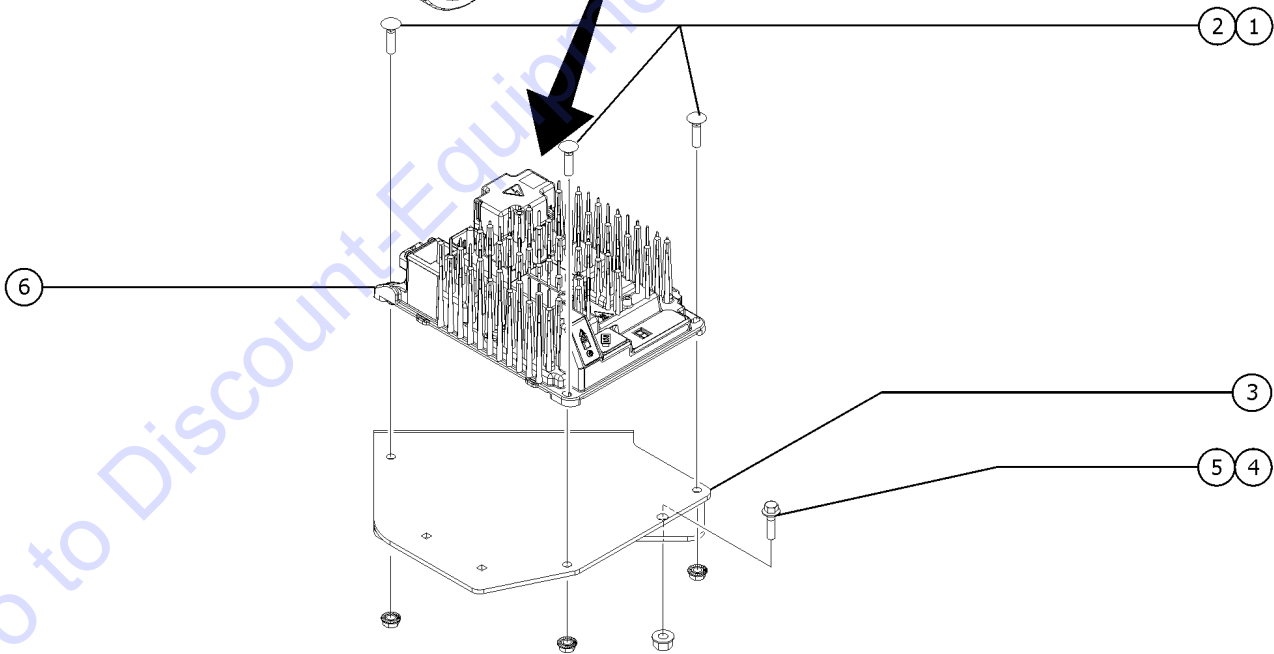
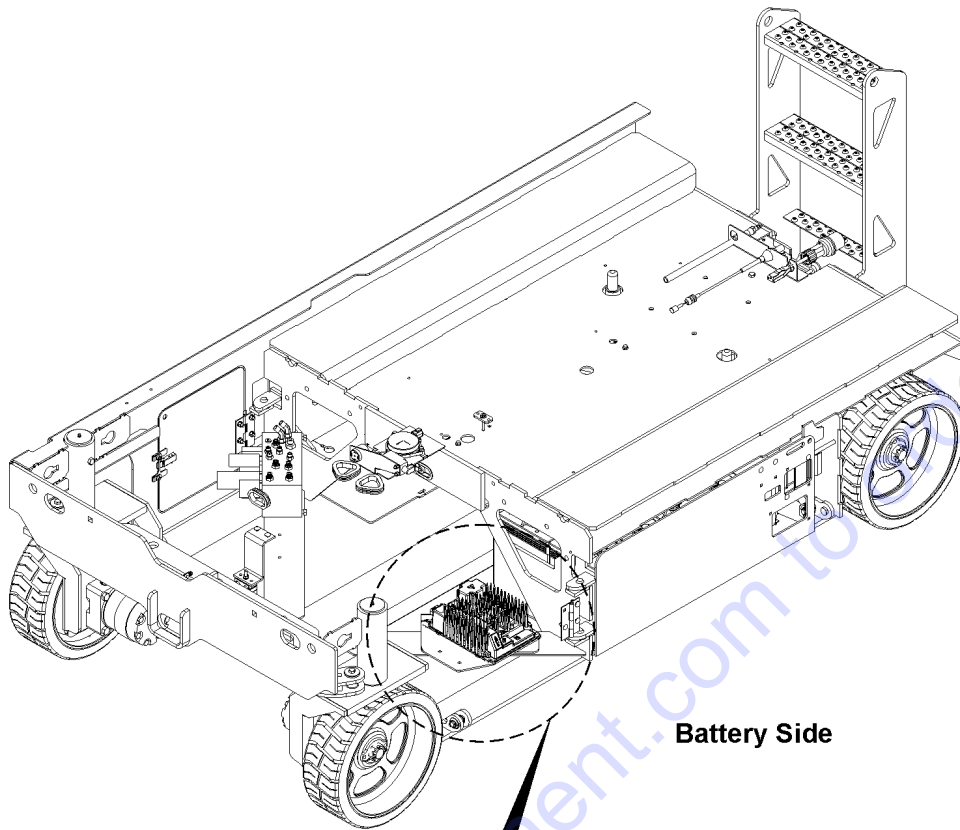


604.1 Voltage Inverter

Item	Part No.	Description	Qty.
1	96950GT	INVERTER,24VDC,110/230 VAC***.....1	
2	105129GT	PLATE, INVERTER MOUNT.....1	
3	824078GT	SCREW,HHF,1/4-20X.75,8,ZAG.....4	
4	56912GT	SPRING CLIP,1/4-20,.025-.15X.54,ZAG.....2	

Go to Discount-Equipment.com to order your parts

604.2 Voltage Inverter

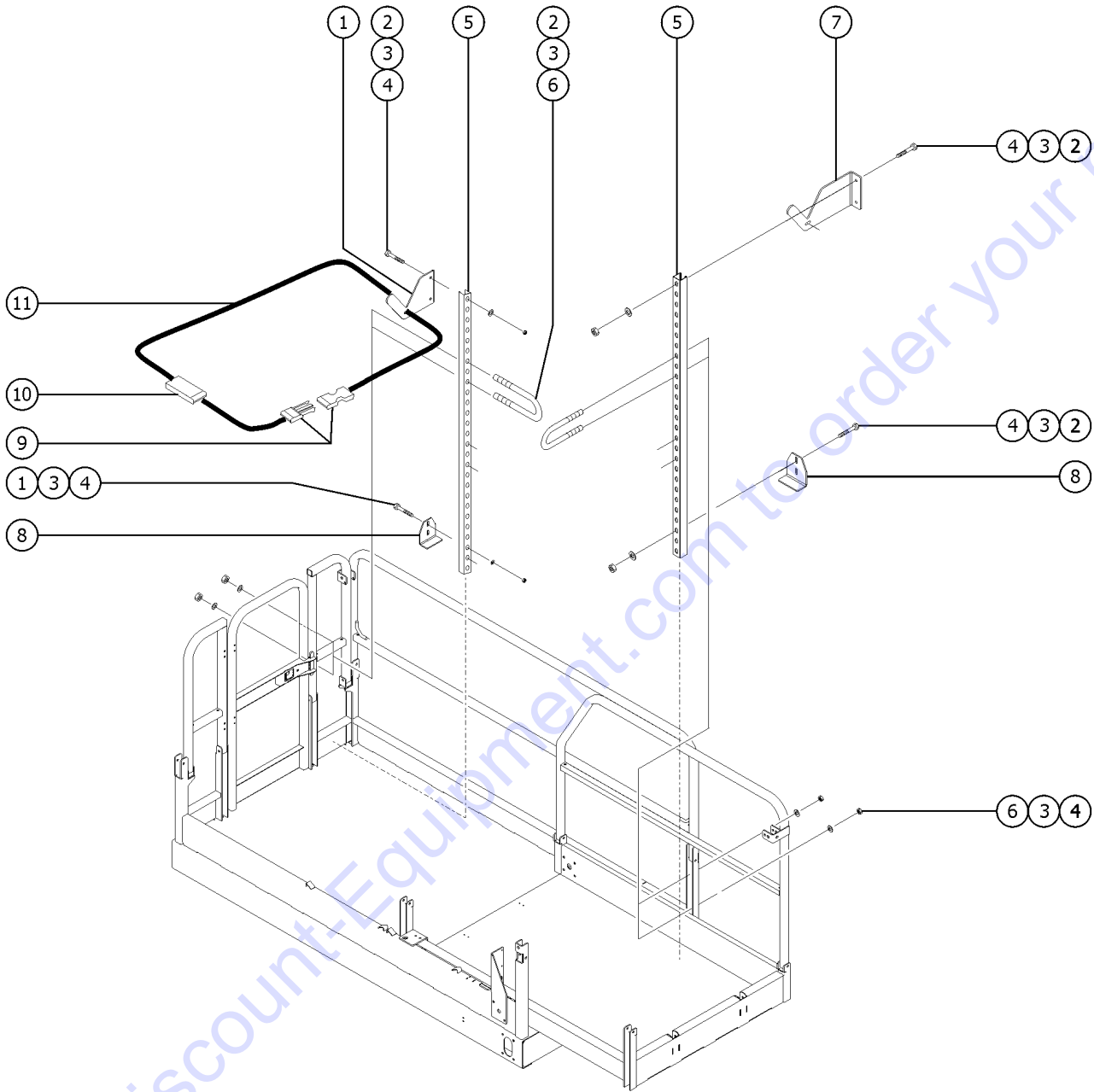


604.2 Voltage Inverter

Item	Part No.	Description	Qty.
1	1256127GT	BOLT,CARRIAGE,1/4-20X1.5,ZAG.....	3
2	1256679GT	NUT,SERRATED,1/4-20,8,ZAG.....	3
3	1273056GT	FORMING,DELTA-Q CHARGER MOUNT.....	1
4	824079GT	SCREW,HHF,1/4-20X1,8,ZAG.....	2
5	824027GT	NUT,TL FLG,1/4-20,G,ZAG.....	2
6	1272232GT	CHARGER,24V,650W,USB.....	1

Go to Discount-Equipment.com to order your parts

605.1 Pipe Cradle Assembly

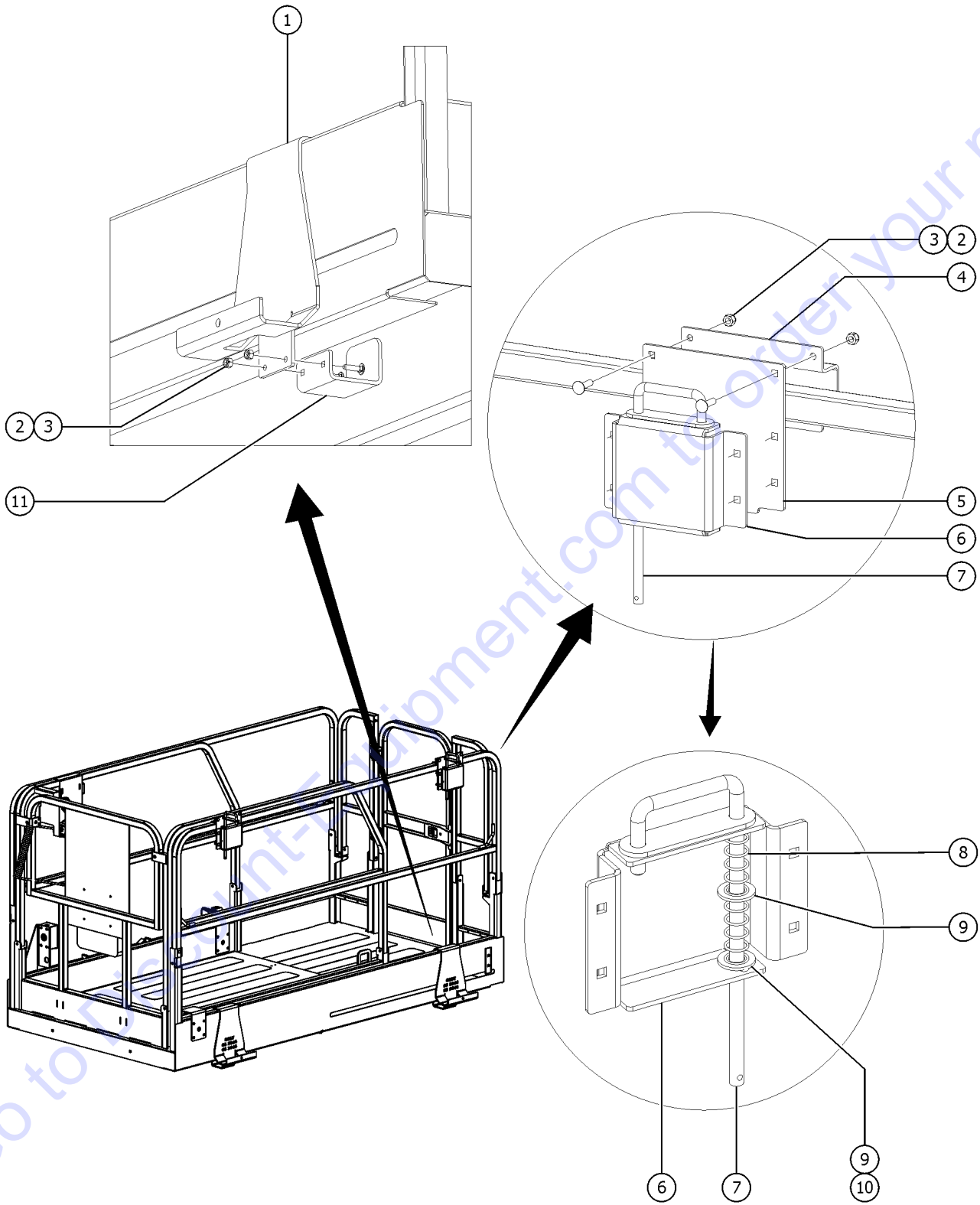


605.1 Pipe Cradle Assembly

Item	Part No.	Description	Qty.
--	72878GT	PIPE CRDL,SQ RAILINGS,GS46	
1	79156GT	PLATE,PIPE HOLDER, GS68.....	1
2	14033GT	SCREW,HHC,3/8-16 X 2.75	
3	6097GT	WASHER,FLAT,USS,3/8",Y	
4	4828GT	NUT,NYLOCK,3/8-16	
5	66171GT	CHANNEL,PIPE RACK.....	2
6	66472GT	U-BOLT, SQR, 3/8-16X2X5, PLTD.....	4
7	66169GT	FORMING, PIPE HOLDER RACK.....	1
8	66170GT	FORMING, PIPE RACK BASE.....	2
9	100810GT	BUCKLE & SLIDE STRAP SET.....	1
10	35643GT	BUCKLE,SIDE RELEASE.....	2
11	35642GT	STRAP,NYLON,1.0 IN. BLACK.....	96-inches

Go to Discount-Equipment.com to order your parts

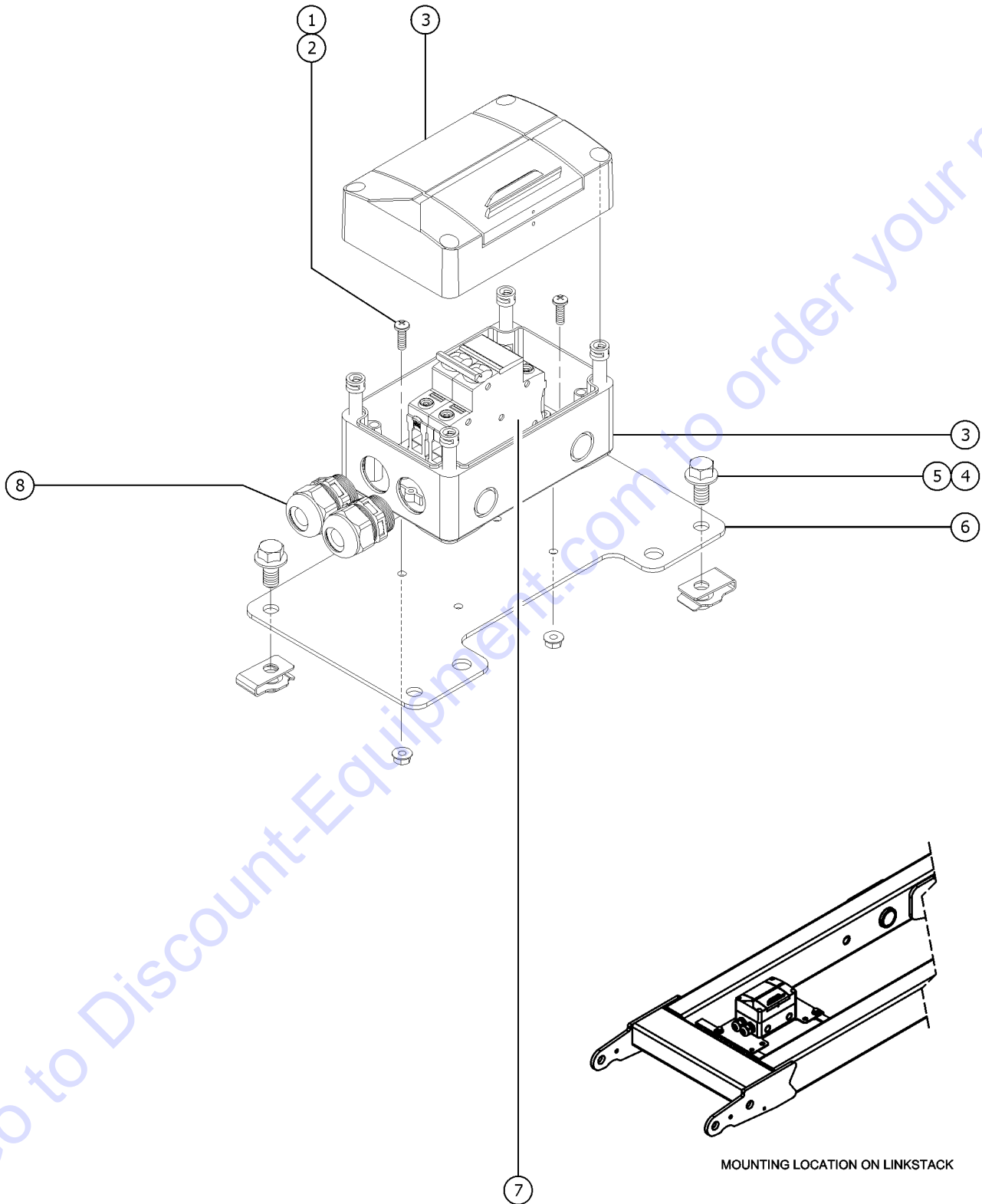
606.1 Panel Carrier Assembly, GS-2046, GS-2646 (ANSI/CSA models)



606.1 Panel Carrier Assembly, GS-2046, GS-2646 (ANSI/CSA models)

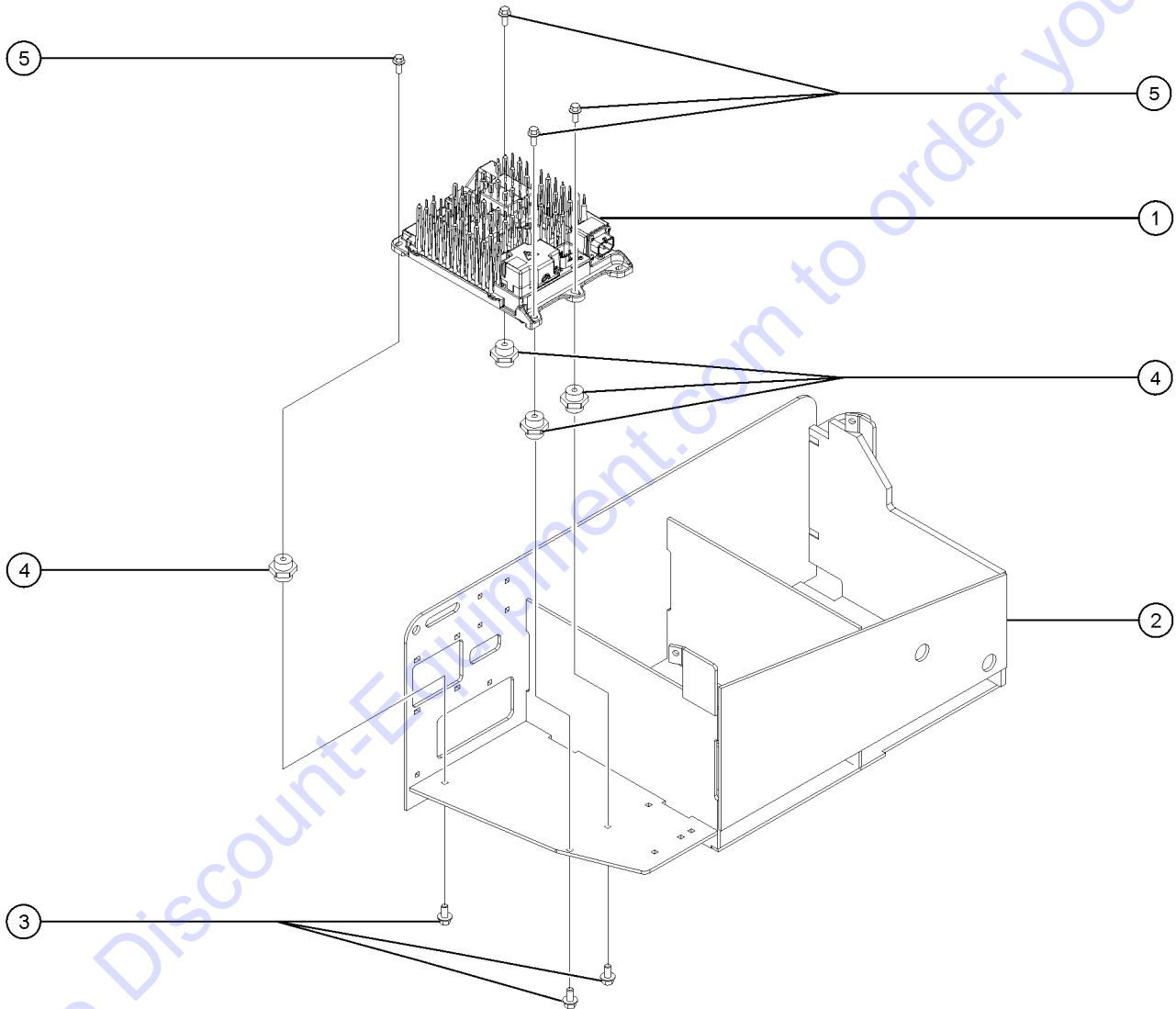
Item	Part No.	Description	Qty.
A	1251827GT	ACCESSORY, PANEL CARRIER <i>For GS-2046 and GS-2646 only (ANSI/CSA models only) (not approved for use on CE or AUS models)</i>	
1	1251805GT	FORMING, PANEL HOOK.....	2
2	6091GT	NUT,NYLOCK,1/4-20	
3	124576GT	BOLT,CARRIAGE,1/4-20X1.00 G5	
4	1251809GT	FORMING, RAIL CLAMP.....	2
5	1251808GT	PLATE, COVER.....	2
6	1251807GT	FORMING, HOUSING, CLAMP.....	2
7	1251812GT	WELDMENT, CLAMP.....	2
8	1251813GT	SPRING, .660 X 2.00, 14.8 #/IN.....	4
9	6097GT	WASHER,FLAT,USS,3/8",Y	
10	12016GT	PIN,COTTER,.125 X .75.....	2
11	1251806GT	FORMING, RETAINER.....	2

607.1 RCBO



Item	Part No.	Description	Qty.
1	1257227GT	SCREW,PHPM,10-32X.625,ZAG.....	2
2	1256467GT	NUT,TL FLG,10-24,F,ZAG.....	2
3	1269086GT	ENCLOSURE, FUSE, MODULAR, 150X.....	1
4	824089GT	SCREW,HHF,3/8-16X.75,8,ZAG.....	2
5	29868GT	SPRING CLIP,3/8-16,.05-.20X.73,ZAG...	2
6	1274540GT	PLATE, RCBO, GS.....	1
7	231868GT	RCBO,16A,30MA,6KA 110/230VAC.....	1
8	1280947GT	GLAND ASSY,M25,6-13MM.....	2
9	43956GT	WIRE CABLE,14/3 CON.TPE JKT*.....115-inches <i>not shown</i>	
10	1280948GT	SLEEVE,CABLE-END,14AWG,2.5MM.... <i>for 43956</i>	6

608.1 Charger Isolation

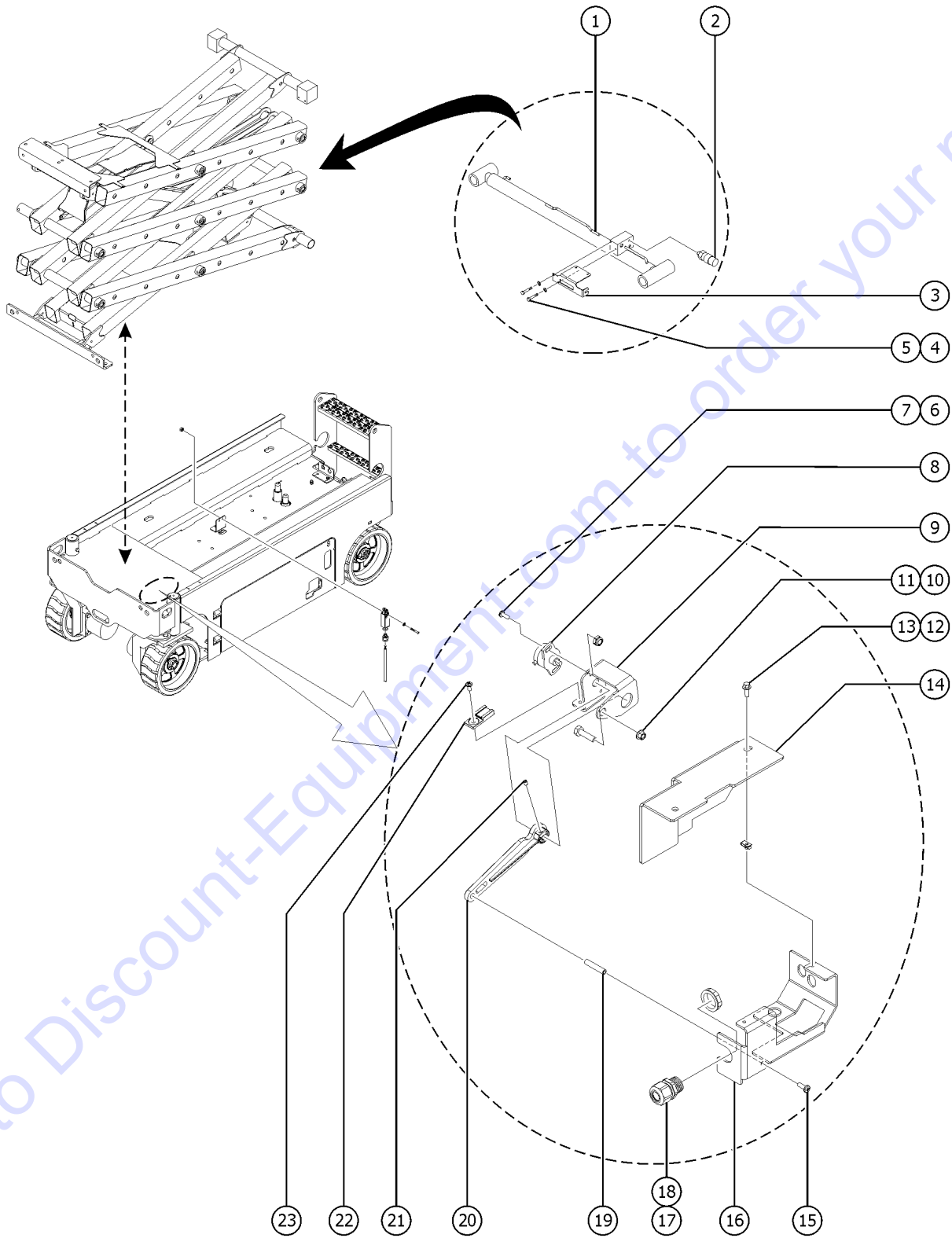


608.1 Charger Isolation

Item	Part No.	Description	Qty.
1		Ref.CHARGER, 24V, 650W, USB.....1 (refer to 206.1)	
2	1273354GT	WLDMT, GS BATTERY TRAY.....1	
3	824077GT	SCREW, HHF, 1/4-20 X .5, 8, ZAG.....3	
4	1276847GT	ISOLATOR,SANDWICH,1/4-20,M2M.....4	
5	1256855GT	SCREW,HHF,1/4-20X.625,8,ZAG.....4	

Go to Discount-Equipment.com to order your parts

701.1 Platform Overload



Item	Part No.	Description	Qty.
1		Ref: Lift Cylinder.....1 (refer to 505.1)	1
2	229750GT	HARNES, PRESS, TRANSDUCER***.....1 (includes transducer)	1
3	41557-SGT	CABLE BRACKET, PAINTED.....1	1
4	7339GT	SCREW, HHC, 1/4-20 X .5.....1	1
5	6356GT	WASHER, LOCK, .25.....1	1
6	1257296GT	SCREW, PHPM-ST, 8-32X.50, TYPE F, ZAG.....2	2
7	1258187GT	NUT, TL, 8-32, A, ZAG.....2	2
8	T113136GT	ASSY, ROT SENSR W/ HARNES.....1	1
9	161981GT	FRMNG, ARM SENSOR BRCKT, 32/46.....1	1
10	824029GT	NUT, TL FLG, 3/8-16, G, ZAG.....1	1
11	824068GT	SCREW, HHC, 3/8-16X1.25, 8, ZAG.....1	1
12	824078GT	SCREW, HHF, 1/4-20X.75, 8, ZAG.....2	2
13	56912GT	SPRING CLIP, 1/4-20, .025-.15X.54, ZAG.....2	2
14	161977GT	FRMG, SENSOR COVERING.....1	1
15	1251757GT	SCREW, PHPM, 10-32X.50, ZAG.....1	1
16	161975GT	FRMG, CHASSIS BRKTING.....1	1
17	33576GT	CONN, SQZ, BLK, 1/2NPT, .38-.50, SM.....1	1
18	T115429GT	NUT, CORDGRIP, 1/2 NPT.....1	1
19	T113142GT	OFFSET, RDN, 1/4-1.25, 10-32.....1	1
20	T114082GT	LEVER ARM, ANGLE SENSR ACTUATOR.....1	1
21	229146GT	SCREW, SET, 8-32X.25.....1	1
22	T113139GT	CLIP, DTM, RECEPTACLE.....1	1
23	39579GT	RIVET, STL, STL, .188 X .45.....1	1

Part Number Index

The Part Number Index is a numeric index of all part numbers included in this manual. The index shows what page(s) the part is used on.

Part Number	Page	Part Number	Page	Part Number	Page	Part Number	Page
100810GT	139	114385GT	13, 15, 21, 23,	1258567GT	11	1280958GT	96, 101
104804GT	95-96		29, 31	1258676GT	61	1280962GT	95-96
105029GT	91, 93	114386GT	17, 19, 25, 27,	1258731GT	101	128118GT	65
105030GT	91		33, 35	1259177GT	67	1282145GT	65
105031GT	93	12016GT	67, 141	1259178GT	67	1282153GT	65
105046GT	115, 127	122994GT	79	1259180GT	67	1283053GT	81
105060GT	67	124576GT	141	1259181GT	95-96	1284269GT	95-96
105067GT	109, 121	1251757GT	147	1259182GT	95-96	1284302GT	99
105074GT	91, 93	1251805GT	141	1259192GT	61	1286357GT	95-96
105090GT	99	1251806GT	141	1259193GT	61	1286454GT	69
105117GT	99	1251807GT	141	1259194GT	61	13000GT	69
105118GT	99	1251808GT	141	1259195GT	61	130011GT	115
105129GT	135	1251809GT	141	1259197GT	67	132133GT	67
105150GT	69	1251812GT	141	1259201GT	91, 93	132357GT	67
105156GT	67	1251813GT	141	1259223GT	95-96	132362GT	67
105186GT	91, 93	1251827GT	141	1259339GT	96	132371GT	67
105189GT	91, 93	1251997GT	61, 63, 89	1259686GT	67	132465GT	67
105190GT	91, 93	1252764GT	79	1260386GT	129	132588GT	67
105191GT	91, 93	1252765GT	85	1260926GT	95-96	133276GT	15, 23, 31
105193GT	91, 93	1252766GT	85	1260941GT	91, 93	133596GT	17, 19, 25, 27,
105214GT	81	1252977GT	95-96	1260963GT	91, 93		33, 35
105246GT	115, 127	1253477GT	96	1260984GT	79	13585GT	99
105308GT	75	1253478GT	95-96	1261143GT	129	13635-10GT	61
105334GT	73	1253485GT	95-96	1261183GT	129	137562GT	79
105448GT	99	1254572GT	129	1261334GT	75	137587GT	101
105454GT	61, 63	1255756GT	129	1261335GT	75	137605GT	17, 19, 25, 27,
105463GT	107, 119	1255757GT	61, 67, 89	1261888GT	107, 119		33, 35, 41, 43,
105467GT	69	1255758GT	67, 95-96	1263220GT	81		49, 51, 57, 59,
105478GT	113, 125	1255797GT	61	1263221GT	81		101
105479GT	113, 125	1255805GT	69	1263471GT	99	137634GT	103
105481GT	113, 125	1256051GT	63	1263542GT	39, 47, 55	137637GT	79, 101
105483-SGT	99	1256078GT	71	1263646GT	43, 51, 59	137640GT	101
105544GT	125	1256109GT	61	1264227GT	85	137656GT	17, 19, 25, 27,
105545GT	113	1256115GT	63, 89	1264822GT	81		33, 35, 41, 43,
105546GT	113	1256123GT	61	1264834GT	81		49, 51, 57, 59,
105547GT	105, 117	1256127GT	91, 93, 137	1265361GT	15, 23, 31, 39,		101
105549GT	113, 125	1256177GT	67		47, 55	137668GT	79
105550GT	105, 117	1256287GT	61, 63	1265771GT	81	137699GT	101
105553GT	105, 117	1256467GT	91, 93, 143	1268950GT	99	13921GT	115, 127
105554GT	105, 117	1256656GT	101	1268GT	11	14033GT	139
105555GT	105, 117	1256679GT	61, 71, 91, 93,	1269086GT	143	144009GT	133
105556GT	129		137	1270162GT	129	144011GT	133
105557GT	129	1256686GT	71	1270281GT	63, 81	144161GT	99
105564GT	113	1256702GT	17, 19, 25, 27,	1270457GT	71, 81	144215GT	81
105565GT	61		33, 35, 41, 43,	1270598GT	77	144226GT	65
105572GT	79		49, 51, 57, 59,	1271521GT	129	1484GT	11
105574GT	87		101	1272121GT	73	150104GT	107, 119
105577GT	115, 127	1256719GT	79	1272232GT	73, 137	160412GT	99
105578GT	115, 127	1256721GT	79	1272242GT	13, 21, 29, 37,	161975GT	147
105580GT	115, 127	1256725GT	101		45, 53	161977GT	147
105732GT	79	1256727GT	101	1272557GT	73	161981GT	147
105734GT	79	1256756GT	91, 93	1272844GT	73, 83	18605GT	99
105736GT	65	1256848GT	91, 93	1273054GT	69	18722GT	61
105759GT	79	1256855GT	95-96, 145	1273056GT	137	19491GT	65, 67
105797GT	129	1256856GT	95-96	1273354GT	145	20224GT	107, 119
105801GT	115, 127	1256863GT	69	1273388GT	71	21279GT	95-96
105803GT	115, 127	1257054GT	83, 85	1273394GT	81	214544GT	103
105812GT	99	1257055GT	83, 85	1273576GT	73	218579GT	81
105947GT	107, 119	1257056GT	83	1274168GT	65	22446GT	95-96
105971GT	133	1257057GT	83	1274540GT	143	226163GT	75, 77
105973GT	133	1257188GT	17, 25, 33	1275424GT	99	22664GT	115, 127
105974GT	133	1257190GT	19, 27, 35	1275722GT	129	227167GT	101
105975GT	133	1257227GT	143	1276561GT	77	228938GT	43
10775GT	99	1257296GT	147	1276562GT	77	228939GT	51
10777GT	99	1257733GT	11	1276847GT	145	228940GT	59
114334GT	39, 47, 55	1257824GT	81	1278008GT	43	229086GT	103
114337GT	37, 45, 53	1257840GT	75, 77	1278009GT	51	229087GT	103
114338GT	41, 43, 49, 51,	1257855GT	85	1278010GT	59	229088GT	103
	57, 59	1257858GT	85	1278704GT	15, 23, 31, 39,	229089GT	103
114360GT	13, 21, 29	1257909GT	65		47, 55	229090GT	103
114361GT	13, 21, 29, 37,	1257923GT	17, 19, 25, 27,	1280158GT	77	229091GT	103
	45, 53		33, 35, 41, 43,	1280665GT	99	229092GT	103
114370GT	37, 45, 53		49, 51, 57, 59	1280947GT	143	229093GT	103
114372GT	37, 39, 45, 47,	1258187GT	65, 99, 147	1280948GT	143	229094GT	103
	53, 55	1258394GT	81	1280957GT	95-96, 101	229097GT	103

Part Number	Page	Part Number	Page	Part Number	Page	Part Number	Page
229146GT	147	39232GT	65	47163GT	95-96	6935GT	99
229750GT	81, 147	39310GT	95-96	47166GT	95-96	7056GT	99
229845GT	101	39469GT	65, 95-96	47225GT	95-96	7127GT	99
230364GT	61	39474GT	95-96	47231GT	95-96	72086GT	13, 15, 21, 23, 29, 31, 37, 39, 45, 47, 53, 55
231114GT	75, 77	39540GT	65, 101, 129	47232GT	61, 65	72143GT	15, 23, 31, 39, 47, 55
231167GT	75, 77	39542GT	67	47238GT	65	72326GT	65, 101, 129
231868GT	143	39579GT	95-96, 147	47374GT	95-96	72853GT	15, 23, 31
231921GT	81, 101	39873GT	115, 127	47946GT	61	72878GT	139
231922GT	81, 101	39876GT	115, 127	48282GT	99	72970GT	13, 21, 29
231931GT	129	39877GT	109, 115, 121, 127	4828GT	139	72998GT	15, 23, 31
232534GT	75, 77	39878GT	113, 115, 125, 127	48880GT	107, 119	72999GT	15, 23, 31
232576GT	83	39881GT	115, 127	48997GT	107, 119	7339GT	113, 147
232578GT	83	39882GT	115, 127	49612GT	107, 119	74006GT	99
232582GT	83	39882GT	115, 127	49613GT	11, 107, 119	74267GT	69
233050GT	81	40434GT	17, 19, 25, 27, 33, 35, 41, 43, 49, 51, 57, 59	49812GT	111, 123	75631GT	71
233051GT	81	40477GT	113, 125	50793GT	133	76502GT	69
233052GT	81	40833GT	69, 71, 83	51063GT	79	77709GT	107, 119
233053GT	81	40844GT	111, 123	51152GT	115	78006GT	111, 123
233055GT	81	41557-SGT	113, 125, 147	51474GT	89	78022GT	95-96
233371GT	83, 85	41630GT	95-96	52475GT	13, 15, 21, 23, 29, 31, 37, 39, 45, 47, 53, 55	78038GT	95-96
233379GT	75	42079GT	63	5397GT	133	78086GT	67
233430GT	81, 83, 85	42283GT	115, 127	55010GT	73	78422GT	87, 105, 117
233644GT	81	43392GT	95-96	55355GT	67	78546GT	11, 75, 77
233711GT	81	43618GT	17, 19, 25, 27, 33, 35, 41, 43, 49, 51, 57, 59	55558GT	113	78622GT	105, 117
235463GT	103	43619GT	15, 23, 31	55560GT	113, 125	78736GT	61, 91, 93
235464GT	101	43658GT	13, 15, 21, 23, 29, 31, 39, 47, 55	55675GT	69, 71, 75, 77	79140GT	83, 85
236806GT	85	43685GT	111, 123	55906GT	99	79156GT	139
236821GT	85	43956GT	99, 143	56912GT	65, 79, 135, 147	81579GT	129
236824GT	85	44163GT	11	56926GT	81	82052-SGT	95-96
236837GT	111, 123	44168GT	107, 119	57075GT	99	82053-SGT	95-96
237086GT	107, 115, 119	44169GT	107, 119	58000GT	91, 93	82160GT	15, 23, 31
237165GT	71	44171GT	107, 119	58592GT	61, 91, 93	82161GT	15, 23, 31
237455GT	113, 125	44174GT	107, 119	58627GT	79	823368GT	65
237565GT	91, 93	44175GT	107, 119	6091GT	75, 77, 99, 129, 141	82366GT	15, 23, 31
24514GT	95-96	44207GT	105, 117	6097GT	139, 141	824024GT	87
25388GT	99	44226GT	107, 119	62056GT	17, 19, 41, 43	824025GT	67, 91, 93
27581GT	11	44227GT	113, 125	62057GT	25, 27, 49, 51	824027GT	61, 65, 69, 71, 75, 77, 79, 91, 93, 95-96, 129, 137
27895GT	131	44229GT	107, 119	62058GT	33, 35, 57, 59	824028GT	129
27900GT	131	44230GT	107, 119	6356GT	113, 147	824029GT	61, 67, 89, 91, 93, 95-96, 147
27902GT	131	44236GT	107, 119	65439GT	133	824032GT	67, 99, 129
27903GT	131	44255GT	13, 15, 21, 23, 29, 31	65721GT	133	824038GT	67, 95-96
27904GT	131	44255GT	13, 15, 21, 23, 29, 31	6595GT	99	824063GT	65
28131GT	83, 85	44255GT	13, 15, 21, 23, 29, 31	65962GT	107, 119	824068GT	147
28174GT	15, 17, 19, 23, 25, 27, 31, 33, 35, 39, 41, 43, 47, 49, 51, 55, 57, 59	44716GT	85, 111, 123	65990-SGT	95-96	824077GT	125, 145
28175GT	15, 23, 31	44736GT	17, 19, 25, 27, 33, 35	66055GT	91, 93	824078GT	75, 77, 96, 135, 147
28176GT	17, 19, 25, 27, 33, 35	44737GT	13, 15, 21, 23, 29, 31	66169GT	139	824079GT	137
28235GT	15, 17, 19, 23, 25, 27, 31, 33, 35, 39, 41, 43, 47, 49, 51, 55, 57, 59	44750GT	111, 123	66170GT	139	824080GT	75, 77, 91, 93
28236GT	17, 19, 25, 27, 33, 35	44751GT	111, 123	66171GT	139	824089GT	143
28443GT	113, 125, 131, 133	44752GT	111, 123	66204GT	75, 77	824092GT	91, 93
29868GT	143	44777GT	111, 123	6626GT	99	824094GT	95-96
30784-2550GT	69	44778GT	111, 123	66353GT	99	824100GT	111, 123
31060GT	13, 21, 29	44780GT	61, 63	66355GT	99	824110GT	111, 123
31508GT	13, 15, 21, 23, 29, 31	44781GT	61, 63	66356GT	99	824120GT	61
31788GT	13, 21, 29	44788GT	11, 105, 117	66389GT	115, 127	824124GT	65, 69, 71, 75, 77, 79, 129
32150GT	11	44936GT	99	6638GT	75, 77	824128GT	61, 67
32151GT	11	44973GT	113, 125	66397GT	83, 85	824151GT	93
32339GT	87	44979GT	113, 125	66399GT	11	824164GT	93
33576GT	147	44980GT	13, 15, 21, 23, 29, 31, 39, 47, 55	66465GT	113, 125	824206GT	79
33724GT	99	44981GT	15, 17, 19, 23, 25, 27, 31, 33, 35, 39, 41, 43, 47, 49, 51, 55, 57, 59	66472GT	139	824215GT	99, 129
33784GT	133	45546GT	99	66512GT	95-96	824216GT	65, 79
35642GT	139	46260GT	95-96	66544GT	95-96	824273GT	39, 47, 55
35643GT	139	46287GT	13, 15, 21, 23, 29, 31	66717GT	69, 71, 83, 85	82474GT	37, 39, 45, 47, 53, 55
36369GT	89	47098GT	95-96	66765-3000GT	115, 127	82476GT	37, 39, 45, 47, 53, 55
37947GT	79			66770GT	61	82481GT	37, 45, 53
				66812GT	79, 101	82482GT	39, 47, 55
				66817GT	79, 101		
				66920GT	95-96		
				66923GT	95-96		
				6700GT	79		
				6782GT	133		
				6878GT	99		
				6886GT	133		
				69229GT	133		

Part Number Index (continued)

Part Number	Page	Part Number	Page	Part Number	Page
82487GT	39, 41, 43, 47, 49, 51, 55, 57, 59	96570GT	63	T108662GT	111, 123
82495GT	37, 45, 53	96572GT	61	T108663GT	105, 117
82497GT	59	96573GT	61	T108670GT	71
825019GT	91, 93	96574GT	61	T109012GT	75, 77
825020GT	91, 93	96595GT	89	T110890GT	81
825349GT	69	96601GT	91, 93	T110891GT	81
825358GT	67, 95-96	96603GT	91, 93	T112507GT	65
82557GT	17, 19, 25, 27, 33, 35	96605GT	91, 93	T112560GT	99
82558GT	15, 23, 31	96606GT	91	T112561GT	99
82559GT	15, 23, 31	96611GT	91	T112563GT	99
82560GT	39, 47, 55	96615GT	93	T112804GT	15, 23, 31, 39, 47, 55
82561GT	13, 15, 21, 23, 29, 31	96616GT	93	T113136GT	81, 147
82562GT	37, 39, 45, 47, 53, 55	96642GT	67	T113139GT	147
825796GT	91, 93	96661GT	91	T113142GT	147
82657GT	13, 21, 29	96662GT	91, 93	T113296GT	75, 77
82703GT	13, 15, 37, 39	96699GT	75, 77, 129	T113787GT	96
82704GT	21, 23, 45, 47	96709GT	75, 77	T113971GT	71
82705GT	29, 31, 53, 55	96718GT	95-96	T114031GT	81
82710GT	17, 19	96719GT	96	T114082GT	147
82726GT	25, 27	96731-SGT	131	T114321GT	105, 117
82727GT	33, 35	96735GT	91, 93	T115429GT	147
82728GT	17	96744GT	115, 127		
82729GT	25	96749GT	115, 127		
82730GT	33	96750GT	115, 127		
82731GT	41	96760GT	95-96		
82732GT	49	96770GT	113, 125		
82733GT	57	96812GT	93		
82734GT	41	96836GT	91, 93		
82735GT	49	96853GT	81		
82736GT	57	96855GT	75, 77		
82905GT	43, 51	96862GT	91, 93		
83093GT	79	96870GT	65		
84384GT	107, 119	96876GT	63		
84385GT	107, 119	96880GT	115		
84386GT	107, 119	96881GT	115, 127		
84422GT	113, 125	96882GT	115, 127		
84587GT	95-96	96883GT	115		
84696GT	91	96885GT	115, 127		
84698GT	93	96887GT	63		
84739GT	109, 121	96889GT	63		
84740GT	109, 121	96895GT	91, 93		
84742GT	109, 121	96900GT	91, 93		
84743GT	109, 121	96932GT	91, 93		
84746GT	109, 121	96948GT	65, 67		
84747GT	89	96950GT	135		
84748GT	109, 121	96990-SGT	131		
85239GT	79	96991-SGT	131		
9116GT	75, 77, 87	97059GT	73		
96008-SGT	79	97128GT	65, 67		
96009GT	79, 99	97130GT	113, 125		
96010GT	79	97233GT	91		
96085GT	67	97234GT	91, 93		
96110GT	83, 85	97241GT	89		
96130GT	93	97242GT	95-96		
96200GT	95-96	97243GT	93		
96236GT	99	97244GT	93		
96246GT	95-96	97258GT	95-96		
96257GT	105, 117	97259GT	96		
96304GT	83	97260GT	96		
96306GT	83	97263GT	96		
96309GT	81	97264GT	96		
96348GT	115, 127	97267GT	61		
96354GT	75, 115, 127	97409GT	107, 119		
96355GT	75, 115, 127	97662GT	35		
96363GT	129	97663GT	19, 27		
96398GT	115, 127	97719GT	39, 47, 55		
96408GT	67	T106362GT	79		
96413GT	95-96	T106363GT	79		
96419GT	105, 117	T106366GT	79		
96452GT	79	T106370GT	101		
96541GT	67	T106372GT	79		
96542GT	131	T106373GT	101		
		T107029GT	15, 21, 29		
		T107031GT	15, 23, 31		
		T108326GT	75, 77		
		T108327GT	79		

The Part Description Index is an alphabetical index of all part descriptions included in this manual. The index shows what page(s) the part is used on.

(component no longer available).....101

1

126,DYN.BRAKING,MANIF,32/46.....107, 119

A

ACCESSORY, PANEL CARRIER.....141
 ACCUMULATOR,180 PSI PRECHARGE*...87, 105, 117
 ADAPTER, RJ45, GC27-25/GC21-19.....79
 AGM BATTERY,DC150-12,DP CYCLE.....71
 AIR TO PLAT, GS20XX, ACC.....131
 AIR TO PLAT, GS26XX, ACC.....131
 AIR TO PLAT, GS3246, ACC.....131
 ALARM,STEADY TONE***.....65, 101, 129
 ASSEMBLY, BEACON LED, 24V.....129
 ASSEMBLY, CHARGER STATUS LED, 2V.....63, 81
 ASSEMBLY, DOWN LIMIT, GS.....65
 ASSEMBLY, VISUAL IND LIGHT.....129
 ASSY, PLATFORM GATE, GSXX46.....95-96
 ASSY,POT HOLE SYSTEM,GSXX46.....67
 ASSY,POTHOLE HARNESS GS32/GS46.....81
 ASSY,POTHOLE HARNESS,GS.....81
 ASSY,ROT SENSR W/ HARNESS.....81, 147

B

BALL STUD, GAS STRUT, 3/8-16.....67
 BAR,CABLE BRIDGE ARM,UPPER.....91, 93
 BASE WITH 1 NC CONTACT, E-STOP.....79, 101
 BATTERY PACKAGE,T1275,FLA,GS46.....69
 BATTERY, AGM, 6V, (TROJAN) ***.....69
 BATTERY,12V,150AH, T1275.....71
 BATTERY,T105 W/LPT,3 CAP,DRY***.....69
 BEARING,.75ID X 1.00D X 1.38LG.....67
 BEARING,0.75IDX1.00ODX0.75L.....89
 BEARING,1.00IDX1.25ODX0.49L.....61
 BEARING,1.00IDX1.25ODX0.75L.....89
 BEARING,1.5025IDX1.5075ODX1.5L.....113, 125
 BEARING,1.50IDX1.77ODX1.25L.....91, 93
 BEARING,1.523IDX1.75ODX0.63L.....67
 BEARING,2.25IDX2.50ODX1.50L***.....61
 BEARING,MOTOR.....111, 123
 BEARING,MOTOR,36843,BRUSH END*.....111, 123
 BOLT,CARRIAGE,1/2-13X1.75,5,ZA.....63, 89
 BOLT,CARRIAGE,1/4-20 X .75,G2.....99
 BOLT,CARRIAGE,1/4-20X.63,5,ZAG.....91, 93
 BOLT,CARRIAGE,1/4-20X.75,5,ZAG.....65, 69, 71, 75, 77, 79, 129
 BOLT,CARRIAGE,1/4-20X1.00 G5.....141
 BOLT,CARRIAGE,1/4-20x1.25,G2.....75, 77, 87
 BOLT,CARRIAGE,1/4-20X1.5,ZAG.....129
 BOLT,CARRIAGE,1/4-20X1.5,ZAG.....91, 93, 137
 BOLT,CARRIAGE,1/4-20X2,5,ZAG.....61
 BOLT,CARRIAGE,1/4-20X2.5,5,ZAG.....61
 BOLT,CARRIAGE,10-24X2,A,ZAG.....91, 93
 BOLT,CARRIAGE,3/8-16X1.25,5,ZAG.....61, 67, 89
 BOLT,CARRIAGE,3/8-16X1.5,5,ZAG.....91, 93

BOLT,CARRIAGE,3/8-16X2.25,5,ZAG.....95-96
 BOLT,CARRIAGE,5/16-18 X 2.0,G2.....133
 BOLT,SHS,3/8X.375X5/16-18,ZAG.....95-96
 BOOT, 2 SWITCH, SILICON.....103
 BOOT,CABLE TERMINAL COVER.....83, 85
 BOOT,CABLE TERMINAL,RED,XL.....83, 85
 BOX,INSTRUCTION STORAGE.....95-96
 BRACKET,FOOT PEDAL.....95-96
 BRAKE, HYDRAULIC***.....105, 117
 BREATHER CAP,HYD. TANK,1/4 NPT.....11, 75, 77
 BRUSH,PWR UNIT (40844)**.....111, 123
 BUCKLE & SLIDE STRAP SET.....139
 BUCKLE,SIDE RELEASE.....139
 BULB,FLASHING BEACON.....129
 BULKHEAD,FEMALE X 6 X 6.....131
 BUMPER,BATTERY BOX & RAILS.....95-96
 BUSHING,FLNGD,.63 X .77 X .38.....67
 BUSHING,STRAIN RELIEF,.875/.40.....65
 BUTTON,.800 O.D. X .281.....95-96
 BUTTON,PUSH,RED MUSHROOM HEAD.....79, 101

C

CABLE ASSY,BATT, 12" RED.....83
 CABLE ASSY,BATT, 20" BLK.....83
 CABLE ASSY,BATT,11" BLACK.....85
 CABLE ASSY,BATT,11"BLACK.....85
 CABLE ASSY,BATT,11"RED.....85
 CABLE ASSY,BATT,23"RED.....83, 85
 CABLE ASSY,BATT,30.5" RED.....85
 CABLE ASSY,BATT,5.50"RED.....83
 CABLE ASSY,BATT,9.50"RED.....83
 CABLE ASSY,BATT.10.5" RED.....85
 CABLE ASSY,CHARGER/BATTERY.....73
 CABLE ASSY, BATT. 101", RED.....85
 CABLE ASSY, BATT. 106" BLACK.....85
 CABLE ASSY, BATT. 12" BLACK.....83, 85
 CABLE ASSY, BATT. 14" RED.....83, 85
 CABLE ASSY, BATT. 88.5" RED.....83
 CABLE ASSY, BATT. 93" BLACK.....83
 CABLE BRACKET,PAINTED.....113, 125, 147
 CABLE TIE MOUNT, WINGED.....81
 CABLE TIE,11.5" BLACK.....113, 125, 131, 133
 CABLE, PLATFORM CONTROL, 20XX.....81
 CABLE, PLATFORM CONTROL, 26XX.....81
 CABLE, PLATFORM CONTROL, 32XX.....81
 CABLE,CHARGER, DC, W/ BTS.....73, 83
 CABLE,EMERGENCY DOWN.....65
 CABLE,LFT CYL DN,20/26XX,W/LS.....81
 CABLE,LIFT CYL DWN, 32XX,W/LS.....81
 CABLE,PLATFORM CONTROL,GS,HARTING CONN OPTION.....96, 101
 CAM FOLLOWER,1.125X.375,DELIRIN.....67
 CAP, TUBE, SQ,1.25 X .083.....95-96
 CAP,BUTTON,K12.....101
 CAP,DIAGNOSTIC NIPPLE.....107, 119
 CHANNEL,PIPE RACK.....139
 CHARGER INTERLOCK CABLE,GS46.....81
 CHARGER,24V,650W,USB.....73, 137
 CHASSIS MOUNT ASSY, GS32&46.....89
 CHECK DISK, NO SPRING.....107, 119
 CIRCUIT BREAKER,7.0 AMP***.....79
 CLAMP, HOSE, 1 EAR, 11/16.....113, 125
 CLAMP,1.31,#21 X 1/4,RUB CUSH.....133
 CLAMP,1.75,#28 X 3/8,RUB CUSH*.....87

CLAMP,2 HOSE,PLASTIC,5/8.....61, 91, 93
 CLAMP,HOSE,1 EAR,1-1/16***.....75, 77
 CLAMP,HOSE,2 EAR, 5/8.....131
 CLIP,CABLEBRIDGE, GS32/46.....91, 93
 CLIP,DTM,RECEPTACLE.....147
 CLIP,HAIR PIN,.125X2,.5-.75,ZAG.....61
 CLIP,TIE HARNESS MOUNT***.....81
 COIL CORD,WORKLIGHT(144011).....133
 COIL,#8 20VDC,DEUTSCH W/DIOD.....107, 119
 COIL,20VDC DEUTCSH W/DIODE.....107, 119
 COIL-SOLENOID VALVE,20V DC***.....113, 125
 CONN,070120-8-6.....115, 127
 CONN,SQUEEZE,1/2NPT .38-.50,SM.....99
 CONN,SQZ,BLK,1/2NPT,.38-.50,SM.....147
 CONN,SWIVEL,STR,THR,465OX-S...115, 127
 CONNECTOR, 070120-12-8.....115, 127
 CONNECTOR, IEC CHARGER CORD.....73
 CONNECTOR,070120-4-4.....109, 115, 121, 127
 CONNECTOR,070120-4-6.....115, 127
 CONNECTOR,070120-6-6.....113, 115, 125, 127
 CONTACTOR,DRIVE,24V,180A.....71, 81
 CONTACTOR,DRIVE,24V,180A***.....69
 CONTACTOR,LIMIT SWITCH.....65, 67
 COUNTERWEIGHT, BELLY.....63
 COUPLER,1/4"SERIES 3/8 MPT.....131
 COVER, RJ45, GC27-25/GC21-19.....79
 COVER,BLANK.....99
 COVER,GFCI,HORIZONTAL,WEATHER.....99
 COVER,T-BOX LOCKABLE.....99
 COVER-BRUSH INSPEC.40844,SCISS.....111, 123
 CWT, REAR, XX46.....63
 CYLINDER, 20XX LIFT.....125
 CYLINDER, 26XX/32XX LIFT.....113
 CYLINDER, 32XX UPPER LIFT.....113
 CYLINDER,GS/GR STEER***.....105, 117

D

DECAL DANGER TIP OVER TRAYS.....13, 15, 21, 23, 29, 31
 DECAL SYMBOL TIP OVER TRAYS.....37, 39, 45, 47, 53, 55
 DECAL, BATTERY CHARGER INDICAT.....15, 23, 31, 39, 47, 55
 DECAL, COMPARTMENT ACCESS.....39, 47, 55
 DECAL, LABEL - DIRECTION ARROWS.....17, 19, 25, 27, 33, 35, 41, 43, 49, 51, 57, 59
 DECAL, LABEL, SAFETY ARM SYMB.....39, 47, 55
 DECAL, POWER TO PLATFORM 230V**...15, 17, 19, 23, 25, 27, 31, 33, 35, 39, 41, 43, 47, 49, 51, 55, 57, 59
 DECAL, SMARTLINK PROPORTIONAL.....17, 19, 25, 27, 33, 35, 41, 43, 49, 51, 57, 59
 DECAL, SYMBOL - READ THE MANUAL...39, 41, 43, 47, 49, 51, 55, 57, 59
 DECAL, SYMBOL, CE, MAXIMUM CAPACITY, 318KG.....59
 DECAL, SYMBOL, CE, MAXIMUM CAPACITY, 454KG.....51

PARTS FINDER

**Search Website
by Part Number**



**Search Manual
Library For Parts
Manual & Lookup Part
Numbers – Purchase
or Request Quote**

Search Manuals

Enter your information to help us find the right parts manual for your machine.

* Brand:

* Model:

* Serial:

* Part Number:

SEARCH

**Can't Find Part or
Manual? Request Help
by Manufacturer,
Model & Description**

Parts Order Form

Please fill in the following information to help us find the right part for your machine.

Manufacturer:	<input type="text"/>
Model:	<input type="text"/>
Description:	<input type="text"/>
Part Number:	<input type="text"/>
Quantity:	<input type="text"/>
Notes:	<input type="text"/>

Submit

Discount-Equipment.com is your online resource for quality parts & equipment.

Florida: **561-964-4949** Outside Florida TOLL FREE: **877-690-3101**

Need parts?

Click on this link: <http://www.discount-equipment.com/category/5443-parts/> and choose one of the options to help get the right parts and equipment you are looking for. Please have the machine model and serial number available in order to help us get you the correct parts. If you don't find the part on the website or on one of the online manuals, please fill out the request form and one of our experienced staff members will get back to you with a quote for the right part that your machine needs.

We sell worldwide for the brands: Genie, Terex, JLG, MultiQuip, Mikasa, Essick, Whiteman, Mayco, Toro Stone, Diamond Products, Generac Magnum, Airman, Haulotte, Barreto, Power Blanket, Nifty Lift, Atlas Copco, Chicago Pneumatic, Allmand, Miller Curber, Skyjack, Lull, Skytrak, Tsurumi, Husquvarna Target, Stow, Wacker, Sakai, Mi-T-M, Sullair, Basic, Dynapac, MBW, Weber, Bartell, Bennar Newman, Haulotte, Ditch Runner, Menegotti, Morrison, Contec, Buddy, Crown, Edco, Wyco, Bomag, Laymor, EZ Trench, Bil-Jax, F.S. Curtis, Gehl Pavers, Heli, Honda, ICS/PowerGrit, IHI, Partner, Imer, Clipper, MMD, Koshin, Rice, CH&E, General Equipment, Amida, Coleman, NAC, Gradall, Square Shooter, Kent, Stanley, Tamco, Toku, Hatz, Kohler, Robin, Wisconsin, Northrock, Oztec, Toker TK, Rol-Air, APT, Wylie, Ingersoll Rand / Doosan, Innovatech, Con X, Ammann, Mecalac, Makinex, Smith Surface Prep, Small Line, Wanco, Yanmar

Part Description Index (continued)

DECAL, SYMBOL, CE, MAXIMUM CAPACITY, 544KG.....43	DECAL,LABEL,PETRO CANADA***.....15, 23, 31	DECAL,SYMBOL-ELEC HAZARD,GS.....37, 39, 45, 47, 53, 55
DECAL, UI, GS/GR, PROP LIFT.....17, 19, 25, 27, 33, 35, 41, 43, 49, 51, 57, 59, 101	DECAL,LABEL,PLAT CONT LOCATION.....17, 19, 25, 27, 33, 35	DECAL,SYMBOL-SKIN INJECT HAZRD....39, 47, 55
DECAL,CHARGE STATUS IND.....15, 23, 31, 39, 47, 55	DECAL,LABEL,PWR TO CHARGR 115V.....13, 15, 21, 23, 29, 31, 39, 47, 55	DECAL,SYMBOL-USE SAFETY ARM.....37, 39, 45, 47, 53, 55
DECAL,CHEVRON RANDO HD.....15, 23, 31	DECAL,LABEL,PWR TO CHARGR 230V.....13, 15, 21, 23, 29, 31, 39, 47, 55	DECAL,WARN,IMPROPER OPERATION...17, 19, 25, 27, 33, 35
DECAL,COSMETIC,GENIE GS-2046**.....17, 19, 41, 43	DECAL,LABEL,QUINTOLUBRIK.....15, 23, 31	DECAL,WARN,SKIN INJECTION HAZ*.....15, 23, 31
DECAL,COSMETIC,GENIE GS-2646...25, 27, 49, 51	DECAL,LABEL,SAFETY ARM.....15, 23, 31	DECAL,WARNING-COMPART ACCESS....15, 23, 31
DECAL,COSMETIC,GENIE GS-3246...33, 35, 57, 59	DECAL,LABEL,STATOIL HYDRA WAY.....15, 23, 31	DECAL-SYM-TIP-OVR,BATTRIES.....37, 45, 53
DECAL,DANGER DO NOT ALTER SWTC.....13, 21, 29	DECAL,LABEL,TRANSPORT TIEDOWN*..13, 15, 21, 23, 29, 31, 37, 39, 45, 47, 53, 55	DIAGNOSTIC FEMALE Q-DSCNT.....107, 119
DECAL,DANGER,BATTERY SAFETY***.....13, 21, 29	DECAL,LABEL,UCON HYDROLUBE.....15, 23, 31	DRIVE MOTOR,22.9CI/REV.....105, 117
DECAL,DANGER,BRAKE REL SAFETY....15, 21, 29	DECAL,LABEL,WHEEL LOAD 2046.....13, 15, 37, 39	E
DECAL,DANGER,CRUSHING HAZARD.....13, 15, 21, 23, 29, 31	DECAL,LABEL,WHEEL LOAD 2646.....21, 23, 45, 47	ELBOW,070220-12-10.....115, 127
DECAL,DANGER,ELEC HAZARD,GS.....13, 15, 21, 23, 29, 31	DECAL,LABEL,WHEEL LOAD 3246.....29, 31, 53, 55	ELBOW,070220-4-4.....115, 127
D E C A L , D A N G E R , E L E C T HAZARD,PLUG.....13, 15, 21, 23, 29, 31	DECAL,LABEL-TIRE SPECS....13, 15, 21, 23, 29, 31	ELBOW,070220-6-6.....115, 127
DECAL,DANGER,IMPROPER USE HAZ....15, 23, 31	DECAL,LABEL-TRANSPORT DIGRAM.....13, 21, 29, 37, 45, 53	ELBOW,070220-6-8.....115, 127
DECAL,DANGER,TIP-OVER,TILT.....17, 19, 25, 27, 33, 35	DECAL,LANYARD ANCHORAGE POINT...17, 19, 25, 27, 33, 35, 41, 43, 49, 51, 57, 59	ELBOW,070320-6-6.....115, 127
DECAL,DANGER-GEN SAFETY.....17, 19, 25, 27, 33, 35	DECAL,MACHINE REGISTRATION/OWNER TRANSFER.....13, 21, 29, 37, 45, 53	ENCLOSING BAND KIT.....111, 123
DECAL,DANGER-TIP-OVER,BATT.....13, 21, 29	DECAL,MEMBRANE, GR/GRC/GS GCON...79	ENCLOSURE, FUSE, MODULAR, 150X....143
DECAL,DANGER-USE SAFETY ARM.....13, 15, 21, 23, 29, 31	DECAL,OP INST,GCON.....15, 23, 31	ENCLOSURE, GC21-19, BK.....79
DECAL,E-STOP,GR/GRC/GS PCON....17, 19, 25, 27, 33, 35, 41, 43, 49, 51, 57, 59, 101	DECAL,OP INST,PLAT,GS46 ANSI.....17, 25, 33	ENCLOSURE, GC14-1/GC16-1, BOT.....101
DECAL,EMERGENCY LOWERING.....15, 23, 31	DECAL,OP INST,PLAT,GS46,AUS.....19, 27, 35	ENCLOSURE,GC27-25/GC21-19,FRNT.....79
DECAL,EMERGENCY STOP,GR.....15, 23, 31, 39, 47, 55	DECAL,POWER TO PLATFORM 115V.....15, 17, 19, 23, 25, 27, 31, 33, 35, 39, 41, 43, 47, 49, 51, 55, 57, 59	ENCLOSURE,STD 4-BUTTON,TOP.....101
DECAL,GCON PANEL,GS.....15, 23, 31, 39, 47, 55	DECAL,PROPEL GR/GRC/GS,PCON.....17, 19, 25, 27, 33, 35, 41, 43, 49, 51, 57, 59, 101	EXT. DECK ASSY, GS46.....95-96
DECAL,INSTR-MANUALFRC,AUS 3246.....35	DECAL,QR CODE,PARTS&SERVICE MANUAL.....43, 51, 59	EXT. ENDRAIL ASSY, GS46 (SYMB).....96
DECAL,INSTR-MANUALFRC,AUS 400N.....19, 27	DECAL,SYM,MAX CAP,CE,GS2646.....51	EXT. ENDRAIL ASSY, GS46 (WORD).....96
DECAL,INSTR-MAX CAP 1200LBS.....17, 19	DECAL,SYM,MAXCAP CE,GS2046.....43	F
DECAL,INSTR-MAX CAP 700LBS.....33, 35	DECAL,SYM-ELEC HAZARD,PLUG.....39, 47, 55	FIELD ASSY,REC.CHARGER PLUG.....99
DECAL,INSTR-SIDE FRC,ANSI 2046.....17	DECAL,SYM-MAX CAP CE GS3246.....59	FILTER ASSY,FIBRGLS,#8-#8.....105, 117
DECAL,INSTR-SIDE FRC,ANSI 3246.....33	DECAL,SYM-MAXCAP 1000.....49	FILTER ASSY,SAE8,10 MIC,PAPR**.....105, 117
D E C A L , I N S T R U C T , B A T T E R Y CONNECT.....13, 21, 29	DECAL,SYM-MAXCAP 1200.....41	FILTER CAP (PLUG 1-1/2" NPT HEX.....75, 77
DECAL,INSTRUCT,MAXCAP1000LBS.....25, 27	DECAL,SYM-MAXCAP 700.....57	FILTER ELEMENT,10MICRON,PAPER*.....11, 105, 117
DECAL,INSTRUCT-ANNUAL INSP REQ....15, 23, 31	DECAL,SYM-SIDE FORCE.....57	FILTER ELEMENT,BETA(10)=200.....105, 117
DECAL,INSTRUCTIONS-CHARGER OP....13, 21, 29	DECAL,SYM-SIDE FORCE 2046.....41	FITTING,STRAIGHT DRIVE-IN ZERK.....61
DECAL,LABEL, AIR LINE 110 PSI.....15, 17, 19, 23, 25, 27, 31, 33, 35, 39, 41, 43, 47, 49, 51, 55, 57, 59	DECAL,SYM-SIDE FORCE 2646.....49	FLASH DRIVE,SL1K2.0 SOFTWARE.....101
DECAL,LABEL,AUX LOWERING.....39, 47, 55	DECAL,SYM-SIDEFORCE 200400.....59	FOOTPEDAL W/NON-SKID TAPE,GS**.....95-96
DECAL,LABEL,FAULT CODES.....17, 19, 25, 27, 33, 35	DECAL,SYM-SIDEFORCE 400N.....43, 51	FORMING, CONTACTOR/FUSE BRACKET.....69
DECAL,LABEL,LIFTING EYE....13, 15, 21, 23, 29, 31, 37, 39, 45, 47, 53, 55	DECAL,SYM-TIP-OVER,LIM SWITCH.....37, 45, 53	FORMING, FILTER-CNTRLR MOUNT.....75
DECAL,LABEL,MANUAL NOT HERE...17, 19, 25, 27, 33, 35	DECAL,SYM-TIP-OVER,TILT ALARM.....41, 43, 49, 51, 57, 59	FORMING, FUSE BRACKET.....71
	DECAL,SYMBOL-BATTERY SAFETY.....37, 45, 53	FORMING, HOUSING, CLAMP.....141
	DECAL,SYMBOL-BRAKE REL SAFETY....37, 45, 53	FORMING, PANEL HOOK.....141
	DECAL,SYMBOL-COMP ACCESS.....39, 47, 55	FORMING, PIPE HOLDER RACK.....139
	DECAL,SYMBOL-CRUSHING HAZARD.....37, 39, 45, 47, 53, 55	FORMING, PIPE RACK BASE.....139
		FORMING, PLAT CONTROL BOX, MET.....101
		F O R M I N G , P L U G / L E D BRACKET,METRIC.....65
		FORMING, RAIL CLAMP.....141
		FORMING, RETAINER.....141
		FORMING,ALARM BRACKET.....65
		FORMING,AUS RCD BRACKET,GS46.....99
		FORMING,CONTROL PANEL.....79
		FORMING,DELTA-Q CHARGER MOUNT...137
		F O R M I N G , F I L T E R - C O N T R O L L E R MOUNT.....77
		FORMING,HOSE CLAMP SPT,PTD,BLU.....61
		FORMING,MANIFOLD MOUNT.....87
		FORMING,PADLOCK BRACKET.....111, 123

FORMING,PH PUSHER, GS46.....91, 93
 FORMING,REC.PLG BRKT.....65
 FORMING,REC.PLG BRKT,METRIC.....65
 FRMG,CHASSIS BRKTING.....147
 FRMG,SENSOR COVERING.....147
 FRMING,LMT SWCH BRKT,3232.....65
 FRMNG,ARM SENSOR BRCKT,32/46.....147
 FUNCTION MANIFOLD ASSEMBLY.....107,
 119
 FUSE BLOCK, ANN & ANL FUSE.....69, 71,
 83, 85
 FUSE,275 AMP,VERY FAST ACTING.....69,
 71, 83
 FUSE,BATTERY CHARGER***.....73

G

GAS SHOCK,SCISSORS***.....67
 GASKET, UK & DIN PWR. TO PLAT.....99
 GASKET, UK RECEPTACLE.....99
 GASKET,(BOOT) FLANGE INLET PLG.....99
 GCON,STD,PROP LIFT.....79
 GLAND ASSY,M25,6-13MM.....143
 GREASE,DIELECTRIC 4 OZ**.....11
 GROMMET,RUBBER 1.5 ID.....65
 GROMMET,RUBBER 2 X 2.75.....61, 65
 GROMMET,SLAB HYD TANK***.....75, 77
 GROUND STRAP, 8"LG.....67
 GROUND WIRE ASSY,GS.....83
 GROUND WIRE ASSY,GS4047.....85

H

HANDLE HALF,LEFT,W/TOP SWITCH.....103
 HANDLE HALF,RIGHT,W/TOP SWITCH.....103
 HANDLE,ANDERSON CONNECTOR SB.....85,
 111, 123
 HARNESS, BEACON, LED, MINI.....129
 HARNESS, CHARGER CONTROL.....81
 HARNESS, CHARGER EXTENSION.....81
 HARNESS, ESTOP, GR/GRC/GS PCON.....101
 HARNESS, GS POWER CONTRL.....81
 HARNESS, GS SENSORS, ANSI,UTS.....81
 HARNESS, GS SENSORS, CE.....81
 HARNESS, GS SENSORS, CE,UTS.....81
 HARNESS, ROTARY ANGLE.....81
 HARNESS, TELEMATICS, GS SLAB.....81
 HARNESS,FUNCTION MANIFOLD,GS.....81
 HARNESS,GS POWER CONTROL.....81
 HARNESS,LED CHARGER,GS46.....73
 HARNESS,PRESS,TRANSDUCER***.....81,
 147
 HINGE, SPRING, LONG LEG.....95-96
 HINGE,ACCESS DOOR(13G).....79
 HORN,24VDC,SPADE TERMINALS***.....129
 HOSE ASSY, MAN/ACCUM, GS32/46.....115,
 127
 HOSE ASSY,DRIVE MOTORS,GS46.....115,
 127
 HOSE ASSY,LOWER LIFT.....115, 127
 HOSE CLAMP, SAE #6.....115
 HOSE END,BARBED,RIGID,90DEG6-6.....131
 HOSE, ASSY, BRAKE MAN, GS46.....115, 127
 HOSE, ASSY, LIFT.....115, 127
 HOSE, ASSY, MAN TO FILTER.....115, 127
 HOSE, ASSY, PRESSURE.....115, 127
 HOSE,AIR 3/8.....71
 HOSE,ASSY STEER,GS32/46.....115, 127
 HOSE,ASSY, BRAKE MAN,GS46.....115, 127
 HOSE,ASSY,BRAKE,GS46.....115, 127

HOSE,ASSY,UPPER LIFT.....115
 HOSE,ASSY,VENT.....115, 127
 HOSE,LOW PRESSURE,.375 ID,BLK.....131
 HOSE,LOWER VENT.....115, 127
 HOSE,UPPER VENT.....115
 HOUSING, LOCK PIN.....95-96
 HRNS ASSY,RESISTOR DIODE.....81
 HRNS,CONTACTOR SIGNAL,GS46.....81, 83,
 85
 HYD. TANK KIT, GS30,32,46.....75, 77
 HYDR TRAY ASSY W/WORDS.....75, 77
 HYDR TRAY ASSY,GS30 W/SYMBOLS.....75,
 77

I

INNER ARM ASSEMBLY #1,GS32/46.....91, 93
 INNER ARM ASSY #3, 2632/2646.....93
 INNER ARM ASSY #4, 2646.....93
 INNER ARM ASSY, #2, GS32&46.....91, 93
 INNER ARM ASSY, #3, 2046.....91
 INNER ARM ASSY,#3 GS2032.....91
 INNER ARM ASSY,#4 GS2632.....93
 INSTRN, TRC RETROFIT, STNDRD.....81
 INVERTER,24VDC,110/230 VAC***.....135
 ISOLATOR,HORN,5/16-18 THRD.....129
 ISOLATOR,SANDWICH,1/4-20,M2M.....145

J

JOINT,PG13.5,M20X1.5.....99
 JOYSTICK, HALL EFFECT, SINGLE.....103

K

KEY SINGLE***.....79
 KEY,RECTANGULAR,31X.28X1.25**.....61, 63
 KEYS,10 PACK***.....79
 KEYSWITCH,3 POS. W/KEYS***.....79
 KIT, INVERTER JUMPER, GS.....75
 KIT, TRC RETROFIT, STNDRD.....81
 KIT,BATT. CABLE ASSY,GS30/32.....75
 KIT,BATT. CABLE ASSY,GS46.....75
 KIT,BEACON,GS32/46.....129
 KIT,BOOT,JOYSTICK,SL1000.....103
 KIT,COIL CORD,CONTRLR,SL1000.....101
 KIT,CONN,PLUG W/SCKT AND LOCK.....81,
 101
 KIT,CONN,RECEPT W/PIN AND LOCK.....81,
 101
 KIT,CONTACTOR,GS.....75, 77
 KIT,GASKET,UK POWER TO PLAT.....99
 KIT,GATE LATCH.....95-96
 KIT,ORIFICE,.059".....113, 125
 KIT,SLAB HYD TANK TUBE
 REPLACEMENT.....77
 KIT,STEER CYL SEAL.....105, 117
 KIT,STEER CYL SEAL,040271P,HDM.....105,
 117
 KIT,STEER CYL SEAL,040499P,HDM.....105,
 117
 KIT,STEER CYL SEAL,040505P,HDM.....105,
 117
 KIT,SWITCH,JYSTK,SL1000.....103
 KIT,TWO ORIFICE,.059".....113, 125
 KNOB,HAND PUMP (RED)***.....109, 121
 KNOB,PILOT OP VALVE (BLACK)***.....109,
 121

L

LANYARD,BLACK NYLON,TYPE 1***.....95-96
 LATCH HANDLE.....95-96
 LATCH, LRG PADDLE HANDLE GS90.....69,
 71, 75, 77
 LATCH,COMPRESSION,SMALL.....79
 LEFT EX. RAIL, GS46.....96
 LENS,FLASHING BEACON.....129
 LEVER ARM,ANGLE SENSR
 ACTUATOR.....147
 LIGHT,TURN SIGNAL,1.25" LED,AMB.....129
 LINK BUMPER, 5".....91, 93
 LINK BUMPER, SHORT TUBE.....91, 93
 LOCK, CONNECTOR.....73
 LOCKNUT,ELEC,1/2".....99

M

MANIFOLD,BRAKE RELEASE.....109, 121
 MANUAL,AEM SAFETY.....11
 MANUAL,RESPON,A92.6 SCISSOR.....11
 MOTOR CONTROLLER, DC,24V,360A.....75,
 77
 MOTOR,ELECTRIC,24VDC 4.5HP.....111, 123

N

NICKEL PLATED JAM NUT.....79
 NIPPLE,DIAGNOSTIC,#4.....107, 119
 NOTICE,SIDE FRC ANSI2646.....25
 NUT.....79
 NUT - PLASTIC,RING FOR ALARMS.....65,
 101, 129
 NUT, TL JAM, 3/8-16, A, ZAG.....67, 95-96
 NUT,4-40,ZAG.....96
 NUT,CASTLE,1.125-18 UNEF.....61, 63
 NUT,COIL (39909).....113, 125
 NUT,CORDGRIP,1/2 NPT.....147
 NUT,NYLOCK,1/4-20.....75, 77, 99, 129, 141
 NUT,NYLOCK,10-32,A,ZAG.....65
 NUT,NYLOCK,3/8-16.....139
 NUT,NYLOCK,5/16-18.....133
 NUT,NYLOCK,8-32.....99
 NUT,RETAINER (96008).....79
 NUT,SERRATED,1/4-20,8,ZAG.....61, 71, 91,
 93, 137
 NUT,SERRATED,5/16-18,8,ZAG.....69
 NUT,TL FLG,1/2-13,G,ZAG.....61, 63, 89
 NUT,TL FLG,1/4-20,G,ZAG.....61, 65, 69, 71,
 75, 77, 79, 91, 93, 95-96, 129, 137
 NUT,TL FLG,10-24,F,ZAG.....91, 93, 143
 NUT,TL FLG,10-32,F,ZAG.....67, 99, 129
 NUT,TL FLG,3/8-16,G,ZAG.....61, 67, 89, 91,
 93, 95-96, 147
 NUT,TL FLG,5/16-18,G,ZAG.....129
 NUT,TL JAM,5/16-18,A,ZAG.....95-96
 NUT,TL,1/4-20,C,ZAG.....87
 NUT,TL,3/8-16,C,ZAG.....67, 91, 93
 NUT,TL,8-32,A,ZAG.....65, 99, 147
 NUT,WING 5/16-18.....133
 NUT-COIL SHORT.....107, 119

O

O-RING KIT (ORFS FITTINGS).....107, 119
 OFFSET, RDN, 1/4-1.25,10-32.....147
 ORIFICE,LONG,.037***.....113
 ORIFICE,LONG,.059".....113, 125
 OUTLET, 110V.....99

Part Description Index (continued)

P

PAINT, AEROSOL, TRAFFIC BLACK.....11
 PAINT,AEROSOL,BRIGHT BLUE***.....11
 PAINT,AEROSOL,GENIE GRAY***.....11
 PAINT,WET,GENIE BLUE (1 GL)**.....11
 PAINT,WET,GENIE GRAY (1 GL)**.....11
 PAINT,WET,TRAFFIC BLACK (1 GL)**.....11
 PCBA,GCON STD,PROP LIFT.....79
 PCBA,PCON STD,PROP LIFT.....101
 PCON ASSEMBLY,HARTING CONN
 OPTION.....95-96, 101
 PCON,STD,PROP LIFT,GR/GS.....101
 PIN, LINKSET MOUNT, 1".....91, 93
 PIN, LINKSET MOUNT, 3/4".....91, 93
 PIN, LONG, GS46.....91, 93
 PIN, LOWER CYLINDER MOUNT.....91, 93
 PIN, MINI, CENTER.....93
 PIN, SHORT, GS46.....91, 93
 PIN, UPPER CYLINDER MOUNT.....91
 PIN,CLEVIS,.375X1.75,ZAG.....67
 PIN,CLEVIS,.625X1.88,ZAG.....67
 PIN,CLEVIS,3/4X2,ZAG.....61
 PIN,CLEVIS,3/4X3.25,ZAG.....61
 PIN,COTTER,.125 X .75.....67, 141
 PIN,COTTER,.156 X 1.75.....61
 PIN,COTTER,.156 X 2.5.....63
 PIN,LOCK,0.5X3.125,ZAG.....95-96
 PIN,LOWER CYL,ROD END.....93
 PIN,WIRE LOCK 3/8 X 2.5,ZAG.....95-96
 PIPE CRDL,SQ RAILINGS,GS46.....139
 PLATE, AC ADAPTER(AUS).....99
 PLATE, COVER.....141
 PLATE, INVERTER MOUNT.....135
 PLATE, POTHOLE LINK.....67
 PLATE, RCBO, GS.....143
 PLATE,AC ADAPTER(ANSI/CSA).....99
 PLATE,AC ADAPTER,GR/UK***.....99
 PLATE,BEACON MOUNT.....129
 PLATE,HARNESS MOUNT.....75, 77
 PLATE,HOSE ROUTG,BULKHEAD(PTD)...61,
 91, 93
 PLATE,PIPE HOLDER, GS68.....139
 PLATE,SIDE DOOR STOP***.....79
 PLATE,SIDE DOOR***.....79
 PLATE,UK,POWER TO PLAT.....99
 PLATE,VISUAL IND LIGHT MOUNT.....129
 PLATFORM MOUNT ASSY, GS32&46.....89
 PLUG AND CAP KIT-SERVICE,ORFS*.....11,
 107, 119
 PLUG, 6POS ECO PWR.....101
 PLUG, TYPE F, 230A, 50HZ, 16A, IP44.....99
 PLUG,1/4"SERIES,3/8 P-LOCK***.....131
 PLUG,ELECTRICAL,DOMESTIC.....99
 PLUG,FLG INLET,15A/125V,2PWGD.....99
 PLUG,FUSED,250V,13AMP,U.K.**.....99
 PLUG,HEX SOCKET,090109B-4.....115, 127
 PLUG,IEC60309 CEE, 3PIN 220-24.....99
 PLUG,PWR,UK,16AMP,3PIN,BLK.....99
 POWER CORD, IEC 320 BLANK, 79".....99
 POWER CORD, IEC 320, 90 DEG.....73
 PRTY,FLOW CNTRL VALVE,.75 GPM.....107,
 119
 PUMP,5.6CC GEAR,CCW.....111, 123

Q

QUICK DISCONNECT CASING,BATT**.....83,
 85

R

RAIL-GS46 PLAT,MAINDECK LT****.....95-96
 RAIL-GS46 PLAT,MAINDECK RT****.....95-96
 RCBO,16A,30MA,6KA 110/230VAC.....143
 RECEPTACLE, DIN, 220V 50A.....99
 RECEPTACLE,C66AI310,AUS.....99
 RECEPTACLE,UK,110V.....99
 REF. BATTERY CABLE.....81
 REF. CHARGER.....81
 REF. CIRCUIT BREAKER.....81
 REF. DOWN LIMIT, GS.....81
 REF. E-STOP BUTTON.....81
 REF. ELECTRIC MOTOR.....81
 REF. ELECTRIC MOTOR/PUMP.....75, 77
 REF. FILTER ASSY.....75, 77
 REF. FUSE.....81
 REF. GCON.....81
 REF. INVERTER.....81
 REF. KEYSWITCH.....81
 REF. LEVEL SENSOR.....81
 REF. MOTOR CONTROLLER.....81
 REF. PCON.....81
 REF. STOBE,BEACON.....81
 Ref: BRAKE RELEASE MANIFOLD.....63
 Ref: HYDRAULIC BRAKE.....63
 Ref: Lift Cylinder.....147
 RESISTOR,200 OHM 10W,CERAMIC.....81
 RIGHT EXT RAIL, GS46 (SYMBOL).....96
 RIVET,ALUM,STL,.188 X .250.....96
 RIVET,STL,STL,.188 X .45.....95-96, 147
 RIVET,STL,STL,DOME,1/8X.25,ZAG.....79
 ROCKER,2 SWITCH.....103
 ROD END,.25 X 2.75, ZAG.....91, 93
 ROD END,.375X3.69,ZAG.....91, 93
 ROLLER ARM,LIMIT SWITCH***.....65, 67
 ROLLER BRACKET ASSY,GRND CNTR...95-
 96
 ROLLER,PLATFORM EXTENSION.....95-96
 RUE RING,3/4,ZAG.....61, 67
 RUE RING,5/8,ZAG.....67

S

SAFETY CHOCK,SCISSOR.....91, 93
 SCREW, HHF, 1/4-20 X .5, 8, ZAG.....125, 145
 SCREW, SELF TAP.....103
 SCREW, YOKE LOCK, ZAG.....61
 SCREW,BHSCS,M5X10,SS.....101
 SCREW,GRUB,M5X8MM CUP(BLK).....103
 SCREW,GRUB,M5X8MM,HLF DOG,BZP...103
 SCREW,HHC,1/2-13X3.5,8,ZAG.....61, 63
 SCREW,HHC,1/4-20 X .5.....113, 147
 SCREW,HHC,1/4-20X1.75,8,ZAG.....65
 SCREW,HHC,1/4-20X3.25,8,ZAG.....61
 SCREW,HHC,3/8-16 X 2.75.....139
 SCREW,HHC,3/8-16X.75,8,ZAG.....61
 SCREW,HHC,3/8-16X1.25,8,ZAG.....147
 SCREW,HHC,3/8-16X2.75,8,ZAG.....91, 93
 SCREW,HHC,5/16-18 X 1.25.....69
 SCREW,HHC,5/16-18 X 2.....133
 SCREW,HHF,1/4-20X.625,8,ZAG.....95-96, 145
 SCREW,HHF,1/4-20X.75,8,ZAG.....75, 77, 96,
 135, 147
 SCREW,HHF,1/4-20X1.8,ZAG.....137
 SCREW,HHF,1/4-20X1.25,8,ZAG.....75, 77, 91,
 93
 SCREW,HHF,1/4-20X2,8,ZAG.....95-96
 SCREW,HHF,3/8-16X.75,8,ZAG.....143
 SCREW,HHF,3/8-16X1.5,8,ZAG.....91, 93

SCREW,HHF,3/8-16X2,8,ZAG.....95-96
 SCREW,HHF,3/8-16X2.5,8,ZAG.....95-96
 SCREW,HHF,3/8-16X2.75,8,ZAG.....95-96
 SCREW,PHIL,8-32X.50,SELF TAP.....99
 SCREW,PHILLIPS,PHM,6-32 X .75.....99
 SCREW,PHILLIPS,PHM,8-32 X .5.....99
 SCREW,PHILLIPS,PHM,8-32 X.25**.....79
 SCREW,PHILLIPS,RHM,10-32 X 1.5.....79
 SCREW,PHM,4-20X.5, 48-2 TRI-L.....79, 101
 SCREW,PHM,6-19X.75, 48-2 TRI-L.....79
 SCREW,PHM,8-16X.75, 48-2 TRI-L.....101
 SCREW,PHPM,1/4-20X.75,ZAG.....79
 SCREW,PHPM,10-32X.38,ZAG.....69
 SCREW,PHPM,10-32X.50,ZAG.....147
 SCREW,PHPM,10-32X.625,ZAG.....143
 SCREW,PHPM,10-32X.75,ZAG.....99, 129
 SCREW,PHPM,10-32X1.5,ZAG.....65, 79
 SCREW,PHPM,10-32X1.75,ZAG.....67
 SCREW,PHPM,4-40X.5,ZAG.....96
 SCREW,PHPM,8-32 X .875,ZAG.....65
 SCREW,PHPM,8-32X.50,ZAG.....99
 SCREW,PHPM-ST,8-32 X .50,TYPE
 F,ZAG.....147
 SCREW,RHM,6-32 X .5.....99
 SCREW,SET,8-32X.25.....147
 SCREW,SHC,3/8-24X1.25,A574,ZAG.....111,
 123
 SEAL KIT (105545).....113, 125
 SEAL KIT (105546).....113
 SEAL KIT (84384).....107, 119
 SEAL KIT, VALVE.....107, 113, 119, 125
 SEAL KIT,39909,PLAT LWR VALVE*.....113,
 125
 SEAL KIT,HAND PUMP***.....109, 121
 SEAL KIT,LIFT PUMP,BARNES**.....111, 123
 SEAL KIT,PUMP,5.6CC GEAR.....111, 123
 SEAL KIT,RC SERIES DR MOTOR***.....105,
 117
 SEAL KIT-FOR P.N.44167.....107, 119
 SEAL KIT-P.N.44169,44172,44171.....107, 119
 SENSOR,LEVEL,UNIVERSAL.....65
 SLEEVE,CABLE-END,14AWG,2.5MM.....143
 SLEEVE,TANK SUPPORT.....75, 77, 129
 SLIDER,UHMW.....89
 SNAP RING,EXTERNAL,1.25,ZAG.....93
 SNAP RING,EXTERNAL,1.50,ZAG.....91, 93
 SPACER, GROUND CONTROL ECU.....79
 SPACER,.75ID X 1.5OD X 1/4THK.....67
 SPACER-DUAL COIL,#10,SCISSORS.....107,
 119
 SPACER-DUAL COIL,#8***.....107, 119
 SPRING CLIP,1/4-20,.025-.15X.54,ZAG.....65,
 79, 135, 147
 SPRING CLIP,3/8-16,.05-.20X.73,ZAG.....143
 SPRING,.660 X 2.00, 14.8 #IN.....141
 SPRING, HANDLE TRIGGER.....103
 SPRING,COMPRESSION .835 X 2.....95-96
 SPRING,COMPRESSION.485 X1.75**.....65,
 95-96
 SPRING,HAND PUMP ROD.....109, 121
 SPRING-BRUSH,40844, SCISSORS.....111,
 123
 STRAP,NYLON,1.0 IN. BLACK.....139
 STROBE,BEACON, AC COMP 12-80V.....129
 SVC KIT,UK RECEPT.REPLACEMENT.....99
 SWING GATE ASSY, GS46 WELD.....95-96
 SWITCH,LIMIT,W/ROLLER ARM***.....65, 67

T

T-BOX, 2.75 X 4.5 X 2.0.....99
 TANK, HYD, SLAB SCISSORS.....75, 77
 TAPE, NON-SKID, DIE CUT, 1.38X1.5.....95-96
 TAPE, NON-SKID, DIE CUT, 4"X 16".....95-96
 TAPE, NON-SKID, DIE CUT, 4"X 32".....95-96
 TAPE, NON-SKID, DIE CUT, 4"X 40".....95-96
 TEE, RUN 070432-6****.....115
 TERMINAL, SPLINE (AMP).....103
 THREADED ROD, (1/4-20), 25.50.....69
 THREADED ROD, 1/4-20, 28.5".....71
 TIE ROD ASSY, GS46.....61
 TRIGGER, EXTENDED.....103
 TUBE, ASSY, DRAW.....75, 115, 127
 TUBE, ASSY, RETURN.....75, 115, 127
 TUBE, SLAB DRAW ASSEMBLY.....77
 TUBE, SLAB RETURN ASSEMBLY.....77

U

U-BOLT, SQR, 3/8-16X2X5, PLTD.....139

V

VALVE, DYN. BRAKING, GS32/46.....107, 119
 VALVE, CARTRIDGE***.....113, 125
 VALVE, CHECK, #6-#6, MJIC TO MORB.....107, 115, 119
 VALVE, DIFF. AREA RELIEF, 50PSI.....107, 119
 VALVE, HAND PUMP ASSEMBLY***.....109, 121
 VALVE, PILOT OPERATED ASSEMBLY*.....109, 121
 VALVE, RELIEF, 2900 PSI, BOSCH.....113, 125
 VALVE, SOLENOID, 3POS 4WAY.....107, 119
 VALVE, W / 2 O V N C SOLENOID, MANUAL.....113, 125
 VALVE-RELIEF, 3700 PSI #8**.....107, 119
 VALVE-RELIEF, 2500PSI.....113, 125
 VALVE-SOLENOID, 2POS 4 WAY.....107, 119
 VALVE-SOLENOID, 2POS 4WAY**.....107, 119
 VISUAL INDICATOR LIGHTS.....129

W

WASHER, FLAT, 375X1.50X.125, ZAG.....61
 WASHER, FLAT, .75, SAE, HRD, ZAG.....69
 WASHER, FLAT, .765X1.312X.093, ZA.....67
 WASHER, FLAT, 3/8, USS, ZAG.....67, 95-96
 WASHER, FLAT, 5/16, USS, ZAG.....67, 95-96
 WASHER, FLAT, USS, 1/4"Y.....75, 77
 WASHER, FLAT, USS, 3/8", Y.....139, 141
 WASHER, FLAT, USS, 5/16", Y.....133
 WASHER, LOCK, .25.....113, 147
 WASHER, LOCK, .313.....133
 WASHER, LOCK, 3/8, ZAG.....111, 123
 WASHER, NITRILE.....79, 99
 WASHER, SHIM, .625X1.188X.064, ZA.....67
 WASHER, SHIM, 1.270X2.130X.062, Z.....93
 WASHER, SHIM, 1.54X2.00X.125, ZAG.....91, 93
 WASHER, STAR, EXTERNAL, #8.....99
 WASHER, STAR, EXTERNAL, .375.....79
 WASHER, THRUST, GS.....61
 WASHER, THRUST, 63 X 1.13 X .06.....67
 WEAR PAD, PLATFORM.....95-96
 WEAR/GUIDE PAD MAIN PLATFORM.....95-96
 WELDMENT, CLAMP.....141
 WELDMENT, POTHOLE, LEFT SIDE.....67
 WELDMENT, POTHOLE, RIGHT SIDE.....67

WELDMENT, 20XX LADDER.....63
 WELDMENT, GS HYD TRAY.....75, 77
 WELDMENT, PH GUIDE, GS46.....67
 WELDMENT, ROLLER BRACKET, LT***.....95-96
 WELDMENT, CABLE BRIDGE, TOP.....91, 93
 WHEEL & TIRE ASSY LP, 15".....61, 63
 WHEEL & TIRE ASSY LP, 15", EXMALE.....63
 WIRE CABLE 18/5 - UNSHIELDED.....81
 WIRE CABLE, 14/3 CON.TPE JKT*.....99, 143
 WIRE CAP, ORANGE.....99
 WIRE LOOM, 1.25 DIA.....83, 85
 WIRE LOOM, SPIRAL, 1-5/8 ID 30".....115, 127
 WLDMNT, CABLE BRIDGE, LOWER.....91, 93
 WLDMT, ENTRY SIDERAIL, LT.....95-96
 WLDMT, ENTRY SIDERAIL, RT.....95-96
 WLDMT, EXT. DECK, GSXX46.....96
 WLDMT, FULL HEIGHT GATE.....95-96
 WLDMT, GS BATTERY TRAY.....145
 WLDMT, LANYARD ROLLER BRKT.....95-96
 WLDMT, MAIN DECK, GSXX46.....95-96
 WLDMT, POT HOLE BELLCRANK LINK.....67
 WLDMT, CABLE BRIDGE, BOTTOM.....91, 93
 WLDMT, GS BATTERY TRAY.....69
 WLDMT, GS32/46 LADDER***.....63
 WLDMT, GS4047 BATTERY TRAY.....71
 WLDMT, GS4047 BATTERY TRAY2.....71
 WLDMT, LNK, INNER #1.....91, 93
 WLDMT, LNK, INNER #3, 2032.....91
 WLDMT, LNK, INNER #3, 2046.....91
 WLDMT, LNK, INNER #4, 2632.....93
 WLDMT, LNK, OUT #3-20XX, #5-32XX.....91
 WLDMT, LNK, OUTER #1, GS32.....91, 93
 WLDMT, LNK, OUTER #1, XX46.....91, 93
 WLDMT, LNK, OUTER #2, #3, #4.....91, 93
 WLDMT, LNK, OUTER #4, 26XX.....93
 WLDMT, LNK, OUTER #4, 26XX, LEFT.....93
 WLDMT, LOCKING ROLLER SUPPORT.....95-96
 WLDMT, MAIN DECK, GS46, MET.....95-96
 WLDMT, ROLLER BRKT, RT.....95-96
 WLDMT, ROLLER BRKT, RT, HARTING PLUG.....95-96
 WLDMT, STEER YOKE, LT, GS32/46.....61
 WLDMT, STEER YOKE, RT, GS32/46.....61
 WLDMT, TIE ROD, GS46.....61
 WORKLIGHT BRACKET.....133
 WORKLIGHT CABLE, GS19/20XX.....133
 WORKLIGHT CABLE, GS26XX.....133
 WORKLIGHT CABLE, GS32XX.....133
 WORKLIGHT PIGTAIL ASSY.....133
 WORKLIGHT, 24V, COIL CORD.....133

Fitting Cross References

Genie PN	Parker PN	Description	Genie PN	Parker PN	Description
12342	6-4 F5OX-S	CONNECTOR,STRAIGHT THREAD TO FLARE TUBE	42794	1 CR-S	ELBOW,90°,MALE PIPE
13757	4 R6X-S	RUN TEE,SWIVEL NUT,ORFS	42795	BV-0839	BALL VALVE
19685	12-10 C5OX-S	ELBOW,90°,STRAIGHT THREAD TO FLARE TUBE	42796	BV-0838	BALL VALVE
22664	12-10 C5OX	ELBOW,90°,STRAIGHT THREAD TO FLARE TUBE	42874	6-8 CLO-S	ELBOW,90°,MALE PIPE TO ORFS
27431	8-12 F5OX-S	CONNECTOR,STRAIGHT THREAD TO FLARE TUBE	42912	13943-6-4	HOSE END,90° FEMALE SWIVEL,JIC
28678	AS-B-33	SLEEVE,NYLON,1.81" ID	42920	BV-0840	BALL VALVE,90°
39871	6 WETX-WLN-S	UNION,90° BULKHEAD W/NUT,FLARE TUBE	42932	AS-B-17	SLEEVE,NYLON,1.22" ID
39872	4 R5OX-S	RUN TEE,STRAIGHT THREAD	42936	10243-2-4	HOSE END,FEMALE PIPE
39873	6 C5OX-S	ELBOW,90°,STRAIGHT THREAD TO FLARE TUBE	42953	1/2 DD-S	ELBOW,90°,FEMALE PIPE
39874	8-6 C5OX-S	ELBOW,90°,STRAIGHT THREAD TO FLARE TUBE	42956	6 WELO-WLNL-S	UNION,90° BULKHEAD W/NUT,ORFS
39875	4-6 C5OX-S	ELBOW,90°,STRAIGHT THREAD TO FLARE TUBE	45349	8 V5OX-S	ELBOW,45°,STRAIGHT THREAD TO FLARE TUBE
39876	6-8 C5OX-S	ELBOW,90°,STRAIGHT THREAD TO FLARE TUBE	45351	4 V5OX-S	ELBOW,45°,STRAIGHT THREAD TO FLARE TUBE
39877	4 F5OX-S	CONNECTOR,STRAIGHT THREAD TO FLARE TUBE	47223	10343-6-6	HOSE END,MALE,JIC
39878	6 F5OX-S	CONNECTOR,STRAIGHT THREAD TO FLARE TUBE	47419	PS690503-6-6	SWIVEL,90°,STRAIGHT THREAD TO 37° FLARE
39879	4-8 F5OX-S	CONNECTOR,STRAIGHT THREAD TO FLARE TUBE	48750	421-4	HOSE,1/4 INCH ID
39880	6-10 F5OX-S	CONNECTOR,STRAIGHT THREAD TO FLARE TUBE	48751	481TC-4	HOSE,1/4 INCH ID
39881	4-6 F5OX-S	CONNECTOR,STRAIGHT THREAD TO FLARE TUBE	48752	482TC-4	HOSE,1/4 INCH ID
39882	4-HP5ON-S	PLUG,STRAIGHT THREAD	48753	451TC-6	HOSE,3/8 INCH ID
39883	8-8 FTX-S	CONNECTOR,MALE PIPE TO FLARE TUBE	48754	482TC-6	HOSE,3/8 INCH ID
39885	269HB 12-12	ELBOW,90°,BEADED HOSE BARB TO MALE PIPE	48755	381-6	HOSE,3/8 INCH ID
39886	431-6	HOSE,3/8 INCH ID	48756	451TC-8	HOSE,1/2 INCH ID
39887	540N-2	HOSE,1/8 INCH ID	48757	482TC-8	HOSE,1/2 INCH ID
39888	801-8	HOSE,1/2 INCH ID	48758	381-8	HOSE,1/2 INCH ID
39889	801-12	HOSE,3/4 INCH ID	48759	381-10	HOSE,5/8 INCH ID
39890	10643-6-6	HOSE END,FEMALE SWIVEL,JIC	48760	451TC-10	HOSE,5/8 INCH ID
39891	13943-6-6	HOSE END,90° FEMALE SWIVEL,JIC	48761	482TC-12	HOSE,3/4 INCH ID
39892	13743-6-6	HOSE END,45° FEMALE SWIVEL,JIC	48762	451TC-12	HOSE,3/4 INCH ID
39894	30682-8-8	HOSE END,FEMALE SWIVEL,JIC	48763	772-12	HOSE,3/4 INCH ID
39895	30682-10-12	HOSE END,FEMALE SWIVEL,JIC	48764	881-16	HOSE,1 INCH ID
42286	8-8 CTX-S	ELBOW,90°,MALE PIPE TO FLARE TUBE	48765	772-16	HOSE,1 INCH ID
42756	8-12 CLO-S	ELBOW,90,MALE PIPE TO ORFS	48766	AS-B-15	SLEEVE,NYLON,1.06" ID
42757	8-12 FLO-S	CONNECTOR,MALE PIPE TO ORFS	48767	AS-B-22	SLEEVE,NYLON,1.42" ID
42758	4 JLO-S	UNION TEE,ORFS	48770	881-8	HOSE,1/2 INCH ID
42759	4-4 FLO-S	CONNECTOR,MALE PIPE TO ORFS			
42760	6-8 FLO-S	CONNECTOR,MALE PIPE TO ORFS			
42761	1J143-6-4	HOSE END,90° FEMALE SWIVEL,SEAL LOK			
42762	1J743-6-4	HOSE END,45° FEMALE SWIVEL,SEAL LOK			
42768	1JO43-4-4	HOSE END,MALE,SEAL LOK			
42776	601-8	HOSE,1/2 INCH ID			
42777	1J743-16-16	HOSE END,45° FEMALE SWIVEL,SEAL LOK			
42786	16 CLO-S	ELBOW,90°,MALE PIPE TO ORFS			
42787	16 R6LO-S	RUN TEE,SWIVEL NUT,ORFS			
42788	16-8 TRLO-BL-S	REDUCER,TUBE END TO SWIVEL,ORFS			
42789	6-6 CLO-S	ELBOW,90°,MALE PIPE TO ORFS			
42790	8-10 V5OLO-S	ELBOW,45°,STRAIGHT THREAD TO ORFS			
42791	3/4 CD-S	ELBOW,90°,MALE TO FEMALE PIPE			
42792	3/4 X 1/2 PTR-S	REDUCER,MALE TO FEMALE PIPE			
42793	1/2 CR-S	ELBOW,90°,MALE PIPE			

Fitting Cross References (Continued)

Genie PN	Parker PN	Description	Genie PN	Parker PN	Description
48771	881-10	HOSE,5/8 INCH ID	48847	13943-12-12	HOSE END,90° FEMALE SWIVEL,JIC
48772	381-4	HOSE,1/4 INCH ID	48848	10543-12-12	HOSE END,MALE,STRAIGHT THREAD
48773	AS-B-13	SLEEVE,NYLON,.86" ID	48849	1JC71-12-12	HOSE END,FEMALE SWIVEL,SEAL LOK
48800	1JC43-4-4	HOSE END,FEMALE SWIVEL,SEAL LOK	48850	1JS71-12-12	HOSE END,FEMALE SWIVEL,SEAL LOK
48801	1J743-4-4	HOSE END,45° FEMALE SWIVEL,SEAL LOK	48851	1J171-12-12	HOSE END,90° FEMALE SWIVEL,SEAL LOK
48802	1J943-4-4	HOSE END,90° FEMALE SWIVEL,SEAL LOK	48852	1J771-12-12	HOSE END,45° FEMALE SWIVEL,SEAL LOK
48804	1JM43-4-4	HOSE END,MALE,SEAL LOK, NO O-RING	48853	1J971-12-12	HOSE END,90° FEMALE SWIVEL,SEAL LOK
48805	10643-4-4	HOSE END,FEMALE SWIVEL,JIC	48854	1JC43-16-16	HOSE END,FEMALE SWIVEL,SEAL LOK
48806	13943-4-4	HOSE END,90° FEMALE SWIVEL,JIC	48855	1J943-16-16	HOSE END,90° FEMALE SWIVEL,SEAL LOK
48807	1JS43-4-4	HOSE END,FEMALE SWIVEL,SEAL LOK	48856	1J171-16-16	HOSE END,90° FEMALE SWIVEL,SEAL LOK
48808	3JC82-8-8	HOSE END,FEMALE SWIVEL,SEAL LOK	48857	1J971-16-16	HOSE END,90° FEMALE SWIVEL,SEAL LOK
48809	3JC82-12-12	HOSE END,FEMALE SWIVEL,SEAL LOK	48859	1JS43-8-4	HOSE END,FEMALE SWIVEL,SEAL LOK
48810	1JC43-6-4	HOSE END,FEMALE SWIVEL,SEAL LOK	48867	PD36BTL	DIAGNOSTIC NIPPLE,SEAL-LOK SWIVEL
48811	1J943-6-4	HOSE END,90° FEMALE SWIVEL,SEAL LOK	48873	6 PNLO-S	PLUG,TUBE END,ORFS
48812	1JC43-6-6	HOSE END,FEMALE SWIVEL,SEAL LOK	48874	6 PNTX-S	PLUG,FLARE TUBE
48813	1J143-6-6	HOSE END,90° FEMALE SWIVEL,SEAL LOK	48875	6 R6LO-S	RUN TEE,SWIVEL NUT,ORFS
48814	1J543-6-6	HOSE END,90° FEMALE SWIVEL,SEAL LOK	48877	4 F5OLO-SW/.025	CONNECTOR,STRAIGHT THREAD TO ORFS, W/.025 ORI
48815	1J743-6-6	HOSE END,45° FEMALE SWIVEL,SEAL LOK	48878	16-12 C5OLO-S	ELBOW,90°,STRAIGHT THREAD TO ORFS
48816	1J943-6-6	HOSE END,90° FEMALE SWIVEL,SEAL LOK	48879	8 C6LO-S	ELBOW,90°,SWIVEL NUT ORFS
48817	1JS43-6-8	HOSE END,FEMALE SWIVEL,SEAL LOK	48880	PD6-285	CAP,DIAGNOSTIC NIPPLE
48818	1J943-8-4	HOSE END,90° FEMALE SWIVEL,SEAL LOK	48881	6 HLO-S	UNION,ORFS
48819	1JC43-8-6	HOSE END,FEMALE SWIVEL,SEAL LOK	48883	8 P5ON-S	PLUG,STRAIGHT THREAD
48820	1J743-8-6	HOSE END,45° FEMALE SWIVEL,SEAL LOK	48884	8M18F87OMLO-S	CONNECTOR,METRIC,STRAIGHT THREAD TO ORFS
48821	1J943-8-6	HOSE END,90° FEMALE SWIVEL,SEAL LOK	48885	4 WGTX-WLN-S	CONNECTOR,BULKHEAD,FEMALE PIPE TO FLARE TUBE
48822	1JC43-8-8	HOSE END,FEMALE SWIVEL,SEAL LOK	48886	4 F5OLO-SW/2MM	CONNECTOR,MACHINED STRAIGHT THREAD TO ORFS
48823	1JS43-8-8	HOSE END,FEMALE SWIVEL,SEAL LOK	48887	4 CTX-S	ELBOW,90°,MALE PIPE TO FLARE TUBE
48824	1J143-8-8	HOSE END,90° FEMALE SWIVEL,SEAL LOK	48888	10-12 V5OLO-S	ELBOW,45°,STRAIGHT THREAD TO ORFS
48825	1J543-8-8	HOSE END,90° FEMALE SWIVEL,SEAL LOK	48890	4 S5OLO-S	BRANCH TEE,STRAIGHT THREAD TO ORFS
48826	1J743-8-8	HOSE END,45° FEMALE SWIVEL,SEAL LOK	48891	4 S6LO-S	BRANCH TEE,SWIVEL NUT TO ORFS
48827	1J943-8-8	HOSE END,90° FEMALE SWIVEL,SEAL LOK			
48828	1JC43-10-8	HOSE END,FEMALE SWIVEL,SEAL LOK			
48829	1JS43-10-8	HOSE END,FEMALE SWIVEL,SEAL LOK			
48830	1J743-10-8	HOSE END,45° FEMALE SWIVEL,SEAL LOK			
48831	1J943-10-8	HOSE END,90° FEMALE SWIVEL,SEAL LOK			
48833	1JC43-10-10	HOSE END,FEMALE SWIVEL,SEAL LOK			
48834	1J943-10-10	HOSE END,90° FEMALE SWIVEL,SEAL LOK			
48835	1JS43-10-12	HOSE END,FEMALE SWIVEL,SEAL LOK			
48836	1JC43-12-8	HOSE END,FEMALE SWIVEL,SEAL LOK			
48837	1JS43-12-8	HOSE END,FEMALE SWIVEL,SEAL LOK			
48838	1J743-12-8	HOSE END,45° FEMALE SWIVEL,SEAL LOK			
48839	1J943-12-8	HOSE END,90° FEMALE SWIVEL,SEAL LOK			
48840	1J943-12-10	HOSE END,90° FEMALE SWIVEL,SEAL LOK			
48841	1JC43-12-12	HOSE END,FEMALE SWIVEL,SEAL LOK			
48842	1JO43-12-12	HOSE END,MALE,SEAL LOK			
48843	1J143-12-12	HOSE END,90° FEMALE SWIVEL,SEAL LOK			
48844	1J543-12-12	HOSE END,90° FEMALE SWIVEL,SEAL LOK			
48845	1J743-12-12	HOSE END,45° FEMALE SWIVEL,SEAL LOK			
48846	1J943-12-12	HOSE END,90° FEMALE SWIVEL,SEAL LOK			

Fitting Cross References (Continued)

Genie PN	Parker PN	Description	Genie PN	Parker PN	Description
48892	6 C6LO-S	ELBOW,90°,SWIVEL NUT ORFS	48938	8 R6LO-S	RUN TEE,SWIVEL NUT,ORFS
48893	6 F5OHAO-S	UNION,STRAIGHT THREAD	48939	8 S6LO-S	BRANCH TEE,SWIVEL NUT TO ORFS
48894	8 WLO-WLNL-S	UNION,BULKHEAD,ORFS	48940	8 WJLO-WLNL-S	RUN TEE, BULKHEAD,ORFS
48895	DT-370-MSMO-5	VALVE,CHECK	48941	8-4 TRLO-S	REDUCER,TUBE END TO SWIVEL,ORFS
48896	6 JLO-S	UNION,TEE,ORFS	48942	8-6 C5OLO-S	ELBOW,90°,STRAIGHT THREAD TO ORFS
48897	DT-750-MSMS-5	VALVE,CHECK	48943	8-6 F5OLO-S	CONNECTOR,STRAIGHT THREAD TO ORFS
48898	DT-750-MOMS-5	VALVE,CHECK	48944	8-8 FLO-S	CONNECTOR,MALE PIPE TO ORFS
48899	DT-620-MOMS-5	VALVE,CHECK	48945	8 FTX-S	CONNECTOR,MALE PIPE TO FLARE TUBE
48900	4-6 F5OLO-SW/.035	CONNECTOR,STRAIGHT THREAD TO ORFS, W/.035 ORI	48946	8-10 F5OLO-S	CONNECTOR,STRAIGHT THREAD TO ORFS
48902	16-1 AOE4G-S	ELBOW,90° LONG,FEMALE PIPE TO STRAIGHT THREAD	48947	8-12 C5OLO-S	ELBOW,90°,STRAIGHT THREAD TO ORFS
48903	1 FF-S	NIPPLE,PIPE	48948	8-12 F5OLO-S	CONNECTOR,STRAIGHT THREAD TO ORFS
48904	4 C5OLO-S	ELBOW,90°,STRAIGHT THREAD TO ORFS	48949	8-16 F5OLO-S	CONNECTOR,STRAIGHT THREAD TO ORFS
48905	4 F5OLO-S	CONNECTOR,STRAIGHT THREAD TO ORFS	48950	10 C5OLO-S	ELBOW,90°,STRAIGHT THREAD TO ORFS
48906	4 R5OLO-S	RUN TEE,STRAIGHT THREAD	48951	10 CC5OLO-S	ELBOW,90° LONG,STRAIGHT THREAD TO ORFS
48907	4 V5OLO-S	ELBOW,45°,STRAIGHT THREAD TO ORFS	48952	10 F5OLO-S	CONNECTOR,STRAIGHT THREAD TO ORFS
48908	4 R6LO-S	RUN TEE,SWIVEL NUT,ORFS	48953	10 R5OLO-S	RUN TEE,STRAIGHT THREAD
48909	4 WJLO-WLNL-S	RUN TEE, BULKHEAD,ORFS	48954	10 S5OLO-S	BRANCH TEE,STRAIGHT THREAD TO ORFS
48910	4 GTX-S W/.030	CONNECTOR,FEMALE PIPE TO FLARE TUBE	48955	10 R6LO-S	RUN TEE,SWIVEL NUT,ORFS
48911	4-6 C5OLO-S	ELBOW,90°,STRAIGHT THREAD TO ORFS	48956	10-4 TRLO-BL-S	REDUCER,TUBE END TO SWIVEL,ORFS
48912	4-6 F5OLO-S	CONNECTOR,STRAIGHT THREAD TO ORFS	48957	10-6 TRLO-BL-S	REDUCER,TUBE END TO SWIVEL,ORFS
48913	4-6 F5OLO-SW/.030	CONNECTOR,STRAIGHT THREAD TO ORFS, W/.030 ORI	48958	10-12 F5OLO-S	CONNECTOR,STRAIGHT THREAD TO ORFS
48914	4-8 F5OLO-S	CONNECTOR,STRAIGHT THREAD TO ORFS	48959	12 C5OLO-S	ELBOW,90°,STRAIGHT THREAD TO ORFS
48915	6 C5OLO-S	ELBOW,90°,STRAIGHT THREAD TO ORFS	48960	12 F5OLO-S	CONNECTOR,STRAIGHT THREAD TO ORFS
48916	6 F5OLO-S	CONNECTOR,STRAIGHT THREAD TO ORFS	48961	12 R5OLO-S	RUN TEE,STRAIGHT THREAD
48917	6 FF5OLO-S	CONNECTOR,LONG,STRAIGHT THREAD TO ORFS	48962	12 S5OLO-S	BRANCH TEE,STRAIGHT THREAD TO ORFS
48918	6 R5OLO-S	RUN TEE,STRAIGHT THREAD	48963	12 V5OLO-S	ELBOW,45°,STRAIGHT THREAD TO ORFS
48919	6 S5OLO-S	BRANCH TEE,STRAIGHT THREAD TO ORFS	48964	12 R6LO-S	RUN TEE,SWIVEL NUT,ORFS
48920	6 V5OLO-S	ELBOW,45°,STRAIGHT THREAD TO ORFS	48965	12 CLO-S	ELBOW,90°,MALE PIPE TO ORFS
48921	6 FLO-S	CONNECTOR,MALE PIPE TO ORFS	48966	12 FLO-S	CONNECTOR,MALE PIPE TO ORFS
48922	6-6 FLO-S	CONNECTOR,MALE PIPE TO ORFS	48967	12 JLO-S	UNION TEE,ORFS
48923	6 P5ON-S	PLUG,STRAIGHT THREAD	48968	12 WLO-WLNL-S	UNION,BULKHEAD,ORFS
48925	6 WELO-S	UNION,90° BULKHEAD,ORFS	48969	12 WJLO-WLNL-S	RUN TEE, BULKHEAD,ORFS
48926	6-4 C5OLO-S	ELBOW,90°,STRAIGHT THREAD TO ORFS	48970	12 WELO-WLNL-S	UNION,90° BULKHEAD W/NUT,ORFS
48927	6-4 F5OLO-S	CONNECTOR,STRAIGHT THREAD TO ORFS			
48928	6-4 V5OLO-S	ELBOW,45°,STRAIGHT THREAD TO ORFS			
48929	6-8 C5OLO-S	ELBOW,90°,STRAIGHT THREAD TO ORFS			
48930	6-8 F5OLO-S	CONNECTOR,STRAIGHT THREAD TO ORFS			
48931	6-10 F5OLO-S	CONNECTOR,STRAIGHT THREAD TO ORFS			
48932	8 C5OLO-S	ELBOW,90°,STRAIGHT THREAD TO ORFS			
48933	8 F5OLO-S	CONNECTOR,STRAIGHT THREAD TO ORFS			
48934	8 FF5OLO-S	CONNECTOR,LONG,STRAIGHT THREAD TO ORFS			
48935	8 R5OLO-S	RUN TEE,STRAIGHT THREAD			
48936	8 S5OLO-S	BRANCH TEE,STRAIGHT THREAD TO ORFS			
48937	8 V5OLO-S	ELBOW,45°,STRAIGHT THREAD TO ORFS			

Fitting Cross References (Continued)

Genie PN	Parker PN	Description	Genie PN	Parker PN	Description
48971	12 G5G5JG5-S	TEE,FEMALE STRAIGHT THREAD	49612	PKT02586	O-RING KIT (ORFS FITTINGS)
48972	12 XHL6-S	ADAPTER, 37° MALE TO SWIVEL ORFS	49613	PKT06276	PLUG AND CAP KIT-SERVICE,ORFS
48973	12-1/2 F5OG-S	ADAPTER,FEMALE PIPE TO STRAIGHT THREAD	49728	10143-12-12	HOSE END, MALE PIPE
48974	12-10 C5OLO-S	ELBOW,90°,STRAIGHT THREAD TO ORFS	49729	16-1 F5OG-S	ADAPTER,FEMALE PIPE TO STRAIGHT THREAD
48975	12-10 F5OLO-S	CONNECTOR,STRAIGHT THREAD TO ORFS	49814	12-8 FLO-S	CONNECTOR,MALE PIPE TO ORFS
48976	12-16 C5OLO-S	ELBOW,90°,STRAIGHT THREAD TO ORFS	49829	DT-500-MOMF-5	VALVE,CHECK
48977	12-16 F5OLO-S	CONNECTOR,STRAIGHT THREAD TO ORFS	49831	881-12	HOSE,3/4 INCH ID
48978	12-16 V5OLO-S	ELBOW,45°,STRAIGHT THREAD TO ORFS	49834	16 JLO-S	UNION TEE,ORFS
48980	12-16 FLO-S	CONNECTOR,MALE PIPE TO ORFS	49838	12-8 TRLO-BL-S	REDUCER,TUBE END TO SWIVEL,ORFS
48983	16 C5OLO-S	ELBOW,90°,STRAIGHT THREAD TO ORFS	49840	8 JLO-S	UNION TEE,ORFS
48984	16 F5OLO-S	CONNECTOR,STRAIGHT THREAD TO ORFS	49844	10-8 TRLO-BL-S	REDUCER,TUBE END TO SWIVEL,ORFS
48985	16 V5OLO-S	ELBOW,45°,STRAIGHT THREAD TO ORFS	49854	8 P5ON-S	PLUG,STRAIGHT THREAD
48986	16 FLO-S	CONNECTOR,MALE PIPE TO ORFS	49855	1JC43-16-12	HOSE END,FEMALE SWIVEL,SEAL LOK
48988	16 CD45-S	ELBOW,45°,MALE TO FEMALE PIPE	49859	4 P5ON-S	PLUG,STRAIGHT THREAD
48989	12 CD45-S	ELBOW,45°,MALE TO FEMALE PIPE	49861	4 FF5OLO-S	CONNECTOR, LONG, STRAIGHT THREAD TO ORFS
48990	8 CD45-S	ELBOW,45°,MALE TO FEMALE PIPE	49867	12-3/4 F5OG-S	ADAPTER,FEMALE PIPE TO STRAIGHT THREAD
48991	16-12 FLO-S	CONNECTOR,MALE PIPE TO ORFS	51152	6 R6X-S	RUN TEE,SWIVEL NUT,ORFS
48992	16-12 V5OLO-S	ELBOW,45°,STRAIGHT THREAD TO ORFS	51153	6-4 TRTX-S	REDUCER,TUBE END TO SWIVEL,ORFS
48993	XV501-12	BALL VALVE	51154	4-4 GTX	CONNECTOR,FEMALE PIPE TO FLARE TUBE
48994	XV501-16	BALL VALVE	51264	881-12	HOSE,3/4 INCH ID
48995	XV510P-12	BALL VALVE	51265	8 JLO-S	UNION TEE,ORFS
48996	XV510P-16	BALL VALVE	51508	6 BTX-S	NUT,FLARE TUBE
48997	PD341	DIAGNOSTIC NIPPLE, STRAIGHT THREAD	51580	12-8 TRLO-BL-S	TUBE END REDUCER,ORFS
48998	PD 361	DIAGNOSTIC NIPPLE, STRAIGHT THREAD	51628	6 R6X-S	RUN TEE,SWIVEL NUT,ORFS
48999	DT-500-MOMS-5	VALVE,CHECK	51735	3/8 HHP	PLUG,PIPE THREAD
49201	10 V5OLO-S	ELBOW,45°,STRAIGHT THREAD TO ORFS	51803	1J943-6-8	HOSE END,90° FEMALE SWIVEL,SEAL LOK
49202	1JC43-12-10	HOSE END,FEMALE SWIVEL,SEAL LOK	53023	125HBL-5-4	FITTING,HOSE BARB TO MALE PIPE
49203	10-8 V5OLO-S	ELBOW,45°,STRAIGHT THREAD TO ORFS	53497	PKT02585	O-RING KIT
49205	6 F5OHAO-S	UNION,STRAIGHT THREAD	53499	1JC71-16-16	HOSE END,FEMALE SWIVEL,SEAL LOK
49207	PD34BTL	DIAGNOSTIC NIPPLE,SEAL-LOK SWIVEL	53500	3-904	O-RING,STRAIGHT THREAD,-4
49209	8M18F870MX-S	CONNECTOR,METRIC,STRAIGHT THREAD TO FLARE TUBE	53501	3-906	O-RING,STRAIGHT THREAD,-6
49212	8 WGTX-WLN-S	CONNECTOR,BULKHEAD,FEMALE PIPE TO FLARE TUBE	53502	3-908	O-RING,STRAIGHT THREAD,-8
49213	30682-8-8	HOSE END,FEMALE SWIVEL,JIC	53503	3-910	O-RING,STRAIGHT THREAD,-10
49216	831-8	HOSE,1/2 INCH ID			
49217	33982-8-8	HOSE END,90° FEMALE SWIVEL,JIC			
49219	PS-B-35	SLEEVE,NYLON,2.19" ID			
49418	4-6 V5OLO-S	ELBOW,45°,STRAIGHT THREAD TO ORFS			
49511	DT370-MOMS-5	VALVE,CHECK			
49512	1 DD-S	ELBOW,90°,FEMALE PIPE			
49513	1 FF-S	NIPPLE,PIPE			
49514	10 HP5ON-S	PLUG,STRAIGHT THREAD			
49515	12-16 CLO-S	ELBOW,90°,MALE PIPE TO ORFS			
49517	6 HP5ON-S	PLUG,STRAIGHT THREAD			
49519	16-12 F5OLO-S	CONNECTOR,STRAIGHT THREAD TO ORFS			
49520	4 VTX-S	ELBOW,45°,MALE PIPE TO FLARE TUBE			
49530	16 C6LO-S	ELBOW,90°,SWIVEL NUT ORFS			

Fitting Cross References (Continued)

Genie PN	Parker PN	Description	Genie PN	Parker PN	Description
53535	3-912	O-RING,STRAIGHT THREAD,-12	61083	24 F5OLO-S	CONNECTOR,STRAIGHT THREAD TO ORFS
53536	4-PNLO-S	PLUG,TUBE END,ORFS	61086	20 R5OLO-S	RUN TEE,STRAIGHT THREAD
53537	6 PNLO-S	PLUG,TUBE END,ORFS	61090	24-20 F5OLO-S	CONNECTOR,STRAIGHT THREAD TO ORFS
53538	8 PNLO-S	PLUG,TUBE END,ORFS	61091	1J943 24-24	HOSE END,90° FEMALE SWIVEL,SEAL LOK
53539	10 PNLO-S	PLUG,TUBE END,ORFS	61093	1J978-12-12	HOSE END,90° FEMALE SWIVEL,JIC
53540	12 PNLO-S	PLUG,TUBE END,ORFS	61095	1JS43-20-16	HOSE END,FEMALE SWIVEL,SEAL LOK
53946	129HB-5-4	FITTING,90° HOSE BARB TO MALE PIPE	61100	811-24	HOSE,11/2 INCH ID
53951	8-1/4F50G-S	ADAPTER,FEMALE PIPE TO STRAIGHT THREAD	61130	1JS43-24-24	HOSE END,FEMALE SWIVEL,SEAL LOK
53980	6 S6LO-S	BRANCH TEE,SWIVEL NUT TO ORFS	61131	1JS78 12-12	HOSE END,FEMALE SWIVEL,SEAL LOK
54132	4 C6LO-S	ELBOW,90°,SWIVEL NUT ORFS	61132	1J778-12-12	HOSE END,45° FEMALE SWIVEL,JIC
54135	11343-16-16	HOSE END,MALE SWIVEL,PIPE	61152	139HB-6-4	ELBOW,45°,BARB TO MALE PIPE
54283	8-10 C5OLO-S	ELBOW,90°,STRAIGHT THREAD TO ORFS	61251	BV-0750	BALL VALVE
54428	8M18C870MLO-S	ELBOW, 90° METRIC, STRAIGHT THREAD TO ORFS	61259	4 CC5OLO-S	ELBOW,90° LONG,STRAIGHT THREAD TO ORFS
54803	FS-F-16-10	SLEEVE,FIRE,-96" ID	61260	20-12 TRLO-BL	REDUCER,TUBE END TO SWIVEL,ORFS
54954	10143-2-4	HOSE END, MALE PIPE	61262	12 C6LO-S	ELBOW,90°,SWIVEL NUT ORFS
55190	3/8 HP-S	PLUG,PIPE THREAD	61263	20 F5OHAO-S	UNION,STRAIGHT THREAD
55448	8 HLO-S	UNION,ORFS	61264	6-10 C5OLO-S	ELBOW,90°,STRAIGHT THREAD TO ORFS
55839	6 F65OX-S	CONNECTOR,STRAIGHT THREAD TO 37° SWIVEL	61265	6 WNLO-WLNL-S	UNION,BULKHEAD 45°,ORFS
55968	10 C5OX-S	ELBOW,90°,STRAIGHT THREAD TO FLARE TUBE	61268	4 WNLO-WLNL-S	UNION,BULKHEAD 45°,ORFS
56003	6 CC5OLO-S	ELBOW,90° LONG,STRAIGHT THREAD TO ORFS	61269	4 WLO-WLNL-S	UNION,BULKHEAD,ORFS
56166	BV-0837	BALL VALVE,90°	61272	12 AOEL6	ELBOW,90°,STRAIGHT THREAD TO ORFS SWIVEL
56188	10143-8-6	HOSE END, MALE PIPE	61316	482TC-16	HOSE,1 INCH ID
56233	2-011	O-RING,ORFS,-4	61321	6 JLO-S	UNION TEE,ORFS
56234	2-012	O-RING,ORFS,-6	61327	782-12	HOSE,3/4 INCH ID
56235	2-014	O-RING,ORFS,-8	61328	881-24	HOSE,11/2 INCH ID
56236	2-016	O-RING,ORFS,-10	61336	11943-20-24	HOSE END,90° FLANGE HEAD
56237	2-018	O-RING,ORFS,-12	61345	12 WJLO-WLNL-S	RUN TEE, BULKHEAD,ORFS
56238	2-021	O-RING,ORFS,-16	61346	8 WNLO-WLNL-S 4	UNION,BULKHEAD 45°,ORFS
56352	6 WLNL-S	LOCKNUT,BULKHEAD	61569	33782-8-8	HOSE END,45° FEMALE SWIVEL,JIC
56353	3J782-12-12	HOSE END,45° FEMALE SWIVEL,SEAL LOK	61610	12 FF5OLO-S	CONNECTOR,LONG,STRAIGHT THREAD TO ORFS
56354	3J982-12-12	HOSE END,90° FEMALE SWIVEL,SEAL LOK	61742	1/8 X 1.5 FFF	NIPPLE,PIPE
56604	10-8 F5OLO-S	CONNECTOR,STRAIGHT THREAD TO ORFS	63426	8 PNTX-S	PLUG,FLARE TUBE
56639	3JC82-10-10	HOSE END,FEMALE SWIVEL,SEAL LOK			
56640	3J982-10-10	HOSE END,90° FEMALE SWIVEL,SEAL LOK			
56655	3JC82-8-10	HOSE END,FEMALE SWIVEL,SEAL LOK			
56676	10-8 C5OLO-S	ELBOW,90°,STRAIGHT THREAD TO ORFS			
56776	471TC-6	HOSE,3/8 INCH ID			
56777	471TC-8	HOSE,1/2 INCH ID			
56789	811-16	HOSE,1 INCH ID			
57884	3/8 FF	NIPPLE,PIPE			
59335	6 FNL-S	CAP,TUBE END			
59342	4 FNL-S	CAP,TUBE END			
59371	8 HP50N-S	PLUG,STRAIGHT THREAD			
60653	BV-0751	BALL VALVE			
60806	125HB-3-4	FITTING,HOSE BARB TO MALE PIPE			
61064	5-1/4 F50G-S	ADAPTER,FEMALE PIPE TO STRAIGHT THREAD			
61079	4 WELO-WLNL-S	UNION,90° BULKHEAD W/NUT,ORFS			
61080	6 WLO-WLNL-S	UNION,BULKHEAD,ORFS			

Fitting Cross References (Continued)

Genie PN	Parker PN	Description	Genie PN	Parker PN	Description
64271	4 WLO-WLNL-S	UNION,BULKHEAD,ORFS	75631	801-6	HOSE,3/8 INCH ID
64272	6 WLO-WLNL-S	UNION,BULKHEAD,ORFS	75654	20 F5OLO-S	CONNECTOR,STRAIGHT THREAD TO ORFS
65776	8 F65OL-S	CONNECTOR,STRAIGHT THREAD TO ORFS SWIVEL	75655	1J943-20-20	HOSE END,90° FEMALE SWIVEL,SEAL LOK
65880	6001012	O-RING KIT	75656	881-20	HOSE,1-1/4 INCH ID
66154	6 WTX-WLNS	UNION,BULKHEAD,FLARE TUBE	75971	8 F5OHAO-S	UNION,STRAIGHT THREAD
66155	6 WETX-S	UNION,BULKHEAD 90°,FLARE TUBE	77307	1JB43-8-8	HOSE END,BULKHEAD,SEAL LOK
66156	6 WLN-S	BULKHEAD LOCKNUT	77309	8 WLNL-S	BULKHEAD LOCKNUT
66389	6-8 F5OX-S	CONNECTOR,STRAIGHT THREAD TO FLARE TUBE	77379	8M18C87OMX-S	ELBOW,90° METRIC,STRAIGHT THREAD TO FLARE TUBE
66392	6 R5OX-S	RUN TEE,STRAIGHT THREAD	77703	3J982-8-8	HOSE END,90° FEMALE SWIVEL,SEAL LOK
66396	811-12	HOSE,3/4 INCH ID	77711	801-10	HOSE,5/8 INCH ID
66829	H3174PP	CLAMP,TUBE	77758	12 WNLO-WLNL-S	UNION,BULKHEAD 45°,ORFS
67217	4 KLO-S	UNION,CROSS,ORFS	78091	6 C6X-S	ELBOW,90°,SWIVEL NUT TO FLARE TUBE
67339	10-6 F5OX-S	CONNECTOR,STRAIGHT THREAD TO FLARE TUBE	78684	30582-8-8B	HOSE END,PUSH LOK,MALE
67357	13943-8-6	HOSE END,90° FEMALE SWIVEL,JIC	78852	549-2	HOSE,1/8 INCH ID
67358	10 HP5ON-S	PLUG,STRAIGHT THREAD	78855	10657-4-2	HOSE END,FEMALE SWIVEL,JIC
67371	12 S6LO-S	BRANCH TEE,SWIVEL NUT TO ORFS	79138	PS-B-37	SLEEVE,NYLON,2.38" ID
67498	4 FNL-S	CAP, TUBE END	79476	1JS43-6-8	HOSE END,FEMALE SWIVEL,SEAL LOK
67906	DC-370-F0F0-5	VALVE,CHECK	79847	12-3/4 A0EG-S	ELBOW,90°,STRAIGHT THREAD TO FEMALE PIPE
69316	8 FLO-S	CONNECTOR,MALE PIPE TO ORFS	80044	8 CLO-S	ELBOW,90°,MALE PIPE TO ORFS
69333	H3174PP	CLAMP,HYDRAULIC HOSE	80502	8 F5OX-S	CONNECTOR,STRAIGHT THREAD TO FLARE TUBE
69503	4 F65OX-S	CONNECTOR,STRAIGHT THREAD TO 37° SWIVEL	80503	8 C5OX-S	ELBOW,90°,STRAIGHT THREAD TO FLARE TUBE
69775	8 FNL-S	CAP, TUBE END	81010	AS-B-27	SLEEVE,NYLON,1.63" ID
71038	1/4X1/4F3HG-S	ADAPTER,CONVERSION	83052	821-6	HOSE,3/8 INCH ID
71196	12-8 F5OLO-S	CONNECTOR,STRAIGHT THREAD TO ORFS	83053	821-8	HOSE,1/2 INCH ID
71383	1/4 CD45-S	ELBOW,45°,MALE TO FEMALE PIPE	83054	821-12	HOSE,3/4 INCH ID
72270	12FNL-S	CAP, TUBE END	83055	30682-6-6	HOSE END,FEMALE SWIVEL,JIC
73436	60C-4	SLEEVE,COMPRESSION	83056	30682-12-12	HOSE END,FEMALE SWIVEL,JIC
73437	61C-4	NUT,COMPRESSION	83057	33782-6-6	HOSE END,45° FEMALE SWIVEL,JIC
73438	33482-4-4B	HOSE END,PUSH LOK,MALE	83058	33982-6-6	HOSE END,90° FEMALE SWIVEL,JIC
73767	1CD-S	ELBOW,90°,MALE TO FEMALE PIPE	83060	33982-12-12	HOSE END,90° FEMALE SWIVEL,JIC
73768	20-16-F5OG5-S	ADAPTER,FEMALE PIPE TO STRAIGHT THREAD	83063	13743-4-4	HOSE END,45° FEMALE SWIVEL,JIC
73769	16-20 F5OLO-S	CONNECTOR,STRAIGHT THREAD TO ORFS			
74660	6-8 F42EDMLO-S	CONNECTOR,MALE BSPP TO ORFS			
74661	8-8 F42EDMLO-S	CONNECTOR,MALE BSPP TO ORFS			
75007	4 FLO-S	CONNECTOR,MALE PIPE TO ORFS			
75008	1/8 HP-S	PLUG,PIPE THREAD			
75014	1/2 HP-S	PLUG,PIPE THREAD			
75042	8 WELO-WLNL-S	UNION,90° BULKHEAD W/NUT,ORFS			
75043	3/4 FF-S	NIPPLE,PIPE			
75254	24 F5OHAO-S	UNION,STRAIGHT THREAD			
75255	12 F5OHAO-S	UNION,STRAIGHT THREAD			
75256	XV506P-24	BALL VALVE			
75574	4 WLNL-S	BULKHEAD LOCKNUT			
75612	8 WJLO-WLNL-S	RUN TEE, BULKHEAD,ORFS			
75613	12-8 F5OG5-S	ADAPTER,FEMALE PIPE TO STRAIGHT THREAD			
75614	8 CC5OLO-S	ELBOW,90° LONG,STRAIGHT THREAD TO ORFS			
75628	1JB43-4-4	HOSE END,BULKHEAD,SEAL LOK			

Fitting Cross References (Continued)

Genie PN	Parker PN	Description	Genie PN	Parker PN	Description
83064	13743-8-8	HOSE END,45° FEMALE SWIVEL,JIC	89449	6 WJLO-WLNL-S	RUN TEE, BULKHEAD,ORFS
83065	13743-12-12	HOSE END,45° FEMALE SWIVEL,JIC	89489	4 WJMLO-S	BRANCH TEE,BULKHEAD,ORFS
83066	13943-8-8	HOSE END,90° FEMALE SWIVEL,JIC	89551	1JB43-6-6	HOSE END,BULKHEAD,SEAL LOK
83067	14143-6-6	HOSE END,90° FEMALE SWIVEL,JIC	89552	1JB43-8-8	HOSE END,BULKHEAD,SEAL LOK
83068	14143-8-8	HOSE END,90° FEMALE SWIVEL,JIC	89593	20 C5OLO-S	ELBOW,90°,STRAIGHT THREAD TO ORFS
83069	14143-12-12	HOSE END,90° FEMALE SWIVEL,JIC	94161	8-8 CLO-S	ELBOW,90°,MALE PIPE TO ORFS
83070	772-8	HOSE,1/2 INCH ID	94358	351TC-12	HOSE,3/4 INCH ID
83071	10671-8-8	HOSE END,FEMALE SWIVEL,JIC	94418	20 FLO-S	CONNECTOR,MALE PIPE TO ORFS
83072	10671-12-12	HOSE END,FEMALE SWIVEL,JIC	96358	12 TX-S	SLEEVE,FLARE TUBE
83073	13771-8-8	HOSE END,45° FEMALE SWIVEL,JIC	96359	12 BTX-S	NUT,FLARE TUBE
83074	13771-12-12	HOSE END,45° FEMALE SWIVEL,JIC	96397	8 F5OX-S	CONNECTOR,STRAIGHT THREAD TO FLARE TUBE
83075	13971-8-8	HOSE END,90° FEMALE SWIVEL,JIC	96398	12-8 F5OX-S	CONNECTOR,STRAIGHT THREAD TO FLARE TUBE
83076	13971-12-12	HOSE END,90° FEMALE SWIVEL,JIC	96402	10343-6-6	HOSE END,MALE,JIC
83077	14171-8-8	HOSE END,90° FEMALE SWIVEL,JIC	96407	30382-6-6B	HOSE END,MALE,JIC
83078	14171-12-12	HOSE END,90° FEMALE SWIVEL,JIC			
83080	13943-16-16	HOSE END,90° FEMALE SWIVEL,JIC			
83103	10671-16-12	HOSE END,FEMALE SWIVEL,JIC			
83104	10671-10-12	HOSE END,FEMALE SWIVEL,JIC			
83112	1JC71-8-8	HOSE END,FEMALE SWIVEL,SEAL LOK			
83113	1JS71-16-12	HOSE END,FEMALE SWIVEL,SEAL LOK			
83114	1JS71-10-12	HOSE END,FEMALE SWIVEL,SEAL LOK			
83115	1J971-8-8	HOSE END,90° FEMALE SWIVEL,SEAL LOK			
83116	1J171-8-8	HOSE END,90° FEMALE SWIVEL,SEAL LOK			
83117	1J771-8-8	HOSE END,45° FEMALE SWIVEL,SEAL LOK			
83127	1J543-6-8	HOSE END,90° FEMALE SWIVEL,JIC			
83128	1JC43-6-8	HOSE END,FEMALE SWIVEL,SEAL LOK			
87033	12-6 TRLO-S	REDUCER,TUBE END TO SWIVEL,ORFS			
87034	3J782-8-8	HOSE END,45° FEMALE SWIVEL,SEAL LOK			
87172	12 HP5ON-S	PLUG,STRAIGHT THREAD			
87185	8 WNLO-WLNL-S	UNION,BULKHEAD 45°,ORFS			
87246	4 C6X-S	ELBOW,90°,SWIVEL NUT TO FLARE TUBE			
87679	6 LHP-S	FLANGE SEAL FITTING, MALE			
87681	6PLS N0702	BONDED SEAL			
88100	SR88100	ADAPTER,OIL DRAIN,GM 3.0L			
88311	1JS43-20-20	HOSE END,FEMALE SWIVEL,SEAL LOK			
88353	20 V5OLO-S	ELBOW,45°,STRAIGHT THREAD TO ORFS			
88474	10081-20	Crimp Shell, 1.25"			
88475	1988-20-24	HOSE END,90° FLANGE HEAD			
88476	JS88-24-24	HOSE END,FEMALE SWIVEL,SEAL LOK			
88477	1JC88-20-20	HOSE END,FEMALE SWIVEL,SEAL LOK			
88478	811-20	HOSE,11/4 INCH ID			
88936	20-16 F5OLO-S	CONNECTOR,STRAIGHT THREAD TO ORFS			
88937	20-16 FLO-S	CONNECTOR,MALE PIPE TO ORFS			
88938	1JC88-16-16	HOSE END,FEMALE SWIVEL,SEAL LOK			
88939	1J988-16-16	HOSE END,90° FEMALE SWIVEL,ORFS			
88940	811-16	HOSE,1 INCH ID			
88944	1J988-20-20	HOSE END,90° FEMALE SWIVEL,ORFS			
89403	16 VLO-S	ELBOW,45°,MALE PIPE TO ORFS			

California Proposition 65



Operating, servicing and maintaining this equipment can expose you to chemicals including engine exhaust, carbon monoxide, phthalates, and lead, which are known to the State of California to cause cancer and birth defects or other reproductive harm. These chemicals can be emitted from or contained in other various parts and systems, fluids and some component wear by-products. To minimize exposure, avoid breathing exhaust, do not idle the engine except as necessary, service your equipment and vehicle in a well-ventilated area and wear gloves or wash your hands frequently when servicing your equipment or vehicle and after operation. For more information go to www.P65Warnings.ca.gov/passenger-vehicle.

Distributed By:

Go to Discount-Equipment.com to order your parts

PARTS FINDER

**Search Website
by Part Number**



**Search Manual
Library For Parts
Manual & Lookup Part
Numbers – Purchase
or Request Quote**

Search Manuals

Enter your information to help us find the right parts manual for your machine.

* Brand:

* Model:

* Serial:

* Part Number:

SEARCH

**Can't Find Part or
Manual? Request Help
by Manufacturer,
Model & Description**

Parts Order Form

Please fill in the following information to help us find the right part for your machine.

Manufacturer:	<input type="text"/>
Model:	<input type="text"/>
Description:	<input type="text"/>
Part Number:	<input type="text"/>
Quantity:	<input type="text"/>
Notes:	<input type="text"/>

Submit

Discount-Equipment.com is your online resource for quality parts & equipment.

Florida: **561-964-4949** Outside Florida TOLL FREE: **877-690-3101**

Need parts?

Click on this link: <http://www.discount-equipment.com/category/5443-parts/> and choose one of the options to help get the right parts and equipment you are looking for. Please have the machine model and serial number available in order to help us get you the correct parts. If you don't find the part on the website or on one of the online manuals, please fill out the request form and one of our experienced staff members will get back to you with a quote for the right part that your machine needs.

We sell worldwide for the brands: Genie, Terex, JLG, MultiQuip, Mikasa, Essick, Whiteman, Mayco, Toro Stone, Diamond Products, Generac Magnum, Airman, Haulotte, Barreto, Power Blanket, Nifty Lift, Atlas Copco, Chicago Pneumatic, Allmand, Miller Curber, Skyjack, Lull, Skytrak, Tsurumi, Husquvarna Target, Stow, Wacker, Sakai, Mi-T-M, Sullair, Basic, Dynapac, MBW, Weber, Bartell, Bennar Newman, Haulotte, Ditch Runner, Menegotti, Morrison, Contec, Buddy, Crown, Edco, Wyco, Bomag, Laymor, EZ Trench, Bil-Jax, F.S. Curtis, Gehl Pavers, Heli, Honda, ICS/PowerGrit, IHI, Partner, Imer, Clipper, MMD, Koshin, Rice, CH&E, General Equipment, Amida, Coleman, NAC, Gradall, Square Shooter, Kent, Stanley, Tamco, Toku, Hatz, Kohler, Robin, Wisconsin, Northrock, Oztec, Toker TK, Rol-Air, APT, Wylie, Ingersoll Rand / Doosan, Innovatech, Con X, Ammann, Mecalac, Makinex, Smith Surface Prep, Small Line, Wanco, Yanmar