



A TEREX BRAND



Parts Manual

Serial Number Range

GS-1530

from SN GS30D-16323 to

GS-1532

GS30D-40000

GS-1930

GS-1932

Part No. 1285637GT

Rev A5

December 2018

Go to Discount-Equipment.com to order your parts

PARTS FINDER

**Search Website
by Part Number**



**Search Manual
Library For Parts
Manual & Lookup Part
Numbers – Purchase
or Request Quote**

Search Manuals

Enter your information to help us find the right parts manual for your machine.

* Brand:

* Model:

* Serial:

* Part Number:

SEARCH

**Can't Find Part or
Manual? Request Help
by Manufacturer,
Model & Description**

Parts Order Form

Please fill in the following information to help us find the right part for your machine.

Manufacturer:

Model:

Description:

Quantity:

Part Number:

Part Name:

Part Description:

Part Category:

Part Location:

Part Status:

Part Condition:

Part Material:

Part Color:

Part Weight:

Part Dimensions:

Part Notes:

Submit

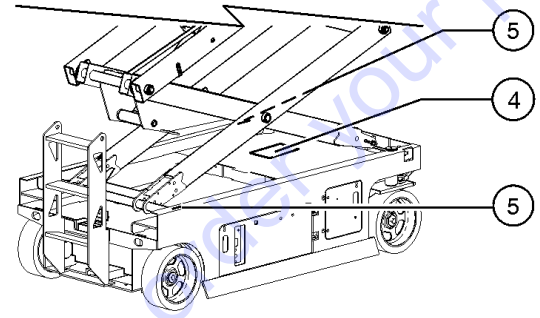
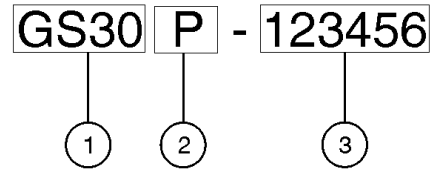
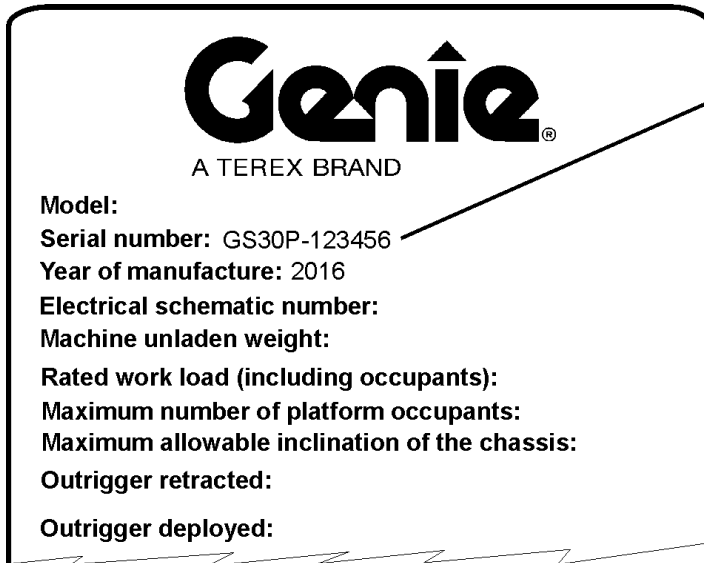
Discount-Equipment.com is your online resource for quality parts & equipment.

Florida: **561-964-4949** Outside Florida TOLL FREE: **877-690-3101**

Need parts?

Click on this link: <http://www.discount-equipment.com/category/5443-parts/> and choose one of the options to help get the right parts and equipment you are looking for. Please have the machine model and serial number available in order to help us get you the correct parts. If you don't find the part on the website or on one of the online manuals, please fill out the request form and one of our experienced staff members will get back to you with a quote for the right part that your machine needs.

We sell worldwide for the brands: Genie, Terex, JLG, MultiQuip, Mikasa, Essick, Whiteman, Mayco, Toro Stone, Diamond Products, Generac Magnum, Airman, Haulotte, Barreto, Power Blanket, Nifty Lift, Atlas Copco, Chicago Pneumatic, Allmand, Miller Curber, Skyjack, Lull, Skytrak, Tsurumi, Husquvarna Target, Stow, Wacker, Sakai, Mi-T-M, Sullair, Basic, Dynapac, MBW, Weber, Bartell, Bennar Newman, Haulotte, Ditch Runner, Menegotti, Morrison, Contec, Buddy, Crown, Edco, Wyco, Bomag, Laymor, EZ Trench, Bil-Jax, F.S. Curtis, Gehl Pavers, Heli, Honda, ICS/PowerGrit, IHI, Partner, Imer, Clipper, MMD, Koshin, Rice, CH&E, General Equipment, Amida, Coleman, NAC, Gradall, Square Shooter, Kent, Stanley, Tamco, Toku, Hatz, Kohler, Robin, Wisconsin, Northrock, Oztec, Toker TK, Rol-Air, APT, Wylie, Ingersoll Rand / Doosan, Innovatech, Con X, Ammann, Mecalac, Makinex, Smith Surface Prep, Small Line, Wanco, Yanmar



- 1 Model
- 2 Facility code
- 3 Sequence number

- 4 Serial label (located on chassis)
- 5 Serial number (stamped on chassis)

Go to Discount-Equipment.com to get your parts

Table of Contents

This manual is updated frequently. For the most up-to-date parts information, visit www.discount-equipment.com

How to Read Your Serial Number.....	3
Parts Stocking List.....	7

Electronic Version

Click on any page number to view the figure.

001 Parts Stocking List

001.1 Parts Stocking List.....	10
--------------------------------	----

100 Decals

101.1 Decals with Words, GS-1530, Battery Side, ANSI & Australia.....	12
102.1 Decals with Words, GS-1530, Ground Controls Side, ANSI & Australia.....	14
103.1 Decals with Words, GS-1530, Platform, ANSI.....	16
104.1 Decals with Words, GS-1530, Platform, Australia.....	18
105.1 Decals with Symbols, GS-1530 Battery Side, ANSI & CE.....	20
106.1 Decals with Symbols, GS-1530 Ground Control Side, ANSI & CE.....	22
107.1 Decals with Symbols, GS-1530 Platform, ANSI.....	24
108.1 Decals with Symbols, GS-1530 Platform, CE.....	26
109.1 Decals with Words, GS-1532, Battery Side, Australia.....	28
110.1 Decals with Words, GS-1532 Ground Controls Side, Australia.....	30
111.1 Decals with Words, GS-1532 Platform, Australia.....	32
112.1 Decals with Symbols, GS-1532 Battery Side, CE.....	34
113.1 Decals with Symbols, GS-1532 Ground Control Side, CE.....	36
114.1 Decals with Symbols, GS-1532 Platform, CE.....	38
115.1 Decals with Words, GS-1930 Battery Side, ANSI & Australia.....	40
116.1 Decals with Words, GS-1930 Ground Controls Side, ANSI & Australia.....	42
117.1 Decals with Words, GS-1930 Platform, ANSI.....	44
118.1 Decals with Words, GS-1930 Platform, Australia.....	46

119.1 Decals with Symbols, GS-1930 Battery Side, ANSI & CE.....	48
120.1 Decals with Symbols, GS-1930 Ground Control Side, ANSI & CE.....	50
121.1 Decals with Symbols, GS-1930 Platform ANSI.....	52
122.1 Decals with Symbols, GS-1930 Platform CE.....	54
123.1 Decals with Words, GS-1932 Battery Side, Australia.....	56
124.1 Decals with Words, GS-1932 Ground Controls Side, Australia.....	58
125.1 Decals with Words, GS-1932 Platform, Australia.....	60
126.1 Decals with Symbols, GS-1932 Battery Side, CE.....	62
127.1 Decals with Symbols, GS-1932 Ground Control Side, CE.....	64
128.1 Decals with Symbols, GS-1932 Platform CE.....	66

200 Drive Chassis Components

201.1 Steer Linkage and Wheels.....	68
201.2 Steer Linkage and Wheels (Japan).....	70
202.1 Non-steer Axle Installation, All Models.....	72
203.1 Level Sensor Installation, All Models.....	74
204.1 Pothole Protection Assembly.....	76
205.1 Battery Pack Module.....	78
206.1 Battery Charger.....	80
207.1 Power Unit Module.....	82
208.1 Ground Controls, All Models.....	84
209.1 Electrical Wiring.....	86
210.1 Power Cables.....	88
211.1 Function Manifold and Accumulator Components.....	90

300 Scissor Components

301.1 Scissor Assembly Installation.....	92
302.1 Scissor Assembly, GS-1530/1532.....	94
303.1 Scissor Assembly, GS-1930/1932.....	96

400 Platform Components

401.1 Platform Components, GS-1530.....	98
402.1 Platform Components, GS-1532.....	102
403.1 Platform Components, GS-1930.....	106
404.1 Platform Components, GS-1932.....	110
405.1 Platform Gates.....	114
406.1 Power to Platform.....	116
407.1 Platform Controls.....	118
408.1 Joystick Controller.....	120

500 Hydraulic Components

501.1 Hydraulic Components.....	122
502.1 Function Manifold.....	124
503.1 Check Valve Manifold.....	126

504.1 Brake Release Hand Pump Manifold.....	128
505.1 Hydraulic Power Unit, All Models.....	130
506.1 Lift Cylinder Assembly, All Models.....	132
507.1 Hydraulic Hoses and Fittings.....	134

600 Accessories

601.1 Alarm, Horn and Flashing Beacons.....	136
602.1 Air Line to Platform.....	138
603.1 Platform Work Light.....	140
604.1 Voltage Inverter.....	142
605.1 Padded Auxiliary Rail, GS-1930.....	144
606.1 PCON Guard.....	146
607.1 RCBO.....	148
608.1 Charger Isolation.....	150

700 Platform Overload Components

701.1 Platform Overload.....	152
------------------------------	-----

Indices

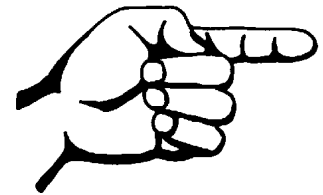
Part Number Index.....	154
Part Description Index.....	157

Cross References

Fittings Cross Reference.....	162
-------------------------------	-----

Go to Discount-Equipment.com to order your parts

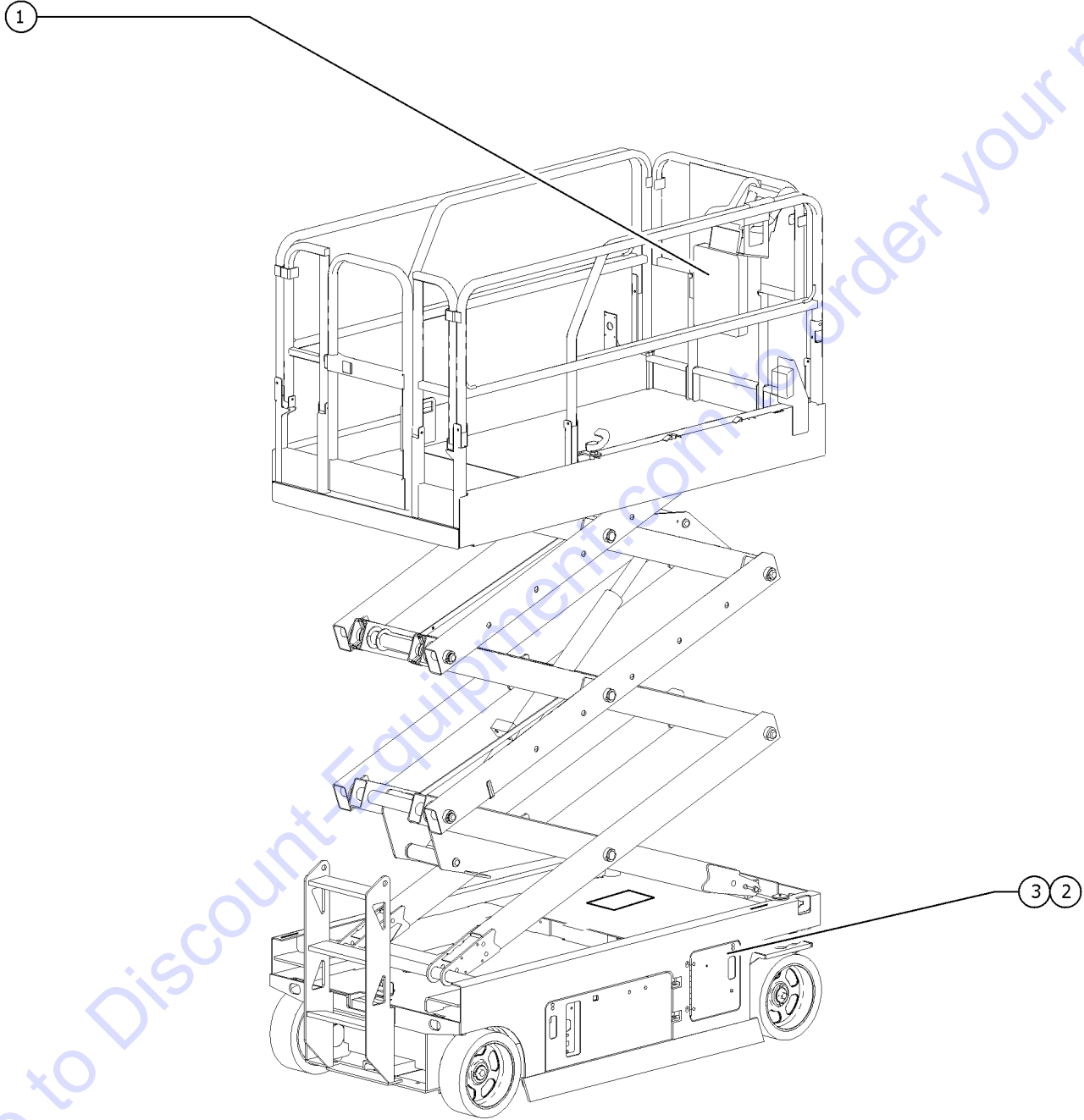
Please refer to section 001 for the Recommended Spare Parts List.



This page intentionally left blank.

Go to Discount-Equipment.com to order your parts

001.1 Parts Stocking List

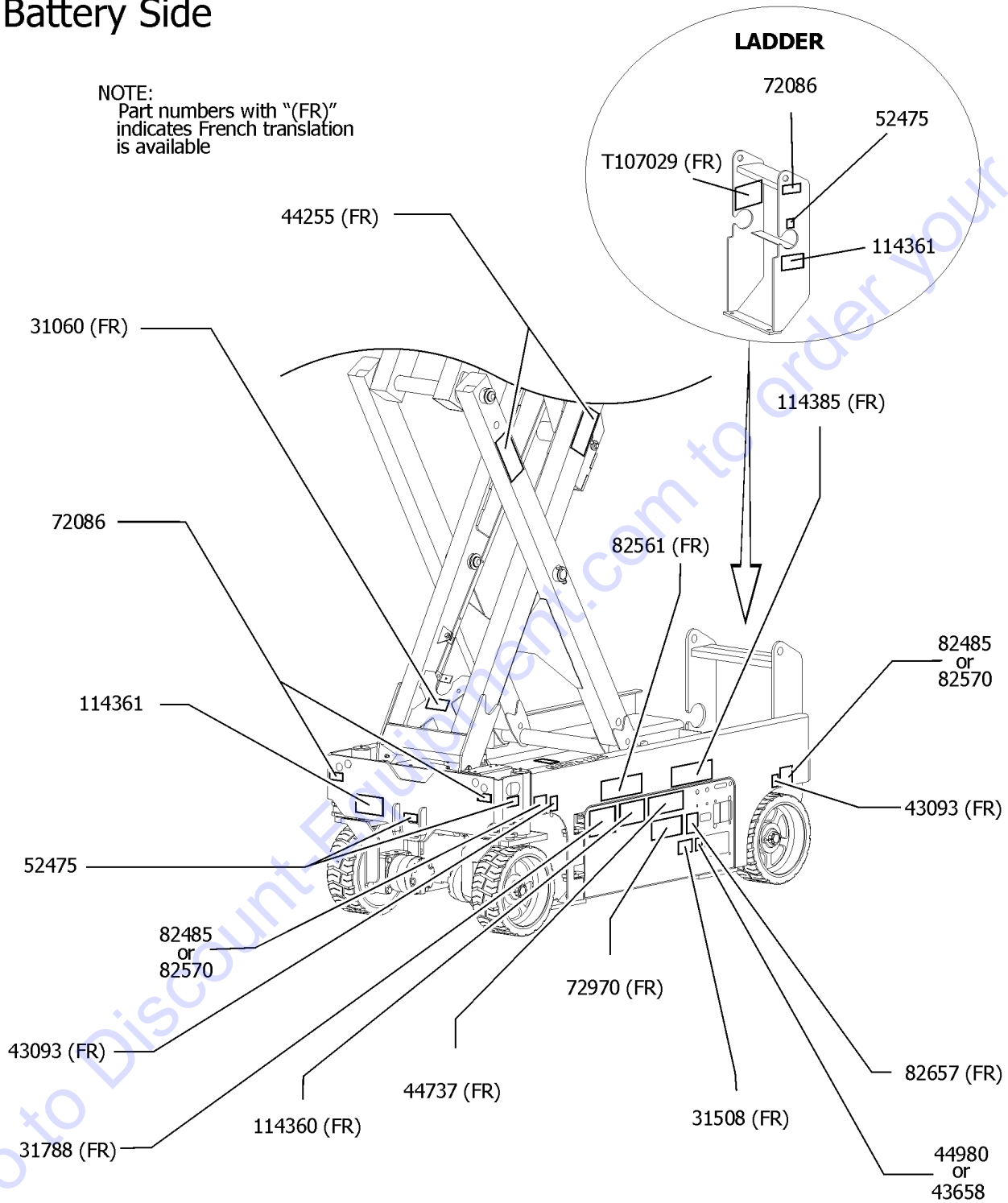


Item	Part No.	Description	Qty.
--	1257733GT	PAINT,WET,TRAFFIC BLACK (1 GL)** <i>1-gallon</i>	
--	1258567GT	PAINT, AEROSOL, TRAFFIC BLACK <i>12-ounce spray paint</i>	
--	1268GT	PAINT,AEROSOL,GENIE GRAY*** <i>12-ounce spray paint</i>	
--	1484GT	PAINT,AEROSOL,BRIGHT BLUE*** <i>12-ounce spray paint</i>	
--	32150GT	PAINT,WET,GENIE BLUE (1 GL)** <i>1-gallon</i>	
--	32151GT	PAINT,WET,GENIE GRAY (1 GL)** <i>1-gallon</i>	
--	66399GT	GREASE,DIELECTRIC 4 OZ**	
1A	27581GT	MANUAL,AEM SAFETY	
1B	44163GT	MANUAL,RESPON,A92.6 SCISSOR	
2	42079GT	PIN,COTTER,.156 X 2.5	
3	44788GT	FILTER ELEMENT,10MICRON,PAPER*	
4	78546GT	BREATHER CAP,HYD. TANK, 1/4 NPT	

101.1 Decals with Words, GS-1530, Battery Side, ANSI & Austalia

Battery Side

NOTE:
Part numbers with "(FR)"
indicates French translation
is available



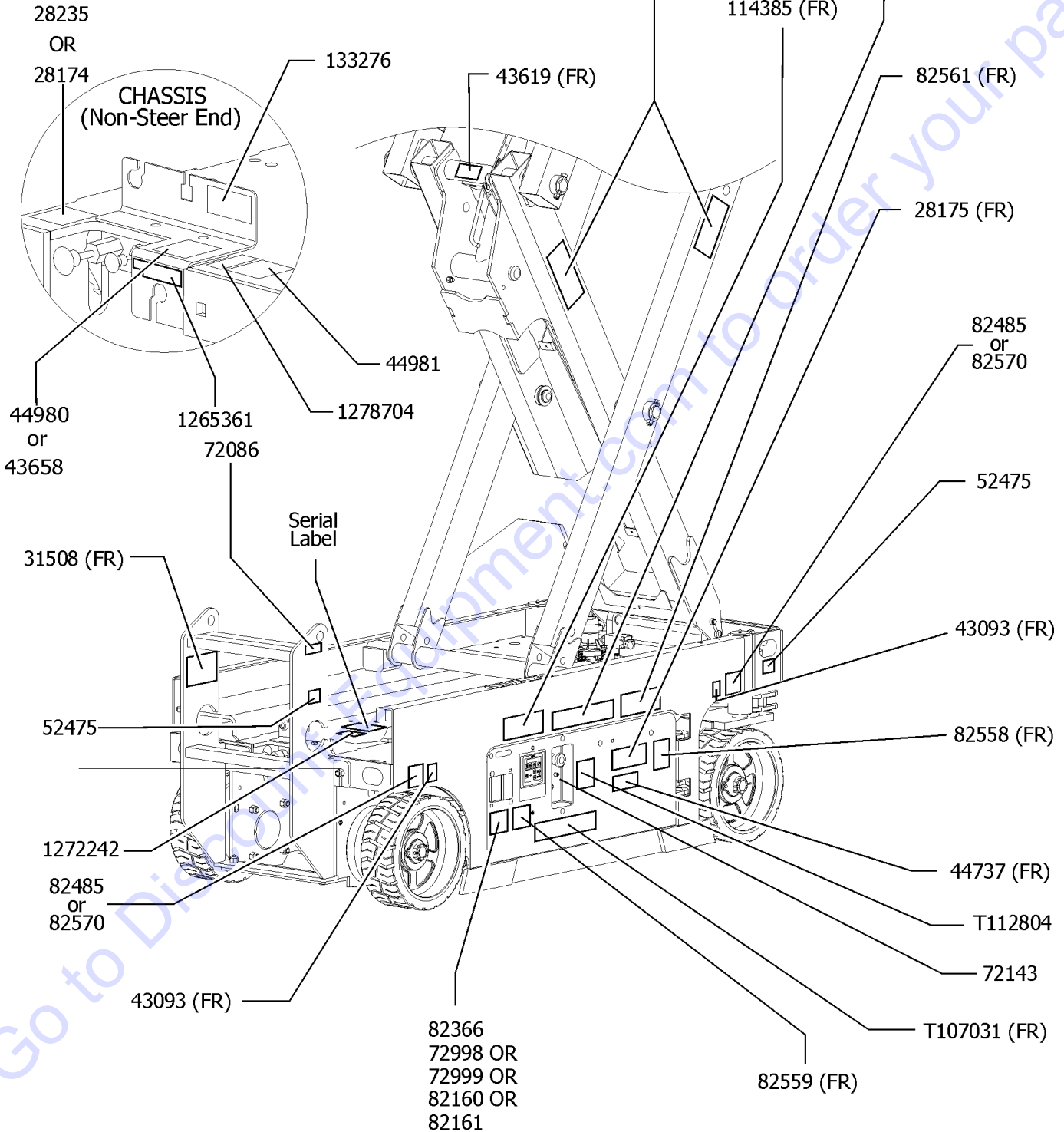
101.1 Decals with Words, GS-1530, Battery Side, ANSI & Australia

Item	Part No.	Description	Qty.
1	44255GT	DECAL,DANGER,CRUSHING HAZARD.....	2
2	31060GT	DECAL,DANGER DO NOT ALTER SWTC.....	1
3	31508GT	DECAL,DANGER,ELECT HAZARD,PLUG..... <i>(Australia models)</i>	1
4	31788GT	DECAL,DANGER,BATTERY SAFETY***.....	1
5	43093GT	DECAL,LABEL,TIRE SPECS.....	2
6	43658GT	DECAL,LABEL,PWR TO CHARGR 230V..... <i>(Australia models)</i>	1
7	44737GT	DECAL DANGER TIP OVER TRAYS.....	1
8	44980GT	DECAL,LABEL,PWR TO CHARGR 115V..... <i>(Australia models)</i>	1
9	52475GT	DECAL,LABEL,TRANSPORT TIEDOWN*.....	3
10	72086GT	DECAL,LABEL,LIFTING EYE.....	3
11	72970GT	DECAL,INSTRUCTIONS-CHARGER OP.....	1
12	82485GT	DECAL,LABEL,WHEEL LOAD 1530..... <i>(ANSI models)</i>	2
13	82561GT	DECAL,DANGER-USE SAFETY ARM....	1
14	82570GT	DECAL,LABEL-WHEEL LOAD 1530/32..... <i>(Australia models)</i>	2
15	82657GT	DECAL,INSTRUCT,BATTERY CONNECT.....	1
16	114360GT	DECAL,DANGER-TIP-OVER,BATT.....	1
17	114361GT	DECAL,LABEL-TRANSPORT DIGRAM.....	2
18	114385GT	DECAL,DANGER,ELEC HAZARD,GS....	1
19	T107029GT	DECAL,DANGER,BRAKE REL SAFETY.....	1

102.1 Decals with Words, GS-1530, Ground Controls Side, ANSI & Australia

Ground Controls Side

NOTE:
Part numbers with "(FR)" indicates French translation is available

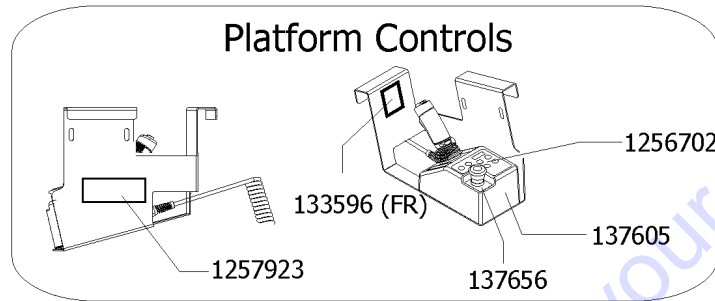
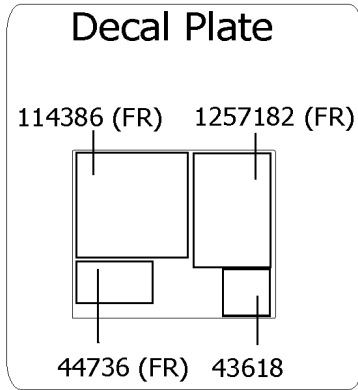


102.1 Decals with Words, GS-1530, Ground Controls Side, ANSI & Australia

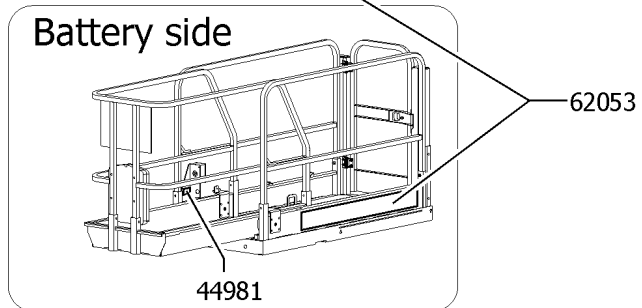
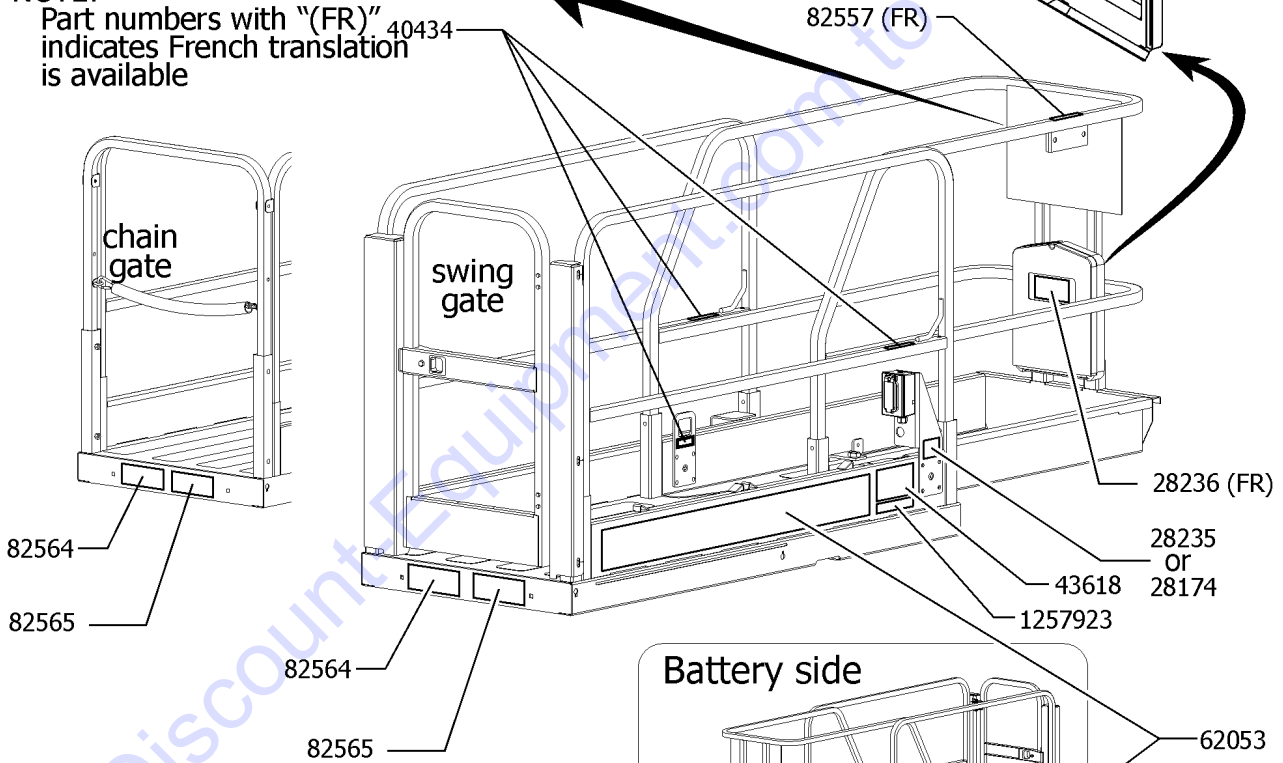
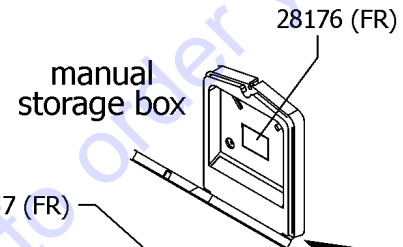
Item	Part No.	Description	Qty.	Item	Part No.	Description	Qty.
1	28174GT	DECAL, POWER TO PLATFORM 230V**.....	1	27	133276GT	DECAL,EMERGENCY LOWERING.....	1
2	28175GT	DECAL,WARNING-COMPART ACCESS.....	1	28	1272242GT	DECAL,MACHINE REGISTRATION/OWNER TRANSFER.....	1
3	28235GT	DECAL,POWER TO PLATFORM 115V....	1	29	1265361GT	DECAL, BATTERY CHARGER INDICAT.....	1
4	31508GT	DECAL,DANGER,ELECT HAZARD,PLUG.....	1			<i>from SN GS3016D-5426</i>	
		<i>(ANSI models)</i>		30	1278704GT	DECAL,CHARGE STATUS IND.....	1
5	43093GT	DECAL,LABEL,TIRE SPECS.....	2			<i>from SN GS30D-15023</i>	
6	43619GT	DECAL,LABEL,SAFETY ARM.....	1	31	T107031GT	DECAL,OP INST,GCON.....	1
7	43658GT	DECAL,LABEL,PWR TO CHARGR 230V.....	1	32	T112804GT	DECAL,GCON PANEL,GS.....	1
		<i>(ANSI models)</i>					
8	44255GT	DECAL,DANGER,CRUSHING HAZARD.....	2				
9	44737GT	DECAL DANGER TIP OVER TRAYS.....	1				
10	44980GT	DECAL,LABEL,PWR TO CHARGR 115V.....	1				
		<i>(ANSI models)</i>					
11	44981GT	DECAL,LABEL, AIR LINE 110 PSI.....	1				
		<i>(option)</i>					
12	52475GT	DECAL,LABEL,TRANSPORT TIEDOWN*.....	2				
13	72086GT	DECAL,LABEL,LIFTING EYE.....	1				
14	72143GT	DECAL,EMERGENCY STOP,GR.....	1				
15	72853GT	DECAL,DANGER,IMPROPER USE HAZ.....	1				
16	72998GT	DECAL,LABEL,QUINTOLUBRIK.....	1				
		<i>(models with Quintolub hydraulic oil)</i>					
17	72999GT	DECAL,LABEL,PETRO CANADA***.....	1				
		<i>(models with Petro Canada hydraulic oil)</i>					
18	82160GT	DECAL,LABEL,STATOIL HYDRA WAY.....	1				
		<i>(models with Statoil hydraulic oil)</i>					
19	82161GT	DECAL,LABEL,UCON HYDROLUBE.....	1				
		<i>(models with UConn Hydrolube hydraulic oil)</i>					
20	82366GT	DECAL,CHEVRON RANDO HD.....	1				
		<i>(models with Chevron Random hydraulic oil)</i>					
21	82485GT	DECAL,LABEL,WHEEL LOAD 1530.....	2				
		<i>(ANSI models)</i>					
22	82558GT	DECAL,WARN,SKIN INJECTION HAZ*.....	1				
23	82559GT	DECAL,INSTRUCT-ANNUAL INSP REQ.....	1				
24	82561GT	DECAL,DANGER-USE SAFETY ARM....	1				
25	82570GT	DECAL,LABEL-WHEEL LOAD 1530/32.....	2				
		<i>(Australia models)</i>					
26	114385GT	DECAL,DANGER,ELEC HAZARD,GS.....	1				

103.1 Decals with Words, GS-1530, Platform, ANSI

Platform, ANSI models



NOTE:
Part numbers with "(FR)" indicates French translation is available

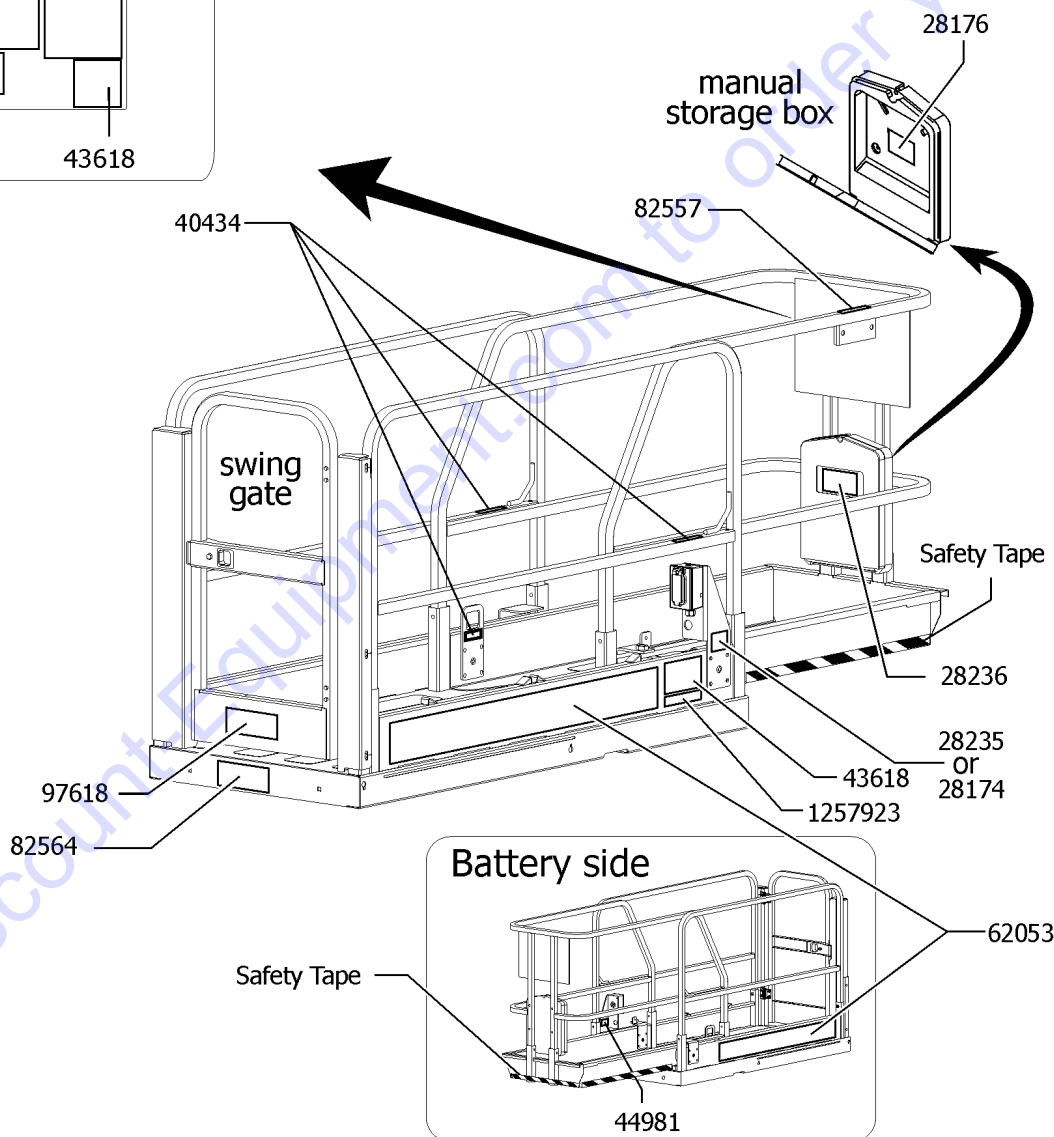
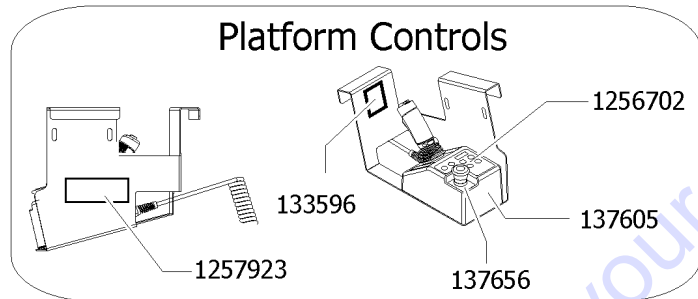
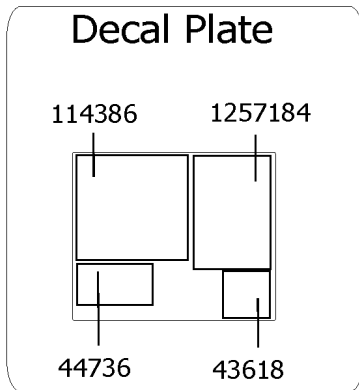


103.1 Decals with Words, GS-1530, Platform, ANSI

Item	Part No.	Description	Qty.
1	28174GT	DECAL, POWER TO PLATFORM 230V**.....	1
2	28176GT	DECAL,LABEL,MANUAL NOT HERE.....	1
3	28235GT	DECAL,POWER TO PLATFORM 115V...1	1
4	28236GT	DECAL,WARN,IMPROPER OPERATION.....	1
5	40434GT	DECAL,LANYARD ANCHORAGE POINT.....	3
6	43618GT	DECAL, LABEL - DIRECTION ARROWS.....	2
7	44736GT	DECAL,DANGER,TIP-OVER,TILT.....	1
8	44981GT	DECAL,LABEL, AIR LINE 110 PSI.....	1
9	62053GT	DECAL,COSMETIC,GENIE GS-1530**...2	2
10	82557GT	DECAL,LABEL,PLAT CONT LOCATION.....	1
11	82564GT	DECAL,INSTR-MAX CAP 600LBS.....	1
12	82565GT	DECAL,INSTR-SIDE FRC,ANSI.....	1
13	114386GT	DECAL,DANGER-GEN SAFETY.....	1
14	133596GT	DECAL,LABEL,FAULT CODES.....	1
15	137605GT	DECAL,E-STOP,GR/GRC/GS PCON.....	1
16	137656GT	DECAL,PROPEL,GR/GRC/GS,PCON.....	1
17	1256702GT	DECAL, UI, GS/GR, PROP LIFT.....	1
18	1257182GT	DECAL, OP INST, PLAT, GS30, ANSI.....	1
19	1257923GT	DECAL, SMARTLINK PROPORTIONAL.....	2

104.1 Decals with Words, GS-1530, Platform, Australia

Platform, Australia Models

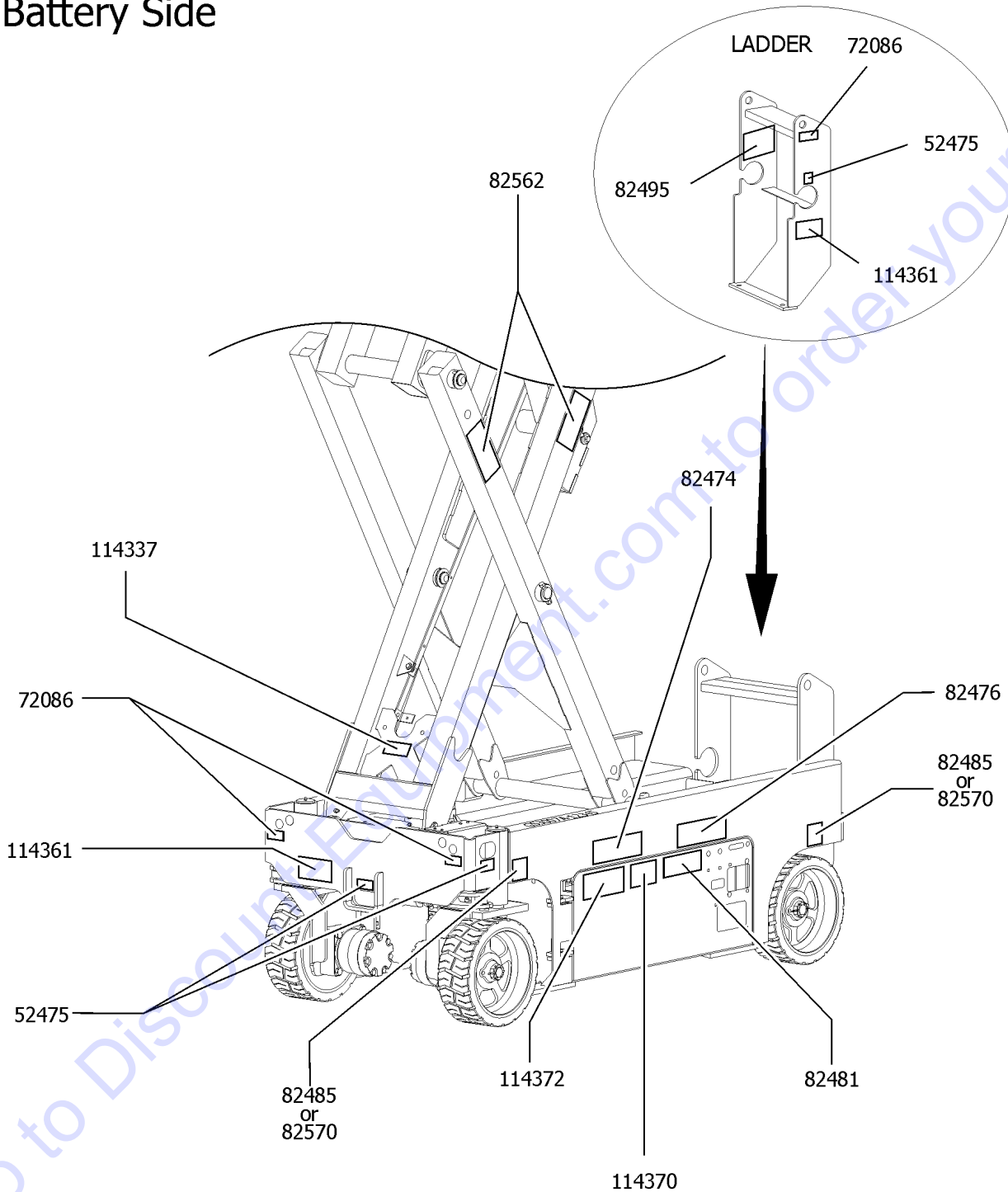


104.1 Decals with Words, GS-1530, Platform, Australia

Item	Part No.	Description	Qty.
1	28174GT	DECAL, POWER TO PLATFORM 230V**.....	1
2	28176GT	DECAL,LABEL,MANUAL NOT HERE.....	1
3	28235GT	DECAL,POWER TO PLATFORM 115V...1	1
4	28236GT	DECAL,WARN,IMPROPER OPERATION.....	1
5	40434GT	DECAL,LANYARD ANCHORAGE POINT.....	3
6	43618GT	DECAL, LABEL - DIRECTION ARROWS.....	2
7	44736GT	DECAL,DANGER,TIP-OVER,TILT.....	1
8	44981GT	DECAL,LABEL, AIR LINE 110 PSI.....	1
9	62053GT	DECAL,COSMETIC,GENIE GS-1530**...2	2
10	82557GT	DECAL,LABEL,PLAT CONT LOCATION.....	1
11	97618GT	DECAL,INSTR-INDOOR USE,AUS.....	1
12	114386GT	DECAL,DANGER-GEN SAFETY.....	1
13	133596GT	DECAL,LABEL,FAULT CODES.....	1
14	137605GT	DECAL,E-STOP,GR/GRC/GS PCON.....	1
15	137656GT	DECAL,PROPEL,GR/GRC/GS,PCON.....	1
16	82564GT	DECAL,INSTR-MAX CAP 600LBS.....	1
17	1256702GT	DECAL, UI, GS/GR, PROP LIFT.....	1
18	1257184GT	DECAL, OP INST, PLAT, GS30, AUS.....	1
19	1257923GT	DECAL, SMARTLINK PROPORTIONAL.....	2

105.1 Decals with Symbols, GS-1530 Battery Side, ANSI & CE

Battery Side

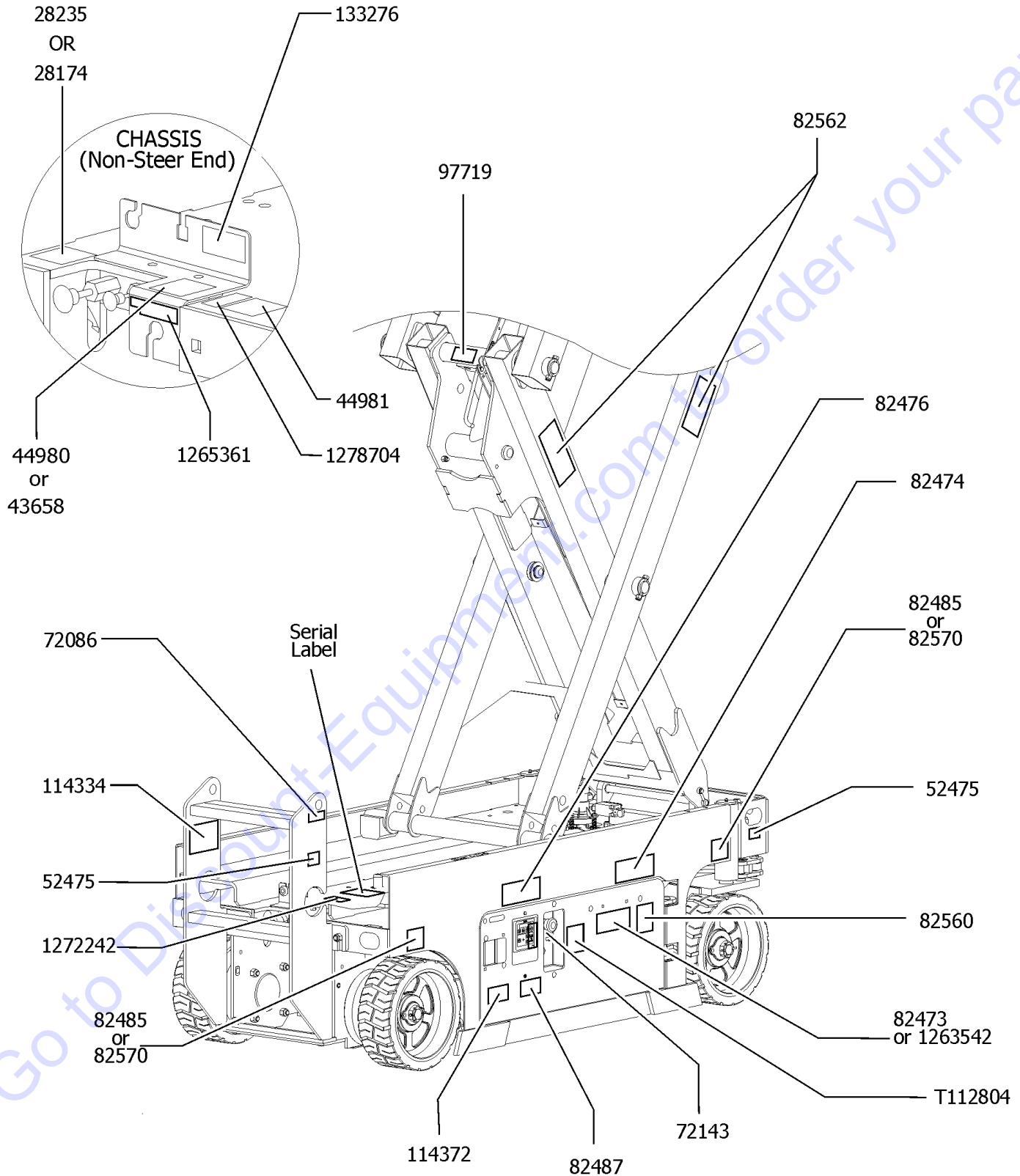


105.1 Decals with Symbols, GS-1530 Battery Side, ANSI & CE

Item	Part No.	Description	Qty.
1	52475GT	DECAL,LABEL,TRANSPORT TIEDOWN*.....	3
2	72086GT	DECAL,LABEL,LIFTING EYE.....	3
3	82474GT	DECAL,SYMBOL-USE SAFETY ARM....	1
4	82476GT	DECAL,SYMBOL-ELEC HAZARD,GS....	1
5	82481GT	DECAL,SYMBOL-BATTERY SAFETY....	1
6	82485GT	DECAL,LABEL,WHEEL LOAD 1530.... (ANSI models)	2
7	82495GT	DECAL,SYMBOL-BRAKE REL SAFETY.....	1
8	82562GT	DECAL,SYMBOL-CRUSHING HAZARD.....	2
9	82570GT	DECAL,LABEL-WHEEL LOAD 1530/32..... (CE models)	2
10	114337GT	DECAL,SYM-TIP-OVER,LIM SWITCH....	1
11	114361GT	DECAL,LABEL-TRANSPORT DIGRAM.....	2
12	114370GT	DECAL-SYM-TIP-OVR,BATTRIES.....	1
13	114372GT	DECAL SYMBOL TIP OVER TRAYS.....	1

106.1 Decals with Symbols, GS-1530 Ground Control Side, ANSI & CE

Ground Controls Side

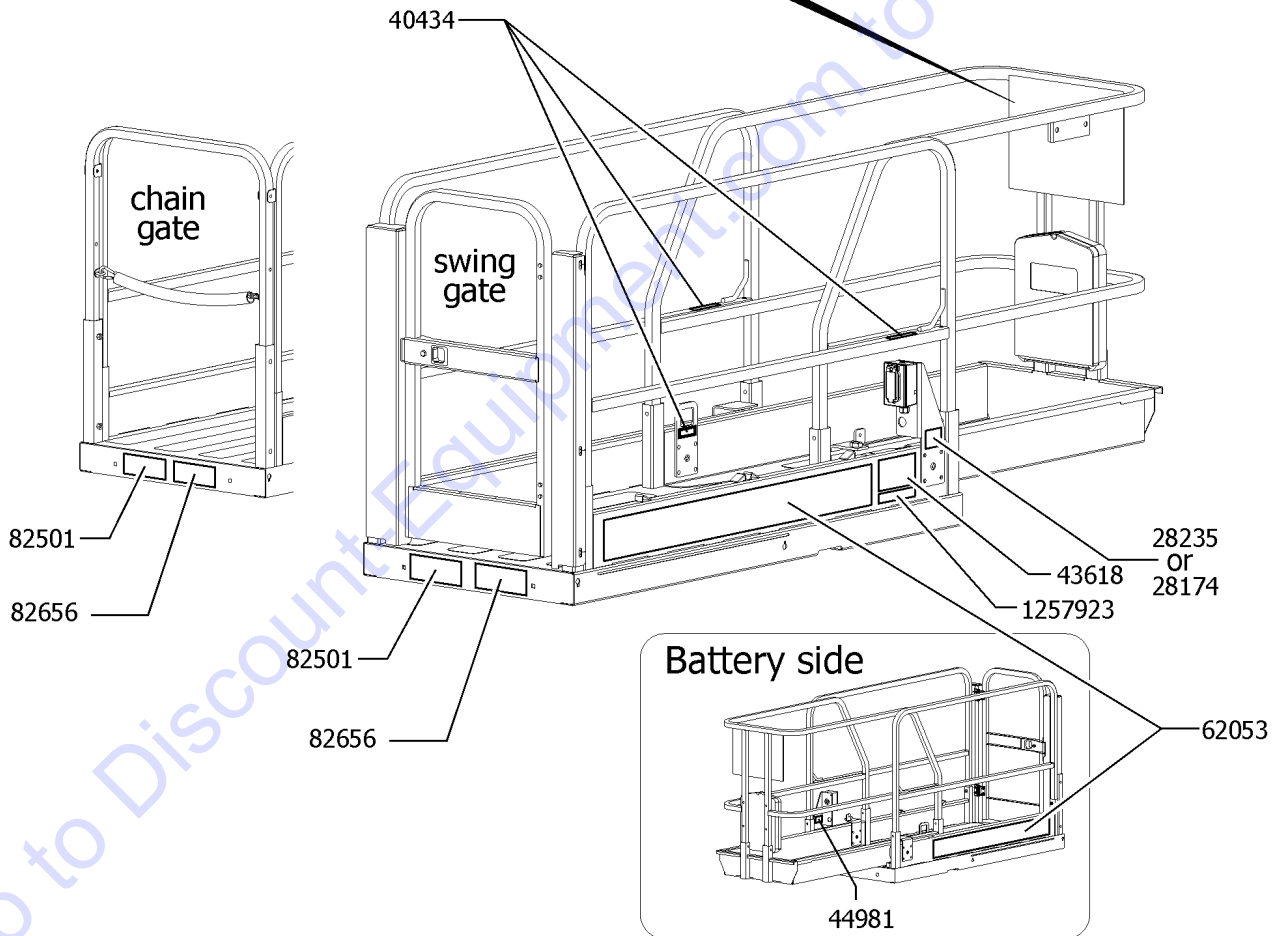
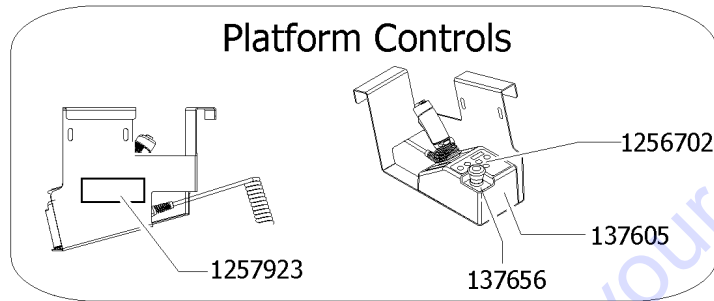
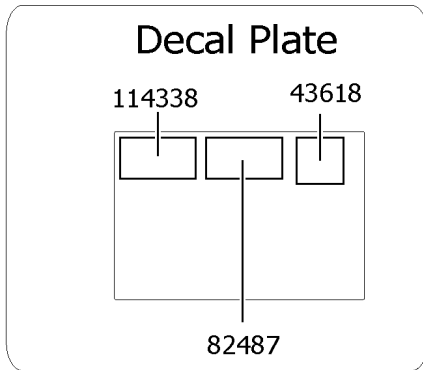


106.1 Decals with Symbols, GS-1530 Ground Control Side, ANSI & CE

Item	Part No.	Description	Qty.
1	28174GT	DECAL, POWER TO PLATFORM 230V**.....	1
2	28235GT	DECAL,POWER TO PLATFORM 115V...	1
3	43658GT	DECAL,LABEL,PWR TO CHARGR 230V.....	1
4	44980GT	DECAL,LABEL,PWR TO CHARGR 115V.....	1
5	44981GT	DECAL,LABEL, AIR LINE 110 PSI.....	1
6	52475GT	DECAL,LABEL,TRANSPORT TIEDOWN*.....	2
7	72086GT	DECAL,LABEL,LIFTING EYE.....	1
8	72143GT	DECAL,EMERGENCY STOP,GR.....	1
9	82473GT	DECAL,SYMBOL-COMP ACCESS.....	1
10	82474GT	DECAL,SYMBOL-USE SAFETY ARM....	1
11	82476GT	DECAL,SYMBOL-ELEC HAZARD,GS....	1
12	82482GT	DECAL,LABEL,AUX LOWERING.....	1
13	82485GT	DECAL,LABEL,WHEEL LOAD 1530.... (ANSI models)	2
14	82487GT	DECAL, SYMBOL - READ THE MANUAL.....	1
15	82560GT	DECAL,SYMBOL-SKIN INJECT HAZRD.....	1
16	82562GT	DECAL,SYMBOL-CRUSHING HAZARD.....	2
17	82570GT	DECAL,LABEL-WHEEL LOAD 1530/32..... (CE models)	2
18	97719GT	DECAL, LABEL, SAFETY ARM SYMB....	1
19	114334GT	DECAL,SYM-ELEC HAZARD,PLUG.....	1
20	114372GT	DECAL SYMBOL TIP OVER TRAYS.....	1
21	1263542GT	DECAL, COMPARTMENT ACCESS.....	1
22	1272242GT	DECAL,MACHINE REGISTRATION/OWNER TRANSFER....	1
23	1265361GT	DECAL, BATTERY CHARGER INDICAT..... from SN GS30D-15023	1
24	1278704GT	DECAL,CHARGE STATUS IND..... from SN GS30D-15023	1
25	T112804GT	DECAL,GCON PANEL,GS.....	1

107.1 Decals with Symbols, GS-1530 Platform, ANSI

Platform,
ANSI models

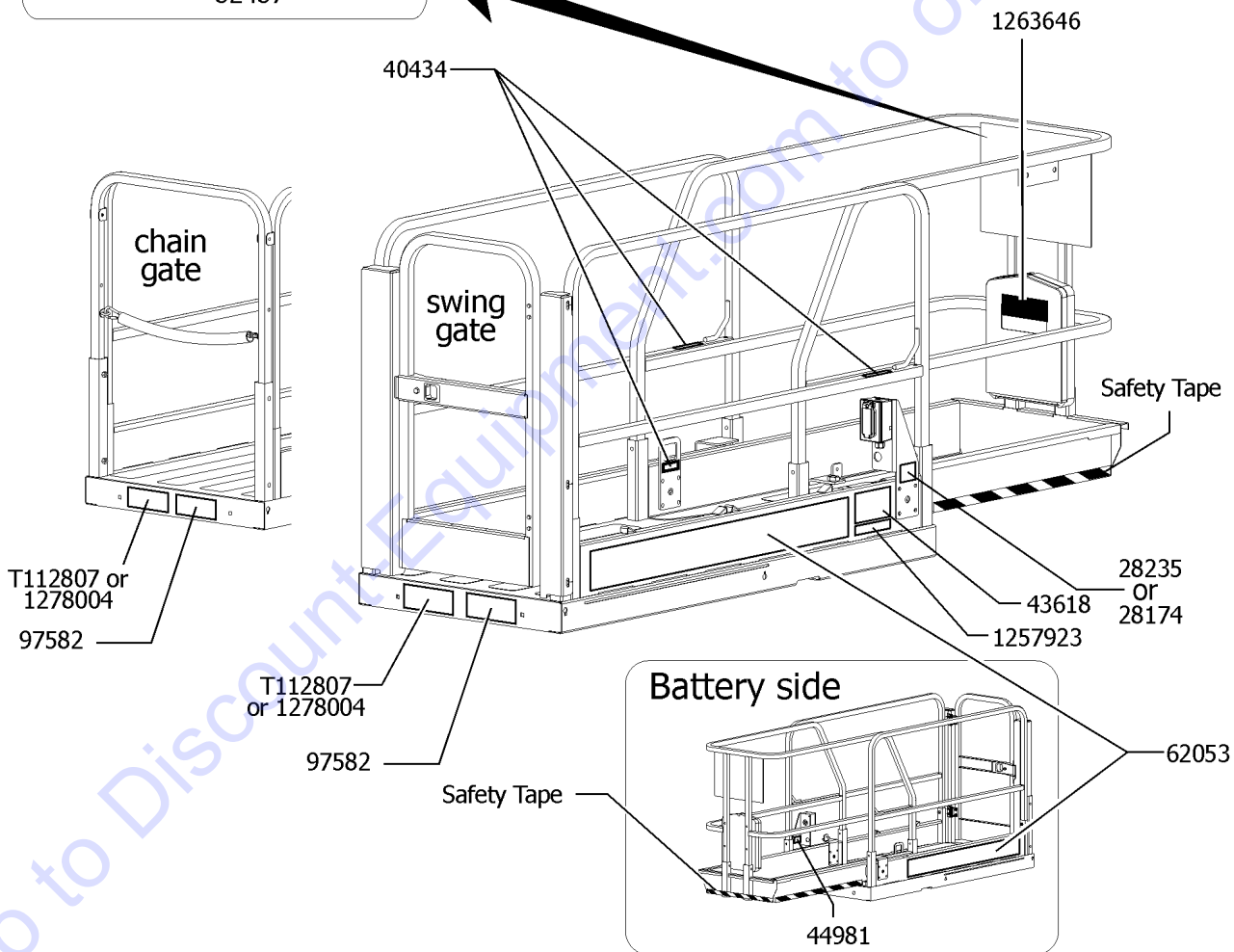
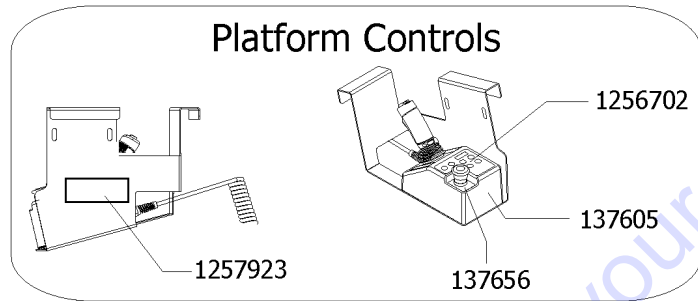
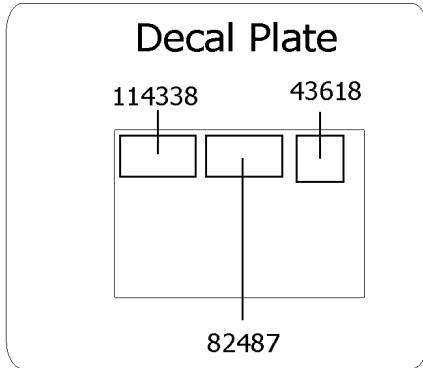


107.1 Decals with Symbols, GS-1530 Platform, ANSI

Item	Part No.	Description	Qty.
1	28174GT	DECAL, POWER TO PLATFORM 230V**.....	1
2	28235GT	DECAL,POWER TO PLATFORM 115V...1	1
3	40434GT	DECAL,LANYARD ANCHORAGE POINT.....	3
4	43618GT	DECAL, LABEL - DIRECTION ARROWS.....	2
5	44981GT	DECAL,LABEL, AIR LINE 110 PSI.....	1
6	62053GT	DECAL,COSMETIC,GENIE GS-1530**...2	2
7	82487GT	DECAL, SYMBOL - READ THE MANUAL.....	1
8	82501GT	DECAL,SYM-MAXCAP 600.....	1
9	82656GT	DECAL,SYM-SIDE FORCE 445N.....	1
10	114338GT	DECAL,SYM-TIP-OVER,TILT ALARM.....	1
11	137605GT	DECAL,E-STOP,GR/GRC/GS PCON.....	1
13	137656GT	DECAL,PROPEL,GR/GRC/GS,PCON.....	1
14	1256702GT	DECAL, UI, GS/GR, PROP LIFT.....	1
16	1257923GT	DECAL, SMARTLINK PROPORTIONAL.....	2

108.1 Decals with Symbols, GS-1530 Platform, CE

Platform,
CE models



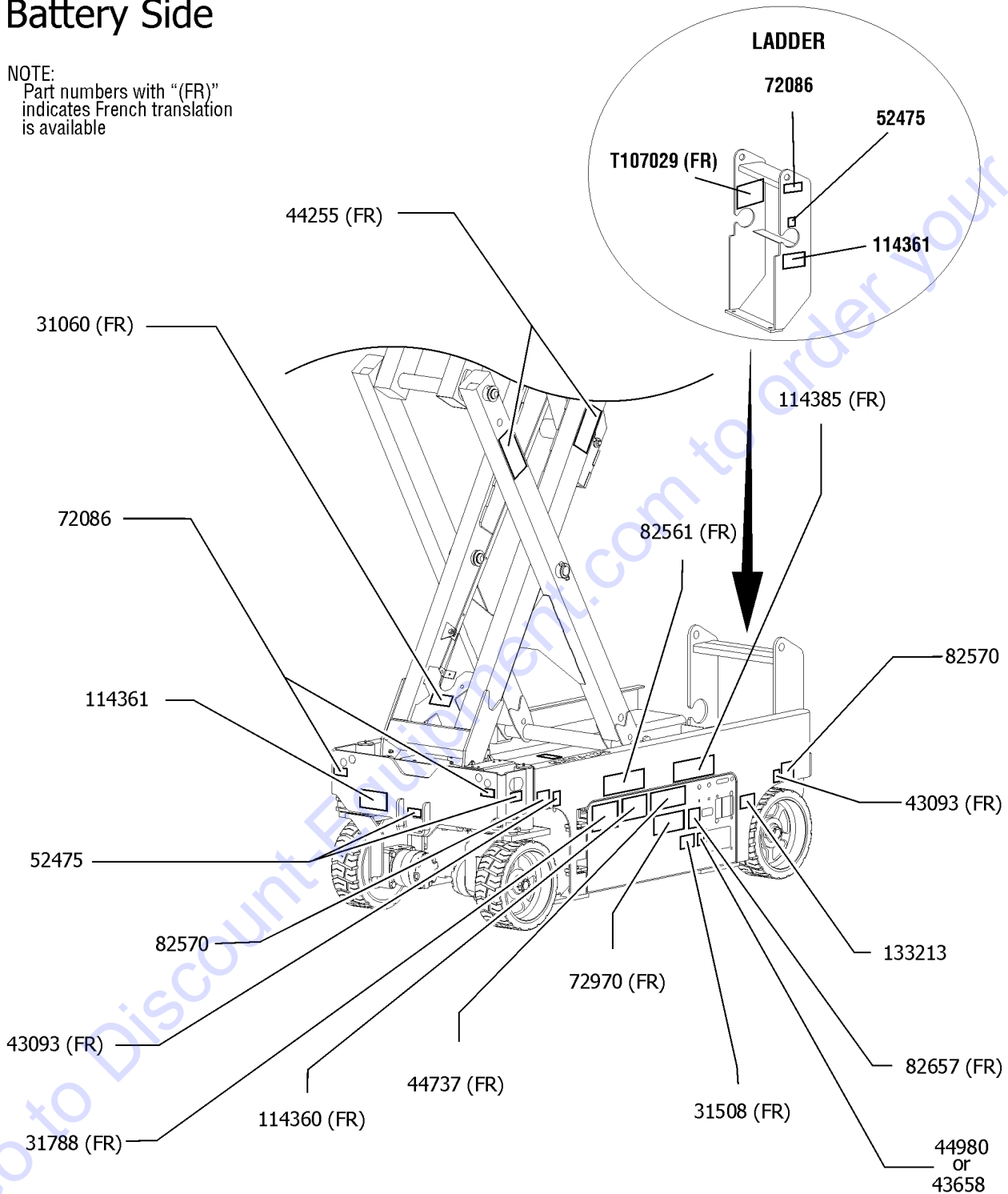
108.1 Decals with Symbols, GS-1530 Platform, CE

Item	Part No.	Description	Qty.
1	28174GT	DECAL, POWER TO PLATFORM 230V**.....	1
2	28235GT	DECAL,POWER TO PLATFORM 115V...1	1
3	40434GT	DECAL,LANYARD ANCHORAGE POINT.....	3
4	43618GT	DECAL, LABEL - DIRECTION ARROWS.....	2
5	44981GT	DECAL,LABEL, AIR LINE 110 PSI.....	1
6	62053GT	DECAL,COSMETIC,GENIE GS-1530**...2	2
7	82487GT	DECAL, SYMBOL - READ THE MANUAL.....	1
8	97582GT	DECAL,SYM-SIDEFORCE 400N ID.....	1
9	114338GT	DECAL,SYM-TIP-OVER,TILT ALARM....	1
10	137605GT	DECAL,E-STOP,GR/GRC/GS PCON....	1
11	137656GT	DECAL,PROPEL,GR/GRC/GS,PCON....	1
12	1256702GT	DECAL, UI, GS/GR, PROP LIFT.....	1
13	1257923GT	DECAL, SMARTLINK PROPORTIONAL.....	1
14	1263646GT	DECAL,QR CODE,PARTS&SERVICE MANUAL.....	1
15	1278004GT	DECAL, SYMBOL, CE, MAXIMUM CAPACITY, 272KG.....	1
16	T112807GT	DECAL,SYM MAX CAP 272 KG,CE.....	1

109.1 Decals with Words, GS-1532, Battery Side, Australia

Battery Side

NOTE:
Part numbers with "(FR)"
indicates French translation
is available



109.1 Decals with Words, GS-1532, Battery Side, Australia

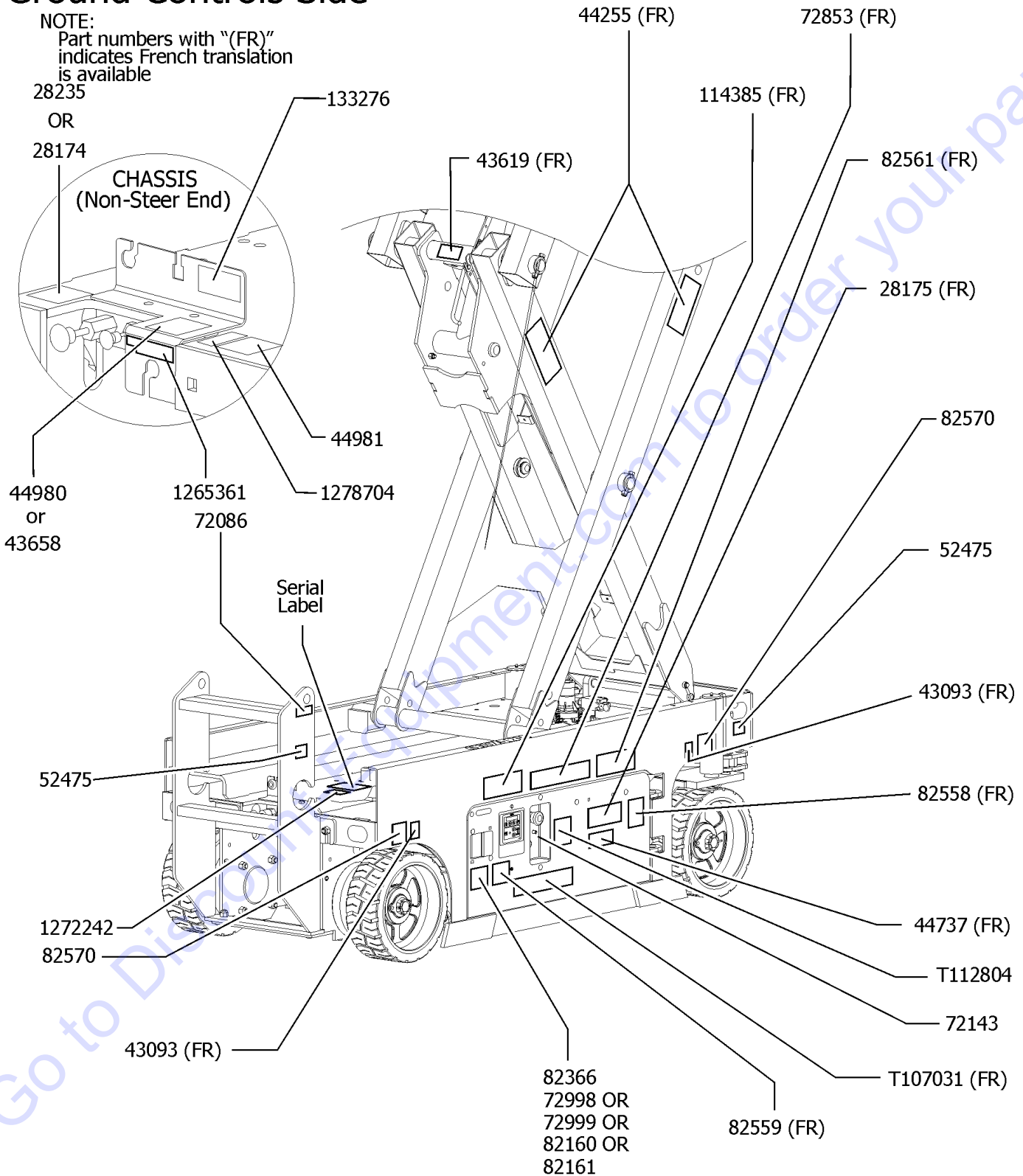
Item	Part No.	Description	Qty.
1	44255GT	DECAL,DANGER,CRUSHING HAZARD.....	2
2	31060GT	DECAL,DANGER DO NOT ALTER SWTC.....	1
3	31508GT	DECAL,DANGER,ELECT HAZARD,PLUG..... (Australia models)	1
4	31788GT	DECAL,DANGER,BATTERY SAFETY***.....	1
5	43093GT	DECAL,LABEL,TIRE SPECS.....	2
6	43658GT	DECAL,LABEL,PWR TO CHARGR 230V..... (Australia models)	1
7	44737GT	DECAL DANGER TIP OVER TRAYS.....	1
8	44980GT	DECAL,LABEL,PWR TO CHARGR 115V..... (Australia models)	1
9	52475GT	DECAL,LABEL,TRANSPORT TIEDOWN*.....	3
10	72086GT	DECAL,LABEL,LIFTING EYE.....	3
11	72970GT	DECAL,INSTRUCTIONS-CHARGER OP.....	1
12	82561GT	DECAL,DANGER-USE SAFETY ARM.....	1
13	82570GT	DECAL,LABEL-WHEEL LOAD 1530/32..... (Australia models)	2
14	82657GT	DECAL,INSTRUCT,BATTERY CONNECT.....	1
15	114360GT	DECAL,DANGER-TIP-OVER,BATT.....	1
16	114361GT	DECAL,LABEL-TRANSPORT DIGRAM.....	2
17	114385GT	DECAL,DANGER,ELEC HAZARD,GS.....	1
18	133213GT	DECAL,NOTICE-DO NOT OPEN DOOR.....	1
19	T107029GT	DECAL,DANGER,BRAKE REL SAFETY.....	1

110.1 Decals with Words, GS-1532 Ground Controls Side, Australia

Ground Controls Side

NOTE:

Part numbers with "(FR)" indicates French translation is available

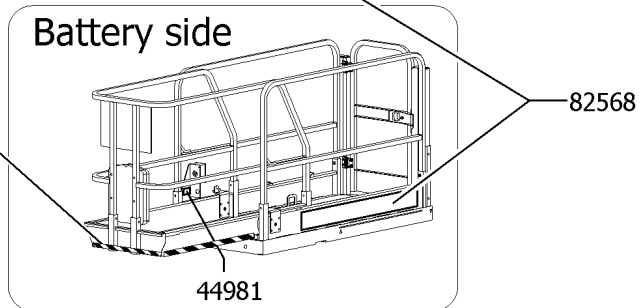
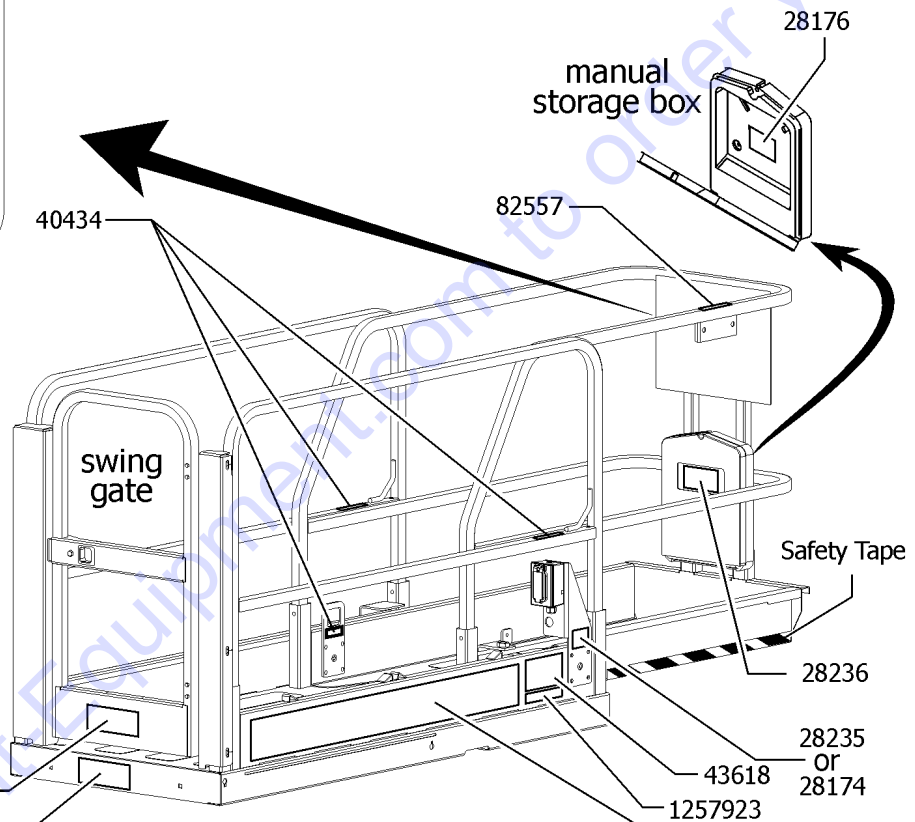
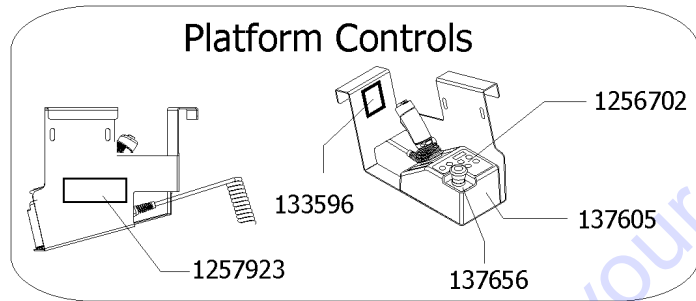
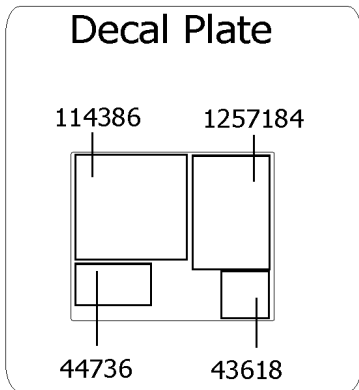


110.1 Decals with Words, GS-1532 Ground Controls Side, Australia

Item	Part No.	Description	Qty.
1	28174GT	DECAL, POWER TO PLATFORM 230V**.....	1
2	28175GT	DECAL,WARNING-COMPART ACCESS.....	1
3	28235GT	DECAL,POWER TO PLATFORM 115V...1	1
4	43093GT	DECAL,LABEL,TIRE SPECS.....	2
5	43619GT	DECAL,LABEL,SAFETY ARM.....	1
7	44255GT	DECAL,DANGER,CRUSHING HAZARD.....	2
8	44737GT	DECAL DANGER TIP OVER TRAYS.....	1
9	44981GT	DECAL,LABEL, AIR LINE 110 PSI..... (option)	1
10	52475GT	DECAL,LABEL,TRANSPORT TIEDOWN*.....	2
11	72086GT	DECAL,LABEL,LIFTING EYE.....	1
12	72143GT	DECAL,EMERGENCY STOP,GR.....	1
13	72853GT	DECAL,DANGER,IMPROPER USE HAZ.....	1
14	72998GT	DECAL,LABEL,QUINTOLUBRIK..... (models with Quintolub hydraulic oil)	1
15	72999GT	DECAL,LABEL,PETRO CANADA***..... (models with Petro Canada hydraulic oil)	1
16	82160GT	DECAL,LABEL,STATOIL HYDRA WAY (models with Statoil hydraulic oil)	1
17	82161GT	DECAL,LABEL,UCON HYDROLUBE..... (models with Ucon Hydrolube hydraulic oil)	1
18	82366GT	DECAL,CHEVRON RANDO HD..... (models with Chevron Random hydraulic oil)	1
19	82558GT	DECAL,WARN,SKIN INJECTION HAZ*.....	1
20	82559GT	DECAL,INSTRUCT-ANNUAL INSP REQ.....	1
21	82561GT	DECAL,DANGER-USE SAFETY ARM...1	1
22	82570GT	DECAL,LABEL-WHEEL LOAD 1530/32..... (Australia models)	2
23	114385GT	DECAL,DANGER,ELEC HAZARD,GS....1	1
24	133276GT	DECAL,EMERGENCY LOWERING.....1	1
25	1272242GT	DECAL,MACHINE REGISTRATION/OWNER TRANSFER....1	1
26	1265361GT	DECAL, BATTERY CHARGER INDICAT.....	1
27	1278704GT	DECAL,CHARGE STATUS IND..... from GS30D-15023	1
28	T107031GT	DECAL,OP INST,GCON.....	1
29	T112804GT	DECAL,GCON PANEL,GS.....	1

111.1 Decals with Words, GS-1532 Platform, Australia

Platform, Australia Models

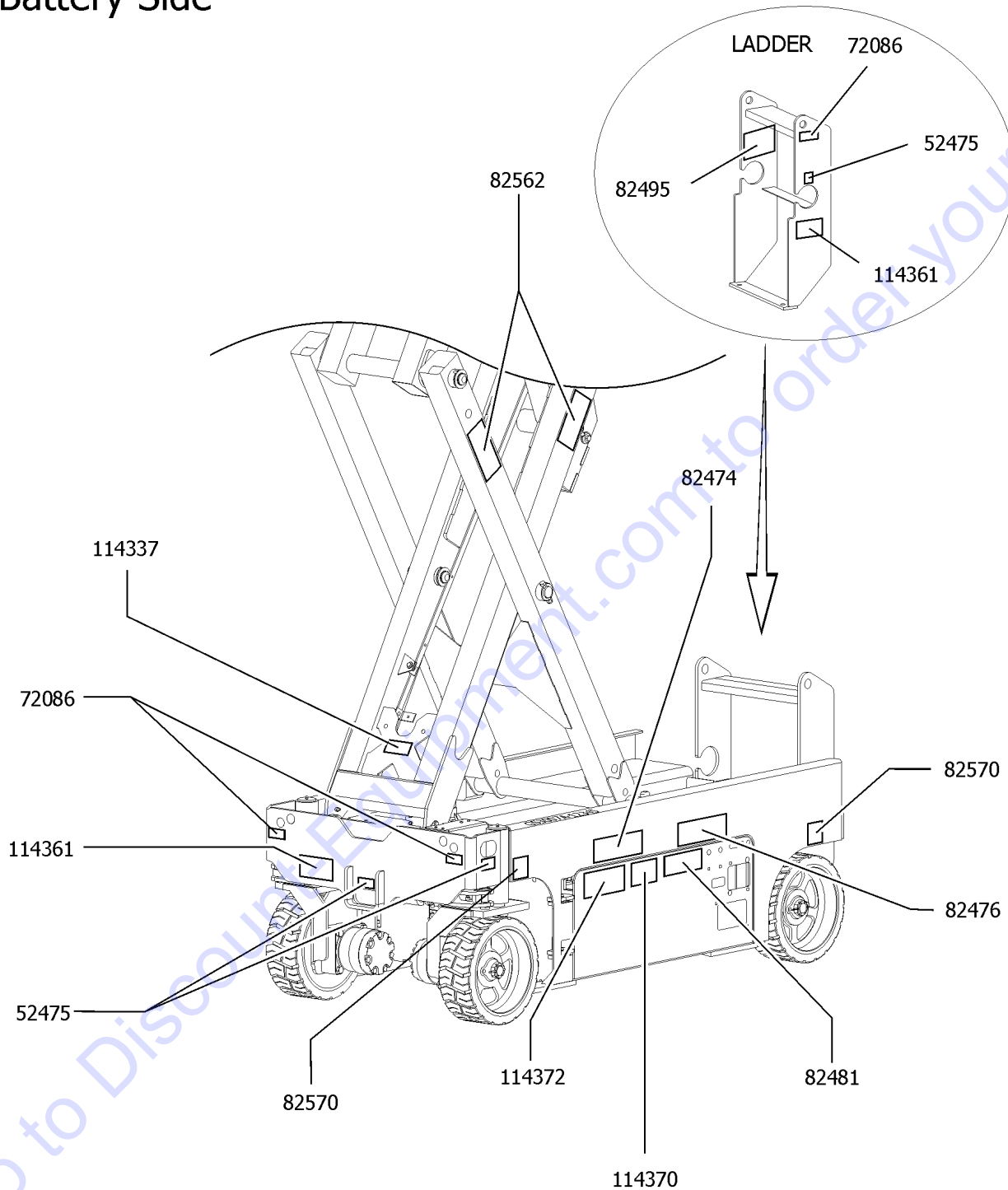


111.1 Decals with Words, GS-1532 Platform, Australia

Item	Part No.	Description	Qty.
1	28174GT	DECAL, POWER TO PLATFORM 230V**.....	1
2	28176GT	DECAL,LABEL,MANUAL NOT HERE.....	1
3	28235GT	DECAL,POWER TO PLATFORM 115V...1	1
4	28236GT	DECAL,WARN,IMPROPER OPERATION.....	1
5	40434GT	DECAL,LANYARD ANCHORAGE POINT.....	3
6	43618GT	DECAL, LABEL - DIRECTION ARROWS.....	2
7	44736GT	DECAL,DANGER,TIP-OVER,TILT.....	1
8	44981GT	DECAL,LABEL, AIR LINE 110 PSI.....	1
9	82568GT	DECAL,COSMETIC,GENIE GS-1532....	2
10	82557GT	DECAL,LABEL,PLAT CONT LOCATION.....	1
11	82566GT	DECAL,INSTR-MANUAL FRC,AUS.....	1
12	114386GT	DECAL,DANGER-GEN SAFETY.....	1
13	133596GT	DECAL,LABEL,FAULT CODES.....	1
14	137605GT	DECAL,E-STOP,GR/GRC/GS PCON....	1
15	137656GT	DECAL,PROPEL,GR/GRC/GS,PCON....	1
16	82564GT	DECAL,INSTR-MAX CAP 600LBS.....	1
17	1256702GT	DECAL, UI, GS/GR, PROP LIFT.....	1
18	1257184GT	DECAL, OP INST, PLAT, GS30, AUS....	1
19	1257923GT	DECAL, SMARTLINK PROPORTIONAL.....	2

112.1 Decals with Symbols, GS-1532 Battery Side, CE

Battery Side

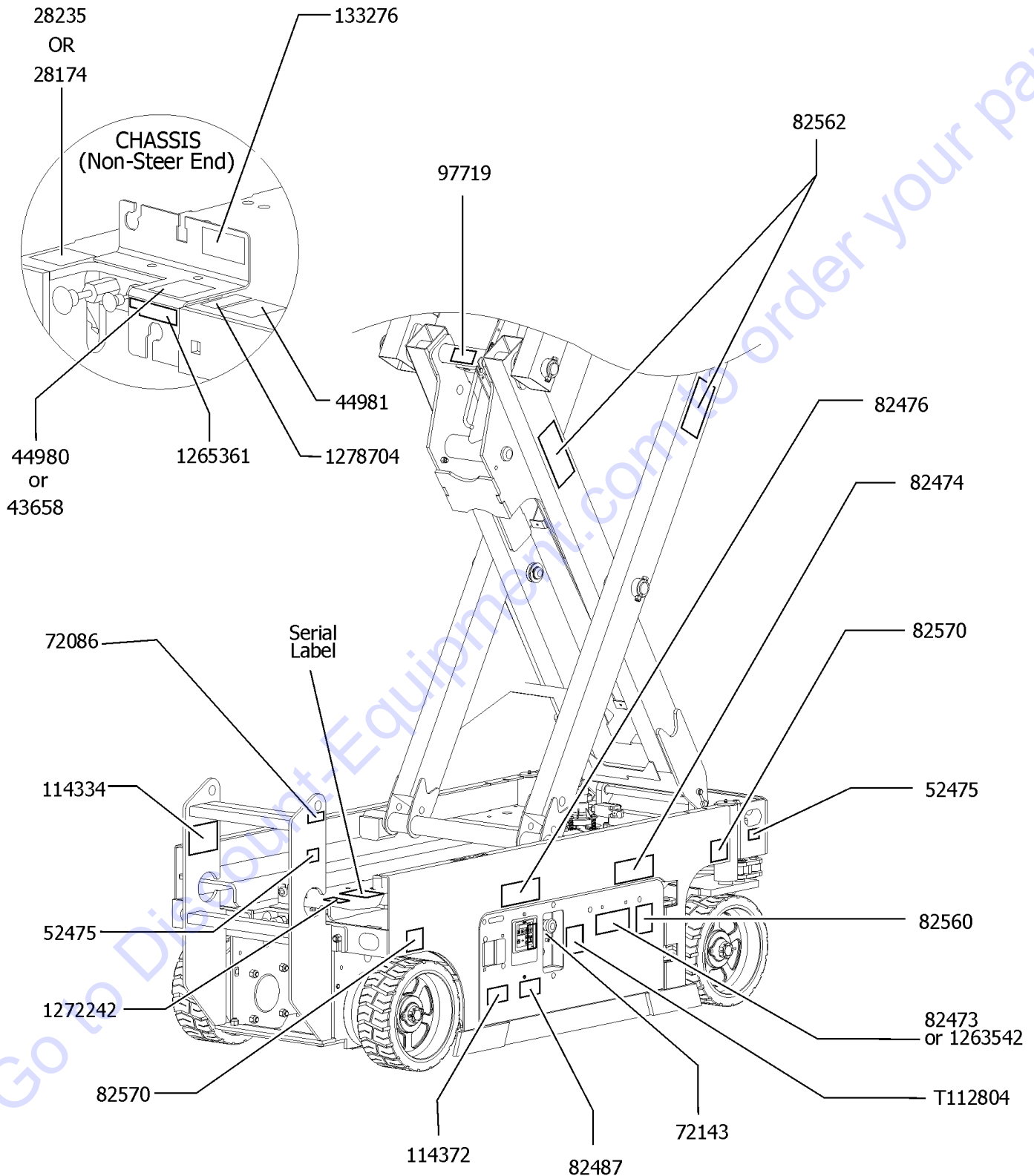


112.1 Decals with Symbols, GS-1532 Battery Side, CE

Item	Part No.	Description	Qty.
1	52475GT	DECAL,LABEL,TRANSPORT TIEDOWN*.....	3
2	72086GT	DECAL,LABEL,LIFTING EYE.....	3
3	82474GT	DECAL,SYMBOL-USE SAFETY ARM....	1
4	82476GT	DECAL,SYMBOL-ELEC HAZARD,GS....	1
5	82481GT	DECAL,SYMBOL-BATTERY SAFETY....	1
6	82495GT	DECAL,SYMBOL-BRAKE REL SAFETY.....	1
7	82562GT	DECAL,SYMBOL-CRUSHING HAZARD.....	2
8	82570GT	DECAL,LABEL-WHEEL LOAD 1530/32..... (CE models)	2
9	114337GT	DECAL,SYM-TIP-OVER,LIM SWITCH....	1
10	114361GT	DECAL,LABEL-TRANSPORT DIGRAM.....	2
11	114370GT	DECAL-SYM-TIP-OVR,BATTRIES.....	1
12	114372GT	DECAL SYMBOL TIP OVER TRAYS.....	1

113.1 Decals with Symbols, GS-1532 Ground Control Side, CE

Ground Controls Side

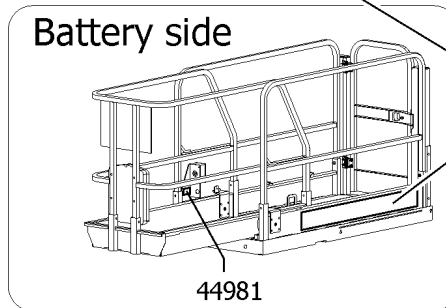
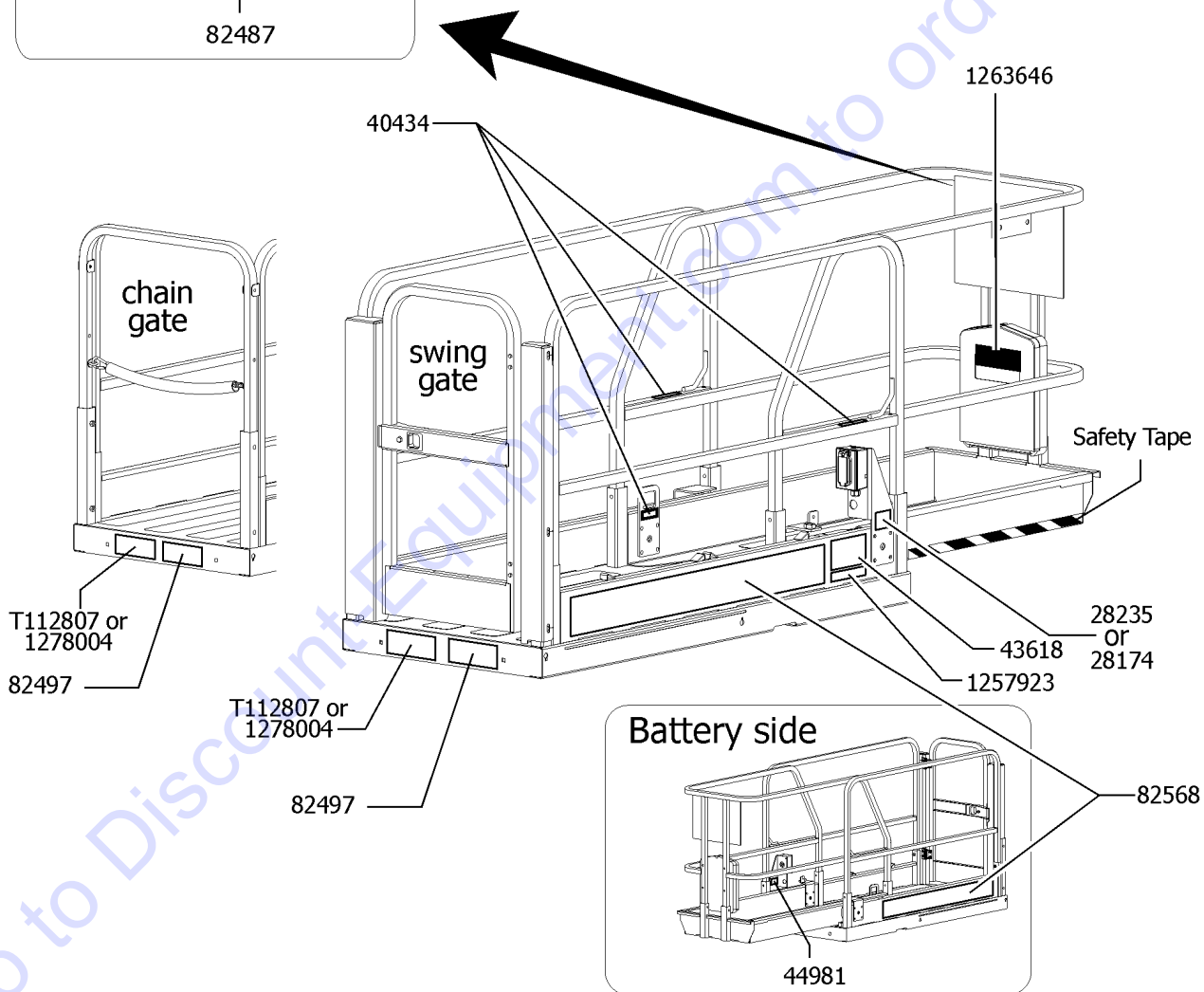
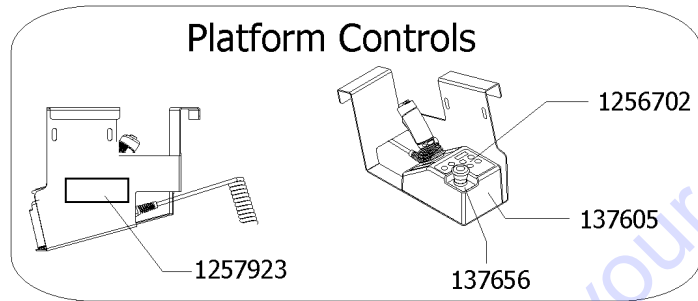
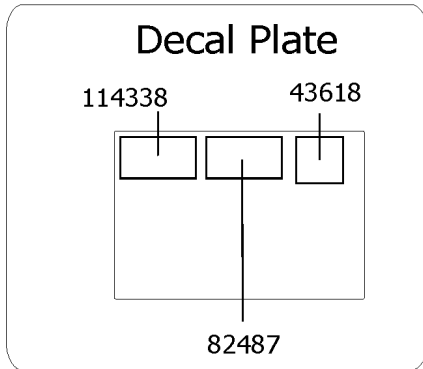


113.1 Decals with Symbols, GS-1532 Ground Control Side, CE

Item	Part No.	Description	Qty.
1	28174GT	DECAL, POWER TO PLATFORM 230V**.....	1
2	28235GT	DECAL,POWER TO PLATFORM 115V...1	1
3	43658GT	DECAL,LABEL,PWR TO CHARGR 230V.....	1
4	44980GT	DECAL,LABEL,PWR TO CHARGR 115V.....	1
5	44981GT	DECAL,LABEL, AIR LINE 110 PSI.....1	1
6	52475GT	DECAL,LABEL,TRANSPORT TIEDOWN*.....	2
7	72086GT	DECAL,LABEL,LIFTING EYE.....1	1
8	72143GT	DECAL,EMERGENCY STOP,GR.....1	1
9	82473GT	DECAL,SYMBOL-COMP ACCESS.....1	1
10	82474GT	DECAL,SYMBOL-USE SAFETY ARM....1	1
11	82476GT	DECAL,SYMBOL-ELEC HAZARD,GS....1	1
12	82482GT	DECAL,LABEL,AUX LOWERING.....1	1
13	82487GT	DECAL, SYMBOL - READ THE MANUAL.....	1
14	82560GT	DECAL,SYMBOL-SKIN INJECT HAZRD.....	1
15	82562GT	DECAL,SYMBOL-CRUSHING HAZARD.....	2
16	82570GT	DECAL,LABEL-WHEEL LOAD 1530/32..... (CE models)	2
17	97719GT	DECAL, LABEL, SAFETY ARM SYMB....1	1
18	114334GT	DECAL,SYM-ELEC HAZARD,PLUG.....1	1
19	114372GT	DECAL SYMBOL TIP OVER TRAYS.....1	1
20	1263542GT	DECAL, COMPARTMENT ACCESS.....1	1
21	1272242GT	DECAL,MACHINE REGISTRATION/OWNER TRANSFER....1	1
22	1265361GT	DECAL, BATTERY CHARGER INDICAT..... from SN GS30D-15023	1
23	1278704GT	DECAL,CHARGE STATUS IND.....1 from SN GS30D-15023	1
24	T112804GT	DECAL,GCON PANEL,GS.....1	1

114.1 Decals with Symbols, GS-1532 Platform, CE

Platform, CE models



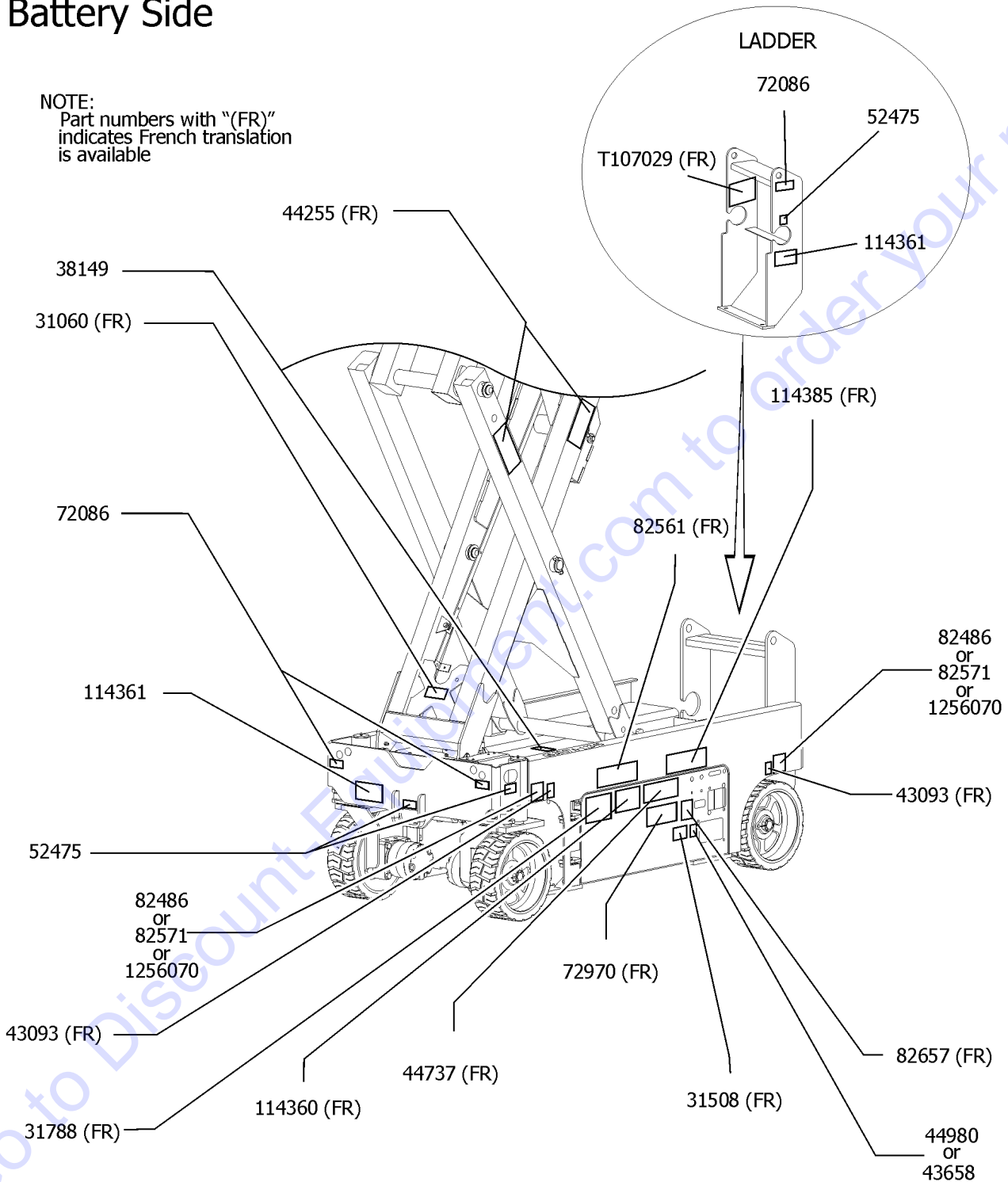
114.1 Decals with Symbols, GS-1532 Platform, CE

Item	Part No.	Description	Qty.
1	28174GT	DECAL, POWER TO PLATFORM 230V**.....	1
2	28235GT	DECAL,POWER TO PLATFORM 115V...1	1
3	40434GT	DECAL,LANYARD ANCHORAGE POINT.....	3
4	43618GT	DECAL, LABEL - DIRECTION ARROWS.....	2
5	44981GT	DECAL,LABEL, AIR LINE 110 PSI.....	1
6	82487GT	DECAL, SYMBOL - READ THE MANUAL.....	1
7	82497GT	DECAL,SYM-SIDEFORCE 200400.....	1
8	82568GT	DECAL,COSMETIC,GENIE GS-1532....	2
9	114338GT	DECAL,SYM-TIP-OVER,TILT ALARM....	1
10	137605GT	DECAL,E-STOP,GR/GRC/GS PCON....	1
11	137656GT	DECAL,PROPEL,GR/GRC/GS,PCON....	1
13	1256702GT	DECAL, UI, GS/GR, PROP LIFT.....	1
14	1257923GT	DECAL, SMARTLINK PROPORTIONAL.....	2
15	1263646GT	DECAL,QR CODE,PARTS&SERVICE MANUAL.....	1
16	1278004GT	DECAL, SYMBOL, CE, MAXIMUM CAPACITY, 272KG.....	1
17	T112807GT	DECAL,SYM MAX CAP 272 KG,CE.....	1

115.1 Decals with Words, GS-1930 Battery Side, ANSI & Australia

Battery Side

NOTE:
Part numbers with "(FR)" indicates French translation is available



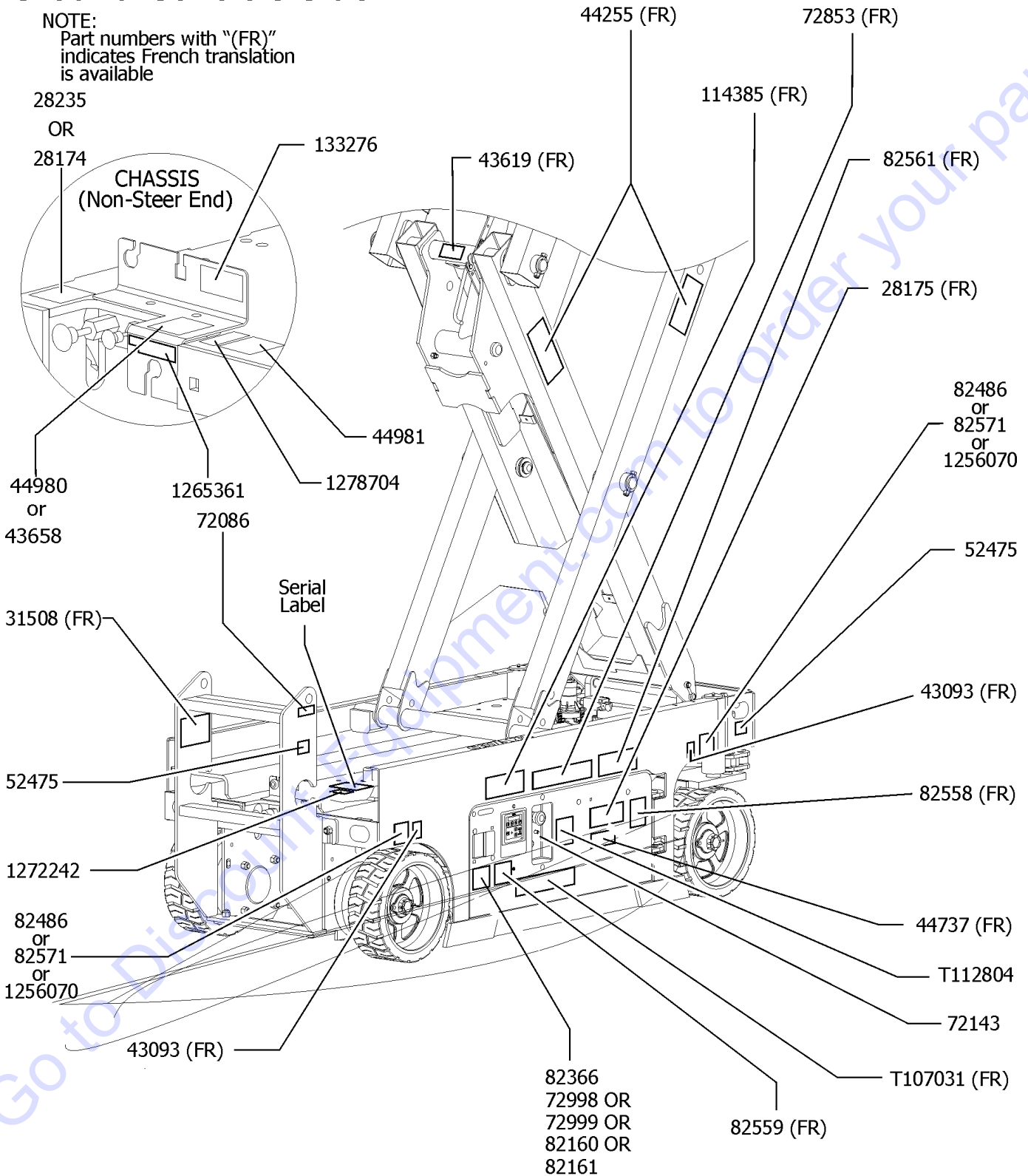
115.1 Decals with Words, GS-1930 Battery Side, ANSI & Australia

Item	Part No.	Description	Qty.
1	44255GT	DECAL,DANGER,CRUSHING HAZARD.....	2
2	31060GT	DECAL,DANGER DO NOT ALTER SWTC.....	1
3	31508GT	DECAL,DANGER,ELECT HAZARD,PLUG..... <i>(Australia models)</i>	1
4	31788GT	DECAL,DANGER,BATTERY SAFETY***.....	1
5	43093GT	DECAL,LABEL,TIRE SPECS.....	2
6	43658GT	DECAL,LABEL,PWR TO CHARGR 230V..... <i>(Australia models)</i>	1
7	44737GT	DECAL DANGER TIP OVER TRAYS.....	1
8	44980GT	DECAL,LABEL,PWR TO CHARGR 115V..... <i>(Australia models)</i>	1
9	52475GT	DECAL,LABEL,TRANSPORT TIEDOWN*.....	3
10	72086GT	DECAL,LABEL,LIFTING EYE.....	3
11	72970GT	DECAL,INSTRUCTIONS-CHARGER OP.....	1
12	82486GT	DECAL,LABEL,WHEEL LOAD 1930..... <i>(ANSI models)</i>	2
13	82561GT	DECAL,DANGER-USE SAFETY ARM....	1
14	82571GT	DECAL,LABEL,WHEEL LOAD 19XX..... <i>(Australia models)</i>	2
15	82657GT	DECAL,INSTRUCT,BATTERY CONNECT.....	1
16	114360GT	DECAL,DANGER-TIP-OVER,BATT.....	1
17	114361GT	DECAL,LABEL-TRANSPORT DIGRAM.....	2
18	114385GT	DECAL,DANGER,ELEC HAZARD,GS....	1
19	1256070GT	DECAL,LABEL,WHEEL LOAD,1930PAR..... <i>(ANSI models with padded auxiliary rail only)</i>	2
20	T107029GT	DECAL,DANGER,BRAKE REL SAFETY.....	1

116.1 Decals with Words, GS-1930 Ground Controls Side, ANSI & Australia

Ground Controls Side

NOTE:
Part numbers with "(FR)" indicates French translation is available

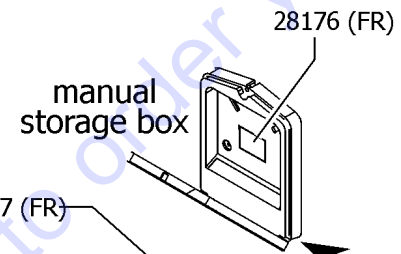
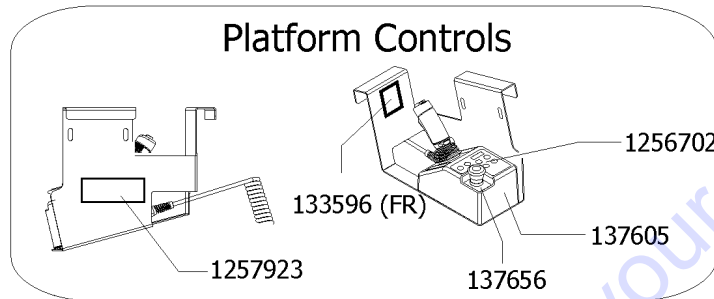
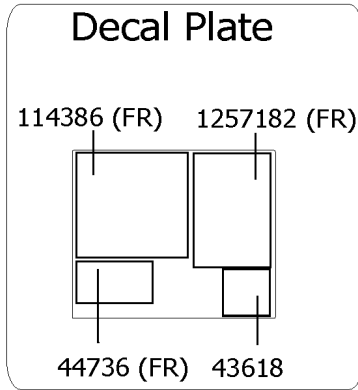


116.1 Decals with Words, GS-1930 Ground Controls Side, ANSI & Australia

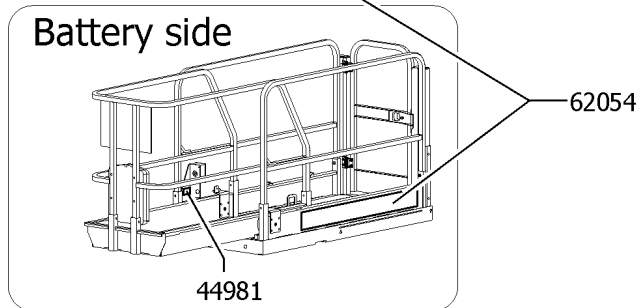
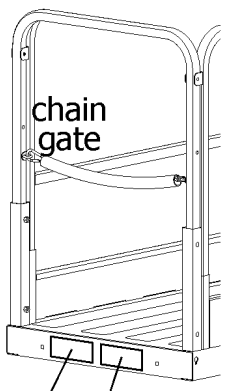
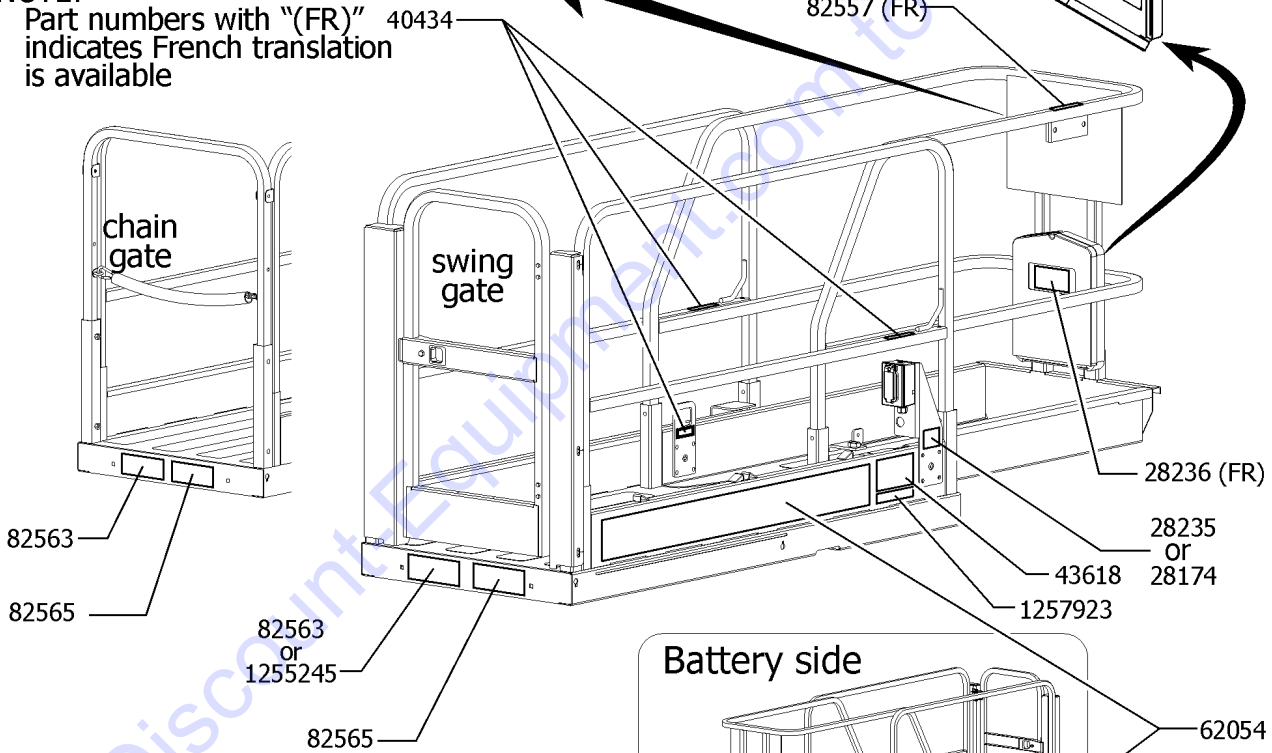
Item	Part No.	Description	Qty.	Item	Part No.	Description	Qty.
1	28174GT	DECAL, POWER TO PLATFORM 230V**.....	1	27	133276GT	DECAL,EMERGENCY LOWERING.....	1
2	28175GT	DECAL,WARNING-COMPART ACCESS.....	1	28	1256070GT	DECAL,LABEL,WHEEL LOAD,1930PAR.....	2
3	28235GT	DECAL,POWER TO PLATFORM 115V...1				<i>(ANSI models with padded auxiliary rail only)</i>	
4	31508GT	DECAL,DANGER,ELECT HAZARD,PLUG.....	1	29	1272242GT	DECAL,MACHINE REGISTRATION/OWNER TRANSFER....	1
		<i>(ANSI models)</i>		30	1265361GT	DECAL, BATTERY CHARGER INDICAT.....	1
5	43093GT	DECAL,LABEL,TIRE SPECS.....	2	31	1278704GT	DECAL,CHARGE STATUS IND.....	1
6	43619GT	DECAL,LABEL,SAFETY ARM.....	1			<i>from SN GS30D-15023</i>	
7	43658GT	DECAL,LABEL,PWR TO CHARGR 230V.....	1	32	T107031GT	DECAL,OP INST,GCON.....	1
		<i>(ANSI models)</i>		33	T112804GT	DECAL,GCON PANEL,GS.....	1
8	44255GT	DECAL,DANGER,CRUSHING HAZARD.....	2				
9	44737GT	DECAL DANGER TIP OVER TRAYS.....	1				
10	44980GT	DECAL,LABEL,PWR TO CHARGR 115V.....	1				
		<i>(ANSI models)</i>					
11	44981GT	DECAL,LABEL, AIR LINE 110 PSI.....	1				
		<i>(option)</i>					
12	52475GT	DECAL,LABEL,TRANSPORT TIEDOWN*.....	2				
13	72086GT	DECAL,LABEL,LIFTING EYE.....	1				
14	72143GT	DECAL,EMERGENCY STOP,GR.....	1				
15	72853GT	DECAL,DANGER,IMPROPER USE HAZ.....	1				
16	72998GT	DECAL,LABEL,QUINTOLUBRIK.....	1				
		<i>(models with Quintolub hydraulic oil)</i>					
17	72999GT	DECAL,LABEL,PETRO CANADA***.....	1				
		<i>(models with Petro Canada hydraulic oil)</i>					
18	82160GT	DECAL,LABEL,STATOIL HYDRA WAY.....	1				
		<i>(models with Statoil hydraulic oil)</i>					
19	82161GT	DECAL,LABEL,UCON HYDROLUBE.....	1				
		<i>(models with UConn Hydrolube hydraulic oil)</i>					
20	82366GT	DECAL,CHEVRON RANDO HD.....	1				
		<i>(models with Chevron Random hydraulic oil)</i>					
21	82486GT	DECAL,LABEL,WHEEL LOAD 1930.....	2				
		<i>(ANSI models)</i>					
22	82558GT	DECAL,WARN,SKIN INJECTION HAZ*.....	1				
23	82559GT	DECAL,INSTRUCT-ANNUAL INSP REQ.....	1				
24	82561GT	DECAL,DANGER-USE SAFETY ARM....	1				
25	82571GT	DECAL,LABEL,WHEEL LOAD 19XX.....	2				
		<i>(Australia models)</i>					
26	114385GT	DECAL,DANGER,ELEC HAZARD,GS.....	1				

117.1 Decals with Words, GS-1930 Platform, ANSI

Platform, ANSI models



NOTE:
Part numbers with "(FR)" indicates French translation is available

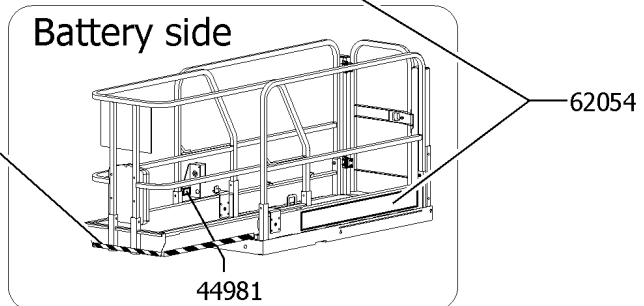
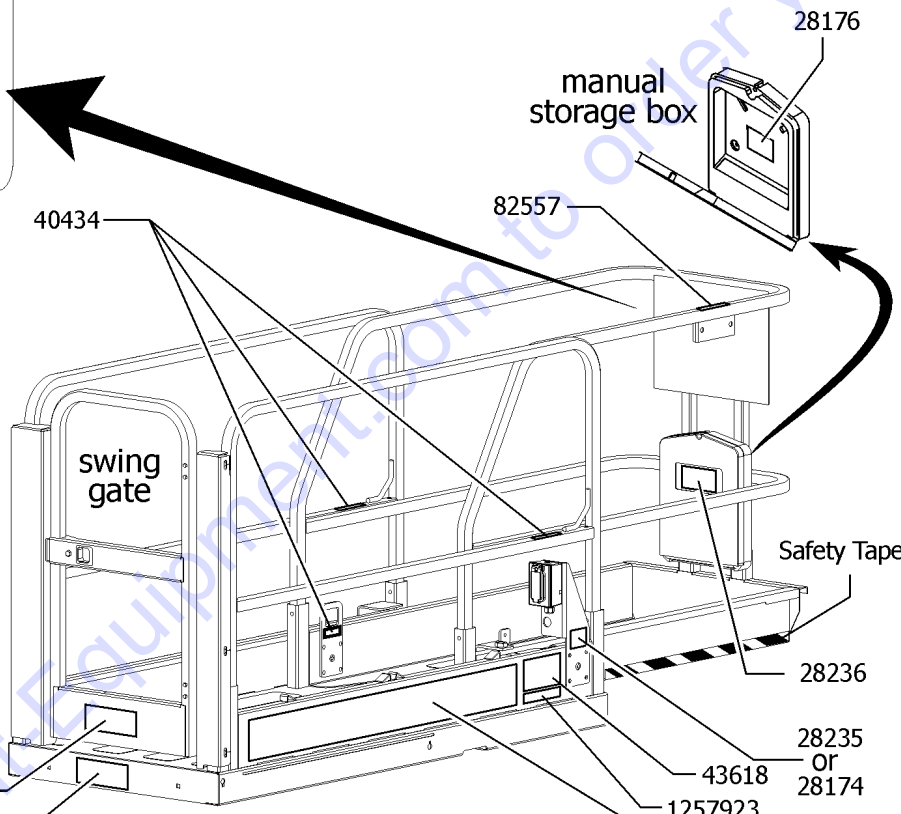
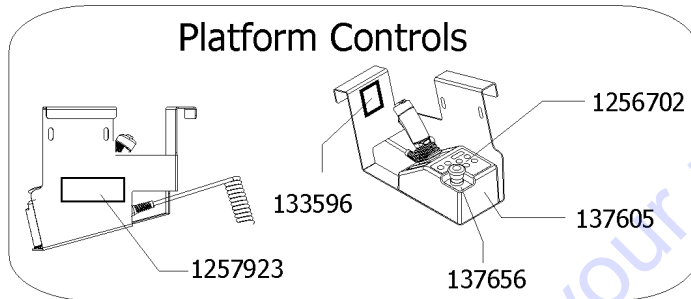
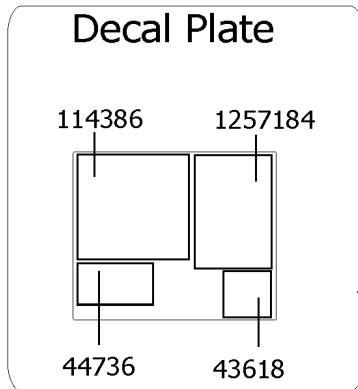


117.1 Decals with Words, GS-1930 Platform, ANSI

Item	Part No.	Description	Qty.
1	28174GT	DECAL, POWER TO PLATFORM 230V**.....	1
2	28176GT	DECAL,LABEL,MANUAL NOT HERE.....	1
3	28235GT	DECAL,POWER TO PLATFORM 115V...1	1
4	28236GT	DECAL,WARN,IMPROPER OPERATION.....	1
5	40434GT	DECAL,LANYARD ANCHORAGE POINT.....	3
6	43618GT	DECAL, LABEL - DIRECTION ARROWS.....	2
7	44736GT	DECAL,DANGER,TIP-OVER,TILT.....	1
8	44981GT	DECAL,LABEL, AIR LINE 110 PSI.....	1
9	62054GT	DECAL,COSMETIC,GENIE GS-1930**...2	2
10	82557GT	DECAL,LABEL,PLAT CONT LOCATION.....	1
11	82563GT	DECAL,INSTR-MAX CAP 500 LBS.....1 (GS1930 and GS1932 models)	1
12	82565GT	DECAL,INSTR-SIDE FRC,ANSI.....	1
13	114386GT	DECAL,DANGER-GEN SAFETY.....	1
14	133596GT	DECAL,LABEL,FAULT CODES.....	1
15	137605GT	DECAL,E-STOP,GR/GRC/GS PCON.....	1
17	137656GT	DECAL,PROPEL,GR/GRC/GS,PCON.....	1
18	1255245GT	DECAL,INSTR-MAX CAP 400 LBS.....1 (models with padded auxiliary rail only)	1
19	1256702GT	DECAL, UI, GS/GR, PROP LIFT.....	1
21	1257182GT	DECAL, OP INST, PLAT, GS30, ANSI.....	1
22	1257923GT	DECAL, SMARTLINK PROPORTIONAL.....	2

118.1 Decals with Words, GS-1930 Platform, Australia

Platform, Australia Models

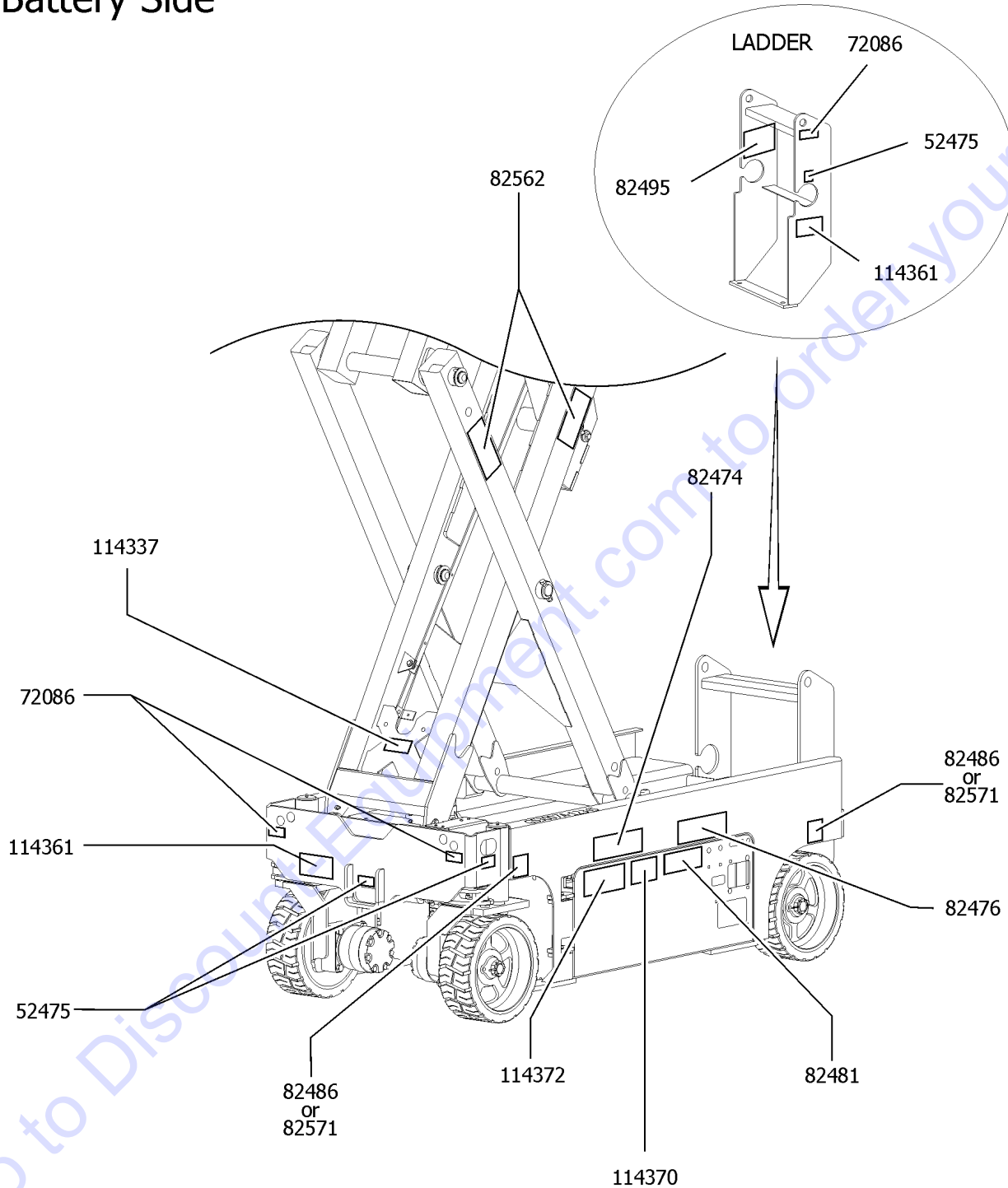


118.1 Decals with Words, GS-1930 Platform, Australia

Item	Part No.	Description	Qty.
1	28174GT	DECAL, POWER TO PLATFORM 230V**.....	1
2	28176GT	DECAL,LABEL,MANUAL NOT HERE.....	1
3	28235GT	DECAL,POWER TO PLATFORM 115V...1	1
4	28236GT	DECAL,WARN,IMPROPER OPERATION.....	1
5	40434GT	DECAL,LANYARD ANCHORAGE POINT.....	3
6	43618GT	DECAL, LABEL - DIRECTION ARROWS.....	2
7	44736GT	DECAL,DANGER,TIP-OVER,TILT.....	1
8	44981GT	DECAL,LABEL, AIR LINE 110 PSI.....	1
9	62054GT	DECAL,COSMETIC,GENIE GS-1930**...2	2
10	82557GT	DECAL,LABEL,PLAT CONT LOCATION.....	1
11	97618GT	DECAL,INSTR-INDOOR USE,AUS.....	1
12	114386GT	DECAL,DANGER-GEN SAFETY.....	1
13	133596GT	DECAL,LABEL,FAULT CODES.....	1
14	137605GT	DECAL,E-STOP,GR/GRC/GS PCON.....	1
15	137656GT	DECAL,PROPEL,GR/GRC/GS,PCON.....	1
16	82563GT	DECAL,INSTR-MAX CAP 500 LBS..... (GS1930 and GS1932 models)	1
17	1256702GT	DECAL, UI, GS/GR, PROP LIFT.....	1
18	1257184GT	DECAL, OP INST, PLAT, GS30, AUS.....	1
19	1257923GT	DECAL, SMARTLINK PROPORTIONAL.....	2

119.1 Decals with Symbols, GS-1930 Battery Side, ANSI & CE

Battery Side

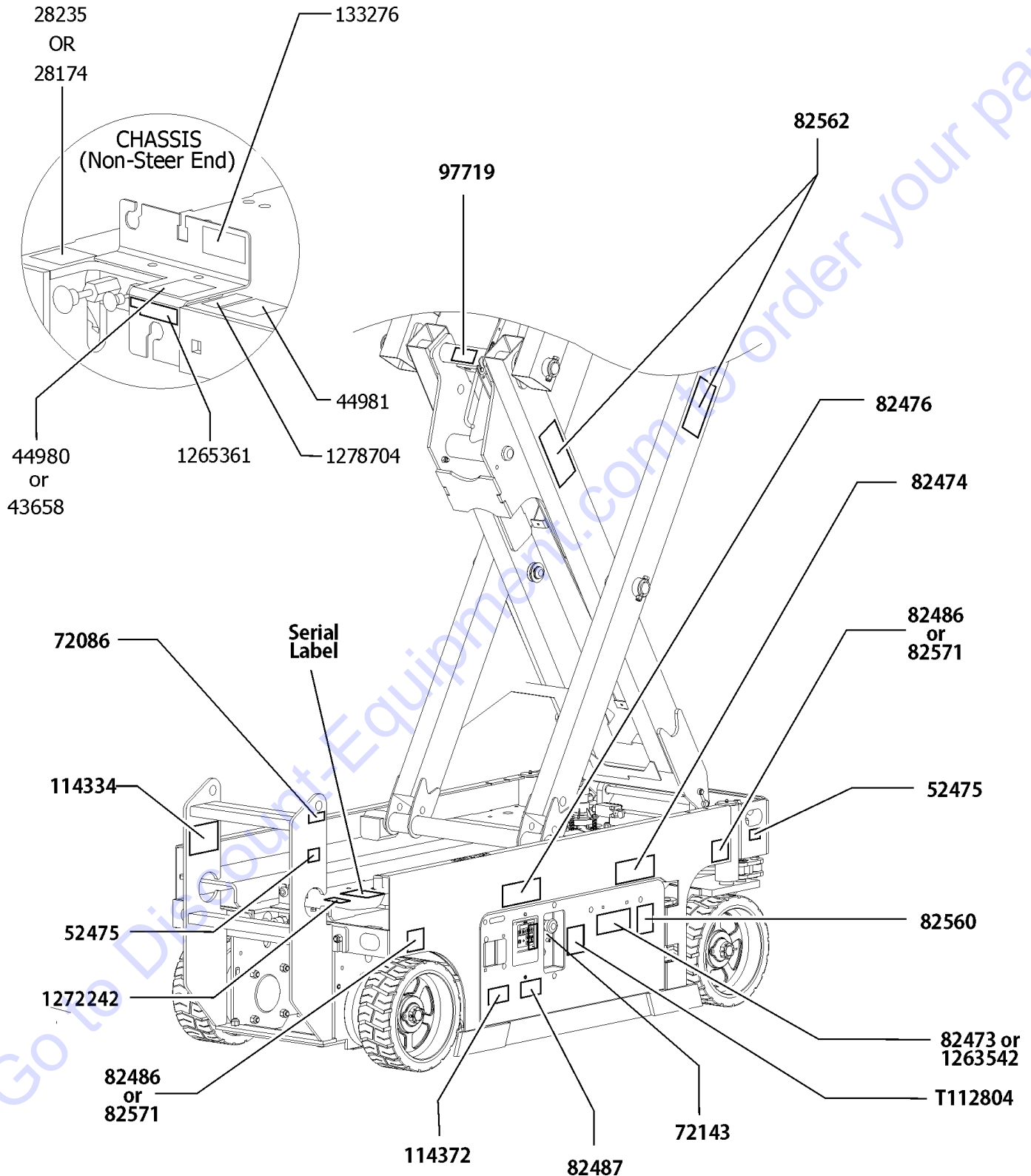


119.1 Decals with Symbols, GS-1930 Battery Side, ANSI & CE

Item	Part No.	Description	Qty.
1	52475GT	DECAL,LABEL,TRANSPORT TIEDOWN*.....	3
2	72086GT	DECAL,LABEL,LIFTING EYE.....	3
3	82474GT	DECAL,SYMBOL-USE SAFETY ARM....	1
4	82476GT	DECAL,SYMBOL-ELEC HAZARD,GS....	1
5	82481GT	DECAL,SYMBOL-BATTERY SAFETY....	1
6	82486GT	DECAL,LABEL,WHEEL LOAD 1930.... (ANSI models)	2
7	82495GT	DECAL,SYMBOL-BRAKE REL SAFETY.....	1
8	82562GT	DECAL,SYMBOL-CRUSHING HAZARD.....	2
9	82571GT	DECAL,LABEL,WHEEL LOAD 19XX.... (CE models)	2
10	114337GT	DECAL,SYM-TIP-OVER,LIM SWITCH....	1
11	114361GT	DECAL,LABEL-TRANSPORT DIGRAM.....	2
12	114370GT	DECAL-SYM-TIP-OVR,BATTRIES.....	1
13	114372GT	DECAL SYMBOL TIP OVER TRAYS.....	1

120.1 Decals with Symbols, GS-1930 Ground Control Side, ANSI & CE

Ground Controls Side

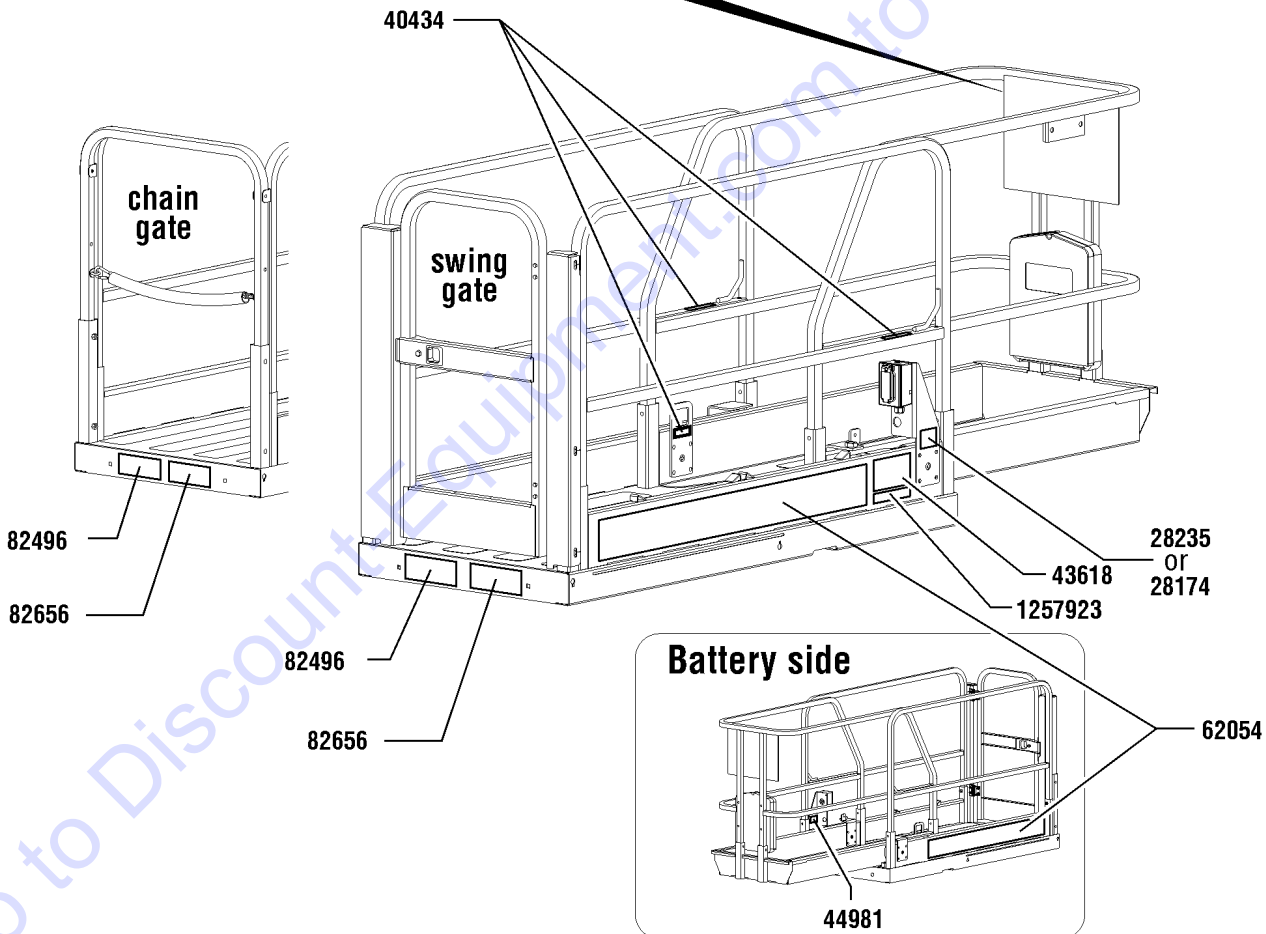
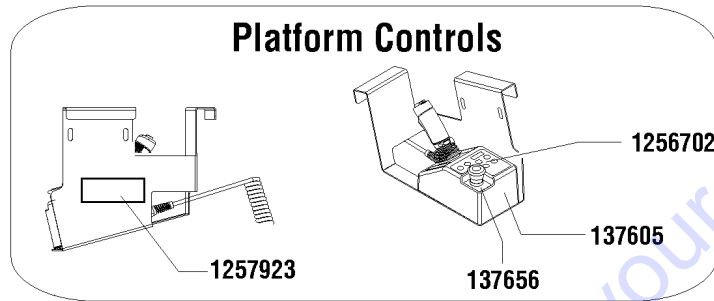
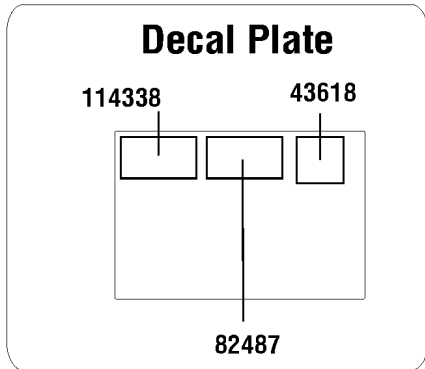


120.1 Decals with Symbols, GS-1930 Ground Control Side, ANSI & CE

Item	Part No.	Description	Qty.
1	28174GT	DECAL, POWER TO PLATFORM 230V**.....	1
2	28235GT	DECAL,POWER TO PLATFORM 115V...1	1
3	43658GT	DECAL,LABEL,PWR TO CHARGR 230V.....	1
4	44980GT	DECAL,LABEL,PWR TO CHARGR 115V.....	1
5	44981GT	DECAL,LABEL, AIR LINE 110 PSI.....1	1
6	52475GT	DECAL,LABEL,TRANSPORT TIEDOWN*.....	2
7	72086GT	DECAL,LABEL,LIFTING EYE.....1	1
8	72143GT	DECAL,EMERGENCY STOP,GR.....1	1
9	82473GT	DECAL,SYMBOL-COMP ACCESS.....1	1
10	82474GT	DECAL,SYMBOL-USE SAFETY ARM....1	1
11	82476GT	DECAL,SYMBOL-ELEC HAZARD,GS....1	1
12	82482GT	DECAL,LABEL,AUX LOWERING.....1	1
13	82486GT	DECAL,LABEL,WHEEL LOAD 1930....2 (ANSI Models)	2
14	82487GT	DECAL, SYMBOL - READ THE MANUAL.....	1
15	82560GT	DECAL,SYMBOL-SKIN INJECT HAZRD.....	1
16	82562GT	DECAL,SYMBOL-CRUSHING HAZARD.....	2
17	82571GT	DECAL,LABEL,WHEEL LOAD 19XX....2 (CE Models)	2
18	97719GT	DECAL, LABEL, SAFETY ARM SYMB....1	1
19	114334GT	DECAL,SYM-ELEC HAZARD,PLUG.....1	1
20	114372GT	DECAL SYMBOL TIP OVER TRAYS.....1	1
21	1263542GT	DECAL, COMPARTMENT ACCESS.....1	1
22	1272242GT	DECAL,MACHINE REGISTRATION/OWNER TRANSFER....1	1
23	1278704GT	DECAL,CHARGE STATUS IND.....1 from SN GS30D-15023	1
24	1265361GT	DECAL, BATTERY CHARGER INDICAT.....1 from SN GS30D-15023	1
25	T112804GT	DECAL,GCON PANEL,GS.....1	1

121.1 Decals with Symbols, GS-1930 Platform ANSI

Platform, ANSI models



121.1 Decals with Symbols, GS-1930 Platform ANSI

Item	Part No.	Description	Qty.
1	28174GT	DECAL, POWER TO PLATFORM 230V**.....	1
2	28235GT	DECAL,POWER TO PLATFORM 115V...1	1
3	40434GT	DECAL,LANYARD ANCHORAGE POINT.....	3
4	43618GT	DECAL, LABEL - DIRECTION ARROWS.....	2
5	44981GT	DECAL,LABEL, AIR LINE 110 PSI.....	1
6	62054GT	DECAL,COSMETIC,GENIE GS-1930**...2	2
7	82487GT	DECAL, SYMBOL - READ THE MANUAL.....	1
8	82496GT	DECAL,SYM-MAXCAP 500.....	1
9	82656GT	DECAL,SYM-SIDE FORCE 445N.....	1
10	114338GT	DECAL,SYM-TIP-OVER,TILT ALARM.....	1
11	137605GT	DECAL,E-STOP,GR/GRC/GS PCON.....	1
12	137636GT	DECAL, UI, GR/GRC/GS PCON.....	1
13	137656GT	DECAL,PROPEL,GR/GRC/GS,PCON.....	1
14	1256702GT	DECAL, UI, GS/GR, PROP LIFT.....	1
15	1257923GT	DECAL, SMARTLINK PROPORTIONAL.....	2

Go to Discount-Equipment.com to order your parts

PARTS FINDER

**Search Website
by Part Number**



**Search Manual
Library For Parts
Manual & Lookup Part
Numbers – Purchase
or Request Quote**

Search Manuals

Enter your information to help us find the right parts manual for your machine.

* Brand:

* Model:

* Serial:

* Part Number:

SEARCH

**Can't Find Part or
Manual? Request Help
by Manufacturer,
Model & Description**

Parts Order Form

Please fill in the following information to help us find the right part for your machine.

Manufacturer:	<input type="text"/>
Model:	<input type="text"/>
Description:	<input type="text"/>
Part Number:	<input type="text"/>
Quantity:	<input type="text"/>
Notes:	<input type="text"/>

Submit

Discount-Equipment.com is your online resource for quality parts & equipment.

Florida: **561-964-4949** Outside Florida TOLL FREE: **877-690-3101**

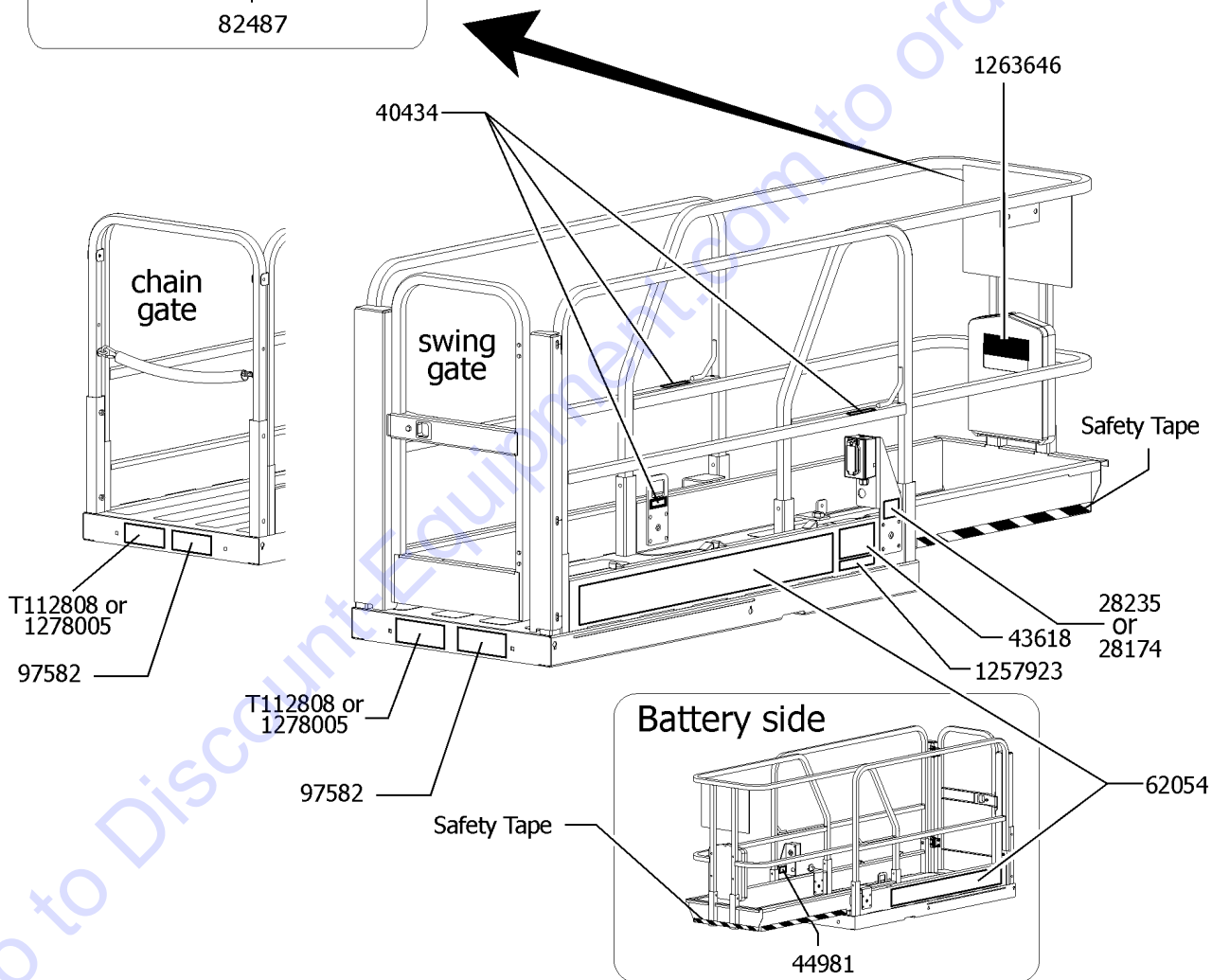
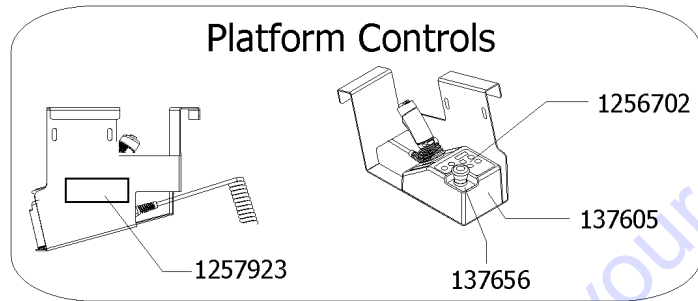
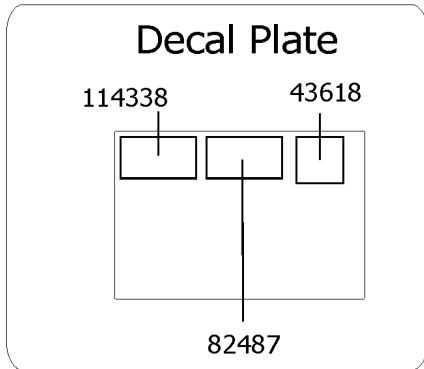
Need parts?

Click on this link: <http://www.discount-equipment.com/category/5443-parts/> and choose one of the options to help get the right parts and equipment you are looking for. Please have the machine model and serial number available in order to help us get you the correct parts. If you don't find the part on the website or on one of the online manuals, please fill out the request form and one of our experienced staff members will get back to you with a quote for the right part that your machine needs.

We sell worldwide for the brands: Genie, Terex, JLG, MultiQuip, Mikasa, Essick, Whiteman, Mayco, Toro Stone, Diamond Products, Generac Magnum, Airman, Haulotte, Barreto, Power Blanket, Nifty Lift, Atlas Copco, Chicago Pneumatic, Allmand, Miller Curber, Skyjack, Lull, Skytrak, Tsurumi, Husquvarna Target, Stow, Wacker, Sakai, Mi-T-M, Sullair, Basic, Dynapac, MBW, Weber, Bartell, Bennar Newman, Haulotte, Ditch Runner, Menegotti, Morrison, Contec, Buddy, Crown, Edco, Wyco, Bomag, Laymor, EZ Trench, Bil-Jax, F.S. Curtis, Gehl Pavers, Heli, Honda, ICS/PowerGrit, IHI, Partner, Imer, Clipper, MMD, Koshin, Rice, CH&E, General Equipment, Amida, Coleman, NAC, Gradall, Square Shooter, Kent, Stanley, Tamco, Toku, Hatz, Kohler, Robin, Wisconsin, Northrock, Oztec, Toker TK, Rol-Air, APT, Wylie, Ingersoll Rand / Doosan, Innovatech, Con X, Ammann, Mecalac, Makinex, Smith Surface Prep, Small Line, Wanco, Yanmar

122.1 Decals with Symbols, GS-1930 Platform CE

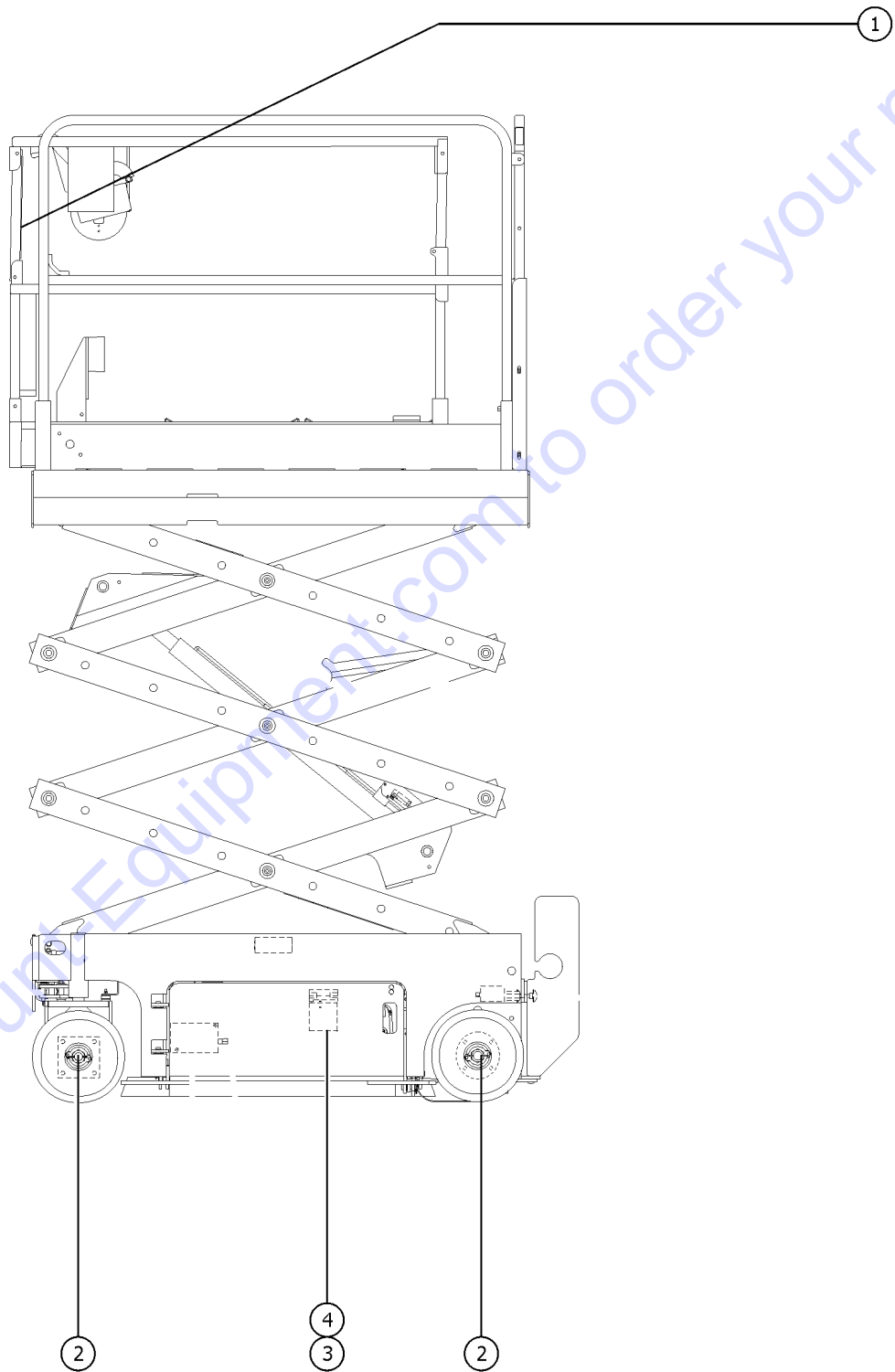
Platform, CE models



122.1 Decals with Symbols, GS-1930 Platform CE

Item	Part No.	Description	Qty.
1	28174GT	DECAL, POWER TO PLATFORM 230V**.....	1
2	28235GT	DECAL,POWER TO PLATFORM 115V...1	1
3	40434GT	DECAL,LANYARD ANCHORAGE POINT.....	3
4	43618GT	DECAL, LABEL - DIRECTION ARROWS.....	2
5	44981GT	DECAL,LABEL, AIR LINE 110 PSI.....	1
6	62054GT	DECAL,COSMETIC,GENIE GS-1930**...2	2
7	82487GT	DECAL, SYMBOL - READ THE MANUAL.....	1
8	97582GT	DECAL,SYM-SIDEFORCE 400N ID.....	1
9	114338GT	DECAL,SYM-TIP-OVER,TILT ALARM.....	1
10	137605GT	DECAL,E-STOP,GR/GRC/GS PCON.....	1
11	137656GT	DECAL,PROPEL,GR/GRC/GS,PCON.....	1
12	1256702GT	DECAL, UI, GS/GR, PROP LIFT	
13	1257923GT	DECAL, SMARTLINK PROPORTIONAL.....	2
14	1263646GT	DECAL,QR CODE,PARTS&SERVICE MANUAL.....	1
15	1278005GT	DECAL, SYMBOL, CE, MAXIMUM CAPACITY, 227KG.....	1
16	T112807GT	DECAL,SYM MAX CAP 272 KG,CE.....	1

123.1 Decals with Words, GS-1932 Battery Side, Australia



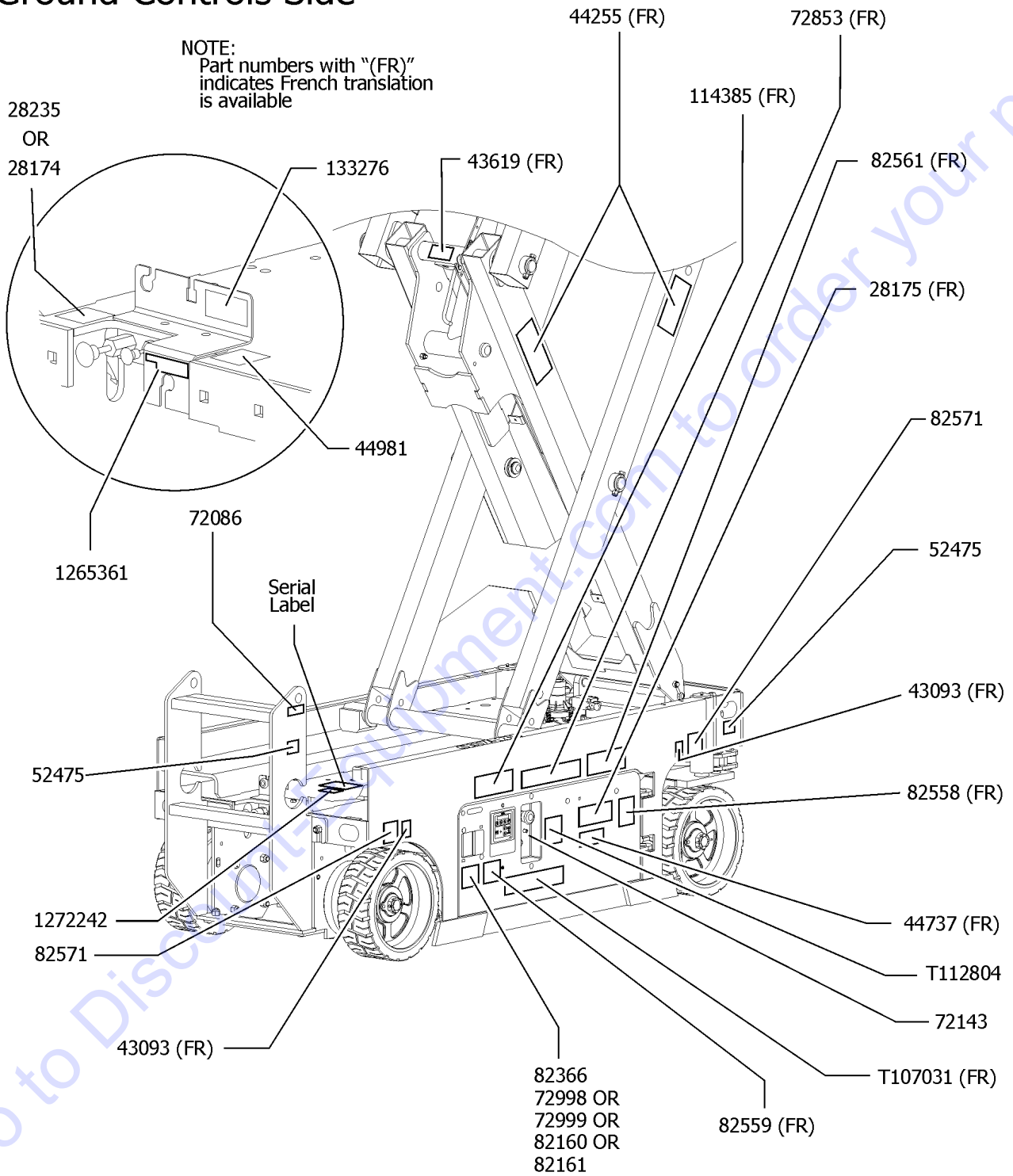
123.1 Decals with Words, GS-1932 Battery Side, Australia

Item	Part No.	Description	Qty.
1	44255GT	DECAL,DANGER,CRUSHING HAZARD.....	2
2	31060GT	DECAL,DANGER DO NOT ALTER SWTC.....	1
3	31508GT	DECAL,DANGER,ELECT HAZARD,PLUG..... <i>(Australia models)</i>	1
4	31788GT	DECAL,DANGER,BATTERY SAFETY***.....	1
5	43093GT	DECAL,LABEL,TIRE SPECS.....	2
6	43658GT	DECAL,LABEL,PWR TO CHARGR 230V..... <i>(Australia models)</i>	1
7	44737GT	DECAL DANGER TIP OVER TRAYS.....	1
8	44980GT	DECAL,LABEL,PWR TO CHARGR 115V..... <i>(Australia models)</i>	1
9	52475GT	DECAL,LABEL,TRANSPORT TIEDOWN*.....	3
10	72086GT	DECAL,LABEL,LIFTING EYE.....	3
11	72970GT	DECAL,INSTRUCTIONS-CHARGER OP.....	1
12	82561GT	DECAL,DANGER-USE SAFETY ARM.....	1
13	82571GT	DECAL,LABEL,WHEEL LOAD 19XX..... <i>(Australia models)</i>	2
14	82657GT	DECAL,INSTRUCT,BATTERY CONNECT.....	1
15	114360GT	DECAL,DANGER-TIP-OVER,BATT.....	1
16	114361GT	DECAL,LABEL-TRANSPORT DIGRAM.....	2
17	114385GT	DECAL,DANGER,ELEC HAZARD,GS.....	1
18	T107029GT	DECAL,DANGER,BRAKE REL SAFETY.....	1

124.1 Decals with Words, GS-1932 Ground Controls Side, Australia

Ground Controls Side

NOTE:
Part numbers with "(FR)"
indicates French translation
is available

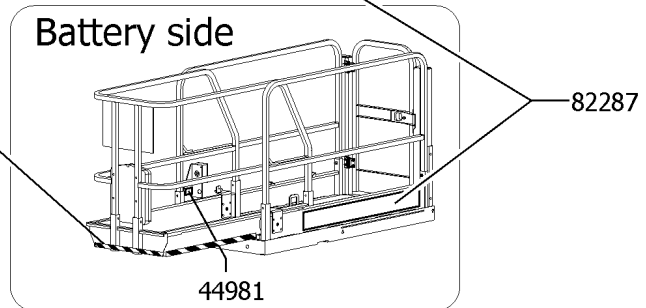
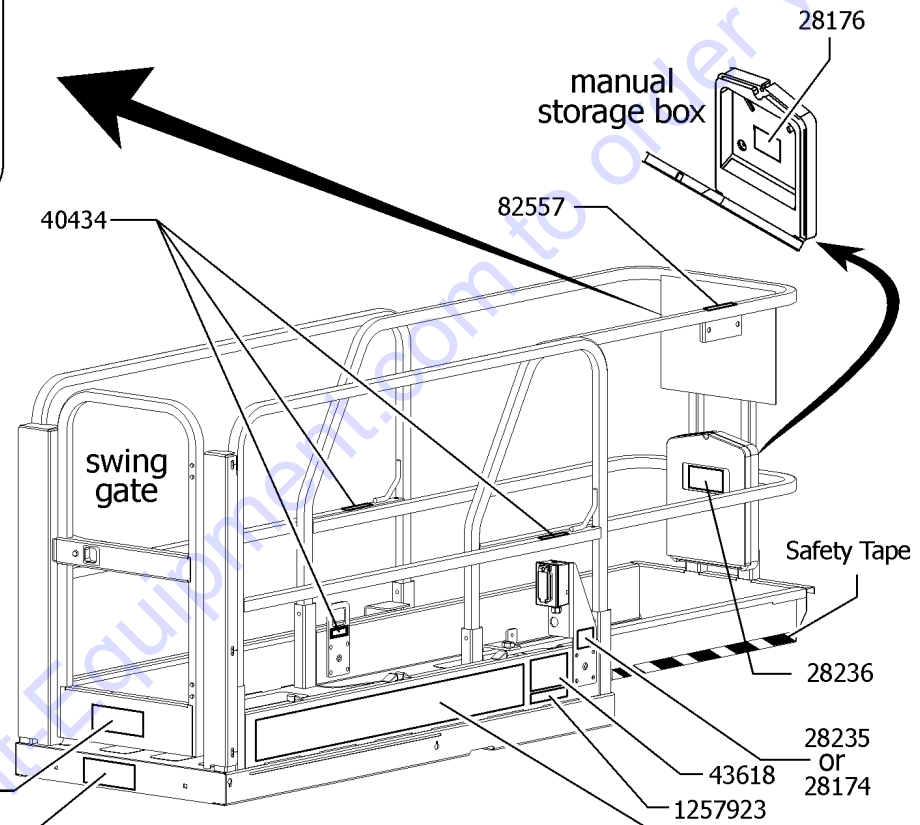
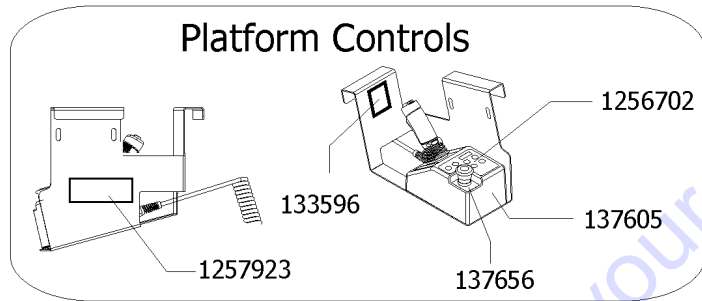
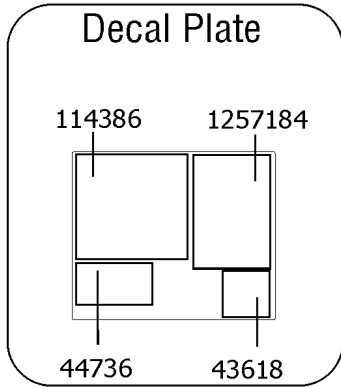


124.1 Decals with Words, GS-1932 Ground Controls Side, Australia

Item	Part No.	Description	Qty.
1	28174GT	DECAL, POWER TO PLATFORM 230V**.....	1
2	28175GT	DECAL,WARNING-COMPART ACCESS.....	1
3	28235GT	DECAL,POWER TO PLATFORM 115V...1	1
4	43093GT	DECAL,LABEL,TIRE SPECS.....	2
5	43619GT	DECAL,LABEL,SAFETY ARM.....	1
6	44255GT	DECAL,DANGER,CRUSHING HAZARD.....	2
7	44737GT	DECAL DANGER TIP OVER TRAYS.....	1
8	44981GT	DECAL,LABEL, AIR LINE 110 PSI..... <i>(option)</i>	1
9	52475GT	DECAL,LABEL,TRANSPORT TIEDOWN*.....	2
10	72086GT	DECAL,LABEL,LIFTING EYE.....	1
11	72143GT	DECAL,EMERGENCY STOP,GR.....	1
12	72853GT	DECAL,DANGER,IMPROPER USE HAZ.....	1
13	72998GT	DECAL,LABEL,QUINTOLUBRIK..... <i>(models with Quintolub hydraulic oil)</i>	1
14	72999GT	DECAL,LABEL,PETRO CANADA***..... <i>(models with Petro Canada hydraulic oil)</i>	1
15	82160GT	DECAL,LABEL,STATOIL HYDRA WAY <i>(models with Statoil hydraulic oil)</i>	1
16	82161GT	DECAL,LABEL,UCON HYDROLUBE..... <i>(models with UConn Hydrolube hydraulic oil)</i>	1
17	82366GT	DECAL,CHEVRON RANDO HD..... <i>(models with Chevron Random hydraulic oil)</i>	1
18	82558GT	DECAL,WARN,SKIN INJECTION HAZ*.....	1
19	82559GT	DECAL,INSTRUCT-ANNUAL INSP REQ.....	1
20	82561GT	DECAL,DANGER-USE SAFETY ARM....	1
21	82571GT	DECAL,LABEL,WHEEL LOAD 19XX.... <i>(Australia models)</i>	2
22	114385GT	DECAL,DANGER,ELEC HAZARD,GS....	1
23	133276GT	DECAL,EMERGENCY LOWERING.....	1
24	1272242GT	DECAL,MACHINE REGISTRATION/OWNER TRANSFER....	1
25	T107031GT	DECAL,OP INST,GCON.....	1
26	T112804GT	DECAL,GCON PANEL,GS.....	1
27	1265361GT	DECAL, BATTERY CHARGER INDICAT.....	1

125.1 Decals with Words, GS-1932 Platform, Australia

Platform, Australia Models

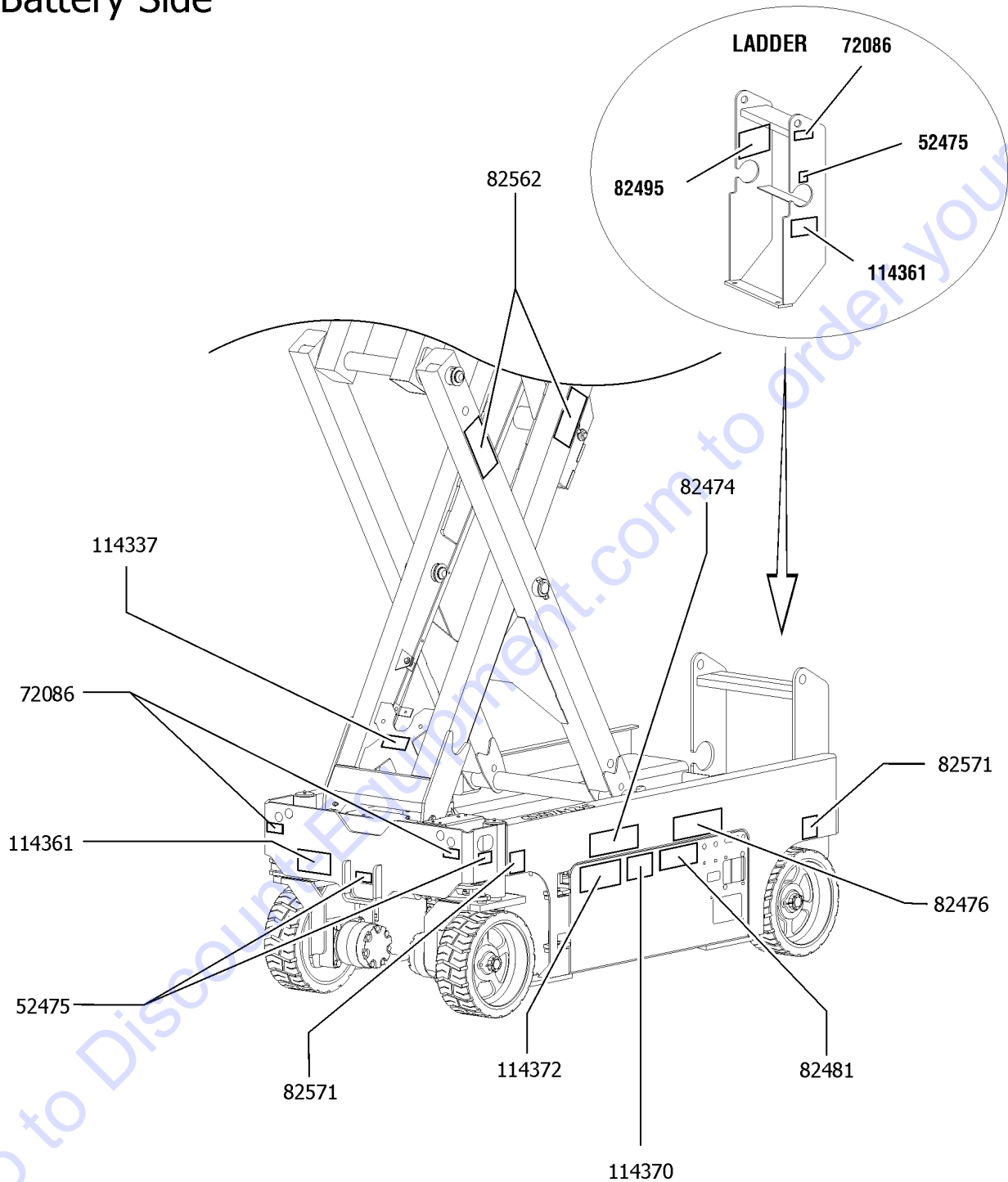


125.1 Decals with Words, GS-1932 Platform, Australia

Item	Part No.	Description	Qty.
1	28174GT	DECAL, POWER TO PLATFORM 230V**.....	1
2	28176GT	DECAL,LABEL,MANUAL NOT HERE.....	1
3	28235GT	DECAL,POWER TO PLATFORM 115V....	1
4	28236GT	DECAL,WARN,IMPROPER OPERATION.....	1
5	40434GT	DECAL,LANYARD ANCHORAGE POINT.....	3
6	43618GT	DECAL, LABEL - DIRECTION ARROWS.....	2
7	44736GT	DECAL,DANGER,TIP-OVER,TILT.....	1
8	44981GT	DECAL,LABEL, AIR LINE 110 PSI.....	1
9	82287GT	DECAL,COSMETIC,GENIE GS-1932....	2
10	82557GT	DECAL,LABEL,PLAT CONT LOCATION.....	1
11	82566GT	DECAL,INSTR-MANUAL FRC,AUS.....	1
12	114386GT	DECAL,DANGER-GEN SAFETY.....	1
13	133596GT	DECAL,LABEL,FAULT CODES.....	1
14	137605GT	DECAL,E-STOP,GR/GRC/GS PCON....	1
16	137656GT	DECAL,PROPEL,GR/GRC/GS,PCON....	1
18	82563GT	DECAL,INSTR-MAX CAP 500 LBS.....	1
19	1256702GT	DECAL, UI, GS/GR, PROP LIFT.....	1
20	1256703GT	DECAL, STD, PROP LIFT, UI, SVC.....	1
21	1257184GT	DECAL, OP INST, PLAT, GS30, AUS....	1
22	1257923GT	DECAL, SMARTLINK PROPORTIONAL.....	2

126.1 Decals with Symbols, GS-1932 Battery Side, CE

Battery Side

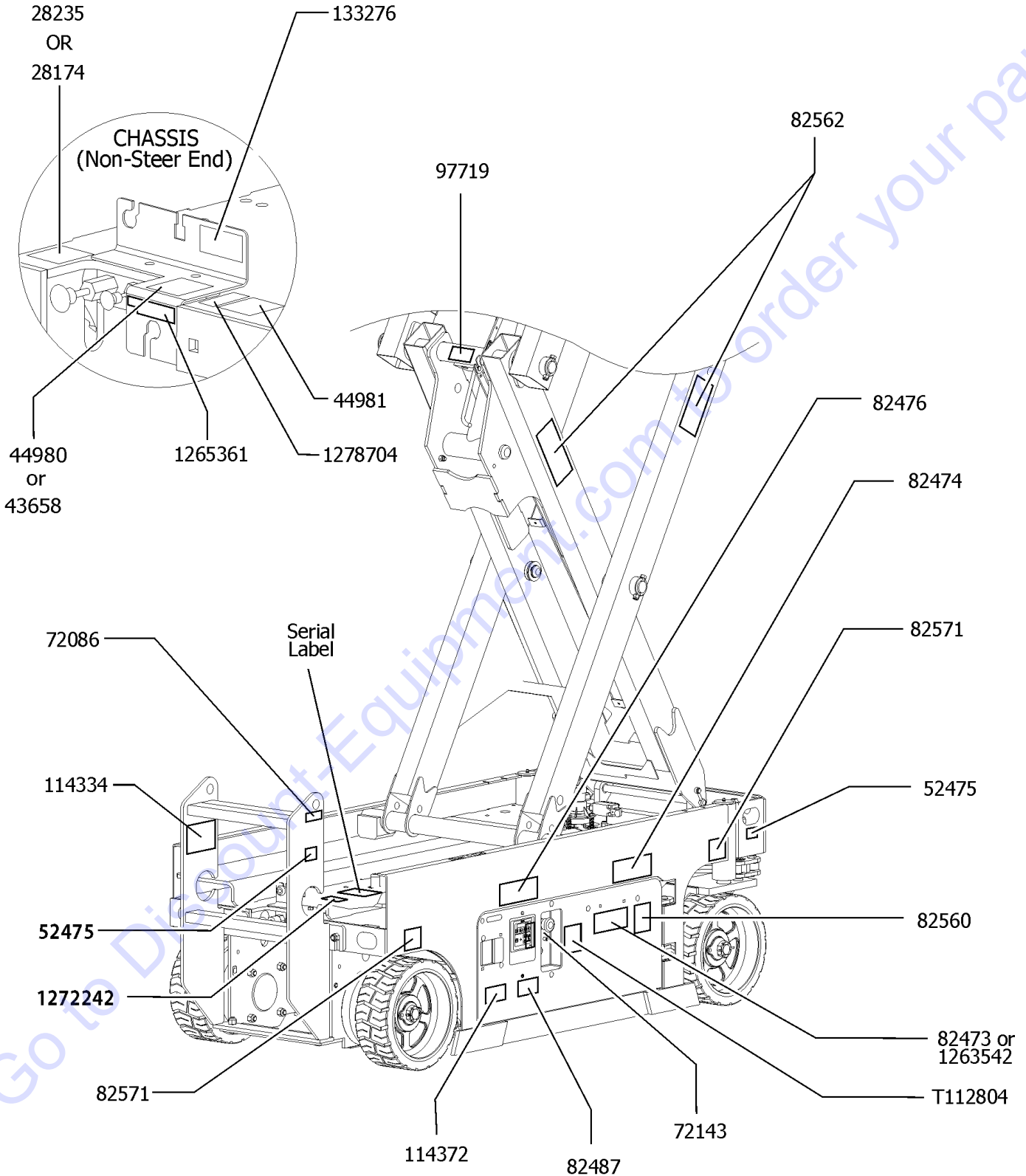


126.1 Decals with Symbols, GS-1932 Battery Side, CE

Item	Part No.	Description	Qty.
1	52475GT	DECAL,LABEL,TRANSPORT TIEDOWN*.....	3
2	72086GT	DECAL,LABEL,LIFTING EYE.....	3
3	82474GT	DECAL,SYMBOL-USE SAFETY ARM....	1
4	82476GT	DECAL,SYMBOL-ELEC HAZARD,GS....	1
5	82481GT	DECAL,SYMBOL-BATTERY SAFETY....	1
6	82495GT	DECAL,SYMBOL-BRAKE REL SAFETY.....	1
7	82562GT	DECAL,SYMBOL-CRUSHING HAZARD.....	2
8	82571GT	DECAL,LABEL,WHEEL LOAD 19XX.... (CE models)	2
9	114337GT	DECAL,SYM-TIP-OVER,LIM SWITCH....	1
10	114361GT	DECAL,LABEL-TRANSPORT DIGRAM.....	1
11	114370GT	DECAL-SYM-TIP-OVR,BATTRIES.....	1
12	114372GT	DECAL SYMBOL TIP OVER TRAYS.....	1

127.1 Decals with Symbols, GS-1932 Ground Control Side, CE

Ground Controls Side

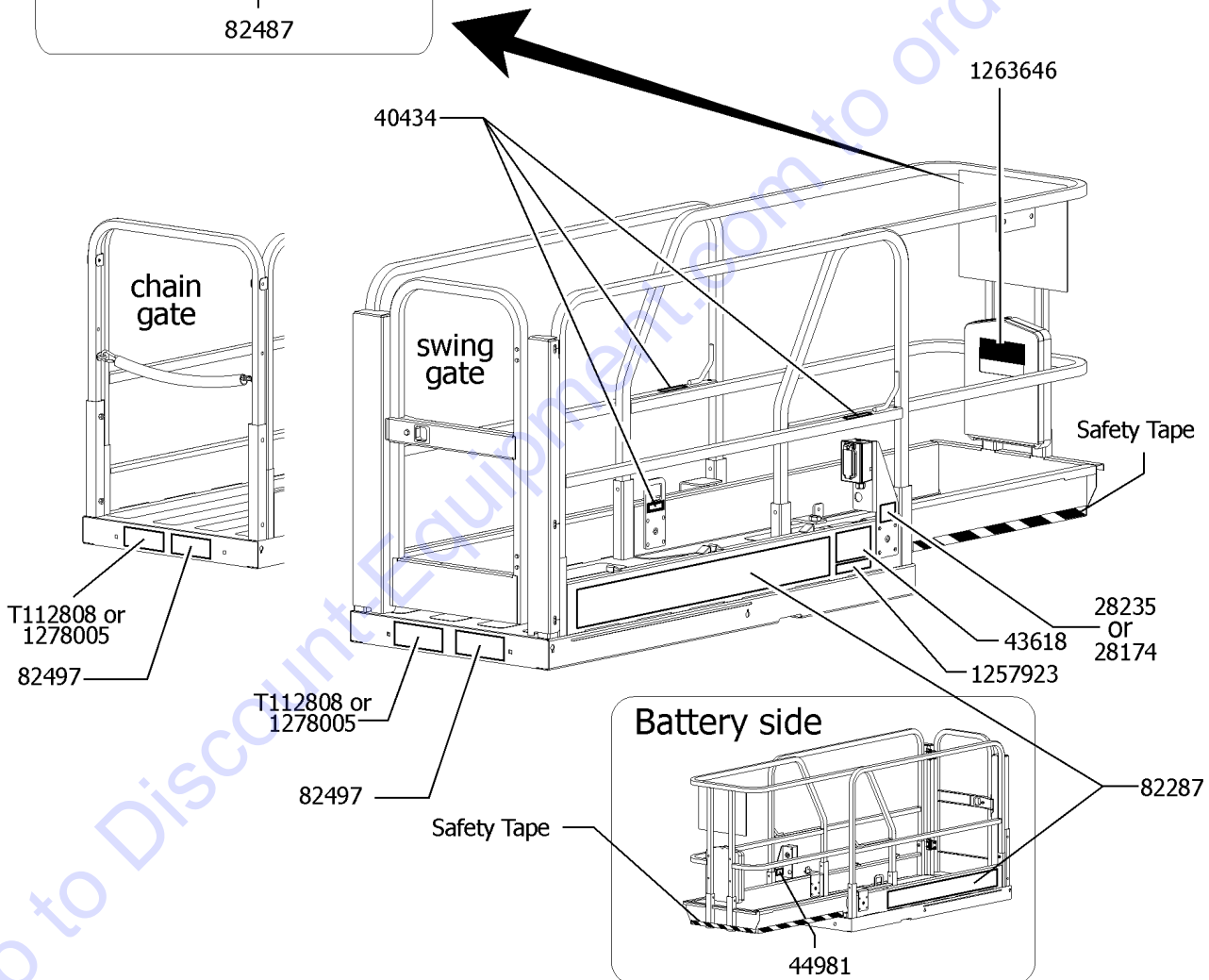
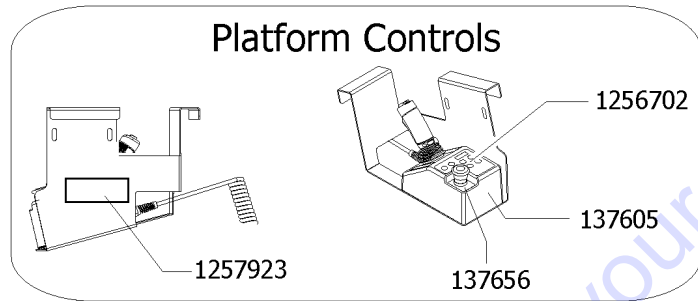
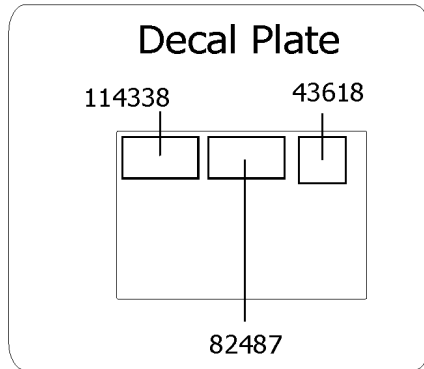


127.1 Decals with Symbols, GS-1932 Ground Control Side, CE

Item	Part No.	Description	Qty.
1	28174GT	DECAL, POWER TO PLATFORM 230V**.....	1
2	28235GT	DECAL,POWER TO PLATFORM 115V...1	1
3	43658GT	DECAL,LABEL,PWR TO CHARGR 230V.....	1
4	44980GT	DECAL,LABEL,PWR TO CHARGR 115V.....	1
5	44981GT	DECAL,LABEL, AIR LINE 110 PSI.....1	1
6	52475GT	DECAL,LABEL,TRANSPORT TIEDOWN*.....	2
7	72086GT	DECAL,LABEL,LIFTING EYE.....1	1
8	72143GT	DECAL,EMERGENCY STOP,GR.....1	1
9	82473GT	DECAL,SYMBOL-COMP ACCESS.....1	1
10	82474GT	DECAL,SYMBOL-USE SAFETY ARM....1	1
11	82476GT	DECAL,SYMBOL-ELEC HAZARD,GS....1	1
12	82482GT	DECAL,LABEL,AUX LOWERING.....1	1
13	82487GT	DECAL, SYMBOL - READ THE MANUAL.....	1
14	82560GT	DECAL,SYMBOL-SKIN INJECT HAZRD.....	1
15	82562GT	DECAL,SYMBOL-CRUSHING HAZARD.....	2
16	82571GT	DECAL,LABEL,WHEEL LOAD 19XX....2 (CE models)	2
17	97719GT	DECAL, LABEL, SAFETY ARM SYMB....1	1
18	114334GT	DECAL,SYM-ELEC HAZARD,PLUG.....1	1
19	114372GT	DECAL SYMBOL TIP OVER TRAYS.....1	1
20	1263542GT	DECAL, COMPARTMENT ACCESS.....1	1
21	1272242GT	DECAL,MACHINE REGISTRATION/OWNER TRANSFER....1	1
22	1265361GT	DECAL, BATTERY CHARGER INDICAT..... <i>from SN GS30D-15023</i>	1
23	1278704GT	DECAL,CHARGE STATUS IND.....1 <i>from SN GS30D-15023</i>	1
24	T112804GT	DECAL,GCON PANEL,GS.....	1

128.1 Decals with Symbols, GS-1932 Platform CE

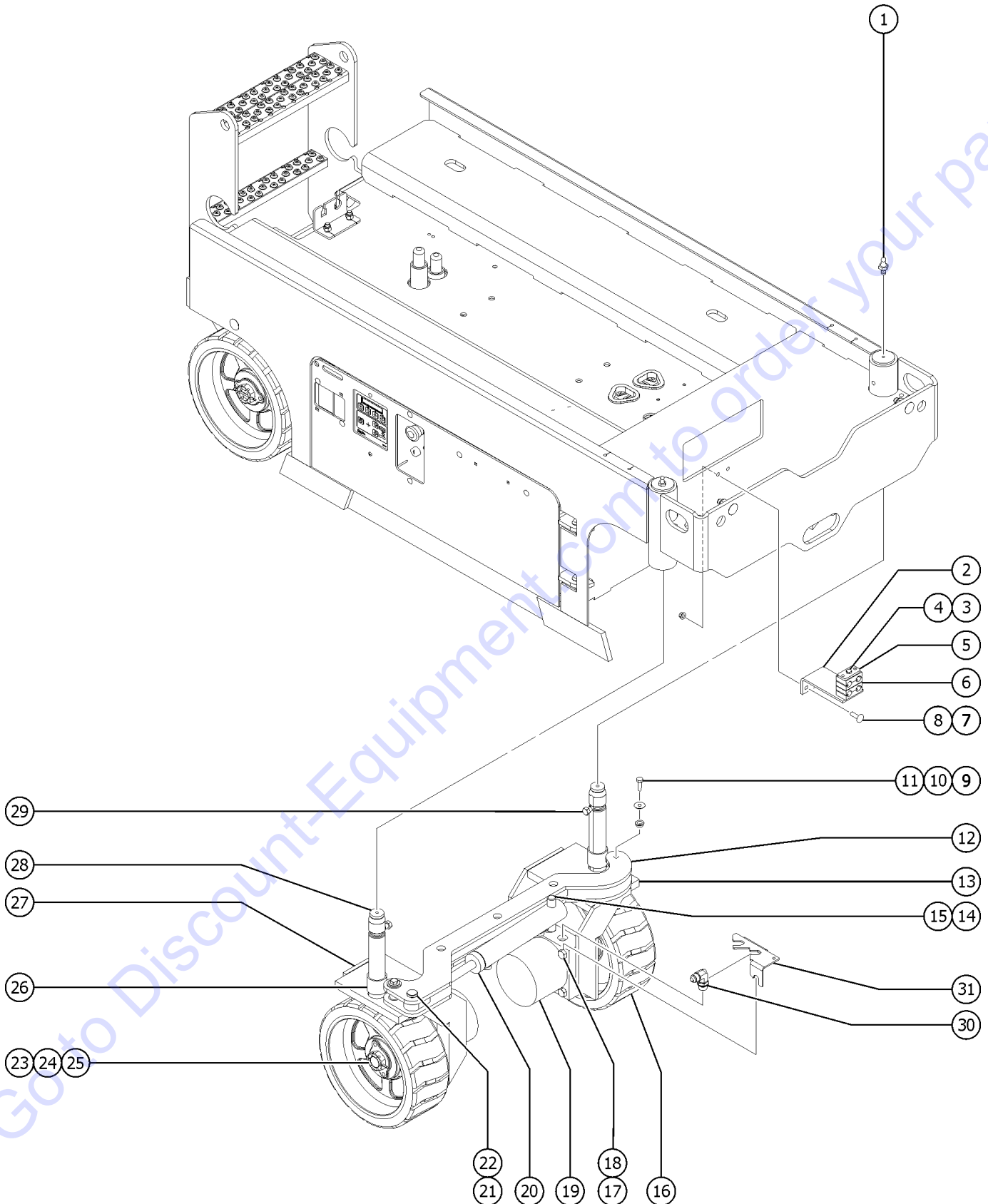
Platform, CE models



128.1 Decals with Symbols, GS-1932 Platform CE

Item	Part No.	Description	Qty.
1	28174GT	DECAL, POWER TO PLATFORM 230V**.....	1
2	28235GT	DECAL,POWER TO PLATFORM 115V....	1
3	40434GT	DECAL,LANYARD ANCHORAGE POINT.....	3
4	43618GT	DECAL, LABEL - DIRECTION ARROWS.....	2
5	44981GT	DECAL,LABEL, AIR LINE 110 PSI.....	1
6	82287GT	DECAL,COSMETIC,GENIE GS-1932....	2
7	82487GT	DECAL, SYMBOL - READ THE MANUAL.....	1
8	82497GT	DECAL,SYM-SIDEFORCE 200400.....	1
9	114338GT	DECAL,SYM-TIP-OVER,TILT ALARM....	1
10	137605GT	DECAL,E-STOP,GR/GRC/GS PCON.....	1
11	137656GT	DECAL,PROPEL,GR/GRC/GS,PCON.....	1
12	1256702GT	DECAL, UI, GS/GR, PROP LIFT.....	1
13	1257923GT	DECAL, SMARTLINK PROPORTIONAL.....	2
14	1263646GT	DECAL,QR CODE,PARTS&SERVICE MANUAL.....	1
15	1278005GT	DECAL, SYMBOL, CE, MAXIMUM CAPACITY, 227KG.....	1
16	T112807GT	DECAL,SYM MAX CAP 272 KG,CE.....	1

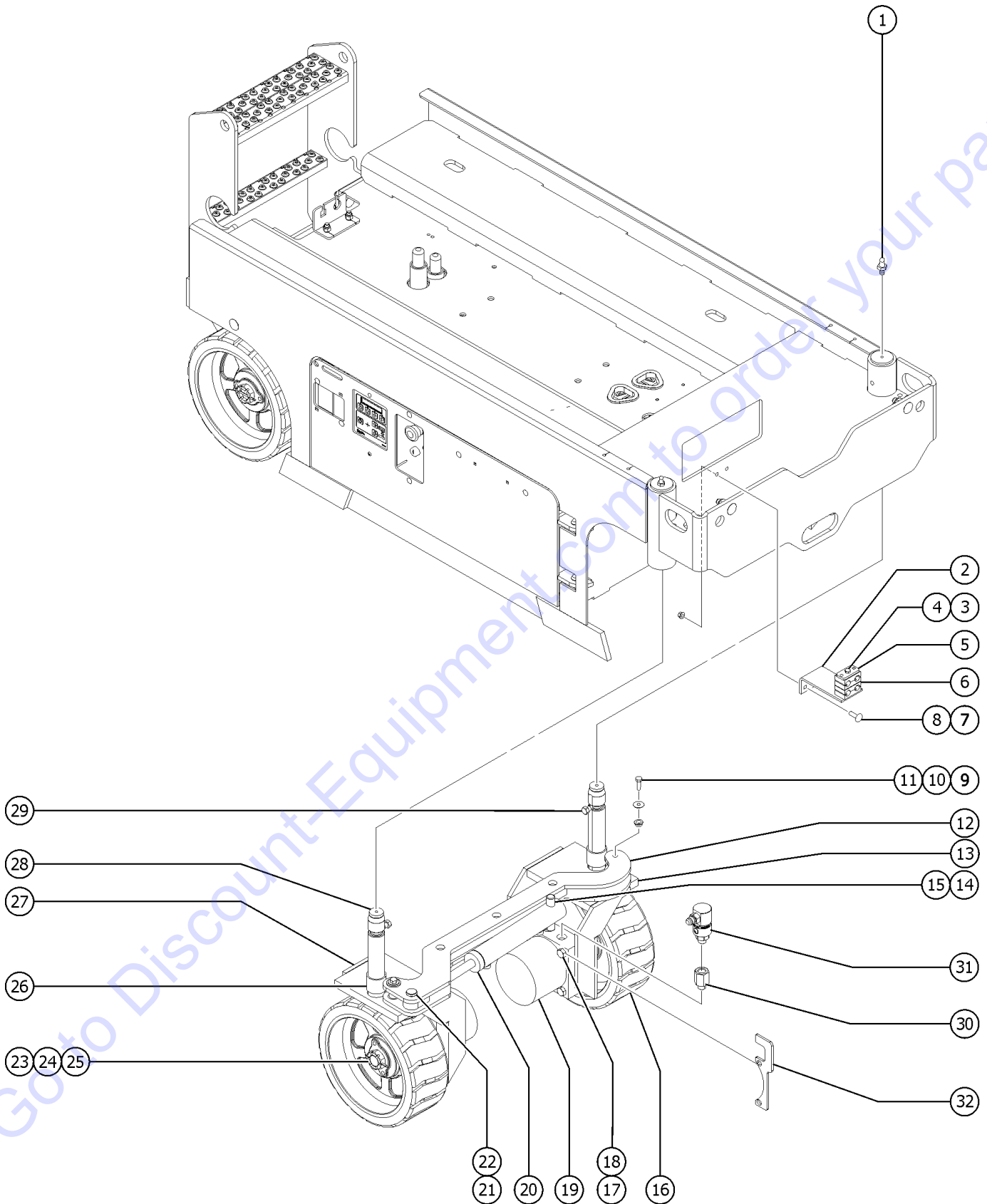
201.1 Steer Linkage and Wheels



201.1 Steer Linkage and Wheels

Item	Part No.	Description	Qty.
1	66770GT	FITTING, STRAIGHT DRIVE-IN ZERK....2	
2	132177GT	FORMING, HOSE CLAMP SUPPORT....1	
3	1256123GT	SCREW, HHC, 1/4-20X3.25, 8, ZAG.....1	
4	824027GT	NUT, TL FLG, 1/4-20, G, ZAG.....1	
5	132119GT	PLATE, HOSE ROUTING, BULKHEAD...1	
6	78736GT	CLAMP, 2 HOSE, PLASTIC, 5/8.....4	
7	1255757GT	BOLT, CARRIAGE, 3/8-16X1.25, 5, ZAG....2	
8	824029GT	NUT, TL FLG, 3/8-16, G, ZAG.....2	
9	1256109GT	SCREW, HHC, 3/8-16X.75, 8, ZAG.....4	
10	1255758GT	WASHER, FLAT, 3/8, USS, ZAG.....4	
11	47548GT	BEARING, FL, 0.75ID X 1 OD X .49.....4	
12	84571GT	TIE ROD ASSEMBLY.....1	
--	132068GT	WELDMENT, TIE ROD, GS30.....1 <i>(bearings not included)</i>	
--	47548GT	BEARING, FL, 0.75ID X 1 OD X .49.....4	
13A	132936GT	WELDMENT, STR YOKE, 30 MINI LT....1 <i>GS-1530, GS-1930 (battery side)</i>	
13B	132063GT	WELDMENT, STR YOKE, 32 MINI LT....1 <i>GS-1532, GS-1932 (battery side)</i>	
14	1259195GT	PIN, CLEVIS, 3/4X3.25, ZAG.....1	
15	824128GT	RUE RING, 3/4, ZAG.....1	
16	1278615GT	WHEEL&TIRE ASSY.LP.12".EXMALE....2	
17	1256287GT	SCREW, HHC, 1/2-13X3.5, 8, ZAG	
18	1251997GT	NUT, TL FLG, 1/2-13, G, ZAG	
19		Ref. Drive Motor <i>(refer to 501.1)</i>	
20		Ref. Steer Cylinder <i>(refer to 501.1)</i>	
21	1259193GT	PIN, CLEVIS, 3/4X2, ZAG.....1	
22	1259194GT	CLIP, HAIR PIN, .125X2, .5-.75, ZAG.....1	
23	44780GT	NUT, CASTLE, 1.125-18 UNEF.....2	
24	44781GT	KEY, RECTANGULAR, .31X.28X1.25**....2	
25	42079GT	PIN, COTTER, .156 X 2.5.....2	
26	119619GT	BEARING, 1.5ID X 1.75OD X 1.5L, PTFE....2	
27A	132935GT	WELDMENT, STR YOKE, 30 MINI RT....1 <i>GS-1530, GS-1930 (ground control side)</i>	
27B	132064GT	WELDMENT, STR YOKE, 32 MINI RT....1 <i>GS-1532, GS-1932 (ground control side)</i>	
28	105565GT	WASHER, THRUST, GS.....2	
29	1259192GT	SCREW, YOKE LOCK, ZAG.....2	
30	39873GT	ELBOW, 070220-6-6.....4	
31	1266279GT	STEER FIXED PLATE, RIGHT.....1	
32	1266278GT	STEER FIXED PLATE, LEFT.....1 <i>not shown</i>	

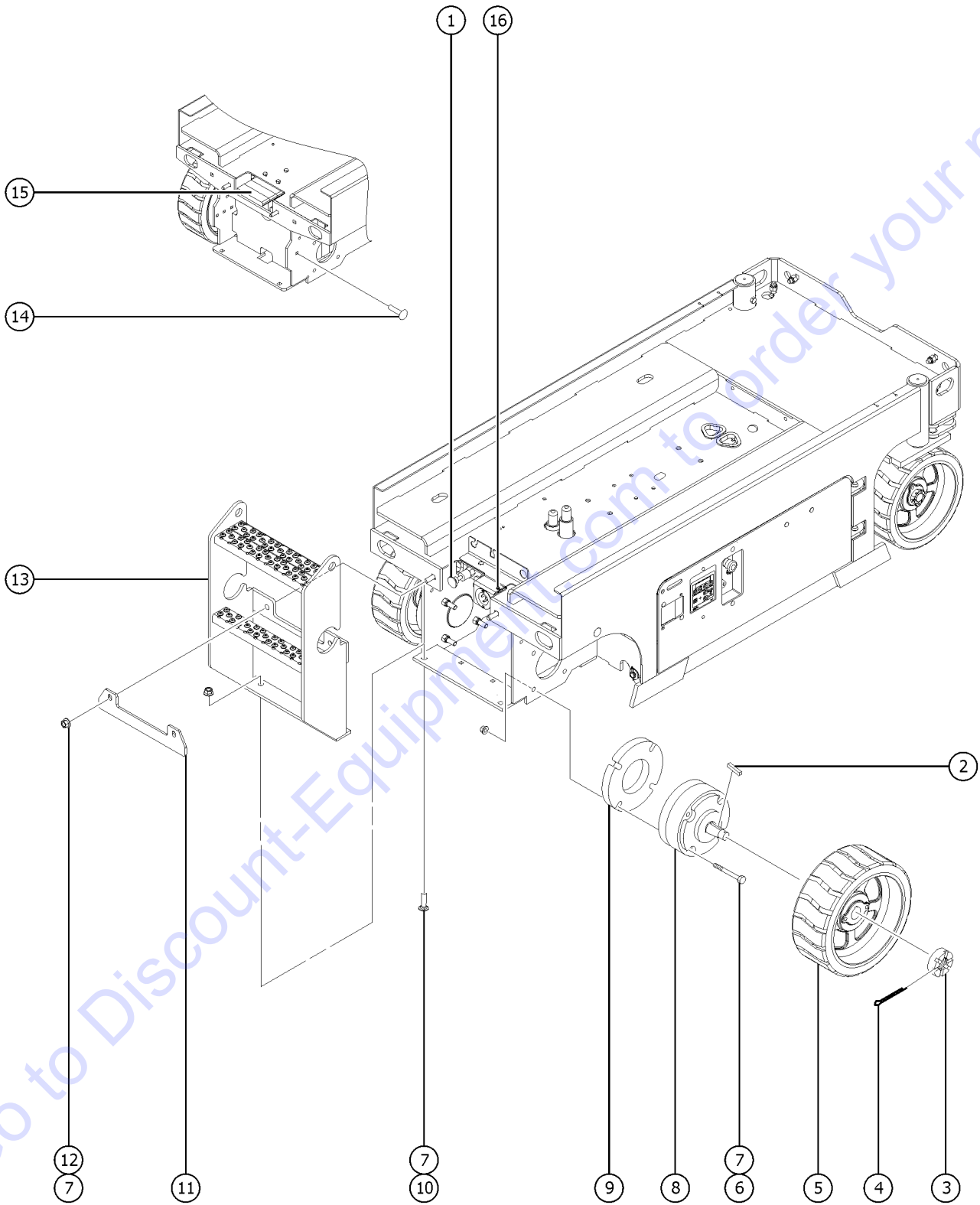
201.2 Steer Linkage and Wheels (Japan)



201.2 Steer Linkage and Wheels (Japan)

Item	Part No.	Description	Qty.
1	66770GT	FITTING,STRAIGHT DRIVE-IN ZERK....2	
2	132177GT	FORMING, HOSE CLAMP SUPPORT....1	
3	1256123GT	SCREW,HHC,1/4-20X3.25,8,ZAG.....1	
4	824027GT	NUT,TL FLG,1/4-20,G,ZAG.....1	
5	132119GT	PLATE, HOSE ROUTING, BULKHEAD...1	
6	78736GT	CLAMP,2 HOSE,PLASTIC,5/8.....4	
7	1255757GT	BOLT,CARRIAGE,3/8-16X1.25,5,ZAG....2	
8	824029GT	NUT,TL FLG,3/8-16,G,ZAG.....2	
9	1256109GT	SCREW,HHC,3/8-16X.75,8,ZAG.....4	
10	1255758GT	WASHER,FLAT,3/8,USS,ZAG.....4	
11	47548GT	BEARING,FL,0.75ID X 1 OD X .49.....4	
12	84571GT	TIE ROD ASSEMBLY.....1	
--	132068GT	WELDMENT, TIE ROD, GS30.....1 <i>(bearings not included)</i>	
--	47548GT	BEARING,FL,0.75ID X 1 OD X .49.....4	
13A	132936GT	WELDMENT, STR YOKE, 30 MINI LT....1 <i>GS-1530, GS-1930 (battery side)</i>	
13B	132063GT	WELDMENT, STR YOKE, 32 MINI LT....1 <i>GS-1532, GS-1932 (battery side)</i>	
14	1259195GT	PIN,CLEVIS,3/4X3.25,ZAG.....1	
15	824128GT	RUE RING,3/4,ZAG.....1	
16	1278615GT	WHEEL&TIRE ASSY.LP.12".EXMALE....2	
17	1256287GT	SCREW,HHC,1/2-13X3.5,8,ZAG	
18	1251997GT	NUT,TL FLG,1/2-13,G,ZAG	
19		Ref. Drive Motor <i>(refer to 501.1)</i>	
20		Ref. Steer Cylinder <i>(refer to 501.1)</i>	
21	1259193GT	PIN,CLEVIS,3/4X2,ZAG.....1	
22	1259194GT	CLIP,HAIR PIN,.125X2,.5-.75,ZAG.....1	
23	44780GT	NUT,CASTLE,1.125-18 UNEF.....2	
24	44781GT	KEY,RECTANGULAR,.31X.28X1.25**....2	
25	42079GT	PIN,COTTER,.156 X 2.5.....2	
26	119619GT	BEARING,1.5IDX1.75ODX1.5L,PTFE....2	
27A	132935GT	WELDMENT, STR YOKE, 30 MINI RT....1 <i>GS-1530, GS-1930 (ground control side)</i>	
27B	132064GT	WELDMENT, STR YOKE, 32 MINI RT....1 <i>GS-1532, GS-1932 (ground control side)</i>	
28	105565GT	WASHER,THRUST, GS.....2	
29	1259192GT	SCREW, YOKE LOCK, ZAG.....2	
30	1278375GT	FITTING,CONNECTOR,MALE 6-6,1IN...4 <i>GS-1530,GS-1930 (only Japan Market)</i>	
31	47419GT	ELBOW,90DEG.HYDRAUL.SWIVEL 6-6.....4 <i>GS-1530,GS-1930 (only Japan Market)</i>	
32	1278274GT	BRACKET,MINI SCISSOR STEERING HOSE.....2 <i>GS-1530,GS-1930 (only Japan Market)</i>	

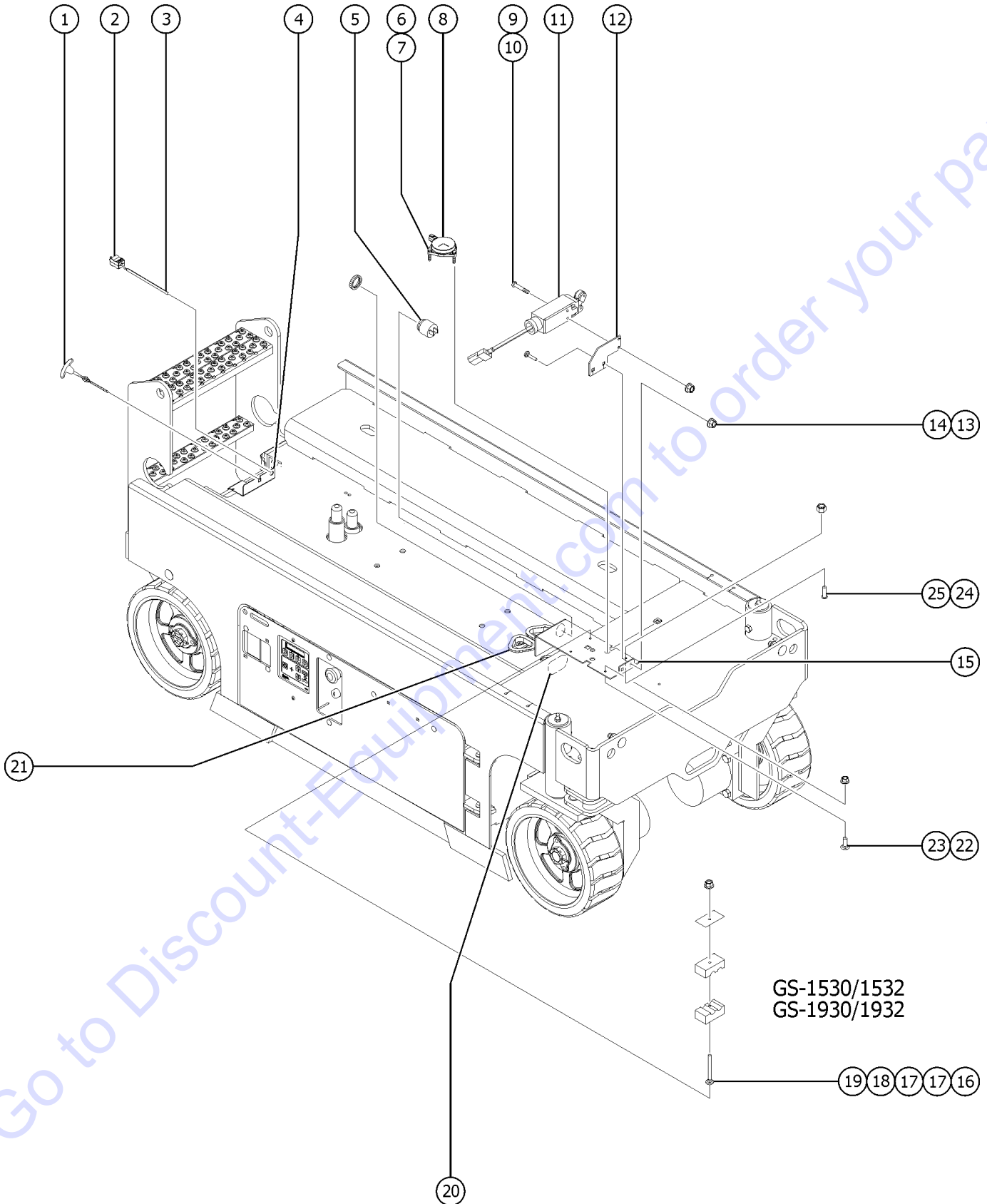
202.1 Non-steer Axle Installation, All Models



202.1 Non-steer Axle Installation, All Models

Item	Part No.	Description	Qty.
1		Ref. BRAKE RELEASE MANIFOLD (refer to 504.1)	
2	44781GT	KEY,RECTANGULAR,.31X.28X1.25**.....2	
3	44780GT	NUT,CASTLE,1.125-18 UNEF.....2	
4	42079GT	PIN,COTTER,.156 X 2.5.....2	
5		Ref. TIRE AND WHEEL ASSEMBLY (refer to 201.1)	
6A	1256287GT	SCREW,HHC,1/2-13X3.5,8,ZAG.....4 GS-1530 & GS-1930 models only	
6B	1257102GT	SCREW,HHC,1/2-13X5,8,ZAG.....4 GS-1532 & GS-1932 models only	
7	1251997GT	NUT,TL FLG,1/2-13,G,ZAG.....8	
8		Ref. HYDRAULIC BRAKE (refer to 501.1)	
9	78680GT	PLATE,BRAKE SPACER.....2 GS-1532 & GS-1932 models only	
10	1256179GT	BOLT,CARRIAGE,1/2-13X1.5,5,ZAG.....2	
11	1258393GT	PLATE, COUNTERWEIGHT LOCK.....1 GS-1930 & GS-1932 CE and Australia	
12	1255759GT	BOLT,CARRIAGE,1/2-13X2,5,ZAG.....2	
13A	144375GT	LADDER ASSY,GS30,WORD,ENG.....1 (USA, Canada and Australia)	
--	96102GT	WELDMENT,MINI LADDER (decals not included, refer to section one)	
13B	144379GT	LADDER ASSY,GS30,SYM.....1 (Europe, Asia and South America)	
--	96102GT	WELDMENT,MINI LADDER (decals not included, refer to section one)	
14A	1255757GT	BOLT,CARRIAGE,3/8-16X1.25,5,ZAG.....2 GS-1530 & GS-1532 CE and Australia Indoor	
--	824029GT	NUT,TL FLG,3/8-16,G,ZAG GS-1530 & GS-1532 CE and Australia Indoor	
14B	1259191GT	SCREW,BHC,3/8-16X1.75,F835,ZAG.....2 GS-1530 & GS-1532 CE and Australia Indoor	
15A	96465GT	WELDMENT, 1532 COUNTERWT, CE....1 GS-1530 & GS-1532 CE and Australia Indoor	
15B	96466GT	COUNTERWEIGHT,CAST,CE,1930/32...1 GS-1930 & GS-1932 CE and Australia Indoor	
16	1270281GT	ASSEMBLY, CHARGER STATUS LED, 2V.....1	

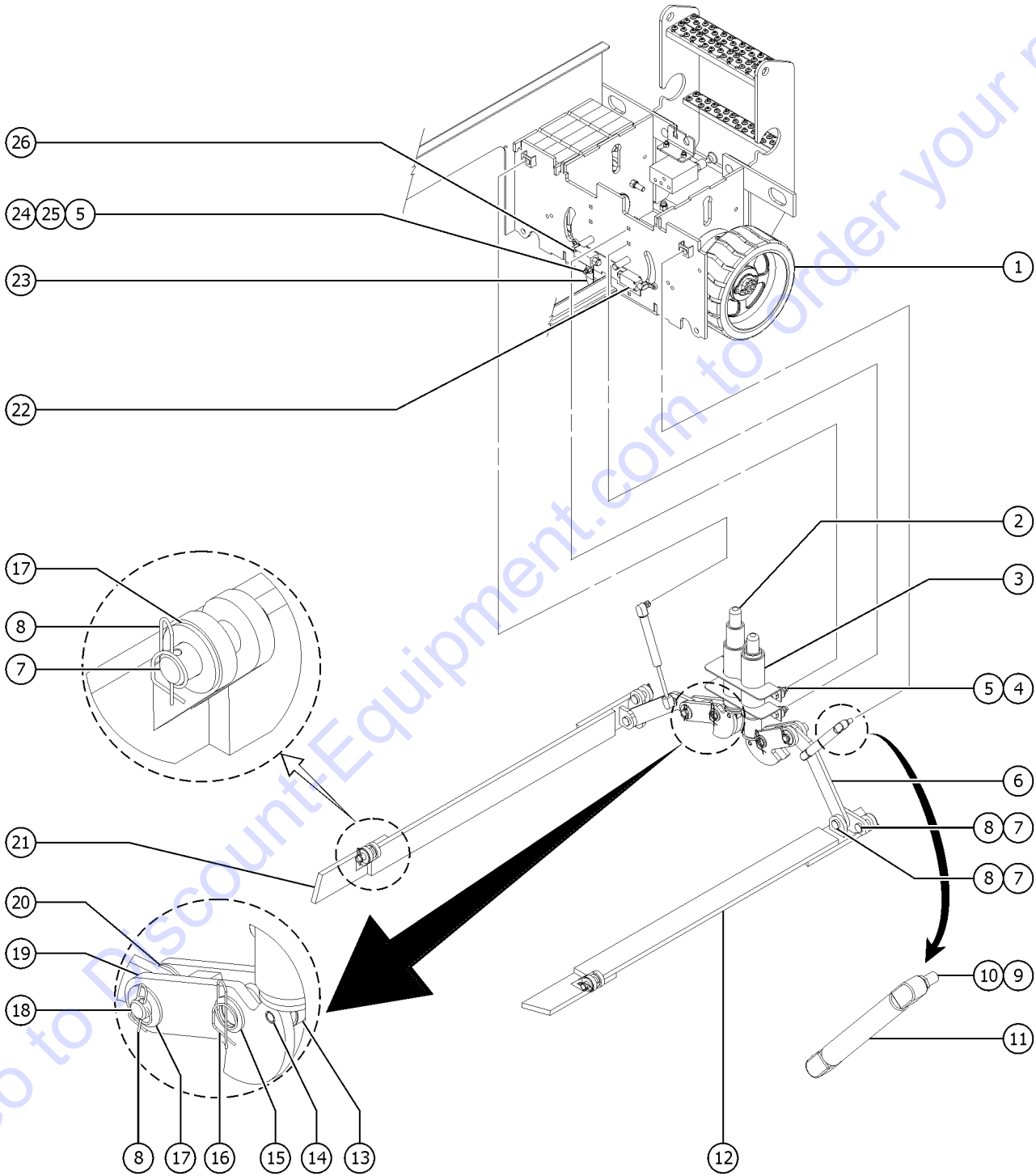
203.1 Level Sensor Installation, All Models



203.1 Level Sensor Installation, All Models

Item	Part No.	Description	Qty.
1	39232GT	CABLE,EMERGENCY DOWN.....1	
2		Ref. Electrical Plug <i>(refer to 406.1)</i>	
3		Ref. Electrical Cord <i>(refer to 406.1)</i>	
4A	144226GT	FORMING,REC.PLG BRKT.....1 CE	
4B	1282153GT	FORMING,REC.PLG BRKT,METRIC.....1 US market	
4C	1282145GT	FORMING, PLUG/LED BRACKET,METRIC.....1 AUS market	
5	39540GT	ALARM,STEADY TONE***.....1 <i>Does not include 72326 nut</i>	
--	72326GT	NUT - PLASTIC,RING FOR ALARMS	
6	1255756GT	BOLT,CARRIAGE,1/4-20X1.5,5,ZAG.....3	
8	823368GT	SENSOR,LEVEL,UNIVERSAL.....3	
9	824216GT	SCREW,PHPM,10-32X1.5,ZAG.....2	
10	1274168GT	NUT,NYLOCK,10-32,A,ZAG.....2	
11	T112507GT	ASSEMBLY, DOWN LIMIT, GS.....1	
--	19491GT	CONTACTOR,LIMIT SWITCH <i>(Includes plug)</i>	
--	96948GT	SWITCH,LIMIT,W/ROLLER ARM***	
--	97128GT	ROLLER ARM,LIMIT SWITCH***	
12	96493GT	PLATE, LIMIT SWITCH MOUNT.....1	
13	824029GT	NUT,TL FLG,3/8-16,G,ZAG.....2	
14	824125GT	BOLT,CARRIAGE,3/8-16X1.5,ZAG.....2	
15	105310GT	FORMING, ALARM BRACKET,MINI.....1	
16	1255797GT	BOLT,CARRIAGE,1/4-20X2.5,ZAG.....1	
17	78736GT	CLAMP,2 HOSE,PLASTIC,5/8.....2	
18	58592GT	PLATE,HOSE ROUTG,BULKHEAD(PTD).....1	
19	1256679GT	NUT,SERRATED,1/4-20,8,ZAG.....1	
20	131582GT	GROMMET,RUBBER,1.50IDX.375.....1	
21	105440GT	GROMMET,RUBBER 2.5 X 3.0.....2	
22	824125GT	BOLT,CARRIAGE,3/8-16X1.5,ZAG.....2	
23	824029GT	NUT,TL FLG,3/8-16,G,ZAG.....2	
24	1255629GT	SCREW,BHC,3/8-16X1.25,F835,ZAG.....1 <i>from GS30D-20117</i>	
25	1274166GT	NUT,NYLOCK,3/8-16,C,ZAG.....1 <i>from GS30D-20117</i>	

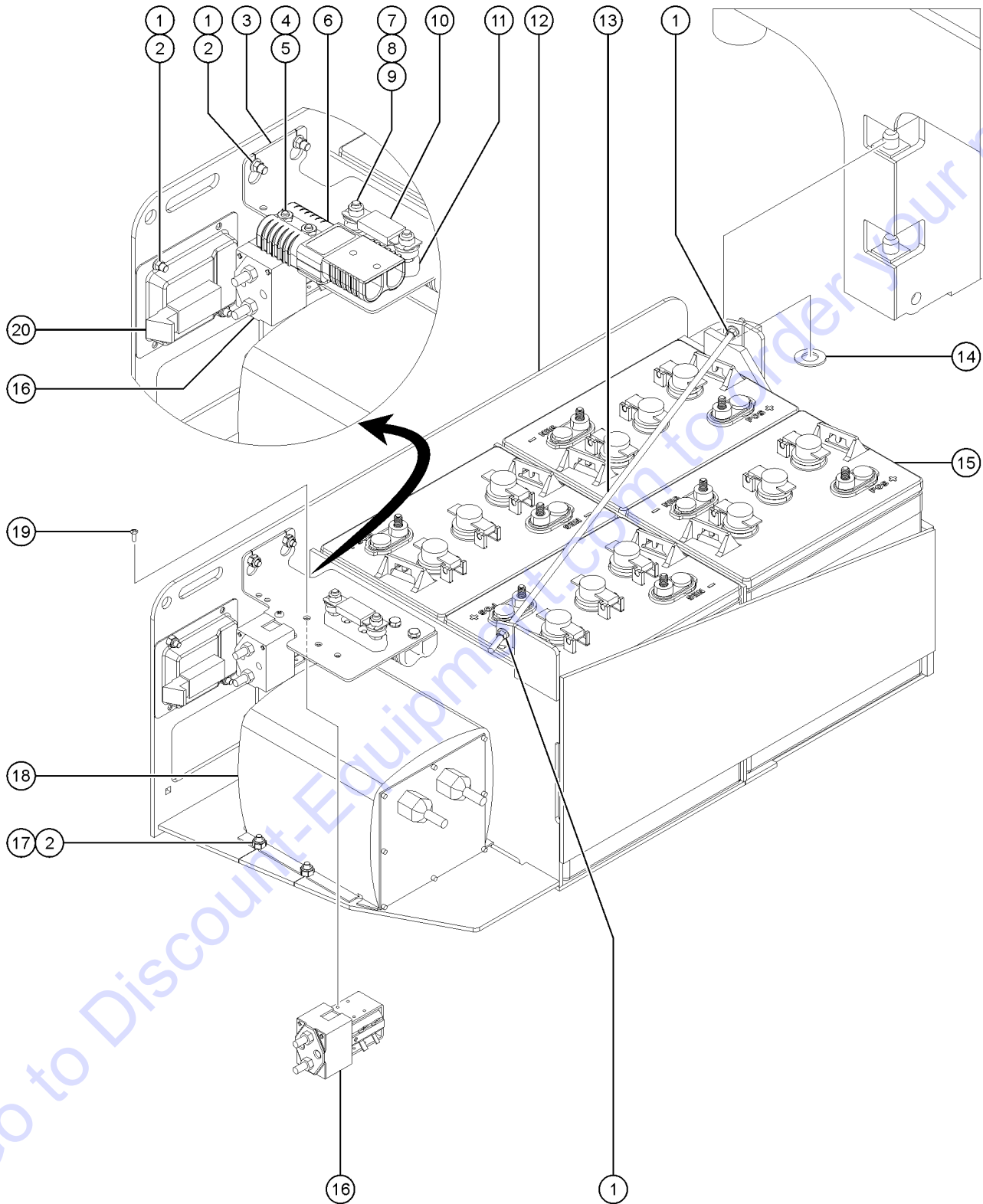
204.1 Pothole Protection Assembly



204.1 Pothole Protection Assembly

Item	Part No.	Description	Qty.
1		"Ref.Wheel and Tire Assy " (refer to 201.1)	
2	132342GT	ASSY,POTHOLE PUSHER,MINI.....2	
3	132163GT	WELDMENT, PH GUIDE,GS30/32.....1	
--	96408GT	BEARING,1.523IDX1.75ODX0.63L	
4	824029GT	NUT,TL FLG,3/8-16,G,ZAG	
5	1255757GT	BOLT,CARRIAGE,3/8-16X1.25,5,ZAG	
6	132178GT	PLATE, POTHOLE LINK, GS30.....2	
7	1259197GT	PIN,CLEVIS,.625X1.88,ZAG.....6	
--	105156GT	BUSHING,FLNGD,.63 X .77 X .38.....4	
8	1259177GT	RUE RING,5/8,ZAG.....8	
9	78086GT	BALL STUD, GAS STRUT, 3/8-16.....2	
10	824038GT	NUT, TL JAM, 3/8-16, A, ZAG	
11	39542GT	GAS SHOCK,SCISSORS***2	
12	132053GT	POT HOLE GUARD,LT,WLDMT.....1 (battery pack side)	
13	96541GT	CAM FOLLOWER,1.125X.375,DELRIN..2	
14	1259178GT	PIN,CLEVIS,.375X1.75,ZAG.....2	
--	12016GT	PIN,COTTER,.125 X .75	
--	825358GT	WASHER,FLAT,5/16,USS,ZAG	
15	1257082GT	WASHER,SHIM,.75X1.125X.030,ZAG...2	
16	824128GT	RUE RING,3/4,ZAG.....2	
17	1259180GT	WASHER,SHIM,.625X1.188X.064,ZA....2	
18	1259179GT	PIN,CLEVIS,.625X1.79,ZAG.....2	
19	132133GT	WLDMT, POT HOLE BELLCRANK LINK.....2	
--	96642GT	BEARING,.75ID X 1.0OD X 1.38LG.....2	
20	96085GT	WASHER,THRUST,.63 X 1.13 X .06.....4	
21	132052GT	POT HOLE GUARD,RT,WLDMT.....1 (ground controls side)	
22	105275GT	BRACKET,LIMIT SWITCH MTG***	
23	96317GT	GROUND STRAP,12"LG***1	
24	824025GT	NUT,TL,3/8-16,C,ZAG	
25	1255758GT	WASHER,FLAT,3/8,USS,ZAG	
26	96948GT	SWITCH,LIMIT,W/ROLLER ARM***2	
--	19491GT	CONTACTOR,LIMIT SWITCH	
--	97128GT	ROLLER ARM,LIMIT SWITCH***	

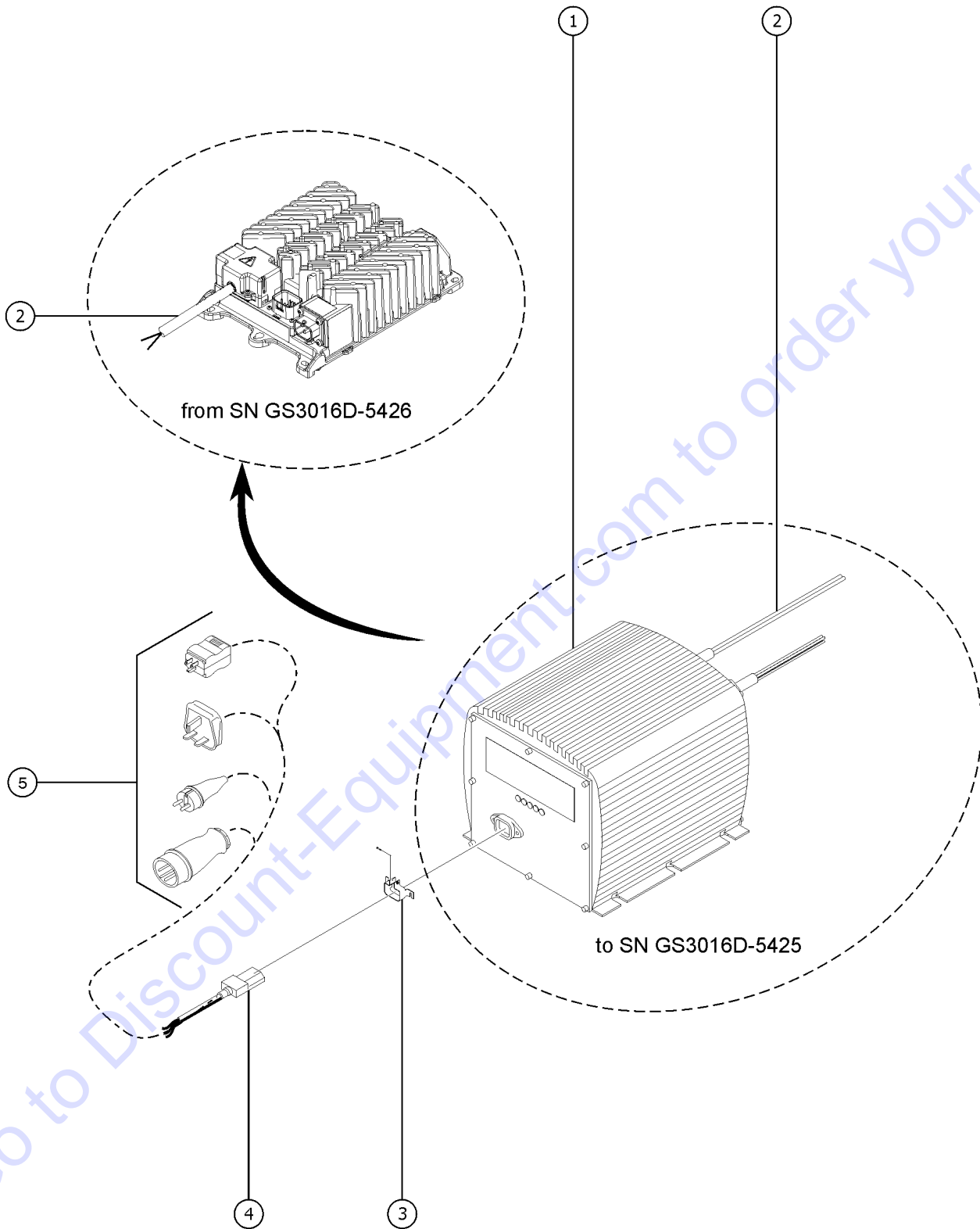
205.1 Battery Pack Module



205.1 Battery Pack Module

Item	Part No.	Description	Qty.
1	824027GT	NUT,TL FLG,1/4-20,G,ZAG.....6	6
2	824124GT	BOLT,CARRIAGE,1/4-20X.75,5,ZAG.....8	8
3	232531GT	FORMING,CONTACTOR MOUNT,GS.....1	1
4	824037GT	NUT,HH JAM,1/4-20,A,ZAG.....4	4
5	824080GT	SCREW,HHF,1/4-20X1.25,8,ZAG.....4	4
6	66397GT	QUICK DISCONNECT CASING,BATT**.....2	2
7	1255805GT	NUT,SERRATED,5/16-18,8,ZAG.....2	2
8	825358GT	WASHER,FLAT,5/16,USS,ZAG.....2	2
9	1259266GT	SCREW,HEX UNSLOTTED,14-10X.5,T.....2	2
10	40833GT	FUSE,275 AMP,VERY FAST ACTING.....1	1
11	66717GT	FUSE BLOCK, ANN & ANL FUSE.....1 <i>(includes mounting fasteners)</i>	1
12	132902GT	ASSY,GS BATTERY TRAY <i>(does not include decals, please refer to section 1) (includes items 1, 2, 3, 13, 14, 17 and 20)</i>	
13	30784-2550GT	THREADED ROD,(1/4-20),25.50.....1	1
14	1256863GT	WASHER,FLAT,.75,SAE,HRD,ZAG	
15A	76494GT	BATT,6V,225AH T105 LPT3CAP.....4	4
--	1255805GT	NUT,SERRATED,5/16-18,8,ZAG	
15B	1263152GT	FULLRIVER BATT,D C224-6,6V,224AH,GS3246 AGM.....4 <i>(horizontal battery connections) (replaced 96205, vertical battery cable connections)</i>	4
16	1270457GT	CONTACTOR,DRIVE,24V,180A	
17	1256679GT	NUT,SERRATED,1/4-20,8,ZAG.....2	2
18		Ref. Battery Charger <i>(Refer to 206.1)</i>	
19	825349GT	SCREW,PHPM,10-32X.38,ZAG.....2	2
20	55675GT	LATCH, LRG PADDLE HANDLE GS90...1	1

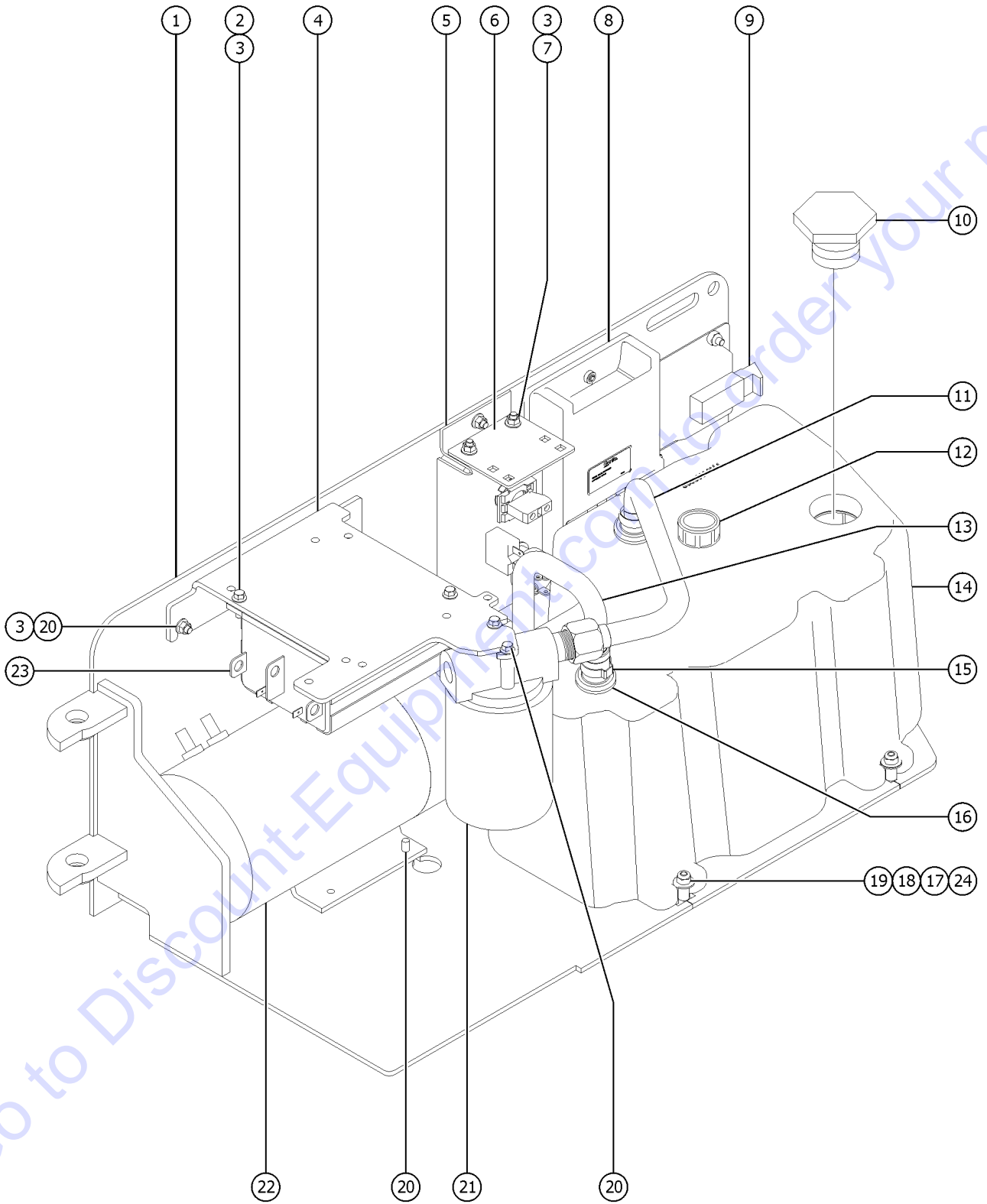
206.1 Battery Charger



206.1 Battery Charger

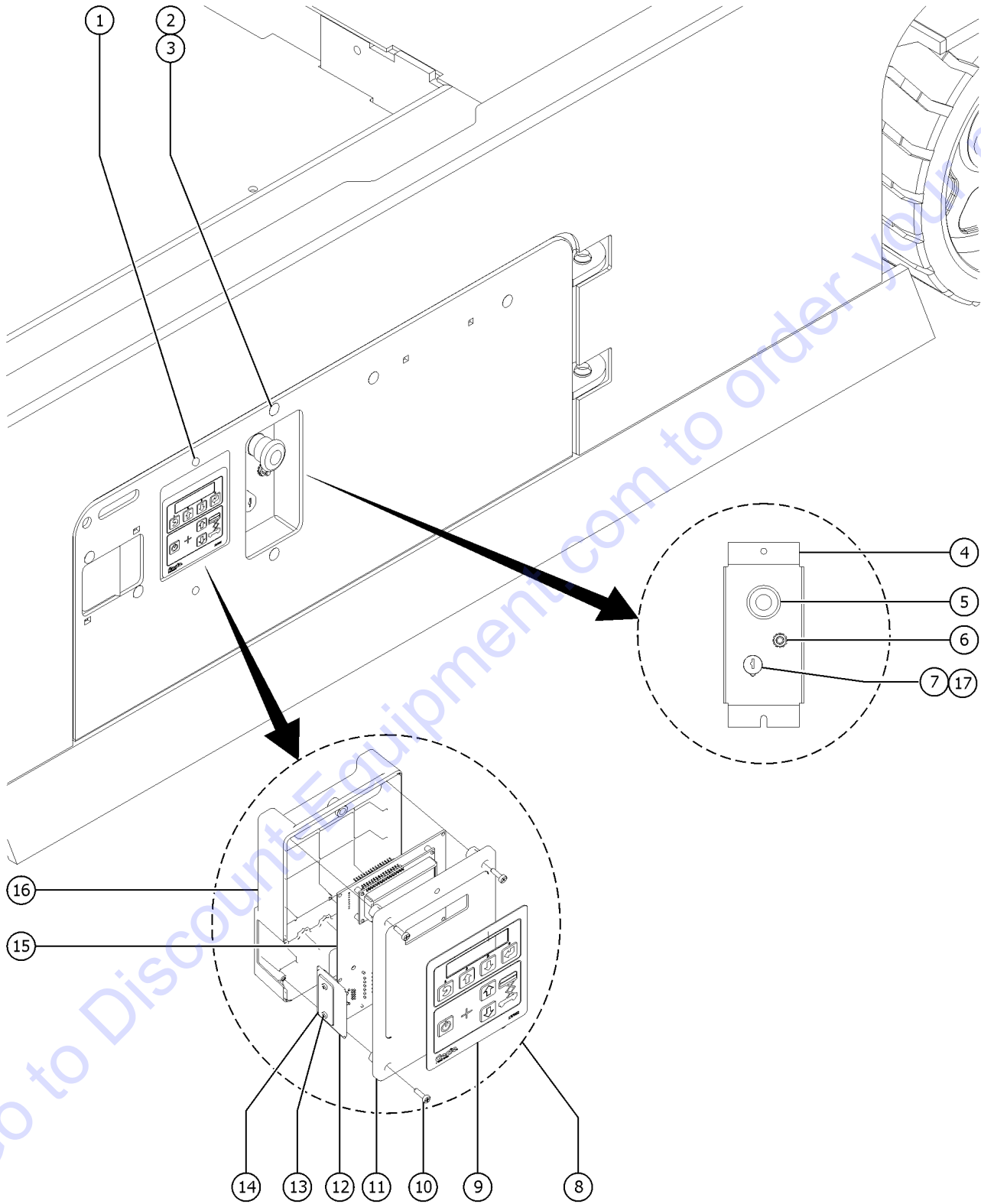
Item	Part No.	Description	Qty.
A	105334GT	CONNECTOR, IEC CHARGER CORD <i>for 5-LED battery charger</i>	
B	97059GT	FUSE,BATTERY CHARGER*** <i>for 5-LED battery charger</i>	
C	1273576GT	CABLE ASSY,CHARGER/BATTERY <i>(for 1264372)</i>	
1C	1272232GT	CHARGER,24V,650W,USB.....1 <i>(from SN GS3016D-5426)</i>	
--	1272119GT	HARNESS,LED CHARGER,GS30 <i>wire harness with 15-pin connector</i>	
--	1272557GT	POWER CORD, IEC 320, 90 DEG <i>power supply cord (ANSI/CSA models)</i>	
--	1272844GT	CABLE,CHARGER, DC, W/ BTS <i>for AGM 'maintenance free' batteries</i>	
--	1273576GT	CABLE ASSY,CHARGER/BATTERY <i>for standard 'flooded' batteries</i>	
--	1279428GT	KIT,DC BLOCK ASSEMBLY	
2		Ref. CABLE ASSY,CHARGER/BATTERY <i>(refer to 210.1)</i>	
3	55010GT	LOCK, CONNECTOR.....1 <i>(includes fasteners)</i>	
4B	1272557GT	POWER CORD, IEC 320, 90 DEG.....1	
5		Ref. PLUG, ELECTRICAL <i>(refer to 406.1)</i>	

207.1 Power Unit Module



Item	Part No.	Description	Qty.
1A	231114GT	HYDR TRAY ASSY W/WORDS.....1	
--	T113296GT	WELDMENT,GS HYD TRAY (decals not included, refer to section one)	
1B	231167GT	HYDR TRAY ASSY,GS30 W/SYMBOLS.....1	
--	T113296GT	WELDMENT,GS HYD TRAY (decals not included, refer to section one)	
2	824080GT	SCREW,HHF,1/4-20X1.25,8,ZAG (refer to figure 208.1)	
3	824027GT	NUT,TL FLG,1/4-20,G,ZAG	
4	1276562GT	FORMING,FILTER-CONTROLLER MOUNT	
5		Ref. FORMING, CONTROL PANEL	
6	T108326GT	PLATE,HARNES MOUNT.....1	
7	824124GT	BOLT,CARRIAGE,1/4-20X.75,5,ZAG	
8		Ref. GCON, GR/GRC/GS (refer to figure 208.1)	
9	55675GT	LATCH, LRG PADDLE HANDLE GS90...1	
10	66204GT	FILTER CAP (PLUG 1-1/2" NPT HEX.....1	
11	1270598GT	TUBE, SLAB DRAW ASSEMBLY	
12	78546GT	BREATHER CAP,HYD. TANK,1/4 NPT.....1	
13	1276561GT	TUBE, SLAB RETURN ASSEMBLY	
14	226163GT	HYD. TANK KIT, GS30,32,46.....1 (includes items 15 and 16)	
--	T109012GT	TANK,HYD, SLAB SCISSORS	
15	96855GT	CLAMP,HOSE,1 EAR,1-1/16***.....2	
16	96709GT	GROMMET,SLAB HYD TANK***.....2	
17	96699GT	SLEEVE,TANK SUPPORT	
18	6638GT	WASHER,FLAT,USS,1/4"Y	
19	9116GT	BOLT,CARRIAGE,1/4-20x1.25,G2	
20	824078GT	SCREW,HHF,1/4-20X.75,8,ZAG	
21		REF. FILTER ASSY (refer to figure 501.1)	
22		REF. ELECTRIC MOTOR/PUMP (refer to figure 505.1)	
23	823408GT	MOTOR CONTROLLER, DC,24V,300A.....1	
24	6091GT	NUT,NYLOCK,1/4-20.....3	

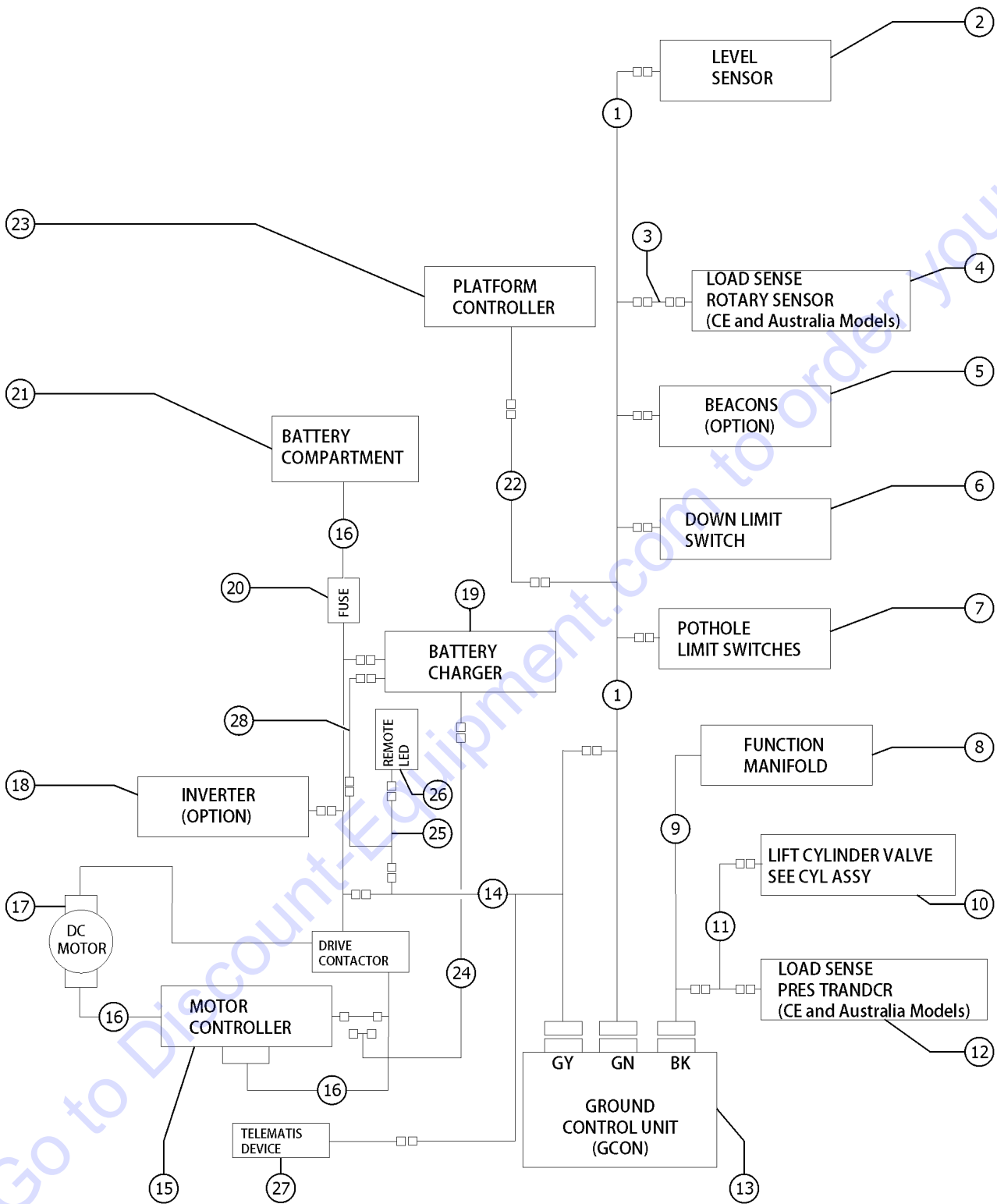
208.1 Ground Controls, All Models



208.1 Ground Controls, All Models

Item	Part No.	Description	Qty.
A	83093GT	KEY SINGLE*** <i>includes rubber boot</i>	
B	21982GT	KEY,SINGLE*** <i>without rubber boot</i>	
C	37947GT	KEYS,10 PACK*** <i>without rubber boots</i>	
1	51063GT	SCREW,PHILLIPS,RHM,10-32 X 1.5.....2	
2	824124GT	BOLT,CARRIAGE,1/4-20X.75,5,ZAG.....2	
3	824027GT	NUT,TL FLG,1/4-20,G,ZAG.....2	
4	T108327GT	FORMING,CONTROL PANEL.....1	
5	66812GT	BUTTON,PUSH,RED MUSHROOM HEAD.....1	
--	58627GT	NUT.....1	
--	66817GT	BASE WITH 1 NC CONTACT, E-STOP...1	
--	66818GT	CONTACT, N.C.....1	
6	96452GT	CIRCUIT BREAKER,7.0 AMP***.....1	
--	122994GT	NICKEL PLATED JAM NUT.....1	
--	6700GT	WASHER,STAR,EXTERNAL,.375.....1	
7A	96008-SGT	KEYSWITCH,3 POS. W/KEYS***.....1	
--	85239GT	NUT,RETAINER (96008)	
--	88827GT	GASKET,KEYSWITCH,PLASTIC***	
--	96009GT	WASHER,NITRILE <i>(sold seperately)</i>	
--	96010GT	SCREW,PHILLIPS,PHM,8-32 X.25** <i>(sold seperately)</i>	
7B	83131GT	KEYSWITCH,3 POS W/KEYS,LOCKING <i>Australia market only; not for CE market</i>	
--	85239GT	NUT,RETAINER (96008)	
8	1256721GT	GCON,STD,PROP LIFT.....1	
9	137562GT	DECAL,MEMBRANE, GR/GRC/GS GCON.....1	
10	137668GT	SCREW,PHM,6-19X.75, 48-2 TRI-L.....4	
11	T106366GT	ENCLOSURE,GC27-25/GC21-19,FRNT.1	
12	T106363GT	ADAPTER, RJ45, GC27-25/GC21-19.....1	
13	137637GT	SCREW,PHM,4-20X.5, 48-2 TRI-L.....2 <i>(Not shown)</i>	
14	T106362GT	COVER, RJ45, GC27-25/GC21-19.....1	
15	1256719GT	PCBA,GCON STD,PROP LIFT	
16	T106372GT	ENCLOSURE, GC21-19, BK.....1	
17	96010GT	SCREW,PHILLIPS,PHM,8-32 X.25**.....3	

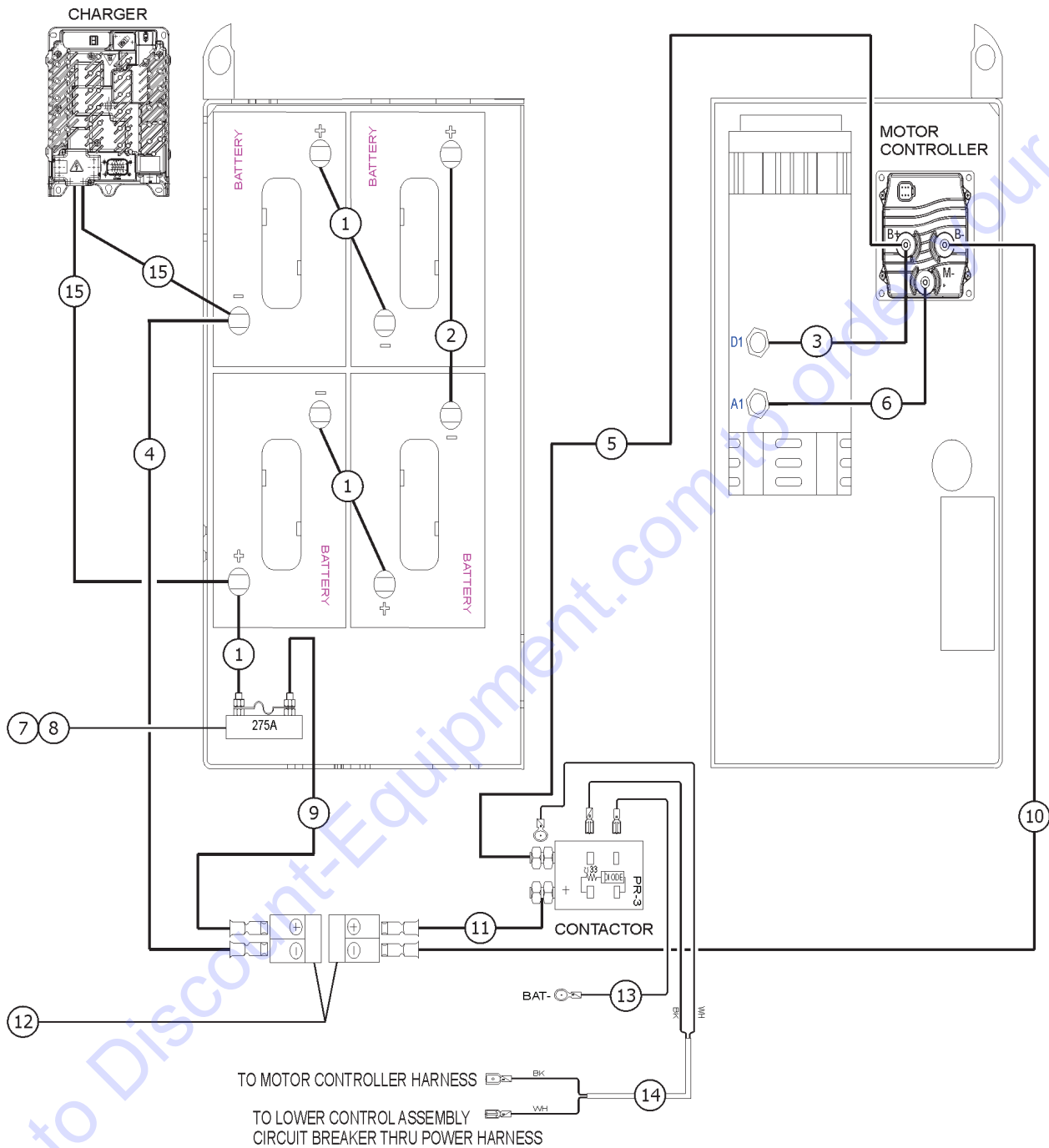
209.1 Electrical Wiring



209.1 Electrical Wiring

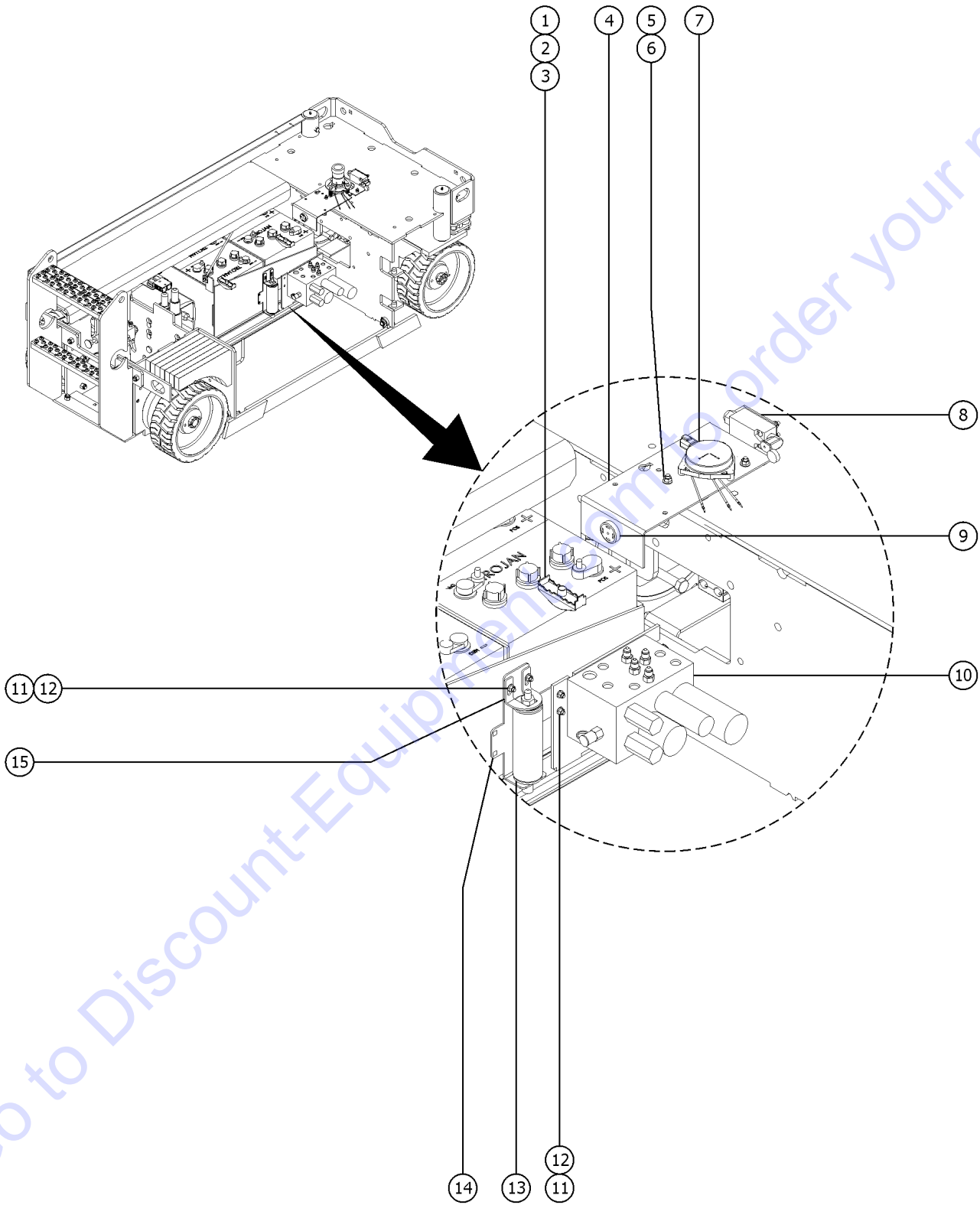
Item	Part No.	Description	Qty.	Item	Part No.	Description	Qty.
A	88335GT	PLUG,DTM SEAL 20-24GA		18	96459GT	HARNESS ASSEMBLY, INVERTER	
B	1264822GT	KIT, TRC RETROFIT, STNDRD <i>Telematics (includes 1264834)</i>		19		REF. BATTERY CHARGER <i>refer to 206.1</i>	
--	1264834GT	INSTRN, TRC RETROFIT, STNDRD		20		REF. FUSE <i>refer to 205.1</i>	
1A	1263221GT	HARNESS, GS SENSORS, ANSI,UTS...1 <i>ANSI, CSA, S. America</i>		21		REF. BATTERY COMPARTMENT <i>refer to 205.1</i>	
1B	1263220GT	HARNESS, GS SENSORS, CE,UTS.....1 <i>CE, AUS, Asia</i>		22A	T112510GT	CABLE, PLATFORM CONTROL, 15XX...1 <i>GS-1530 and GS-1532</i>	
1B	1263221GT	HARNESS, GS SENSORS, ANSI,UTS...1 <i>ANSI, CSA, S. America (from SN GS3016P-156294)</i>		--	218579GT	WIRE CABLE 18/5 - UNSHIELDED.....212-inches <i>GS-1530 and GS-1532</i>	
1C	T110891GT	HARNESS, GS SENSORS, CE.....1 <i>CE, AUS, Asia (to SN GS3016P-156293) (Green connector)</i>		--	231921GT	KIT,CONN,RECEPT W/PIN AND LOCK	
--	233711GT	HRNS ASSY,RESISTOR DIODE <i>for 228786 and T110891</i>		--	231922GT	KIT,CONN,PLUG W/SCKT AND LOCK	
1D	1263220GT	HARNESS, GS SENSORS, CE,UTS.....1 <i>CE, AUS, Asia (from SN GS3016P-156294)</i>		22B	T112511GT	CABLE, PLATFORM CONTROL, 19XX...1 <i>GS-1930 and GS-1932</i>	
2		REF. LEVEL SENSOR <i>refer to 203.1</i>		--	218579GT	WIRE CABLE 18/5 - UNSHIELDED.....278-inches	
3	T114031GT	HARNESS, ROTARY ANGLE <i>CE and AUS</i>		--	231921GT	KIT,CONN,RECEPT W/PIN AND LOCK	
4	T113136GT	ASSY,ROT SENSR W/ HARNESS.....1 <i>CE and AUS</i>		--	231922GT	KIT,CONN,PLUG W/SCKT AND LOCK	
5		REF. BEACONS <i>refer to 601.1</i>		23		REF. Joystick Controller <i>refer to 407.1</i>	
6	T112507GT	ASSEMBLY, DOWN LIMIT, GS.....1		24	144213GT	CHARGER INTERLOCK CBLE,GS30/32	
7	96309GT	ASSY,POTHOLE HARNESS,GS.....1		25	1273394GT	HARNESS, CHARGER EXTENSION....1 <i>from SN GS3016D-6096</i>	
8		REF. FUNCTION MANIFOLD <i>refer to 502.1</i>		26	1270281GT	ASSEMBLY, CHARGER STATUS LED, 2V.....1 <i>from SN GS3016D-6096</i>	
9	1257824GT	HARNESS,FUNCTION MANIFOLD,GS...1 <i>(Black connector)</i>		27	1283053GT	HARNESS, TELEMATICS, GS SLAB....1 <i>from SN GS30D-17247</i>	
10		REF. LIFT CYLIDER VALVE <i>refer to 506.1</i>		28	1265771GT	HARNESS, CHARGER CONTROL.....1 <i>from SN GS3016D-5426</i>	
11A	T112508GT	CABLE, LIFT CYL DOWN WO/LS.....1 <i>ANSI, CSA, Asia, S. America</i>					
11B	T112509GT	CABLE, LIFT CYL DOWN W/LS.....1 <i>CE and AUS</i>					
12	229750GT	HARNESS,PRESS,TRANSDUCER***....1 <i>CE and AUS</i>					
13		REF. GROUND CONTROLS <i>refer to 208.1</i>					
14	1258394GT	HARNESS,GS POWER CONTROL.....1 <i>(Grey connector)</i>					
15		REF. MOTOR CONTROLLER <i>refer to 207.1</i>					
16		REF. ELECTRICAL WIRING AND POWER CABLES <i>refer to 210.1</i>					
17		REF. DC MOTOR <i>refer to 505.1</i>					

210.1 Power Cables



Item	Part No.	Description	Qty.
A	28131GT	WIRE LOOM,1.25 DIA.....16-inches	
B	96110GT	BOOT,CABLE TERMINAL COVER.....14	
C	79140GT	BOOT,CABLE TERMINAL,RED,XL.....2	
1	96304GT	CABLE ASSY,BATT,5.50"RED.....3	
2	96306GT	CABLE ASSY,BATT,9.50"RED.....1	
3	1257054GT	CABLE ASSY., BATT. 14" RED.....1	
4	232578GT	CABLE ASSY,BATT, 20" BLK.....1	
5	1257059GT	CABLE ASSY., BATT. 75" RED.....1	
6	1257055GT	CABLE ASSY., BATT. 12" BLACK.....1	
7	66717GT	FUSE BLOCK, ANN & ANL FUSE.....1	
8	40833GT	FUSE,275 AMP,VERY FAST ACTING.....1	
9	232576GT	CABLE ASSY,BATT, 12" RED.....1	
10	1257058GT	CABLE ASSY., BATT. 79" BLACK.....1	
11	233371GT	CABLE ASSY,BATT,23"RED.....1	
12	66397GT	QUICK DISCONNECT CASING,BATT**2	
13	232582GT	GROUND WIRE ASSY,GS.....1	
14	233431GT	HRNS,CONTACTOR SIGNL,GS30/32.....1	
15	1273576GT	CABLE ASSY,CHARGER/BATTERY (standard batteries)	

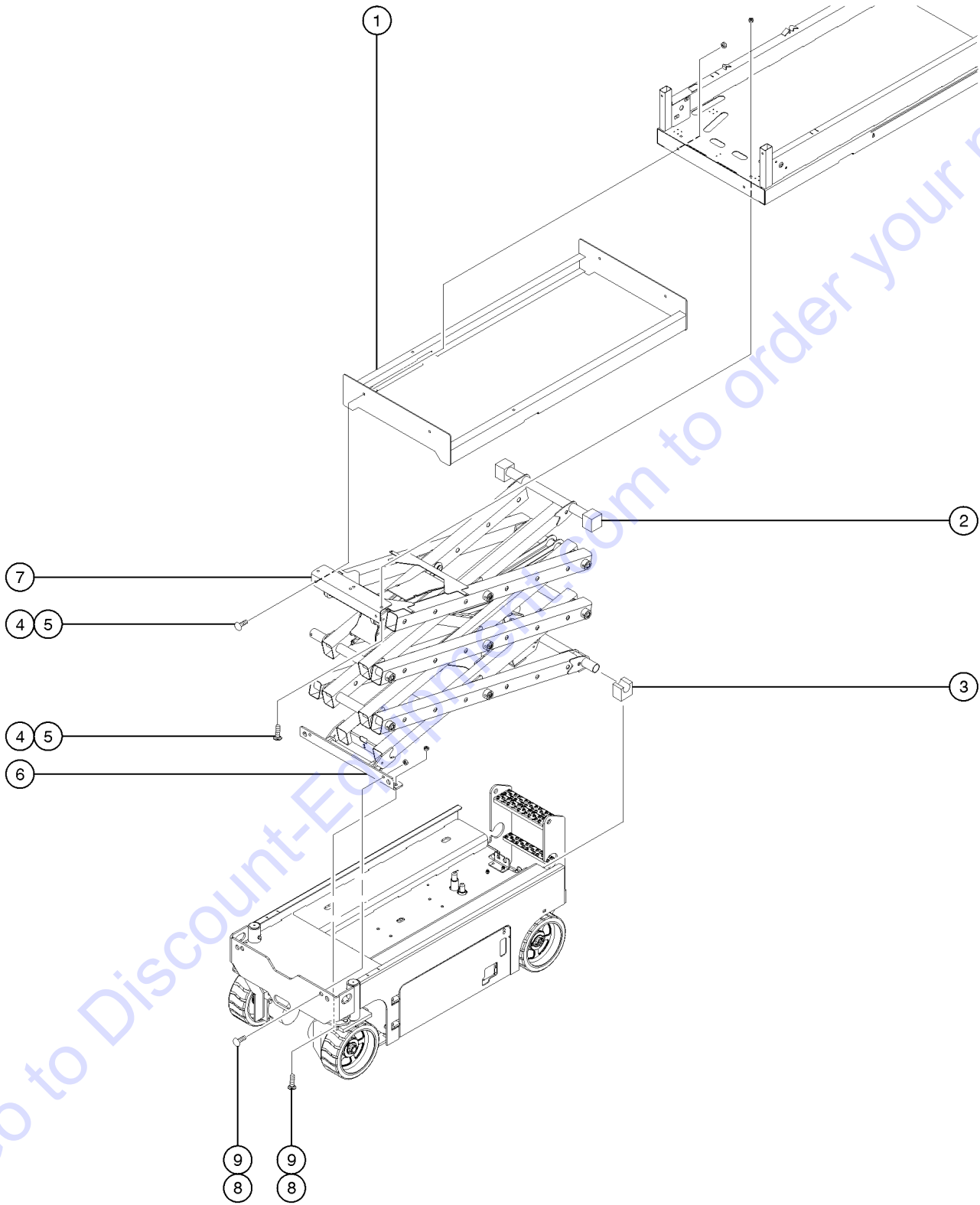
211.1 Function Manifold and Accumulator Components



211.1 Function Manifold and Accumulator Components

Item	Part No.	Description	Qty.
1	105209GT	CLAMP,CABLE & HOSE.....	2
2	824081GT	SCREW,HHF,1/4-20X1.5,8,ZAG.....	2
3	6091GT	NUT,NYLOCK,1/4-20.....	2
4		Ref. Alarm Bracket (refer to 203.1)	
5	824029GT	NUT,TL FLG,3/8-16,G,ZAG	
6	824125GT	BOLT,CARRIAGE,3/8-16X1,5,ZAG	
7		Ref. Level Sensor (refer to 203.1)	
8		Ref. Limit Switch with Roller (refer to 203.1)	
9		Ref. Alarm, Steady Tone (refer to 203.1)	
10		Ref. Function Manifold (refer to 502.1)	
11	824027GT	NUT,TL FLG,1/4-20,G,ZAG.....	6
12	824124GT	BOLT,CARRIAGE,1/4-20X.75,5,ZAG.....	6
13	78422GT	ACCUMULATOR,180 PSI PRECHARGE*.....	1
14	105210GT	FORMING, ACCUMULATOR BRACKET.....	1
15	105211GT	FORMING, ACCUMULATOR CLAMP.....	1

301.1 Scissor Assembly Installation

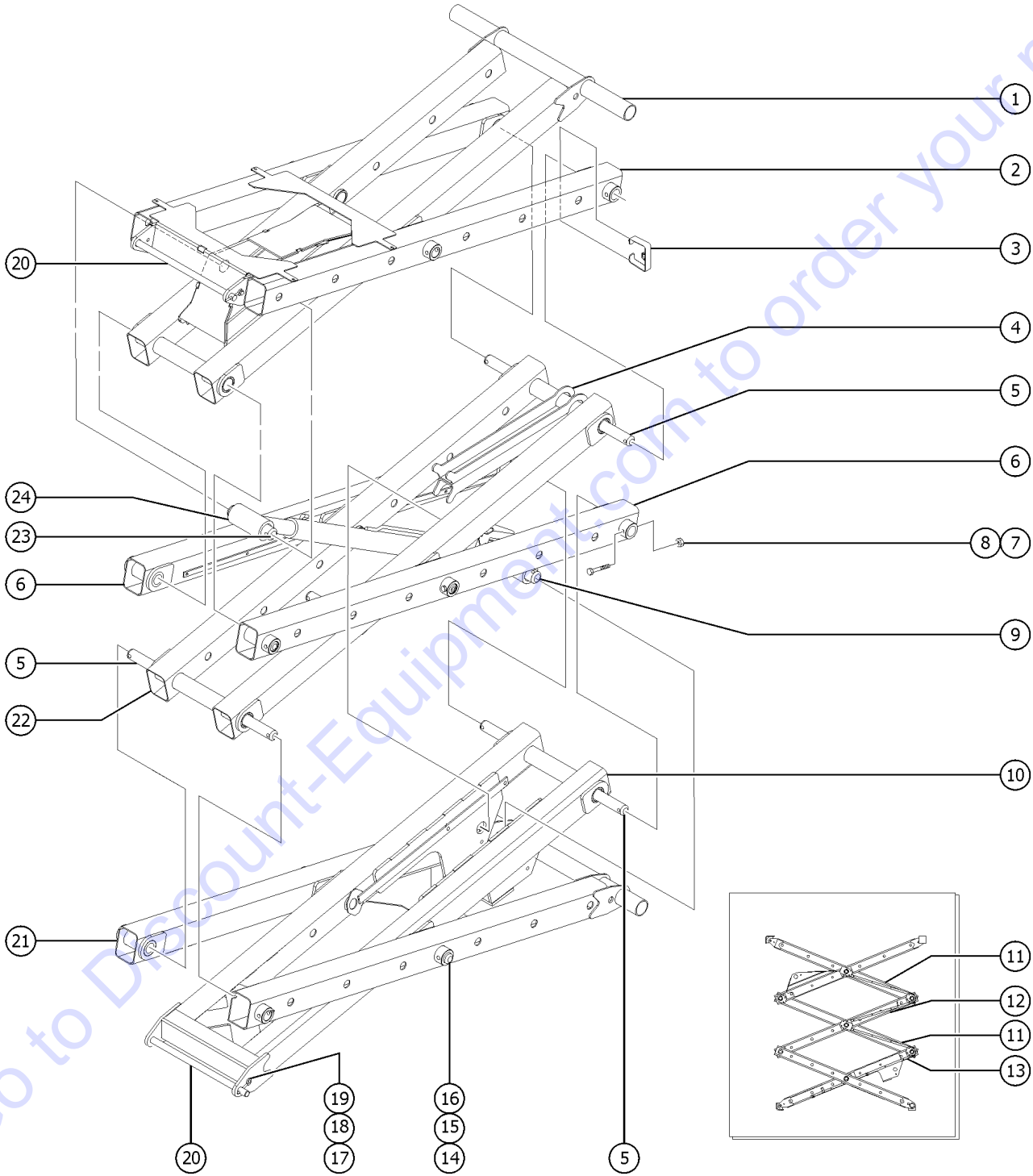


Go to Discount-Equipment.com to order your parts

301.1 Scissor Assembly Installation

Item	Part No.	Description	Qty.
1	96415GT	WLDMT,PLATFORM SLIDER.....1 <i>GS-1530 & GS-1532 Models Only</i>	1
2	96576GT	SLIDER,MINI PLATFORM,DRILLED**....2	2
3	96126GT	SLIDER, UHMW.....2	2
4	1256115GT	BOLT,CARRIAGE,1/2-13X1.75,5,ZA.....8	8
5	1251997GT	NUT,TL FLG,1/2-13,G,ZAG.....8	8
6	84693GT	CHASSIS MOUNT ASSY, GS30.....1	1
--	36369GT	BEARING,0.75IDX1.00ODX0.75L.....2	2
7	1255757GT	BOLT,CARRIAGE,3/8-16X1.25,5,ZAG	
8	824029GT	NUT,TL FLG,3/8-16,G,ZAG	
9A	84694GT	PLATFORM MOUNT ASSY, 15 FT.....1 <i>GS-1530, GS-1532</i>	1
--	36369GT	BEARING,0.75IDX1.00ODX0.75L.....2	2
9B	84695GT	PLATFORM MOUNT ASSY, 19 FT.....1 <i>GS-1930, GS-1932</i>	1
--	36369GT	BEARING,0.75IDX1.00ODX0.75L.....2	2

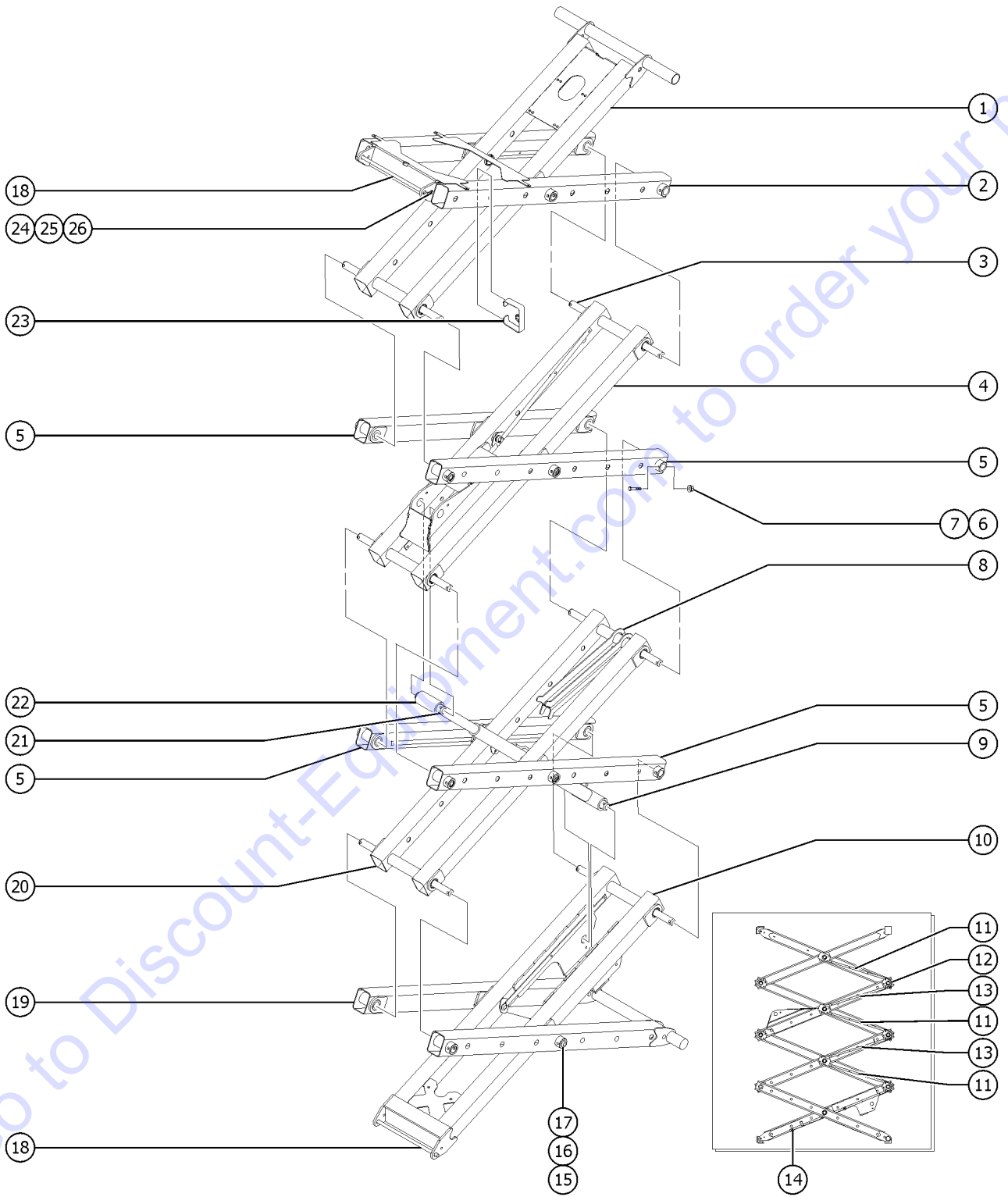
302.1 Scissor Assembly, GS-1530/1532



302.1 Scissor Assembly, GS-1530/1532

Item	Part No.	Description	Qty.
1	84578GT	INNER ARM ASSY,#3,15FT.....1	1
--	96487GT	BEARING,1.26IDX1.53ODX1.25L.....6	6
2	105280GT	WELDMENT,LINK PLATFORM MNT***.....2	2
3	96331GT	LINK BUMPER.....8	8
4	58000GT	SAFETY CHOCK,SCISSOR.....1	1
5	105085GT	PIN,MINI END***.....4	4
6	96121GT	WELDMENT, LINK, SINGLE.....2	2
7	824025GT	NUT,TL,3/8-16,C,ZAG	
8	1256848GT	SCREW,HHC,3/8-16X2.75,8,ZAG	
9	47666GT	PIN,1.50DIA X9.13LG,1HOLE.....1	1
10A	105997GT	INNER ARM ASSY#1,15&19FT,WORD.....1 (USA, Canada, and Australia)	1
--	105818GT	WLDTMT,LINK,#1 INNER,15&19 FT.....1 (decals not included, refer to section one)	1
--	96487GT	BEARING,1.26IDX1.53ODX1.25L.....6	6
10B	105998GT	INNER ARM ASSY#1,15&19FT,SYMB....1 (Europe, Asia, South America)	1
--	105818GT	WLDTMT,LINK,#1 INNER,15&19 FT.....1 (decals not included, refer to section one)	1
--	96487GT	BEARING,1.26IDX1.53ODX1.25L.....6	6
11	105183GT	WLDMT,CABLE BRIDGE,BOTTOM,MINI.....2	2
12	105184GT	WELDMENT,CABLE BRIDGE, TOP,MINI.....1	1
13	105182GT	WLDMT,CABLE BRIDGE, LOWER,MINI.....1	1
14	824164GT	SNAP RING,EXTERNAL,1.25,ZAG.....6	6
15	1251799GT	WASHER,SHIM, 1.27X2.13X.13,ZAG	
16	96130GT	PIN, MINI, CENTER.....6	6
17	824080GT	SCREW,HHF,1/4-20X1.25,8,ZAG	
18	825020GT	ROD END, .25 X 2.75, ZAG.....2	2
19	824027GT	NUT,TL FLG,1/4-20,G,ZAG	
20	96131GT	PIN, CHASSIS PIVOT.....2	2
21A	84581GT	OUTER ARM ASSY#1,15&19FT WORD.....1 (USA, Canada, and Australia)	1
21B	84583GT	OUTER ARM ASSY,#1,15&19FT SYMB.....1 (Europe, Asia, South America)	1
22	84582GT	INNER ARM ASSY,#2,15/19 FT,WRD....1 (decals not included, refer to section one)	1
--	96487GT	BEARING,1.26IDX1.53ODX1.25L.....8	8
22B	1275748GT	WELDMENT, LINK, INNER,#2, KO.....1 Korean market	1
23	96283GT	PIN, CYLINDER, SHORT.....1	1
24		REF. LIFT CYLINDER (refer to 506.1)	

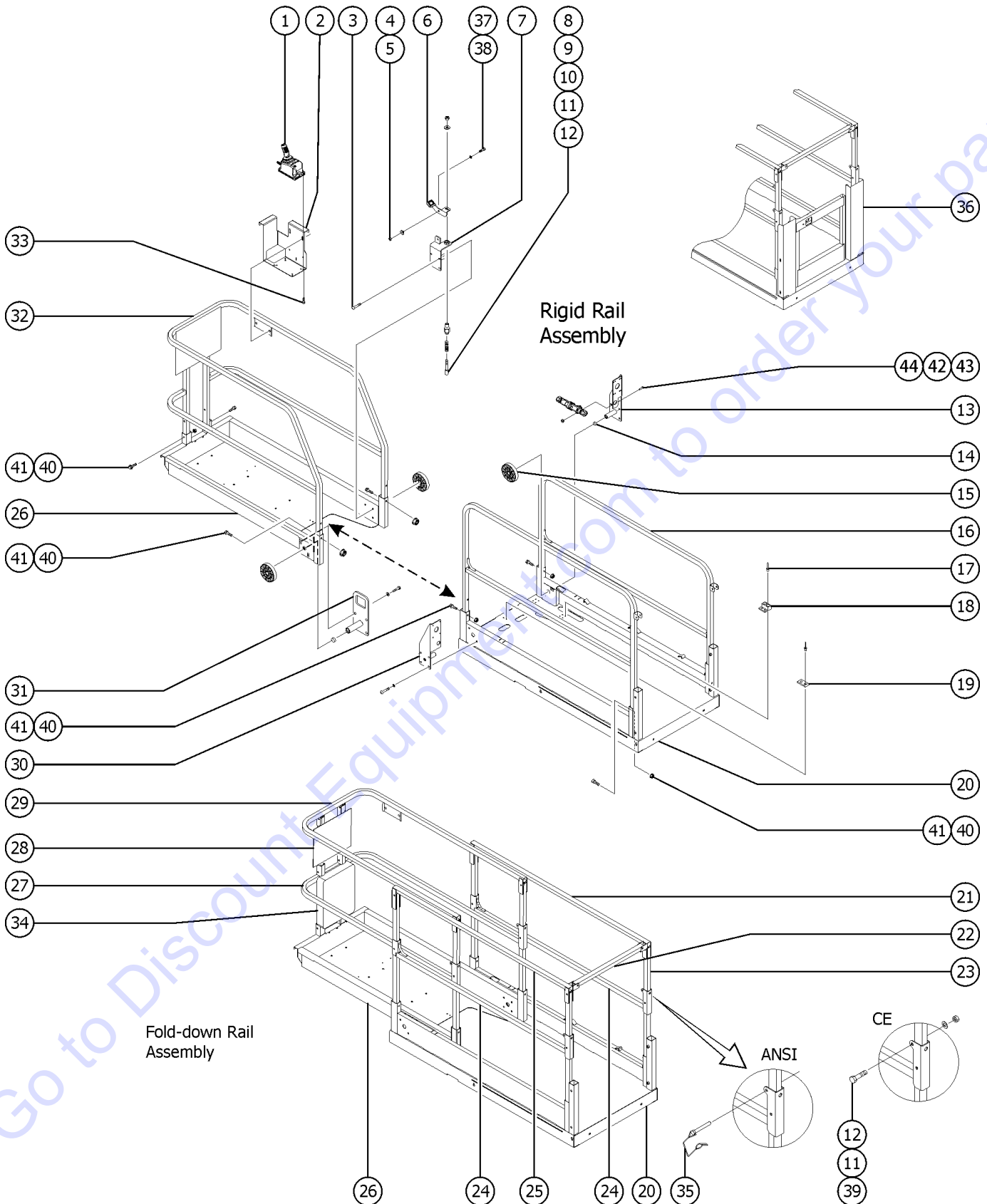
303.1 Scissor Assembly, GS-1930/1932



303.1 Scissor Assembly, GS-1930/1932

Item	Part No.	Description	Qty.	Item	Part No.	Description	Qty.
1	84579GT	INNER ARM ASSY,#4 19FT.....	1	26	824027GT	NUT,TL FLG,1/4-20,G,ZAG	
--	96487GT	BEARING,1.26IDX1.53ODX1.25L.....	6				
2	105280GT	WELDMENT,LINK PLATFORM MNT***.....	2				
3	105085GT	PIN,MINI END***.....	6				
4	84580GT	INNER ARM ASSY, #3, 19FT.....	1				
--	96487GT	BEARING,1.26IDX1.53ODX1.25L.....	8				
5	96121GT	WELDMENT, LINK, SINGLE.....	4				
6	824029GT	NUT,TL FLG,3/8-16,G,ZAG					
7	1256848GT	SCREW,HHC,3/8-16X2.75,8,ZAG					
8	58000GT	SAFETY CHOCK,SCISSOR.....	1				
9	47666GT	PIN,1.50DIA X9.13LG,1HOLE.....	1				
10A	105997GT	INNER ARM ASSY#1,15&19FT,WORD..... (USA, Canada, Australia)	1				
--	105818GT	WLDTMT,LINK,#1 INNER,15&19 FT..... (decals not included, refer to section one)	1				
--	96487GT	BEARING,1.26IDX1.53ODX1.25L.....	6				
10B	105998GT	INNER ARM ASSY#1,15&19FT,SYMB... (Europe, Asia, South America)	1				
--	105818GT	WLDTMT,LINK,#1 INNER,15&19 FT..... (decals not included, refer to section one)	1				
--	96487GT	BEARING,1.26IDX1.53ODX1.25L.....	6				
11	105183GT	WLDMT,CABLE BRIDGE,BOTTOM,MINI.....	3				
12	105185GT	CLIP, CABLEBRIDGE, MINI.....	3				
13	105184GT	WELDMENT,CABLE BRIDGE, TOP, MINI.....	2				
14	105182GT	WLDMT,CABLE BRIDGE, LOWER, MINI.....	1				
15	824164GT	SNAP RING,EXTERNAL,1.25,ZAG.....	8				
16	1251799GT	WASHER,SHIM, 1.27X2.13X.13,ZAG					
17	96130GT	PIN, MINI, CENTER.....	8				
18	96131GT	PIN, CHASSIS PIVOT.....	2				
19A	84581GT	OUTER ARM ASSY#1,15&19FT WORD..... (USA, Canada, Australia)	1				
19B	84583GT	OUTER ARM ASSY,#1,15&19FT SYMB..... (Europe, Asia, South America)	1				
20	84582GT	INNER ARM ASSY,#2,15/19 FT,WRD....	1				
21	96283GT	PIN, CYLINDER, SHORT.....	1				
22		Ref. Lift Cylinder (refer to 506.1)					
23	96331GT	LINK BUMPER.....	8				
24	824080GT	SCREW,HHF,1/4-20X1.25,8,ZAG					
25	825020GT	ROD END, .25 X 2.75, ZAG.....	2				

401.1 Platform Components, GS-1530



401.1 Platform Components, GS-1530

Item	Part No.	Description	Qty.	Item	Part No.	Description	Qty.
1A		Ref. Platform Control Box <i>(refer to 407.1 or 408.1)</i>		--	47098GT	TAPE, NON-SKID, DIE CUT, 4" X 40"	
1B	1280957GT	PCON ASSEMBLY, HARTING CONN OPTION.....	1	--	47231GT	TAPE, NON-SKID, DIE CUT, 4" X 16"	
2		Ref. Platform Control Box Mount Bracket <i>(refer to 407.1 or 408.1)</i>		20E	1259829GT	WELDMENT, PLATFORM, MWI, GS30...	1
3	1253478GT	SCREW, HHF, 3/8-16 X 2, 8, ZAG		21	132211GT	WLDMT, MAIN SIDERAIL UPPER LT.....	1
4	1252977GT	NUT, TL JAM, 5/16-18, A, ZAG.....	1	--	78038GT	CAP, TUBE, SQ, 1.25 X .083	
5	825358GT	WASHER, FLAT, 5/16, USS, ZAG.....	1	22	132212GT	TUBE SWING.....	1
6	46260GT	FOOTPEDAL W/NON-SKID TAPE, GS**.....	1	23	132213GT	TUBE, VERT, FOLDING.....	6
--	132996GT	BRACKET, FOOT PEDAL		24	132209GT	WLDMT, MAIN FOLDING SIDERAIL.....	2
--	47225GT	TAPE, NON-SKID, DIE CUT, 1.38 X 1.5		--	78038GT	CAP, TUBE, SQ, 1.25 X .083	
7	132151GT	ROLLER SUPPORT BRACKET.....	1	25	132210GT	WLDMT, MAIN SIDERAIL, UPPER RT....	1
8	1259181GT	PIN, LOCK, 0.5 X 3.125, ZAG.....	1	--	78038GT	CAP, TUBE, SQ, 1.25 X .083	
9	39469GT	SPRING, COMPRESSION. 485 X 1.75**....	1	26A	97123GT	PLAT EXT DECK ASSY, GS30.....	1
10	41630GT	HOUSING, LOCK PIN.....	1	--	39474GT	WEAR PAD, PLATFORM.....	1
11	1255758GT	WASHER, FLAT, 3/8, USS, ZAG		--	47374GT	TAPE, NON-SKID, DIE CUT, 4" X 32".....	3
12	824038GT	NUT, TL JAM, 3/8-16, A, ZAG		--	T113787GT	RIVET, ALUM, STL, .188 X .250.....	2
13A	132128GT	ROLLER BRKT RT..... <i>(ground controls side), to SN GS30D-18079</i>	1			<i>for 39474</i>	
13B	1286357GT	WLDMT, ROLLER BRKT, RT, HARTING PLUG..... <i>from SN GS30D-18080</i>	1	26B	132140GT	WELDMENT, EXT PLATFORM.....	1
14	21279GT	BUTTON, .800 O.D. X .281.....	3	27	1269307GT	WELDMENT, FOLDING, LOWER, EXTENSION.....	1
15	47163GT	ROLLER, PLATFORM EXTENSION.....	4	--	78038GT	CAP, TUBE, SQ, 1.25 X .083	
16	1282138GT	WLDMT, MAIN SIDERAIL, METRIC.....	2	28A	231111GT	DECAL PLATE ASSY, GS30, ANSI.....	1
17	39579GT	RIVET, STL, STL, .188 X .45.....	20			<i>(North America)</i>	
18	39310GT	WEAR/GUIDE PAD MAIN PLATFORM....	4	28B	231610GT	DECAL PLATE ASSY, GS30, AUSTRAL....	1
19	39474GT	WEAR PAD, PLATFORM.....	2			<i>(Australia)</i>	
20A	97115GT	PLAT MAIN DECK ASSY, 1530 ANSI..... <i>GS-1530 (North America) (includes items 18, 19 & 20)</i>	1	28C	84590GT	DECAL PLATE ASSY W/SYM DECALS.....	1
--	47098GT	TAPE, NON-SKID, DIE CUT, 4" X 40"				<i>(Asia, Europe and South America)</i>	
--	47231GT	TAPE, NON-SKID, DIE CUT, 4" X 16"		28D	1269346GT	WLDMT, DECAL PLATE, NEW.....	1
20B	231103GT	PLAT MAIN DECK ASSY, 1530 AU..... <i>GS-1530 (Australia) (includes items 18, 19 & 20)</i>	1	29	1269302GT	WELDMENT, FOLDING, UPPER, EXTENSION.....	1
--	47098GT	TAPE, NON-SKID, DIE CUT, 4" X 40"		--	78038GT	CAP, TUBE, SQ, 1.25 X .083	
--	47231GT	TAPE, NON-SKID, DIE CUT, 4" X 16"		30	132127GT	ROLLER BRKT LEFT.....	1
20C	97118GT	PLAT MAIN DECK ASSY, 1530 SMBL..... <i>GS-1530 (Asia, and South America) (includes items 18, 19 & 20)</i>	1	31A	84586GT	LANYARD ROLLER BRKT ASSY W/DEC.....	1
--	47098GT	TAPE, NON-SKID, DIE CUT, 4" X 40"		--	21279GT	BUTTON, .800 O.D. X .281	
--	47231GT	TAPE, NON-SKID, DIE CUT, 4" X 16"		31B	132121GT	WELDMENT PLATFORM LANYARD.....	1
20D	231104GT	PLAT MAIN DECK ASSY, 1530 CE..... <i>GS-1530 (Europe) (includes items 18, 19 & 20)</i>	1	32A	231112GT	FIXED RAILS ASSY, GS30, ANSI.....	1
						<i>(North America)</i>	
				32B	231611GT	FIXED RAILS ASSY, GS30, AUSTRAL....	1
						<i>(Australia)</i>	
				32C	97132GT	FIXED RAILS ASSY, GS30 SYMBOL.....	1
						<i>(Asia, Europe and South America)</i>	
				32D	1282141GT	WLDMT, EXT SIDERAIL, METRIC.....	1
				33	824078GT	SCREW, HHF, 1/4-20 X .75, 8, ZAG	
				34A	44743GT	MANUAL BOX W/DECALS***.....	1
						<i>USA/Canada/Australia</i>	



401.1 Platform Components, GS-1530
(continued)

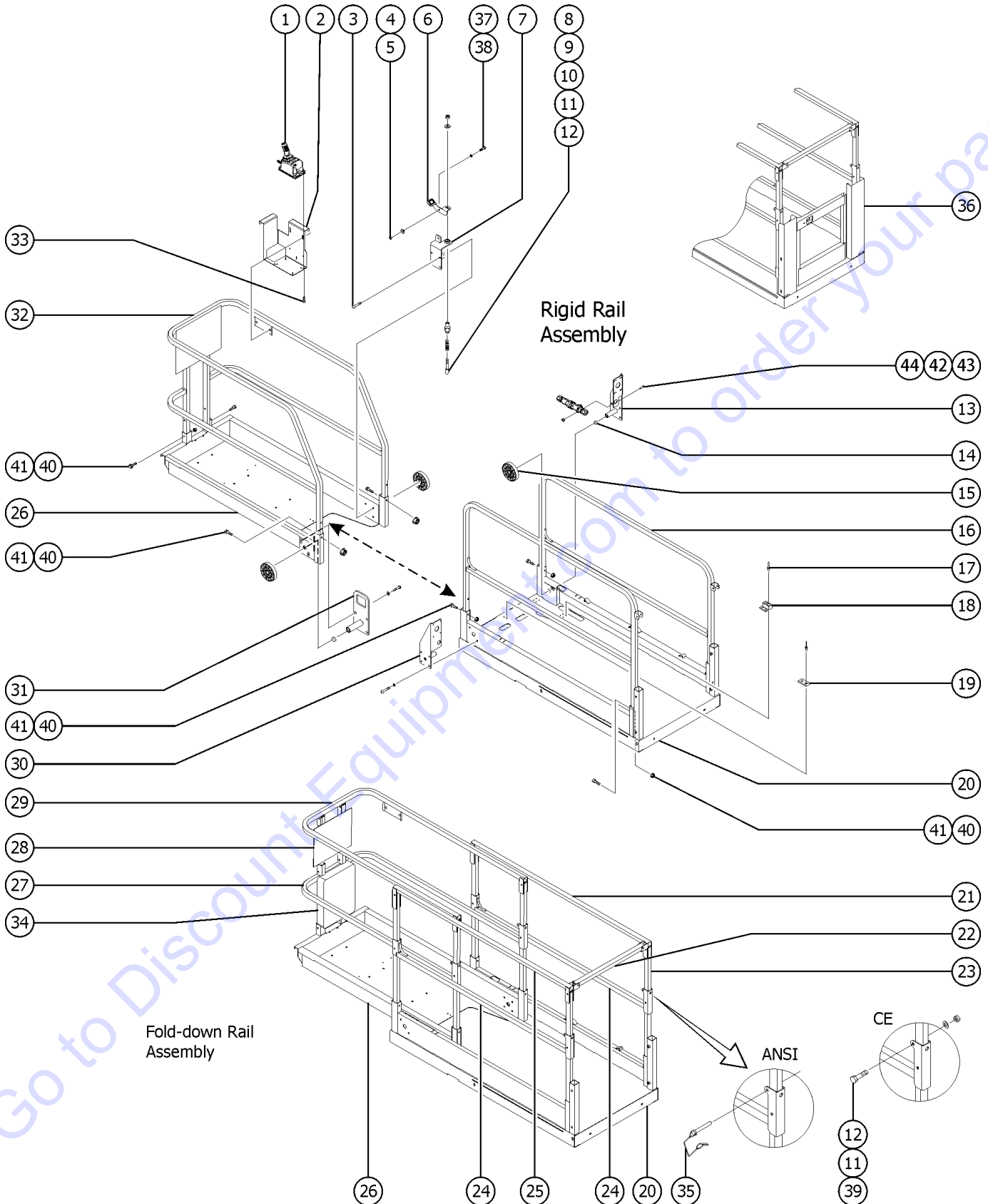
Item	Part No.	Description	Qty.
34B	24514GT	BOX,INSTRUCTION STORAGE <i>Europe/Asia/South America (decal required; refer to Section100)</i>	
--	1256855GT	SCREW,HHF,1/4-20X.625,8,ZAG.....	4
--	824027GT	NUT,TL FLG,1/4-20,G,ZAG.....	4
--	825358GT	WASHER,FLAT,5/16,USS,ZAG.....	4
35	1259182GT	PIN,WIRE LOCK 3/8 X 2.5,ZAG.....	5
--	78022GT	LANYARD,BLACK NYLON,TYPE 1*** <i>(CE & Australia models)</i>	
36		Ref. SWING GATE ASSEMBLY <i>(refer to 405.1)</i>	
37	1259223GT	BOLT,SHS,3/8X.375X5/16-18,ZAG.....	1
38	12013GT	SHIM,.375 X .063.....	1
39	824094GT	SCREW,HHF,3/8-16X2.75,8,ZAG.....	5
40	824029GT	NUT,TL FLG,3/8-16,G,ZAG.....	10
41	1260926GT	BOLT,CARRIAGE,3/8-16X2.25,5,ZAG.....	2
42	1280958GT	CABLE,PLATFORM CONTROL,GS,HARTING CONN OPTION.....	1
43	1253477GT	SCREW,PHPM,4-40X.5,ZAG.....	1
44	1259339GT	NUT,4-40,ZAG.....	1

Go to Discount-Equipment.com to order your parts

This Page Intentionally Left Blank

Go to Discount-Equipment.com to order your parts

402.1 Platform Components, GS-1532



PARTS FINDER

**Search Website
by Part Number**



**Search Manual
Library For Parts
Manual & Lookup Part
Numbers – Purchase
or Request Quote**

Search Manuals

Enter your information to help us find the right parts manual for your machine.

* Brand:

* Model:

* Serial:

* Part Number:

SEARCH

**Can't Find Part or
Manual? Request Help
by Manufacturer,
Model & Description**

Parts Order Form

Please fill in the following information to help us find the right part for your machine.

Manufacturer:	<input type="text"/>
Model:	<input type="text"/>
Description:	<input type="text"/>
Part Number:	<input type="text"/>
Quantity:	<input type="text"/>
Notes:	<input type="text"/>

Submit

Discount-Equipment.com is your online resource for quality parts & equipment.

Florida: **561-964-4949** Outside Florida TOLL FREE: **877-690-3101**

Need parts?

Click on this link: <http://www.discount-equipment.com/category/5443-parts/> and choose one of the options to help get the right parts and equipment you are looking for. Please have the machine model and serial number available in order to help us get you the correct parts. If you don't find the part on the website or on one of the online manuals, please fill out the request form and one of our experienced staff members will get back to you with a quote for the right part that your machine needs.

We sell worldwide for the brands: Genie, Terex, JLG, MultiQuip, Mikasa, Essick, Whiteman, Mayco, Toro Stone, Diamond Products, Generac Magnum, Airman, Haulotte, Barreto, Power Blanket, Nifty Lift, Atlas Copco, Chicago Pneumatic, Allmand, Miller Curber, Skyjack, Lull, Skytrak, Tsurumi, Husquvarna Target, Stow, Wacker, Sakai, Mi-T-M, Sullair, Basic, Dynapac, MBW, Weber, Bartell, Bennar Newman, Haulotte, Ditch Runner, Menegotti, Morrison, Contec, Buddy, Crown, Edco, Wyco, Bomag, Laymor, EZ Trench, Bil-Jax, F.S. Curtis, Gehl Pavers, Heli, Honda, ICS/PowerGrit, IHI, Partner, Imer, Clipper, MMD, Koshin, Rice, CH&E, General Equipment, Amida, Coleman, NAC, Gradall, Square Shooter, Kent, Stanley, Tamco, Toku, Hatz, Kohler, Robin, Wisconsin, Northrock, Oztec, Toker TK, Rol-Air, APT, Wylie, Ingersoll Rand / Doosan, Innovatech, Con X, Ammann, Mecalac, Makinex, Smith Surface Prep, Small Line, Wanco, Yanmar

402.1 Platform Components, GS-1532

Item	Part No.	Description	Qty.	Item	Part No.	Description	Qty.
1A		Ref. Platform Control Box <i>(refer to 407.1 or 408.1)</i>		--	78038GT	CAP, TUBE, SQ,1.25 X .083	
1B	1280957GT	PCON ASSEMBLY,HARTING CONN OPTION.....1	1	22	132212GT	TUBE SWING.....1	1
2		Ref. Platform Control Box Mount Bracket <i>(refer to 407.1 or 408.1)</i>		23	132213GT	TUBE, VERT, FOLDING.....6	6
3	1253478GT	SCREW,HHF,3/8-16X2,8,ZAG		24	132209GT	WLDMT, MAIN FOLDING SIDERAIL.....2	2
4	1252977GT	NUT,TL JAM,5/16-18,A,ZAG		--	78038GT	CAP, TUBE, SQ,1.25 X .083	
5	825358GT	WASHER,FLAT,5/16,USS,ZAG.....1	1	25	132210GT	WLDMT, MAIN SIDERAIL, UPPER RT....1 <i>(battery pack side)</i>	1
6	46260GT	FOOTPEDAL W/NON-SKID TAPE,GS**.....1	1	--	78038GT	CAP, TUBE, SQ,1.25 X .083	
--	132996GT	BRACKET, FOOT PEDAL <i>(does not include non-skid tape)</i>		26A	97123GT	PLAT EXT DECK ASSY,GS30.....1	1
--	47225GT	TAPE, NON-SKID, DIE CUT, 1.38X1.5		--	39474GT	WEAR PAD, PLATFORM.....1	1
7	132151GT	ROLLER SUPPORT BRACKET.....1	1	--	47374GT	TAPE, NON-SKID, DIE CUT, 4" X 32".....3	3
8	1259181GT	PIN, LOCK, 0.5X3.125, ZAG.....1	1	--	T113787GT	RIVET, ALUM, STL, .188 X .250.....2 <i>for 39474</i>	2
9	39469GT	SPRING, COMPRESSION.485 X1.75**...1	1	26B	132140GT	WELDMENT, EXT PLATFORM.....1 <i>(decals not included, refer to section one)</i>	1
10	41630GT	HOUSING, LOCK PIN.....1	1	27	1269307GT	WELDMENT, FOLDING, LOWER, EXTENSION.....1 <i>(fold down)</i>	1
11	1255758GT	WASHER, FLAT, 3/8, USS, ZAG		--	78038GT	CAP, TUBE, SQ, 1.25 X .083	
12	824038GT	NUT, TL JAM, 3/8-16, A, ZAG		28A	231111GT	DECAL PLATE ASSY, GS30, ANSI.....1 <i>(North America)</i>	1
13A	132128GT	ROLLER BRKT RT.....1 <i>(decals not included, refer to section one), to SN GS30D-18079</i>	1	28B	231610GT	DECAL PLATE ASSY, GS30, AUSTRAL...1 <i>(Australia)</i>	1
13B	1286357GT	WLDMT, ROLLER BRKT, RT, HARTING PLUG.....1 <i>from SN GS30D-18080</i>	1	28C	84590GT	DECAL PLATE ASSY W/SYM DECALS.....1 <i>(Asia, Europe and South America)</i>	1
14	21279GT	BUTTON, .800 O.D. X .281.....3	3	28D	1269346GT	WLDMT, DECAL PLATE, NEW.....1 <i>(decals not included, refer to section one)</i>	1
15	47163GT	ROLLER, PLATFORM EXTENSION.....4	4	29	1274594GT	WELDMENT, EXTENSION DECK RAIL, UPPER.....1	1
16	1282138GT	WLDMT, MAIN SIDERAIL, METRIC.....2	2	--	78038GT	CAP, TUBE, SQ, 1.25 X .083	
17	39579GT	RIVET, STL, STL, .188 X .45.....20	20	30	132127GT	ROLLER BRKT LEFT.....1	1
18	39310GT	WEAR/GUIDE PAD MAIN PLATFORM...4	4	31A	84586GT	LANYARD ROLLER BRKT ASSY W/DEC.....1	1
19	39474GT	WEAR PAD, PLATFORM.....2	2	--	21279GT	BUTTON, .800 O.D. X .281	
20A	231105GT	PLAT MAIN DECK ASSY, 1532 AU.....1 <i>GS-1532 (Australia) (includes items 18, 19 & 20)</i>	1	31B	132121GT	WELDMENT PLATFORM LANYARD.....1 <i>(decals not included, refer to section one)</i>	1
--	47098GT	TAPE, NON-SKID, DIE CUT, 4" X 40"		32A	231112GT	FIXED RAILS ASSY, GS30, ANSI.....1 <i>(North America)</i>	1
--	47231GT	TAPE, NON-SKID, DIE CUT, 4" X 16"		32B	231611GT	FIXED RAILS ASSY, GS30, AUSTRAL...1 <i>(Australia)</i>	1
20B	231106GT	PLAT MAIN DECK ASSY, 1532 CE.....1 <i>GS-1532 (Europe) (includes items 18, 19, & 20)</i>	1	32C	97132GT	FIXED RAILS ASSY, GS30 SYMBOL <i>(Asia, Europe and South America)</i>	
--	47098GT	TAPE, NON-SKID, DIE CUT, 4" X 40"		32D	1282141GT	WLDMT, EXT SIDERAIL, METRIC.....1 <i>(decals not included, refer to section one)</i>	1
--	47231GT	TAPE, NON-SKID, DIE CUT, 4" X 16"		33	824078GT	SCREW, HHF, 1/4-20X.75, 8, ZAG	
20C	1259719GT	WLDMNT, PLATFORM, MINI, GS30.....1 <i>(weldment only; decals not included, refer to section one)</i>	1	34A	44743GT	MANUAL BOX W/DECALS***.....1 <i>USA/Canada/Australia</i>	1
20E	1259829GT	WELDMENT, PLATFORM, MWI, GS30...1	1				
21	132211GT	WLDMT, MAIN SIDERAIL UPPER LT....1 <i>(ground controls side)</i>	1				

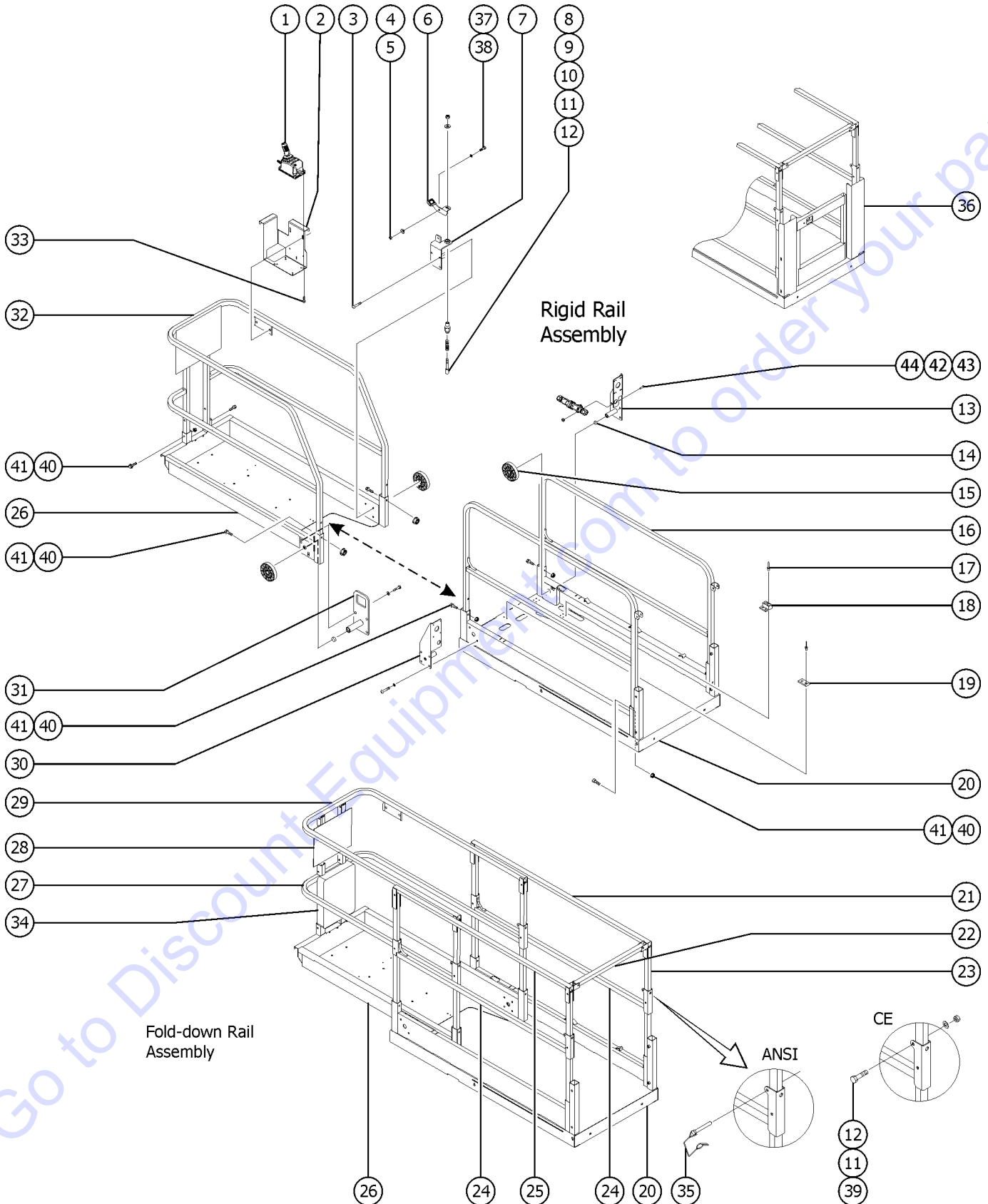
402.1 Platform Components, GS-1532
(continued)

Item	Part No.	Description	Qty.
34B	24514GT	BOX,INSTRUCTION STORAGE <i>Europe/Asia/South America (decal required; refer to Section100)</i>	
--	1256855GT	SCREW,HHF,1/4-20X.625,8,ZAG.....	4
--	824027GT	NUT,TL FLG,1/4-20,G,ZAG.....	4
--	825358GT	WASHER,FLAT,5/16,USS,ZAG.....	4
35	1259182GT	PIN,WIRE LOCK 3/8 X 2.5,ZAG.....	5
--	78022GT	LANYARD,BLACK NYLON,TYPE 1*** <i>(CE & Australia models)</i>	
36		Ref. SWING GATE ASSEMBLY <i>(refer to 405.1)</i>	
37	1259223GT	BOLT,SHS,3/8X.375X5/16-18,ZAG.....	1
38	12013GT	SHIM,.375 X .063.....	1
39	824094GT	SCREW,HHF,3/8-16X2.75,8,ZAG.....	5
40	824029GT	NUT,TL FLG,3/8-16,G,ZAG.....	10
41	1260926GT	BOLT,CARRIAGE,3/8-16X2.25,5,ZAG.....	2
42	1280958GT	CABLE,PLATFORM CONTROL,GS,HARTING CONN OPTION.....	1
43	1253477GT	SCREW,PHPM,4-40X.5,ZAG.....	1
44	1259339GT	NUT,4-40,ZAG.....	1

This Page Intentionally Left Blank

Go to Discount-Equipment.com to order your parts

403.1 Platform Components, GS-1930



403.1 Platform Components, GS-1930

Item	Part No.	Description	Qty.	Item	Part No.	Description	Qty.
1A		Ref. Platform Control Box <i>(refer to 407.1 or 408.1)</i>		20D	231108GT	PLAT MAIN DECK ASSY,1930 CE.....1 GS-1930 (Europe) (includes items 18, 19, & 20)	1
1B	1280957GT	PCON ASSEMBLY,HARTING CONN OPTION.....1	1	--	47098GT	TAPE,NON-SKID,DIE CUT,4"X 40"	
2		Ref. Platform Control Box Mount Bracket <i>(refer to 407.1 or 408.1)</i>		--	47231GT	TAPE,NON-SKID,DIE CUT,4"X 16"	
3	1253478GT	SCREW,HHF,3/8-16X2,8,ZAG		20E	1259829GT	WELDMENT, PLATFORM, MWI, GS30...1 <i>(weldment only; decals not included, refer to section one)</i>	1
4	1252977GT	NUT,TL JAM,5/16-18,A,ZAG		21	132211GT	WLDMT, MAIN SIDERAIL UPPER LT.....1 <i>(ground controls side)</i>	1
5	825358GT	WASHER,FLAT,5/16,USS,ZAG.....1	1	--	78038GT	CAP, TUBE, SQ,1.25 X .083	
6	46260GT	FOOTPEDAL W/NON-SKID TAPE,GS**.....1	1	22	132212GT	TUBE SWING.....1	1
--	132996GT	BRACKET, FOOT PEDAL <i>(does not include non-skid tape)</i>		23	132213GT	TUBE, VERT, FOLDING.....6	6
--	47225GT	TAPE,NON-SKID,DIE CUT,1.38X1.5		24	132209GT	WLDMT, MAIN FOLDING SIDERAIL.....2	2
7	132151GT	ROLLER SUPPORT BRACKET.....1	1	--	78038GT	CAP, TUBE, SQ,1.25 X .083	
8	1259181GT	PIN,LOCK,0.5X3.125,ZAG.....1	1	25	132210GT	WLDMT, MAIN SIDERAIL, UPPER RT....1 <i>(battery pack side)</i>	1
9	39469GT	SPRING,COMPRESSION.485 X1.75**...1	1	--	78038GT	CAP, TUBE, SQ,1.25 X .083	
10	41630GT	HOUSING, LOCK PIN.....1	1	--	39474GT	WEAR PAD,PLATFORM.....1	1
11	1255758GT	WASHER,FLAT,3/8,USS,ZAG		--	47374GT	TAPE,NON-SKID,DIE CUT,4"X 32".....3	3
12	824038GT	NUT, TL JAM, 3/8-16, A, ZAG		--	T113787GT	RIVET,ALUM,STL,.188 X .250.....2 <i>for 39474</i>	2
13A	132128GT	ROLLER BRKT RT.....1 <i>(decals not included, refer to section one), to SN GS30D-18079</i>	1	26A	97123GT	PLAT EXT DECK ASSY,GS30.....1	1
13B	1286357GT	WLDMT,ROLLER BRKT,RT,HARTING PLUG.....1 <i>from SN GS30D-18080</i>	1	26B	132140GT	WELDMENT, EXT PLATFORM.....1 <i>(decals not included, refer to section one)</i>	1
14	21279GT	BUTTON, .800 O.D. X .281.....3	3	27	1269307GT	WELDMENT, FOLDING, LOWER, EXTENSION.....1 <i>(fold down)</i>	1
15	47163GT	ROLLER,PLATFORM EXTENSION.....4	4	--	78038GT	CAP, TUBE, SQ,1.25 X .083	
16	1282138GT	WLDMT, MAIN SIDERAIL,METRIC.....2	2	28A	231111GT	DECAL PLATE ASSY,GS30,ANSI.....1 <i>(North America)</i>	1
17	39579GT	RIVET,STL,STL,.188 X .45.....20	20	28B	231610GT	DECAL PLATE ASSY,GS30,AUSTRAL...1	1
18	39310GT	WEAR/GUIDE PAD MAIN PLATFORM...4	4	28C	84590GT	DECAL PLATE ASSY W/SYM DECALS.....1	1
19	39474GT	WEAR PAD,PLATFORM.....2	2	28D	1269346GT	WLDMT,DECAL PLATE,NEW.....1 <i>(decals not included, refer to section one)</i>	1
20A	97119GT	PLAT MAIN DECK ASSY,1930 ANSI.....1 GS-1930 (North America) (includes items 18, 19 & 20)	1	29	1269302GT	WELDMENT, FOLDING, UPPER, EXTENSION.....1	1
--	47098GT	TAPE,NON-SKID,DIE CUT,4"X 40"		--	78038GT	CAP, TUBE, SQ,1.25 X .083	
--	47231GT	TAPE,NON-SKID,DIE CUT,4"X 16"		30	132127GT	ROLLER BRKT LEFT.....1	1
20B	231107GT	PLAT MAIN DECK ASSY,1930 AU.....1 GS-1930 (Australia) (includes items 18, 19 & 20)	1	--	21279GT	BUTTON, .800 O.D. X .281	
--	47098GT	TAPE,NON-SKID,DIE CUT,4"X 40"		31A	84586GT	LANYARD ROLLER BRKT ASSY W/DEC.....1	1
--	47231GT	TAPE,NON-SKID,DIE CUT,4"X 16"		31B	132121GT	WELDMENT PLATFORM LANYARD.....1 <i>(decals not included, refer to section one)</i>	1
20C	97122GT	PLAT MAIN DECK ASSY,1930 SMBL.....1 GS-1930 (Asia and South America) <i>(includes items 18, 19 & 20)</i>	1	32A	231112GT	FIXED RAILS ASSY,GS30,ANSI.....1 <i>(North America)</i>	1
--	47098GT	TAPE,NON-SKID,DIE CUT,4"X 40"		32B	231611GT	FIXED RAILS ASSY,GS30,AUSTRAL....1	1
--	47231GT	TAPE,NON-SKID,DIE CUT,4"X 16"					

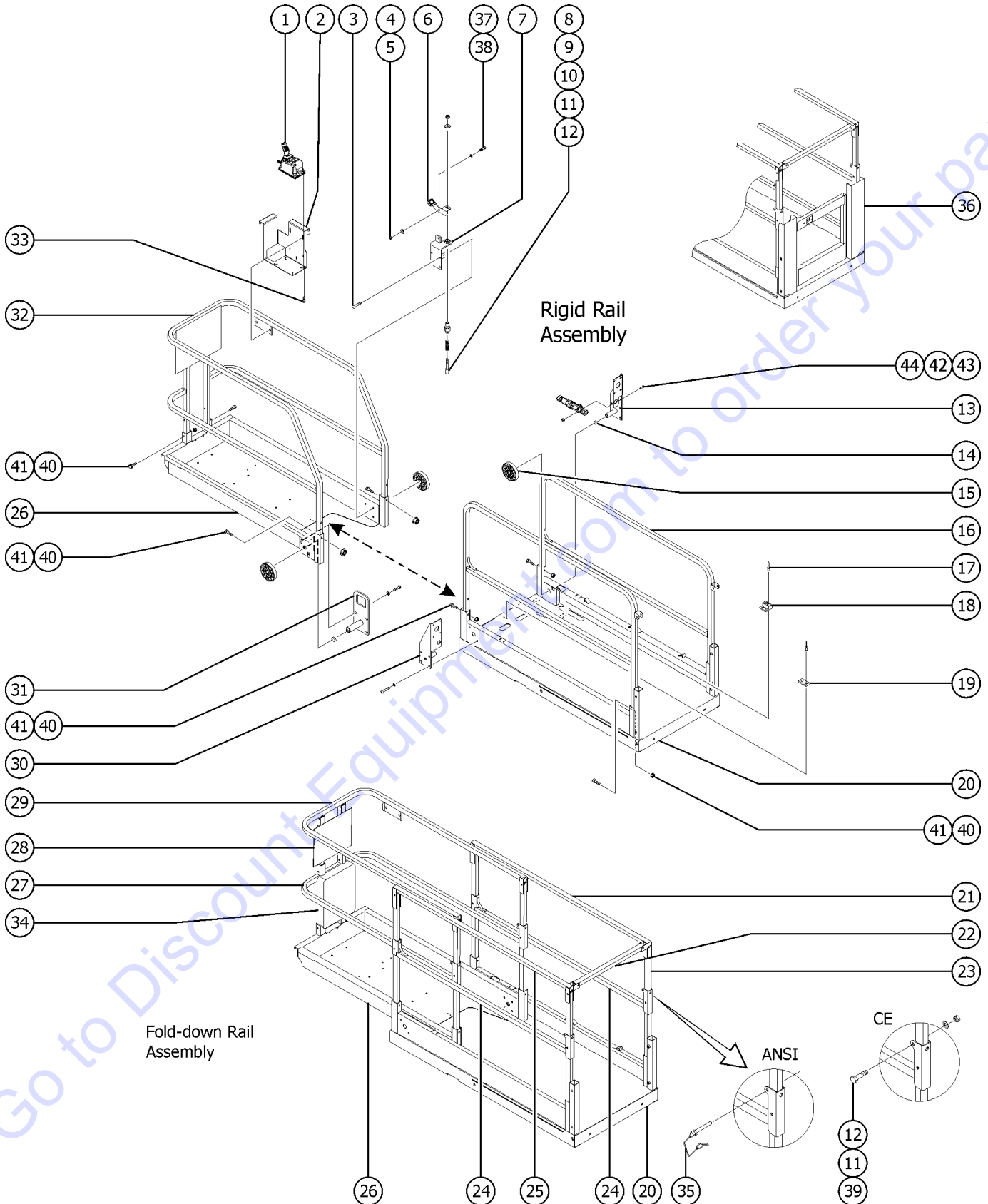
403.1 Platform Components, GS-1930
(continued)

Item	Part No.	Description	Qty.
32C	97132GT	FIXED RAILS ASSY, GS30 SYMBOL.....1	
32D	1282141GT	WLDMT, EXT SIDERAIL,METRIC.....1 (decals not included, refer to section one)	
33	824078GT	SCREW,HHF,1/4-20X.75,8,ZAG	
34A	44743GT	MANUAL BOX W/DECALS***.....1 USA/Canada/Australia	
34B	24514GT	BOX,INSTRUCTION STORAGE Europe/Asia/South America (decal required; refer to Section100)	
--	1256855GT	SCREW,HHF,1/4-20X.625,8,ZAG.....4	
--	824027GT	NUT,TL FLG,1/4-20,G,ZAG.....4	
--	825358GT	WASHER,FLAT,5/16,USS,ZAG.....4	
35	1259182GT	PIN,WIRE LOCK 3/8 X 2.5,ZAG.....5	
--	78022GT	LANYARD,BLACK NYLON,TYPE 1*** (CE & Australia models)	
36		Ref. SWING GATE ASSEMBLY (refer to 405.1)	
37	1259223GT	BOLT,SHS,3/8X.375X5/16-18,ZAG.....1	
38	12013GT	SHIM, .375 X .063.....1	
39	824094GT	SCREW,HHF,3/8-16X2.75,8,ZAG.....5	
40	824029GT	NUT,TL FLG,3/8-16,G,ZAG.....10	
41	1260926GT	BOLT,CARRIAGE,3/8-16X2.25,5,ZAG.....2	
42	1280958GT	CABLE,PLATFORM CONTROL,GS,HARTING CONN OPTION.....1	
43	1253477GT	SCREW,PHPM,4-40X.5,ZAG.....1	
44	1259339GT	NUT,4-40,ZAG.....1	

This Page Intentionally Left Blank

Go to Discount-Equipment.com to order your parts

404.1 Platform Components, GS-1932



404.1 Platform Components, GS-1932

Item	Part No.	Description	Qty.	Item	Part No.	Description	Qty.
1A		Ref. Platform Control Box (refer to 407.1 or 408.1)		--	78038GT	CAP, TUBE, SQ, 1.25 X .083	
1B	1280957GT	PCON ASSEMBLY, HARTING CONN OPTION.....	1	22	132212GT	TUBE SWING.....	1
2		Ref. Platform Control Box Mount Bracket (refer to 407.1 or 408.1)		23	132213GT	TUBE, VERT, FOLDING.....	6
3	1253478GT	SCREW, HHF, 3/8-16X2, 8, ZAG		24	132209GT	WLDMT, MAIN FOLDING SIDERAIL.....	2
4	1252977GT	NUT, TL JAM, 5/16-18, A, ZAG		--	78038GT	CAP, TUBE, SQ, 1.25 X .083	
5	825358GT	WASHER, FLAT, 5/16, USS, ZAG.....	1	25	132210GT	WLDMT, MAIN SIDERAIL, UPPER RT.... (battery pack side)	1
6	46260GT	FOOTPEDAL W/NON-SKID TAPE, GS**.....	1	--	78038GT	CAP, TUBE, SQ, 1.25 X .083	
--	132996GT	BRACKET, FOOT PEDAL (does not include non-skid tape)		--	39474GT	WEAR PAD, PLATFORM.....	1
--	47225GT	TAPE, NON-SKID, DIE CUT, 1.38X1.5		--	47374GT	TAPE, NON-SKID, DIE CUT, 4"X 32".....	3
7	132151GT	ROLLER SUPPORT BRACKET.....	1	--	T113787GT	RIVET, ALUM, STL, .188 X .250..... for 39474	2
8	1259181GT	PIN, LOCK, 0.5X3.125, ZAG.....	1	26A	97123GT	PLAT EXT DECK ASSY, GS30.....	1
9	39469GT	SPRING, COMPRESSION. 485 X 1.75**....	1	26B	132140GT	WELDMENT, EXT PLATFORM..... (decals not included, refer to section one)	1
10	41630GT	HOUSING, LOCK PIN.....	1	27	1269307GT	WELDMENT, FOLDING, LOWER, EXTENSION.....	1
11	1255758GT	WASHER, FLAT, 3/8, USS, ZAG					
12	824038GT	NUT, TL JAM, 3/8-16, A, ZAG		--	78038GT	CAP, TUBE, SQ, 1.25 X .083	
13A	132128GT	ROLLER BRKT RT..... (decals not included, refer to section one), to SN GS30D-18079	1	28A	231111GT	DECAL PLATE ASSY, GS30, ANSI..... (North America)	1
13B	1286357GT	WLDMT, ROLLER BRKT, RT, HARTING PLUG..... from SN GS30D-18080	1	28B	231610GT	DECAL PLATE ASSY, GS30, AUSTRAL... (Australia)	1
14	21279GT	BUTTON, .800 O.D. X .281.....	3	28C	84590GT	DECAL PLATE ASSY W/SYM DECALS..... (Asia, Europe and South America)	1
15	47163GT	ROLLER, PLATFORM EXTENSION.....	4	28D	1269346GT	WLDMT, DECAL PLATE, NEW..... (decals not included, refer to section one)	1
16	1282138GT	WLDMT, MAIN SIDERAIL, METRIC.....	2	29	1269302GT	WELDMENT, FOLDING, UPPER, EXTENSION.....	1
17	39579GT	RIVET, STL, STL, .188 X .45.....	20	--	78038GT	CAP, TUBE, SQ, 1.25 X .083	
18	39310GT	WEAR/GUIDE PAD MAIN PLATFORM....	4	30	132127GT	ROLLER BRKT LEFT.....	1
19	39474GT	WEAR PAD, PLATFORM.....	2	--	21279GT	BUTTON, .800 O.D. X .281	
20A	231109GT	PLAT MAIN DECK ASSY, 1932 AU..... GS-1932 (Australia) (includes items 18, 19 & 20)	1	31A	84586GT	LANYARD ROLLER BRKT ASSY W/DEC.....	1
--	47098GT	TAPE, NON-SKID, DIE CUT, 4"X 40".....	4	31B	132121GT	WELDMENT PLATFORM LANYARD..... (decals not included, refer to section one)	1
--	47231GT	TAPE, NON-SKID, DIE CUT, 4"X 16".....	2	32A	231112GT	FIXED RAILS ASSY, GS30, ANSI..... (North America)	1
20B	231110GT	PLAT MAIN DECK ASSY, 1932 CE..... GS-1932 (Europe) (includes items 18, 19 & 20)	1	32B	231611GT	FIXED RAILS ASSY, GS30, AUSTRAL... (Australia)	1
--	47098GT	TAPE, NON-SKID, DIE CUT, 4"X 40".....	4	32C	97132GT	FIXED RAILS ASSY, GS30 SYMBOL..... (Asia, Europe and South America)	1
--	47231GT	TAPE, NON-SKID, DIE CUT, 4"X 16".....	2	32D	1282141GT	WLDMT, EXT SIDERAIL, METRIC..... (decals not included, refer to section one)	1
20C	1259719GT	WLDMNT, PLATFORM, MINI, GS30 (weldment only, decals not included, refer to section one)		33	824078GT	SCREW, HHF, 1/4-20X.75, 8, ZAG	
20E	1259829GT	WELDMENT, PLATFORM, MWI, GS30...1		34A	44743GT	MANUAL BOX W/DECALS***..... USA/Canada/Australia	1
21	132211GT	WLDMT, MAIN SIDERAIL UPPER LT.... (ground controls side)	1				

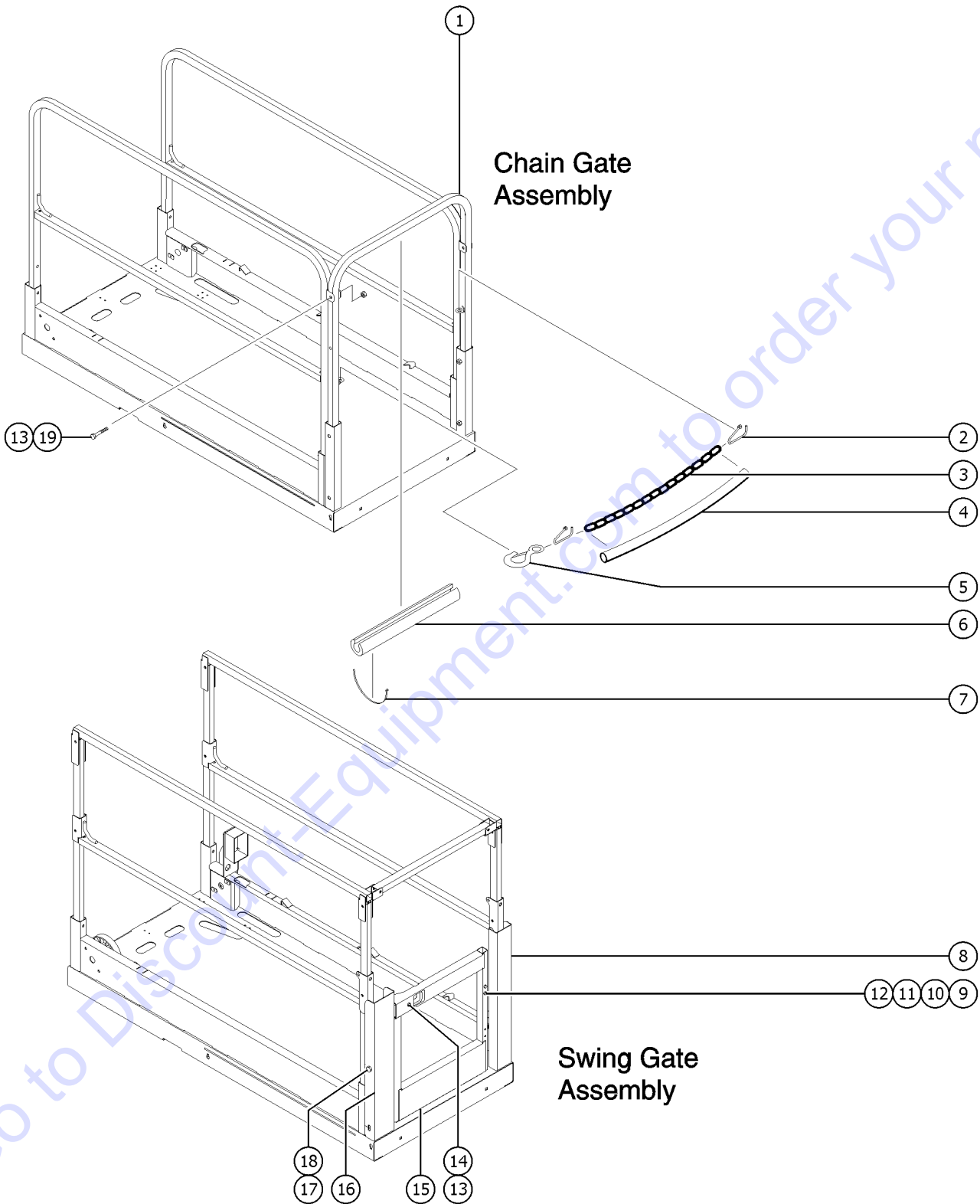
404.1 Platform Components, GS-1932
(continued)

Item	Part No.	Description	Qty.
34B	24514GT	BOX,INSTRUCTION STORAGE <i>Europe/Asia/South America (decal required; refer to Section100)</i>	
--	1256855GT	SCREW,HHF,1/4-20X.625,8,ZAG.....	4
--	824027GT	NUT,TL FLG,1/4-20,G,ZAG.....	4
--	825358GT	WASHER,FLAT,5/16,USS,ZAG.....	4
35	1259182GT	PIN,WIRE LOCK 3/8 X 2.5,ZAG.....	5
--	78022GT	LANYARD,BLACK NYLON,TYPE 1*** <i>(CE & Australia models)</i>	
36		Ref. SWING GATE ASSEMBLY <i>(refer to 405.1)</i>	
37	1259223GT	BOLT,SHS,3/8X.375X5/16-18,ZAG.....	1
38	12013GT	SHIM,.375 X .063.....	1
39	824094GT	SCREW,HHF,3/8-16X2.75,8,ZAG.....	5
40	824029GT	NUT,TL FLG,3/8-16,G,ZAG.....	10
41	1260926GT	BOLT,CARRIAGE,3/8-16X2.25,5,ZAG.....	2
42	1280958GT	CABLE,PLATFORM CONTROL,GS,HARTING CONN OPTION.....	1
43	1253477GT	SCREW,PHPM,4-40X.5,ZAG.....	1
44	1259339GT	NUT,4-40,ZAG.....	1

This Page Intentionally Left Blank

Go to Discount-Equipment.com to order your parts

405.1 Platform Gates

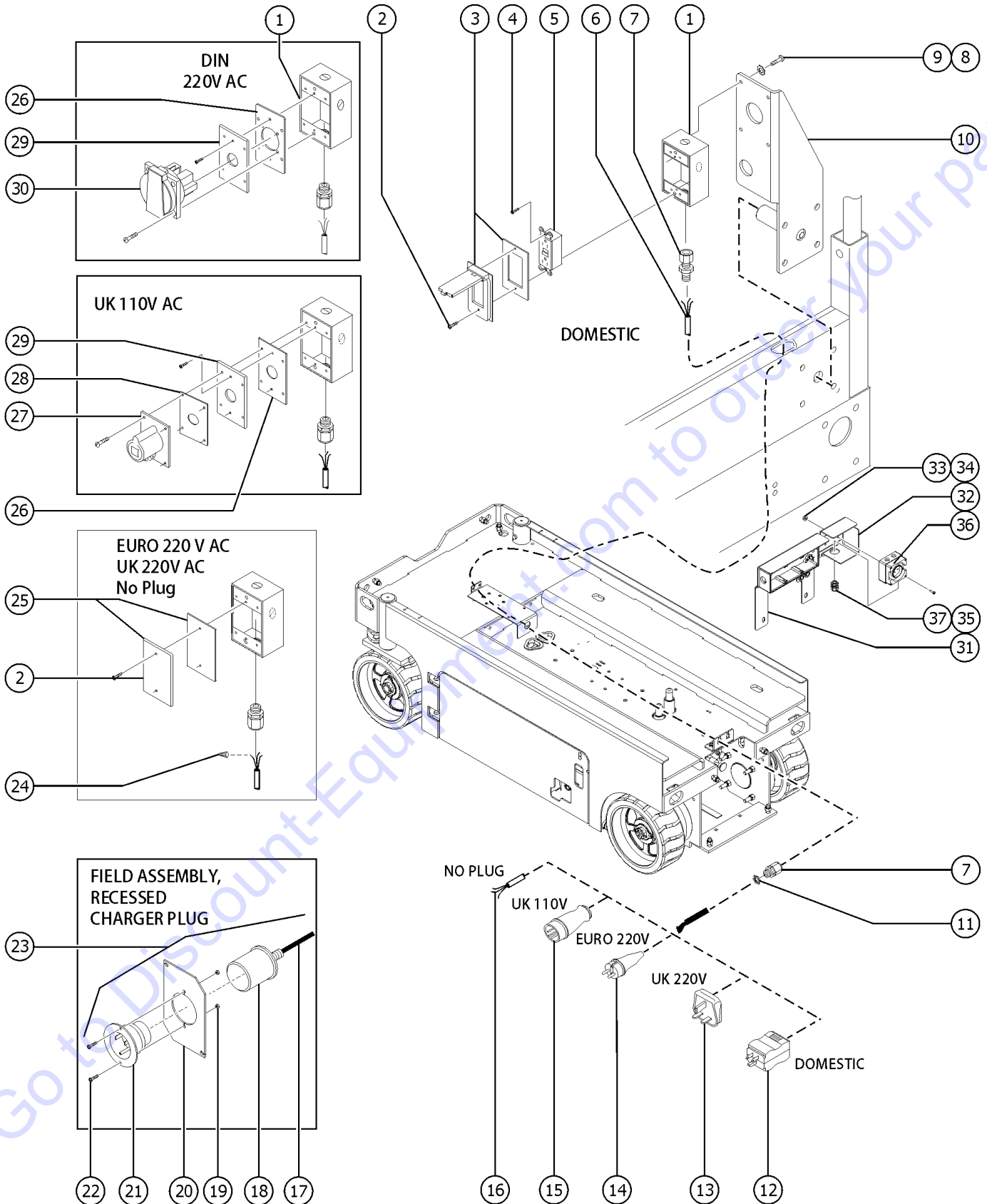


405.1 Platform Gates

Item	Part No.	Description	Qty.	Item	Part No.	Description	Qty.
--	144175GT	KIT,MINI FULL HT,ANSI GATE (ANSI and CSA models) (includes instructions)		15D	231177GT	SWING GATE ASSY,GS1530 CE.....1 (GS-1530 CE models)	1
1	97280GT	CHAIN GATE KIT,GS30 (includes items 2 through 7)		--	132021GT	WELDMENT, HALF GATE.....1 (decals not included, see section one) (for use with items 15A through 15G)	1
--	1282139GT	WLDMT, CHAIN ENTRY GATE,METRIC.....1 (includes items 6 & 7)	1	--	47598GT	WEATHERSTRIP,SWING GATE.....18-inches	
--	78029GT	END RAIL,SWING GATE,RIGID		15E	231178GT	SWING GATE ASSY,GS1532 CE (GS-1532 CE models)	
2	96163GT	LINK,(SPLIT) OPEN-END.....2	2	--	132021GT	WELDMENT, HALF GATE (decals not included, see section one) (for use with items 15A through 15G)	
3	39509GT	CHAIN,3/16,OPEN LINK 22.5".....1	1	--	47598GT	WEATHERSTRIP,SWING GATE.....18-inches	
4	47224GT	TUBING,PVC,1",BLACK***.....21	21	15F	231179GT	SWING GATE ASSY,GS1930 CE (GS-1930 CE models)	
5	39510GT	RIGID EYE SNAP.....1	1	--	132021GT	WELDMENT, HALF GATE (decals not included, see section one) (for use with items 15A through 15G)	
6	47188GT	FOAM,CLOSED CELL 1.75X.250X18"....1	1	--	47598GT	WEATHERSTRIP,SWING GATE.....18-inches	
7	28443GT	CABLE TIE,11.5" BLACK		15G	231180GT	SWING GATE ASSY,GS1932 CE (GS-1932 CE models)	
8	132026GT	FORMING, HALF GATE HINGE.....1	1	--	132021GT	WELDMENT, HALF GATE (decals not included, see section one) (for use with items 15A through 15G)	
8A	66883GT	FORMING, HALF GATE HINGE (to SN 165149)		--	47598GT	WEATHERSTRIP,SWING GATE.....18-inches	
8B	132026GT	FORMING, HALF GATE HINGE.....1 (from SN 165150)	1	15H	65990-SGT	KIT,GATE LATCH.....1 (includes items 13, 14, the spring, 22446, and the latch, 66544) (for use with items 15A through 15G)	1
9	4266GT	SCREW,HHC,1/4-20 X 2		--	22446GT	SPRING,COMPRESSION .835 X 2.....1 (for use with items 15A through 15G)	1
10	6638GT	WASHER,FLAT,USS,1/4"Y		--	66544GT	LATCH HANDLE (for use with items 15A through 15G)	
11	6091GT	NUT,NYLOCK,1/4-20		16	132027GT	WELDMENT, FORMING, HALF GATE, CATCH.....1	1
12	104804GT	HINGE, SPRING, LONG LEG.....2	2	16A	66903-SGT	WLDMT, FORMING, HALFGATE CATCH (to SN 165149)	
13	5224GT	SCREW,HHC,3/8-16 X 2		16B	132027GT	WELDMENT, FORMING, HALF GATE, CATCH.....1 (from SN 165150)	1
14	4828GT	NUT,NYLOCK,3/8-16		17	8178GT	SCREW,HHC,3/8-16 X 2.5	
15A	97110GT	SWING GATE ASSY,GS30/32** (GS-1530 & GS 1930 ANSI and CSA models)		18	5397GT	WASHER,FLAT,USS,5/16",Y	
--	132021GT	WELDMENT, HALF GATE.....1 (decals not included, see section one) (for use with items 15A through 15G)	1	19	7713GT	NUT, LP NYLOCK, 3/8-16	
--	47598GT	WEATHERSTRIP,SWING GATE.....18-inches (for use with items 15A through 15G)					
15B	231175GT	SWING GATE ASSY,1530/1930 AUS.....1 (GS-1530 & GS-1930 Australia models)	1				
--	132021GT	WELDMENT, HALF GATE.....1 (decals not included, see section one) (for use with items 15A through 15G)	1				
--	47598GT	WEATHERSTRIP,SWING GATE.....18-inches (for use with items 15A through 15G)					
15C	231176GT	SWING GATE ASSY,1532/1932 AUS (GS-1532 & GS-1932 Australia models)					
--	132021GT	WELDMENT, HALF GATE (decals not included, see section one) (for use with items 15A through 15G)					
--	47598GT	WEATHERSTRIP,SWING GATE.....18-inches					



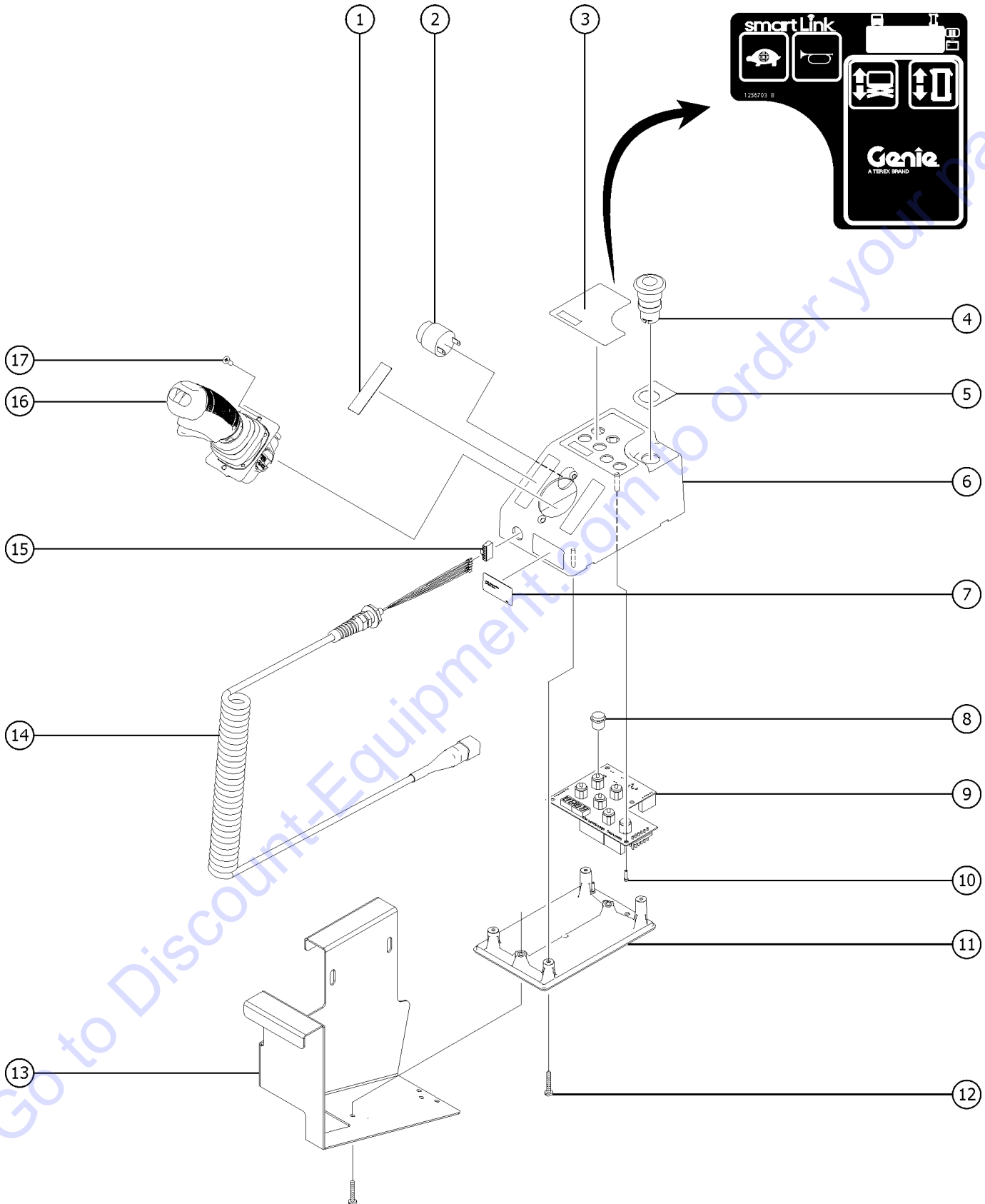
406.1 Power to Platform



406.1 Power to Platform

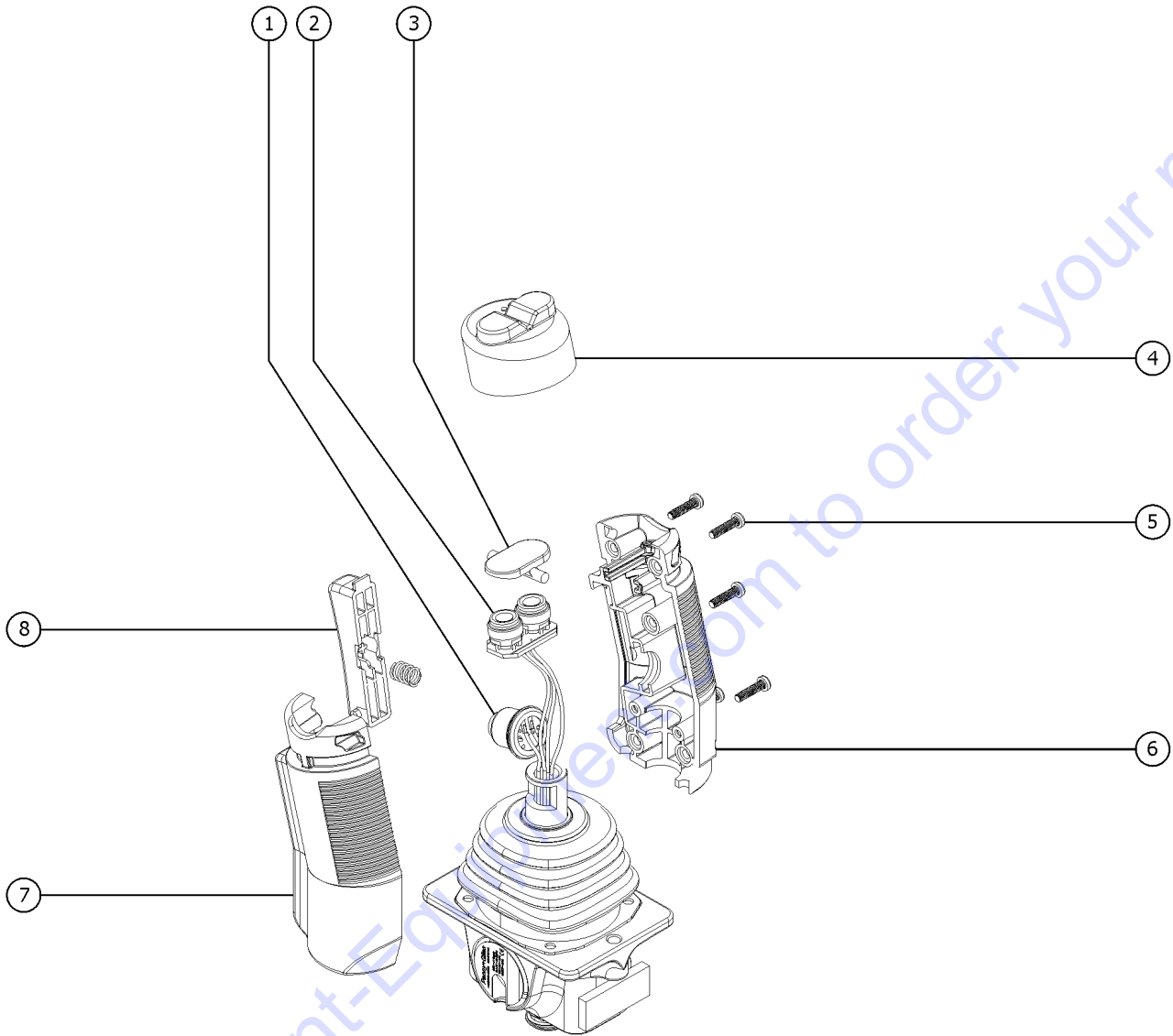
Item	Part No.	Description	Qty.	Item	Part No.	Description	Qty.
A	33724GT	KIT,GASKET,UK POWER TO PLAT. <i>(includes 1 each, items 26 and 28)</i>		29C	T112561GT	PLATE,UK,POWER TO PLAT <i>from SN GS30D-17801</i>	
1	10775GT	T-BOX,2.75 X 4.5 X 2.0.....	1	29D	105090GT	PLATE, AC ADAPTER(AUS)	
2	7127GT	SCREW,PHILLIPS,PHM,6-32 X .75		30	66353GT	RECEPTACLE, DIN, 220V 50A.....	1
3A	74006GT	COVER,GFCI,HORIZONTAL,WEATHER.1 <i>ANSI and CSA models) (includes gasket and mounting fasteners)</i>		31	1275422GT	FORMING,AUS RCD BRACKET,GS30...1	
3B	105812GT	COVER,T-BOX LOCKABLE..... <i>EE rated (not shown)</i>	1	32	1275423GT	PROTECTOR,AUS PECEPTACLE,GS30.....	1
4	45546GT	SCREW,RHM,6-32 X .5		33	824215GT	SCREW,PHPM,10-32X.75,ZAG.....	8
5	13585GT	OUTLET, 110V..... <i>(ANSI and CSA models)</i>	1	34	824032GT	NUT,TL FLG,10-32,F,ZAG.....	8
6A	43956GT	WIRE CABLE,14/3 CON.TPE JKT*..... <i>GS-1530, GS-1532</i>	264-inches	35	160412GT	JOINT,PG13.5,M20X1.5.....	2
6B	43956GT	WIRE CABLE,14/3 CON.TPE JKT*..... <i>GS-1930, GS-1932</i>	364-inches	36	1284302GT	RECEPTACLE,C66AI310,AUS.....	1
7	7056GT	CONN,SQUEEZE,1/2NPT .38-.50,SM....	1	37	96009GT	WASHER,NITRILE.....	1
8	57075GT	SCREW,PHIL,8-32X.50,SELF TAP					
9	44936GT	WASHER,STAR,EXTERNAL,#8.....	4				
10		Ref. ROLLER BRACKET <i>(refer to 401.1 through 404.1)</i>					
11	6935GT	LOCKNUT,ELEC,1/2".....	1				
12	6595GT	PLUG,ELECTRICAL,DOMESTIC.....	2				
13	25388GT	PLUG,FUSED,250V,13AMP,U.K.**					
14	1280665GT	PLUG, TYPE F, 230A, 50HZ, 16A, IP44					
15	144161GT	PLUG,PWR,UK,16AMP,3PIN,BLK					
16	105117GT	PLUG,FLG INLET,15A/125V,2PWGD					
--	105118GT	GASKET,(BOOT) FLANGE INLET PLG					
--	6091GT	NUT,NYLOCK,1/4-20..... <i>not included</i>	2				
--	6878GT	BOLT,CARRIAGE,1/4-20 X .75,G2..... <i>not included</i>	2				
24	6626GT	WIRE CAP,ORANGE.....	1				
25	10777GT	COVER,BLANK.....	1				
26	66355GT	GASKET, UK & DIN PWR. TO PLAT..... <i>(2.9 x 2.9 inches)</i>	1				
27A	T112563GT	SVC KIT,UK RECEPT.REPLACEMENT..... <i>to SN GS30D-17800</i>	1				
27B	T112560GT	RECEPTACLE,UK,110V..... <i>from SN GS30D-17801</i>	1				
28	66356GT	GASKET, UK RECEPTACLE..... <i>(2.9 x 2.9 inches), to SN GS30D-17800</i>	1				
29A	105483-SGT	PLATE,AC ADAPTER(ANSI/CSA) <i>(ANSI/CSA)</i>					
29B	96236GT	PLATE,AC ADAPTER,DIN/UK*** <i>to SN GS30D-17800</i>					

407.1 Platform Controls



Item	Part No.	Description	Qty.
A	1256727GT	PCON,STD,PROP LIFT,GR/GS.....1 <i>(complete platform control box with coil cord, bracket not included)</i>	1
--	1258731GT	FLASH DRIVE,SL1K2.0 SOFTWARE <i>(For proportional lift or upgrade kits only. Software update available on-line. Flash drive sold separately.)</i>	
--	137587GT	HARNESS, ESTOP, GR/GRC/GS PCON	
B	1280957GT	PCON ASSEMBLY,HARTING CONN OPTION.....1	1
C	1280958GT	CABLE,PLATFORM CONTROL,GS,HARTING CONN OPTION.....1	1
1	137656GT	DECAL,PROPEL,GR/GRC/GS,PCON....1	1
2	39540GT	ALARM,STEADY TONE***.....1	1
3		DECAL, UI, GS/GR, PROP LIFT.....1 <i>(refer to section 1)</i>	1
4	66812GT	BUTTON,PUSH,RED MUSHROOM HEAD.....1	1
--	66817GT	BASE WITH 1 NC CONTACT, E-STOP	
5	137605GT	DECAL,E-STOP,GR/GRC/GS PCON....1	1
6	1256656GT	ENCLOSURE,STD 4-BUTTON,TOP	
7		DECAL <i>(component no longer available)</i>	
8	T106373GT	CAP,BUTTON,K12.....6	6
9	1256725GT	PCBA,PCON STD,PROP LIFT.....1	1
10	137637GT	SCREW,PHM,4-20X.5, 48-2 TRI-L	
11	T106370GT	ENCLOSURE,GC14-1/GC16-1, BOT....1	1
12	137640GT	SCREW,PHM,8-16X.75, 48-2 TRI-L	
13	227167GT	FORMING, PLAT CONTROL BOX, MET.....1 <i>USA, Canada, Australia</i>	1
14	235464GT	KIT,COIL CORD,CONTRLR,SL1000.....1 <i>includes item 15</i>	1
--	231921GT	KIT,CONN,RECEPT W/PIN AND LOCK	
--	231922GT	KIT,CONN,PLUG W/SCKT AND LOCK	
15	137699GT	PLUG, 6POS ECO PWR.....1	1
16		Ref., JOYSTICK.....1 <i>refer to 409.1</i>	1

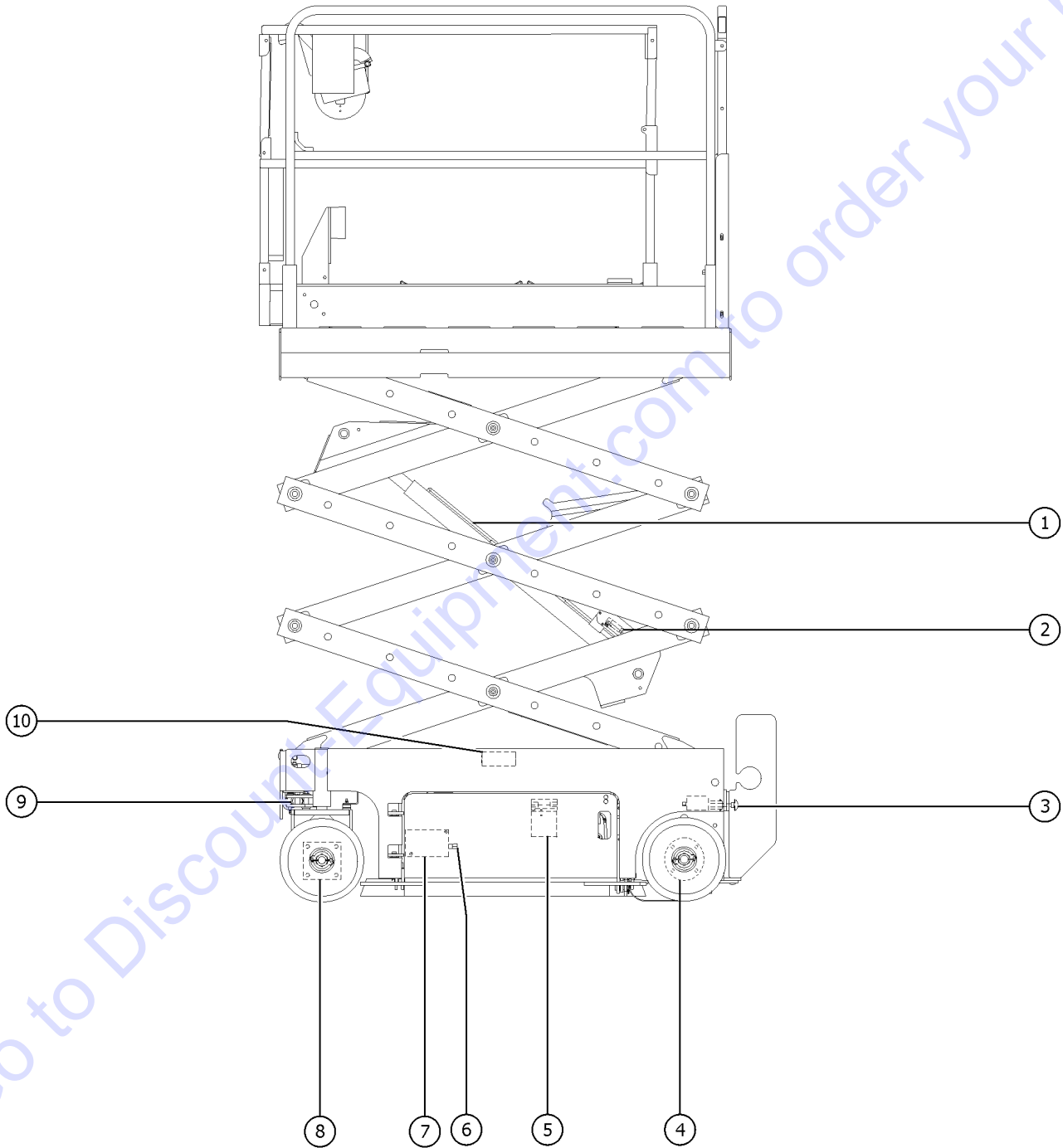
408.1 Joystick Controller



Go to Discount-Equipment.com to order your parts

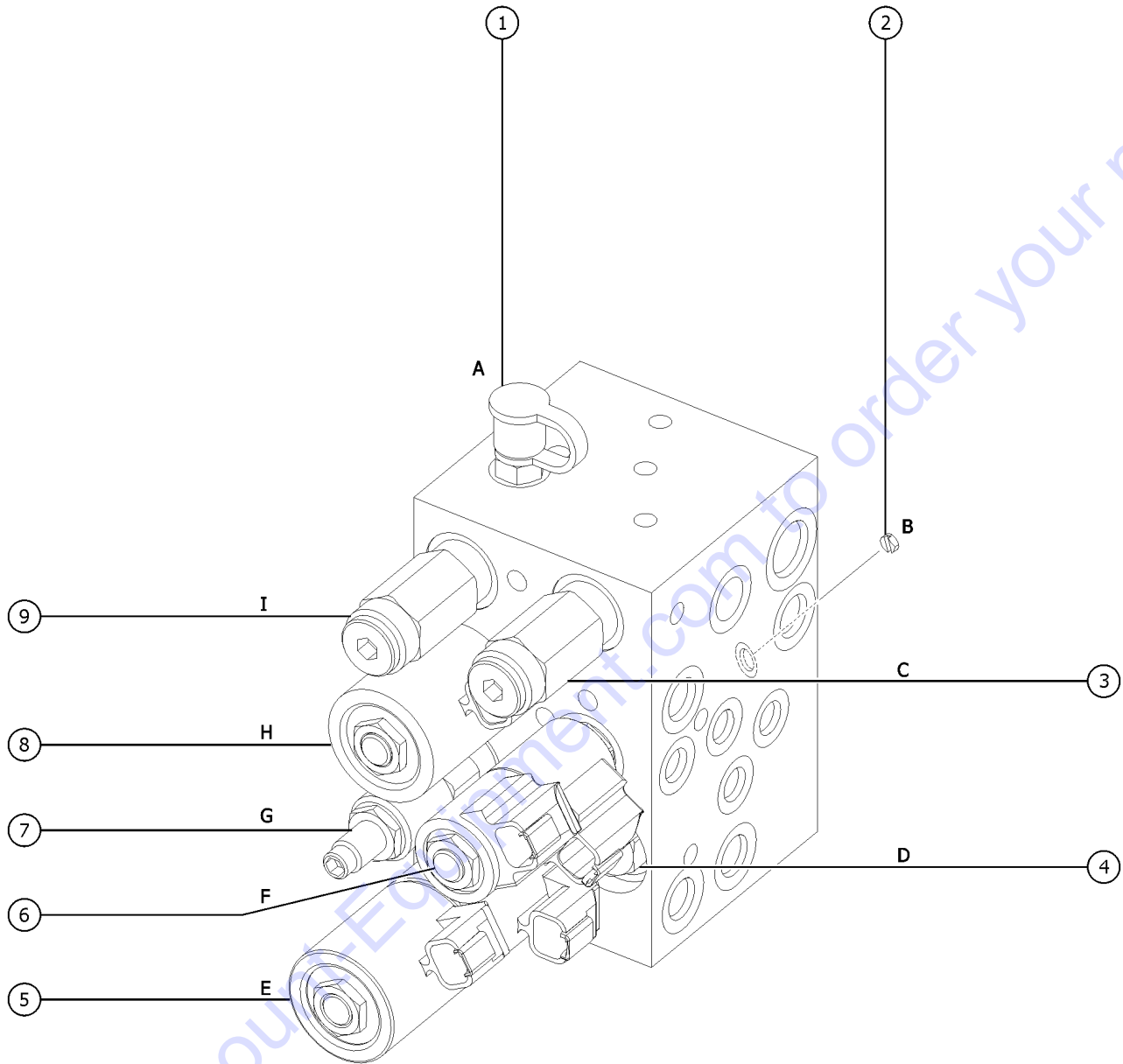
Item	Part No.	Description	Qty.
--	137634GT	JOYSTICK, HALL EFFECT, SINGLE	
--	214544GT	KIT,BOOT,JOYSTICK,SL1000 <i>joystick boot</i>	
1	235463GT	KIT,SWITCH,JYSTK,SL1000.....1 <i>function enable and steer switches</i>	
2	235463GT	KIT,SWITCH,JYSTK,SL1000.....1 <i>function enable and steer switches</i>	
3	229092GT	ROCKER,2 SWITCH.....1	
4	229093GT	BOOT, 2 SWITCH, SILICON.....1	
5	229086GT	SCREW, SELF TAP.....5	
6A	229087GT	HANDLE HALF,RIGHT,W/TOP SWITCH.....1	
6B	229091GT	SCREW,GRUB,M5X8MM,HLF DOG,BZP <i>for 229087</i>	
7A	229088GT	HANDLE HALF,LEFT,W/TOP SWITCH....1	
7B	229090GT	SCREW,GRUB,M5X8MM CUP(BLK) <i>for 229088</i>	
8	229089GT	TRIGGER, EXTENDED.....1 <i>squeeze handle</i>	
--	229094GT	SPRING, HANDLE TRIGGER.....1	

501.1 Hydraulic Components



Item	Part No.	Description	Qty.
1		Ref. Lift Cylinder Assembly (refer to 506.1)	
2		Ref. Pressure Transducer (refer to 701.1)	
3		Ref. Brake Release Hand Pump Manifold (refer to 504.1)	
4	96257GT	BRAKE, HYDRAULIC***.....2 (no seal kits available)	
5A	78622GT	FILTER ASSY,SAE8,10 MIC,PAPR**.....1 (paper, standard)	
--	44788GT	FILTER ELEMENT,10MICRON,PAPER* (paper, standard)	
5B	T114321GT	FILTER ASSY,FIBRGLS,#8-#8.....1 (fiberglass, optional upgrade)	
--	44207GT	FILTER ELEMENT,BETA(10)=200 (fiberglass, optional upgrade)	
6		Ref. Check Valve Manifold (refer to 503.1)	
7		Ref. Function Manifold (refer to 502.1)	
8	96388GT	MOTOR,HYDRAULIC,530,14.0CU.IN*....2 GS-30	
--	96419GT	SEAL KIT,RC SERIES DR MOTOR*** (for 96388 and 96417)	
9	105547GT	CYLINDER,GS/GR STEER***.....1	
--	105550GT	KIT,STEER CYL SEAL	
--	105553GT	KIT,STEER CYL SEAL,040271P,HDM (for code H408147 and up)	
--	105554GT	KIT,STEER CYL SEAL,040499P,HDM (for code H41109 and up)	
--	105555GT	KIT,STEER CYL SEAL,040505P,HDM (for codes H41205, H41255, H51290, H501111, H505109, H509101, H60723 and H60870)	
10	78422GT	ACCUMULATOR,180 PSI PRECHARGE*.....1	

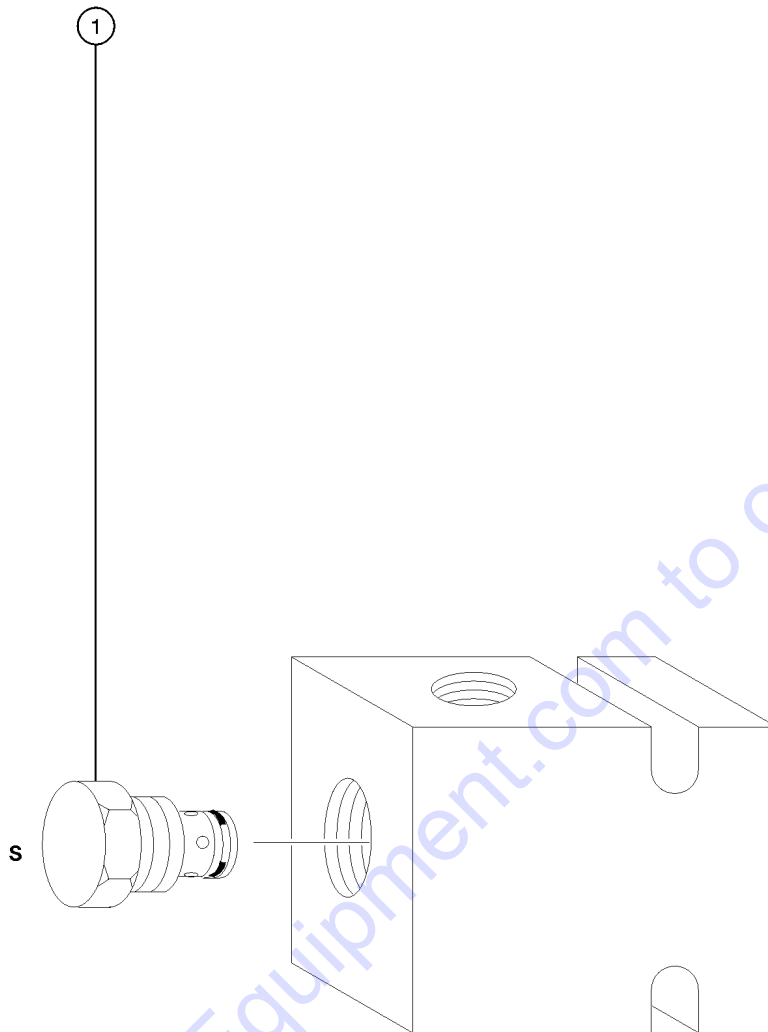
502.1 Function Manifold



Go to DiscountEquipment.com to order your parts

Item	Part No.	Description	Qty.
--	105304GT	MANIFOLD,FUNCTION*** (manifold, complete)	
--	49612GT	O-RING KIT (ORFS FITTINGS)	
--	49613GT	PLUG AND CAP KIT-SERVICE,ORFS*	
1	48997GT	NIPPLE,DIAGNOSTIC,#4 (A, Testing)	
--	20224GT	DIAGNOSTIC FEMALE Q-DSCNT (pressure gauge not included)	
--	48880GT	CAP,DIAGNOSTIC NIPPLE	
2	84386GT	CHECK DISK, NO SPRING (B, Steer circuit)	
3	65962GT	VALVE-RELIEF, 3700 PSI #8** (C, Lift relief)	
--	44226GT	SEAL KIT-FOR P.N.44167	
4	46216GT	VALVE,CHECK,IWP-S/CWP PWR ASSI (D, Drive circuit)	
--	44227GT	SEAL KIT, VALVE	
5	105303GT	VALVE, DYN. BRAKING, GS30** (E, Drive forward/reverse)	
--	44174GT	NUT-COIL SHORT	
--	44230GT	SEAL KIT-P.N.44169,44172,44171	
--	84385GT	COIL,20VDC DEUTCSH W/DIODE (sold separately)	
6	44168GT	VALVE,SOLENOID,3POS 4WAY (F, Steer left/right)	
--	44174GT	NUT-COIL SHORT	
--	44229GT	SEAL KIT, VALVE	
--	77709GT	COIL,#8 20VDC,DEUTSCH W/DIOD (sold separately)	
7	84384GT	PRTY,FLOW CNTRL VALVE,.75 GPM (G, Steer circuit)	
--	1261888GT	SEAL KIT (84384) for 84384	
8	44169GT	VALVE-SOLENOID, 2POS 4 WAY (H, Platform up)	
--	44174GT	NUT-COIL SHORT	
--	44230GT	SEAL KIT-P.N.44169,44172,44171	
--	84385GT	COIL,20VDC DEUTCSH W/DIODE (sold separately)	
9	65962GT	VALVE-RELIEF, 3700 PSI #8** (I, System relief)	
--	44226GT	SEAL KIT-FOR P.N.44167	

503.1 Check Valve Manifold

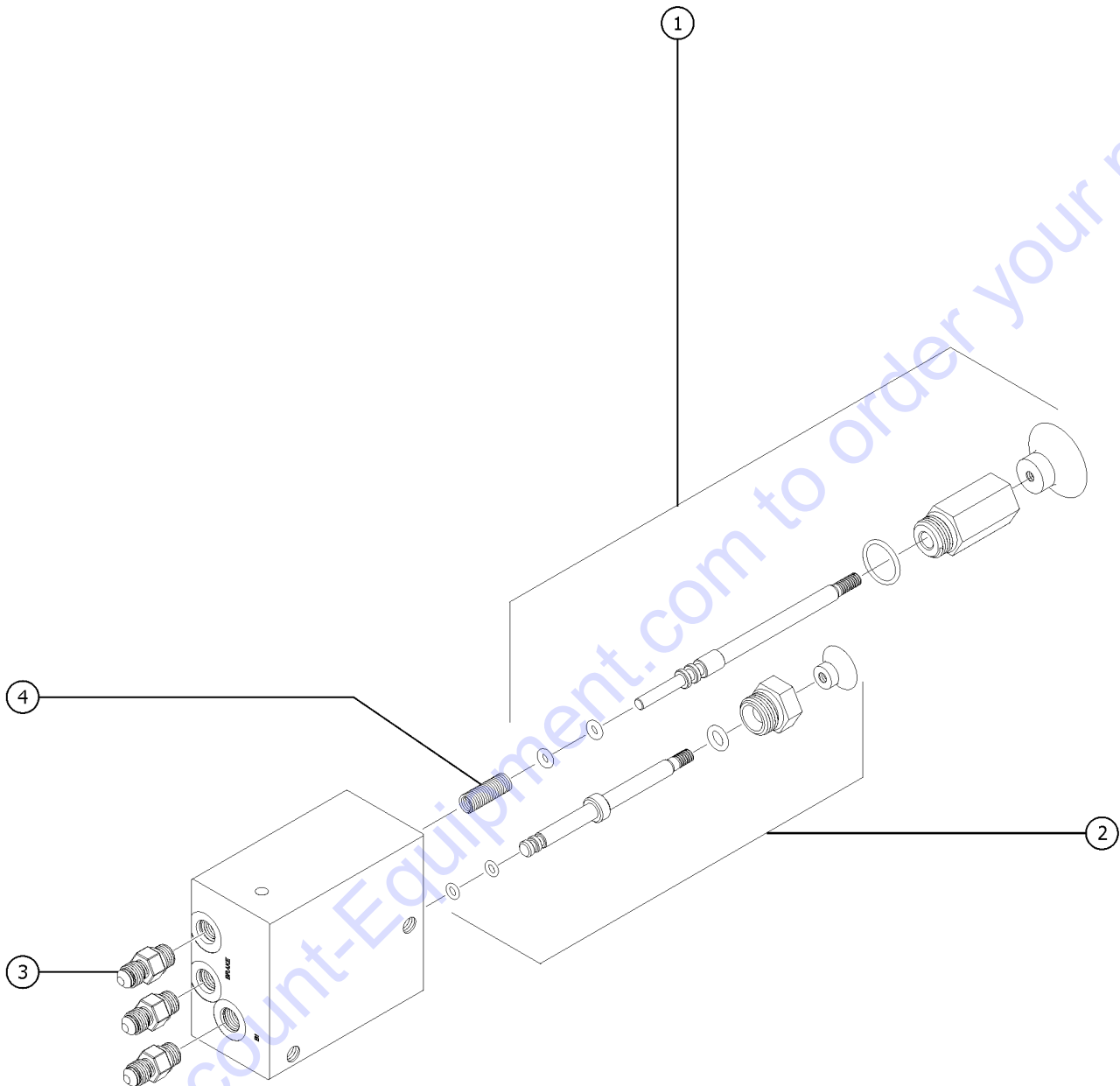


503.1 Check Valve Manifold

Item	Part No.	Description	Qty.
--	105164GT	KIT,MANIFOLD,200 PSI CV,MINI	
--	105167GT	ACCESSORY,MINI CHK VAL MANIF	
1	105165GT	MANIFOLD,200 PSI CHECK VALVE (S, Drive circuit)	

Go to Discount-Equipment.com to order your parts

504.1 Brake Release Hand Pump Manifold

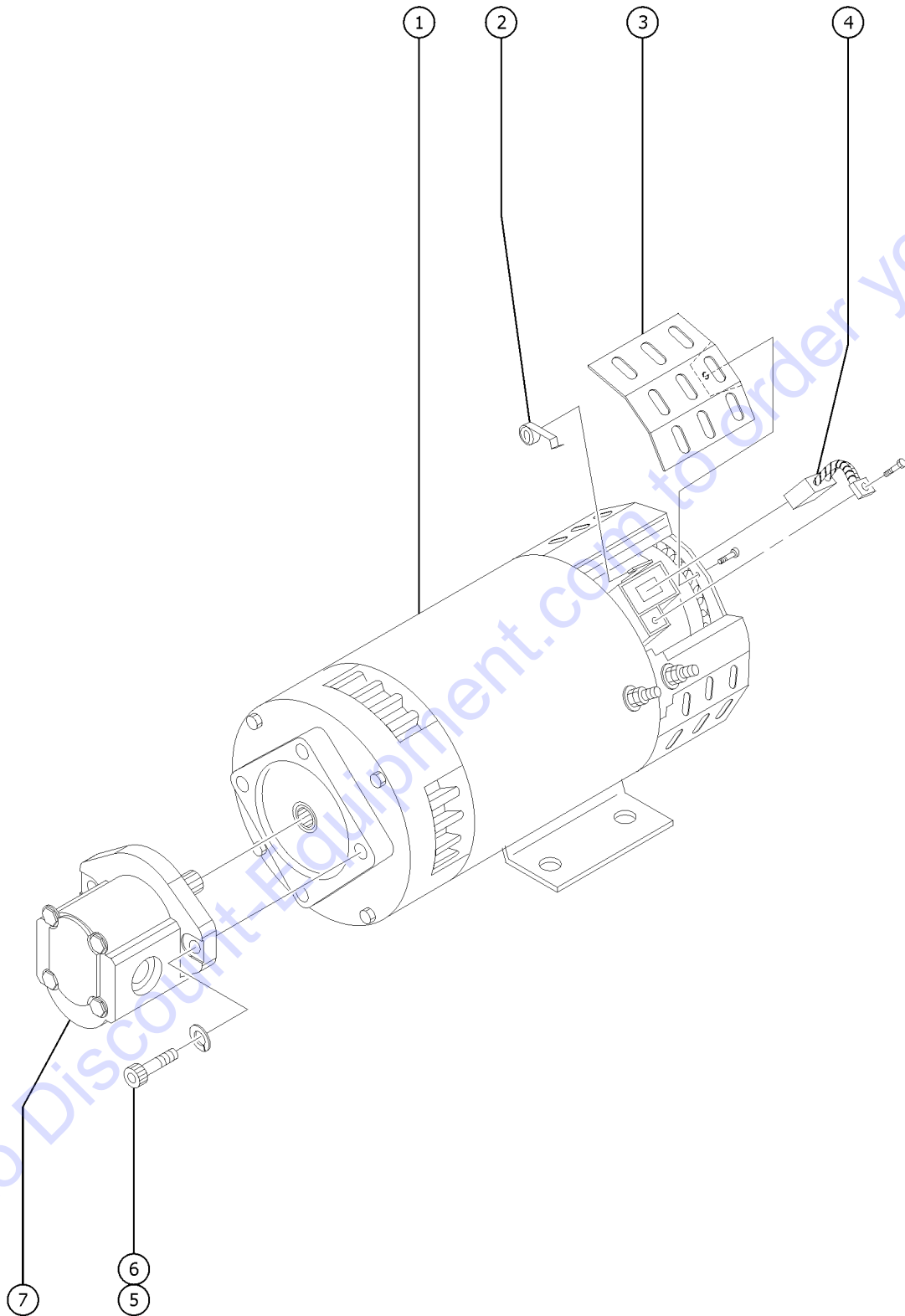


504.1 Brake Release Hand Pump Manifold

Item	Part No.	Description	Qty.
--	105067GT	MANIFOLD,BRAKE RELEASE <i>(includes items 1, 2 and 4)</i>	
1	84739GT	VALVE,HAND PUMP ASSEMBLY***.....1	1
--	84740GT	SEAL KIT,HAND PUMP***	
--	84742GT	KNOB,HAND PUMP (RED)***	
2	84743GT	VALVE,PILOT OPERATED ASSEMBLY*.....1	1
--	84740GT	SEAL KIT,HAND PUMP***	
--	84746GT	KNOB,PILOT OP VALVE (BLACK)***	
3	39877GT	CONNECTOR,070120-4-4.....3	3
4	84748GT	SPRING,HAND PUMP ROD.....1	1

Go to Discount-Equipment.com to order your parts

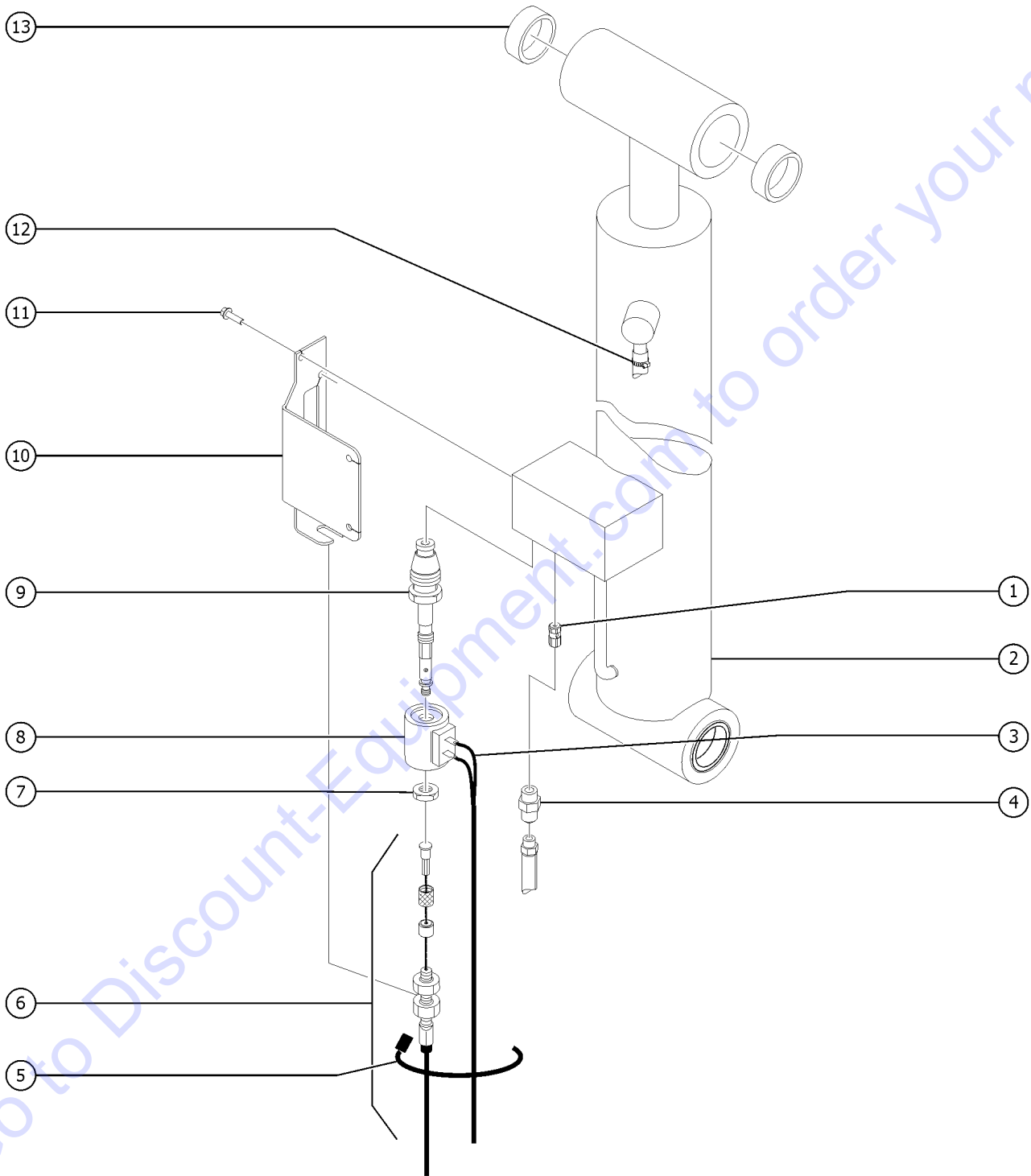
505.1 Hydraulic Power Unit, All Models



505.1 Hydraulic Power Unit, All Models

Item	Part No.	Description	Qty.
--	49812GT	ENCLOSING BAND KIT <i>Band Kit (EE models)</i>	
--	78006GT	FORMING,PADLOCK BRACKET	
--	44716GT	HANDLE,ANDERSON CONNECTOR SB	
1	40844GT	MOTOR,ELECTRIC,24VDC 4.5HP.....1	
--	43685GT	SEAL KIT,LIFT PUMP,BARNES**	
--	44777GT	BEARING,MOTOR	
--	44778GT	BEARING,MOTOR,36843,BRUSH END*	
2	44750GT	SPRING-BRUSH,40844, SCISSORS....4	
3	44752GT	COVER-BRUSH INSPEC.40844,SCISS.....4	
4	44751GT	BRUSH,PWR UNIT (40844)**.....4	
5	824100GT	SCREW,SHC,3/8-24X1.25,A574,ZAG	
6	824110GT	WASHER,LOCK,3/8,ZAG	
7	96193GT	PUMP,4CC GEAR,CCW***1 <i>When replacing the 96193 pump, please refer to the Discount-equipment to confirm your machine has the most current software. (check pump ID for correct seal kit)</i>	
--	233641GT	SEAL KIT,BOSCH PUMP <i>For 96193 w/Bosch PN 9510090001</i>	
--	85197GT	SEAL KIT,BOSCH PUMP*** <i>For 96193 w/Bosch PN 9510290001</i>	

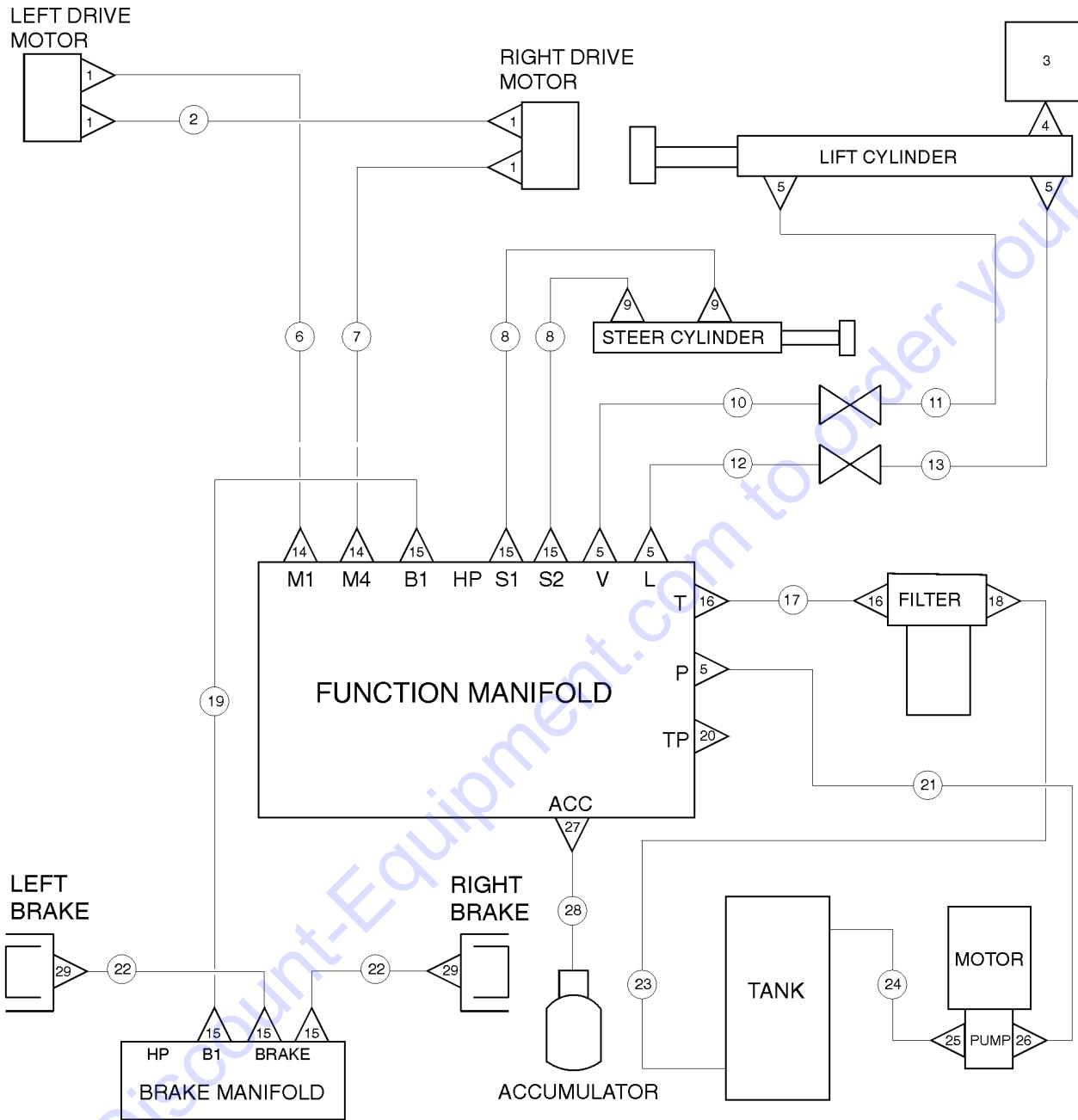
506.1 Lift Cylinder Assembly, All Models



506.1 Lift Cylinder Assembly, All Models

Item	Part No.	Description	Qty.
1	55558GT	ORIFICE, LONG, .037*** <i>(lift cylinder)</i>	1
2	105543GT	CYLINDER, MINI LIFT	1
--	105548GT	KIT, MINI LIFT CYL SEAL	
3		Ref. Down Coil Wire Harness <i>(refer to 210.1)</i>	
4	39878GT	CONNECTOR, 070120-6-6	1
5	28443GT	CABLE TIE, 11.5" BLACK	3
6		Ref. Emergency Down Cable <i>(refer to 203.1)</i>	
7	44973GT	NUT, COIL (39909)	1
8	84422GT	COIL-SOLENOID VALVE, 20V DC***	1
9	66465GT	VALVE, W/20V NC SOLENOID, MANUAL <i>(includes items 7 and 8)</i>	1
--	40477GT	VALVE, CARTRIDGE***	
--	44979GT	SEAL KIT, 39909, PLAT LWR VALVE*	
10	41557-SGT	CABLE BRACKET, PAINTED	1
11	824077GT	SCREW, HHF, 1/4-20 X .5, 8, ZAG	
12	96770GT	CLAMP, HOSE, 1 EAR, 11/16	
13	105478GT	BEARING, 1.5025IDX1.5075ODX1.5L	4

507.1 Hydraulic Hoses and Fittings



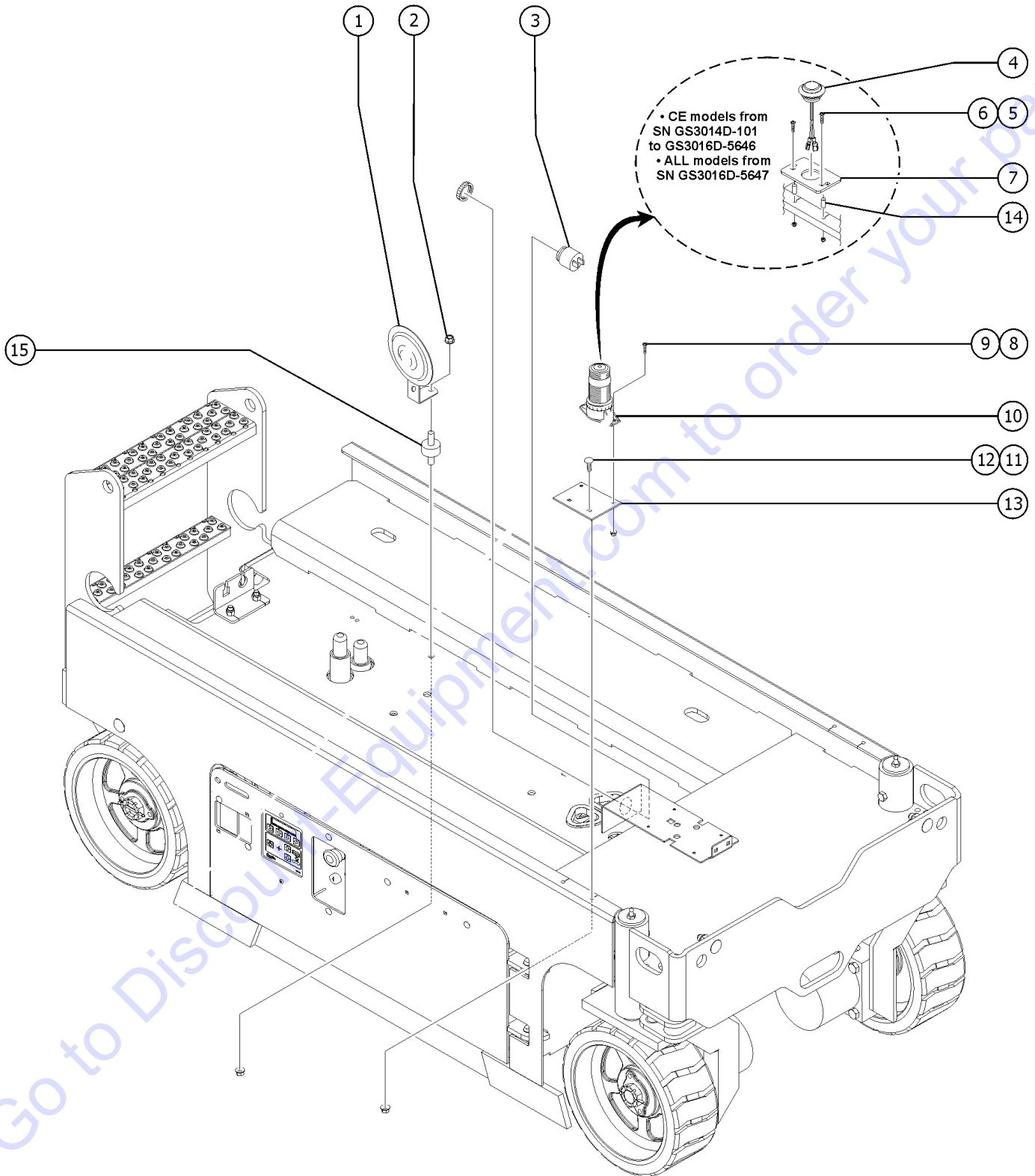
LEGEND	
	ADAPTER
	HOSE ASSEMBLY
	UNION

507.1 Hydraulic Hoses and Fittings

Item	Part No.	Description	Qty.	Item	Part No.	Description	Qty.
--		<i>The hose lengths below reflect the length of the hose only. Refer to the 'Fittings Cross Reference' to match Genie part numbers to Parker part numbers.</i>		23	96355GT	TUBE, ASSY, RETURN.....	1
1	39873GT	ELBOW,070220-6-6.....	4	24	96354GT	TUBE, ASSY, DRAW.....	1
2	96350GT	HOSE, ASSY, MOTOR CROSSOVER..... (Components: 39890, 39890, and 56776 @ 53.25 inches)	1	25	22664GT	ELBOW,070220-12-10.....	1
3		Ref. Pressure Transducer Harness (refer to 701.1)		26	39876GT	ELBOW,070220-6-8.....	1
4	39881GT	CONNECTOR,070120-4-6..... (CE models)	1	27	53501GT	O-RING-6.....	1
5	39878GT	CONNECTOR,070120-6-6.....	5	28	105283GT	HOSE ASSY, MAN/ACCUM, MINI..... (Components: 78855, 78855, and 78852 @ 14 inches)	1
6	115166GT	HOSE, ASSY, DRIVE MOTORS, MINI, L (Components: 39890, 39890, and 56776 @ 31 inches)		29	39877GT	CONNECTOR,070120-4-4.....	2
7	105653GT	HOSE, ASSY, DRIVE MOTORS, MINI..... (Components: 39890, 39890, and 56776 @ 31 inches)	1				
8	96351GT	HOSE, ASSY, STEER..... (Components: 78855, 78855, and 78852 @ 22 inches)	2				
9	13921GT	ELBOW,070220-4-4.....	2				
10	105263GT	HOSE, ASSY, LOWER VENT (Components: 96406, 96406, and 75361 @ 12 inches)					
11	105261GT	HOSE, ASSY, UPPER VENT (Components: 96407, and 75631 @ 107 inches)					
12	105264GT	HOSE, ASSY, LOWER LIFT (Components: 39890, 47223, and 56776 @ 13 inches)					
13	105262GT	HOSE, ASSY, UPPER LIFT (Components: 39890, 39890, and 56776 @ 73 inches)					
14	42283GT	ELBOW,070320-6-6.....	2				
15	39877GT	CONNECTOR,070120-4-4.....	7				
16	20923GT	CONNECTOR,070120-8-6.....	1				
17	105285GT	HOSE, ASSY, MAN TO FILTER..... (Components: 96406, 96406, and 75631 @ 22 inches)	1				
18	96398GT	CONNECTOR, 070120-12-8.....	1				
19	105284GT	HOSE, ASSY, BRAKE..... (Components: 78855, 78855, and 78852 @ 46 inches)	1				
20		Ref. Diagnostic Nipple (refer to 502.1)					
21	96353GT	HOSE, ASSY, PRESSURE..... (Components: 39890, 39890, and 56776 @ 40 inches)	1				
22	96391GT	HOSE, ASSY..... (Components: 78855, 78855, and 78852 @ 17 inches)	1				



601.1 Alarm, Horn and Flashing Beacons

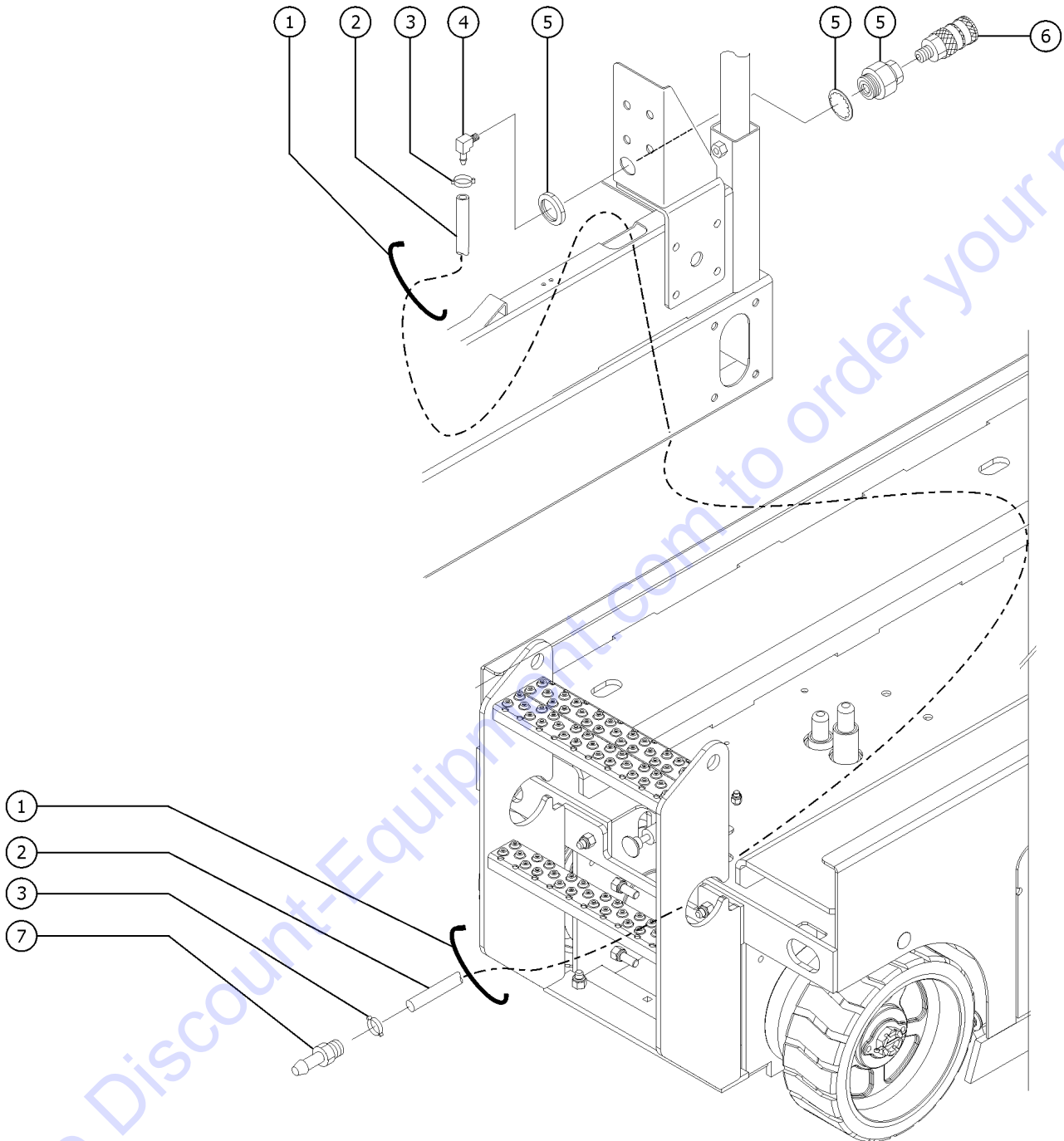


601.1 Alarm, Horn and Flashing Beacons

Item	Part No.	Description	Qty.	Item	Part No.	Description	Qty.
--	105797GT	KIT,BEACON,GS32/46		12	824027GT	NUT,TL FLG,1/4-20,G,ZAG.....4 <i>ANSI models to SN GS3016D-5646</i>	4
--	1260386GT	VISUAL INDICATOR LIGHTS <i>CE Models</i>		13	96363GT	PLATE,BEACON MOUNT.....2 <i>ANSI models to SN GS3016D-5646</i>	2
1	81579GT	HORN,24VDC,SPADE TERMINALS***1		14A	96699GT	SLEEVE,TANK SUPPORT.....4 <i>CE Models to SN GS3016D-5646</i>	4
2A	6091GT	NUT,NYLOCK,1/4-20		14B	96699GT	SLEEVE,TANK SUPPORT.....4 <i>All models from GS3016D-5647</i>	4
2B	824028GT	NUT,TL FLG,5/16-18,G,ZAG.....2		15	1275722GT	ISOLATOR,HORN,5/16-18 THRD.....1	1
3	39540GT	ALARM,STEADY TONE***1 <i>Does not include 72326 nut; order separately</i>					
--	72326GT	NUT - PLASTIC,RING FOR ALARMS <i>for 39540</i>					
4A	1261183GT	ASSEMBLY, VISUAL IND LIGHT.....2 <i>CE Models to SN GS3016D-5646</i>					
--	1254572GT	LIGHT,TURN SIGNAL,1.25" LED,AMB...2					
--	1270162GT	ASSEMBLY, BEACON LED, 24V.....2 <i>for 1261183</i>					
--	1271521GT	HARNESS, BEACON, LED, MINI.....1 <i>for 1261183</i>					
4B	1261183GT	ASSEMBLY, VISUAL IND LIGHT.....2 <i>All models from GS3016D-5647</i>					
--	1254572GT	LIGHT,TURN SIGNAL,1.25" LED,AMB...2					
--	1270162GT	ASSEMBLY, BEACON LED, 24V.....2 <i>for 1261183</i>					
--	1271521GT	HARNESS, BEACON, LED, MINI.....1 <i>for 1261183</i>					
5A	9116GT	BOLT,CARRIAGE,1/4-20x1.25,G2.....4 <i>CE Models to SN GS3016D-5646</i>					
5B	9116GT	BOLT,CARRIAGE,1/4-20x1.25,G2.....4 <i>All models from GS3016D-5647</i>					
6A	6889GT	NUT,LP NYLOCK,1/4-20.....4 <i>CE Models to SN GS3016D-5646</i>					
6B	6889GT	NUT,LP NYLOCK,1/4-20.....4 <i>All models from GS3016D-5647</i>					
7A	1261143GT	PLATE,VISUAL IND LIGHT MOUNT.....2 <i>CE Models to SN GS3016D-5646</i>					
7B	1261143GT	PLATE,VISUAL IND LIGHT MOUNT.....2 <i>All models from GS3016D-5647</i>					
8A	824215GT	SCREW,PHPM,10-32X.75,ZAG.....4 <i>CE Models to SN GS3016D-5646</i>					
8B	824215GT	SCREW,PHPM,10-32X.75,ZAG.....4 <i>All models from GS3016D-5647</i>					
9	824032GT	NUT,TL FLG,10-32,F,ZAG.....2 <i>ANSI Models to SN GS3016D-5646</i>					
10	231931GT	STROBE,BEACON, AC COMP 12-80V...2 <i>ANSI Models to SN GS3016D-5646</i>					
--	105556GT	LENS,FLASHING BEACON <i>for 231931</i>					
--	105557GT	BULB,FLASHING BEACON <i>for 231931</i>					
11	824124GT	BOLT,CARRIAGE,1/4-20X.75,5,ZAG.....4 <i>ANSI Models to SN GS3016D-5646</i>					



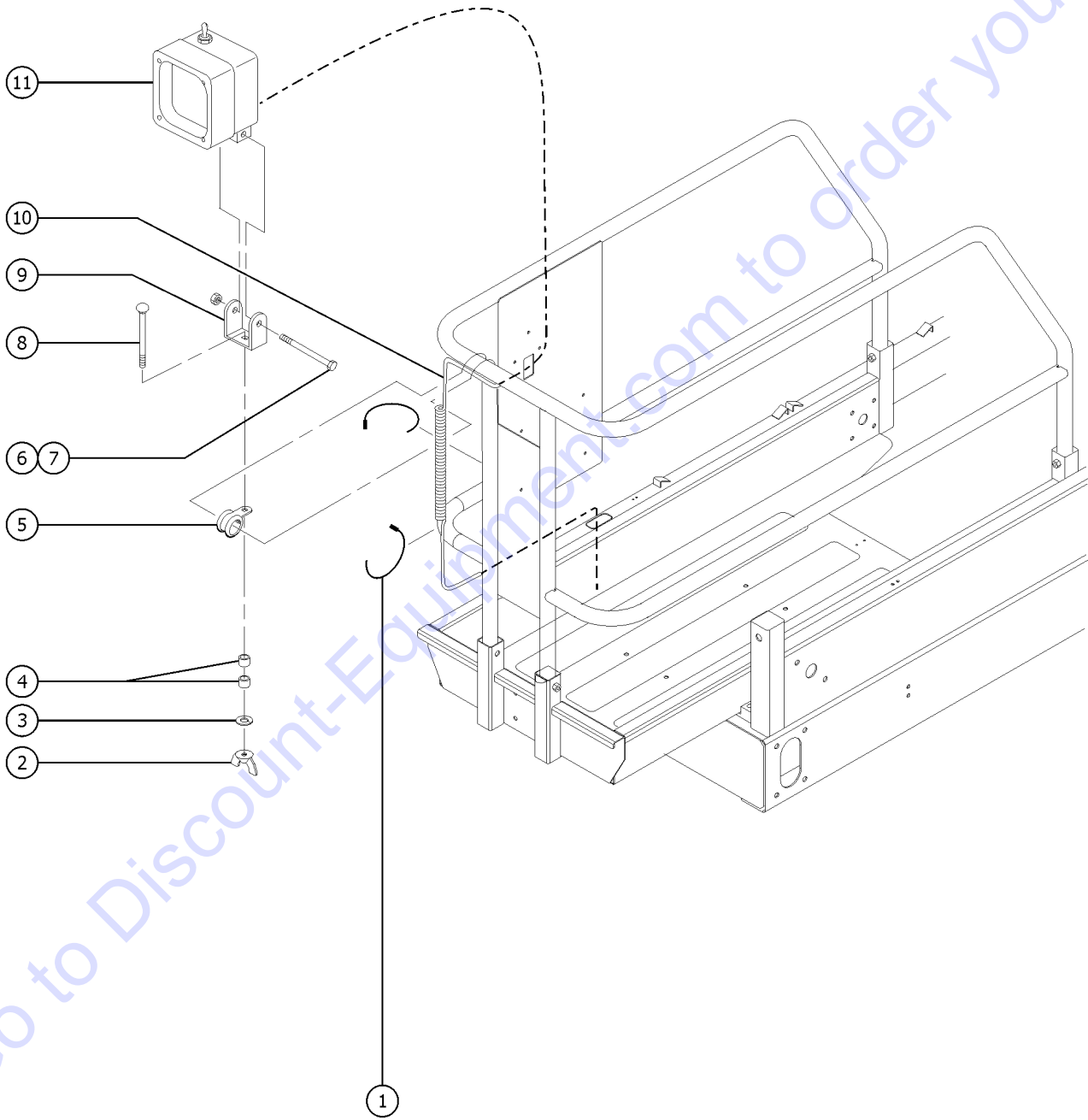
602.1 Air Line to Platform



602.1 Air Line to Platform

Item	Part No.	Description	Qty.
--	96515-SGT	AIR TO PLAT, GS15, ACC GS-1530, GS-1532	
--	96516-SGT	AIR TO PLAT, GS19, ACC GS-1930, GS-1932	
1	28443GT	CABLE TIE,11.5" BLACK	
2A	27903GT	HOSE,LOW PRESSURE,.375 ID,BLK.....275-inches GS-1530, GS-1532	
2B	27903GT	HOSE,LOW PRESSURE,.375 ID,BLK.....340-inches GS-1930, GS-1932	
3	27902GT	CLAMP,HOSE,2 EAR, 5/8.....2	
4	27904GT	HOSE END,BARBED,RIGID,90DEG6-6.....1	
5	27900GT	BULKHEAD,FEMALE X 6 X 6.....1	
6	27895GT	COUPLER,1/4"SERIES 3/8 MPT.....1	
7	96542GT	PLUG,1/4"SERIES,3/8 P-LOCK***.....1	

603.1 Platform Work Light

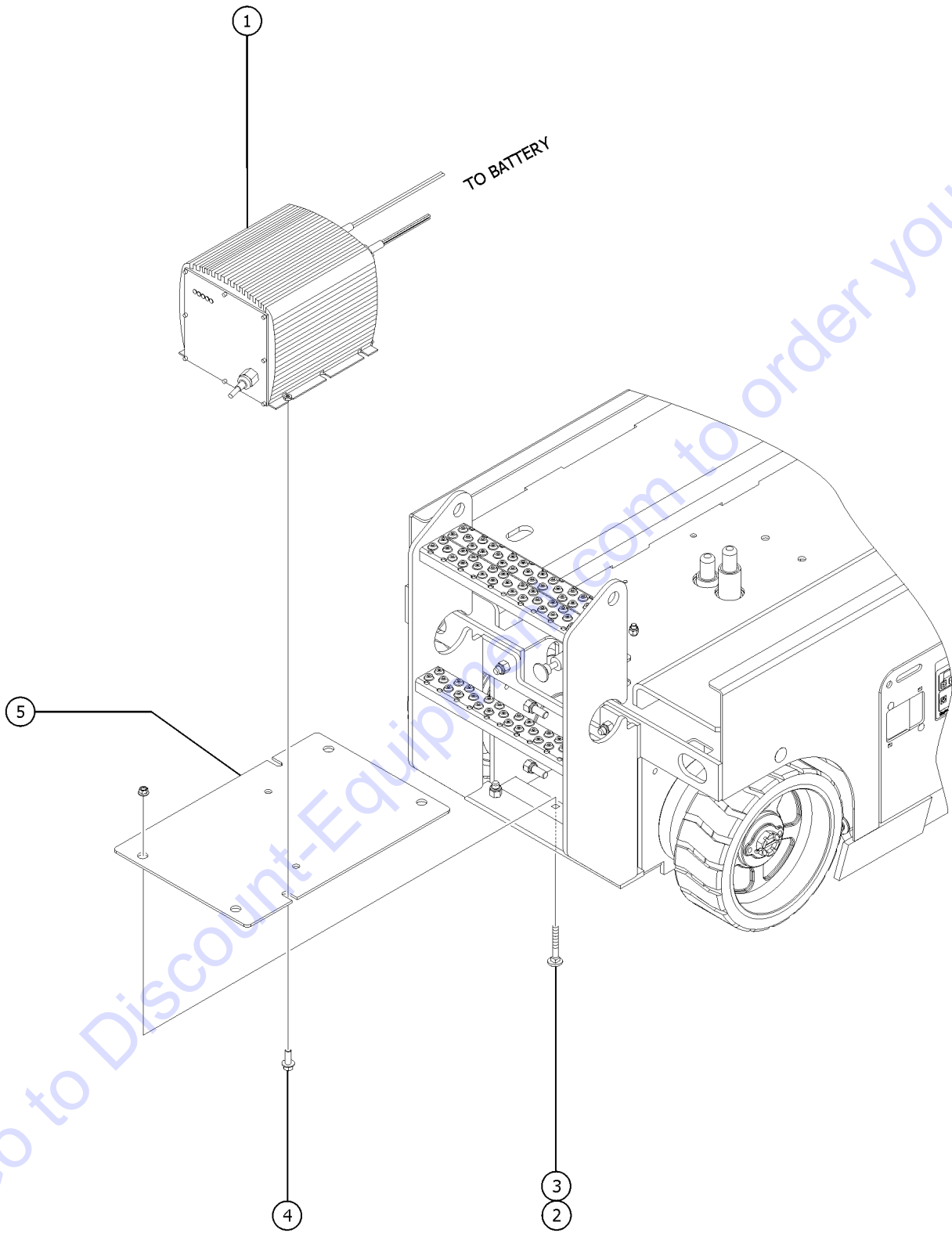


Go to Discount-Equipment.com to order your parts

603.1 Platform Work Light

Item	Part No.	Description	Qty.
--	105971GT	WORKLIGHT PIGTAIL ASSY (chassis) GS-30	
--	105972GT	WORKLIGHT CABLE,GS15XX (linkset) GS-1530, GS-1532	
--	105973GT	WORKLIGHT CABLE,GS19/20XX (linkset) GS-1930, GS-1932	
1	28443GT	CABLE TIE,11.5" BLACK.....	10
2	69229GT	NUT,WING 5/16-18.....	1
3	6886GT	WASHER,LOCK, .313	
4	5397GT	WASHER,FLAT,USS,5/16",Y..... <i>add sufficient washers to equal aproximately 0.435 inch thickness of each spacer</i>	2
5	33784GT	CLAMP,1.31,#21 X 1/4,RUB CUSH.....	1
6	50793GT	SCREW,HHC,5/16-18 X 2	
7	6782GT	NUT,NYLOCK,5/16-18	
8	65439GT	BOLT,CARRIAGE,5/16-18 X 2.0,G2	
9	144009GT	WORKLIGHT BRACKET.....	1
10	65721GT	COIL CORD,WORKLIGHT(144011).....	1
11	144011GT	WORKLIGHT,24V,COIL CORD.....	1

604.1 Voltage Inverter

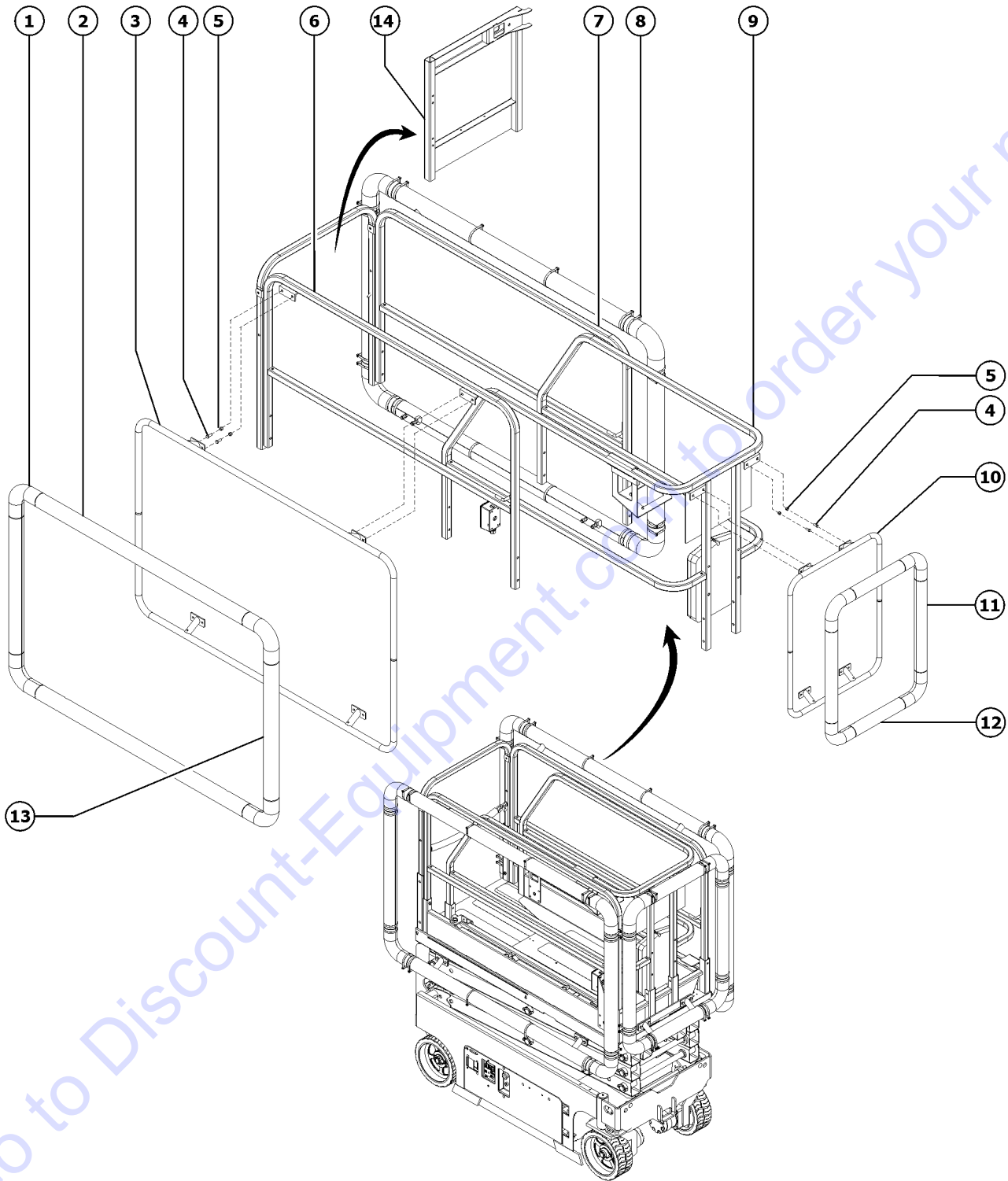


604.1 Voltage Inverter

Item	Part No.	Description	Qty.
--	105248GT	SERVICE KIT,INVERTER 800W***	
1	96950GT	INVERTER,24VDC,110/230 VAC***	1
2	1255757GT	BOLT,CARRIAGE,3/8-16X1.25,5,ZAG	
3	824029GT	NUT,TL FLG,3/8-16,G,ZAG	
4	824078GT	SCREW,HHF,1/4-20X.75,8,ZAG.....	2
5	105129GT	PLATE, INVERTER MOUNT.....	1

Go to Discount-Equipment.com to order your parts

605.1 Padded Auxiliary Rail, GS-1930

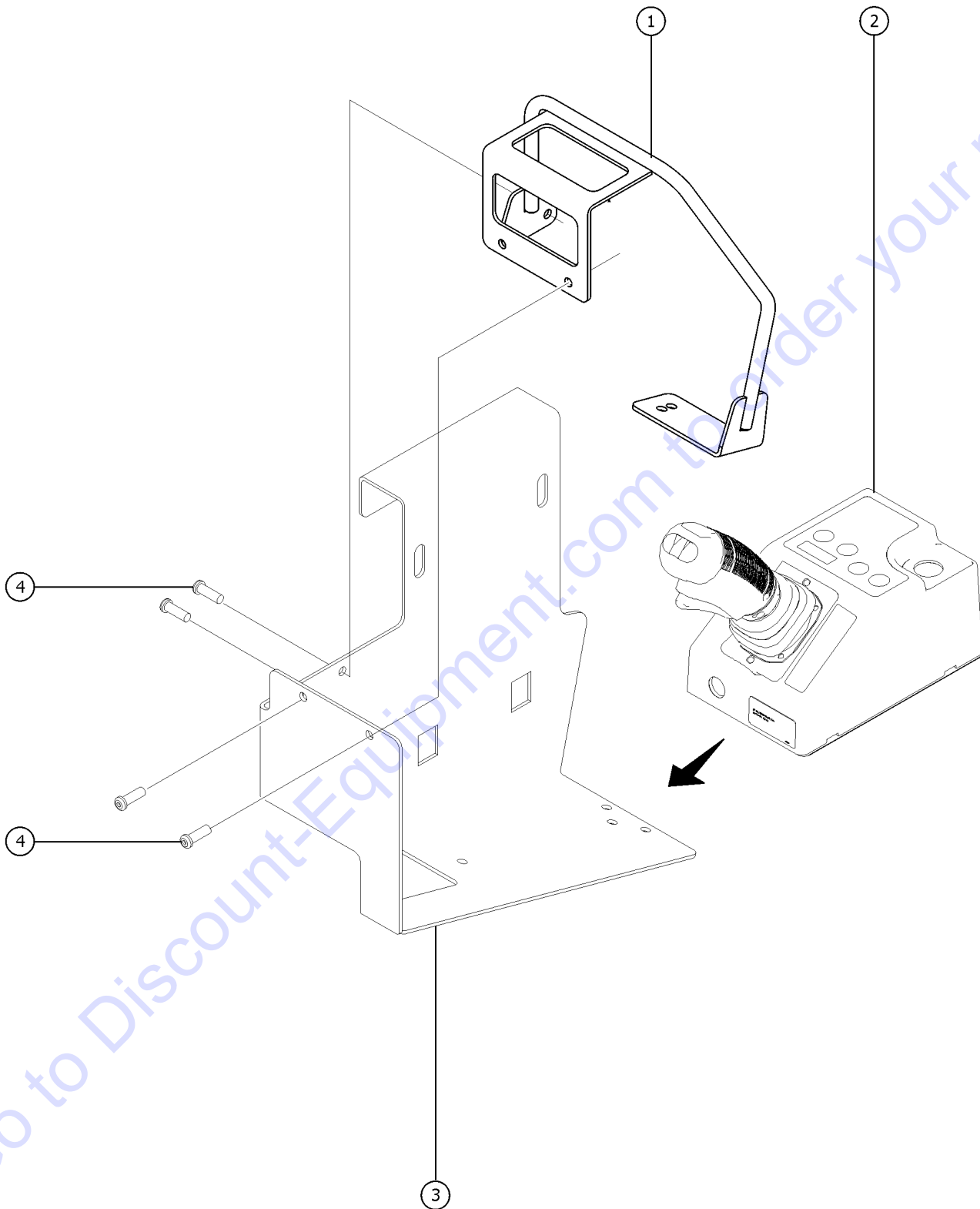


Factory installed option only. After-market kit not available.

605.1 Padded Auxiliary Rail, GS-1930

Item	Part No.	Description	Qty.
1	238268GT	BUMPER,FOAM,FRONT ELBOW.....	12
2	825304GT	BUMPER, PAR, SIDE, HORIZONTAL....	4
3	825302GT	WELDMENT, PAR, SIDE.....	2
4	6175GT	SCREW,HHC,3/8-16 X 1	
5	4828GT	NUT,NYLOCK,3/8-16	
6	825313GT	WLDT, MAIN SIDERAIL, PAR, LH.....	1
7	825312GT	WLDT, MAIN SIDERAIL, PAR, RH.....	1
8	229903GT	CABLE TIE, 14.5" YELLOW.....	56
9	825311GT	WLDT, EXT SIDERAIL, PAR.....	1
10	825307GT	WELDMENT, PAR, FRONT.....	1
11	825640GT	BUMPER, PAR, FRONT, VERTICAL.....	2
12	825309GT	BUMPER, PAR, FRONT, HORIZONTAL.....	2
13	825305GT	BUMPER, PAR, SIDE, VERTICAL.....	4
14		Ref. GATE ASSEMBLY (refer to 405.1) (the gate does not include padding)	

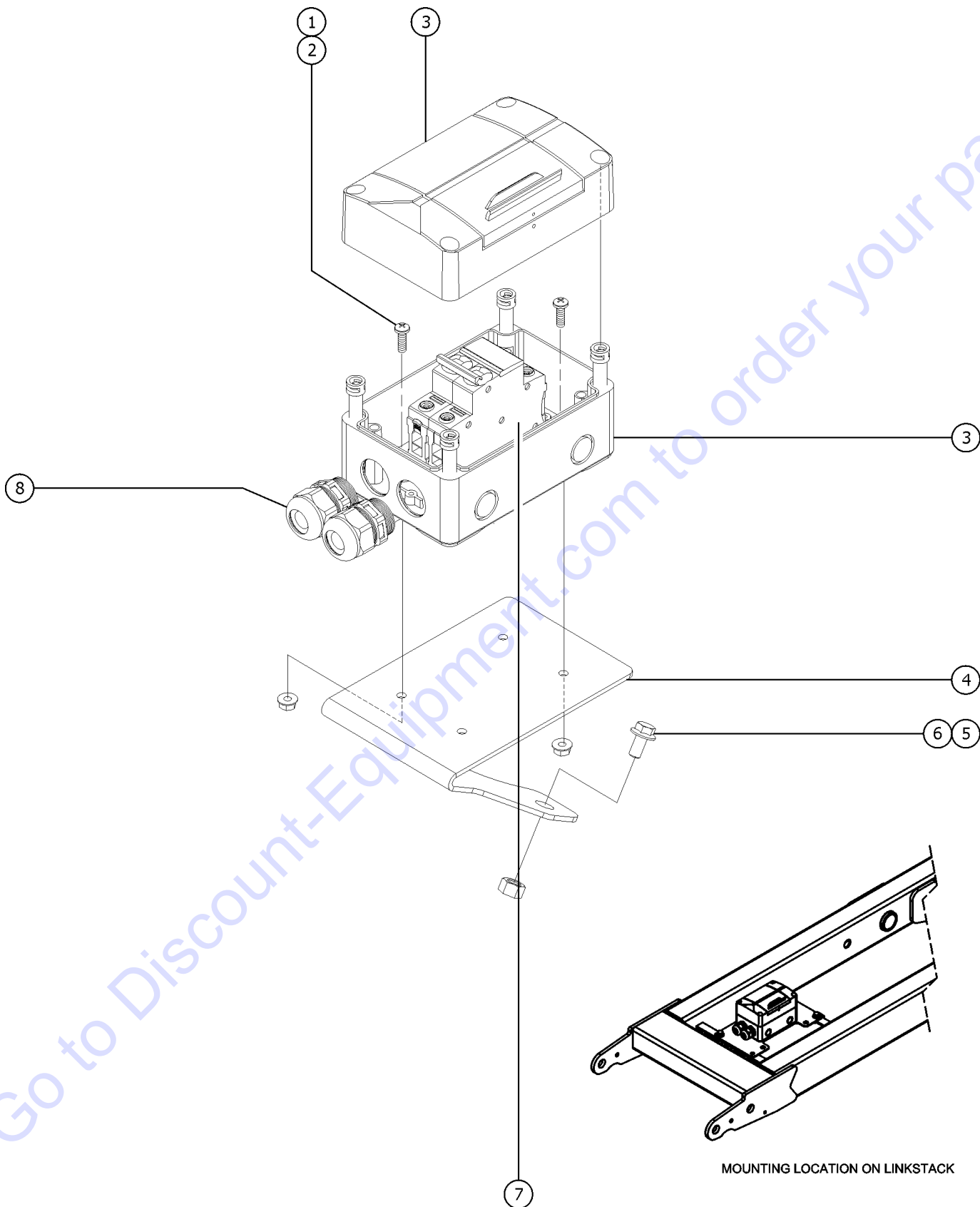
606.1 PCON Guard



Item	Part No.	Description	Qty.
1	1283768GT	KIT,PCON GUARD,SLAB/GR <i>includes installation instructions</i>	
--	1279627GT	WELDMENT, PCON GUARD.....	1
2		Ref. PCON, GR/GRC/GS..... <i>refer to 407.1</i>	1
3		Ref. FORMING, PLAT CONTROL, GR/GRC..... <i>refer to 407.1 (holes drilled for PCON Guard option)</i>	4
4	7265GT	RIVET,STEEL,P .25 X .375.....	4

Go to Discount-Equipment.com to order your parts

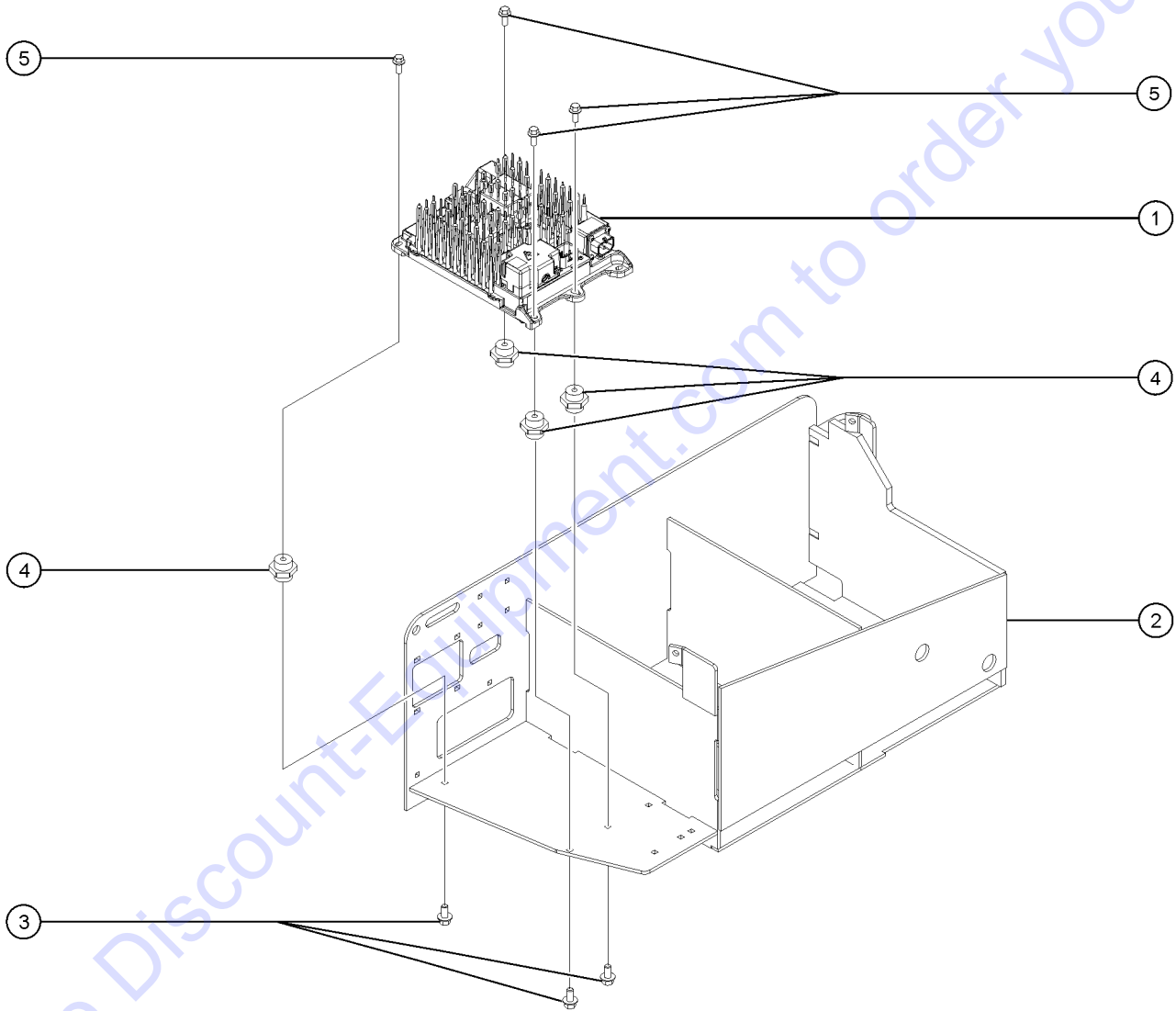
607.1 RCBO



MOUNTING LOCATION ON LINKSTACK

Item	Part No.	Description	Qty.
1	1257227GT	SCREW,PHPM,10-32X.625,ZAG.....	2
2	1256467GT	NUT,TL FLG,10-24,F,ZAG.....	2
3	1269086GT	ENCLOSURE, FUSE, MODULAR, 150X.....	1
4	1279207GT	FORMING,RCBO,GS30.....	1
5	824089GT	SCREW,HHF,3/8-16X.75,8,ZAG.....	2
6	232951GT	NUT, TL, M10-1.5,DIN980, ZAB.....	1
7	231868GT	RCBO,16A,30MA,6KA 110/230VAC.....	1
8	1280947GT	GLAND ASSY,M25,6-13MM.....	2
9	43956GT	WIRE CABLE,14/3 CON.TPE JKT*.....	115-inches <i>not shown</i>
10	1280948GT	SLEEVE,CABLE-END,14AWG,2.5MM....	6 <i>not shown</i>

608.1 Charger Isolation



Go to Discount-Equipment.com to order your parts

608.1 Charger Isolation

Item	Part No.	Description	Qty.
1		Ref.CHARGER, 24V, 650W, USB.....1 (refer to 206.1)	
2	1273354GT	WLDMT, GS BATTERY TRAY.....1	
3	824077GT	SCREW, HHF, 1/4-20 X .5, 8, ZAG.....3	
4	1276847GT	ISOLATOR,SANDWICH,1/4-20,M2M.....4	
5	1256855GT	SCREW,HHF,1/4-20X.625,8,ZAG.....4	

Go to Discount-Equipment.com to order your parts

PARTS FINDER

**Search Website
by Part Number**



**Search Manual
Library For Parts
Manual & Lookup Part
Numbers – Purchase
or Request Quote**

Search Manuals

Enter your information to help us find the right parts manual for your machine.

* Brand:

* Model:

* Serial:

* Part Number:

SEARCH

**Can't Find Part or
Manual? Request Help
by Manufacturer,
Model & Description**

Parts Order Form

Please fill in the following information to help us find the right part for your machine.

Manufacturer:	<input type="text"/>
Model:	<input type="text"/>
Description:	<input type="text"/>
Part Number:	<input type="text"/>
Quantity:	<input type="text"/>
Notes:	<input type="text"/>

Submit

Discount-Equipment.com is your online resource for quality parts & equipment.

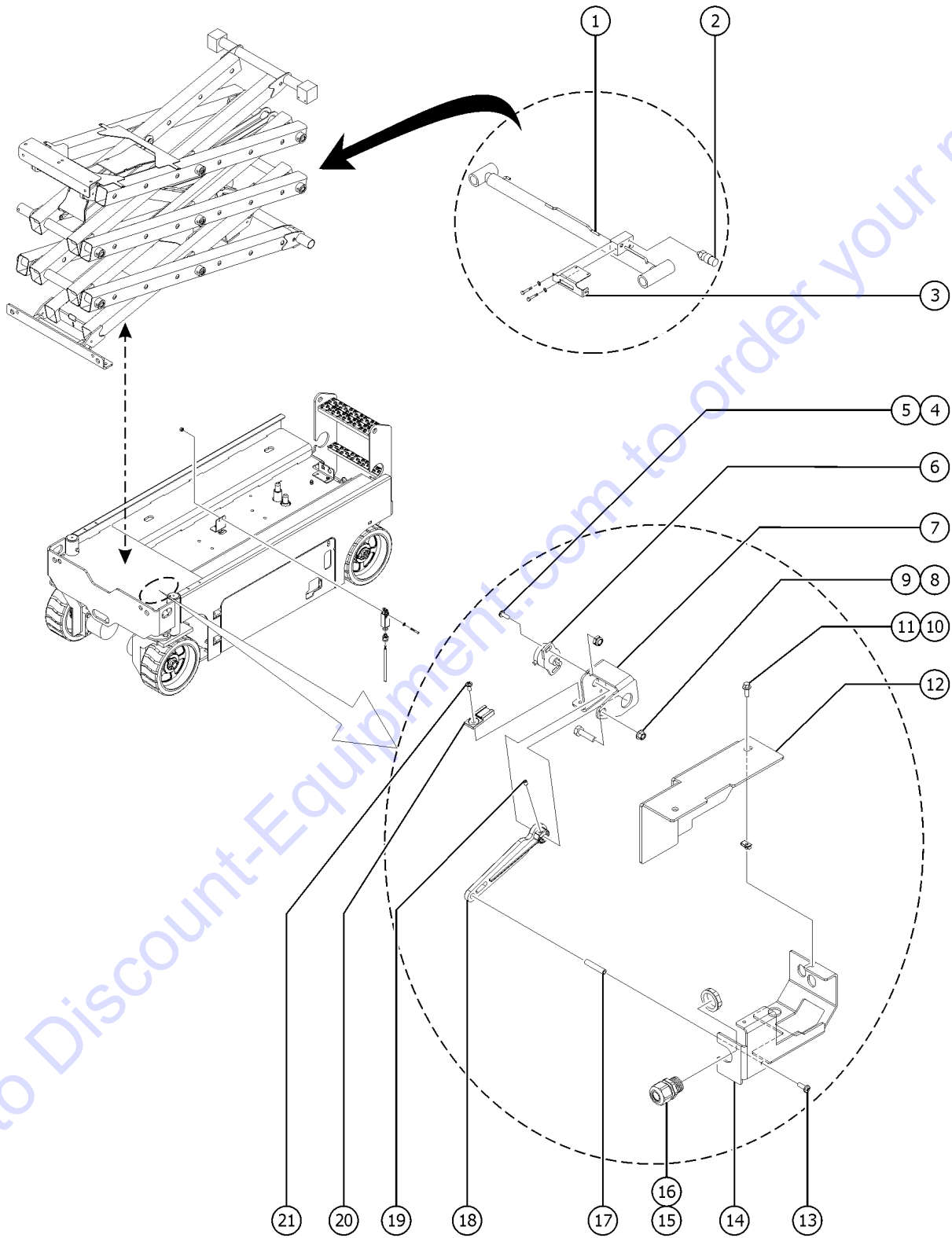
Florida: **561-964-4949** Outside Florida TOLL FREE: **877-690-3101**

Need parts?

Click on this link: <http://www.discount-equipment.com/category/5443-parts/> and choose one of the options to help get the right parts and equipment you are looking for. Please have the machine model and serial number available in order to help us get you the correct parts. If you don't find the part on the website or on one of the online manuals, please fill out the request form and one of our experienced staff members will get back to you with a quote for the right part that your machine needs.

We sell worldwide for the brands: Genie, Terex, JLG, MultiQuip, Mikasa, Essick, Whiteman, Mayco, Toro Stone, Diamond Products, Generac Magnum, Airman, Haulotte, Barreto, Power Blanket, Nifty Lift, Atlas Copco, Chicago Pneumatic, Allmand, Miller Curber, Skyjack, Lull, Skytrak, Tsurumi, Husquvarna Target, Stow, Wacker, Sakai, Mi-T-M, Sullair, Basic, Dynapac, MBW, Weber, Bartell, Bennar Newman, Haulotte, Ditch Runner, Menegotti, Morrison, Contec, Buddy, Crown, Edco, Wyco, Bomag, Laymor, EZ Trench, Bil-Jax, F.S. Curtis, Gehl Pavers, Heli, Honda, ICS/PowerGrit, IHI, Partner, Imer, Clipper, MMD, Koshin, Rice, CH&E, General Equipment, Amida, Coleman, NAC, Gradall, Square Shooter, Kent, Stanley, Tamco, Toku, Hatz, Kohler, Robin, Wisconsin, Northrock, Oztec, Toker TK, Rol-Air, APT, Wylie, Ingersoll Rand / Doosan, Innovatech, Con X, Ammann, Mecalac, Makinex, Smith Surface Prep, Small Line, Wanco, Yanmar

701.1 Platform Overload



Item	Part No.	Description	Qty.
1		Ref. Lift Cylinder.....1 (refer to 506.1)	1
2	229750GT	HARNESS,PRESS,TRANSDUCER***.....1	1
3	41557-SGT	CABLE BRACKET,PAINTED.....1	1
4	1257296GT	SCREW,PHPM-ST,8-32X.50,TYPE F,ZAG.....2	2
5	1258187GT	NUT,TL,8-32,A,ZAG.....2	2
6	T113136GT	ASSY,ROT SENSR W/ HARNESS.....1	1
7	161979GT	FRMG,ARM SENSOR BRCKT,MINI.....1	1
8	824029GT	NUT,TL FLG,3/8-16,G,ZAG.....1	1
9	824068GT	SCREW,HHC,3/8-16X1.25,8,ZAG.....1	1
10	824078GT	SCREW,HHF,1/4-20X.75,8,ZAG.....2	2
11	56912GT	SPRING CLIP,1/4-20,.025-.15X.54,ZAG.....2	2
12	161977GT	FRMG,SENSOR COVERING.....1	1
13	1251757GT	SCREW,PHPM,10-32X.50,ZAG.....1	1
14	161975GT	FRMG,CHASSIS BRKTING.....1	1
15	33576GT	CONN,SQZ,BLK,1/2NPT,.38-.50,SM.....1	1
16	T115429GT	NUT,CORDGRIP,1/2 NPT.....1	1
17	T113142GT	OFFSET, RDN, 1/4-1.25,10-32.....1	1
18	T114082GT	LEVER ARM,ANGLE SENSR ACTUATOR.....1	1
19	229146GT	SCREW,SET,8-32X.25.....1	1
20	T113139GT	CLIP,DTM,RECEPTACLE.....1	1
21	39579GT	RIVET,STL,STL,.188 X .45.....1	1

Part Number Index

The Part Number Index is a numeric index of all part numbers included in this manual. The index shows what page(s) the part is used on.

Part Number	Page	Part Number	Page	Part Number	Page	Part Number	Page
104804GT	115	122994GT	85	1259191GT	73	1279207GT	149
105067GT	129	1251757GT	153	1259192GT	69, 71	1279428GT	81
105085GT	95, 97	1251799GT	95, 97	1259193GT	69, 71	1279627GT	147
105090GT	117	1251997GT	69, 71, 73, 93	1259194GT	69, 71	1280665GT	117
105117GT	117	1252977GT	99-100, 103-104, 107-108, 111-112	1259195GT	69, 71	1280947GT	149
105118GT	117			1259197GT	77	1280948GT	149
105129GT	143	1253477GT	100, 104, 108, 112	1259223GT	100, 104, 108, 112	1280957GT	99-100, 103-104, 107-108, 111-112, 119
105156GT	77			1259266GT	79		
105164GT	127	1253478GT	99-100, 103-104, 107-108, 111-112	1259339GT	100, 104, 108, 112	1280958GT	100, 104, 108, 112, 119
105165GT	127			1259719GT	103-104, 111-112	1282138GT	99-100, 103-104, 107-108, 111-112
105167GT	127	1254572GT	137			1282139GT	115
105182GT	95, 97	1255245GT	45	1259829GT	99-100, 103-104, 107-108, 111-112	1282141GT	99-100, 103-104, 108, 111-112
105183GT	95, 97	1255629GT	75				
105184GT	95, 97	1255756GT	75	1260386GT	137	1282145GT	75
105185GT	97	1255757GT	69, 71, 73, 77, 93, 143	1260926GT	100, 104, 108, 112	1282153GT	75
105209GT	91					1283053GT	87
105210GT	91	1255758GT	69, 71, 77, 99-100, 103-104, 107-108, 111-112	1261143GT	137	1283768GT	147
105211GT	91			1261183GT	137	1284302GT	117
105248GT	143			1261888GT	125	1286357GT	99-100, 103-104, 107-108, 111-112
105261GT	135	1255759GT	73	1263152GT	79		
105262GT	135	1255797GT	75	1263220GT	87	131582GT	75
105263GT	135	1255805GT	79	1263221GT	87	132021GT	115
105264GT	135	1256070GT	41, 43	1263542GT	23, 37, 51, 65	132026GT	115
105275GT	77	1256109GT	69, 71	1263646GT	27, 39, 55, 67	132027GT	115
105280GT	95, 97	1256115GT	93	1264822GT	87	132052GT	77
105283GT	135	1256123GT	69, 71	1264834GT	87	132053GT	77
105284GT	135	1256179GT	73	1265361GT	15, 23, 31, 37, 43, 51, 59, 65	132063GT	69, 71
105285GT	135	1256287GT	69, 71, 73			132064GT	69, 71
105303GT	125	1256467GT	149	1265771GT	87	132068GT	69, 71
105304GT	125	1256656GT	119	1266278GT	69	132119GT	69, 71
105310GT	75	1256679GT	75, 79	1266279GT	69	132121GT	99-100, 103-104, 107-108, 111-112
105334GT	81	1256702GT	17, 19, 25, 27, 33, 39, 45, 47, 53, 55, 61, 67	1268GT	11		
105440GT	75			1269086GT	149		
105478GT	133	1256703GT	61	1269302GT	99-100, 107-108, 111-112		
105483-SGT	117	1256719GT	85	1269307GT	99-100, 103-104, 107-108, 111-112	132127GT	99-100, 103-104, 107-108, 111-112
105543GT	133	1256721GT	85				
105547GT	123	1256725GT	119	1269346GT	99-100, 103-104, 107-108, 111-112	132128GT	99-100, 103-104, 107-108, 111-112
105548GT	133	1256727GT	119				
105550GT	123	1256848GT	95, 97	1270162GT	137	132133GT	77
105553GT	123	1256855GT	100, 104, 108, 112, 151	1270281GT	73, 87	132140GT	99-100, 103-104, 107-108, 111-112
105554GT	123	1256863GT	79	1270457GT	79		
105555GT	123	1257054GT	89	1270598GT	83		
105556GT	137	1257055GT	89	1270598GT	83		
105557GT	137	1257058GT	89	1271521GT	137	132151GT	99-100, 103-104, 107-108, 111-112
105565GT	69, 71	1257059GT	89	1272119GT	81		
105653GT	135	1257082GT	77	1272232GT	81		
105797GT	137	1257102GT	73	1272242GT	15, 23, 31, 37, 43, 51, 59, 65	132163GT	77
105812GT	117	1257182GT	17, 45			132177GT	69, 71
105818GT	95, 97	1257184GT	19, 33, 47, 61	1272557GT	81	132178GT	77
105971GT	141	1257227GT	149	1272844GT	81	132209GT	99-100, 103-104, 107-108, 111-112
105972GT	141	1257296GT	153	1273354GT	151		
105973GT	141	1257733GT	11	1273394GT	87		
105997GT	95, 97	1257824GT	87	1273576GT	81, 89	132210GT	99-100, 103-104, 107-108, 111-112
105998GT	95, 97	1257923GT	17, 19, 25, 27, 33, 39, 45, 47, 53, 55, 61, 67	1274166GT	75		
10775GT	117			1274168GT	75		
10777GT	117	1258187GT	153	1274594GT	103-104		
114334GT	23, 37, 51, 65	1258393GT	73	1275422GT	117	132211GT	99-100, 103-104, 107-108, 111-112
114337GT	21, 35, 49, 63	1258394GT	87	1275423GT	117		
114338GT	25, 27, 39, 53, 55, 67	1258567GT	11	1275722GT	137		
114360GT	13, 29, 41, 57	1258567GT	11	1275748GT	95	132212GT	99-100, 103-104, 107-108, 111-112
114361GT	13, 21, 29, 35, 41, 49, 57, 63	1258731GT	119	1276561GT	83		
114370GT	21, 35, 49, 63	1259177GT	77	1276562GT	83		
114372GT	21, 23, 35, 37, 49, 51, 63, 65	1259178GT	77	1276847GT	151	132213GT	99-100, 103-104, 107-108, 111-112
114385GT	13, 15, 29, 31, 41, 43, 57, 59	1259179GT	77	1278004GT	27, 39		
114386GT	17, 19, 33, 45, 47, 61	1259180GT	77	1278005GT	55, 67		
115166GT	135	1259181GT	99-100, 103-104, 107-108, 111-112	1278274GT	71	132342GT	77
119619GT	69, 71			1278375GT	71	132902GT	79
12013GT	100, 104, 108, 112	1259182GT	100, 104, 108, 112	1278615GT	69, 71	132935GT	69, 71
12016GT	77			1278704GT	15, 23, 31, 37, 43, 51, 65	132936GT	69, 71

Part Number Index (continued)

Part Number	Page	Part Number	Page	Part Number	Page	Part Number	Page
132996GT	99-100, 103-104, 107-108, 111-112	231112GT	99-100, 103-104, 107-108, 111-112	39469GT	99-100, 103-104, 107-108, 111-112	44981GT	15, 17, 19, 23, 25, 27, 31, 33, 37, 39, 43, 45, 47, 51, 53, 55, 59, 61, 65, 67
133213GT	29	231114GT	83	39474GT	99-100, 103-104, 107-108, 111-112	45546GT	117
133276GT	15, 31, 43, 59	231167GT	83	39509GT	115	46216GT	125
133596GT	17, 19, 33, 45, 47, 61	231175GT	115	39510GT	115	46260GT	99-100, 103-104, 107-108, 111-112
13585GT	117	231176GT	115	39540GT	75, 119, 137	47098GT	99-100, 103-104, 107-108, 111-112
137562GT	85	231177GT	115	39542GT	77	47163GT	99-100, 103-104, 107-108, 111-112
137587GT	119	231178GT	115	39579GT	99-100, 103-104, 107-108, 111-112, 153	47188GT	115
137605GT	17, 19, 25, 27, 33, 39, 45, 47, 53, 55, 61, 67, 119	231179GT	115	39873GT	69, 135	47224GT	115
137634GT	121	231180GT	115	39876GT	135	47225GT	99-100, 103-104, 107-108, 111-112
137636GT	53	231610GT	99-100, 103-104, 107-108, 111-112	39877GT	129, 135	47231GT	99-100, 103-104, 107-108, 111-112
137637GT	85, 119	231611GT	99-100, 103-104, 107-108, 111-112	39878GT	133, 135	47374GT	99-100, 103-104, 107-108, 111-112
137640GT	119	231868GT	149	39881GT	135	47419GT	71
137656GT	17, 19, 25, 27, 33, 39, 45, 47, 53, 55, 61, 67, 119	231921GT	87, 119	40434GT	17, 19, 25, 27, 33, 39, 45, 47, 53, 55, 61, 67	47548GT	69, 71
137668GT	85	231922GT	87, 119	40477GT	133	47598GT	115
137699GT	119	232531GT	79	40833GT	79, 89	47666GT	95, 97
13921GT	135	232576GT	89	40844GT	131	4828GT	115, 145
144009GT	141	232582GT	89	41557-SGT	133, 153	48880GT	125
144011GT	141	232951GT	149	41630GT	99-100, 103-104, 107-108, 111-112	48997GT	125
144161GT	117	233371GT	89	42079GT	11, 69, 71, 73	49612GT	125
144175GT	115	233431GT	89	42283GT	135	49613GT	125
144213GT	87	233641GT	131	4266GT	115	49812GT	131
144226GT	75	233711GT	87	43093GT	13, 15, 29, 31, 41, 43, 57, 59	50793GT	141
144375GT	73	235463GT	121	43618GT	17, 19, 25, 27, 33, 39, 45, 47, 53, 55, 61, 67	51063GT	85
144379GT	73	235464GT	119	43658GT	13, 15, 23, 29, 37, 41, 43, 51, 57, 65	5224GT	115
1484GT	11	238268GT	145	43685GT	131	52475GT	13, 15, 21, 23, 29, 31, 35, 37, 41, 43, 49, 51, 57, 59, 63, 65
160412GT	117	24514GT	100, 104, 108, 112	43956GT	117, 149	53501GT	135
161975GT	153	25388GT	117	44163GT	11	5397GT	115, 141
161977GT	153	27581GT	11	44168GT	125	55010GT	81
161979GT	153	27895GT	139	44169GT	125	55558GT	133
19491GT	75, 77	27900GT	139	44174GT	125	55675GT	79, 83
20224GT	125	27902GT	139	44207GT	123	56912GT	153
20923GT	135	27903GT	139	44226GT	125	57075GT	117
21279GT	99-100, 103-104, 107-108, 111-112	27904GT	139	44227GT	125	58000GT	95, 97
214544GT	121	28131GT	89	44229GT	125	58592GT	75
218579GT	87	28174GT	15, 17, 19, 23, 25, 27, 31, 33, 37, 39, 43, 45, 47, 51, 53, 55, 59, 61, 65, 67	44230GT	125	58627GT	85
21982GT	85	28235GT	15, 17, 19, 23, 25, 27, 31, 33, 37, 39, 43, 45, 47, 51, 53, 55, 59, 61, 65, 67	44235GT	13, 15, 29, 31, 41, 43, 57, 59	6091GT	83, 91, 115, 117, 137
22446GT	115	28236GT	17, 19, 33, 45, 47, 61	44255GT	13, 15, 29, 31, 41, 43, 57, 59	6175GT	145
226163GT	83	28443GT	115, 133, 139, 141	44716GT	131	62053GT	17, 19, 25, 27
22664GT	135	30784-2550GT	79	44736GT	17, 19, 33, 45, 47, 61	62054GT	45, 47, 53, 55
227167GT	119	31060GT	13, 29, 41, 57	44737GT	13, 15, 29, 31, 41, 43, 57, 59	65439GT	141
229086GT	121	31508GT	13, 15, 29, 41, 57	44743GT	99-100, 103-104, 108, 111-112	65721GT	141
229087GT	121	31788GT	13, 29, 41, 57	44750GT	131	6595GT	117
229088GT	121	32150GT	11	44751GT	131	65962GT	125
229089GT	121	32151GT	11	44752GT	131	65990-SGT	115
229090GT	121	33576GT	153	44777GT	131	66204GT	83
229091GT	121	33724GT	117	44778GT	131	6626GT	117
229092GT	121	33784GT	141	44780GT	69, 71, 73	66353GT	117
229093GT	121	36369GT	93	44781GT	69, 71, 73	66355GT	117
229094GT	121	37947GT	85	44788GT	11, 123	66356GT	117
229146GT	153	39232GT	75	44936GT	117	6638GT	83, 115
229750GT	87, 153	39310GT	99-100, 103-104, 107-108, 111-112	44973GT	133	66397GT	79, 89
229903GT	145			44979GT	133	66399GT	11
231103GT	99-100			44980GT	13, 15, 23, 29, 37, 41, 43, 51, 57, 65	66465GT	133
231104GT	99-100					66544GT	115
231105GT	103-104					66717GT	79, 89
231106GT	103-104					66770GT	69, 71
231107GT	107-108						
231108GT	107-108						
231109GT	111-112						
231110GT	111-112						
231111GT	99-100, 103-104, 107-108, 111-112						

Part Number Index (continued)

Part Number	Page	Part Number	Page	Part Number	Page	Part Number	Page
66812GT	85, 119	824094GT	100, 104, 108,	84586GT	99-100, 103-	97123GT	99-100, 103-
66817GT	85, 119		112		104, 107-108,		104, 107-108,
66818GT	85	824100GT	131		111-112		111-112
66883GT	115	824110GT	131	84590GT	99-100, 103-	97128GT	75, 77
66903-SGT	115	824124GT	79, 83, 85, 91,		104, 107-108,	97132GT	99-100, 103-
6700GT	85		137		111-112		104, 108, 111-
6782GT	141	824125GT	75, 91	84693GT	93		112
6878GT	117	824128GT	69, 71, 77	84694GT	93	97280GT	115
6886GT	141	824164GT	95, 97	84695GT	93	97582GT	27, 55
6889GT	137	824215GT	117, 137	84739GT	129	97618GT	19, 47
69229GT	141	824216GT	75	84740GT	129	97719GT	23, 37, 51, 65
6935GT	117	82473GT	23, 37, 51, 65	84742GT	129	T106362GT	85
7056GT	117	82474GT	21, 23, 35, 37,	84743GT	129	T106363GT	85
7127GT	117		49, 51, 63, 65	84746GT	129	T106366GT	85
72086GT	13, 15, 21, 23,	82476GT	21, 23, 35, 37,	84748GT	129	T106370GT	119
	29, 31, 35, 37,		49, 51, 63, 65	85197GT	131	T106372GT	85
	41, 43, 49, 51,	82481GT	21, 35, 49, 63	85239GT	85	T106373GT	119
	57, 59, 63, 65	82482GT	23, 37, 51, 65	88335GT	87	T107029GT	13, 29, 41, 57
72143GT	15, 23, 31, 37,	82485GT	13, 15, 21, 23	88827GT	85	T107031GT	15, 31, 43, 59
	43, 51, 59, 65	82486GT	41, 43, 49, 51	9116GT	83, 137	T108326GT	83
72326GT	75, 137	82487GT	23, 25, 27, 37,	96008-SGT	85	T108327GT	85
7265GT	147		39, 51, 53, 55,	96009GT	85, 117	T109012GT	83
72853GT	15, 31, 43, 59		65, 67	96010GT	85	T110891GT	87
72970GT	13, 29, 41, 57	82495GT	21, 35, 49, 63	96085GT	77	T112507GT	75, 87
72998GT	15, 31, 43, 59	82496GT	53	96102GT	73	T112508GT	87
72999GT	15, 31, 43, 59	82497GT	39, 67	96110GT	89	T112509GT	87
74006GT	117	82501GT	25	96121GT	95, 97	T112510GT	87
76494GT	79	82502GT	95, 97	96126GT	93	T112511GT	87
7713GT	115	825302GT	145	96130GT	95, 97	T112560GT	117
77709GT	125	825304GT	145	96131GT	95, 97	T112561GT	117
78006GT	131	825305GT	145	96163GT	115	T112563GT	117
78022GT	100, 104, 108,	825307GT	145	96193GT	131	T112804GT	15, 23, 31, 37,
	112	825309GT	145	96236GT	117		43, 51, 59, 65
78029GT	115	825311GT	145	96257GT	123	T112807GT	27, 39, 55, 67
78038GT	99-100, 103-	825312GT	145	96283GT	95, 97	T113136GT	87, 153
	104, 107-108,	825313GT	145	96304GT	89	T113139GT	153
	111-112	825349GT	79	96306GT	89	T113142GT	153
78086GT	77	825358GT	77, 79, 99-100,	96309GT	87	T113296GT	83
78422GT	91, 123		103-104, 107-	96317GT	77	T113787GT	99-100, 103-
78546GT	11, 83		108, 111-112	96331GT	95, 97		104, 107-108,
78622GT	123	82557GT	17, 19, 33, 45,	96350GT	135		111-112
78680GT	73		47, 61	96351GT	135	T114031GT	87
78736GT	69, 71, 75	82558GT	15, 31, 43, 59	96353GT	135	T114082GT	153
79140GT	89	82559GT	15, 31, 43, 59	96354GT	135	T114321GT	123
81579GT	137	82560GT	23, 37, 51, 65	96355GT	135	T115429GT	153
8178GT	115	82561GT	13, 15, 29, 31,	96363GT	137		
82160GT	15, 31, 43, 59		41, 43, 57, 59	96388GT	123		
82161GT	15, 31, 43, 59	82562GT	21, 23, 35, 37,	96391GT	135		
82287GT	61, 67		49, 51, 63, 65	96398GT	135		
823368GT	75	82563GT	45, 47, 61	96408GT	77		
823408GT	83	825640GT	145	96415GT	93		
82366GT	15, 31, 43, 59	82564GT	17, 19, 33	96419GT	123		
824025GT	77, 95	82565GT	17, 45	96452GT	85		
824027GT	69, 71, 79, 83,	82566GT	33, 61	96459GT	87		
	85, 91, 95, 97,	82568GT	33, 39	96465GT	73		
	100, 104, 108,	82570GT	13, 15, 21, 23,	96466GT	73		
	112, 137		29, 31, 35, 37	96487GT	95, 97		
824028GT	137	82571GT	41, 43, 49, 51,	96493GT	75		
824029GT	69, 71, 73, 75,		57, 59, 63, 65	96515-SGT	139		
	77, 91, 93, 97,	82656GT	25, 53	96516-SGT	139		
	100, 104, 108,	82657GT	13, 29, 41, 57	96541GT	77		
	112, 143, 153	83093GT	85	96542GT	139		
824032GT	117, 137	83131GT	85	96576GT	93		
824037GT	79	84384GT	125	96642GT	77		
824038GT	77, 99-100, 103-	84385GT	125	96699GT	83, 137		
	104, 107-108,	84386GT	125	96709GT	83		
	111-112	84422GT	133	96770GT	133		
824068GT	153	84571GT	69, 71	96855GT	83		
824077GT	133, 151	84578GT	95	96948GT	75, 77		
824078GT	83, 99-100, 103-	84579GT	97	96950GT	143		
	104, 108, 111-	84580GT	97	97059GT	81		
	112, 143, 153	84581GT	95, 97	97110GT	115		
824080GT	79, 83, 95, 97	84582GT	95, 97	97115GT	99-100		
824081GT	91	84583GT	95, 97	97118GT	99-100		
824089GT	149			97119GT	107-108		
				97122GT	107-108		

The Part Description Index is an alphabetical index of all part descriptions included in this manual. The index shows what page(s) the part is used on.

"Ref.Wheel and Tire Assy ".....77

A

ACCESSORY,MINI CHK VAL MANIF.....127
 ACCUMULATOR,180 PSI PRECHARGE*...91, 123
 ADAPTER, RJ45, GC27-25/GC21-19.....85
 AIR TO PLAT, GS15, ACC.....139
 AIR TO PLAT, GS19, ACC.....139
 ALARM,STEADY TONE***.....75, 119, 137
 ASSEMBLY, BEACON LED, 24V.....137
 ASSEMBLY, CHARGER STATUS LED, 2V.....73, 87
 ASSEMBLY, DOWN LIMIT, GS.....75, 87
 ASSEMBLY, VISUAL IND LIGHT.....137
 ASSY,GS BATTERY TRAY.....79
 ASSY,POTHOLE HARNESS,GS.....87
 ASSY,POTHOLE PUSHER,MINI.....77
 ASSY,ROT SENSR W/ HARNESS.....87, 153

B

BALL STUD, GAS STRUT, 3/8-16.....77
 BASE WITH 1 NC CONTACT, E-STOP.....85, 119
 BATT,6V,225AH T105 LPT3CAP.....79
 BEARING,.75ID X 1.0OD X 1.38LG.....77
 BEARING,0.75IDX1.00ODX0.75L.....93
 BEARING,1.26IDX1.53ODX1.25L.....95, 97
 BEARING,1.5025IDX1.5075ODX1.5L.....133
 BEARING,1.523IDX1.75ODX0.63L.....77
 BEARING,1.5IDX1.75ODX1.5L,PTFE.....69, 71
 BEARING,FL,0.75ID X 1 OD X .49.....69, 71
 BEARING,MOTOR.....131
 BEARING,MOTOR,36843,BRUSH END*.....131
 BOLT,CARRIAGE,1/2-13X1.5,5,ZAG.....73
 BOLT,CARRIAGE,1/2-13X1.75,5,ZA.....93
 BOLT,CARRIAGE,1/2-13X2.5,ZAG.....73
 BOLT,CARRIAGE,1/4-20 X .75,G2.....117
 BOLT,CARRIAGE,1/4-20X.75,5,ZAG.....79, 83, 85, 91, 137
 BOLT,CARRIAGE,1/4-20x1.25,G2.....83, 137
 BOLT,CARRIAGE,1/4-20X1.5,5,ZAG.....75
 BOLT,CARRIAGE,1/4-20X2.5,ZAG.....75
 BOLT,CARRIAGE,3/8-16X1.5,ZAG.....75, 91
 BOLT,CARRIAGE,3/8-16X1.25,5,ZAG.....69, 71, 73, 77, 93, 143
 BOLT,CARRIAGE,3/8-16X2.25,5,ZAG.....100, 104, 108, 112
 BOLT,CARRIAGE,5/16-18 X 2.0,G2.....141
 BOLT,SHS,3/8X.375X5/16-18,ZAG.....100, 104, 108, 112
 BOOT, 2 SWITCH, SILICON.....121
 BOOT,CABLE TERMINAL COVER.....89
 BOOT,CABLE TERMINAL,RED,XL.....89
 BOX,INSTRUCTION STORAGE.....100, 104, 108, 112
 BRACKET, FOOT PEDAL....99-100, 103-104, 107-108, 111-112
 BRACKET,LIMIT SWITCH MTG***.....77
 BRACKET,MINI SCISSOR STEERING HOSE.....71
 BRAKE, HYDRAULIC***.....123

BREATHER CAP,HYD. TANK,1/4 NPT.....11, 83
 BRUSH,PWR UNIT (40844)**.....131
 BULB,FLASHING BEACON.....137
 BULKHEAD,FEMALE X 6 X 6.....139
 BUMPER, PAR, FRONT, HORIZONTAL.....145
 BUMPER, PAR, FRONT, VERTICAL.....145
 BUMPER, PAR, SIDE, HORIZONTAL.....145
 BUMPER, PAR, SIDE, VERTICAL.....145
 BUMPER,FOAM,FRONT ELBOW.....145
 BUSHING,FLNGD, .63 X .77 X .38.....77
 BUTTON, .800 O.D. X .281.....99-100, 103-104, 107-108, 111-112
 BUTTON,PUSH,RED MUSHROOM HEAD.....85, 119

C

CABLE ASSY,BATT, 12" RED.....89
 CABLE ASSY,BATT, 20" BLK.....89
 CABLE ASSY,BATT,23"RED.....89
 CABLE ASSY,BATT,5.50"RED.....89
 CABLE ASSY,BATT,9.50"RED.....89
 CABLE ASSY,CHARGER/BATTERY.....81, 89
 CABLE ASSY., BATT. 12" BLACK.....89
 CABLE ASSY., BATT. 14" RED.....89
 CABLE ASSY., BATT. 75" RED.....89
 CABLE ASSY., BATT. 79" BLACK.....89
 CABLE BRACKET,PAINTED.....133, 153
 CABLE TIE, 14.5" YELLOW.....145
 CABLE TIE,11.5" BLACK.....115, 133, 139, 141
 CABLE, LIFT CYL DOWN W/LS.....87
 CABLE, LIFT CYL DOWN WO/LS.....87
 CABLE, PLATFORM CONTROL, 15XX.....87
 CABLE, PLATFORM CONTROL, 19XX.....87
 CABLE,CHARGER, DC, W/ BTS.....81
 CABLE,EMERGENCY DOWN.....75
 CABLE,PLATFORM CONTROL,GS,HARTING CONN OPTION.....100, 104, 108, 112, 119
 CAM FOLLOWER,1.125X.375,DELFIN.....77
 CAP, TUBE, SQ, 1.25 X .083.....99-100, 103-104, 107-108, 111-112
 CAP,BUTTON,K12.....119
 CAP,DIAGNOSTIC NIPPLE.....125
 CHAIN GATE KIT,GS30.....115
 CHAIN,3/16,OPEN LINK 22.5".....115
 CHARGER INTERLOCK CBLE,GS30/32.....87
 CHARGER,24V,650W,USB.....81
 CHASSIS MOUNT ASSY, GS30.....93
 CHECK DISK, NO SPRING.....125
 CIRCUIT BREAKER,7.0 AMP***.....85
 CLAMP, HOSE, 1 EAR, 11/16.....133
 CLAMP,1.31,#21 X 1/4,RUB CUSH.....141
 CLAMP,2 HOSE,PLASTIC,5/8.....69, 71, 75
 CLAMP,CABLE & HOSE.....91
 CLAMP,HOSE,1 EAR,1-1/16***.....83
 CLAMP,HOSE,2 EAR, 5/8.....139
 CLIP, CABLEBRIDGE, MINI.....97
 CLIP,DTM,RECEPTACLE.....153
 CLIP,HAIR PIN, 125X2,.5-.75,ZAG.....69, 71
 COIL CORD,WORKLIGHT(144011).....141
 COIL,#8 20VDC,DEUTSCH W/DIODE.....125
 COIL,20VDC DEUTCSH W/DIODE.....125
 COIL-SOLENOID VALVE,20V DC***.....133
 CONN,SQUEEZE,1/2NPT .38-.50,SM.....117
 CONN,SQZ,BLK,1/2NPT,.38-.50,SM.....153
 CONNECTOR, 070120-12-8.....135

CONNECTOR, IEC CHARGER CORD.....81
 CONNECTOR,070120-4-4.....129, 135
 CONNECTOR,070120-4-6.....135
 CONNECTOR,070120-6-6.....133, 135
 CONNECTOR,070120-8-6.....135
 CONTACT, N.C.....85
 CONTACTOR,DRIVE, 24V,180A.....79
 CONTACTOR,LIMIT SWITCH.....75, 77
 COUNTERWEIGHT,CAST,CE,1930/32.....73
 COUPLER,1/4"SERIES 3/8 MPT.....139
 COVER, RJ45, GC27-25/GC21-19.....85
 COVER,BLANK.....117
 COVER,GFCI,HORIZONTAL,WEATHER....117
 COVER,T-BOX LOCKABLE.....117
 COVER-BRUSH INSPEC.40844,SCISS.....131
 CYLINDER, MINI LIFT.....133
 CYLINDER,GS/GR STEER***.....123

D

DECAL.....119
 DECAL DANGER TIP OVER TRAYS.....13, 15, 29, 31, 41, 43, 57, 59
 DECAL PLATE ASSY W/SYM DECALS.....99-100, 103-104, 107-108, 111-112
 DECAL PLATE ASSY,GS30,ANSI.....99-100, 103-104, 107-108, 111-112
 DECAL PLATE ASSY,GS30,AUSTRAL.....99-100, 103-104, 107-108, 111-112
 DECAL SYMBOL TIP OVER TRAYS.....21, 23, 35, 37, 49, 51, 63, 65
 DECAL, BATTERY CHARGER INDICAT.....15, 23, 31, 37, 43, 51, 59, 65
 DECAL, COMPARTMENT ACCESS.....23, 37, 51, 65
 DECAL, LABEL - DIRECTION ARROWS.....17, 19, 25, 27, 33, 39, 45, 47, 53, 55, 61, 67
 DECAL, LABEL, SAFETY ARM SYMB.....23, 37, 51, 65
 DECAL, OP INST, PLAT, GS30, ANSI.....17, 45
 DECAL, OP INST, PLAT, GS30, AUS.....19, 33, 47, 61
 DECAL, POWER TO PLATFORM 230V**.....15, 17, 19, 23, 25, 27, 31, 33, 37, 39, 43, 45, 47, 51, 53, 55, 59, 61, 65, 67
 DECAL, SMARTLINK PROPORTIONAL.....17, 19, 25, 27, 33, 39, 45, 47, 53, 55, 61, 67
 DECAL, STD, PROP LIFT, UI, SVC.....61
 DECAL, SYMBOL - READ THE MANUAL...23, 25, 27, 37, 39, 51, 53, 55, 65, 67
 DECAL, SYMBOL, CE, MAXIMUM CAPACITY, 227KG.....55, 67
 DECAL, SYMBOL, CE, MAXIMUM CAPACITY, 272KG.....27, 39
 DECAL, UI, GR/GRC/GS PCON.....53
 DECAL, UI, GS/GR, PROP LIFT.....17, 19, 25, 27, 33, 39, 45, 47, 53, 55, 61, 67, 119
 DECAL,CHARGE STATUS IND.....15, 23, 31, 37, 43, 51, 65
 DECAL,CHEVRON RANDO HD.....15, 31, 43, 59
 DECAL,COSMETIC,GENIE GS-1530**.....17, 19, 25, 27
 DECAL,COSMETIC,GENIE GS-1532.....33, 39
 DECAL,COSMETIC,GENIE GS-1930**.....45, 47, 53, 55
 DECAL,COSMETIC,GENIE GS-1932.....61, 67

Part Description Index (continued)

- DECAL,DANGER DO NOT ALTER SWTC.....13, 29, 41, 57
 DECAL,DANGER,BATTERY SAFETY***.....13, 29, 41, 57
 DECAL,DANGER,BRAKE REL SAFETY.....13, 29, 41, 57
 DECAL,DANGER,CRUSHING HAZARD.....13, 15, 29, 31, 41, 43, 57, 59
 DECAL,DANGER,ELEC HAZARD,GS.....13, 15, 29, 31, 41, 43, 57, 59
 D E C A L , D A N G E R , E L E C T HAZARD,PLUG.....13, 15, 29, 41, 43, 57
 DECAL,DANGER,IMPROPER USE HAZ.....15, 31, 43, 59
 DECAL,DANGER,TIP-OVER,TILT.....17, 19, 33, 45, 47, 61
 DECAL,DANGER-GEN SAFETY.....17, 19, 33, 45, 47, 61
 DECAL,DANGER-TIP-OVER,BATT.....13, 29, 41, 57
 DECAL,DANGER-USE SAFETY ARM.....13, 15, 29, 31, 41, 43, 57, 59
 DECAL,E-STOP,GR/GRC/GS PCON.....17, 19, 25, 27, 33, 39, 45, 47, 53, 55, 61, 67, 119
 DECAL,EMERGENCY LOWERING.....15, 31, 43, 59
 DECAL,EMERGENCY STOP,GR.....15, 23, 31, 37, 43, 51, 59, 65
 DECAL,GCON PANEL,GS.....15, 23, 31, 37, 43, 51, 59, 65
 DECAL,INSTR-INDOOR USE,AUS.....19, 47
 DECAL,INSTR-MANUAL FRC,AUS.....33, 61
 DECAL,INSTR-MAX CAP 400 LBS.....45
 DECAL,INSTR-MAX CAP 500 LBS.....45, 47, 61
 DECAL,INSTR-MAX CAP 600LBS.....17, 19, 33
 DECAL,INSTR-SIDE FRC,ANSI.....17, 45
 D E C A L , I N S T R U C T , B A T T E R Y CONNECT.....13, 29, 41, 57
 DECAL,INSTRUCT-ANNUAL INSP REQ.....15, 31, 43, 59
 DECAL,INSTRUCTIONS-CHARGER OP.....13, 29, 41, 57
 DECAL,LABEL, AIR LINE 110 PSI.....15, 17, 19, 23, 25, 27, 31, 33, 37, 39, 43, 45, 47, 51, 53, 55, 59, 61, 65, 67
 DECAL,LABEL,AUX LOWERING.....23, 37, 51, 65
 DECAL,LABEL,FAULT CODES.....17, 19, 33, 45, 47, 61
 DECAL,LABEL,LIFTING EYE.....13, 15, 21, 23, 29, 31, 35, 37, 41, 43, 49, 51, 57, 59, 63, 65
 DECAL,LABEL,MANUAL NOT HERE...17, 19, 33, 45, 47, 61
 DECAL,LABEL,PETRO CANADA***.....15, 31, 43, 59
 DECAL,LABEL,PLAT CONT LOCATION.....17, 19, 33, 45, 47, 61
 DECAL,LABEL,PWR TO CHARGR 115V.....13, 15, 23, 29, 37, 41, 43, 51, 57, 65
 DECAL,LABEL,PWR TO CHARGR 230V.....13, 15, 23, 29, 37, 41, 43, 51, 57, 65
 DECAL,LABEL,QUINTOLUBRIK.....15, 31, 43, 59
 DECAL,LABEL,SAFETY ARM.....15, 31, 43, 59
 DECAL,LABEL,STATOIL HYDRA WAY.....15, 31, 43, 59
 DECAL,LABEL,TIRE SPECS.....13, 15, 29, 31, 41, 43, 57, 59
 DECAL,LABEL,TRANSPORT TIEDOWN*..13, 15, 21, 23, 29, 31, 35, 37, 41, 43, 49, 51, 57, 59, 63, 65
 DECAL,LABEL,UCON HYDROLUBE.....15, 31, 43, 59
 DECAL,LABEL,WHEEL LOAD 1530.....13, 15, 21, 23
 DECAL,LABEL,WHEEL LOAD 1930.....41, 43, 49, 51
 DECAL,LABEL,WHEEL LOAD 19XX.....41, 43, 49, 51, 57, 59, 63, 65
 DECAL,LABEL,WHEEL LOAD,1930PAR.....41, 43
 DECAL,LABEL-TRANSPORT DIGRAM.....13, 21, 29, 35, 41, 49, 57, 63
 DECAL,LABEL-WHEEL LOAD 1530/32.....13, 15, 21, 23, 29, 31, 35, 37
 DECAL,LANYARD ANCHORAGE POINT...17, 19, 25, 27, 33, 39, 45, 47, 53, 55, 61, 67
 DECAL,MACHINE REGISTRATION/OWNER TRANSFER.....15, 23, 31, 37, 43, 51, 59, 65
 DECAL,MEMBRANE, GR/GRC/GS GCON...85
 DECAL,NOTICE-DO NOT OPEN DOOR.....29
 DECAL,OP INST,GCON.....15, 31, 43, 59
 DECAL,POWER TO PLATFORM 115V.....15, 17, 19, 23, 25, 27, 31, 33, 37, 39, 43, 45, 47, 51, 53, 55, 59, 61, 65, 67
 DECAL,PROPEL,GR/GRC/GS,PCON.....17, 19, 25, 27, 33, 39, 45, 47, 53, 55, 61, 67, 119
 DECAL,QR CODE,PARTS&SERVICE MANUAL.....27, 39, 55, 67
 DECAL,SYM MAX CAP 272 KG,CE.....27, 39, 55, 67
 DECAL,SYM-ELEC HAZARD,PLUG.....23, 37, 51, 65
 DECAL,SYM-MAXCAP 500.....53
 DECAL,SYM-MAXCAP 600.....25
 DECAL,SYM-SIDE FORCE 445N.....25, 53
 DECAL,SYM-SIDEFORCE 200400.....39, 67
 DECAL,SYM-SIDEFORCE 400N ID.....27, 55
 DECAL,SYM-TIP-OVER,LIM SWITCH.....21, 35, 49, 63
 DECAL,SYM-TIP-OVER,TILT ALARM.....25, 27, 39, 53, 55, 67
 DECAL,SYMBOL-BATTERY SAFETY.....21, 35, 49, 63
 DECAL,SYMBOL-BRAKE REL SAFETY.....21, 35, 49, 63
 DECAL,SYMBOL-COMP ACCESS.....23, 37, 51, 65
 DECAL,SYMBOL-CRUSHING HAZARD.....21, 23, 35, 37, 49, 51, 63, 65
 DECAL,SYMBOL-ELEC HAZARD,GS.....21, 23, 35, 37, 49, 51, 63, 65
 DECAL,SYMBOL-SKIN INJECT HAZRD....23, 37, 51, 65
 DECAL,SYMBOL-USE SAFETY ARM.....21, 23, 35, 37, 49, 51, 63, 65
 DECAL,WARN,IMPROPER OPERATION...17, 19, 33, 45, 47, 61
 DECAL,WARN,SKIN INJECTION HAZ*.....15, 31, 43, 59
 DECAL,WARNING-COMPART ACCESS.....15, 31, 43, 59
 DECAL-SYM-TIP-OVR,BATTRIES.....21, 35, 49, 63
 DIAGNOSTIC FEMALE Q-DSCNT.....125
- E**
 ELBOW,070220-12-10.....135
 ELBOW,070220-4-4.....135
 ELBOW,070220-6-6.....69, 135
 ELBOW,070220-6-8.....135
 ELBOW,070320-6-6.....135
 ELBOW,90DEG.HYDRAUL.SWIVEL 6-6.....71
 ENCLOSING BAND KIT.....131
 ENCLOSURE, FUSE, MODULAR, 150X....149
 ENCLOSURE, GC21-19, BK.....85
 ENCLOSURE,GC14-1/GC16-1, BOT.....119
 ENCLOSURE,GC27-25/GC21-19,FRNT.....85
 ENCLOSURE,STD 4-BUTTON,TOP.....119
 END RAIL,SWING GATE,RIGID.....115
- F**
 FILTER ASSY,FIBRGLS,#8-#8.....123
 FILTER ASSY,SAE8,10 MIC,PAPR**.....123
 FILTER CAP (PLUG 1-1/2" NPT HEX.....83
 FILTER ELEMENT,10MICRON,PAPER*.....11, 123
 FILTER ELEMENT,BETA(10)=200.....123
 FITTING,CONNECTOR,MALE 6-6,1IN.....71
 FITTING,STRAIGHT DRIVE-IN ZERK.....69, 71
 FIXED RAILS ASSY, GS30 SYMBOL.....99-100, 103-104, 108, 111-112
 FIXED RAILS ASSY,GS30,ANSI.....99-100, 103-104, 107-108, 111-112
 FIXED RAILS ASSY,GS30,AUSTRAL.....99-100, 103-104, 107-108, 111-112
 FLASH DRIVE,SL1K2.0 SOFTWARE.....119
 FOAM,CLOSED CELL 1.75X.250X18".....115
 FOOTPEDAL W/NON-SKID TAPE,GS**.....99-100, 103-104, 107-108, 111-112
 FORMING, ACCUMULATOR BRACKET.....91
 FORMING, ACCUMULATOR CLAMP.....91
 FORMING, ALARM BRACKET,MINI.....75
 FORMING, HALF GATE HINGE.....115
 FORMING, HOSE CLAMP SUPPORT.....69, 71
 FORMING, PLAT CONTROL BOX, MET.....119
 F O R M I N G , P L U G / L E D BRACKET,METRIC.....75
 FORMING,AUS RCD BRACKET,GS30.....117
 FORMING,CONTACTOR MOUNT,GS.....79
 FORMING,CONTROL PANEL.....85
 F O R M I N G , F I L T E R - C O N T R O L L E R MOUNT.....83
 FORMING,PADLOCK BRACKET.....131
 FORMING,RCBO,GS30.....149
 FORMING,REC.PLG BRKT.....75
 FORMING,REC.PLG BRKT,METRIC.....75
 FRMG,ARM SENSOR BRCKT,MINI.....153
 FRMG,CHASSIS BRKING.....153
 FRMG,SENSOR COVERING.....153
 FULLRIVER BATT,D C224-6,6V,224AH,GS3246 AGM.....79
 FUSE BLOCK, ANN & ANL FUSE.....79, 89
 FUSE,275 AMP,VERY FAST ACTING.....79, 89
 FUSE,BATTERY CHARGER***.....81
- G**
 GAS SHOCK,SCISSORS***.....77
 GASKET, UK & DIN PWR. TO PLAT.....117
 GASKET, UK RECEPTACLE.....117
 GASKET,(BOOT) FLANGE INLET PLG.....117
 GASKET,KEYSWITCH,PLASTIC***.....85
 GCON,STD,PROP LIFT.....85
 GLAND ASSY,M25,6-13MM.....149

GREASE,DIELECTRIC 4 OZ**.....11
 GROMMET,RUBBER 2.5 X 3.0.....75
 GROMMET,RUBBER,1.50IDX.375.....75
 GROMMET,SLAB HYD TANK***.....83
 GROUND STRAP,12"LG***.....77
 GROUND WIRE ASSY,GS.....89

H

HANDLE HALF,LEFT,W/TOP SWITCH.....121
 HANDLE HALF,RIGHT,W/TOP SWITCH.....121
 HANDLE,ANDERSON CONNECTOR SB...131
 HARNESS ASSEMBLY, INVERTER.....87
 HARNESS, BEACON, LED, MINI.....137
 HARNESS, CHARGER CONTROL.....87
 HARNESS, CHARGER EXTENSION.....87
 HARNESS, ESTOP, GR/GRC/GS PCON...119
 HARNESS, GS SENSORS, ANSI,UTS.....87
 HARNESS, GS SENSORS, CE.....87
 HARNESS, GS SENSORS, CE,UTS.....87
 HARNESS, ROTARY ANGLE.....87
 HARNESS, TELEMATICS, GS SLAB.....87
 HARNESS,FUNCTION MANIFOLD,GS.....87
 HARNESS,GS POWER CONTROL.....87
 HARNESS,LED CHARGER,GS30.....81
 HARNESS,PRESS,TRANSDUCER***.....87,
 153
 HINGE, SPRING, LONG LEG.....115
 HORN,24VDC,SPADE TERMINALS***.....137
 HOSE ASSY, MAN/ACCUM, MINI.....135
 HOSE END,BARBED,RIGID,90DEG6-6.....139
 HOSE, ASSY.....135
 HOSE, ASSY, BRAKE.....135
 HOSE, ASSY, LOWER LIFT.....135
 HOSE, ASSY, LOWER VENT.....135
 HOSE, ASSY, MAN TO FILTER.....135
 HOSE, ASSY, MOTOR CROSSOVER.....135
 HOSE, ASSY, PRESSURE.....135
 HOSE, ASSY, STEER.....135
 HOSE, ASSY, UPPER LIFT.....135
 HOSE, ASSY, UPPER VENT.....135
 HOSE,ASSY,DRIVE MOTORS,MINI.....135
 HOSE,ASSY,DRIVE MOTORS,MINI, L.....135
 HOSE,LOW PRESSURE,.375 ID,BLK.....139
 HOUSING, LOCK PIN.....99-100, 103-104,
 107-108, 111-112
 HRNS ASSY,RESISTOR DIODE.....87
 HRNS,CONTACTOR SIGNL,GS30/32.....89
 HYD. TANK KIT, GS30,32,46.....83
 HYDR TRAY ASSY W/WORDS.....83
 HYDR TRAY ASSY,GS30 W/SYMBOLS.....83

I

INNER ARM ASSY#1,15&19FT,SYMB.....95,
 97
 INNER ARM ASSY#1,15&19FT,WORD.....95,
 97
 INNER ARM ASSY, #3, 19FT.....97
 INNER ARM ASSY,#2,15/19 FT,WRD.....95, 97
 INNER ARM ASSY,#3,15FT.....95
 INNER ARM ASSY,#4 19FT.....97
 INSTRN, TRC RETROFIT, STNDRD.....87
 INVERTER,24VDC,110/230 VAC***.....143
 ISOLATOR,HORN,5/16-18 THRD.....137
 ISOLATOR,SANDWICH,1/4-20,M2M.....151

J

JOINT,PG13.5,M20X1.5.....117
 JOYSTICK, HALL EFFECT, SINGLE.....121

K

KEY SINGLE***.....85
 KEY,RECTANGULAR,.31X.28X1.25**.....69,
 71, 73
 KEY,SINGLE***.....85
 KEYS,10 PACK***.....85
 KEYSWITCH,3 POS W/KEYS,LOCKING.....85
 KEYSWITCH,3 POS. W/KEYS***.....85
 KIT, MINI LIFT CYL SEAL.....133
 KIT, TRC RETROFIT, STNDRD.....87
 KIT,BEACON,GS32/46.....137
 KIT,BOOT,JOYSTICK,SL1000.....121
 KIT,COIL CORD,CONTRLR,SL1000.....119
 KIT,CONN,PLUG W/SCKT AND LOCK.....87,
 119
 KIT,CONN,RECEPT W/PIN AND LOCK.....87,
 119
 KIT,DC BLOCK ASSEMBLY.....81
 KIT,GASKET,UK POWER TO PLAT.....117
 KIT,GATE LATCH.....115
 KIT,MANIFOLD,200 PSI CV,MINI.....127
 KIT,MINI FULL HT,ANSI GATE.....115
 KIT,PCON GUARD,SLAB/GR.....147
 KIT,STEER CYL SEAL.....123
 KIT,STEER CYL SEAL,040271P,HDM.....123
 KIT,STEER CYL SEAL,040499P,HDM.....123
 KIT,STEER CYL SEAL,040505P,HDM.....123
 KIT,SWITCH,JYSTK,SL1000.....121
 KNOB,HAND PUMP (RED)***.....129
 KNOB,PILOT OP VALVE (BLACK)***.....129

L

LADDER ASSY,GS30,SYM.....73
 LADDER ASSY,GS30,WORD,ENG.....73
 LANYARD ROLLER BRKT ASSY W/DEC...99-
 100, 103-104, 107-108, 111-112
 LANYARD,BLACK NYLON,TYPE 1***.....100,
 104, 108, 112
 LATCH HANDLE.....115
 LATCH, LRG PADDLE HANDLE GS90.....79,
 83
 LENS,FLASHING BEACON.....137
 LEVER ARM,ANGLE SENSR
 ACTUATOR.....153
 LIGHT,TURN SIGNAL,1.25" LED,AMB.....137
 LINK BUMPER.....95, 97
 LINK,(SPLIT) OPEN-END.....115
 LOCK, CONNECTOR.....81
 LOCKNUT,ELEC,1/2".....117

M

MANIFOLD,200 PSI CHECK VALVE.....127
 MANIFOLD,BRAKE RELEASE.....129
 MANIFOLD,FUNCTION***.....125
 MANUAL BOX W/DECALS***.....99-100, 103-
 104, 108, 111-112
 MANUAL,AEM SAFETY.....11
 MANUAL,RESPON,A92.6 SCISSOR.....11
 MOTOR CONTROLLER, DC,24V,300A.....83
 MOTOR,ELECTRIC,24VDC 4.5HP.....131
 MOTOR,HYDRAULIC,530,14.0CU.IN*.....123

N

NICKEL PLATED JAM NUT.....85
 NIPPLE,DIAGNOSTIC,#4.....125
 NUT.....85
 NUT - PLASTIC,RING FOR ALARMS...75, 137

NUT, LP NYLOCK, 3/8-16.....115
 NUT, TL JAM, 3/8-16, A, ZAG.....77, 99-100,
 103-104, 107-108, 111-112
 NUT, TL, M10-1.5,DIN980, ZAB.....149
 NUT,4-40,ZAG.....100, 104, 108, 112
 NUT,CASTLE,1.125-18 UNEF.....69, 71, 73
 NUT,COIL (39909).....133
 NUT,CORDGRIP,1/2 NPT.....153
 NUT,HH JAM,1/4-20,A,ZAG.....79
 NUT,LP NYLOCK,1/4-20.....137
 NUT,NYLOCK,1/4-20.....83, 91, 115, 117, 137
 NUT,NYLOCK,10-32,A,ZAG.....75
 NUT,NYLOCK,3/8-16.....115, 145
 NUT,NYLOCK,3/8-16,C,ZAG.....75
 NUT,NYLOCK,5/16-18.....141
 NUT,RETAINER (96008).....85
 NUT,SERRATED,1/4-20,8,ZAG.....75, 79
 NUT,SERRATED,5/16-18,8,ZAG.....79
 NUT,TL FLG,1/2-13,G,ZAG.....69, 71, 73, 93
 NUT,TL FLG,1/4-20,G,ZAG.....69, 71, 79, 83,
 85, 91, 95, 97, 100, 104, 108, 112, 137
 NUT,TL FLG,10-24,F,ZAG.....149
 NUT,TL FLG,10-32,F,ZAG.....117, 137
 NUT,TL FLG,3/8-16,G,ZAG.....69, 71, 73, 75,
 77, 91, 93, 97, 100, 104, 108, 112, 143, 153
 NUT,TL FLG,5/16-18,G,ZAG.....137
 NUT,TL JAM,5/16-18,A,ZAG.....99-100, 103-
 104, 107-108, 111-112
 NUT,TL,3/8-16,C,ZAG.....77, 95
 NUT,TL,8-32,A,ZAG.....153
 NUT,WING 5/16-18.....141
 NUT-COIL SHORT.....125

O

O-RING KIT (ORFS FITTINGS).....125
 O-RING-6.....135
 OFFSET, RDN, 1/4-1.25,10-32.....153
 ORIFICE, LONG, .037***.....133
 OUTER ARM ASSY#1,15&19FT WORD.....95,
 97
 OUTER ARM ASSY,#1,15&19FT SYMB.....95,
 97
 OUTLET, 110V.....117

P

PAINT, AEROSOL, TRAFFIC BLACK.....11
 PAINT,AEROSOL,BRIGHT BLUE***.....11
 PAINT,AEROSOL,GENIE GRAY***.....11
 PAINT,WET,GENIE BLUE (1 GL)**.....11
 PAINT,WET,GENIE GRAY (1 GL)**.....11
 PAINT,WET,TRAFFIC BLACK (1 GL)**.....11
 PCBA,GCON STD,PROP LIFT.....85
 PCBA,PCON STD,PROP LIFT.....119
 PCON ASSEMBLY,HARTING CONN
 OPTION.....99-100, 103-104, 107-108, 111-
 112, 119
 PCON,STD,PROP LIFT,GR/GS.....119
 PIN, CHASSIS PIVOT.....95, 97
 PIN, CYLINDER, SHORT.....95, 97
 PIN, MINI, CENTER.....95, 97
 PIN,1.50DIAx9.13LG,1HOLE.....95, 97
 PIN,CLEVIS,.375X1.75,ZAG.....77
 PIN,CLEVIS,.625X1.79,ZAG.....77
 PIN,CLEVIS,.625X1.88,ZAG.....77
 PIN,CLEVIS,3/4X2,ZAG.....69, 71
 PIN,CLEVIS,3/4X3.25,ZAG.....69, 71
 PIN,COTTER,.125 X .75.....77
 PIN,COTTER,.156 X 2.5.....11, 69, 71, 73

Part Description Index (continued)

- PIN,LOCK,0.5X3.125,ZAG..99-100, 103-104, 107-108, 111-112
 PIN,MINI END***.....95, 97
 PIN,WIRE LOCK 3/8 X 2.5,ZAG.....100, 104, 108, 112
 PLAT EXT DECK ASSY,GS30.....99-100, 103-104, 107-108, 111-112
 PLAT MAIN DECK ASSY,1530 ANSI.....99-100
 PLAT MAIN DECK ASSY,1530 AU.....99-100
 PLAT MAIN DECK ASSY,1530 CE.....99-100
 PLAT MAIN DECK ASSY,1530 SMBL.....99-100
 PLAT MAIN DECK ASSY,1532 AU.....103-104
 PLAT MAIN DECK ASSY,1532 CE.....103-104
 PLAT MAIN DECK ASSY,1930 ANSI.....107-108
 PLAT MAIN DECK ASSY,1930 AU.....107-108
 PLAT MAIN DECK ASSY,1930 CE.....107-108
 PLAT MAIN DECK ASSY,1930 SMBL.....107-108
 PLAT MAIN DECK ASSY,1932 AU.....111-112
 PLAT MAIN DECK ASSY,1932 CE.....111-112
 PLATE, AC ADAPTER(AUS).....117
 PLATE, COUNTERWEIGHT LOCK.....73
 PLATE, HOSE ROUTING, BULKHEAD.....69, 71
 PLATE, INVERTER MOUNT.....143
 PLATE, LIMIT SWITCH MOUNT.....75
 PLATE, POTHOLE LINK, GS30.....77
 PLATE,AC ADAPTER(ANSI/CSA).....117
 PLATE,AC ADAPTER,DIN/UK***.....117
 PLATE,BEACON MOUNT.....137
 PLATE,BRAKE SPACER.....73
 PLATE,HARNESS MOUNT.....83
 PLATE,HOSE ROUTG,BULKHEAD(PTD).....75
 PLATE,UK,POWER TO PLAT.....117
 PLATE,VISUAL IND LIGHT MOUNT.....137
 PLATFORM MOUNT ASSY, 15 FT.....93
 PLATFORM MOUNT ASSY, 19 FT.....93
 PLUG AND CAP KIT-SERVICE,ORFS*.....125
 PLUG, 6POS ECO PWR.....119
 PLUG, TYPE F, 230A, 50HZ, 16A, IP44.....117
 PLUG,1/4"SERIES,3/8 P-LOCK***.....139
 PLUG,DTM SEAL 20-24GA.....87
 PLUG,ELECTRICAL,DOMESTIC.....117
 PLUG,FLG INLET,15A/125V,2PWGD.....117
 PLUG,FUSED,250V,13AMP,U.K.**.....117
 PLUG,PWR,UK,16AMP,3PIN,BLK.....117
 POT HOLE GUARD,LT,WLDMT.....77
 POT HOLE GUARD,RT,WLDMT.....77
 POWER CORD, IEC 320, 90 DEG.....81
 PROTECTOR,AUS PECEPTACLE,GS30.....117
 PRTY,FLOW CNTRL VALVE,.75 GPM.....125
 PUMP,4CC GEAR,CCW***.....131
- Q**
- QUICK DISCONNECT CASING,BATT**.....79, 89
- R**
- RCBO,16A,30MA,6KA 110/230VAC.....149
 RECEPTACLE, DIN, 220V 50A.....117
 RECEPTACLE,C66AI310,AUS.....117
 RECEPTACLE,UK,110V.....117
 REF. BATTERY CHARGER.....87
 REF. BATTERY COMPARTMENT.....87
 REF. BEACONS.....87
 REF. DC MOTOR.....87
- REF. ELECTRIC MOTOR/PUMP.....83
 REF. ELECTRICAL WIRING AND POWER CABLES.....87
 REF. FILTER ASSY.....83
 REF. FUNCTION MANIFOLD.....87
 REF. FUSE.....87
 REF. GROUND CONTROLS.....87
 REF. Joystick Controller.....87
 REF. LEVEL SENSOR.....87
 REF. LIFT CYLINDER VALVE.....87
 REF. LIFT CYLINDER.....95
 REF. MOTOR CONTROLLER.....87
 RIGID EYE SNAP.....115
 RIVET,ALUM,STL,.188 X .250.....99-100, 103-104, 107-108, 111-112
 RIVET,STEEL,P,.25 X .375.....147
 RIVET,STL,STL,.188 X .45.....99-100, 103-104, 107-108, 111-112, 153
 ROCKER,2 SWITCH.....121
 ROD END,.25 X 2.75, ZAG.....95, 97
 ROLLER ARM,LIMIT SWITCH***.....75, 77
 ROLLER BRKT LEFT..99-100, 103-104, 107-108, 111-112
 ROLLER BRKT RT.....99-100, 103-104, 107-108, 111-112
 ROLLER SUPPORT BRACKET..99-100, 103-104, 107-108, 111-112
 ROLLER,PLATFORM EXTENSION.....99-100, 103-104, 107-108, 111-112
 RUE RING,3/4,ZAG.....69, 71, 77
 RUE RING,5/8,ZAG.....77
- S**
- SAFETY CHOCK,SCISSOR.....95, 97
 SCREW, HHF, 1/4-20 X .5, 8, ZAG.....133, 151
 SCREW, SELF TAP.....121
 SCREW, YOKE LOCK, ZAG.....69, 71
 SCREW,BHC,3/8-16X1.25,F835,ZAG.....75
 SCREW,BHC,3/8-16X1.75,F835,ZAG.....73
 SCREW,GRUB,M5X8MM CUP(BLK).....121
 SCREW,GRUB,M5X8MM,HLF DOG,BZP...121
 SCREW,HEX UNSLOTTED,14-10X.5,T.....79
 SCREW,HHC,1/2-13X3.5,8,ZAG.....69, 71, 73
 SCREW,HHC,1/2-13X5,8,ZAG.....73
 SCREW,HHC,1/4-20 X 2.....115
 SCREW,HHC,1/4-20X3.25,8,ZAG.....69, 71
 SCREW,HHC,3/8-16 X 1.....145
 SCREW,HHC,3/8-16 X 2.....115
 SCREW,HHC,3/8-16 X 2.5.....115
 SCREW,HHC,3/8-16X.75,8,ZAG.....69, 71
 SCREW,HHC,3/8-16X1.25,8,ZAG.....153
 SCREW,HHC,3/8-16X2.75,8,ZAG.....95, 97
 SCREW,HHC,5/16-18 X 2.....141
 SCREW,HHF,1/4-20X.625,8,ZAG.....100, 104, 108, 112, 151
 SCREW,HHF,1/4-20X.75,8,ZAG.....83, 99-100, 103-104, 108, 111-112, 143, 153
 SCREW,HHF,1/4-20X1.25,8,ZAG.....79, 83, 95, 97
 SCREW,HHF,1/4-20X1.5,8,ZAG.....91
 SCREW,HHF,3/8-16X.75,8,ZAG.....149
 SCREW,HHF,3/8-16X2,8,ZAG.....99-100, 103-104, 107-108, 111-112
 SCREW,HHF,3/8-16X2.75,8,ZAG.....100, 104, 108, 112
 SCREW,PHIL,8-32X.50,SELF TAP.....117
 SCREW,PHILLIPS,PHM,6-32 X .75.....117
 SCREW,PHILLIPS,PHM,8-32 X.25**.....85
 SCREW,PHILLIPS,RHM,10-32 X 1.5.....85
- SCREW,PHM,4-20X.5, 48-2 TRI-L.....85, 119
 SCREW,PHM,6-19X.75, 48-2 TRI-L.....85
 SCREW,PHM,8-16X.75, 48-2 TRI-L.....119
 SCREW,PHPM,10-32X.38,ZAG.....79
 SCREW,PHPM,10-32X.50,ZAG.....153
 SCREW,PHPM,10-32X.625,ZAG.....149
 SCREW,PHPM,10-32X.75,ZAG.....117, 137
 SCREW,PHPM,10-32X1.5,ZAG.....75
 SCREW,PHPM,4-40X.5,ZAG.....100, 104, 108, 112
 SCREW,PHPM-ST,8-32 X .50,TYPE F,ZAG.....153
 SCREW,RHM,6-32 X .5.....117
 SCREW,SET,8-32X.25.....153
 SCREW,SHC,3/8-24X1.25,A574,ZAG.....131
 SEAL KIT (84384).....125
 SEAL KIT, VALVE.....125
 SEAL KIT,39909,PLAT LWR VALVE*.....133
 SEAL KIT,BOSCH PUMP.....131
 SEAL KIT,BOSCH PUMP***.....131
 SEAL KIT,HAND PUMP***.....129
 SEAL KIT,LIFT PUMP,BARNES**.....131
 SEAL KIT,RC SERIES DR MOTOR***.....123
 SEAL KIT-FOR P.N.44167.....125
 SEAL KIT-P.N.44169,44172,44171.....125
 SENSOR,LEVEL,UNIVERSAL.....75
 SERVICE KIT,INVERTER 800W***.....143
 SHIM,.375 X .063.....100, 104, 108, 112
 SLEEVE,CABLE-END,14AWG,2.5MM.....149
 SLEEVE,TANK SUPPORT.....83, 137
 SLIDER, UHMW.....93
 SLIDER,MINI PLATFORM,DRILLED**.....93
 SNAP RING,EXTERNAL,1.25,ZAG.....95, 97
 SPRING CLIP,1/4-20,.025-.15X.54,ZAG.....153
 SPRING, HANDLE TRIGGER.....121
 SPRING, COMPRESSION .835 X 2.....115
 SPRING, COMPRESSION.485 X1.75**.....99-100, 103-104, 107-108, 111-112
 SPRING,HAND PUMP ROD.....129
 SPRING-BRUSH,40844, SCISSORS.....131
 STEER FIXED PLATE,LEFT.....69
 STEER FIXED PLATE,RIGHT.....69
 STROBE,BEACON, AC COMP 12-80V.....137
 SVC KIT,UK RECEPT.REPLACEMENT.....117
 SWING GATE ASSY,1530/1930 AUS.....115
 SWING GATE ASSY,1532/1932 AUS.....115
 SWING GATE ASSY,GS1530 CE.....115
 SWING GATE ASSY,GS1532 CE.....115
 SWING GATE ASSY,GS1930 CE.....115
 SWING GATE ASSY,GS1932 CE.....115
 SWING GATE ASSY,GS30/32**.....115
 SWITCH,LIMIT,W/ROLLER ARM***.....75, 77
- T**
- T-BOX,2.75 X 4.5 X 2.0.....117
 TANK,HYD, SLAB SCISSORS.....83
 TAPE, NON-SKID,DIE CUT,1.38X1.5...99-100, 103-104, 107-108, 111-112
 TAPE, NON-SKID,DIE CUT,4"X 16".....99-100, 103-104, 107-108, 111-112
 TAPE, NON-SKID,DIE CUT,4"X 32".....99-100, 103-104, 107-108, 111-112
 TAPE, NON-SKID,DIE CUT,4"X 40".....99-100, 103-104, 107-108, 111-112
 THREADED ROD,(1/4-20),25.50.....79
 TIE ROD ASSEMBLY.....69, 71
 TRIGGER, EXTENDED.....121
 TUBE SWING.....99-100, 103-104, 107-108, 111-112

TUBE, ASSY, DRAW.....135
 TUBE, ASSY, RETURN.....135
 TUBE, SLAB DRAW ASSEMBLY.....83
 TUBE, SLAB RETURN ASSEMBLY.....83
 TUBE, VERT, FOLDING.....99-100, 103-104,
 107-108, 111-112
 TUBING,PVC,1",BLACK***115

V

VALVE, DYN. BRAKING, GS30**.....125
 VALVE,CARTRIDGE***.....133
 VALVE,CHECK,IWP-S/CWP PWR ASSI.....125
 VALVE,HAND PUMP ASSEMBLY***.....129
 VALVE,PILOT OPERATED ASSEMBLY*.....129
 VALVE,SOLENOID,3POS 4WAY.....125
 VALVE,W/20V NC SOLENOID,MANUAL.....133
 VALVE-RELIEF, 3700 PSI #8**.....125
 VALVE-SOLENOID, 2POS 4 WAY.....125
 VISUAL INDICATOR LIGHTS.....137

W

WASHER,FLAT,.75,SAE,HRD,ZAG.....79
 WASHER,FLAT,3/8,USS,ZAG.....69, 71, 77,
 99-100, 103-104, 107-108, 111-112
 WASHER,FLAT,5/16,USS,ZAG.....77, 79, 99-
 100, 103-104, 107-108, 111-112
 WASHER,FLAT,USS,1/4"Y.....83, 115
 WASHER,FLAT,USS,5/16",Y.....115, 141
 WASHER,LOCK,.313.....141
 WASHER,LOCK,3/8,ZAG.....131
 WASHER,NITRILE.....85, 117
 WASHER,SHIM, 1.27X2.13X.13,ZAG.....95, 97
 WASHER,SHIM,.625X1.188X.064,ZA.....77
 WASHER,SHIM,.75X1.125X.030,ZAG.....77
 WASHER,STAR,EXTERNAL,#8.....117
 WASHER,STAR,EXTERNAL,.375.....85
 WASHER,THRUST, GS.....69, 71
 WASHER,THRUST,.63 X 1.13 X .06.....77
 WEAR PAD,PLATFORM.....99-100, 103-104,
 107-108, 111-112
 WEAR/GUIDE PAD MAIN PLATFORM.....99-
 100, 103-104, 107-108, 111-112
 WEATHERSTRIP,SWING GATE.....115
 WELDMENT PLATFORM LANYARD.....99-
 100, 103-104, 107-108, 111-112
 WELDMENT, 1532 COUNTERWT, CE.....73
 WELDMENT, EXT PLATFORM.....99-100, 103-
 104, 107-108, 111-112
 WELDMENT, EXTENSION DECK RAIL,
 UPPER.....103-104
 WELDMENT, FOLDING, LOWER,
 EXTENSION.....99-100, 103-104, 107-108,
 111-112
 WELDMENT, FOLDING, UPPER,
 EXTENSION.....99-100, 107-108, 111-112
 WELDMENT, FORMING, HALF GATE,
 CATCH.....115
 WELDMENT, HALF GATE.....115
 WELDMENT, LINK, INNER,#2, KO.....95
 WELDMENT, LINK, SINGLE.....95, 97
 WELDMENT, PAR, FRONT.....145
 WELDMENT, PAR, SIDE.....145
 WELDMENT, PCON GUARD.....147
 WELDMENT, PH GUIDE,GS30/32.....77
 WELDMENT, PLATFORM, MWI, GS30.....99-
 100, 103-104, 107-108, 111-112
 WELDMENT, STR YOKE, 30 MINI LT.....69, 71
 WELDMENT, STR YOKE, 30 MINI RT.....69, 71

WELDMENT, STR YOKE, 32 MINI LT.....69, 71
 WELDMENT, STR YOKE, 32 MINI RT.....69, 71
 WELDMENT, TIE ROD, GS30.....69, 71
 WELDMENT,CABLE BRIDGE, TOP,MINI.....95,
 97
 WELDMENT,GS HYD TRAY.....83
 WELDMENT,LINK PLATFORM MNT***.....95,
 97
 WELDMENT,MINI LADDER.....73
 WHEEL&TIRE ASSY.LP.12".EXMALE.....69, 71
 WIRE CABLE 18/5 - UNSHIELDED.....87
 WIRE CABLE,14/3 CON.TPE JKT*.....117, 149
 WIRE CAP,ORANGE.....117
 WIRE LOOM,1.25 DIA.....89
 WLDMNT,PLATFORM, MINI, GS30.....103-
 104, 111-112
 WLDMT, CHAIN ENTRY GATE,METRIC.....115
 WLDMT, EXT SIDERAIL,METRIC.....99-100,
 103-104, 108, 111-112
 WLDMT, FORMING, HALFGATE CATCH....115
 WLDMT, GS BATTERY TRAY.....151
 WLDMT, MAIN FOLDING SIDERAIL...99-100,
 103-104, 107-108, 111-112
 WLDMT, MAIN SIDERAIL UPPER LT.....99-
 100, 103-104, 107-108, 111-112
 WLDMT, MAIN SIDERAIL, UPPER RT.....99-
 100, 103-104, 107-108, 111-112
 WLDMT, MAIN SIDERAIL,METRIC.....99-100,
 103-104, 107-108, 111-112
 WLDMT, POT HOLE BELLCRANK LINK.....77
 WLDMT,CABLE BRIDGE,BOTTOM,MINI...95,
 97
 WLDMT,CABLE BRIDGE,LOWER,MINI.....95,
 97
 WLDMT,DECAL PLATE,NEW.....99-100, 103-
 104, 107-108, 111-112
 WLDMT,PLATFORM SLIDER.....93
 WLDMT,ROLLER BRKT,RT,HARTING
 PLUG...99-100, 103-104, 107-108, 111-112
 WLDT, EXT SIDERAIL, PAR.....145
 WLDT, MAIN SIDERAIL, PAR, LH.....145
 WLDT, MAIN SIDERAIL, PAR, RH.....145
 WLDTMT,LINK,#1 INNER,15&19 FT.....95, 97
 WORKLIGHT BRACKET.....141
 WORKLIGHT CABLE,GS15XX.....141
 WORKLIGHT CABLE,GS19/20XX.....141
 WORKLIGHT PIGTAIL ASSY.....141
 WORKLIGHT,24V,COIL CORD.....141

Fitting Cross References

Genie PN	Parker PN	Description	Genie PN	Parker PN	Description
12342	6-4 F5OX-S	CONNECTOR,STRAIGHT THREAD TO FLARE TUBE	42794	1 CR-S	ELBOW,90°,MALE PIPE
13757	4 R6X-S	RUN TEE,SWIVEL NUT,ORFS	42795	BV-0839	BALL VALVE
19685	12-10 C5OX-S	ELBOW,90°,STRAIGHT THREAD TO FLARE TUBE	42796	BV-0838	BALL VALVE
22664	12-10 C5OX	ELBOW,90°,STRAIGHT THREAD TO FLARE TUBE	42874	6-8 CLO-S	ELBOW,90°,MALE PIPE TO ORFS
27431	8-12 F5OX-S	CONNECTOR,STRAIGHT THREAD TO FLARE TUBE	42912	13943-6-4	HOSE END,90° FEMALE SWIVEL,JIC
28678	AS-B-33	SLEEVE,NYLON,1.81" ID	42920	BV-0840	BALL VALVE,90°
39871	6 WETX-WLN-S	UNION,90° BULKHEAD W/NUT,FLARE TUBE	42932	AS-B-17	SLEEVE,NYLON,1.22" ID
39872	4 R5OX-S	RUN TEE,STRAIGHT THREAD	42936	10243-2-4	HOSE END,FEMALE PIPE
39873	6 C5OX-S	ELBOW,90°,STRAIGHT THREAD TO FLARE TUBE	42953	1/2 DD-S	ELBOW,90°,FEMALE PIPE
39874	8-6 C5OX-S	ELBOW,90°,STRAIGHT THREAD TO FLARE TUBE	42956	6 WELO-WLNL-S	UNION,90° BULKHEAD W/NUT,ORFS
39875	4-6 C5OX-S	ELBOW,90°,STRAIGHT THREAD TO FLARE TUBE	45349	8 V5OX-S	ELBOW,45°,STRAIGHT THREAD TO FLARE TUBE
39876	6-8 C5OX-S	ELBOW,90°,STRAIGHT THREAD TO FLARE TUBE	45351	4 V5OX-S	ELBOW,45°,STRAIGHT THREAD TO FLARE TUBE
39877	4 F5OX-S	CONNECTOR,STRAIGHT THREAD TO FLARE TUBE	47223	10343-6-6	HOSE END,MALE,JIC
39878	6 F5OX-S	CONNECTOR,STRAIGHT THREAD TO FLARE TUBE	47419	PS690503-6-6	SWIVEL,90°,STRAIGHT THREAD TO 37° FLARE
39879	4-8 F5OX-S	CONNECTOR,STRAIGHT THREAD TO FLARE TUBE	48750	421-4	HOSE,1/4 INCH ID
39880	6-10 F5OX-S	CONNECTOR,STRAIGHT THREAD TO FLARE TUBE	48751	481TC-4	HOSE,1/4 INCH ID
39881	4-6 F5OX-S	CONNECTOR,STRAIGHT THREAD TO FLARE TUBE	48752	482TC-4	HOSE,1/4 INCH ID
39882	4-HP5ON-S	PLUG,STRAIGHT THREAD	48753	451TC-6	HOSE,3/8 INCH ID
39883	8-8 FTX-S	CONNECTOR,MALE PIPE TO FLARE TUBE	48754	482TC-6	HOSE,3/8 INCH ID
39885	269HB 12-12	ELBOW,90°,BEADED HOSE BARB TO MALE PIPE	48755	381-6	HOSE,3/8 INCH ID
39886	431-6	HOSE,3/8 INCH ID	48756	451TC-8	HOSE,1/2 INCH ID
39887	540N-2	HOSE,1/8 INCH ID	48757	482TC-8	HOSE,1/2 INCH ID
39888	801-8	HOSE,1/2 INCH ID	48758	381-8	HOSE,1/2 INCH ID
39889	801-12	HOSE,3/4 INCH ID	48759	381-10	HOSE,5/8 INCH ID
39890	10643-6-6	HOSE END,FEMALE SWIVEL,JIC	48760	451TC-10	HOSE,5/8 INCH ID
39891	13943-6-6	HOSE END,90° FEMALE SWIVEL,JIC	48761	482TC-12	HOSE,3/4 INCH ID
39892	13743-6-6	HOSE END,45° FEMALE SWIVEL,JIC	48762	451TC-12	HOSE,3/4 INCH ID
39894	30682-8-8	HOSE END,FEMALE SWIVEL,JIC	48763	772-12	HOSE,3/4 INCH ID
39895	30682-10-12	HOSE END,FEMALE SWIVEL,JIC	48764	881-16	HOSE,1 INCH ID
42286	8-8 CTX-S	ELBOW,90°,MALE PIPE TO FLARE TUBE	48765	772-16	HOSE,1 INCH ID
42756	8-12 CLO-S	ELBOW,90,MALE PIPE TO ORFS	48766	AS-B-15	SLEEVE,NYLON,1.06" ID
42757	8-12 FLO-S	CONNECTOR,MALE PIPE TO ORFS	48767	AS-B-22	SLEEVE,NYLON,1.42" ID
42758	4 JLO-S	UNION TEE,ORFS	48770	881-8	HOSE,1/2 INCH ID
42759	4-4 FLO-S	CONNECTOR,MALE PIPE TO ORFS			
42760	6-8 FLO-S	CONNECTOR,MALE PIPE TO ORFS			
42761	1J143-6-4	HOSE END,90° FEMALE SWIVEL,SEAL LOK			
42762	1J743-6-4	HOSE END,45° FEMALE SWIVEL,SEAL LOK			
42768	1JO43-4-4	HOSE END,MALE,SEAL LOK			
42776	601-8	HOSE,1/2 INCH ID			
42777	1J743-16-16	HOSE END,45° FEMALE SWIVEL,SEAL LOK			
42786	16 CLO-S	ELBOW,90°,MALE PIPE TO ORFS			
42787	16 R6LO-S	RUN TEE,SWIVEL NUT,ORFS			
42788	16-8 TRLO-BL-S	REDUCER,TUBE END TO SWIVEL,ORFS			
42789	6-6 CLO-S	ELBOW,90°,MALE PIPE TO ORFS			
42790	8-10 V5OLO-S	ELBOW,45°,STRAIGHT THREAD TO ORFS			
42791	3/4 CD-S	ELBOW,90°,MALE TO FEMALE PIPE			
42792	3/4 X 1/2 PTR-S	REDUCER,MALE TO FEMALE PIPE			
42793	1/2 CR-S	ELBOW,90°,MALE PIPE			

Fitting Cross References (Continued)

Genie PN	Parker PN	Description	Genie PN	Parker PN	Description
48771	881-10	HOSE,5/8 INCH ID	48847	13943-12-12	HOSE END,90° FEMALE SWIVEL,JIC
48772	381-4	HOSE,1/4 INCH ID	48848	10543-12-12	HOSE END,MALE,STRAIGHT THREAD
48773	AS-B-13	SLEEVE,NYLON,.86" ID	48849	1JC71-12-12	HOSE END,FEMALE SWIVEL,SEAL LOK
48800	1JC43-4-4	HOSE END,FEMALE SWIVEL,SEAL LOK	48850	1JS71-12-12	HOSE END,FEMALE SWIVEL,SEAL LOK
48801	1J743-4-4	HOSE END,45° FEMALE SWIVEL,SEAL LOK	48851	1J171-12-12	HOSE END,90° FEMALE SWIVEL,SEAL LOK
48802	1J943-4-4	HOSE END,90° FEMALE SWIVEL,SEAL LOK	48852	1J771-12-12	HOSE END,45° FEMALE SWIVEL,SEAL LOK
48804	1JM43-4-4	HOSE END,MALE,SEAL LOK, NO O-RING	48853	1J971-12-12	HOSE END,90° FEMALE SWIVEL,SEAL LOK
48805	10643-4-4	HOSE END,FEMALE SWIVEL,JIC	48854	1JC43-16-16	HOSE END,FEMALE SWIVEL,SEAL LOK
48806	13943-4-4	HOSE END,90° FEMALE SWIVEL,JIC	48855	1J943-16-16	HOSE END,90° FEMALE SWIVEL,SEAL LOK
48807	1JS43-4-4	HOSE END,FEMALE SWIVEL,SEAL LOK	48856	1J171-16-16	HOSE END,90° FEMALE SWIVEL,SEAL LOK
48808	3JC82-8-8	HOSE END,FEMALE SWIVEL,SEAL LOK	48857	1J971-16-16	HOSE END,90° FEMALE SWIVEL,SEAL LOK
48809	3JC82-12-12	HOSE END,FEMALE SWIVEL,SEAL LOK	48859	1JS43-8-4	HOSE END,FEMALE SWIVEL,SEAL LOK
48810	1JC43-6-4	HOSE END,FEMALE SWIVEL,SEAL LOK	48867	PD36BTL	DIAGNOSTIC NIPPLE,SEAL-LOK SWIVEL
48811	1J943-6-4	HOSE END,90° FEMALE SWIVEL,SEAL LOK	48873	6 PNLO-S	PLUG,TUBE END,ORFS
48812	1JC43-6-6	HOSE END,FEMALE SWIVEL,SEAL LOK	48874	6 PNTX-S	PLUG,FLARE TUBE
48813	1J143-6-6	HOSE END,90° FEMALE SWIVEL,SEAL LOK	48875	6 R6LO-S	RUN TEE,SWIVEL NUT,ORFS
48814	1J543-6-6	HOSE END,90° FEMALE SWIVEL,SEAL LOK	48877	4 F5OLO-SW/.025	CONNECTOR,STRAIGHT THREAD TO ORFS, W/.025 ORI
48815	1J743-6-6	HOSE END,45° FEMALE SWIVEL,SEAL LOK	48878	16-12 C5OLO-S	ELBOW,90°,STRAIGHT THREAD TO ORFS
48816	1J943-6-6	HOSE END,90° FEMALE SWIVEL,SEAL LOK	48879	8 C6LO-S	ELBOW,90°,SWIVEL NUT ORFS
48817	1JS43-6-8	HOSE END,FEMALE SWIVEL,SEAL LOK	48880	PD6-285	CAP,DIAGNOSTIC NIPPLE
48818	1J943-8-4	HOSE END,90° FEMALE SWIVEL,SEAL LOK	48881	6 HLO-S	UNION,ORFS
48819	1JC43-8-6	HOSE END,FEMALE SWIVEL,SEAL LOK	48883	8 P5ON-S	PLUG,STRAIGHT THREAD
48820	1J743-8-6	HOSE END,45° FEMALE SWIVEL,SEAL LOK	48884	8M18F87OMLO-S	CONNECTOR,METRIC,STRAIGHT THREAD TO ORFS
48821	1J943-8-6	HOSE END,90° FEMALE SWIVEL,SEAL LOK	48885	4 WGTX-WLN-S	CONNECTOR,BULKHEAD,FEMALE PIPE TO FLARE TUBE
48822	1JC43-8-8	HOSE END,FEMALE SWIVEL,SEAL LOK	48886	4 F5OLO-SW/2MM	CONNECTOR,MACHINED STRAIGHT THREAD TO ORFS
48823	1JS43-8-8	HOSE END,FEMALE SWIVEL,SEAL LOK	48887	4 CTX-S	ELBOW,90°,MALE PIPE TO FLARE TUBE
48824	1J143-8-8	HOSE END,90° FEMALE SWIVEL,SEAL LOK	48888	10-12 V5OLO-S	ELBOW,45°,STRAIGHT THREAD TO ORFS
48825	1J543-8-8	HOSE END,90° FEMALE SWIVEL,SEAL LOK	48890	4 S5OLO-S	BRANCH TEE,STRAIGHT THREAD TO ORFS
48826	1J743-8-8	HOSE END,45° FEMALE SWIVEL,SEAL LOK	48891	4 S6LO-S	BRANCH TEE,SWIVEL NUT TO ORFS
48827	1J943-8-8	HOSE END,90° FEMALE SWIVEL,SEAL LOK			
48828	1JC43-10-8	HOSE END,FEMALE SWIVEL,SEAL LOK			
48829	1JS43-10-8	HOSE END,FEMALE SWIVEL,SEAL LOK			
48830	1J743-10-8	HOSE END,45° FEMALE SWIVEL,SEAL LOK			
48831	1J943-10-8	HOSE END,90° FEMALE SWIVEL,SEAL LOK			
48833	1JC43-10-10	HOSE END,FEMALE SWIVEL,SEAL LOK			
48834	1J943-10-10	HOSE END,90° FEMALE SWIVEL,SEAL LOK			
48835	1JS43-10-12	HOSE END,FEMALE SWIVEL,SEAL LOK			
48836	1JC43-12-8	HOSE END,FEMALE SWIVEL,SEAL LOK			
48837	1JS43-12-8	HOSE END,FEMALE SWIVEL,SEAL LOK			
48838	1J743-12-8	HOSE END,45° FEMALE SWIVEL,SEAL LOK			
48839	1J943-12-8	HOSE END,90° FEMALE SWIVEL,SEAL LOK			
48840	1J943-12-10	HOSE END,90° FEMALE SWIVEL,SEAL LOK			
48841	1JC43-12-12	HOSE END,FEMALE SWIVEL,SEAL LOK			
48842	1JO43-12-12	HOSE END,MALE,SEAL LOK			
48843	1J143-12-12	HOSE END,90° FEMALE SWIVEL,SEAL LOK			
48844	1J543-12-12	HOSE END,90° FEMALE SWIVEL,SEAL LOK			
48845	1J743-12-12	HOSE END,45° FEMALE SWIVEL,SEAL LOK			
48846	1J943-12-12	HOSE END,90° FEMALE SWIVEL,SEAL LOK			

Fitting Cross References (Continued)

Genie PN	Parker PN	Description	Genie PN	Parker PN	Description
48892	6 C6LO-S	ELBOW,90°,SWIVEL NUT ORFS	48938	8 R6LO-S	RUN TEE,SWIVEL NUT,ORFS
48893	6 F5OHAO-S	UNION,STRAIGHT THREAD	48939	8 S6LO-S	BRANCH TEE,SWIVEL NUT TO ORFS
48894	8 WLO-WLNL-S	UNION,BULKHEAD,ORFS	48940	8 WJLO-WLNL-S	RUN TEE, BULKHEAD,ORFS
48895	DT-370-MSMO-5	VALVE,CHECK	48941	8-4 TRLO-S	REDUCER,TUBE END TO SWIVEL,ORFS
48896	6 JLO-S	UNION,TEE,ORFS	48942	8-6 C5OLO-S	ELBOW,90°,STRAIGHT THREAD TO ORFS
48897	DT-750-MSMS-5	VALVE,CHECK	48943	8-6 F5OLO-S	CONNECTOR,STRAIGHT THREAD TO ORFS
48898	DT-750-MOMS-5	VALVE,CHECK	48944	8-8 FLO-S	CONNECTOR,MALE PIPE TO ORFS
48899	DT-620-MOMS-5	VALVE,CHECK	48945	8 FTX-S	CONNECTOR,MALE PIPE TO FLARE TUBE
48900	4-6 F5OLO-SW/.035	CONNECTOR,STRAIGHT THREAD TO ORFS, W/.035 ORI	48946	8-10 F5OLO-S	CONNECTOR,STRAIGHT THREAD TO ORFS
48902	16-1 AOE4G-S	ELBOW,90° LONG,FEMALE PIPE TO STRAIGHT THREAD	48947	8-12 C5OLO-S	ELBOW,90°,STRAIGHT THREAD TO ORFS
48903	1 FF-S	NIPPLE,PIPE	48948	8-12 F5OLO-S	CONNECTOR,STRAIGHT THREAD TO ORFS
48904	4 C5OLO-S	ELBOW,90°,STRAIGHT THREAD TO ORFS	48949	8-16 F5OLO-S	CONNECTOR,STRAIGHT THREAD TO ORFS
48905	4 F5OLO-S	CONNECTOR,STRAIGHT THREAD TO ORFS	48950	10 C5OLO-S	ELBOW,90°,STRAIGHT THREAD TO ORFS
48906	4 R5OLO-S	RUN TEE,STRAIGHT THREAD	48951	10 CC5OLO-S	ELBOW,90° LONG,STRAIGHT THREAD TO ORFS
48907	4 V5OLO-S	ELBOW,45°,STRAIGHT THREAD TO ORFS	48952	10 F5OLO-S	CONNECTOR,STRAIGHT THREAD TO ORFS
48908	4 R6LO-S	RUN TEE,SWIVEL NUT,ORFS	48953	10 R5OLO-S	RUN TEE,STRAIGHT THREAD
48909	4 WJLO-WLNL-S	RUN TEE, BULKHEAD,ORFS	48954	10 S5OLO-S	BRANCH TEE,STRAIGHT THREAD TO ORFS
48910	4 GTX-S W/.030	CONNECTOR,FEMALE PIPE TO FLARE TUBE	48955	10 R6LO-S	RUN TEE,SWIVEL NUT,ORFS
48911	4-6 C5OLO-S	ELBOW,90°,STRAIGHT THREAD TO ORFS	48956	10-4 TRLO-BL-S	REDUCER,TUBE END TO SWIVEL,ORFS
48912	4-6 F5OLO-S	CONNECTOR,STRAIGHT THREAD TO ORFS	48957	10-6 TRLO-BL-S	REDUCER,TUBE END TO SWIVEL,ORFS
48913	4-6 F5OLO-SW/.030	CONNECTOR,STRAIGHT THREAD TO ORFS, W/.030 ORI	48958	10-12 F5OLO-S	CONNECTOR,STRAIGHT THREAD TO ORFS
48914	4-8 F5OLO-S	CONNECTOR,STRAIGHT THREAD TO ORFS	48959	12 C5OLO-S	ELBOW,90°,STRAIGHT THREAD TO ORFS
48915	6 C5OLO-S	ELBOW,90°,STRAIGHT THREAD TO ORFS	48960	12 F5OLO-S	CONNECTOR,STRAIGHT THREAD TO ORFS
48916	6 F5OLO-S	CONNECTOR,STRAIGHT THREAD TO ORFS	48961	12 R5OLO-S	RUN TEE,STRAIGHT THREAD
48917	6 FF5OLO-S	CONNECTOR,LONG,STRAIGHT THREAD TO ORFS	48962	12 S5OLO-S	BRANCH TEE,STRAIGHT THREAD TO ORFS
48918	6 R5OLO-S	RUN TEE,STRAIGHT THREAD	48963	12 V5OLO-S	ELBOW,45°,STRAIGHT THREAD TO ORFS
48919	6 S5OLO-S	BRANCH TEE,STRAIGHT THREAD TO ORFS	48964	12 R6LO-S	RUN TEE,SWIVEL NUT,ORFS
48920	6 V5OLO-S	ELBOW,45°,STRAIGHT THREAD TO ORFS	48965	12 CLO-S	ELBOW,90°,MALE PIPE TO ORFS
48921	6 FLO-S	CONNECTOR,MALE PIPE TO ORFS	48966	12 FLO-S	CONNECTOR,MALE PIPE TO ORFS
48922	6-6 FLO-S	CONNECTOR,MALE PIPE TO ORFS	48967	12 JLO-S	UNION TEE,ORFS
48923	6 P5ON-S	PLUG,STRAIGHT THREAD	48968	12 WLO-WLNL-S	UNION,BULKHEAD,ORFS
48925	6 WELO-S	UNION,90° BULKHEAD,ORFS	48969	12 WJLO-WLNL-S	RUN TEE, BULKHEAD,ORFS
48926	6-4 C5OLO-S	ELBOW,90°,STRAIGHT THREAD TO ORFS	48970	12 WELO-WLNL-S	UNION,90° BULKHEAD W/NUT,ORFS
48927	6-4 F5OLO-S	CONNECTOR,STRAIGHT THREAD TO ORFS			
48928	6-4 V5OLO-S	ELBOW,45°,STRAIGHT THREAD TO ORFS			
48929	6-8 C5OLO-S	ELBOW,90°,STRAIGHT THREAD TO ORFS			
48930	6-8 F5OLO-S	CONNECTOR,STRAIGHT THREAD TO ORFS			
48931	6-10 F5OLO-S	CONNECTOR,STRAIGHT THREAD TO ORFS			
48932	8 C5OLO-S	ELBOW,90°,STRAIGHT THREAD TO ORFS			
48933	8 F5OLO-S	CONNECTOR,STRAIGHT THREAD TO ORFS			
48934	8 FF5OLO-S	CONNECTOR,LONG,STRAIGHT THREAD TO ORFS			
48935	8 R5OLO-S	RUN TEE,STRAIGHT THREAD			
48936	8 S5OLO-S	BRANCH TEE,STRAIGHT THREAD TO ORFS			
48937	8 V5OLO-S	ELBOW,45°,STRAIGHT THREAD TO ORFS			

Fitting Cross References (Continued)

Genie PN	Parker PN	Description	Genie PN	Parker PN	Description
48971	12 G5G5JG5-S	TEE,FEMALE STRAIGHT THREAD	49612	PKT02586	O-RING KIT (ORFS FITTINGS)
48972	12 XHL6-S	ADAPTER, 37° MALE TO SWIVEL ORFS	49613	PKT06276	PLUG AND CAP KIT-SERVICE,ORFS
48973	12-1/2 F5OG-S	ADAPTER,FEMALE PIPE TO STRAIGHT THREAD	49728	10143-12-12	HOSE END, MALE PIPE
48974	12-10 C5OLO-S	ELBOW,90°,STRAIGHT THREAD TO ORFS	49729	16-1 F5OG-S	ADAPTER,FEMALE PIPE TO STRAIGHT THREAD
48975	12-10 F5OLO-S	CONNECTOR,STRAIGHT THREAD TO ORFS	49814	12-8 FLO-S	CONNECTOR,MALE PIPE TO ORFS
48976	12-16 C5OLO-S	ELBOW,90°,STRAIGHT THREAD TO ORFS	49829	DT-500-MOMF-5	VALVE,CHECK
48977	12-16 F5OLO-S	CONNECTOR,STRAIGHT THREAD TO ORFS	49831	881-12	HOSE,3/4 INCH ID
48978	12-16 V5OLO-S	ELBOW,45°,STRAIGHT THREAD TO ORFS	49834	16 JLO-S	UNION TEE,ORFS
48980	12-16 FLO-S	CONNECTOR,MALE PIPE TO ORFS	49838	12-8 TRLO-BL-S	REDUCER,TUBE END TO SWIVEL,ORFS
48983	16 C5OLO-S	ELBOW,90°,STRAIGHT THREAD TO ORFS	49840	8 JLO-S	UNION TEE,ORFS
48984	16 F5OLO-S	CONNECTOR,STRAIGHT THREAD TO ORFS	49844	10-8 TRLO-BL-S	REDUCER,TUBE END TO SWIVEL,ORFS
48985	16 V5OLO-S	ELBOW,45°,STRAIGHT THREAD TO ORFS	49854	8 P5ON-S	PLUG,STRAIGHT THREAD
48986	16 FLO-S	CONNECTOR,MALE PIPE TO ORFS	49855	1JC43-16-12	HOSE END,FEMALE SWIVEL,SEAL LOK
48988	16 CD45-S	ELBOW,45°,MALE TO FEMALE PIPE	49859	4 P5ON-S	PLUG,STRAIGHT THREAD
48989	12 CD45-S	ELBOW,45°,MALE TO FEMALE PIPE	49861	4 FF5OLO-S	CONNECTOR, LONG, STRAIGHT THREAD TO ORFS
48990	8 CD45-S	ELBOW,45°,MALE TO FEMALE PIPE	49867	12-3/4 F5OG-S	ADAPTER,FEMALE PIPE TO STRAIGHT THREAD
48991	16-12 FLO-S	CONNECTOR,MALE PIPE TO ORFS	51152	6 R6X-S	RUN TEE,SWIVEL NUT,ORFS
48992	16-12 V5OLO-S	ELBOW,45°,STRAIGHT THREAD TO ORFS	51153	6-4 TRTX-S	REDUCER,TUBE END TO SWIVEL,ORFS
48993	XV501-12	BALL VALVE	51154	4-4 GTX	CONNECTOR,FEMALE PIPE TO FLARE TUBE
48994	XV501-16	BALL VALVE	51264	881-12	HOSE,3/4 INCH ID
48995	XV510P-12	BALL VALVE	51265	8 JLO-S	UNION TEE,ORFS
48996	XV510P-16	BALL VALVE	51508	6 BTX-S	NUT,FLARE TUBE
48997	PD341	DIAGNOSTIC NIPPLE, STRAIGHT THREAD	51580	12-8 TRLO-BL-S	TUBE END REDUCER,ORFS
48998	PD 361	DIAGNOSTIC NIPPLE, STRAIGHT THREAD	51628	6 R6X-S	RUN TEE,SWIVEL NUT,ORFS
48999	DT-500-MOMS-5	VALVE,CHECK	51735	3/8 HHP	PLUG,PIPE THREAD
49201	10 V5OLO-S	ELBOW,45°,STRAIGHT THREAD TO ORFS	51803	1J943-6-8	HOSE END,90° FEMALE SWIVEL,SEAL LOK
49202	1JC43-12-10	HOSE END,FEMALE SWIVEL,SEAL LOK	53023	125HBL-5-4	FITTING,HOSE BARB TO MALE PIPE
49203	10-8 V5OLO-S	ELBOW,45°,STRAIGHT THREAD TO ORFS	53497	PKT02585	O-RING KIT
49205	6 F5OHAO-S	UNION,STRAIGHT THREAD	53499	1JC71-16-16	HOSE END,FEMALE SWIVEL,SEAL LOK
49207	PD34BTL	DIAGNOSTIC NIPPLE,SEAL-LOK SWIVEL	53500	3-904	O-RING,STRAIGHT THREAD,-4
49209	8M18F870MX-S	CONNECTOR,METRIC,STRAIGHT THREAD TO FLARE TUBE	53501	3-906	O-RING,STRAIGHT THREAD,-6
49212	8 WGTX-WLN-S	CONNECTOR,BULKHEAD,FEMALE PIPE TO FLARE TUBE	53502	3-908	O-RING,STRAIGHT THREAD,-8
49213	30682-8-8	HOSE END,FEMALE SWIVEL,JIC	53503	3-910	O-RING,STRAIGHT THREAD,-10
49216	831-8	HOSE,1/2 INCH ID			
49217	33982-8-8	HOSE END,90° FEMALE SWIVEL,JIC			
49219	PS-B-35	SLEEVE,NYLON,2.19" ID			
49418	4-6 V5OLO-S	ELBOW,45°,STRAIGHT THREAD TO ORFS			
49511	DT370-MOMS-5	VALVE,CHECK			
49512	1 DD-S	ELBOW,90°,FEMALE PIPE			
49513	1 FF-S	NIPPLE,PIPE			
49514	10 HP5ON-S	PLUG,STRAIGHT THREAD			
49515	12-16 CLO-S	ELBOW,90°,MALE PIPE TO ORFS			
49517	6 HP5ON-S	PLUG,STRAIGHT THREAD			
49519	16-12 F5OLO-S	CONNECTOR,STRAIGHT THREAD TO ORFS			
49520	4 VTX-S	ELBOW,45°,MALE PIPE TO FLARE TUBE			
49530	16 C6LO-S	ELBOW,90°,SWIVEL NUT ORFS			

Fitting Cross References (Continued)

Genie PN	Parker PN	Description	Genie PN	Parker PN	Description
53535	3-912	O-RING,STRAIGHT THREAD,-12	61083	24 F5OLO-S	CONNECTOR,STRAIGHT THREAD TO ORFS
53536	4-PNLO-S	PLUG,TUBE END,ORFS	61086	20 R5OLO-S	RUN TEE,STRAIGHT THREAD
53537	6 PNLO-S	PLUG,TUBE END,ORFS	61090	24-20 F5OLO-S	CONNECTOR,STRAIGHT THREAD TO ORFS
53538	8 PNLO-S	PLUG,TUBE END,ORFS	61091	1J943 24-24	HOSE END,90° FEMALE SWIVEL,SEAL LOK
53539	10 PNLO-S	PLUG,TUBE END,ORFS	61093	1J978-12-12	HOSE END,90° FEMALE SWIVEL,JIC
53540	12 PNLO-S	PLUG,TUBE END,ORFS	61095	1JS43-20-16	HOSE END,FEMALE SWIVEL,SEAL LOK
53946	129HB-5-4	FITTING,90° HOSE BARB TO MALE PIPE	61100	811-24	HOSE,11/2 INCH ID
53951	8-1/4F50G-S	ADAPTER,FEMALE PIPE TO STRAIGHT THREAD	61130	1JS43-24-24	HOSE END,FEMALE SWIVEL,SEAL LOK
53980	6 S6LO-S	BRANCH TEE,SWIVEL NUT TO ORFS	61131	1JS78 12-12	HOSE END,FEMALE SWIVEL,SEAL LOK
54132	4 C6LO-S	ELBOW,90°,SWIVEL NUT ORFS	61132	1J778-12-12	HOSE END,45° FEMALE SWIVEL,JIC
54135	11343-16-16	HOSE END,MALE SWIVEL,PIPE	61152	139HB-6-4	ELBOW,45°,BARB TO MALE PIPE
54283	8-10 C5OLO-S	ELBOW,90°,STRAIGHT THREAD TO ORFS	61251	BV-0750	BALL VALVE
54428	8M18C870MLO-S	ELBOW, 90° METRIC, STRAIGHT THREAD TO ORFS	61259	4 CC5OLO-S	ELBOW,90° LONG,STRAIGHT THREAD TO ORFS
54803	FS-F-16-10	SLEEVE,FIRE,-96" ID	61260	20-12 TRLO-BL	REDUCER,TUBE END TO SWIVEL,ORFS
54954	10143-2-4	HOSE END, MALE PIPE	61262	12 C6LO-S	ELBOW,90°,SWIVEL NUT ORFS
55190	3/8 HP-S	PLUG,PIPE THREAD	61263	20 F5OHAO-S	UNION,STRAIGHT THREAD
55448	8 HLO-S	UNION,ORFS	61264	6-10 C5OLO-S	ELBOW,90°,STRAIGHT THREAD TO ORFS
55839	6 F65OX-S	CONNECTOR,STRAIGHT THREAD TO 37° SWIVEL	61265	6 WNLO-WLNL-S	UNION,BULKHEAD 45°,ORFS
55968	10 C5OX-S	ELBOW,90°,STRAIGHT THREAD TO FLARE TUBE	61268	4 WNLO-WLNL-S	UNION,BULKHEAD 45°,ORFS
56003	6 CC5OLO-S	ELBOW,90° LONG,STRAIGHT THREAD TO ORFS	61269	4 WLO-WLNL-S	UNION,BULKHEAD,ORFS
56166	BV-0837	BALL VALVE,90°	61272	12 AOEL6	ELBOW,90°,STRAIGHT THREAD TO ORFS SWIVEL
56188	10143-8-6	HOSE END, MALE PIPE	61316	482TC-16	HOSE,1 INCH ID
56233	2-011	O-RING,ORFS,-4	61321	6 JLO-S	UNION TEE,ORFS
56234	2-012	O-RING,ORFS,-6	61327	782-12	HOSE,3/4 INCH ID
56235	2-014	O-RING,ORFS,-8	61328	881-24	HOSE,11/2 INCH ID
56236	2-016	O-RING,ORFS,-10	61336	11943-20-24	HOSE END,90° FLANGE HEAD
56237	2-018	O-RING,ORFS,-12	61345	12 WJLO-WLNL-S	RUN TEE, BULKHEAD,ORFS
56238	2-021	O-RING,ORFS,-16	61346	8 WNLO-WLNL-S 4	UNION,BULKHEAD 45°,ORFS
56352	6 WLNL-S	LOCKNUT,BULKHEAD	61569	33782-8-8	HOSE END,45° FEMALE SWIVEL,JIC
56353	3J782-12-12	HOSE END,45° FEMALE SWIVEL,SEAL LOK	61610	12 FF5OLO-S	CONNECTOR,LONG,STRAIGHT THREAD TO ORFS
56354	3J982-12-12	HOSE END,90° FEMALE SWIVEL,SEAL LOK	61742	1/8 X 1.5 FFF	NIPPLE,PIPE
56604	10-8 F5OLO-S	CONNECTOR,STRAIGHT THREAD TO ORFS	63426	8 PNTX-S	PLUG,FLARE TUBE
56639	3JC82-10-10	HOSE END,FEMALE SWIVEL,SEAL LOK			
56640	3J982-10-10	HOSE END,90° FEMALE SWIVEL,SEAL LOK			
56655	3JC82-8-10	HOSE END,FEMALE SWIVEL,SEAL LOK			
56676	10-8 C5OLO-S	ELBOW,90°,STRAIGHT THREAD TO ORFS			
56776	471TC-6	HOSE,3/8 INCH ID			
56777	471TC-8	HOSE,1/2 INCH ID			
56789	811-16	HOSE,1 INCH ID			
57884	3/8 FF	NIPPLE,PIPE			
59335	6 FNL-S	CAP,TUBE END			
59342	4 FNL-S	CAP,TUBE END			
59371	8 HP5ON-S	PLUG,STRAIGHT THREAD			
60653	BV-0751	BALL VALVE			
60806	125HB-3-4	FITTING,HOSE BARB TO MALE PIPE			
61064	5-1/4 F5OG-S	ADAPTER,FEMALE PIPE TO STRAIGHT THREAD			
61079	4 WELO-WLNL-S	UNION,90° BULKHEAD W/NUT,ORFS			
61080	6 WLO-WLNL-S	UNION,BULKHEAD,ORFS			

Fitting Cross References (Continued)

Genie PN	Parker PN	Description	Genie PN	Parker PN	Description
64271	4 WLO-WLNL-S	UNION,BULKHEAD,ORFS	75631	801-6	HOSE,3/8 INCH ID
64272	6 WLO-WLNL-S	UNION,BULKHEAD,ORFS	75654	20 F5OLO-S	CONNECTOR,STRAIGHT THREAD TO ORFS
65776	8 F65OL-S	CONNECTOR,STRAIGHT THREAD TO ORFS SWIVEL	75655	1J943-20-20	HOSE END,90° FEMALE SWIVEL,SEAL LOK
65880	6001012	O-RING KIT	75656	881-20	HOSE,1-1/4 INCH ID
66154	6 WTX-WLNS	UNION,BULKHEAD,FLARE TUBE	75971	8 F5OHAO-S	UNION,STRAIGHT THREAD
66155	6 WETX-S	UNION,BULKHEAD 90°,FLARE TUBE	77307	1JB43-8-8	HOSE END,BULKHEAD,SEAL LOK
66156	6 WLN-S	BULKHEAD LOCKNUT	77309	8 WLNL-S	BULKHEAD LOCKNUT
66389	6-8 F5OX-S	CONNECTOR,STRAIGHT THREAD TO FLARE TUBE	77379	8M18C87OMX-S	ELBOW,90° METRIC,STRAIGHT THREAD TO FLARE TUBE
66392	6 R5OX-S	RUN TEE,STRAIGHT THREAD	77703	3J982-8-8	HOSE END,90° FEMALE SWIVEL,SEAL LOK
66396	811-12	HOSE,3/4 INCH ID	77711	801-10	HOSE,5/8 INCH ID
66829	H3174PP	CLAMP,TUBE	77758	12 WNLO-WLNL-S	UNION,BULKHEAD 45°,ORFS
67217	4 KLO-S	UNION,CROSS,ORFS	78091	6 C6X-S	ELBOW,90°,SWIVEL NUT TO FLARE TUBE
67339	10-6 F5OX-S	CONNECTOR,STRAIGHT THREAD TO FLARE TUBE	78684	30582-8-8B	HOSE END,PUSH LOK,MALE
67357	13943-8-6	HOSE END,90° FEMALE SWIVEL,JIC	78852	549-2	HOSE,1/8 INCH ID
67358	10 HP5ON-S	PLUG,STRAIGHT THREAD	78855	10657-4-2	HOSE END,FEMALE SWIVEL,JIC
67371	12 S6LO-S	BRANCH TEE,SWIVEL NUT TO ORFS	79138	PS-B-37	SLEEVE,NYLON,2.38" ID
67498	4 FNL-S	CAP, TUBE END	79476	1JS43-6-8	HOSE END,FEMALE SWIVEL,SEAL LOK
67906	DC-370-F0F0-5	VALVE,CHECK	79847	12-3/4 A0EG-S	ELBOW,90°,STRAIGHT THREAD TO FEMALE PIPE
69316	8 FLO-S	CONNECTOR,MALE PIPE TO ORFS	80044	8 CLO-S	ELBOW,90°,MALE PIPE TO ORFS
69333	H3174PP	CLAMP,HYDRAULIC HOSE	80502	8 F5OX-S	CONNECTOR,STRAIGHT THREAD TO FLARE TUBE
69503	4 F65OX-S	CONNECTOR,STRAIGHT THREAD TO 37° SWIVEL	80503	8 C5OX-S	ELBOW,90°,STRAIGHT THREAD TO FLARE TUBE
69775	8 FNL-S	CAP, TUBE END	81010	AS-B-27	SLEEVE,NYLON,1.63" ID
71038	1/4X1/4F3HG-S	ADAPTER,CONVERSION	83052	821-6	HOSE,3/8 INCH ID
71196	12-8 F5OLO-S	CONNECTOR,STRAIGHT THREAD TO ORFS	83053	821-8	HOSE,1/2 INCH ID
71383	1/4 CD45-S	ELBOW,45°,MALE TO FEMALE PIPE	83054	821-12	HOSE,3/4 INCH ID
72270	12FNL-S	CAP, TUBE END	83055	30682-6-6	HOSE END,FEMALE SWIVEL,JIC
73436	60C-4	SLEEVE,COMPRESSION	83056	30682-12-12	HOSE END,FEMALE SWIVEL,JIC
73437	61C-4	NUT,COMPRESSION	83057	33782-6-6	HOSE END,45° FEMALE SWIVEL,JIC
73438	33482-4-4B	HOSE END,PUSH LOK,MALE	83058	33982-6-6	HOSE END,90° FEMALE SWIVEL,JIC
73767	1CD-S	ELBOW,90°,MALE TO FEMALE PIPE	83060	33982-12-12	HOSE END,90° FEMALE SWIVEL,JIC
73768	20-16-F5OG5-S	ADAPTER,FEMALE PIPE TO STRAIGHT THREAD	83063	13743-4-4	HOSE END,45° FEMALE SWIVEL,JIC
73769	16-20 F5OLO-S	CONNECTOR,STRAIGHT THREAD TO ORFS			
74660	6-8 F42EDMLO-S	CONNECTOR,MALE BSPP TO ORFS			
74661	8-8 F42EDMLO-S	CONNECTOR,MALE BSPP TO ORFS			
75007	4 FLO-S	CONNECTOR,MALE PIPE TO ORFS			
75008	1/8 HP-S	PLUG,PIPE THREAD			
75014	1/2 HP-S	PLUG,PIPE THREAD			
75042	8 WELO-WLNL-S	UNION,90° BULKHEAD W/NUT,ORFS			
75043	3/4 FF-S	NIPPLE,PIPE			
75254	24 F5OHAO-S	UNION,STRAIGHT THREAD			
75255	12 F5OHAO-S	UNION,STRAIGHT THREAD			
75256	XV506P-24	BALL VALVE			
75574	4 WLNL-S	BULKHEAD LOCKNUT			
75612	8 WJLO-WLNL-S	RUN TEE, BULKHEAD,ORFS			
75613	12-8 F5OG5-S	ADAPTER,FEMALE PIPE TO STRAIGHT THREAD			
75614	8 CC5OLO-S	ELBOW,90° LONG,STRAIGHT THREAD TO ORFS			
75628	1JB43-4-4	HOSE END,BULKHEAD,SEAL LOK			

Fitting Cross References (Continued)

Genie PN	Parker PN	Description	Genie PN	Parker PN	Description
83064	13743-8-8	HOSE END,45° FEMALE SWIVEL,JIC	89449	6 WJLO-WLNL-S	RUN TEE, BULKHEAD,ORFS
83065	13743-12-12	HOSE END,45° FEMALE SWIVEL,JIC	89489	4 WJMLO-S	BRANCH TEE,BULKHEAD,ORFS
83066	13943-8-8	HOSE END,90° FEMALE SWIVEL,JIC	89551	1JB43-6-6	HOSE END,BULKHEAD,SEAL LOK
83067	14143-6-6	HOSE END,90° FEMALE SWIVEL,JIC	89552	1JB43-8-8	HOSE END,BULKHEAD,SEAL LOK
83068	14143-8-8	HOSE END,90° FEMALE SWIVEL,JIC	89593	20 C5OLO-S	ELBOW,90°,STRAIGHT THREAD TO ORFS
83069	14143-12-12	HOSE END,90° FEMALE SWIVEL,JIC	94161	8-8 CLO-S	ELBOW,90°,MALE PIPE TO ORFS
83070	772-8	HOSE,1/2 INCH ID	94358	351TC-12	HOSE,3/4 INCH ID
83071	10671-8-8	HOSE END,FEMALE SWIVEL,JIC	94418	20 FLO-S	CONNECTOR,MALE PIPE TO ORFS
83072	10671-12-12	HOSE END,FEMALE SWIVEL,JIC	96358	12 TX-S	SLEEVE,FLARE TUBE
83073	13771-8-8	HOSE END,45° FEMALE SWIVEL,JIC	96359	12 BTX-S	NUT,FLARE TUBE
83074	13771-12-12	HOSE END,45° FEMALE SWIVEL,JIC	96397	8 F5OX-S	CONNECTOR,STRAIGHT THREAD TO FLARE TUBE
83075	13971-8-8	HOSE END,90° FEMALE SWIVEL,JIC	96398	12-8 F5OX-S	CONNECTOR,STRAIGHT THREAD TO FLARE TUBE
83076	13971-12-12	HOSE END,90° FEMALE SWIVEL,JIC	96402	10343-6-6	HOSE END,MALE,JIC
83077	14171-8-8	HOSE END,90° FEMALE SWIVEL,JIC	96407	30382-6-6B	HOSE END,MALE,JIC
83078	14171-12-12	HOSE END,90° FEMALE SWIVEL,JIC			
83080	13943-16-16	HOSE END,90° FEMALE SWIVEL,JIC			
83103	10671-16-12	HOSE END,FEMALE SWIVEL,JIC			
83104	10671-10-12	HOSE END,FEMALE SWIVEL,JIC			
83112	1JC71-8-8	HOSE END,FEMALE SWIVEL,SEAL LOK			
83113	1JS71-16-12	HOSE END,FEMALE SWIVEL,SEAL LOK			
83114	1JS71-10-12	HOSE END,FEMALE SWIVEL,SEAL LOK			
83115	1J971-8-8	HOSE END,90° FEMALE SWIVEL,SEAL LOK			
83116	1J171-8-8	HOSE END,90° FEMALE SWIVEL,SEAL LOK			
83117	1J771-8-8	HOSE END,45° FEMALE SWIVEL,SEAL LOK			
83127	1J543-6-8	HOSE END,90° FEMALE SWIVEL,JIC			
83128	1JC43-6-8	HOSE END,FEMALE SWIVEL,SEAL LOK			
87033	12-6 TRLO-S	REDUCER,TUBE END TO SWIVEL,ORFS			
87034	3J782-8-8	HOSE END,45° FEMALE SWIVEL,SEAL LOK			
87172	12 HP5ON-S	PLUG,STRAIGHT THREAD			
87185	8 WNLO-WLNL-S	UNION,BULKHEAD 45°,ORFS			
87246	4 C6X-S	ELBOW,90°,SWIVEL NUT TO FLARE TUBE			
87679	6 LHP-S	FLANGE SEAL FITTING, MALE			
87681	6PLS N0702	BONDED SEAL			
88100	SR88100	ADAPTER,OIL DRAIN,GM 3.0L			
88311	1JS43-20-20	HOSE END,FEMALE SWIVEL,SEAL LOK			
88353	20 V5OLO-S	ELBOW,45°,STRAIGHT THREAD TO ORFS			
88474	10081-20	Crimp Shell, 1.25"			
88475	1988-20-24	HOSE END,90° FLANGE HEAD			
88476	JS88-24-24	HOSE END,FEMALE SWIVEL,SEAL LOK			
88477	1JC88-20-20	HOSE END,FEMALE SWIVEL,SEAL LOK			
88478	811-20	HOSE,11/4 INCH ID			
88936	20-16 F5OLO-S	CONNECTOR,STRAIGHT THREAD TO ORFS			
88937	20-16 FLO-S	CONNECTOR,MALE PIPE TO ORFS			
88938	1JC88-16-16	HOSE END,FEMALE SWIVEL,SEAL LOK			
88939	1J988-16-16	HOSE END,90° FEMALE SWIVEL,ORFS			
88940	811-16	HOSE,1 INCH ID			
88944	1J988-20-20	HOSE END,90° FEMALE SWIVEL,ORFS			
89403	16 VLO-S	ELBOW,45°,MALE PIPE TO ORFS			

California Proposition 65



Operating, servicing and maintaining this equipment can expose you to chemicals including engine exhaust, carbon monoxide, phthalates, and lead, which are known to the State of California to cause cancer and birth defects or other reproductive harm. These chemicals can be emitted from or contained in other various parts and systems, fluids and some component wear by-products. To minimize exposure, avoid breathing exhaust, do not idle the engine except as necessary, service your equipment and vehicle in a well-ventilated area and wear gloves or wash your hands frequently when servicing your equipment or vehicle and after operation. For more information go to www.P65Warnings.ca.gov/passenger-vehicle.

Distributed By:

Go to Discount-Equipment.com to order your parts

PARTS FINDER

**Search Website
by Part Number**



**Search Manual
Library For Parts
Manual & Lookup Part
Numbers – Purchase
or Request Quote**

Search Manuals

Enter your information to help us find the right parts manual for your machine.

* Brand:

* Model:

* Serial:

* Part Number:

SEARCH

**Can't Find Part or
Manual? Request Help
by Manufacturer,
Model & Description**

Parts Order Form

Please fill in the following information to help us find the right part for your machine.

Manufacturer:	<input type="text"/>
Model:	<input type="text"/>
Description:	<input type="text"/>
Part Number:	<input type="text"/>
Quantity:	<input type="text"/>
Notes:	<input type="text"/>

Discount-Equipment.com is your online resource for quality parts & equipment.

Florida: **561-964-4949** Outside Florida TOLL FREE: **877-690-3101**

Need parts?

Click on this link: <http://www.discount-equipment.com/category/5443-parts/> and choose one of the options to help get the right parts and equipment you are looking for. Please have the machine model and serial number available in order to help us get you the correct parts. If you don't find the part on the website or on one of the online manuals, please fill out the request form and one of our experienced staff members will get back to you with a quote for the right part that your machine needs.

We sell worldwide for the brands: Genie, Terex, JLG, MultiQuip, Mikasa, Essick, Whiteman, Mayco, Toro Stone, Diamond Products, Generac Magnum, Airman, Haulotte, Barreto, Power Blanket, Nifty Lift, Atlas Copco, Chicago Pneumatic, Allmand, Miller Curber, Skyjack, Lull, Skytrak, Tsurumi, Husquvarna Target, Stow, Wacker, Sakai, Mi-T-M, Sullair, Basic, Dynapac, MBW, Weber, Bartell, Bennar Newman, Haulotte, Ditch Runner, Menegotti, Morrison, Contec, Buddy, Crown, Edco, Wyco, Bomag, Laymor, EZ Trench, Bil-Jax, F.S. Curtis, Gehl Pavers, Heli, Honda, ICS/PowerGrit, IHI, Partner, Imer, Clipper, MMD, Koshin, Rice, CH&E, General Equipment, Amida, Coleman, NAC, Gradall, Square Shooter, Kent, Stanley, Tamco, Toku, Hatz, Kohler, Robin, Wisconsin, Northrock, Oztec, Toker TK, Rol-Air, APT, Wylie, Ingersoll Rand / Doosan, Innovatech, Con X, Ammann, Mecalac, Makinex, Smith Surface Prep, Small Line, Wanco, Yanmar