



A TEREX BRAND



Parts Manual

Serial Number Range

GS-2046
GS-2646
GS-3246

from SN GS4615A-137427
to 16A-138361
from SN GS4616P-138362
to GS4616P-141799
from SN GS46P-141800

Part No. 1273390GT
Rev: B4
September 2019

PARTS FINDER

**Search Website
by Part Number**



**Search Manual
Library For Parts
Manual & Lookup Part
Numbers – Purchase
or Request Quote**

Search Manuals

Enter your information to help us find the right parts manual for your machine.

* Brand:

* Model:

* Serial:

* Part Number:

SEARCH

**Can't Find Part or
Manual? Request Help
by Manufacturer,
Model & Description**

Parts Order Form

Please fill in the following information to help us find the right part for your machine.

Manufacturer:	<input type="text"/>
Model:	<input type="text"/>
Description:	<input type="text"/>
Part Number:	<input type="text"/>
Quantity:	<input type="text"/>
Notes:	<input type="text"/>

Submit

Discount-Equipment.com is your online resource for quality parts & equipment.

Florida: **561-964-4949** Outside Florida TOLL FREE: **877-690-3101**

Need parts?

Click on this link: <http://www.discount-equipment.com/category/5443-parts/> and choose one of the options to help get the right parts and equipment you are looking for. Please have the machine model and serial number available in order to help us get you the correct parts. If you don't find the part on the website or on one of the online manuals, please fill out the request form and one of our experienced staff members will get back to you with a quote for the right part that your machine needs.

We sell worldwide for the brands: Genie, Terex, JLG, MultiQuip, Mikasa, Essick, Whiteman, Mayco, Toro Stone, Diamond Products, Generac Magnum, Airman, Haulotte, Barreto, Power Blanket, Nifty Lift, Atlas Copco, Chicago Pneumatic, Allmand, Miller Curber, Skyjack, Lull, Skytrak, Tsurumi, Husquvarna Target, Stow, Wacker, Sakai, Mi-T-M, Sullair, Basic, Dynapac, MBW, Weber, Bartell, Bennar Newman, Haulotte, Ditch Runner, Menegotti, Morrison, Contec, Buddy, Crown, Edco, Wyco, Bomag, Laymor, EZ Trench, Bil-Jax, F.S. Curtis, Gehl Pavers, Heli, Honda, ICS/PowerGrit, IHI, Partner, Imer, Clipper, MMD, Koshin, Rice, CH&E, General Equipment, Amida, Coleman, NAC, Gradall, Square Shooter, Kent, Stanley, Tamco, Toku, Hatz, Kohler, Robin, Wisconsin, Northrock, Oztec, Toker TK, Rol-Air, APT, Wylie, Ingersoll Rand / Doosan, Innovatech, Con X, Ammann, Mecalac, Makinex, Smith Surface Prep, Small Line, Wanco, Yanmar

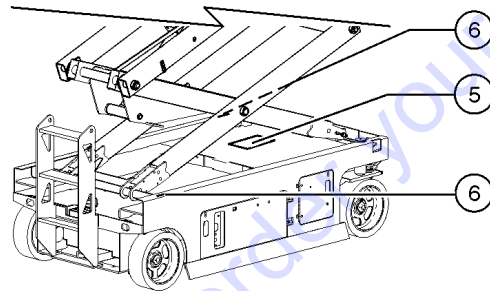
To August 31, 2016

Genie
A TEREX BRAND

Model:
Serial number: GS4616P-123456
Manufacture date: 1/2/16 **Model year:** 2016
Electrical schematic number:
Machine unladen weight:
Rated work load (including occupants):
Maximum number of platform occupants:
Maximum allowable inclination of the chassis:
Outrigger retracted:
Outrigger deployed:

GS46 16 P - 123456

1 2 3 4



- 1 Model
- 2 Model year
- 3 Facility code

- 4 Sequence number
- 5 Serial label (located on chassis)
- 6 Serial number (stamped on chassis)

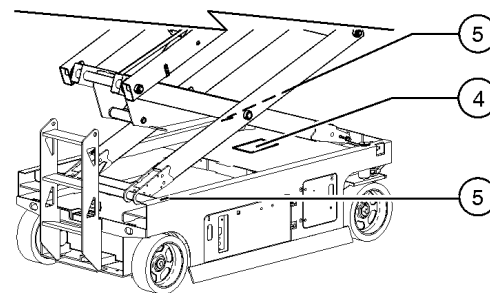
From September 1, 2016

Genie
A TEREX BRAND

Model:
Serial number: GS46P-123456
Year of manufacture: 2016
Electrical schematic number:
Machine unladen weight:
Rated work load (including occupants):
Maximum number of platform occupants:
Maximum allowable inclination of the chassis:
Outrigger retracted:
Outrigger deployed:

GS46 P - 123456

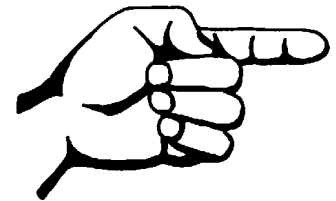
1 2 3



- 1 Model
- 2 Facility code
- 3 Sequence number

- 4 Serial label (located on chassis)
- 5 Serial number (stamped on chassis)

Please refer to section 001 for the Recommended Spare Parts List.



This page intentionally left blank.

Go to Discount-Equipment.com to order your parts

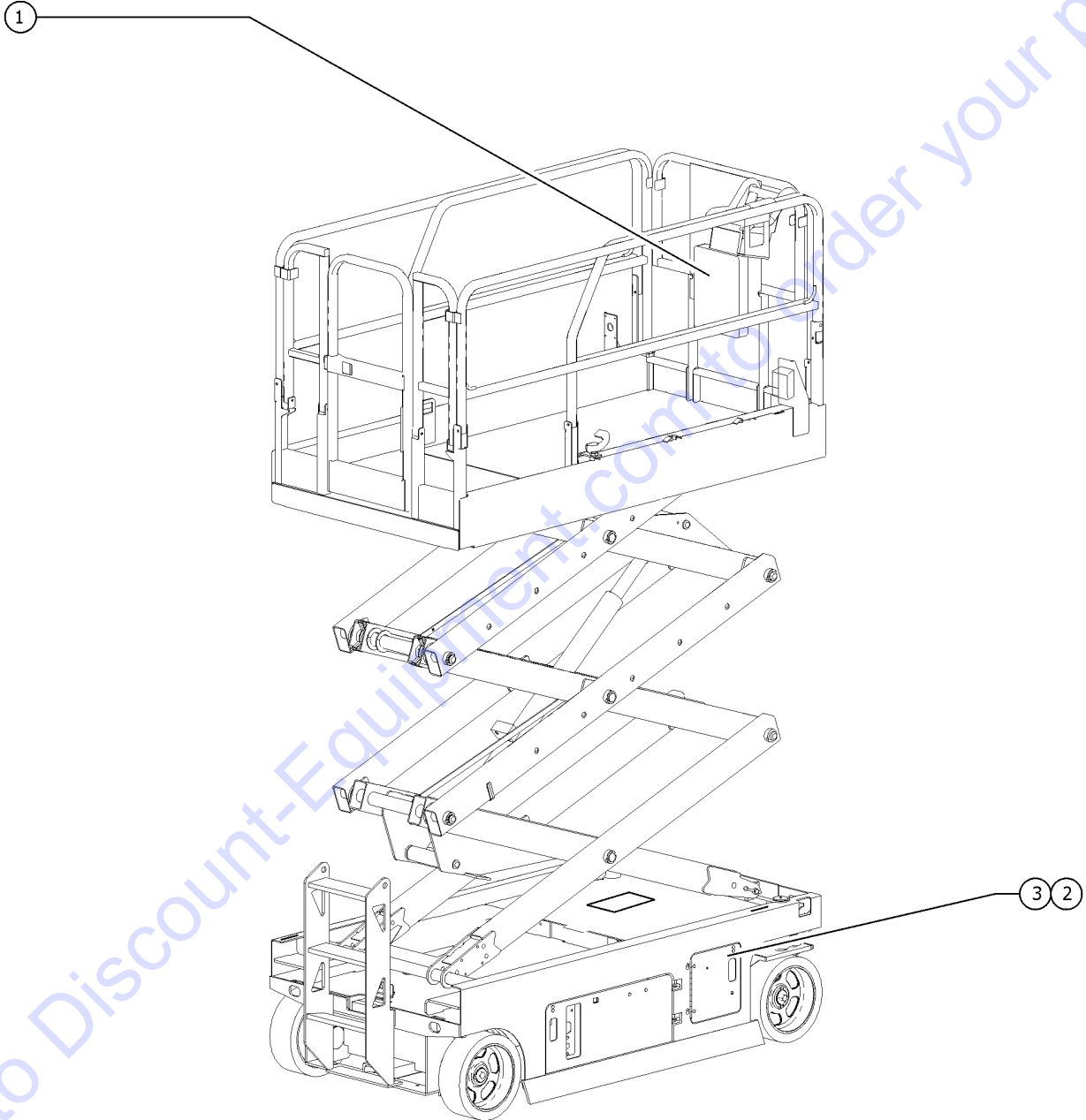
Description	Page
001 Parts Stocking List	10
001.1 Parts Stocking List	10
100 Decals	12
101.1 Word Decals, GS-2046, Battery Side, ANSI & Australia	12
102.1 Word Decals, GS-2046, Ground Control Side, ANSI and Australia	14
102.2 Word Decals, GS-2046, Ground Control Side, ANSI and Australia	18
103.1 Word Decals, GS-2046, Platform, ANSI	22
104.1 Word Decals, GS-2046, Platform, Australia	24
105.1 Word Decals, GS-2646, Battery Side, ANSI & Australia	26
106.1 Word Decals, GS-2646, Ground Control Side, ANSI and Australia	28
106.2 Word Decals, GS-2646, Ground Control Side, ANSI and Australia	32
107.1 Word Decals, GS-2646, Platform, ANSI	36
108.1 Word Decals, GS-2646, Platform, Australia	38
109.1 Word Decals, GS-3246, Battery Side, ANSI & Australia	40
110.1 Word Decals, GS-3246, Ground Control Side, ANSI and Australia	42
110.2 Word Decals, GS-3246, Ground Control Side, ANSI and Australia	46
111.1 Word Decals, GS-3246, Platform, ANSI	50
112.1 Word Decals, GS-3246, Platform, Australia	52
113.1 Symbol Decals, GS-2046, Battery Side, ANSI & CE	54
114.1 Symbol Decals, GS-2046, Ground Control Side, ANSI and CE	56
114.2 Symbol Decals, GS-2046, Ground Control Side, ANSI and CE	58
115.1 Symbol Decals, GS-2046, Platform, ANSI	60
116.1 Symbol Decals, GS-2046, Platform, CE	62
116.2 Symbol Decals, GS-2046, Platform, CE	64
117.1 Symbol Decals, GS-2646, Battery Side, ANSI & CE	66
118.1 Symbol Decals, GS-2646, Ground Control Side, ANSI and CE	68
118.2 Symbol Decals, GS-2646, Ground Control Side, ANSI and CE	70
119.1 Symbol Decals, GS-2646, Platform, ANSI	72
120.1 Symbol Decals, GS-2646, Platform, CE	74
120.2 Symbol Decals, GS-2646, Platform, CE	76
121.1 Symbol Decals, GS-3246, Battery Side, ANSI & CE	78
122.1 Symbol Decals, GS-3246, Ground Control Side, ANSI and CE	80
122.2 Symbol Decals, GS-3246, Ground Control Side, ANSI and CE	82
123.1 Symbol Decals, GS-3246, Platform, ANSI	84
124.1 Symbol Decals, GS-3246, Platform, CE	86
124.2 Symbol Decals, GS-3246, Platform, CE	88
200 Drive Chassis Components.....	90
201.1 Steer Linkage and Wheels, GS-2046, GS-2646	90
201.2 Steer Linkage and Wheels, GS-3246	94

Table of Contents

Description	Page
202.1 Non-steer Axle Installation, GS-2046	98
202.2 Non-steer Axle Installation, GS-2646	100
202.3 Non-steer Axle Installation, GS-3246	102
203.1 Level Sensor Installation	104
203.2 Level Sensor Installation	108
204.1 Pothole Protection Assembly	110
205.1 Battery Pack Module	114
205.2 Battery Pack Module	116
206.1 Battery Charger	118
206.2 Battery Charger	120
207.1 Power Unit Module (to SN GS4616P-139987)	122
207.2 Power Unit Module (from SN GS4616P-139988)	126
207.3 Power Unit Module (from SN GS4616P-139988)	130
208.1 Ground Controls	134
209.1 Electrical Wiring, GS-2046	138
209.2 Electrical Wiring, GS-2046	142
209.3 Electrical Wiring, GS-2646	146
209.4 Electrical Wiring, GS-2646	150
209.5 Electrical Wiring, GS-3246	154
209.6 Electrical Wiring, GS-3246	158
210.1 Power Cables	162
210.2 Power Cables	164
211.1 Function Manifold and Accumulator Components	166
300 Scissor Components	168
301.1 Scissor Assembly Installation	168
302.1 Scissor Assembly, GS-2046	170
303.1 Scissor Assembly, GS-2646	174
304.1 Scissor Assembly, GS-3246	180
400 Platform Components	186
401.1 Platform Components	186
402.1 Power to Platform, GS-2046	192
402.2 Power to Platform, GS-2046	196
402.3 Power to Platform, GS-2646	200
402.4 Power to Platform, GS-2646	204
402.5 Power to Platform, GS-3246	208
402.6 Power to Platform, GS-3246	212
403.1 Platform Controls	216
404.1 Joystick Controller	218
500 Hydraulic Components	220

Description	Page
501.1 Hydraulic Components	220
501.2 Hydraulic Components	222
502.1 Function Manifold	224
503.1 Brake Release Hand Pump Manifold	228
504.1 Hydraulic Power Unit, All Models	230
505.1 Lift Cylinder Assembly, All Models, GS-2046	232
505.2 Lift Cylinder Assembly, All Models, GS-2646	234
505.3 Lift Cylinder Assembly, All Models, GS-3246	236
506.1 Hydraulic Hoses and Fittings, GS-2046, GS-2646	238
506.2 Hydraulic Hoses and Fittings, GS-3246	242
600 Accessories	246
601.1 Alarm, Horn and Flashing Beacons	246
601.2 Alarm, Horn and Flashing Beacons	250
602.1 Air Line to Platform, GS-2046	252
602.2 Air Line to Platform, GS-2646	254
602.3 Air Line to Platform, GS-3246	256
603.1 Platform Work Light, GS-2046	258
603.2 Platform Work Light, GS-2646	260
603.3 Platform Work Light, GS-3246	262
604.1 Voltage Inverter	264
605.1 Pipe Cradle Assembly	266
606.1 Panel Carrier Assembly, GS-2046, GS-2646 (ANSI/CSA models)	268
607.1 RCBO	270
608.1 PCON Guard	272
700 Platform Overload Components	274
701.1 Platform Overload	274
Part Number Index	276

001.1 Parts Stocking List



Go to Discount-Equipment.com to order your parts

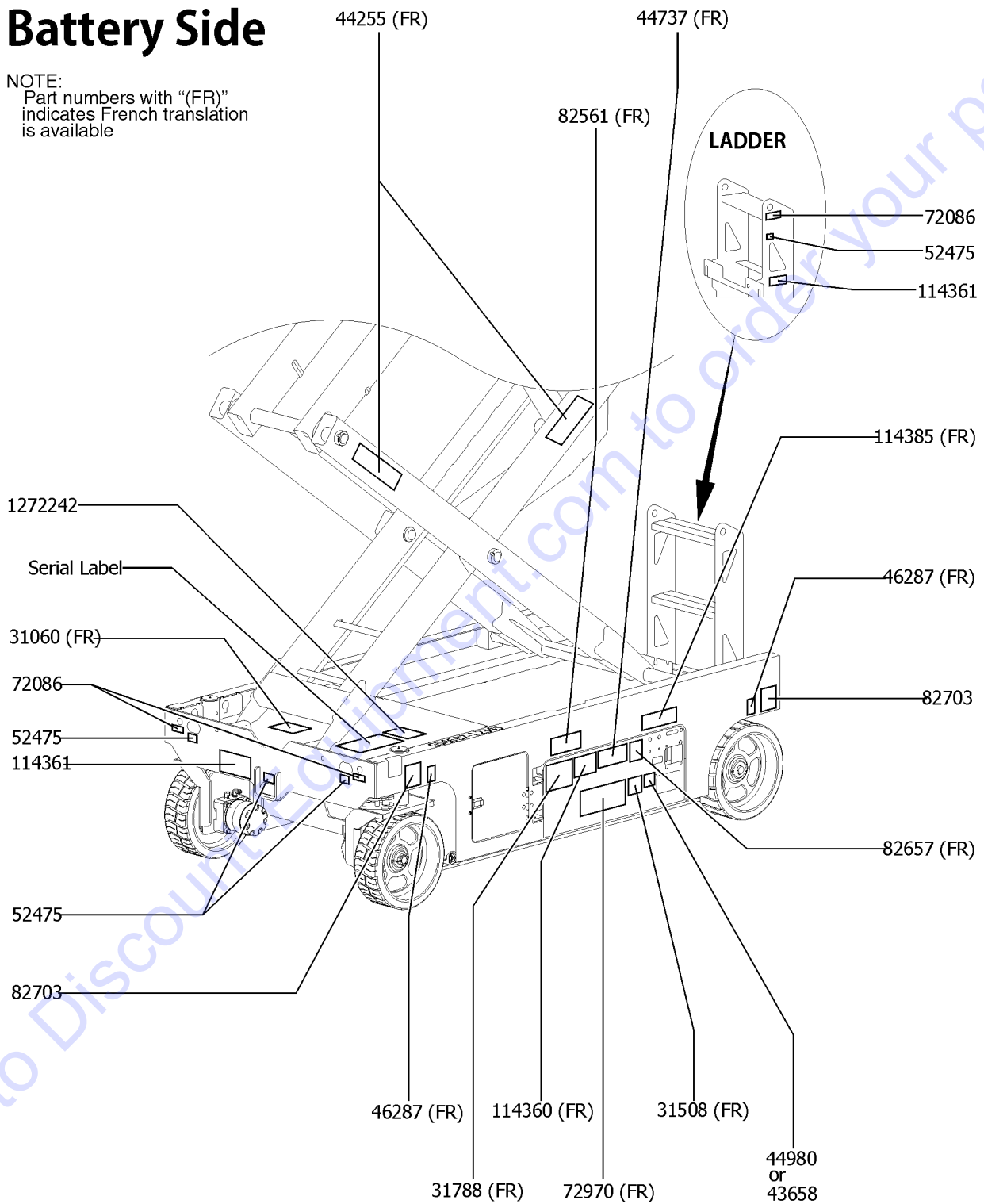
Item	Part No.	Description	Qty.
A-	66399GT	GREASE,DIELECTRIC 4 OZ**	
B-		Ref. CHEVRON ULTRA-DUTY GREASE (LITHIUM), OR EQUIVALENT, EP NLGI 1 (source locally)	
C-	1484GT	PAINT,AEROSOL,BRIGHT BLUE***	
		12-ounce spray paint	
C-	1268GT	PAINT,AEROSOL,GENIE GRAY***	
		12-ounce spray paint	
C-	1258567GT	PAINT, AEROSOL, TRAFFIC BLACK	
		12-ounce spray paint	
D-	32150GT	PAINT,WET,GENIE BLUE (1 GL)**	
		1-gallon	
D-	32151GT	PAINT,WET,GENIE GRAY (1 GL)**	
		1-gallon	
D-	1257733GT	PAINT,WET,TRAFFIC BLACK (1 GL)**	
		1-gallon	
E-	49613GT	PLUG AND CAP KIT-SERVICE,ORFS*	
1A	27581GT	MANUAL,AEM SAFETY	
1B	44163GT	MANUAL,RESPON,A92.6 SCISSOR	
2	44788GT	FILTER ELEMENT,10MICRON,PAPER*	
3	78546GT	BREATHER CAP,HYD. TANK,1/4 NPT	

Go to Discount-Equipment.com to order your parts



Battery Side

NOTE:
Part numbers with "(FR)"
indicates French translation
is available

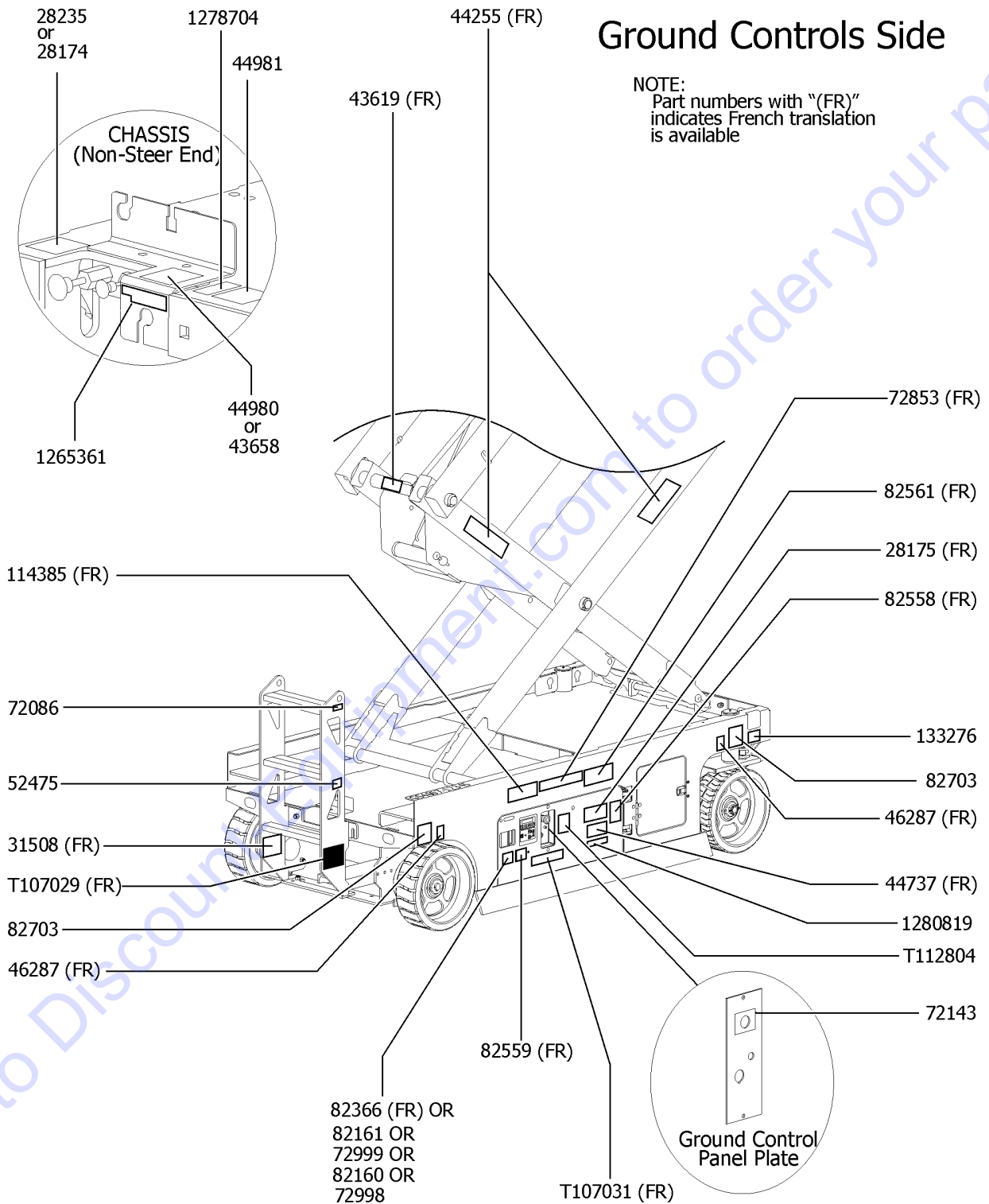


101.1 Word Decals, GS-2046, Battery Side, ANSI & Australia

Item	Part No.	Description	Qty.
1	31060GT	DECAL,DANGER DO NOT ALTER SWTC	1
2	31508GT	DECAL,DANGER,ELECT HAZARD,PLUG	1
		(Australia models only)	
3	31788GT	DECAL,DANGER,BATTERY SAFETY***	1
4	43658GT	DECAL,LABEL,PWR TO CHARGR 230V	1
		(Australia models only)	
5	44255GT	DECAL,DANGER,CRUSHING HAZARD	2
6	44737GT	DECAL DANGER TIP OVER TRAYS	1
7	44980GT	DECAL,LABEL,PWR TO CHARGR 115V	1
		(Australia models only)	
8	46287GT	DECAL,LABEL-TIRE SPECS	2
9	52475GT	DECAL,LABEL,TRANSPORT TIEDOWN*	4
10	72086GT	DECAL,LABEL,LIFTING EYE	3
11	72970GT	DECAL,INSTRUCTIONS-CHARGER OP	1
12	82561GT	DECAL,DANGER-USE SAFETY ARM	1
13	82657GT	DECAL,INSTRUCT,BATTERY CONNECT	1
14	82703GT	DECAL,LABEL,WHEEL LOAD 2046	2
15	114360GT	DECAL,DANGER-TIP-OVER,BATT	1
16	114361GT	DECAL,LABEL-TRANSPORT DIGRAM	2
17	114385GT	DECAL,DANGER,ELEC HAZARD,GS	1
18	1272242GT	DECAL,MACHINE REGISTRATION/OWN	1



102.1 Word Decals, GS-2046, Ground Control Side, ANSI and Australia

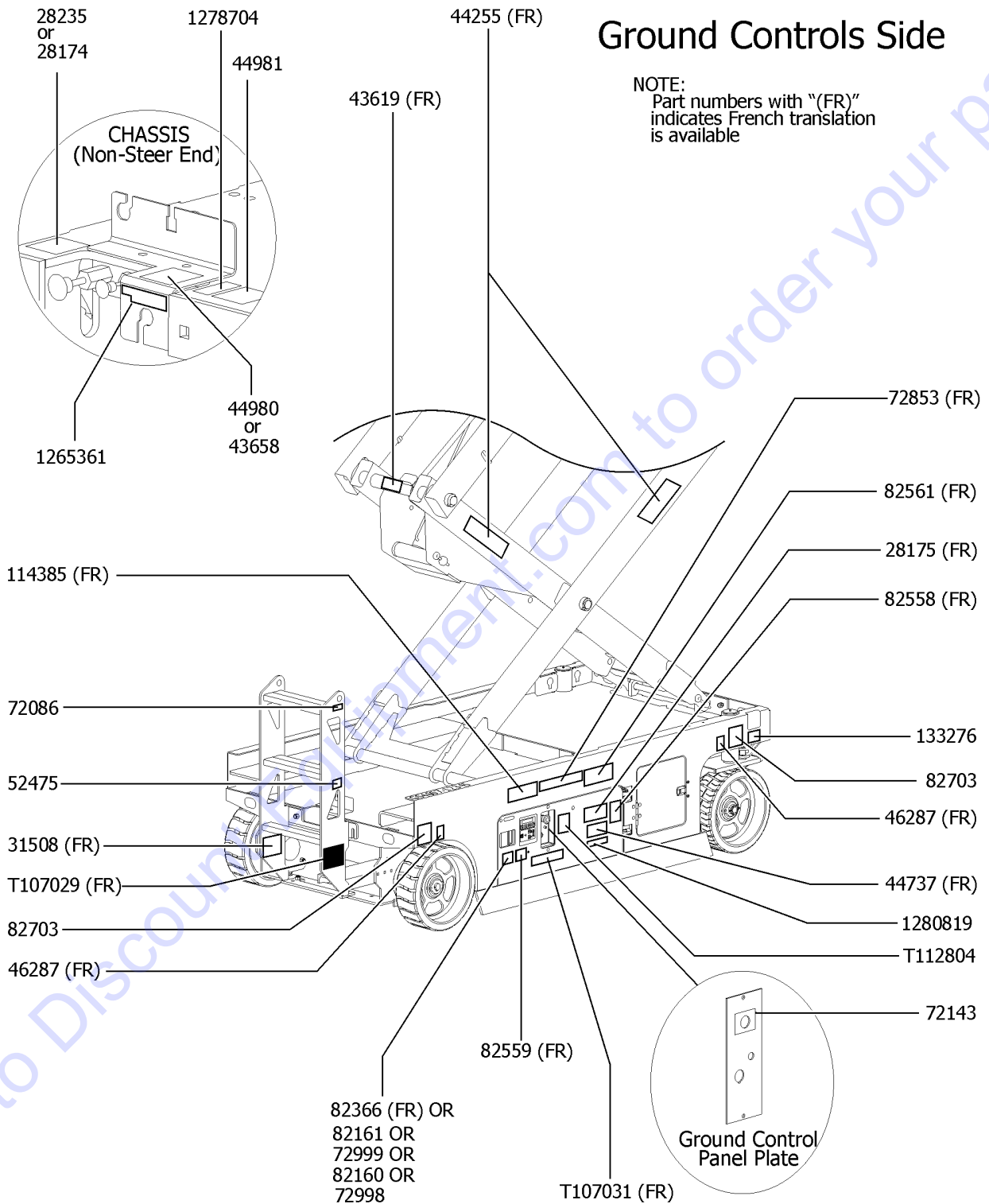


102.1 Word Decals, GS-2046, Ground Control Side, ANSI and Australia

Item	Part No.	Description	Qty.
1	28174GT	DECAL,POWER TO PLATFORM 230V	1
2	28175GT	DECAL,WARNING-COMPART ACCESS	1
3	28235GT	DECAL,POWER TO PLATFORM 115V	1
4	31508GT	DECAL,DANGER,ELECT HAZARD,PLUG	1
		(ANSI models)	
5	43619GT	DECAL,LABEL,SAFETY ARM	1
6	43658GT	DECAL,LABEL,PWR TO CHARGR 230V	1
		(ANSI models)	
7	44255GT	DECAL,DANGER,CRUSHING HAZARD	2
8	44737GT	DECAL DANGER TIP OVER TRAYS	1
9	44980GT	DECAL,LABEL,PWR TO CHARGR 115V	1
		(ANSI models)	
10	44981GT	DECAL,LABEL,AIRLINE 110 PSI	1
		(Option)	
11	46287GT	DECAL,LABEL-TIRE SPECS	2
12	52475GT	DECAL,LABEL,TRANSPORT TIEDOWN*	1
13	72086GT	DECAL,LABEL,LIFTING EYE	1
14	72143GT	DECAL,EMERGENCY STOP,GR	1
15	72853GT	DECAL,DANGER,IMPROPER USE HAZ	1
16	72998GT	DECAL,LABEL,QUINTOLUBRIK	1
		(models with Quintolub hydraulic oil)	
17	72999GT	DECAL,LABEL,PETRO CANADA***	1
		(For models with Petro Canada hydraulic oil only)	
18	82160GT	DECAL,LABEL,STATOIL HYDRA WAY	1
		(For models with Statoil hydraulic oil only)	
19	82161GT	DECAL,LABEL,UCON HYDROLUBE	1
		(For models with Ucon Hydrolube hydraulic oil only)	
20	82366GT	DECAL,CHEVRON RANDO HD	1
		(For models with Chevron Rando hydraulic oil only)	
21	82558GT	DECAL,WARN,SKIN INJECTION HAZ*	1
22	82559GT	DECAL,INSTRUCT-ANNUAL INSP REQ	1
23	82561GT	DECAL,DANGER-USE SAFETY ARM	1
24	82703GT	DECAL,LABEL,WHEEL LOAD 2046	2
25	114385GT	DECAL,DANGER,ELEC HAZARD,GS	1
26	133276GT	DECAL,EMERGENCY LOWERING	1
27	T107029GT	DECAL,DANGER,BRAKE REL SAFETY	1
28	T107031GT	DECAL,OP INST,GCON	1



102.1 Word Decals, GS-2046, Ground Control Side, ANSI and Australia



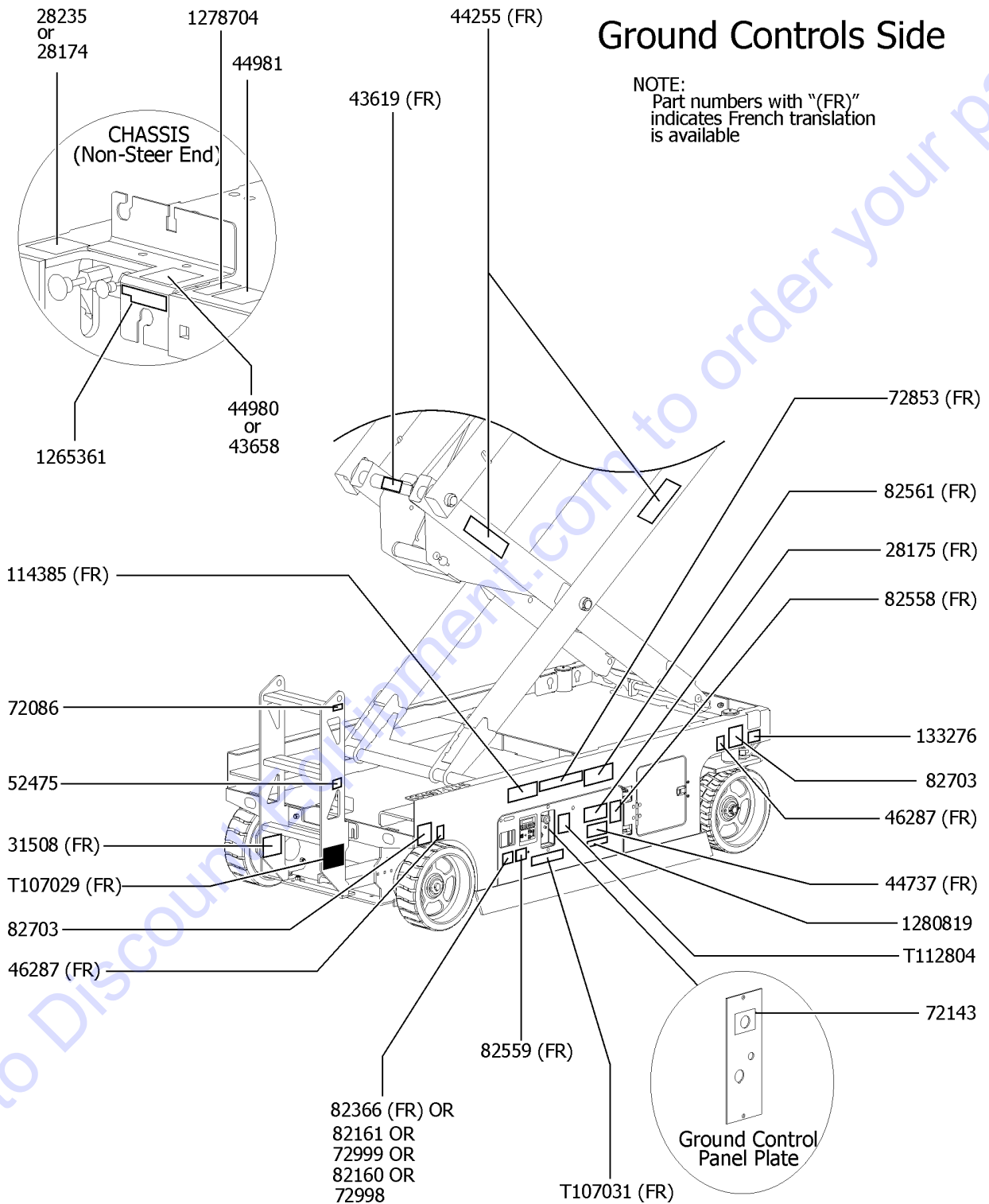
102.1 Word Decals, GS-2046, Ground Control Side, ANSI and Australia

Item	Part No.	Description	Qty.
29	T112804GT	DECAL,GCON PANEL,GS	1
30	1265361GT	DECAL, BATTERY CHARGER INDICAT (ANSI models to SN 145047) (AUS models from SN 139711)	1

Go to Discount-Equipment.com to order your parts



102.2 Word Decals, GS-2046, Ground Control Side, ANSI and Australia

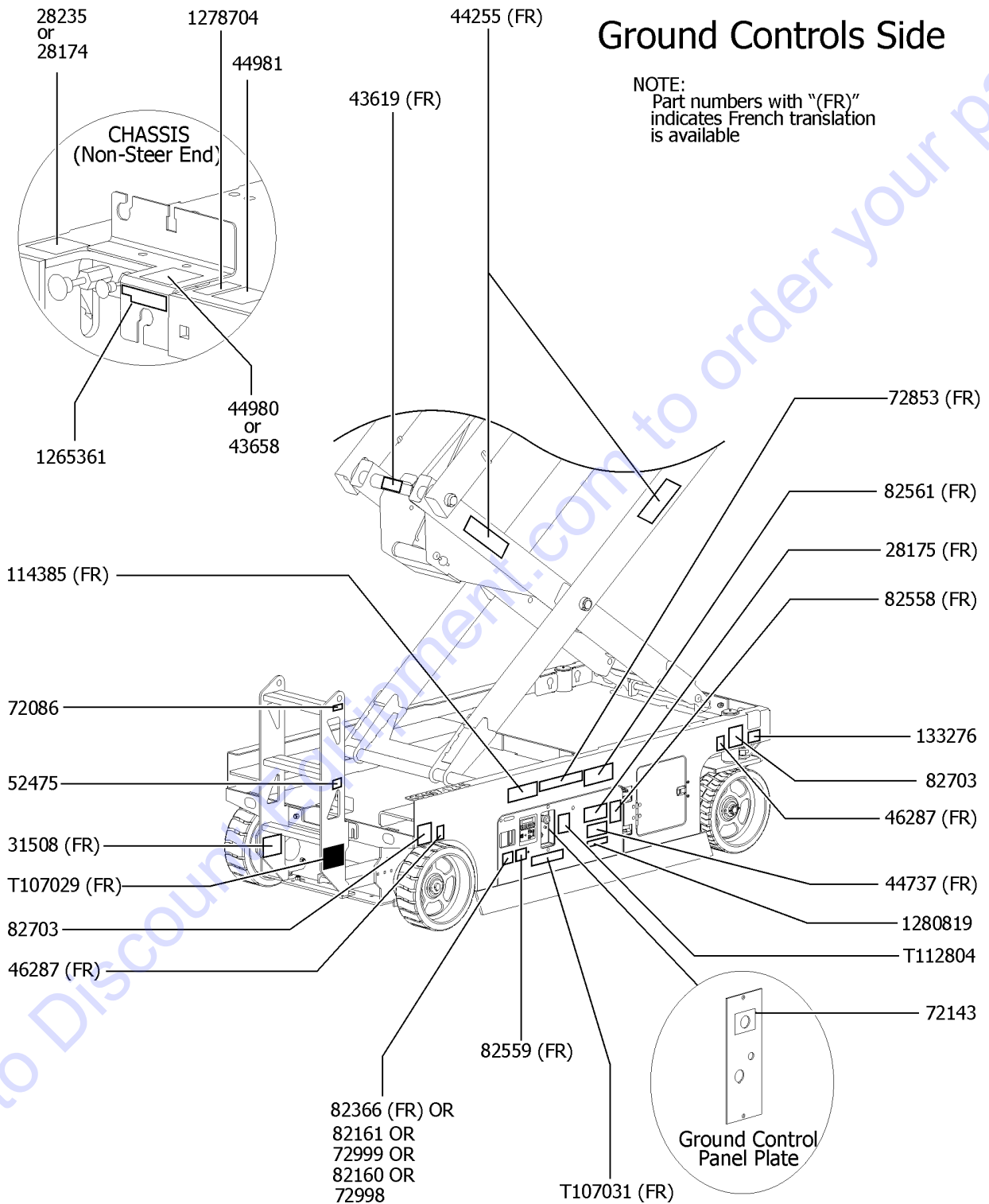


102.2 Word Decals, GS-2046, Ground Control Side, ANSI and Australia

Item	Part No.	Description	Qty.
1	28174GT	DECAL,POWER TO PLATFORM 230V	1
2	28175GT	DECAL,WARNING-COMPART ACCESS	1
3	28235GT	DECAL,POWER TO PLATFORM 115V	1
4	31508GT	DECAL,DANGER,ELECT HAZARD,PLUG (ANSI models)	1
5	43619GT	DECAL,LABEL,SAFETY ARM	1
6	43658GT	DECAL,LABEL,PWR TO CHARGR 230V (ANSI models)	1
7	44255GT	DECAL,DANGER,CRUSHING HAZARD	2
8	44737GT	DECAL DANGER TIP OVER TRAYS	1
9	44980GT	DECAL,LABEL,PWR TO CHARGR 115V (ANSI models)	1
10	44981GT	DECAL,LABEL,AIRLINE 110 PSI (Option)	1
11	46287GT	DECAL,LABEL-TIRE SPECS	2
12	52475GT	DECAL,LABEL,TRANSPORT TIEDOWN*	1
13	72086GT	DECAL,LABEL,LIFTING EYE	1
14	72143GT	DECAL,EMERGENCY STOP,GR	1
15	72853GT	DECAL,DANGER,IMPROPER USE HAZ	1
16	72998GT	DECAL,LABEL,QUINTOLUBRIK (models with Quintolub hydraulic oil)	1
17	72999GT	DECAL,LABEL,PETRO CANADA*** (For models with Petro Canada hydraulic oil only)	1
18	82160GT	DECAL,LABEL,STATOIL HYDRA WAY (For models with Statoil hydraulic oil only)	1
19	82161GT	DECAL,LABEL,UCON HYDROLUBE (For models with Ucon Hydrolube hydraulic oil only)	1
20	82366GT	DECAL,CHEVRON RANDO HD (For models with Chevron Rando hydraulic oil only)	1
21	82558GT	DECAL,WARN,SKIN INJECTION HAZ*	1
22	82559GT	DECAL,INSTRUCT-ANNUAL INSP REQ	1
23	82561GT	DECAL,DANGER-USE SAFETY ARM	1
24	82703GT	DECAL,LABEL,WHEEL LOAD 2046	2
25	114385GT	DECAL,DANGER,ELEC HAZARD,GS	1
26	133276GT	DECAL,EMERGENCY LOWERING	1
27	T107029GT	DECAL,DANGER,BRAKE REL SAFETY	1
28	T107031GT	DECAL,OP INST,GCON	1



102.2 Word Decals, GS-2046, Ground Control Side, ANSI and Australia



102.2 Word Decals, GS-2046, Ground Control Side, ANSI and Australia

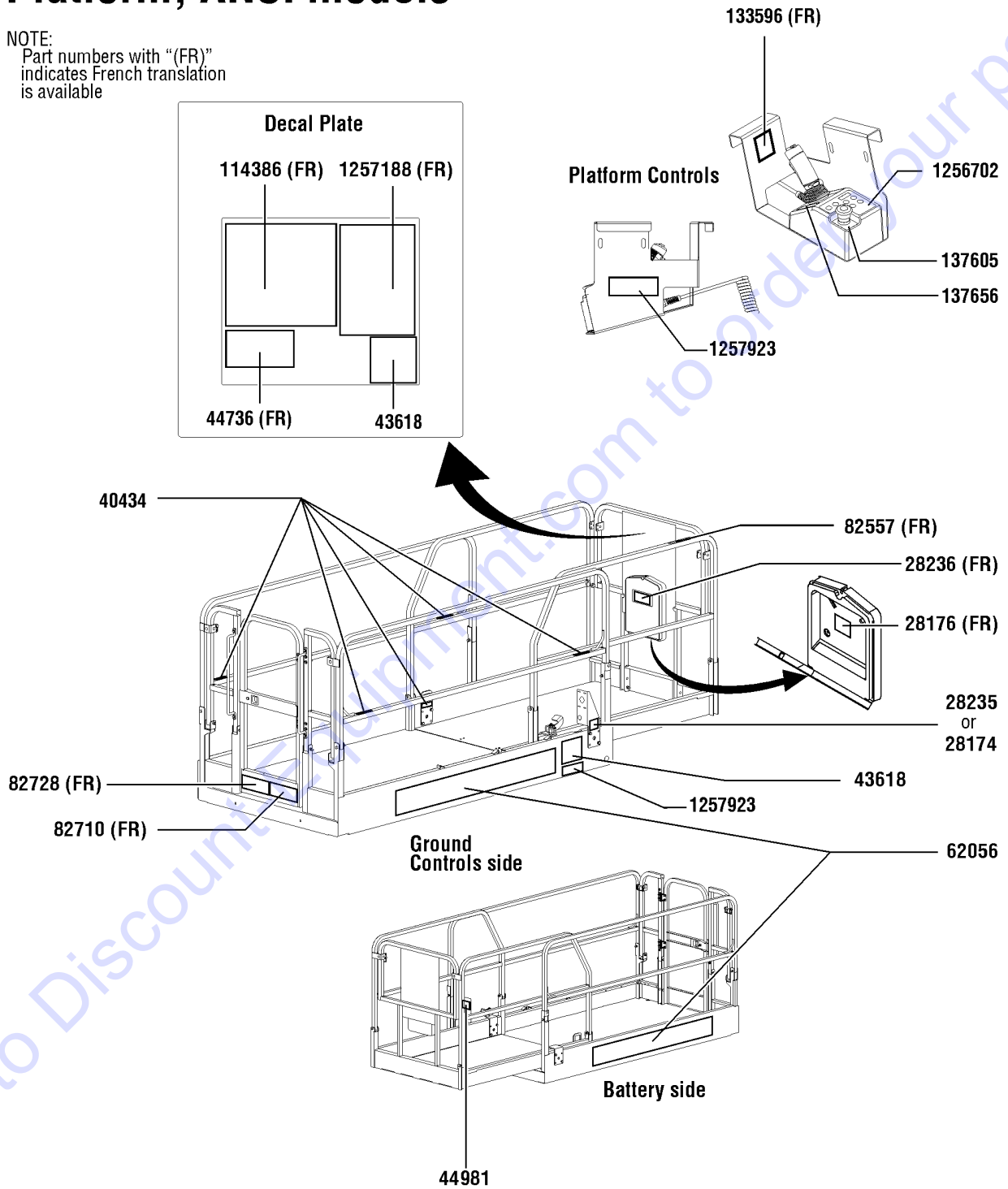
Item	Part No.	Description	Qty.
29	T112804GT	DECAL,GCON PANEL,GS	1
30	1265361GT	DECAL, BATTERY CHARGER INDICAT (ANSI models to SN 145047) (AUS models from SN 139711)	1
31	1278704GT	DECAL,CHARGE STATUS IND. (from SN 145048)	1
32	1280819GT	DECAL,WARNING,CANCER AND REPRODUCTIVE HARM, PROP 65	1
		(US only ANSI from 145587)	

Go to Discount-Equipment.com to order your parts



Platform, ANSI models

NOTE:
Part numbers with "(FR)"
indicates French translation
is available



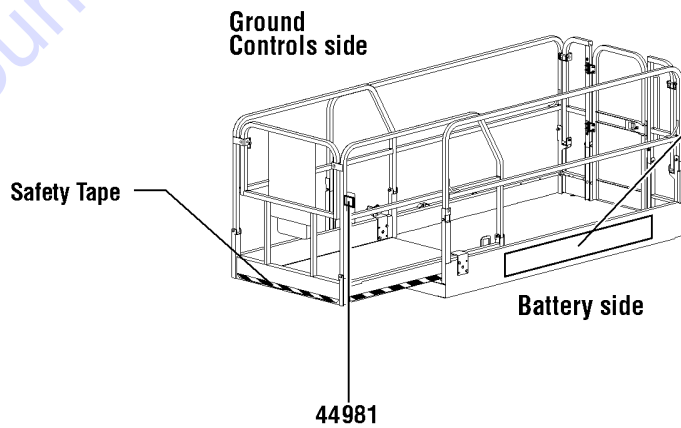
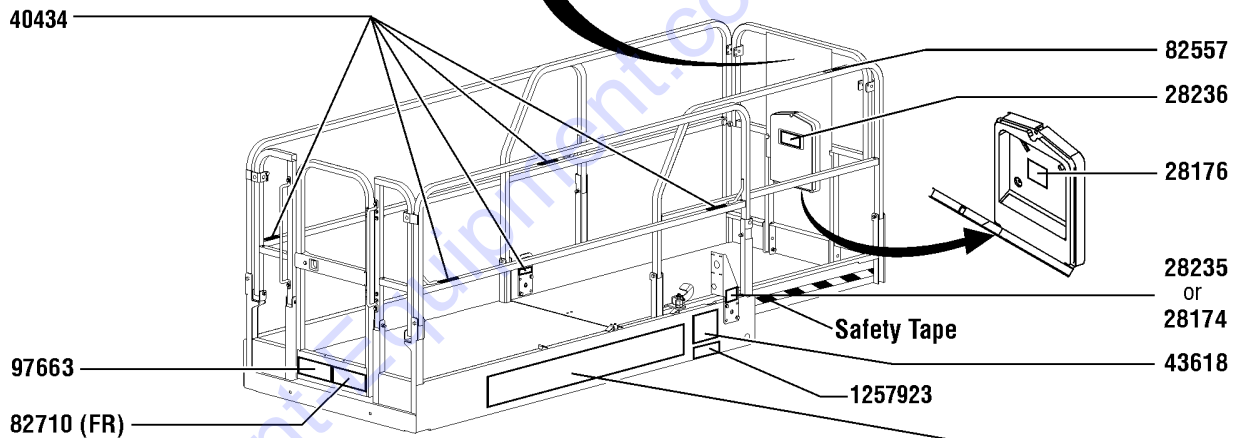
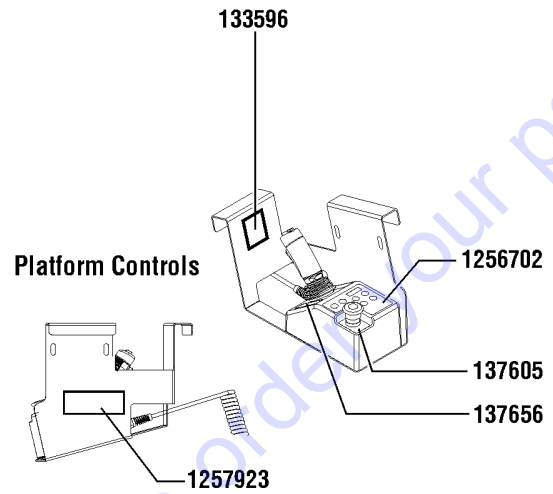
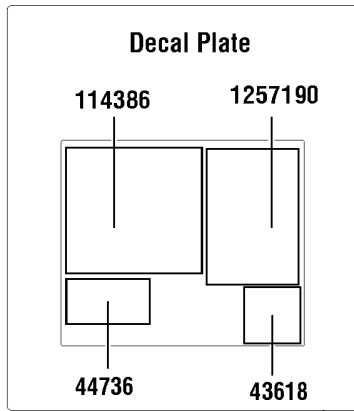
103.1 Word Decals, GS-2046, Platform, ANSI

Item	Part No.	Description	Qty.
1	28174GT	DECAL,POWER TO PLATFORM 230V	1
2	28176GT	DECAL,LABEL,MANUAL NOT HERE	1
3	28235GT	DECAL,POWER TO PLATFORM 115V	1
4	28236GT	DECAL,WARN,IMPROPER OPERATION	1
5	40434GT	DECAL,LANYARD ANCHORAGE POINT	5
6	43618GT	DECAL,LABEL-DIRECTION ARROWS	2
7	44736GT	DECAL,DANGER,TIP-OVER,TILT	1
8	44981GT	DECAL,LABEL,AIRLINE 110 PSI	1
		(Option)	
9	62056GT	DECAL,COSMETIC,GENIE GS-2046**	2
10	82557GT	DECAL,LABEL,PLAT CONT LOCATION	1
11	82710GT	DECAL,INSTR-MAX CAP 1200LBS	1
		GS-2046	
12	82728GT	DECAL,INSTR-SIDE FRC,ANSI 2046	1
13	114386GT	DECAL,DANGER-GEN SAFETY	1
14	133596GT	DECAL,LABEL,FAULT CODES	1
15	137605GT	DECAL,E-STOP,GR/GRC/GS PCON	1
16	137656GT	DECAL,PROPEL,GR/GRC/GS,PCON	1
17	1256702GT	DECAL, UI, GS/GR, PROP LIFT	1
18	1257188GT	DECAL,OP INST,PLAT,GS46 ANSI	1
19	1257923GT	DECAL, SMARTLINK PROPORTIONAL	2



Platform, Australia models

NOTE:
Part numbers with "(FR)" indicates French translation is available



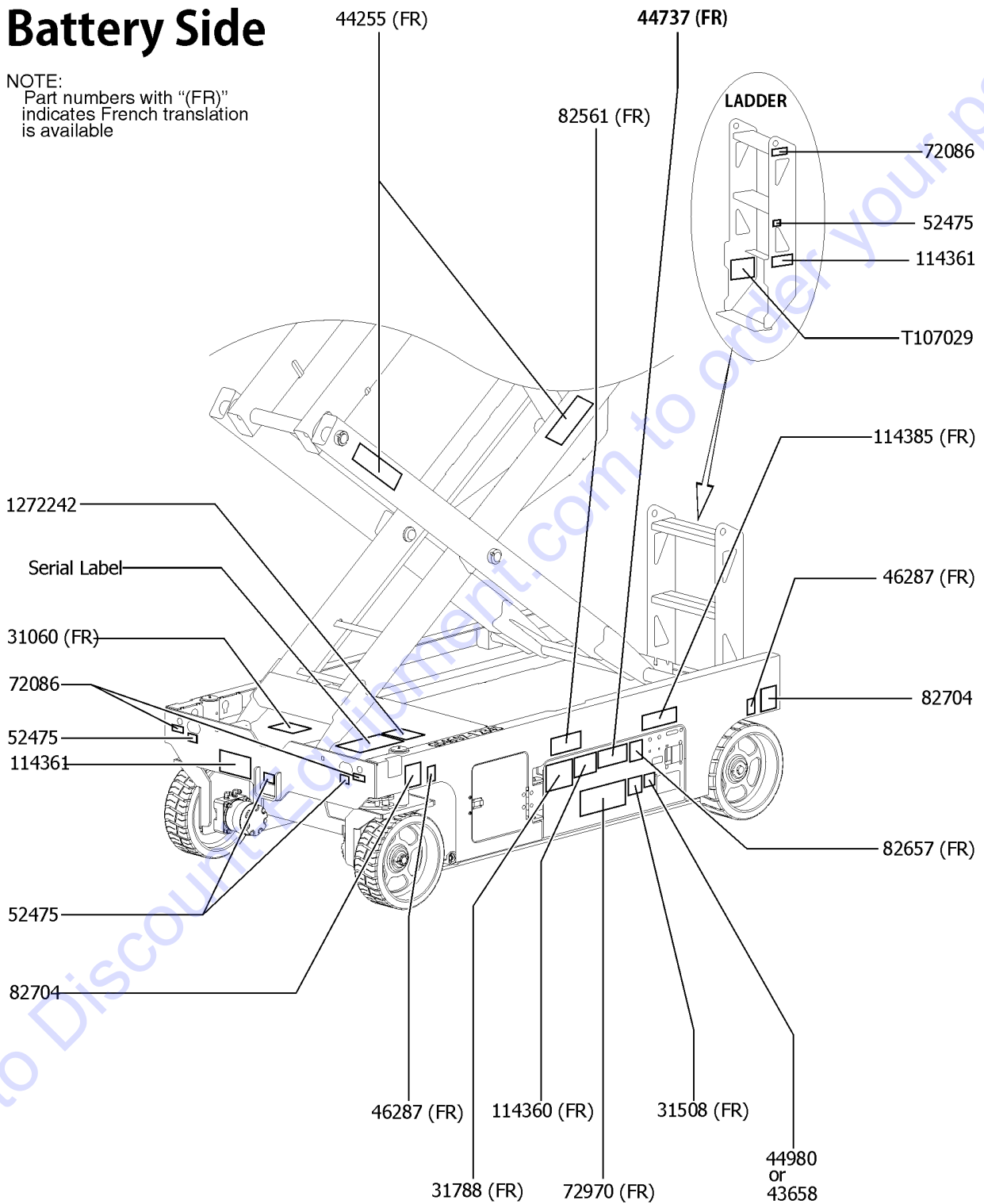
Item	Part No.	Description	Qty.
1	28174GT	DECAL,POWER TO PLATFORM 230V	1
2	28176GT	DECAL,LABEL,MANUAL NOT HERE	1
3	28235GT	DECAL,POWER TO PLATFORM 115V	1
4	28236GT	DECAL,WARN,IMPROPER OPERATION	1
5	40434GT	DECAL,LANYARD ANCHORAGE POINT	5
6	43618GT	DECAL,LABEL-DIRECTION ARROWS	2
7	44736GT	DECAL,DANGER,TIP-OVER,TILT	1
8	44981GT	DECAL,LABEL,AIRLINE 110 PSI	1
		(Option)	
9	62056GT	DECAL,COSMETIC,GENIE GS-2046**	2
10	82557GT	DECAL,LABEL,PLAT CONT LOCATION	1
11	82710GT	DECAL,INSTR-MAX CAP 1200LBS	1
		GS-2046	
12	97663GT	DECAL,INSTR-MANUALFRC,AUS 400N	1
		GS-2046	
13	114386GT	DECAL,DANGER-GEN SAFETY	1
14	133596GT	DECAL,LABEL,FAULT CODES	1
15	137605GT	DECAL,E-STOP,GR/GRC/GS PCON	1
16	137656GT	DECAL,PROPEL,GR/GRC/GS,PCON	1
17	1256702GT	DECAL, UI, GS/GR, PROP LIFT	1
18	1257190GT	DECAL,OP INST,PLAT,GS46,AUS	1
19	1257923GT	DECAL, SMARTLINK PROPORTIONAL	2



105.1 Word Decals, GS-2646, Battery Side, ANSI & Australia

Battery Side

NOTE:
Part numbers with "(FR)"
indicates French translation
is available

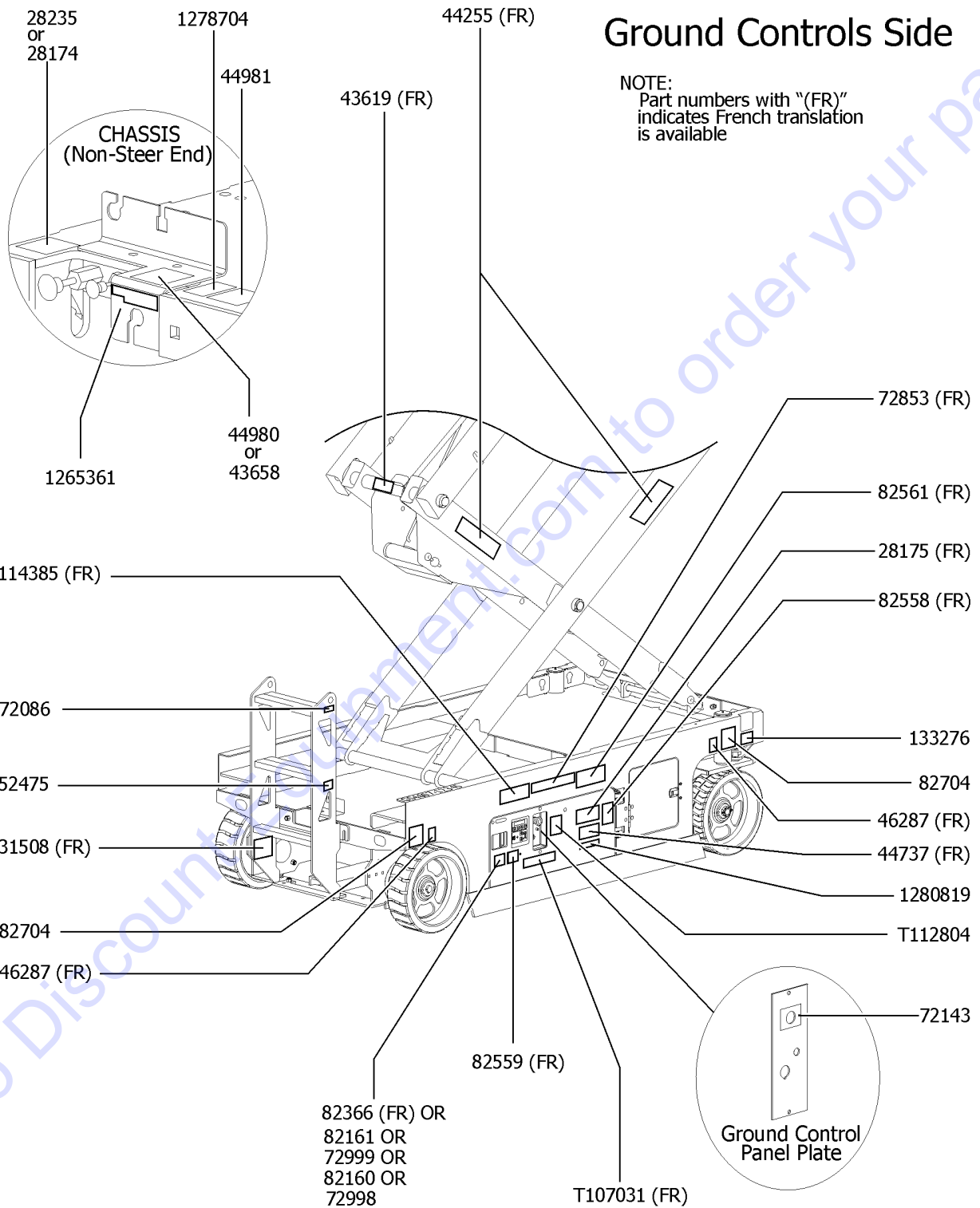


105.1 Word Decals, GS-2646, Battery Side, ANSI & Australia

Item	Part No.	Description	Qty.
1	31060GT	DECAL,DANGER DO NOT ALTER SWTC	1
2	31508GT	DECAL,DANGER,ELECT HAZARD,PLUG	1
		(Australia models only)	
3	31788GT	DECAL,DANGER,BATTERY SAFETY***	1
4	43658GT	DECAL,LABEL,PWR TO CHARGR 230V	1
		(Australia models only)	
5	44255GT	DECAL,DANGER,CRUSHING HAZARD	2
6	44737GT	DECAL DANGER TIP OVER TRAYS	1
7	44980GT	DECAL,LABEL,PWR TO CHARGR 115V	1
		(Australia models only)	
8	46287GT	DECAL,LABEL-TIRE SPECS	2
9	52475GT	DECAL,LABEL,TRANSPORT TIEDOWN*	4
10	72086GT	DECAL,LABEL,LIFTING EYE	3
11	72970GT	DECAL,INSTRUCTIONS-CHARGER OP	1
12	82561GT	DECAL,DANGER-USE SAFETY ARM	1
13	82657GT	DECAL,INSTRUCT,BATTERY CONNECT	1
14	82704GT	DECAL,LABEL,WHEEL LOAD 2646	2
15	114360GT	DECAL,DANGER-TIP-OVER,BATT	1
16	114361GT	DECAL,LABEL-TRANSPORT DIGRAM	2
17	114385GT	DECAL,DANGER,ELEC HAZARD,GS	1
18	1272242GT	DECAL,MACHINE REGISTRATION/OWN	1
19	T107029GT	DECAL,DANGER,BRAKE REL SAFETY	1



106.1 Word Decals, GS-2646, Ground Control Side, ANSI and Australia

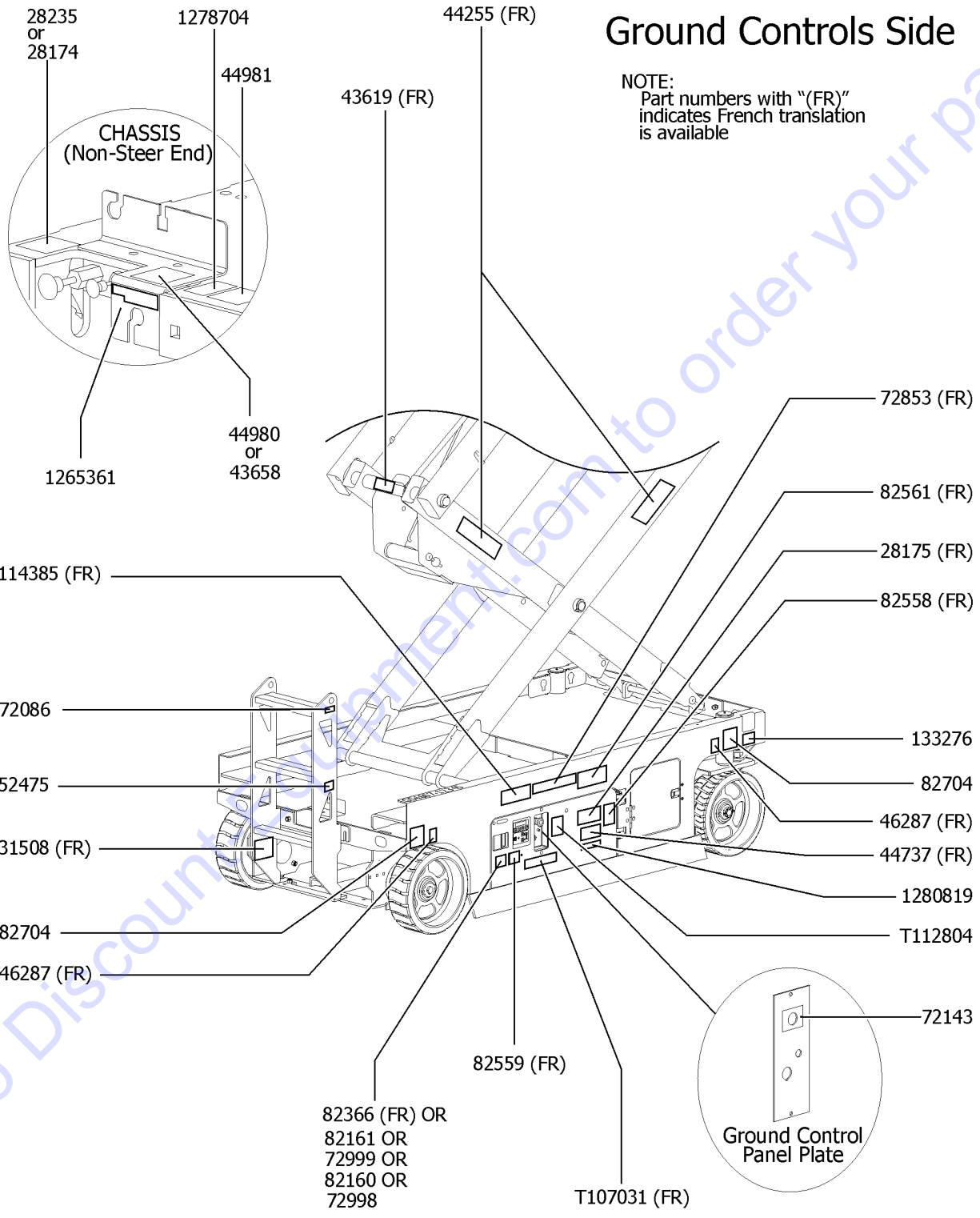


106.1 Word Decals, GS-2646, Ground Control Side, ANSI and Australia

Item	Part No.	Description	Qty.
1	28174GT	DECAL,POWER TO PLATFORM 230V	1
2	28175GT	DECAL,WARNING-COMPART ACCESS	1
3	28235GT	DECAL,POWER TO PLATFORM 115V	1
4	31508GT	DECAL,DANGER,ELECT HAZARD,PLUG	1
		(ANSI models only)	
5	43619GT	DECAL,LABEL,SAFETY ARM	1
6	43658GT	DECAL,LABEL,PWR TO CHARGR 230V	1
		(ANSI models only)	
7	44255GT	DECAL,DANGER,CRUSHING HAZARD	2
8	44737GT	DECAL DANGER TIP OVER TRAYS	1
9	44980GT	DECAL,LABEL,PWR TO CHARGR 115V	1
		(ANSI models only)	
10	44981GT	DECAL,LABEL,AIRLINE 110 PSI	1
		(Option)	
11	46287GT	DECAL,LABEL-TIRE SPECS	2
12	52475GT	DECAL,LABEL,TRANSPORT TIEDOWN*	1
13	72086GT	DECAL,LABEL,LIFTING EYE	1
14	72143GT	DECAL,EMERGENCY STOP,GR	1
15	72853GT	DECAL,DANGER,IMPROPER USE HAZ	1
16	72998GT	DECAL,LABEL,QUINTOLUBRIK	1
		(models with Quintolub hydraulic oil)	
17	72999GT	DECAL,LABEL,PETRO CANADA***	1
		(For models with Petro Canada hydraulic oil only)	
18	82160GT	DECAL,LABEL,STATOIL HYDRA WAY	1
		(For models with Statoil hydraulic oil only)	
19	82161GT	DECAL,LABEL,UCON HYDROLUBE	1
		(For models with Ucon Hydrolube hydraulic oil only)	
20	82366GT	DECAL,CHEVRON RANDO HD	1
		(For models with Chevron Rando hydraulic oil only)	
21	82558GT	DECAL,WARN,SKIN INJECTION HAZ*	1
22	82559GT	DECAL,INSTRUCT-ANNUAL INSP REQ	1
23	82561GT	DECAL,DANGER-USE SAFETY ARM	1
24	82704GT	DECAL,LABEL,WHEEL LOAD 2646	2
25	114385GT	DECAL,DANGER,ELEC HAZARD,GS	1
26	133276GT	DECAL,EMERGENCY LOWERING	1
27	T107031GT	DECAL,OP INST,GCON	1
28	T112804GT	DECAL,GCON PANEL,GS	1



106.1 Word Decals, GS-2646, Ground Control Side, ANSI and Australia



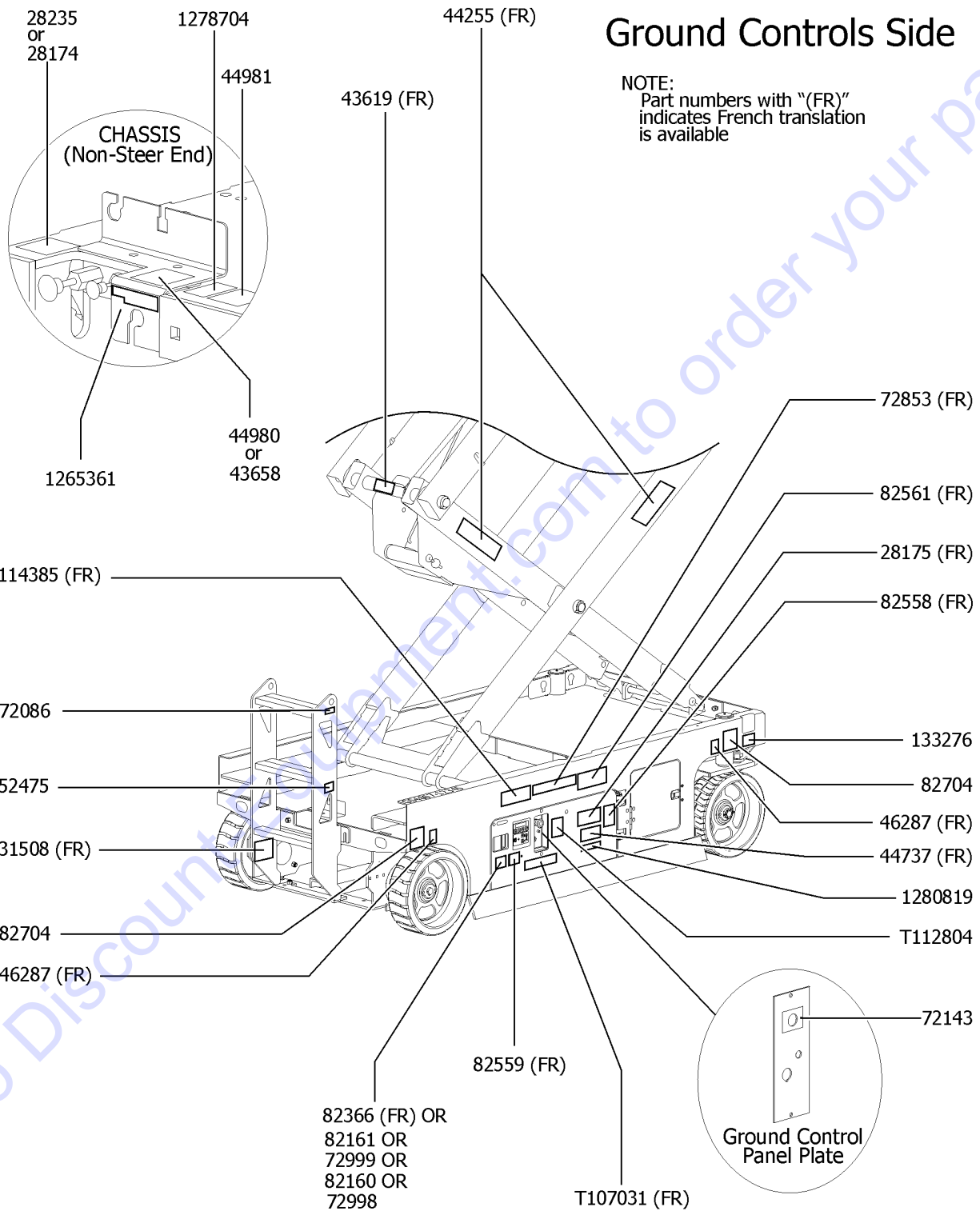
106.1 Word Decals, GS-2646, Ground Control Side, ANSI and Australia

Item	Part No.	Description	Qty.
30	1265361GT	DECAL, BATTERY CHARGER INDICAT (ANSI models to SN 145047) (AUS models from SN 139711)	1

Go to Discount-Equipment.com to order your parts



106.2 Word Decals, GS-2646, Ground Control Side, ANSI and Australia

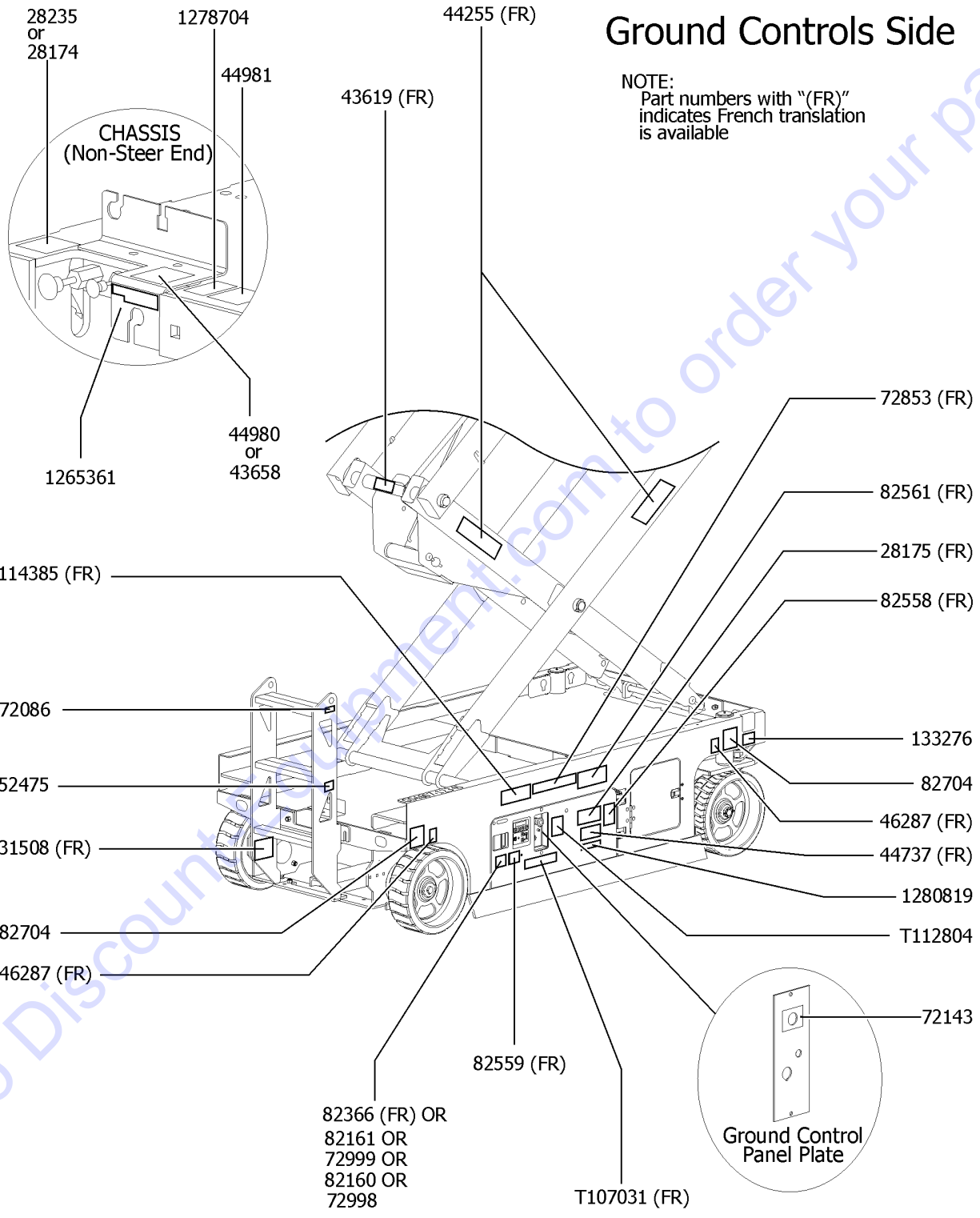


106.2 Word Decals, GS-2646, Ground Control Side, ANSI and Australia

Item	Part No.	Description	Qty.
1	28174GT	DECAL,POWER TO PLATFORM 230V	1
2	28175GT	DECAL,WARNING-COMPART ACCESS	1
3	28235GT	DECAL,POWER TO PLATFORM 115V	1
4	31508GT	DECAL,DANGER,ELECT HAZARD,PLUG	1
		(ANSI models only)	
5	43619GT	DECAL,LABEL,SAFETY ARM	1
6	43658GT	DECAL,LABEL,PWR TO CHARGR 230V	1
		(ANSI models only)	
7	44255GT	DECAL,DANGER,CRUSHING HAZARD	2
8	44737GT	DECAL DANGER TIP OVER TRAYS	1
9	44980GT	DECAL,LABEL,PWR TO CHARGR 115V	1
		(ANSI models only)	
10	44981GT	DECAL,LABEL,AIRLINE 110 PSI	1
		(Option)	
11	46287GT	DECAL,LABEL-TIRE SPECS	2
12	52475GT	DECAL,LABEL,TRANSPORT TIEDOWN*	1
13	72086GT	DECAL,LABEL,LIFTING EYE	1
14	72143GT	DECAL,EMERGENCY STOP,GR	1
15	72853GT	DECAL,DANGER,IMPROPER USE HAZ	1
16	72998GT	DECAL,LABEL,QUINTOLUBRIK	1
		(models with Quintolub hydraulic oil)	
17	72999GT	DECAL,LABEL,PETRO CANADA***	1
		(For models with Petro Canada hydraulic oil only)	
18	82160GT	DECAL,LABEL,STATOIL HYDRA WAY	1
		(For models with Statoil hydraulic oil only)	
19	82161GT	DECAL,LABEL,UCON HYDROLUBE	1
		(For models with Ucon Hydrolube hydraulic oil only)	
20	82366GT	DECAL,CHEVRON RANDO HD	1
		(For models with Chevron Rando hydraulic oil only)	
21	82558GT	DECAL,WARN,SKIN INJECTION HAZ*	1
22	82559GT	DECAL,INSTRUCT-ANNUAL INSP REQ	1
23	82561GT	DECAL,DANGER-USE SAFETY ARM	1
24	82704GT	DECAL,LABEL,WHEEL LOAD 2646	2
25	114385GT	DECAL,DANGER,ELEC HAZARD,GS	1
26	133276GT	DECAL,EMERGENCY LOWERING	1
27	T107031GT	DECAL,OP INST,GCON	1
28	T112804GT	DECAL,GCON PANEL,GS	1



106.2 Word Decals, GS-2646, Ground Control Side, ANSI and Australia



106.2 Word Decals, GS-2646, Ground Control Side, ANSI and Australia

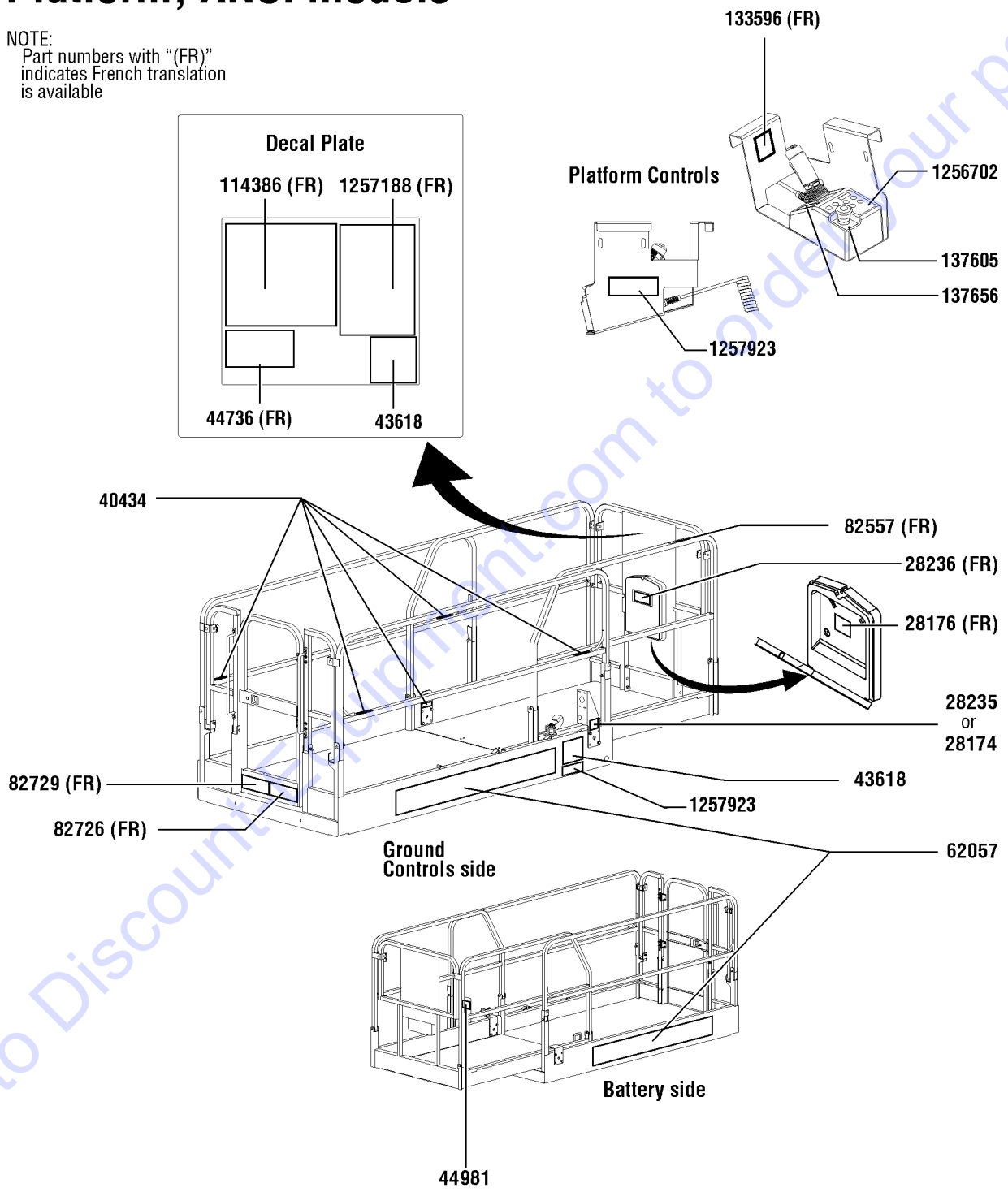
Item	Part No.	Description	Qty.
29	1265361GT	DECAL, BATTERY CHARGER INDICAT (ANSI models to SN 145047) (AUS models from SN 139711)	1
31	1278704GT	DECAL, CHARGE STATUS IND. (from SN 145048)	1
32	1280819GT	DECAL, WARNING, CANCER AND REPRODUCTIVE HARM, PROP 65 (US only ANSI from SN 145587)	1

Go to Discount-Equipment.com to order your parts



Platform, ANSI models

NOTE:
Part numbers with "(FR)" indicates French translation is available



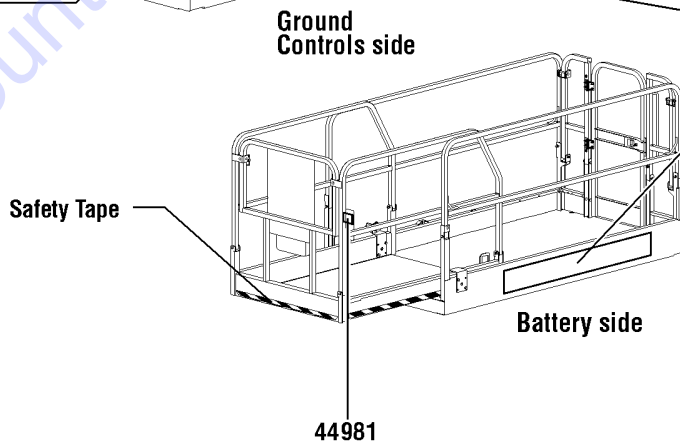
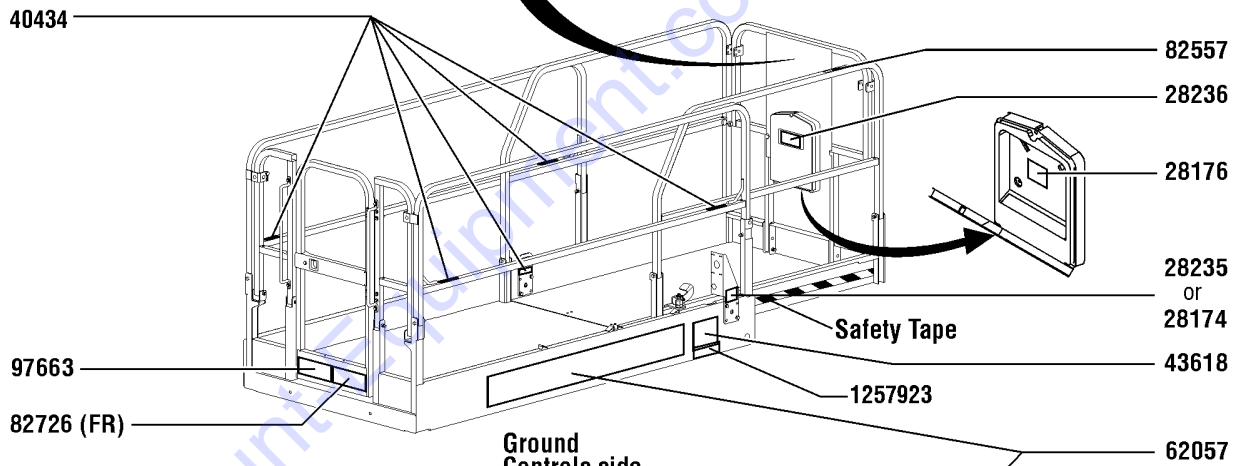
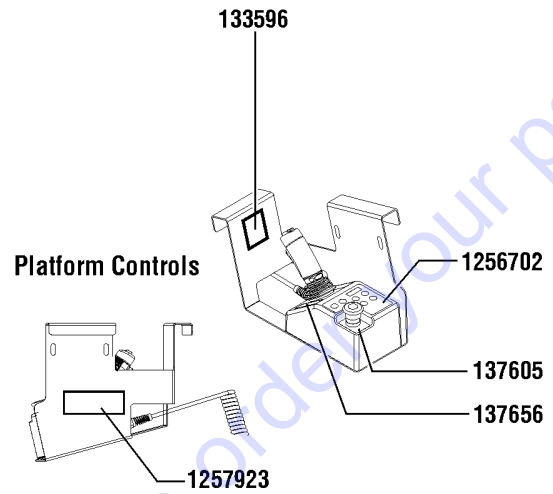
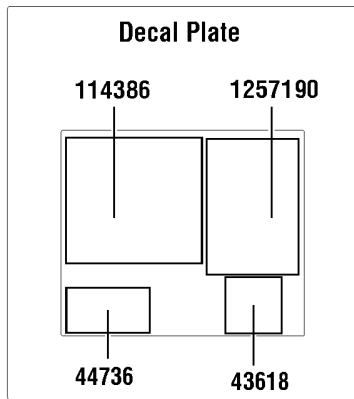
107.1 Word Decals, GS-2646, Platform, ANSI

Item	Part No.	Description	Qty.
1	28174GT	DECAL,POWER TO PLATFORM 230V	1
2	28176GT	DECAL,LABEL,MANUAL NOT HERE	1
3	28235GT	DECAL,POWER TO PLATFORM 115V	1
4	28236GT	DECAL,WARN,IMPROPER OPERATION	1
5	40434GT	DECAL,LANYARD ANCHORAGE POINT	5
6	43618GT	DECAL,LABEL-DIRECTION ARROWS	2
7	44736GT	DECAL,DANGER,TIP-OVER,TILT	1
8	44981GT	DECAL,LABEL,AIRLINE 110 PSI	1
		(Option)	
9	62057GT	DECAL,COSMETIC,GENIE GS-2646	2
10	82557GT	DECAL,LABEL,PLAT CONT LOCATION	1
11	82726GT	DECAL,INSTRUCT,MAXCAP1000LBS	1
		GS-2646	
12	82729GT	NOTICE,SIDE FRC ANSI2646	1
13	114386GT	DECAL,DANGER-GEN SAFETY	1
14	133596GT	DECAL,LABEL,FAULT CODES	1
15	137605GT	DECAL,E-STOP,GR/GRC/GS PCON	1
16	137656GT	DECAL,PROPEL,GR/GRC/GS,PCON	1
17	1256702GT	DECAL, UI, GS/GR, PROP LIFT	1
18	1257188GT	DECAL,OP INST,PLAT,GS46 ANSI	1
19	1257923GT	DECAL, SMARTLINK PROPORTIONAL	2



Platform, Australia models

NOTE:
Part numbers with "(FR)" indicates French translation is available

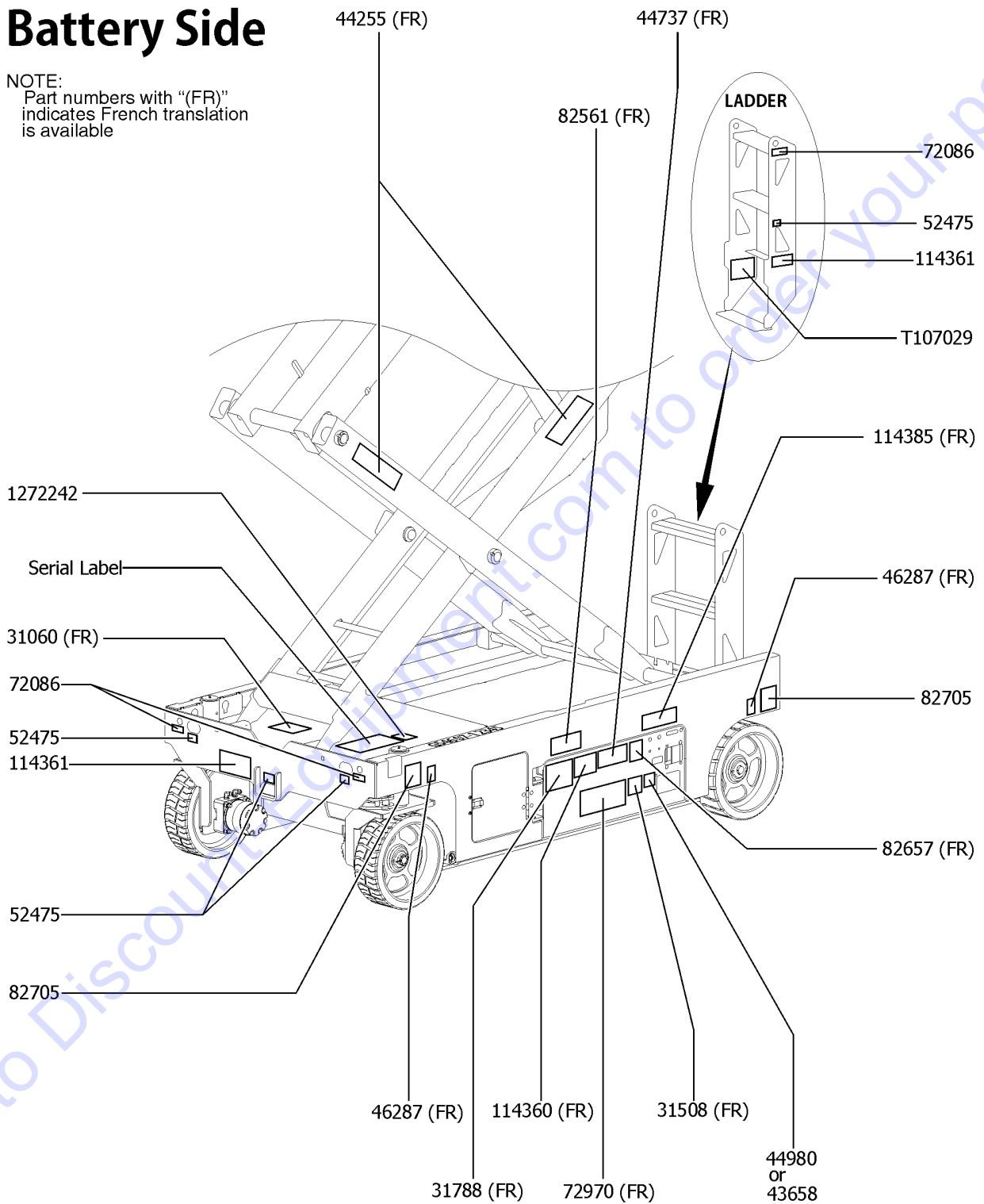


Item	Part No.	Description	Qty.
1	28174GT	DECAL,POWER TO PLATFORM 230V	1
2	28176GT	DECAL,LABEL,MANUAL NOT HERE	1
3	28235GT	DECAL,POWER TO PLATFORM 115V	1
4	28236GT	DECAL,WARN,IMPROPER OPERATION	1
5	40434GT	DECAL,LANYARD ANCHORAGE POINT	5
6	43618GT	DECAL,LABEL-DIRECTION ARROWS	2
7	44736GT	DECAL,DANGER,TIP-OVER,TILT	1
8	44981GT	DECAL,LABEL,AIRLINE 110 PSI	1
		(Option)	
9	62057GT	DECAL,COSMETIC,GENIE GS-2646	2
10	82557GT	DECAL,LABEL,PLAT CONT LOCATION	1
11	82726GT	DECAL,INSTRUCT,MAXCAP1000LBS	1
		GS-2646	
12	97663GT	DECAL,INSTR-MANUALFRC,AUS 400N	1
		GS-2646	
13	114386GT	DECAL,DANGER-GEN SAFETY	1
14	133596GT	DECAL,LABEL,FAULT CODES	1
15	137605GT	DECAL,E-STOP,GR/GRC/GS PCON	1
16	137656GT	DECAL,PROPEL,GR/GRC/GS,PCON	1
17	1256702GT	DECAL, UI, GS/GR, PROP LIFT	1
18	1257190GT	DECAL,OP INST,PLAT,GS46,AUS	1
19	1257923GT	DECAL, SMARTLINK PROPORTIONAL	2



Battery Side

NOTE:
Part numbers with "(FR)" indicates French translation is available

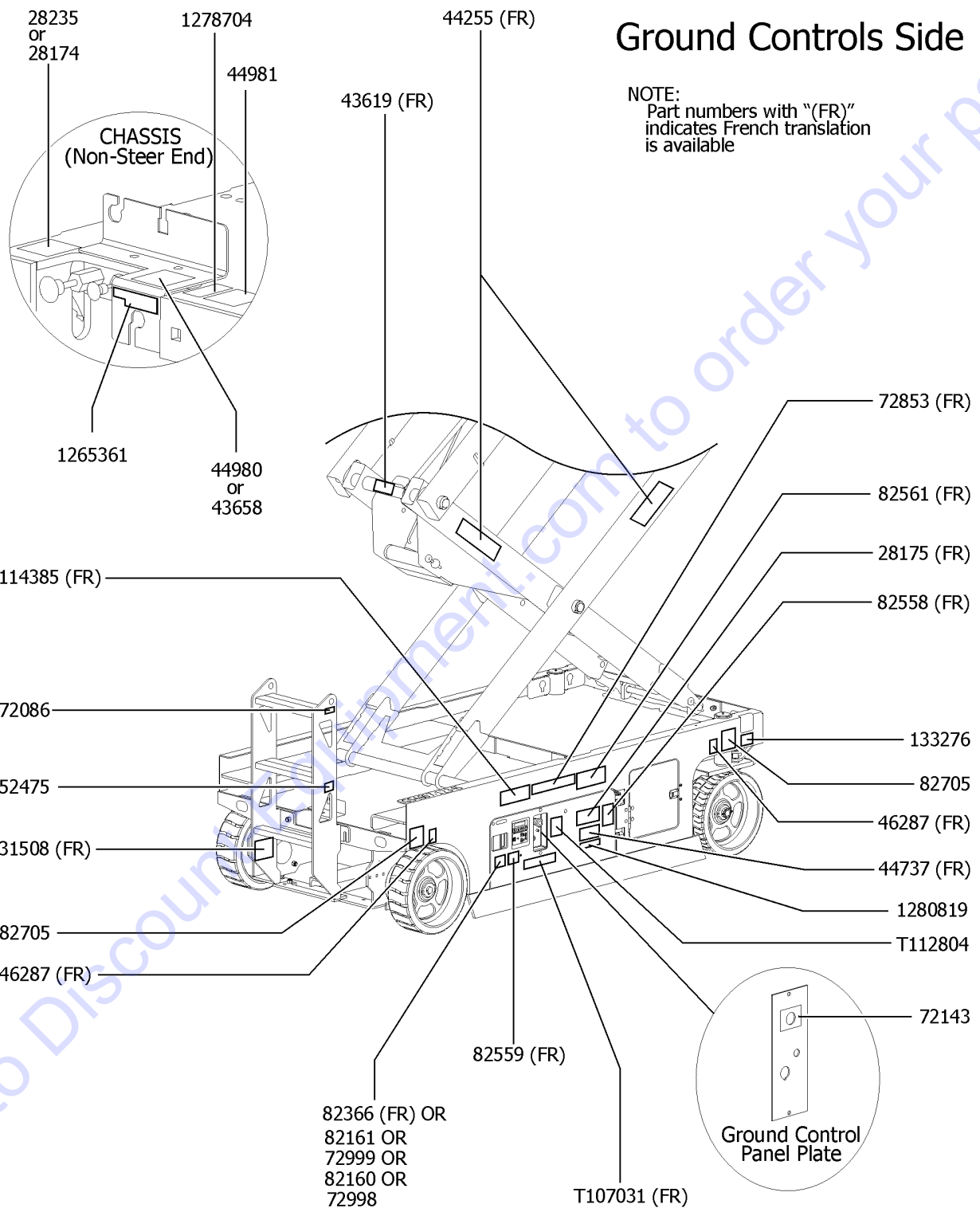


109.1 Word Decals, GS-3246, Battery Side, ANSI & Australia

Item	Part No.	Description	Qty.
1	31060GT	DECAL,DANGER DO NOT ALTER SWTC	1
2	31508GT	DECAL,DANGER,ELECT HAZARD,PLUG	1
		(Australia models only)	
3	31788GT	DECAL,DANGER,BATTERY SAFETY***	1
4	43658GT	DECAL,LABEL,PWR TO CHARGR 230V	1
		(Australia models only)	
5	44255GT	DECAL,DANGER,CRUSHING HAZARD	2
6	44737GT	DECAL DANGER TIP OVER TRAYS	1
7	44980GT	DECAL,LABEL,PWR TO CHARGR 115V	1
		(Australia models only)	
8	46287GT	DECAL,LABEL-TIRE SPECS	2
9	52475GT	DECAL,LABEL,TRANSPORT TIEDOWN*	4
10	72086GT	DECAL,LABEL,LIFTING EYE	3
11	72970GT	DECAL,INSTRUCTIONS-CHARGER OP	1
12	82561GT	DECAL,DANGER-USE SAFETY ARM	1
13	82657GT	DECAL,INSTRUCT,BATTERY CONNECT	1
14	82705GT	DECAL,LABEL,WHEEL LOAD 3246	2
15	114360GT	DECAL,DANGER-TIP-OVER,BATT	1
16	114361GT	DECAL,LABEL-TRANSPORT DIGRAM	2
17	114385GT	DECAL,DANGER,ELEC HAZARD,GS	1
18	1272242GT	DECAL,MACHINE REGISTRATION/OWN	1
19	T107029GT	DECAL,DANGER,BRAKE REL SAFETY	1



110.1 Word Decals, GS-3246, Ground Control Side, ANSI and Australia

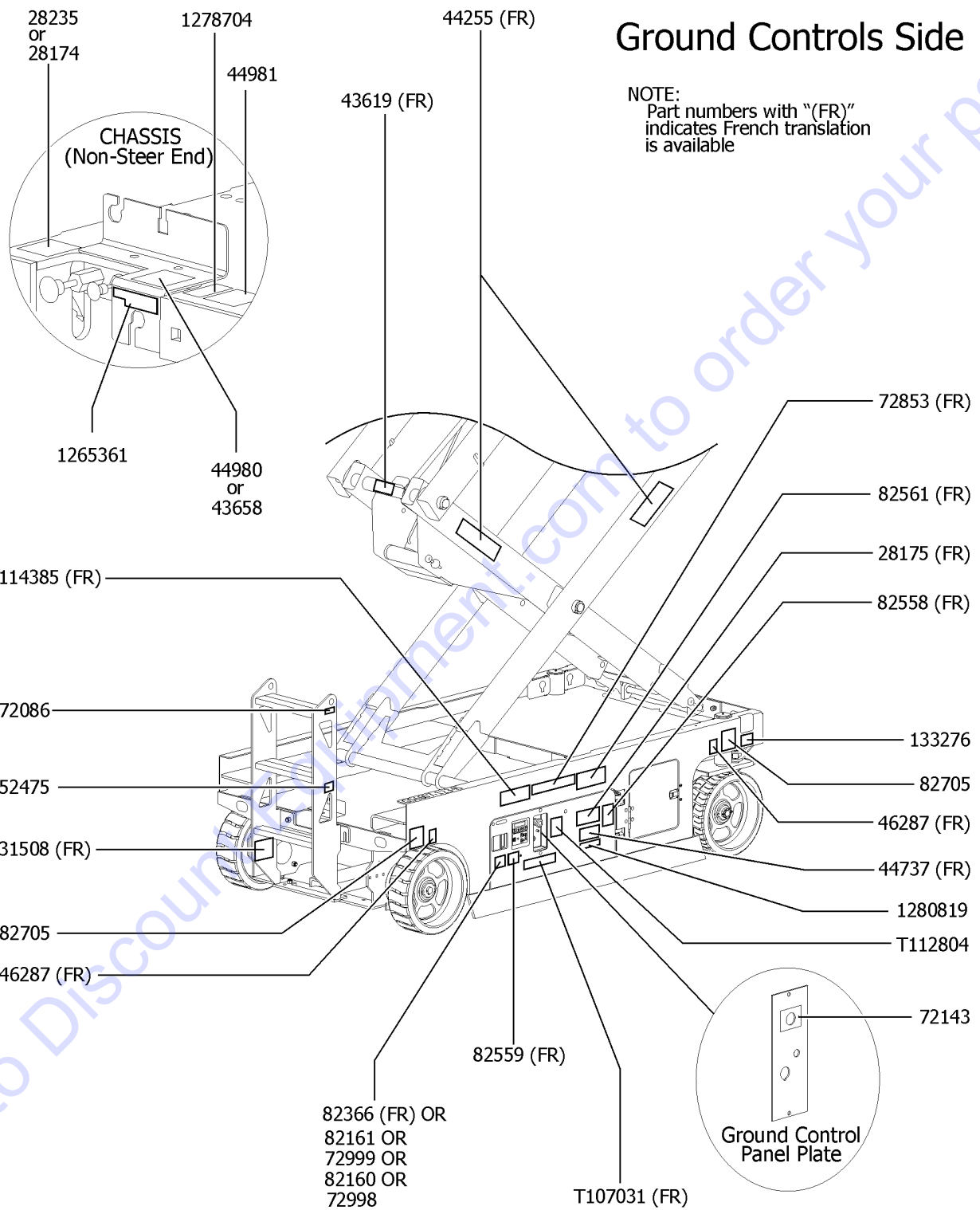


110.1 Word Decals, GS-3246, Ground Control Side, ANSI and Australia

Item	Part No.	Description	Qty.
1	28174GT	DECAL,POWER TO PLATFORM 230V	1
2	28175GT	DECAL,WARNING-COMPART ACCESS	1
3	28235GT	DECAL,POWER TO PLATFORM 115V	1
4	31508GT	DECAL,DANGER,ELECT HAZARD,PLUG (ANSI models)	1
5	43619GT	DECAL,LABEL,SAFETY ARM	1
6	43658GT	DECAL,LABEL,PWR TO CHARGR 230V (ANSI models)	1
7	44255GT	DECAL,DANGER,CRUSHING HAZARD	2
8	44737GT	DECAL DANGER TIP OVER TRAYS	1
9	44980GT	DECAL,LABEL,PWR TO CHARGR 115V (ANSI models)	1
10	44981GT	DECAL,LABEL,AIRLINE 110 PSI (Option)	1
11	46287GT	DECAL,LABEL-TIRE SPECS	2
12	52475GT	DECAL,LABEL,TRANSPORT TIEDOWN*	1
13	72086GT	DECAL,LABEL,LIFTING EYE	1
14	72143GT	DECAL,EMERGENCY STOP,GR	1
15	72853GT	DECAL,DANGER,IMPROPER USE HAZ	1
16	72998GT	DECAL,LABEL,QUINTOLUBRIK (models with Quintolub hydraulic oil)	1
17	72999GT	DECAL,LABEL,PETRO CANADA*** (For models with Petro Canada hydraulic oil only)	1
18	82160GT	DECAL,LABEL,STATOIL HYDRA WAY (For models with Statoil hydraulic oil only)	1
19	82161GT	DECAL,LABEL,UCON HYDROLUBE (For models with Ucon Hydrolube hydraulic oil only)	1
20	82366GT	DECAL,CHEVRON RANDO HD (For models with Chevron Rando hydraulic oil only)	1
21	82558GT	DECAL,WARN,SKIN INJECTION HAZ*	1
22	82559GT	DECAL,INSTRUCT-ANNUAL INSP REQ	1
23	82561GT	DECAL,DANGER-USE SAFETY ARM	1
24	82705GT	DECAL,LABEL,WHEEL LOAD 3246	2
25	114385GT	DECAL,DANGER,ELEC HAZARD,GS	1
26	133276GT	DECAL,EMERGENCY LOWERING	1
27	T107031GT	DECAL,OP INST,GCON	1
28	T112804GT	DECAL,GCON PANEL,GS	1



110.1 Word Decals, GS-3246, Ground Control Side, ANSI and Australia



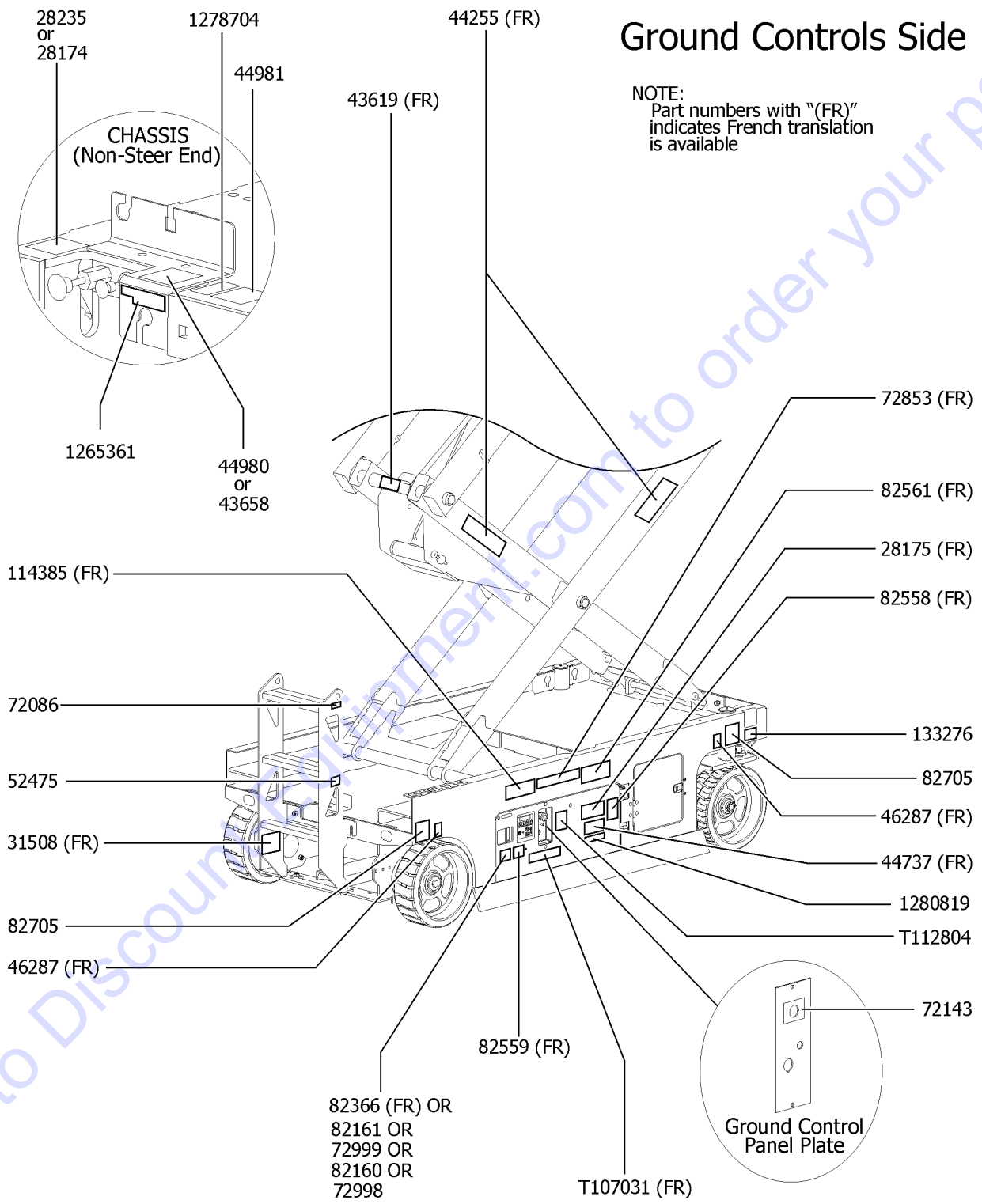
110.1 Word Decals, GS-3246, Ground Control Side, ANSI and Australia

Item	Part No.	Description	Qty.
30	1265361GT	DECAL, BATTERY CHARGER INDICAT (ANSI models to SN 145047) (AUS models from SN 139711)	1

Go to Discount-Equipment.com to order your parts



110.2 Word Decals, GS-3246, Ground Control Side, ANSI and Australia

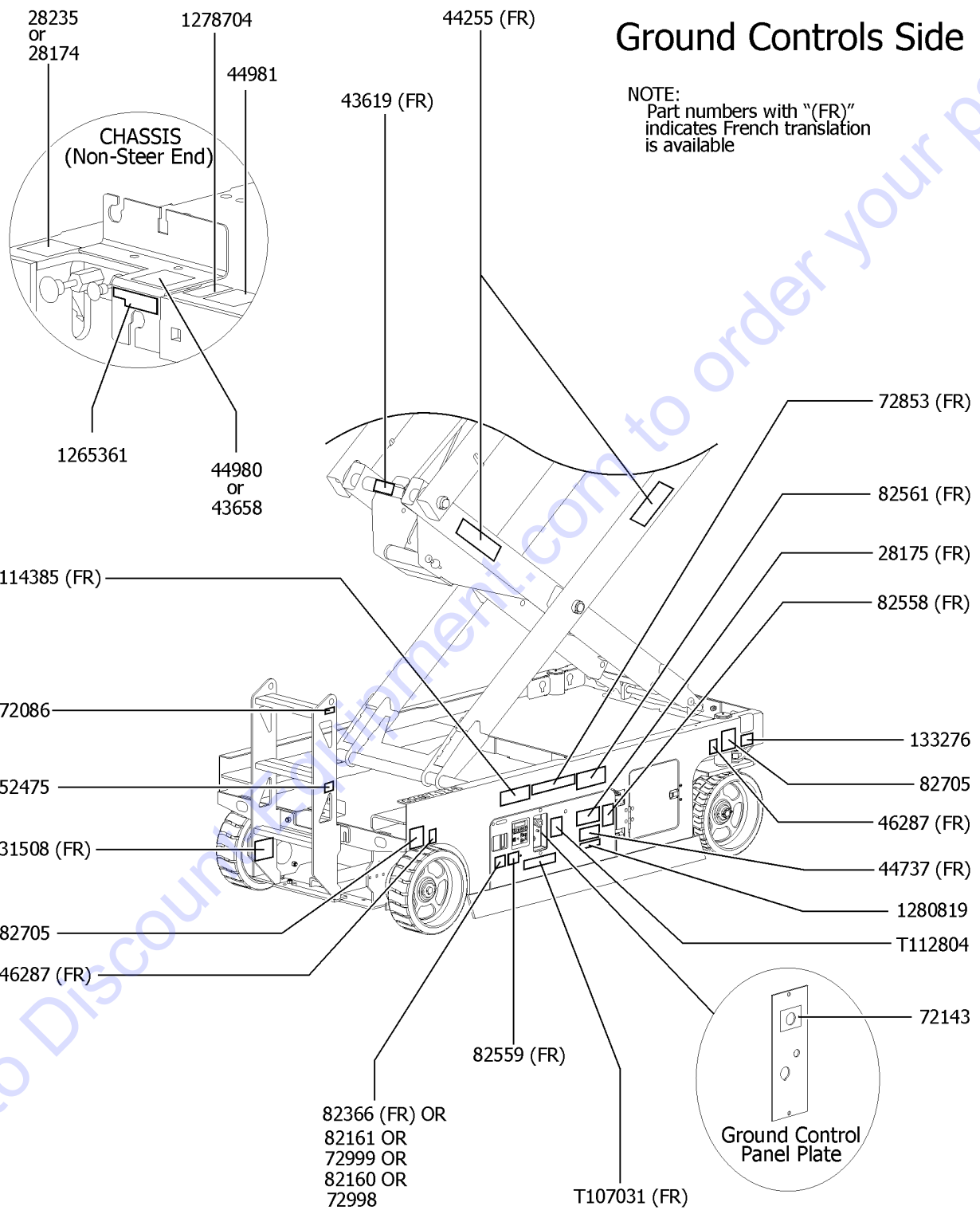


110.2 Word Decals, GS-3246, Ground Control Side, ANSI and Australia

Item	Part No.	Description	Qty.
1	28174GT	DECAL,POWER TO PLATFORM 230V	1
2	28175GT	DECAL,WARNING-COMPART ACCESS	1
3	28235GT	DECAL,POWER TO PLATFORM 115V	1
4	31508GT	DECAL,DANGER,ELECT HAZARD,PLUG	1
		(ANSI models)	
5	43619GT	DECAL,LABEL,SAFETY ARM	1
6	43658GT	DECAL,LABEL,PWR TO CHARGR 230V	1
		(ANSI models)	
7	44255GT	DECAL,DANGER,CRUSHING HAZARD	2
8	44737GT	DECAL DANGER TIP OVER TRAYS	1
9	44980GT	DECAL,LABEL,PWR TO CHARGR 115V	1
		(ANSI models)	
10	44981GT	DECAL,LABEL,AIRLINE 110 PSI	1
		(Option)	
11	46287GT	DECAL,LABEL-TIRE SPECS	2
12	52475GT	DECAL,LABEL,TRANSPORT TIEDOWN*	1
13	72086GT	DECAL,LABEL,LIFTING EYE	1
14	72143GT	DECAL,EMERGENCY STOP,GR	1
15	72853GT	DECAL,DANGER,IMPROPER USE HAZ	1
16	72998GT	DECAL,LABEL,QUINTOLUBRIK	1
		(models with Quintolub hydraulic oil)	
17	72999GT	DECAL,LABEL,PETRO CANADA***	1
		(For models with Petro Canada hydraulic oil only)	
18	82160GT	DECAL,LABEL,STATOIL HYDRA WAY	1
		(For models with Statoil hydraulic oil only)	
19	82161GT	DECAL,LABEL,UCON HYDROLUBE	1
		(For models with Ucon Hydrolube hydraulic oil only)	
20	82366GT	DECAL,CHEVRON RANDO HD	1
		(For models with Chevron Rando hydraulic oil only)	
21	82558GT	DECAL,WARN,SKIN INJECTION HAZ*	1
22	82559GT	DECAL,INSTRUCT-ANNUAL INSP REQ	1
23	82561GT	DECAL,DANGER-USE SAFETY ARM	1
24	82705GT	DECAL,LABEL,WHEEL LOAD 3246	2
25	114385GT	DECAL,DANGER,ELEC HAZARD,GS	1
26	133276GT	DECAL,EMERGENCY LOWERING	1
27	T107031GT	DECAL,OP INST,GCON	1
28	T112804GT	DECAL,GCON PANEL,GS	1



110.2 Word Decals, GS-3246, Ground Control Side, ANSI and Australia



110.2 Word Decals, GS-3246, Ground Control Side, ANSI and Australia

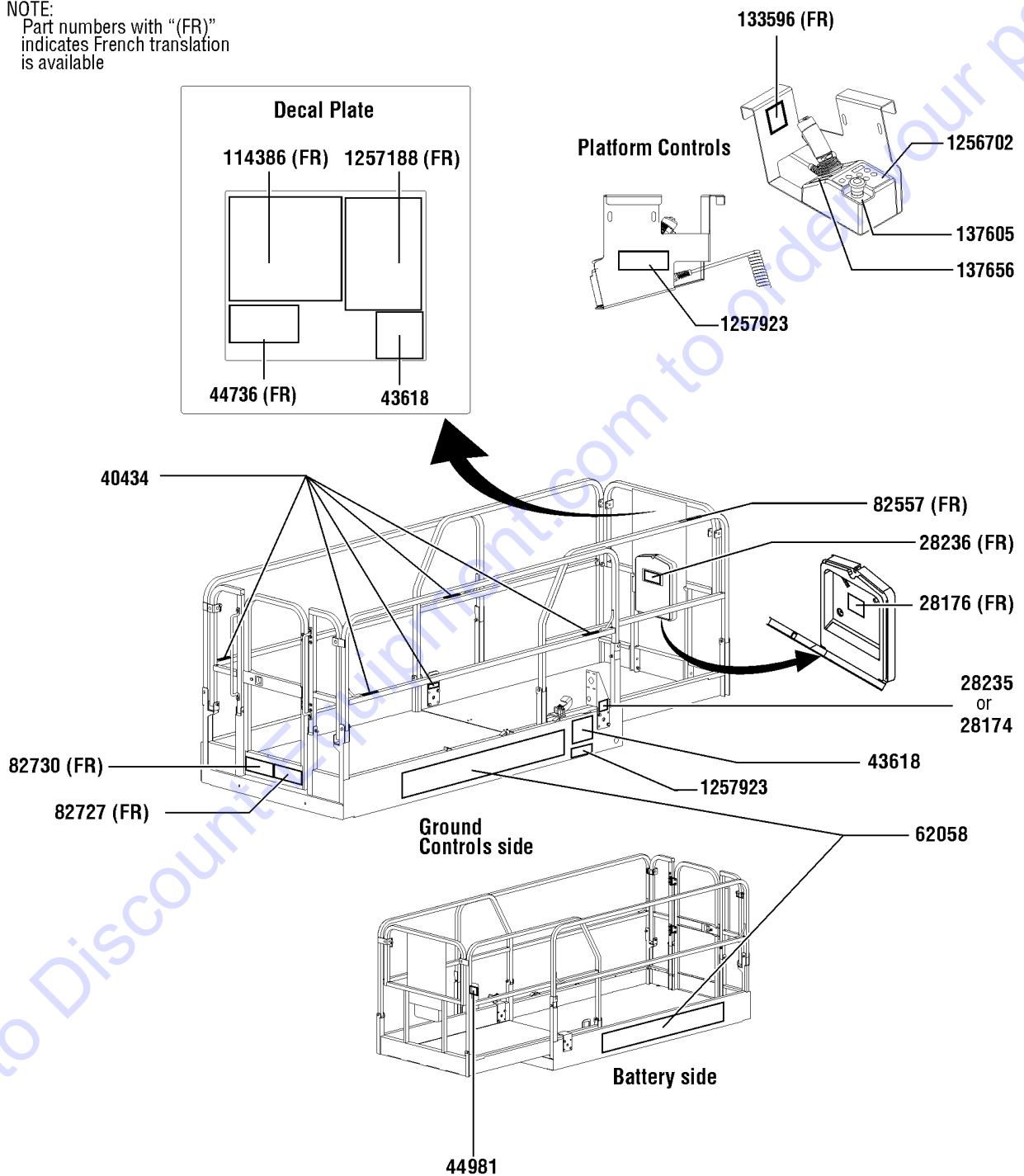
Item	Part No.	Description	Qty.
29	1265361GT	DECAL, BATTERY CHARGER INDICAT (ANSI models to SN 145047) (AUS models from SN 139711)	1
31	1278704GT	DECAL, CHARGE STATUS IND. (from SN 145048)	1
32	1280819GT	DECAL, WARNING, CANCER AND REPRODUCTIVE HARM, PROP 65 (US only ANSI from SN 145587)	1

Go to Discount-Equipment.com to order your parts



Platform, ANSI models

NOTE:
Part numbers with "(FR)" indicates French translation is available



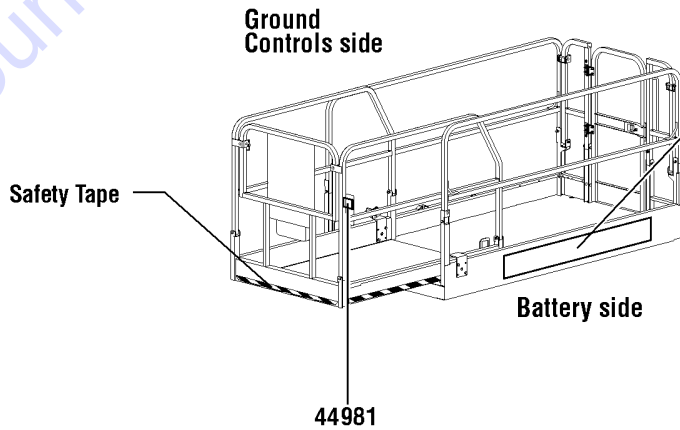
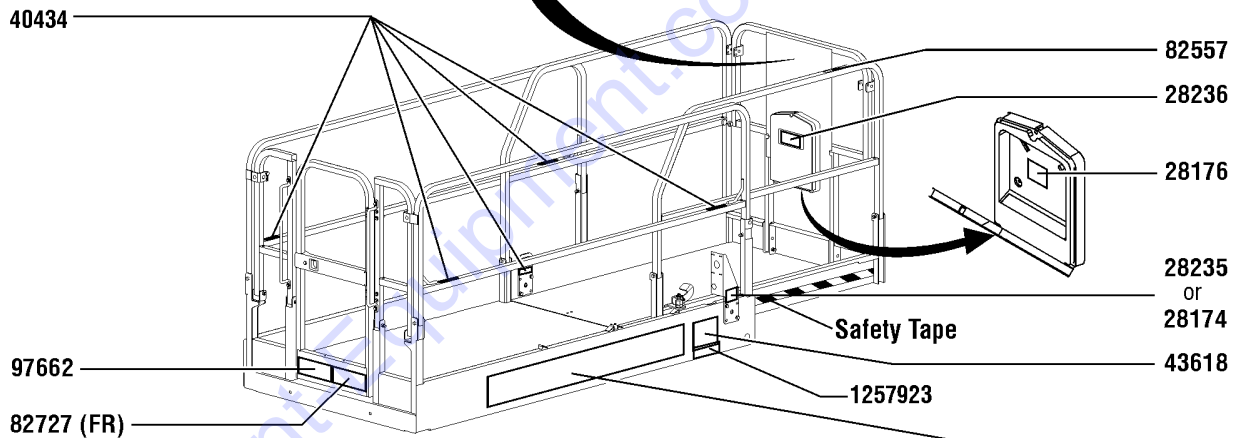
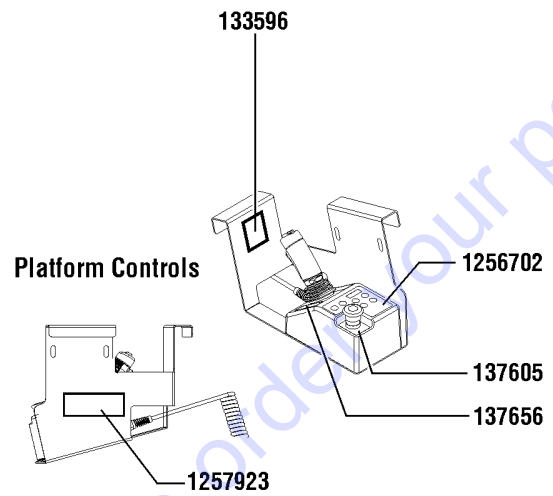
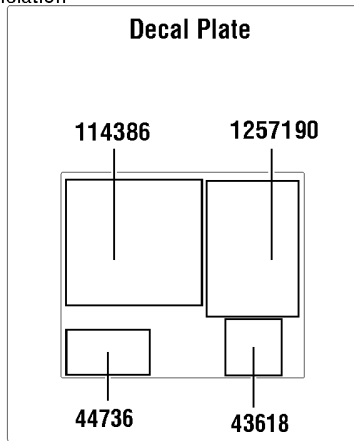
111.1 Word Decals, GS-3246, Platform, ANSI

Item	Part No.	Description	Qty.
1	28174GT	DECAL,POWER TO PLATFORM 230V	1
2	28176GT	DECAL,LABEL,MANUAL NOT HERE	1
3	28235GT	DECAL,POWER TO PLATFORM 115V	1
4	28236GT	DECAL,WARN,IMPROPER OPERATION	1
5	40434GT	DECAL,LANYARD ANCHORAGE POINT	5
6	43618GT	DECAL,LABEL-DIRECTION ARROWS	2
7	44736GT	DECAL,DANGER,TIP-OVER,TILT	1
8	44981GT	DECAL,LABEL,AIRLINE 110 PSI	1
		(Option)	
9	62058GT	DECAL,COSMETIC,GENIE GS-3246	2
10	82557GT	DECAL,LABEL,PLAT CONT LOCATION	1
11	82727GT	DECAL,INSTR-MAX CAP 700LBS	1
		GS-3246	
12	82730GT	DECAL,INSTR-SIDE FRC,ANSI 3246	1
13	114386GT	DECAL,DANGER-GEN SAFETY	1
14	133596GT	DECAL,LABEL,FAULT CODES	1
15	137605GT	DECAL,E-STOP,GR/GRC/GS PCON	1
16	137656GT	DECAL,PROPEL,GR/GRC/GS,PCON	1
17	1256702GT	DECAL, UI, GS/GR, PROP LIFT	1
18	1257188GT	DECAL,OP INST,PLAT,GS46 ANSI	1
19	1257923GT	DECAL, SMARTLINK PROPORTIONAL	2



Platform, Australia models

NOTE:
Part numbers with "(FR)"
indicates French translation
is available



PARTS FINDER

**Search Website
by Part Number**



**Search Manual
Library For Parts
Manual & Lookup Part
Numbers – Purchase
or Request Quote**

Search Manuals

Enter your information to help us find the right parts manual for your machine.

* Brand:

* Model:

* Serial:

* Part Number:

SEARCH

**Can't Find Part or
Manual? Request Help
by Manufacturer,
Model & Description**

Parts Order Form

Please fill in the following information to help us find the right part for your machine.

Manufacturer:	<input type="text"/>
Model:	<input type="text"/>
Description:	<input type="text"/>
Part Number:	<input type="text"/>
Quantity:	<input type="text"/>
Notes:	<input type="text"/>

Submit

Discount-Equipment.com is your online resource for quality parts & equipment.

Florida: **561-964-4949** Outside Florida TOLL FREE: **877-690-3101**

Need parts?

Click on this link: <http://www.discount-equipment.com/category/5443-parts/> and choose one of the options to help get the right parts and equipment you are looking for. Please have the machine model and serial number available in order to help us get you the correct parts. If you don't find the part on the website or on one of the online manuals, please fill out the request form and one of our experienced staff members will get back to you with a quote for the right part that your machine needs.

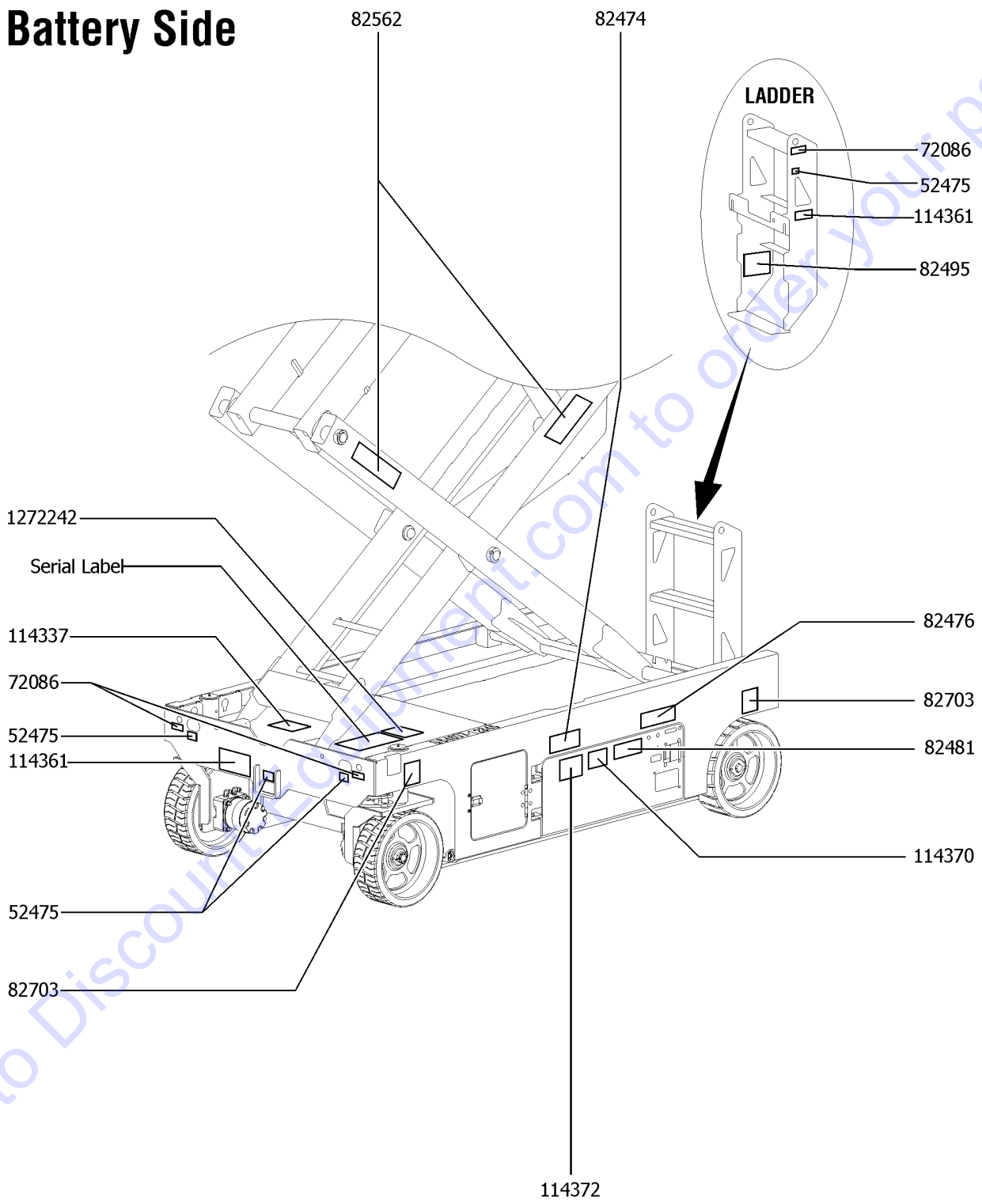
We sell worldwide for the brands: Genie, Terex, JLG, MultiQuip, Mikasa, Essick, Whiteman, Mayco, Toro Stone, Diamond Products, Generac Magnum, Airman, Haulotte, Barreto, Power Blanket, Nifty Lift, Atlas Copco, Chicago Pneumatic, Allmand, Miller Curber, Skyjack, Lull, Skytrak, Tsurumi, Husquvarna Target, Stow, Wacker, Sakai, Mi-T-M, Sullair, Basic, Dynapac, MBW, Weber, Bartell, Bennar Newman, Haulotte, Ditch Runner, Menegotti, Morrison, Contec, Buddy, Crown, Edco, Wyco, Bomag, Laymor, EZ Trench, Bil-Jax, F.S. Curtis, Gehl Pavers, Heli, Honda, ICS/PowerGrit, IHI, Partner, Imer, Clipper, MMD, Koshin, Rice, CH&E, General Equipment, Amida, Coleman, NAC, Gradall, Square Shooter, Kent, Stanley, Tamco, Toku, Hatz, Kohler, Robin, Wisconsin, Northrock, Oztec, Toker TK, Rol-Air, APT, Wylie, Ingersoll Rand / Doosan, Innovatech, Con X, Ammann, Mecalac, Makinex, Smith Surface Prep, Small Line, Wanco, Yanmar

Item	Part No.	Description	Qty.
1	28174GT	DECAL,POWER TO PLATFORM 230V	1
2	28176GT	DECAL,LABEL,MANUAL NOT HERE	1
3	28235GT	DECAL,POWER TO PLATFORM 115V	1
4	28236GT	DECAL,WARN,IMPROPER OPERATION	1
5	40434GT	DECAL,LANYARD ANCHORAGE POINT	5
6	43618GT	DECAL,LABEL-DIRECTION ARROWS	2
7	44736GT	DECAL,DANGER,TIP-OVER,TILT	1
8	44981GT	DECAL,LABEL,AIRLINE 110 PSI	1
		(Option)	
9	62058GT	DECAL,COSMETIC,GENIE GS-3246	1
10	82557GT	DECAL,LABEL,PLAT CONT LOCATION	1
11	82727GT	DECAL,INSTR-MAX CAP 700LBS	1
		GS-3246	
12	97662GT	DECAL,INSTR-MANUALFRC,AUS 3246	1
13	114386GT	DECAL,DANGER-GEN SAFETY	1
14	133596GT	DECAL,LABEL,FAULT CODES	1
15	137605GT	DECAL,E-STOP,GR/GRC/GS PCON	1
16	137656GT	DECAL,PROPEL,GR/GRC/GS,PCON	1
17	1256702GT	DECAL, UI, GS/GR, PROP LIFT	1
18	1257190GT	DECAL,OP INST,PLAT,GS46,AUS	1
19	1257923GT	DECAL, SMARTLINK PROPORTIONAL	2



113.1 Symbol Decals, GS-2046, Battery Side, ANSI & CE

Battery Side



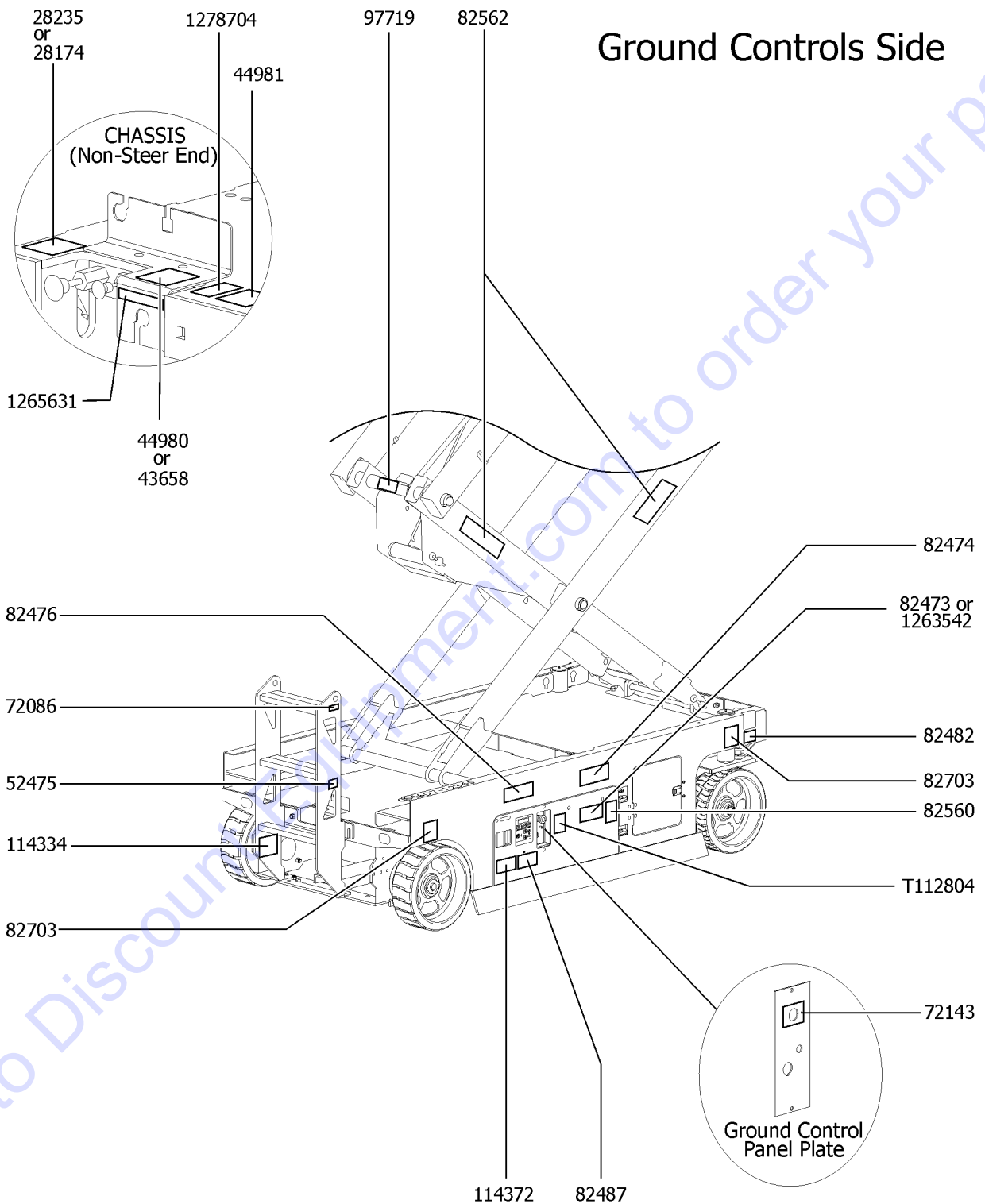
113.1 Symbol Decals, GS-2046, Battery Side, ANSI & CE

Item	Part No.	Description	Qty.
1	52475GT	DECAL,LABEL,TRANSPORT TIEDOWN*	4
2	72086GT	DECAL,LABEL,LIFTING EYE	3
3	82474GT	DECAL,SYMBOL-USE SAFETY ARM	1
4	82476GT	DECAL,SYMBOL-ELEC HAZARD,GS	1
5	82481GT	DECAL,SYMBOL-BATTERY SAFETY	1
6	82495GT	DECAL,SYMBOL-BRAKE REL SAFETY	1
7	82562GT	DECAL,SYMBOL-CRUSHING HAZARD	2
8	82703GT	DECAL,LABEL,WHEEL LOAD 2046	2
9	114337GT	DECAL,SYM-TIP-OVR,LIM SWITCH	1
10	114361GT	DECAL,LABEL-TRANSPORT DIGRAM	2
11	114370GT	DECAL-SYM-TIP-OVR,BATTRIES	1
12	114372GT	DECAL,SYM-TIP-OVER,TRAYS	1
13	1272242GT	DECAL,MACHINE REGISTRATION/OWN	1

Go to Discount-Equipment.com to order your parts



114.1 Symbol Decals, GS-2046, Ground Control Side, ANSI and CE

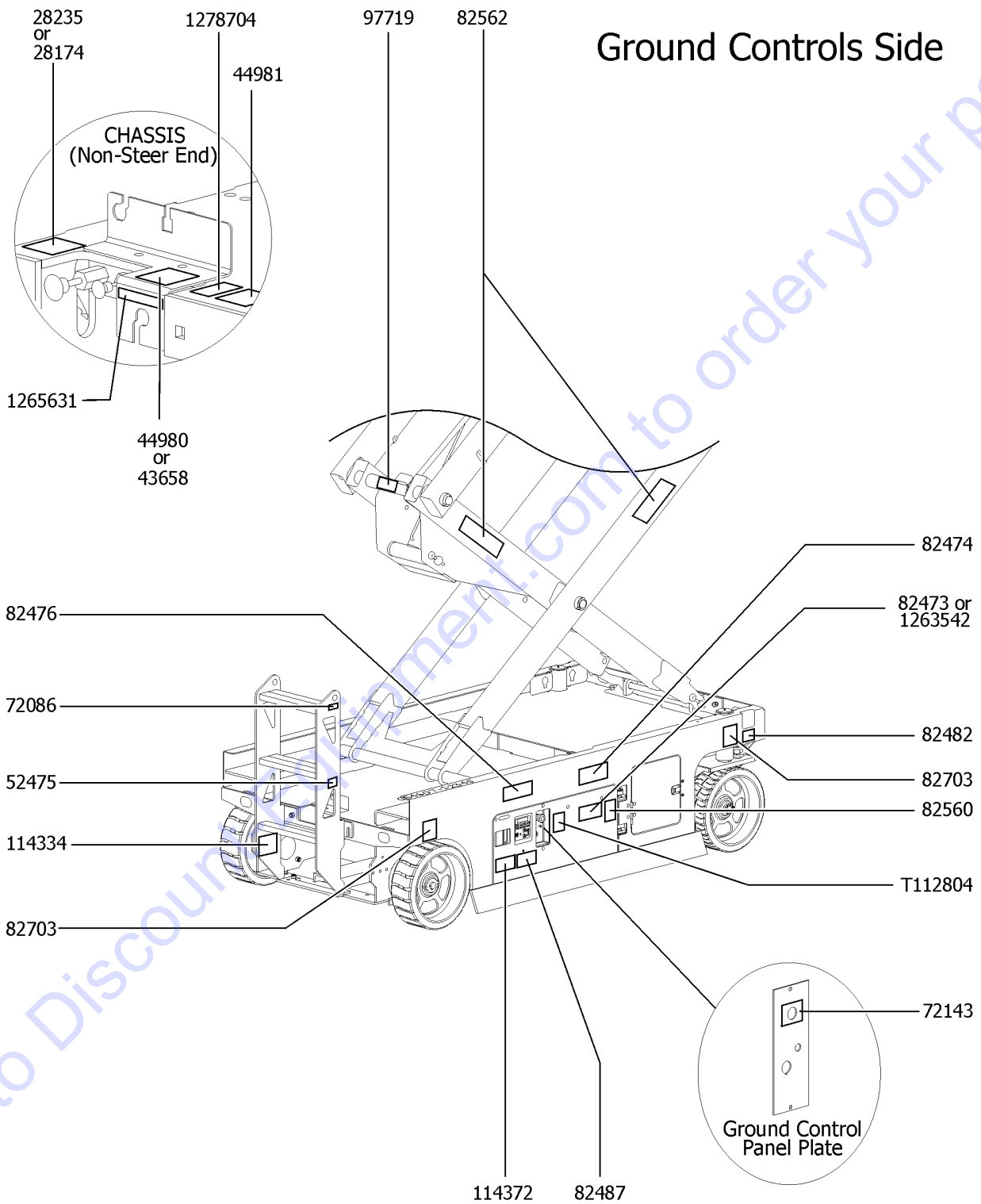


114.1 Symbol Decals, GS-2046, Ground Control Side, ANSI and CE

Item	Part No.	Description	Qty.
1	28174GT	DECAL,POWER TO PLATFORM 230V	1
2	28235GT	DECAL,POWER TO PLATFORM 115V	1
3	43658GT	DECAL,LABEL,PWR TO CHARGR 230V	1
4	44980GT	DECAL,LABEL,PWR TO CHARGR 115V	1
5	44981GT	DECAL,LABEL,AIRLINE 110 PSI (Option)	1
6	52475GT	DECAL,LABEL,TRANSPORT TIEDOWN*	1
7	72086GT	DECAL,LABEL,LIFTING EYE	1
8	72143GT	DECAL,EMERGENCY STOP,GR	1
9	82473GT	DECAL SYMBOL COMP ACCESS	1
		to SN GS46P-142737	
10	82474GT	DECAL,SYMBOL-USE SAFETY ARM	1
11	82476GT	DECAL,SYMBOL-ELEC HAZARD,GS	1
12	82482GT	DECAL, LABEL,AUX LOWERING	1
13	82487GT	DECAL,SYMBOL-READ THE MANUAL	1
14	82560GT	DECAL,SYMBOL-SKIN INJECT HAZRD	1
15	82562GT	DECAL,SYMBOL-CRUSHING HAZARD	2
16	82703GT	DECAL,LABEL,WHEEL LOAD 2046	2
17	97719GT	DECAL, LABEL, SAFETY ARM SYMB	1
18	114334GT	DECAL,SYM-ELEC HAZARD,PLUG	1
19	114372GT	DECAL,SYM-TIP-OVER,TRAYS	1
21	T112804GT	DECAL,GCON PANEL,GS	1
22	1265361GT	DECAL, BATTERY CHARGER INDICAT (ANSI models to SN 145047) (AUS models from SN 139711)	1



114.2 Symbol Decals, GS-2046, Ground Control Side, ANSI and CE

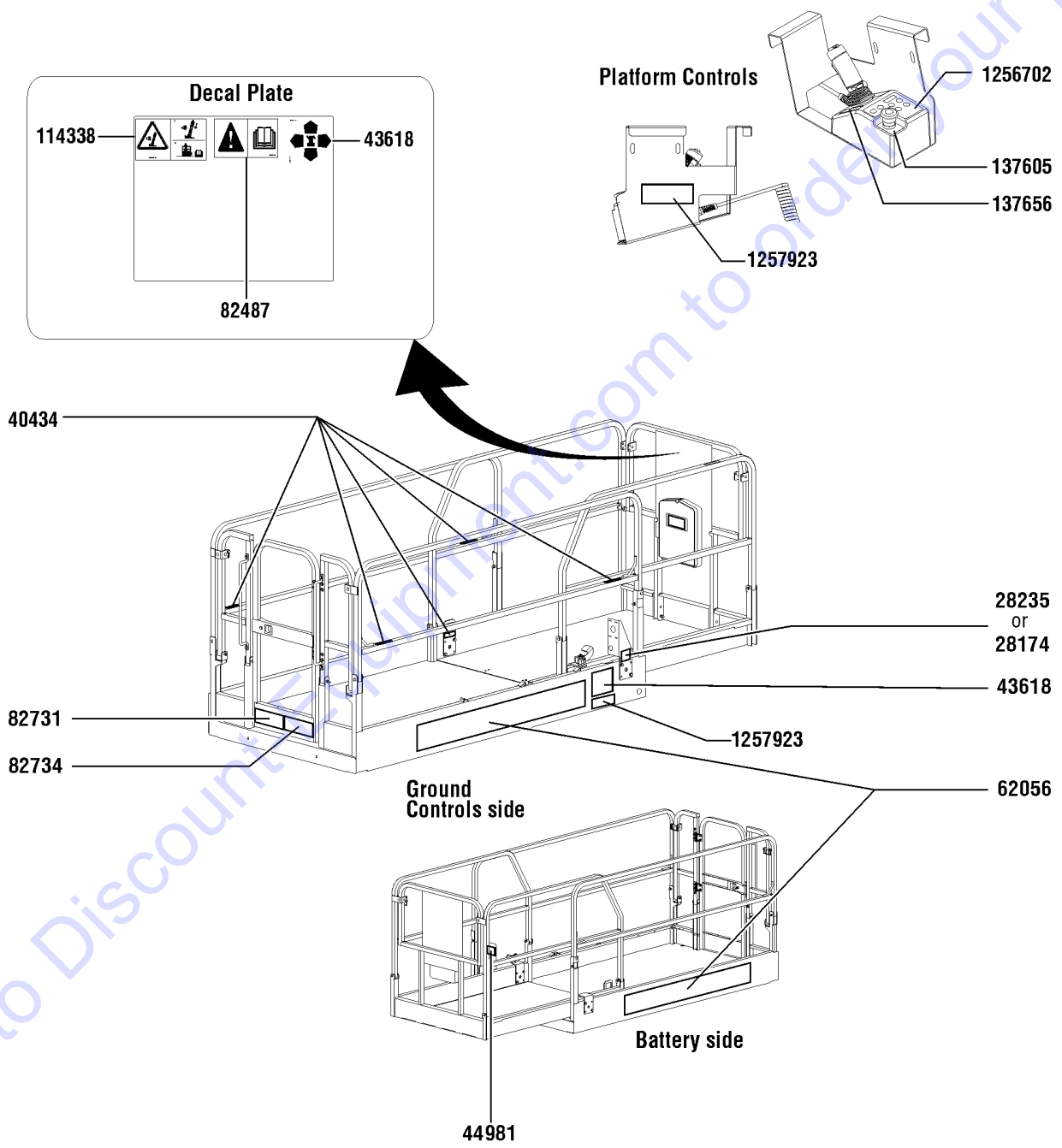


114.2 Symbol Decals, GS-2046, Ground Control Side, ANSI and CE

Item	Part No.	Description	Qty.
1	28174GT	DECAL,POWER TO PLATFORM 230V	1
2	28235GT	DECAL,POWER TO PLATFORM 115V	1
3	43658GT	DECAL,LABEL,PWR TO CHARGR 230V	1
4	44980GT	DECAL,LABEL,PWR TO CHARGR 115V	1
5	44981GT	DECAL,LABEL,AIRLINE 110 PSI (Option)	1
6	52475GT	DECAL,LABEL,TRANSPORT TIEDOWN*	1
7	72086GT	DECAL,LABEL,LIFTING EYE	1
8	72143GT	DECAL,EMERGENCY STOP,GR	1
9	82473GT	DECAL SYMBOL COMP ACCESS to SN GS46P-142737	1
10	82474GT	DECAL,SYMBOL-USE SAFETY ARM	1
11	82476GT	DECAL,SYMBOL-ELEC HAZARD,GS	1
12	82482GT	DECAL, LABEL,AUX LOWERING	1
13	82487GT	DECAL,SYMBOL-READ THE MANUAL	1
14	82560GT	DECAL,SYMBOL-SKIN INJECT HAZRD	1
15	82562GT	DECAL,SYMBOL-CRUSHING HAZARD	2
16	82703GT	DECAL,LABEL,WHEEL LOAD 2046	2
17	97719GT	DECAL, LABEL, SAFETY ARM SYMB	1
18	114334GT	DECAL,SYM-ELEC HAZARD,PLUG	1
19	114372GT	DECAL,SYM-TIP-OVER,TRAYS	1
20	1263542GT	DECAL, COMPARTMENT ACCESS from SN GS46P-142738	1
21	T112804GT	DECAL,GCON PANEL,GS	1
22	1265361GT	DECAL, BATTERY CHARGER INDICAT (ANSI models to SN 145047) (AUS models from SN 139711)	1
23	1278704GT	DECAL,CHARGE STATUS IND. (from SN 145048)	1



Platform, ANSI models



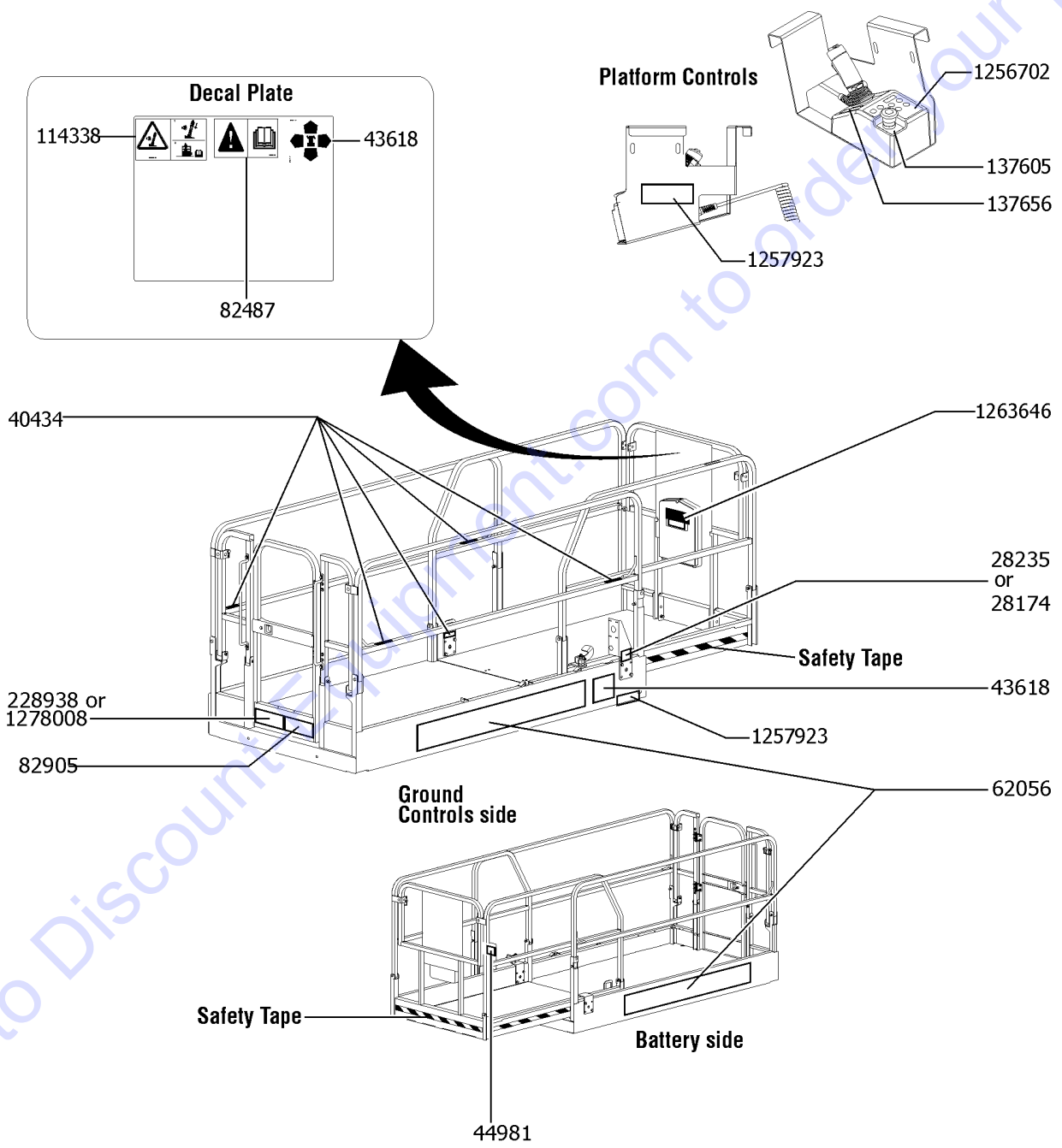
115.1 Symbol Decals, GS-2046, Platform, ANSI

Item	Part No.	Description	Qty.
1	28174GT	DECAL,POWER TO PLATFORM 230V	1
2	28235GT	DECAL,POWER TO PLATFORM 115V	1
3	40434GT	DECAL,LANYARD ANCHORAGE POINT	5
4	43618GT	DECAL,LABEL-DIRECTION ARROWS	2
5	44981GT	DECAL,LABEL,AIRLINE 110 PSI	1
		(Option)	
6	62056GT	DECAL,COSMETIC,GENIE GS-2046**	2
7	82487GT	DECAL,SYMBOL-READ THE MANUAL	1
8	82731GT	DECAL,SYM-MAXCAP 1200	1
9	82734GT	DECAL,SYM-SIDE FORCE 2046	1
10	114338GT	DECAL,SYM-TIP-OVR,TILT ALARM	1
11	137605GT	DECAL,E-STOP,GR/GRC/GS PCON	1
13	137656GT	DECAL,PROPEL,GR/GRC/GS,PCON	1
14	1256702GT	DECAL, UI, GS/GR, PROP LIFT	1
16	1257923GT	DECAL, SMARTLINK PROPORTIONAL	2

Go to Discount-Equipment.com to order your parts



Platform, CE models



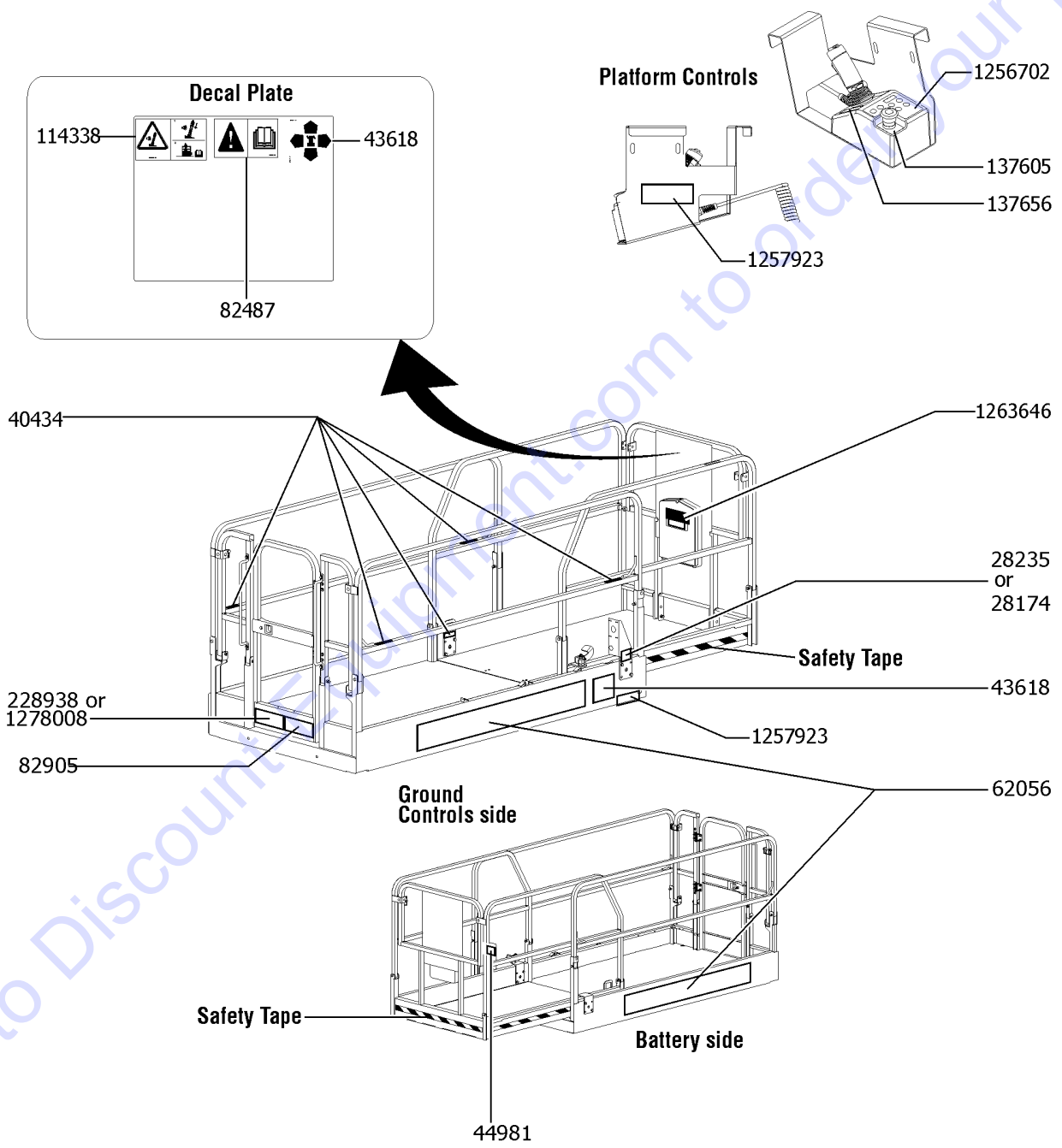
116.1 Symbol Decals, GS-2046, Platform, CE

Item	Part No.	Description	Qty.
1	28174GT	DECAL,POWER TO PLATFORM 230V	1
2	28235GT	DECAL,POWER TO PLATFORM 115V	1
3	40434GT	DECAL,LANYARD ANCHORAGE POINT	5
4	43618GT	DECAL,LABEL-DIRECTION ARROWS	2
5	44981GT	DECAL,LABEL,AIRLINE 110 PSI	1
		(Option)	
6	62056GT	DECAL,COSMETIC,GENIE GS-2046**	2
7	82487GT	DECAL,SYMBOL-READ THE MANUAL	1
8	82905GT	DECAL,SYM-SIDEFORCE 400N	1
9	114338GT	DECAL,SYM-TIP-OVR,TILT ALARM	1
10	137605GT	DECAL,E-STOP,GR/GRC/GS PCON	1
11	137656GT	DECAL,PROPEL,GR/GRC/GS,PCON	1
12	228938GT	DECAL,SYM,MAXCAP CE,GS2046	1
		to SN GS46P-142737	
13	1256702GT	DECAL, UI, GS/GR, PROP LIFT	1
14	1257923GT	DECAL, SMARTLINK PROPORTIONAL	2
15	1263646GT	DECAL,QR CODE,PARTS&SERVICE MANUAL	1

Go to Discount-Equipment.com to order your parts



Platform, CE models



116.2 Symbol Decals, GS-2046, Platform, CE

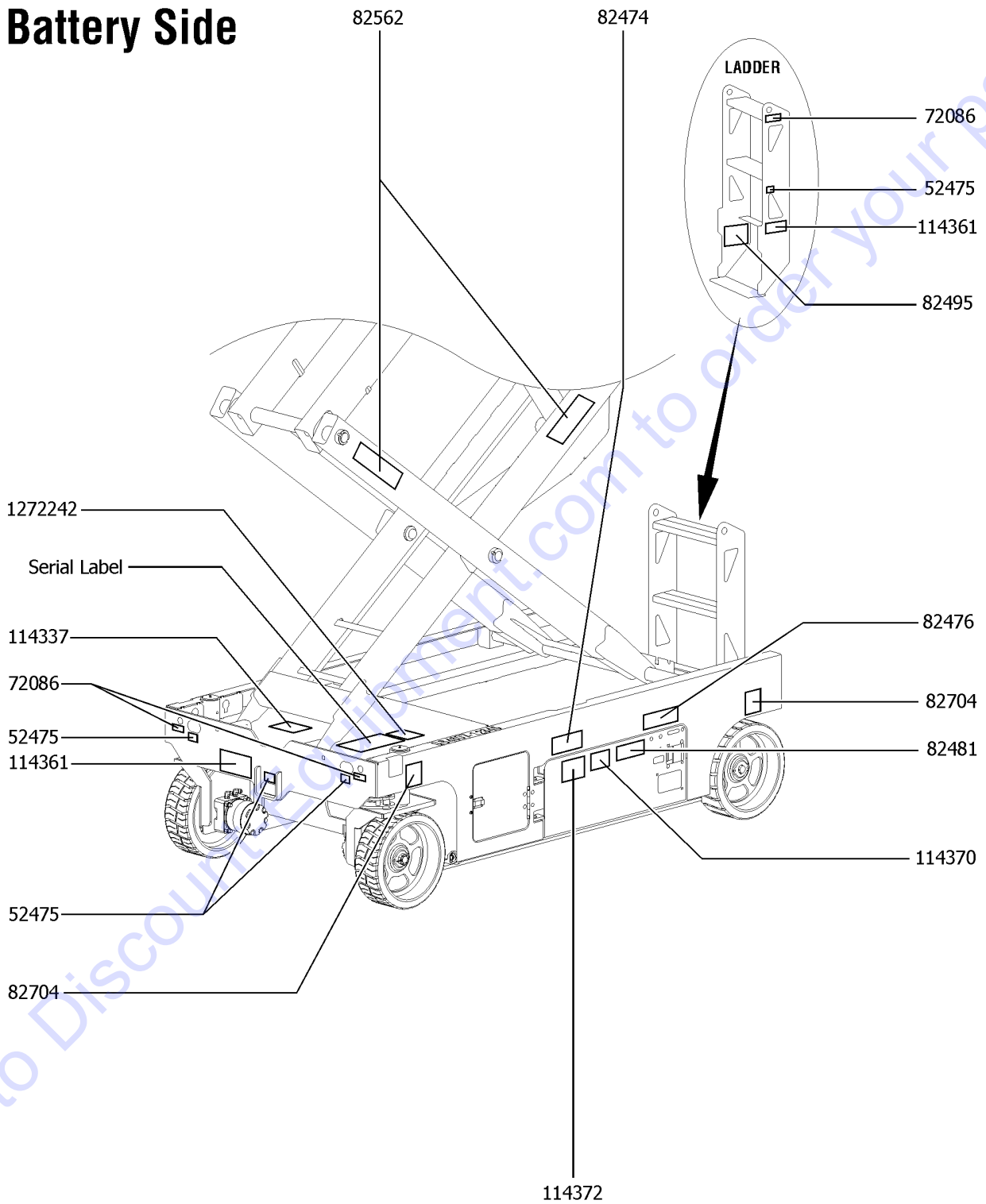
Item	Part No.	Description	Qty.
1	28174GT	DECAL,POWER TO PLATFORM 230V	1
2	28235GT	DECAL,POWER TO PLATFORM 115V	1
3	40434GT	DECAL,LANYARD ANCHORAGE POINT	5
4	43618GT	DECAL,LABEL-DIRECTION ARROWS	2
5	44981GT	DECAL,LABEL,AIRLINE 110 PSI	1
		(Option)	
6	62056GT	DECAL,COSMETIC,GENIE GS-2046**	2
7	82487GT	DECAL,SYMBOL-READ THE MANUAL	1
8	82905GT	DECAL,SYM-SIDEFORCE 400N	1
9	114338GT	DECAL,SYM-TIP-OVR,TILT ALARM	1
10	137605GT	DECAL,E-STOP,GR/GRC/GS PCON	1
11	137656GT	DECAL,PROPEL,GR/GRC/GS,PCON	1
12	228938GT	DECAL,SYM,MAXCAP CE,GS2046	1
		to SN GS46P-142737	
13	1256702GT	DECAL, UI, GS/GR, PROP LIFT	1
14	1257923GT	DECAL, SMARTLINK PROPORTIONAL	2
15	1263646GT	DECAL,QR CODE,PARTS&SERVICE MANUAL	1
16	1278008GT	DECAL, SYMBOL, CE, MAXIMUM CAPACITY, 544KG	1
		from SN GS46P-142738	

Go to Discount-Equipment.com to order your parts



117.1 Symbol Decals, GS-2646, Battery Side, ANSI & CE

Battery Side



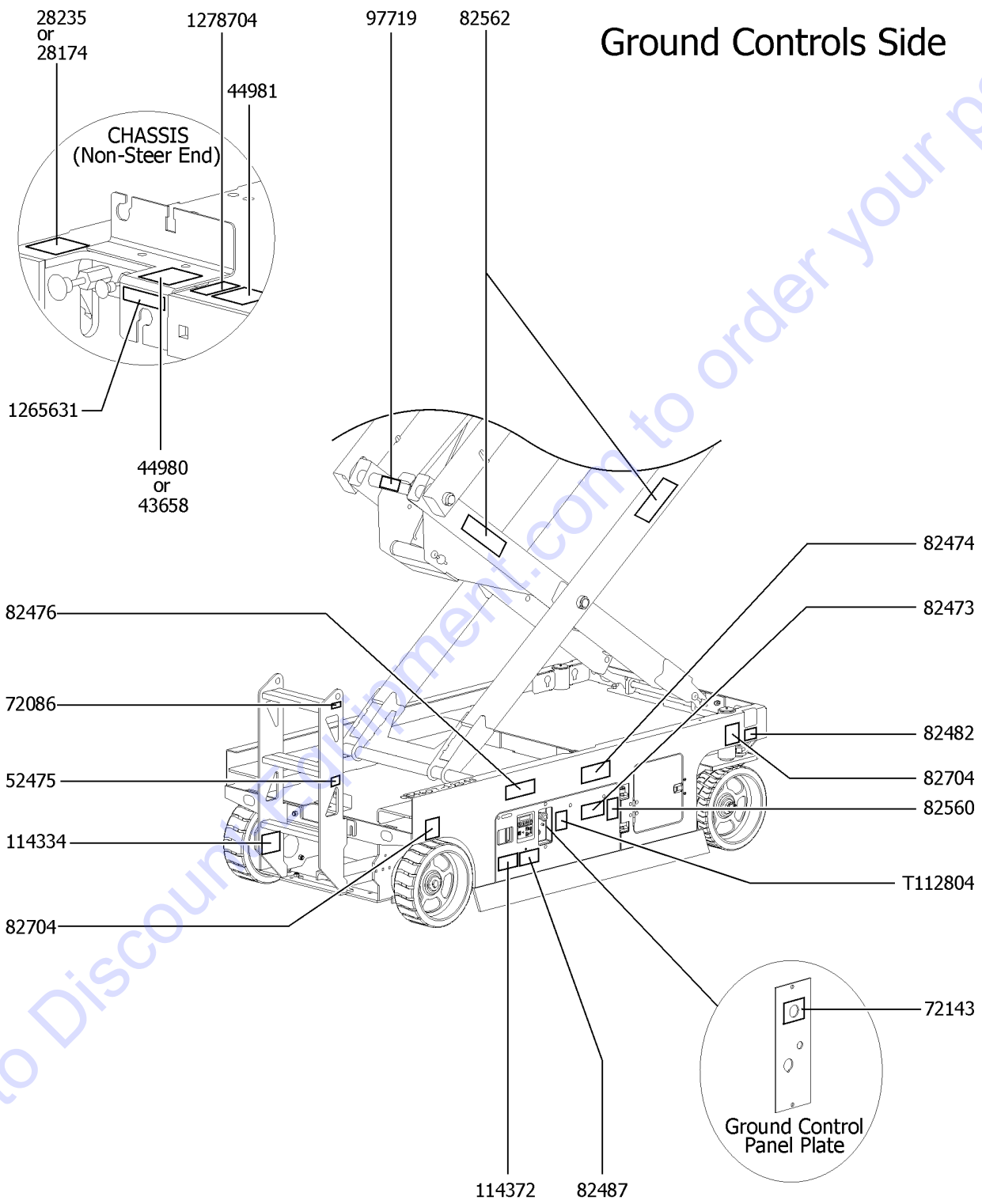
117.1 Symbol Decals, GS-2646, Battery Side, ANSI & CE

Item	Part No.	Description	Qty.
1	52475GT	DECAL,LABEL,TRANSPORT TIEDOWN*	4
2	72086GT	DECAL,LABEL,LIFTING EYE	3
3	82474GT	DECAL,SYMBOL-USE SAFETY ARM	1
4	82476GT	DECAL,SYMBOL-ELEC HAZARD,GS	1
5	82481GT	DECAL,SYMBOL-BATTERY SAFETY	1
6	82495GT	DECAL,SYMBOL-BRAKE REL SAFETY	1
7	82562GT	DECAL,SYMBOL-CRUSHING HAZARD	2
8	82704GT	DECAL,LABEL,WHEEL LOAD 2646	2
9	114337GT	DECAL,SYM-TIP-OVR,LIM SWITCH	1
10	114361GT	DECAL,LABEL-TRANSPORT DIGRAM	2
11	114370GT	DECAL-SYM-TIP-OVR,BATTRIES	1
12	114372GT	DECAL,SYM-TIP-OVER,TRAYS	1
13	1272242GT	DECAL,MACHINE REGISTRATION/OWN	1

Go to Discount-Equipment.com to order your parts



118.1 Symbol Decals, GS-2646, Ground Control Side, ANSI and CE

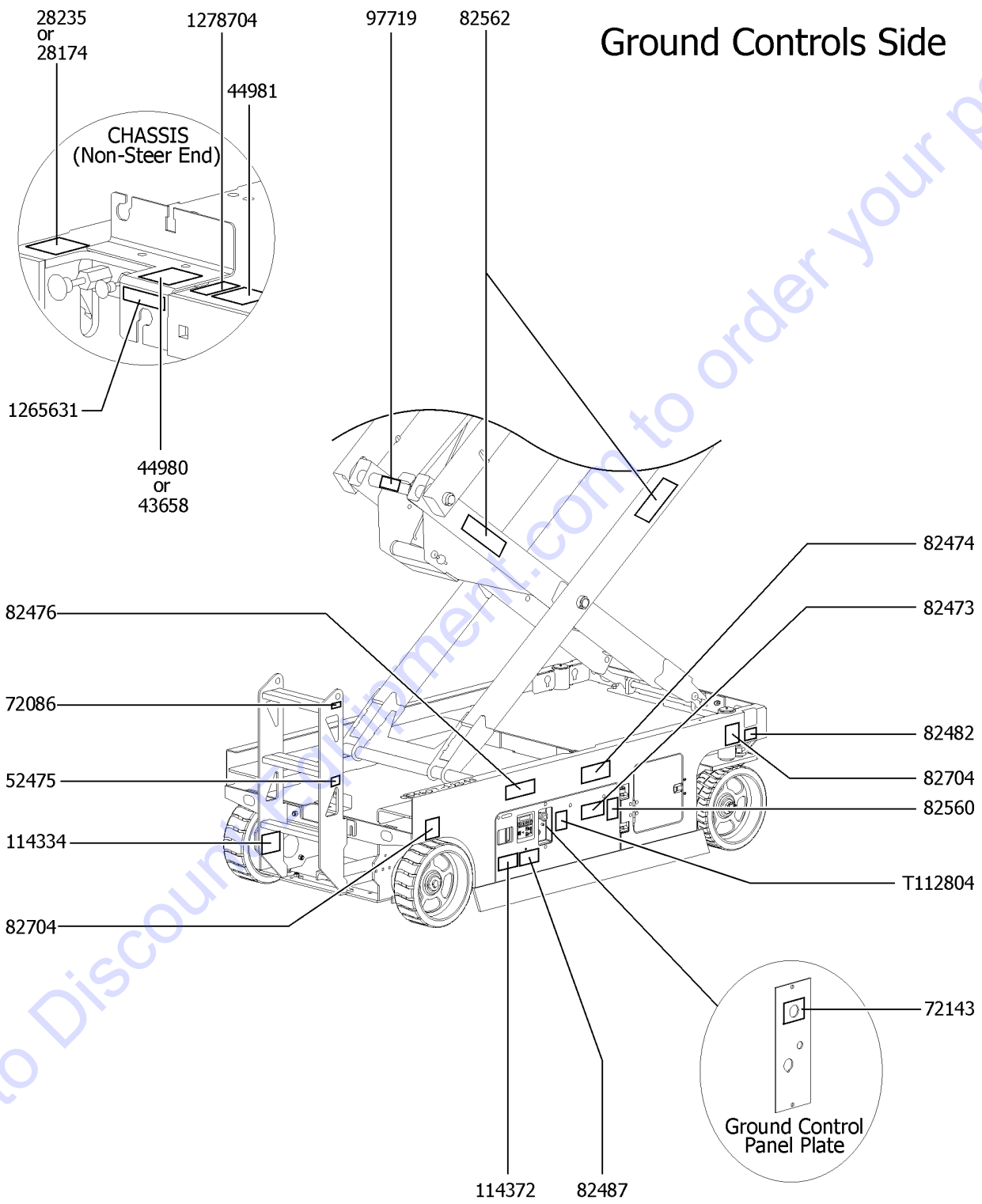


118.1 Symbol Decals, GS-2646, Ground Control Side, ANSI and CE

Item	Part No.	Description	Qty.
1	28174GT	DECAL,POWER TO PLATFORM 230V	1
2	28235GT	DECAL,POWER TO PLATFORM 115V	1
3	43658GT	DECAL,LABEL,PWR TO CHARGR 230V	1
4	44980GT	DECAL,LABEL,PWR TO CHARGR 115V	1
5	44981GT	DECAL,LABEL,AIRLINE 110 PSI (Option)	1
6	52475GT	DECAL,LABEL,TRANSPORT TIEDOWN*	1
7	72086GT	DECAL,LABEL,LIFTING EYE	1
8	72143GT	DECAL,EMERGENCY STOP,GR	1
9	82473GT	DECAL SYMBOL COMP ACCESS	1
10	82474GT	DECAL,SYMBOL-USE SAFETY ARM	1
11	82476GT	DECAL,SYMBOL-ELEC HAZARD,GS	1
12	82482GT	DECAL, LABEL,AUX LOWERING	1
13	82487GT	DECAL,SYMBOL-READ THE MANUAL	1
14	82560GT	DECAL,SYMBOL-SKIN INJECT HAZRD	1
15	82562GT	DECAL,SYMBOL-CRUSHING HAZARD	2
16	82704GT	DECAL,LABEL,WHEEL LOAD 2646	2
17	97719GT	DECAL, LABEL, SAFETY ARM SYMB	1
18	114334GT	DECAL,SYM-ELEC HAZARD,PLUG	1
19	114372GT	DECAL,SYM-TIP-OVER,TRAYS	1
20	T112804GT	DECAL,GCON PANEL,GS	1
21	1265361GT	DECAL, BATTERY CHARGER INDICAT (ANSI models to SN 145047) (AUS models from SN 139711)	1



118.2 Symbol Decals, GS-2646, Ground Control Side, ANSI and CE

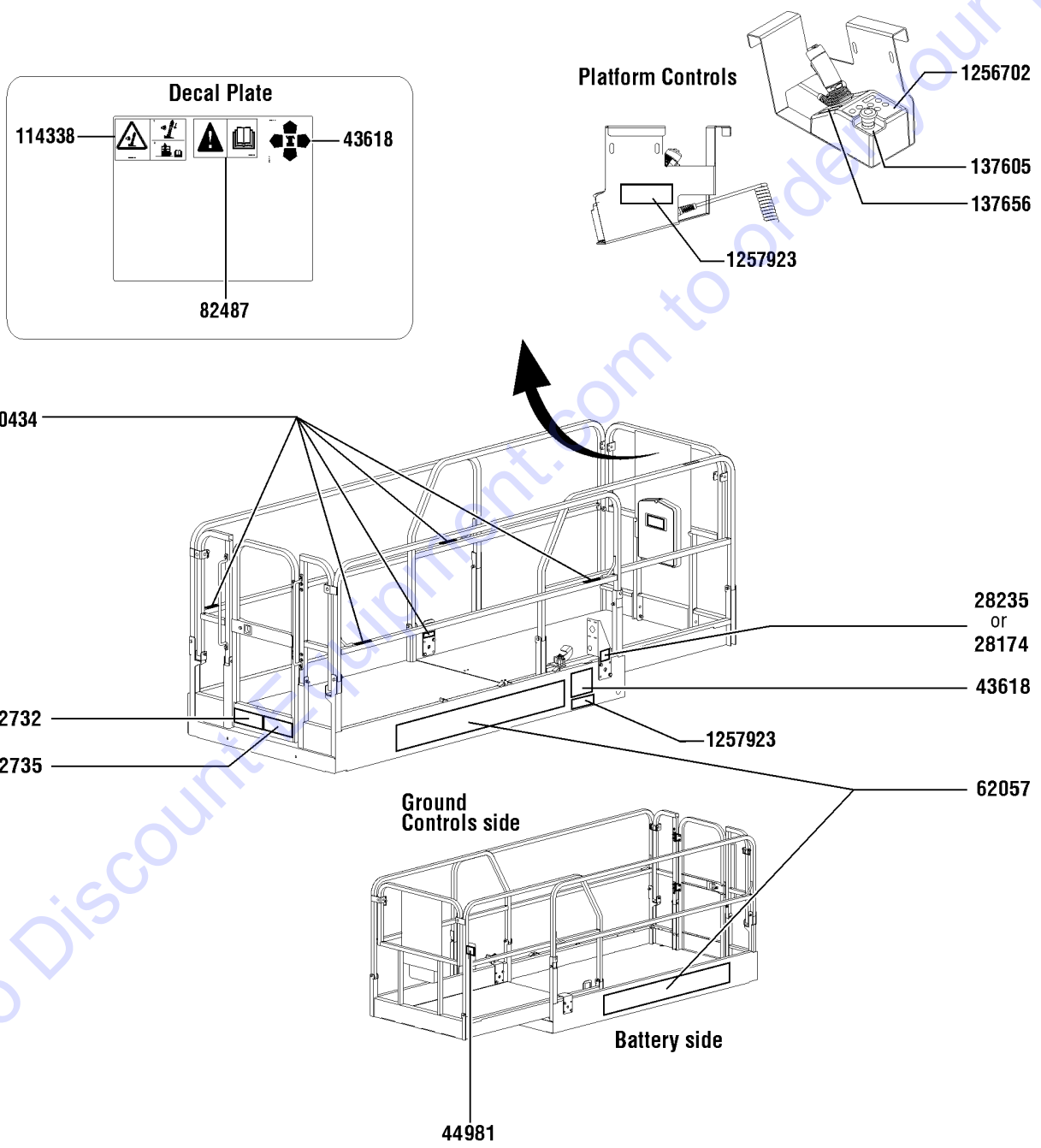


118.2 Symbol Decals, GS-2646, Ground Control Side, ANSI and CE

Item	Part No.	Description	Qty.
1	28174GT	DECAL,POWER TO PLATFORM 230V	1
2	28235GT	DECAL,POWER TO PLATFORM 115V	1
3	43658GT	DECAL,LABEL,PWR TO CHARGR 230V	1
4	44980GT	DECAL,LABEL,PWR TO CHARGR 115V	1
5	44981GT	DECAL,LABEL,AIRLINE 110 PSI	1
		(Option)	
6	52475GT	DECAL,LABEL,TRANSPORT TIEDOWN*	1
7	72086GT	DECAL,LABEL,LIFTING EYE	1
8	72143GT	DECAL,EMERGENCY STOP,GR	1
9	82473GT	DECAL SYMBOL COMP ACCESS	1
10	82474GT	DECAL,SYMBOL-USE SAFETY ARM	1
11	82476GT	DECAL,SYMBOL-ELEC HAZARD,GS	1
12	82482GT	DECAL, LABEL,AUX LOWERING	1
13	82487GT	DECAL,SYMBOL-READ THE MANUAL	1
14	82560GT	DECAL,SYMBOL-SKIN INJECT HAZRD	1
15	82562GT	DECAL,SYMBOL-CRUSHING HAZARD	2
16	82704GT	DECAL,LABEL,WHEEL LOAD 2646	2
17	97719GT	DECAL, LABEL, SAFETY ARM SYMB	1
18	114334GT	DECAL,SYM-ELEC HAZARD,PLUG	1
19	114372GT	DECAL,SYM-TIP-OVER,TRAYS	1
20	T112804GT	DECAL,GCON PANEL,GS	1
21	1265361GT	DECAL, BATTERY CHARGER INDICAT	1
		(ANSI models to SN 145047) (AUS models from SN 139711)	
22	1278704GT	DECAL,CHARGE STATUS IND.	1
		(from SN 145048)	



Platform, ANSI models



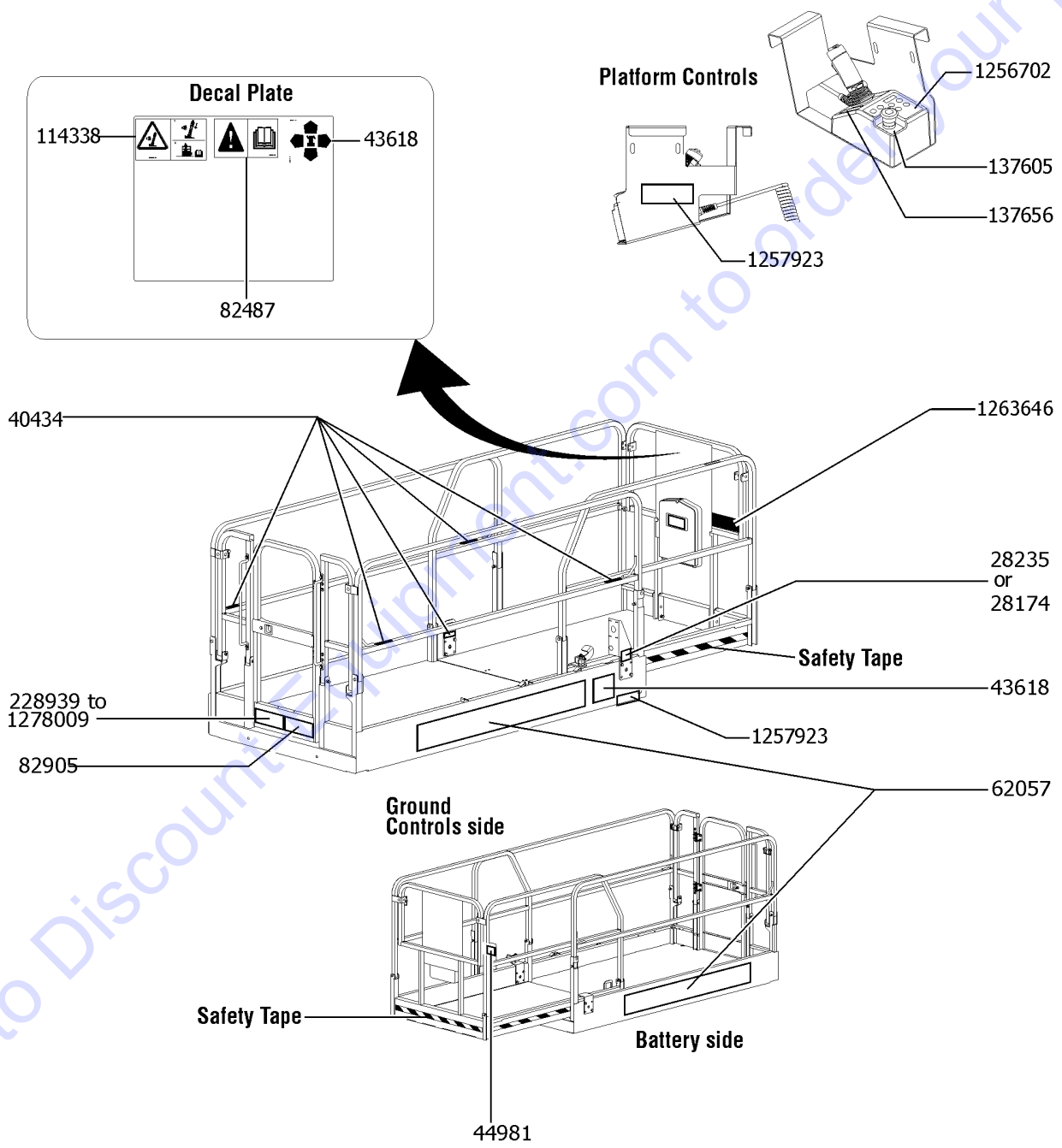
119.1 Symbol Decals, GS-2646, Platform, ANSI

Item	Part No.	Description	Qty.
1	28174GT	DECAL,POWER TO PLATFORM 230V	1
2	28235GT	DECAL,POWER TO PLATFORM 115V	1
3	40434GT	DECAL,LANYARD ANCHORAGE POINT	5
4	43618GT	DECAL,LABEL-DIRECTION ARROWS	2
5	44981GT	DECAL,LABEL,AIRLINE 110 PSI	1
		(Option)	
6	62057GT	DECAL,COSMETIC,GENIE GS-2646	2
7	82487GT	DECAL,SYMBOL-READ THE MANUAL	1
8	82732GT	DECAL,SYM-MAXCAP 1000	1
9	82735GT	DECAL,SYM-SIDE FORCE 2646	1
10	114338GT	DECAL,SYM-TIP-OVR,TILT ALARM	1
11	137605GT	DECAL,E-STOP,GR/GRC/GS PCON	1
13	137656GT	DECAL,PROPEL,GR/GRC/GS,PCON	1
14	1256702GT	DECAL, UI, GS/GR, PROP LIFT	1
16	1257923GT	DECAL, SMARTLINK PROPORTIONAL	2

Go to Discount-Equipment.com to order your parts



Platform, CE models



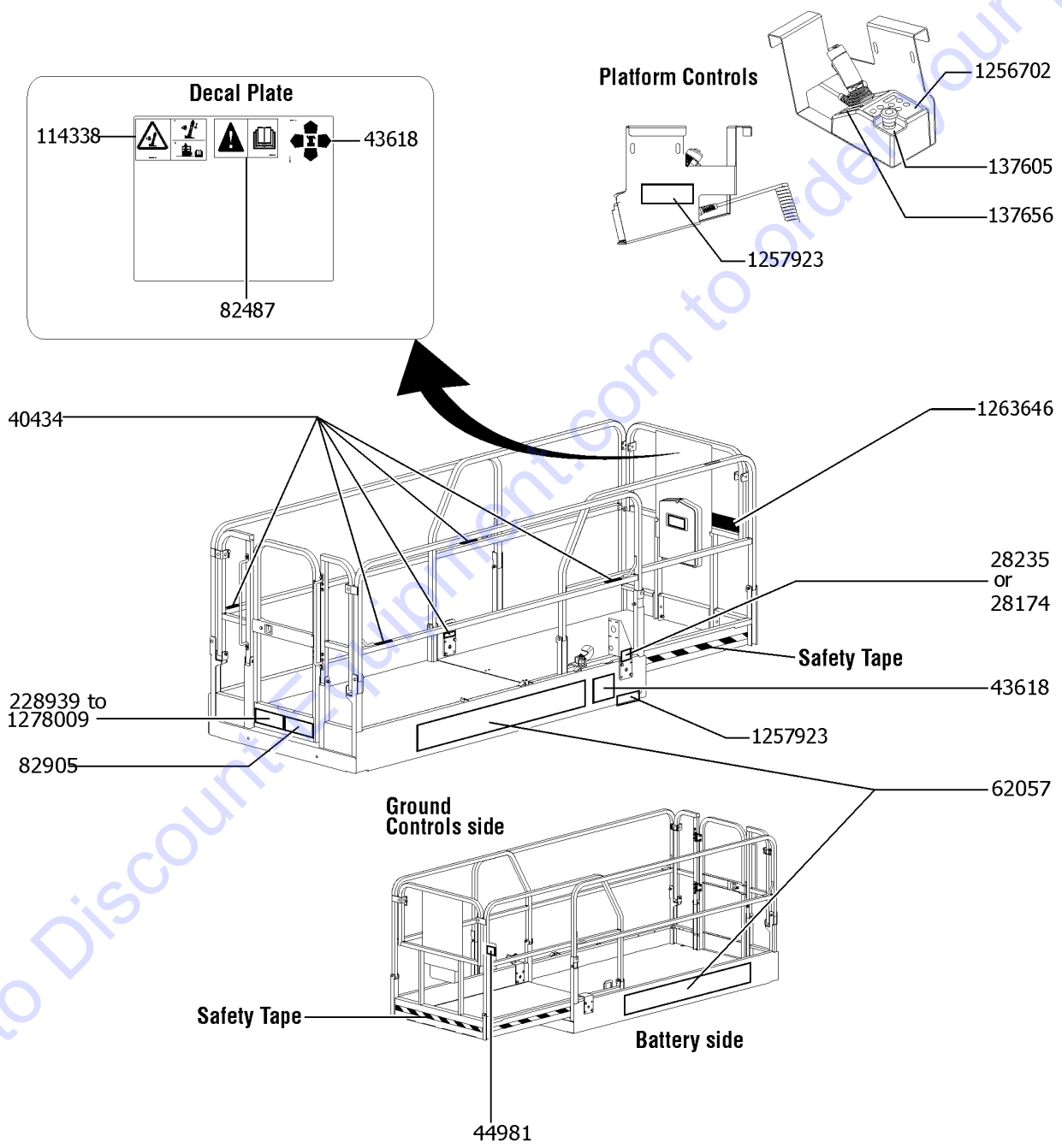
120.1 Symbol Decals, GS-2646, Platform, CE

Item	Part No.	Description	Qty.
1	28174GT	DECAL,POWER TO PLATFORM 230V	1
2	28235GT	DECAL,POWER TO PLATFORM 115V	1
3	40434GT	DECAL,LANYARD ANCHORAGE POINT	5
4	43618GT	DECAL,LABEL-DIRECTION ARROWS	2
5	44981GT	DECAL,LABEL,AIRLINE 110 PSI	1
		(Option)	
6	62057GT	DECAL,COSMETIC,GENIE GS-2646	2
7	82487GT	DECAL,SYMBOL-READ THE MANUAL	1
8	82905GT	DECAL,SYM-SIDEFORCE 400N	1
9	114338GT	DECAL,SYM-TIP-OVR,TILT ALARM	1
10	137605GT	DECAL,E-STOP,GR/GRC/GS PCON	1
11	137656GT	DECAL,PROPEL,GR/GRC/GS,PCON	1
12	228939GT	DECAL,SYM,MAX CAP,CE,GS2646	1
		to SN GS46P-142737	
13	1256702GT	DECAL, UI, GS/GR, PROP LIFT	1
14	1257923GT	DECAL, SMARTLINK PROPORTIONAL	2
15	1263646GT	DECAL,QR CODE,PARTS&SERVICE MANUAL	1

Go to Discount-Equipment.com to order your parts



Platform, CE models



120.2 Symbol Decals, GS-2646, Platform, CE

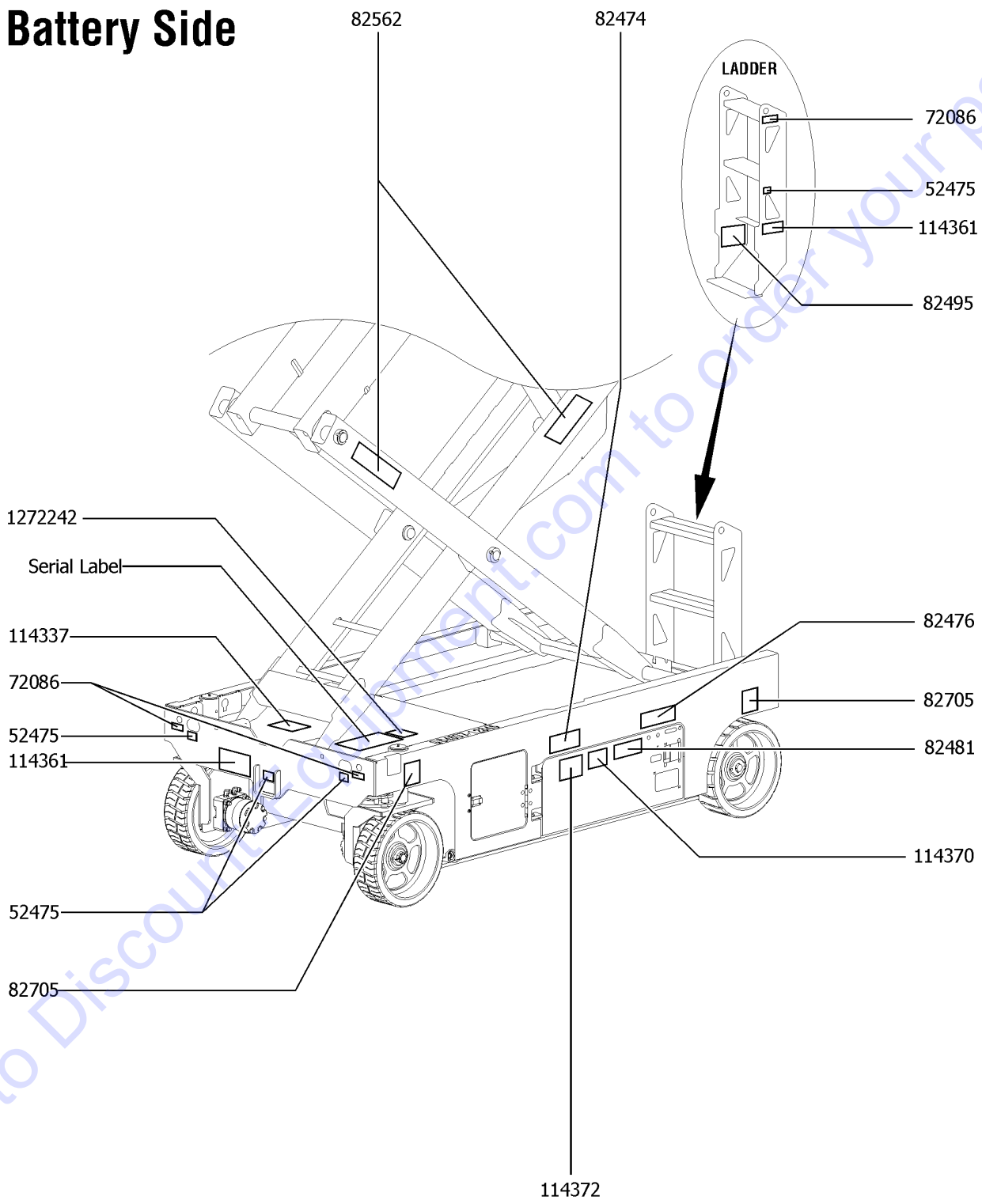
Item	Part No.	Description	Qty.
1	28174GT	DECAL,POWER TO PLATFORM 230V	1
2	28235GT	DECAL,POWER TO PLATFORM 115V	1
3	40434GT	DECAL,LANYARD ANCHORAGE POINT	5
4	43618GT	DECAL,LABEL-DIRECTION ARROWS	2
5	44981GT	DECAL,LABEL,AIRLINE 110 PSI	1
		(Option)	
6	62057GT	DECAL,COSMETIC,GENIE GS-2646	2
7	82487GT	DECAL,SYMBOL-READ THE MANUAL	1
8	82905GT	DECAL,SYM-SIDEFORCE 400N	1
9	114338GT	DECAL,SYM-TIP-OVR,TILT ALARM	1
10	137605GT	DECAL,E-STOP,GR/GRC/GS PCON	1
11	137656GT	DECAL,PROPEL,GR/GRC/GS,PCON	1
12	228939GT	DECAL,SYM,MAX CAP,CE,GS2646	1
		to SN GS46P-142737	
13	1256702GT	DECAL, UI, GS/GR, PROP LIFT	1
14	1257923GT	DECAL, SMARTLINK PROPORTIONAL	2
15	1263646GT	DECAL,QR CODE,PARTS&SERVICE MANUAL	1
16	1278009GT	DECAL, SYMBOL, CE, MAXIMUM CAPACITY, 454KG	1
		from SN GS46P-142738	

Go to Discount-Equipment.com to order your parts



121.1 Symbol Decals, GS-3246, Battery Side, ANSI & CE

Battery Side



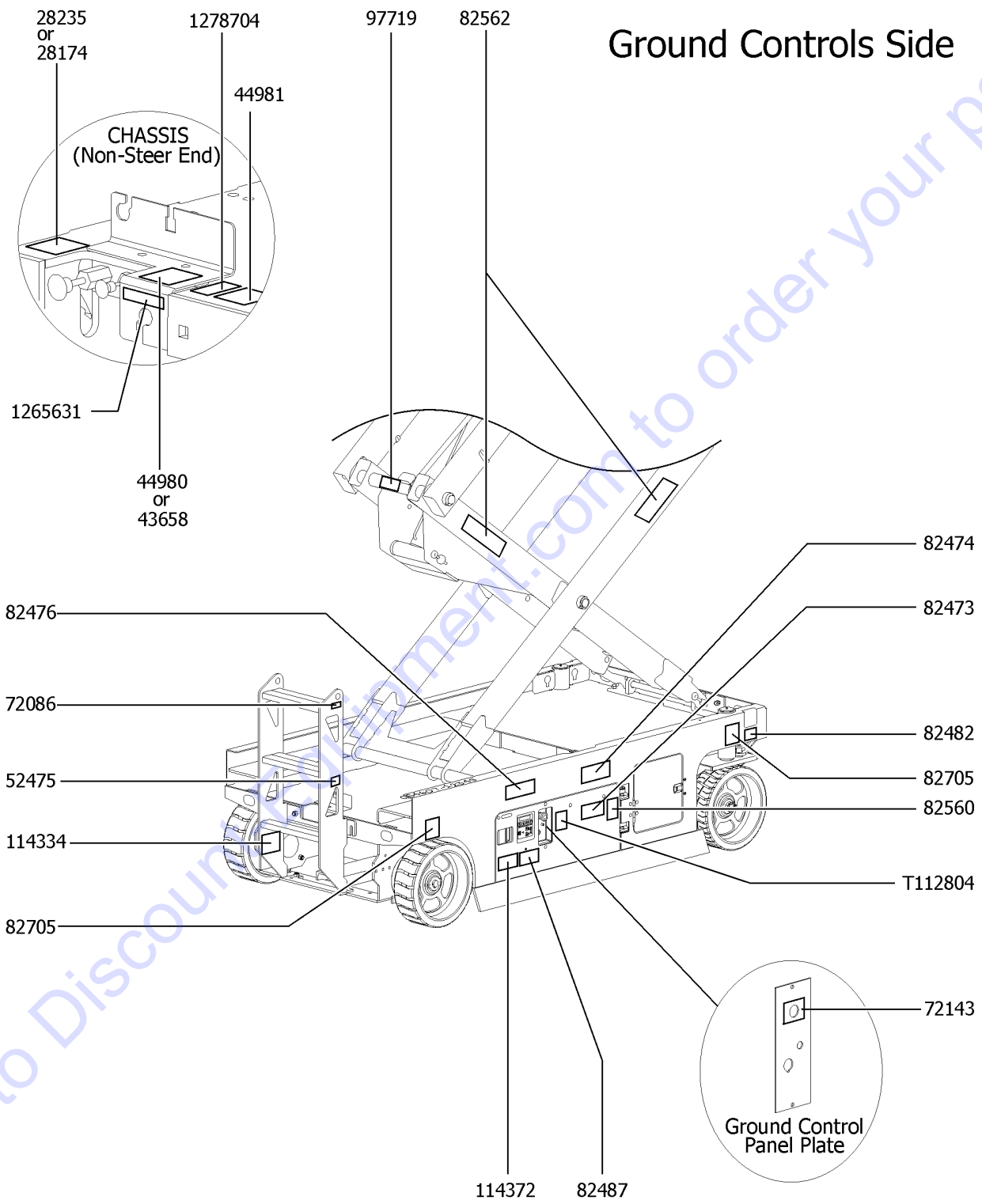
121.1 Symbol Decals, GS-3246, Battery Side, ANSI & CE

Item	Part No.	Description	Qty.
1	52475GT	DECAL,LABEL,TRANSPORT TIEDOWN*	4
2	72086GT	DECAL,LABEL,LIFTING EYE	3
3	82474GT	DECAL,SYMBOL-USE SAFETY ARM	1
4	82476GT	DECAL,SYMBOL-ELEC HAZARD,GS	1
5	82481GT	DECAL,SYMBOL-BATTERY SAFETY	1
6	82495GT	DECAL,SYMBOL-BRAKE REL SAFETY	1
7	82562GT	DECAL,SYMBOL-CRUSHING HAZARD	2
8	82705GT	DECAL,LABEL,WHEEL LOAD 3246	2
9	114337GT	DECAL,SYM-TIP-OVR,LIM SWITCH	1
10	114361GT	DECAL,LABEL-TRANSPORT DIGRAM	2
11	114370GT	DECAL-SYM-TIP-OVR,BATTRIES	1
12	114372GT	DECAL,SYM-TIP-OVER,TRAYS	1
13	1272242GT	DECAL,MACHINE REGISTRATION/OWN	1

Go to Discount-Equipment.com to order your parts



122.1 Symbol Decals, GS-3246, Ground Control Side, ANSI and CE

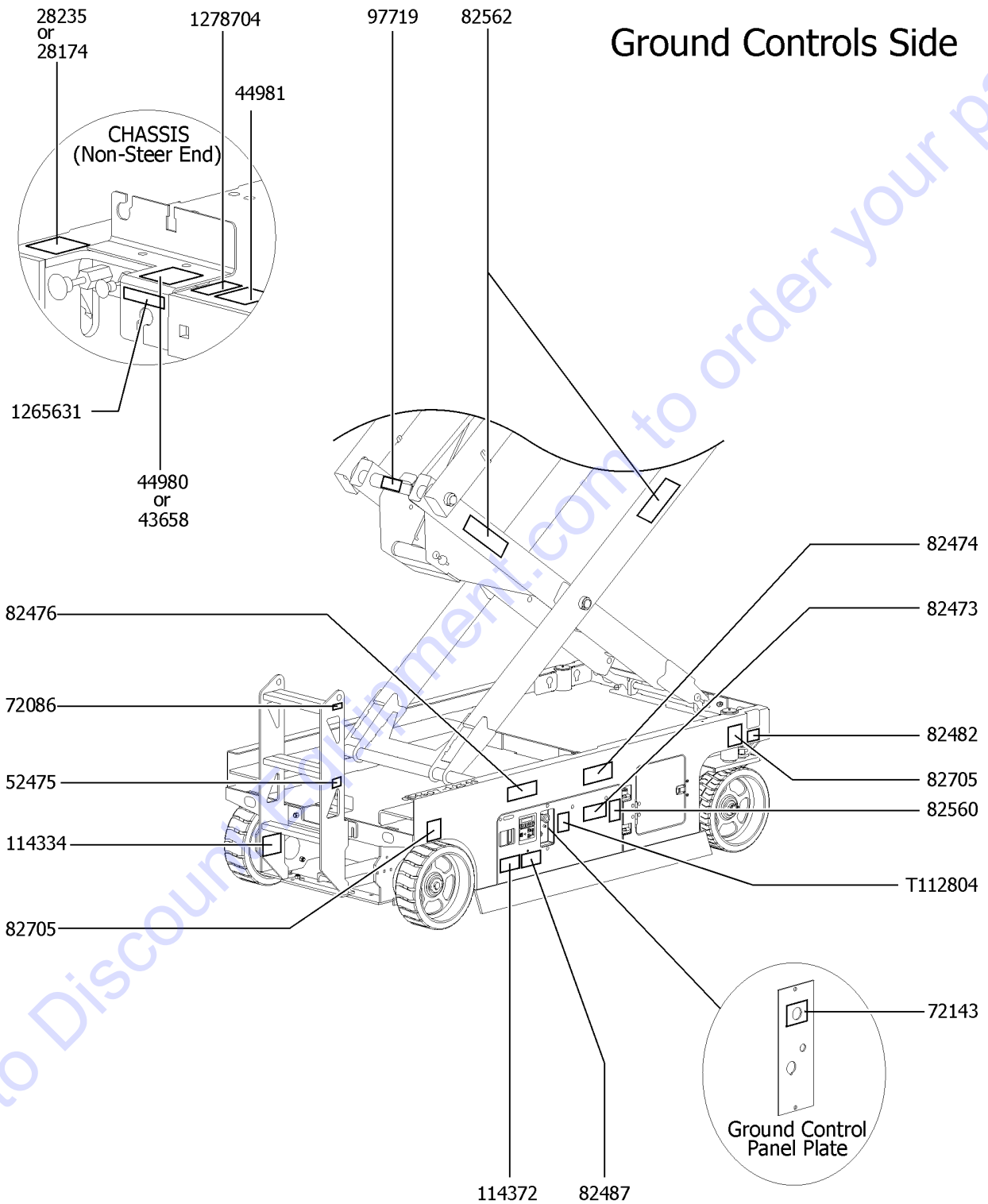


122.1 Symbol Decals, GS-3246, Ground Control Side, ANSI and CE

Item	Part No.	Description	Qty.
1	28174GT	DECAL,POWER TO PLATFORM 230V	1
2	28235GT	DECAL,POWER TO PLATFORM 115V	1
3	43658GT	DECAL,LABEL,PWR TO CHARGR 230V	1
4	44980GT	DECAL,LABEL,PWR TO CHARGR 115V	1
5	44981GT	DECAL,LABEL,AIRLINE 110 PSI (Option)	1
6	52475GT	DECAL,LABEL,TRANSPORT TIEDOWN*	1
7	72086GT	DECAL,LABEL,LIFTING EYE	1
8	72143GT	DECAL,EMERGENCY STOP,GR	1
9	82473GT	DECAL SYMBOL COMP ACCESS	1
10	82474GT	DECAL,SYMBOL-USE SAFETY ARM	1
11	82476GT	DECAL,SYMBOL-ELEC HAZARD,GS	1
12	82482GT	DECAL, LABEL,AUX LOWERING	1
13	82487GT	DECAL,SYMBOL-READ THE MANUAL	1
14	82560GT	DECAL,SYMBOL-SKIN INJECT HAZRD	1
15	82562GT	DECAL,SYMBOL-CRUSHING HAZARD	2
16	82705GT	DECAL,LABEL,WHEEL LOAD 3246	2
17	97719GT	DECAL, LABEL, SAFETY ARM SYMB	1
18	114334GT	DECAL,SYM-ELEC HAZARD,PLUG	1
19	114372GT	DECAL,SYM-TIP-OVER,TRAYS	1
20	T112804GT	DECAL,GCON PANEL,GS	1
21	1265361GT	DECAL, BATTERY CHARGER INDICAT (ANSI models to SN 145047) (AUS models from SN 139711)	1



122.2 Symbol Decals, GS-3246, Ground Control Side, ANSI and CE

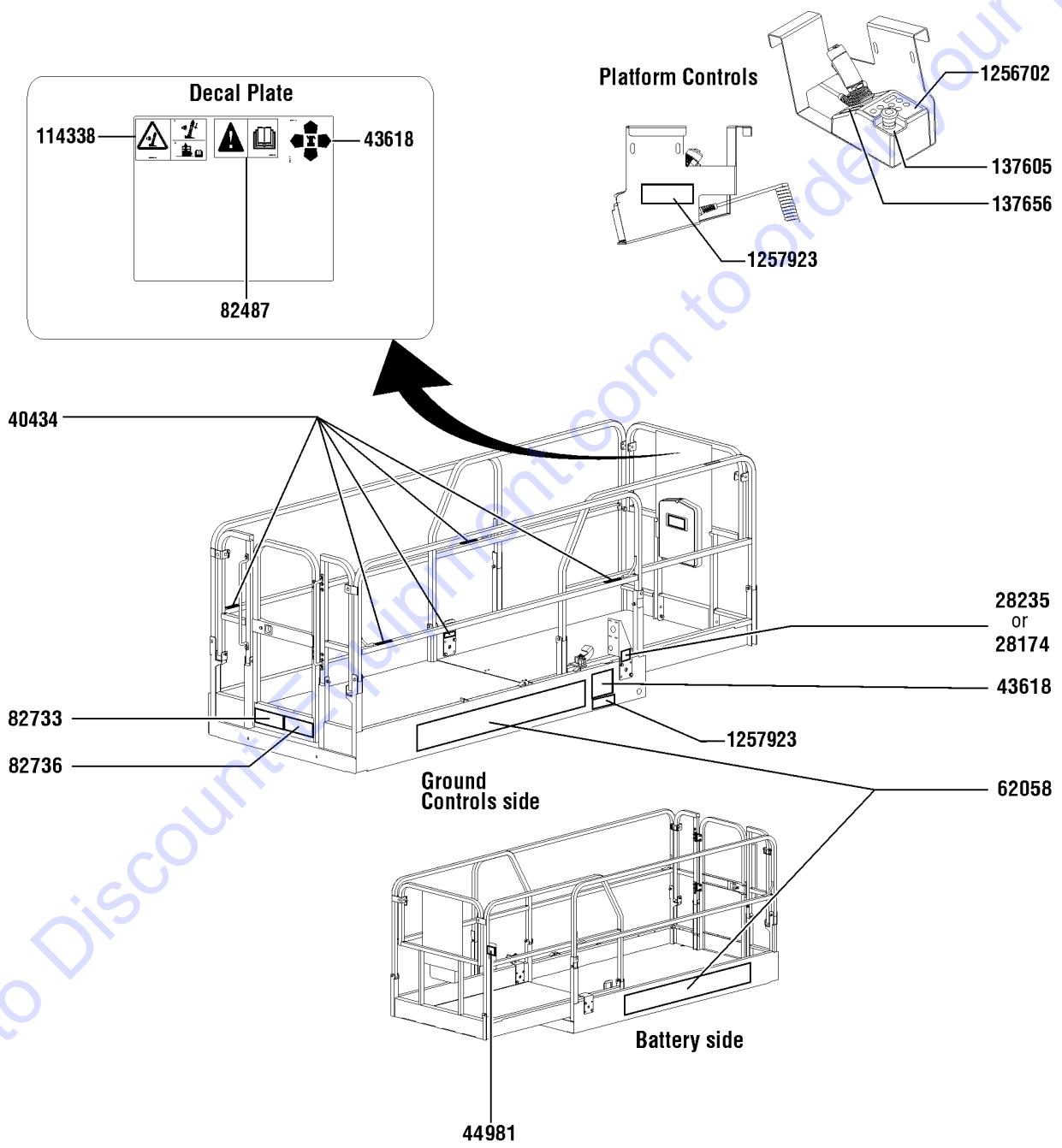


122.2 Symbol Decals, GS-3246, Ground Control Side, ANSI and CE

Item	Part No.	Description	Qty.
1	28174GT	DECAL,POWER TO PLATFORM 230V	1
2	28235GT	DECAL,POWER TO PLATFORM 115V	1
3	43658GT	DECAL,LABEL,PWR TO CHARGR 230V	1
4	44980GT	DECAL,LABEL,PWR TO CHARGR 115V	1
5	44981GT	DECAL,LABEL,AIRLINE 110 PSI	1
		(Option)	
6	52475GT	DECAL,LABEL,TRANSPORT TIEDOWN*	1
7	72086GT	DECAL,LABEL,LIFTING EYE	1
8	72143GT	DECAL,EMERGENCY STOP,GR	1
9	82473GT	DECAL SYMBOL COMP ACCESS	1
10	82474GT	DECAL,SYMBOL-USE SAFETY ARM	1
11	82476GT	DECAL,SYMBOL-ELEC HAZARD,GS	1
12	82482GT	DECAL, LABEL,AUX LOWERING	1
13	82487GT	DECAL,SYMBOL-READ THE MANUAL	1
14	82560GT	DECAL,SYMBOL-SKIN INJECT HAZRD	1
15	82562GT	DECAL,SYMBOL-CRUSHING HAZARD	2
16	82705GT	DECAL,LABEL,WHEEL LOAD 3246	2
17	97719GT	DECAL, LABEL, SAFETY ARM SYMB	1
18	114334GT	DECAL,SYM-ELEC HAZARD,PLUG	1
19	114372GT	DECAL,SYM-TIP-OVER,TRAYS	1
20	T112804GT	DECAL,GCON PANEL,GS	1
21	1265361GT	DECAL, BATTERY CHARGER INDICAT	1
		(ANSI models to SN 145047) (AUS models from SN 139711)	
22	1278704GT	DECAL,CHARGE STATUS IND.	1
		(from SN 145048)	



Platform, ANSI models



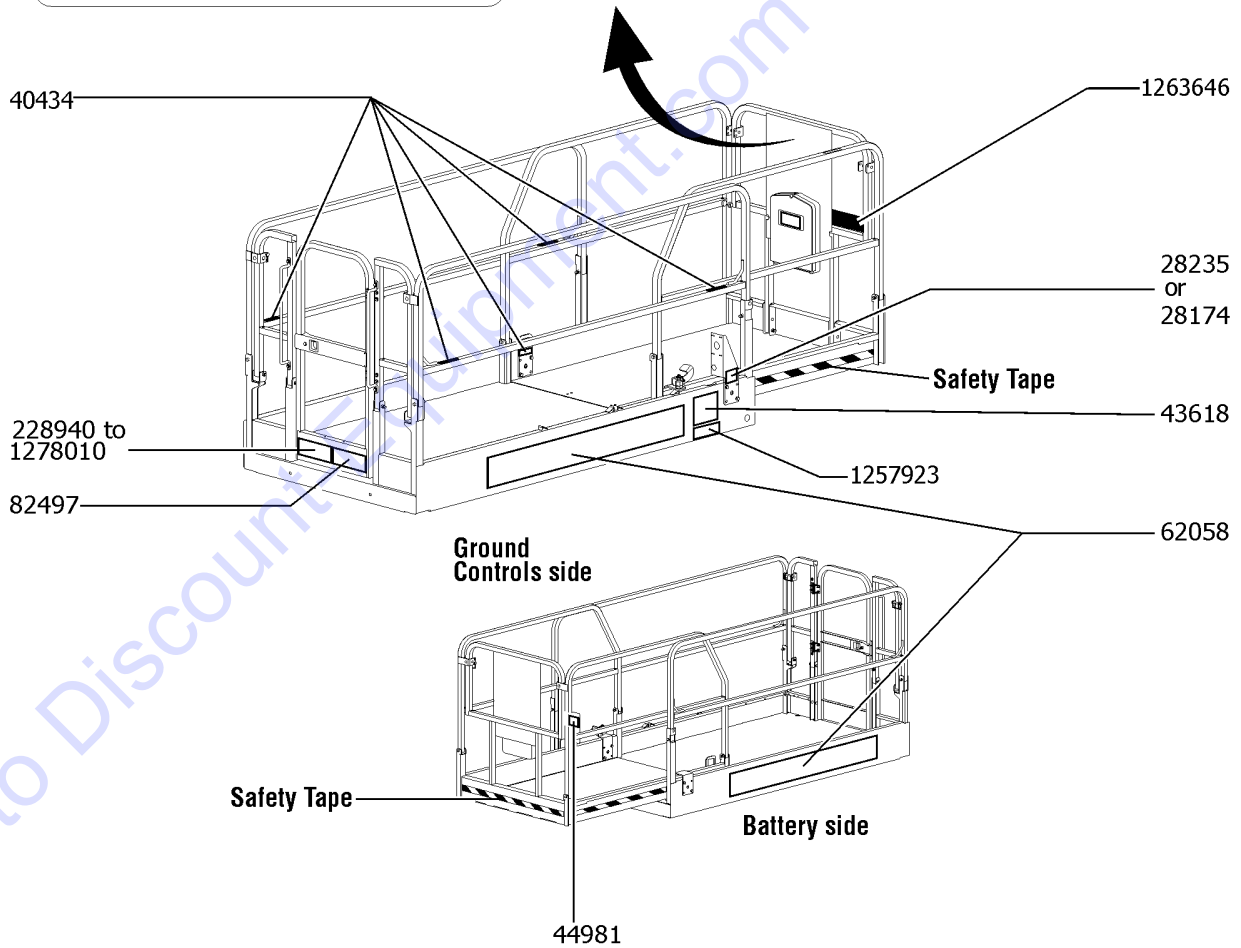
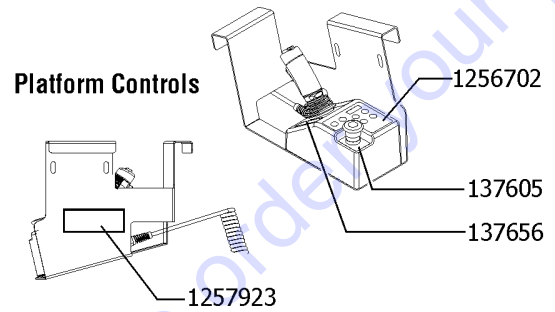
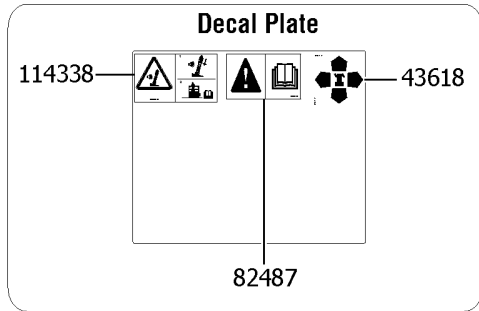
123.1 Symbol Decals, GS-3246, Platform, ANSI

Item	Part No.	Description	Qty.
1	28174GT	DECAL,POWER TO PLATFORM 230V	1
2	28235GT	DECAL,POWER TO PLATFORM 115V	1
3	40434GT	DECAL,LANYARD ANCHORAGE POINT	5
4	43618GT	DECAL,LABEL-DIRECTION ARROWS	2
5	44981GT	DECAL,LABEL,AIRLINE 110 PSI (Option)	1
6	62058GT	DECAL,COSMETIC,GENIE GS-3246	2
7	82487GT	DECAL,SYMBOL-READ THE MANUAL	1
8	82733GT	DECAL,SYM-MAXCAP 700	1
9	82736GT	DECAL,SYM-SIDE FORCE	1
10	114338GT	DECAL,SYM-TIP-OVR,TILT ALARM	1
11	137605GT	DECAL,E-STOP,GR/GRC/GS PCON	1
12	137656GT	DECAL,PROPEL,GR/GRC/GS,PCON	1
13	1256702GT	DECAL, UI, GS/GR, PROP LIFT	1
14	1257923GT	DECAL, SMARTLINK PROPORTIONAL	2

Go to Discount-Equipment.com to order your parts



Platform, CE models



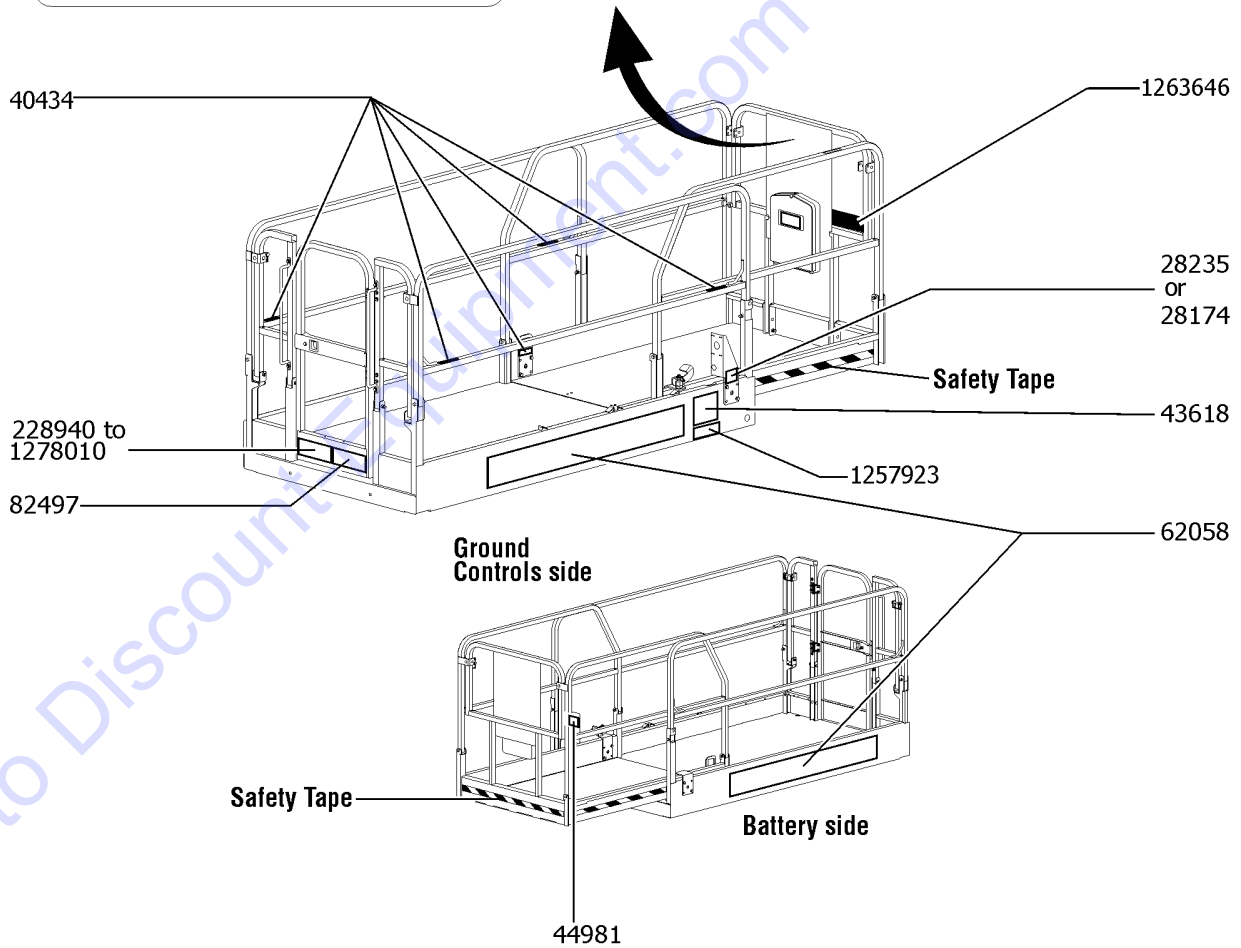
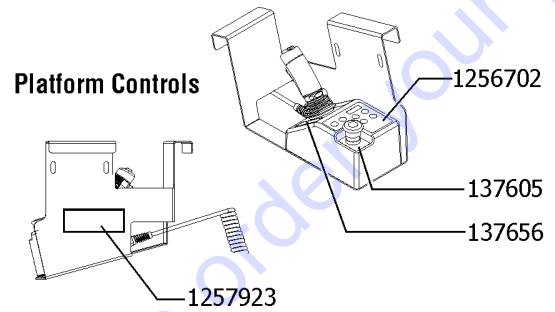
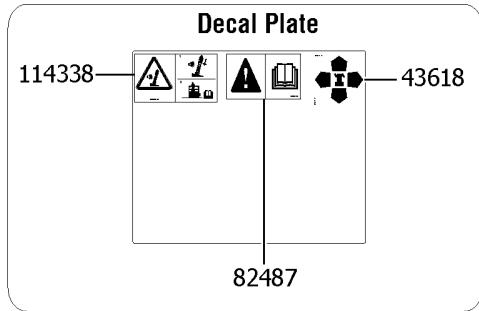
124.1 Symbol Decals, GS-3246, Platform, CE

Item	Part No.	Description	Qty.
1	28174GT	DECAL,POWER TO PLATFORM 230V	1
2	28235GT	DECAL,POWER TO PLATFORM 115V	1
3	40434GT	DECAL,LANYARD ANCHORAGE POINT	5
4	43618GT	DECAL,LABEL-DIRECTION ARROWS	2
5	44981GT	DECAL,LABEL,AIRLINE 110 PSI	1
		(Option)	
6	62058GT	DECAL,COSMETIC,GENIE GS-3246	2
7	82487GT	DECAL,SYMBOL-READ THE MANUAL	1
8	82497GT	DECAL,SYM-SIDEFORCE 200400	1
9	114338GT	DECAL,SYM-TIP-OVR,TILT ALARM	1
10	137605GT	DECAL,E-STOP,GR/GRC/GS PCON	1
11	137656GT	DECAL,PROPEL,GR/GRC/GS,PCON	1
12	228940GT	DECAL,SYM-MAX CAP CE GS3246	1
		to SN GS46P-142737	
13	1256702GT	DECAL, UI, GS/GR, PROP LIFT	1
14	1257923GT	DECAL, SMARTLINK PROPORTIONAL	2
15	1263646GT	DECAL,QR CODE,PARTS&SERVICE MANUAL	1

Go to Discount-Equipment.com to order your parts



Platform, CE models



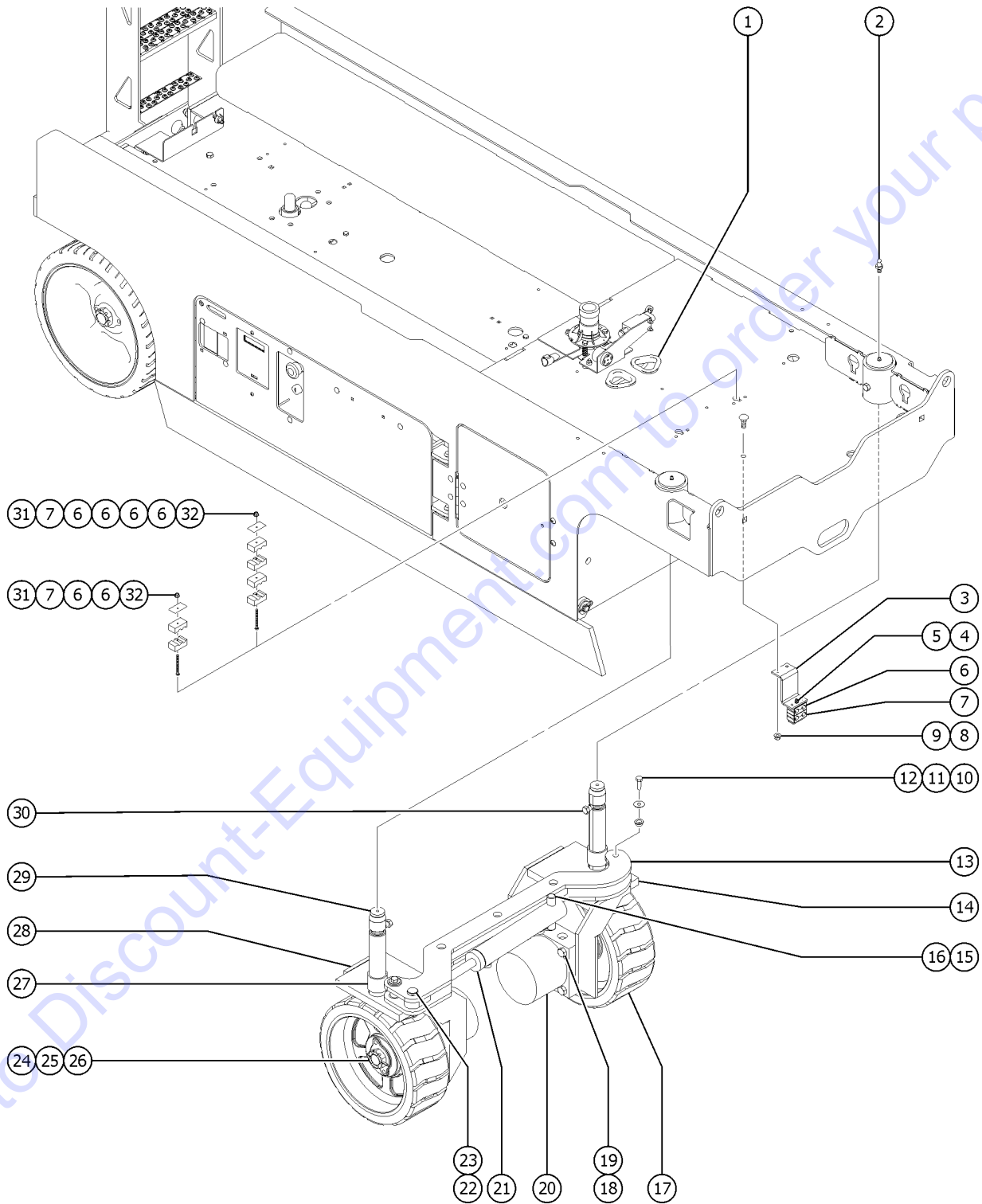
124.2 Symbol Decals, GS-3246, Platform, CE

Item	Part No.	Description	Qty.
1	28174GT	DECAL,POWER TO PLATFORM 230V	1
2	28235GT	DECAL,POWER TO PLATFORM 115V	1
3	40434GT	DECAL,LANYARD ANCHORAGE POINT	5
4	43618GT	DECAL,LABEL-DIRECTION ARROWS	2
5	44981GT	DECAL,LABEL,AIRLINE 110 PSI	1
		(Option)	
6	62058GT	DECAL,COSMETIC,GENIE GS-3246	2
7	82487GT	DECAL,SYMBOL-READ THE MANUAL	1
8	82497GT	DECAL,SYM-SIDEFORCE 200400	1
9	114338GT	DECAL,SYM-TIP-OVR,TILT ALARM	1
10	137605GT	DECAL,E-STOP,GR/GRC/GS PCON	1
11	137656GT	DECAL,PROPEL,GR/GRC/GS,PCON	1
12	228940GT	DECAL,SYM-MAX CAP CE GS3246	1
		to SN GS46P-142737	
13	1256702GT	DECAL, UI, GS/GR, PROP LIFT	1
14	1257923GT	DECAL, SMARTLINK PROPORTIONAL	2
15	1263646GT	DECAL,QR CODE,PARTS&SERVICE MANUAL	1
16	1278010GT	DECAL, SYMBOL, CE, MAXIMUM CAPACITY, 318KG	1
		from SN GS46P-142738	

Go to Discount-Equipment.com to order your parts



201.1 Steer Linkage and Wheels, GS-2046, GS-2646

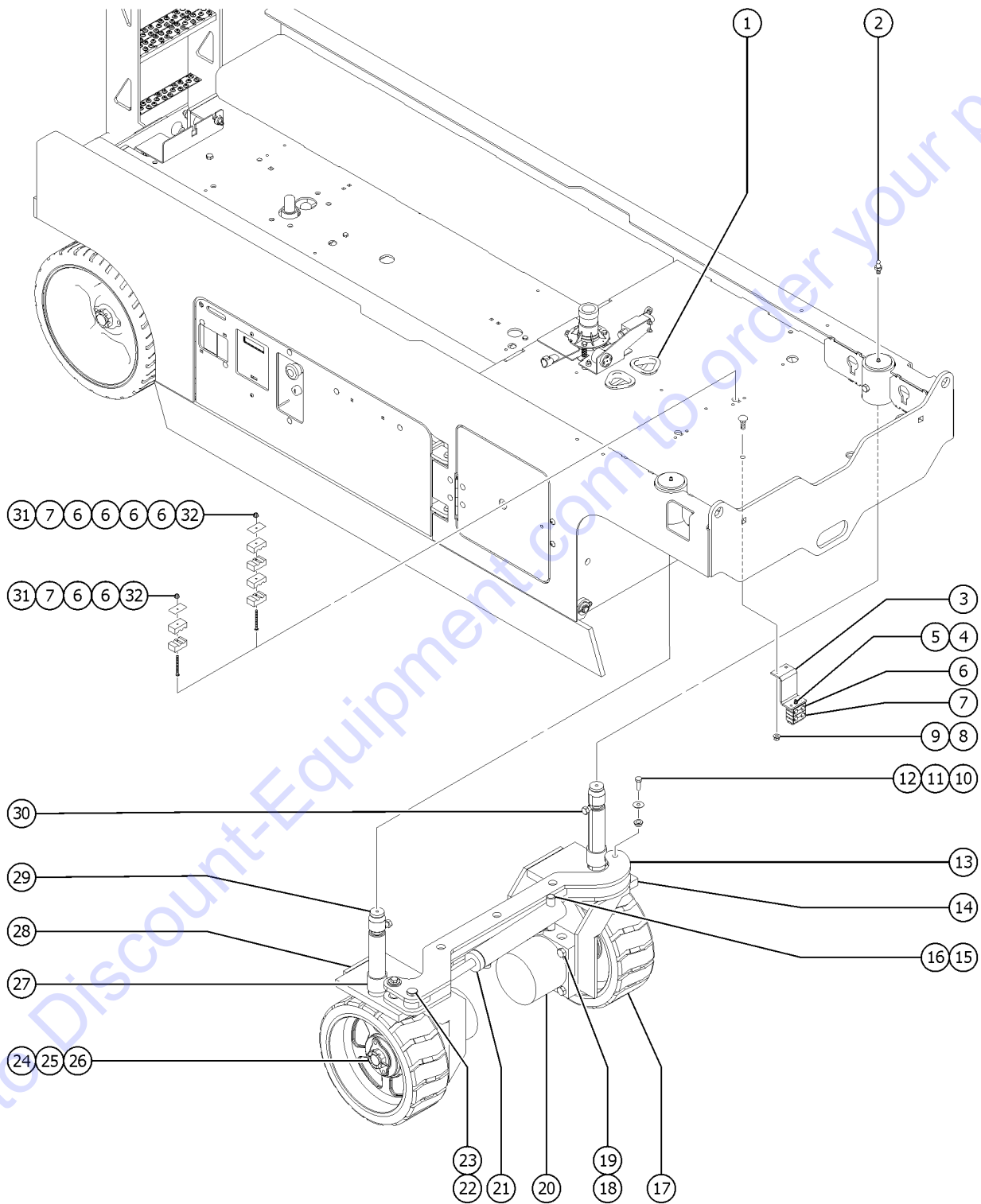


201.1 Steer Linkage and Wheels, GS-2046, GS-2646

Item	Part No.	Description	Qty.
1	47232GT	GROMMET,RUBBER 2 X 2.75	2
2	66770GT	FITTING,STRAIGHT DRIVE-IN ZERK	2
3	230364GT	FORMING,HOSE CLAMP SPT,PTD,BLU	1
4	824027GT	NUT,TL FLG,1/4-20,G,ZAG	
5	1256123GT	SCREW,HHC,1/4-20X3.25,8,ZAG	
6	78736GT	CLAMP,2 HOSE,PLASTIC,5/8	
		(as required)	
7	58592GT	PLATE,HOSE ROUTG,BULKHEAD(PTD)	
		(as required)	
8	824029GT	NUT,TL FLG,3/8-16,G,ZAG	2
9	1255757GT	BOLT,CARRIAGE,3/8-16X1.25,5,ZA	
10	1256109GT	SCREW,HHC,3/8-16X.75,8,ZAG	2
11	824120GT	WASHER,FLAT,..375X1.50X.125,ZAG	2
12	47946GT	BEARING,1.00IDX1.25ODX0.49L	2
13	97267GT	TIE ROD ASSY, GS46	1
13-	47946GT	BEARING,1.00IDX1.25ODX0.49L	4
13-	96574GT	WLDMT,TIE ROD,GS46	
		(does not include bearings)	
14	96573GT	WLDMT,STEER YOKE,LT,GS32/46	1
		(battery pack side)	
15	1259195GT	PIN,CLEVIS,3/4X3.25,ZAG	1
16	824128GT	RUE RING,3/4,ZAG	1
17	105454GT	WHEEL & TIRE ASSY LP,15"	2
18	1256287GT	SCREW,HHC,1/2-13X3.5,8,ZAG	8
19	1251997GT	NUT,TL FLG,1/2-13,G,ZAG	8
20		Ref. Drive Motor	
		(refer to 501.1)	
21		Ref. Steer Cylinder	
		(refer to 501.1)	
22	1259193GT	PIN,CLEVIS,3/4X2,ZAG	1
23	1259194GT	CLIP,HAIR PIN,.125X2,.5-.75,ZA	1
24	44780GT	NUT,CASTLE,1.125-18 UNEF	2
25	13635-10GT	PIN,COTTER,.156 X 1.75	2
26	44781GT	KEY,RECTANGULAR,.31X.28X1.25**	2



201.1 Steer Linkage and Wheels, GS-2046, GS-2646



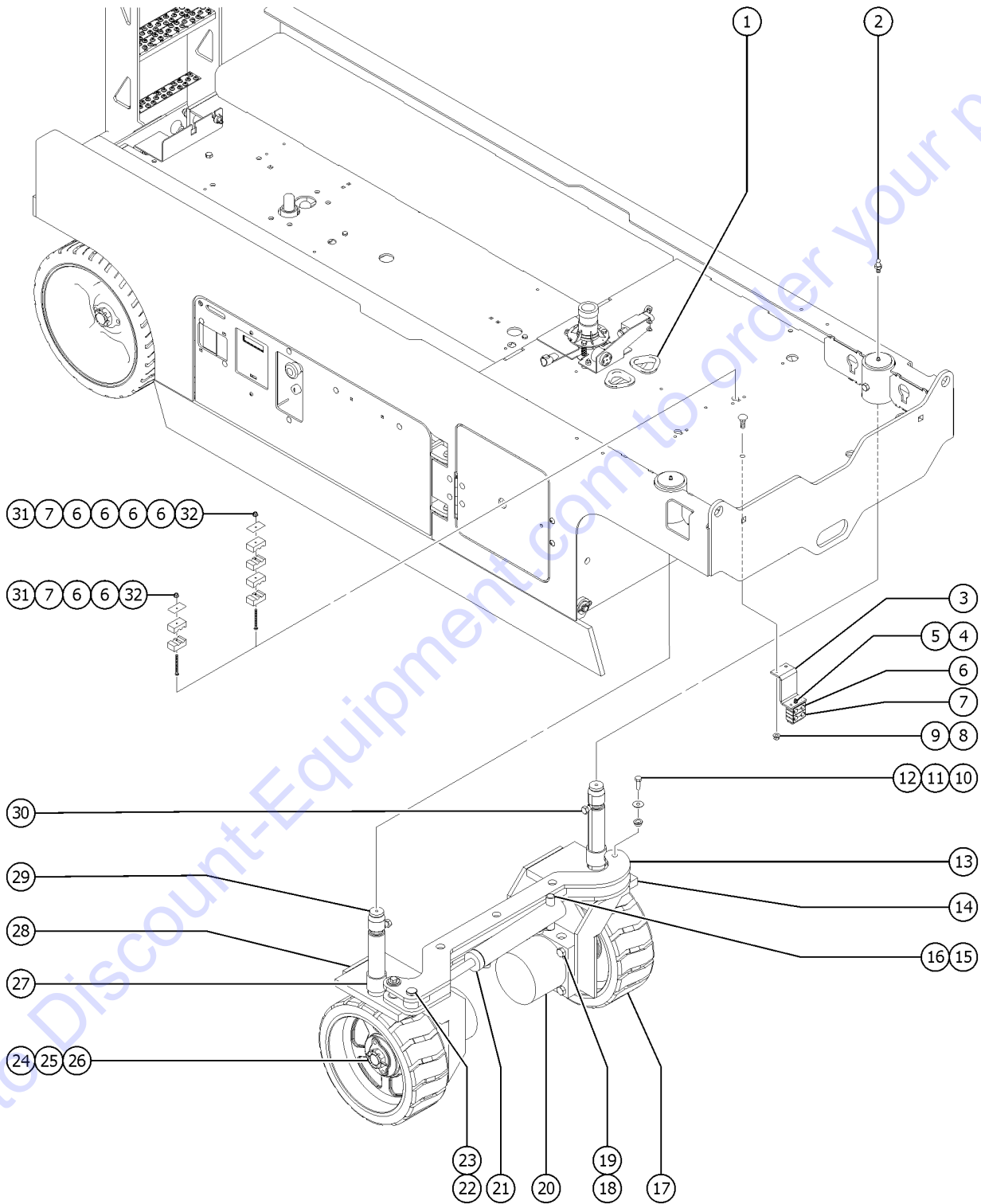
201.1 Steer Linkage and Wheels, GS-2046, GS-2646

Item	Part No.	Description	Qty.
27	18722GT	BEARING,2.25IDX2.50ODX1.50L***	
28	96572GT	WLDMT,STEER YOKE,RT,GS32/46 (ground controls side)	1
29	105565GT	WASHER, THRUST, GS	2
30	1259192GT	SCREW, YOKE LOCK, ZAG	
31	1256679GT	NUT,SERRATED,1/4-20,8,ZAG	1
32A	1255797GT	BOLT,CARRIAGE,1/4-20X2,5,ZAG	1
		(GS2046, 2646 only)	

Go to Discount-Equipment.com to order your parts



201.2 Steer Linkage and Wheels, GS-3246

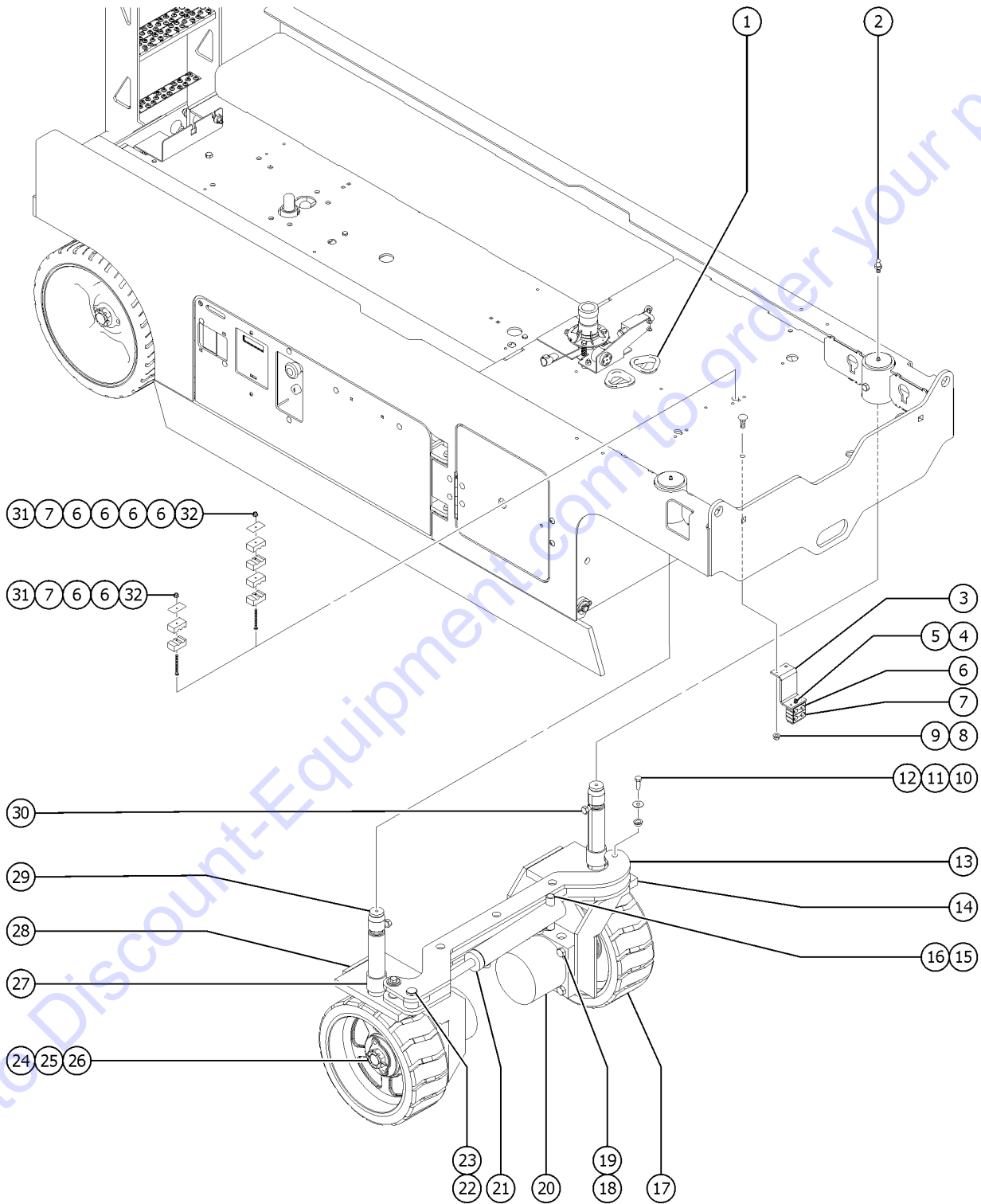


201.2 Steer Linkage and Wheels, GS-3246

Item	Part No.	Description	Qty.
1	47232GT	GROMMET,RUBBER 2 X 2.75	2
2	66770GT	FITTING,STRAIGHT DRIVE-IN ZERK	2
3	230364GT	FORMING,HOSE CLAMP SPT,PTD,BLU	1
4	824027GT	NUT,TL FLG,1/4-20,G,ZAG	
5	1256123GT	SCREW,HHC,1/4-20X3.25,8,ZAG	
6	78736GT	CLAMP,2 HOSE,PLASTIC,5/8	
		(as required)	
7	58592GT	PLATE,HOSE ROUTG,BULKHEAD(PTD)	
		(as required)	
8	824029GT	NUT,TL FLG,3/8-16,G,ZAG	2
9	1255757GT	BOLT,CARRIAGE,3/8-16X1.25,5,ZA	
10	1256109GT	SCREW,HHC,3/8-16X.75,8,ZAG	2
11	824120GT	WASHER,FLAT,..375X1.50X.125,ZAG	2
12	47946GT	BEARING,1.00IDX1.25ODX0.49L	2
13	97267GT	TIE ROD ASSY, GS46	1
13-	47946GT	BEARING,1.00IDX1.25ODX0.49L	4
13-	96574GT	WLDMT,TIE ROD,GS46	
		(does not include bearings)	
14	96573GT	WLDMT,STEER YOKE,LT,GS32/46	1
		(battery pack side)	
15	1259195GT	PIN,CLEVIS,3/4X3.25,ZAG	1
16	824128GT	RUE RING,3/4,ZAG	1
17	105454GT	WHEEL & TIRE ASSY LP,15"	2
18	1256287GT	SCREW,HHC,1/2-13X3.5,8,ZAG	8
19	1251997GT	NUT,TL FLG,1/2-13,G,ZAG	8
20		Ref. Drive Motor	
		(refer to 501.1)	
21		Ref. Steer Cylinder	
		(refer to 501.1)	
22	1259193GT	PIN,CLEVIS,3/4X2,ZAG	1
23	1259194GT	CLIP,HAIR PIN,.125X2,.5-.75,ZA	1
24	44780GT	NUT,CASTLE,1.125-18 UNEF	2
25	13635-10GT	PIN,COTTER,.156 X 1.75	2
26	44781GT	KEY,RECTANGULAR,.31X.28X1.25**	2



201.2 Steer Linkage and Wheels, GS-3246



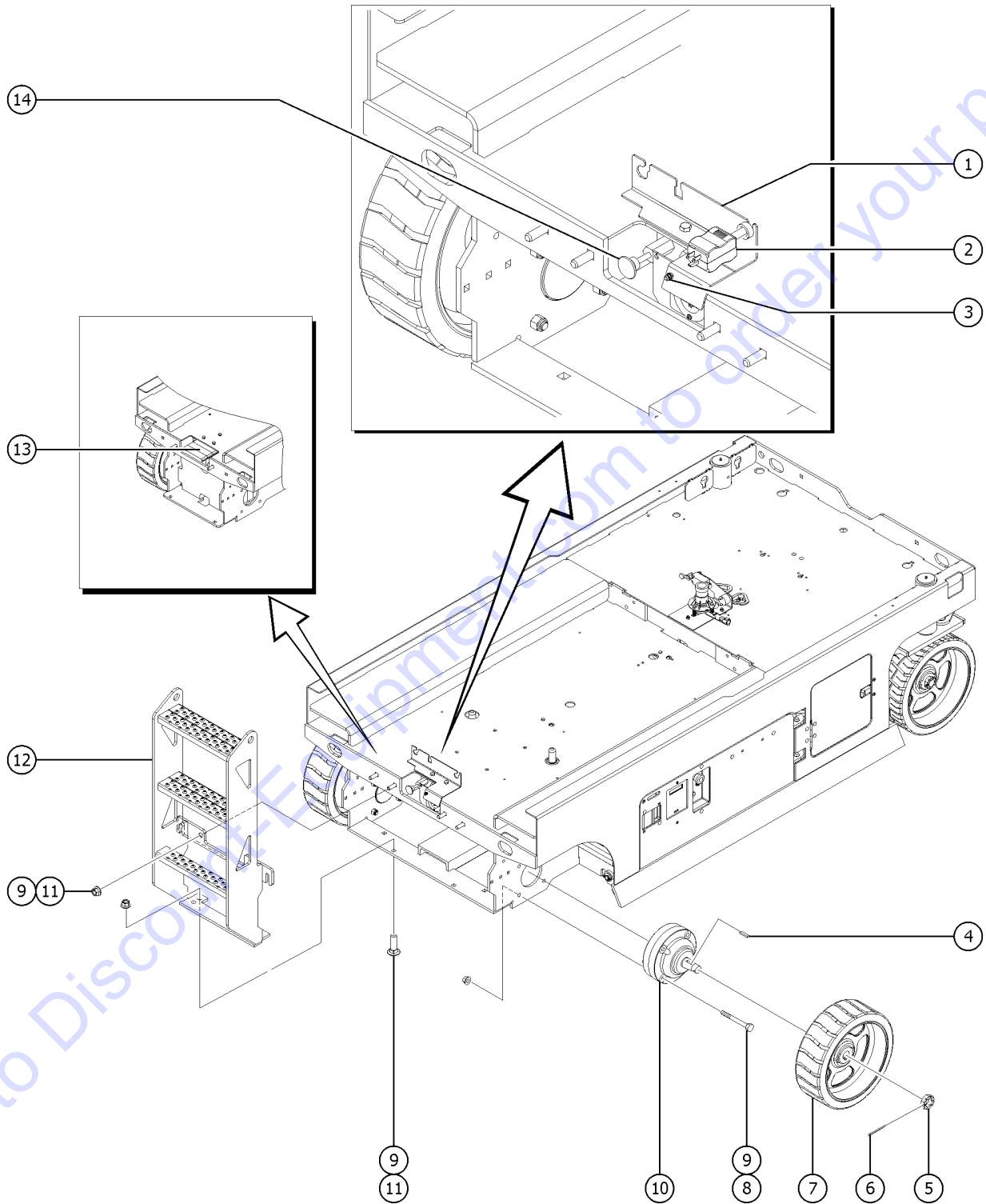
201.2 Steer Linkage and Wheels, GS-3246

Item	Part No.	Description	Qty.
27	18722GT	BEARING,2.25IDX2.50ODX1.50L***	
28	96572GT	WLDMT,STEER YOKE,RT,GS32/46 (ground controls side)	1
29	105565GT	WASHER, THRUST, GS	2
30	1259192GT	SCREW, YOKE LOCK, ZAG	
31	1256679GT	NUT,SERRATED,1/4-20,8,ZAG	1
32B	1258676GT	BOLT,CARRIAGE,1/4-20X2.5,5,ZAG	1
		(GS3246, only)	

Go to Discount-Equipment.com to order your parts



202.1 Non-steer Axle Installation, GS-2046

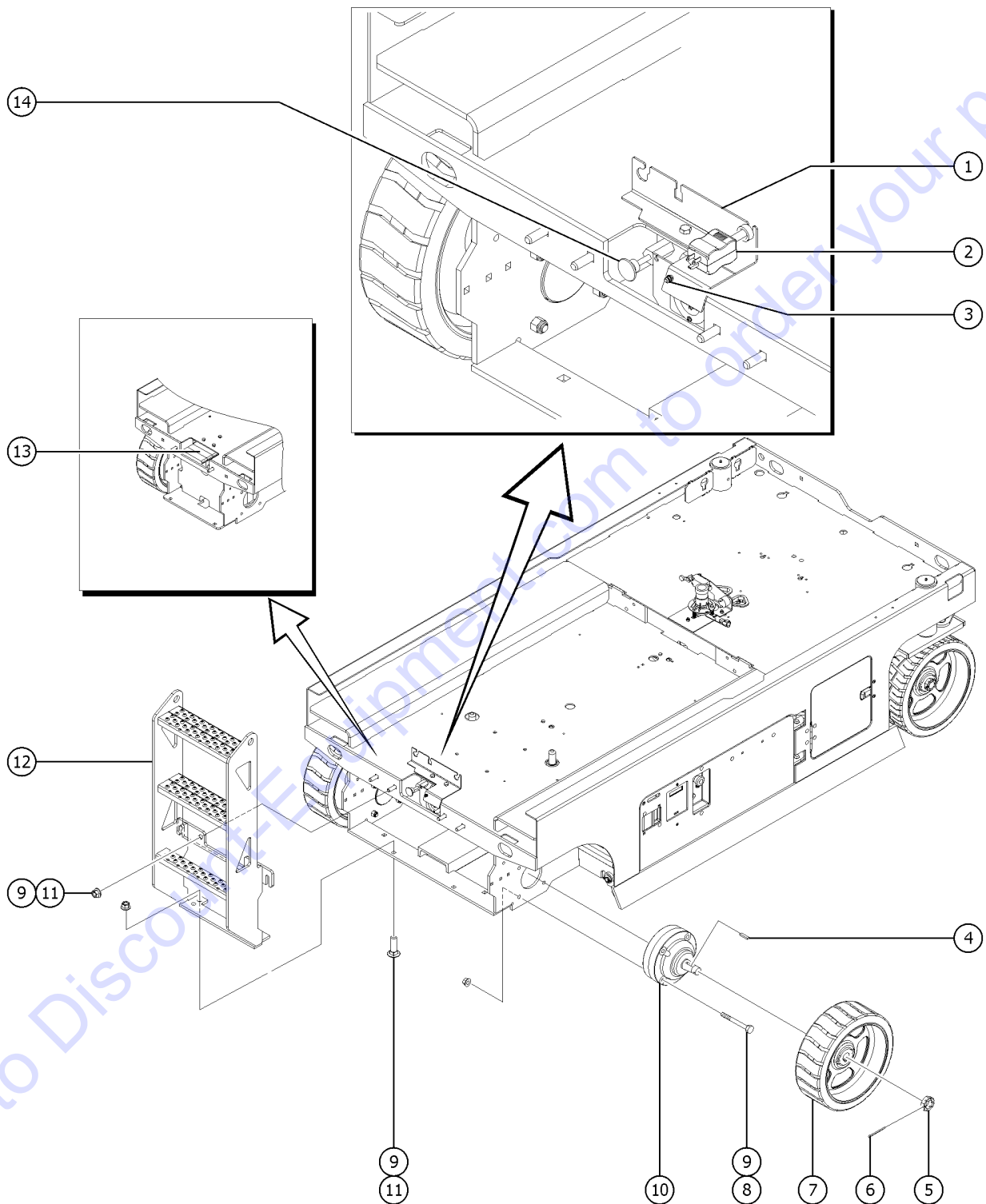


Item	Part No.	Description	Qty.
1	1273055GT	FORMING, PLUG/LED BRACKET	
2		PLUG, ELECTRICAL	
		refer to 402.1	
3	1270281GT	ASSEMBLY, CHARGER STATUS LED, 2V	
4	44781GT	KEY,RECTANGULAR,.31X.28X1.25"*	2
5	44780GT	NUT,CASTLE,1.125-18 UNEF	2
6	42079GT	PIN,COTTER,.156 X 2.5	2
7	105454GT	WHEEL & TIRE ASSY LP,15"	2
8	1256287GT	SCREW,HHC,1/2-13X3.5,8,ZAG	
9	1251997GT	NUT,TL FLG,1/2-13,G,ZAG	
10		Ref: HYDRAULIC BRAKE	
		(refer to 501.1)	
11	1256115GT	BOLT,CARRIAGE,1/2-13X1.75,5,ZA	
12B	96895GT	WELDMENT,20XX LADDER	1
		GS-2046 (decals not included refer to section one)	
13A	96887GT	CWT, REAR, XX46	1
		GS-2046, GS-2646, GS-3246 Australia & CE (inside rear chassis)	
14		Ref: BRAKE RELEASE MANIFOLD	
		(refer to 503.1)	

Go to Discount-Equipment.com to order your parts



202.2 Non-steer Axle Installation, GS-2646



Item	Part No.	Description	Qty.
1	1273055GT	FORMING, PLUG/LED BRACKET	
2		PLUG, ELECTRICAL	
		refer to 402.1	
3	1270281GT	ASSEMBLY, CHARGER STATUS LED, 2V	
4	44781GT	KEY,RECTANGULAR,.31X.28X1.25"*	2
5	44780GT	NUT,CASTLE,1.125-18 UNEF	2
6	42079GT	PIN,COTTER,.156 X 2.5	2
7	105454GT	WHEEL & TIRE ASSY LP,15"	2
8	1256287GT	SCREW,HHC,1/2-13X3.5,8,ZAG	
9	1251997GT	NUT,TL FLG,1/2-13,G,ZAG	
10		Ref: HYDRAULIC BRAKE	
		(refer to 501.1)	
11	1256115GT	BOLT,CARRIAGE,1/2-13X1.75,5,ZA	
12A	96570GT	WLDMT,GS32/46 LADDER***	1
		GS-2646, GS-3246 (decals not included refer to section one)	
13A	96887GT	CWT, REAR, XX46	1
		GS-2046, GS-2646, GS-3246 Australia & CE (inside rear chassis)	
13B	96876GT	COUNTERWEIGHT, BELLY	1
		GS-2646, GS-3246 (inside front center of chassis)	
14		Ref: BRAKE RELEASE MANIFOLD	
		(refer to 503.1)	

Go to Discount-Equipment.com to order your parts



PARTS FINDER

**Search Website
by Part Number**



**Search Manual
Library For Parts
Manual & Lookup Part
Numbers – Purchase
or Request Quote**

Search Manuals

Enter your information to help us find the right parts manual for your machine.

* Brand:

* Model:

* Serial:

* Part Number:

SEARCH

**Can't Find Part or
Manual? Request Help
by Manufacturer,
Model & Description**

Parts Order Form

Please fill in the following information to help us find the right part for your machine.

Manufacturer:	<input type="text"/>
Model:	<input type="text"/>
Description:	<input type="text"/>
Part Number:	<input type="text"/>
Quantity:	<input type="text"/>
Notes:	<input type="text"/>

Submit

Discount-Equipment.com is your online resource for quality parts & equipment.

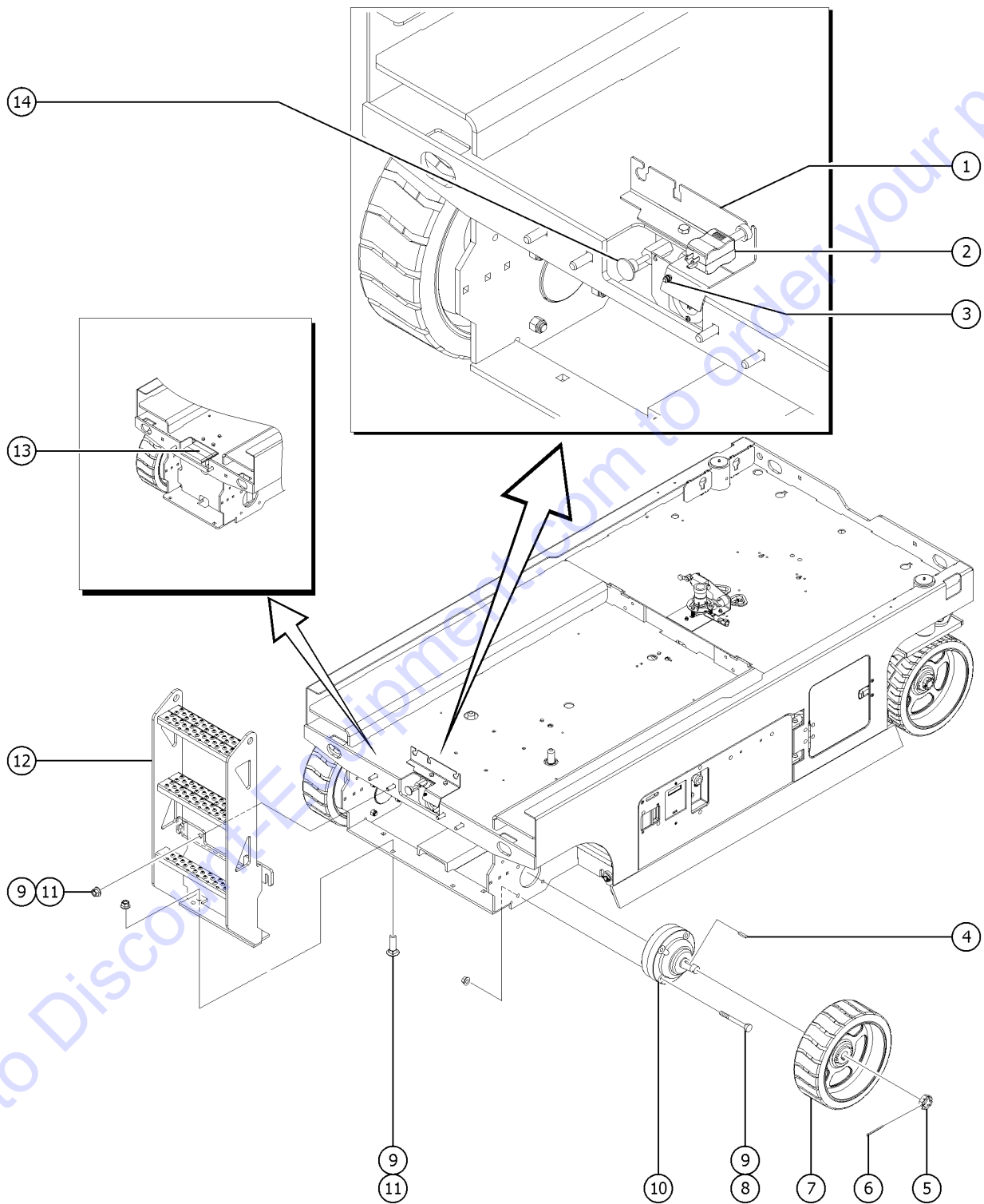
Florida: **561-964-4949** Outside Florida TOLL FREE: **877-690-3101**

Need parts?

Click on this link: <http://www.discount-equipment.com/category/5443-parts/> and choose one of the options to help get the right parts and equipment you are looking for. Please have the machine model and serial number available in order to help us get you the correct parts. If you don't find the part on the website or on one of the online manuals, please fill out the request form and one of our experienced staff members will get back to you with a quote for the right part that your machine needs.

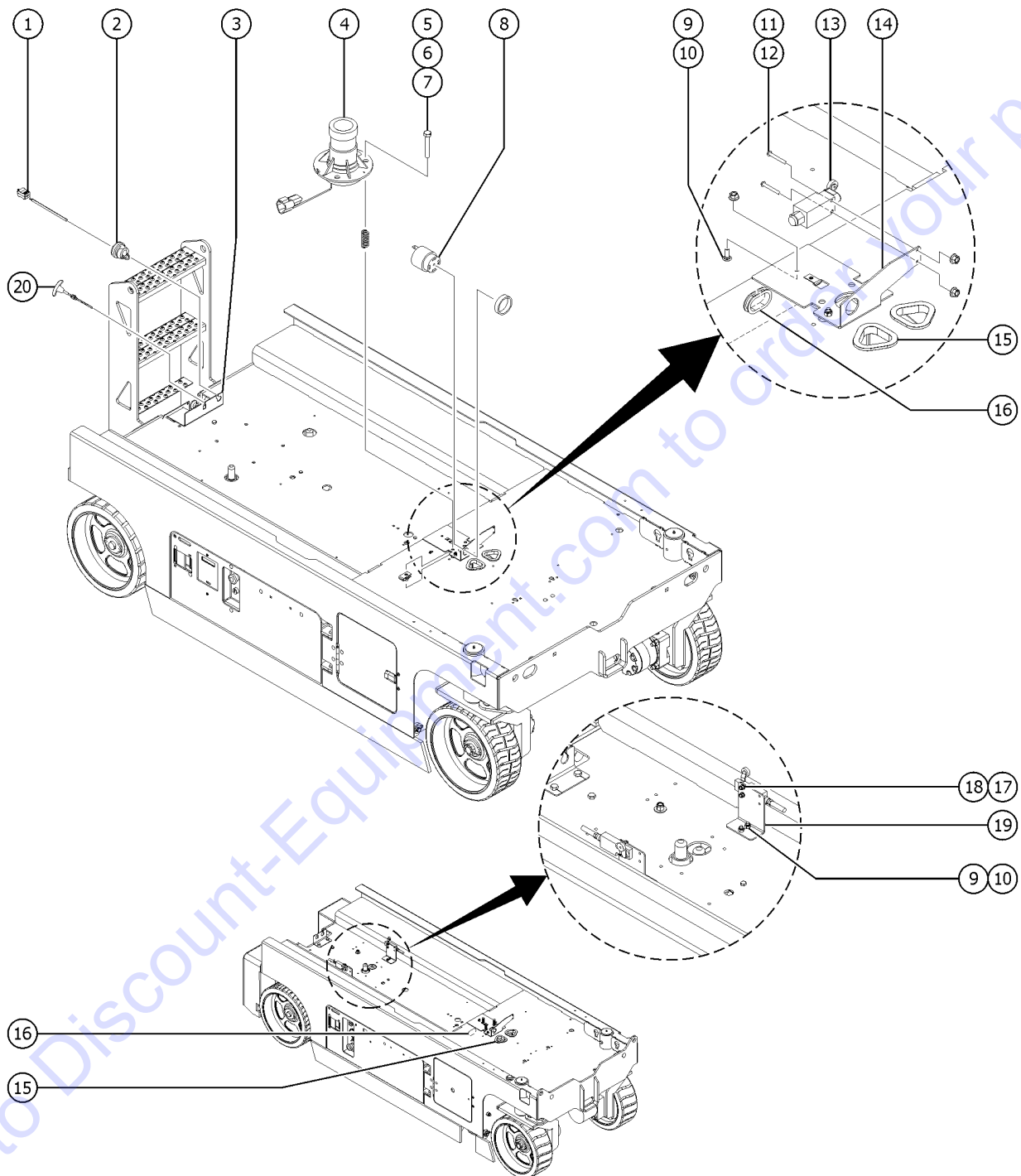
We sell worldwide for the brands: Genie, Terex, JLG, MultiQuip, Mikasa, Essick, Whiteman, Mayco, Toro Stone, Diamond Products, Generac Magnum, Airman, Haulotte, Barreto, Power Blanket, Nifty Lift, Atlas Copco, Chicago Pneumatic, Allmand, Miller Curber, Skyjack, Lull, Skytrak, Tsurumi, Husquvarna Target, Stow, Wacker, Sakai, Mi-T-M, Sullair, Basic, Dynapac, MBW, Weber, Bartell, Bennar Newman, Haulotte, Ditch Runner, Menegotti, Morrison, Contec, Buddy, Crown, Edco, Wyco, Bomag, Laymor, EZ Trench, Bil-Jax, F.S. Curtis, Gehl Pavers, Heli, Honda, ICS/PowerGrit, IHI, Partner, Imer, Clipper, MMD, Koshin, Rice, CH&E, General Equipment, Amida, Coleman, NAC, Gradall, Square Shooter, Kent, Stanley, Tamco, Toku, Hatz, Kohler, Robin, Wisconsin, Northrock, Oztec, Toker TK, Rol-Air, APT, Wylie, Ingersoll Rand / Doosan, Innovatech, Con X, Ammann, Mecalac, Makinex, Smith Surface Prep, Small Line, Wanco, Yanmar

202.3 Non-steer Axle Installation, GS-3246



Item	Part No.	Description	Qty.
1	1273055GT	FORMING, PLUG/LED BRACKET	
2		PLUG, ELECTRICAL	
		refer to 402.1	
3	1270281GT	ASSEMBLY, CHARGER STATUS LED, 2V	
4	44781GT	KEY,RECTANGULAR,.31X.28X1.25"*	2
5	44780GT	NUT,CASTLE,1.125-18 UNEF	2
6	42079GT	PIN,COTTER,.156 X 2.5	2
7	105454GT	WHEEL & TIRE ASSY LP,15"	2
8	1256287GT	SCREW,HHC,1/2-13X3.5,8,ZAG	
9	1251997GT	NUT,TL FLG,1/2-13,G,ZAG	
10		Ref: HYDRAULIC BRAKE	
		(refer to 501.1)	
11	1256115GT	BOLT,CARRIAGE,1/2-13X1.75,5,ZA	
12A	96570GT	WLDMT,GS32/46 LADDER***	1
		GS-2646, GS-3246 (decals not included refer to section one)	
13A	96887GT	CWT, REAR, XX46	1
		GS-2046, GS-2646, GS-3246 Australia & CE (inside rear chassis)	
13B	96876GT	COUNTERWEIGHT, BELLY	1
		GS-2646, GS-3246 (inside front center of chassis)	
14		Ref: BRAKE RELEASE MANIFOLD	
		(refer to 503.1)	

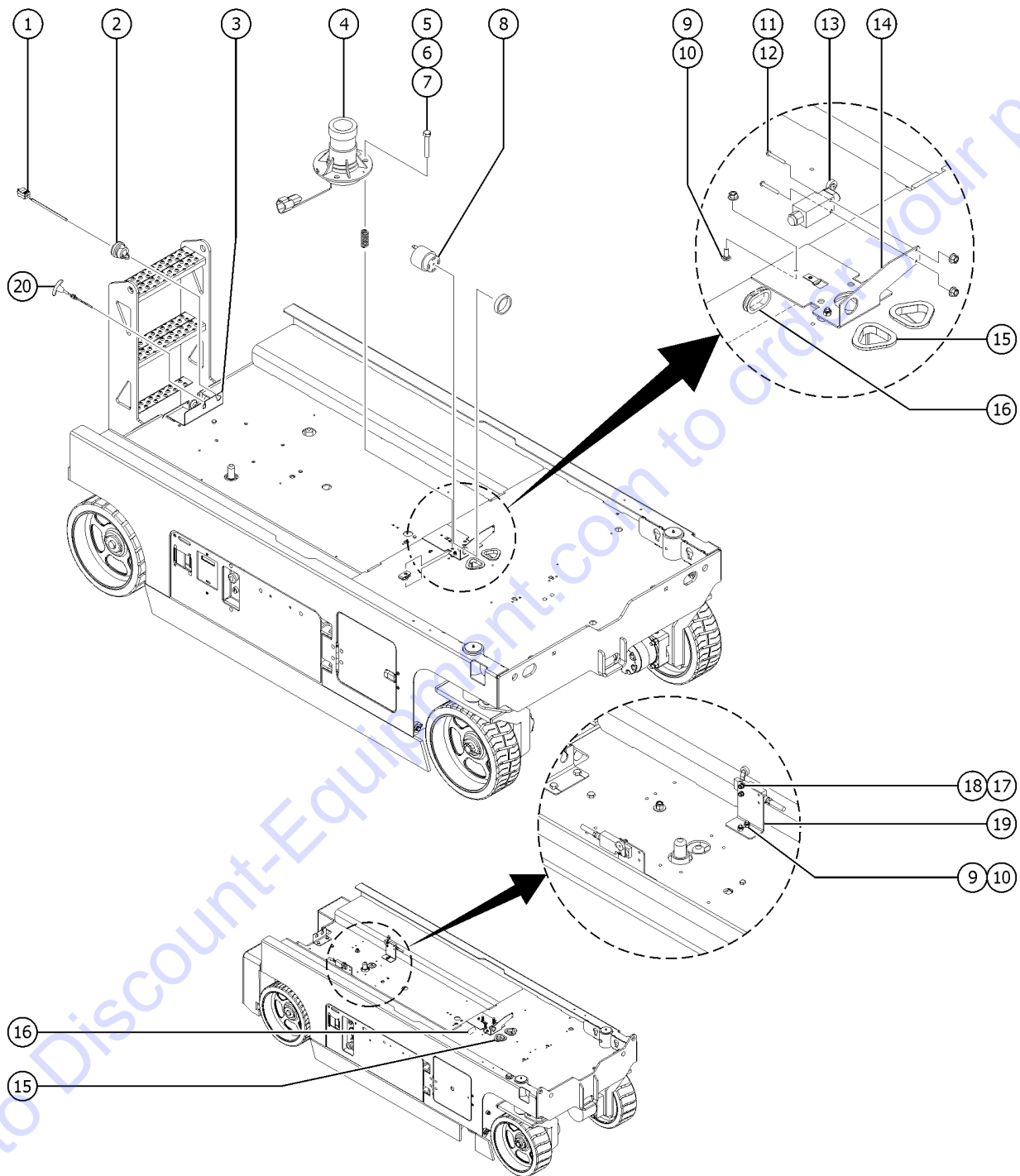
203.1 Level Sensor Installation



Item	Part No.	Description	Qty.
A	1289561GT	BRACKET, TELEMATICS	
A	1289520GT	MODULE, TELEMATICS, ZTR, M7, NORTH AMERICA	
A	1289521GT	MODULE, TELEMATICS, ZTR, M7, EMEA/APAC	
1		Ref. Electrical Plugs and Cords	
		(refer to 402.1)	
2	128118GT	BUSHING, STRAIN RELIEF, .875/.40	1
3A	144226GT	FORMING, REC. PLG BRKT	1
		to SN GS4615A-137959	
3B	1273055GT	FORMING, PLUG/LED BRACKET	1
		from SN GS4615A-137960	
4A	228406GT	ASSY, LVL SNSR W/ CONNECTOR	1
		to GS4615A-137959 (use with 96870)	
4B	823368GT	SENSOR, LEVEL, UNIVERSAL	1
		from SN GS4615A-137960 (use with 1264843, 1264129)	
5	824063GT	SCREW, HHC, 1/4-20 X 1.75, 8, ZAG	3
6	39469GT	SPRING, COMPRESSION.485 X1.75**	3
7	56912GT	SPRING CLIP, 1/4-20,.025-.15X.5	3
8	39540GT	ALARM, STEADY TONE***	1
		Does not include 72326GT nut	
8-	72326GT	NUT - PLASTIC, RING FOR ALARMS	
9	824124GT	BOLT, CARRIAGE, 1/4-20 X .75, 5, ZAG	3
10	824027GT	NUT, TL FLG, 1/4-20, G, ZAG	3
11	824216GT	SCREW, PHPM, 10-32X1.5, ZAG	2
12	1274168GT	NUT, NYLOCK, 10-32, A, ZAG	2
13	T112507GT	ASSEMBLY, DOWN LIMIT, GS	1
		(Includes plug)	
13-	19491GT	CONTACTOR, LIMIT SWITCH	
13-	96948GT	SWITCH, LIMIT, W/ROLLER ARM***	
13-	97128GT	ROLLER ARM, LIMIT SWITCH***	
14A	96870GT	FORMING, ALARM BRACKET	1
		to SN GS4615A-137959 (for use with 228406)	
14B	1264843GT	FORMING, ALARM BRACKET	
		to SN GS4615A-137959 (for use with 823368)	
14C	1264129GT	BRACKET, UTS, LARGE	
		from SN GS4615A-137960 (for use with 823368)	
15	47232GT	GROMMET, RUBBER 2 X 2.75	2
16	47238GT	GROMMET, RUBBER 1.5 ID	1
17	1258187GT	NUT, TL, 8-32, A, ZAG	2



203.1 Level Sensor Installation



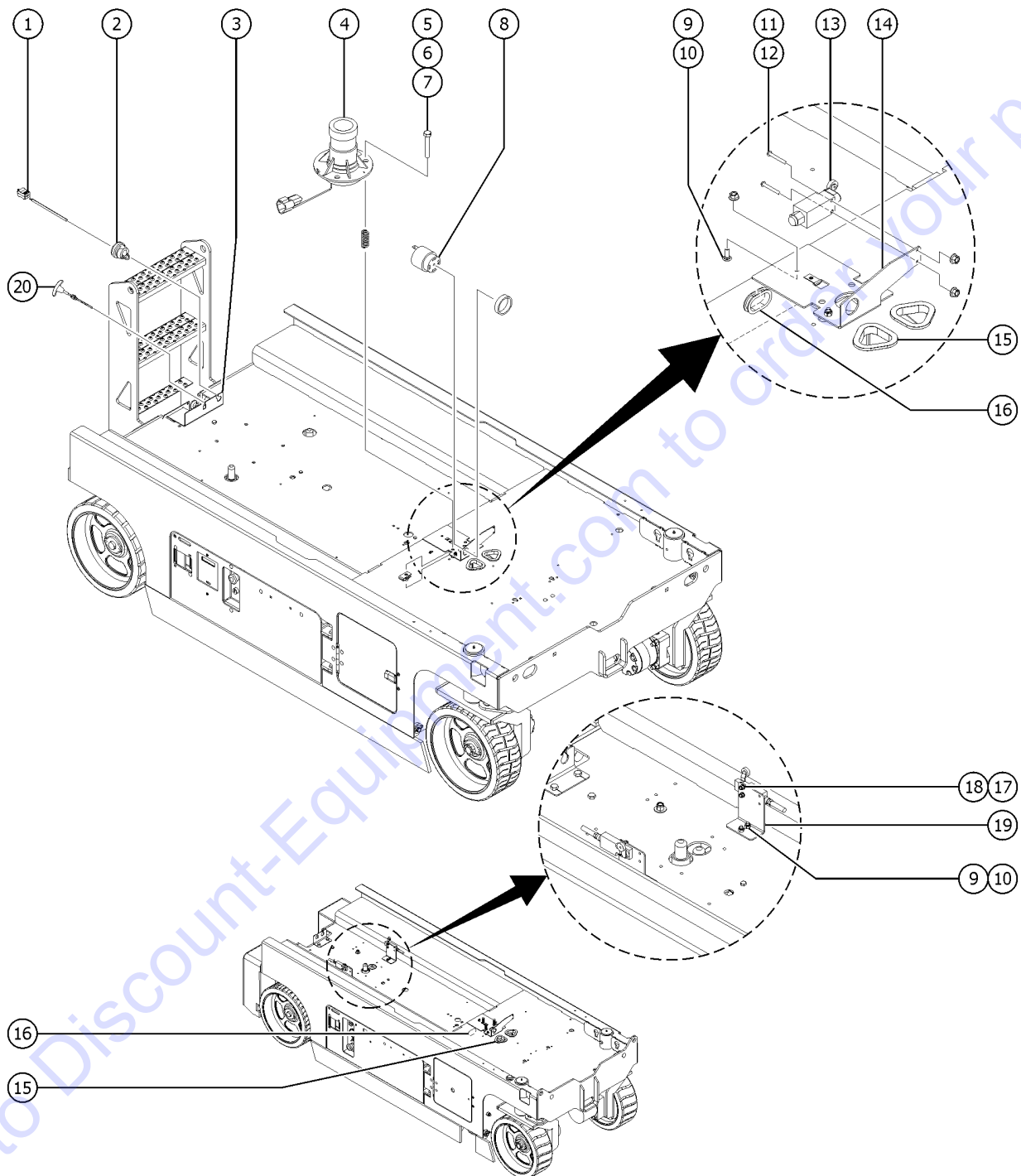
203.1 Level Sensor Installation

Item	Part No.	Description	Qty.
18	1257909GT	SCREW,PHPM,8-32 X .875,ZAG	2
19	105736GT	FRMING,LMT SWCH BRKT,3232	1
20	39232GT	CABLE,EMERGENCY DOWN	1

Go to Discount-Equipment.com to order your parts



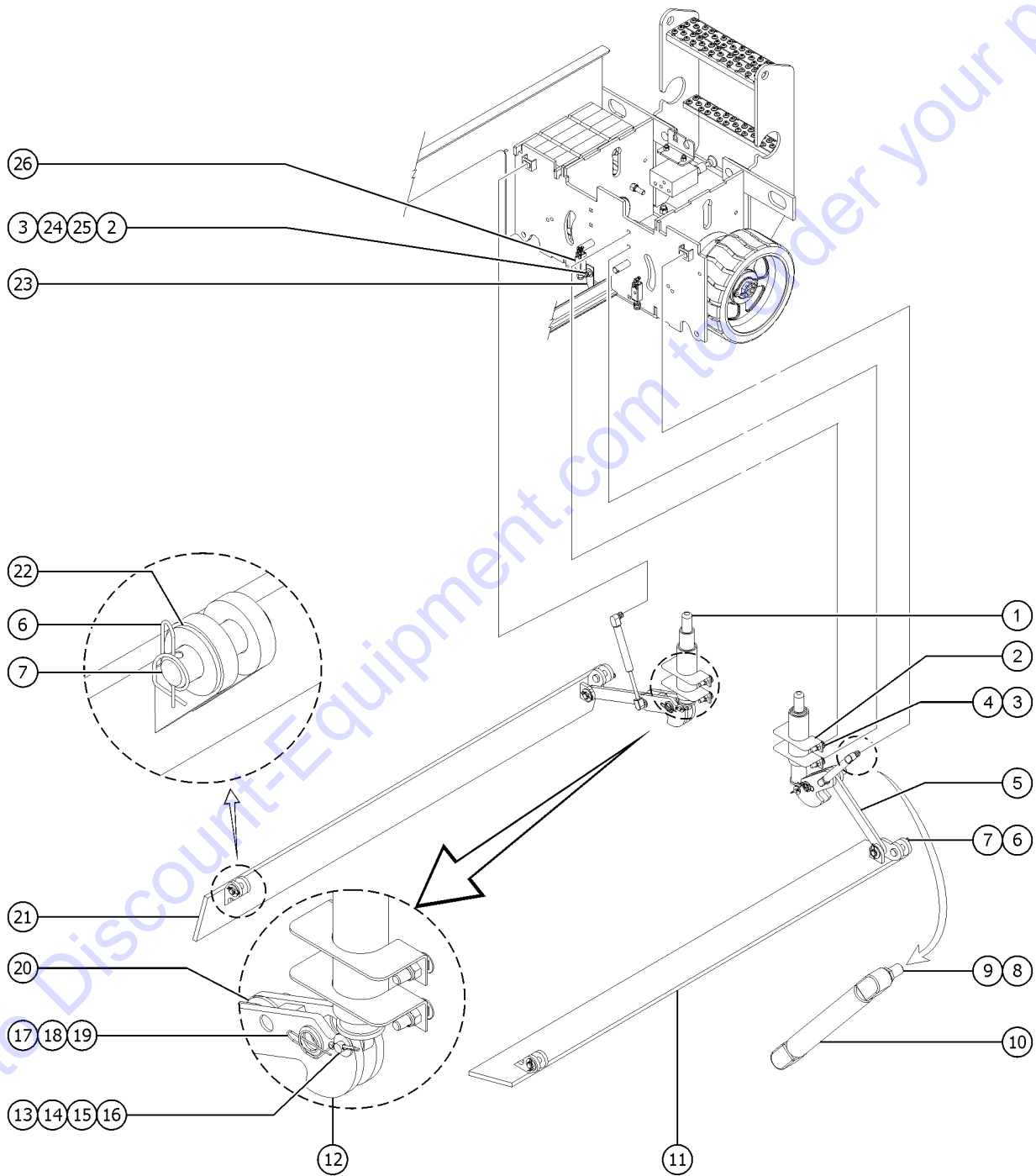
203.2 Level Sensor Installation



Item	Part No.	Description	Qty.
A	1289561GT	BRACKET, TELEMATICS	
A	1289520GT	MODULE, TELEMATICS, ZTR, M7, NORTH AMERICA	
A	1289521GT	MODULE, TELEMATICS, ZTR, M7, EMEA/APAC	
1		Ref. Electrical Plugs and Cords	
		(refer to 402.1)	
2	128118GT	BUSHING, STRAIN RELIEF, .875/.40	1
3B	1273055GT	FORMING, PLUG/LED BRACKET	1
		from SN GS4615A-137960	
4B	823368GT	SENSOR, LEVEL, UNIVERSAL	1
		from SN GS4615A-137960 (use with 1264843, 1264129)	
5	824063GT	SCREW, HHC, 1/4-20 X 1.75, 8, ZAG	3
6	39469GT	SPRING, COMPRESSION.485 X1.75**	3
7	56912GT	SPRING CLIP, 1/4-20,.025-.15X.5	3
8	39540GT	ALARM, STEADY TONE***	1
		Does not include 72326GT nut	
8-	72326GT	NUT - PLASTIC, RING FOR ALARMS	
9	824124GT	BOLT, CARRIAGE, 1/4-20 X .75, 5, ZAG	3
10	824027GT	NUT, TL FLG, 1/4-20, G, ZAG	3
11	824216GT	SCREW, PHPM, 10-32 X 1.5, ZAG	2
12	1274168GT	NUT, NYLOCK, 10-32, A, ZAG	2
13	T112507GT	ASSEMBLY, DOWN LIMIT, GS	1
		(Includes plug)	
13-	19491GT	CONTACTOR, LIMIT SWITCH	
13-	96948GT	SWITCH, LIMIT, W/ROLLER ARM***	
13-	97128GT	ROLLER ARM, LIMIT SWITCH***	
14C	1264129GT	BRACKET, UTS, LARGE	
		from SN GS4615A-137960 (for use with 823368)	
15	47232GT	GROMMET, RUBBER 2 X 2.75	2
16	47238GT	GROMMET, RUBBER 1.5 ID	1
17	1258187GT	NUT, TL, 8-32, A, ZAG	2
18	1257909GT	SCREW, PHPM, 8-32 X .875, ZAG	2
19	105736GT	FRMING, LMT SWCH BRKT, 3232	1
20	39232GT	CABLE, EMERGENCY DOWN	1



204.1 Pothole Protection Assembly

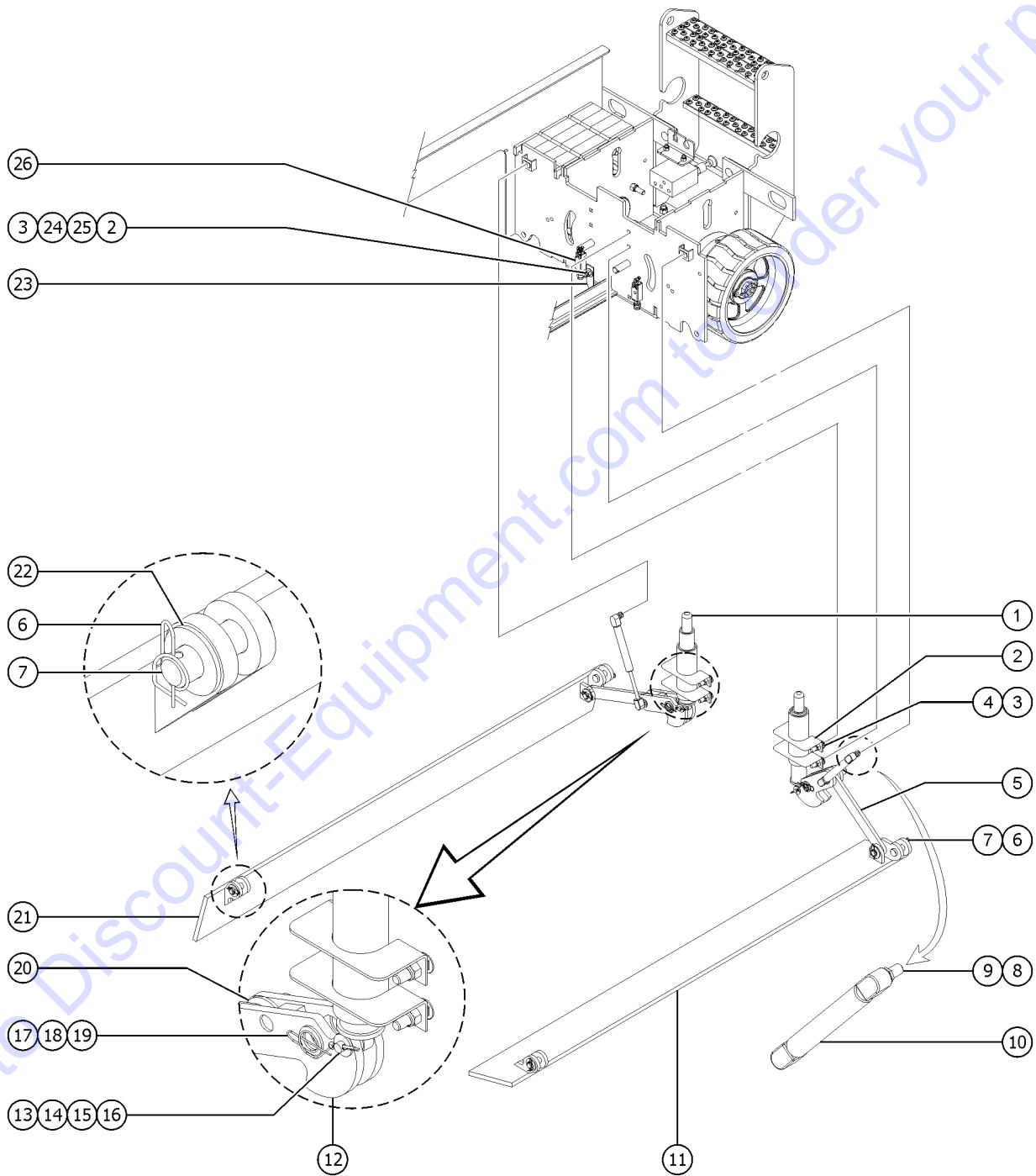


204.1 Pothole Protection Assembly

Item	Part No.	Description	Qty.
1	96839GT	ASSY,POT HOLE PUSHER,GS***	
2	105069GT	WLDMT/ASSY,PH GUIDE,GS46	2
2-	96408GT	BEARING,1.523IDX1.75ODX0.63L	
3	125575GT	BOLT,CARRIAGE,3/8-16X1.25,5,ZA	10
4	824029GT	NUT,TL FLG,3/8-16,G,ZAG	8
5A	96637GT	PLATE, POTHOLE LINK	2
5B	105156GT	BUSHING, FLNGD, .63 X .77 X .38 (sold seperately)	
6	1259177GT	RUE RING,5/8,ZAG	6
7	1259197GT	PIN,CLEVIS,.625X1.88,ZAG	6
8	824038GT	NUT,TL JAM,3/8-16,A,ZAG	2
9	78086GT	BALL STUD, GAS STRUT, 3/8-16	2
9-	96643GT	PIN, POTHOLE LINK PIVOT	2
10	39542GT	GAS SHOCK,SCISSORS***	2
11	96639GT	WELDMENT, POTHOLE, LEFT SIDE (battery pack side)	1
12	84574GT	POTPLE BELL CRNK LINK ASSYGS30	2
12-	96642GT	BEARING,.75ID X 1.00D X 1.38LG	
12-	105156GT	BUSHING, FLNGD, .63 X .77 X .38	
13	12016GT	PIN,COTTER,.125 X .75	
14	825358GT	WASHER,FLAT,5/16,USS,ZAG	2
15	1259178GT	PIN,CLEVIS,.375X1.75,ZAG	2
16	96541GT	CAM FOLLOWER,1.125X.375,DELIRIN	2
17	824128GT	RUE RING,3/4,ZAG	2
18	1259686GT	WASHER,FLAT,.765X1.312X.093,ZAG	2
19	55355GT	SPACER,.75ID X 1.50D X 1/4THK	
20	96085GT	WASHER,THRUST,.63 X 1.13 X .06	4
21	96638GT	WELDMENT, POTHOLE, RIGHT SIDE (ground controls side)	1
21-	105156GT	BUSHING, FLNGD, .63 X .77 X .38	
22	1259180GT	WASHER,SHIM,.625X1.188X.064,ZAG	6



204.1 Pothole Protection Assembly



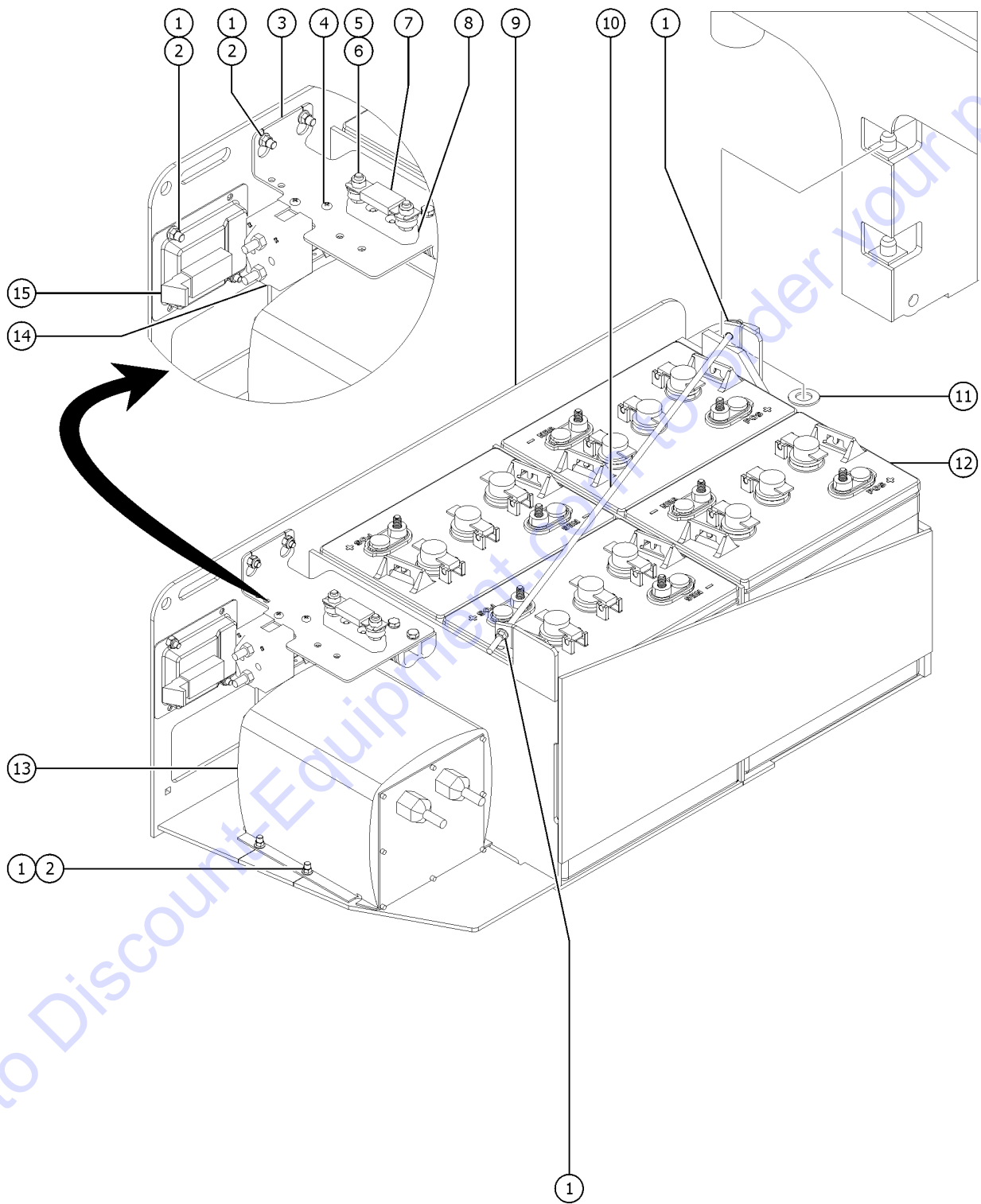
204.1 Pothole Protection Assembly

Item	Part No.	Description	Qty.
23	105060GT	GROUND STRAP, 8"LG	1
24	1255758GT	WASHER,FLAT,3/8,USS,ZAG	2
25	824025GT	NUT,TL,3/8-16,C,ZAG	2
26	96948GT	SWITCH,LIMIT,W/ROLLER ARM*** (down limit switch)	2
26-	1256177GT	SCREW,PHPM,10-32X1.75,ZAG	
26-	1274168GT	NUT,NYLOCK,10-32,A,ZAG	
26-	19491GT	CONTACTOR,LIMIT SWITCH	
26-	97128GT	ROLLER ARM,LIMIT SWITCH***	

Go to Discount-Equipment.com to order your parts



205.1 Battery Pack Module

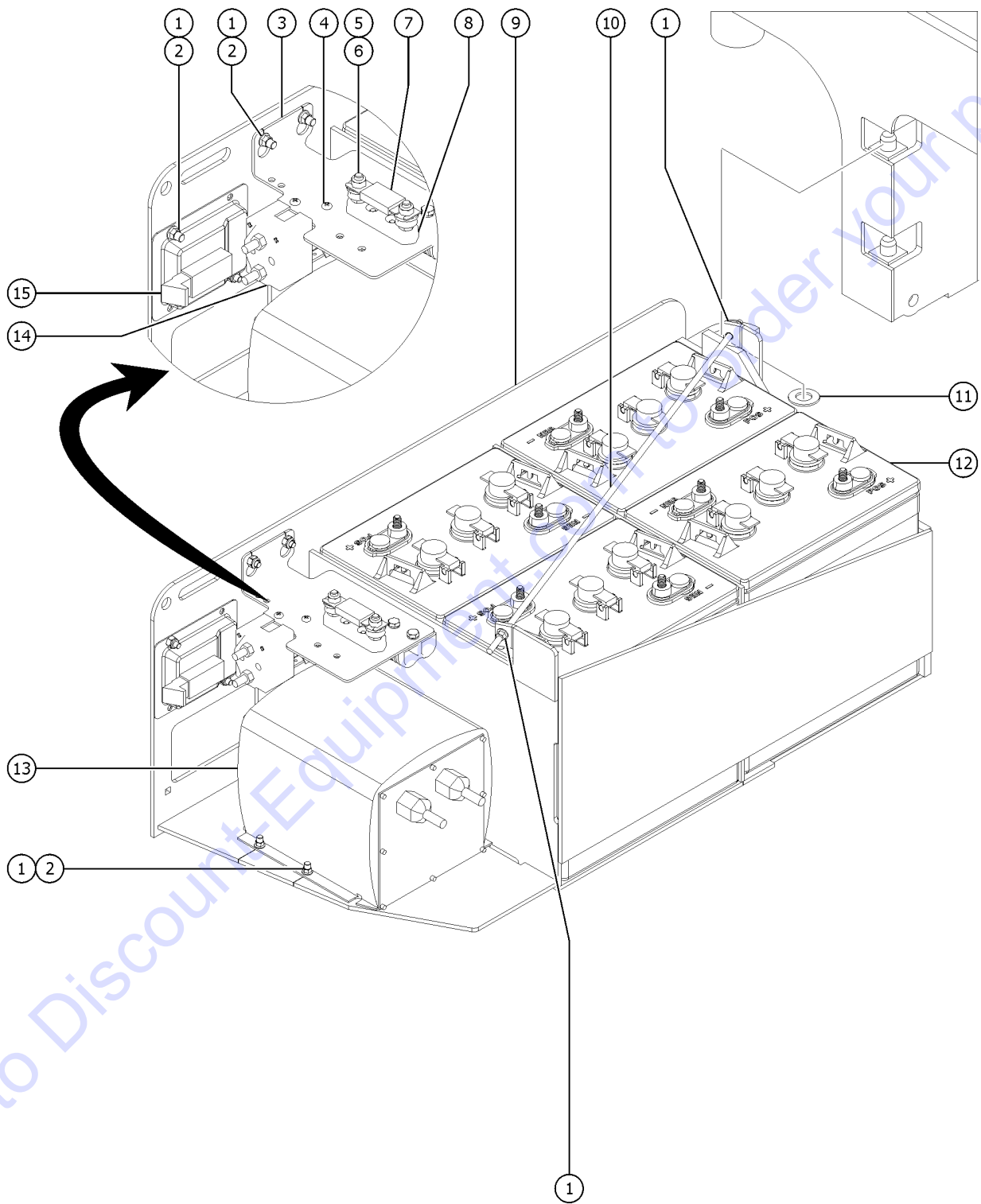


205.1 Battery Pack Module

Item	Part No.	Description	Qty.
1	824027GT	NUT,TL FLG,1/4-20,G,ZAG	10
2	824124GT	BOLT, CARRIAGE, 1/4-20 X .75, 5, ZAG	8
3A	232531GT	FORMING,CONTACTOR MOUNT,GS to SN GS4616P-139710	1
3B	1273054GT	FORMING, CONTACTOR/FUSE BRACKET from SN GS4616P-139711	1
4	825349GT	SCREW,PHPM,10-32X.38,ZAG	2
5	13000GT	SCREW,HHC,5/16-18 X 1.25	2
6	1255805GT	NUT,SERRATED,5/16-18,8,ZAG	2
7	40833GT	FUSE,275 AMP,VERY FAST ACTING	1
8	66717GT	FUSE BLOCK, ANN & ANL FUSE (includes mounting fasteners)	1
9A	105467GT	WLDMT,GS BATTERY TRAY to SN GS4616P-139710	1
9B	1272991GT	WLDMT,BATTERY TRAY,GS from SN GS4616P-139711	1
10	30784-2550GT	THREADED ROD,(1/4-20),25.50	1
11	1256863GT	WASHER,FLAT,.75,SAE,HRD,ZAG	2
12A	76502GT	BATTERY,T105 W/LPT,3 CAP,DRY**	4
12A-	18503GT	NUT,LOCKING-LG.FLANGE,5/16-18	
12B	105150GT	BATTERY, AGM, 6V, (TROJAN) ***	4
13		Ref. Battery Charger	
		(refer to 206.1)	
14A	74267GT	CONTACTOR,DRIVE,24V,180A*** to SN GS4616P-138971	1
14B	1270456GT	CONTACTOR,DRIVE,24V,180A from SN GS4616P-138972	1
15	55675GT	LATCH, LRG PADDLE HANDLE GS90	1



205.2 Battery Pack Module

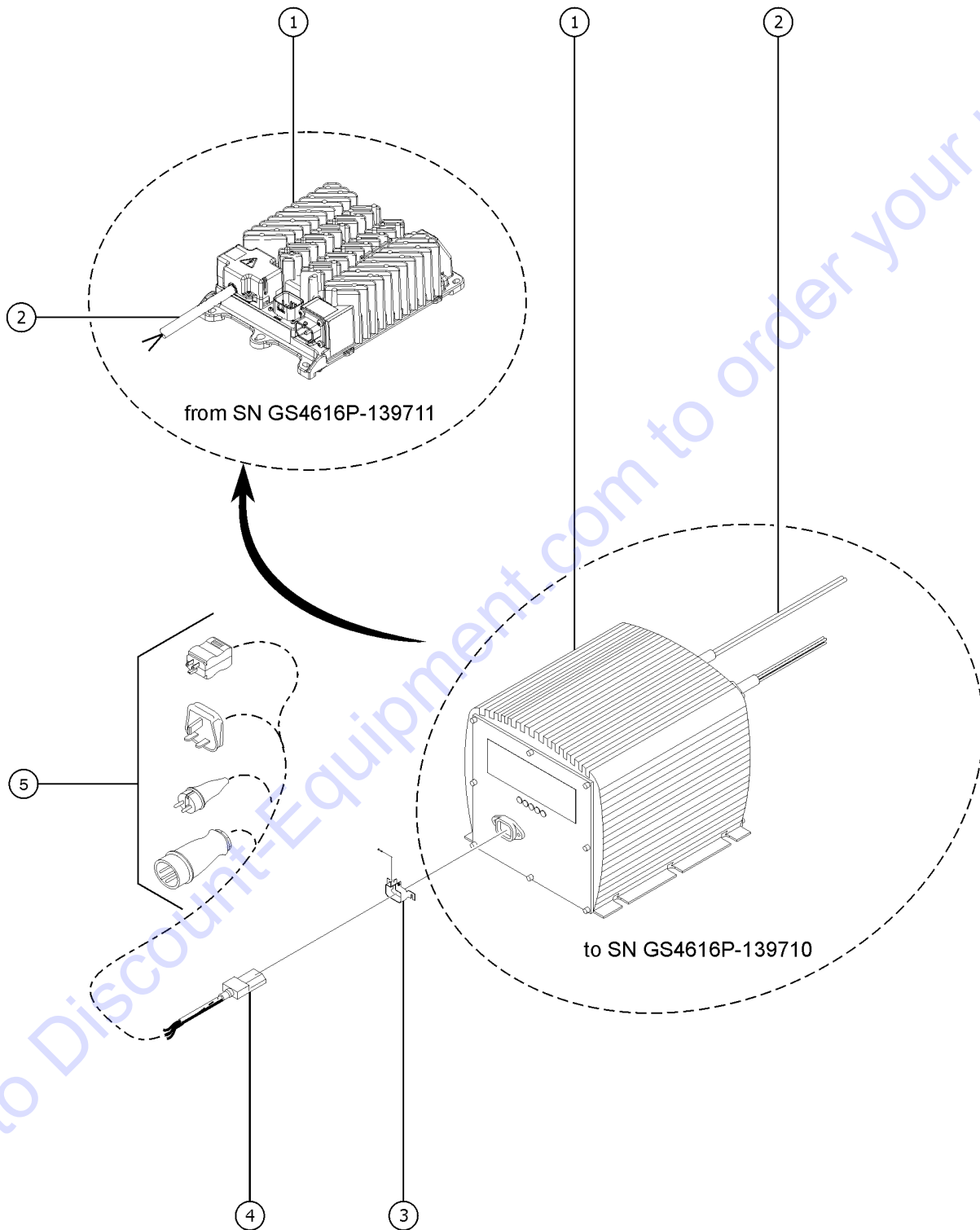


205.2 Battery Pack Module

Item	Part No.	Description	Qty.
1	824027GT	NUT,TL FLG,1/4-20,G,ZAG	10
2	824124GT	BOLT, CARRIAGE, 1/4-20 X .75, 5, ZAG	8
3B	1273054GT	FORMING, CONTACTOR/FUSE BRACKET from SN GS4616P-139711	1
4	825349GT	SCREW,PHPM,10-32X.38,ZAG	2
5	13000GT	SCREW,HHC,5/16-18 X 1.25	2
6	1255805GT	NUT,SERRATED,5/16-18,8,ZAG	2
7	40833GT	FUSE,275 AMP,VERY FAST ACTING	1
8	66717GT	FUSE BLOCK, ANN & ANL FUSE (includes mounting fasteners)	1
9B	1272991GT	WLDMT,BATTERY TRAY,GS from SN GS4616P-139711	1
10	30784-2550GT	THREADED ROD,(1/4-20),25.50	1
11	1256863GT	WASHER,FLAT,.75,SAE,HRD,ZAG	2
12A	76502GT	BATTERY,T105 W/LPT,3 CAP,DRY**	4
12A-	18503GT	NUT,LOCKING-LG.FLANGE,5/16-18	
12B	105150GT	BATTERY, AGM, 6V, (TROJAN) ***	4
13		Ref. Battery Charger	
		(refer to 206.1)	
14B	1270456GT	CONTACTOR,DRIVE,24V,180A from SN GS4616P-138972	1
15	55675GT	LATCH, LRG PADDLE HANDLE GS90	1



206.1 Battery Charger

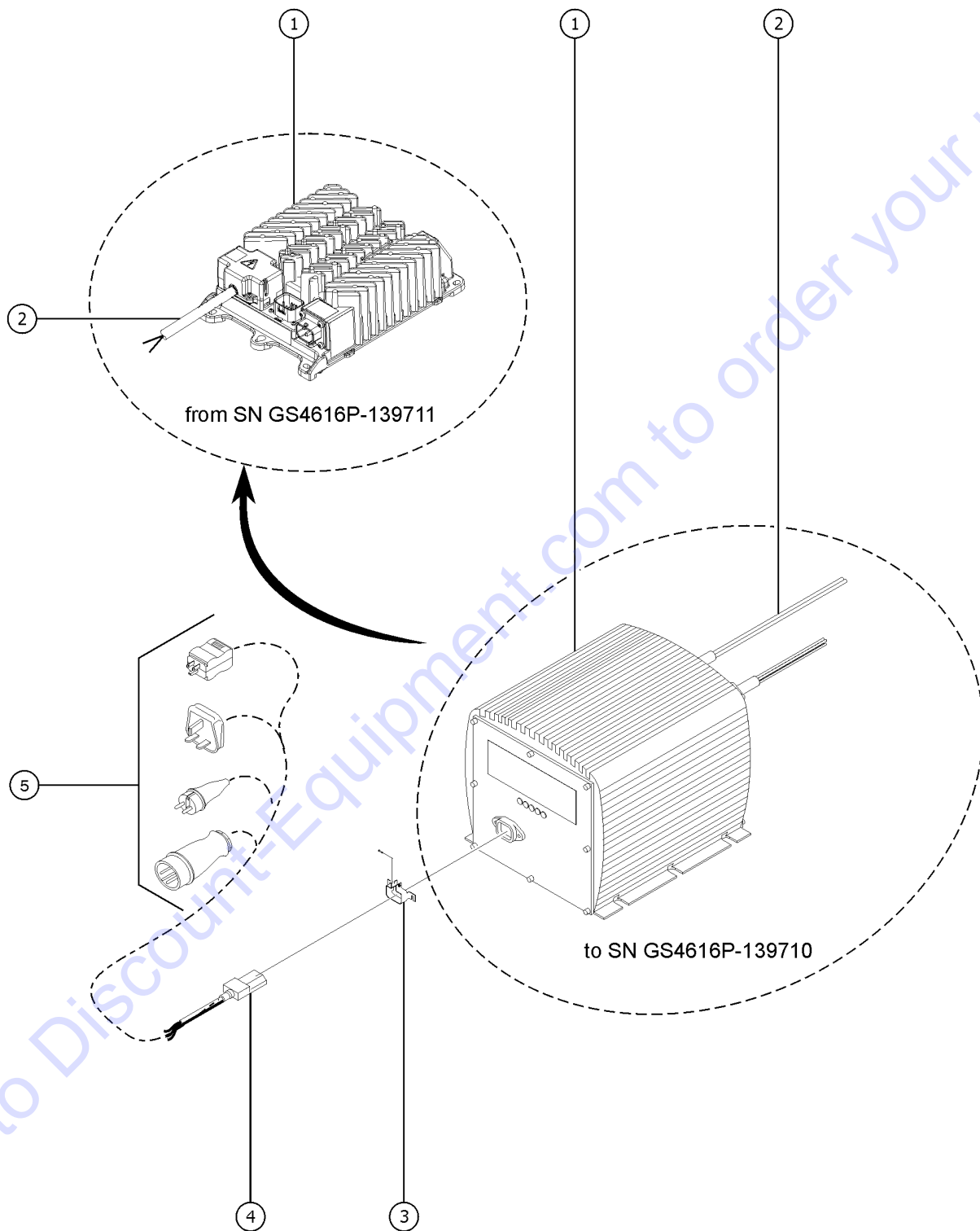


Go to Discount-Equipment.com to order your parts

Item	Part No.	Description	Qty.
A	105334GT	CONNECTOR, IEC CHARGER CORD for 5-LED battery charger	
B	97059GT	FUSE, BATTERY CHARGER*** for 5-LED battery charger	
C	1273576GT	CABLE ASSY, CHARGER/BATTERY (for 1264372)	
1A	105739GT	CHARGER, BAT, 24VDC, H/LO GEN2 Signet battery charger. NOTE: Some machines are equipped with an alternative-brand battery charger. Inspect your machine before ordering OR contact Discount-equipment if needed. to SN GS4616P-139710	1
1A-	144180GT	MANUAL, OWNERS, CHARGER, 105739	
1A-	219480GT	KIT, BATTERY CHARGER, 24V (includes 105739 charger, fasteners, ring terminals and instructions for field installation)	
1B		Ref. Field Assembly Recessed Charger Plug (refer to 406.1) to SN GS4616P-139710	1
1C	1277961GT	KIT, 650W BATT CHARGER, FLA newer style charger for GS-46 machines with lead acid batteries to SN 16A-138361, 16P-1239710	
1C	1277959GT	KIT, 650W BATT CHARGER, AGM newer style charger for GS-46 machines with AGM batteries to SN 16A-138361, 16P-1239710	
1C	1277960GT	KIT, 650W BATT CHARGER, FLA, REC PLUG newer style charger for GS-46 machines with lead acid batteries and Rec plug to SN 16A-138361, 16P-1239710	
1C	1277958GT	KIT, 650W BATT CHARGER, AGM, REC PLUG newer style charger for GS-46 machines with AGM batteries and Rec plug to SN 16A-138361, 16P-1239710	
1D	1264372GT	CHARGER, 24V, 650W, USB (from SN GS4616P-139711)	1
1D-	1273576GT	CABLE ASSY, CHARGER/BATTERY for standard 'flooded' batteries	
1D-	1272844GT	CABLE, CHARGER, DC, W/ BTS for AGM 'maintenance free' batteries	
1D-	1272121GT	HARNESS, LED CHARGER, GS46 wire harness with 15-pin connector	
1D-	1270281GT	ASSEMBLY, CHARGER STATUS LED, 2V LED harness assembly connects to 1272121GT	1
1D-	1272557GT	POWER CORD, IEC 320, 90 DEG power supply cord (ANSI/CSA models)	
1D-	1279428GT	KIT, DC BLOCK ASSEMBLY	
2		Ref. CABLE ASSY, CHARGER/BATTERY (refer to 210.1)	
3	55010GT	LOCK, CONNECTOR (includes fasteners)	1
4A	144130GT	POWER CORD, IEC 320, 115" to SN GS46616P-139710	1
4B	1272557GT	POWER CORD, IEC 320, 90 DEG from SN GS46616P-139711	1
5		Ref. PLUG, ELECTRICAL (refer to 402.1)	

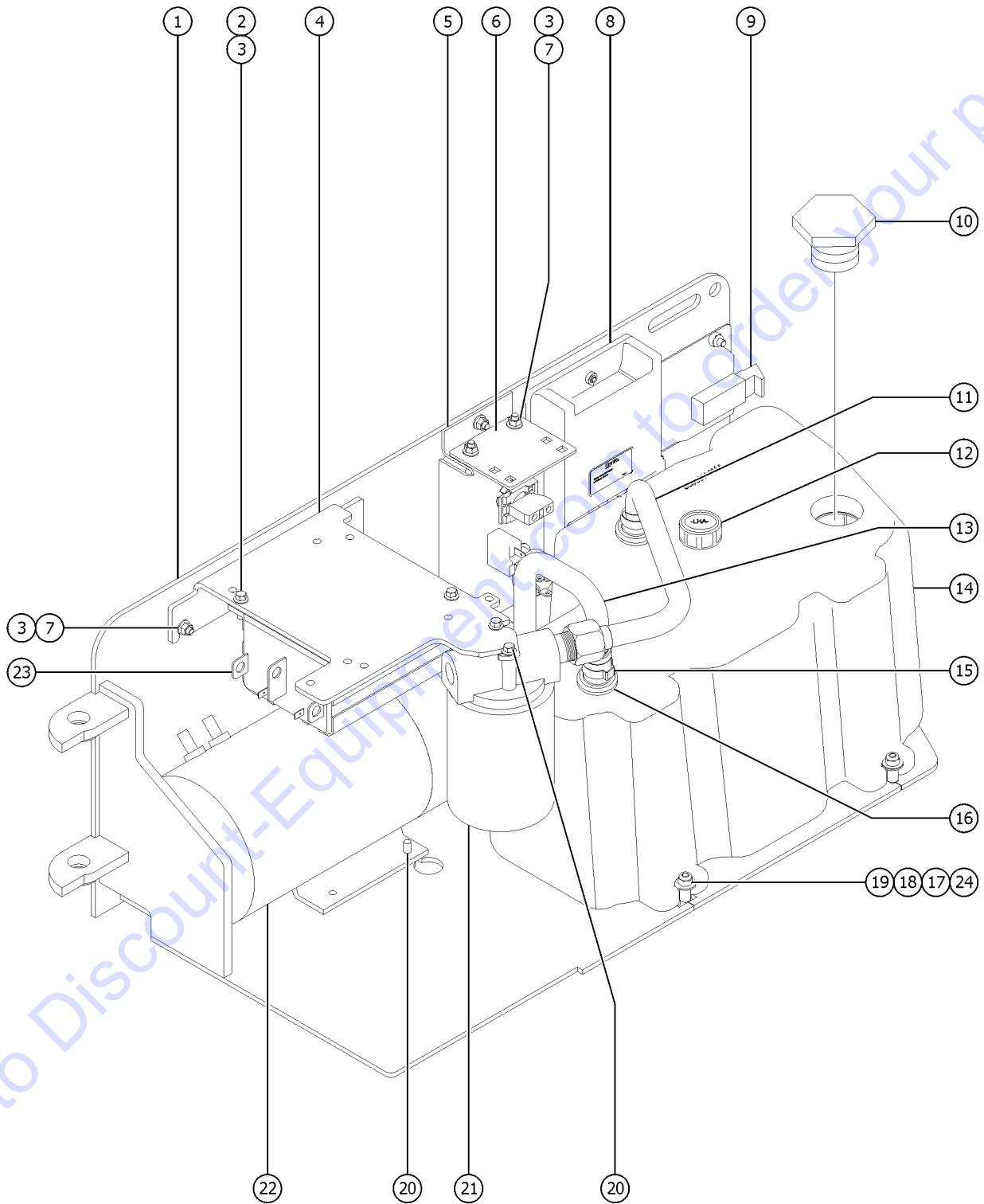


206.2 Battery Charger



Item	Part No.	Description	Qty.
A	105334GT	CONNECTOR, IEC CHARGER CORD for 5-LED battery charger	
B	97059GT	FUSE, BATTERY CHARGER*** for 5-LED battery charger	
C	1273576GT	CABLE ASSY, CHARGER/BATTERY (for 1264372)	
1A	105739GT	CHARGER, BAT, 24VDC, H/LO GEN2 Signet battery charger. NOTE: Some machines are equipped with an alternative-brand battery charger. Inspect your machine before ordering OR contact Discount-equipment if needed. to SN GS4616P-139710	1
1A-	144180GT	MANUAL, OWNERS, CHARGER, 105739	
1A-	219480GT	KIT, BATTERY CHARGER, 24V (includes 105739 charger, fasteners, ring terminals and instructions for field installation)	
1C	1264372GT	CHARGER, 24V, 650W, USB (from SN GS4616P-139711)	1
1C-	1273576GT	CABLE ASSY, CHARGER/BATTERY for standard 'flooded' batteries	
1C-	1272844GT	CABLE, CHARGER, DC, W/ BTS for AGM 'maintenance free' batteries	
1C-	1272121GT	HARNES, LED CHARGER, GS46 wire harness with 15-pin connector	
1C-	1270281GT	ASSEMBLY, CHARGER STATUS LED, 2V LED harness assembly connects to 1272121GT	1
1C-	1272557GT	POWER CORD, IEC 320, 90 DEG power supply cord (ANSI/CSA models)	
1C-	1279428GT	KIT, DC BLOCK ASSEMBLY	
2		Ref. CABLE ASSY, CHARGER/BATTERY (refer to 210.1)	
3	55010GT	LOCK, CONNECTOR (includes fasteners)	1
4B	1272557GT	POWER CORD, IEC 320, 90 DEG from SN GS46616P-139711	1
5		Ref. PLUG, ELECTRICAL (refer to 402.1)	

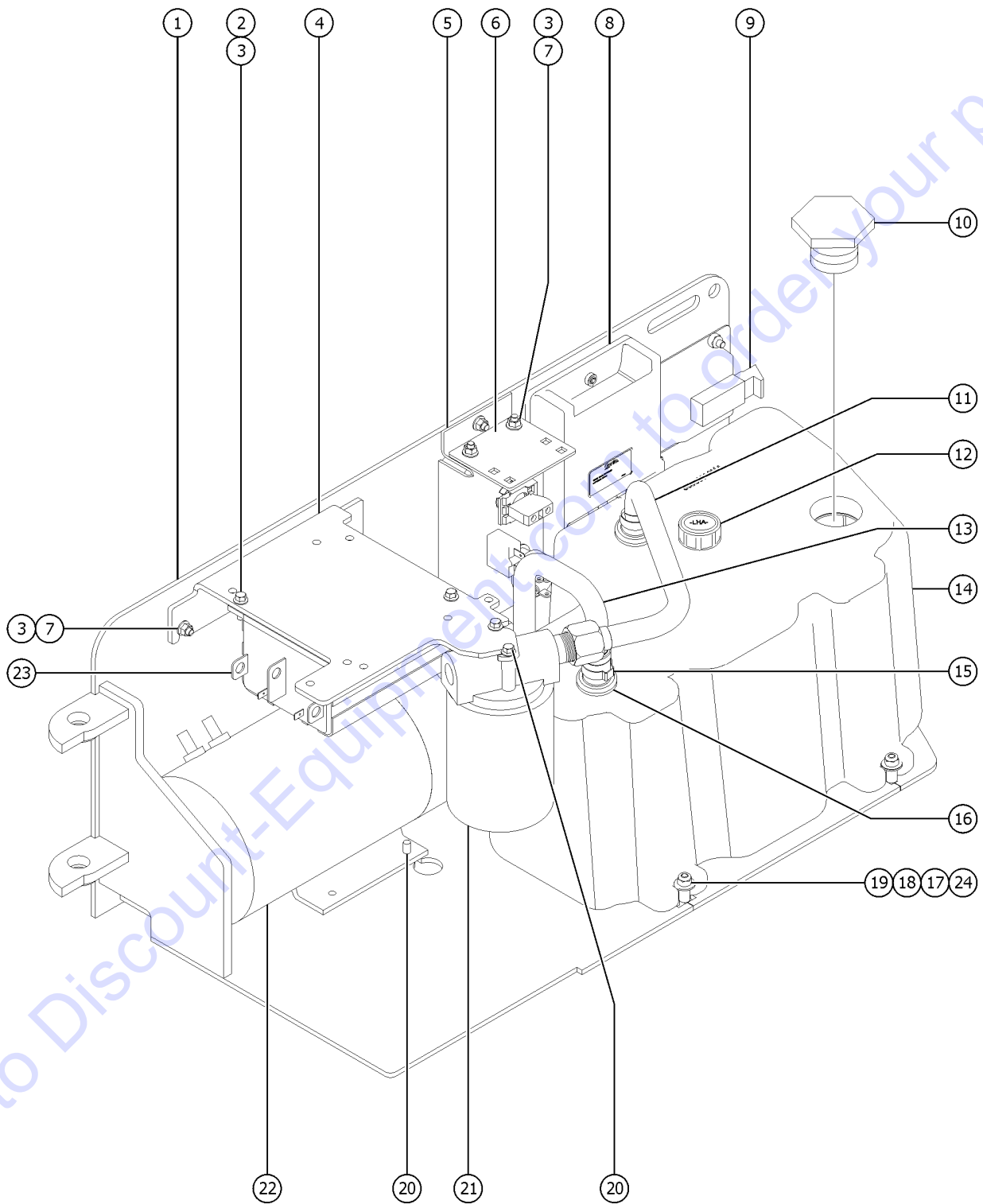
207.1 Power Unit Module (to SN GS4616P-139987)



Item	Part No.	Description	Qty.
1A	231114GT	HYDR TRAY ASSY W/WORDS	1
1A-	T113296GT	WELDMENT,GS HYD TRAY (decals not included, refer to section one)	
1B	231167GT	HYDR TRAY ASSY,GS30 W/SYMBOLS	1
1B-	T113296GT	WELDMENT,GS HYD TRAY (decals not included, refer to section one)	
2	824080GT	SCREW,HHF,1/4-20X1.25,8,ZAG	
3	824027GT	NUT,TL FLG,1/4-20,G,ZAG	
4	105308GT	FORMING, FILTER-CNTRLR MOUNT	1
5		Ref. FORMING, CONTROL PANEL (refer to 208.1)	
6	T108326GT	PLATE,HARNESS MOUNT	1
7	824124GT	BOLT, CARRIAGE, 1/4-20 X .75, 5, ZAG	
8		Ref. GCON, GR/GRC/GS (refer to figure 208.1)	
9	55675GT	LATCH, LRG PADDLE HANDLE GS90	1
10	66204GT	FILTER CAP (PLUG 1-1/2" NPT HEX	1
11	96355GT	TUBE, ASSY, RETURN	1
12	78546GT	BREATHER CAP,HYD. TANK,1/4 NPT	1
13	96354GT	TUBE, ASSY, DRAW	1
14	226163GT	HYD. TANK KIT, GS30,32,46 (includes items 15 and 16)	1
14-	T109012GT	TANK,HYD, SLAB SCISSORS	
15	96855GT	CLAMP,HOSE,1 EAR,1-1/16***	2
16	96709GT	GROMMET,SLAB HYD TANK***	2
17	96699GT	SLEEVE,TANK SUPPORT	
18	824113GT	WASHER,FLAT,1/4,USS,ZAG	
19	1256463GT	BOLT,CARRIAGE,1/4-20X1.25,5,ZA	
20	824078GT	SCREW,HHF,1/4-20X.75,8,ZAG	
21		REF. FILTER ASSY (refer to figure 501.1)	
22		REF. ELECTRIC MOTOR/PUMP (refer to figure 505.1)	
23A	1257840GT	MOTOR CONTROLLER, DC,24V,360A to SN P-138770	1
23B	1257840GT	MOTOR CONTROLLER, DC,24V,360A from SN P-138771	



207.1 Power Unit Module (to SN GS4616P-139987)



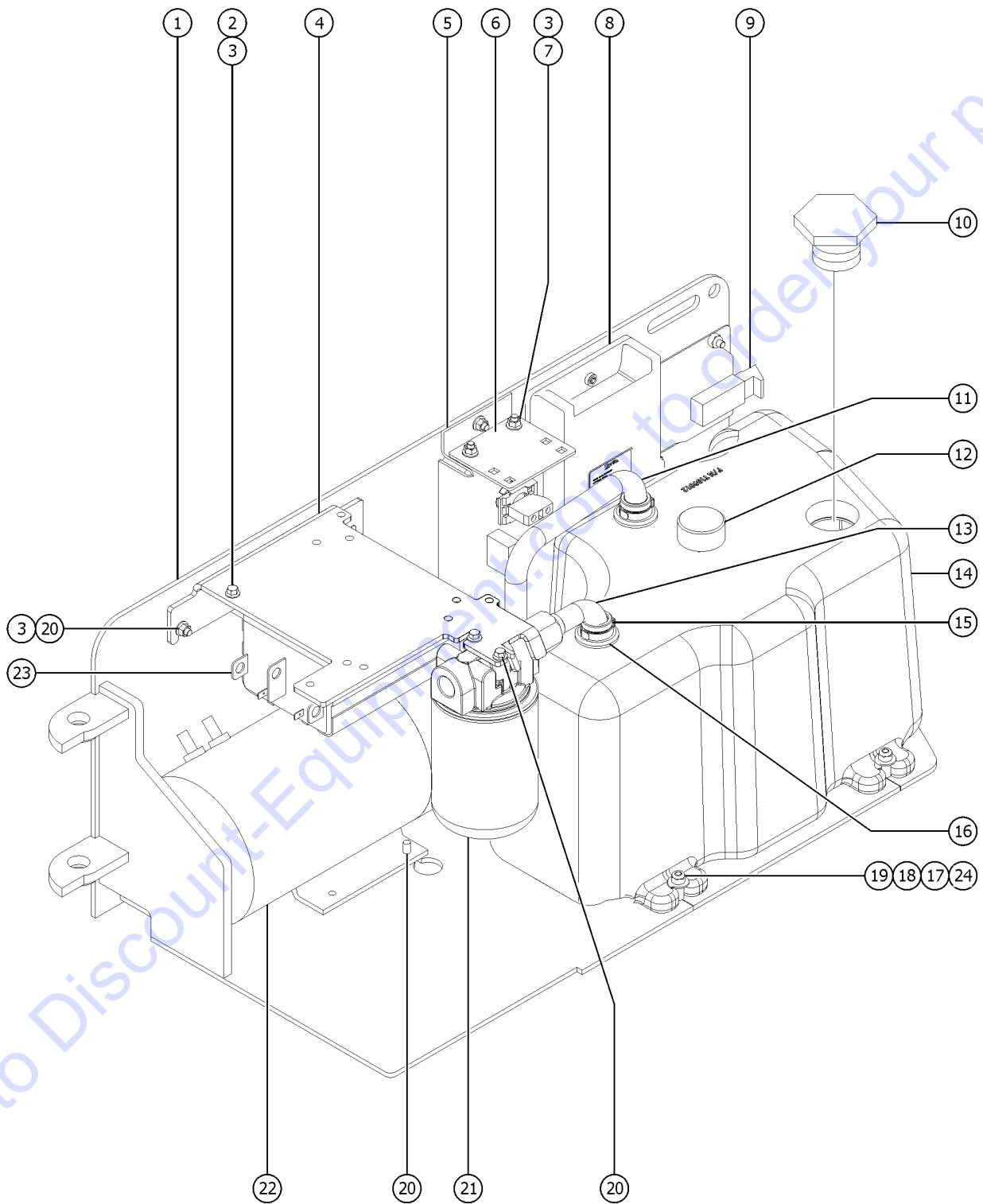
207.1 Power Unit Module (to SN GS4616P-139987)

Item	Part No.	Description	Qty.
23C	232534GT	KIT,CONTACTOR,GS	
23D	1261335GT	KIT,BATT. CABLE ASSY.,GS30/32 All models with motor controller, 823408GT, installed	1
23E	1261334GT	KIT,BATT. CABLE ASSY.,GS46 All models with motor controller, 823408GT, installed	1
23F	233379GT	KIT, INVERTER JUMPER, GS All models with motor controller, 823408GT, installed	1
24	6091GT	NUT,NYLOCK,1/4-20	3

Go to Discount-Equipment.com to order your parts



207.2 Power Unit Module (from SN GS4616P-139988)

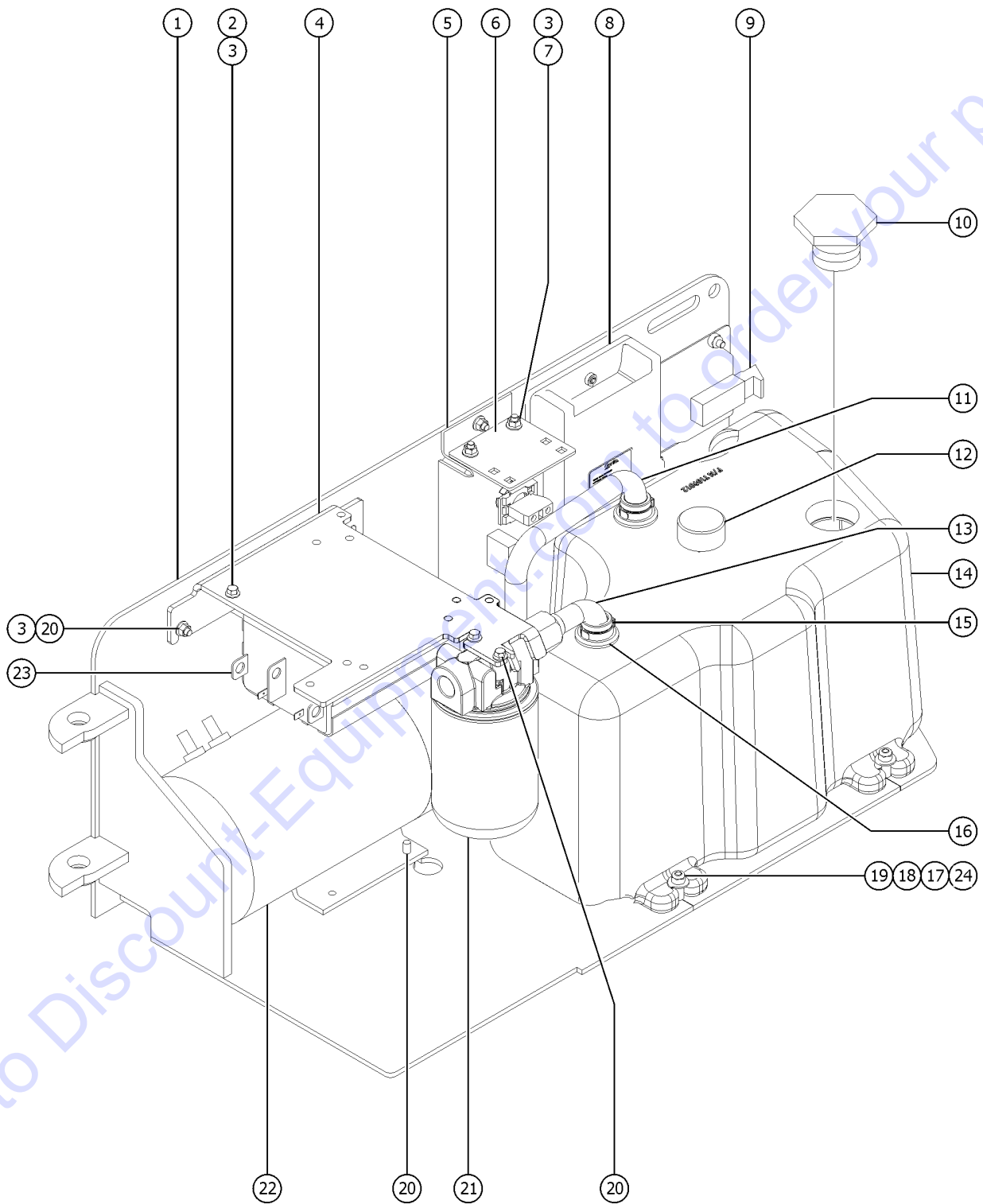


207.2 Power Unit Module (from SN GS4616P-139988)

Item	Part No.	Description	Qty.
1A	231114GT	HYDR TRAY ASSY W/WORDS	1
1A-	T113296GT	WELDMENT,GS HYD TRAY (decals not included, refer to section one)	
1B	231167GT	HYDR TRAY ASSY,GS30 W/SYMBOLS	1
1B-	T113296GT	WELDMENT,GS HYD TRAY (decals not included, refer to section one)	
2	824080GT	SCREW,HHF,1/4-20X1.25,8,ZAG	
3	824027GT	NUT,TL FLG,1/4-20,G,ZAG	
4A	1280158GT	KIT,SLAB HYD TANK TUBE REPLACEMENT from SN GS4616P-139988 to 142350 (includes draw tube, return tube, and filter control mount)	
4A-	1276561GT	TUBE, SLAB RETURN ASSEMBLY from SN GS4616P-139988 to 142350	
4A-	1270598GT	TUBE, SLAB DRAW ASSEMBLY from SN GS4616P-139988 to 142350	
5		Ref. FORMING, CONTROL PANEL	
6	T108326GT	PLATE,HARNESS MOUNT	1
7	824124GT	BOLT, CARRIAGE, 1/4-20 X .75, 5, ZAG	
8		Ref. GCON, GR/GRC/GS	
9	55675GT	LATCH, LRG PADDLE HANDLE GS90	1
10	66204GT	FILTER CAP (PLUG 1-1/2" NPT HEX	1
11A	1280158GT	KIT,SLAB HYD TANK TUBE REPLACEMENT from SN GS4616P-139988 to 142350 (includes draw tube, return tube, and filter control mount)	
11A-	1276561GT	TUBE, SLAB RETURN ASSEMBLY from SN GS4616P-139988 to 142350	
11A-	1276562GT	FORMING,FILTER-CONTROLLER MOUNT from SN GS4616P-139988 to 142350	
12	78546GT	BREATHER CAP,HYD. TANK,1/4 NPT	1
13A	1280158GT	KIT,SLAB HYD TANK TUBE REPLACEMENT from SN GS4616P-139988 to 142350 (includes draw tube, return tube, and filter control mount)	
13A-	1270598GT	TUBE, SLAB DRAW ASSEMBLY from SN GS4616P-139988 to 142350	
13A-	1276562GT	FORMING,FILTER-CONTROLLER MOUNT from SN GS4616P-139988 to 142350	
14	226163GT	HYD. TANK KIT, GS30,32,46	1
14-	T109012GT	TANK,HYD, SLAB SCISSORS	
15	96855GT	CLAMP,HOSE,1 EAR,1-1/16***	2
16	96709GT	GROMMET,SLAB HYD TANK***	2
17	96699GT	SLEEVE,TANK SUPPORT	



207.2 Power Unit Module (from SN GS4616P-139988)



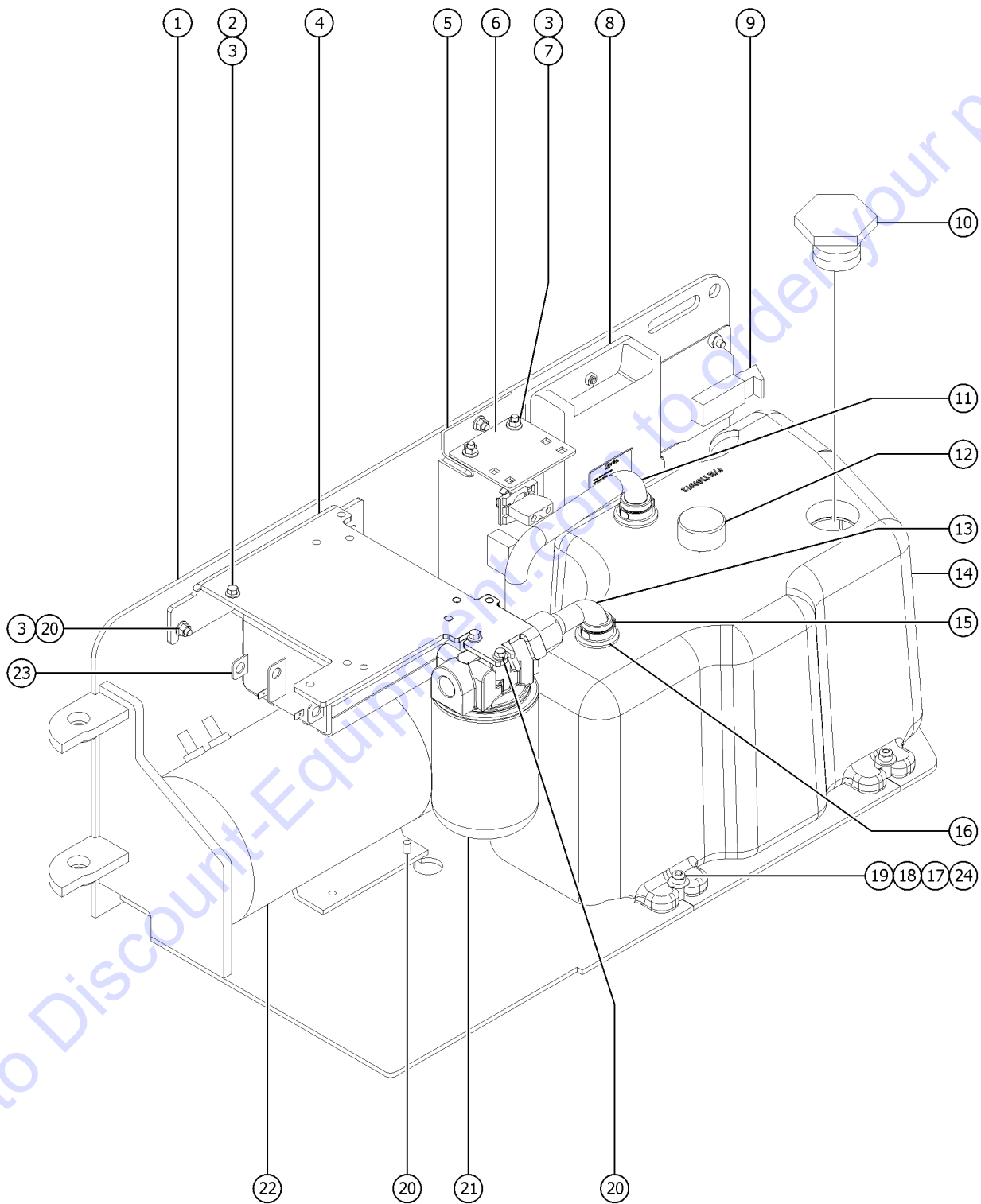
207.2 Power Unit Module (from SN GS4616P-139988)

Item	Part No.	Description	Qty.
18	824113GT	WASHER,FLAT,1/4,USS,ZAG	
19	1256463GT	BOLT,CARRIAGE,1/4-20X1.25,5,ZA	
20	824078GT	SCREW,HHF,1/4-20X.75,8,ZAG	
21		REF. FILTER ASSY	
		(refer to figure 501.1)	
22		REF. ELECTRIC MOTOR/PUMP	
		(refer to figure 505.1)	
23A	1257840GT	MOTOR CONTROLLER, DC,24V,360A	
23B	232534GT	KIT,CONTACTOR,GS	
24	6091GT	NUT,NYLOCK,1/4-20	3

Go to Discount-Equipment.com to order your parts



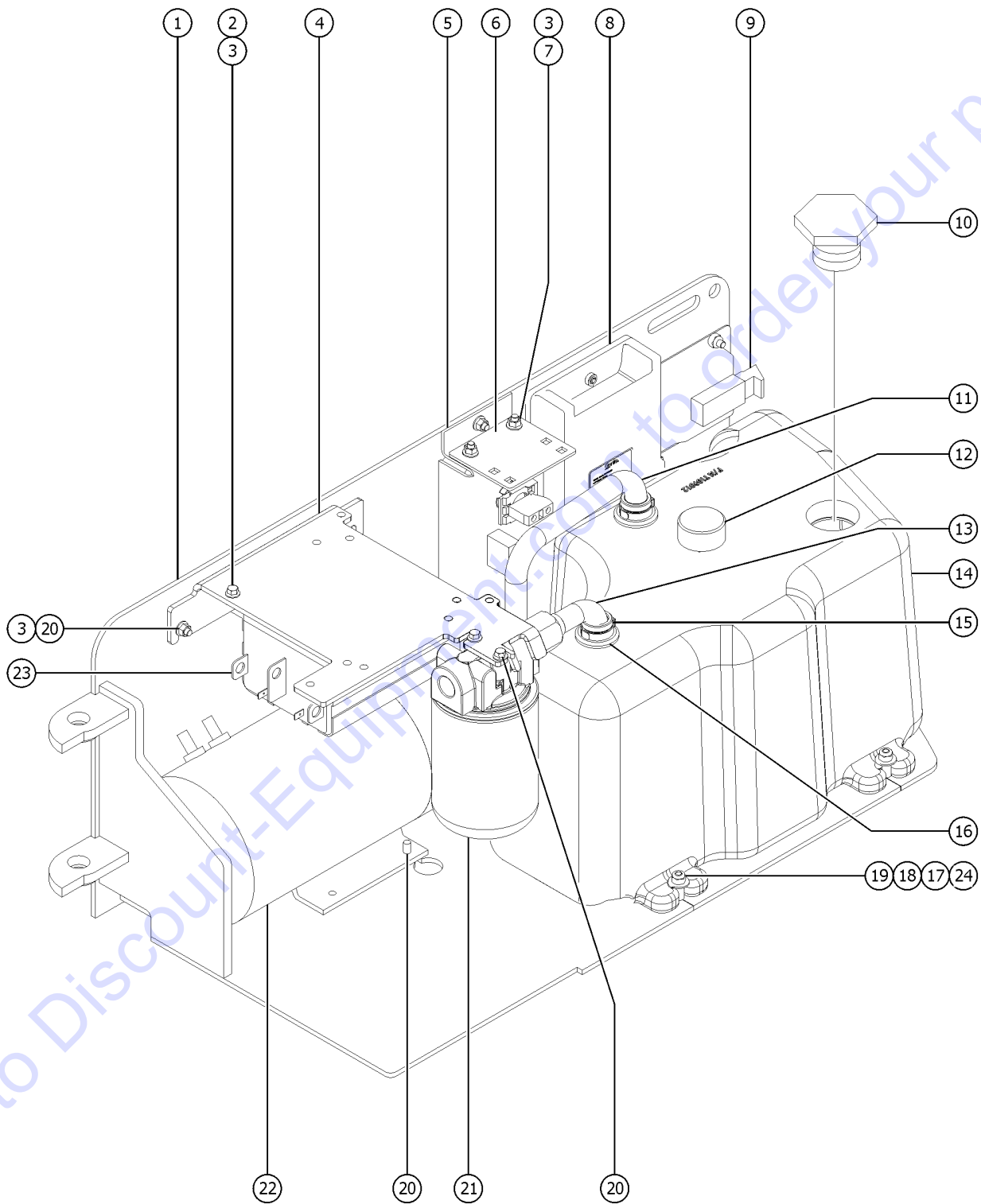
207.3 Power Unit Module (from SN GS4616P-139988)



Item	Part No.	Description	Qty.
1A	231114GT	HYDR TRAY ASSY W/WORDS	1
1A-	T113296GT	WELDMENT,GS HYD TRAY (decals not included, refer to section one)	
1B	231167GT	HYDR TRAY ASSY,GS30 W/SYMBOLS	1
1B-	T113296GT	WELDMENT,GS HYD TRAY (decals not included, refer to section one)	
2	824080GT	SCREW,HHF,1/4-20X1.25,8,ZAG	
3	824027GT	NUT,TL FLG,1/4-20,G,ZAG	
4A	1280158GT	KIT,SLAB HYD TANK TUBE REPLACMENT from SN GS4616P-139988 to 142350 (includes draw tube, return tube, and filter control mount)	
4A-	1276561GT	TUBE, SLAB RETURN ASSEMBLY	
4A-	1270598GT	TUBE, SLAB DRAW ASSEMBLY	
4B	1276562GT	FORMING,FILTER-CONTROLLER MOUNT	
5		Ref. FORMING, CONTROL PANEL	
6	T108326GT	PLATE,HARNESS MOUNT	1
7	824124GT	BOLT, CARRIAGE, 1/4-20 X .75, 5, ZAG	
8		Ref. GCON, GR/GRC/GS	
9	55675GT	LATCH, LRG PADDLE HANDLE GS90	1
10	66204GT	FILTER CAP (PLUG 1-1/2" NPT HEX	1
11A	1280158GT	KIT,SLAB HYD TANK TUBE REPLACMENT from SN GS4616P-139988 to 142350 (includes draw tube, return tube, and filter control mount)	
11A-	1276561GT	TUBE, SLAB RETURN ASSEMBLY	
11A-	1276562GT	FORMING,FILTER-CONTROLLER MOUNT	
11B	1270598GT	TUBE, SLAB DRAW ASSEMBLY	
12	78546GT	BREATHER CAP,HYD. TANK,1/4 NPT	1
13A	1280158GT	KIT,SLAB HYD TANK TUBE REPLACMENT from SN GS4616P-139988 to 142350 (includes draw tube, return tube, and filter control mount)	
13A-	1270598GT	TUBE, SLAB DRAW ASSEMBLY	
13A-	1276562GT	FORMING,FILTER-CONTROLLER MOUNT	
13B	1276561GT	TUBE, SLAB RETURN ASSEMBLY	
14	226163GT	HYD. TANK KIT, GS30,32,46	1
14-	T109012GT	TANK,HYD, SLAB SCISSORS	



207.3 Power Unit Module (from SN GS4616P-139988)



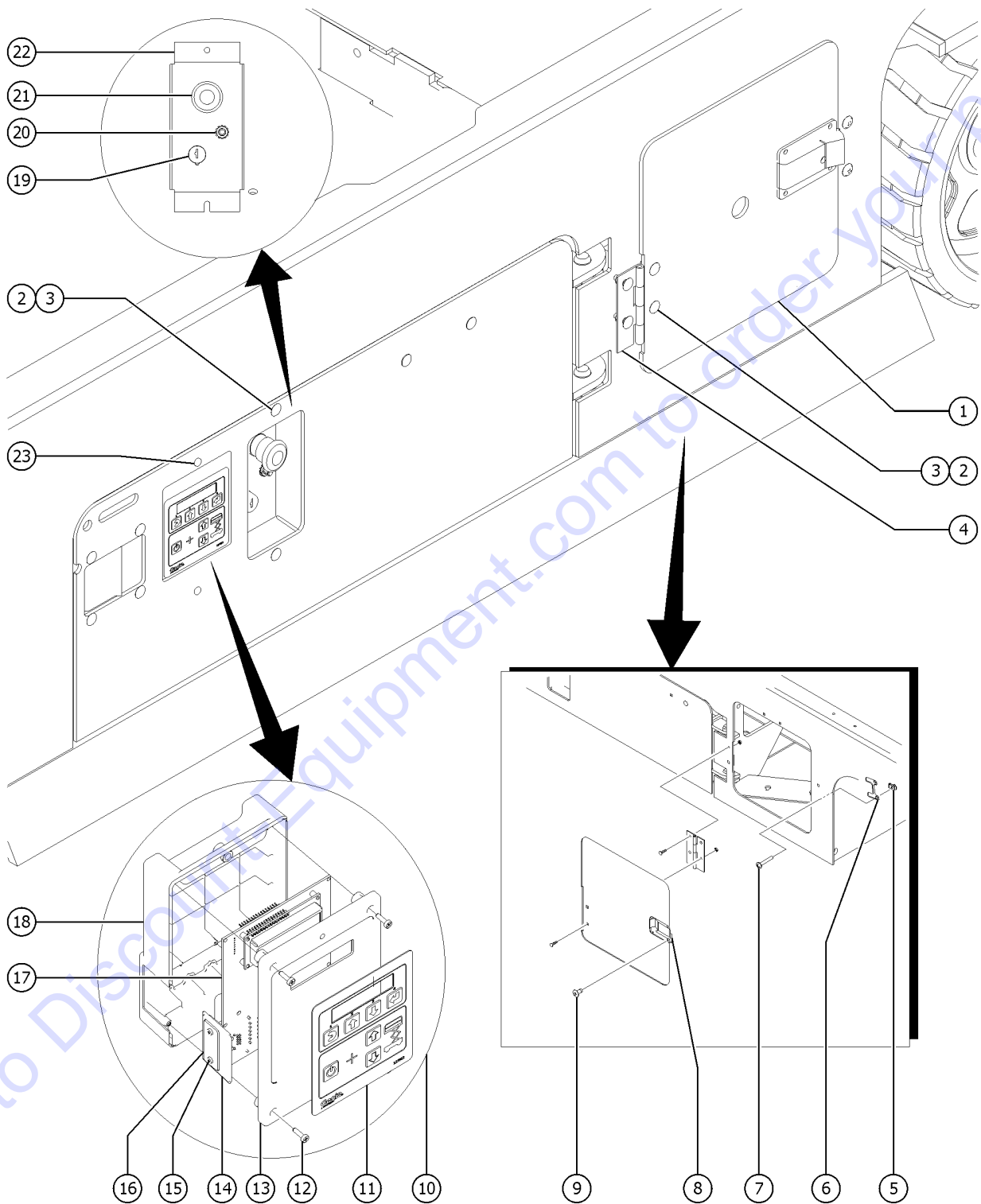
207.3 Power Unit Module (from SN GS4616P-139988)

Item	Part No.	Description	Qty.
15	96855GT	CLAMP,HOSE,1 EAR,1-1/16***	2
16	96709GT	GROMMET,SLAB HYD TANK***	2
17	96699GT	SLEEVE,TANK SUPPORT	
18	824113GT	WASHER,FLAT,1/4,USS,ZAG	
19	1256463GT	BOLT,CARRIAGE,1/4-20X1.25,5,ZA	
20	824078GT	SCREW,HHF,1/4-20X.75,8,ZAG	
21		REF. FILTER ASSY (refer to figure 501.1)	
22		REF. ELECTRIC MOTOR/PUMP (refer to figure 505.1)	
23A	1257840GT	MOTOR CONTROLLER, DC,24V,360A	
23B	232534GT	KIT,CONTACTOR,GS	

Go to Discount-Equipment.com to order your parts



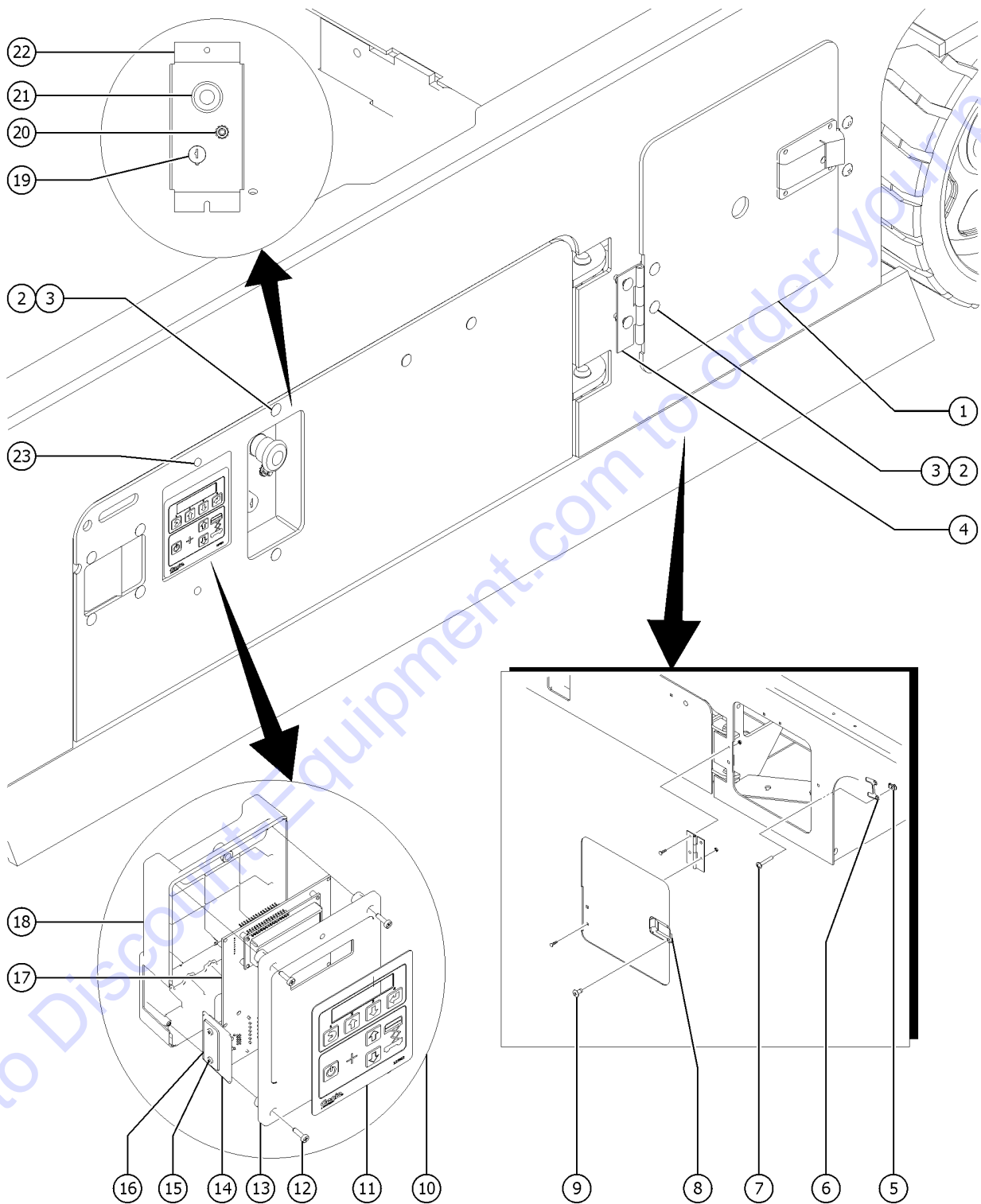
208.1 Ground Controls



Item	Part No.	Description	Qty.
A	1252764GT	SPACER, GROUND CONTROL ECU	1
B	824216GT	SCREW,PHPM,10-32X1.5,ZAG	
1	105732GT	PLATE,SIDE DOOR***	1
2	824124GT	BOLT, CARRIAGE, 1/4-20 X .75, 5, ZAG	6
3	824027GT	NUT,TL FLG,1/4-20,G,ZAG	6
4	105734GT	HINGE,ACCESS DOOR(13G)	1
5	56912GT	SPRING CLIP,1/4-20,.025-.15X.5	2
6	105733GT	PLATE,SIDE DOOR STOP***	1
7	1260984GT	SCREW,PHPM,1/4-20X.75,ZAG	2
8	105759GT	LATCH,COMPRESSION,SMALL	1
9	824206GT	RIVET,STL,STL,DOME,1/8X.25,ZAG	2
10	1256721GT	GCON,STD,PROP LIFT	1
11	137562GT	DECAL,MEMBRANE, GR/GRC/GS GCON.	1
12	137668GT	SCREW,PHM,6-19X.75, 48-2 TRI-L	4
13	T106366GT	ENCLOSURE,GC27-25/GC21-19,FRNT	1
14	T106363GT	ADAPTER, RJ45, GC27-25/GC21-19	1
15	137637GT	SCREW,PHM,4-20X.5, 48-2 TRI-L	2
16	T106362GT	COVER, RJ45, GC27-25/GC21-19	1
17	1256719GT	PCBA,GCON STD,PROP LIFT	1
18	T106372GT	ENCLOSURE, GC21-19, BK	1
19	96008-SGT	KEYSWITCH,3 POS. W/KEYS***	1
19-	37947GT	KEYS,10 PACK*** (sold seperately)	
19-	83093GT	KEY SINGLE*** (sold seperately)	
19-	85239GT	NUT,RETAINER (96008) (sold seperately)	
19-	96009GT	WASHER,NITRILE (sold seperately)	
19-	96010GT	SCREW,PHILLIPS,PHM,8-32 X.25** (sold seperately)	
20	96452GT	CIRCUIT BREAKER, 7.0 AMP***	1
20-	122994GT	NICKEL PLATED JAM NUT	



208.1 Ground Controls



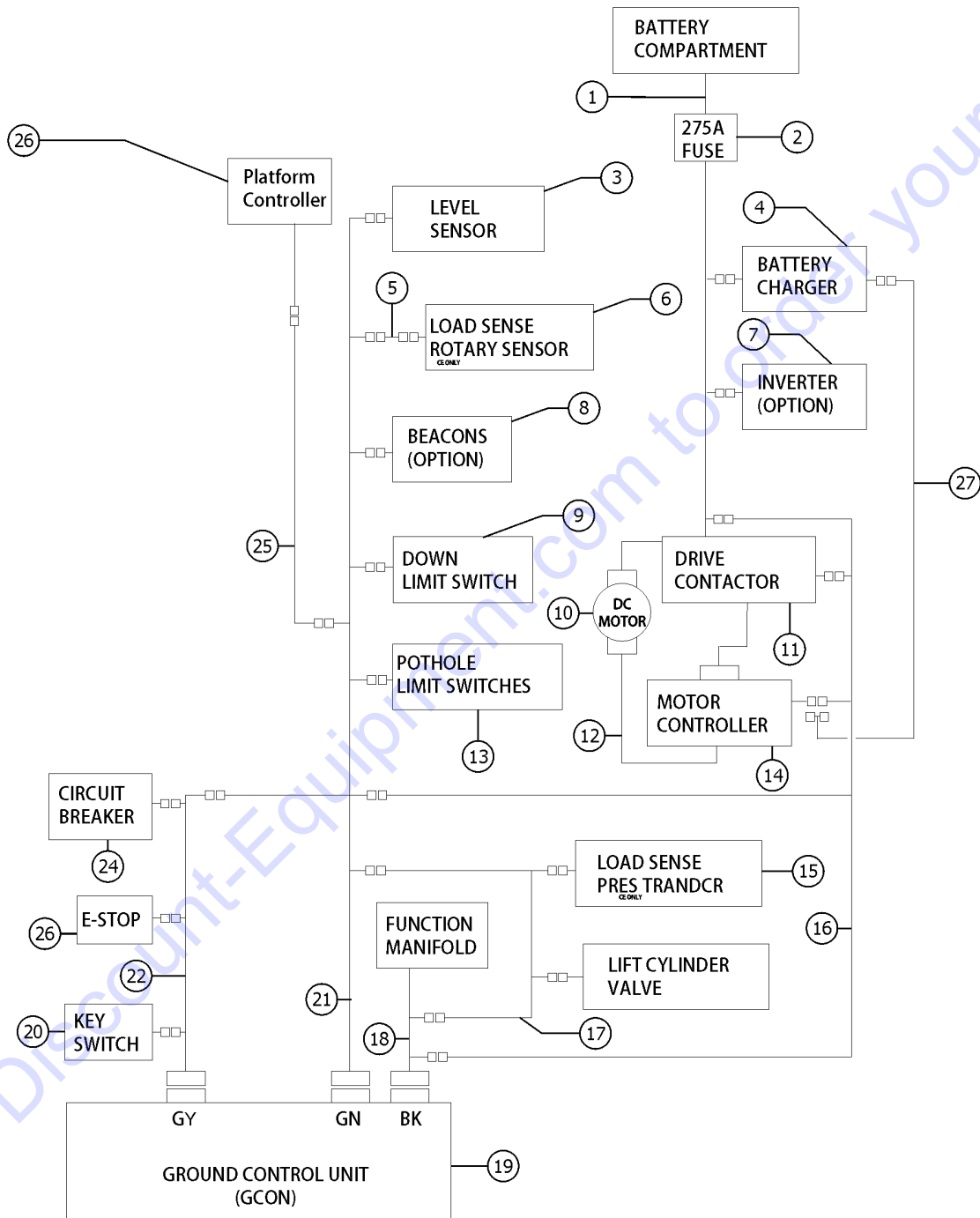
208.1 Ground Controls

Item	Part No.	Description	Qty.
20-	6700GT	WASHER, STAR, EXTERNAL, .375	
21	66812GT	BUTTON,PUSH,RED MUSHROOM HEAD	1
21-	58627GT	NUT	
21-	66817GT	BASE WITH 1 NC CONTACT, E-STOP	
22	T108327GT	FORMING,CONTROL PANEL	1
		to SN GS32P-163738	
22-	1283213GT	FORMING,CONTROL PANEL, TECH PRO	
		from SN GS32P-163739	
23	51063GT	SCREW,PHILLIPS,RHM,10-32 X 1.5	2

Go to Discount-Equipment.com to order your parts

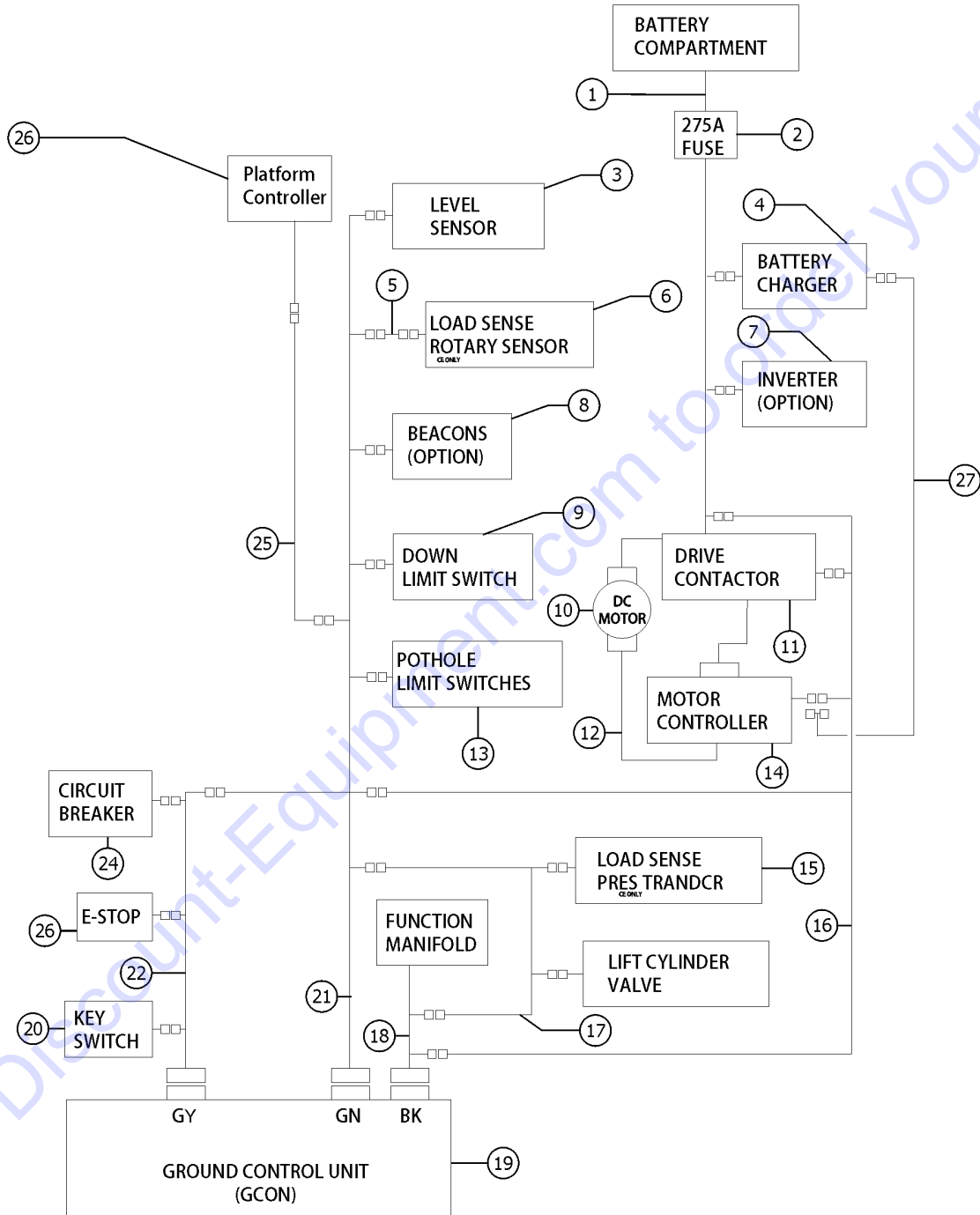


209.1 Electrical Wiring, GS-2046



Item	Part No.	Description	Qty.
A	105214GT	CABLE TIE MOUNT, WINGED not shown	
A	56926GT	CLIP, TIE HARNESS MOUNT*** not shown	
B	1264822GT	KIT, TRC RETROFIT, STNDRD Telematics (includes 1264834)	
B-	1264834GT	INSTRN, TRC RETROFIT, STNDRD	
1		REF. BATTERY CABLE refer to 210.1	
2		REF. FUSE refer to 205.1	
3		REF. LEVEL SENSOR refer to 203.1	
4		REF. CHARGER refer to 206.1	
5	T114031GT	HARNESS, ROTARY ANGLE	1
6	T113136GT	ASSY, ROT SENSR W/ HARNESS	1
7		REF. INVERTER refer to 604.1	
8		REF. STOBE, BEACON refer to 601.1	
9		REF. DOWN LIMIT, GS refer to 203.1	
10		REF. ELECTRIC MOTOR refer to 504.1	
11A	74267GT	CONTACTOR, DRIVE, 24V, 180A*** to SN GS4616P-138930	1
11B	1270456GT	CONTACTOR, DRIVE, 24V, 180A from SN GS4616P-138931	
12		REF. BATTERY CABLE refer to 210.1	
13	96309GT	ASSY, POTHOLE HARNESS, GS	1
14		REF. MOTOR CONTROLLER refer to 207.1	
15	229750GT	HARNESS, PRESS, TRANSDUCER***	1
16	233430GT	HRNS, CONTACTOR SIGNAL, GS46	1
17A	233054GT	CABLE, LFT CYL DN, 20/26XX, WO/LS GS-2046, GS-2646 (ANSI, CSA)	1
17C	233053GT	CABLE, LFT CYL DN, 20/26XX, W/LS GS-2046, GS-2646 (CE, Australia)	
18	1257824GT	HARNESS, FUNCTION MANIFOLD, GS replaced T110889GT (Black connector)	1
19		REF. GCON refer to 208.1	
20		REF. KEYSWITCH refer to 208.1	
21A	1263221GT	HARNESS, GS SENSORS, ANSI, UTS	1
21A-	233711GT	HRNS ASSY, RESISTOR DIODE for 228786GT and T110891GT	

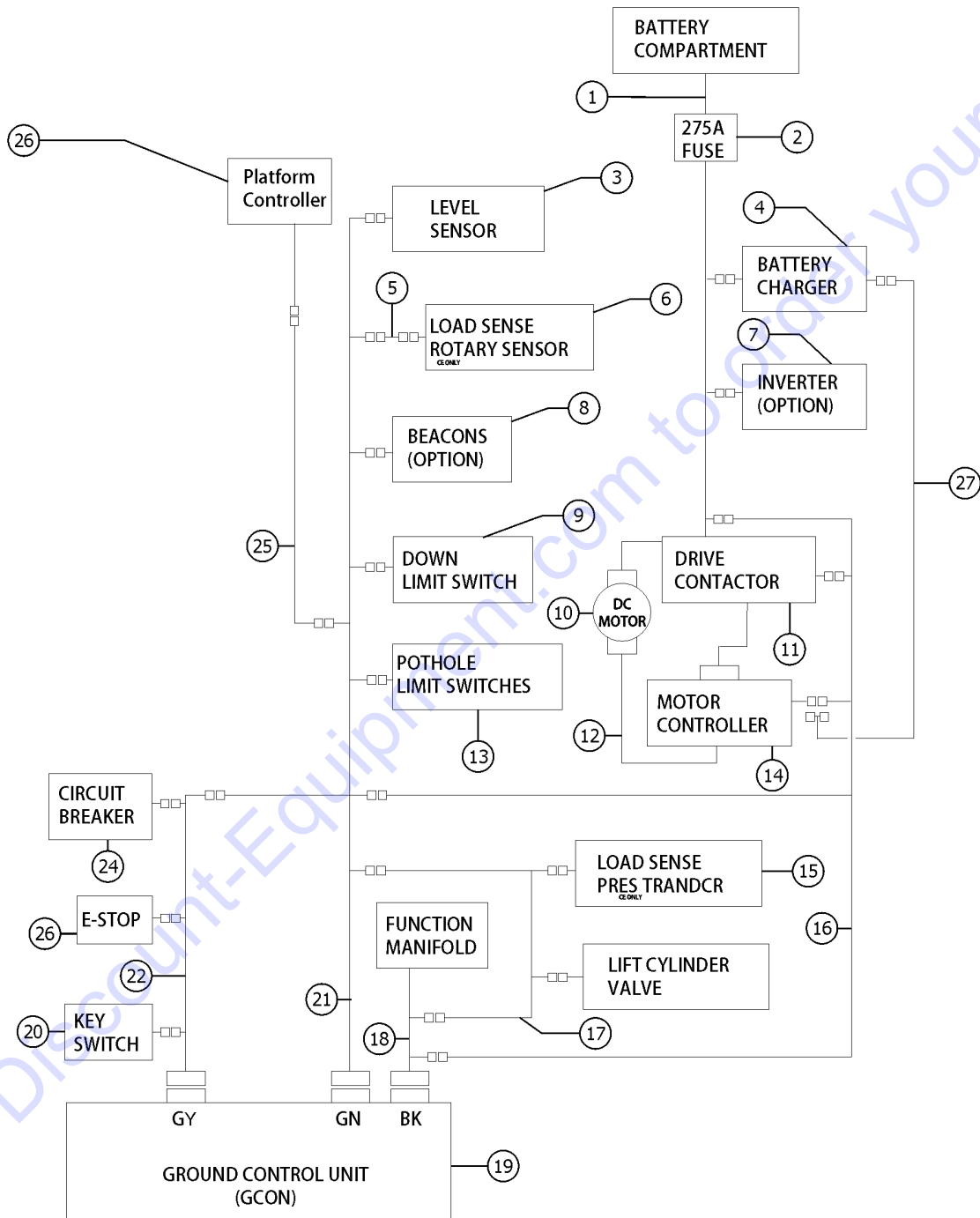




Item	Part No.	Description	Qty.
21B	T110891GT	HARNESS, GS SENSORS, CE (Green connector)	1
21B-	233711GT	HRNS ASSY,RESISTOR DIODE for 228786GT and T110891GT	
21B-	233644GT	RESISTOR,200 OHM 10W,CERAMIC for 233711GT	
21C	1263220GT	HARNESS, GS SENSORS, CE,UTS for UTS only	
22	T110890GT	HARNESS, GS POWER CONTRL (Grey connector)	1
23		REF. E-STOP BUTTON refer to 208.1	
24		REF. CIRCUIT BREAKER refer to 208.1	
25A	233050GT	CABLE, PLATFORM CONTROL, 20XX GS-2046	1
25A-	231921GT	KIT,CONN,RECEPT W/PIN AND LOCK	
25A-	231922GT	KIT,CONN,PLUG W/SCKT AND LOCK	
25A-	218579GT	WIRE CABLE 18/5 - UNSHIELDED GS-2046	324
26		REF. PCON refer to 403.1	
27	144215GT	CHARGER INTERLOCK CABLE,GS46	

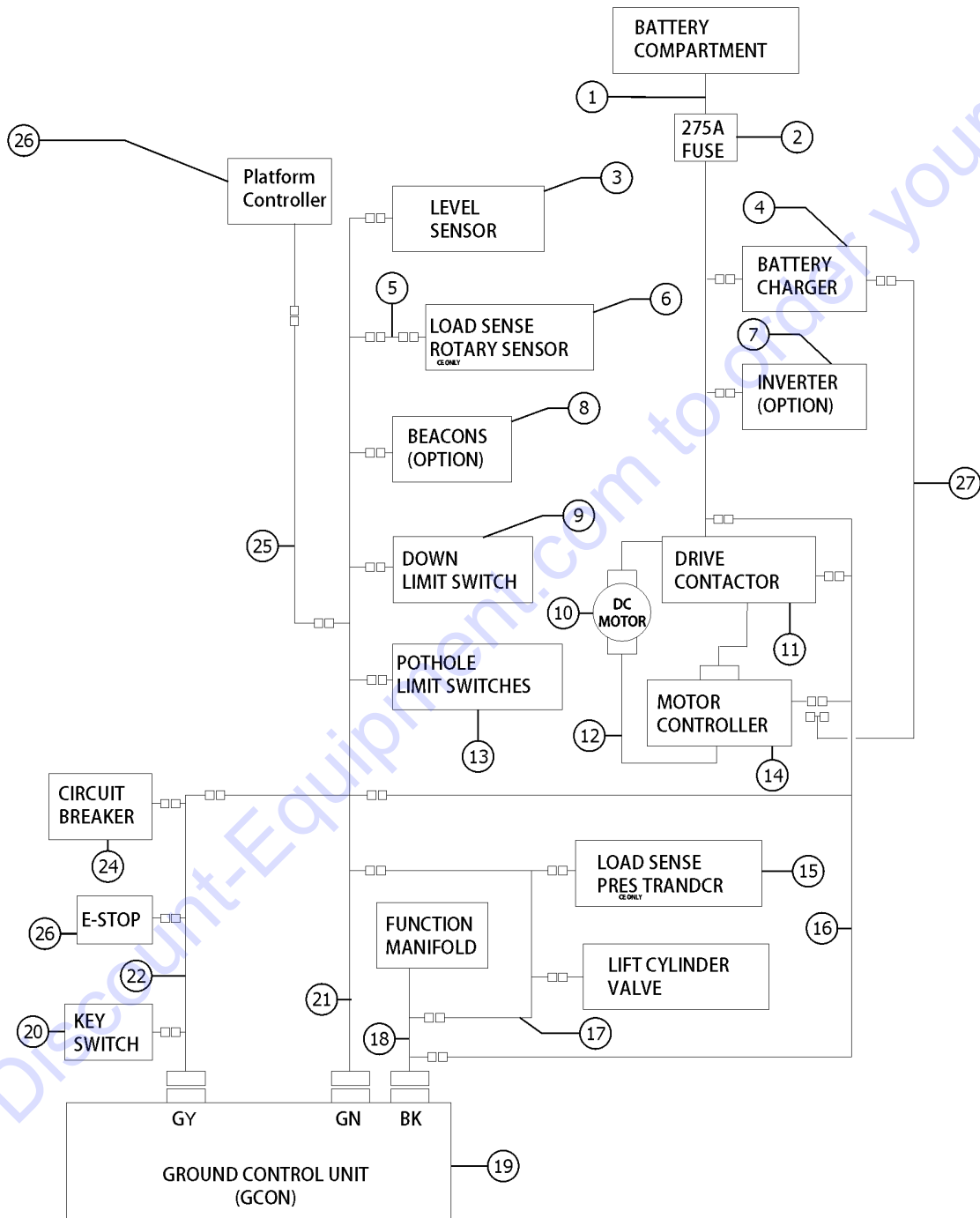
Go to Discount-Equipment.com to order your parts





Item	Part No.	Description	Qty.
A	105214GT	CABLE TIE MOUNT, WINGED not shown	
A	56926GT	CLIP, TIE HARNESS MOUNT*** not shown	
B	1264822GT	KIT, TRC RETROFIT, STNDRD Telematics (includes 1264834)	
B-	1264834GT	INSTRN, TRC RETROFIT, STNDRD	
1		REF. BATTERY CABLE refer to 210.1	
2		REF. FUSE refer to 205.1	
3		REF. LEVEL SENSOR refer to 203.1	
4		REF. CHARGER refer to 206.1	
5	T114031GT	HARNESS, ROTARY ANGLE	1
6	T113136GT	ASSY, ROT SENSR W/ HARNESS	1
7		REF. INVERTER refer to 604.1	
8		REF. STOBE, BEACON refer to 601.1	
9		REF. DOWN LIMIT, GS refer to 203.1	
10		REF. ELECTRIC MOTOR refer to 504.1	
11B	1270456GT	CONTACTOR, DRIVE, 24V, 180A from SN GS4616P-138931	
12		REF. BATTERY CABLE refer to 210.1	
13	96309GT	ASSY, POTHOLE HARNESS, GS	1
14		REF. MOTOR CONTROLLER refer to 207.1	
15	229750GT	HARNESS, PRESS, TRANSDUCER***	1
16	233430GT	HRNS, CONTACTOR SIGNAL, GS46	1
17A	233054GT	CABLE, LFT CYL DN, 20/26XX, WO/LS GS-2046, GS-2646 (ANSI, CSA)	1
17C	233053GT	CABLE, LFT CYL DN, 20/26XX, W/LS GS-2046, GS-2646 (CE, Australia)	
18	1257824GT	HARNESS, FUNCTION MANIFOLD, GS replaced T110889GT (Black connector)	1
19		REF. GCON refer to 208.1	
20		REF. KEYSWITCH refer to 208.1	
21A	1263221GT	HARNESS, GS SENSORS, ANSI, UTS	1
21A-	233711GT	HRNS ASSY, RESISTOR DIODE for 228786GT and T110891GT	
21B	T110891GT	HARNESS, GS SENSORS, CE (Green connector)	1



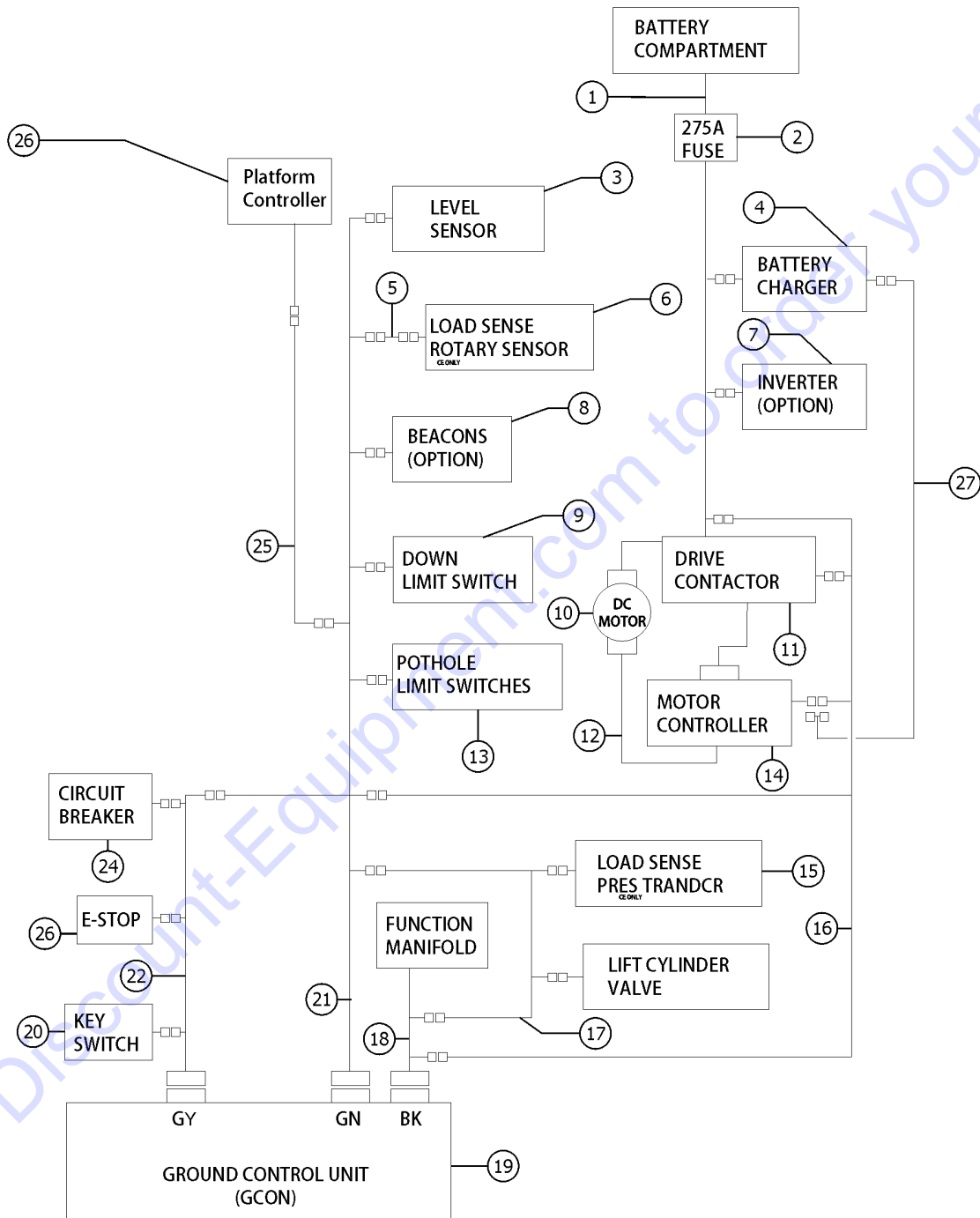


Item	Part No.	Description	Qty.
21B-	233711GT	HRNS ASSY,RESISTOR DIODE for 228786GT and T110891GT	
21B-	233644GT	RESISTOR,200 OHM 10W,CERAMIC for 233711GT	
21C	1263220GT	HARNESS, GS SENSORS, CE,UTS for UTS only	
22	T110890GT	HARNESS, GS POWER CONTRL (Grey connector)	1
23		REF. E-STOP BUTTON refer to 208.1	
24		REF. CIRCUIT BREAKER refer to 208.1	
25A	233050GT	CABLE, PLATFORM CONTROL, 20XX GS-2046	1
25A-	231921GT	KIT,CONN,RECEPT W/PIN AND LOCK	
25A-	231922GT	KIT,CONN,PLUG W/SCKT AND LOCK	
25A-	218579GT	WIRE CABLE 18/5 - UNSHIELDED GS-2046	324
26		REF. PCON refer to 403.1	
27	144215GT	CHARGER INTERLOCK CABLE,GS46	

Go to Discount-Equipment.com to order your parts



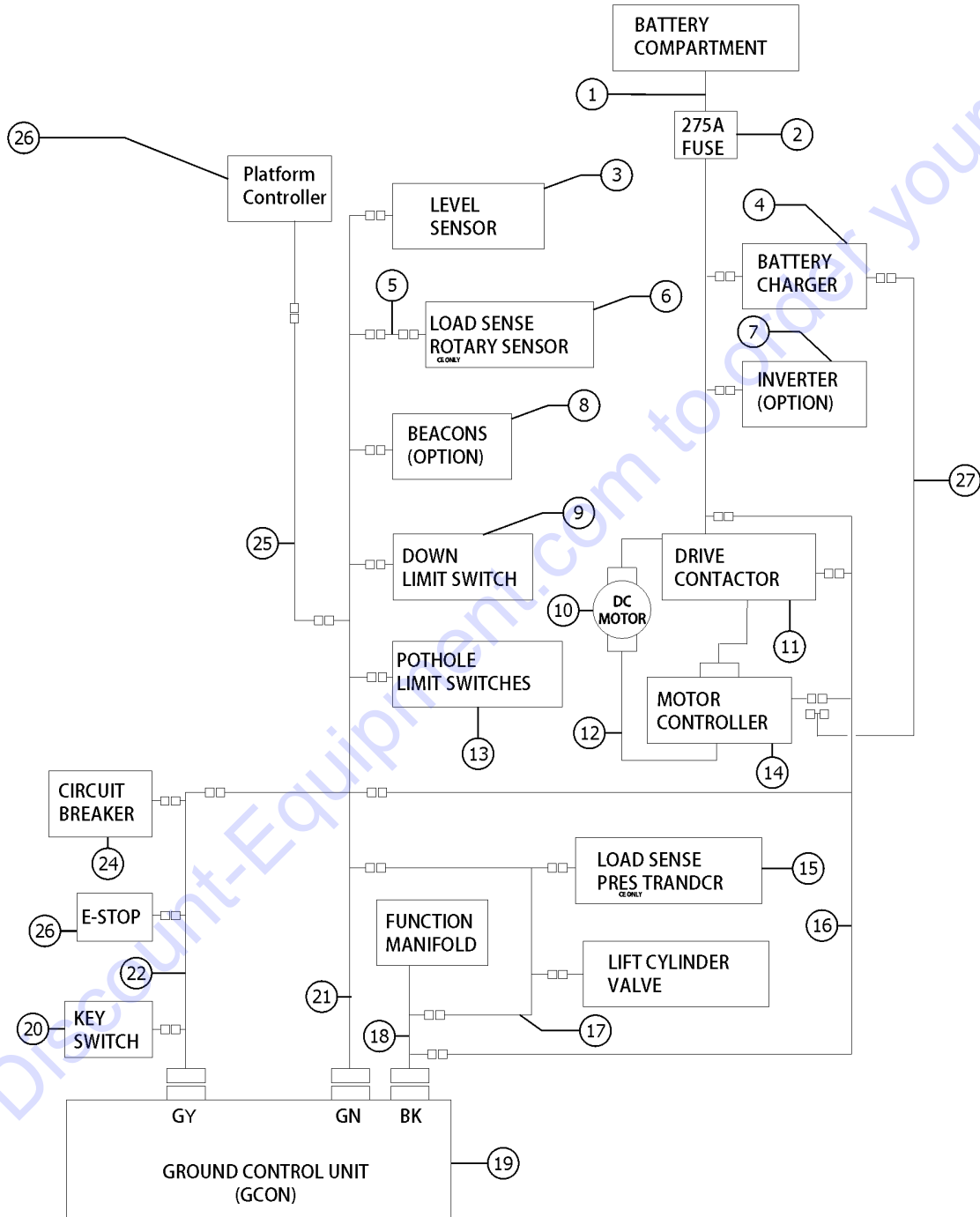
209.3 Electrical Wiring, GS-2646



Item	Part No.	Description	Qty.
A	105214GT	CABLE TIE MOUNT, WINGED not shown	
A	56926GT	CLIP, TIE HARNESS MOUNT*** not shown	
B	1264822GT	KIT, TRC RETROFIT, STNDRD Telematics (includes 1264834)	
B-	1264834GT	INSTRN, TRC RETROFIT, STNDRD	
1		REF. BATTERY CABLE refer to 210.1	
2		REF. FUSE refer to 205.1	
3		REF. LEVEL SENSOR refer to 203.1	
4		REF. CHARGER refer to 206.1	
5	T114031GT	HARNESS, ROTARY ANGLE	1
6	T113136GT	ASSY, ROT SENSR W/ HARNESS	1
7		REF. INVERTER refer to 604.1	
8		REF. STOBE, BEACON refer to 601.1	
9		REF. DOWN LIMIT, GS refer to 203.1	
10		REF. ELECTRIC MOTOR refer to 504.1	
11A	74267GT	CONTACTOR, DRIVE, 24V, 180A*** to SN GS4616P-138930	1
11B	1270456GT	CONTACTOR, DRIVE, 24V, 180A from SN GS4616P-138931	
12		REF. BATTERY CABLE refer to 210.1	
13	96309GT	ASSY, POTHOLE HARNESS, GS	1
14		REF. MOTOR CONTROLLER refer to 207.1	
15	229750GT	HARNESS, PRESS, TRANSDUCER***	1
16	233430GT	HRNS, CONTACTOR SIGNAL, GS46	1
17A	233054GT	CABLE, LFT CYL DN, 20/26XX, WO/LS GS-2046, GS-2646 (ANSI, CSA)	1
17C	233053GT	CABLE, LFT CYL DN, 20/26XX, W/LS GS-2046, GS-2646 (CE, Australia)	
18	1257824GT	HARNESS, FUNCTION MANIFOLD, GS replaced T110889GT (Black connector)	1
19		REF. GCON refer to 208.1	
20		REF. KEYSWITCH refer to 208.1	
21A	1263221GT	HARNESS, GS SENSORS, ANSI, UTS	1
21A-	233711GT	HRNS ASSY, RESISTOR DIODE for 228786GT and T110891GT	



209.3 Electrical Wiring, GS-2646

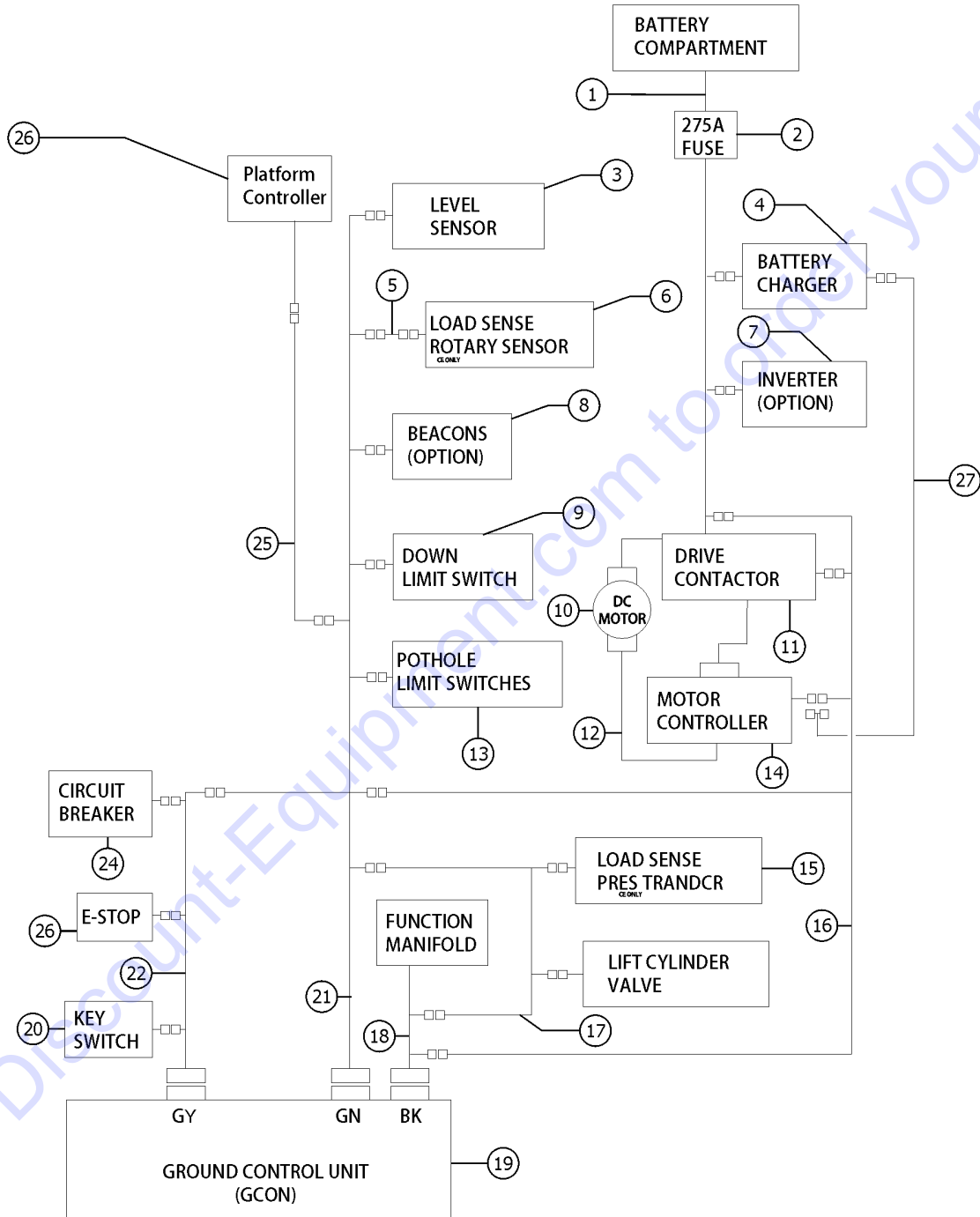


Item	Part No.	Description	Qty.
21B	T110891GT	HARNESS, GS SENSORS, CE (Green connector)	1
21B-	233711GT	HRNS ASSY,RESISTOR DIODE for 228786GT and T110891GT	
21B-	233644GT	RESISTOR,200 OHM 10W,CERAMIC for 233711GT	
21C	1263220GT	HARNESS, GS SENSORS, CE,UTS for UTS only	
22	T110890GT	HARNESS, GS POWER CONTRL (Grey connector)	1
23		REF. E-STOP BUTTON refer to 208.1	
24		REF. CIRCUIT BREAKER refer to 208.1	
25B	233051GT	CABLE, PLATFORM CONTROL, 26XX GS-2646	1
25B-	231921GT	KIT,CONN,RECEPT W/PIN AND LOCK	
25B-	231922GT	KIT,CONN,PLUG W/SCKT AND LOCK	
25B-	218579GT	WIRE CABLE 18/5 - UNSHIELDED GS-2646	440
26		REF. PCON refer to 403.1	
27	144215GT	CHARGER INTERLOCK CABLE,GS46	

Go to Discount-Equipment.com to order your parts



209.4 Electrical Wiring, GS-2646



PARTS FINDER

**Search Website
by Part Number**



**Search Manual
Library For Parts
Manual & Lookup Part
Numbers – Purchase
or Request Quote**

Search Manuals

Enter your information to help us find the right parts manual for your machine.

* Brand:

* Model:

* Serial:

* Part Number:

SEARCH

**Can't Find Part or
Manual? Request Help
by Manufacturer,
Model & Description**

Parts Order Form

Please fill in the following information to help us find the right part for your machine.

Manufacturer:	<input type="text"/>
Model:	<input type="text"/>
Description:	<input type="text"/>
Part Number:	<input type="text"/>
Quantity:	<input type="text"/>
Notes:	<input type="text"/>

Discount-Equipment.com is your online resource for quality parts & equipment.

Florida: **561-964-4949** Outside Florida TOLL FREE: **877-690-3101**

Need parts?

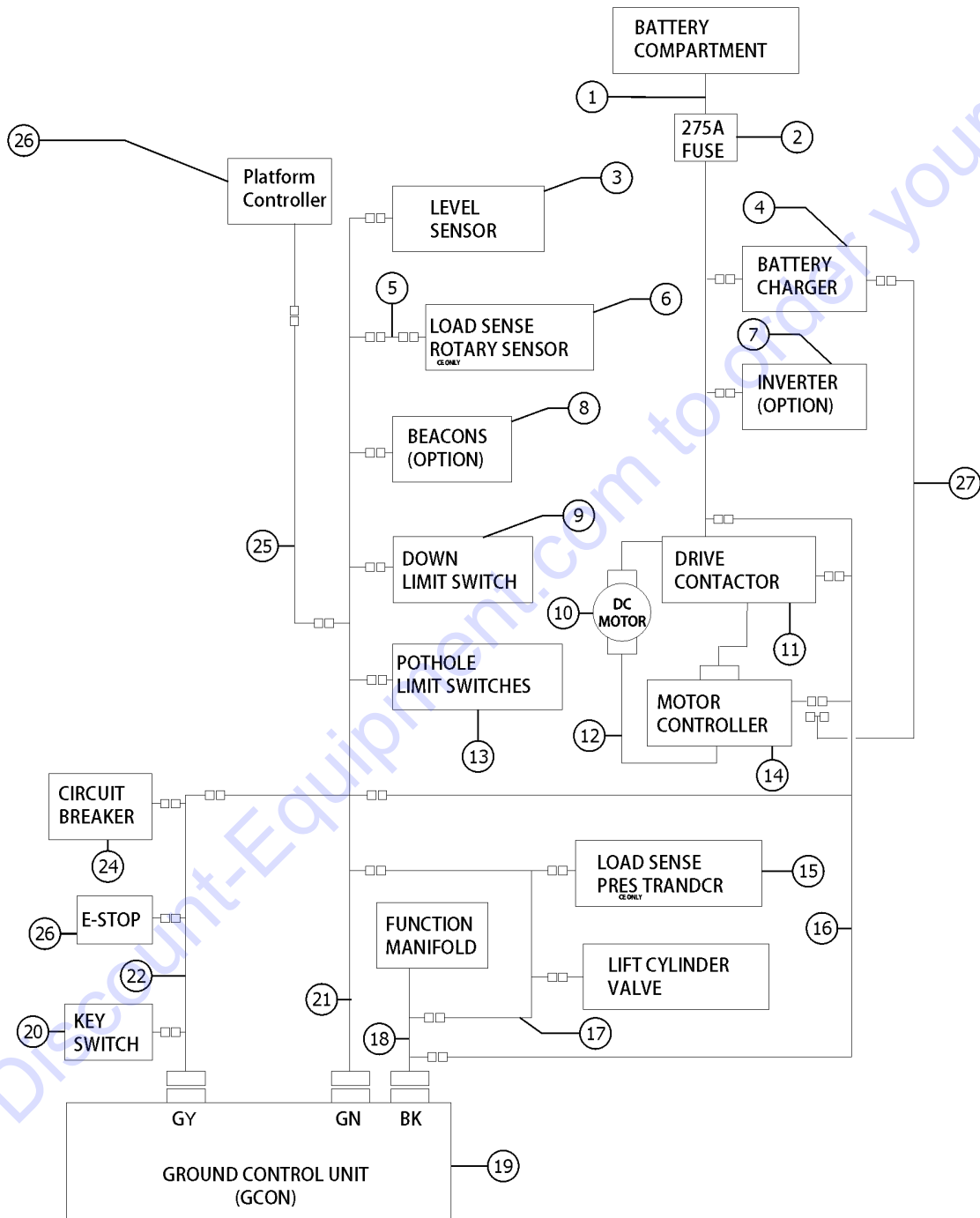
Click on this link: <http://www.discount-equipment.com/category/5443-parts/> and choose one of the options to help get the right parts and equipment you are looking for. Please have the machine model and serial number available in order to help us get you the correct parts. If you don't find the part on the website or on one of the online manuals, please fill out the request form and one of our experienced staff members will get back to you with a quote for the right part that your machine needs.

We sell worldwide for the brands: Genie, Terex, JLG, MultiQuip, Mikasa, Essick, Whiteman, Mayco, Toro Stone, Diamond Products, Generac Magnum, Airman, Haulotte, Barreto, Power Blanket, Nifty Lift, Atlas Copco, Chicago Pneumatic, Allmand, Miller Curber, Skyjack, Lull, Skytrak, Tsurumi, Husquvarna Target, Stow, Wacker, Sakai, Mi-T-M, Sullair, Basic, Dynapac, MBW, Weber, Bartell, Bennar Newman, Haulotte, Ditch Runner, Menegotti, Morrison, Contec, Buddy, Crown, Edco, Wyco, Bomag, Laymor, EZ Trench, Bil-Jax, F.S. Curtis, Gehl Pavers, Heli, Honda, ICS/PowerGrit, IHI, Partner, Imer, Clipper, MMD, Koshin, Rice, CH&E, General Equipment, Amida, Coleman, NAC, Gradall, Square Shooter, Kent, Stanley, Tamco, Toku, Hatz, Kohler, Robin, Wisconsin, Northrock, Oztec, Toker TK, Rol-Air, APT, Wylie, Ingersoll Rand / Doosan, Innovatech, Con X, Ammann, Mecalac, Makinex, Smith Surface Prep, Small Line, Wanco, Yanmar

Item	Part No.	Description	Qty.
A	105214GT	CABLE TIE MOUNT, WINGED not shown	
A	56926GT	CLIP, TIE HARNESS MOUNT*** not shown	
B	1264822GT	KIT, TRC RETROFIT, STNDRD Telematics (includes 1264834)	
B-	1264834GT	INSTRN, TRC RETROFIT, STNDRD	
1		REF. BATTERY CABLE refer to 210.1	
2		REF. FUSE refer to 205.1	
3		REF. LEVEL SENSOR refer to 203.1	
4		REF. CHARGER refer to 206.1	
5	T114031GT	HARNESS, ROTARY ANGLE	1
6	T113136GT	ASSY, ROT SENSR W/ HARNESS	1
7		REF. INVERTER refer to 604.1	
8		REF. STOBE, BEACON refer to 601.1	
9		REF. DOWN LIMIT, GS refer to 203.1	
10		REF. ELECTRIC MOTOR refer to 504.1	
11B	1270456GT	CONTACTOR, DRIVE, 24V, 180A from SN GS4616P-138931	
12		REF. BATTERY CABLE refer to 210.1	
13	96309GT	ASSY, POTHOLE HARNESS, GS	1
14		REF. MOTOR CONTROLLER refer to 207.1	
15	229750GT	HARNESS, PRESS, TRANSDUCER***	1
16	233430GT	HRNS, CONTACTOR SIGNAL, GS46	1
17A	233054GT	CABLE, LFT CYL DN, 20/26XX, WO/LS GS-2046, GS-2646 (ANSI, CSA)	1
17C	233053GT	CABLE, LFT CYL DN, 20/26XX, W/LS GS-2046, GS-2646 (CE, Australia)	
18	1257824GT	HARNESS, FUNCTION MANIFOLD, GS replaced T110889GT (Black connector)	1
19		REF. GCON refer to 208.1	
20		REF. KEYSWITCH refer to 208.1	
21A	1263221GT	HARNESS, GS SENSORS, ANSI, UTS	1
21A-	233711GT	HRNS ASSY, RESISTOR DIODE for 228786GT and T110891GT	
21B	T110891GT	HARNESS, GS SENSORS, CE (Green connector)	1



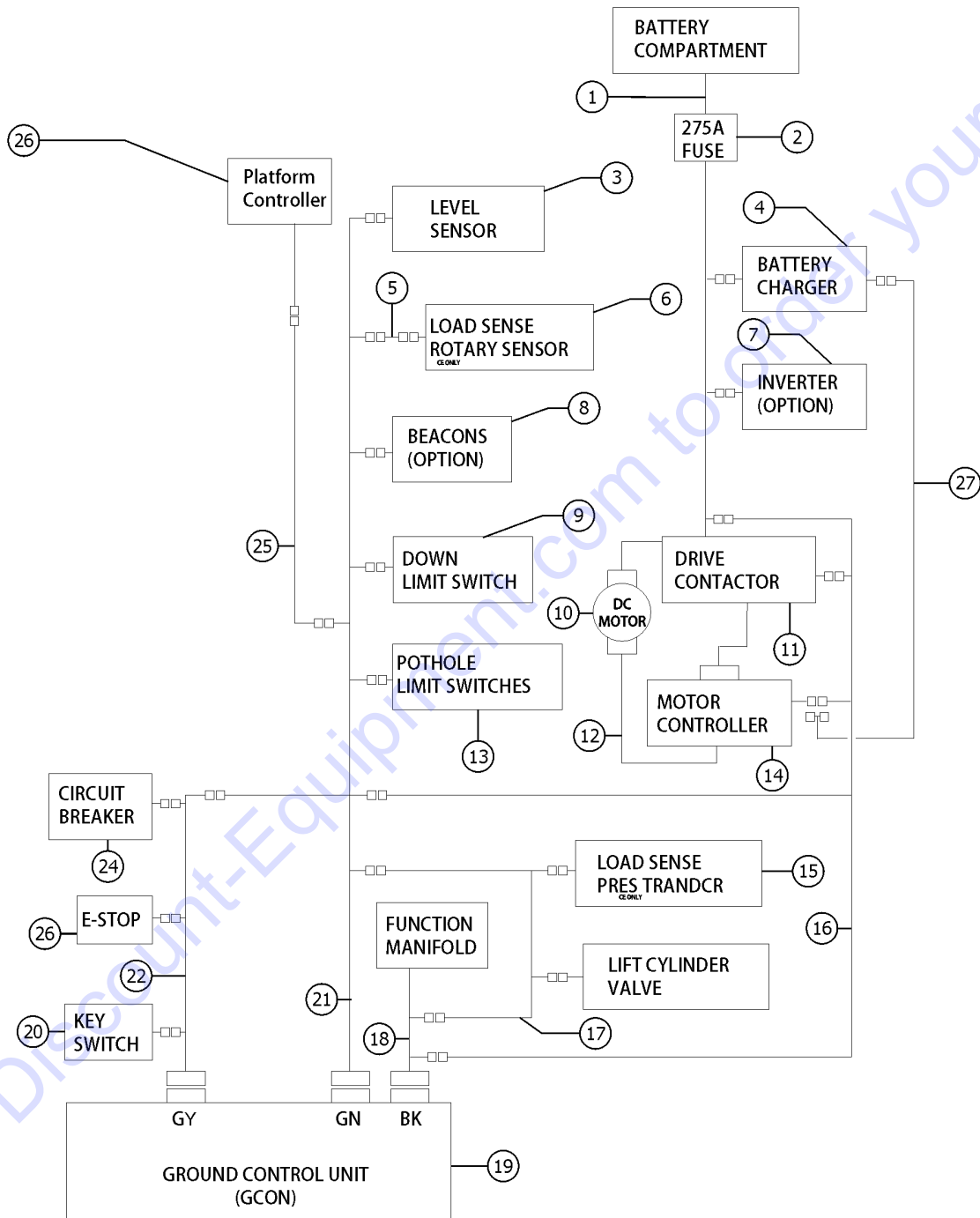
209.4 Electrical Wiring, GS-2646



Item	Part No.	Description	Qty.
21B-	233711GT	HRNS ASSY,RESISTOR DIODE for 228786GT and T110891GT	
21B-	233644GT	RESISTOR,200 OHM 10W,CERAMIC for 233711GT	
21C	1263220GT	HARNESS, GS SENSORS, CE,UTS for UTS only	
22	T110890GT	HARNESS, GS POWER CONTRL (Grey connector)	1
23		REF. E-STOP BUTTON refer to 208.1	
24		REF. CIRCUIT BREAKER refer to 208.1	
25B	233051GT	CABLE, PLATFORM CONTROL, 26XX GS-2646	1
25B-	231921GT	KIT,CONN,RECEPT W/PIN AND LOCK	
25B-	231922GT	KIT,CONN,PLUG W/SCKT AND LOCK	
25B-	218579GT	WIRE CABLE 18/5 - UNSHIELDED GS-2646	440
26		REF. PCON refer to 403.1	
27	144215GT	CHARGER INTERLOCK CABLE,GS46	

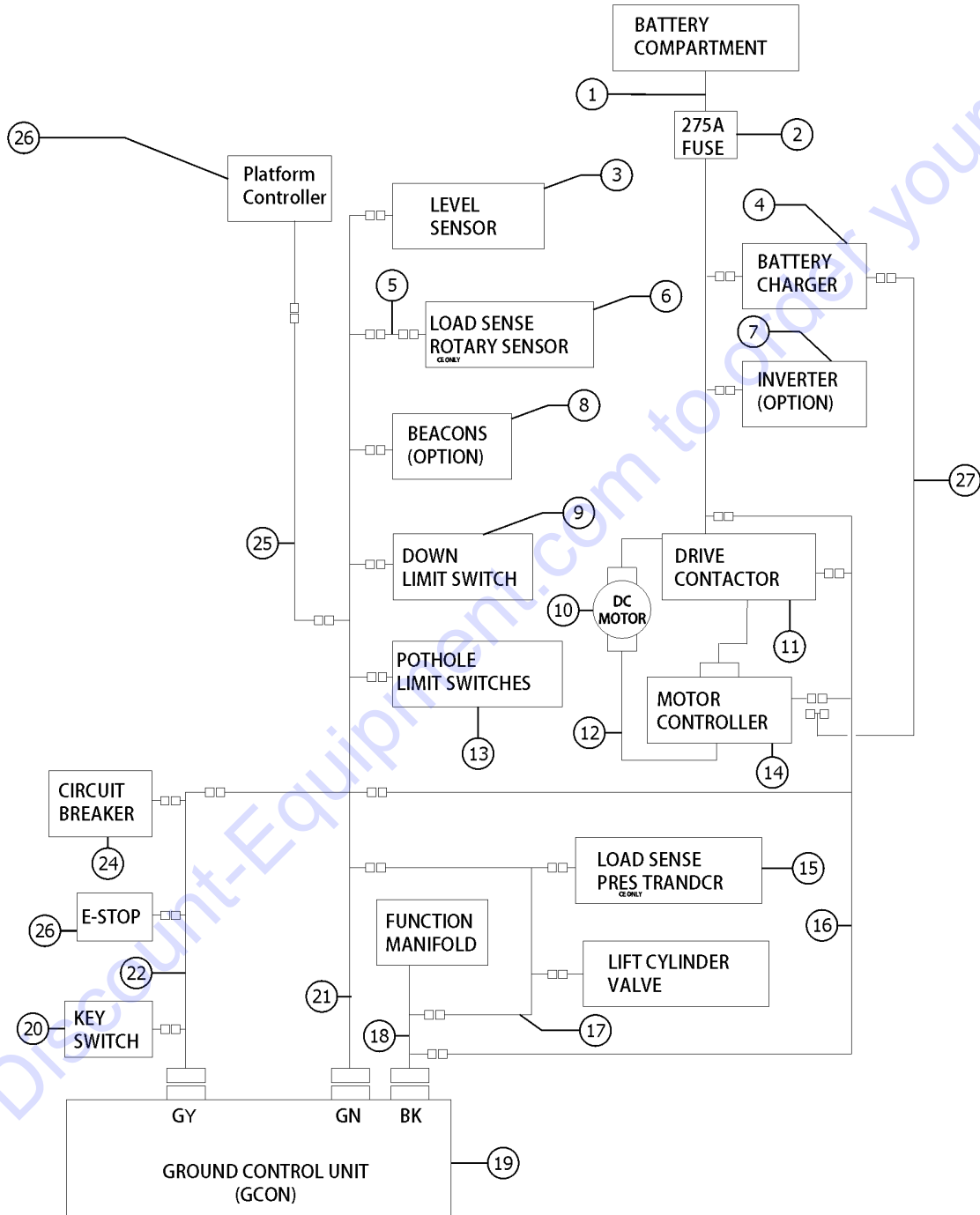
Go to Discount-Equipment.com to order your parts





Item	Part No.	Description	Qty.
A	105214GT	CABLE TIE MOUNT, WINGED not shown	
A	56926GT	CLIP, TIE HARNESS MOUNT*** not shown	
B	1264822GT	KIT, TRC RETROFIT, STNDRD Telematics (includes 1264834)	
B-	1264834GT	INSTRN, TRC RETROFIT, STNDRD	
1		REF. BATTERY CABLE refer to 210.1	
2		REF. FUSE refer to 205.1	
3		REF. LEVEL SENSOR refer to 203.1	
4		REF. CHARGER refer to 206.1	
5	T114031GT	HARNESS, ROTARY ANGLE	1
6	T113136GT	ASSY, ROT SENSR W/ HARNESS	1
7		REF. INVERTER refer to 604.1	
8		REF. STOBE, BEACON refer to 601.1	
9		REF. DOWN LIMIT, GS refer to 203.1	
10		REF. ELECTRIC MOTOR refer to 504.1	
11A	74267GT	CONTACTOR, DRIVE, 24V, 180A*** to SN GS4616P-138930	1
11B	1270456GT	CONTACTOR, DRIVE, 24V, 180A from SN GS4616P-138931	
12		REF. BATTERY CABLE refer to 210.1	
13	96309GT	ASSY, POTHOLE HARNESS, GS	1
14		REF. MOTOR CONTROLLER refer to 207.1	
15	229750GT	HARNESS, PRESS, TRANSDUCER***	1
16	233430GT	HRNS, CONTACTOR SIGNAL, GS46	1
17B	234168GT	CABLE, LIFT CYL DWN, 32XX, WO/LS GS-3246 (ANSI, CSA)	1
17D	233055GT	CABLE, LIFT CYL DWN, 32XX, W/LS GS-3246 (CE, Australia)	1
18	1257824GT	HARNESS, FUNCTION MANIFOLD, GS replaced T110889GT (Black connector)	1
19		REF. GCON refer to 208.1	
20		REF. KEYSWITCH refer to 208.1	
21A	1263221GT	HARNESS, GS SENSORS, ANSI, UTS	1
21A-	233711GT	HRNS ASSY, RESISTOR DIODE for 228786GT and T110891GT	



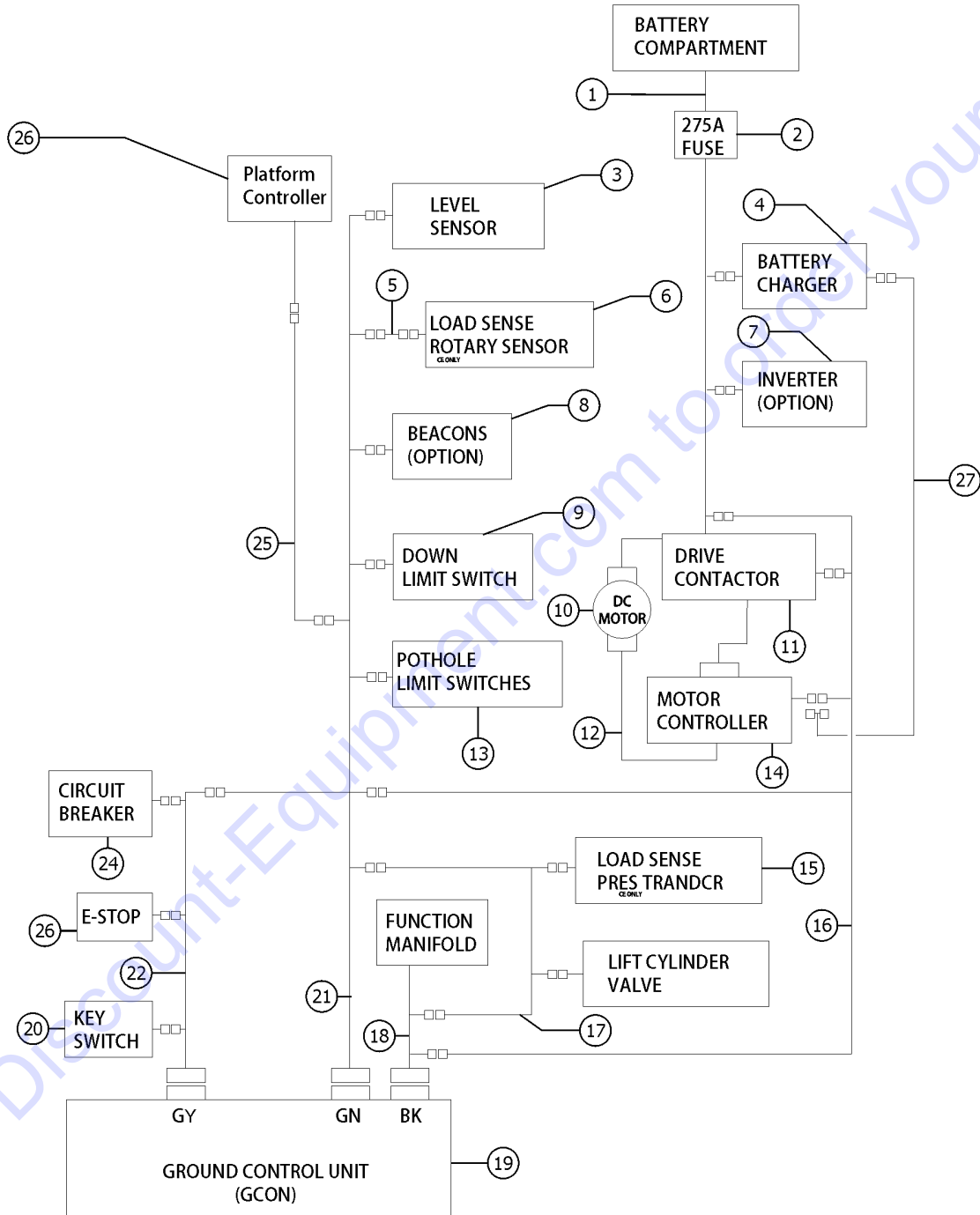


Item	Part No.	Description	Qty.
21B	T110891GT	HARNESS, GS SENSORS, CE (Green connector)	1
21B-	233711GT	HRNS ASSY,RESISTOR DIODE for 228786GT and T110891GT	
21B-	233644GT	RESISTOR,200 OHM 10W,CERAMIC for 233711GT	
21C	1263220GT	HARNESS, GS SENSORS, CE,UTS for UTS only	
22	T110890GT	HARNESS, GS POWER CONTRL (Grey connector)	1
23		REF. E-STOP BUTTON refer to 208.1	
24		REF. CIRCUIT BREAKER refer to 208.1	
25C	233052GT	CABLE, PLATFORM CONTROL, 32XX GS-3246	1
25C-	231921GT	KIT,CONN,RECEPT W/PIN AND LOCK	
25C-	231922GT	KIT,CONN,PLUG W/SCKT AND LOCK	
25C-	218579GT	WIRE CABLE 18/5 - UNSHIELDED GS-3246	518
26		REF. PCON refer to 403.1	
27	144215GT	CHARGER INTERLOCK CABLE,GS46	

Go to Discount-Equipment.com to order your parts



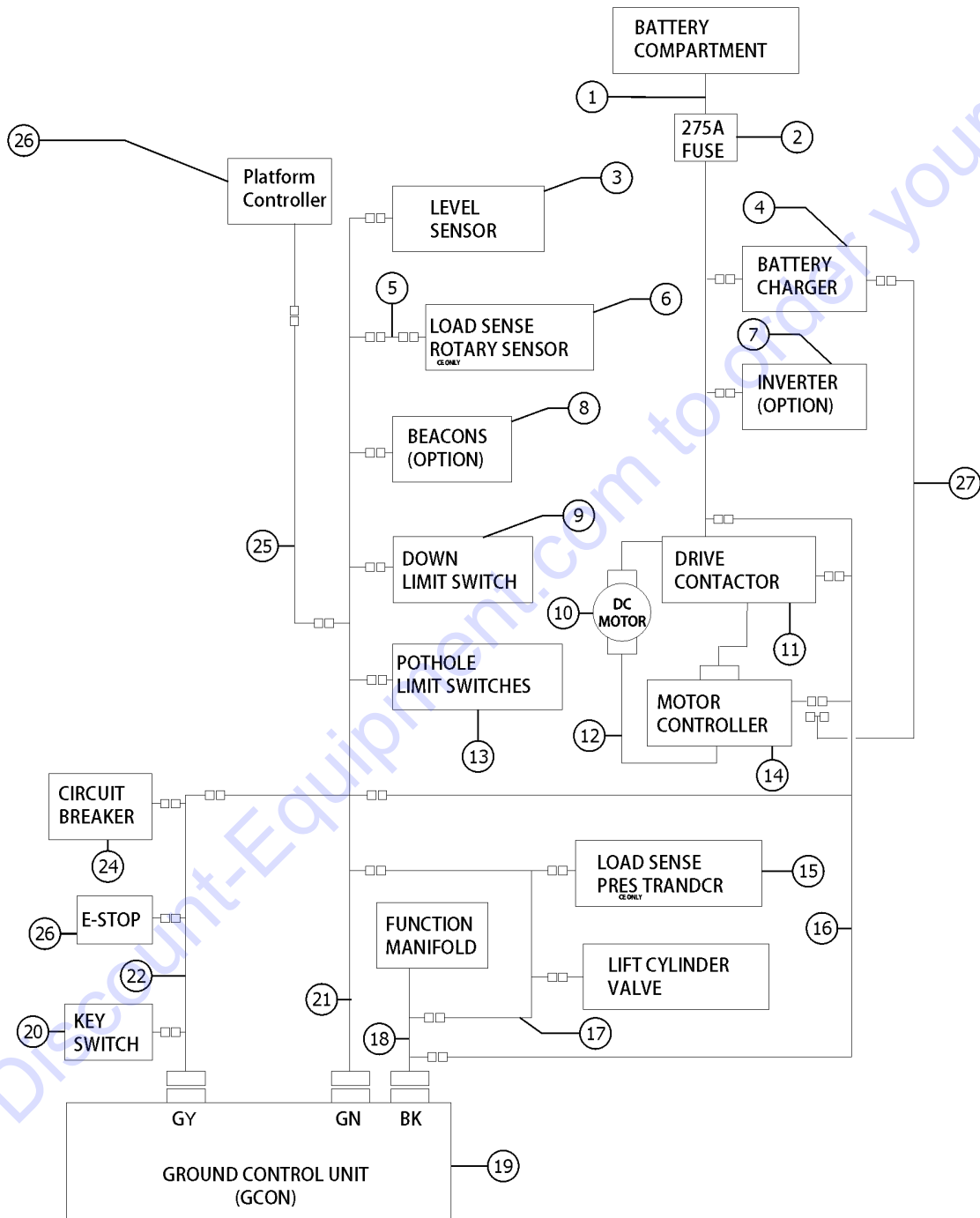
209.6 Electrical Wiring, GS-3246



Item	Part No.	Description	Qty.
A	105214GT	CABLE TIE MOUNT, WINGED not shown	
A	56926GT	CLIP, TIE HARNESS MOUNT*** not shown	
B	1264822GT	KIT, TRC RETROFIT, STNDRD Telematics (includes 1264834)	
B-	1264834GT	INSTRN, TRC RETROFIT, STNDRD	
1		REF. BATTERY CABLE refer to 210.1	
2		REF. FUSE refer to 205.1	
3		REF. LEVEL SENSOR refer to 203.1	
4		REF. CHARGER refer to 206.1	
5	T114031GT	HARNESS, ROTARY ANGLE	1
6	T113136GT	ASSY, ROT SENSR W/ HARNESS	1
7		REF. INVERTER refer to 604.1	
8		REF. STOBE, BEACON refer to 601.1	
9		REF. DOWN LIMIT, GS refer to 203.1	
10		REF. ELECTRIC MOTOR refer to 504.1	
11B	1270456GT	CONTACTOR, DRIVE, 24V, 180A from SN GS4616P-138931	
12		REF. BATTERY CABLE refer to 210.1	
13	96309GT	ASSY, POTHOLE HARNESS, GS	1
14		REF. MOTOR CONTROLLER refer to 207.1	
15	229750GT	HARNESS, PRESS, TRANSDUCER***	1
16	233430GT	HRNS, CONTACTOR SIGNAL, GS46	1
17A	233054GT	CABLE, LFT CYL DN, 20/26XX, WO/LS GS-2046, GS-2646 (ANSI, CSA)	1
17B	234168GT	CABLE, LIFT CYL DWN, 32XX, WO/LS GS-3246 (ANSI, CSA)	1
17C	233053GT	CABLE, LFT CYL DN, 20/26XX, W/LS GS-2046, GS-2646 (CE, Australia)	
17D	233055GT	CABLE, LIFT CYL DWN, 32XX, W/LS GS-3246 (CE, Australia)	1
18	1257824GT	HARNESS, FUNCTION MANIFOLD, GS replaced T110889GT (Black connector)	1
19		REF. GCON refer to 208.1	
20		REF. KEYSWITCH refer to 208.1	
21A	1263221GT	HARNESS, GS SENSORS, ANSI, UTS	1



209.6 Electrical Wiring, GS-3246

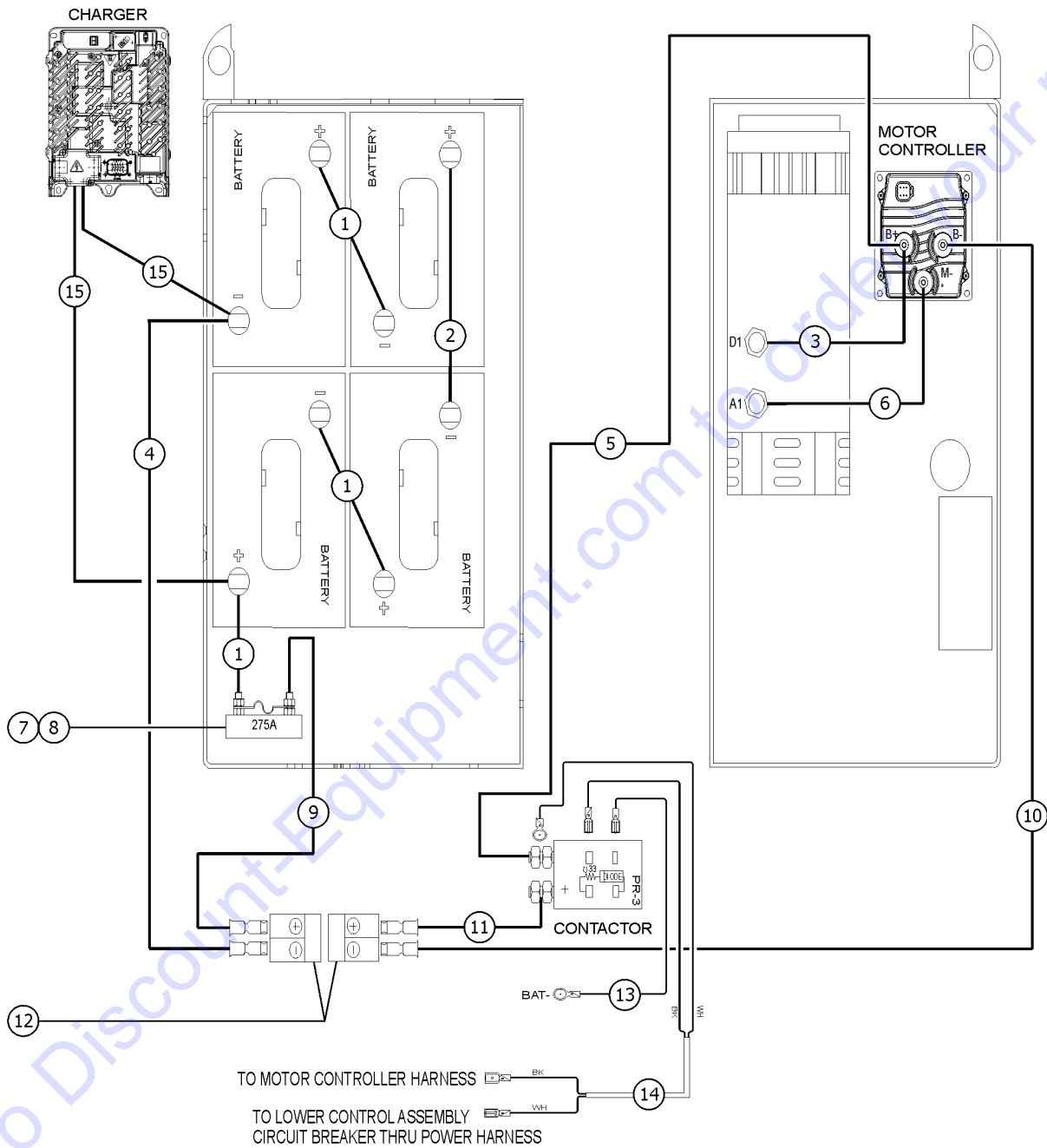


Item	Part No.	Description	Qty.
21A-	233711GT	HRNS ASSY,RESISTOR DIODE for 228786GT and T110891GT	
21B	T110891GT	HARNESS, GS SENSORS, CE (Green connector)	1
21B-	233711GT	HRNS ASSY,RESISTOR DIODE for 228786GT and T110891GT	
21B-	233644GT	RESISTOR,200 OHM 10W,CERAMIC for 233711GT	
21C	1263220GT	HARNESS, GS SENSORS, CE,UTS for UTS only	
22	T110890GT	HARNESS, GS POWER CONTRL (Grey connector)	1
23		REF. E-STOP BUTTON refer to 208.1	
24		REF. CIRCUIT BREAKER refer to 208.1	
25C	233052GT	CABLE, PLATFORM CONTROL, 32XX GS-3246	1
25C-	231921GT	KIT,CONN,RECEPT W/PIN AND LOCK	
25C-	231922GT	KIT,CONN,PLUG W/SCKT AND LOCK	
25C-	218579GT	WIRE CABLE 18/5 - UNSHIELDED GS-3246	518
26		REF. PCON refer to 403.1	
27	144215GT	CHARGER INTERLOCK CABLE,GS46	

Go to Discount-Equipment.com to order your parts



210.1 Power Cables

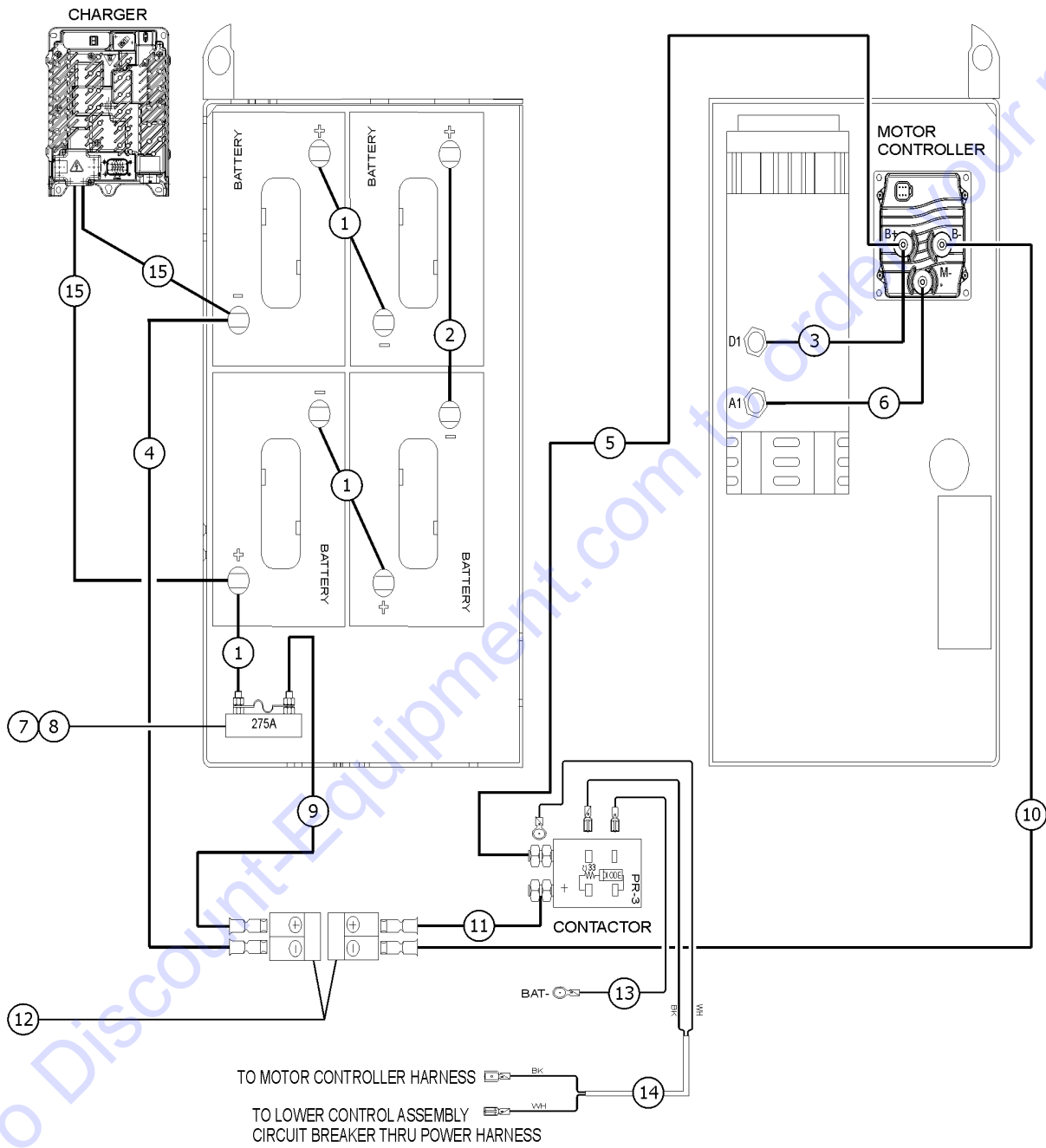


210.1 Power Cables

Item	Part No.	Description	Qty.
A	28131GT	WIRE LOOM,1.25 DIA	16
B	96110GT	BOOT, CABLE, TERMINAL COVER	14
C	79140GT	BOOT,CABLE TERMINAL,RED,XL	2
1	96304GT	CABLE ASSY,BATT,5.50"RED	3
2	96306GT	CABLE ASSY,BATT,9.50"RED	1
3	1257054GT	CABLE ASSY., BATT. 14" RED	1
4	232578GT	CABLE ASSY,BATT, 20" BLK	1
5	1257057GT	CABLE ASSY., BATT. 88.5" RED	1
6	1257055GT	CABLE ASSY., BATT. 12" BLACK	1
7	66717GT	FUSE BLOCK, ANN & ANL FUSE	1
8	40833GT	FUSE,275 AMP,VERY FAST ACTING	1
9	232576GT	CABLE ASSY,BATT, 12" RED	1
10	1257056GT	CABLE ASSY., BATT. 93" BLACK	1
11	233371GT	CABLE ASSY,BATT,23"RED	1
12	66397GT	QUICK DISCONNECT CASING,BATT**	2
13	232582GT	GROUND WIRE ASSY,GS	1
14	233430GT	HRNS,CONTACTOR SIGNAL,GS46	1
15A	1273576GT	CABLE ASSY,CHARGER/BATTERY (for 1264372) (from SN GS4616P-139711)(standard batteries)	
15B	1272844GT	CABLE,CHARGER, DC, W/ BTS (to SN GS4616P-139710) (AGM batteries)	1



210.2 Power Cables

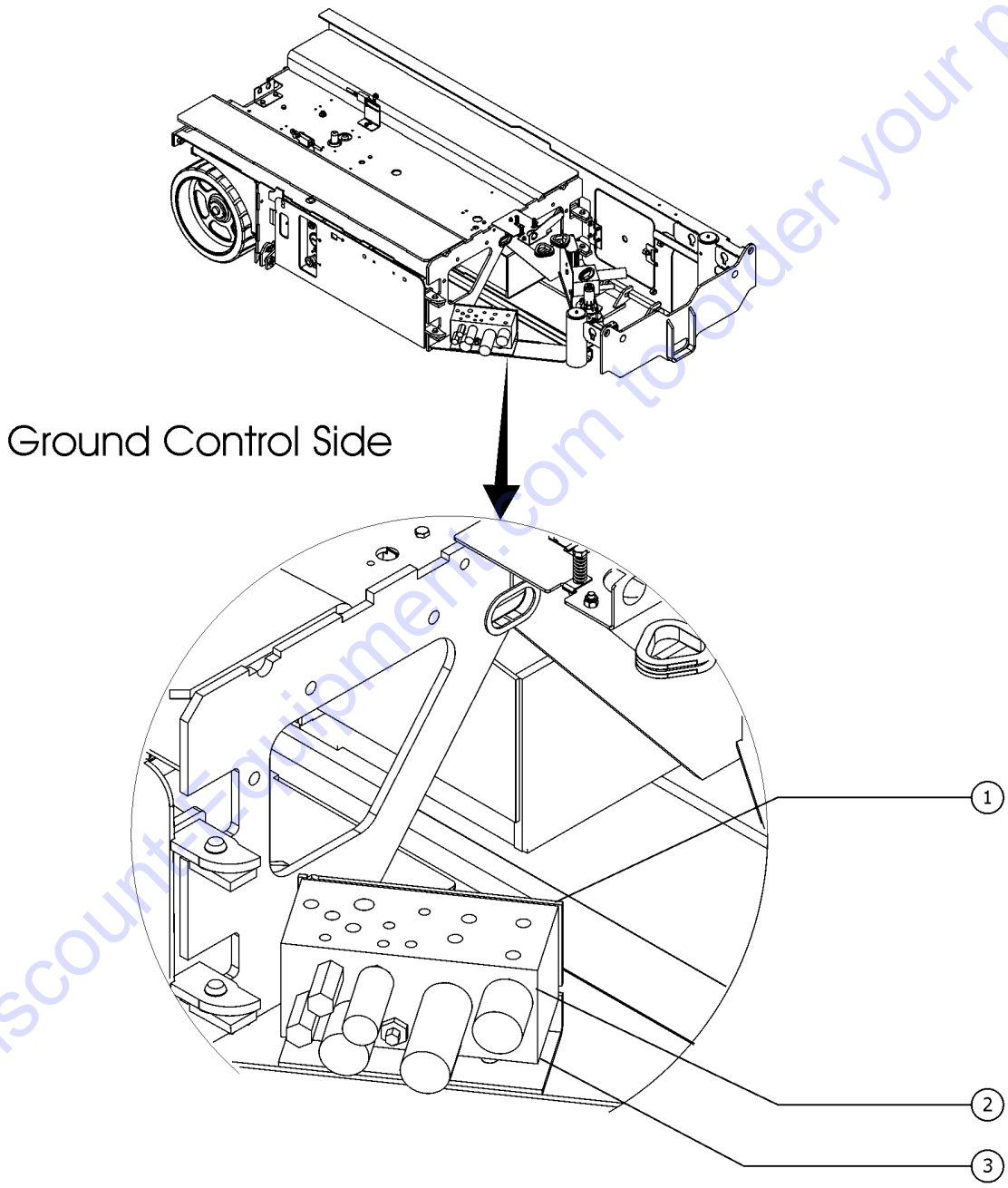


210.2 Power Cables

Item	Part No.	Description	Qty.
A	28131GT	WIRE LOOM,1.25 DIA	16
B	96110GT	BOOT, CABLE, TERMINAL COVER	14
C	79140GT	BOOT,CABLE TERMINAL,RED,XL	2
1	96304GT	CABLE ASSY,BATT,5.50"RED	3
2	96306GT	CABLE ASSY,BATT,9.50"RED	1
3	1257054GT	CABLE ASSY., BATT. 14" RED	1
4	232578GT	CABLE ASSY,BATT, 20" BLK	1
5	1257057GT	CABLE ASSY., BATT. 88.5" RED	1
6	1257055GT	CABLE ASSY., BATT. 12" BLACK	1
7	66717GT	FUSE BLOCK, ANN & ANL FUSE	1
8	40833GT	FUSE,275 AMP,VERY FAST ACTING	1
9	232576GT	CABLE ASSY,BATT, 12" RED	1
10	1257056GT	CABLE ASSY., BATT. 93" BLACK	1
11	233371GT	CABLE ASSY,BATT,23"RED	1
12	66397GT	QUICK DISCONNECT CASING,BATT**	2
13	232582GT	GROUND WIRE ASSY,GS	1
14	233430GT	HRNS,CONTACTOR SIGNAL,GS46	1
15A	1273576GT	CABLE ASSY,CHARGER/BATTERY (for 1264372) (from SN GS4616P-139711)(standard batteries)	



211.1 Function Manifold and Accumulator Components



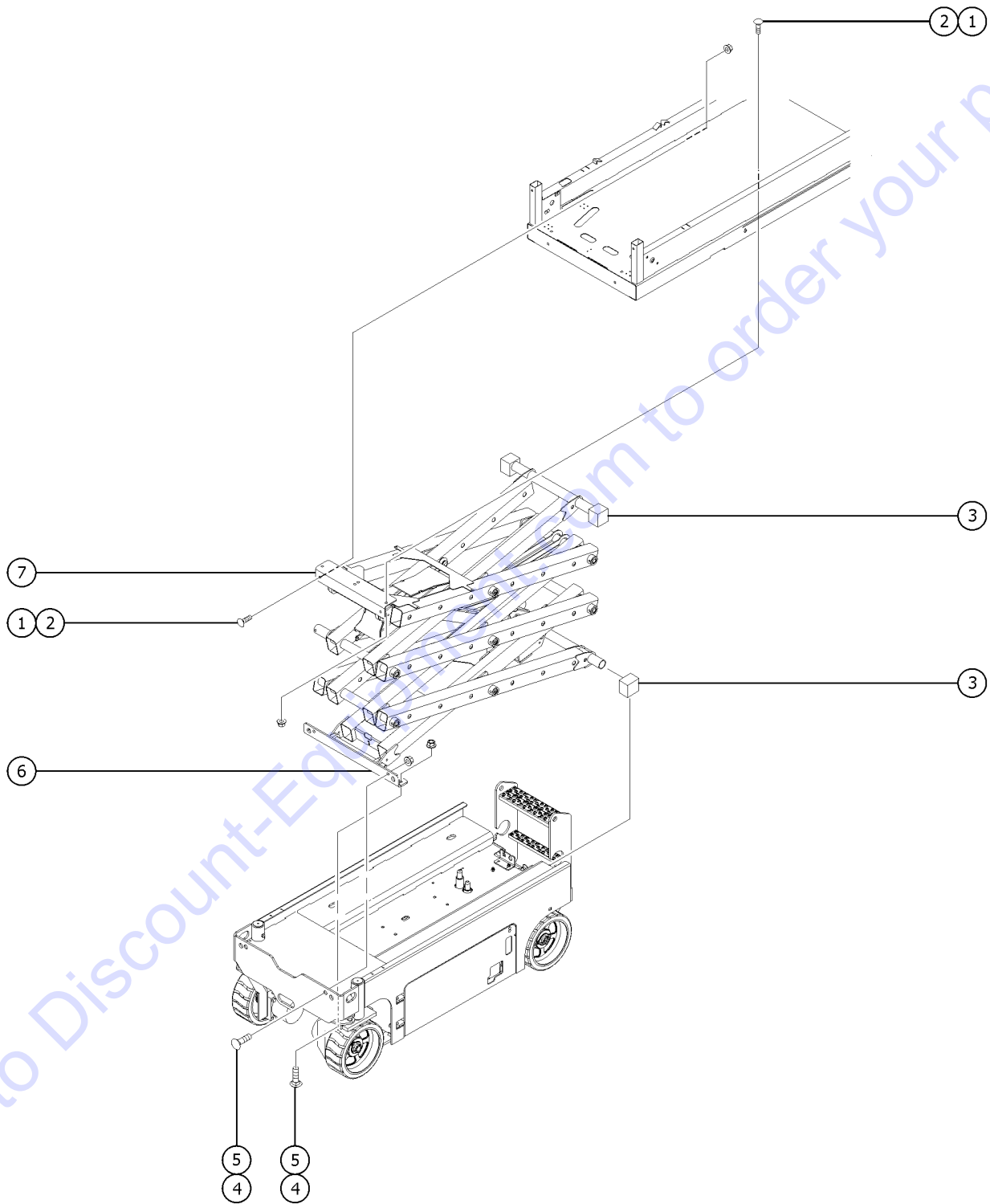
211.1 Function Manifold and Accumulator Components

Item	Part No.	Description	Qty.
1	105574GT	FORMING,MANIFOLD MOUNT	
2		Ref. Function Manifold	
		(refer to 502.1)	
3	78422GT	ACCUMULATOR,180 PSI PRECHARGE*	
		(hidden from view)	
3-	32339GT	CLAMP,1.75,#28 X 3/8,RUB CUSH*	
		(hidden from view)	
3-	9116GT	BOLT,CARRIAGE,1/4-20x1.25,G2	
		(hidden from view)	
3-	824024GT	NUT,TL,1/4-20,C,ZAG	
		(hidden from view)	

Go to Discount-Equipment.com to order your parts



301.1 Scissor Assembly Installation



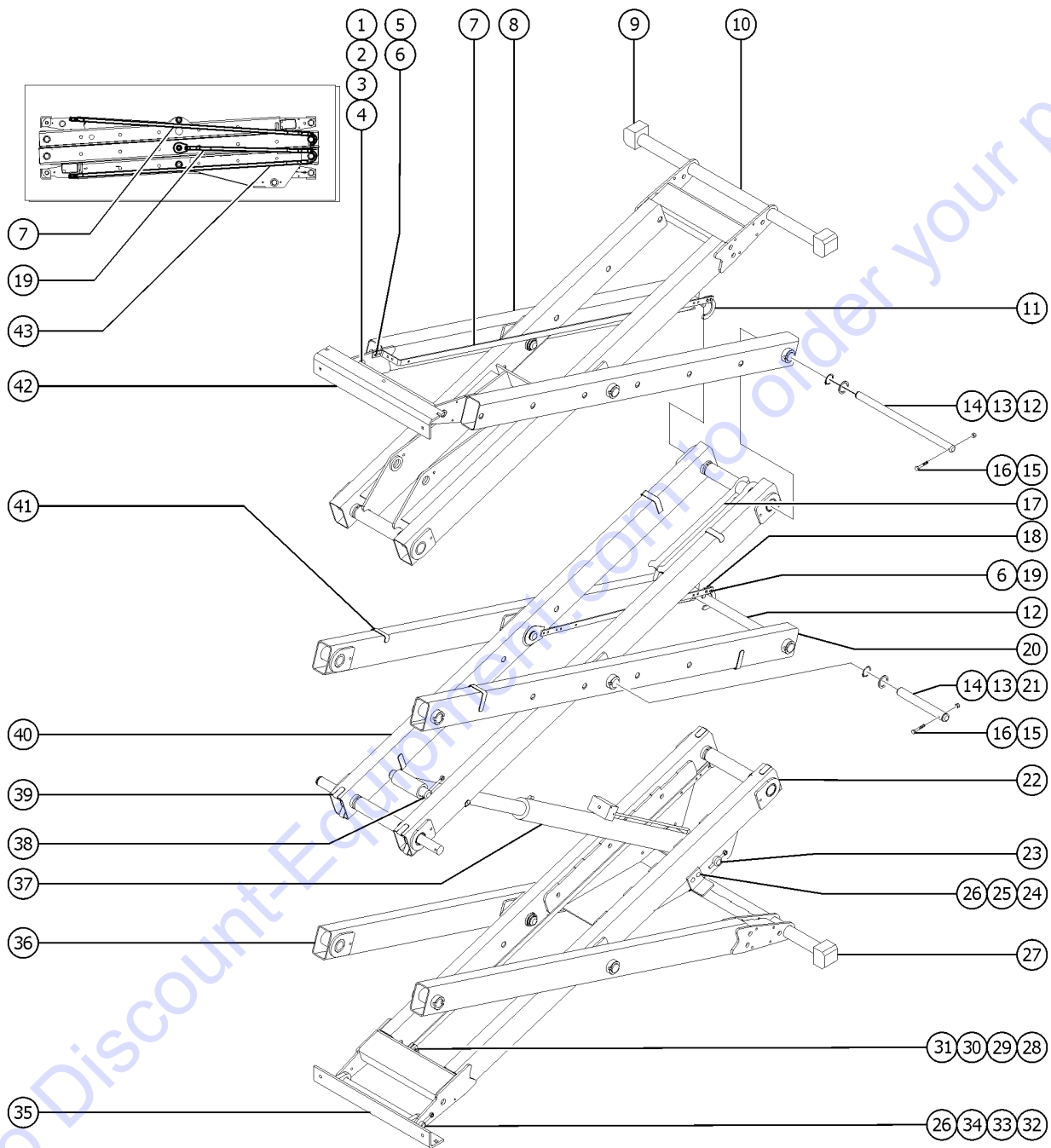
301.1 Scissor Assembly Installation

Item	Part No.	Description	Qty.
1	1255757GT	BOLT,CARRIAGE,3/8-16X1.25,5,ZA	4
2	824029GT	NUT,TL FLG,3/8-16,G,ZAG	4
3	96595GT	SLIDER,UHMW	4
4	1256115GT	BOLT,CARRIAGE,1/2-13X1.75,5,ZA	4
5	1251997GT	NUT,TL FLG,1/2-13,G,ZAG	4
6	97241GT	CHASSIS MOUNT ASSY, GS32&46	1
6-	51474GT	BEARING,1.00IDX1.25ODX0.75L	2
7	84747GT	PLATFORM MOUNT ASSY, GS32&46	1
7-	36369GT	BEARING,0.75IDX1.00ODX0.75L	2

Go to Discount-Equipment.com to order your parts

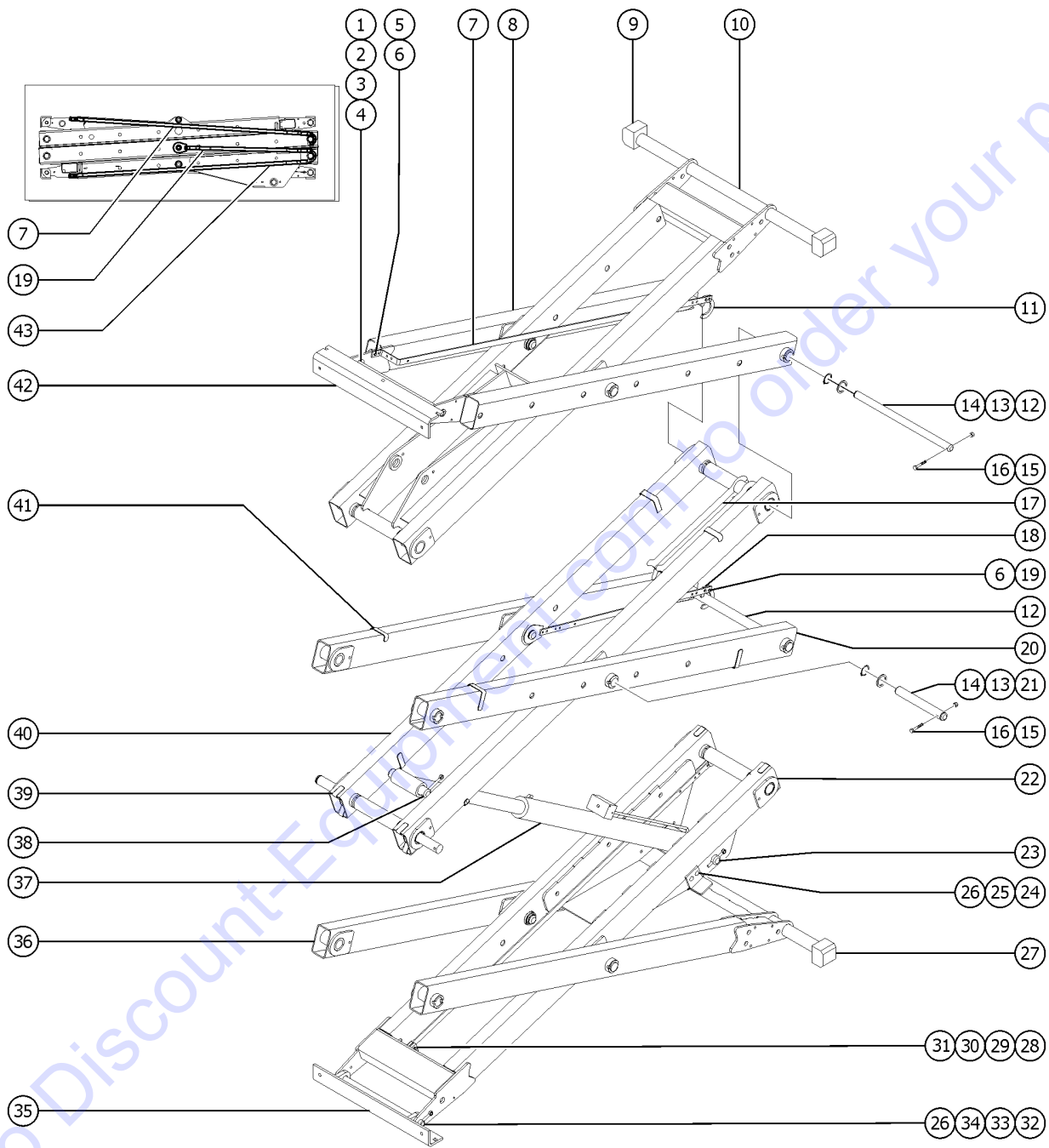


302.1 Scissor Assembly, GS-2046



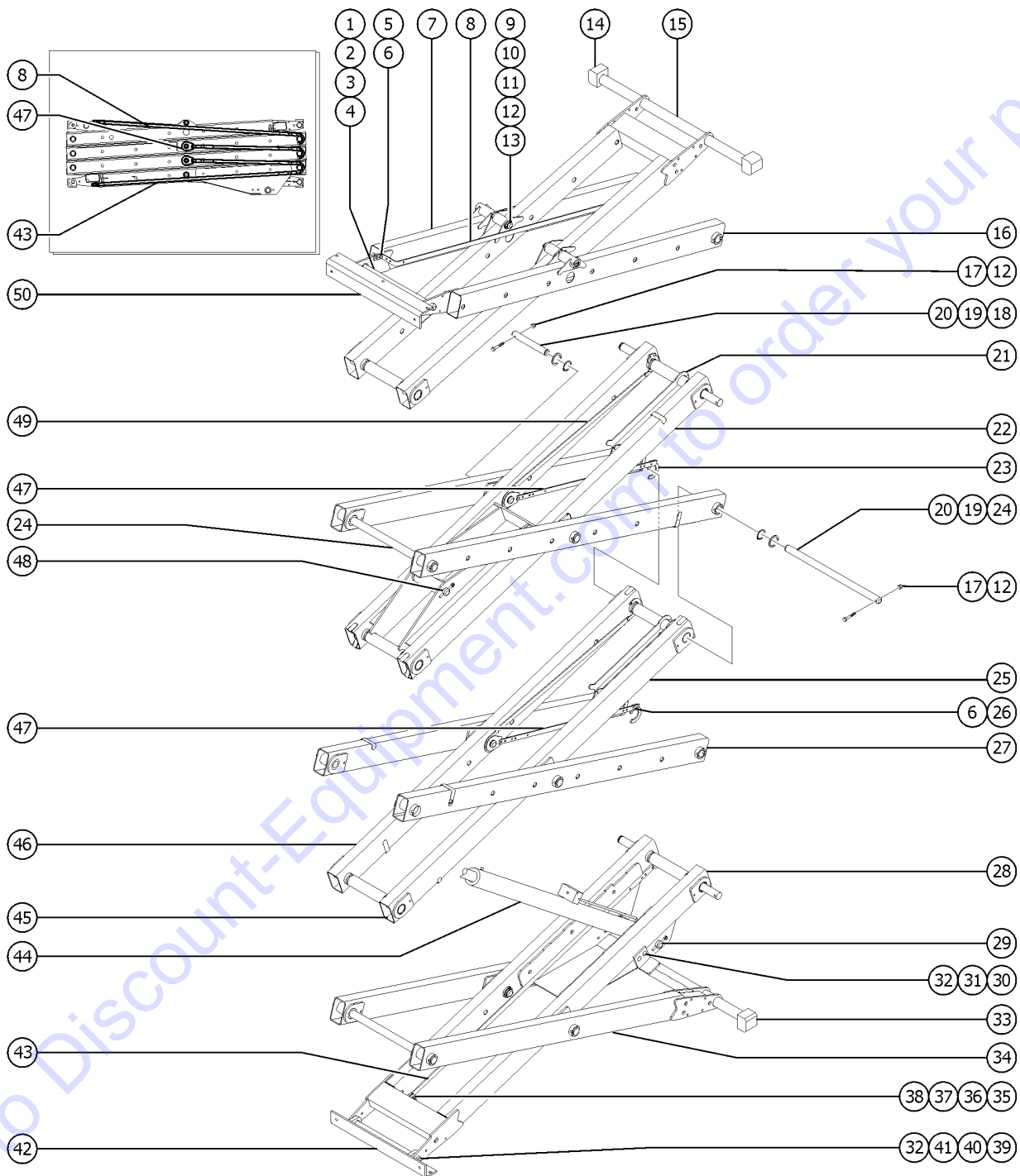
Item	Part No.	Description	Qty.
1	96932GT	PIN, LINKSET MOUNT, 3/4"	1
2	825020GT	ROD END,.250X2.75,ZAG	2
3	824080GT	SCREW,HHF,1/4-20X1.25,8,ZAG	2
4	824027GT	NUT,TL FLG,1/4-20,G,ZAG	2
5	1256127GT	BOLT,CARRIAGE,1/4-20X1,5,ZAG	2
6	1256679GT	NUT,SERRATED,1/4-20,8,ZAG	5
7	105189GT	BAR,CABLE BRIDGE ARM,UPPER	1
8	96611GT	WLDMT,LNK,OUT #3-20XX,#5-32XX	2
9		Ref. Platform Slider (refer to 301.1)	
10A	84696GT	INNER ARM ASSY,#3 GS2032	1
10A-	105030GT	WLDMT,LNK,INNER #3,2032 (bearings not included)	1
10A-	66055GT	BEARING,1.50IDX1.77ODX1.25L	6
10B	97233GT	INNER ARM ASSY, #3, 2046	1
10B-	66055GT	BEARING,1.50IDX1.77ODX1.25L	6
10B-	96606GT	WLDMT,LNK,INNER #3,2046 (bearings not included)	
11	105193GT	CLIP,CABLEBRIDGE,GS32/46	2
12	96899GT	PIN, LONG, GS46	4
13	1260941GT	WASHER,SHIM,1.54X2.00X.125,ZAG	10
14	825796GT	SNAP RING,EXTERNAL,1.50,ZAG	8
15	1256848GT	SCREW,HHC,3/8-16X2.75,8,ZAG	10
16	824025GT	NUT,TL,3/8-16,C,ZAG	10
17	58000GT	SAFETY CHOCK,SCISSOR	1
18A	105191GT	WELDMENT.CABLE BRIDGE, TOP	2
18B	105190GT	WLDMT,CABLE BRIDGE,BOTTOM	2
19	1260963GT	BOLT,CARRIAGE,1/4-20X.63,5,ZAG	2
20	96605GT	WLDMT,LNK,OUTER #2,#3,#4	2
21	96900GT	PIN, SHORT, GS46	6
22	237565GT	INNER ARM ASSEMBLY #1,GS32/46 (decal not included refer to section one)	1

302.1 Scissor Assembly, GS-2046



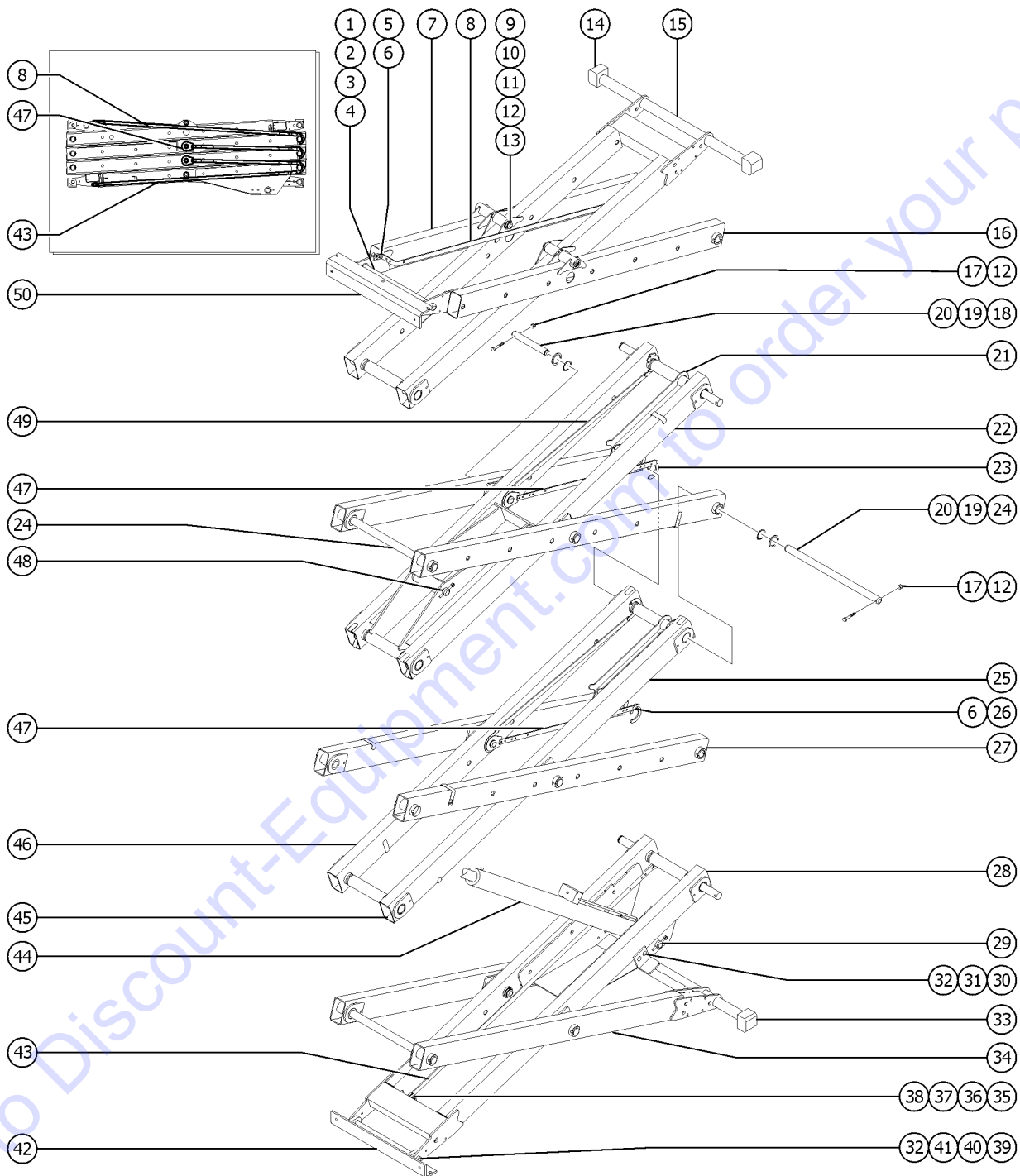
Item	Part No.	Description	Qty.
22-	66055GT	BEARING,1.50IDX1.77ODX1.25L	6
22-	96601GT	WLDMT,LNK,INNER #1	1
		(bearings not included)	
23	96662GT	PIN, LOWER CYLINDER MOUNT	1
24	1256756GT	BOLT,CARRIAGE,3/8-16X1.5,5,ZAG	2
25	105074GT	FORMING,PH PUSHER, GS46	1
26	824029GT	NUT,TL FLG,3/8-16,G,ZAG	9
27		Ref. Chassis Slider	
		(refer to 301.1)	
28	58592GT	PLATE,HOSE ROUTG,BULKHEAD(PTD)	2
29	78736GT	CLAMP,2 HOSE,PLASTIC,5/8	4
30	1259201GT	BOLT,CARRIAGE,10-24X2,A,ZAG	3
31	1256467GT	NUT,TL FLG,10-24,F,ZAG	3
32	96862GT	PIN, LINKSET MOUNT, 1"	1
33	825019GT	ROD END,.375X3.69,ZAG	3
34	824092GT	SCREW,HHF,3/8-16X1.5,8,ZAG	3
35		Ref. Chassis Mount Assembly	
		(refer to 301.1)	
36A	105029GT	WLDMT,LNK,OUTER #1,GS32	1
		(decal not included refer to section one)	
36B	96603GT	WLDMT,LNK,OUTER #1,XX46	1
		(decal not included refer to section one)	
37		Ref. Lift Cylinder	
		(refer to 505.1)	
38	96661GT	PIN, UPPER CYLINDER MOUNT	1
39	96735GT	LINK BUMPER, 5"	4
40	97234GT	INNER ARM ASSY, #2, GS32&46	1
40-	66055GT	BEARING,1.50IDX1.77ODX1.25L	8
41	96836GT	LINK BUMPER, SHORT TUBE	8
42		Ref. Platform Mounting Assembly	
		(refer to 301.1)	
43	105186GT	WLDMNT,CABLE BRIDGE,LOWER	1

303.1 Scissor Assembly, GS-2646



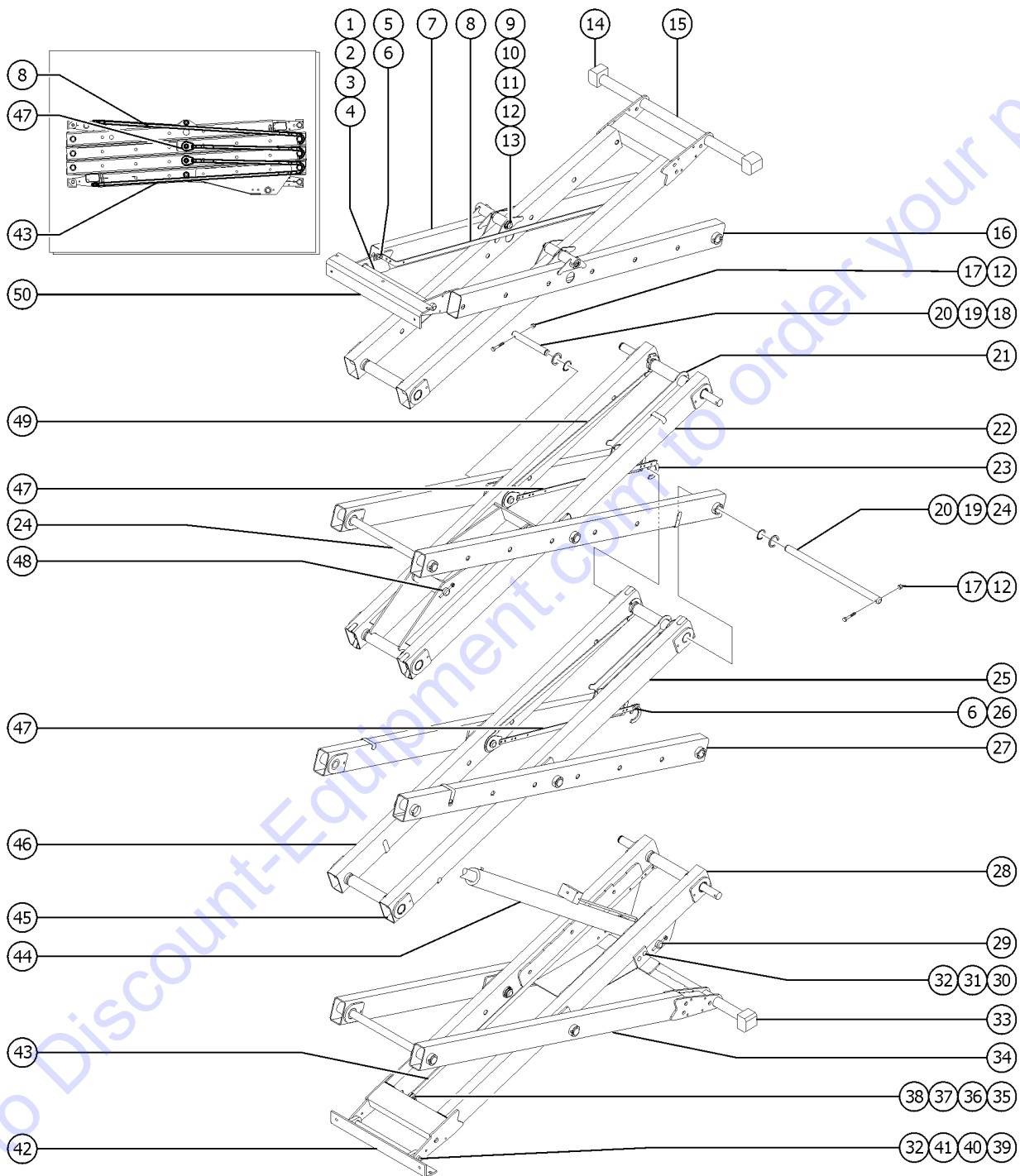
Item	Part No.	Description	Qty.
1	96932GT	PIN, LINKSET MOUNT, 3/4"	1
2	825020GT	ROD END,.250X2.75,ZAG	2
3	824080GT	SCREW,HHF,1/4-20X1.25,8,ZAG	2
4	824027GT	NUT,TL FLG,1/4-20,G,ZAG	2
5	1256127GT	BOLT,CARRIAGE,1/4-20X1.5,ZAG	2
6	1256679GT	NUT,SERRATED,1/4-20,8,ZAG	6
7	96615GT	WLDMT,LNK,OUTER #4,26XX (ground controls side)	1
8	105189GT	BAR,CABLE BRIDGE ARM,UPPER	
9	96130GT	PIN, MINI, CENTER	2
10	824164GT	SNAP RING,EXTERNAL,1.25,ZAG	2
11	824151GT	WASHER,SHIM,1.270X2.130X.062,Z	2
12	824025GT	NUT,TL,3/8-16,C,ZAG	14
13	1256848GT	SCREW,HHC,3/8-16X2.75,8,ZAG	2
14		Ref. Platform Slider (refer to 301.1)	
15A	84698GT	INNER ARM ASSY,#4 GS2632	1
15A-	105031GT	WLDMT,LNK,INNER #4,2632 bearings not included)	1
15A-	96487GT	BEARING,1.26IDX1.53ODX1.25L	8
15B	97243GT	INNER ARM ASSY #4, 2646	1
15B-	66055GT	BEARING,1.50IDX1.77ODX1.25L	6
16	96616GT	WLDMT,LNK,OUTER #4,26XX,LEFT (battery pack side)	1
17	1256848GT	SCREW,HHC,3/8-16X2.75,8,ZAG	12
18	96900GT	PIN, SHORT, GS46	6
19	1260941GT	WASHER,SHIM,1.54X2.00X.125,ZAG	10
20	825796GT	SNAP RING,EXTERNAL,1.50,ZAG	12
21	58000GT	SAFETY CHOCK,SCISSOR	1
22	97244GT	INNER ARM ASSY #3, 2632/2646	1
22-	66055GT	BEARING,1.50IDX1.77ODX1.25L	8
23	105193GT	CLIP,CABLEBRIDGE,GS32/46	

303.1 Scissor Assembly, GS-2646



Item	Part No.	Description	Qty.
24	96899GT	PIN, LONG, GS46	6
25	96836GT	LINK BUMPER, SHORT TUBE	8
26	1260963GT	BOLT,CARRIAGE,1/4-20X.63,5,ZAG	3
27	96605GT	WLDMT,LNK,OUTER #2,#3,#4	4
28	237565GT	INNER ARM ASSEMBLY #1,GS32/46 (decal not included refer to section one)	1
28-	66055GT	BEARING,1.50IDX1.77ODX1.25L	6
28-	96601GT	WLDMT,LNK,INNER #1	1
		(bearings not included)	
29	96662GT	PIN, LOWER CYLINDER MOUNT	1
30	1256756GT	BOLT,CARRIAGE,3/8-16X1.5,5,ZAG	2
		GS-2646	
31	105074GT	FORMING,PH PUSHER, GS46	1
32	824029GT	NUT,TL FLG,3/8-16,G,ZAG	9
33		Ref. Chassis Slider	
		refer to 301.1)	
34A	105029GT	WLDMT,LNK,OUTER #1,GS32 (decal not included refer to section one)	1
34B	96603GT	WLDMT,LNK,OUTER #1,XX46 (decal not included refer to section one)	1
35	58592GT	PLATE,HOSE ROUTG,BULKHEAD(PTD)	2
36	78736GT	CLAMP,2 HOSE,PLASTIC,5/8	4
37	1259201GT	BOLT,CARRIAGE,10-24X2,A,ZAG	3
38	1256467GT	NUT,TL FLG,10-24,F,ZAG	3
39	96862GT	PIN, LINKSET MOUNT, 1"	1
40	825019GT	ROD END,.375X3.69,ZAG	3
41	824092GT	SCREW,HHF,3/8-16X1.5,8,ZAG	3
42		Ref. Chassis Mount Assembly	
		(refer to 301.1)	
43	105186GT	WLDMNT,CABLE BRIDGE,LOWER	
		GS-2646	
44		Ref. Lift Cylinder	
		(refer to 505.1)	
45	96735GT	LINK BUMPER, 5"	4
46	97234GT	INNER ARM ASSY, #2, GS32&46	1
46-	66055GT	BEARING,1.50IDX1.77ODX1.25L	8
47	105191GT	WELDMNT.CABLE BRIDGE, TOP	

303.1 Scissor Assembly, GS-2646

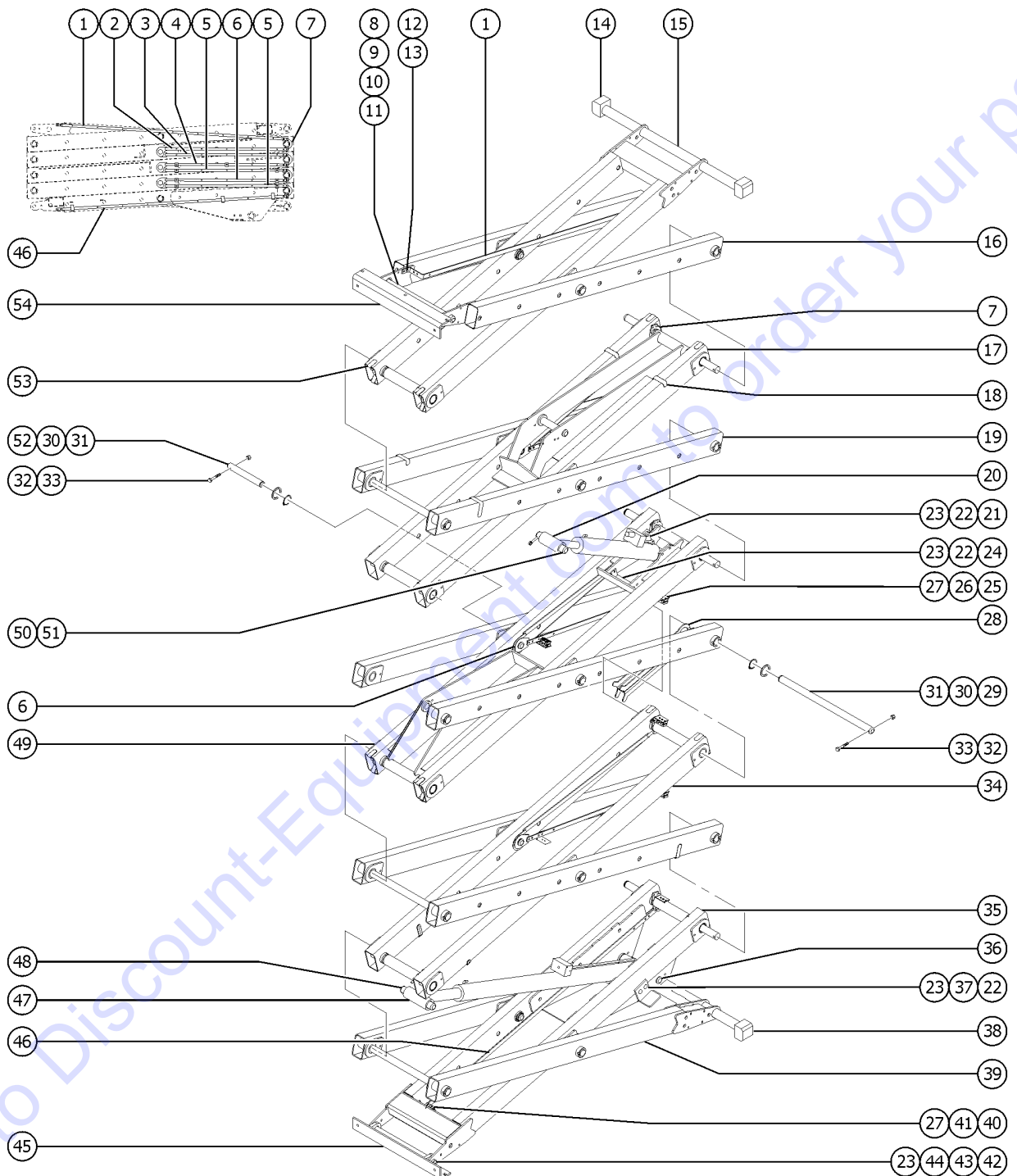


Item	Part No.	Description	Qty.
48	96812GT	PIN, LOWER CYL, ROD END	1
49	105190GT	WLDMT,CABLE BRIDGE,BOTTOM	
50		Ref. Platform Mount Assembly	
		(refer to 301.1)	

Go to Discount-Equipment.com to order your parts



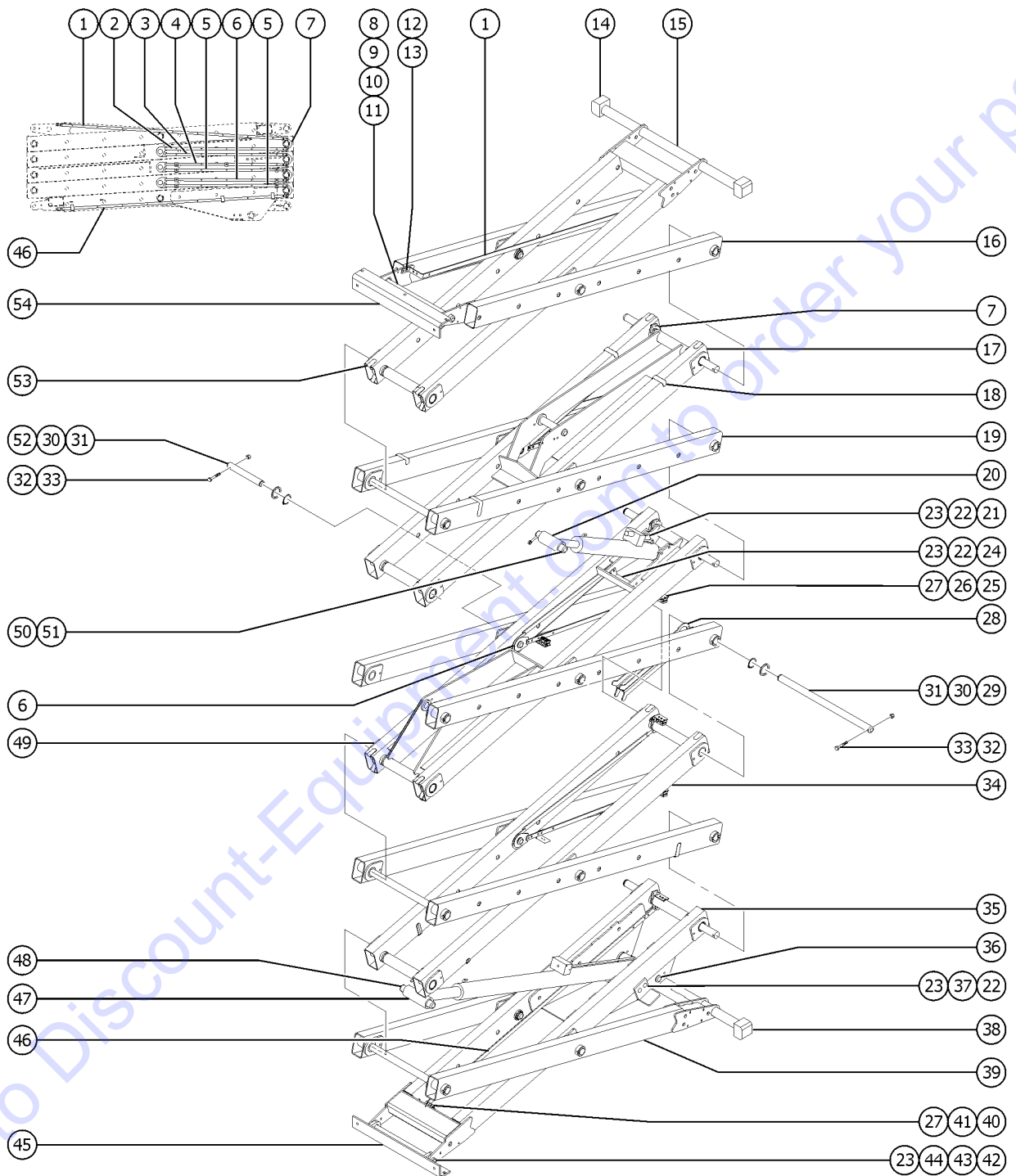
304.1 Scissor Assembly, GS-3246



Item	Part No.	Description	Qty.
1	105189GT	BAR,CABLE BRIDGE ARM,UPPER	
2	105191GT	WELDMENT.CABLE BRIDGE, TOP	1
3	105190GT	WLDMT,CABLE BRIDGE,BOTTOM	1
4	105192GT	WELDMENT,CABLE BRIDGE***	1
5	105188GT	WLDMT,CABLE BRIDGE,BOTTOM,3246	2
6	105187GT	WELDMENT,CABLE BRIDGE, TOP,32XX	6
7	105193GT	CLIP,CABLEBRIDGE,GS32/46	
8	96932GT	PIN, LINKSET MOUNT, 3/4"	1
9	825020GT	ROD END,.250X2.75,ZAG	2
10	824080GT	SCREW,HHF,1/4-20X1.25,8,ZAG	2
11	824027GT	NUT,TL FLG,1/4-20,G,ZAG	2
12	1256127GT	BOLT,CARRIAGE,1/4-20X1.5,ZAG	2
13	1256679GT	NUT,SERRATED,1/4-20,8,ZAG	7
14		Ref. Platform Slider	
		(refer to 301.1)	
15A	115114GT	INNER ARM ASSY #5, 3232	1
15A-	66055GT	BEARING,1.50IDX1.77ODX1.25L	8
15B	97245GT	INNER ARM ASSY #5, 3246	1
15B-	66055GT	BEARING,1.50IDX1.77ODX1.25L	8
16	96611GT	WLDMT,LNK,OUT #3-20XX,#5-32XX	2
17	97246GT	INNER ARM ASSY #4, 3246	1
17-	66055GT	BEARING,1.50IDX1.77ODX1.25L	8
18	96836GT	LINK BUMPER, SHORT TUBE	8
19	96605GT	WLDMT,LNK,OUTER #2,#3,#4	6
20		Ref. Lift Cylinder, Top	
		(refer to 505.1)	
21	96700GT	PLATE, PIN RETAINER	2
22	1256756GT	BOLT,CARRIAGE,3/8-16X1.5,5,ZAG	6
23	824029GT	NUT,TL FLG,3/8-16,G,ZAG	10
24	96971GT	FORMING,HOSE CLAMP,UPPER CYL	1



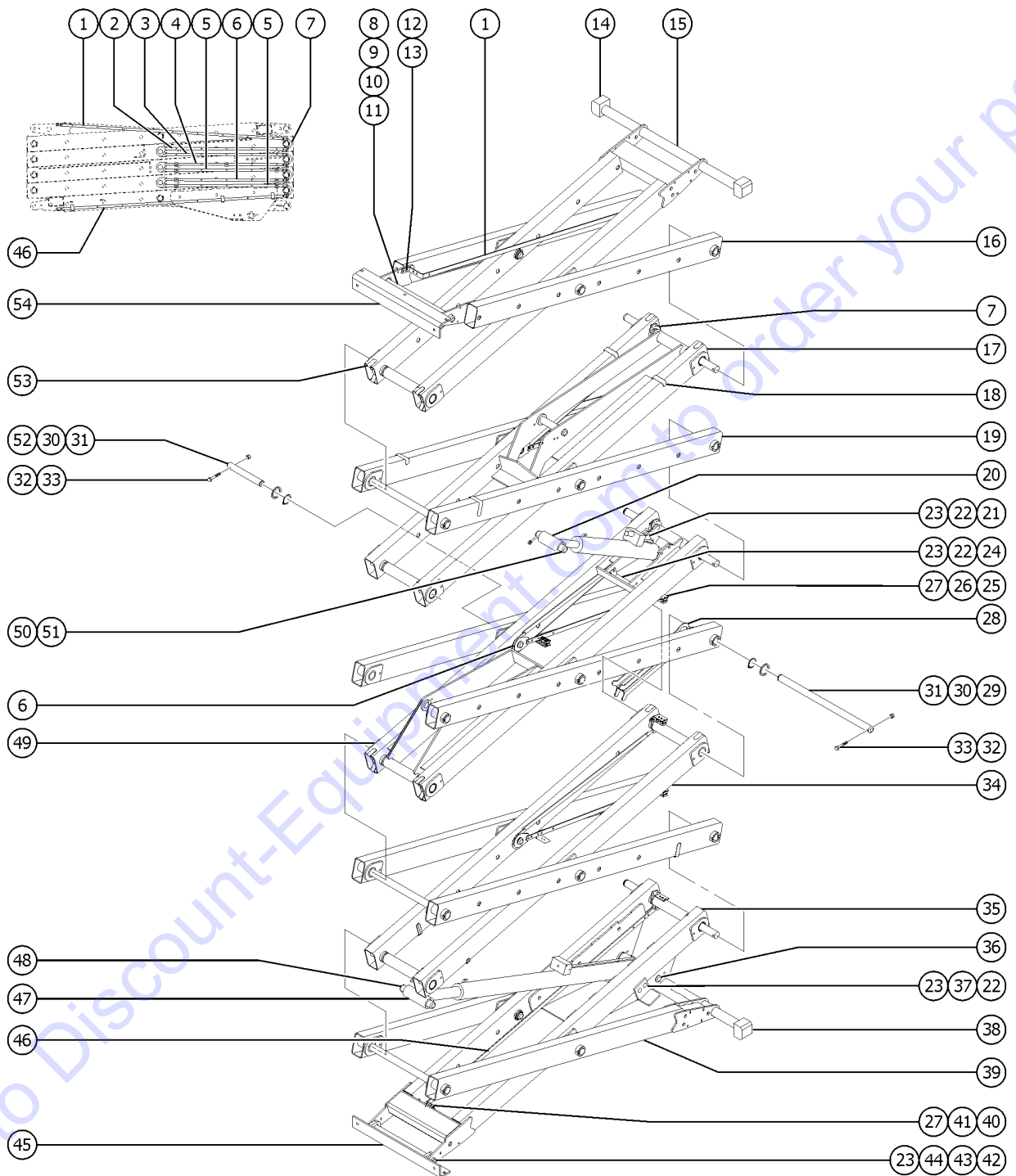
304.1 Scissor Assembly, GS-3246



Item	Part No.	Description	Qty.
25	78736GT	CLAMP,2 HOSE,PLASTIC,5/8	18
26	1259201GT	BOLT,CARRIAGE,10-24X2,A,ZAG	9
27	1256467GT	NUT,TL FLG,10-24,F,ZAG	11
28	58001GT	SAFETY CHOCK-SCISSOR	1
29	96899GT	PIN, LONG, GS46	8
30	1260941GT	WASHER,SHIM,1.54X2.00X.125,ZAG	15
31	825796GT	SNAP RING,EXTERNAL,1.50,ZAG	18
32	1256848GT	SCREW,HHC,3/8-16X2.75,8,ZAG	12
33	824025GT	NUT,TL,3/8-16,C,ZAG	18
34	97234GT	INNER ARM ASSY, #2, GS32&46	1
34-	66055GT	BEARING,1.50IDX1.77ODX1.25L	8
35	237565GT	INNER ARM ASSEMBLY #1,GS32/46 (decal not included refer to section one)	1
35-	66055GT	BEARING,1.50IDX1.77ODX1.25L	6
35-	96601GT	WLDMT,LNK,INNER #1	
36	96662GT	PIN, LOWER CYLINDER MOUNT	1
37	105074GT	FORMING,PH PUSHER, GS46	2
38		Ref. Chassis Slider	
		(refer to 301.1)	
39A	105029GT	WLDMT,LNK,OUTER #1,GS32 (decal not included refer to section one)	1
39B	96603GT	WLDMT,LNK,OUTER #1,XX46 (decal not included refer to section one)	1
40	58592GT	PLATE,HOSE ROUTG,BULKHEAD(PTD)	3
41	1260962GT	BOLT,CARRIAGE,10-24X2.5,A,ZAG	2
42	96862GT	PIN, LINKSET MOUNT, 1"	1
43	825019GT	ROD END,.375X3.69,ZAG	4
44	824092GT	SCREW,HHF,3/8-16X1.5,8,ZAG	4
45		Ref. Chassis Mount Assembly	
		(refer to 301.1)	
46	105186GT	WLDMNT,CABLE BRIDGE,LOWER	1
47		Ref. Lift Cylinder, Bottom	
48	96812GT	PIN, LOWER CYL, ROD END	1



304.1 Scissor Assembly, GS-3246



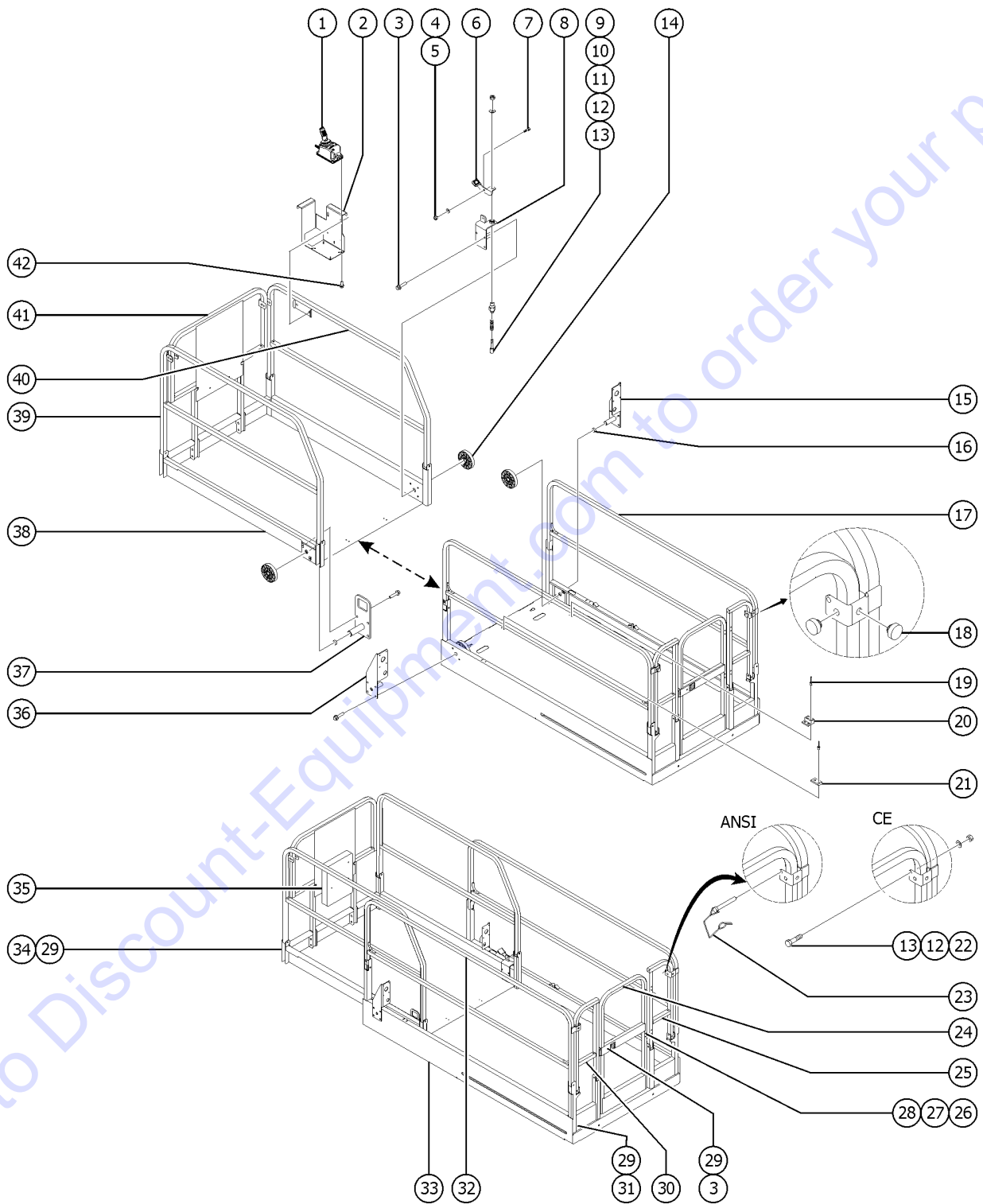
304.1 Scissor Assembly, GS-3246

Item	Part No.	Description	Qty.
49	96608GT	WLDMT,LNK,INNER #3,32XX	1
49-	66055GT	BEARING,1.50IDX1.77ODX1.25L	8
50	96661GT	PIN, UPPER CYLINDER MOUNT	1
51	96663GT	PIN, SADDLE CYLINDER MOUNT	1
52	96900GT	PIN, SHORT, GS46	6
53	96735GT	LINK BUMPER, 5"	8
54		Ref. Platform Mount Assembly	
		(refer to 301.1)	

Go to Discount-Equipment.com to order your parts



401.1 Platform Components

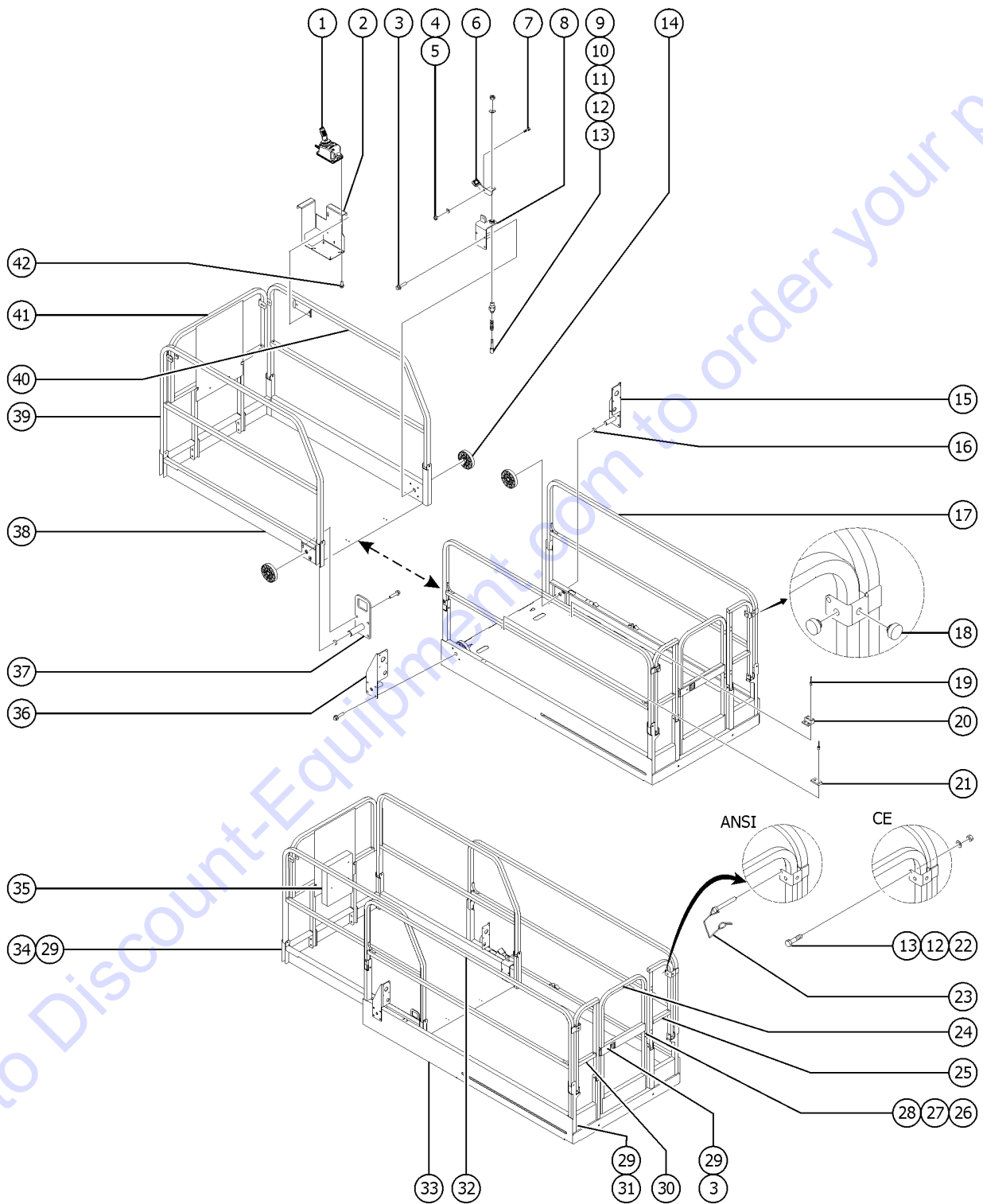


401.1 Platform Components

Item	Part No.	Description	Qty.
1		Ref. Platform Control Box (refer to 403.1)	
2		Ref. Platform Control Box Mount Bracket (refer to 403.1)	
3	1253478GT	SCREW,HHF,3/8-16X2,8,ZAG	5
4	1252977GT	NUT,TL JAM,5/16-18,A,ZAG	1
5	825358GT	WASHER,FLAT,5/16,USS,ZAG	1
6	46260GT	FOOTPEDAL W/NON-SKID TAPE,GS**	1
6-	47166GT	BRACKET,FOOT PEDAL (non skid tape not included)	1
6-	47225GT	TAPE,NON-SKID,DIE CUT,1.38X1.5 (not included sold separately)	
7	1259223GT	ROLLER SUPPORT BRACKET	1
8	96413GT	WLDMT,LOCKING ROLLER SUPPORT	1
9	1259181GT	PIN,LOCK,0.5X3.125,ZAG	1
10	39469GT	SPRING,COMPRESSION.485 X1.75**	1
11	41630GT	HOUSING,LOCK PIN	1
12	1255758GT	WASHER,FLAT,3/8,USS,ZAG	4
13	824038GT	NUT,TL JAM,3/8-16,A,ZAG	4
14	47163GT	ROLLER,PLATFORM EXTENSION	4
15	84587GT	ROLLER BRACKET ASSY, GRND CNTR (ground controls side)	1
16	21279GT	BUTTON, .800 O.D. X .281	3
17	82052-SGT	RAIL-GS46 PLAT,MAINDECK RT**** (ground controls side)	1
18	43392GT	BUMPER,BATTERY BOX & RAILS	14
19	39579GT	RIVET,STL,STL,.188 X .45	20
20	39310GT	WEAR/GUIDE PAD MAIN PLATFORM	4
21	39474GT	WEAR PAD, PLATFORM	3
22	824094GT	SCREW,HHF,3/8-16X2.75,8,ZAG	3
23	1259182GT	PIN,WIRE LOCK 3/8 X2 -1/2,ZAG	
23-	78022GT	LANYARD,BLACK NYLON,TYPE 1*** (CE & Australia models)	
24A	96760GT	ASSY, PLATFORM GATE, GSXX46 COMPLETE (decals not included, refer to section one)	1
24B	97242GT	SWING GATE ASSY, GS46 WELD (decals not included, refer to section one)	1



401.1 Platform Components

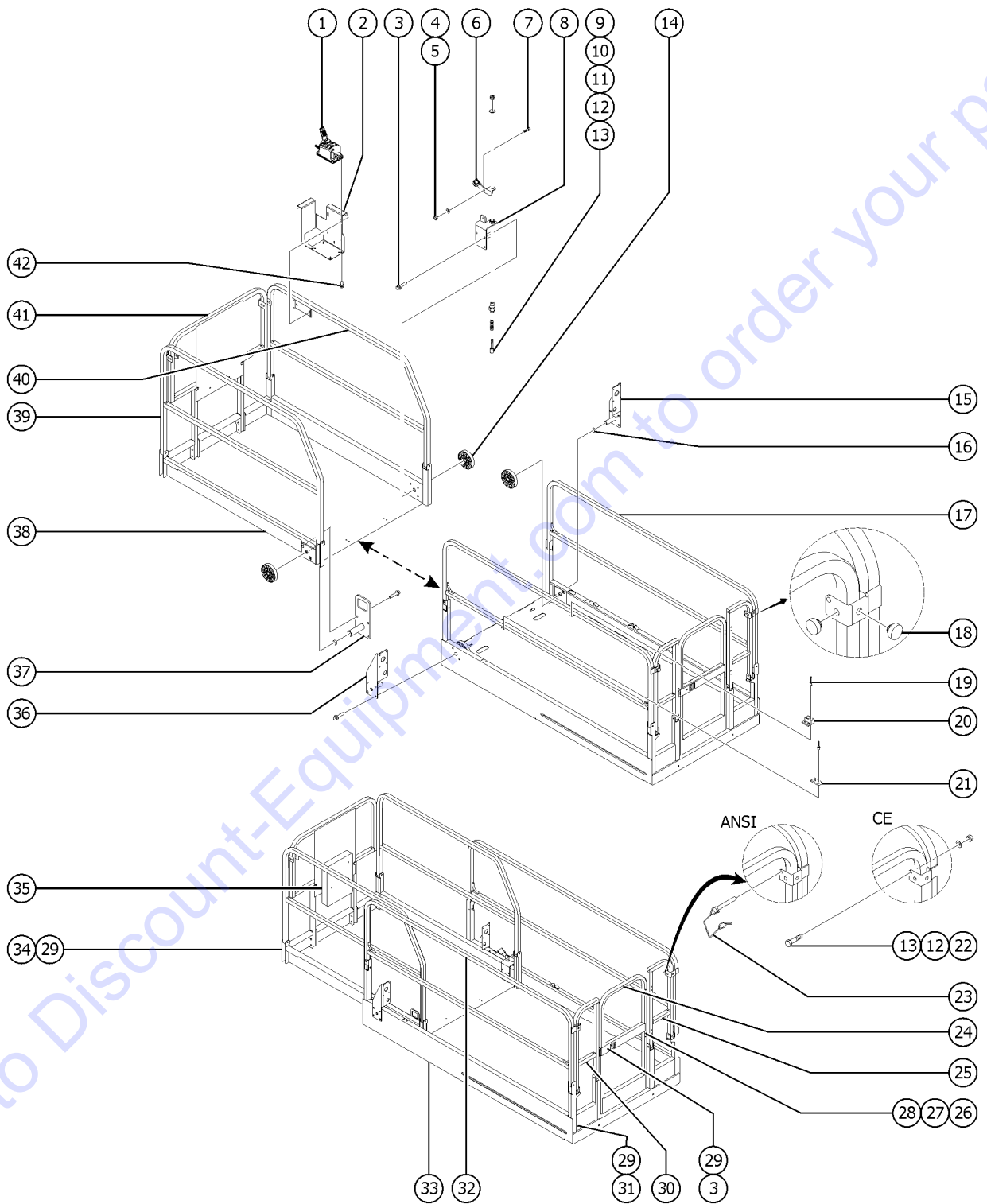


401.1 Platform Components

Item	Part No.	Description	Qty.
24C	66512GT	WLDMT, FULL HEIGHT GATE	1
24D	65990-SGT	KIT,GATE LATCH (includes items 3 and 29)	1
24D-	22446GT	SPRING, COMPRESSION .835 X 2 included in kit 65990-SGT	1
24D-	66544GT	LATCH HANDLE included in kit 65990-SGT	1
25	66923GT	WLDMT, ENTRY SIDERAIL, RT (ground controls side)	1
25-	78038GT	CAP,TUBE,SQ,1.25*0.083	1
26	1253485GT	SCREW,HHF,1/4-20X2,8,ZAG	8
27	104804GT	HINGE, SPRING, LONG LEG	2
28	824027GT	NUT,TL FLG,1/4-20,G,ZAG	8
29	824029GT	NUT,TL FLG,3/8-16,G,ZAG	1
30	66920GT	WLDMT, ENTRY SIDERAIL, LT (battery pack side)	1
30-	78038GT	CAP,TUBE,SQ,1.25*0.083 (not included sold separately)	1
31	1260926GT	BOLT,CARRIAGE,3/8-16X2.25,5,ZAG	2
32	82053-SGT	RAIL-GS46 PLAT,MAINDECK LT**** (battery pack side)	1
32-	43392GT	BUMPER,BATTERY BOX & RAILS	3
33	1284268GT	WLDMT,MAIN DECK,GS46 (decals not included, refer to section one)	1
33-	47098GT	TAPE,NON-SKID,DIE CUT,4"X 40" (not included sold separately)	1
33-	47231GT	TAPE,NON-SKID,DIE CUT,4"X 16" (not included sold separately)	1
33-	47374GT	TAPE,NON-SKID,DIE CUT,4"X 32" (not included sold separately)	1
34	1256856GT	SCREW,HHF,3/8-16X2.5,8,ZAG	1
35	24514GT	BOX,INSTRUCTION STORAGE (decals not included, refer to section one)	1
35-	1256855GT	SCREW,HHF,1/4-20X.625,8,ZAG	4
35-	824027GT	NUT,TL FLG,1/4-20,G,ZAG	4
35-	824113GT	WASHER,FLAT,1/4,USS,ZAG	4
36	96246GT	WELDMENT,ROLLER BRACKET,LT***	1
37	96200GT	WLDMT, LANYARD ROLLER BRKT (decals not included, refer to section one)	1
37-	21279GT	BUTTON, .800 O.D. X .281 (sold separately)	1
38	97258GT	EXT. DECK ASSY, GS46	1



401.1 Platform Components



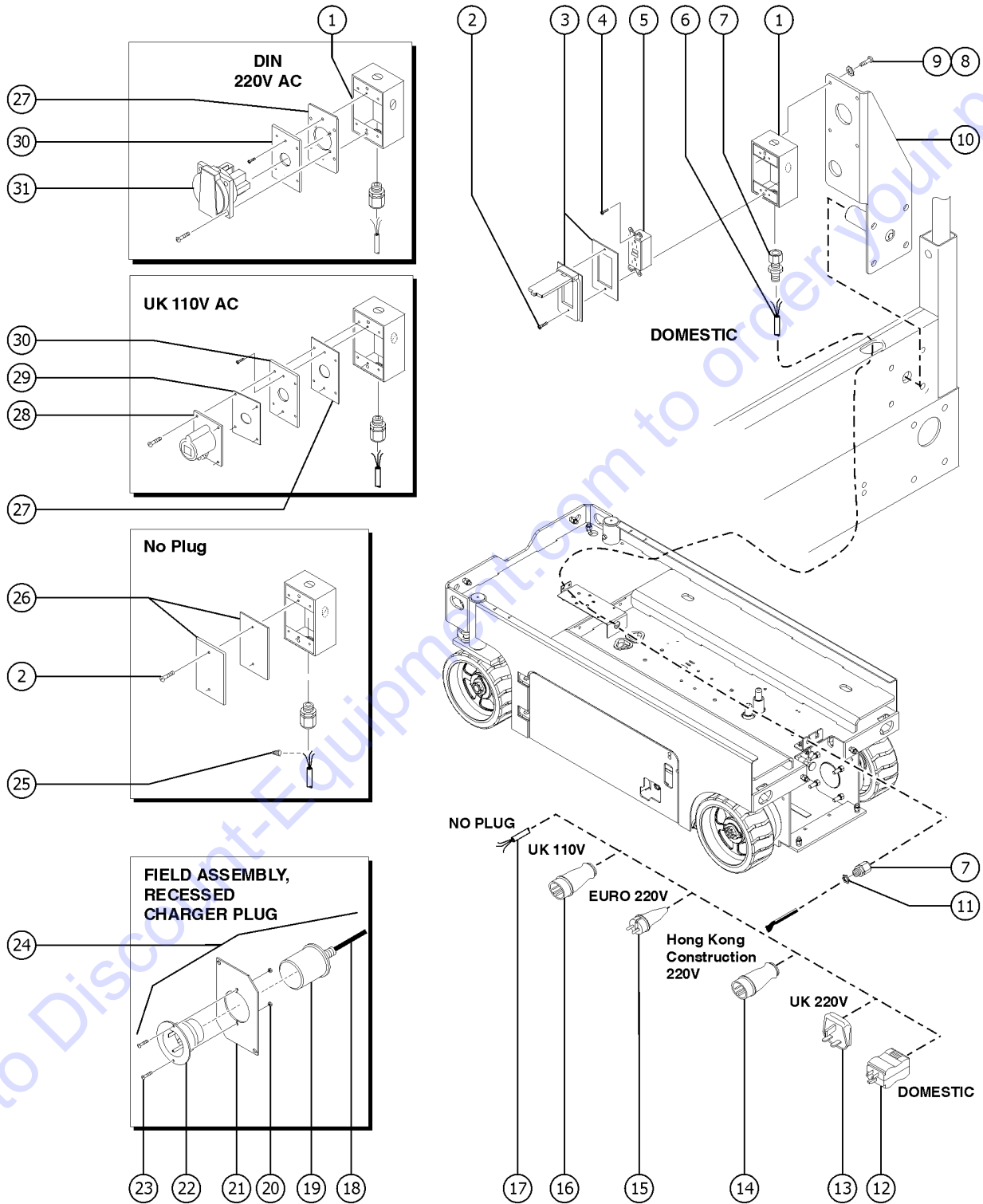
401.1 Platform Components

Item	Part No.	Description	Qty.
38-	39474GT	WEAR PAD, PLATFORM	2
38-	47374GT	TAPE, NON-SKID, DIE CUT, 4" X 32"	7
38-	96719GT	WLDMT, EXT. DECK, GSXX46	1
38-	T113787GT	RIVET, ALUM, STL., 188 X .250	4
		for 39474GT	
39	97263GT	LEFT EX. RAIL, GS46	1
		(battery pack side)	
39-	43392GT	BUMPER, BATTERY BOX & RAILS	3
40	97264GT	RIGHT EXT RAIL, GS46 (SYMBOL)	
		(decals not included, refer to section one)	
40-	43392GT	BUMPER, BATTERY BOX & RAILS	3
41A	97259GT	EXT. ENDRAIL ASSY, GS46 (WORD)	1
		Word decals	
41B	97260GT	EXT. ENDRAIL ASSY, GS46 (SYMB)	
		Symbol decals	
42	824078GT	SCREW, HHF, 1/4-20 X .75, 8, ZAG	1

Go to Discount-Equipment.com to order your parts



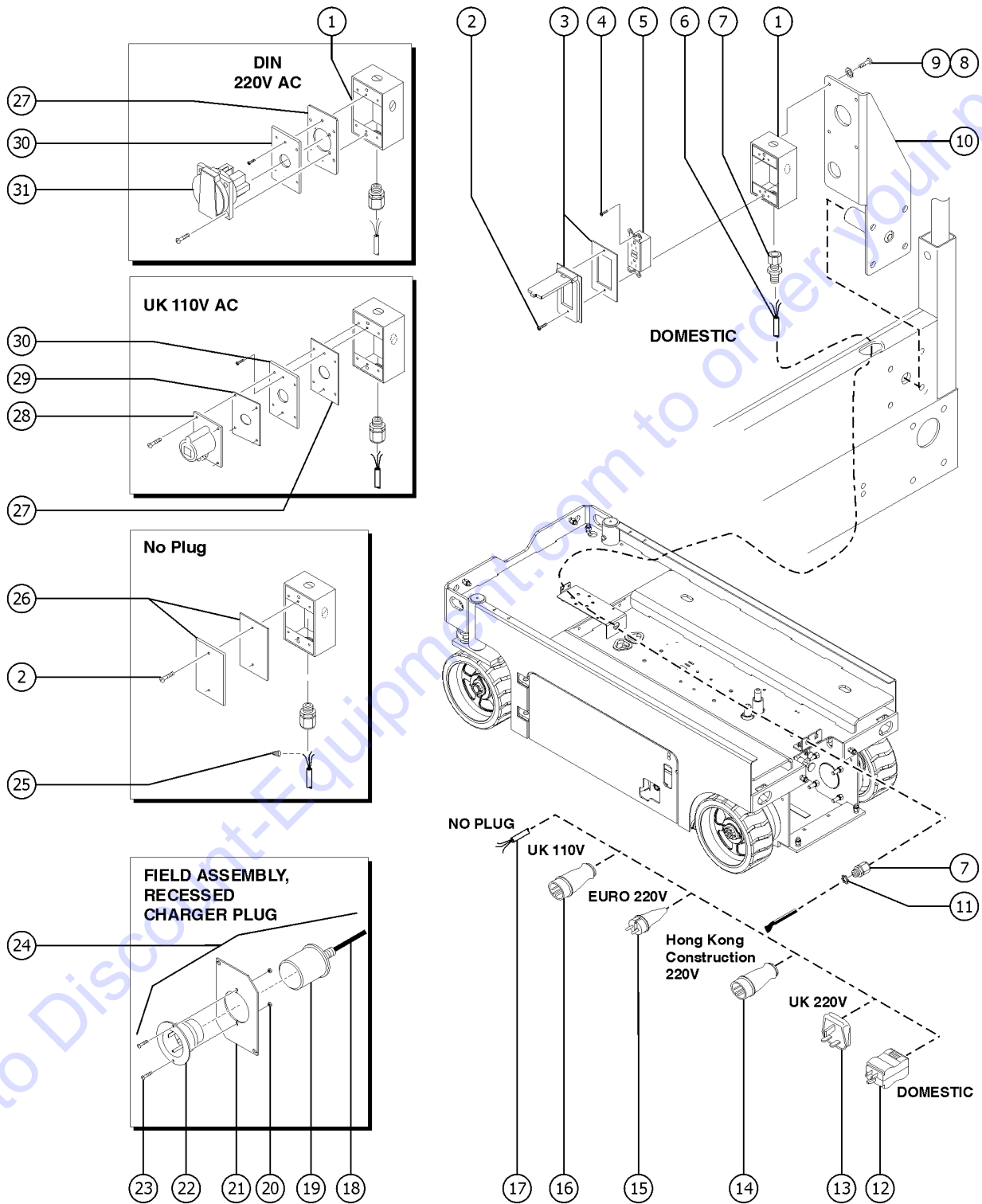
402.1 Power to Platform, GS-2046



Item	Part No.	Description	Qty.
A	33724GT	KIT,GASKET,UK POWER TO PLAT. includes 1 each, items 27 and 29	
1	10775GT	T-BOX,2.75 X 4.5 X 2.0	1
2	7127GT	SCREW,PHILLIPS,PHM,6-32 X .75	
3A	74006GT	COVER,GFCI,HORIZONTAL,WEATHER (ANSI and CSA models) (includes gasket and mounting fasteners)	1
3B	105812GT	COVER,T-BOX LOCKABLE	1
		EE rated (not shown)	
4	45546GT	SCREW,RHM,6-32 X .5	
5	13585GT	OUTLET,110V GFCI***	1
		ANSI and CSA models	
6A	43956GT	WIRE CABLE,14/3 CON.TPE JKT*	456
		GS-2046	
7	7056GT	CONN,SQUEEZE,1/2NPT .38-.50,SM	1
8	57075GT	SCREW,PHIL,8-32X.50,SELF TAP	
9	44936GT	WASHER,STAR,EXTERNAL,#8	4
10		Ref. ROLLER BRACKET	
		refer to 401.1	
11	6935GT	LOCKNUT, ELEC, 1/2"	1
12A	6595GT	PLUG,ELECTRICAL,DOMESTIC	1
		to SN GS4616P-139710	
12B	6595GT	PLUG,ELECTRICAL,DOMESTIC	2
		from SN GS4616P-139711	
13	25388GT	PLUG,FUSED,250V,13AMP,U.K.**	
14	1263471GT	PLUG,IEC60309 CEE, 3PIN 220-24	1
		(Hong Kong Construction)	
15	1280665GT	PLUG, TYPE F, 230A, 50HZ, 16A, IP44	
16	144161GT	PLUG,PWR,UK,16AMP,3PIN,BLK	
17	105117GT	PLUG,FLG INLET,15A/125V,2PWGD	
17-	105118GT	GASKET,(BOOT) FLANGE INLET PLG	
18	48282GT	POWER CORD, IEC 320 BLANK, 79"	1
		ANSI models to SN GS4616P-139710, All models from SN 145048	
19	105118GT	GASKET,(BOOT) FLANGE INLET PLG	1
		ANSI models to SN GS4616P-139710, All models from SN 145048	
20	18605GT	NUT,NYLOCK,8-32	2
		ANSI models to SN GS4616P-139710, All models from SN 145048	
21	105483-SGT	PLATE,AC ADAPTER(ANSI/CSA)	1
		ANSI models to SN GS4616P-139710, All models from SN 145048	
21-	6091GT	NUT,NYLOCK,1/4-20	2
		not included	
21-	6878GT	BOLT,CARRIAGE,1/4-20 X .75,G2	2
		not included	
22	105117GT	PLUG,FLG INLET,15A/125V,2PWGD	1
		ANSI models to SN GS4616P-139710, All models from SN 145048	



402.1 Power to Platform, GS-2046

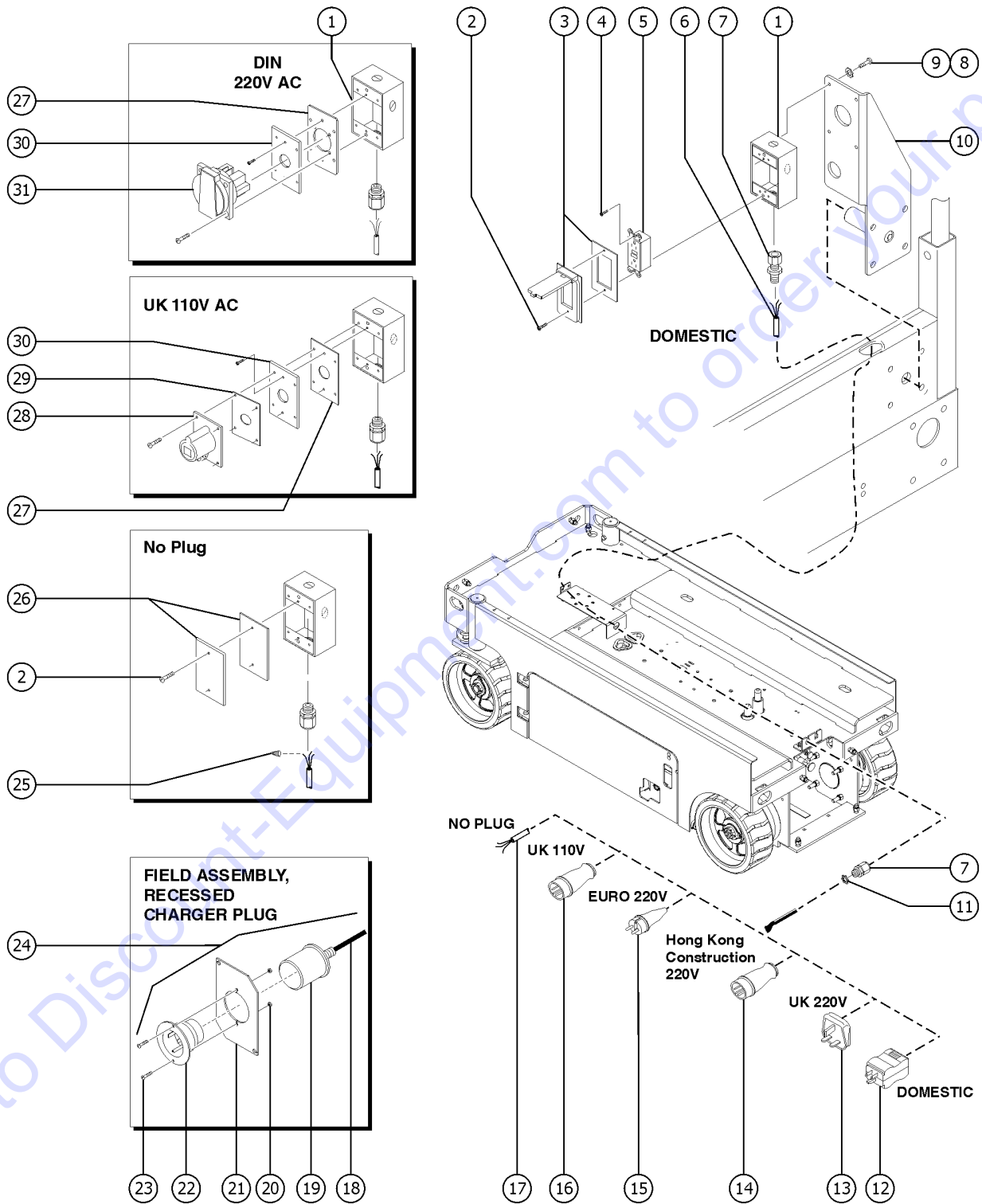


Item	Part No.	Description	Qty.
23	55906GT	SCREW,PHILLIPS,PHM,8-32 X .5 ANSI models to SN GS4616P-139710, All models from SN 145048	2
24	105448GT	FIELD ASSY,REC.CHARGER PLUG includes items 18-23 to SN GS4616P-139710, All models from SN 14508	1
25	6626GT	WIRE CAP,ORANGE	1
26	10777GT	COVER,BLANK	1
27	66355GT	GASKET, UK & DIN PWR. TO PLAT 2.9 x 2.9 inches	1
28	T112563GT	SVC KIT,UK RECEPT.REPLACEMENT	1
29	66356GT	GASKET, UK RECEPTACLE 2.9 x 2.9 inches	1
30A	105483-SGT	PLATE,AC ADAPTER(ANSI/CSA) ANSI/CSA	
30B	96236GT	PLATE,AC ADAPTER,DIN/UK***	
30C	105090GT	PLATE, AC ADAPTER(AUS)	
31	66353GT	RECEPTACLE, DIN, 220V 50A	1

Go to Discount-Equipment.com to order your parts



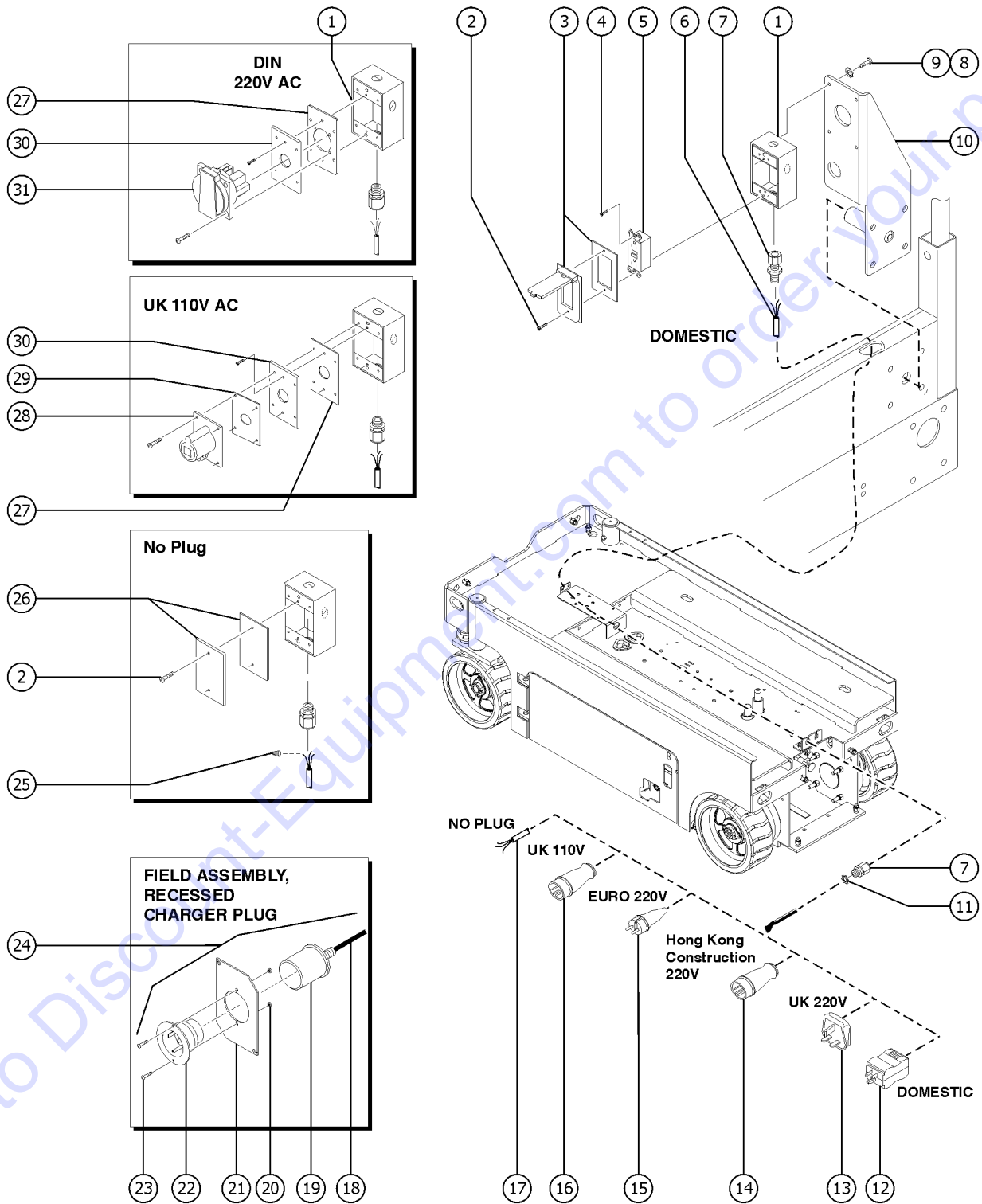
402.2 Power to Platform, GS-2046



Item	Part No.	Description	Qty.
A	33724GT	KIT,GASKET,UK POWER TO PLAT. includes 1 each, items 27 and 29	
1	10775GT	T-BOX,2.75 X 4.5 X 2.0	1
2	7127GT	SCREW,PHILLIPS,PHM,6-32 X .75	
3A	74006GT	COVER,GFCI,HORIZONTAL,WEATHER (ANSI and CSA models) (includes gasket and mounting fasteners)	1
3B	105812GT	COVER,T-BOX LOCKABLE	1
		EE rated (not shown)	
4	45546GT	SCREW,RHM,6-32 X .5	
5	13585GT	OUTLET,110V GFCI***	1
		ANSI and CSA models	
6A	43956GT	WIRE CABLE,14/3 CON.TPE JKT*	456
		GS-2046	
7	7056GT	CONN,SQUEEZE,1/2NPT .38-.50,SM	1
8	57075GT	SCREW,PHIL,8-32X.50,SELF TAP	
9	44936GT	WASHER,STAR,EXTERNAL,#8	4
10		Ref. ROLLER BRACKET	
		refer to 401.1	
11	6935GT	LOCKNUT, ELEC, 1/2"	1
12A	6595GT	PLUG,ELECTRICAL,DOMESTIC	1
		to SN GS4616P-139710	
12B	6595GT	PLUG,ELECTRICAL,DOMESTIC	2
		from SN GS4616P-139711	
13	25388GT	PLUG,FUSED,250V,13AMP,U.K.**	
14	1263471GT	PLUG,IEC60309 CEE, 3PIN 220-24	1
		(Hong Kong Construction)	
15	1280665GT	PLUG, TYPE F, 230A, 50HZ, 16A, IP44	
16	144161GT	PLUG,PWR,UK,16AMP,3PIN,BLK	
17	105117GT	PLUG,FLG INLET,15A/125V,2PWGD	
17-	105118GT	GASKET,(BOOT) FLANGE INLET PLG	
18	48282GT	POWER CORD, IEC 320 BLANK, 79"	1
		ANSI models to SN GS4616P-139710, All models from SN 145048	
19	105118GT	GASKET,(BOOT) FLANGE INLET PLG	1
		ANSI models to SN GS4616P-139710, All models from SN 145048	
20	18605GT	NUT,NYLOCK,8-32	2
		ANSI models to SN GS4616P-139710, All models from SN 145048	
21	105483-SGT	PLATE,AC ADAPTER(ANSI/CSA)	1
		ANSI models to SN GS4616P-139710, All models from SN 145048	
21-	6091GT	NUT,NYLOCK,1/4-20	2
		not included	
21-	6878GT	BOLT,CARRIAGE,1/4-20 X .75,G2	2
		not included	
22	105117GT	PLUG,FLG INLET,15A/125V,2PWGD	1
		ANSI models to SN GS4616P-139710, All models from SN 145048	



402.2 Power to Platform, GS-2046



Item	Part No.	Description	Qty.
23	55906GT	SCREW,PHILLIPS,PHM,8-32 X .5 ANSI models to SN GS4616P-139710, All models from SN 145048	2
24	105448GT	FIELD ASSY,REC.CHARGER PLUG includes items 18-23 to SN GS4616P-139710, All models from SN 14508	1
25	6626GT	WIRE CAP,ORANGE	1
26	10777GT	COVER,BLANK	1
27	66355GT	GASKET, UK & DIN PWR. TO PLAT 2.9 x 2.9 inches	1
28	T112563GT	SVC KIT,UK RECEPT.REPLACEMENT	1
29	66356GT	GASKET, UK RECEPTACLE 2.9 x 2.9 inches	1
30A	105483-SGT	PLATE,AC ADAPTER(ANSI/CSA) ANSI/CSA	
30B	96236GT	PLATE,AC ADAPTER,DIN/UK***	
30C	105090GT	PLATE, AC ADAPTER(AUS)	
31	66353GT	RECEPTACLE, DIN, 220V 50A	1

Go to Discount-Equipment.com to order your parts



PARTS FINDER

**Search Website
by Part Number**



**Search Manual
Library For Parts
Manual & Lookup Part
Numbers – Purchase
or Request Quote**

Search Manuals

Enter your information to help us find the right parts manual for your machine.

* Brand:

* Model:

* Serial:

* Part Number:

SEARCH

**Can't Find Part or
Manual? Request Help
by Manufacturer,
Model & Description**

Parts Order Form

Please fill in the following information to help us find the right part for your machine.

Manufacturer:	<input type="text"/>
Model:	<input type="text"/>
Description:	<input type="text"/>
Part Number:	<input type="text"/>
Quantity:	<input type="text"/>
Notes:	<input type="text"/>

Submit

Discount-Equipment.com is your online resource for quality parts & equipment.

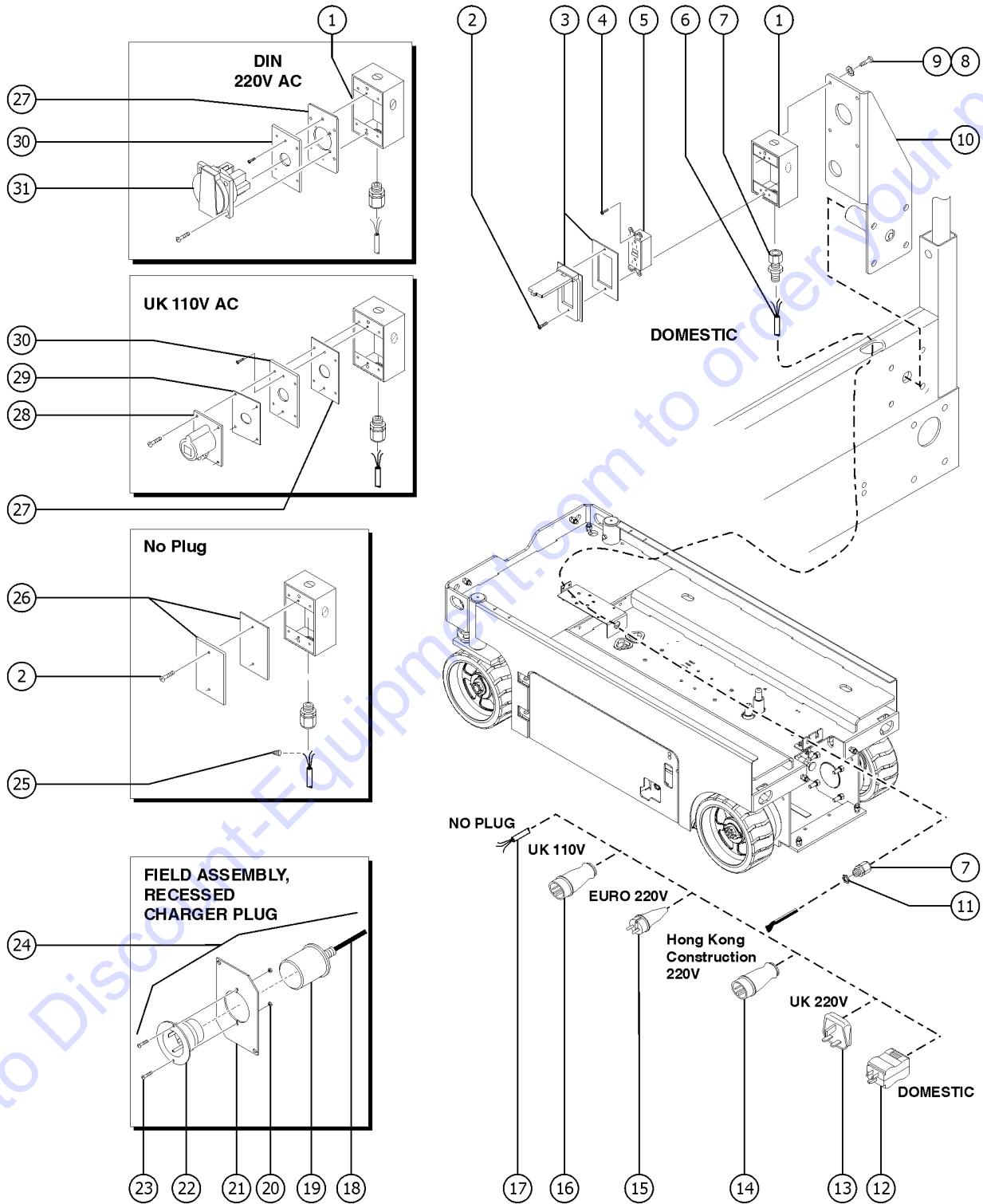
Florida: **561-964-4949** Outside Florida TOLL FREE: **877-690-3101**

Need parts?

Click on this link: <http://www.discount-equipment.com/category/5443-parts/> and choose one of the options to help get the right parts and equipment you are looking for. Please have the machine model and serial number available in order to help us get you the correct parts. If you don't find the part on the website or on one of the online manuals, please fill out the request form and one of our experienced staff members will get back to you with a quote for the right part that your machine needs.

We sell worldwide for the brands: Genie, Terex, JLG, MultiQuip, Mikasa, Essick, Whiteman, Mayco, Toro Stone, Diamond Products, Generac Magnum, Airman, Haulotte, Barreto, Power Blanket, Nifty Lift, Atlas Copco, Chicago Pneumatic, Allmand, Miller Curber, Skyjack, Lull, Skytrak, Tsurumi, Husquvarna Target, Stow, Wacker, Sakai, Mi-T-M, Sullair, Basic, Dynapac, MBW, Weber, Bartell, Bennar Newman, Haulotte, Ditch Runner, Menegotti, Morrison, Contec, Buddy, Crown, Edco, Wyco, Bomag, Laymor, EZ Trench, Bil-Jax, F.S. Curtis, Gehl Pavers, Heli, Honda, ICS/PowerGrit, IHI, Partner, Imer, Clipper, MMD, Koshin, Rice, CH&E, General Equipment, Amida, Coleman, NAC, Gradall, Square Shooter, Kent, Stanley, Tamco, Toku, Hatz, Kohler, Robin, Wisconsin, Northrock, Oztec, Toker TK, Rol-Air, APT, Wylie, Ingersoll Rand / Doosan, Innovatech, Con X, Ammann, Mecalac, Makinex, Smith Surface Prep, Small Line, Wanco, Yanmar

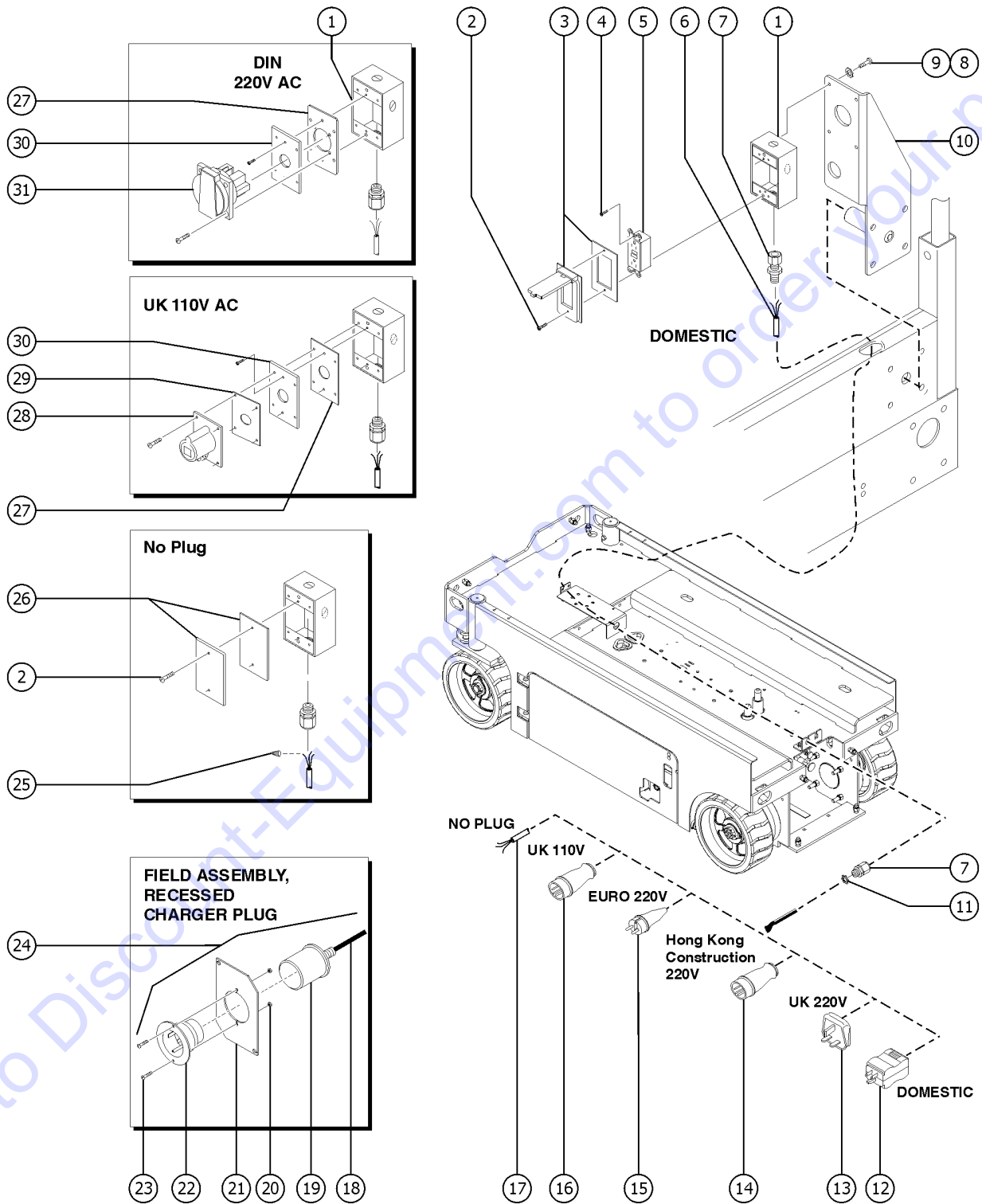
402.3 Power to Platform, GS-2646



Item	Part No.	Description	Qty.
A	33724GT	KIT,GASKET,UK POWER TO PLAT. includes 1 each, items 27 and 29	
1	10775GT	T-BOX,2.75 X 4.5 X 2.0	1
2	7127GT	SCREW,PHILLIPS,PHM,6-32 X .75	
3A	74006GT	COVER,GFCI,HORIZONTAL,WEATHER (ANSI and CSA models) (includes gasket and mounting fasteners)	1
3B	105812GT	COVER,T-BOX LOCKABLE	1
		EE rated (not shown)	
4	45546GT	SCREW,RHM,6-32 X .5	
5	13585GT	OUTLET,110V GFCI***	1
		ANSI and CSA models	
6B	43956GT	WIRE CABLE,14/3 CON.TPE JKT*	516
		GS-2646	
7	7056GT	CONN,SQUEEZE,1/2NPT .38-.50,SM	1
8	57075GT	SCREW,PHIL,8-32X.50,SELF TAP	
9	44936GT	WASHER,STAR,EXTERNAL,#8	4
10		Ref. ROLLER BRACKET	
		refer to 401.1	
11	6935GT	LOCKNUT, ELEC, 1/2"	1
12A	6595GT	PLUG,ELECTRICAL,DOMESTIC	1
		to SN GS4616P-139710	
12B	6595GT	PLUG,ELECTRICAL,DOMESTIC	2
		from SN GS4616P-139711	
13	25388GT	PLUG,FUSED,250V,13AMP,U.K.**	
14	1263471GT	PLUG,IEC60309 CEE, 3PIN 220-24	1
		(Hong Kong Construction)	
15	1280665GT	PLUG, TYPE F, 230A, 50HZ, 16A, IP44	
16	144161GT	PLUG,PWR,UK,16AMP,3PIN,BLK	
17	105117GT	PLUG,FLG INLET,15A/125V,2PWGD	
17-	105118GT	GASKET,(BOOT) FLANGE INLET PLG	
18	48282GT	POWER CORD, IEC 320 BLANK, 79"	1
		ANSI models to SN GS4616P-139710, All models from SN 145048	
19	105118GT	GASKET,(BOOT) FLANGE INLET PLG	1
		ANSI models to SN GS4616P-139710, All models from SN 145048	
20	18605GT	NUT,NYLOCK,8-32	2
		ANSI models to SN GS4616P-139710, All models from SN 145048	
21	105483-SGT	PLATE,AC ADAPTER(ANSI/CSA)	1
		ANSI models to SN GS4616P-139710, All models from SN 145048	
21-	6091GT	NUT,NYLOCK,1/4-20	2
		not included	
21-	6878GT	BOLT,CARRIAGE,1/4-20 X .75,G2	2
		not included	
22	105117GT	PLUG,FLG INLET,15A/125V,2PWGD	1
		ANSI models to SN GS4616P-139710, All models from SN 145048	



402.3 Power to Platform, GS-2646

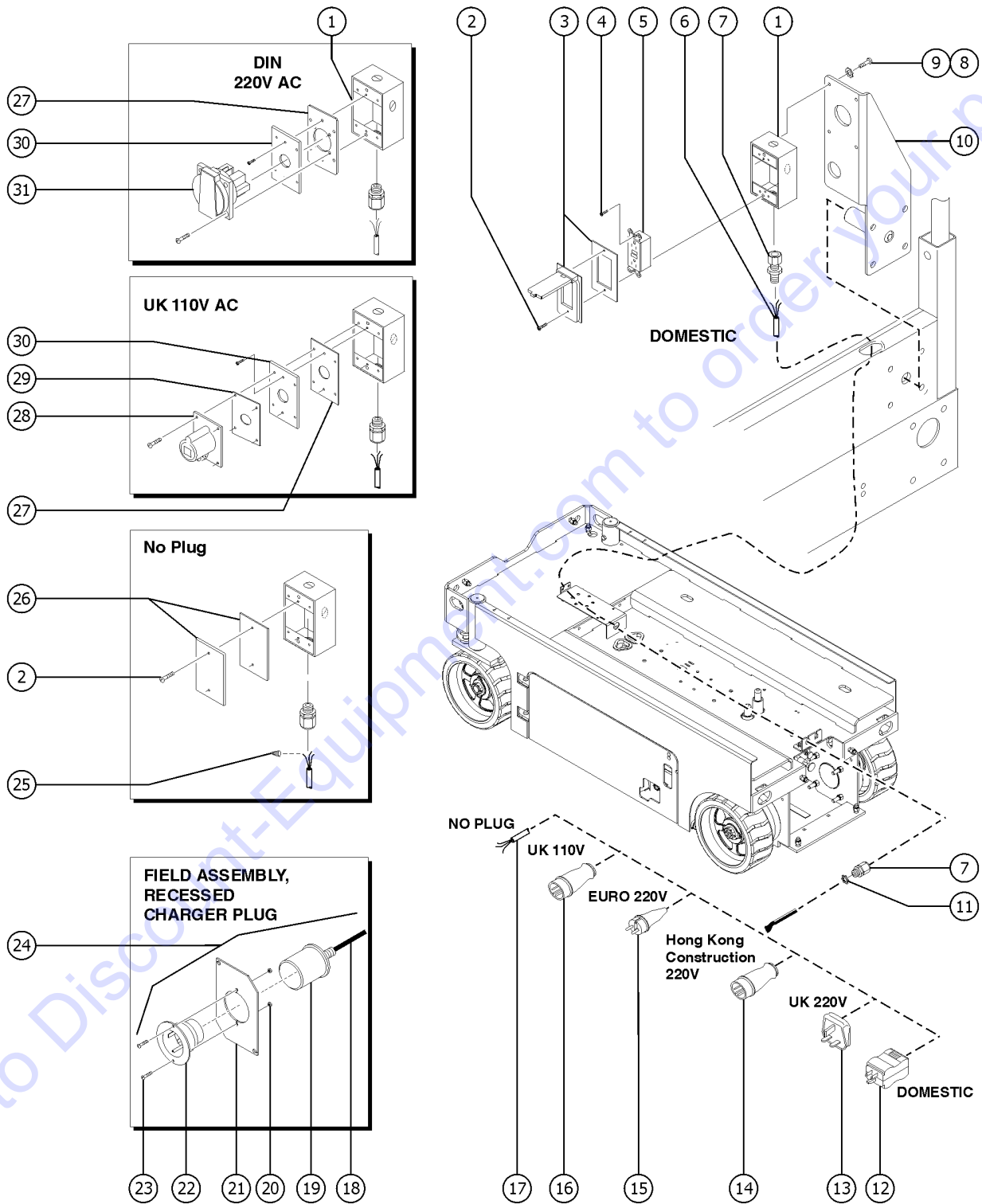


Item	Part No.	Description	Qty.
23	55906GT	SCREW,PHILLIPS,PHM,8-32 X .5 ANSI models to SN GS4616P-139710, All models from SN 145048	2
24	105448GT	FIELD ASSY,REC.CHARGER PLUG includes items 18-23 to SN GS4616P-139710, All models from SN 14508	1
25	6626GT	WIRE CAP,ORANGE	1
26	10777GT	COVER,BLANK	1
27	66355GT	GASKET, UK & DIN PWR. TO PLAT 2.9 x 2.9 inches	1
28	T112563GT	SVC KIT,UK RECEPT.REPLACEMENT	1
29	66356GT	GASKET, UK RECEPTACLE 2.9 x 2.9 inches	1
30A	105483-SGT	PLATE,AC ADAPTER(ANSI/CSA) ANSI/CSA	
30B	96236GT	PLATE,AC ADAPTER,DIN/UK***	
30C	105090GT	PLATE, AC ADAPTER(AUS)	
31	66353GT	RECEPTACLE, DIN, 220V 50A	1

Go to Discount-Equipment.com to order your parts



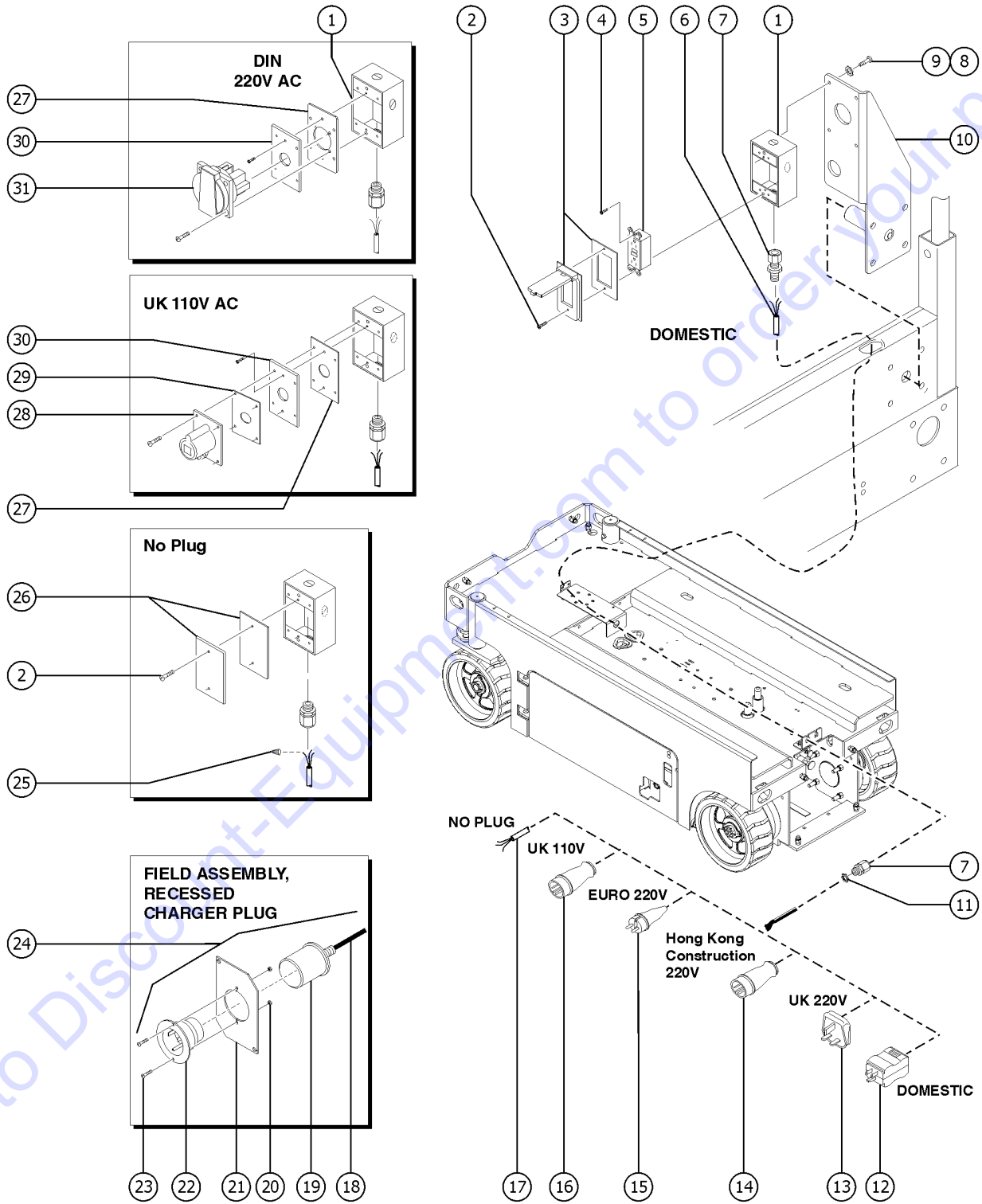
402.4 Power to Platform, GS-2646



Item	Part No.	Description	Qty.
A	33724GT	KIT,GASKET,UK POWER TO PLAT. includes 1 each, items 27 and 29	
1	10775GT	T-BOX,2.75 X 4.5 X 2.0	1
2	7127GT	SCREW,PHILLIPS,PHM,6-32 X .75	
3A	74006GT	COVER,GFCI,HORIZONTAL,WEATHER (ANSI and CSA models) (includes gasket and mounting fasteners)	1
3B	105812GT	COVER,T-BOX LOCKABLE	1
		EE rated (not shown)	
4	45546GT	SCREW,RHM,6-32 X .5	
5	13585GT	OUTLET,110V GFCI***	1
		ANSI and CSA models	
6A	43956GT	WIRE CABLE,14/3 CON.TPE JKT*	516
		GS-2646	
7	7056GT	CONN,SQUEEZE,1/2NPT .38-.50,SM	1
8	57075GT	SCREW,PHIL,8-32X.50,SELF TAP	
9	44936GT	WASHER,STAR,EXTERNAL,#8	4
10		Ref. ROLLER BRACKET	
		refer to 401.1	
11	6935GT	LOCKNUT, ELEC, 1/2"	1
12A	6595GT	PLUG,ELECTRICAL,DOMESTIC	1
		to SN GS4616P-139710	
12B	6595GT	PLUG,ELECTRICAL,DOMESTIC	2
		from SN GS4616P-139711	
13	25388GT	PLUG,FUSED,250V,13AMP,U.K.**	
14	1263471GT	PLUG,IEC60309 CEE, 3PIN 220-24	1
		(Hong Kong Construction)	
15	1280665GT	PLUG, TYPE F, 230A, 50HZ, 16A, IP44	
16	144161GT	PLUG,PWR,UK,16AMP,3PIN,BLK	
17	105117GT	PLUG,FLG INLET,15A/125V,2PWGD	
17-	105118GT	GASKET,(BOOT) FLANGE INLET PLG	
18	48282GT	POWER CORD, IEC 320 BLANK, 79"	1
		ANSI models to SN GS4616P-139710, All models from SN 145048	
19	105118GT	GASKET,(BOOT) FLANGE INLET PLG	1
		ANSI models to SN GS4616P-139710, All models from SN 145048	
20	18605GT	NUT,NYLOCK,8-32	2
		ANSI models to SN GS4616P-139710, All models from SN 145048	
21	105483-SGT	PLATE,AC ADAPTER(ANSI/CSA)	1
		ANSI models to SN GS4616P-139710, All models from SN 145048	
21-	6091GT	NUT,NYLOCK,1/4-20	2
		not included	
21-	6878GT	BOLT,CARRIAGE,1/4-20 X .75,G2	2
		not included	
22	105117GT	PLUG,FLG INLET,15A/125V,2PWGD	1
		ANSI models to SN GS4616P-139710, All models from SN 145048	



402.4 Power to Platform, GS-2646

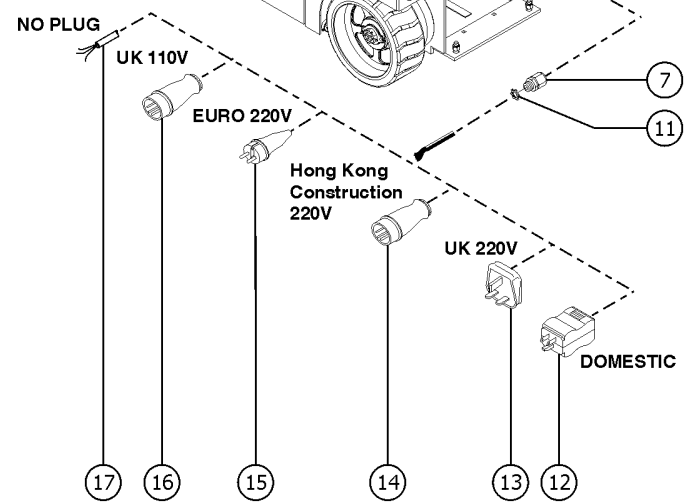
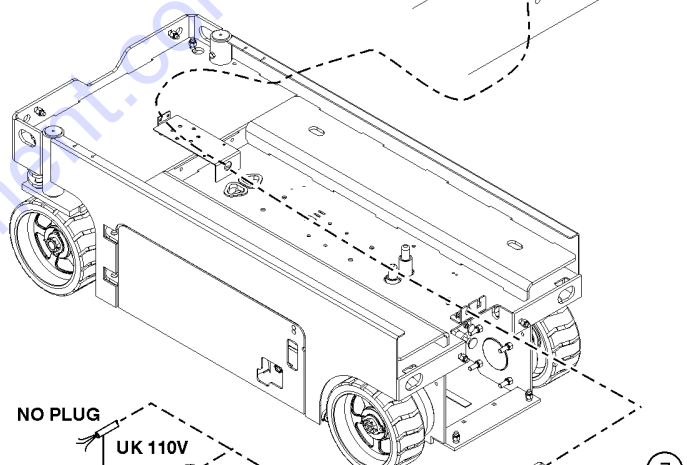
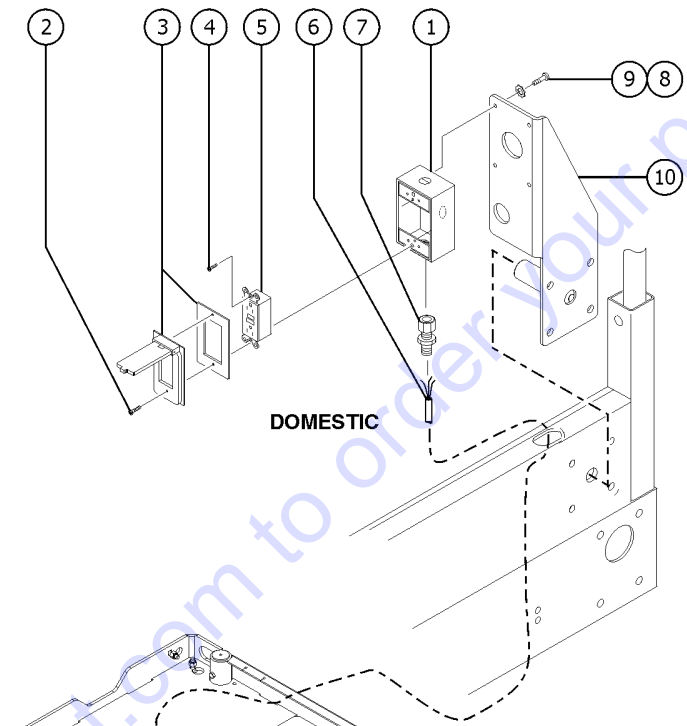
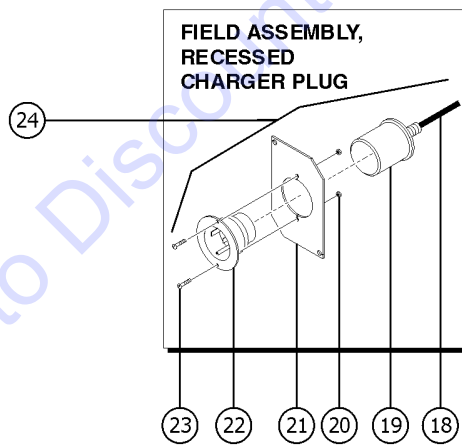
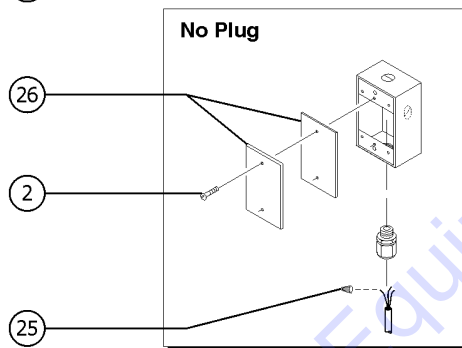
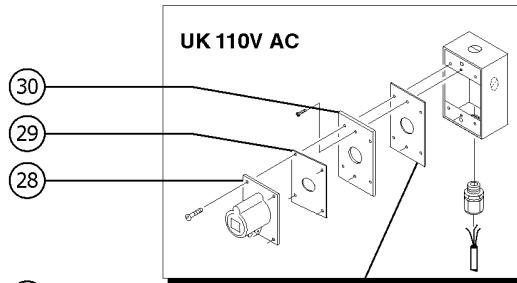
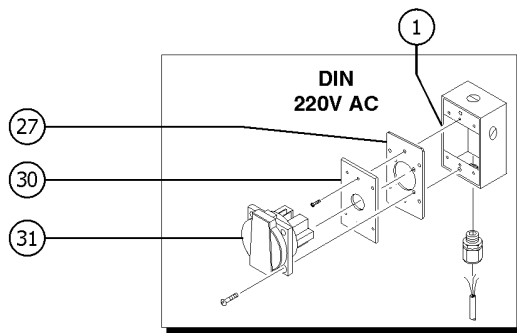


Item	Part No.	Description	Qty.
23	55906GT	SCREW,PHILLIPS,PHM,8-32 X .5 ANSI models to SN GS4616P-139710, All models from SN 145048	2
24	105448GT	FIELD ASSY,REC.CHARGER PLUG includes items 18-23 to SN GS4616P-139710, All models from SN 14508	1
25	6626GT	WIRE CAP,ORANGE	1
26	10777GT	COVER,BLANK	1
27	66355GT	GASKET, UK & DIN PWR. TO PLAT 2.9 x 2.9 inches	1
28	T112563GT	SVC KIT,UK RECEPT.REPLACEMENT	1
29	66356GT	GASKET, UK RECEPTACLE 2.9 x 2.9 inches	1
30A	105483-SGT	PLATE,AC ADAPTER(ANSI/CSA) ANSI/CSA	
30B	96236GT	PLATE,AC ADAPTER,DIN/UK***	
30C	105090GT	PLATE, AC ADAPTER(AUS)	
31	66353GT	RECEPTACLE, DIN, 220V 50A	1

Go to Discount-Equipment.com to order your parts



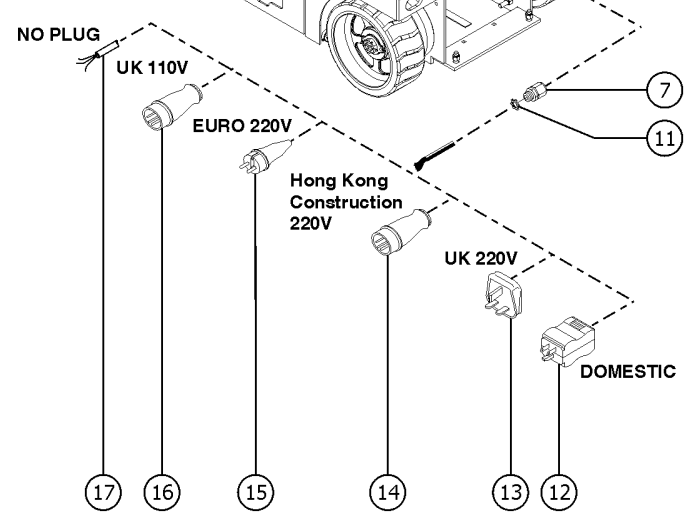
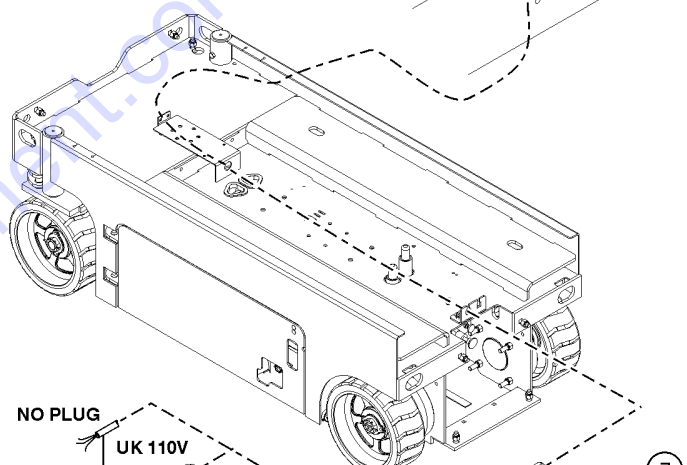
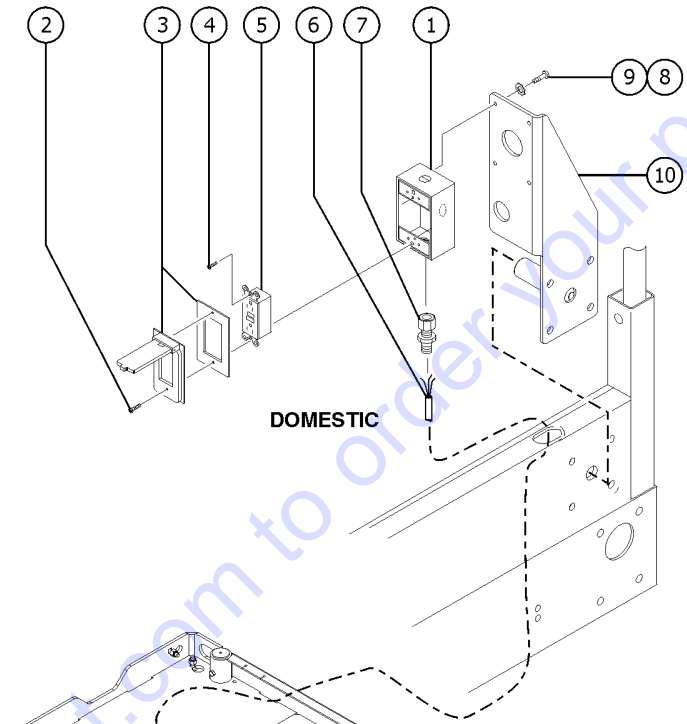
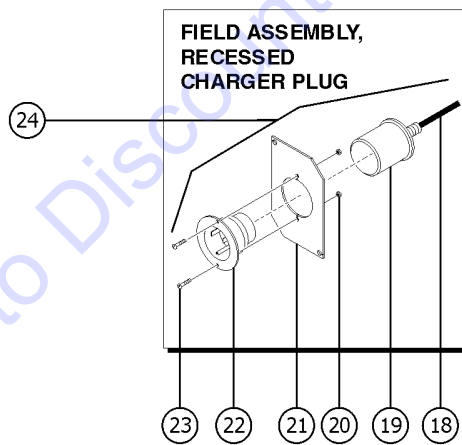
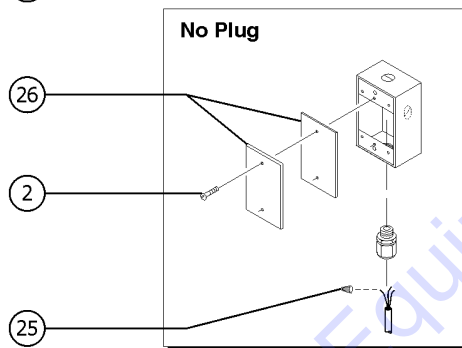
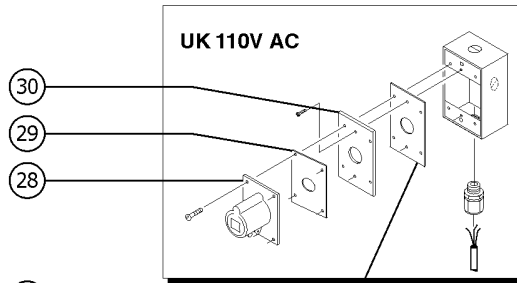
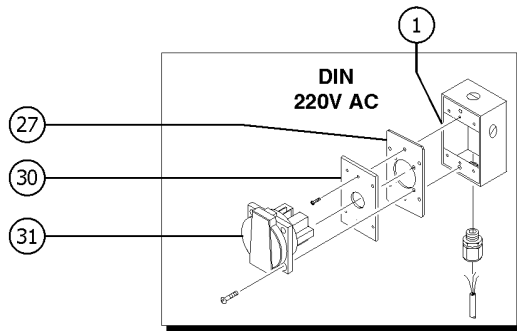
402.5 Power to Platform, GS-3246



Item	Part No.	Description	Qty.
A	33724GT	KIT,GASKET,UK POWER TO PLAT. includes 1 each, items 27 and 29	
1	10775GT	T-BOX,2.75 X 4.5 X 2.0	1
2	7127GT	SCREW,PHILLIPS,PHM,6-32 X .75	
3A	74006GT	COVER,GFCI,HORIZONTAL,WEATHER (ANSI and CSA models) (includes gasket and mounting fasteners)	1
3B	105812GT	COVER,T-BOX LOCKABLE	1
		EE rated (not shown)	
4	45546GT	SCREW,RHM,6-32 X .5	
5	13585GT	OUTLET,110V GFCI***	1
		ANSI and CSA models	
6C	43956GT	WIRE CABLE,14/3 CON.TPE JKT*	624
		GS-3246	
7	7056GT	CONN,SQUEEZE,1/2NPT .38-.50,SM	1
8	57075GT	SCREW,PHIL,8-32X.50,SELF TAP	
9	44936GT	WASHER,STAR,EXTERNAL,#8	4
10		Ref. ROLLER BRACKET	
		refer to 401.1	
11	6935GT	LOCKNUT, ELEC, 1/2"	1
12A	6595GT	PLUG,ELECTRICAL,DOMESTIC	1
		to SN GS4616P-139710	
12B	6595GT	PLUG,ELECTRICAL,DOMESTIC	2
		from SN GS4616P-139711	
13	25388GT	PLUG,FUSED,250V,13AMP,U.K.**	
14	1263471GT	PLUG,IEC60309 CEE, 3PIN 220-24	1
		(Hong Kong Construction)	
15	1280665GT	PLUG, TYPE F, 230A, 50HZ, 16A, IP44	
16	144161GT	PLUG,PWR,UK,16AMP,3PIN,BLK	
17	105117GT	PLUG,FLG INLET,15A/125V,2PWGD	
17-	105118GT	GASKET,(BOOT) FLANGE INLET PLG	
18	48282GT	POWER CORD, IEC 320 BLANK, 79"	1
		ANSI models to SN GS4616P-139710, All models from SN 145048	
19	105118GT	GASKET,(BOOT) FLANGE INLET PLG	1
		ANSI models to SN GS4616P-139710, All models from SN 145048	
20	18605GT	NUT,NYLOCK,8-32	2
		ANSI models to SN GS4616P-139710, All models from SN 145048	
21	105483-SGT	PLATE,AC ADAPTER(ANSI/CSA)	1
		ANSI models to SN GS4616P-139710, All models from SN 145048	
21-	6091GT	NUT,NYLOCK,1/4-20	2
		not included	
21-	6878GT	BOLT,CARRIAGE,1/4-20 X .75,G2	2
		not included	
22	105117GT	PLUG,FLG INLET,15A/125V,2PWGD	1
		ANSI models to SN GS4616P-139710, All models from SN 145048	



402.5 Power to Platform, GS-3246

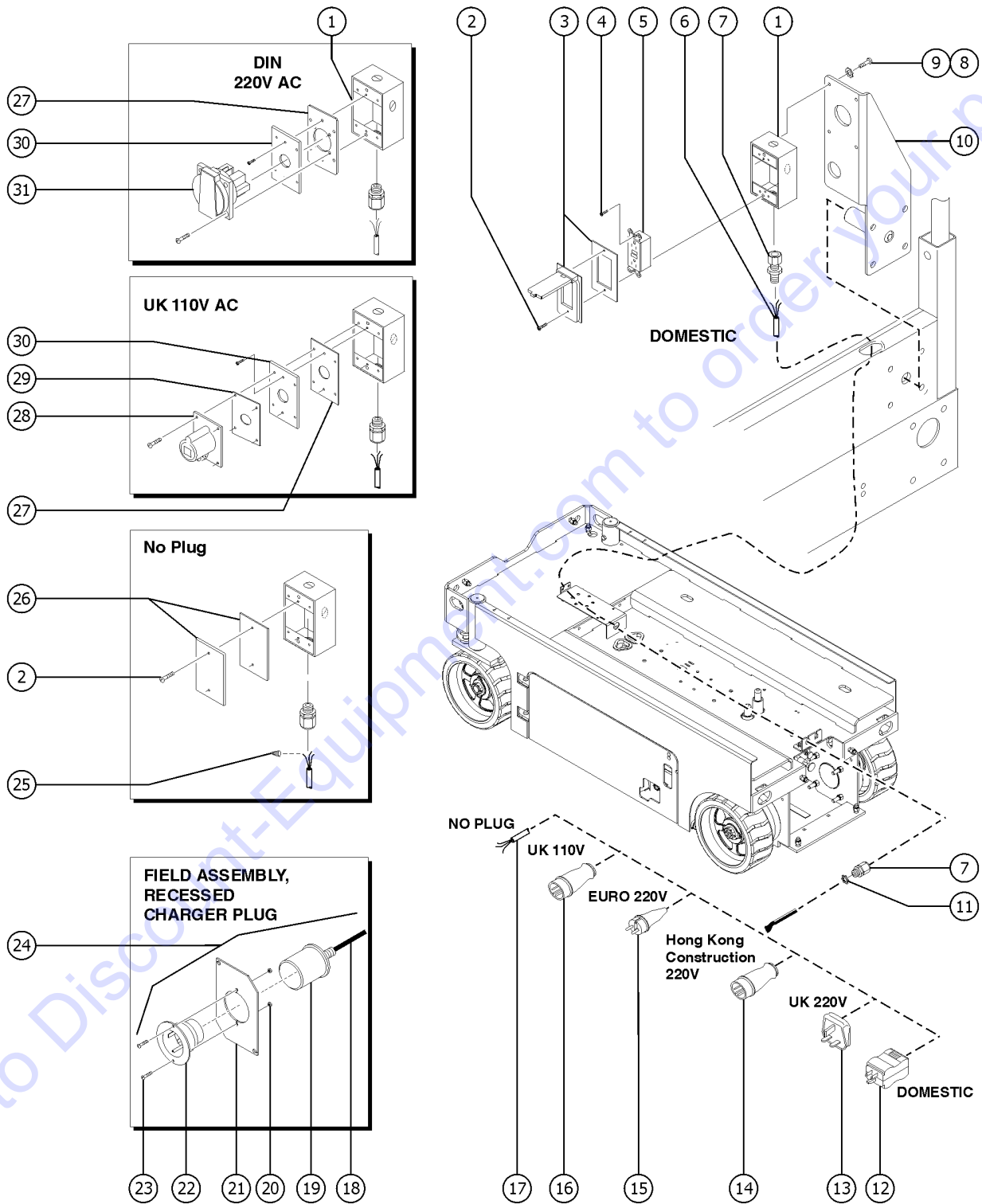


Item	Part No.	Description	Qty.
23	55906GT	SCREW,PHILLIPS,PHM,8-32 X .5 ANSI models to SN GS4616P-139710, All models from SN 145048	2
24	105448GT	FIELD ASSY,REC.CHARGER PLUG includes items 18-23 to SN GS4616P-139710, All models from SN 14508	1
25	6626GT	WIRE CAP,ORANGE	1
26	10777GT	COVER,BLANK	1
27	66355GT	GASKET, UK & DIN PWR. TO PLAT 2.9 x 2.9 inches	1
28	T112563GT	SVC KIT,UK RECEPT.REPLACEMENT	1
29	66356GT	GASKET, UK RECEPTACLE 2.9 x 2.9 inches	1
30A	105483-SGT	PLATE,AC ADAPTER(ANSI/CSA) ANSI/CSA	
30B	96236GT	PLATE,AC ADAPTER,DIN/UK***	
30C	105090GT	PLATE, AC ADAPTER(AUS)	
31	66353GT	RECEPTACLE, DIN, 220V 50A	1

Go to Discount-Equipment.com to order your parts

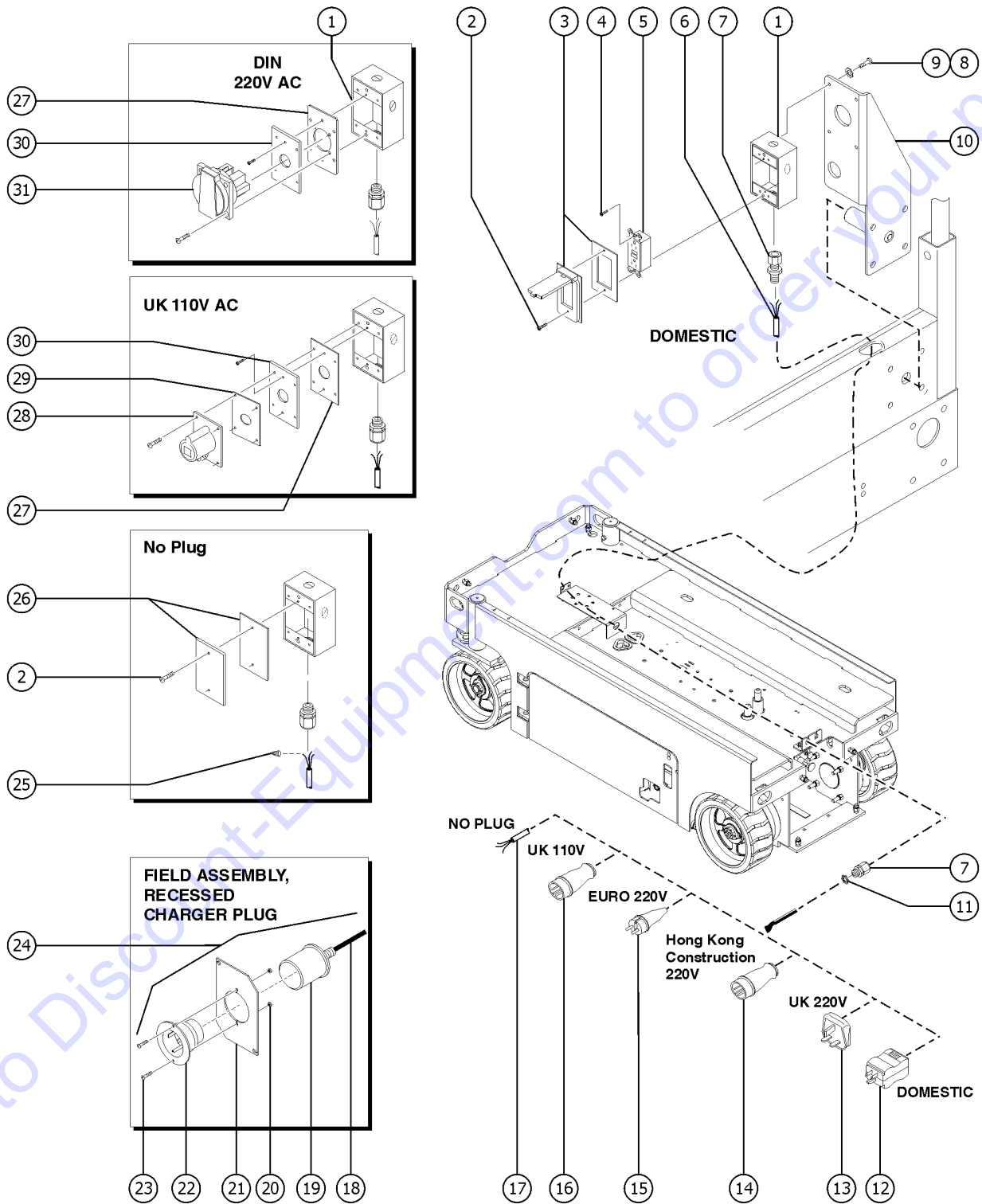


402.6 Power to Platform, GS-3246



Item	Part No.	Description	Qty.
A	33724GT	KIT,GASKET,UK POWER TO PLAT. includes 1 each, items 27 and 29	
1	10775GT	T-BOX,2.75 X 4.5 X 2.0	1
2	7127GT	SCREW,PHILLIPS,PHM,6-32 X .75	
3A	74006GT	COVER,GFCI,HORIZONTAL,WEATHER (ANSI and CSA models) (includes gasket and mounting fasteners)	1
3B	105812GT	COVER,T-BOX LOCKABLE	1
		EE rated (not shown)	
4	45546GT	SCREW,RHM,6-32 X .5	
5	13585GT	OUTLET,110V GFCI***	1
		ANSI and CSA models	
6C	43956GT	WIRE CABLE,14/3 CON.TPE JKT*	624
		GS-3246	
7	7056GT	CONN,SQUEEZE,1/2NPT .38-.50,SM	1
8	57075GT	SCREW,PHIL,8-32X.50,SELF TAP	
9	44936GT	WASHER,STAR,EXTERNAL,#8	4
10		Ref. ROLLER BRACKET	
		refer to 401.1	
11	6935GT	LOCKNUT, ELEC, 1/2"	1
12A	6595GT	PLUG,ELECTRICAL,DOMESTIC	1
		to SN GS4616P-139710	
12B	6595GT	PLUG,ELECTRICAL,DOMESTIC	2
		from SN GS4616P-139711	
13	25388GT	PLUG,FUSED,250V,13AMP,U.K.**	
14	1263471GT	PLUG,IEC60309 CEE, 3PIN 220-24	1
		(Hong Kong Construction)	
15	1280665GT	PLUG, TYPE F, 230A, 50HZ, 16A, IP44	
16	144161GT	PLUG,PWR,UK,16AMP,3PIN,BLK	
17	105117GT	PLUG,FLG INLET,15A/125V,2PWGD	
17-	105118GT	GASKET,(BOOT) FLANGE INLET PLG	
18	48282GT	POWER CORD, IEC 320 BLANK, 79"	1
		ANSI models to SN GS4616P-139710, All models from SN 145048	
19	105118GT	GASKET,(BOOT) FLANGE INLET PLG	1
		ANSI models to SN GS4616P-139710, All models from SN 145048	
20	18605GT	NUT,NYLOCK,8-32	2
		ANSI models to SN GS4616P-139710, All models from SN 145048	
21	105483-SGT	PLATE,AC ADAPTER(ANSI/CSA)	1
		ANSI models to SN GS4616P-139710, All models from SN 145048	
21-	6091GT	NUT,NYLOCK,1/4-20	2
		not included	
21-	6878GT	BOLT,CARRIAGE,1/4-20 X .75,G2	2
		not included	
22	105117GT	PLUG,FLG INLET,15A/125V,2PWGD	1
		ANSI models to SN GS4616P-139710, All models from SN 145048	

402.6 Power to Platform, GS-3246

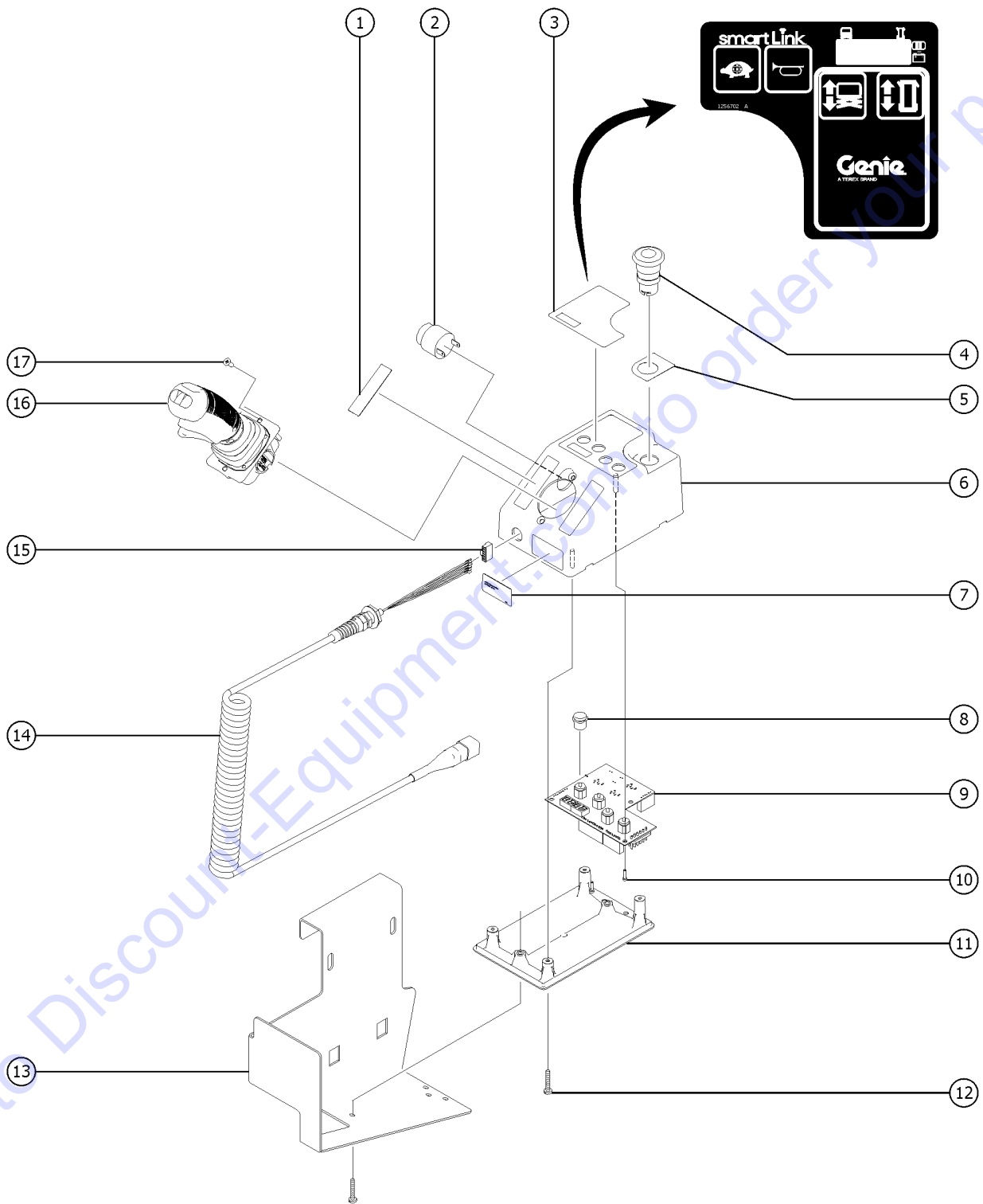


Item	Part No.	Description	Qty.
23	55906GT	SCREW,PHILLIPS,PHM,8-32 X .5 ANSI models to SN GS4616P-139710, All models from SN 145048	2
24	105448GT	FIELD ASSY,REC.CHARGER PLUG includes items 18-23 to SN GS4616P-139710, All models from SN 14508	1
25	6626GT	WIRE CAP,ORANGE	1
26	10777GT	COVER,BLANK	1
27	66355GT	GASKET, UK & DIN PWR. TO PLAT 2.9 x 2.9 inches	1
28	T112563GT	SVC KIT,UK RECEPT.REPLACEMENT	1
29	66356GT	GASKET, UK RECEPTACLE 2.9 x 2.9 inches	1
30A	105483-SGT	PLATE,AC ADAPTER(ANSI/CSA) ANSI/CSA	
30B	96236GT	PLATE,AC ADAPTER,DIN/UK***	
30C	105090GT	PLATE, AC ADAPTER(AUS)	
31	66353GT	RECEPTACLE, DIN, 220V 50A	1

Go to Discount-Equipment.com to order your parts

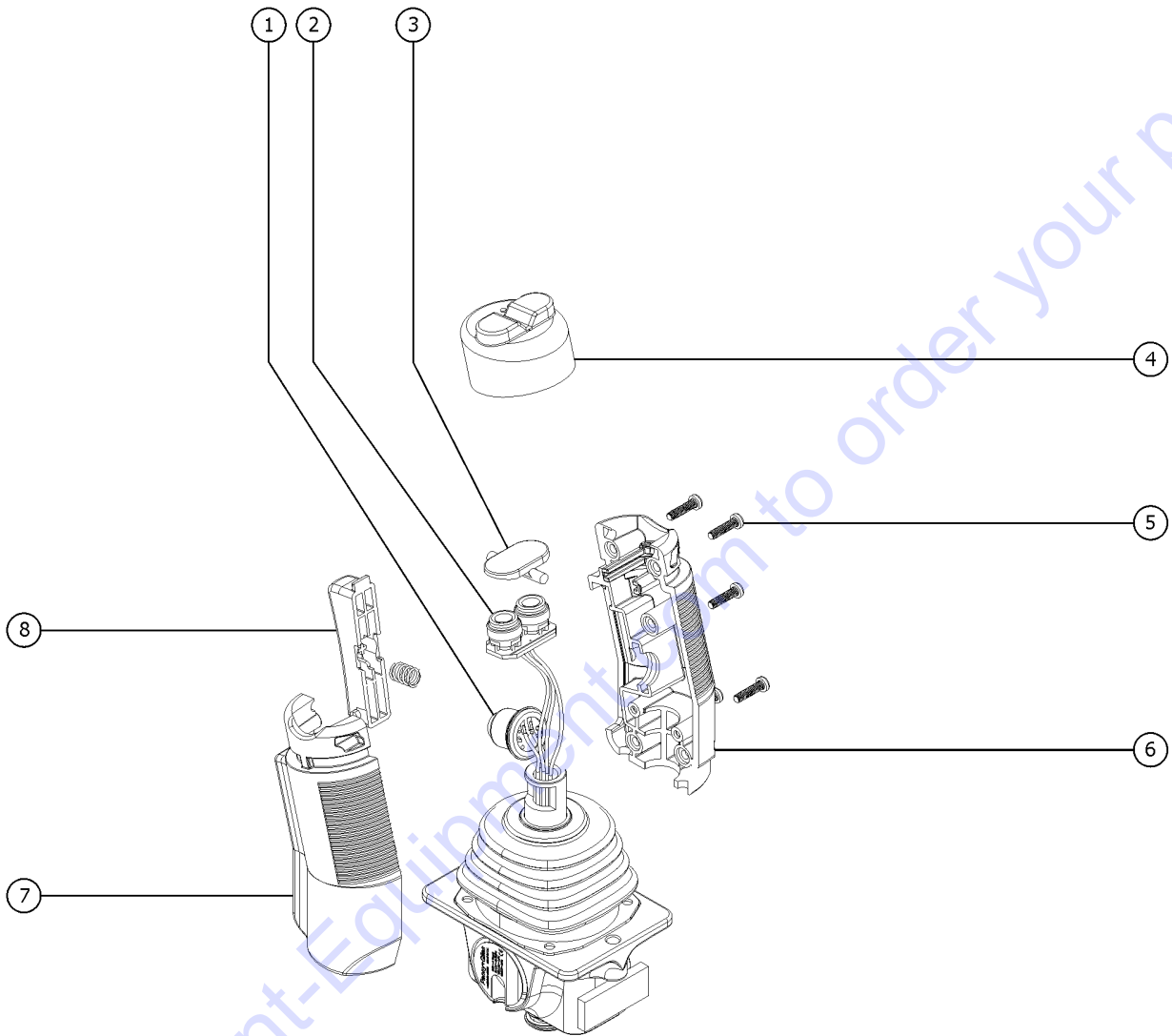


403.1 Platform Controls



Item	Part No.	Description	Qty.
A	1256727GT	PCON,STD,PROP LIFT,GR/GS complete platform control box with coil cord, bracket not included	
A-	1258731GT	FLASH DRIVE,SL1K2.0 SOFTWARE (For proportional lift or upgrade kits only. Software update available on-line. Flash drive sold separately.)	
A-	137587GT	HARNESS, ESTOP, GR/GRC/GS PCON	
1	137656GT	DECAL,PROPEL,GR/GRC/GS,PCON	1
2A	39540GT	ALARM, STEADY TONE*** order 72326 mounting ring separately	1
2B	72326GT	NUT - PLASTIC, RING FOR ALARMS for 39540	
3	1256702GT	DECAL, UI, GS/GR, PROP LIFT (models with 4 button, proportional controller)	1
4	66812GT	BUTTON,PUSH,RED MUSHROOM HEAD	1
4-	66817GT	BASE WITH 1 NC CONTACT, E-STOP	
5	137605GT	DECAL,E-STOP,GR/GRC/GS PCON	1
6	1256656GT	ENCLOSURE,STD 4-BUTTON, TOP	1
7		(component no longer available)	
8	T106373GT	CAP,BUTTON,K12	6
9	1256725GT	PCBA,PCON STD,PROP LIFT	1
10	137637GT	SCREW,PHM,4-20X.5, 48-2 TRI-L	
11	T106370GT	ENCLOSURE,GC14-1/GC16-1, BOT	1
12	137640GT	SCREW,PHM,8-16X.75, 48-2 TRI-L	
13	T114397GT	FORMING,PLAT CONTROL BOX (decals not included, refer to section one)	
14	235464GT	KIT,COIL CORD,CONTRLR,SL1000 includes item 15	1
14-	231921GT	KIT,CONN,RECEPT W/PIN AND LOCK	
14-	231922GT	KIT,CONN,PLUG W/SCKT AND LOCK	
15	137699GT	PLUG, 6POS ECO PWR	1
16		Ref., JOYSTICK (refer to 404.1)	1
17	229845GT	SCREW,BHSCS,M5X10,SS apply Loctite 243 or equivalent before installation	

404.1 Joystick Controller



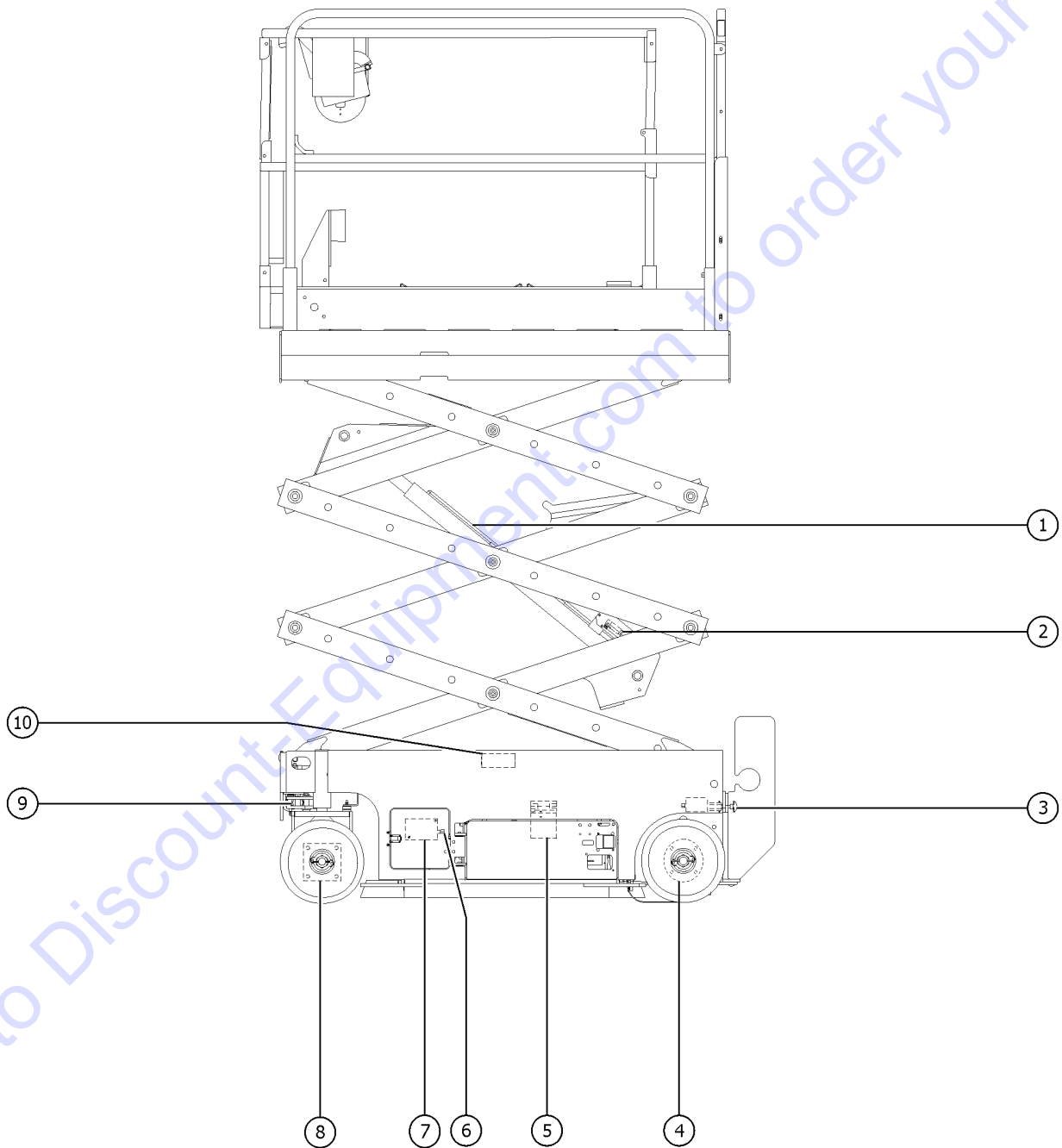
404.1 Joystick Controller

Item	Part No.	Description	Qty.
A-	137634GT	JOYSTICK, HALL EFFECT, SINGLE	
B-	229097GT	TERMINAL, SPLINE (AMP)	
C-	214544GT	KIT,BOOT,JOYSTICK,SL1000	
		joystick boot	
1	235463GT	KIT,SWITCH,JYSTK,SL1000	
		function enable and steer switches	
2	235463GT	KIT,SWITCH,JYSTK,SL1000	
		function enable and steer switches	
3	229092GT	ROCKER,2 SWITCH	1
4	229093GT	BOOT, 2 SWITCH, SILICON	1
5	229086GT	SCREW, SELF TAP	2
6A	229087GT	HANDLE HALF,RIGHT,W/TOP SWITCH	1
6B	229091GT	SCREW,GRUB,M5X8MM,HLF DOG,BZP	
		for 229087GT	
7A	229088GT	HANDLE HALF,LEFT,W/TOP SWITCH	1
7B	229090GT	SCREW,GRUB,M5X8MM CUP(BLK)	
		for 229088GT	
8	229089GT	TRIGGER, EXTENDED	1
8-	229094GT	SPRING, HANDLE TRIGGER	1

Go to Discount-Equipment.com to order your parts



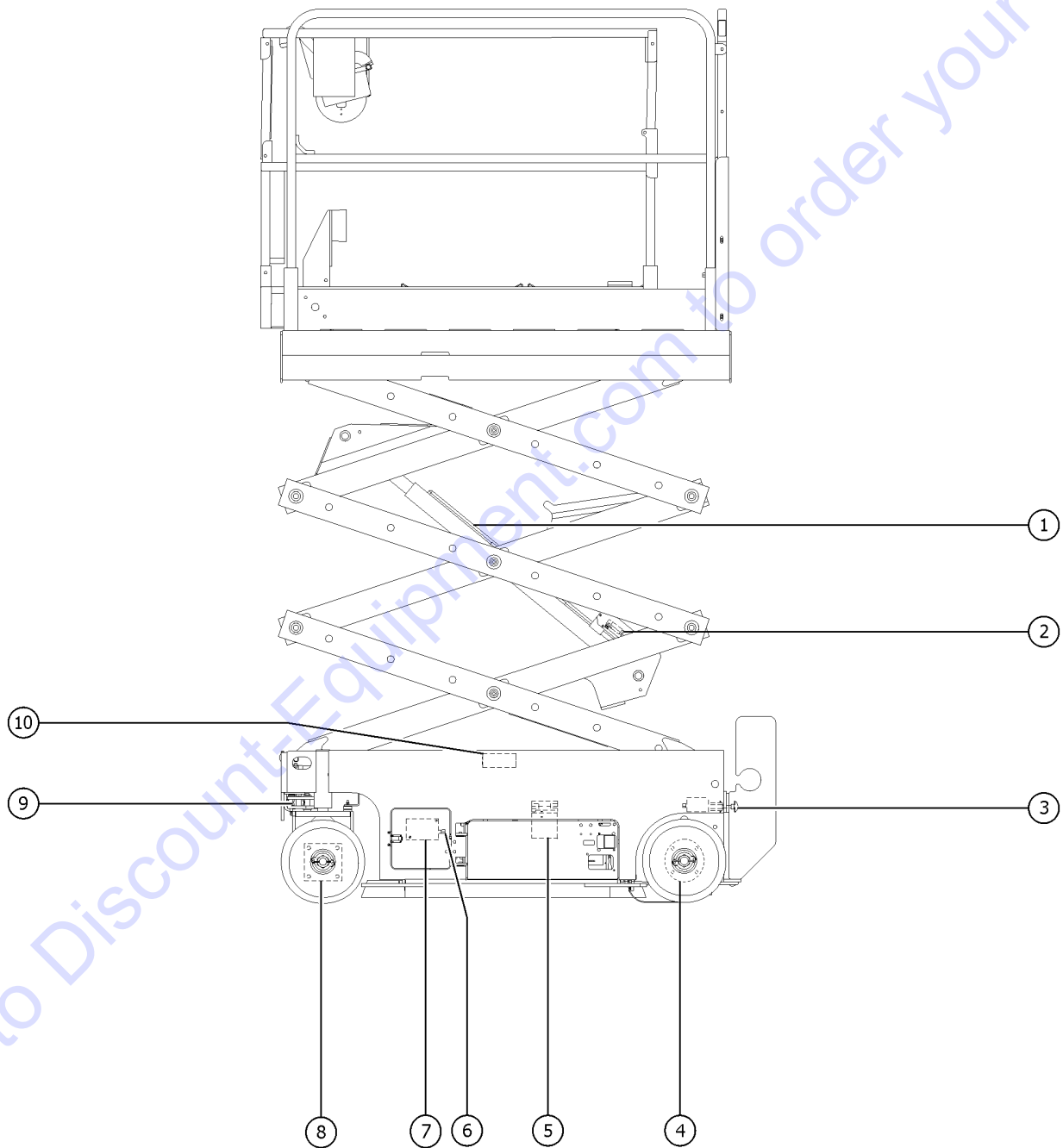
501.1 Hydraulic Components



Item	Part No.	Description	Qty.
1		Ref. Lift Cylinder Assembly (refer to 505.1)	
2		Ref. Pressure Transducer (refer to 701.1)	
3		Ref. Brake Release Hand Pump Manifold (refer to 503.1)	
4	96257GT	BRAKE, HYDRAULIC***	2
5	78622GT	FILTER ASSY,SAE8,10 MIC,PAPR** (paper, standard)	1
5-	44788GT	FILTER ELEMENT,10MICRON,PAPER* (paper, standard)	
5B	T114321GT	FILTER ASSY,FIBRGLS,#8-#8 (fiberglass, optional upgrade)	1
5B-	44207GT	FILTER ELEMENT,BETA(10)=200 (fiberglass, optional upgrade)	
6		Ref. Check Valve (refer to 502.1)	
7		Ref. Function Manifold (refer to 502.1)	
8A	96417GT	DRIVE MOTOR,18.3 CU. IN/REV to SN GS4616P-139575	2
8A-	96419GT	SEAL KIT,RC SERIES DR MOTOR*** for 96417	
8B	T108663GT	DRIVE MOTOR,22.9CI/REV from SN GS4616P-139576	
8B-	96419GT	SEAL KIT,RC SERIES DR MOTOR*** for T108663	
9	105547GT	CYLINDER, GS/GR STEER	1
9-	105555GT	KIT,STEER CYL SEAL,040505P,HDM (for codes H41205, H41255, H51290, H501111, H505109, H509101, H60723 and H60870)	
9-	105554GT	KIT,STEER CYL SEAL,040499P,HDM (for code H41109 and up)	
9-	105553GT	KIT,STEER CYL SEAL,040271P,HDM (for code H408147 and up)	
9-	105550GT	KIT,STEER CYL SEAL	
10	78422GT	ACCUMULATOR,180 PSI PRECHARGE*	1



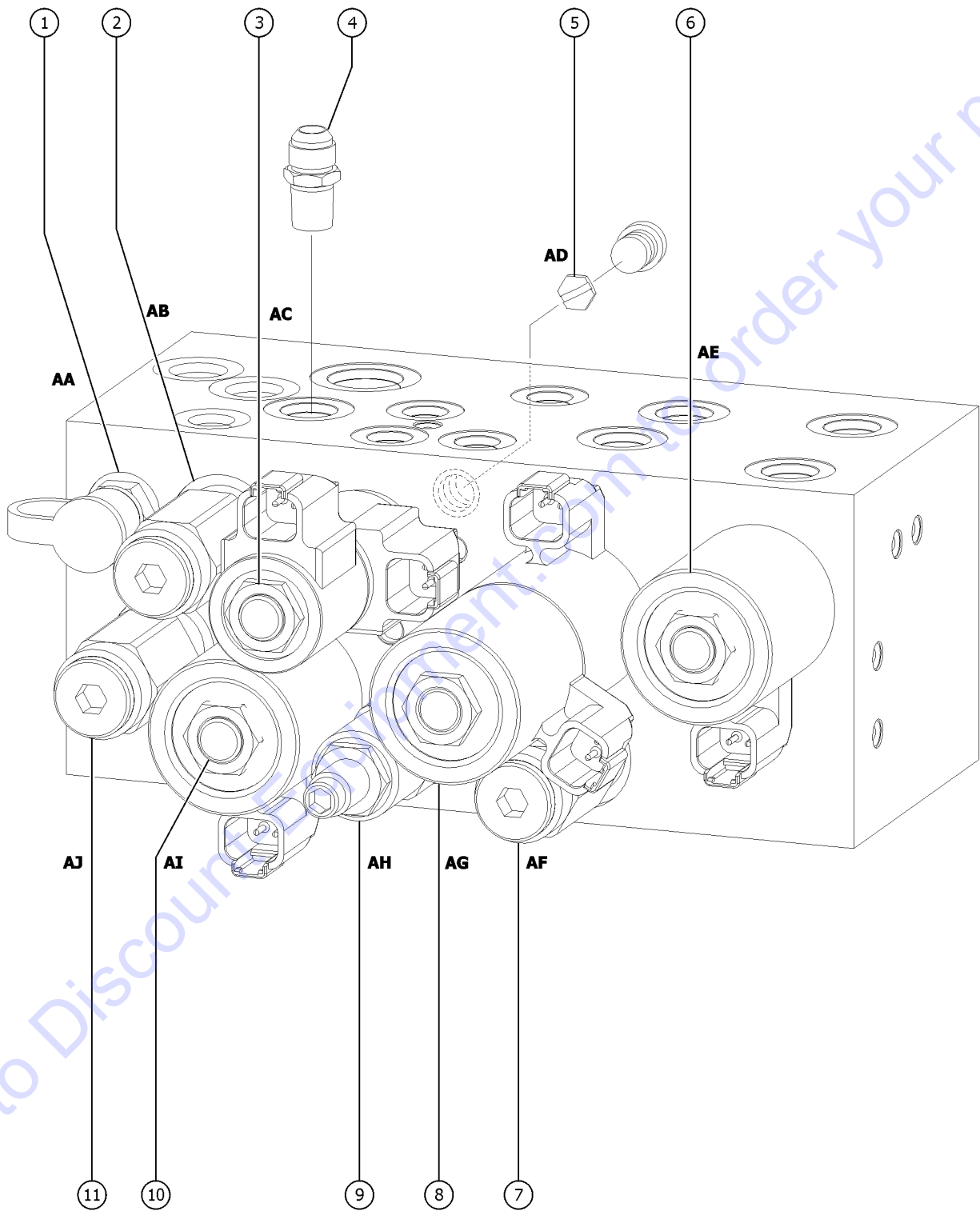
501.2 Hydraulic Components



Item	Part No.	Description	Qty.
1		Ref. Lift Cylinder Assembly (refer to 505.1)	
2		Ref. Pressure Transducer (refer to 701.1)	
3		Ref. Brake Release Hand Pump Manifold (refer to 503.1)	
4	96257GT	BRAKE, HYDRAULIC***	2
5	78622GT	FILTER ASSY,SAE8,10 MIC,PAPR** (paper, standard)	1
5-	44788GT	FILTER ELEMENT,10MICRON,PAPER* (paper, standard)	
5B	T114321GT	FILTER ASSY,FIBRGLS,#8-#8 (fiberglass, optional upgrade)	1
5B-	44207GT	FILTER ELEMENT,BETA(10)=200 (fiberglass, optional upgrade)	
6		Ref. Check Valve (refer to 502.1)	
7		Ref. Function Manifold (refer to 502.1)	
8A-	96419GT	SEAL KIT,RC SERIES DR MOTOR*** for 96417	
8B	T108663GT	DRIVE MOTOR,22.9CI/REV from SN GS4616P-139576	
8B-	96419GT	SEAL KIT,RC SERIES DR MOTOR*** for T108663	
9	105547GT	CYLINDER, GS/GR STEER	1
9-	105555GT	KIT,STEER CYL SEAL,040505P,HDM (for codes H41205, H41255, H51290, H501111, H505109, H509101, H60723 and H60870)	
9-	105554GT	KIT,STEER CYL SEAL,040499P,HDM (for code H41109 and up)	
9-	105553GT	KIT,STEER CYL SEAL,040271P,HDM (for code H408147 and up)	
9-	105550GT	KIT,STEER CYL SEAL	
10	78422GT	ACCUMULATOR,180 PSI PRECHARGE*	1



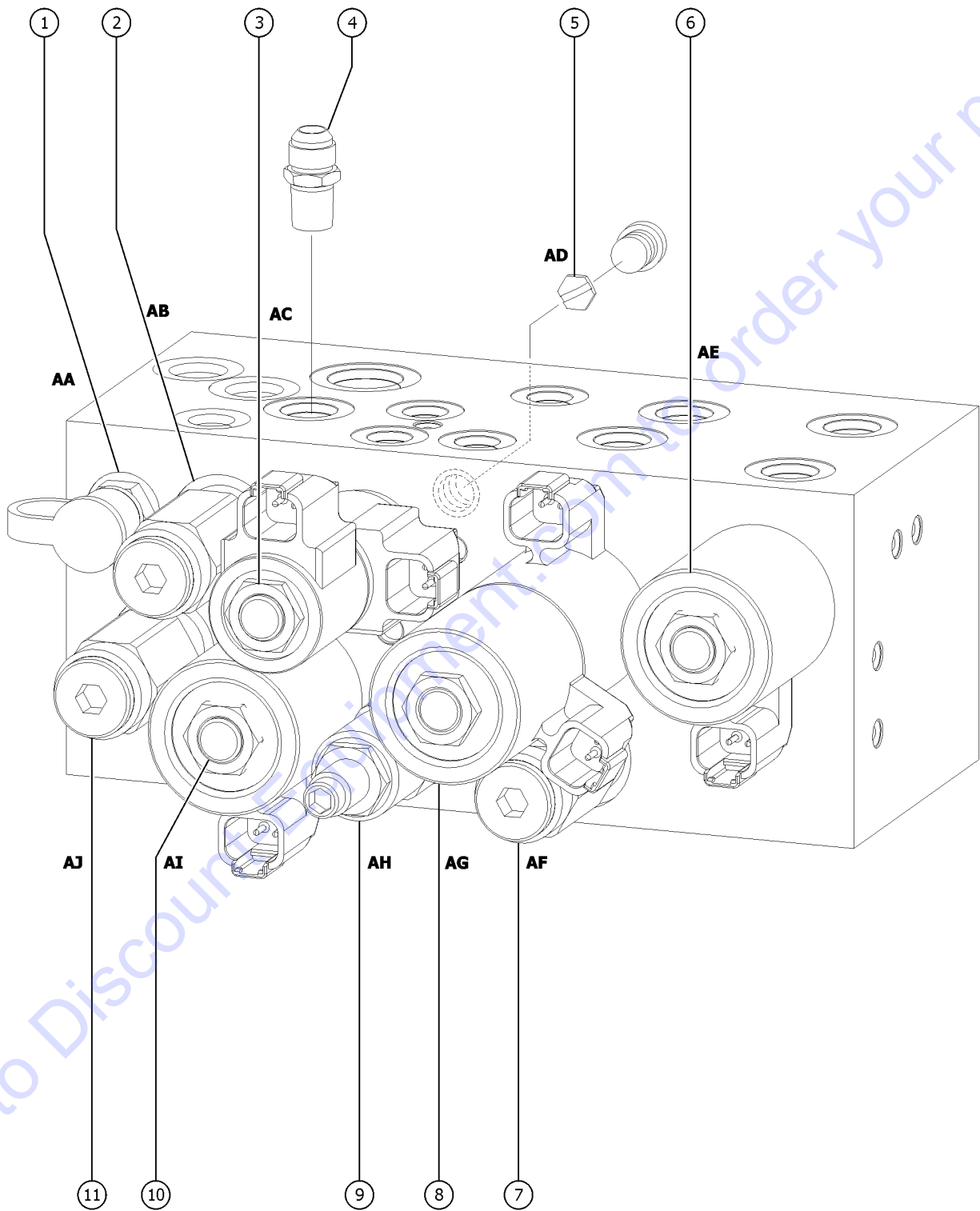
502.1 Function Manifold



Item	Part No.	Description	Qty.
A-	105463GT	126,DYN.BRAKING,MANIF,32/46	
B-	105947GT	FUNCTION MANIFOLD ASSEMBLY	
		(does not include check valve, item 4)	
C-	49612GT	O-RING KIT (ORFS FITTINGS)	
D-	49613GT	PLUG AND CAP KIT-SERVICE,ORFS*	
1	48997GT	NIPPLE,DIAGNOSTIC,#4	
		(AA, Testing)	
1-	20224GT	DIAGNOSTIC FEMALE Q-DSCNT	
1-	48880GT	CAP,DIAGNOSTIC NIPPLE	
2	65962GT	VALVE-RELIEF, 3700 PSI #8**	
		(AB, System relief)	
2-	44226GT	SEAL KIT-FOR P.N.44167	
3	44168GT	VALVE,SOLENOID,3POS 4WAY	
		(AC, Steer left/right)	
3-	77709GT	COIL,#8 20VDC,DEUTSCH W/DIOD	
		(sold separately)	
3-	44174GT	NUT-COIL SHORT	
		(sold separately)	
3-	44236GT	SPACER-DUAL COIL,#8***	
		(sold separately)	
3-	44229GT	SEAL KIT, VALVE	
4	237086GT	VALVE,CHECK,#6-#6,MJIC TO MORB	
		GS-3246 (Australia & CE) (sold separately)	
5	84386GT	CHECK DISK, NO SPRING	
		(AD, Steer circuit)	
6	44171GT	VALVE-SOLENOID,2POS 4WAY**	
		(AE, Drive speed select circuit)	
6-	44230GT	SEAL KIT-P.N.44169,44172,44171	
6-	84385GT	COIL,20VDC DEUTCSH W/DIODE	
		(sold separately)	
6-	44175GT	SPACER-DUAL COIL,#10, SCISSORS	
		(sold separately)	
7	97409GT	VALVE,DIFF.AREA RELIEF,50PSI	
		(AF, Brake release)	
8	150104GT	VALVE, DYN. BRAKING, GS32/46	
8-	84385GT	COIL,20VDC DEUTCSH W/DIODE	
		(sold separately)	
8-	44175GT	SPACER-DUAL COIL,#10, SCISSORS	
		(sold separately)	
9	84384GT	PRTY,FLOW CNTRL VALVE,.75 GPM	
		(AH, Steer circuit)	
9-	1261888GT	SEAL KIT (84384)	
		for 84384GT	
9-	44230GT	SEAL KIT-P.N.44169,44172,44171	
10	44169GT	VALVE-SOLENOID, 2POS 4 WAY	
		(AI, Platform up)	



502.1 Function Manifold

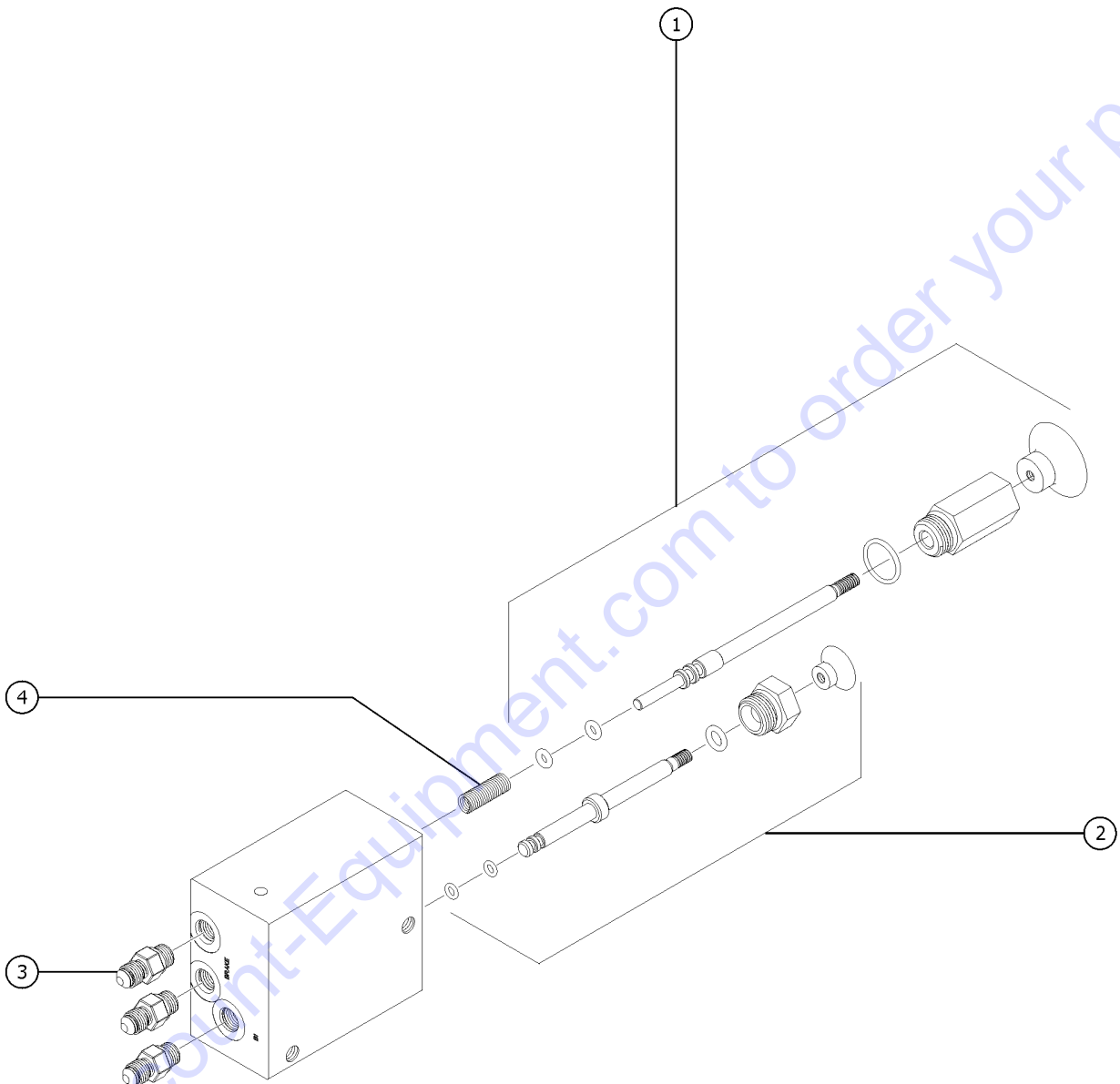


Item	Part No.	Description	Qty.
10-	44230GT	SEAL KIT-P.N.44169,44172,44171	
10-	84385GT	COIL,20VDC DEUTCSH W/DIODE (sold separately)	
10-	44175GT	SPACER-DUAL COIL,#10, SCISSORS (sold separately)	
11	65962GT	VALVE-RELIEF, 3700 PSI #8** (AJ, Lift relief)	
11-	44226GT	SEAL KIT-FOR P.N.44167	

Go to Discount-Equipment.com to order your parts



503.1 Brake Release Hand Pump Manifold



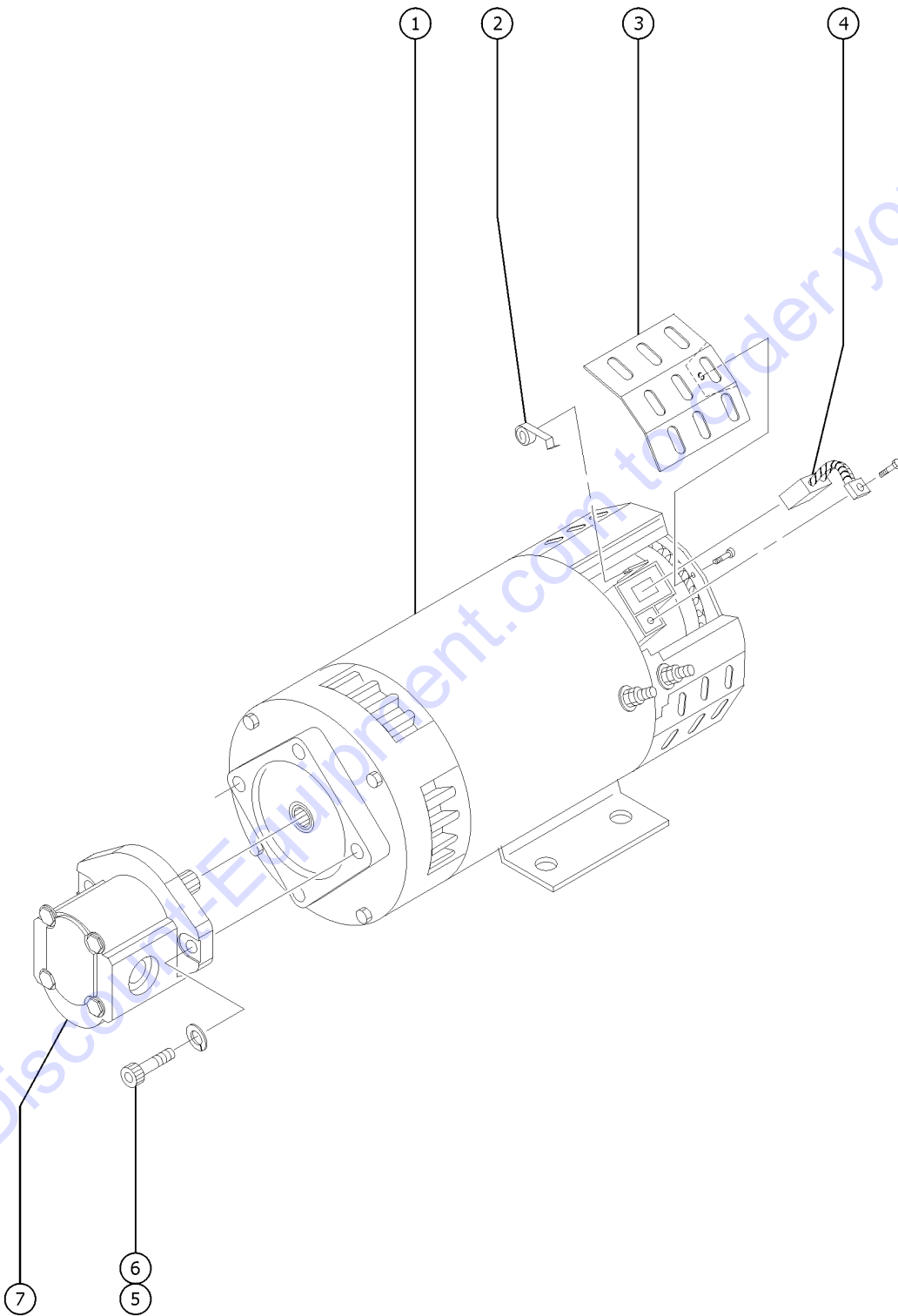
503.1 Brake Release Hand Pump Manifold

Item	Part No.	Description	Qty.
	105067GT	MANIFOLD,BRAKE RELEASE (includes items 1, 2 and 4)	
1	84739GT	VALVE,HAND PUMP ASSEMBLY***	1
1-	84740GT	SEAL KIT,HAND PUMP***	
1-	84742GT	KNOB,HAND PUMP (RED)***	
2	84743GT	VALVE,PILOT OPERATED ASSEMBLY*	1
2-	84740GT	SEAL KIT,HAND PUMP***	
2-	84746GT	KNOB,PILOT OP VALVE (BLACK)***	
3	39877GT	CONNECTOR, 070120-4-4	3
4	84748GT	SPRING,HAND PUMP ROD	1

Go to Discount-Equipment.com to order your parts



504.1 Hydraulic Power Unit, All Models

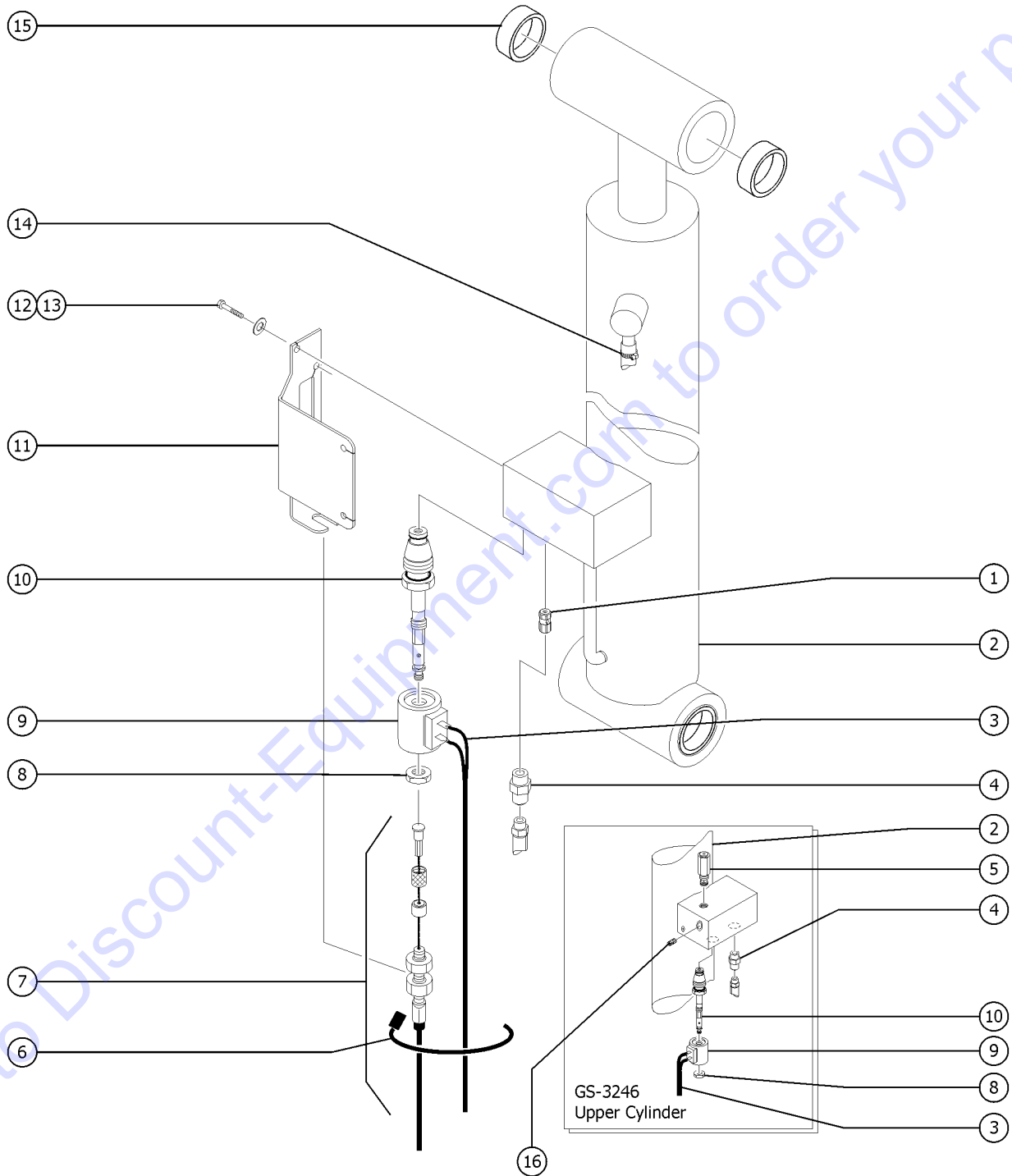


Item	Part No.	Description	Qty.
B-	49812GT	ENCLOSING BAND KIT Band Kit (EE models)	
C-	78006GT	FORMING,PADLOCK BRACKET	
D-	44716GT	HANDLE,ANDERSON CONNECTOR SB	
1	40844GT	MOTOR,ELECTRIC,24VDC 4.5HP	1
1-	43685GT	SEAL KIT,LIFT PUMP,BARNES**	
1-	44777GT	BEARING,MOTOR	
1-	44778GT	BEARING,MOTOR,36843,BRUSH END*	
2	44750GT	SPRING-BRUSH,40844, SCISSORS	4
3	44752GT	COVER-BRUSH INSPEC.40844,SCISS	4
4	44751GT	BRUSH,PWR UNIT (40844)**	4
5	55921GT	SCREW,SHC,3/8-24 X 1.25"	
6	6021GT	WASHER,LOCK,.375	
7	T108662GT	PUMP,5.6CC GEAR,CCW	1
7-	236837GT	SEAL KIT,PUMP,5.6CC GEAR for T108662GT	

Go to Discount-Equipment.com to order your parts



505.1 Lift Cylinder Assembly, All Models, GS-2046

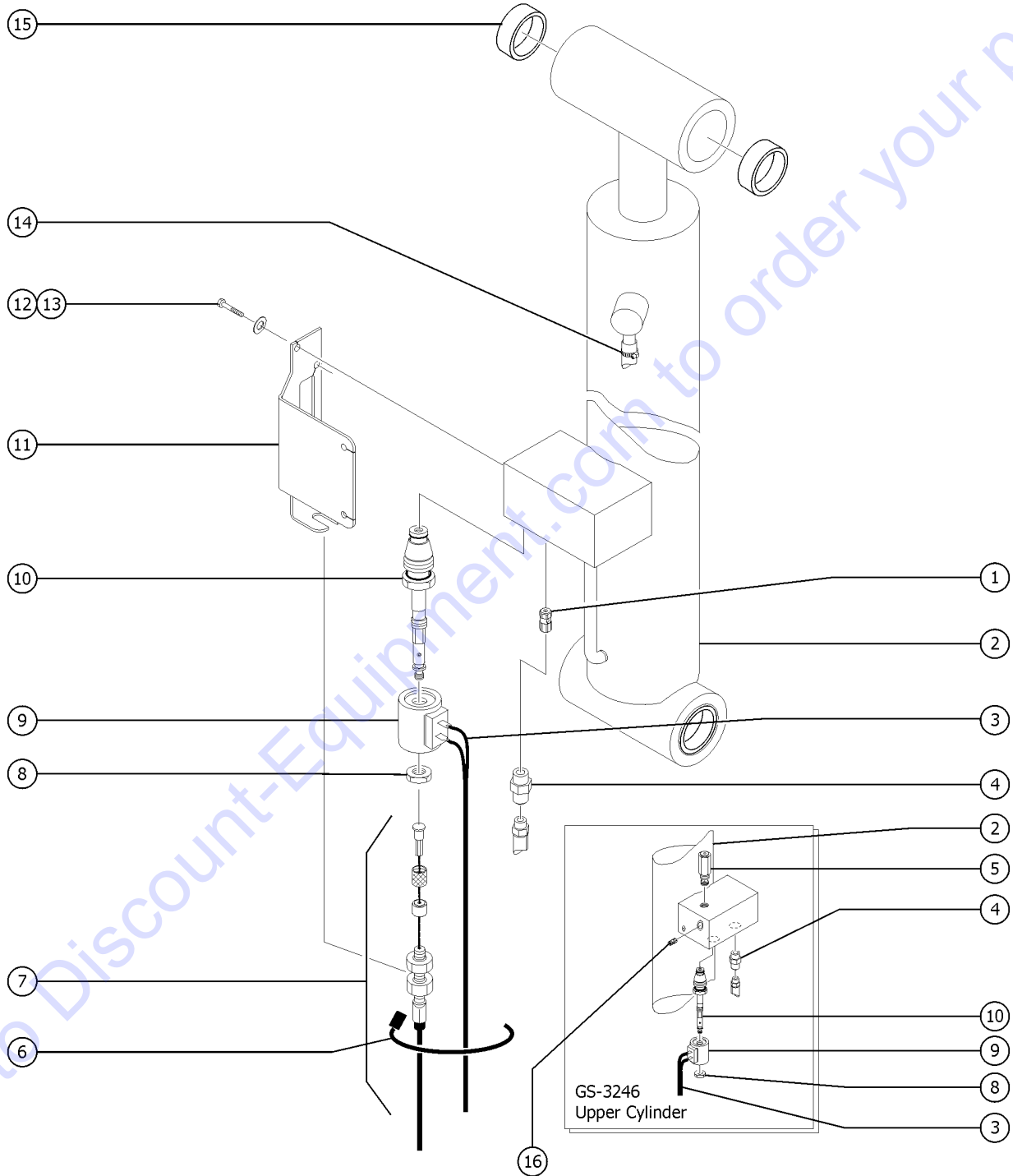


505.1 Lift Cylinder Assembly, All Models, GS-2046

Item	Part No.	Description	Qty.
1A	55560GT	ORIFICE, LONG, .059"	
1A-	105481GT	KIT, ORIFICE, .059"	
1A-	105479GT	KIT, TWO ORIFICE, .059"	
2A	105544GT	CYLINDER, 20XX LIFT	1
		GS-2046	
2A-	105549GT	SEAL KIT (105545)	
		(for PN 105544GT)	
3		Ref. Down Coil Wire Harness	
		(refer to 210.1)	
4	39878GT	CONNECTOR, 070120-6-6	1
5A	97130GT	VALVE-RELIEF, 2500PSI	
5A-	44227GT	SEAL KIT, VALVE	
		for 97130	
5B	237455GT	VALVE, RELIEF, 2900 PSI, BOSCH	
6	28443GT	CABLE TIE, 11.5" BLACK	3
7		Ref. Emergency Down Cable	
		(refer to 203.1)	
8	44973GT	NUT, COIL (39909)	1
9	84422GT	COIL-SOLENOID VALVE, 20V DC ***	1
		(direct replacement for 66467GT)	
10	66465GT	VALVE, NC SOLENOID, MANUAL ***	1
		(includes items 7 and 8)	
10-	40477GT	VALVE, CARTRIDGE ***	
10-	44979GT	SEAL KIT, 39909, PLAT LWR VALVE*	
11	41557-SGT	CABLE BRACKET, PAINTED	1
12	7339GT	SCREW, HHC, 1/4-20 X .5	
13	6356GT	WASHER, LOCK, .25	
14	96770GT	CLAMP, HOSE, 1 EAR, 11/16	1
15	105478GT	BEARING, 1.5025IDX1.5075ODX1.5L	4



505.2 Lift Cylinder Assembly, All Models, GS-2646

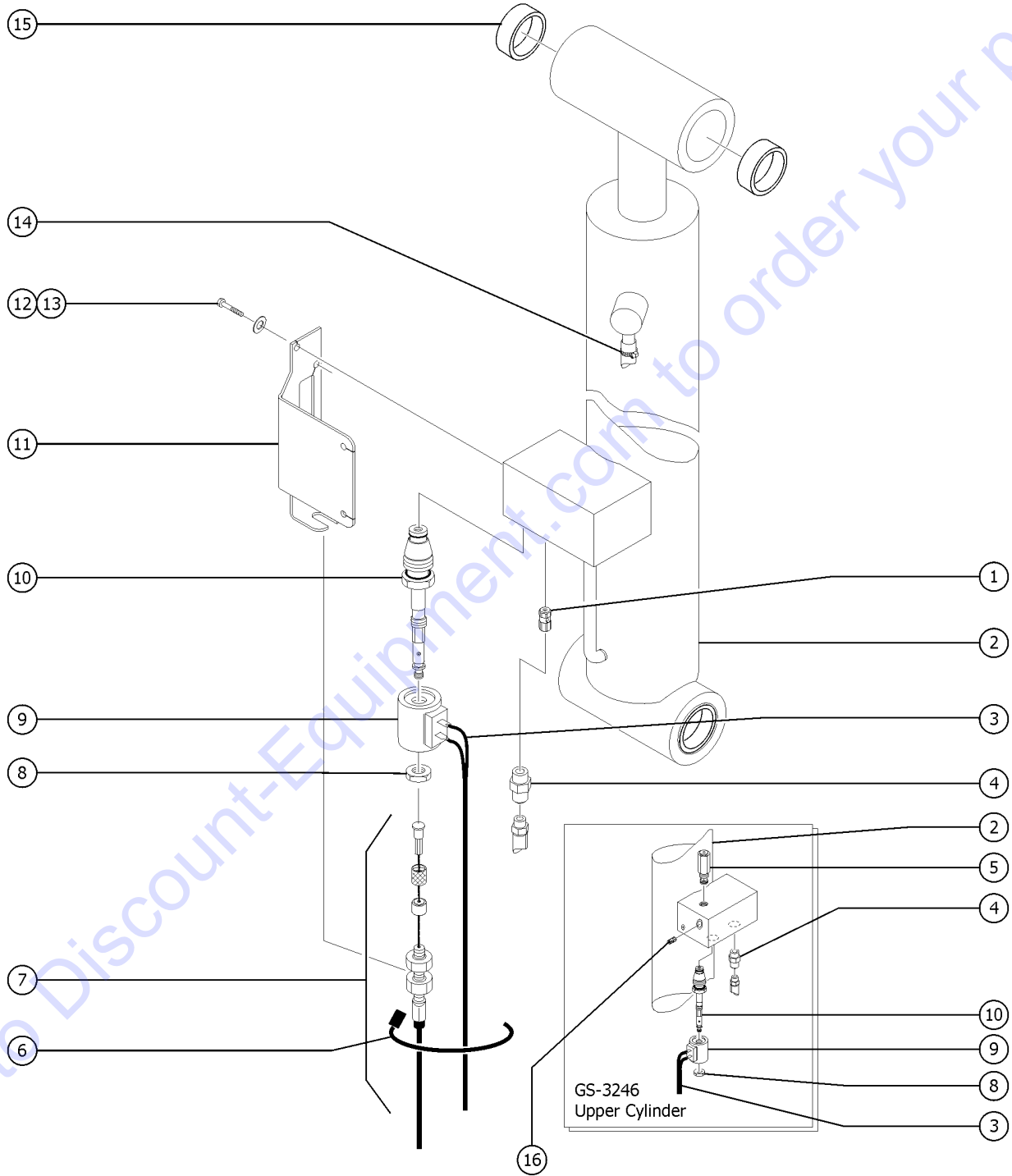


505.2 Lift Cylinder Assembly, All Models, GS-2646

Item	Part No.	Description	Qty.
1A	55560GT	ORIFICE, LONG, .059"	
1A-	105481GT	KIT, ORIFICE, .059"	
1A-	105479GT	KIT, TWO ORIFICE, .059"	
2B	105545GT	CYLINDER, 26XX/32XX LIFT	1
		GS-2646	
2B-	105549GT	SEAL KIT (105545)	
		(for PN 105545GT)	
3		Ref. Down Coil Wire Harness	
		(refer to 210.1)	
4	39878GT	CONNECTOR, 070120-6-6	1
5A	97130GT	VALVE-RELIEF, 2500PSI	
5A-	44227GT	SEAL KIT, VALVE	
		for 97130	
5B	237455GT	VALVE, RELIEF, 2900 PSI, BOSCH	
6	28443GT	CABLE TIE, 11.5" BLACK	3
7		Ref. Emergency Down Cable	
		(refer to 203.1)	
8	44973GT	NUT, COIL (39909)	1
9	84422GT	COIL-SOLENOID VALVE, 20V DC ***	1
		(direct replacement for 66467GT)	
10	66465GT	VALVE, NC SOLENOID, MANUAL ***	1
		(includes items 7 and 8)	
10-	40477GT	VALVE, CARTRIDGE ***	
10-	44979GT	SEAL KIT, 39909, PLAT LWR VALVE*	
11	41557-SGT	CABLE BRACKET, PAINTED	1
12	7339GT	SCREW, HHC, 1/4-20 X .5	
13	6356GT	WASHER, LOCK, .25	
14	96770GT	CLAMP, HOSE, 1 EAR, 11/16	1
15	105478GT	BEARING, 1.5025IDX1.5075ODX1.5L	4



505.3 Lift Cylinder Assembly, All Models, GS-3246

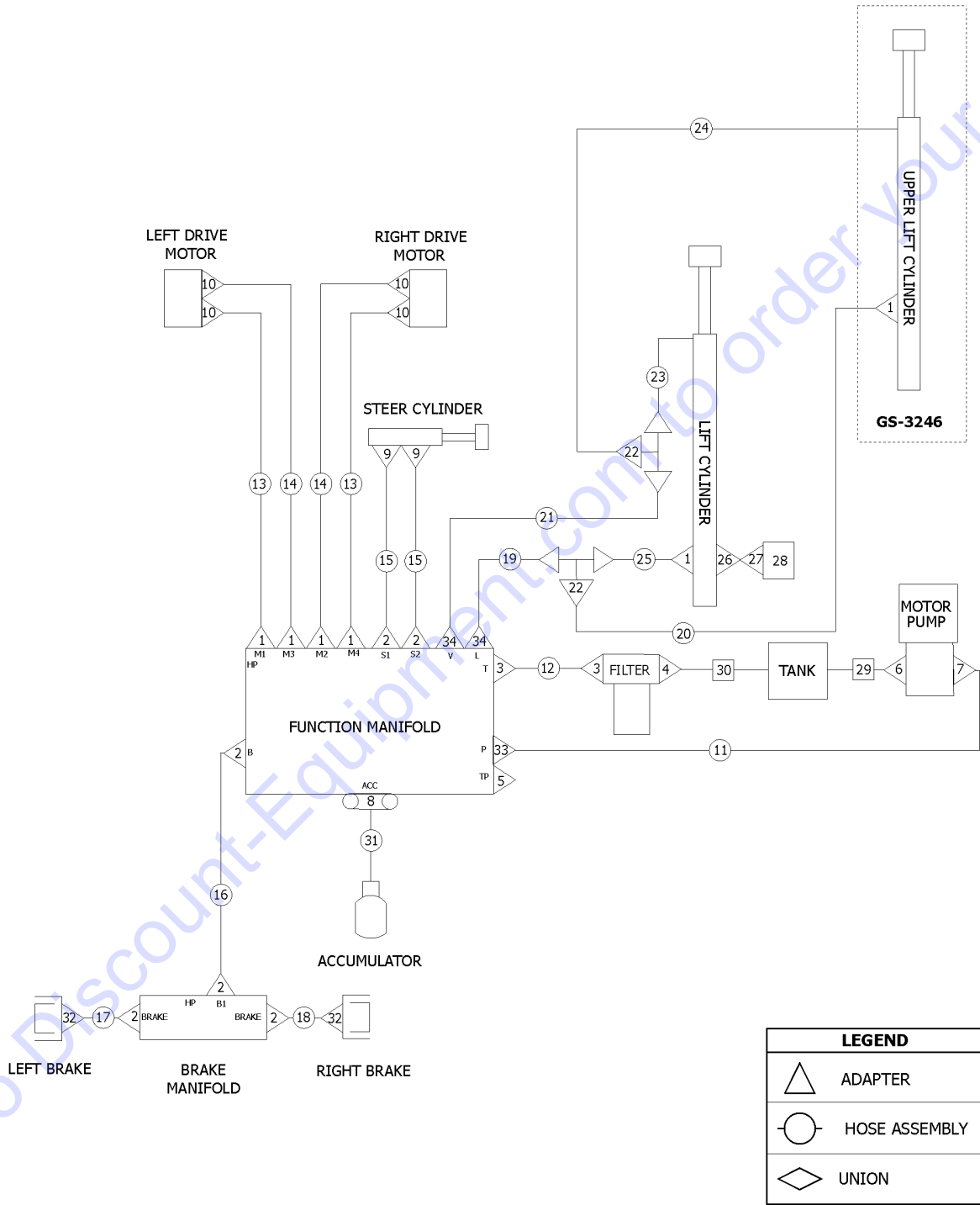


505.3 Lift Cylinder Assembly, All Models, GS-3246

Item	Part No.	Description	Qty.
1A	55560GT	ORIFICE, LONG, .059"	
1A-	105481GT	KIT, ORIFICE, .059"	
1A-	105479GT	KIT, TWO ORIFICE, .059"	
2C	105546GT	CYLINDER, 32XX UPPER LIFT	1
		GS-3246 (upper cylinder)	
2C-	105564GT	SEAL KIT (105546)	
		(for PN 105546GT)	
2D	105545GT	CYLINDER, 26XX/32XX LIFT	1
		GS-3246 (lower cylinder)	
2D-	105549GT	SEAL KIT (105545)	
		(for PN 105545GT)	
3		Ref. Down Coil Wire Harness	
		(refer to 210.1)	
4	39878GT	CONNECTOR, 070120-6-6	1
5A	97130GT	VALVE-RELIEF, 2500PSI	
5A-	44227GT	SEAL KIT, VALVE	
		for 97130	
5B	237455GT	VALVE, RELIEF, 2900 PSI, BOSCH	
6	28443GT	CABLE TIE, 11.5" BLACK	3
7		Ref. Emergency Down Cable	
		(refer to 203.1)	
8	44973GT	NUT, COIL (39909)	1
9	84422GT	COIL-SOLENOID VALVE, 20V DC***	1
		(direct replacement for 66467GT)	
10	66465GT	VALVE, NC SOLENOID, MANUAL ***	1
		(includes items 7 and 8)	
10-	40477GT	VALVE, CARTRIDGE***	
10-	44979GT	SEAL KIT, 39909, PLAT LWR VALVE*	
11	41557-SGT	CABLE BRACKET, PAINTED	1
12	7339GT	SCREW, HHC, 1/4-20 X .5	
13	6356GT	WASHER, LOCK, .25	
14	96770GT	CLAMP, HOSE, 1 EAR, 11/16	1
15	105478GT	BEARING, 1.5025IDX1.5075ODX1.5L	4
16	55558GT	ORIFICE, LONG, .037***	1
		GS-3246	



506.1 Hydraulic Hoses and Fittings, GS-2046, GS-2646

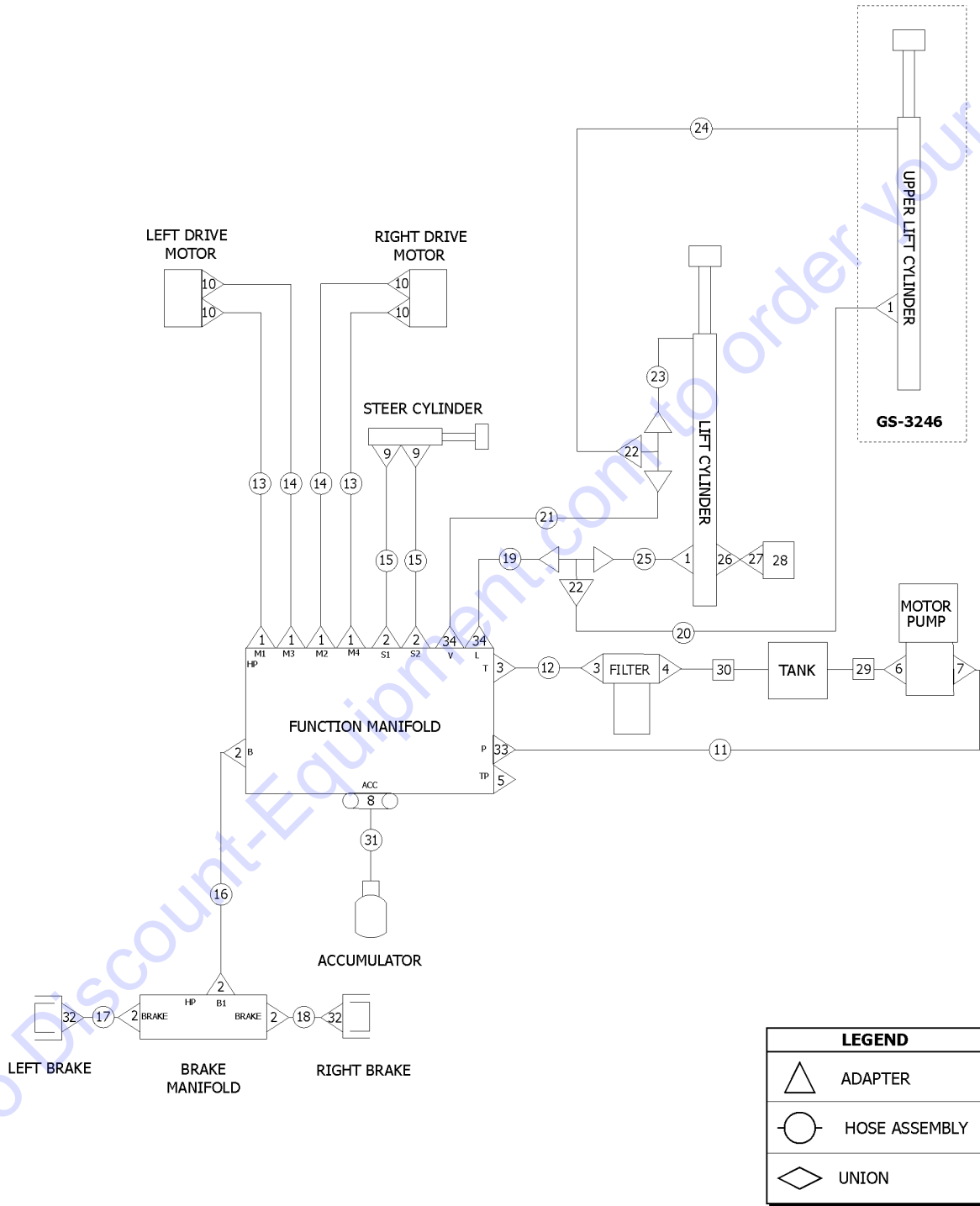


506.1 Hydraulic Hoses and Fittings, GS-2046, GS-2646

Item	Part No.	Description	Qty.
	66765-3000GT	WIRE LOOM, SPIRAL, 1-5/8 ID 30" used as hose protection on 3/8 hoses, sold by the inch	
<i>The hose lengths below reflect the length of the hose only. Refer to the 'Fittings Cross Reference' to match Genie part numbers to Parker part numbers.</i>			
1	39878GT	CONNECTOR, 070120-6-6	5
2	39877GT	CONNECTOR, 070120-4-4	6
2-	39882GT	PLUG, HEX SOCKET, 090109B-4	1
3	66389GT	CONN, 070120-8-6	2
4	96398GT	CONNECTOR, 070120-12-8	1
5		Ref. Diagnostic Nipple 502.1	
6	22664GT	ELBOW, 070220-12-10	1
7	39876GT	ELBOW, 070220-6-8	1
8	39877GT	CONNECTOR, 070120-4-4	1
9	13921GT	ELBOW, 070220-4-4 GS-2046, GS-2646	2
10	39873GT	ELBOW, 070220-6-6	4
11	96744GT	HOSE, ASSY, PRESSURE (Components: 39890, 39890, and 56776 @ 50 inches)	1
12	96348GT	HOSE, ASSY, MAN TO FILTER (Components: 96406, 96406, and 75631 @ 25 inches)	1
13	105801GT	HOSE ASSY, DRIVE MOTORS, GS46 (Components: 39890, 39890, and 56776 @ 60 inches)	2
14	105580GT	HOSE ASSY, DRIVE MOTORS, GS46 (Components: 39890, 39890, and 56776 @ 64 inches)	4
15	105578GT	HOSE, ASSY STEER, GS32/46 (Components: 78855, 78855, and 78852 @ 36 inches)	2
16	105577GT	HOSE, ASSY, BRAKE, GS46 (Components: 78855, 78855, and 78852 @ 65 inches)	1
17	105803GT	HOSE, ASSY, BRAKE MAN, GS46 (Components: 39890, 39890, and 78852 @ 22 inches)	2
18	96749GT	HOSE, ASSY, BRAKE MAN, GS46 (Components: 78855, 78855, and 78852 @ 20 inches)	2
19	96750GT	HOSE, ASSY, LIFT (Components: 39890, 39891, and 56776 @ 42 inches)	1
21	96881GT	HOSE, ASSY, VENT (Components: 96406, 96407, and 75631 @ 42 inches)	1
23	96882GT	HOSE, LOWER VENT (Components: 75631 @ 161 inches)	1
25	105046GT	HOSE ASSY, LOWER LIFT (Components: 39890, 47223, and 56776 @ 127 inches)	1
26	96885GT	CONN, SWIVEL, STR, THR, 465OX-S	1
27	39881GT	CONNECTOR, 070120-4-6	1
28		Ref. Pressure Switch 701.1	1



506.1 Hydraulic Hoses and Fittings, GS-2046, GS-2646



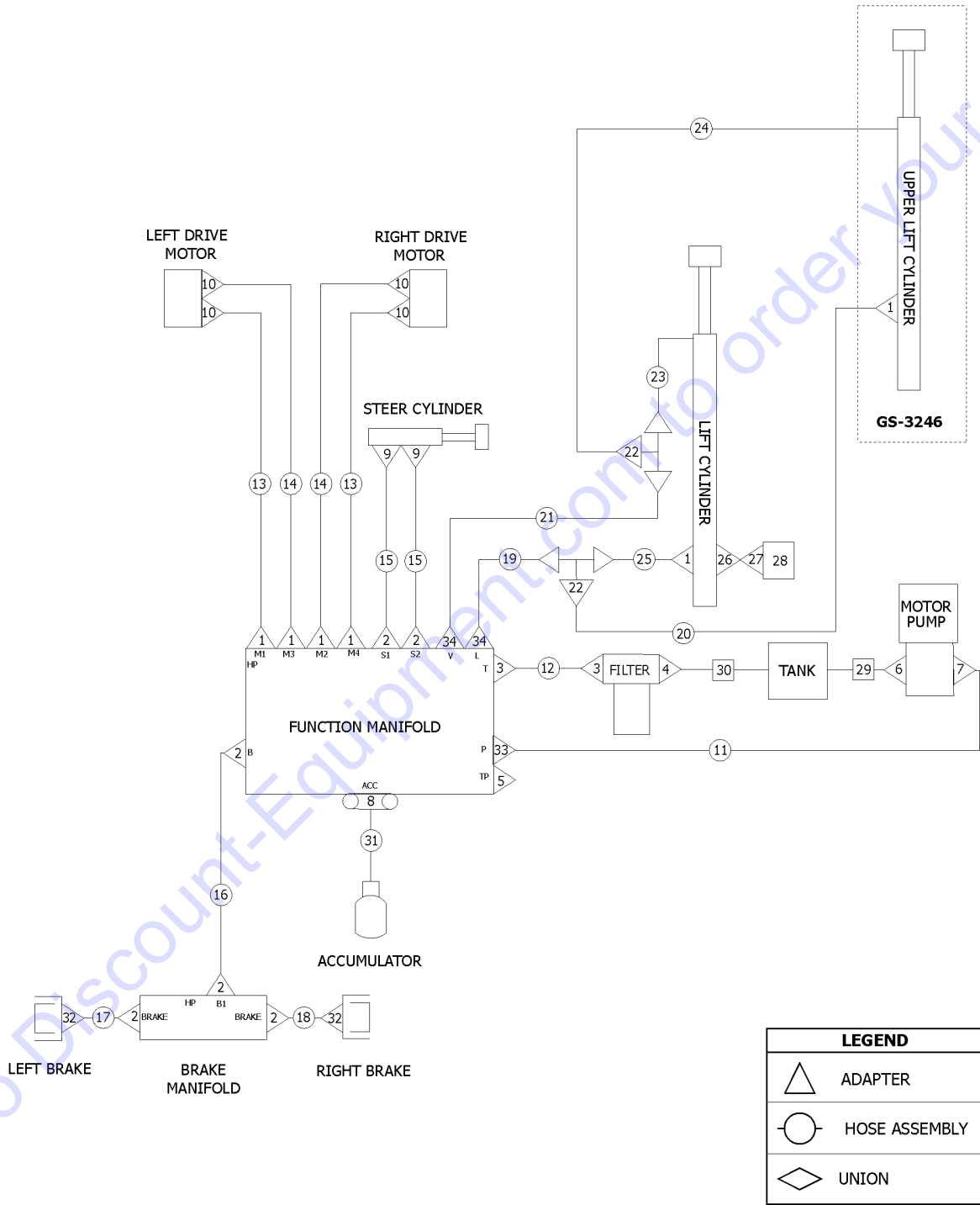
506.1 Hydraulic Hoses and Fittings, GS-2046, GS-2646

Item	Part No.	Description	Qty.
29	96354GT	TUBE, ASSY, DRAW	1
30	96355GT	TUBE, ASSY, RETURN	1
31	105246GT	HOSE ASSY, MAN/ACCUM, GS32/46 (Components: 78855, 78855, and 78852 @ 17 inches)	1
32	39877GT	CONNECTOR, 070120-4-4	2
33A	39878GT	CONNECTOR,070120-6-6	1
34A	42283GT	ELBOW,070320-6-6	2

Go to Discount-Equipment.com to order your parts



506.2 Hydraulic Hoses and Fittings, GS-3246

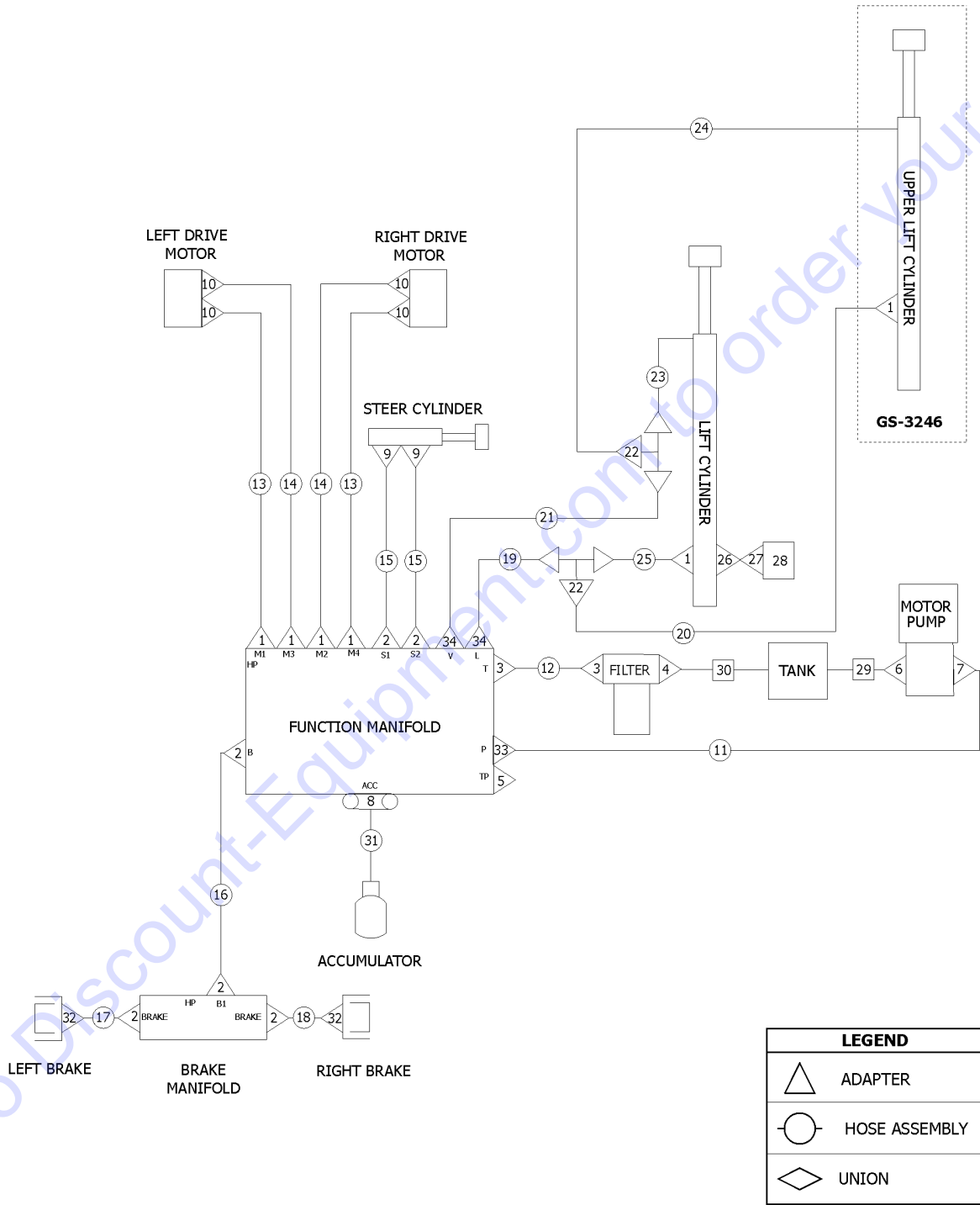


506.2 Hydraulic Hoses and Fittings, GS-3246

Item	Part No.	Description	Qty.
	66765-3000GT	WIRE LOOM, SPIRAL, 1-5/8 ID 30" used as hose protection on 3/8 hoses, sold by the inch	
The hose lengths below reflect the length of the hose only. Refer to the 'Fittings Cross Reference' to match Genie part numbers to Parker part numbers.			
1	39878GT	CONNECTOR, 070120-6-6	5
2	39877GT	CONNECTOR, 070120-4-4	6
2-	39882GT	PLUG, HEX SOCKET, 090109B-4	1
3	66389GT	CONN, 070120-8-6	2
4	96398GT	CONNECTOR, 070120-12-8	1
5		Ref. Diagnostic Nipple 502.1	
6	22664GT	ELBOW, 070220-12-10	1
7	39876GT	ELBOW, 070220-6-8	1
8	39877GT	CONNECTOR, 070120-4-4	1
10	39873GT	ELBOW, 070220-6-6	4
11	96744GT	HOSE, ASSY, PRESSURE (Components: 39890, 39890, and 56776 @ 50 inches)	1
12	96348GT	HOSE, ASSY, MAN TO FILTER (Components: 96406, 96406, and 75631 @ 25 inches)	1
13	105801GT	HOSE ASSY, DRIVE MOTORS, GS46 (Components: 39890, 39890, and 56776 @ 60 inches)	2
14	105580GT	HOSE ASSY, DRIVE MOTORS, GS46 (Components: 39890, 39890, and 56776 @ 64 inches)	4
15	105578GT	HOSE, ASSY STEER, GS32/46 (Components: 78855, 78855, and 78852 @ 36 inches)	2
16	105577GT	HOSE, ASSY, BRAKE, GS46 (Components: 78855, 78855, and 78852 @ 65 inches)	1
17	105803GT	HOSE, ASSY, BRAKE MAN, GS46 (Components: 39890, 39890, and 78852 @ 22 inches)	2
18	96749GT	HOSE, ASSY, BRAKE MAN, GS46 (Components: 78855, 78855, and 78852 @ 20 inches)	2
19	96750GT	HOSE, ASSY, LIFT (Components: 39890, 39891, and 56776 @ 42 inches)	1
20	96880GT	HOSE, ASSY, UPPER LIFT GS-3246 (Components: 39890, 39891, and 56776 @ 297 inches)	1
21	96881GT	HOSE, ASSY, VENT (Components: 96406, 96407, and 75631 @ 42 inches)	1
22	51152GT	TEE, RUN 070432-6***** GS-3246	2
23	96882GT	HOSE, LOWER VENT (Components: 75631 @ 161 inches)	1
24	96883GT	HOSE, UPPER VENT GS-3246 (Components: 105045, and 75631 @ 320 inches)	1
25	105046GT	HOSE ASSY, LOWER LIFT (Components: 39890, 47223, and 56776 @ 127 inches)	1
26	96885GT	CONN, SWIVEL, STR, THR, 465OX-S	1



506.2 Hydraulic Hoses and Fittings, GS-3246



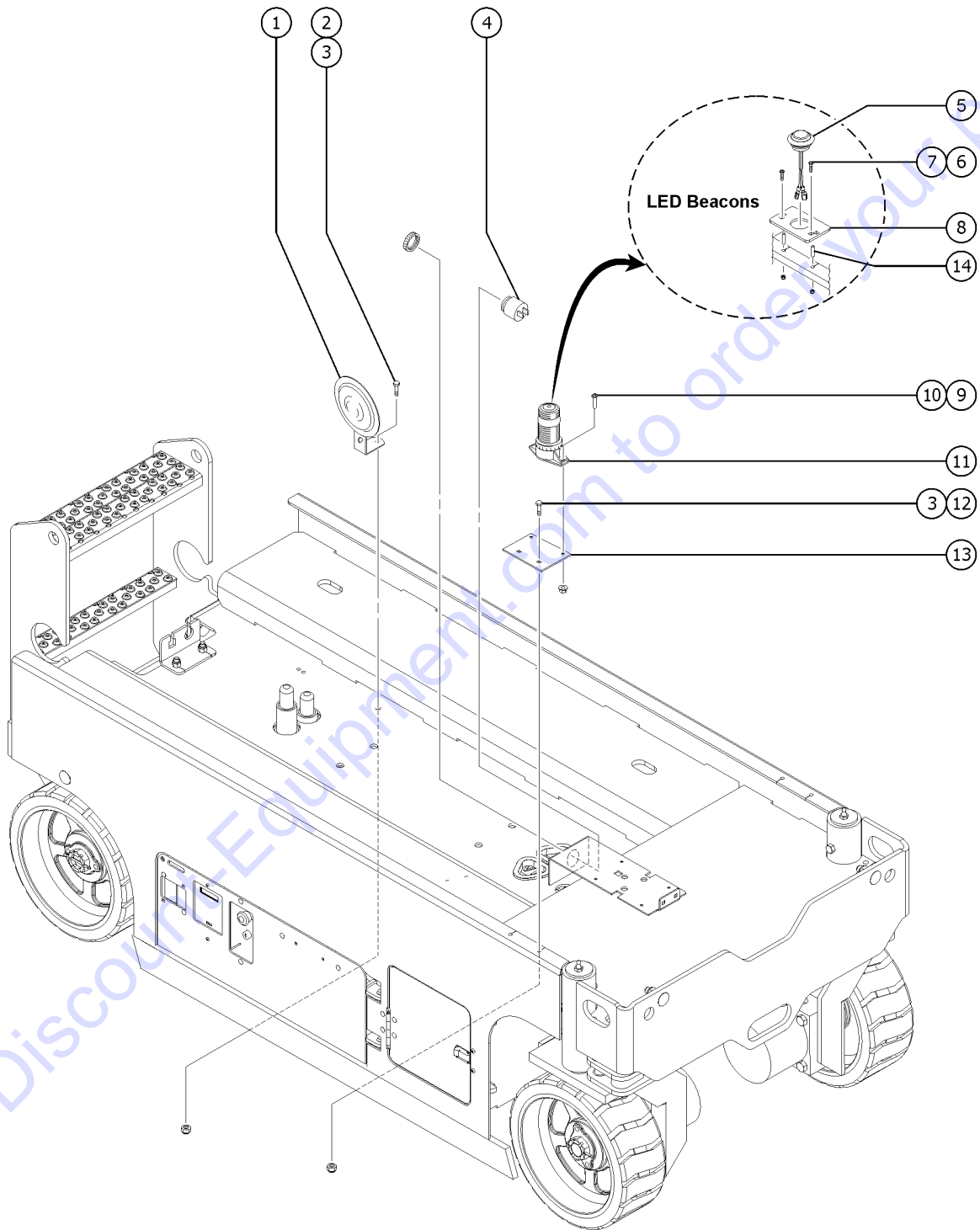
506.2 Hydraulic Hoses and Fittings, GS-3246

Item	Part No.	Description	Qty.
27	39881GT	CONNECTOR,070120-4-6	1
28		Ref.Pressure Switch 701.1	1
29	96354GT	TUBE, ASSY, DRAW	1
30	96355GT	TUBE, ASSY, RETURN	1
31	105246GT	HOSE ASSY, MAN/ACCUM, GS32/46 (Components: 78855, 78855, and 78852 @ 17 inches)	1
32	39877GT	CONNECTOR, 070120-4-4	2
33A	39878GT	CONNECTOR,070120-6-6	1
33B	237086GT	VALVE,CHECK,#6-#6,MJIC TO MORB	1
		GS-3246 (Australia, CE)	
34A	42283GT	ELBOW,070320-6-6	2
34B	130011GT	HOSE CLAMP, SAE #6	2
		GS-3246	

Go to Discount-Equipment.com to order your parts



601.1 Alarm, Horn and Flashing Beacons

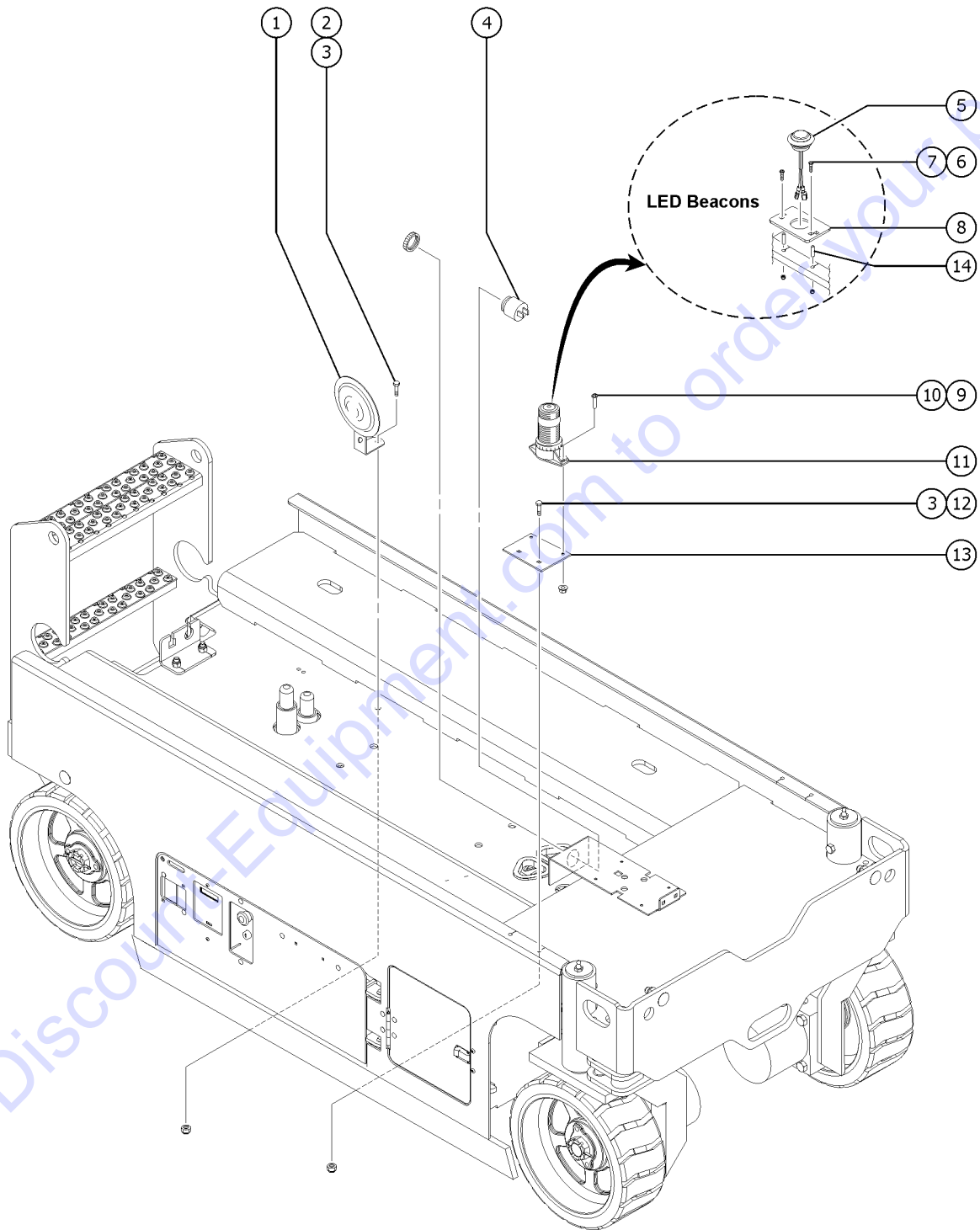


601.1 Alarm, Horn and Flashing Beacons

Item	Part No.	Description	Qty.
A-	105797GT	KIT, BEACON, GS32/46 ANSI models to SN GS4616P-138989	
B-	1260386GT	VISUAL INDICATOR LIGHTS CE Models to SN GS4616P-138989	
C-	1260386GT	VISUAL INDICATOR LIGHTS All models from SN GS4616P-138990	
1	81579GT	HORN, 24VDC, SPADE TERMINALS***	1
2	824090GT	SCREW, HHF, 3/8-16X1,8,ZAG	2
2B	1275722GT	ISOLATOR, HORN, 5/16-18 THRD (not shown)	1
3	824029GT	NUT, TL FLG, 3/8-16, G, ZAG	2
3B	1274167GT	NUT, NYLOCK FLG, 5/16-18, G, ZAG	1
4	39540GT	ALARM, STEADY TONE*** Does not include 72326 nut; order separately	1
4-	72326GT	NUT - PLASTIC, RING FOR ALARMS for 39540	
5A	1261183GT	ASSEMBLY, VISUAL IND LIGHT CE Models to SN GS4616P-138989	2
5A-	1270162GT	ASSEMBLY, BEACON LED, 24V for 1261183	2
5A-	1270662GT	HARNES, BEACON, LED, LARGE for 1261183	1
5B	1261183GT	ASSEMBLY, VISUAL IND LIGHT All models from SN GS4616P-138990	2
5B-	1270162GT	ASSEMBLY, BEACON LED, 24V for 1261183	2
5B-	1270662GT	HARNES, BEACON, LED, LARGE for 1261183	1
6	9116GT	BOLT, CARRIAGE, 1/4-20x1.25, G2 CE Models to SN GS4616P-138989	4
6B	9116GT	BOLT, CARRIAGE, 1/4-20x1.25, G2 All models from SN GS4616P-138990	4
7	6889GT	NUT, LP NYLOCK, 1/4-20 CE Models to SN GS4616P-138989	4
7B	6889GT	NUT, LP NYLOCK, 1/4-20 All models from SN GS4616P-138990	4
8	1261143GT	PLATE, VISUAL IND LIGHT MOUNT CE Models to SN GS4616P-138989	2
8B	1261143GT	PLATE, VISUAL IND LIGHT MOUNT All models from SN GS4616P-138990	2
9	824215GT	SCREW, PHPM, 10-32X.75, ZAG CE Models to SN GS4616P-138989	4
9B	824215GT	SCREW, PHPM, 10-32X.75, ZAG All models from SN GS4616P-138990	4
	1274168GT	NUT, NYLOCK, 10-32, A, ZAG ANSI models to SN GS4616P-138989	2
11	231931GT	STROBE, BEACON, AC COMP 12-80V ANSI models to SN GS4616P-138989	2
11-	105556GT	LENS, FLASHING BEACON for 231931	
11-	105557GT	BULB, FLASHING BEACON for 231931	



601.1 Alarm, Horn and Flashing Beacons



PARTS FINDER

**Search Website
by Part Number**



**Search Manual
Library For Parts
Manual & Lookup Part
Numbers – Purchase
or Request Quote**

Search Manuals

Enter your information to help us find the right parts manual for your machine.

* Brand:

* Model:

* Serial:

* Part Number:

SEARCH

**Can't Find Part or
Manual? Request Help
by Manufacturer,
Model & Description**

Parts Order Form

Please fill in the following information to help us find the right part for your machine.

Manufacturer:	<input type="text"/>
Model:	<input type="text"/>
Description:	<input type="text"/>
Part Number:	<input type="text"/>
Quantity:	<input type="text"/>
Notes:	<input type="text"/>

Discount-Equipment.com is your online resource for quality parts & equipment.

Florida: **561-964-4949** Outside Florida TOLL FREE: **877-690-3101**

Need parts?

Click on this link: <http://www.discount-equipment.com/category/5443-parts/> and choose one of the options to help get the right parts and equipment you are looking for. Please have the machine model and serial number available in order to help us get you the correct parts. If you don't find the part on the website or on one of the online manuals, please fill out the request form and one of our experienced staff members will get back to you with a quote for the right part that your machine needs.

We sell worldwide for the brands: Genie, Terex, JLG, MultiQuip, Mikasa, Essick, Whiteman, Mayco, Toro Stone, Diamond Products, Generac Magnum, Airman, Haulotte, Barreto, Power Blanket, Nifty Lift, Atlas Copco, Chicago Pneumatic, Allmand, Miller Curber, Skyjack, Lull, Skytrak, Tsurumi, Husquvarna Target, Stow, Wacker, Sakai, Mi-T-M, Sullair, Basic, Dynapac, MBW, Weber, Bartell, Bennar Newman, Haulotte, Ditch Runner, Menegotti, Morrison, Contec, Buddy, Crown, Edco, Wyco, Bomag, Laymor, EZ Trench, Bil-Jax, F.S. Curtis, Gehl Pavers, Heli, Honda, ICS/PowerGrit, IHI, Partner, Imer, Clipper, MMD, Koshin, Rice, CH&E, General Equipment, Amida, Coleman, NAC, Gradall, Square Shooter, Kent, Stanley, Tamco, Toku, Hatz, Kohler, Robin, Wisconsin, Northrock, Oztec, Toker TK, Rol-Air, APT, Wylie, Ingersoll Rand / Doosan, Innovatech, Con X, Ammann, Mecalac, Makinex, Smith Surface Prep, Small Line, Wanco, Yanmar

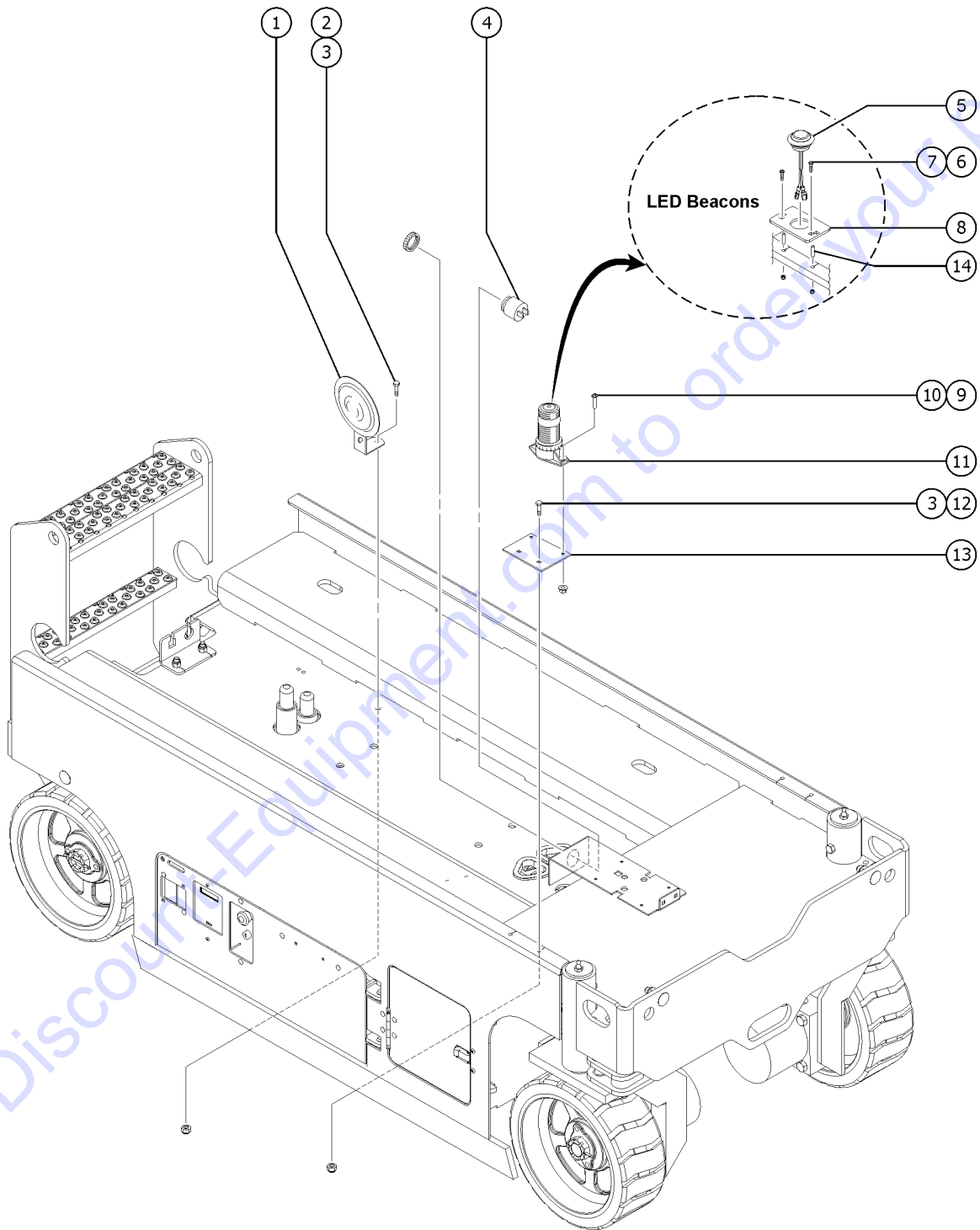
601.1 Alarm, Horn and Flashing Beacons

Item	Part No.	Description	Qty.
12	824124GT	BOLT, CARRIAGE, 1/4-20 X .75, 5, ZAG ANSI models to SN GS4616P-138989	4
13	96363GT	PLATE, BEACON MOUNT ANSI models to SN GS4616P-138989	2
14	96699GT	SLEEVE, TANK SUPPORT CE Models to SN GS4616P-138989	4
14B	96699GT	SLEEVE, TANK SUPPORT All models from SN GS4616P-138990	4

Go to Discount-Equipment.com to order your parts



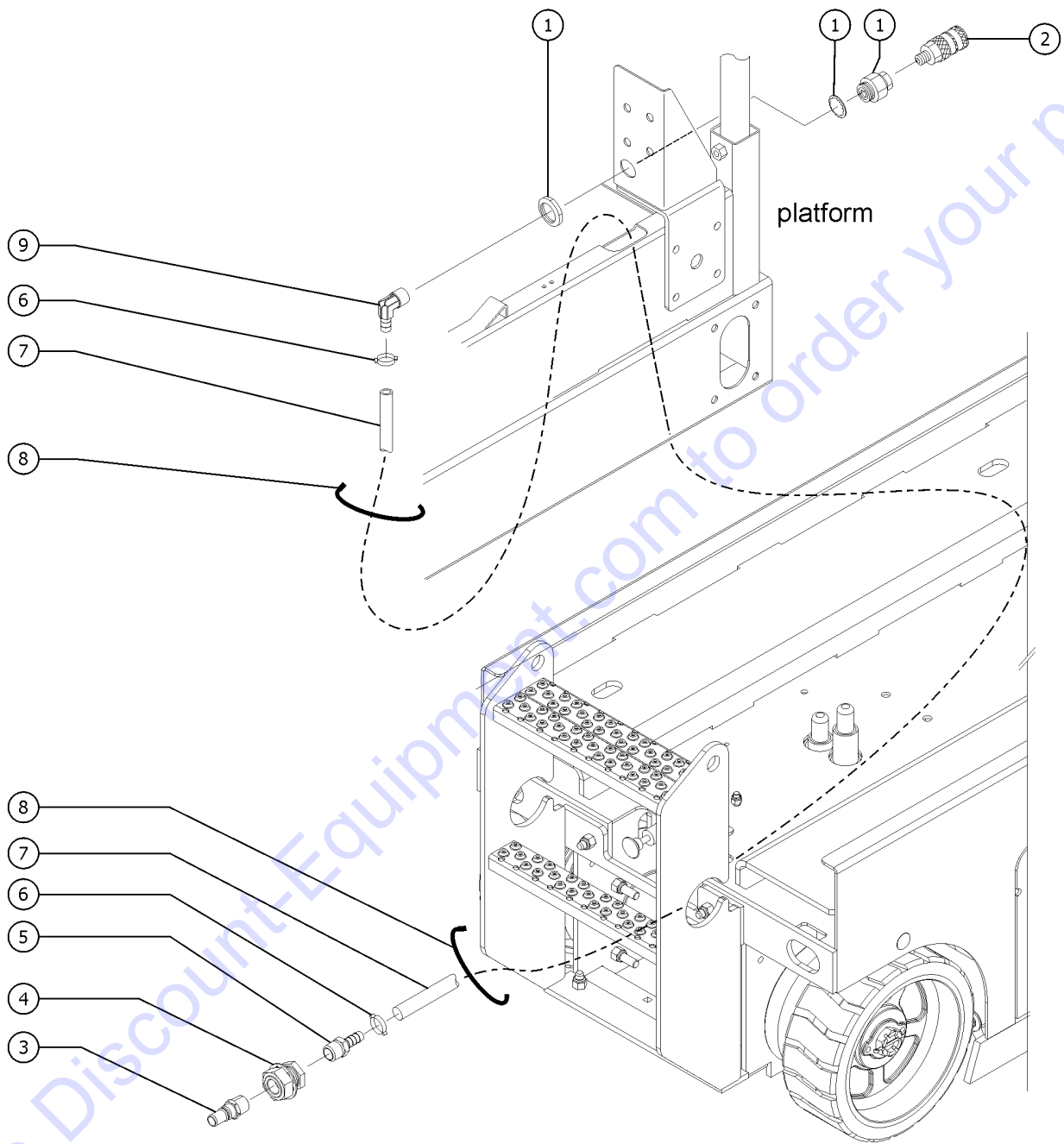
601.2 Alarm, Horn and Flashing Beacons



601.2 Alarm, Horn and Flashing Beacons

Item	Part No.	Description	Qty.
C-	1260386GT	VISUAL INDICATOR LIGHTS All models from SN GS4616P-138990	
1	81579GT	HORN, 24VDC, SPADE TERMINALS***	1
2	824090GT	SCREW,HHF,3/8-16X1,8,ZAG	2
2B	1275722GT	ISOLATOR,HORN,5/16-18 THRD	1
3	824029GT	NUT,TL FLG,3/8-16,G,ZAG	2
3B	1274167GT	NUT,NYLOCK FLG,5/16-18,G,ZAG	1
4	39540GT	ALARM, STEADY TONE*** Does not include 72326 nut; order separately	1
4-	72326GT	NUT - PLASTIC, RING FOR ALARMS for 39540	
5A-	1270162GT	ASSEMBLY, BEACON LED, 24V for 1261183	2
5A-	1270662GT	HARNESS, BEACON, LED, LARGE for 1261183	1
5B	1261183GT	ASSEMBLY, VISUAL IND LIGHT All models from SN GS4616P-138990	2
5B-	1270162GT	ASSEMBLY, BEACON LED, 24V for 1261183	2
5B-	1270662GT	HARNESS, BEACON, LED, LARGE for 1261183	1
6B	9116GT	BOLT,CARRIAGE,1/4-20x1.25,G2 All models from SN GS4616P-138990	4
7B	6889GT	NUT,LP NYLOCK,1/4-20 All models from SN GS4616P-138990	4
8B	1261143GT	PLATE,VISUAL IND LIGHT MOUNT All models from SN GS4616P-138990	2
9B	824215GT	SCREW,PHPM,10-32X.75,ZAG All models from SN GS4616P-138990	4
11-	105556GT	LENS,FLASHING BEACON for 231931	
11-	105557GT	BULB,FLASHING BEACON for 231931	
14B	96699GT	SLEEVE,TANK SUPPORT All models from SN GS4616P-138990	4

602.1 Air Line to Platform, GS-2046

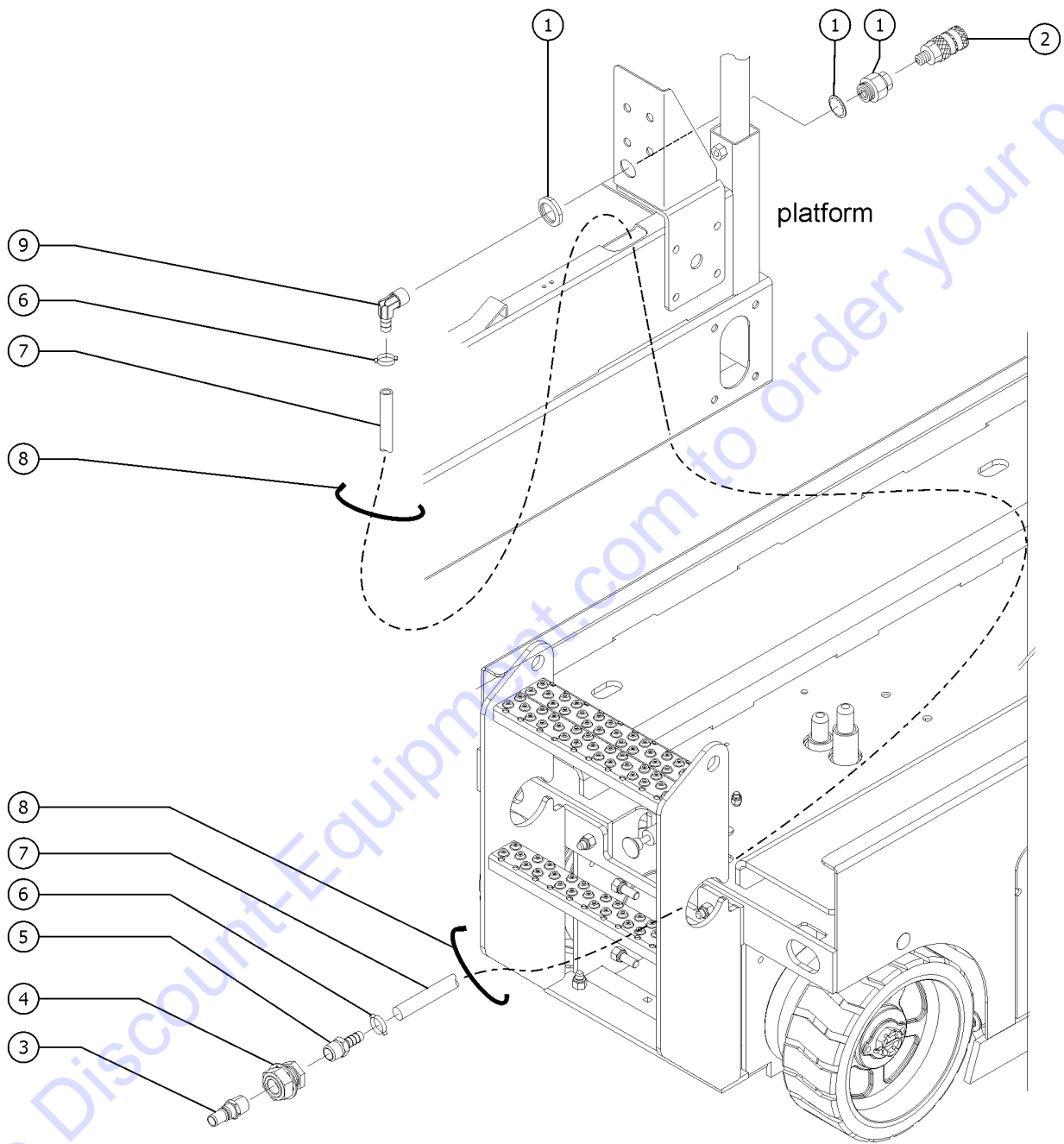


Item	Part No.	Description	Qty.
	96731-SGT	AIR TO PLAT, GS20XX, ACC GS-2046, to SN GS46P-146465	
1	27900GT	BULKHEAD,FEMALE X 6 X 6	1
2	27895GT	COUPLER,1/4"SERIES 3/8 MPT	1
3A	96542GT	PLUG,1/4"SERIES,3/8 P-LOCK*** to SN GS46P-146465	1
3B	27894GT	PLUG,1/4"SERIES,3/8 MPT from SN GS46P-146466	1
4	27900GT	BULKHEAD,FEMALE X 6 X 6 from SN GS46P-146466	1
5	27901GT	HOSE END,BARBED,RIGID,-6-6	1
6	27902GT	CLAMP,HOSE,2 EAR, 5/8	2
7A	27903GT	HOSE,LOW PRESSURE,.375 ID,BLK GS-2046	390
8	28443GT	CABLE TIE,11.5" BLACK	
9	27904GT	HOSE END,BARBED,RIGID,90DEG6-6	1

Go to Discount-Equipment.com to order your parts



602.2 Air Line to Platform, GS-2646

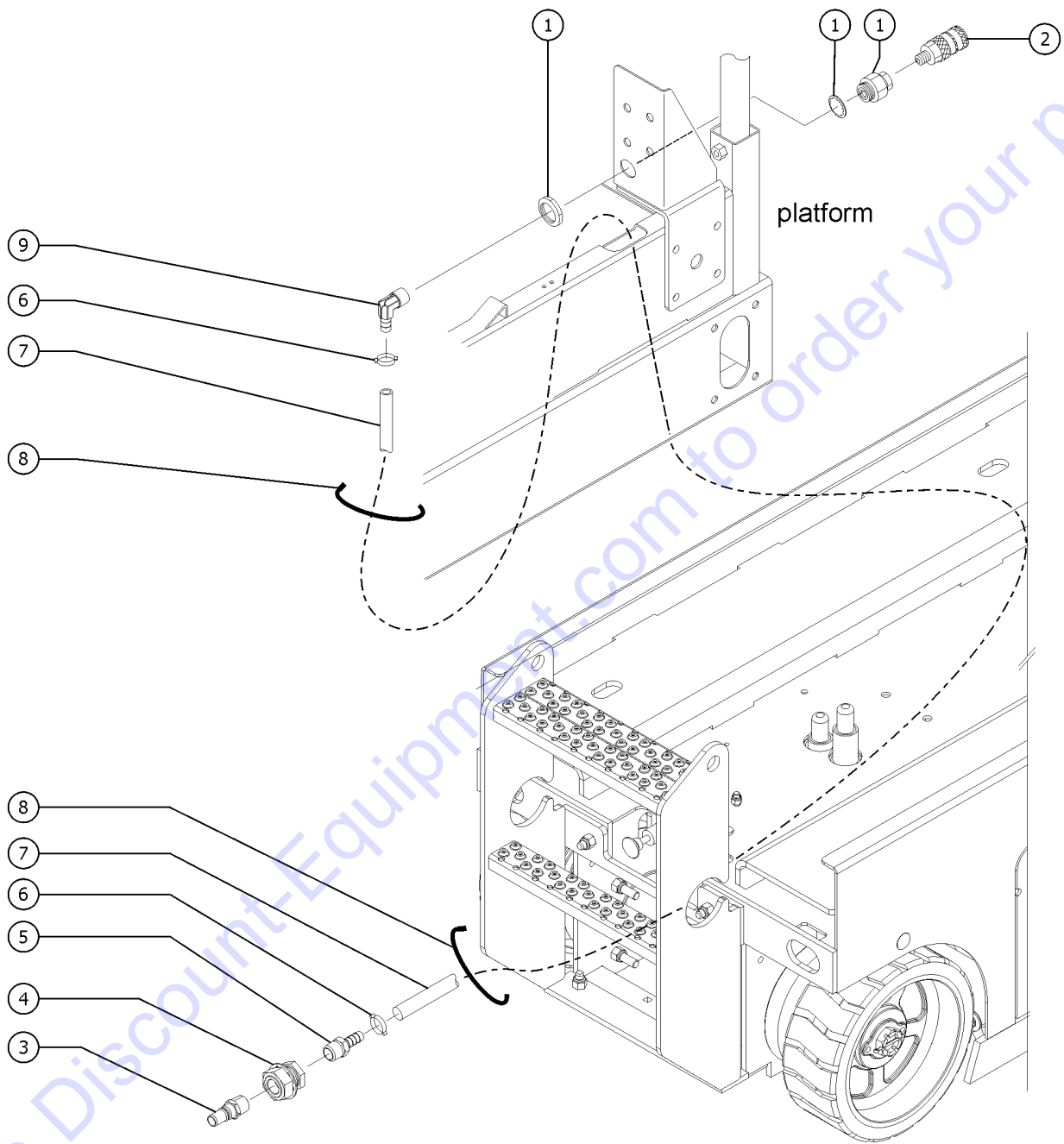


Item	Part No.	Description	Qty.
	96990-SGT	AIR TO PLAT, GS26XX, ACC GS-2046, to SN GS46P-146465	
1	27900GT	BULKHEAD,FEMALE X 6 X 6	1
2	27895GT	COUPLER,1/4"SERIES 3/8 MPT	1
3A	96542GT	PLUG,1/4"SERIES,3/8 P-LOCK*** to SN GS46P-146465	1
3B	27894GT	PLUG,1/4"SERIES,3/8 MPT from SN GS46P-146466	1
4	27900GT	BULKHEAD,FEMALE X 6 X 6 from SN GS46P-146466	1
5	27901GT	HOSE END,BARBED,RIGID,-6-6	1
6	27902GT	CLAMP,HOSE,2 EAR, 5/8	2
7B	27903GT	HOSE,LOW PRESSURE, .375 ID,BLK GS-2646	490
8	28443GT	CABLE TIE,11.5" BLACK	
9	27904GT	HOSE END,BARBED,RIGID,90DEG6-6	1

Go to Discount-Equipment.com to order your parts



602.3 Air Line to Platform, GS-3246

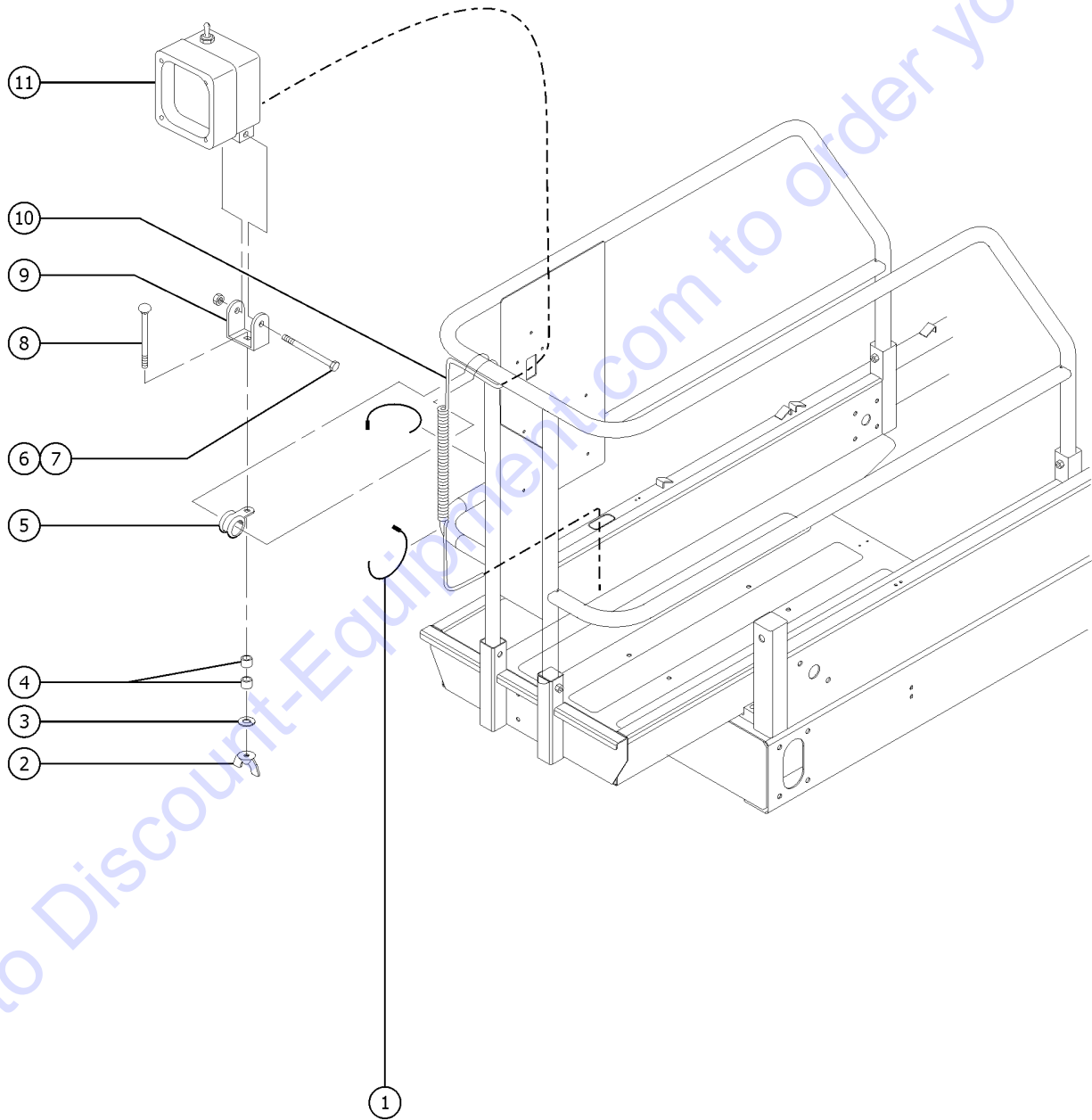


Item	Part No.	Description	Qty.
	96991-SGT	AIR TO PLAT, GS3246, ACC GS-2046, to SN GS46P-146465	
1	27900GT	BULKHEAD,FEMALE X 6 X 6	1
2	27895GT	COUPLER,1/4"SERIES 3/8 MPT	1
3A	96542GT	PLUG,1/4"SERIES,3/8 P-LOCK*** to SN GS46P-146465	1
3B	27894GT	PLUG,1/4"SERIES,3/8 MPT from SN GS46P-146466	1
4	27900GT	BULKHEAD,FEMALE X 6 X 6 from SN GS46P-146466	1
5	27901GT	HOSE END,BARBED,RIGID,-6-6	1
6	27902GT	CLAMP,HOSE,2 EAR, 5/8	2
7C	27903GT	HOSE,LOW PRESSURE,.375 ID,BLK GS-3246	590
8	28443GT	CABLE TIE,11.5" BLACK	
9	27904GT	HOSE END,BARBED,RIGID,90DEG6-6	1

Go to Discount-Equipment.com to order your parts



603.1 Platform Work Light, GS-2046



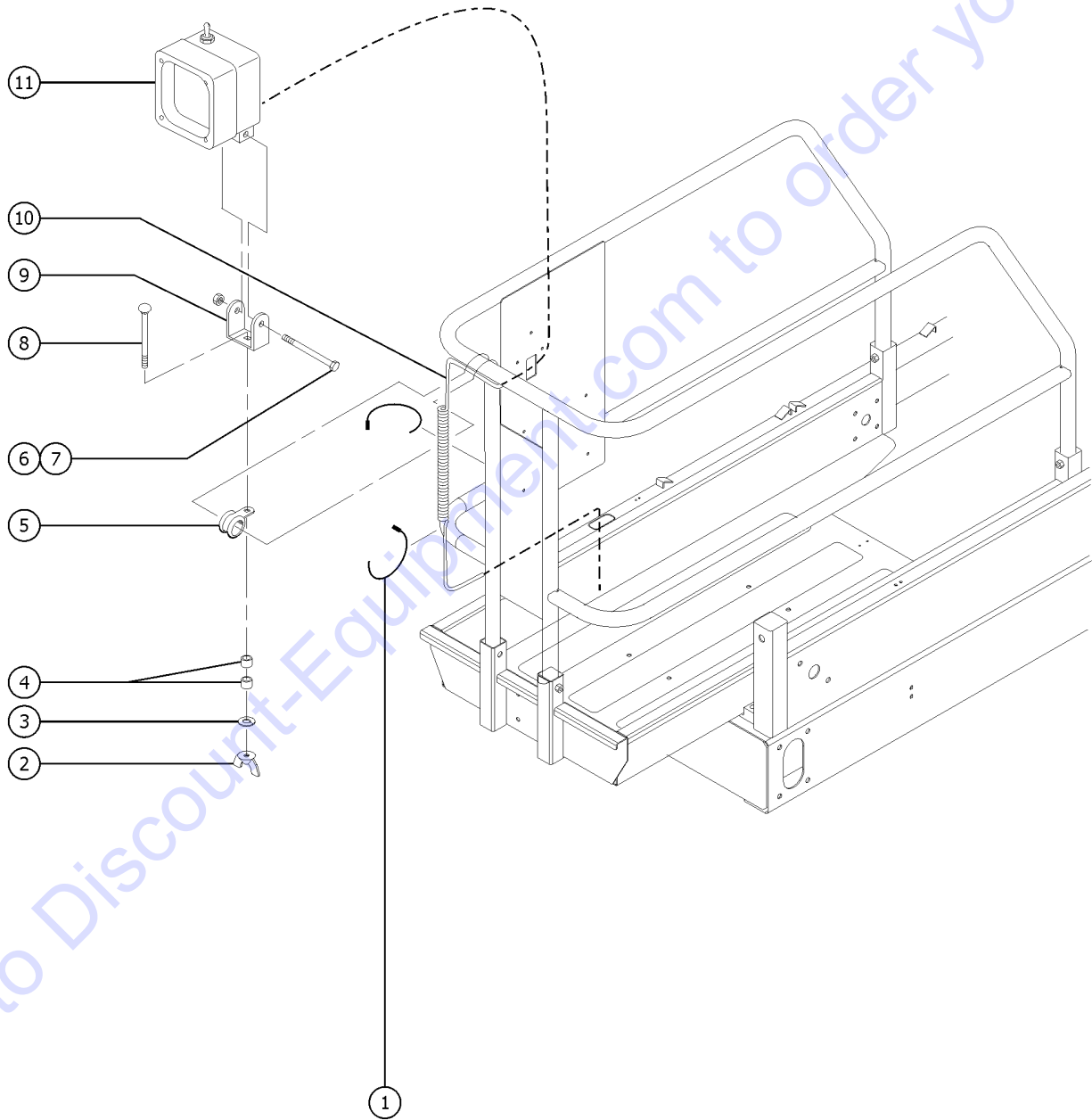
Go to Discount-Equipment.com to order your parts

Item	Part No.	Description	Qty.
A-	105973GT	WORKLIGHT CABLE,GS19/20XX (linkset) GS-2046	
B-	105971GT	WORKLIGHT PIGTAIL ASSY (chassis)	
1	28443GT	CABLE TIE,11.5" BLACK 10	
2	69229GT	NUT,WING 5/16-18 1	
3	6886GT	WASHER,LOCK,.313 1	
4	5397GT	WASHER,FLAT,USS,5/16",Y 2 add sufficient washers to equal aproximately 0.435 inch thickness of each spacer	
5	33784GT	CLAMP,1.31,#21 X 1/4,RUB CUSH 1	
6	50793GT	SCREW,HHC,5/16-18 X 2 1	
7	6782GT	NUT,NYLOCK,5/16-18 1	
8	65439GT	BOLT,CARRIAGE,5/16-18 X 2.0,G2 1	
9	144009GT	WORKLIGHT BRACKET 1	
10	65721GT	COIL CORD,WORKLIGHT(144011) 1	
11	144011GT	WORKLIGHT,24V,COIL CORD 1	

Go to Discount-Equipment.com to order your parts



603.2 Platform Work Light, GS-2646

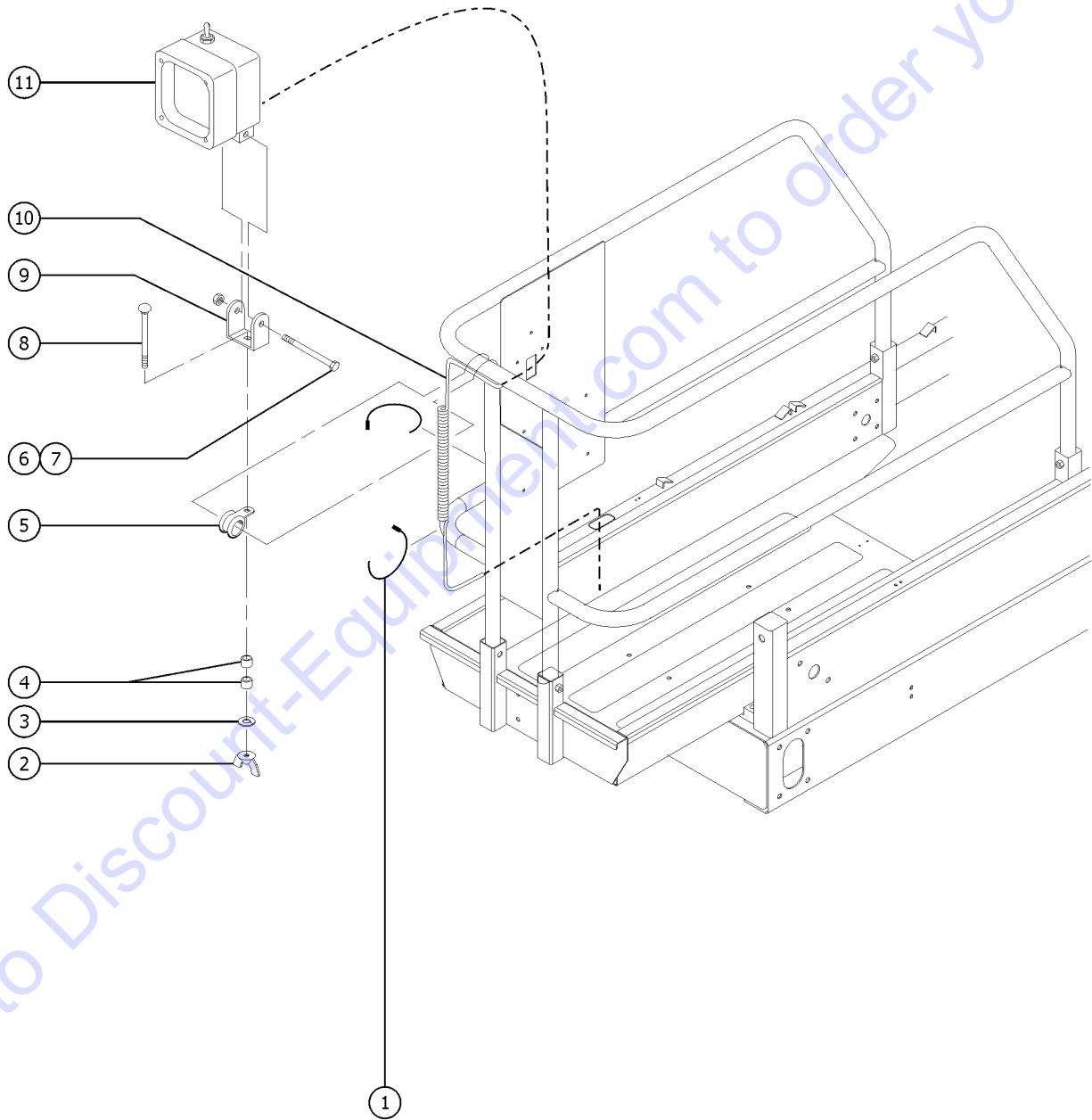


Item	Part No.	Description	Qty.
C-	105974GT	WORKLIGHT CABLE,GS26XX (linkset) GS-2646	
D-	105971GT	WORKLIGHT PIGTAIL ASSY (chassis)	
1	28443GT	CABLE TIE,11.5" BLACK 10	
2	69229GT	NUT,WING 5/16-18 1	
3	6886GT	WASHER,LOCK,.313 1	
4	5397GT	WASHER,FLAT,USS,5/16",Y 2 add sufficient washers to equal aproximately 0.435 inch thickness of each spacer	
5	33784GT	CLAMP,1.31,#21 X 1/4,RUB CUSH 1	
6	50793GT	SCREW,HHC,5/16-18 X 2 1	
7	6782GT	NUT,NYLOCK,5/16-18 1	
8	65439GT	BOLT,CARRIAGE,5/16-18 X 2.0,G2 1	
9	144009GT	WORKLIGHT BRACKET 1	
10	65721GT	COIL CORD,WORKLIGHT(144011) 1	
11	144011GT	WORKLIGHT,24V,COIL CORD 1	

Go to Discount-Equipment.com to order your parts



603.3 Platform Work Light, GS-3246

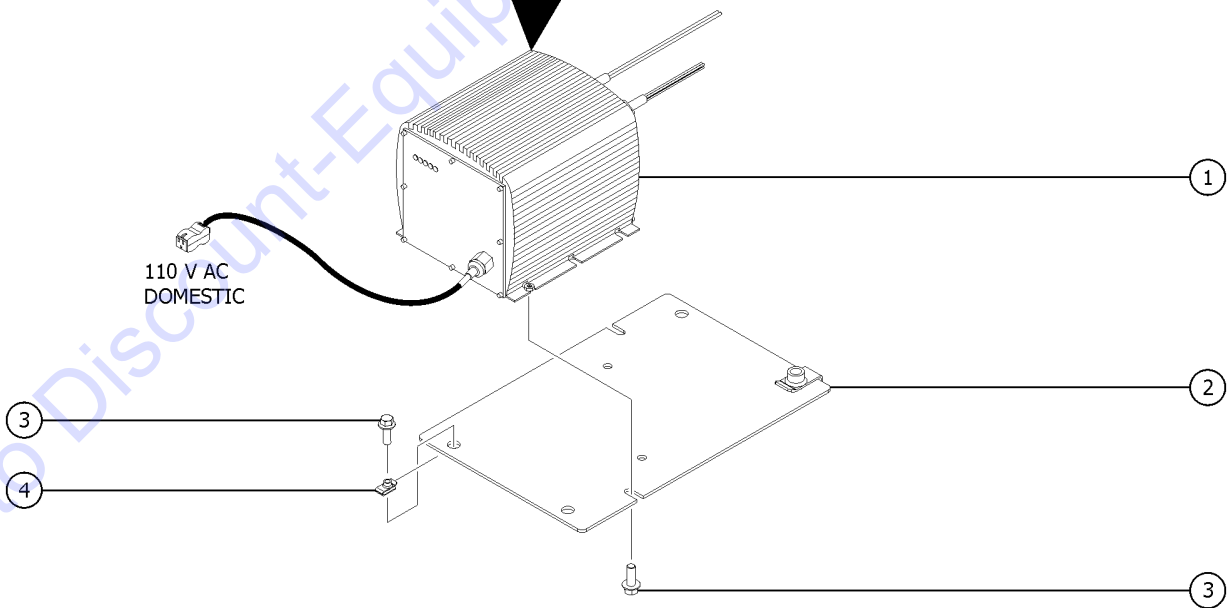
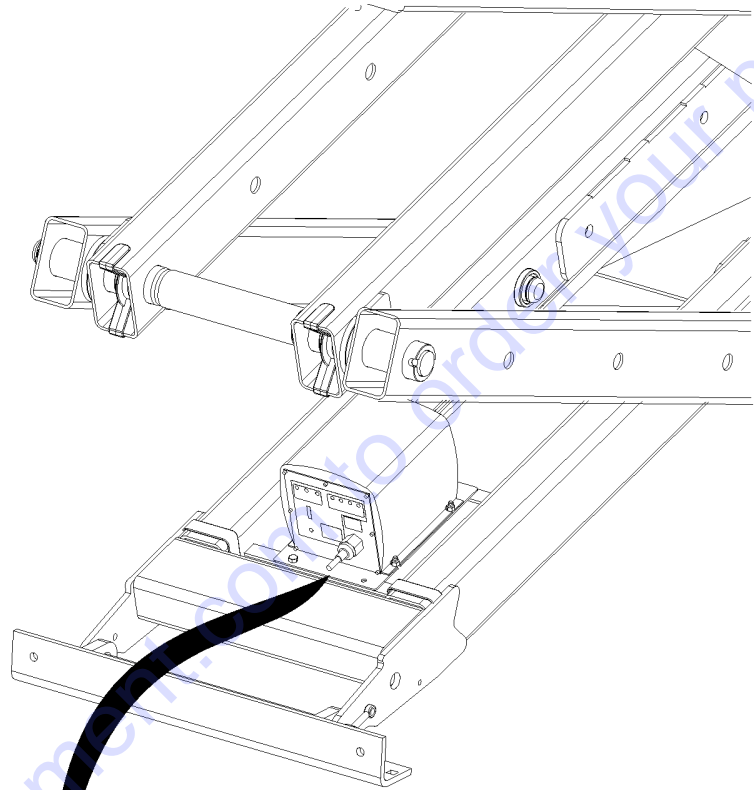


Item	Part No.	Description	Qty.
E-	105975GT	WORKLIGHT CABLE,GS32XX GS-3246	
F-	105971GT	WORKLIGHT PIGTAIL ASSY (chassis)	
1	28443GT	CABLE TIE,11.5" BLACK	10
2	69229GT	NUT,WING 5/16-18	1
3	6886GT	WASHER,LOCK,.313	
4	5397GT	WASHER,FLAT,USS,5/16",Y add sufficient washers to equal aproximately 0.435 inch thickness of each spacer	2
5	33784GT	CLAMP,1.31,#21 X 1/4,RUB CUSH	1
6	50793GT	SCREW,HHC,5/16-18 X 2	
7	6782GT	NUT,NYLOCK,5/16-18	
8	65439GT	BOLT,CARRIAGE,5/16-18 X 2.0,G2	
9	144009GT	WORKLIGHT BRACKET	1
10	65721GT	COIL CORD,WORKLIGHT(144011)	1
11	144011GT	WORKLIGHT,24V,COIL CORD	1

Go to Discount-Equipment.com to order your parts



604.1 Voltage Inverter



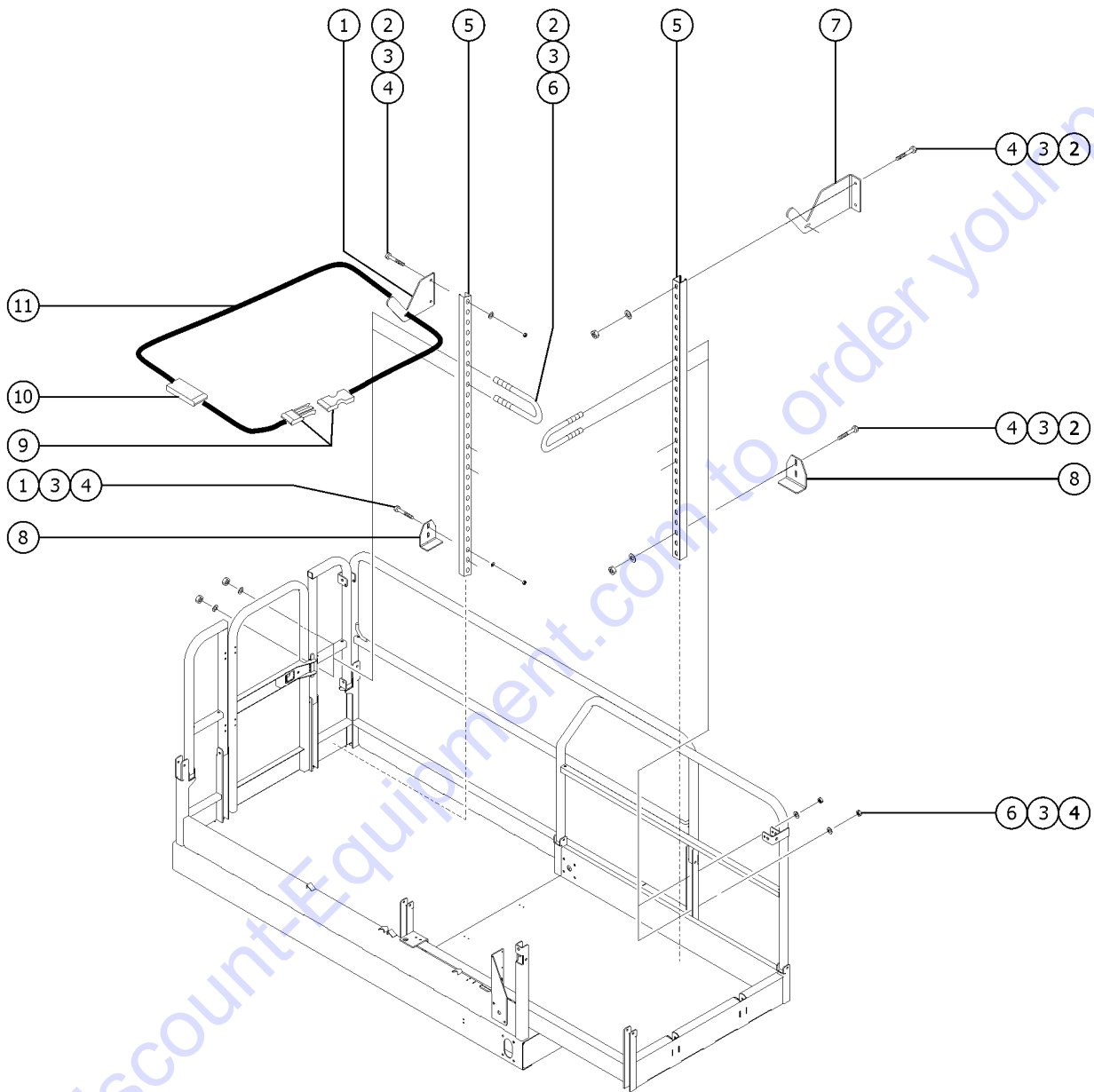
604.1 Voltage Inverter

Item	Part No.	Description	Qty.
1	96950GT	INVERTER,24VDC,110/230 VAC***	1
2	105129GT	PLATE, INVERTER MOUNT	1
3	824078GT	SCREW,HHF,1/4-20X.75,8,ZAG	4
4	56912GT	SPRING CLIP,1/4-20,.025-.15X.5	2

Go to Discount-Equipment.com to order your parts



605.1 Pipe Cradle Assembly



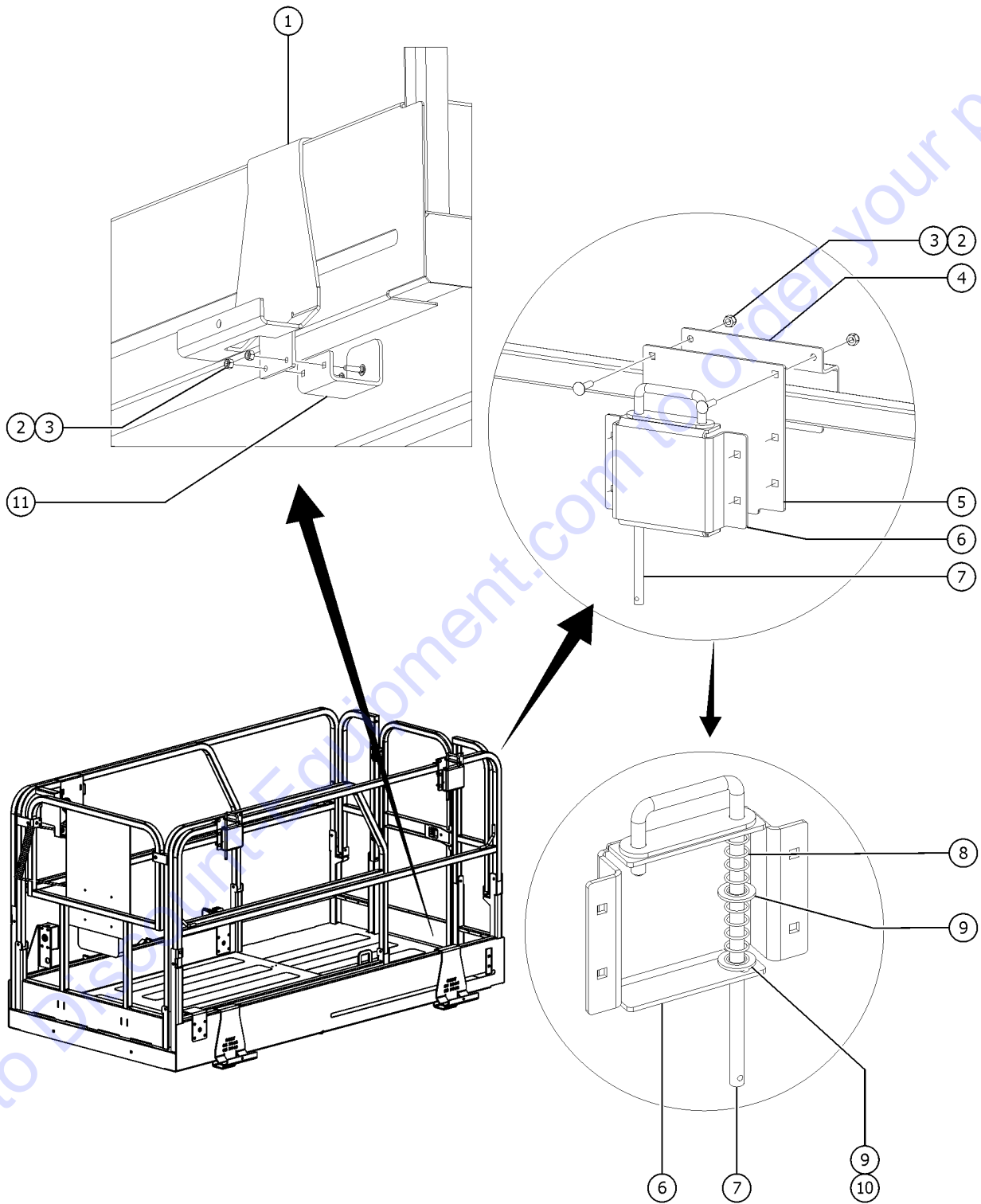
605.1 Pipe Cradle Assembly

Item	Part No.	Description	Qty.
	72878GT	PIPE CRDL,SQ RAILINGS,GS46	
1	79156GT	PLATE,PIPE HOLDER, GS68	1
2	14033GT	SCREW,HHC,3/8-16 X 2.75	
3	6097GT	WASHER,FLAT,USS,3/8",Y	
4	4828GT	NUT,NYLOCK,3/8-16	
5	66171GT	CHANNEL,PIPE RACK	2
6	66472GT	U-BOLT, SQR, 3/8-16X2X5, PLTD	4
7	66169GT	FORMING, PIPE HOLDER RACK	1
8	66170GT	FORMING, PIPE RACK BASE	2
9	100810GT	BUCKLE & SLIDE STRAP SET	1
10	35643GT	BUCKLE,SIDE RELEASE	2
11	35642GT	STRAP,NYLON,1.0 IN. BLACK	96

Go to Discount-Equipment.com to order your parts



606.1 Panel Carrier Assembly, GS-2046, GS-2646 (ANSI/CSA models)



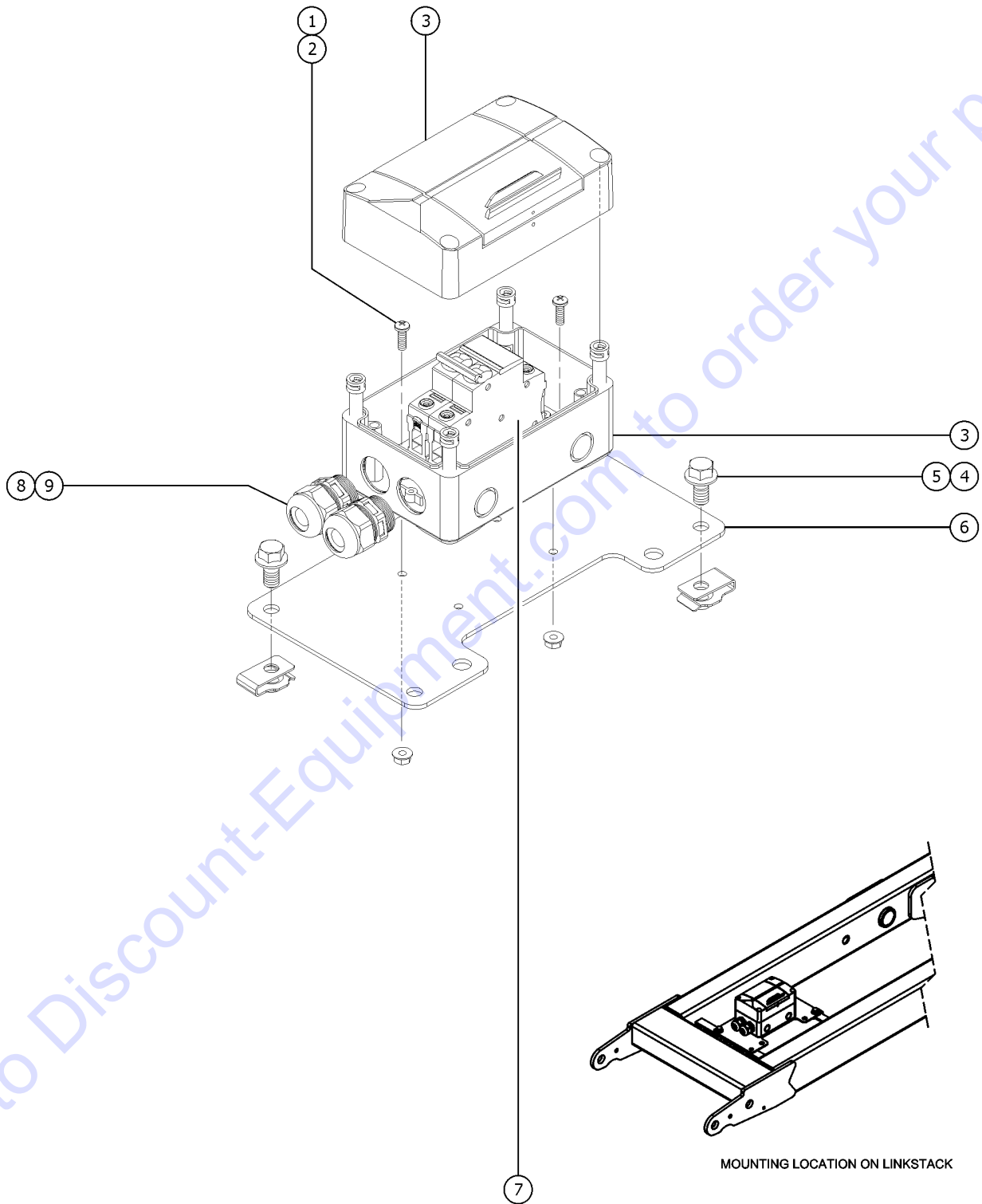
606.1 Panel Carrier Assembly, GS-2046, GS-2646 (ANSI/CSA models)

Item	Part No.	Description	Qty.
A	1251827GT	ACCESSORY, PANEL CARRIER For GS-2046 and GS-2646 only (ANSI/CSA models only) (not approved for use on CE or AUS models)	
1	1251805GT	FORMING, PANEL HOOK	2
2	6091GT	NUT,NYLOCK,1/4-20	
3	124576GT	BOLT,CARRIAGE,1/4-20X1.00 G5	
4	1251809GT	FORMING, RAIL CLAMP	2
5	1251808GT	PLATE, COVER	2
6	1251807GT	FORMING, HOUSING, CLAMP	2
7	1251812GT	WELDMENT, CLAMP	2
8	1251813GT	SPRING, .660 X 2.00, 14.8 #/IN	4
9	6097GT	WASHER,FLAT,USS,3/8",Y	
10	12016GT	PIN,COTTER,.125 X .75	2
11	1251806GT	FORMING, RETAINER	2

Go to Discount-Equipment.com to order your parts



607.1 RCBO



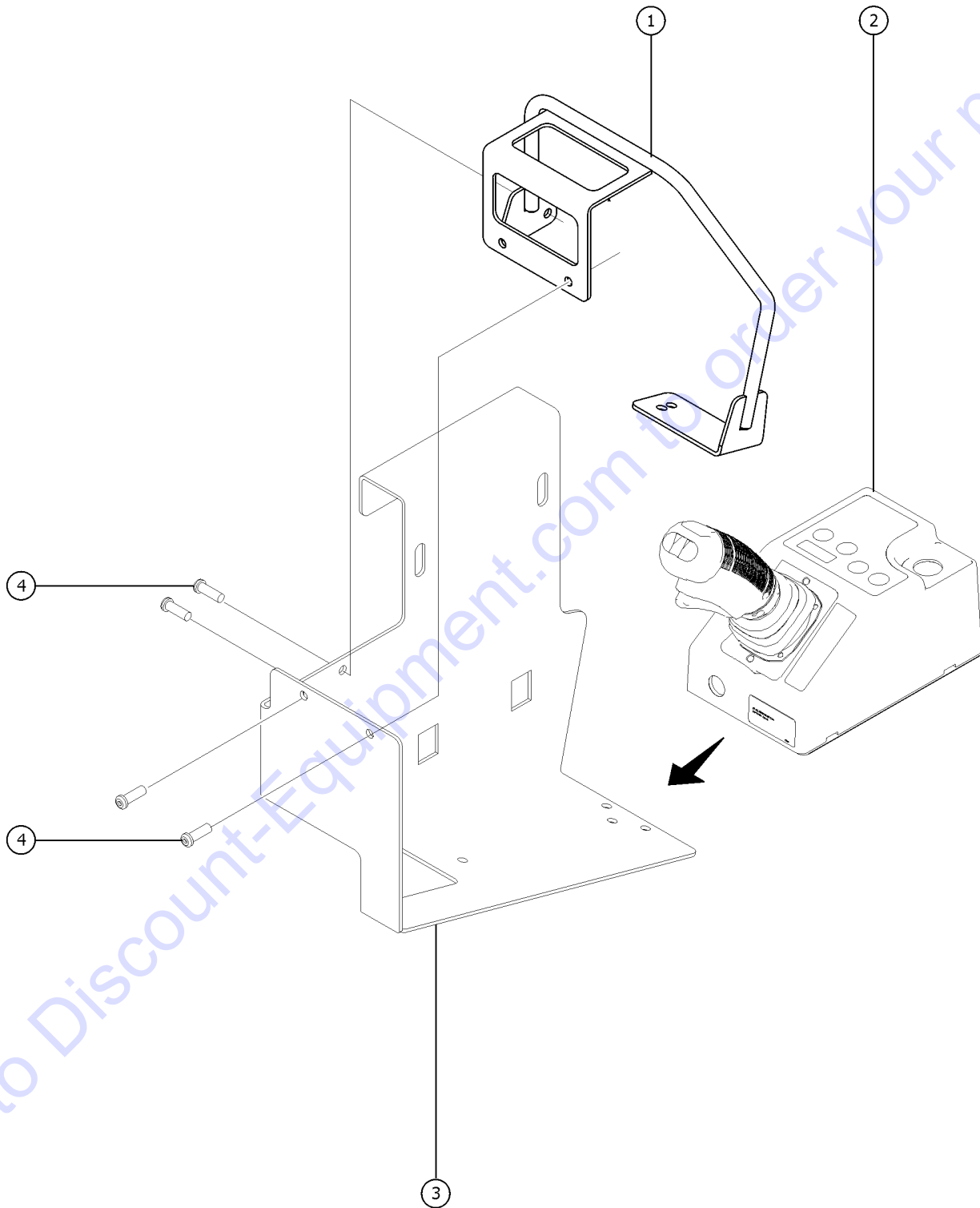
Go to Discount-Equipment.com to order your parts

Item	Part No.	Description	Qty.
1	1257227GT	SCREW,PHPM,10-32X.625,ZAG	2
2	1256467GT	NUT,TL FLG,10-24,F,ZAG	2
3	1269086GT	ENCLOSURE, FUSE, MODULAR, 100x150x96, IP65	1
4	824089GT	SCREW,HHF,3/8-16X.75,8,ZAG	2
5	29868GT	SPRING CLIP,3/8-16,.05-.20X.73,ZAG	2
6	1274540GT	PLATE, RCBO, GS	1
7	231868GT	RCBO,16A,30MA,6KA 110/230VAC	1
8	1269087GT	CONNECTOR, SQUEEZE, M25, 6-13MM	2
9	1269107GT	NUT, PLASTIC, M25, GREY	2
10	43956GT	WIRE CABLE,14/3 CON.TPE JKT* not shown	115
11	1262911GT	SLEEVE, CABLE-END, 14AWG, 2.5MM for 43956	6

Go to Discount-Equipment.com to order your parts



608.1 PCON Guard



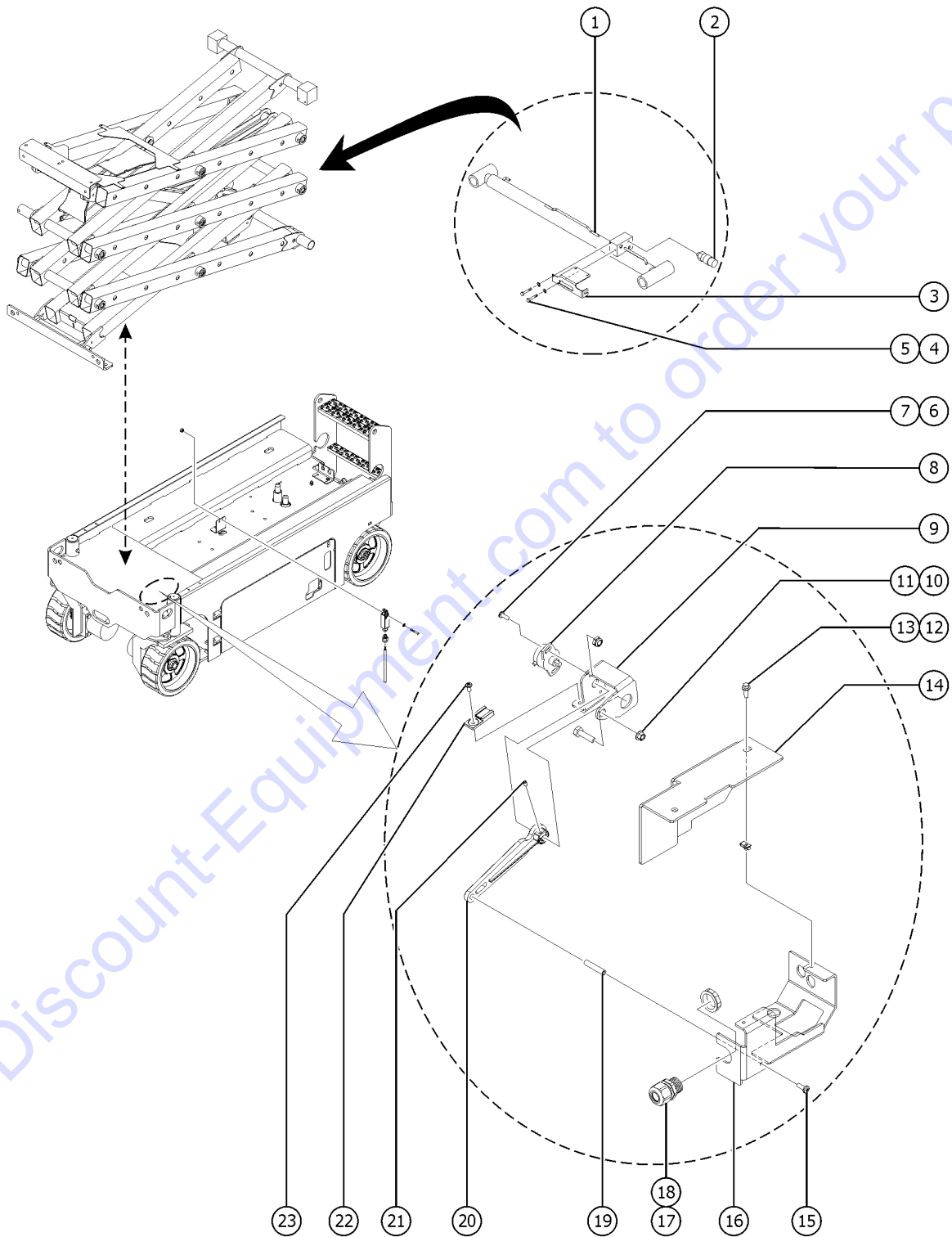
608.1 PCON Guard

Item	Part No.	Description	Qty.
1	1283768GT	KIT,PCON GUARD,SLAB/GR includes installation instructions	1
1-	1279627GT	WELDMENT, PCON GUARD	1
2		Ref. PCON, GR/GRC/GS refer to 403.1	1
3		Ref. FORMING, PLAT CONTROL, GR/GRC refer to 403.1 (holes drilled for PCON Guard option from SN 154144)	4
4	7265GT	RIVET,STEEL,P, .25 X .375	4

Go to Discount-Equipment.com to order your parts



701.1 Platform Overload



Item	Part No.	Description	Qty.
1		Ref: Lift Cylinder (refer to 505.1)	1
2	229750GT	HARNESS,PRESS,TRANSDUCER*** (includes transducer)	1
3	41557-SGT	CABLE BRACKET,PAINTED	1
4	7339GT	SCREW,HHC,1/4-20 X .5	1
5	6356GT	WASHER,LOCK,.25	1
6	1257296GT	SCREW,PHPM-ST,8.32X.50,TYPE F,	2
7	1258187GT	NUT,TL,8-32,A,ZAG	2
8	T113136GT	ASSY,ROT SENSR W/ HARNESS	1
9	161981GT	FRMNG,ARM SENSOR BRCKT,32/46	1
10	824029GT	NUT,TL FLG,3/8-16,G,ZAG	1
11	824068GT	SCREW,HHC,3/8-16X1.25,8,ZAG	1
12	824078GT	SCREW,HHF,1/4-20X.75,8,ZAG	2
13	56912GT	SPRING CLIP,1/4-20,.025-.15X.5	2
14	161977GT	FRMG,SENSOR COVERING	1
15	1251757GT	SCREW,PHPM,10-32X.50,ZAG	1
16	161975GT	FRMG,CHASSIS BRKTING	1
17	33576GT	LOCK, PLUG 2WAY, 14-18GA	1
18	T115429GT	NUT,CORDGRIP,1/2 NPT	1
19	T113142GT	OFFSET, RDN, 1/4-1.25,10-32	1
20	T114082GT	LEVER ARM,ANGLE SENSR ACTUATOR	1
21	229146GT	SCREW,SET,8-32X.25	1
22	T113139GT	CLIP,DTM,RECEPTACLE	1
23	39579GT	RIVET,STL,STL,.188 X .45	1



<u>Part no.</u>	<u>Page Number</u>	<u>Part no.</u>	<u>Page Number</u>	<u>Part no.</u>	<u>Page Number</u>
1268GT	11	27900GT	253, 255, 257	40833GT	115, 117, 163, 165
1484GT	11	27901GT	253, 255, 257	40844GT	231
4828GT	267	27902GT	253, 255, 257	41557-SGT	233, 235, 237, 275
5397GT	259, 261, 263	27903GT	253, 255, 257	41630GT	187
6021GT	231	27904GT	253, 255, 257	42079GT	99, 101, 103
6091GT	125, 129, 193, 197, 201 205	28131GT	163, 165	42283GT	241, 245
6097GT	267, 269	28174GT	15, 19, 23, 25, 29, 33...	43392GT	187, 189, 191
6356GT	233, 235, 237, 275	28175GT	15, 19, 29, 33, 43, 47	43618GT	23, 25, 37, 39, 51, 53...
6595GT	193, 197, 201, 205, 209 213	28176GT	23, 25, 37, 39, 51, 53	43619GT	15, 19, 29, 33, 43, 47
6626GT	195, 199, 203, 207, 211 215	28235GT	15, 19, 23, 25, 29, 33...	43658GT	13, 15, 19, 27, 29, 33...
6700GT	137	28236GT	23, 25, 37, 39, 51, 53	43685GT	231
6782GT	259, 261, 263	28443GT	233, 235, 237, 253, 255 257	43956GT	193, 197, 201, 205, 209 213
6878GT	193, 197, 201, 205, 209 213	29868GT	271	44163GT	11
6886GT	259, 261, 263	30784-2550GT	115, 117	44168GT	225
6889GT	247, 251	31060GT	13, 27, 41	44169GT	225
6935GT	193, 197, 201, 205, 209 213	31508GT	13, 15, 19, 27, 29, 33...	44171GT	225
7056GT	193, 197, 201, 205, 209 213	31788GT	13, 27, 41	44174GT	225
7127GT	193, 197, 201, 205, 209 213	32150GT	11	44175GT	225, 227
7265GT	273	32151GT	11	44207GT	221, 223
7339GT	233, 235, 237, 275	32339GT	167	44226GT	225, 227
9116GT	167, 247, 251	33576GT	275	44227GT	233, 235, 237
10775GT	193, 197, 201, 205, 209 213	33724GT	193, 197, 201, 205, 209 213	44229GT	225
10777GT	195, 199, 203, 207, 211 215	33784GT	259, 261, 263	44230GT	225, 227
12016GT	111, 269	35642GT	267	44236GT	225
13000GT	115, 117	35643GT	267	44255GT	13, 15, 19, 27, 29, 33...
13585GT	193, 197, 201, 205, 209 213	36369GT	169	44716GT	231
13635-10GT	91, 95	37947GT	135	44736GT	23, 25, 37, 39, 51, 53
13921GT	239	39232GT	107, 109	44737GT	13, 15, 19, 27, 29, 33...
14033GT	267	39310GT	187	44750GT	231
18503GT	115, 117	39469GT	105, 109, 187	44751GT	231
18605GT	193, 197, 201, 205, 209 213	39474GT	187, 191	44752GT	231
18722GT	93, 97	39540GT	105, 109, 217, 247, 251	44777GT	231
19491GT	105, 109, 113	39542GT	111	44778GT	231
20224GT	225	39579GT	187, 275	44780GT	91, 95, 99, 101, 103
21279GT	187, 189	39873GT	239, 243	44781GT	91, 95, 99, 101, 103
22446GT	189	39876GT	239, 243	44788GT	11, 221, 223
22664GT	239, 243	39877GT	229, 239, 241, 243, 245	44936GT	193, 197, 201, 205, 209 213
24514GT	189	39878GT	233, 235, 237, 239, 241 243	44973GT	233, 235, 237
25388GT	193, 197, 201, 205, 209 213	39881GT	239, 245	44979GT	233, 235, 237
27581GT	11	39882GT	239, 243	44980GT	13, 15, 19, 27, 29, 33...
27894GT	253, 255, 257	40434GT	23, 25, 37, 39, 51, 53...	44981GT	15, 19, 23, 25, 29, 33...
27895GT	253, 255, 257	40477GT	233, 235, 237	45546GT	193, 197, 201, 205, 209 213

<u>Part no.</u>	<u>Page Number</u>	<u>Part no.</u>	<u>Page Number</u>	<u>Part no.</u>	<u>Page Number</u>
46260GT	187	65990-SGT	189	78622GT	221, 223
46287GT	13, 15, 19, 27, 29, 33...	66055GT	171, 173, 175, 177, 181 183	78736GT	91, 95, 173, 177, 183
47098GT	189	66169GT	267	79140GT	163, 165
47163GT	187	66170GT	267	79156GT	267
47166GT	187	66171GT	267	81579GT	247, 251
47225GT	187	66204GT	123, 127, 131 195, 199, 203, 207, 211 215	82052-SGT	187
47231GT	189	66353GT	195, 199, 203, 207, 211 215	82053-SGT	189
47232GT	91, 95, 105, 109	66355GT	195, 199, 203, 207, 211 215	82160GT	15, 19, 29, 33, 43, 47
47238GT	105, 109	66356GT	239, 243	82161GT	15, 19, 29, 33, 43, 47
47374GT	189, 191	66389GT	239, 243	82366GT	15, 19, 29, 33, 43, 47
47946GT	91, 95 193, 197, 201, 205, 209 213	66397GT	163, 165	82473GT	57, 59, 69, 71, 81, 83
48282GT	225	66399GT	11	82474GT	55, 57, 59, 67, 69, 71...
48880GT	225	66465GT	233, 235, 237	82476GT	55, 57, 59, 67, 69, 71...
48997GT	225	66472GT	267	82481GT	55, 67, 79
49612GT	225	66512GT	189	82482GT	57, 59, 69, 71, 81, 83
49613GT	11, 225	66544GT	189	82487GT	57, 59, 61, 63, 65, 69...
49812GT	231	66717GT	115, 117, 163, 165	82495GT	55, 67, 79
50793GT	259, 261, 263	66765-3000GT	239, 243	82497GT	87, 89
51063GT	137	66770GT	91, 95	82557GT	23, 25, 37, 39, 51, 53
51152GT	243	66812GT	137, 217	82558GT	15, 19, 29, 33, 43, 47
51474GT	169	66817GT	137, 217	82559GT	15, 19, 29, 33, 43, 47
52475GT	13, 15, 19, 27, 29, 33...	66920GT	189	82560GT	57, 59, 69, 71, 81, 83
55010GT	119, 121	66923GT	189	82561GT	13, 15, 19, 27, 29, 33...
55355GT	111	69229GT	259, 261, 263	82562GT	55, 57, 59, 67, 69, 71...
55558GT	237	72086GT	13, 15, 19, 27, 29, 33...	82657GT	13, 27, 41
55560GT	233, 235, 237	72143GT	15, 19, 29, 33, 43, 47...	82703GT	13, 15, 19, 55, 57, 59
55675GT	115, 117, 123, 127, 131 135, 199, 203, 207, 211 215	72326GT	105, 109, 217, 247, 251	82704GT	27, 29, 33, 67, 69, 71
55906GT	231	72853GT	15, 19, 29, 33, 43, 47	82705GT	41, 43, 47, 79, 81, 83
55921GT	231	72878GT	267	82710GT	23, 25
56912GT	105, 109, 135, 265, 275 139, 143, 147, 151, 155 159	72970GT	13, 27, 41	82726GT	37, 39
56926GT	193, 197, 201, 205, 209 213	72998GT	15, 19, 29, 33, 43, 47	82727GT	51, 53
57075GT	171, 175	72999GT	15, 19, 29, 33, 43, 47 193, 197, 201, 205, 209 213	82728GT	23
58000GT	183	74006GT	115, 139, 147, 155	82729GT	37
58001GT	91, 95, 173, 177, 183	74267GT	115, 117	82730GT	51
58592GT	137	76502GT	225	82731GT	61
58627GT	23, 25, 61, 63, 65	77709GT	231	82732GT	73
62056GT	37, 39, 73, 75, 77	78006GT	187	82733GT	85
62057GT	51, 53, 85, 87, 89	78022GT	189	82734GT	61
62058GT	259, 261, 263	78038GT	111	82735GT	73
65439GT	259, 261, 263	78086GT	167, 221, 223	82736GT	85
65721GT	225, 227	78422GT	11, 123, 127, 131	82905GT	63, 65, 75, 77
65962GT		78546GT		83093GT	135

<u>Part no.</u>	<u>Page Number</u>	<u>Part no.</u>	<u>Page Number</u>	<u>Part no.</u>	<u>Page Number</u>
84384GT	225	96570GT	101, 103	96883GT	243
84385GT	225, 227	96572GT	93, 97	96885GT	239, 243
84386GT	225	96573GT	91, 95	96887GT	99, 101, 103
84422GT	233, 235, 237	96574GT	91, 95	96895GT	99
84574GT	111	96595GT	169	96899GT	171, 177, 183
84587GT	187	96601GT	173, 177, 183	96900GT	171, 175, 185
84696GT	171	96603GT	173, 177, 183	96932GT	171, 175, 181
84698GT	175	96605GT	171, 177, 181	96948GT	105, 109, 113
84739GT	229	96606GT	171	96950GT	265
84740GT	229	96608GT	185	96971GT	181
84742GT	229	96611GT	171, 181	96990-SGT	255
84743GT	229	96615GT	175	96991-SGT	257
84746GT	229	96616GT	175	97059GT	119, 121
84747GT	169	96637GT	111	97128GT	105, 109, 113
84748GT	229	96638GT	111	97130GT	233, 235, 237
85239GT	135	96639GT	111	97233GT	171
96008-SGT	135	96642GT	111	97234GT	173, 177, 183
96009GT	135	96643GT	111	97241GT	169
96010GT	135	96661GT	173, 185	97242GT	187
96085GT	111	96662GT	173, 177, 183	97243GT	175
96110GT	163, 165	96663GT	185	97244GT	175
96130GT	175	96699GT	123, 127, 133, 249, 251	97245GT	181
96200GT	189	96700GT	181	97246GT	181
96236GT	195, 199, 203, 207, 211 215	96709GT	123, 127, 133	97258GT	189
96246GT	189	96719GT	191	97259GT	191
96257GT	221, 223	96731-SGT	253	97260GT	191
96304GT	163, 165	96735GT	173, 177, 185	97263GT	191
96306GT	163, 165	96744GT	239, 243	97264GT	191
96309GT	139, 143, 147, 151, 155 159	96749GT	239, 243	97267GT	91, 95
96348GT	239, 243	96750GT	239, 243	97409GT	225
96354GT	123, 241, 245	96760GT	187	97662GT	53
96355GT	123, 241, 245	96770GT	233, 235, 237	97663GT	25, 39
96363GT	249	96812GT	179, 183	97719GT	57, 59, 69, 71, 81, 83
96398GT	239, 243	96836GT	173, 177, 181	100810GT	267
96408GT	111	96839GT	111	104804GT	189
96413GT	187	96855GT	123, 127, 133	105029GT	173, 177, 183
96417GT	221	96862GT	173, 177, 183	105030GT	171
96419GT	221, 223	96870GT	105	105031GT	175
96452GT	135	96876GT	101, 103	105046GT	239, 243
96487GT	175	96880GT	243	105060GT	113
96541GT	111	96881GT	239, 243	105067GT	229
96542GT	253, 255, 257	96882GT	239, 243	105069GT	111

Part no.	Page Number	Part no.	Page Number	Part no.	Page Number
105074GT	173, 177, 183	105578GT	239, 243	144009GT	259, 261, 263
105090GT	195, 199, 203, 207, 211, 215	105580GT	239, 243	144011GT	259, 261, 263
105117GT	193, 197, 201, 205, 209, 213	105732GT	135	144130GT	119
105118GT	193, 197, 201, 205, 209, 213	105733GT	135	144161GT	193, 197, 201, 205, 209, 213
105129GT	265	105734GT	135	144180GT	119, 121
105150GT	115, 117	105736GT	107, 109	144215GT	141, 145, 149, 153, 157, 161
105156GT	111	105739GT	119, 121	144226GT	105
105186GT	173, 177, 183	105759GT	135	150104GT	225
105187GT	181	105797GT	247	161975GT	275
105188GT	181	105801GT	239, 243	161977GT	275
105189GT	171, 175, 181	105803GT	239, 243	161981GT	275
105190GT	171, 179, 181	105812GT	193, 197, 201, 205, 209, 213	214544GT	219
105191GT	171, 177, 181	105947GT	225	218579GT	141, 145, 149, 153, 157, 161
105192GT	181	105971GT	259, 261, 263	219480GT	119, 121
105193GT	171, 175, 181	105973GT	259	226163GT	123, 127, 131
105214GT	139, 143, 147, 151, 155, 159	105974GT	261	228406GT	105
105246GT	241, 245	105975GT	263	228938GT	63, 65
105308GT	123	114334GT	57, 59, 69, 71, 81, 83	228939GT	75, 77
105334GT	119, 121	114337GT	55, 67, 79	228940GT	87, 89
105448GT	195, 199, 203, 207, 211, 215	114338GT	61, 63, 65, 73, 75, 77...	229086GT	219
105454GT	91, 95, 99, 101, 103	114360GT	13, 27, 41	229087GT	219
105463GT	225	114361GT	13, 27, 41, 55, 67, 79	229088GT	219
105467GT	115	114370GT	55, 67, 79	229089GT	219
105478GT	233, 235, 237	114372GT	55, 57, 59, 67, 69, 71...	229090GT	219
105479GT	233, 235, 237	114385GT	13, 15, 19, 27, 29, 33...	229091GT	219
105481GT	233, 235, 237	114386GT	23, 25, 37, 39, 51, 53	229092GT	219
105483-SGT	193, 195, 197, 199, 201, 203	115114GT	181	229093GT	219
105544GT	233	122994GT	135	229094GT	219
105545GT	235, 237	124576GT	269	229097GT	219
105546GT	237	128118GT	105, 109	229146GT	275
105547GT	221, 223	130011GT	245	229750GT	139, 143, 147, 151, 155, 159
105549GT	233, 235, 237	133276GT	15, 19, 29, 33, 43, 47	229845GT	217
105550GT	221, 223	133596GT	23, 25, 37, 39, 51, 53	230364GT	91, 95
105553GT	221, 223	137562GT	135	231114GT	123, 127, 131
105554GT	221, 223	137587GT	217	231167GT	123, 127, 131
105555GT	221, 223	137605GT	23, 25, 37, 39, 51, 53...	231868GT	271
105556GT	247, 251	137634GT	219	231921GT	141, 145, 149, 153, 157, 161
105557GT	247, 251	137637GT	135, 217	231922GT	141, 145, 149, 153, 157, 161
105564GT	237	137640GT	217	231931GT	247
105565GT	93, 97	137656GT	23, 25, 37, 39, 51, 53...	232531GT	115
105574GT	167	137668GT	135	232534GT	125, 129, 133
105577GT	239, 243	137699GT	217	232576GT	163, 165

<u>Part no.</u>	<u>Page Number</u>	<u>Part no.</u>	<u>Page Number</u>	<u>Part no.</u>	<u>Page Number</u>
232578GT	163, 165	824216GT	105, 109, 135	1256856GT	189
232582GT	163, 165	825019GT	173, 177, 183	1256863GT	115, 117
233050GT	141, 145	825020GT	171, 175, 181	1257054GT	163, 165
233051GT	149, 153	825349GT	115, 117	1257055GT	163, 165
233052GT	157, 161	825358GT	111, 187	1257056GT	163, 165
233053GT	139, 143, 147, 151, 159	825796GT	171, 175, 183	1257057GT	163, 165
233054GT	139, 143, 147, 151, 159	1251757GT	275	1257188GT	23, 37, 51
233055GT	155, 159	1251805GT	269	1257190GT	25, 39, 53
233371GT	163, 165	1251806GT	269	1257227GT	271
233379GT	125	1251807GT	269	1257296GT	275
233430GT	139, 143, 147, 151, 151, 159	1251808GT	269	1257733GT	11
233644GT	141, 143, 149, 153, 157, 161	1251809GT	269	1257824GT	139, 143, 147, 151, 155, 159
233711GT	139, 141, 143, 145, 147, 149	1251812GT	269	1257840GT	123, 129, 133
234168GT	155, 159	1251813GT	269	1257909GT	107, 109
235463GT	219	1251827GT	269	1257923GT	23, 25, 37, 39, 51, 53...
235464GT	217	1251997GT	91, 95, 99, 101, 103, 169	1258187GT	105, 109, 275
236837GT	231	1252764GT	135	1258567GT	11
237086GT	225, 245	1252977GT	187	1258676GT	97
237455GT	233, 235, 237	1253478GT	187	1258731GT	217
237565GT	171, 177, 183	1253485GT	189	1259177GT	111
823368GT	105, 109	1255757GT	91, 95, 111, 169	1259178GT	111
824024GT	167	1255758GT	113, 187	1259180GT	111
824025GT	113, 171, 175, 183	1255797GT	93	1259181GT	187
824027GT	91, 95, 105, 109, 115, 117	1255805GT	115, 117	1259182GT	187
824029GT	91, 95, 111, 169, 173, 177	1256109GT	91, 95	1259192GT	93, 97
824038GT	111, 187	1256115GT	99, 101, 103, 169	1259193GT	91, 95
824063GT	105, 109	1256123GT	91, 95	1259194GT	91, 95
824068GT	275	1256127GT	171, 175, 181	1259195GT	91, 95
824078GT	123, 129, 133, 191, 265, 275	1256177GT	113	1259197GT	111
824080GT	123, 127, 131, 171, 175, 181	1256287GT	91, 95, 99, 101, 103	1259201GT	173, 177, 183
824089GT	271	1256463GT	123, 129, 133	1259223GT	187
824090GT	247, 251	1256467GT	173, 177, 183, 271	1259686GT	111
824092GT	173, 177, 183	1256656GT	217	1260386GT	247, 251
824094GT	187	1256679GT	93, 97, 171, 175, 181	1260926GT	189
824113GT	123, 129, 133, 189	1256702GT	23, 25, 37, 39, 51, 53...	1260941GT	171, 175, 183
824120GT	91, 95	1256719GT	135	1260962GT	183
824124GT	105, 109, 115, 117, 123, 127	1256721GT	135	1260963GT	171, 177
824128GT	91, 95, 111	1256725GT	217	1260984GT	135
824151GT	175	1256727GT	217	1261143GT	247, 251
824164GT	175	1256756GT	173, 177, 181	1261183GT	247, 251
824206GT	135	1256848GT	171, 175, 183	1261334GT	125
824215GT	247, 251	1256855GT	189	1261335GT	125

<u>Part no.</u>	<u>Page Number</u>	<u>Part no.</u>	<u>Page Number</u>	<u>Part no.</u>	<u>Page Number</u>
1261888GT	225	1278704GT	21, 35, 49, 59, 71, 83		
1262911GT	271	1279428GT	119, 121		
1263220GT	141, 145, 149, 153, 159, 161	1279627GT	273		
1263221GT	155, 159, 201, 205,	1280158GT	127, 131		
1263471GT	209, 213	1280665GT	193, 197, 201, 205, 209, 213		
1263542GT	59	1280819GT	21, 35, 49		
1263646GT	63, 65, 75, 77, 87, 89	1283213GT	137		
1264129GT	105, 109	1283768GT	273		
1264372GT	119, 121	1284268GT	189		
1264822GT	139, 143, 147, 151, 155, 159	1289520GT	105, 109		
1264834GT	139, 143, 147, 151, 155, 159	1289521GT	105, 109		
1264843GT	105	1289561GT	105, 109		
1265361GT	17, 21, 31, 35, 45, 49...	T106362GT	135		
1269086GT	271	T106363GT	135		
1269087GT	271	T106366GT	135		
1269107GT	271	T106370GT	217		
1270162GT	247, 251	T106372GT	135		
1270281GT	99, 101, 103, 119, 121, 115, 117, 139, 143, 147, 151	T106373GT	217		
1270456GT	147, 151	T107029GT	15, 19, 27, 41		
1270598GT	127, 131	T107031GT	15, 19, 29, 33, 43, 47		
1270662GT	247, 251	T108326GT	123, 127, 131		
1272121GT	119, 121	T108327GT	137		
1272242GT	13, 27, 41, 55, 67, 79	T108662GT	231		
1272557GT	119, 121	T108663GT	221, 223		
1272844GT	119, 121, 163	T109012GT	123, 127, 131, 141, 145, 149, 153, 157, 161		
1272991GT	115, 117	T110890GT	141, 143, 149, 151, 157, 161		
1273054GT	115, 117	T110891GT	105, 109		
1273055GT	99, 101, 103, 105, 109	T112507GT	195, 199, 203, 207, 211, 215		
1273576GT	119, 121, 163, 165	T112563GT	17, 21, 29, 33, 43, 47...		
1274167GT	247, 251	T112804GT	139, 143, 147, 151, 155, 159		
1274168GT	105, 109, 113, 247	T113136GT	275		
1274540GT	271	T113139GT	275		
1275722GT	247, 251	T113142GT	275		
1276561GT	127, 131	T113296GT	123, 127, 131		
1276562GT	127, 131	T113787GT	191		
1277958GT	119	T114031GT	139, 143, 147, 151, 155, 159		
1277959GT	119	T114082GT	275		
1277960GT	119	T114321GT	221, 223		
1277961GT	119	T114397GT	217		
1278008GT	65	T115429GT	275		
1278009GT	77				
1278010GT	89				

California Proposition 65

 **WARNING**

Operating, servicing and maintaining this equipment, passenger vehicle or off-highway motor vehicle can expose you to chemicals including engine exhaust, carbon monoxide, phthalates, and lead, which are known to the State of California to cause cancer and birth defects or other reproductive harm. These chemicals can be emitted from or contained in other various parts and systems, fluids and some component wear by-products. To minimize exposure, avoid breathing exhaust, do not idle the engine except as necessary, service your equipment and vehicle in a well-ventilated area and wear gloves or wash your hands frequently when servicing your equipment or vehicle and after operation. For more information go to www.P65Warnings.ca.gov/passenger-vehicle.

Breathing diesel engine exhaust exposes you to chemicals known to the State of California to cause cancer and birth defects or other reproductive harm.

- Always start and operate the engine in a well-ventilated area.
- If in an enclosed area, vent the exhaust to the outside.
- Do not modify or tamper with the exhaust system.
- Do not idle the engine except as necessary.

For more information go to www.P65warnings.ca.gov/diesel.

Distributed By:

www.GSPOutlet.com to order your parts

PARTS FINDER

**Search Website
by Part Number**



**Search Manual
Library For Parts
Manual & Lookup Part
Numbers – Purchase
or Request Quote**

Search Manuals

Enter your information to help us find the right parts manual for your machine.

* Brand:

* Model:

* Serial:

* Part Number:

SEARCH

**Can't Find Part or
Manual? Request Help
by Manufacturer,
Model & Description**

Parts Order Form

Please fill in the following information to help us find the right part for your machine.

Manufacturer:	<input type="text"/>
Model:	<input type="text"/>
Description:	<input type="text"/>
Part Number:	<input type="text"/>
Quantity:	<input type="text"/>
Notes:	<input type="text"/>

Submit

Discount-Equipment.com is your online resource for quality parts & equipment.

Florida: **561-964-4949** Outside Florida TOLL FREE: **877-690-3101**

Need parts?

Click on this link: <http://www.discount-equipment.com/category/5443-parts/> and choose one of the options to help get the right parts and equipment you are looking for. Please have the machine model and serial number available in order to help us get you the correct parts. If you don't find the part on the website or on one of the online manuals, please fill out the request form and one of our experienced staff members will get back to you with a quote for the right part that your machine needs.

We sell worldwide for the brands: Genie, Terex, JLG, MultiQuip, Mikasa, Essick, Whiteman, Mayco, Toro Stone, Diamond Products, Generac Magnum, Airman, Haulotte, Barreto, Power Blanket, Nifty Lift, Atlas Copco, Chicago Pneumatic, Allmand, Miller Curber, Skyjack, Lull, Skytrak, Tsurumi, Husquvarna Target, Stow, Wacker, Sakai, Mi-T-M, Sullair, Basic, Dynapac, MBW, Weber, Bartell, Bennar Newman, Haulotte, Ditch Runner, Menegotti, Morrison, Contec, Buddy, Crown, Edco, Wyco, Bomag, Laymor, EZ Trench, Bil-Jax, F.S. Curtis, Gehl Pavers, Heli, Honda, ICS/PowerGrit, IHI, Partner, Imer, Clipper, MMD, Koshin, Rice, CH&E, General Equipment, Amida, Coleman, NAC, Gradall, Square Shooter, Kent, Stanley, Tamco, Toku, Hatz, Kohler, Robin, Wisconsin, Northrock, Oztec, Toker TK, Rol-Air, APT, Wylie, Ingersoll Rand / Doosan, Innovatech, Con X, Ammann, Mecalac, Makinex, Smith Surface Prep, Small Line, Wanco, Yanmar