



A TEREX BRAND



Parts Manual

Serial Number Range

GS-2046

from SN GS4613D-101 to
GS4616D-5029

GS-2646

from SN GS46D-5030 to
GS46D-9637

GS-3246

Part No. 1267431GT

Rev A7

November 2018

Go to Discount-Equipment.com to order your parts

PARTS FINDER

**Search Website
by Part Number**



**Search Manual
Library For Parts
Manual & Lookup Part
Numbers – Purchase
or Request Quote**

Search Manuals

Enter your information to help us find the right parts manual for your machine.

* Brand:

* Model:

* Serial:

* Part Number:

SEARCH

**Can't Find Part or
Manual? Request Help
by Manufacturer,
Model & Description**

Parts Order Form

Please fill in the following information to help us find the right part for your machine.

Manufacturer:	<input type="text"/>
Model:	<input type="text"/>
Description:	<input type="text"/>
Part Number:	<input type="text"/>
Quantity:	<input type="text"/>
Notes:	<input type="text"/>
Submit	<input type="button" value="Submit"/>

Discount-Equipment.com is your online resource for quality parts & equipment.

Florida: **561-964-4949** Outside Florida TOLL FREE: **877-690-3101**

Need parts?

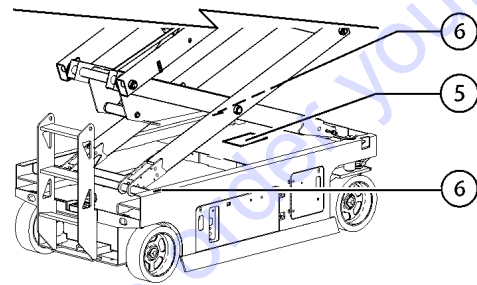
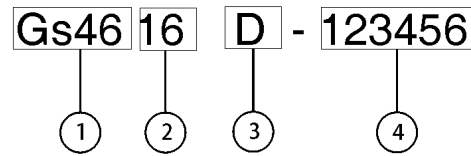
Click on this link: <http://www.discount-equipment.com/category/5443-parts/> and choose one of the options to help get the right parts and equipment you are looking for. Please have the machine model and serial number available in order to help us get you the correct parts. If you don't find the part on the website or on one of the online manuals, please fill out the request form and one of our experienced staff members will get back to you with a quote for the right part that your machine needs.

We sell worldwide for the brands: Genie, Terex, JLG, MultiQuip, Mikasa, Essick, Whiteman, Mayco, Toro Stone, Diamond Products, Generac Magnum, Airman, Haulotte, Barreto, Power Blanket, Nifty Lift, Atlas Copco, Chicago Pneumatic, Allmand, Miller Curber, Skyjack, Lull, Skytrak, Tsurumi, Husquvarna Target, Stow, Wacker, Sakai, Mi-T-M, Sullair, Basic, Dynapac, MBW, Weber, Bartell, Bennar Newman, Haulotte, Ditch Runner, Menegotti, Morrison, Contec, Buddy, Crown, Edco, Wyco, Bomag, Laymor, EZ Trench, Bil-Jax, F.S. Curtis, Gehl Pavers, Heli, Honda, ICS/PowerGrit, IHI, Partner, Imer, Clipper, MMD, Koshin, Rice, CH&E, General Equipment, Amida, Coleman, NAC, Gradall, Square Shooter, Kent, Stanley, Tamco, Toku, Hatz, Kohler, Robin, Wisconsin, Northrock, Oztec, Toker TK, Rol-Air, APT, Wylie, Ingersoll Rand / Doosan, Innovatech, Con X, Ammann, Mecalac, Makinex, Smith Surface Prep, Small Line, Wanco, Yanmar

To August 31, 2016

Genie
A TEREX BRAND

Model:
Serial number: GS4616D-123456
Manufacture date: 1/2/16 **Model year:** 2016
Electrical schematic number:
Machine unladen weight:
Rated work load (including occupants):
Maximum number of platform occupants:
Maximum allowable inclination of the chassis:
Outrigger retracted:
Outrigger deployed:



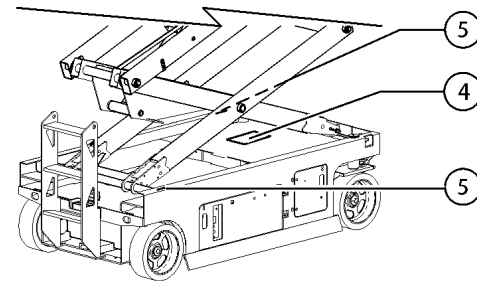
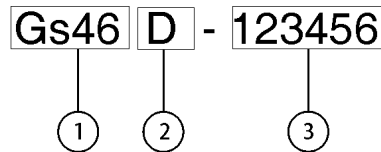
- 1 Model
- 2 Model year
- 3 Facility code

- 4 Sequence number
- 5 Serial label (located on chassis)
- 6 Serial number (stamped on chassis)

From September 1, 2016

Genie
A TEREX BRAND

Model:
Serial number: GS46D-123456
Year of manufacture: 2016
Electrical schematic number:
Machine unladen weight:
Rated work load (including occupants):
Maximum number of platform occupants:
Maximum allowable inclination of the chassis:
Outrigger retracted:
Outrigger deployed:



- 1 Model
- 2 Facility code
- 3 Sequence number

- 4 Serial label (located on chassis)
- 5 Serial number (stamped on chassis)

Table of Contents

This manual is updated frequently. For the most up-to-date parts information, visit www.discount-equipment.com

How to Read Your Serial Number.....	3
Parts Stocking List.....	7

Electronic Version

Click on any page number to view the figure.

001 Parts Stocking List

001.1 Parts Stocking List.....	10
--------------------------------	----

100 Decals

101.1 Word Decals, GS-2046, Battery Side, ANSI & Australia.....	12
102.1 Word Decals, GS-2046, Ground Control Side, ANSI and Australia.....	14
103.1 Word Decals, GS-2046, Platform, ANSI.....	16
104.1 Word Decals, GS-2046, Platform, Australia.....	18
105.1 Word Decals, GS-2646, Battery Side, ANSI & Australia.....	20
106.1 Word Decals, GS-2646, Ground Control Side, ANSI and Australia.....	22
107.1 Word Decals, GS-2646, Platform, ANSI.....	24
108.1 Word Decals, GS-2646, Platform, Australia.....	26
109.1 Word Decals, GS-3246, Battery Side, ANSI & Australia.....	28
110.1 Word Decals, GS-3246, Ground Control Side, ANSI and Australia.....	30
111.1 Word Decals, GS-3246, Platform, ANSI.....	32
112.1 Word Decals, GS-3246, Platform, Australia.....	34
113.1 Symbol Decals, GS-2046, Battery Side, ANSI & CE..	36
114.1 Symbol Decals, GS-2046, Ground Control Side, ANSI and CE.....	38
115.1 Symbol Decals, GS-2046, Platform, ANSI.....	40
116.1 Symbol Decals, GS-2046, Platform, CE.....	42
117.1 Symbol Decals, GS-2646, Battery Side, ANSI & CE..	44
118.1 Symbol Decals, GS-2646, Ground Control Side, ANSI and CE.....	46
119.1 Symbol Decals, GS-2646, Platform, ANSI.....	48
120.1 Symbol Decals, GS-2646, Platform, CE.....	50

121.1 Symbol Decals, GS-3246, Battery Side, ANSI & CE..	52
122.1 Symbol Decals, GS-3246, Ground Control Side, ANSI and CE.....	54
123.1 Symbol Decals, GS-3246, Platform, ANSI.....	56
124.1 Symbol Decals, GS-3246, Platform, CE.....	58

200 Drive Chassis Components

201.1 Steer Linkage and Wheels.....	60
202.1 Non-steer Axle Installation.....	62
203.1 Level Sensor Installation.....	64
204.1 Pothole Protection Assembly.....	66
205.1 Battery Pack Module.....	68
206.1 Battery Charger.....	70
207.1 Power Unit Module.....	72
208.1 Ground Controls.....	74
209.1 Electrical Wiring.....	76
210.1 Power Cables.....	78
211.1 Function Manifold and Accumulator Components,.....	80

300 Scissor Components

301.1 Scissor Assembly Installation.....	82
302.1 Scissor Assembly, GS-2046.....	84
303.1 Scissor Assembly, GS-2646.....	86
304.1 Scissor Assembly, GS-3246.....	88

400 Platform Components

401.1 Platform Components.....	90
402.1 Power to Platform.....	92
403.1 Platform Controls.....	94
404.1 Joystick Controller.....	96

500 Hydraulic Components

501.1 Hydraulic Components.....	98
502.1 Function Manifold.....	100
503.1 Brake Release Hand Pump Manifold.....	102
504.1 Hydraulic Power Unit, All Models.....	104
505.1 Lift Cylinder Assembly, All Models.....	106
506.1 Hydraulic Hoses and Fittings.....	108

600 Accessories

601.1 Alarm, Horn and Flashing Beacons.....	110
602.1 Air Line to Platform.....	112
603.1 Platform Work Light.....	114
604.1 Voltage Inverter.....	116
605.1 Pipe Cradle Assembly.....	118
606.1 Panel Carrier Assembly, GS2046, GS-2646 (ANSI/CSA models).....	120

700 Platform Overload Components

701.1 Platform Overload.....122

Indices

Part Number Index.....124

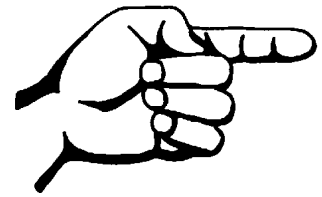
Part Description Index.....127

Cross References

Fittings Cross Reference.....132

Go to Discount-Equipment.com to order your parts

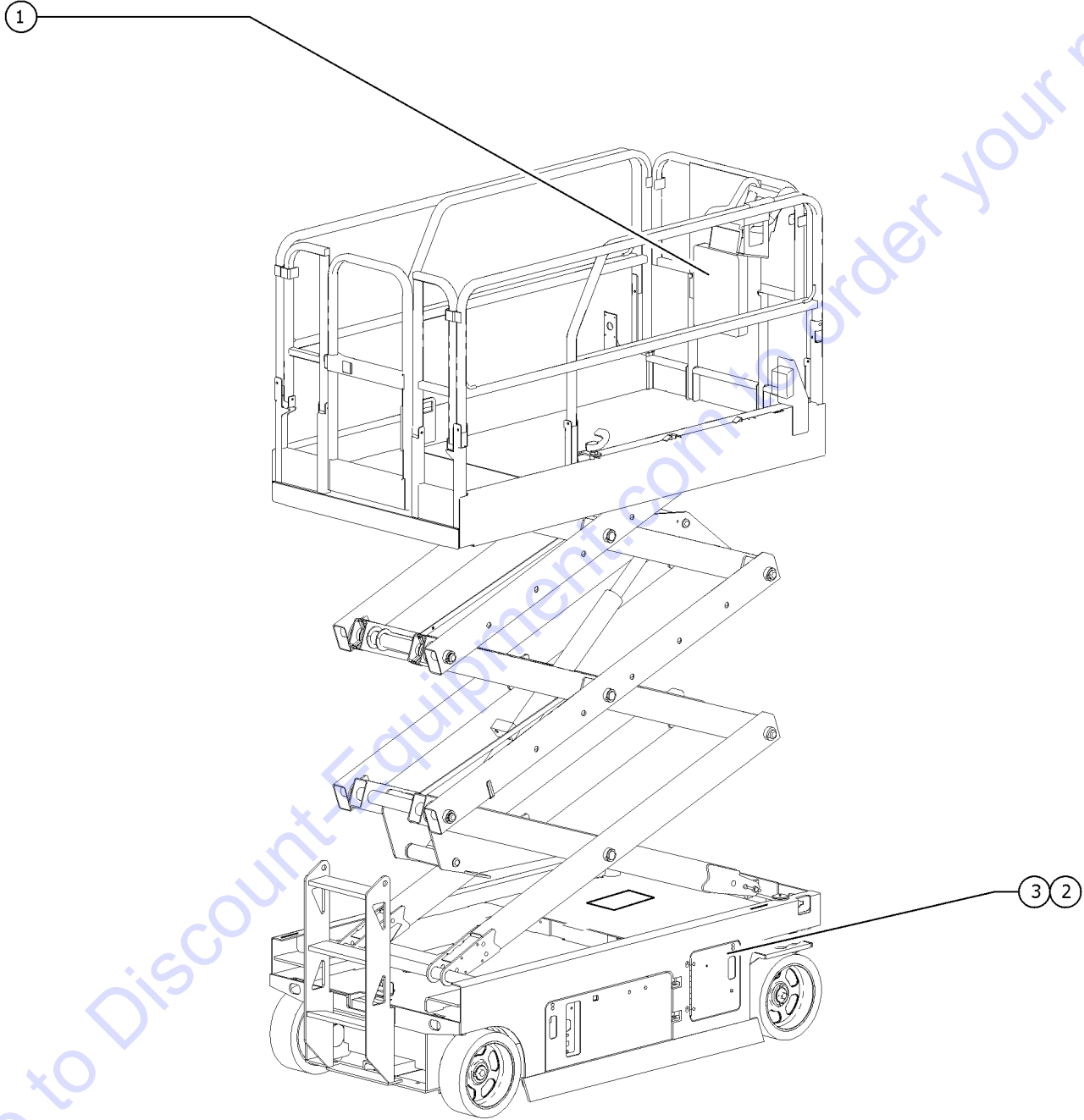
Please refer to section 001 for the Recommended Spare Parts List.



This page intentionally left blank.

Go to Discount-Equipment.com to order your parts

001.1 Parts Stocking List



Item	Part No.	Description	Qty.
A		— GENERAL SERVICE PARTS —	
--	66399GT	GREASE,DIELECTRIC 4 OZ**	
--		Ref. CHEVRON ULTRA-DUTY GREASE (LITHIUM), OR EQUIVALENT, EP NLGI 1 <i>(source locally)</i>	
--	1258567GT	PAINT, AEROSOL, TRAFFIC BLACK <i>12-ounce spray paint</i>	
--	1268GT	PAINT,AEROSOL,GENIE GRAY*** <i>12-ounce spray paint</i>	
--	1484GT	PAINT,AEROSOL,BRIGHT BLUE*** <i>12-ounce spray paint</i>	
--	1257733GT	PAINT,WET,TRAFFIC BLACK (1 GL)** <i>1-gallon</i>	
--	32150GT	PAINT,WET,GENIE BLUE (1 GL)** <i>1-gallon</i>	
--	32151GT	PAINT,WET,GENIE GRAY (1 GL)** <i>1-gallon</i>	
--	49613GT	PLUG AND CAP KIT-SERVICE,ORFS*	
1		— MANUALS —	
--	27581GT	MANUAL,AEM SAFETY	
--	44163GT	MANUAL,RESPON,A92.6 SCISSOR	
2		— HYD FILTERS —	
--	44788GT	FILTER ELEMENT,10MICRON,PAPER*	
3	78546GT	BREATHER CAP,HYD. TANK,1/4 NPT	

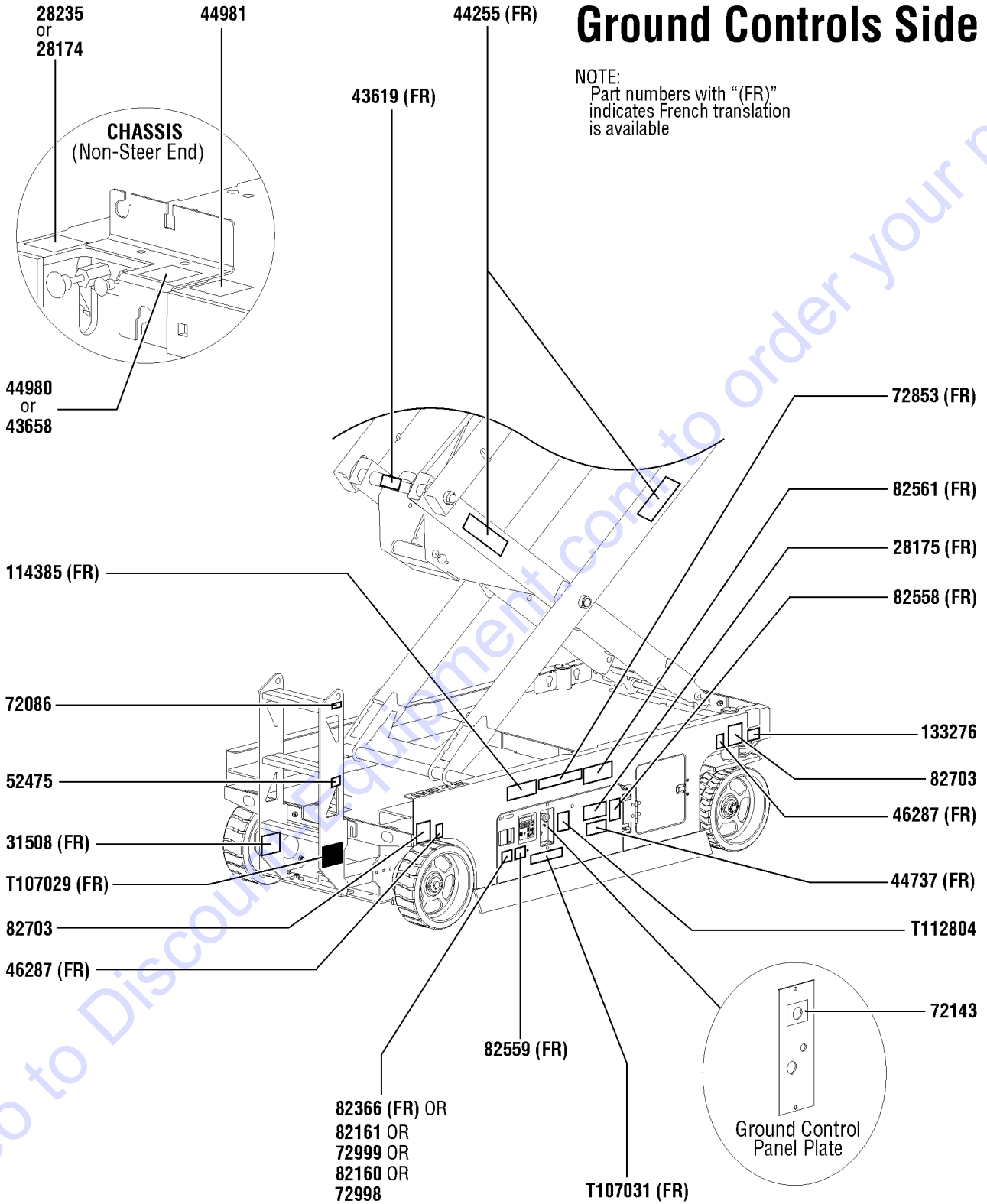
101.1 Word Decals, GS-2046, Battery Side, ANSI & Australia

Item	Part No.	Description	Qty.
1	31060GT	DECAL,DANGER DO NOT ALTER SWTC.....	1
2	31508GT	DECAL,DANGER,ELECT HAZARD,PLUG..... <i>(Australia models only)</i>	1
3	31788GT	DECAL,DANGER,BATTERY SAFETY***.....	1
4	43658GT	DECAL,LABEL,PWR TO CHARGR 230V..... <i>(Australia models only)</i>	1
5	44255GT	DECAL,DANGER,CRUSHING HAZARD.....	2
6	44737GT	DECAL DANGER TIP OVER TRAYS.....	1
7	44980GT	DECAL,LABEL,PWR TO CHARGR 115V..... <i>(Australia models only)</i>	1
8	46287GT	DECAL,LABEL-TIRE SPECS.....	2
9	52475GT	DECAL,LABEL,TRANSPORT TIEDOWN*.....	4
10	72086GT	DECAL,LABEL,LIFTING EYE.....	3
11	72970GT	DECAL,INSTRUCTIONS-CHARGER OP.....	1
12	82561GT	DECAL,DANGER-USE SAFETY ARM.....	1
13	82657GT	DECAL,INSTRUCT,BATTERY CONNECT.....	1
14	82703GT	DECAL,LABEL,WHEEL LOAD 2046.....	2
15	114360GT	DECAL,DANGER-TIP-OVER,BATT.....	1
16	114361GT	DECAL,LABEL-TRANSPORT DIGRAM.....	2
17	114385GT	DECAL,DANGER,ELEC HAZARD,GS.....	1

102.1 Word Decals, GS-2046, Ground Control Side, ANSI and Australia

Ground Controls Side

NOTE:
Part numbers with "(FR)" indicates French translation is available

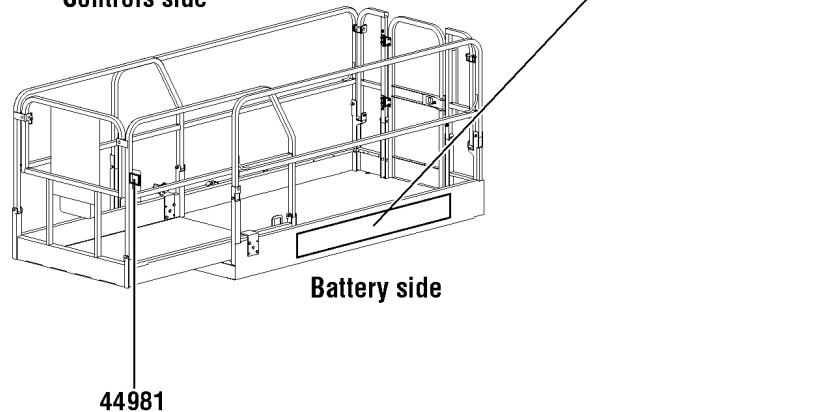
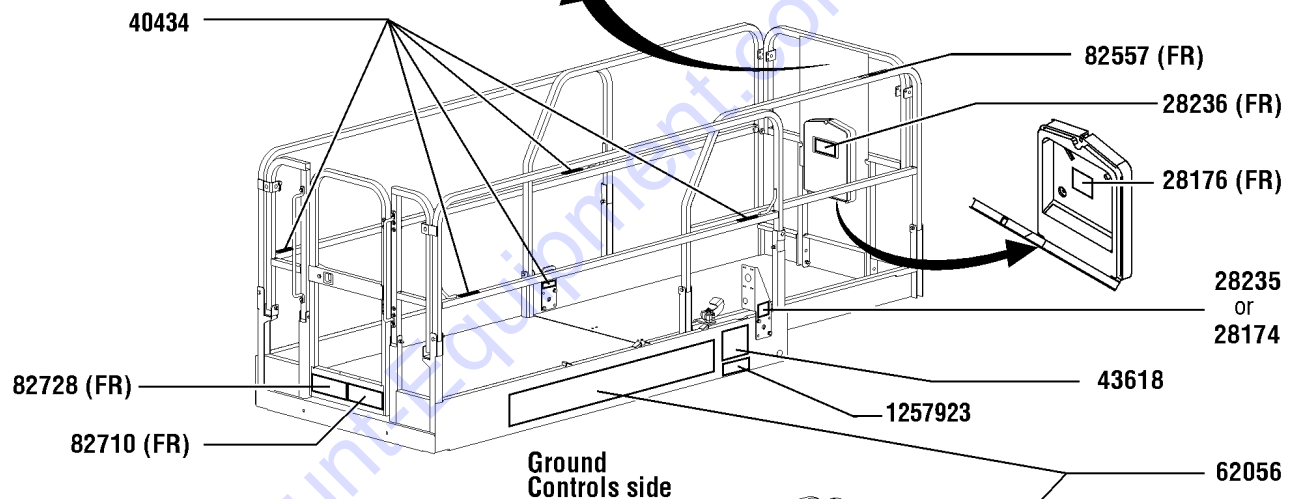
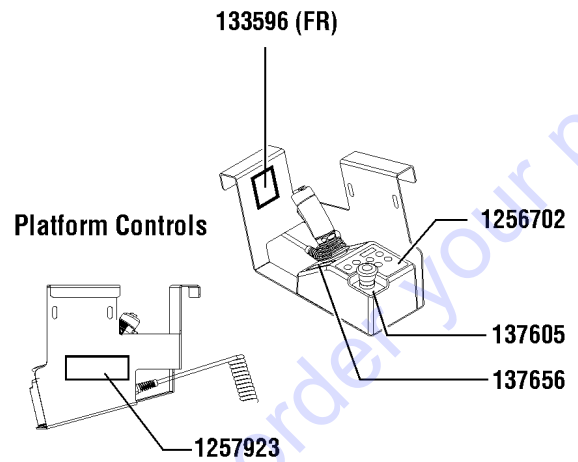
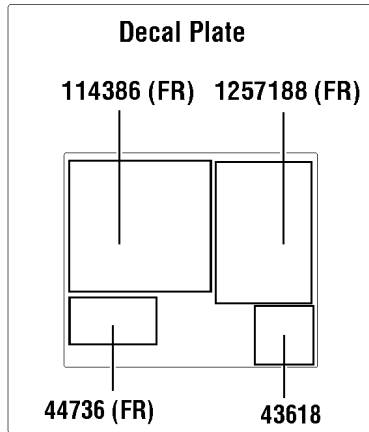


102.1 Word Decals, GS-2046, Ground Control Side, ANSI and Australia

Item	Part No.	Description	Qty.	Item	Part No.	Description	Qty.
1	28174GT	DECAL, POWER TO PLATFORM 230V**.....	1	27	T107029GT	DECAL,DANGER,BRAKE REL SAFETY.....	1
2	28175GT	DECAL,WARNING-COMPART ACCESS.....	1	28	T107031GT	DECAL,OP INST,GCON.....	1
3	28235GT	DECAL,POWER TO PLATFORM 115V...1		29	T112804GT	DECAL,GCON PANEL,GS.....	1
4	31508GT	DECAL,DANGER,ELECT HAZARD,PLUG..... (ANSI models)	1				
5	43619GT	DECAL,LABEL,SAFETY ARM.....	1				
6	43658GT	DECAL,LABEL,PWR TO CHARGR 230V..... (ANSI models)	1				
7	44255GT	DECAL,DANGER,CRUSHING HAZARD.....	2				
8	44737GT	DECAL DANGER TIP OVER TRAYS.....	1				
9	44980GT	DECAL,LABEL,PWR TO CHARGR 115V..... (ANSI models)	1				
10	44981GT	DECAL,LABEL, AIR LINE 110 PSI..... (Option)	1				
11	46287GT	DECAL,LABEL-TIRE SPECS.....	2				
12	52475GT	DECAL,LABEL,TRANSPORT TIEDOWN*.....	1				
13	72086GT	DECAL,LABEL,LIFTING EYE.....	1				
14	72143GT	DECAL,EMERGENCY STOP,GR.....	1				
15	72853GT	DECAL,DANGER,IMPROPER USE HAZ.....	1				
16	72998GT	DECAL,LABEL,QUINTOLUBRIK..... (models with Quintolub hydraulic oil)	1				
17	72999GT	DECAL,LABEL,PETRO CANADA***..... (For models with Petro Canada hydraulic oil only)	1				
18	82160GT	DECAL,LABEL,STATOIL HYDRA WAY..... (For models with Statoil hydraulic oil only)	1				
19	82161GT	DECAL,LABEL,UCON HYDROLUBE..... (For models with Ucon Hydrolube hydraulic oil only)	1				
20	82366GT	DECAL,CHEVRON RANDO HD..... (For models with Chevron Rando hydraulic oil only)	1				
21	82558GT	DECAL,WARN,SKIN INJECTION HAZ*.....	1				
22	82559GT	DECAL,INSTRUCT-ANNUAL INSP REQ.....	1				
23	82561GT	DECAL,DANGER-USE SAFETY ARM....	1				
24	82703GT	DECAL,LABEL,WHEEL LOAD 2046.....	2				
25	114385GT	DECAL,DANGER,ELEC HAZARD,GS....	1				
26	133276GT	DECAL,EMERGENCY LOWERING.....	1				

Platform, ANSI models

NOTE:
Part numbers with "(FR)"
indicates French translation
is available

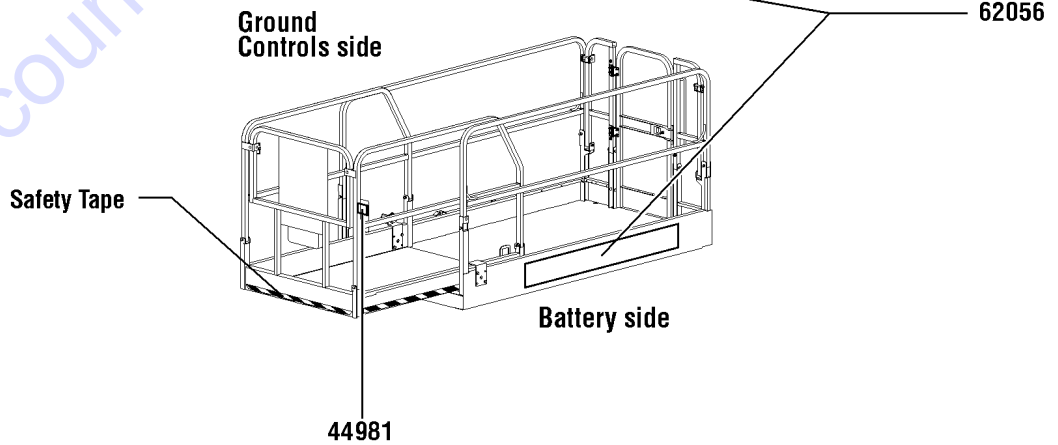
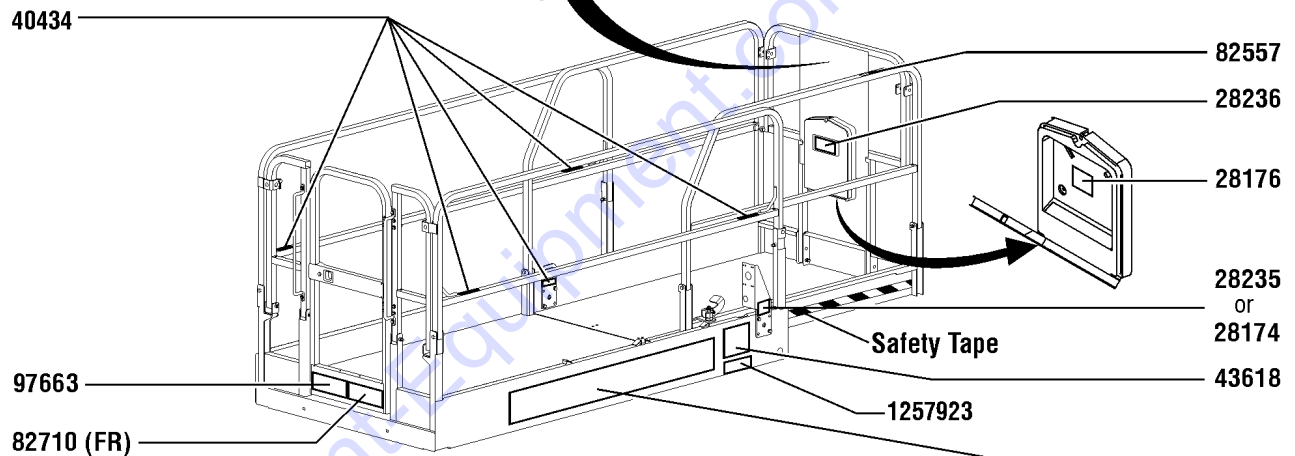
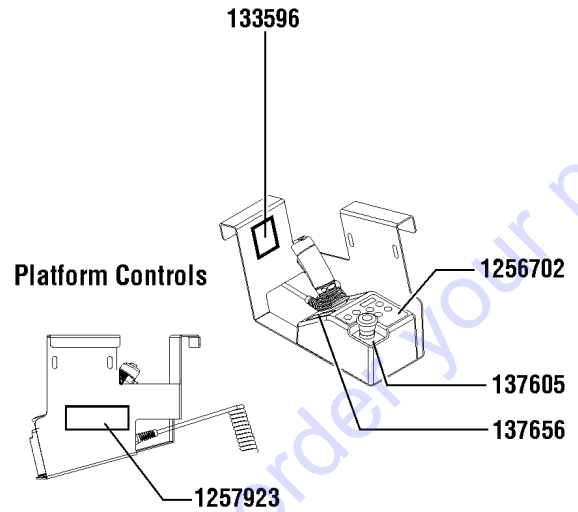
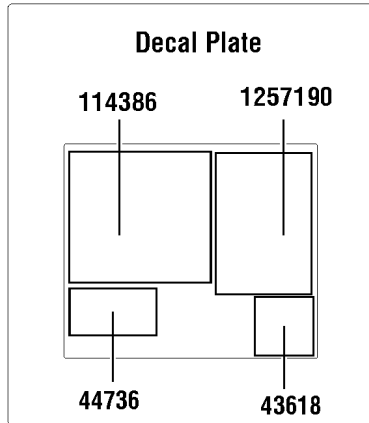


103.1 Word Decals, GS-2046, Platform, ANSI

Item	Part No.	Description	Qty.
1	28174GT	DECAL, POWER TO PLATFORM 230V**.....	1
2	28176GT	DECAL,LABEL,MANUAL NOT HERE.....	1
3	28235GT	DECAL,POWER TO PLATFORM 115V...1	1
4	28236GT	DECAL,WARN,IMPROPER OPERATION.....	1
5	40434GT	DECAL,LANYARD ANCHORAGE POINT.....	5
6	43618GT	DECAL, LABEL - DIRECTION ARROWS.....	2
7	44736GT	DECAL,DANGER,TIP-OVER,TILT.....	1
8	44981GT	DECAL,LABEL, AIR LINE 110 PSI..... (Option)	1
9	62056GT	DECAL,COSMETIC,GENIE GS-2046**...2	2
10	82557GT	DECAL,LABEL,PLAT CONT LOCATION.....	1
11	82710GT	DECAL,INSTR-MAX CAP 1200LBS..... GS-2046	1
12	82728GT	DECAL,INSTR-SIDE FRC,ANSI 2046.....	1
13	114386GT	DECAL,DANGER-GEN SAFETY.....	1
14	133596GT	DECAL,LABEL,FAULT CODES.....	1
15	137605GT	DECAL,E-STOP,GR/GRC/GS PCON.....	1
16	137656GT	DECAL,PROPEL,GR/GRC/GS,PCON.....	1
17	1256702GT	DECAL, UI, GS/GR, PROP LIFT.....	1
18	1257188GT	DECAL,OP INST,PLAT,GS46 ANSI.....	1
19	1257923GT	DECAL, SMARTLINK PROPORTIONAL.....	2

Platform, Australia models

NOTE:
Part numbers with "(FR)"
indicates French translation
is available



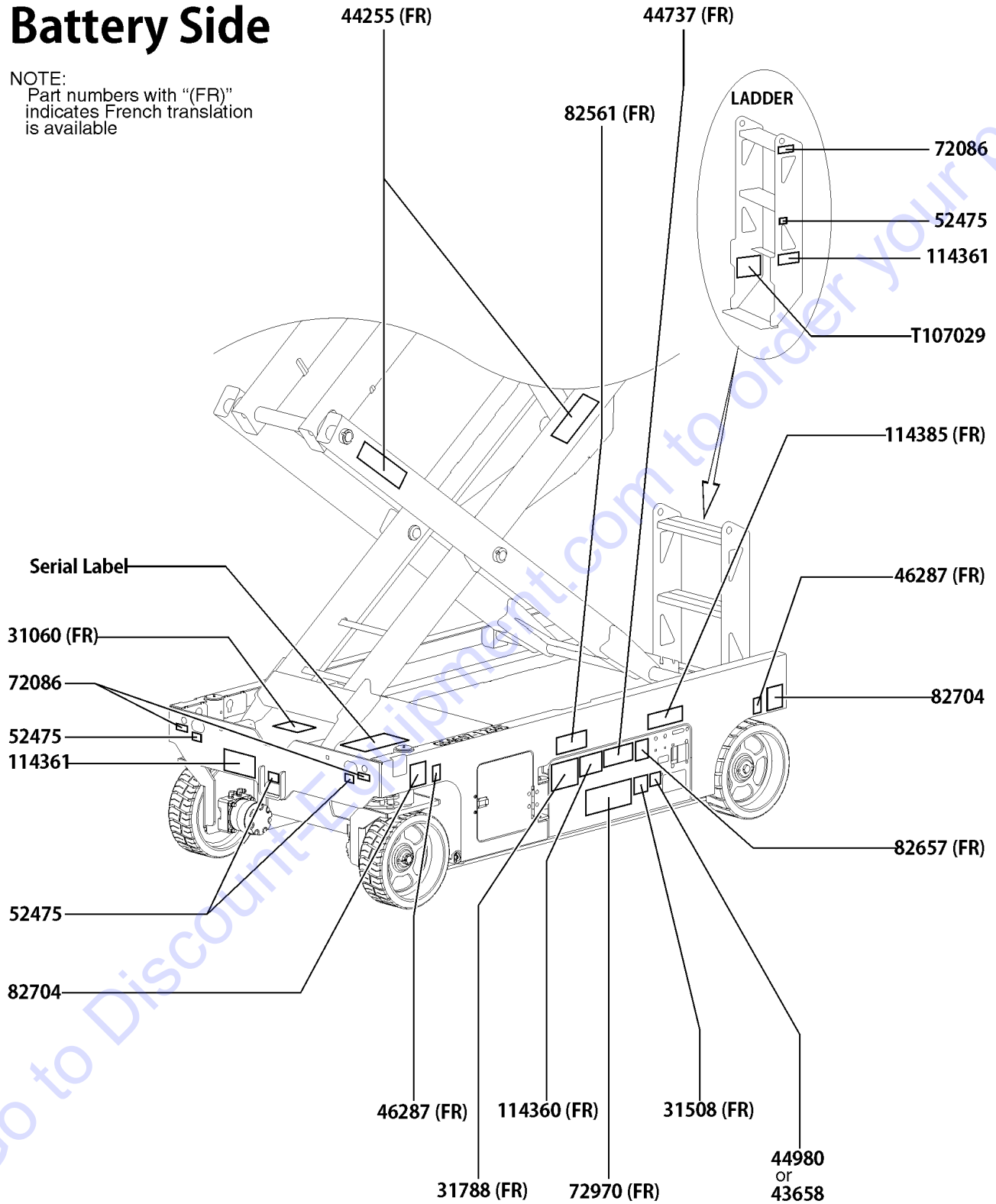
104.1 Word Decals, GS-2046, Platform, Australia

Item	Part No.	Description	Qty.
1	28174GT	DECAL, POWER TO PLATFORM 230V**.....	1
2	28176GT	DECAL,LABEL,MANUAL NOT HERE.....	1
3	28235GT	DECAL,POWER TO PLATFORM 115V...1	1
4	28236GT	DECAL,WARN,IMPROPER OPERATION.....	1
5	40434GT	DECAL,LANYARD ANCHORAGE POINT.....	5
6	43618GT	DECAL, LABEL - DIRECTION ARROWS.....	2
7	44736GT	DECAL,DANGER,TIP-OVER,TILT.....	1
8	44981GT	DECAL,LABEL, AIR LINE 110 PSI..... (Option)	1
9	62056GT	DECAL,COSMETIC,GENIE GS-2046**...2	2
10	82557GT	DECAL,LABEL,PLAT CONT LOCATION.....	1
11	82710GT	DECAL,INSTR-MAX CAP 1200LBS..... GS-2046	1
12	97663GT	DECAL,INSTR-MANUALFRC,AUS 400N..... GS-2046	1
13	114386GT	DECAL,DANGER-GEN SAFETY.....	1
14	133596GT	DECAL,LABEL,FAULT CODES.....	1
15	137605GT	DECAL,E-STOP,GR/GRC/GS PCON....	1
16	137656GT	DECAL,PROPEL,GR/GRC/GS,PCON....	1
17	1256702GT	DECAL, UI, GS/GR, PROP LIFT.....	1
18	1257190GT	DECAL,OP INST,PLAT,GS46,AUS.....	1
19	1257923GT	DECAL, SMARTLINK PROPORTIONAL.....	2

105.1 Word Decals, GS-2646, Battery Side, ANSI & Australia

Battery Side

NOTE:
Part numbers with "(FR)" indicates French translation is available



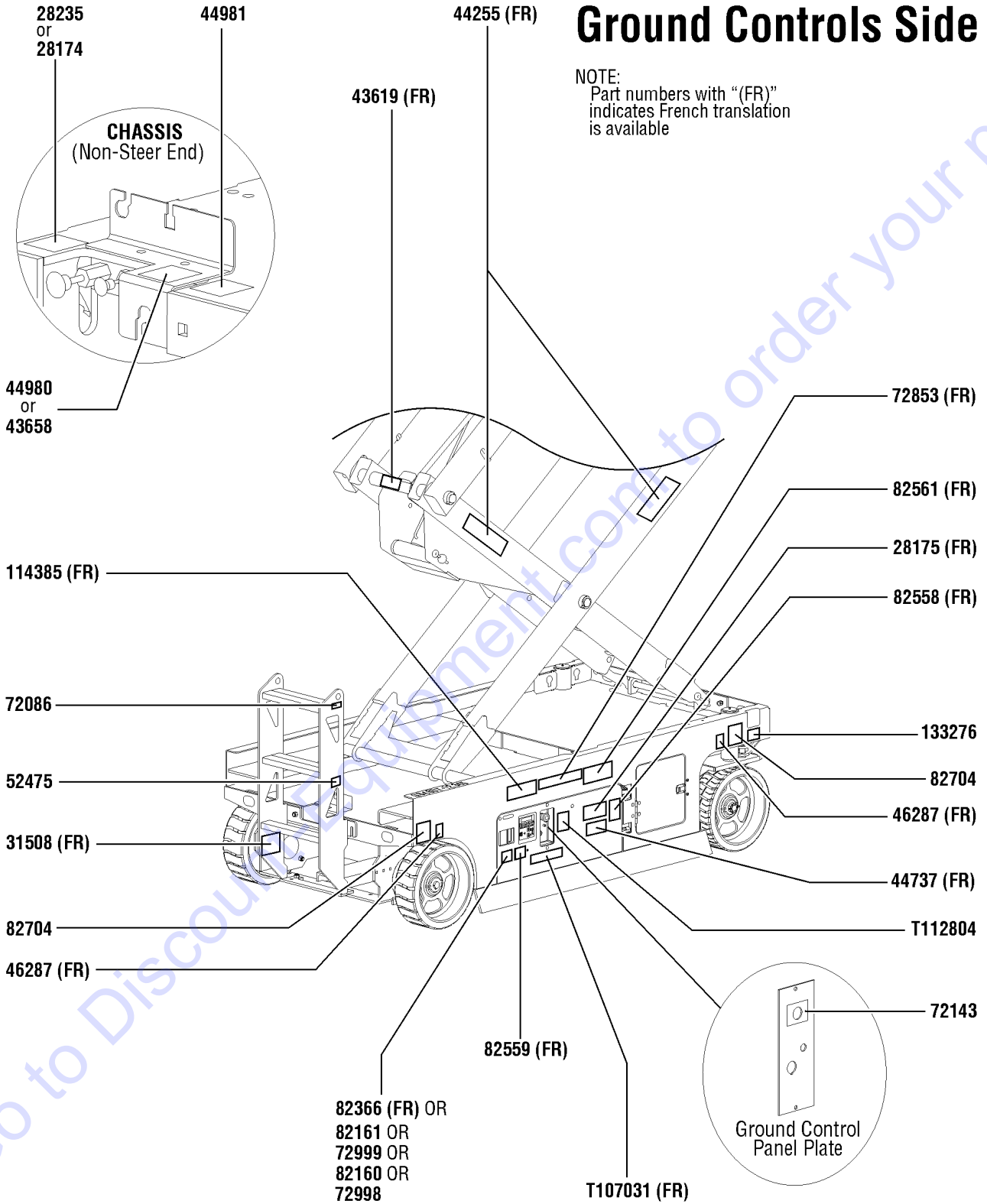
105.1 Word Decals, GS-2646, Battery Side, ANSI & Australia

Item	Part No.	Description	Qty.
1	31060GT	DECAL,DANGER DO NOT ALTER SWTC.....	1
2	31508GT	DECAL,DANGER,ELECT HAZARD,PLUG..... <i>(Australia models only)</i>	1
3	31788GT	DECAL,DANGER,BATTERY SAFETY***.....	1
4	43658GT	DECAL,LABEL,PWR TO CHARGR 230V..... <i>(Australia models only)</i>	1
5	44255GT	DECAL,DANGER,CRUSHING HAZARD.....	2
6	44737GT	DECAL DANGER TIP OVER TRAYS.....	1
7	44980GT	DECAL,LABEL,PWR TO CHARGR 115V..... <i>(Australia models only)</i>	1
8	46287GT	DECAL,LABEL-TIRE SPECS.....	2
9	52475GT	DECAL,LABEL,TRANSPORT TIEDOWN*.....	4
10	72086GT	DECAL,LABEL,LIFTING EYE.....	3
11	72970GT	DECAL,INSTRUCTIONS-CHARGER OP.....	1
12	82561GT	DECAL,DANGER-USE SAFETY ARM.....	1
13	82657GT	DECAL,INSTRUCT,BATTERY CONNECT.....	1
14	82704GT	DECAL,LABEL,WHEEL LOAD 2646.....	2
15	114360GT	DECAL,DANGER-TIP-OVER,BATT.....	1
16	114361GT	DECAL,LABEL-TRANSPORT DIGRAM.....	2
17	114385GT	DECAL,DANGER,ELEC HAZARD,GS.....	1
18	T107029GT	DECAL,DANGER,BRAKE REL SAFETY.....	1

106.1 Word Decals, GS-2646, Ground Control Side, ANSI and Australia

Ground Controls Side

NOTE:
Part numbers with "(FR)" indicates French translation is available

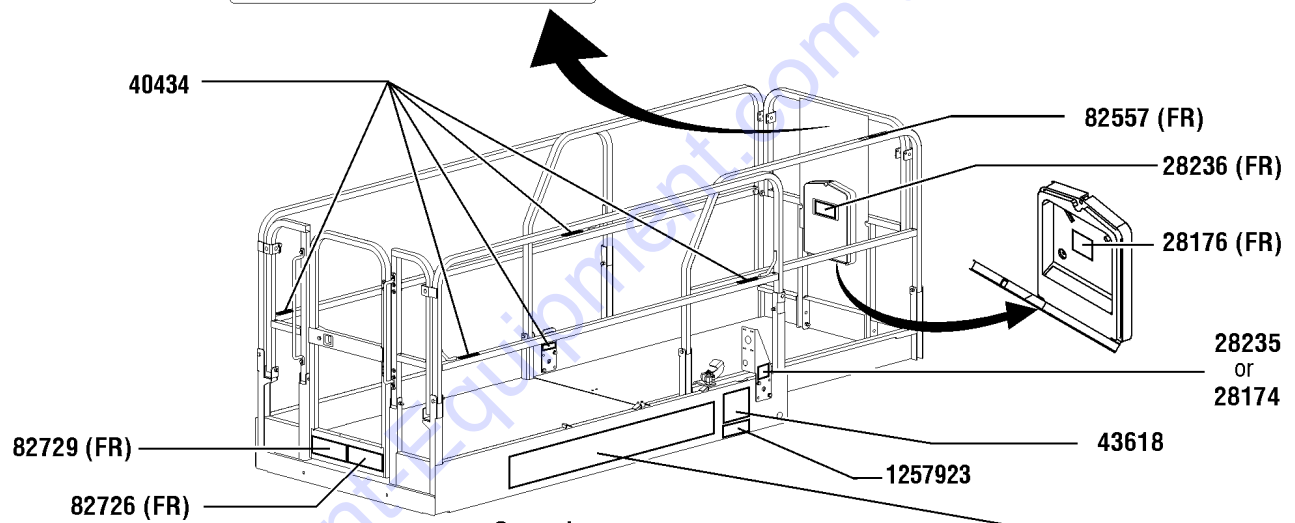
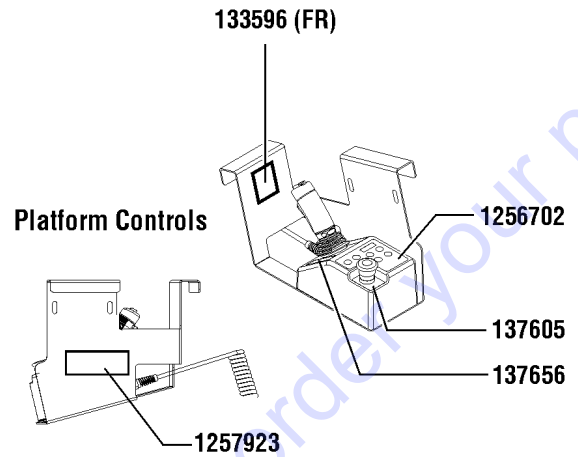
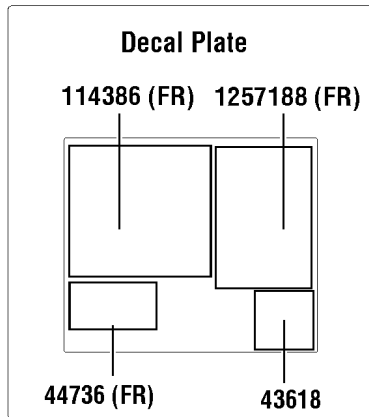


106.1 Word Decals, GS-2646, Ground Control Side, ANSI and Australia

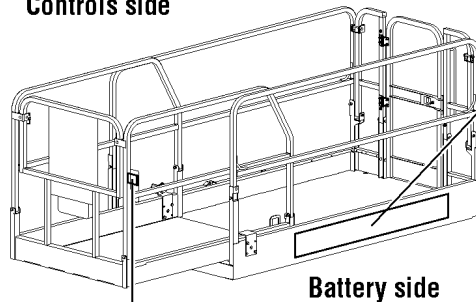
Item	Part No.	Description	Qty.	Item	Part No.	Description	Qty.
1	28174GT	DECAL, POWER TO PLATFORM 230V**.....	1	28	T112804GT	DECAL,GCON PANEL,GS.....	1
2	28175GT	DECAL,WARNING-COMPART ACCESS.....	1				
3	28235GT	DECAL,POWER TO PLATFORM 115V...1					
4	31508GT	DECAL,DANGER,ELECT HAZARD,PLUG..... (ANSI models only)	1				
5	43619GT	DECAL,LABEL,SAFETY ARM.....	1				
6	43658GT	DECAL,LABEL,PWR TO CHARGR 230V..... (ANSI models only)	1				
7	44255GT	DECAL,DANGER,CRUSHING HAZARD.....	2				
8	44737GT	DECAL DANGER TIP OVER TRAYS.....	1				
9	44980GT	DECAL,LABEL,PWR TO CHARGR 115V..... (ANSI models only)	1				
10	44981GT	DECAL,LABEL, AIR LINE 110 PSI..... (Option)	1				
11	46287GT	DECAL,LABEL-TIRE SPECS.....	2				
12	52475GT	DECAL,LABEL,TRANSPORT TIEDOWN*.....	1				
13	72086GT	DECAL,LABEL,LIFTING EYE.....	1				
14	72143GT	DECAL,EMERGENCY STOP,GR.....	1				
15	72853GT	DECAL,DANGER,IMPROPER USE HAZ.....	1				
16	72998GT	DECAL,LABEL,QUINTOLUBRIK..... (models with Quintolub hydraulic oil)	1				
17	72999GT	DECAL,LABEL,PETRO CANADA***..... (For models with Petro Canada hydraulic oil only)	1				
18	82160GT	DECAL,LABEL,STATOIL HYDRA WAY..... (For models with Statoil hydraulic oil only)	1				
19	82161GT	DECAL,LABEL,UCON HYDROLUBE..... (For models with Ucon Hydrolube hydraulic oil only)	1				
20	82366GT	DECAL,CHEVRON RANDO HD..... (For models with Chevron Rando hydraulic oil only)	1				
21	82558GT	DECAL,WARN,SKIN INJECTION HAZ*.....	1				
22	82559GT	DECAL,INSTRUCT-ANNUAL INSP REQ.....	1				
23	82561GT	DECAL,DANGER-USE SAFETY ARM....	1				
24	82704GT	DECAL,LABEL,WHEEL LOAD 2646.....	2				
25	114385GT	DECAL,DANGER,ELEC HAZARD,GS....	1				
26	133276GT	DECAL,EMERGENCY LOWERING.....	1				
27	T107031GT	DECAL,OP INST,GCON.....	1				

Platform, ANSI models

NOTE:
Part numbers with "(FR)"
indicates French translation
is available



**Ground
Controls side**

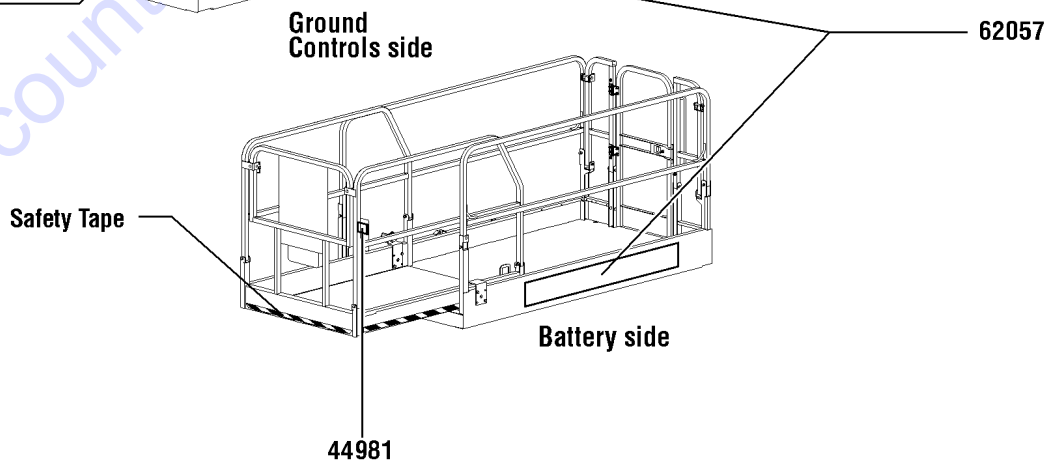
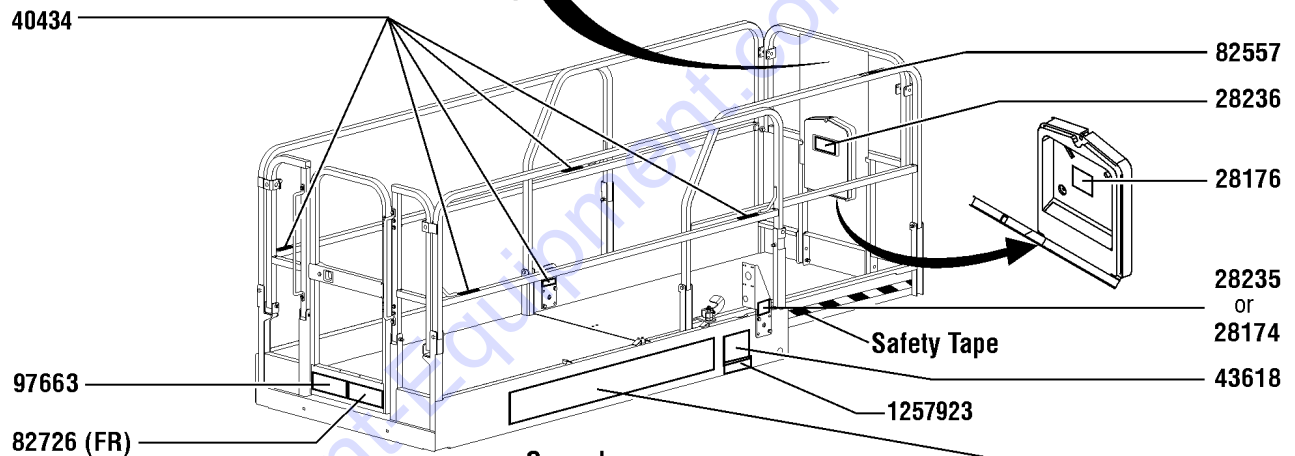
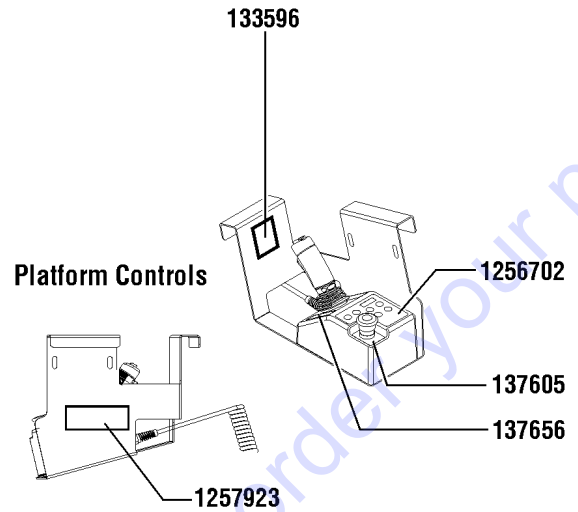
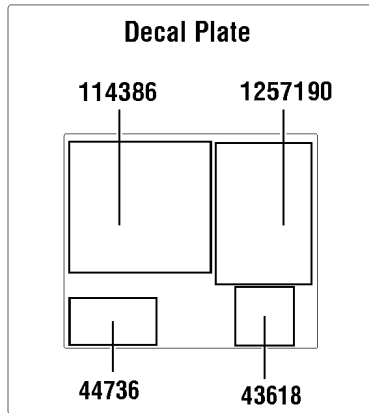


107.1 Word Decals, GS-2646, Platform, ANSI

Item	Part No.	Description	Qty.
1	28174GT	DECAL, POWER TO PLATFORM 230V**.....	1
2	28176GT	DECAL,LABEL,MANUAL NOT HERE.....	1
3	28235GT	DECAL,POWER TO PLATFORM 115V...1	1
4	28236GT	DECAL,WARN,IMPROPER OPERATION.....	1
5	40434GT	DECAL,LANYARD ANCHORAGE POINT.....	5
6	43618GT	DECAL, LABEL - DIRECTION ARROWS.....	2
7	44736GT	DECAL,DANGER,TIP-OVER,TILT.....	1
8	44981GT	DECAL,LABEL, AIR LINE 110 PSI..... (Option)	1
9	62057GT	DECAL,COSMETIC,GENIE GS-2646....	2
10	82557GT	DECAL,LABEL,PLAT CONT LOCATION.....	1
11	82726GT	DECAL,INSTRUCT,MAXCAP1000LBS... GS-2646	1
12	82729GT	NOTICE,SIDE FRC ANSI2646.....	1
13	114386GT	DECAL,DANGER-GEN SAFETY.....	1
14	133596GT	DECAL,LABEL,FAULT CODES.....	1
15	137605GT	DECAL,E-STOP,GR/GRC/GS PCON....	1
16	137656GT	DECAL,PROPEL,GR/GRC/GS,PCON....	1
17	1256702GT	DECAL, UI, GS/GR, PROP LIFT.....	1
18	1257188GT	DECAL,OP INST,PLAT,GS46 ANSI.....	1
19	1257923GT	DECAL, SMARTLINK PROPORTIONAL.....	2

Platform, Australia models

NOTE:
Part numbers with "(FR)"
indicates French translation
is available



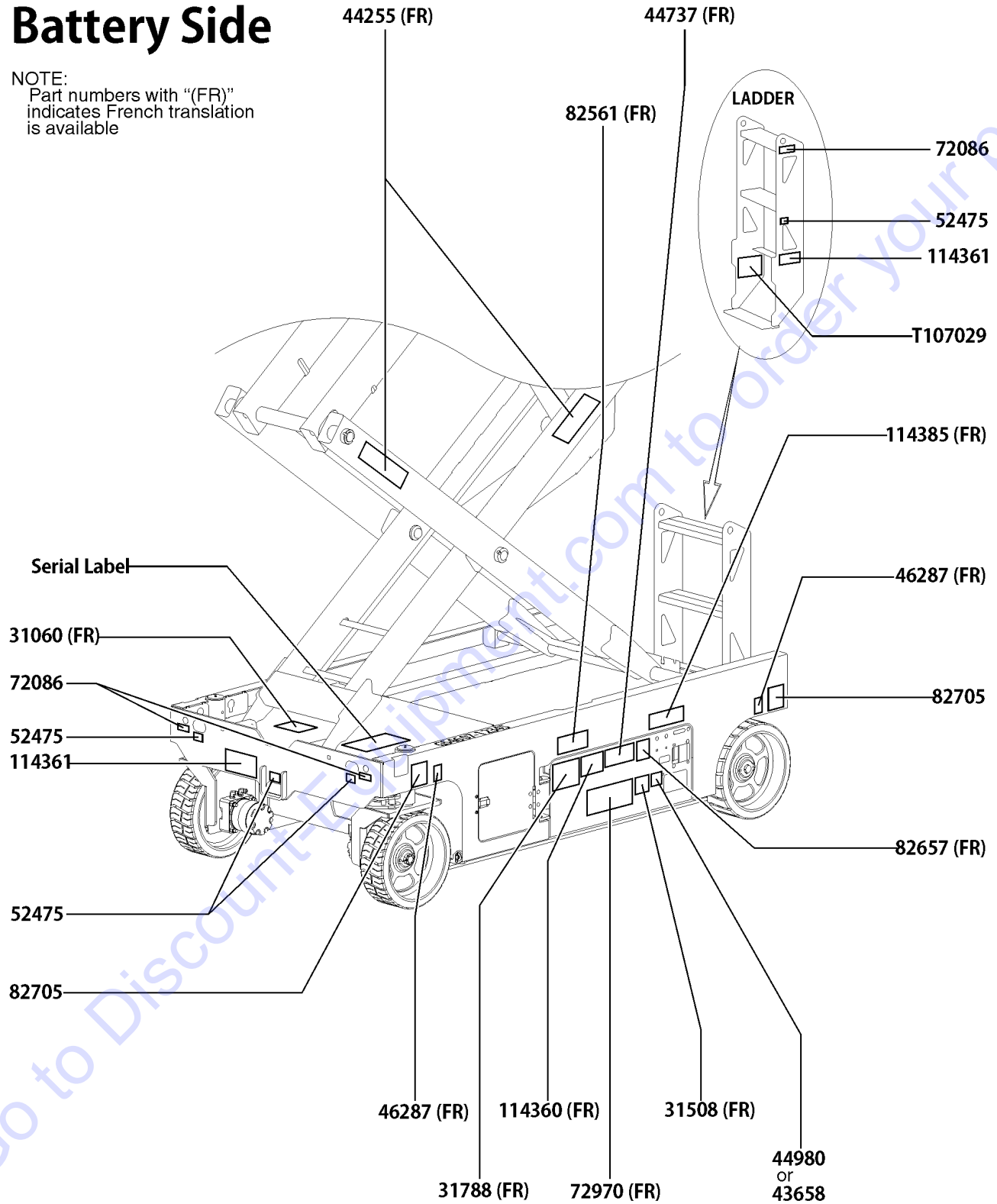
108.1 Word Decals, GS-2646, Platform, Australia

Item	Part No.	Description	Qty.
1	28174GT	DECAL, POWER TO PLATFORM 230V**.....	1
2	28176GT	DECAL,LABEL,MANUAL NOT HERE.....	1
3	28235GT	DECAL,POWER TO PLATFORM 115V...1	1
4	28236GT	DECAL,WARN,IMPROPER OPERATION.....	1
5	40434GT	DECAL,LANYARD ANCHORAGE POINT.....	5
6	43618GT	DECAL, LABEL - DIRECTION ARROWS.....	2
7	44736GT	DECAL,DANGER,TIP-OVER,TILT.....	1
8	44981GT	DECAL,LABEL, AIR LINE 110 PSI..... (Option)	1
9	62057GT	DECAL,COSMETIC,GENIE GS-2646....	2
10	82557GT	DECAL,LABEL,PLAT CONT LOCATION.....	1
11	82726GT	DECAL,INSTRUCT,MAXCAP1000LBS... GS-2646	1
12	97663GT	DECAL,INSTR-MANUALFRC,AUS 400N..... GS-2646	1
13	114386GT	DECAL,DANGER-GEN SAFETY.....	1
14	133596GT	DECAL,LABEL,FAULT CODES.....	1
15	137605GT	DECAL,E-STOP,GR/GRC/GS PCON....	1
16	137656GT	DECAL,PROPEL,GR/GRC/GS,PCON....	1
17	1256702GT	DECAL, UI, GS/GR, PROP LIFT.....	1
18	1257190GT	DECAL,OP INST,PLAT,GS46,AUS.....	1
19	1257923GT	DECAL, SMARTLINK PROPORTIONAL.....	2

109.1 Word Decals, GS-3246, Battery Side, ANSI & Australia

Battery Side

NOTE:
Part numbers with "(FR)" indicates French translation is available



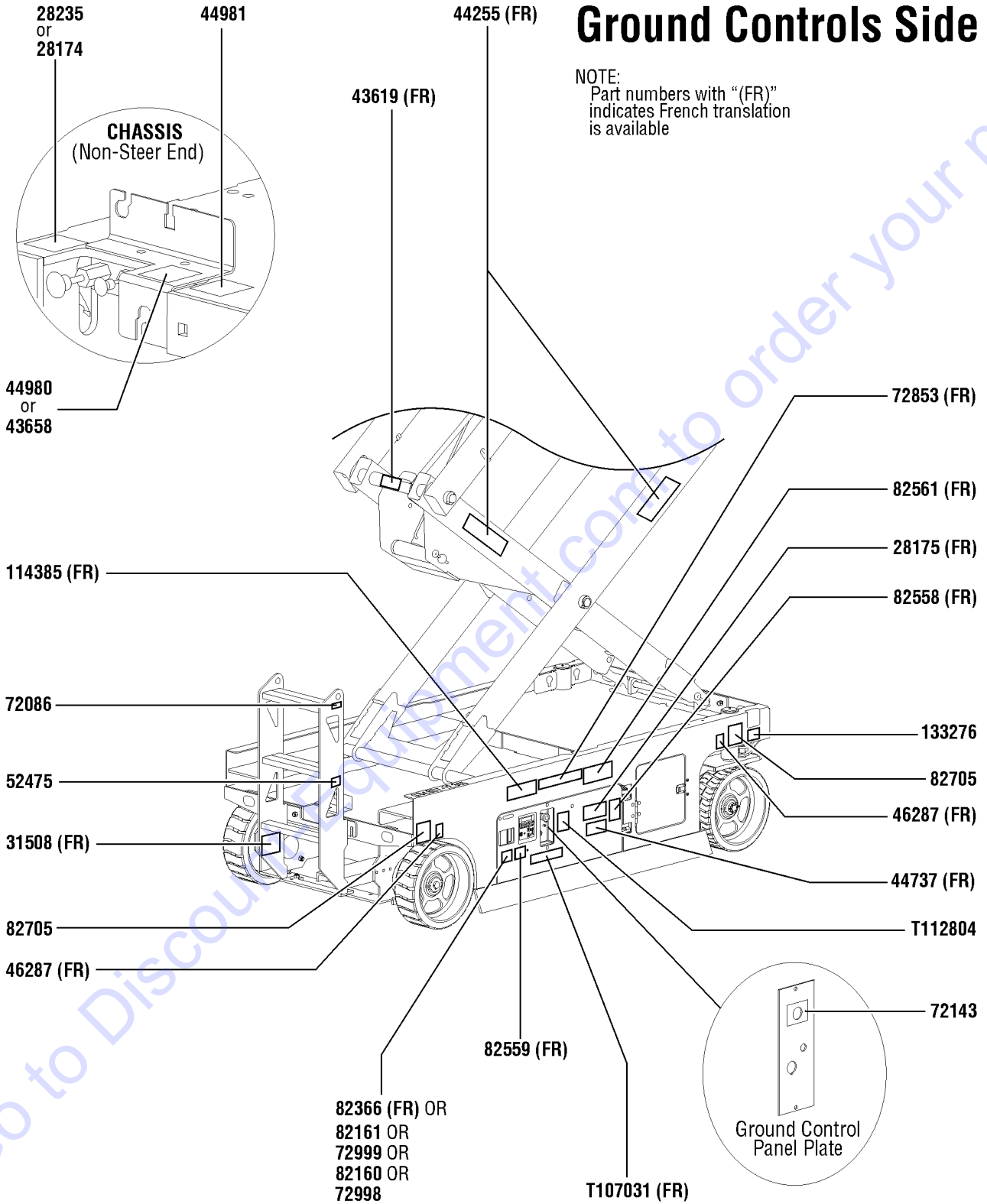
109.1 Word Decals, GS-3246, Battery Side, ANSI & Australia

Item	Part No.	Description	Qty.
1	31060GT	DECAL,DANGER DO NOT ALTER SWTC.....	1
2	31508GT	DECAL,DANGER,ELECT HAZARD,PLUG..... (Australia models only)	1
3	31788GT	DECAL,DANGER,BATTERY SAFETY***.....	1
4	43658GT	DECAL,LABEL,PWR TO CHARGR 230V..... (Australia models only)	1
5	44255GT	DECAL,DANGER,CRUSHING HAZARD.....	2
6	44737GT	DECAL DANGER TIP OVER TRAYS.....	1
7	44980GT	DECAL,LABEL,PWR TO CHARGR 115V..... (Australia models only)	1
8	46287GT	DECAL,LABEL-TIRE SPECS.....	2
9	52475GT	DECAL,LABEL,TRANSPORT TIEDOWN*.....	4
10	72086GT	DECAL,LABEL,LIFTING EYE.....	3
11	72970GT	DECAL,INSTRUCTIONS-CHARGER OP.....	1
12	82561GT	DECAL,DANGER-USE SAFETY ARM.....	1
13	82657GT	DECAL,INSTRUCT,BATTERY CONNECT.....	1
14	82705GT	DECAL,LABEL,WHEEL LOAD 3246.....	2
15	114360GT	DECAL,DANGER-TIP-OVER,BATT.....	1
16	114361GT	DECAL,LABEL-TRANSPORT DIGRAM.....	2
17	114385GT	DECAL,DANGER,ELEC HAZARD,GS.....	1
18	T107029GT	DECAL,DANGER,BRAKE REL SAFETY.....	1

110.1 Word Decals, GS-3246, Ground Control Side, ANSI and Australia

Ground Controls Side

NOTE:
Part numbers with "(FR)" indicates French translation is available

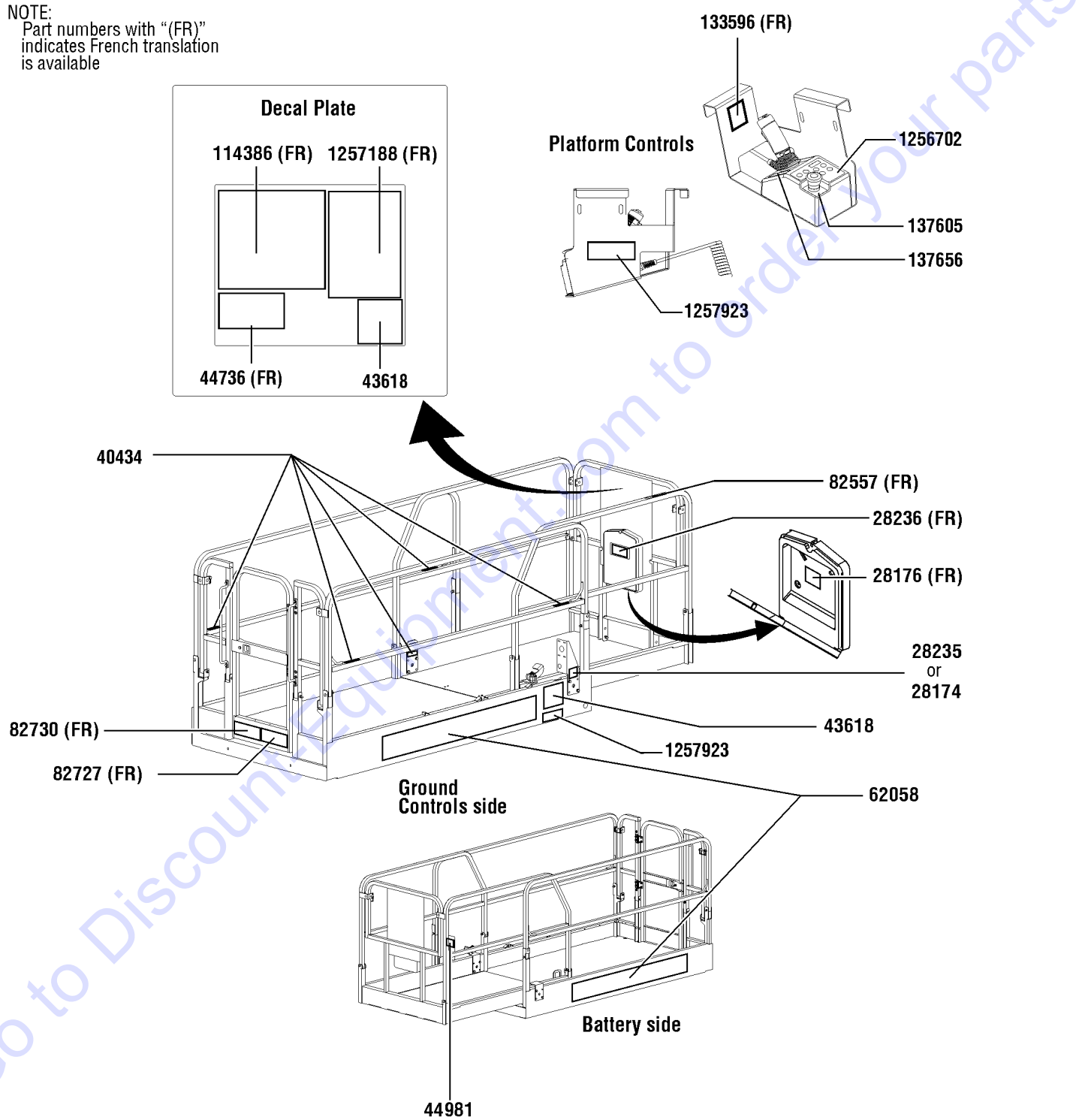


110.1 Word Decals, GS-3246, Ground Control Side, ANSI and Australia

Item	Part No.	Description	Qty.	Item	Part No.	Description	Qty.
1	28174GT	DECAL, POWER TO PLATFORM 230V**.....1	1	28	T112804GT	DECAL,GCON PANEL,GS.....1	1
2	28175GT	DECAL,WARNING-COMPART ACCESS.....1	1				
3	28235GT	DECAL,POWER TO PLATFORM 115V...1	1				
4	31508GT	DECAL,DANGER,ELECT HAZARD,PLUG.....1 (ANSI models)	1				
5	43619GT	DECAL,LABEL,SAFETY ARM.....1	1				
6	43658GT	DECAL,LABEL,PWR TO CHARGR 230V.....1 (ANSI models)	1				
7	44255GT	DECAL,DANGER,CRUSHING HAZARD.....2	2				
8	44737GT	DECAL DANGER TIP OVER TRAYS.....1	1				
9	44980GT	DECAL,LABEL,PWR TO CHARGR 115V.....1 (ANSI models)	1				
10	44981GT	DECAL,LABEL, AIR LINE 110 PSI.....1 (Option)	1				
11	46287GT	DECAL,LABEL-TIRE SPECS.....2	2				
12	52475GT	DECAL,LABEL,TRANSPORT TIEDOWN*.....1	1				
13	72086GT	DECAL,LABEL,LIFTING EYE.....1	1				
14	72143GT	DECAL,EMERGENCY STOP,GR.....1	1				
15	72853GT	DECAL,DANGER,IMPROPER USE HAZ.....1	1				
16	72998GT	DECAL,LABEL,QUINTOLUBRIK.....1 (models with Quintolub hydraulic oil)	1				
17	72999GT	DECAL,LABEL,PETRO CANADA***.....1 (For models with Petro Canada hydraulic oil only)	1				
18	82160GT	DECAL,LABEL,STATOIL HYDRA WAY1 (For models with Statoil hydraulic oil only)	1				
19	82161GT	DECAL,LABEL,UCON HYDROLUBE.....1 (For models with Ucon Hydrolube hydraulic oil only)	1				
20	82366GT	DECAL,CHEVRON RANDO HD.....1 (For models with Chevron Rando hydraulic oil only)	1				
21	82558GT	DECAL,WARN,SKIN INJECTION HAZ*.....1	1				
22	82559GT	DECAL,INSTRUCT-ANNUAL INSP REQ.....1	1				
23	82561GT	DECAL,DANGER-USE SAFETY ARM....1	1				
24	82705GT	DECAL,LABEL,WHEEL LOAD 3246.....2	2				
25	114385GT	DECAL,DANGER,ELEC HAZARD,GS....1	1				
26	133276GT	DECAL,EMERGENCY LOWERING.....1	1				
27	T107031GT	DECAL,OP INST,GCON.....1	1				

Platform, ANSI models

NOTE:
Part numbers with "(FR)"
indicates French translation
is available

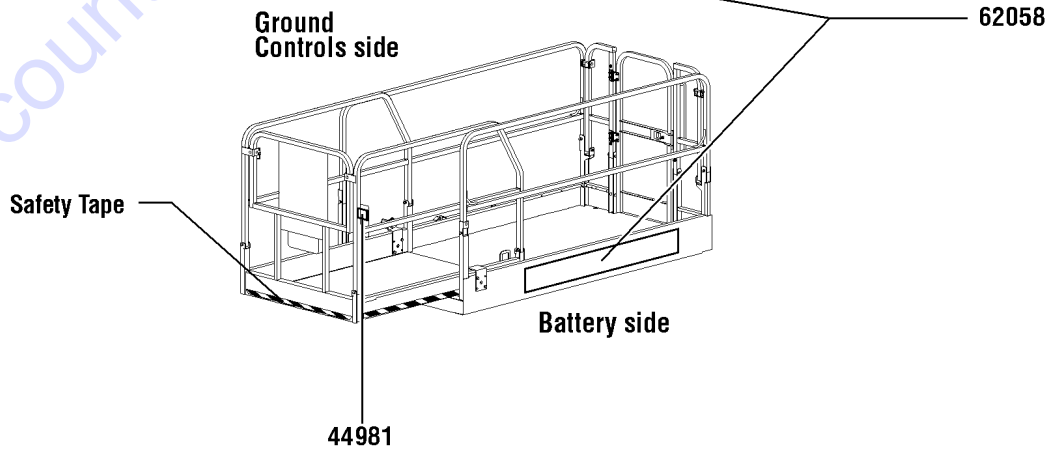
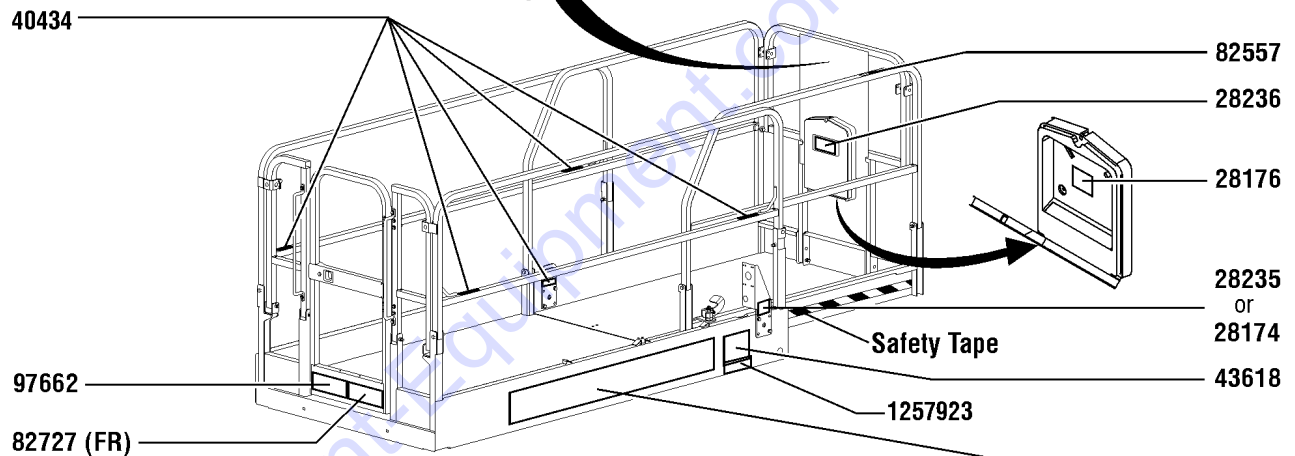
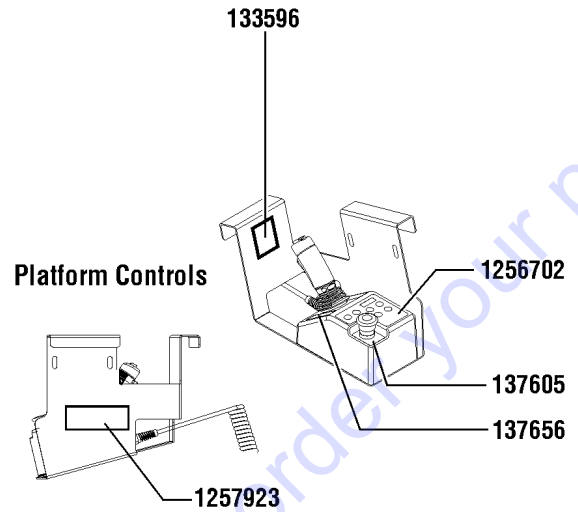
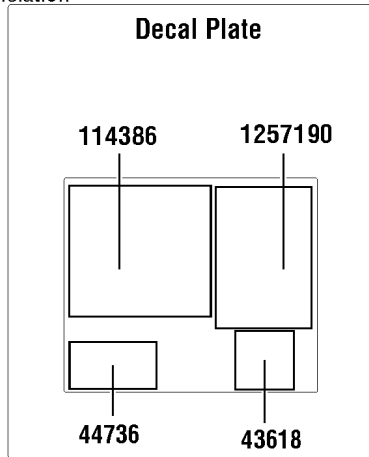


111.1 Word Decals, GS-3246, Platform, ANSI

Item	Part No.	Description	Qty.
1	28174GT	DECAL, POWER TO PLATFORM 230V**.....	1
2	28176GT	DECAL,LABEL,MANUAL NOT HERE.....	1
3	28235GT	DECAL,POWER TO PLATFORM 115V...1	1
4	28236GT	DECAL,WARN,IMPROPER OPERATION.....	1
5	40434GT	DECAL,LANYARD ANCHORAGE POINT.....	5
6	43618GT	DECAL, LABEL - DIRECTION ARROWS.....	2
7	44736GT	DECAL,DANGER,TIP-OVER,TILT.....	1
8	44981GT	DECAL,LABEL, AIR LINE 110 PSI..... (Option)	1
9	62058GT	DECAL,COSMETIC,GENIE GS-3246....	2
10	82557GT	DECAL,LABEL,PLAT CONT LOCATION.....	1
11	82727GT	DECAL,INSTR-MAX CAP 700LBS..... GS-3246	1
12	82730GT	DECAL,INSTR-SIDE FRC,ANSI 3246....	1
13	114386GT	DECAL,DANGER-GEN SAFETY.....	1
14	133596GT	DECAL,LABEL,FAULT CODES.....	1
15	137605GT	DECAL,E-STOP,GR/GRC/GS PCON....	1
16	137656GT	DECAL,PROPEL,GR/GRC/GS,PCON....	1
17	1256702GT	DECAL, UI, GS/GR, PROP LIFT.....	1
18	1257188GT	DECAL,OP INST,PLAT,GS46 ANSI.....	1
19	1257923GT	DECAL, SMARTLINK PROPORTIONAL.....	2

Platform, Australia models

NOTE:
Part numbers with "(FR)"
indicates French translation
is available

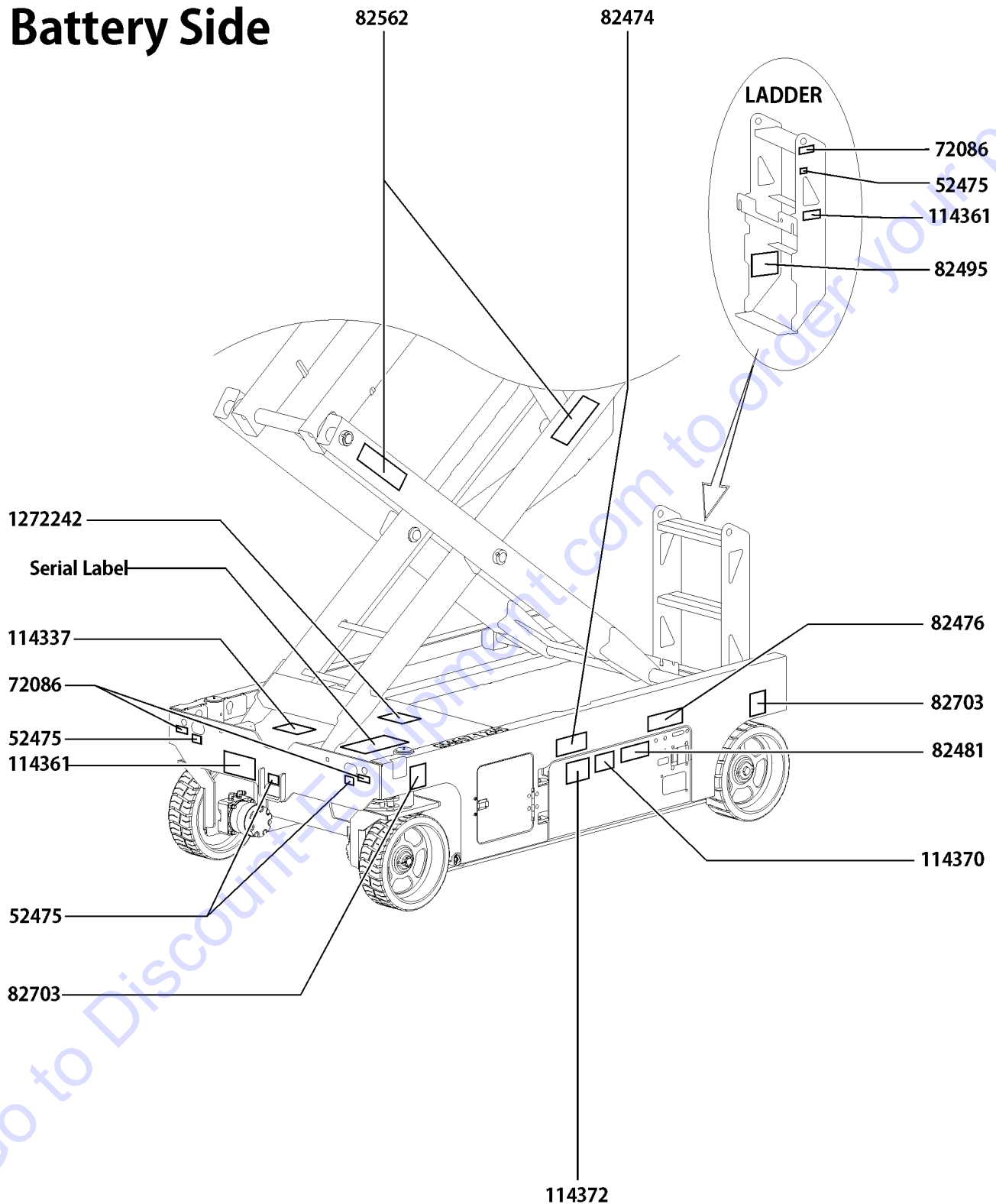


112.1 Word Decals, GS-3246, Platform, Australia

Item	Part No.	Description	Qty.
1	28174GT	DECAL, POWER TO PLATFORM 230V**.....	1
2	28176GT	DECAL,LABEL,MANUAL NOT HERE.....	1
3	28235GT	DECAL,POWER TO PLATFORM 115V...1	1
4	28236GT	DECAL,WARN,IMPROPER OPERATION.....	1
5	40434GT	DECAL,LANYARD ANCHORAGE POINT.....	5
6	43618GT	DECAL, LABEL - DIRECTION ARROWS.....	2
7	44736GT	DECAL,DANGER,TIP-OVER,TILT.....	1
8	44981GT	DECAL,LABEL, AIR LINE 110 PSI..... (Option)	1
9	62058GT	DECAL,COSMETIC,GENIE GS-3246....	2
10	82557GT	DECAL,LABEL,PLAT CONT LOCATION.....	1
11	82727GT	DECAL,INSTR-MAX CAP 700LBS..... GS-3246	1
12	97662GT	DECAL,INSTR-MANUALFRC,AUS 3246.....	1
13	114386GT	DECAL,DANGER-GEN SAFETY.....	1
14	133596GT	DECAL,LABEL,FAULT CODES.....	1
15	137605GT	DECAL,E-STOP,GR/GRC/GS PCON....	1
16	137656GT	DECAL,PROPEL,GR/GRC/GS,PCON....	1
17	1256702GT	DECAL, UI, GS/GR, PROP LIFT.....	1
18	1257190GT	DECAL,OP INST,PLAT,GS46,AUS.....	1
19	1257923GT	DECAL, SMARTLINK PROPORTIONAL.....	2

113.1 Symbol Decals, GS-2046, Battery Side, ANSI & CE

Battery Side

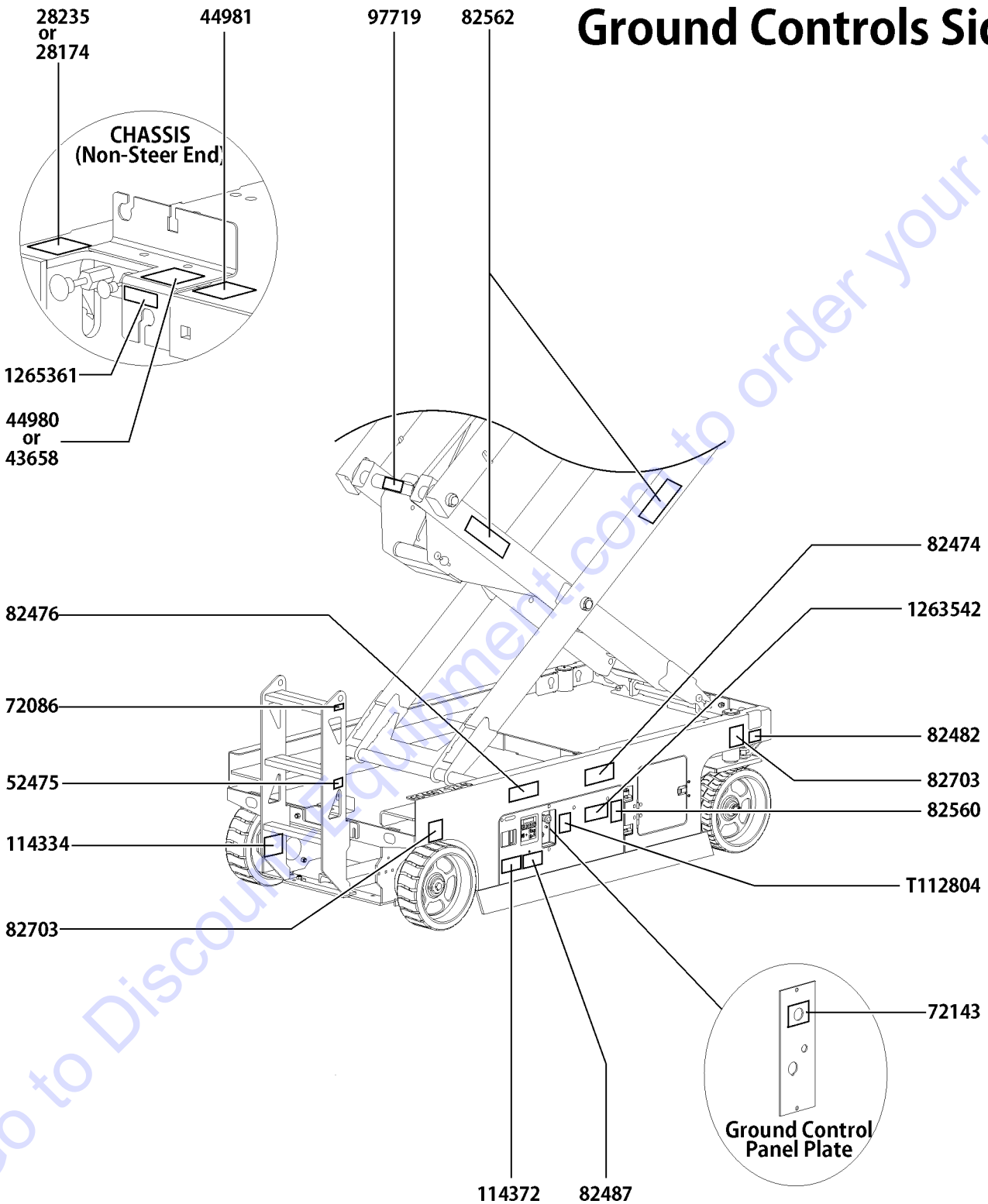


113.1 Symbol Decals, GS-2046, Battery Side, ANSI & CE

Item	Part No.	Description	Qty.
1	52475GT	DECAL,LABEL,TRANSPORT TIEDOWN*.....	4
2	72086GT	DECAL,LABEL,LIFTING EYE.....	3
3	82474GT	DECAL,SYMBOL-USE SAFETY ARM....	1
4	82476GT	DECAL,SYMBOL-ELEC HAZARD,GS....	1
5	82481GT	DECAL,SYMBOL-BATTERY SAFETY....	1
6	82495GT	DECAL,SYMBOL-BRAKE REL SAFETY.....	1
7	82562GT	DECAL,SYMBOL-CRUSHING HAZARD.....	2
8	82703GT	DECAL,LABEL,WHEEL LOAD 2046....	2
9	114337GT	DECAL,SYM-TIP-OVER,LIM SWITCH....	1
10	114361GT	DECAL,LABEL-TRANSPORT DIGRAM.....	2
11	114370GT	DECAL-SYM-TIP-OVR,BATTRIES.....	1
12	114372GT	DECAL SYMBOL TIP OVER TRAYS.....	1
13	1272242GT	DECAL,MACHINE REGISTRATION/OWNER TRANSFER....	1

114.1 Symbol Decals, GS-2046, Ground Control Side, ANSI and CE

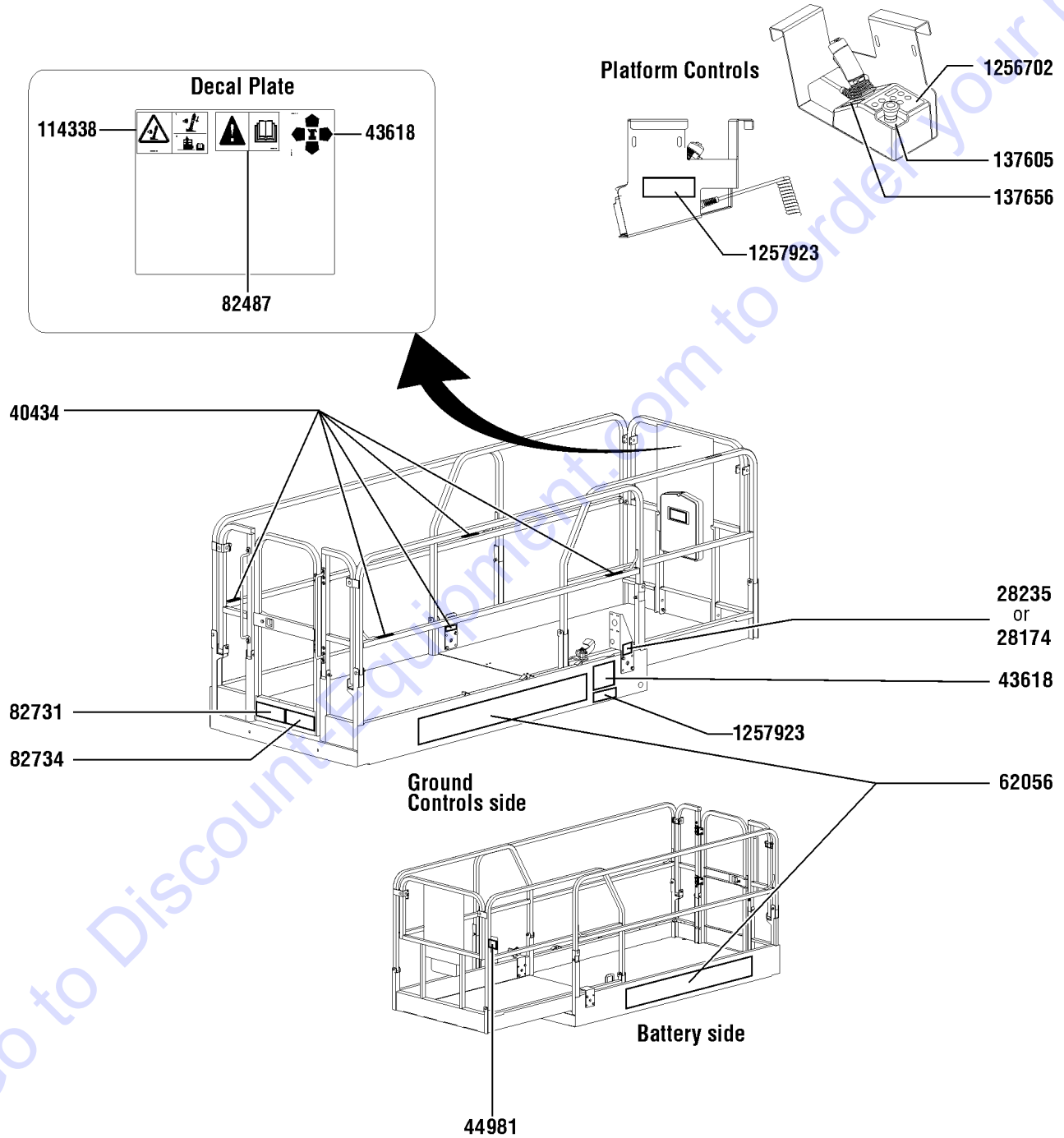
Ground Controls Side



114.1 Symbol Decals, GS-2046, Ground Control Side, ANSI and CE

Item	Part No.	Description	Qty.
1	28174GT	DECAL, POWER TO PLATFORM 230V**.....	1
2	28235GT	DECAL,POWER TO PLATFORM 115V...1	1
3	43658GT	DECAL,LABEL,PWR TO CHARGR 230V.....	1
4	44980GT	DECAL,LABEL,PWR TO CHARGR 115V.....	1
5	44981GT	DECAL,LABEL, AIR LINE 110 PSI.....1 (Option)	1
6	52475GT	DECAL,LABEL,TRANSPORT TIEDOWN*.....	1
7	72086GT	DECAL,LABEL,LIFTING EYE.....	1
8	72143GT	DECAL,EMERGENCY STOP,GR.....	1
9	82474GT	DECAL,SYMBOL-USE SAFETY ARM...1	1
10	82476GT	DECAL,SYMBOL-ELEC HAZARD,GS....1	1
11	82482GT	DECAL,LABEL,AUX LOWERING.....	1
12	82487GT	DECAL, SYMBOL - READ THE MANUAL.....	1
13	82560GT	DECAL,SYMBOL-SKIN INJECT HAZRD.....	1
14	82562GT	DECAL,SYMBOL-CRUSHING HAZARD.....	2
15	82703GT	DECAL,LABEL,WHEEL LOAD 2046.....	2
16	97719GT	DECAL, LABEL, SAFETY ARM SYMB....	1
17	114334GT	DECAL,SYM-ELEC HAZARD,PLUG.....	1
18	114372GT	DECAL SYMBOL TIP OVER TRAYS.....	1
19	1263542GT	DECAL, COMPARTMENT ACCESS.....	1
20	1265361GT	DECAL, BATTERY CHARGER INDICAT.....	1
21	T112804GT	DECAL,GCON PANEL,GS.....	1

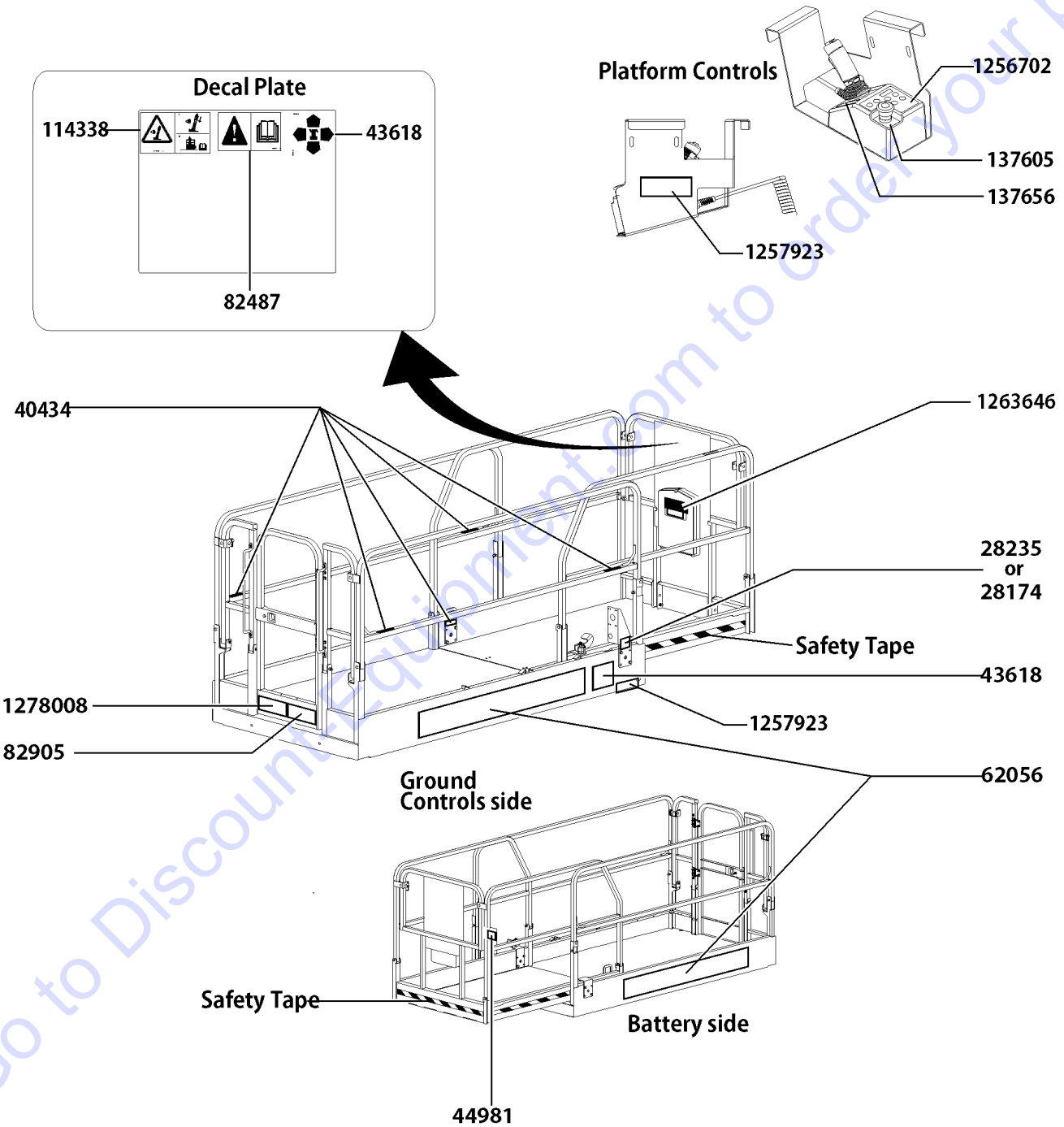
Platform, ANSI models



115.1 Symbol Decals, GS-2046, Platform, ANSI

Item	Part No.	Description	Qty.
1	28174GT	DECAL, POWER TO PLATFORM 230V**.....	1
2	28235GT	DECAL,POWER TO PLATFORM 115V...1	1
3	40434GT	DECAL,LANYARD ANCHORAGE POINT.....	5
4	43618GT	DECAL, LABEL - DIRECTION ARROWS.....	2
5	44981GT	DECAL,LABEL, AIR LINE 110 PSI..... (Option)	1
6	62056GT	DECAL,COSMETIC,GENIE GS-2046**...2	2
7	82487GT	DECAL, SYMBOL - READ THE MANUAL.....	1
8	82731GT	DECAL,SYM-MAXCAP 1200.....	1
9	82734GT	DECAL,SYM-SIDE FORCE 2046.....	1
10	114338GT	DECAL,SYM-TIP-OVER,TILT ALARM....	1
11	137605GT	DECAL,E-STOP,GR/GRC/GS PCON....	1
13	137656GT	DECAL,PROPEL,GR/GRC/GS,PCON....	1
14	1256702GT	DECAL, UI, GS/GR, PROP LIFT.....	1
16	1257923GT	DECAL, SMARTLINK PROPORTIONAL.....	2

Platform, CE models

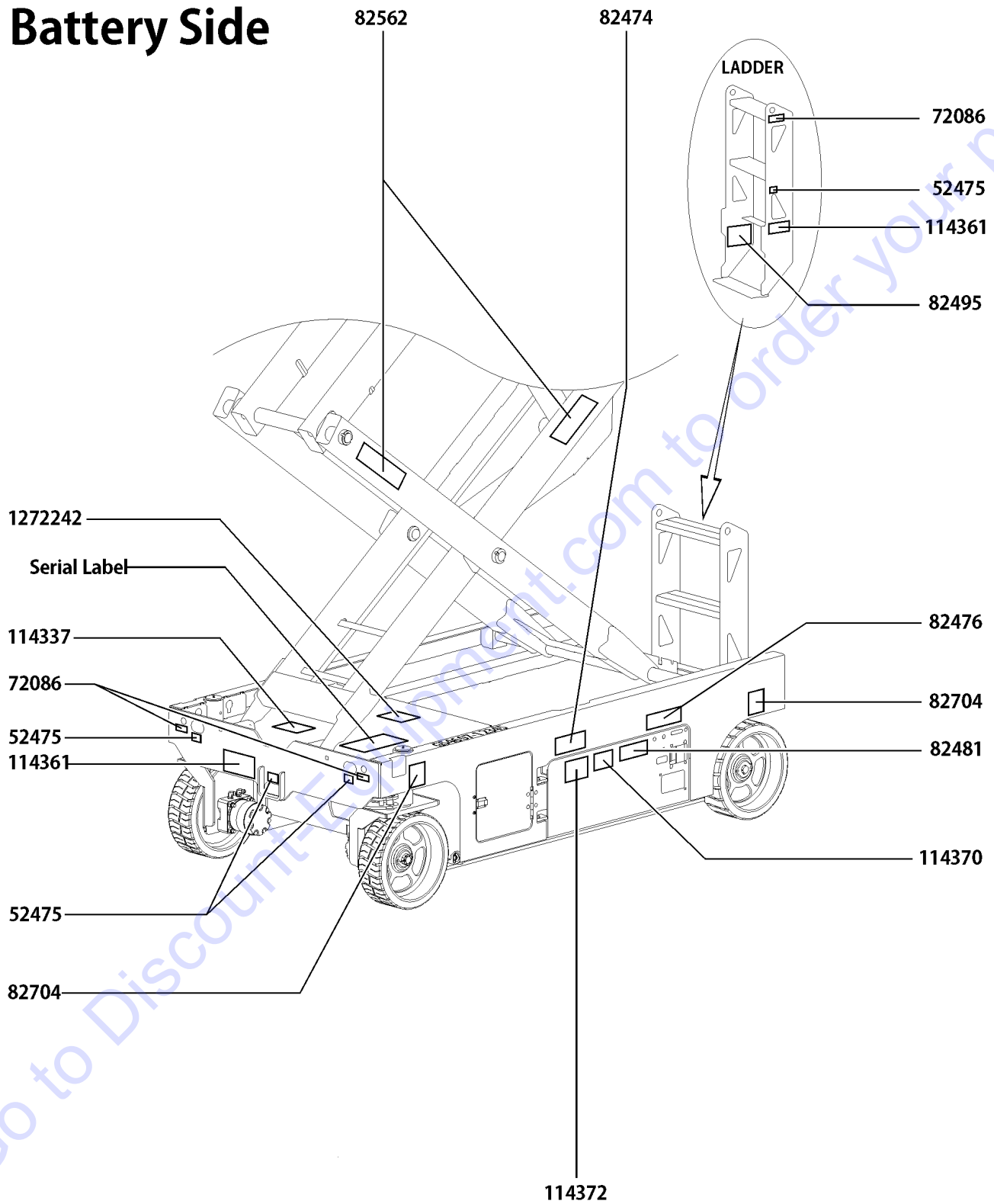


116.1 Symbol Decals, GS-2046, Platform, CE

Item	Part No.	Description	Qty.
1	28174GT	DECAL, POWER TO PLATFORM 230V**.....	1
2	28235GT	DECAL, POWER TO PLATFORM 115V...1	1
3	40434GT	DECAL, LANYARD ANCHORAGE POINT.....	5
4	43618GT	DECAL, LABEL - DIRECTION ARROWS.....	2
5	44981GT	DECAL, LABEL, AIR LINE 110 PSI..... (Option)	1
6	62056GT	DECAL, COSMETIC, GENIE GS-2046**...2	2
7	82487GT	DECAL, SYMBOL - READ THE MANUAL.....	1
8	82905GT	DECAL, SYM-SIDEFORCE 400N.....1	1
9	114338GT	DECAL, SYM-TIP-OVER, TILT ALARM....1	1
10	137605GT	DECAL, E-STOP, GR/GRC/GS PCON....1	1
11	137656GT	DECAL, PROPEL, GR/GRC/GS, PCON....1	1
12	1256702GT	DECAL, UI, GS/GR, PROP LIFT.....1	1
13	1257923GT	DECAL, SMARTLINK PROPORTIONAL.....	2
14	1263646GT	DECAL, QR CODE, PARTS&SERVICE MANUAL.....	1
15	1278008GT	DECAL, SYMBOL, CE, MAXIMUM CAPACITY, 544KG.....	1

117.1 Symbol Decals, GS-2646, Battery Side, ANSI & CE

Battery Side

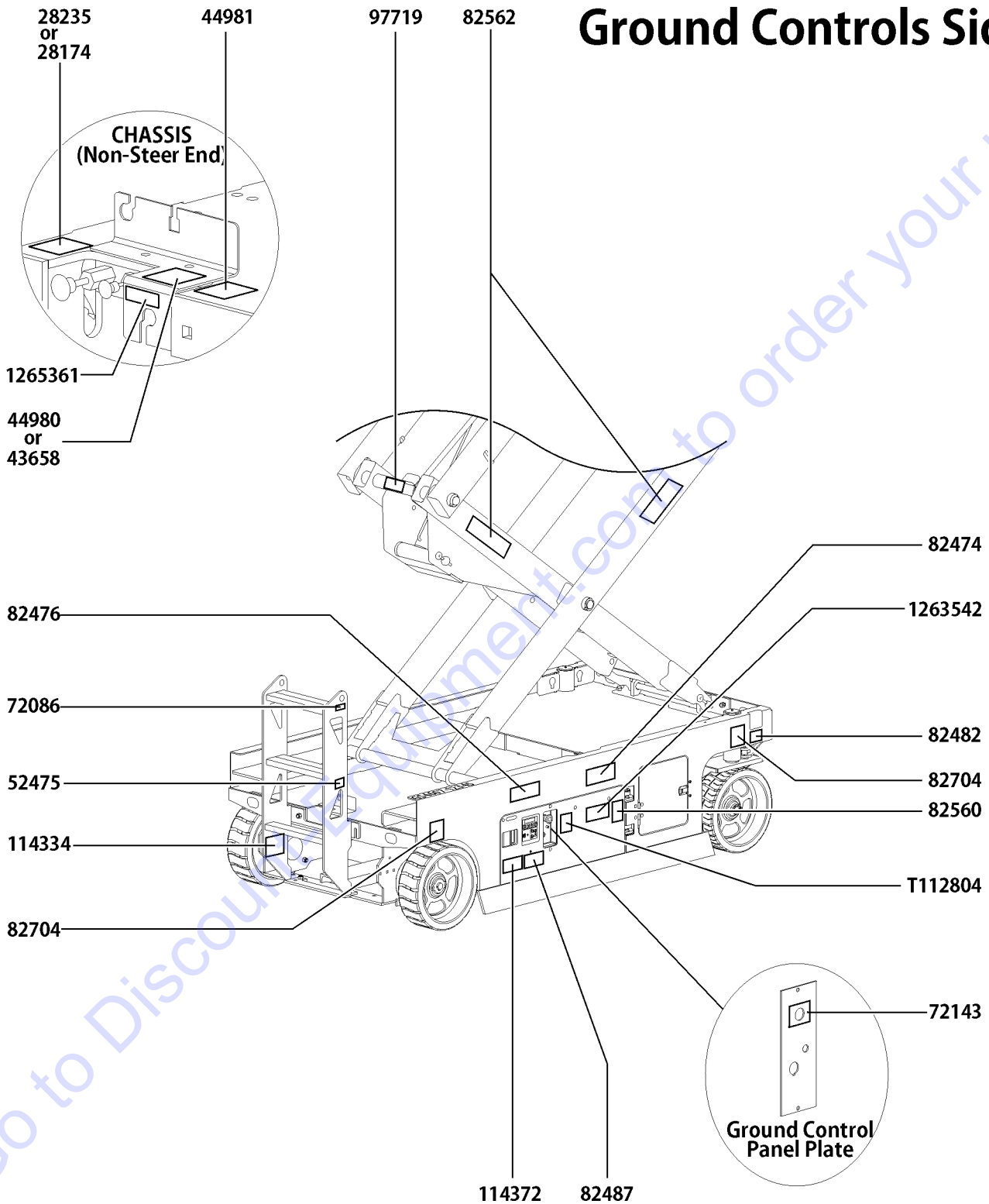


117.1 Symbol Decals, GS-2646, Battery Side, ANSI & CE

Item	Part No.	Description	Qty.
1	52475GT	DECAL,LABEL,TRANSPORT TIEDOWN*.....	4
2	72086GT	DECAL,LABEL,LIFTING EYE.....	3
3	82474GT	DECAL,SYMBOL-USE SAFETY ARM....	1
4	82476GT	DECAL,SYMBOL-ELEC HAZARD,GS....	1
5	82481GT	DECAL,SYMBOL-BATTERY SAFETY....	1
6	82495GT	DECAL,SYMBOL-BRAKE REL SAFETY.....	1
7	82562GT	DECAL,SYMBOL-CRUSHING HAZARD.....	2
8	82704GT	DECAL,LABEL,WHEEL LOAD 2646....	2
9	114337GT	DECAL,SYM-TIP-OVER,LIM SWITCH....	1
10	114361GT	DECAL,LABEL-TRANSPORT DIGRAM.....	2
11	114370GT	DECAL-SYM-TIP-OVR,BATTRIES.....	1
12	114372GT	DECAL SYMBOL TIP OVER TRAYS.....	1
13	1272242GT	DECAL,MACHINE REGISTRATION/OWNER TRANSFER....	1

118.1 Symbol Decals, GS-2646, Ground Control Side, ANSI and CE

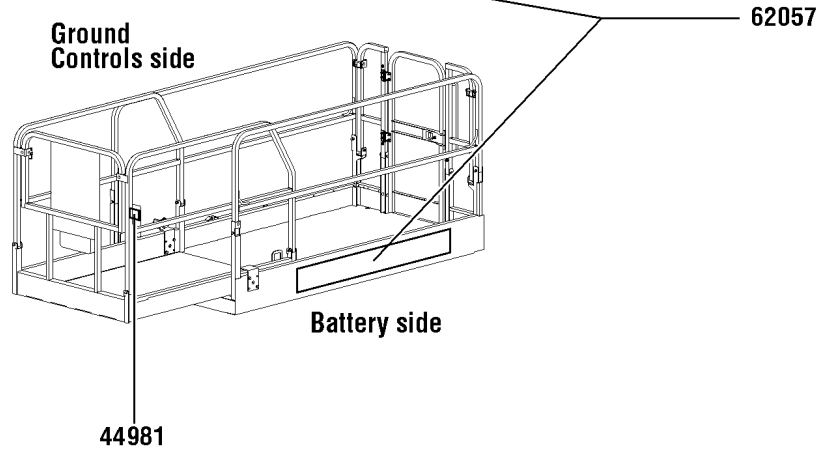
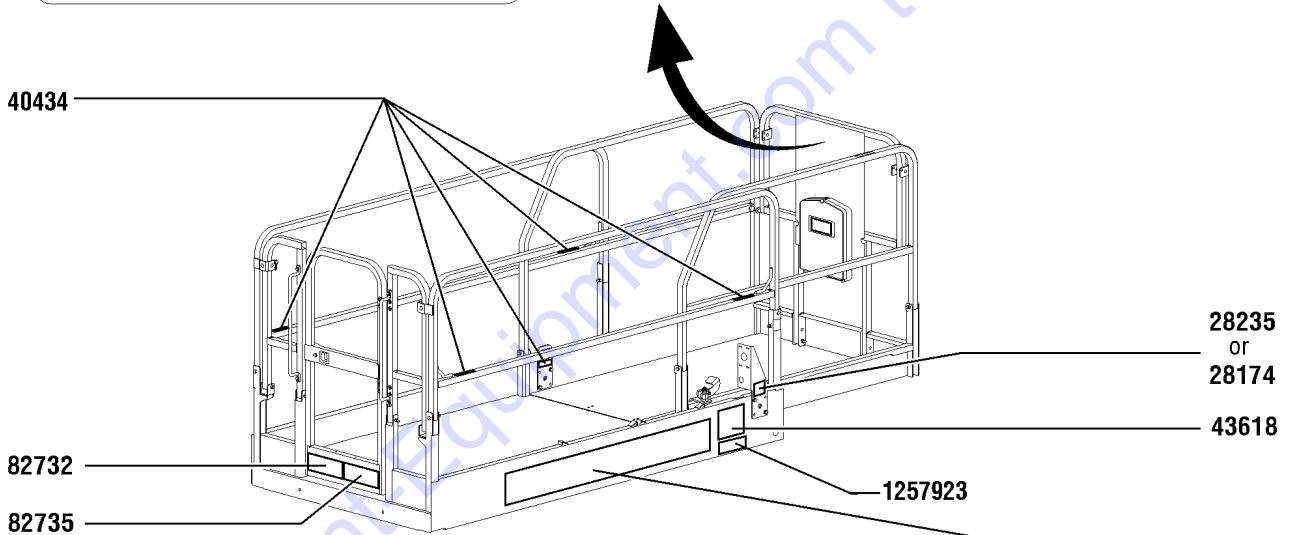
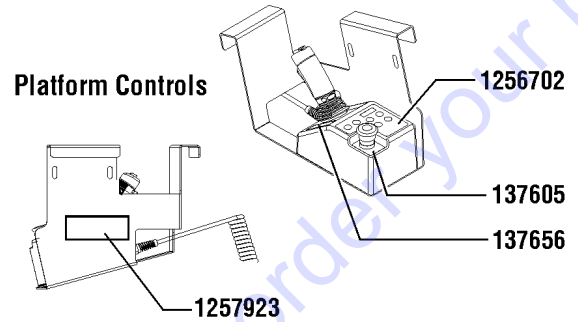
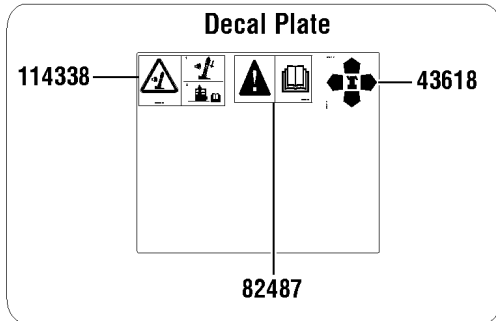
Ground Controls Side



118.1 Symbol Decals, GS-2646, Ground Control Side, ANSI and CE

Item	Part No.	Description	Qty.
1	28174GT	DECAL, POWER TO PLATFORM 230V**.....	1
2	28235GT	DECAL,POWER TO PLATFORM 115V...1	1
3	43658GT	DECAL,LABEL,PWR TO CHARGR 230V.....	1
4	44980GT	DECAL,LABEL,PWR TO CHARGR 115V.....	1
5	44981GT	DECAL,LABEL, AIR LINE 110 PSI.....1 (Option)	1
6	52475GT	DECAL,LABEL,TRANSPORT TIEDOWN*.....	1
7	72086GT	DECAL,LABEL,LIFTING EYE.....	1
8	72143GT	DECAL,EMERGENCY STOP,GR.....	1
10	82474GT	DECAL,SYMBOL-USE SAFETY ARM...1	1
11	82476GT	DECAL,SYMBOL-ELEC HAZARD,GS....1	1
12	82482GT	DECAL,LABEL,AUX LOWERING.....	1
13	82487GT	DECAL, SYMBOL - READ THE MANUAL.....	1
14	82560GT	DECAL,SYMBOL-SKIN INJECT HAZRD.....	1
15	82562GT	DECAL,SYMBOL-CRUSHING HAZARD.....	2
16	82704GT	DECAL,LABEL,WHEEL LOAD 2646....2	2
17	97719GT	DECAL, LABEL, SAFETY ARM SYMB....1	1
18	114334GT	DECAL,SYM-ELEC HAZARD,PLUG.....1	1
19	114372GT	DECAL SYMBOL TIP OVER TRAYS.....1	1
20	1263542GT	DECAL, COMPARTMENT ACCESS.....1	1
21	1265361GT	DECAL, BATTERY CHARGER INDICAT.....	1
22	T112804GT	DECAL,GCON PANEL,GS.....	1

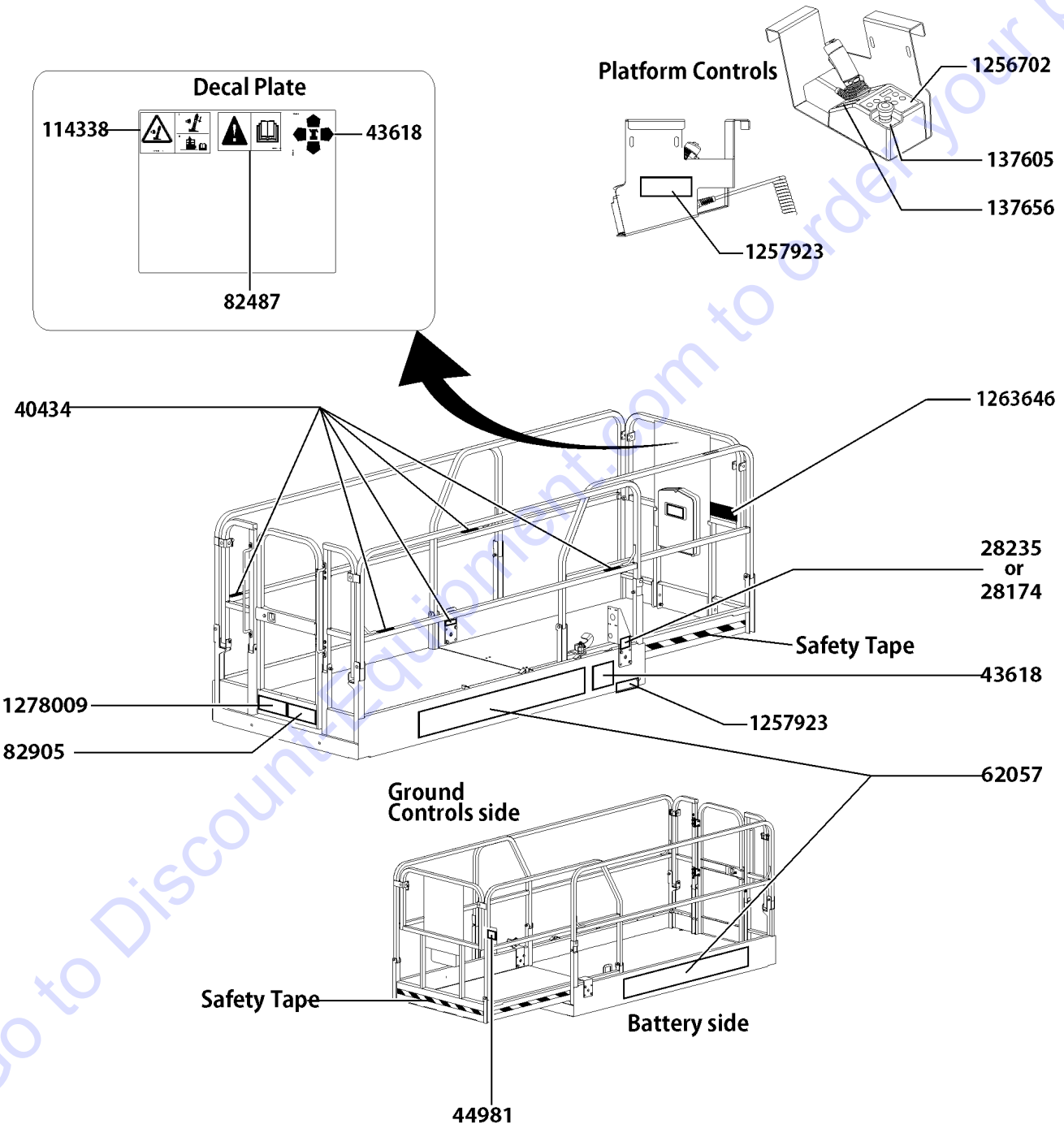
Platform, ANSI models



119.1 Symbol Decals, GS-2646, Platform, ANSI

Item	Part No.	Description	Qty.
1	28174GT	DECAL, POWER TO PLATFORM 230V**.....	1
2	28235GT	DECAL,POWER TO PLATFORM 115V...1	1
3	40434GT	DECAL,LANYARD ANCHORAGE POINT.....	5
4	43618GT	DECAL, LABEL - DIRECTION ARROWS.....	2
5	44981GT	DECAL,LABEL, AIR LINE 110 PSI.....1 (Option)	1
6	62057GT	DECAL,COSMETIC,GENIE GS-2646.....2	2
7	82487GT	DECAL, SYMBOL - READ THE MANUAL.....	1
8	82732GT	DECAL,SYM-MAXCAP 1000.....1	1
9	82735GT	DECAL,SYM-SIDE FORCE 2646.....1	1
10	114338GT	DECAL,SYM-TIP-OVER,TILT ALARM....1	1
11	137605GT	DECAL,E-STOP,GR/GRC/GS PCON....1	1
13	137656GT	DECAL,PROPEL,GR/GRC/GS,PCON....1	1
14	1256702GT	DECAL, UI, GS/GR, PROP LIFT.....1	1
16	1257923GT	DECAL, SMARTLINK PROPORTIONAL.....	2

Platform, CE models

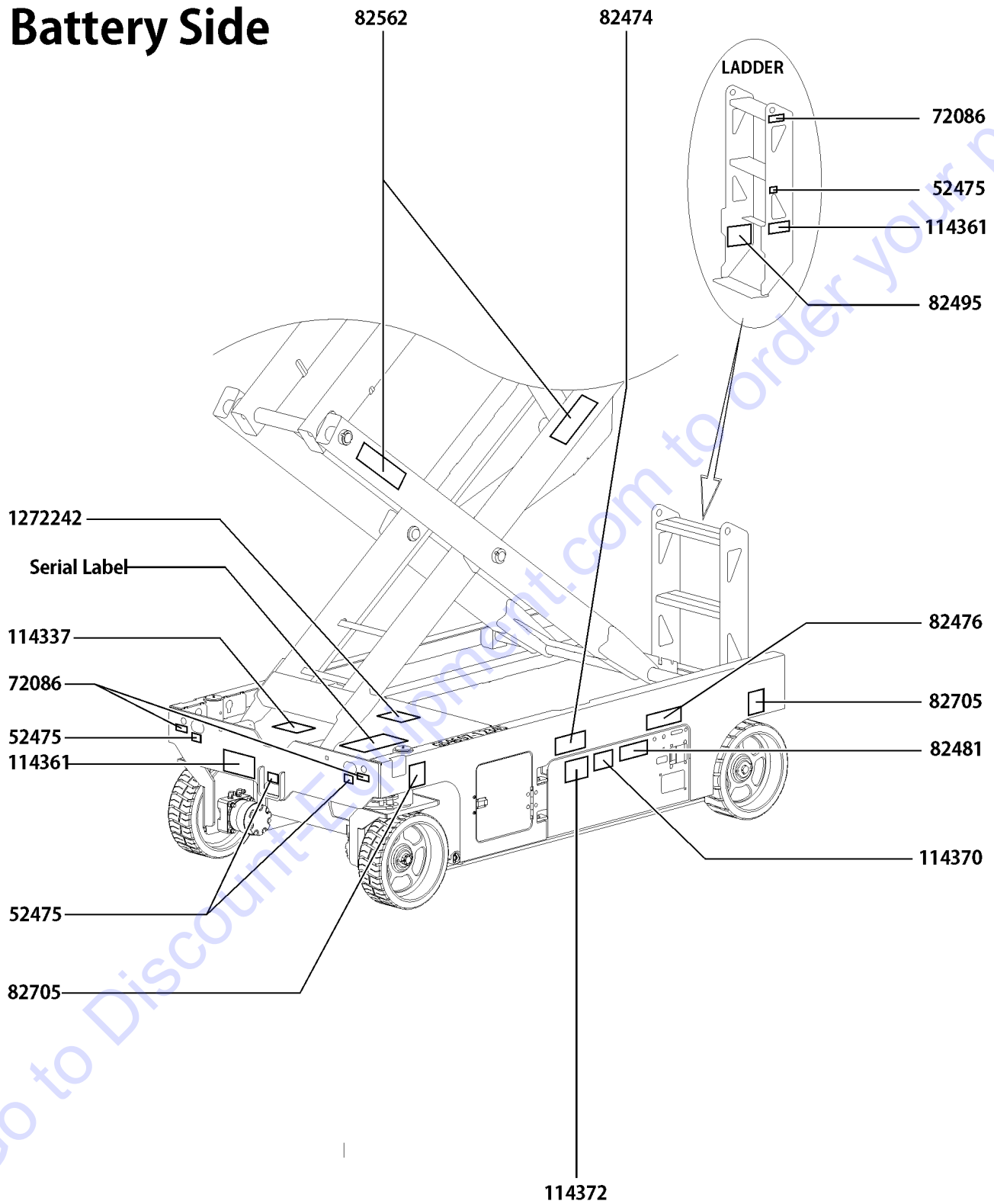


120.1 Symbol Decals, GS-2646, Platform, CE

Item	Part No.	Description	Qty.
1	28174GT	DECAL, POWER TO PLATFORM 230V**.....	1
2	28235GT	DECAL,POWER TO PLATFORM 115V....	1
3	40434GT	DECAL,LANYARD ANCHORAGE POINT.....	5
4	43618GT	DECAL, LABEL - DIRECTION ARROWS.....	2
5	44981GT	DECAL,LABEL, AIR LINE 110 PSI..... (Option)	1
6	62057GT	DECAL,COSMETIC,GENIE GS-2646.....	2
7	82487GT	DECAL, SYMBOL - READ THE MANUAL.....	1
8	82905GT	DECAL,SYM-SIDEFORCE 400N.....	1
9	114338GT	DECAL,SYM-TIP-OVER,TILT ALARM....	1
10	137605GT	DECAL,E-STOP,GR/GRC/GS PCON....	1
11	137656GT	DECAL,PROPEL,GR/GRC/GS,PCON....	1
12	1256702GT	DECAL, UI, GS/GR, PROP LIFT.....	1
13	1257923GT	DECAL, SMARTLINK PROPORTIONAL.....	2
14	1263646GT	DECAL,QR CODE,PARTS&SERVICE MANUAL.....	1
15	1278009GT	DECAL, SYMBOL, CE, MAXIMUM CAPACITY, 454KG.....	1

121.1 Symbol Decals, GS-3246, Battery Side, ANSI & CE

Battery Side



121.1 Symbol Decals, GS-3246, Battery Side, ANSI & CE

Item	Part No.	Description	Qty.
1	52475GT	DECAL,LABEL,TRANSPORT TIEDOWN*.....	4
2	72086GT	DECAL,LABEL,LIFTING EYE.....	3
3	82474GT	DECAL,SYMBOL-USE SAFETY ARM....	1
4	82476GT	DECAL,SYMBOL-ELEC HAZARD,GS....	1
5	82481GT	DECAL,SYMBOL-BATTERY SAFETY....	1
6	82495GT	DECAL,SYMBOL-BRAKE REL SAFETY.....	1
7	82562GT	DECAL,SYMBOL-CRUSHING HAZARD.....	2
8	82705GT	DECAL,LABEL,WHEEL LOAD 3246....	2
9	114337GT	DECAL,SYM-TIP-OVER,LIM SWITCH....	1
10	114361GT	DECAL,LABEL-TRANSPORT DIGRAM.....	2
11	114370GT	DECAL-SYM-TIP-OVR,BATTRIES.....	1
12	114372GT	DECAL SYMBOL TIP OVER TRAYS.....	1
13	1272242GT	DECAL,MACHINE REGISTRATION/OWNER TRANSFER....	1

PARTS FINDER

**Search Website
by Part Number**



**Search Manual
Library For Parts
Manual & Lookup Part
Numbers – Purchase
or Request Quote**

Search Manuals

Enter your information to help us find the right parts manual for your machine.

* Brand:

* Model:

* Serial:

* Part Number:

SEARCH

**Can't Find Part or
Manual? Request Help
by Manufacturer,
Model & Description**

Parts Order Form

Please fill in the following information to help us find the right part for your machine.

Manufacturer:	<input type="text"/>
Model:	<input type="text"/>
Description:	<input type="text"/>
Part Number:	<input type="text"/>
Quantity:	<input type="text"/>
Notes:	<input type="text"/>

Submit

Discount-Equipment.com is your online resource for quality parts & equipment.

Florida: **561-964-4949** Outside Florida TOLL FREE: **877-690-3101**

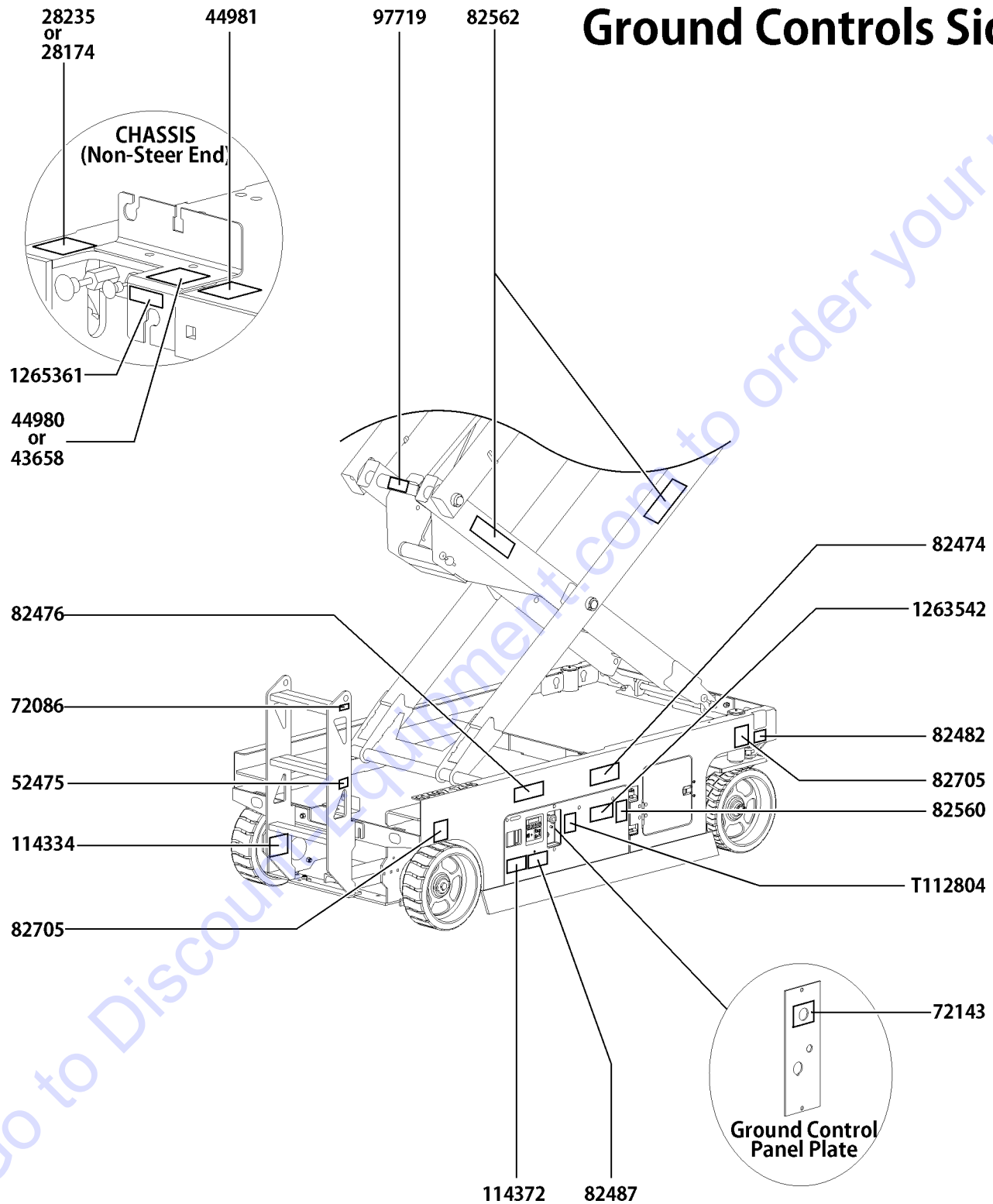
Need parts?

Click on this link: <http://www.discount-equipment.com/category/5443-parts/> and choose one of the options to help get the right parts and equipment you are looking for. Please have the machine model and serial number available in order to help us get you the correct parts. If you don't find the part on the website or on one of the online manuals, please fill out the request form and one of our experienced staff members will get back to you with a quote for the right part that your machine needs.

We sell worldwide for the brands: Genie, Terex, JLG, MultiQuip, Mikasa, Essick, Whiteman, Mayco, Toro Stone, Diamond Products, Generac Magnum, Airman, Haulotte, Barreto, Power Blanket, Nifty Lift, Atlas Copco, Chicago Pneumatic, Allmand, Miller Curber, Skyjack, Lull, Skytrak, Tsurumi, Husquvarna Target, Stow, Wacker, Sakai, Mi-T-M, Sullair, Basic, Dynapac, MBW, Weber, Bartell, Bennar Newman, Haulotte, Ditch Runner, Menegotti, Morrison, Contec, Buddy, Crown, Edco, Wyco, Bomag, Laymor, EZ Trench, Bil-Jax, F.S. Curtis, Gehl Pavers, Heli, Honda, ICS/PowerGrit, IHI, Partner, Imer, Clipper, MMD, Koshin, Rice, CH&E, General Equipment, Amida, Coleman, NAC, Gradall, Square Shooter, Kent, Stanley, Tamco, Toku, Hatz, Kohler, Robin, Wisconsin, Northrock, Oztec, Toker TK, Rol-Air, APT, Wylie, Ingersoll Rand / Doosan, Innovatech, Con X, Ammann, Mecalac, Makinex, Smith Surface Prep, Small Line, Wanco, Yanmar

122.1 Symbol Decals, GS-3246, Ground Control Side, ANSI and CE

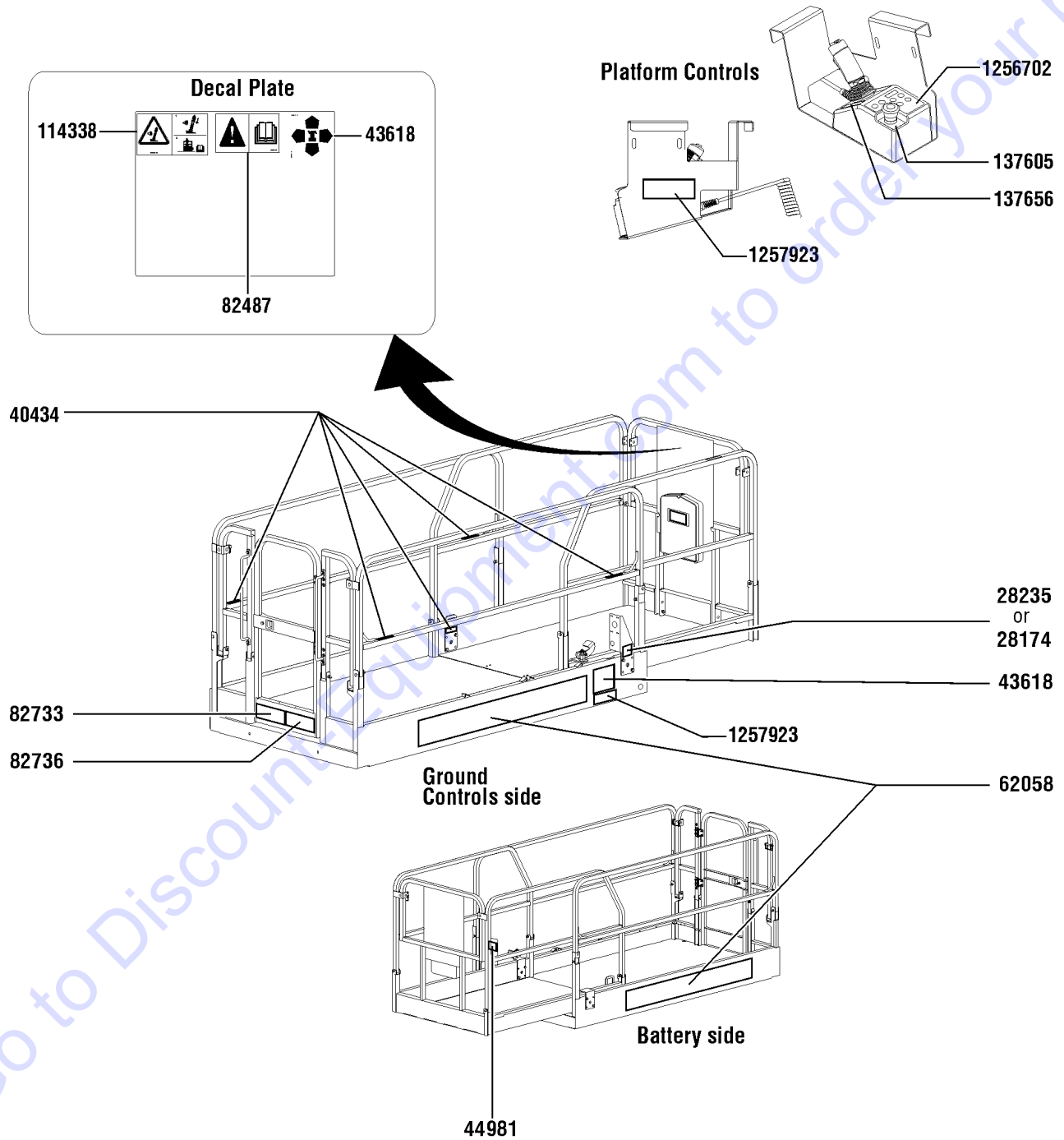
Ground Controls Side



122.1 Symbol Decals, GS-3246, Ground Control Side, ANSI and CE

Item	Part No.	Description	Qty.
1	28174GT	DECAL, POWER TO PLATFORM 230V**.....	1
2	28235GT	DECAL,POWER TO PLATFORM 115V...1	1
3	43658GT	DECAL,LABEL,PWR TO CHARGR 230V.....	1
4	44980GT	DECAL,LABEL,PWR TO CHARGR 115V.....	1
5	44981GT	DECAL,LABEL, AIR LINE 110 PSI.....1 (Option)	1
6	52475GT	DECAL,LABEL,TRANSPORT TIEDOWN*.....	1
7	72086GT	DECAL,LABEL,LIFTING EYE.....	1
8	72143GT	DECAL,EMERGENCY STOP,GR.....	1
9	82474GT	DECAL,SYMBOL-USE SAFETY ARM...1	1
10	82476GT	DECAL,SYMBOL-ELEC HAZARD,GS....1	1
11	82482GT	DECAL,LABEL,AUX LOWERING.....	1
12	82487GT	DECAL, SYMBOL - READ THE MANUAL.....	1
13	82560GT	DECAL,SYMBOL-SKIN INJECT HAZRD.....	1
14	82562GT	DECAL,SYMBOL-CRUSHING HAZARD.....	2
15	82705GT	DECAL,LABEL,WHEEL LOAD 3246.....	2
16	97719GT	DECAL, LABEL, SAFETY ARM SYMB....	1
17	114334GT	DECAL,SYM-ELEC HAZARD,PLUG.....	1
18	114372GT	DECAL SYMBOL TIP OVER TRAYS.....	1
19	1263542GT	DECAL, COMPARTMENT ACCESS.....	1
20	1265361GT	DECAL, BATTERY CHARGER INDICAT.....	1
21	T112804GT	DECAL,GCON PANEL,GS.....	1

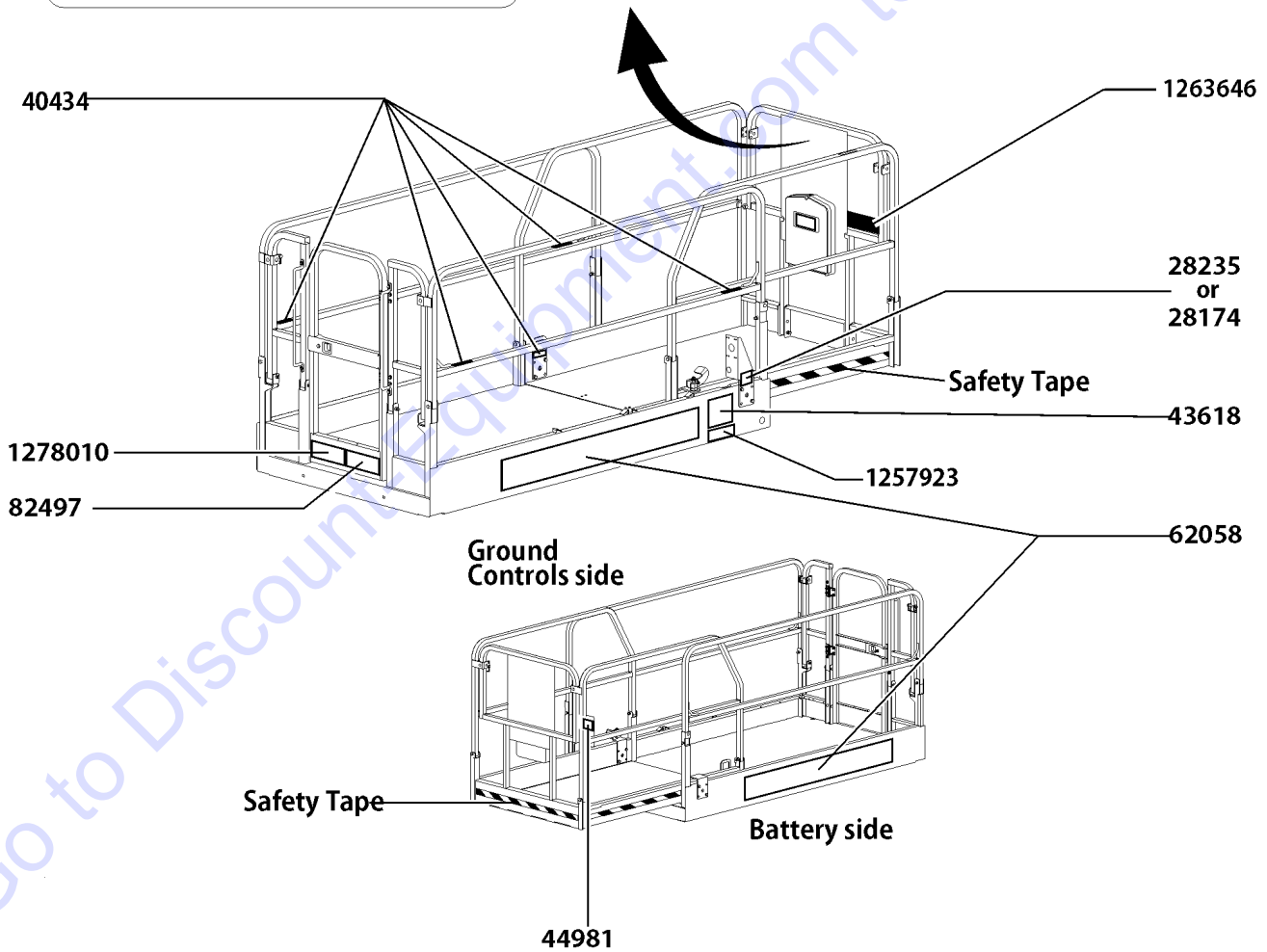
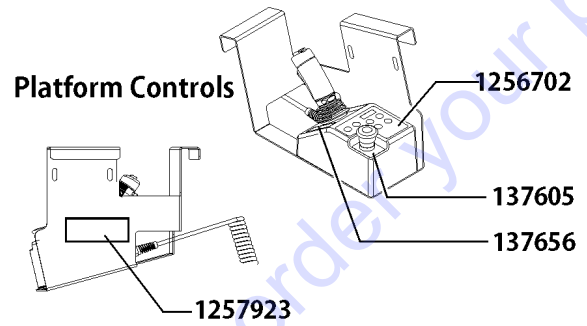
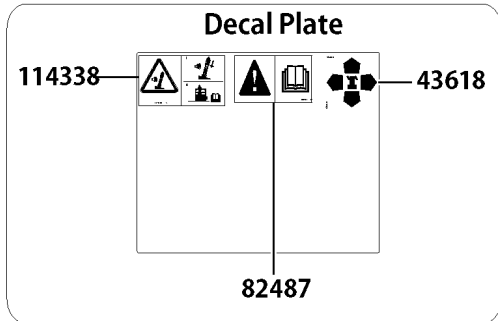
Platform, ANSI models



123.1 Symbol Decals, GS-3246, Platform, ANSI

Item	Part No.	Description	Qty.
1	28174GT	DECAL, POWER TO PLATFORM 230V**.....	1
2	28235GT	DECAL,POWER TO PLATFORM 115V...1	1
3	40434GT	DECAL,LANYARD ANCHORAGE POINT.....	5
4	43618GT	DECAL, LABEL - DIRECTION ARROWS.....	2
5	44981GT	DECAL,LABEL, AIR LINE 110 PSI.....1 (Option)	1
6	62058GT	DECAL,COSMETIC,GENIE GS-3246.....2	2
7	82487GT	DECAL, SYMBOL - READ THE MANUAL.....	1
8	82733GT	DECAL,SYM-MAXCAP 700.....	1
9	82736GT	DECAL,SYM-SIDE FORCE.....	1
10	114338GT	DECAL,SYM-TIP-OVER,TILT ALARM.....	1
11	137605GT	DECAL,E-STOP,GR/GRC/GS PCON.....	1
12	137656GT	DECAL,PROPEL,GR/GRC/GS,PCON.....	1
13	1256702GT	DECAL, UI, GS/GR, PROP LIFT.....	1
14	1257923GT	DECAL, SMARTLINK PROPORTIONAL.....	2

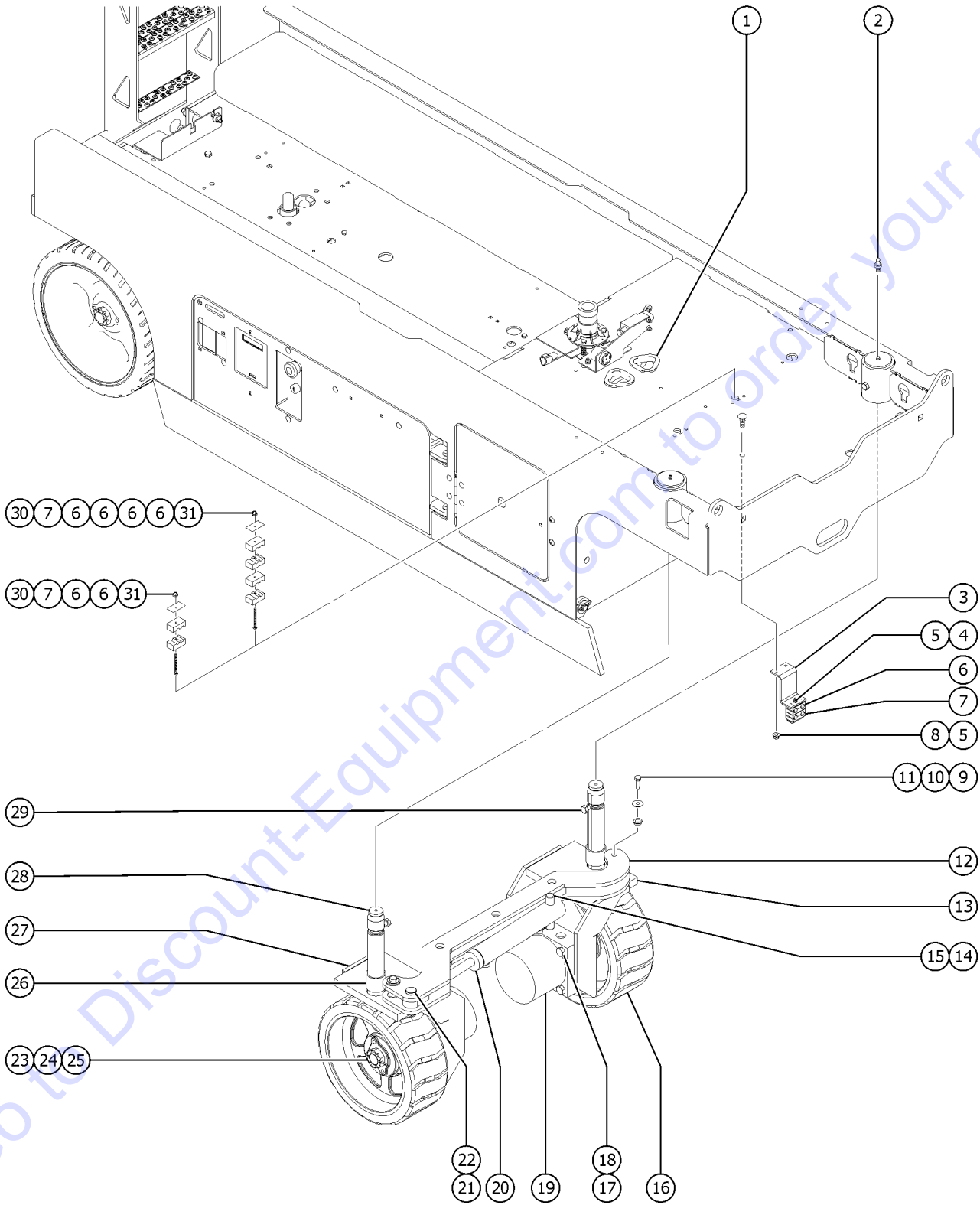
Platform, CE models



124.1 Symbol Decals, GS-3246, Platform, CE

Item	Part No.	Description	Qty.
1	28174GT	DECAL, POWER TO PLATFORM 230V**.....	1
2	28235GT	DECAL, POWER TO PLATFORM 115V....	1
3	40434GT	DECAL, LANYARD ANCHORAGE POINT.....	5
4	43618GT	DECAL, LABEL - DIRECTION ARROWS.....	2
5	44981GT	DECAL, LABEL, AIR LINE 110 PSI..... (Option)	1
6	62058GT	DECAL, COSMETIC, GENIE GS-3246....	2
7	82487GT	DECAL, SYMBOL - READ THE MANUAL.....	1
8	82497GT	DECAL, SYM-SIDEFORCE 200400.....	1
9	114338GT	DECAL, SYM-TIP-OVER, TILT ALARM....	1
10	137605GT	DECAL, E-STOP, GR/GRC/GS PCON....	1
11	137656GT	DECAL, PROPEL, GR/GRC/GS, PCON....	1
12	1256702GT	DECAL, UI, GS/GR, PROP LIFT.....	1
13	1257923GT	DECAL, SMARTLINK PROPORTIONAL.....	2
14	1263646GT	DECAL, QR CODE, PARTS&SERVICE MANUAL.....	1
15	1278010GT	DECAL, SYMBOL, CE, MAXIMUM CAPACITY, 318KG	

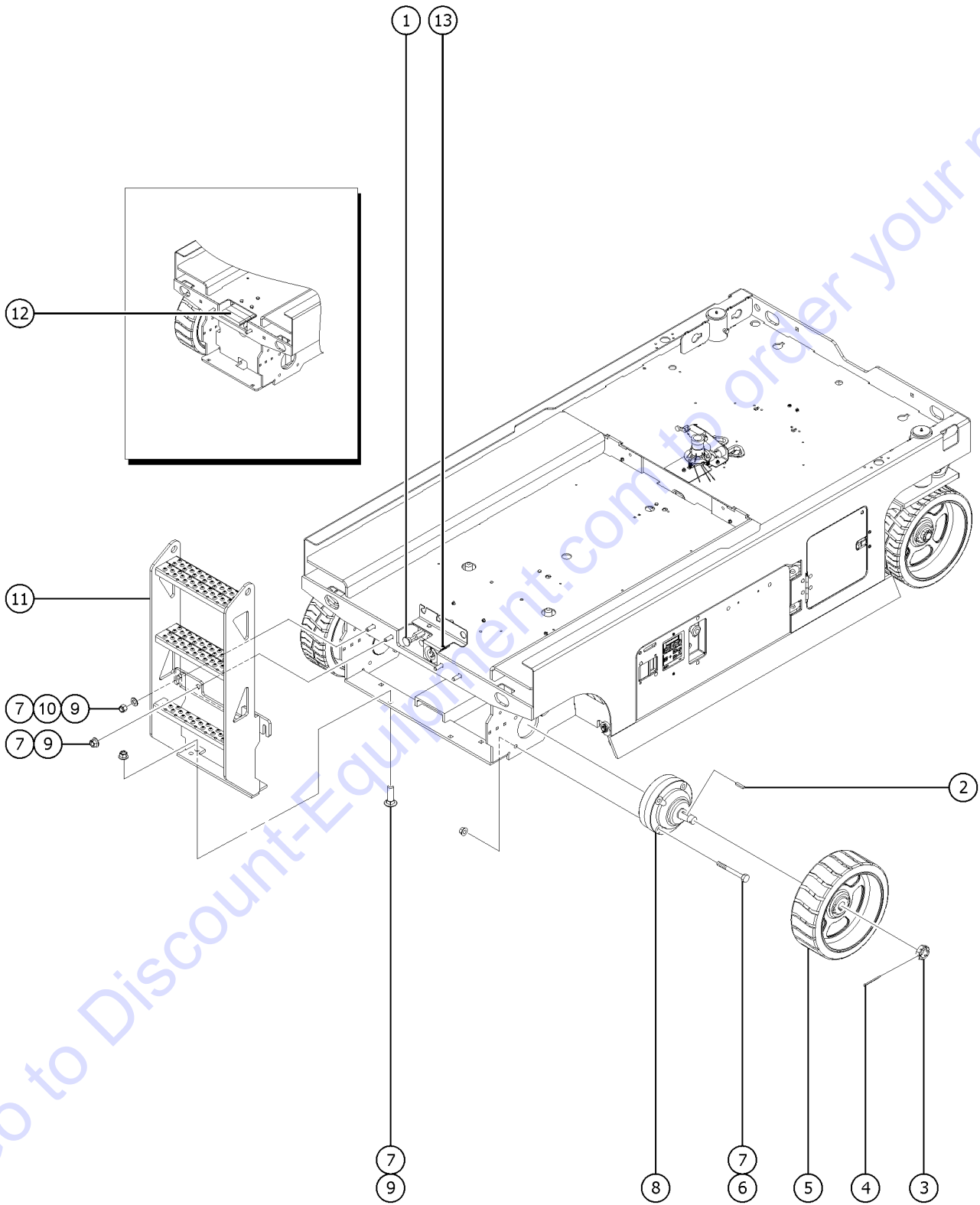
201.1 Steer Linkage and Wheels



201.1 Steer Linkage and Wheels

Item	Part No.	Description	Qty.
1	47232GT	GROMMET,RUBBER 2 X 2.75.....2	
2	66770GT	FITTING,STRAIGHT DRIVE-IN ZERK....2	
3	96767GT	FORMING, HOSE CLAMP SUPPORT....1	
4	144374GT	SCREW,HHC,1/4-20X3.25,GR8	
5	6091GT	NUT,NYLOCK,1/4-20	
6	78736GT	CLAMP,2 HOSE,PLASTIC,5/8 (as required)	
7	58592GT	PLATE,HOSE ROUTG,BULKHEAD(PTD) (as required)	
8	9116GT	BOLT,CARRIAGE,1/4-20x1.25,G2	
9	8255GT	SCREW,HHC,3/8-16 X .75	
10	15086GT	WASHER,FLAT,.375 X 1.5 X .125	
11	47946GT	BEARING,1.00IDX1.25ODX0.49L.....2	
12	96574GT	WLDMT,TIE ROD,GS46.....1	
13	96573GT	WLDMT,STEER YOKE,LT,GS32/46.....1 (battery pack side)	
14	96907GT	PIN,CLEVIS,0.75 X 3.25".....1	
15	96423GT	RUE RING,3/4 PIN	
16	1256051GT	WHEEL & TIRE ASSY LP,15",EXMALE.....2	
17	8357GT	SCREW,HHC,1/2-13 X 3.5	
18	6198GT	NUT,NYLOCK,1/2-13	
19		Ref. Drive Motor (refer to 501.1)	
20		Ref. Steer Cylinder (refer to 501.1)	
21	6545GT	PIN,CLEVIS,.75 X 2.....1	
22	21253GT	CLIP,HAIR PIN .125 X 2.....1	
23	44780GT	NUT,CASTLE,1.125-18 UNEF	
24	13635-10GT	PIN,COTTER,.156 X 1.75.....2	
25	44781GT	KEY,RECTANGULAR,.31X.28X1.25**.....2	
26	18722GT	BEARING,2.25IDX2.50ODX1.50L***	
27	96572GT	WLDMT,STEER YOKE,RT,GS32/46.....1 (ground controls side)	
28	105565GT	WASHER,THRUST, GS	
29	55917GT	SCREW, YOKE LOCK ALL SLABS	
30	18504GT	NUT,LOCKING-LG.FLANGE,1/4-20	
31	96903GT	BOLT,CARRIAGE,1/4-20 X 3.50,G2.....1	

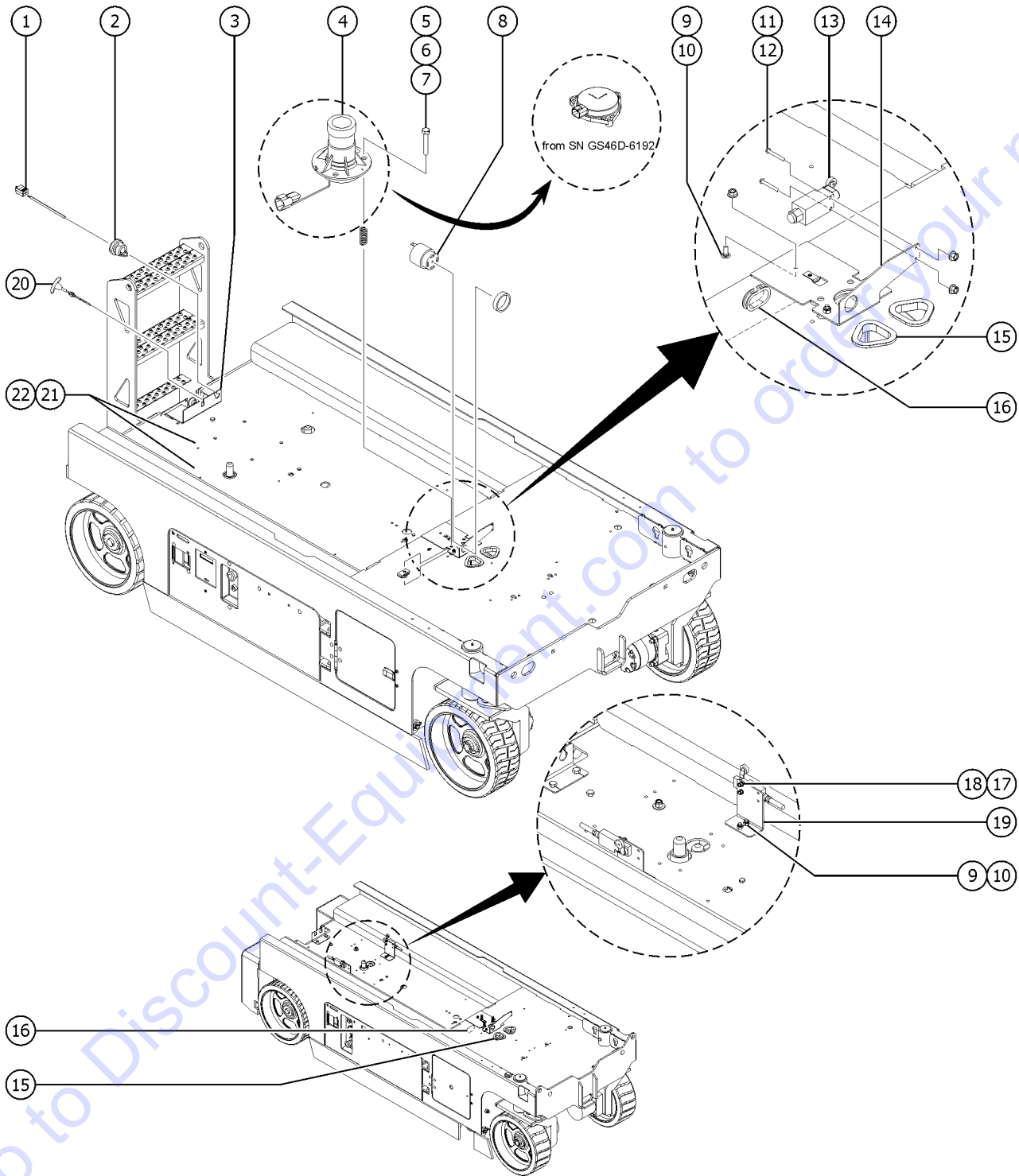
202.1 Non-steer Axle Installation



202.1 Non-steer Axle Installation

Item	Part No.	Description	Qty.
1		Ref: BRAKE RELEASE MANIFOLD (refer to 503.1)	
2	44781GT	KEY,RECTANGULAR,.31X.28X1.25**.....2	
3	44780GT	NUT,CASTLE,1.125-18 UNEF.....2	
4	42079GT	PIN,COTTER,.156 X 2.5.....2	
5	1256051GT	WHEEL & TIRE ASSY LP,15",EXMALE.....2	
6	8357GT	SCREW,HHC,1/2-13 X 3.5	
7	6198GT	NUT,NYLOCK,1/2-13	
8		Ref: HYDRAULIC BRAKE (refer to 501.1)	
9	96203GT	BOLT,CARRIAGE,1/2-13X1.75, G5	
10	13066GT	WASHER,FLAT,5 HARDENED.....2	
11A	96570GT	WLDMT,GS32/46 LADDER***.....1 GS-2646, GS-3246 (decals not included refer to section one)	
11B	96895GT	WELDMENT,20XX LADDER.....1 GS-2046 (decals not included refer to section one)	
12A	96887GT	CWT, REAR, XX46.....1 GS-2046, GS-2646, GS-3246 Australia & CE (inside rear chassis)	
12B	96876GT	COUNTERWEIGHT, BELLY.....1 GS-2646, GS-3246 (inside front center of chassis)	
13	1270281GT	ASSEMBLY, CHARGER STATUS LED, 2V.....1	

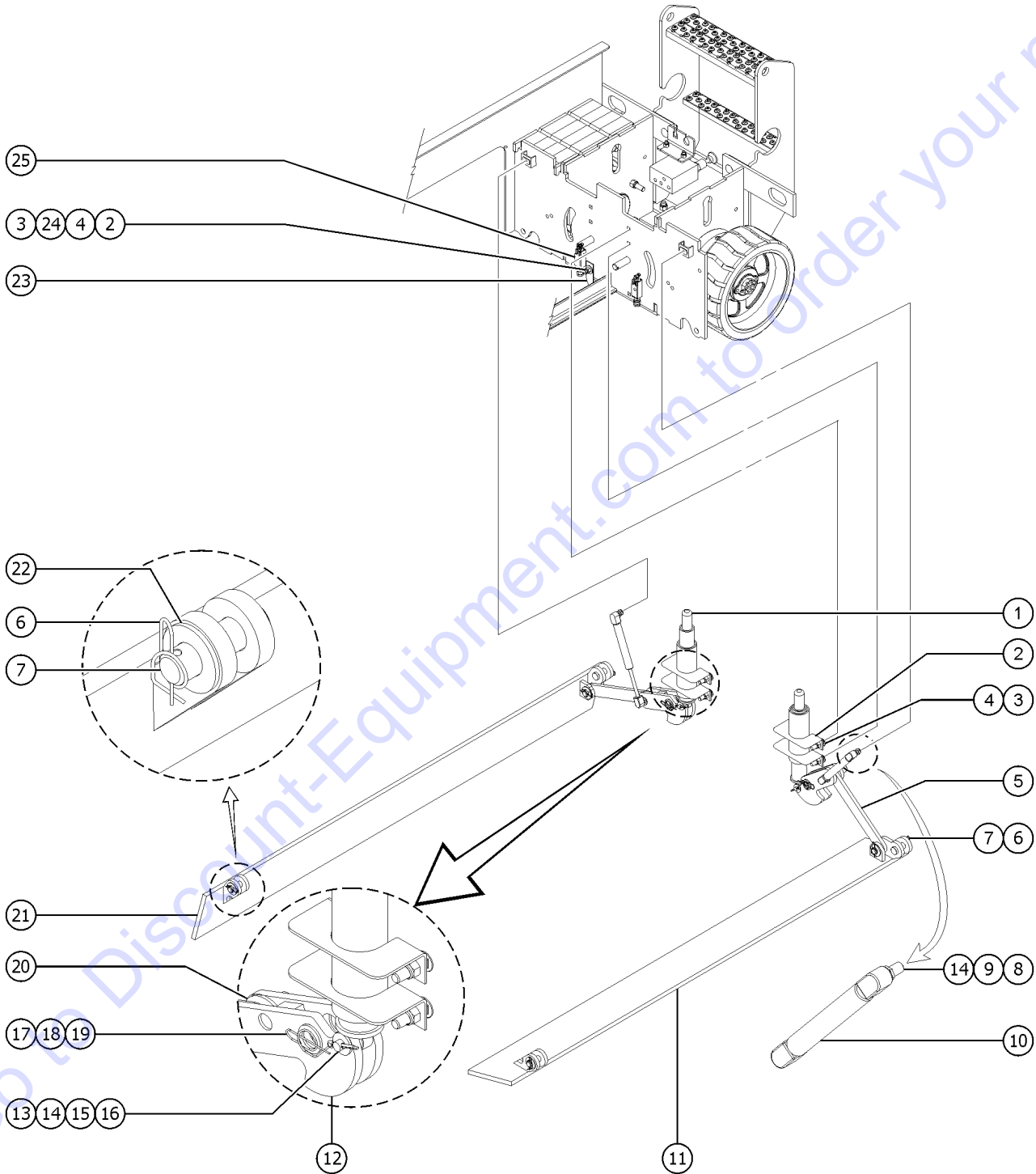
203.1 Level Sensor Installation



203.1 Level Sensor Installation

Item	Part No.	Description	Qty.
1		Ref. Electrical Plugs and Cords (refer to 402.1)	
2	128118GT	BUSHING,STRAIN RELIEF,.875/.40.....1	
3A	144226GT	FORMING,REC.PLG BRKT.....1 CE	
3B	1282153GT	FORMING,REC.PLG BRKT,METRIC.....1 US market	
3C	1282145GT	FORMING, PLUG/LED BRACKET,METRIC.....1 AUS market	
4A	228406GT	ASSY,LVL SNSR W/ CONNECTOR.....1 to SN GS46D-6191	
4B	823368GT	SENSOR,LEVEL,UNIVERSAL.....1 from SN GS46D-6192	
5	9116GT	BOLT,CARRIAGE,1/4-20x1.25,G2	
6	39469GT	SPRING,COMPRESSION.485 X1.75**	
7	18504GT	NUT,LOCKING-LG.FLANGE,1/4-20	
8	39540GT	ALARM,STEADY TONE***.....1	
--	72326GT	NUT - PLASTIC,RING FOR ALARMS	
9	6878GT	BOLT,CARRIAGE,1/4-20 X .75,G2	
10	6091GT	NUT,NYLOCK,1/4-20	
11	51063GT	SCREW,PHILLIPS,RHM,10-32 X 1.5	
12	6178GT	NUT,NYLOCK,10-32	
13	T112507GT	ASSEMBLY, DOWN LIMIT, GS.....1 (Includes plug)	
--	19491GT	CONTACTOR,LIMIT SWITCH	
--	96948GT	SWITCH,LIMIT,W/ROLLER ARM***	
--	97128GT	ROLLER ARM,LIMIT SWITCH***	
14	1267821GT	FORMING, ALARM BRACKET,METRIC.....1	
15	47232GT	GROMMET,RUBBER 2 X 2.75.....2	
16	47238GT	GROMMET,RUBBER 1.5 ID.....1	
17	18605GT	NUT,NYLOCK,8-32	
18	55906GT	SCREW,PHILLIPS,PHM,8-32 X .5	
19	105736GT	FRMING,LMT SWCH BRKT,3232	
20	39232GT	CABLE,EMERGENCY DOWN.....1	
21	6090GT	SCREW,HHC,1/4-20 X .75	
22	6833GT	CLAMP,0.50,#8 X 1/4,RUB CUSH	

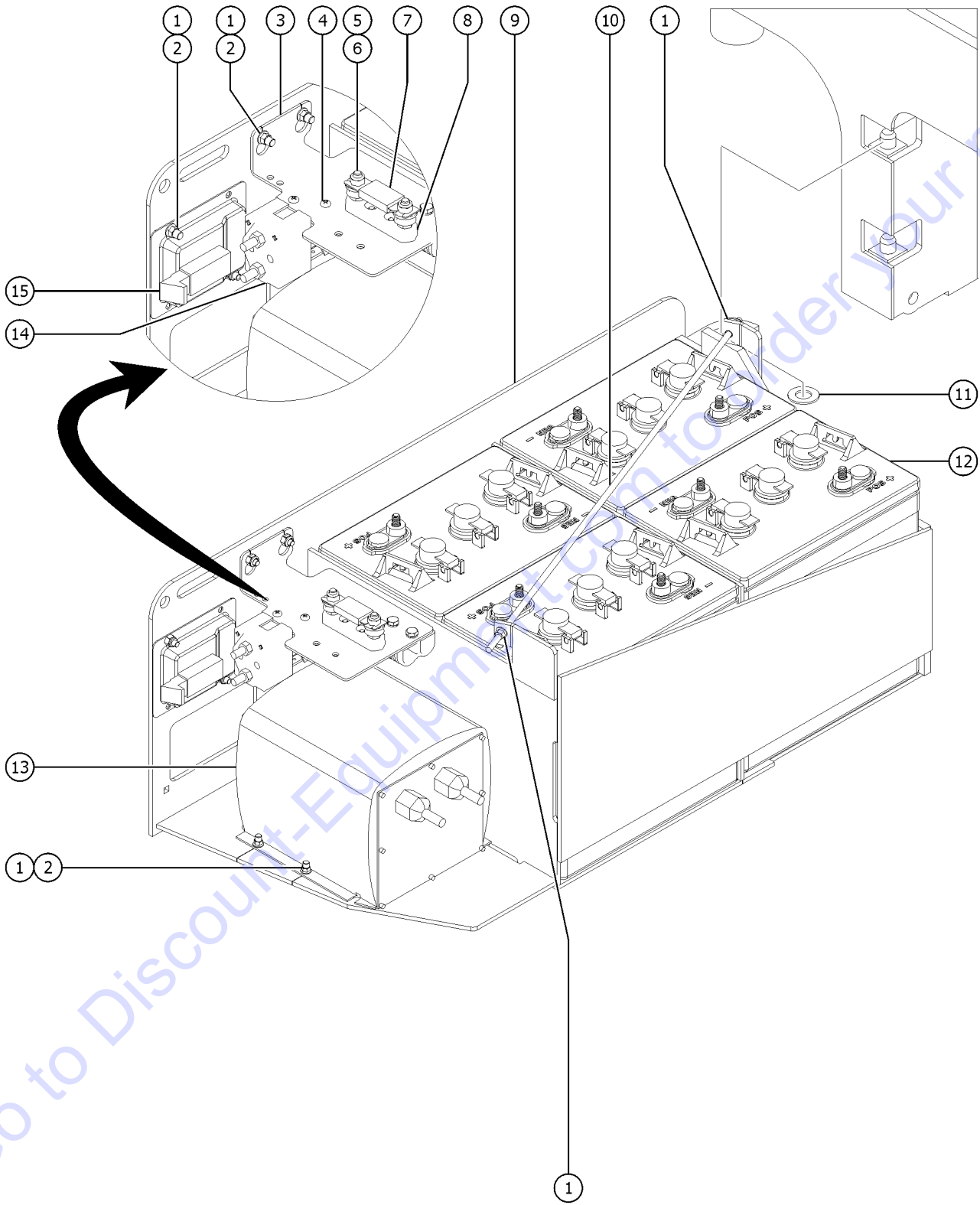
204.1 Pothole Protection Assembly



204.1 Pothole Protection Assembly

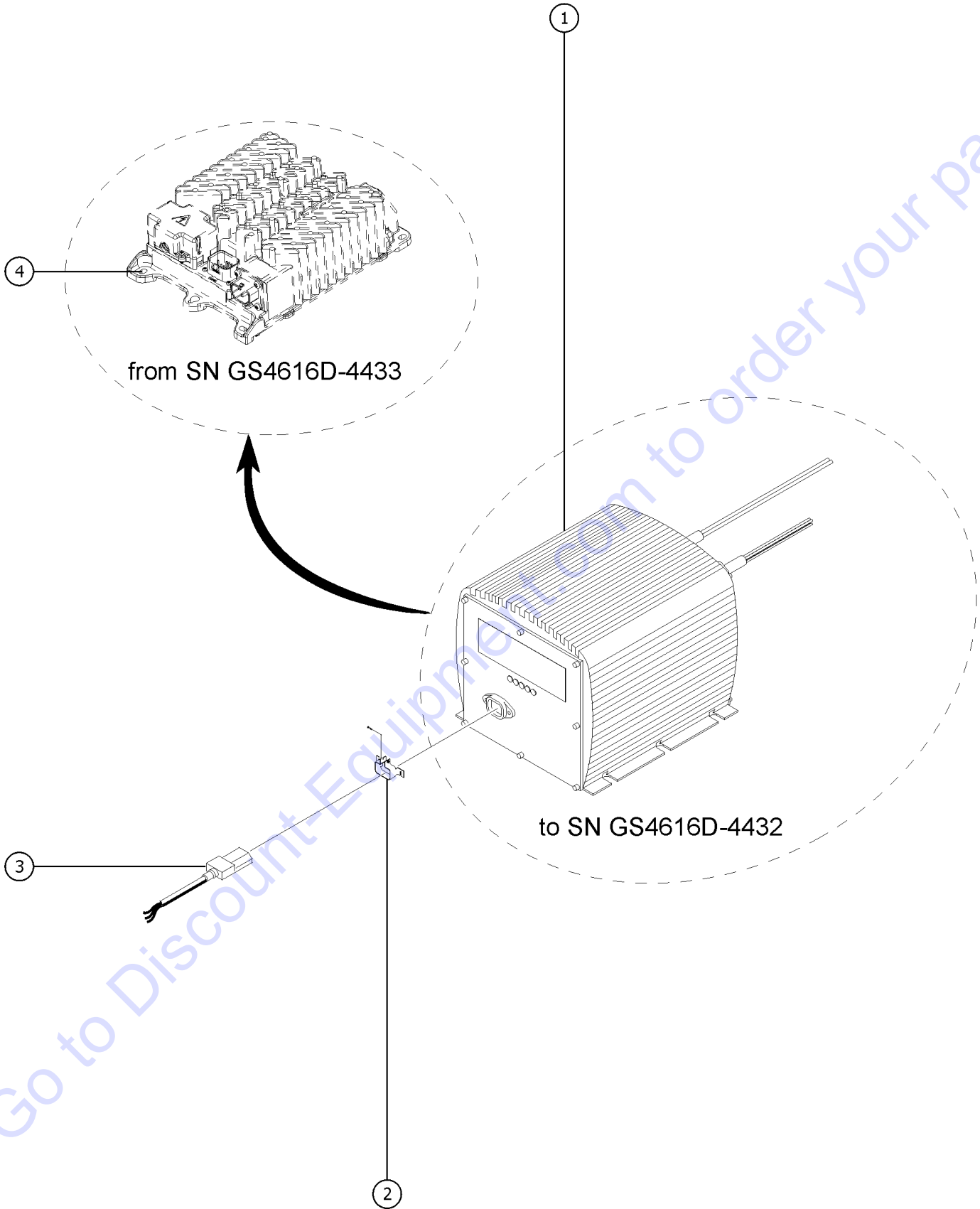
Item	Part No.	Description	Qty.
1	96839GT	ASSY,POT HOLE PUSHER,GS***	
2	105069GT	WLDMT/ASSY,PH GUIDE,GS46.....2	
3	105092GT	BOLT,CARRIAGE,3/8-16X1.25,GR5	
4	4828GT	NUT,NYLOCK,3/8-16	
5A	96637GT	PLATE, POTHOLE LINK.....2	
5B	105156GT	BUSHING,FLNGD,.63 X .77 X .38 (sold seperately)	
6	96422GT	RUE RING,5/8 PIN	
7	96135GT	PIN,CLEVIS,.625 X 1.88,ZINC PL.....6	
8	96643GT	PIN, POTHOLE LINK PIVOT	
9	78086GT	BALL STUD, GAS STRUT, 3/8-16	
10	39542GT	GAS SHOCK,SCISSORS***.....2	
11	96639GT	WELDMENT, POTHOLE, LEFT SIDE....1	
12	96281GT	PH BELLCRANK LINK.....2	
13	12016GT	PIN,COTTER,.125 X .75	
14	5397GT	WASHER,FLAT,USS,5/16",Y	
15	34742GT	PIN,CLEVIS,.375 X 1.75 LG.....2	
16	96541GT	CAM FOLLOWER,1.125X.375,DELFIN.2	
17	96423GT	RUE RING,3/4 PIN	
18	6564GT	WASHER, SHIM,.765 X 1.312 X .093	
19	55355GT	SPACER,.75ID X 1.5OD X 1/4THK	
20	96085GT	WASHER,THRUST,.63 X 1.13 X .06	
21	96638GT	WELDMENT, POTHOLE, RIGHT SIDE...1	
22	6898GT	WASHER,SHIM,.625 X 1.188X.064	
23	105060GT	GROUND STRAP, 8"LG.....1	
24	6097GT	WASHER,FLAT,USS,3/8",Y	
25	96948GT	SWITCH,LIMIT,W/ROLLER ARM***.....2 (down limit switch)	
--	1256177GT	SCREW,PHPM,10-32X1.75,ZAG	
--	19491GT	CONTACTOR,LIMIT SWITCH	
--	824032GT	NUT,TL FLG,10-32,F,ZAG	
--	97128GT	ROLLER ARM,LIMIT SWITCH***	

205.1 Battery Pack Module



Item	Part No.	Description	Qty.
1	6091GT	NUT,NYLOCK,1/4-20	
2	6878GT	BOLT,CARRIAGE,1/4-20 X .75,G2	
3	1282144GT	FORMING, CONTACTOR/FUSE BRACKET,METRIC.....1	
4	49818GT	SCREW,PHILLIPS,PHM,10-32 X .38	
5	5397GT	WASHER,FLAT,USS,5/16",Y	
6	18503GT	NUT,LOCKING-LG.FLANGE,5/16-18	
7	40833GT	FUSE,275 AMP,VERY FAST ACTING.....1	
8	66717GT	FUSE BLOCK, ANN & ANL FUSE.....1 (includes mounting fasteners)	
9	1273354GT	WLDMT, GS BATTERY TRAY.....1	
10	30784-2550GT	THREADED ROD,(1/4-20),25.50.....1	
11	6638GT	WASHER,FLAT,USS,1/4"Y	
12	76494GT	BATT,6V,225AH T105 LPT3CAP.....4	
13		Ref. Battery Charger (refer to 206.1)	
14	1270457GT	CONTACTOR,DRIVE,24V,180A.....1	
15	55675GT	LATCH, LRG PADDLE HANDLE GS90...1	

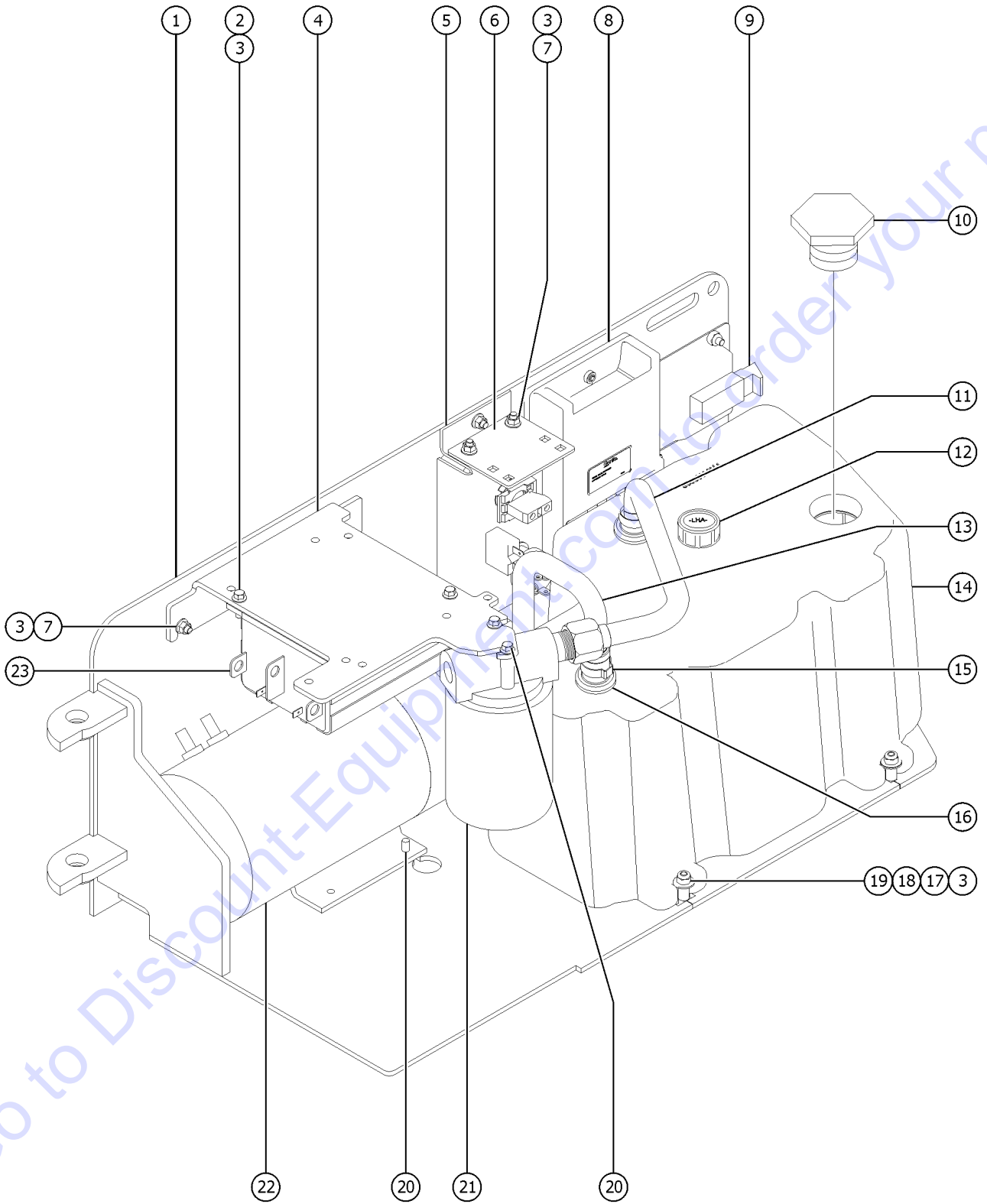
206.1 Battery Charger



206.1 Battery Charger

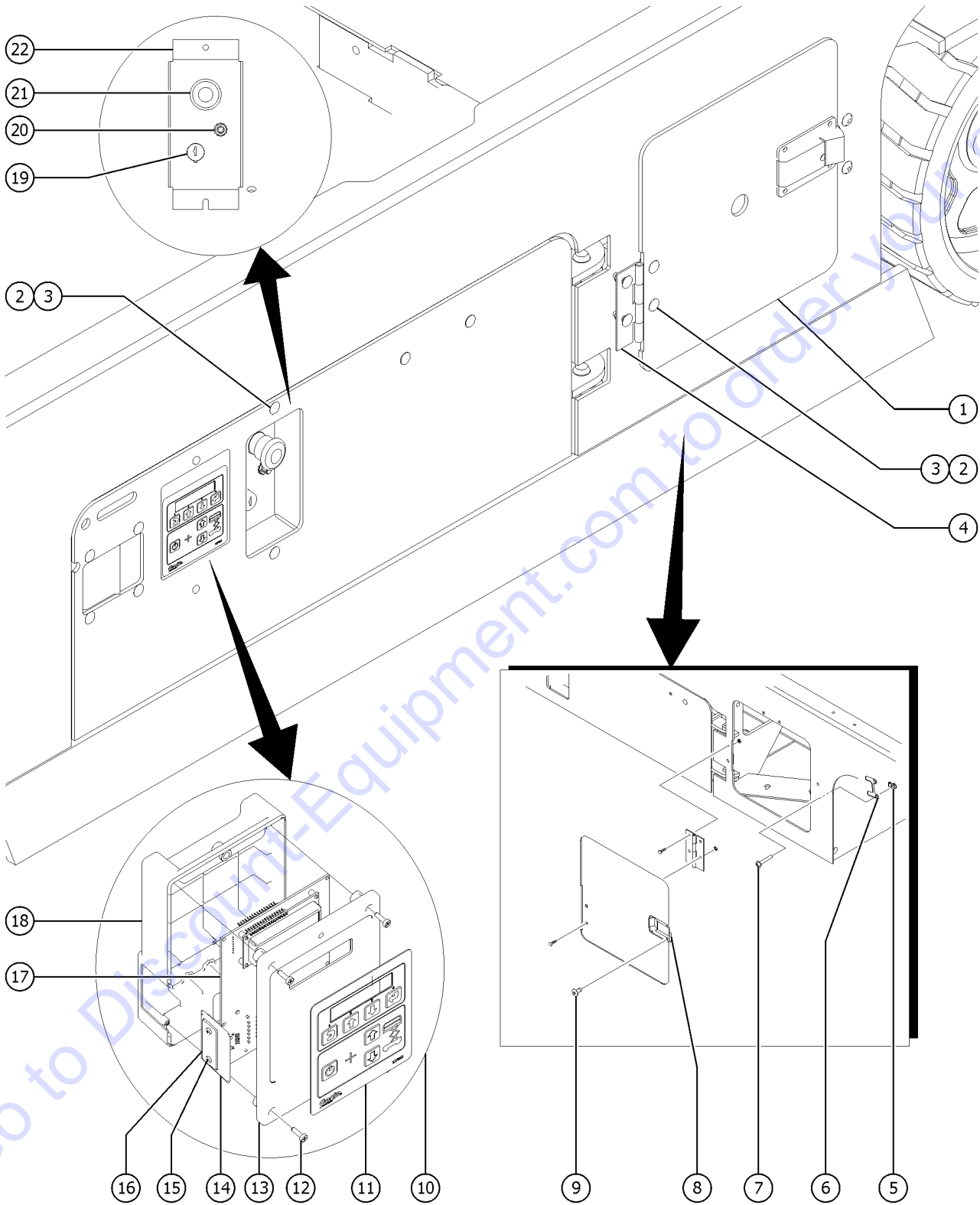
Item	Part No.	Description	Qty.
--	105334GT	CONNECTOR, IEC CHARGER CORD <i>for 5-LED battery charger</i>	
--	97059GT	FUSE,BATTERY CHARGER*** <i>for 5-LED battery charger</i>	
1A	105739GT	CHARGER,BAT,24VDC,H/LO GEN2.....1 <i>Signet battery charger. NOTE: Some machines are equipped with an alternative-brand battery charger. Inspect your machine before ordering OR contact Discount-equipment if needed.</i>	
--	144180GT	MANUAL,OWNERS,CHARGER,105739	
1B		RefFieldAssemblyRecessedCharger Plug <i>(refer to 403.1)</i>	
1C	219480GT	KIT,BATTERYCHARGER,24V <i>(includes 105739 charger, fasteners, ring terminals and instructions for field installation)</i>	
1D	1272232GT	CHARGER,24V,650W,USB.....1 <i>from SN GS4616D-4433</i>	
--	1279428GT	KIT,DC BLOCK ASSEMBLY <i>for 1279428</i>	
2	55010GT	LOCK, CONNECTOR.....1 <i>(includes fasteners)</i>	
3A	144130GT	POWER CORD, IEC 320, 115".....1 <i>to SN GS4616D-4432</i>	
3B	1272557GT	POWER CORD, IEC 320, 90 DEG.....1 <i>from SN GS4616D-4433</i>	
4	1272292GT	OPT,SUNBELT MOVIE PAINT,S100.....1	

207.1 Power Unit Module



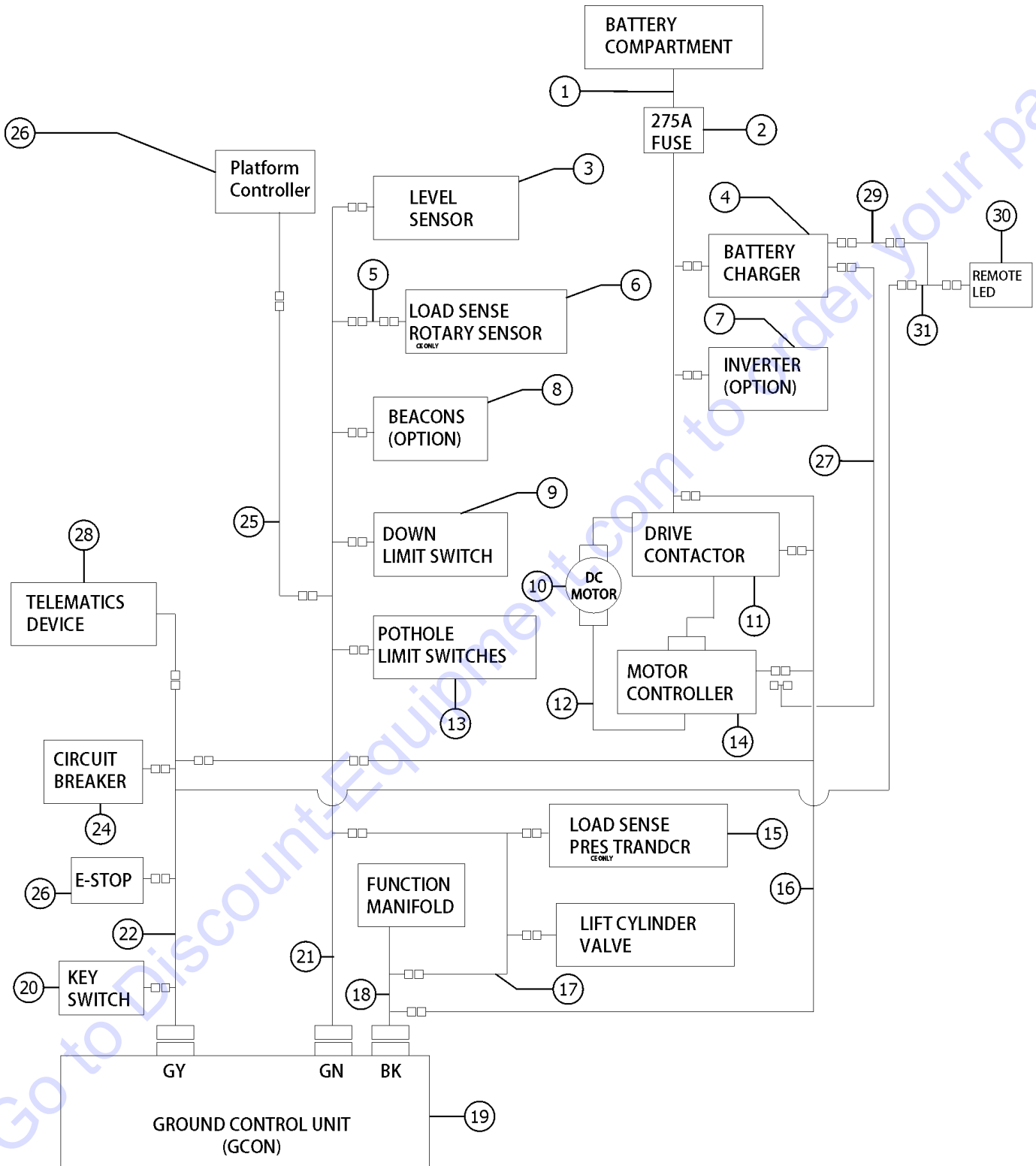
Item	Part No.	Description	Qty.
1	229195GT	ASSY,GS HYDRAULIC TRAY,MET.....1	
--	227166GT	WELDMENT,GS HYD TRAY,MET (decals not included, refer to section one)	
2	824080GT	SCREW,HHF,1/4-20X1.25,8,ZAG	
3	6091GT	NUT,NYLOCK,1/4-20	
4	1273016GT	FORMING,FILTER-CNTRLR MOUNT	
5		Ref. FORMING, CONTROL PANEL	
6	227164GT	PLATE, HARNESS MOUNT, MET	
7	6878GT	BOLT,CARRIAGE,1/4-20 X .75,G2	
8		Ref. GCON, GR/GRC/GS (refer to figure 208.1)	
9	55675GT	LATCH, LRG PADDLE HANDLE GS90...1	
10	66204GT	FILTER CAP (PLUG 1-1/2" NPT HEX.....1	
11	1270600GT	TUBE, SLAB RETURN ASSEMBLY.....1	
12	78546GT	BREATHER CAP,HYD.TANK,1/4 NPT.....1	
13	1270598GT	TUBE, SLAB DRAW ASSEMBLY	
14	226163GT	HYD. TANK KIT, GS30,32,46.....1 (includes items 15 and 16)	
--	T109012GT	TANK,HYD, SLAB SCISSORS	
15	96855GT	CLAMP,HOSE,1 EAR,1-1/16***.....2	
16	96709GT	GROMMET,SLAB HYD TANK***.....2	
17	96699GT	SLEEVE,TANK SUPPORT	
18	6638GT	WASHER,FLAT,USS,1/4"Y	
19	9116GT	BOLT,CARRIAGE,1/4-20x1.25,G2	
20	6090GT	SCREW,HHC,1/4-20 X .75	
21		REF. FILTER ASSY (refer to figure 501.1)	
22		REF. ELECTRIC MOTOR/PUMP (refer to figure 505.1)	
23	1257840GT	MOTOR CONTROLLER, DC,24V,360A	

208.1 Ground Controls



Item	Part No.	Description	Qty.
A	1252764GT	SPACER, GROUND CONTROL ECU.....1	
1	105732GT	PLATE,SIDE DOOR***1 (used on both sides)	
2	6878GT	BOLT,CARRIAGE,1/4-20 X .75,G2.....6	
3	6091GT	NUT,NYLOCK,1/4-20	
4	105734GT	HINGE,ACCESS DOOR(13G).....1	
5	56912GT	SPRING CLIP,1/4-20,.025-.15X.54,ZAG	
6	105733GT	PLATE,SIDE DOOR STOP***1	
7	43137GT	SCREW,PHM,1/4-20 X .75	
8	105759GT	LATCH,COMPRESSION,SMALL.....1	
9	6272GT	RIVET,STL,STL,P.125 X .25.....2	
10	1256721GT	GCON,STD,PROP LIFT.....1	
11	137562GT	DECAL,MEMBRANE, GR/GRC/GS GCON.....1	
12	137668GT	SCREW,PHM,6-19X.75, 48-2 TRI-L	
13	T106366GT	ENCLOSURE,GC27-25/GC21-19,FRNT.1	
14	T106363GT	ADAPTER, RJ45, GC27-25/GC21-19.....1	
15	137637GT	SCREW,PHM,4-20X.5, 48-2 TRI-L	
16	T106362GT	COVER, RJ45, GC27-25/GC21-19.....1	
17	1256719GT	PCBA,GCON STD,PROP LIFT.....1	
18	T106372GT	ENCLOSURE, GC21-19, BK.....1	
19	96008-SGT	KEYSWITCH,3 POS. W/KEYS***.....1	
--	37947GT	KEYS,10 PACK*** (sold seperately)	
--	83093GT	KEY SINGLE*** (sold seperately)	
--	85239GT	NUT,RETAINER (96008) (sold seperately)	
--	96009GT	WASHER,NITRILE (sold seperately)	
--	96010GT	SCREW,PHILLIPS,PHM,8-32 X.25** (sold seperately)	
20	96452GT	CIRCUIT BREAKER,7.0 AMP***.....1	
--	122994GT	NICKEL PLATED JAM NUT	
--	6700GT	WASHER,STAR,EXTERNAL,,375	
21	66812GT	BUTTON,PUSH,RED MUSHROOM HEAD.....1	
--	58627GT	NUT	
--	66817GT	BASE WITH 1 NC CONTACT, E-STOP	
22	227165GT	FORMING,CONTROL PANEL,MET.....1	

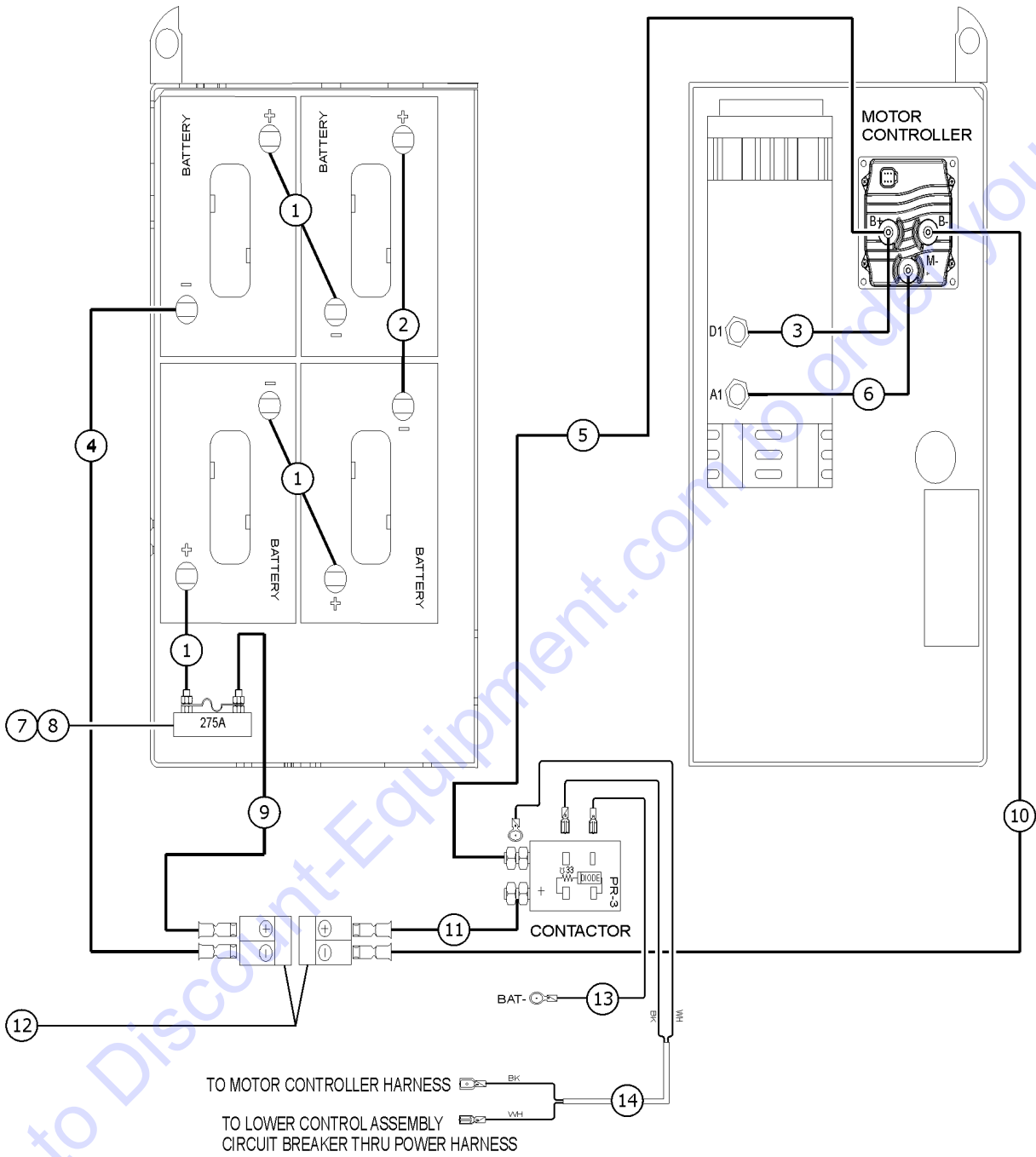
209.1 Electrical Wiring



209.1 Electrical Wiring

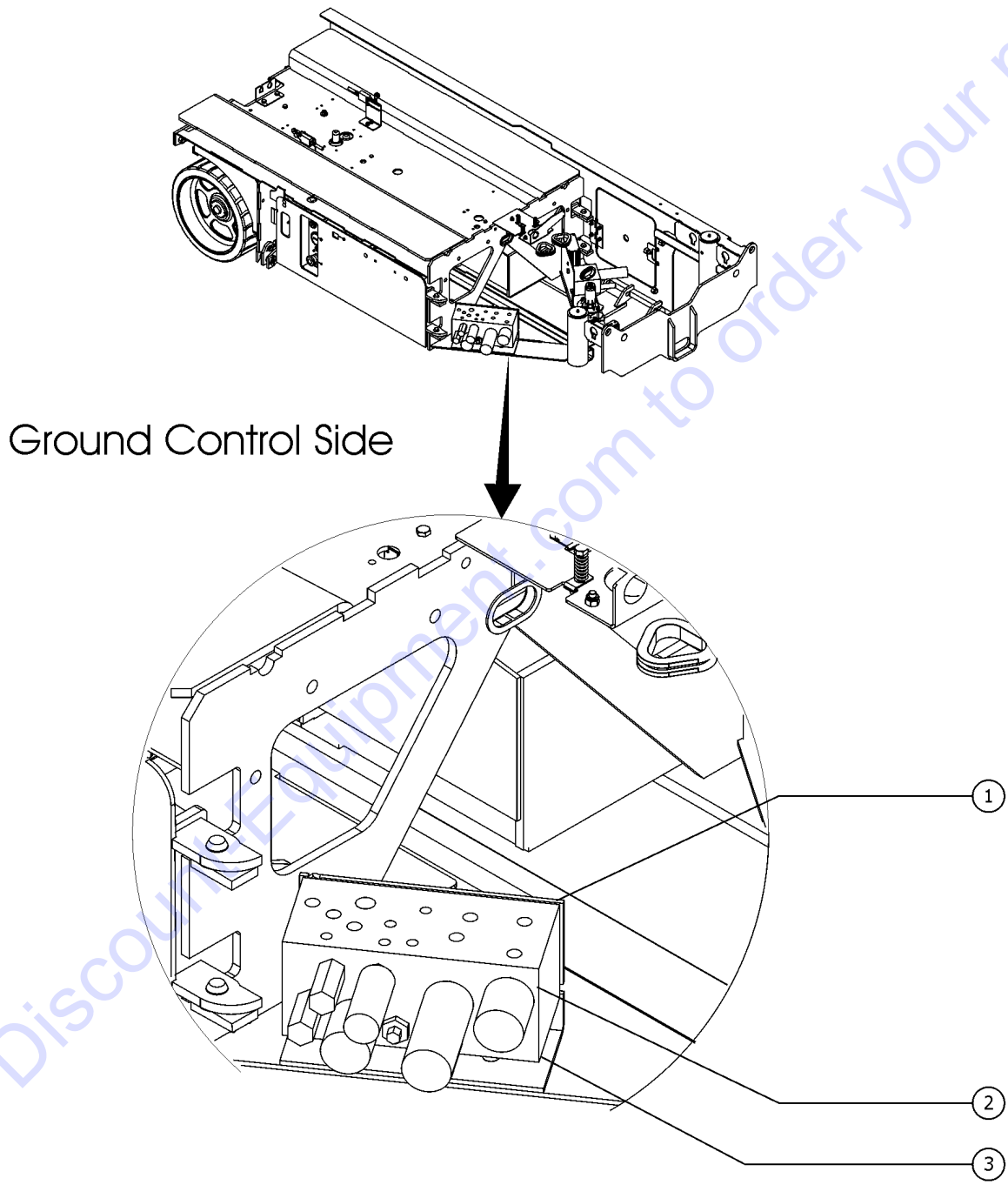
Item	Part No.	Description	Qty.	Item	Part No.	Description	Qty.
A	105214GT	CABLE TIE MOUNT, WINGED <i>not shown</i>		--	233711GT	HRNS ASSY,RESISTOR DIODE <i>for 228786GT and T110891GT</i>	
A	56926GT	CLIP,TIE HARNESS MOUNT*** <i>not shown</i>		21B	T110891GT	HARNESS, GS SENSORS, CE.....1 <i>(Green connector)</i>	
B	1264822GT	KIT, TRC RETROFIT, STNDRD <i>Telematics (includes 1264834)</i>		--	233644GT	RESISTOR,200 OHM 10W,CERAMIC <i>for 233711GT</i>	
--	1264834GT	INSTRN, TRC RETROFIT, STNDRD		--	233711GT	HRNS ASSY,RESISTOR DIODE <i>for 228786GT and T110891GT</i>	
1		REF. BATTERY CABLE <i>refer to 210.1</i>		21C	1263220GT	HARNESS, GS SENSORS, CE,UTS <i>for UTS only</i>	
2		REF. FUSE <i>refer to 205.1</i>		22A	T110890GT	HARNESS, GS POWER CONTRL.....1 <i>(Grey connector)</i>	
3		REF. LEVEL SENSOR <i>refer to 203.1</i>		23		REF. E-STOP BUTTON <i>refer to 208.1</i>	
4		REF. CHARGER <i>refer to 206.1</i>		24		REF. CIRCUIT BREAKER <i>refer to 208.1</i>	
5	T114031GT	HARNESS, ROTARY ANGLE.....1		25A	233050GT	CABLE, PLATFORM CONTROL, 20XX...1 <i>GS-2046</i>	
6	T113136GT	ASSY,ROT SENSR W/ HARNESS.....1		--	218579GT	WIRE CABLE 18/5 - UNSHIELDED	
7		REF. INVERTER <i>refer to 604.1</i>		--	231921GT	KIT,CONN,RECEPT W/PIN AND LOCK	
8		REF. STOBE,BEACON <i>refer to 601.1</i>		--	231922GT	KIT,CONN,PLUG W/SCKT AND LOCK	
9		REF. DOWN LIMIT, GS <i>refer to 203.1</i>		25B	233051GT	CABLE, PLATFORM CONTROL, 26XX <i>GS-2646</i>	
10		REF. ELECTRIC MOTOR <i>refer to 504.1</i>		--	218579GT	WIRE CABLE 18/5 - UNSHIELDED	
11	1270457GT	CONTACTOR,DRIVE,24V,180A.....1		--	231921GT	KIT,CONN,RECEPT W/PIN AND LOCK	
12		REF. BATTERY CABLE <i>refer to 210.1</i>		--	231922GT	KIT,CONN,PLUG W/SCKT AND LOCK	
13	96853GT	ASSY,POTHOLE HARNESS GS32/GS46.....1		25C	233052GT	CABLE, PLATFORM CONTROL, 32XX <i>GS-3246</i>	
14		REF. MOTOR CONTROLLER <i>refer to 207.1</i>		--	218579GT	WIRE CABLE 18/5 - UNSHIELDED	
15	229750GT	HARNESS,PRESS,TRANSDUCER***...1		--	231921GT	KIT,CONN,RECEPT W/PIN AND LOCK	
16	233430GT	HRNS,CONTACTOR SIGNAL,GS46.....1 <i>GS-2646, GS-3246</i>		--	231922GT	KIT,CONN,PLUG W/SCKT AND LOCK	
17A	233055GT	CABLE,LIFT CYL DWN, 32XX,W/LS.....1 <i>GS-2646 (CE, Australia)</i>		26		REF. PCON <i>refer to 403.1</i>	
17B	234168GT	CABLE,LIFT CYL DWN, 32XX,WO/LS....1 <i>GS-2646 (ANSI, CSA)</i>		27	144215GT	CHARGER INTERLOCK CABLE,GS46	
17C	233055GT	CABLE,LIFT CYL DWN, 32XX,W/LS.....1 <i>GS-3246(CE,Australia)</i>		28	1283053GT	HARNESS, TELEMATICS, GS SLAB.....1 <i>from SN GS46D-9971</i>	
17D	234168GT	CABLE,LIFT CYL DWN, 32XX,WO/LS....1 <i>GS-3246(ANSI,CSA)</i>		29	1265771GT	HARNESS, CHARGER CONTROL.....1 <i>from SN GS4616D-4433</i>	
18	1257824GT	HARNESS,FUNCTION MANIFOLD,GS...1 <i>replaced T110889GT (Black connector)</i>		30A	1288206GT	ASSEMBLY, CHARGER STATUS LED, 2V,BCI.....1 <i>from SN GS4616D-4434 to GS4616D-5043</i>	
19		REF. GCON <i>refer to 208.1</i>		30B	1270281GT	ASSEMBLY, CHARGER STATUS LED, 2V.....1 <i>from SN GS4616D-5044</i>	
20		REF. KEYSWITCH <i>refer to 208.1</i>		31A	1288219GT	HARNESS,CHARGER EXTENSION,BLACK PLUG.....1 <i>from SN GS4616D-4434 to GS4616D-5043</i>	
21A	1263221GT	HARNESS, GS SENSORS, ANSI,UTS...1		31B	1273394GT	HARNESS, CHARGER EXTENSION.....1 <i>from SN GS4616D-5044</i>	

210.1 Power Cables



Item	Part No.	Description	Qty.
--	28131GT	WIRE LOOM,1.25 DIA.....16-inches	
--	96110GT	BOOT,CABLE TERMINAL COVER.....14	
--	51147GT	BOOT,CABLE TERMINAL,LG,RED,2/0...2	
1	96304GT	CABLE ASSY,BATT,5.50"RED.....3	
2	96306GT	CABLE ASSY,BATT,9.50"RED.....1	
3	1257054GT	CABLE ASSY., BATT. 14" RED.....1	
4	232578GT	CABLE ASSY,BATT, 20" BLK.....1	
5	1257057GT	CABLE ASSY., BATT. 88.5" RED.....1	
6	1257055GT	CABLE ASSY., BATT. 12" BLACK.....1	
7	66717GT	FUSE BLOCK, ANN & ANL FUSE.....1	
8	40833GT	FUSE,275 AMP,VERY FAST ACTING.....1	
9	232576GT	CABLE ASSY,BATT, 12" RED.....1	
10	1257056GT	CABLE ASSY., BATT. 93" BLACK.....1	
11	233371GT	CABLE ASSY,BATT,23"RED.....1	
12	66397GT	QUICK DISCONNECT CASING,BATT**2	
13	232582GT	GROUND WIRE ASSY,GS.....1	
14	233430GT	HRNS,CONTACTOR SIGNAL,GS46.....1	

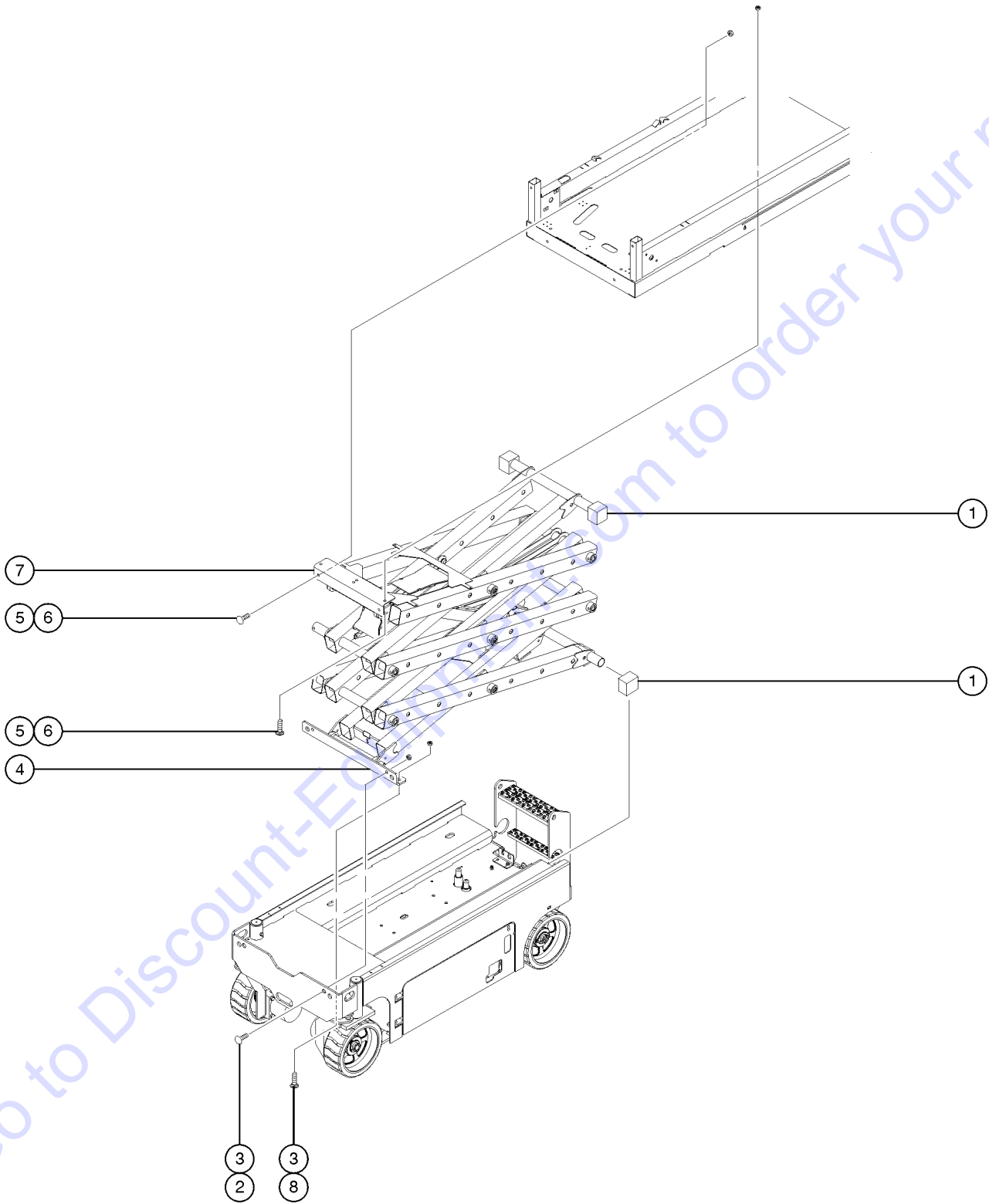
211.1 Function Manifold and Accumulator Components,



211.1 Function Manifold and Accumulator Components,

Item	Part No.	Description	Qty.
1	105574GT	FORMING,MANIFOLD MOUNT	
2		Ref. Function Manifold <i>(refer to 502.1)</i>	
3	78422GT	ACCUMULATOR,180 PSI PRECHARGE* <i>(hidden from view)</i>	
--	32339GT	CLAMP,1.75,#28 X 3/8,RUB CUSH* <i>(hidden from view)</i>	
--	824024GT	NUT,TL,1/4-20,C,ZAG <i>(hidden from view)</i>	
--	9116GT	BOLT,CARRIAGE,1/4-20x1.25,G2 <i>(hidden from view)</i>	

301.1 Scissor Assembly Installation



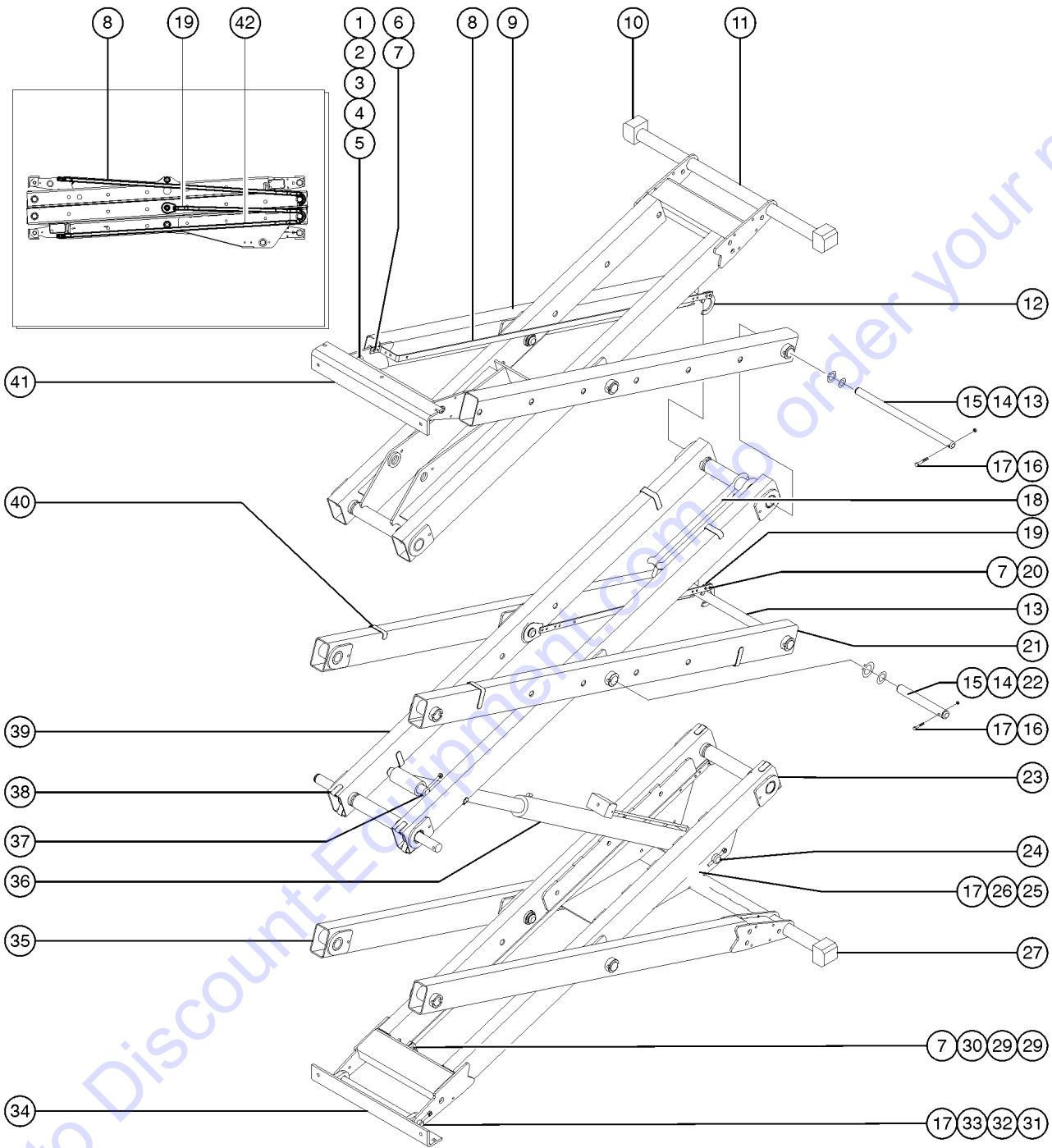
Go to Discount-Equipment.com to order your parts

301.1 Scissor Assembly Installation

Item	Part No.	Description	Qty.
1	96595GT	SLIDER,UHMW.....	4
2	96977GT	BOLT,CARRIAGE,1/2-13X1.50,GR5.....	2
3	6198GT	NUT,NYLOCK,1/2-13.....	4
4	97241GT	CHASSIS MOUNT ASSY, GS32&46.....	1
--	51474GT	BEARING,1.00IDX1.25ODX0.75L.....	2
5	105092GT	BOLT,CARRIAGE,3/8-16X1.25,GR5	
6	4828GT	NUT,NYLOCK,3/8-16	
7	84747GT	PLATFORM MOUNT ASSY, GS32&46....	1
--	36369GT	BEARING,0.75IDX1.00ODX0.75L.....	2
8	96203GT	BOLT,CARRIAGE,1/2-13X1.75, G5.....	2

Go to Discount-Equipment.com to order your parts

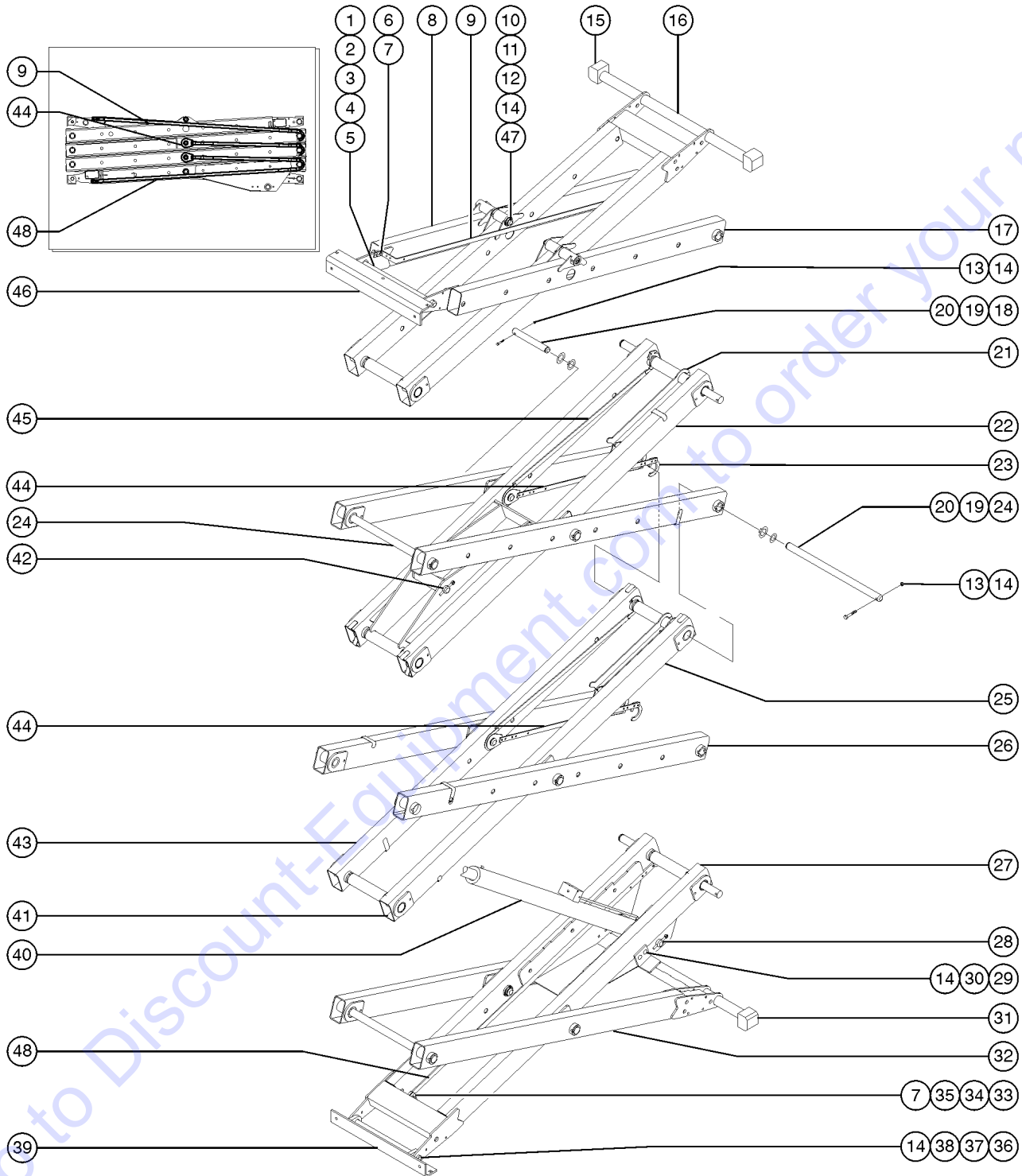
302.1 Scissor Assembly, GS-2046



302.1 Scissor Assembly, GS-2046

Item	Part No.	Description	Qty.	Item	Part No.	Description	Qty.
1	96932GT	PIN, LINKSET MOUNT, 3/4".....	1	31	96862GT	PIN, LINKSET MOUNT, 1".....	1
2	45748GT	ROD END,.250 X 2.75 LG.....	2	32	825019GT	ROD END,.375X3.69,ZAG.....	3
3	8915GT	SCREW,HHC,1/4-20 X 1.25		33	8516GT	SCREW, HCC, 3/8-16 X 1.50	
4	6356GT	WASHER,LOCK, .25		34		Ref. Chassis Mount Assembly (refer to 301.1)	
5	6091GT	NUT,NYLOCK,1/4-20		35	96603GT	WLDMT,LNK,OUTER #1,XX46.....	1
6	9116GT	BOLT,CARRIAGE,1/4-20x1.25,G2				(decals not included refer to section one)	
7	18504GT	NUT,LOCKING-LG.FLANGE,1/4-20		36		Ref. Lift Cylinder (refer to 505.1)	
8	105189GT	BAR,CABLE BRIDGE ARM,UPPER.....	1	37	96661GT	PIN, UPPER CYLINDER MOUNT.....	1
9	96611GT	WLDMT,LNK,OUT #3-20XX,#5-32XX....	2	38	96735GT	LINK BUMPER, 5".....	4
10		Ref. Platform Slider (refer to 301.1)		39	1280904GT	INNER ARM ASSY,#2,GS32/46,M.....	1
11	1280902GT	INNER ARM ASSY, #3, 2046M.....	1	--	66055GT	BEARING,1.50IDX1.77ODX1.25L.....	8
--	66055GT	BEARING,1.50IDX1.77ODX1.25L.....	6	--	96604GT	WLDMT,LNK,INNER #2.....	1
--	96606GT	WLDMT,LNK,INNER #3,2046 (bearings not included)		40	96836GT	LINK BUMPER, SHORT TUBE.....	8
12	105193GT	CLIP,CABLEBRIDGE, GS32/46.....	2	41		Ref. Platform Mounting Assembly (refer to 301.1)	
13	96899GT	PIN, LONG, GS46.....	4	42	105186GT	WLDMNT,CABLE BRIDGE,LOWER.....	1
14	1260941GT	WASHER,SHIM,1.54X2.00X.125,ZAG					
15	18383GT	SNAP RING,EXTERNAL,1.5 DIA***.....	10				
16	6326GT	SCREW,HHC,3/8-16 X 3					
17	4828GT	NUT,NYLOCK,3/8-16					
18	78901GT	FORMING,SAFETY ARM***.....	1				
19A	105191GT	WELDMENT.CABLE BRIDGE, TOP.....	2				
19B	105190GT	WLDMT,CABLE BRIDGE,BOTTOM.....	2				
20	6878GT	BOLT,CARRIAGE,1/4-20 X .75,G2					
21	96605GT	WLDMT,LNK,OUTER #2,#3,#4.....	2				
22	96900GT	PIN, SHORT, GS46.....	6				
23	1280903GT	INNER ARM ASSEMBLY #1,GS32/46,M.....	1				
--	66055GT	BEARING,1.50IDX1.77ODX1.25L.....	6				
--	96601GT	WLDMT,LNK,INNER #1..... (bearings not included)	1				
24	96662GT	PIN, LOWER CYLINDER MOUNT.....	1				
25	105092GT	BOLT,CARRIAGE,3/8-16X1.25,GR5					
26	105074GT	FORMING,PH PUSHER, GS46.....	1				
27		Ref. Chassis Slider (refer to 301.1)					
28	58592GT	PLATE,HOSE ROUTG,BULKHEAD(PTD).....	2				
		ANSI/CSA models					
28	96196GT	PLATE,HOSE ROUTING,BULKHEAD **.....	2				
		CE models					
29	78736GT	CLAMP,2 HOSE,PLASTIC,5/8.....	4				
30	96905GT	BOLT,CARRIAGE,1/4-20 X 2.5,G2					

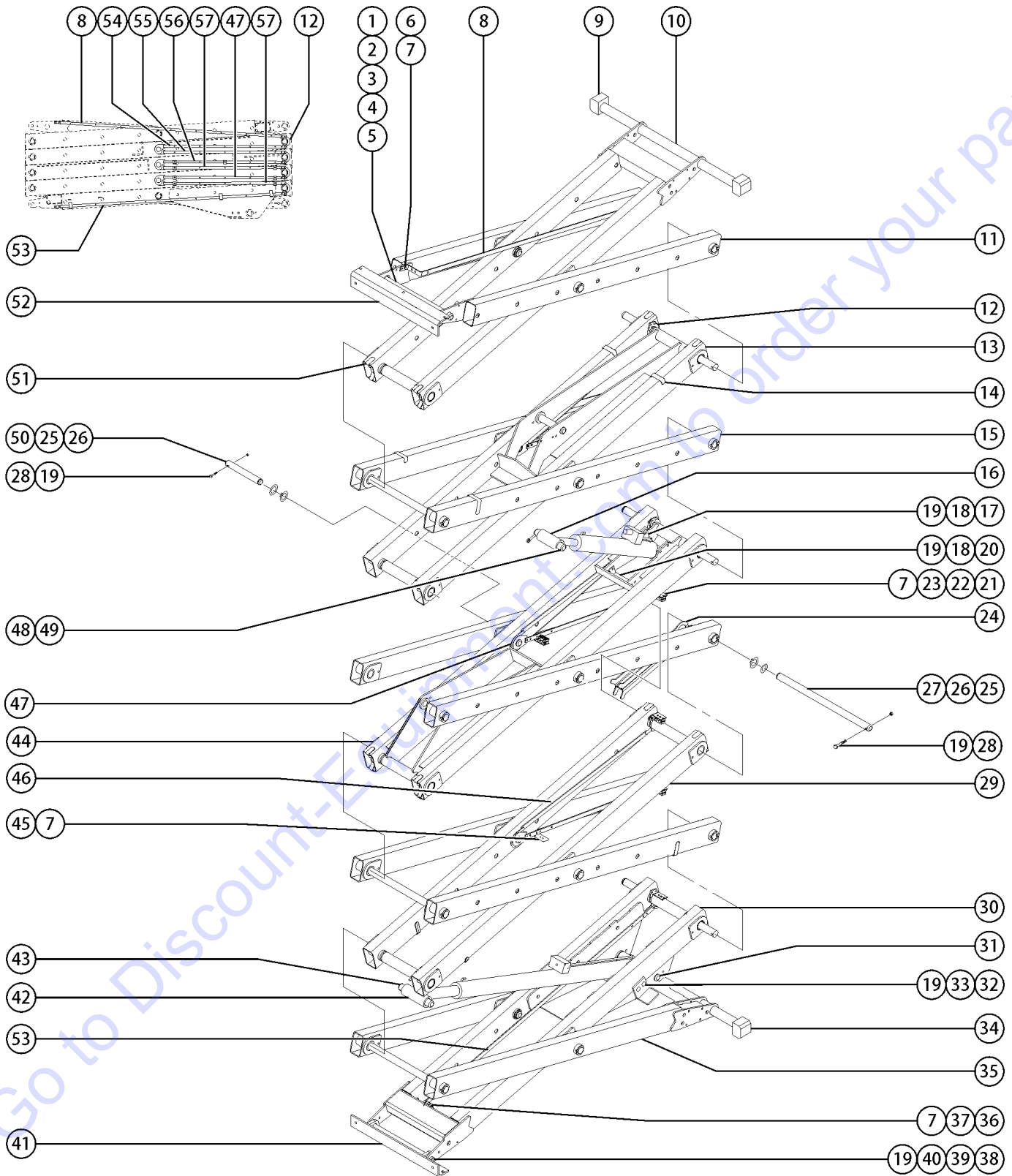
303.1 Scissor Assembly, GS-2646



303.1 Scissor Assembly, GS-2646

Item	Part No.	Description	Qty.	Item	Part No.	Description	Qty.
1	96932GT	PIN, LINKSET MOUNT, 3/4".....	1	31		Ref. Chassis Slider (refer to 301.1)	
2	45748GT	ROD END,.250 X 2.75 LG.....	2	32	96603GT	WLDMT,LNK,OUTER #1,XX46..... (decal not included refer to section one)	1
3	8915GT	SCREW,HHC,1/4-20 X 1.25		33	58592GT	PLATE,HOSE ROUTG,BULKHEAD(PTD).....	1
4	6356GT	WASHER,LOCK,.25				ANSI/CSA models	
5	6091GT	NUT,NYLOCK,1/4-20		33	96196GT	PLATE,HOSE ROUTING,BULKHEAD **.....	1
6	9116GT	BOLT,CARRIAGE,1/4-20x1.25,G2				CE models	
7	18504GT	NUT,LOCKING-LG.FLANGE,1/4-20		34	78736GT	CLAMP,2 HOSE,PLASTIC,5/8.....	4
8	96615GT	WLDMT,LNK,OUTER #4,26XX..... (ground controls side)	1	35	96905GT	BOLT,CARRIAGE,1/4-20 X 2.5,G2	
9	105189GT	BAR,CABLE BRIDGE ARM,UPPER		36	96862GT	PIN, LINKSET MOUNT, 1".....	1
10	96130GT	PIN, MINI, CENTER.....	2	37	825019GT	ROD END,.375X3.69,ZAG.....	3
11	30217GT	SNAP RING,EXTERNAL,1.25 DIA.**		38	8516GT	SCREW, HCC, 3/8-16 X 1.50	
12	96390GT	WASHER,FLAT, 1.27 X 2.13 X .13		39		Ref. Chassis Mount Assembly (refer to 301.1)	
13	6326GT	SCREW,HHC,3/8-16 X 3		40		Ref. Lift Cylinder (refer to 506.1)	
14	4828GT	NUT,NYLOCK,3/8-16		41	96735GT	LINK BUMPER, 5".....	4
15		Ref. Platform Slider (refer to 301.1)		42	96812GT	PIN,LOWER CYL,ROD END.....	1
16	1280905GT	INNER ARM ASSY, #4, 2646, M.....	1	43	1280904GT	INNER ARM ASSY,#2,GS32/46,M.....	1
--	66055GT	BEARING, 1.50IDX1.77ODX1.25L.....	6	--	66055GT	BEARING, 1.50IDX1.77ODX1.25L.....	8
--	96614GT	WLDMT, LNK, INNER #4, 2646.....	1	--	96604GT	WLDMT,LNK,INNER #2.....	1
17	96616GT	WLDMT,LNK,OUTER #4,26XX,LEFT..... (battery pack side)	1	44	105191GT	WELDMENT.CABLE BRIDGE, TOP	
18	96900GT	PIN, SHORT, GS46.....	6	45	105190GT	WLDMT,CABLE BRIDGE,BOTTOM.....	2
19	1260941GT	WASHER,SHIM,1.54X2.00X.125,ZAG		46		Ref. Platform Mount Assembly (refer to 301.1)	
20	18383GT	SNAP RING,EXTERNAL,1.5 DIA***.....	12	47	14033GT	SCREW,HHC,3/8-16 X 2.75	
21	78901GT	FORMING,SAFETY ARM***.....	1	48	105186GT	WLDMNT,CABLE BRIDGE,LOWER..... GS-2646	1
22	1280906GT	INNER ARM ASSY, #3, 2646, M.....	1				
--	66055GT	BEARING, 1.50IDX1.77ODX1.25L.....	8				
--	96607GT	WLDMT,LNK,INNER #3, 26XX.....	1				
23	105193GT	CLIP,CABLEBRIDGE, GS32/46					
24	96899GT	PIN, LONG, GS46.....	6				
25	96836GT	LINK BUMPER, SHORT TUBE.....	8				
26	96605GT	WLDMT,LNK,OUTER #2,#3,#4.....	4				
27A	1280903GT	INNER ARM ASSEMBLY #1,GS32/46,M.....	1				
--	66055GT	BEARING, 1.50IDX1.77ODX1.25L.....	6				
--	96601GT	WLDMT,LNK,INNER #1..... (bearings not included)	1				
28	96662GT	PIN, LOWER CYLINDER MOUNT.....	1				
28B	1275749GT	WLDMT,LNK,INNER #1,KO..... Korean	1				
--	66055GT	BEARING, 1.50IDX1.77ODX1.25L.....	6				
29	105092GT	BOLT,CARRIAGE,3/8-16X1.25,GR5..... GS-2646	1				
30	105074GT	FORMING,PH PUSHER, GS46.....	1				

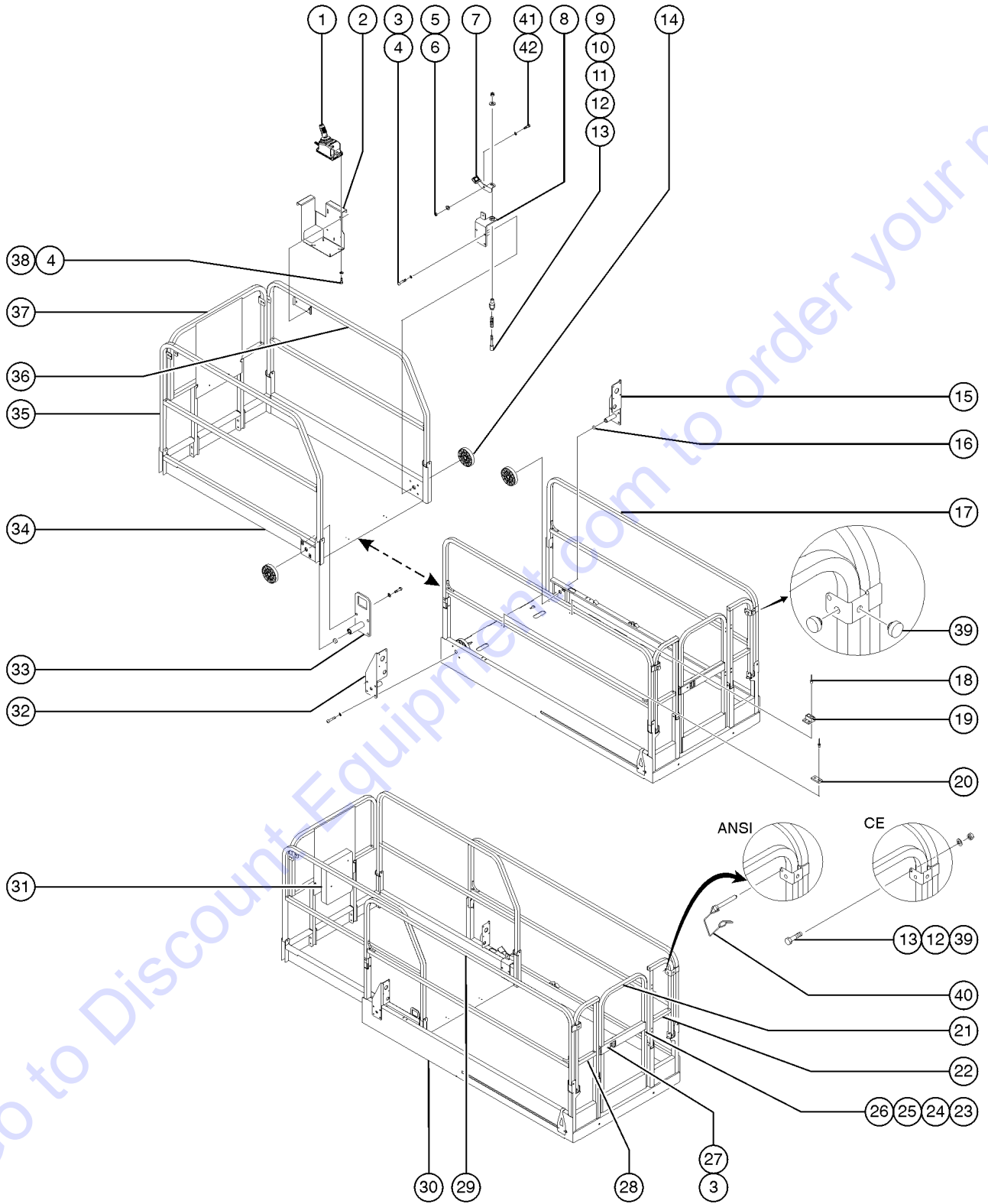
304.1 Scissor Assembly, GS-3246



304.1 Scissor Assembly, GS-3246

Item	Part No.	Description	Qty.	Item	Part No.	Description	Qty.
1	96932GT	PIN, LINKSET MOUNT, 3/4".....	1	--	66055GT	BEARING,1.50IDX1.77ODX1.25L.....	6
2	45748GT	ROD END,.250 X 2.75 LG.....	2	31	96662GT	PIN, LOWER CYLINDER MOUNT.....	1
3	8915GT	SCREW,HHC,1/4-20 X 1.25		32	105092GT	BOLT,CARRIAGE,3/8-16X1.25,GR5	
4	6356GT	WASHER,LOCK,.25		33	105074GT	FORMING,PH PUSHER, GS46.....	2
5	6091GT	NUT,NYLOCK,1/4-20		34		Ref. Chassis Slider (refer to 301.1)	
6	9116GT	BOLT,CARRIAGE,1/4-20x1.25,G2		35	96603GT	WLDMT,LNK,OUTER #1,XX46 (decal not included refer to section one)	
7	18504GT	NUT,LOCKING-LG.FLANGE,1/4-20		36	58592GT	PLATE,HOSE ROUTG,BULKHEAD(PTD).....	3
8	105189GT	BAR,CABLE BRIDGE ARM,UPPER				ANSI/CSA models	
9		Ref. Platform Slider (refer to 301.1)		36	96196GT	PLATE,HOSE ROUTING,BULKHEAD **.....	3
10	1280907GT	INNER ARM ASSY #5, 3246, M.....	1			CE models	
--	66055GT	BEARING,1.50IDX1.77ODX1.25L.....	8	37	96903GT	BOLT,CARRIAGE,1/4-20 X 3.50,G2	
--	96609GT	WLDMT,LNK,INNER #5,3246*** (bearings not included)	1	38	96862GT	PIN, LINKSET MOUNT, 1".....	1
11	96611GT	WLDMT,LNK,OUT #3-20XX,#5-32XX....	2	39	825019GT	ROD END,.375X3.69,ZAG.....	4
12	105193GT	CLIP,CABLEBRIDGE, GS32/46		40	8516GT	SCREW, HCC, 3/8-16 X 1.50	
13	96613GT	WLDMT,LNK,INNER #4,32XX.....	1	41		Ref. Chassis Mount Assembly (refer to 301.1)	
--	66055GT	BEARING,1.50IDX1.77ODX1.25L.....	8	42		Ref. Lift Cylinder, Bottom (refer to 506.1)	
14	96836GT	LINK BUMPER, SHORT TUBE.....	8	43	96812GT	PIN,LOWER CYL,ROD END.....	1
15	96605GT	WLDMT,LNK,OUTER #2,#3,#4.....	6	44	96608GT	WLDMT,LNK,INNER #3,32XX.....	1
16		Ref. Lift Cylinder, Top (refer to 506.1)		--	66055GT	BEARING,1.50IDX1.77ODX1.25L.....	8
17	96700GT	PLATE, PIN RETAINER.....	2	45	6878GT	BOLT,CARRIAGE,1/4-20 X .75,G2	
18	60790GT	BOLT, CARRIAGE, 3/8-16 X 1.50, G5		46	105187GT	WELDMENT,CABLE BRIDGE,TOP,32XX.....	3
19	4828GT	NUT,NYLOCK,3/8-16				(to GS46-85766)	
20	96971GT	FORMING,HOSE CLAMP,UPPER CYL.....	1	47	105192GT	WELDMENT,CABLE BRIDGE***.....	6
21	78736GT	CLAMP,2 HOSE,PLASTIC,5/8.....	18	48	96661GT	PIN, UPPER CYLINDER MOUNT.....	1
22	6145GT	SCREW,HHC,1/4-20 X 1.5		49	96663GT	PIN,SADDLE CYLINDER MOUNT.....	1
23	6638GT	WASHER,FLAT,USS,1/4"Y		50	96900GT	PIN, SHORT, GS46.....	6
24	78901GT	FORMING,SAFETY ARM***.....	1	51	96735GT	LINK BUMPER, 5".....	8
25	96899GT	PIN, LONG, GS46.....	8	52		Ref. Platform Mount Assembly (refer to 301.1)	
26	1260941GT	WASHER,SHIM,1.54X2.00X.125,ZAG		53	105186GT	WLDMNT,CABLE BRIDGE,LOWER.....	1
27	18383GT	SNAP RING,EXTERNAL,1.5 DIA***.....	18	54	105191GT	WELDMENT.CABLE BRIDGE, TOP.....	1
28	6326GT	SCREW,HHC,3/8-16 X 3		55	105190GT	WLDMT,CABLE BRIDGE,BOTTOM.....	2
29	1280904GT	INNER ARM ASSY,#2,GS32/46,M.....	1	56	105192GT	WELDMENT,CABLE BRIDGE***.....	1
--	66055GT	BEARING,1.50IDX1.77ODX1.25L.....	8	57	105188GT	WLDMT,CABLE BRIDGE,BOTTOM,3246.....	2
--	96604GT	WLDMT,LNK,INNER #2.....	1				
30A	1280903GT	INNER ARM ASSEMBLY #1,GS32/46,M..... (decal not included refer to section one)	1				
--	66055GT	BEARING,1.50IDX1.77ODX1.25L.....	6				
--	96601GT	WLDMT,LNK,INNER #1					
30B	1275749GT	WLDMT,LNK,INNER #1,KO..... Korean	1				

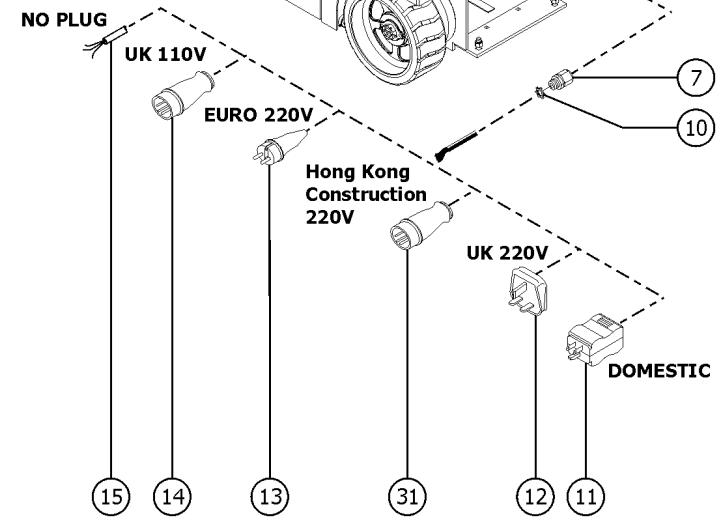
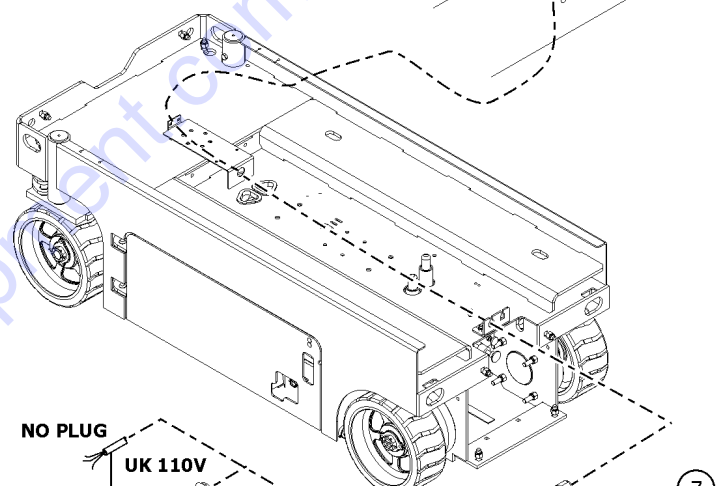
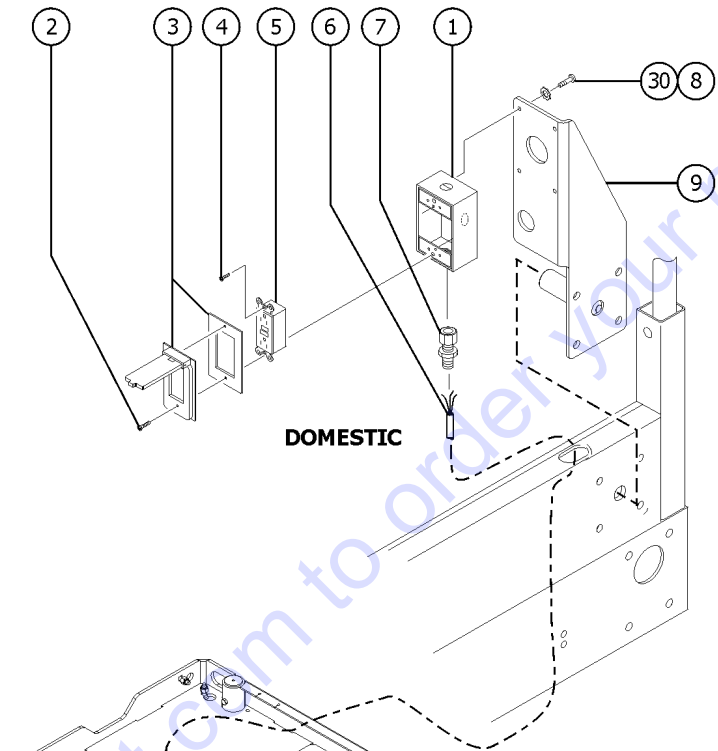
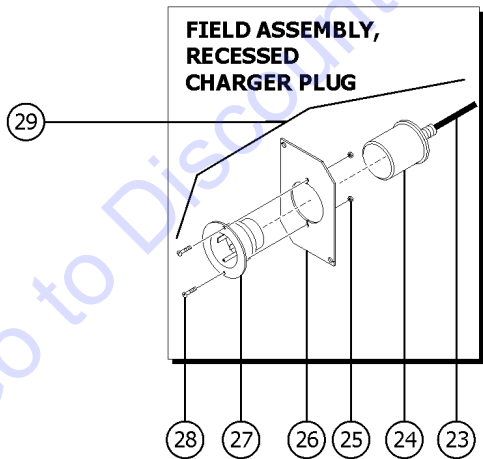
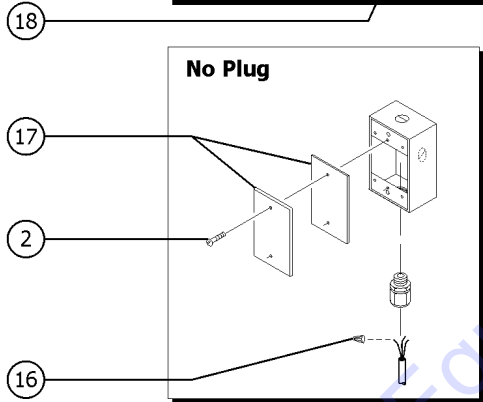
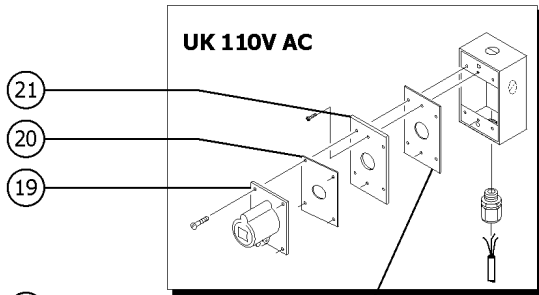
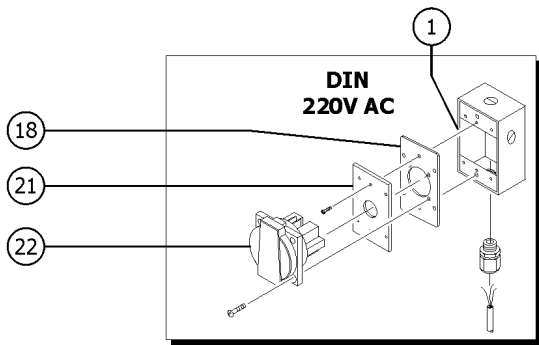
401.1 Platform Components



401.1 Platform Components

Item	Part No.	Description	Qty.	Item	Part No.	Description	Qty.
1		Ref. Platform Control Box (refer to 403.1)		31B	24514GT	BOX,INSTRUCTION STORAGE Europe/Asia/South America (decal required; refer to Section100)	
2		Ref. Platform Control Box Mount Bracket (refer to 403.1)		32	96246GT	WELDMENT,ROLLER BRACKET,LT***1	
3	5224GT	SCREW,HHC,3/8-16 X 2		33	96200GT	WLDMT, LANYARD ROLLER BRKT.....1 (decals not included, refer to section one)	
4	6356GT	WASHER,LOCK,.25		34	96719GT	WLDMT, EXT. DECK, GSXX46.....1	
5	6002GT	NUT,LP NYLOCK,5/16-18		35	97263GT	LEFT EX. RAIL, GS46.....1 (battery pack side)(includes bumpers)	
6	47222GT	WASHER,SHOULDER,NYLON		36	96762GT	WELDMENT,EXT SIDERAIL,RT***1 (decals not included, refer to section one)	
7A	47166GT	BRACKET,FOOT PEDAL.....1 (non skid tape not included)		37A	97259GT	EXT. ENDRAIL ASSY, GS46 (WORD).....1 Word decals	
7B	144127GT	NON-SKID TAPE LAYOUT,GS46.....1 (not included sold separately)		37B	97260GT	EXT. ENDRAIL ASSY, GS46 (SYMB) Symbol decals	
--	47098GT	TAPE,NON-SKID,DIE CUT,4"X 40"		38	6090GT	SCREW,HHC,1/4-20 X .75	
--	47231GT	TAPE,NON-SKID,DIE CUT,4"X 16"		39	43392GT	BUMPER,BATTERY BOX & RAILS.....14	
--	47374GT	TAPE,NON-SKID,DIE CUT,4"X 32"		40	66030GT	PIN, WIRE LOCK 3/8 X 2 -1/2	
8	96413GT	WLDMT,LOCKING ROLLER SUPPORT.....1		--	78022GT	LANYARD,BLACK NYLON,TYPE 1*** (CE & Australia models)	
9	39470GT	PIN, LOCK.....1		41	1259223GT	BOLT,SHS,3/8X.375X5/16-18,ZAG	
10	39469GT	SPRING,COMPRESSION.485 X1.75**...1		42	6021GT	WASHER,LOCK,.375	
11	41630GT	HOUSING, LOCK PIN.....1					
12	6097GT	WASHER,FLAT,USS,3/8",Y					
13	7713GT	NUT, LP NYLOCK, 3/8-16					
14	47163GT	ROLLER,PLATFORM EXTENSION.....4					
15	96247GT	WELDMENT,ROLLER BRACKET,RT***1 (ground controls side)					
16	21279GT	BUTTON, .800 O.D. X .281.....3					
17	66925GT	WLDMT, MAIN SIDERAIL, RT***1					
18	T113787GT	RIVET,ALUM,STL,.188 X .250.....20					
19	39310GT	WEAR/GUIDE PAD MAIN PLATFORM...4					
20	39474GT	WEAR PAD,PLATFORM.....3					
21	96760GT	ASSY, PLATFORM GATE, GSXX46.....1 COMPLETE (decals not included, refer to section one)					
22	66923GT	WLDMT, ENTRY SIDERAIL, RT.....1					
23	4266GT	SCREW,HHC,1/4-20 X 2					
24	6638GT	WASHER,FLAT,USS,1/4"Y					
25	104804GT	HINGE, SPRING, LONG LEG.....2					
26	6091GT	NUT,NYLOCK,1/4-20					
27	4828GT	NUT,NYLOCK,3/8-16					
28	66920GT	WLDMT, ENTRY SIDERAIL, LT.....1 (battery pack side)					
29	82053-SGT	RAIL-GS46 PLAT,MAINDECK LT****.....1 (battery pack side)					
30	96718GT	WLDMT, MAIN DECK, GSXX46.....1 (decals not included, refer to section one)					
31A	44743GT	MANUAL BOX W/DECALS***1 USA/Canada/Australia					

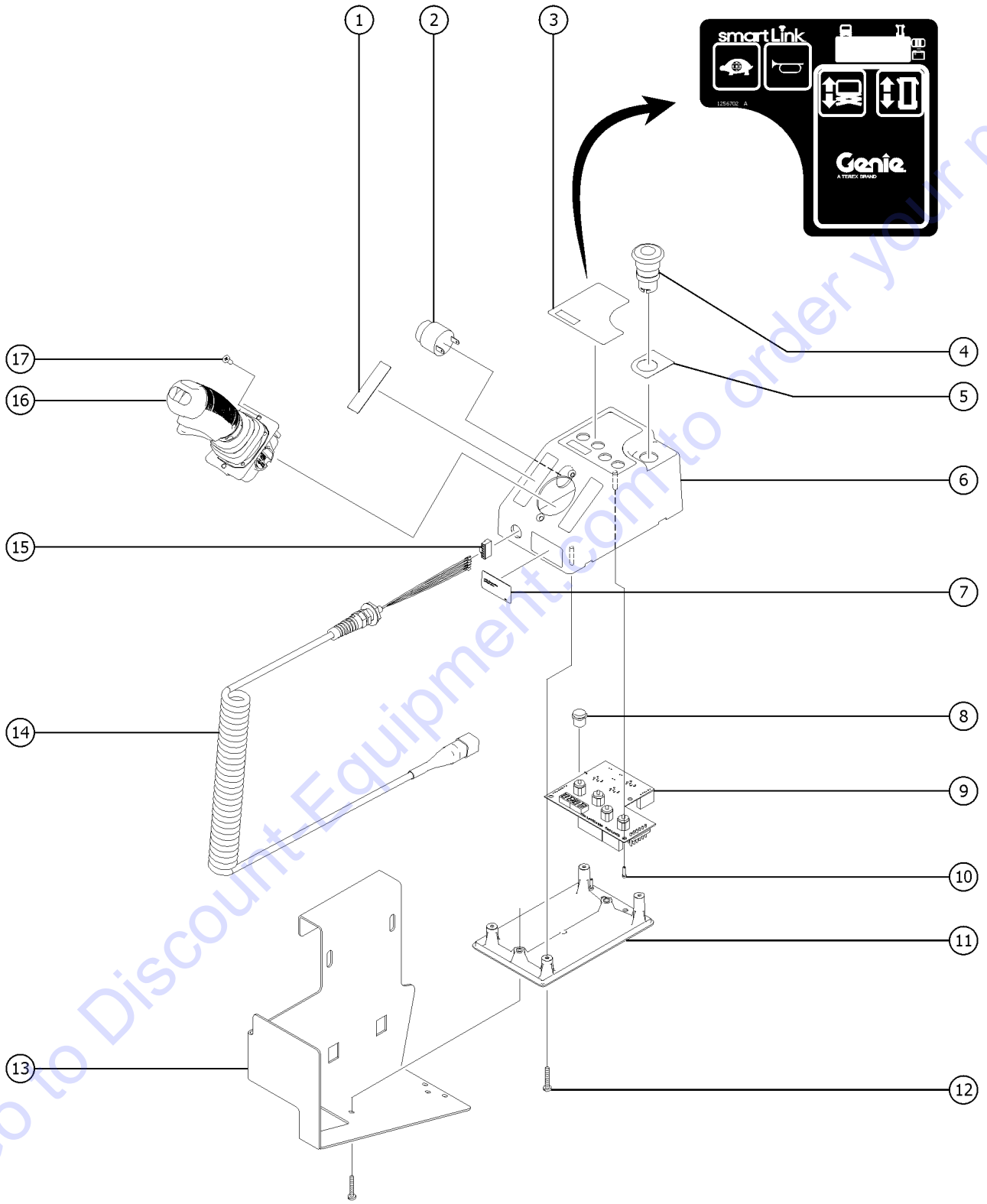
402.1 Power to Platform



402.1 Power to Platform

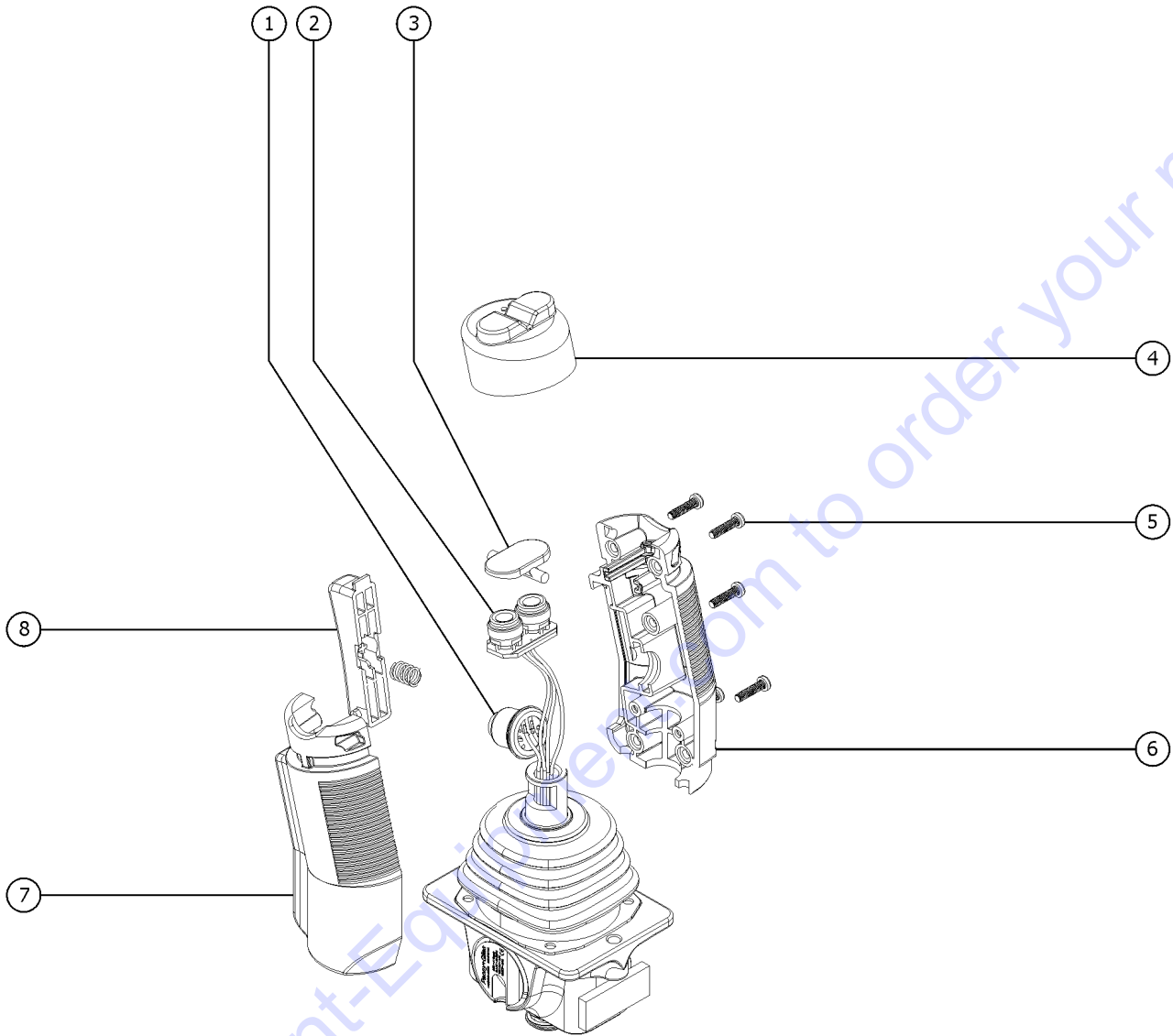
Item	Part No.	Description	Qty.	Item	Part No.	Description	Qty.
--	33724GT	KIT,GASKET,UK POWER TO PLAT. <i>includes 1 each, items 18 and 20</i>		27	105117GT	PLUG,FLG INLET,15A/125V,2PWGD.....1	1
1	10775GT	T-BOX,2.75 X 4.5 X 2.0.....1	1	28	55906GT	SCREW,PHILLIPS,PHM,8-32 X .5.....2	2
2	7127GT	SCREW,PHILLIPS,PHM,6-32 X .75		29	105448GT	FIELD ASSY,REC.CHARGER PLUG.....1 <i>includes items 23-28</i>	1
3A	74006GT	COVER,GFCI,HORIZONTAL,WEATHER.1 <i>(ANSI and CSA models) (includes gasket and mounting fasteners)</i>	1	30	44936GT	WASHER,STAR,EXTERNAL,#8.....4	4
3B	105812GT	COVER,T-BOX LOCKABLE.....1 <i>EE rated (not shown)</i>	1	31	1263471GT	PLUG,IEC60309 CEE, 3PIN 220-24.....1 <i>(Hong Kong Construction)</i>	1
4	45546GT	SCREW,RHM,6-32 X .5					
5	13585GT	OUTLET, 110V.....1 <i>ANSI and CSA models</i>	1				
6	43956GT	WIRE CABLE,14/3 CON.TPE JKT*.....624-inches GS-3246					
7	7056GT	CONN,SQUEEZE,1/2NPT .38-.50,SM....1	1				
8	57075GT	SCREW,PHIL,8-32X.50,SELF TAP					
9		Ref. ROLLER BRACKET <i>refer to 401.1</i>					
10	6935GT	LOCKNUT,ELEC,1/2".....1	1				
11	6595GT	PLUG,ELECTRICAL,DOMESTIC.....1	1				
12	25388GT	PLUG,FUSED,250V,13AMP,U.K.**					
13	1280665GT	PLUG, TYPE F, 230A, 50HZ, 16A, IP44					
14	144161GT	PLUG,PWR,UK,16AMP,3PIN,BLK					
15	105117GT	PLUG,FLG INLET,15A/125V,2PWGD					
--	105118GT	GASKET,(BOOT) FLANGE INLET PLG					
16	6626GT	WIRE CAP,ORANGE.....1	1				
17	10777GT	COVER,BLANK.....1	1				
18	66355GT	GASKET, UK & DIN PWR. TO PLAT.....1 <i>2.9 x 2.9 inches</i>	1				
19	T112563GT	SVC KIT,UK RECEPT.REPLACEMENT.....1	1				
20	66356GT	GASKET, UK RECEPTACLE.....1 <i>2.9 x 2.9 inches</i>	1				
21A	105483-SGT	PLATE,AC ADAPTER(ANSI/CSA) ANSI/CSA					
21B	96236GT	PLATE,AC ADAPTER,DIN/UK***					
21C	105090GT	PLATE, AC ADAPTER(AUS)					
22	66353GT	RECEPTACLE, DIN, 220V 50A.....1	1				
23	48282GT	POWER CORD, IEC 320 BLANK, 79".....1	1				
24	105118GT	GASKET,(BOOT) FLANGE INLET PLG.....1	1				
25	18605GT	NUT,NYLOCK,8-32.....2	2				
26	105483-SGT	PLATE,AC ADAPTER(ANSI/CSA).....1	1				
--	6091GT	NUT,NYLOCK,1/4-20.....2 <i>not included</i>	2				
--	6878GT	BOLT,CARRIAGE,1/4-20 X .75,G2.....2 <i>not included</i>	2				

403.1 Platform Controls



Item	Part No.	Description	Qty.
A	1256727GT	PCON,STD,PROP LIFT,GR/GS <i>complete platform control box with coil cord, bracket not included</i>	
--	1258731GT	FLASH DRIVE,SL1K2.0 SOFTWARE <i>(For proportional lift or upgrade kits only. Software update available on-line. Flash drive sold separately.)</i>	
--	137587GT	HARNESS, ESTOP, GR/GRC/GS PCON	
1	137656GT	DECAL,PROPEL,GR/GRC/GS,PCON.....1	
2	39540GT	ALARM,STEADY TONE***.....1	
3	1256702GT	DECAL, UI, GS/GR, PROP LIFT.....1 <i>(models with 4 button, proportional controller)</i>	
4	66812GT	BUTTON,PUSH,RED MUSHROOM HEAD.....1	
--	66817GT	BASE WITH 1 NC CONTACT, E-STOP	
5	137605GT	DECAL,E-STOP,GR/GRC/GS PCON.....1	
6	1256656GT	ENCLOSURE,STD 4-BUTTON,TOP.....1	
7		<i>(component no longer available)</i>	
8	T106373GT	CAP,BUTTON,K12.....6	
9	1256725GT	PCBA,PCON STD,PROP LIFT.....1	
10	137637GT	SCREW,PHM,4-20X.5, 48-2 TRI-L	
11	T106370GT	ENCLOSURE,GC14-1/GC16-1, BOT.....1	
12	137640GT	SCREW,PHM,8-16X.75, 48-2 TRI-L	
13	T114397GT	FORMING,PLAT CONTROL BOX <i>(decals not included, refer to section one)</i>	
14	235464GT	KIT,COIL CORD,CONTRLR,SL1000.....1 <i>includes item 15</i>	
--	231921GT	KIT,CONN,RECEPT W/PIN AND LOCK	
--	231922GT	KIT,CONN,PLUG W/SCKT AND LOCK	
15	137699GT	PLUG, 6POS ECO PWR.....1	
16		Ref., JOYSTICK.....1 <i>(refer to 404.1)</i>	
17	229845GT	SCREW,BHSCS,M5X10,SS <i>apply Loctite 243 or equivalent before installation</i>	

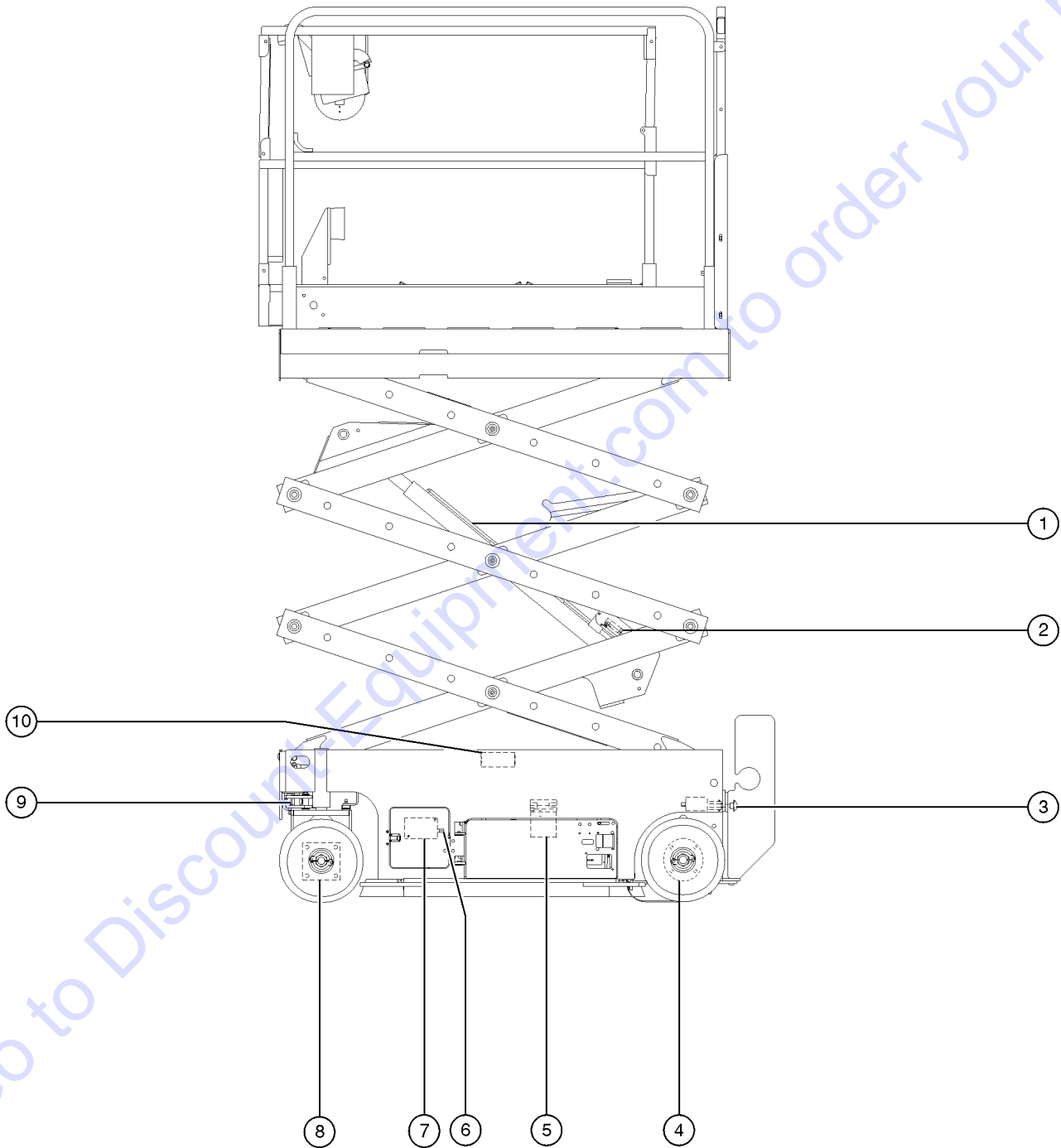
404.1 Joystick Controller



Go to Discount-Equipment.com to order your parts

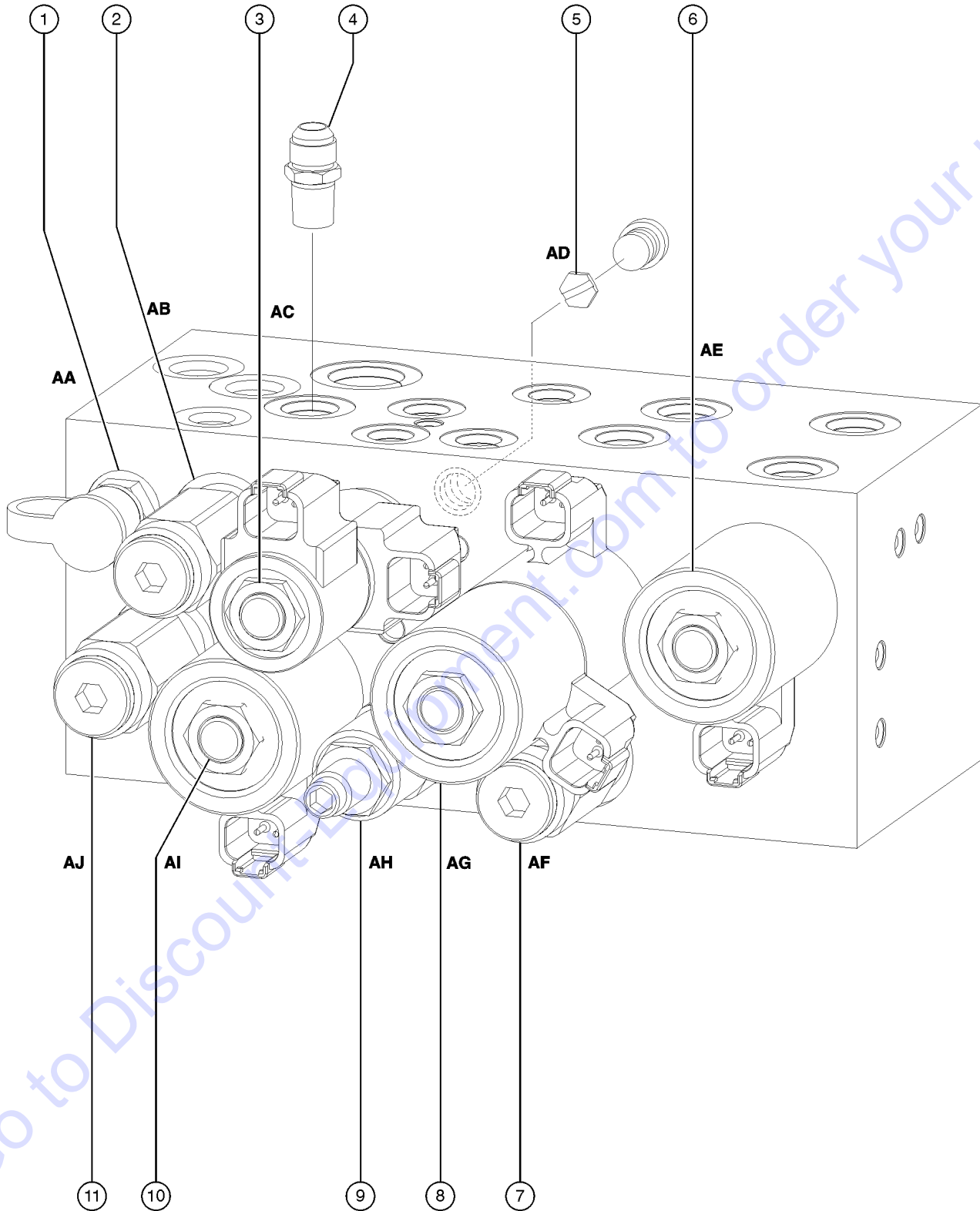
Item	Part No.	Description	Qty.
--	137634GT	JOYSTICK, HALL EFFECT, SINGLE	
--	229097GT	TERMINAL, SPLINE (AMP)	
--	214544GT	KIT,BOOT,JOYSTICK,SL1000 <i>joystick boot</i>	
1	235463GT	KIT,SWITCH,JYSTK,SL1000 <i>function enable and steer switches</i>	
2	235463GT	KIT,SWITCH,JYSTK,SL1000 <i>function enable and steer switches</i>	
3	229092GT	ROCKER,2 SWITCH.....	1
4	229093GT	BOOT, 2 SWITCH, SILICON.....	1
5	229086GT	SCREW, SELF TAP.....	2
6A	229087GT	HANDLE HALF,RIGHT,W/TOP SWITCH.....	1
6B	229091GT	SCREW,GRUB,M5X8MM,HLF DOG,BZP <i>for 229087GT</i>	
7A	229088GT	HANDLE HALF,LEFT,W/TOP SWITCH....	1
7B	229090GT	SCREW,GRUB,M5X8MM CUP(BLK) <i>for 229088GT</i>	
8	229089GT	TRIGGER, EXTENDED.....	1
--	229094GT	SPRING, HANDLE TRIGGER.....	1

501.1 Hydraulic Components



Item	Part No.	Description	Qty.
1		Ref. Lift Cylinder Assembly (refer to 505.1)	
2		Ref. Pressure Transducer (refer to 701.1)	
3		Ref. Brake Release Hand Pump Manifold (refer to 503.1)	
4	96257GT	BRAKE, HYDRAULIC***.....	2
5	78622GT	FILTER ASSY,SAE8,10 MIC,PAPR**..... (paper, standard)	1
--	44788GT	FILTER ELEMENT,10MICRON,PAPER* (paper, standard)	
6		Ref. Check Valve (refer to 502.1)	
7		Ref. Function Manifold (refer to 502.1)	
8	T108663GT	DRIVE MOTOR,22.9CI/REV	
--	96419GT	SEAL KIT,RC SERIES DR MOTOR*** for T108663	
9	105547GT	CYLINDER,GS/GR STEER***.....	1
--	105550GT	KIT,STEER CYL SEAL	
--	105553GT	KIT,STEER CYL SEAL,040271P,HDM (for code H408147 and up)	
--	105554GT	KIT,STEER CYL SEAL,040499P,HDM (for code H41109 and up)	
--	105555GT	KIT,STEER CYL SEAL,040505P,HDM (for codes H41205, H41255, H51290, H501111, H505109, H509101, H60723 and H60870)	
10	78422GT	ACCUMULATOR,180 PSI PRECHARGE*.....	1

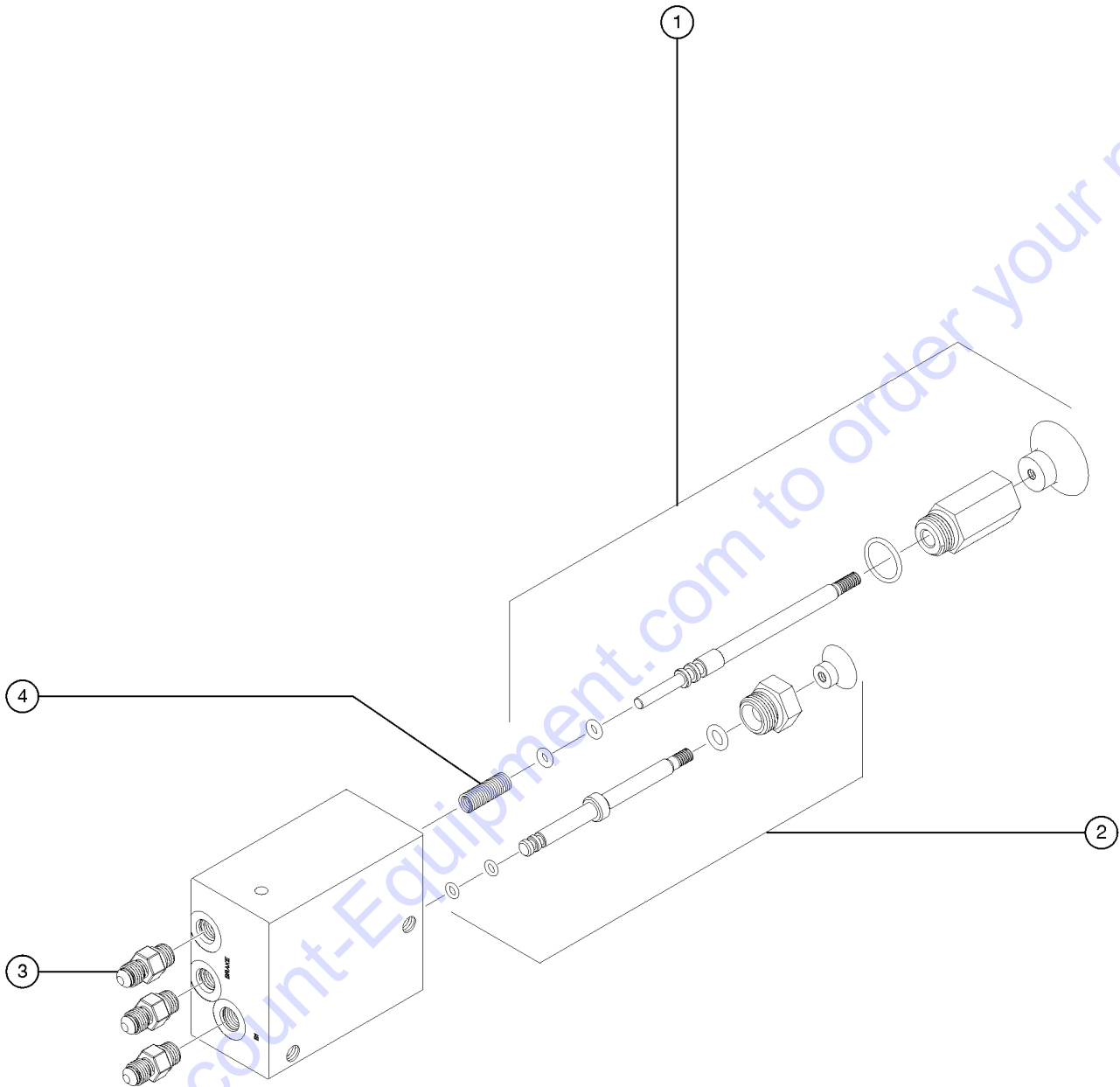
502.1 Function Manifold



502.1 Function Manifold

Item	Part No.	Description	Qty.	Item	Part No.	Description	Qty.
--	105463GT	126,DYN.BRAKING,MANIF,32/46		--	84385GT	COIL,20VDC DEUTCSH W/DIODE (sold separately)	
--	105947GT	FUNCTION MANIFOLD ASSEMBLY (does not include check valve, item 4)		11	65962GT	VALVE-RELIEF, 3700 PSI #8** (AJ, Lift relief)	
--	49612GT	O-RING KIT (ORFS FITTINGS)		--	44226GT	SEAL KIT-FOR P.N.44167	
--	49613GT	PLUG AND CAP KIT-SERVICE,ORFS*					
1	48997GT	NIPPLE,DIAGNOSTIC,#4 (AA, Testing)					
--	20224GT	DIAGNOSTIC FEMALE Q-DSCNT					
--	48880GT	CAP,DIAGNOSTIC NIPPLE					
2	65962GT	VALVE-RELIEF, 3700 PSI #8** (AB, System relief)					
--	44226GT	SEAL KIT-FOR P.N.44167					
3	44168GT	VALVE,SOLENOID,3POS 4WAY (AC, Steer left/right)					
--	44174GT	NUT-COIL SHORT (sold separately)					
--	44229GT	SEAL KIT, VALVE					
--	44236GT	SPACER-DUAL COIL,#8*** (sold separately)					
--	77709GT	COIL,#8 20VDC,DEUTSCH W/DIODE (sold separately)					
4	237086GT	VALVE,CHECK,#6-#6,MJIC TO MORB GS-3246 (Australia & CE) (sold separately)					
5	84386GT	CHECK DISK, NO SPRING (AD, Steer circuit)					
6	44171GT	VALVE-SOLENOID,2POS 4WAY** (AE, Drive speed select circuit)					
--	44175GT	SPACER-DUAL COIL,#10, SCISSORS (sold separately)					
--	44230GT	SEAL KIT-P.N.44169,44172,44171					
--	84385GT	COIL,20VDC DEUTCSH W/DIODE (sold separately)					
7	97409GT	VALVE,DIFF.AREA RELIEF,50PSI (AF, Brake release)					
8	150104GT	VALVE, DYN. BRAKING, GS32/46					
--	44175GT	SPACER-DUAL COIL,#10, SCISSORS (sold separately)					
--	84385GT	COIL,20VDC DEUTCSH W/DIODE (sold separately)					
9	84384GT	PRTY,FLOW CNTRL VALVE,.75 GPM (AH, Steer circuit)					
--	1261888GT	SEAL KIT (84384) for 84384GT					
--	44230GT	SEAL KIT-P.N.44169,44172,44171					
10	44169GT	VALVE-SOLENOID, 2POS 4 WAY (AI, Platform up)					
--	44175GT	SPACER-DUAL COIL,#10, SCISSORS (sold separately)					
--	44230GT	SEAL KIT-P.N.44169,44172,44171					

503.1 Brake Release Hand Pump Manifold



PARTS FINDER

**Search Website
by Part Number**



**Search Manual
Library For Parts
Manual & Lookup Part
Numbers – Purchase
or Request Quote**

Search Manuals

Enter your information to help us find the right parts manual for your machine.

* Brand:

* Model:

* Serial:

* Part Number:

SEARCH

**Can't Find Part or
Manual? Request Help
by Manufacturer,
Model & Description**

Parts Order Form

Please fill in the following information to help us find the right part for your machine.

Manufacturer:	<input type="text"/>
Model:	<input type="text"/>
Description:	<input type="text"/>
Part Number:	<input type="text"/>
Quantity:	<input type="text"/>
Notes:	<input type="text"/>

Submit

Discount-Equipment.com is your online resource for quality parts & equipment.

Florida: **561-964-4949** Outside Florida TOLL FREE: **877-690-3101**

Need parts?

Click on this link: <http://www.discount-equipment.com/category/5443-parts/> and choose one of the options to help get the right parts and equipment you are looking for. Please have the machine model and serial number available in order to help us get you the correct parts. If you don't find the part on the website or on one of the online manuals, please fill out the request form and one of our experienced staff members will get back to you with a quote for the right part that your machine needs.

We sell worldwide for the brands: Genie, Terex, JLG, MultiQuip, Mikasa, Essick, Whiteman, Mayco, Toro Stone, Diamond Products, Generac Magnum, Airman, Haulotte, Barreto, Power Blanket, Nifty Lift, Atlas Copco, Chicago Pneumatic, Allmand, Miller Curber, Skyjack, Lull, Skytrak, Tsurumi, Husquvarna Target, Stow, Wacker, Sakai, Mi-T-M, Sullair, Basic, Dynapac, MBW, Weber, Bartell, Bennar Newman, Haulotte, Ditch Runner, Menegotti, Morrison, Contec, Buddy, Crown, Edco, Wyco, Bomag, Laymor, EZ Trench, Bil-Jax, F.S. Curtis, Gehl Pavers, Heli, Honda, ICS/PowerGrit, IHI, Partner, Imer, Clipper, MMD, Koshin, Rice, CH&E, General Equipment, Amida, Coleman, NAC, Gradall, Square Shooter, Kent, Stanley, Tamco, Toku, Hatz, Kohler, Robin, Wisconsin, Northrock, Oztec, Toker TK, Rol-Air, APT, Wylie, Ingersoll Rand / Doosan, Innovatech, Con X, Ammann, Mecalac, Makinex, Smith Surface Prep, Small Line, Wanco, Yanmar

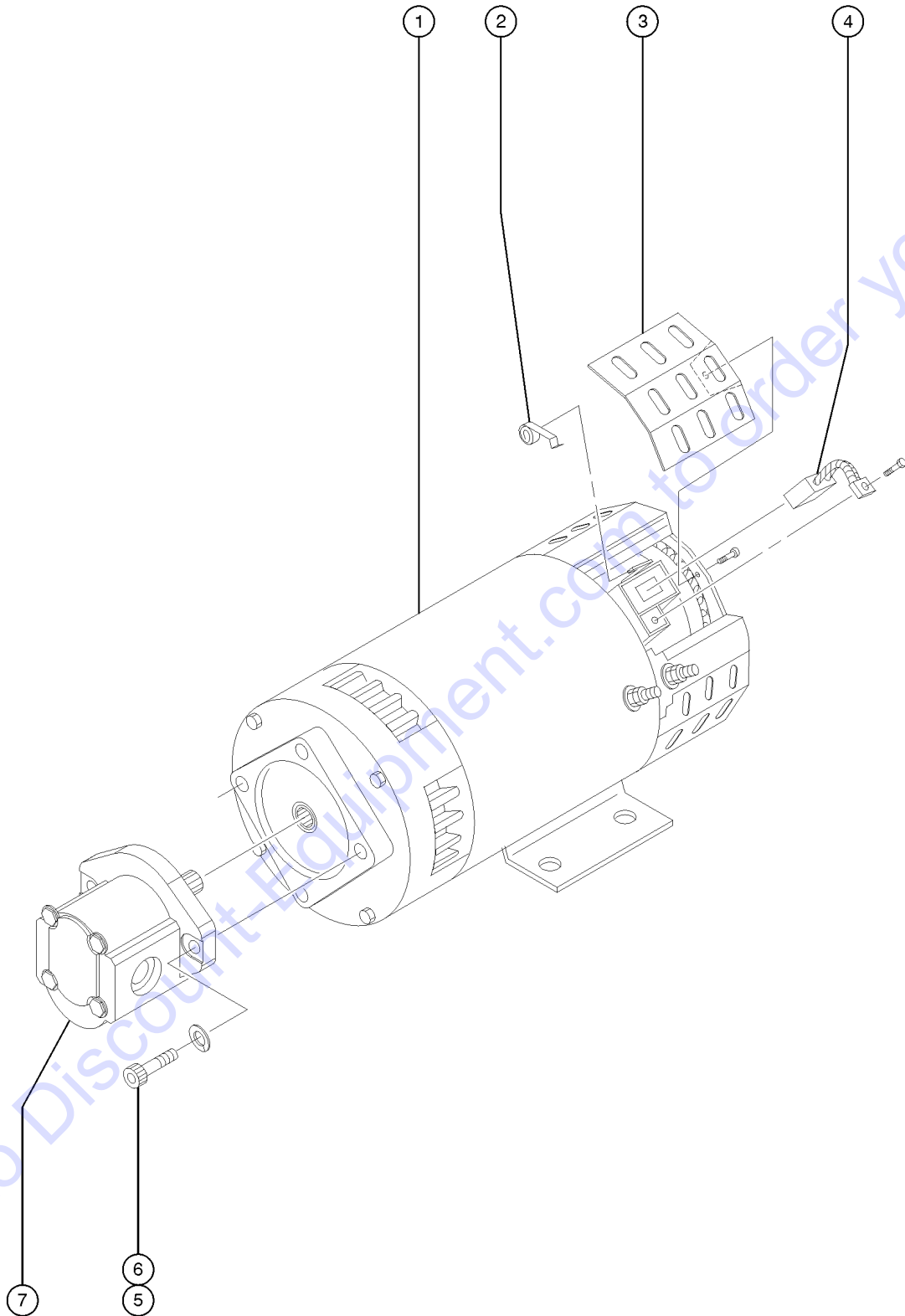
503.1 Brake Release Hand Pump Manifold

Item	Part No.	Description	Qty.
--	105067GT	MANIFOLD,BRAKE RELEASE <i>(includes items 1, 2 and 4)</i>	
1	84739GT	VALVE,HAND PUMP ASSEMBLY***.....1	1
--	84740GT	SEAL KIT,HAND PUMP***	
--	84742GT	KNOB,HAND PUMP (RED)***	
2	84743GT	VALVE,PILOT OPERATED ASSEMBLY*.....1	1
--	84740GT	SEAL KIT,HAND PUMP***	
--	84746GT	KNOB,PILOT OP VALVE (BLACK)***	
3	39877GT	CONNECTOR,070120-4-4.....3	3
4	84748GT	SPRING,HAND PUMP ROD.....1	1

Go to Discount-Equipment.com to order your parts



504.1 Hydraulic Power Unit, All Models

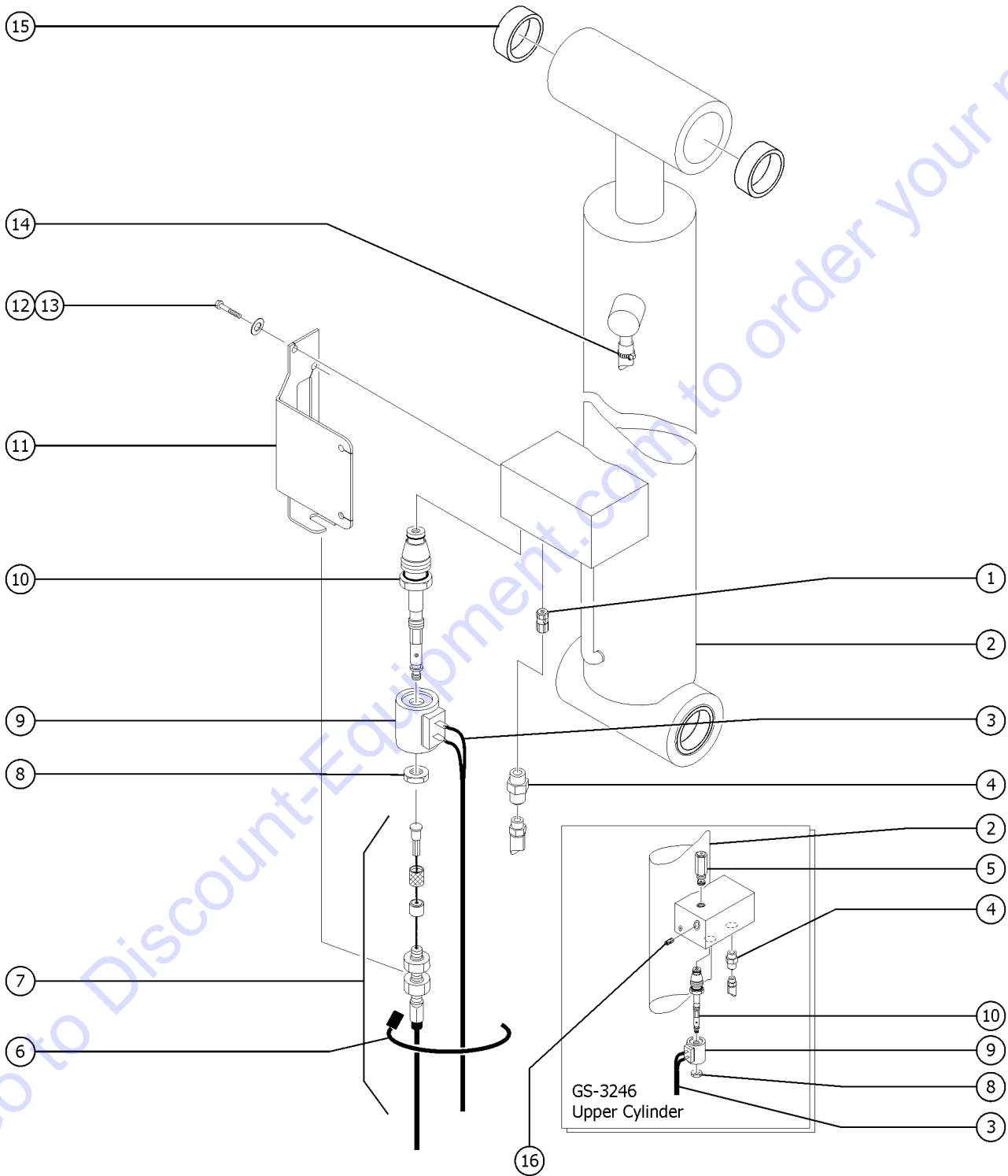


504.1 Hydraulic Power Unit, All Models

Item	Part No.	Description	Qty.
--	49812GT	ENCLOSING BAND KIT <i>Band Kit (EE models)</i>	
--	78006GT	FORMING,PADLOCK BRACKET	
--	44716GT	HANDLE,ANDERSON CONNECTOR SB	
1	1256517GT	MOTOR,DC24V,3.3KW.....	1
2	1280938GT	SPRING-BRUSH,1256517, SCISSORS.....	4
3	1280939GT	COVER-BRUSH INSPEC.1256517,SCISS.....	4
4	1280940GT	BRUSH,PWR UNIT (1256517).....	4
5	55921GT	SCREW,SHC,3/8-24 X 1.25"	
6	6021GT	WASHER,LOCK,.375	
7	231572GT	PUMP,5.6CC GEAR,CCW.....	1
--	233568GT	SEAL KIT,PUMP,5.6CC GEAR <i>for T108662GT</i>	

Go to Discount-Equipment.com to order your parts

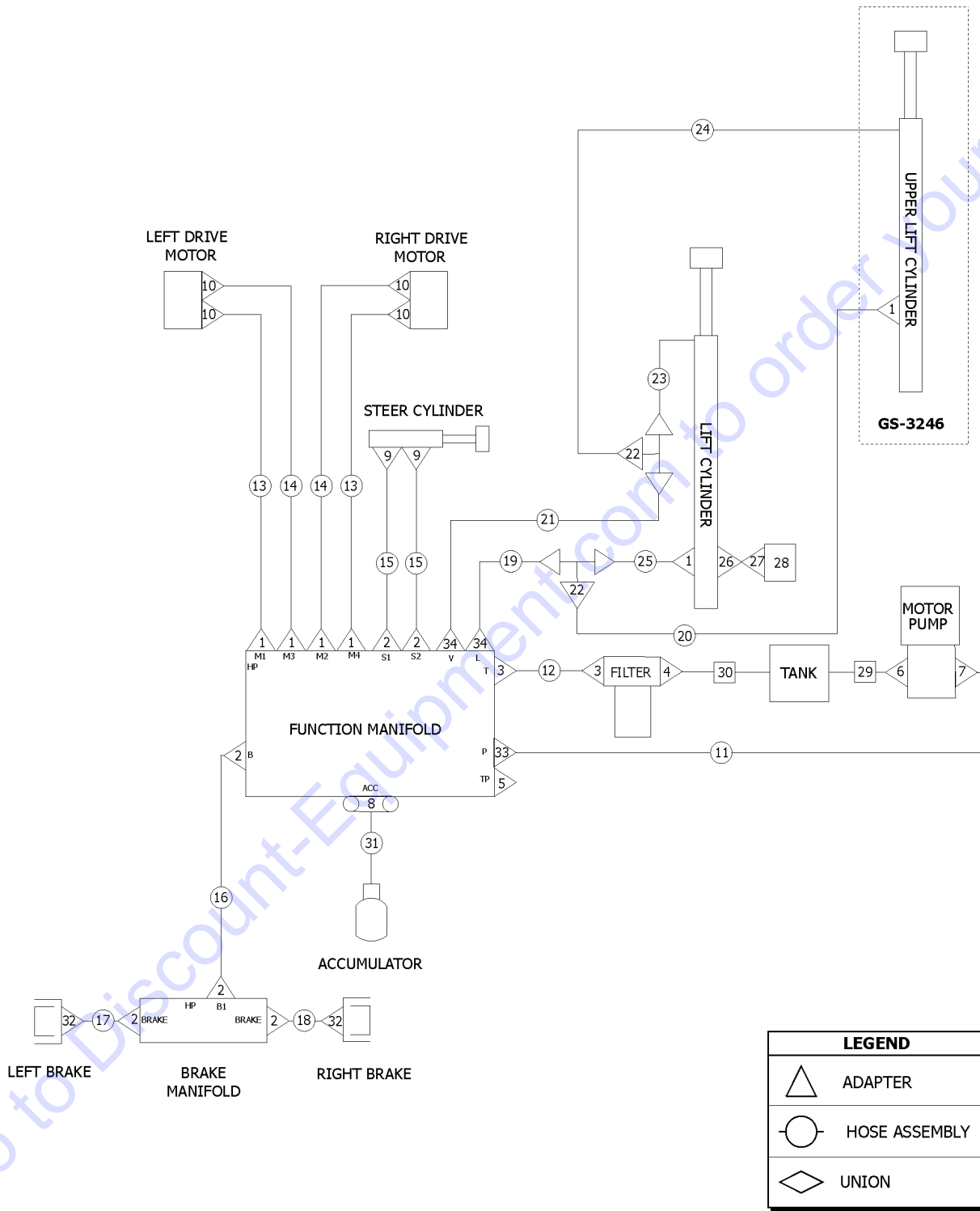
505.1 Lift Cylinder Assembly, All Models



505.1 Lift Cylinder Assembly, All Models

Item	Part No.	Description	Qty.
1A	55560GT	ORIFICE, LONG, .059"	
--	105479GT	KIT, TWO ORIFICE, .059"	
--	105481GT	KIT, ORIFICE, .059"	
2A	105544GT	CYLINDER, 20XX LIFT.....1 GS-2046	
--	105549GT	SEAL KIT (105545) (for PN 105544GT)	
2B	105545GT	CYLINDER, 26XX/32XX LIFT.....1 GS-2646	
--	105549GT	SEAL KIT (105545) (for PN 105545GT)	
2C	105546GT	CYLINDER, 32XX UPPER LIFT.....1 GS-3246 (upper cylinder)	
--	105564GT	SEAL KIT (105546) (for PN 105546GT)	
2D	105545GT	CYLINDER, 26XX/32XX LIFT.....1 GS-3246 (lower cylinder)	
--	105549GT	SEAL KIT (105545) (for PN 105545GT)	
3		Ref. Down Coil Wire Harness (refer to 210.1)	
4	39878GT	CONNECTOR, 070120-6-6.....1	
5A	97130GT	VALVE-RELIEF, 2500 PSI	
--	44227GT	SEAL KIT, VALVE for 97130	
5B	237455GT	VALVE, RELIEF, 2900 PSI, BOSCH	
6	28443GT	CABLE TIE, 11.5" BLACK.....3	
7		Ref. Emergency Down Cable (refer to 203.1)	
8	44973GT	NUT, COIL (39909).....1	
9	84422GT	COIL-SOLENOID VALVE, 20V DC***.....1 (direct replacement for 66467GT)	
10	66465GT	VALVE, W/20V NC SOLENOID, MANUAL.....1 (includes items 7 and 8)	
--	40477GT	VALVE, CARTRIDGE***	
--	44979GT	SEAL KIT, 39909, PLAT LWR VALVE*	
11	41557-SGT	CABLE BRACKET, PAINTED.....1	
12	7339GT	SCREW, HHC, 1/4-20 X .5	
13	6356GT	WASHER, LOCK, .25	
14	96770GT	CLAMP, HOSE, 1 EAR, 11/16.....1	
15	105478GT	BEARING, 1.5025IDX1.5075ODX1.5L.....4	
16	55558GT	ORIFICE, LONG, .037***.....1 GS-3246	

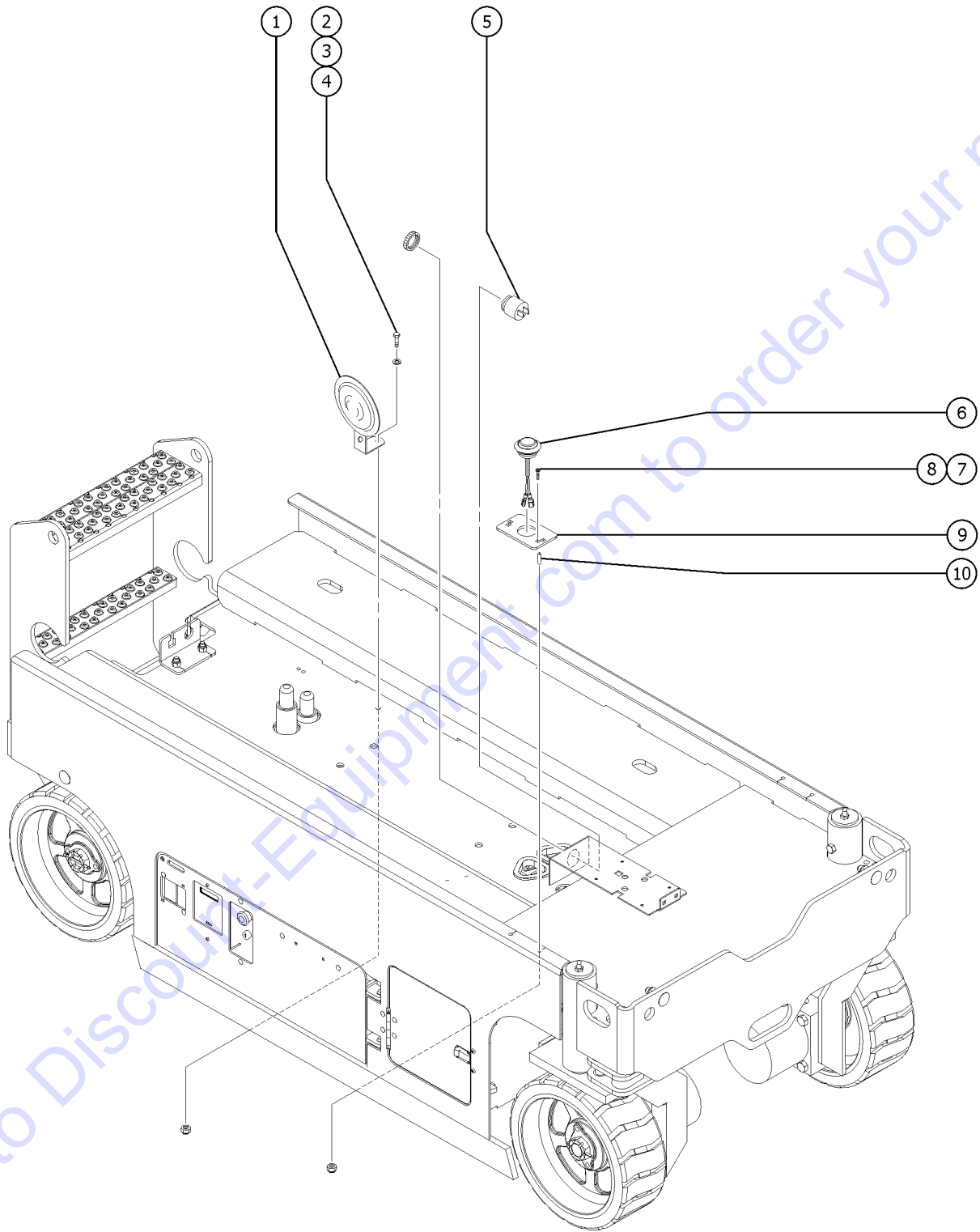
506.1 Hydraulic Hoses and Fittings



506.1 Hydraulic Hoses and Fittings

Item	Part No.	Description	Qty.	Item	Part No.	Description	Qty.
--		<i>The hose lengths below reflect the length of the hose only. Refer to the 'Fittings Cross Reference' to match Genie part numbers to Parker part numbers.</i>		22	51152GT	TEE,RUN 070432-6****	2
--	66765-3000GT	WIRE LOOM, SPIRAL, 1-5/8 ID 30" used as hose protection on 3/8 hoses, sold by the inch		23	1259085GT	HOSE, LOWER VENT (Components: 1259080, and 1259077 @ 170.5 inches)	1
1	39878GT	CONNECTOR, 070120-6-6	5	24	1259185GT	HOSE, UPPER VENT GS-3246 (Components: 1259058, and 1259077 @ 324 inches)	1
2	39877GT	CONNECTOR, 070120-4-4	6	25	1259059GT	HOSE ASSY, LOWER LIFT (Components: 1259073, 1259073, and 1259076 @ 127 inches)	1
--	39882GT	PLUG, HEX SOCKET, 090109B-4	1	26	96885GT	CONN, SWIVEL, STR, THR, 465OX-S	1
3	66389GT	CONN, 070120-8-6	2	27	39881GT	CONNECTOR, 070120-4-6	1
4	96398GT	CONNECTOR, 070120-12-8	1	28		Ref. Pressure Switch 701.1	1
5		Ref. Diagnostic Nipple 502.1		29	96354GT	TUBE, ASSY, DRAW	1
6	22664GT	ELBOW, 070220-12-10	1	30	96355GT	TUBE, ASSY, RETURN	1
7	39876GT	ELBOW, 070220-6-8	1	31	1259060GT	HOSE ASSY, MAN/ACCUM, GS32/46 (Components: 1259079, 1259079, and 1259078 @ 17 inches)	1
8	39877GT	CONNECTOR, 070120-4-4	1	32	39877GT	CONNECTOR, 070120-4-4	2
9	13921GT	ELBOW, 070220-4-4 GS-2046, GS-2646	2	33A	39878GT	CONNECTOR, 070120-6-6	1
10	39873GT	ELBOW, 070220-6-6	4	33B	237086GT	VALVE, CHECK, #6-#6, MJIC TO MORB GS-3246 (Australia, CE)	1
11	1259183GT	HOSE, ASSY, PRESSURE (Components: 1259073, 1259073, and 1259076 @ 50 inches)	1	34A	42283GT	ELBOW, 070320-6-6	2
12	1259184GT	HOSE, ASSY, MAN TO FILTER (Components: 1259080, 1259080, and 1259077 @ 25 inches)	1	34B	130011GT	HOSE CLAMP, SAE #6 GS-3246	2
13	1259064GT	HOSE ASSY, DRIVE MOTORS, GS46 (Components: 1259073, 1259073, and 1259076 @ 60 inches)	2				
14	1259063GT	HOSE ASSY, DRIVE MOTORS, GS46 (Components: 1259073, 1259073, and 1259076 @ 64 inches)	4				
15	1259062GT	HOSE, ASSY STEER, GS32/46 (Components: 1259079, 1259079, and 1259078 @ 36 inches)	2				
16	1259061GT	HOSE, ASSY, BRAKE, GS46 (Components: 1259079, 1259079, and 1259078 @ 65 inches)	1				
17	1259065GT	HOSE, ASSY, BRAKE MAN, GS46 (Components: 1259079, 1259079, and 1259078 @ 22 inches)	2				
18	1259082GT	HOSE, ASSY, BRAKE MAN, GS46 (Components: 1259079, 1259079, and 1259078 @ 20 inches)	2				
19	1259083GT	HOSE, ASSY, LIFT (Components: 1259073, 1259073, and 1259076 @ 42 inches)	1				
20	1259186GT	HOSE, ASSY, UPPER LIFT GS-3246 (Components: 1259073, 1259074, and 1259076 @ 297 inches)	1				
21	1259084GT	HOSE, ASSY, VENT (Components: 1259080, 1259081, and 1259077 @ 42 inches)	1				

601.1 Alarm, Horn and Flashing Beacons

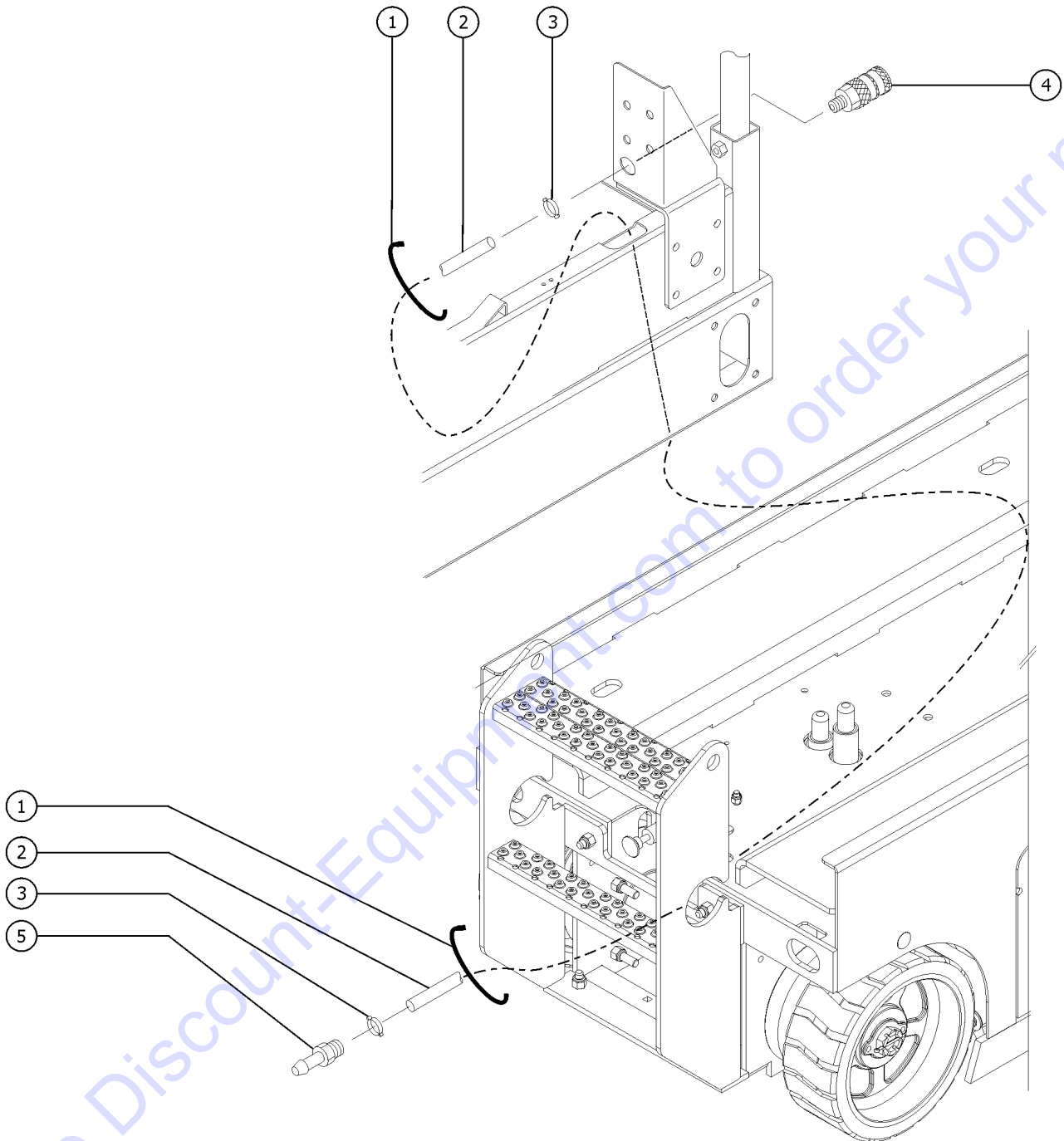


Go to Discount-Equipment.com to order your parts

601.1 Alarm, Horn and Flashing Beacons

Item	Part No.	Description	Qty.
--	144046GT	KIT,BEACON,GENIE SCISSOR	
--	1260386GT	VISUAL INDICATOR LIGHTS <i>CE Models</i>	
1	81579GT	HORN,24VDC,SPADE TERMINALS***1	
2	8914GT	SCREW,HHC,1/4-20 X .625	
3	6638GT	WASHER,FLAT,USS,1/4"Y	
4	6091GT	NUT,NYLOCK,1/4-20	
5	39540GT	ALARM,STEADY TONE***.....1 <i>Does not include 72326 nut</i>	
--	72326GT	NUT - PLASTIC,RING FOR ALARMS	
6	1261183GT	ASSEMBLY, VISUAL IND LIGHT.....2 <i>CE Models</i>	
--	1254572GT	LIGHT,TURN SIGNAL,1.25" LED,AMB....2 <i>CE Models</i>	
--	1261168GT	HARNESS,VISUAL IND LIGHTS.....1 <i>CE Models</i>	
7	1256463GT	BOLT,CARRIAGE,1/4-20X1.25,5,ZAG....4 <i>CE Models</i>	
8	6889GT	NUT,LP NYLOCK,1/4-20.....4 <i>CE Models</i>	
9	1261778GT	PLATE,VISUAL ALARM MOUNT,METRIC.....2 <i>CE Models</i>	
10	96699GT	SLEEVE,TANK SUPPORT.....1	

602.1 Air Line to Platform

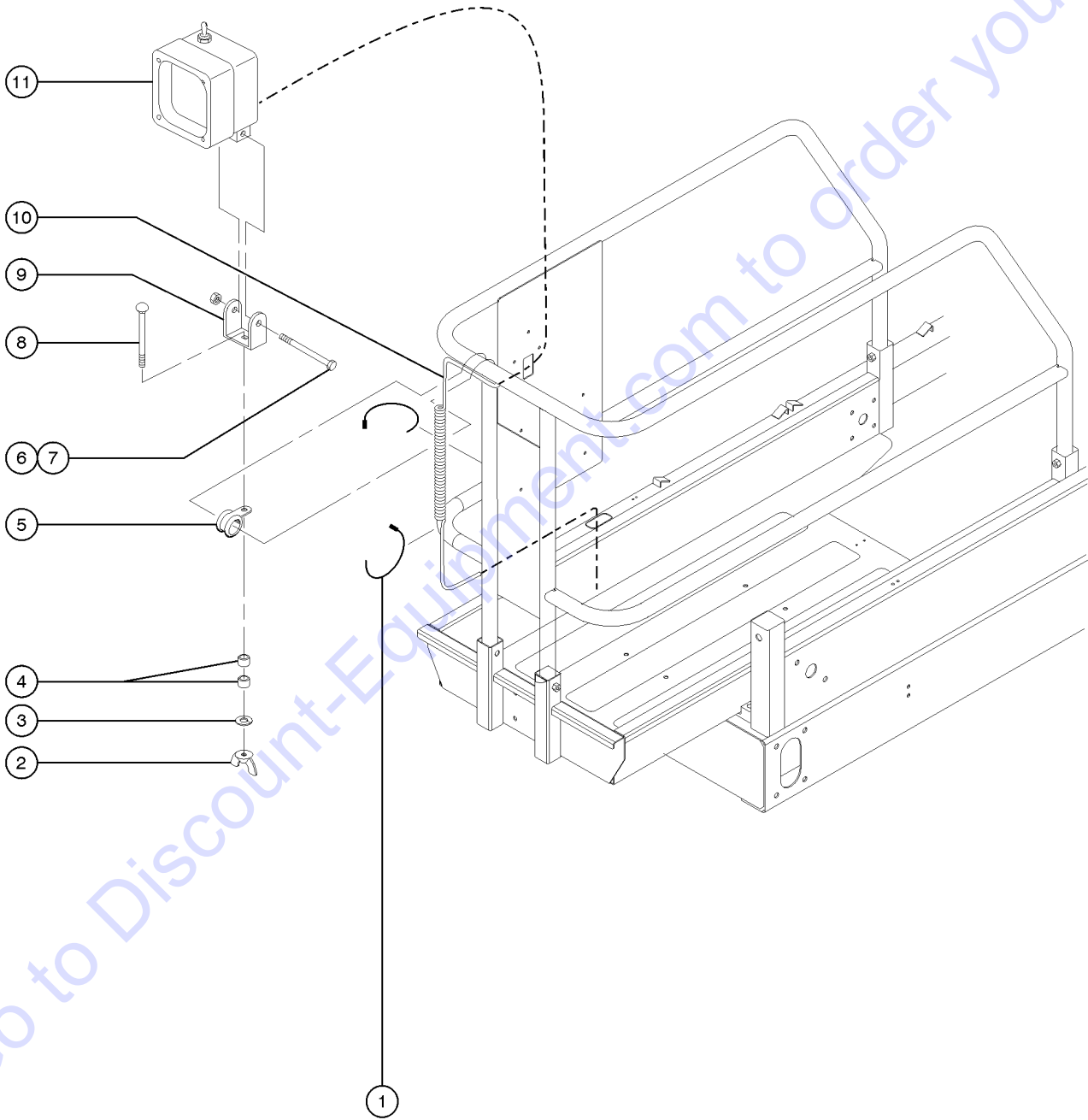


602.1 Air Line to Platform

Item	Part No.	Description	Qty.
--	96731-SGT	AIR TO PLAT, GS20XX, ACC	
1	28443GT	CABLE TIE,11.5" BLACK	
--	27903GT	HOSE,LOW PRESSURE,.375 ID,BLK.....390-inches	
3	45454GT	CLAMP,RUB CUSH,0.75,#12 X 3/8*1	
4	96543GT	COUPLER,1/4"SERIES,3/8 P-LOK.....1	
5	96542GT	PLUG,1/4"SERIES,3/8 P-LOCK***1	

Go to Discount-Equipment.com to order your parts

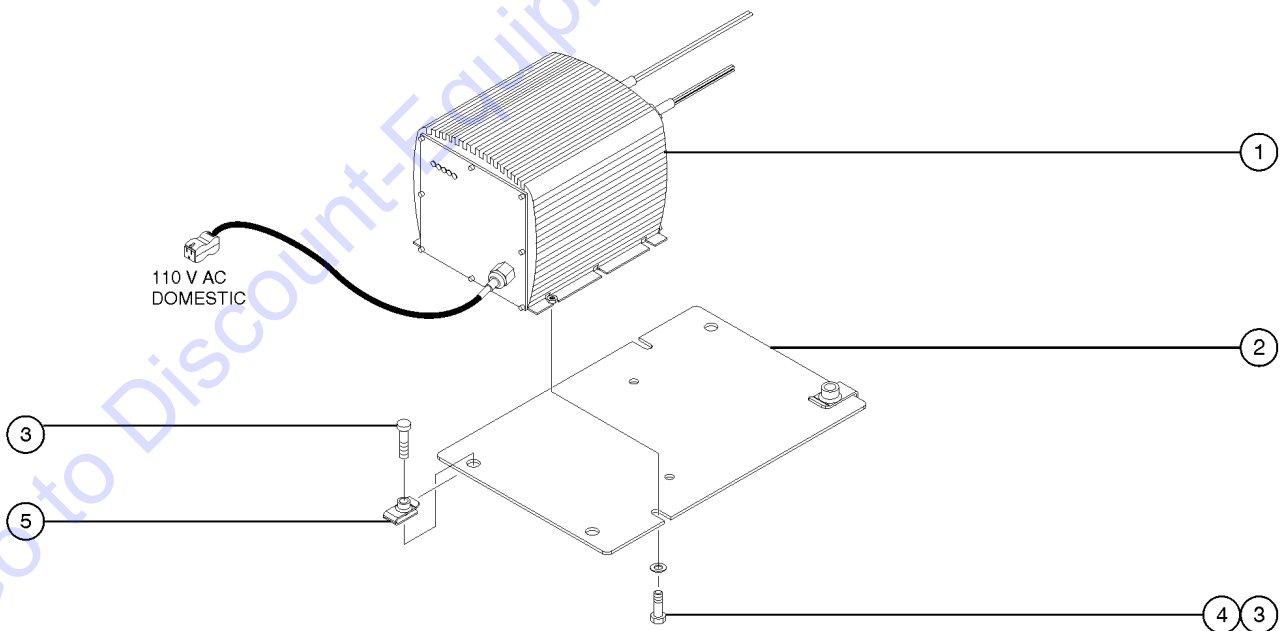
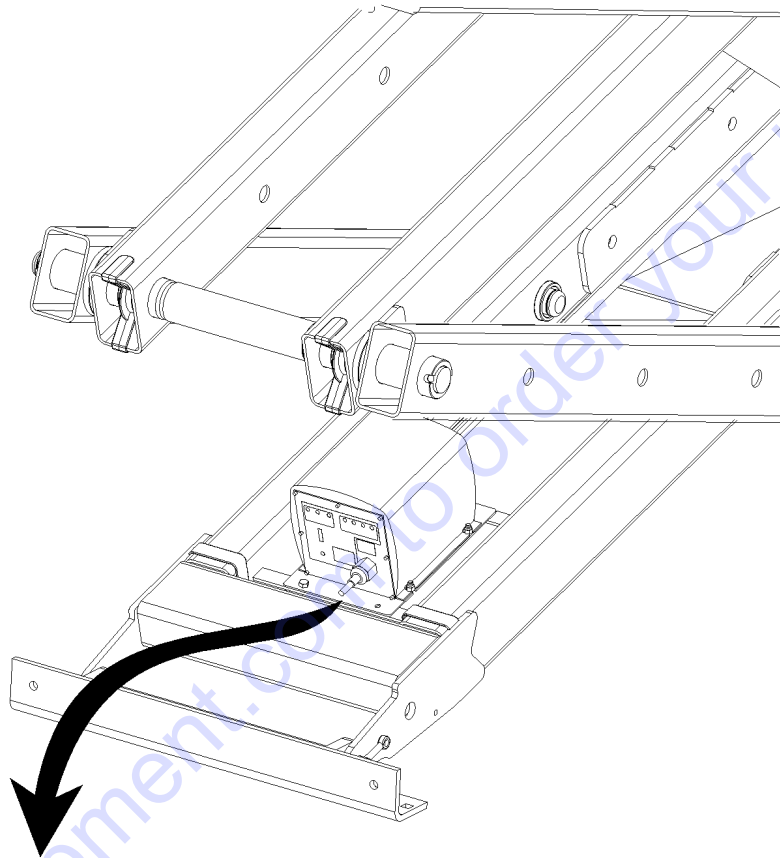
603.1 Platform Work Light



603.1 Platform Work Light

Item	Part No.	Description	Qty.
--	105971GT	WORKLIGHT PIGTAIL ASSY (chassis)	
--	105974GT	WORKLIGHT CABLE,GS26XX (linkset) GS-2646	
--	105975GT	WORKLIGHT CABLE,GS32XX (linkset) GS-3246	
1	28443GT	CABLE TIE,11.5" BLACK.....	10
2	69229GT	NUT,WING 5/16-18.....	1
3	6886GT	WASHER,LOCK, .313	
4	5397GT	WASHER,FLAT,USS,5/16",Y..... <i>add sufficient washers to equal aproximately 0.435 inch thickness of each spacer</i>	2
5	33784GT	CLAMP,1.31,#21 X 1/4,RUB CUSH.....	1
6	50793GT	SCREW,HHC,5/16-18 X 2	
7	6782GT	NUT,NYLOCK,5/16-18	
8	65439GT	BOLT,CARRIAGE,5/16-18 X 2.0,G2	
9	144009GT	WORKLIGHT BRACKET.....	1
10	65721GT	COIL CORD,WORKLIGHT(144011).....	1
11	144011GT	WORKLIGHT,24V,COIL CORD.....	1

604.1 Voltage Inverter

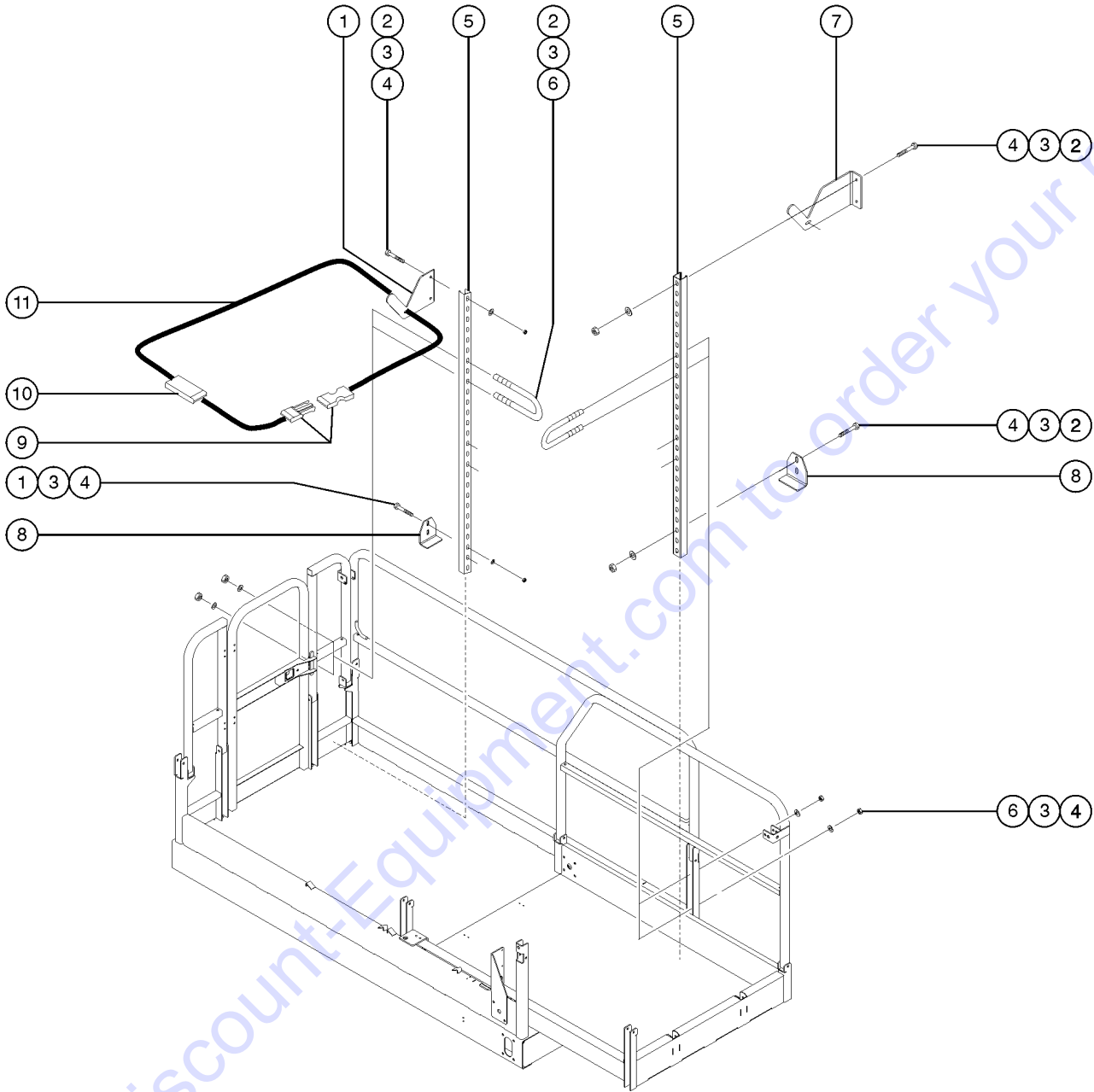


604.1 Voltage Inverter

Item	Part No.	Description	Qty.
1	96950GT	INVERTER,24VDC,110/230 VAC***.....1	
2	105129GT	PLATE, INVERTER MOUNT.....1	
3	6090GT	SCREW,HHC,1/4-20 X .75	
4	6638GT	WASHER,FLAT,USS,1/4"Y	
5	56912GT	SPRING CLIP,1/4-20,.025-.15X.54,ZAG.....2	

Go to Discount-Equipment.com to order your parts

605.1 Pipe Cradle Assembly

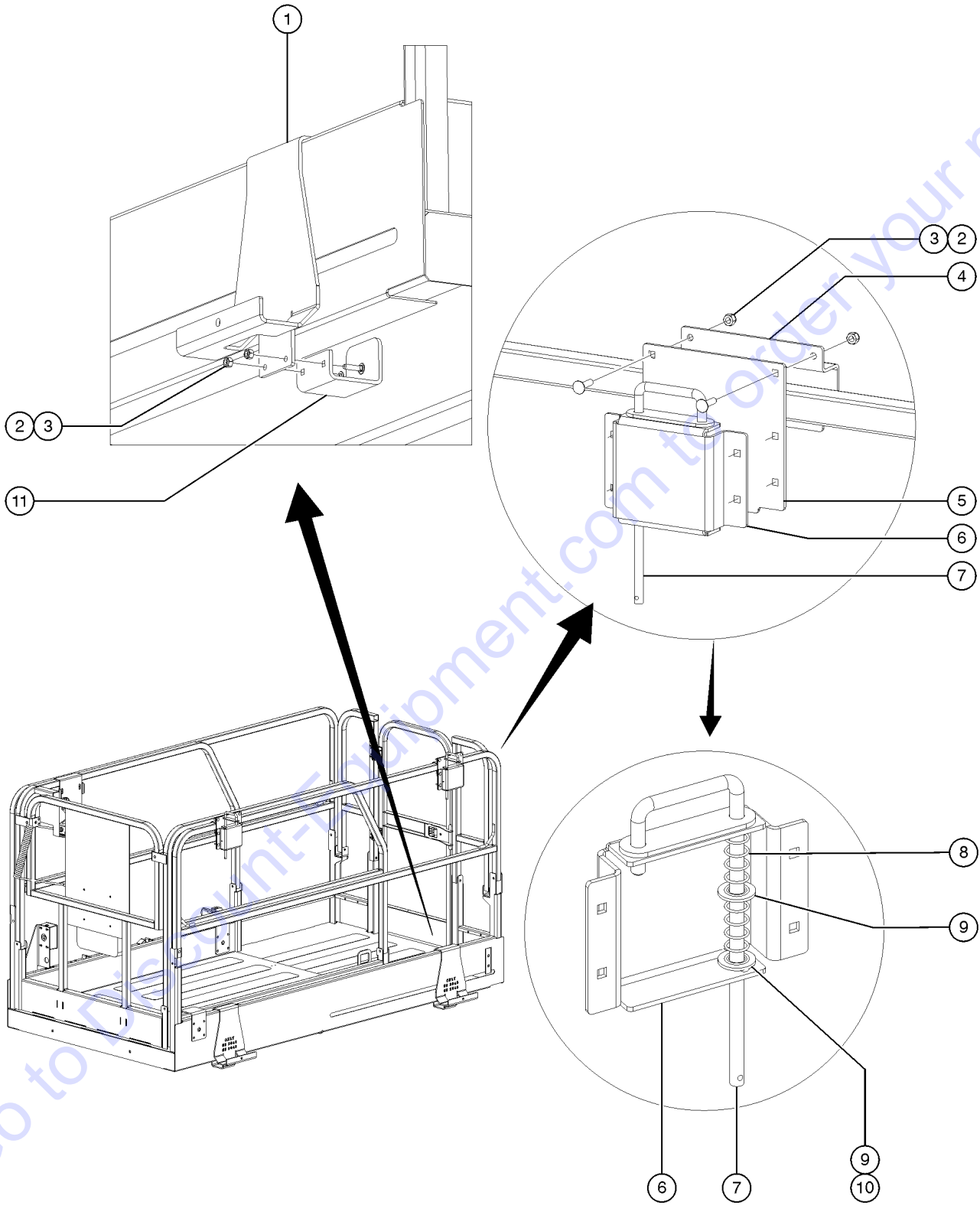


605.1 Pipe Cradle Assembly

Item	Part No.	Description	Qty.
--	72878GT	PIPE CRDL,SQ RAILINGS,GS46	
1	79156GT	PLATE,PIPE HOLDER, GS68.....	1
2	14033GT	SCREW,HHC,3/8-16 X 2.75	
3	6097GT	WASHER,FLAT,USS,3/8",Y	
4	4828GT	NUT,NYLOCK,3/8-16	
5	66171GT	CHANNEL,PIPE RACK.....	2
6	66472GT	U-BOLT, SQR, 3/8-16X2X5, PLTD.....	4
7	66169GT	FORMING, PIPE HOLDER RACK.....	1
8	66170GT	FORMING, PIPE RACK BASE.....	2
9	100810GT	BUCKLE & SLIDE STRAP SET.....	1
10	35643GT	BUCKLE,SIDE RELEASE.....	2
11	35642GT	STRAP,NYLON,1.0 IN. BLACK.....	96-inches

Go to Discount-Equipment.com to order your parts

606.1 Panel Carrier Assembly, GS2046, GS-2646 (ANSI/CSA models)

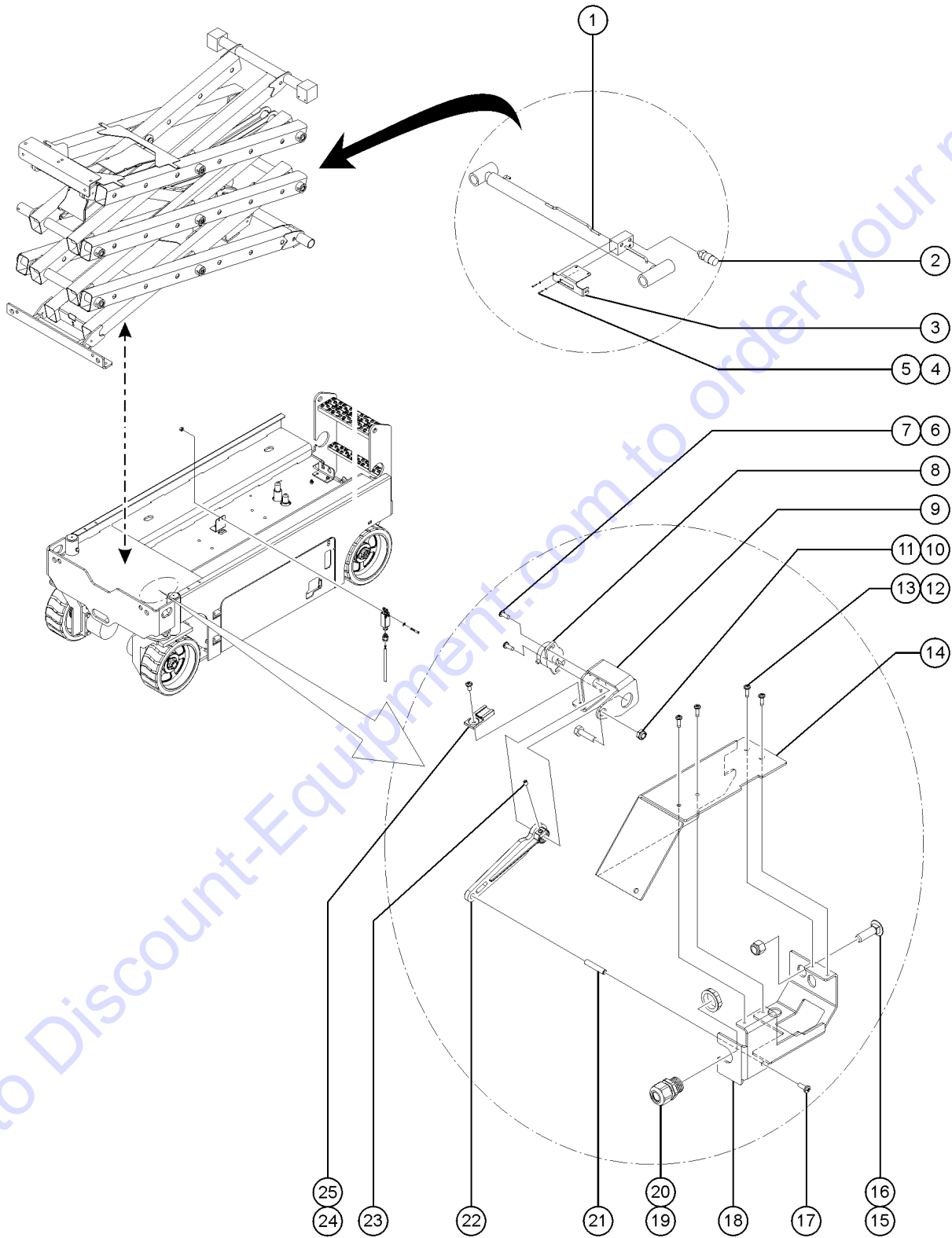


606.1 Panel Carrier Assembly, GS2046, GS-2646 (ANSI/CSA models)

Item	Part No.	Description	Qty.
1	1251805GT	FORMING, PANEL HOOK.....	2
2	6091GT	NUT,NYLOCK,1/4-20	
3	124576GT	BOLT,CARRIAGE,1/4-20X1.00 G5	
4	1251809GT	FORMING, RAIL CLAMP.....	2
5	1251808GT	PLATE, COVER.....	2
6	1251807GT	FORMING, HOUSING, CLAMP.....	2
7	1251812GT	WELDMENT, CLAMP.....	2
8	1251813GT	SPRING, .660 X 2.00, 14.8 #/IN.....	4
9	6097GT	WASHER,FLAT,USS,3/8",Y	
10	12016GT	PIN,COTTER,.125 X .75.....	2
11	1251806GT	FORMING, RETAINER.....	2

Go to Discount-Equipment.com to order your parts

701.1 Platform Overload



Item	Part No.	Description	Qty.
1		Ref: Lift Cylinder.....1 (refer to 505.1)	1
2	229750GT	HARNES, PRESS, TRANSDUCER***.....1 (includes transducer)	1
3	41557GT1	1
4	7339GT	SCREW, HHC, 1/4-20 X .5.....1	1
5	6356GT	WASHER, LOCK, .25.....1	1
6A	57075GT	SCREW, PHIL, 8-32X.50, SELF TAP.....7	7
6B	55906GT	SCREW, PHILLIPS, PHM, 8-32 X .5.....2 (used with 161981)	2
7	18605GT	NUT, NYLOCK, 8-32.....2 (used with 161981)	2
8	T113136GT	ASSY, ROT SENSR W/ HARNES.....1	1
9	227171GT	FRMNG, ARM SENSOR BRCKT, 32/46.....1	1
10	7713GT	NUT, LP NYLOCK, 3/8-16.....1	1
11	6175GT	SCREW, HHC, 3/8-16 X 1.....1	1
12	8914GT	SCREW, HHC, 1/4-20 X .625.....2 (used with 161977)	2
13	56912GT	SPRING CLIP, 1/4-20, .025-.15X.54, ZAG.....2 (used with 161977)	2
14	227172GT	FRMNG, SENSOR COVER, 32/46.....1	1
15	96203GT	BOLT, CARRIAGE, 1/2-13X1.75, G5.....1	1
16	6198GT	NUT, NYLOCK, 1/2-13.....1	1
17	49819GT	SCREW, PHILLIPS, PHM, 10-32 X .5.....1	1
18	227190GT	FRMNG, CHASSIS BRKT.....1	1
19	33576GT	CONN, SQZ, BLK, 1/2NPT, .38-.50, SM.....1	1
20	T115429GT	NUT, CORDGRIP, 1/2 NPT.....1	1
21	T113142GT	OFFSET, RDN, 1/4-1.25, 10-32.....1	1
22	T114082GT	LEVER ARM, ANGLE SENSR ACTUATOR.....1	1
23	229146GT	SCREW, SET, 8-32X.25.....1	1
24	T113139GT	CLIP, DTM, RECEPTACLE.....1	1
25	229655GT	SCREW, PHM, 8-32X.313, SELF TAP.....1	1

Part Number Index

The Part Number Index is a numeric index of all part numbers included in this manual. The index shows what page(s) the part is used on.

Part Number	Page	Part Number	Page	Part Number	Page	Part Number	Page
100810GT	119	1251812GT	121	1278008GT	43	227190GT	123
104804GT	91	1251813GT	121	1278009GT	51	228406GT	65
105060GT	67	1252764GT	75	1278010GT	59	229086GT	97
105067GT	103	1254572GT	111	1279428GT	71	229087GT	97
105069GT	67	1256051GT	61, 63	1280665GT	93	229088GT	97
105074GT	85, 87, 89	1256177GT	67	1280902GT	85	229089GT	97
105090GT	93	1256463GT	111	1280903GT	85, 87, 89	229090GT	97
105092GT	67, 83, 85, 87, 89	1256517GT	105	1280904GT	85, 87, 89	229091GT	97
105117GT	93	1256656GT	95	1280905GT	87	229092GT	97
105118GT	93	1256702GT	17, 19, 25, 27, 33, 35, 41, 43, 49, 51, 57, 59, 95	1280906GT	87	229093GT	97
105129GT	117			1280907GT	89	229094GT	97
105156GT	67			1280938GT	105	229097GT	97
105186GT	85, 87, 89	1256719GT	75	1280939GT	105	229146GT	123
105187GT	89	1256721GT	75	1280940GT	105	229195GT	73
105188GT	89	1256725GT	95	128118GT	65	229655GT	123
105189GT	85, 87, 89	1256727GT	95	1282144GT	69	229750GT	77, 123
105190GT	85, 87, 89	1257054GT	79	1282145GT	65	229845GT	95
105191GT	85, 87, 89	1257055GT	79	1282153GT	65	231572GT	105
105192GT	89	1257056GT	79	1283053GT	77	231921GT	77, 95
105193GT	85, 87, 89	1257057GT	79	1288206GT	77	231922GT	77, 95
105214GT	77	1257188GT	17, 25, 33	1288219GT	77	232576GT	79
105334GT	71	1257190GT	19, 27, 35	130011GT	109	232578GT	79
105448GT	93	1257733GT	11	13066GT	63	232582GT	79
105463GT	101	1257824GT	77	133276GT	15, 23, 31	233050GT	77
105478GT	107	1257840GT	73	133596GT	17, 19, 25, 27, 33, 35	233051GT	77
105479GT	107	1257923GT	17, 19, 25, 27, 33, 35, 41, 43, 49, 51, 57, 59	13585GT	93	233052GT	77
105481GT	107			13635-10GT	61	233055GT	77
105483-SGT	93			137562GT	75	233371GT	79
105544GT	107	1258567GT	11	137587GT	95	233430GT	77, 79
105545GT	107	1258731GT	95	137605GT	17, 19, 25, 27, 33, 35, 41, 43, 49, 51, 57, 59, 95	233568GT	105
105546GT	107	1259059GT	109			233644GT	77
105547GT	99	1259060GT	109	137634GT	97	235463GT	97
105549GT	107	1259061GT	109	137637GT	75, 95	235464GT	95
105550GT	99	1259062GT	109	137640GT	95	237086GT	101, 109
105553GT	99	1259063GT	109	137656GT	17, 19, 25, 27, 33, 35, 41, 43, 49, 51, 57, 59, 95	237455GT	107
105554GT	99	1259064GT	109			24514GT	91
105555GT	99	1259065GT	109	137668GT	75	25388GT	93
105564GT	107	1259082GT	109	137699GT	95	27581GT	11
105565GT	61	1259083GT	109	13921GT	109	27903GT	113
105574GT	81	1259084GT	109	14033GT	87, 119	28131GT	79
105732GT	75	1259085GT	109	144009GT	115	28174GT	15, 17, 19, 23, 25, 27, 31, 33, 35, 39, 41, 43, 47, 49, 51, 55, 57, 59
105733GT	75	1259183GT	109	144011GT	115		
105734GT	75	1259184GT	109	144046GT	111		
105736GT	65	1259185GT	109	144127GT	91		
105739GT	71	1259186GT	109	144130GT	71	28175GT	15, 23, 31
105759GT	75	1259223GT	91	144161GT	93	28176GT	17, 19, 25, 27, 33, 35
105812GT	93	1260386GT	111	144180GT	71		
105947GT	101	1260941GT	85, 87, 89	144215GT	77	28235GT	15, 17, 19, 23, 25, 27, 31, 33, 35, 39, 41, 43, 47, 49, 51, 55, 57, 59
105971GT	115	1261168GT	111	144226GT	65		
105974GT	115	1261183GT	111	144374GT	61		
105975GT	115	1261778GT	111	1484GT	11		
10775GT	93	1261888GT	101	150104GT	101		
10777GT	93	1263220GT	77	15086GT	61	28236GT	17, 19, 25, 27, 33, 35
114334GT	39, 47, 55	1263221GT	77	18383GT	85, 87, 89		
114337GT	37, 45, 53	1263471GT	93	18503GT	69	28443GT	107, 113, 115
114338GT	41, 43, 49, 51, 57, 59	1263542GT	39, 47, 55	18504GT	61, 65, 85, 87, 89	30217GT	87
		1263646GT	43, 51, 59	18605GT	65, 93, 123	30784-2550GT	69
114360GT	13, 21, 29	1264822GT	77	18722GT	61	31060GT	13, 21, 29
114361GT	13, 21, 29, 37, 45, 53	1264834GT	77	19491GT	65, 67	31508GT	13, 15, 21, 23, 29, 31
		1265361GT	39, 47, 55	20224GT	101		
114370GT	37, 45, 53	1265771GT	77	21253GT	61	31788GT	13, 21, 29
114372GT	37, 39, 45, 47, 53, 55	1267821GT	65	21279GT	91	32150GT	11
		1268GT	11	214544GT	97	32151GT	11
114385GT	13, 15, 21, 23, 29, 31	1270281GT	63, 77	218579GT	77	32339GT	81
		1270457GT	69, 77	219480GT	71	33576GT	123
114386GT	17, 19, 25, 27, 33, 35	1270598GT	73	226163GT	73	33724GT	93
		1270600GT	73	22664GT	109	33784GT	115
12016GT	67, 121	1272232GT	71	227164GT	73	34742GT	67
122994GT	75	1272242GT	37, 45, 53	227165GT	75	35642GT	119
124576GT	121	1272292GT	71	227166GT	73	35643GT	119
1251805GT	121	1272557GT	71	227171GT	123	36369GT	83
1251806GT	121	1273016GT	73	227172GT	123	37947GT	75
1251807GT	121	1273354GT	69				
1251808GT	121	1273394GT	77				
1251809GT	121	1275749GT	87, 89				

Part Number Index (continued)

Part Number	Page	Part Number	Page	Part Number	Page	Part Number	Page
39232GT	65	47238GT	65	66465GT	107	82562GT	37, 39, 45, 47, 53, 55
39310GT	91	47374GT	91	66472GT	119	82657GT	13, 21, 29
39469GT	65, 91	47946GT	61	66717GT	69, 79	82703GT	13, 15, 37, 39
39470GT	91	48282GT	93	66765-3000GT	109	82704GT	21, 23, 45, 47
39474GT	91	4828GT	67, 83, 85, 87, 89, 91, 119	66770GT	61	82705GT	29, 31, 53, 55
39540GT	65, 95, 111	48880GT	101	66812GT	75, 95	82710GT	17, 19
39542GT	67	48997GT	101	66817GT	75, 95	82726GT	25, 27
39873GT	109	49612GT	101	66920GT	91	82727GT	33, 35
39876GT	109	49613GT	11, 101	66923GT	91	82728GT	17
39877GT	103, 109	49812GT	105	66925GT	91	82729GT	25
39878GT	107, 109	49818GT	69	6700GT	75	82730GT	33
39881GT	109	49819GT	123	6782GT	115	82731GT	41
39882GT	109	50793GT	115	6833GT	65	82732GT	49
40434GT	17, 19, 25, 27, 33, 35, 41, 43, 49, 51, 57, 59	51063GT	65	6878GT	65, 69, 73, 75, 85, 89, 93	82733GT	57
40477GT	107	51147GT	79	6886GT	115	82734GT	41
40833GT	69, 79	51152GT	109	6889GT	111	82735GT	49
41557-SGT	107	51474GT	83	6898GT	67	82736GT	57
41557GT	123	5224GT	91	69229GT	115	82905GT	43, 51
41630GT	91	52475GT	13, 15, 21, 23, 29, 31, 37, 39, 45, 47, 53, 55	6935GT	93	83093GT	75
42079GT	63	5397GT	67, 69, 115	7056GT	93	8357GT	61, 63
42283GT	109	55010GT	71	7127GT	93	84384GT	101
4266GT	91	55355GT	67	72086GT	13, 15, 21, 23, 29, 31, 37, 39, 45, 47, 53, 55	84385GT	101
43137GT	75	55558GT	107	72143GT	15, 23, 31, 39, 47, 55	84386GT	101
43392GT	91	55560GT	107	72326GT	65, 111	84422GT	107
43618GT	17, 19, 25, 27, 33, 35, 41, 43, 49, 51, 57, 59	55675GT	69, 73	72853GT	15, 23, 31	84739GT	103
43619GT	15, 23, 31	55906GT	65, 93, 123	72878GT	119	84740GT	103
43658GT	13, 15, 21, 23, 29, 31, 39, 47, 55	55917GT	61	72970GT	13, 21, 29	84742GT	103
43956GT	93	55921GT	105	72998GT	15, 23, 31	84743GT	103
44163GT	11	56912GT	75, 117, 123	72999GT	15, 23, 31	84746GT	103
44168GT	101	56926GT	77	7339GT	107, 123	84747GT	83
44169GT	101	57075GT	93, 123	74006GT	93	84748GT	103
44171GT	101	58592GT	61, 85, 87, 89	76494GT	69	8516GT	85, 87, 89
44174GT	101	58627GT	75	7713GT	91, 123	85239GT	75
44175GT	101	6002GT	91	77709GT	101	8914GT	111, 123
44226GT	101	6021GT	91, 105	78006GT	105	8915GT	85, 87, 89
44227GT	107	60790GT	89	78022GT	91	9116GT	61, 65, 73, 81, 85, 87, 89
44229GT	101	6090GT	65, 73, 91, 117	78086GT	67	96008-SGT	75
44230GT	101	6091GT	61, 65, 69, 73, 75, 85, 87, 89, 91, 93, 111, 121	78422GT	81, 99	96009GT	75
44236GT	101	6097GT	67, 91, 119, 121	78546GT	11, 73	96010GT	75
44255GT	13, 15, 21, 23, 29, 31	6145GT	89	78622GT	99	96085GT	67
44716GT	105	6175GT	123	78736GT	61, 85, 87, 89	96110GT	79
44736GT	17, 19, 25, 27, 33, 35	6178GT	65	78901GT	85, 87, 89	96130GT	87
44737GT	13, 15, 21, 23, 29, 31	6198GT	61, 63, 83, 123	79156GT	119	96135GT	67
44743GT	91	62056GT	17, 19, 41, 43	81579GT	111	96196GT	85, 87, 89
44780GT	61, 63	62057GT	25, 27, 49, 51	82053-SGT	91	96200GT	91
44781GT	61, 63	62058GT	33, 35, 57, 59	82160GT	15, 23, 31	96203GT	63, 83, 123
44788GT	11, 99	6272GT	75	82161GT	15, 23, 31	96236GT	93
44936GT	93	6326GT	85, 87, 89	823368GT	65	96247GT	91
44973GT	107	6356GT	85, 87, 89, 91, 107, 123	82366GT	15, 23, 31	96257GT	99
44979GT	107	65439GT	115	824024GT	81	96281GT	67
44980GT	13, 15, 21, 23, 29, 31, 39, 47, 55	6545GT	61	824032GT	67	96304GT	79
44981GT	15, 17, 19, 23, 25, 27, 31, 33, 35, 39, 41, 43, 47, 49, 51, 55, 57, 59	6564GT	67	824080GT	73	96306GT	79
45454GT	113	65721GT	115	82474GT	37, 39, 45, 47, 53, 55	96354GT	109
45546GT	93	6595GT	93	82476GT	37, 39, 45, 47, 53, 55	96355GT	109
45748GT	85, 87, 89	65962GT	101	82481GT	37, 45, 53	96390GT	87
46287GT	13, 15, 21, 23, 29, 31	66030GT	91	82482GT	39, 47, 55	96398GT	109
47098GT	91	66055GT	85, 87, 89	82487GT	39, 41, 43, 47, 49, 51, 55, 57, 59	96413GT	91
47163GT	91	66169GT	119	82495GT	37, 45, 53	96419GT	99
47166GT	91	66170GT	119	82497GT	59	96422GT	67
47222GT	91	66171GT	119	825019GT	85, 87, 89	96423GT	61, 67
47231GT	91	66204GT	73	82557GT	17, 19, 25, 27, 33, 35	96452GT	75
47232GT	61, 65	6626GT	93	82558GT	15, 23, 31	96541GT	67
		66353GT	93	82559GT	15, 23, 31	96542GT	113
		66355GT	93	82560GT	39, 47, 55	96543GT	113
		66356GT	93	82561GT	13, 15, 21, 23, 29, 31	96570GT	63
		66389GT	109			96572GT	61
		6638GT	69, 73, 89, 91, 111, 117			96573GT	61
		66397GT	79			96574GT	61
		66399GT	11			96595GT	83
						96601GT	85, 87, 89
						96603GT	85, 87, 89
						96604GT	85, 87, 89
						96605GT	85, 87, 89

Part Number Index (continued)

Part Number	Page	Part Number	Page
96606GT	85	T113142GT	123
96607GT	87	T113787GT	91
96608GT	89	T114031GT	77
96609GT	89	T114082GT	123
96611GT	85, 89	T114397GT	95
96613GT	89	T115429GT	123
96614GT	87		
96615GT	87		
96616GT	87		
96637GT	67		
96638GT	67		
96639GT	67		
96643GT	67		
96661GT	85, 89		
96662GT	85, 87, 89		
96663GT	89		
96699GT	73, 111		
96700GT	89		
96709GT	73		
96718GT	91		
96719GT	91		
96731-SGT	113		
96735GT	85, 87, 89		
96760GT	91		
96762GT	91		
96767GT	61		
96770GT	107		
96812GT	87, 89		
96836GT	85, 87, 89		
96839GT	67		
96853GT	77		
96855GT	73		
96862GT	85, 87, 89		
96876GT	63		
96885GT	109		
96887GT	63		
96895GT	63		
96899GT	85, 87, 89		
96900GT	85, 87, 89		
96903GT	61, 89		
96905GT	85, 87		
96907GT	61		
96932GT	85, 87, 89		
96948GT	65, 67		
96950GT	117		
96971GT	89		
96977GT	83		
97059GT	71		
97128GT	65, 67		
97130GT	107		
97241GT	83		
97259GT	91		
97260GT	91		
97263GT	91		
97409GT	101		
97662GT	35		
97663GT	19, 27		
97719GT	39, 47, 55		
T106362GT	75		
T106363GT	75		
T106366GT	75		
T106370GT	95		
T106372GT	75		
T106373GT	95		
T107029GT	15, 21, 29		
T107031GT	15, 23, 31		
T108663GT	99		
T109012GT	73		
T110890GT	77		
T110891GT	77		
T112507GT	65		
T112563GT	93		
T112804GT	15, 23, 31, 39, 47, 55		
T113136GT	77, 123		
T113139GT	123		

The Part Description Index is an alphabetical index of all part descriptions included in this manual. The index shows what page(s) the part is used on.

(
(component no longer available).....95

1

126,DYN.BRAKING,MANIF,32/46.....101

A

ACCUMULATOR,180 PSI PRECHARGE*...81, 99
ADAPTER, RJ45, GC27-25/GC21-19.....75
AIR TO PLAT, GS20XX, ACC.....113
ALARM,STEADY TONE***.....65, 95, 111
ASSEMBLY, CHARGER STATUS LED, 2V.....63, 77
ASSEMBLY, CHARGER STATUS LED, 2V,BCI.....77
ASSEMBLY, DOWN LIMIT, GS.....65
ASSEMBLY, VISUAL IND LIGHT.....111
ASSY, PLATFORM GATE, GSXX46.....91
ASSY,GS HYDRAULIC TRAY,MET.....73
ASSY,LVL SNSR W/ CONNECTOR.....65
ASSY,POT HOLE PUSHER,GS***.....67
ASSY,POTHOLE HARNESS GS32/GS46.....77
ASSY,ROT SNSR W/ HARNESS.....77, 123

B

BALL STUD, GAS STRUT, 3/8-16.....67
BAR,CABLE BRIDGE ARM,UPPER.....85, 87, 89
BASE WITH 1 NC CONTACT, E-STOP.....75, 95
BATT,6V,225AH T105 LPT3CAP.....69
BEARING,0.75IDX1.00ODX0.75L.....83
BEARING,1.00IDX1.25ODX0.49L.....61
BEARING,1.00IDX1.25ODX0.75L.....83
BEARING,1.5025IDX1.5075ODX1.5L.....107
BEARING,1.50IDX1.77ODX1.25L.....85, 87, 89
BEARING,2.25IDX2.50ODX1.50L***.....61
BOLT, CARRIAGE, 3/8-16 X 1.50, G5.....89
BOLT,CARRIAGE,1/2-13X1.50,GR5.....83
BOLT,CARRIAGE,1/2-13X1.75, G5.....63, 83, 123
BOLT,CARRIAGE,1/4-20 X .75,G2.....65, 69, 73, 75, 85, 89, 93
BOLT,CARRIAGE,1/4-20 X 2.5,G2.....85, 87
BOLT,CARRIAGE,1/4-20 X 3.50,G2.....61, 89
BOLT,CARRIAGE,1/4-20X1.00 G5.....121
BOLT,CARRIAGE,1/4-20X1.25,5,ZAG.....111
BOLT,CARRIAGE,1/4-20x1.25,G2.....61, 65, 73, 81, 85, 87, 89
BOLT,CARRIAGE,3/8-16X1.25,GR5.....67, 83, 85, 87, 89
BOLT,CARRIAGE,5/16-18 X 2.0,G2.....115
BOLT,SHS,3/8X.375X5/16-18,ZAG.....91
BOOT, 2 SWITCH, SILICON.....97
BOOT,CABLE TERMINAL COVER.....79
BOOT,CABLE TERMINAL,LG,RED,2/0.....79
BOX,INSTRUCTION STORAGE.....91
BRACKET,FOOT PEDAL.....91
BRAKE, HYDRAULIC***.....99
BREATHER CAP,HYD. TANK,1/4 NPT.....11, 73
BRUSH,PWR UNIT (1256517).....105
BUCKLE & SLIDE STRAP SET.....119

BUCKLE,SIDE RELEASE.....119
BUMPER,BATTERY BOX & RAILS.....91
BUSHING,FLNGD,.63 X .77 X .38.....67
BUSHING,STRAIN RELIEF,.875/.40.....65
BUTTON,.800 O.D. X .281.....91
BUTTON,PUSH,RED MUSHROOM HEAD.....75, 95

C

CABLE ASSY,BATT, 12" RED.....79
CABLE ASSY,BATT, 20" BLK.....79
CABLE ASSY,BATT,23"RED.....79
CABLE ASSY,BATT,5.50"RED.....79
CABLE ASSY,BATT,9.50"RED.....79
CABLE ASSY., BATT. 12" BLACK.....79
CABLE ASSY., BATT. 14" RED.....79
CABLE ASSY., BATT. 88.5" RED.....79
CABLE ASSY., BATT. 93" BLACK.....79
CABLE BRACKET,PAINTED.....107
CABLE TIE MOUNT, WINGED.....77
CABLE TIE,11.5" BLACK.....107, 113, 115
CABLE, PLATFORM CONTROL, 20XX.....77
CABLE, PLATFORM CONTROL, 26XX.....77
CABLE, PLATFORM CONTROL, 32XX.....77
CABLE,EMERGENCY DOWN.....65
CABLE,LIFT CYL DWN, 32XX,W/LS.....77
CABLE,LIFT CYL DWN, 32XX,W/LS.....77
CAM FOLLOWER,1.125X.375,DELTRIN.....67
CAP,BUTTON,K12.....95
CAP,DIAGNOSTIC NIPPLE.....101
CHANNEL,PIPE RACK.....119
CHARGER INTERLOCK CABLE,GS46.....77
CHARGER,24V,650W,USB.....71
CHARGER,BAT,24VDC,H/LO GEN2.....71
CHASSIS MOUNT ASSY, GS32&46.....83
CHECK DISK, NO SPRING.....101
CIRCUIT BREAKER,7.0 AMP***.....75
CLAMP, HOSE, 1 EAR, 11/16.....107
CLAMP,0.50,#8 X 1/4,RUB CUSH.....65
CLAMP,1.31,#21 X 1/4,RUB CUSH.....115
CLAMP,1.75,#28 X 3/8,RUB CUSH*.....81
CLAMP,2 HOSE,PLASTIC,5/8.....61, 85, 87, 89
CLAMP,HOSE,1 EAR,1-1/16***.....73
CLAMP,RUB CUSH,0.75,#12 X 3/8*.....113
CLIP,CABLEBRIDGE, GS32/46.....85, 87, 89
CLIP,DTM,RECEPTACLE.....123
CLIP,HAIR PIN .125 X 2.....61
CLIP,TIE HARNESS MOUNT***.....77
COIL CORD,WORKLIGHT(144011).....115
COIL,#8 20VDC,DEUTSCH W/DIOD.....101
COIL,20VDC DEUTCSH W/DIODE.....101
COIL-SOLENOID VALVE,20V DC***.....107
CONN,070120-8-6.....109
CONN,SQUEEZE,1/2NPT .38-.50,SM.....93
CONN,SQZ,BLK,1/2NPT,.38-.50,SM.....123
CONN,SWIVEL,STR,THR,465OX-S.....109
CONNECTOR, 070120-12-8.....109
CONNECTOR, IEC CHARGER CORD.....71
CONNECTOR,070120-4-4.....103, 109
CONNECTOR,070120-4-6.....109
CONNECTOR,070120-6-6.....107, 109
CONTACTOR,DRIVE,24V,180A.....69, 77
CONTACTOR,LIMIT SWITCH.....65, 67
COUNTERWEIGHT, BELLY.....63
COUPLER,1/4"SERIES,3/8 P-LOK.....113
COVER, RJ45, GC27-25/GC21-19.....75

COVER,BLANK.....93
COVER,GFCI,HORIZONTAL,WEATHER.....93
COVER,T-BOX LOCKABLE.....93
C O V E R - B R U S H
INSPEC.1256517,SCISS.....105
CWT, REAR, XX46.....63
CYLINDER, 20XX LIFT.....107
CYLINDER, 26XX/32XX LIFT.....107
CYLINDER, 32XX UPPER LIFT.....107
CYLINDER,GS/GR STEER***.....99

D

DECAL DANGER TIP OVER TRAYS.....13, 15, 21, 23, 29, 31
DECAL SYMBOL TIP OVER TRAYS.....37, 39, 45, 47, 53, 55
DECAL, BATTERY CHARGER INDICAT.....39, 47, 55
DECAL, COMPARTMENT ACCESS.....39, 47, 55
DECAL, LABEL - DIRECTION ARROWS.....17, 19, 25, 27, 33, 35, 41, 43, 49, 51, 57, 59
DECAL, LABEL, SAFETY ARM SYMB.....39, 47, 55
DECAL, POWER TO PLATFORM 230V**...15, 17, 19, 23, 25, 27, 31, 33, 35, 39, 41, 43, 47, 49, 51, 55, 57, 59
DECAL, SMARTLINK PROPORTIONAL.....17, 19, 25, 27, 33, 35, 41, 43, 49, 51, 57, 59
DECAL, SYMBOL - READ THE MANUAL...39, 41, 43, 47, 49, 51, 55, 57, 59
DECAL, SYMBOL, CE, MAXIMUM CAPACITY, 318KG.....59
DECAL, SYMBOL, CE, MAXIMUM CAPACITY, 454KG.....51
DECAL, SYMBOL, CE, MAXIMUM CAPACITY, 544KG.....43
DECAL, UI, GS/GR, PROP LIFT.....17, 19, 25, 27, 33, 35, 41, 43, 49, 51, 57, 59, 95
DECAL,CHEVRON RANDO HD.....15, 23, 31
DECAL,COSMETIC,GENIE GS-2046**.....17, 19, 41, 43
DECAL,COSMETIC,GENIE GS-2646...25, 27, 49, 51
DECAL,COSMETIC,GENIE GS-3246...33, 35, 57, 59
DECAL,DANGER DO NOT ALTER SWTC.....13, 21, 29
DECAL,DANGER,BATTERY SAFETY***.....13, 21, 29
DECAL,DANGER,BRAKE REL SAFETY....15, 21, 29
DECAL,DANGER,CRUSHING HAZARD.....13, 15, 21, 23, 29, 31
DECAL,DANGER,ELEC HAZARD,GS.....13, 15, 21, 23, 29, 31
D E C A L , D A N G E R , E L E C T HAZARD,PLUG.....13, 15, 21, 23, 29, 31
DECAL,DANGER,IMPROPER USE HAZ....15, 23, 31
DECAL,DANGER,TIP-OVER,TILT.....17, 19, 25, 27, 33, 35
DECAL,DANGER-GEN SAFETY.....17, 19, 25, 27, 33, 35
DECAL,DANGER-TIP-OVER,BATT.....13, 21, 29

Part Description Index (continued)

- DECAL,DANGER-USE SAFETY ARM.....13, 15, 21, 23, 29, 31
 DECAL,E-STOP,GR/GRC/GS PCON....17, 19, 25, 27, 33, 35, 41, 43, 49, 51, 57, 59, 95
 DECAL,EMERGENCY LOWERING.....15, 23, 31
 DECAL,EMERGENCY STOP,GR....15, 23, 31, 39, 47, 55
 DECAL,GCON PANEL,GS.....15, 23, 31, 39, 47, 55
 DECAL,INSTR-MANUALFRC,AUS 3246.....35
 DECAL,INSTR-MANUALFRC,AUS 400N....19, 27
 DECAL,INSTR-MAX CAP 1200LBS.....17, 19
 DECAL,INSTR-MAX CAP 700LBS.....33, 35
 DECAL,INSTR-SIDE FRC,ANSI 2046.....17
 DECAL,INSTR-SIDE FRC,ANSI 3246.....33
 D E C A L , I N S T R U C T , B A T T E R Y C O N N E C T13, 21, 29
 DECAL,INSTRUCT,MAXCAP1000LBS.....25, 27
 DECAL,INSTRUCT-ANNUAL INSP REQ....15, 23, 31
 DECAL,INSTRUCTIONS-CHARGER OP....13, 21, 29
 DECAL,LABEL, AIR LINE 110 PSI.....15, 17, 19, 23, 25, 27, 31, 33, 35, 39, 41, 43, 47, 49, 51, 55, 57, 59
 DECAL,LABEL,AUX LOWERING.....39, 47, 55
 DECAL,LABEL,FAULT CODES.....17, 19, 25, 27, 33, 35
 DECAL,LABEL,LIFTING EYE....13, 15, 21, 23, 29, 31, 37, 39, 45, 47, 53, 55
 DECAL,LABEL,MANUAL NOT HERE...17, 19, 25, 27, 33, 35
 DECAL,LABEL,PETRO CANADA***.....15, 23, 31
 DECAL,LABEL,PLAT CONT LOCATION.....17, 19, 25, 27, 33, 35
 DECAL,LABEL,PWR TO CHARGR 115V....13, 15, 21, 23, 29, 31, 39, 47, 55
 DECAL,LABEL,PWR TO CHARGR 230V....13, 15, 21, 23, 29, 31, 39, 47, 55
 DECAL,LABEL,QUINTOLUBRIK.....15, 23, 31
 DECAL,LABEL,SAFETY ARM.....15, 23, 31
 DECAL,LABEL,STATOIL HYDRA WAY.....15, 23, 31
 DECAL,LABEL,TRANSPORT TIEDOWN*..13, 15, 21, 23, 29, 31, 37, 39, 45, 47, 53, 55
 DECAL,LABEL,UCON HYDROLUBE....15, 23, 31
 DECAL,LABEL,WHEEL LOAD 2046.....13, 15, 37, 39
 DECAL,LABEL,WHEEL LOAD 2646.....21, 23, 45, 47
 DECAL,LABEL,WHEEL LOAD 3246.....29, 31, 53, 55
 DECAL,LABEL-TIRE SPECS....13, 15, 21, 23, 29, 31
 DECAL,LABEL-TRANSPORT DIGRAM.....13, 21, 29, 37, 45, 53
 DECAL,LANYARD ANCHORAGE POINT...17, 19, 25, 27, 33, 35, 41, 43, 49, 51, 57, 59
 DECAL,MACHINE REGISTRATION/OWNER TRANSFER.....37, 45, 53
 DECAL,MEMBRANE, GR/GRC/GS GCON...75
 DECAL,OP INST,GCON.....15, 23, 31
 DECAL,OP INST,PLAT,GS46 ANSI.....17, 25, 33
 DECAL,OP INST,PLAT,GS46,AUS.....19, 27, 35
 DECAL,POWER TO PLATFORM 115V.....15, 17, 19, 23, 25, 27, 31, 33, 35, 39, 41, 43, 47, 49, 51, 55, 57, 59
 DECAL,PROPEL,GR/GRC/GS,PCON.....17, 19, 25, 27, 33, 35, 41, 43, 49, 51, 57, 59, 95
 DECAL,QR CODE,PARTS&SERVICE MANUAL.....43, 51, 59
 DECAL,SYM-ELEC HAZARD,PLUG.....39, 47, 55
 DECAL,SYM-MAXCAP 1000.....49
 DECAL,SYM-MAXCAP 1200.....41
 DECAL,SYM-MAXCAP 700.....57
 DECAL,SYM-SIDE FORCE.....57
 DECAL,SYM-SIDE FORCE 2046.....41
 DECAL,SYM-SIDE FORCE 2646.....49
 DECAL,SYM-SIDEFORCE 200400.....59
 DECAL,SYM-SIDEFORCE 400N.....43, 51
 DECAL,SYM-TIP-OVER,LIM SWITCH.....37, 45, 53
 DECAL,SYM-TIP-OVER,TILT ALARM.....41, 43, 49, 51, 57, 59
 DECAL,SYMBOL-BATTERY SAFETY.....37, 45, 53
 DECAL,SYMBOL-BRAKE REL SAFETY....37, 45, 53
 DECAL,SYMBOL-CRUSHING HAZARD.....37, 39, 45, 47, 53, 55
 DECAL,SYMBOL-ELEC HAZARD,GS.....37, 39, 45, 47, 53, 55
 DECAL,SYMBOL-SKIN INJECT HAZRD...39, 47, 55
 DECAL,SYMBOL-USE SAFETY ARM.....37, 39, 45, 47, 53, 55
 DECAL,WARN,IMPROPER OPERATION...17, 19, 25, 27, 33, 35
 DECAL,WARN,SKIN INJECTION HAZ*....23, 31
 DECAL,WARNING-COMPART ACCESS....15, 23, 31
 DECAL-SYM-TIP-OVR,BATTRIES.....37, 45, 53
 DIAGNOSTIC FEMALE Q-DSCNT.....101
 DRIVE MOTOR,22.9CI/REV.....99
- E**
 ELBOW,070220-12-10.....109
 ELBOW,070220-4-4.....109
 ELBOW,070220-6-6.....109
 ELBOW,070220-6-8.....109
 ELBOW,070320-6-6.....109
 ENCLOSING BAND KIT.....105
 ENCLOSURE, GC21-19, BK.....75
 ENCLOSURE,GC14-1/GC16-1, BOT.....95
 ENCLOSURE,GC27-25/GC21-19,FRNT.....75
 ENCLOSURE,STD 4-BUTTON, TOP.....95
 EXT. ENDRAIL ASSY, GS46 (SYMB).....91
 EXT. ENDRAIL ASSY, GS46 (WORD).....91
- F**
 FIELD ASSY,REC.CHARGER PLUG.....93
 FILTER ASSY,SAE8,10 MIC,PAPR*.....99
 FILTER CAP (PLUG 1-1/2" NPT HEX.....73
 FILTER ELEMENT,10MICRON,PAPER*.....11, 99
 FITTING,STRAIGHT DRIVE-IN ZERK.....61
 FLASH DRIVE,SL1K2.0 SOFTWARE.....95
- FORMING, ALARM BRACKET,METRIC.....65
 FORMING, CONTACTOR/FUSE BRACKET,METRIC.....69
 FORMING, HOSE CLAMP SUPPORT.....61
 FORMING, HOUSING, CLAMP.....121
 FORMING, PANEL HOOK.....121
 FORMING, PIPE HOLDER RACK.....119
 FORMING, PIPE RACK BASE.....119
 F O R M I N G , P L U G / L E D BRACKET,METRIC.....65
 FORMING, RAIL CLAMP.....121
 FORMING, RETAINER.....121
 FORMING,CONTROL PANEL,MET.....75
 FORMING,FILTER-CNTRLR MOUNT.....73
 FORMING,HOSE CLAMP,UPPER CYL.....89
 FORMING,MANIFOLD MOUNT.....81
 FORMING,PADLOCK BRACKET.....105
 FORMING,PH PUSHER, GS46.....85, 87, 89
 FORMING,PLAT CONTROL BOX.....95
 FORMING,REC.PLG BRKT.....65
 FORMING,REC.PLG BRKT,METRIC.....65
 FORMING,SAFETY ARM***.....85, 87, 89
 FRMG,CHASSIS BRKT.....123
 FRMING,LMT SWCH BRKT,3232.....65
 FRMNG,ARM SENSOR BRCKT,32/46.....123
 FRMNG,SENSOR COVER,32/46.....123
 FUNCTION MANIFOLD ASSEMBLY.....101
 FUSE BLOCK, ANN & ANL FUSE.....69, 79
 FUSE,275 AMP,VERY FAST ACTING.....69, 79
 FUSE,BATTERY CHARGER***.....71
- G**
 GAS SHOCK,SCISSORS***.....67
 GASKET, UK & DIN PWR. TO PLAT.....93
 GASKET, UK RECEPTACLE.....93
 GASKET,(BOOT) FLANGE INLET PLG.....93
 GCON,STD,PROP LIFT.....75
 GREASE,DIELECTRIC 4 OZ**.....11
 GROMMET,RUBBER 1.5 ID.....65
 GROMMET,RUBBER 2 X 2.75.....61, 65
 GROMMET,SLAB HYD TANK***.....73
 GROUND STRAP, 8"LG.....67
 GROUND WIRE ASSY,GS.....79
- H**
 HANDLE HALF,LEFT,W/TOP SWITCH.....97
 HANDLE HALF,RIGHT,W/TOP SWITCH.....97
 HANDLE,ANDERSON CONNECTOR SB...105
 HARNESS, CHARGER CONTROL.....77
 HARNESS, CHARGER EXTENSION.....77
 HARNESS, ESTOP, GR/GRC/GS PCON.....95
 HARNESS, GS POWER CONTRL.....77
 HARNESS, GS SENSORS, ANSI,UTS.....77
 HARNESS, GS SENSORS, CE.....77
 HARNESS, GS SENSORS, CE,UTS.....77
 HARNESS, ROTARY ANGLE.....77
 HARNESS, TELEMATICS, GS SLAB.....77
 HARNESS,CHARGER EXTENSION,BLACK PLUG.....77
 HARNESS,FUNCTION MANIFOLD,GS.....77
 HARNESS,PRESS,TRANSDUCER***.....77, 123
 HARNESS,VISUAL IND LIGHTS.....111
 HINGE, SPRING, LONG LEG.....91
 HINGE,ACCESS DOOR(13G).....75
 HORN,24VDC,SPADE TERMINALS***.....111
 HOSE ASSY, MAN/ACCUM, GS32/46.....109
 HOSE ASSY,DRIVE MOTORS,GS46.....109

HOSE ASSY, LOWER LIFT.....109
 HOSE CLAMP, SAE #6.....109
 HOSE, ASSY, BRAKE MAN, GS46.....109
 HOSE, ASSY, LIFT.....109
 HOSE, ASSY, PRESSURE.....109
 HOSE, ASSY STEER, GS32/46.....109
 HOSE, ASSY, BRAKE MAN, GS46.....109
 HOSE, ASSY, BRAKE, GS46.....109
 HOSE, ASSY, MAN TO FILTER.....109
 HOSE, ASSY, UPPER LIFT.....109
 HOSE, ASSY, VENT.....109
 HOSE, LOW PRESSURE, .375 ID, BLK.....113
 HOSE, LOWER VENT.....109
 HOSE, UPPER VENT.....109
 HOUSING, LOCK PIN.....91
 HRNS ASSY, RESISTOR DIODE.....77
 HRNS, CONTACTOR SIGNAL, GS46.....77, 79
 HYD. TANK KIT, GS30,32,46.....73

I

INNER ARM ASSEMBLY #1, GS32/46, M.....85, 87, 89
 INNER ARM ASSY #5, 3246, M.....89
 INNER ARM ASSY, #3, 2646, M.....87
 INNER ARM ASSY, #4, 2646, M.....87
 INNER ARM ASSY, #3, 2046M.....85
 INNER ARM ASSY, #2, GS32/46, M.....85, 87, 89
 INSTRN, TRC RETROFIT, STNDRD.....77
 INVERTER, 24VDC, 110/230 VAC***117

J

JOYSTICK, HALL EFFECT, SINGLE.....97

K

KEY SINGLE***.....75
 KEY, RECTANGULAR, .31X.28X1.25**61, 63
 KEYS, 10 PACK***.....75
 KEYSWITCH, 3 POS. W/KEYS***.....75
 KIT, TRC RETROFIT, STNDRD.....77
 KIT, BATTERY CHARGER, 24V.....71
 KIT, BEACON, GENIE SCISSOR.....111
 KIT, BOOT, JOYSTICK, SL1000.....97
 KIT, COIL CORD, CONTRLR, SL1000.....95
 KIT, CONN, PLUG W/SCKT AND LOCK.....77, 95
 KIT, CONN, RECEIPT W/PIN AND LOCK.....77, 95
 KIT, DC BLOCK ASSEMBLY.....71
 KIT, GASKET, UK POWER TO PLAT.....93
 KIT, ORIFICE, .059".....107
 KIT, STEER CYL SEAL.....99
 KIT, STEER CYL SEAL, 040271P, HDM.....99
 KIT, STEER CYL SEAL, 040499P, HDM.....99
 KIT, STEER CYL SEAL, 040505P, HDM.....99
 KIT, SWITCH, JYSTK, SL1000.....97
 KIT, TWO ORIFICE, .059".....107
 KNOB, HAND PUMP (RED)***.....103
 KNOB, PILOT OP VALVE (BLACK)***.....103

L

LANYARD, BLACK NYLON, TYPE 1***.....91
 LATCH, LRG PADDLE HANDLE GS90.....69, 73
 LATCH, COMPRESSION, SMALL.....75
 LEFT EX. RAIL, GS46.....91
 LEVER ARM, ANGLE SENS R ACTUATOR.....123

LIGHT, TURN SIGNAL, 1.25" LED, AMB.....111
 LINK BUMPER, 5".....85, 87, 89
 LINK BUMPER, SHORT TUBE.....85, 87, 89
 LOCK, CONNECTOR.....71
 LOCKNUT, ELEC, 1/2".....93

M

MANIFOLD, BRAKE RELEASE.....103
 MANUAL BOX W/DECALS***91
 MANUAL, AEM SAFETY.....11
 MANUAL, OWNERS, CHARGER, 105739.....71
 MANUAL, RESPON, A92.6 SCISSOR.....11
 MOTOR CONTROLLER, DC, 24V, 360A.....73
 MOTOR, DC24V, 3.3KW.....105

N

NICKEL PLATED JAM NUT.....75
 NIPPLE, DIAGNOSTIC, #4.....101
 NON-SKID TAPE LAYOUT, GS46.....91
 NOTICE, SIDE FRC ANSI2646.....25
 NUT.....75
 NUT - PLASTIC, RING FOR ALARMS.....65, 111
 NUT, LP NYLOCK, 3/8-16.....91, 123
 NUT, CASTLE, 1.125-18 UNEF.....61, 63
 NUT, COIL (39909).....107
 NUT, CORDGRIP, 1/2 NPT.....123
 NUT, LOCKING-LG. FLANGE, 1/4-20.....61, 65, 85, 87, 89
 NUT, LOCKING-LG. FLANGE, 5/16-18.....69
 NUT, LP NYLOCK, 1/4-20.....111
 NUT, LP NYLOCK, 5/16-18.....91
 NUT, NYLOCK, 1/2-13.....61, 63, 83, 123
 NUT, NYLOCK, 1/4-20.....61, 65, 69, 73, 75, 85, 87, 89, 91, 93, 111, 121
 NUT, NYLOCK, 10-32.....65
 NUT, NYLOCK, 3/8-16.....67, 83, 85, 87, 89, 91, 119
 NUT, NYLOCK, 5/16-18.....115
 NUT, NYLOCK, 8-32.....65, 93, 123
 NUT, RETAINER (96008).....75
 NUT, TL FLG, 10-32, F, ZAG.....67
 NUT, TL, 1/4-20, C, ZAG.....81
 NUT, WING 5/16-18.....115
 NUT-COIL SHORT.....101

O

O-RING KIT (ORFS FITTINGS).....101
 OFFSET, RDN, 1/4-1.25, 10-32.....123
 OPT, SUNBELT MOVIE PAINT, S100.....71
 ORIFICE, LONG, .037***.....107
 ORIFICE, LONG, .059".....107
 OUTLET, 110V.....93

P

PAINT, AEROSOL, TRAFFIC BLACK.....11
 PAINT, AEROSOL, BRIGHT BLUE***.....11
 PAINT, AEROSOL, GENIE GRAY***.....11
 PAINT, WET, GENIE BLUE (1 GL)**.....11
 PAINT, WET, GENIE GRAY (1 GL)**.....11
 PAINT, WET, TRAFFIC BLACK (1 GL)**.....11
 PCBA, GCON STD, PROP LIFT.....75
 PCBA, PCON STD, PROP LIFT.....95
 PCON, STD, PROP LIFT, GR/GS.....95
 PH BELL CRANK LINK.....67
 PIN, LINKSET MOUNT, 1".....85, 87, 89
 PIN, LINKSET MOUNT, 3/4".....85, 87, 89
 PIN, LOCK.....91

PIN, LONG, GS46.....85, 87, 89
 PIN, LOWER CYLINDER MOUNT.....85, 87, 89
 PIN, MINI, CENTER.....87
 PIN, POTHOLE LINK PIVOT.....67
 PIN, SHORT, GS46.....85, 87, 89
 PIN, UPPER CYLINDER MOUNT.....85, 89
 PIN, WIRE LOCK 3/8 X 2 -1/2.....91
 PIN, CLEVIS, .375 X 1.75 LG.....67
 PIN, CLEVIS, .625 X 1.88, ZINC PL.....67
 PIN, CLEVIS, 75 X 2.....61
 PIN, CLEVIS, 0.75 X 3.25".....61
 PIN, COTTER, .125 X .75.....67, 121
 PIN, COTTER, .156 X 1.75.....61
 PIN, COTTER, .156 X 2.5.....63
 PIN, LOWER CYL, ROD END.....87, 89
 PIN, SADDLE CYLINDER MOUNT.....89
 PIPE CRDL, SQ RAILINGS, GS46.....119
 PLATE, AC ADAPTER(AUS).....93
 PLATE, COVER.....121
 PLATE, HARNESS MOUNT, MET.....73
 PLATE, INVERTER MOUNT.....117
 PLATE, PIN RETAINER.....89
 PLATE, POTHOLE LINK.....67
 PLATE, AC ADAPTER(ANSI/CSA).....93
 PLATE, AC ADAPTER, DIN/UK***.....93
 PLATE, HOSE ROUTG, BULKHEAD(PTD).....61, 85, 87, 89
 PLATE, HOSE ROUTING, BULKHEAD **.....85, 87, 89
 PLATE, PIPE HOLDER, GS68.....119
 PLATE, SIDE DOOR STOP***75
 PLATE, SIDE DOOR***.....75
 P L A T E , V I S U A L A L A R M MOUNT, METRIC.....111
 PLATFORM MOUNT ASSY, GS32&46.....83
 PLUG AND CAP KIT-SERVICE, ORFS*.....11, 101
 PLUG, 6POS ECO PWR.....95
 PLUG, TYPE F, 230A, 50HZ, 16A, IP44.....93
 PLUG, 1/4"SERIES, 3/8 P-LOCK***.....113
 PLUG, ELECTRICAL, DOMESTIC.....93
 PLUG, FLG INLET, 15A/125V, 2PWGD.....93
 PLUG, FUSED, 250V, 13AMP, U.K.*.....93
 PLUG, HEX SOCKET, 090109B-4.....109
 PLUG, IEC60309 CEE, 3PIN 220-24.....93
 PLUG, PWR, UK, 16AMP, 3PIN, BLK.....93
 POWER CORD, IEC 320 BLANK, 79".....93
 POWER CORD, IEC 320, 115".....71
 POWER CORD, IEC 320, 90 DEG.....71
 PRTY, FLOW CNTRL VALVE, .75 GPM.....101
 PUMP, 5.6CC GEAR, CCW.....105

Q

QUICK DISCONNECT CASING, BATT**.....79

R

RAIL-GS46 PLAT, MAINDECK LT****.....91
 RECEPTACLE, DIN, 220V 50A.....93
 REF. BATTERY CABLE.....77
 REF. CHARGER.....77
 REF. CIRCUIT BREAKER.....77
 REF. DOWN LIMIT, GS.....77
 REF. E-STOP BUTTON.....77
 REF. ELECTRIC MOTOR.....77
 REF. ELECTRIC MOTOR/PUMP.....73
 REF. FILTER ASSY.....73
 REF. FUSE.....77
 REF. GCON.....77

Part Description Index (continued)

REF. INVERTER.....77
 REF. KEYSWITCH.....77
 REF. LEVEL SENSOR.....77
 REF. MOTOR CONTROLLER.....77
 REF. PCON.....77
 REF. STOBE,BEACON.....77
 Ref: BRAKE RELEASE MANIFOLD.....63
 Ref: HYDRAULIC BRAKE.....63
 Ref: Lift Cylinder.....123
 RESISTOR,200 OHM 10W,CERAMIC.....77
 RIVET,ALUM,STL,.188 X .250.....91
 RIVET,STL,STL,P,.125 X .25.....75
 ROCKER,2 SWITCH.....97
 ROD END,.250 X 2.75 LG.....85, 87, 89
 ROD END,.375X3.69,ZAG.....85, 87, 89
 ROLLER ARM,LIMIT SWITCH***.....65, 67
 ROLLER,PLATFORM EXTENSION.....91
 RUE RING,3/4 PIN.....61, 67
 RUE RING,5/8 PIN.....67

S

SCREW, HCC, 3/8-16 X 1.50.....85, 87, 89
 SCREW, SELF TAP.....97
 SCREW, YOKE LOCK ALL SLABS.....61
 SCREW,BHSCS,M5X10,SS.....95
 SCREW,GRUB,M5X8MM CUP(BLK).....97
 SCREW,GRUB,M5X8MM,HLF DOG,BZP.....97
 SCREW,HHC,1/2-13 X 3.5.....61, 63
 SCREW,HHC,1/4-20 X .5.....107, 123
 SCREW,HHC,1/4-20 X .625.....111, 123
 SCREW,HHC,1/4-20 X .75.....65, 73, 91, 117
 SCREW,HHC,1/4-20 X 1.25.....85, 87, 89
 SCREW,HHC,1/4-20 X 1.5.....89
 SCREW,HHC,1/4-20 X 2.....91
 SCREW,HHC,1/4-20X3.25,GF8.....61
 SCREW,HHC,3/8-16 X .75.....61
 SCREW,HHC,3/8-16 X 1.....123
 SCREW,HHC,3/8-16 X 2.....91
 SCREW,HHC,3/8-16 X 2.75.....87, 119
 SCREW,HHC,3/8-16 X 3.....85, 87, 89
 SCREW,HHC,5/16-18 X 2.....115
 SCREW,HHF,1/4-20X1.25,8,ZAG.....73
 SCREW,PHIL,8-32X.50,SELF TAP.....93, 123
 SCREW,PHILLIPS,PHM,10-32 X .38.....69
 SCREW,PHILLIPS,PHM,10-32 X .5.....123
 SCREW,PHILLIPS,PHM,6-32 X .75.....93
 SCREW,PHILLIPS,PHM,8-32 X .5.....65, 93, 123
 SCREW,PHILLIPS,PHM,8-32 X.25**.....75
 SCREW,PHILLIPS,RHM,10-32 X 1.5.....65
 SCREW,PHM,1/4-20 X .75.....75
 SCREW,PHM,4-20X.5, 48-2 TRI-L.....75, 95
 SCREW,PHM,6-19X.75, 48-2 TRI-L.....75
 SCREW,PHM,8-16X.75, 48-2 TRI-L.....95
 SCREW,PHM,8-32X.313,SELF TAP.....123
 SCREW,PHPM,10-32X1.75,ZAG.....67
 SCREW,RHM,6-32 X .5.....93
 SCREW,SET,8-32X.25.....123
 SCREW,SHC,3/8-24 X 1.25**.....105
 SEAL KIT (105545).....107
 SEAL KIT (105546).....107
 SEAL KIT (84384).....101
 SEAL KIT, VALVE.....101, 107
 SEAL KIT,39909,PLAT LWR VALVE*.....107
 SEAL KIT,HAND PUMP***.....103
 SEAL KIT,PUMP,5.6CC GEAR.....105
 SEAL KIT,RC SERIES DR MOTOR***.....99
 SEAL KIT-FOR P.N.44167.....101
 SEAL KIT-P.N.44169,44172,44171.....101

SENSOR,LEVEL,UNIVERSAL.....65
 SLEEVE,TANK SUPPORT.....73, 111
 SLIDER,UHMW.....83
 SNAP RING,EXTERNAL,1.25 DIA.**.....87
 SNAP RING,EXTERNAL,1.5 DIA***.....85, 87, 89
 SPACER, GROUND CONTROL ECU.....75
 SPACER,.75ID X 1.5OD X 1/4THK.....67
 SPACER-DUAL COIL,#10, SCISSORS.....101
 SPACER-DUAL COIL,#8***.....101
 SPRING CLIP,1/4-20,.025-.15X.54,ZAG.....75, 117, 123
 SPRING,.660 X 2.00, 14.8 #/IN.....121
 SPRING, HANDLE TRIGGER.....97
 SPRING,COMPRESSION.485 X1.75**.....65, 91
 SPRING,HAND PUMP ROD.....103
 SPRING-BRUSH,1256517, SCISSORS.....105
 STRAP,NYLON,1.0 IN. BLACK.....119
 SVC KIT,UK RECEPT.REPLACEMENT.....93
 SWITCH,LIMIT,W/ROLLER ARM***.....65, 67

T

T-BOX,2.75 X 4.5 X 2.0.....93
 TANK,HYD, SLAB SCISSORS.....73
 TAPE, NON-SKID,DIE CUT,4"X 16".....91
 TAPE, NON-SKID,DIE CUT,4"X 32".....91
 TAPE, NON-SKID,DIE CUT,4"X 40".....91
 TEE,RUN 070432-6****109
 TERMINAL, SPLINE (AMP).....97
 THREADED ROD,(1/4-20),25.50.....69
 TRIGGER, EXTENDED.....97
 TUBE, ASSY, DRAW.....109
 TUBE, ASSY, RETURN.....109
 TUBE, SLAB DRAW ASSEMBLY.....73
 TUBE, SLAB RETURN ASSEMBLY.....73

U

U-BOLT, SQR, 3/8-16X2X5, PLTD.....119

V

VALVE, DYN. BRAKING, GS32/46.....101
 VALVE,CARTRIDGE***.....107
 VALVE,CHECK,#6-#6,MJIC TO MORB.....101, 109
 VALVE,DIFF.AREA RELIEF,50PSI.....101
 VALVE,HAND PUMP ASSEMBLY***.....103
 VALVE,PILOT OPERATED ASSEMBLY*.....103
 VALVE,RELIEF,2900 PSI,BOSCH.....107
 VALVE,SOLENOID,3POS 4WAY.....101
 VALVE,W/20V NC SOLENOID,MANUAL.....107
 VALVE-RELIEF,3700 PSI 8***.....101
 VALVE-RELIEF,2500PSI.....107
 VALVE-SOLENOID, 2POS 4 WAY.....101
 VALVE-SOLENOID,2POS 4WAY**.....101
 VISUAL INDICATOR LIGHTS.....111

W

WASHER, SHIM,.765 X 1.312 X .093.....67
 WASHER,FLAT, 1.27 X 2.13 X .13.....87
 WASHER,FLAT,.375 X 1.5 X .125.....61
 WASHER,FLAT,.5 HARDENED.....63
 WASHER,FLAT,USS,1/4"Y.....69, 73, 89, 91, 111, 117
 WASHER,FLAT,USS,3/8",Y.....67, 91, 119, 121
 WASHER,FLAT,USS,5/16",Y.....67, 69, 115
 WASHER,LOCK,.25.....85, 87, 89, 91, 107, 123

WASHER,LOCK,.313.....115
 WASHER,LOCK,.375.....91, 105
 WASHER,NITRILE.....75
 WASHER,SHIM,.625 X 1.188X.064.....67
 WASHER,SHIM,1.54X2.00X.125,ZAG.....85, 87, 89
 WASHER,SHOULDER,NYLON.....91
 WASHER,STAR,EXTERNAL,#8.....93
 WASHER,STAR,EXTERNAL,.375.....75
 WASHER,THRUST, GS.....61
 WASHER,THRUST,.63 X 1.13 X .06.....67
 WEAR PAD,PLATFORM.....91
 WEAR/GUIDE PAD MAIN PLATFORM.....91
 WELDMENT, CLAMP.....121
 WELDMENT, POTHOLE, LEFT SIDE.....67
 WELDMENT, POTHOLE, RIGHT SIDE.....67
 WELDMENT,20XX LADDER.....63
 WELDMENT,CABLE BRIDGE***.....89
 WELDMENT,CABLE BRIDGE, TOP,32XX.....89
 WELDMENT,EXT SIDERAIL,RT***.....91
 WELDMENT,GS HYD TRAY,MET.....73
 WELDMENT,ROLLER BRACKET,LT***.....91
 WELDMENT,ROLLER BRACKET,RT***.....91
 WELDMENT.CABLE BRIDGE, TOP.....85, 87, 89
 WHEEL & TIRE ASSY LP,15",EXMALE.....61, 63
 WIRE CABLE 18/5 - UNSHIELDED.....77
 WIRE CABLE,14/3 CON.TPE JKT*.....93
 WIRE CAP,ORANGE.....93
 WIRE LOOM,1.25 DIA.....79
 WIRE LOOM,SPIRAL,1-5/8 ID 30".....109
 WLDMNT,CABLE BRIDGE,LOWER.....85, 87, 89
 WLDMT, ENTRY SIDERAIL, LT.....91
 WLDMT, ENTRY SIDERAIL, RT.....91
 WLDMT, EXT. DECK, GSXX46.....91
 WLDMT, GS BATTERY TRAY.....69
 WLDMT, LANYARD ROLLER BRKT.....91
 WLDMT, LNK, INNER #4, 2646.....87
 WLDMT, MAIN DECK, GSXX46.....91
 WLDMT, MAIN SIDERAIL, RT***.....91
 WLDMT,CABLE BRIDGE,BOTTOM.....85, 87, 89
 WLDMT,CABLE BRIDGE,BOTTOM,3246.....89
 WLDMT,GS32/46 LADDER***.....63
 WLDMT,LNK,INNER #1.....85, 87, 89
 WLDMT,LNK,INNER #1,KO.....87, 89
 WLDMT,LNK,INNER #2.....85, 87, 89
 WLDMT,LNK,INNER #3, 26XX.....87
 WLDMT,LNK,INNER #3,2046.....85
 WLDMT,LNK,INNER #3,32XX.....89
 WLDMT,LNK,INNER #4,32XX.....89
 WLDMT,LNK,INNER #5,3246***.....89
 WLDMT,LNK,OUT #3-20XX,#5-32XX.....85, 89
 WLDMT,LNK,OUTER #1,XX46.....85, 87, 89
 WLDMT,LNK,OUTER #2,#3,#4.....85, 87, 89
 WLDMT,LNK,OUTER #4,26XX.....87
 WLDMT,LNK,OUTER #4,26XX,LEFT.....87
 WLDMT,LOCKING ROLLER SUPPORT.....91
 WLDMT,STEER YOKE,LT,GS32/46.....61
 WLDMT,STEER YOKE,RT,GS32/46.....61
 WLDMT,TIE ROD,GS46.....61
 WLDMT/ASSY,PH GUIDE,GS46.....67
 WORKLIGHT BRACKET.....115
 WORKLIGHT CABLE,GS26XX.....115
 WORKLIGHT CABLE,GS32XX.....115
 WORKLIGHT PIGTAIL ASSY.....115
 WORKLIGHT,24V,COIL CORD.....115

- GENERAL SERVICE PARTS —.....11
- HYD FILTERS —.....11
- MANUALS —.....11

Go to Discount-Equipment.com to order your parts

Fitting Cross References

Genie PN	Parker PN	Description	Genie PN	Parker PN	Description
12342	6-4 F5OX-S	CONNECTOR,STRAIGHT THREAD TO FLARE TUBE	42794	1 CR-S	ELBOW,90°,MALE PIPE
13757	4 R6X-S	RUN TEE,SWIVEL NUT,ORFS	42795	BV-0839	BALL VALVE
19685	12-10 C5OX-S	ELBOW,90°,STRAIGHT THREAD TO FLARE TUBE	42796	BV-0838	BALL VALVE
22664	12-10 C5OX	ELBOW,90°,STRAIGHT THREAD TO FLARE TUBE	42874	6-8 CLO-S	ELBOW,90°,MALE PIPE TO ORFS
27431	8-12 F5OX-S	CONNECTOR,STRAIGHT THREAD TO FLARE TUBE	42912	13943-6-4	HOSE END,90° FEMALE SWIVEL,JIC
28678	AS-B-33	SLEEVE,NYLON,1.81" ID	42920	BV-0840	BALL VALVE,90°
39871	6 WETX-WLN-S	UNION,90° BULKHEAD W/NUT,FLARE TUBE	42932	AS-B-17	SLEEVE,NYLON,1.22" ID
39872	4 R5OX-S	RUN TEE,STRAIGHT THREAD	42936	10243-2-4	HOSE END,FEMALE PIPE
39873	6 C5OX-S	ELBOW,90°,STRAIGHT THREAD TO FLARE TUBE	42953	1/2 DD-S	ELBOW,90°,FEMALE PIPE
39874	8-6 C5OX-S	ELBOW,90°,STRAIGHT THREAD TO FLARE TUBE	42956	6 WELO-WLNL-S	UNION,90° BULKHEAD W/NUT,ORFS
39875	4-6 C5OX-S	ELBOW,90°,STRAIGHT THREAD TO FLARE TUBE	45349	8 V5OX-S	ELBOW,45°,STRAIGHT THREAD TO FLARE TUBE
39876	6-8 C5OX-S	ELBOW,90°,STRAIGHT THREAD TO FLARE TUBE	45351	4 V5OX-S	ELBOW,45°,STRAIGHT THREAD TO FLARE TUBE
39877	4 F5OX-S	CONNECTOR,STRAIGHT THREAD TO FLARE TUBE	47223	10343-6-6	HOSE END,MALE,JIC
39878	6 F5OX-S	CONNECTOR,STRAIGHT THREAD TO FLARE TUBE	47419	PS690503-6-6	SWIVEL,90°,STRAIGHT THREAD TO 37° FLARE
39879	4-8 F5OX-S	CONNECTOR,STRAIGHT THREAD TO FLARE TUBE	48750	421-4	HOSE,1/4 INCH ID
39880	6-10 F5OX-S	CONNECTOR,STRAIGHT THREAD TO FLARE TUBE	48751	481TC-4	HOSE,1/4 INCH ID
39881	4-6 F5OX-S	CONNECTOR,STRAIGHT THREAD TO FLARE TUBE	48752	482TC-4	HOSE,1/4 INCH ID
39882	4-HP5ON-S	PLUG,STRAIGHT THREAD	48753	451TC-6	HOSE,3/8 INCH ID
39883	8-8 FTX-S	CONNECTOR,MALE PIPE TO FLARE TUBE	48754	482TC-6	HOSE,3/8 INCH ID
39885	269HB 12-12	ELBOW,90°,BEADED HOSE BARB TO MALE PIPE	48755	381-6	HOSE,3/8 INCH ID
39886	431-6	HOSE,3/8 INCH ID	48756	451TC-8	HOSE,1/2 INCH ID
39887	540N-2	HOSE,1/8 INCH ID	48757	482TC-8	HOSE,1/2 INCH ID
39888	801-8	HOSE,1/2 INCH ID	48758	381-8	HOSE,1/2 INCH ID
39889	801-12	HOSE,3/4 INCH ID	48759	381-10	HOSE,5/8 INCH ID
39890	10643-6-6	HOSE END,FEMALE SWIVEL,JIC	48760	451TC-10	HOSE,5/8 INCH ID
39891	13943-6-6	HOSE END,90° FEMALE SWIVEL,JIC	48761	482TC-12	HOSE,3/4 INCH ID
39892	13743-6-6	HOSE END,45° FEMALE SWIVEL,JIC	48762	451TC-12	HOSE,3/4 INCH ID
39894	30682-8-8	HOSE END,FEMALE SWIVEL,JIC	48763	772-12	HOSE,3/4 INCH ID
39895	30682-10-12	HOSE END,FEMALE SWIVEL,JIC	48764	881-16	HOSE,1 INCH ID
42286	8-8 CTX-S	ELBOW,90°,MALE PIPE TO FLARE TUBE	48765	772-16	HOSE,1 INCH ID
42756	8-12 CLO-S	ELBOW,90,MALE PIPE TO ORFS	48766	AS-B-15	SLEEVE,NYLON,1.06" ID
42757	8-12 FLO-S	CONNECTOR,MALE PIPE TO ORFS	48767	AS-B-22	SLEEVE,NYLON,1.42" ID
42758	4 JLO-S	UNION TEE,ORFS	48770	881-8	HOSE,1/2 INCH ID
42759	4-4 FLO-S	CONNECTOR,MALE PIPE TO ORFS			
42760	6-8 FLO-S	CONNECTOR,MALE PIPE TO ORFS			
42761	1J143-6-4	HOSE END,90° FEMALE SWIVEL,SEAL LOK			
42762	1J743-6-4	HOSE END,45° FEMALE SWIVEL,SEAL LOK			
42768	1JO43-4-4	HOSE END,MALE,SEAL LOK			
42776	601-8	HOSE,1/2 INCH ID			
42777	1J743-16-16	HOSE END,45° FEMALE SWIVEL,SEAL LOK			
42786	16 CLO-S	ELBOW,90°,MALE PIPE TO ORFS			
42787	16 R6LO-S	RUN TEE,SWIVEL NUT,ORFS			
42788	16-8 TRLO-BL-S	REDUCER,TUBE END TO SWIVEL,ORFS			
42789	6-6 CLO-S	ELBOW,90°,MALE PIPE TO ORFS			
42790	8-10 V5OLO-S	ELBOW,45°,STRAIGHT THREAD TO ORFS			
42791	3/4 CD-S	ELBOW,90°,MALE TO FEMALE PIPE			
42792	3/4 X 1/2 PTR-S	REDUCER,MALE TO FEMALE PIPE			
42793	1/2 CR-S	ELBOW,90°,MALE PIPE			

Fitting Cross References (Continued)

Genie PN	Parker PN	Description	Genie PN	Parker PN	Description
48771	881-10	HOSE,5/8 INCH ID	48847	13943-12-12	HOSE END,90° FEMALE SWIVEL,JIC
48772	381-4	HOSE,1/4 INCH ID	48848	10543-12-12	HOSE END,MALE,STRAIGHT THREAD
48773	AS-B-13	SLEEVE,NYLON,.86" ID	48849	1JC71-12-12	HOSE END,FEMALE SWIVEL,SEAL LOK
48800	1JC43-4-4	HOSE END,FEMALE SWIVEL,SEAL LOK	48850	1JS71-12-12	HOSE END,FEMALE SWIVEL,SEAL LOK
48801	1J743-4-4	HOSE END,45° FEMALE SWIVEL,SEAL LOK	48851	1J171-12-12	HOSE END,90° FEMALE SWIVEL,SEAL LOK
48802	1J943-4-4	HOSE END,90° FEMALE SWIVEL,SEAL LOK	48852	1J771-12-12	HOSE END,45° FEMALE SWIVEL,SEAL LOK
48804	1JM43-4-4	HOSE END,MALE,SEAL LOK, NO O-RING	48853	1J971-12-12	HOSE END,90° FEMALE SWIVEL,SEAL LOK
48805	10643-4-4	HOSE END,FEMALE SWIVEL,JIC	48854	1JC43-16-16	HOSE END,FEMALE SWIVEL,SEAL LOK
48806	13943-4-4	HOSE END,90° FEMALE SWIVEL,JIC	48855	1J943-16-16	HOSE END,90° FEMALE SWIVEL,SEAL LOK
48807	1JS43-4-4	HOSE END,FEMALE SWIVEL,SEAL LOK	48856	1J171-16-16	HOSE END,90° FEMALE SWIVEL,SEAL LOK
48808	3JC82-8-8	HOSE END,FEMALE SWIVEL,SEAL LOK	48857	1J971-16-16	HOSE END,90° FEMALE SWIVEL,SEAL LOK
48809	3JC82-12-12	HOSE END,FEMALE SWIVEL,SEAL LOK	48859	1JS43-8-4	HOSE END,FEMALE SWIVEL,SEAL LOK
48810	1JC43-6-4	HOSE END,FEMALE SWIVEL,SEAL LOK	48867	PD36BTL	DIAGNOSTIC NIPPLE,SEAL-LOK SWIVEL
48811	1J943-6-4	HOSE END,90° FEMALE SWIVEL,SEAL LOK	48873	6 PNLO-S	PLUG,TUBE END,ORFS
48812	1JC43-6-6	HOSE END,FEMALE SWIVEL,SEAL LOK	48874	6 PNTX-S	PLUG,FLARE TUBE
48813	1J143-6-6	HOSE END,90° FEMALE SWIVEL,SEAL LOK	48875	6 R6LO-S	RUN TEE,SWIVEL NUT,ORFS
48814	1J543-6-6	HOSE END,90° FEMALE SWIVEL,SEAL LOK	48877	4 F5OLO-SW/.025	CONNECTOR,STRAIGHT THREAD TO ORFS, W/.025 ORI
48815	1J743-6-6	HOSE END,45° FEMALE SWIVEL,SEAL LOK	48878	16-12 C5OLO-S	ELBOW,90°,STRAIGHT THREAD TO ORFS
48816	1J943-6-6	HOSE END,90° FEMALE SWIVEL,SEAL LOK	48879	8 C6LO-S	ELBOW,90°,SWIVEL NUT ORFS
48817	1JS43-6-8	HOSE END,FEMALE SWIVEL,SEAL LOK	48880	PD6-285	CAP,DIAGNOSTIC NIPPLE
48818	1J943-8-4	HOSE END,90° FEMALE SWIVEL,SEAL LOK	48881	6 HLO-S	UNION,ORFS
48819	1JC43-8-6	HOSE END,FEMALE SWIVEL,SEAL LOK	48883	8 P5ON-S	PLUG,STRAIGHT THREAD
48820	1J743-8-6	HOSE END,45° FEMALE SWIVEL,SEAL LOK	48884	8M18F87OMLO-S	CONNECTOR,METRIC,STRAIGHT THREAD TO ORFS
48821	1J943-8-6	HOSE END,90° FEMALE SWIVEL,SEAL LOK	48885	4 WGTX-WLN-S	CONNECTOR,BULKHEAD,FEMALE PIPE TO FLARE TUBE
48822	1JC43-8-8	HOSE END,FEMALE SWIVEL,SEAL LOK	48886	4 F5OLO-SW/2MM	CONNECTOR,MACHINED STRAIGHT THREAD TO ORFS
48823	1JS43-8-8	HOSE END,FEMALE SWIVEL,SEAL LOK	48887	4 CTX-S	ELBOW,90°,MALE PIPE TO FLARE TUBE
48824	1J143-8-8	HOSE END,90° FEMALE SWIVEL,SEAL LOK	48888	10-12 V5OLO-S	ELBOW,45°,STRAIGHT THREAD TO ORFS
48825	1J543-8-8	HOSE END,90° FEMALE SWIVEL,SEAL LOK	48890	4 S5OLO-S	BRANCH TEE,STRAIGHT THREAD TO ORFS
48826	1J743-8-8	HOSE END,45° FEMALE SWIVEL,SEAL LOK	48891	4 S6LO-S	BRANCH TEE,SWIVEL NUT TO ORFS
48827	1J943-8-8	HOSE END,90° FEMALE SWIVEL,SEAL LOK			
48828	1JC43-10-8	HOSE END,FEMALE SWIVEL,SEAL LOK			
48829	1JS43-10-8	HOSE END,FEMALE SWIVEL,SEAL LOK			
48830	1J743-10-8	HOSE END,45° FEMALE SWIVEL,SEAL LOK			
48831	1J943-10-8	HOSE END,90° FEMALE SWIVEL,SEAL LOK			
48833	1JC43-10-10	HOSE END,FEMALE SWIVEL,SEAL LOK			
48834	1J943-10-10	HOSE END,90° FEMALE SWIVEL,SEAL LOK			
48835	1JS43-10-12	HOSE END,FEMALE SWIVEL,SEAL LOK			
48836	1JC43-12-8	HOSE END,FEMALE SWIVEL,SEAL LOK			
48837	1JS43-12-8	HOSE END,FEMALE SWIVEL,SEAL LOK			
48838	1J743-12-8	HOSE END,45° FEMALE SWIVEL,SEAL LOK			
48839	1J943-12-8	HOSE END,90° FEMALE SWIVEL,SEAL LOK			
48840	1J943-12-10	HOSE END,90° FEMALE SWIVEL,SEAL LOK			
48841	1JC43-12-12	HOSE END,FEMALE SWIVEL,SEAL LOK			
48842	1JO43-12-12	HOSE END,MALE,SEAL LOK			
48843	1J143-12-12	HOSE END,90° FEMALE SWIVEL,SEAL LOK			
48844	1J543-12-12	HOSE END,90° FEMALE SWIVEL,SEAL LOK			
48845	1J743-12-12	HOSE END,45° FEMALE SWIVEL,SEAL LOK			
48846	1J943-12-12	HOSE END,90° FEMALE SWIVEL,SEAL LOK			

Fitting Cross References (Continued)

Genie PN	Parker PN	Description	Genie PN	Parker PN	Description
48892	6 C6LO-S	ELBOW,90°,SWIVEL NUT ORFS	48938	8 R6LO-S	RUN TEE,SWIVEL NUT,ORFS
48893	6 F5OHAO-S	UNION,STRAIGHT THREAD	48939	8 S6LO-S	BRANCH TEE,SWIVEL NUT TO ORFS
48894	8 WLO-WLNL-S	UNION,BULKHEAD,ORFS	48940	8 WJLO-WLNL-S	RUN TEE, BULKHEAD,ORFS
48895	DT-370-MSMO-5	VALVE,CHECK	48941	8-4 TRLO-S	REDUCER,TUBE END TO SWIVEL,ORFS
48896	6 JLO-S	UNION,TEE,ORFS	48942	8-6 C5OLO-S	ELBOW,90°,STRAIGHT THREAD TO ORFS
48897	DT-750-MSMS-5	VALVE,CHECK	48943	8-6 F5OLO-S	CONNECTOR,STRAIGHT THREAD TO ORFS
48898	DT-750-MOMS-5	VALVE,CHECK	48944	8-8 FLO-S	CONNECTOR,MALE PIPE TO ORFS
48899	DT-620-MOMS-5	VALVE,CHECK	48945	8 FTX-S	CONNECTOR,MALE PIPE TO FLARE TUBE
48900	4-6 F5OLO-SW/.035	CONNECTOR,STRAIGHT THREAD TO ORFS, W/.035 ORI	48946	8-10 F5OLO-S	CONNECTOR,STRAIGHT THREAD TO ORFS
48902	16-1 AOE4G-S	ELBOW,90° LONG,FEMALE PIPE TO STRAIGHT THREAD	48947	8-12 C5OLO-S	ELBOW,90°,STRAIGHT THREAD TO ORFS
48903	1 FF-S	NIPPLE,PIPE	48948	8-12 F5OLO-S	CONNECTOR,STRAIGHT THREAD TO ORFS
48904	4 C5OLO-S	ELBOW,90°,STRAIGHT THREAD TO ORFS	48949	8-16 F5OLO-S	CONNECTOR,STRAIGHT THREAD TO ORFS
48905	4 F5OLO-S	CONNECTOR,STRAIGHT THREAD TO ORFS	48950	10 C5OLO-S	ELBOW,90°,STRAIGHT THREAD TO ORFS
48906	4 R5OLO-S	RUN TEE,STRAIGHT THREAD	48951	10 CC5OLO-S	ELBOW,90° LONG,STRAIGHT THREAD TO ORFS
48907	4 V5OLO-S	ELBOW,45°,STRAIGHT THREAD TO ORFS	48952	10 F5OLO-S	CONNECTOR,STRAIGHT THREAD TO ORFS
48908	4 R6LO-S	RUN TEE,SWIVEL NUT,ORFS	48953	10 R5OLO-S	RUN TEE,STRAIGHT THREAD
48909	4 WJLO-WLNL-S	RUN TEE, BULKHEAD,ORFS	48954	10 S5OLO-S	BRANCH TEE,STRAIGHT THREAD TO ORFS
48910	4 GTX-S W/.030	CONNECTOR,FEMALE PIPE TO FLARE TUBE	48955	10 R6LO-S	RUN TEE,SWIVEL NUT,ORFS
48911	4-6 C5OLO-S	ELBOW,90°,STRAIGHT THREAD TO ORFS	48956	10-4 TRLO-BL-S	REDUCER,TUBE END TO SWIVEL,ORFS
48912	4-6 F5OLO-S	CONNECTOR,STRAIGHT THREAD TO ORFS	48957	10-6 TRLO-BL-S	REDUCER,TUBE END TO SWIVEL,ORFS
48913	4-6 F5OLO-SW/.030	CONNECTOR,STRAIGHT THREAD TO ORFS, W/.030 ORI	48958	10-12 F5OLO-S	CONNECTOR,STRAIGHT THREAD TO ORFS
48914	4-8 F5OLO-S	CONNECTOR,STRAIGHT THREAD TO ORFS	48959	12 C5OLO-S	ELBOW,90°,STRAIGHT THREAD TO ORFS
48915	6 C5OLO-S	ELBOW,90°,STRAIGHT THREAD TO ORFS	48960	12 F5OLO-S	CONNECTOR,STRAIGHT THREAD TO ORFS
48916	6 F5OLO-S	CONNECTOR,STRAIGHT THREAD TO ORFS	48961	12 R5OLO-S	RUN TEE,STRAIGHT THREAD
48917	6 FF5OLO-S	CONNECTOR,LONG,STRAIGHT THREAD TO ORFS	48962	12 S5OLO-S	BRANCH TEE,STRAIGHT THREAD TO ORFS
48918	6 R5OLO-S	RUN TEE,STRAIGHT THREAD	48963	12 V5OLO-S	ELBOW,45°,STRAIGHT THREAD TO ORFS
48919	6 S5OLO-S	BRANCH TEE,STRAIGHT THREAD TO ORFS	48964	12 R6LO-S	RUN TEE,SWIVEL NUT,ORFS
48920	6 V5OLO-S	ELBOW,45°,STRAIGHT THREAD TO ORFS	48965	12 CLO-S	ELBOW,90°,MALE PIPE TO ORFS
48921	6 FLO-S	CONNECTOR,MALE PIPE TO ORFS	48966	12 FLO-S	CONNECTOR,MALE PIPE TO ORFS
48922	6-6 FLO-S	CONNECTOR,MALE PIPE TO ORFS	48967	12 JLO-S	UNION TEE,ORFS
48923	6 P5ON-S	PLUG,STRAIGHT THREAD	48968	12 WLO-WLNL-S	UNION,BULKHEAD,ORFS
48925	6 WELO-S	UNION,90° BULKHEAD,ORFS	48969	12 WJLO-WLNL-S	RUN TEE, BULKHEAD,ORFS
48926	6-4 C5OLO-S	ELBOW,90°,STRAIGHT THREAD TO ORFS	48970	12 WELO-WLNL-S	UNION,90° BULKHEAD W/NUT,ORFS
48927	6-4 F5OLO-S	CONNECTOR,STRAIGHT THREAD TO ORFS			
48928	6-4 V5OLO-S	ELBOW,45°,STRAIGHT THREAD TO ORFS			
48929	6-8 C5OLO-S	ELBOW,90°,STRAIGHT THREAD TO ORFS			
48930	6-8 F5OLO-S	CONNECTOR,STRAIGHT THREAD TO ORFS			
48931	6-10 F5OLO-S	CONNECTOR,STRAIGHT THREAD TO ORFS			
48932	8 C5OLO-S	ELBOW,90°,STRAIGHT THREAD TO ORFS			
48933	8 F5OLO-S	CONNECTOR,STRAIGHT THREAD TO ORFS			
48934	8 FF5OLO-S	CONNECTOR,LONG,STRAIGHT THREAD TO ORFS			
48935	8 R5OLO-S	RUN TEE,STRAIGHT THREAD			
48936	8 S5OLO-S	BRANCH TEE,STRAIGHT THREAD TO ORFS			
48937	8 V5OLO-S	ELBOW,45°,STRAIGHT THREAD TO ORFS			

Fitting Cross References (Continued)

Genie PN	Parker PN	Description	Genie PN	Parker PN	Description
48971	12 G5G5JG5-S	TEE,FEMALE STRAIGHT THREAD	49612	PKT02586	O-RING KIT (ORFS FITTINGS)
48972	12 XHL6-S	ADAPTER, 37° MALE TO SWIVEL ORFS	49613	PKT06276	PLUG AND CAP KIT-SERVICE,ORFS
48973	12-1/2 F5OG-S	ADAPTER,FEMALE PIPE TO STRAIGHT THREAD	49728	10143-12-12	HOSE END, MALE PIPE
48974	12-10 C5OLO-S	ELBOW,90°,STRAIGHT THREAD TO ORFS	49729	16-1 F5OG-S	ADAPTER,FEMALE PIPE TO STRAIGHT THREAD
48975	12-10 F5OLO-S	CONNECTOR,STRAIGHT THREAD TO ORFS	49814	12-8 FLO-S	CONNECTOR,MALE PIPE TO ORFS
48976	12-16 C5OLO-S	ELBOW,90°,STRAIGHT THREAD TO ORFS	49829	DT-500-MOMF-5	VALVE,CHECK
48977	12-16 F5OLO-S	CONNECTOR,STRAIGHT THREAD TO ORFS	49831	881-12	HOSE,3/4 INCH ID
48978	12-16 V5OLO-S	ELBOW,45°,STRAIGHT THREAD TO ORFS	49834	16 JLO-S	UNION TEE,ORFS
48980	12-16 FLO-S	CONNECTOR,MALE PIPE TO ORFS	49838	12-8 TRLO-BL-S	REDUCER,TUBE END TO SWIVEL,ORFS
48983	16 C5OLO-S	ELBOW,90°,STRAIGHT THREAD TO ORFS	49840	8 JLO-S	UNION TEE,ORFS
48984	16 F5OLO-S	CONNECTOR,STRAIGHT THREAD TO ORFS	49844	10-8 TRLO-BL-S	REDUCER,TUBE END TO SWIVEL,ORFS
48985	16 V5OLO-S	ELBOW,45°,STRAIGHT THREAD TO ORFS	49854	8 P5ON-S	PLUG,STRAIGHT THREAD
48986	16 FLO-S	CONNECTOR,MALE PIPE TO ORFS	49855	1JC43-16-12	HOSE END,FEMALE SWIVEL,SEAL LOK
48988	16 CD45-S	ELBOW,45°,MALE TO FEMALE PIPE	49859	4 P5ON-S	PLUG,STRAIGHT THREAD
48989	12 CD45-S	ELBOW,45°,MALE TO FEMALE PIPE	49861	4 FF5OLO-S	CONNECTOR, LONG, STRAIGHT THREAD TO ORFS
48990	8 CD45-S	ELBOW,45°,MALE TO FEMALE PIPE	49867	12-3/4 F5OG-S	ADAPTER,FEMALE PIPE TO STRAIGHT THREAD
48991	16-12 FLO-S	CONNECTOR,MALE PIPE TO ORFS	51152	6 R6X-S	RUN TEE,SWIVEL NUT,ORFS
48992	16-12 V5OLO-S	ELBOW,45°,STRAIGHT THREAD TO ORFS	51153	6-4 TRTX-S	REDUCER,TUBE END TO SWIVEL,ORFS
48993	XV501-12	BALL VALVE	51154	4-4 GTX	CONNECTOR,FEMALE PIPE TO FLARE TUBE
48994	XV501-16	BALL VALVE	51264	881-12	HOSE,3/4 INCH ID
48995	XV510P-12	BALL VALVE	51265	8 JLO-S	UNION TEE,ORFS
48996	XV510P-16	BALL VALVE	51508	6 BTX-S	NUT,FLARE TUBE
48997	PD341	DIAGNOSTIC NIPPLE, STRAIGHT THREAD	51580	12-8 TRLO-BL-S	TUBE END REDUCER,ORFS
48998	PD 361	DIAGNOSTIC NIPPLE, STRAIGHT THREAD	51628	6 R6X-S	RUN TEE,SWIVEL NUT,ORFS
48999	DT-500-MOMS-5	VALVE,CHECK	51735	3/8 HHP	PLUG,PIPE THREAD
49201	10 V5OLO-S	ELBOW,45°,STRAIGHT THREAD TO ORFS	51803	1J943-6-8	HOSE END,90° FEMALE SWIVEL,SEAL LOK
49202	1JC43-12-10	HOSE END,FEMALE SWIVEL,SEAL LOK	53023	125HBL-5-4	FITTING,HOSE BARB TO MALE PIPE
49203	10-8 V5OLO-S	ELBOW,45°,STRAIGHT THREAD TO ORFS	53497	PKT02585	O-RING KIT
49205	6 F5OHAO-S	UNION,STRAIGHT THREAD	53499	1JC71-16-16	HOSE END,FEMALE SWIVEL,SEAL LOK
49207	PD34BTL	DIAGNOSTIC NIPPLE,SEAL-LOK SWIVEL	53500	3-904	O-RING,STRAIGHT THREAD,-4
49209	8M18F870MX-S	CONNECTOR,METRIC,STRAIGHT THREAD TO FLARE TUBE	53501	3-906	O-RING,STRAIGHT THREAD,-6
49212	8 WGTX-WLN-S	CONNECTOR,BULKHEAD,FEMALE PIPE TO FLARE TUBE	53502	3-908	O-RING,STRAIGHT THREAD,-8
49213	30682-8-8	HOSE END,FEMALE SWIVEL,JIC	53503	3-910	O-RING,STRAIGHT THREAD,-10
49216	831-8	HOSE,1/2 INCH ID			
49217	33982-8-8	HOSE END,90° FEMALE SWIVEL,JIC			
49219	PS-B-35	SLEEVE,NYLON,2.19" ID			
49418	4-6 V5OLO-S	ELBOW,45°,STRAIGHT THREAD TO ORFS			
49511	DT370-MOMS-5	VALVE,CHECK			
49512	1 DD-S	ELBOW,90°,FEMALE PIPE			
49513	1 FF-S	NIPPLE,PIPE			
49514	10 HP5ON-S	PLUG,STRAIGHT THREAD			
49515	12-16 CLO-S	ELBOW,90°,MALE PIPE TO ORFS			
49517	6 HP5ON-S	PLUG,STRAIGHT THREAD			
49519	16-12 F5OLO-S	CONNECTOR,STRAIGHT THREAD TO ORFS			
49520	4 VTX-S	ELBOW,45°,MALE PIPE TO FLARE TUBE			
49530	16 C6LO-S	ELBOW,90°,SWIVEL NUT ORFS			

Fitting Cross References (Continued)

Genie PN	Parker PN	Description	Genie PN	Parker PN	Description
53535	3-912	O-RING,STRAIGHT THREAD,-12	61083	24 F5OLO-S	CONNECTOR,STRAIGHT THREAD TO ORFS
53536	4-PNLO-S	PLUG,TUBE END,ORFS	61086	20 R5OLO-S	RUN TEE,STRAIGHT THREAD
53537	6 PNLO-S	PLUG,TUBE END,ORFS	61090	24-20 F5OLO-S	CONNECTOR,STRAIGHT THREAD TO ORFS
53538	8 PNLO-S	PLUG,TUBE END,ORFS	61091	1J943 24-24	HOSE END,90° FEMALE SWIVEL,SEAL LOK
53539	10 PNLO-S	PLUG,TUBE END,ORFS	61093	1J978-12-12	HOSE END,90° FEMALE SWIVEL,JIC
53540	12 PNLO-S	PLUG,TUBE END,ORFS	61095	1JS43-20-16	HOSE END,FEMALE SWIVEL,SEAL LOK
53946	129HB-5-4	FITTING,90° HOSE BARB TO MALE PIPE	61100	811-24	HOSE,11/2 INCH ID
53951	8-1/4F50G-S	ADAPTER,FEMALE PIPE TO STRAIGHT THREAD	61130	1JS43-24-24	HOSE END,FEMALE SWIVEL,SEAL LOK
53980	6 S6LO-S	BRANCH TEE,SWIVEL NUT TO ORFS	61131	1JS78 12-12	HOSE END,FEMALE SWIVEL,SEAL LOK
54132	4 C6LO-S	ELBOW,90°,SWIVEL NUT ORFS	61132	1J778-12-12	HOSE END,45° FEMALE SWIVEL,JIC
54135	11343-16-16	HOSE END,MALE SWIVEL,PIPE	61152	139HB-6-4	ELBOW,45°,BARB TO MALE PIPE
54283	8-10 C5OLO-S	ELBOW,90°,STRAIGHT THREAD TO ORFS	61251	BV-0750	BALL VALVE
54428	8M18C870MLO-S	ELBOW, 90° METRIC, STRAIGHT THREAD TO ORFS	61259	4 CC5OLO-S	ELBOW,90° LONG,STRAIGHT THREAD TO ORFS
54803	FS-F-16-10	SLEEVE,FIRE,-96" ID	61260	20-12 TRLO-BL	REDUCER,TUBE END TO SWIVEL,ORFS
54954	10143-2-4	HOSE END, MALE PIPE	61262	12 C6LO-S	ELBOW,90°,SWIVEL NUT ORFS
55190	3/8 HP-S	PLUG,PIPE THREAD	61263	20 F5OHAO-S	UNION,STRAIGHT THREAD
55448	8 HLO-S	UNION,ORFS	61264	6-10 C5OLO-S	ELBOW,90°,STRAIGHT THREAD TO ORFS
55839	6 F65OX-S	CONNECTOR,STRAIGHT THREAD TO 37° SWIVEL	61265	6 WNLO-WLNL-S	UNION,BULKHEAD 45°,ORFS
55968	10 C5OX-S	ELBOW,90°,STRAIGHT THREAD TO FLARE TUBE	61268	4 WNLO-WLNL-S	UNION,BULKHEAD 45°,ORFS
56003	6 CC5OLO-S	ELBOW,90° LONG,STRAIGHT THREAD TO ORFS	61269	4 WLO-WLNL-S	UNION,BULKHEAD,ORFS
56166	BV-0837	BALL VALVE,90°	61272	12 AOEL6	ELBOW,90°,STRAIGHT THREAD TO ORFS SWIVEL
56188	10143-8-6	HOSE END, MALE PIPE	61316	482TC-16	HOSE,1 INCH ID
56233	2-011	O-RING,ORFS,-4	61321	6 JLO-S	UNION TEE,ORFS
56234	2-012	O-RING,ORFS,-6	61327	782-12	HOSE,3/4 INCH ID
56235	2-014	O-RING,ORFS,-8	61328	881-24	HOSE,11/2 INCH ID
56236	2-016	O-RING,ORFS,-10	61336	11943-20-24	HOSE END,90° FLANGE HEAD
56237	2-018	O-RING,ORFS,-12	61345	12 WJLO-WLNL-S	RUN TEE, BULKHEAD,ORFS
56238	2-021	O-RING,ORFS,-16	61346	8 WNLO-WLNL-S 4	UNION,BULKHEAD 45°,ORFS
56352	6 WLNL-S	LOCKNUT,BULKHEAD	61569	33782-8-8	HOSE END,45° FEMALE SWIVEL,JIC
56353	3J782-12-12	HOSE END,45° FEMALE SWIVEL,SEAL LOK	61610	12 FF5OLO-S	CONNECTOR,LONG,STRAIGHT THREAD TO ORFS
56354	3J982-12-12	HOSE END,90° FEMALE SWIVEL,SEAL LOK	61742	1/8 X 1.5 FFF	NIPPLE,PIPE
56604	10-8 F5OLO-S	CONNECTOR,STRAIGHT THREAD TO ORFS	63426	8 PNTX-S	PLUG,FLARE TUBE
56639	3JC82-10-10	HOSE END,FEMALE SWIVEL,SEAL LOK			
56640	3J982-10-10	HOSE END,90° FEMALE SWIVEL,SEAL LOK			
56655	3JC82-8-10	HOSE END,FEMALE SWIVEL,SEAL LOK			
56676	10-8 C5OLO-S	ELBOW,90°,STRAIGHT THREAD TO ORFS			
56776	471TC-6	HOSE,3/8 INCH ID			
56777	471TC-8	HOSE,1/2 INCH ID			
56789	811-16	HOSE,1 INCH ID			
57884	3/8 FF	NIPPLE,PIPE			
59335	6 FNL-S	CAP,TUBE END			
59342	4 FNL-S	CAP,TUBE END			
59371	8 HP5ON-S	PLUG,STRAIGHT THREAD			
60653	BV-0751	BALL VALVE			
60806	125HB-3-4	FITTING,HOSE BARB TO MALE PIPE			
61064	5-1/4 F5OG-S	ADAPTER,FEMALE PIPE TO STRAIGHT THREAD			
61079	4 WELO-WLNL-S	UNION,90° BULKHEAD W/NUT,ORFS			
61080	6 WLO-WLNL-S	UNION,BULKHEAD,ORFS			

Fitting Cross References (Continued)

Genie PN	Parker PN	Description	Genie PN	Parker PN	Description
64271	4 WLO-WLNL-S	UNION,BULKHEAD,ORFS	75631	801-6	HOSE,3/8 INCH ID
64272	6 WLO-WLNL-S	UNION,BULKHEAD,ORFS	75654	20 F5OLO-S	CONNECTOR,STRAIGHT THREAD TO ORFS
65776	8 F65OL-S	CONNECTOR,STRAIGHT THREAD TO ORFS SWIVEL	75655	1J943-20-20	HOSE END,90° FEMALE SWIVEL,SEAL LOK
65880	6001012	O-RING KIT	75656	881-20	HOSE,1-1/4 INCH ID
66154	6 WTX-WLNS	UNION,BULKHEAD,FLARE TUBE	75971	8 F5OHAO-S	UNION,STRAIGHT THREAD
66155	6 WETX-S	UNION,BULKHEAD 90°,FLARE TUBE	77307	1JB43-8-8	HOSE END,BULKHEAD,SEAL LOK
66156	6 WLN-S	BULKHEAD LOCKNUT	77309	8 WLNL-S	BULKHEAD LOCKNUT
66389	6-8 F5OX-S	CONNECTOR,STRAIGHT THREAD TO FLARE TUBE	77379	8M18C87OMX-S	ELBOW,90° METRIC,STRAIGHT THREAD TO FLARE TUBE
66392	6 R5OX-S	RUN TEE,STRAIGHT THREAD	77703	3J982-8-8	HOSE END,90° FEMALE SWIVEL,SEAL LOK
66396	811-12	HOSE,3/4 INCH ID	77711	801-10	HOSE,5/8 INCH ID
66829	H3174PP	CLAMP,TUBE	77758	12 WNLO-WLNL-S	UNION,BULKHEAD 45°,ORFS
67217	4 KLO-S	UNION,CROSS,ORFS	78091	6 C6X-S	ELBOW,90°,SWIVEL NUT TO FLARE TUBE
67339	10-6 F5OX-S	CONNECTOR,STRAIGHT THREAD TO FLARE TUBE	78684	30582-8-8B	HOSE END,PUSH LOK,MALE
67357	13943-8-6	HOSE END,90° FEMALE SWIVEL,JIC	78852	549-2	HOSE,1/8 INCH ID
67358	10 HP5ON-S	PLUG,STRAIGHT THREAD	78855	10657-4-2	HOSE END,FEMALE SWIVEL,JIC
67371	12 S6LO-S	BRANCH TEE,SWIVEL NUT TO ORFS	79138	PS-B-37	SLEEVE,NYLON,2.38" ID
67498	4 FNL-S	CAP, TUBE END	79476	1JS43-6-8	HOSE END,FEMALE SWIVEL,SEAL LOK
67906	DC-370-F0F0-5	VALVE,CHECK	79847	12-3/4 A0EG-S	ELBOW,90°,STRAIGHT THREAD TO FEMALE PIPE
69316	8 FLO-S	CONNECTOR,MALE PIPE TO ORFS	80044	8 CLO-S	ELBOW,90°,MALE PIPE TO ORFS
69333	H3174PP	CLAMP,HYDRAULIC HOSE	80502	8 F5OX-S	CONNECTOR,STRAIGHT THREAD TO FLARE TUBE
69503	4 F65OX-S	CONNECTOR,STRAIGHT THREAD TO 37° SWIVEL	80503	8 C5OX-S	ELBOW,90°,STRAIGHT THREAD TO FLARE TUBE
69775	8 FNL-S	CAP, TUBE END	81010	AS-B-27	SLEEVE,NYLON,1.63" ID
71038	1/4X1/4F3HG-S	ADAPTER,CONVERSION	83052	821-6	HOSE,3/8 INCH ID
71196	12-8 F5OLO-S	CONNECTOR,STRAIGHT THREAD TO ORFS	83053	821-8	HOSE,1/2 INCH ID
71383	1/4 CD45-S	ELBOW,45°,MALE TO FEMALE PIPE	83054	821-12	HOSE,3/4 INCH ID
72270	12FNL-S	CAP, TUBE END	83055	30682-6-6	HOSE END,FEMALE SWIVEL,JIC
73436	60C-4	SLEEVE,COMPRESSION	83056	30682-12-12	HOSE END,FEMALE SWIVEL,JIC
73437	61C-4	NUT,COMPRESSION	83057	33782-6-6	HOSE END,45° FEMALE SWIVEL,JIC
73438	33482-4-4B	HOSE END,PUSH LOK,MALE	83058	33982-6-6	HOSE END,90° FEMALE SWIVEL,JIC
73767	1CD-S	ELBOW,90°,MALE TO FEMALE PIPE	83060	33982-12-12	HOSE END,90° FEMALE SWIVEL,JIC
73768	20-16-F5OG5-S	ADAPTER,FEMALE PIPE TO STRAIGHT THREAD	83063	13743-4-4	HOSE END,45° FEMALE SWIVEL,JIC
73769	16-20 F5OLO-S	CONNECTOR,STRAIGHT THREAD TO ORFS			
74660	6-8 F42EDMLO-S	CONNECTOR,MALE BSPP TO ORFS			
74661	8-8 F42EDMLO-S	CONNECTOR,MALE BSPP TO ORFS			
75007	4 FLO-S	CONNECTOR,MALE PIPE TO ORFS			
75008	1/8 HP-S	PLUG,PIPE THREAD			
75014	1/2 HP-S	PLUG,PIPE THREAD			
75042	8 WELO-WLNL-S	UNION,90° BULKHEAD W/NUT,ORFS			
75043	3/4 FF-S	NIPPLE,PIPE			
75254	24 F5OHAO-S	UNION,STRAIGHT THREAD			
75255	12 F5OHAO-S	UNION,STRAIGHT THREAD			
75256	XV506P-24	BALL VALVE			
75574	4 WLNL-S	BULKHEAD LOCKNUT			
75612	8 WJLO-WLNL-S	RUN TEE, BULKHEAD,ORFS			
75613	12-8 F5OG5-S	ADAPTER,FEMALE PIPE TO STRAIGHT THREAD			
75614	8 CC5OLO-S	ELBOW,90° LONG,STRAIGHT THREAD TO ORFS			
75628	1JB43-4-4	HOSE END,BULKHEAD,SEAL LOK			

Fitting Cross References (Continued)

Genie PN	Parker PN	Description	Genie PN	Parker PN	Description
83064	13743-8-8	HOSE END,45° FEMALE SWIVEL,JIC	89449	6 WJLO-WLNL-S	RUN TEE, BULKHEAD,ORFS
83065	13743-12-12	HOSE END,45° FEMALE SWIVEL,JIC	89489	4 WJMLO-S	BRANCH TEE,BULKHEAD,ORFS
83066	13943-8-8	HOSE END,90° FEMALE SWIVEL,JIC	89551	1JB43-6-6	HOSE END,BULKHEAD,SEAL LOK
83067	14143-6-6	HOSE END,90° FEMALE SWIVEL,JIC	89552	1JB43-8-8	HOSE END,BULKHEAD,SEAL LOK
83068	14143-8-8	HOSE END,90° FEMALE SWIVEL,JIC	89593	20 C5OLO-S	ELBOW,90°,STRAIGHT THREAD TO ORFS
83069	14143-12-12	HOSE END,90° FEMALE SWIVEL,JIC	94161	8-8 CLO-S	ELBOW,90°,MALE PIPE TO ORFS
83070	772-8	HOSE,1/2 INCH ID	94358	351TC-12	HOSE,3/4 INCH ID
83071	10671-8-8	HOSE END,FEMALE SWIVEL,JIC	94418	20 FLO-S	CONNECTOR,MALE PIPE TO ORFS
83072	10671-12-12	HOSE END,FEMALE SWIVEL,JIC	96358	12 TX-S	SLEEVE,FLARE TUBE
83073	13771-8-8	HOSE END,45° FEMALE SWIVEL,JIC	96359	12 BTX-S	NUT,FLARE TUBE
83074	13771-12-12	HOSE END,45° FEMALE SWIVEL,JIC	96397	8 F5OX-S	CONNECTOR,STRAIGHT THREAD TO FLARE TUBE
83075	13971-8-8	HOSE END,90° FEMALE SWIVEL,JIC	96398	12-8 F5OX-S	CONNECTOR,STRAIGHT THREAD TO FLARE TUBE
83076	13971-12-12	HOSE END,90° FEMALE SWIVEL,JIC	96402	10343-6-6	HOSE END,MALE,JIC
83077	14171-8-8	HOSE END,90° FEMALE SWIVEL,JIC	96407	30382-6-6B	HOSE END,MALE,JIC
83078	14171-12-12	HOSE END,90° FEMALE SWIVEL,JIC			
83080	13943-16-16	HOSE END,90° FEMALE SWIVEL,JIC			
83103	10671-16-12	HOSE END,FEMALE SWIVEL,JIC			
83104	10671-10-12	HOSE END,FEMALE SWIVEL,JIC			
83112	1JC71-8-8	HOSE END,FEMALE SWIVEL,SEAL LOK			
83113	1JS71-16-12	HOSE END,FEMALE SWIVEL,SEAL LOK			
83114	1JS71-10-12	HOSE END,FEMALE SWIVEL,SEAL LOK			
83115	1J971-8-8	HOSE END,90° FEMALE SWIVEL,SEAL LOK			
83116	1J171-8-8	HOSE END,90° FEMALE SWIVEL,SEAL LOK			
83117	1J771-8-8	HOSE END,45° FEMALE SWIVEL,SEAL LOK			
83127	1J543-6-8	HOSE END,90° FEMALE SWIVEL,JIC			
83128	1JC43-6-8	HOSE END,FEMALE SWIVEL,SEAL LOK			
87033	12-6 TRLO-S	REDUCER,TUBE END TO SWIVEL,ORFS			
87034	3J782-8-8	HOSE END,45° FEMALE SWIVEL,SEAL LOK			
87172	12 HP5ON-S	PLUG,STRAIGHT THREAD			
87185	8 WNLO-WLNL-S	UNION,BULKHEAD 45°,ORFS			
87246	4 C6X-S	ELBOW,90°,SWIVEL NUT TO FLARE TUBE			
87679	6 LHP-S	FLANGE SEAL FITTING, MALE			
87681	6PLS N0702	BONDED SEAL			
88100	SR88100	ADAPTER,OIL DRAIN,GM 3.0L			
88311	1JS43-20-20	HOSE END,FEMALE SWIVEL,SEAL LOK			
88353	20 V5OLO-S	ELBOW,45°,STRAIGHT THREAD TO ORFS			
88474	10081-20	Crimp Shell, 1.25"			
88475	1988-20-24	HOSE END,90° FLANGE HEAD			
88476	JS88-24-24	HOSE END,FEMALE SWIVEL,SEAL LOK			
88477	1JC88-20-20	HOSE END,FEMALE SWIVEL,SEAL LOK			
88478	811-20	HOSE,11/4 INCH ID			
88936	20-16 F5OLO-S	CONNECTOR,STRAIGHT THREAD TO ORFS			
88937	20-16 FLO-S	CONNECTOR,MALE PIPE TO ORFS			
88938	1JC88-16-16	HOSE END,FEMALE SWIVEL,SEAL LOK			
88939	1J988-16-16	HOSE END,90° FEMALE SWIVEL,ORFS			
88940	811-16	HOSE,1 INCH ID			
88944	1J988-20-20	HOSE END,90° FEMALE SWIVEL,ORFS			
89403	16 VLO-S	ELBOW,45°,MALE PIPE TO ORFS			

California Proposition 65



Operating, servicing and maintaining this equipment can expose you to chemicals including engine exhaust, carbon monoxide, phthalates, and lead, which are known to the State of California to cause cancer and birth defects or other reproductive harm. These chemicals can be emitted from or contained in other various parts and systems, fluids and some component wear by-products. To minimize exposure, avoid breathing exhaust, do not idle the engine except as necessary, service your equipment and vehicle in a well-ventilated area and wear gloves or wash your hands frequently when servicing your equipment or vehicle and after operation. For more information go to www.P65Warnings.ca.gov/passenger-vehicle.

Distributed By:

Go to Discount-Equipment.com to order your parts

PARTS FINDER

**Search Website
by Part Number**



**Search Manual
Library For Parts
Manual & Lookup Part
Numbers – Purchase
or Request Quote**

Search Manuals

Enter your information to search for a manual or parts information for your equipment.

* Brand:

* Model:

* Serial:

* Part Number:

SEARCH

**Can't Find Part or
Manual? Request Help
by Manufacturer,
Model & Description**

Parts Order Form

Please fill in the following information to request help finding a part or manual.

Manufacturer:

Model:

Description:

Quantity:

Part Number:

Part Name:

Part Description:

Part Category:

Part Location:

Part Status:

Part Condition:

Part Material:

Part Color:

Part Weight:

Part Dimensions:

Part Notes:

Submit

Discount-Equipment.com is your online resource for quality parts & equipment.

Florida: **561-964-4949** Outside Florida TOLL FREE: **877-690-3101**

Need parts?

Click on this link: <http://www.discount-equipment.com/category/5443-parts/> and choose one of the options to help get the right parts and equipment you are looking for. Please have the machine model and serial number available in order to help us get you the correct parts. If you don't find the part on the website or on one of the online manuals, please fill out the request form and one of our experienced staff members will get back to you with a quote for the right part that your machine needs.

We sell worldwide for the brands: Genie, Terex, JLG, MultiQuip, Mikasa, Essick, Whiteman, Mayco, Toro Stone, Diamond Products, Generac Magnum, Airman, Haulotte, Barreto, Power Blanket, Nifty Lift, Atlas Copco, Chicago Pneumatic, Allmand, Miller Curber, Skyjack, Lull, Skytrak, Tsurumi, Husquvarna Target, Stow, Wacker, Sakai, Mi-T-M, Sullair, Basic, Dynapac, MBW, Weber, Bartell, Bennar Newman, Haulotte, Ditch Runner, Menegotti, Morrison, Contec, Buddy, Crown, Edco, Wyco, Bomag, Laymor, EZ Trench, Bil-Jax, F.S. Curtis, Gehl Pavers, Heli, Honda, ICS/PowerGrit, IHI, Partner, Imer, Clipper, MMD, Koshin, Rice, CH&E, General Equipment, Amida, Coleman, NAC, Gradall, Square Shooter, Kent, Stanley, Tamco, Toku, Hatz, Kohler, Robin, Wisconsin, Northrock, Oztec, Toker TK, Rol-Air, APT, Wylie, Ingersoll Rand / Doosan, Innovatech, Con X, Ammann, Mecalac, Makinex, Smith Surface Prep, Small Line, Wanco, Yanmar