



A TEREX BRAND



## Parts Manual

### Serial Number Range

**GS-2669DC**  
**GS-3369DC**  
**GS-4069DC**

from SN GS6914-3662

to GS6916-7896

from SN GS6916F-7897

to GS6916F-10499

from SN GS69F-10500

Part No. 1270949  
Rev: A13  
September 2019

# PARTS FINDER

**Search Website  
by Part Number**



**Search Manual  
Library For Parts  
Manual & Lookup Part  
Numbers – Purchase  
or Request Quote**

**Search Manuals**

Enter your information to help us find the right parts manual for your machine.

\* Brand:

\* Model:

\* Serial:

\* Part Number:

SEARCH

**Can't Find Part or  
Manual? Request Help  
by Manufacturer,  
Model & Description**

**Parts Order Form**

Please fill in the following information to help us find the right part for your machine.

Manufacturer:	<input type="text"/>
Model:	<input type="text"/>
Description:	<input type="text"/>
Part Number:	<input type="text"/>
Quantity:	<input type="text"/>
Notes:	<input type="text"/>

Discount-Equipment.com is your online resource for quality parts & equipment.

Florida: **561-964-4949** Outside Florida TOLL FREE: **877-690-3101**

**Need parts?**

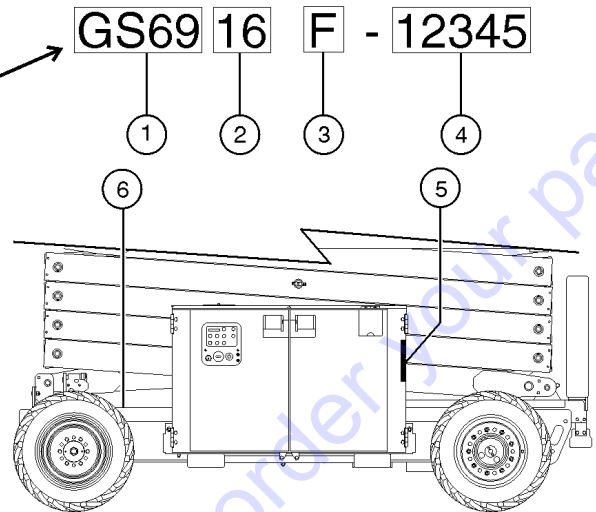
Click on this link: <http://www.discount-equipment.com/category/5443-parts/> and choose one of the options to help get the right parts and equipment you are looking for. Please have the machine model and serial number available in order to help us get you the correct parts. If you don't find the part on the website or on one of the online manuals, please fill out the request form and one of our experienced staff members will get back to you with a quote for the right part that your machine needs.

We sell worldwide for the brands: Genie, Terex, JLG, MultiQuip, Mikasa, Essick, Whiteman, Mayco, Toro Stone, Diamond Products, Generac Magnum, Airman, Haulotte, Barreto, Power Blanket, Nifty Lift, Atlas Copco, Chicago Pneumatic, Allmand, Miller Curber, Skyjack, Lull, Skytrak, Tsurumi, Husquvarna Target, Stow, Wacker, Sakai, Mi-T-M, Sullair, Basic, Dynapac, MBW, Weber, Bartell, Bennar Newman, Haulotte, Ditch Runner, Menegotti, Morrison, Contec, Buddy, Crown, Edco, Wyco, Bomag, Laymor, EZ Trench, Bil-Jax, F.S. Curtis, Gehl Pavers, Heli, Honda, ICS/PowerGrit, IHI, Partner, Imer, Clipper, MMD, Koshin, Rice, CH&E, General Equipment, Amida, Coleman, NAC, Gradall, Square Shooter, Kent, Stanley, Tamco, Toku, Hatz, Kohler, Robin, Wisconsin, Northrock, Oztec, Toker TK, Rol-Air, APT, Wylie, Ingersoll Rand / Doosan, Innovatech, Con X, Ammann, Mecalac, Makinex, Smith Surface Prep, Small Line, Wanco, Yanmar

To August 31, 2016

**Genie**  
A TEREX BRAND

Model:  
 Serial number: GS6916F-12345  
 Manufacture date: 1/2/16      Model year: 2016  
 Electrical schematic number:  
 Machine unladen weight:  
 Rated work load (including occupants):  
 Maximum number of platform occupants:  
 Maximum allowable inclination of the chassis:  
 Outrigger retracted:  
 Outrigger deployed:



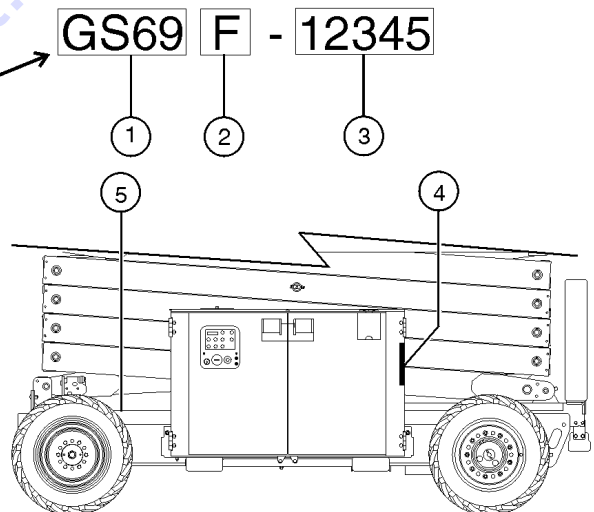
- 1 Model
- 2 Model year
- 3 Facility code

- 4 Sequence number
- 5 Serial label (located inside compartment)
- 6 Serial number (stamped on chassis)

From September 1, 2016

**Genie**  
A TEREX BRAND

Model:  
 Serial number: GS69F-12345  
 Year of manufacture: 2016  
 Electrical schematic number:  
 Machine unladen weight:  
 Rated work load (including occupants):  
 Maximum number of platform occupants:  
 Maximum allowable inclination of the chassis:  
 Outrigger retracted:  
 Outrigger deployed:



- 1 Model
- 2 Facility code
- 3 Sequence number

- 4 Serial label (located inside compartment)
- 5 Serial number (stamped on chassis)

## Required Parts

The following parts are required to perform maintenance procedures as outlined in the Genie GS-69DC Service Manual.

Description	Part No.
Plug and Cap Kit (for ORFS fittings).....	49613
Dielectric Grease .....	66399
Hydraulic Filter.....	60857
Cotter Pin.....	45114
Hydraulic Tank Cap (models w/opt. hyd fluid) .....	131658

## Recommended Parts

Description	Part No.
Genie Blue Paint, 1 Gallon .....	32150
Genie Blue Paint, 12 Ounce Aerosol.....	1484
Genie Gray Paint, 1 Gallon.....	32151
Genie Gray Paint, 12 Ounce Aerosol .....	1268

## Manuals

Genie also offers the following support documents:

EMI Safety Manual .....	27581
Manual of Responsibilities ANSI A92.6.....	44163

Go to Discount-Equipment.com to order your parts



<b>Description</b>	<b>Page</b>
<b>100 Decals .....</b>	<b>10</b>
101.1 Word Decals - Battery Side .....	10
102.1 Word Decals - Controls Side .....	14
103.1 Word Decals - Platform, ANSI/CSA .....	18
104.1 Word Decals - Platform, AUS .....	22
105.1 Symbol Decals - Battery Side .....	26
106.1 Symbol Decals - Controls Side .....	30
107.1 Symbol Decals - Platform, Asia/S. America .....	32
108.1 Symbol Decals - Platform, CE .....	36
<b>200 Drive Chassis Components.....</b>	<b>40</b>
201.1 Steer Axle Linkage, Wheels and Drive Motors .....	40
202.1 Steer Axle Linkage, Oscillation .....	46
203.1 Non-Steer Axle and Drive Motors .....	48
204.1 Ladder and Counterweight .....	54
205.1 Drive Chassis, Safety Components .....	56
<b>300 Chassis Tray Components.....</b>	<b>58</b>
301.1 Hydraulic Tank and Ground Controls Installation .....	58
302.1 Hydraulic Tray Components, View 1 .....	60
303.1 Hydraulic Tray Components, View 2 .....	64
304.1 Battery Tray Components, View 1 .....	68
305.1 Battery Tray Components, View 2 .....	72
306.1 Ground Controls .....	76
307.1 Chassis Cover Installation .....	82
308.1 Power Cables .....	84
309.1 Electrical Wiring .....	86
<b>400 Scissor Components .....</b>	<b>90</b>
401.1 Scissor Components, GS-2669DC .....	90
402.1 Scissor Components, GS-3369DC, View 1 .....	94
403.1 Scissor Components, GS-3369DC, View 2 .....	96
404.1 Scissor Components, GS-4069DC, View 1 .....	98
405.1 Scissor Components, GS-4069DC, View 2 .....	100
<b>500 Platform Components .....</b>	<b>104</b>
501.1 Platform Installation, GS-2669DC .....	104
502.1 Platform Installation, GS-3369DC & GS-4069DC .....	106
503.1 Platform Railing Installation .....	108
504.1 Platform Entry Gate .....	110
505.1 Platform Extension .....	112

## Table of Contents

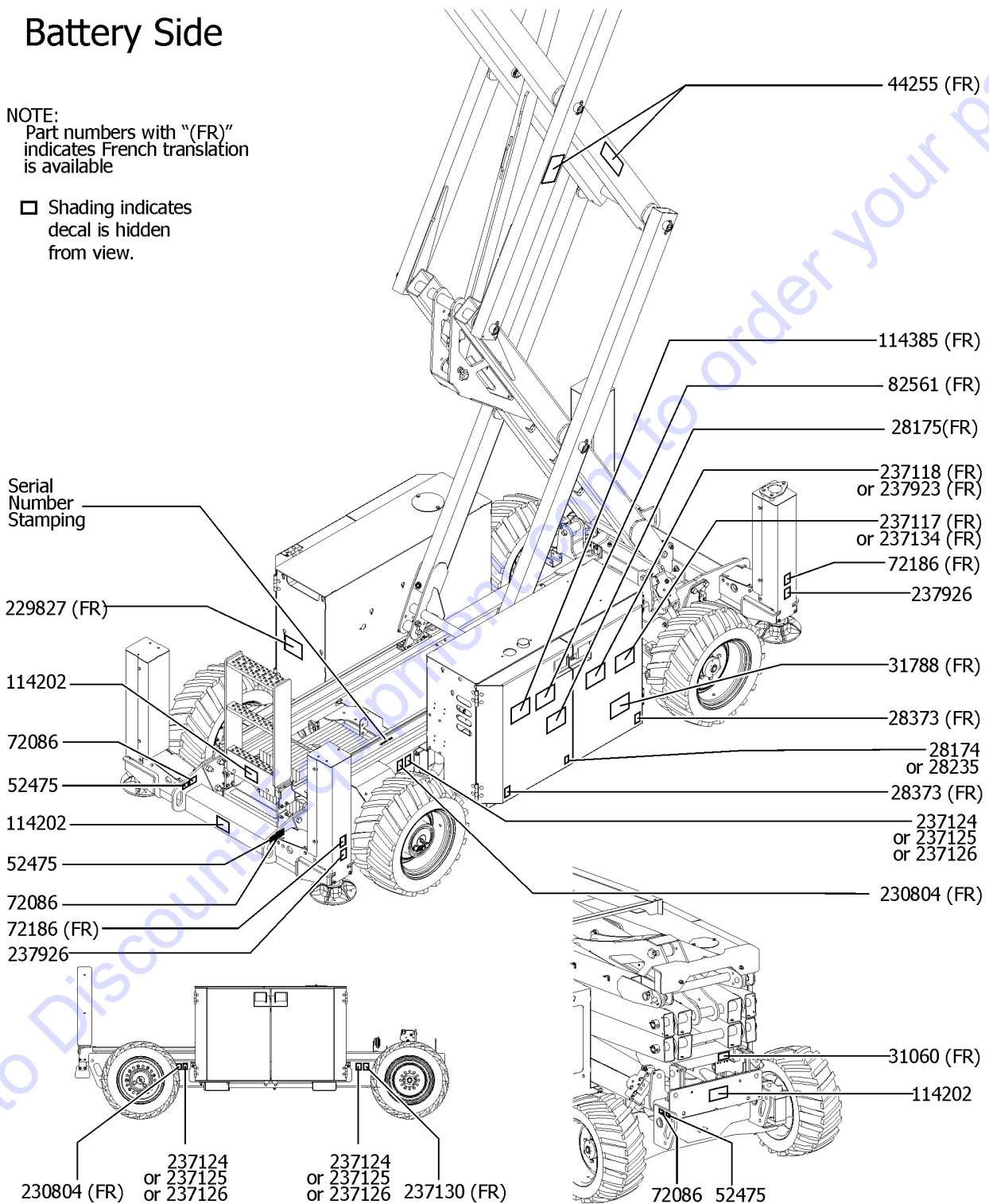
<b>Description</b>	<b>Page</b>
506.1 Platform Extension Deck Lock .....	116
507.1 Power to Platform .....	118
508.1 Platform Controls, 7 and 5 Button (2-Speed Lift) .....	122
509.1 Platform Controls, 5 and 3 Button (Proportional Lift) .....	126
510.1 Joystick Controller .....	130
<b>600 Hydraulic Components .....</b>	<b>132</b>
601.1 Function Manifold (to SN 10014) .....	132
601.2 Function Manifold (from SN 10015) .....	134
602.1 Oscillate Cylinder Assembly .....	136
603.1 Lift Cylinders .....	138
604.1 Hoses and Fittings .....	140
604.2 Hoses and Fittings .....	144
605.1 Hoses and Fittings, Lift Cylinders, GS-4069DC .....	148
<b>700 Accessories .....</b>	<b>150</b>
701.1 Air Line to Platform .....	150
702.1 Flashing Motion Beacon (to SN GS6916F-9824) .....	152
702.2 Flashing Motion Beacon (from SN GS6916F-9825) .....	154
703.1 Link Guard, CE and AUS .....	156
704.1 Outrigger Installation, View 1 .....	158
705.1 Outrigger Installation, View 2 .....	160
706.1 Outrigger Cylinders .....	164
707.1 Outrigger Hoses and Fittings .....	166
708.1 Outrigger Manifold .....	168
709.1 Platform Work Light .....	170
<b>Part Number Index .....</b>	<b>172</b>

101.1 Word Decals - Battery Side

# Battery Side

NOTE:  
Part numbers with "(FR)" indicates French translation is available

☐ Shading indicates decal is hidden from view.





101.1 Word Decals - Battery Side

Item	Part No.	Description	Qty.
A-	216826GT	DECAL KIT,2669DC COMP,WRD,ANSI ANSI complete kit to SN GS6914-5499	1
B-	216874GT	DECAL KIT,2669DC COMP,WRD,AUS AUS complete kit to SN GS6914-5499	1
C-	216827GT	DECAL KIT,2669DC PLAT,WRDS,ANSI ANSI platform kit to SN GS6914-5499	1
D-	216875GT	DECAL KIT,2669DC PLAT,WRDS,AUS AUS platform kit to SN GS6914-5499	1
E-	216828GT	DECAL KIT,3369DC COMP,WRD,ANSI ANSI complete kit to SN GS6914-5499	1
F-	216876GT	DECAL KIT,3369DC COMP,WRD,AUS AUS complete kit to SN GS6914-5499	1
G-	216829GT	DECAL KIT,3369DC PLAT,WRDS,ANSI ANSI platform kit to SN GS6914-5499	1
H-	216877GT	DECAL KIT,3369DC PLAT,WRDS,AUS AUS platform kit to SN GS6914-5499	1
I-	216830GT	DECAL KIT,4069DC COMP,WRD,ANSI ANSI complete kit to SN GS6914-5499	1
J-	216878GT	DECAL KIT,4069DC COMP,WRD,AUS AUS complete kit to SN GS6914-5499	1
K-	216831GT	DECAL KIT,4069DC PLAT,WRD,ANSI ANSI platform kit to SN GS6914-5499	1
L-	216879GT	DECAL KIT,4069DC PLAT,WRD,AUS AUS platform kit to SN GS6914-5499	1
1	28174GT	DECAL,POWER TO PLATFORM 230V	3
2	28175GT	DECAL,WARNING-COMPART ACCESS	1
3	28235GT	DECAL,POWER TO PLATFORM 115V	3
4	28373GT	DECAL,FORK LIFT POCKET	4
5	31060GT	DECAL,DANGER DO NOT ALTER SWTC	1
6	31788GT	DECAL,DANGER,BATTERY SAFETY***	1
7	44255GT	DECAL,DANGER,CRUSHING HAZARD	4
8	52475GT	DECAL,LABEL,TRANSPORT TIEDOWN*	4
9	72086GT	DECAL,LABEL,LIFTING EYE	4
10	72186GT	DECAL,WARNING,CRUSHING HAZARD option	4
11	82561GT	DECAL,DANGER-USE SAFETY ARM	2
12	114202GT	DECAL,LABEL,TRANSPORT TIE 68	2
13	114385GT	DECAL,DANGER,ELEC HAZARD,GS	2
14	229827GT	DECAL,WARNING,HOT SURFACE	1
15	230804GT	DECAL,NOTICE,TIRE SPECS, REAR non-steer end	2
16	237117GT	DECAL,DANGER-TIP-OVR,BATT,J305 option	1



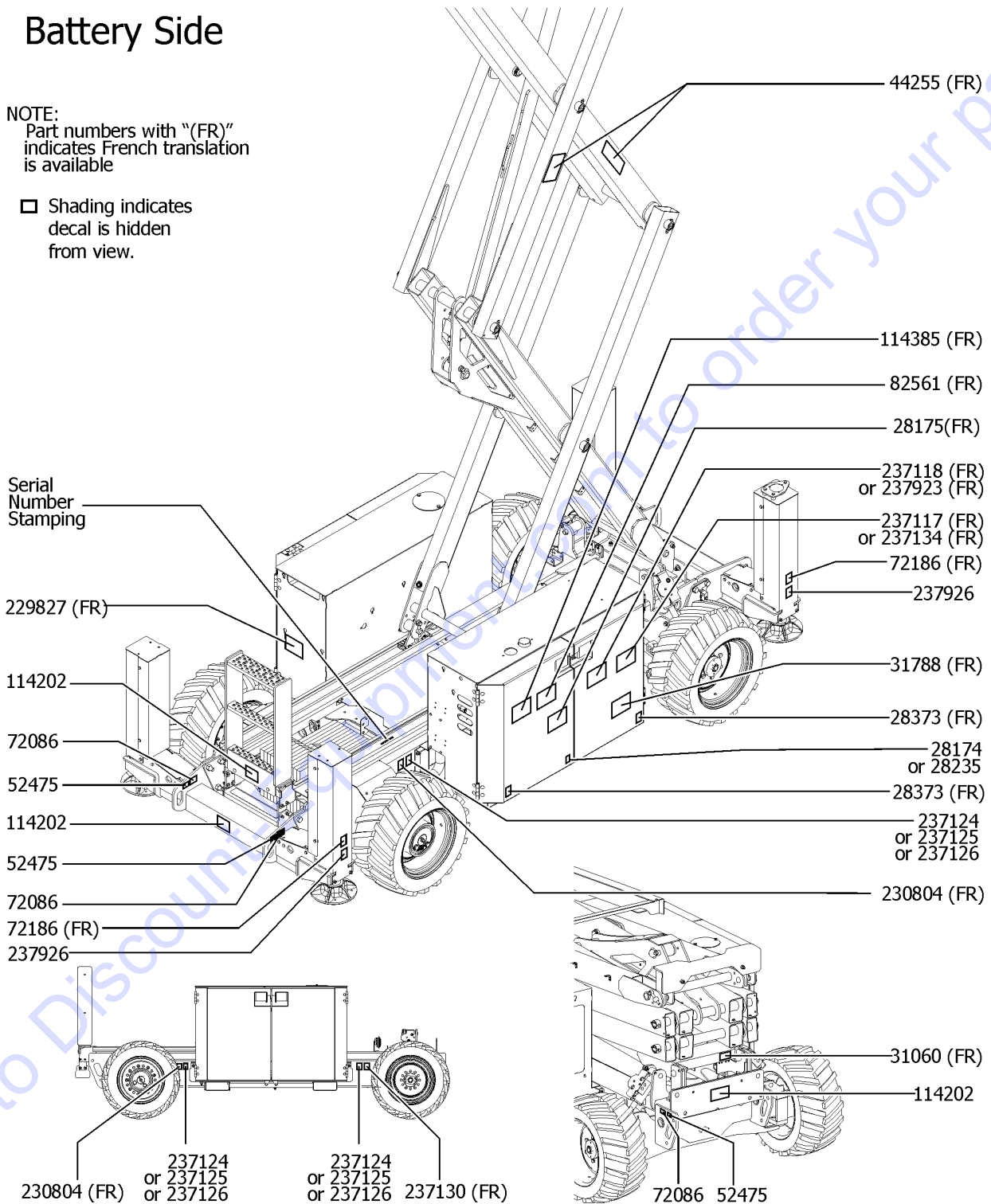


101.1 Word Decals - Battery Side

# Battery Side

NOTE:  
Part numbers with "(FR)" indicates French translation is available

☐ Shading indicates decal is hidden from view.



101.1 Word Decals - Battery Side

Item	Part No.	Description	Qty.
17	237118GT	DECAL,BATT CONN DIAGRAM,J305 option	1
18	237124GT	DECAL,LABEL,WHEEL LD,GS2669DC	4
19	237125GT	DECAL,LABEL,WHEEL LD,GS3369DC	4
20	237126GT	DECAL,LABEL,WHEEL LD,GS4069DC	4
21	237130GT	DECAL,NOTICE,TIRE SPECS, FRONT steer end	2
22	237134GT	DECAL,DANGER-TIP-OVR,BATT,T105 GS-2669DC and GS-3369DC ONLY	1
23	237923GT	DECAL,BATT CONN DIAGRAM,T105 GS-2669DC and GS-3369DC ONLY	1
24	237926GT	DECAL,LABEL,OUTRIGGER LD option	4

Go to Discount-Equipment.com to order your parts

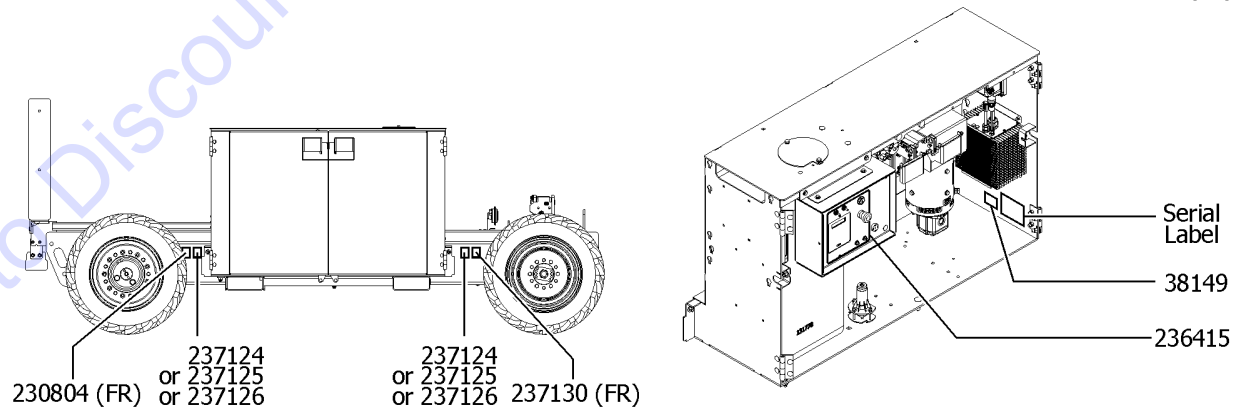
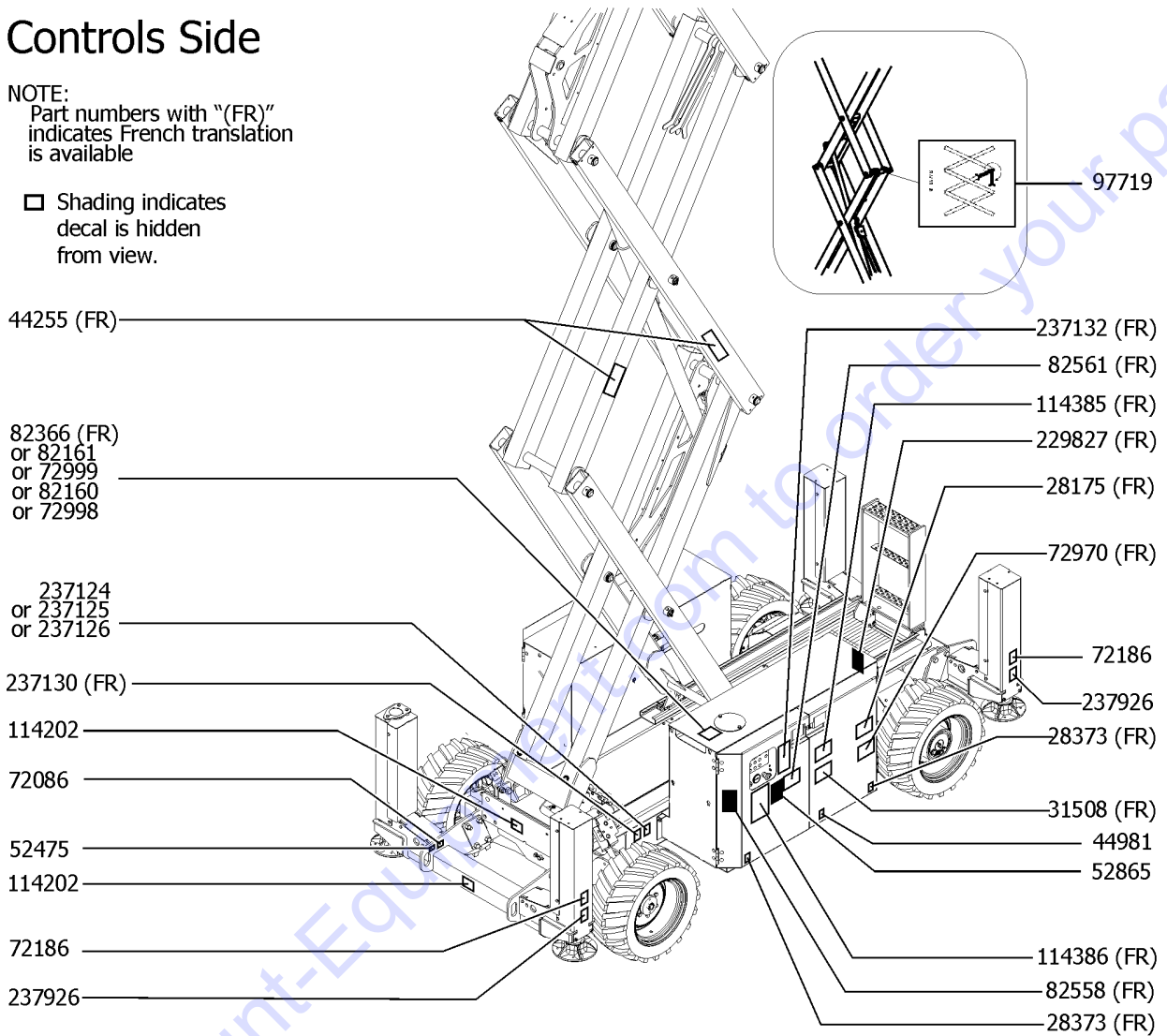


102.1 Word Decals - Controls Side

# Controls Side

NOTE:  
Part numbers with "(FR)" indicates French translation is available

☐ Shading indicates decal is hidden from view.



Item	Part No.	Description	Qty.
		Ref., Word Decal Kits ..... refer to 101.1	
1	28174GT	DECAL,POWER TO PLATFORM 230V .....	3
2	28175GT	DECAL,WARNING-COMPART ACCESS .....	1
3	28235GT	DECAL,POWER TO PLATFORM 115V .....	1
4	28373GT	DECAL,FORK LIFT POCKET .....	2
5	31508GT	DECAL,DANGER,ELECT HAZARD,PLUG .....	1
6	38149GT	DECAL,LABEL,PATENTS ..... US only	1
7	44255GT	DECAL,DANGER,CRUSHING HAZARD .....	2
8	44981GT	DECAL,LABEL,AIRLINE 110 PSI ..... option	1
9	52475GT	DECAL,LABEL,TRANSPORT TIEDOWN* .....	1
10	52865GT	DECAL,ANNUAL INSP*** .....	1
11	72086GT	DECAL,LABEL,LIFTING EYE .....	1
12	72186GT	DECAL,WARNING,CRUSHING HAZARD ..... option	2
13	72970GT	DECAL,INSTRUCTIONS-CHARGER OP .....	1
14	72998GT	DECAL,LABEL,QUINTOLUBRIK ..... models with Quintolub hydraulic oil only	1
15	72999GT	DECAL,LABEL,PETRO CANADA*** ..... models with Petro Canada hydraulic oil only	1
16	82160GT	DECAL,LABEL,STATOIL HYDRA WAY ..... models with Statoil hydraulic oil only	1
17	82161GT	DECAL,LABEL,UCON HYDROLUBE ..... models with Ucon Hydrolube hydraulic oil only	1
18	82366GT	DECAL,CHEVRON RANDO HD ..... models with Chevron Rando hydraulic oil only	1
19	82558GT	DECAL,WARN,SKIN INJECTION HAZ* .....	1
20	82561GT	DECAL,DANGER-USE SAFETY ARM .....	1
21	97719GT	DECAL, LABEL, SAFETY ARM SYMB .....	1
22	114202GT	DECAL,LABEL,TRANSPORT TIE 68 .....	2
23	114385GT	DECAL,DANGER,ELEC HAZARD,GS .....	1
24	114386GT	DECAL,DANGER-GEN SAFETY .....	1
25	229827GT	DECAL,WARNING,HOT SURFACE .....	1
26	230804GT	DECAL,NOTICE,TIRE SPECS, REAR ..... non-steer end	1
27	236415GT	DECAL, GROUND CONTROL PANEL, G .....	1

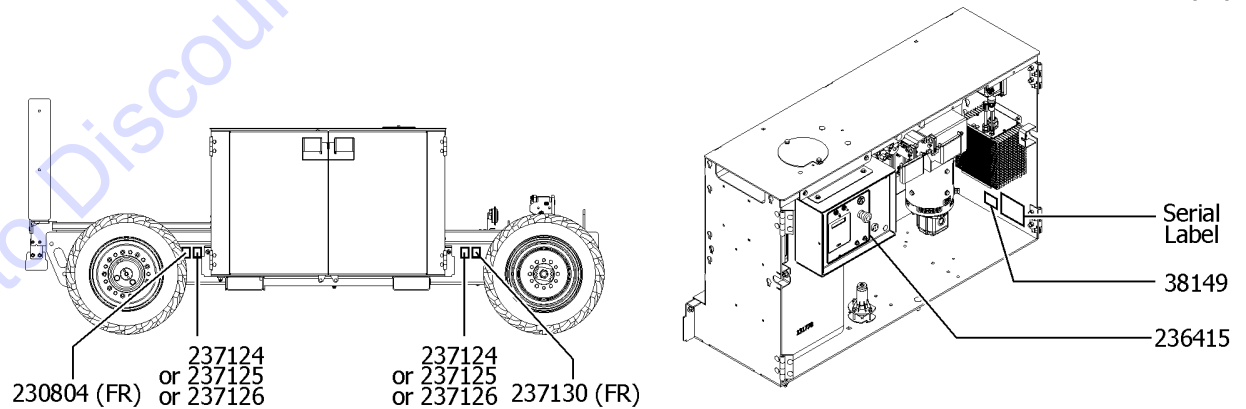
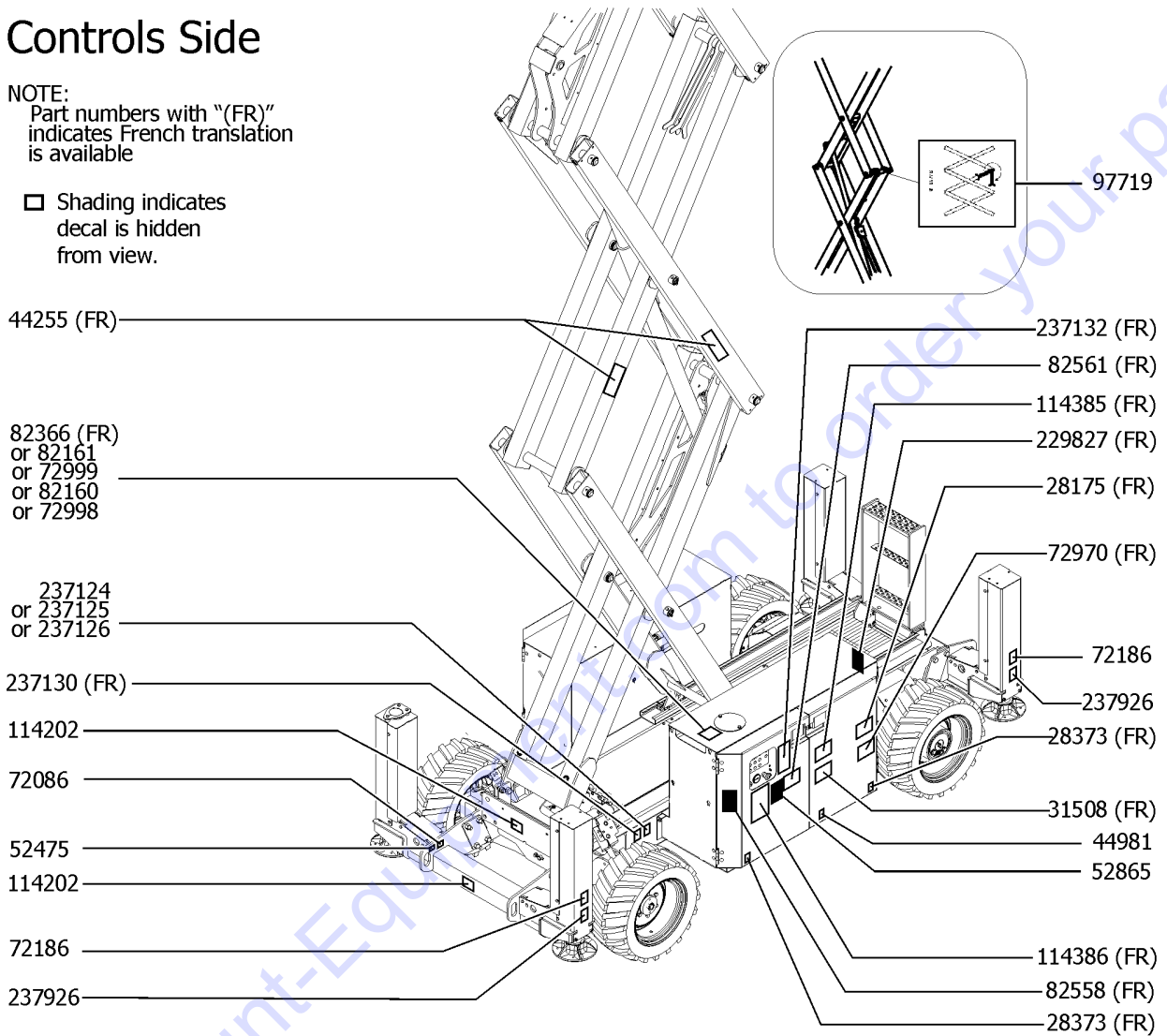


102.1 Word Decals - Controls Side

# Controls Side

NOTE:  
Part numbers with "(FR)" indicates French translation is available

☐ Shading indicates decal is hidden from view.



102.1 Word Decals - Controls Side

Item	Part No.	Description	Qty.
28	237124GT	DECAL,LABEL,WHEEL LD,GS2669DC .....	3
29	237125GT	DECAL,LABEL,WHEEL LD,GS3369DC .....	3
30	237126GT	DECAL,LABEL,WHEEL LD,GS4069DC .....	3
31	237130GT	DECAL,NOTICE,TIRE SPECS, FRONT steer end .....	2
32	237132GT	DECAL,GRND OPS INSTRUCT,GS69DC .....	1
33	237926GT	DECAL,LABEL,OUTRIGGER LD option .....	2

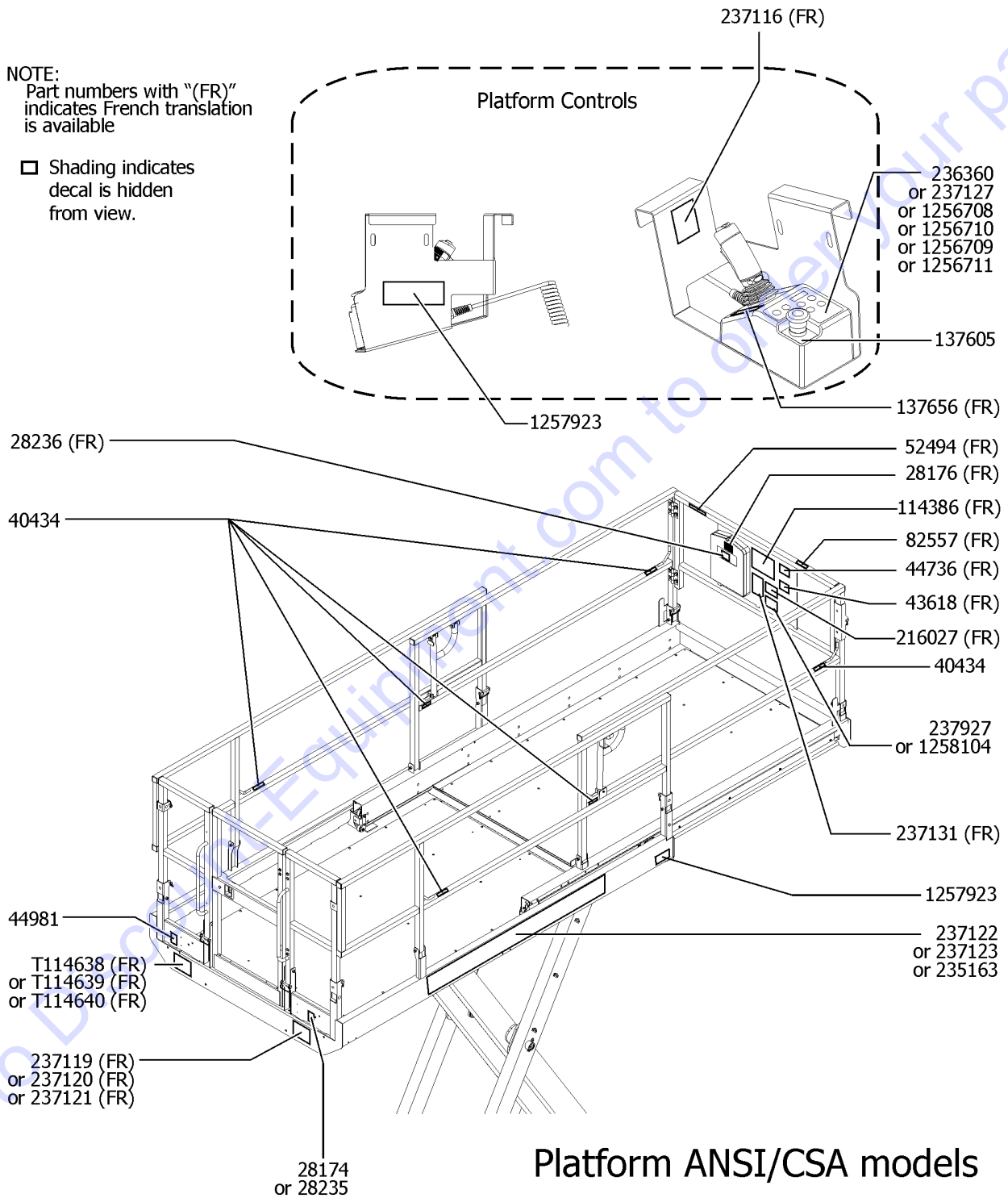
Go to Discount-Equipment.com to order your parts



103.1 Word Decals - Platform, ANSI/CSA

NOTE:  
Part numbers with "(FR)" indicates French translation is available

☐ Shading indicates decal is hidden from view.





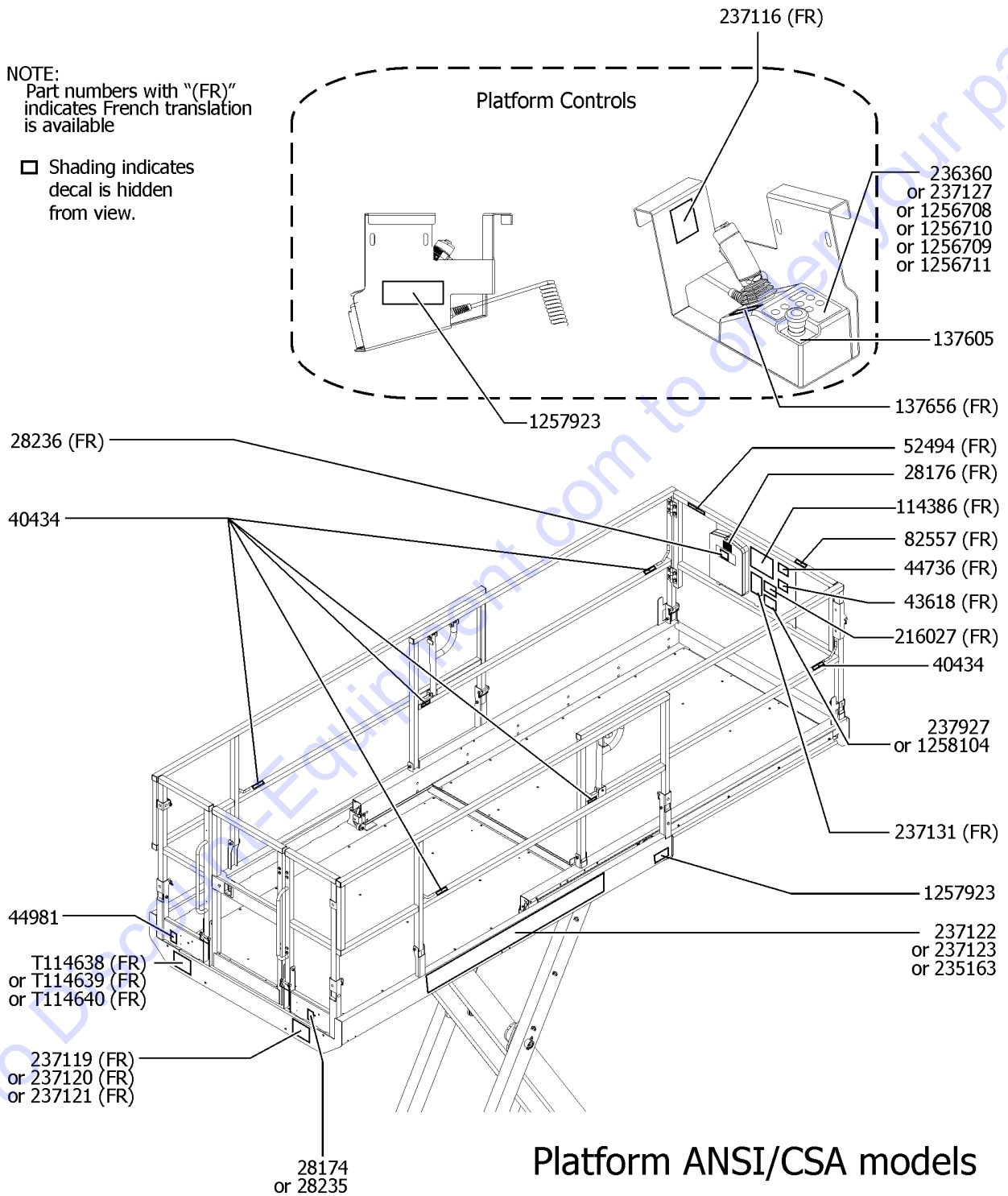
Item	Part No.	Description	Qty.
		Ref., Word Decal Kits ..... refer to 101.1	
1	28174GT	DECAL,POWER TO PLATFORM 230V ..... option	3
2	28176GT	DECAL,LABEL,MANUAL NOT HERE .....	1
3	28235GT	DECAL,POWER TO PLATFORM 115V ..... option	3
4	28236GT	DECAL,WARN,IMPROPER OPERATION .....	1
5	40434GT	DECAL,LANYARD ANCHORAGE POINT .....	6
6	43618GT	DECAL,LABEL-DIRECTION ARROWS .....	1
7	44736GT	DECAL,DANGER,TIP-OVER,TILT .....	1
8	44981GT	DECAL,LABEL,AIRLINE 110 PSI ..... option	2
9	52494GT	DECAL,CAUTION,CRUSH HAZ, RAILS .....	1
10	82557GT	DECAL,LABEL,PLAT CONT LOCATION .....	1
11	114386GT	DECAL,DANGER-GEN SAFETY .....	2
12	137605GT	DECAL,E-STOP,GR/GRC/GS PCON .....	1
13	137656GT	DECAL,PROPEL,GR/GRC/GS,PCON .....	1
14	216027GT	DECAL,DANGER-RUNAWAY HAZARD,SLOPE .....	1
15	235163GT	DECAL COSMETIC,GS4069DC .....	2
16	236360GT	DECAL, UI, GS69DC,PCON ..... models without outriggers and with 5-button 2-speed controller to SN GS6914-5499	1
17	237116GT	DECAL,LABEL,FAULT CODES,69DC .....	1
18	237119GT	DECAL,NOTICE,SIDE FRC GS2669DC .....	1
19	237120GT	DECAL,NOTICE,SIDE FRC,3369 ANS .....	1
20	237121GT	DECAL,NOTICE,SIDE FRC,4069 ANS .....	1
21	237122GT	DECAL,COSMETIC,GENIE GS-2669DC .....	2
22	237123GT	DECAL,COSMETIC,GENIE GS-3369DC .....	2
23	237127GT	DECAL,UI,GS69DC W/OR,PCON ..... models with outriggers and 7-button 2-speed controller to SN GS6914-5499	1
24	237131GT	DECAL,PLAT OPS INSTRUCT,GS69DC ..... models with 2-speed controller to SN GS6914-5499	1
25	237927GT	DECAL,DANGER,OUTRIGGER SAFETY ..... models with outriggers and 2-speed controller to SN GS6914-5499	1
26	T114638GT	DECAL,NOTICE,MAX CAP GS2669 .....	1
27	T114639GT	DECAL,NOTICE,MAX CAP,GS3369 .....	1



103.1 Word Decals - Platform, ANSI/CSA

NOTE:  
Part numbers with "(FR)" indicates French translation is available

☐ Shading indicates decal is hidden from view.



Item	Part No.	Description	Qty.
28	T114640GT	DECAL,NOTICE,MAX CAP GS4069 .....	1
29	1256708GT	DECAL,STD,PROP LIFT,69DC,UI models without outriggers and with 3-button proportional controller .....	1
30	1256709GT	DECAL, STD, PROP LIFT, 69DC, U models without outriggers that are converted from 5-button 2-speed lift to 3-button proportional controller .....	1
31	1256710GT	DECAL,O/R,PROP LIFT,69DC,UI models with outriggers 5 button, proportional controller .....	1
32	1256711GT	DECAL, O/R, PROP LIFT, 69DC, U models with outriggers that are converted from 7-button 2-speed lift to 5-button proportional controller .....	1
33	1257396GT	DECAL,OP,INSTR,PLAT,69DC,AUS .....	1
34	1257923GT	DECAL, SMARTLINK PROPORTIONAL .....	2
35	1258104GT	DECAL,DANGER,OUTRIGGER SAFETY .....	1
		models with outriggers and proportional controller	

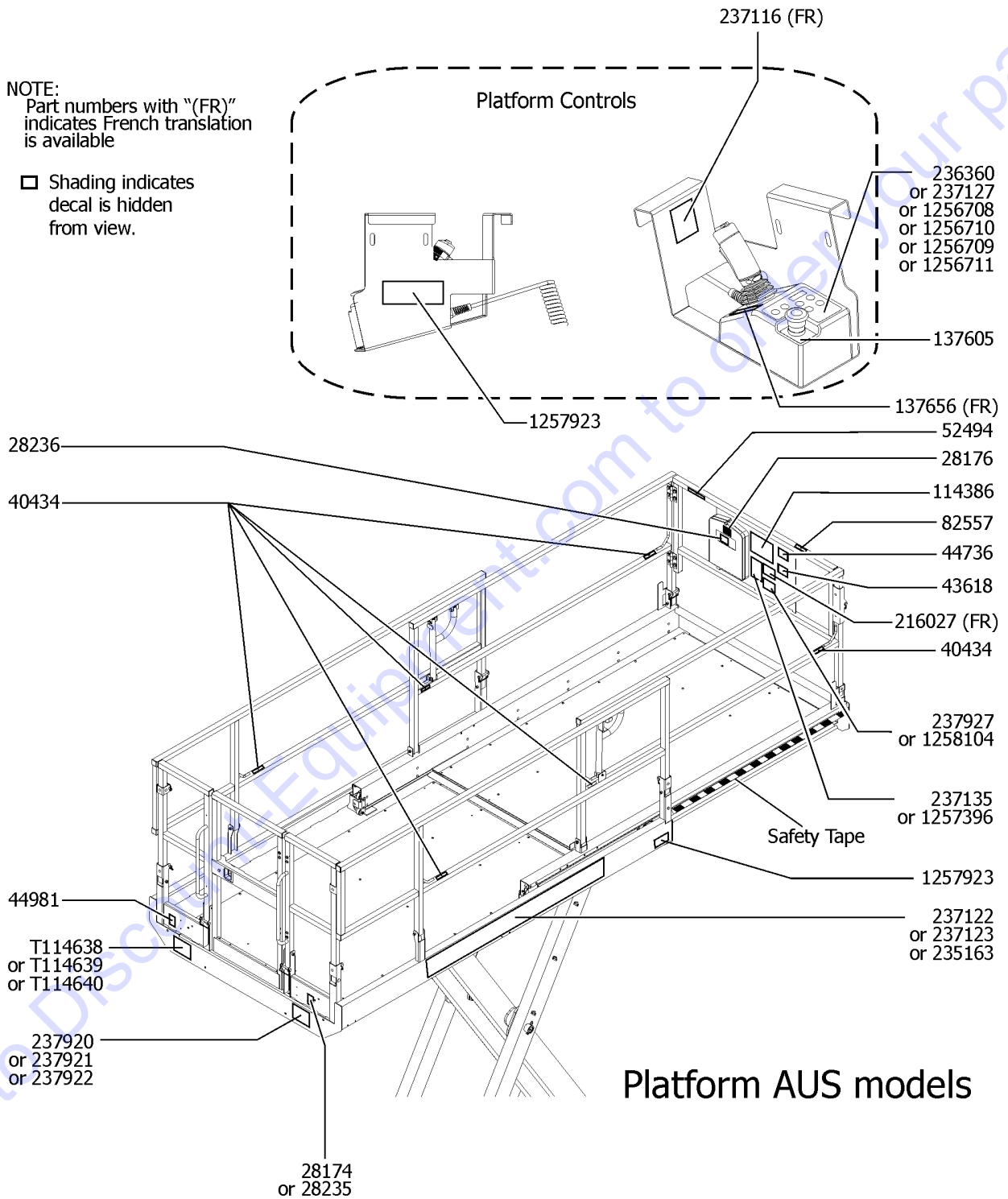
Go to Discount-Equipment.com to order your parts



104.1 Word Decals - Platform, AUS

NOTE:  
Part numbers with "(FR)" indicates French translation is available

☐ Shading indicates decal is hidden from view.



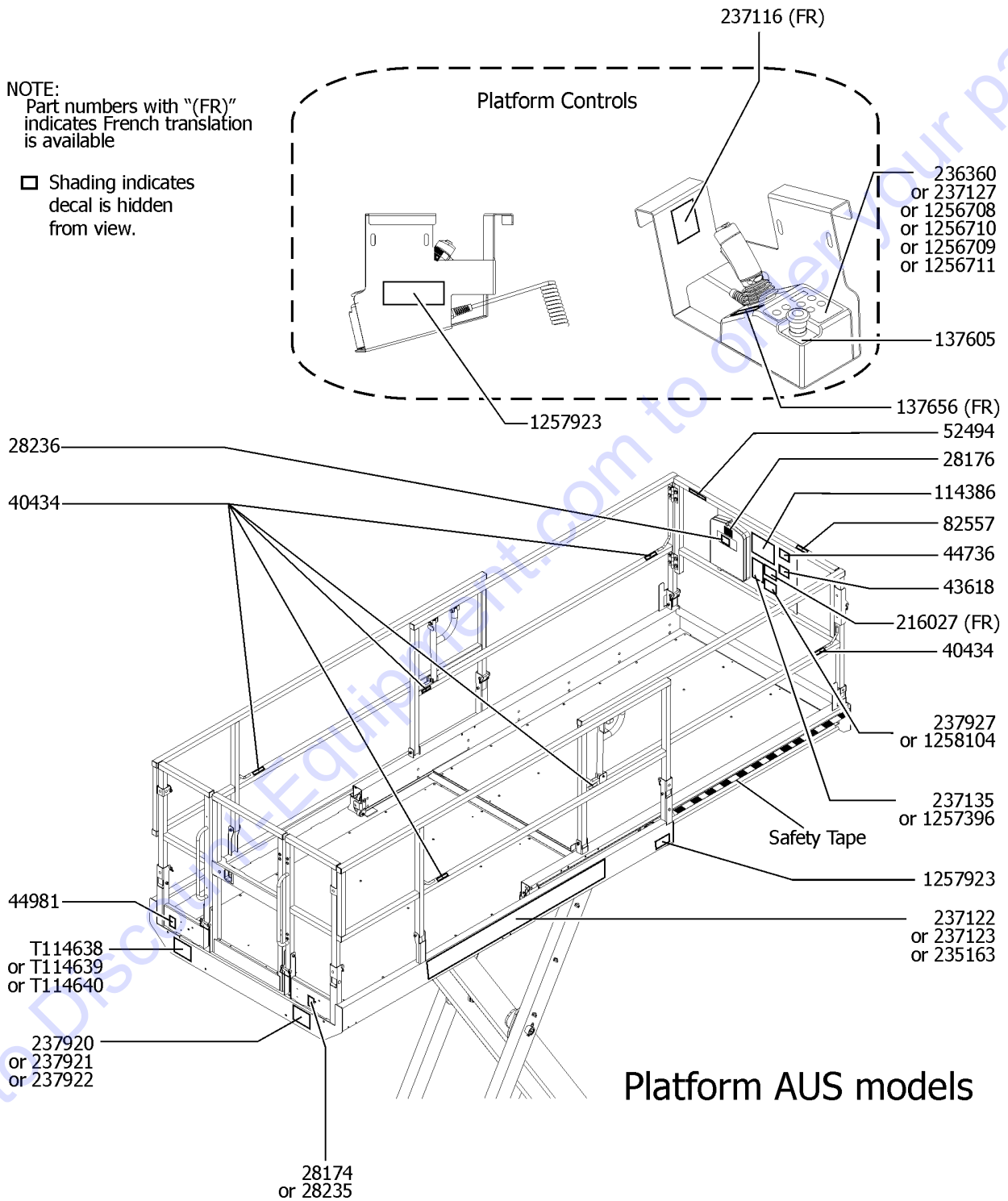
Item	Part No.	Description	Qty.
		Ref., Word Decal Kits ..... refer to 101.1	
1	28174GT	DECAL,POWER TO PLATFORM 230V .....	3
2	28176GT	DECAL,LABEL,MANUAL NOT HERE .....	1
3	28235GT	DECAL,POWER TO PLATFORM 115V .....	1
4	28236GT	DECAL,WARN,IMPROPER OPERATION .....	1
5	40434GT	DECAL,LANYARD ANCHORAGE POINT .....	6
6	43618GT	DECAL,LABEL-DIRECTION ARROWS .....	1
7	44736GT	DECAL,DANGER,TIP-OVER,TILT .....	1
8	44981GT	DECAL,LABEL,AIRLINE 110 PSI ..... option	2
9	52494GT	DECAL,CAUTION,CRUSH HAZ, RAILS .....	1
10	82557GT	DECAL,LABEL,PLAT CONT LOCATION .....	1
11	114386GT	DECAL,DANGER-GEN SAFETY .....	2
12	137605GT	DECAL,E-STOP,GR/GRC/GS PCON .....	1
13	137656GT	DECAL,PROPEL,GR/GRC/GS,PCON .....	1
14	216027GT	DECAL,DANGER-RUNAWAY HAZARD,SLOPE .....	1
15	235163GT	DECAL COSMETIC,GS4069DC .....	2
16	236360GT	DECAL, UI, GS69DC,PCON models without outriggers and with 5-button 2-speed controller to SN GS6914-5499	1
17	237116GT	DECAL,LABEL,FAULT CODES,69DC .....	1
18	237122GT	DECAL,COSMETIC,GENIE GS-2669DC .....	2
19	237123GT	DECAL,COSMETIC,GENIE GS-3369DC .....	2
20	237127GT	DECAL,UI,GS69DC W/OR,PCON models with outriggers and 7-button 2-speed controller to SN GS6914-5499	1
21	237135GT	DECAL,PLAT OPS INSTRUCT,GS69DC models with 2-speed controller to SN GS6914-5499	1
22	237920GT	DECAL,NOTICE,SIDE FRC GS2669DC .....	1
23	237921GT	DECAL,NOTICE,MAN FRC,3369,AUS .....	1
24	237922GT	DECAL,NOTICE,MAN FRC,4069,AUS .....	1
25	237927GT	DECAL,DANGER,OUTRIGGER SAFETY models with outriggers and 2-speed controller to SN GS6914-5499	1
26	T114638GT	DECAL,NOTICE,MAX CAP GS2669 .....	1
27	T114639GT	DECAL,NOTICE,MAX CAP,GS3369 .....	1



104.1 Word Decals - Platform, AUS

NOTE:  
Part numbers with "(FR)" indicates French translation is available

☐ Shading indicates decal is hidden from view.



Item	Part No.	Description	Qty.
28	T114640GT	DECAL,NOTICE,MAX CAP GS4069 .....	1
29	1256708GT	DECAL,STD,PROP LIFT,69DC,UI models without outriggers and with 3-button proportional controller .....	1
30	1256709GT	DECAL, STD, PROP LIFT, 69DC, U models without outriggers that are converted from 5-button 2-speed lift to 3-button proportional controller .....	1
31	1256710GT	DECAL,O/R,PROP LIFT,69DC,UI models with outriggers 5-button, proportional controller .....	1
32	1256711GT	DECAL, O/R, PROP LIFT, 69DC, U models with outriggers that are converted from 7-button 2-speed lift to 5-button proportional controller .....	1
33	1257396GT	DECAL,OP,INSTR,PLAT,69DC,AUS .....	1
34	1257923GT	DECAL, SMARTLINK PROPORTIONAL .....	1
35	1258104GT	DECAL,DANGER,OUTRIGGER SAFETY .....	1
		models with outriggers and proportional controller	

Go to Discount-Equipment.com to order your parts

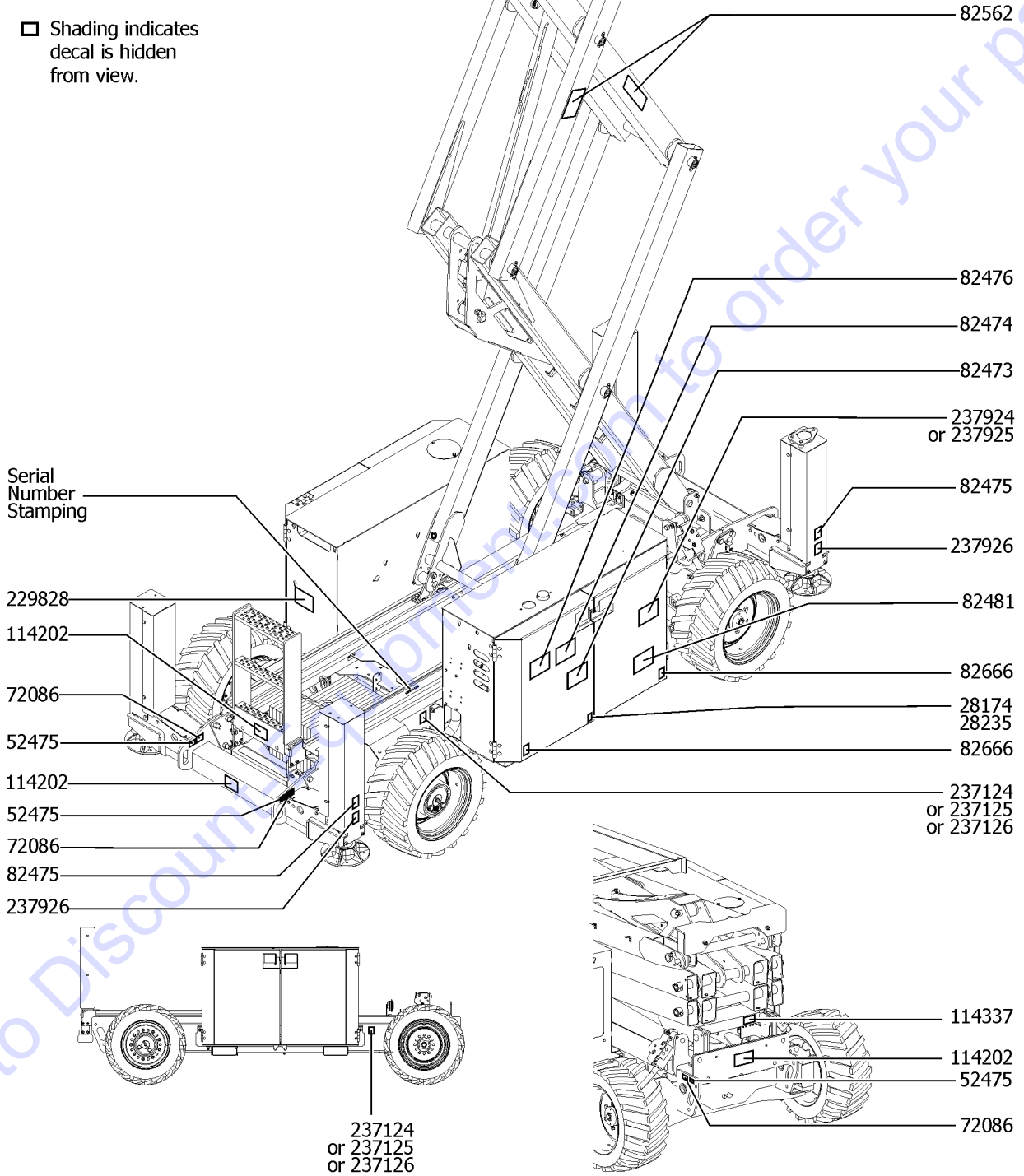




105.1 Symbol Decals - Battery Side

# Battery Side

☐ Shading indicates decal is hidden from view.



105.1 Symbol Decals - Battery Side

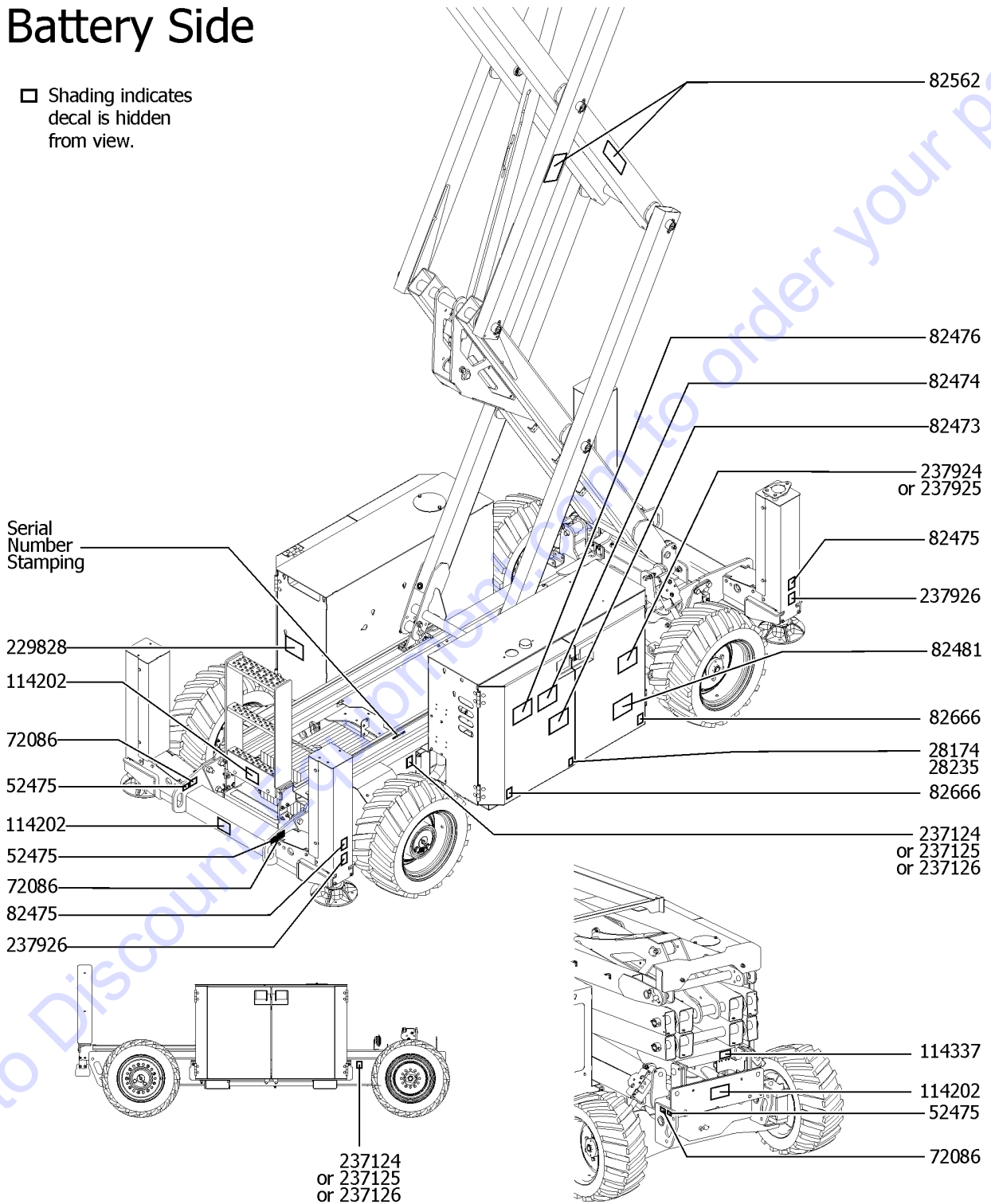
Item	Part No.	Description	Qty.
A-	216832GT	DECAL KIT,2669DC COMP,SYM,ANSI ANSI complete kit to SN GS6914-5499	
B-	216883GT	DECAL KIT,2669DC COMP,SYM,CE CE complete kit to SN GS6914-5499	
C-	216880GT	DECAL KIT,2669DC PLAT,SYM,ANSI ANSI platform kit to SN GS6914-5499	
D-	216884GT	DECAL KIT,2669DC PLAT,SYM,CE CE platform kit to SN GS6914-5499	
E-	216833GT	DECAL KIT,3369DC COMP,SYM,ANSI ANSI complete kit to SN GS6914-5499	
F-	216885GT	DECAL KIT,3369DC COMP,SYM,CE CE complete kit to SN GS6914-5499	
G-	216881GT	DECAL KIT,3369DC PLAT,SYM,ANSI ANSI platform kit to SN GS6914-5499	
H-	216886GT	DECAL KIT,3369DC PLAT,SYM,CE CE platform kit to SN GS6914-5499	
I-	216834GT	DECAL KIT,4069DC COMP,SYM,ANSI ANSI complete kit to SN GS6914-5499	
J-	216887GT	DECAL KIT,4069DC COMP,SYM,CE CE complete kit to SN GS6914-5499	
K-	216882GT	DECAL KIT,4069DC PLAT,SYM,ANSI ANSI platform kit to SN GS6914-5499	
L-	216888GT	DECAL KIT,4069DC PLAT,SYM,CE CE platform kit to SN GS6914-5499	
1	28174GT	DECAL,POWER TO PLATFORM 230V	3
2	28235GT	DECAL,POWER TO PLATFORM 115V	3
3	52475GT	DECAL,LABEL,TRANSPORT TIEDOWN*	4
4	72086GT	DECAL,LABEL,LIFTING EYE	4
5	82473GT	DECAL SYMBOL COMP ACCESS	2
6	82474GT	DECAL,SYMBOL-USE SAFETY ARM	2
7	82475GT	DECAL,SYMBOL-FOOT CRUSHING	4
8	82476GT	DECAL,SYMBOL-ELEC HAZARD,GS	2
9	82481GT	DECAL,SYMBOL-BATTERY SAFETY	1
10	82562GT	DECAL,SYMBOL-CRUSHING HAZARD	4
11	82666GT	DECAL,LABEL,FORKLIFT POCKET	4
12	114202GT	DECAL,LABEL,TRANSPORT TIE 68	2
13	114337GT	DECAL,SYM-TIP-OVR,LIM SWITCH	1
14	229828GT	DECAL,LABEL,HOT,SYMBOL	2
15	237124GT	DECAL,LABEL,WHEEL LD,GS2669DC	4
16	237125GT	DECAL,LABEL,WHEEL LD,GS3369DC	4



105.1 Symbol Decals - Battery Side

# Battery Side

☐ Shading indicates decal is hidden from view.



105.1 Symbol Decals - Battery Side

Item	Part No.	Description	Qty.
17	237126GT	DECAL,LABEL,WHEEL LD,GS4069DC .....	4
18	237924GT	DECAL,DNGR-TIP-OVR,BATT,J305CE .....	1
		option	
19	237925GT	DECAL,DNGR-TIP-OVR,BATT,T105CE .....	1
		GS-2669DC and GS-3369DC ONLY	
20	237926GT	DECAL,LABEL,OUTRIGGER LD .....	4
		option	

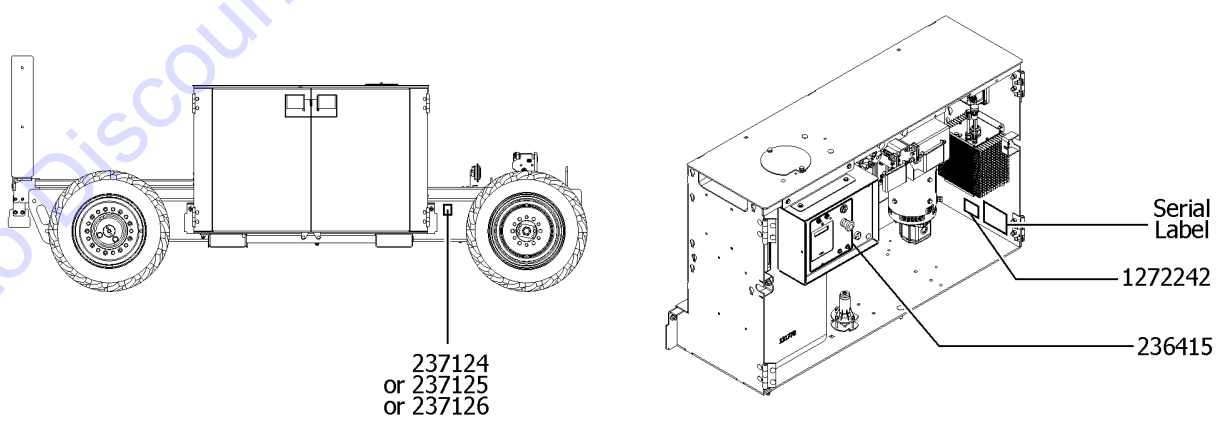
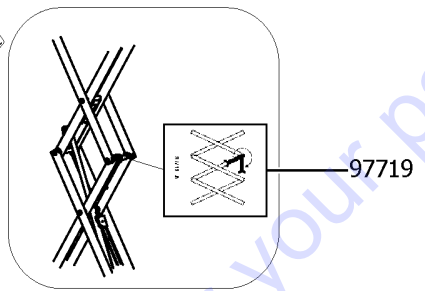
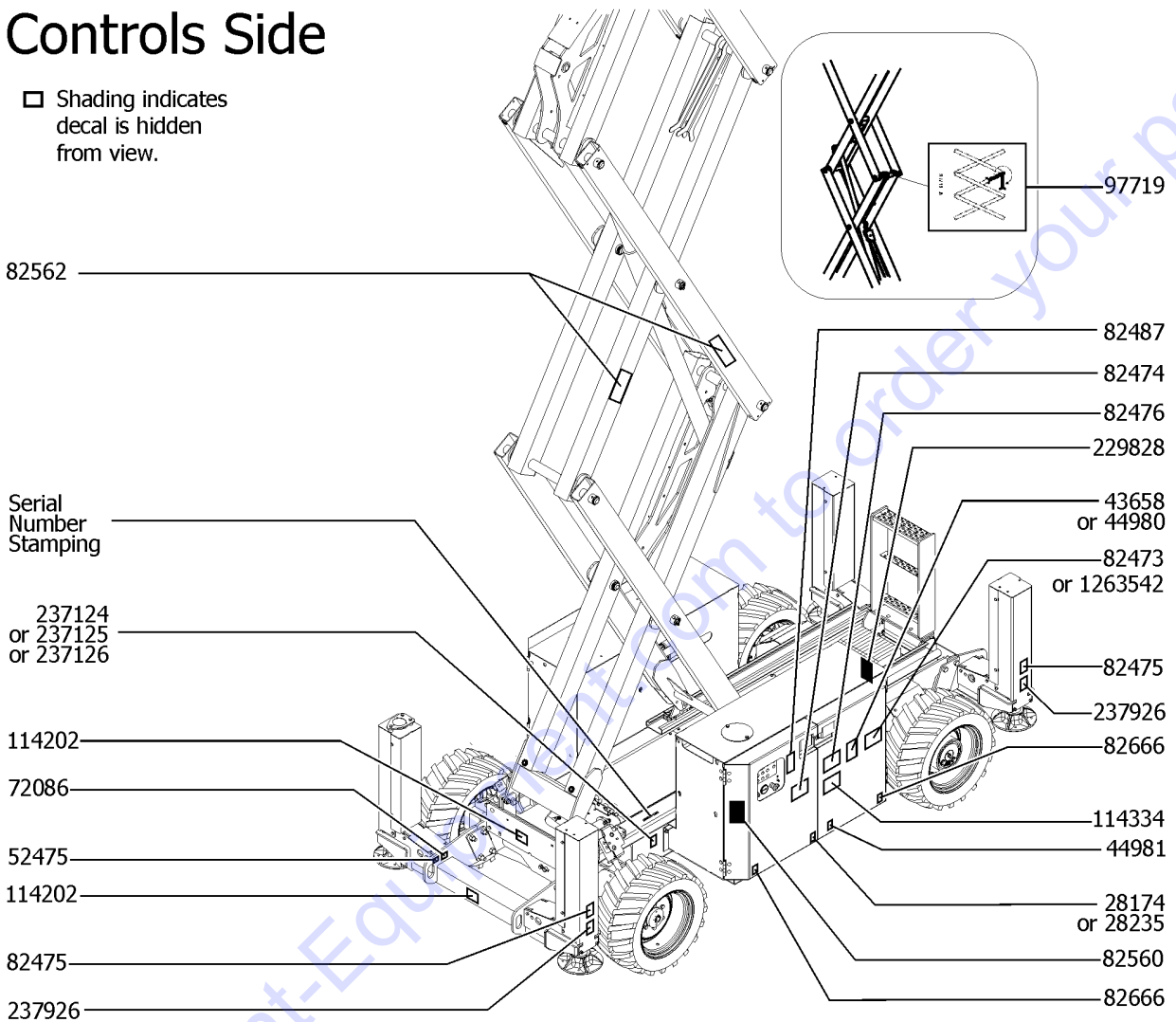
Go to Discount-Equipment.com to order your parts



106.1 Symbol Decals - Controls Side

# Controls Side

☐ Shading indicates decal is hidden from view.



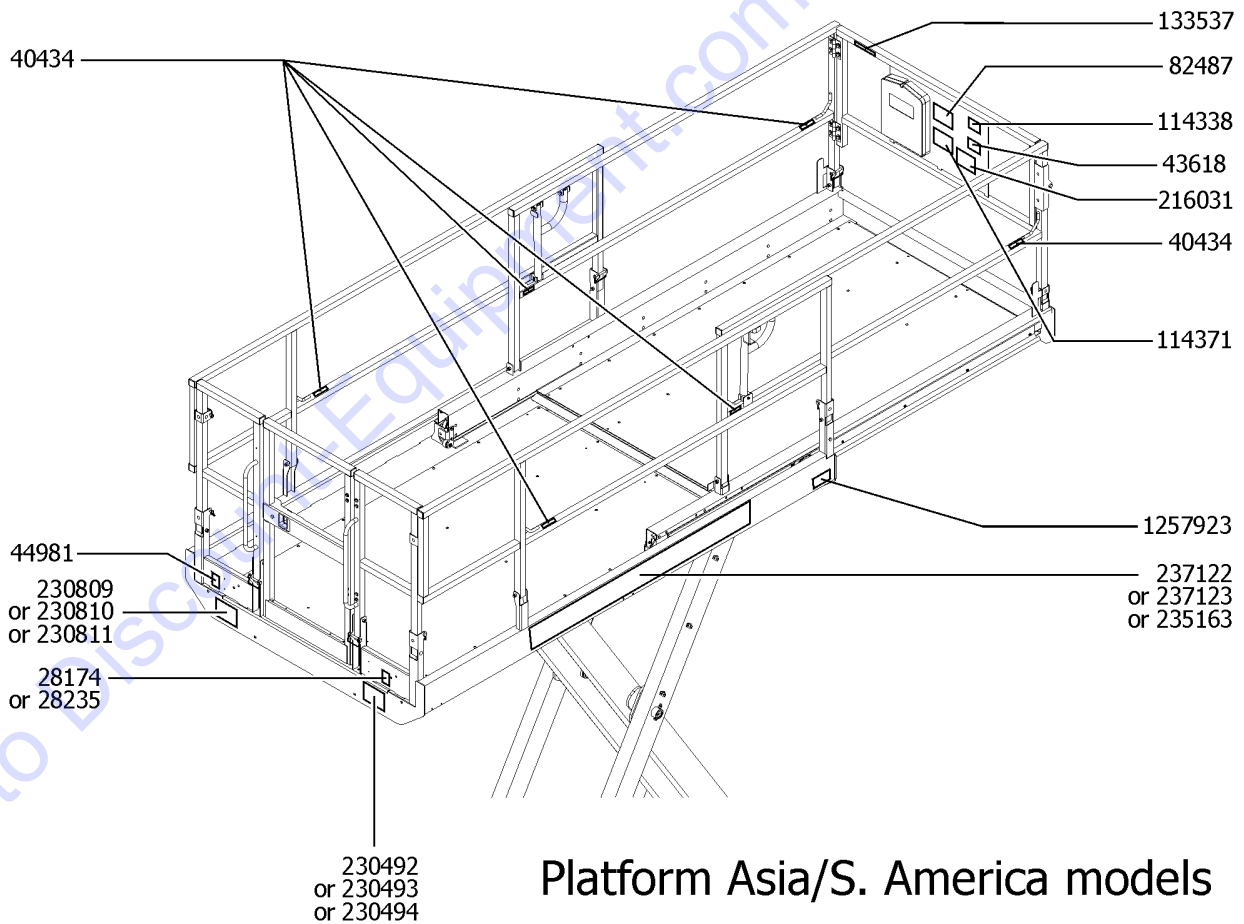
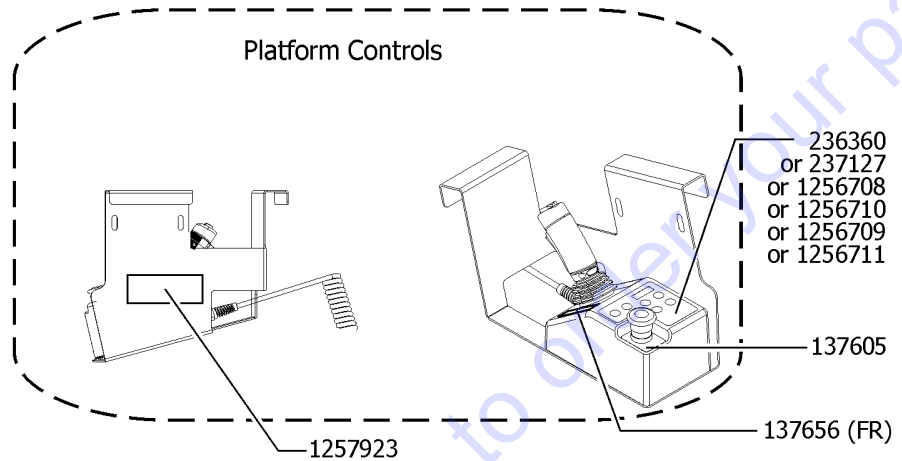
106.1 Symbol Decals - Controls Side

Item	Part No.	Description	Qty.
		Ref., Symbol Decal Kits ..... refer to 105.1	
1	28174GT	DECAL,POWER TO PLATFORM 230V .....	3
2	28235GT	DECAL,POWER TO PLATFORM 115V .....	3
3	43658GT	DECAL,LABEL,PWR TO CHARGR 230V .....	1
4	44980GT	DECAL,LABEL,PWR TO CHARGR 115V .....	1
5	44981GT	DECAL,LABEL,AIRLINE 110 PSI ..... option	2
6	52475GT	DECAL,LABEL,TRANSPORT TIEDOWN* .....	4
7	72086GT	DECAL,LABEL,LIFTING EYE .....	4
8A	82473GT	DECAL SYMBOL COMP ACCESS ..... (to SN 11474)	2
8B	1263542GT	DECAL, COMPARTMENT ACCESS ..... (from SN 11475)	2
9	82474GT	DECAL,SYMBOL-USE SAFETY ARM .....	2
10	82475GT	DECAL,SYMBOL-FOOT CRUSHING .....	4
11	82476GT	DECAL,SYMBOL-ELEC HAZARD,GS .....	2
12	82487GT	DECAL,SYMBOL-READ THE MANUAL .....	2
13	82560GT	DECAL,SYMBOL-SKIN INJECT HAZRD .....	1
14	82562GT	DECAL,SYMBOL-CRUSHING HAZARD .....	4
15	82666GT	DECAL,LABEL,FORKLIFT POCKET .....	4
16	97719GT	DECAL, LABEL, SAFETY ARM SYMB .....	1
17	114202GT	DECAL,LABEL,TRANSPORT TIE 68 .....	2
18	114334GT	DECAL,SYM-ELEC HAZARD,PLUG .....	2
19	229828GT	DECAL,LABEL,HOT,SYMBOL .....	2
20	236415GT	DECAL, GROUND CONTROL PANEL, G .....	1
21	237124GT	DECAL,LABEL,WHEEL LD,GS2669DC .....	4
22	237125GT	DECAL,LABEL,WHEEL LD,GS3369DC .....	4
23	237126GT	DECAL,LABEL,WHEEL LD,GS4069DC .....	4
24	237926GT	DECAL,LABEL,OUTRIGGER LD ..... option	4
25	1272242GT	DECAL,MACHINE REGISTRATION/OWN .....	1



107.1 Symbol Decals - Platform, Asia/S. America

☐ Shading indicates decal is hidden from view.



Platform Asia/S. America models





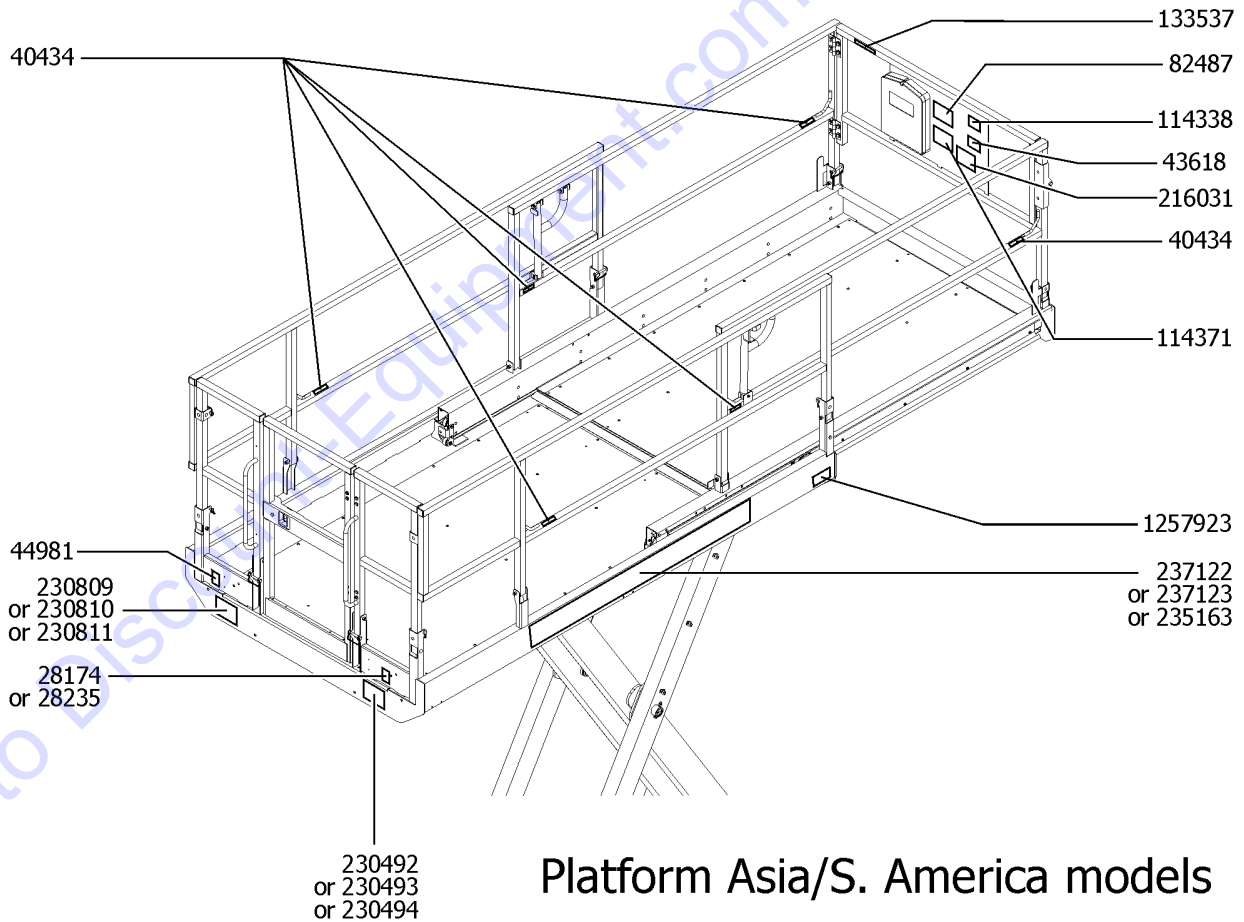
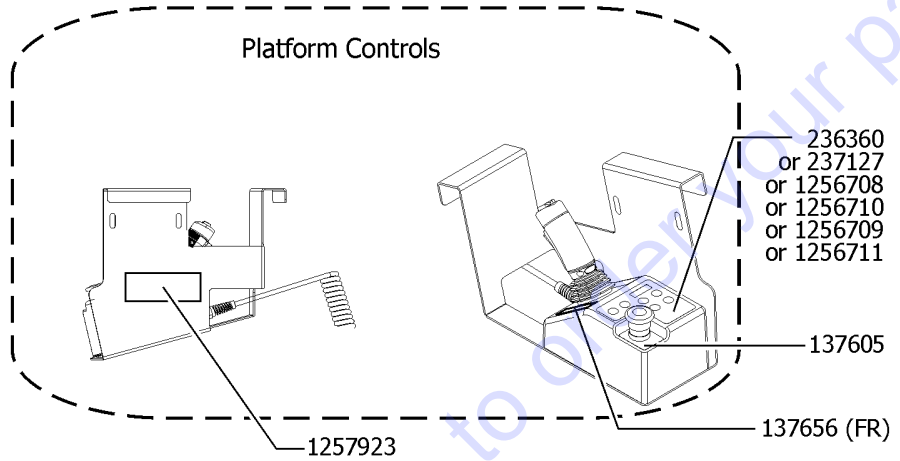
107.1 Symbol Decals - Platform, Asia/S. America

Item	Part No.	Description	Qty.
		<i>Ref., Symbol Decal Kits</i> ..... <i>refer to 105.1</i>	
1	28174GT	DECAL,POWER TO PLATFORM 230V .....	3
2	28235GT	DECAL,POWER TO PLATFORM 115V .....	3
3	40434GT	DECAL,LANYARD ANCHORAGE POINT .....	6
4	43618GT	DECAL,LABEL-DIRECTION ARROWS .....	2
5	44981GT	DECAL,LABEL,AIRLINE 110 PSI ..... <i>option</i>	1
6	82487GT	DECAL,SYMBOL-READ THE MANUAL .....	2
7	114338GT	DECAL,SYM-TIP-OVR,TILT ALARM .....	1
8	114371GT	DECAL,SYM-TIP-OVER,OUTRGR ..... <i>models with outriggers</i>	1
9	133537GT	DECAL,CRUSH HAZ RAILS SYMB .....	1
10	137605GT	DECAL,E-STOP,GR/GRC/GS PCON .....	1
11	137656GT	DECAL,PROPEL,GR/GRC/GS,PCON .....	1
12	216031GT	DECAL,DANGER,RUNAWAY HAZ, SYM .....	1
13	230492GT	DECAL,DANGER,SIDE FRC,GS2669 .....	1
14	230493GT	DECAL,DANGER,SIDE FRC,GS3369 .....	1
15	230494GT	DECAL,DANGER,SIDE FRC,GS4069 .....	1
16	230809GT	DECAL,NOTICE,MAX CAP GS2669 .....	1
17	230810GT	DECAL,NOTICE,MAX CAP GS3369 .....	1
18	230811GT	DECAL,NOTICE,MAX CAP GS4069 .....	1
19	235163GT	DECAL COSMETIC,GS4069DC .....	2
20	236360GT	DECAL, UI, GS69DC,PCON ..... <i>models without outriggers and with 5 button, 2 speed controller to SN GS6914-5499</i>	1
21	237122GT	DECAL,COSMETIC,GENIE GS-2669DC .....	2
22	237123GT	DECAL,COSMETIC,GENIE GS-3369DC .....	2
23	237127GT	DECAL,UI,GS69DC W/OR,PCON ..... <i>models with outriggers and 7 button, 2 speed controller to SN GS6914-5499</i>	1
24	1256708GT	DECAL,STD,PROP LIFT,69DC,UI ..... <i>models without outriggers and with 3 button, proportional controller</i>	1
25	1256709GT	DECAL, STD, PROP LIFT, 69DC, U ..... <i>models without outriggers that are converted from 5 button, 2 speed lift to 3 button, proportional controller</i>	1
26	1256710GT	DECAL,O/R,PROP LIFT,69DC,UI ..... <i>models with outriggers and 5 button, proportional controller</i>	1



107.1 Symbol Decals - Platform, Asia/S. America

☐ Shading indicates decal is hidden from view.



Platform Asia/S. America models



107.1 Symbol Decals - Platform, Asia/S. America

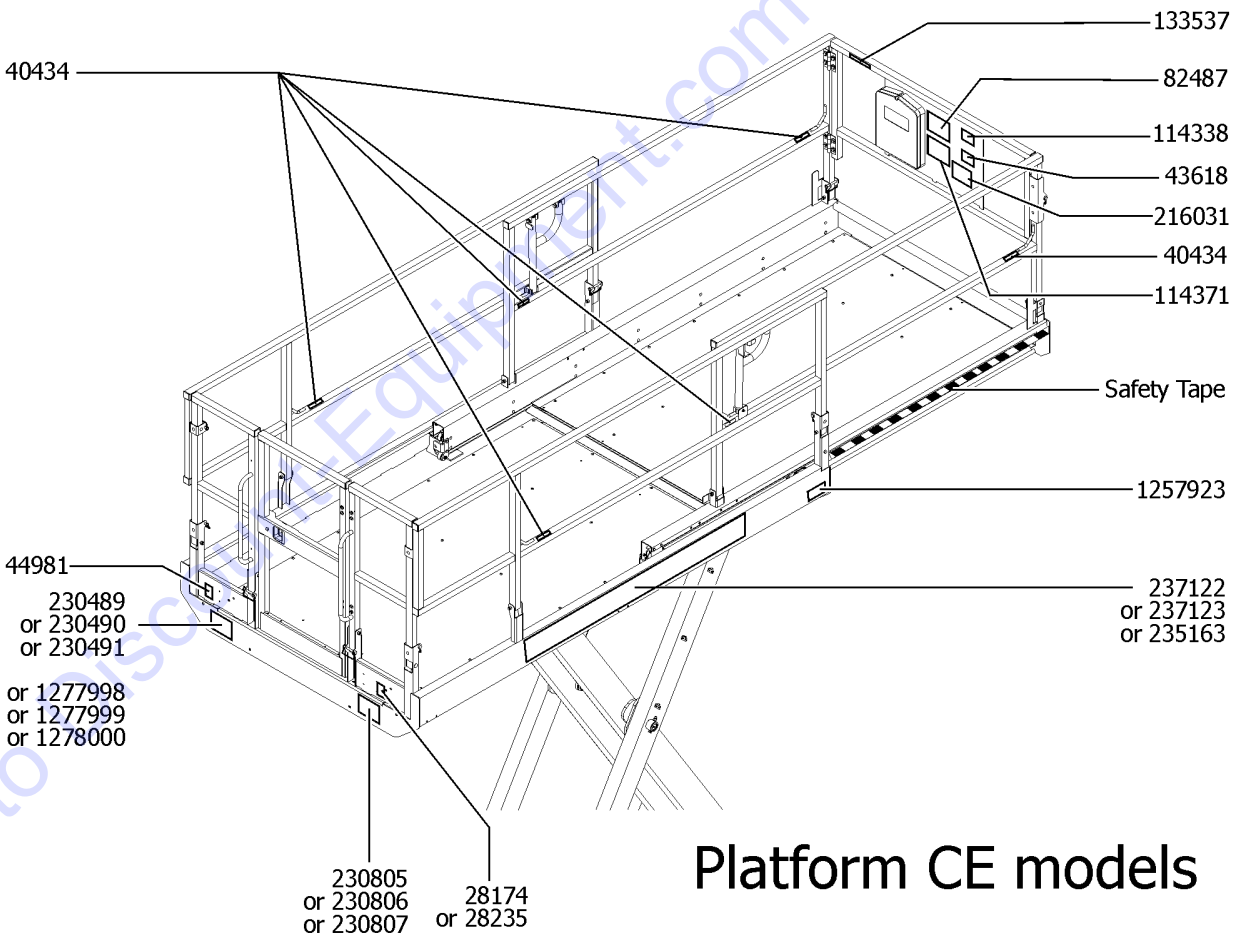
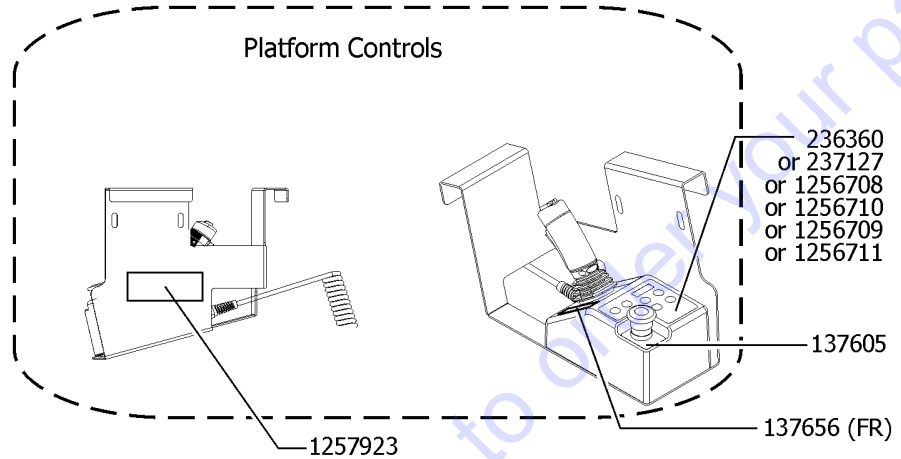
Item	Part No.	Description	Qty.
27	1256711GT	DECAL, O/R, PROP LIFT, 69DC, U models with outriggers that are converted from 7 button, 2 speed lift to 5 button, proportional controller	1
28	1257923GT	DECAL, SMARTLINK PROPORTIONAL models with proportional controller	1
27	1256711GT	DECAL, O/R, PROP LIFT, 69DC, U models with outriggers that are converted from 7 button, 2 speed lift to 5 button, proportional controller	1
28	1257923GT	DECAL, SMARTLINK PROPORTIONAL models with proportional controller	1

Go to Discount-Equipment.com to order your parts



108.1 Symbol Decals - Platform, CE

☐ Shading indicates decal is hidden from view.



Platform CE models

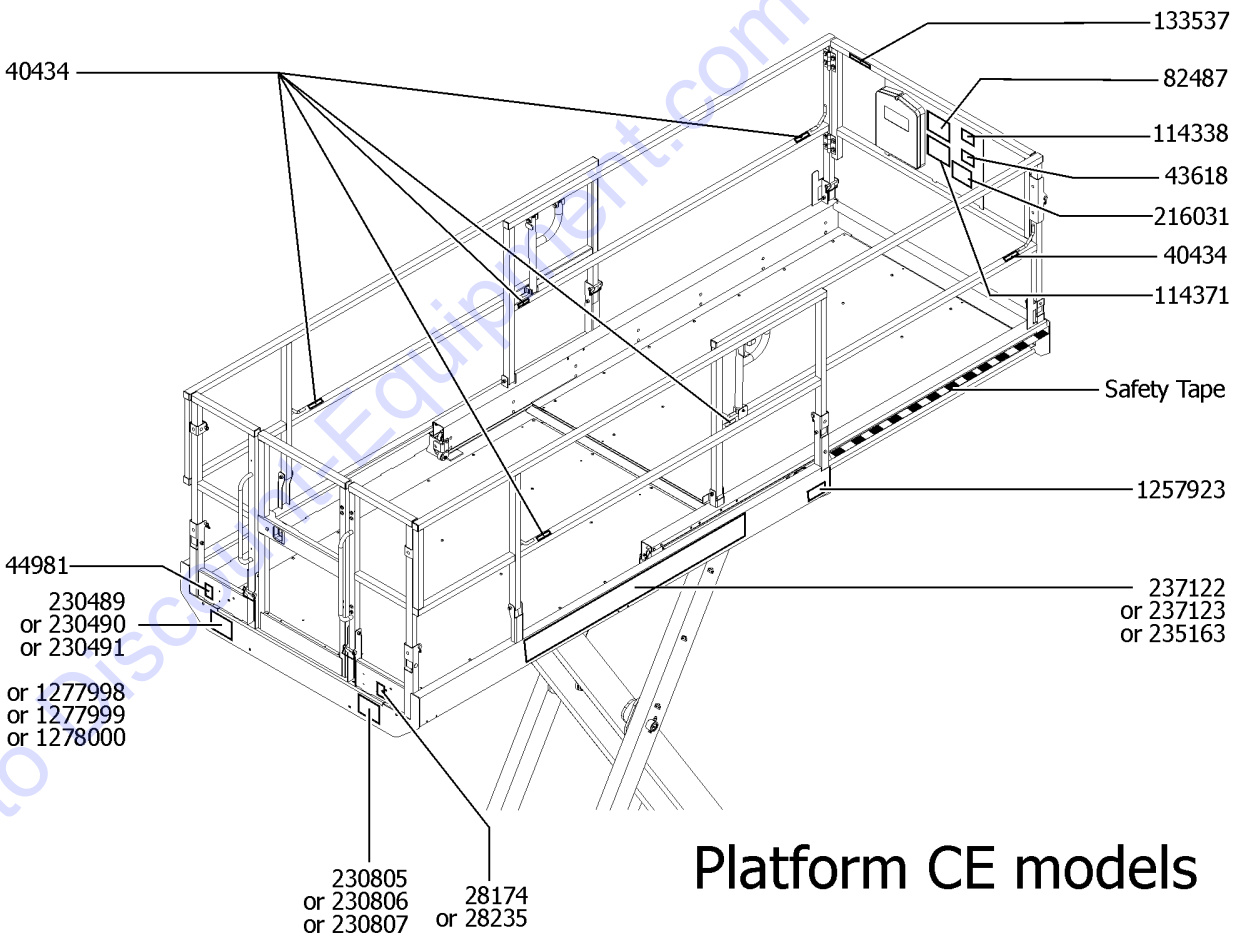
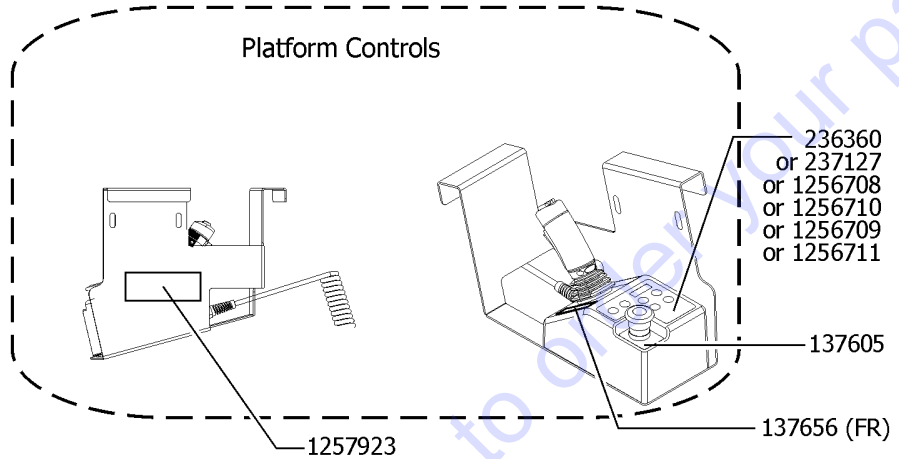


Item	Part No.	Description	Qty.
		Ref., Symbol Decal Kits ..... refer to 105.1	
1	28174GT	DECAL,POWER TO PLATFORM 230V .....	3
2	28235GT	DECAL,POWER TO PLATFORM 115V .....	3
3	40434GT	DECAL,LANYARD ANCHORAGE POINT .....	6
4	43618GT	DECAL,LABEL-DIRECTION ARROWS .....	1
5	44981GT	DECAL,LABEL,AIRLINE 110 PSI ..... option	2
6	82487GT	DECAL,SYMBOL-READ THE MANUAL .....	2
7	114338GT	DECAL,SYM-TIP-OVR,TILT ALARM .....	1
8	114371GT	DECAL,SYM-TIP-OVER,OUTRGR ..... models with outriggers	1
9	133537GT	DECAL,CRUSH HAZ RAILS SYMB .....	1
10	137605GT	DECAL,E-STOP,GR/GRC/GS PCON .....	1
11	137656GT	DECAL,PROPEL,GR/GRC/GS,PCON .....	1
12	216031GT	DECAL,DANGER,RUNAWAY HAZ, SYM .....	1
13A	230489GT	DECAL,NOTICE,MAX CAP GS2669 ..... (to SN 11474)	1
13B	1277998GT	DECAL,DANGER,MAX CAP/MAN FRC 2669 CE ..... (from SN 11475)	1
14A	230490GT	DECAL,NOTICE,MAX CAP GS3369 .....	1
14B	1277999GT	DECAL,DANGER,MAX CAP/MAN FRC 3369 CE ..... (from SN 11475)	1
15A	230491GT	DECAL,NOTICE,MAX CAP GS4069 .....	1
15B	1278000GT	DECAL,DANGER,MAX CAP/MAN FRC 4069 CE ..... (from SN 11475)	1
16	230805GT	DECAL,DANGER,MAN FRC, GS2669 .....	1
17	230806GT	DECAL,DANGER,MAN FRC, GS3369 .....	1
18	230807GT	DECAL,DANGER,MAN FRC, GS4069 .....	1
19	235163GT	DECAL COSMETIC,GS4069DC .....	2
20	236360GT	DECAL, UI, GS69DC,PCON ..... models without outriggers and with 5 button, 2 speed controller to SN GS6914-5499	1
21	237122GT	DECAL,COSMETIC,GENIE GS-2669DC .....	2
22	237123GT	DECAL,COSMETIC,GENIE GS-3369DC .....	2
23	237127GT	DECAL,UI,GS69DC W/OR,PCON ..... models with outriggers and 7 button, 2 speed controller to SN GS6914-5499	1
24	1256708GT	DECAL,STD,PROP LIFT,69DC,UI ..... models without outriggers and with 3 button, proportional controller	1



108.1 Symbol Decals - Platform, CE

☐ Shading indicates decal is hidden from view.



Platform CE models



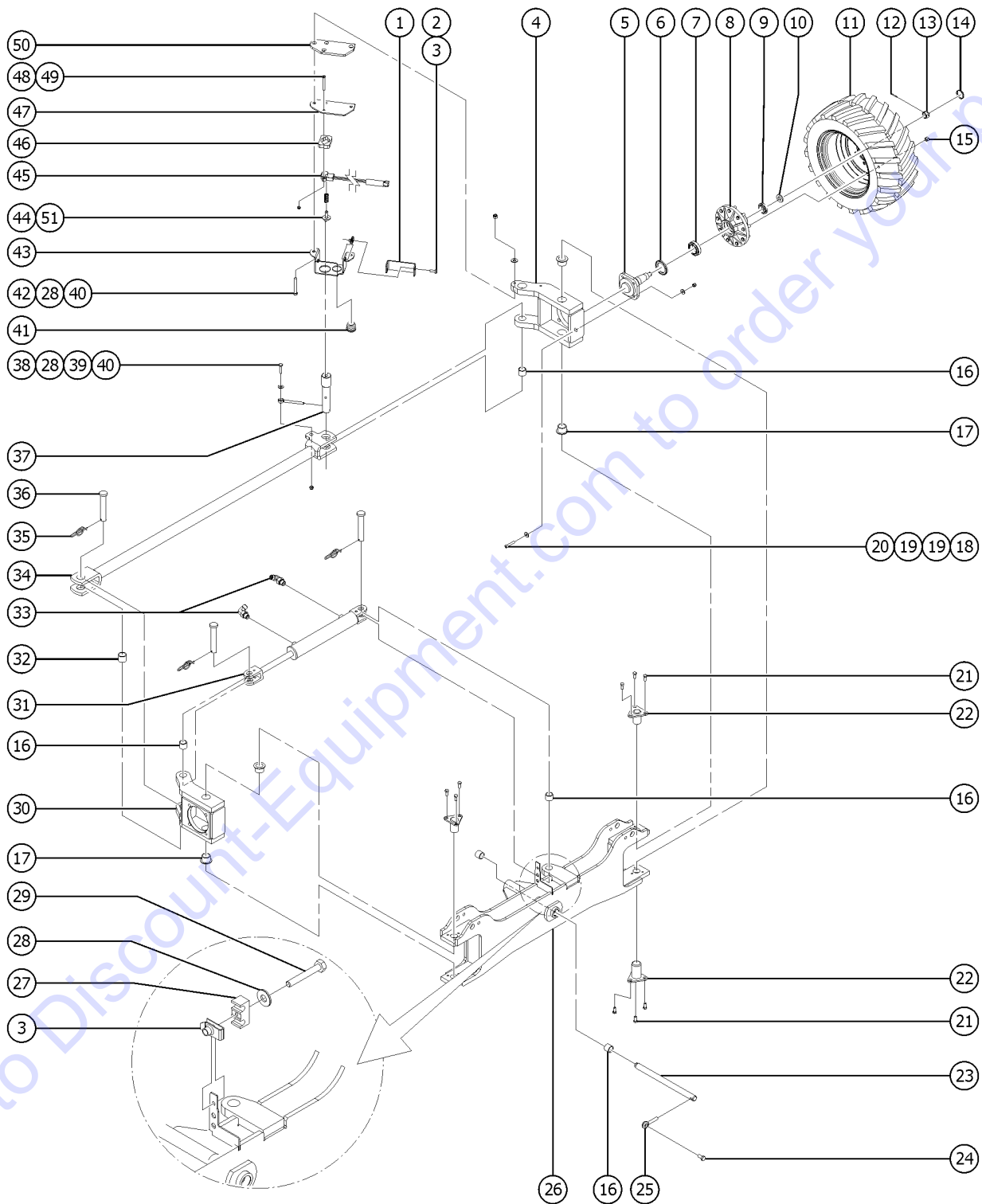
Item	Part No.	Description	Qty.
25	1256709GT	DECAL, STD, PROP LIFT, 69DC, U models without outriggers that are converted from 5 button, 2 speed lift to 3 button, proportional controller	1
26	1256710GT	DECAL, O/R, PROP LIFT, 69DC, UI models with outriggers and 5 button, proportional controller	1
27	1256711GT	DECAL, O/R, PROP LIFT, 69DC, U models with outriggers that are converted from 7 button, 2 speed lift to 5 button, proportional controller	1
28	1257923GT	DECAL, SMARTLINK PROPORTIONAL models with proportional controller	2

Go to Discount-Equipment.com to order your parts





201.1 Steer Axle Linkage, Wheels and Drive Motors

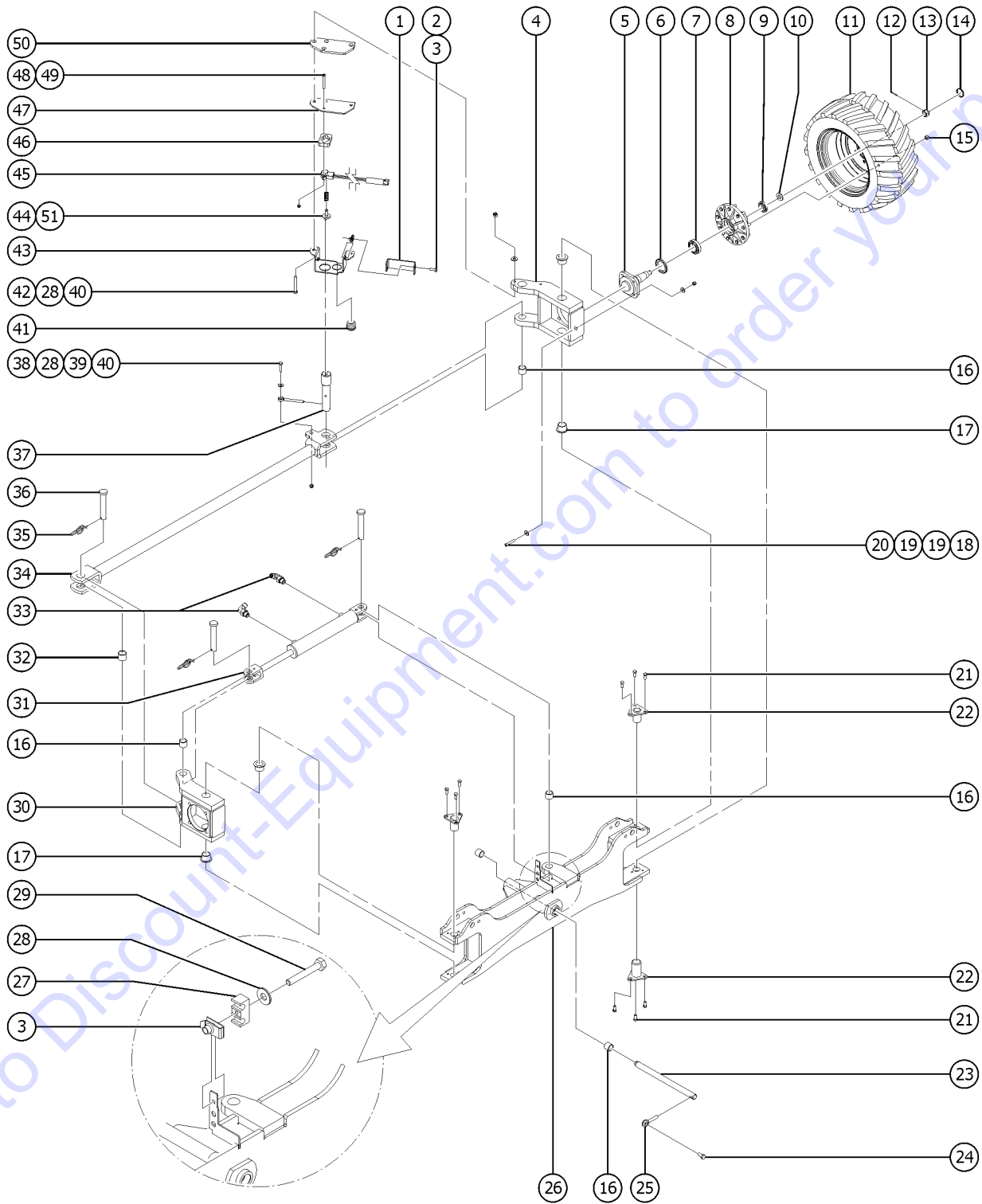


201.1 Steer Axle Linkage, Wheels and Drive Motors

Item	Part No.	Description	Qty.
1	1254431GT	FORMING, STEER SENSOR COVER PL .....	1
2	6090GT	SCREW,HHC,1/4-20 X .75 .....	
3	56912GT	SPRING CLIP,1/4-20,.025-.15X.5 .....	
4	235375GT	ASSEMBLY, STEER YOKE, LFT .....	1
		includes items 16 and 17	
5	1267409GT	WELDMENT,FRONT STEER,GS69DC .....	1
6	54960GT	SEAL-GREASE,9-BOLT HUB 54840 .....	1
7	54961GT	BEARING,INNER,9 BOLT HUB*** .....	1
8	54958GT	HUB,SUB ASSEMBLY,9 BOLT*** .....	1
9	54962GT	BEARING,OUTER,9 BOLT HUB*** .....	1
10	45112GT	WASHER,SPINDLE .....	1
11A	1258632GT	WHEEL ASSY,FOAM,12X26,NM,LF .....	1
		RT, Foam-filled, Non-marking, control side (left front) (water-based foam)	
11B	1258633GT	WHEEL ASSY,FOAM,12X26,NM,RF .....	1
		RT, Foam-filled, Non-marking, engine side (right front) (water-based foam)	
11C	1258759GT	WHEEL ASSY,FOAM,12X26,NM,LF .....	1
		RT, Foam-filled, Non-marking, controls side (left front) (petroleum-based foam)	
11D	1258760GT	WHEEL ASSY,FOAM,12X26,NM,RF .....	1
		RT, Foam-filled, Non-marking, engine side (right front) (petroleum-based foam)	
11E	T112503GT	ASSY,HI FLOAT TIRE/WHEEL FRONT .....	2
12	45114GT	PIN,COTTER,.219 X 1.75 .....	1
13	45113GT	NUT,SPINDLE,1-14 .....	1
14	54959GT	CAP,DUST (54840 HUB ASSY) .....	1
15	54627GT	NUT,LUG,5/8-18 X 90 DEGREE,Z45 .....	1
16	25817GT	BEARING,1.00IDX1.25ODX1.00L .....	5
17	148353GT	BEARING,BRZ,FL,1.25X1.50X1.1 .....	4
18	236813GT	SCREW,SHC,1/2-13 x 2.5 ZINC .....	
19	229167GT	WASHER,FLAT .56 X 1.375 X .11 .....	
20	104328GT	NUT,HEX,1/2-13 GRD 8 .....	
21	49857GT	SCREW,HHC,3/8-16 X .88,GRD 8 .....	16
22	131616GT	WELDMENT,KING PIN .....	4
23	237340GT	PIN,OSC PIVOT .....	1
24	8255GT	SCREW,HHC,3/8-16 X .75 .....	



201.1 Steer Axle Linkage, Wheels and Drive Motors

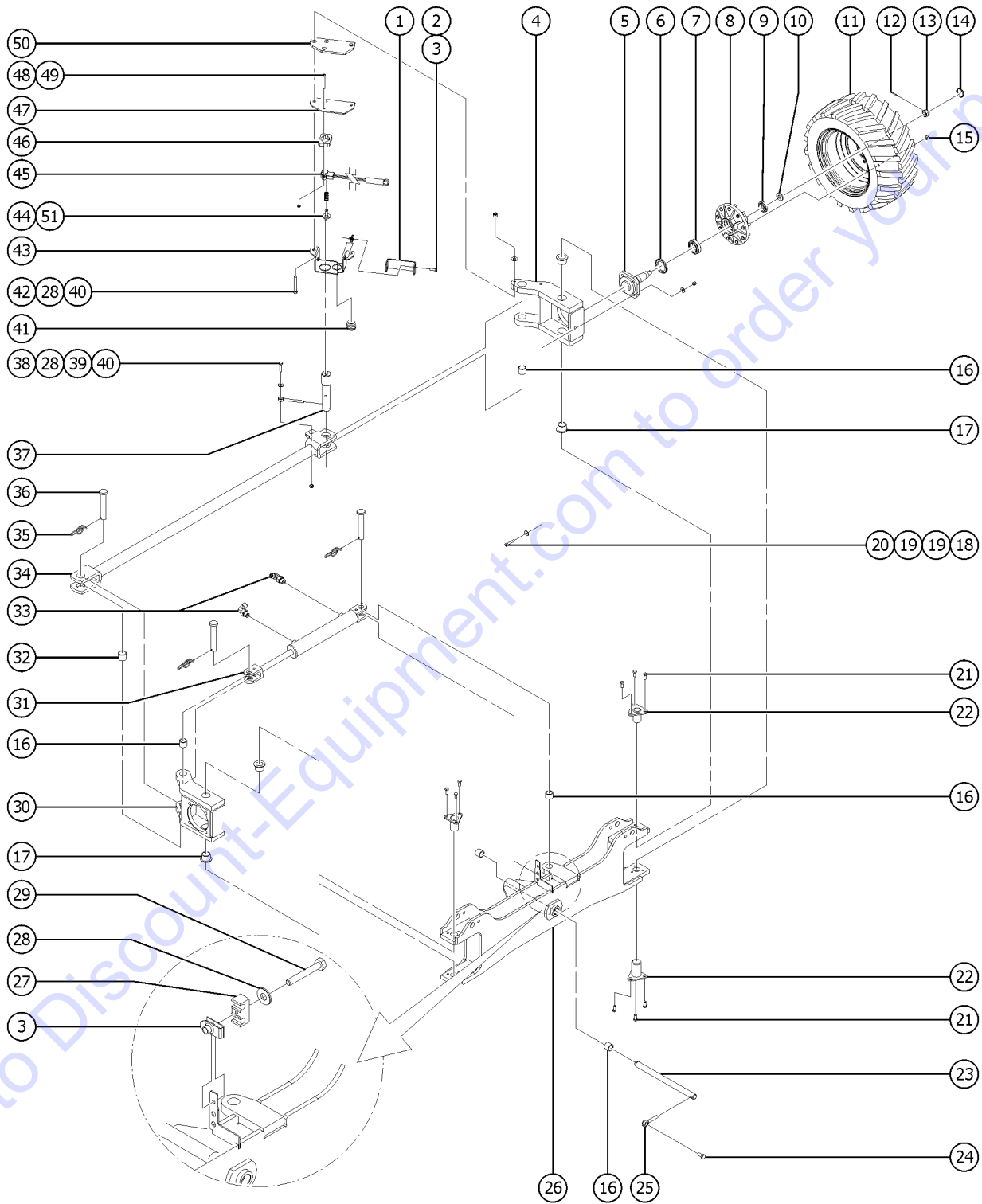


201.1 Steer Axle Linkage, Wheels and Drive Motors

Item	Part No.	Description	Qty.
25	1255452GT	ROD END,.375 X 2.25,ZAG .....	1
26	1254180GT	WELDMENT,OSC.AXLE .....	1
27	148396GT	CLAMP,HOSE,2X#4,GS69 .....	1
28	6638GT	WASHER,FLAT,USS,1/4"Y .....	1
29	6637GT	SCREW,HHC,1/4-20 X 1.75 .....	1
30	238299GT	ASSEMBLY, STEER YOKE, RT .....	1
		includes items 16, 17 and 32	
31	89065GT	CYLINDER,STEER*** .....	1
31-	89066GT	SEAL KIT,STEER CYL (89065) .....	1
32	53452GT	BEARING,1.00IDX1.50ODX1.00L .....	1
33	48911GT	ELBOW,90D,520220-4-6*** .....	2
34	1254181GT	WELDMENT,TIE ROD,GS69 .....	1
35	74389GT	RUE RING,1.00 .....	3
36	19440GT	PIN,CLEVIS,1 X 2.5 LG. ....	3
37	219206GT	PIN,CLEVIS,1X5.55 LG,GS69DC .....	1
38	8915GT	SCREW,HHC,1/4-20 X 1.25 .....	1
39	45748GT	ROD END,.250 X 2.75 LG .....	1
40	6091GT	NUT,NYLOCK,1/4-20 .....	1
41	60746GT	BUSHING, STRAIN RELIEF, 1" .....	1
42	8179GT	SCREW,HHC,1/4-20 X 2.25 .....	1
43	1254434GT	FORMING, STEER SENSOR COVER .....	1
44	110556GT	STEER SENSOR ACTUATOR,HEX .....	1
45	233767GT	STEER SENSOR ASSEMBLY .....	1
		complete assembly; includes items 3, 28, 37-41, 44-51	
45-	237254GT	ASSY,STEER SENSOR, GS69DC .....	1
		includes steer sensor and pigtail	
46	219279GT	SPACER,STEER SENSOR,UHMW .....	1
47	1254432GT	PLATE, STEER SENSOR BRACKET .....	1
48	49775GT	SCREW,PHILLIPS,PHM,10-32X 1.75 .....	1
49	14392GT	NUT,LP NYLOCK,10-32 .....	1
50	1254433GT	PLATE,STEER SENSOR SPACER,GS69 .....	1



201.1 Steer Axle Linkage, Wheels and Drive Motors



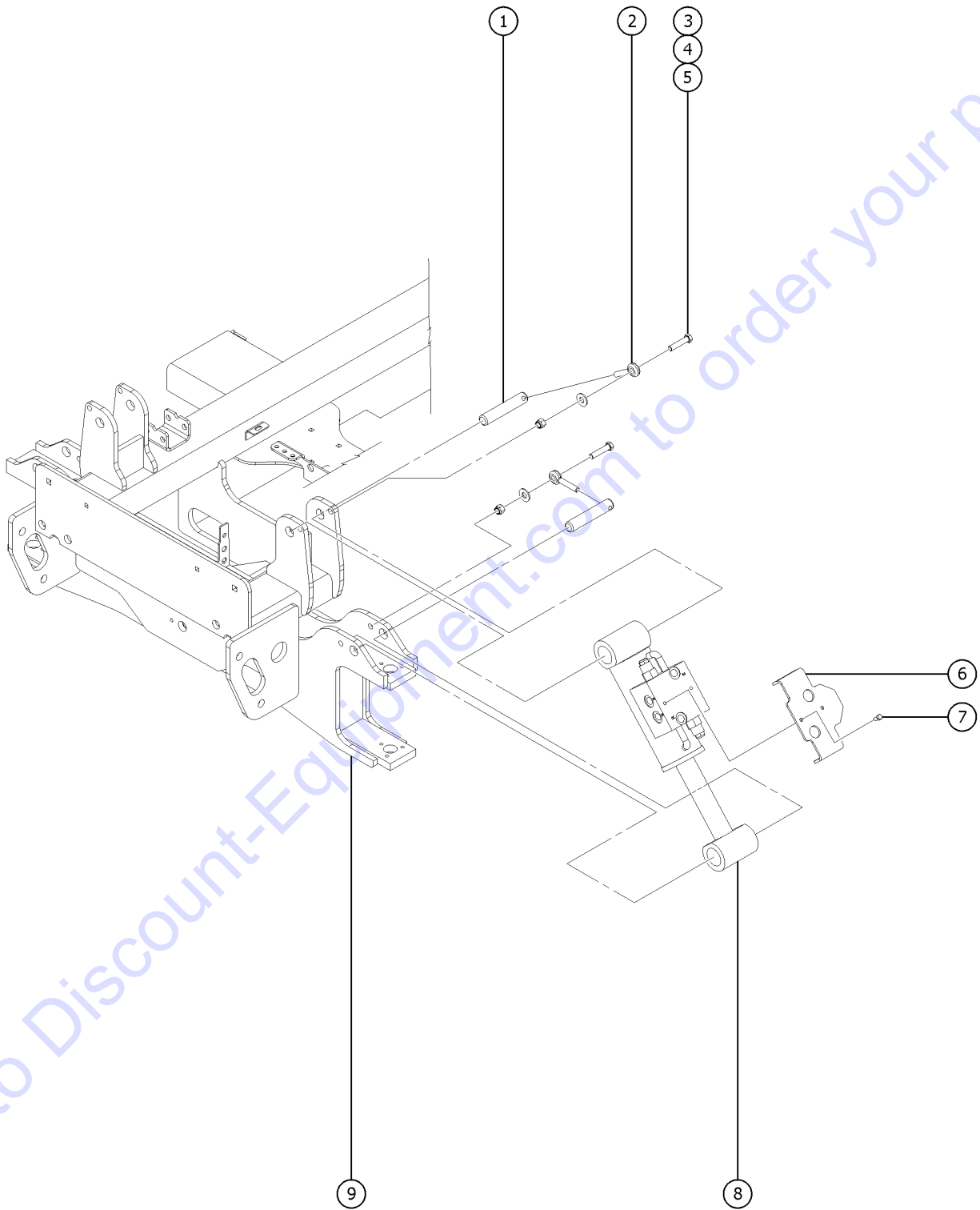
201.1 Steer Axle Linkage, Wheels and Drive Motors

Item	Part No.	Description	Qty.
51	119910GT	SPRING,COMP,300 OD X .63LG .....	1

Go to Discount-Equipment.com to order your parts



202.1 Steer Axle Linkage, Oscillation



Go to Discount-Equipment.com to order your parts

202.1 Steer Axle Linkage, Oscillation

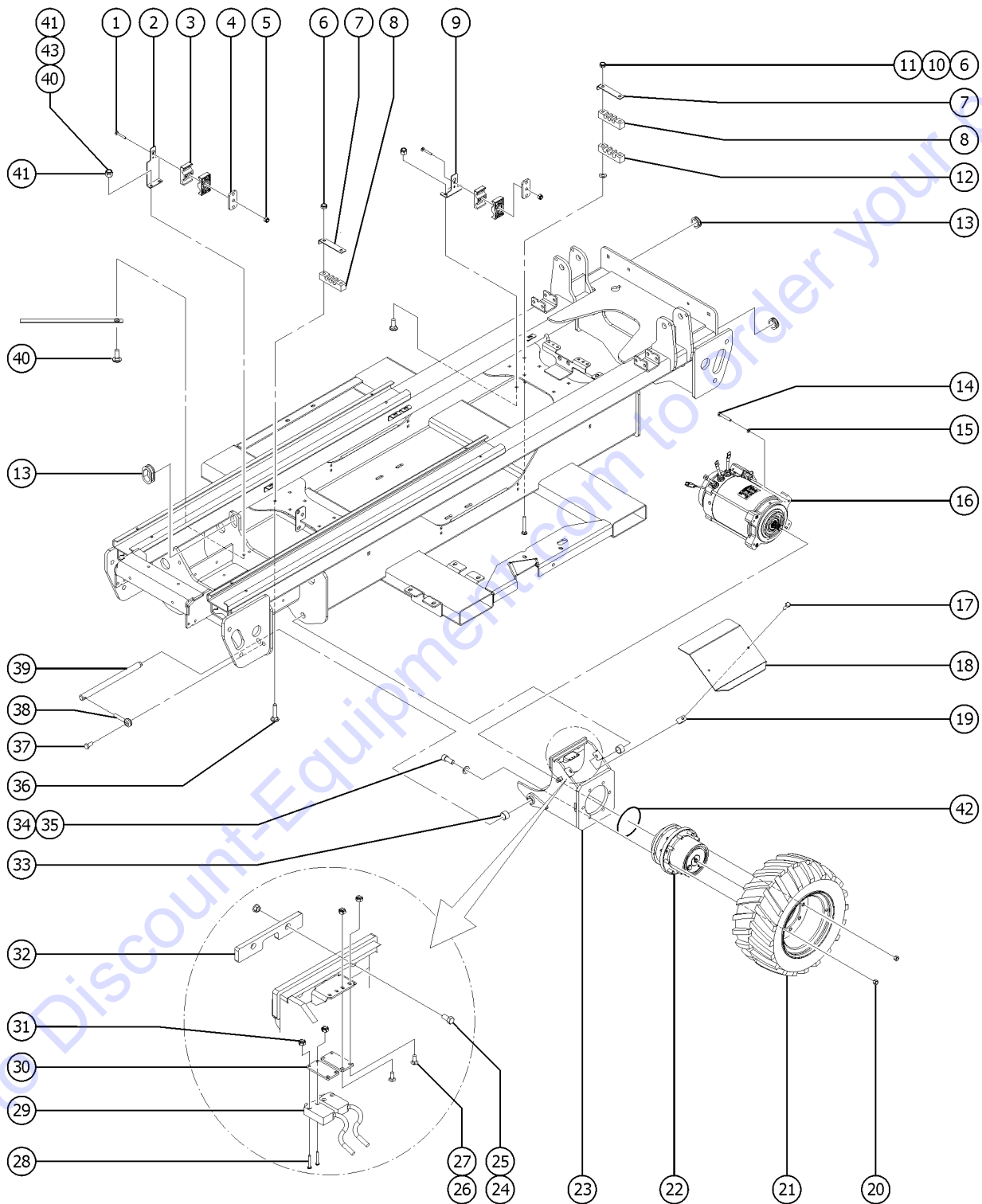
Item	Part No.	Description	Qty.
1	67387GT	PIN,1.00DIAX5.27LG,1HOLE .....	4
2	1255452GT	ROD END,.375 X 2.25,ZAG .....	4
3	13918GT	SCREW,HHC,3/8-16 X 1.75,GRD.8 .....	4
4	6097GT	WASHER,FLAT,USS,3/8",Y .....	4
5	4828GT	NUT,NYLOCK,3/8-16 .....	4
6	1254184GT	FORMING,OSC.COVER,GS69 .....	2
7	7339GT	SCREW,HHC,1/4-20 X .5 .....	4
8		Ref. CYLINDER, OSCILATING,GS69 .....	
		refer to 503.1	
9		Ref. WELDMENT,OSC.AXLE .....	
		refer to 201.1	

Go to Discount-Equipment.com to order your parts





203.1 Non-Steer Axle and Drive Motors

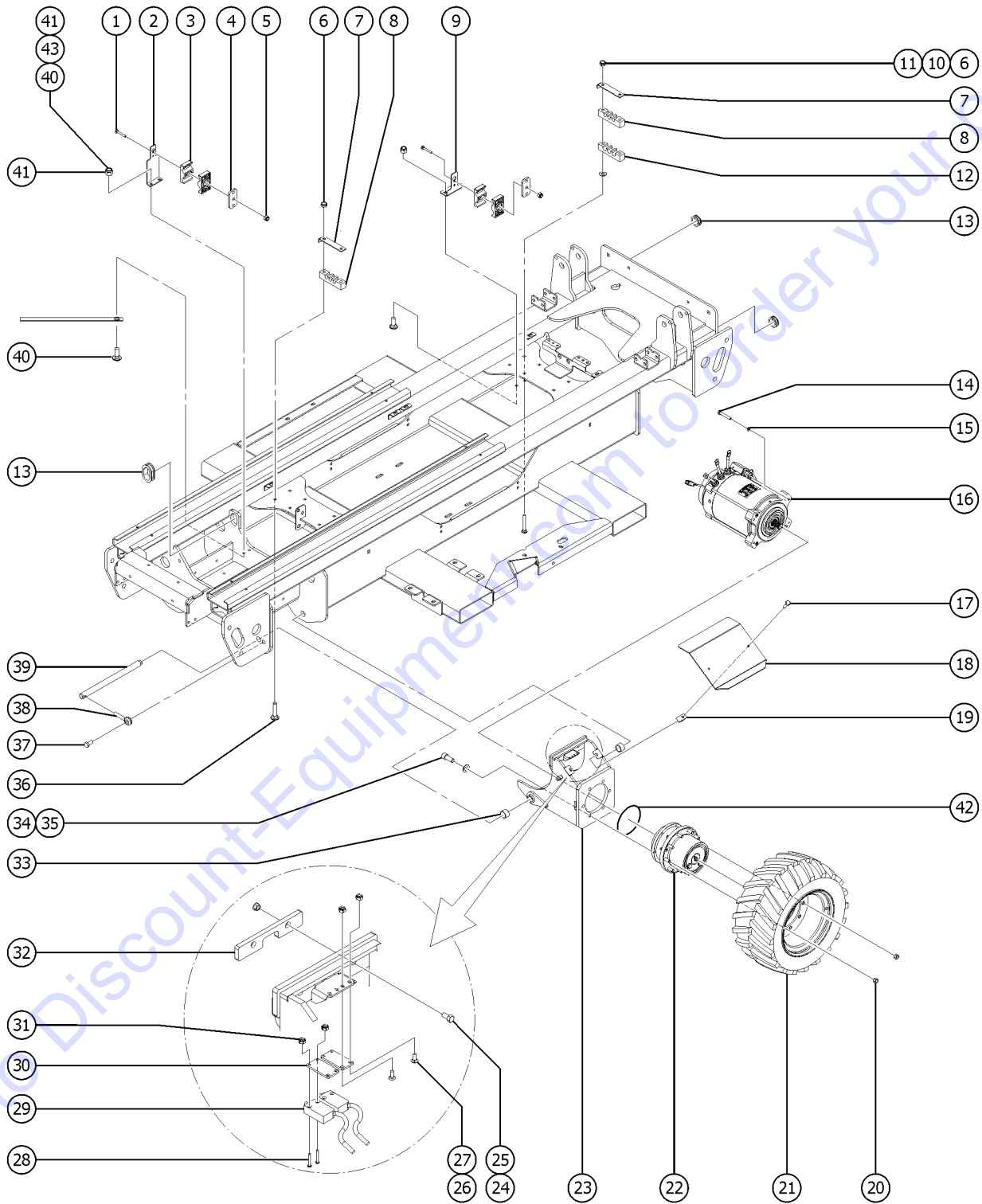


203.1 Non-Steer Axle and Drive Motors

Item	Part No.	Description	Qty.
1	73464GT	BOLT,CARRIAGE,1/4-20 X 1.75,G2 .....	4
2	1254437GT	FORMING,REAR DRIVE HOSE CLAMP .....	2
3	78736GT	CLAMP,2 HOSE,PLASTIC,5/8 .....	8
4	1254245GT	PLATE,HOSE ROUTING,BULKHEAD .....	4
5	6091GT	NUT,NYLOCK,1/4-20 .....	
6	7713GT	NUT,LP NYLOCK,3/8-16 .....	
7	1254175GT	FORMING,CLAMP,CHASSIS,FRONT .....	4
8	T109744GT	CLAMP,HOSE,FRONT,3X#4 .....	4
9	1254176GT	FORMING,DRIVE HOSE CLAMP MOUNT .....	2
10	87684GT	PUSH RETAINER, 3/8" SCREW .....	4
11	112476GT	BOLT,CARRIAGE,3/8-16X2.75,G5 .....	4
12	T109745GT	CLAMP,HOSE,FRONT,2X#4,#6 .....	2
13	T109739GT	GROMMET,RUBBER,1.75 ID .....	12
14	50793GT	SCREW,HHC,5/16-18 X 2 .....	
15	6886GT	WASHER,LOCK,.313 .....	
16	232523GT	MOTOR,DRIVE,AC,INT. BRAKE,IP67 .....	1
17	6090GT	SCREW,HHC,1/4-20 X .75 .....	
18	1254178GT	COVER,REAR AXLE .....	
19	56912GT	SPRING CLIP,1/4-20,.025-.15X.5 .....	4
20	54627GT	NUT,LUG,5/8-18 X 90 DEGREE,Z45 .....	18
21A	1258628GT	WHEEL ASSY,FOAM,12X26,NM,LR RT, Foam-filled, Non-marking, control side (left rear) (water-based foam) .....	1
21B	1258629GT	WHEEL ASSY, FOAM,12X26,NM,RR RT, Foam-filled, Non-marking, engine side (right rear) (water-based foam) .....	1
21C	1258753GT	WHEEL ASSY,FOAM,12X26,NM,LR RT, Foam-filled, Non-marking, controls side (left rear) (petroleum-based foam) .....	1
21D	1258754GT	WHEEL ASSY,FOAM,12X26,NM,RR RT, Foam-filled, Non-marking, engine side (right rear) (petroleum-based foam) .....	1
21E	131695GT	ASSY, HI FLOAT TIRE/WHEEL REAR .....	2
22	106445GT	WHEEL DRIVE,4HB,57:1*** .....	2
22-	106121GT	ROD,DISCONNECT 4HP/4HB*** for 106445 .....	
22-	106122GT	CAP,DISENGAGE,4HP/4HB*** for 106445 .....	



203.1 Non-Steer Axle and Drive Motors

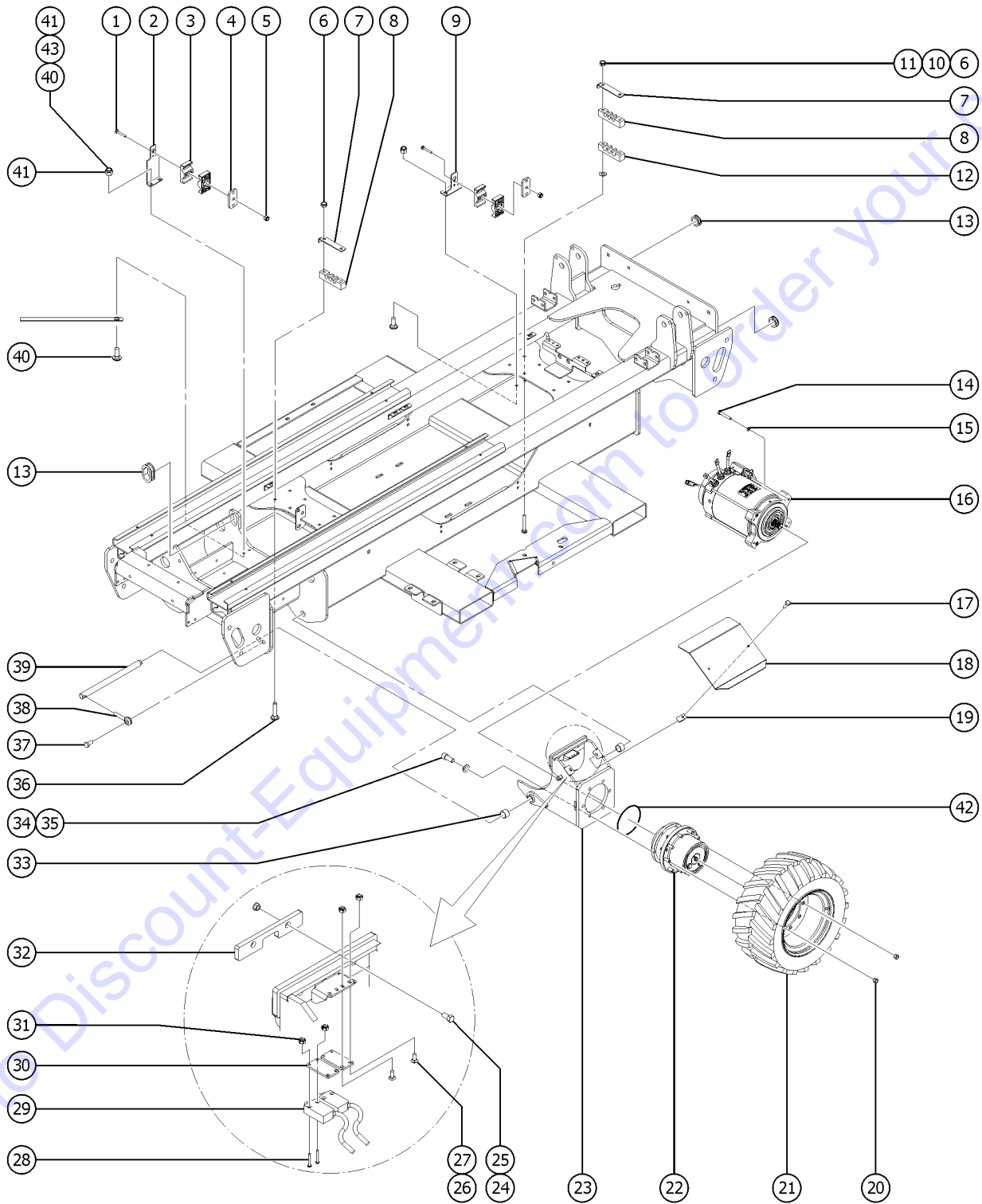


203.1 Non-Steer Axle and Drive Motors

Item	Part No.	Description	Qty.
22-	106123GT	O-RING,END COVER,4HP/4HB*** for 106445	
22-	1286600GT	SEAL KIT,WHEEL DRIVE (106148/106445/107712) for 106445 (inventory limited to stock on hand as component is no longer available)	
22-	1286600GT	SEAL KIT,WHEEL DRIVE (106148/106445/107712) for 106445	
22-	21149GT	LUG,WHEEL STUD,5/8-18,W1/4HB** for 106445	
22-	58320GT	KIT,TORQUE HUB COVER(101584)** for 106445	
22-	74714GT	BEARING KIT-74097 TORQUE HUB** for 106445 (inventory limited to stock on hand as component is no longer available)	
22-	1286601GT	BEARING KIT,WHEEL DRIVE (106148/106445/107712) for 106445	
22-	83092GT	SNAP RING (74097) for 106445	
23	235377GT	SUBASSY,DC REAR AXLE includes item 33	2
24	33987GT	SCREW,HHC, 1/2-13 X 1, GR 5	
25	96320GT	NUT,LOCKING-LG.FLANGE, 1/2-13	
26	1283121GT	BOLT,CARRIAGE,#10-24X 5/8",G2	
27	5365GT	NUT,NYLOCK,10-24	
28	18540GT	SCREW,RHM,8-32 X 1	
29	148236GT	SWITCH,LIMIT,PLUNGER,SMALL	4
30	1254177GT	PLATE,SENSE AXLE SWITCH	4
31	18605GT	NUT,NYLOCK,8-32	
32	131639GT	PAD,SENSE AXLE REST	2
33	51474GT	BEARING,1.00IDX1.25ODX0.75L	4
34	112512GT	SCREW,SHC,5/8-11 X 1.5 NDPATCH	
35	13064GT	WASHER,FLAT,.625 HARDENED	
36	112572GT	BOLT,CARRIAGE,3/8-16X1.75	
37	8255GT	SCREW,HHC,3/8-16 X .75	
38	1255452GT	ROD END,.375 X 2.25,ZAG	2
39	237340GT	PIN,OSC PIVOT	2
40	73466GT	BOLT,CARRIAGE,3/8-16 X 1.00,G2	8
41	4828GT	NUT,NYLOCK,3/8-16	8
42	110965GT	O-RING,.188 X 5'OD,BUNA N,70A	1



203.1 Non-Steer Axle and Drive Motors



203.1 Non-Steer Axle and Drive Motors

Item	Part No.	Description	Qty.
43	54436GT	GROUND STRAP,18"LG .....	
43-	87684GT	PUSH RETAINER, 3/8" SCREW .....	
		<i>not included, sold separately</i>	

Go to Discount-Equipment.com to order your parts



# PARTS FINDER

**Search Website  
by Part Number**



**Search Manual  
Library For Parts  
Manual & Lookup Part  
Numbers – Purchase  
or Request Quote**

**Search Manuals**

Enter your information to help us find the right parts manual for your equipment.

\* Brand:

\* Model:

\* Serial:

\* Part Number:

SEARCH

**Can't Find Part or  
Manual? Request Help  
by Manufacturer,  
Model & Description**

**Parts Order Form**

Please fill in the following information to help us find the right part for your equipment.

Manufacturer:	<input type="text"/>
Model:	<input type="text"/>
Description:	<input type="text"/>
Part Number:	<input type="text"/>
Quantity:	<input type="text"/>
Notes:	<input type="text"/>

Submit

Discount-Equipment.com is your online resource for quality parts & equipment.

Florida: **561-964-4949** Outside Florida TOLL FREE: **877-690-3101**

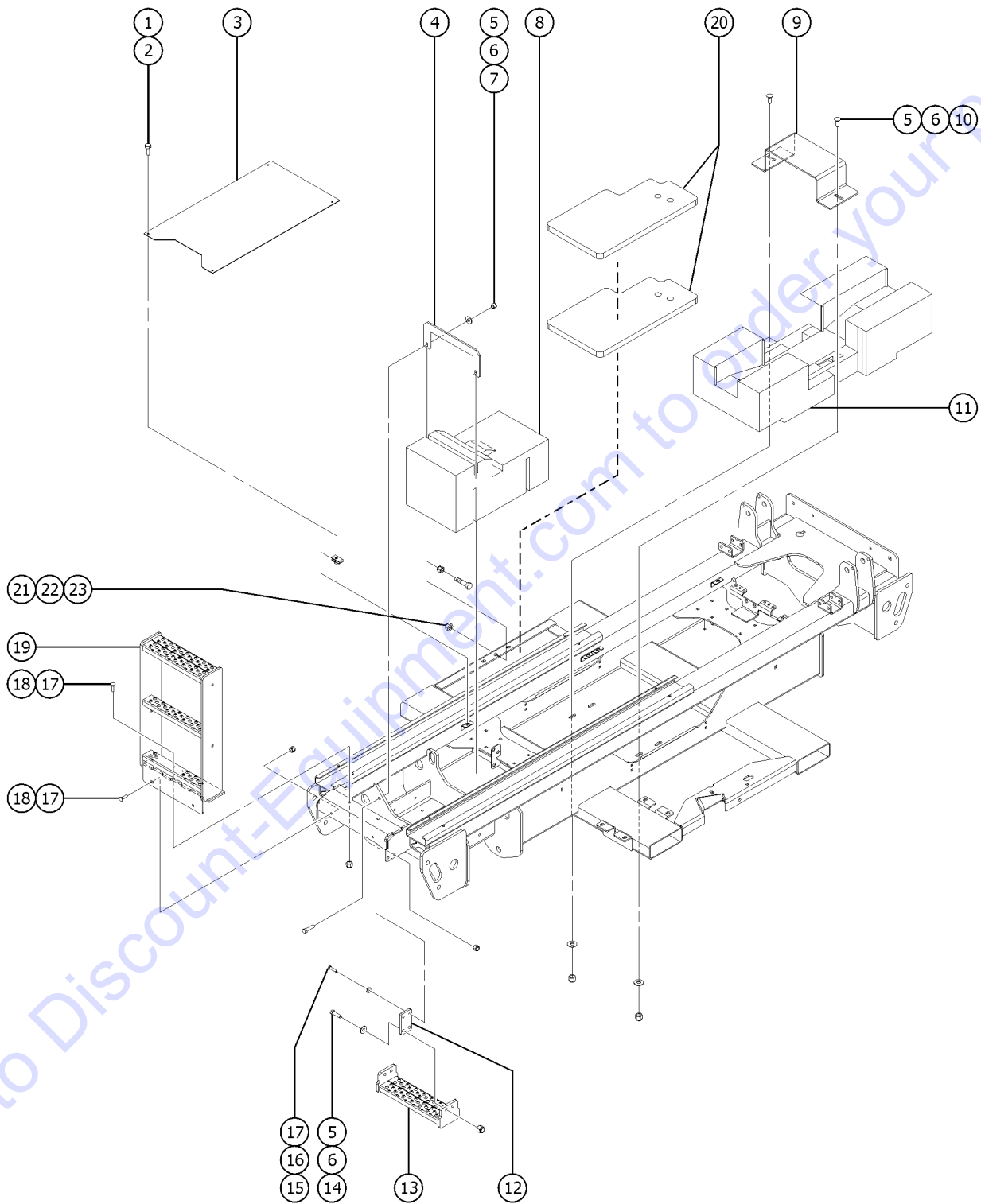
**Need parts?**

Click on this link: <http://www.discount-equipment.com/category/5443-parts/> and choose one of the options to help get the right parts and equipment you are looking for. Please have the machine model and serial number available in order to help us get you the correct parts. If you don't find the part on the website or on one of the online manuals, please fill out the request form and one of our experienced staff members will get back to you with a quote for the right part that your machine needs.

We sell worldwide for the brands: Genie, Terex, JLG, MultiQuip, Mikasa, Essick, Whiteman, Mayco, Toro Stone, Diamond Products, Generac Magnum, Airman, Haulotte, Barreto, Power Blanket, Nifty Lift, Atlas Copco, Chicago Pneumatic, Allmand, Miller Curber, Skyjack, Lull, Skytrak, Tsurumi, Husquvarna Target, Stow, Wacker, Sakai, Mi-T-M, Sullair, Basic, Dynapac, MBW, Weber, Bartell, Bennar Newman, Haulotte, Ditch Runner, Menegotti, Morrison, Contec, Buddy, Crown, Edco, Wyco, Bomag, Laymor, EZ Trench, Bil-Jax, F.S. Curtis, Gehl Pavers, Heli, Honda, ICS/PowerGrit, IHI, Partner, Imer, Clipper, MMD, Koshin, Rice, CH&E, General Equipment, Amida, Coleman, NAC, Gradall, Square Shooter, Kent, Stanley, Tamco, Toku, Hatz, Kohler, Robin, Wisconsin, Northrock, Oztec, Toker TK, Rol-Air, APT, Wylie, Ingersoll Rand / Doosan, Innovatech, Con X, Ammann, Mecalac, Makinex, Smith Surface Prep, Small Line, Wanco, Yanmar



204.1 Ladder and Counterweight

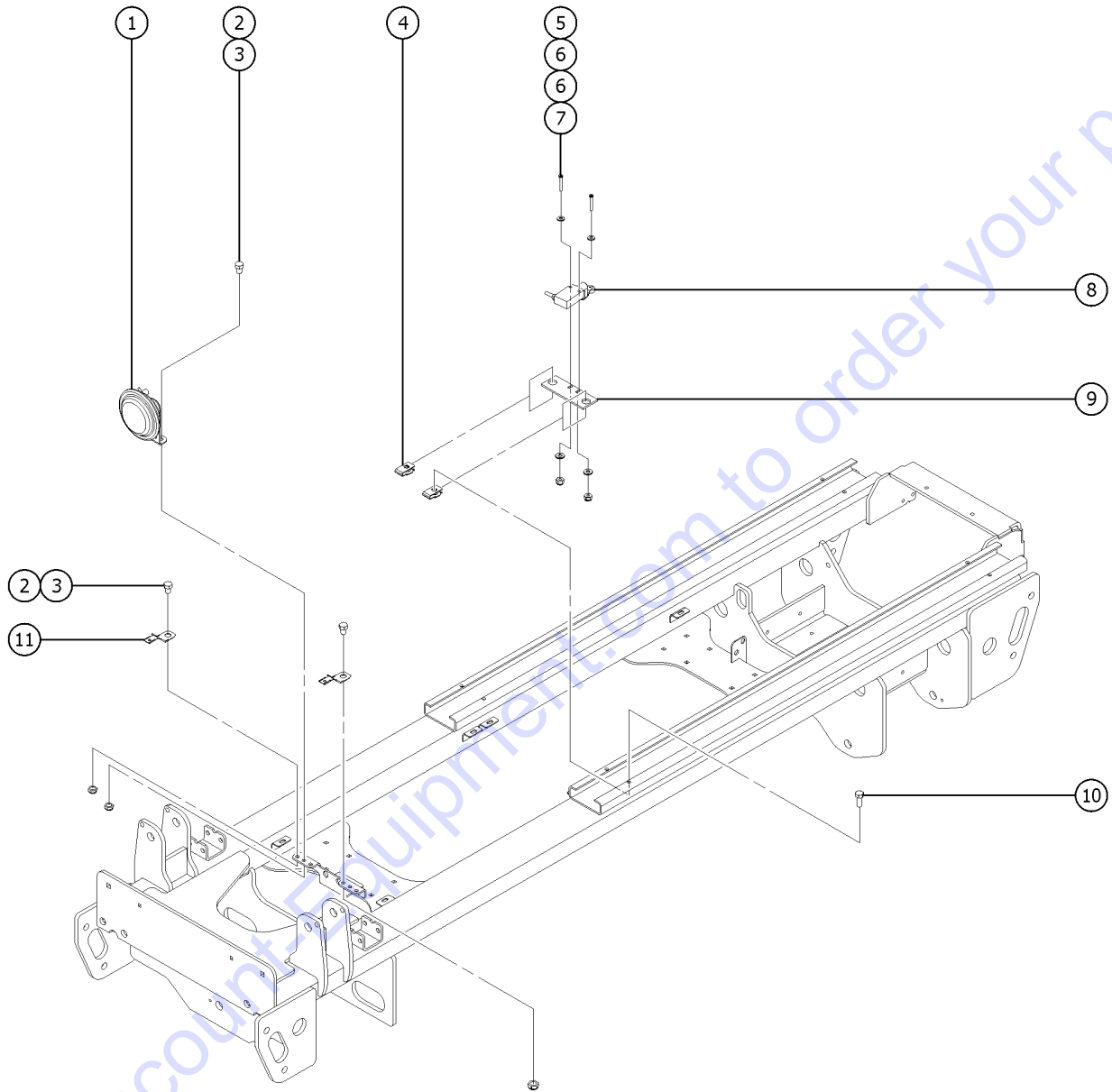




204.1 Ladder and Counterweight

Item	Part No.	Description	Qty.
1	6090GT	SCREW,HHC,1/4-20 X .75 .....	8
2	56912GT	SPRING CLIP,1/4-20,.025-.15X.5 .....	8
3	1254174GT	FORMING,CHASSIS COVER .....	2
4	1254436GT	PLATE,REAR CW BRACKET .....	1
		GS-2669 and GS-4069	
5	6198GT	NUT,NYLOCK,1/2-13 .....	8
6	6095GT	WASHER,FLAT,USS,1/2",Y .....	8
7	6096GT	SCREW,HHC,1/2-13 X 2 GR5 .....	2
8	232537GT	CASTING,CW,REAR,4069 .....	1
		GS-2669 and GS-4069	
9	1254462GT	FORMING,MID CW BRACKET .....	1
		GS-4069	
10	96977GT	BOLT,CARRIAGE,1/2-13X1.50,GR5 .....	2
11	232536GT	CASTING,CW,MID,4069 .....	1
		GS-4069	
12	148403GT	STRAP, RUBBER STEP SUPPORT .....	2
13	1254187GT	WELDMENT,LOWER LADDER STEP .....	1
14	22788GT	SCREW,HHC,1/2-13 X 1.75 .....	4
15	8516GT	SCREW, HCC, 3/8-16 X 1.50 .....	4
16	6097GT	WASHER,FLAT,USS,3/8",Y .....	4
17	4828GT	NUT,NYLOCK,3/8-16 .....	8
18	60790GT	BOLT, CARRIAGE, 3/8-16 X 1.50, G5 .....	4
19A	1254189GT	WELDMENT,LADDER,GS26/3369 .....	1
		GS-2669 and GS-3369 (decals not included, refer to section 100)	
19B	1254188GT	WELDMENT,LADDER,GS4069 .....	1
		GS-4069 (decals not included, refer to section 100)	
20	1254464GT	PLATE,COUNTERWEIGHT,DC69 .....	
		GS-4069	
21	104235GT	SCREW,HHC,1/2-13X2.25 GRD 8 .....	1
		GS-4069	
22	104328GT	NUT,HEX,1/2-13 GRD 8 .....	1
		GS-4069	
23	6086GT	NUT,LP NYLOCK,1/2-13 .....	

205.1 Drive Chassis, Safety Components



Go to DiscountEquipment.com to order your parts

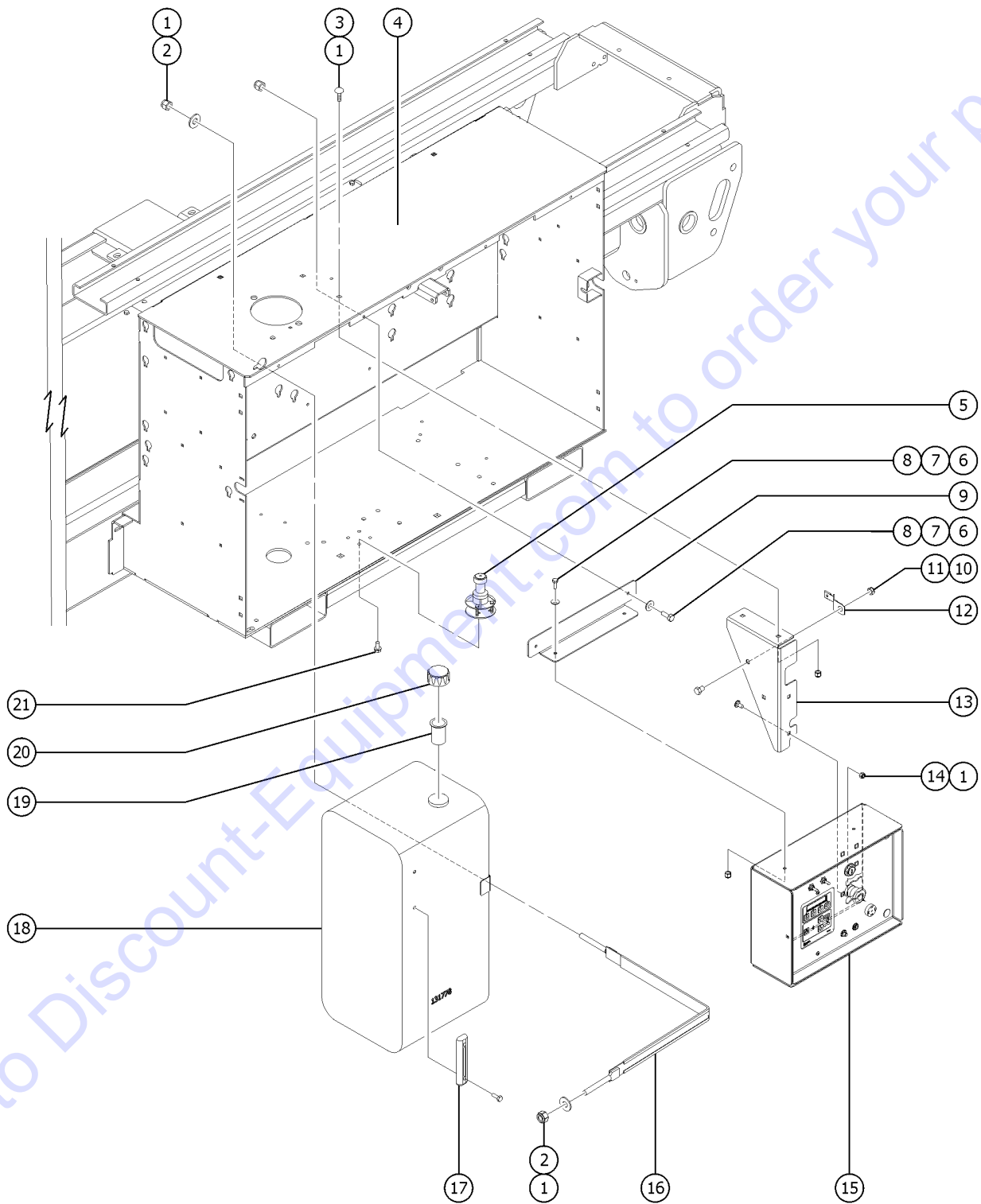
205.1 Drive Chassis, Safety Components

Item	Part No.	Description	Qty.
1	81579GT	HORN, 24VDC, SPADE TERMINALS*** .....	1
2	71508GT	SCREW,HHC,3/8-16 X .50 GR.5 .....	2
3	7713GT	NUT,LP NYLOCK,3/8-16 .....	2
4	4828GT	NUT,NYLOCK,3/8-16 .....	2
5	49821GT	SCREW,PHILLIPS,PHM,8-32 X 1.25 .....	2
6	35461GT	WASHER,FLAT,MS,#8,Y .....	4
7	18605GT	NUT,NYLOCK,8-32 .....	2
8	220237GT	SWITCH,LIMIT,ZCY15 ARM .....	1
9	1254169GT	PLATE,UP L.S. MOUNT .....	1
10	64154GT	BOLT,CARRIAGE,3/8-16 X1.00,G5 .....	2
11	99346GT	CLIP, METAL MOUNTING .....	3

Go to Discount-Equipment.com to order your parts



301.1 Hydraulic Tank and Ground Controls Installation

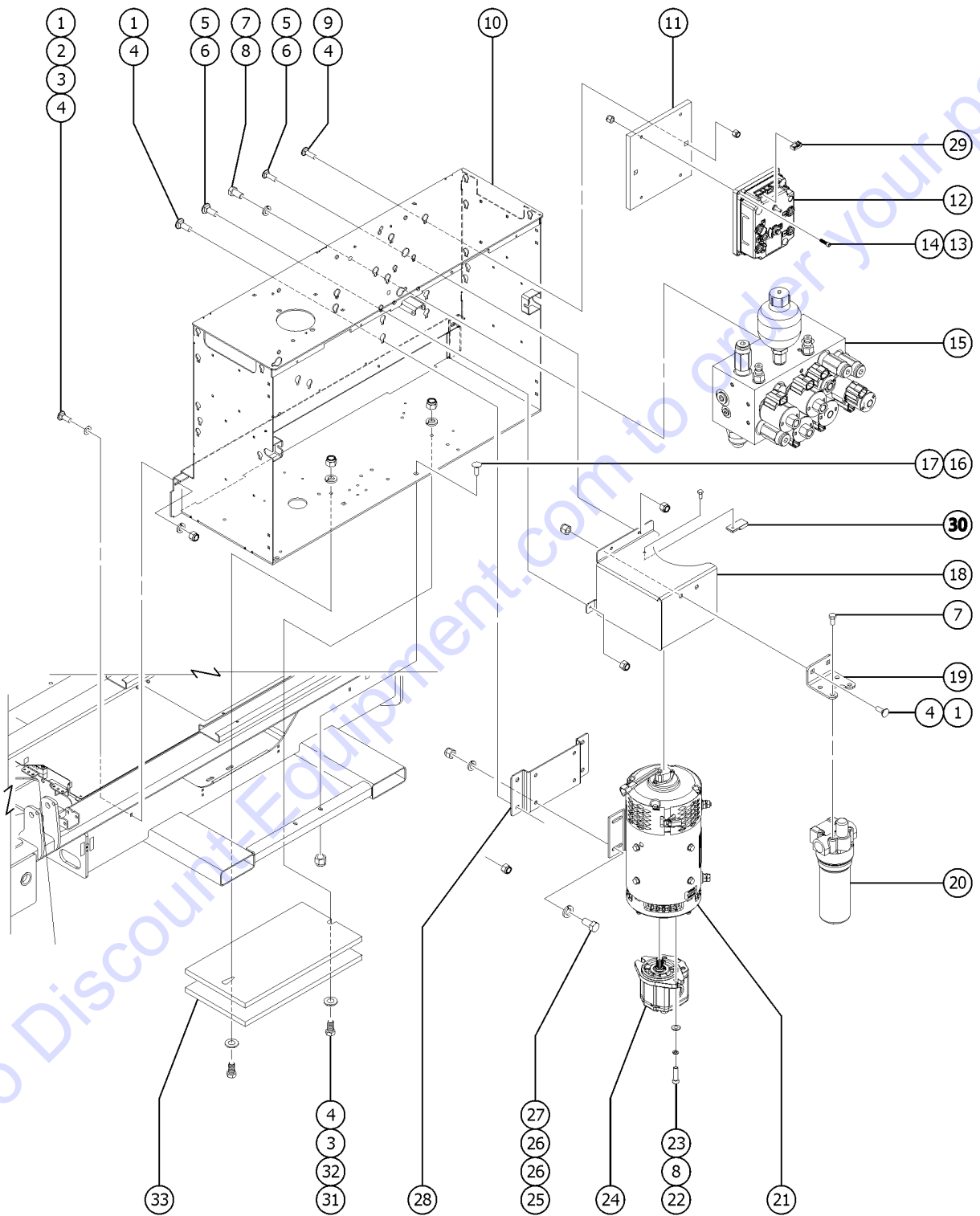


301.1 Hydraulic Tank and Ground Controls Installation

Item	Part No.	Description	Qty.
A	1289561GT	BRACKET, TELEMATICS .....	
A	1289520GT	MODULE, TELEMATICS, ZTR, M7, NORTH AMERICA .....	
A	1289521GT	MODULE, TELEMATICS, ZTR, M7, EMEA/APAC .....	
1	4828GT	NUT,NYLOCK,3/8-16 .....	6
2	6097GT	WASHER,FLAT,USS,3/8",Y .....	2
3	64154GT	BOLT,CARRIAGE,3/8-16 X1.00,G5 .....	1
4		Ref. WLDMT, HYD BOX GS68 refer to 302.1 .....	
5A	71484GT	SENSOR,LEVEL, ANALOG .....	1
		models with outriggers	
5B	78674GT	LEVEL SENSOR,LS60,BLUE,2X3** .....	1
		models without outriggers	
6	6090GT	SCREW,HHC,1/4-20 X .75 .....	4
7	6638GT	WASHER,FLAT,USS,1/4"Y .....	4
8	6091GT	NUT,NYLOCK,1/4-20 .....	4
9A	232549GT	FORMING, BRACKET, CONTROL BOX, (to SN GS6914-3661) (Genie blue) .....	1
9B	1272484GT	FORMING, BRACKET, CONTROL BOX (from SN GS6914-3662) (Traffic black) .....	1
10	7713GT	NUT,LP NYLOCK,3/8-16 .....	1
11	71508GT	SCREW,HHC,3/8-16 X .50 GR.5 .....	1
12	99346GT	CLIP, METAL MOUNTING .....	1
13A	235697GT	FORMING,BRACE,69DC CONTROLS BO (to SN GS6914-3661) (Genie blue) .....	1
13B	1272485GT	FORMING,BRACE,69DC CONTROLS BO (from SN GS6914-3662) (Traffic black) .....	1
14	101718GT	BOLT,CARRIAGE,3/8-16 X .75,G2 .....	2
15		Ref. GROUND CONTROLS .....	
		refer to 306.1	
16	T106782GT	TANK STRAP,BOLT STYLE,HYD,GS69 .....	1
16-	31658-SGT	EXTRUSION,RUBBER BUMPER STRIP .....	
17	215229GT	GAUGE,HYDRAULIC TANK T/L VL .....	1
18	T106793GT	ASSY,HYD.TANK,GS69 .....	1
19	31506GT	STRAINER,FILLER NECK .....	1
20	131658GT	CAP,HYDRAULIC TANK,GS68/84/90 .....	1
21	230850GT	SCREW, WASH HEAD, 20-9X5/8 .....	4



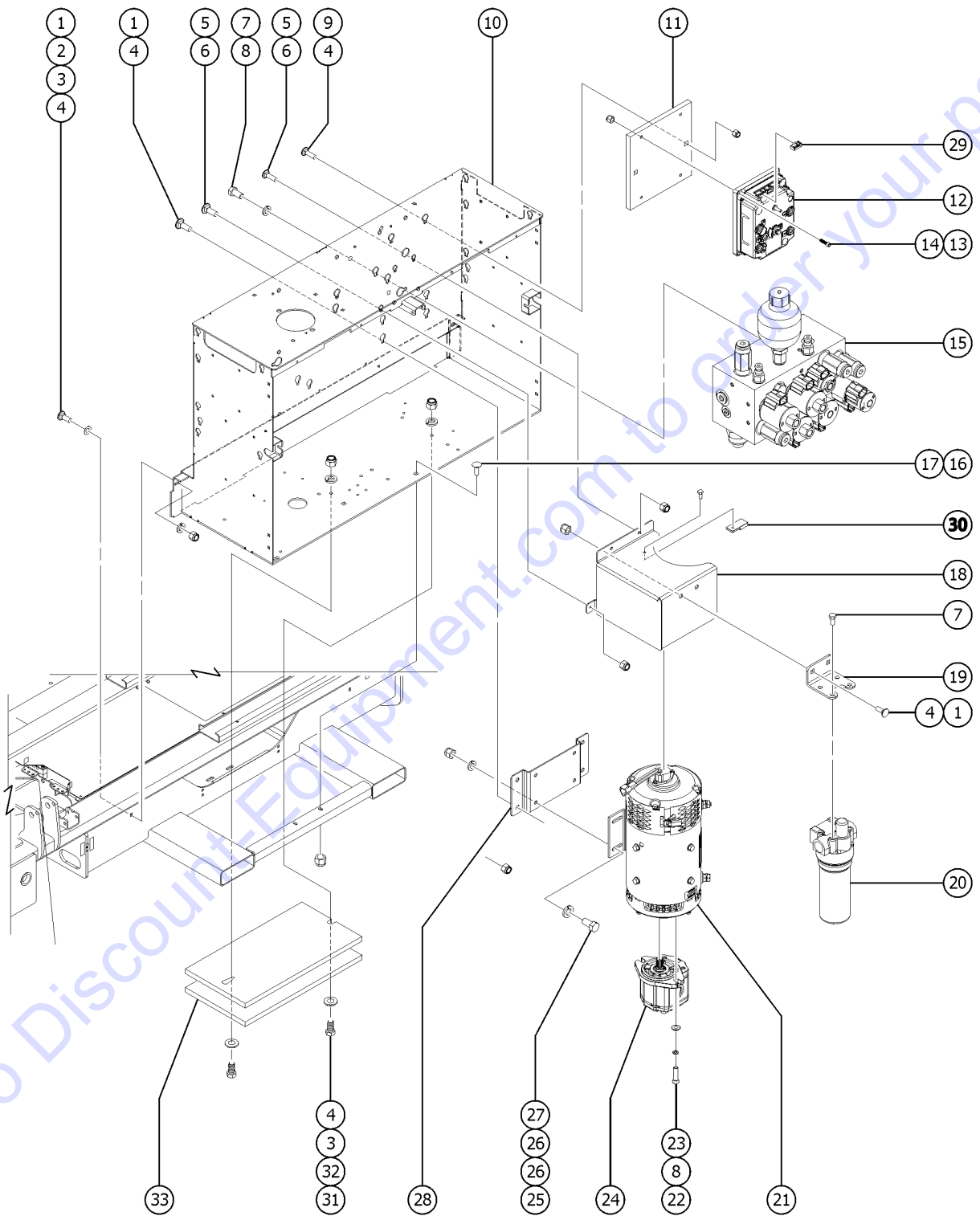
302.1 Hydraulic Tray Components, View 1



Item	Part No.	Description	Qty.
1	64154GT	BOLT,CARRIAGE,3/8-16 X1.00,G5 .....	4
2	87684GT	PUSH RETAINER, 3/8" SCREW .....	2
3A	6097GT	WASHER,FLAT,USS,3/8",Y .....	2
		2669DC, 4069DC models	
3B	6097GT	WASHER,FLAT,USS,3/8",Y .....	2
		3369DC to SN 11151	
3C	6097GT	WASHER,FLAT,USS,3/8",Y .....	4
		3369DC from SN 11152	
4A	4828GT	NUT,NYLOCK,3/8-16 .....	10
		2669DC, 4069DC models	
4B	4828GT	NUT,NYLOCK,3/8-16 .....	10
		3369DC to SN 11151	
4C	4828GT	NUT,NYLOCK,3/8-16 .....	12
		3369DC from SN 11152	
5	6878GT	BOLT,CARRIAGE,1/4-20 X .75,G2 .....	4
6	6091GT	NUT,NYLOCK,1/4-20 .....	4
7	8255GT	SCREW,HHC,3/8-16 X .75 .....	6
8	58486GT	WASHER,FLAT,3/8,HARDENED, YZ .....	2
9	105092GT	BOLT,CARRIAGE,3/8-16X1.25,GR5 .....	2
10	1253426GT	WELDMENT,BOX,HYD .....	1
11	238382GT	PLATE, MTG, MOTOR CONTROLLER .....	1
12	230488GT	MOTOR CONTROLLER,48VAC,3PH .....	1
13	238383GT	SCREW,SHC,1/4-20 X .875 .....	4
14	6889GT	NUT,LP NYLOCK,1/4-20 .....	4
15		Ref. Function Manifold .....	
		refer to 601.1	
16	96203GT	BOLT,CARRIAGE,1/2-13X1.75, G5 .....	
17	6198GT	NUT,NYLOCK,1/2-13 .....	
18	1254449GT	WELDMENT,MOTOR SPRAY GUARD .....	1
19	1254246GT	FORMING,HIGH PRESS FILTER BRKT .....	1
20	60334GT	FILTER ASSY,HIGH PRESS SAE-12* .....	1
20-	1279465GT	BACKUP RING,71.60X67.20X1.40PTFE(60334) .....	
20-	1279466GT	O-RING,67.95X2.62-NBR-70SH(HF2P)(60334) .....	
20-	60857GT	FILTER,ELEMENT,BETA(5)=1000 .....	
21	230485GT	MOTOR W/TACH,48VDC,12.25 HP .....	1



302.1 Hydraulic Tray Components, View 1



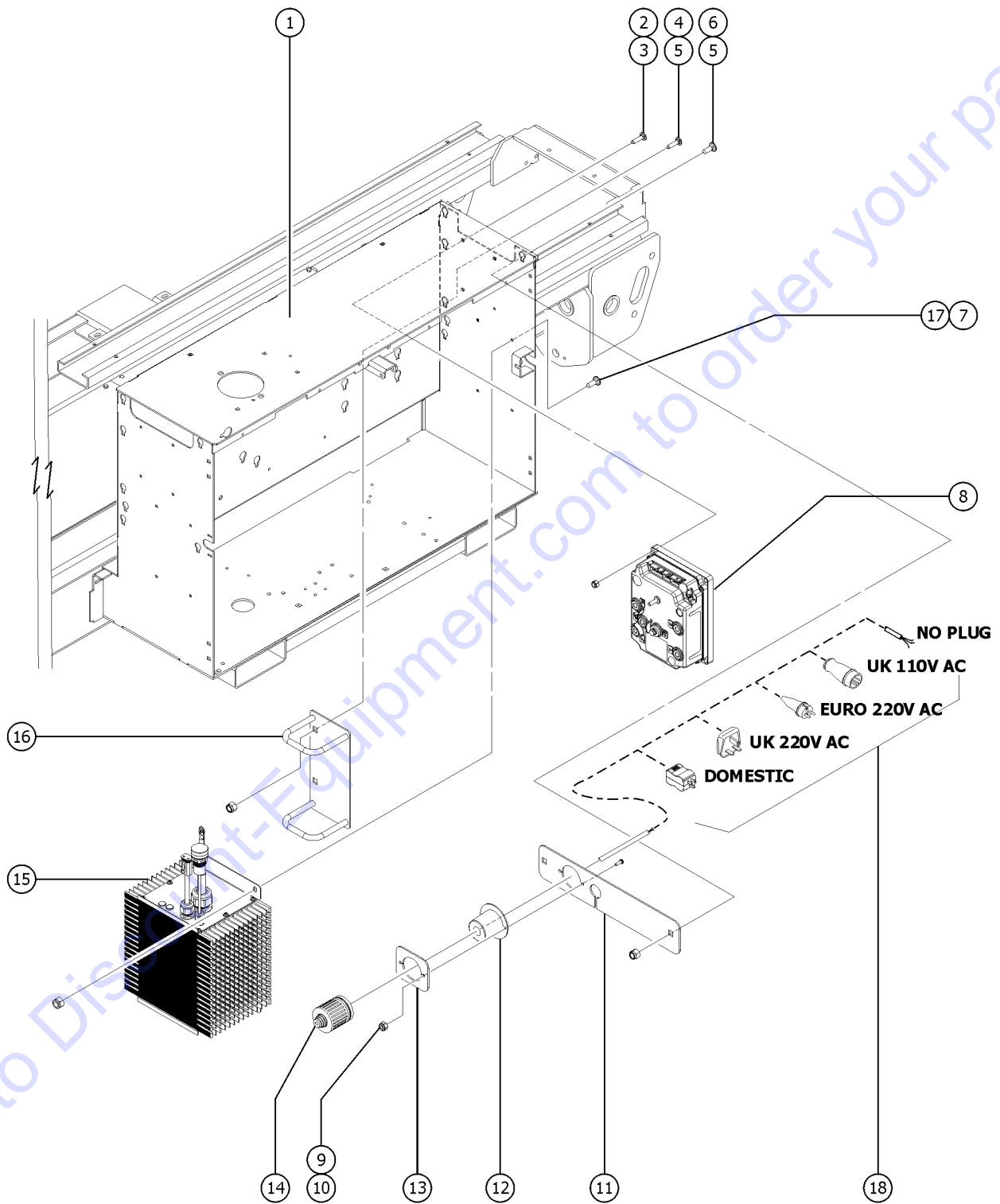


Item	Part No.	Description	Qty.
21-	128009GT	SENSOR KIT, SPEED (110573) includes sensor, magnet and fasteners	1
22	55921GT	SCREW,SHC,3/8-24 X 1.25"	2
23	22699GT	WASHER,FLAT,M10,ZINC PLTD.	2
24	214222GT	PUMP, GEAR, 6CC	1
25	13002GT	SCREW,HHC,5/16-18 X 1 GR5	4
26	5397GT	WASHER,FLAT,USS,5/16",Y	8
27	6782GT	NUT,NYLOCK,5/16-18	4
28	1254426GT	FORMING, MOTOR BRACKET	1
29	160536GT	CONN,BLANK,L MTR CTRL,GS69DC	1
30	T113139GT	CLIP,DTM,RECEPTACLE	1
31	6326GT	SCREW,HHC,3/8-16 X 3 3369DC from SN 11152	2
32	1268468GT	WASHER,FLAT,.406X1.50X.125,ZAG 3369DC from SN 11152	2
33	1275782GT	PLATE,COUNTERWEIGHT,GS3369DC 3369DC from SN 11152	2

Go to Discount-Equipment.com to order your parts



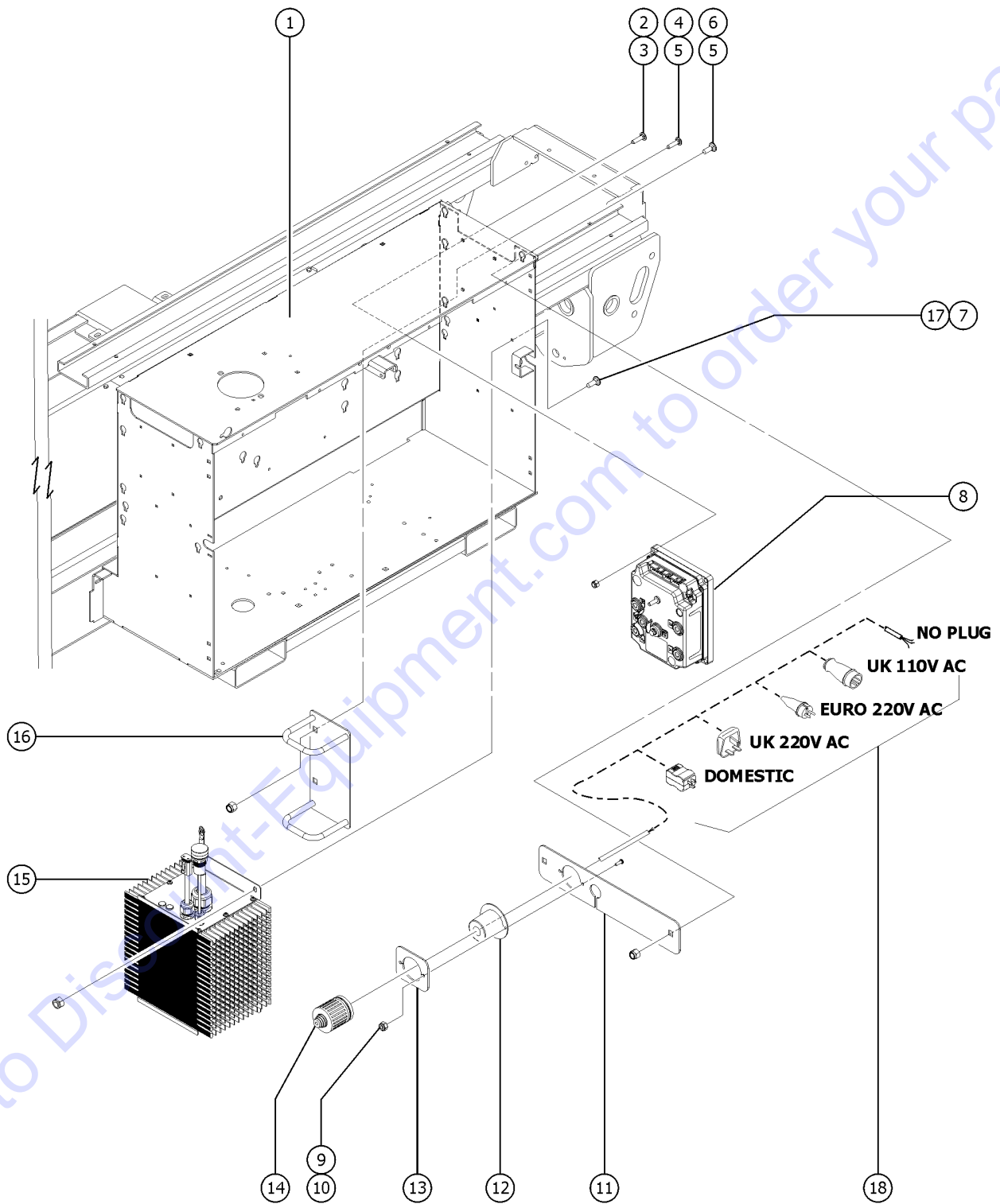
303.1 Hydraulic Tray Components, View 2



Item	Part No.	Description	Qty.
A-	161359GT	CABLE ASSY, BATTERY CHARGER .....	
B-	25388GT	PLUG,FUSED,250V,13AMP,U.K.** ..... for UK 220	
C-	65737GT	FUSE,13 AMP,220V PLUG*** ..... for 25388	
D-	1280665GT	PLUG, TYPE F, 230A, 50HZ, 16A, IP44 ..... for Euro 220	
E-		Ref. NO PLUG ..... Ref. No Plug - Consult Discount-equipment	
1		Ref. Hydraulic Box ..... refer to 302.1	
2	238383GT	SCREW,SHC,1/4-20 X .875 .....	
3	6889GT	NUT,LP NYLOCK,1/4-20 .....	
4	101718GT	BOLT,CARRIAGE,3/8-16 X .75,G2 .....	
5	4828GT	NUT,NYLOCK,3/8-16 .....	
6	64154GT	BOLT,CARRIAGE,3/8-16 X1.00,G5 .....	
7	6878GT	BOLT,CARRIAGE,1/4-20 X .75,G2 .....	
8		Ref. Motor Controller ..... refer to 302.1	1
9	55906GT	SCREW,PHILLIPS,PHM,8-32 X .5 .....	
10	18605GT	NUT,NYLOCK,8-32 .....	
11A	235719GT	PLATE,RECESSED PLUG MOUNT,GS69 ..... (to SN GS6914-3661) (Genie blue)	1
11B	1272486GT	PLATE,RECESSED PLUG MOUNT,GS69 ..... (from SN GS6914-3662) (Traffic black)	1
12	105117GT	PLUG,FLG INLET,15A/125V,2PWGD .....	1
13A	1254172GT	PLT,RECESSED PLUG BACKING,GS69 ..... for US 110 models	1
13B	1254171GT	PLATE,STR RELIEF BACK, DC69 ..... for models with UK 110, UK 220, Euro 220 and no plug	1
14	105118GT	GASKET,(BOOT) FLANGE INLET PLG .....	1
15	128375GT	CHARGER 48V/30A AUTO AC X-LED ..... (order power cord separately)	1
15-	128376GT	CORD EURO AC IEC320-C19PIGTAIL ..... (sold separately) (not shown) for Euro and UK models	
15-	128377GT	CORD AC IEC320-C19 TO 110US ..... (sold separately) (not shown) for US models	
15-	228947GT	CLIP,RETAINING,IES CHARGER .....	
15-	228973GT	KIT,ASSY,LED,IES CHARGER .....	
16	1254430GT	WLDMNT,MTR CNTRL CABLE GUIDE .....	1
17	6091GT	NUT,NYLOCK,1/4-20 .....	



303.1 Hydraulic Tray Components, View 2

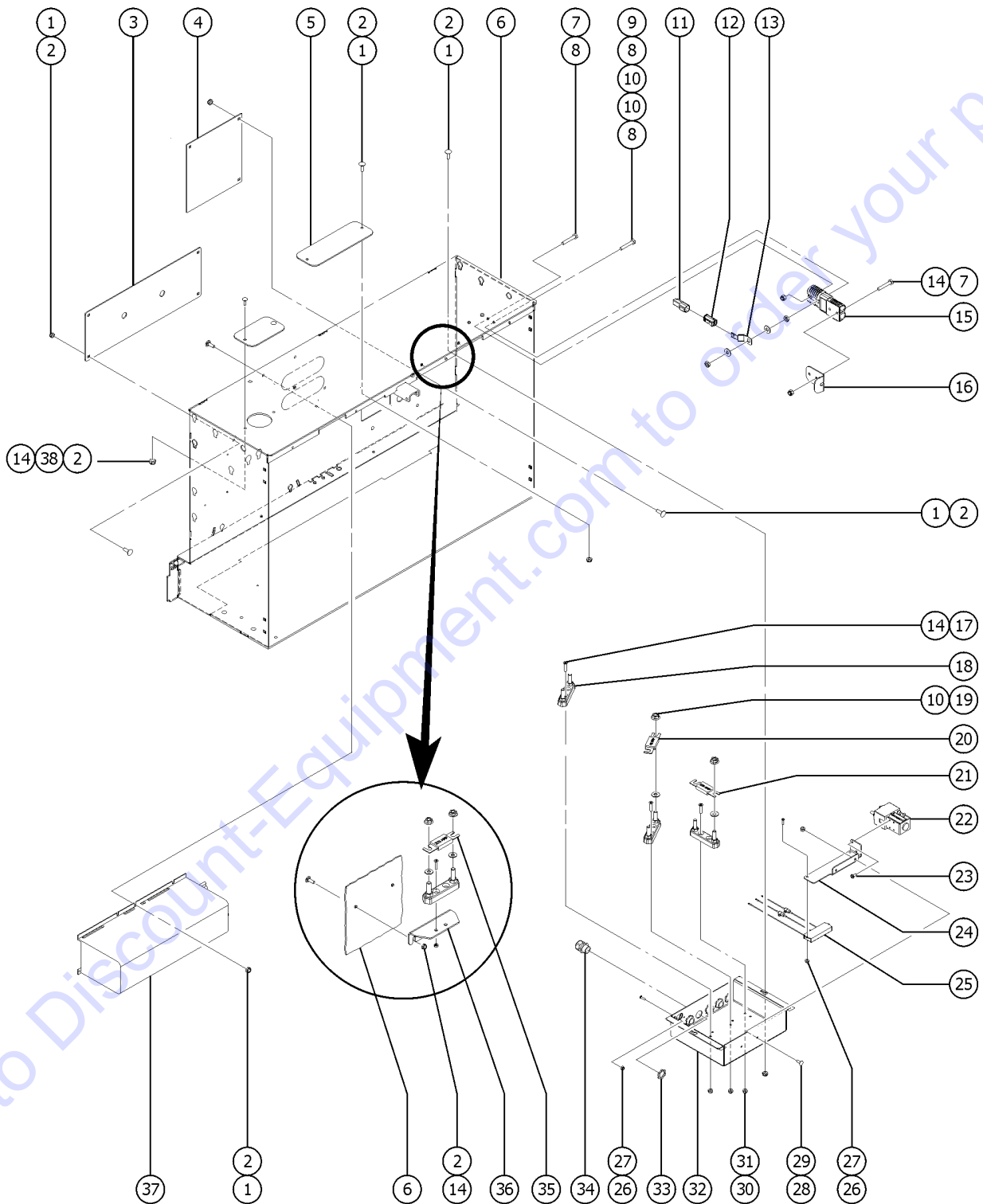


Item	Part No.	Description	Qty.
18	144161GT	PLUG,PWR,UK,16AMP,3PIN,BLK ..... for UK 110	

Go to Discount-Equipment.com to order your parts



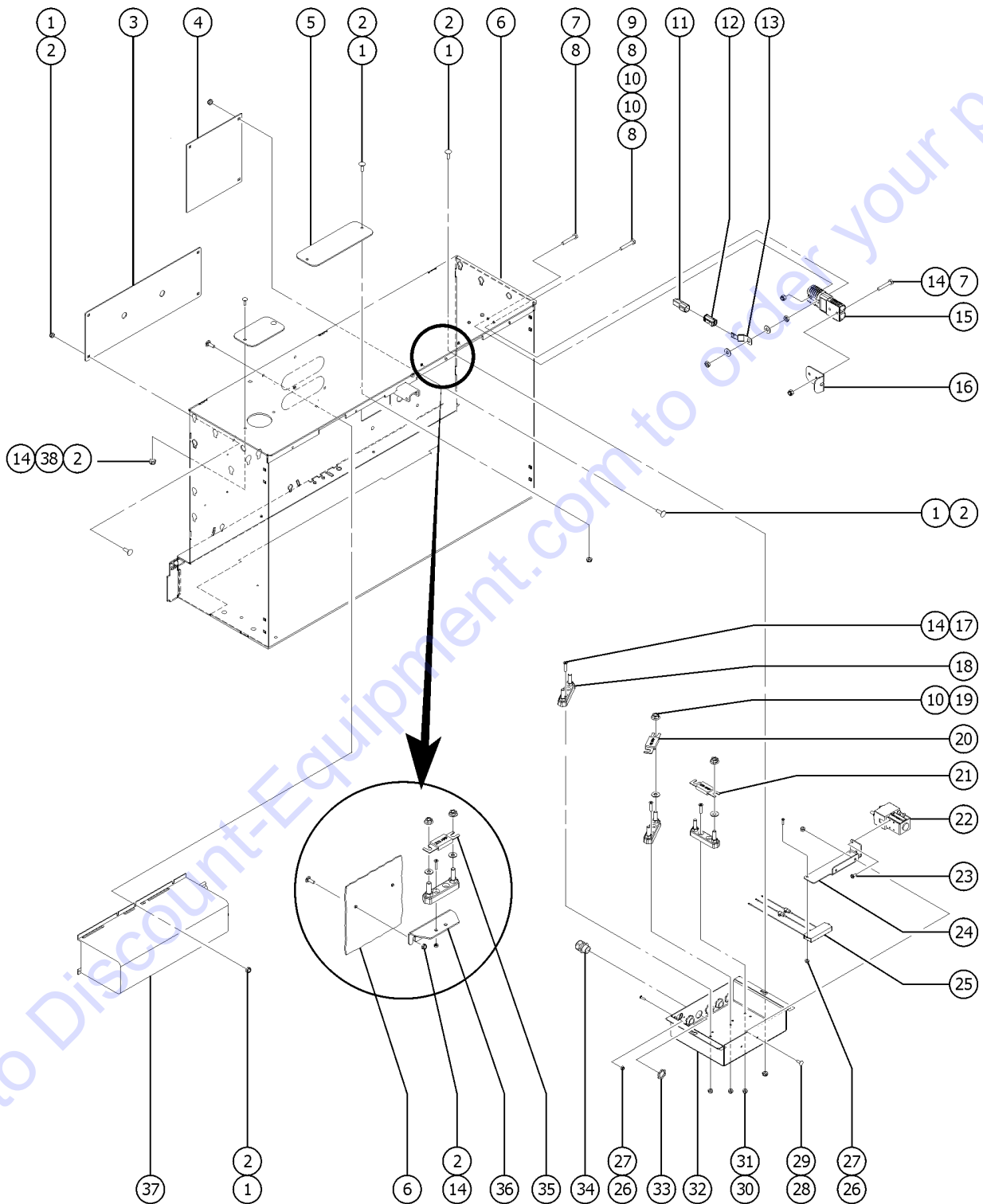
304.1 Battery Tray Components, View 1



Item	Part No.	Description	Qty.
1	6889GT	NUT,LP NYLOCK,1/4-20 .....	
2	6878GT	BOLT,CARRIAGE,1/4-20 X .75,G2 .....	
3	1254447GT	PLATE, BLOCKOFF, ENGINE VENT .....	1
4	1254448GT	PLATE,BLOCKOFF,CLEARANCE HOLES .....	1
5	1256581GT	PLATE, RAIN CAP, GS69 .....	1
6	1253428GT	WELDMENT,BOX,BATTERY,DC .....	1
7	8915GT	SCREW,HHC,1/4-20 X 1.25 .....	
8	66094GT	NUT-THIN HEAVY HEX, 1/4-20 .....	
9	6145GT	SCREW,HHC,1/4-20 X 1.5 .....	
10	6638GT	WASHER,FLAT,USS,1/4"Y .....	
11	119065GT	CONN,RECEP 2 WAY ENDCAP DT .....	
12	60424GT	CONN,PLUG 2 WAY,14-18GA .....	
13	99346GT	CLIP, METAL MOUNTING .....	
14	6091GT	NUT,NYLOCK,1/4-20 .....	
15	66397GT	QUICK DISCONNECT CASING,BATT** .....	1
15-	19436GT	CONNECTOR,ANDERSON SB 175,1/0G .....	
16	74651GT	FORMING,HANDLE BATTERY CONN .....	1
17	17626GT	SCREW,FHM,10-32 X .75 .....	8
18	66717GT	FUSE BLOCK, ANN & ANL FUSE .....	4
18-	36372GT	FUSE,50 AMP,VERY FAST ACTING .....	1
19	18503GT	NUT,LOCKING-LG.FLANGE,5/16-18 .....	8
20	216005GT	FUSE,40 AMP,NON TIME DELAY,ANL .....	1
21	215488GT	FUSE,325 AMP,VERY FAST ACTING .....	1
22	74267GT	CONTACTOR,DRIVE,24V,180A*** .....	1
23	49818GT	SCREW,PHILLIPS,PHM,10-32 X .38 .....	
24A	236019GT	FORMING, BATTERY BALANCER BRAC (to SN GS6914-3661) (Genie blue) .....	1
24B	1272487GT	FORMING, BATTERY BALANCER BRAC (from SN GS6914-3662) (Traffic black) .....	1
25	229642GT	BATTERY,EQUALIZER,48V-24V,3WIR .....	1



304.1 Battery Tray Components, View 1



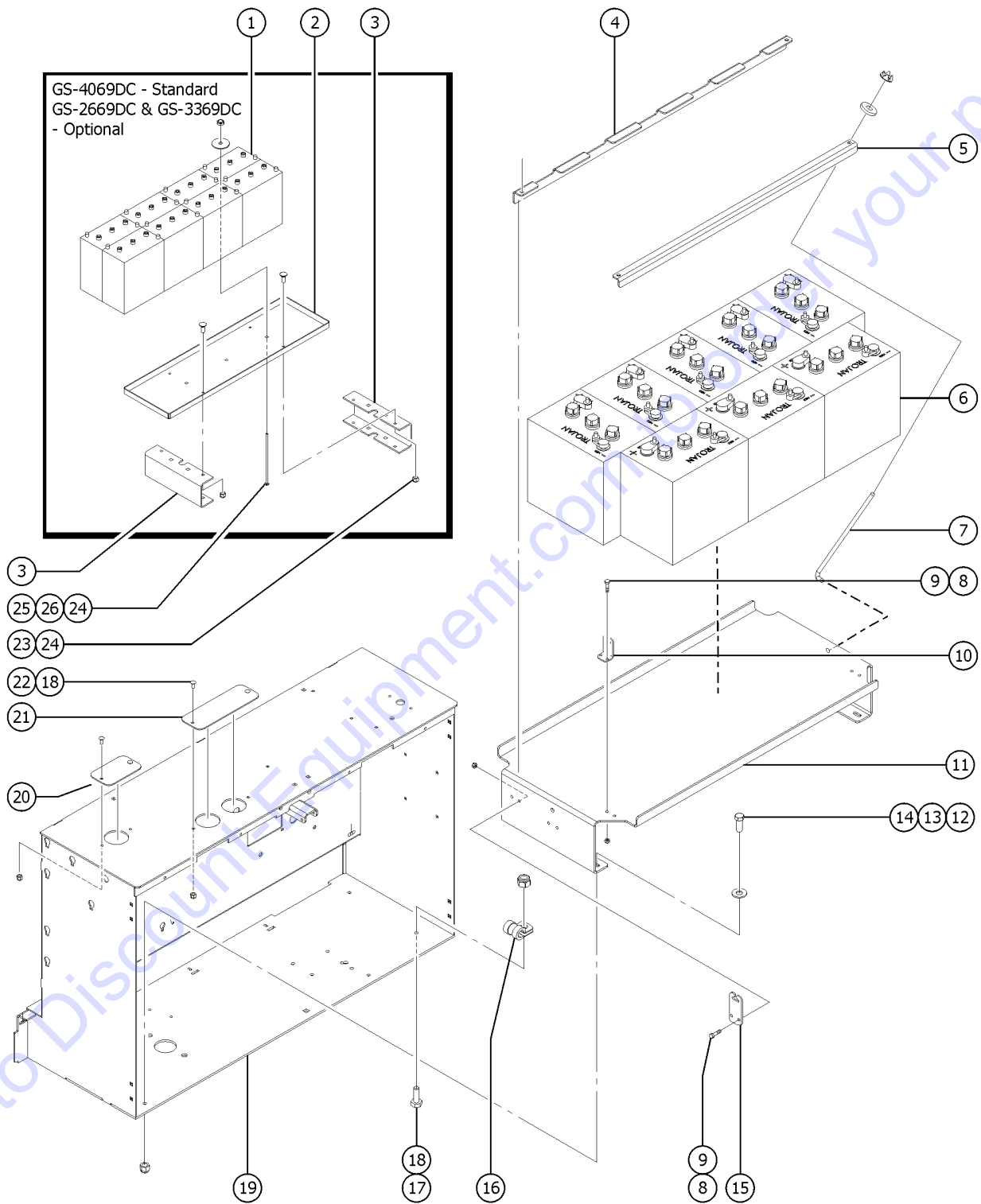


Item	Part No.	Description	Qty.
26	12344GT	NUT,NYLOCK,6-32 .....	
27	49820GT	SCREW,PHILLIPS,PHM,6-32 X .5 .....	
28A	71874GT	BOLT,CARRIAGE,#10-24X.50,G2 .....	
		(to SN GS6916F-8496)	
28B	49817GT	SCREW,PHILLIPS,PHM,10-32 X1.25 .....	
29A	5365GT	NUT,NYLOCK,10-24 .....	
		(to SN GS6916F-8496)	
29B	6178GT	NUT, NYLOCK, 10-32 .....	
30	6178GT	NUT, NYLOCK, 10-32 .....	
31	6873GT	SCREW,FHM,10-32 X 1 .....	
32	236018GT	FORMING,FUSE BOX .....	
33	14041GT	LOCKNUT,ELECTRIC,3/4" .....	
34	70684GT	STRAIN RELIEF, 3/4, NPT, GRY .....	
35	36372GT	FUSE,50 AMP,VERY FAST ACTING .....	1
36A	119432GT	FORMING,FUSE MOUNT BRACKET .....	1
		(to SN GS6914-3661) (Genie blue)	
36B	1272488GT	FORMING,FUSE MOUNT BRACKET .....	1
		(from SN GS6914-3662) (Traffic black)	
37	150026GT	INVERTER,48VDC,120VAC/60HZ .....	1
38	1269612GT	PLATE, RAIN HAT COVER, GS69 .....	1

Go to Discount-Equipment.com to order your parts

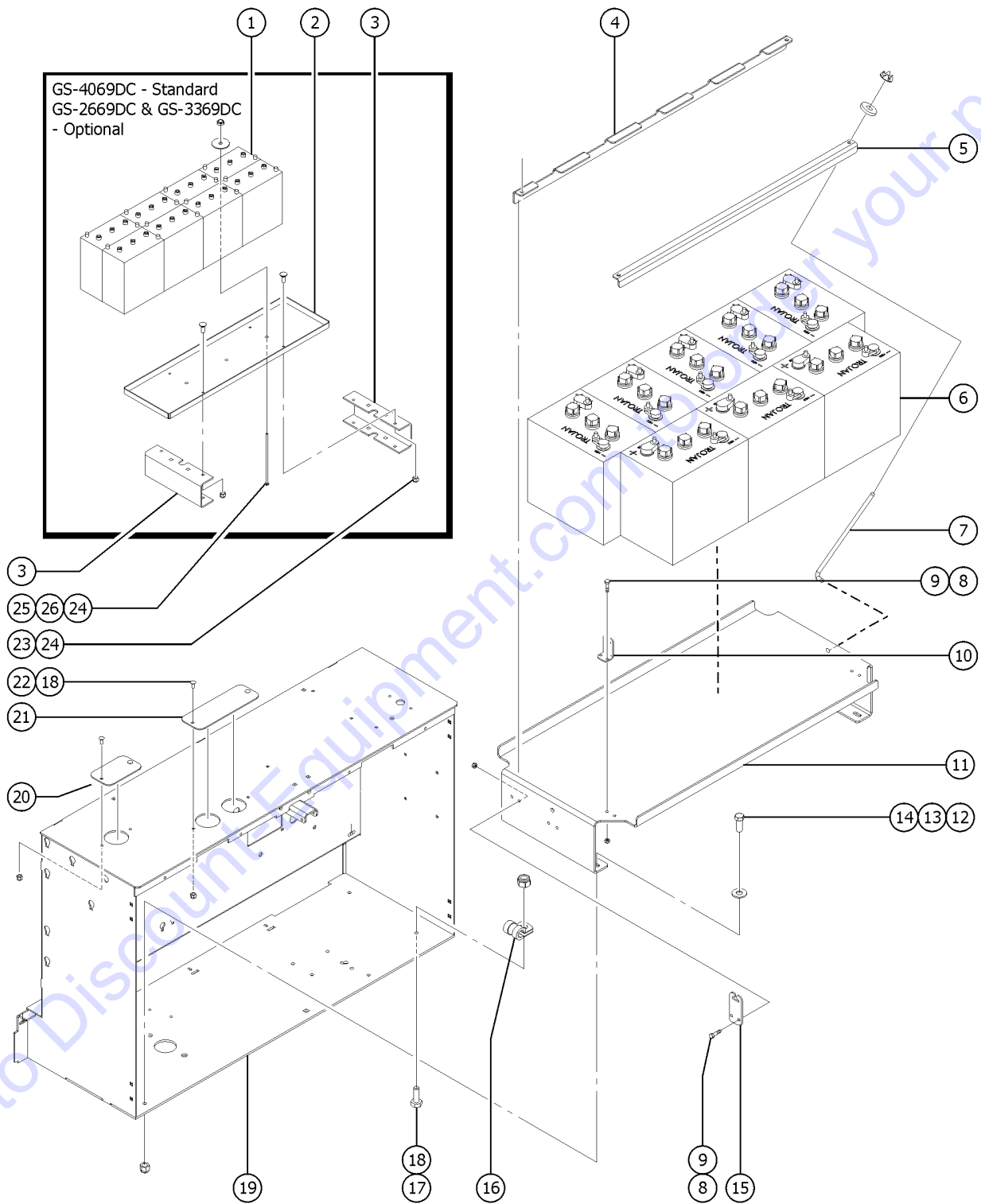


305.1 Battery Tray Components, View 2



Item	Part No.	Description	Qty.
1	56462GT	BATTERY, J 305GH, 315AH (option) GS-2669DC & GS-3369DC; (standard) GS-4069DC	8
1-	137770GT	BATTERY WATERING KIT, 24V UNIV (to watch the installation video, copy and paste this link to your web browser) <a href="https://www.youtube.com/watch?v=13zTfl-hWik">https://www.youtube.com/watch?v=13zTfl-hWik</a>	
1-	137769GT	BATTERY WATERING HAND PUMP	
2	1254118GT	FORMING,BATT TRAY,J305,GS69DC (option) GS-2669DC & GS-3369DC; (standard) GS-4069DC	1
3	1254119GT	FORMING,TRAY SUP,J305,GS69DC (option) GS-2669DC & GS-3369DC; (standard) GS-4069DC	2
4	1254121GT	FORMING,BATT HOLDER, REAR GS-2669DC & GS-3369DC only	1
5	1254122GT	FORMING,BATTERY HOLDER FRONT GS-2669DC & GS-3369DC only	1
6	76494GT	BATT,6V,225AH T105 LPT\3CAP (option) GS-2669DC & GS-3369DC only	8
6-	137770GT	BATTERY WATERING KIT, 24V UNIV (to watch the installation video, copy and paste this link to your web browser) <a href="https://www.youtube.com/watch?v=13zTfl-hWik">https://www.youtube.com/watch?v=13zTfl-hWik</a>	
6-	137769GT	BATTERY WATERING HAND PUMP	
7	87312GT	HOOK-BATT HOLD DOWN 12"LG includes mounting fasteners	4
7-	6086GT	NUT,LP NYLOCK,1/2-13	
8	8914GT	SCREW,HHC,1/4-20 X .625	
9	6889GT	NUT,LP NYLOCK,1/4-20	
10	1254241GT	FORMING, BATTERY BRACKET,GS90	2
11	1254120GT	FORMING, BATTERY SHELF GS-2669DC & GS-3369DC only	4
12	6175GT	SCREW,HHC,3/8-16 X 1	
13	6097GT	WASHER,FLAT,USS,3/8",Y	
14	4828GT	NUT,NYLOCK,3/8-16	
15	1256580GT	PLATE,BATTERY BRACKET,GS69	2
16	45470GT	CLAMP,0.31,#5 X 1/4,RUB CUSH	1
17	6090GT	SCREW,HHC,1/4-20 X .75	
18	6091GT	NUT,NYLOCK,1/4-20	
19		Ref. BATTERY BOX refer to 304.1	
20	1269612GT	PLATE, RAIN HAT COVER, GS69	1
21	1256581GT	PLATE, RAIN CAP, GS69	1
22	9878GT	BOLT, CARRIAGE, 1/4-20 X .75, G2	

305.1 Battery Tray Components, View 2

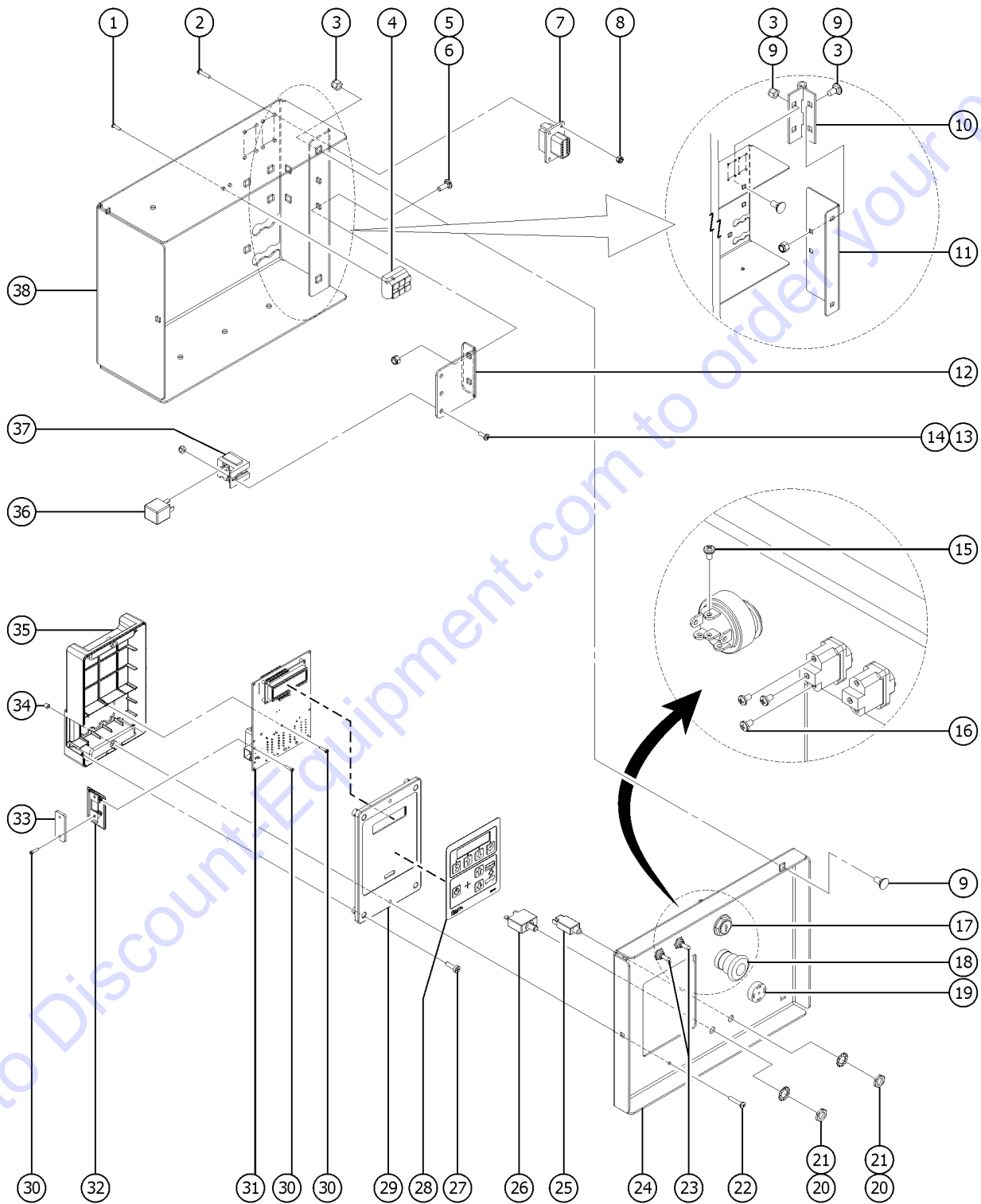


Item	Part No.	Description	Qty.
23	6198GT	NUT,NYLOCK,1/2-13 .....	
24	96203GT	BOLT,CARRIAGE,1/2-13X1.75, G5 .....	
25	238385GT	BOLT,CARRIAGE,1/2-13X15 .....	
26	238384GT	WASHER, FENDER, .125X.531X2.5 .....	

Go to Discount-Equipment.com to order your parts



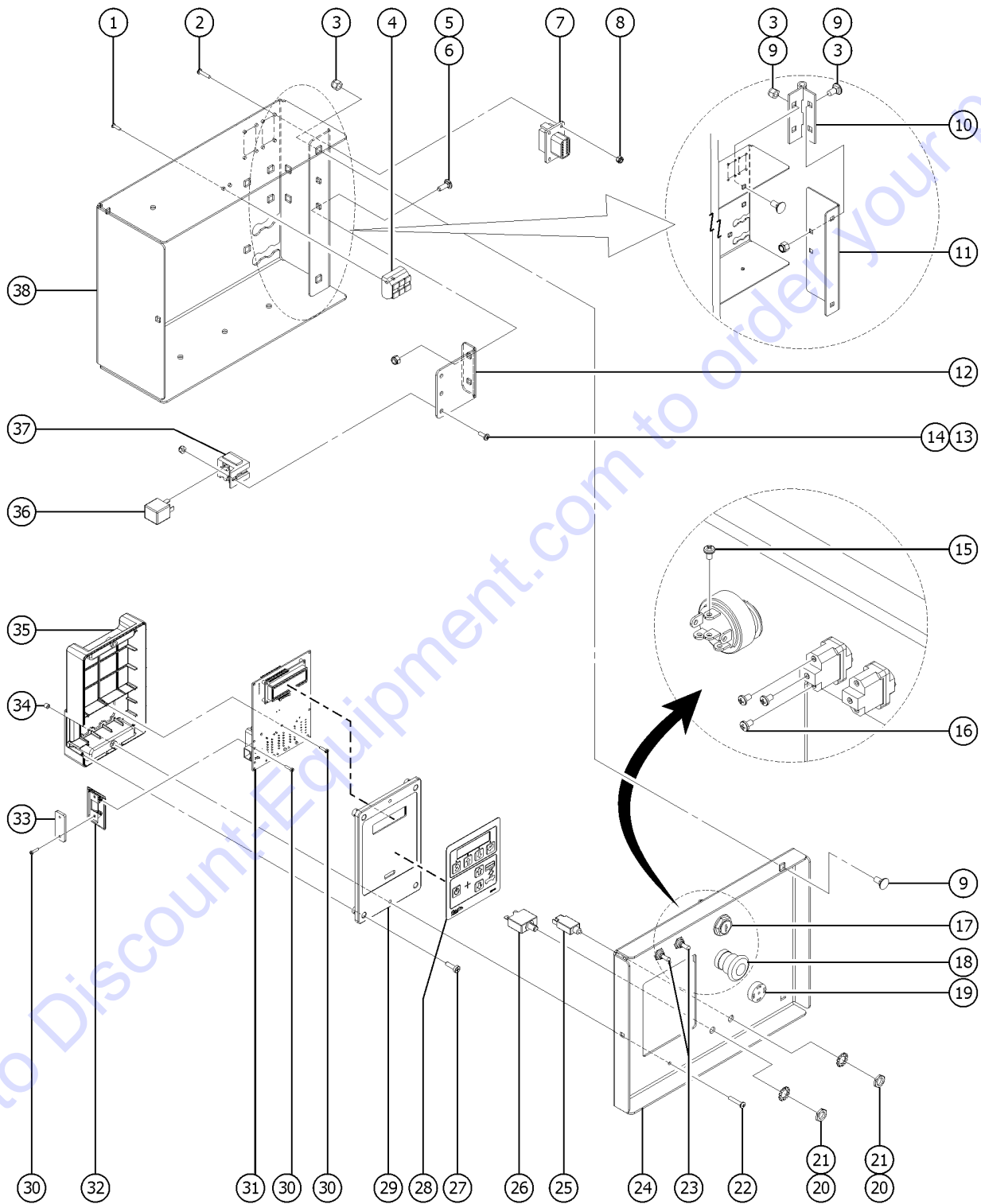
306.1 Ground Controls



Item	Part No.	Description	Qty.
A-	137692GT	GCON, GR/GRC/GS 2 speed controller without outriggers to SN GS6914-5499 (includes items 27 thru 35)	.....
B-	137644GT	GCON,GS O/R 2 speed controller with outriggers to SN GS6914-5499 (includes items 27 thru 35)	.....
C-	1256721GT	GCON,STD,PROP LIFT proportional controller without outriggers from SN GS6914-5500 (includes items 27 thru 35)	.....
D-	1256722GT	GCON,O/R,PROP LIFT proportional controller with outriggers from SN GS6914-5500 (includes items 27 thru 35)	.....
1	49820GT	SCREW,PHILLIPS,PHM,6-32 X .5	2
2	45645GT	SCREW,RHM,8-32 X .75	8
3	4828GT	NUT,NYLOCK,3/8-16	6
4	214542GT	TERM BLK,3 POLE/12 POS,LCP	1
5	124580GT	BOLT,CARRIAGE,1/4X.75,G5	2
6	6091GT	NUT,NYLOCK,1/4-20	2
7	73730GT	CONN,RECEP 12 WAY,GRY FLANGE	2
8	18605GT	NUT,NYLOCK,8-32	8
9	101718GT	BOLT,CARRIAGE,3/8-16 X .75,G2	4
10	55517GT	HINGE, GSRT90 BOX	1
11A	235381GT	FORMING, DOOR, BULKHEAD MOUNT (to SN GS6914-3661) (Genie blue)	1
11B	1272489GT	FORMING, DOOR, BULKHEAD MOUNT (from SN GS6914-3662) (Traffic black)	1
12A	235383GT	FORMING, BRACKET, RELAY MOUNT (to SN GS6914-3661) (Genie blue)	1
12B	1272490GT	FORMING, BRACKET, RELAY MOUNT (from SN GS6914-3662) (Traffic black)	1
13	49819GT	SCREW,PHILLIPS,PHM,10-32 X .5	2
14	6178GT	NUT, NYLOCK, 10-32	2
15	96010GT	SCREW,PHILLIPS,PHM,8-32 X.25**	6
16	128578GT	SCREW T-SWITCH PH/PH 6-32X1/4	6
17	96008-SGT	KEYSWITCH,3 POS. W/KEYS***	1
17-	37947GT	KEYS,10 PACK***	.....
17-	83093GT	KEY SINGLE***	.....
17-	83131GT	KEYSWITCH,3 POS W/KEYS,LOCKING	.....
17-	96009GT	WASHER,NITRILE to SN 12409	.....
17-	88827GT	GASKET,KEYSWITCH,PLASTIC*** from SN 12410	.....



306.1 Ground Controls

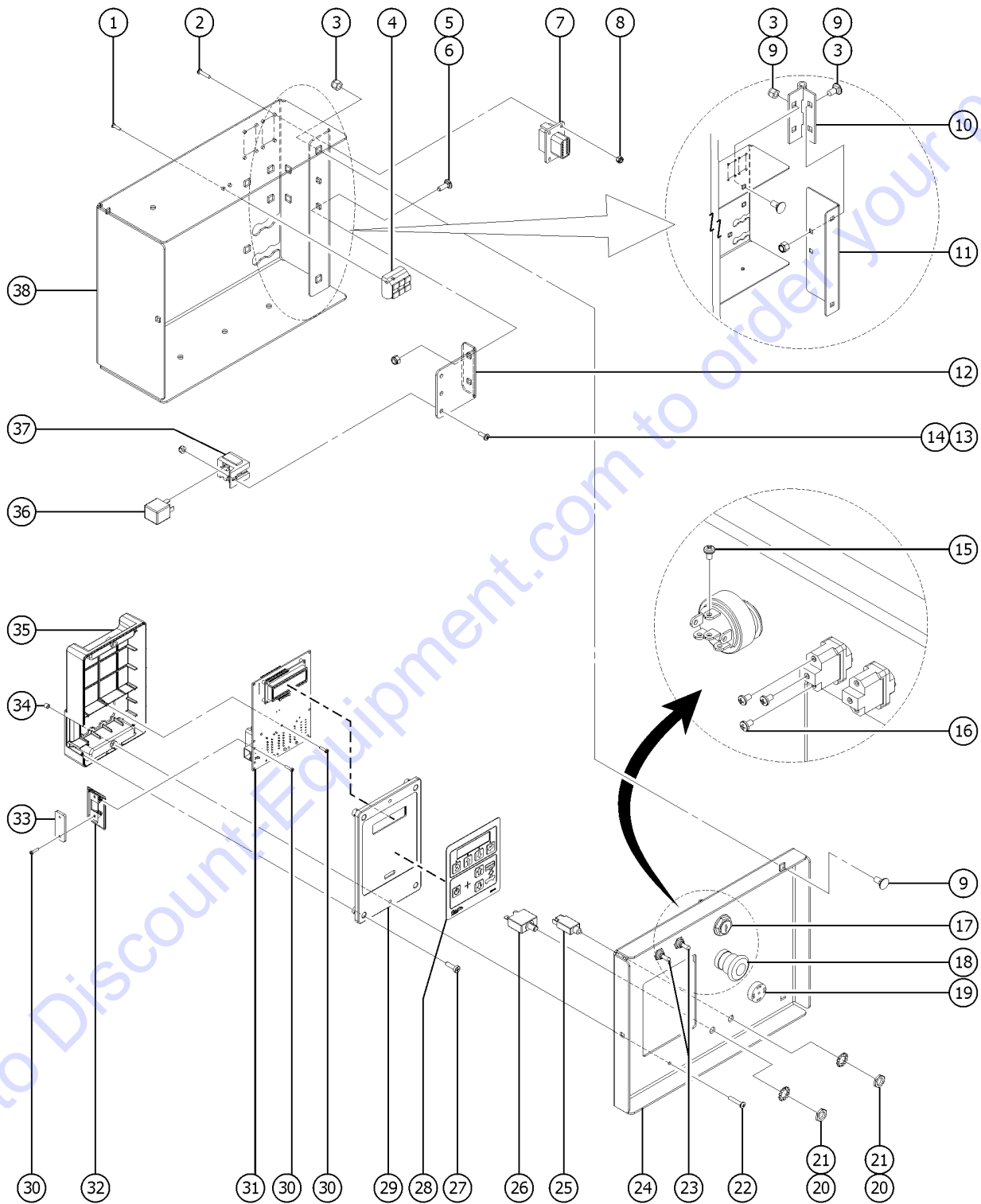




Item	Part No.	Description	Qty.
18	66812GT	BUTTON,PUSH,RED MUSHROOM HEAD .....	1
18-	66821GT	BASE,WITHOUT CONTACTS .....	
18-	66818GT	CONTACT,NC .....	
19	39540GT	ALARM, STEADY TONE*** .....	1
20	6700GT	WASHER, STAR, EXTERNAL, .375 .....	2
21	122994GT	NICKEL PLATED JAM NUT .....	2
22	75041GT	SCREW,PHILLIPS,PHM,10-32 X 1 .....	2
23	128200GT	SWITCH TOGGLE ASSY SPDT 3P MOM .....	2
23-	128578GT	SCREW T-SWITCH PH/PH 6-32X1/4 .....	
23-	128580GT	SWITCH TOGGLE SPDT 3P MOM SHDR .....	
23-	27246GT	BOOT,TOGGLE SWITCH,SHORT* .....	
24	1254591GT	FRMNG,LCP FRONT,GS69DC/BE .....	1
24A	15243GT	PLUG,NYLON .875 BLACK DOMED .....	
25	1277226GT	ASSEMBLY,CIRCUIT BREAKER,15AMP .....	
26	96452GT	CIRCUIT BREAKER, 7.0 AMP*** .....	1
27	137668GT	SCREW,PHM,6-19X.75, 48-2 TRI-L .....	4
28	137562GT	DECAL,MEMBRANE, GR/GRC/GS GCON. ....	1
29	T106366GT	ENCLOSURE,GC27-25/GC21-19,FRNT .....	1
30	137637GT	SCREW,PHM,4-20X.5, 48-2 TRI-L .....	3
31A	137604GT	PCBA, GC21-19 for 137692, models without outriggers .....	1
31B	137564GT	PCBA, GC27-25 for 137644, models with outriggers .....	1
31C	1256719GT	PCBA,GCON STD,PROP LIFT .....	1
		for 1256721	
31D	1256720GT	PCBA,GCON O/R,PROP LIFT .....	1
		for 1256722	
32	T106363GT	ADAPTER, RJ45, GC27-25/GC21-19 .....	1
33	T106362GT	COVER, RJ45, GC27-25/GC21-19 .....	1
34	66842GT	INSERT, 10-32 X .25 .....	2
35A	T106372GT	ENCLOSURE, GC21-19, BK .....	1
		models without outriggers	
35B	T106371GT	ENCLOSURE, GC27-25, BK .....	1
		models with outriggers	



306.1 Ground Controls



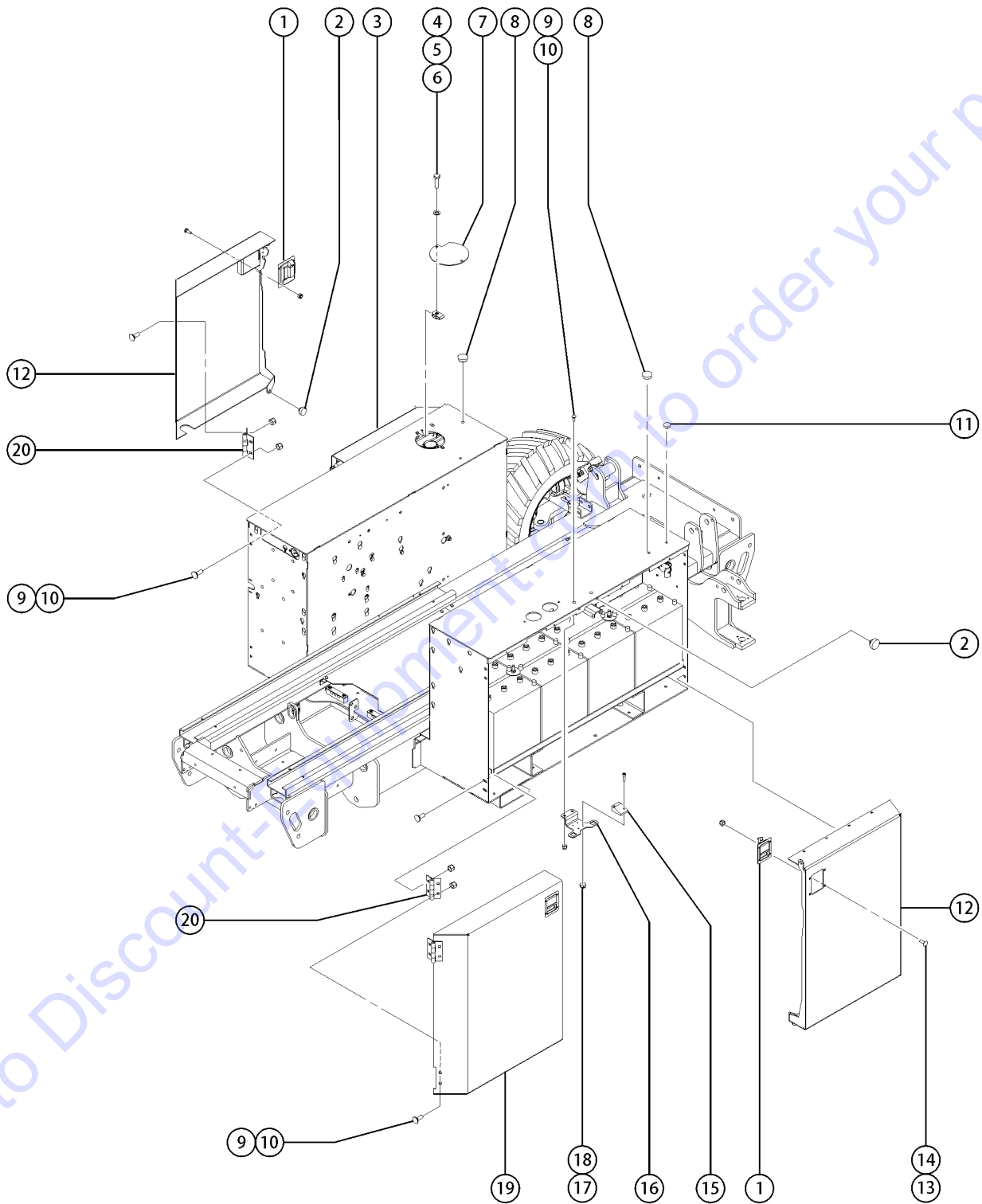
306.1 Ground Controls

Item	Part No.	Description	Qty.
36	56302GT	RELAY,24VDC,40/30A,SEALED*** .....	2
37	34053GT	ASSY,RELAY SOCKET, AUTO .....	2
38	235380GT	FORMING, BOX, CONTROL ENCLOSUR Genie blue .....	1
38B	1282278GT	FORMING, BOX, CNTRL ENCLOSURE Traffic black .....	

Go to Discount-Equipment.com to order your parts

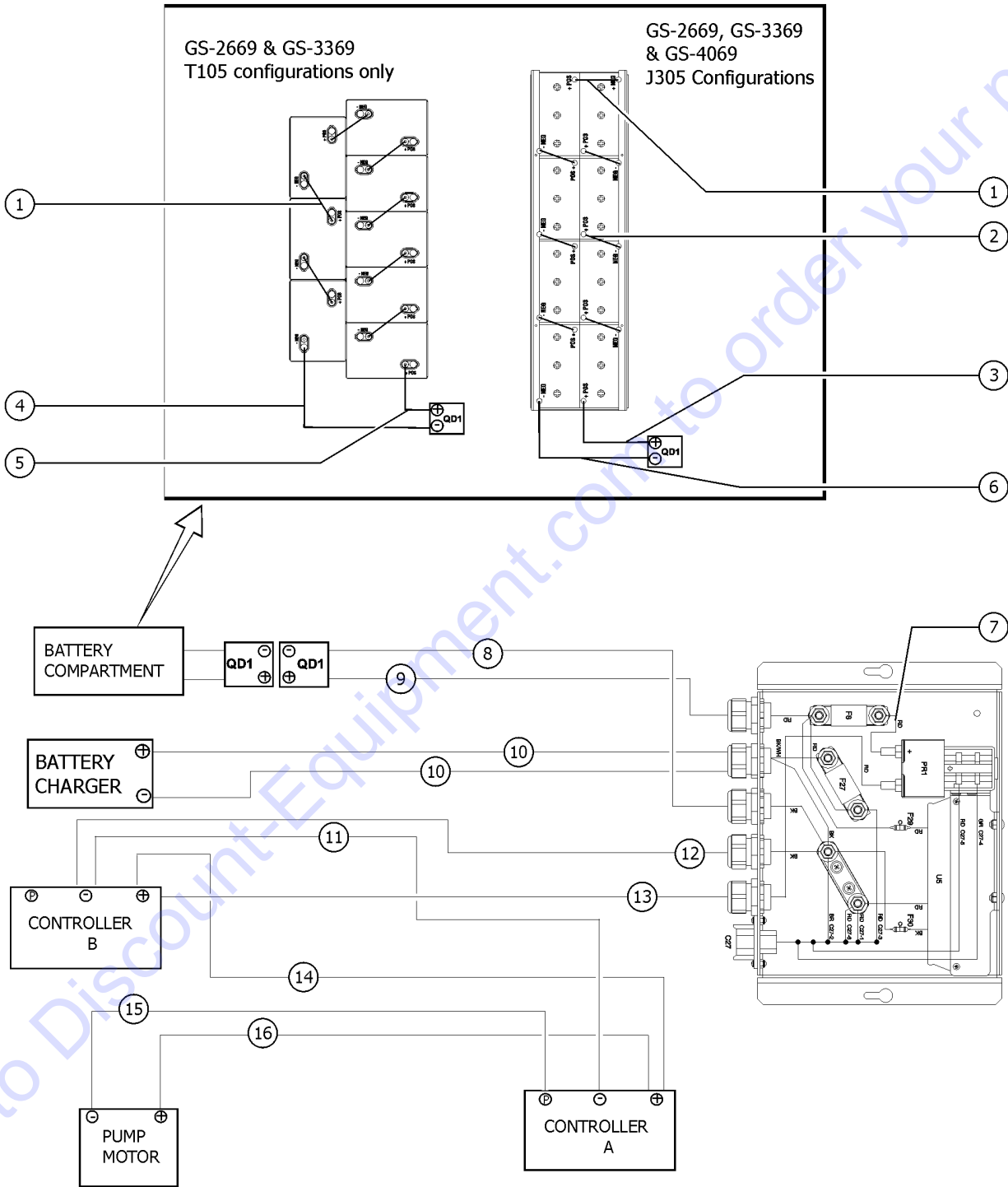


307.1 Chassis Cover Installation



Item	Part No.	Description	Qty.
1	55675GT	LATCH, LRG PADDLE HANDLE GS90 .....	
2	43392GT	BUMPER,BATTERY BOX & RAILS .....	8
3	1253424GT	WELDMENT,BOX DOOR,LT,WINDOW (decals not included, refer to section 100) .....	1
4	6019GT	SCREW,HHC,3/8-16 X 1.25 GRD 5 .....	
5	6021GT	WASHER,LOCK,.375 .....	
6	29868GT	SPRING CLIP,3/8-16,.05-.20X.73,ZAG .....	
7	1254428GT	PLATE,HYD TANK FILLER COVER .....	1
8	45384GT	PLUG,NYLON .50 BLACK DOMED .....	2
9	64154GT	BOLT,CARRIAGE,3/8-16 X1.00,G5 .....	
10	4828GT	NUT,NYLOCK,3/8-16 .....	
11	81329GT	PLUG,ALARM BEACON HOLE .....	4
12	1253422GT	WELDMENT,BOX DOOR,RT (decals not included, refer to section 100) .....	2
13	6878GT	BOLT,CARRIAGE,1/4-20 X .75,G2 .....	
14	6091GT	NUT,NYLOCK,1/4-20 .....	
15	1253479GT	SLIDE BLOCK,DOOR WEDGE,HDPE 1 of 2 shown .....	2
16	1253349GT	FORMING, LATCH CATCH 1 of 2 shown .....	2
17	14392GT	NUT,LP NYLOCK,10-32 .....	
18	219112GT	SCREW,SHC,10-32 X .75 .....	
19	1253423GT	WELDMENT,BOX DOOR,LT (decals not included, refer to section 100) .....	1
20	55517GT	HINGE, GSRT90 BOX .....	8

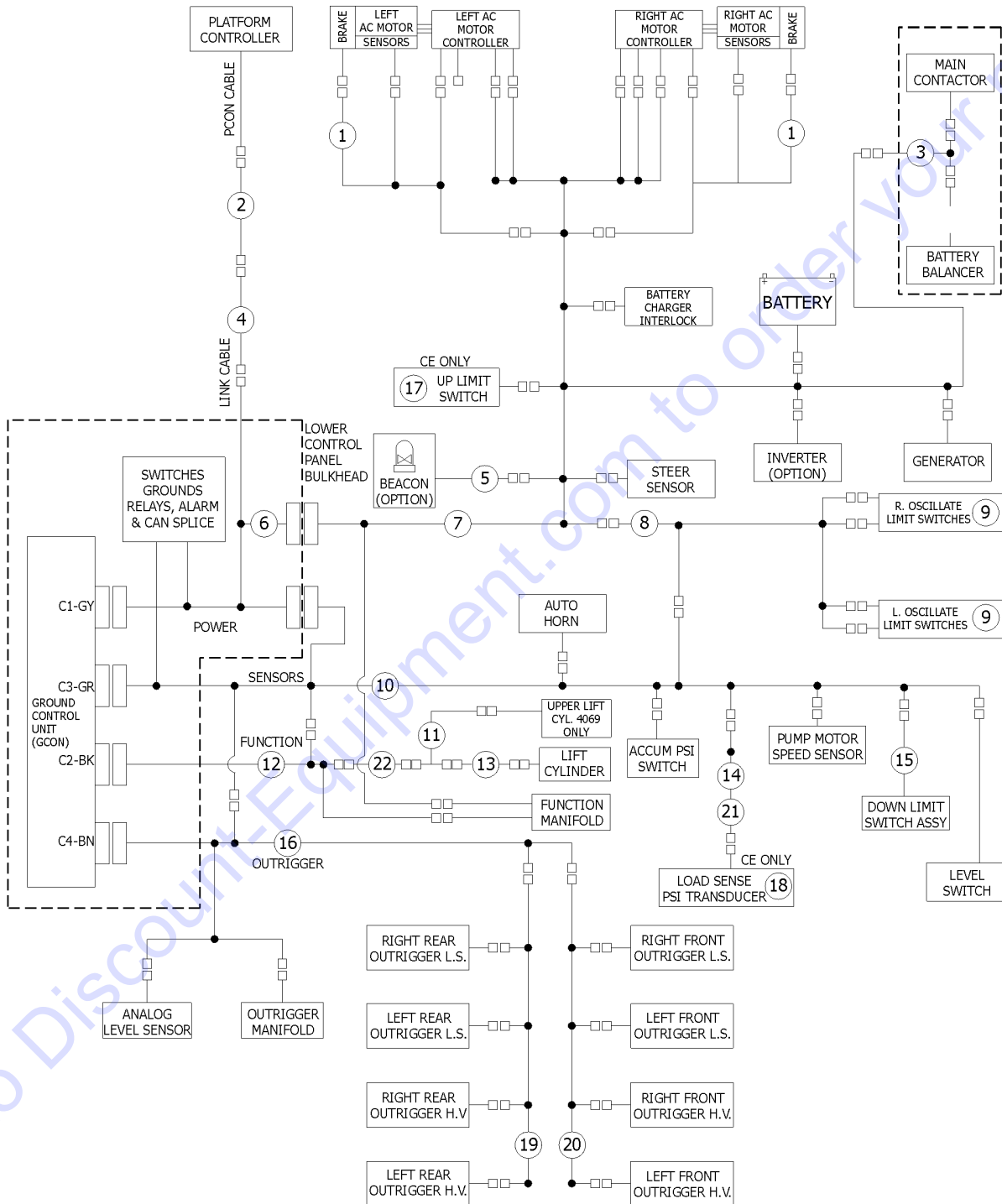
308.1 Power Cables



Item	Part No.	Description	Qty.
	67504GT	FUSE HOLDER,ATC 3-30 AMPS .....	
	67505GT	FUSE,10 AMP,ATC .....	
1A	238364GT	CABLE ASSY, BATTERY JUMPERS T105 battery configuration; GS-2669DC and GS-3369DC only .....	7
1B	238364GT	CABLE ASSY, BATTERY JUMPERS J305 battery configuration; all GS-69DC .....	1
2	160545GT	CABLE ASSY, BATTERY JMPR LONG .....	
3	160903GT	CABLE ASSY, B+ TO AN. PLG,J305 .....	
4	238366GT	CABLE ASSY, B- TO ANDERSON PLU .....	1
5	238365GT	CABLE ASSY, B+ TO ANDERSON PLU .....	1
6	160904GT	CABLE ASSY, B- TO AN. PLG,J305 .....	
7	238369GT	CABLE ASSY, CONTA FUSE TO CONT .....	1
8	238368GT	CABLE ASSY, ANDERSON TO GRND L .....	1
9	238367GT	CABLE ASSY. ANDERSON TO CONTA .....	1
10	161359GT	CABLE ASSY, BATTERY CHARGER .....	1
11	238374GT	CABLE ASSY, CONTR A B- TO CONT .....	1
12	238373GT	CABLE ASSY, GRND LUG TO CONTR .....	1
13	238370GT	CABLE ASSY, CONTA TO PUMP MOTO .....	1
14	238372GT	CABLE ASSY, CONTR A B+ TO CONT .....	1
15	238375GT	CABLE ASSY, CONTR A P- TO PUMP .....	1
16	238371GT	CABLE ASSY, PUMP MT+ TO CONTR .....	1



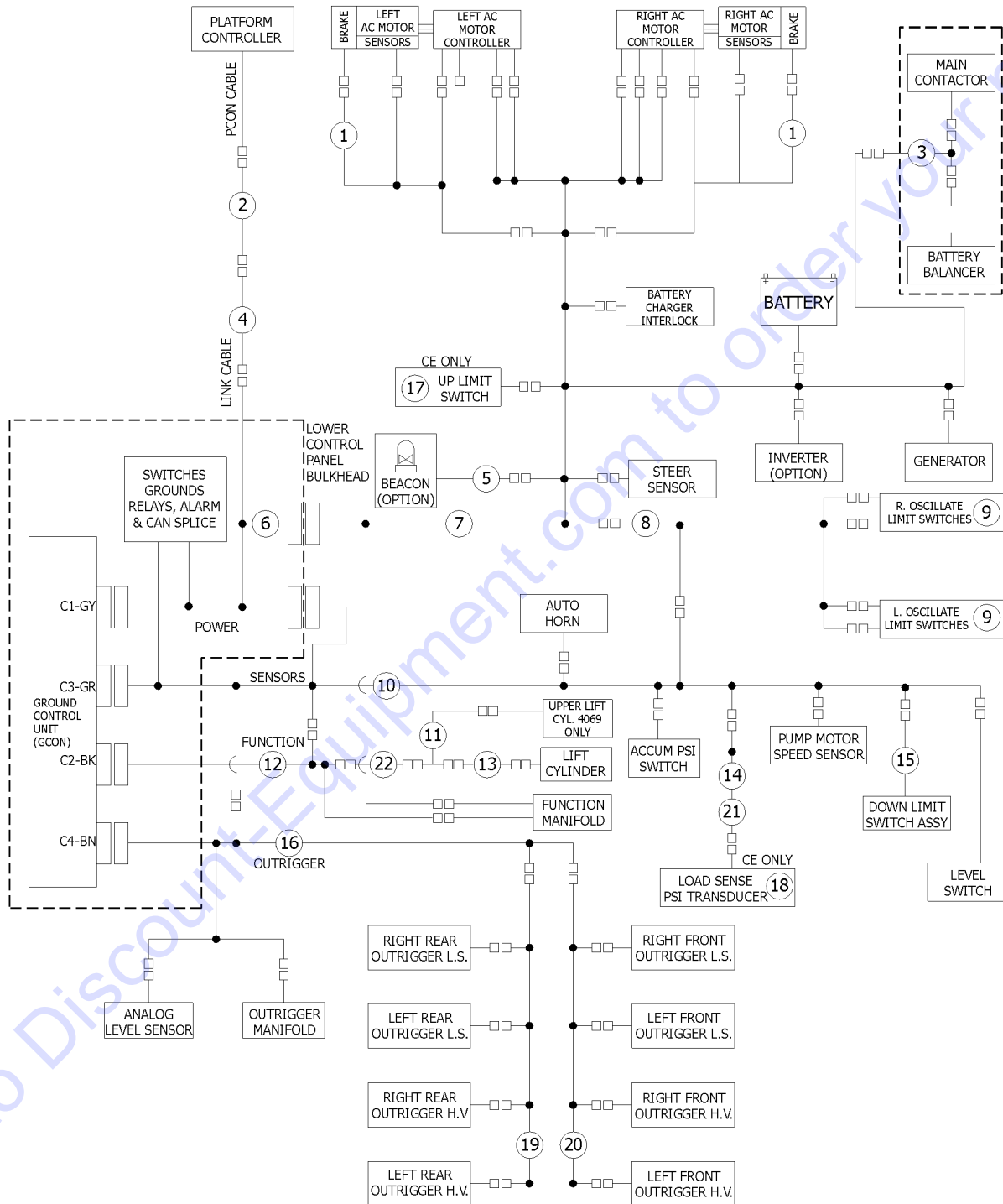
309.1 Electrical Wiring





Item	Part No.	Description	Qty.
6B	1266273GT	HARNESS, LCP, GS69DC/BE ..... (from SN GS6915-6989)	1
A	137587GT	HARNESS, ESTOP, GR/GRC/GS PCON .....	
B	137611GT	ASSY, COIL CORD, GR/GRC/GS .....	
C	1264822GT	KIT, TRC RETROFIT, STNDRD ..... Telematics (includes 1264834)	
C-	1264834GT	INSTRN, TRC RETROFIT, STNDRD .....	
1	234837GT	HARNESS, MOTOR/BRAKE, GS69DC .....	2
2A	236066GT	CABLE, CNTRL, LINKS, GS2669DC ..... GS-2669DC (420")	1
2B	236067GT	CABLE, CNTRL, LINKS, GS3369DC ..... GS-3369DC (542")	1
2C	236068GT	CABLE, CNTRL, LINKS, GS4069DC ..... GS-4069DC (660")	1
3	235398GT	HARNESS, CONTROL POWER, GS69DC .....	1
4	237476GT	CABLE, CONTROL, EXTEND, GS69DC .....	1
5A	148076GT	HARNESS, BEACON, GS69 ..... option (to SN GS6916F-9824)	1
5B	1273392GT	HARNESS, LED BEACON, GS69DC ..... (from SN GS6916F-9825)	
6A	234830GT	HARNESS, LCP, GS69DC ..... (to SN GS6915-6988)	1
6A-	67504GT	FUSE HOLDER, ATC 3-30 AMPS ..... (to SN GS6915-6988)	
6A-	67505GT	FUSE, 10 AMP, ATC ..... (to SN GS6915-6988)	
7	234832GT	HARNESS, MOTOR CONTROL, GS69DC .....	1
8	235399GT	HARNESS, EXTEND, OSC LS, GS69DC .....	1
9	148414GT	HARNESS, OSC SWITCH REAR .....	2
10	234831GT	HARNESS, SENSORS, GS69DC .....	1
11A	148087GT	CABLE, DOWN COILS, GS4069 ..... GS-4069DC (to SN GS6915-6383)	
11B	1259448GT	CABLE, PROP. DOWN COIL 4069 ..... GS-4069DC (from SN GS6915-6384)	
12A	234833GT	HARNESS, FUNCTION, HYD, GS69DC ..... (to SN GS6915-6988)	1
13A	148086GT	CABLE, DOWN COILS, GS3369 ..... (to SN GS6915-6383)	
13B	1259447GT	CABLE, PROP. DOWN COIL 26/3369 ..... (from SN GS6915-6384)	
14	219973GT	CABLE, PRESSURE SWITCH, 6S ..... CE only	1
15	148092GT	HARNESS, DOWN LIMIT SENSOR, GS69 .....	1
16	234834GT	HARNESS, OUTRIGGER, MAIN, GS69DC ..... option	1

309.1 Electrical Wiring

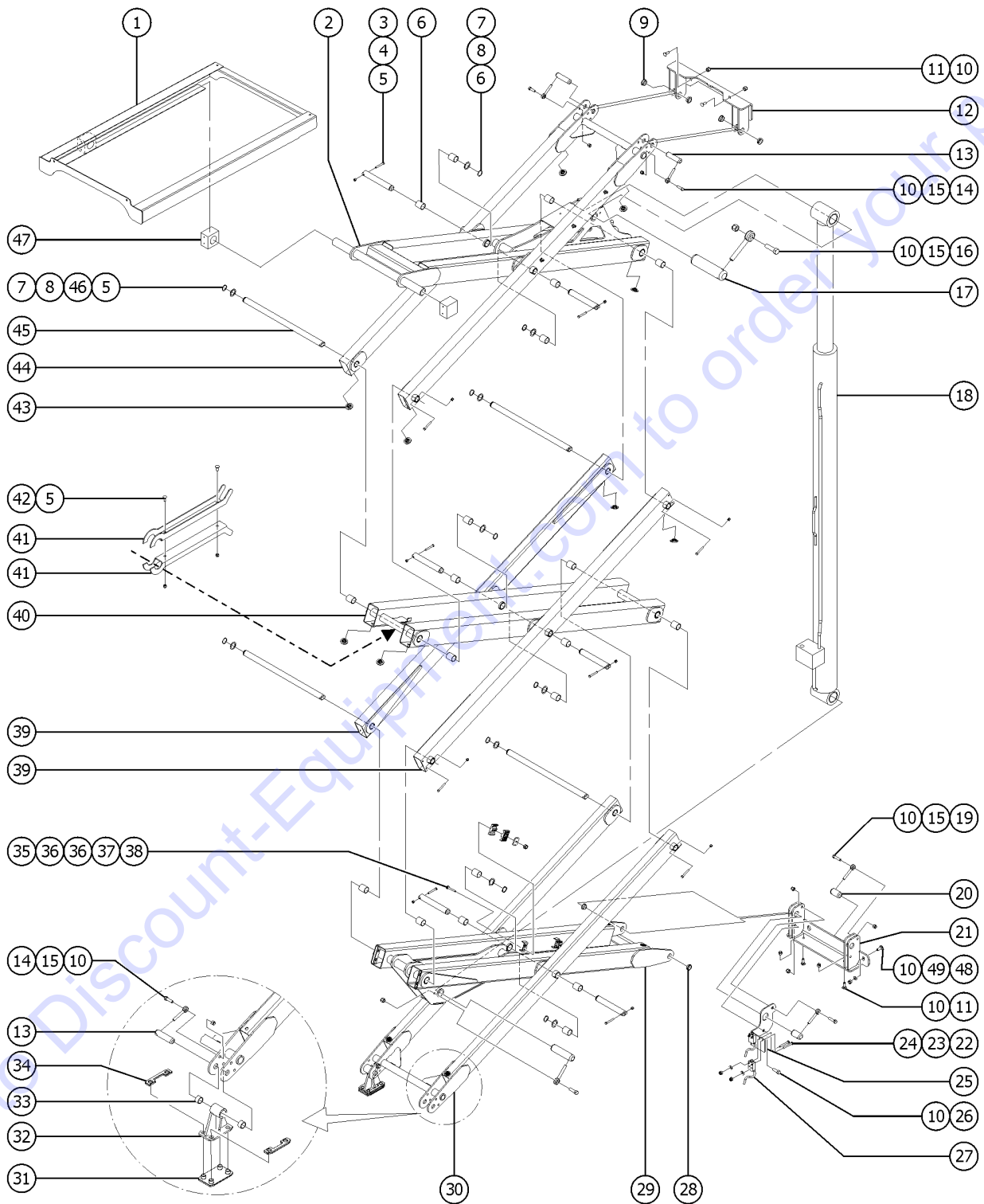


Item	Part No.	Description	Qty.
17	T114634GT	HARNESS,UP LIMIT SWITCH ..... CE only	1
18	104571GT	HARNESS,PRESS.SWITCH ..... CE only	1
19	161213GT	HARNESS, OR HARNESS, J11 ..... option	1
20	161213GT	HARNESS, OR HARNESS, J11 ..... option	1
21	218245GT	JUMPER,SENSOR,TERMINAL .....	1
22A	1259498GT	KIT,PROP. DOWN,GS26/3369 DC/BE ..... to SN GS6915-6383 (includes proportional down harnesses, valve and instructions)	1
22B	1259991GT	KIT,PROP. DOWN,GS4069 DC/BE ..... to SN GS6915-6383 (includes proportional down harnesses, valve and instructions)	1
22C	1259499GT	HARNESS, PROP, DOWN, GS69 ..... from SN GS6915-6384 to GS6915-6988	1
22D	1258731GT	FLASH DRIVE,SL1K2.0 SOFTWARE ..... from SN GS6915-6384 to GS6915-6988	1
22E	219205GT	FLASH DRIVE,SL1K1.0 SOFTWARE ..... from SN GS6915-6384 to GS6915-6988	1
22F	1259447GT	CABLE,PROP. DOWN COIL 26/3369 ..... from SN GS6915-6989	
22G	1259448GT	CABLE,PROP. DOWN COIL 4069 ..... from SN GS6915-6989	

Go to Discount-Equipment.com to order your parts



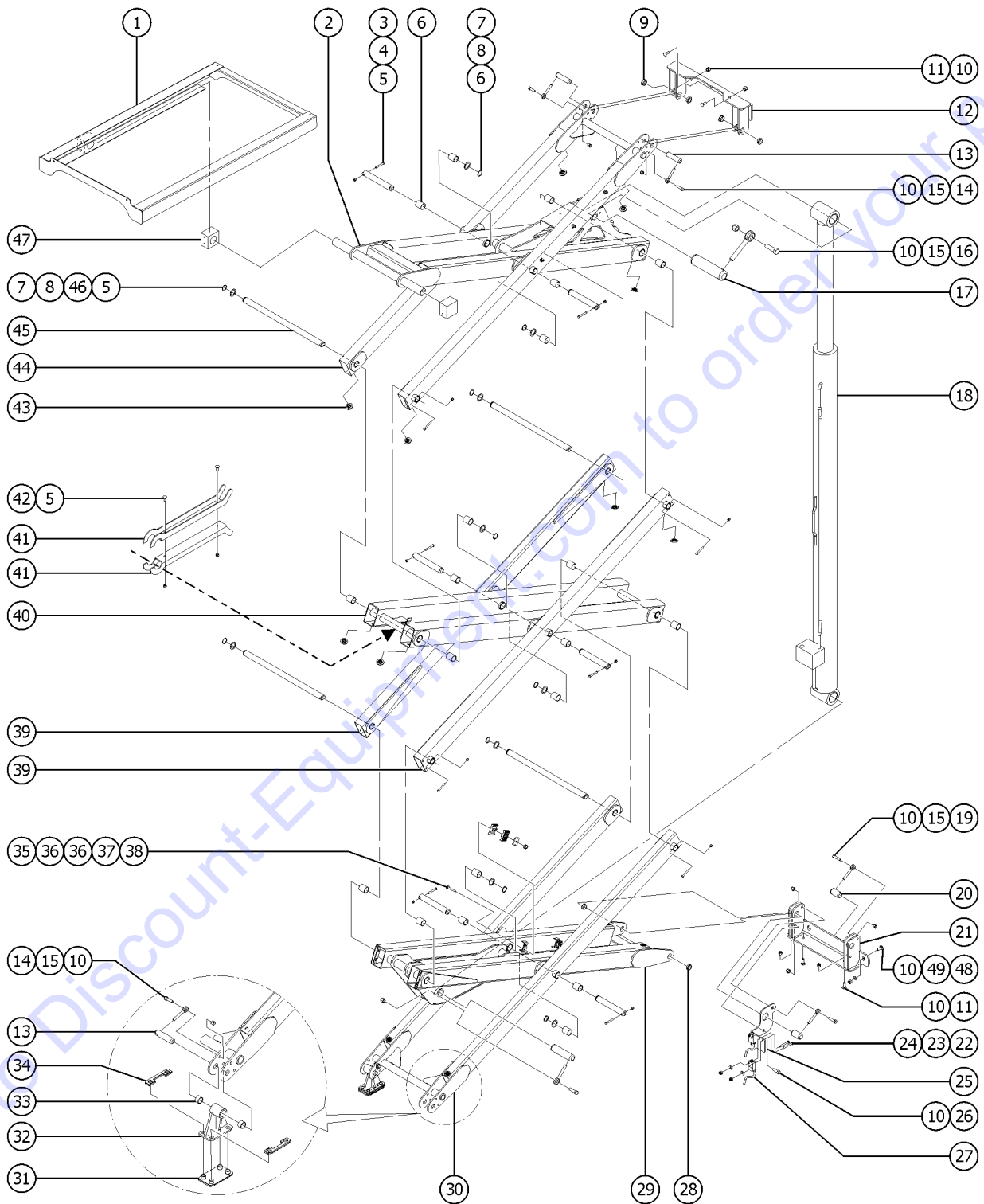
401.1 Scissor Components, GS-2669DC



Item	Part No.	Description	Qty.
1	131874GT	WLDMNT,PLATFORM SPACER, 2669 .....	1
2	112127GT	ASSY,LINK,INNER #3,BLUE,2669 .....	1
		<i>includes item 6</i>	
2-	105214GT	CABLE TIE MOUNT, WINGED .....	
2-	28443GT	CABLE TIE,11.5" BLACK .....	
3	14033GT	SCREW,HHC,3/8-16 X 2.75 .....	6
4	148433GT	PIN,CENTER LINK,GS69 .....	9
5	4828GT	NUT,NYLOCK,3/8-16 .....	12
6	T108138GT	BEARING,1.50IDX1.75ODX2.00L .....	20
7	18383GT	SNAP RING,EXTERNAL,1.5 DIA*** .....	10
8	T108139GT	WASHER,FLAT,1.510X2.125 .....	10
9	112375GT	BEARING,FL,1.25IDX1.50ODX.44LG .....	4
10	6198GT	NUT,NYLOCK,1/2-13 .....	14
11	96977GT	BOLT,CARRIAGE,1/2-13X1.50,GR5 .....	6
12	1254206GT	WELDMENT,PLATFORM PIVOT,2669 .....	1
13	112115GT	PIN,1.25 DIA X 5.00 LG,1 HOLE .....	4
14	22788GT	SCREW,HHC,1/2-13 X 1.75 .....	4
15	1256267GT	ROD END,.5 X 3.75,ZAG .....	8
16	6096GT	SCREW,HHC,1/2-13 X 2 GR5 .....	4
17	112121GT	PIN, CYLINDER, LONG .....	2
18		Ref. Lift Cylinders .....	
		<i>refer to 603.1</i>	
19	10598GT	SCREW,HHC,1/2-13 X 3 .....	2
20	112116GT	PIN,1.50 DIA X 2.75 LG,1 HOLE .....	2
21	1254207GT	WELDMENT,CHASSIS LINK PVT,2669 .....	1
22	49821GT	SCREW,PHILLIPS,PHM,8-32 X 1.25 .....	4
23	35461GT	WASHER,FLAT,MS,#8,Y .....	4
24	18605GT	NUT,NYLOCK,8-32 .....	4
25	1254202GT	FORMING,DOWN LIMIT SWITCH MNT .....	1
26	8177GT	SCREW,HHC,1/2-13 X 1.5 .....	1



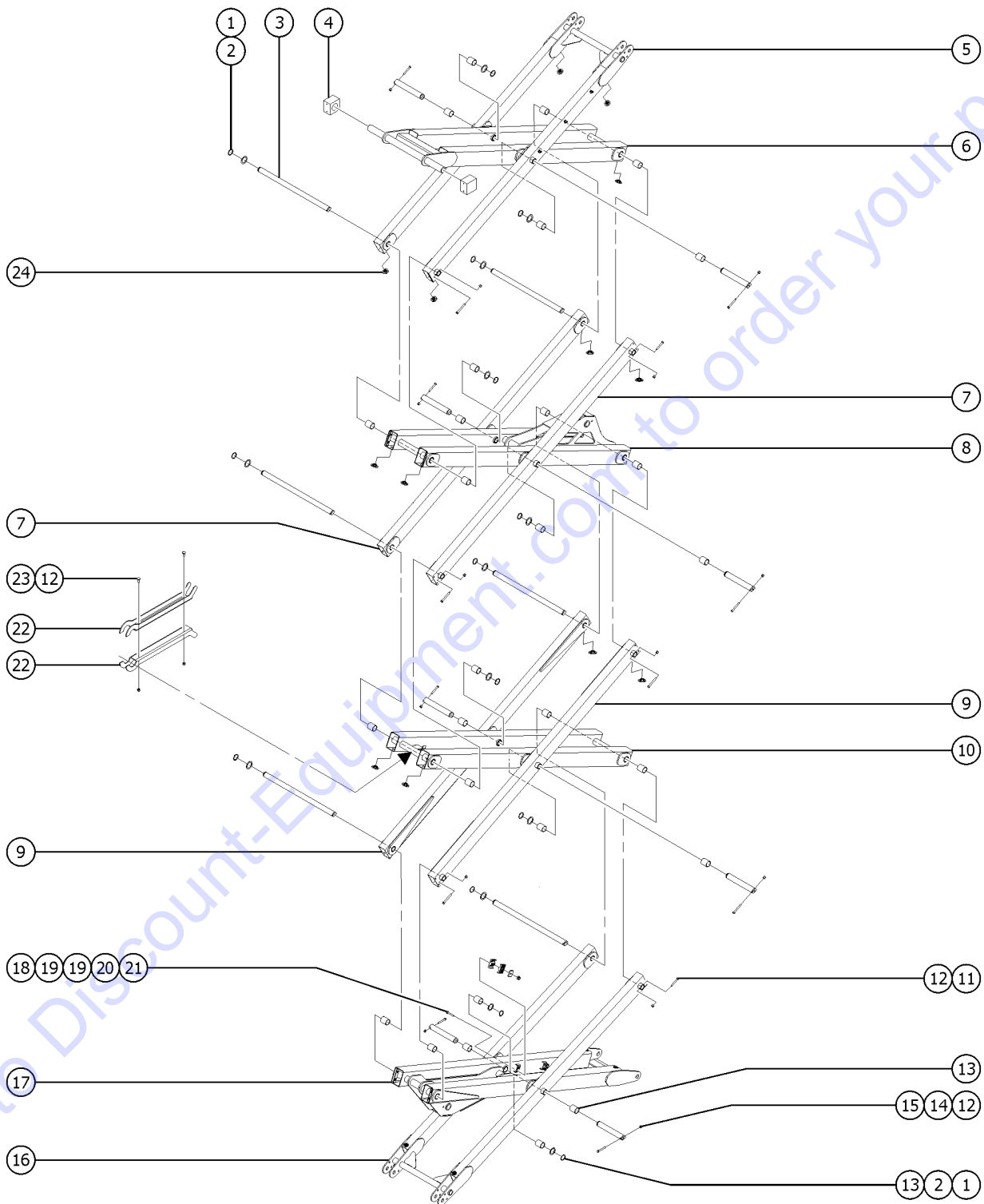
401.1 Scissor Components, GS-2669DC



Item	Part No.	Description	Qty.
27	148236GT	SWITCH,LIMIT,PLUNGER,SMALL .....	2
28	112350GT	BRG,FL,1.5ID X 1.75OD X .5 LG .....	2
29	112123GT	ASSY,LINK,INNER #1,BLUE,GS69 .....	1
		includes items 6 and 28	
30	1254190GT	WELDMENT,LINK,OUTER #1 .....	1
31	112099GT	WEAR PAD,SLIDER FOOT,LOWER .....	2
32	1254208GT	WELDMENT,SLIDER FOOT, GS2669 .....	2
33	30434GT	BEARING,1.25IDX1.50ODX0.88L .....	4
34	112100GT	WEAR PAD,SLIDER FOOT,UPPER .....	4
35	96905GT	BOLT,CARRIAGE,1/4-20 X 2.5,G2 .....	
36	78736GT	CLAMP,2 HOSE,PLASTIC,5/8 .....	8
37	1254245GT	PLATE,HOSE ROUTING,BULKHEAD .....	4
38	6091GT	NUT,NYLOCK,1/4-20 .....	
39	1254204GT	WLDMT,LINK,OUTER,#2 .....	1
		decals not included, refer to section 100	
40	112124GT	ASSY,LINK,INNER #2,BLUE,GS69 .....	1
		decals not included, refer to section 100; includes item 6	
41	1254192GT	FORMING, SAFETY ARM .....	2
42	64154GT	BOLT,CARRIAGE,3/8-16 X1.00,G5 .....	2
43	T109734GT	BUMPER,LINKS,GS69 .....	16
44	1254199GT	WELDMENT,LINK,TOP OUTER,GS69 .....	1
44-	28443GT	CABLE TIE,11.5" BLACK .....	
45	148434GT	PIN,END LINK,GS69 .....	4
46	6326GT	SCREW,HHC,3/8-16 X 3 .....	4
47	112708GT	SLIDER BLOCK, GS69 .....	2
48	96203GT	BOLT,CARRIAGE,1/2-13X1.75, G5 .....	
49	6095GT	WASHER,FLAT,USS,1/2",Y .....	



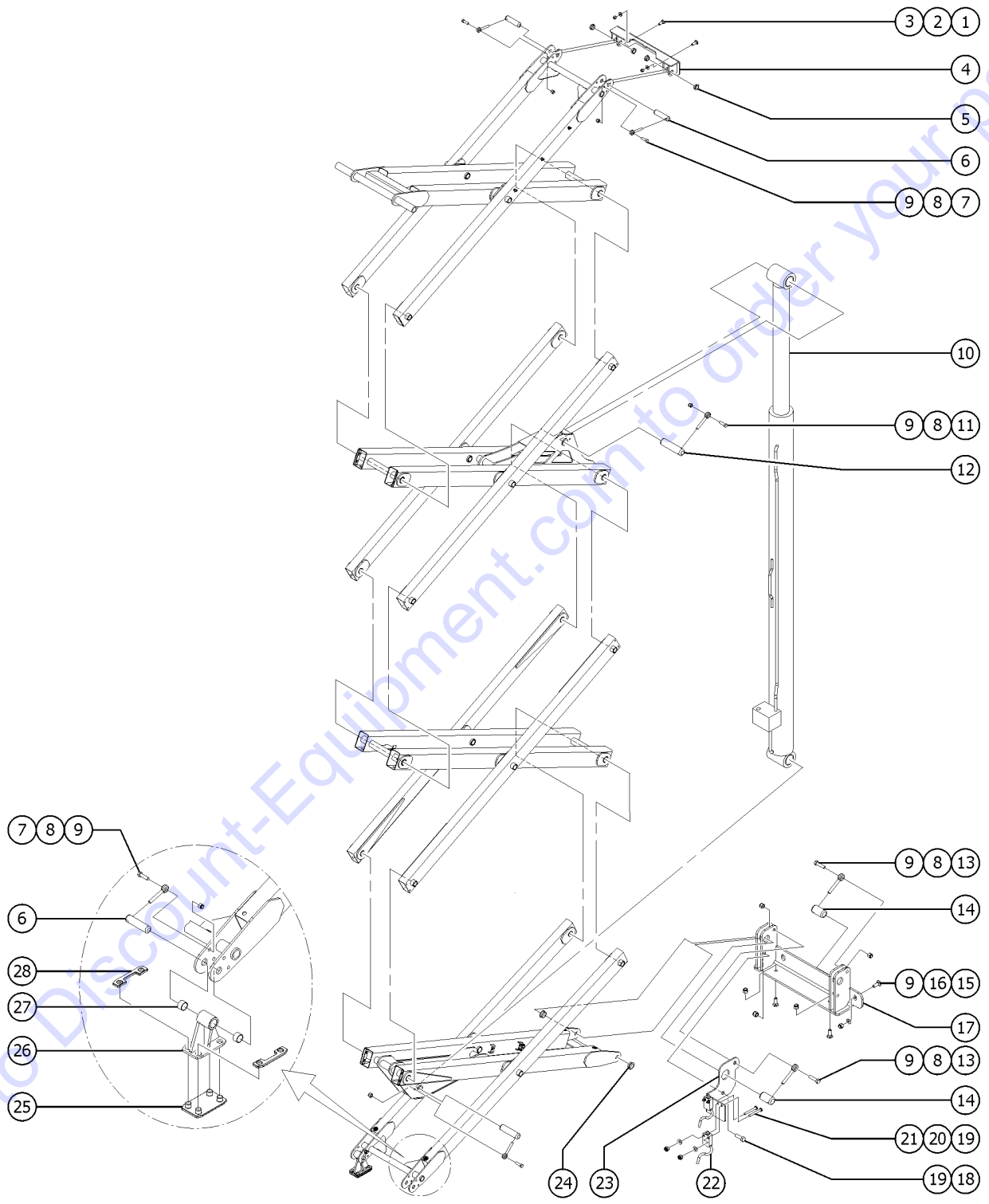
402.1 Scissor Components, GS-3369DC, View 1





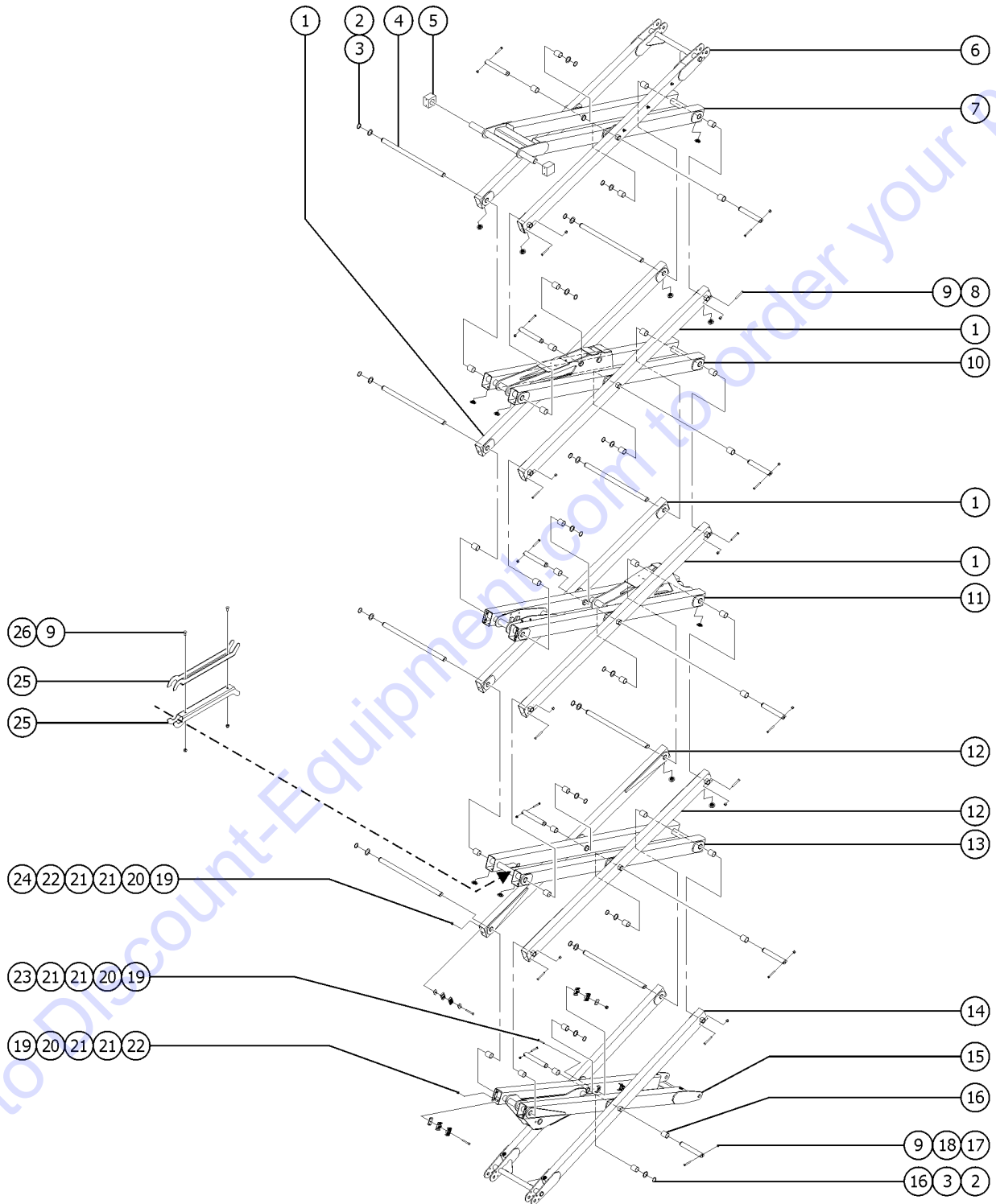
Item	Part No.	Description	Qty.
1	18383GT	SNAP RING,EXTERNAL,1.5 DIA***	14
2	T108139GT	WASHER,FLAT,1.510X2.125	14
3	148434GT	PIN,END LINK,GS69	6
4	112708GT	SLIDER BLOCK, GS69	2
5	1254199GT	WELDMENT,LINK,TOP OUTER,GS69	1
5-	40928GT	CABLE TIE, BUTTON, BLACK, 10.00 LG	
6	112134GT	ASSY,LINK,INR #4-3369,#5-4069 includes item 13	1
7	1254198GT	WELDMENT,LINK,OUTER #2,3,4	2
8	131687GT	ASSY,LINK,INNER #3,BLUE,3369 includes item 13	1
9	1254204GT	WELDMT,LINK,OUTER,#2 decals not included, refer to section 100	1
10	112124GT	ASSY,LINK,INNER #2,BLUE,GS69 includes item 13	1
11	6326GT	SCREW,HHC,3/8-16 X 3	
12	4828GT	NUT,NYLOCK,3/8-16	
13	T108138GT	BEARING,1.50IDX1.75ODX2.00L	28
14	148433GT	PIN,CENTER LINK,GS69	8
15	14033GT	SCREW,HHC,3/8-16 X 2.75	
16	1254190GT	WELDMENT,LINK,OUTER #1	1
17	112123GT	ASSY,LINK,INNER #1,BLUE,GS69 includes item 13	1
18	96905GT	BOLT,CARRIAGE,1/4-20 X 2.5,G2	4
19	78736GT	CLAMP,2 HOSE,PLASTIC,5/8	8
20	1254245GT	PLATE,HOSE ROUTING,BULKHEAD	4
21	6091GT	NUT,NYLOCK,1/4-20	4
22	1254192GT	FORMING, SAFETY ARM	2
23	64154GT	BOLT,CARRIAGE,3/8-16 X1.00,G5	2
24	T109734GT	BUMPER,LINKS,GS69	24

403.1 Scissor Components, GS-3369DC, View 2



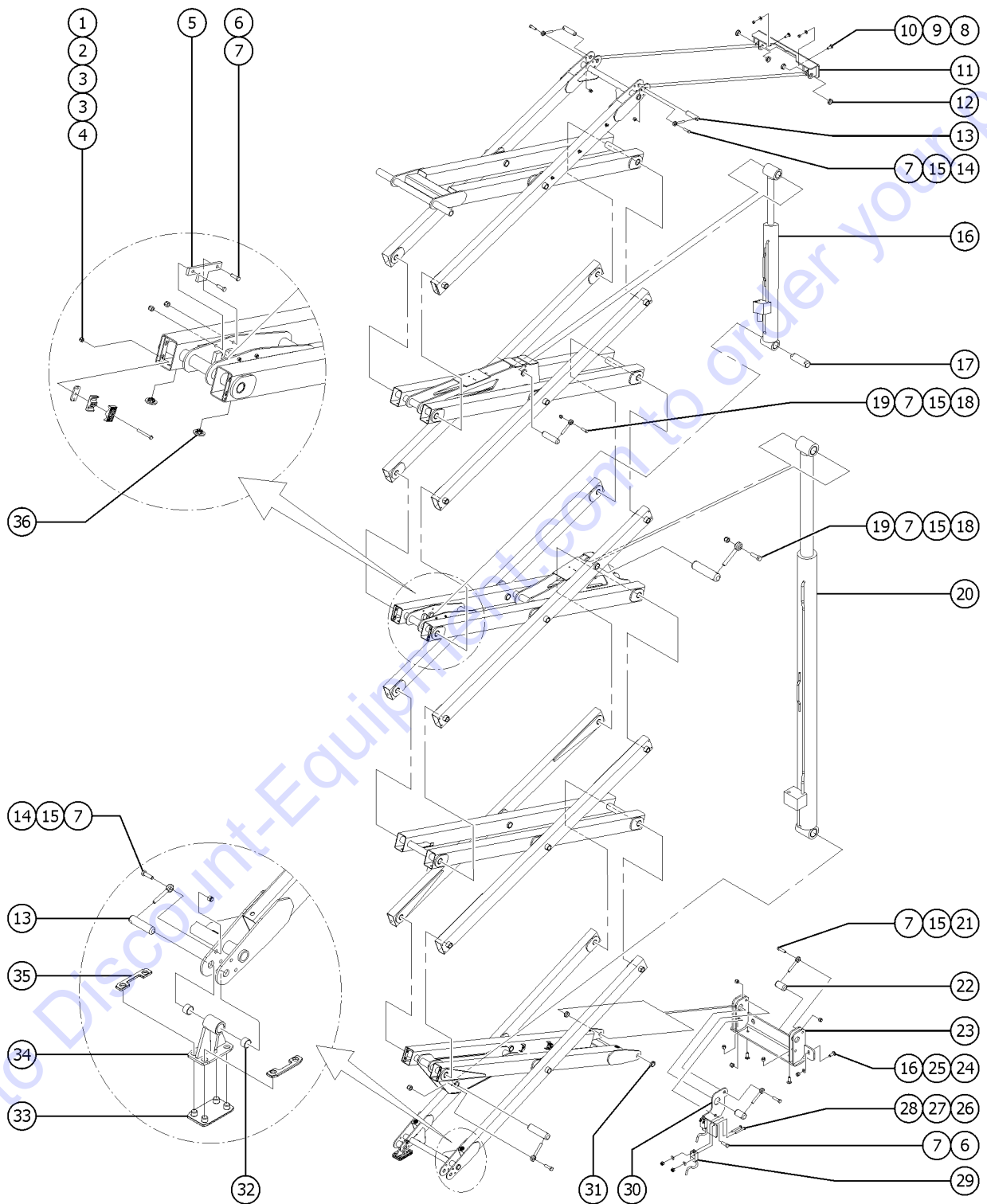
Item	Part No.	Description	Qty.
1	96977GT	BOLT,CARRIAGE,1/2-13X1.50,GR5 .....	
2	6097GT	WASHER,FLAT,USS,3/8",Y .....	
3	4828GT	NUT,NYLOCK,3/8-16 .....	
4	1254196GT	WELDMENT,PLAT PIVOT,33/4069 .....	1
5	112375GT	BEARING,FL,1.25IDX1.50ODX.44LG .....	4
6	112115GT	PIN,1.25 DIA X 5.00 LG,1 HOLE .....	4
7	22788GT	SCREW,HHC,1/2-13 X 1.75 .....	
8	1256267GT	ROD END,.5 X 3.75,ZAG .....	8
9	6198GT	NUT,NYLOCK,1/2-13 .....	
10		Ref. Lift Cylinders refer to 603.1 .....	
11	6096GT	SCREW,HHC,1/2-13 X 2 GR5 .....	
12	112121GT	PIN, CYLINDER, LONG .....	2
13	10598GT	SCREW,HHC,1/2-13 X 3 .....	2
14	112116GT	PIN,1.50 DIA X 2.75 LG,1 HOLE .....	2
15	96203GT	BOLT,CARRIAGE,1/2-13X1.75, G5 .....	2
16	6095GT	WASHER,FLAT,USS,1/2",Y .....	
17	1254203GT	WLDMT,CHASSIS LINK PVT,33/4069 .....	1
18	8177GT	SCREW,HHC,1/2-13 X 1.5 .....	
19	49821GT	SCREW,PHILLIPS,PHM,8-32 X 1.25 .....	
20	35461GT	WASHER,FLAT,MS,#8,Y .....	
21	18605GT	NUT,NYLOCK,8-32 .....	
22	148236GT	SWITCH,LIMIT,PLUNGER,SMALL .....	2
23	1254202GT	FORMING,DOWN LIMIT SWITCH MNT .....	1
24	112350GT	BRG,FL,1.5ID X 1.75OD X .5 LG .....	2
25	112099GT	WEAR PAD,SLIDER FOOT,LOWER .....	2
26	1254191GT	WELDMENT,SLIDER FT, GS33/4069 .....	2
27	30434GT	BEARING,1.25IDX1.50ODX0.88L .....	4
28	112100GT	WEAR PAD,SLIDER FOOT,UPPER .....	4

404.1 Scissor Components, GS-4069DC, View 1



Item	Part No.	Description	Qty.
1	1254198GT	WELDMENT, LINK, OUTER #2,3,4	4
2	18383GT	SNAP RING, EXTERNAL, 1.5 DIA***	18
3	T108139GT	WASHER, FLAT, 1.510X2.125	
4	148434GT	PIN, END LINK, GS69	8
5	112708GT	SLIDER BLOCK, GS69	2
6	1254199GT	WELDMENT, LINK, TOP OUTER, GS69	1
7	112134GT	ASSY, LINK, INR #4-3369, #5-4069 includes item 16	1
8	6326GT	SCREW, HHC, 3/8-16 X 3	
9	4828GT	NUT, NYLOCK, 3/8-16	
10	112126GT	ASSY, LINK, INNER #4, BLUE, 4069 includes item 16	1
11	112125GT	ASSY, LINK, INNER #3, BLUE, 4069 includes item 16	1
12	1254204GT	WLDMT, LINK, OUTER, #2 decals not included, refer to section 100	1
13	112124GT	ASSY, LINK, INNER #2, BLUE, GS69 includes item 16	1
14	1254190GT	WELDMENT, LINK, OUTER #1	1
15	112123GT	ASSY, LINK, INNER #1, BLUE, GS69	1
15-	40928GT	CABLE TIE, BUTTON, BLACK, 10.00 LG	
16	T108138GT	BEARING, 1.50ID X 1.75OD X 2.00L	
17	14033GT	SCREW, HHC, 3/8-16 X 2.75	
18	148433GT	PIN, CENTER LINK, GS69	10
19	6091GT	NUT, NYLOCK, 1/4-20	
20	1254245GT	PLATE, HOSE ROUTING, BULKHEAD	7
21	78736GT	CLAMP, 2 HOSE, PLASTIC, 5/8	14
22	4266GT	SCREW, HHC, 1/4-20 X 2	
23	96905GT	BOLT, CARRIAGE, 1/4-20 X 2.5, G2	
24	1254439GT	PLATE, BACKING, LINKS	
25	1254192GT	FORMING, SAFETY ARM	2
26	64154GT	BOLT, CARRIAGE, 3/8-16 X 1.00, G5	2

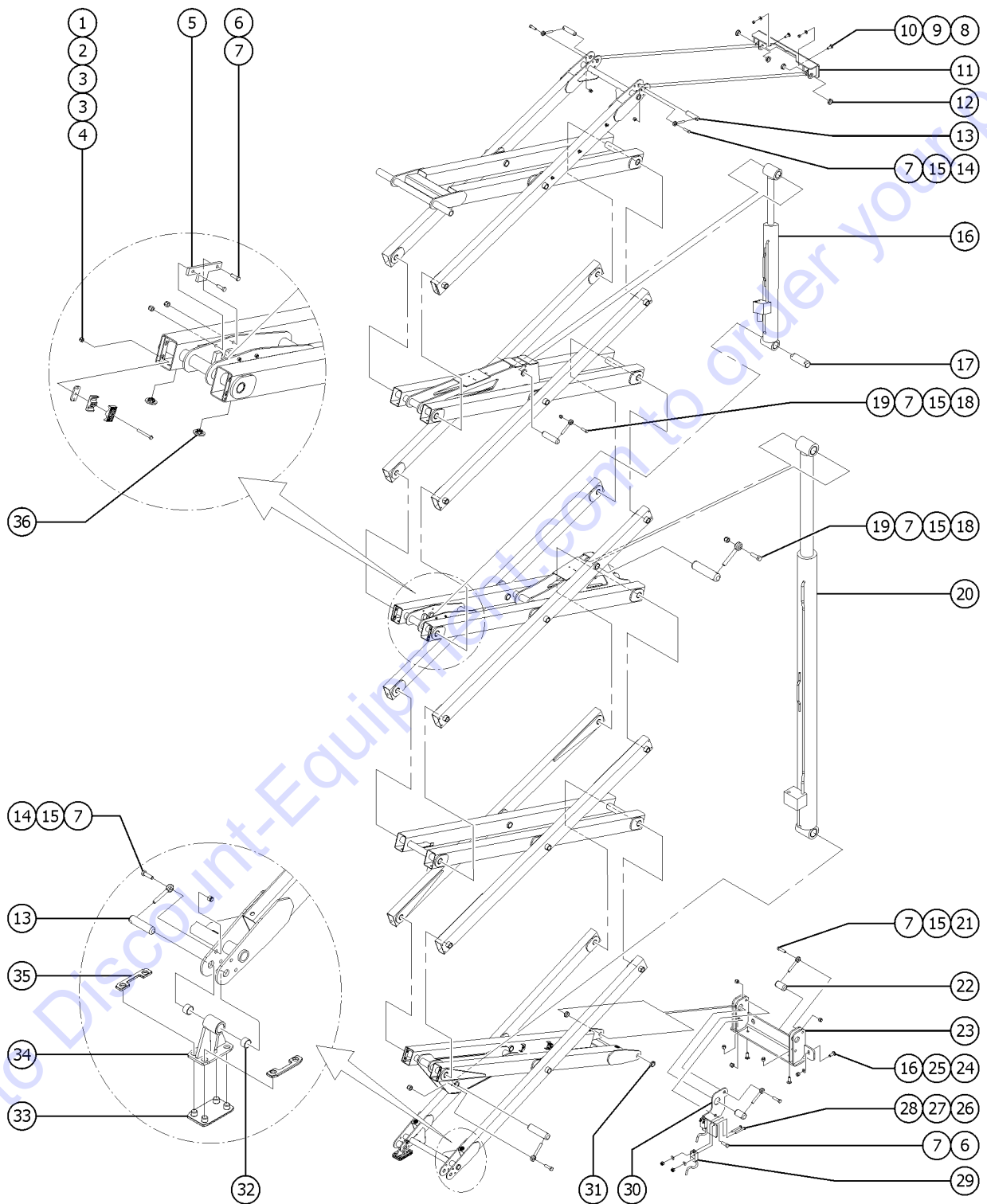
405.1 Scissor Components, GS-4069DC, View 2



Item	Part No.	Description	Qty.
1	6091GT	NUT,NYLOCK,1/4-20 .....	
2	1254245GT	PLATE,HOSE ROUTING,BULKHEAD .....	1
3	78736GT	CLAMP,2 HOSE,PLASTIC,5/8 .....	2
4	4266GT	SCREW,HHC,1/4-20 X 2 .....	
5	1254201GT	PLATE,UPR CYL,PIN RETAINR 4069 .....	2
6	8177GT	SCREW,HHC,1/2-13 X 1.5 .....	
7	6198GT	NUT,NYLOCK,1/2-13 .....	
8	96977GT	BOLT,CARRIAGE,1/2-13X1.50,GR5 .....	
9	6097GT	WASHER,FLAT,USS,3/8",Y .....	
10	4828GT	NUT,NYLOCK,3/8-16 .....	
11	1254196GT	WELDMENT,PLAT PIVOT,33/4069 .....	1
12	112375GT	BEARING,FL,1.25IDX1.50ODX.44LG .....	
13	112115GT	PIN,1.25 DIA X 5.00 LG,1 HOLE .....	4
14	22788GT	SCREW,HHC,1/2-13 X 1.75 .....	
15	1256267GT	ROD END,.5 X 3.75,ZAG .....	9
16		Ref. Lift Cylinders, Upper refer to 603.1 .....	
17	235122GT	PIN,UPPER CYLINDER .....	1
18	6096GT	SCREW,HHC,1/2-13 X 2 GR5 .....	
19	112121GT	PIN, CYLINDER, LONG .....	3
20		Ref. Lift Cylinders refer to 603.1 .....	
21	10598GT	SCREW,HHC,1/2-13 X 3 .....	
22	112116GT	PIN,1.50 DIA X 2.75 LG,1 HOLE .....	2
23	1254203GT	WLDMT,CHASSIS LINK PVT,33/4069 .....	1
24	96203GT	BOLT,CARRIAGE,1/2-13X1.75, G5 .....	
25	6095GT	WASHER,FLAT,USS,1/2",Y .....	
26	49821GT	SCREW,PHILLIPS,PHM,8-32 X 1.25 .....	
27	35461GT	WASHER,FLAT,MS,#8,Y .....	
28	18605GT	NUT,NYLOCK,8-32 .....	



405.1 Scissor Components, GS-4069DC, View 2





# PARTS FINDER

**Search Website  
by Part Number**



**Search Manual  
Library For Parts  
Manual & Lookup Part  
Numbers – Purchase  
or Request Quote**

**Search Manuals**

Enter your information to help us find the right parts manual for your machine.

\* Brand:

\* Model:

\* Serial:

\* Part Number:

SEARCH

**Can't Find Part or  
Manual? Request Help  
by Manufacturer,  
Model & Description**

**Parts Order Form**

Please fill in the following information to help us find the right part for your machine.

Manufacturer:	<input type="text"/>
Model:	<input type="text"/>
Description:	<input type="text"/>
Part Number:	<input type="text"/>
Quantity:	<input type="text"/>
Notes:	<input type="text"/>

Submit

Discount-Equipment.com is your online resource for quality parts & equipment.

Florida: **561-964-4949** Outside Florida TOLL FREE: **877-690-3101**

**Need parts?**

Click on this link: <http://www.discount-equipment.com/category/5443-parts/> and choose one of the options to help get the right parts and equipment you are looking for. Please have the machine model and serial number available in order to help us get you the correct parts. If you don't find the part on the website or on one of the online manuals, please fill out the request form and one of our experienced staff members will get back to you with a quote for the right part that your machine needs.

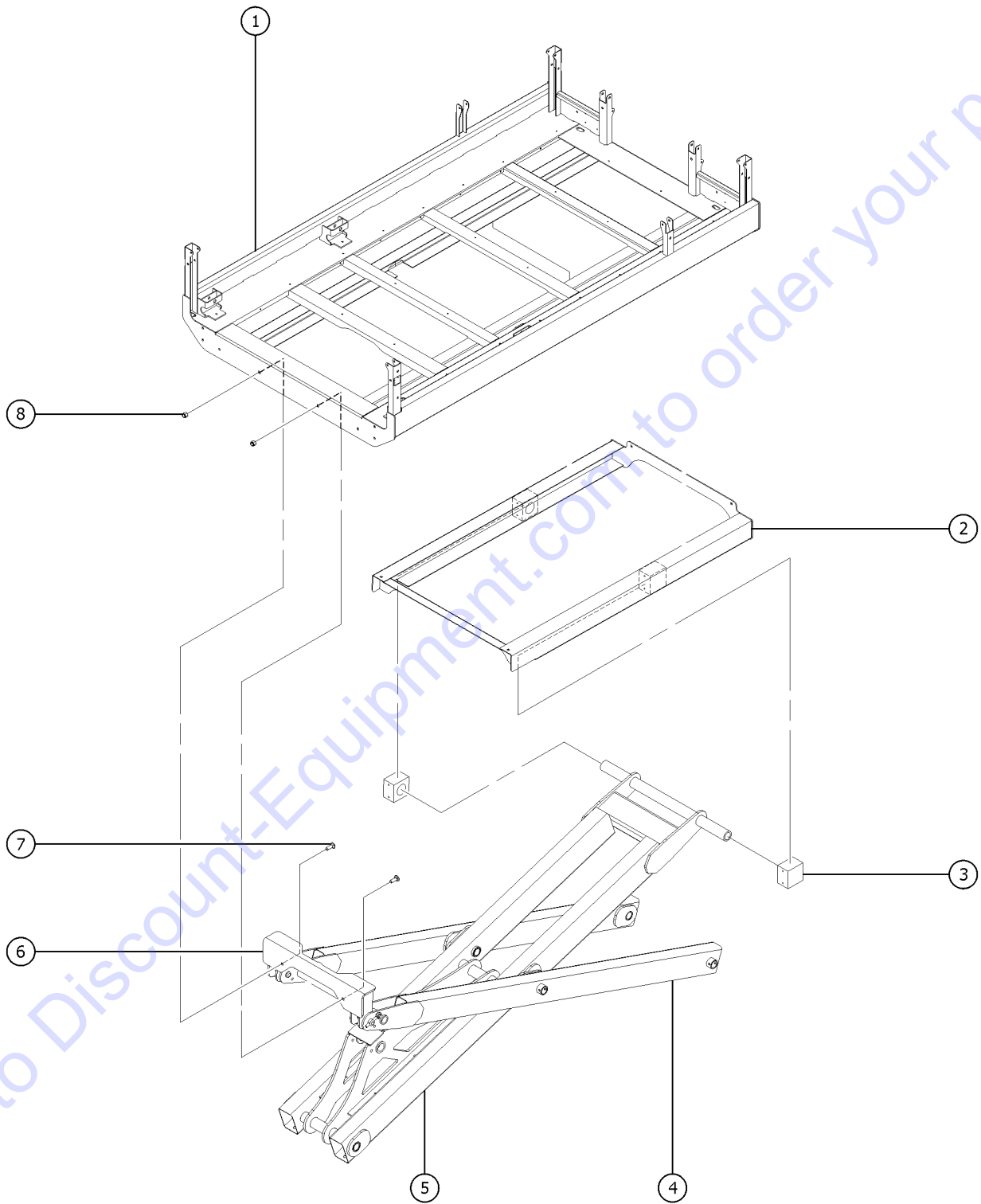
We sell worldwide for the brands: Genie, Terex, JLG, MultiQuip, Mikasa, Essick, Whiteman, Mayco, Toro Stone, Diamond Products, Generac Magnum, Airman, Haulotte, Barreto, Power Blanket, Nifty Lift, Atlas Copco, Chicago Pneumatic, Allmand, Miller Curber, Skyjack, Lull, Skytrak, Tsurumi, Husquvarna Target, Stow, Wacker, Sakai, Mi-T-M, Sullair, Basic, Dynapac, MBW, Weber, Bartell, Bennar Newman, Haulotte, Ditch Runner, Menegotti, Morrison, Contec, Buddy, Crown, Edco, Wyco, Bomag, Laymor, EZ Trench, Bil-Jax, F.S. Curtis, Gehl Pavers, Heli, Honda, ICS/PowerGrit, IHI, Partner, Imer, Clipper, MMD, Koshin, Rice, CH&E, General Equipment, Amida, Coleman, NAC, Gradall, Square Shooter, Kent, Stanley, Tamco, Toku, Hatz, Kohler, Robin, Wisconsin, Northrock, Oztec, Toker TK, Rol-Air, APT, Wylie, Ingersoll Rand / Doosan, Innovatech, Con X, Ammann, Mecalac, Makinex, Smith Surface Prep, Small Line, Wanco, Yanmar

Item	Part No.	Description	Qty.
29	148236GT	SWITCH,LIMIT,PLUNGER,SMALL .....	2
30	1254202GT	FORMING,DOWN LIMIT SWITCH MNT .....	1
31	112350GT	BRG,FL,1.5ID X 1.75OD X .5 LG .....	2
32	30434GT	BEARING,1.25IDX1.50ODX0.88L .....	4
33	112099GT	WEAR PAD,SLIDER FOOT,LOWER .....	2
34	1254191GT	WELDMENT,SLIDER FT, GS33/4069 .....	2
35	112100GT	WEAR PAD,SLIDER FOOT,UPPER .....	4
36	T109734GT	BUMPER,LINKS,GS69 .....	32

Go to Discount-Equipment.com to order your parts



501.1 Platform Installation, GS-2669DC

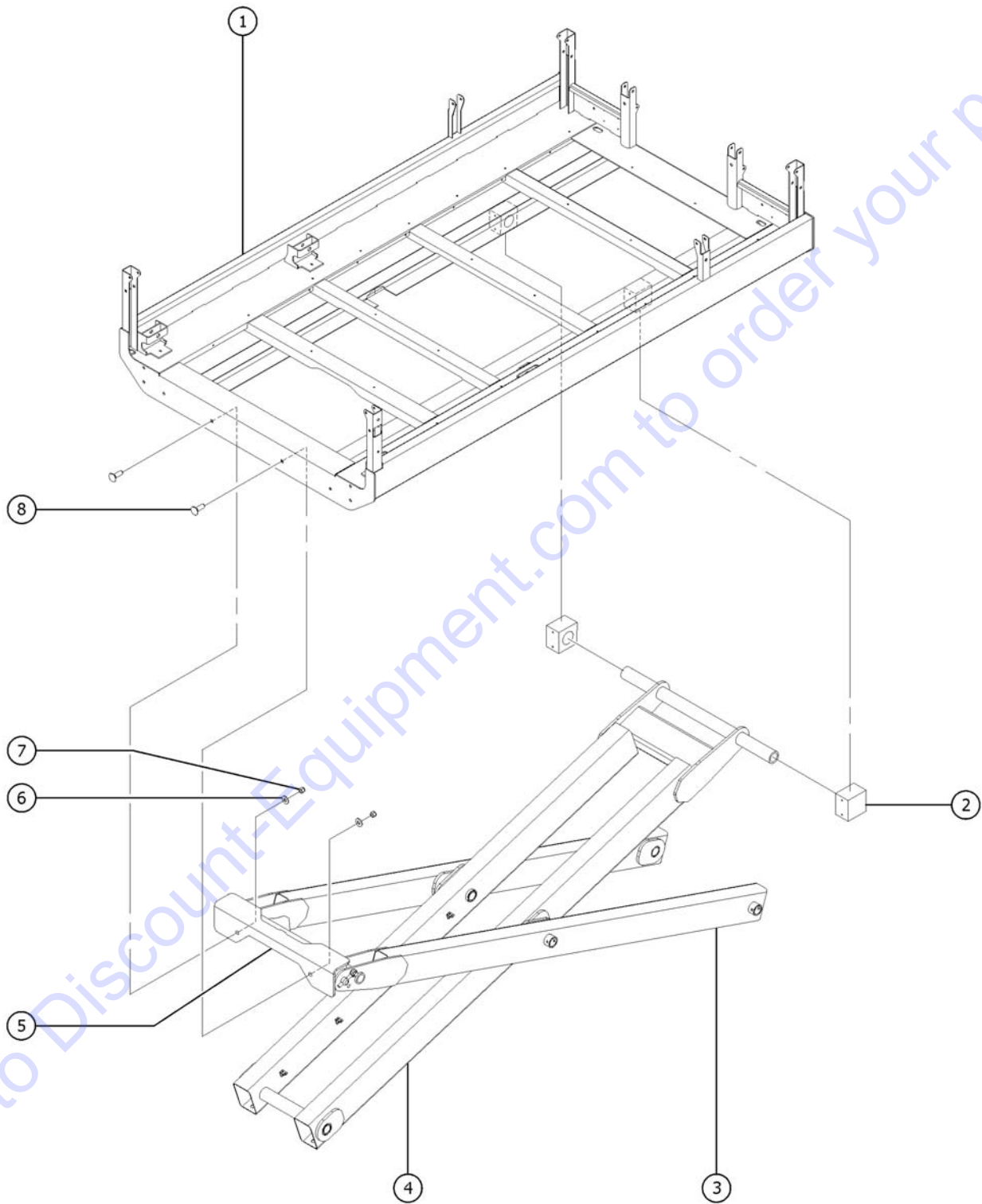


Item	Part No.	Description	Qty.
1	112703GT	WELDMENT,MAIN PLATFORM,GS69 ..... decals not included, refer to section 100	1
2		Ref. WLDMNT,PLATFORM SPACER, 2669 ..... refer to 401.1	1
3	112708GT	SLIDER BLOCK, GS69 .....	2
4	1254199GT	WELDMENT,LINK,TOP OUTER,GS69 .....	1
5	1254205GT	WELDMNT,LINK,TOP INNER,4069 .....	1
6	1254196GT	WELDMENT,PLAT PIVOT,33/4069 .....	1
7	96977GT	BOLT,CARRIAGE,1/2-13X1.50,GR5 .....	2
8	6198GT	NUT,NYLOCK,1/2-13 .....	2

Go to Discount-Equipment.com to order your parts



502.1 Platform Installation, GS-3369DC & GS-4069DC



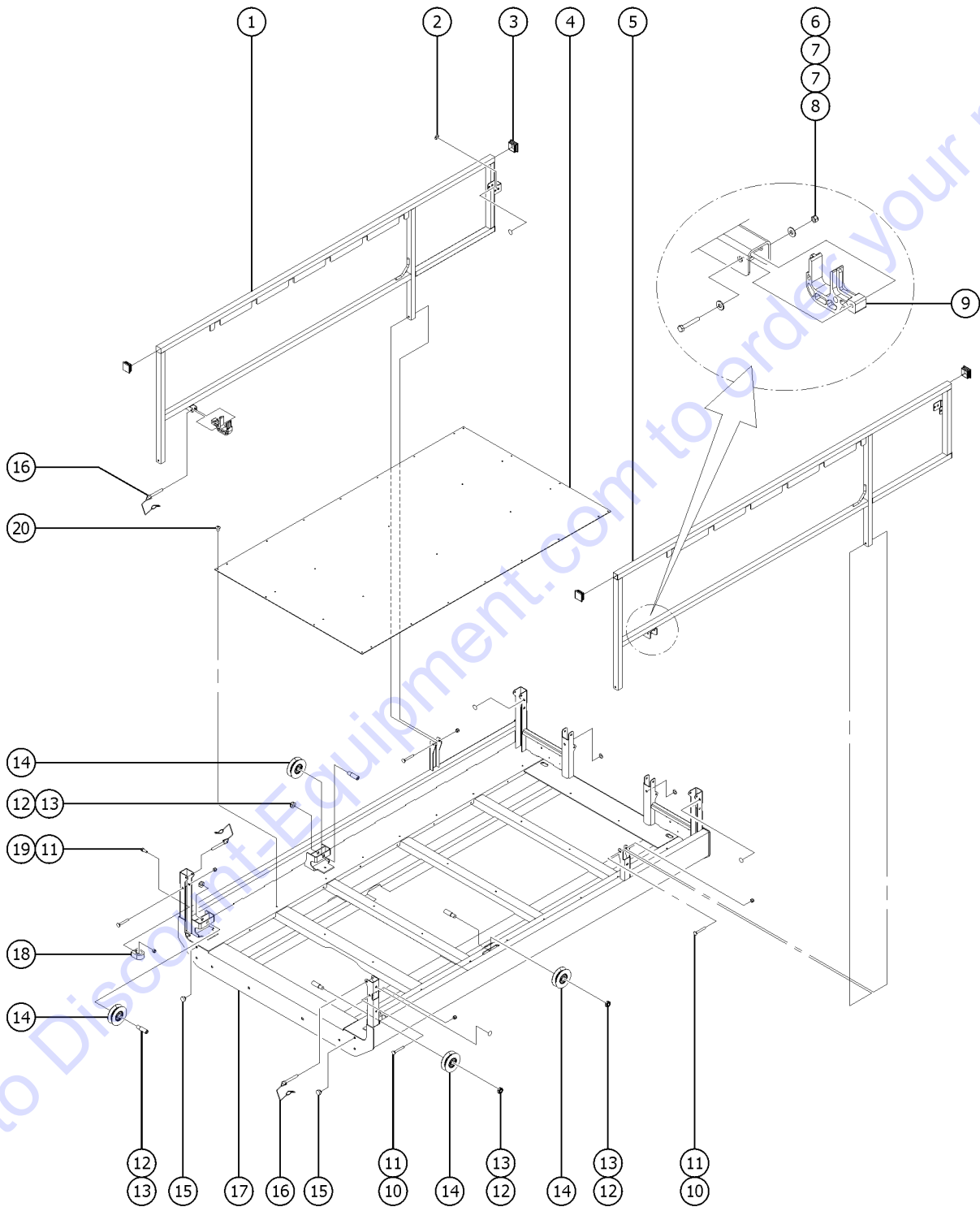
502.1 Platform Installation, GS-3369DC & GS-4069DC

Item	Part No.	Description	Qty.
1	112703GT	WELDMENT,MAIN PLATFORM,GS69 decals not included, refer to section 100	1
2	112708GT	SLIDER BLOCK, GS69	2
3	112076GT	WELDMENT,LINK,TOP OUTER,GS69	1
4	112134GT	ASSY,LINK,INR #4-3369,#5-4069 bearings included	1
5	148450GT	ASSY,LINK MOUNT, TOP,GS69	1
6	6097GT	WASHER,FLAT,USS,3/8",Y	
7	4828GT	NUT,NYLOCK,3/8-16	
8	96977GT	BOLT,CARRIAGE,1/2-13X1.50,GR5	

Go to Discount-Equipment.com to order your parts



503.1 Platform Railing Installation



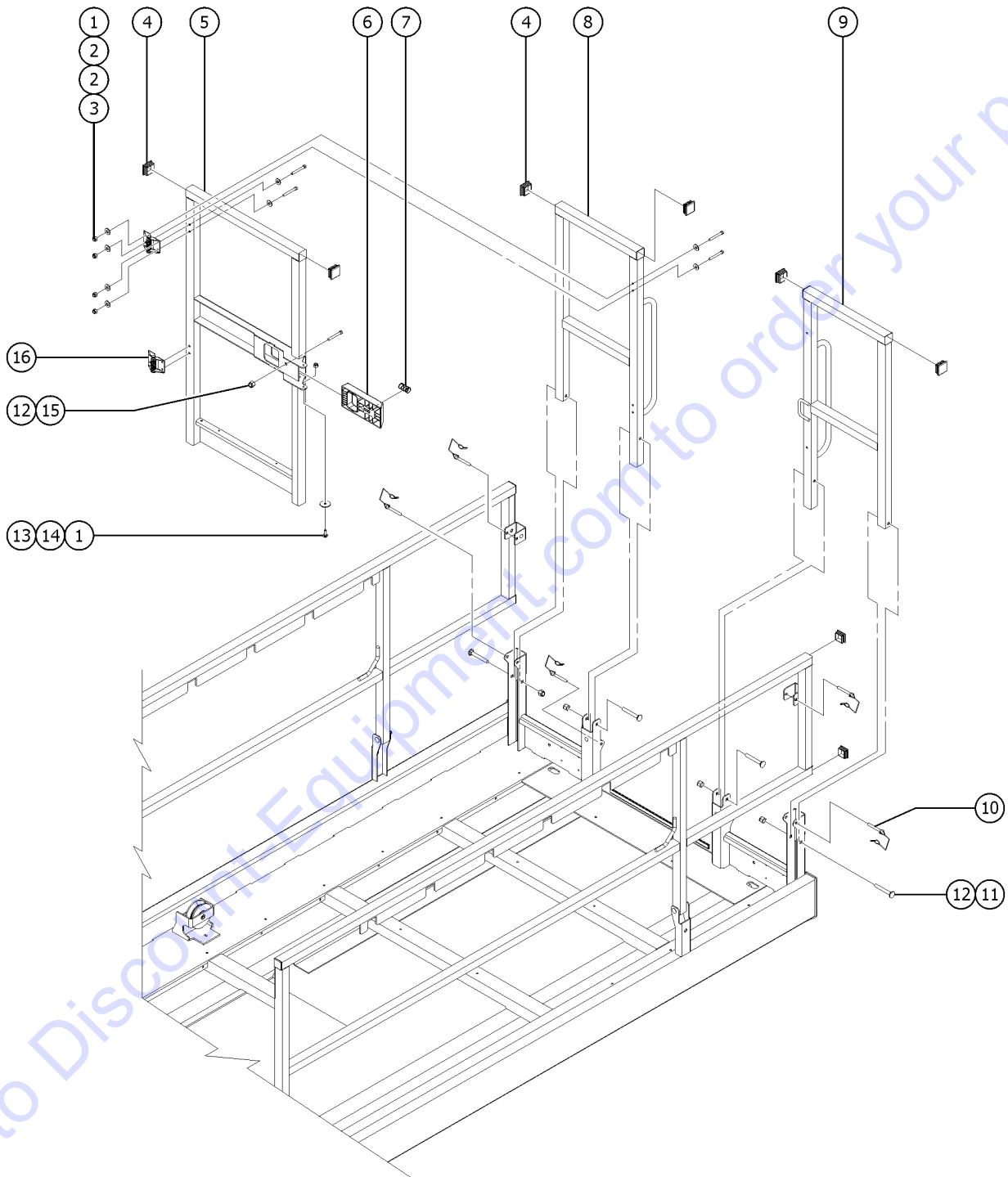
503.1 Platform Railing Installation

Item	Part No.	Description	Qty.
1	131744GT	WELDMENT,MAIN RAIL,RIGHT decals not included, refer to section 100	1
2	47478GT	BUMPER, RUBBER, 1"OD X .461H	10
3	79355GT	PLUG,TUBE,SQ 1.50X.065	6
4	131749GT	PLATE,GS69 DECK	1
5	131745GT	WELDMENT, MAIN RAIL, LEFT decals not included, refer to section 100	1
6	6091GT	NUT,NYLOCK,1/4-20	
7	6638GT	WASHER,FLAT,USS,1/4"Y	
8	6637GT	SCREW,HHC,1/4-20 X 1.75	
9	71376GT	RAIL SPACER, GS90	2
10	112476GT	BOLT,CARRIAGE,3/8-16X2.75,G5	
11	4828GT	NUT,NYLOCK,3/8-16	
12	38028GT	NUT,LP NYLOCK,5/8-11	
13	87568GT	PIN, SHOULDER, 5/8-11 X 1.77	4
14	131416GT	V-ROLLER,NARROW,EXT DECK	4
15	47230GT	BUMPER,RUBBER	2
16	66030GT	PIN, WIRE LOCK 3/8 X 2 -1/2	4
17		Ref. WELDMENT, MAIN PLATFORM refer to 501.1 and 502.1	
18	87523GT	COIL CORD CLIP	1
19	6175GT	SCREW,HHC,3/8-16 X 1	
20	71315GT	RIVET,DRIVE, .25 X .25	24





504.1 Platform Entry Gate

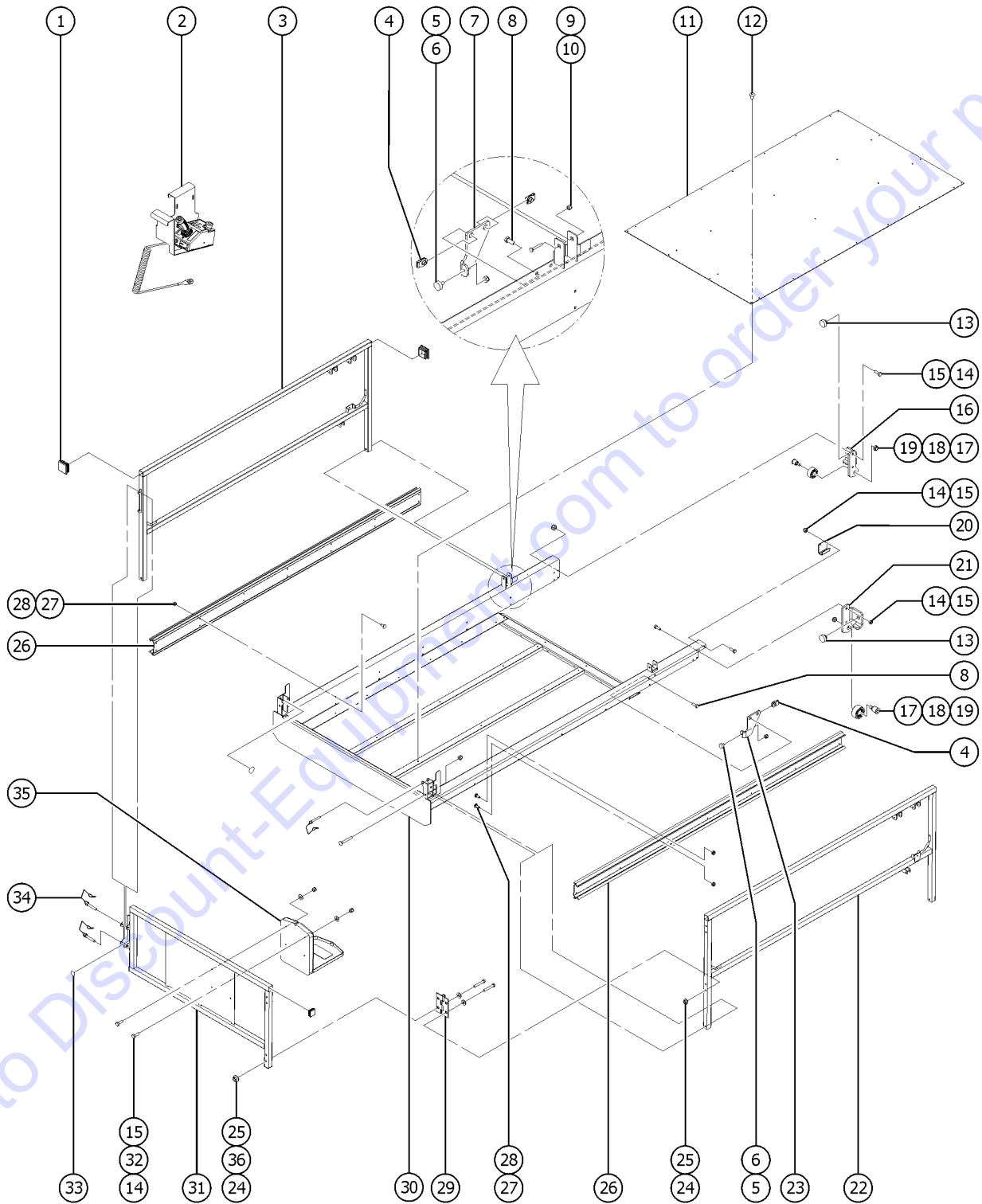


Item	Part No.	Description	Qty.
1	6889GT	NUT,LP NYLOCK,1/4-20 .....	
2	6638GT	WASHER,FLAT,USS,1/4"Y .....	
3	4266GT	SCREW,HHC,1/4-20 X 2 .....	8
4	79355GT	PLUG,TUBE,SQ 1.50X.065 .....	10
5	87320-SGT	WELDMENT,ENTRY GATE .....	1
6	112543GT	SLIDER, GATE CATCH .....	1
7	22446GT	SPRING, COMPRESSION .835 X 2 .....	1
8	131747GT	WELDMENT, MAIN, A-RAIL, RIGHT .....	1
9	131746GT	WELDMENT, MAIN, A-RAIL, LEFT .....	1
10	66030GT	PIN, WIRE LOCK 3/8 X 2 -1/2 .....	4
11	112476GT	BOLT,CARRIAGE,3/8-16X2.75,G5 .....	
12	4828GT	NUT,NYLOCK,3/8-16 .....	
13	6878GT	BOLT,CARRIAGE,1/4-20 X .75,G2 .....	
14	47793GT	BUMPER, MODULE TRAY .....	1
15	6708GT	SCREW,HHC,3/8-16 X 2.25 .....	
16	104804GT	HINGE, SPRING, LONG LEG .....	2

Go to Discount-Equipment.com to order your parts

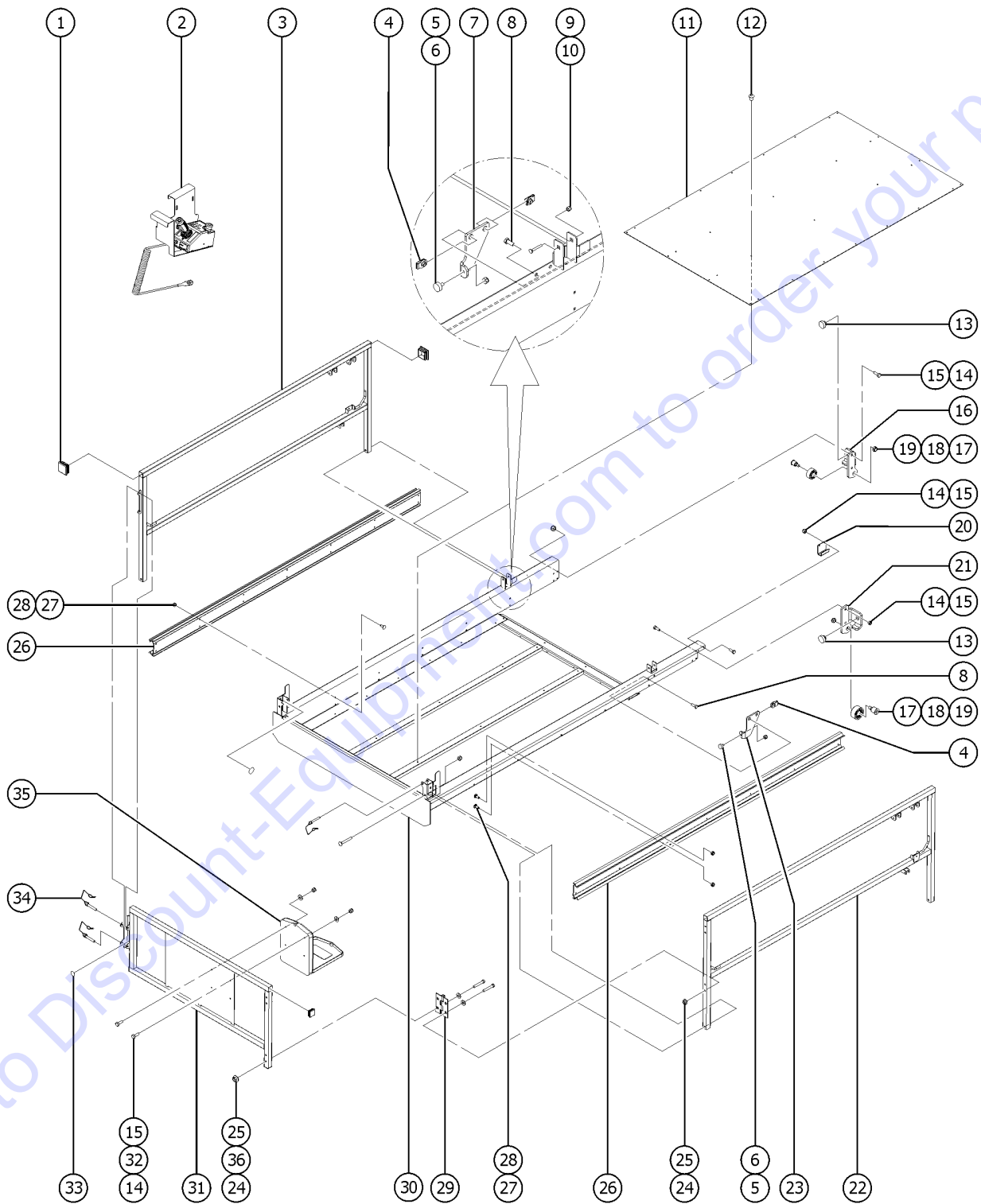


505.1 Platform Extension



Item	Part No.	Description	Qty.
	33550GT	TAPE,WARNING,BLK/YEL, 50'*** CE and AUS models only	1
1	79355GT	PLUG,TUBE,SQ 1.50X.065	8
2		Ref. Platform Controller refer to 508.1	
3	131743GT	WELDMENT,SIDE EXT RAIL,RIGHT decals not included, refer to section 100	1
4	29868GT	SPRING CLIP,3/8-16,.05-.20X.73,ZAG	4
5	79090GT	BUMPER, 1.00 X .375 X 5/16	2
6	6782GT	NUT,NYLOCK,5/16-18	
7	99268GT	FORMING,PLATFORM STOP.LEFT	1
8	6175GT	SCREW,HHC,3/8-16 X 1	
9	112476GT	BOLT,CARRIAGE,3/8-16X2.75,G5	
10	4828GT	NUT,NYLOCK,3/8-16	
11	131749GT	PLATE,GS69 DECK	1
12	71315GT	RIVET,DRIVE, .25 X .25	24
13	47230GT	BUMPER,RUBBER	2
14	6090GT	SCREW,HHC,1/4-20 X .75	
15	6091GT	NUT,NYLOCK,1/4-20	
16	87570GT	FORMING,EXT DECK STOP,RIGHT	1
17	7713GT	NUT,LP NYLOCK,3/8-16	
18	38016GT	ROLLER,PLASTIC,AWP96**	2
19	35706GT	BOLT,ROLLER,.470"(SHORT)	2
20	87675GT	FORMING,EXT DECK CATCH	2
21	87571GT	FORMING,EXT DECK STOP,LEFT	2
22	131741GT	WELDMENT,SIDE EXT RAIL,LEFT decals not included, refer to section 100	1
23	99267GT	FORMING,PLATFORM STOP,RIGHT	1
24	48425GT	NUT,FLG-LRG,3/8-16,YZ	
25	6708GT	SCREW,HHC,3/8-16 X 2.25	
26	131751GT	EXTRUSION,ALUM,V-ROLLER TRK	2
27	87645GT	BOLT,CARRIAGE,1/4-20 X .63,G2	

505.1 Platform Extension

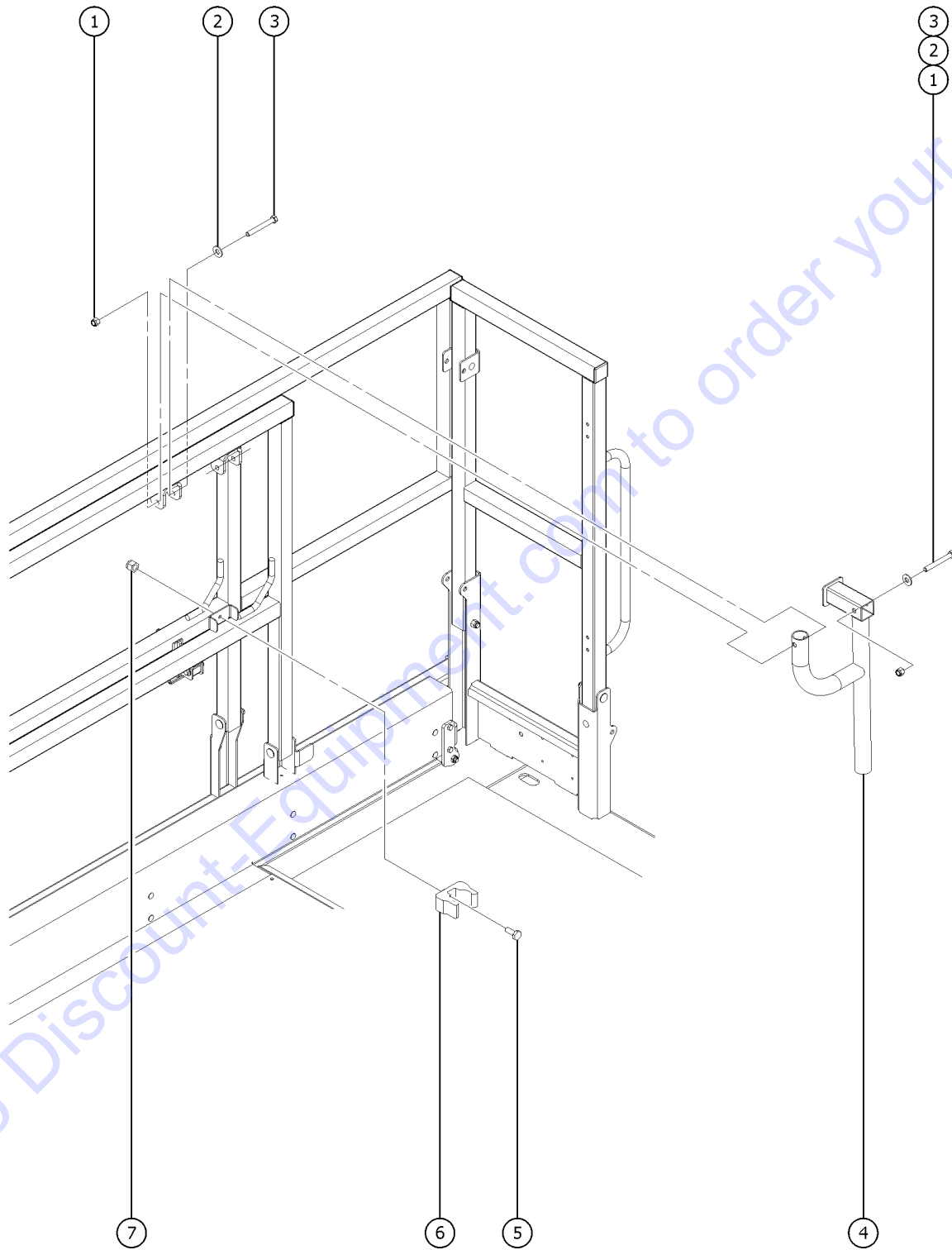


Item	Part No.	Description	Qty.
28	6889GT	NUT,LP NYLOCK,1/4-20 .....	
29	55517GT	HINGE, GSRT90 BOX .....	2
30	131735GT	WELDMENT,EXT.DECK,GS69 .....	1
31	131742GT	WELDMENT,EXT DECK RAIL,END decals not included, refer to section 100 .....	1
32	6638GT	WASHER,FLAT,USS,1/4"Y .....	
33	47478GT	BUMPER, RUBBER, 1"OD X .461H .....	4
34	66030GT	PIN, WIRE LOCK 3/8 X 2 -1/2 .....	4
35A	44743GT	MANUAL BOX W/DECALS*** USA/Canada/Australia .....	1
35B	24514GT	BOX,INSTRUCTION STORAGE Europe/Asia/South America (decal required; refer to Section100) .....	
36	219210GT	WASHER,FLAT,SAE,3/8",Y .....	

Go to Discount-Equipment.com to order your parts



506.1 Platform Extension Deck Lock



506.1 Platform Extension Deck Lock

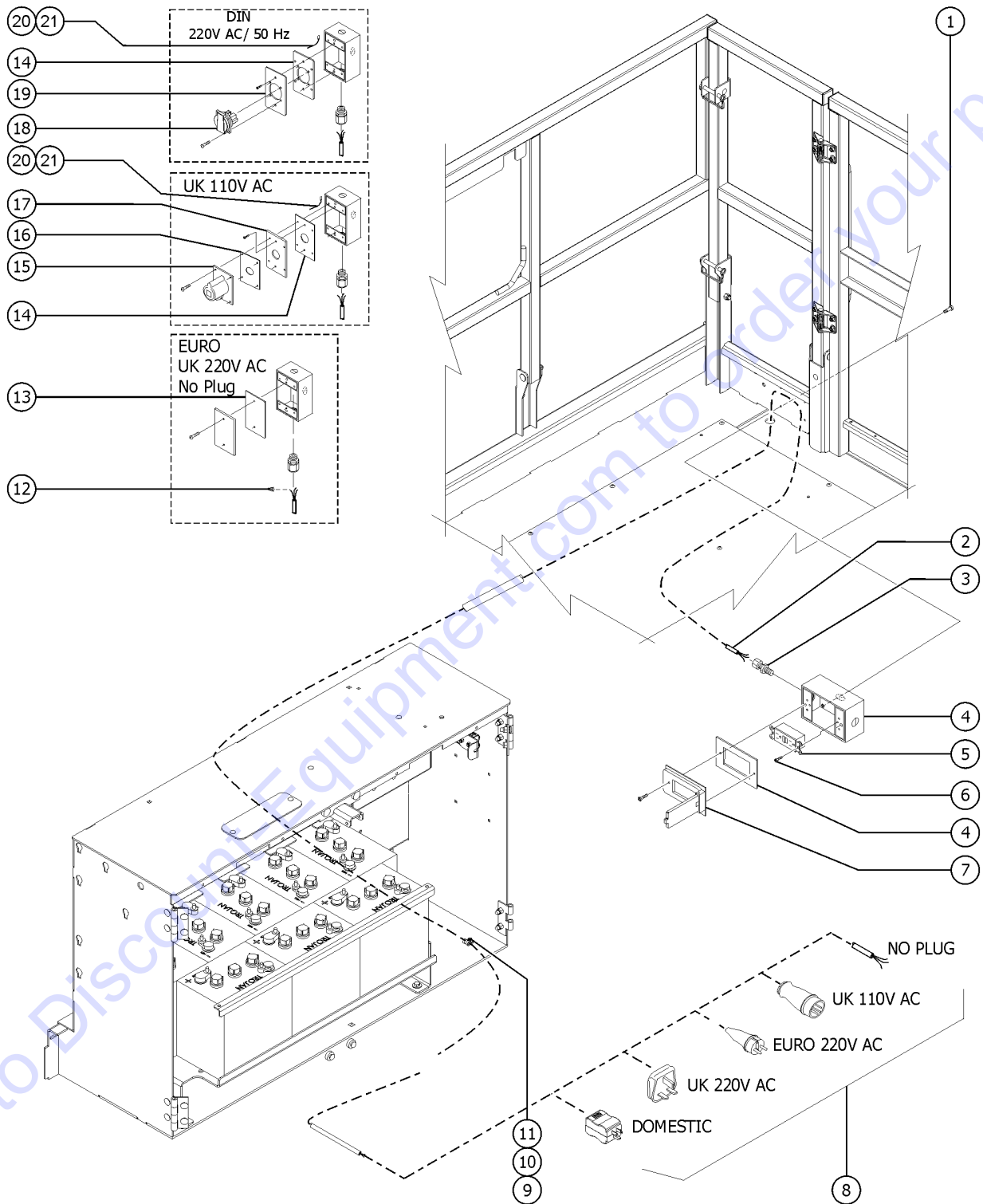
Item	Part No.	Description	Qty.
1	4828GT	NUT,NYLOCK,3/8-16 .....	
2	6097GT	WASHER,FLAT,USS,3/8",Y .....	
3	6326GT	SCREW,HHC,3/8-16 X 3 .....	4
4A	148422GT	WLDMT,EXT DECK HANDLE,R right side .....	1
4B	T108039GT	WLDMT,EXT DECK HANDLE,L left side .....	1
5	8914GT	SCREW,HHC,1/4-20 X .625 .....	2
6	T108074GT	UHMW,EXT LATCH ARM CATCH .....	2
7	6889GT	NUT,LP NYLOCK,1/4-20 .....	

Go to Discount-Equipment.com to order your parts





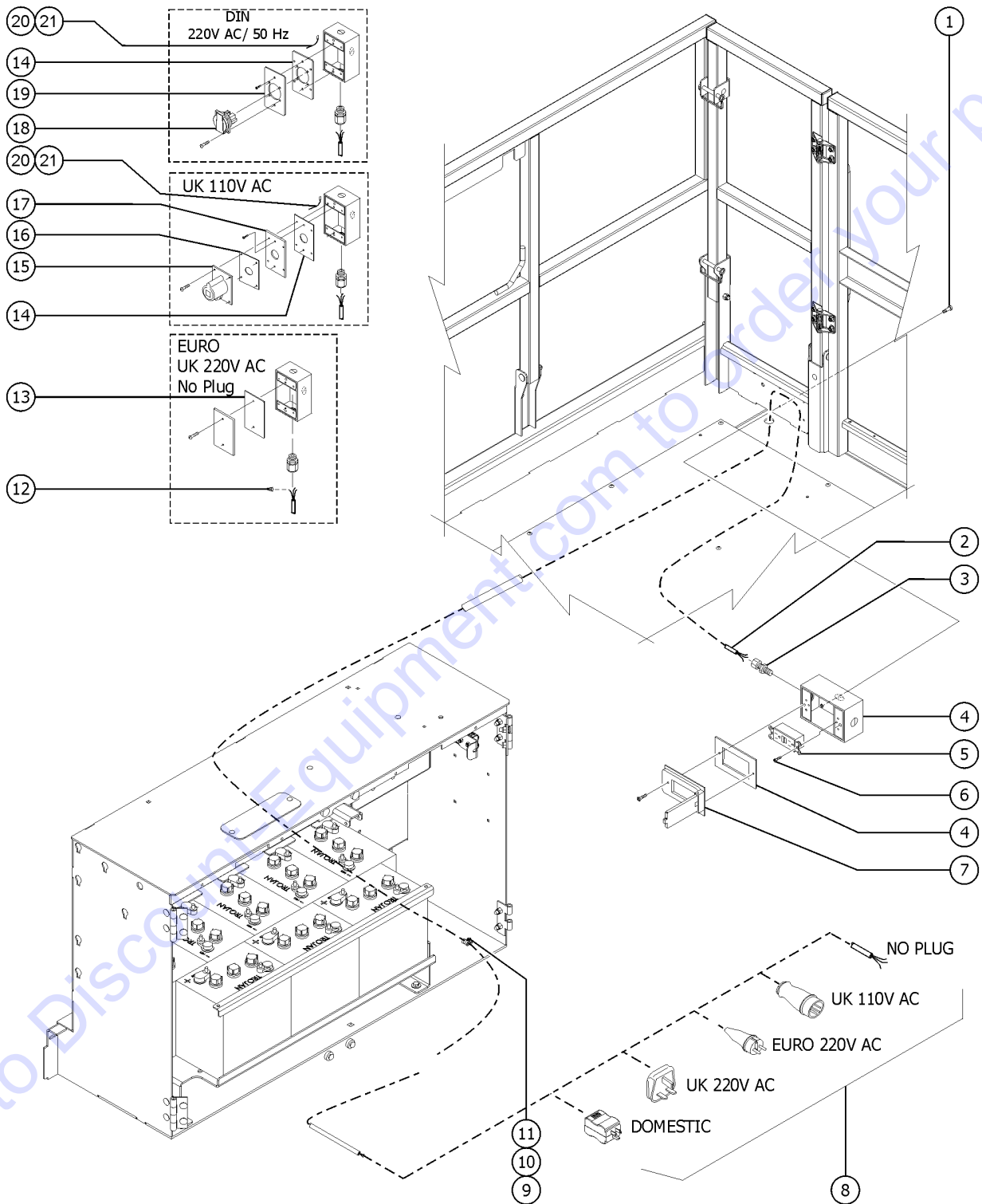
507.1 Power to Platform



Item	Part No.	Description	Qty.
	33724GT	KIT,GASKET,UK POWER TO PLAT. .... includes items 14 and 16	
1	112772GT	SCREW,PHM,8-32X.438 .....	
2A	43956GT	WIRE CABLE,14/3 CON.TPE JKT* ..... GS-2669DC	624
2B	43956GT	WIRE CABLE,14/3 CON.TPE JKT* ..... GS-3369DC	756
2C	43956GT	WIRE CABLE,14/3 CON.TPE JKT* ..... GS-4069DC	900
3	7056GT	CONN,SQUEEZE,1/2NPT .38-.50,SM .....	
4	10775GT	T-BOX,2.75 X 4.5 X 2.0 .....	1
5	13585GT	OUTLET,110V GFCI*** ..... North America	1
6	7127GT	SCREW,PHILLIPS,PHM,6-32 X .75 .....	
7	45437GT	COVER,GFCI,WEATHERPROOF ..... North America; includes gasket and mounting fasteners	1
8	6595GT	PLUG,ELECTRICAL,DOMESTIC .....	1
8-	1280665GT	PLUG, TYPE F, 230A, 50HZ, 16A, IP44 .....	
8-	87193GT	PLUG, AUSTRALIAN .....	
8-	144161GT	PLUG,PWR,UK,16AMP,3PIN,BLK .....	
8-	25388GT	PLUG,FUSED,250V,13AMP,U.K.** .....	
8-	65737GT	FUSE,13 AMP,220V PLUG*** .....	
9	6090GT	SCREW,HHC,1/4-20 X .75 .....	
10	6091GT	NUT,NYLOCK,1/4-20 .....	
11	45470GT	CLAMP,0.31,#5 X 1/4,RUB CUSH .....	1
12	6626GT	WIRE CAP,ORANGE .....	3
13	10777GT	COVER,BLANK ..... includes mounting fasteners	1
14	66355GT	GASKET, UK & DIN PWR. TO PLAT .....	1
15	T112560GT	RECEPTACLE,UK,110V .....	
16	66356GT	GASKET, UK RECEPTACLE .....	1
17	33629GT	PLATE,UK POWER TO PLATFORM .....	1
18	66353GT	RECEPTACLE, DIN, 220V 50A .....	1
19	96236GT	PLATE,AC ADAPTER,DIN/UK*** .....	1
20	55089GT	WIRE,14 GA,GREEN/YELLOW,THHN** ..... from SN 10974	6



507.1 Power to Platform



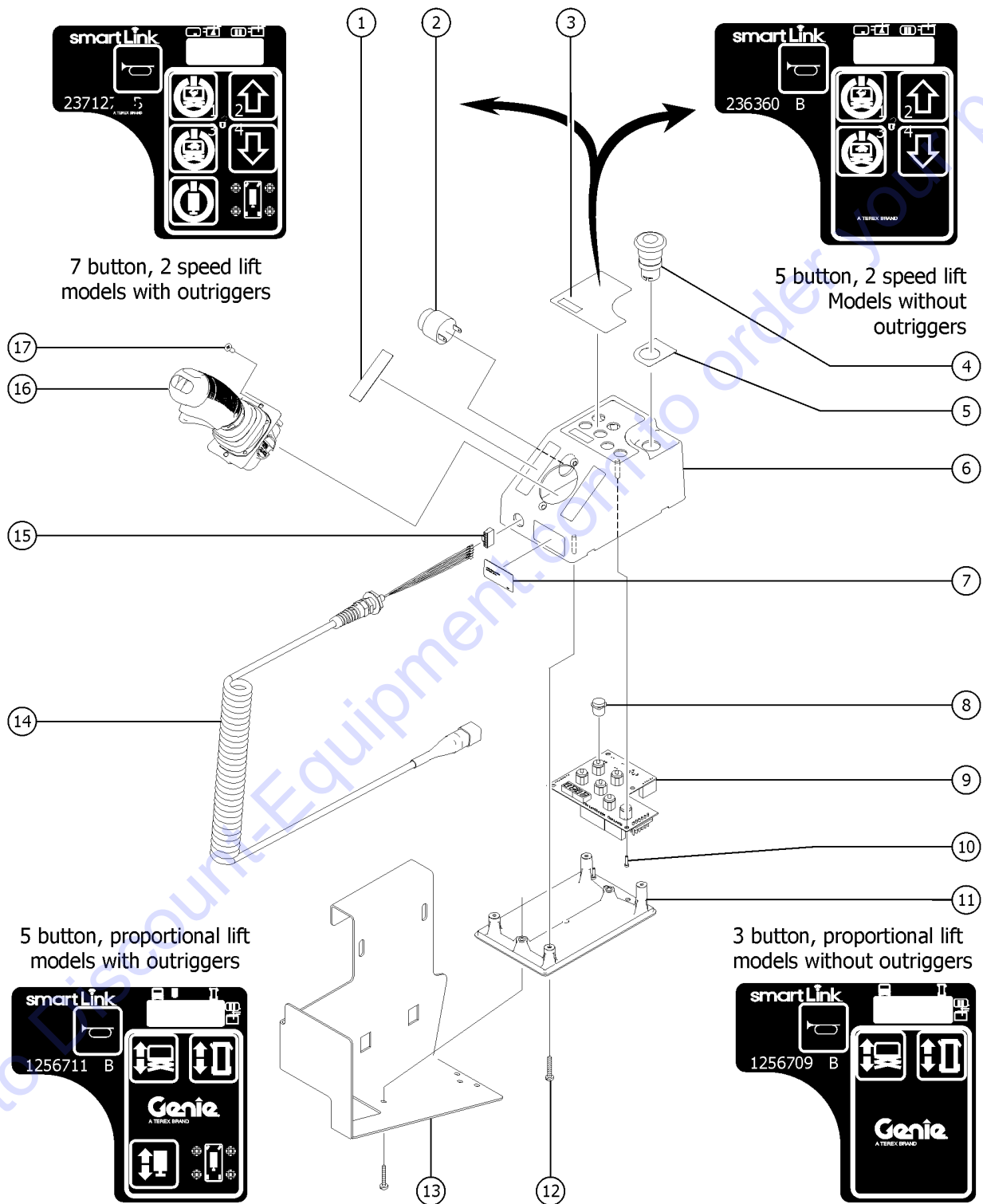
507.1 Power to Platform

Item	Part No.	Description	Qty.
21	13597GT	TERMINAL,#10 RING,BLUE ..... from SN 10974	1

Go to Discount-Equipment.com to order your parts



508.1 Platform Controls, 7 and 5 Button (2-Speed Lift)

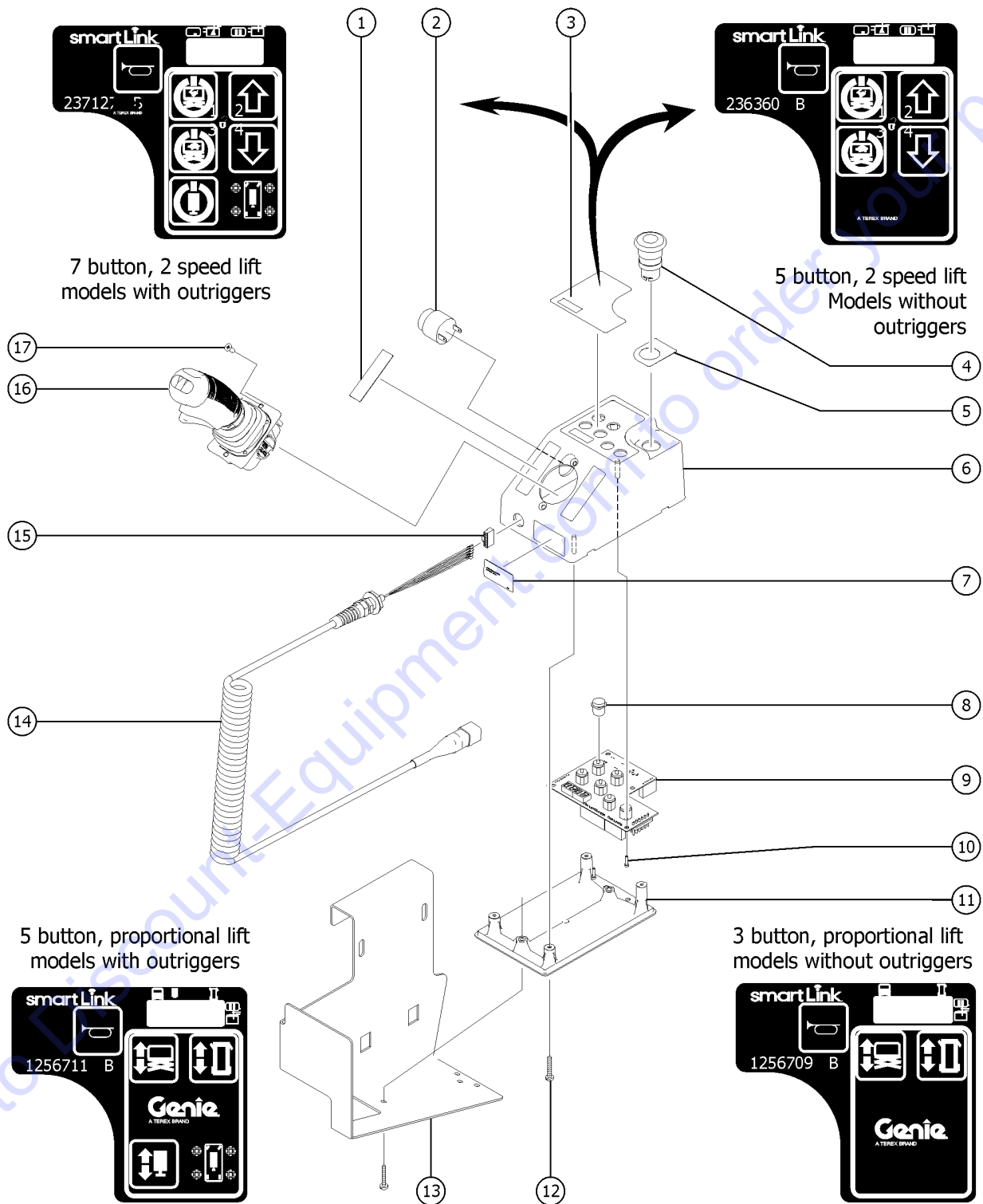


508.1 Platform Controls, 7 and 5 Button (2-Speed Lift)

Item	Part No.	Description	Qty.
A-		Platform controls with 2 speed lift - no longer available, replace with proportional upgrade kit for first time replacement	
B-	1258347GT	KIT, SL PROP UPGRD, ANSI, 69DC models without outriggers (For 2 speed to proportional lift conversion. Software upgrade is required and available on-line or refer to 509.1 for USB flash drive) to SN GS6914-5499	
C-	1258348GT	KIT, SL PROP UPGRD, AUS, 69DC models without outriggers (For 2 speed to proportional lift conversion. Software upgrade is required and available on-line or refer to 509.1 for USB flash drive) to SN GS6914-5499	
D-	1258349GT	KIT, SL PROP UPGRD, CE, 69DC models without outriggers (For 2 speed to proportional lift conversion. Software upgrade is required and available on-line or refer to 509.1 for USB flash drive) to SN GS6914-5499	
E-	1258521GT	KIT, SL PROP UPGRD ANSI SYM 69 models without outriggers (For 2 speed to proportional lift conversion. Software upgrade is required and available on-line or refer to 509.1 for USB flash drive) to SN GS6914-5499	
F-	1258352GT	KIT, SL PROP UPGRD, ANSI, 69DC models with outriggers (For 2 speed to proportional lift conversion. Software upgrade is required and available on-line or refer to 405.1 for USB flash drive) to SN GS6914-5499	...
G-	1258353GT	KIT, SL PROP UPGRD, AUS, 69DC models with outriggers (For 2 speed to proportional lift conversion. Software upgrade is required and available on-line or refer to 405.1 for USB flash drive) to SN GS6914-5499	...
H-	1258354GT	KIT, SL PROP UPGRD, CE, 69DC O models with outriggers (For 2 speed to proportional lift conversion. Software upgrade is required and available on-line or refer to 405.1 for USB flash drive) to SN GS6914-5499	...
K-	1258522GT	KIT, SL PROP UPGRD ANSI SYM 69 models with outriggers (For 2 speed to proportional lift conversion. Software upgrade is required and available on-line or refer to 405.1 for USB flash drive) to SN GS6914-5499	...
1	137656GT	DECAL,PROPEL,GR/GRC/GS,PCON	1
2	39540GT	ALARM, STEADY TONE*** order 72326 mounting ring separately	1
2-	72326GT	NUT - PLASTIC, RING FOR ALARMS for 39540	
3A	236360GT	DECAL, UI, GS69DC,PCON models without outriggers and 2 speed lift to SN GS6914-5499	1
3B	237127GT	DECAL,UI,GS69DC W/OR,PCON models with outriggers and 2 speed lift to SN GS6914-5499	1
3C	1256709GT	DECAL, STD, PROP LIFT, 69DC, U models without outriggers and converted to proportional lift to SN GS6914-5499	1
3D	1256711GT	DECAL, O/R, PROP LIFT, 69DC, U models with outriggers and converted to proportional lift to SN GS6914-5499	1
4	66812GT	BUTTON,PUSH,RED MUSHROOM HEAD	1
4-	66817GT	BASE WITH 1 NC CONTACT, E-STOP	
4-	66818GT	CONTACT,NC	
5	137605GT	DECAL,E-STOP,GR/GRC/GS PCON	1
6A	214253GT	ENCLOSURE,GC14-1,TOP models without outriggers	1
6B	214254GT	ENCLOSURE,GC16-1,TOP models with outriggers	
7A	237615GT	LABEL,SERIAL 69 DC PCON SL1K models without outriggers	1
8	T106373GT	CAP,BUTTON,K12	5
9A	137522GT	PCBA, GC14-1 models without outriggers	1
9B	137711GT	PCBA, GC16-1 models with outriggers	



508.1 Platform Controls, 7 and 5 Button (2-Speed Lift)



508.1 Platform Controls, 7 and 5 Button (2-Speed Lift)

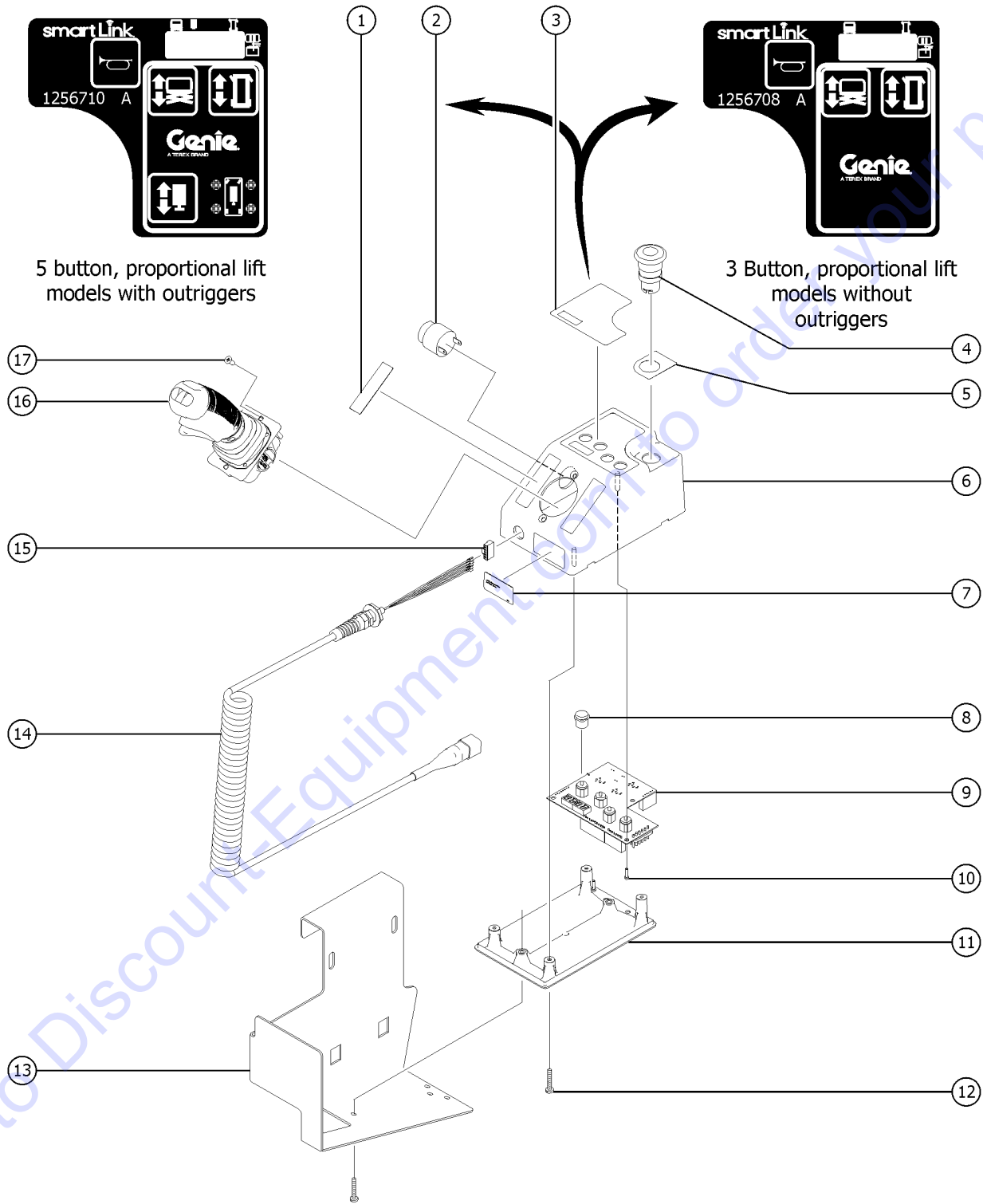
Item	Part No.	Description	Qty.
10	137637GT	SCREW,PHM,4-20X.5, 48-2 TRI-L .....	
11	T106370GT	ENCLOSURE,GC14-1/GC16-1, BOT .....	1
11-	69853GT	INSERT, 1/4-20 X .5,ULTRASONIC .....	
12	137640GT	SCREW,PHM,8-16X.75, 48-2 TRI-L .....	
13	T114397GT	FORMING,PLAT CONTROL BOX decals not included, refer to section 100 .....	1
14	235464GT	KIT,COIL CORD,CONTRLR,SL1000 .....	1
		includes item 15	
14-	137611GT	ASSY,COIL CORD,GR/GRC/GS .....	
14-	231921GT	KIT,CONN,RECEPT W/PIN AND LOCK .....	
14-	231922GT	KIT,CONN,PLUG W/SCKT AND LOCK .....	
15	137699GT	PLUG, 6POS ECO PWR .....	1
16		Ref., JOYSTICK .....	1
		refer to 510.1	
17	229845GT	SCREW,BHSCS,M5X10,SS apply Loctite 243 or equivalent before installation .....	

Go to Discount-Equipment.com to order your parts





509.1 Platform Controls, 5 and 3 Button (Proportional Lift)

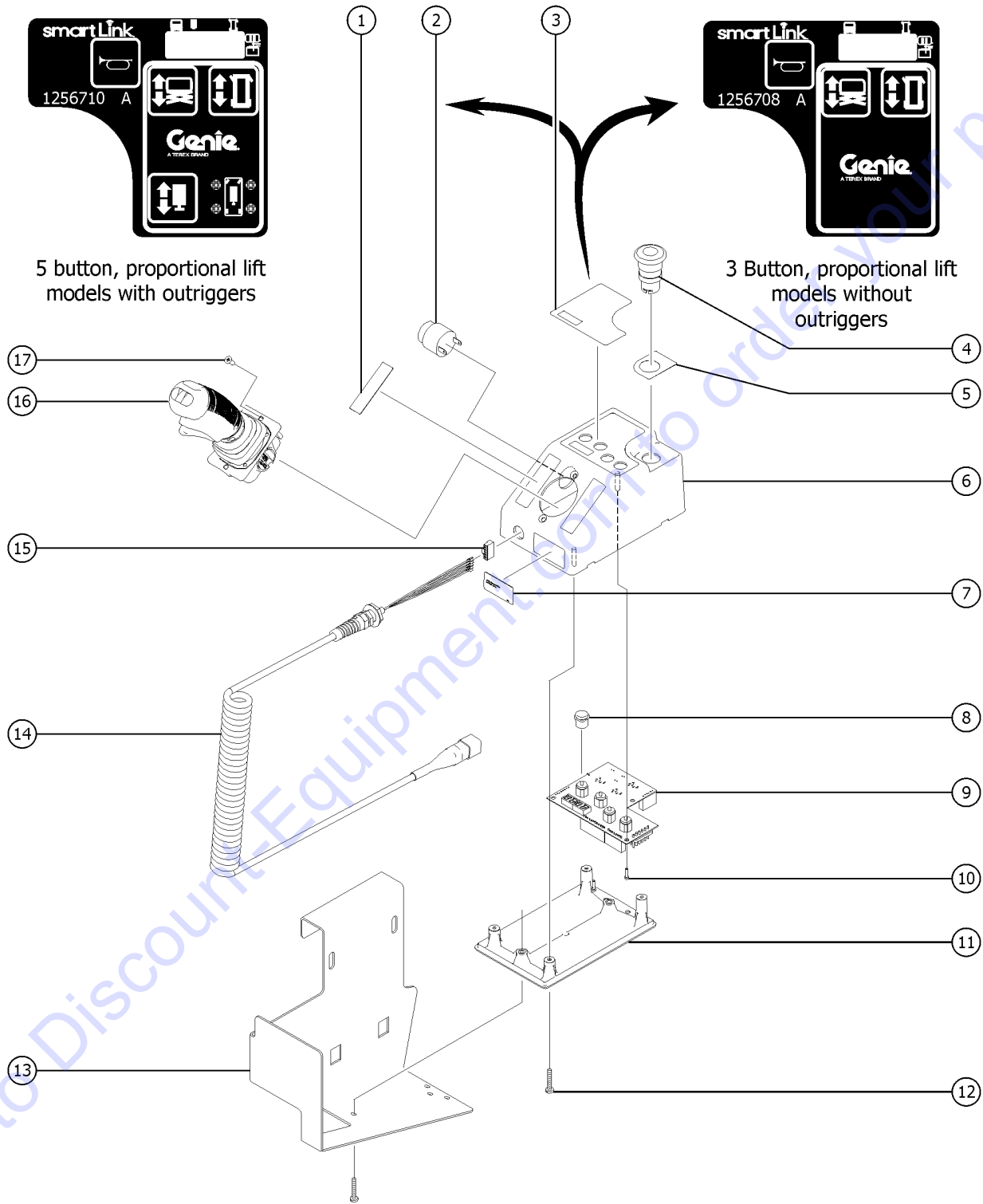


509.1 Platform Controls, 5 and 3 Button (Proportional Lift)

Item	Part No.	Description	Qty.
A	1256729GT	PCON,STD,PROP LIFT,69DC ..... models without outriggers	
A-	1258731GT	FLASH DRIVE,SL1K2.0 SOFTWARE For proportional lift or upgrade kits only. Software update available on-line. Flash drive sold separately.	
A-	137587GT	HARNESS, ESTOP, GR/GRC/GS PCON .....	
B	1256730GT	PCON,O/R,PROP LIFT,69DC ..... models with outriggers	
B-	128731GT	FLASH DRIVE,SL1K2.0 SOFTWARE For proportional lift or upgrade kits only. Software update available on-line. Flash drive sold separately.	
B-	137587GT	HARNESS, ESTOP, GR/GRC/GS PCON .....	
1	137656GT	DECAL,PROPEL,GR/GRC/GS,PCON .....	1
2	39540GT	ALARM, STEADY TONE*** ..... order 72326 mounting ring separately	1
2-	72326GT	NUT - PLASTIC, RING FOR ALARMS ..... for 39540	
3A	1256708GT	DECAL,STD,PROP LIFT,69DC,UI ..... models without outriggers	1
3B	1256710GT	DECAL,O/R,PROP LIFT,69DC,UI ..... models with outriggers	1
4	66812GT	BUTTON,PUSH,RED MUSHROOM HEAD .....	1
4-	66817GT	BASE WITH 1 NC CONTACT, E-STOP .....	
4-	66818GT	CONTACT,NC .....	
5	137605GT	DECAL,E-STOP,GR/GRC/GS PCON .....	1
6A	1256655GT	ENCLOSURE,STD 3-BUTTON,TOP ..... models without outriggers	
6B	1256657GT	ENCLOSURE,O/R 4-BUTTON,TOP ..... models with outriggers	
8	T106373GT	CAP,BUTTON,K12 .....	5
9A	1256725GT	PCBA,PCON STD,PROP LIFT ..... models without outriggers	
9B	1256726GT	PCBA,PCON O/R,PROP LIFT ..... models with outriggers	
10	137637GT	SCREW,PHM,4-20X.5, 48-2 TRI-L .....	
11	T106370GT	ENCLOSURE,GC14-1/GC16-1, BOT .....	1
11-	69853GT	INSERT, 1/4-20 X .5,ULTRASONIC .....	
12	137640GT	SCREW,PHM,8-16X.75, 48-2 TRI-L .....	
13	T114397GT	FORMING,PLAT CONTROL BOX ..... decals not included, refer to section 100	1
14	235464GT	KIT,COIL CORD,CONTRLR,SL1000 ..... includes item 15	1
14-	137611GT	ASSY,COIL CORD,GR/GRC/GS .....	



509.1 Platform Controls, 5 and 3 Button (Proportional Lift)



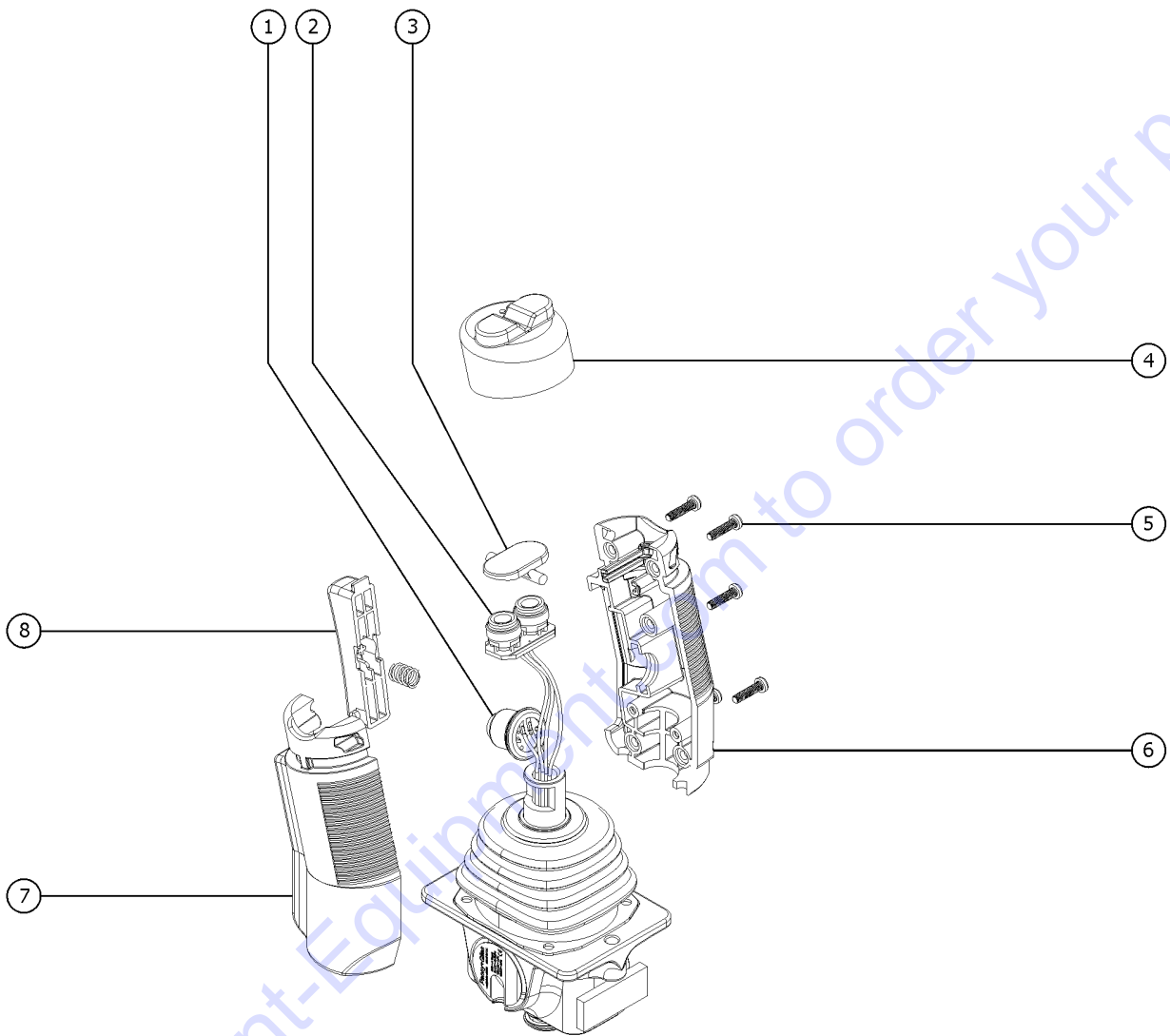
509.1 Platform Controls, 5 and 3 Button (Proportional Lift)

Item	Part No.	Description	Qty.
14-	231921GT	KIT,CONN,RECEPT W/PIN AND LOCK .....	
14-	231922GT	KIT,CONN,PLUG W/SCKT AND LOCK .....	
15	137699GT	PLUG, 6POS ECO PWR .....	1
16		Ref. JOYSTICK .....	1
		refer to 510.1	
17	229845GT	SCREW,BHSCS,M5X10,SS .....	
		apply Loctite 243 or equivalent before installation	

Go to Discount-Equipment.com to order your parts



510.1 Joystick Controller



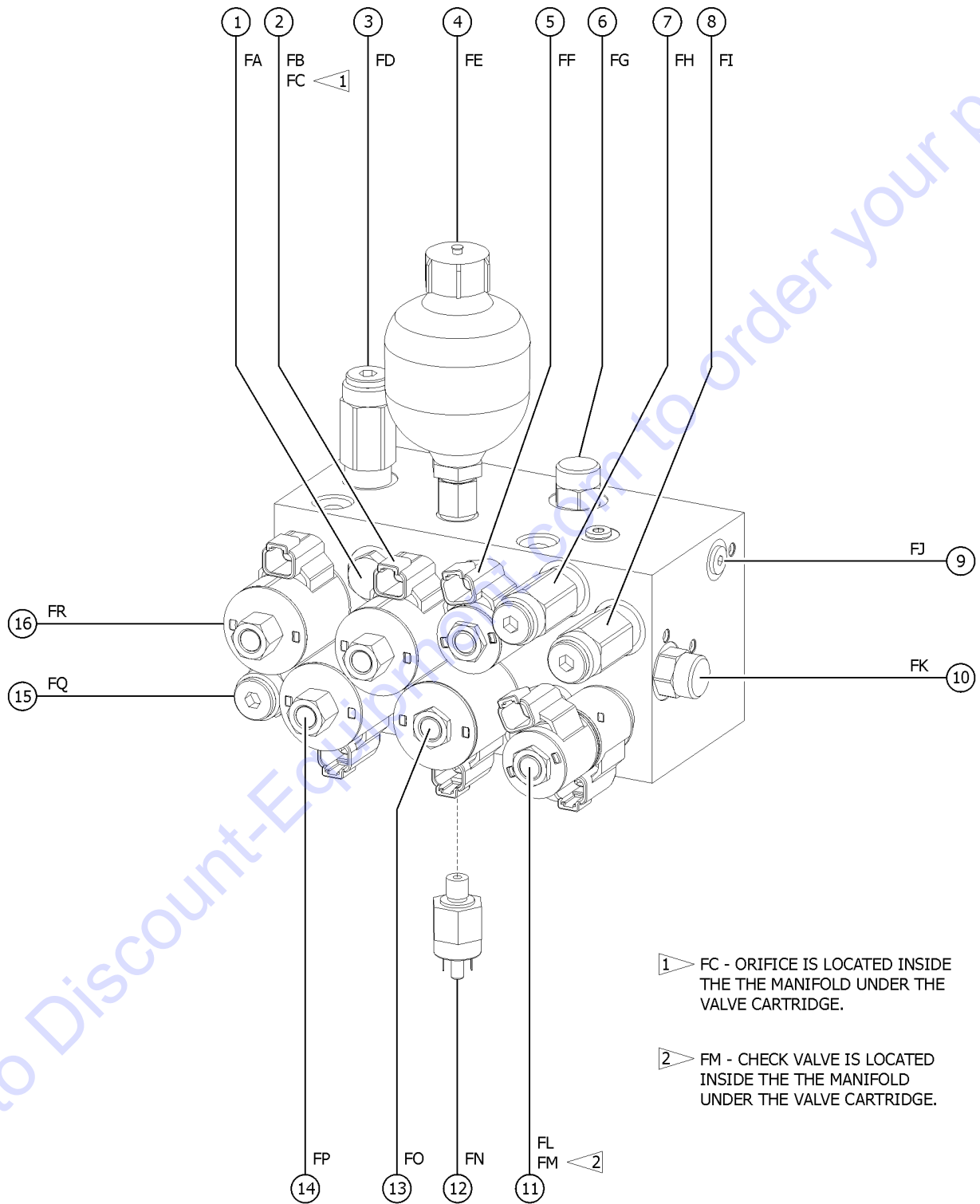
510.1 Joystick Controller

Item	Part No.	Description	Qty.
A-	137634GT	JOYSTICK, HALL EFFECT, SINGLE .....	
B-	229097GT	TERMINAL, SPLINE (AMP) .....	
C-	214544GT	KIT,BOOT,JOYSTICK,SL1000 .....	
		joystick boot	
1	235463GT	KIT,SWITCH,JYSTK,SL1000 .....	
		function enable and steer switches	
2	235463GT	KIT,SWITCH,JYSTK,SL1000 .....	
		function enable and steer switches	
3	229092GT	ROCKER,2 SWITCH .....	1
4	229093GT	BOOT, 2 SWITCH, SILICON .....	1
5	229086GT	SCREW, SELF TAP .....	5
6A	229087GT	HANDLE HALF,RIGHT,W/TOP SWITCH .....	1
6B	229091GT	SCREW,GRUB,M5X8MM,HLF DOG,BZP .....	
		not included with handle	
7A	229088GT	HANDLE HALF,LEFT,W/TOP SWITCH .....	1
7B	229090GT	SCREW,GRUB,M5X8MM CUP(BLK) .....	1
		not included with handle	
8	229089GT	TRIGGER, EXTENDED .....	1
8-	229094GT	SPRING, HANDLE TRIGGER .....	1

Go to Discount-Equipment.com to order your parts



601.1 Function Manifold (to SN 10014)

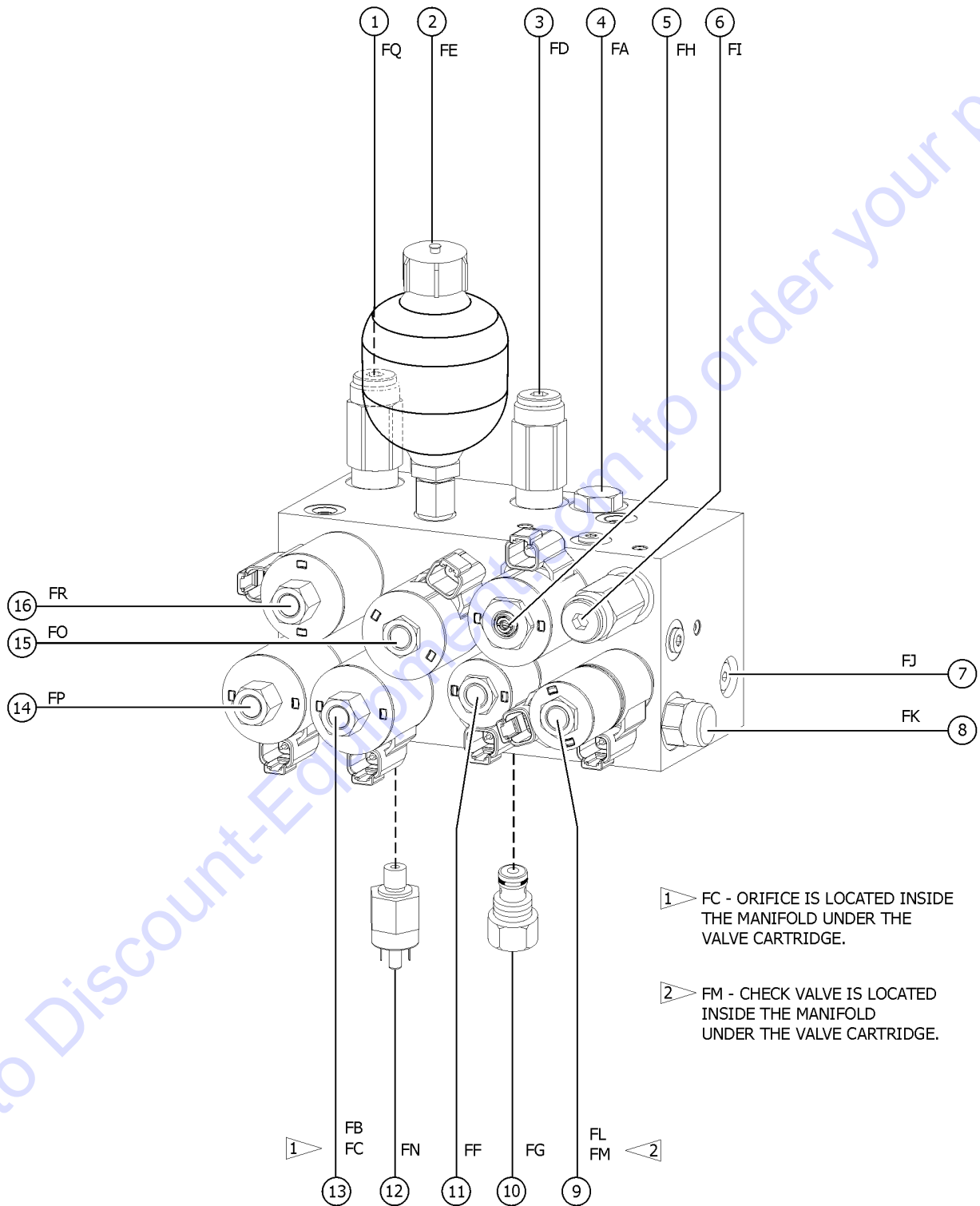


Item	Part No.	Description	Qty.
	230861GT	MANIFOLD,FUNCTION,GS69,DC Complete (does not include fittings)	1
1	218730GT	VALVE,CHECK,10 PSI FA, oscillate circuit	1
2	218616GT	VALVE,DIRECTION,2-POS,3WAY,SCRN FB, oscillate/accumulator	1
2-	101069GT	ORIFICE DISK,.030 FC	
2-	104763GT	COIL,24VDC #10DTSCH IP69 ECOIL	
3	97172GT	VALVE-RELIEF,3500PSI FD, lift circuit	1
4	94499GT	ACCUMULATOR,10CC,1000PSI,#6SAE FE, oscillate circuit	1
5	218617GT	VALVE,SOLENOID, 2POS,3WAY,SCRN FF, oscillate circuit	1
5-	104762GT	COIL,24VDC #8DTSCH IP69 ECOIL	
6	218731GT	VALVE, FLOW REG, 1.0 GPM FG, controls flow to the oscillate circuit	1
7	97172GT	VALVE-RELIEF,3500PSI FH, system relief	1
8	218732GT	VALVE, CROSS RELIEF, 1500 PSI FI, steer circuit	1
9	52907GT	VALVE-CHECK, #4 SAE, 5 PSI* FJ, load sense	1
10	218733GT	VALVE,FLOW REG,2.0 GPM FK, controls flow to the steer circuit	1
11	234600GT	VALVE, SOLENOID, 5W-3P FL, steer circuit	1
11-	234599GT	VALVE, CHECK, DROP IN FM	1
11-	104762GT	COIL,24VDC #8DTSCH IP69 ECOIL	
12	237797GT	SWITCH,PRESS,#4SAE,1500 PSI FN, oscillate/accumulator	1
13	218735GT	VALVE,SOLENOID,2-POS,3-WAY FO, lift circuit	1
13-	104763GT	COIL,24VDC #10DTSCH IP69 ECOIL	
14	218616GT	VALVE,DIRECTION,2-POS,3WAY,SCRN FP, oscillate right	1
14-	101069GT	ORIFICE DISK,.030	
14-	104763GT	COIL,24VDC #10DTSCH IP69 ECOIL	
15	218734GT	VALVE,RELIEF,3300 PSI FQ, oscillate relief	1
16	218616GT	VALVE,DIRECTION,2-POS,3WAY,SCRN FR, oscillate left	1
16-	101069GT	ORIFICE DISK,.030	
16-	104763GT	COIL,24VDC #10DTSCH IP69 ECOIL	





601.2 Function Manifold (from SN 10015)



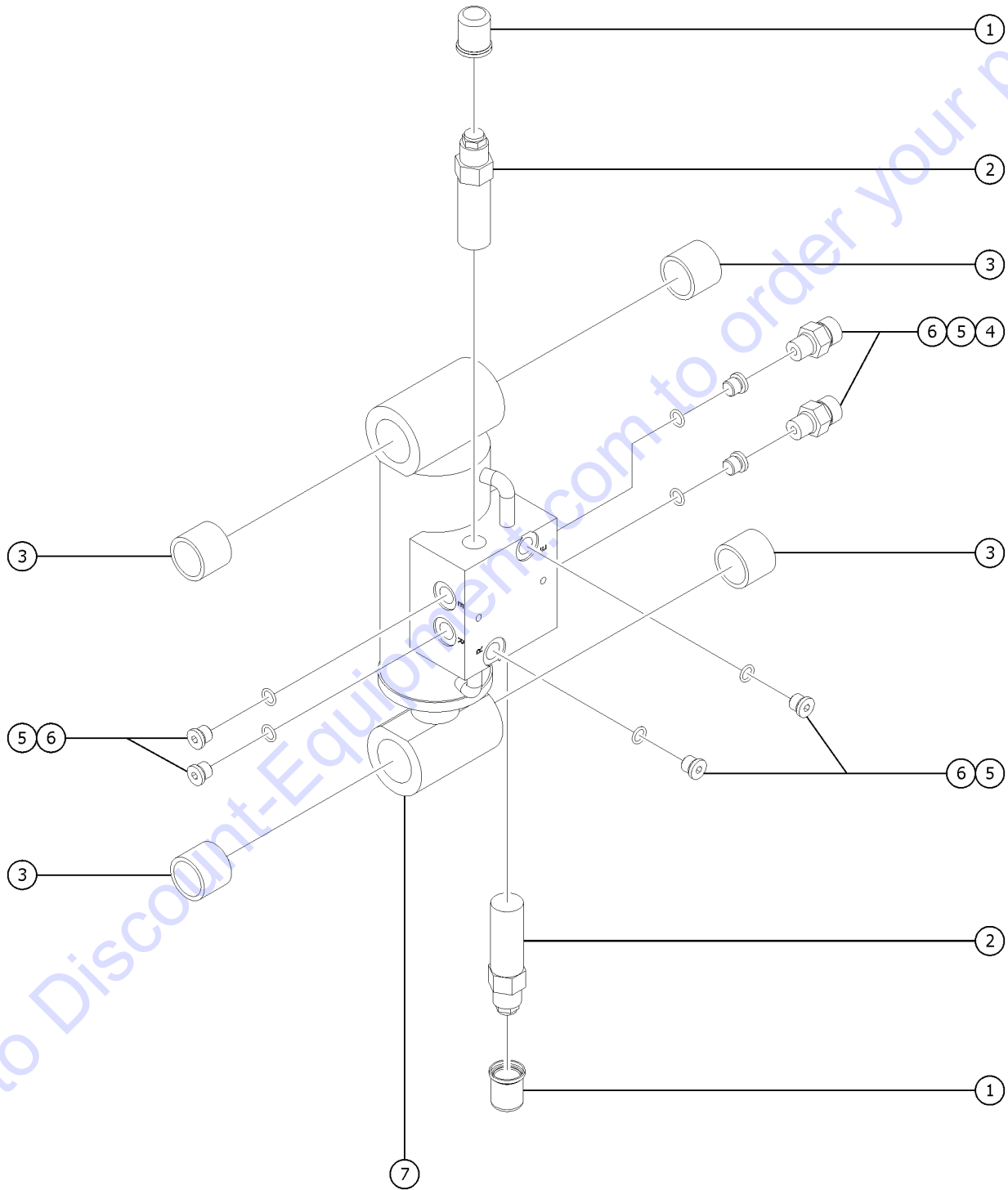
1 FC - ORIFICE IS LOCATED INSIDE THE MANIFOLD UNDER THE VALVE CARTRIDGE.

2 FM - CHECK VALVE IS LOCATED INSIDE THE MANIFOLD UNDER THE VALVE CARTRIDGE.

Item	Part No.	Description	Qty.
	1272900GT	MANIFOLD,FUNCTION,GS69,DC Complete (does not include fittings)	1
	28750GT	O-RING KIT,FIELD SVC,ALL PROD*	
1	218734GT	VALVE,RELIEF,3300 PSI FQ, oscillate relief	1
2	94499GT	ACCUMULATOR,10CC,1000PSI,#6SAE FE, oscillate circuit	1
3	97172GT	VALVE-RELIEF,3500PSI FD, lift circuit	1
4	218730GT	VALVE,CHECK,10 PSI FA, oscillate circuit	1
5	1273704GT	VALVE,RELIEF,PROPORTIONAL, 3500PSI FH, system relief	1
5-	1275154GT	COIL,24V,#10DTSCH,IP69	1
6	218732GT	VALVE, CROSS RELIEF, 1500 PSI FI, steer circuit	1
7	52907GT	VALVE-CHECK, #4 SAE, 5 PSI* FJ, load sense	1
7-	62341GT	SEAL KIT,52907,SIZE 4, 2 WAY	
8	218733GT	VALVE,FLOW REG,2.0 GPM FK, controls flow to the steer circuit	1
9	234600GT	VALVE, SOLENOID, 5W-3P FL, steer circuit	1
9-	234599GT	VALVE, CHECK, DROP IN FM	1
10	218731GT	VALVE, FLOW REG, 1.0 GPM FG, controls flow to the oscillate circuit	1
11	218617GT	VALVE,SOLENOID, 2POS,3WAY,SCRN FF, oscillate circuit	1
12	237797GT	SWITCH,PRESS,#4SAE,1500 PSI FN, oscillate/accumulator	1
13	218616GT	VALVE,DIRECTION,2-POS,3WAY,SCRN FB, oscillate/accumulator	1
13-	101069GT	ORIFICE DISK,.030 FC	1
13-	104763GT	COIL,24VDC #10DTSCH IP69 ECOIL	1
14	218616GT	VALVE,DIRECTION,2-POS,3WAY,SCRN FP, oscillate right	1
14-	101069GT	ORIFICE DISK,.030	1
14-	104763GT	COIL,24VDC #10DTSCH IP69 ECOIL	1
15	218735GT	VALVE,SOLENOID,2-POS,3-WAY FO, lift circuit	1
15-	104763GT	COIL,24VDC #10DTSCH IP69 ECOIL	1
16	218616GT	VALVE,DIRECTION,2-POS,3WAY,SCRN FR, oscillate left	1
16-	101069GT	ORIFICE DISK,.030	1
16-	104763GT	COIL,24VDC #10DTSCH IP69 ECOIL	1



602.1 Oscillate Cylinder Assembly



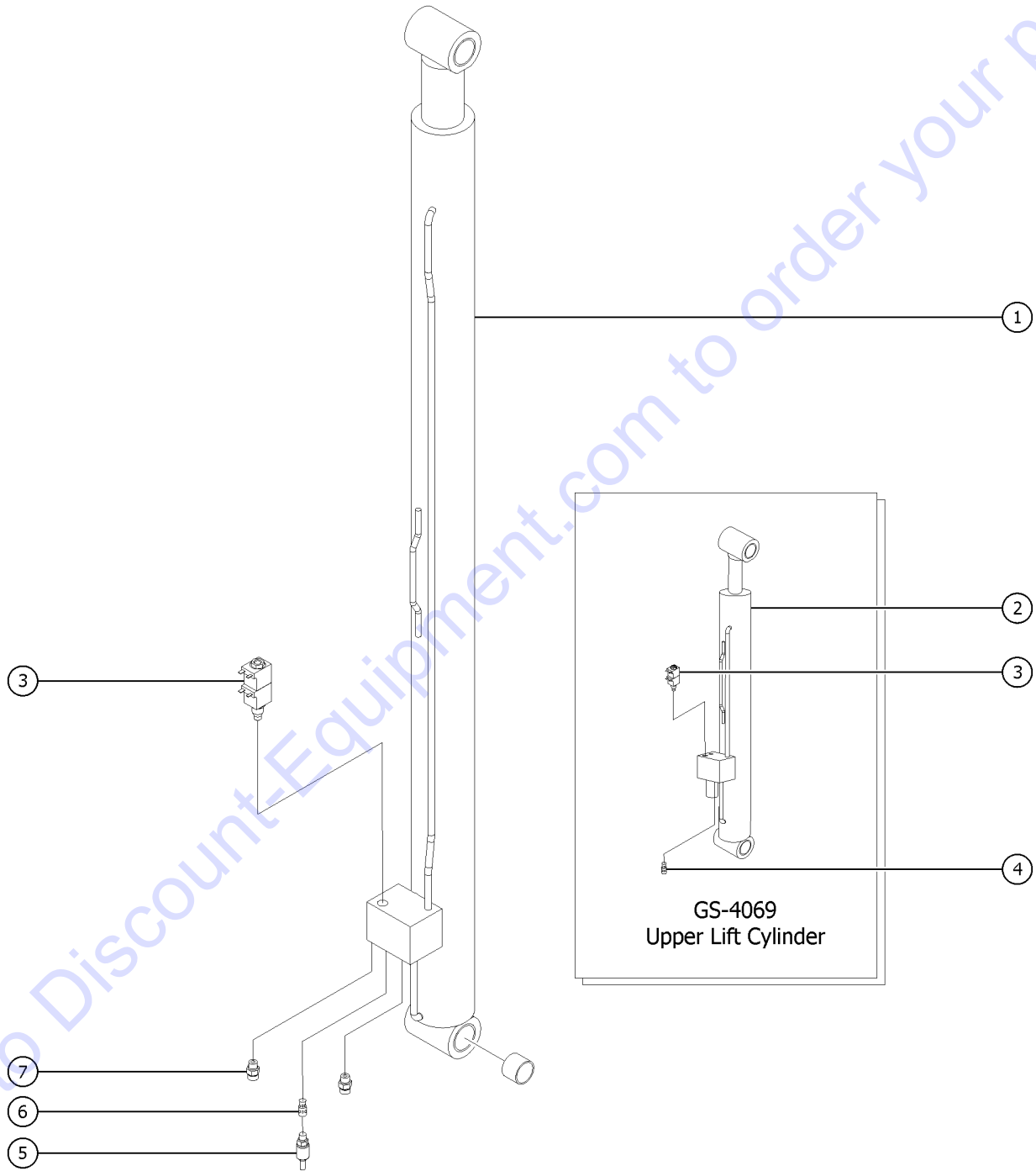
602.1 Oscillate Cylinder Assembly

Item	Part No.	Description	Qty.
	128142GT	SERV KIT,CAP,SERIES 1CB VALVE ..... package of 4	
1	128085GT	CAP,SERIES 1 CB VALVE,SINGLE** .....	2
2	115402GT	VALVE,COUNTERBALNCE,3800 PSI .....	2
3	25817GT	BEARING,1.00IDX1.25ODX1.00L .....	4
4	48905GT	CONN,520120-4*** .....	2
5	39882GT	PLUG,HEX SOCKET,090109B-4 .....	6
6	53500GT	O-RING-4 .....	6
7	131621GT	CYLINDER,OSCILATING,GS69 .....	1
		includes valves and bearings	
7-	226380GT	SEAL KIT,226380 .....	
		for 131621	

Go to Discount-Equipment.com to order your parts

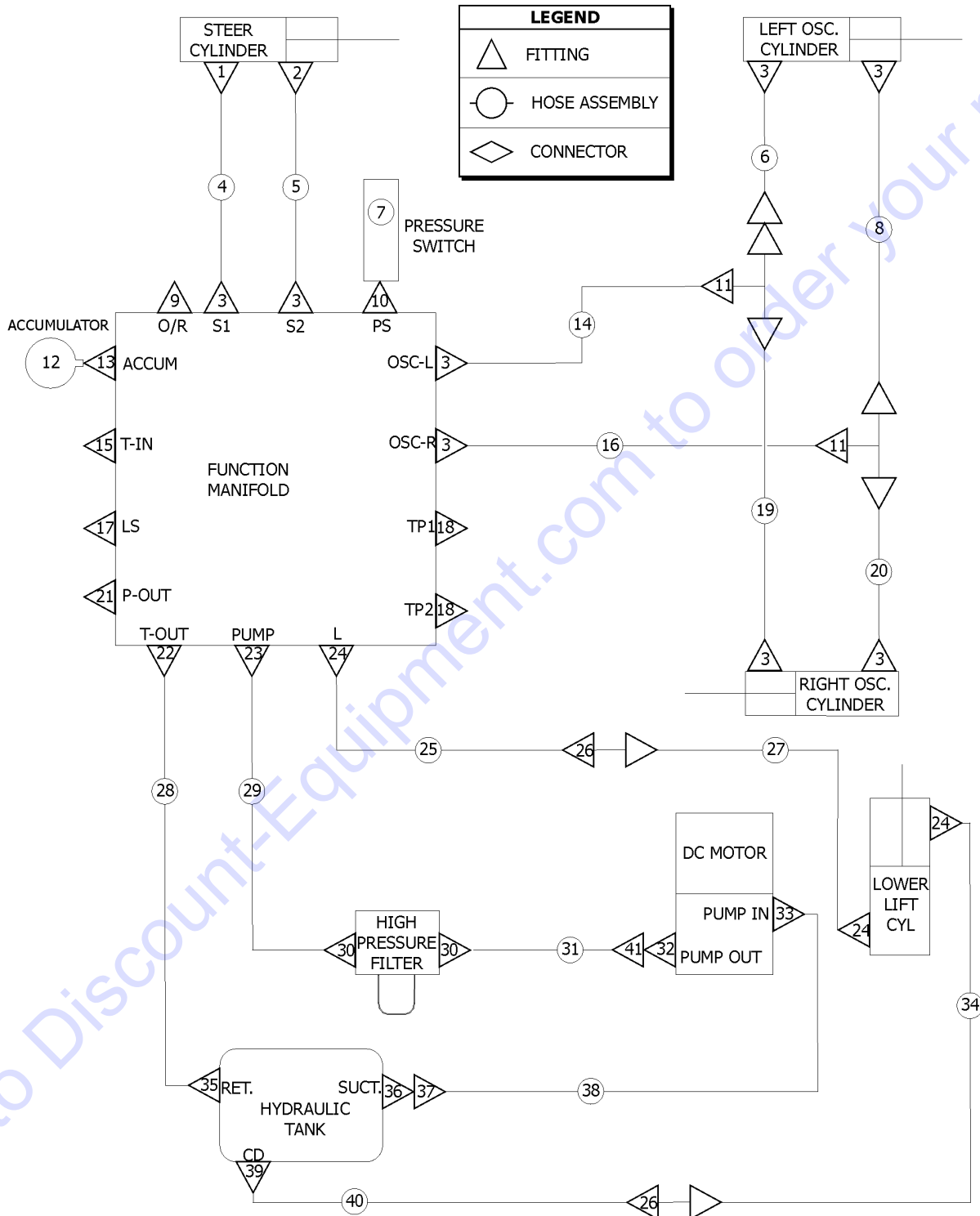


603.1 Lift Cylinders



Item	Part No.	Description	Qty.
1	131920GT	CYLINDER, LIFT, LOWER, GS69 .....	1
1-	226378GT	SEAL KIT, LIFT, LOWER (131920) ..... for 131920	
2	131921GT	CYLINDER, LIFT, UPPER, 4069 ..... GS-4069DC	1
2-	226379GT	SEAL KIT, LIFT, UPPER (131921) ..... for 131921	
2-	1261085GT	VALVE, RELIEF, 2500PSI ..... for 131921 (sold separately)	
3A	66683GT	VALVE, DBL PULL S-NOID 20V*** ..... to SN GS6915-6383	1
3A-	44973GT	NUT, COIL (39909) ..... for 66683	
3A-	84421GT	WASHER-SOLENOID VALVE (66683)* ..... for 66683	
3A-	84422GT	COIL-SOLENOID VALVE, 20V DC*** ..... for 66683	
3B	1265331GT	VALVE, NC PROP POPPET, 20VDC ..... from SN GS6915-6384	
3B-	44973GT	NUT, COIL (39909) ..... for 1265331	
3B-	84422GT	COIL-SOLENOID VALVE, 20V DC*** ..... for 1265331	
3B-	44227GT	SEAL KIT, VALVE ..... for 1265331	
3C	1259498GT	KIT, PROP. DOWN, GS26/3369 DC/BE ..... to SN GS6915-6383; converts 2 speed to proportional control (GS-2669DC & GS-3369DC)	1
3D	1259991GT	KIT, PROP. DOWN, GS4069 DC/BE ..... to SN GS6915-6383; converts 2 speed to proportional control (GS-4069DC)	
4A	230858GT	ORIFICE, LONG, .086" ..... GS-2669DC and GS-3369DC	1
4B	55559GT	ORIFICE LONG M, 0.046** ..... GS-4069DC	1
5		Ref. HARNESS, PRESSURE SWITCH ..... refer to 309.1	1
6	230858GT	ORIFICE, LONG, .086" .....	1
7	48916GT	FITTING, CONN, 520120-6 .....	2

604.1 Hoses and Fittings



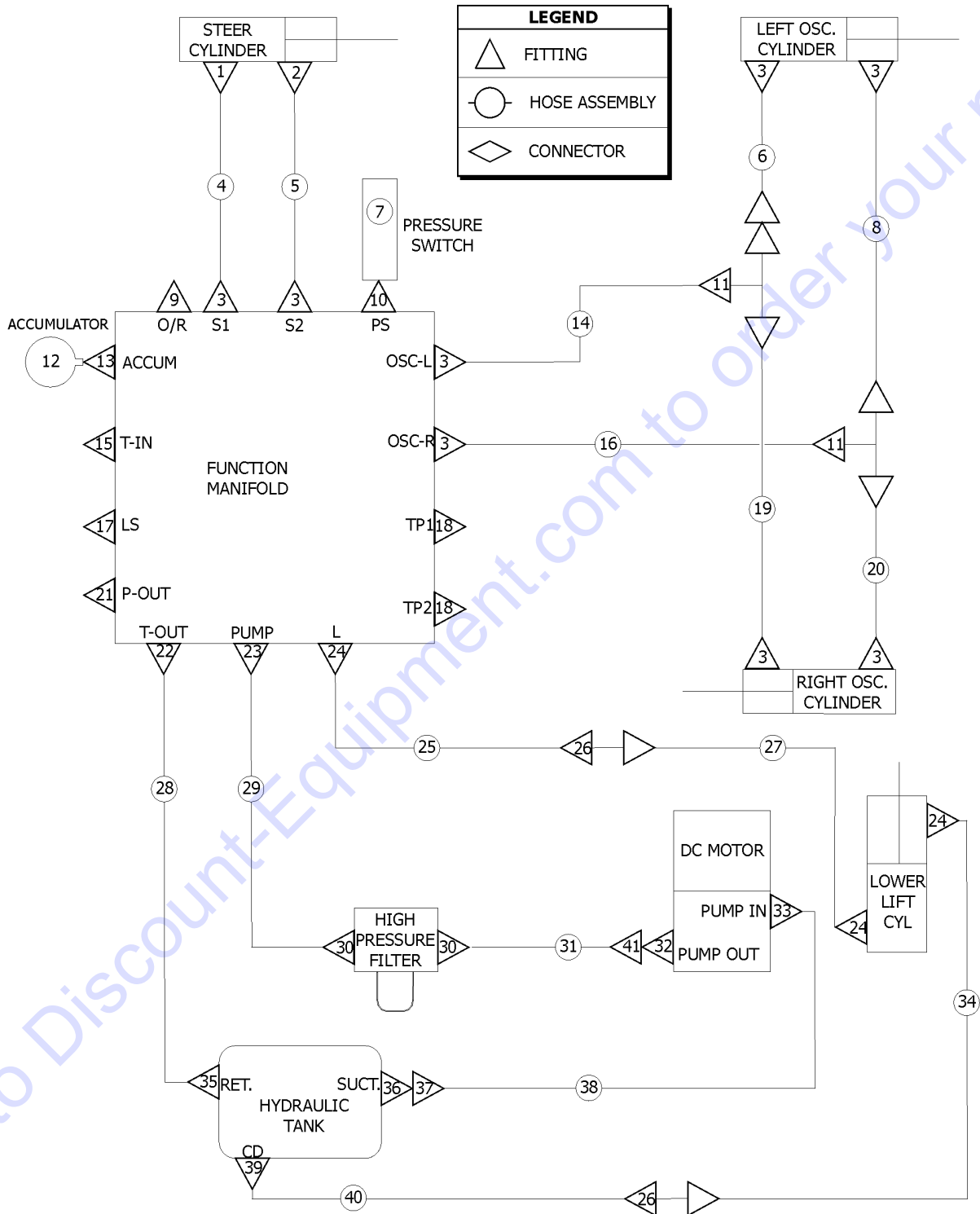
604.1 Hoses and Fittings

Item	Part No.	Description	Qty.
1	48912GT	CONN,520120-4-6***	1
2	39875GT	ELBOW,070220-4-6	2
3	48905GT	CONN,520120-4***	8
4	227466GT	HOSE ASSY,S1(F.MF)-B(STRCYL) components: 48800, 48801, 48751 @ 74 inches	1
5	227467GT	HOSE ASSY,S2(F.MF)-R(STRCYL) components: 48800, 48801, 48751 @ 81 inches	1
6	227469GT	HOSE ASSY,OSC(TEE)-E(L.OSC.CYL) components: 48800, 48802, 48751 @ 19.5 inches	1
7	237797GT	SWITCH,PRESS,#4SAE,1500 PSI	1
8	227610GT	HOSE ASSY,OSC(TEE)-R(L.OSC.CYL) components: 48800, 48802, 48751 @ 19.5 inches	1
9	49517GT	PLUG,HEX SOCKET,090109B-6***	1
10	131393GT	REDUCER,MORB-FORB,04-04****	1
11	48909GT	TEE,BULKHEAD,RUN,520958-4	1
12	94499GT	ACCUMULATOR,10CC,1000PSI,#6SAE	2
13	83020GT	COUPLER,090136, 4-6	1
14	227468GT	HOSE ASSY,OSC(F.MF)-OSC(TEE) components: 48800, 48800, 48751 @ 74 inches	1
15	87172GT	PLUG,HEX SOCKET,090109B-12	1
16	227609GT	HOSE ASSY,OSCR(F.MF)-OSC(TEE) components: 48800, 48800, 48751 @ 74 inches	1
17	39882GT	PLUG,HEX SOCKET,090109B-4	1
18	48997GT	NIPPLE,DIAGNOSTIC,#4	2
19	227612GT	HOSE ASSY,OSC(TEE)-R(R.OSC.CYL) components: 48800, 48802, 48751 @ 19.5 inches	1
20	227611GT	HOSE ASSY,OSC(TEE)-E(R.OSC.CYL) components: 48800, 48802, 48751 @ 19.5 inches	1
21	238256GT	PLUG,HEX SOCKET,090109B-8	1
22	48960GT	FITTING,CONN,520120-12	1
23	48933GT	CONN,520120-8***	1
24	48916GT	FITTING,CONN,520120-6	3
25	227471GT	HOSE ASSY,LIFT(F.MF)-P(TEE) components: 48812, 48812, 56776 @ 62 inches	1
26	227613GT	UNION,BULKHEAD,ORFS,-6-6	2
27	227472GT	HOSE ASSY,PRESS(TEE)-PRESS(LLC) components: 48812, 48812, 56776 @ 128 inches	1
28	215214GT	HOSE,ASSY,T-OUT(F,MF)-RET(TNK) components: 48809, 48809, 39889 @ 34 inches	1





604.1 Hoses and Fittings

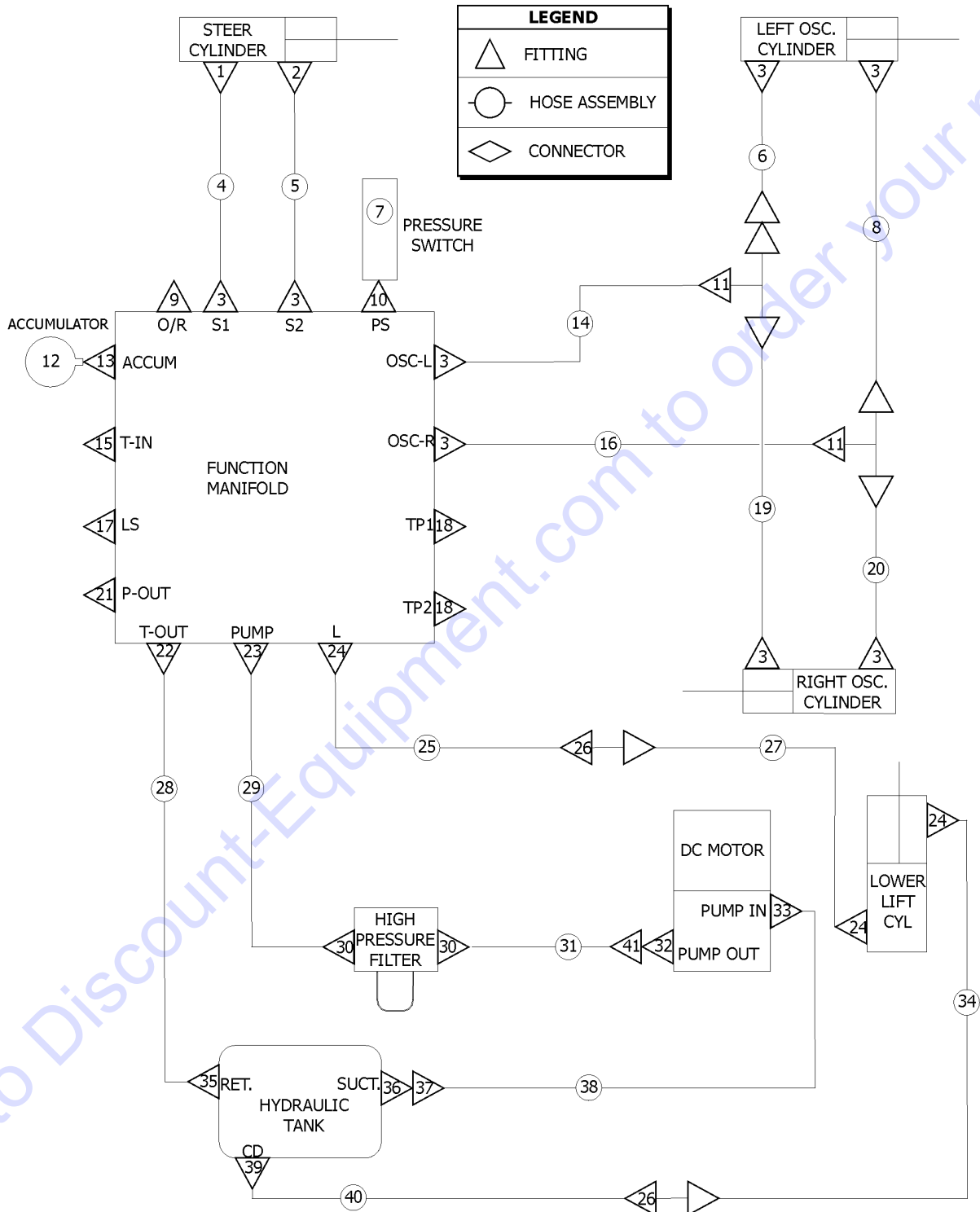


Item	Part No.	Description	Qty.
29	215215GT	HOSE,ASSY,FIL-P,IN(F,MF) components: 48822, 48822, 56777 @ 8 inches	1
30	48947GT	ELBOW,90D,520220-8-12	2
31	237932GT	HOSE,ASSY,OUT(PUMP)-FIL components: 48822, 48822, 56777 @ 11 inches	1
32A	48946GT	CONN,520120-8-10 (to SN GS6916F-10014)	1
32B	1274950GT	FITTING,REDUCER, #10MORB-#8FORB (from GS6916F-10015)	1
33	48878GT	ELBOW,90D,520220-16-12	1
34	227473GT	HOSE ASSY,RET(LLCYL)-RET(TEE) components: 48812, 48812, 48753 @ 128 inches	1
35	48959GT	FITTING,ELBOW,90D,520220-12	1
36	147419GT	KIT,STRAINER REPLACEMENT	1
37	48984GT	CONN,520120-16	1
38	237931GT	HOSE,ASSY,SUCT(TANK)-IN(PUMP) components: 48854, 48854, 48764 @ 19.5 inches	1
39	48915GT	ELBOW,90D,520220-6	1
40	227474GT	HOSE ASSY,RET(TEE)-TANK components: 48812, 48812, 48753 @ 75 inches	1
41	48999GT	VALVE,CHK,#8PORT-#8MALEORFS (from GS6916F-10015)	1

Go to Discount-Equipment.com to order your parts



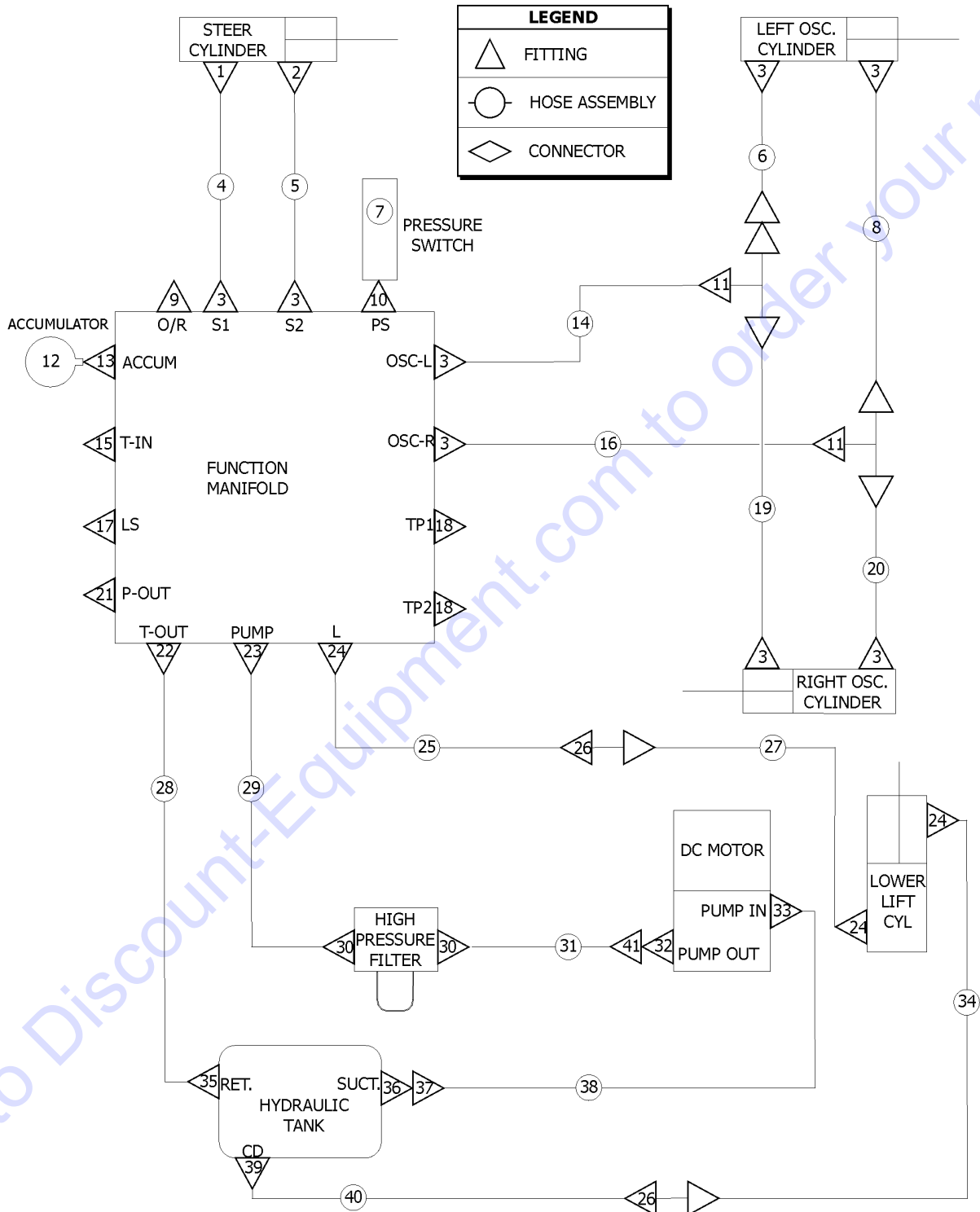
604.2 Hoses and Fittings



Item	Part No.	Description	Qty.
1	48912GT	CONN,520120-4-6***	1
2	39875GT	ELBOW,070220-4-6	2
3	48905GT	CONN,520120-4***	8
4	227466GT	HOSE ASSY,S1(F.MF)-B(STRCYL) components: 48800, 48801, 48751 @ 74 inches	1
5	227467GT	HOSE ASSY,S2(F.MF)-R(STRCYL) components: 48800, 48801, 48751 @ 81 inches	1
6	227469GT	HOSE ASSY,OSC(TEE)-E(L.OSC.CYL) components: 48800, 48802, 48751 @ 19.5 inches	1
7	237797GT	SWITCH,PRESS,#4SAE,1500 PSI	1
8	227610GT	HOSE ASSY,OSC(TEE)-R(L.OSC.CYL) components: 48800, 48802, 48751 @ 19.5 inches	1
9	49517GT	PLUG,HEX SOCKET,090109B-6***	1
10	131393GT	REDUCER,MORB-FORB,04-04****	1
11	48909GT	TEE,BULKHEAD,RUN,520958-4	1
12	94499GT	ACCUMULATOR,10CC,1000PSI,#6SAE	2
13	83020GT	COUPLER,090136, 4-6	1
14	227468GT	HOSE ASSY,OSC(F.MF)-OSC(TEE) components: 48800, 48800, 48751 @ 74 inches	1
15	87172GT	PLUG,HEX SOCKET,090109B-12	1
16	227609GT	HOSE ASSY,OSCR(F.MF)-OSC(TEE) components: 48800, 48800, 48751 @ 74 inches	1
17	39882GT	PLUG,HEX SOCKET,090109B-4	1
18	48997GT	NIPPLE,DIAGNOSTIC,#4	2
19	227612GT	HOSE ASSY,OSC(TEE)-R(R.OSC.CYL) components: 48800, 48802, 48751 @ 19.5 inches	1
20	227611GT	HOSE ASSY,OSC(TEE)-E(R.OSC.CYL) components: 48800, 48802, 48751 @ 19.5 inches	1
21	238256GT	PLUG,HEX SOCKET,090109B-8	1
22	48960GT	FITTING,CONN,520120-12	1
23	48933GT	CONN,520120-8***	1
24	48916GT	FITTING,CONN,520120-6	3
25	227471GT	HOSE ASSY,LIFT(F.MF)-P(TEE) components: 48812, 48812, 56776 @ 62 inches	1
26	227613GT	UNION,BULKHEAD,ORFS,-6-6	2
27	227472GT	HOSE ASSY,PRESS(TEE)-PRESS(LLC) components: 48812, 48812, 56776 @ 128 inches	1
28	215214GT	HOSE,ASSY,T-OUT(F,MF)-RET(TNK) components: 48809, 48809, 39889 @ 34 inches	1



604.2 Hoses and Fittings

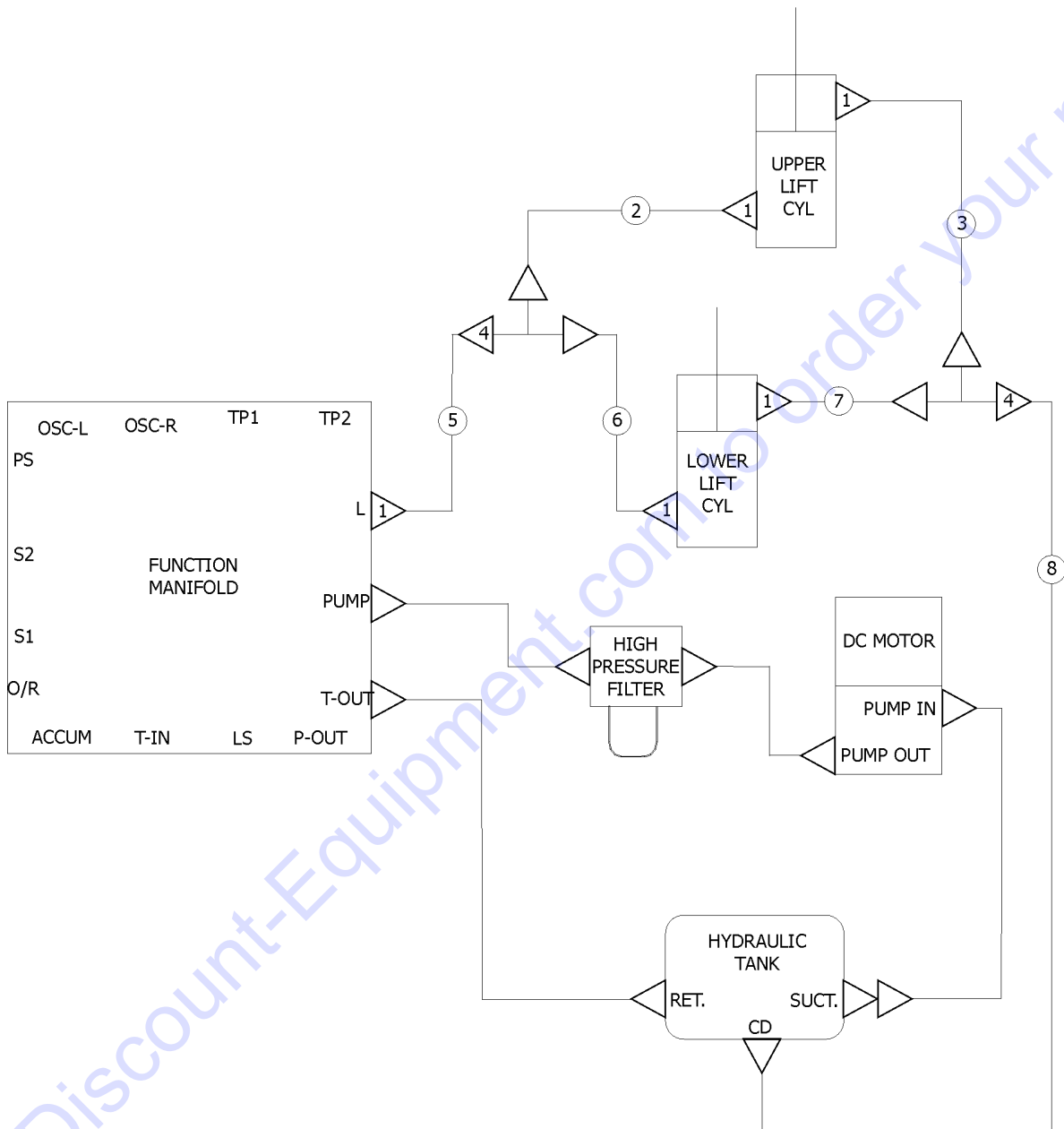


604.2 Hoses and Fittings

Item	Part No.	Description	Qty.
29	215215GT	HOSE,ASSY,FIL-P,IN(F,MF) components: 48822, 48822, 56777 @ 8 inches	1
30	48947GT	ELBOW,90D,520220-8-12	2
31	237932GT	HOSE,ASSY,OUT(PUMP)-FIL components: 48822, 48822, 56777 @ 11 inches	1
32B	1274950GT	FITTING,REDUCER, #10MORB-#8FORB (from GS6916F-10015)	1
33	48878GT	ELBOW,90D,520220-16-12	1
34	227473GT	HOSE ASSY,RET(LLCYL)-RET(TEE) components: 48812, 48812, 48753 @ 128 inches	1
35	48959GT	FITTING,ELBOW,90D,520220-12	1
36	147419GT	KIT,STRAINER REPLACEMENT	1
37	48984GT	CONN,520120-16	1
38	237931GT	HOSE,ASSY,SUCT(TANK)-IN(PUMP) components: 48854, 48854, 48764 @ 19.5 inches	1
39	48915GT	ELBOW,90D,520220-6	1
40	227474GT	HOSE ASSY,RET(TEE)-TANK components: 48812, 48812, 48753 @ 75 inches	1
41	48999GT	VALVE,CHK,#8PORT-#8MALEORFS (from GS6916F-10015)	1

Go to Discount-Equipment.com to order your parts





LEGEND	
	FITTING
	HOSE ASSEMBLY
	CONNECTOR

605.1 Hoses and Fittings, Lift Cylinders, GS-4069DC

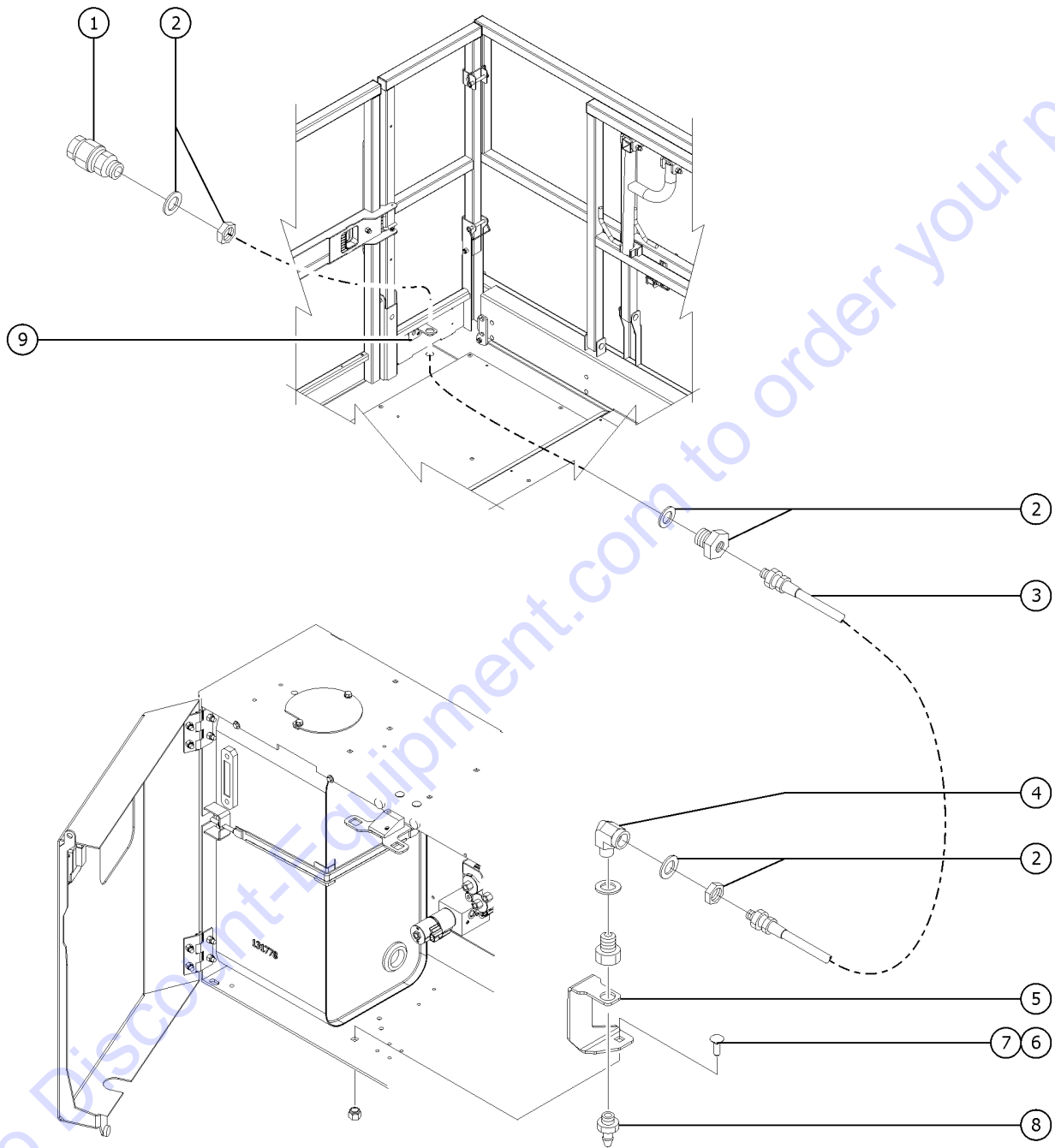
Item	Part No.	Description	Qty.
1	48916GT	FITTING,CONN,520120-6 .....	2
2	227479GT	HOSE ASSY,RET(ULCYL)-RET(TEE) components: 48812, 48816, 48753 @ 410 inches .....	1
3	227478GT	HOSE ASSY,PRESS(TEE)-PRESS(ULC components: 48812, 48816, 56776 @ 410 inches .....	1
4	227614GT	TEE,BULKHEAD,RUN,520120-6 .....	2
5	227471GT	HOSE ASSY,LIFT(F.MF)-P(TEE) .....	
6	227472GT	HOSE ASSY,PRESS(TEE)-PRESS(LLC) .....	
7	227473GT	HOSE ASSY,RET(LLCYL)-RET(TEE) .....	
8	227474GT	HOSE ASSY,RET(TEE)-TANK .....	

Go to Discount-Equipment.com to order your parts





701.1 Air Line to Platform



Go to [Discount-Equipment.com](http://Discount-Equipment.com) to order your parts

Item	Part No.	Description	Qty.
1	27895GT	COUPLER, 1/4"SERIES 3/8 MPT .....	1
2	27900GT	BULKHEAD,FEMALE X 6 X 6 .....	2
3A	27903GT	HOSE,LOW PRESSURE,.375 ID,BLK GS-2669DC .....	676
3A-	27901GT	HOSE END,BARBED,RIGID,-6-6 .....	2
3B	27903GT	HOSE,LOW PRESSURE,.375 ID,BLK GS-3369DC .....	790
3B-	27901GT	HOSE END,BARBED,RIGID,-6-6 .....	2
3C	27903GT	HOSE,LOW PRESSURE,.375 ID,BLK GS-4069DC .....	900
3C-	27901GT	HOSE END,BARBED,RIGID,-6-6 .....	2
4	79383GT	BRASS STREET ELBOW .....	1
5	1256645GT	FORMING,AIRLINE MOUNTING .....	1
6	96977GT	BOLT,CARRIAGE, 1/2-13X1.50,GR5 .....	1
7	6198GT	NUT,NYLOCK, 1/2-13 .....	1
8	27894GT	PLUG, 1/4"SERIES, 3/8 MPT .....	1
9	47077GT	BRACKET,AIRLINE MOUNTING .....	1
5	218681GT	FORMING,AIRLINE MOUNTING .....	1
6	96977GT	BOLT,CARRIAGE, 1/2-13X1.50,GR5 .....	1
7	6198GT	NUT,NYLOCK, 1/2-13 .....	1
8	27894GT	PLUG, 1/4"SERIES, 3/8 MPT .....	1
9	47077GT	BRACKET,AIRLINE MOUNTING .....	1



# PARTS FINDER

**Search Website  
by Part Number**



**Search Manual  
Library For Parts  
Manual & Lookup Part  
Numbers – Purchase  
or Request Quote**

**Search Manuals**

Enter your information to search for a manual or to purchase a manual or parts.

\* Brand:

\* Model:

\* Serial:

\* Part Number:

SEARCH

**Can't Find Part or  
Manual? Request Help  
by Manufacturer,  
Model & Description**

**Parts Order Form**

Please fill in the following information:

Manufacturer:

Model:

Description:

Quantity:

Part Number:

Part Name:

Part Description:

Part Location:

Part Condition:

Part Status:

Part Color:

Part Material:

Part Weight:

Part Dimensions:

Part Price:

Part Notes:

Submit

Discount-Equipment.com is your online resource for quality parts & equipment.

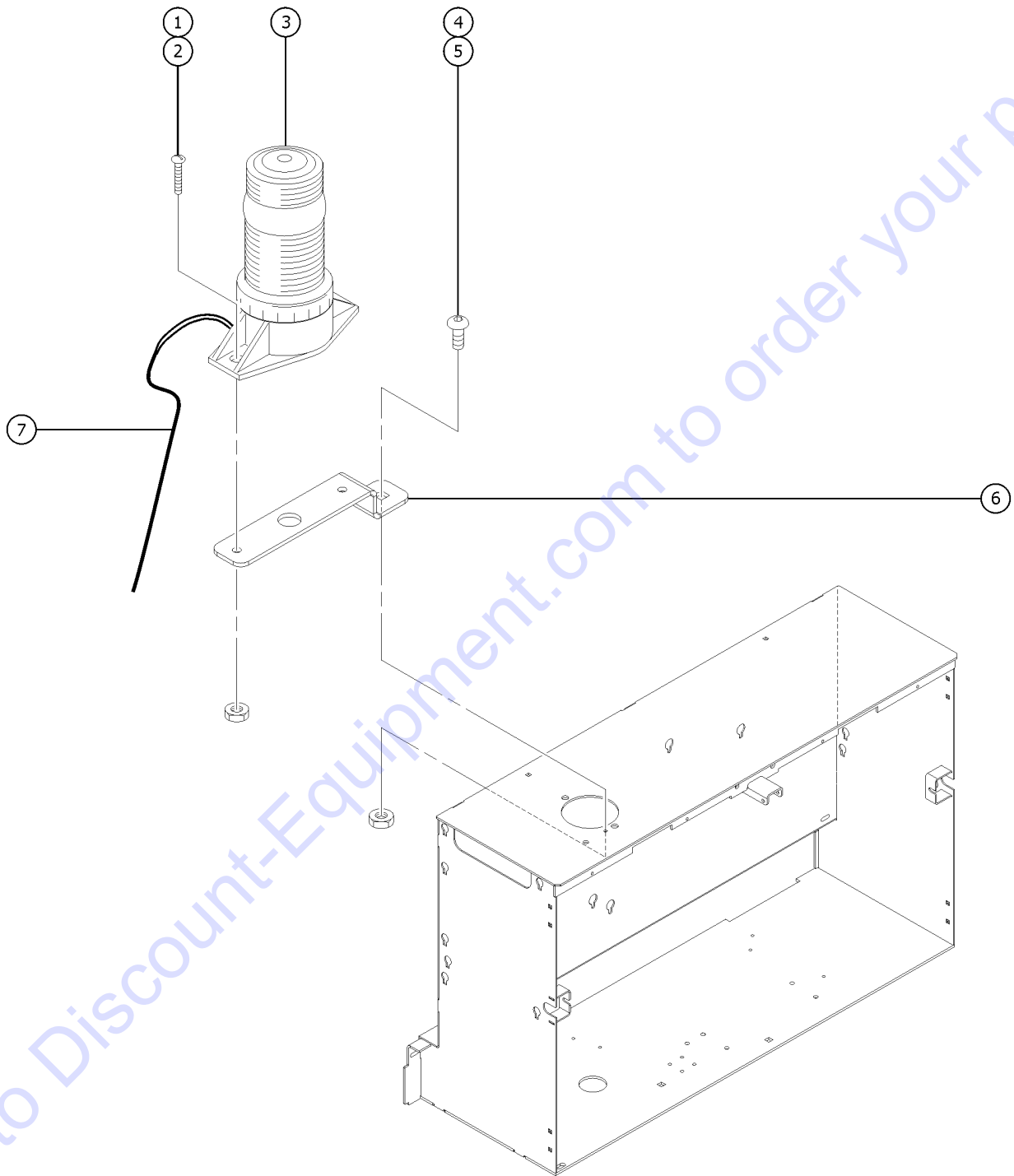
Florida: **561-964-4949** Outside Florida TOLL FREE: **877-690-3101**

**Need parts?**

Click on this link: <http://www.discount-equipment.com/category/5443-parts/> and choose one of the options to help get the right parts and equipment you are looking for. Please have the machine model and serial number available in order to help us get you the correct parts. If you don't find the part on the website or on one of the online manuals, please fill out the request form and one of our experienced staff members will get back to you with a quote for the right part that your machine needs.

We sell worldwide for the brands: Genie, Terex, JLG, MultiQuip, Mikasa, Essick, Whiteman, Mayco, Toro Stone, Diamond Products, Generac Magnum, Airman, Haulotte, Barreto, Power Blanket, Nifty Lift, Atlas Copco, Chicago Pneumatic, Allmand, Miller Curber, Skyjack, Lull, Skytrak, Tsurumi, Husquvarna Target, Stow, Wacker, Sakai, Mi-T-M, Sullair, Basic, Dynapac, MBW, Weber, Bartell, Bennar Newman, Haulotte, Ditch Runner, Menegotti, Morrison, Contec, Buddy, Crown, Edco, Wyco, Bomag, Laymor, EZ Trench, Bil-Jax, F.S. Curtis, Gehl Pavers, Heli, Honda, ICS/PowerGrit, IHI, Partner, Imer, Clipper, MMD, Koshin, Rice, CH&E, General Equipment, Amida, Coleman, NAC, Gradall, Square Shooter, Kent, Stanley, Tamco, Toku, Hatz, Kohler, Robin, Wisconsin, Northrock, Oztec, Toker TK, Rol-Air, APT, Wylie, Ingersoll Rand / Doosan, Innovatech, Con X, Ammann, Mecalac, Makinex, Smith Surface Prep, Small Line, Wanco, Yanmar

702.1 Flashing Motion Beacon (to SN GS6916F-9824)



Go to [Discount-Equipment.com](http://Discount-Equipment.com) to order your parts

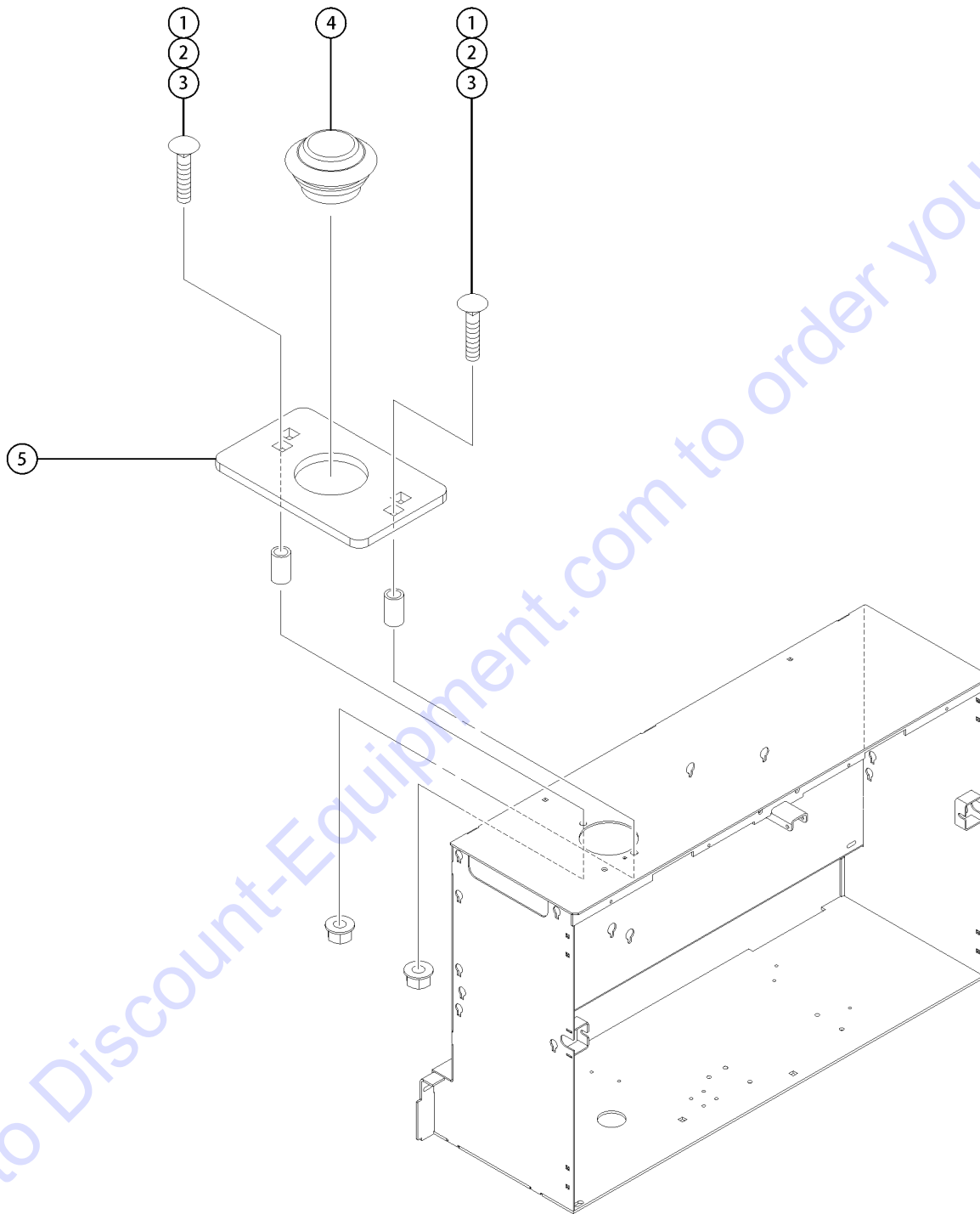
702.1 Flashing Motion Beacon (to SN GS6916F-9824)

Item	Part No.	Description	Qty.
1	49816GT	SCREW,PHILLIPS,PHM,10-32 X .75 .....	
2	6178GT	NUT, NYLOCK, 10-32 .....	
3	87265GT	BEACON LIGHT ASSY. ....	2
3-	105557GT	BULB,FLASHING BEACON ..... for 87265	
3-	105556GT	LENS,FLASHING BEACON ..... for 87265	
4	6878GT	BOLT,CARRIAGE,1/4-20 X .75,G2 .....	
5	6091GT	NUT,NYLOCK,1/4-20 .....	
6	79374GT	FORMING,BEACON MOUNT .....	2
7	148076GT	HARNES,BEACON,GS69 .....	

Go to Discount-Equipment.com to order your parts



702.2 Flashing Motion Beacon (from SN GS6916F-9825)



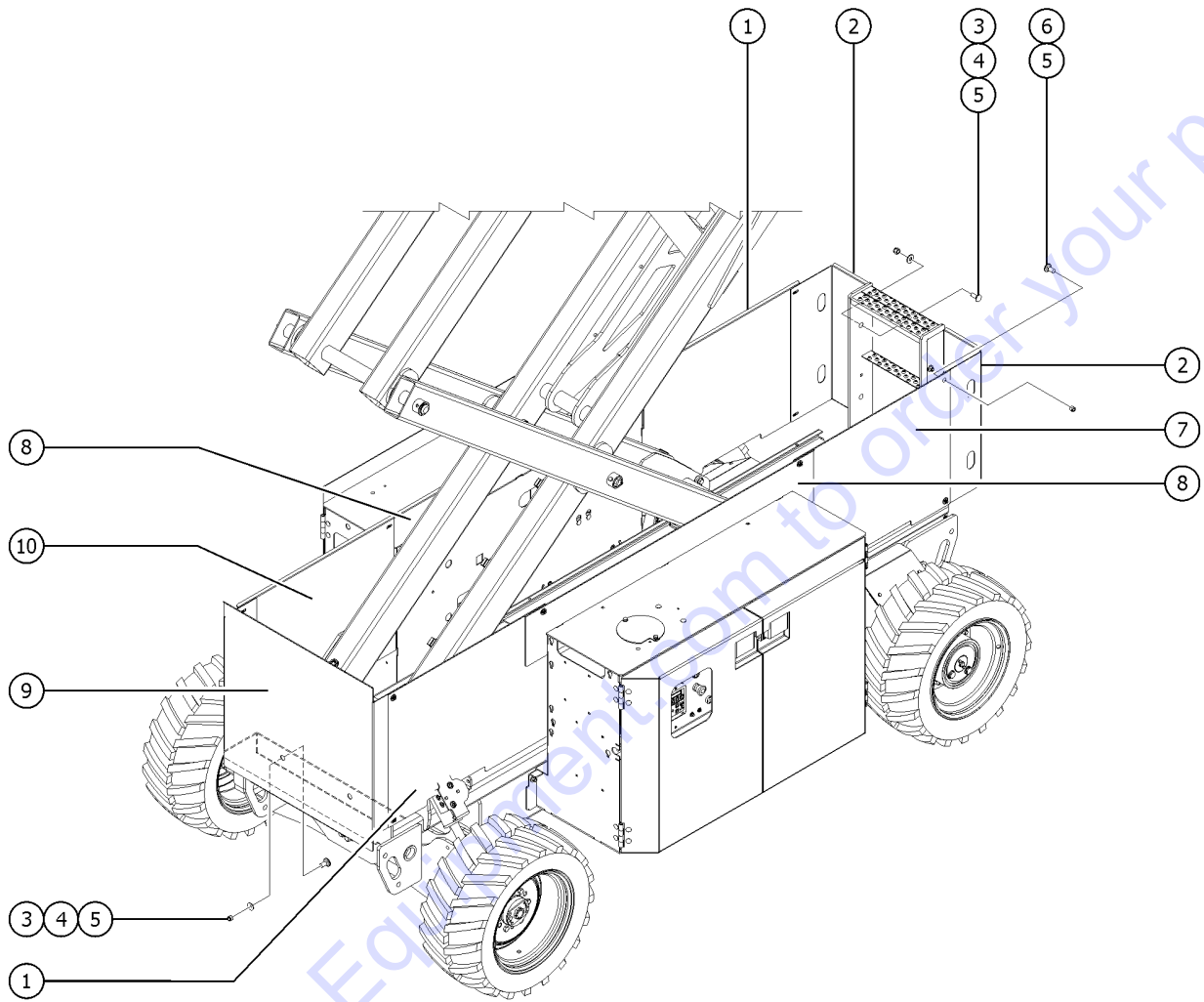
702.2 Flashing Motion Beacon (from SN GS6916F-9825)

Item	Part No.	Description	Qty.
1	1256463GT	BOLT,CARRIAGE,1/4-20X1.25,5,ZA .....	2
2	96699GT	SLEEVE,TANK SUPPORT .....	2
3	824027GT	NUT,TL FLG,1/4-20,G,ZAG .....	2
4	1254572GT	LIGHT,TURN SIGNAL,1.25" LED,AMB .....	1
5	1267469GT	PLATE,VISUAL IND LIGHT MOUNT,BLK .....	1
6	1273392GT	HARNESS, LED BEACON, GS69DC .....	1

Go to Discount-Equipment.com to order your parts



703.1 Link Guard, CE and AUS

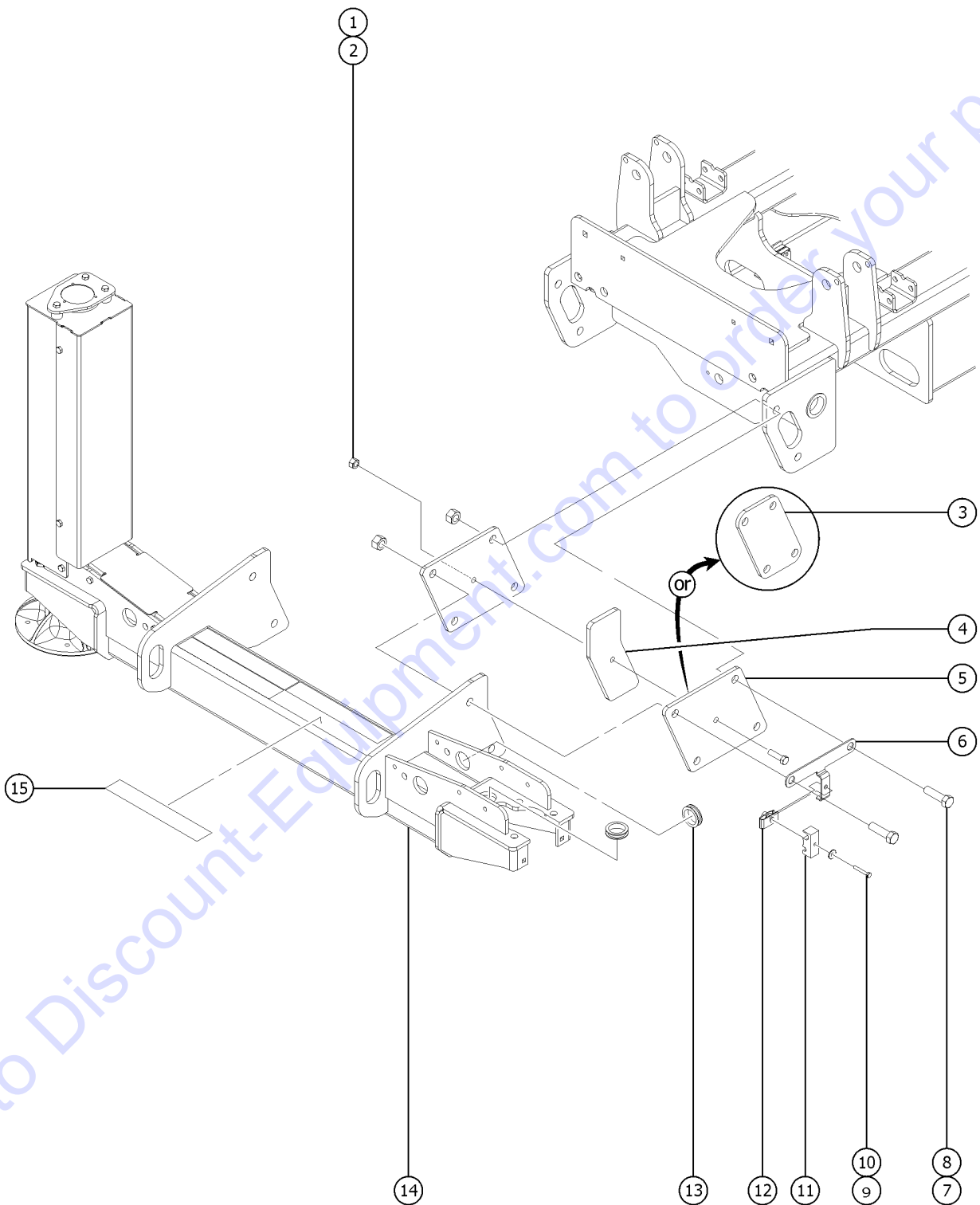




703.1 Link Guard, CE and AUS

Item	Part No.	Description	Qty.
1A	227768GT	FORMING, LINK GUARD, SIDE, 26/33 for GS-2669DC & GS-3369DC (ground controls side, front & battery pack side, rear)	2
1B	T114354GT	FORMING, LINK GUARD, SIDE, 40 for GS-4069DC (ground controls side, front & battery pack side, rear)	2
2A	227713GT	FORMING, LINK GUARD, BACK, 26/33 for GS-2669DC & GS-3369DC	2
2B	T114357GT	FORMING, LINK GUARD, END, 40 for GS-4069DC	2
3	105092GT	BOLT, CARRIAGE, 3/8-16X1.25, GR5	
4	6097GT	WASHER, FLAT, USS, 3/8", Y	
5	4828GT	NUT, NYLOCK, 3/8-16	
6	73466GT	BOLT, CARRIAGE, 3/8-16 X 1.00, G2	
7A	227716GT	FORMING, LINK GUARD, SIDE, 26/33 for GS-2669DC & GS-3369DC without oil cooler option (ground controls side, rear)	1
7B	227714GT	FORMING, LNK GRD, SIDE, OPT, 26/33 for GS-2669DC & GS-3369DC with oil cooler option (ground controls side, rear)	1
7C	T114353GT	FORMING, LINK GUARD, SIDE, 40 for GS-4069DC without oil cooler option (ground controls side, rear)	1
7D	227717GT	FORMING, LINK GUARD, SIDE, OPT, 40 for GS-4069DC with oil cooler option (ground controls side, rear)	1
8	T114358GT	FORMING, LINK GUARD, BOXTOP for GS-4069DC	2
9A	227715GT	FORMING, LINK GUARD, FRONT, 26/33 for GS-2669DC & GS-3369DC	1
9B	T114356GT	FORMING, LINK GUARD, SIDE, 40 for GS-4069DC	1
10A	227716GT	FORMING, LINK GUARD, SIDE, 26/33 for GS-2669DC & GS-3369DC (battery pack side, front)	1
10B	T114353GT	FORMING, LINK GUARD, SIDE, 40 for GS-4069DC (battery pack side, front)	1

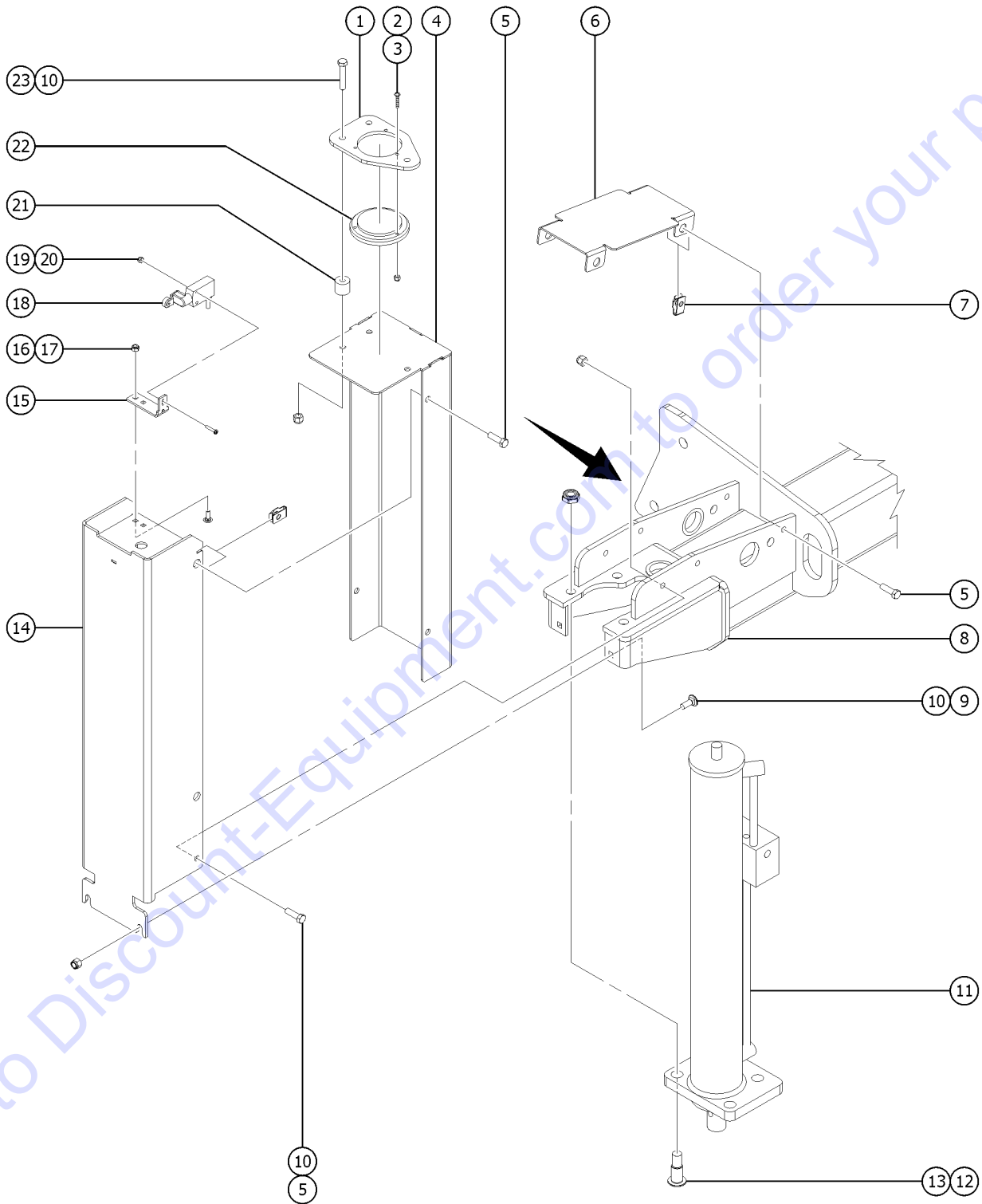
704.1 Outrigger Installation, View 1



704.1 Outrigger Installation, View 1

Item	Part No.	Description	Qty.
1	6178GT	NUT, NYLOCK, 10-32 steer end (models with high floatation tires)	2
2	6096GT	SCREW,HHC, 1/2-13 X 2 GR5 steer end (models with high floatation tires)	2
3	148046GT	PLATE,OUTRIGGER MOUNT models without high floatation tires	4
4	160740GT	PLATE,O/R SPACER, HI FLOAT steer end (models with high floatation tires)	2
5	160739GT	PLATE, O/R MOUNT, HI FLOAT steer end (models with high floatation tires)	4
6A	160744GT	FORM,O/R FRONT CLAMP,HI FLOAT steer end (models with high floatation tires)	2
6B	148409GT	FORMING,O/R FRONT CLAMP steer end (models without high floatation tires)	2
7	51428GT	SCREW,HHC,3/4-10 X 2.75	8
8	10258GT	NUT,NYLOCK,3/4-10,GRD.2	8
9	6637GT	SCREW,HHC, 1/4-20 X 1.75 steer end	2
10	6638GT	WASHER,FLAT,USS, 1/4"Y steer end	2
11	148410GT	CLAMP,#4 HOSE,CLAMP steer end	2
12	56912GT	SPRING CLIP, 1/4-20,.025-.15X.5 steer end	2
13	47238GT	GROMMET,RUBBER 1.5 ID	8
14		Ref. WELDMENT,OUTRIGGER YOKE refer to 705.1	
15	148329GT	TAPE,NON-SKID,2"X14"	2

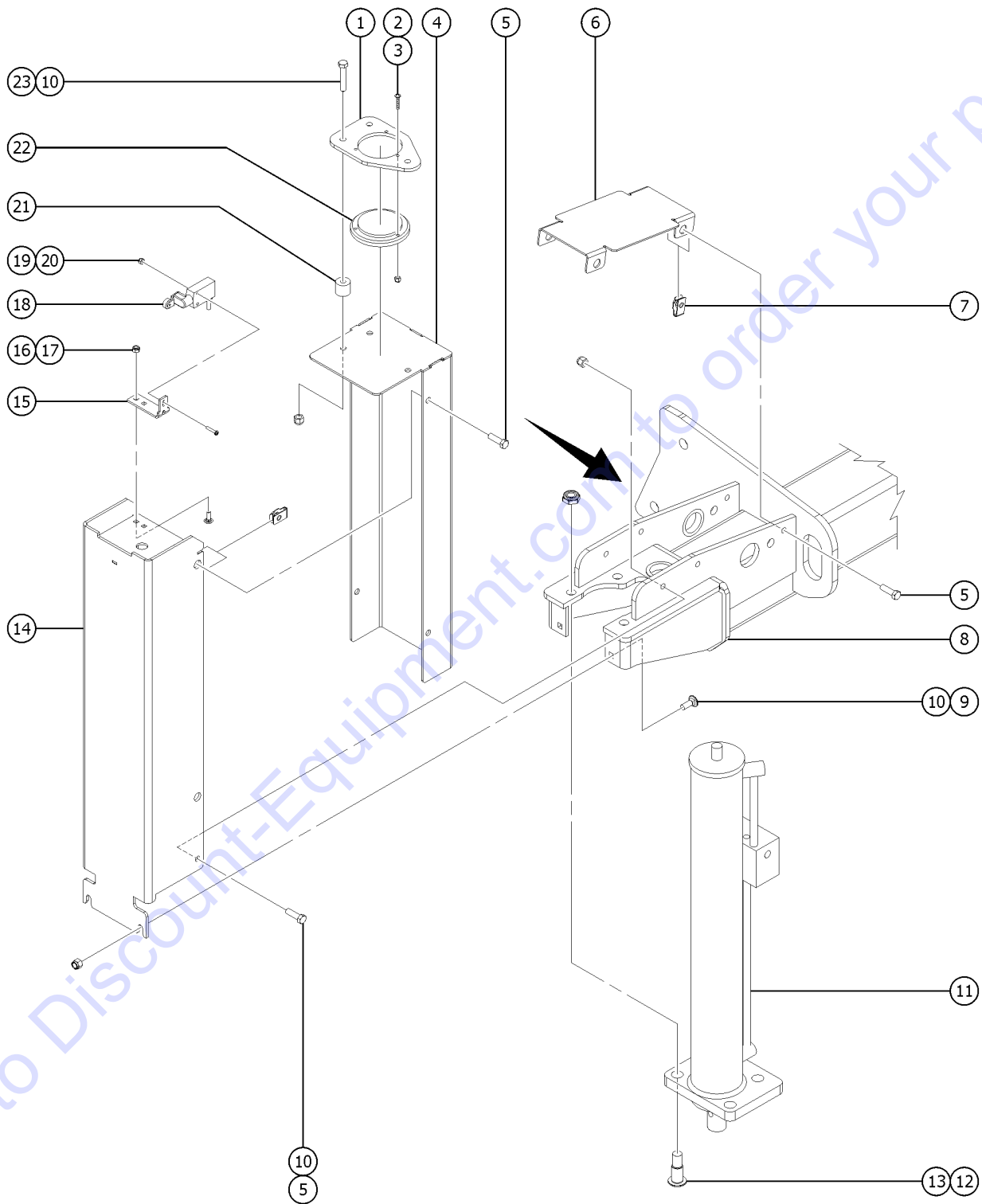
705.1 Outrigger Installation, View 2



Item	Part No.	Description	Qty.
1	87002GT	PLATE,BUBBLE LEVEL MOUNT .....	1
2A	49816GT	SCREW,PHILLIPS,PHM,10-32 X .75 .....	3
		to SN 5603	
2B	826516GT	SCREW, PHPM, 10-32 X 1.0, ZAG .....	3
		from SN 5604	
3A	6178GT	NUT, NYLOCK, 10-32 .....	3
		to SN 5603	
3B	1275810GT	NUT,SERRATED,10-32,SS .....	3
		from SN 5604	
4	148001GT	WELDMENT,O/R SWITCH COVER .....	4
5	6019GT	SCREW,HHC,3/8-16 X 1.25 GRD 5 .....	
6	131972GT	FORMING,O/R HOSE COVER .....	4
7	29868GT	SPRING CLIP,3/8-16,.05-.20X.73,ZAG .....	
8A	148027GT	WELDMENT,OUTRIGGER YOKE .....	1
		steer end	
8B	148044GT	WELDMENT,OUTRIGGER YOKE .....	
		non-steer end	
9	64154GT	BOLT,CARRIAGE,3/8-16 X1.00,G5 .....	
10	4828GT	NUT,NYLOCK,3/8-16 .....	
11		Ref. CYLINDER,OUTRIGGER,GS69 .....	
		refer to 706.1	
12	71912GT	BOLT,SHOULDER,5/8-11 X 1.19 LT .....	
13	38028GT	NUT,LP NYLOCK,5/8-11 .....	
14	235089GT	HOUSING ASSY,OUTRIGGER,WO .....	
		ANSI, CSA and AUS models with word decals (to SN 15270) (from SN 15085 to 15158, .....	
		verify limit switch body before ordering)	
14-	235091GT	HOUSING ASSY,OUTRIGGER,SY .....	
		Asia, S. America and CE models with symbol decals (to SN 15270) (from SN 15085 to .....	
		15158, verify limit switch body before ordering)	
14-	148000GT	WELDMENT,OUTRIGGER COVER .....	4
		decals not included, refer to section 100 (to SN 15270) (from SN 15085 to 15158, verify .....	
		limit switch body before ordering)	
14B	1289877GT	WELDMENT, OUTRIGGER COVER .....	4
		(from SN 15271) (used on some models from SN 15085 to 15158, verify limit switch body .....	
		before ordering)	
15	148024GT	FORMING,O/R LIM SWTCH BRACKET .....	1
		(to SN 15270) (from SN 15085 to 15158, verify limit switch body before ordering)	
15B	1288967GT	FORMING,O/R LIM SWTCH BRACKET .....	1
		(from SN 15271) (used on some models from SN 15085 to 15158, verify limit switch body .....	
		before ordering)	
16	6091GT	NUT,NYLOCK,1/4-20 .....	
17	6878GT	BOLT,CARRIAGE,1/4-20 X .75,G2 .....	
18	105692GT	SWITCH,LIMIT,W/ROLLER ARM .....	4
		(limit switch body XCMN2115L1) (to SN 15270) (from SN 15085 to 15158, verify limit switch .....	
		body before ordering) (markings: 8B1807, 8B1820)	
18B	1289888GT	SWITCH,LIMIT,W/ROLLER ARM .....	4
		(limit switch body B81843) (from SN 15271) (used on some models from SN 15085 to .....	
		15158, verify limit switch body before ordering) (markings: 8B1817, 8B1822)	



705.1 Outrigger Installation, View 2

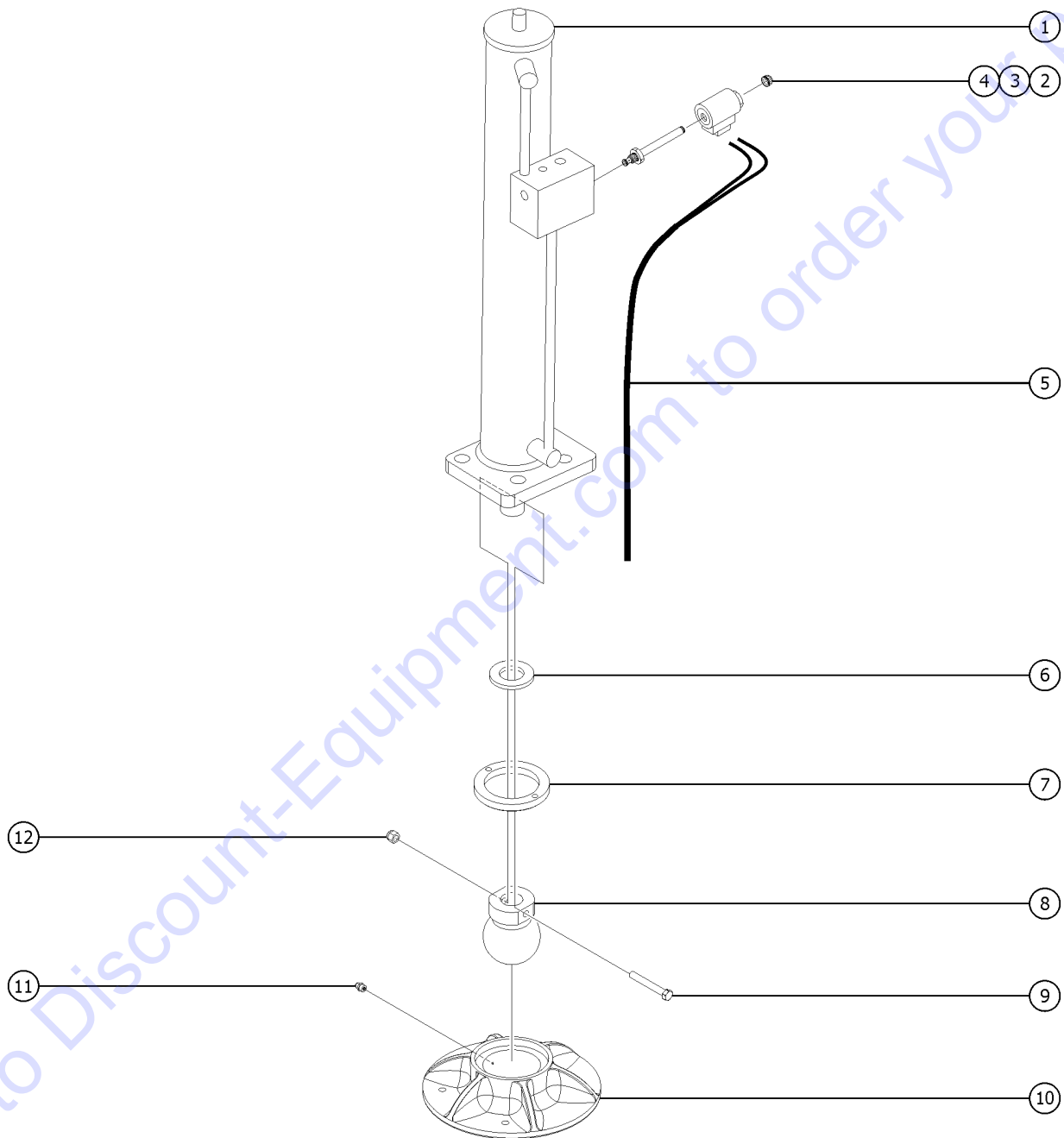


Item	Part No.	Description	Qty.
19	18605GT	NUT,NYLOCK,8-32 .....	
20	54380GT	SCREW,PHILLIPS,PHM,8-32 X .875 .....	
21	59568GT	RUBBER, VIBRATION MOUNT .....	3
22A	1259500GT	KIT,BUBBLE LEVEL UPDATE to SN 5603 .....	
22B	1275562GT	LEVEL,BUBBLE,3 DEG,BOSS from SN 5604 to 11474 .....	
22C	6714GT	LEVEL,BUBBLE ANSI/CSA models from 11475 .....	
22D	1275562GT	LEVEL,BUBBLE,3 DEG,BOSS CE/AUS models from 11475 .....	
23	5224GT	SCREW,HHC,3/8-16 X 2 .....	

Go to Discount-Equipment.com to order your parts



706.1 Outrigger Cylinders





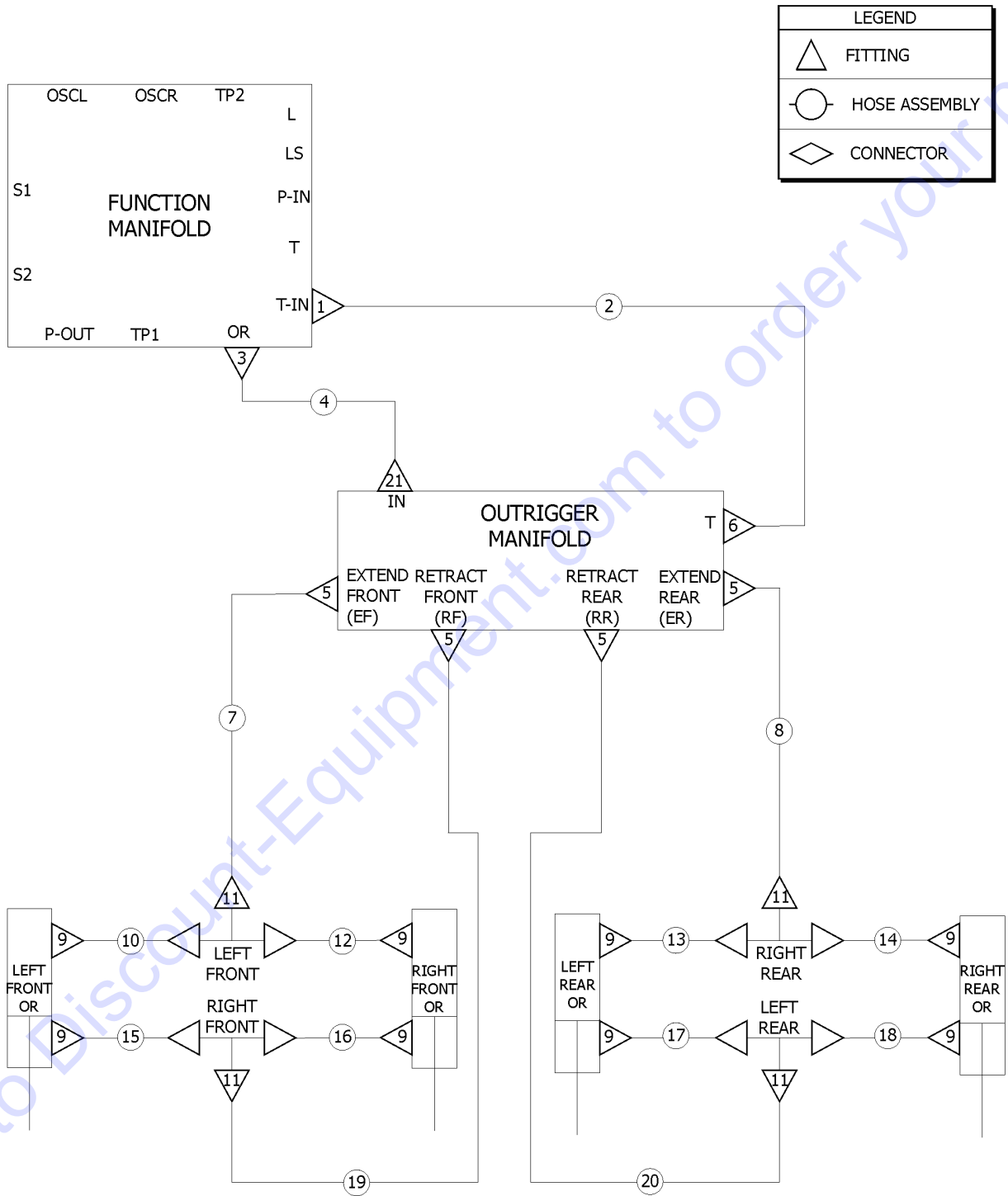
706.1 Outrigger Cylinders

Item	Part No.	Description	Qty.
	112537GT	FOOTPAD ASSY,RTSC OUTRIGGER ..... includes items 6, 7 and 9	
1	131428GT	CYLINDER, OUTRIGGER,GS69 ..... order valve and coil separately	1
1-	226381GT	SEAL KIT,(131428) ..... for 131428	
2	72097GT	NUT,SOLENOID VALVE,OUTRIGGERS ..... 1	1
3A	79831GT	COIL, 12VDC,DIODE,DEUTSCH ..... 1	1
3B	217978GT	COIL, 24VDC,DIODE,DEUTSCH ..... 1	1
4	67933GT	VALVE,NC,BI-DI,CART*** ..... 1	1
4A	71925GT	PILOT CHECK VALVE ..... 1	1
5		Ref. Outrigger Wire Harness ..... refer to 309.1	
6	55682GT	PLATE, CYL UP LIMIT ..... 1	1
7	55484GT	RETAINER, GS68 O/R FOOTPAD*** ..... 1	1
8	55485GT	CASTING, BALL, GS OUTRIGGER ..... 1	1
9	6326GT	SCREW,HHC,3/8-16 X 3 ..... 1	1
10	51814GT	CASTING, OUTRIGGER FOOTPAD *** ..... order 1280156 separately	1
10B	1280156GT	KIT,OUTRIGGER PAD LOCTITE,RT ..... order footpad separately	
11	28646GT	ZERK,GREASE,1/8 NPT ..... 1	1
12	4828GT	NUT,NYLOCK,3/8-16 ..... 1	1

Go to Discount-Equipment.com to order your parts



707.1 Outrigger Hoses and Fittings



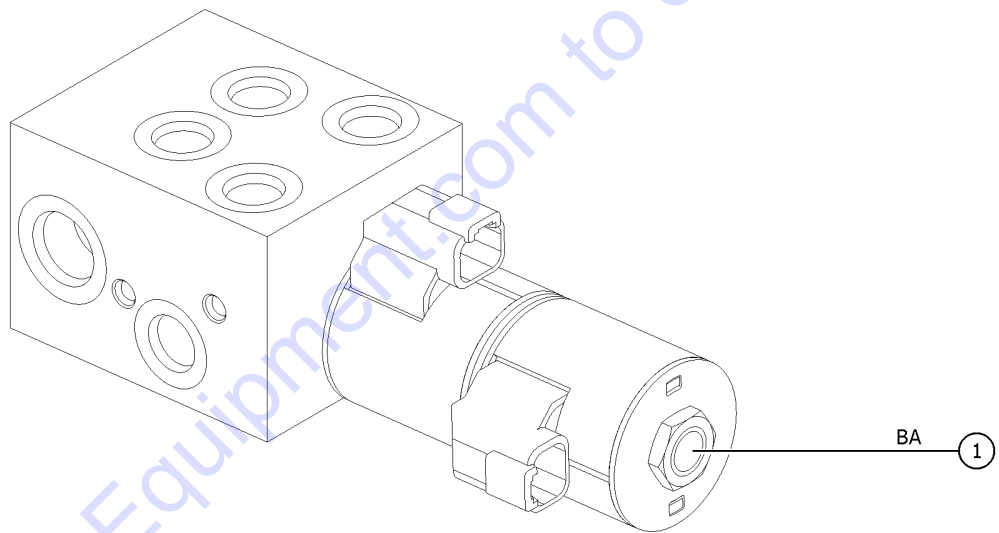
LEGEND	
	FITTING
	HOSE ASSEMBLY
	CONNECTOR

707.1 Outrigger Hoses and Fittings

Item	Part No.	Description	Qty.
1	48948GT	CONN,520120-8-12 .....	1
2	1254069GT	HOSE,ASSY,T(OR,MF)-TIN(F,MF) components: 2x 48822, 48756 @ 17.5 inches .....	1
3	48930GT	CONN,520120-6-8 .....	1
4	1254068GT	HOSE ASSY,OR(F,MF)-IN(OR,MF) components: 2x 48812, 56776 @ 17.5 inches .....	1
5	48916GT	FITTING,CONN,520120-6 .....	4
6	48932GT	FITTING,ELBOW,90D,520220-8*** .....	1
7	227487GT	HOSE ASSY,EF(OR,MF)-LF.OR.TEE components: 48812, 227488, 56776 @ 98 inches .....	1
8	227724GT	HOSE ASSY,ER(OR,MF)-LR.OR.TEE .....	1
9	48905GT	CONN,520120-4*** .....	8
10	227489GT	HOSE ASSY,LF.OR.TEE-E(LF.OR.CY components: 48812, 227488, 56776 @ 98 inches .....	1
11	48909GT	TEE,BULKHEAD,RUN,520958-4 .....	4
12	227490GT	HOSE ASSY,LF.OR.TEE-E(RF.OR.CY components: 48800, 48800, 48751 @ 75 inches .....	1
13	227738GT	HOSE ASSY,LR.OR.TEE-E(LR.OR.CY components: 48800, 48802, 48751 @ 75 inches .....	1
14	227728GT	HOSE ASSY,LR.OR.TEE-E(RR.OR.CY components: 48800, 48800, 48751 @ 20 inches .....	1
15	227730GT	HOSE ASSY,RF.OR.TEE-R(LF.OR.CY components: 48800, 48800, 48751 @ 75 inches .....	1
16	227740GT	HOSE ASSY,RF.OR.TEE-R(RF.OR.CY components: 48800, 48802, 48751 @ 20 inches .....	1
17	227732GT	HOSE ASSY,RR.OR.TEE-R(LR.OR.CY components: 48800, 48800, 48751 @ 20 inches .....	1
18	227742GT	HOSE ASSY,RR.OR.TEE-R(RR.OR.CY components: 48800, 48802, 48751 @ 75 inches .....	1
19	227726GT	HOSE ASSY,FR(OR,MF)-RF.OR.TEE components: 48812, 227488, 56776 @ 98 inches .....	1
20	227735GT	HOSE ASSY,RR(OR,MF)-RR.OR.TEE components: 48812, 227488, 56776 @ 98 inches .....	1
21	48915GT	ELBOW,90D,520220-6 .....	1



708.1 Outrigger Manifold



Go to Discount-Equipment.com to order your parts

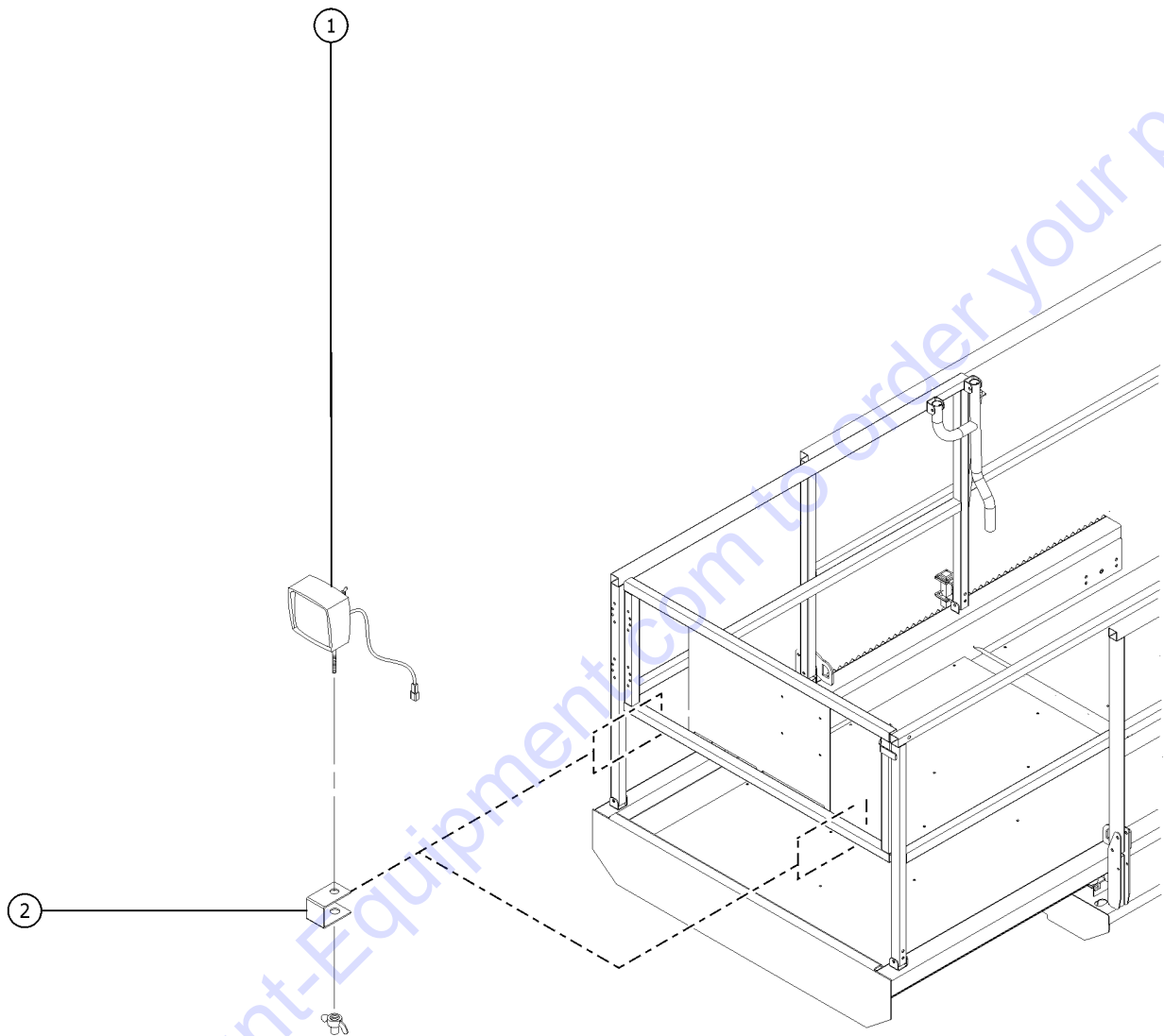
708.1 Outrigger Manifold

Item	Part No.	Description	Qty.
	234999GT	MANIFOLD,OUTRIGGER,GS69DC complete	
1	84109GT	VALVE,DIR,#10 SAE,3 POS. 4 WAY BA, Outriggers in/out	1
1-	44230GT	SEAL KIT-P.N.44169,44172,44171	
1-	104763GT	COIL,24VDC #10DTSCH IP69 ECOIL	
1-	44174GT	NUT-COIL SHORT	
1-	44175GT	SPACER-DUAL COIL,#10, SCISSORS	

Go to Discount-Equipment.com to order your parts



709.1 Platform Work Light



Go to Discount-Equipment.com to order your parts

709.1 Platform Work Light

Item	Part No.	Description	Qty.
A	823041GT	WORKLIGHTS, FIELD KIT, GS-2669 .....	1
A-	823044GT	HARNESS, GS2669 WORKLIGHTS .....	1
B	823042GT	WORKLIGHTS, FIELD KIT, GS-3369 .....	1
B-	823045GT	HARNESS, GS3369 WORKLIGHTS .....	1
C	823043GT	WORKLIGHTS, FIELD KIT, GS-4069 .....	1
C-	823046GT	HARNESS, GS4069 WORKLIGHTS .....	1
1	71498GT	WORKLIGHT, 12V, DEUTSCH RECEPT .....	2
2	71382GT	BRACKET, WORK LIGHTS, OPTION .....	2
3	28443GT	CABLE TIE, 11.5" BLACK not shown .....	

Go to Discount-Equipment.com to order your parts



<u>Part no.</u>	<u>Page Number</u>	<u>Part no.</u>	<u>Page Number</u>	<u>Part no.</u>	<u>Page Number</u>
4266GT	99, 101, 111	10598GT	91, 97, 101	29868GT	83, 113, 161
4828GT	47, 51, 55, 57, 59, 61...	10775GT	119	30434GT	93, 97, 103
5224GT	163	10777GT	119	31060GT	11
5365GT	51, 71	12344GT	71	31506GT	59
5397GT	63	13002GT	63	31508GT	15
6019GT	83, 161	13064GT	51	31658-SGT	59
6021GT	83	13585GT	119	31788GT	11
6086GT	55, 73	13597GT	121	33550GT	113
6090GT	41, 49, 55, 59, 73, 113	13918GT	47	33629GT	119
6091GT	43, 49, 59, 61, 65, 69...	14033GT	91, 95, 99	33724GT	119
6095GT	55, 93, 97, 101	14041GT	71	33987GT	51
6096GT	55, 91, 97, 101, 159	14392GT	43, 83	34053GT	81
6097GT	47, 55, 59, 61, 73, 97...	15243GT	79	35461GT	57, 91, 97, 101
6145GT	69	17626GT	69	35706GT	113
6175GT	73, 109, 113	18383GT	91, 95, 99	36372GT	69, 71
6178GT	71, 77, 153, 159, 161	18503GT	69	37947GT	77
6198GT	55, 61, 75, 91, 97, 101	18540GT	51	38016GT	113
6326GT	63, 93, 95, 99, 117, 165	18605GT	51, 57, 65, 77, 91, 97...	38028GT	109, 161
6595GT	119	19436GT	69	38149GT	15
6626GT	119	19440GT	43	39540GT	79, 123, 127
6637GT	43, 109, 159	21149GT	51	39875GT	141, 145
6638GT	43, 59, 69, 109, 111, 115	22446GT	111	39882GT	137, 141, 145
6700GT	79	22699GT	63	40434GT	19, 23, 33, 37
6708GT	111, 113	22788GT	55, 91, 97, 101	40928GT	95, 99
6714GT	163	24514GT	115	43392GT	83
6782GT	63, 113	25388GT	65, 119	43618GT	19, 23, 33, 37
6873GT	71	25817GT	41, 137	43658GT	31
6878GT	61, 65, 69, 83, 111, 153	27246GT	79	43956GT	119
6886GT	49	27894GT	151	44174GT	169
6889GT	61, 65, 69, 73, 111, 115	27895GT	151	44175GT	169
7056GT	119	27900GT	151	44227GT	139
7127GT	119	27901GT	151	44230GT	169
7339GT	47	27903GT	151	44255GT	11, 15
7713GT	49, 57, 59, 113	28174GT	11, 15, 19, 23, 27, 31...	44736GT	19, 23
8177GT	91, 97, 101	28175GT	11, 15	44743GT	115
8179GT	43	28176GT	19, 23	44973GT	139
8255GT	41, 51, 61	28235GT	11, 15, 19, 23, 27, 31...	44980GT	31
8516GT	55	28236GT	19, 23	44981GT	15, 19, 23, 31, 33, 37
8914GT	73, 117	28373GT	11, 15	45112GT	41
8915GT	43, 69	28443GT	91, 93, 171	45113GT	41
9878GT	73	28646GT	165	45114GT	41
10258GT	159	28750GT	135	45384GT	83



<u>Part no.</u>	<u>Page Number</u>	<u>Part no.</u>	<u>Page Number</u>	<u>Part no.</u>	<u>Page Number</u>
45437GT	119	52494GT	19, 23	66683GT	139
45470GT	73, 119	52865GT	15	66717GT	69
45645GT	77	52907GT	133, 135	66812GT	79, 123, 127
45748GT	43	53452GT	43	66817GT	123, 127
47077GT	151	53500GT	137	66818GT	79, 123, 127
47230GT	109, 113	54380GT	163	66821GT	79
47238GT	159	54436GT	53	66842GT	79
47478GT	109, 115	54627GT	41, 49	67387GT	47
47793GT	111	54958GT	41	67504GT	85, 87
48425GT	113	54959GT	41	67505GT	85, 87
48878GT	143, 147	54960GT	41	67933GT	165
48905GT	137, 141, 145, 167	54961GT	41	69853GT	125, 127
48909GT	141, 145, 167	54962GT	41	70684GT	71
48911GT	43	55089GT	119	71315GT	109, 113
48912GT	141, 145	55484GT	165	71376GT	109
48915GT	143, 147, 167	55485GT	165	71382GT	171
48916GT	139, 141, 145, 149, 167	55517GT	77, 83, 115	71484GT	59
48930GT	167	55559GT	139	71498GT	171
48932GT	167	55675GT	83	71508GT	57, 59
48933GT	141, 145	55682GT	165	71874GT	71
48946GT	143	55906GT	65	71912GT	161
48947GT	143, 147	55921GT	63	71925GT	165
48948GT	167	56302GT	81	72086GT	11, 15, 27, 31
48959GT	143, 147	56462GT	73	72097GT	165
48960GT	141, 145	56912GT	41, 49, 55, 159	72186GT	11, 15
48984GT	143, 147	58320GT	51	72326GT	123, 127
48997GT	141, 145	58486GT	61	72970GT	15
48999GT	143, 147	59568GT	163	72998GT	15
49517GT	141, 145	60334GT	61	72999GT	15
49775GT	43	60424GT	69	73464GT	49
49816GT	153, 161	60746GT	43	73466GT	51, 157
49817GT	71	60790GT	55	73730GT	77
49818GT	69	60857GT	61	74267GT	69
49819GT	77	62341GT	135	74389GT	43
49820GT	71, 77	64154GT	57, 59, 61, 65, 83, 93...	74651GT	69
49821GT	57, 91, 97, 101	65737GT	65, 119	74714GT	51
49857GT	41	66030GT	109, 111, 115	75041GT	79
50793GT	49	66094GT	69	76494GT	73
51428GT	159	66353GT	119	78674GT	59
51474GT	51	66355GT	119	78736GT	49, 93, 95, 99, 101
51814GT	165	66356GT	119	79090GT	113
52475GT	11, 15, 27, 31	66397GT	69	79355GT	109, 111, 113

<u>Part no.</u>	<u>Page Number</u>	<u>Part no.</u>	<u>Page Number</u>	<u>Part no.</u>	<u>Page Number</u>
79374GT	153	89066GT	43	112116GT	91, 97, 101
79383GT	151	94499GT	133, 135, 141, 145	112121GT	91, 97, 101
79831GT	165	96008-SGT	77	112123GT	93, 95, 99
81329GT	83	96009GT	77	112124GT	93, 95, 99
81579GT	57	96010GT	77	112125GT	99
82160GT	15	96203GT	61, 75, 93, 97, 101	112126GT	99
82161GT	15	96236GT	119	112127GT	91
82366GT	15	96320GT	51	112134GT	95, 99, 107
82473GT	27, 31	96452GT	79	112350GT	93, 97, 103
82474GT	27, 31	96699GT	155	112375GT	91, 97, 101
82475GT	27, 31	96905GT	93, 95, 99	112476GT	49, 109, 111, 113
82476GT	27, 31	96977GT	55, 91, 97, 101, 105, 107	112512GT	51
82481GT	27	97172GT	133, 135	112537GT	165
82487GT	31, 33, 37	97719GT	15, 31	112543GT	111
82557GT	19, 23	99267GT	113	112572GT	51
82558GT	15	99268GT	113	112703GT	105, 107
82560GT	31	99346GT	57, 59, 69	112708GT	93, 95, 99, 105, 107
82561GT	11, 15	101069GT	133, 135	112772GT	119
82562GT	27, 31	101718GT	59, 65, 77	114202GT	11, 15, 27, 31
82666GT	27, 31	104235GT	55	114334GT	31
83020GT	141, 145	104328GT	41, 55	114337GT	27
83092GT	51	104571GT	89	114338GT	33, 37
83093GT	77	104762GT	133	114371GT	33, 37
83131GT	77	104763GT	133, 135, 169	114385GT	11, 15
84109GT	169	104804GT	111	114386GT	15, 19, 23
84421GT	139	105092GT	61, 157	115402GT	137
84422GT	139	105117GT	65	119065GT	69
87002GT	161	105118GT	65	119432GT	71
87172GT	141, 145	105214GT	91	119910GT	45
87193GT	119	105556GT	153	122994GT	79
87265GT	153	105557GT	153	124580GT	77
87312GT	73	105692GT	161	128009GT	63
87320-SGT	111	106121GT	49	128085GT	137
87523GT	109	106122GT	49	128142GT	137
87568GT	109	106123GT	51	128200GT	79
87570GT	113	106445GT	49	128375GT	65
87571GT	113	110556GT	43	128376GT	65
87645GT	113	110965GT	51	128377GT	65
87675GT	113	112076GT	107	128578GT	77, 79
87684GT	49, 53, 61	112099GT	93, 97, 103	128580GT	79
88827GT	77	112100GT	93, 97, 103	128731GT	127
89065GT	43	112115GT	91, 97, 101	131393GT	141, 145

<u>Part no.</u>	<u>Page Number</u>	<u>Part no.</u>	<u>Page Number</u>	<u>Part no.</u>	<u>Page Number</u>
131416GT	109	147419GT	143, 147	216005GT	69
131428GT	165	148000GT	161	216027GT	19, 23
131616GT	41	148001GT	161	216031GT	33, 37
131621GT	137	148024GT	161	216826GT	11
131639GT	51	148027GT	161	216827GT	11
131658GT	59	148044GT	161	216828GT	11
131687GT	95	148046GT	159	216829GT	11
131695GT	49	148076GT	87, 153	216830GT	11
131735GT	115	148086GT	87	216831GT	11
131741GT	113	148087GT	87	216832GT	27
131742GT	115	148092GT	87	216833GT	27
131743GT	113	148236GT	51, 93, 97, 103	216834GT	27
131744GT	109	148329GT	159	216874GT	11
131745GT	109	148353GT	41	216875GT	11
131746GT	111	148396GT	43	216876GT	11
131747GT	111	148403GT	55	216877GT	11
131749GT	109, 113	148409GT	159	216878GT	11
131751GT	113	148410GT	159	216879GT	11
131874GT	91	148414GT	87	216880GT	27
131920GT	139	148422GT	117	216881GT	27
131921GT	139	148433GT	91, 95, 99	216882GT	27
131972GT	161	148434GT	93, 95, 99	216883GT	27
133537GT	33, 37	148450GT	107	216884GT	27
137522GT	123	150026GT	71	216885GT	27
137562GT	79	160536GT	63	216886GT	27
137564GT	79	160545GT	85	216887GT	27
137587GT	87, 127	160739GT	159	216888GT	27
137604GT	79	160740GT	159	217978GT	165
137605GT	19, 23, 33, 37, 123, 127	160744GT	159	218245GT	89
137611GT	87, 125, 127	160903GT	85	218616GT	133, 135
137634GT	131	160904GT	85	218617GT	133, 135
137637GT	79, 125, 127	161213GT	89	218681GT	151
137640GT	125, 127	161359GT	65, 85	218730GT	133, 135
137644GT	77	214222GT	63	218731GT	133, 135
137656GT	19, 23, 33, 37, 123, 127	214253GT	123	218732GT	133, 135
137668GT	79	214254GT	123	218733GT	133, 135
137692GT	77	214542GT	77	218734GT	133, 135
137699GT	125, 129	214544GT	131	218735GT	133, 135
137711GT	123	215214GT	141, 145	219112GT	83
137769GT	73	215215GT	143, 147	219205GT	89
137770GT	73	215229GT	59	219206GT	43
144161GT	67, 119	215488GT	69	219210GT	115

<u>Part no.</u>	<u>Page Number</u>	<u>Part no.</u>	<u>Page Number</u>	<u>Part no.</u>	<u>Page Number</u>
219279GT	43	228973GT	65	234600GT	133, 135
219973GT	87	229086GT	131	234830GT	87
220237GT	57	229087GT	131	234831GT	87
226378GT	139	229088GT	131	234832GT	87
226379GT	139	229089GT	131	234833GT	87
226380GT	137	229090GT	131	234834GT	87
226381GT	165	229091GT	131	234837GT	87
227466GT	141, 145	229092GT	131	234999GT	169
227467GT	141, 145	229093GT	131	235089GT	161
227468GT	141, 145	229094GT	131	235091GT	161
227469GT	141, 145	229097GT	131	235122GT	101
227471GT	141, 145, 149	229167GT	41	235163GT	19, 23, 33, 37
227472GT	141, 145, 149	229642GT	69	235375GT	41
227473GT	143, 147, 149	229827GT	11, 15	235377GT	51
227474GT	143, 147, 149	229828GT	27, 31	235380GT	81
227478GT	149	229845GT	125, 129	235381GT	77
227479GT	149	230485GT	61	235383GT	77
227487GT	167	230488GT	61	235398GT	87
227489GT	167	230489GT	37	235399GT	87
227490GT	167	230490GT	37	235463GT	131
227609GT	141, 145	230491GT	37	235464GT	125, 127
227610GT	141, 145	230492GT	33	235697GT	59
227611GT	141, 145	230493GT	33	235719GT	65
227612GT	141, 145	230494GT	33	236018GT	71
227613GT	141, 145	230804GT	11, 15	236019GT	69
227614GT	149	230805GT	37	236066GT	87
227713GT	157	230806GT	37	236067GT	87
227714GT	157	230807GT	37	236068GT	87
227715GT	157	230809GT	33	236360GT	19, 23, 33, 37, 123
227716GT	157	230810GT	33	236415GT	15, 31
227717GT	157	230811GT	33	236813GT	41
227724GT	167	230850GT	59	237116GT	19, 23
227726GT	167	230858GT	139	237117GT	11
227728GT	167	230861GT	133	237118GT	13
227730GT	167	231921GT	125, 129	237119GT	19
227732GT	167	231922GT	125, 129	237120GT	19
227735GT	167	232523GT	49	237121GT	19
227738GT	167	232536GT	55	237122GT	19, 23, 33, 37
227740GT	167	232537GT	55	237123GT	19, 23, 33, 37
227742GT	167	232549GT	59	237124GT	13, 17, 27, 31
227768GT	157	233767GT	43	237125GT	13, 17, 27, 31
228947GT	65	234599GT	133, 135	237126GT	13, 17, 29, 31

<u>Part no.</u>	<u>Page Number</u>	<u>Part no.</u>	<u>Page Number</u>	<u>Part no.</u>	<u>Page Number</u>
237127GT	19, 23, 33, 37, 123	823044GT	171	1254204GT	93, 95, 99
237130GT	13, 17	823045GT	171	1254205GT	105
237131GT	19	823046GT	171	1254206GT	91
237132GT	17	824027GT	155	1254207GT	91
237134GT	13	826516GT	161	1254208GT	93
237135GT	23	1253349GT	83	1254241GT	73
237254GT	43	1253422GT	83	1254245GT	49, 93, 95, 99, 101
237340GT	41, 51	1253423GT	83	1254246GT	61
237476GT	87	1253424GT	83	1254426GT	63
237615GT	123	1253426GT	61	1254428GT	83
237797GT	133, 135, 141, 145	1253428GT	69	1254430GT	65
237920GT	23	1253479GT	83	1254431GT	41
237921GT	23	1254068GT	167	1254432GT	43
237922GT	23	1254069GT	167	1254433GT	43
237923GT	13	1254118GT	73	1254434GT	43
237924GT	29	1254119GT	73	1254436GT	55
237925GT	29	1254120GT	73	1254437GT	49
237926GT	13, 17, 29, 31	1254121GT	73	1254439GT	99
237927GT	19, 23	1254122GT	73	1254447GT	69
237931GT	143, 147	1254169GT	57	1254448GT	69
237932GT	143, 147	1254171GT	65	1254449GT	61
238256GT	141, 145	1254172GT	65	1254462GT	55
238299GT	43	1254174GT	55	1254464GT	55
238364GT	85	1254175GT	49	1254572GT	155
238365GT	85	1254176GT	49	1254591GT	79
238366GT	85	1254177GT	51	1255452GT	43, 47, 51
238367GT	85	1254178GT	49	1256267GT	91, 97, 101
238368GT	85	1254180GT	43	1256463GT	155
238369GT	85	1254181GT	43	1256580GT	73
238370GT	85	1254184GT	47	1256581GT	69, 73
238371GT	85	1254187GT	55	1256645GT	151
238372GT	85	1254188GT	55	1256655GT	127
238373GT	85	1254189GT	55	1256657GT	127
238374GT	85	1254190GT	93, 95, 99	1256708GT	21, 25, 33, 37, 127
238375GT	85	1254191GT	97, 103	1256709GT	21, 25, 33, 39, 123
238382GT	61	1254192GT	93, 95, 99	1256710GT	21, 25, 33, 39, 127
238383GT	61, 65	1254196GT	97, 101, 105	1256711GT	21, 25, 35, 39, 123
238384GT	75	1254198GT	95, 99	1256719GT	79
238385GT	75	1254199GT	93, 95, 99, 105	1256720GT	79
823041GT	171	1254201GT	101	1256721GT	77
823042GT	171	1254202GT	91, 97, 103	1256722GT	77
823043GT	171	1254203GT	97, 101	1256725GT	127

<u>Part no.</u>	<u>Page Number</u>	<u>Part no.</u>	<u>Page Number</u>	<u>Part no.</u>	<u>Page Number</u>
1256726GT	127	1272486GT	65	T108138GT	91, 95, 99
1256729GT	127	1272487GT	69	T108139GT	91, 95, 99
1256730GT	127	1272488GT	71	T109734GT	93, 95, 103
1257396GT	21, 25	1272489GT	77	T109739GT	49
1257923GT	21, 25, 35, 39	1272490GT	77	T109744GT	49
1258104GT	21, 25	1272900GT	135	T109745GT	49
1258347GT	123	1273392GT	87, 155	T112503GT	41
1258348GT	123	1273704GT	135	T112560GT	119
1258349GT	123	1274950GT	143, 147	T113139GT	63
1258352GT	123	1275154GT	135	T114353GT	157
1258353GT	123	1275562GT	163	T114354GT	157
1258354GT	123	1275782GT	63	T114356GT	157
1258521GT	123	1275810GT	161	T114357GT	157
1258522GT	123	1277226GT	79	T114358GT	157
1258628GT	49	1277998GT	37	T114397GT	125, 127
1258629GT	49	1277999GT	37	T114634GT	89
1258632GT	41	1278000GT	37	T114638GT	19, 23
1258633GT	41	1279465GT	61	T114639GT	19, 23
1258731GT	89, 127	1279466GT	61	T114640GT	21, 25
1258753GT	49	1280156GT	165		
1258754GT	49	1280665GT	65, 119		
1258759GT	41	1282278GT	81		
1258760GT	41	1283121GT	51		
1259447GT	87, 89	1286600GT	51		
1259448GT	87, 89	1286601GT	51		
1259498GT	89, 139	1288967GT	161		
1259499GT	89	1289520GT	59		
1259500GT	163	1289521GT	59		
1259991GT	89, 139	1289561GT	59		
1261085GT	139	1289877GT	161		
1263542GT	31	1289888GT	161		
1264822GT	87	T106362GT	79		
1264834GT	87	T106363GT	79		
1265331GT	139	T106366GT	79		
1266273GT	87	T106370GT	125, 127		
1267409GT	41	T106371GT	79		
1267469GT	155	T106372GT	79		
1268468GT	63	T106373GT	123, 127		
1269612GT	71, 73	T106782GT	59		
1272242GT	31	T106793GT	59		
1272484GT	59	T108039GT	117		
1272485GT	59	T108074GT	117		

California Proposition 65

 **WARNING**

Operating, servicing and maintaining this equipment, passenger vehicle or off-highway motor vehicle can expose you to chemicals including engine exhaust, carbon monoxide, phthalates, and lead, which are known to the State of California to cause cancer and birth defects or other reproductive harm. These chemicals can be emitted from or contained in other various parts and systems, fluids and some component wear by-products. To minimize exposure, avoid breathing exhaust, do not idle the engine except as necessary, service your equipment and vehicle in a well-ventilated area and wear gloves or wash your hands frequently when servicing your equipment or vehicle and after operation. For more information go to [www.P65Warnings.ca.gov/passenger-vehicle](http://www.P65Warnings.ca.gov/passenger-vehicle).

Breathing diesel engine exhaust exposes you to chemicals known to the State of California to cause cancer and birth defects or other reproductive harm.

- Always start and operate the engine in a well-ventilated area.
- If in an enclosed area, vent the exhaust to the outside.
- Do not modify or tamper with the exhaust system.
- Do not idle the engine except as necessary.

For more information go to [www.P65warnings.ca.gov/diesel](http://www.P65warnings.ca.gov/diesel).

Distributed By:

[www.GSPro.com](http://www.GSPro.com) to order your parts



# PARTS FINDER

**Search Website  
by Part Number**



**Search Manual  
Library For Parts  
Manual & Lookup Part  
Numbers – Purchase  
or Request Quote**

**Search Manuals**

Enter your information to help us find the right parts manual for your machine.

\* Brand:

\* Model:

\* Serial:

\* Part Number:

SEARCH

**Can't Find Part or  
Manual? Request Help  
by Manufacturer,  
Model & Description**

**Parts Order Form**

Please fill in the following information to help us find the right part for your machine.

MANUFACTURER:

MODEL:

DESCRIPTION:

DATE:

TIME:

PHONE:

EMAIL:

ADDRESS:

CITY:

STATE:

ZIP:

COUNTRY:

SEARCH

Discount-Equipment.com is your online resource for quality parts & equipment.

Florida: **561-964-4949** Outside Florida TOLL FREE: **877-690-3101**

**Need parts?**

Click on this link: <http://www.discount-equipment.com/category/5443-parts/> and choose one of the options to help get the right parts and equipment you are looking for. Please have the machine model and serial number available in order to help us get you the correct parts. If you don't find the part on the website or on one of the online manuals, please fill out the request form and one of our experienced staff members will get back to you with a quote for the right part that your machine needs.

We sell worldwide for the brands: Genie, Terex, JLG, MultiQuip, Mikasa, Essick, Whiteman, Mayco, Toro Stone, Diamond Products, Generac Magnum, Airman, Haulotte, Barreto, Power Blanket, Nifty Lift, Atlas Copco, Chicago Pneumatic, Allmand, Miller Curber, Skyjack, Lull, Skytrak, Tsurumi, Husquvarna Target, Stow, Wacker, Sakai, Mi-T-M, Sullair, Basic, Dynapac, MBW, Weber, Bartell, Bennar Newman, Haulotte, Ditch Runner, Menegotti, Morrison, Contec, Buddy, Crown, Edco, Wyco, Bomag, Laymor, EZ Trench, Bil-Jax, F.S. Curtis, Gehl Pavers, Heli, Honda, ICS/PowerGrit, IHI, Partner, Imer, Clipper, MMD, Koshin, Rice, CH&E, General Equipment, Amida, Coleman, NAC, Gradall, Square Shooter, Kent, Stanley, Tamco, Toku, Hatz, Kohler, Robin, Wisconsin, Northrock, Oztec, Toker TK, Rol-Air, APT, Wylie, Ingersoll Rand / Doosan, Innovatech, Con X, Ammann, Mecalac, Makinex, Smith Surface Prep, Small Line, Wanco, Yanmar