

# PARTS MANUAL



**WHITEMAN** SERIES  
MODEL CA4HC  
WALK-BEHIND TROWEL  
(HONDA GX120 GASOLINE ENGINE)

Revision #8 (05/04/20)



[www.discount-equipment.com](http://www.discount-equipment.com)

THIS MANUAL MUST ACCOMPANY THE EQUIPMENT AT ALL TIMES.

P/N 21769

# PARTS FINDER

**Search Website  
by Part Number**



**Search Manual  
Library For Parts  
Manual & Lookup Part  
Numbers – Purchase  
or Request Quote**

**Search Manuals**

Enter your information to help us find the right parts manual for your machine.

\* Brand:

\* Model:

\* Serial:

\* Part Number:

SEARCH

**Can't Find Part or  
Manual? Request Help  
by Manufacturer,  
Model & Description**

**Parts Order Form**

Please fill in the following information to help us find the right part for your machine.

Manufacturer:	<input type="text"/>
Model:	<input type="text"/>
Description:	<input type="text"/>
Part Number:	<input type="text"/>
Quantity:	<input type="text"/>
Notes:	<input type="text"/>

Submit

Discount-Equipment.com is your online resource for quality parts & equipment.

Florida: **561-964-4949** Outside Florida TOLL FREE: **877-690-3101**

**Need parts?**

Click on this link: <http://www.discount-equipment.com/category/5443-parts/> and choose one of the options to help get the right parts and equipment you are looking for. Please have the machine model and serial number available in order to help us get you the correct parts. If you don't find the part on the website or on one of the online manuals, please fill out the request form and one of our experienced staff members will get back to you with a quote for the right part that your machine needs.

We sell worldwide for the brands: Genie, Terex, JLG, MultiQuip, Mikasa, Essick, Whiteman, Mayco, Toro Stone, Diamond Products, Generac Magnum, Airman, Haulotte, Barreto, Power Blanket, Nifty Lift, Atlas Copco, Chicago Pneumatic, Allmand, Miller Curber, Skyjack, Lull, Skytrak, Tsurumi, Husquvarna Target, Stow, Wacker, Sakai, Mi-T-M, Sullair, Basic, Dynapac, MBW, Weber, Bartell, Bennar Newman, Haulotte, Ditch Runner, Menegotti, Morrison, Contec, Buddy, Crown, Edco, Wyco, Bomag, Laymor, EZ Trench, Bil-Jax, F.S. Curtis, Gehl Pavers, Heli, Honda, ICS/PowerGrit, IHI, Partner, Imer, Clipper, MMD, Koshin, Rice, CH&E, General Equipment, Amida, Coleman, NAC, Gradall, Square Shooter, Kent, Stanley, Tamco, Toku, Hatz, Kohler, Robin, Wisconsin, Northrock, Oztec, Toker TK, Rol-Air, APT, Wylie, Ingersoll Rand / Doosan, Innovatech, Con X, Ammann, Mecalac, Makinex, Smith Surface Prep, Small Line, Wanco, Yanmar

# TABLE OF CONTENTS

## CA4HC Walk-Behind Trowel

Table of Contents.....	2
Explanation of Code in Remarks Column.....	4
Suggested Spare Parts .....	5

### Component Drawings

Nameplate and Decals .....	6-7
Standard Handle Assembly .....	8-9
Foldable Quick-Pitch™ Handle Assembly .....	10-11
Basic Unit Assembly .....	12-13
Gearbox Assembly .....	14-15
Honda 4 HP Engine Assembly .....	16-17
Spider Assembly.....	18-19
Blades and Pan Assembly.....	20-21

## Honda GX120UTQX2 Engine

Air Cleaner (Dual) Assembly .....	22-23
Camshaft Assembly.....	24-25
Carburetor Assembly .....	26-27
Control Assembly .....	28-29
Crankcase Cover Assembly .....	30-31
Crankshaft Assembly.....	32-33
Cylinder Barrel Assembly .....	34-35
Cylinder Head Assembly .....	36-37
Fan Cover Assembly.....	38-39
Flywheel Assembly.....	40-41
Fuel Tank Assembly.....	42-43
Ignition Coil Assembly .....	44-45
Muffler Assembly .....	46-47
Piston Assembly .....	48-49
Recoil Starter Assembly .....	50-51
Gasket Kit Assembly .....	52-53
Labels Assembly.....	54-55

### NOTICE

Specifications and part numbers are subject to change without notice.



# EXPLANATION OF CODE IN REMARKS COLUMN

The following section explains the different symbols and remarks used in the Parts section of this manual. Use the help numbers found on the back page of the manual if there are any questions.

## NOTICE

The contents and part numbers listed in the parts section are subject to change **without notice**. Multiquip does not guarantee the availability of the parts listed.

## SAMPLE PARTS LIST

NO.	PART NO.	PART NAME	QTY.	REMARKS
1	12345	BOLT .....	1	INCLUDES ITEMS W/%
2%		WASHER, 1/4 IN. ....		NOT SOLD SEPARATELY
2%	12347	WASHER, 3/8 IN. ...	1	MQ-45T ONLY
3	12348	HOSE .....	A/R	MAKE LOCALLY
4	12349	BEARING .....	1	S/N 2345B AND ABOVE

## NO. Column

**Unique Symbols** — All items with same unique symbol (@, #, +, %, or >) in the number column belong to the same assembly or kit, which is indicated by a note in the “Remarks” column.

**Duplicate Item Numbers** — Duplicate numbers indicate multiple part numbers, which are in effect for the same general item, such as different size saw blade guards in use or a part that has been updated on newer versions of the same machine.

## NOTICE

When ordering a part that has more than one item number listed, check the remarks column for help in determining the proper part to order.

## PART NO. Column

**Numbers Used** — Part numbers can be indicated by a number, a blank entry, or TBD.

TBD (To Be Determined) is generally used to show a part that has not been assigned a formal part number at the time of publication.

A blank entry generally indicates that the item is not sold separately or is not sold by Multiquip. Other entries will be clarified in the “Remarks” Column.

## QTY. Column

**Numbers Used** — Item quantity can be indicated by a number, a blank entry, or A/R.

A/R (As Required) is generally used for hoses or other parts that are sold in bulk and cut to length.

A blank entry generally indicates that the item is not sold separately. Other entries will be clarified in the “Remarks” Column.

## REMARKS Column

Some of the most common notes found in the “Remarks” Column are listed below. Other additional notes needed to describe the item can also be shown.

**Assembly/Kit** — All items on the parts list with the same unique symbol will be included when this item is purchased.

Indicated by:

“INCLUDES ITEMS W/(unique symbol)”

**Serial Number Break** — Used to list an effective serial number range where a particular part is used.

Indicated by:

“S/N XXXXX AND BELOW”

“S/N XXXX AND ABOVE”

“S/N XXXX TO S/N XXX”

**Specific Model Number Use** — Indicates that the part is used only with the specific model number or model number variant listed. It can also be used to show a part is NOT used on a specific model or model number variant.

Indicated by:

“XXXXX ONLY”

“NOT USED ON XXXX”

**“Make/Obtain Locally”** — Indicates that the part can be purchased at any hardware shop or made out of available items. Examples include battery cables, shims, and certain washers and nuts.

**“Not Sold Separately”** — Indicates that an item cannot be purchased as a separate item and is either part of an assembly/kit that can be purchased, or is not available for sale through Multiquip.

## SUGGESTED SPARE PARTS

### CA4HC WALK-BEHIND TROWEL WITH HONDA GX120/ GX120UTZX2 GASOLINE ENGINE

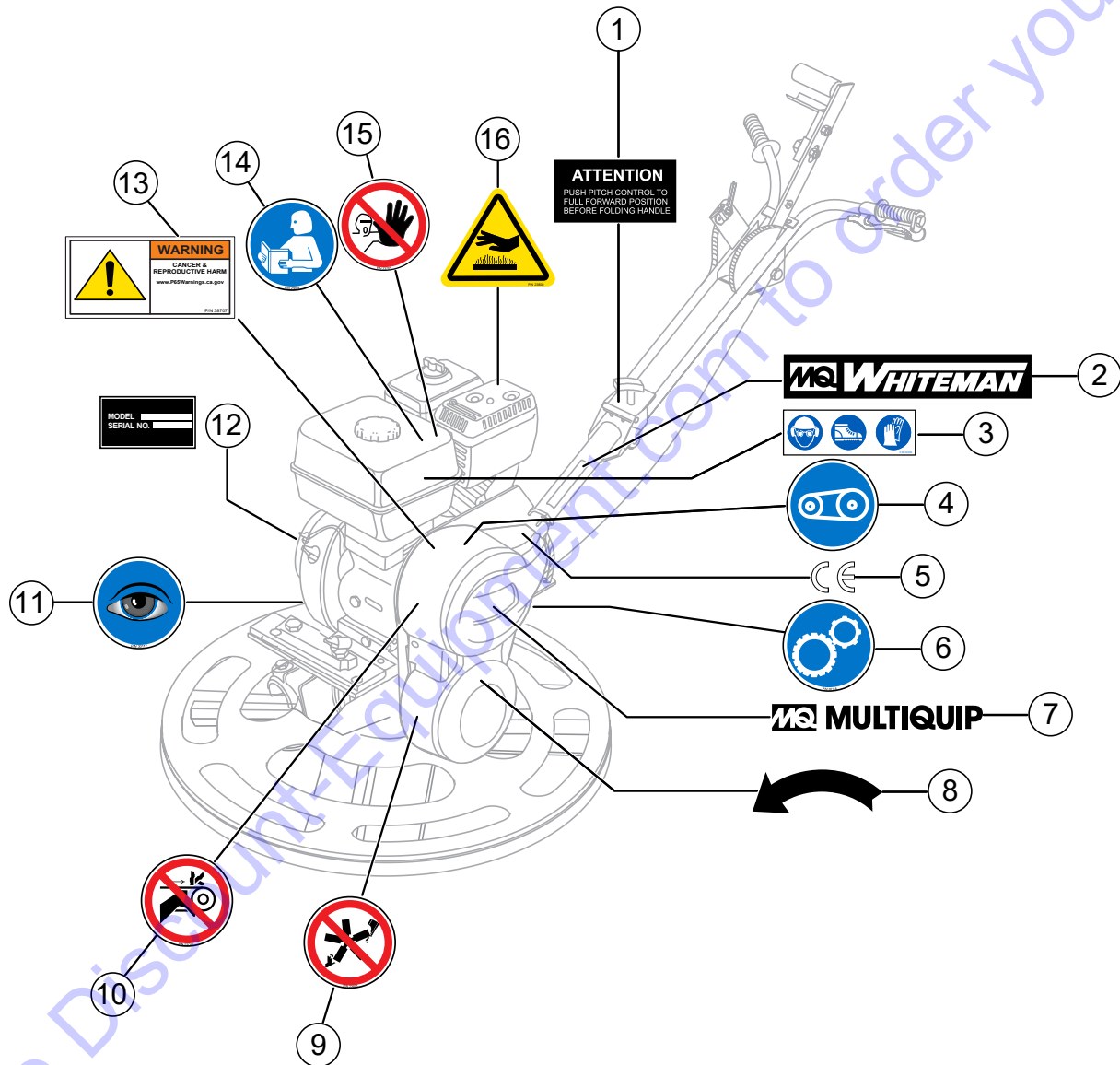
#### 1 to 3 Units

Qty.	P/N	Description
1	20478	GRIP
1	21046	GASKET KIT
1	21047	BEARING KIT
2	9807354776	SPARK PLUG HONDA
2	17631ZH7003	TANK CAP (HONDA)
3	17211896000	AIR CLEANER ELEMENT (HONDA)
2	17218ZE2505	FILTER OUTER (HONDA)
1	21718	PITCH CABLE (STANDARD HANDLE)
1	1714	PITCH CABLE (QPHAFC HANDLE)
1	21724	THROTTLE CABLE (STANDARD HANDLE)
1	21823	THROTTLE CABLE (QPHAFC HANDLE)
1	10607	THRUST BEARING
1	10567	THRUST COLLAR
1	10639	WEAR PLATE
3	2343-1	V-BELT (A-25)
2	10065	GEARBOX LUBRICANT

#### NOTICE

Part numbers on this Suggested Spare Parts list may supersede/replace the part numbers shown in the following parts lists.

# NAMEPLATE AND DECALS



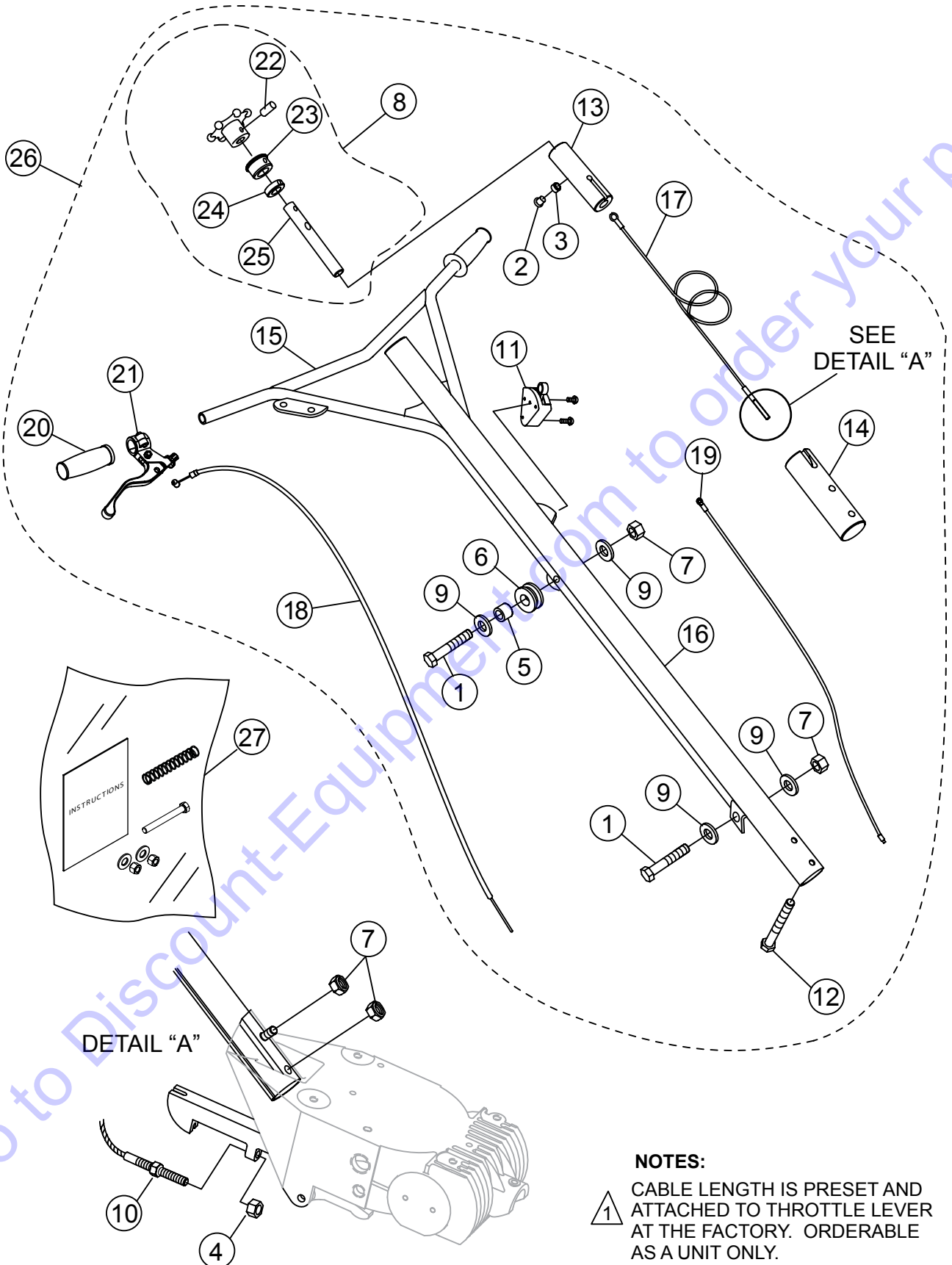
## NAMEPLATE AND DECALS

<u>NO.</u>	<u>PART NO.</u>	<u>PART NAME</u>	<u>QTY.</u>	<u>REMARKS</u>
1	10732	DECAL: CAUTION PITCH HANDLE	1	
2	2942	DECAL: MQ LOGO, WHITE 13"	1	
3	36099	DECAL: PROTECTIVE CLOTHING	1	
4	32553	ISO DECAL: BELT DRIVE, 1.00" DIA.	1	
5	11092	DECAL: CE	1	
6	30118	ISO DECAL: GEAR DRIVE, 2.00" DIA.	1	
7	20816	DECAL: MQ MULTIQUIP	1	
8	25678	ISO DECAL: COUNTER CLOCKWISE	1	
9	23698	ISO DECAL: ROTATING BLADE HAZARD	1	
10	23704	DECAL: WARNING, GUARDS	1	
11	30117	ISO DECAL: EYE, INSPECTION	1	
12		NAME PLATE.....	1	CONTACT MULTIQUIP PARTS DEPARTMENT
13	38707	ISO DECAL: PROP 65	1	
14	23699	ISO DECAL: READ MANUAL	1	
15	23701	ISO DECAL: ASK FOR TRAINING	1	
16	23808	ISO DECAL: HOT SURFACE HAZARD	1	

Go to Discount-Equipment.com to order your parts



# STANDARD HANDLE ASSY.



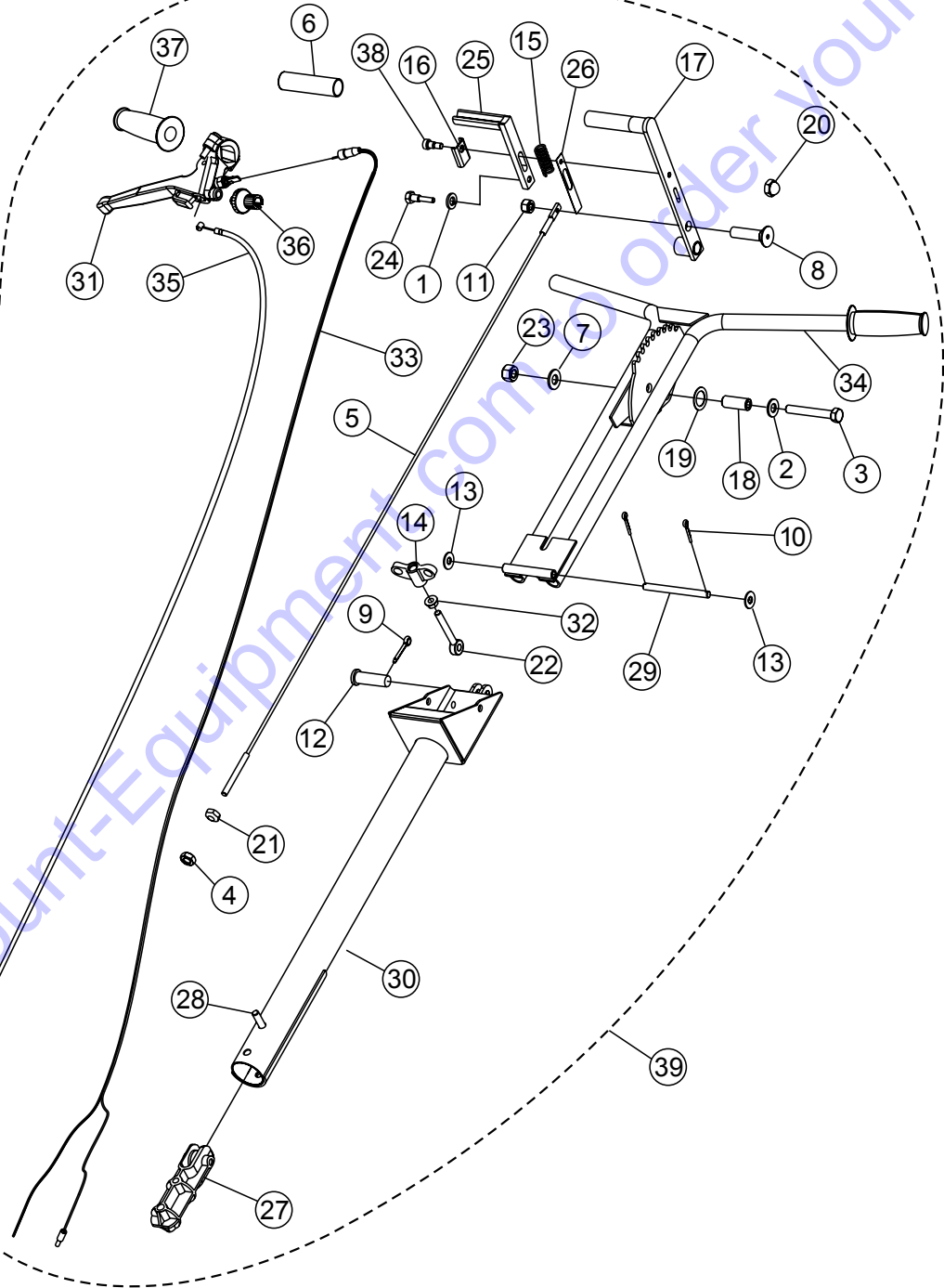
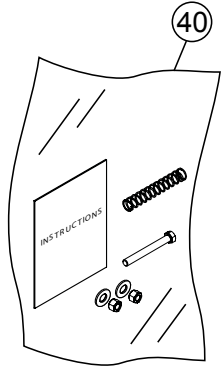
**NOTES:**

- ① CABLE LENGTH IS PRESET AND ATTACHED TO THROTTLE LEVER AT THE FACTORY. ORDERABLE AS A UNIT ONLY.

## STANDARD HANDLE ASSY.

<u>NO.</u>	<u>PART NO.</u>	<u>PART NAME</u>	<u>QTY.</u>	<u>REMARKS</u>
1@	0169	SCREW, HHC 3/8-16 X 3	2	
2@	0786	SCREW, BHC 1/4-20 X 3/8 NYL PATCH ,NP	2	
3@	0786 A	SPACER, SLIDE BLOCK GUIDE, .360 X 17/64 X 1/8L	1	
4@	1116	NUT, BRASS JAM 5/16-18	1	
5@	1245	BUSHING, GUARD RING	1	
6@	1247	GROMMET, 1/4 x .875 ID x 1-5/8 OD	1	
7@	10133	NUT, NYLOC 3/8-16	2	
8@	21279	HAND WHEEL ASSEMBLY, PITCH CONTROL ...	1	INCLUDES ITEMS W/*
9@	10136	WASHER, FLAT SAE 3/8	4	
10@	10698	NUT, 5/16-18 CONICAL	1	
11@	20856	SWITCH ASM., KILL	1	
12@	21017	SCREW, HHC 3/8-16 x 3.25 FULL THRD GR5	1	
13@	21249	SLIDE BLOCK, TROWEL CONTROL	1	
14@	21250	BLOCK SUPPORT	1	
15@	21251-1	HANDLE, ISO W/A, WHITEMAN FIN	1	
16@	21254-1	HANDLE, W/A, WHITEMAN FIN	1	
17@	21718	CABLE, CONTROL	1	
18@	21724	CABLE ASSY., HANDLE THROTTLE	1	
19@	21953	HARNESS, PRESENCE SWITCH, 43.25"	1	
20@	22762	GRIP, HANDLE, 0.875	2	
21@	391512	LEVER, HAND CLUTCH CONTROL, METAL	1	
22*@	1729	PIN, ROLL 3/16 X 1-1/4	1	
23*@	21248	BEARING, TROWEL CONTROL	1	
24*@	3615	COLLAR, SET 3/4 ID	1	
25*@	21282	SHAFT, PITCH CONTROL	1	
26	STHAC	HANDLE ASSEMBLY.....	1	INCLUDES ITEMS W/@ CONTACT UNIT SALES DEPT.
27	22100	KIT, INSTALLATION, VIB. CONTRL. HANDLE	1	

# FOLDABLE QUICK-PITCH™ HANDLE ASSY.

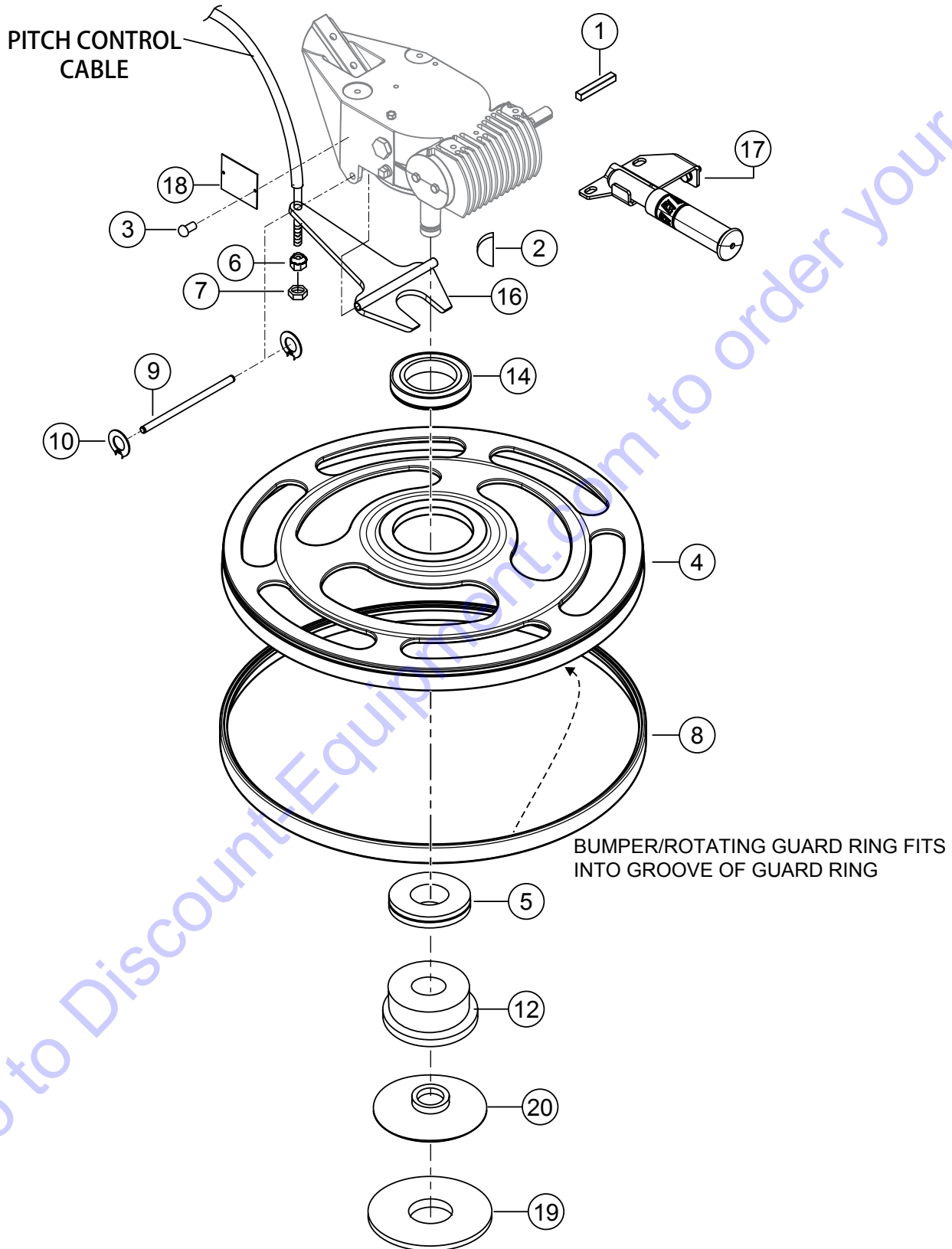


## FOLDABLE QUICK-PITCH™ HANDLE ASSY.

<u>NO.</u>	<u>PART NO.</u>	<u>PART NAME</u>	<u>QTY.</u>	<u>REMARKS</u>
1*	0161 C	WASHER, LOCK 5/16 MED.....	1	
2*	0300 B	WASHER, FLAT SAE 5/16	2	
3*	0669 A	SCREW, HHC 5/16 - 18 X 2-1/4	1	
4*	1116	NUT, BRASS JAM 5/16-18	1	
5*	1714	CABLE, PITCH CONTROL	1	
6*	1724	GRIP, HANDLE PITCH	1	
7*	2942	DECAL, MQ WHITEMAN 13" WHITE	1	
8*	3164	SCREW, FHSC 1/4 - 20 X 1/2 NO PLATE	1	
9*	3216	PIN, COTTER 1/8D X 1.00	1	
10*	5117	PIN, COTTER 1/16D X 1/2	2	
11*	5283	NUT, NYLOC 5/16-18	2	
12*	5291	PIN, CLEVIS 3/8 X 1-1/8	1	
13*	10136	WASHER, FLAT 3/8 SAE	2	
14*	10651	TEE HANDLE	1	
15*	10654	SPRING, LATCH RETURN	1	
16*	10655	COVER, SPRING	1	
17*	10657	CONTROL HANDLE	1	
18*	10658	TUBE, CONTROL HANDLE SUPPORT	1	
19*	10660	SHIM, 1.125 O.D. X .75 I.D. X .031	1	
20*	10676	NUT, ACORN 5/16 - 18	1	
21*	10698	NUT, 5/16 - 18 - CONICAL	1	
22*	10701	BOLT, SWING	1	
23*	10732	DECAL, FOLDING HANDLE	1	
24*	10878	BOLT, QP LATCHING	1	
25*	10881	LATCHING BAR	1	
26*	11015	STRIP, HANDLE SPACER	1	
27*	20280	BLOCK, PITCH CONTROL	1	
28*	21017	SCREW, HHC 3/8-16 X 3 1/4 FULL THRD GR 5	1	
29*	21758	PIN, HINGE HANDLE	1	
30*	21779	HANDLE, LOWER	1	
31*	21780	THROTTLE, MAGURA MODEL 90 W/KILL SW	1	
32*	21781	NUT, FLG'D HEX 3/8 - 16 PLTD	1	
33*	21785	KILL SWITCH HARNESS, MAGURA MODEL 90	1	
34*	21788	HANDLE, UPPER	1	
35*	21823	CABLE, MAGURA MODEL 90 CONTROL LEVER	1	
36*	21824	ADJUSTER, W/THUMB WHEEL	1	
37*	22762	GRIP, HANDLE, 0.875	2	
38*	3910382	SCREW, SHDLR, 3/8D X 3/8L, 5/16-1 SCKT HD	1	
39	21786	FOLDABLE HANDLE ASSY, QPH AFC.....	1	INCLUDES ITEMS W/*
40	22100	KIT, INSTALLATION, VIB. CONTRL. HANDLE	1	

# BASIC UNIT ASSY.

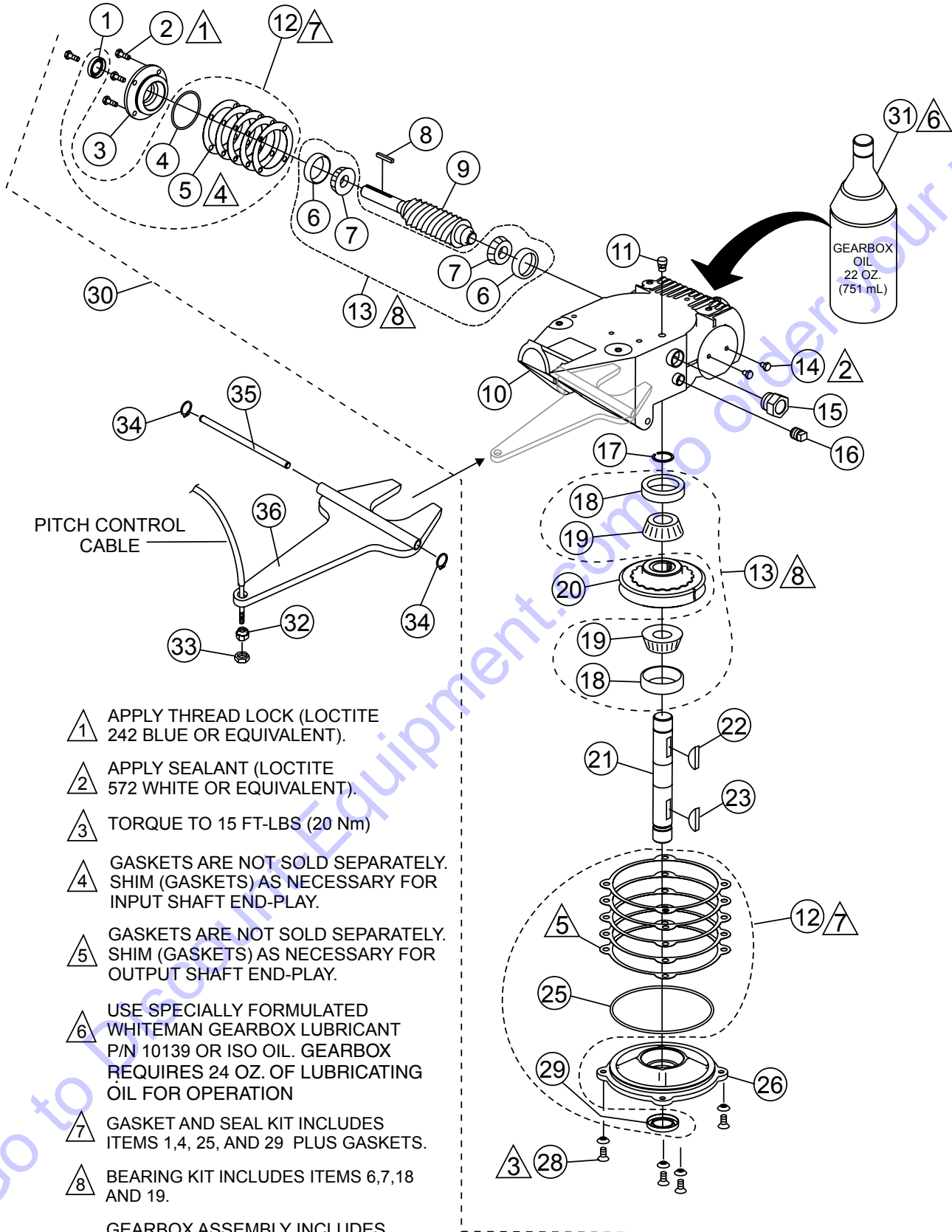
SEE QUICK PITCH  
HANDLE ASSY. ITEM 5.



## BASIC UNIT ASSY.

<u>NO.</u>	<u>PART NO.</u>	<u>PART NAME</u>	<u>QTY.</u>	<u>REMARKS</u>
1	0627	KEY, 3/16" X 1-1/4"	1	
2	1139	KEY, WOODRUFF 1/4 X 1-1/4" (#21) HRDND	1	
3	4014	SCREW, 2-3/16" P-K TYPE U DRIVE	2	
4	21433	RING, ROTAING GUARD	1	
5	10607	BEARING, THRUST 6207, SEALED BOTH SIDES	1	
6	10698	NUT, ADJUSTING 5/16-18	1	
7	1116	NUT, BRASS JAM 5/16-18	1	
8	24304	BUMPER	1	
9	20801	PIN, YOKE	1	
10	20802	RING, SNAP, TRUARC 5100-37 or EQUAL JA	2	
11	21433	RING, ROTATING GUARD	1	
12	21434	SLEEVE, PITCH	1	
14	21441	BEARING, 2.9375" I.D. 4.527" O.D.	1	
15	24304	BUMPER, 24" ROTATING GUARD RING	1	
16	21477	YOKE W/A, CA4	1	
17	22673	LIFT BRACKET ASM, CA4	1	
18		SERIAL PLATE .....	1	.....CONTACT MQ PARTS DEPT.
19	10639	WEAR PLATE	1	
20	10567	THRUST COLLAR	1	

# GEARBOX ASSY.



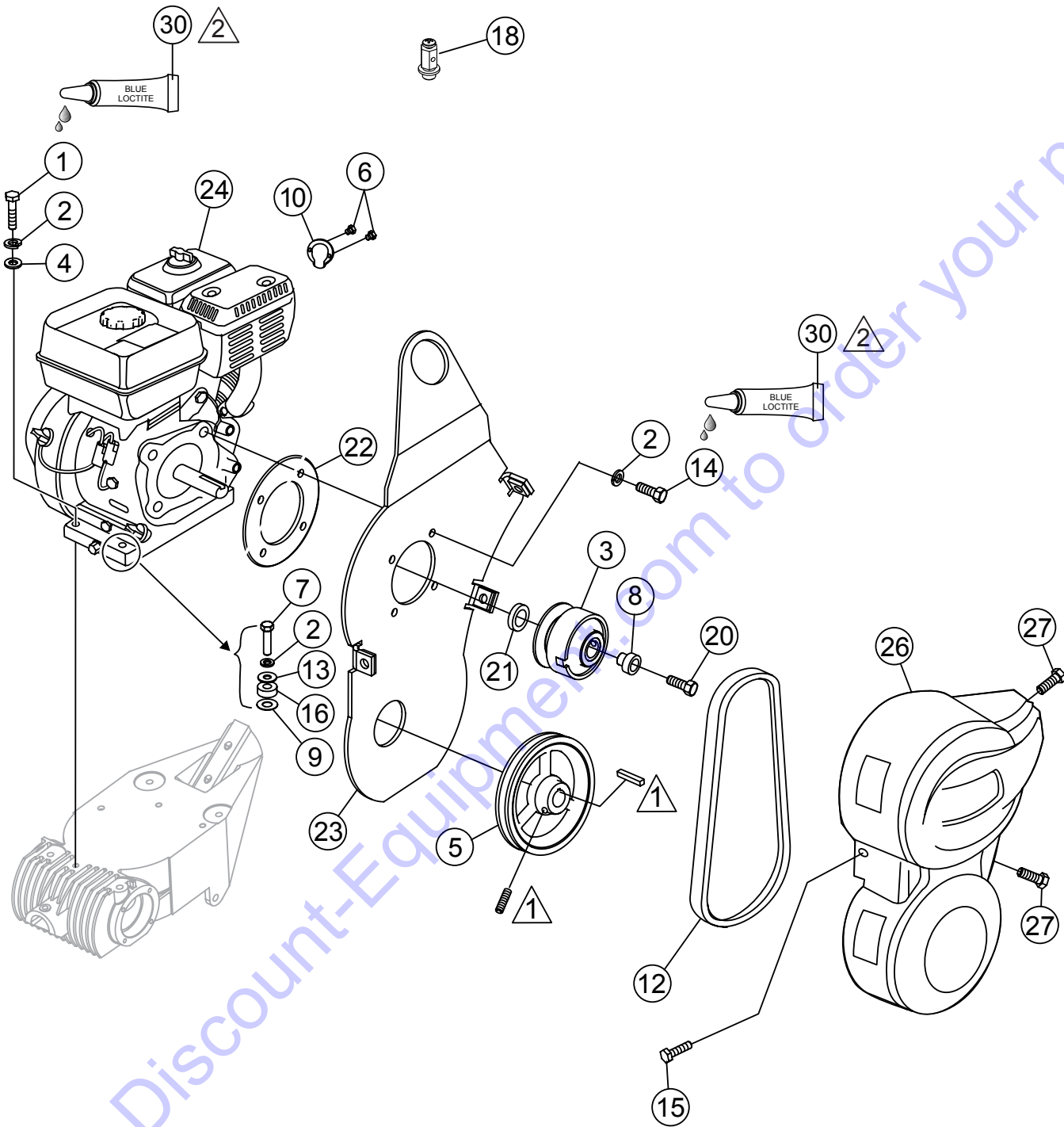
- ▲ 1 APPLY THREAD LOCK (LOCTITE 242 BLUE OR EQUIVALENT).
- ▲ 2 APPLY SEALANT (LOCTITE 572 WHITE OR EQUIVALENT).
- ▲ 3 TORQUE TO 15 FT-LBS (20 Nm)
- ▲ 4 GASKETS ARE NOT SOLD SEPARATELY. SHIM (GASKETS) AS NECESSARY FOR INPUT SHAFT END-PLAY.
- ▲ 5 GASKETS ARE NOT SOLD SEPARATELY. SHIM (GASKETS) AS NECESSARY FOR OUTPUT SHAFT END-PLAY.
- ▲ 6 USE SPECIALLY FORMULATED WHITEMAN GEARBOX LUBRICANT P/N 10139 OR ISO OIL. GEARBOX REQUIRES 24 OZ. OF LUBRICATING OIL FOR OPERATION
- ▲ 7 GASKET AND SEAL KIT INCLUDES ITEMS 1,4, 25, AND 29 PLUS GASKETS.
- ▲ 8 BEARING KIT INCLUDES ITEMS 6,7,18 AND 19.
- ▲ 9 GEARBOX ASSEMBLY INCLUDES ITEMS WITHIN DASHED LINE EXCEPT ITEMS 12,13 AND 31

## GEARBOX ASSY.



<u>NO.</u>	<u>PART NO.</u>	<u>PART NAME</u>	<u>QTY.</u>	<u>REMARKS</u>
1%*	0753	SEAL, OIL NATIONAL	1	
2%	0131 A	SCREW, HHC 1/4-20 X 3/4	4	
3%	12876	FLANGE, INPUT SHAFT	1	
4%*	20395	RING, O -2" BUNA N	1	
6%#	20466	BEARING, CUP, TIMKEN	2	
7%#	20465	BEARING, CONE, TIMKEN	2	
8%	0627	KEY, SQUARE 3/16 X 1 1/4	1	
9%	1851	GEAR, WORM & SHAFT ASSY.	1	
10%	12874	CASE, GEAR WORM MACHINED	1	
11%	21218	VENT, AIR	1	
12	21046	GASKET/SEAL KIT.....	1	INCLUDES ITEMS W/*
13	21047	BEARING KIT .....	1	INCLUDES ITEMS W/#
14%	20476	SCREW, HHC 1/4-28 X 3/8	2	
15%	21033	SIGHT GLASS, 3/4 NPT STEEL-NO BALL	1	
16%	0121 A	FITTING, PLUG 3/8 MP SQ HEAD	1	
17%	1138	RING, SNAP, TRUARC 5100-112	1	
18%#	20475	BEARING, CUP TIMKEN	2	
19%#	20474	BEARING, CONE TIMKEN	2	
20%	1140	GEAR, WORM, COMPOSITE	1	
21%	21435	SHAFT, OUTPUT	1	
22%	1139	KEY, WOODRUFF #810 HARDENED	1	
23%	1238	KEY, WOODRUFF #25	1	
26%	12875	COVER, GEARBOX	1	
25%	20396	O-RING, 254 BUNA N	1	
27%	10235	WASHER, C/S EXT. SHKP	4	
28%	20875	SCREW, FHSC 5/16-18 X 3/4	4	
29%*	0254	SEAL, OIL, NATIONAL	1	
30	21436	GEARBOX ASSY. ....	1	INCLUDES ITEMS W/%
31	20111	LUBE, GEARBOX OIL ISO 680 22 OZ (650 ML)..	2	REQUIRES 20 OZ.
32	10698	NUT, ADJUSTING 5/16-18	1	
33	1116	NUT, BRASS JAM 5/16-18	1	
34	20802	SNAP RING	2	
35	20801	YOKE PIN	1	
36	21477	YOKE	1	



# HONDA 4 HP ENGINE ASSY.



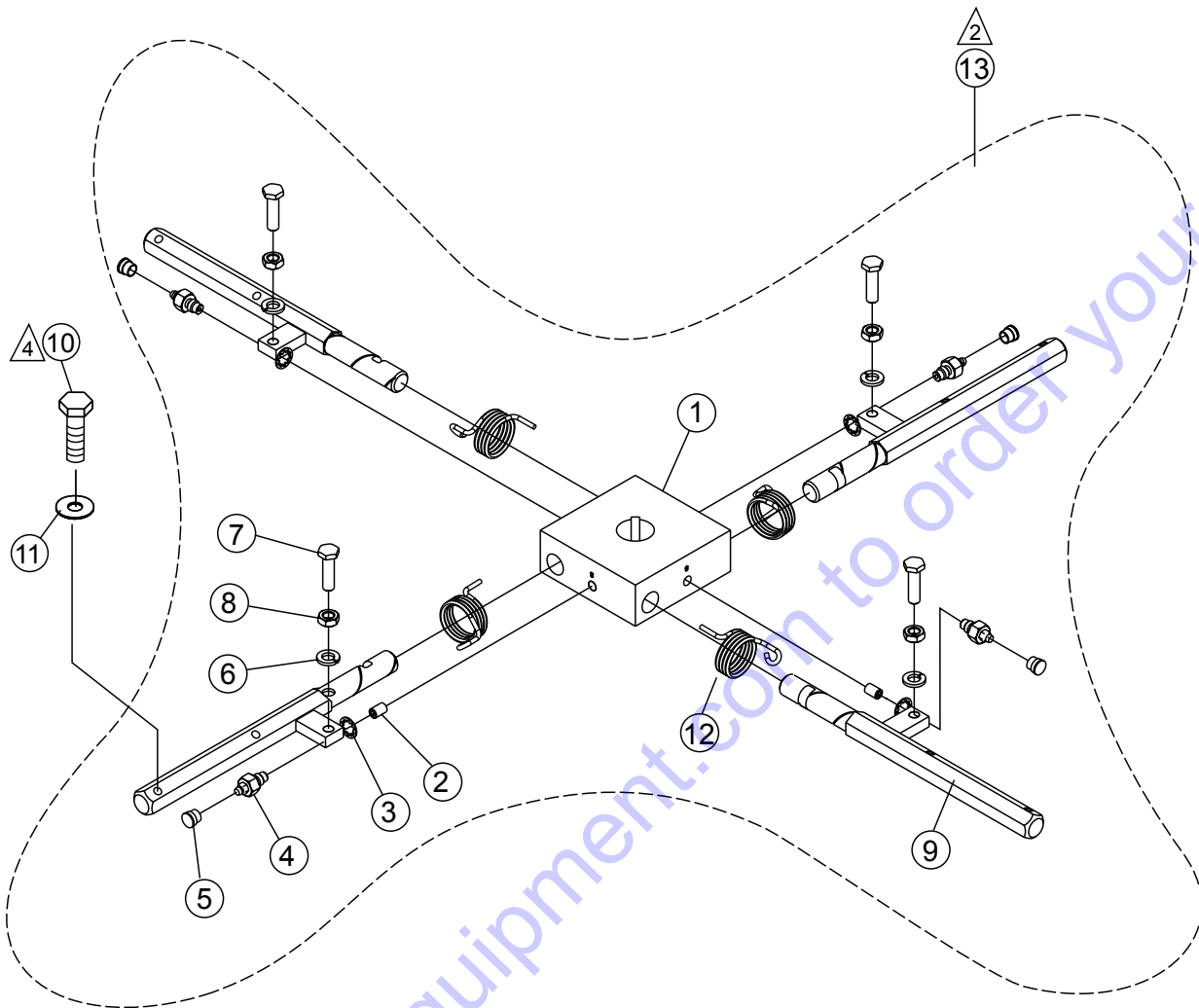
**NOTES:**

-  COMES WITH PULLEY.
-  APPLY BLUE LOCTITE# 246.

## HONDA 4 HP ENGINE ASSY.

<u>NO.</u>	<u>PART NO.</u>	<u>PART NAME</u>	<u>QTY.</u>	<u>REMARKS</u>
1	0105	SCREW, HHC 5/16- 18 X 1-1/2	3	
2	0161 C	LOCK WASHER 5/16	7	
3	0255	CLUTCH ASSEMBLY	1	
4	0300 B	FLAT WASHER 5/16	3	
5	0740	PULLEY AK-51 X 3/4	1	
6	1273	SCREW, HHST 3- 32 X 3/8	2	
7	1284	SCREW, HHC 3/8 -16 X 1-1/2	1	
8	1406	END PLUG, CLUTCH	1	
9	1733	WASHER, 1/2 X 1/32	1	
10	1834	DEFLECTOR, HONDA EXHAUST	1	
11	1848	DECAL, BELT GUARD	1	
12	2343-1	V-BELT, A-25	1	
13	10136	FLAT WASHER 3/8	1	
14	10229	SCREW, HHC 5/16-24 X 1"	4	
15	11092	DECAL, CE	1	
16	13351	WASHER, FLAT 3/8 EXT THICK HIGH STRGTH	1	
17	20816	DECAL, GUARD RING MQ MULTIQIP	1	
18	20845	SWIVEL, ASSM THROTTLE CABLE	1	
19	21302	LABEL - CAUTION	1	
20	21678	SCREW, FHSC 5/16 - 24 X 1-3/4	1	
21	21679	SPACER, 1" X .78 X 69L	1	
22	21915	SPACER, C M & J LIFTING BALE	1	
23	21927	BRACKET, W/LIFTING BALE ASSEMBLY	1	
24	22900	ENGINE, HONDA GX120 TIER 3 (3.5 HP)	1	
25	23700	ISO DECAL, LIFTING/CRUSH HAZARD	1	
26	30102-001	BELT GUARD, TROWEL	1	
27	30119	SCREW, 1/4-20X7/8 IND HEX, DOG PT	3	
28	35168	DECAL, ROTATING BLADE HAZARD 2.00" X 4.30"	1	
29	60128	OIL, 10W-30, DELO 400 LE	1	

# SPIDER ASSY.



## NOTES:

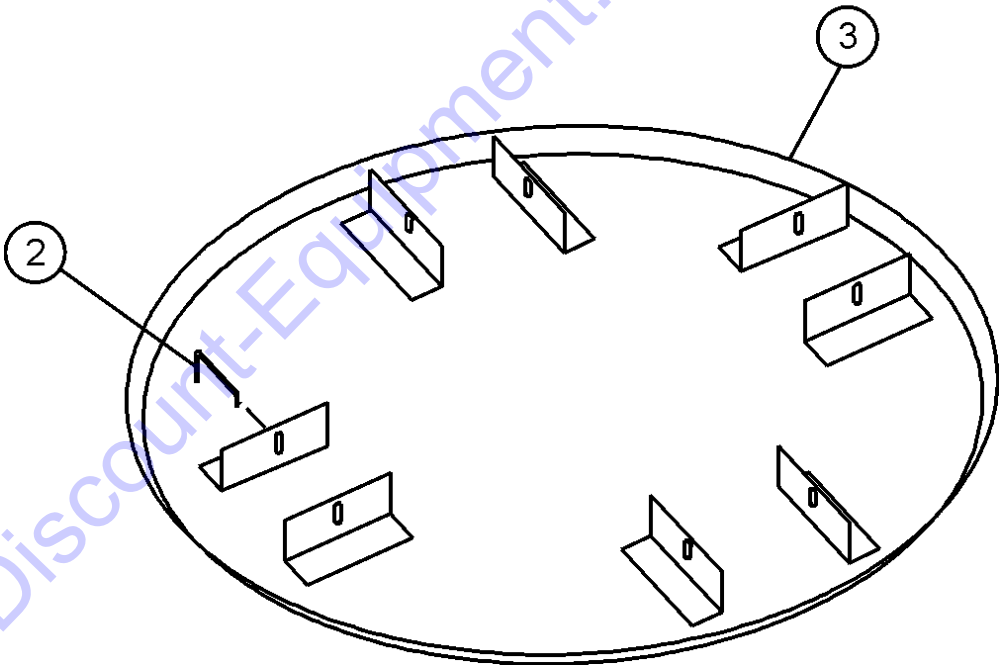
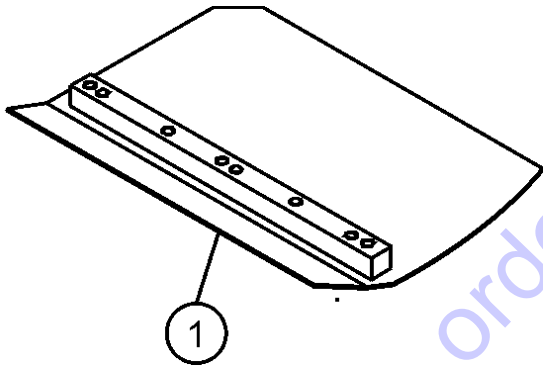
- ① APPLY LOCTITE P/N 1477 TO ITEMS 1.
- ② SPIDER ASSEMBLY P/N 11860  
INCLUDES ALL ITEMS WITHIN OUTLINE.
- ③ INCLUDED WITH ITEM 15 OR CAN BE  
ORDERED SEPARATELY (P/N 1471)
- ④ TORQUE TO 130 FT.-LBS (176 Nm)

## SPIDER ASSY.

<u>NO.</u>	<u>PART NO.</u>	<u>PART NAME</u>	<u>QTY.</u>	<u>REMARKS</u>
1	10563	SPIDER PLATE, 1-1/8 SHAFT 4BLD CA4	1	
2	11299	SCREW, SHS 5/16-18 X 9/16 CONE PT	2	
3	1875	WASHER, INT. SHKP, 3/8	4	
4	10587	ARM RETAINING ASSY, SHORT	4	
5	1162 A	CAP, GREASE ZERK #2 YELLOW	4	
6	0166 A	WASHER, LOCK, 3/8 MED.	4	
7	0164 B	SCREW, TROWEL ADJUSTMENT 3/8-16	4	
8	1876	NUT, HEX JAM 3/8-16 CLASS 2B	4	
9	10768	ARM, TROWEL W/A	4	
10	10790	SCREW, HHC M6- 1 X 30MM	8	
11	0181 B	LOCK WASHER 1/4"	8	
12	30148	SPRING, TROWEL ARM CA4	4	
13	11860	SPIDER ASM.....	1.....	INCLUDES ITEMS W/*

Go to Discount-Equipment.com to order your parts

**BLADES AND PAN ASSY.**

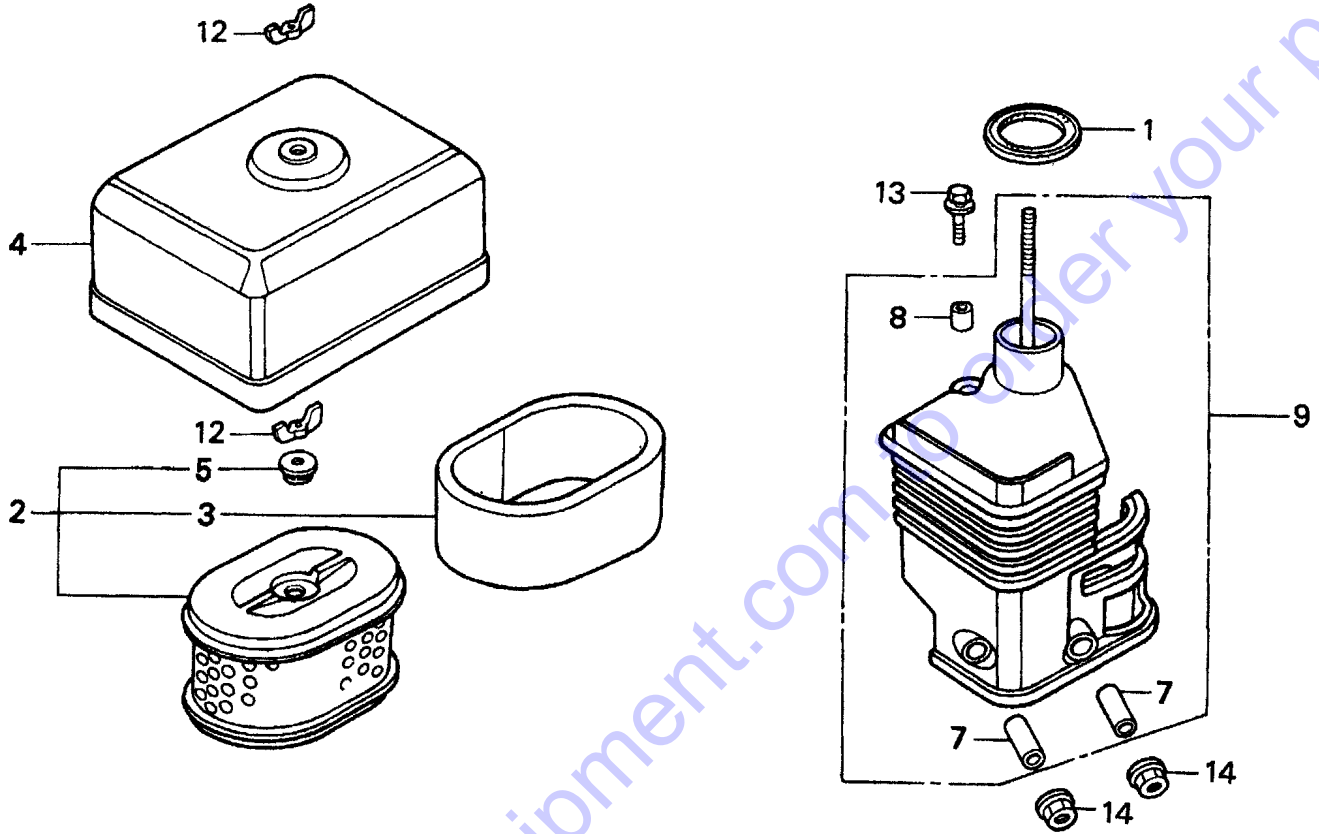


## BLADES AND PAN ASSY.

<u>NO.</u>	<u>PART NO.</u>	<u>PART NAME</u>	<u>QTY.</u>	<u>REMARKS</u>
1		COMBO FLOAT & FINISH BLADE .....	4.....	CONTACT UNIT SALES DEPT./ ACCESSORY ITEM
2		FLOAT DISC LATCH PIN .....	4.....	CONTACT UNIT SALES DEPT./ ACCESSORY ITEM
3		FLOAT DISC .....	1.....	CONTACT UNIT SALES DEPT./ ACCESSORY ITEM

Go to Discount-Equipment.com to order your parts

# HONDA GX120UTQX2 ENGINE — AIR CLEANER (DUAL) ASSY.



Go to Discount-Equipment.com to order your parts

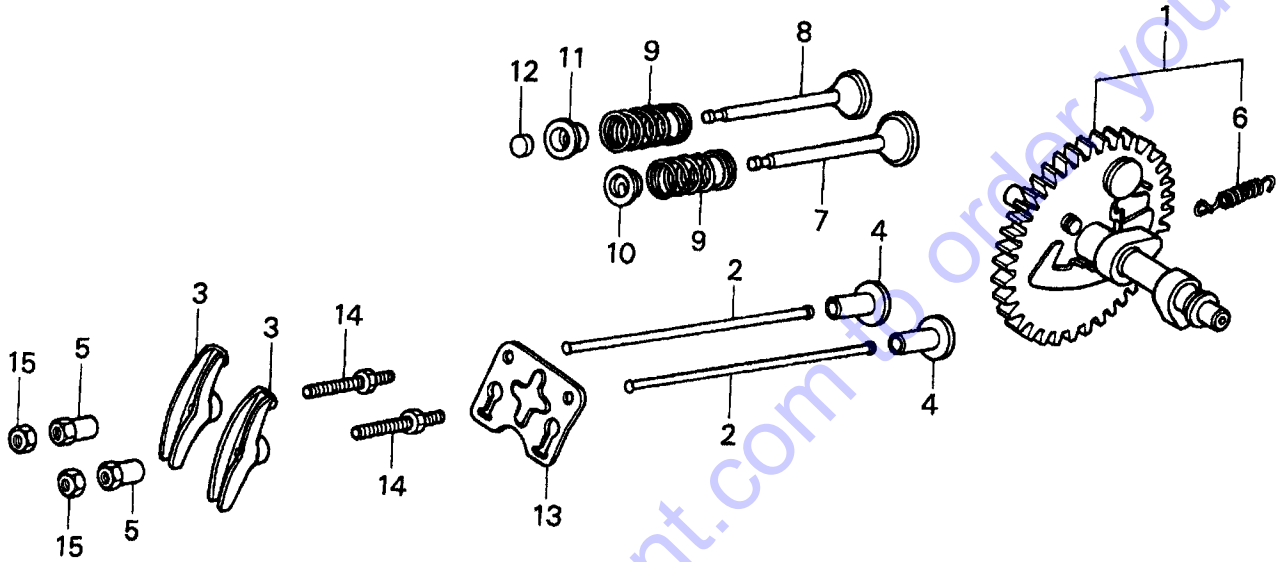
## HONDA GX120UTQX2 ENGINE — AIR CLEANER (DUAL) ASSY.

<u>NO.</u>	<u>PART NO.</u>	<u>PART NAME</u>	<u>QTY.</u>	<u>REMARKS</u>
1	16271ZE1000	GASKET, ELBOW	1	
2	17210ZE0505	ELEMENT, AIR CLEANER (DUAL).....	1.....	INCLUDES ITEMS W/*
3*	17218ZE0505	FILTER, OUTER	1	
4	17230ZE0820	COVER, AIR CLEANER (DUAL)	1	
5*	17232891000	GROMMET, AIR CLEANER	1	
7#	17238ZE0010	COLLAR, AIR CLEANER	2	
8#	17239ZE1000	COLLAR B, AIR CLEANER	1	
9	17410ZE0030	ELBOW, AIR CLEANER .....	1.....	INCLUDES ITEMS W/#
12	90325044000	WINGNUT, TOOL BOX SETTING	2	
13	957010602000	BOLT, FLANGE 6X20	1	
14	9405006000	NUT, FLANGE 6MM	2	

Go to Discount-Equipment.com to order your parts



# HONDA GX120UTQX2 ENGINE — CAMSHAFT ASSY.



## HONDA GX120UTQX2 ENGINE — CAMSHAFT ASSY.

<u>NO.</u>	<u>PART NO.</u>	<u>PART NAME</u>	<u>QTY.</u>	<u>REMARKS</u>
1	14100ZE0812	CAMSHAFT ASSEMBLY .....	1	INCLUDES ITEMS W/*
2	14410ZE0010	ROD, PUSH	2	
3	14431ZE1000	ARM, VALVE ROCKER	2	
4	14441ZE1010	LIFTER, VALVE	2	
5	14451ZE1013	PIVOT, ROCKER ARM	2	
6*	14568ZE1000	SPRING, WEIGHT RETURN	1	
7	14711ZF0010	VALVE, IN.	1	
8	14721ZH7810	VALVE, EX. (HAUST)	1	
9	14751ZF1000	SPRING, VALVE	2	
10	14771ZE1000	RETAINER, IN. VALVE SPRING	1	
11	14773ZE1000	RETAINER, EX. VALVE SPRING	1	
12	14781ZE1000	ROTATOR, VALVE	1	
13	14791ZE0010	PLATE, PUSH ROD GUIDE	1	
14	90012ZE0010	BOLT, PIVOT 8MM	2	
15	90206ZE1000	NUT, PIVOT ADJ.	2	

Go to Discount-Equipment.com to order your parts

# PARTS FINDER

**Search Website  
by Part Number**



**Search Manual  
Library For Parts  
Manual & Lookup Part  
Numbers – Purchase  
or Request Quote**

**Search Manuals**

Enter your information to help us find the right parts manual for your machine.

\* Brand:

\* Model:

\* Serial:

\* Part Number:

SEARCH

**Can't Find Part or  
Manual? Request Help  
by Manufacturer,  
Model & Description**

**Parts Order Form**

Please fill in the following information to help us find the right part for your machine.

Manufacturer:	<input type="text"/>
Model:	<input type="text"/>
Description:	<input type="text"/>
Part Number:	<input type="text"/>
Quantity:	<input type="text"/>
Notes:	<input type="text"/>

Discount-Equipment.com is your online resource for quality parts & equipment.

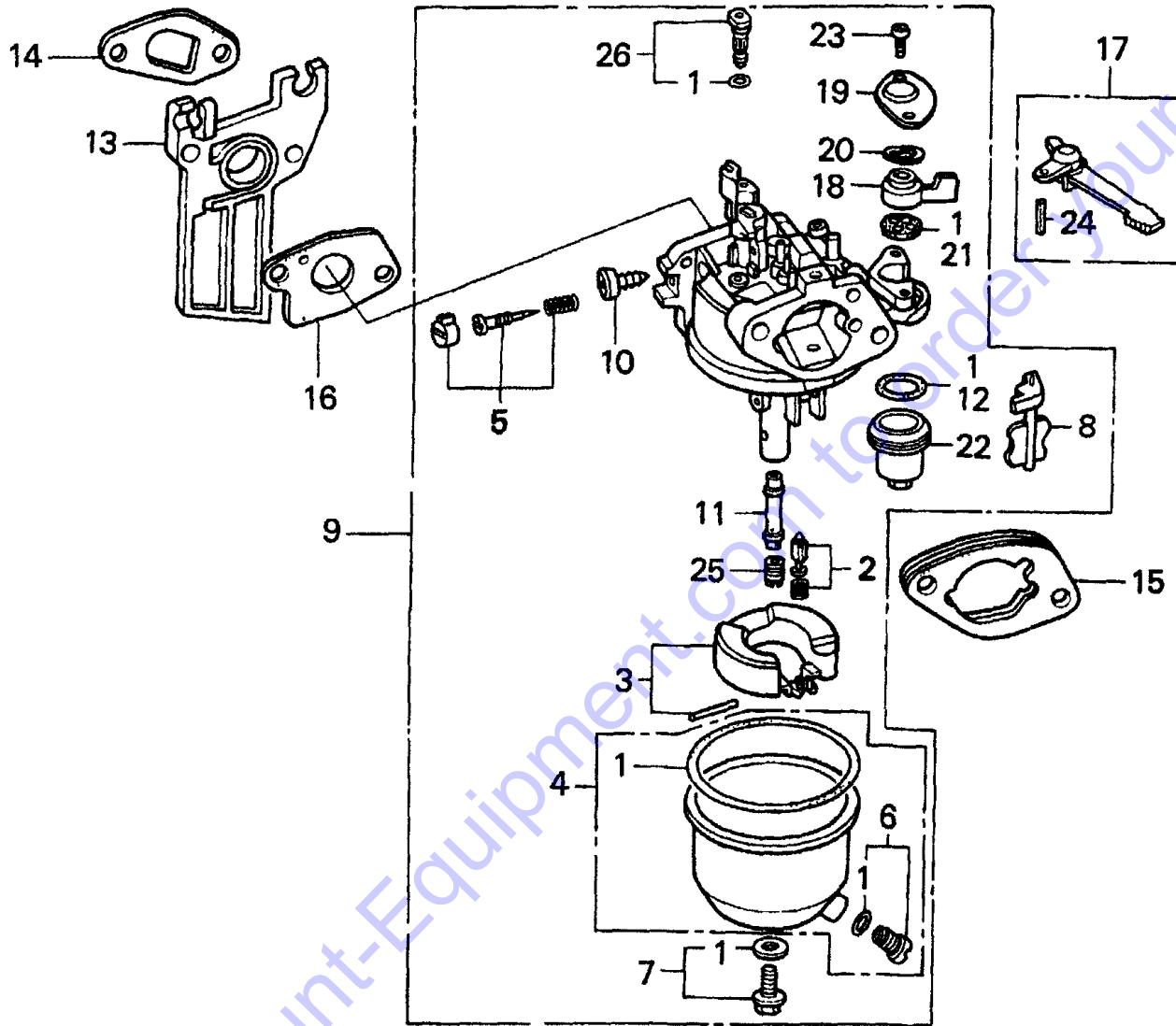
Florida: **561-964-4949** Outside Florida TOLL FREE: **877-690-3101**

**Need parts?**

Click on this link: <http://www.discount-equipment.com/category/5443-parts/> and choose one of the options to help get the right parts and equipment you are looking for. Please have the machine model and serial number available in order to help us get you the correct parts. If you don't find the part on the website or on one of the online manuals, please fill out the request form and one of our experienced staff members will get back to you with a quote for the right part that your machine needs.

We sell worldwide for the brands: Genie, Terex, JLG, MultiQuip, Mikasa, Essick, Whiteman, Mayco, Toro Stone, Diamond Products, Generac Magnum, Airman, Haulotte, Barreto, Power Blanket, Nifty Lift, Atlas Copco, Chicago Pneumatic, Allmand, Miller Curber, Skyjack, Lull, Skytrak, Tsurumi, Husquvarna Target, Stow, Wacker, Sakai, Mi-T-M, Sullair, Basic, Dynapac, MBW, Weber, Bartell, Bennar Newman, Haulotte, Ditch Runner, Menegotti, Morrison, Contec, Buddy, Crown, Edco, Wyco, Bomag, Laymor, EZ Trench, Bil-Jax, F.S. Curtis, Gehl Pavers, Heli, Honda, ICS/PowerGrit, IHI, Partner, Imer, Clipper, MMD, Koshin, Rice, CH&E, General Equipment, Amida, Coleman, NAC, Gradall, Square Shooter, Kent, Stanley, Tamco, Toku, Hatz, Kohler, Robin, Wisconsin, Northrock, Oztec, Toker TK, Rol-Air, APT, Wylie, Ingersoll Rand / Doosan, Innovatech, Con X, Ammann, Mecalac, Makinex, Smith Surface Prep, Small Line, Wanco, Yanmar

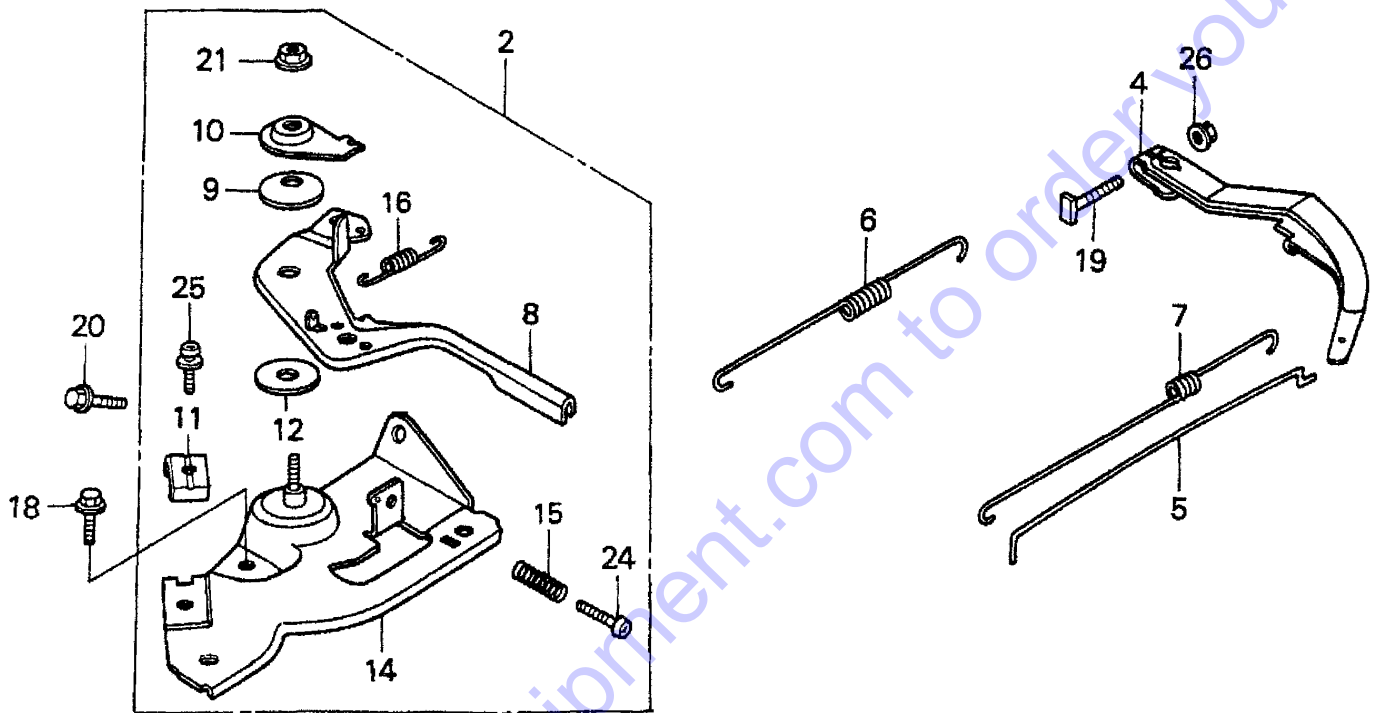
# HONDA GX120UTQX2 ENGINE — CARBURETOR ASSY.



## HONDA GX120UTQX2 ENGINE — CARBURETOR ASSY.

<u>NO.</u>	<u>PART NO.</u>	<u>PART NAME</u>	<u>QTY.</u>	<u>REMARKS</u>
1*	16010ZE1812	GASKET SET	1	
2*	16011ZE0005	VALVE SET, FLOAT	1	
3*	16013ZE0005	FLOAT SET	1	
4*	16015ZE1811	CHAMBER SET, FLOAT	1	
5*	16016ZH7W01	SCREW SET	1	
6*	16024ZE1811	SCREW SET, DRAIN	1	
7*	16028ZE0005	SCREW SET B	1	
8*	16044ZE0005	CHOKE SET	1	
9	16100ZH8W51	CARBURETOR ASSY. (BE65B B).....	1	INCLUDES ITEMS W/*
10*	16124ZE0005	SCREW, THROTTLE STOP	1	
11*	16166ZH7W50	NOZZLE, MAIN	1	
12*	16173001004	O-RING	1	
13	16211ZE1000	INSULATOR, CARBURETOR	1	
14	16212ZH7800	GASKET, INSULATOR	1	
15	16220ZE1020	SPACER, CARBURETOR	1	
16	16221ZH8801	GASKET, CARBURETOR	1	
17	16610ZE1000	LEVER, CHOKE (STD).....	1	INCLUDES ITEMS W/#
18*	16953ZE1812	LEVER, VALVE	1	
19*	16954ZE1811	PLATE, LEVER SETTING	1	
20*	16956ZE1811	SPRING, VALVE LEVER	1	
21*	16957ZE1812	GASKET, VALVE	1	
22*	16967ZE0811	CUP, FUEL STRAINER	1	
23*	93500030080G	SCREW, PAN (3 X 6)	2	
24#	9430520122	PIN, SPRING (2 X 12)	1	
25	99101ZH80550	JET, MAIN (#55) OPTIONAL	1	
25	99101ZH80580	JET, MAIN (#58) OPTIONAL	1	
25*	99101ZH80600	JET, MAIN (#60)	1	
26*	99204ZE00350	JET, SET, PILOT (#35)	1	

# HONDA GX120UTQX2 ENGINE — CONTROL ASSY.

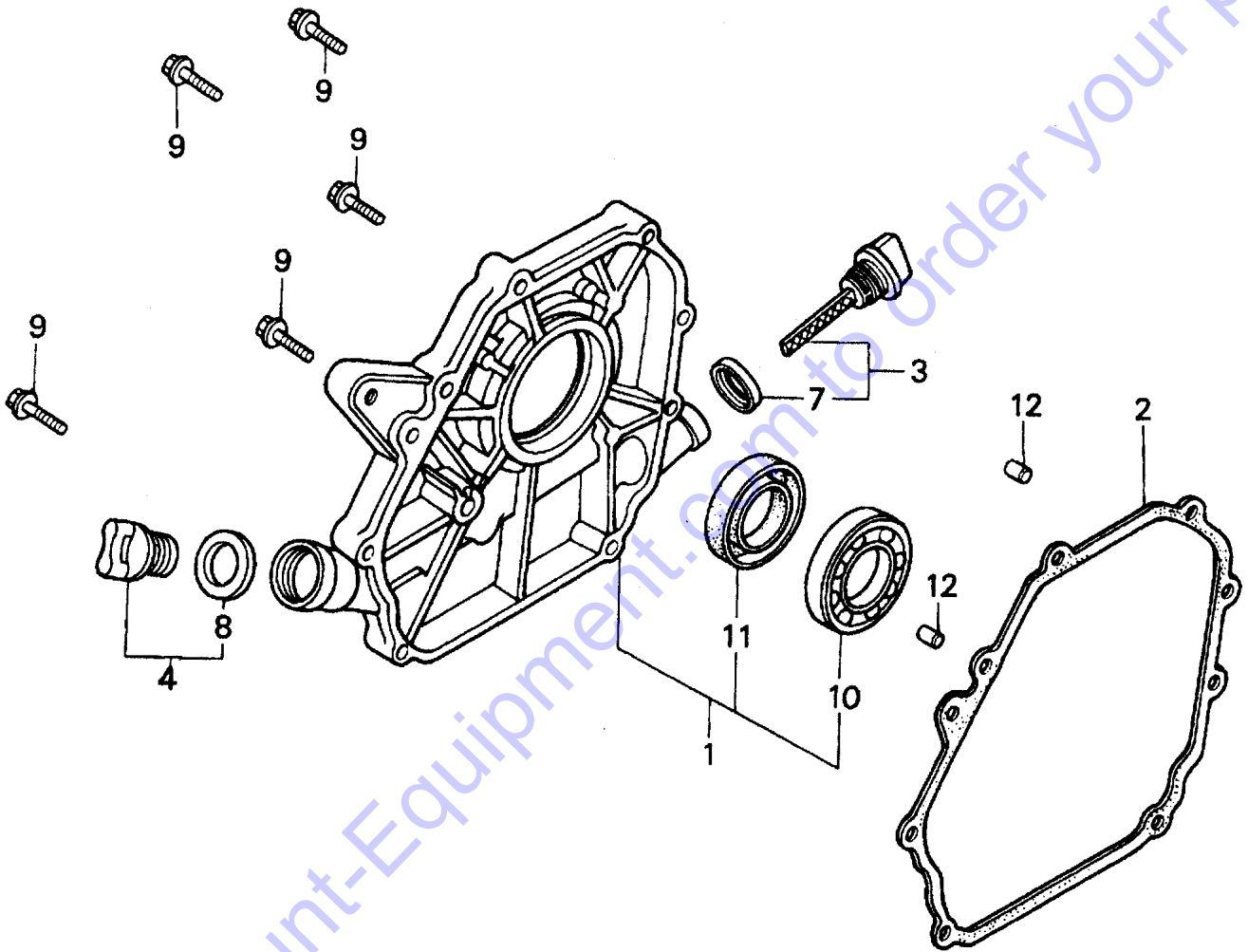


## HONDA GX120UTQX2 ENGINE — CONTROL ASSY.

<u>NO.</u>	<u>PART NO.</u>	<u>PART NAME</u>	<u>QTY.</u>	<u>REMARKS</u>
2	16500ZH7820	CONTROL ASSEMBLY.....	1.....	INCLUDES ITEMS W/*
4	16551ZE0010	ARM, GOVERNOR	1	
5	16555ZE0000	ROD, GOVERNOR	1	
6	16561ZE0020	SPRING, GOVERNOR	1	
7	16562ZE0020	SPRING, THROTTLE RETURN	1	
8*	16571ZH7000	LEVER, CONTROL	1	
9*	16574ZE1000	SPRING, LEVER	1	
10*	16575ZH8000	WASHER, CONTROL LEVER	1	
11*	16576891000	HOLDER, CABLE	1	
12*	16578ZE1000	SPACER, CONTROL LEVER	1	
14*	16580ZH7810	BASE, CONTROL	1	
15*	16584883300	SPRING, CONTROL ADJUSTING	1	
16*	16592ZE1810	SPRING, CABLE RETURN	1	
18	90013883000	BOLT, FLANGE 6X12 (CT200)	1	
19	90015ZE5010	BOLT, GOVERNOR ARM	1	
20	90022888010	BOLT, FLANGE 6X20 (CT200)	1	
21*	90114SA0000	NUT, SELF- LOCK 6MM	1	
24*	93500050250H	SCREW, PAN 5X25	1	
25*	93500050160A	SCREW-WASHER (5X16)	1	
26	9405006000	NUT, FLANGE 6MM	1	

Go to Discount-Equipment.com to order your parts

# HONDA GX120UTQX2 ENGINE — CRANKCASE COVER ASSY.



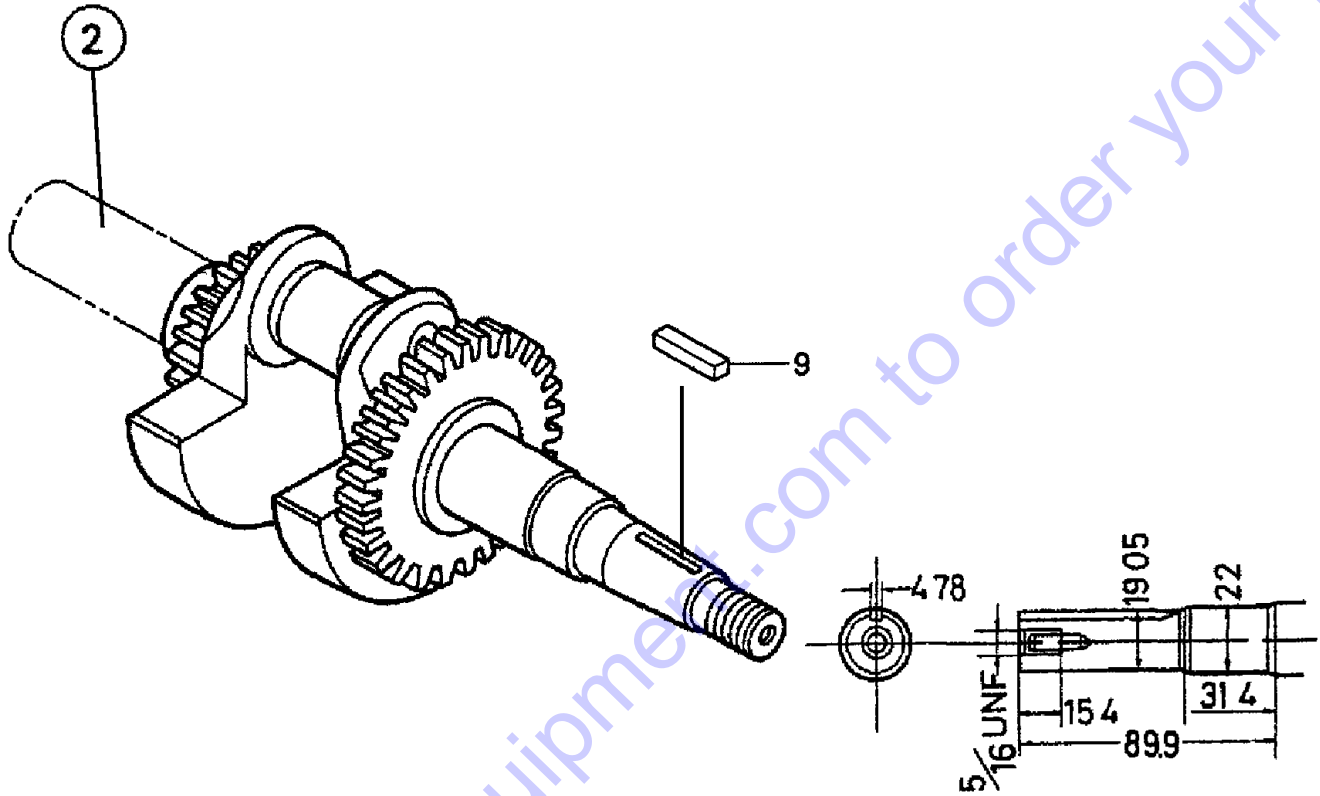


## HONDA GX120UTQX2 ENGINE — CRANKCASE COVER ASSY.

<u>NO.</u>	<u>PART NO.</u>	<u>PART NAME</u>	<u>QTY.</u>	<u>REMARKS</u>
1	11300ZE0640	COVER ASSEMBLY, CRANKCASE (U- TYPE)...	1	INCLUDES ITEMS W/%
2	11381ZH7800	GASKET, CASE COVER	1	
3	15600ZE1003	CAP ASSEMBLY, OIL FILLER .....	1	INCLUDES ITEMS W/#
4	15600ZG4003	CAP ASSEMBLY, OIL FILLER .....	1	INCLUDES ITEMS W/*
7#	15625ZE1003	GASKET, OIL FILLER CAP	1	
8*	15625ZE1003	GASKET, OIL FILLER CAP	1	
9	90015883000	BOLT, FLANGE 6X28	7	
10%	91001878003	BEARING, RADIAL BALL	1	
11%	91203ZE0003	OIL SEAL 22X41X6	1	
12	9430108140	PIN A, DOWEL 8X14	2	

Go to Discount-Equipment.com to order your parts

# HONDA GX120UTQX2 ENGINE — CRANKSHAFT ASSY.



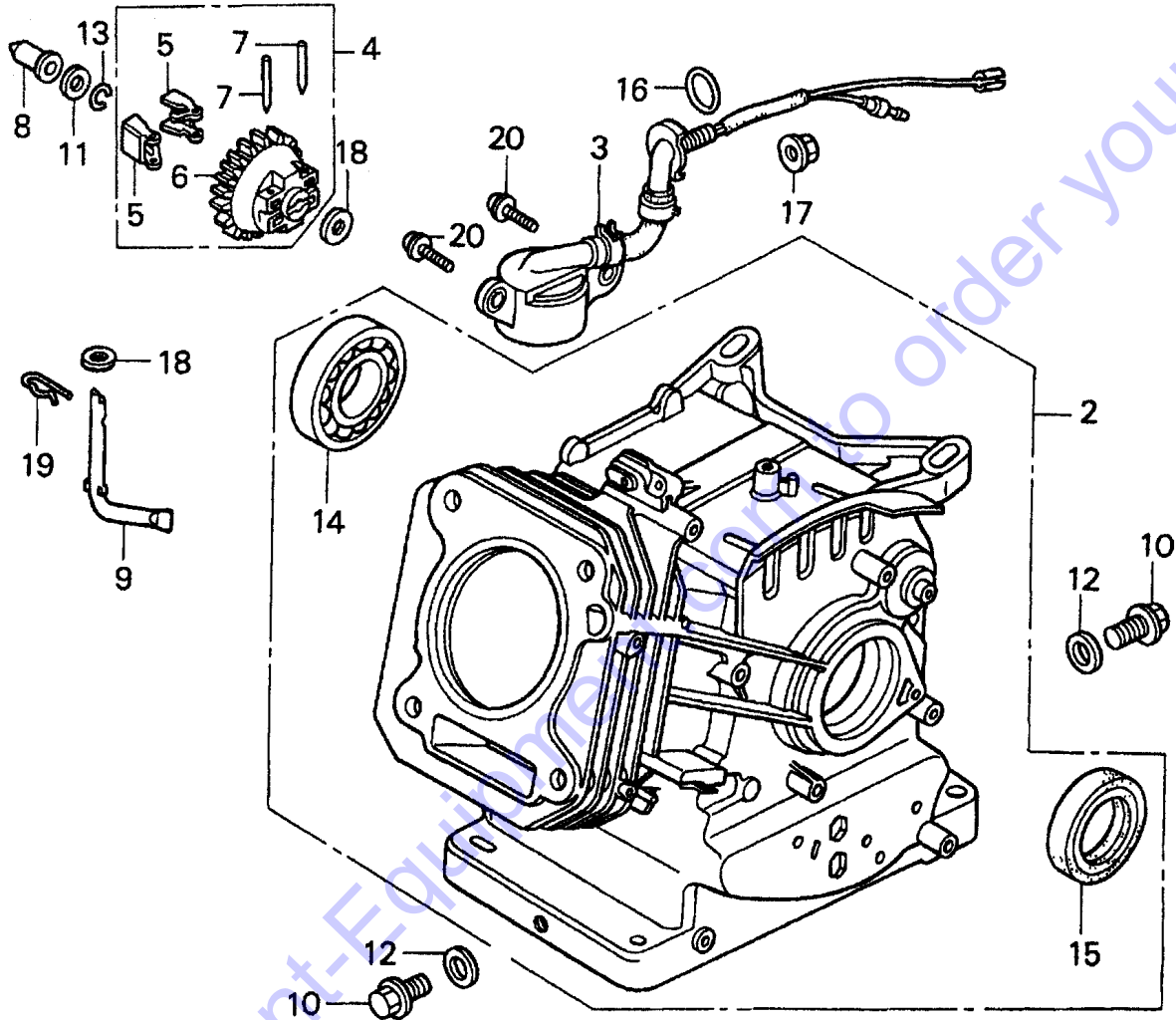
## HONDA GX120UTQX2 ENGINE — CRANKSHAFT ASSY.

---

<u>NO.</u>	<u>PART NO.</u>	<u>PART NAME</u>	<u>QTY.</u>	<u>REMARKS</u>
2	13310ZE0650	CRANKSHAFT, Q-TYPE	1	
9	90745ZE1600	KEY (4.78 X 4.78 X 38)	1	

Go to [Discount-Equipment.com](http://Discount-Equipment.com) to order your parts

# HONDA GX120UTQX2 ENGINE — CYLINDER BARREL ASSY.

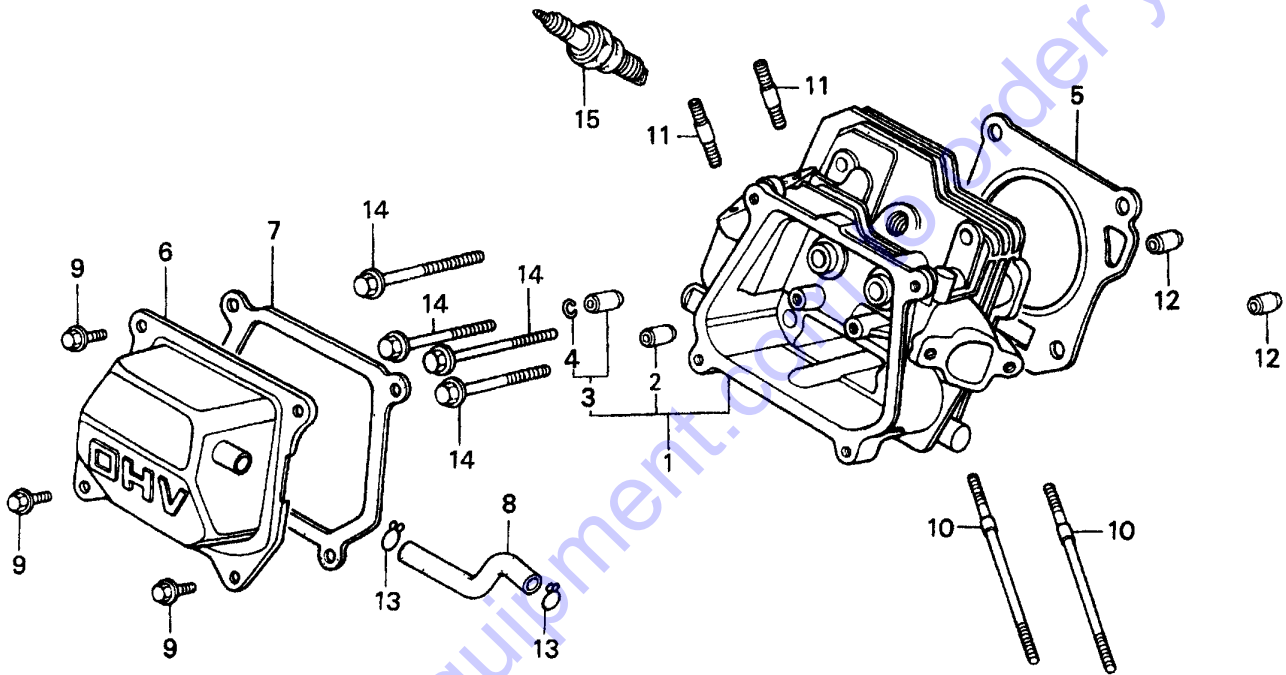


## HONDA GX120UTQX2 ENGINE — CYLINDER BARREL ASSY.

<u>NO.</u>	<u>PART NO.</u>	<u>PART NAME</u>	<u>QTY.</u>	<u>REMARKS</u>
2	12000ZH7415	CYLINDER ASSEMBLY, 811 (OIL ALERT).....	1.....	INCLUDES ITEMS W/*
3	15510ZE1033	SWITCH ASSEMBLY, OIL LEVEL	1	
4	16510ZE1000	GOVERNOR ASSEMBLY .....	1.....	INCLUDES ITEMS W/#
5#	16511ZE1000	WEIGHT, GOVERNOR	2	
6#	16512ZE1000	HOLDER, GOVERNOR WEIGHT	1	
7#	16513ZE1000	PIN, GOVERNOR WEIGHT	2	
8	16531ZE1000	SLIDER, GOVERNOR	1	
9	16541ZE1000	SHAFT, GOVERNOR ARM	1	
10	90131ZE1000	BOLT, DRAIN PLUG	2	
11	90451ZE1000	WASHER, THRUST 6MM	1	
12	90601ZE1000	WASHER, DRAIN PLUG 10.2MM	2	
13	90602ZE1000	CLIP, GOVERNOR HOLDER	1	
14*	91001878003	BEARING, RADIAL BALL 62/22	1	
15*	91202ZE6003	OIL SEAL 22X35X6	1	
16	91353671003	O- RING 13.5X1.5 (ARAI)	1	
17	9405010000	NUT, FLANGE 10MM	1	
18	9410106800	WASHER, PLAIN 6MM	2	
19	9425108000	PIN, LOCK 8MM	1	
20	957010601200	BOLT, FLANGE 6X12	2	

Go to Discount-Equipment.com to order your parts

# HONDA GX120UTQX2 ENGINE — CYLINDER HEAD ASSY.

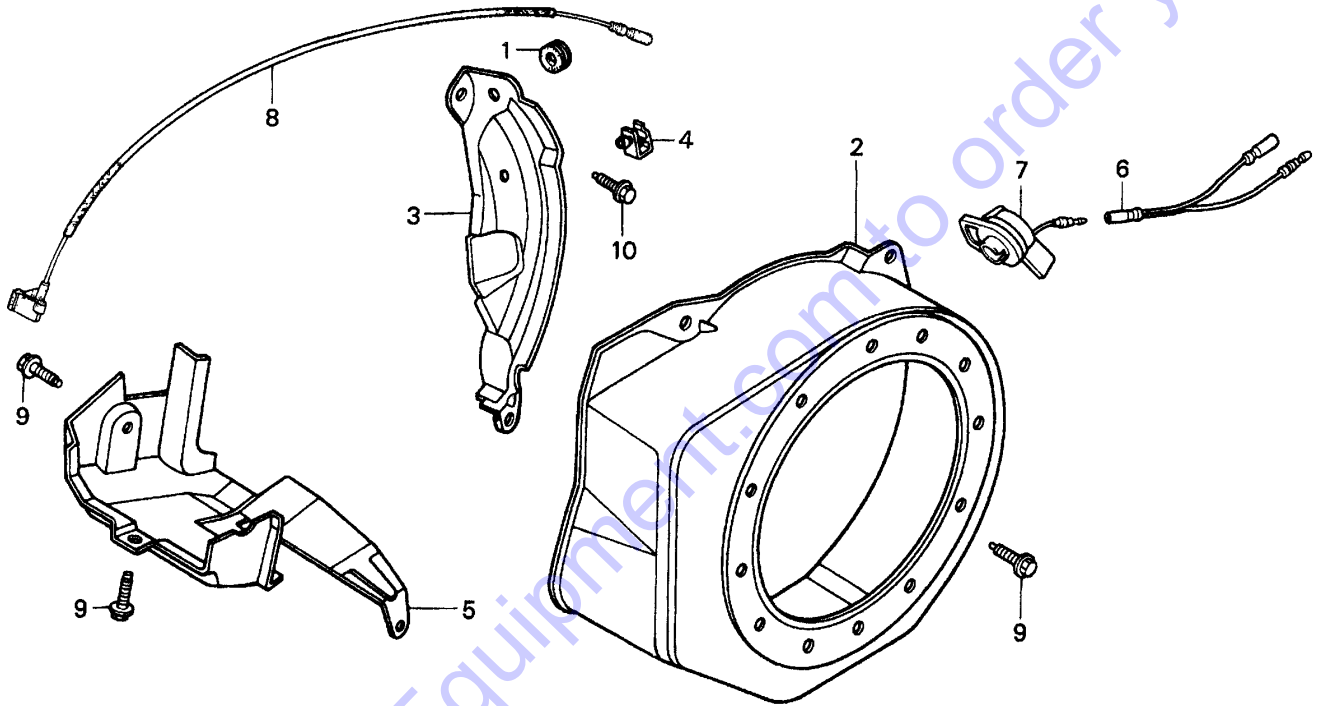


## HONDA GX120UTQX2 ENGINE — CYLINDER HEAD ASSY.

NO.	PART NO.	PART NAME	QTY.	REMARKS
1	12210ZH7000	CYLINDER HEAD.....	1.....	INCLUDES ITEMS W/*
2*	12204ZE1306	GUIDE, VALVE (OS) OPTIONAL	1	
3*	12205ZE1315	GUIDE, EX. VALVE (OS) OPTIONAL .....	1.....	INCLUDES ITEMS W/#
4*#	12216ZE5300	CLIP, VALVE GUIDE	1	
5	12251ZH7800	GASKET, CYLINDER HEAD	1	
6	12310ZE1000	COVER, HEAD	1	
6	12310ZE1010	COVER, HEAD	1	
7	12391ZE1000	GASKET, CYLINDER HEAD COVER	1	
8	15721ZH8000	TUBE, BREATHER	1	
9	90013883000	BOLT, FLANGE 6X12 (CT200)	4	
10	90043ZE1020	BOLT, STUD 6X109	2	
11	90047ZE1000	BOLT, STUD 8X32	2	
12	9430110160	PIN, A, DOWEL 10X16	2	
14	957230805500	BOLT, FLANGE 8X55	4	
15	9807955855	SPARK PLUG W16EPR- U (DENSO), OPT.	1	
15	9807956846	SPARK PLUG BPR6ES, (NGK)	1	

Go to Discount-Equipment.com to order your parts

# HONDA GX120UTQX2 ENGINE — FAN COVER ASSY.



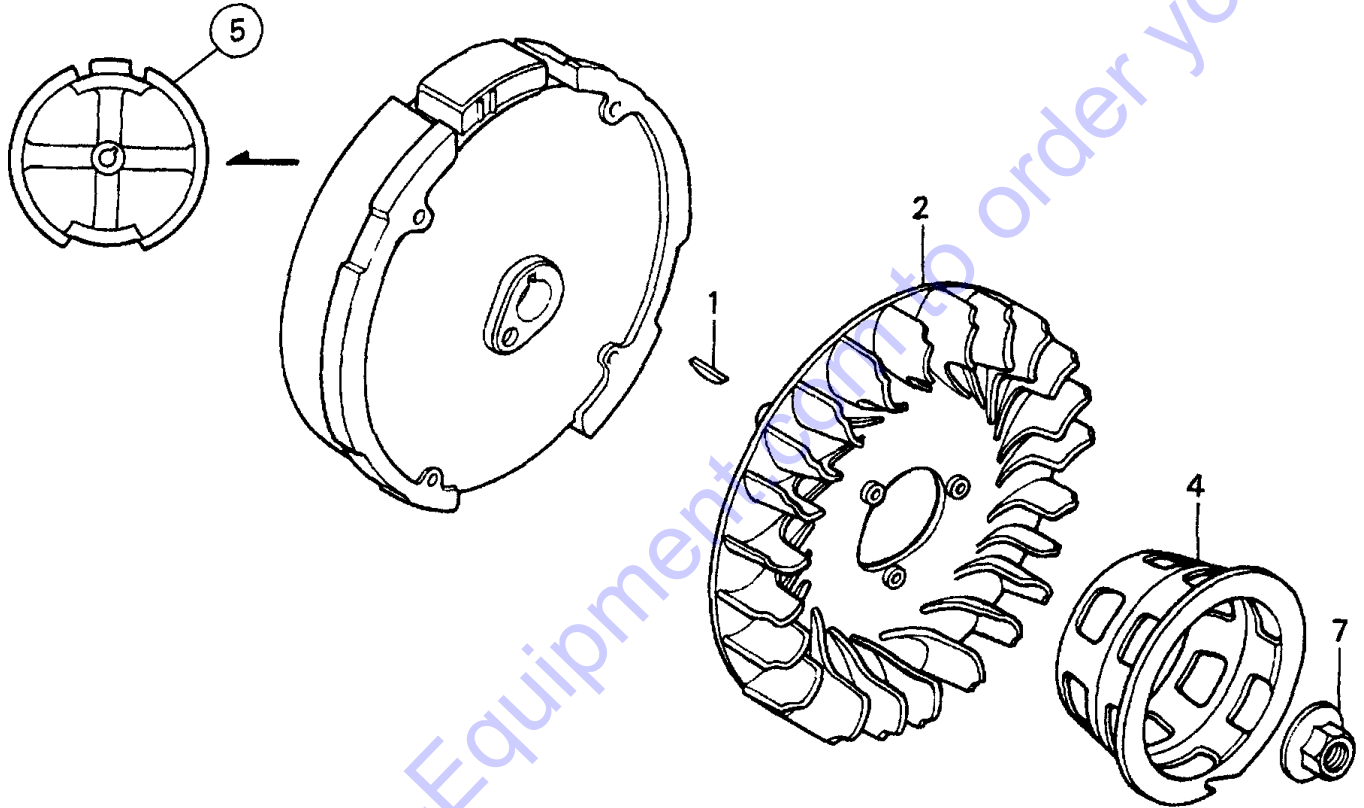


## HONDA GX120UTQX2 ENGINE — FAN COVER ASSY.

<u>NO.</u>	<u>PART NO.</u>	<u>PART NAME</u>	<u>QTY.</u>	<u>REMARKS</u>
1	11347371300	GROMMET, ADJUSTING COVER	1	
2	19610ZE0000ZE	COVER, FAN *NH1* BLACK	1	
3	19612ZH7810	PLATE, SIDE (OIL ALERT)	1	
4	90601ZH7013	CLIP, HARNESS	1	
5	19630ZH7000	SHROUD	1	
6	32197ZH8003	SUB- HARNESS	1	
7	36100ZH7003	SWITCH ASSEMBLY, ENGINE STOP	1	
8	36101ZE1010	WIRE, STOP SWITCH 370MM	1	
9	90013883000	BOLT, FLANGE 6X12 (CT200)	6	
10	90022888010	BOLT, FLANGE 6X12 (CT200)	1	
11	34150ZH7003	ALERT UNIT, OIL	1	
13	957010600800	BOLT, FLANGE 6X8	1	

Go to Discount-Equipment.com to order your parts

# HONDA GX120UTQX2 ENGINE — FLYWHEEL ASSY.



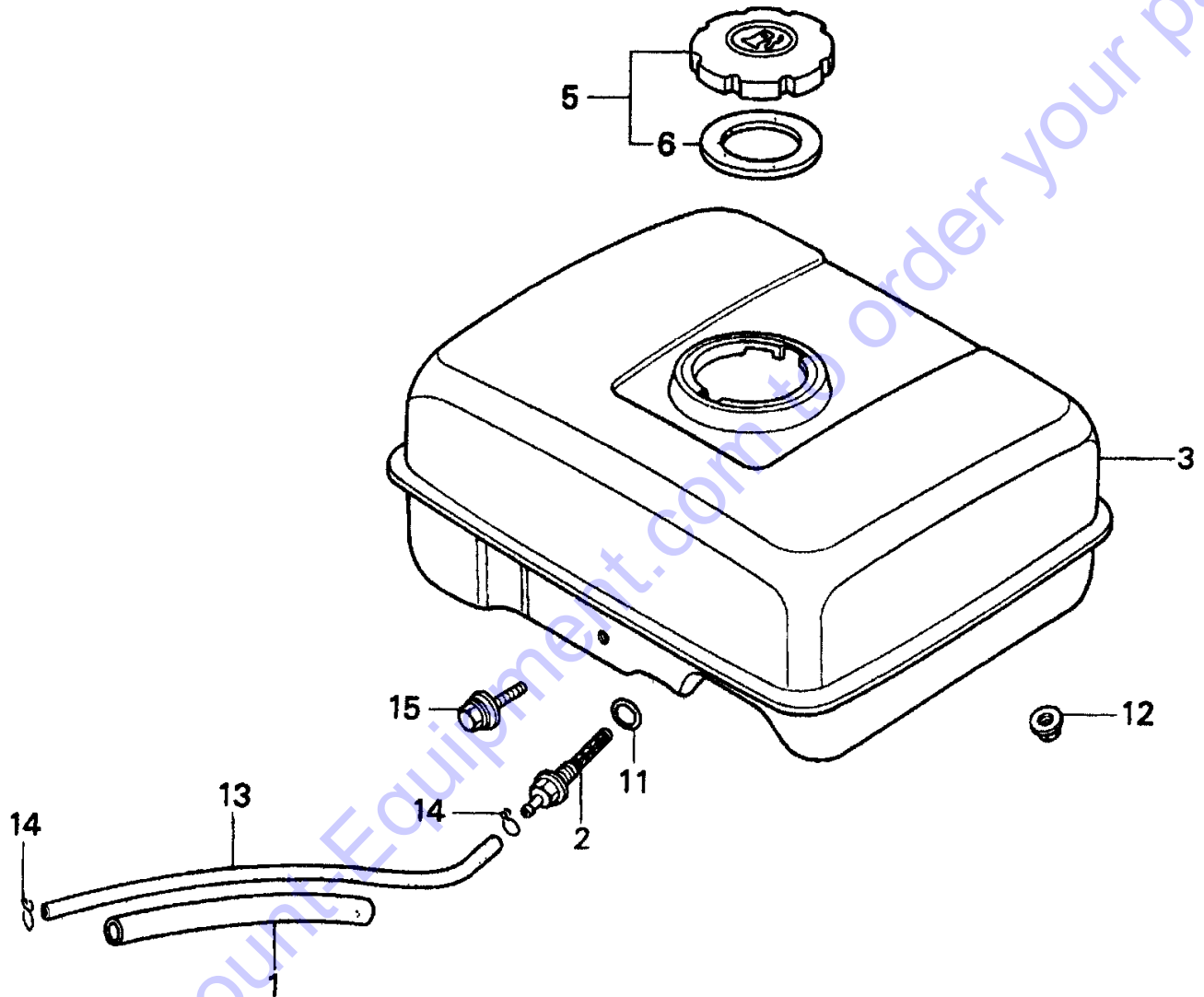
## HONDA GX120UTQX2 ENGINE — FLYWHEEL ASSY.

---

<u>NO.</u>	<u>PART NO.</u>	<u>PART NAME</u>	<u>QTY.</u>	<u>REMARKS</u>
1	13331357000	KEY, SPECIAL WOODRUFF 25X18	1	
2	19511ZE0000	FAN, COOLING	1	
4	28451ZH8003	PULLEY, STARTER	1	
5	31100ZE0010	FLYWHEEL	1	
7	90201878003	NUT, SPECIAL 14MM	1	

Go to Discount-Equipment.com to order your parts

# HONDA GX120UTQX2 ENGINE — FUEL TANK ASSY.

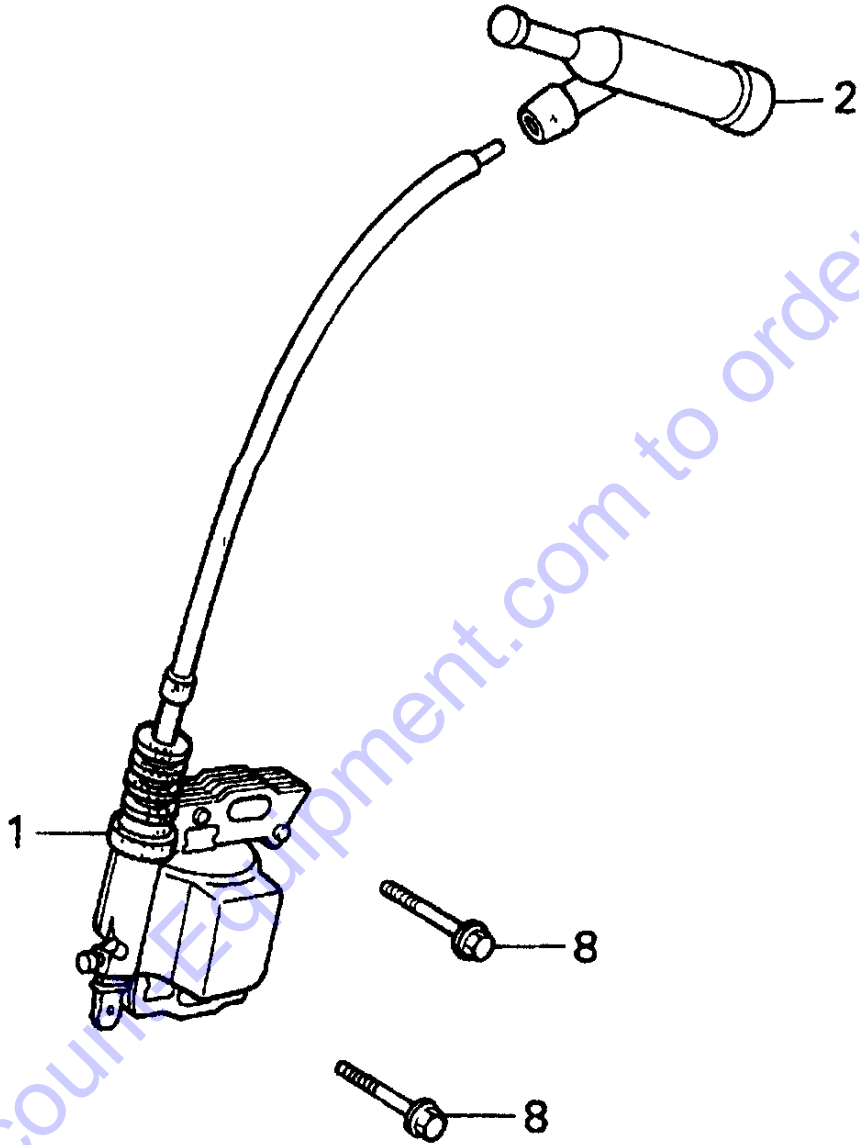


## HONDA GX120UTQX2 ENGINE — FUEL TANK ASSY.

<u>NO.</u>	<u>PART NO.</u>	<u>PART NAME</u>	<u>QTY.</u>	<u>REMARKS</u>
1	16854ZH8000	RUBBER, SUPPORTER 107MM	1	
2	16955ZE1000	JOINT, FUEL TANK	1	
3	17510ZE0020ZD	TANK, FUEL *NH1* (BLACK)	1	
5	17620ZH7023	CAP, FUEL FILLER.....	1	INCLUDES ITEMS W/*
6*	17631ZH7003	GASKET, FUEL FILLER CAP	1	
11	91353671003	O- RING 13.5X1.5 (ARAI)	1	
12	9405006000	NUT, FLANGE 6MM	2	
13	950014500360M	BULK HOSE, FUEL (4.5X3000) (4.5X140)	1	
14	9500202080	CLIP, TUBE (B8)	2	
15	90004ZH7003	BOLT, FLANGE 6X29	1	

Go to Discount-Equipment.com to order your parts

# HONDA GX120UTQX2 ENGINE — IGNITION COIL ASSY.



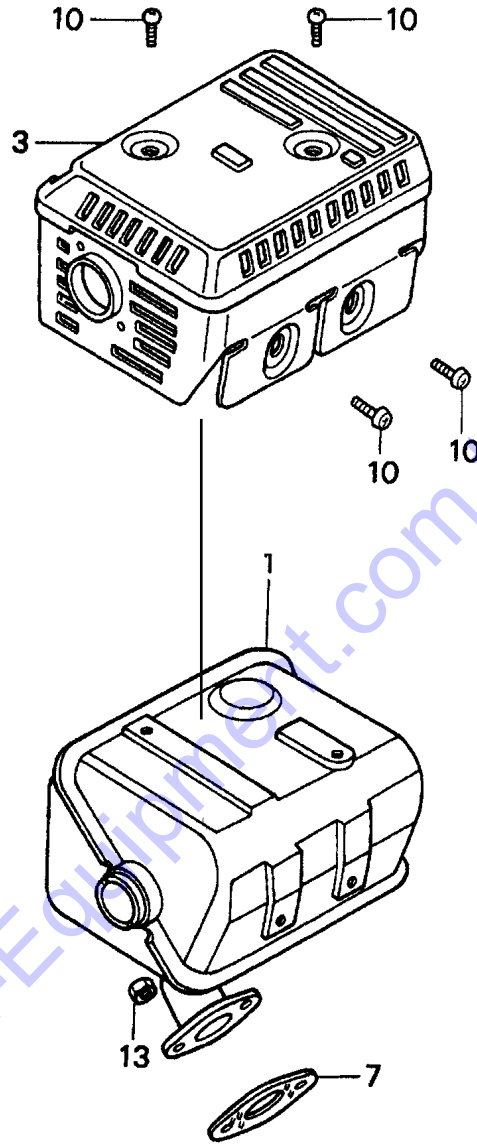
## HONDA GX120UTQX2 ENGINE — IGNITION COIL ASSY.

---

<u>NO.</u>	<u>PART NO.</u>	<u>PART NAME</u>	<u>QTY.</u>	<u>REMARKS</u>
1	30500ZE1033	COIL ASSEMBLY, IGNITION	1	
2	30700ZE1013	CAP ASSEMBLY, NOISE SUPPRESSOR	1	
8	90121952000	BOLT, FLANGE 6X25	2	

Go to Discount-Equipment.com to order your parts

# HONDA GX120UTQX2 ENGINE — MUFFLER ASSY.





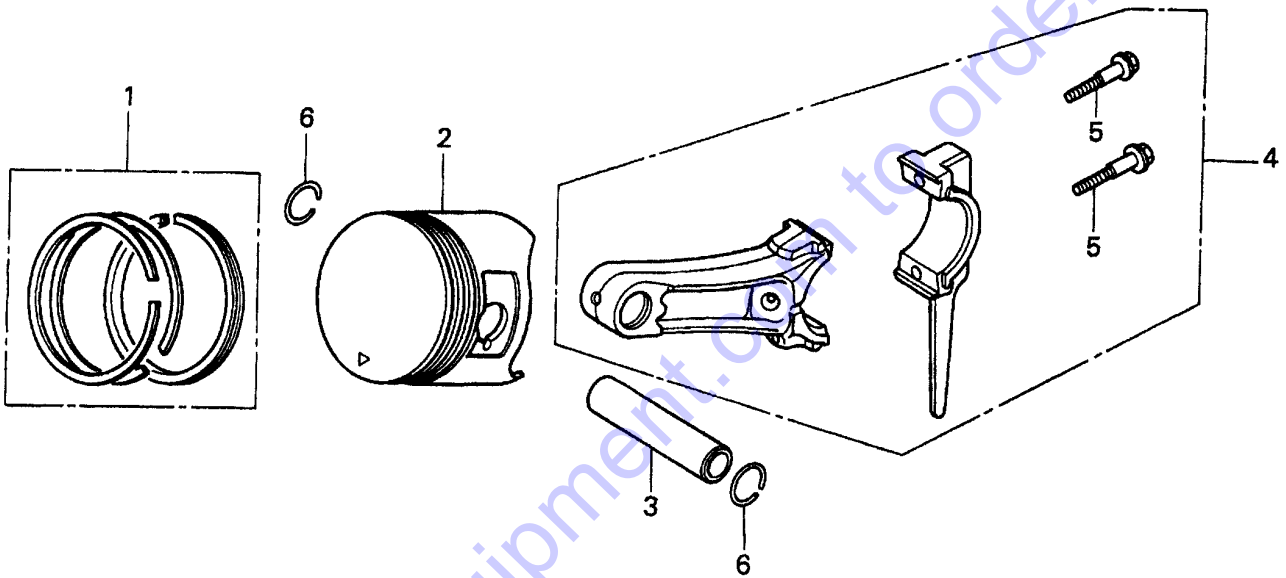
## HONDA GX120UTQX2 ENGINE — MUFFLER ASSY.

---

<u>NO.</u>	<u>PART NO.</u>	<u>PART NAME</u>	<u>QTY.</u>	<u>REMARKS</u>
1	18310ZF1000	MUFFLER	1	
3	18320ZF1H01	PROTECTOR, MUFFLER	1	
7	18381ZH8800	GASKET, MUFFLER	1	
10	90050ZE1000	SCREW, TAPPING 5X8	4	
13	94001080000S	NUT, HEX. 8MM	2	

Go to Discount-Equipment.com to order your parts

# HONDA GX120UTQX2 ENGINE — PISTON ASSY.

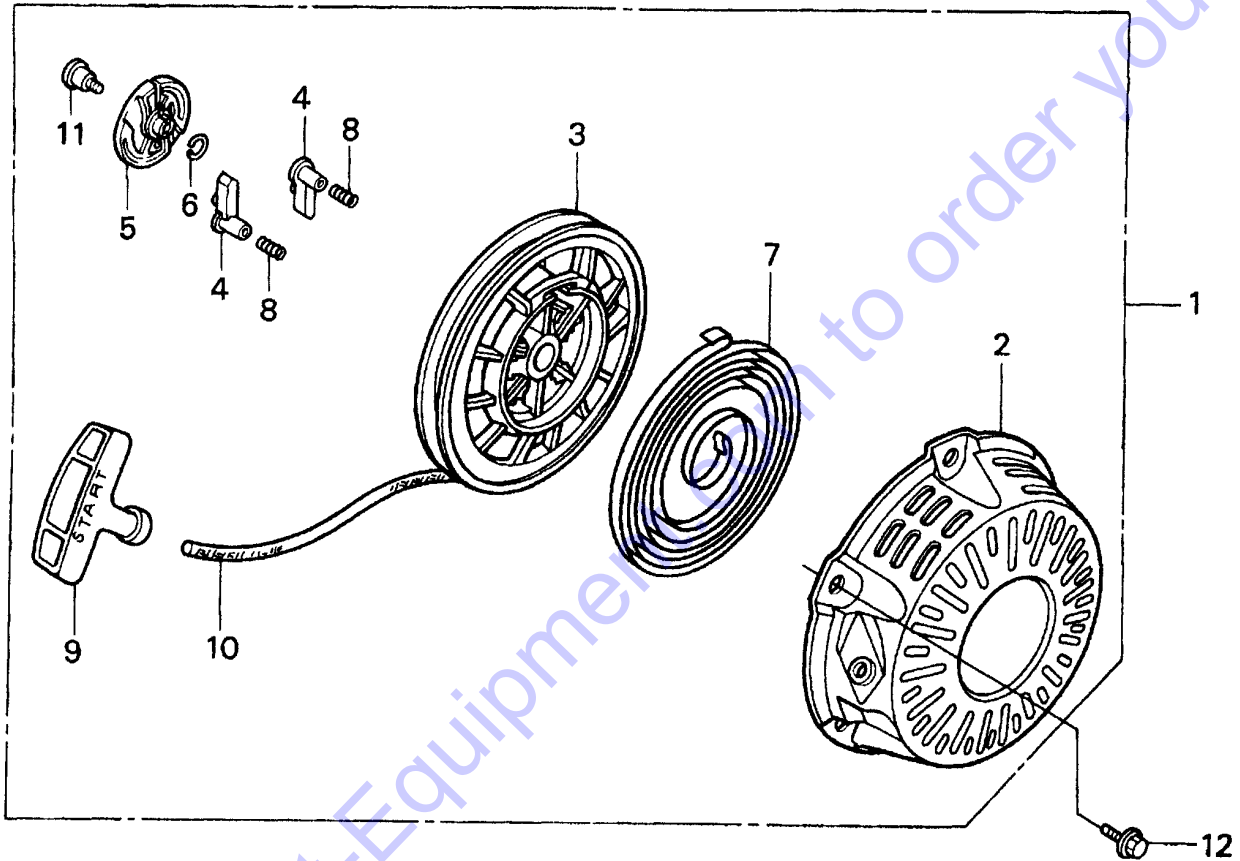


## HONDA GX120UTQX2 ENGINE — PISTON ASSY.

<u>NO.</u>	<u>PART NO.</u>	<u>PART NAME</u>	<u>QTY.</u>	<u>REMARKS</u>
1	13010ZK7V01	RING SET, PISTON (STANDARD)	1	
1	13011ZK7V01	RING SET, PISTON (OS 0.25), OPTIONAL	1	
1	13012ZK7V01	RING SET, PISTON (OS 0.50), OPTIONAL	1	
1	13013ZK7V01	RING SET, PISTON (0.75), OPTIONAL	1	
2	13101ZH7000	PISTON, STANDARD	1	
2	13102ZH7000	PISTON, OS 0.25 (OPTIONAL)	1	
2	13103ZH7000	PISTON, OS 0.50 (OPTIONAL)	1	
2	13104ZH7000	PISTON, 0.75 (OPTIONAL)	1	
3	13111ZE0000	PIN, PISTON	1	
4	132A0ZE0000	ROD ASSY., CONNECTING (UNDERSIZE) OPTIONAL	1	INCLUDES ITEMS W/*
4	13200ZE0000	ROD ASSEMBLY, CONNECTING	1	INCLUDES ITEMS W/*
5*	90001ZE1000	BOLT, CONNECTING ROD	2	
6	90551ZE0000	CLIP, PISTON PIN 13MM	2	

Go to Discount-Equipment.com to order your parts

# HONDA GX120UTQX2 ENGINE — RECOIL STARTER ASSY.



## HONDA GX120UTQX2 ENGINE — RECOIL STARTER ASSY.

<u>NO.</u>	<u>PART NO.</u>	<u>PART NAME</u>	<u>QTY.</u>	<u>REMARKS</u>
1	28400ZH8013ZB	STARTER ASSY., RECOIL *NH1* (BLACK)	1	INCLUDES ITEMS W/*
2*	28410ZH8003ZB	CASE, RECOIL STARTER	1	
3*	28420ZH8013	REEL, RECOIL STARTER	1	
4*	28422ZH8013	RATCHET, STARTER	2	
5 *	28433ZH8003	GUIDE, RATCHET	1	
6*	28441ZH8003	SPRING, FRICTION	1	
7*	28442ZH8003	SPRING, RECOIL STARTER	1	
8*	28443ZH8003	SPRING, RETURN	2	
9*	28461ZH8003	KNOB, RECOIL STARTER	1	
10*	28462ZH8003	ROPE, RECOIL STARTER	1	
11*	90003ZH8003	SCREW, SETTING	1	
12	90008ZE2003	BOLT, FLANGE 6X10	3	

Go to Discount-Equipment.com to order your parts

**NO ARTWORK**

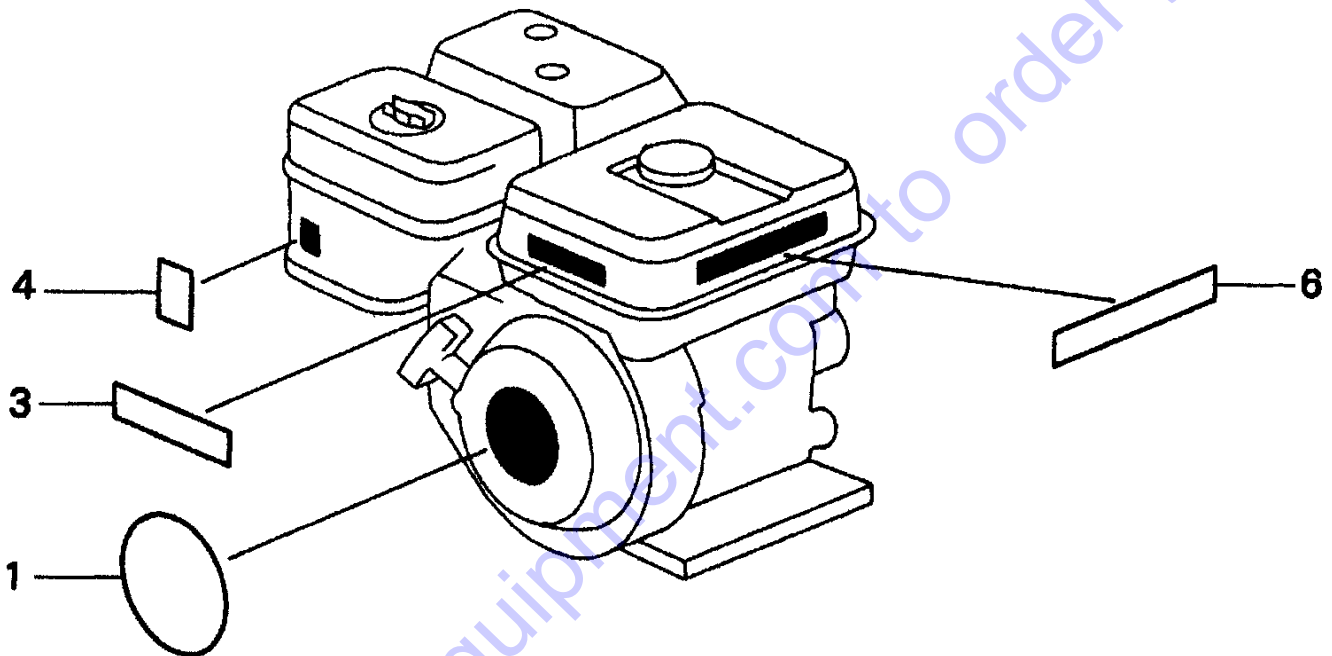
*Go to Discount-Equipment.com to order your parts*

## HONDA GX120UTQX2 ENGINE — GASKET KIT ASSY.

<u>NO.</u>	<u>PART NO.</u>	<u>PART NAME</u>	<u>QTY.</u>	<u>REMARKS</u>
1	06111ZH7405	GASKET KIT.....	1.....	INCLUDES ITEMS W/*
2*	11381ZH7800	GASKET, CASE COVER	1	
3*	12251ZH7800	GASKET, CYLINDER HEAD	1	
4*	12391ZE1000	GASKET, CYLINDER HEAD COVER	1	
5*	16212ZH7800	GASKET, INSULATOR	1	
6*	16221ZH8801	GASKET, CARBURETOR	1	
7*	18381ZH8800	GASKET, MUFFLER	1	

Go to Discount-Equipment.com to order your parts

# HONDA GX120UTQX2 ENGINE — LABELS ASSY.





## HONDA GX120UTQX2 ENGINE — LABELS ASSY.

<u>NO.</u>	<u>PART NO.</u>	<u>PART NAME</u>	<u>QTY.</u>	<u>REMARKS</u>
1	87521ZH7020	EMBLEM	1	
3	87522ZH9000	LABEL, CAUTION	1	
4	87528ZE1810	MARK, CHOKE	1	
6	87532ZH8810	MARK, OIL ALERT (E)	1	

Go to Discount-Equipment.com to order your parts

# PARTS FINDER

**Search Website  
by Part Number**



**Search Manual  
Library For Parts  
Manual & Lookup Part  
Numbers – Purchase  
or Request Quote**

**Search Manuals**

Enter your information to help us find the right parts manual for your machine.

\* Brand:

\* Model:

\* Serial:

\* Part Number:

SEARCH

**Can't Find Part or  
Manual? Request Help  
by Manufacturer,  
Model & Description**

**Parts Order Form**

Please fill in the following information to help us find the right part for your machine.

Manufacturer:	<input type="text"/>
Model:	<input type="text"/>
Description:	<input type="text"/>
Part Number:	<input type="text"/>
Quantity:	<input type="text"/>
Notes:	<input type="text"/>

Discount-Equipment.com is your online resource for quality parts & equipment.

Florida: **561-964-4949** Outside Florida TOLL FREE: **877-690-3101**

**Need parts?**

Click on this link: <http://www.discount-equipment.com/category/5443-parts/> and choose one of the options to help get the right parts and equipment you are looking for. Please have the machine model and serial number available in order to help us get you the correct parts. If you don't find the part on the website or on one of the online manuals, please fill out the request form and one of our experienced staff members will get back to you with a quote for the right part that your machine needs.

We sell worldwide for the brands: Genie, Terex, JLG, MultiQuip, Mikasa, Essick, Whiteman, Mayco, Toro Stone, Diamond Products, Generac Magnum, Airman, Haulotte, Barreto, Power Blanket, Nifty Lift, Atlas Copco, Chicago Pneumatic, Allmand, Miller Curber, Skyjack, Lull, Skytrak, Tsurumi, Husquvarna Target, Stow, Wacker, Sakai, Mi-T-M, Sullair, Basic, Dynapac, MBW, Weber, Bartell, Bennar Newman, Haulotte, Ditch Runner, Menegotti, Morrison, Contec, Buddy, Crown, Edco, Wyco, Bomag, Laymor, EZ Trench, Bil-Jax, F.S. Curtis, Gehl Pavers, Heli, Honda, ICS/PowerGrit, IHI, Partner, Imer, Clipper, MMD, Koshin, Rice, CH&E, General Equipment, Amida, Coleman, NAC, Gradall, Square Shooter, Kent, Stanley, Tamco, Toku, Hatz, Kohler, Robin, Wisconsin, Northrock, Oztec, Toker TK, Rol-Air, APT, Wylie, Ingersoll Rand / Doosan, Innovatech, Con X, Ammann, Mecalac, Makinex, Smith Surface Prep, Small Line, Wanco, Yanmar