



A TEREX BRAND



Parts Manual

Serial Number Range

GS-2669BE

from SN GS6914-5000

GS-3369BE

to GS6916-7896

GS-4069BE

from SN GS6916F-7897

to GS6916-10499

from SN GS69F-10500

Part No. 1257105
Rev: C4
September 2019

PARTS FINDER

**Search Website
by Part Number**



**Search Manual
Library For Parts
Manual & Lookup Part
Numbers – Purchase
or Request Quote**

Search Manuals

Enter your information to help us find the right parts manual for your machine.

* Brand:

* Model:

* Serial:

* Part Number:

SEARCH

**Can't Find Part or
Manual? Request Help
by Manufacturer,
Model & Description**

Parts Order Form

Please fill in the following information to help us find the right part for your machine.

Manufacturer:	<input type="text"/>
Model:	<input type="text"/>
Description:	<input type="text"/>
Part Number:	<input type="text"/>
Quantity:	<input type="text"/>
Notes:	<input type="text"/>

Submit

Discount-Equipment.com is your online resource for quality parts & equipment.

Florida: **561-964-4949** Outside Florida TOLL FREE: **877-690-3101**

Need parts?

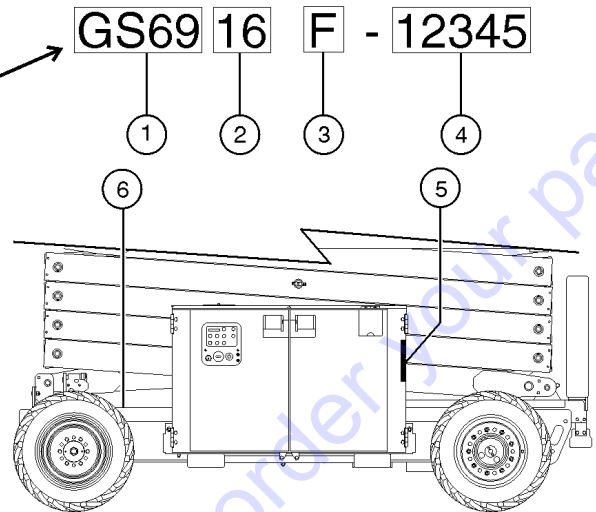
Click on this link: <http://www.discount-equipment.com/category/5443-parts/> and choose one of the options to help get the right parts and equipment you are looking for. Please have the machine model and serial number available in order to help us get you the correct parts. If you don't find the part on the website or on one of the online manuals, please fill out the request form and one of our experienced staff members will get back to you with a quote for the right part that your machine needs.

We sell worldwide for the brands: Genie, Terex, JLG, MultiQuip, Mikasa, Essick, Whiteman, Mayco, Toro Stone, Diamond Products, Generac Magnum, Airman, Haulotte, Barreto, Power Blanket, Nifty Lift, Atlas Copco, Chicago Pneumatic, Allmand, Miller Curber, Skyjack, Lull, Skytrak, Tsurumi, Husquvarna Target, Stow, Wacker, Sakai, Mi-T-M, Sullair, Basic, Dynapac, MBW, Weber, Bartell, Bennar Newman, Haulotte, Ditch Runner, Menegotti, Morrison, Contec, Buddy, Crown, Edco, Wyco, Bomag, Laymor, EZ Trench, Bil-Jax, F.S. Curtis, Gehl Pavers, Heli, Honda, ICS/PowerGrit, IHI, Partner, Imer, Clipper, MMD, Koshin, Rice, CH&E, General Equipment, Amida, Coleman, NAC, Gradall, Square Shooter, Kent, Stanley, Tamco, Toku, Hatz, Kohler, Robin, Wisconsin, Northrock, Oztec, Toker TK, Rol-Air, APT, Wylie, Ingersoll Rand / Doosan, Innovatech, Con X, Ammann, Mecalac, Makinex, Smith Surface Prep, Small Line, Wanco, Yanmar

To August 31, 2016

Genie
A TEREX BRAND

Model:
Serial number: GS6916F-12345
Manufacture date: 1/2/16 **Model year:** 2016
Electrical schematic number:
Machine unladen weight:
Rated work load (including occupants):
Maximum number of platform occupants:
Maximum allowable inclination of the chassis:
Outrigger retracted:
Outrigger deployed:



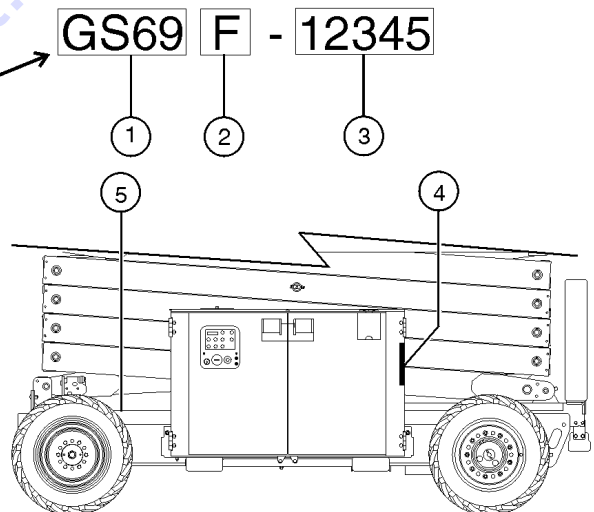
- 1 Model
- 2 Model year
- 3 Facility code

- 4 Sequence number
- 5 Serial label (located inside compartment)
- 6 Serial number (stamped on chassis)

From September 1, 2016

Genie
A TEREX BRAND

Model:
Serial number: GS69F-12345
Year of manufacture: 2016
Electrical schematic number:
Machine unladen weight:
Rated work load (including occupants):
Maximum number of platform occupants:
Maximum allowable inclination of the chassis:
Outrigger retracted:
Outrigger deployed:



- 1 Model
- 2 Facility code
- 3 Sequence number

- 4 Serial label (located inside compartment)
- 5 Serial number (stamped on chassis)

Required Parts

The following parts are required to perform maintenance procedures as outlined in the *Genie GS-69 BE Service Manual*.

Description	Part No.
Plug and Cap Kit (for ORFS fittings).....	49613
Dielectric Grease	66399
Hydraulic Filter.....	60857
Cotter Pin.....	45114
Hydraulic Tank Cap (models w/opt. hyd fluid)	131658

Recommended Parts

Description	Part No.
Genie Blue Paint, 1 Gallon	32150
Genie Blue Paint, 12 Ounce Aerosol.....	1484
Genie Gray Paint, 1 Gallon.....	32151
Genie Gray Paint, 12 Ounce Aerosol	1268

Genie Industries offers the following support documents for these models:

EMI Safety Manual.....	27581
Manual of Responsibilities	
ANSI A92.6	44163

Go to Discount-Equipment.com to order your parts



Description	Page
100 Decals	10
101.1 Decals with Words, GS-2669, Battery Side	10
102.1 Decals with Words, GS-2669, Controls Side	12
103.1 Decals with Words, GS-2669, Platform, ANSI & CSA	16
104.1 Decals with Words, GS-2669, Platform, AUS	18
105.1 Decals with Symbols, GS-2669, Battery Side	20
106.1 Decals with Symbols, GS-2669, Controls Side	22
107.1 Decals with Symbols, GS-2669, Platform, ANSI (Asia & South America)	26
108.1 Decals with Symbols, GS-2669, Platform, CE	28
109.1 Decals with Words, GS-3369, Battery Side	30
110.1 Decals with Words, GS-3369, Controls Side	32
111.1 Decals with Words, GS-3369, Platform, ANSI & CSA	36
112.1 Decals with Words, GS-3369, Platform, AUS	38
113.1 Decals with Symbols, GS-3369, Battery Side	40
114.1 Decals with Symbols, GS-3369, Controls Side	42
115.1 Decals with Symbols, GS-3369, Platform, Asia & South America	46
116.1 Decals with Symbols, GS-3369, Platform, CE	48
117.1 Decals with Words, GS-4069, Battery Side	50
118.1 Decals with Words, GS-4069, Controls Side	52
119.1 Decals with Words, GS-4069, Platform, ANSI & CSA	56
120.1 Decals with Words, GS-4069, Platform, AUS	58
121.1 Decals with Symbols, GS-4069, Battery Side	60
122.1 Decals with Symbols, GS-4069, Controls Side	62
123.1 Decals with Symbols, GS-4069, Platform, Asia & South America	66
124.1 Decals with Symbols, GS-4069, Platform, CE	68
200 Drive Chassis Components	70
201.1 Steer Axle Linkage, Wheels and Drive Motors	70
202.1 Steer Axle Linkage, Oscillation	76
203.1 Non-Steer Axle and Drive Motors	78
204.1 Ladder and Counterweight, GS-2669	84
204.2 Ladder and Counterweight, GS-3369	86
204.3 Ladder and Counterweight, GS-4069	88
205.1 Drive Chassis, Safety Components	90
300 Chassis Tray Components	92
301.1 Hydraulic Tank and Ground Controls Installation	92
302.1 Ground Controls	94
303.1 Hydraulic Tray Components, View 1	100
304.1 Hydraulic Tray Components, View 2	104
305.1 Engine and Battery Tray Components, View 1	108

Table of Contents

Description	Page
306.1 Engine and Battery Tray Components, View 2	114
307.1 Engine and Battery Tray Components, View 3	118
308.1 Chassis Cover Installation	124
309.1 Power Cables	126
310.1 Electrical Wiring, GS-2669	130
310.2 Electrical Wiring, GS-3369	134
310.3 Electrical Wiring, GS-4069	138
400 Engine Components	142
401.1 Kohler K-350 Engine, View 1	142
402.1 Kohler K-350 Engine, View 2	146
500 Scissor Components	148
501.1 Scissor Components, View 1, GS-2669	148
502.1 Scissor Components, View 1, GS-3369	152
503.1 Scissor Components, View 2, GS-3369	154
504.1 Scissor Components, View 1, GS-4069	156
505.1 Scissor Components, View 2, GS-4069	158
600 Platform Components	162
601.1 Platform Installation, GS-2669	162
602.1 Platform Installation, GS-3369 & GS-4069	164
603.1 Platform Railing Installation	166
604.1 Platform Entry Gate	168
605.1 Platform Extension	170
606.1 Platform Extension Deck Lock	174
607.1 Power to Platform, GS-2669	176
607.2 Power to Platform, GS-3369	178
607.3 Power to Platform, GS-4069	180
608.1 Platform Controls	182
609.1 Platform Controls Joystick	184
700 Hydraulic Components	186
701.1 Function Manifold (to SN 10014)	186
701.2 Function Manifold (from SN 10015)	188
702.1 Oscillate Cylinders, All Models	190
703.1 Lift Cylinders, GS-2669, GS-3369	192
703.2 Lift Cylinders, GS-4069	194
704.1 Hydraulic Hoses and Fittings, All Models	196
704.2 Hydraulic Hoses and Fittings, All Models	200
800 Accessories	204

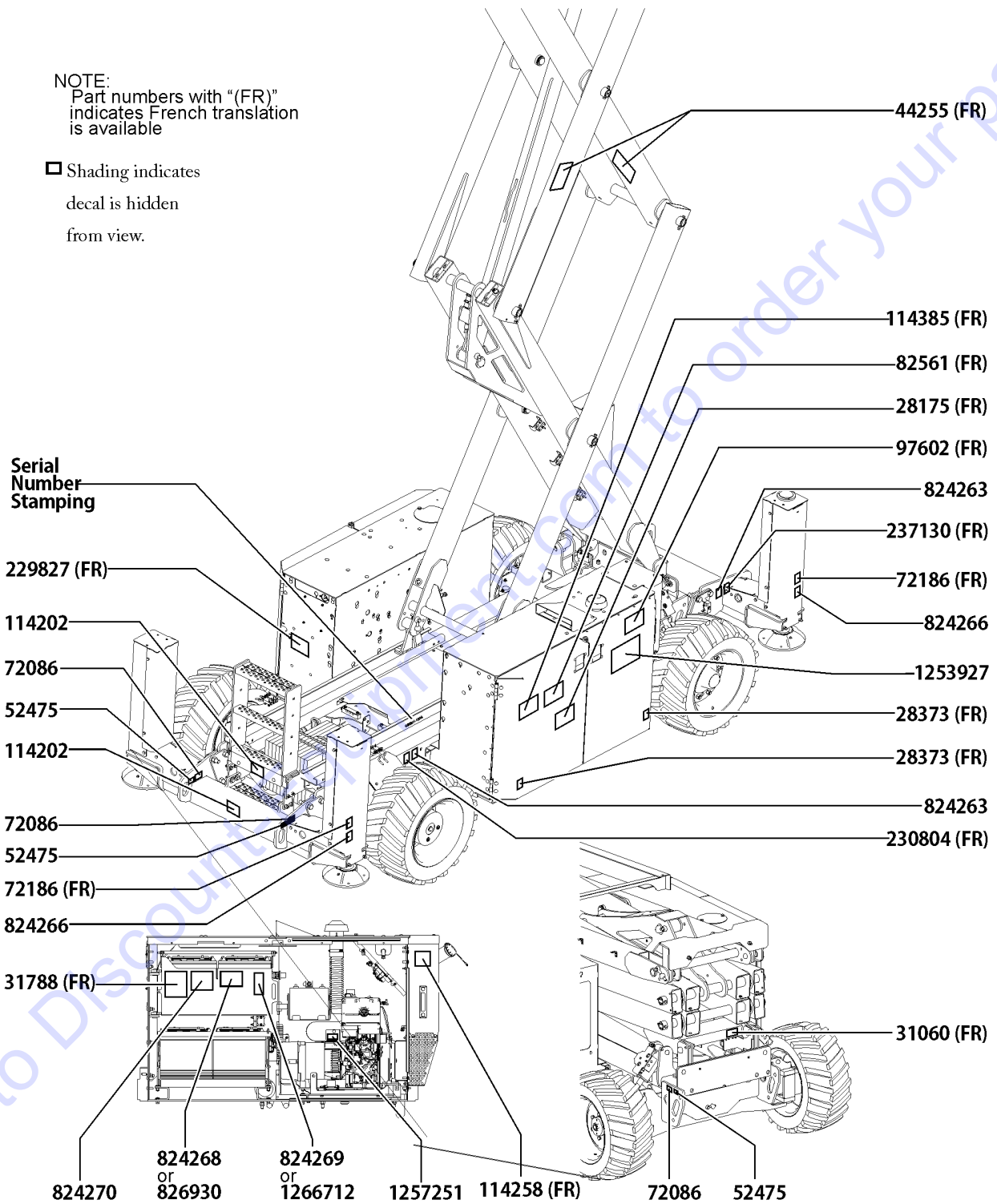
Description	Page
801.1 Flashing Motion Beacon (to SN GS6916F-9824)	204
801.2 Flashing Motion Beacon (from SN GS6916F-9825)	206
802.1 Outrigger Installation, View 1	208
803.1 Outrigger Installation, View 2	210
804.1 Outrigger Manifold	214
805.1 Outrigger Cylinders, All Models	216
806.1 Hydraulic Hoses and Fitting, Outrigger	218
807.1 Airline to Plat, GS-2669	220
807.2 Airline to Plat, GS-3369	222
807.3 Airline to Plat, GS-4069	224
808.1 Link Guard, CE and Australia, GS-2669	226
808.2 Link Guard, CE and Australia, GS-3369	228
809.3 Platform Work Light, GS-4069	230
Part Number Index	232

Go to Discount-Equipment.com to order your parts

101.1 Decals with Words, GS-2669, Battery Side

NOTE:
Part numbers with "(FR)" indicates French translation is available

☐ Shading indicates decal is hidden from view.



101.1 Decals with Words, GS-2669, Battery Side

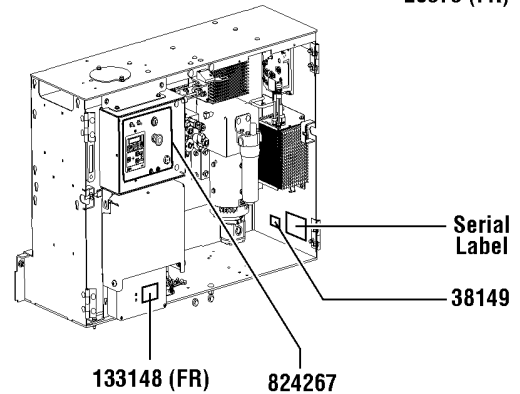
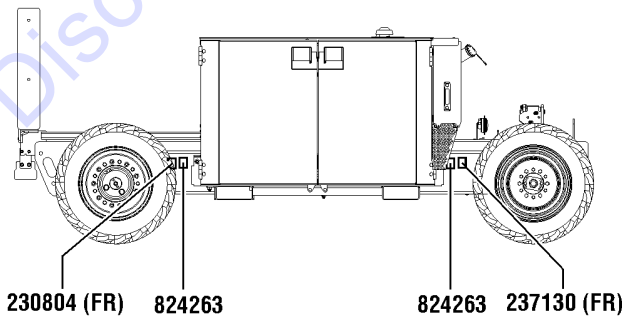
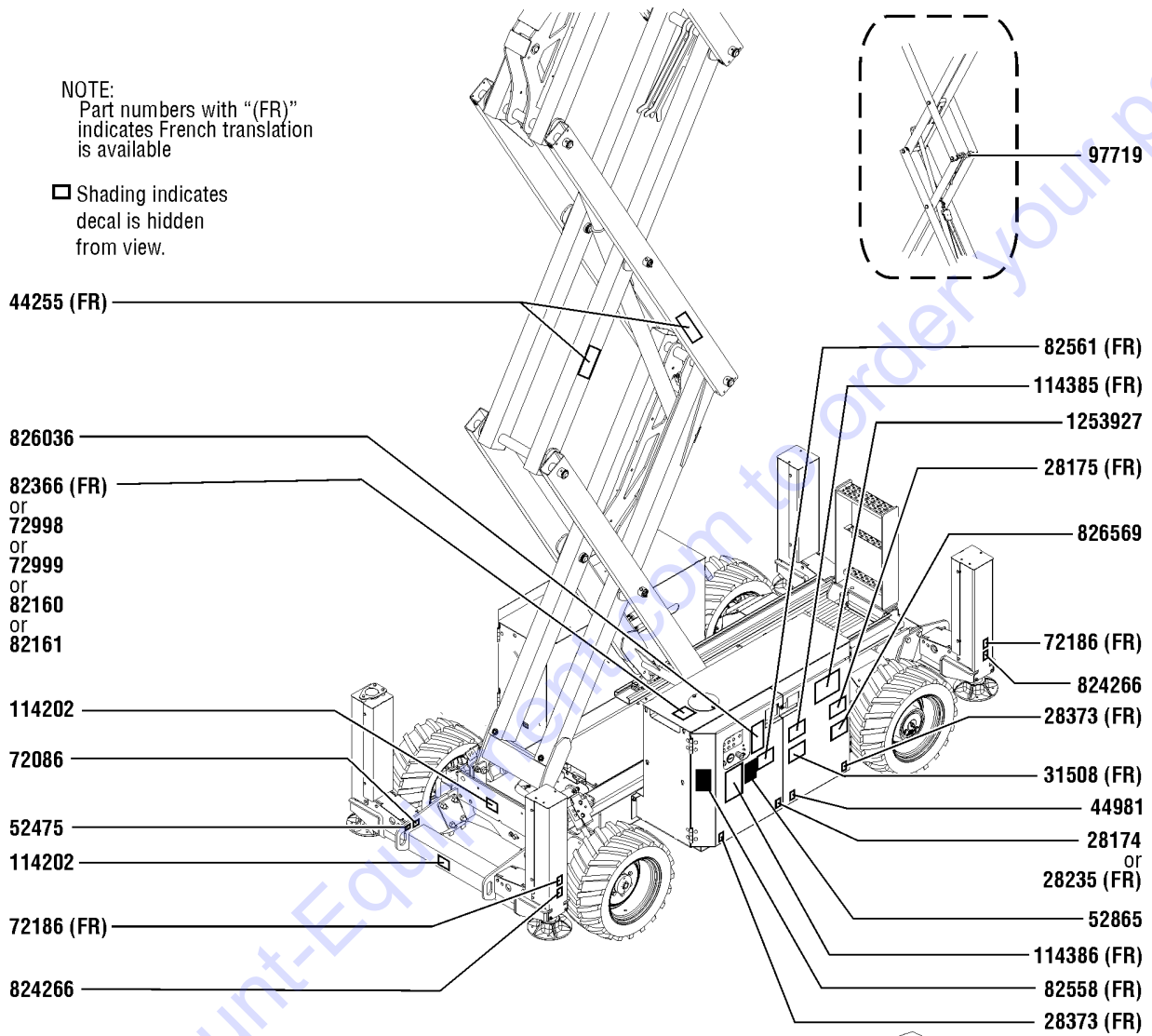
Item	Part No.	Description	Qty.
1	28175GT	DECAL,WARNING-COMPART ACCESS	1
2	28373GT	DECAL,FORK LIFT POCKET	2
3	31060GT	DECAL,DANGER DO NOT ALTER SWTC	1
4	31788GT	DECAL,DANGER,BATTERY SAFETY***	1
5	44255GT	DECAL,DANGER,CRUSHING HAZARD	2
6	52475GT	DECAL,LABEL,TRANSPORT TIEDOWN*	3
7	72086GT	DECAL,LABEL,LIFTING EYE	3
8	72186GT	DECAL,WARNING,CRUSHING HAZARD	2
		(models with outriggers)	
9	82561GT	DECAL,DANGER-USE SAFETY ARM	1
10	97602GT	DECAL,EXPLOSION HAZARD	1
11	114202GT	DECAL,LABEL,TRANSPORT TIE 68	1
12	114258GT	DECAL,DANGER,NO SMOKING	1
13	114385GT	DECAL,DANGER,ELEC HAZARD,GS	1
14	229827GT	DECAL,WARNING,HOT SURFACE	1
15	230804GT	DECAL,NOTICE,TIRE SPECS, REAR	1
		(non-steer end)	
16	237130GT	DECAL,NOTICE,TIRE SPECS, FRONT	1
		(steer end)	
17	824263GT	DECAL,LABEL,WHEEL LD,GS2669BE	2
18	824266GT	DECAL,LABEL,OUTRIGGER LD,BE	2
		(models with outriggers)	
19	824268GT	DECAL,DANGER-TIP-OVR,BE,T145	1
		T145 Batteries	
20A	824269GT	DECAL,KOHLER ENGINE SPEC KD350	1
		ANSI/CSA models (3600rpm)	
20B	1266712GT	DECAL,KOHLER ENG.SPEC,3000RPM	
		all other models (3000 rpm)	
21	824270GT	DECAL,BATT CONN DIAGRAM,BE	1
		T105 and T145 Batteries	
22	826930GT	DECAL,DANGER-TIP-OVR,BE,T105	1
		T105 Batteries	
23	1253927GT	DECAL,COSMETIC,BI-ENERGY	1
24	1257251GT	DECAL,WARNING,HOT SURFACE	1



102.1 Decals with Words, GS-2669, Controls Side

NOTE:
Part numbers with "(FR)" indicates French translation is available

☐ Shading indicates decal is hidden from view.



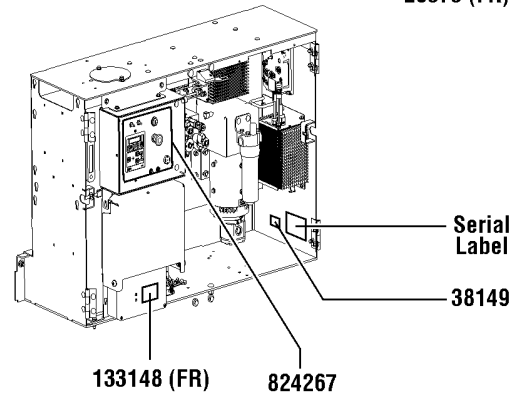
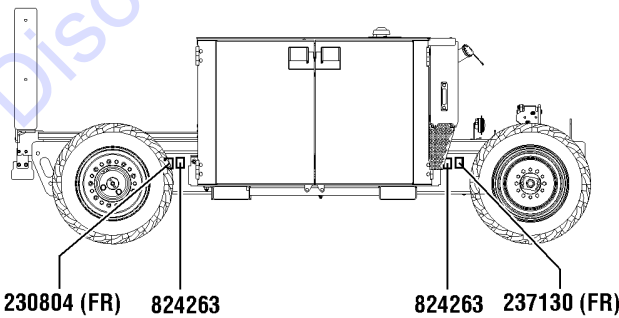
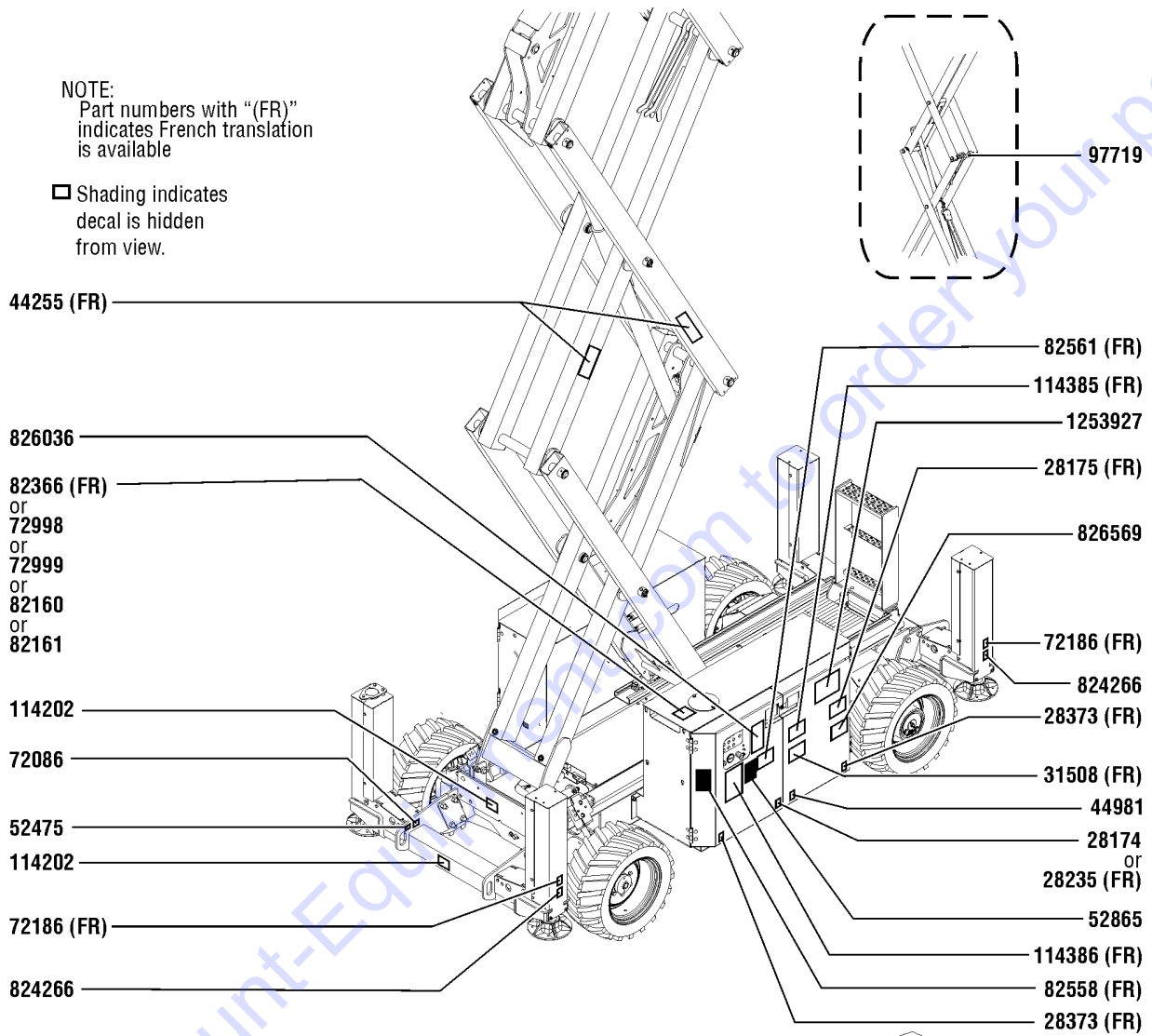
Item	Part No.	Description	Qty.
1	28174GT	DECAL,POWER TO PLATFORM 230V	1
2	28175GT	DECAL,WARNING-COMPART ACCESS	1
3	28235GT	DECAL,POWER TO PLATFORM 115V	1
4	28373GT	DECAL,FORK LIFT POCKET	2
5	31508GT	DECAL,DANGER,ELECT HAZARD,PLUG	1
6	38149GT	DECAL,LABEL,PATENTS	1
		(US only)	
7	44255GT	DECAL,DANGER,CRUSHING HAZARD	2
8	44981GT	DECAL,LABEL,AIRLINE 110 PSI	1
		Option, airline to platform	
9	52475GT	DECAL,LABEL,TRANSPORT TIEDOWN*	1
10	52865GT	DECAL,ANNUAL INSP***	1
		(ANSI only)	
11	72086GT	DECAL,LABEL,LIFTING EYE	1
12	72186GT	DECAL,WARNING,CRUSHING HAZARD	2
		(models with outriggers)	
13	72998GT	DECAL,LABEL,QUINTOLUBRIK	1
		(For models with Quintolub hydraulic oil only)	
14	72999GT	DECAL,LABEL,PETRO CANADA***	1
		(For models with petro canada hydraulic oil only)	
15	82160GT	DECAL,LABEL,STATOIL HYDRA WAY	1
		(For models with Statoil hydraulic oil only)	
16	82161GT	DECAL,LABEL,UCON HYDROLUBE	1
		(For models with Ucon Hydrolube hydraulic oil only)	
17	82366GT	DECAL,CHEVRON RANDO HD	1
		(For models with chevron rando hydraulic oil only)	
18	82558GT	DECAL,WARN,SKIN INJECTION HAZ*	1
19	82561GT	DECAL,DANGER-USE SAFETY ARM	1
20	97719GT	DECAL, LABEL, SAFETY ARM SYMB	1
21	114202GT	DECAL,LABEL,TRANSPORT TIE 68	1
22	114385GT	DECAL,DANGER,ELEC HAZARD,GS	1
23	114386GT	DECAL,DANGER-GEN SAFETY	1
24	133148GT	DECAL,DANGER,HAZARD VOLTAGE	1
25	230804GT	DECAL,NOTICE,TIRE SPECS, REAR	1
		(non-steer end)	
26	237130GT	DECAL,NOTICE,TIRE SPECS, FRONT	1
		(steer end)	
27	824263GT	DECAL,LABEL,WHEEL LD,GS2669BE	2
28	824266GT	DECAL,LABEL,OUTRIGGER LD,BE	2
		(models with outriggers)	



102.1 Decals with Words, GS-2669, Controls Side

NOTE:
Part numbers with "(FR)" indicates French translation is available

☐ Shading indicates decal is hidden from view.



102.1 Decals with Words, GS-2669, Controls Side

Item	Part No.	Description	Qty.
29	824267GT	DECAL, GROUND CONTROL PANEL,	1
30	826036GT	DECAL,GRND OPS INSTRUCT,GS69BE	1
31	826569GT	DECAL,INSTRUCTIONS-CHARGER OP	1
32	1253927GT	DECAL,COSMETIC,BI-ENERGY	1

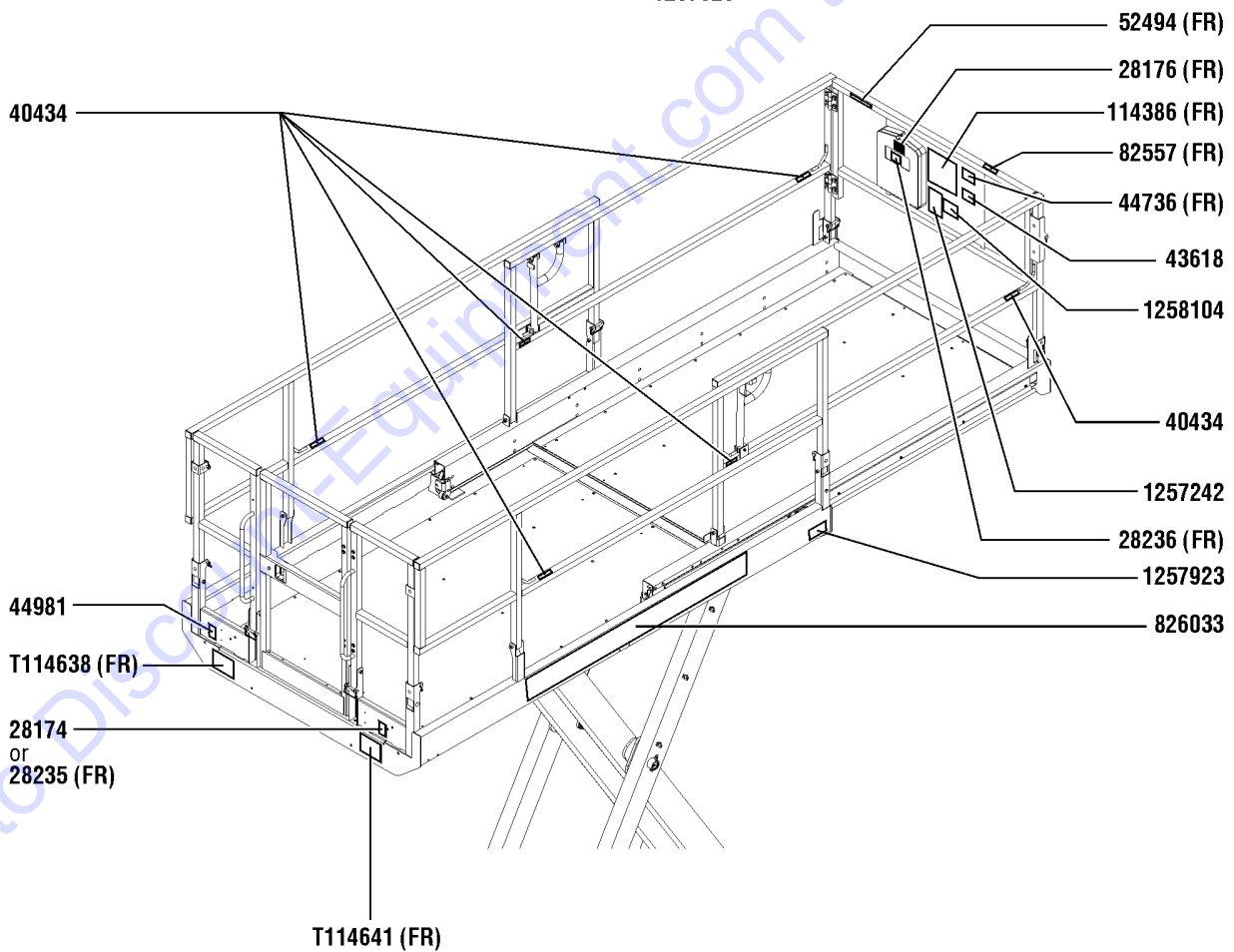
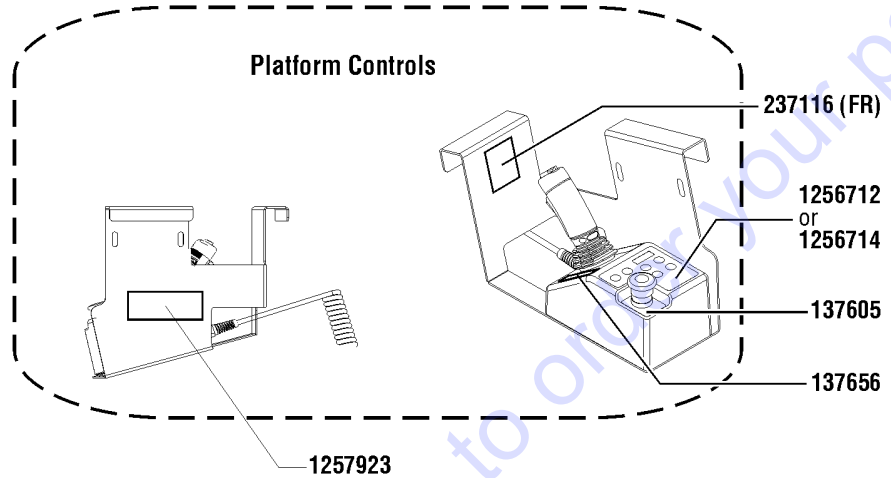
Go to Discount-Equipment.com to order your parts



103.1 Decals with Words, GS-2669, Platform, ANSI & CSA

NOTE:
Part numbers with "(FR)" indicates French translation is available

☐ Shading indicates decal is hidden from view.



103.1 Decals with Words, GS-2669, Platform, ANSI & CSA

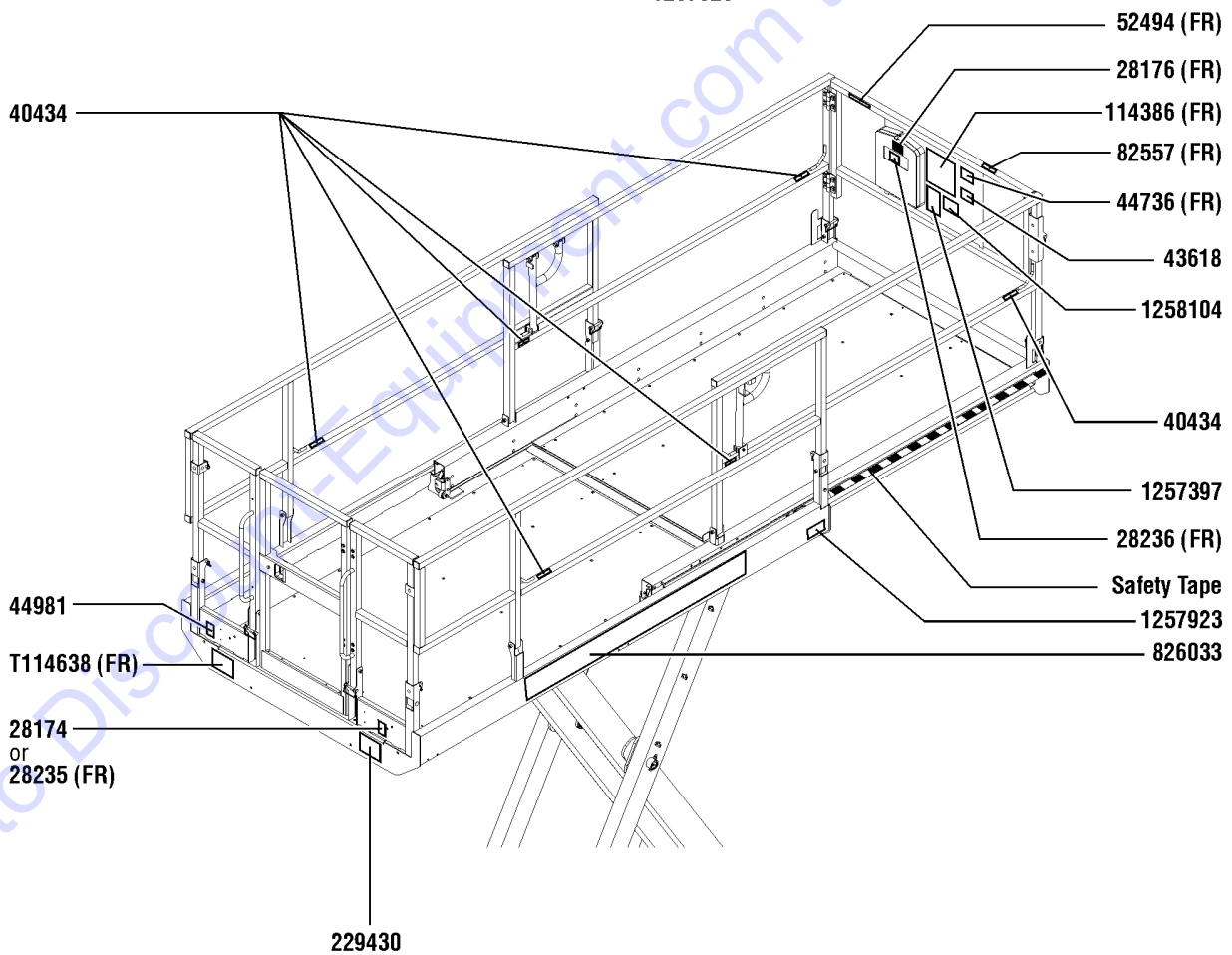
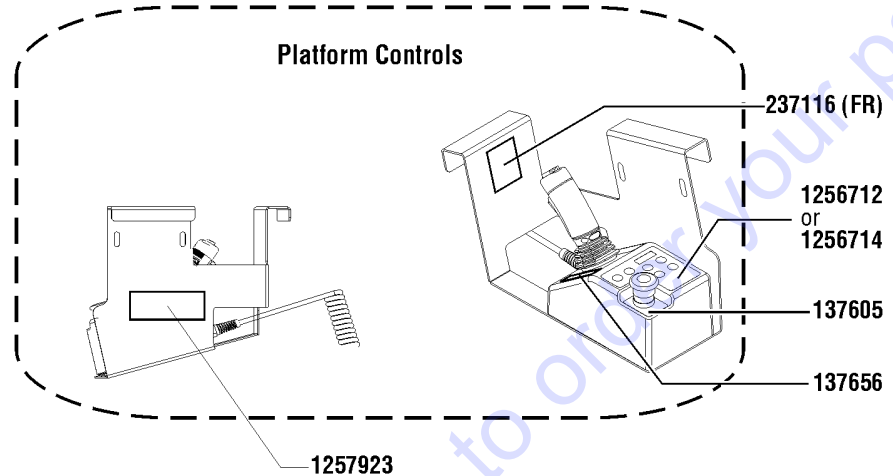
Item	Part No.	Description	Qty.
1	28174GT	DECAL,POWER TO PLATFORM 230V	1
2	28176GT	DECAL,LABEL,MANUAL NOT HERE	1
3	28235GT	DECAL,POWER TO PLATFORM 115V	1
4	28236GT	DECAL,WARN,IMPROPER OPERATION	1
5	40434GT	DECAL,LANYARD ANCHORAGE POINT	6
6	43618GT	DECAL,LABEL-DIRECTION ARROWS	1
7	44736GT	DECAL,DANGER,TIP-OVER,TILT	1
8	44981GT	DECAL,LABEL,AIRLINE 110 PSI	1
		Option, airline to platform	
9	52494GT	DECAL,CAUTION,CRUSH HAZ, RAILS	1
10	82557GT	DECAL,LABEL,PLAT CONT LOCATION	1
11	114386GT	DECAL,DANGER-GEN SAFETY	1
12	137605GT	DECAL,E-STOP,GR/GRC/GS PCON	1
13	137656GT	DECAL,PROPEL,GR/GRC/GS,PCON	1
14	237116GT	DECAL,LABEL,FAULT CODES,69DC	1
15	826033GT	DECAL,COSMETIC GENIE GS-2669BE	1
16	T114638GT	DECAL,NOTICE,MAX CAP GS2669	1
17	T114641GT	DECAL,NOTICE,SIDE FRC,2669 ANS	1
18	1256712GT	DECAL,STD,PROP LIFT,69BE,UI	1
		(models without outriggers)	
19	1256714GT	DECAL,O/R,PROP LIFT,69BE,UI	1
		(models with outriggers)	
20	1257242GT	DECAL,NOTICE,OP,INST,PLAT,69BE	1
21	1257923GT	DECAL, SMARTLINK PROPORTIONAL	2
22	1258104GT	DECAL,DANGER,OUTRIGGER SAFETY	1
		(models with outriggers)	



104.1 Decals with Words, GS-2669, Platform, AUS

NOTE:
Part numbers with "(FR)" indicates French translation is available

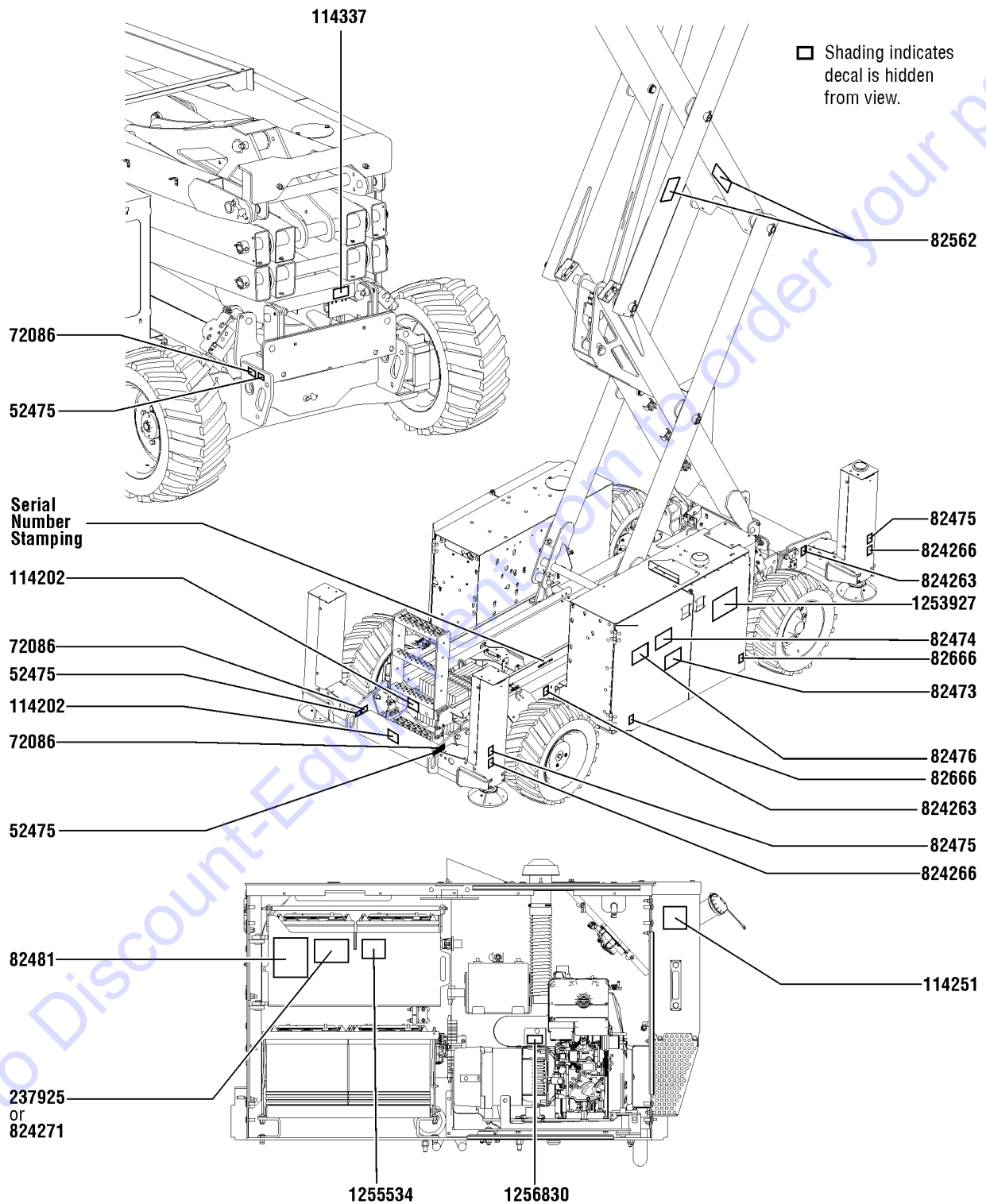
☐ Shading indicates decal is hidden from view.



Item	Part No.	Description	Qty.
1	28174GT	DECAL,POWER TO PLATFORM 230V	1
2	28176GT	DECAL,LABEL,MANUAL NOT HERE	1
3	28235GT	DECAL,POWER TO PLATFORM 115V	1
4	28236GT	DECAL,WARN,IMPROPER OPERATION	1
5	40434GT	DECAL,LANYARD ANCHORAGE POINT	6
6	43618GT	DECAL,LABEL-DIRECTION ARROWS	1
7	44736GT	DECAL,DANGER,TIP-OVER,TILT	1
8	44981GT	DECAL,LABEL,AIRLINE 110 PSI	1
		Option, airline to platform	
9	52494GT	DECAL,CAUTION,CRUSH HAZ, RAILS	1
10	82557GT	DECAL,LABEL,PLAT CONT LOCATION	1
11	114386GT	DECAL,DANGER-GEN SAFETY	1
12	137605GT	DECAL,E-STOP,GR/GRC/GS PCON	1
13	137656GT	DECAL,PROPEL,GR/GRC/GS,PCON	1
14	229430GT	DECAL NOTICE,MAN FRC,2669 AUS	1
15	237116GT	DECAL,LABEL,FAULT CODES,69DC	1
16	826033GT	DECAL,COSMETIC GENIE GS-2669BE	1
17	T114638GT	DECAL,NOTICE,MAX CAP GS2669	1
18	1256712GT	DECAL,STD,PROP LIFT,69BE,UI	1
		(models without outriggers)	
19	1256714GT	DECAL,O/R,PROP LIFT,69BE,UI	1
		(models with outriggers)	
20	1257397GT	DECAL,OP,INSTR,PLAT,69BE,AUS	1
21	1257923GT	DECAL, SMARTLINK PROPORTIONAL	2
22	1258104GT	DECAL,DANGER,OUTRIGGER SAFETY	1
		(models with outriggers)	



105.1 Decals with Symbols, GS-2669, Battery Side



105.1 Decals with Symbols, GS-2669, Battery Side

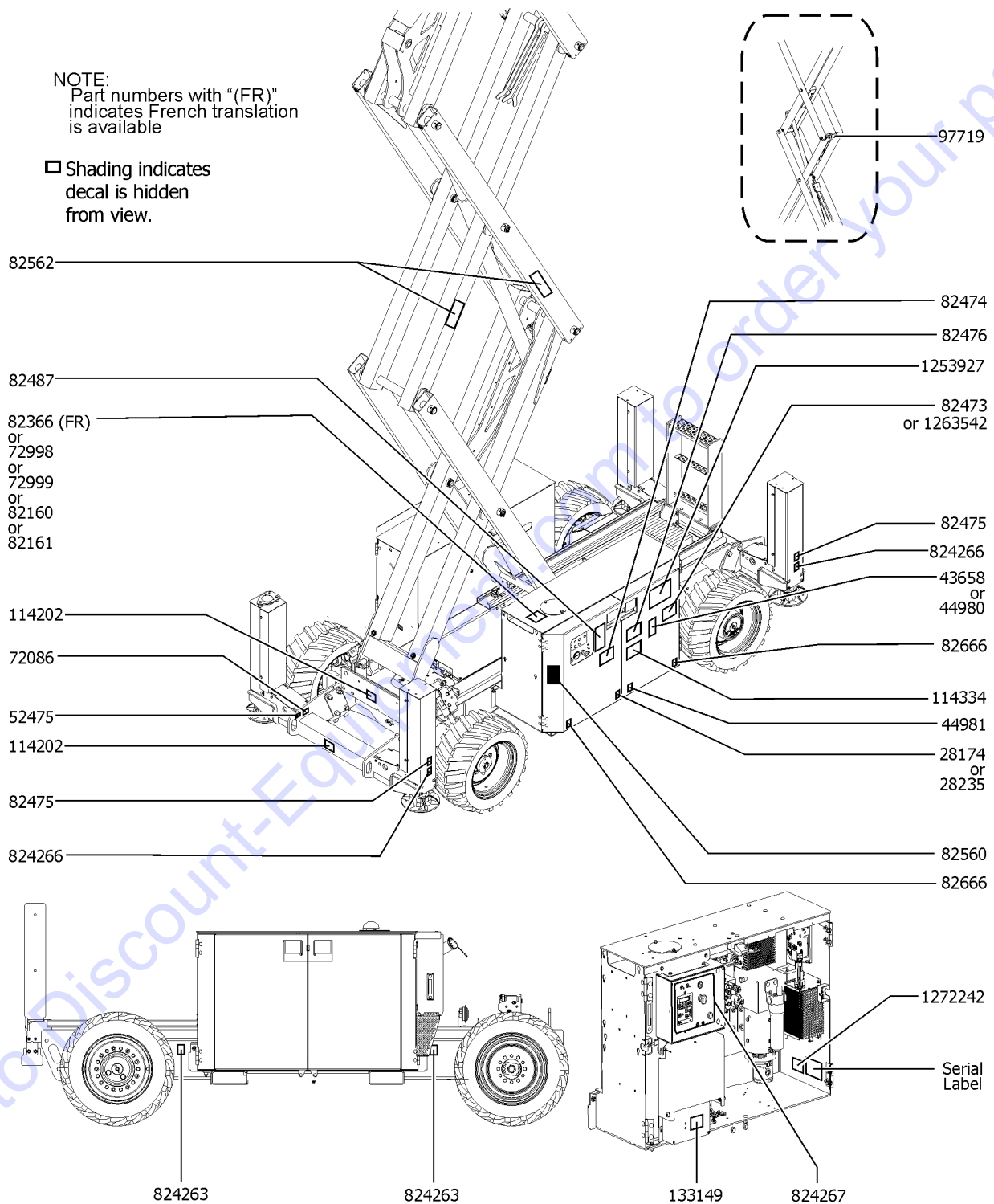
Item	Part No.	Description	Qty.
1	52475GT	DECAL,LABEL,TRANSPORT TIEDOWN*	3
2	72086GT	DECAL,LABEL,LIFTING EYE	3
3	82473GT	DECAL SYMBOL COMP ACCESS	1
4	82474GT	DECAL,SYMBOL-USE SAFETY ARM	1
5	82475GT	DECAL,SYMBOL-FOOT CRUSHING (models with outriggers)	2
6	82476GT	DECAL,SYMBOL-ELEC HAZARD,GS	1
7	82481GT	DECAL,SYMBOL-BATTERY SAFETY	1
8	82562GT	DECAL,SYMBOL-CRUSHING HAZARD	2
9	82666GT	DECAL,LABEL,FORKLIFT POCKET	2
10	114202GT	DECAL,LABEL,TRANSPORT TIE 68	1
11	114251GT	DECAL,LABEL,NO SMOKING,SYMB	1
12	114337GT	DECAL,SYM-TIP-OVR,LIM SWITCH	1
13	237925GT	DECAL,DNGR-TIP-OVR,BATT,T105CE For T105 Batteries	1
14	824263GT	DECAL,LABEL,WHEEL LD,GS2669BE	2
15	824266GT	DECAL,LABEL,OUTRIGGER LD,BE (models with outriggers)	2
16	824271GT	DECAL,DNGR-TIP-OVR,BATT,T145CE For T145 Batteries	1
17	1253927GT	DECAL,COSMETIC,BI-ENERGY	1
18	1255534GT	DECAL,LABEL,103 DB (CE only)	1
19	1256830GT	DECAL,WARNING,HOT SURFACE	1



106.1 Decals with Symbols, GS-2669, Controls Side

NOTE:
Part numbers with "(FR)" indicates French translation is available

☐ Shading indicates decal is hidden from view.



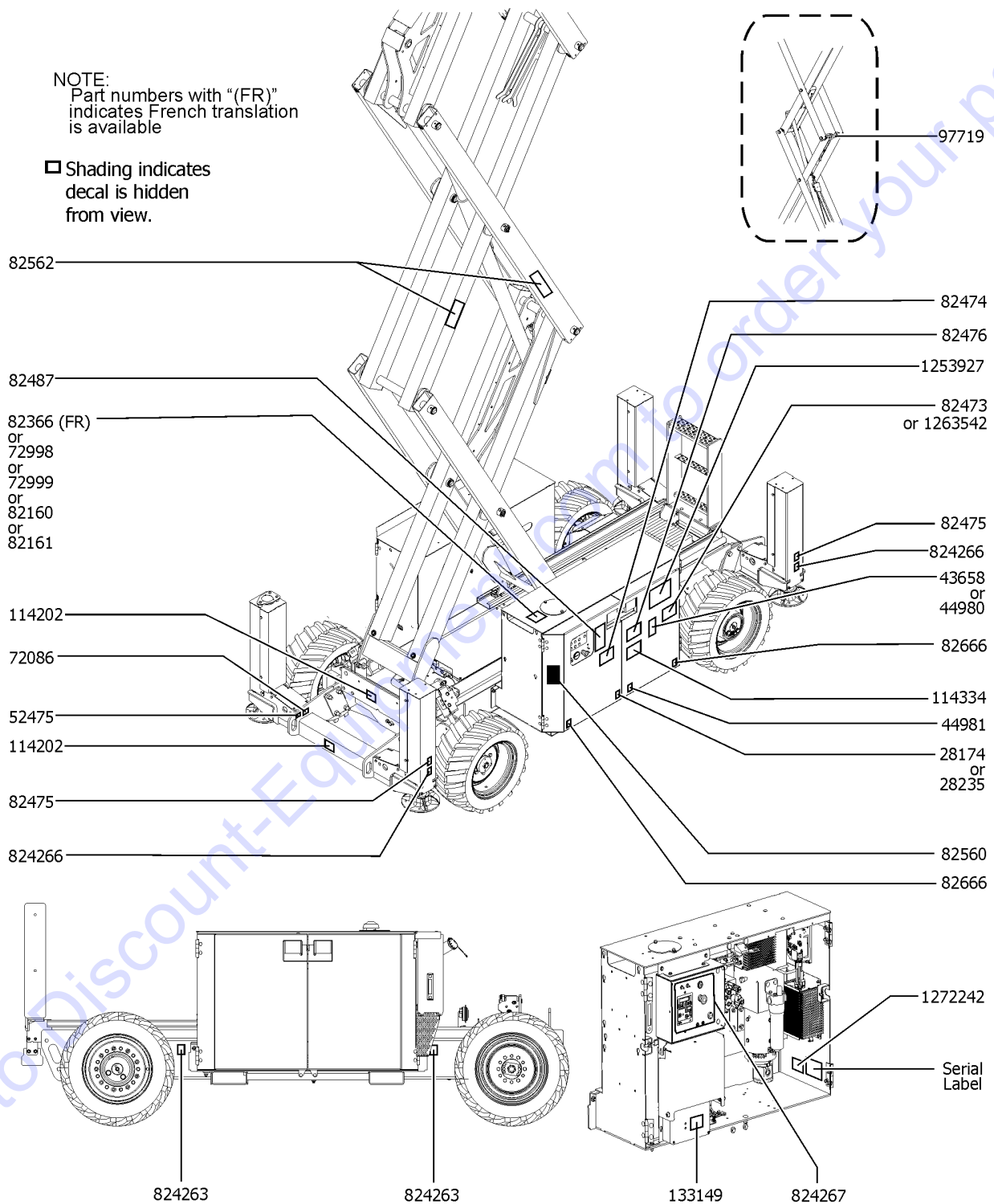
Item	Part No.	Description	Qty.
1	28174GT	DECAL,POWER TO PLATFORM 230V	1
2	28235GT	DECAL,POWER TO PLATFORM 115V	1
3	43658GT	DECAL,LABEL,PWR TO CHARGR 230V	1
4	44980GT	DECAL,LABEL,PWR TO CHARGR 115V	1
5	44981GT	DECAL,LABEL,AIRLINE 110 PSI	1
		Option, airline to plat	
6	52475GT	DECAL,LABEL,TRANSPORT TIEDOWN*	1
7	72086GT	DECAL,LABEL,LIFTING EYE	1
8	72998GT	DECAL,LABEL,QUINTOLUBRIK	1
		(For models with Quintolub hydraulic oil only)	
9	72999GT	DECAL,LABEL,PETRO CANADA***	1
		(For models with petro canada hydraulic oil only)	
10	82160GT	DECAL,LABEL,STATOIL HYDRA WAY	1
		(For models with Statoil hydraulic oil only)	
11	82161GT	DECAL,LABEL,UCON HYDROLUBE	1
		(For models with Ucon Hydrolube hydraulic oil only)	
12	82366GT	DECAL,CHEVRON RANDO HD	1
		(For models with chevron rando hydraulic oil only)	
13A	82473GT	DECAL SYMBOL COMP ACCESS	1
		(to 11474)	
13B	1263542GT	DECAL, COMPARTMENT ACCESS	2
		(from 11475)	
14	82474GT	DECAL,SYMBOL-USE SAFETY ARM	1
15	82475GT	DECAL,SYMBOL-FOOT CRUSHING	2
		(models with outriggers)	
16	82476GT	DECAL,SYMBOL-ELEC HAZARD,GS	1
17	82487GT	DECAL,SYMBOL-READ THE MANUAL	1
18	82560GT	DECAL,SYMBOL-SKIN INJECT HAZRD	1
19	82562GT	DECAL,SYMBOL-CRUSHING HAZARD	2
20	82666GT	DECAL,LABEL,FORKLIFT POCKET	2
21	97719GT	DECAL, LABEL, SAFETY ARM SYMB	1
22	114202GT	DECAL,LABEL,TRANSPORT TIE 68	1
23	114334GT	DECAL,SYM-ELEC HAZARD,PLUG	1
24	133149GT	DECAL,LABEL-ELEC HAZ,SERV MAN	1
25	824263GT	DECAL,LABEL,WHEEL LD,GS2669BE	2
26	824266GT	DECAL,LABEL,OUTRIGGER LD,BE	2
		(models with outriggers)	
27	824267GT	DECAL, GROUND CONTROL PANEL,	1



106.1 Decals with Symbols, GS-2669, Controls Side

NOTE:
Part numbers with "(FR)" indicates French translation is available

☐ Shading indicates decal is hidden from view.



106.1 Decals with Symbols, GS-2669, Controls Side

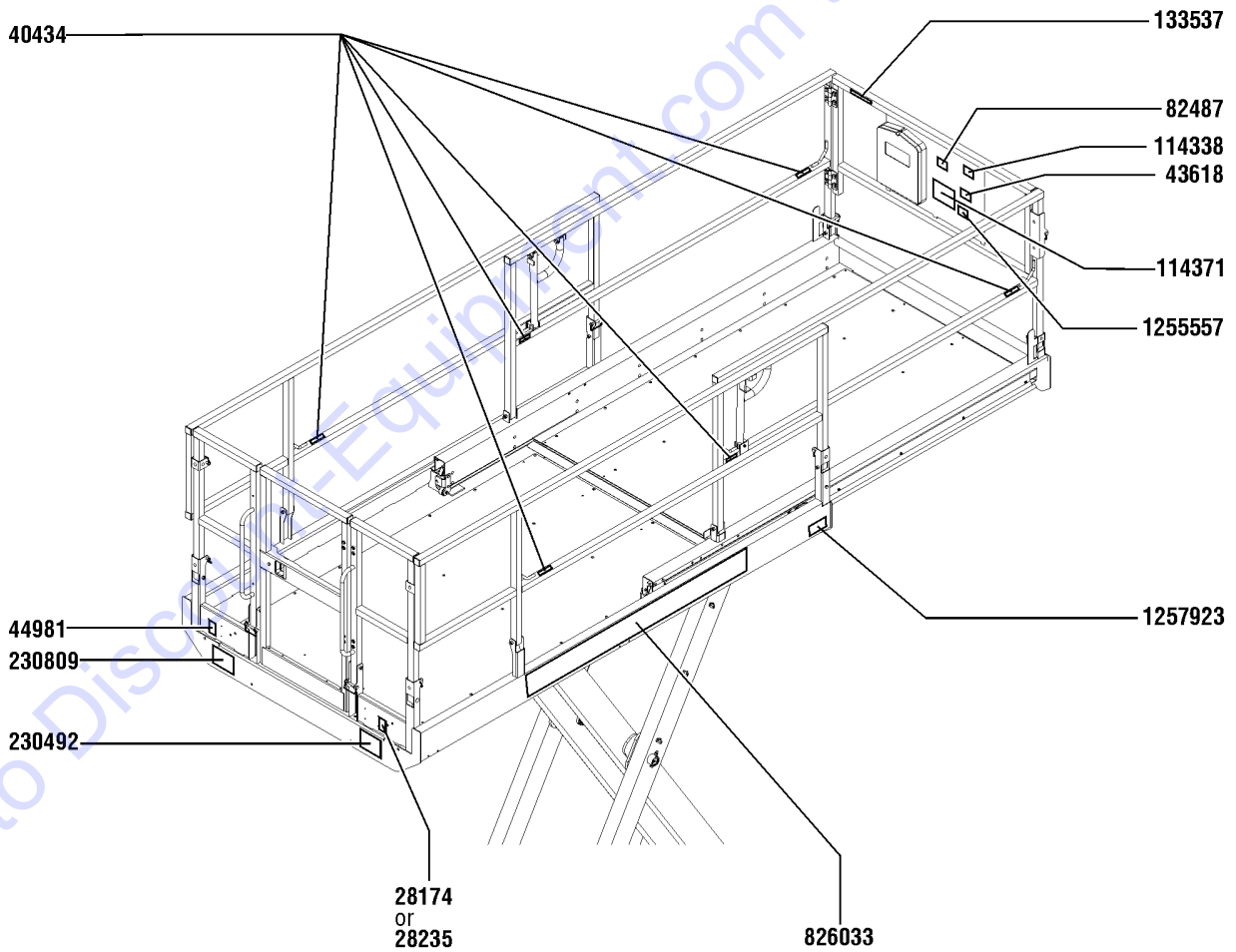
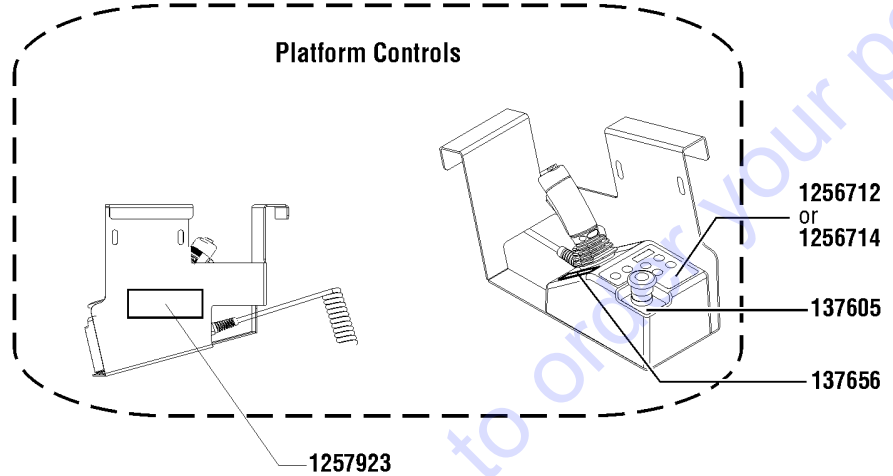
Item	Part No.	Description	Qty.
28	1253927GT	DECAL,COSMETIC,BI-ENERGY	1
29	1272242GT	DECAL,MACHINE REGISTRATION/OWN	1

Go to Discount-Equipment.com to order your parts



107.1 Decals with Symbols, GS-2669, Platform, ANSI (Asia & South America)

☐ Shading indicates
decal is hidden
from view.



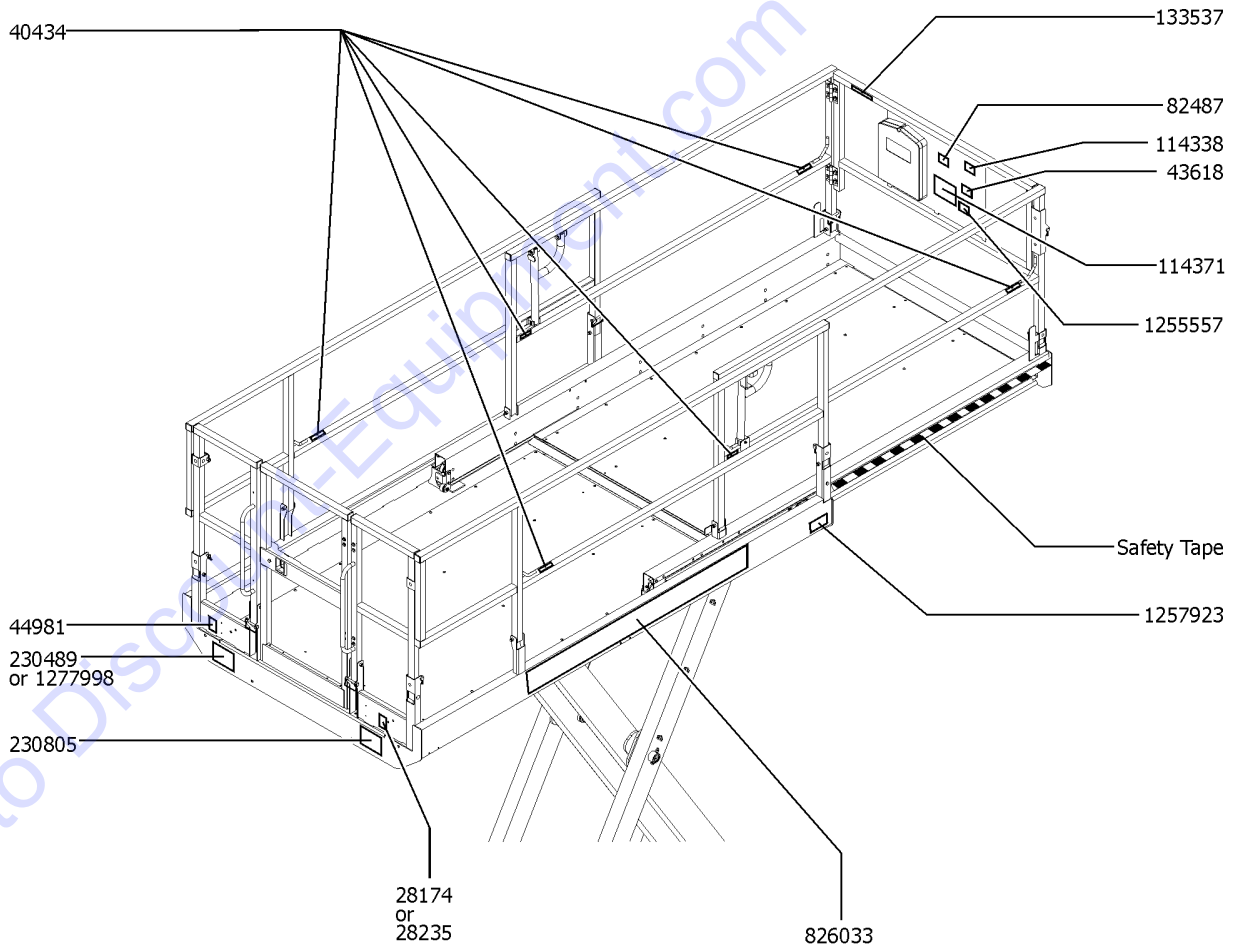
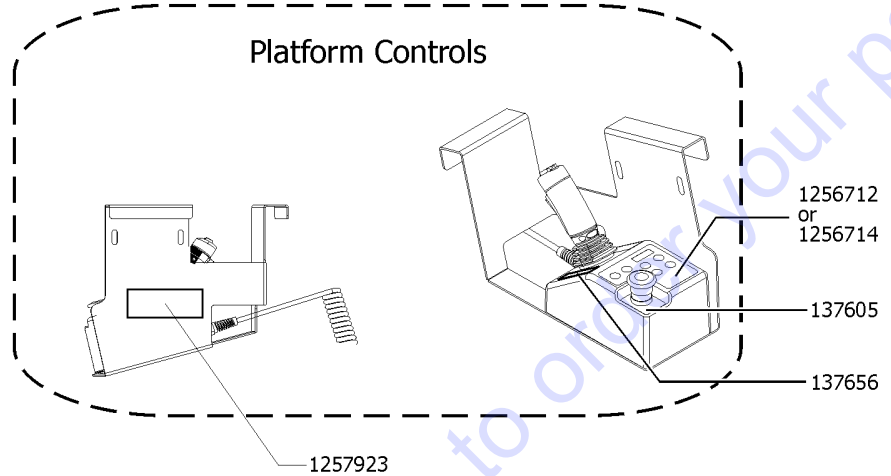
107.1 Decals with Symbols, GS-2669, Platform, ANSI (Asia & South America)

Item	Part No.	Description	Qty.
1	28174GT	DECAL,POWER TO PLATFORM 230V	1
2	28235GT	DECAL,POWER TO PLATFORM 115V	1
3	40434GT	DECAL,LANYARD ANCHORAGE POINT	6
4	43618GT	DECAL,LABEL-DIRECTION ARROWS	1
5	44981GT	DECAL,LABEL,AIRLINE 110 PSI	1
		Option, airline to plat	
6	82487GT	DECAL,SYMBOL-READ THE MANUAL	1
7	114338GT	DECAL,SYM-TIP-OVR,TILT ALARM	1
8	114371GT	DECAL,SYM-TIP-OVER,OUTRGR	1
		(models with outriggers)	
9	133537GT	DECAL,CRUSH HAZ RAILS SYMB	1
10	137605GT	DECAL,E-STOP,GR/GRC/GS PCON	1
11	137656GT	DECAL,PROPEL,GR/GRC/GS,PCON	1
12	230492GT	DECAL,DANGER,SIDE FRC,GS2669	1
13	230809GT	DECAL,NOTICE,MAX CAP GS2669	1
14	826033GT	DECAL,COSMETIC GENIE GS-2669BE	1
15	1255557GT	LABEL,RUNAWAY HAZARD, SLOPE	1
16	1256712GT	DECAL,STD,PROP LIFT,69BE,UI	1
		(models without outriggers)	
17	1256714GT	DECAL,O/R,PROP LIFT,69BE,UI	1
		(models with outriggers)	
18	1257923GT	DECAL, SMARTLINK PROPORTIONAL	2



108.1 Decals with Symbols, GS-2669, Platform, CE

☐ Shading indicates decal is hidden from view.



108.1 Decals with Symbols, GS-2669, Platform, CE

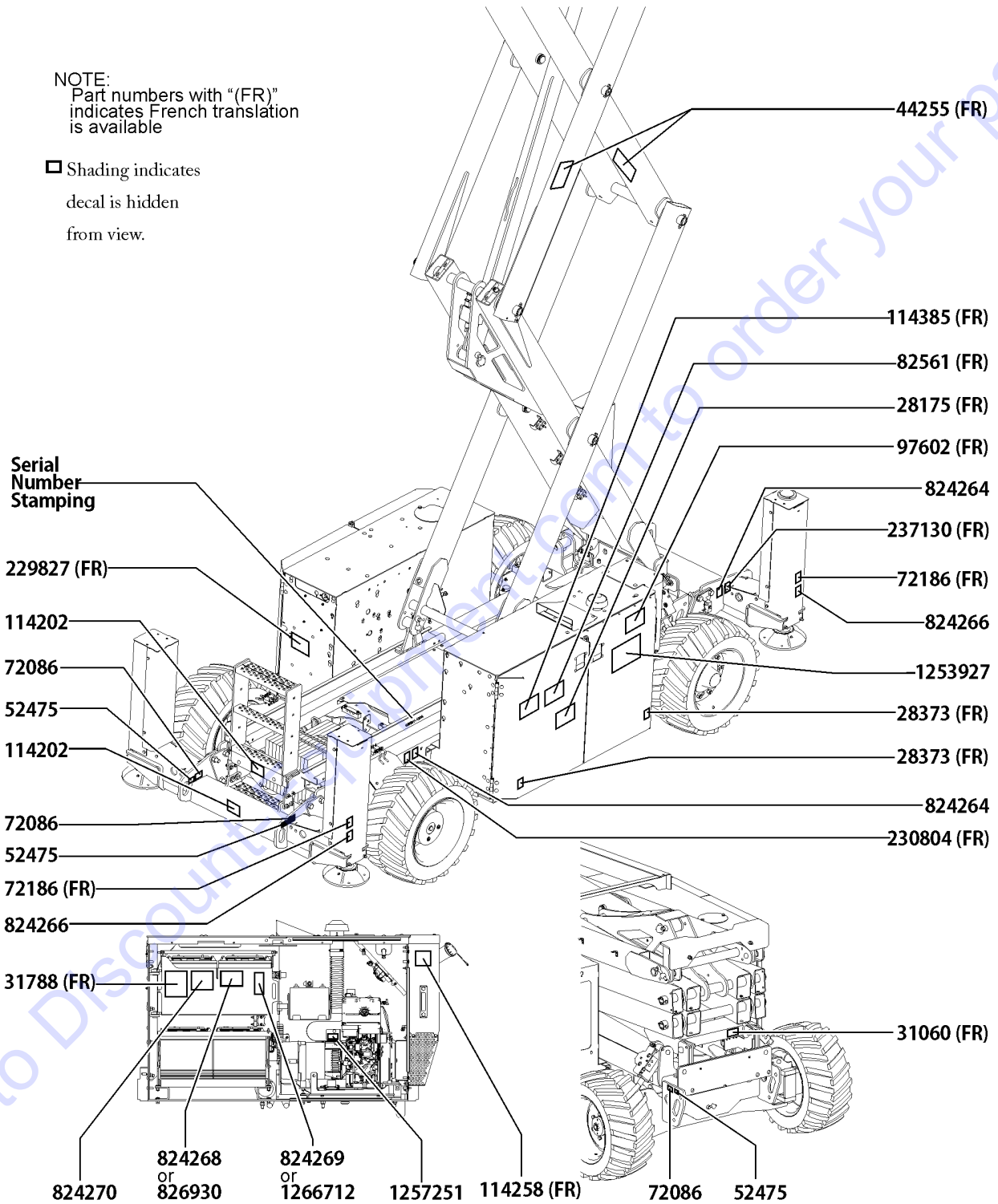
Item	Part No.	Description	Qty.
1	28174GT	DECAL,POWER TO PLATFORM 230V	1
2	28235GT	DECAL,POWER TO PLATFORM 115V	1
3	40434GT	DECAL,LANYARD ANCHORAGE POINT	6
4	43618GT	DECAL,LABEL-DIRECTION ARROWS	1
5	44981GT	DECAL,LABEL,AIRLINE 110 PSI	1
		Option, airline to plat	
6	82487GT	DECAL,SYMBOL-READ THE MANUAL	1
7	114338GT	DECAL,SYM-TIP-OVR,TILT ALARM	1
8	114371GT	DECAL,SYM-TIP-OVER,OUTRGR	1
		(models with outriggers)	
9	133537GT	DECAL,CRUSH HAZ RAILS SYMB	1
10	137605GT	DECAL,E-STOP,GR/GRC/GS PCON	1
11	137656GT	DECAL,PROPEL,GR/GRC/GS,PCON	1
12A	230489GT	DECAL,NOTICE,MAX CAP GS2669	1
		(to SN 11474)	
12B	1277998GT	DECAL,DANGER,MAX CAP/MAN FRC 2669 CE	1
		(from SN 11475)	
13	230805GT	DECAL,DANGER,MAN FRC, GS2669	1
14	826033GT	DECAL,COSMETIC GENIE GS-2669BE	1
15	1255557GT	LABEL,RUNAWAY HAZARD, SLOPE	1
16	1256712GT	DECAL,STD,PROP LIFT,69BE,UI	1
		(models without outriggers)	
17	1256714GT	DECAL,O/R,PROP LIFT,69BE,UI	1
		(models with outriggers)	
18	1257923GT	DECAL, SMARTLINK PROPORTIONAL	2



109.1 Decals with Words, GS-3369, Battery Side

NOTE:
Part numbers with "(FR)" indicates French translation is available

☐ Shading indicates decal is hidden from view.



109.1 Decals with Words, GS-3369, Battery Side

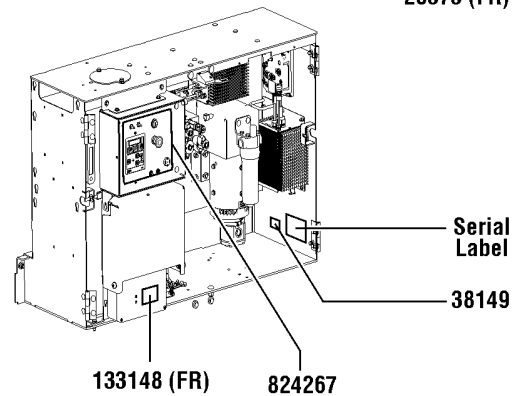
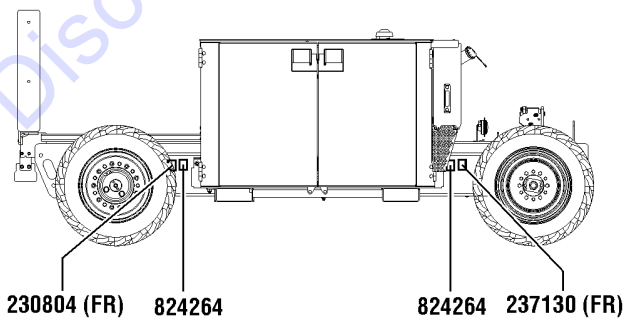
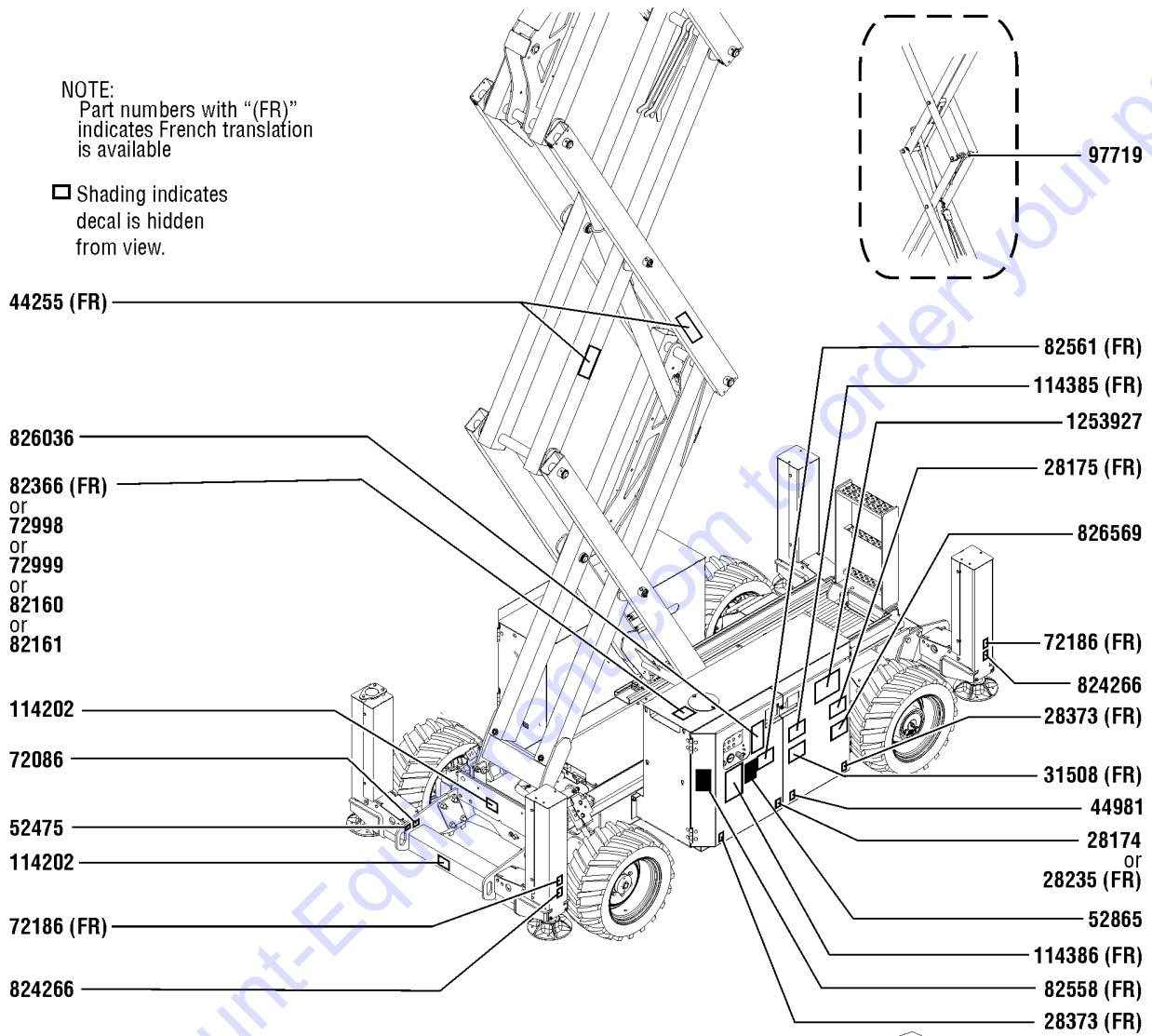
Item	Part No.	Description	Qty.
1	28175GT	DECAL,WARNING-COMPART ACCESS	1
2	28373GT	DECAL,FORK LIFT POCKET	2
3	31060GT	DECAL,DANGER DO NOT ALTER SWTC	1
4	31788GT	DECAL,DANGER,BATTERY SAFETY***	1
5	44255GT	DECAL,DANGER,CRUSHING HAZARD	2
6	52475GT	DECAL,LABEL,TRANSPORT TIEDOWN*	3
7	72086GT	DECAL,LABEL,LIFTING EYE	3
8	72186GT	DECAL,WARNING,CRUSHING HAZARD	2
		(models with outriggers)	
9	82561GT	DECAL,DANGER-USE SAFETY ARM	1
10	97602GT	DECAL,EXPLOSION HAZARD	1
11	114202GT	DECAL,LABEL,TRANSPORT TIE 68	1
12	114258GT	DECAL,DANGER,NO SMOKING	1
13	114385GT	DECAL,DANGER,ELEC HAZARD,GS	1
14	229827GT	DECAL,WARNING,HOT SURFACE	1
15	230804GT	DECAL,NOTICE,TIRE SPECS, REAR	1
		(non-steer end)	
16	237130GT	DECAL,NOTICE,TIRE SPECS, FRONT	1
		(steer end)	
17	824264GT	DECAL,LABEL,WHEEL LD,GS3369BE	2
18	824266GT	DECAL,LABEL,OUTRIGGER LD,BE	2
		(models with outriggers)	
19	824268GT	DECAL,DANGER-TIP-OVR,BE,T145	1
		T145 Batteries	
20A	824269GT	DECAL,KOHLER ENGINE SPEC KD350	1
		ANSI/CSA models (3600rpm)	
20B	1266712GT	DECAL,KOHLER ENG.SPEC,3000RPM	
		all other models (3000 rpm)	
21	824270GT	DECAL,BATT CONN DIAGRAM,BE	1
		T105 and T145 Batteries	
22	826930GT	DECAL,DANGER-TIP-OVR,BE,T105	1
		T105 Batteries	
23	1253927GT	DECAL,COSMETIC,BI-ENERGY	1
24	1257251GT	DECAL,WARNING,HOT SURFACE	1



110.1 Decals with Words, GS-3369, Controls Side

NOTE:
Part numbers with "(FR)" indicates French translation is available

☐ Shading indicates decal is hidden from view.



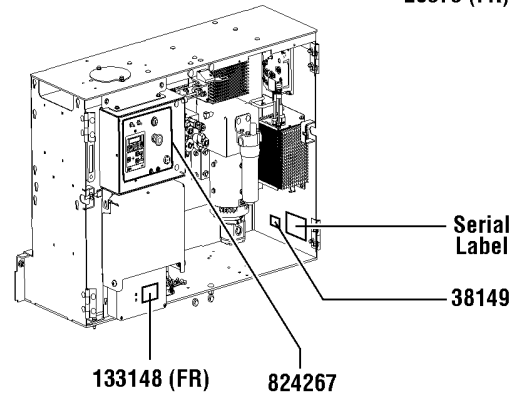
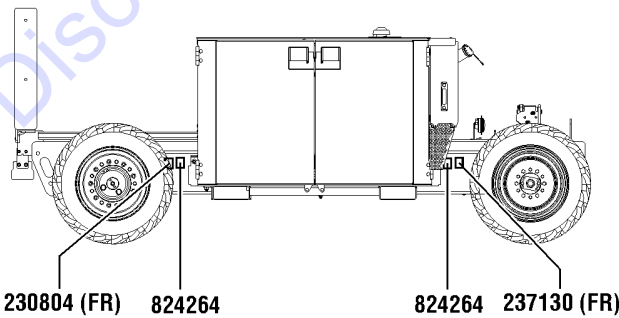
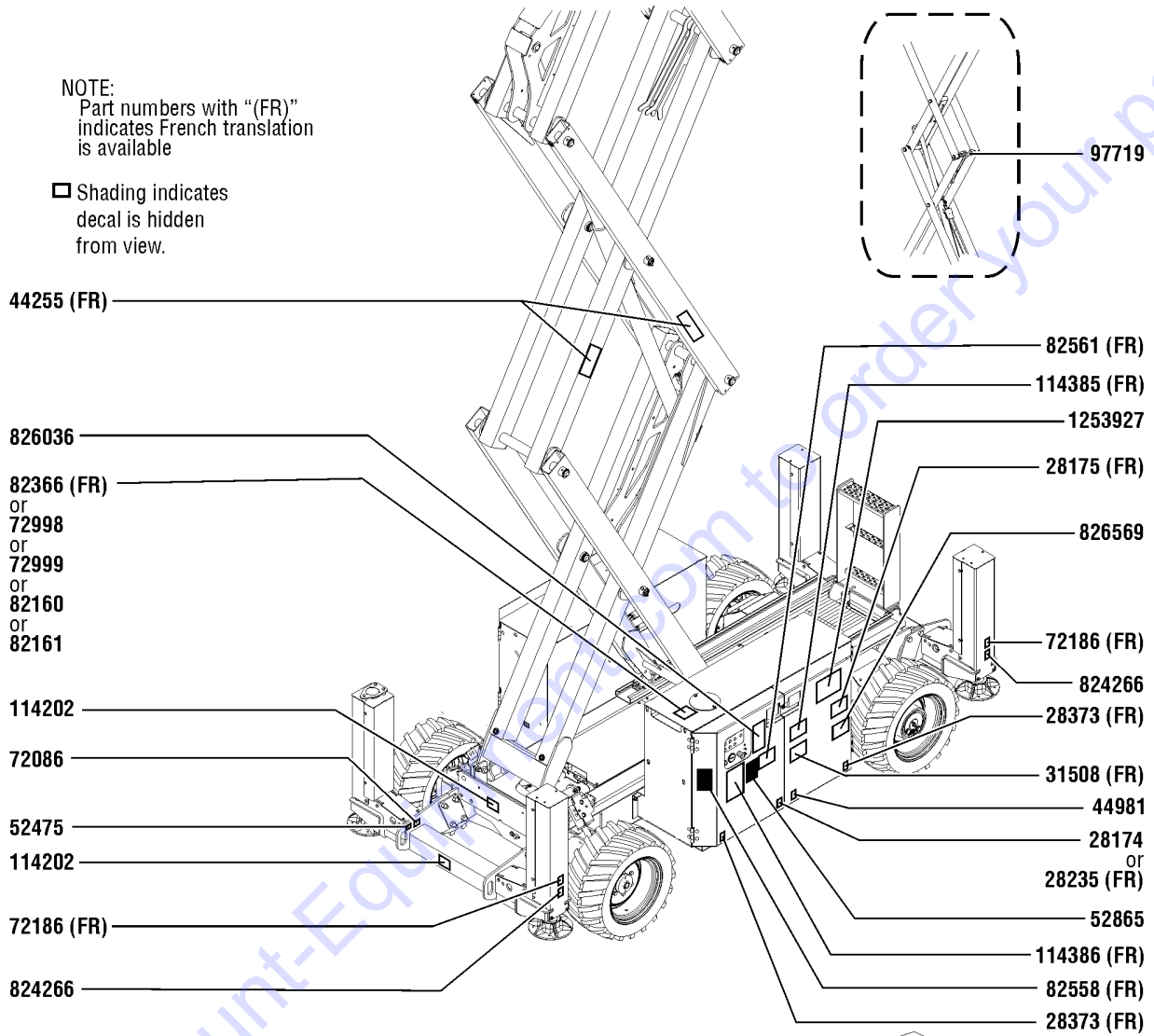
Item	Part No.	Description	Qty.
1	28174GT	DECAL,POWER TO PLATFORM 230V	1
2	28175GT	DECAL,WARNING-COMPART ACCESS	1
3	28235GT	DECAL,POWER TO PLATFORM 115V	1
4	28373GT	DECAL,FORK LIFT POCKET	2
5	31508GT	DECAL,DANGER,ELECT HAZARD,PLUG	1
6	38149GT	DECAL,LABEL,PATENTS	1
		(US only)	
7	44255GT	DECAL,DANGER,CRUSHING HAZARD	2
8	44981GT	DECAL,LABEL,AIRLINE 110 PSI	1
		Option, airline to platform	
9	52475GT	DECAL,LABEL,TRANSPORT TIEDOWN*	1
10	52865GT	DECAL,ANNUAL INSP***	1
		(ANSI only)	
11	72086GT	DECAL,LABEL,LIFTING EYE	1
12	72186GT	DECAL,WARNING,CRUSHING HAZARD	2
		(models with outriggers)	
13	72998GT	DECAL,LABEL,QUINTOLUBRIK	1
		(For models with Quintolub hydraulic oil only)	
14	72999GT	DECAL,LABEL,PETRO CANADA***	1
		(For models with petro canada hydraulic oil only)	
15	82160GT	DECAL,LABEL,STATOIL HYDRA WAY	1
		(For models with Statoil hydraulic oil only)	
16	82161GT	DECAL,LABEL,UCON HYDROLUBE	1
		(For models with Ucon Hydrolube hydraulic oil only)	
17	82366GT	DECAL,CHEVRON RANDO HD	1
		(For models with chevron rando hydraulic oil only)	
18	82558GT	DECAL,WARN,SKIN INJECTION HAZ*	1
19	82561GT	DECAL,DANGER-USE SAFETY ARM	1
20	97719GT	DECAL, LABEL, SAFETY ARM SYMB	1
21	114202GT	DECAL,LABEL,TRANSPORT TIE 68	1
22	114385GT	DECAL,DANGER,ELEC HAZARD,GS	1
23	114386GT	DECAL,DANGER-GEN SAFETY	1
24	133148GT	DECAL,DANGER,HAZARD VOLTAGE	1
25	230804GT	DECAL,NOTICE,TIRE SPECS, REAR	1
		(non-steer end)	
26	237130GT	DECAL,NOTICE,TIRE SPECS, FRONT	1
		(steer end)	
27	824264GT	DECAL,LABEL,WHEEL LD,GS3369BE	2
28	824266GT	DECAL,LABEL,OUTRIGGER LD,BE	2
		(models with outriggers)	



110.1 Decals with Words, GS-3369, Controls Side

NOTE:
Part numbers with "(FR)" indicates French translation is available

☐ Shading indicates decal is hidden from view.



110.1 Decals with Words, GS-3369, Controls Side

Item	Part No.	Description	Qty.
29	824267GT	DECAL, GROUND CONTROL PANEL,	1
30	826036GT	DECAL,GRND OPS INSTRUCT,GS69BE	1
31	826569GT	DECAL,INSTRUCTIONS-CHARGER OP	1
32	1253927GT	DECAL,COSMETIC,BI-ENERGY	1

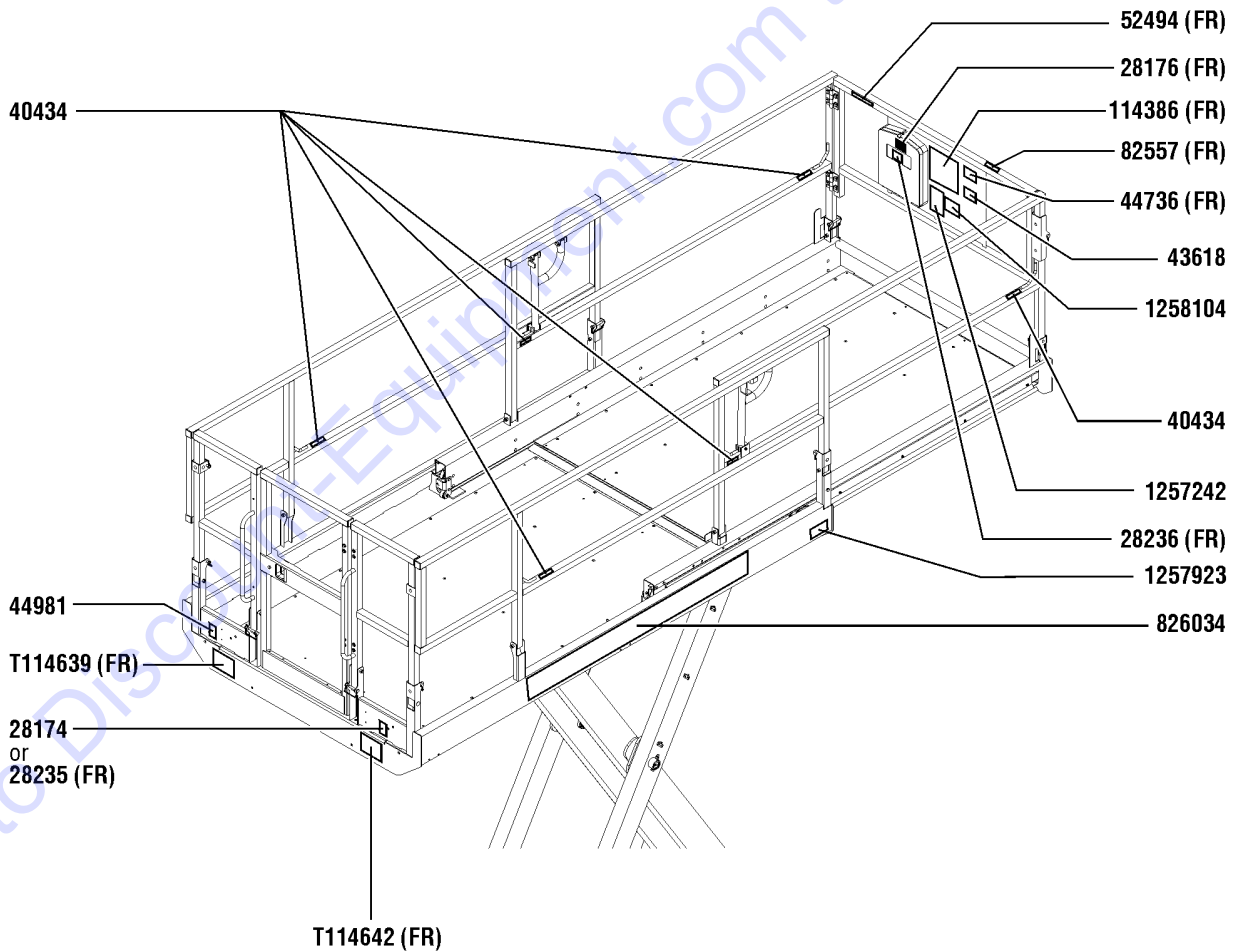
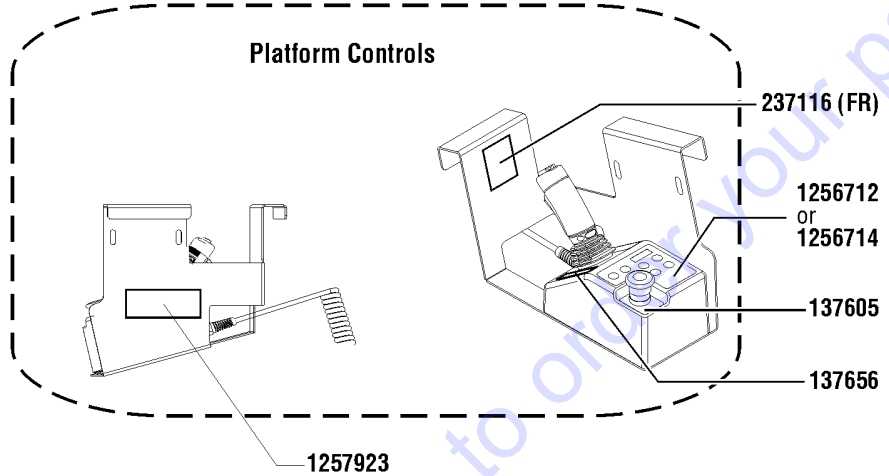
Go to Discount-Equipment.com to order your parts



111.1 Decals with Words, GS-3369, Platform, ANSI & CSA

NOTE:
Part numbers with "(FR)" indicates French translation is available

☐ Shading indicates decal is hidden from view.



111.1 Decals with Words, GS-3369, Platform, ANSI & CSA

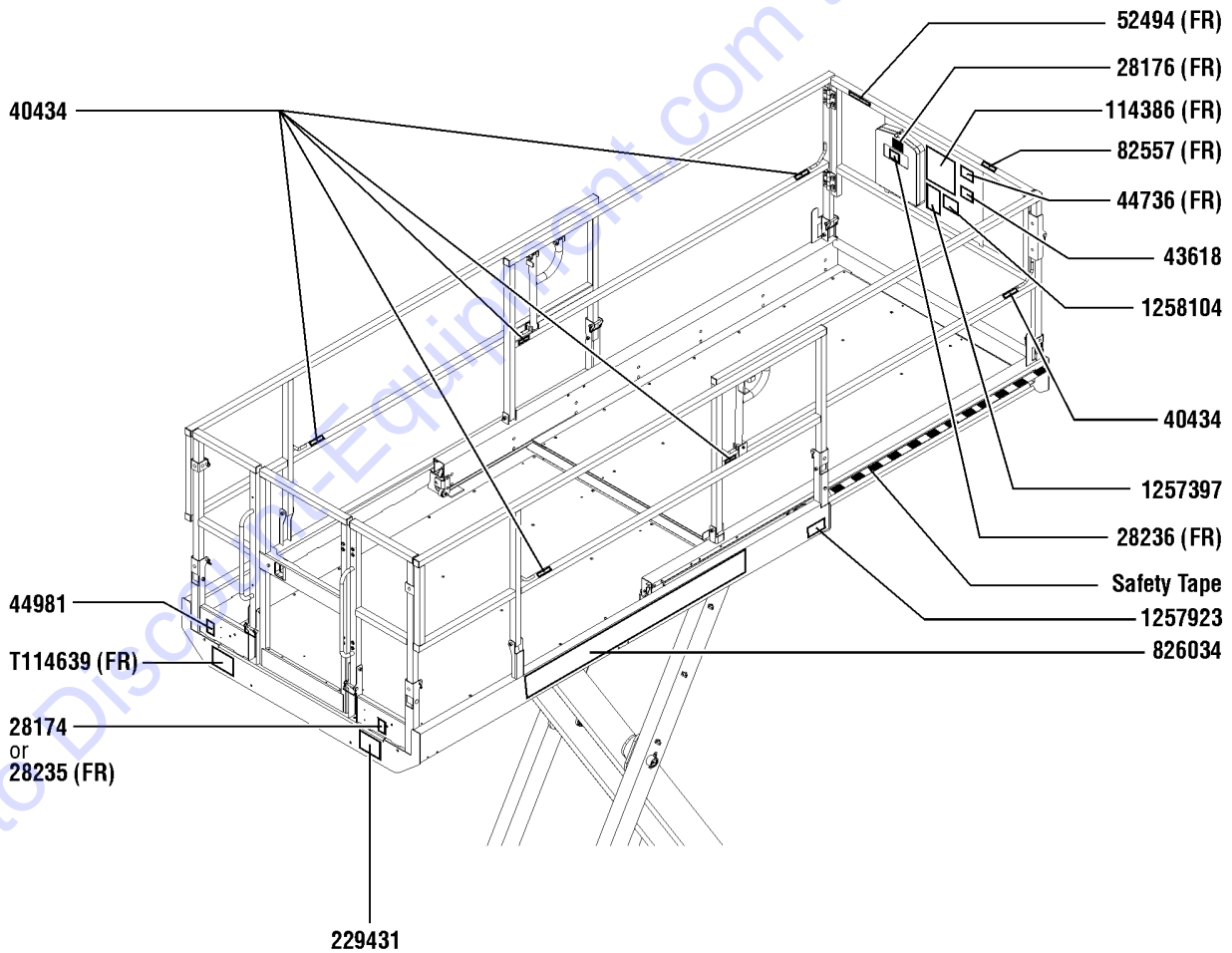
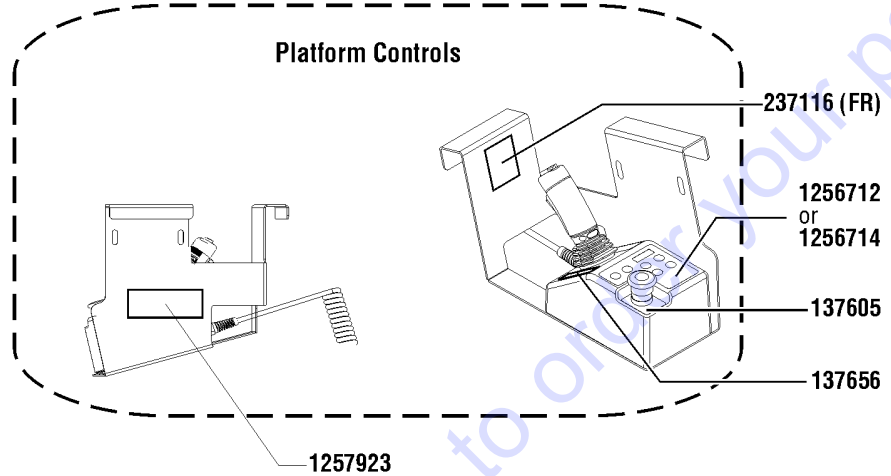
Item	Part No.	Description	Qty.
1	28174GT	DECAL,POWER TO PLATFORM 230V	1
2	28176GT	DECAL,LABEL,MANUAL NOT HERE	1
3	28235GT	DECAL,POWER TO PLATFORM 115V	1
4	28236GT	DECAL,WARN,IMPROPER OPERATION	1
5	40434GT	DECAL,LANYARD ANCHORAGE POINT	6
6	43618GT	DECAL,LABEL-DIRECTION ARROWS	1
7	44736GT	DECAL,DANGER,TIP-OVER,TILT	1
8	44981GT	DECAL,LABEL,AIRLINE 110 PSI	1
		Option, airline to platform	
9	52494GT	DECAL,CAUTION,CRUSH HAZ, RAILS	1
10	82557GT	DECAL,LABEL,PLAT CONT LOCATION	1
11	114386GT	DECAL,DANGER-GEN SAFETY	1
12	137605GT	DECAL,E-STOP,GR/GRC/GS PCON	1
13	137656GT	DECAL,PROPEL,GR/GRC/GS,PCON	1
14	237116GT	DECAL,LABEL,FAULT CODES,69DC	1
15	826034GT	DECAL,COSMETIC GENIE GS-3369BE	1
16	T114639GT	DECAL,NOTICE,MAX CAP,GS3369	1
17	T114642GT	DECAL,NOTICE,SIDE FRC,3369 ANS	1
18	1256712GT	DECAL,STD,PROP LIFT,69BE,UI	1
		(models without outriggers)	
19	1256714GT	DECAL,O/R,PROP LIFT,69BE,UI	1
		(models with outriggers)	
20	1257242GT	DECAL,NOTICE,OP,INST,PLAT,69BE	1
21	1257923GT	DECAL, SMARTLINK PROPORTIONAL	2
22	1258104GT	DECAL,DANGER,OUTRIGGER SAFETY	1
		(models with outriggers)	



112.1 Decals with Words, GS-3369, Platform, AUS

NOTE:
Part numbers with "(FR)" indicates French translation is available

☐ Shading indicates decal is hidden from view.

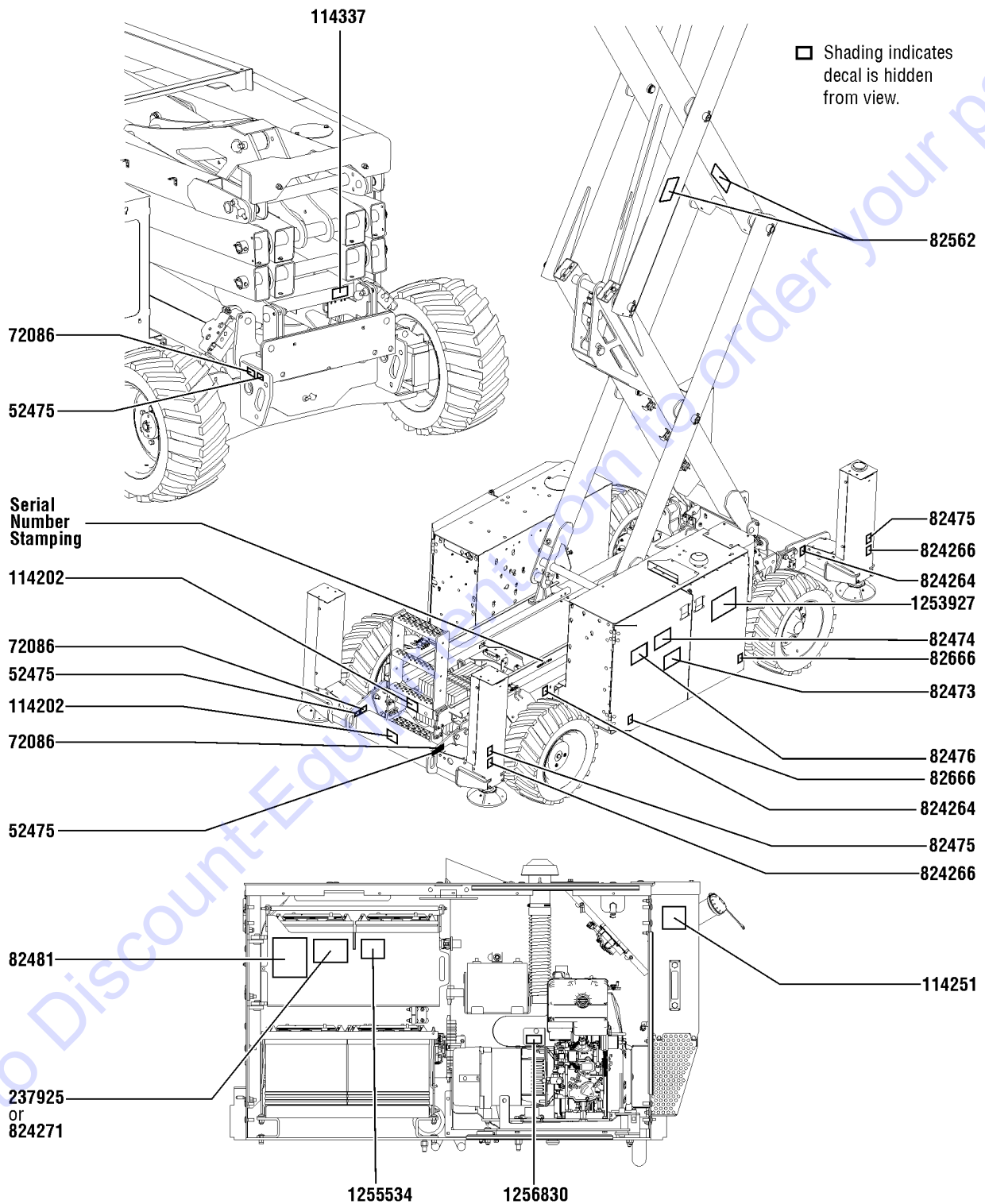


112.1 Decals with Words, GS-3369, Platform, AUS

Item	Part No.	Description	Qty.
1	28174GT	DECAL,POWER TO PLATFORM 230V	1
2	28176GT	DECAL,LABEL,MANUAL NOT HERE	1
3	28235GT	DECAL,POWER TO PLATFORM 115V	1
4	28236GT	DECAL,WARN,IMPROPER OPERATION	1
5	40434GT	DECAL,LANYARD ANCHORAGE POINT	6
6	43618GT	DECAL,LABEL-DIRECTION ARROWS	1
7	44736GT	DECAL,DANGER,TIP-OVER,TILT	1
8	44981GT	DECAL,LABEL,AIRLINE 110 PSI	1
		Option, airline to platform	
9	52494GT	DECAL,CAUTION,CRUSH HAZ, RAILS	1
10	82557GT	DECAL,LABEL,PLAT CONT LOCATION	1
11	114386GT	DECAL,DANGER-GEN SAFETY	1
12	137605GT	DECAL,E-STOP,GR/GRC/GS PCON	1
13	137656GT	DECAL,PROPEL,GR/GRC/GS,PCON	1
14	229431GT	DECAL,NOTICE,MAN FRC,3369 AUS	1
15	237116GT	DECAL,LABEL,FAULT CODES,69DC	1
16	826034GT	DECAL,COSMETIC GENIE GS-3369BE	1
17	T114639GT	DECAL,NOTICE,MAX CAP,GS3369	1
18	1256712GT	DECAL,STD,PROP LIFT,69BE,UI	1
		(models without outriggers)	
19	1256714GT	DECAL,O/R,PROP LIFT,69BE,UI	1
		(models with outriggers)	
20	1257397GT	DECAL,OP,INSTR,PLAT,69BE,AUS	1
21	1257923GT	DECAL, SMARTLINK PROPORTIONAL	2
22	1258104GT	DECAL,DANGER,OUTRIGGER SAFETY	1
		(models with outriggers)	



113.1 Decals with Symbols, GS-3369, Battery Side



113.1 Decals with Symbols, GS-3369, Battery Side

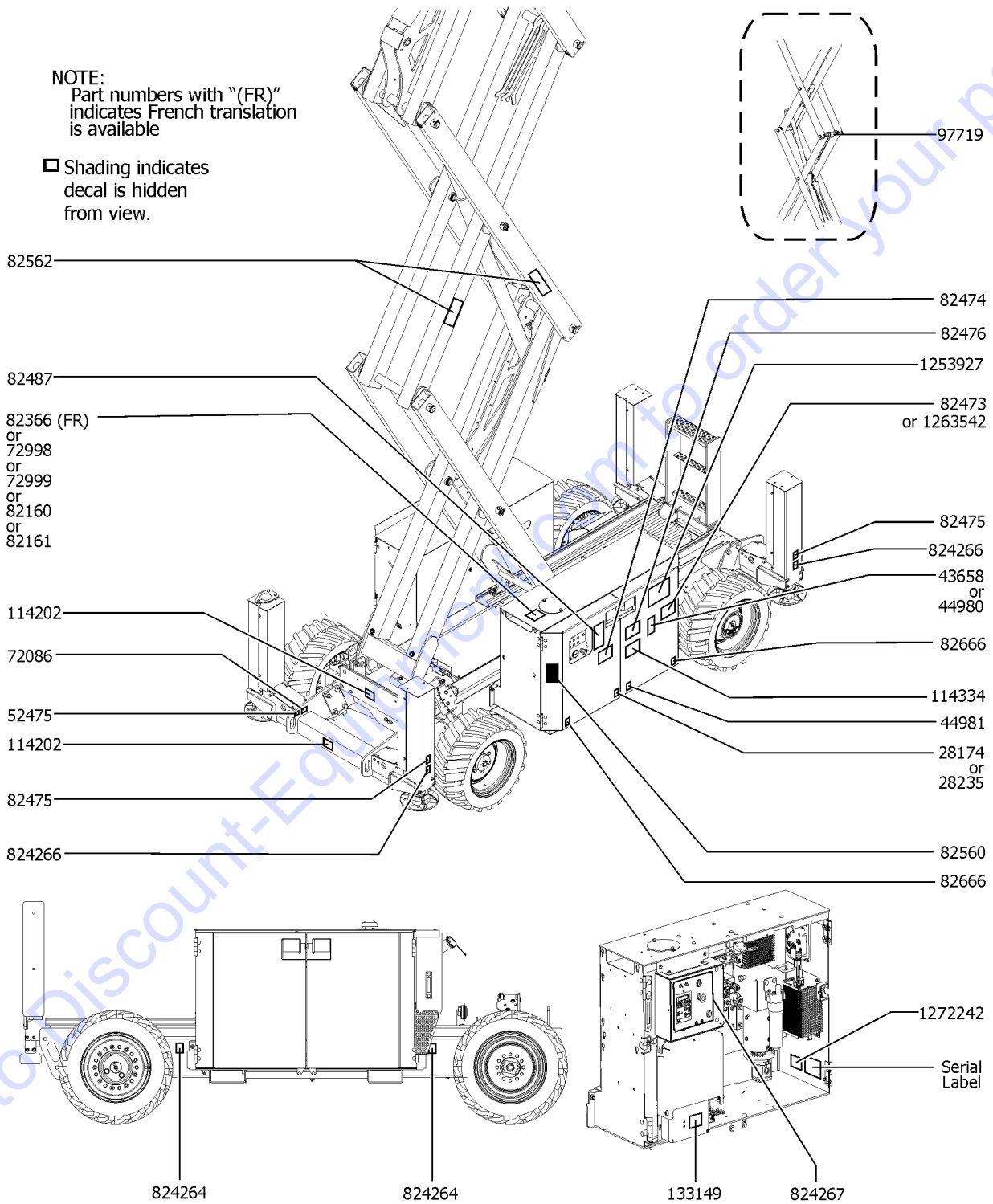
Item	Part No.	Description	Qty.
1	52475GT	DECAL,LABEL,TRANSPORT TIEDOWN*	3
2	72086GT	DECAL,LABEL,LIFTING EYE	3
3	82473GT	DECAL SYMBOL COMP ACCESS	1
4	82474GT	DECAL,SYMBOL-USE SAFETY ARM	1
5	82475GT	DECAL,SYMBOL-FOOT CRUSHING (models with outriggers)	2
6	82476GT	DECAL,SYMBOL-ELEC HAZARD,GS	1
7	82481GT	DECAL,SYMBOL-BATTERY SAFETY	1
8	82562GT	DECAL,SYMBOL-CRUSHING HAZARD	2
9	82666GT	DECAL,LABEL,FORKLIFT POCKET	2
10	114202GT	DECAL,LABEL,TRANSPORT TIE 68	1
11	114251GT	DECAL,LABEL,NO SMOKING,SYMB	1
12	114337GT	DECAL,SYM-TIP-OVR,LIM SWITCH	1
13	237925GT	DECAL,DNGR-TIP-OVR,BATT,T105CE For T105 Batteries	1
14	824264GT	DECAL,LABEL,WHEEL LD,GS3369BE	2
15	824266GT	DECAL,LABEL,OUTRIGGER LD,BE (models with outriggers)	2
16	824271GT	DECAL,DNGR-TIP-OVR,BATT,T145CE For T145 Batteries	1
17	1253927GT	DECAL,COSMETIC,BI-ENERGY	1
18	1255534GT	DECAL,LABEL,103 DB (CE only)	1
19	1256830GT	DECAL,WARNING,HOT SURFACE	1



114.1 Decals with Symbols, GS-3369, Controls Side

NOTE:
Part numbers with "(FR)" indicates French translation is available

☐ Shading indicates decal is hidden from view.



114.1 Decals with Symbols, GS-3369, Controls Side

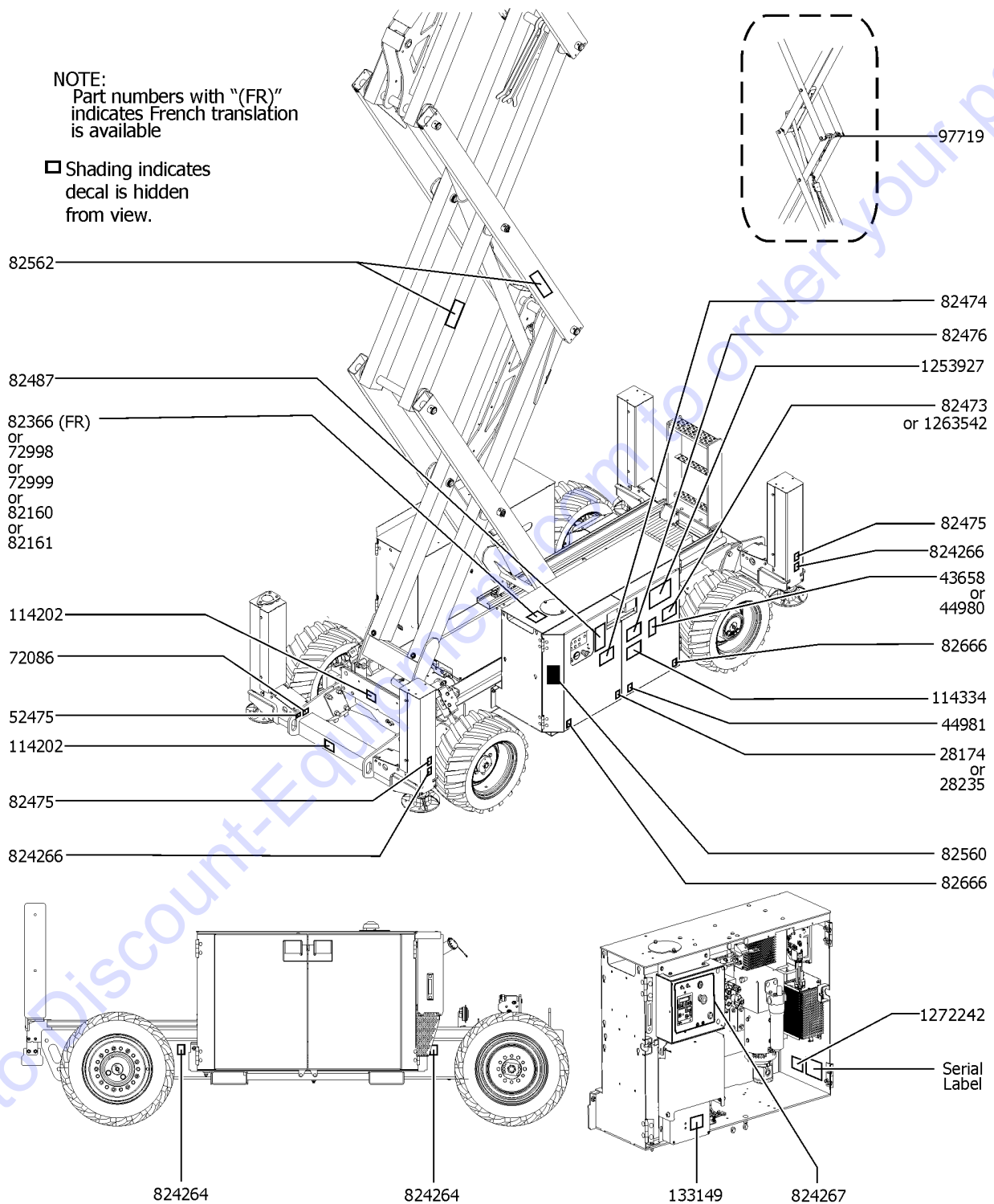
Item	Part No.	Description	Qty.
1	28174GT	DECAL,POWER TO PLATFORM 230V	1
2	28235GT	DECAL,POWER TO PLATFORM 115V	1
3	43658GT	DECAL,LABEL,PWR TO CHARGR 230V	1
4	44980GT	DECAL,LABEL,PWR TO CHARGR 115V	1
5	44981GT	DECAL,LABEL,AIRLINE 110 PSI	1
		Option, airline to plat	
6	52475GT	DECAL,LABEL,TRANSPORT TIEDOWN*	1
7	72086GT	DECAL,LABEL,LIFTING EYE	1
8	72998GT	DECAL,LABEL,QUINTOLUBRIK	1
		(For models with Quintolub hydraulic oil only)	
9	72999GT	DECAL,LABEL,PETRO CANADA***	1
		(For models with petro canada hydraulic oil only)	
10	82160GT	DECAL,LABEL,STATOIL HYDRA WAY	1
		(For models with Statoil hydraulic oil only)	
11	82161GT	DECAL,LABEL,UCON HYDROLUBE	1
		(For models with Ucon Hydrolube hydraulic oil only)	
12	82366GT	DECAL,CHEVRON RANDO HD	1
		(For models with chevron rando hydraulic oil only)	
13A	82473GT	DECAL SYMBOL COMP ACCESS	1
		(to 11474)	
13B	1263542GT	DECAL, COMPARTMENT ACCESS	1
		(from 11475)	
14	82474GT	DECAL,SYMBOL-USE SAFETY ARM	1
15	82475GT	DECAL,SYMBOL-FOOT CRUSHING	2
		(models with outriggers)	
16	82476GT	DECAL,SYMBOL-ELEC HAZARD,GS	1
17	82487GT	DECAL,SYMBOL-READ THE MANUAL	1
18	82560GT	DECAL,SYMBOL-SKIN INJECT HAZRD	1
19	82562GT	DECAL,SYMBOL-CRUSHING HAZARD	2
20	82666GT	DECAL,LABEL,FORKLIFT POCKET	2
21	97719GT	DECAL, LABEL, SAFETY ARM SYMB	1
22	114202GT	DECAL,LABEL,TRANSPORT TIE 68	1
23	114334GT	DECAL,SYM-ELEC HAZARD,PLUG	1
24	133149GT	DECAL,LABEL-ELEC HAZ,SERV MAN	1
25	824264GT	DECAL,LABEL,WHEEL LD,GS3369BE	2
26	824266GT	DECAL,LABEL,OUTRIGGER LD,BE	2
		(models with outriggers)	
27	824267GT	DECAL, GROUND CONTROL PANEL,	1



114.1 Decals with Symbols, GS-3369, Controls Side

NOTE:
Part numbers with "(FR)" indicates French translation is available

☐ Shading indicates decal is hidden from view.



114.1 Decals with Symbols, GS-3369, Controls Side

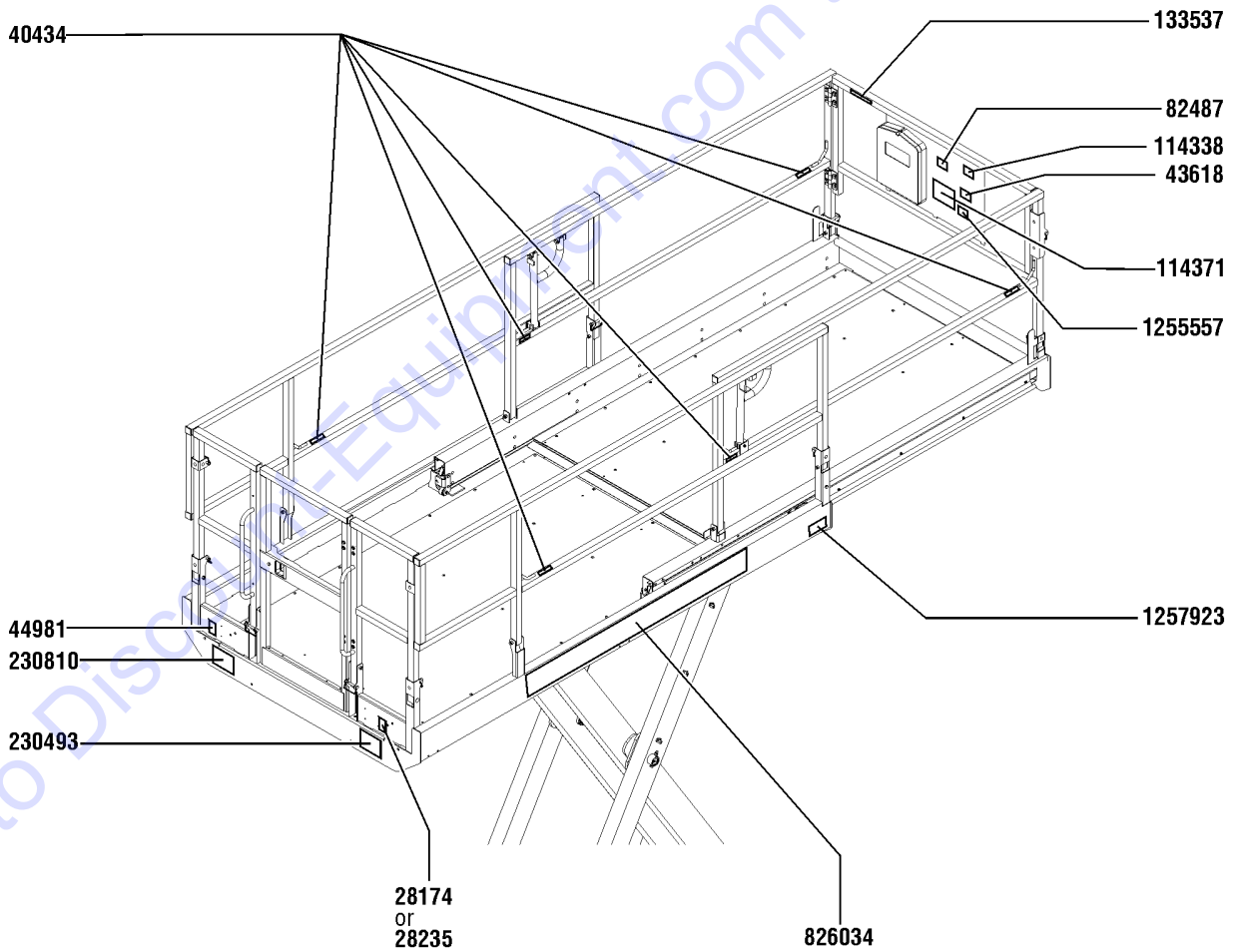
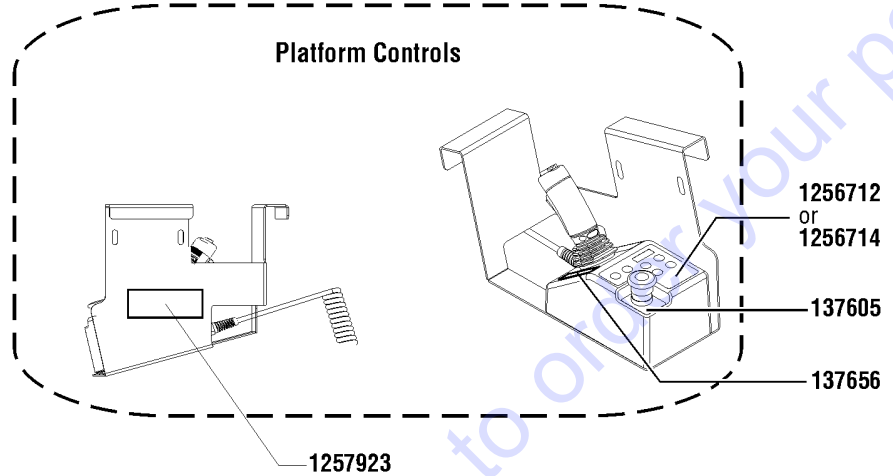
Item	Part No.	Description	Qty.
28	1253927GT	DECAL,COSMETIC,BI-ENERGY	1
29	1272242GT	DECAL,MACHINE REGISTRATION/OWN	1

Go to Discount-Equipment.com to order your parts



115.1 Decals with Symbols, GS-3369, Platform, Asia & South America

☐ Shading indicates
decal is hidden
from view.



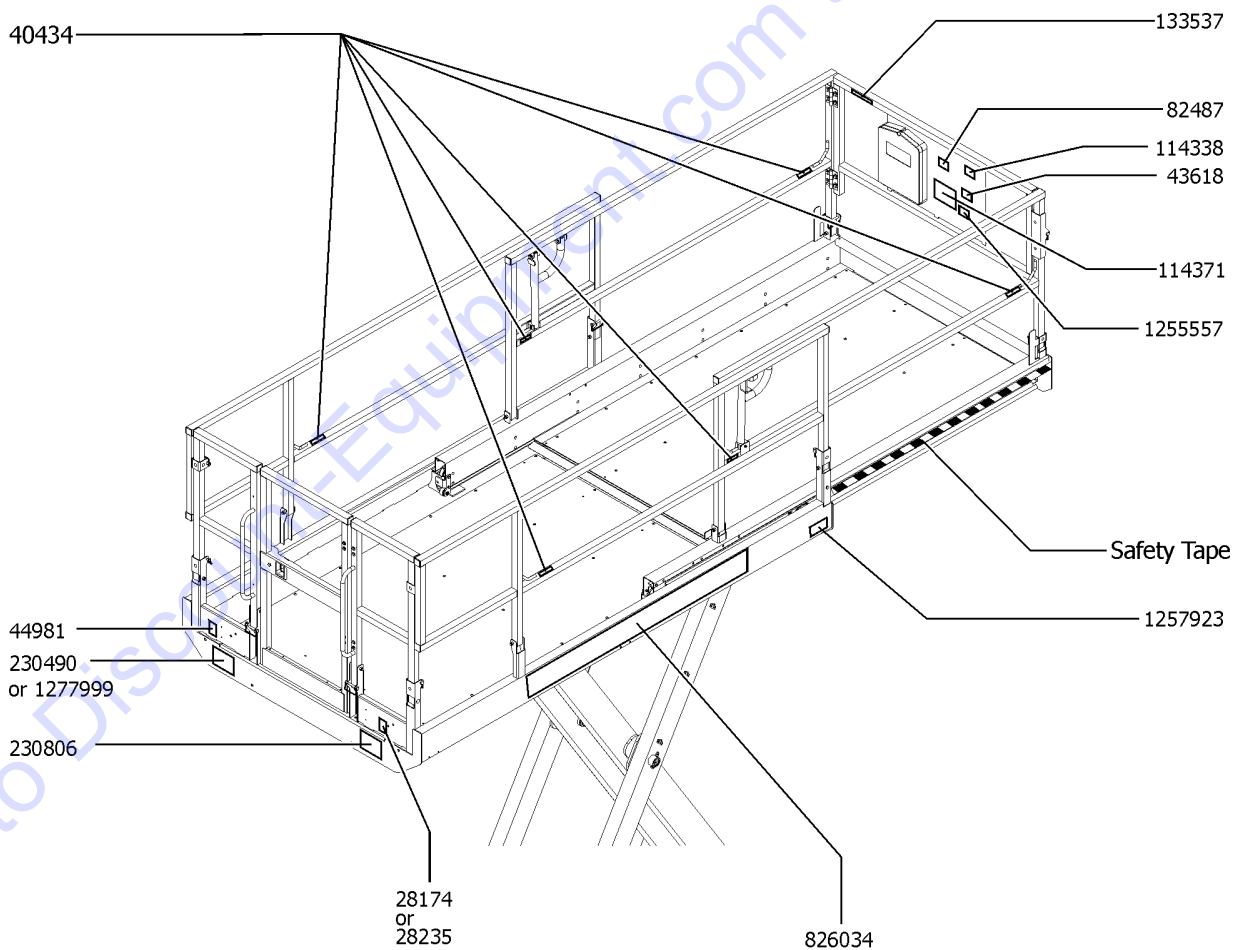
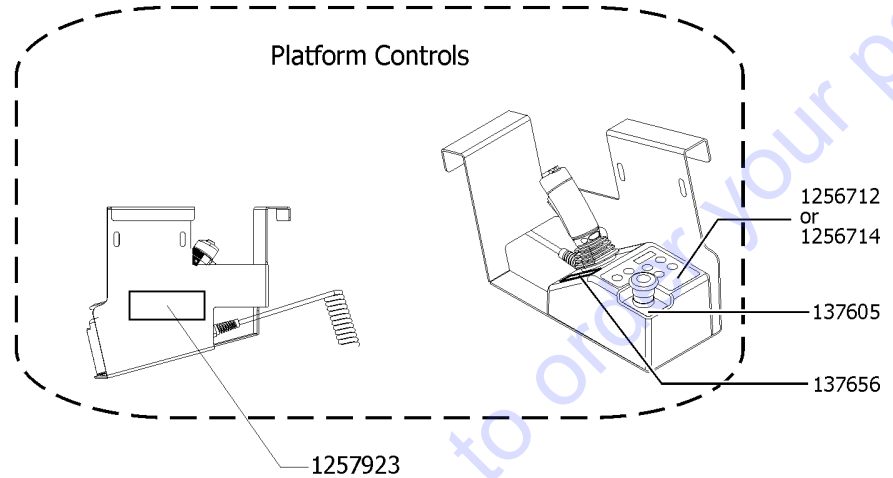
115.1 Decals with Symbols, GS-3369, Platform, Asia & South America

Item	Part No.	Description	Qty.
1	28174GT	DECAL,POWER TO PLATFORM 230V	1
2	28235GT	DECAL,POWER TO PLATFORM 115V	1
3	40434GT	DECAL,LANYARD ANCHORAGE POINT	6
4	43618GT	DECAL,LABEL-DIRECTION ARROWS	1
5	44981GT	DECAL,LABEL,AIRLINE 110 PSI	1
		Option, airline to plat	
6	82487GT	DECAL,SYMBOL-READ THE MANUAL	1
7	114338GT	DECAL,SYM-TIP-OVR,TILT ALARM	1
8	114371GT	DECAL,SYM-TIP-OVER,OUTRGR	1
		(models with outriggers)	
9	133537GT	DECAL,CRUSH HAZ RAILS SYMB	1
10	137605GT	DECAL,E-STOP,GR/GRC/GS PCON	1
11	137656GT	DECAL,PROPEL,GR/GRC/GS,PCON	1
12	230493GT	DECAL,DANGER,SIDE FRC,GS3369	1
13	230810GT	DECAL,NOTICE,MAX CAP GS3369	1
14	826034GT	DECAL,COSMETIC GENIE GS-3369BE	1
15	1255557GT	LABEL,RUNAWAY HAZARD, SLOPE	1
16	1256712GT	DECAL,STD,PROP LIFT,69BE,UI	1
		(models without outriggers)	
17	1256714GT	DECAL,O/R,PROP LIFT,69BE,UI	1
		(models with outriggers)	
18	1257923GT	DECAL, SMARTLINK PROPORTIONAL	2



116.1 Decals with Symbols, GS-3369, Platform, CE

☐ Shading indicates decal is hidden from view.



116.1 Decals with Symbols, GS-3369, Platform, CE

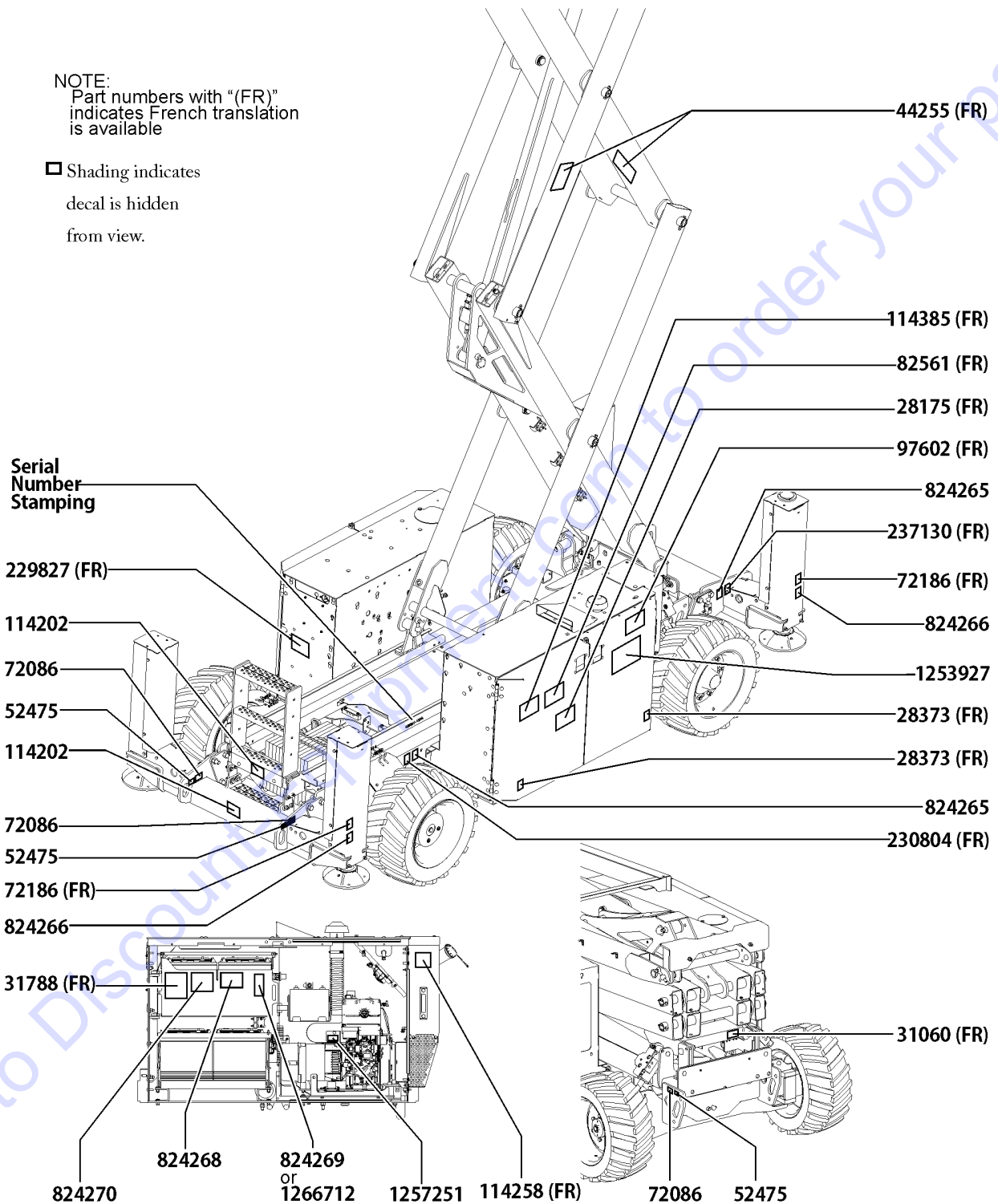
Item	Part No.	Description	Qty.
1	28174GT	DECAL,POWER TO PLATFORM 230V	1
2	28235GT	DECAL,POWER TO PLATFORM 115V	1
3	40434GT	DECAL,LANYARD ANCHORAGE POINT	6
4	43618GT	DECAL,LABEL-DIRECTION ARROWS	1
5	44981GT	DECAL,LABEL,AIRLINE 110 PSI	1
		Option, airline to plat	
6	82487GT	DECAL,SYMBOL-READ THE MANUAL	1
7	114338GT	DECAL,SYM-TIP-OVR,TILT ALARM	1
8	114371GT	DECAL,SYM-TIP-OVER,OUTRGR	1
		(models with outriggers)	
9	133537GT	DECAL,CRUSH HAZ RAILS SYMB	1
10	137605GT	DECAL,E-STOP,GR/GRC/GS PCON	1
11	137656GT	DECAL,PROPEL,GR/GRC/GS,PCON	1
12A	230490GT	DECAL,NOTICE,MAX CAP GS3369	1
		(to SN 11474)	
12B	1277999GT	DECAL,DANGER,MAX CAP/MAN FRC 3369 CE	1
		(from SN 11475)	
13	230806GT	DECAL,DANGER,MAN FRC, GS3369	1
14	826034GT	DECAL,COSMETIC GENIE GS-3369BE	1
15	1255557GT	LABEL,RUNAWAY HAZARD, SLOPE	1
16	1256712GT	DECAL,STD,PROP LIFT,69BE,UI	1
		(models without outriggers)	
17	1256714GT	DECAL,O/R,PROP LIFT,69BE,UI	1
		(models with outriggers)	
18	1257923GT	DECAL, SMARTLINK PROPORTIONAL	2



117.1 Decals with Words, GS-4069, Battery Side

NOTE:
Part numbers with "(FR)" indicates French translation is available

☐ Shading indicates decal is hidden from view.



117.1 Decals with Words, GS-4069, Battery Side

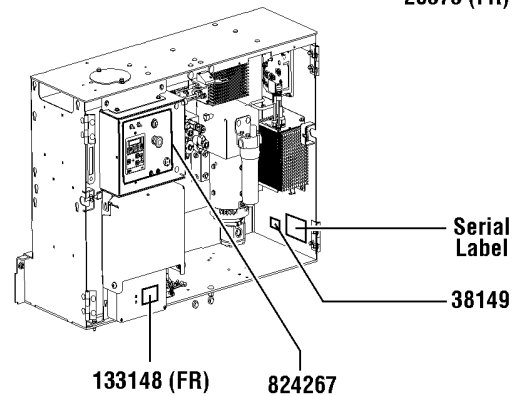
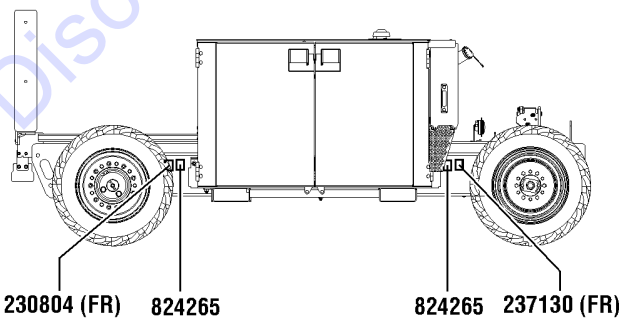
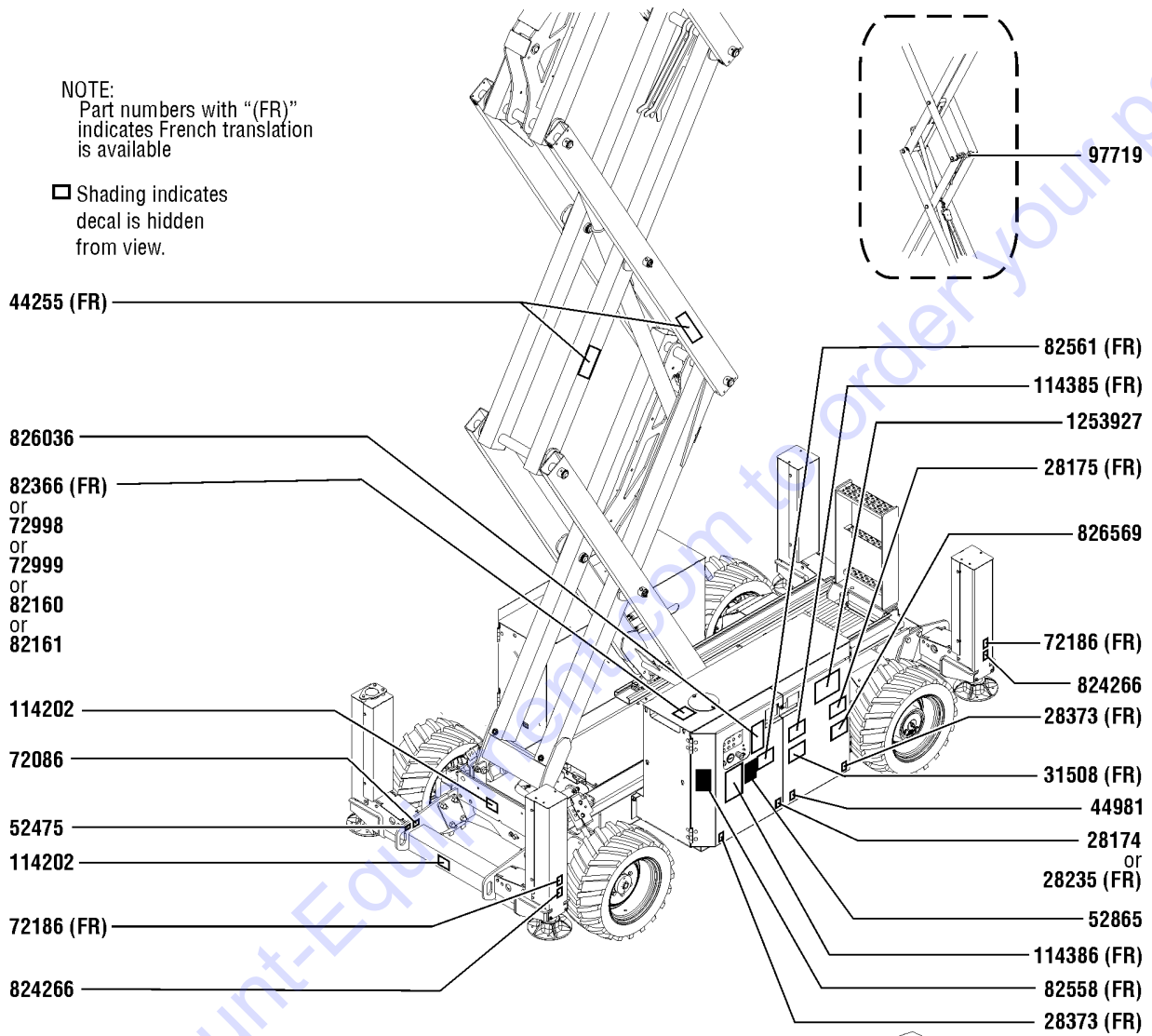
Item	Part No.	Description	Qty.
		w	
1	28175GT	DECAL,WARNING-COMPART ACCESS	1
2	28373GT	DECAL,FORK LIFT POCKET	2
3	31060GT	DECAL,DANGER DO NOT ALTER SWTC	1
4	31788GT	DECAL,DANGER,BATTERY SAFETY***	1
5	44255GT	DECAL,DANGER,CRUSHING HAZARD	2
6	52475GT	DECAL,LABEL,TRANSPORT TIEDOWN*	3
7	72086GT	DECAL,LABEL,LIFTING EYE	3
8	72186GT	DECAL,WARNING,CRUSHING HAZARD (models with outriggers)	2
9	82561GT	DECAL,DANGER-USE SAFETY ARM	1
10	97602GT	DECAL,EXPLOSION HAZARD	1
11	114202GT	DECAL,LABEL,TRANSPORT TIE 68	1
12	114258GT	DECAL,DANGER,NO SMOKING	1
13	114385GT	DECAL,DANGER,ELEC HAZARD,GS	1
14	229827GT	DECAL,WARNING,HOT SURFACE	1
15	230804GT	DECAL,NOTICE,TIRE SPECS, REAR (non-steer end)	1
16	237130GT	DECAL,NOTICE,TIRE SPECS, FRONT (steer end)	1
17	824265GT	DECAL,LABEL,WHEEL LD,GS4069BE	2
18	824266GT	DECAL,LABEL,OUTRIGGER LD,BE (models with outriggers)	2
19	824268GT	DECAL,DANGER-TIP-OVR,BE,T145 T145 Batteries	1
20A	824269GT	DECAL,KOHLER ENGINE SPEC KD350 ANSI/CSA models (3600rpm)	1
20B	1266712GT	DECAL,KOHLER ENG. SPEC,3000RPM all other models (3000 rpm)	1
21	824270GT	DECAL,BATT CONN DIAGRAM,BE	1
22	1253927GT	DECAL,COSMETIC,BI-ENERGY	1
23	1257251GT	DECAL,WARNING,HOT SURFACE	1



118.1 Decals with Words, GS-4069, Controls Side

NOTE:
Part numbers with "(FR)" indicates French translation is available

☐ Shading indicates decal is hidden from view.



PARTS FINDER

**Search Website
by Part Number**



**Search Manual
Library For Parts
Manual & Lookup Part
Numbers – Purchase
or Request Quote**

Search Manuals

Enter your information to help us find the right parts manual for your machine.

* Brand:

* Model:

* Serial:

* Part Number:

SEARCH

**Can't Find Part or
Manual? Request Help
by Manufacturer,
Model & Description**

Parts Order Form

Please fill in the following information to help us find the right part for your machine.

Manufacturer:	<input type="text"/>
Model:	<input type="text"/>
Description:	<input type="text"/>
Part Number:	<input type="text"/>
Quantity:	<input type="text"/>
Notes:	<input type="text"/>

Submit

Discount-Equipment.com is your online resource for quality parts & equipment.

Florida: **561-964-4949** Outside Florida TOLL FREE: **877-690-3101**

Need parts?

Click on this link: <http://www.discount-equipment.com/category/5443-parts/> and choose one of the options to help get the right parts and equipment you are looking for. Please have the machine model and serial number available in order to help us get you the correct parts. If you don't find the part on the website or on one of the online manuals, please fill out the request form and one of our experienced staff members will get back to you with a quote for the right part that your machine needs.

We sell worldwide for the brands: Genie, Terex, JLG, MultiQuip, Mikasa, Essick, Whiteman, Mayco, Toro Stone, Diamond Products, Generac Magnum, Airman, Haulotte, Barreto, Power Blanket, Nifty Lift, Atlas Copco, Chicago Pneumatic, Allmand, Miller Curber, Skyjack, Lull, Skytrak, Tsurumi, Husquvarna Target, Stow, Wacker, Sakai, Mi-T-M, Sullair, Basic, Dynapac, MBW, Weber, Bartell, Bennar Newman, Haulotte, Ditch Runner, Menegotti, Morrison, Contec, Buddy, Crown, Edco, Wyco, Bomag, Laymor, EZ Trench, Bil-Jax, F.S. Curtis, Gehl Pavers, Heli, Honda, ICS/PowerGrit, IHI, Partner, Imer, Clipper, MMD, Koshin, Rice, CH&E, General Equipment, Amida, Coleman, NAC, Gradall, Square Shooter, Kent, Stanley, Tamco, Toku, Hatz, Kohler, Robin, Wisconsin, Northrock, Oztec, Toker TK, Rol-Air, APT, Wylie, Ingersoll Rand / Doosan, Innovatech, Con X, Ammann, Mecalac, Makinex, Smith Surface Prep, Small Line, Wanco, Yanmar

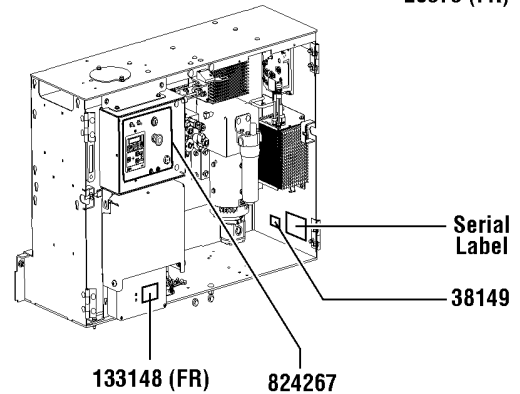
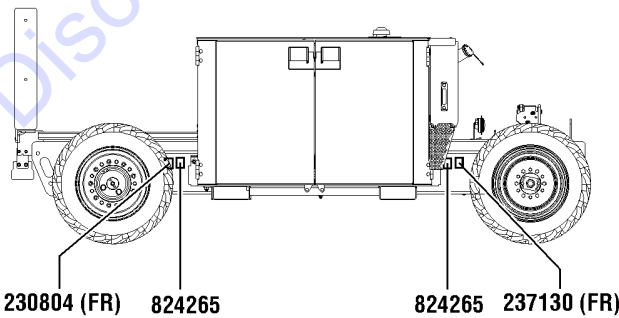
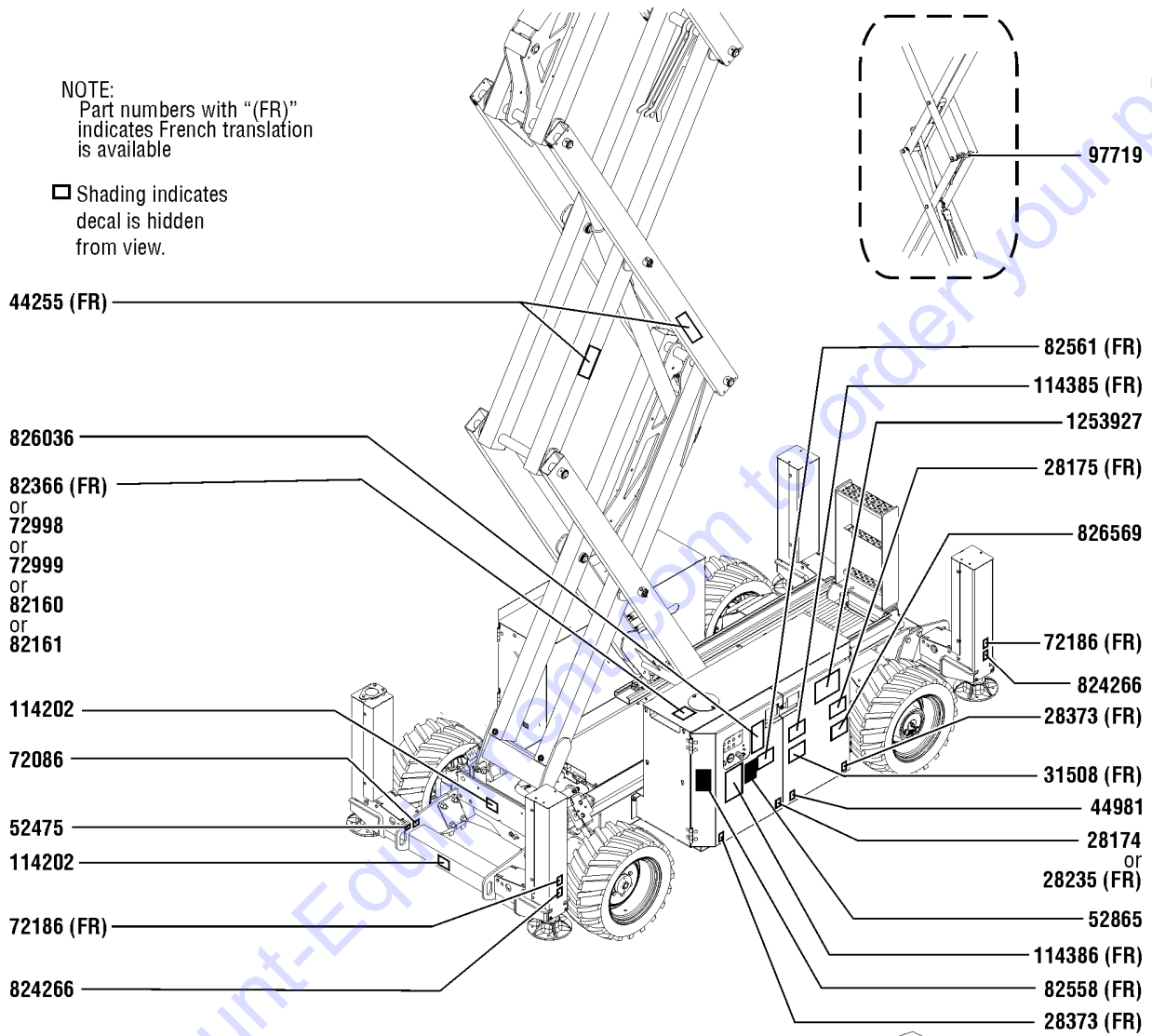
Item	Part No.	Description	Qty.
1	28174GT	DECAL,POWER TO PLATFORM 230V	1
2	28175GT	DECAL,WARNING-COMPART ACCESS	1
3	28235GT	DECAL,POWER TO PLATFORM 115V	1
4	28373GT	DECAL,FORK LIFT POCKET	2
5	31508GT	DECAL,DANGER,ELECT HAZARD,PLUG	1
6	38149GT	DECAL,LABEL,PATENTS	1
		(US only)	
7	44255GT	DECAL,DANGER,CRUSHING HAZARD	2
8	44981GT	DECAL,LABEL,AIRLINE 110 PSI	1
		Option, airline to platform	
9	52475GT	DECAL,LABEL,TRANSPORT TIEDOWN*	1
10	52865GT	DECAL,ANNUAL INSP***	1
		(ANSI only)	
11	72086GT	DECAL,LABEL,LIFTING EYE	1
12	72186GT	DECAL,WARNING,CRUSHING HAZARD	2
		(models with outriggers)	
13	72998GT	DECAL,LABEL,QUINTOLUBRIK	1
		(For models with Quintolub hydraulic oil only)	
14	72999GT	DECAL,LABEL,PETRO CANADA***	1
		(For models with petro canada hydraulic oil only)	
15	82160GT	DECAL,LABEL,STATOIL HYDRA WAY	1
		(For models with Statoil hydraulic oil only)	
16	82161GT	DECAL,LABEL,UCON HYDROLUBE	1
		(For models with Ucon Hydrolube hydraulic oil only)	
17	82366GT	DECAL,CHEVRON RANDO HD	1
		(For models with chevron rando hydraulic oil only)	
18	82558GT	DECAL,WARN,SKIN INJECTION HAZ*	1
19	82561GT	DECAL,DANGER-USE SAFETY ARM	1
20	97719GT	DECAL, LABEL, SAFETY ARM SYMB	1
21	114202GT	DECAL,LABEL,TRANSPORT TIE 68	1
22	114385GT	DECAL,DANGER,ELEC HAZARD,GS	1
23	114386GT	DECAL,DANGER-GEN SAFETY	1
24	133148GT	DECAL,DANGER,HAZARD VOLTAGE	1
25	230804GT	DECAL,NOTICE,TIRE SPECS, REAR	1
		(non-steer end)	
26	237130GT	DECAL,NOTICE,TIRE SPECS, FRONT	1
		(steer end)	
27	824265GT	DECAL,LABEL,WHEEL LD,GS4069BE	2
28	824266GT	DECAL,LABEL,OUTRIGGER LD,BE	2
		(models with outriggers)	



118.1 Decals with Words, GS-4069, Controls Side

NOTE:
Part numbers with "(FR)" indicates French translation is available

☐ Shading indicates decal is hidden from view.



118.1 Decals with Words, GS-4069, Controls Side

Item	Part No.	Description	Qty.
29	824267GT	DECAL, GROUND CONTROL PANEL,	1
30	826036GT	DECAL,GRND OPS INSTRUCT,GS69BE	1
31	826569GT	DECAL,INSTRUCTIONS-CHARGER OP	1
32	1253927GT	DECAL,COSMETIC,BI-ENERGY	1

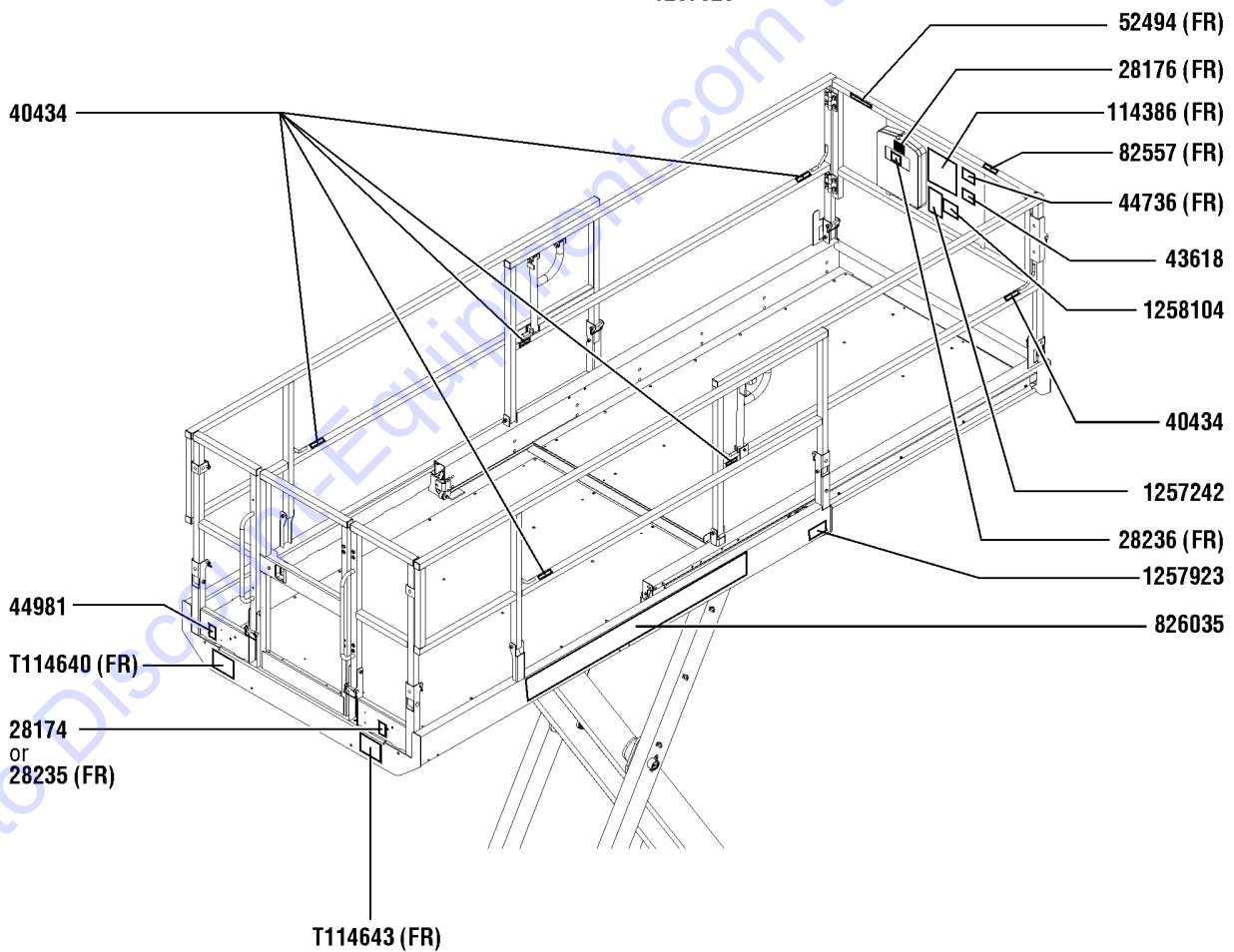
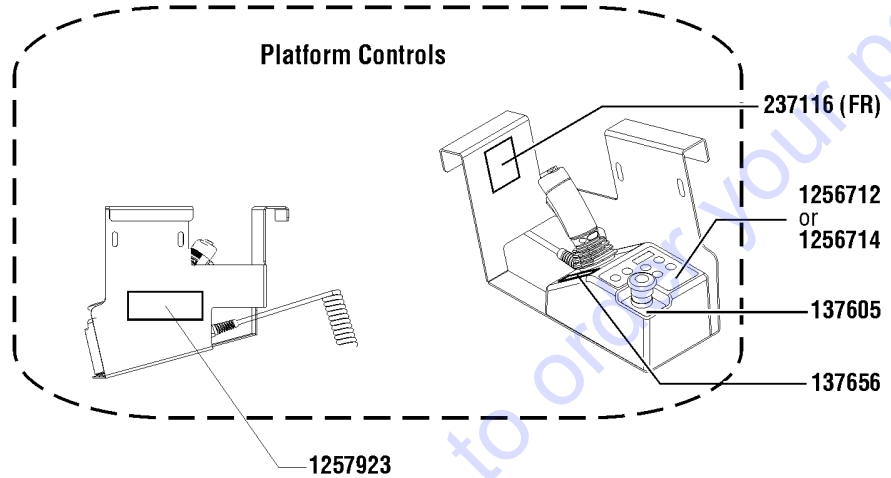
Go to Discount-Equipment.com to order your parts



119.1 Decals with Words, GS-4069, Platform, ANSI & CSA

NOTE:
Part numbers with "(FR)" indicates French translation is available

☐ Shading indicates decal is hidden from view.



119.1 Decals with Words, GS-4069, Platform, ANSI & CSA

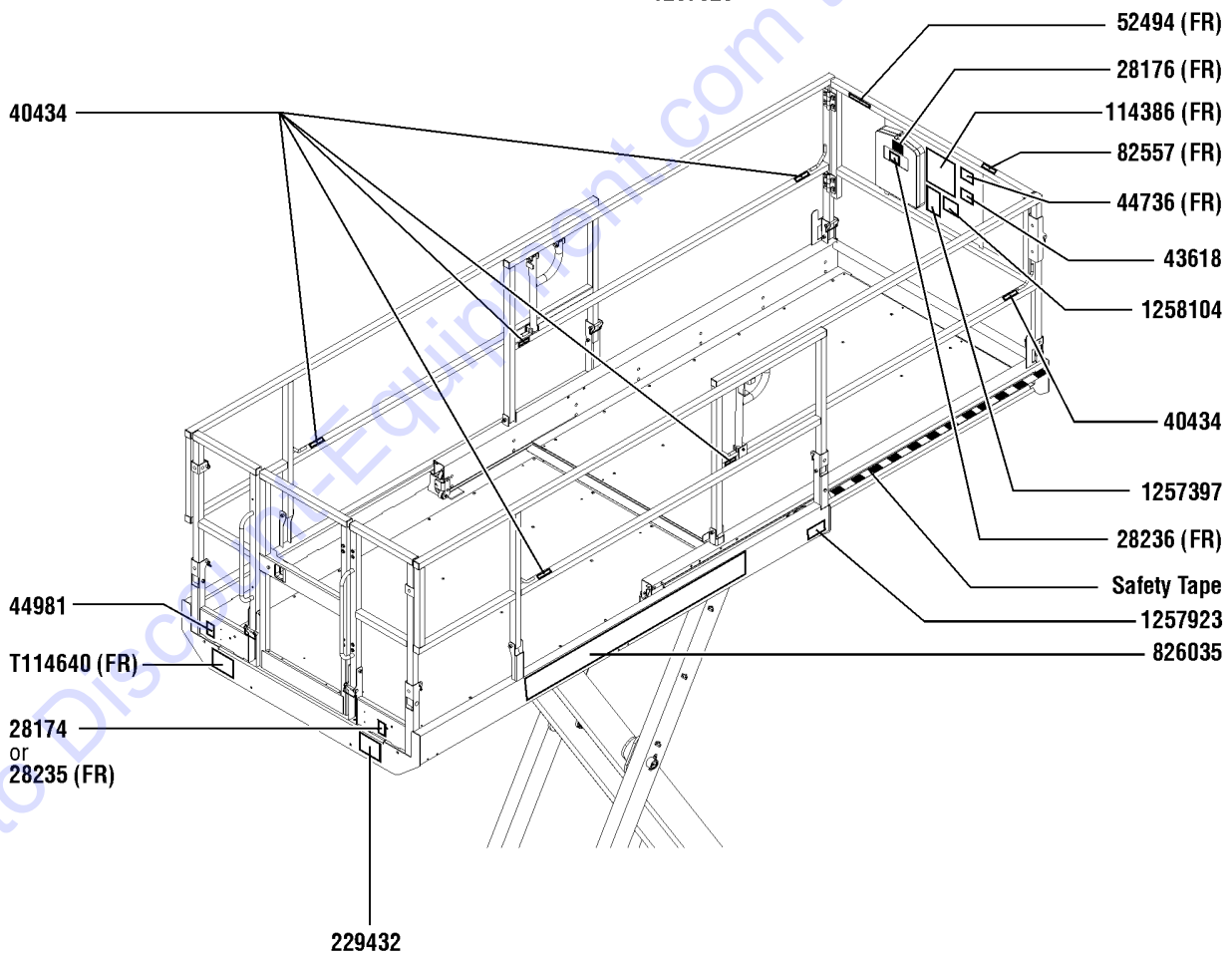
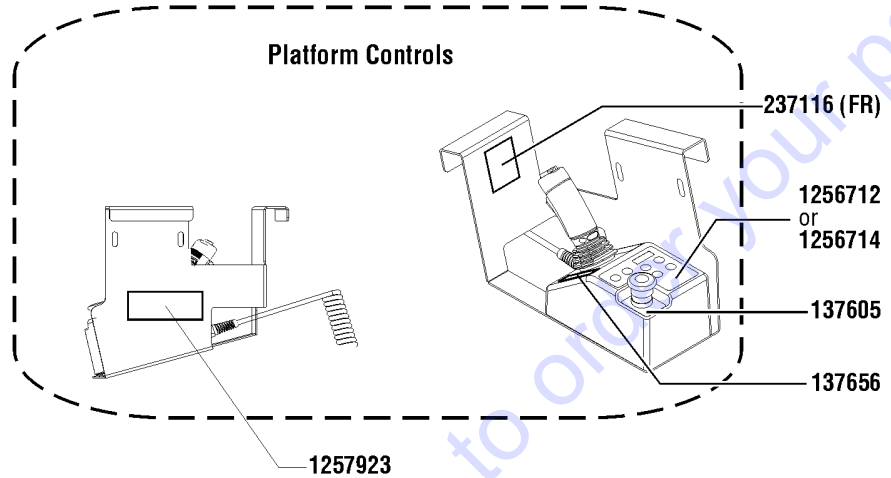
Item	Part No.	Description	Qty.
1	28174GT	DECAL,POWER TO PLATFORM 230V	1
2	28176GT	DECAL,LABEL,MANUAL NOT HERE	1
3	28235GT	DECAL,POWER TO PLATFORM 115V	1
4	28236GT	DECAL,WARN,IMPROPER OPERATION	1
5	40434GT	DECAL,LANYARD ANCHORAGE POINT	6
6	43618GT	DECAL,LABEL-DIRECTION ARROWS	1
7	44736GT	DECAL,DANGER,TIP-OVER,TILT	1
8	44981GT	DECAL,LABEL,AIRLINE 110 PSI	1
		Option, airline to platform	
9	52494GT	DECAL,CAUTION,CRUSH HAZ, RAILS	1
10	82557GT	DECAL,LABEL,PLAT CONT LOCATION	1
11	114386GT	DECAL,DANGER-GEN SAFETY	1
12	137605GT	DECAL,E-STOP,GR/GRC/GS PCON	1
13	137656GT	DECAL,PROPEL,GR/GRC/GS,PCON	1
14	237116GT	DECAL,LABEL,FAULT CODES,69DC	1
15	826035GT	DECAL COSMETIC,GS4069BE	1
16	T114640GT	DECAL,NOTICE,MAX CAP GS4069	1
17	T114643GT	DECAL,NOTICE,SIDE FRC,4069 ANS	1
18	1256712GT	DECAL,STD,PROP LIFT,69BE,UI	1
		(models without outriggers)	
19	1256714GT	DECAL,O/R,PROP LIFT,69BE,UI	1
		(models with outriggers)	
20	1257242GT	DECAL,NOTICE,OP,INST,PLAT,69BE	1
21	1257923GT	DECAL, SMARTLINK PROPORTIONAL	2
22	1258104GT	DECAL,DANGER,OUTRIGGER SAFETY	1
		(models with outriggers)	



120.1 Decals with Words, GS-4069, Platform, AUS

NOTE:
Part numbers with "(FR)" indicates French translation is available

☐ Shading indicates decal is hidden from view.

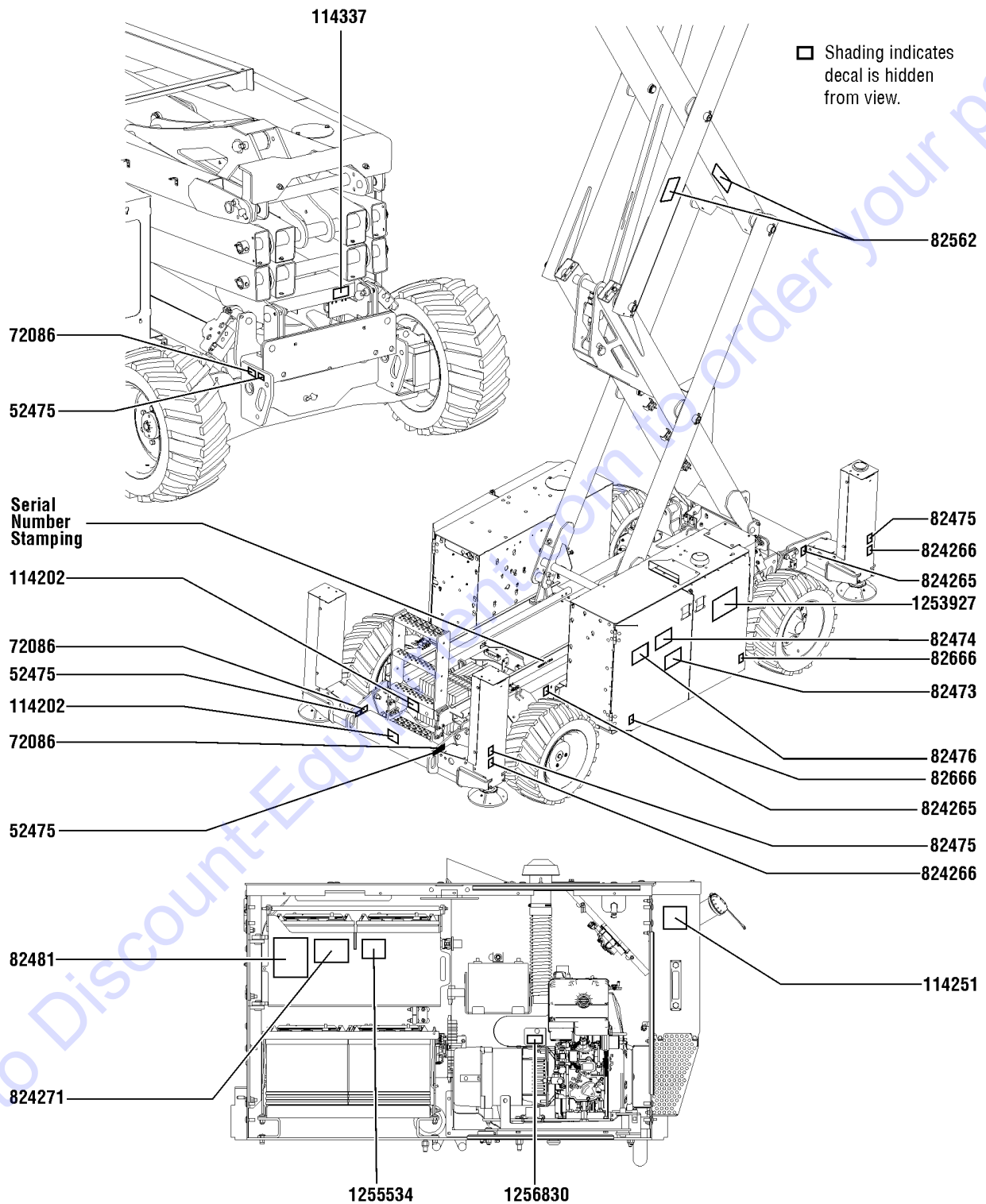


120.1 Decals with Words, GS-4069, Platform, AUS

Item	Part No.	Description	Qty.
1	28174GT	DECAL,POWER TO PLATFORM 230V	1
2	28176GT	DECAL,LABEL,MANUAL NOT HERE	1
3	28235GT	DECAL,POWER TO PLATFORM 115V	1
4	28236GT	DECAL,WARN,IMPROPER OPERATION	1
5	40434GT	DECAL,LANYARD ANCHORAGE POINT	6
6	43618GT	DECAL,LABEL-DIRECTION ARROWS	1
7	44736GT	DECAL,DANGER,TIP-OVER,TILT	1
8	44981GT	DECAL,LABEL,AIRLINE 110 PSI	1
		Option, airline to platform	
9	52494GT	DECAL,CAUTION,CRUSH HAZ, RAILS	1
10	82557GT	DECAL,LABEL,PLAT CONT LOCATION	1
11	114386GT	DECAL,DANGER-GEN SAFETY	1
12	137605GT	DECAL,E-STOP,GR/GRC/GS PCON	1
13	137656GT	DECAL,PROPEL,GR/GRC/GS,PCON	1
14	229432GT	DECAL,NOTICE,MAN FRC,4069	1
15	237116GT	DECAL,LABEL,FAULT CODES,69DC	1
16	826035GT	DECAL COSMETIC,GS4069BE	1
17	T114640GT	DECAL,NOTICE,MAX CAP GS4069	1
18	1256712GT	DECAL,STD,PROP LIFT,69BE,UI	1
		(models without outriggers)	
19	1256714GT	DECAL,O/R,PROP LIFT,69BE,UI	1
		(models with outriggers)	
20	1257397GT	DECAL,OP,INSTR,PLAT,69BE,AUS	1
21	1257923GT	DECAL, SMARTLINK PROPORTIONAL	2
22	1258104GT	DECAL,DANGER,OUTRIGGER SAFETY	1
		(models with outriggers)	



121.1 Decals with Symbols, GS-4069, Battery Side



121.1 Decals with Symbols, GS-4069, Battery Side

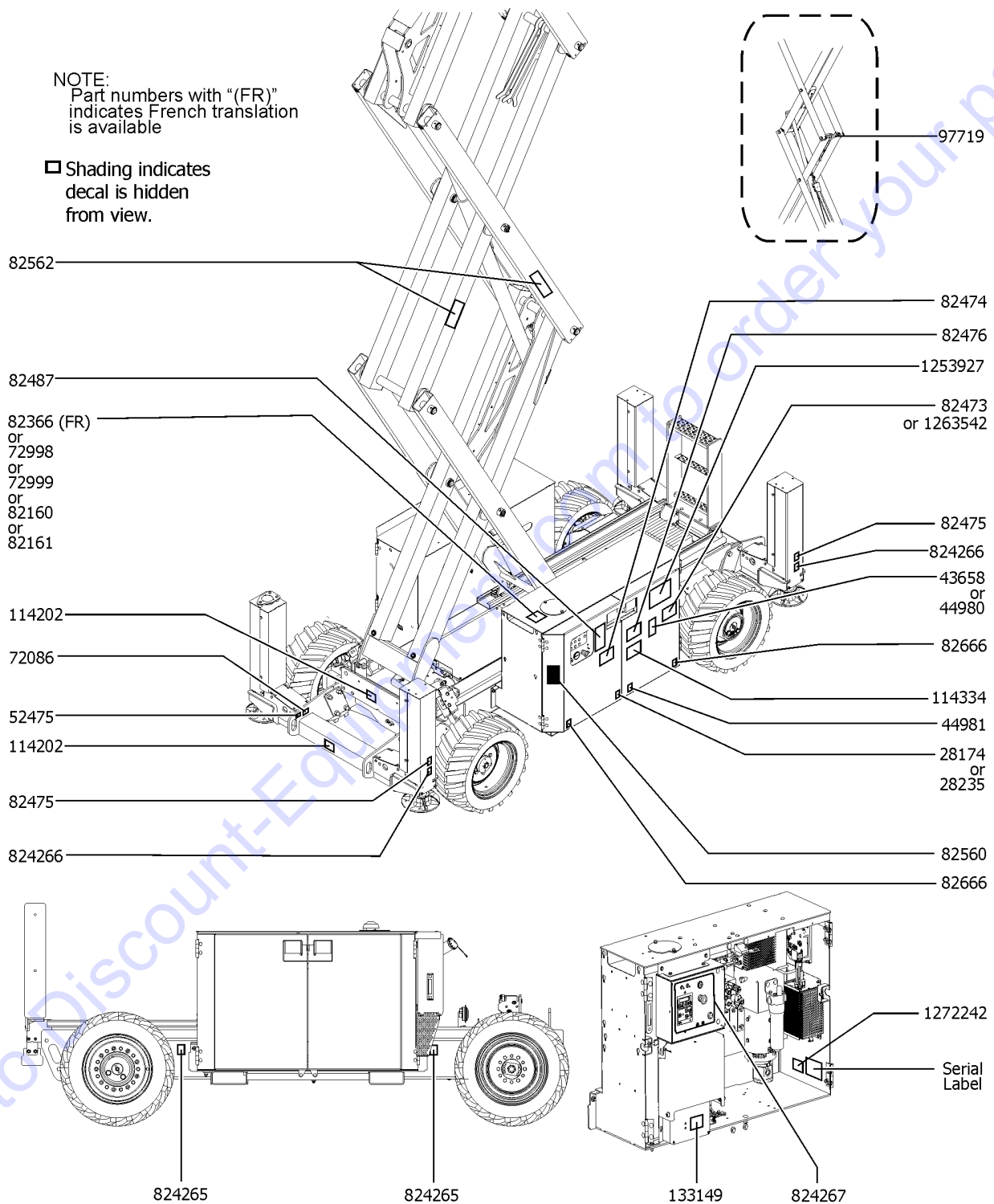
Item	Part No.	Description	Qty.
1	52475GT	DECAL,LABEL,TRANSPORT TIEDOWN*	3
2	72086GT	DECAL,LABEL,LIFTING EYE	3
3	82473GT	DECAL SYMBOL COMP ACCESS	1
4	82474GT	DECAL,SYMBOL-USE SAFETY ARM	1
5	82475GT	DECAL,SYMBOL-FOOT CRUSHING	2
		(models with outriggers)	
6	82476GT	DECAL,SYMBOL-ELEC HAZARD,GS	1
7	82481GT	DECAL,SYMBOL-BATTERY SAFETY	1
8	82562GT	DECAL,SYMBOL-CRUSHING HAZARD	2
9	82666GT	DECAL,LABEL,FORKLIFT POCKET	2
10	114202GT	DECAL,LABEL,TRANSPORT TIE 68	1
11	114251GT	DECAL,LABEL,NO SMOKING,SYMB	1
12	114337GT	DECAL,SYM-TIP-OVR,LIM SWITCH	1
13	824265GT	DECAL,LABEL,WHEEL LD,GS4069BE	2
14	824266GT	DECAL,LABEL,OUTRIGGER LD,BE	2
		(models with outriggers)	
15	824271GT	DECAL,DNGR-TIP-OVR,BATT,T145CE	1
		For T145 Batteries	
16	1253927GT	DECAL,COSMETIC,BI-ENERGY	1
17	1255534GT	DECAL,LABEL,103 DB	1
		(CE only)	
18	1256830GT	DECAL,WARNING,HOT SURFACE	1



122.1 Decals with Symbols, GS-4069, Controls Side

NOTE:
Part numbers with "(FR)" indicates French translation is available

☐ Shading indicates decal is hidden from view.



122.1 Decals with Symbols, GS-4069, Controls Side

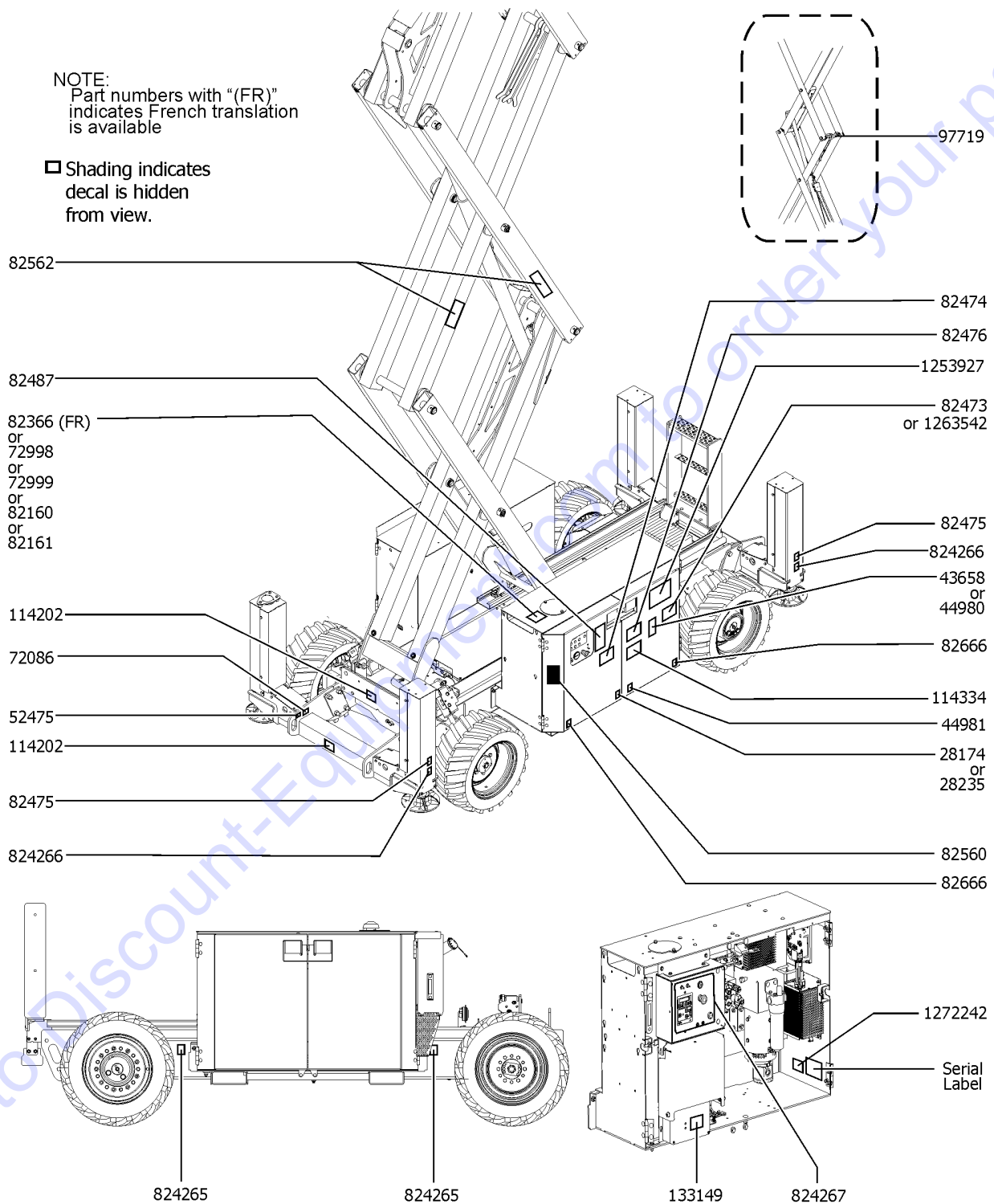
Item	Part No.	Description	Qty.
1	28174GT	DECAL,POWER TO PLATFORM 230V	1
2	28235GT	DECAL,POWER TO PLATFORM 115V	1
3	43658GT	DECAL,LABEL,PWR TO CHARGR 230V	1
4	44980GT	DECAL,LABEL,PWR TO CHARGR 115V	1
5	44981GT	DECAL,LABEL,AIRLINE 110 PSI	1
		Option, airline to plat	
6	52475GT	DECAL,LABEL,TRANSPORT TIEDOWN*	1
7	72086GT	DECAL,LABEL,LIFTING EYE	1
8	72998GT	DECAL,LABEL,QUINTOLUBRIK	1
		(For models with Quintolub hydraulic oil only)	
9	72999GT	DECAL,LABEL,PETRO CANADA***	1
		(For models with petro canada hydraulic oil only)	
10	82160GT	DECAL,LABEL,STATOIL HYDRA WAY	1
		(For models with Statoil hydraulic oil only)	
11	82161GT	DECAL,LABEL,UCON HYDROLUBE	1
		(For models with Ucon Hydrolube hydraulic oil only)	
12	82366GT	DECAL,CHEVRON RANDO HD	1
		(For models with chevron rando hydraulic oil only)	
13A	82473GT	DECAL SYMBOL COMP ACCESS	1
		(to SN 11474)	
13B	1263542GT	DECAL, COMPARTMENT ACCESS	1
		(from SN 11475)	
14	82474GT	DECAL,SYMBOL-USE SAFETY ARM	1
15	82475GT	DECAL,SYMBOL-FOOT CRUSHING	2
		(models with outriggers)	
16	82476GT	DECAL,SYMBOL-ELEC HAZARD,GS	1
17	82487GT	DECAL,SYMBOL-READ THE MANUAL	1
18	82560GT	DECAL,SYMBOL-SKIN INJECT HAZRD	1
19	82562GT	DECAL,SYMBOL-CRUSHING HAZARD	2
20	82666GT	DECAL,LABEL,FORKLIFT POCKET	2
21	97719GT	DECAL, LABEL, SAFETY ARM SYMB	1
22	114202GT	DECAL,LABEL,TRANSPORT TIE 68	1
23	114334GT	DECAL,SYM-ELEC HAZARD,PLUG	1
24	133149GT	DECAL,LABEL-ELEC HAZ,SERV MAN	1
25	824265GT	DECAL,LABEL,WHEEL LD,GS4069BE	2
26	824266GT	DECAL,LABEL,OUTRIGGER LD,BE	2
		(models with outriggers)	
27	824267GT	DECAL, GROUND CONTROL PANEL,	1



122.1 Decals with Symbols, GS-4069, Controls Side

NOTE:
Part numbers with "(FR)" indicates French translation is available

☐ Shading indicates decal is hidden from view.



122.1 Decals with Symbols, GS-4069, Controls Side

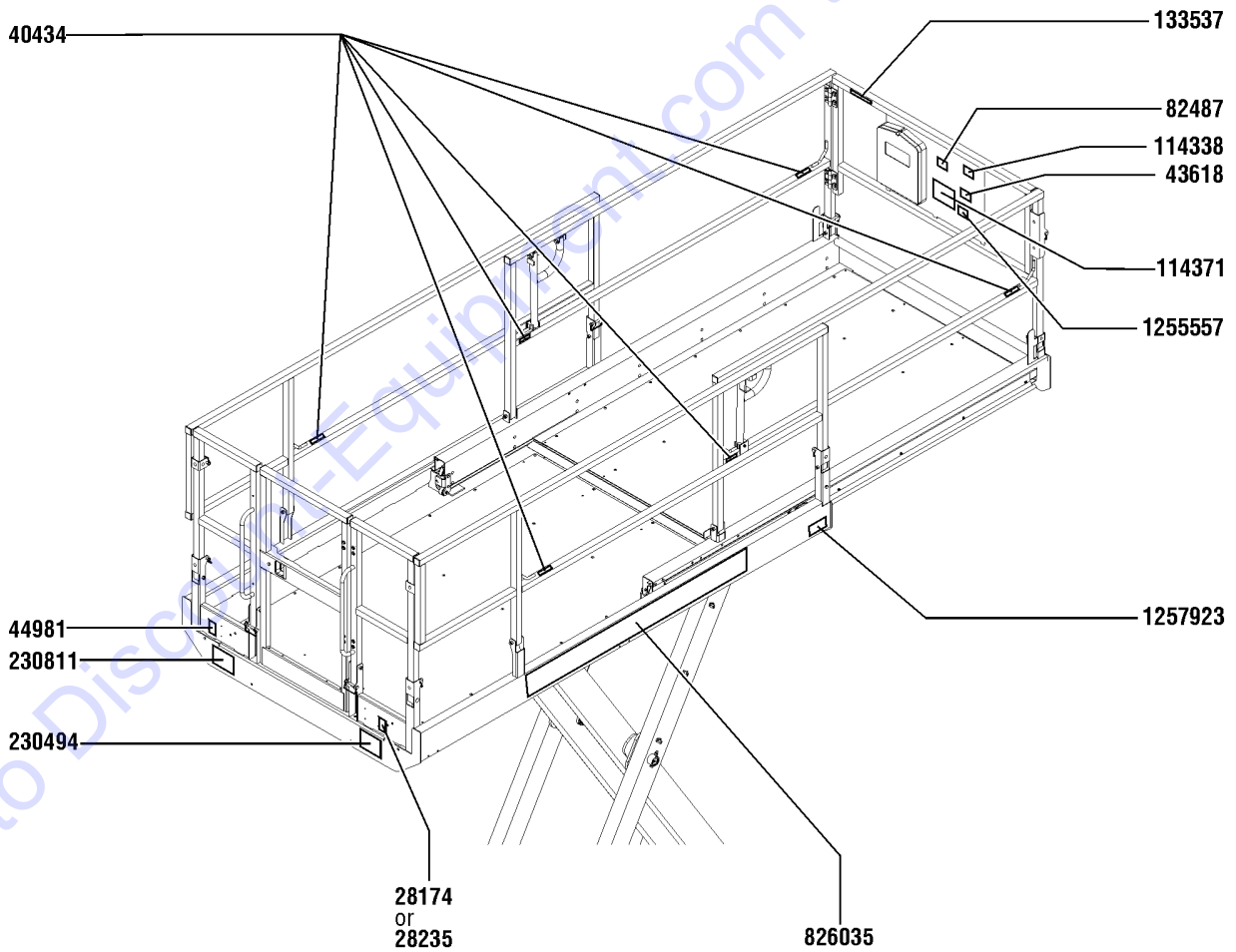
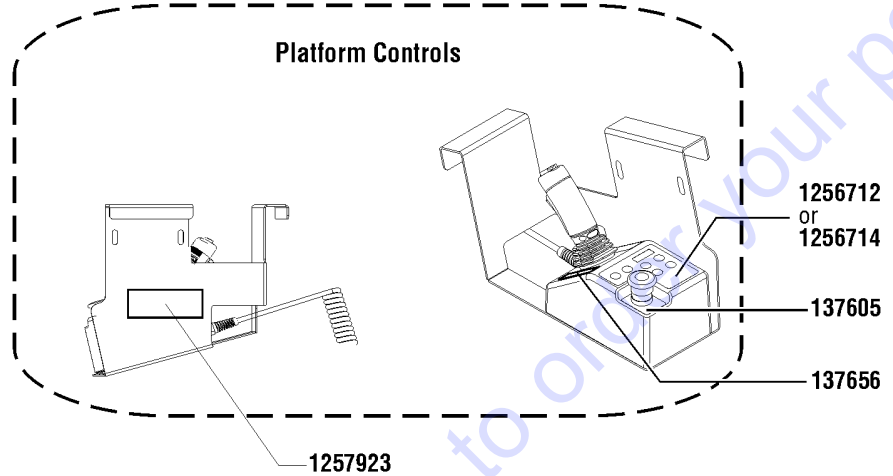
Item	Part No.	Description	Qty.
28	1253927GT	DECAL,COSMETIC,BI-ENERGY	1
29	1272242GT	DECAL,MACHINE REGISTRATION/OWN	1

Go to Discount-Equipment.com to order your parts



123.1 Decals with Symbols, GS-4069, Platform, Asia & South America

☐ Shading indicates
decal is hidden
from view.



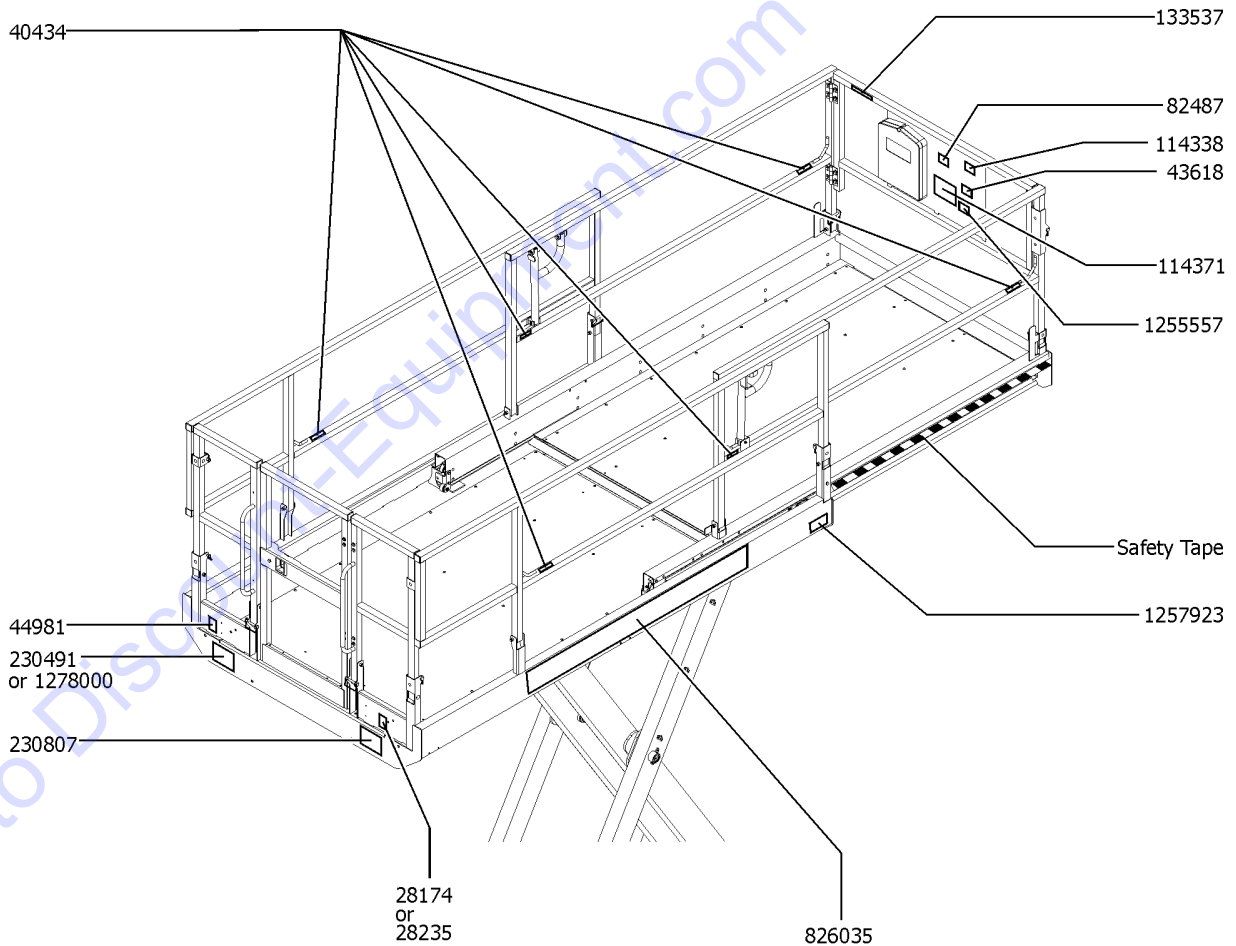
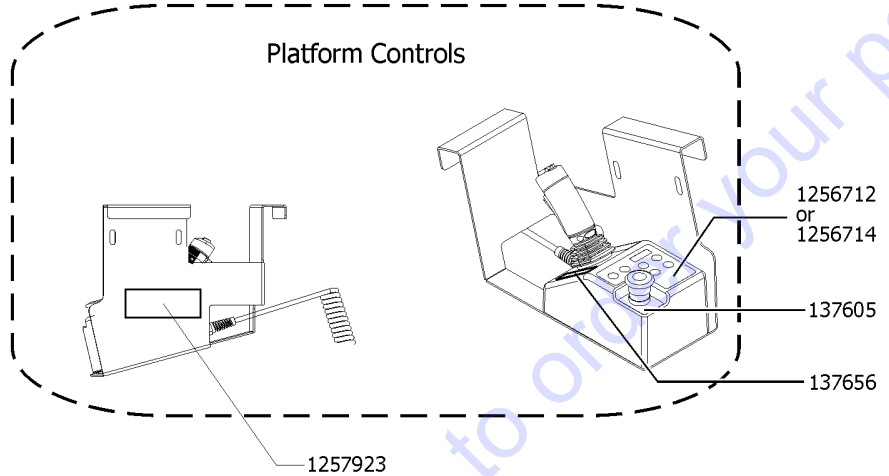
123.1 Decals with Symbols, GS-4069, Platform, Asia & South America

Item	Part No.	Description	Qty.
1	28174GT	DECAL,POWER TO PLATFORM 230V	1
2	28235GT	DECAL,POWER TO PLATFORM 115V	1
3	40434GT	DECAL,LANYARD ANCHORAGE POINT	6
4	43618GT	DECAL,LABEL-DIRECTION ARROWS	1
5	44981GT	DECAL,LABEL,AIRLINE 110 PSI	1
		Option, airline to plat	
6	82487GT	DECAL,SYMBOL-READ THE MANUAL	1
7	114338GT	DECAL,SYM-TIP-OVR,TILT ALARM	1
8	114371GT	DECAL,SYM-TIP-OVER,OUTRGR	1
		(models with outriggers)	
9	133537GT	DECAL,CRUSH HAZ RAILS SYMB	1
10	137605GT	DECAL,E-STOP,GR/GRC/GS PCON	1
11	137656GT	DECAL,PROPEL,GR/GRC/GS,PCON	1
12	230494GT	DECAL,DANGER,SIDE FRC,GS4069	1
13	230811GT	DECAL,NOTICE,MAX CAP GS4069	1
14	826035GT	DECAL COSMETIC,GS4069BE	1
15	1255557GT	LABEL,RUNAWAY HAZARD, SLOPE	1
16	1256712GT	DECAL,STD,PROP LIFT,69BE,UI	1
		(models without outriggers)	
17	1256714GT	DECAL,O/R,PROP LIFT,69BE,UI	1
		(models with outriggers)	
18	1257923GT	DECAL, SMARTLINK PROPORTIONAL	2



124.1 Decals with Symbols, GS-4069, Platform, CE

☐ Shading indicates decal is hidden from view.

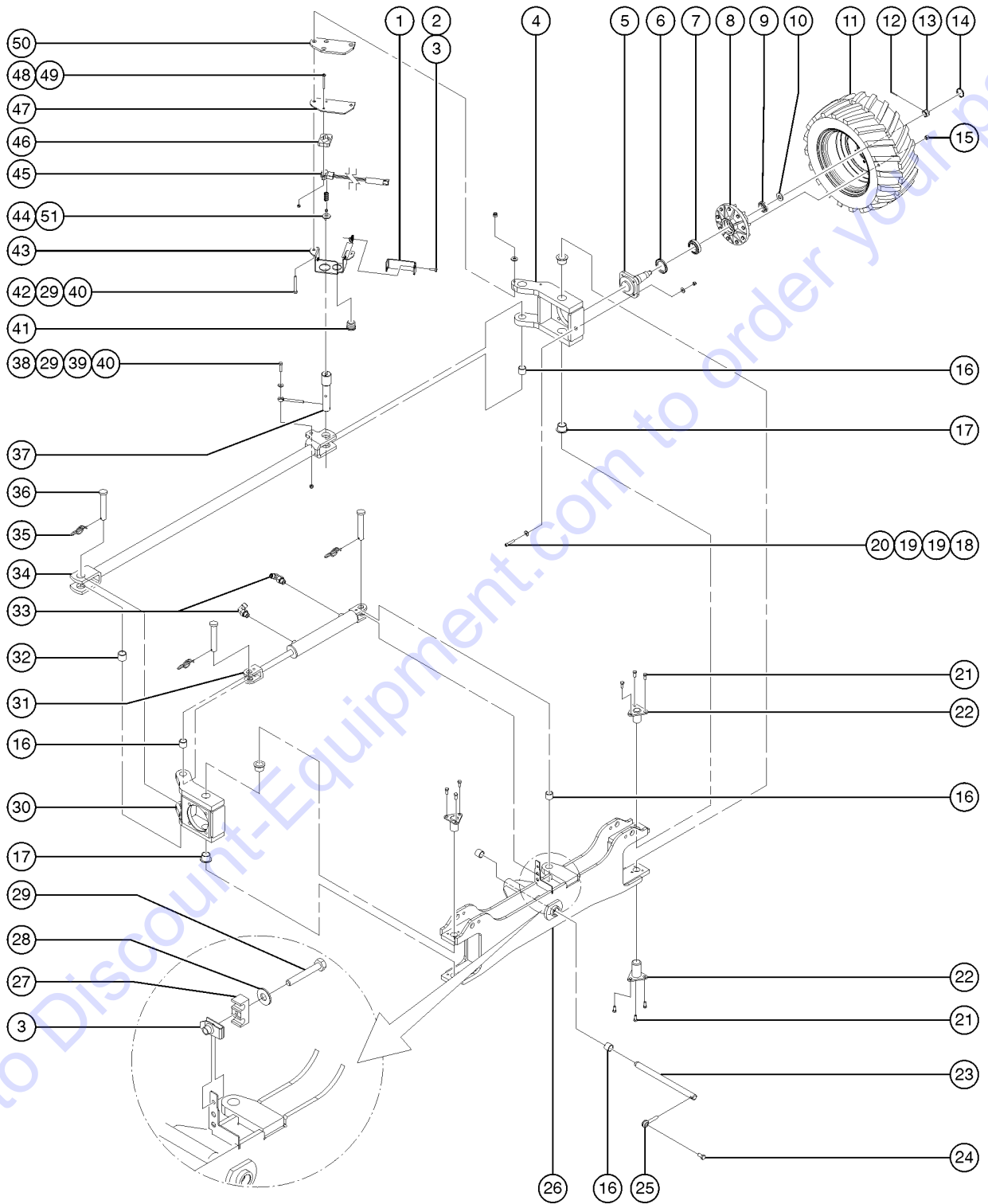


124.1 Decals with Symbols, GS-4069, Platform, CE

Item	Part No.	Description	Qty.
1	28174GT	DECAL,POWER TO PLATFORM 230V	1
2	28235GT	DECAL,POWER TO PLATFORM 115V	1
3	40434GT	DECAL,LANYARD ANCHORAGE POINT	6
4	43618GT	DECAL,LABEL-DIRECTION ARROWS	1
5	44981GT	DECAL,LABEL,AIRLINE 110 PSI	1
		Option, airline to plat	
6	82487GT	DECAL,SYMBOL-READ THE MANUAL	1
7	114338GT	DECAL,SYM-TIP-OVR,TILT ALARM	1
8	114371GT	DECAL,SYM-TIP-OVER,OUTRGR	1
		(models with outriggers)	
9	133537GT	DECAL,CRUSH HAZ RAILS SYMB	1
10	137605GT	DECAL,E-STOP,GR/GRC/GS PCON	1
11	137656GT	DECAL,PROPEL,GR/GRC/GS,PCON	1
12A	230491GT	DECAL,NOTICE,MAX CAP GS4069	1
		(to SN 11474)	
12B	1278000GT	DECAL,DANGER,MAX CAP/MAN FRC 4069 CE	1
13	230807GT	DECAL,DANGER,MAN FRC, GS4069	1
14	826035GT	DECAL COSMETIC,GS4069BE	1
15	1255557GT	LABEL,RUNAWAY HAZARD, SLOPE	1
16	1256712GT	DECAL,STD,PROP LIFT,69BE,UI	1
		(models without outriggers)	
17	1256714GT	DECAL,O/R,PROP LIFT,69BE,UI	1
		(models with outriggers)	
18	1257923GT	DECAL, SMARTLINK PROPORTIONAL	2



201.1 Steer Axle Linkage, Wheels and Drive Motors

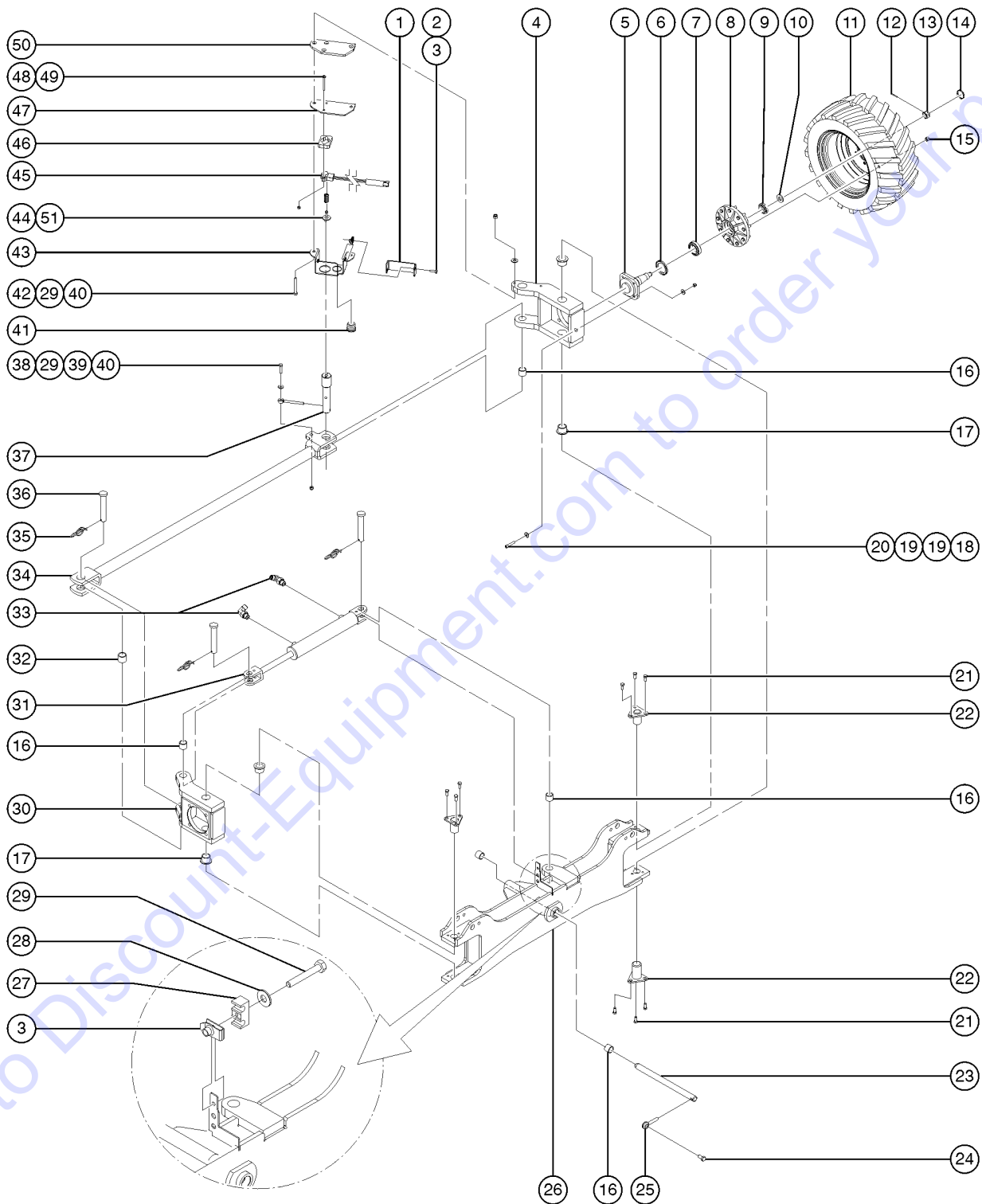


201.1 Steer Axle Linkage, Wheels and Drive Motors

Item	Part No.	Description	Qty.
1A	237773GT	FORMING, STEER SENSOR COVER PL Genie blue	1
1B	1254431GT	FORMING, STEER SENSOR COVER PL traffic black	1
2	6090GT	SCREW,HHC,1/4-20 X .75	
3	56912GT	SPRING CLIP,1/4-20,.025-.15X.5	
4	235375GT	ASSEMBLY, STEER YOKE, LFT (includes 2 each items of 17 and 1 each item 16)	1
5	231650GT	WELDMENT,FRONT STEER,GS69DC	1
6	54960GT	SEAL-GREASE,9-BOLT HUB 54840	1
7	54961GT	BEARING,INNER,9 BOLT HUB***	1
8	54958GT	HUB,SUB ASSEMBLY,9 BOLT***	1
9	54962GT	BEARING,OUTER,9 BOLT HUB***	1
10	45112GT	WASHER,SPINDLE	1
11A	1258632GT	WHEEL ASSY,FOAM,12X26,NM,LF RT, Foam-filled, Non-marking, controls side (left front) (water-based foam)	1
11B	1258633GT	WHEEL ASSY,FOAM,12X26,NM,RF RT, Foam-filled, Non-marking, engine side (right front) (water-based foam)	1
11C	1258759GT	WHEEL ASSY,FOAM,12X26,NM,LF RT, Foam-filled, Non-marking, controls side (left front) (petroleum-based foam)	1
11D	1258760GT	WHEEL ASSY,FOAM,12X26,NM,RF RT, Foam-filled, Non-marking, engine side (right front) (petroleum-based foam)	1
11E		WHEEL ASSEMBLY, HI FLOAT FOAM, DC, FRONT (available soon)	2
12	45114GT	PIN,COTTER,.219 X 1.75	1
13	45113GT	NUT,SPINDLE,1-14	1
14	54959GT	CAP,DUST (54840 HUB ASSY)	1
15	54627GT	NUT,LUG,5/8-18 X 90 DEGREE,Z45	1
16	25817GT	BEARING,1.00IDX1.25ODX1.00L	5
17	148353GT	BEARING,BRZ,FL,1.25X1.50X1.1	4
18	236813GT	SCREW,SHC,1/2-13 x 2.5 ZINC	
19	229167GT	WASHER,FLAT .56 X 1.375 X .11	
20	104328GT	NUT,HEX,1/2-13 GRD 8	
21	49857GT	SCREW,HHC,3/8-16 X .88,GRD 8	16
22	131616GT	WELDMENT,KING PIN	4
23	237340GT	PIN,OSC PIVOT	1



201.1 Steer Axle Linkage, Wheels and Drive Motors

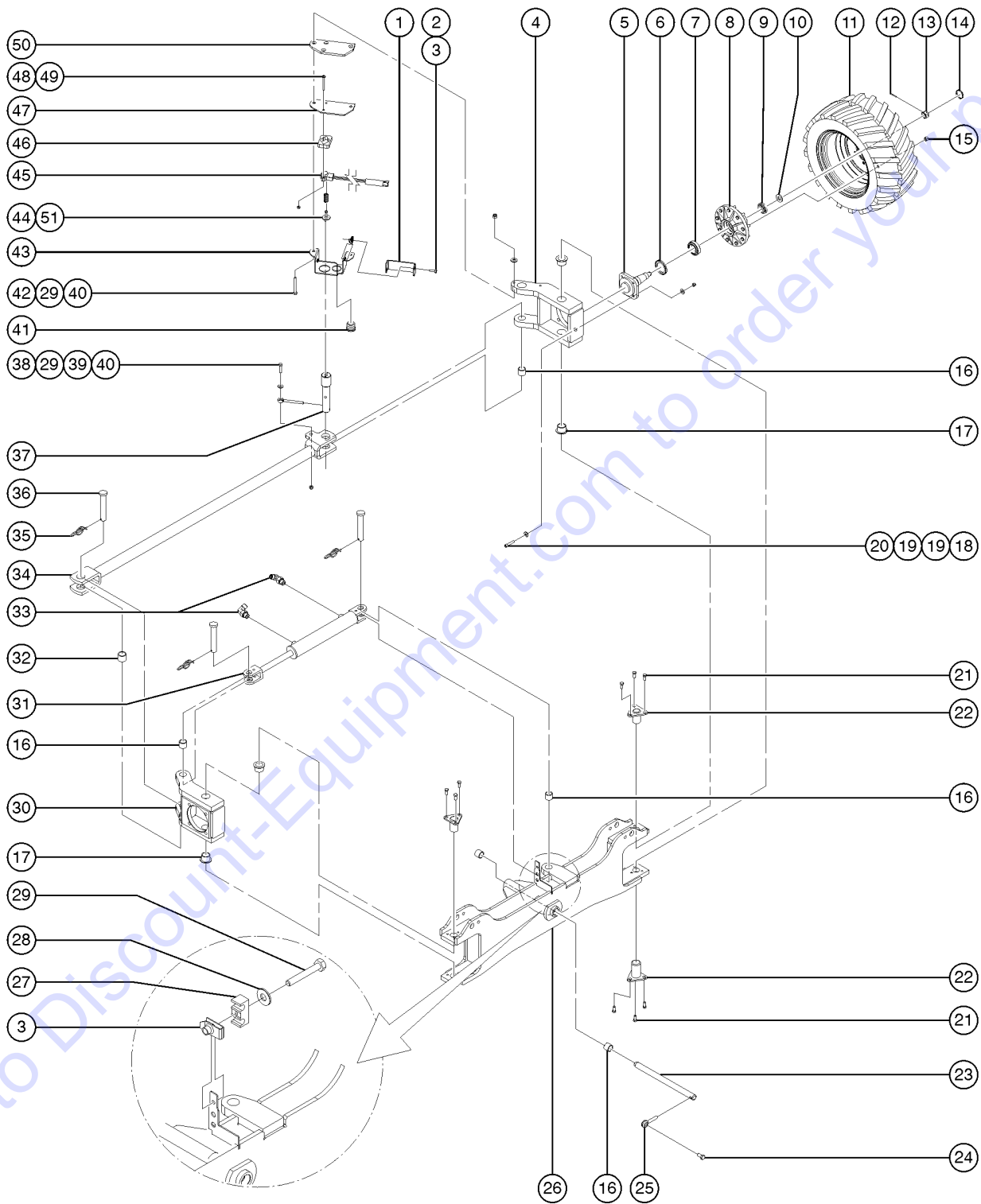


201.1 Steer Axle Linkage, Wheels and Drive Motors

Item	Part No.	Description	Qty.
24	8255GT	SCREW,HHC,3/8-16 X .75	
25	1255452GT	ROD END,.375 X 2.25,ZAG	1
26	131602GT	WELDMENT,OSC.AXLE	1
27	148396GT	CLAMP,HOSE,2X#4,GS69	1
28	6638GT	WASHER,FLAT,USS,1/4"Y	
29	6637GT	SCREW,HHC,1/4-20 X 1.75	1
30	238299GT	ASSEMBLY, STEER YOKE, RT (includes 2 each items of 17 and 1 each item 16 and 32)	1
31	89065GT	CYLINDER,STEER***	1
31-	89066GT	SEAL KIT,STEER CYL (89065)	1
32	53452GT	BEARING,1.00IDX1.50ODX1.00L	1
33	48911GT	ELBOW,90D,520220-4-6***	2
34	219356GT	WELDMENT,TIE ROD,GS69DC	1
35	74389GT	RUE RING,1.00	3
36	19440GT	PIN,CLEVIS,1 X 2.5 LG.	3
37	219206GT	PIN,CLEVIS,1X5.55 LG,GS69DC	1
38	8915GT	SCREW,HHC,1/4-20 X 1.25	1
39	45748GT	ROD END,.250 X 2.75 LG	1
40	6091GT	NUT,NYLOCK,1/4-20	1
41	60746GT	BUSHING, STRAIN RELIEF, 1"	1
42	8179GT	SCREW,HHC,1/4-20 X 2.25	1
43A	235662GT	FORMING, STEER SENSOR COVER, G Genie blue	1
43B	1254434GT	FORMING, STEER SENSOR COVER traffic black	1
44	110556GT	STEER SENSOR ACTUATOR,HEX	1
45	233767GT	STEER SENSOR ASSEMBLY (complete assembly includes part number 237254)	1
45-	237254GT	ASSY,STEER SENSOR, GS69DC (includes steer sensor and pigtail)	1
46	219279GT	SPACER,STEER SENSOR,UHMW	1
47A	235663GT	PLATE, STEER SENSOR BRACKET, G Genie blue	1
47B	1254432GT	PLATE, STEER SENSOR BRACKET traffic black	



201.1 Steer Axle Linkage, Wheels and Drive Motors



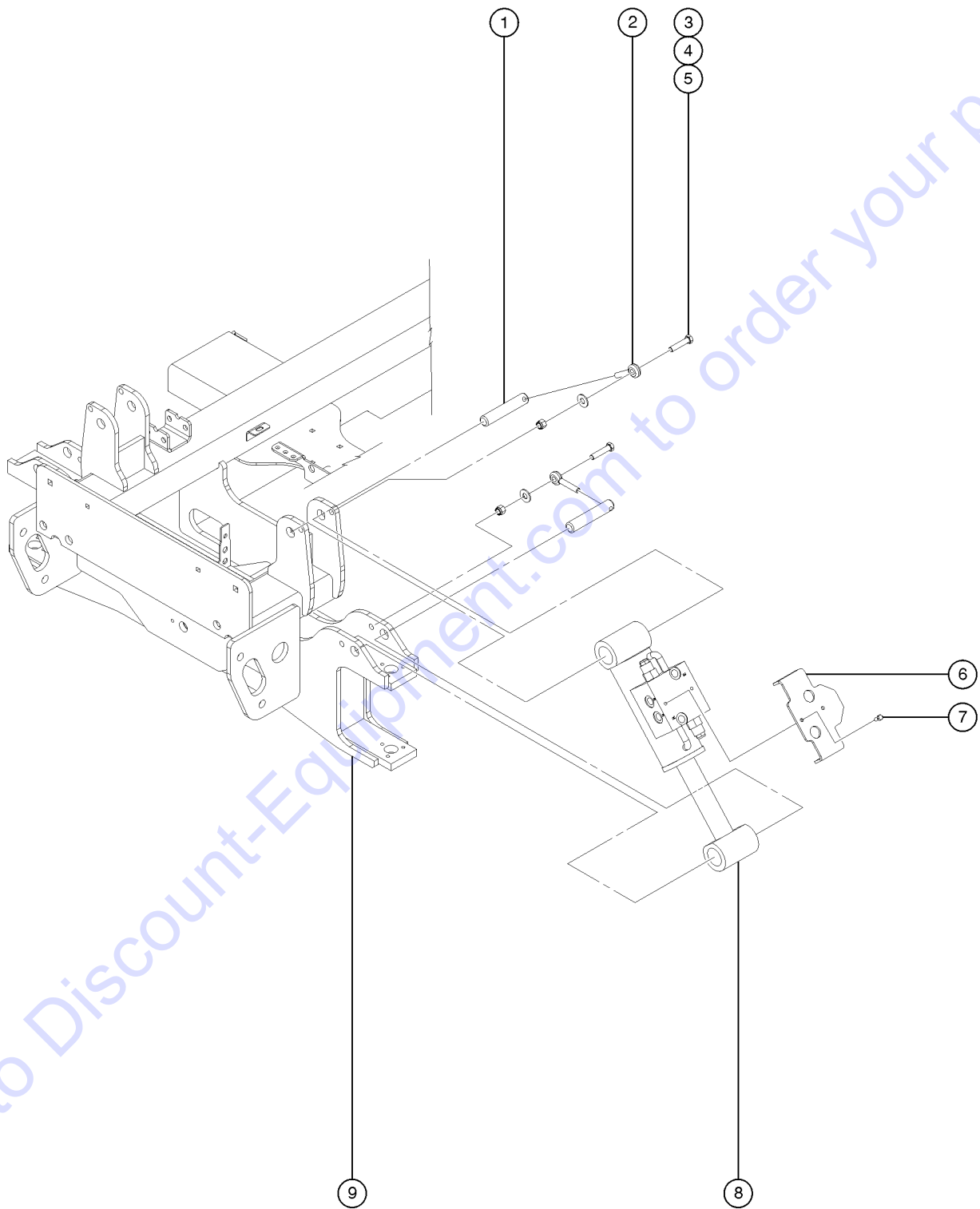
201.1 Steer Axle Linkage, Wheels and Drive Motors

Item	Part No.	Description	Qty.
48	49775GT	SCREW,PHILLIPS,PHM,10-32X 1.75	1
49	14392GT	NUT,LP NYLOCK,10-32	1
50A	232852GT	PLATE,STEER SENSOR SPACER,GS69	1
		Genie blue	
50B	1254433GT	PLATE,STEER SENSOR SPACER,GS69	1
		traffic black	
51	119910GT	SPRING,COMP,300 OD X .63LG	1

Go to Discount-Equipment.com to order your parts



202.1 Steer Axle Linkage, Oscillation



Go to Discount-Equipment.com to order your parts

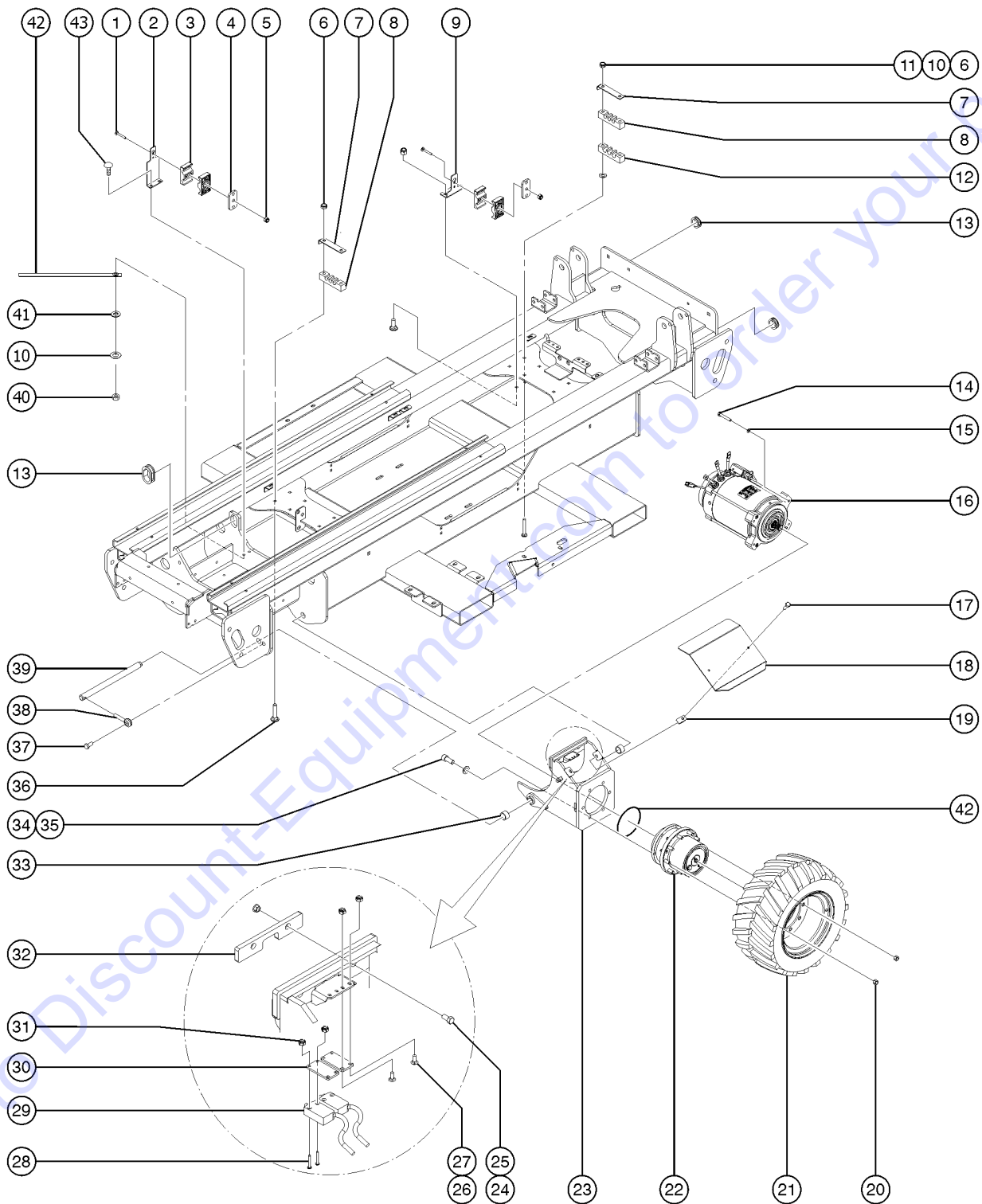
202.1 Steer Axle Linkage, Oscillation

Item	Part No.	Description	Qty.
1	67387GT	PIN,1.00DIAX5.27LG,1HOLE	4
2	1255452GT	ROD END,.375 X 2.25,ZAG	4
3	13918GT	SCREW,HHC,3/8-16 X 1.75,GRD.8	4
4	6097GT	WASHER,FLAT,USS,3/8",Y	4
5	4828GT	NUT,NYLOCK,3/8-16	4
6	148400GT	FORMING,OSC.COVER,GS69	2
7	7339GT	SCREW,HHC,1/4-20 X .5	4
8		Ref. CYLINDER, OSCILATING,GS69	
		(refer to 603.1)	
9		Ref. WELDMENT,OSC.AXLE	
		(refer to 201.1)	

Go to Discount-Equipment.com to order your parts



203.1 Non-Steer Axle and Drive Motors

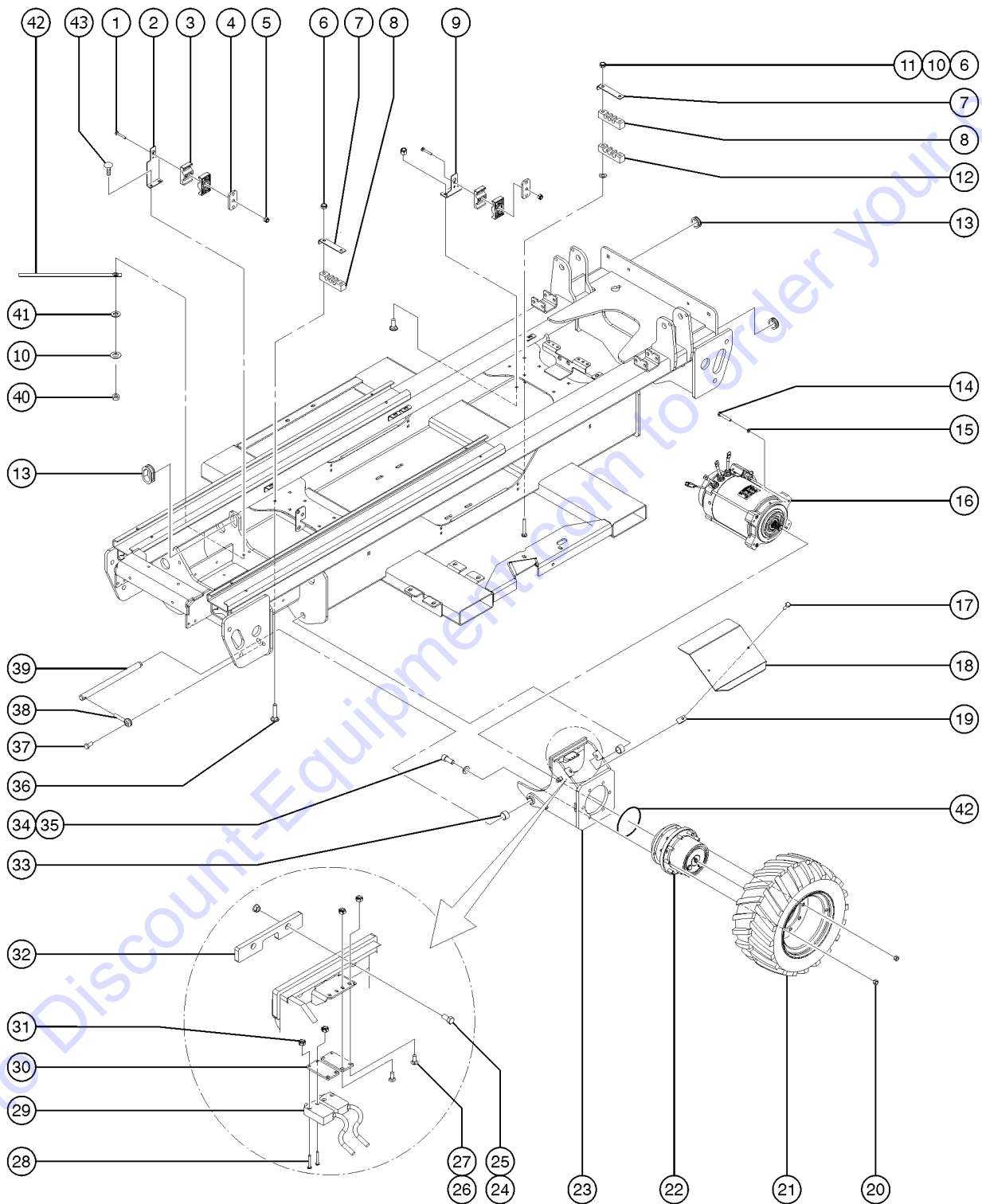


203.1 Non-Steer Axle and Drive Motors

Item	Part No.	Description	Qty.
1	73464GT	BOLT,CARRIAGE,1/4-20 X 1.75,G2	4
2	T107969GT	FORMING,REAR DRIVE HOSE CLAMP	2
3	78736GT	CLAMP,2 HOSE,PLASTIC,5/8	8
4	1254245GT	PLATE,HOSE ROUTING,BULKHEAD black	4
5	6091GT	NUT,NYLOCK,1/4-20	
6	7713GT	NUT,LP NYLOCK,3/8-16	
7	T107978GT	FORMING,CLAMP,CHASSIS,FRONT	4
8	T109744GT	CLAMP,HOSE,FRONT,3X#4	4
9	T107936GT	FORMING,DRIVE HOSE CLAMP MOUNT	2
10	87684GT	PUSH RETAINER, 3/8" SCREW	4
11	112476GT	BOLT,CARRIAGE,3/8-16X2.75,G5	4
12	T109745GT	CLAMP,HOSE,FRONT,2X#4,#6	2
13	T109739GT	GROMMET,RUBBER,1.75 ID	12
14	50793GT	SCREW,HHC,5/16-18 X 2	
15	6886GT	WASHER,LOCK,.313	
16	232523GT	MOTOR,DRIVE,AC,INT. BRAKE,IP67	1
17	6090GT	SCREW,HHC,1/4-20 X .75	
18	131755GT	COVER,REAR AXLE	
19	56912GT	SPRING CLIP,1/4-20,.025-.15X.5	4
20	54627GT	NUT,LUG,5/8-18 X 90 DEGREE,Z45	18
21A	1258629GT	WHEEL ASSY, FOAM,12X26,NM,RR RT, Foam-filled, Non-marking, engine side (right rear) (water-based foam)	1
21B	1258628GT	WHEEL ASSY,FOAM,12X26,NM,LR RT, Foam-filled, Non-marking, controls side (left rear) (water-based foam)	1
21C	1258754GT	WHEEL ASSY,FOAM,12X26,NM,RR RT, Foam-filled, Non-marking, engine side (right rear) (petroleum-based foam)	1
21D	1258753GT	WHEEL ASSY,FOAM,12X26,NM,LR RT, Foam-filled, Non-marking, controls side (left rear) (petroleum-based foam)	1
21E	131695GT	ASSY, HI FLOAT TIRE/WHEEL REAR	2
22	106445GT	WHEEL DRIVE,4HB,57:1***	2
22-	1286600GT	SEAL KIT,WHEEL DRIVE (106148/106445/107712) for 106445 (inventory limited to stock on hand as component is no longer available)	
22-	1286600GT	SEAL KIT,WHEEL DRIVE (106148/106445/107712)	



203.1 Non-Steer Axle and Drive Motors

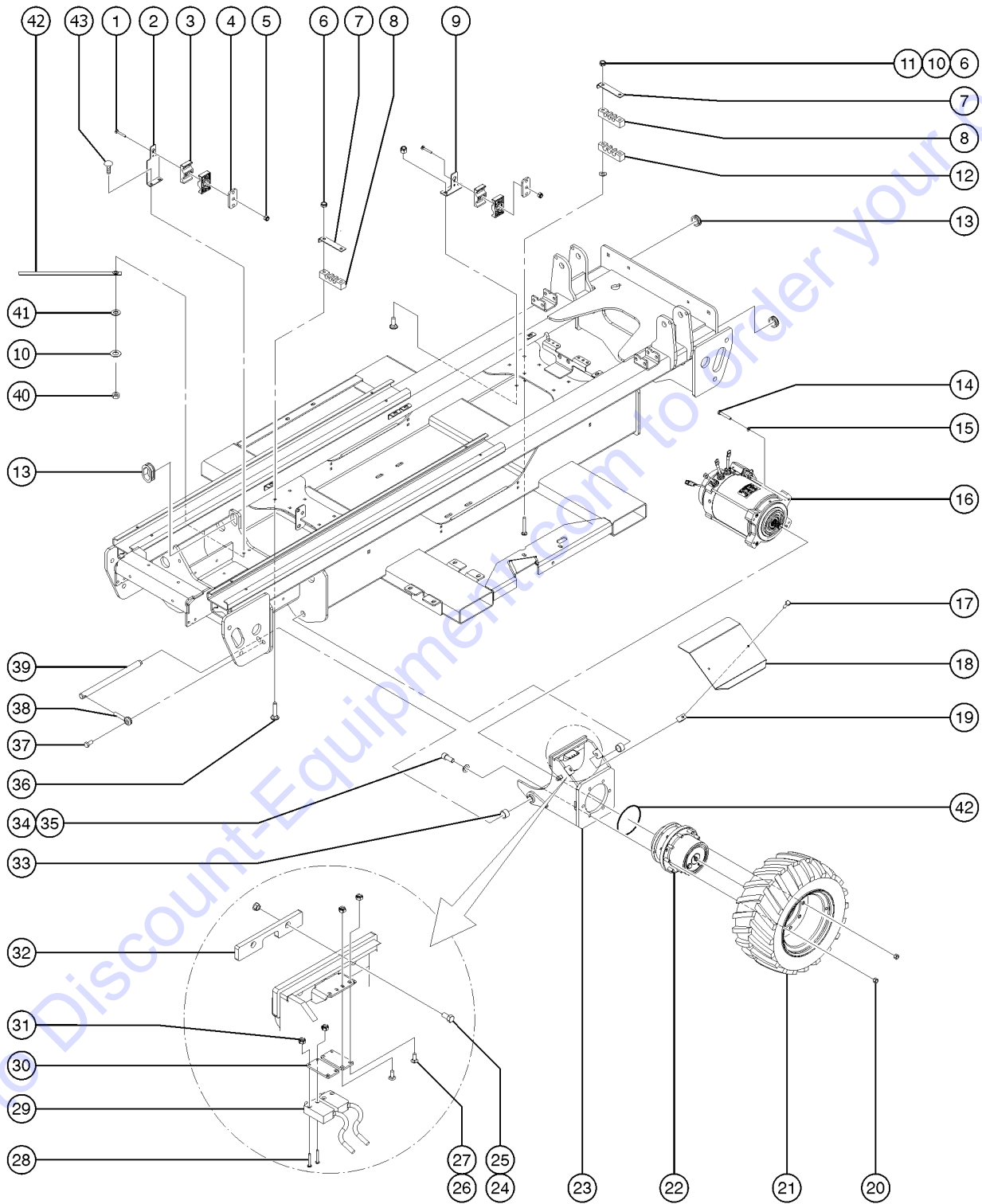


203.1 Non-Steer Axle and Drive Motors

Item	Part No.	Description	Qty.
22-	21149GT	LUG,WHEEL STUD,5/8-18,W1/4HB** for 106445	
22-	58320GT	KIT,TORQUE HUB COVER(101584)** for 106445	
22-	83092GT	SNAP RING (74097) for 106445	
22-	74714GT	BEARING KIT-74097 TORQUE HUB** for 106445 (inventory limited to stock on hand as component is no longer available)	
22-	1286601GT	BEARING KIT,WHEEL DRIVE (106148/106445/107712) for 106445	
22-	106121GT	ROD,DISCONNECT 4HP/4HB*** for 106445	
22-	106122GT	CAP,DISENGAGE,4HP/4HB*** for 106445	
22-	106123GT	O-RING,END COVER,4HP/4HB*** for 106445	
23	235377GT	SUBASSY,DC REAR AXLE includes item 33	2
24	33987GT	SCREW,HHC, 1/2-13 X 1, GR 5	
25	96320GT	NUT,LOCKING-LG.FLANGE, 1/2-13	
26	1283121GT	BOLT,CARRIAGE,#10-24X 5/8",G2	
27	5365GT	NUT,NYLOCK,10-24	
28	18540GT	SCREW,RHM,8-32 X 1	
29	148236GT	SWITCH,LIMIT,PLUNGER,SMALL	4
30	131640GT	PLATE,SENSE AXLE SWITCH	4
31	18605GT	NUT,NYLOCK,8-32	
32	131639GT	PAD,SENSE AXLE REST	2
33	51474GT	BEARING,1.00IDX1.25ODX0.75L	4
34	112512GT	SCREW,SHC,5/8-11 X 1.5 NDPATCH	
35	13064GT	WASHER,FLAT,.625 HARDENED	
36	112572GT	BOLT,CARRIAGE,3/8-16X1.75	
37	8255GT	SCREW,HHC,3/8-16 X .75	
38	1255452GT	ROD END,.375 X 2.25,ZAG	2
39	237340GT	PIN,OSC PIVOT	2
40	4828GT	NUT,NYLOCK,3/8-16	
41	6097GT	WASHER,FLAT,USS,3/8",Y	
42	54436GT	GROUND STRAP,18"LG from SN GS69F-15204, for non-marking tires only	1



203.1 Non-Steer Axle and Drive Motors



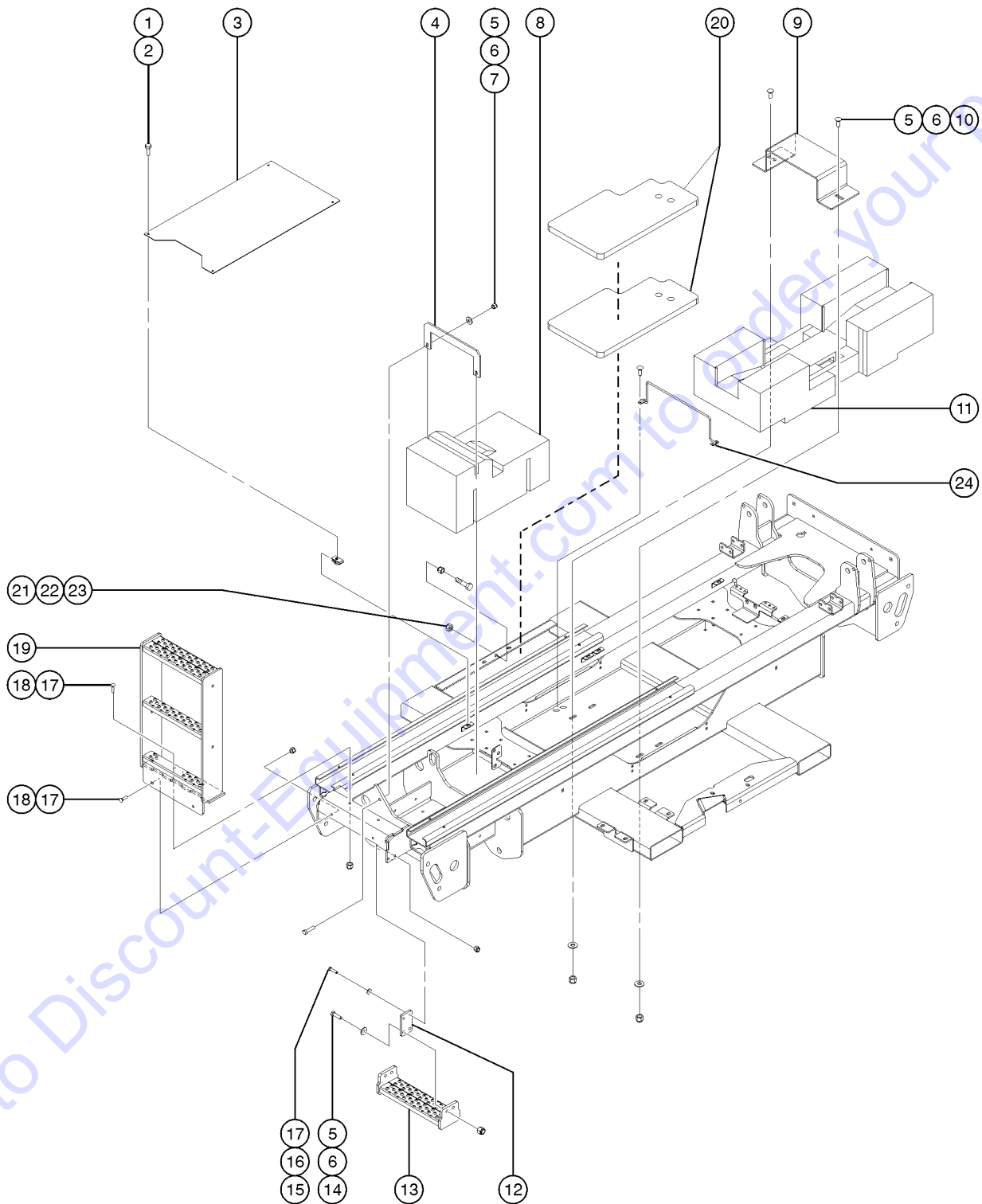
203.1 Non-Steer Axle and Drive Motors

Item	Part No.	Description	Qty.
43	105092GT	BOLT,CARRIAGE,3/8-16X1.25,GR5	

Go to Discount-Equipment.com to order your parts



204.1 Ladder and Counterweight, GS-2669

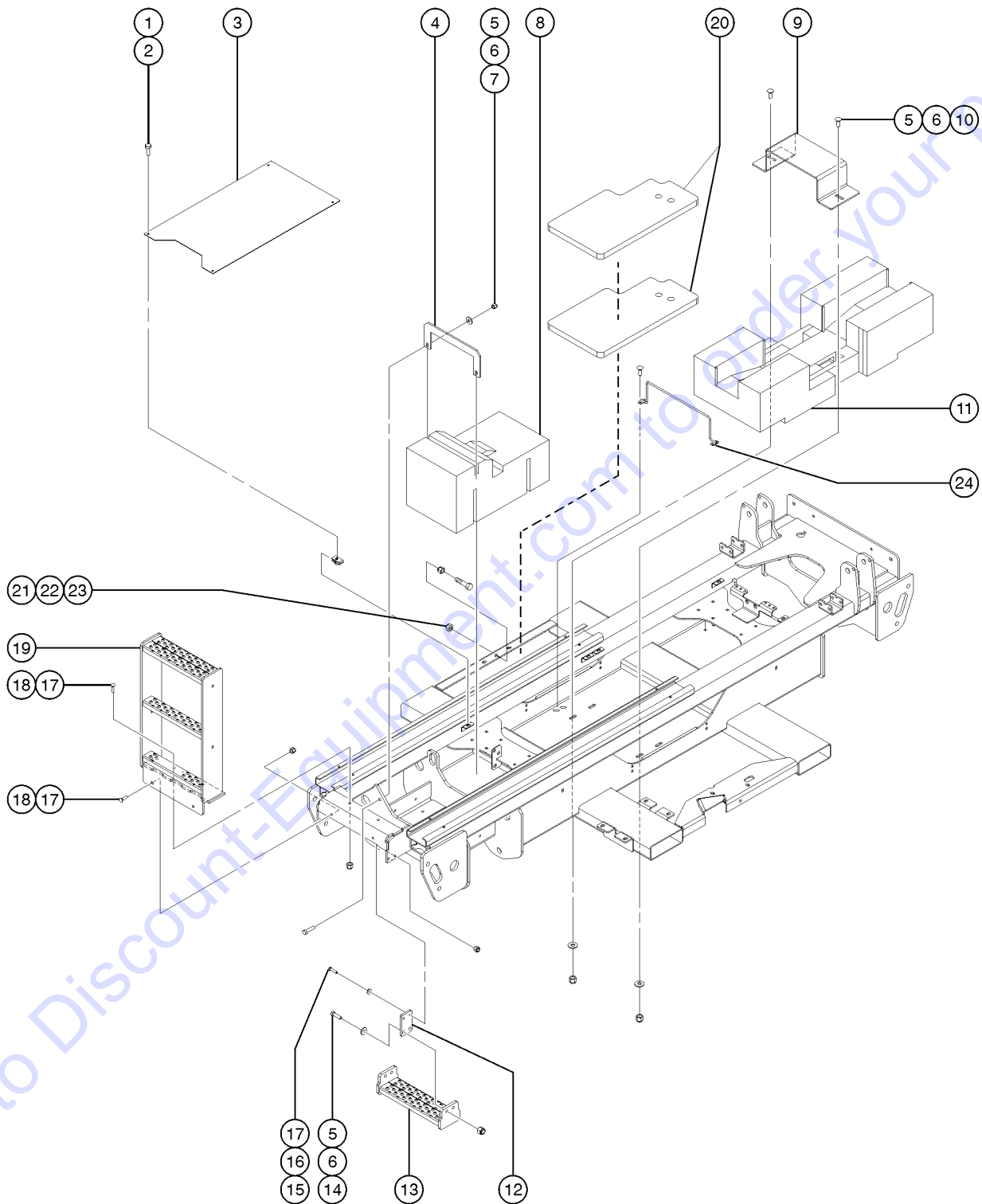


204.1 Ladder and Counterweight, GS-2669

Item	Part No.	Description	Qty.
1	6090GT	SCREW,HHC,1/4-20 X .75	8
2	56912GT	SPRING CLIP,1/4-20,.025-.15X.5	8
3	148271GT	FORMING,CHASSIS COVER	2
4	T115515GT	PLATE,REAR CW BRACKET	1
		(GS-2669 & GS-4069)	
5	6198GT	NUT,NYLOCK,1/2-13	8
6	6095GT	WASHER,FLAT,USS,1/2",Y	8
7	6096GT	SCREW,HHC,1/2-13 X 2 GR5	2
8	232537GT	CASTING,CW,REAR,4069	1
		(GS-2669 & GS-4069)	
10	96977GT	BOLT,CARRIAGE,1/2-13X1.50,GR5	2
12	148403GT	STRAP, RUBBER STEP SUPPORT	2
13	148292GT	WELDMENT,LOWER LADDER STEP	1
14	22788GT	SCREW,HHC,1/2-13 X 1.75	4
15	8516GT	SCREW, HCC, 3/8-16 X 1.50	4
16	6097GT	WASHER,FLAT,USS,3/8",Y	4
17	4828GT	NUT,NYLOCK,3/8-16	8
18	60790GT	BOLT, CARRIAGE, 3/8-16 X 1.50, G5	4
19A	148277GT	WELDMENT,26/32 LADDER	1
		(GS-2669 and GS-3369)(decals not included, refer to section 100)	
24	1253902GT	WELDMENT,CABLE GUIDE,SHORT	1



204.2 Ladder and Counterweight, GS-3369

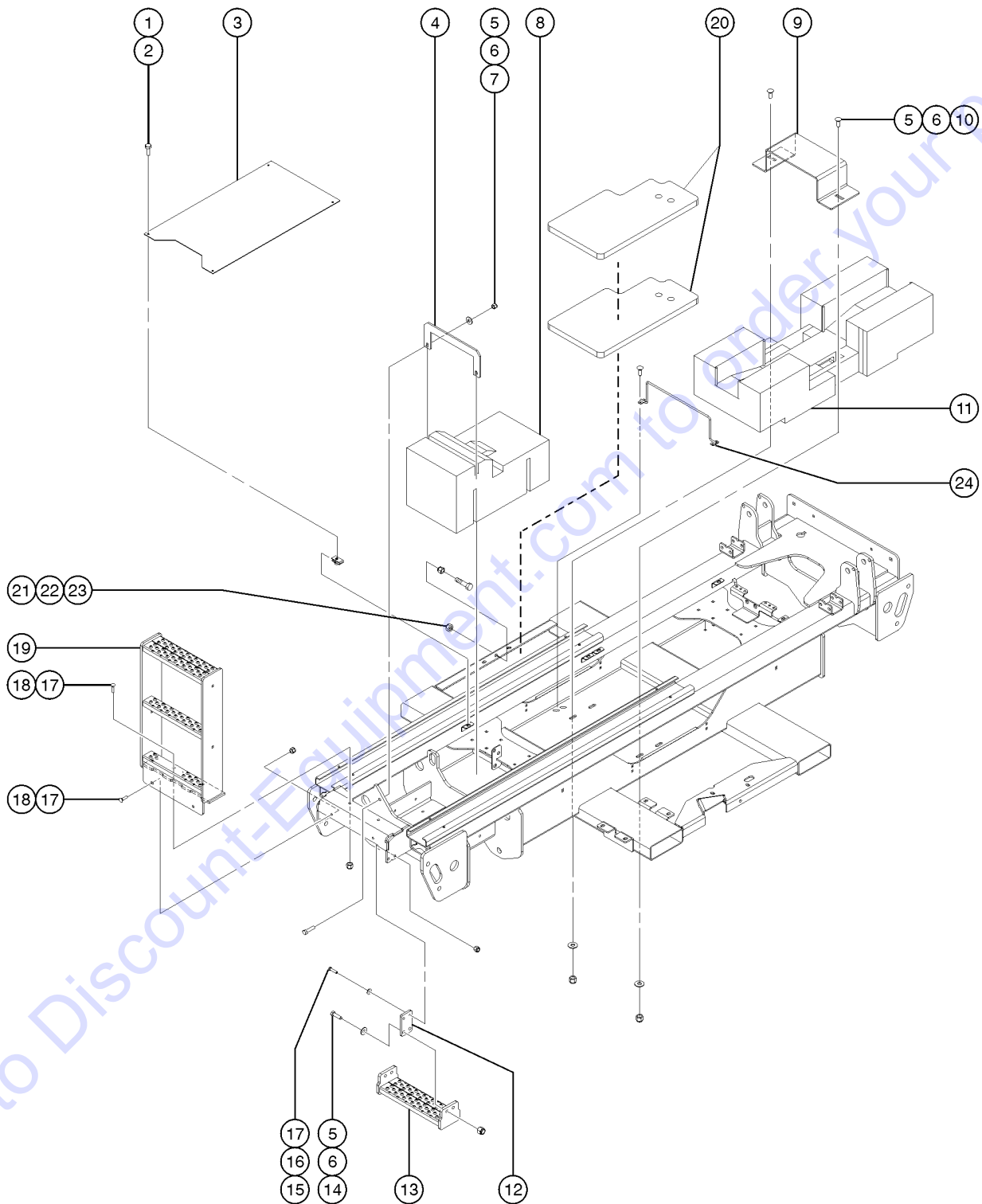


204.2 Ladder and Counterweight, GS-3369

Item	Part No.	Description	Qty.
1	6090GT	SCREW,HHC,1/4-20 X .75	8
2	56912GT	SPRING CLIP,1/4-20,.025-.15X.5	8
3	148271GT	FORMING,CHASSIS COVER	2
5	6198GT	NUT,NYLOCK,1/2-13	8
6	6095GT	WASHER,FLAT,USS,1/2",Y	8
7	6096GT	SCREW,HHC,1/2-13 X 2 GR5	2
10	96977GT	BOLT,CARRIAGE,1/2-13X1.50,GR5	2
12	148403GT	STRAP, RUBBER STEP SUPPORT	2
13	148292GT	WELDMENT,LOWER LADDER STEP	1
14	22788GT	SCREW,HHC,1/2-13 X 1.75	4
15	8516GT	SCREW, HCC, 3/8-16 X 1.50	4
16	6097GT	WASHER,FLAT,USS,3/8",Y	4
17	4828GT	NUT,NYLOCK,3/8-16	8
18	60790GT	BOLT, CARRIAGE, 3/8-16 X 1.50, G5	4
19A	148277GT	WELDMENT,26/32 LADDER (GS-2669 and GS-3369)(decals not included, refer to section 100)	1



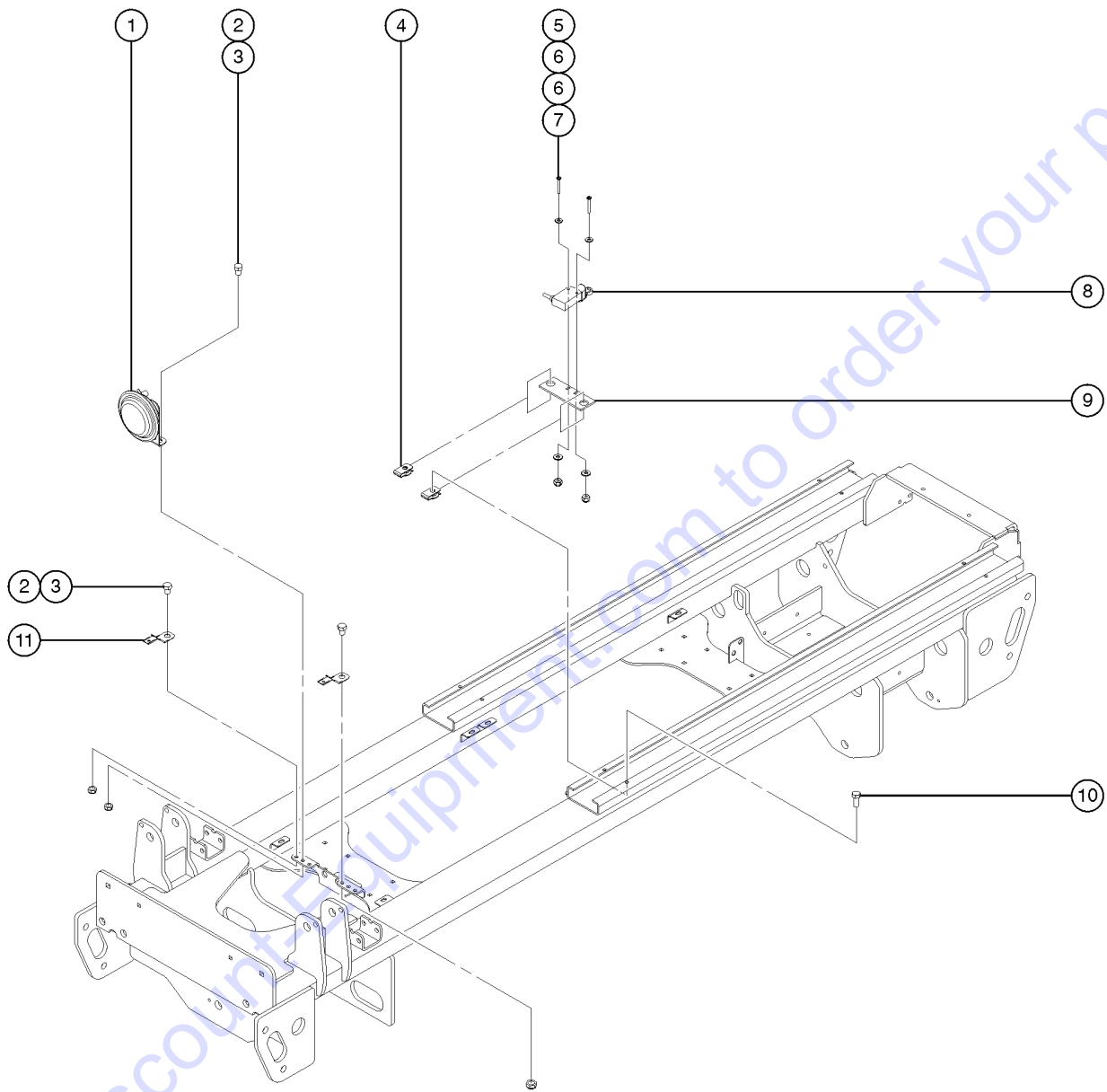
204.3 Ladder and Counterweight, GS-4069



204.3 Ladder and Counterweight, GS-4069

Item	Part No.	Description	Qty.
1	6090GT	SCREW,HHC,1/4-20 X .75	8
2	56912GT	SPRING CLIP,1/4-20,.025-.15X.5	8
3	148271GT	FORMING,CHASSIS COVER	2
4	T115515GT	PLATE,REAR CW BRACKET	1
		(GS-2669 & GS-4069)	
5	6198GT	NUT,NYLOCK,1/2-13	8
6	6095GT	WASHER,FLAT,USS,1/2",Y	8
7	6096GT	SCREW,HHC,1/2-13 X 2 GR5	2
8	232537GT	CASTING,CW,REAR,4069	1
		(GS-2669 & GS-4069)	
9	T114860GT	FORMING,MID CW BRACKET	1
		(GS-4069)	
10	96977GT	BOLT,CARRIAGE,1/2-13X1.50,GR5	2
11	232536GT	CASTING,CW,MID,4069	1
		(GS-4069)	
12	148403GT	STRAP, RUBBER STEP SUPPORT	2
13	148292GT	WELDMENT,LOWER LADDER STEP	1
14	22788GT	SCREW,HHC,1/2-13 X 1.75	4
15	8516GT	SCREW, HCC, 3/8-16 X 1.50	4
16	6097GT	WASHER,FLAT,USS,3/8",Y	4
17	4828GT	NUT,NYLOCK,3/8-16	8
18	60790GT	BOLT, CARRIAGE, 3/8-16 X 1.50, G5	4
19B	148307GT	WELDMENT, GS4068 LADDER	1
		(GS-4069)(decals not included, refer to section 100)	
20	214212GT	PLATE,COUNTERWEIGHT,DC69	2
		(GS-4069)	
21	104235GT	SCREW,HHC,1/2-13X2.25 GRD 8	1
		(GS-4069)	
22	104328GT	NUT,HEX,1/2-13 GRD 8	1
		(GS-4069)	
23	6086GT	NUT,LP NYLOCK,1/2-13	1
		(GS-4069)	
24	1253902GT	WELDMENT,CABLE GUIDE,SHORT	1

205.1 Drive Chassis, Safety Components



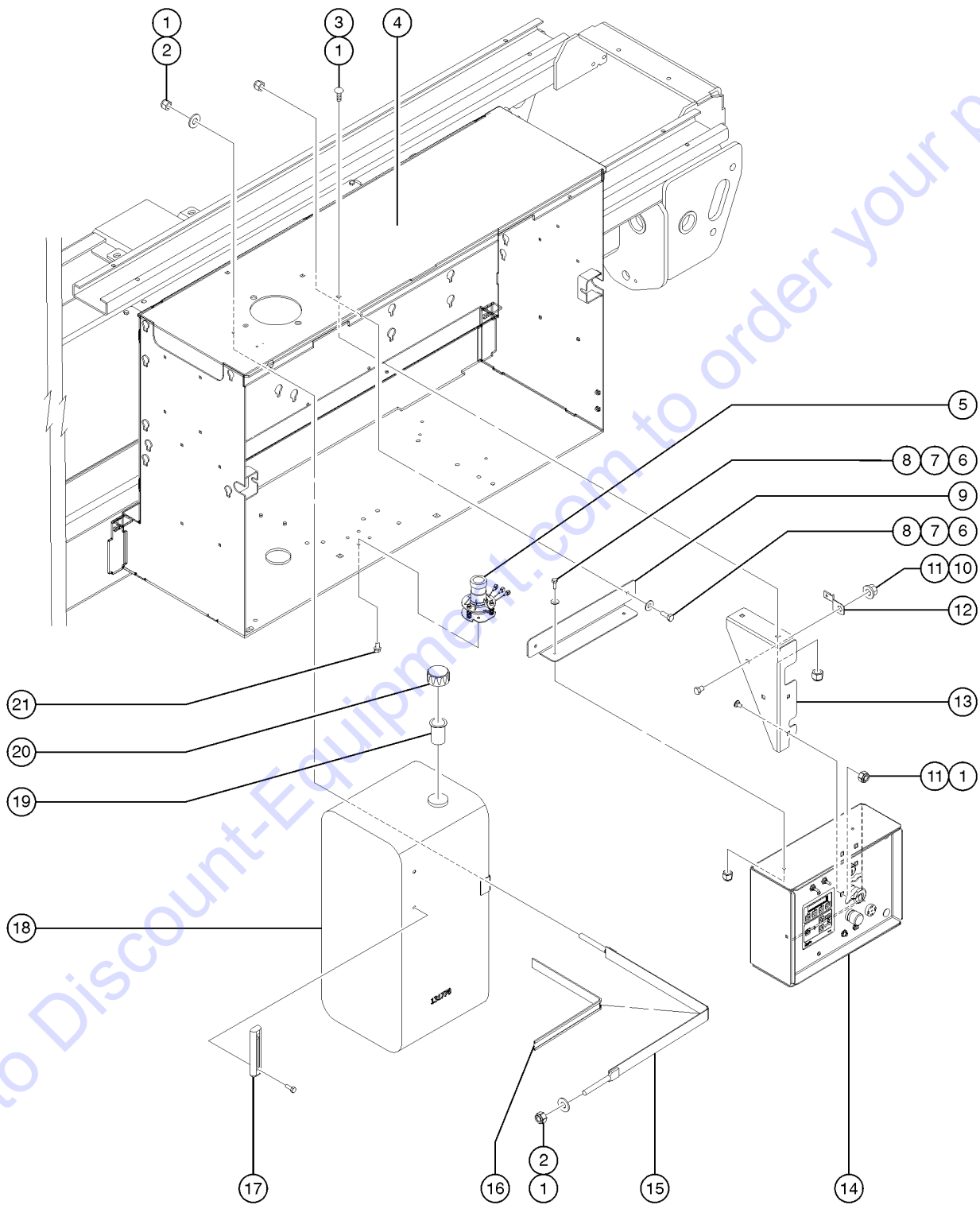
205.1 Drive Chassis, Safety Components

Item	Part No.	Description	Qty.
1	81579GT	HORN, 24VDC, SPADE TERMINALS***	1
2	71508GT	SCREW,HHC,3/8-16 X .50 GR.5	2
3	7713GT	NUT,LP NYLOCK,3/8-16	2
4	4828GT	NUT,NYLOCK,3/8-16	2
5	49821GT	SCREW,PHILLIPS,PHM,8-32 X 1.25	2
6	35461GT	WASHER,FLAT,MS,#8,Y	4
7	18605GT	NUT,NYLOCK,8-32	2
8	220237GT	SWITCH,LIMIT,ZCY15 ARM	1
9	220153GT	PLATE,LIMIT SWITCH,LS	1
10	64154GT	BOLT,CARRIAGE,3/8-16 X1.00,G5	2
11	99346GT	CLIP, METAL MOUNTING	3

Go to Discount-Equipment.com to order your parts



301.1 Hydraulic Tank and Ground Controls Installation

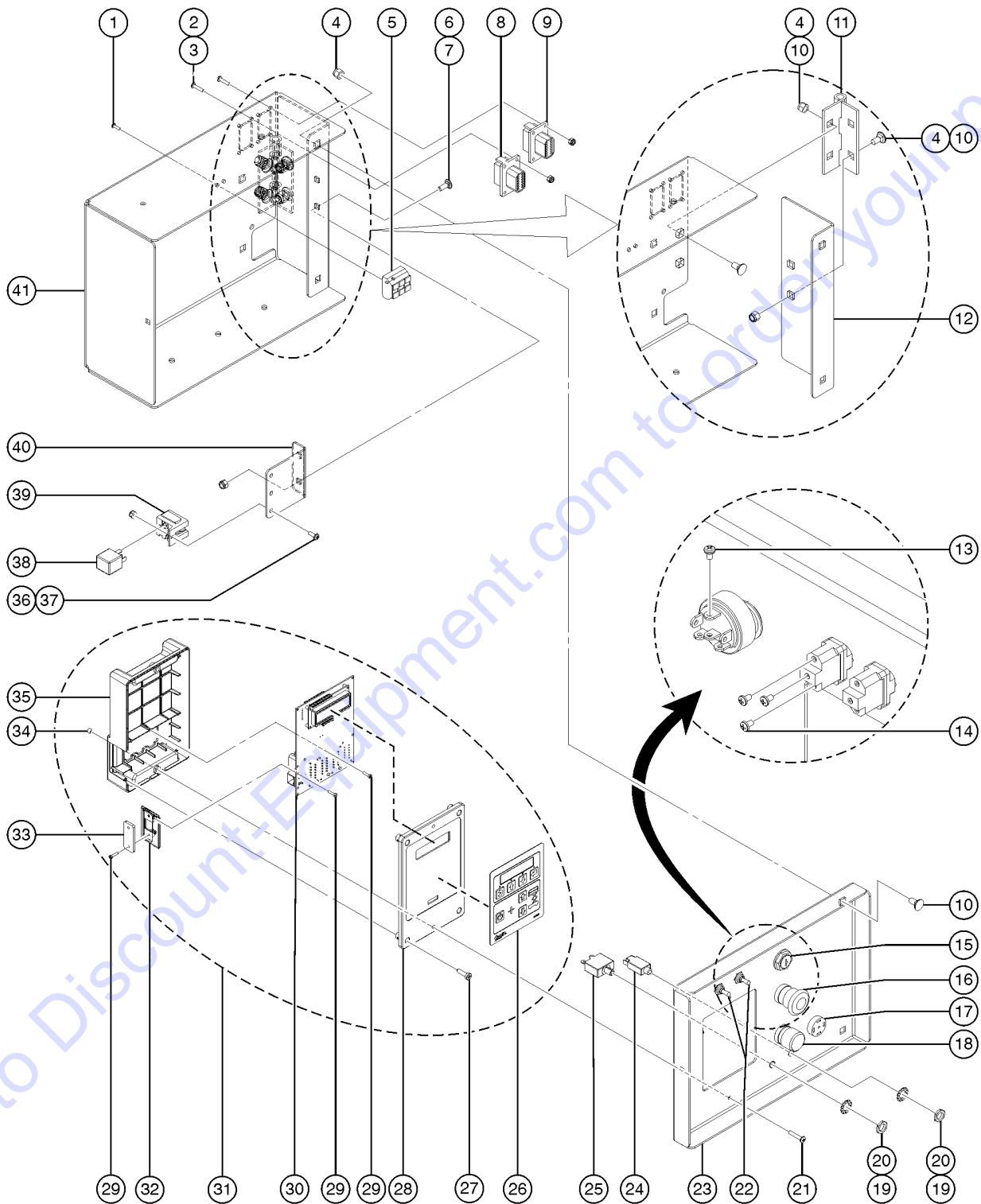


301.1 Hydraulic Tank and Ground Controls Installation

Item	Part No.	Description	Qty.
A	124449GT	TILT SENSOR TEST TOOL	1
B	1289561GT	BRACKET, TELEMATICS	
B	1289520GT	MODULE, TELEMATICS, ZTR, M7, NORTH AMERICA	
B	1289521GT	MODULE, TELEMATICS, ZTR, M7, EMEA/APAC	
1	4828GT	NUT,NYLOCK,3/8-16	6
2	6097GT	WASHER,FLAT,USS,3/8",Y	2
3	64154GT	BOLT,CARRIAGE,3/8-16 X1.00,G5	1
4		Ref., WELDMENT,BOX,HYD	
		(refer to 302.1)	
5A	78674GT	LEVEL SENSOR,LS60,BLUE,2X3**	1
		(models without outriggers)	
5B	71484GT	SENSOR,LEVEL, ANALOG	1
		(models with outriggers)	
6	6090GT	SCREW,HHC,1/4-20 X .75	4
7	6638GT	WASHER,FLAT,USS,1/4"Y	4
8	6091GT	NUT,NYLOCK,1/4-20	4
9A	232549GT	FORMING, BRACKET, CONTROL BOX,	1
		(to SN GS6914-3661) (Genie blue)	
9B	1272484GT	FORMING, BRACKET, CONTROL BOX	1
		(from SN GS6914-3662) (Traffic black)	
10	48425GT	NUT,FLG-LRG,3/8-16,YZ	1
11	101718GT	BOLT,CARRIAGE,3/8-16 X .75,G2	3
12	99346GT	CLIP, METAL MOUNTING	1
13A	235397GT	FORMING,BRACE,69DC CONTROLS BO	1
		(to SN GS6914-3661) (Genie blue)	
13B	1272485GT	FORMING,BRACE,69DC CONTROLS BO	
		(from SN GS6914-3662) (Traffic black)	
14		Ref., GROUND CONTROLS	1
		(refer to 306.1)	
15	T106782GT	TANK STRAP,BOLT STYLE,HYD,GS69	1
16	31658-1975GT	EXTRUSION,RUBBER BUMPER STRIP	1
17	215229GT	GAUGE,HYDRAULIC TANK T/L VL	1
18	T106793GT	ASSY,HYD.TANK,GS69	1
19	31506GT	STRAINER,FILLER NECK	1
20	131658GT	CAP,HYDRAULIC TANK,GS68/84/90	1
21	230850GT	SCREW, WASH HEAD, 20-9X5/8	4



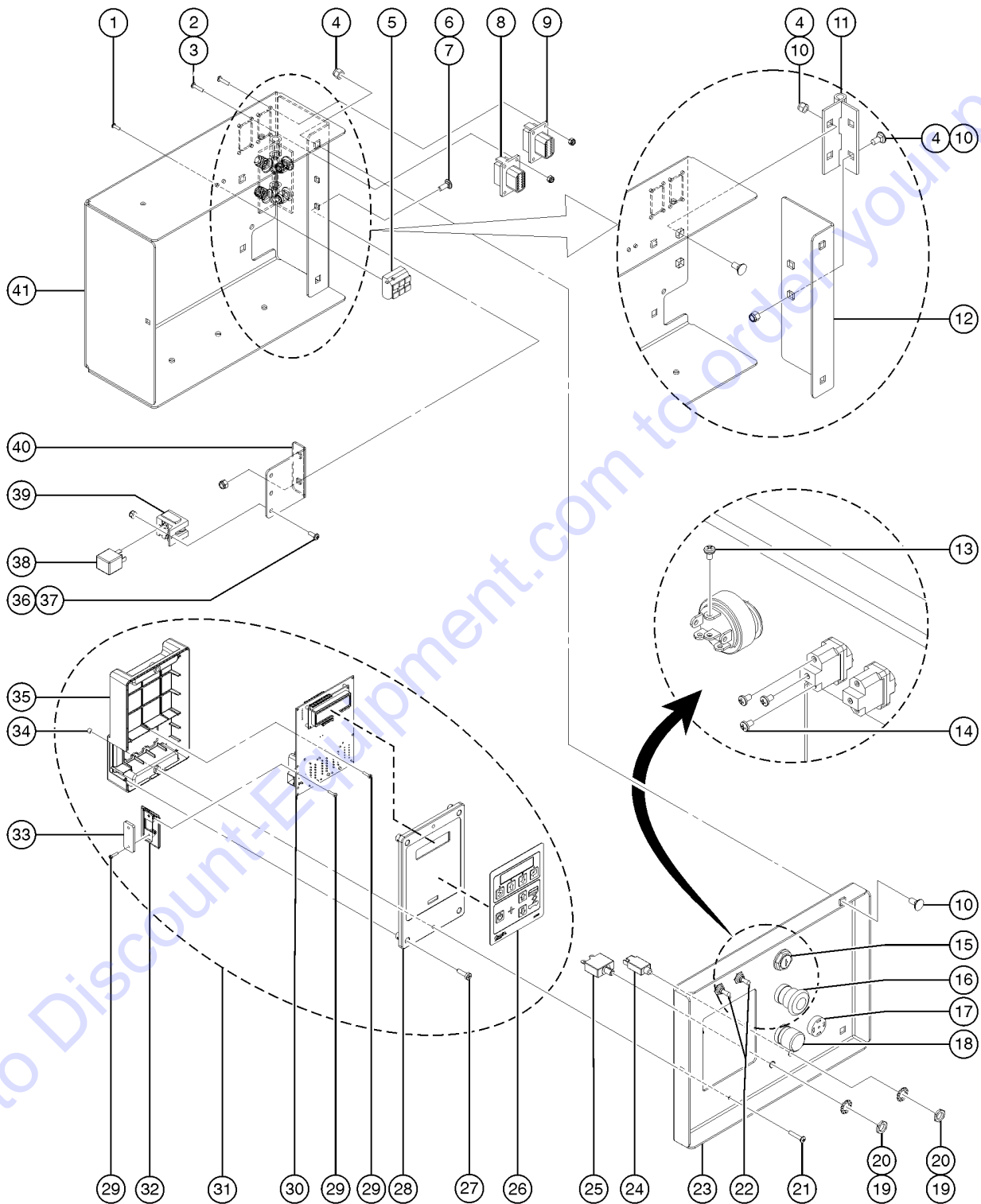
302.1 Ground Controls



Item	Part No.	Description	Qty.
1	49820GT	SCREW,PHILLIPS,PHM,6-32 X .5	2
2	45645GT	SCREW,RHM,8-32 X .75	8
3	18605GT	NUT,NYLOCK,8-32	8
4	4828GT	NUT,NYLOCK,3/8-16	6
5	214542GT	TERM BLK,3 POLE/12 POS,LCP	1
6	124580GT	BOLT,CARRIAGE,1/4X.75,G5	2
7	6091GT	NUT,NYLOCK,1/4-20	
8	73730GT	CONN,RECEP 12 WAY,GRY FLANGE	1
9	73733GT	CONN,RECEP 12 WAY,BLK FLANGE	1
10	101718GT	BOLT,CARRIAGE,3/8-16 X .75,G2	6
11	55517GT	HINGE, GSRT90 BOX	1
12	235381GT	FORMING, DOOR, BULKHEAD MOUNT (to SN GS6914-3661) (Genie blue)	1
12B	1272489GT	FORMING, DOOR, BULKHEAD MOUNT (from SN GS6914-3662) (Traffic black)	1
13	96010GT	SCREW,PHILLIPS,PHM,8-32 X.25**	6
14	128578GT	SCREW T-SWITCH PH/PH 6-32X1/4	6
15	96008-SGT	KEYSWITCH,3 POS. W/KEYS***	1
15-	37947GT	KEYS,10 PACK***	
15-	83093GT	KEY SINGLE***	
15-	83131GT	KEYSWITCH,3 POS W/KEYS,LOCKING	
15-	96009GT	WASHER,NITRILE to SN 12409	
15-	88827GT	GASKET,KEYSWITCH,PLASTIC*** from SN 12410	
16	66812GT	BUTTON,PUSH,RED MUSHROOM HEAD	1
16-	66818GT	CONTACT,NC	
16-	66821GT	BASE,WITHOUT CONTACTS	
17	39540GT	ALARM, STEADY TONE*** order 72326 mounting ring separately	1
17B	72326GT	NUT - PLASTIC, RING FOR ALARMS for 39540	
18	66813GT	BUTTON,PUSH,BLACK W/SEAL ***	1
18-	66816GT	CONTACT,N.O.	



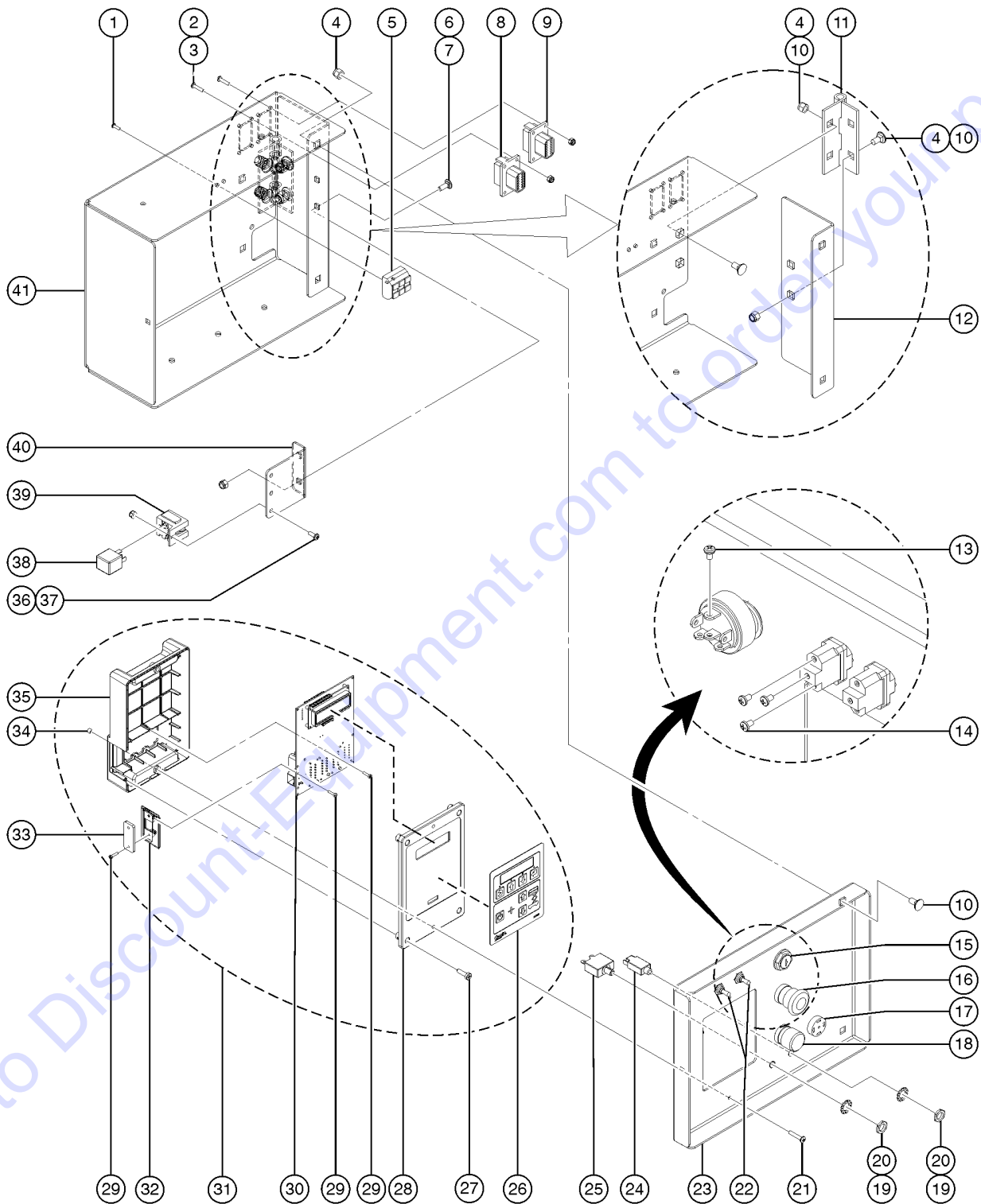
302.1 Ground Controls



Item	Part No.	Description	Qty.
18-	66821GT	BASE,WITHOUT CONTACTS	
19	122994GT	NICKEL PLATED JAM NUT	2
20	6700GT	WASHER, STAR, EXTERNAL, .375	2
21	75041GT	SCREW,PHILLIPS,PHM,10-32 X 1	2
22	128200GT	SWITCH TOGGLE ASSY SPDT 3P MOM	2
22-	128578GT	SCREW T-SWITCH PH/PH 6-32X1/4	
22-	128580GT	SWITCH TOGGLE SPDT 3P MOM SHDR	
22-	27246GT	BOOT,TOGGLE SWITCH,SHORT*	
23	1254591GT	FRMNG,LCP FRONT,GS69DC/BE	1
23B	15243GT	PLUG,NYLON .875 BLACK DOMED	
24	1277226GT	ASSEMBLY,CIRCUIT BREAKER,15AMP	
25	96452GT	CIRCUIT BREAKER, 7.0 AMP***	1
26	137562GT	DECAL,MEMBRANE, GR/GRC/GS GCON.	1
27	137668GT	SCREW,PHM,6-19X.75, 48-2 TRI-L	4
28	T106366GT	ENCLOSURE,GC27-25/GC21-19,FRNT	1
29	137637GT	SCREW,PHM,4-20X.5, 48-2 TRI-L	
30	237618GT	PCBA,GCON 69 DC SL1K	1
		(standard)	
30B	218091GT	PCBA, GC27-25	1
		(option) (part is serialized) (for models with outriggers)	
31	137692GT	GCON, GR/GRC/GS	
		(standard) (part is serialized) (includes items 29 thru 33, 36 and 37)	
31B	1256721GT	GCON,STD,PROP LIFT	
		(option) (for models without outriggers) (includes items 29 thru 33, 36 and 37)	
31C	1256722GT	GCON,O/R,PROP LIFT	
		(option) (for models with outriggers) (includes items 29 thru 33, 36 and 37)	
32	T106363GT	ADAPTER, RJ45, GC27-25/GC21-19	1
33	T106362GT	COVER, RJ45, GC27-25/GC21-19	1
34	66842GT	INSERT, 10-32 X .25	2
35	T106372GT	ENCLOSURE, GC21-19, BK	1
		(standard)	
35B	T106371GT	ENCLOSURE, GC27-25, BK	1
		(option) (for models with outriggers)	
36	49819GT	SCREW,PHILLIPS,PHM,10-32 X .5	2
37	6178GT	NUT, NYLOCK, 10-32	2



302.1 Ground Controls



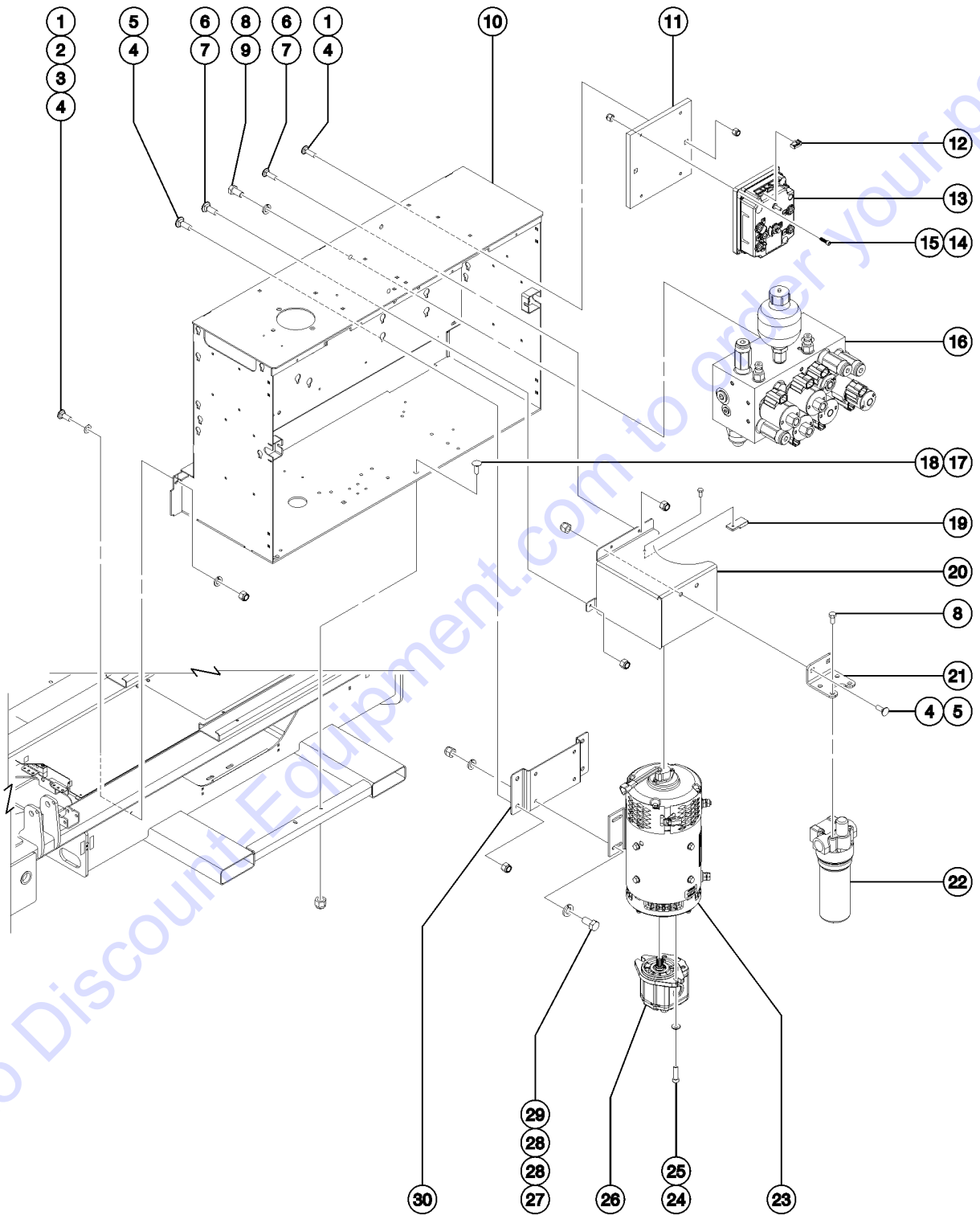
302.1 Ground Controls

Item	Part No.	Description	Qty.
38	56302GT	RELAY,24VDC,40/30A,SEALED***	2
39	34053GT	ASSY,RELAY SOCKET, AUTO	2
40	235383GT	FORMING, BRACKET, RELAY MOUNT	1
		(to SN GS6914-3661) (Genie blue)	
40B	1272490GT	FORMING, BRACKET, RELAY MOUNT	1
		(from SN GS6914-3662) (Traffic black)	
41	235380GT	FORMING, BOX, CONTROL ENCLOSUR	1
		(Genie blue)	
41B	1282278GT	FORMING, BOX, CNTRL ENCLOSURE	
		(Traffic black)	

Go to Discount-Equipment.com to order your parts



303.1 Hydraulic Tray Components, View 1



Item	Part No.	Description	Qty.
1	105092GT	BOLT,CARRIAGE,3/8-16X1.25,GR5	4
2	87684GT	PUSH RETAINER, 3/8" SCREW	2
3	6097GT	WASHER,FLAT,USS,3/8",Y	2
4	4828GT	NUT,NYLOCK,3/8-16	10
5	64154GT	BOLT,CARRIAGE,3/8-16 X1.00,G5	6
6	6878GT	BOLT,CARRIAGE,1/4-20 X .75,G2	3
7	6091GT	NUT,NYLOCK,1/4-20	3
8	8255GT	SCREW,HHC,3/8-16 X .75	6
9	58486GT	WASHER,FLAT,3/8,HARDENED,YZ	2
10	1253426GT	WELDMENT,BOX,HYD	1
10-	215914GT	PLUG,NYLON,.391"RING	1
10-	215915GT	PLUG,NYLON,.281"RING	1
11	238382GT	PLATE, MTG, MOTOR CONTROLLER	1
12	160536GT	CONN,BLANK,L MTR CTRL,GS69DC	
13	230488GT	MOTOR CONTROLLER,48VAC,3PH	1
14	238383GT	SCREW,SHC,1/4-20 X .875	4
15	6889GT	NUT,LP NYLOCK,1/4-20	4
16		Ref., Function Manifold	
		(refer to 701.1)	
17	96203GT	BOLT,CARRIAGE,1/2-13X1.75, G5	1
18	6198GT	NUT,NYLOCK,1/2-13	1
19	T113139GT	CLIP,DTM,RECEPTACLE	1
20	1254449GT	WELDMENT,MOTOR SPRAY GUARD	1
21	71202GT	FORMING,HIGH PRESS FILTER BRKT	1
22	60334GT	FILTER ASSY,HIGH PRESS SAE-12*	1
22-	1279465GT	BACKUP RING,71.60X67.20X1.40PTFE(60334)	
22-	1279466GT	O-RING,67.95X2.62-NBR-70SH(HF2P)(60334)	
22-	60857GT	FILTER,ELEMENT,BETA(5)=1000	
22-	58380GT	FILTER INDICATOR-(60334)	



PARTS FINDER

**Search Website
by Part Number**



**Search Manual
Library For Parts
Manual & Lookup Part
Numbers – Purchase
or Request Quote**

Search Manuals

Enter your information to help us find the right parts manual for your machine.

* Brand:

* Model:

* Serial:

* Part Number:

SEARCH

**Can't Find Part or
Manual? Request Help
by Manufacturer,
Model & Description**

Parts Order Form

Please fill in the following information to help us find the right part for your machine.

Manufacturer:	<input type="text"/>
Model:	<input type="text"/>
Description:	<input type="text"/>
Part Number:	<input type="text"/>
Quantity:	<input type="text"/>
Notes:	<input type="text"/>

Submit

Discount-Equipment.com is your online resource for quality parts & equipment.

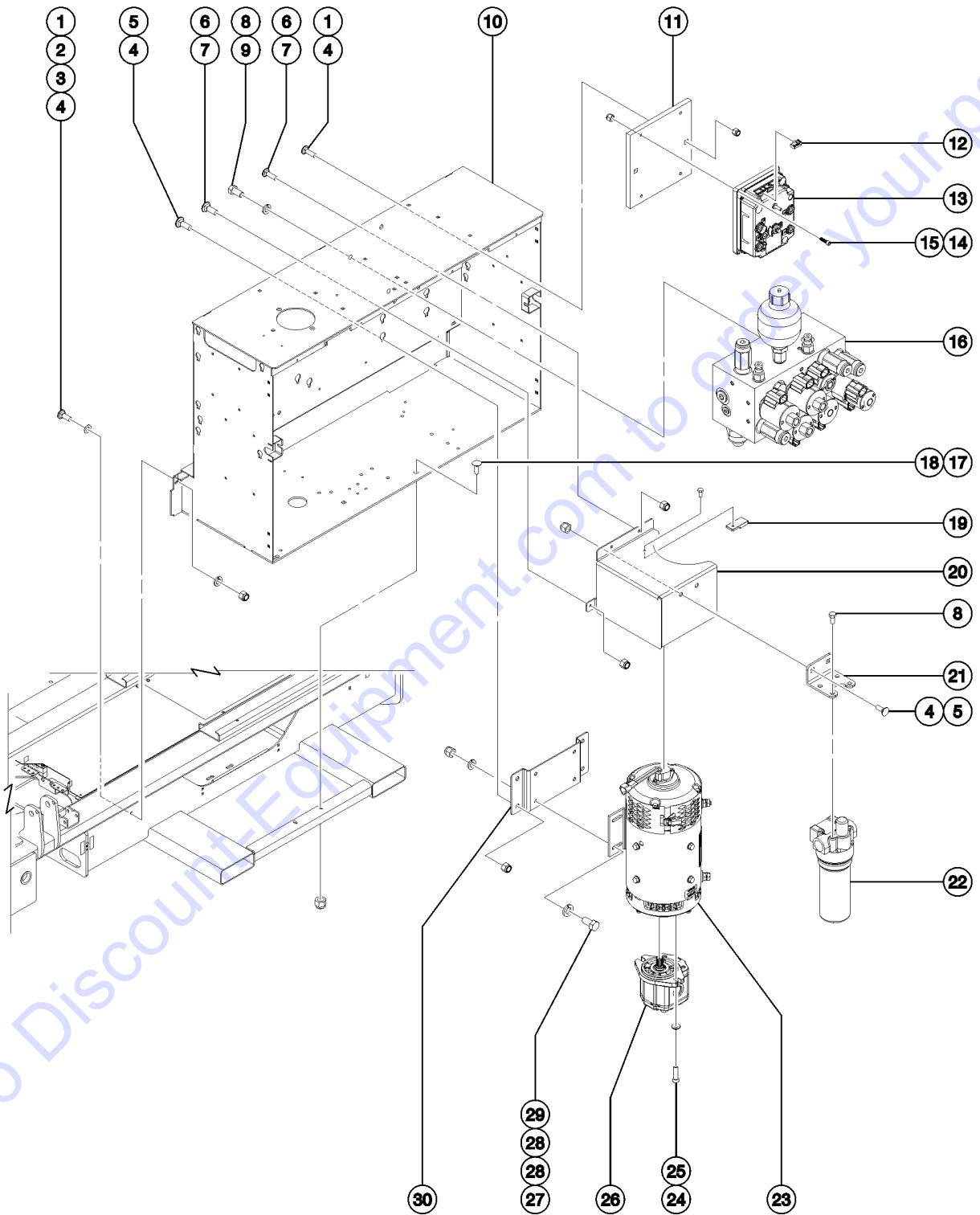
Florida: **561-964-4949** Outside Florida TOLL FREE: **877-690-3101**

Need parts?

Click on this link: <http://www.discount-equipment.com/category/5443-parts/> and choose one of the options to help get the right parts and equipment you are looking for. Please have the machine model and serial number available in order to help us get you the correct parts. If you don't find the part on the website or on one of the online manuals, please fill out the request form and one of our experienced staff members will get back to you with a quote for the right part that your machine needs.

We sell worldwide for the brands: Genie, Terex, JLG, MultiQuip, Mikasa, Essick, Whiteman, Mayco, Toro Stone, Diamond Products, Generac Magnum, Airman, Haulotte, Barreto, Power Blanket, Nifty Lift, Atlas Copco, Chicago Pneumatic, Allmand, Miller Curber, Skyjack, Lull, Skytrak, Tsurumi, Husquvarna Target, Stow, Wacker, Sakai, Mi-T-M, Sullair, Basic, Dynapac, MBW, Weber, Bartell, Bennar Newman, Haulotte, Ditch Runner, Menegotti, Morrison, Contec, Buddy, Crown, Edco, Wyco, Bomag, Laymor, EZ Trench, Bil-Jax, F.S. Curtis, Gehl Pavers, Heli, Honda, ICS/PowerGrit, IHI, Partner, Imer, Clipper, MMD, Koshin, Rice, CH&E, General Equipment, Amida, Coleman, NAC, Gradall, Square Shooter, Kent, Stanley, Tamco, Toku, Hatz, Kohler, Robin, Wisconsin, Northrock, Oztec, Toker TK, Rol-Air, APT, Wylie, Ingersoll Rand / Doosan, Innovatech, Con X, Ammann, Mecalac, Makinex, Smith Surface Prep, Small Line, Wanco, Yanmar

303.1 Hydraulic Tray Components, View 1

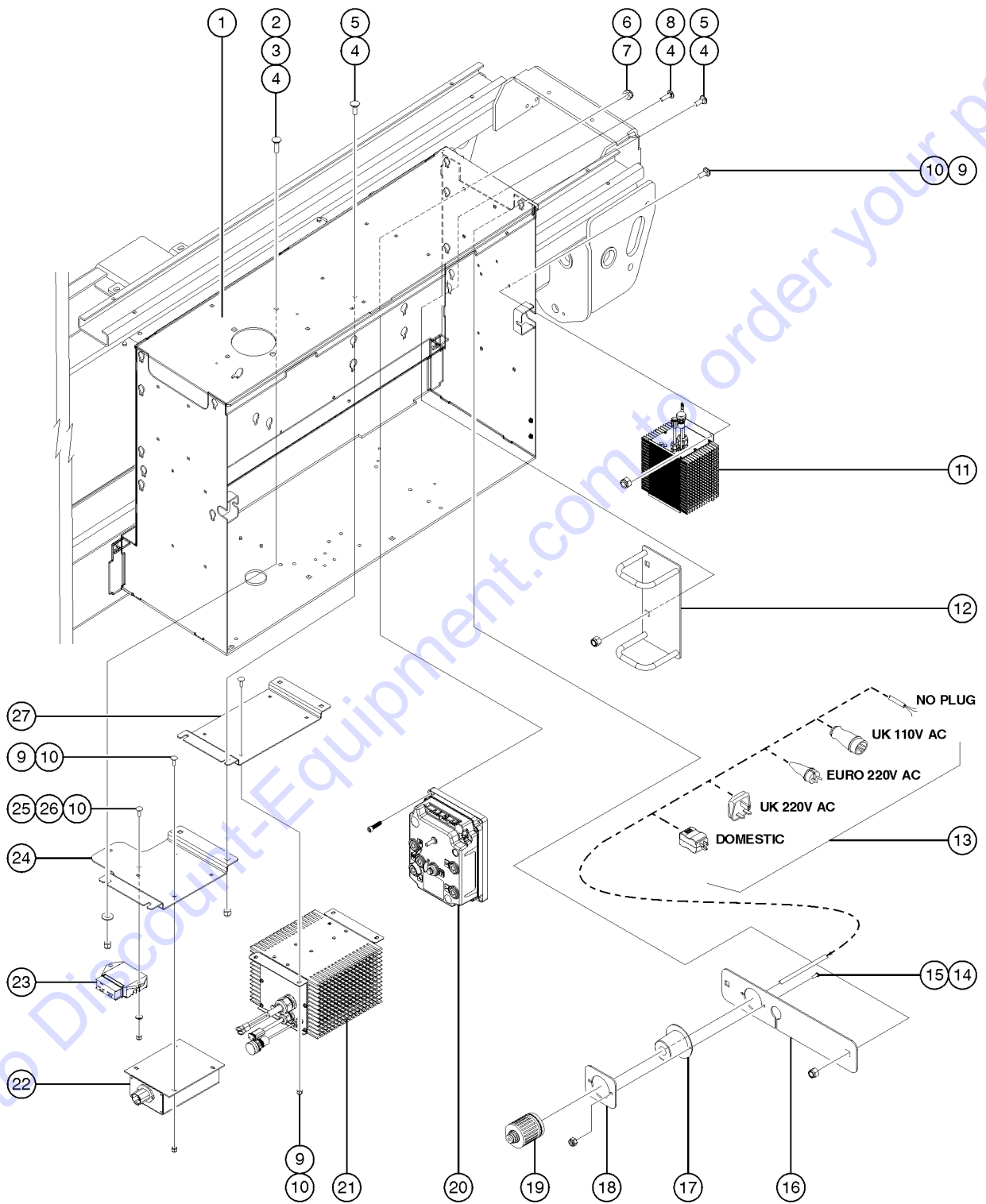


Item	Part No.	Description	Qty.
23	230485GT	MOTOR W/TACH,48VDC,12.25 HP	1
23-	128009GT	SENSOR KIT, SPEED (110573) includes sensor, magnet, and fasteners	
24	55921GT	SCREW,SHC,3/8-24 X 1.25"	2
25	22699GT	WASHER,FLAT,M10,ZINC PLTD.	2
26	214222GT	PUMP, GEAR, 6CC	1
27	13002GT	SCREW,HHC,5/16-18 X 1 GR5	4
28	5397GT	WASHER,FLAT,USS,5/16",Y	8
29	6782GT	NUT,NYLOCK,5/16-18	4
30	236021GT	FORMING, MOTOR BRACKET	1
30-	T113787GT	RIVET,ALUM,STL.,188 X .250	1

Go to Discount-Equipment.com to order your parts



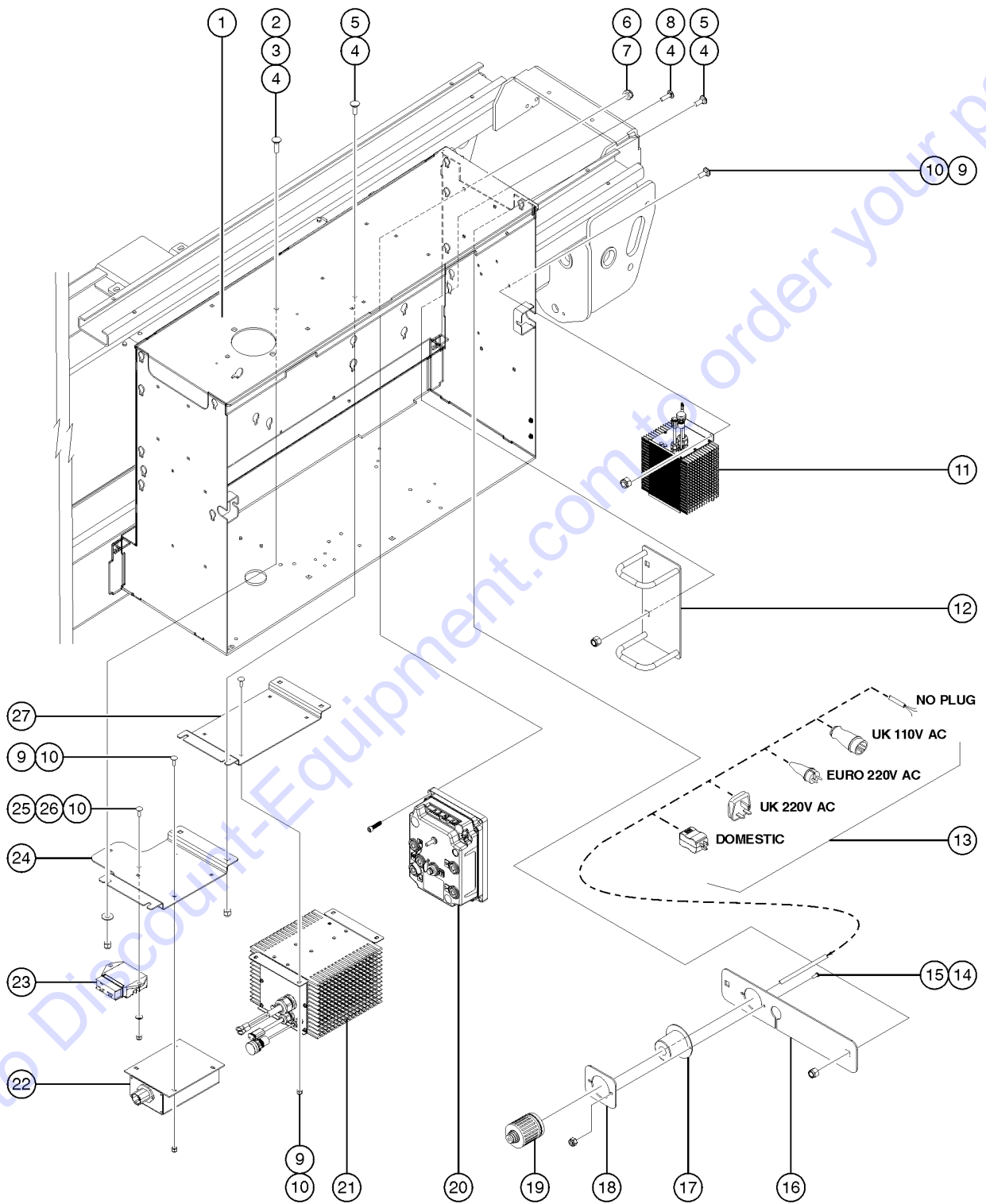
304.1 Hydraulic Tray Components, View 2



Item	Part No.	Description	Qty.
1		Ref., HYD, BOX (refer to 302.1)	
2	105092GT	BOLT,CARRIAGE,3/8-16X1.25,GR5	
3	6097GT	WASHER,FLAT,USS,3/8",Y	
4	4828GT	NUT,NYLOCK,3/8-16	
5	64154GT	BOLT,CARRIAGE,3/8-16 X1.00,G5	
6	6889GT	NUT,LP NYLOCK,1/4-20	
7	38582GT	SCREW,SHC,1/4-20 X 1	
8	101718GT	BOLT,CARRIAGE,3/8-16 X .75,G2	
9	6878GT	BOLT,CARRIAGE,1/4-20 X .75,G2	
10	6091GT	NUT,NYLOCK,1/4-20	
11	1256049GT	ASSEMBLY, CHARGER, LEAD ACID	1
12	1254430GT	WLDMNT,MTR CNTRL CABLE GUIDE	1
13A	6595GT	PLUG,ELECTRICAL,DOMESTIC (for US)	1
13B	25388GT	PLUG,FUSED,250V,13AMP,U.K.** (for UK 220)	
13B-	65737GT	FUSE,13 AMP,220V PLUG***	
13C	1280665GT	PLUG,TYPE F,230A,50HZ,16A,IP44 (for EURO 220 and DIN)	
13D	144161GT	PLUG,PWR,UK,16AMP,3PIN,BLK (for UK 110)	
13E		NO PLUG Ref. No Plug - Consult Discount-equipment	
14	49826GT	SCREW,PHILLIPS,PHM,10-32 X.625	
15	6178GT	NUT, NYLOCK, 10-32	
16A	235719GT	PLATE,RECESSED PLUG MOUNT,GS69 (to SN GS6914-3661) (Genie blue)	1
16B	1272486GT	PLATE,RECESSED PLUG MOUNT,GS69 (from SN GS6914-3662) (Traffic black)	1
17	105117GT	PLUG,FLG INLET,15A/125V,2PWGD	1
18A	236802GT	PLT,RECESSED PLUG BACKING, GS6 (for US 110 models)	1
18B	219058GT	PLATE,STR RELIEF BACK, DC69 (for models with UK 110, UK 220, Euro 220 and no plug)	
19	105118GT	GASKET,(BOOT) FLANGE INLET PLG	1
20		Ref., Motor Controller (refer to 302.1)	1
21	1256047GT	ASSEMBLY, CHARGER, BOOST	1



304.1 Hydraulic Tray Components, View 2

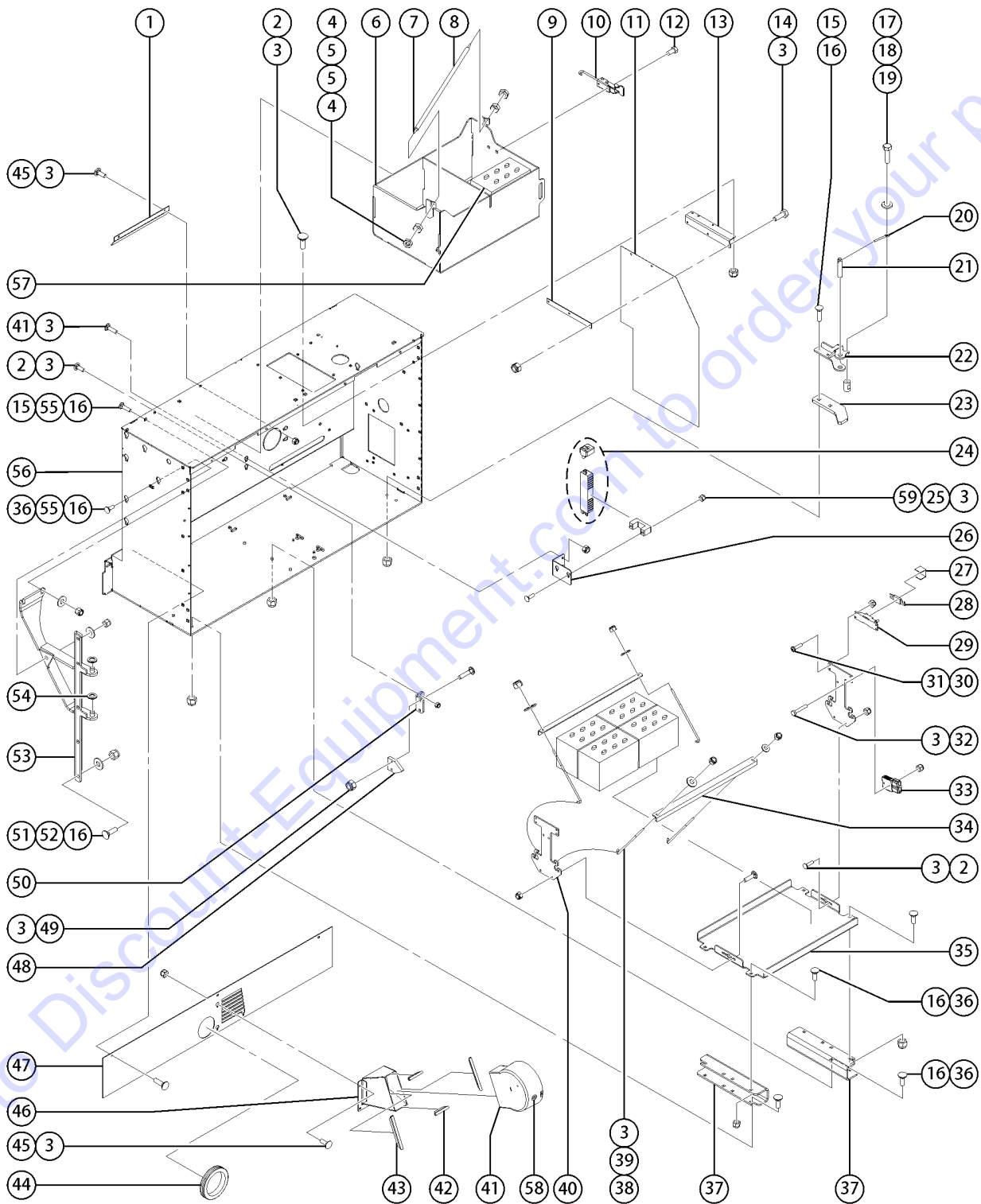


Item	Part No.	Description	Qty.
22	79452GT	CONVERTER, DC-DC, 48-26 VOLT**	1
23	826708GT	VOLTAGE REGULATOR, 69BE	1
24	826538GT	FRMG,BRKT,DC CONV MOUNT	1
25	124576GT	BOLT,CARRIAGE,1/4-20X1.00 G5	
26	33277GT	WASHER,FLAT,M8,YELLOW ZINC	
27	826444GT	FRMG,BRKT,BOOST CHRGR MOUNT	1

Go to Discount-Equipment.com to order your parts

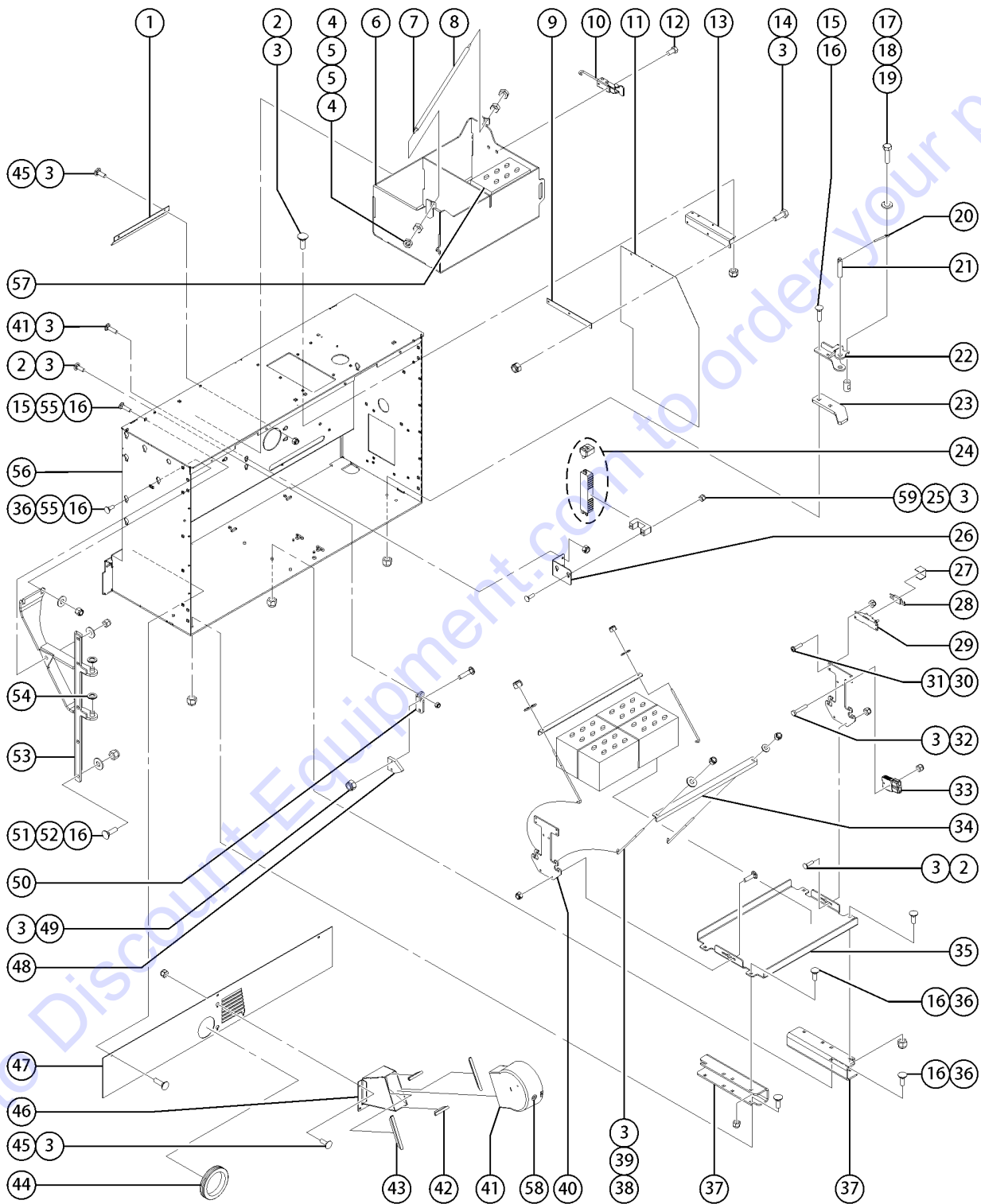


305.1 Engine and Battery Tray Components, View 1



Item	Part No.	Description	Qty.
1	822624GT	COVER, VENTILATION, ENGINE BOX	1
2	124576GT	BOLT, CARRIAGE, 1/4-20X1.00 G5	6
3	6091GT	NUT, NYLOCK, 1/4-20	7
4	69879GT	NUT, HEX JAM, 1/4-20	2
5	6357GT	NUT, HEX, 1/4-20	2
6	160912GT	WELDMENT, BATTERY PACK	1
7	30784-2550GT	THREADED ROD, (1/4-20), 25.50	1
8	823398GT	COVER, TUBE, TENSION ROD	1
9	1252755GT	PLATE, BACKING, HEAT CURTAIN	1
10	27126GT	LATCH, DRAW, ADJUSTABLE	1
11	825547GT	HEAT CURTAIN, ENGINE BAY	1
12	7339GT	SCREW, HHC, 1/4-20 X .5	2
13	825546GT	FORMING, HEAT CURTAIN	1
14	6090GT	SCREW, HHC, 1/4-20 X .75	2
15	60790GT	BOLT, CARRIAGE, 3/8-16 X 1.50, G5	2
16	4828GT	NUT, NYLOCK, 3/8-16	2
17	6888GT	SCREW, HHC, 1/4-20 X 1	1
18	6356GT	WASHER, LOCK, .25	1
19	219705GT	BOSS, ENGINE TRAY STOP	1
20	45748GT	ROD END, .250 X 2.75 LG	1
21	1252770GT	PIN, 0.75 DIA X 3.6 LG, CHAMFER	1
22	160915GT	WELDMENT, ENGINE TRAY ARM	1
23	219639GT	PLATE, SPACER, TRAY ARM	1
24	824954GT	MODULE, CURRENT MEASUREMENT State of Charge (SOC) Monitor	1
25	1259176GT	CLAMP, ACUITY MODULE	1
		(replaced 32339)	
26	824955GT	FORMING, ACUITY MODULE	1
27	825200GT	KIT, ANN FUSE COVER/BOOTS	1
28	215488GT	FUSE, 325 AMP, VERY FAST ACTING	1

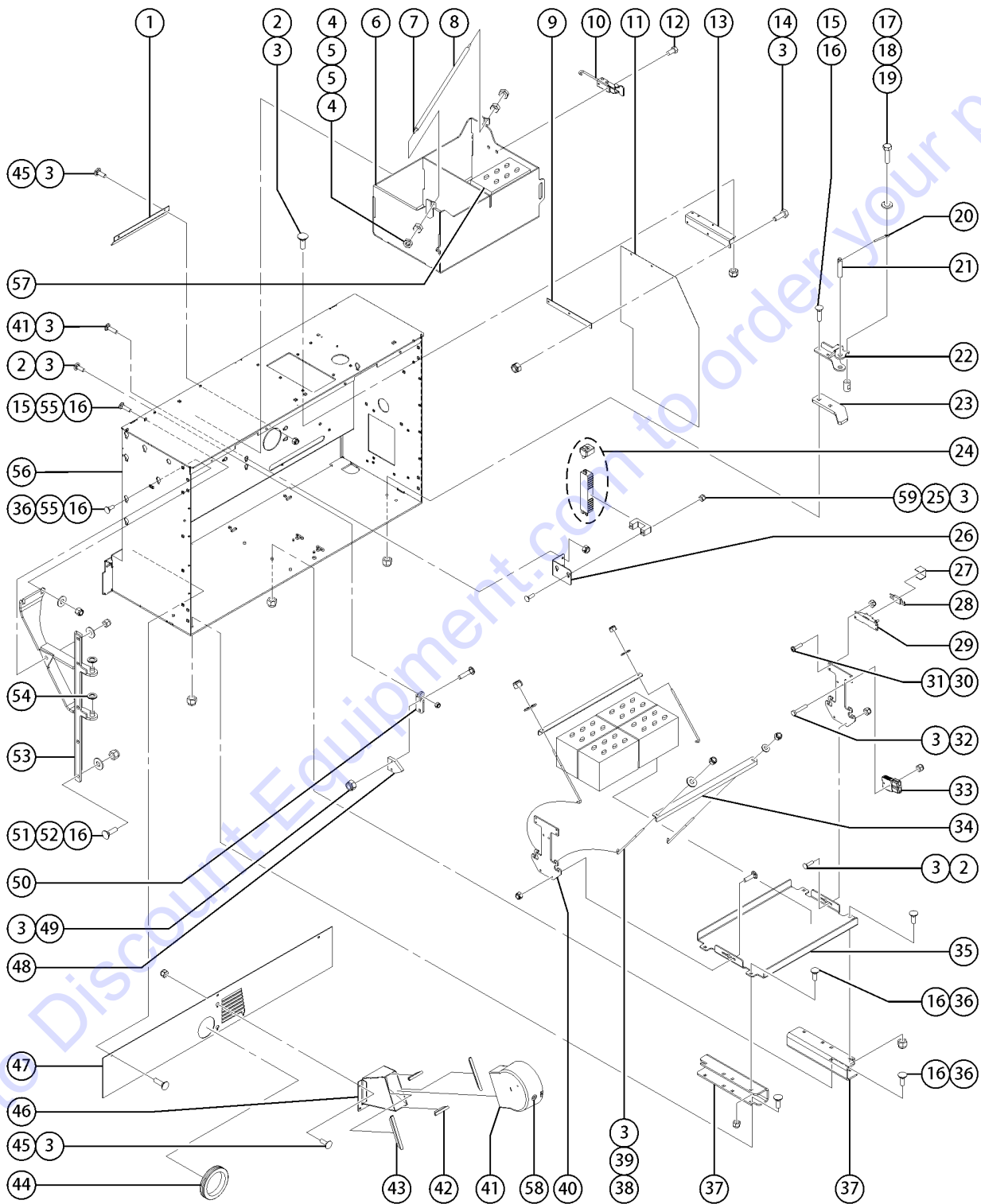
305.1 Engine and Battery Tray Components, View 1



Item	Part No.	Description	Qty.
29	825199GT	FUSE HOLDER, ANNRING	1
30	49816GT	SCREW,PHILLIPS,PHM,10-32 X .75	4
31	6178GT	NUT, NYLOCK, 10-32	4
32	6145GT	SCREW,HHC,1/4-20 X 1.5	2
33	66397GT	QUICK DISCONNECT CASING,BATT**	1
34	219553GT	FORMING, BATTERY HOLDER	2
35	219552GT	FORMING, BATTERY TRAY	1
36	64154GT	BOLT,CARRIAGE,3/8-16 X1.00,G5	7
37	219551GT	FORMING, BATT. TRAY SUPPORT	2
38	824632GT	HOOK, BATTERY HOLD DOWN, 9.25"	4
39	6638GT	WASHER,FLAT,USS,1/4"Y	4
40	823726GT	PLATE, BATTERY HOOK	2
41		Ref: COVER, INTAKE, GENERATOR (refer to 401.1)	1
42	1251517GT	TRIMLOK, GEN INFLOW SEAL, TOP	2
43	1251513GT	TRIMLOK, GEN INFLOW SEAL	2
44	55067GT	GROMMET,RUBBER 3 X .19 X 3.5	1
45	6878GT	BOLT,CARRIAGE,1/4-20 X .75,G2	3
46	825715GT	WELDMENT, GEN INFLOW	1
47	822630GT	PLATE,SOUND WALL	1
48	219634GT	RAMP, BATTERY BOX	1
49	9116GT	BOLT,CARRIAGE,1/4-20x1.25,G2	2
50	219633GT	FORMING, BATT BOX RAMP	1
51	105092GT	BOLT,CARRIAGE,3/8-16X1.25,GR5	4
52	5397GT	WASHER,FLAT,USS,5/16",Y	3
53	160918GT	WELDMENT, BATTERY TRAY SUPPORT	1
54	33278GT	WASHER,FLAT,.75 HARDENED	2
55	6097GT	WASHER,FLAT,USS,3/8",Y	
56	160910GT	WELDMENT, HYBRID BOX, GS69	1

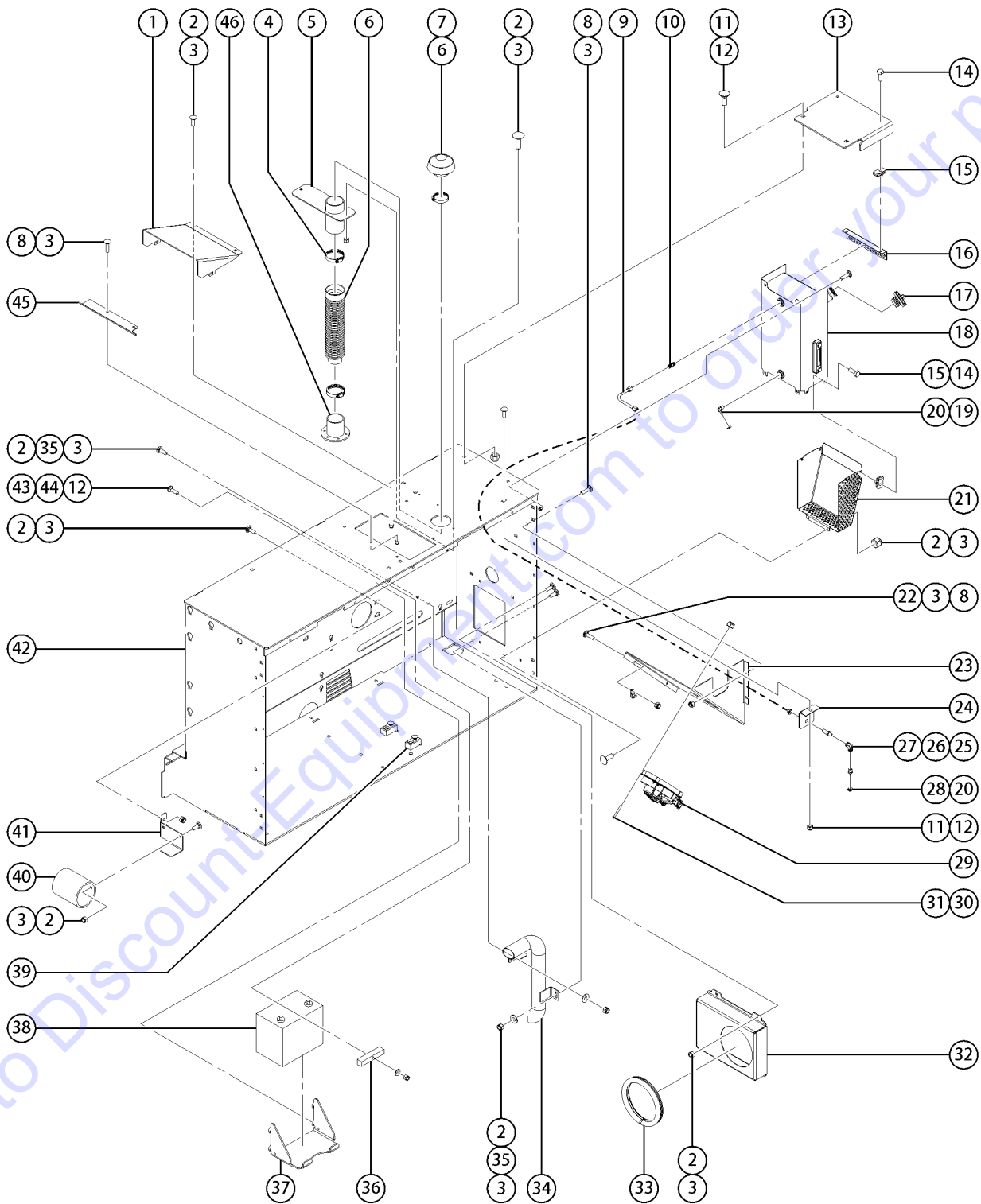


305.1 Engine and Battery Tray Components, View 1



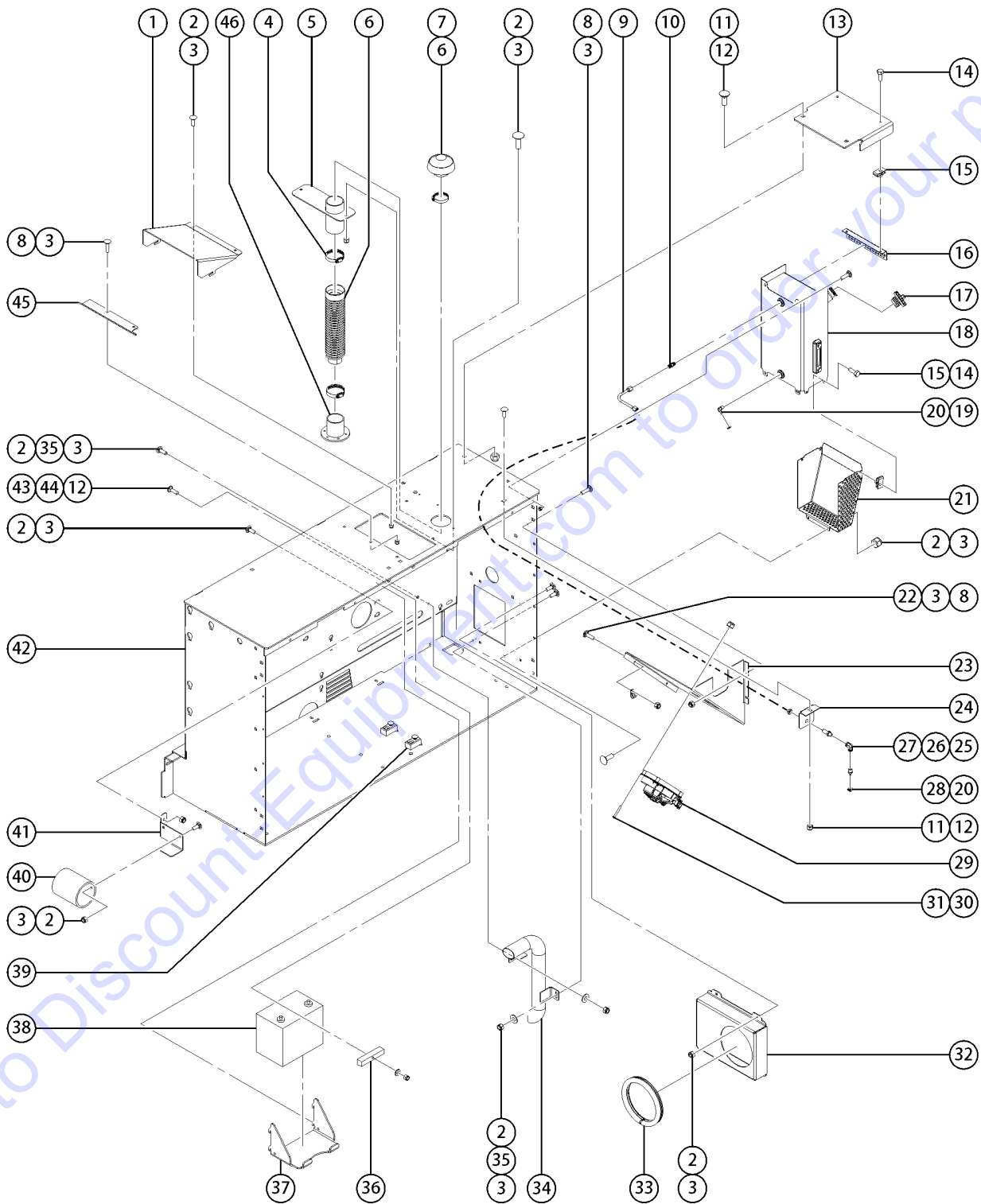
Item	Part No.	Description	Qty.
56-	45384GT	PLUG,NYLON .50 BLACK DOMED	1
57A	76502GT	BATTERY,T105 W/LPT,3 CAP,DRY**	8
		(GS-2669 & GS-3369 models only)	
57A-	137770GT	BATTERY WATERING KIT, 24V UNIV	2
		(to watch the installation video, copy and paste this link to your web browser) https://www.youtube.com/watch?v=13zTfi-hWik	
57A-	137769GT	BATTERY WATERING HAND PUMP	
57B	76503GT	BATTERY,T145 W/LPT,3 CAP,DRY**	8
		(all models)	
57B-	137770GT	BATTERY WATERING KIT, 24V UNIV	2
		(to watch the installation video, copy and paste this link to your web browser) https://www.youtube.com/watch?v=13zTfi-hWik	
57B-	137769GT	BATTERY WATERING HAND PUMP	
58A	1253458GT	CIRCUIT BREAKER, 25A	1
		(110V generator)	
58B	1256324GT	CIRCUIT BREAKER, 10A	1
		(220V generator)	
59	1252791GT	BOLT,CARRIAGE,1/4-20 X 2.25,G5	2

306.1 Engine and Battery Tray Components, View 2



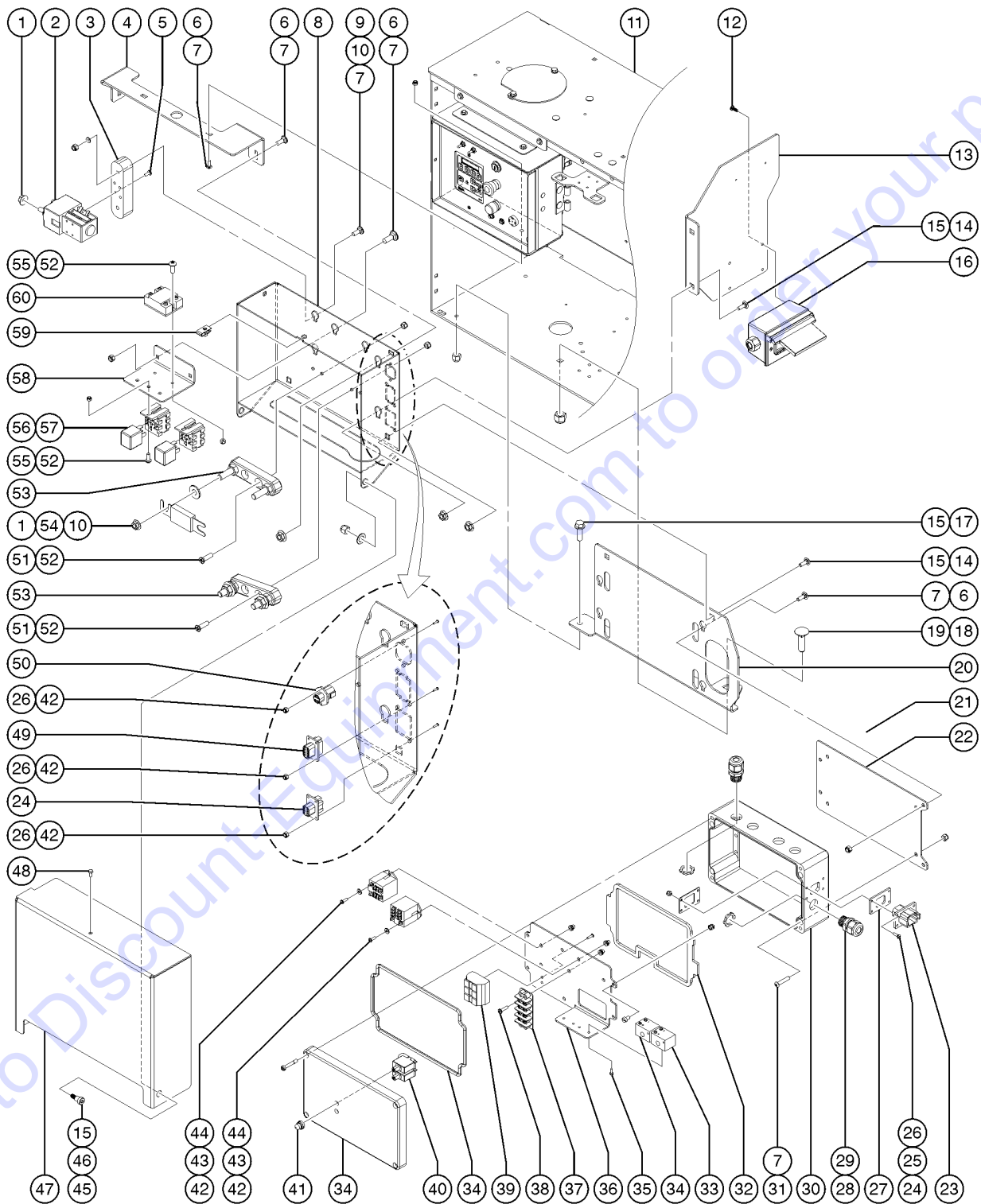
Item	Part No.	Description	Qty.
1	825426GT	FORMING, HOOD, TOP VENT	1
2	6878GT	BOLT,CARRIAGE,1/4-20 X .75,G2	2
3	6091GT	NUT,NYLOCK,1/4-20	6
4	45435GT	CLAMP,HOSE,2.50"	1
5	826450GT	WELDMENT, RAIN CAP MNT, KOHLER	1
6	131372GT	HOSE,1.75ID,2.50IDX12.0"	2
		(air intake to engine)	
7	52420GT	CAP,RAIN,AIR CLEANER, GS68RT**	1
8	124576GT	BOLT,CARRIAGE,1/4-20X1.00 G5	4
9	823400GT	FUEL LINE, DIESEL, HYBRID	1
10	824666GT	FITTING,STR, 070102 6-1/4NPT	1
11	64154GT	BOLT,CARRIAGE,3/8-16 X1.00,G5	2
12	4828GT	NUT,NYLOCK,3/8-16	2
13	826006GT	FORMING, BATT / ENGINE BOX EXT	1
14	6090GT	SCREW,HHC,1/4-20 X .75	2
15	56912GT	SPRING CLIP,1/4-20,.025-.15X.5	2
16	825477GT	FORMING, FUEL TANK COVER	1
17	T112457GT	CAP,FUEL,DIESEL,SAE-J NECK	1
18	825475GT	TANK, FUEL, RT69BE	1
18-	1257833GT	GAUGE, FUEL TANK	1
18-	35418GT	HOSE,FUEL,3/16,SAE 30R7	
		(not included, sold separately)	
19	54204GT	ELBOW,90DEG.1/4MPT-1/4 BARB	1
20	44909GT	CLAMP,HOSE,.35"-.86" X .3125"	1
21	825476GT	FORMING, INTAKE GRILL	1
22	6833GT	CLAMP,0.50,#8 X 1/4,RUB CUSH	1
23	825676GT	FORMING, FAN DUCT	1
24	825741GT	FORMING, FUEL RETURN BULKHEAD	1
25	1252753GT	FITTING,UNION ELBOW,1/4NPT	1
26	825742GT	ADAPTER, WFTX, 6-1/4NPT	1

306.1 Engine and Battery Tray Components, View 2



Item	Part No.	Description	Qty.
27	75574GT	NUT, LOCK, SAE #4 ORFS	1
28	1252754GT	ADAPTER,BARB .170,1/4NPT	1
29	825424GT	FAN, COOLING 12VDC, 4" DIA	1
30	49821GT	SCREW,PHILLIPS,PHM,8-32 X 1.25	4
31	18605GT	NUT,NYLOCK,8-32	4
32	826445GT	BRKT, INFLOW, ENGINE	1
32A	69586GT	WASHER,STAR,EXTERNAL,.25 not shown (for engine ground strap)	
33	1251512GT	TRIMLOK, ENG INFLOW SEAL	1
34	160916GT	WELDMENT, DIESEL TAIL PIPE	1
35	6638GT	WASHER,FLAT,USS,1/4"Y	2
36	1258101GT	CLAMP, STARTER BATTERY	1
37	822648GT	FORMING, STARTER BATTERY	1
38	162007GT	BATTERY, STARTER, 12V	1
39	1253215GT	SUPPORT, ENGINE TRAY	2
40	822663GT	TUBE,STRAIGHT,OUTFLOW,ENGINE	1
41	825555GT	BRKT, MOUNTING, ENG OUTFLOW	1
42		Ref., WELDMENT, HYBRID BOX	1
		(refer to 304.1)	
43	87648GT	BOLT,CARRIAGE,3/8-16 X 2.75,G2	1
44	5397GT	WASHER,FLAT,USS,5/16",Y	1
45	825427GT	FORMING, LIP, TOP VENT	1
46		Ref: WELDMENT,INTAKE,KOHLER	
		(refer to 401.1)	

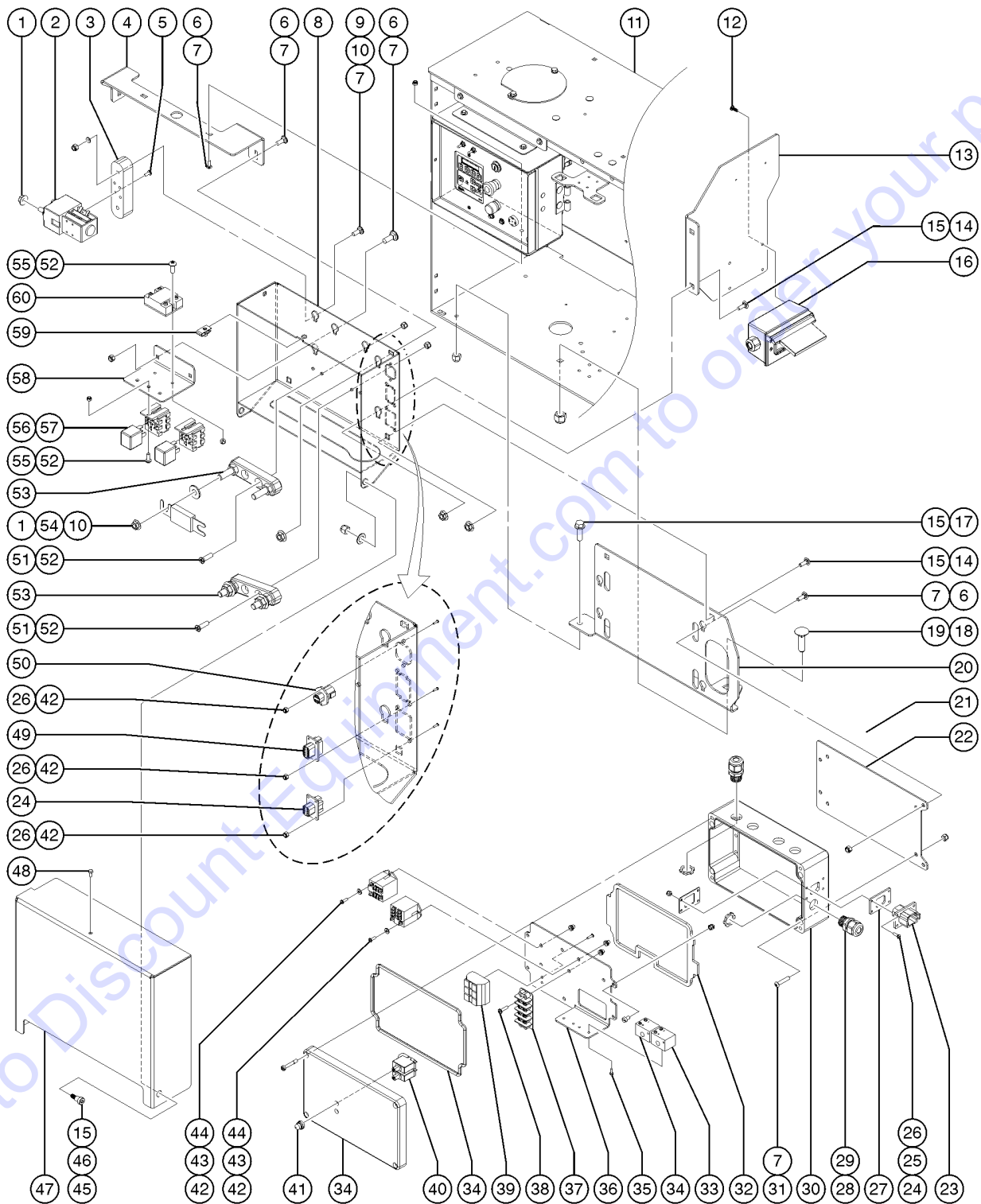
307.1 Engine and Battery Tray Components, View 3



307.1 Engine and Battery Tray Components, View 3

Item	Part No.	Description	Qty.
1	18503GT	NUT,LOCKING-LG.FLANGE,5/16-18	6
2	74267GT	CONTACTOR,DRIVE,24V,180A***	1
3	1253838GT	BRACKET,CONTACTOR MOUNT,RT69BE	1
4	822912GT	BRKT,FUSE BOX,UPPER,HYBRID	1
5	49819GT	SCREW,PHILLIPS,PHM,10-32 X .5	2
6	6878GT	BOLT,CARRIAGE,1/4-20 X .75,G2	6
7	6091GT	NUT,NYLOCK,1/4-20	8
8	1254615GT	WELDMNT,POWER BOX,69BE	1
8-	45458GT	TRIMLOCK,BLACK,1/8" (not shown) (sold separately)	12
9	215379GT	BOLT,CARRIAGE,1/4-20 X1.50 GR5	2
10	6638GT	WASHER,FLAT,USS,1/4"Y	6
11		Ref., Hydraulic Box	
		(refer to 301.1)	
12	112772GT	SCREW,PHM,8-32X.438	4
13	1254066GT	FRMNG,OUTLET SUPPORT,RT69BE	1
14	64154GT	BOLT,CARRIAGE,3/8-16 X1.00,G5	4
15	4828GT	NUT,NYLOCK,3/8-16	7
16		Ref: OUTLET BOX	1
		(refer to 607.1)	
17	6019GT	SCREW,HHC,3/8-16 X 1.25 GRD 5	1
18	96203GT	BOLT,CARRIAGE,1/2-13X1.75, G5	1
19	6198GT	NUT,NYLOCK,1/2-13	1
20	822911GT	FRMNG,PWR BOX,LOWER SPPRT,69BE	1
20-	45458GT	TRIMLOCK,BLACK,1/8" (not shown) (sold separately)	10
21	1254347GT	ASSY, AC BOX, RT69BE	1
		(complete assembly)	
22	1254820GT	PLATE,AC BOX SUPPORT, RT69BE	1
23	87755GT	CONN,RECEP 8 WAY 14-18GA,FL	1
24	45645GT	SCREW,RHM,8-32 X .75	4
25	1256309GT	PLATE,AC BOX GROUNDING,GS69BE	1
26	18605GT	NUT,NYLOCK,8-32	6

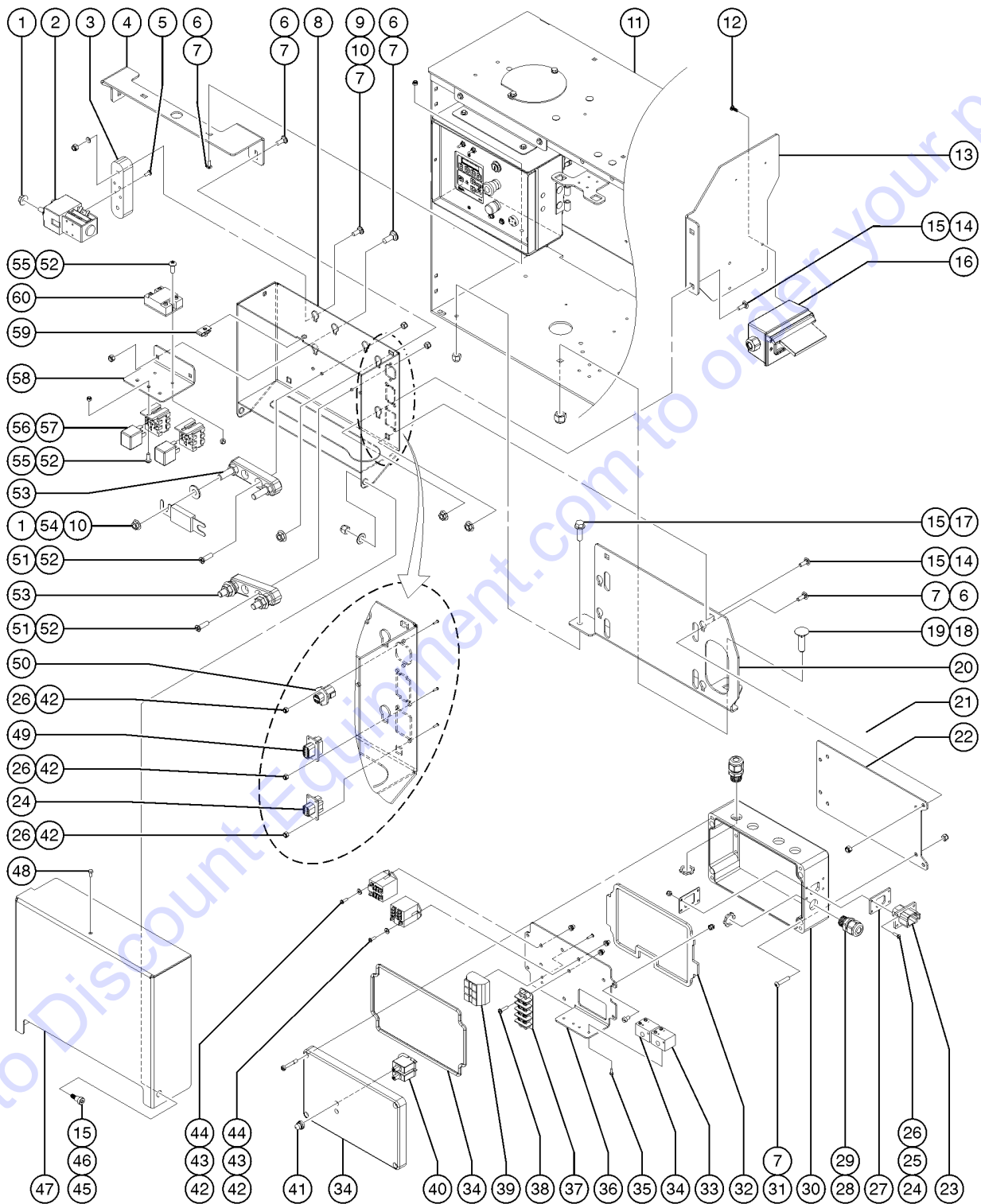
307.1 Engine and Battery Tray Components, View 3



Item	Part No.	Description	Qty.
27	1254064GT	GASKET,FLANGE,DT SERIES	1
28	1253910GT	CONN,SQUEEZE .260-.546 BLK	2
29	6935GT	LOCKNUT, ELEC, 1/2"	5
30	1254065GT	ENCLOSURE, AC POWER, RT69BE	1
31	130561GT	SCREW,BHCS,1/4-20X1.25	4
32	1254912GT	PLATE,AC BOX INTERNAL OFFSET	1
33	1251560GT	SENSOR,AC CURRENT, 1AMP, WH	1
34A	1255862GT	SENSOR,AC CURRENT,8 AMP,RD	1
		(110V generator)	
34B	1255861GT	SENSOR,AC CURRENT,4 AMP,BL	
		(220V generator)	
35	1254346GT	SCREW,PHPS,6-18 X 1/2,TYPE A	4
36	1256216GT	ASSY,AC BOX INTERN. MOUNT	1
36a-	1254067GT	FRMNG, AC BOX INTERN. MOUNT	1
36b-	1255016GT	NUTSERT,8-32 STEEL	5
36c-	23405GT	NUTSERT,10-32 STEEL CAD PLTD	2
36d-	51738GT	SCREW,RHM,M6 X 12MM	
		(sold separately)	
37	69776GT	TERMINAL,STRIP,4-POLE,600V***	1
37-	1258010GT	TERMINAL STRIP COVER,4-POLE	
		(not shown) (sold separately) (220V generator)	
38	49816GT	SCREW,PHILLIPS,PHM,10-32 X .75	2
39	214542GT	TERM BLK,3 POLE/12 POS,LCP	1
40A	147090GT	CIRCUIT BREAKER, 15A	2
		(110V generator)	
40B	124133GT	CIRCUIT BREAKER,8A SP	2
		(220V generator)	
41	1254379GT	RUBBER CAP,PUSH BUTTON,IP66/68	2
42	55906GT	SCREW,PHILLIPS,PHM,8-32 X .5	6
43	35461GT	WASHER,FLAT,MS,#8,Y	4
44	826709GT	RELAY,DPDT,120VAC,24VDC COIL	2
45	11335GT	SCREW,SHS,3/8-16 X .5	2
46	6052GT	WASHER,SHIM,.5 X .875 X .063	4
47	1254616GT	WELDMENT,POWER BOX COVER,69BE	1



307.1 Engine and Battery Tray Components, View 3

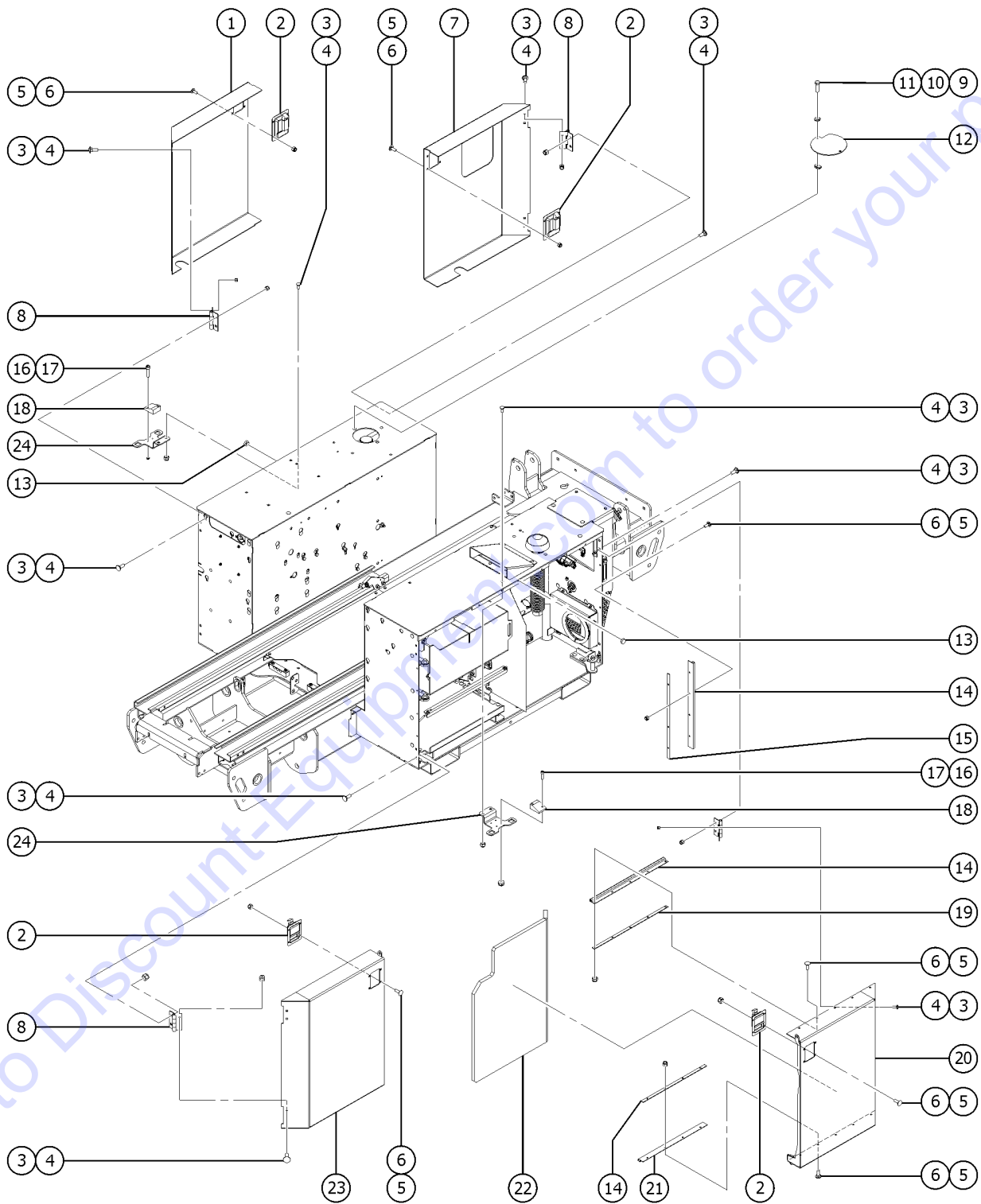


Item	Part No.	Description	Qty.
48	7339GT	SCREW,HHC,1/4-20 X .5	1
49	73734GT	CONN,RECEP 12 WAY,GRN FLANGE	1
50	73717GT	CONN,RECEP 4 WAY,12-14GA FL***	1
51	17626GT	SCREW,FHM,10-32 X .75	3
52	6178GT	NUT, NYLOCK, 10-32	8
53	66717GT	FUSE BLOCK, ANN & ANL FUSE	2
54	36372GT	FUSE,50 AMP,VERY FAST ACTING	1
55	54365GT	SCREW,PHIL,PHM,10-32 X .5,SSTL	4
56	56302GT	RELAY,24VDC,40/30A,SEALED***	2
57	34053GT	ASSY,RELAY SOCKET, AUTO	2
58	822914GT	FORMING,ENGINE RELAYS,69BE	1
59	56912GT	SPRING CLIP,1/4-20,.025-.15X.5	1
60	1253837GT	RELAY,SS,100VDC,7A,FAST ACTING	1

Go to Discount-Equipment.com to order your parts

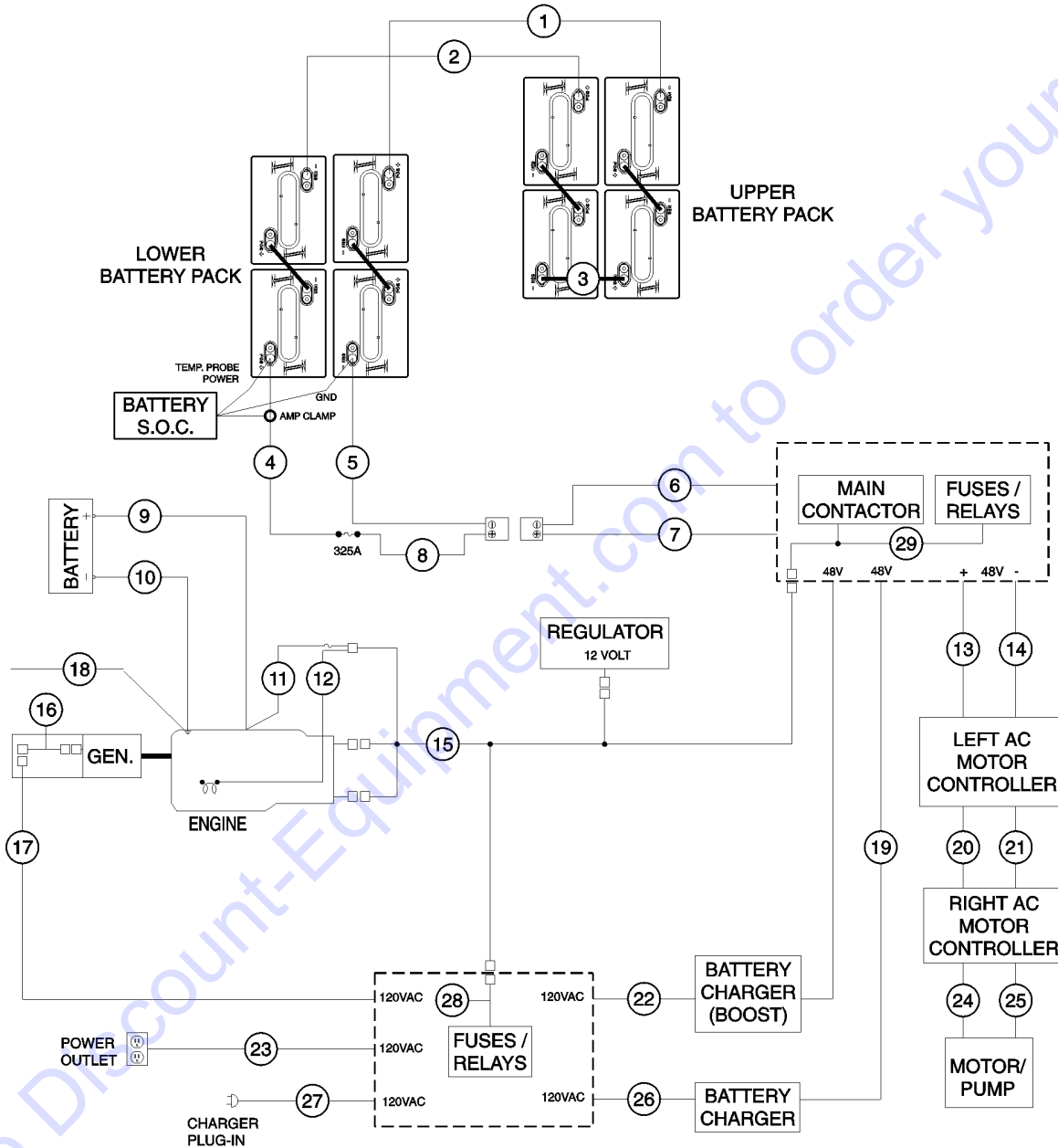


308.1 Chassis Cover Installation



Item	Part No.	Description	Qty.
1	1253422GT	WELDMENT,BOX DOOR,RT (decals not included, refer to section 100)	1
2	55675GT	LATCH, LRG PADDLE HANDLE GS90	4
3	64154GT	BOLT,CARRIAGE,3/8-16 X1.00,G5	36
4	4828GT	NUT,NYLOCK,3/8-16	36
5	6878GT	BOLT,CARRIAGE,1/4-20 X .75,G2	20
6	6091GT	NUT,NYLOCK,1/4-20	20
7	1253424GT	WELDMENT,BOX DOOR,LT,WINDOW (decals not included, refer to section 100)	1
8	55517GT	HINGE, GSRT90 BOX	8
9	6019GT	SCREW,HHC,3/8-16 X 1.25 GRD 5	2
10	6021GT	WASHER,LOCK,.375	2
11	29868GT	SPRING CLIP,3/8-16,.05-.20X.73,ZAG	2
12	1254428GT	PLATE,HYD TANK FILLER COVER	1
13	43392GT	BUMPER,BATTERY BOX & RAILS	4
14	1289021GT	SEAL, ENGINE BOX,GS69BE	3
15	823741GT	PLATE,SEAL SUPPORT,RS	1
16	219112GT	SCREW,SHC,10-32 X .75	4
17	14392GT	NUT,LP NYLOCK,10-32	4
18	1253479GT	SLIDE BLOCK,DOOR WEDGE,HDPE	2
19	823738GT	PLATE,SEAL SUPPORT,DOOR,LONG	1
20	1253468GT	WELDMENT,BOX,DOOR,RT (decals not included, refer to section 100)	1
20-	823654GT	SHEET,THERMO FOAM, DOOR (not included, sold seperately)	1
21	823739GT	PLATE,SEAL SUPPORT,DOOR,SHORT	1
22	823654GT	SHEET,THERMO FOAM, DOOR	1
23	1253423GT	WELDMENT,BOX DOOR,LT (decals not included, refer to section 100)	1
24	1253349GT	FORMING, LATCH CATCH	2

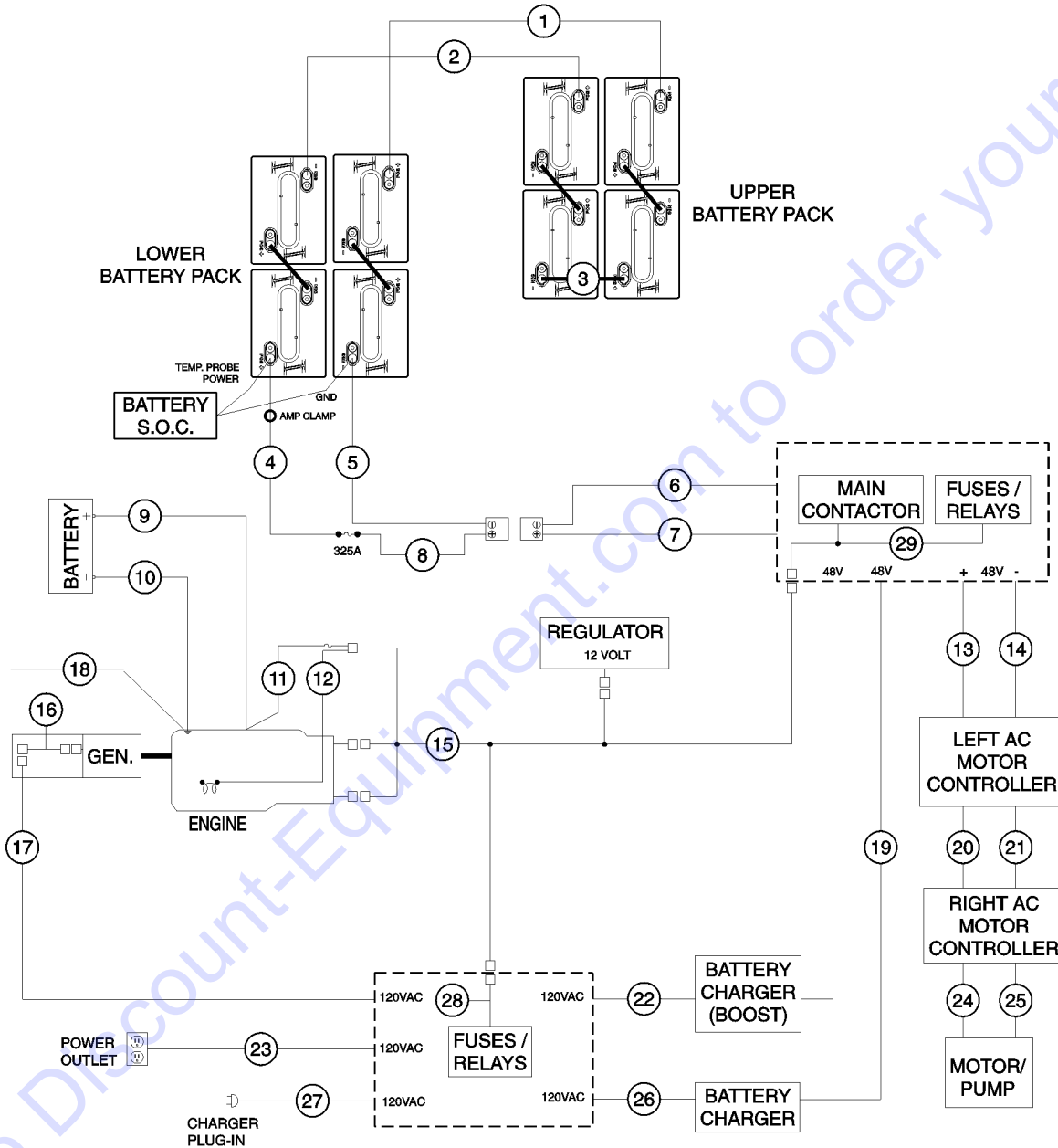
309.1 Power Cables



Item	Part No.	Description	Qty.
1	826889GT	BATTERY CABLE JUMPER, TRAY	1
2	826888GT	BATTERY CABLE JUMPER, TRAY	1
3	238364GT	CABLE ASSY, BATTERY JUMPERS	5
4	826892GT	CABLE ASSY, B+ TO FUSE	1
5	826890GT	CABLE ASSY,B- TO ANDERSON	1
6	826894GT	CABLE ASSY, ANDERSON- TO BOX	1
7	826893GT	CABLE ASSY, ANDERSON+ TO BOX	1
8	826891GT	CABLE ASSY, ANDERSON TO FUSE	1
9	826869GT	CABLE, BATTERY POSITIVE	1
10	826870GT	CABLE, BATTERY NEGATIVE	1
11	1251526GT	CABLE ASSY, GLOW PLUG, FUSE	1
12	1251527GT	CABLE ASSY, GLOW PLUG, PWR	1
13	826927GT	CABLE ASSY, CONTA TO LT CONTR	1
14	826928GT	CABLE ASSY, GRND TO LT CONTR	1
15	822956GT	HARNESS, CONTROL, GS69BE (part of harness is shown as item 7 in 310.1)	1
16A	1255856GT	HARNESS,GEN PWR,120V,69BE (110V models)	1
16B	1257202GT	HARNESS,GEN PWR,220V,69BE (220V models)	1
17A	826993GT	CABLE, GEN TO FUSE/RELAY BOX (110V models)	1
17B	1258397GT	CABLE,GEN TO AC BOX,220V (220V models)	1
17C	1256085GT	CABLE,GEN TO RCBO,220V (220V models)	1
17D	1256086GT	CABLE,RCBO TO AC BOX,220V (220V models)	1
18	1255787GT	CABLE ASSY, ENGINE GROUND	1
19	1256049GT	ASSEMBLY, CHARGER, LEAD ACID	1
20	238372GT	CABLE ASSY, CONTR A B+ TO CONT	1
21	238374GT	CABLE ASSY, CONTR A B- TO CONT	1
22A	1254640GT	CABLE ASSY, CHRG EXT, BST (110V models)	1
22B	1256087GT	CABLE ASSY,CHRG EXT,BST,220V (220V models)	1
23A	1255265GT	CABLE ASSY, AC OUTLET (110V models)	1



309.1 Power Cables

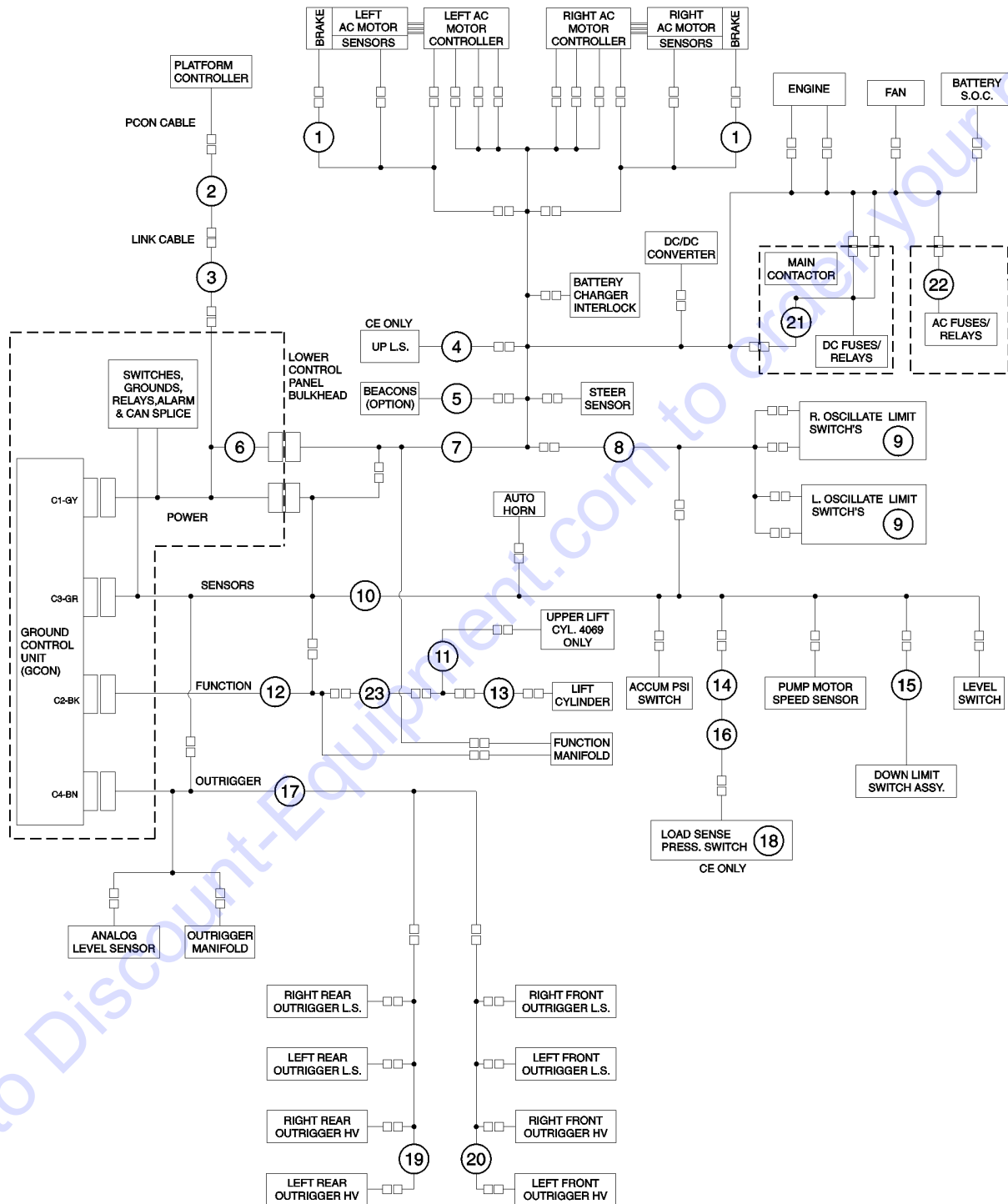


Item	Part No.	Description	Qty.
23B	1256090GT	CABLE ASSY, AC OUTLET,220V (220V models)	
24	238371GT	CABLE ASSY, PUMP MT+ TO CONTR	1
25	238375GT	CABLE ASSY, CONTR A P- TO PUMP	1
26A	1254597GT	CABLE ASSY, CHARGER EXT. (110V models)	1
26B	1256088GT	CABLE ASSY, CHRG EXT,MAIN,220V (220V models)	
27A	1254598GT	CABLE ASSY, BOX TO EXT. POWER (110V models)	1
27B	1256089GT	CABLE ASSY,69BE EXT. PWR,220V (220V models)	
28A	1254914GT	HARNESS, AC BOX, RT69BE (110V models)	
28B	1257217GT	HARNESS, 220VAC BOX,RT69BE (220V models)	
29	1254915GT	HARNESS, DC BOX, RT69BE	

Go to Discount-Equipment.com to order your parts

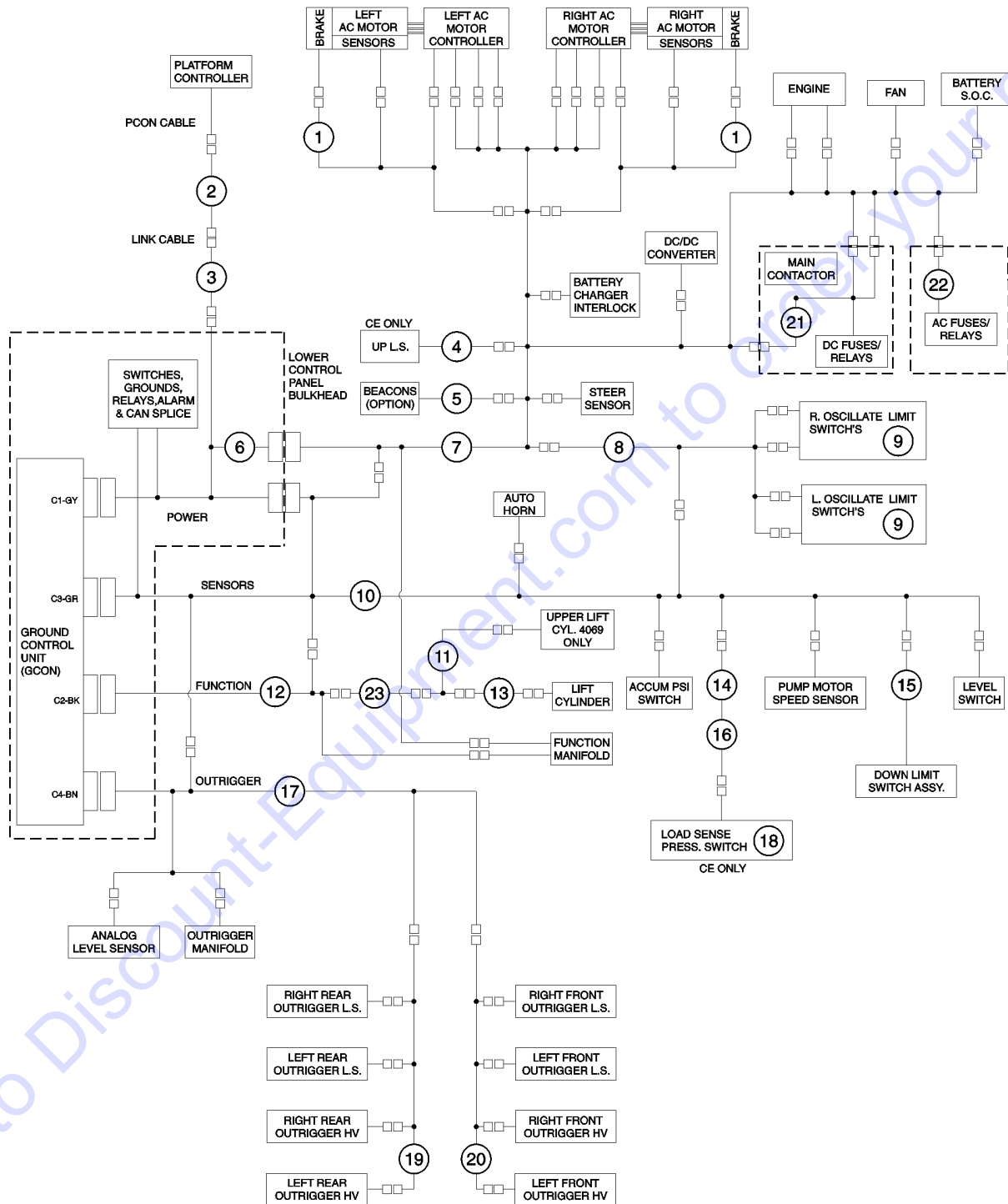


310.1 Electrical Wiring, GS-2669



Item	Part No.	Description	Qty.
B	1264822GT	KIT, TRC RETROFIT, STNDRD Telematics (includes 1264834)	
B-	1264834GT	INSTRN, TRC RETROFIT, STNDRD	
1	234837GT	HARNESS, MOTOR/BRAKE,GS69DC	2
2A	236066GT	CABLE,CNTRL,LINKS,GS2669DC (420 inches, base to platform)	
3	237476GT	CABLE,CONTROL,EXTEND,GS69DC	1
4	T114634GT	HARNESS,UP LIMIT SWITCH	1
5A	148076GT	HARNESS,BEACON,GS69 (option) (to SN GS6916F-9824)	1
5B	1273392GT	HARNESS, LED BEACON, GS69DC (from SN GS6916F-9825)	
6A	234830GT	HARNESS,LCP,GS69DC (to SN GS6915-6988)	1
6A-	67504GT	FUSE HOLDER,ATC 3-30 AMPS (to SN GS6915-6988)	
6A-	67505GT	FUSE,10 AMP,ATC (to SN GS6915-6988)	
6B	1266273GT	HARNESS, LCP, GS69DC/BE (from SN GS6915-6989)	
7	822956GT	HARNESS, CONTROL, GS69BE (part of harness is shown as item 15 in 309.1)	1
8	235399GT	HARNESS,EXTEND,OSC LS,GS69DC	1
9	148414GT	HARNESS,OSC SWITCH REAR	2
10	234831GT	HARNESS,SENSORS,GS69DC	1
12A	234833GT	HARNESS,FUNCTION,HYD,GS69DC (to SN GS6915-6988)	1
12B	1266112GT	HARNESS, FUNCTION, GS69DC/BE (from SN GS6915-6989)	1
13A	148086GT	CABLE,DOWN COILS,GS3369 (to SN GS6915-6383)	
13B	1259447GT	CABLE,PROP. DOWN COIL 26/3369 (from SN GS6915-6384)	
14	219973GT	CABLE,PRESSURE SWITCH, 6S	1
15	148092GT	HARNESS,DOWN LIMIT SENSOR,GS69	1
16	218245GT	JUMPER,SENSOR,TERMINAL	1
17	234834GT	HARNESS, OUTRIGGER,MAIN,GS69DC (option)	1
18	104571GT	HARNESS,PRESS.SWITCH (CE only)	1
19	148091GT	HARNESS,OUTRIGGERS,REAR,GS69 (option)	1
20	148090GT	HARNESS,OUTRIGGERS,FRNT,GS69 (option)	1
21	1254915GT	HARNESS, DC BOX, RT69BE	1

310.1 Electrical Wiring, GS-2669

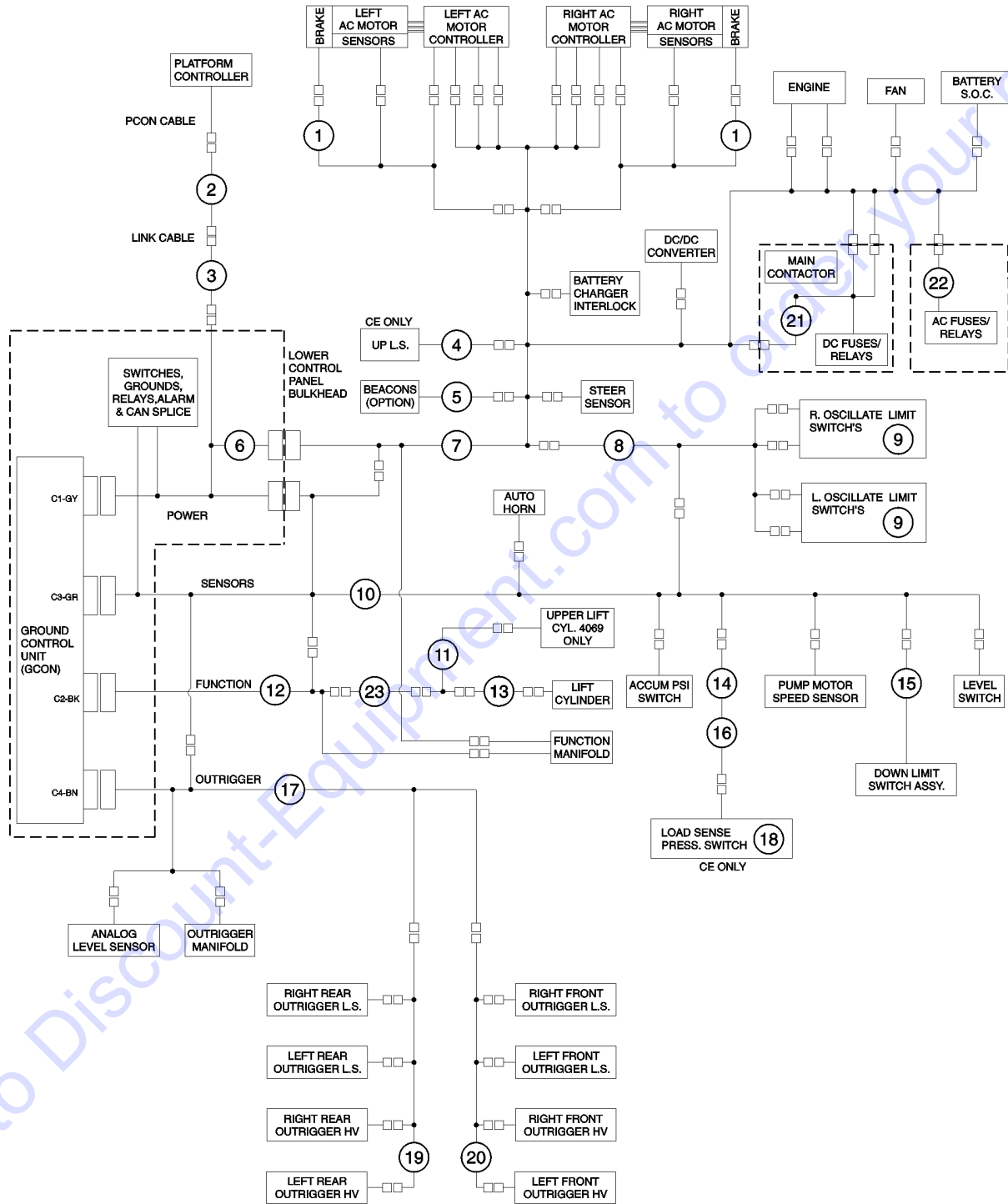


Item	Part No.	Description	Qty.
22A	1254914GT	HARNESS, AC BOX, RT69BE (110V)	1
22B	1257217GT	HARNESS, 220VAC BOX,RT69BE (120V)	1
23A	1259499GT	HARNESS, PROP, DOWN, GS69 (from SN GS6915-6384 to GS6915-6988)	1
23B	1259498GT	KIT,PROP. DOWN,GS26/3369 DC/BE (to SN GS6915-6383) (includes proportional down harnesses, valve and instructions)	1
23D	1258731GT	FLASH DRIVE,SL1K2.0 SOFTWARE (from SN GS6915-6384 to GS6915-6988)	1
23E	219205GT	FLASH DRIVE,SL1K1.0 SOFTWARE (from SN GS6915-6384 to GS6915-6988)	1
23F	1259447GT	CABLE,PROP. DOWN COIL 26/3369 (from SN GS6915-6989)	1

Go to Discount-Equipment.com to order your parts

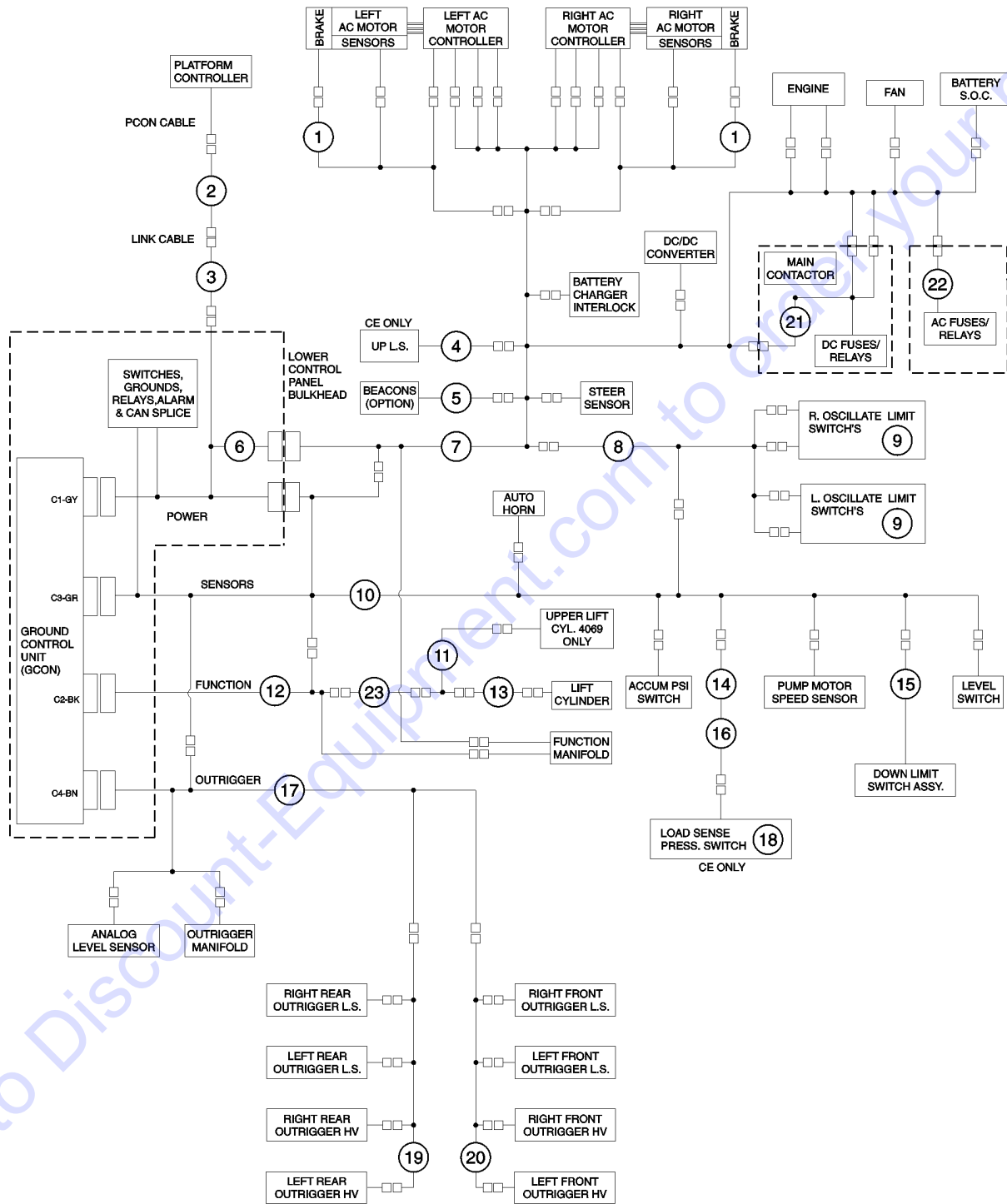


310.2 Electrical Wiring, GS-3369



Item	Part No.	Description	Qty.
B	1264822GT	KIT, TRC RETROFIT, STNDRD Telematics (includes 1264834)	
B-	1264834GT	INSTRN, TRC RETROFIT, STNDRD	
1	234837GT	HARNESS, MOTOR/BRAKE,GS69DC	2
2B	236067GT	CABLE,CNTRL,LINKS,GS3369DC (542 inches, base to platform)	
3	237476GT	CABLE,CONTROL,EXTEND,GS69DC	1
4	T114634GT	HARNESS,UP LIMIT SWITCH	1
5A	148076GT	HARNESS,BEACON,GS69 (option) (to SN GS6916F-9824)	1
5B	1273392GT	HARNESS, LED BEACON, GS69DC (from SN GS6916F-9825)	
6A	234830GT	HARNESS,LCP,GS69DC (to SN GS6915-6988)	1
6A-	67504GT	FUSE HOLDER,ATC 3-30 AMPS (to SN GS6915-6988)	
6A-	67505GT	FUSE,10 AMP,ATC (to SN GS6915-6988)	
6B	1266273GT	HARNESS, LCP, GS69DC/BE (from SN GS6915-6989)	
7	822956GT	HARNESS, CONTROL, GS69BE (part of harness is shown as item 15 in 309.1)	1
8	235399GT	HARNESS,EXTEND,OSC LS,GS69DC	1
9	148414GT	HARNESS,OSC SWITCH REAR	2
10	234831GT	HARNESS,SENSORS,GS69DC	1
12A	234833GT	HARNESS,FUNCTION,HYD,GS69DC (to SN GS6915-6988)	1
12B	1266112GT	HARNESS, FUNCTION, GS69DC/BE (from SN GS6915-6989)	1
13A	148086GT	CABLE,DOWN COILS,GS3369 (to SN GS6915-6383)	
13B	1259447GT	CABLE,PROP. DOWN COIL 26/3369 (from SN GS6915-6384)	
14	219973GT	CABLE,PRESSURE SWITCH, 6S	1
15	148092GT	HARNESS,DOWN LIMIT SENSOR,GS69	1
16	218245GT	JUMPER,SENSOR,TERMINAL	1
17	234834GT	HARNESS, OUTRIGGER,MAIN,GS69DC (option)	1
18	104571GT	HARNESS,PRESS.SWITCH (CE only)	1
19	148091GT	HARNESS,OUTRIGGERS,REAR,GS69 (option)	1
20	148090GT	HARNESS,OUTRIGGERS,FRNT,GS69 (option)	1
21	1254915GT	HARNESS, DC BOX, RT69BE	1

310.2 Electrical Wiring, GS-3369

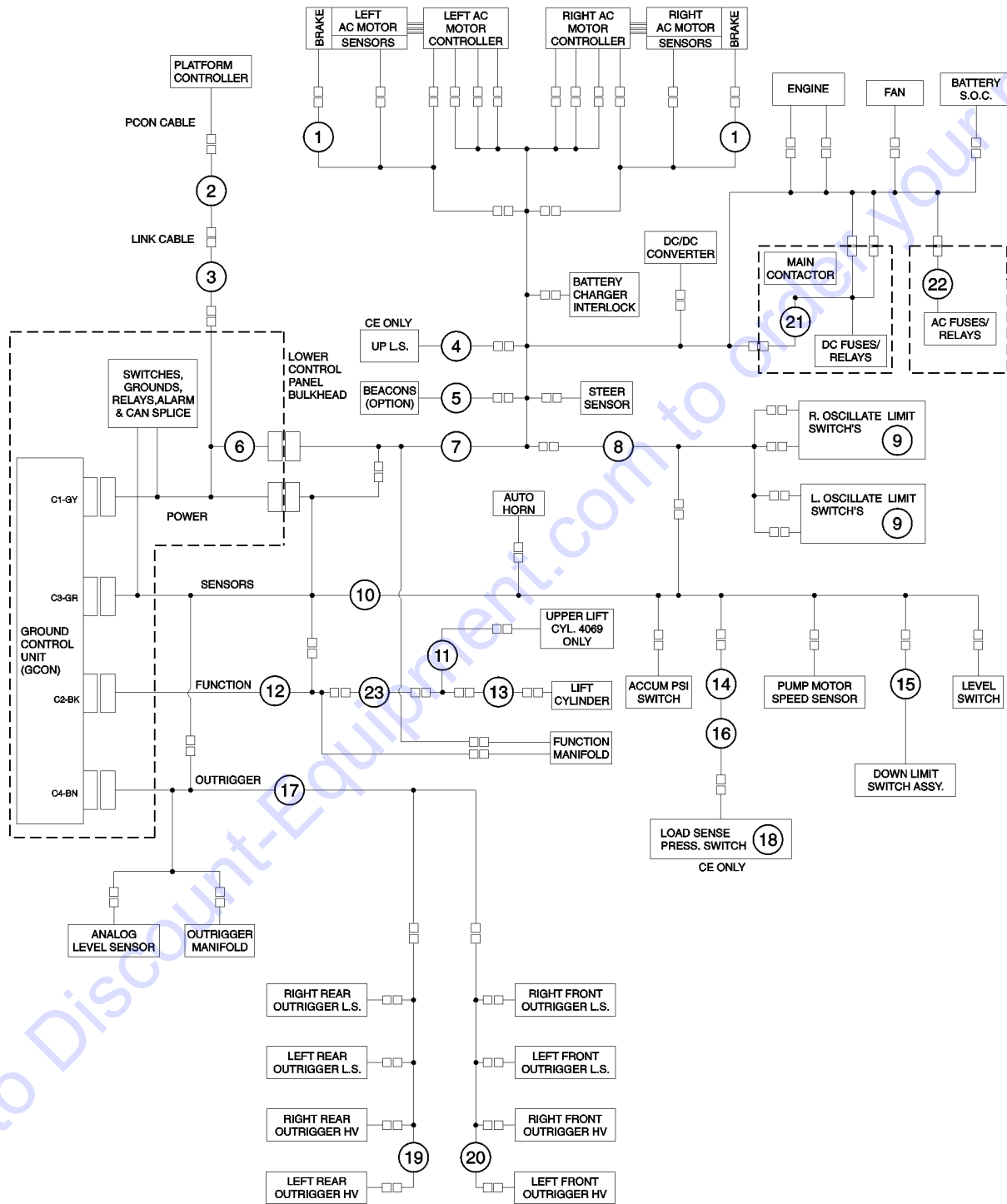


Item	Part No.	Description	Qty.
22A	1254914GT	HARNESS, AC BOX, RT69BE (110V)	1
22B	1257217GT	HARNESS, 220VAC BOX,RT69BE (120V)	1
23A	1259499GT	HARNESS, PROP, DOWN, GS69 (from SN GS6915-6384 to GS6915-6988)	1
23B	1259498GT	KIT,PROP. DOWN,GS26/3369 DC/BE (to SN GS6915-6383) (includes proportional down harnesses, valve and instructions)	1
23D	1258731GT	FLASH DRIVE,SL1K2.0 SOFTWARE (from SN GS6915-6384 to GS6915-6988)	1
23E	219205GT	FLASH DRIVE,SL1K1.0 SOFTWARE (from SN GS6915-6384 to GS6915-6988)	1
23F	1259447GT	CABLE,PROP. DOWN COIL 26/3369 (from SN GS6915-6989)	1

Go to Discount-Equipment.com to order your parts

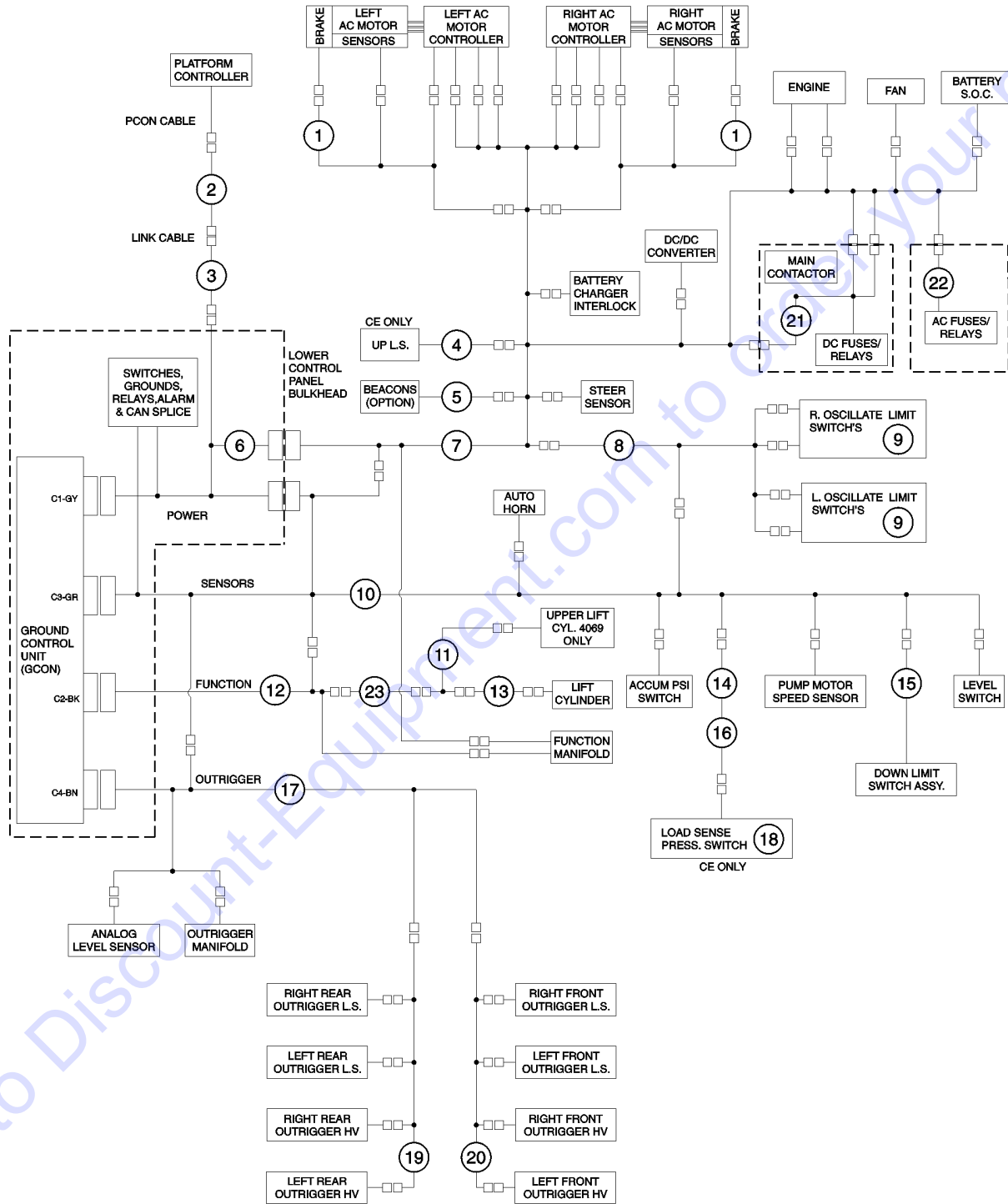


310.3 Electrical Wiring, GS-4069



Item	Part No.	Description	Qty.
B	1264822GT	KIT, TRC RETROFIT, STNDRD Telematics (includes 1264834)	
B-	1264834GT	INSTRN, TRC RETROFIT, STNDRD	
1	234837GT	HARNESS, MOTOR/BRAKE,GS69DC	2
2C	236068GT	CABLE,CNTRL,LINKS,GS4069DC (660 inches, base to platform)	
3	237476GT	CABLE,CONTROL,EXTEND,GS69DC	1
4	T114634GT	HARNESS,UP LIMIT SWITCH	1
5A	148076GT	HARNESS,BEACON,GS69 (option) (to SN GS6916F-9824)	1
5B	1273392GT	HARNESS, LED BEACON, GS69DC (from SN GS6916F-9825)	
6A	234830GT	HARNESS,LCP,GS69DC (to SN GS6915-6988)	1
6A-	67504GT	FUSE HOLDER,ATC 3-30 AMPS (to SN GS6915-6988)	
6A-	67505GT	FUSE,10 AMP,ATC (to SN GS6915-6988)	
6B	1266273GT	HARNESS, LCP, GS69DC/BE (from SN GS6915-6989)	
7	822956GT	HARNESS, CONTROL, GS69BE (part of harness is shown as item 15 in 309.1)	1
8	235399GT	HARNESS,EXTEND,OSC LS,GS69DC	1
9	148414GT	HARNESS,OSC SWITCH REAR	2
10	234831GT	HARNESS,SENSORS,GS69DC	1
12A	234833GT	HARNESS,FUNCTION,HYD,GS69DC (to SN GS6915-6988)	1
12B	1266112GT	HARNESS, FUNCTION, GS69DC/BE (from SN GS6915-6989)	1
13A	148086GT	CABLE,DOWN COILS,GS3369 (to SN GS6915-6383)	
13B	1259447GT	CABLE,PROP. DOWN COIL 26/3369 (from SN GS6915-6384)	
14	219973GT	CABLE,PRESSURE SWITCH, 6S	1
15	148092GT	HARNESS,DOWN LIMIT SENSOR,GS69	1
16	218245GT	JUMPER,SENSOR,TERMINAL	1
17	234834GT	HARNESS, OUTRIGGER,MAIN,GS69DC (option)	1
18	104571GT	HARNESS,PRESS.SWITCH (CE only)	1
19	148091GT	HARNESS,OUTRIGGERS,REAR,GS69 (option)	1
20	148090GT	HARNESS,OUTRIGGERS,FRNT,GS69 (option)	1
21	1254915GT	HARNESS, DC BOX, RT69BE	1

310.3 Electrical Wiring, GS-4069

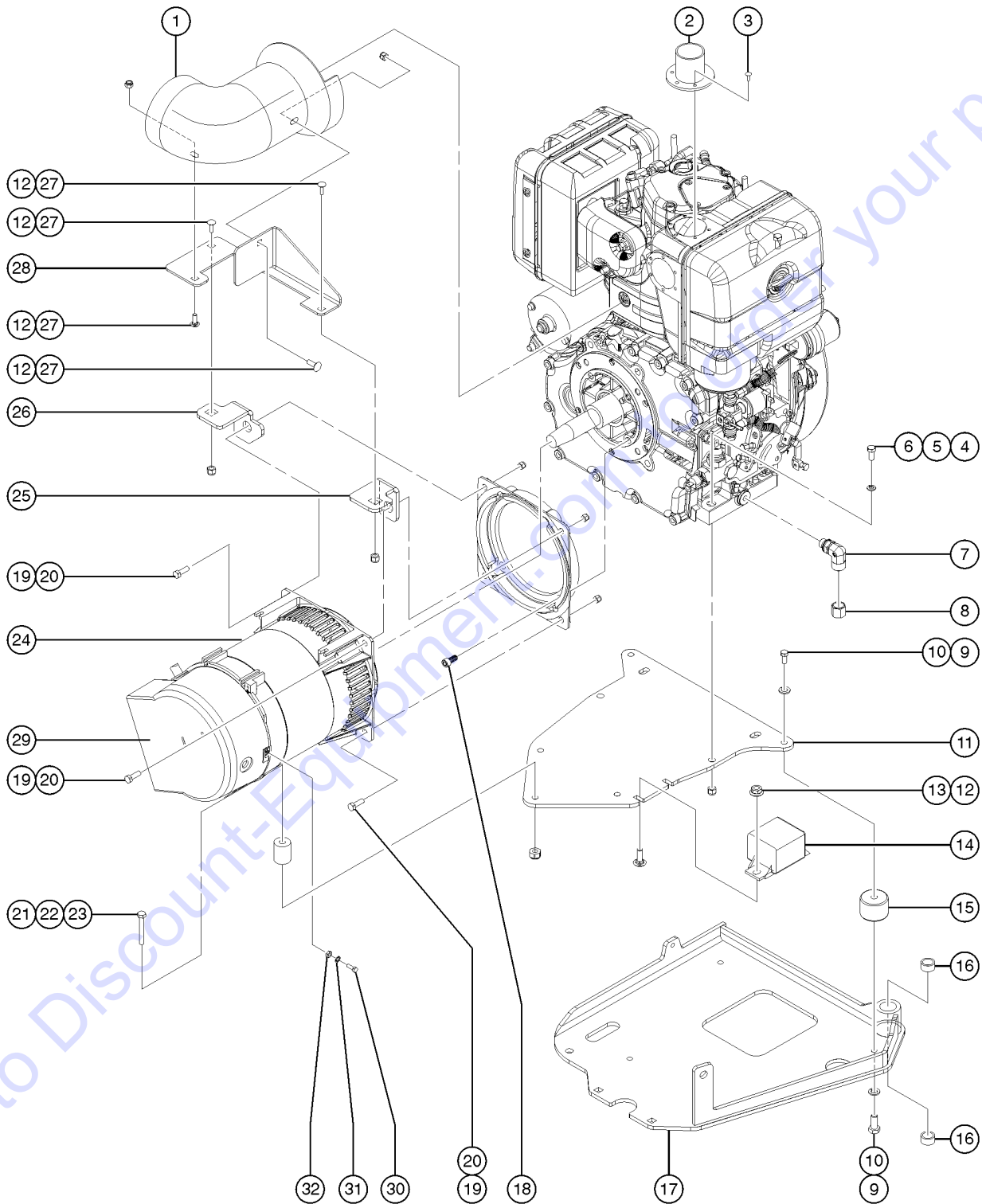


Item	Part No.	Description	Qty.
22A	1254914GT	HARNESS, AC BOX, RT69BE (110V)	1
22B	1257217GT	HARNESS, 220VAC BOX,RT69BE (120V)	1
23A	1259499GT	HARNESS, PROP, DOWN, GS69 (from SN GS6915-6384 to GS6915-6988)	1
23C	1259991GT	KIT,PROP. DOWN,GS4069 DC/BE (to SN GS6915-6383) (includes proportional down harnesses, valve and instructions)	1
23D	1258731GT	FLASH DRIVE,SL1K2.0 SOFTWARE (from SN GS6915-6384 to GS6915-6988)	1
23E	219205GT	FLASH DRIVE,SL1K1.0 SOFTWARE (from SN GS6915-6384 to GS6915-6988)	1
23G	1259448GT	CABLE,PROP. DOWN COIL 4069 (from SN GS6915-6989)	1

Go to Discount-Equipment.com to order your parts

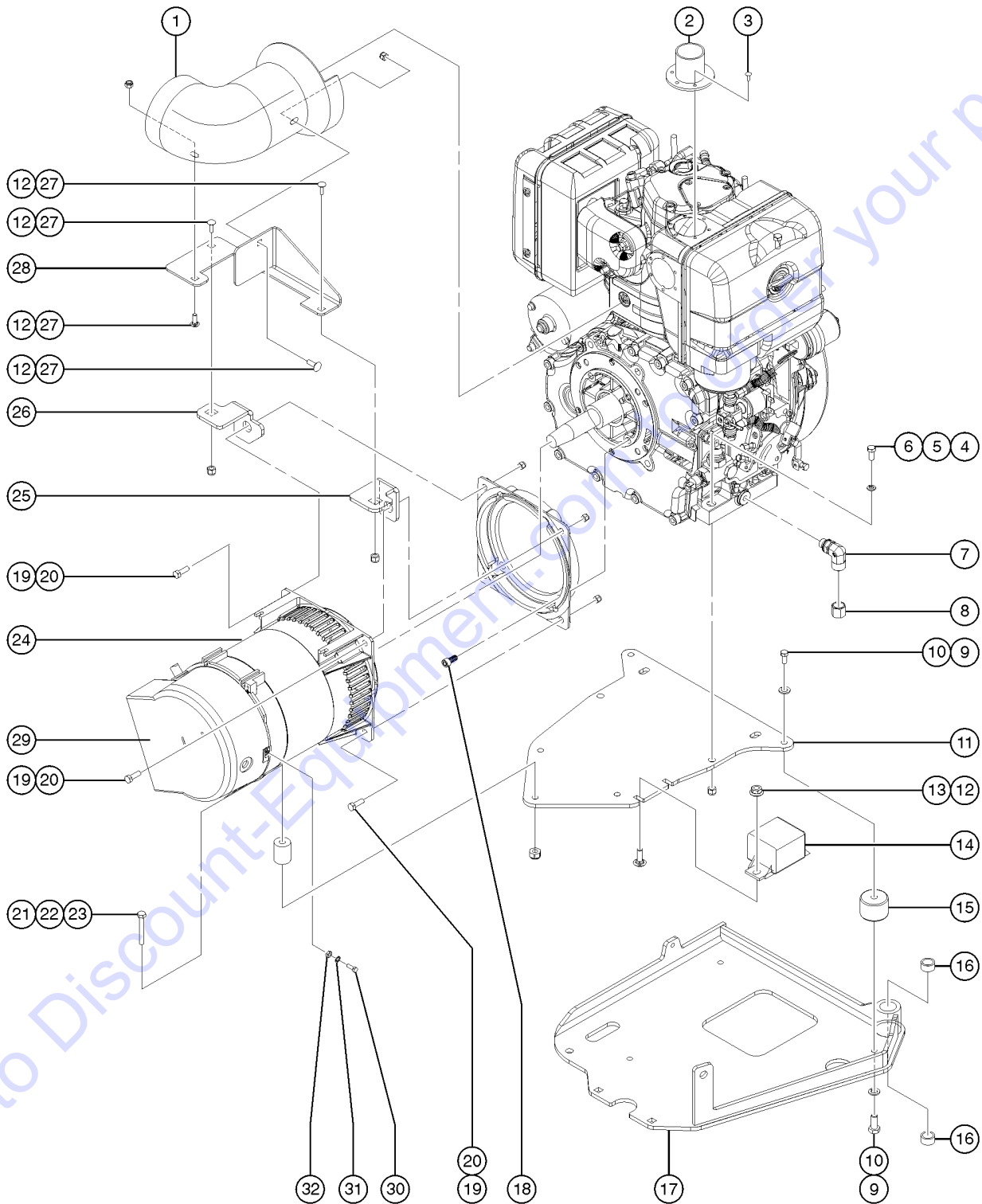


401.1 Kohler K-350 Engine, View 1



Item	Part No.	Description	Qty.
A-	162001GT	ENGINE, KOHLER KD350, 3600RPM	
B-	67504GT	FUSE HOLDER,ATC 3-30 AMPS	
		(for 162001)	
C-	1253410GT	ENGINE, KOHLER KD350, 3000RPM	
D-	825199GT	FUSE HOLDER, ANNRING	
		(for 1253410)	
E-	1255883GT	PARTS MANUAL, KOHLER KD350	
F-	1255884GT	WORKSHOP MANUAL, KOHLER KD350	
G-	1255885GT	OPERATORS MANUAL, KOHLER KD350	
H-	35418GT	HOSE,FUEL,3/16,SAE 30R7	13
		(sold in inches)	
J-	30490GT	HOSE,1/4 FUEL LINE,SAE 30R7	11
		(sold in inches)	.5
1	822649GT	TUBE,ELBOW,OUTFLOW,ENGINE	1
2	826448GT	WELDMENT,INTAKE,KOHLER	1
3	1257720GT	SCREW, PHP, M3.9X9.5, TAPPING	3
4	13918GT	SCREW,HHC,3/8-16 X 1.75,GRD.8	4
5	5397GT	WASHER,FLAT,USS,5/16",Y	3
6	4828GT	NUT,NYLOCK,3/8-16	4
7	824657GT	ELBOW, 52M0287, M14-8	1
8	69775GT	CAP,520112-8	1
9	10107GT	SCREW,HHC,5/16-18 X .75	8
10	6886GT	WASHER,LOCK,.313	8
11	219637GT	PLATE, ENGINE BASE MNT	1
12	121421GT	NUT,FLG,1/4-20	
13	6878GT	BOLT,CARRIAGE,1/4-20 X .75,G2	6
14	56099GT	RELAY,SPST,24V,50A	1
15	219949GT	ENGINE MOUNT, 5/16-18 INSERT	4
16	39581GT	BEARING,0.75IDX1.00ODX0.50L	2
17	160913GT	WELDMENT, ENGINE TRAY	1
18	162062GT	SCREW, SHCS, 3/8-16 X .75	4
19	49379GT	SCREW,HHC,M8 X 1.25 X 25	4

401.1 Kohler K-350 Engine, View 1

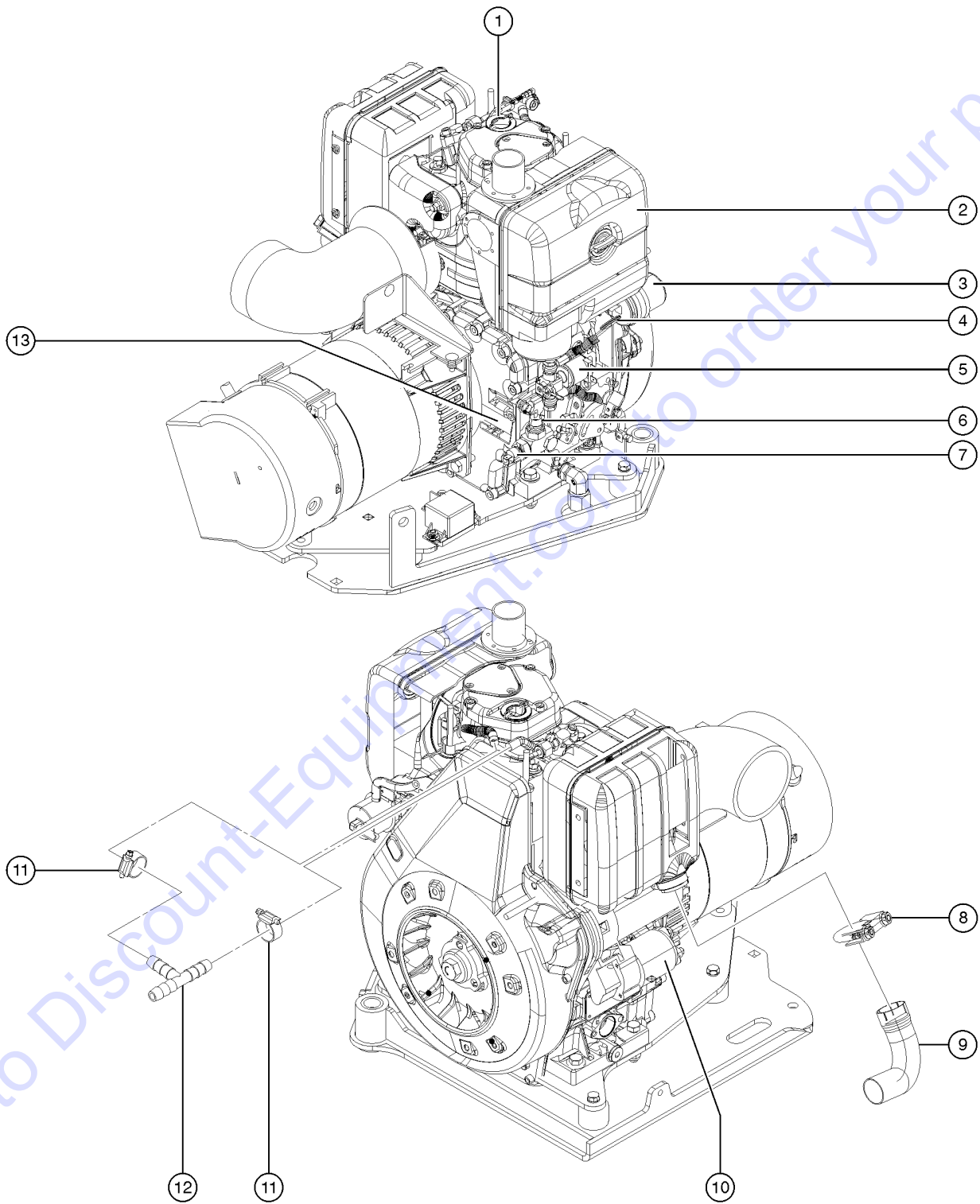


Item	Part No.	Description	Qty.
20	824149GT	NUT,M8-1.25,DIN934,10,ZAB	
21	123643GT	SCREW,HHC,5/16-18X2.25,GR8,Y	1
22	1253216GT	BOSS, GENERATOR MNT	1
23	6782GT	NUT,NYLOCK,5/16-18	1
24A	161984GT	GENERATOR,3KW,120VAC,60HZ,1PH (use with engine 162001) (intake cover not included)	1
24B	1253603GT	GENERATOR,3KW,240VAC,50HZ,1PH (use with engine 1253410)	
25	822652GT	FORMING, BRACKET, INFLOW MNT,	1
26	822651GT	FORMING, BRACKET, INFLOW MNT,	1
27	6091GT	NUT,NYLOCK,1/4-20	4
29	825491GT	COVER, INTAKE, GENERATOR	1
		(sold separately)	
30	1258134GT	BOLT,HHC,M5X16ERRING	
31	1258136GT	WASHER,LOCK,EXTERNAL TOOTH,M5	
32	1258135GT	NUT,M5-.8,ZINC	

Go to Discount-Equipment.com to order your parts



402.1 Kohler K-350 Engine, View 2

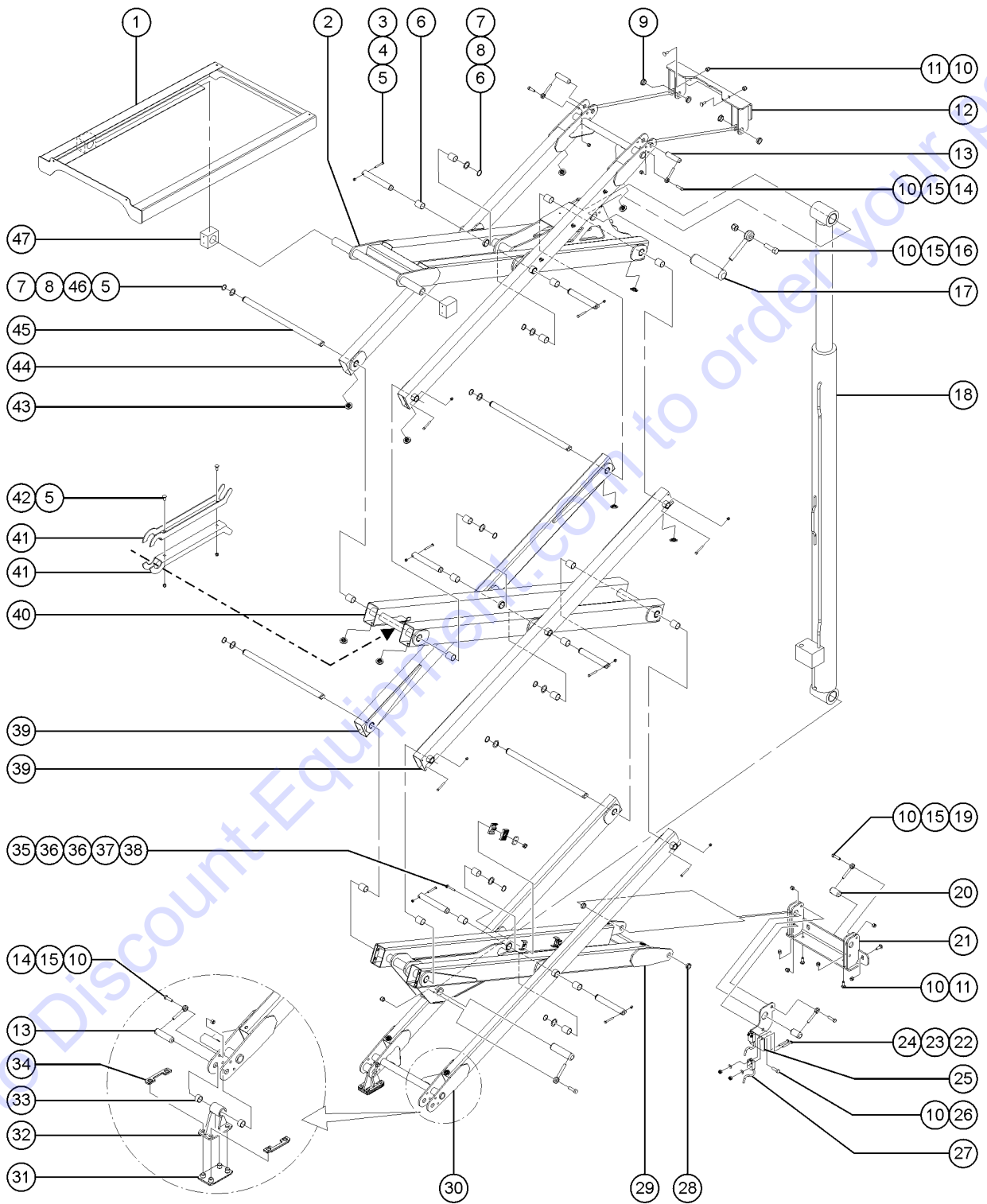


Item	Part No.	Description	Qty.
1	1255464GT	OIL FILL PLUG, KD350	1
2	826443GT	FILTER, AIR, KD350	1
3	826442GT	FILTER, FUEL, KD350	1
4	1255466GT	OIL DIPSTICK, KD350	1
5	1255467GT	FUEL SOLENOID VALVE, KD350	1
6	1255463GT	SWITCH, OIL, KD350	1
7	1255462GT	SWITCH, OIL PRESS, KD350	1
8	825435GT	CLAMP, U-BOLT, 1.25" DIA	1
9	162468GT	PIPE, DIESEL, EXHAUST	1
10	1255465GT	STARTER MOTOR, 12V, KD350	1
11	44909GT	CLAMP, HOSE, .35"-.86" X .3125"	2
12	822408GT	HOSE CONN. BARB, TEE, 3/16"	1
13	826575GT	FILTER, OIL, KD350	1

Go to Discount-Equipment.com to order your parts



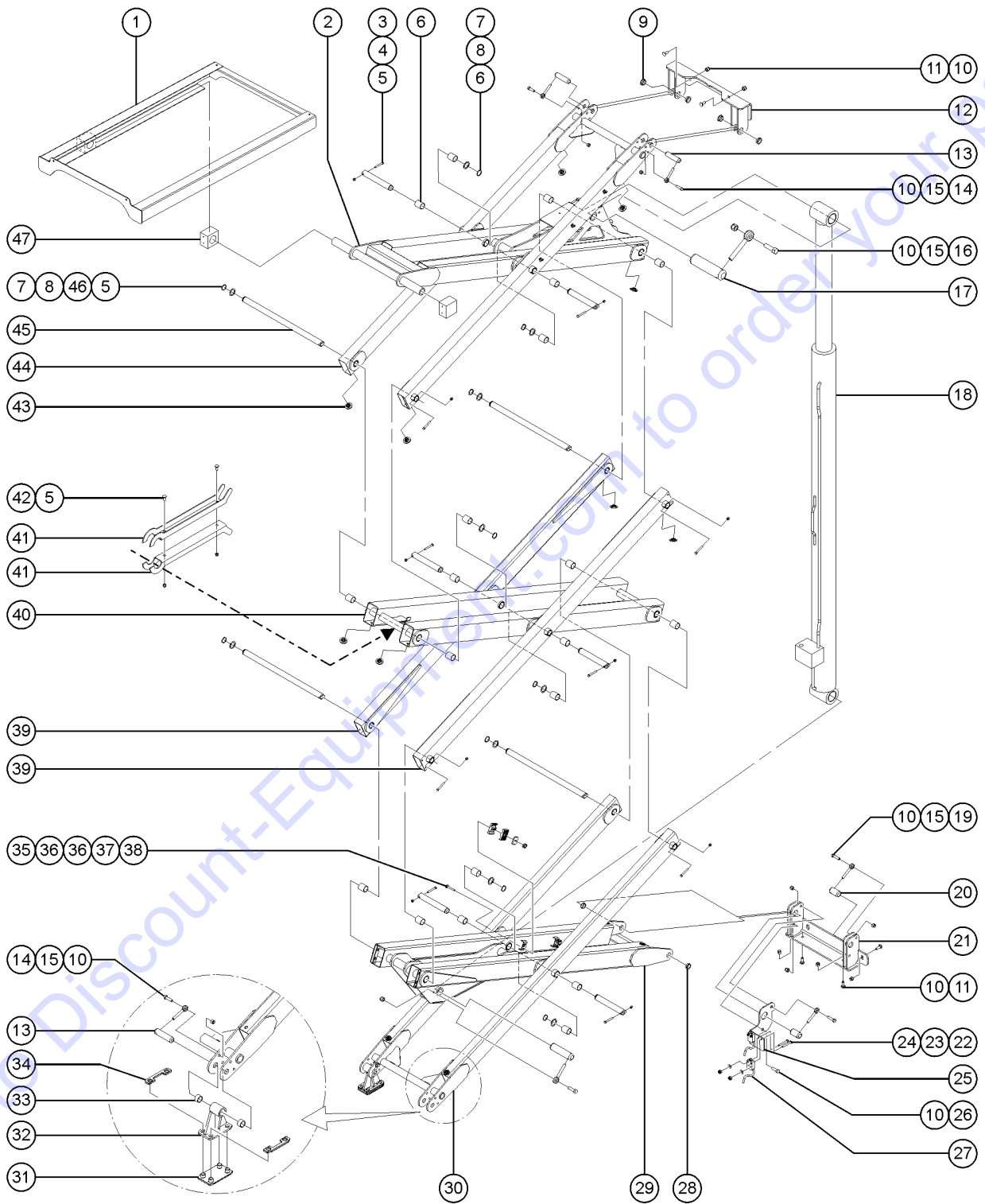
501.1 Scissor Components, View 1, GS-2669



Item	Part No.	Description	Qty.
1	131874GT	WLDMNT,PLATFORM SPACER, 2669	1
2	112127GT	ASSY,LINK,INNER #3,BLUE,2669	1
		(includes item #6)	
2-	105214GT	CABLE TIE MOUNT, WINGED	
2-	28443GT	CABLE TIE,11.5" BLACK	8
3	14033GT	SCREW,HHC,3/8-16 X 2.75	6
4	148433GT	PIN,CENTER LINK,GS69	9
5	4828GT	NUT,NYLOCK,3/8-16	12
6	T108138GT	BEARING,1.50IDX1.75ODX2.00L	20
7	18383GT	SNAP RING,EXTERNAL,1.5 DIA***	10
8	T108139GT	WASHER,FLAT,1.510X2.125	10
9	112375GT	BEARING,FL,1.25IDX1.50ODX.44LG	4
10	6198GT	NUT,NYLOCK,1/2-13	14
11	96977GT	BOLT,CARRIAGE,1/2-13X1.50,GR5	6
12	112229GT	WELDMENT,PLATFORM PIVOT,2669	1
13	112115GT	PIN,1.25 DIA X 5.00 LG,1 HOLE	4
14	22788GT	SCREW,HHC,1/2-13 X 1.75	4
15	1256267GT	ROD END,.5 X 3.75,ZAG	8
16	6096GT	SCREW,HHC,1/2-13 X 2 GR5	4
17	112121GT	PIN, CYLINDER, LONG	2
18		Ref. Lift Cylinders	
		(refer to 703.1)	
19	10598GT	SCREW,HHC,1/2-13 X 3	2
20	112116GT	PIN,1.50 DIA X 2.75 LG,1 HOLE	2
21	131899GT	WELDMENT,CHASSIS LINK PVT,2669	1
22	49821GT	SCREW,PHILLIPS,PHM,8-32 X 1.25	4
23	35461GT	WASHER,FLAT,MS,#8,Y	4
24	18605GT	NUT,NYLOCK,8-32	4
25	148317GT	FORMING,DOWN LIMIT SWITCH MNT	1
26	8177GT	SCREW,HHC,1/2-13 X 1.5	1



501.1 Scissor Components, View 1, GS-2669



PARTS FINDER

**Search Website
by Part Number**



**Search Manual
Library For Parts
Manual & Lookup Part
Numbers – Purchase
or Request Quote**

Search Manuals

Enter your information to help us find the right parts manual for your machine.

* Brand:

* Model:

* Serial:

* Part Number:

SEARCH

**Can't Find Part or
Manual? Request Help
by Manufacturer,
Model & Description**

Parts Order Form

Please fill in the following information to help us find the right part for your machine.

Manufacturer:	<input type="text"/>
Model:	<input type="text"/>
Description:	<input type="text"/>
Part Number:	<input type="text"/>
Quantity:	<input type="text"/>
Notes:	<input type="text"/>

Discount-Equipment.com is your online resource for quality parts & equipment.

Florida: **561-964-4949** Outside Florida TOLL FREE: **877-690-3101**

Need parts?

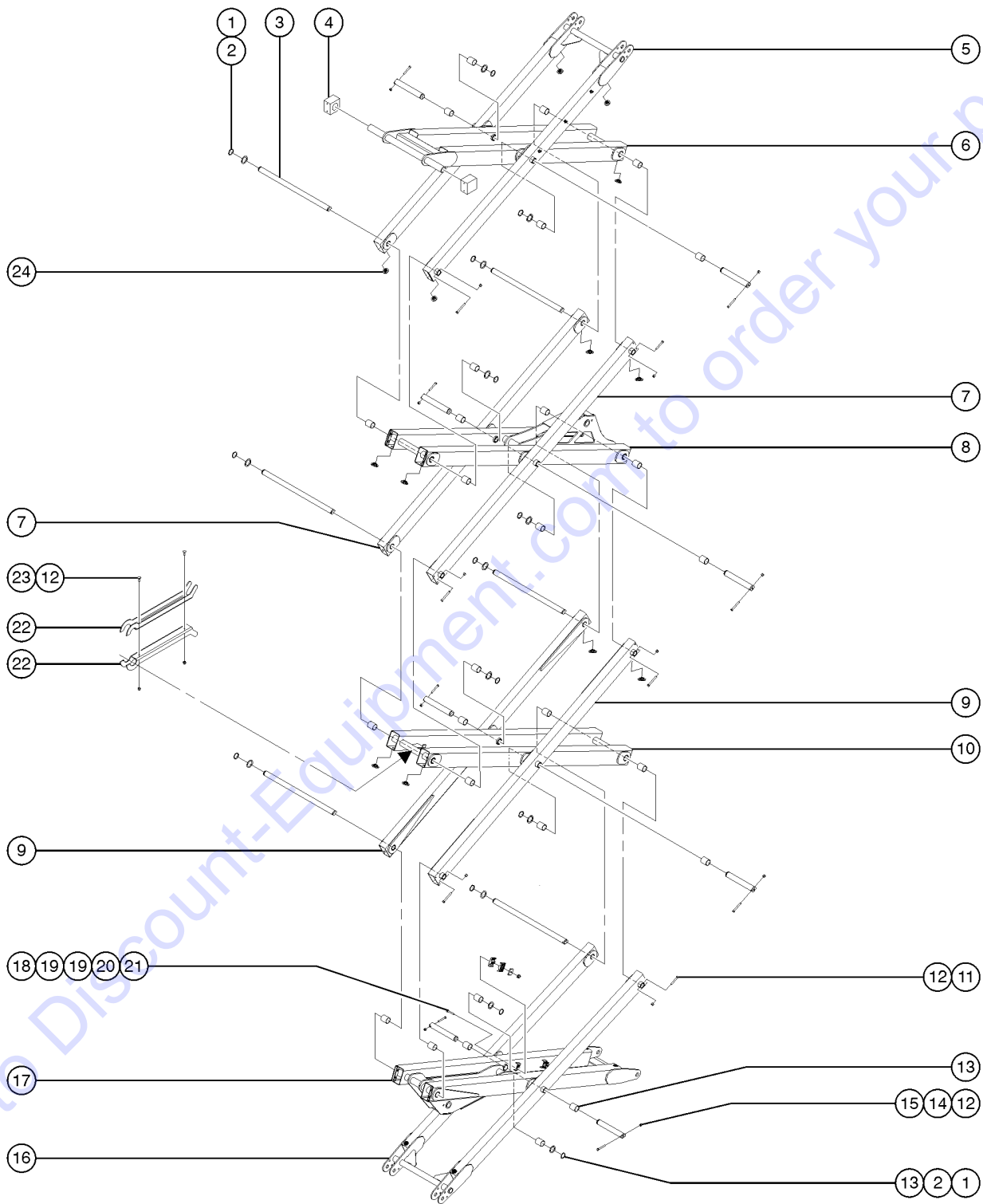
Click on this link: <http://www.discount-equipment.com/category/5443-parts/> and choose one of the options to help get the right parts and equipment you are looking for. Please have the machine model and serial number available in order to help us get you the correct parts. If you don't find the part on the website or on one of the online manuals, please fill out the request form and one of our experienced staff members will get back to you with a quote for the right part that your machine needs.

We sell worldwide for the brands: Genie, Terex, JLG, MultiQuip, Mikasa, Essick, Whiteman, Mayco, Toro Stone, Diamond Products, Generac Magnum, Airman, Haulotte, Barreto, Power Blanket, Nifty Lift, Atlas Copco, Chicago Pneumatic, Allmand, Miller Curber, Skyjack, Lull, Skytrak, Tsurumi, Husquvarna Target, Stow, Wacker, Sakai, Mi-T-M, Sullair, Basic, Dynapac, MBW, Weber, Bartell, Bennar Newman, Haulotte, Ditch Runner, Menegotti, Morrison, Contec, Buddy, Crown, Edco, Wyco, Bomag, Laymor, EZ Trench, Bil-Jax, F.S. Curtis, Gehl Pavers, Heli, Honda, ICS/PowerGrit, IHI, Partner, Imer, Clipper, MMD, Koshin, Rice, CH&E, General Equipment, Amida, Coleman, NAC, Gradall, Square Shooter, Kent, Stanley, Tamco, Toku, Hatz, Kohler, Robin, Wisconsin, Northrock, Oztec, Toker TK, Rol-Air, APT, Wylie, Ingersoll Rand / Doosan, Innovatech, Con X, Ammann, Mecalac, Makinex, Smith Surface Prep, Small Line, Wanco, Yanmar

Item	Part No.	Description	Qty.
27	148236GT	SWITCH,LIMIT,PLUNGER,SMALL	2
28	112350GT	BRG,FL,1.5ID X 1.75OD X .5 LG	2
29	112123GT	ASSY,LINK,INNER #1,BLUE,GS69 (includes item #6 and item #28)	1
30	112070GT	WELDMENT,LINK,OUTER #1	1
31	112099GT	WEAR PAD,SLIDER FOOT,LOWER	2
32	131903GT	WELDMENT,SLIDER FOOT, GS2669	2
33	30434GT	BEARING,1.25IDX1.50ODX0.88L	4
34	112100GT	WEAR PAD,SLIDER FOOT,UPPER	4
35	96905GT	BOLT,CARRIAGE,1/4-20 X 2.5,G2	
36	78736GT	CLAMP,2 HOSE,PLASTIC,5/8	8
37	1254245GT	PLATE,HOSE ROUTING,BULKHEAD black	4
38	6091GT	NUT,NYLOCK,1/4-20	
39	T108137GT	WLDMT,LINK,OUTER,#2 (decals not included, refer to section 100)	1
40	112124GT	ASSY,LINK,INNER #2,BLUE,GS69 (includes item #6) (decals not included, refer to section 100)	1
41	1254192GT	FORMING, SAFETY ARM	2
42	64154GT	BOLT,CARRIAGE,3/8-16 X1.00,G5	2
43	T109734GT	BUMPER,LINKS,GS69	16
44	112076GT	WELDMENT,LINK,TOP OUTER,GS69	1
44-	28443GT	CABLE TIE,11.5" BLACK	8
45	148434GT	PIN,END LINK,GS69	4
46	6326GT	SCREW,HHC,3/8-16 X 3	4
47	112708GT	SLIDER BLOCK, GS69	2

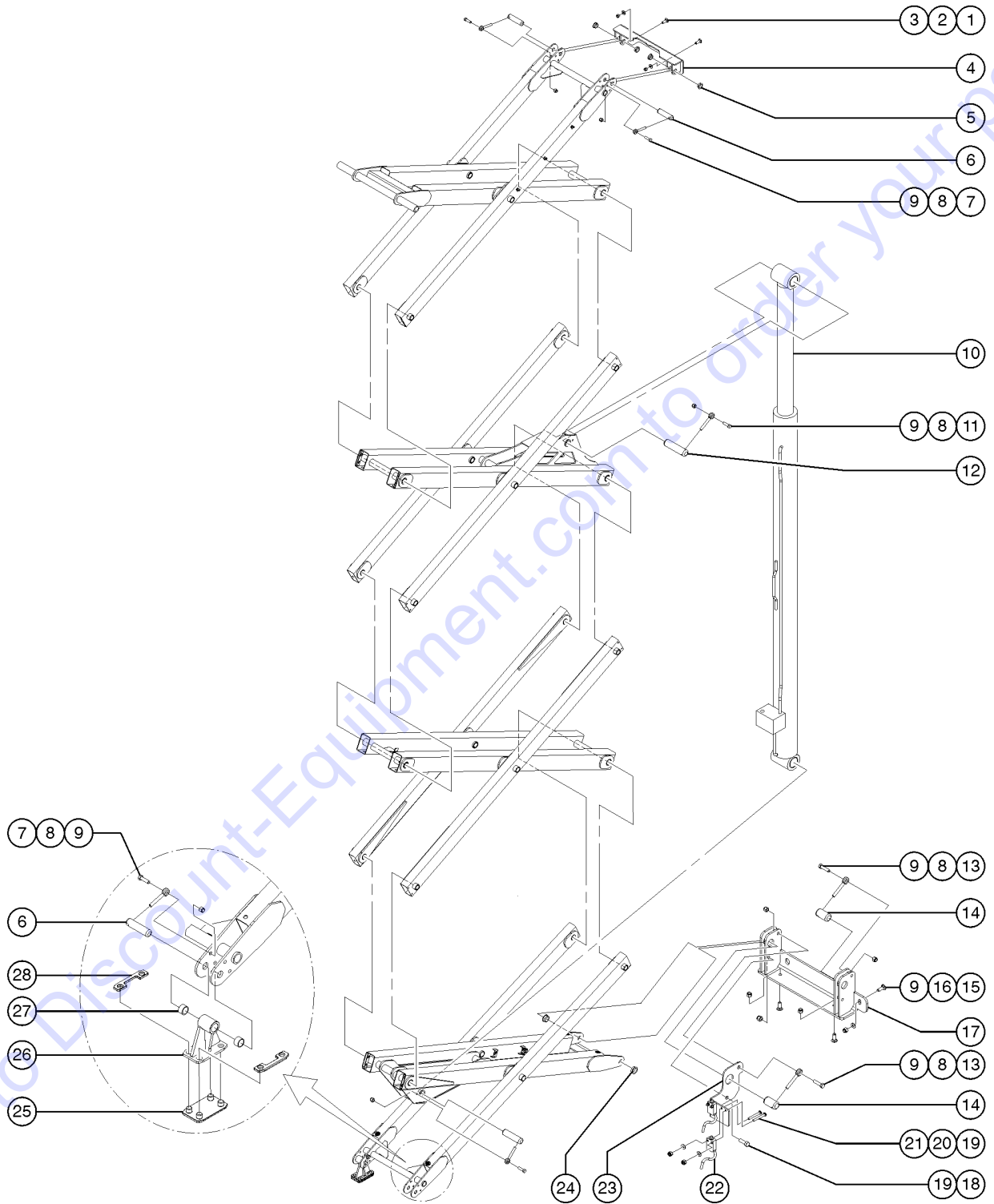


502.1 Scissor Components, View 1, GS-3369



Item	Part No.	Description	Qty.
1	18383GT	SNAP RING,EXTERNAL,1.5 DIA***	14
2	T108139GT	WASHER,FLAT,1.510X2.125	14
3	148434GT	PIN,END LINK,GS69	6
4	112708GT	SLIDER BLOCK, GS69	2
5	112076GT	WELDMENT,LINK,TOP OUTER,GS69	1
5-	40928GT	CABLE TIE, BUTTON, BLACK, 10.00 LG	
6	112134GT	ASSY,LINK,INR #4-3369,#5-4069 (includes item #13)	1
7	112072GT	WELDMENT,LINK,OUTER #2,3,4	2
8	131687GT	ASSY,LINK,INNER #3,BLUE,3369 (includes item #13)	1
9	T108137GT	WLDMT,LINK,OUTER,#2 (decals not included, refer to section 100)	1
10	112124GT	ASSY,LINK,INNER #2,BLUE,GS69 (includes item #13)	1
11	6326GT	SCREW,HHC,3/8-16 X 3	
12	4828GT	NUT,NYLOCK,3/8-16	
13	T108138GT	BEARING,1.50IDX1.75ODX2.00L	28
14	148433GT	PIN,CENTER LINK,GS69	8
15	14033GT	SCREW,HHC,3/8-16 X 2.75	
16	112070GT	WELDMENT,LINK,OUTER #1	1
17	112123GT	ASSY,LINK,INNER #1,BLUE,GS69 (includes item #13)	1
18	96905GT	BOLT,CARRIAGE,1/4-20 X 2.5,G2	4
19	78736GT	CLAMP,2 HOSE,PLASTIC,5/8	8
20	1254245GT	PLATE,HOSE ROUTING,BULKHEAD black	4
21	6091GT	NUT,NYLOCK,1/4-20	4
22	1254192GT	FORMING, SAFETY ARM	2
23	64154GT	BOLT,CARRIAGE,3/8-16 X1.00,G5	2
24	T109734GT	BUMPER,LINKS,GS69	24

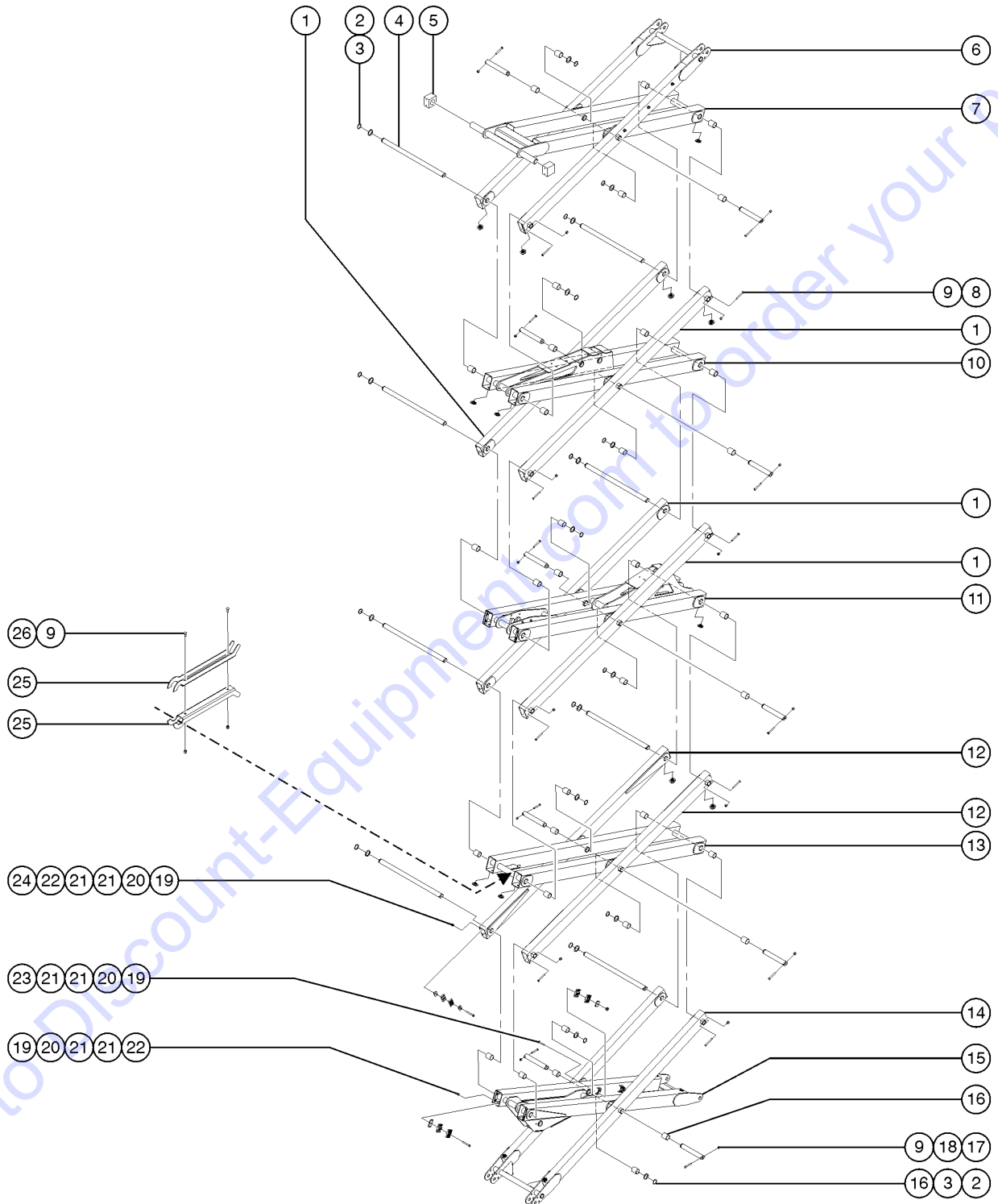
503.1 Scissor Components, View 2, GS-3369



Item	Part No.	Description	Qty.
1	96977GT	BOLT,CARRIAGE,1/2-13X1.50,GR5	
2	6097GT	WASHER,FLAT,USS,3/8",Y	
3	4828GT	NUT,NYLOCK,3/8-16	
4	112136GT	WELDMENT,PLAT PIVOT,33/4069	1
5	112375GT	BEARING,FL,1.25IDX1.50ODX.44LG	4
6	112115GT	PIN,1.25 DIA X 5.00 LG,1 HOLE	4
7	22788GT	SCREW,HHC,1/2-13 X 1.75	
8	1256267GT	ROD END,.5 X 3.75,ZAG	8
9	6198GT	NUT,NYLOCK,1/2-13	
10		Ref. Lift Cylinders (refer to 703.1)	
11	6096GT	SCREW,HHC,1/2-13 X 2 GR5	
12	112121GT	PIN, CYLINDER, LONG	2
13	10598GT	SCREW,HHC,1/2-13 X 3	2
14	112116GT	PIN,1.50 DIA X 2.75 LG,1 HOLE	2
15	96203GT	BOLT,CARRIAGE,1/2-13X1.75, G5	2
16	6095GT	WASHER,FLAT,USS,1/2",Y	
17	112210GT	WLDMT,CHASSIS LINK PVT,33/4069	1
18	8177GT	SCREW,HHC,1/2-13 X 1.5	
19	49821GT	SCREW,PHILLIPS,PHM,8-32 X 1.25	
20	35461GT	WASHER,FLAT,MS,#8,Y	
21	18605GT	NUT,NYLOCK,8-32	
22	148236GT	SWITCH,LIMIT,PLUNGER,SMALL	2
23	148317GT	FORMING,DOWN LIMIT SWITCH MNT	1
24	112350GT	BRG,FL,1.5ID X 1.75OD X .5 LG	2
25	112099GT	WEAR PAD,SLIDER FOOT,LOWER	2
26	112177GT	WELDMENT,SLIDER FOOT, 32/4069	2
27	30434GT	BEARING,1.25IDX1.50ODX0.88L	4
28	112100GT	WEAR PAD,SLIDER FOOT,UPPER	4

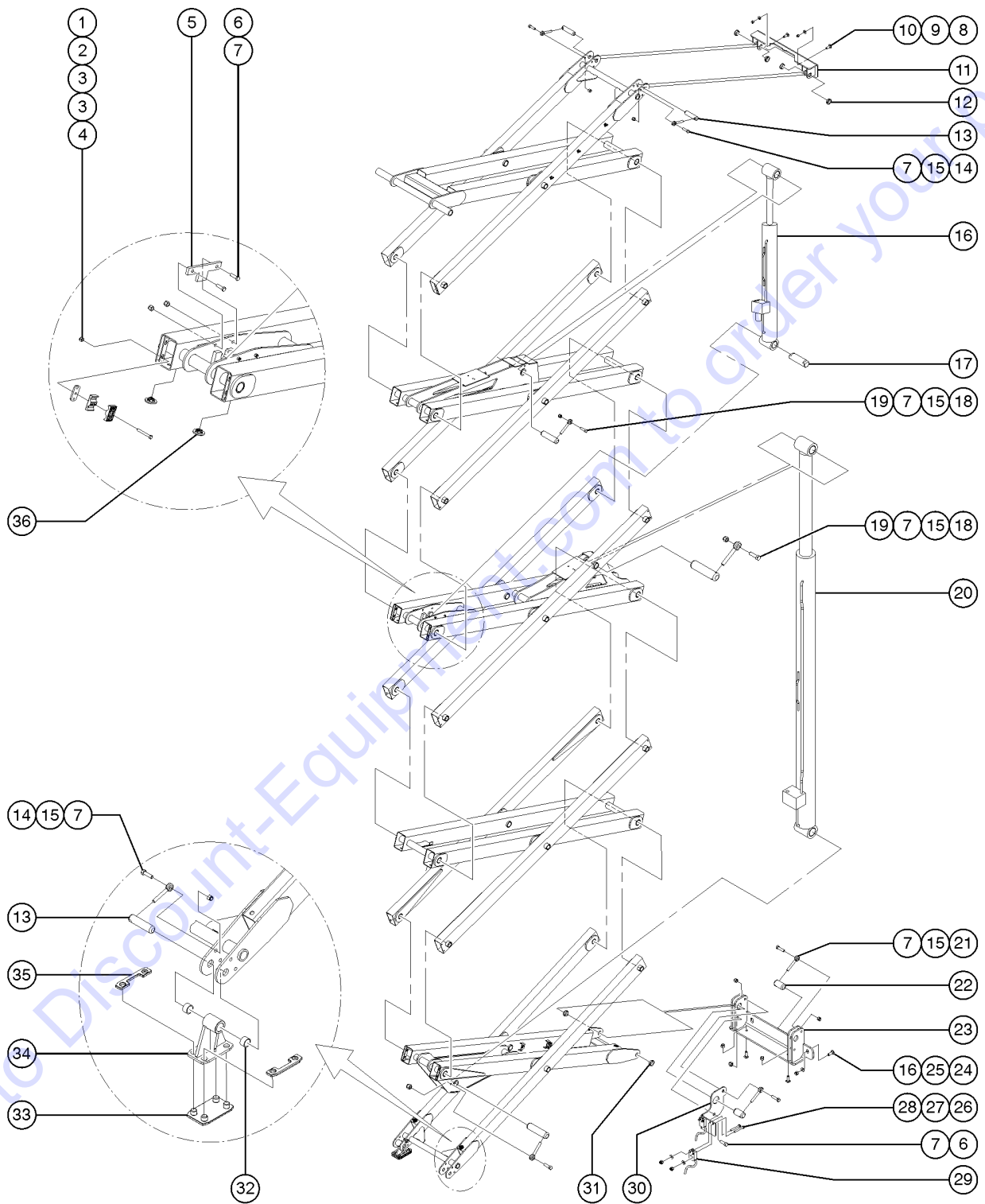


504.1 Scissor Components, View 1, GS-4069



Item	Part No.	Description	Qty.
1	112072GT	WELDMENT, LINK, OUTER #2,3,4	4
2	18383GT	SNAP RING, EXTERNAL, 1.5 DIA***	18
3	T108139GT	WASHER, FLAT, 1.510X2.125	
4	148434GT	PIN, END LINK, GS69	8
5	112708GT	SLIDER BLOCK, GS69	2
6	112076GT	WELDMENT, LINK, TOP OUTER, GS69	1
7	112134GT	ASSY, LINK, INR #4-3369, #5-4069 (includes item #16)	1
8	6326GT	SCREW, HHC, 3/8-16 X 3	
9	4828GT	NUT, NYLOCK, 3/8-16	
10	112126GT	ASSY, LINK, INNER #4, BLUE, 4069 (includes item #16)	1
11	112125GT	ASSY, LINK, INNER #3, BLUE, 4069 (includes item #16)	1
12	T108137GT	WLDMT, LINK, OUTER, #2 (decals not included, refer to section 100)	1
13	112124GT	ASSY, LINK, INNER #2, BLUE, GS69 (includes item #16)	1
14	112070GT	WELDMENT, LINK, OUTER #1	1
15	112123GT	ASSY, LINK, INNER #1, BLUE, GS69	1
15-	40928GT	CABLE TIE, BUTTON, BLACK, 10.00 LG	
16	T108138GT	BEARING, 1.50ID X 1.75OD X 2.00L	
17	14033GT	SCREW, HHC, 3/8-16 X 2.75	
18	148433GT	PIN, CENTER LINK, GS69	10
19	6091GT	NUT, NYLOCK, 1/4-20	
20	1254245GT	PLATE, HOSE ROUTING, BULKHEAD black	4
21	78736GT	CLAMP, 2 HOSE, PLASTIC, 5/8	14
22	4266GT	SCREW, HHC, 1/4-20 X 2	
23	96905GT	BOLT, CARRIAGE, 1/4-20 X 2.5, G2	
24	228103GT	PLATE, BACKING, LINKS	
25A	1254192GT	FORMING, SAFETY ARM	2
26	64154GT	BOLT, CARRIAGE, 3/8-16 X 1.00, G5	2

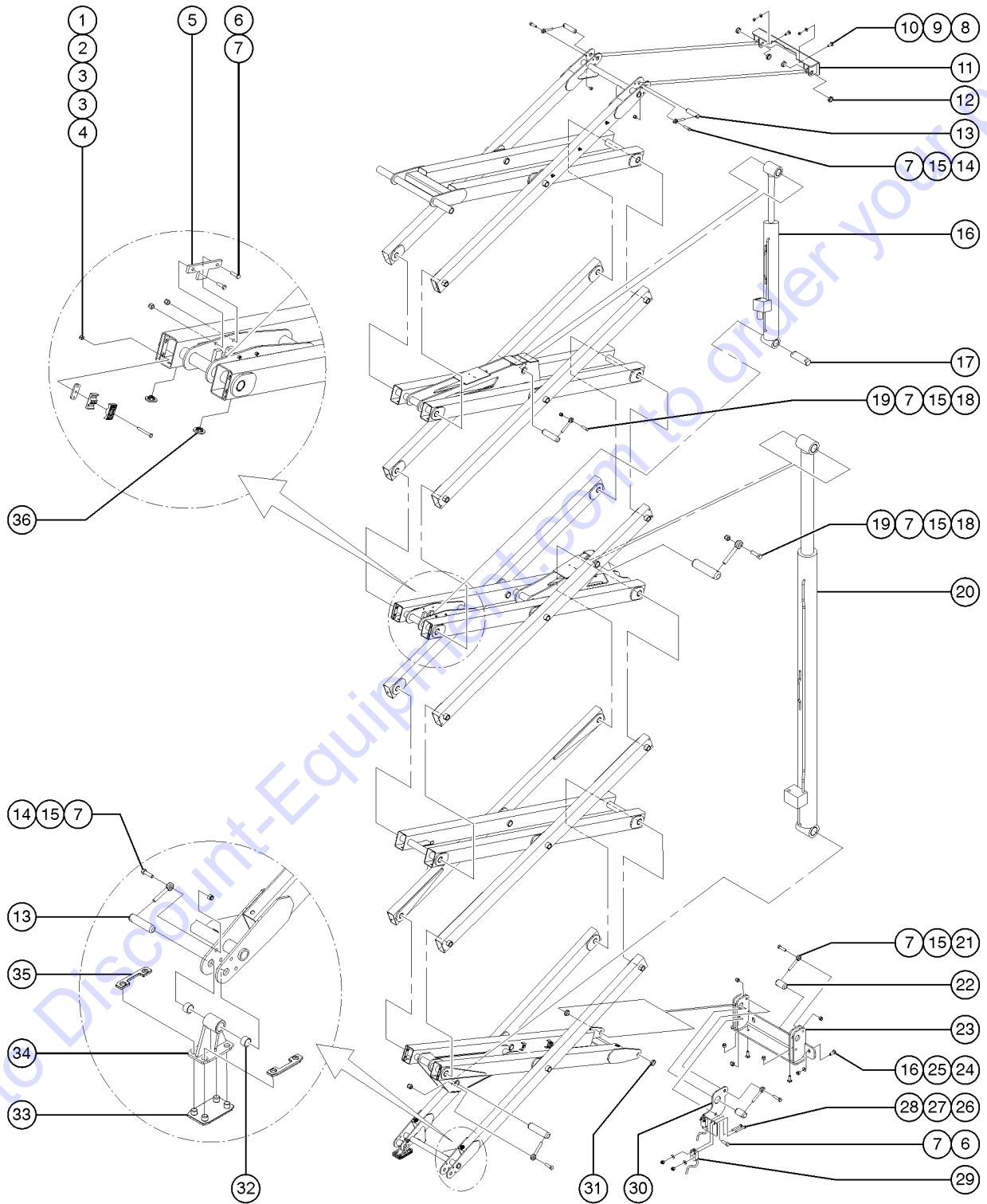
505.1 Scissor Components, View 2, GS-4069



Item	Part No.	Description	Qty.
1	6091GT	NUT,NYLOCK,1/4-20	
2	1254245GT	PLATE,HOSE ROUTING,BULKHEAD black	4
3	78736GT	CLAMP,2 HOSE,PLASTIC,5/8	2
4	4266GT	SCREW,HHC,1/4-20 X 2	
5	112106GT	PLATE,UPR CYL,PIN RETAINR 4069	2
6	8177GT	SCREW,HHC,1/2-13 X 1.5	
7	6198GT	NUT,NYLOCK,1/2-13	
8	96977GT	BOLT,CARRIAGE,1/2-13X1.50,GR5	
9	6097GT	WASHER,FLAT,USS,3/8",Y	
10	4828GT	NUT,NYLOCK,3/8-16	
11	112136GT	WELDMENT,PLAT PIVOT,33/4069	1
12	112375GT	BEARING,FL,1.25IDX1.50ODX.44LG	
13	112115GT	PIN,1.25 DIA X 5.00 LG,1 HOLE	4
14	22788GT	SCREW,HHC,1/2-13 X 1.75	
15	1256267GT	ROD END,.5 X 3.75,ZAG	9
16		Ref. Lift Cylinders, Upper (refer to 703.1)	
17	235122GT	PIN,UPPER CYLINDER	1
18	6096GT	SCREW,HHC,1/2-13 X 2 GR5	
19	112121GT	PIN, CYLINDER, LONG	3
20		Ref. Lift Cylinders (refer to 703.1)	
21	10598GT	SCREW,HHC,1/2-13 X 3	
22	112116GT	PIN,1.50 DIA X 2.75 LG,1 HOLE	2
23	112210GT	WLDMT,CHASSIS LINK PVT,33/4069	1
24	96203GT	BOLT,CARRIAGE,1/2-13X1.75, G5	
25	6095GT	WASHER,FLAT,USS,1/2",Y	
26	49821GT	SCREW,PHILLIPS,PHM,8-32 X 1.25	
27	35461GT	WASHER,FLAT,MS,#8,Y	
28	18605GT	NUT,NYLOCK,8-32	



505.1 Scissor Components, View 2, GS-4069

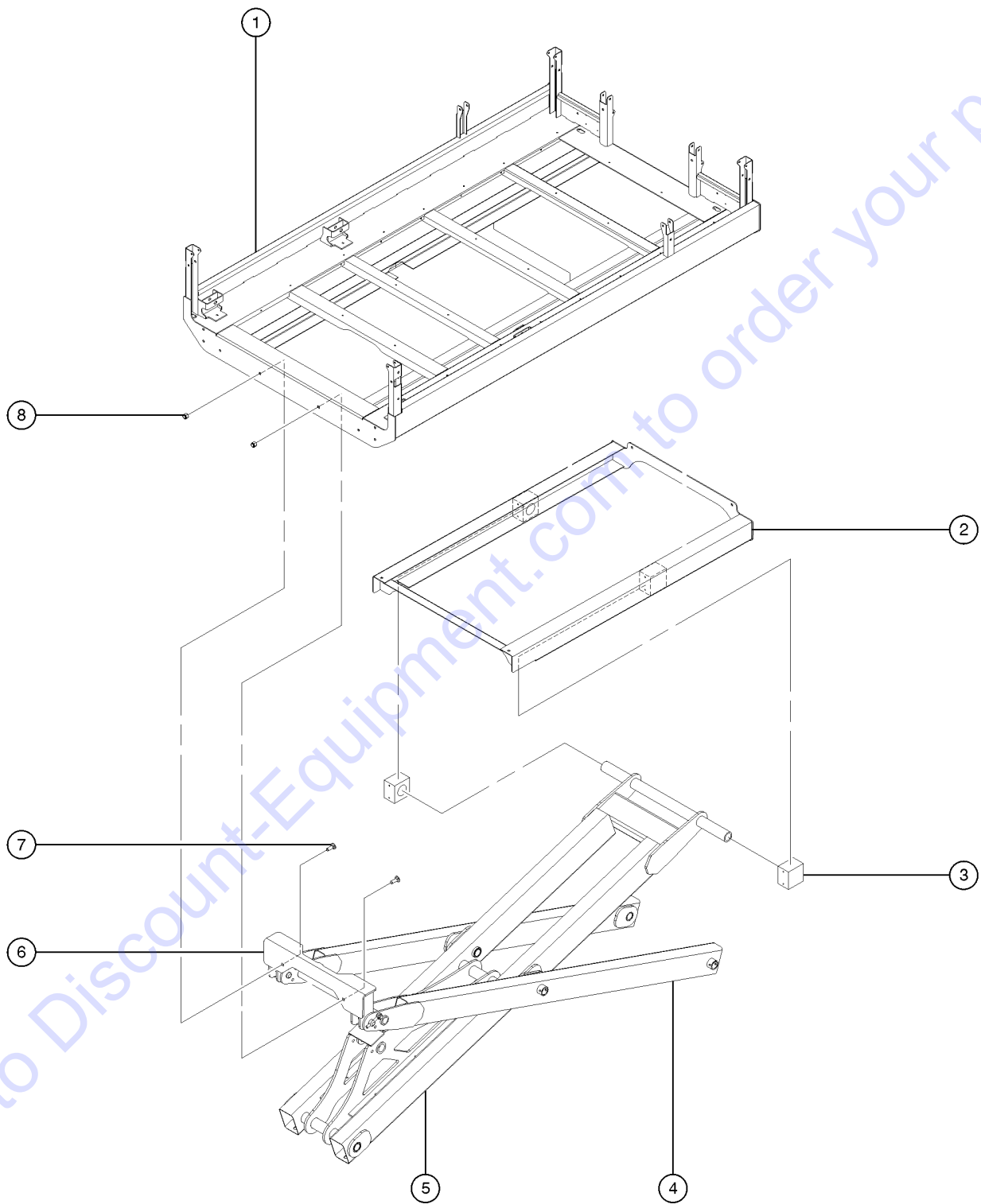


Item	Part No.	Description	Qty.
29	148236GT	SWITCH,LIMIT,PLUNGER,SMALL	2
30	148317GT	FORMING,DOWN LIMIT SWITCH MNT	1
31	112350GT	BRG,FL,1.5ID X 1.75OD X .5 LG	2
32	30434GT	BEARING,1.25IDX1.50ODX0.88L	4
33	112099GT	WEAR PAD,SLIDER FOOT,LOWER	2
34	112177GT	WELDMENT,SLIDER FOOT, 32/4069	2
35	112100GT	WEAR PAD,SLIDER FOOT,UPPER	4
36	T109734GT	BUMPER,LINKS,GS69	32

Go to Discount-Equipment.com to order your parts



601.1 Platform Installation, GS-2669

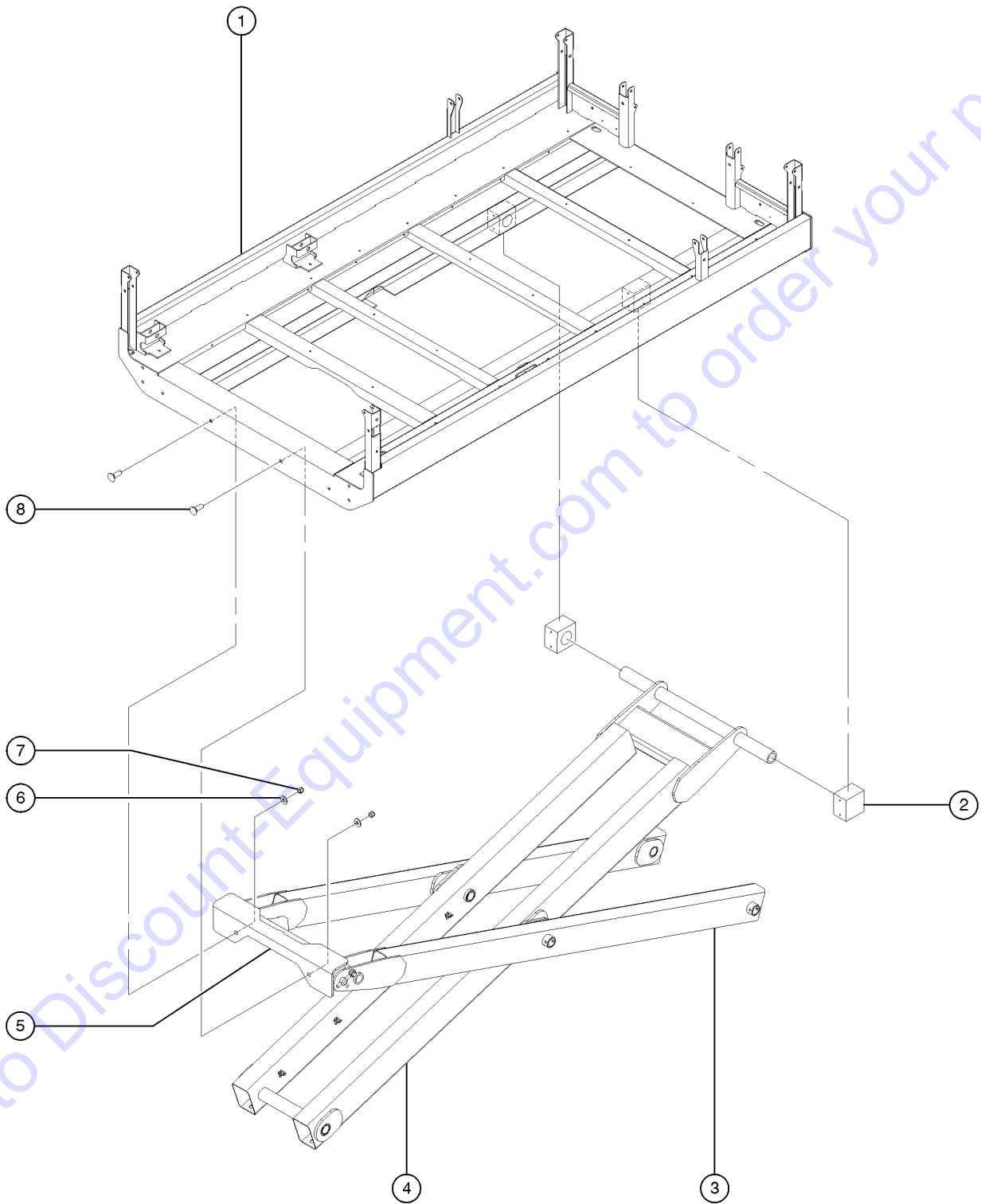


Item	Part No.	Description	Qty.
1	112703GT	WELDMENT,MAIN PLATFORM,GS69 (decals not included, refer to section 100)	1
2		Ref. WLDMNT,PLATFORM SPACER, 2669 (refer to 501.1)	1
3	112708GT	SLIDER BLOCK, GS69	2
4	112076GT	WELDMENT,LINK,TOP OUTER,GS69	1
5	112083GT	WELDMNT,LINK,TOP INNER,32/4069	1
6	112136GT	WELDMENT,PLAT PIVOT,33/4069	1
7	96977GT	BOLT,CARRIAGE,1/2-13X1.50,GR5	2
8	6198GT	NUT,NYLOCK,1/2-13	2

Go to Discount-Equipment.com to order your parts



602.1 Platform Installation, GS-3369 & GS-4069



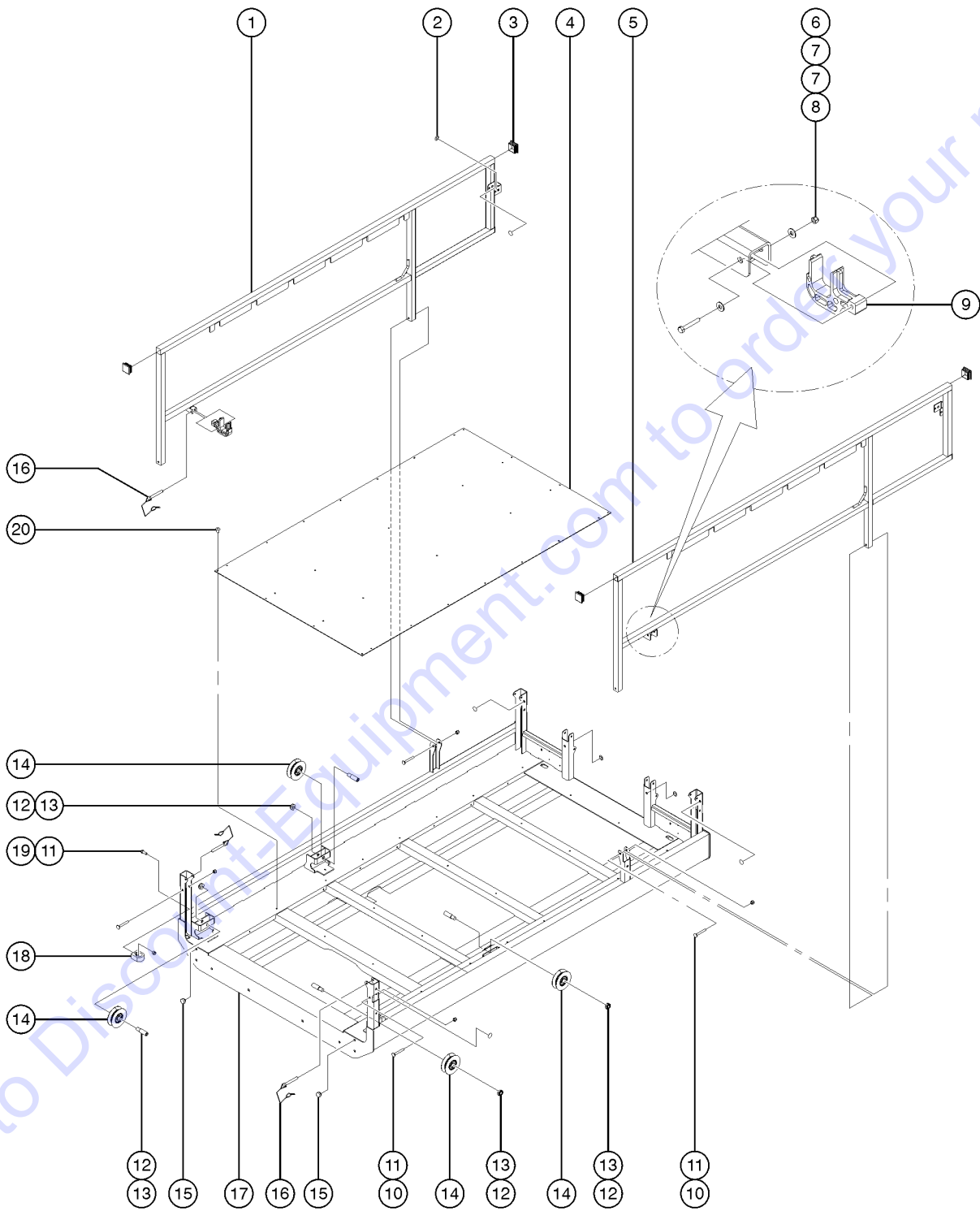
602.1 Platform Installation, GS-3369 & GS-4069

Item	Part No.	Description	Qty.
1	112703GT	WELDMENT,MAIN PLATFORM,GS69 (decals not included, refer to section 100)	1
2	112708GT	SLIDER BLOCK, GS69	2
3	112076GT	WELDMENT,LINK,TOP OUTER,GS69	1
4	112134GT	ASSY,LINK,INR #4-3369,#5-4069 (bearings included)	1
5	148450GT	ASSY,LINK MOUNT, TOP,GS69	1
6	6097GT	WASHER,FLAT,USS,3/8",Y	
7	4828GT	NUT,NYLOCK,3/8-16	
8	96977GT	BOLT,CARRIAGE,1/2-13X1.50,GR5	

Go to Discount-Equipment.com to order your parts



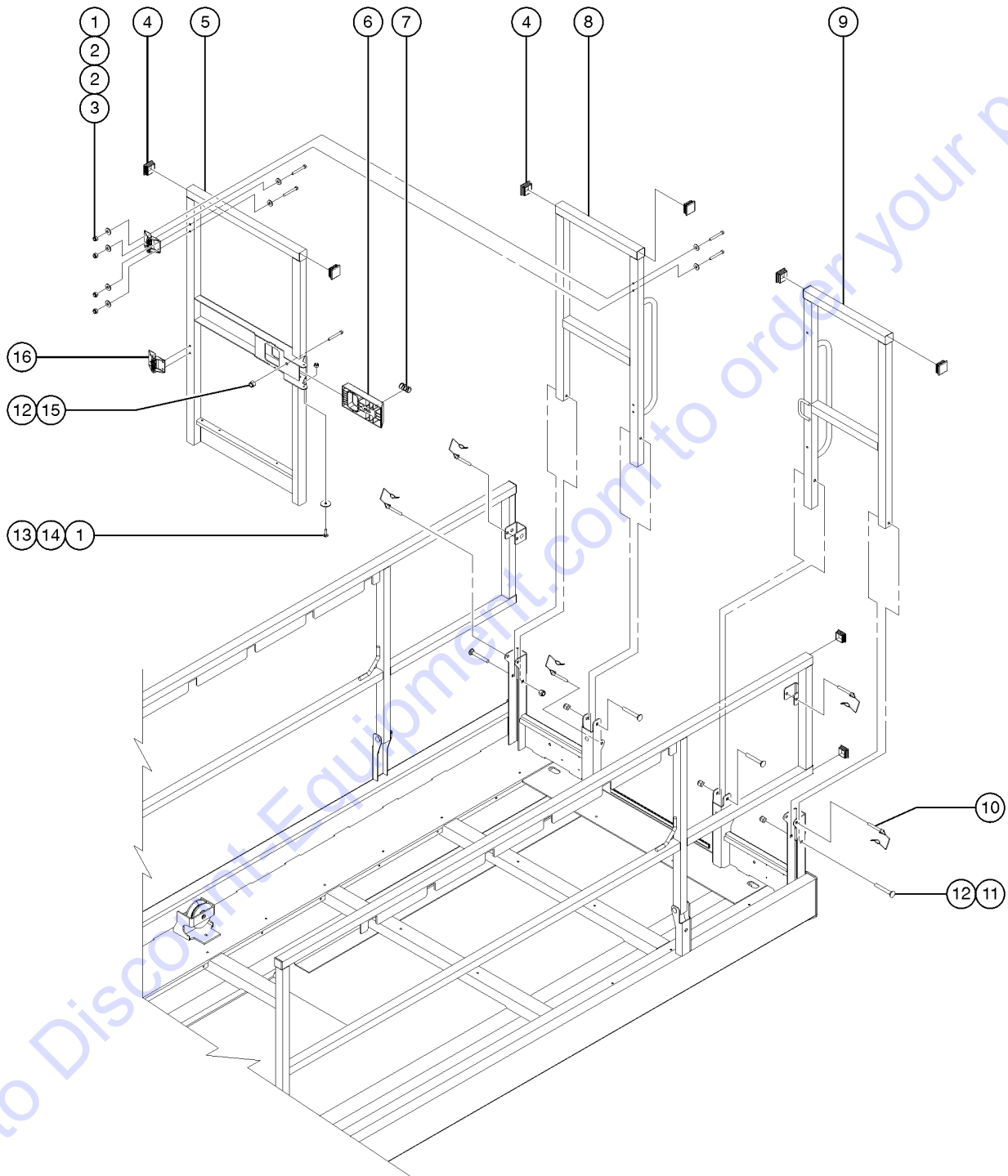
603.1 Platform Railing Installation



603.1 Platform Railing Installation

Item	Part No.	Description	Qty.
1	131744GT	WELDMENT, MAIN RAIL, RIGHT (decals not included, refer to section 100)	1
2	47478GT	BUMPER, RUBBER, 1"OD X .461H	10
3	79355GT	PLUG, TUBE, SQ 1.50X.065	6
4	131749GT	PLATE, GS69 DECK	1
5	131745GT	WELDMENT, MAIN RAIL, LEFT (decals not included, refer to section 100)	1
6	6091GT	NUT, NYLOCK, 1/4-20	
7	6638GT	WASHER, FLAT, USS, 1/4"Y	
8	6637GT	SCREW, HHC, 1/4-20 X 1.75	
9	71376GT	RAIL SPACER, GS90	2
10	112476GT	BOLT, CARRIAGE, 3/8-16X2.75, G5	
11	4828GT	NUT, NYLOCK, 3/8-16	
12	38028GT	NUT, LP NYLOCK, 5/8-11	
13	87568GT	PIN, SHOULDER, 5/8-11 X 1.77	4
14	131416GT	V-ROLLER, NARROW, EXT DECK	4
15	47230GT	BUMPER, RUBBER	2
16	66030GT	PIN, WIRE LOCK 3/8 X 2 -1/2	4
17		Ref., WELDMENT, MAIN PLATFORM (refer to 601.1 & 602.1)	
18	87523GT	COIL CORD CLIP	1
19	6175GT	SCREW, HHC, 3/8-16 X 1	
20	71315GT	RIVET, DRIVE, .25 X .25	24

604.1 Platform Entry Gate

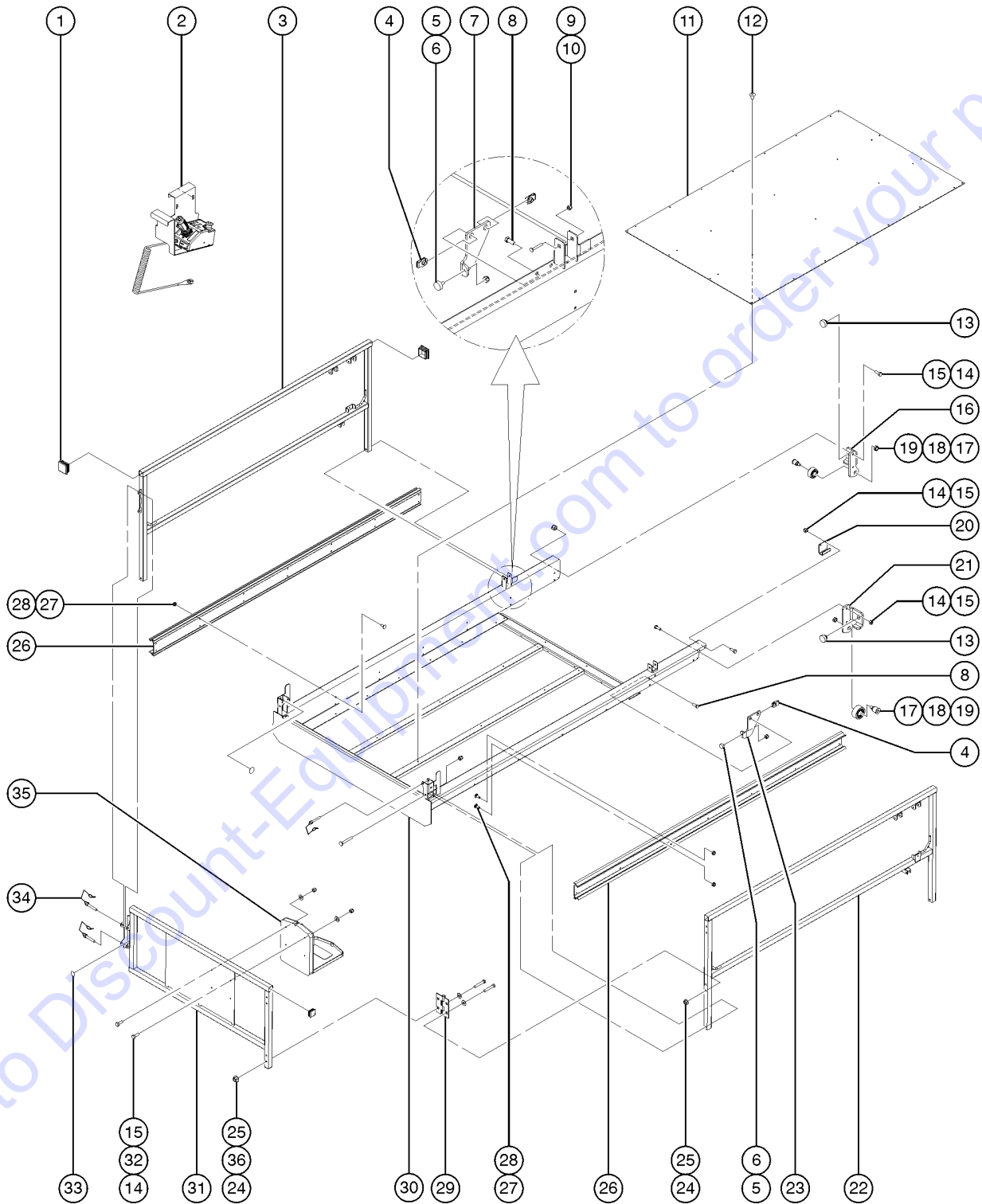


Item	Part No.	Description	Qty.
1	6889GT	NUT,LP NYLOCK,1/4-20	
2	6638GT	WASHER,FLAT,USS,1/4"Y	
3	4266GT	SCREW,HHC,1/4-20 X 2	8
4	79355GT	PLUG,TUBE,SQ 1.50X.065	10
5	87320-SGT	WELDMENT,ENTRY GATE	1
6	112543GT	SLIDER, GATE CATCH	1
7	22446GT	SPRING, COMPRESSION .835 X 2	1
8	131747GT	WELDMENT, MAIN, A-RAIL, RIGHT	1
9	131746GT	WELDMENT, MAIN, A-RAIL, LEFT	1
10	66030GT	PIN, WIRE LOCK 3/8 X 2 -1/2	4
11	112476GT	BOLT,CARRIAGE,3/8-16X2.75,G5	
12	4828GT	NUT,NYLOCK,3/8-16	
13	6878GT	BOLT,CARRIAGE,1/4-20 X .75,G2	
14	47793GT	BUMPER, MODULE TRAY	1
15	6708GT	SCREW,HHC,3/8-16 X 2.25	
16	104804GT	HINGE, SPRING, LONG LEG	2

Go to Discount-Equipment.com to order your parts

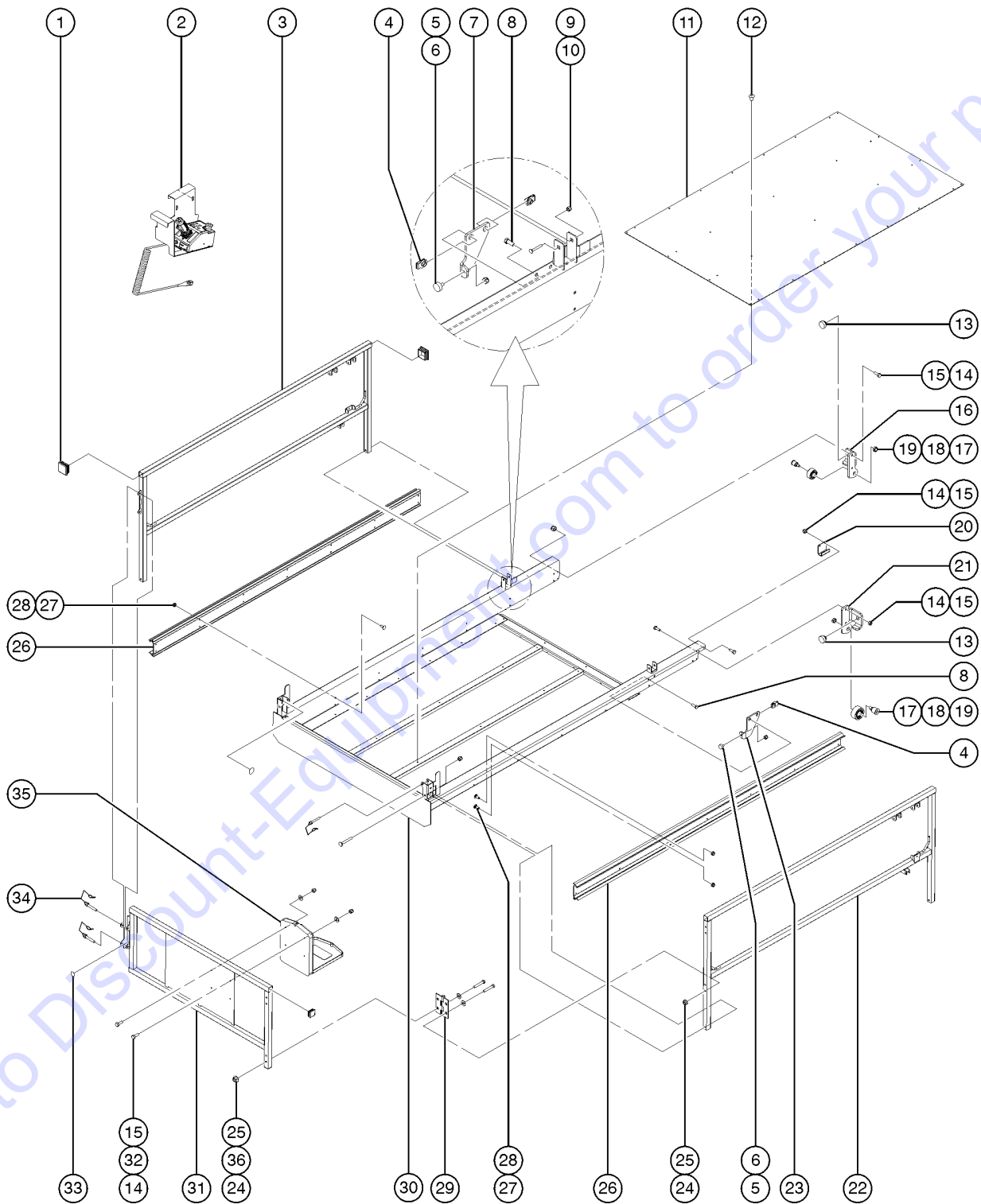


605.1 Platform Extension



Item	Part No.	Description	Qty.
-	33550GT	TAPE,WARNING,BLK/YEL, 50**** (CE and Australia models only)	1
1	79355GT	PLUG,TUBE,SQ 1.50X.065	8
2		Ref. Platform Controller (refer to 608.1)	
3	131743GT	WELDMENT,SIDE EXT RAIL,RIGHT (decals not included, refer to section 100)	1
4	29868GT	SPRING CLIP,3/8-16,.05-.20X.73,ZAG	4
5	79090GT	BUMPER, 1.00 X .375 X 5/16	2
6	6782GT	NUT,NYLOCK,5/16-18	
7	99268GT	FORMING,PLATFORM STOP.LEFT	1
8	6175GT	SCREW,HHC,3/8-16 X 1	
9	112476GT	BOLT,CARRIAGE,3/8-16X2.75,G5	
10	4828GT	NUT,NYLOCK,3/8-16	
11	131749GT	PLATE,GS69 DECK	1
12	71315GT	RIVET,DRIVE, .25 X .25	24
13	47230GT	BUMPER,RUBBER	2
14	6090GT	SCREW,HHC,1/4-20 X .75	
15	6091GT	NUT,NYLOCK,1/4-20	
16	87570GT	FORMING,EXT DECK STOP,RIGHT	1
17	7713GT	NUT,LP NYLOCK,3/8-16	
18	38016GT	ROLLER,PLASTIC,AWP96**	2
19	35706GT	BOLT,ROLLER,.470"(SHORT)	2
20	87675GT	FORMING,EXT DECK CATCH	2
21	87571GT	FORMING,EXT DECK STOP,LEFT	2
22	131741GT	WELDMENT,SIDE EXT RAIL,LEFT (decals not included, refer to section 100)	1
23	99267GT	FORMING,PLATFORM STOP,RIGHT	1
24	48425GT	NUT,FLG-LRG,3/8-16,YZ	
25	6708GT	SCREW,HHC,3/8-16 X 2.25	
26	131751GT	EXTRUSION,ALUM,V-ROLLER TRK	2
27	87645GT	BOLT,CARRIAGE,1/4-20 X .63,G2	

605.1 Platform Extension

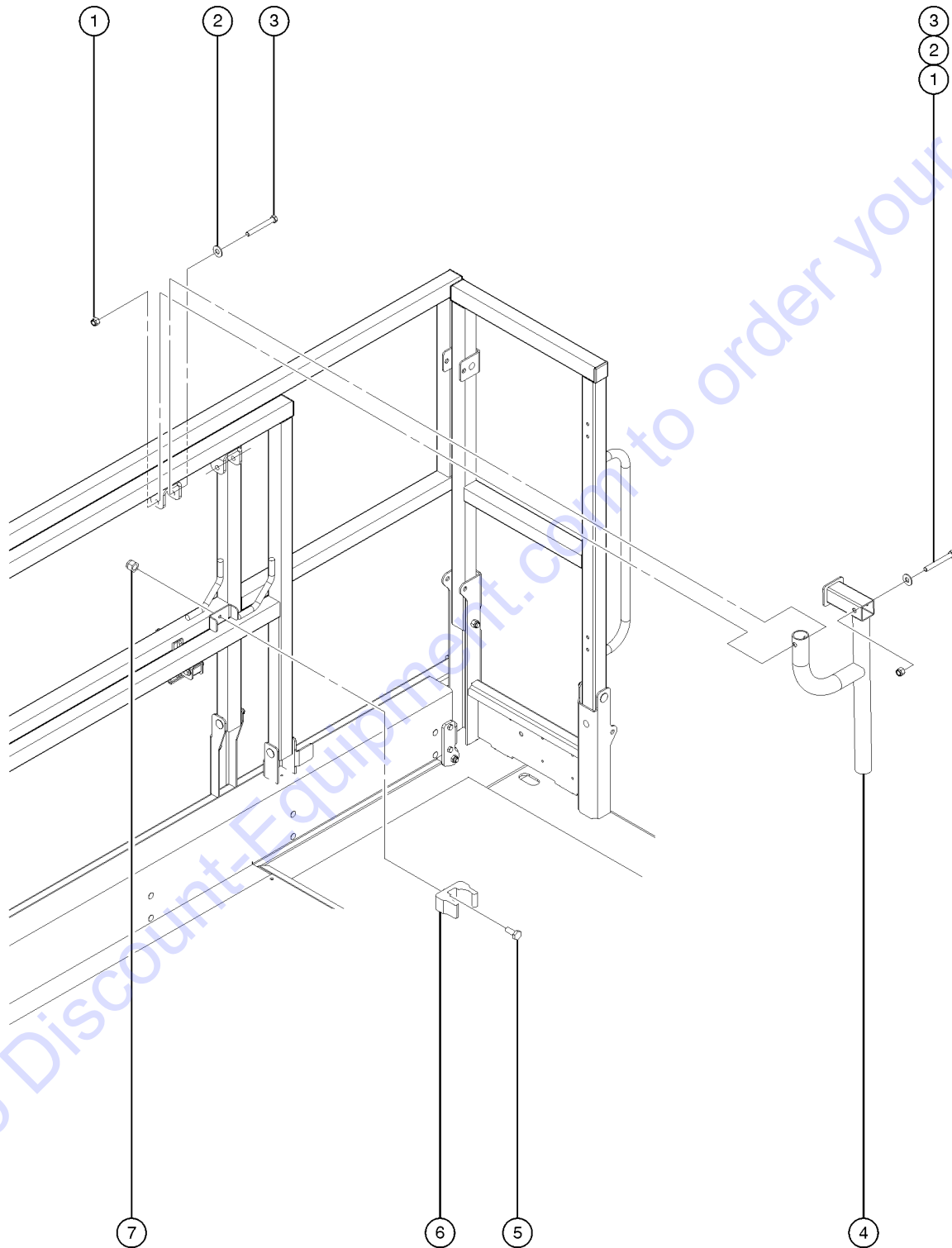


Item	Part No.	Description	Qty.
28	6889GT	NUT,LP NYLOCK,1/4-20	
29	55517GT	HINGE, GSRT90 BOX	2
30	131735GT	WELDMENT,EXT.DECK,GS69	1
31	131742GT	WELDMENT,EXT DECK RAIL,END (decals not included, refer to section 100)	1
32	6638GT	WASHER,FLAT,USS,1/4"Y	
33	47478GT	BUMPER, RUBBER, 1"OD X .461H	4
34	66030GT	PIN, WIRE LOCK 3/8 X 2 -1/2	4
35A	44743GT	MANUAL BOX W/DECALS*** USA/Canada/Australia	1
35B	24514GT	BOX,INSTRUCTION STORAGE Europe/Asia/South America (decal required; refer to Section100)	
36	219210GT	WASHER,FLAT,SAE,3/8",Y	

Go to Discount-Equipment.com to order your parts



606.1 Platform Extension Deck Lock



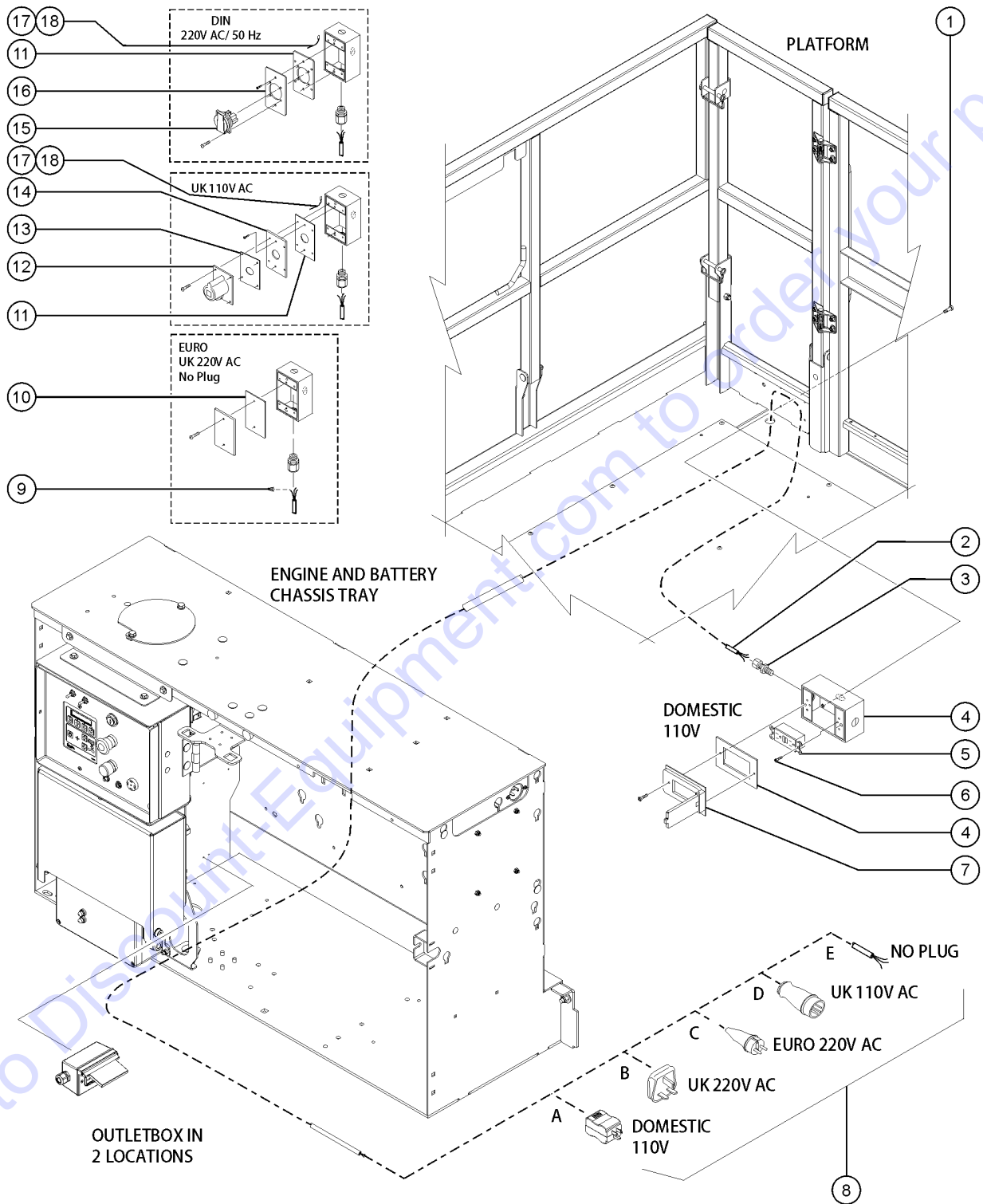
606.1 Platform Extension Deck Lock

Item	Part No.	Description	Qty.
1	4828GT	NUT,NYLOCK,3/8-16	
2	6097GT	WASHER,FLAT,USS,3/8",Y	
3	6326GT	SCREW,HHC,3/8-16 X 3	4
4A	148422GT	WLDMT,EXT DECK HANDLE,R (right side)	1
4B	T108039GT	WLDMT,EXT DECK HANDLE,L (left side)	1
5	8914GT	SCREW,HHC,1/4-20 X .625	2
6	T108074GT	UHMW,EXT LATCH ARM CATCH	2
7	6889GT	NUT,LP NYLOCK,1/4-20	

Go to Discount-Equipment.com to order your parts

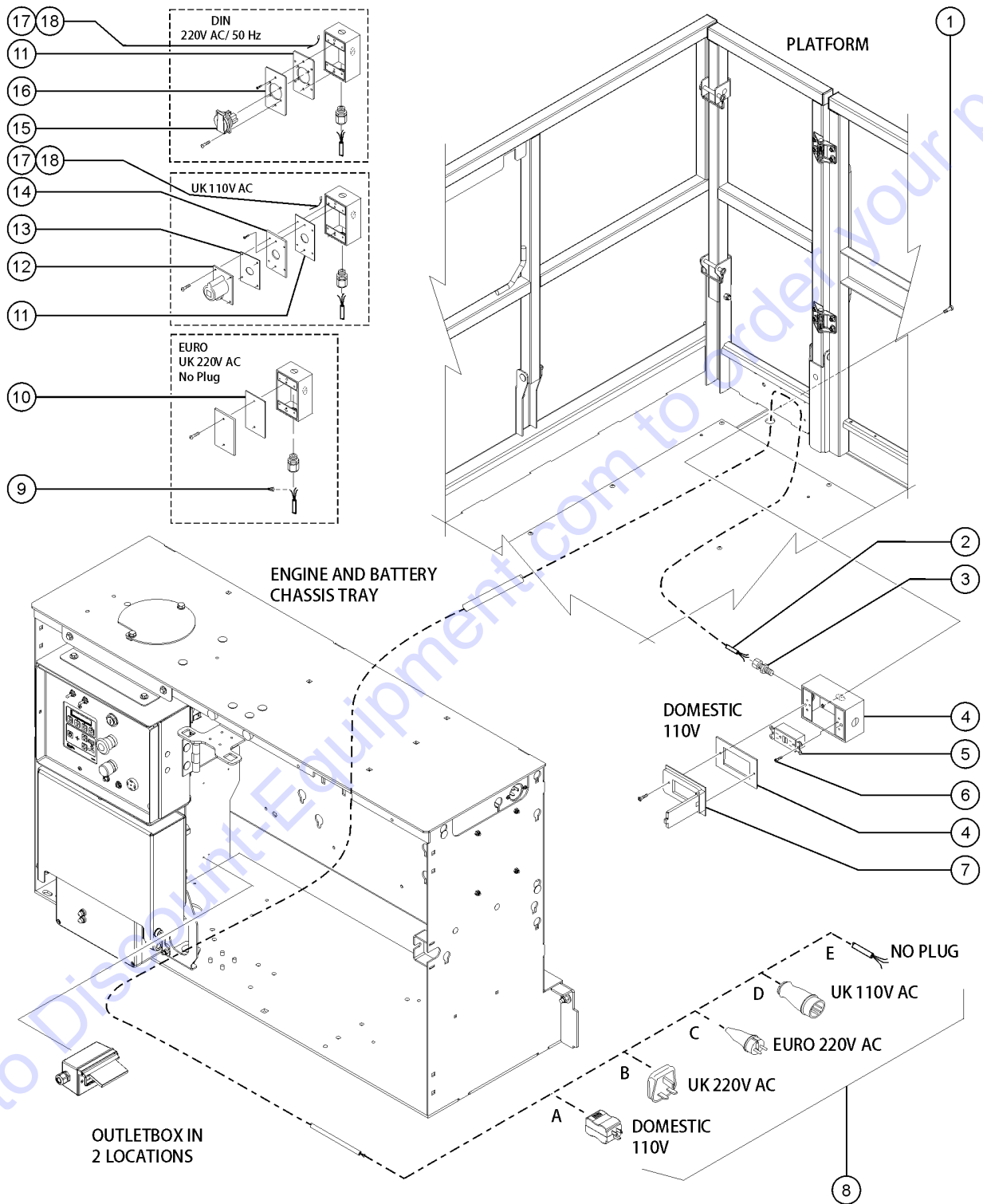


607.1 Power to Platform, GS-2669



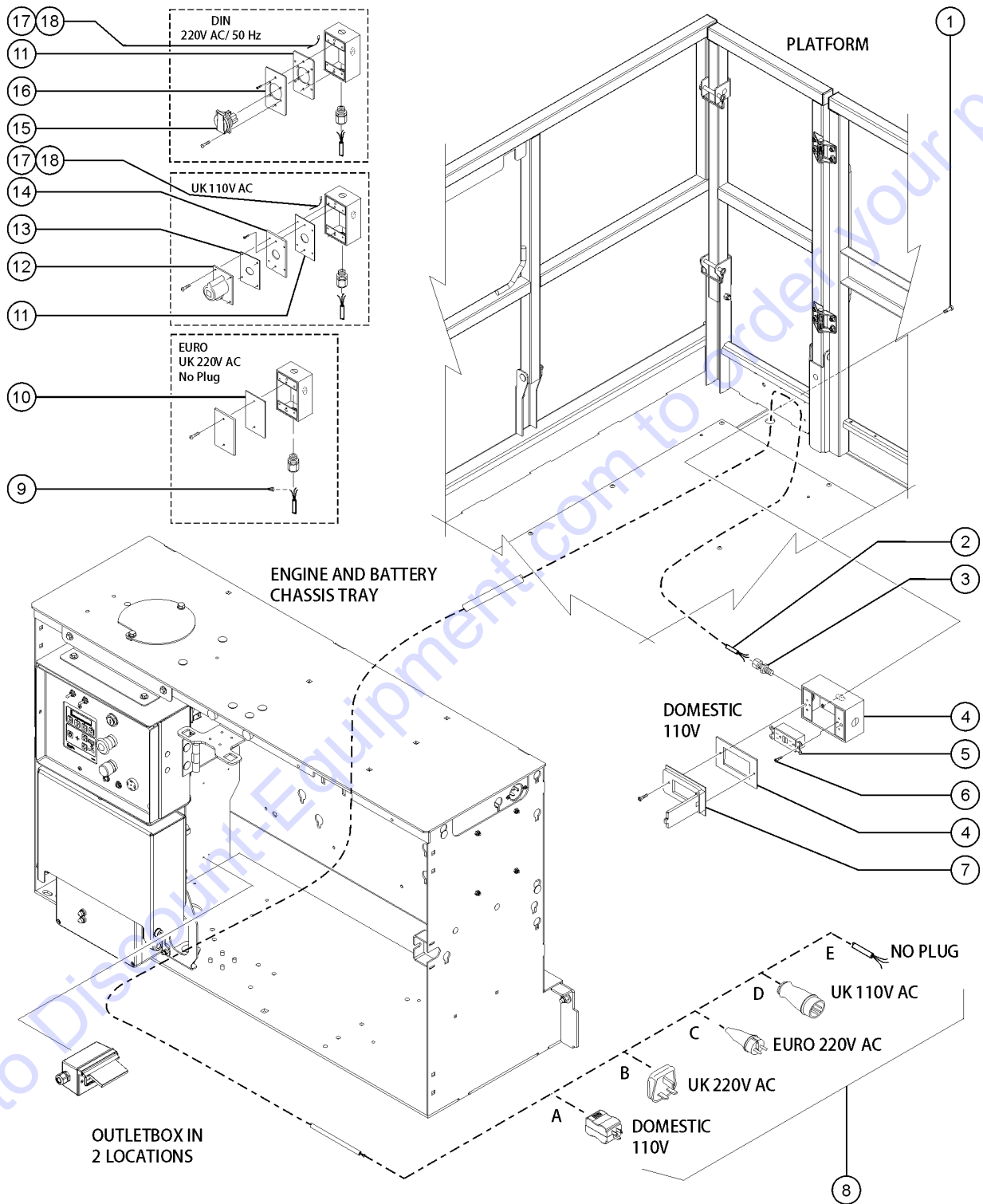
Item	Part No.	Description	Qty.
A-	33724GT	KIT,GASKET,UK POWER TO PLAT. (includes items 11 and 13)	
1	112772GT	SCREW,PHM,8-32X.438	4
2A	43956GT	WIRE CABLE,14/3 CON.TPE JKT*	624
		GS-2669	
3	7056GT	CONN,SQUEEZE,1/2NPT .38-.50,SM	1
4	10775GT	T-BOX,2.75 X 4.5 X 2.0	1
5	13585GT	OUTLET,110V GFCI***	1
		(North America)	
6	7127GT	SCREW,PHILLIPS,PHM,6-32 X .75	
7	45437GT	COVER,GFCI,WEATHERPROOF	1
		(North America; includes gasket and mounting fasteners)	
8A	6595GT	PLUG,ELECTRICAL,DOMESTIC	1
		(for US)	
8B	25388GT	PLUG,FUSED,250V,13AMP,U.K.**	
		(for UK 220)	
8B-	65737GT	FUSE,13 AMP,220V PLUG***	
		(for PN 25388)	
8C	1280665GT	PLUG,TYPE F,230A,50HZ,16A,IP44	
		(for EURO 220 and DIN)	
8D	144161GT	PLUG,PWR,UK,16AMP,3PIN,BLK	
		(for UK 110)	
8E		NO PLUG	
		Ref. No Plug - Consult Discount-equipment	
9	6626GT	WIRE CAP,ORANGE	3
10	10777GT	COVER,BLANK	1
		(includes mounting fasteners)	
11	66355GT	GASKET,UK & DIN PWR. TO PLAT	1
12A	T112563GT	SVC KIT,UK RECEPT.REPLACEMENT	1
		(includes mounting plate, gasket and fasteners)	
12B	T112560GT	RECEPTACLE,UK,110V	
13	66356GT	GASKET,UK RECEPTACLE	1
14	33629GT	PLATE,UK POWER TO PLATFORM	1
15	66353GT	RECEPTACLE,DIN,220V 50A	1
16	96236GT	PLATE,AC ADAPTER,DIN/UK***	1
17	55089GT	WIRE,14 GA,GREEN/YELLOW,THHN**	6
		from SN 10974	
18	13597GT	TERMINAL,#10 RING,BLUE	1
		from SN 10974	

607.2 Power to Platform, GS-3369



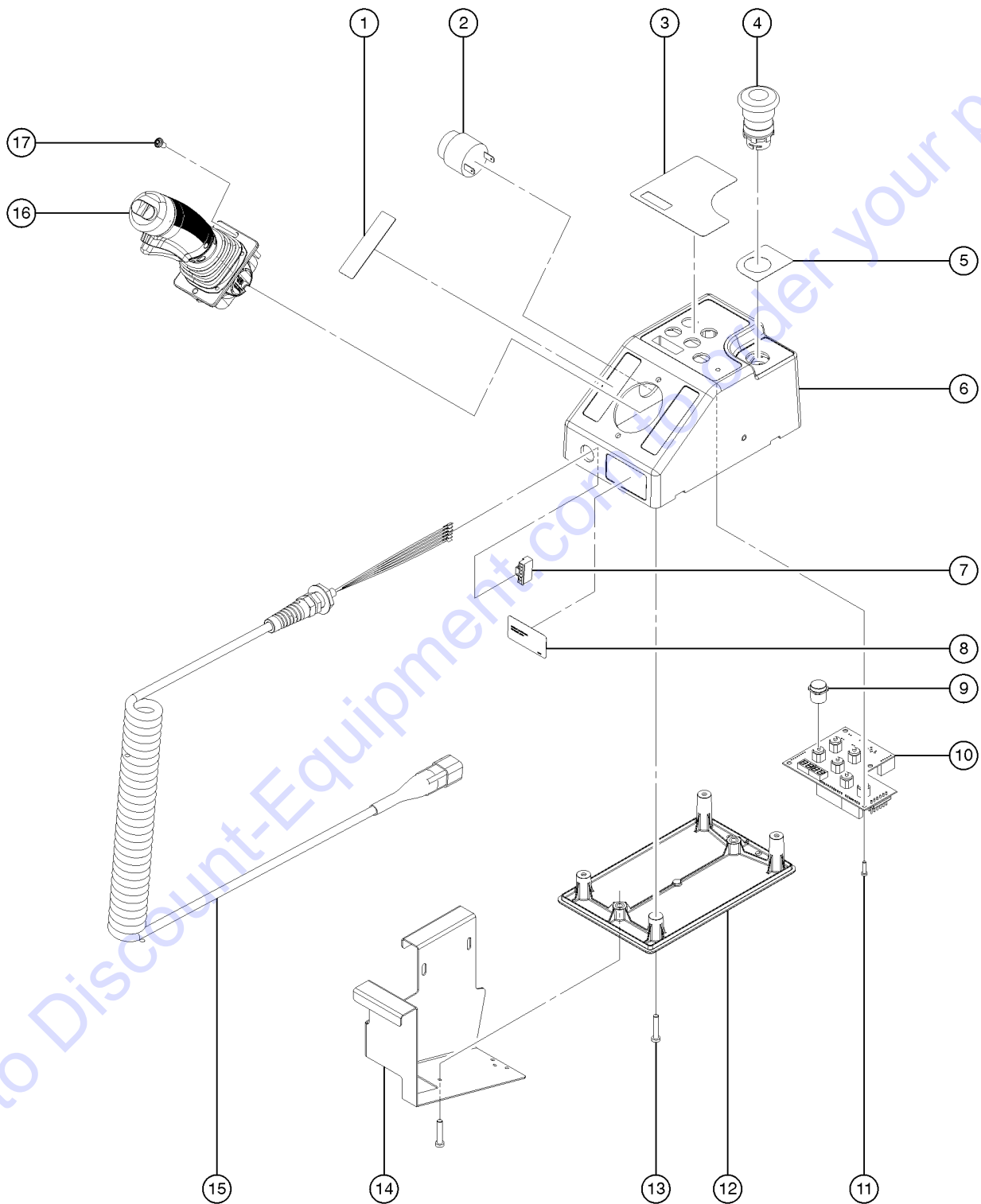
Item	Part No.	Description	Qty.
A-	33724GT	KIT,GASKET,UK POWER TO PLAT. (includes items 11 and 13)	
1	112772GT	SCREW,PHM,8-32X.438	4
2B	43956GT	WIRE CABLE,14/3 CON.TPE JKT*	756
		GS-3369	
3	7056GT	CONN,SQUEEZE,1/2NPT .38-.50,SM	1
4	10775GT	T-BOX,2.75 X 4.5 X 2.0	1
5	13585GT	OUTLET,110V GFCI***	1
		(North America)	
6	7127GT	SCREW,PHILLIPS,PHM,6-32 X .75	
7	45437GT	COVER,GFCI,WEATHERPROOF	1
		(North America; includes gasket and mounting fasteners)	
8A	6595GT	PLUG,ELECTRICAL,DOMESTIC	1
		(for US)	
8B	25388GT	PLUG,FUSED,250V,13AMP,U.K.**	
		(for UK 220)	
8B-	65737GT	FUSE,13 AMP,220V PLUG***	
		(for PN 25388)	
8C	1280665GT	PLUG,TYPE F,230A,50HZ,16A,IP44	
		(for EURO 220 and DIN)	
8D	144161GT	PLUG,PWR,UK,16AMP,3PIN,BLK	
		(for UK 110)	
8E		NO PLUG	
		Ref. No Plug - Consult Discount-equipment	
9	6626GT	WIRE CAP,ORANGE	3
10	10777GT	COVER,BLANK	1
		(includes mounting fasteners)	
11	66355GT	GASKET, UK & DIN PWR. TO PLAT	1
12A	T112563GT	SVC KIT,UK RECEPT.REPLACEMENT	1
		(includes mounting plate, gasket and fasteners)	
12B	T112560GT	RECEPTACLE,UK,110V	
13	66356GT	GASKET, UK RECEPTACLE	1
14	33629GT	PLATE,UK POWER TO PLATFORM	1
15	66353GT	RECEPTACLE, DIN, 220V 50A	1
16	96236GT	PLATE,AC ADAPTER,DIN/UK***	1

607.3 Power to Platform, GS-4069



Item	Part No.	Description	Qty.
A-	33724GT	KIT,GASKET,UK POWER TO PLAT. (includes items 11 and 13)	
1	112772GT	SCREW,PHM,8-32X.438	4
2C	43956GT	WIRE CABLE,14/3 CON.TPE JKT*	900
		GS-4069	
3	7056GT	CONN,SQUEEZE,1/2NPT .38-.50,SM	1
4	10775GT	T-BOX,2.75 X 4.5 X 2.0	1
5	13585GT	OUTLET,110V GFCI***	1
		(North America)	
6	7127GT	SCREW,PHILLIPS,PHM,6-32 X .75	
7	45437GT	COVER,GFCI,WEATHERPROOF	1
		(North America; includes gasket and mounting fasteners)	
8A	6595GT	PLUG,ELECTRICAL,DOMESTIC	1
		(for US)	
8B	25388GT	PLUG,FUSED,250V,13AMP,U.K.**	
		(for UK 220)	
8B-	65737GT	FUSE,13 AMP,220V PLUG***	
		(for PN 25388)	
8C	1280665GT	PLUG,TYPE F,230A,50HZ,16A,IP44	
		(for EURO 220 and DIN)	
8D	144161GT	PLUG,PWR,UK,16AMP,3PIN,BLK	
		(for UK 110)	
8E		NO PLUG	
		Ref. No Plug - Consult Discount-equipment	
9	6626GT	WIRE CAP,ORANGE	3
10	10777GT	COVER,BLANK	1
		(includes mounting fasteners)	
11	66355GT	GASKET, UK & DIN PWR. TO PLAT	1
12A	T112563GT	SVC KIT,UK RECEPT.REPLACEMENT	1
		(includes mounting plate, gasket and fasteners)	
12B	T112560GT	RECEPTACLE,UK,110V	
13	66356GT	GASKET, UK RECEPTACLE	1
14	33629GT	PLATE,UK POWER TO PLATFORM	1
15	66353GT	RECEPTACLE, DIN, 220V 50A	1
16	96236GT	PLATE,AC ADAPTER,DIN/UK***	1

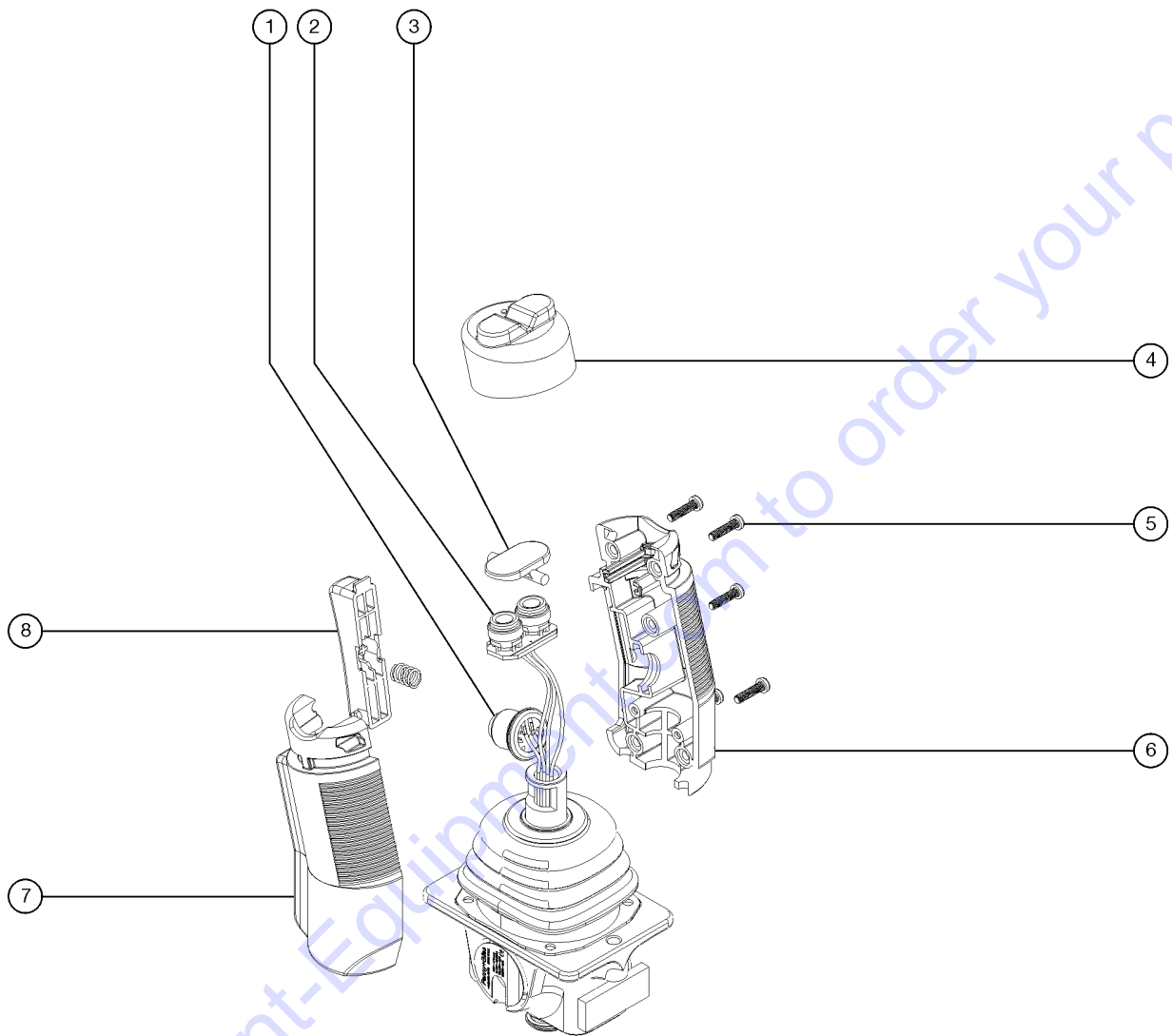
608.1 Platform Controls



Item	Part No.	Description	Qty.
A-	1256731GT	PCON,STD,PROP LIFT,69BE (standard)	1
B-	1256732GT	PCON,O/R,PROP LIFT,69BE (option) (for models with outriggers)	1
C-	1258731GT	FLASH DRIVE,SL1K2.0 SOFTWARE	1
1	137656GT	DECAL,PROPEL,GR/GRC/GS,PCON	1
2A	39540GT	ALARM, STEADY TONE*** order 72326 mounting ring separately	1
2B	72326GT	NUT - PLASTIC, RING FOR ALARMS for 39540	1
3		Ref., DECAL,PCON (Ref Decal Section 100)	1
4	66812GT	BUTTON,PUSH,RED MUSHROOM HEAD	1
4-	66817GT	BASE WITH 1 NC CONTACT, E-STOP	1
4-	66818GT	CONTACT,NC	1
5	137605GT	DECAL,E-STOP,GR/GRC/GS PCON	1
6A	1256656GT	ENCLOSURE,STD 4-BUTTON, TOP (standard)	1
6B	1256658GT	ENCLOSURE, O/R 5-BUTTON, TOP (option) (for models with outriggers)	1
7	137699GT	PLUG, 6POS ECO PWR	1
9	T106373GT	CAP,BUTTON,K12	6
10A	1256725GT	PCBA,PCON STD,PROP LIFT (standard)	1
10B	1256726GT	PCBA,PCON O/R,PROP LIFT (option) (for models with outriggers)	1
11	137637GT	SCREW,PHM,4-20X.5, 48-2 TRI-L	4
12	T106370GT	ENCLOSURE,GC14-1/GC16-1, BOT	1
12-	69853GT	INSERT, 1/4-20 X .5,ULTRASONIC	1
13	137640GT	SCREW,PHM,8-16X.75, 48-2 TRI-L	4
14	237289GT	FORMING,PLAT CNTRL BOX,GS69DC (decals not included, refer to section 100)	1
15	235464GT	KIT,COIL CORD,CONTRLR,SL1000 (includes item 7)	1
15-	231921GT	KIT,CONN,RECEPT W/PIN AND LOCK	1
15-	231922GT	KIT,CONN,PLUG W/SCKT AND LOCK	1
15-	137611GT	ASSY,COIL CORD,GR/GRC/GS	1
16		Ref., JOYSTICK (refer to 609.1)	1
17	229845GT	SCREW,BHSCS,M5X10,SS apply Loctite 243 or equivalent before installation	2



609.1 Platform Controls Joystick



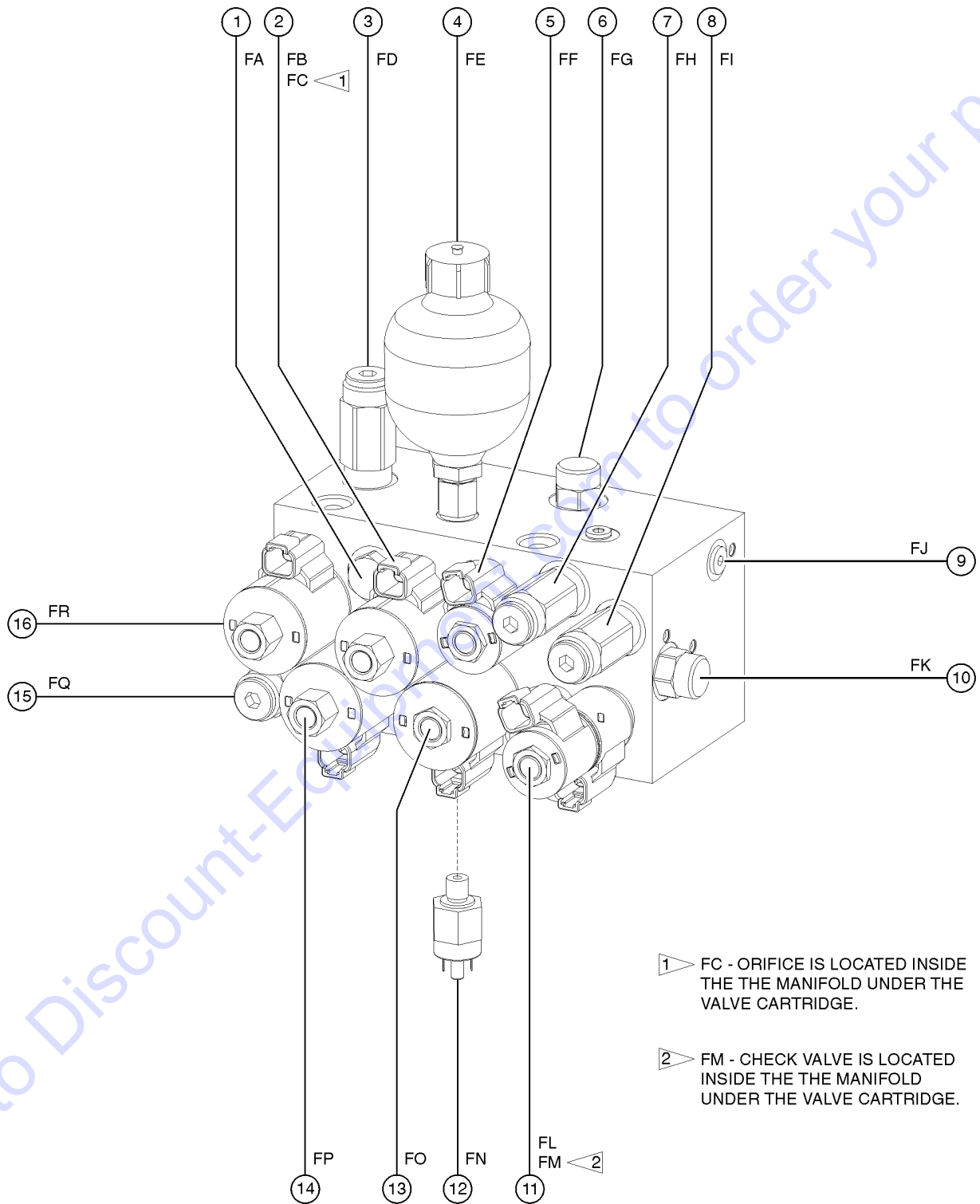
Go to Discount-Equipment.com to order your parts

Item	Part No.	Description	Qty.
A-	137634GT	JOYSTICK, HALL EFFECT, SINGLE	
B-	229097GT	TERMINAL, SPLINE (AMP)	
C-	214544GT	KIT,BOOT,JOYSTICK,SL1000	
		joystick boot	
1	235463GT	KIT,SWITCH,JYSTK,SL1000	
		function enable and steer switches	
2	235463GT	KIT,SWITCH,JYSTK,SL1000	
		function enable and steer switches	
3	229092GT	ROCKER,2 SWITCH	1
4	229093GT	BOOT, 2 SWITCH, SILICON	1
5	229086GT	SCREW, SELF TAP	5
6	229087GT	HANDLE HALF,RIGHT,W/TOP SWITCH	1
6A	229091GT	SCREW,GRUB,M5X8MM,HLF DOG,BZP	
		for 229087	
7	229088GT	HANDLE HALF,LEFT,W/TOP SWITCH	1
7A	229090GT	SCREW,GRUB,M5X8MM CUP(BLK)	
		for 229088	
8	229089GT	TRIGGER, EXTENDED	1
8-	229094GT	SPRING, HANDLE TRIGGER	1

Go to Discount-Equipment.com to order your parts



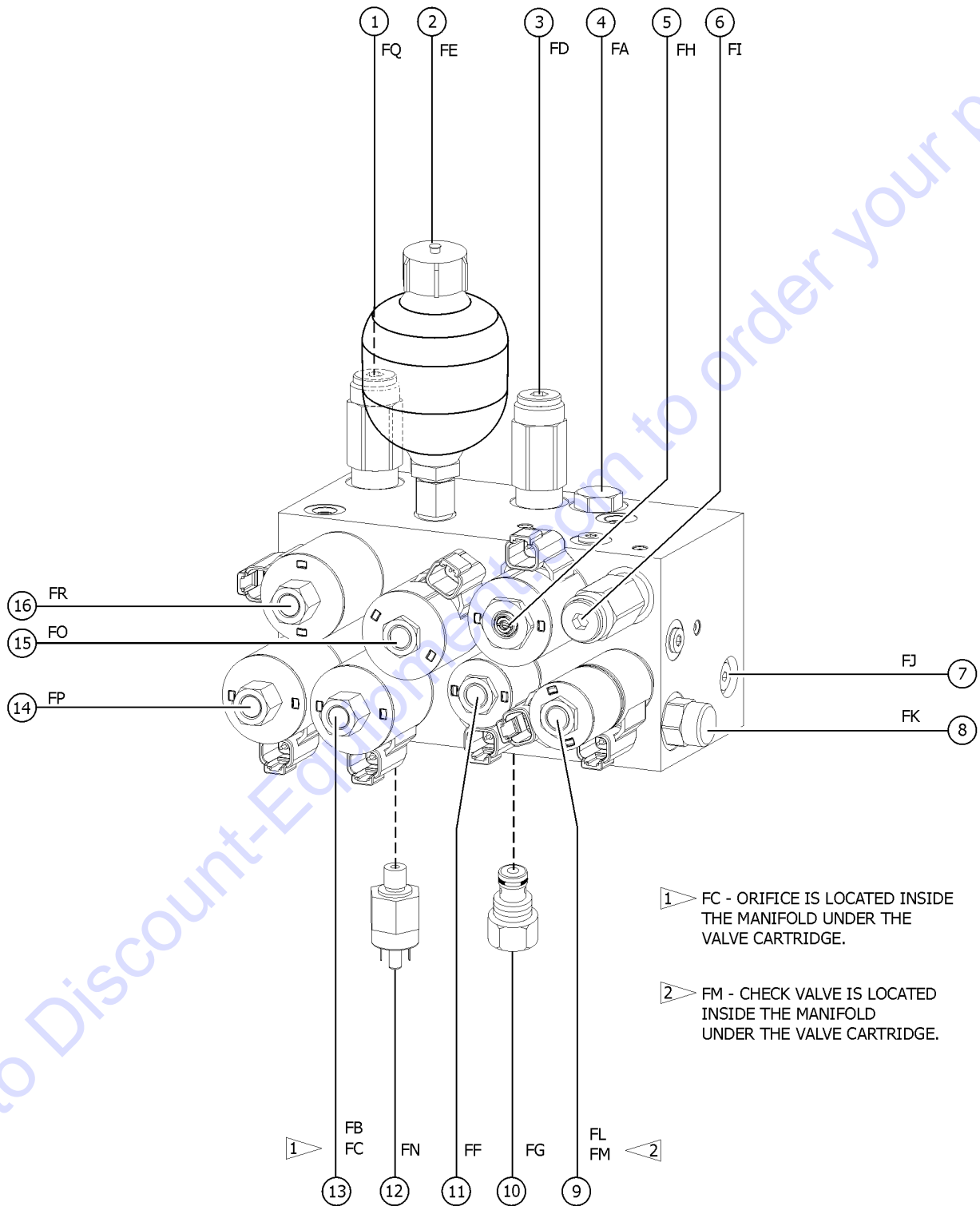
701.1 Function Manifold (to SN 10014)



Item	Part No.	Description	Qty.
-	230861GT	MANIFOLD,FUNCTION,GS69,DC Complete (does not include fittings)	
1	218730GT	VALVE,CHECK,10 PSI (FA, oscillate circuit)	1
2	218616GT	VALVE,DIRECTION,2-POS,3WAY,SCRN (FB, oscillate/accumulator)	1
2-	101069GT	ORIFICE DISK,.030 (FC)	
2-	104763GT	COIL,24VDC #10DTSCH IP69 ECOIL	
3	97172GT	VALVE-RELIEF,3500PSI (FD, lift circuit)	1
4	94499GT	ACCUMULATOR,10CC,1000PSI,#6SAE (FE, oscillate circuit)	1
5	218617GT	VALVE,SOLENOID, 2POS,3WAY,SCRN (FF, oscillate circuit)	1
5-	104762GT	COIL,24VDC #8DTSCH IP69 ECOIL	
6	218731GT	VALVE, FLOW REG, 1.0 GPM (FG, controls flow to the oscillate circuit)	1
7	97172GT	VALVE-RELIEF,3500PSI (FH, system relief)	1
8	218732GT	VALVE, CROSS RELIEF, 1500 PSI (FI, steer circuit)	1
9	52907GT	VALVE-CHECK, #4 SAE, 5 PSI* (FJ, load sense)	1
10	218733GT	VALVE,FLOW REG,2.0 GPM (FK, controls flow to the steer circuit)	1
11	234600GT	VALVE, SOLENOID, 5W-3P (FL, steer circuit)	1
11-	234599GT	VALVE, CHECK, DROP IN (FM)	
11-	104762GT	COIL,24VDC #8DTSCH IP69 ECOIL	
12	237797GT	SWITCH,PRESS,#4SAE,1500 PSI (FN, oscillate/accumulator)	1
13	218735GT	VALVE,SOLENOID,2-POS,3-WAY (FO, lift circuit)	1
13-	104763GT	COIL,24VDC #10DTSCH IP69 ECOIL	
14	218616GT	VALVE,DIRECTION,2-POS,3WAY,SCRN (FP, oscillate right)	1
14-	101069GT	ORIFICE DISK,.030	
14-	104763GT	COIL,24VDC #10DTSCH IP69 ECOIL	
15	218734GT	VALVE,RELIEF,3300 PSI (FQ, oscillate relief)	1
16	218616GT	VALVE,DIRECTION,2-POS,3WAY,SCRN (FR, oscillate left)	1
16-	101069GT	ORIFICE DISK,.030	
16-	104763GT	COIL,24VDC #10DTSCH IP69 ECOIL	



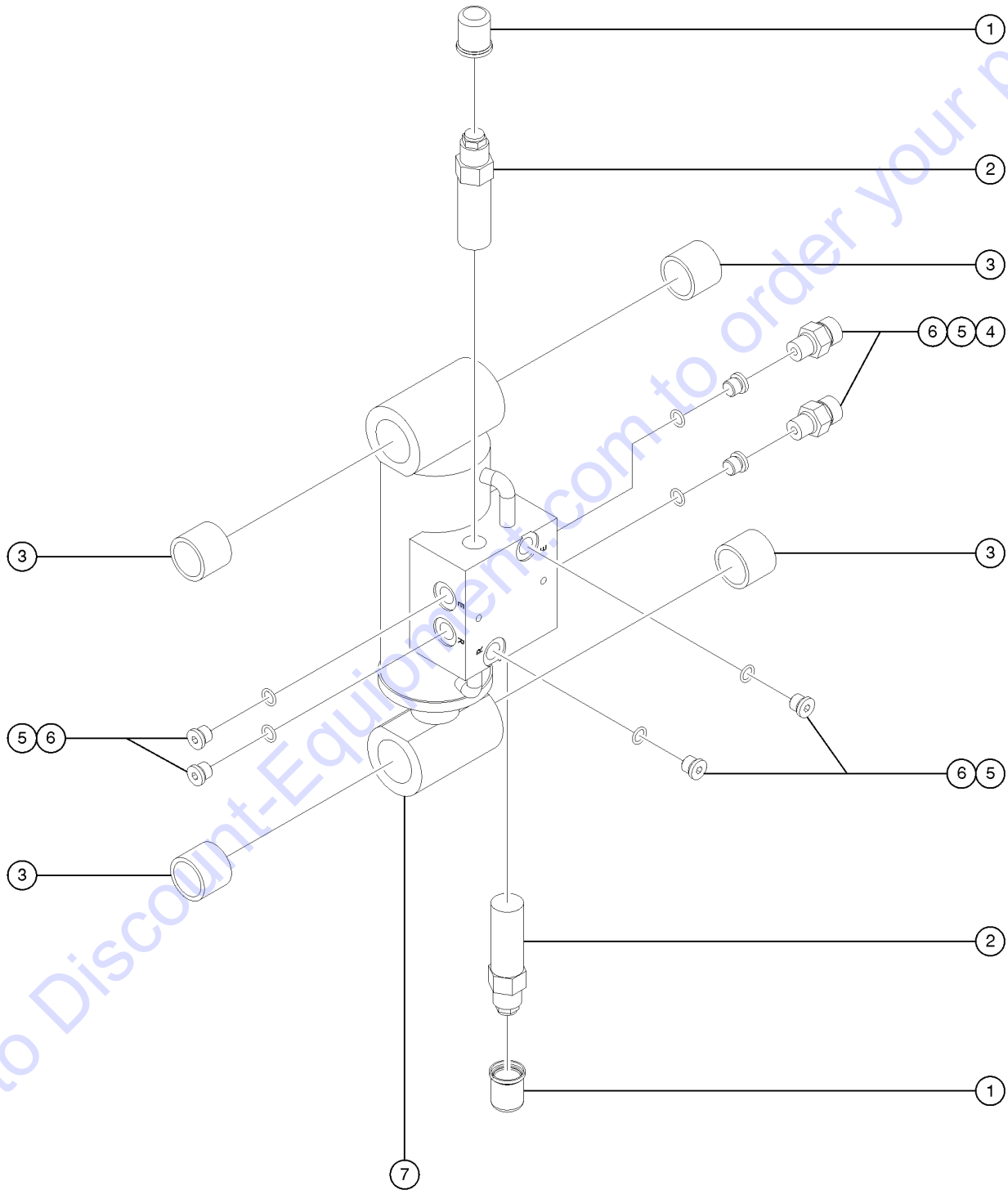
701.2 Function Manifold (from SN 10015)



Item	Part No.	Description	Qty.
	1272900GT	MANIFOLD,FUNCTION,GS69,DC Complete (does not include fittings)	1
	28750GT	O-RING KIT,FIELD SVC,ALL PROD*	
1	218734GT	VALVE,RELIEF,3300 PSI FQ, oscillate relief	1
2	94499GT	ACCUMULATOR,10CC,1000PSI,#6SAE FE, oscillate circuit	1
3	97172GT	VALVE-RELIEF,3500PSI FD, lift circuit	1
4	218730GT	VALVE,CHECK,10 PSI FA, oscillate circuit	1
5	1273704GT	VALVE,RELIEF,PROPORTIONAL, 3500PSI FH, system relief	1
5-	1275154GT	COIL,24V,#10DTSCH,IP69	1
6	218732GT	VALVE, CROSS RELIEF, 1500 PSI FI, steer circuit	1
7	52907GT	VALVE-CHECK, #4 SAE, 5 PSI* FJ, load sense	1
7-	62341GT	SEAL KIT,52907,SIZE 4, 2 WAY	
8	218733GT	VALVE,FLOW REG,2.0 GPM FK, controls flow to the steer circuit	1
9	234600GT	VALVE, SOLENOID, 5W-3P FL, steer circuit	1
9-	234599GT	VALVE, CHECK, DROP IN FM	1
10	218731GT	VALVE, FLOW REG, 1.0 GPM FG, controls flow to the oscillate circuit	1
11	218617GT	VALVE,SOLENOID, 2POS,3WAY,SCRN FF, oscillate circuit	1
12	237797GT	SWITCH,PRESS,#4SAE,1500 PSI FN, oscillate/accumulator	1
13	218616GT	VALVE,DIRECTION,2-POS,3WAY,SCRN FB, oscillate/accumulator	1
13-	101069GT	ORIFICE DISK,.030 FC	1
13-	104763GT	COIL,24VDC #10DTSCH IP69 ECOIL	1
14	218616GT	VALVE,DIRECTION,2-POS,3WAY,SCRN FP, oscillate right	1
14-	101069GT	ORIFICE DISK,.030	1
14-	104763GT	COIL,24VDC #10DTSCH IP69 ECOIL	1
15	218735GT	VALVE,SOLENOID,2-POS,3-WAY FO, lift circuit	1
15-	104763GT	COIL,24VDC #10DTSCH IP69 ECOIL	1
16	218616GT	VALVE,DIRECTION,2-POS,3WAY,SCRN FR, oscillate left	1
16-	101069GT	ORIFICE DISK,.030	1
16-	104763GT	COIL,24VDC #10DTSCH IP69 ECOIL	1



702.1 Oscillate Cylinders, All Models

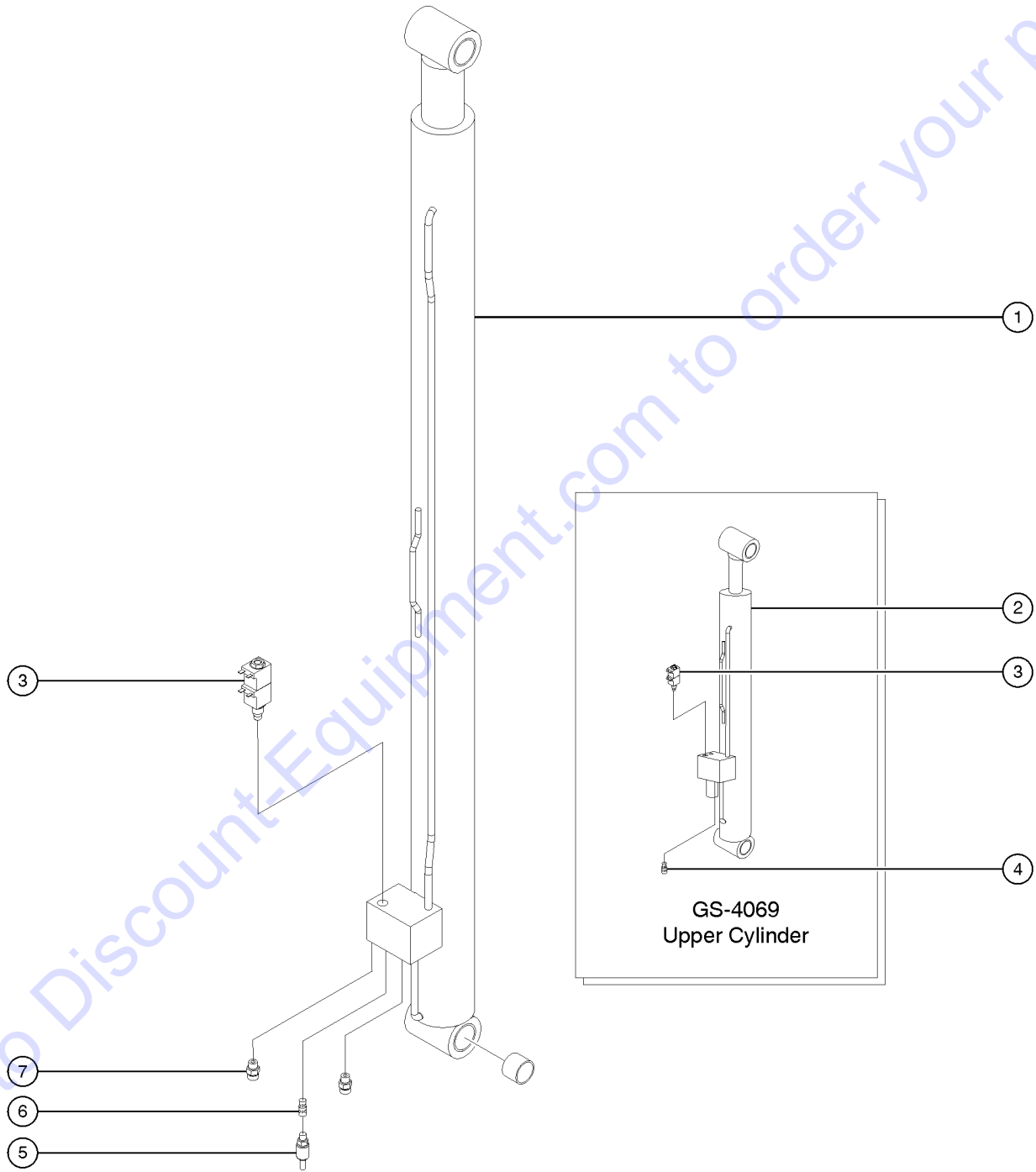


702.1 Oscillate Cylinders, All Models

Item	Part No.	Description	Qty.
-	128142GT	SERV KIT,CAP,SERIES 1CB VALVE (package of 4)	
1	128085GT	CAP,SERIES 1 CB VALVE,SINGLE**	2
2	115402GT	VALVE,COUNTERBALNCE,3800 PSI	2
3	25817GT	BEARING,1.00IDX1.25ODX1.00L	4
4	48905GT	CONN,520120-4***	2
5	39882GT	PLUG,HEX SOCKET,090109B-4	6
6	53500GT	O-RING-4	6
7	131621GT	CYLINDER,OSCILATING,GS69	1
7-	226380GT	SEAL KIT,226380 (for 131621)	

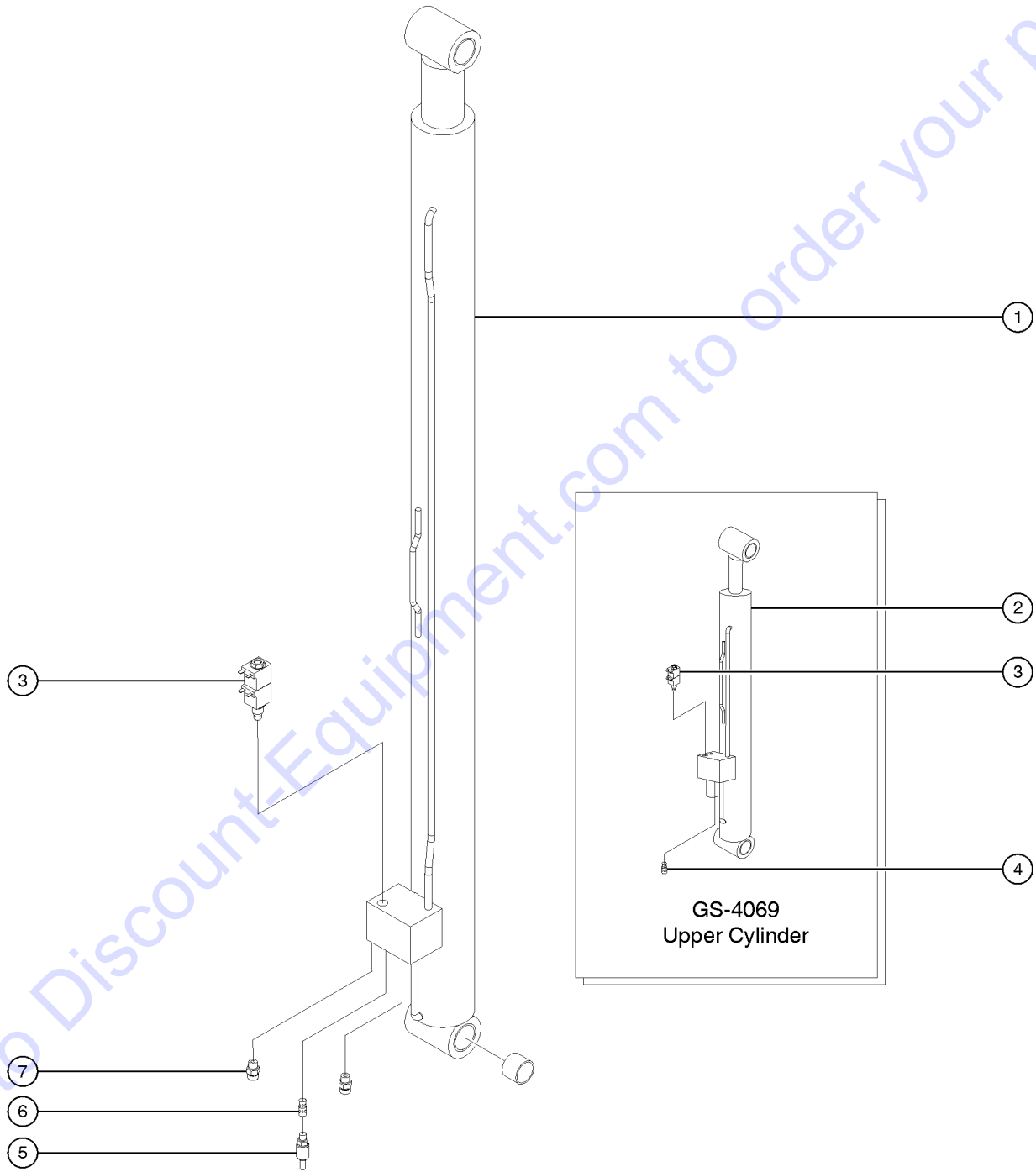
Go to Discount-Equipment.com to order your parts





Item	Part No.	Description	Qty.
1	131920GT	CYLINDER, LIFT, LOWER, GS69	1
1-	226378GT	SEAL KIT,LIFT,LOWER (131920) for 131920	
1-	119620GT	BEARING,1.75IDX2.00ODX1.50L	4
2A	131921GT	CYLINDER,LIFT,UPPER,4069 GS-4069	1
2A-	226379GT	SEAL KIT,LIFT,UPPER (131921) for 131921	
2A-	119620GT	BEARING,1.75IDX2.00ODX1.50L for 131921	4
2A-	44227GT	SEAL KIT, VALVE for 97130	
3A	66683GT	VALVE,DBL PULL S-NOID 20V*** (to SN GS6915-6383)	1
3A-	44973GT	NUT,COIL (39909) for 66683	
3A-	84421GT	WASHER-SOLENOID VALVE (66683)* for 66683	
3A-	84422GT	COIL-SOLENOID VALVE,20V DC*** for 66683	
3B	1265331GT	VALVE, NC PROP POPPET, 20VDC (from SN GS6915-6384)	
3B-	44973GT	NUT,COIL (39909) for 1265331	
3B-	84422GT	COIL-SOLENOID VALVE,20V DC*** for 1265331	
3B-	44227GT	SEAL KIT, VALVE for 1265331	
3C	1259498GT	KIT,PROP. DOWN,GS26/3369 DC/BE (to SN GS6915-6383)	1
3C-	1265331GT	VALVE, NC PROP POPPET, 20VDC (to SN GS6915-6383)	
5		Ref. HARNESS, PRESSURE SWITCH (refer to 310.1)	1
6	230858GT	ORIFICE, LONG, .086"	1
7	48916GT	FITTING,CONN,520120-6	2

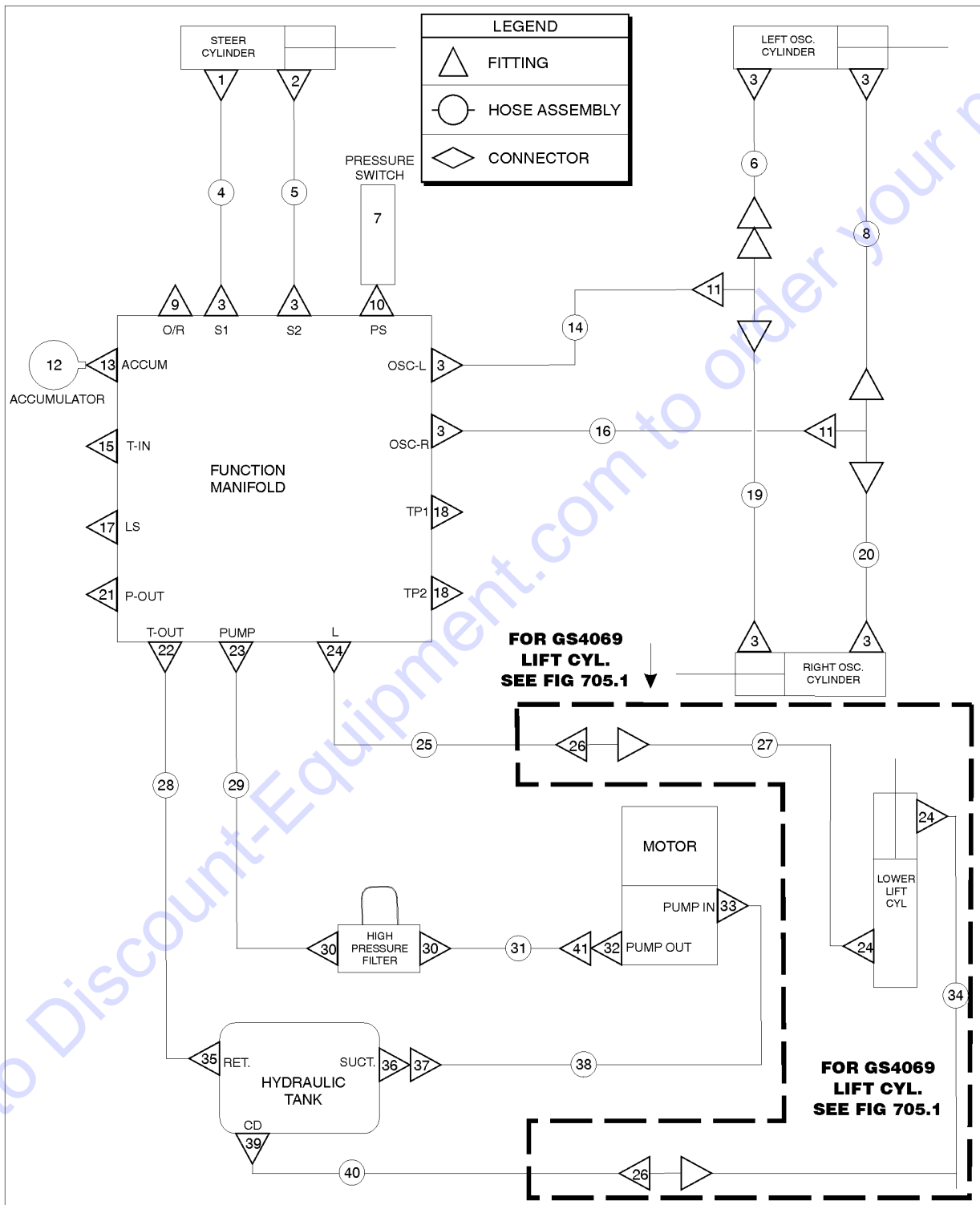
703.2 Lift Cylinders, GS-4069



Item	Part No.	Description	Qty.
1	131920GT	CYLINDER, LIFT, LOWER, GS69	1
1-	226378GT	SEAL KIT,LIFT,LOWER (131920) (for 131920)	
1-	119620GT	BEARING,1.75IDX2.00ODX1.50L	4
2A-	131921GT	CYLINDER,LIFT,UPPER,4069	1
2A-	226379GT	SEAL KIT,LIFT,UPPER (131921) (for 131921) GS-4069	
2A-	119620GT	BEARING,1.75IDX2.00ODX1.50L	4
2A-	1261085GT	VALVE, RELIEF, 2500PSI	
2A-	44227GT	SEAL KIT, VALVE	
3A	66683GT	VALVE,DBL PULL S-NOID 20V***	1
3A-	44973GT	NUT,COIL (39909)	
3A-	84421GT	WASHER-SOLENOID VALVE (66683)*	
3A-	84422GT	COIL-SOLENOID VALVE,20V DC***	
3B	1265331GT	VALVE, NC PROP POPPET, 20VDC	1
3B-	44973GT	NUT,COIL (39909)	
3B-	84422GT	COIL-SOLENOID VALVE,20V DC***	
3B-	44227GT	SEAL KIT, VALVE	
3D	1259991GT	KIT,PROP. DOWN,GS4069 DC/BE	2
3D-	1265331GT	VALVE, NC PROP POPPET, 20VDC	
4	55559GT	ORIFICE LONG M,0.046**	1
5		Ref. HARNESS, PRESSURE SWITCH	1
6	230858GT	ORIFICE, LONG, .086"	1
7	48916GT	FITTING,CONN,520120-6	2



704.1 Hydraulic Hoses and Fittings, All Models

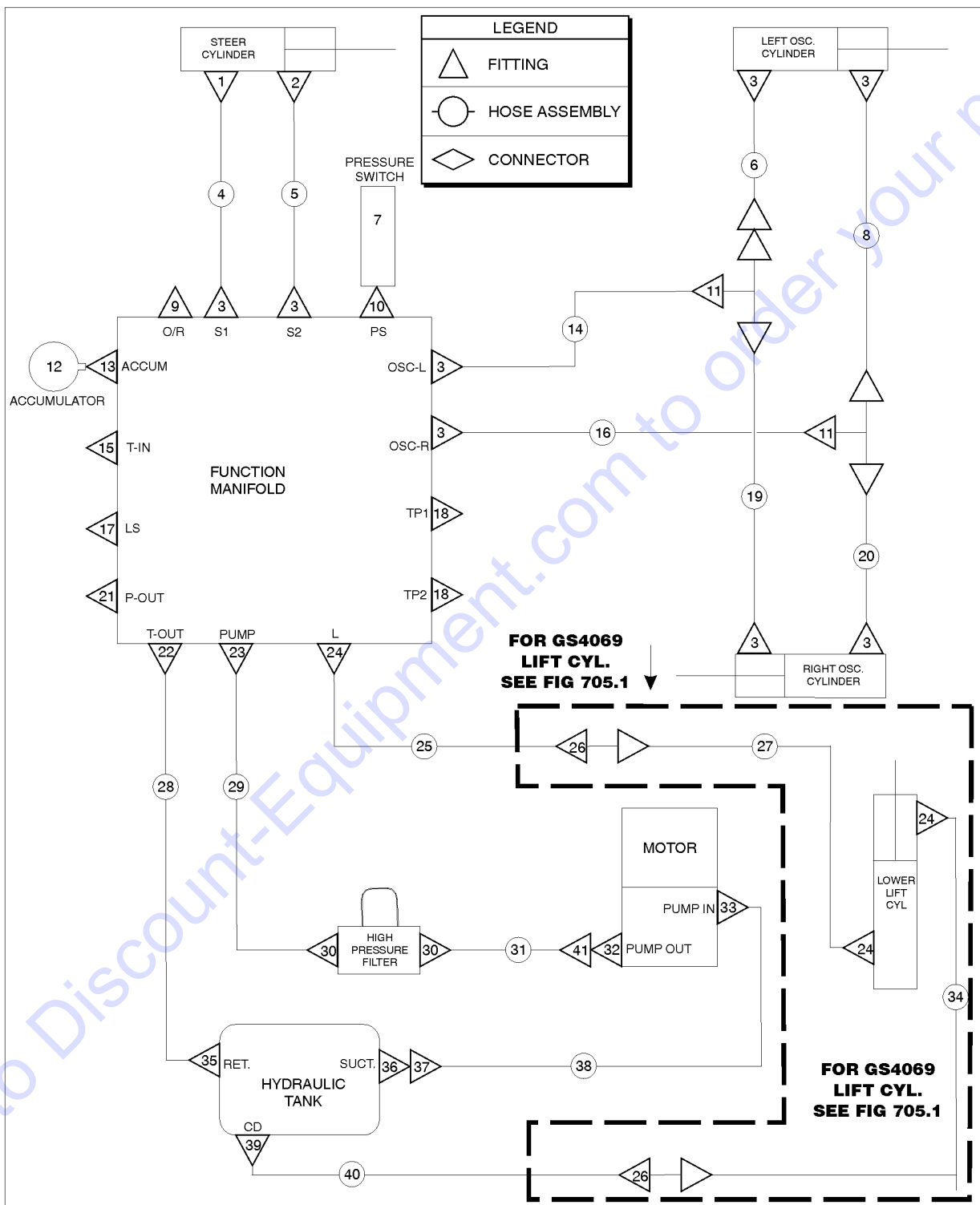


704.1 Hydraulic Hoses and Fittings, All Models

Item	Part No.	Description	Qty.
1	48912GT	CONN,520120-4-6***	1
2	39875GT	ELBOW,070220-4-6	2
3	48905GT	CONN,520120-4***	8
4	227466GT	HOSE ASSY,S1(F.MF)-B(STRCYL) (components: 48800, 48801, 48751 @ 74 inches)	1
5	227467GT	HOSE ASSY,S2(F.MF)-R(STRCYL) (components: 48800, 48801, 48751 @ 81 inches)	1
6	227469GT	HOSE ASSY,OSC(TEE)-E(L.OSC.CYL) (components: 48800, 48802, 48751 @ 19.5 inches)	1
7	237797GT	SWITCH,PRESS,#4SAE,1500 PSI	1
8	227610GT	HOSE ASSY,OSC(TEE)-R(L.OSC.CYL) (components: 48800, 48802, 48751 @ 19.5 inches)	1
9	49517GT	PLUG,HEX SOCKET,090109B-6***	1
10	131393GT	REDUCER,MORB-FORB,04-04****	1
11	48909GT	TEE,BULKHEAD,RUN,520958-4	1
12	94499GT	ACCUMULATOR,10CC,1000PSI,#6SAE	2
13	83020GT	COUPLER,090136, 4-6	1
14	227468GT	HOSE ASSY,OSC(F.MF)-OSC(TEE) (components: 48800, 48800, 48751 @ 74 inches)	1
15	87172GT	PLUG,HEX SOCKET,090109B-12	1
16	227609GT	HOSE ASSY,OSCR(F.MF)-OSC(TEE) (components: 48800, 48800, 48751 @ 74 inches)	1
17	39882GT	PLUG,HEX SOCKET,090109B-4	1
18	48997GT	NIPPLE,DIAGNOSTIC,#4	2
19	227612GT	HOSE ASSY,OSC(TEE)-R(R.OSC.CYL) (components: 48800, 48802, 48751 @ 19.5 inches)	1
20	227611GT	HOSE ASSY,OSC(TEE)-E(R.OSC.CYL) (components: 48800, 48802, 48751 @ 19.5 inches)	1
21	238256GT	PLUG,HEX SOCKET,090109B-8	1
22	48960GT	FITTING,CONN,520120-12	1
23	48933GT	CONN,520120-8***	1
24	48916GT	FITTING,CONN,520120-6	3
25	227471GT	HOSE ASSY,LIFT(F.MF)-P(TEE) (components: 48812, 48812, 56776 @ 62 inches)	1
26	227613GT	UNION,BULKHEAD,ORFS,-6-6	2
27	227472GT	HOSE ASSY,PRESS(TEE)-PRESS(LLC) (components: 48812, 48812, 56776 @ 128 inches)	1
28	215214GT	HOSE,ASSY,T-OUT(F,MF)-RET(TNK) (components: 48809, 48809, 39889 @ 34 inches)	1



704.1 Hydraulic Hoses and Fittings, All Models



704.1 Hydraulic Hoses and Fittings, All Models

Item	Part No.	Description	Qty.
29	215215GT	HOSE,ASSY,FIL-P,IN(F,MF) (components: 48822, 48822, 56777 @ 8 inches)	1
30	48947GT	ELBOW,90D,520220-8-12	2
31	237932GT	HOSE,ASSY,OUT(PUMP)-FIL (components: 48822, 48822, 56777 @ 11 inches)	1
32A	48946GT	CONN,520120-8-10 (to GS6916F-10014)	1
32B	1274950GT	FITTING,REDUCER, #10MORB-#8FORB (from GS6916F-10015)	1
33	48878GT	ELBOW,90D,520220-16-12	1
34	227473GT	HOSE ASSY,RET(LLCYL)-RET(TEE) (components: 48812, 48812, 48753 @ 128 inches)	1
35	48959GT	FITTING,ELBOW,90D,520220-12	1
36	147419GT	KIT,STRAINER REPLACEMENT	1
37	48984GT	CONN,520120-16	1
38	237931GT	HOSE,ASSY,SUCT(TANK)-IN(PUMP) (components: 48854, 48854, 48764 @ 19.5 inches)	1
39	48915GT	ELBOW,90D,520220-6	1
40	227474GT	HOSE ASSY,RET(TEE)-TANK (components: 48812, 48812, 48753 @ 75 inches)	1
41	48999GT	VALVE,CHK,#8PORT-#8MALEORFS (from GS6916F-10015)	1

Go to Discount-Equipment.com to order your parts



PARTS FINDER

**Search Website
by Part Number**



**Search Manual
Library For Parts
Manual & Lookup Part
Numbers – Purchase
or Request Quote**

Search Manuals

Enter your information to help us find the right parts manual for your machine.

* Brand:

* Model:

* Serial:

* Part Number:

SEARCH

**Can't Find Part or
Manual? Request Help
by Manufacturer,
Model & Description**

Parts Order Form

Please fill in the following information to help us find the right part for your machine.

Manufacturer:	<input type="text"/>
Model:	<input type="text"/>
Description:	<input type="text"/>
Part Number:	<input type="text"/>
Quantity:	<input type="text"/>
Notes:	<input type="text"/>

Submit

Discount-Equipment.com is your online resource for quality parts & equipment.

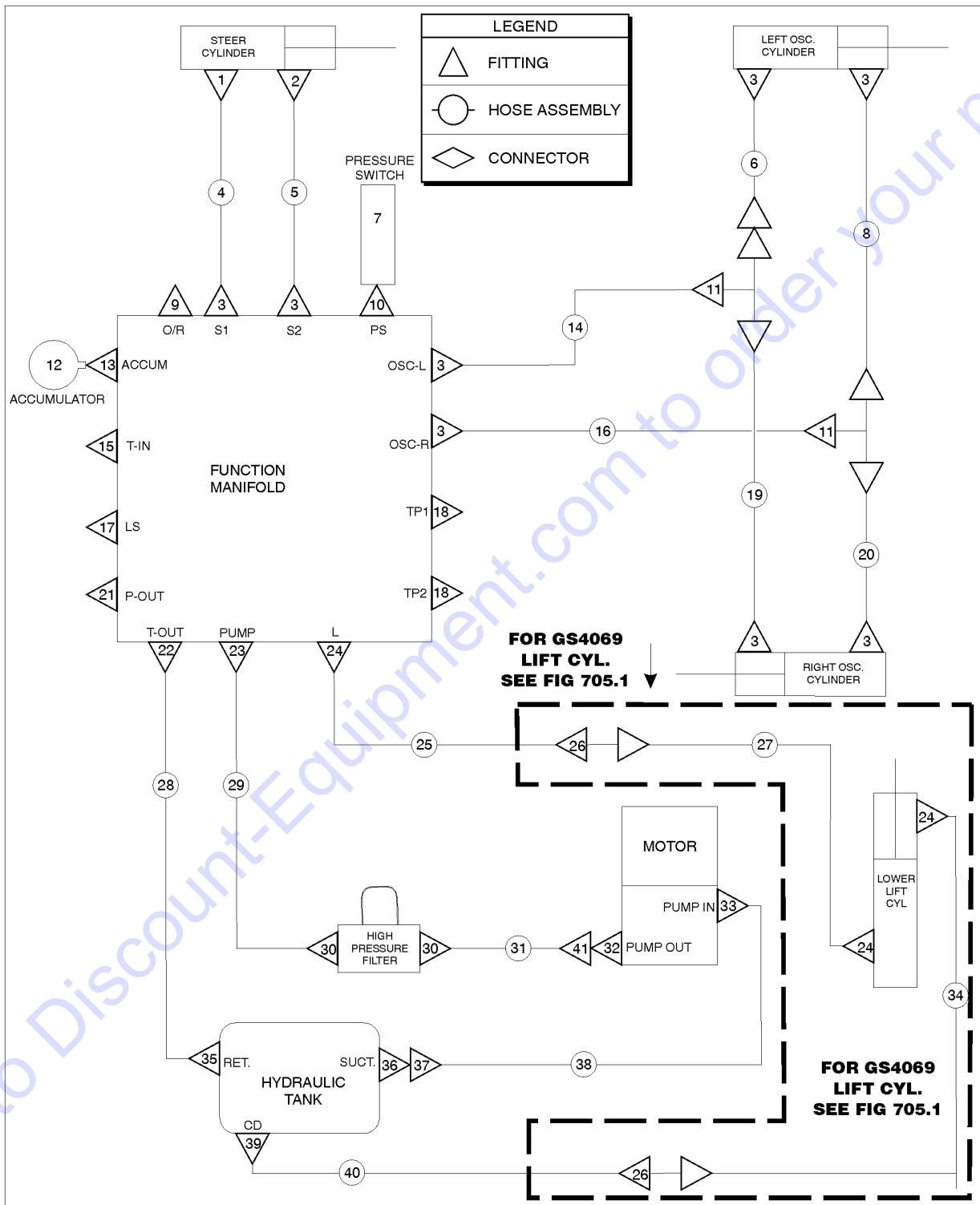
Florida: **561-964-4949** Outside Florida TOLL FREE: **877-690-3101**

Need parts?

Click on this link: <http://www.discount-equipment.com/category/5443-parts/> and choose one of the options to help get the right parts and equipment you are looking for. Please have the machine model and serial number available in order to help us get you the correct parts. If you don't find the part on the website or on one of the online manuals, please fill out the request form and one of our experienced staff members will get back to you with a quote for the right part that your machine needs.

We sell worldwide for the brands: Genie, Terex, JLG, MultiQuip, Mikasa, Essick, Whiteman, Mayco, Toro Stone, Diamond Products, Generac Magnum, Airman, Haulotte, Barreto, Power Blanket, Nifty Lift, Atlas Copco, Chicago Pneumatic, Allmand, Miller Curber, Skyjack, Lull, Skytrak, Tsurumi, Husquvarna Target, Stow, Wacker, Sakai, Mi-T-M, Sullair, Basic, Dynapac, MBW, Weber, Bartell, Bennar Newman, Haulotte, Ditch Runner, Menegotti, Morrison, Contec, Buddy, Crown, Edco, Wyco, Bomag, Laymor, EZ Trench, Bil-Jax, F.S. Curtis, Gehl Pavers, Heli, Honda, ICS/PowerGrit, IHI, Partner, Imer, Clipper, MMD, Koshin, Rice, CH&E, General Equipment, Amida, Coleman, NAC, Gradall, Square Shooter, Kent, Stanley, Tamco, Toku, Hatz, Kohler, Robin, Wisconsin, Northrock, Oztec, Toker TK, Rol-Air, APT, Wylie, Ingersoll Rand / Doosan, Innovatech, Con X, Ammann, Mecalac, Makinex, Smith Surface Prep, Small Line, Wanco, Yanmar

704.2 Hydraulic Hoses and Fittings, All Models

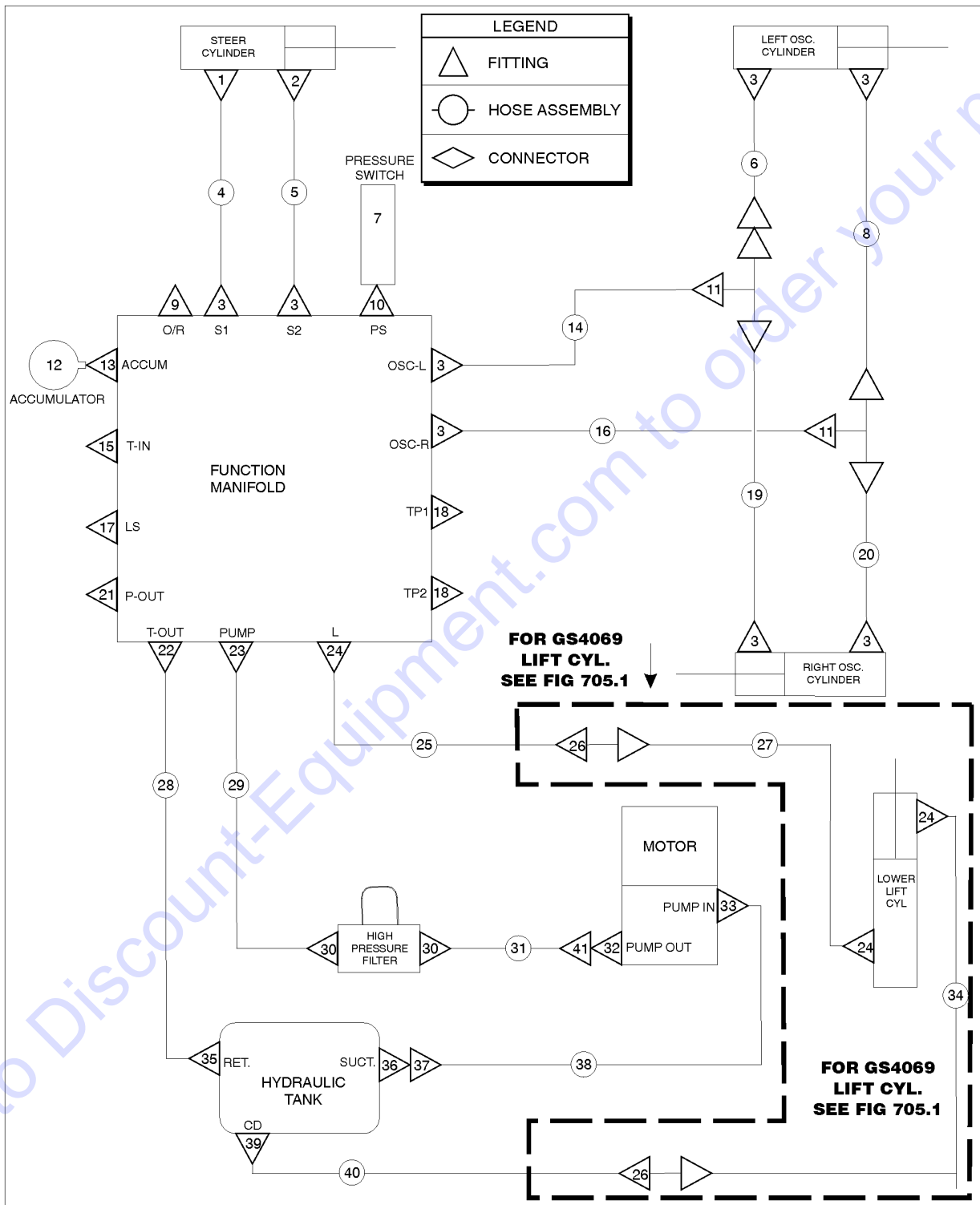


704.2 Hydraulic Hoses and Fittings, All Models

Item	Part No.	Description	Qty.
1	48912GT	CONN,520120-4-6***	1
2	39875GT	ELBOW,070220-4-6	2
3	48905GT	CONN,520120-4***	8
4	227466GT	HOSE ASSY,S1(F.MF)-B(STRCYL) (components: 48800, 48801, 48751 @ 74 inches)	1
5	227467GT	HOSE ASSY,S2(F.MF)-R(STRCYL) (components: 48800, 48801, 48751 @ 81 inches)	1
6	227469GT	HOSE ASSY,OSC(TEE)-E(L.OSC.CYL) (components: 48800, 48802, 48751 @ 19.5 inches)	1
7	237797GT	SWITCH,PRESS,#4SAE,1500 PSI	1
8	227610GT	HOSE ASSY,OSC(TEE)-R(L.OSC.CYL) (components: 48800, 48802, 48751 @ 19.5 inches)	1
9	49517GT	PLUG,HEX SOCKET,090109B-6***	1
10	131393GT	REDUCER,MORB-FORB,04-04****	1
11	48909GT	TEE,BULKHEAD,RUN,520958-4	1
12	94499GT	ACCUMULATOR,10CC,1000PSI,#6SAE	2
13	83020GT	COUPLER,090136, 4-6	1
14	227468GT	HOSE ASSY,OSC(F.MF)-OSC(TEE) (components: 48800, 48800, 48751 @ 74 inches)	1
15	87172GT	PLUG,HEX SOCKET,090109B-12	1
16	227609GT	HOSE ASSY,OSCR(F.MF)-OSC(TEE) (components: 48800, 48800, 48751 @ 74 inches)	1
17	39882GT	PLUG,HEX SOCKET,090109B-4	1
18	48997GT	NIPPLE,DIAGNOSTIC,#4	2
19	227612GT	HOSE ASSY,OSC(TEE)-R(R.OSC.CYL) (components: 48800, 48802, 48751 @ 19.5 inches)	1
20	227611GT	HOSE ASSY,OSC(TEE)-E(R.OSC.CYL) (components: 48800, 48802, 48751 @ 19.5 inches)	1
21	238256GT	PLUG,HEX SOCKET,090109B-8	1
22	48960GT	FITTING,CONN,520120-12	1
23	48933GT	CONN,520120-8***	1
24	48916GT	FITTING,CONN,520120-6	3
25	227471GT	HOSE ASSY,LIFT(F.MF)-P(TEE) (components: 48812, 48812, 56776 @ 62 inches)	1
26	227613GT	UNION,BULKHEAD,ORFS,-6-6	2
27	227472GT	HOSE ASSY,PRESS(TEE)-PRESS(LLC) (components: 48812, 48812, 56776 @ 128 inches)	1
28	215214GT	HOSE,ASSY,T-OUT(F,MF)-RET(TNK) (components: 48809, 48809, 39889 @ 34 inches)	1



704.2 Hydraulic Hoses and Fittings, All Models



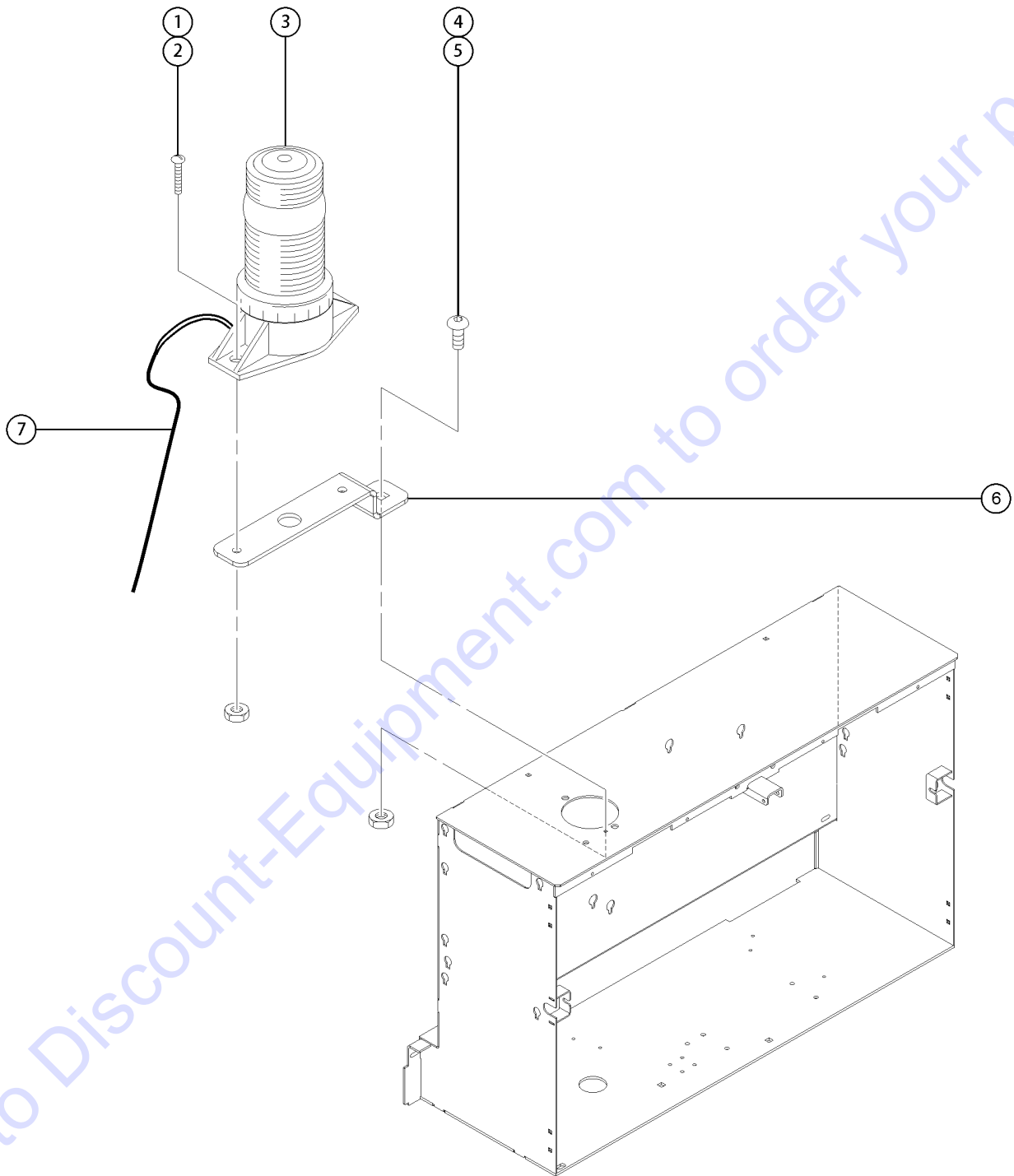
704.2 Hydraulic Hoses and Fittings, All Models

Item	Part No.	Description	Qty.
29	215215GT	HOSE,ASSY,FIL-P,IN(F,MF) (components: 48822, 48822, 56777 @ 8 inches)	1
30	48947GT	ELBOW,90D,520220-8-12	2
31	237932GT	HOSE,ASSY,OUT(PUMP)-FIL (components: 48822, 48822, 56777 @ 11 inches)	1
32B	1274950GT	FITTING,REDUCER, #10MORB-#8FORB (from GS6916F-10015)	1
33	48878GT	ELBOW,90D,520220-16-12	1
34	227473GT	HOSE ASSY,RET(LLCYL)-RET(TEE) (components: 48812, 48812, 48753 @ 128 inches)	1
35	48959GT	FITTING,ELBOW,90D,520220-12	1
36	147419GT	KIT,STRAINER REPLACEMENT	1
37	48984GT	CONN,520120-16	1
38	237931GT	HOSE,ASSY,SUCT(TANK)-IN(PUMP) (components: 48854, 48854, 48764 @ 19.5 inches)	1
39	48915GT	ELBOW,90D,520220-6	1
40	227474GT	HOSE ASSY,RET(TEE)-TANK (components: 48812, 48812, 48753 @ 75 inches)	1
41	48999GT	VALVE,CHK,#8PORT-#8MALEORFS (from GS6916F-10015)	1

Go to Discount-Equipment.com to order your parts



801.1 Flashing Motion Beacon (to SN GS6916F-9824)



Go to Discount-Equipment.com to order your parts

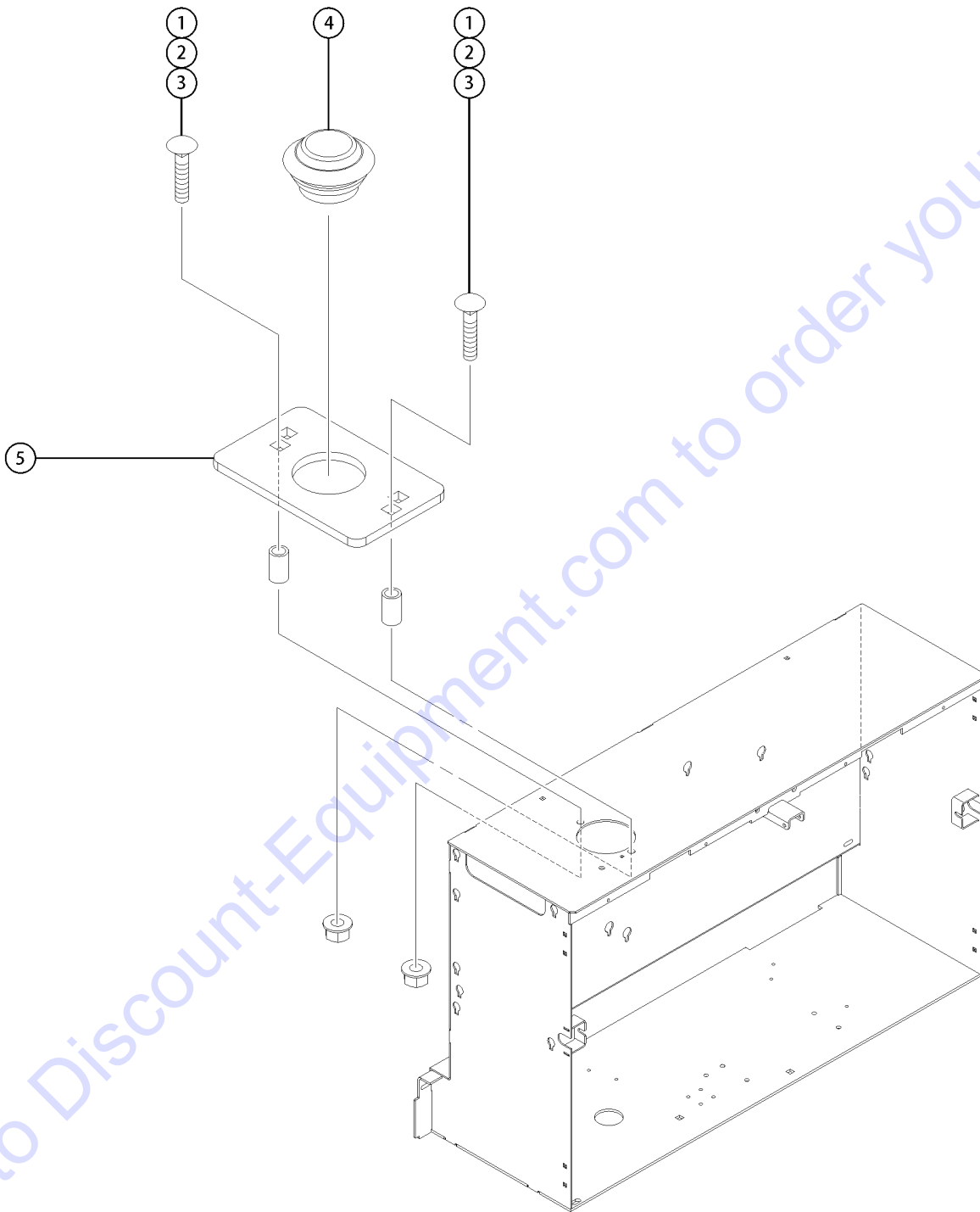
801.1 Flashing Motion Beacon (to SN GS6916F-9824)

Item	Part No.	Description	Qty.
1	49816GT	SCREW,PHILLIPS,PHM,10-32 X .75	
2	6178GT	NUT, NYLOCK, 10-32	
3	87265GT	BEACON LIGHT ASSY.	2
3-	105557GT	BULB,FLASHING BEACON for 87265	
3-	105556GT	LENS,FLASHING BEACON for 87265	
4	6878GT	BOLT,CARRIAGE,1/4-20 X .75,G2	
5	6091GT	NUT,NYLOCK,1/4-20	
6	79374GT	FORMING,BEACON MOUNT	2
7	148076GT	HARNES,BEACON,GS69	

Go to Discount-Equipment.com to order your parts



801.2 Flashing Motion Beacon (from SN GS6916F-9825)



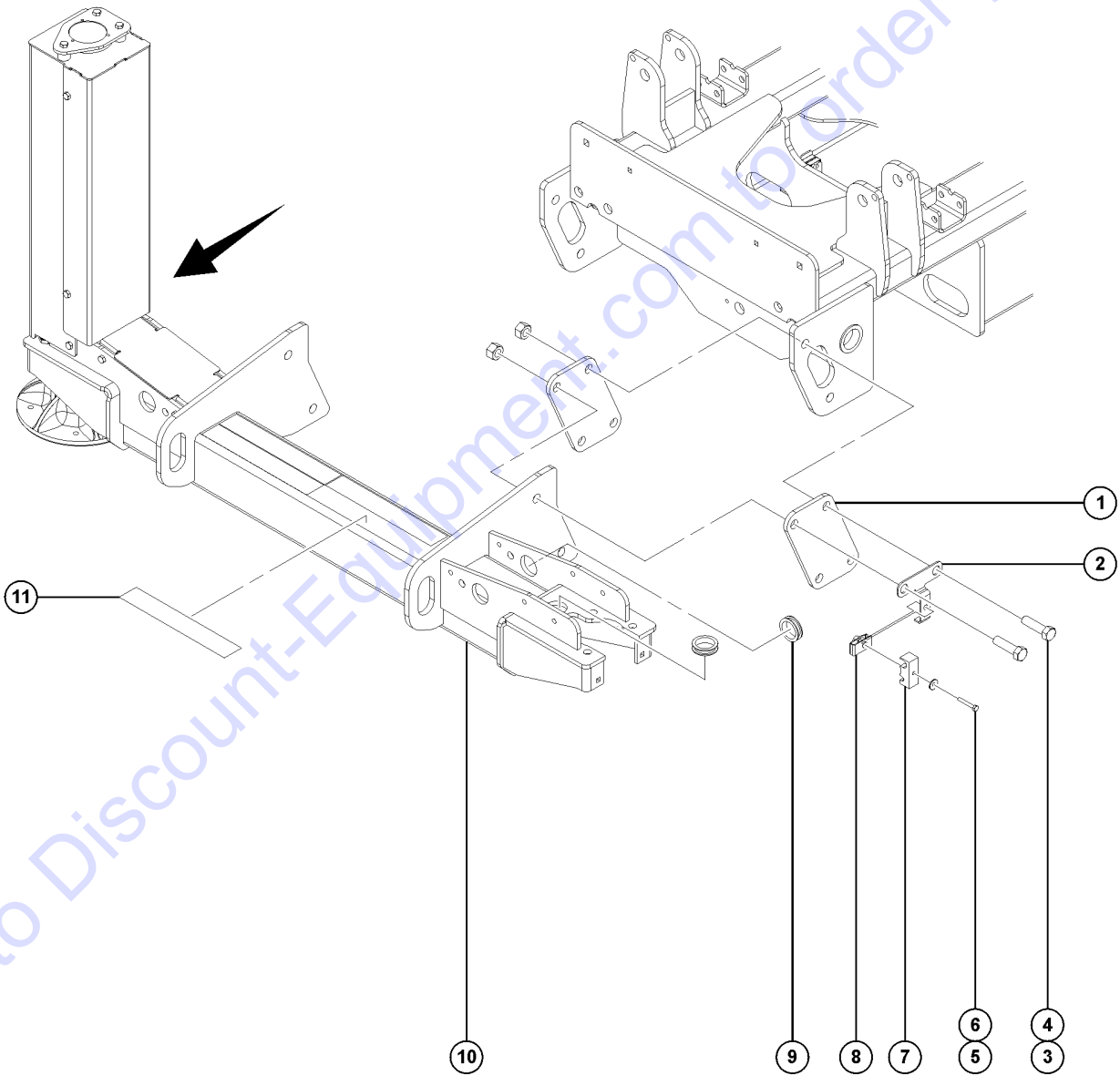
801.2 Flashing Motion Beacon (from SN GS6916F-9825)

Item	Part No.	Description	Qty.
1	1256463GT	BOLT,CARRIAGE,1/4-20X1.25,5,ZA	2
2	96699GT	SLEEVE,TANK SUPPORT	2
3	824027GT	NUT,TL FLG,1/4-20,G,ZAG	2
4	1254572GT	LIGHT,TURN SIGNAL,1.25" LED,AMB	1
5	1267469GT	PLATE,VISUAL IND LIGHT MOUNT,BLK	1
6	1273392GT	HARNESS, LED BEACON, GS69DC	

Go to Discount-Equipment.com to order your parts



802.1 Outrigger Installation, View 1

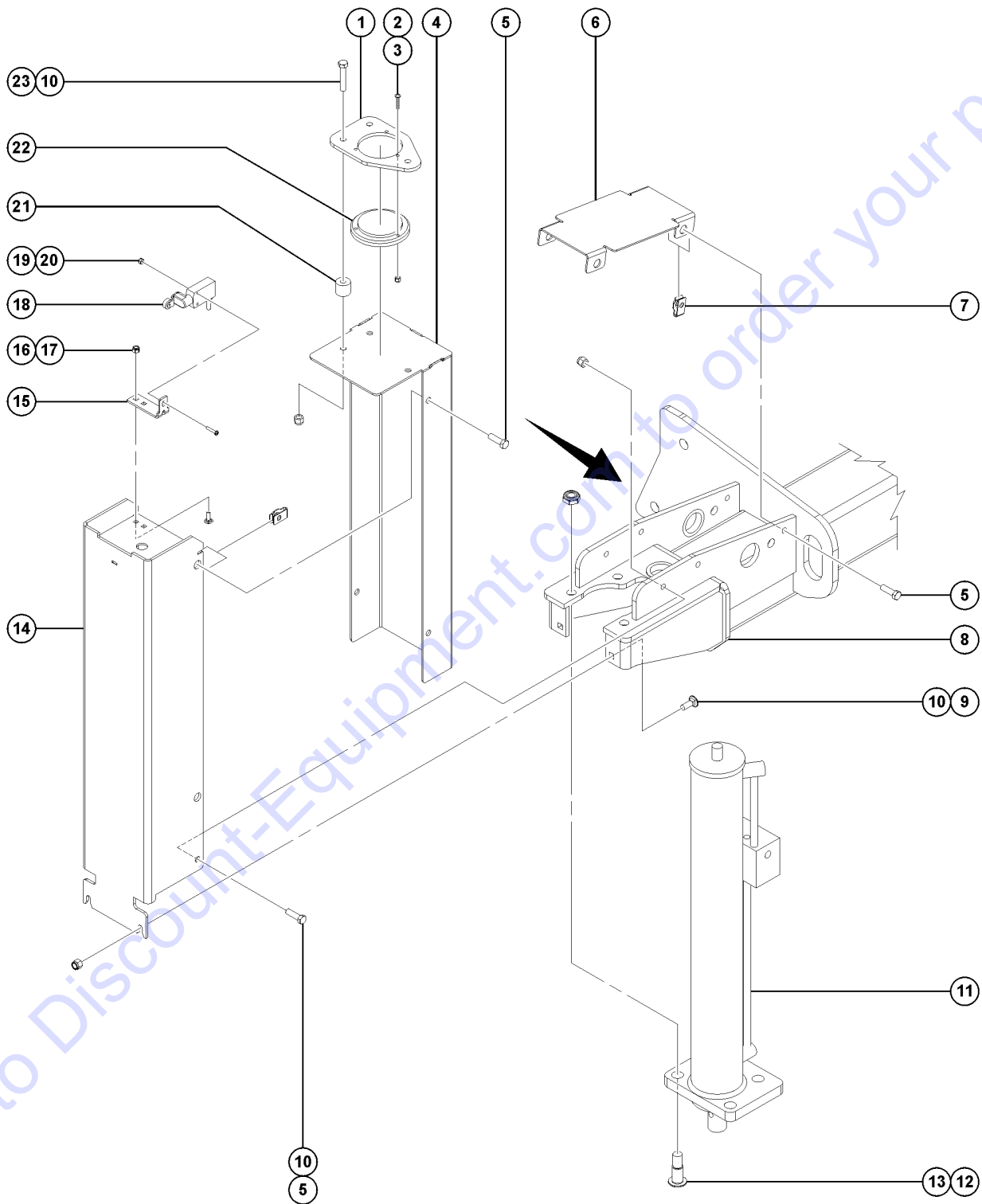


802.1 Outrigger Installation, View 1

Item	Part No.	Description	Qty.
1	6178GT	NUT, NYLOCK, 10-32 (steer end) (models with high floatation tires)	2
2	6096GT	SCREW,HHC, 1/2-13 X 2 GR5 (steer end) (models with high floatation tires)	2
3	160740GT	PLATE,O/R SPACER, HI FLOAT (steer end) (models with high floatation tires)	2
4	160739GT	PLATE, O/R MOUNT, HI FLOAT (steer end) (models with high floatation tires)	4
5A	160744GT	FORM,O/R FRONT CLAMP,HI FLOAT (steer end) (models with high floatation tires)	2
5B	148409GT	FORMING,O/R FRONT CLAMP (steer end) (models without high floatation tires)	2
6	51428GT	SCREW,HHC,3/4-10 X 2.75	8
7	10258GT	NUT,NYLOCK,3/4-10,GRD.2	8
8	6637GT	SCREW,HHC, 1/4-20 X 1.75 (steer end)	2
9	6638GT	WASHER,FLAT,USS, 1/4"Y (steer end)	2
10	148410GT	CLAMP,#4 HOSE,CLAMP (steer end)	2
11	56912GT	SPRING CLIP, 1/4-20,.025-.15X.5 (steer end)	2
12	47238GT	GROMMET,RUBBER 1.5 ID	8
13		Ref. WELDMENT,OUTRIGGER YOKE (refer to 703.1)	
14	148329GT	TAPE,NON-SKID,2"X14"	2
15	148046GT	PLATE,OUTRIGGER MOUNT (non-steer end and steer end models without high floatation tires)	4



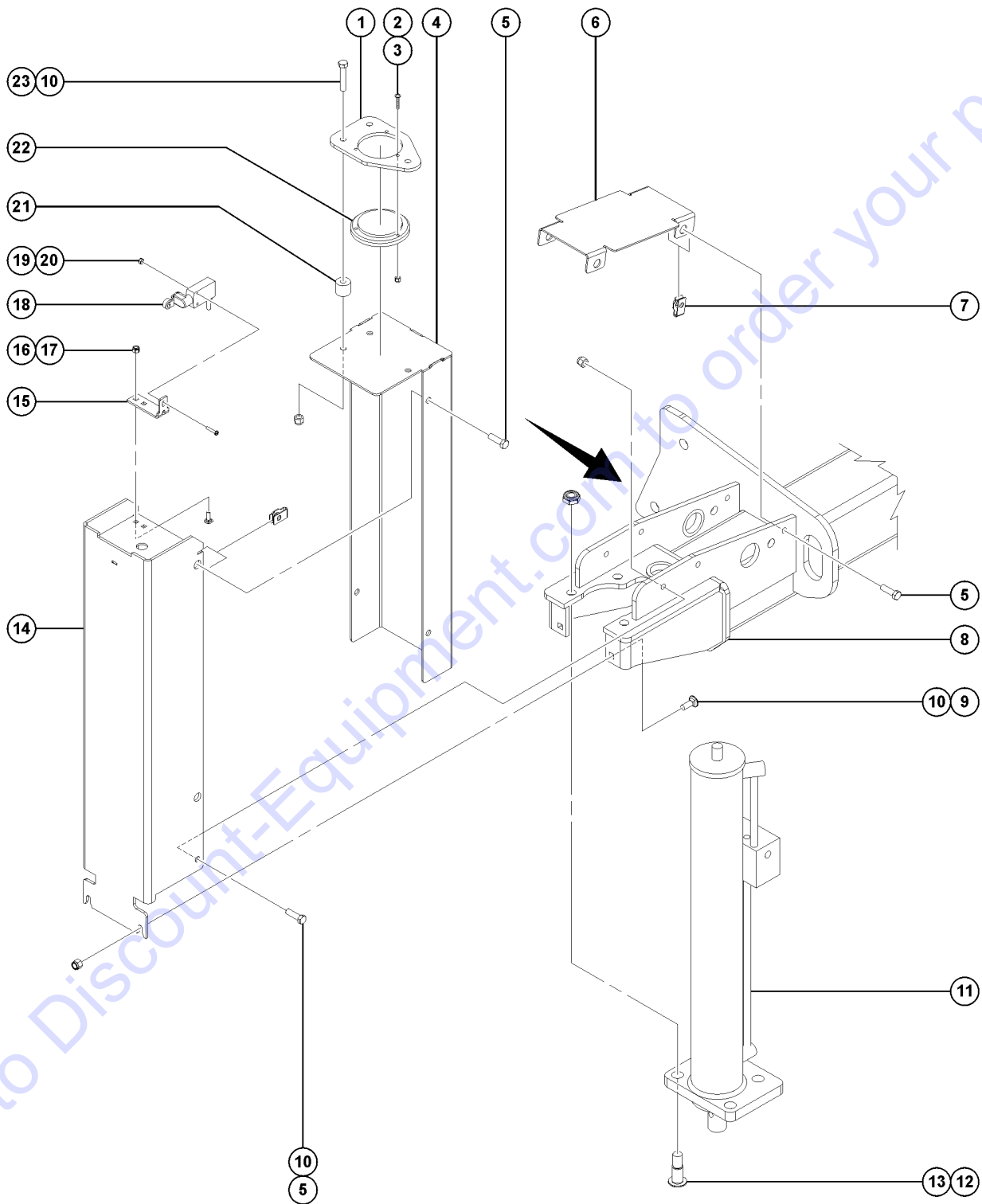
803.1 Outrigger Installation, View 2



Item	Part No.	Description	Qty.
1	87002GT	PLATE,BUBBLE LEVEL MOUNT	1
2A	49816GT	SCREW,PHILLIPS,PHM,10-32 X .75 to SN 11474	3
2B	826516GT	SCREW, PHPM, 10-32 X 1.0, ZAG from SN 11475	3
3A	6178GT	NUT, NYLOCK, 10-32	3
3B	1275810GT	NUT,SERRATED,10-32,SS from SN 11475	3
4	148001GT	WELDMENT,O/R SWITCH COVER	4
5	6019GT	SCREW,HHC,3/8-16 X 1.25 GRD 5	
6	131972GT	FORMING,O/R HOSE COVER	4
7	29868GT	SPRING CLIP,3/8-16,.05-.20X.73,ZAG	
8A	148027GT	WELDMENT,OUTRIGGER YOKE steer end	1
8B	148044GT	WELDMENT,OUTRIGGER YOKE non-steer end	
9	64154GT	BOLT,CARRIAGE,3/8-16 X1.00,G5	
10	4828GT	NUT,NYLOCK,3/8-16	
11		Ref. CYLINDER,OUTRIGGER,GS69 (refer to 805.1)	
12	71912GT	BOLT,SHOULDER,5/8-11 X 1.19 LT	
13	38028GT	NUT,LP NYLOCK,5/8-11	
14	235089GT	HOUSING ASSY,OUTRIGGER,W0 (ANSI, CSA & Australia models with word decals) (to SN 15270) (from SN 15085 to 15158, verify limit switch body before ordering)	
14-	235091GT	HOUSING ASSY,OUTRIGGER,SY (Asia, S. America & CE models with symbol decals) (to SN 15270) (from SN 15085 to 15158, verify limit switch body before ordering)	
14-	148000GT	WELDMENT,OUTRIGGER COVER (decals not included, refer to section 100) (to SN 15270) (from SN 15085 to 15158, verify limit switch body before ordering)	4
14B	1289877GT	WELDMENT, OUTRIGGER COVER (from SN 15271) (used on some models from SN 15085 to 15158, verify limit switch body before ordering)	
15	148024GT	FORMING,O/R LIM SWTCH BRACKET (to SN 15270) (from SN 15085 to 15158, verify limit switch body before ordering)	1
15B	1288967GT	FORMING,O/R LIM SWTCH BRACKET (from SN 15271) (used on some models from SN 15085 to 15158, verify limit switch body before ordering)	
16	6091GT	NUT,NYLOCK,1/4-20	
17	6878GT	BOLT,CARRIAGE,1/4-20 X .75,G2	
18	105692GT	SWITCH,LIMIT,W/ROLLER ARM (limit switch body XCMN2115L1) (to SN 15270) (from SN 15085 to 15158, verify limit switch body before ordering) (markings: 8B1807, 8B1820)	4
18B	1289888GT	SWITCH,LIMIT,W/ROLLER ARM (limit switch body B81843) (from SN 15271) (used on some models from SN 15085 to 15158, verify limit switch body before ordering) (markings: 8B1817, 8B1822)	4



803.1 Outrigger Installation, View 2

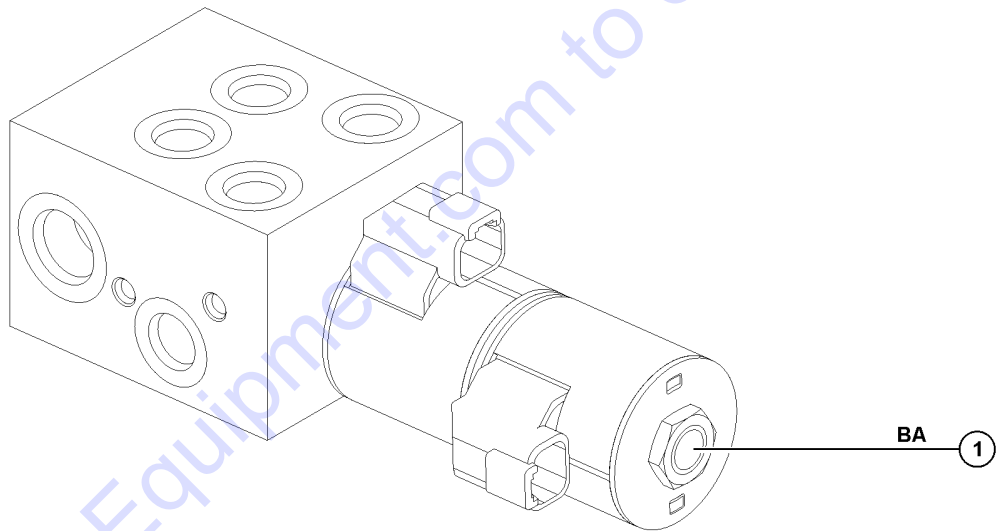


Item	Part No.	Description	Qty.
19	18605GT	NUT,NYLOCK,8-32	
20	54380GT	SCREW,PHILLIPS,PHM,8-32 X .875	
21	59568GT	RUBBER, VIBRATION MOUNT	3
22A	1259500GT	KIT,BUBBLE LEVEL UPDATE to SN 5603	
22B	1275562GT	LEVEL,BUBBLE,3 DEG,BOSS from SN 5604 to 11474	
22C	6714GT	LEVEL,BUBBLE ANSI/CSA models from 11475	
22D	1275562GT	LEVEL,BUBBLE,3 DEG,BOSS CE/AUS models from 11475	
23	5224GT	SCREW,HHC,3/8-16 X 2	

Go to Discount-Equipment.com to order your parts



804.1 Outrigger Manifold



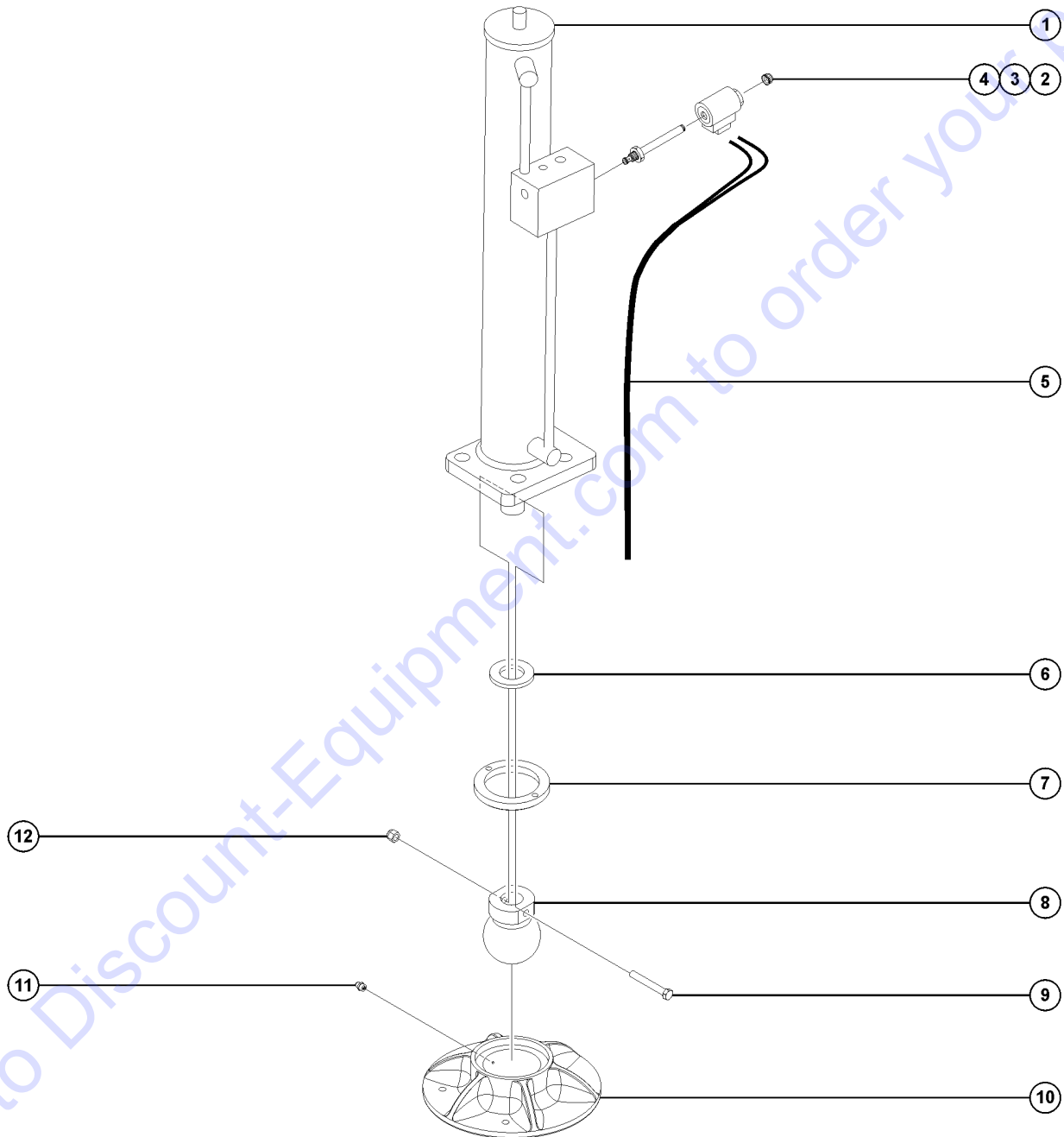
804.1 Outrigger Manifold

Item	Part No.	Description	Qty.
--		Use the letter callouts to cross-reference with the Service Manual.	
--	234999GT	MANIFOLD, OUTRIGGER, GS69DC (manifold, complete)	
1	84109GT	VALVE, DIR, #10 SAE, 3 POS. 4 WAY (BA, Outriggers in / out)	1
1-	44230GT	SEAL KIT-P.N.44169,44172,44171	
1-	104763GT	COIL,24VDC #10DTSCH IP69 ECOIL	
1-	44174GT	NUT-COIL SHORT	
1-	44175GT	SPACER-DUAL COIL,#10, SCISSORS	

Go to Discount-Equipment.com to order your parts



805.1 Outrigger Cylinders, All Models



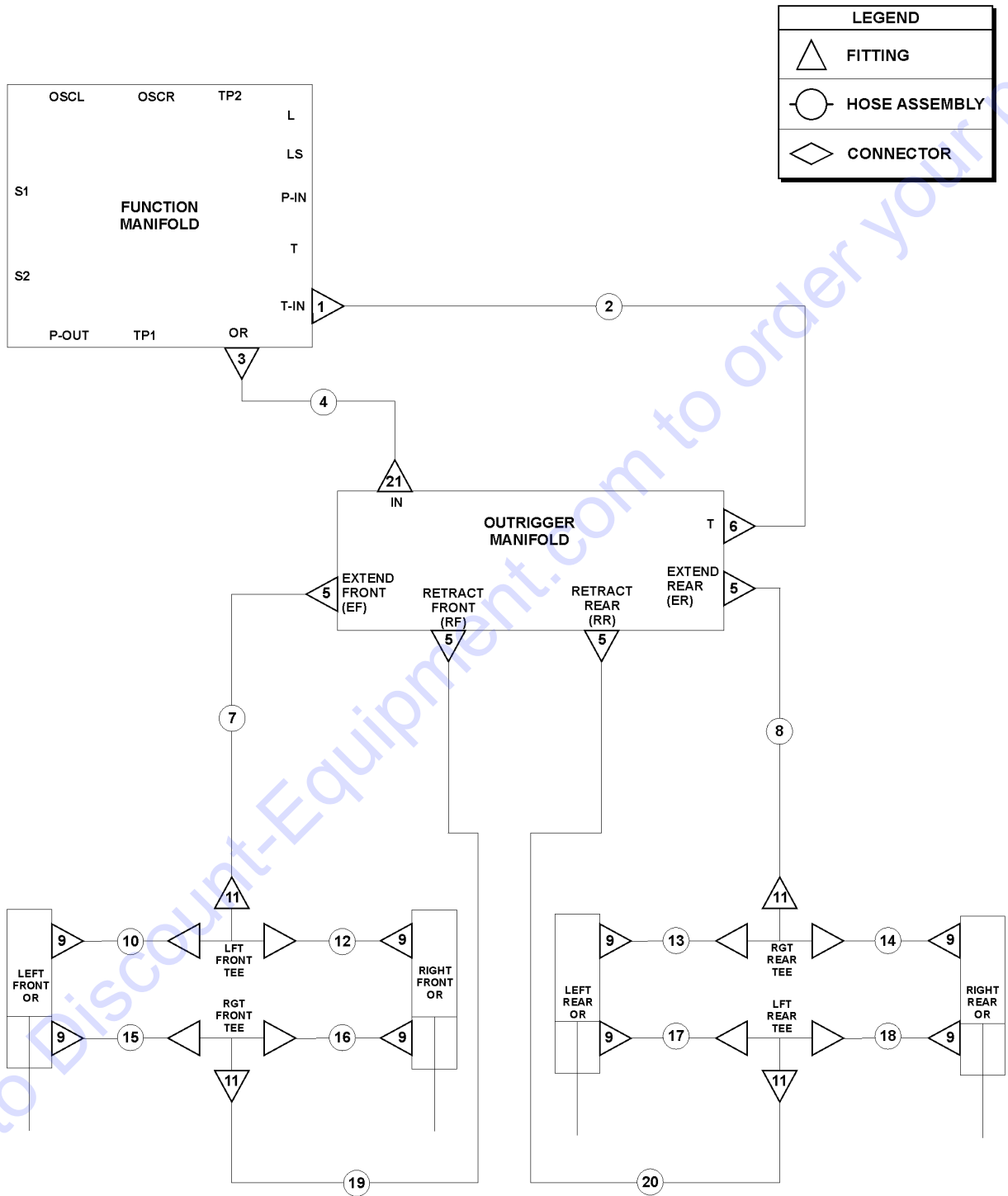
805.1 Outrigger Cylinders, All Models

Item	Part No.	Description	Qty.
--	112537GT	FOOTPAD ASSY,RTSC OUTRIGGER (includes items 6, 7 & 9)	
1	131428GT	CYLINDER, OUTRIGGER,GS69 order valve and coil separately	1
1-	226381GT	SEAL KIT,(131428) (for 131428)	
2	72097GT	NUT,SOLENOID VALVE,OUTRIGGERS	1
3	79831GT	COIL, 12VDC,DIODE,DEUTSCH	1
4	67933GT	VALVE,NC,BI-DI,CART***	1
4A	71925GT	PILOT CHECK VALVE	
5		Ref. Outrigger Wire Harness (refer to 309.1)	
6	55682GT	PLATE, CYL UP LIMIT	1
7	55484GT	RETAINER, GS68 O/R FOOTPAD***	1
8	55485GT	CASTING, BALL, GS OUTRIGGER	1
9	6326GT	SCREW,HHC,3/8-16 X 3	1
10	51814GT	CASTING, OUTRIGGER FOOTPAD *** order 1280156 separately	1
10B	1280156GT	KIT, OUTRIGGER PAD LOCTITE,RT order footpad separately	
11	28646GT	ZERK,GREASE,1/8 NPT	1
12	4828GT	NUT,NYLOCK,3/8-16	1

Go to Discount-Equipment.com to order your parts



806.1 Hydraulic Hoses and Fitting, Outrigger

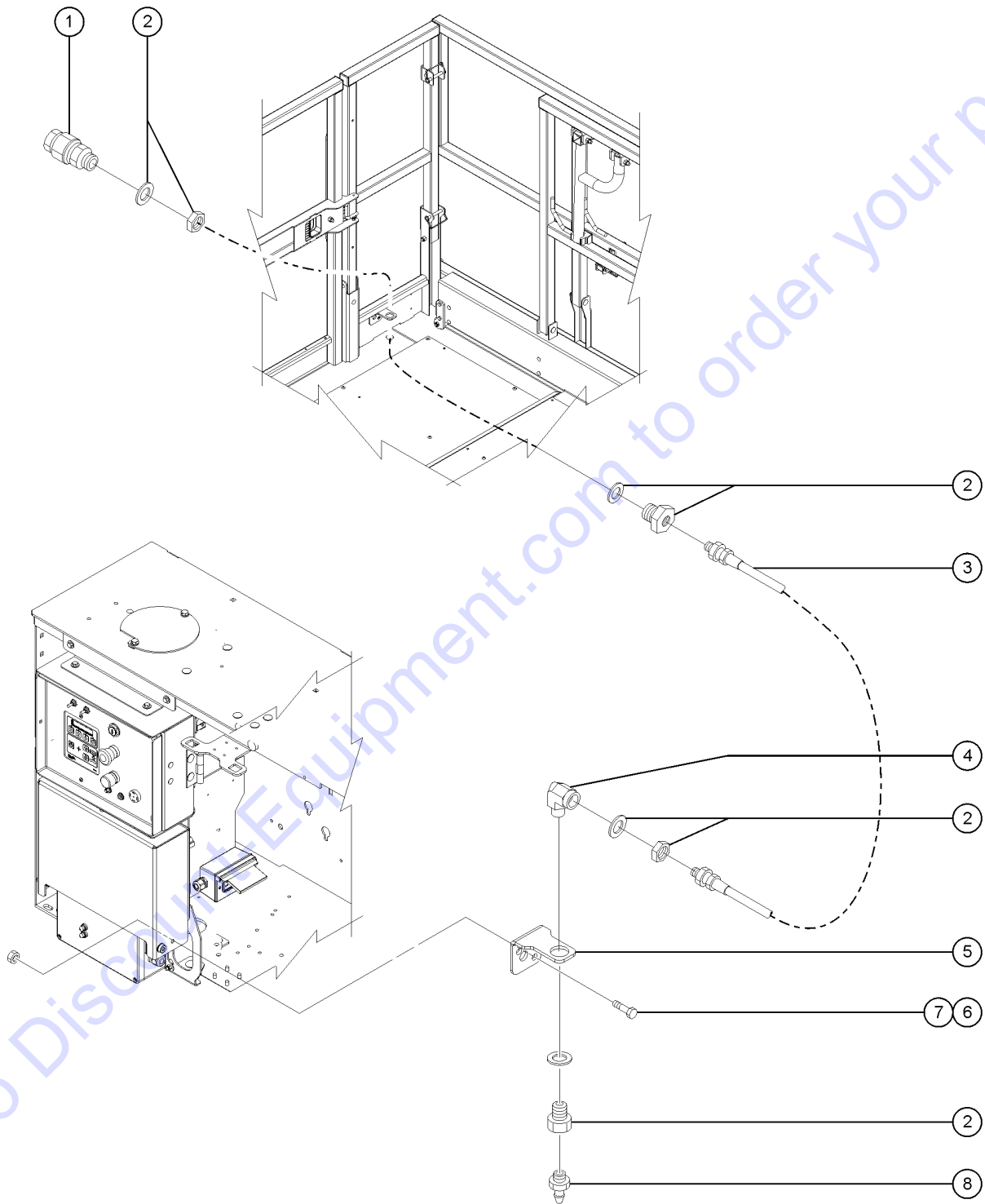


806.1 Hydraulic Hoses and Fitting, Outrigger

Item	Part No.	Description	Qty.
1	48948GT	CONN,520120-8-12	1
2	1254069GT	HOSE,ASSY,T(OR,MF)-TIN(F,MF) (components: 2x 48822, 48756 @ 17.5 inches)	1
3	48930GT	CONN,520120-6-8	1
4	1254068GT	HOSE ASSY,OR(F,MF)-IN(OR,MF) (components: 2x 48812, 56776 @ 17.5 inches)	1
5	48916GT	FITTING,CONN,520120-6	4
6	48932GT	FITTING,ELBOW,90D,520220-8***	1
7	227487GT	HOSE ASSY,EF(OR,MF)-LF.OR.TEE (components: 48812, 227488, 56776 @ 98 inches)	1
8	227724GT	HOSE ASSY,ER(OR,MF)-LR.OR.TEE	1
9	48905GT	CONN,520120-4***	8
10	227489GT	HOSE ASSY,LF.OR.TEE-E(LF.OR.CY (components: 48812, 227488, 56776 @ 98 inches)	1
11	48909GT	TEE,BULKHEAD,RUN,520958-4	4
12	227490GT	HOSE ASSY,LF.OR.TEE-E(RF.OR.CY (components: 48800, 48800, 48751 @ 75 inches)	1
13	227738GT	HOSE ASSY,LR.OR.TEE-E(LR.OR.CY (components: 48800, 48802, 48751 @ 75 inches)	1
14	227728GT	HOSE ASSY,LR.OR.TEE-E(RR.OR.CY (components: 48800, 48800, 48751 @ 20 inches)	1
15	227730GT	HOSE ASSY,RF.OR.TEE-R(LF.OR.CY (components: 48800, 48800, 48751 @ 75 inches)	1
16	227740GT	HOSE ASSY,RF.OR.TEE-R(RF.OR.CY (components: 48800, 48802, 48751 @ 20 inches)	1
17	227732GT	HOSE ASSY,RR.OR.TEE-R(LR.OR.CY (components: 48800, 48800, 48751 @ 20 inches)	1
18	227742GT	HOSE ASSY,RR.OR.TEE-R(RR.OR.CY (components: 48800, 48802, 48751 @ 75 inches)	1
19	227726GT	HOSE ASSY,FR(OR,MF)-RF.OR.TEE (components: 48812, 227488, 56776 @ 98 inches)	1
20	227735GT	HOSE ASSY,RR(OR,MF)-RR.OR.TEE (components: 48812, 227488, 56776 @ 98 inches)	1
21	48915GT	ELBOW,90D,520220-6	1



807.1 Airline to Plat, GS-2669



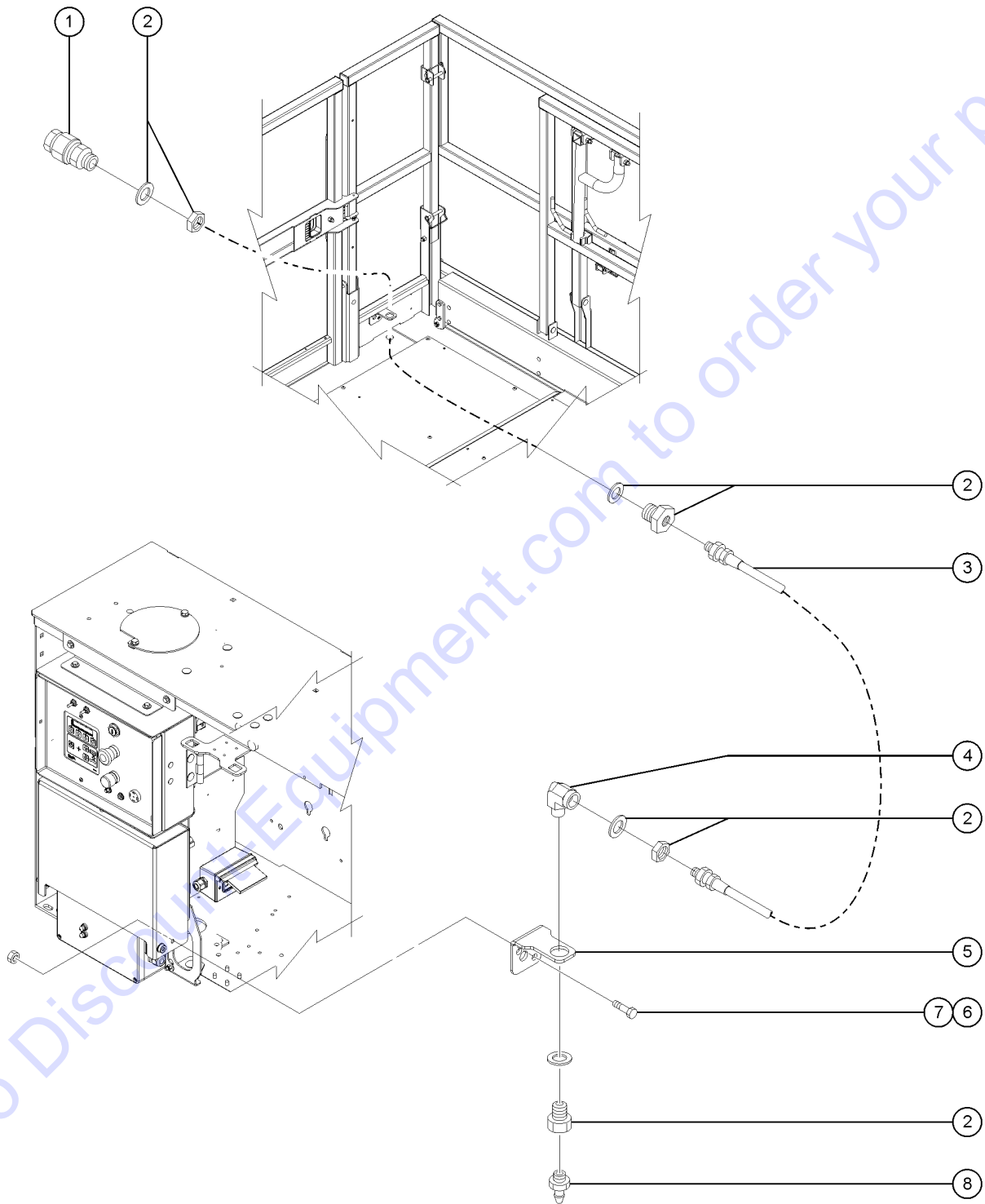
807.1 Airline to Plat, GS-2669

Item	Part No.	Description	Qty.
1	27895GT	COUPLER, 1/4"SERIES 3/8 MPT	1
2	27900GT	BULKHEAD,FEMALE X 6 X 6	2
3A	27903GT	HOSE,LOW PRESSURE,.375 ID,BLK GS-2669	676
3A-	27901GT	HOSE END,BARBED,RIGID,-6-6	2
4	79383GT	BRASS STREET ELBOW	1
5	47077GT	BRACKET,AIRLINE MOUNTING	2
6	8255GT	SCREW,HHC,3/8-16 X .75	
7	4828GT	NUT,NYLOCK,3/8-16	
8	27894GT	PLUG,1/4"SERIES,3/8 MPT	1

Go to Discount-Equipment.com to order your parts



807.2 Airline to Plat, GS-3369



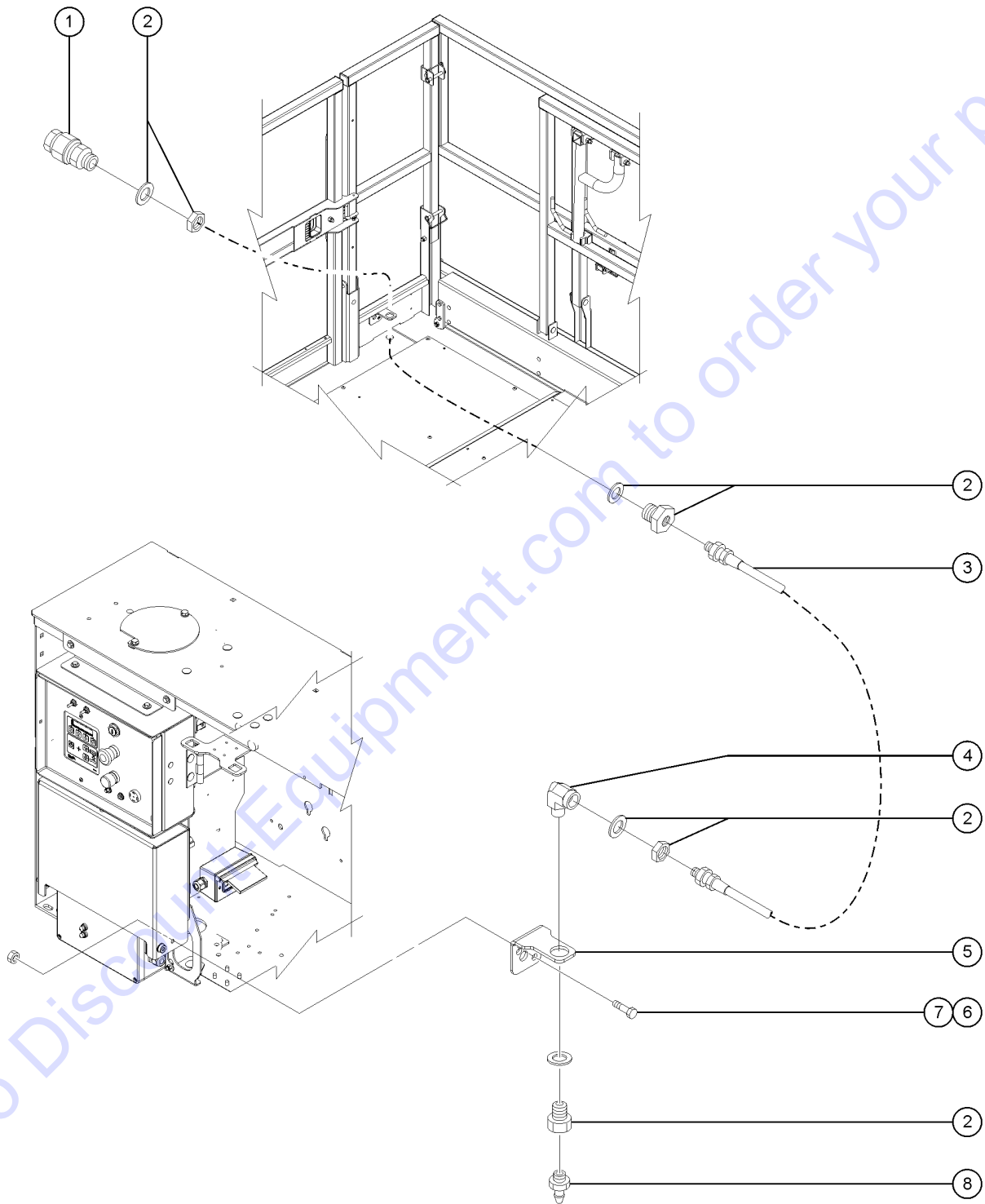
807.2 Airline to Plat, GS-3369

Item	Part No.	Description	Qty.
1	27895GT	COUPLER, 1/4"SERIES 3/8 MPT	1
2	27900GT	BULKHEAD,FEMALE X 6 X 6	2
3B	27903GT	HOSE,LOW PRESSURE,.375 ID,BLK GS-3369	790
3B-	27901GT	HOSE END,BARBED,RIGID,-6-6	2
4	79383GT	BRASS STREET ELBOW	1
5	47077GT	BRACKET,AIRLINE MOUNTING	2
6	8255GT	SCREW,HHC,3/8-16 X .75	
7	4828GT	NUT,NYLOCK,3/8-16	
8	27894GT	PLUG,1/4"SERIES,3/8 MPT	1

Go to Discount-Equipment.com to order your parts



807.3 Airline to Plat, GS-4069



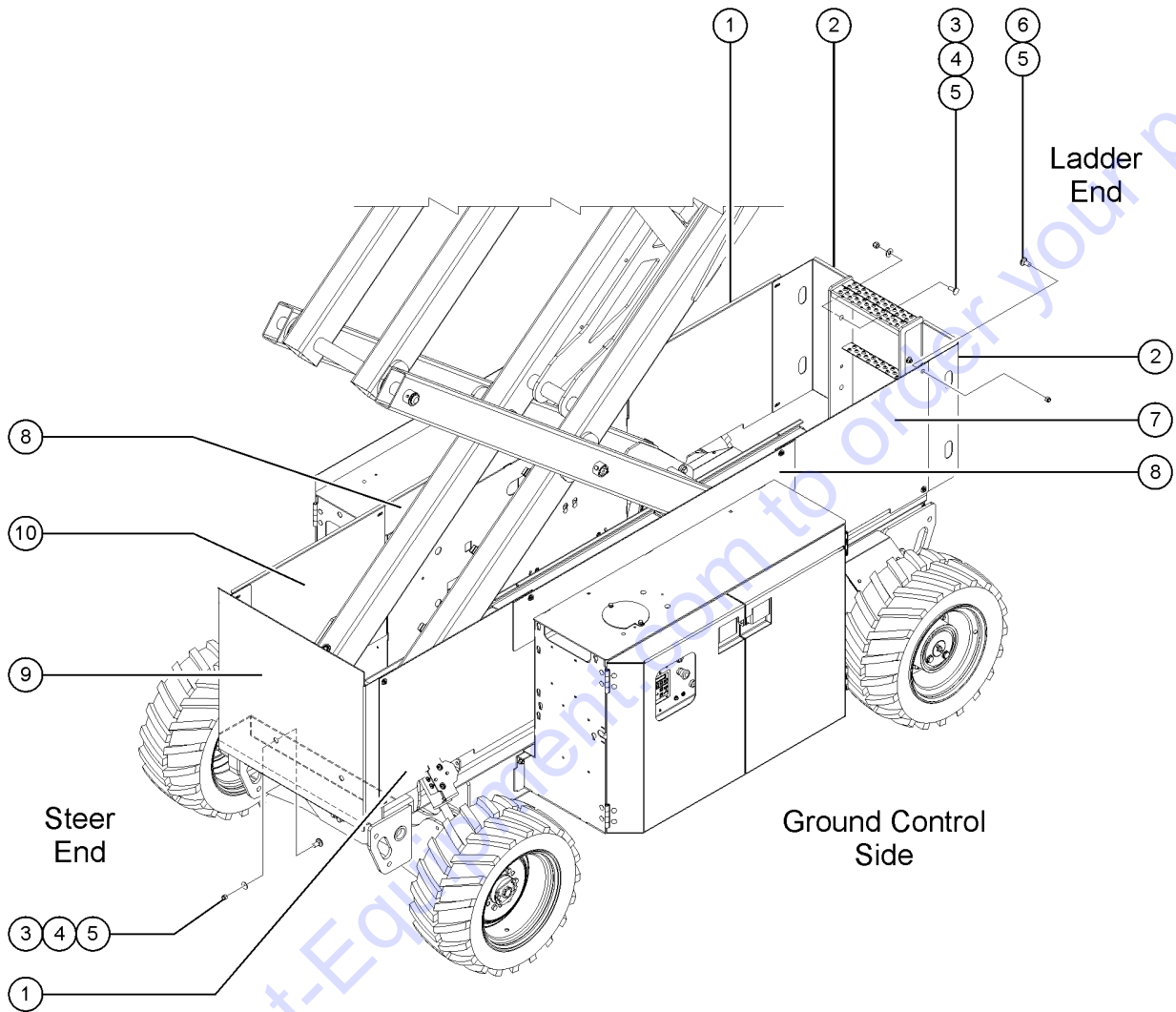
807.3 Airline to Plat, GS-4069

Item	Part No.	Description	Qty.
1	27895GT	COUPLER, 1/4"SERIES 3/8 MPT	1
2	27900GT	BULKHEAD,FEMALE X 6 X 6	2
3C	27903GT	HOSE,LOW PRESSURE,.375 ID,BLK GS-4069	900
3C-	27901GT	HOSE END,BARBED,RIGID,-6-6	2
4	79383GT	BRASS STREET ELBOW	1
5	47077GT	BRACKET,AIRLINE MOUNTING	2
6	8255GT	SCREW,HHC,3/8-16 X .75	
7	4828GT	NUT,NYLOCK,3/8-16	
8	27894GT	PLUG,1/4"SERIES,3/8 MPT	1

Go to Discount-Equipment.com to order your parts



808.1 Link Guard, CE and Australia, GS-2669



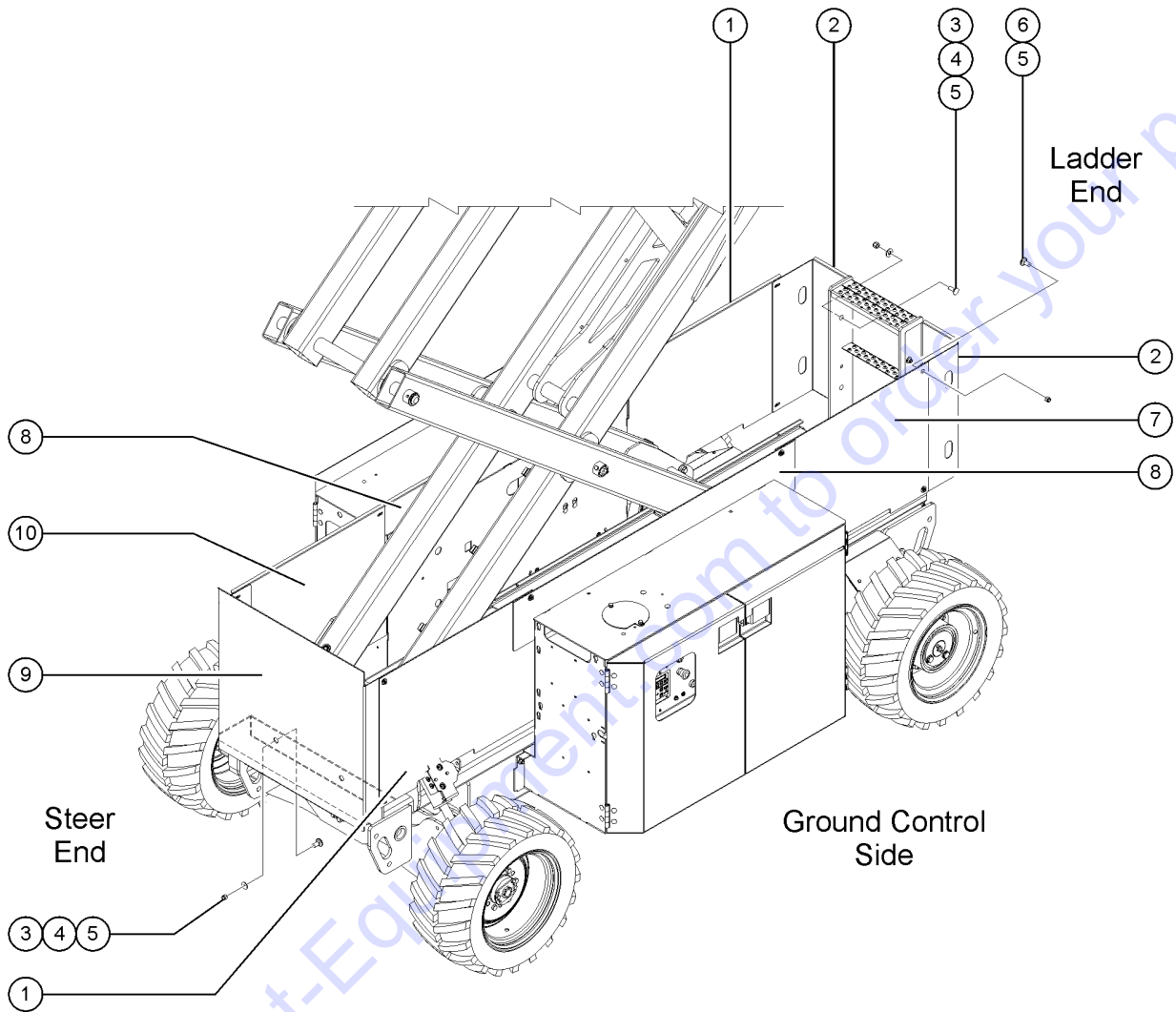
808.1 Link Guard, CE and Australia, GS-2669

Item	Part No.	Description	Qty.
1A	227768GT	FORMING, LINK GUARD, SIDE, 26/33 for GS-2669 & GS-3369 (ground controls side, front & battery pack side, rear)	2
2A	227713GT	FORMING, LINK GUARD, BACK, 26/33 for GS-2669 & GS-3369	2
3	105092GT	BOLT,CARRIAGE,3/8-16X1.25,GR5	
4	6097GT	WASHER,FLAT,USS,3/8",Y	
5	4828GT	NUT,NYLOCK,3/8-16	
6	73466GT	BOLT,CARRIAGE,3/8-16 X 1.00,G2	
7A	227716GT	FORMING, LINK GUARD, SIDE, 26/33 for GS-2669 & GS-3369 without oil cooler option (ground controls side, rear)	1
7B	227714GT	FORMING, LNK GRD, SIDE, OPT, 26/33 for GS-2669 & GS-3369 with oil cooler option (ground controls side, rear)	1
9A	227715GT	FORMING, LINK GUARD, FRONT, 26/33 for GS-2669 & GS-3369	1
10A	227716GT	FORMING, LINK GUARD, SIDE, 26/33 for GS-2669 & GS-3369 (battery pack side, front)	1

Go to Discount-Equipment.com to order your parts



808.2 Link Guard, CE and Australia, GS-3369

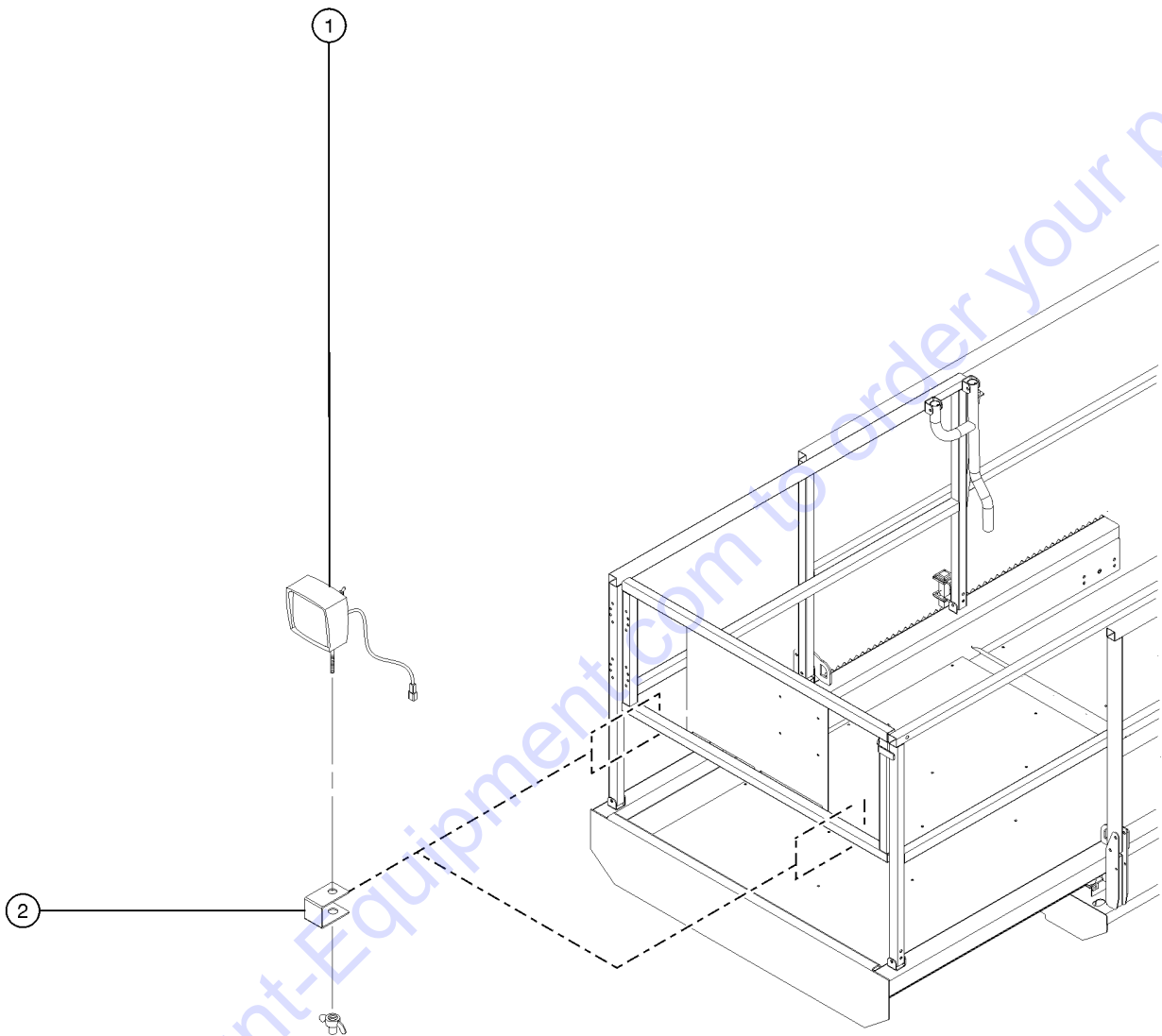


Item	Part No.	Description	Qty.
1B	T114354GT	FORMING, LINKGUARD, SIDE, 40 for GS-4069 (ground controls side, front & battery pack side, rear)	2
2B	T114357GT	FORMING, LINKGUARD, END, 40 for GS-4069	2
3	105092GT	BOLT, CARRIAGE, 3/8-16X1.25, GR5	
4	6097GT	WASHER, FLAT, USS, 3/8", Y	
5	4828GT	NUT, NYLOCK, 3/8-16	
6	73466GT	BOLT, CARRIAGE, 3/8-16 X 1.00, G2	
7C	T114353GT	FORMING, LINKGUARD, SIDE, 40 for GS-4069 without oil cooler option (ground controls side, rear)	1
7D	227717GT	FORMING, LINK GUARD, SIDE, OPT, 40 for GS-4069 with oil cooler option (ground controls side, rear)	1
8	T114358GT	FORMING, LINKGUARD, BOXTOP for GS-4069	2
9B	T114356GT	FORMING, LINKGUARD, SIDE, 40 for GS-4069	1
10B	T114353GT	FORMING, LINKGUARD, SIDE, 40 for GS-4069 (battery pack side, front)	1

Go to Discount-Equipment.com to order your parts



809.3 Platform Work Light, GS-4069



809.3 Platform Work Light, GS-4069

Item	Part No.	Description	Qty.
A	823041GT	WORKLIGHTS, FIELD KIT, GS-2669	1
A-	823044GT	HARNESS, GS2669 WORKLIGHTS	1
B	823042GT	WORKLIGHTS, FIELD KIT, GS-3369	1
B-	823045GT	HARNESS, GS3369 WORKLIGHTS	1
C	823043GT	WORKLIGHTS, FIELD KIT, GS-4069	1
C-	823046GT	HARNESS, GS4069 WORKLIGHTS	1
1	71498GT	WORKLIGHT, 12V, DEUTSCH RECEIPT	2
2	71382GT	BRACKET, WORK LIGHTS, OPTION	2
3	28443GT	CABLE TIE, 11.5" BLACK not shown	

Go to Discount-Equipment.com to order your parts



<u>Part no.</u>	<u>Page Number</u>	<u>Part no.</u>	<u>Page Number</u>	<u>Part no.</u>	<u>Page Number</u>
4266GT	157, 159, 169	8516GT	85, 87, 89	28235GT	13, 17, 19, 23, 27, 29...
4828GT	77, 81, 85, 87, 89, 91...	8914GT	175	28236GT	17, 19, 37, 39, 57, 59
5224GT	213	8915GT	73	28373GT	11, 13, 31, 33, 51, 53
5365GT	81	9116GT	111	28443GT	149, 151, 231
5397GT	103, 111, 117, 143	10107GT	143	28646GT	217
6019GT	119, 125, 211	10258GT	209	28750GT	189
6021GT	125	10598GT	149, 155, 159	29868GT	125, 171, 211
6052GT	121	10775GT	177, 179, 181	30434GT	151, 155, 161
6086GT	89	10777GT	177, 179, 181	30490GT	143
6090GT	71, 79, 85, 87, 89, 93...	11335GT	121	30784-2550GT	109
6091GT	73, 79, 93, 95, 101, 105	13002GT	103	31060GT	11, 31, 51
6095GT	85, 87, 89, 155, 159	13064GT	81	31506GT	93
6096GT	85, 87, 89, 149, 155, 159	13585GT	177, 179, 181	31508GT	13, 33, 53
6097GT	77, 81, 85, 87, 89, 93...	13597GT	177	31658-1975GT	93
6145GT	111	13918GT	77, 143	31788GT	11, 31, 51
6175GT	167, 171	14033GT	149, 153, 157	33277GT	107
6178GT	97, 105, 111, 123, 205, 209	14392GT	75, 125	33278GT	111
6198GT	85, 87, 89, 101, 119, 149	15243GT	97	33550GT	171
6326GT	151, 153, 157, 175, 217	17626GT	123	33629GT	177, 179, 181
6356GT	109	18383GT	149, 153, 157	33724GT	177, 179, 181
6357GT	109	18503GT	119	33987GT	81
6595GT	105, 177, 179, 181	18540GT	81	34053GT	99, 123
6626GT	177, 179, 181	18605GT	81, 91, 95, 117, 119, 149	35418GT	115, 143
6637GT	73, 167, 209	19440GT	73	35461GT	91, 121, 149, 155, 159
6638GT	73, 93, 111, 117, 119, 167	21149GT	81	35706GT	171
6700GT	97	22446GT	169	36372GT	123
6708GT	169, 171	22699GT	103	37947GT	95
6714GT	213	22788GT	85, 87, 89, 149, 155, 159	38016GT	171
6782GT	103, 145, 171	23405GT	121	38028GT	167, 211
6833GT	115	24514GT	173	38149GT	13, 33, 53
6878GT	101, 105, 111, 115, 119, 125	25388GT	105, 177, 179, 181	38582GT	105
6886GT	79, 143	25817GT	71, 191	39540GT	95, 183
6888GT	109	27126GT	109	39581GT	143
6889GT	101, 105, 169, 173, 175	27246GT	97	39875GT	197, 201
6935GT	121	27894GT	221, 223, 225	39882GT	191, 197, 201
7056GT	177, 179, 181	27895GT	221, 223, 225	40434GT	17, 19, 27, 29, 37, 39...
7127GT	177, 179, 181	27900GT	221, 223, 225	40928GT	153, 157
7339GT	77, 109, 123	27901GT	221, 223, 225	43392GT	125
7713GT	79, 91, 171	27903GT	221, 223, 225	43618GT	17, 19, 27, 29, 37, 39...
8177GT	149, 155, 159	28174GT	13, 17, 19, 23, 27, 29...	43658GT	23, 43, 63
8179GT	73	28175GT	11, 13, 31, 33, 51, 53	43956GT	177, 179, 181
8255GT	73, 81, 101, 221, 223, 225	28176GT	17, 19, 37, 39, 57, 59	44174GT	215

<u>Part no.</u>	<u>Page Number</u>	<u>Part no.</u>	<u>Page Number</u>	<u>Part no.</u>	<u>Page Number</u>
44175GT	215	48999GT	199, 203	56099GT	143
44227GT	193, 195	49379GT	143	56302GT	99, 123
44230GT	215	49517GT	197, 201	56912GT	71, 79, 85, 87, 89, 115
44255GT	11, 13, 31, 33, 51, 53	49775GT	75	58320GT	81
44736GT	17, 19, 37, 39, 57, 59	49816GT	111, 121, 205, 211	58380GT	101
44743GT	173	49819GT	97, 119	58486GT	101
44909GT	115, 147	49820GT	95	59568GT	213
44973GT	193, 195	49821GT	91, 117, 149, 155, 159	60334GT	101
44980GT	23, 43, 63	49826GT	105	60746GT	73
44981GT	13, 17, 19, 23, 27, 29...	49857GT	71	60790GT	85, 87, 89, 109
45112GT	71	50793GT	79	60857GT	101
45113GT	71	51428GT	209	62341GT	189
45114GT	71	51474GT	81	64154GT	91, 93, 101, 105, 111, 115
45384GT	113	51738GT	121	65737GT	105, 177, 179, 181
45435GT	115	51814GT	217	66030GT	167, 169, 173
45437GT	177, 179, 181	52420GT	115	66353GT	177, 179, 181
45458GT	119	52475GT	11, 13, 21, 23, 31, 33...	66355GT	177, 179, 181
45645GT	95, 119	52494GT	17, 19, 37, 39, 57, 59	66356GT	177, 179, 181
45748GT	73, 109	52865GT	13, 33, 53	66397GT	111
47077GT	221, 223, 225	52907GT	187, 189	66683GT	193, 195
47230GT	167, 171	53452GT	73	66717GT	123
47238GT	209	53500GT	191	66812GT	95, 183
47478GT	167, 173	54204GT	115	66813GT	95
47793GT	169	54365GT	123	66816GT	95
48425GT	93, 171	54380GT	213	66817GT	183
48878GT	199, 203	54436GT	81	66818GT	95, 183
48905GT	191, 197, 201, 219	54627GT	71, 79	66821GT	95, 97
48909GT	197, 201, 219	54958GT	71	66842GT	97
48911GT	73	54959GT	71	67387GT	77
48912GT	197, 201	54960GT	71	67504GT	131, 135, 139, 143
48915GT	199, 203, 219	54961GT	71	67505GT	131, 135, 139
48916GT	193, 195, 197, 201, 219	54962GT	71	67933GT	217
48930GT	219	55067GT	111	69586GT	117
48932GT	219	55089GT	177	69775GT	143
48933GT	197, 201	55484GT	217	69776GT	121
48946GT	199	55485GT	217	69853GT	183
48947GT	199, 203	55517GT	95, 125, 173	69879GT	109
48948GT	219	55559GT	195	71202GT	101
48959GT	199, 203	55675GT	125	71315GT	167, 171
48960GT	197, 201	55682GT	217	71376GT	167
48984GT	199, 203	55906GT	121	71382GT	231
48997GT	197, 201	55921GT	103	71484GT	93

<u>Part no.</u>	<u>Page Number</u>	<u>Part no.</u>	<u>Page Number</u>	<u>Part no.</u>	<u>Page Number</u>
71498GT	231	82558GT	13, 33, 53	99267GT	171
71508GT	91	82560GT	23, 43, 63	99268GT	171
71912GT	211	82561GT	11, 13, 31, 33, 51, 53	99346GT	91, 93
71925GT	217	82562GT	21, 23, 41, 43, 61, 63	101069GT	187, 189
72086GT	11, 13, 21, 23, 31, 33...	82666GT	21, 23, 41, 43, 61, 63	101718GT	93, 95, 105
72097GT	217	83020GT	197, 201	104235GT	89
72186GT	11, 13, 31, 33, 51, 53	83092GT	81	104328GT	71, 89
72326GT	95, 183	83093GT	95	104571GT	131, 135, 139
72998GT	13, 23, 33, 43, 53, 63	83131GT	95	104762GT	187
72999GT	13, 23, 33, 43, 53, 63	84109GT	215	104763GT	187, 189, 215
73464GT	79	84421GT	193, 195	104804GT	169
73466GT	227, 229	84422GT	193, 195	105092GT	83, 101, 105, 111, 227, 229
73717GT	123	87002GT	211	105117GT	105
73730GT	95	87172GT	197, 201	105118GT	105
73733GT	95	87265GT	205	105214GT	149
73734GT	123	87320-SGT	169	105556GT	205
74267GT	119	87523GT	167	105557GT	205
74389GT	73	87568GT	167	105692GT	211
74714GT	81	87570GT	171	106121GT	81
75041GT	97	87571GT	171	106122GT	81
75574GT	117	87645GT	171	106123GT	81
76502GT	113	87648GT	117	106445GT	79
76503GT	113	87675GT	171	110556GT	73
78674GT	93	87684GT	79, 101	112070GT	151, 153, 157
78736GT	79, 151, 153, 157, 159	87755GT	119	112072GT	153, 157
79090GT	171	88827GT	95	112076GT	151, 153, 157, 163, 165
79355GT	167, 169, 171	89065GT	73	112083GT	163
79374GT	205	89066GT	73	112099GT	151, 155, 161
79383GT	221, 223, 225	94499GT	187, 189, 197, 201	112100GT	151, 155, 161
79452GT	107	96008-SGT	95	112106GT	159
79831GT	217	96009GT	95	112115GT	149, 155, 159
81579GT	91	96010GT	95	112116GT	149, 155, 159
82160GT	13, 23, 33, 43, 53, 63	96203GT	101, 119, 155, 159	112121GT	149, 155, 159
82161GT	13, 23, 33, 43, 53, 63	96236GT	177, 179, 181	112123GT	151, 153, 157
82366GT	13, 23, 33, 43, 53, 63	96320GT	81	112124GT	151, 153, 157
82473GT	21, 23, 41, 43, 61, 63	96452GT	97	112125GT	157
82474GT	21, 23, 41, 43, 61, 63	96699GT	207	112126GT	157
82475GT	21, 23, 41, 43, 61, 63	96905GT	151, 153, 157	112127GT	149
82476GT	21, 23, 41, 43, 61, 63	96977GT	85, 87, 89, 149, 155, 159	112134GT	153, 157, 165
82481GT	21, 41, 61	97172GT	187, 189	112136GT	155, 159, 163
82487GT	23, 27, 29, 43, 47, 49...	97602GT	11, 31, 51	112177GT	155, 161
82557GT	17, 19, 37, 39, 57, 59	97719GT	13, 23, 33, 43, 53, 63	112210GT	155, 159

<u>Part no.</u>	<u>Page Number</u>	<u>Part no.</u>	<u>Page Number</u>	<u>Part no.</u>	<u>Page Number</u>
112229GT	149	131616GT	71	148000GT	211
112350GT	151, 155, 161	131621GT	191	148001GT	211
112375GT	149, 155, 159	131639GT	81	148024GT	211
112476GT	79, 167, 169, 171	131640GT	81	148027GT	211
112512GT	81	131658GT	93	148044GT	211
112537GT	217	131687GT	153	148046GT	209
112543GT	169	131695GT	79	148076GT	131, 135, 139, 205
112572GT	81	131735GT	173	148086GT	131, 135, 139
112703GT	163, 165	131741GT	171	148090GT	131, 135, 139
112708GT	151, 153, 157, 163, 165	131742GT	173	148091GT	131, 135, 139
112772GT	119, 177, 179, 181	131743GT	171	148092GT	131, 135, 139
114202GT	11, 13, 21, 23, 31, 33...	131744GT	167	148236GT	81, 151, 155, 161
114251GT	21, 41, 61	131745GT	167	148271GT	85, 87, 89
114258GT	11, 31, 51	131746GT	169	148277GT	85, 87
114334GT	23, 43, 63	131747GT	169	148292GT	85, 87, 89
114337GT	21, 41, 61	131749GT	167, 171	148307GT	89
114338GT	27, 29, 47, 49, 67, 69	131751GT	171	148317GT	149, 155, 161
114371GT	27, 29, 47, 49, 67, 69	131755GT	79	148329GT	209
114385GT	11, 13, 31, 33, 51, 53	131874GT	149	148353GT	71
114386GT	13, 17, 19, 33, 37, 39...	131899GT	149	148396GT	73
115402GT	191	131903GT	151	148400GT	77
119620GT	193, 195	131920GT	193, 195	148403GT	85, 87, 89
119910GT	75	131921GT	193, 195	148409GT	209
121421GT	143	131972GT	211	148410GT	209
122994GT	97	133148GT	13, 33, 53	148414GT	131, 135, 139
123643GT	145	133149GT	23, 43, 63	148422GT	175
124133GT	121	133537GT	27, 29, 47, 49, 67, 69	148433GT	149, 153, 157
124449GT	93	137562GT	97	148434GT	151, 153, 157
124576GT	107, 109, 115	137605GT	17, 19, 27, 29, 37, 39...	148450GT	165
124580GT	95	137611GT	183	160536GT	101
128009GT	103	137634GT	185	160739GT	209
128085GT	191	137637GT	97, 183	160740GT	209
128142GT	191	137640GT	183	160744GT	209
128200GT	97	137656GT	17, 19, 27, 29, 37, 39...	160910GT	111
128578GT	95, 97	137668GT	97	160912GT	109
128580GT	97	137692GT	97	160913GT	143
130561GT	121	137699GT	183	160915GT	109
131372GT	115	137769GT	113	160916GT	117
131393GT	197, 201	137770GT	113	160918GT	111
131416GT	167	144161GT	105, 177, 179, 181	161984GT	145
131428GT	217	147090GT	121	162001GT	143
131602GT	73	147419GT	199, 203	162007GT	117

<u>Part no.</u>	<u>Page Number</u>	<u>Part no.</u>	<u>Page Number</u>	<u>Part no.</u>	<u>Page Number</u>
162062GT	143	226378GT	193, 195	229092GT	185
162468GT	147	226379GT	193, 195	229093GT	185
214212GT	89	226380GT	191	229094GT	185
214222GT	103	226381GT	217	229097GT	185
214542GT	95, 121	227466GT	197, 201	229167GT	71
214544GT	185	227467GT	197, 201	229430GT	19
215214GT	197, 201	227468GT	197, 201	229431GT	39
215215GT	199, 203	227469GT	197, 201	229432GT	59
215229GT	93	227471GT	197, 201	229827GT	11, 31, 51
215379GT	119	227472GT	197, 201	229845GT	183
215488GT	109	227473GT	199, 203	230485GT	103
215914GT	101	227474GT	199, 203	230488GT	101
215915GT	101	227487GT	219	230489GT	29
218091GT	97	227489GT	219	230490GT	49
218245GT	131, 135, 139	227490GT	219	230491GT	69
218616GT	187, 189	227609GT	197, 201	230492GT	27
218617GT	187, 189	227610GT	197, 201	230493GT	47
218730GT	187, 189	227611GT	197, 201	230494GT	67
218731GT	187, 189	227612GT	197, 201	230804GT	11, 13, 31, 33, 51, 53
218732GT	187, 189	227613GT	197, 201	230805GT	29
218733GT	187, 189	227713GT	227	230806GT	49
218734GT	187, 189	227714GT	227	230807GT	69
218735GT	187, 189	227715GT	227	230809GT	27
219058GT	105	227716GT	227	230810GT	47
219112GT	125	227717GT	229	230811GT	67
219205GT	133, 137, 141	227724GT	219	230850GT	93
219206GT	73	227726GT	219	230858GT	193, 195
219210GT	173	227728GT	219	230861GT	187
219279GT	73	227730GT	219	231650GT	71
219356GT	73	227732GT	219	231921GT	183
219551GT	111	227735GT	219	231922GT	183
219552GT	111	227738GT	219	232523GT	79
219553GT	111	227740GT	219	232536GT	89
219633GT	111	227742GT	219	232537GT	85, 89
219634GT	111	227768GT	227	232549GT	93
219637GT	143	228103GT	157	232852GT	75
219639GT	109	229086GT	185	233767GT	73
219705GT	109	229087GT	185	234599GT	187, 189
219949GT	143	229088GT	185	234600GT	187, 189
219973GT	131, 135, 139	229089GT	185	234830GT	131, 135, 139
220153GT	91	229090GT	185	234831GT	131, 135, 139
220237GT	91	229091GT	185	234833GT	131, 135, 139

<u>Part no.</u>	<u>Page Number</u>	<u>Part no.</u>	<u>Page Number</u>	<u>Part no.</u>	<u>Page Number</u>
234834GT	131, 135, 139	238375GT	129	824954GT	109
234837GT	131, 135, 139	238382GT	101	824955GT	109
234999GT	215	238383GT	101	825199GT	111, 143
235089GT	211	822408GT	147	825200GT	109
235091GT	211	822624GT	109	825424GT	117
235122GT	159	822630GT	111	825426GT	115
235375GT	71	822648GT	117	825427GT	117
235377GT	81	822649GT	143	825435GT	147
235380GT	99	822651GT	145	825475GT	115
235381GT	95	822652GT	145	825476GT	115
235383GT	99	822663GT	117	825477GT	115
235397GT	93	822911GT	119	825491GT	145
235399GT	131, 135, 139	822912GT	119	825546GT	109
235463GT	185	822914GT	123	825547GT	109
235464GT	183	822956GT	127, 131, 135, 139	825555GT	117
235662GT	73	823041GT	231	825676GT	115
235663GT	73	823042GT	231	825715GT	111
235719GT	105	823043GT	231	825741GT	115
236021GT	103	823044GT	231	825742GT	115
236066GT	131	823045GT	231	826006GT	115
236067GT	135	823046GT	231	826033GT	17, 19, 27, 29
236068GT	139	823398GT	109	826034GT	37, 39, 47, 49
236802GT	105	823400GT	115	826035GT	57, 59, 67, 69
236813GT	71	823654GT	125	826036GT	15, 35, 55
237116GT	17, 19, 37, 39, 57, 59	823726GT	111	826442GT	147
237130GT	11, 13, 31, 33, 51, 53	823738GT	125	826443GT	147
237254GT	73	823739GT	125	826444GT	107
237289GT	183	823741GT	125	826445GT	117
237340GT	71, 81	824027GT	207	826448GT	143
237476GT	131, 135, 139	824149GT	145	826450GT	115
237618GT	97	824263GT	11, 13, 21, 23	826516GT	211
237773GT	71	824264GT	31, 33, 41, 43	826538GT	107
237797GT	187, 189, 197, 201	824265GT	51, 53, 61, 63	826569GT	15, 35, 55
237925GT	21, 41	824266GT	11, 13, 21, 23, 31, 33...	826575GT	147
237931GT	199, 203	824267GT	15, 23, 35, 43, 55, 63	826708GT	107
237932GT	199, 203	824268GT	11, 31, 51	826709GT	121
238256GT	197, 201	824269GT	11, 31, 51	826869GT	127
238299GT	73	824270GT	11, 31, 51	826870GT	127
238364GT	127	824271GT	21, 41, 61	826888GT	127
238371GT	129	824632GT	111	826889GT	127
238372GT	127	824657GT	143	826890GT	127
238374GT	127	824666GT	115	826891GT	127

<u>Part no.</u>	<u>Page Number</u>	<u>Part no.</u>	<u>Page Number</u>	<u>Part no.</u>	<u>Page Number</u>
826892GT	127	1254245GT	79, 151, 153, 157, 159	1256085GT	127
826893GT	127	1254346GT	121	1256086GT	127
826894GT	127	1254347GT	119	1256087GT	127
826927GT	127	1254379GT	121	1256088GT	129
826928GT	127	1254428GT	125	1256089GT	129
826930GT	11, 31	1254430GT	105	1256090GT	129
826993GT	127	1254431GT	71	1256216GT	121
1251512GT	117	1254432GT	73	1256267GT	149, 155, 159
1251513GT	111	1254433GT	75	1256309GT	119
1251517GT	111	1254434GT	73	1256324GT	113
1251526GT	127	1254449GT	101	1256463GT	207
1251527GT	127	1254572GT	207	1256656GT	183
1251560GT	121	1254591GT	97	1256658GT	183
1252753GT	115	1254597GT	129	1256712GT	17, 19, 27, 29, 37, 39...
1252754GT	117	1254598GT	129	1256714GT	17, 19, 27, 29, 37, 39...
1252755GT	109	1254615GT	119	1256721GT	97
1252770GT	109	1254616GT	121	1256722GT	97
1252791GT	113	1254640GT	127	1256725GT	183
1253215GT	117	1254820GT	119	1256726GT	183
1253216GT	145	1254912GT	121	1256731GT	183
1253349GT	125	1254914GT	129, 133, 137, 141	1256732GT	183
1253410GT	143	1254915GT	129, 131, 135, 139	1256830GT	21, 41, 61
1253422GT	125	1255016GT	121	1257202GT	127
1253423GT	125	1255265GT	127	1257217GT	129, 133, 137, 141
1253424GT	125	1255452GT	73, 77, 81	1257242GT	17, 37, 57
1253426GT	101	1255462GT	147	1257251GT	11, 31, 51
1253458GT	113	1255463GT	147	1257397GT	19, 39, 59
1253468GT	125	1255464GT	147	1257720GT	143
1253479GT	125	1255465GT	147	1257833GT	115
1253603GT	145	1255466GT	147	1257923GT	17, 19, 27, 29, 37, 39...
1253837GT	123	1255467GT	147	1258010GT	121
1253838GT	119	1255534GT	21, 41, 61	1258101GT	117
1253902GT	85, 89	1255557GT	27, 29, 47, 49, 67, 69	1258104GT	17, 19, 37, 39, 57, 59
1253910GT	121	1255787GT	127	1258134GT	145
1253927GT	11, 15, 21, 25, 31, 35...	1255856GT	127	1258135GT	145
1254064GT	121	1255861GT	121	1258136GT	145
1254065GT	121	1255862GT	121	1258397GT	127
1254066GT	119	1255883GT	143	1258628GT	79
1254067GT	121	1255884GT	143	1258629GT	79
1254068GT	219	1255885GT	143	1258632GT	71
1254069GT	219	1256047GT	105	1258633GT	71
1254192GT	151, 153, 157	1256049GT	105, 127	1258731GT	133, 137, 141, 183

<u>Part no.</u>	<u>Page Number</u>	<u>Part no.</u>	<u>Page Number</u>	<u>Part no.</u>	<u>Page Number</u>
1258753GT	79	1283121GT	81	T114638GT	17, 19
1258754GT	79	1286600GT	79	T114639GT	37, 39
1258759GT	71	1286601GT	81	T114640GT	57, 59
1258760GT	71	1288967GT	211	T114641GT	17
1259176GT	109	1289021GT	125	T114642GT	37
1259447GT	131, 133, 135, 137, 139	1289520GT	93	T114643GT	57
1259448GT	141	1289521GT	93	T114860GT	89
1259498GT	133, 137, 193	1289561GT	93	T115515GT	85, 89
1259499GT	133, 137, 141	1289877GT	211		
1259500GT	213	1289888GT	211		
1259991GT	141, 195	T106362GT	97		
1261085GT	195	T106363GT	97		
1263542GT	23, 43, 63	T106366GT	97		
1264822GT	131, 135, 139	T106370GT	183		
1264834GT	131, 135, 139	T106371GT	97		
1265331GT	193, 195	T106372GT	97		
1266112GT	131, 135, 139	T106373GT	183		
1266273GT	131, 135, 139	T106782GT	93		
1266712GT	11, 31, 51	T106793GT	93		
1267469GT	207	T107936GT	79		
1272242GT	25, 45, 65	T107969GT	79		
1272484GT	93	T107978GT	79		
1272485GT	93	T108039GT	175		
1272486GT	105	T108074GT	175		
1272489GT	95	T108137GT	151, 153, 157		
1272490GT	99	T108138GT	149, 153, 157		
1272900GT	189	T108139GT	149, 153, 157		
1273392GT	131, 135, 139, 207	T109734GT	151, 153, 161		
1273704GT	189	T109739GT	79		
1274950GT	199, 203	T109744GT	79		
1275154GT	189	T109745GT	79		
1275562GT	213	T112457GT	115		
1275810GT	211	T112560GT	177, 179, 181		
1277226GT	97	T112563GT	177, 179, 181		
1277998GT	29	T113139GT	101		
1277999GT	49	T113787GT	103		
1278000GT	69	T114353GT	229		
1279465GT	101	T114354GT	229		
1279466GT	101	T114356GT	229		
1280156GT	217	T114357GT	229		
1280665GT	105, 177, 179, 181	T114358GT	229		
1282278GT	99	T114634GT	131, 135, 139		

California Proposition 65

 **WARNING**

Operating, servicing and maintaining this equipment, passenger vehicle or off-highway motor vehicle can expose you to chemicals including engine exhaust, carbon monoxide, phthalates, and lead, which are known to the State of California to cause cancer and birth defects or other reproductive harm. These chemicals can be emitted from or contained in other various parts and systems, fluids and some component wear by-products. To minimize exposure, avoid breathing exhaust, do not idle the engine except as necessary, service your equipment and vehicle in a well-ventilated area and wear gloves or wash your hands frequently when servicing your equipment or vehicle and after operation. For more information go to www.P65Warnings.ca.gov/passenger-vehicle.

Breathing diesel engine exhaust exposes you to chemicals known to the State of California to cause cancer and birth defects or other reproductive harm.

- Always start and operate the engine in a well-ventilated area.
- If in an enclosed area, vent the exhaust to the outside.
- Do not modify or tamper with the exhaust system.
- Do not idle the engine except as necessary.

For more information go to www.P65warnings.ca.gov/diesel.

Distributed By:

www.GS-Parts.com to order your parts

PARTS FINDER

**Search Website
by Part Number**



**Search Manual
Library For Parts
Manual & Lookup Part
Numbers – Purchase
or Request Quote**

Search Manuals

Enter your information to help us find the right parts manual for your machine.

* Brand:

* Model:

* Serial:

* Part Number:

SEARCH

**Can't Find Part or
Manual? Request Help
by Manufacturer,
Model & Description**

Parts Order Form

Please fill in the following information to help us find the right part for your machine.

Manufacturer:	<input type="text"/>
Model:	<input type="text"/>
Description:	<input type="text"/>
Part Number:	<input type="text"/>
Quantity:	<input type="text"/>
Notes:	<input type="text"/>
Submit	<input type="button" value="Submit"/>

Discount-Equipment.com is your online resource for quality parts & equipment.

Florida: **561-964-4949** Outside Florida TOLL FREE: **877-690-3101**

Need parts?

Click on this link: <http://www.discount-equipment.com/category/5443-parts/> and choose one of the options to help get the right parts and equipment you are looking for. Please have the machine model and serial number available in order to help us get you the correct parts. If you don't find the part on the website or on one of the online manuals, please fill out the request form and one of our experienced staff members will get back to you with a quote for the right part that your machine needs.

We sell worldwide for the brands: Genie, Terex, JLG, MultiQuip, Mikasa, Essick, Whiteman, Mayco, Toro Stone, Diamond Products, Generac Magnum, Airman, Haulotte, Barreto, Power Blanket, Nifty Lift, Atlas Copco, Chicago Pneumatic, Allmand, Miller Curber, Skyjack, Lull, Skytrak, Tsurumi, Husquvarna Target, Stow, Wacker, Sakai, Mi-T-M, Sullair, Basic, Dynapac, MBW, Weber, Bartell, Bennar Newman, Haulotte, Ditch Runner, Menegotti, Morrison, Contec, Buddy, Crown, Edco, Wyco, Bomag, Laymor, EZ Trench, Bil-Jax, F.S. Curtis, Gehl Pavers, Heli, Honda, ICS/PowerGrit, IHI, Partner, Imer, Clipper, MMD, Koshin, Rice, CH&E, General Equipment, Amida, Coleman, NAC, Gradall, Square Shooter, Kent, Stanley, Tamco, Toku, Hatz, Kohler, Robin, Wisconsin, Northrock, Oztec, Toker TK, Rol-Air, APT, Wylie, Ingersoll Rand / Doosan, Innovatech, Con X, Ammann, Mecalac, Makinex, Smith Surface Prep, Small Line, Wanco, Yanmar