



A TEREX BRAND



Parts Manual

Serial Number Range

GS-2646 AV

from GS-4612A-110000 to
GS4616P-141799

GS-2646 AV35

from GS46P-141800

Part No. 214728

Rev B20

November 2018

Go to Discount-Equipment.com to order your parts

PARTS FINDER

**Search Website
by Part Number**



**Search Manual
Library For Parts
Manual & Lookup Part
Numbers – Purchase
or Request Quote**

Search Manuals

Enter your information to help us find the right parts manual for your machine.

* Brand:

* Model:

* Serial:

* Part Number:

SEARCH

**Can't Find Part or
Manual? Request Help
by Manufacturer,
Model & Description**

Parts Order Form

Please fill in the following information to help us find the right part for your machine.

Manufacturer:	<input type="text"/>
Model:	<input type="text"/>
Description:	<input type="text"/>
Part Number:	<input type="text"/>
Quantity:	<input type="text"/>
Notes:	<input type="text"/>

REQUEST HELP

Discount-Equipment.com is your online resource for quality parts & equipment.

Florida: **561-964-4949** Outside Florida TOLL FREE: **877-690-3101**

Need parts?

Click on this link: <http://www.discount-equipment.com/category/5443-parts/> and choose one of the options to help get the right parts and equipment you are looking for. Please have the machine model and serial number available in order to help us get you the correct parts. If you don't find the part on the website or on one of the online manuals, please fill out the request form and one of our experienced staff members will get back to you with a quote for the right part that your machine needs.

We sell worldwide for the brands: Genie, Terex, JLG, MultiQuip, Mikasa, Essick, Whiteman, Mayco, Toro Stone, Diamond Products, Generac Magnum, Airman, Haulotte, Barreto, Power Blanket, Nifty Lift, Atlas Copco, Chicago Pneumatic, Allmand, Miller Curber, Skyjack, Lull, Skytrak, Tsurumi, Husquvarna Target, Stow, Wacker, Sakai, Mi-T-M, Sullair, Basic, Dynapac, MBW, Weber, Bartell, Bennar Newman, Haulotte, Ditch Runner, Menegotti, Morrison, Contec, Buddy, Crown, Edco, Wyco, Bomag, Laymor, EZ Trench, Bil-Jax, F.S. Curtis, Gehl Pavers, Heli, Honda, ICS/PowerGrit, IHI, Partner, Imer, Clipper, MMD, Koshin, Rice, CH&E, General Equipment, Amida, Coleman, NAC, Gradall, Square Shooter, Kent, Stanley, Tamco, Toku, Hatz, Kohler, Robin, Wisconsin, Northrock, Oztec, Toker TK, Rol-Air, APT, Wylie, Ingersoll Rand / Doosan, Innovatech, Con X, Ammann, Mecalac, Makinex, Smith Surface Prep, Small Line, Wanco, Yanmar

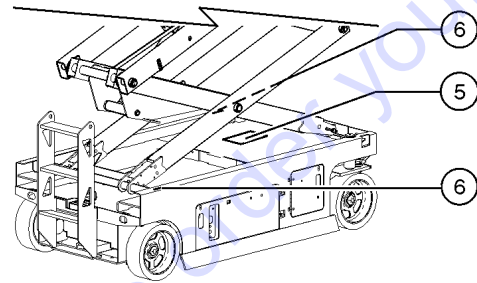
To August 31, 2016

Genie
A TEREX BRAND

Model:
Serial number: GS4616P-123456
Manufacture date: 1/2/16 **Model year:** 2016
Electrical schematic number:
Machine unladen weight:
Rated work load (including occupants):
Maximum number of platform occupants:
Maximum allowable inclination of the chassis:
Outrigger retracted:
Outrigger deployed:

GS46 16 P - 123456

1 2 3 4



- 1 Model
- 2 Model year
- 3 Facility code

- 4 Sequence number
- 5 Serial label (located on chassis)
- 6 Serial number (stamped on chassis)

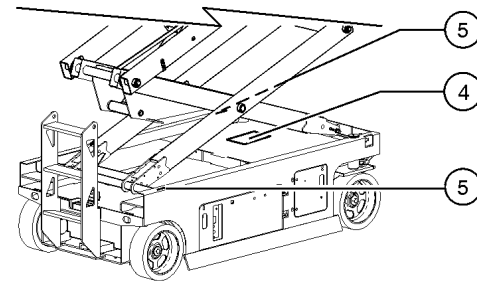
From September 1, 2016

Genie
A TEREX BRAND

Model:
Serial number: GS46P-123456
Year of manufacture: 2016
Electrical schematic number:
Machine unladen weight:
Rated work load (including occupants):
Maximum number of platform occupants:
Maximum allowable inclination of the chassis:
Outrigger retracted:
Outrigger deployed:

GS46 P - 123456

1 2 3



- 1 Model
- 2 Facility code
- 3 Sequence number

- 4 Serial label (located on chassis)
- 5 Serial number (stamped on chassis)

Table of Contents

This manual is updated frequently. For the most up-to-date parts information, visit www.discount-equipment.com

How to Read Your Serial Number.....	3
Parts Stocking List.....	7

Electronic Version

Click on any page number to view the figure.

100 Decals

101.1 Word Decals, Battery Side, ANSI.....	10
102.1 Word Decals, Ground Control Side, ANSI.....	12
103.1 Word Decals, Platform, ANSI.....	14

200 Drive Chassis Component

201.1 Steer Linkage, Drive Motor and Wheels.....	16
202.1 Brake, Ladder and Counterweight Installation.....	18
203.1 Level Sensor Installation.....	20
204.1 Pot Hole Protection Assembly.....	22
205.1 Battery Pack with Charger.....	24
206.1 Battery Pack with Remote Charger.....	26
207.1 Battery Charger.....	28
208.1 Power Unit and Tank Tray (to SN GS4616P-139987).....	30
208.2 Power Unit and Tank Tray (from SN GS4616P-139988).....	32
209.1 Ground Controls.....	34
210.1 Electrical Wiring, Models with Manual Extension Deck.....	36
211.1 Electrical Wiring, Models with Powered Extension Deck.....	38
212.1 Power Cables.....	40
213.1 Remote Charger Cables (models without charger)....	42
214.1 Function Manifold and Accumulator Installation.....	44
215.1 Powered Extension Deck Manifold Installation.....	46

300 Scissor Components

301.1 Scissor Assembly Installation.....	48
302.1 Scissor Link Assembly.....	50

400 Platform Components

401.1 Platform Main Deck.....	52
402.1 Platform Main Entry Gate.....	54
403.1 Platform Extension Deck View 1.....	56
404.1 Platform Extension Deck View 2.....	58
405.1 Manual Extension Deck Lock.....	60
406.1 Power to Platform.....	62
407.1 Platform Control Box, 2 Speed (to SN 134999).....	64
408.1 Platform Control Box, Proportional Lift (from SN 135000).....	66
409.1 Joystick Controller.....	68

500 Hydraulic Components

501.1 Hydraulic Component Layout.....	70
502.1 Function Manifold.....	72
503.1 Brake Release Hand Pump Manifold.....	74
504.1 Hydraulic Power Unit.....	76
505.1 Lift Cylinder Assembly.....	78
506.1 Hydraulic Hoses and Fittings, Manual Extension Deck Models.....	80
507.1 Hydraulic Hoses and Fittings, Powered Extension Deck Models.....	82
508.1 Powered Extension Deck Manifold.....	84

600 Accessories

601.1 Alarm, Horn and Flashing Beacon.....	86
602.1 Air Line to Platform.....	88
603.1 Voltage Inverter.....	90

Indices

Part Number Index.....	92
Part Description Index.....	95

Cross References

Fittings Cross Reference.....	100
-------------------------------	-----

Required Parts

The following parts are required to perform maintenance procedures as outlined in the *Genie GS-2646 AV Service Manual*.

Description	Part No.
Filter Element, 10 Micron.....	44788
Dielectric Grease.....	66399
Chevron Ultra-duty Grease (Lithium) or equivalent, EP NLGI 1.....(source locally)	
Breather Cap, Hydraulic Tank.....	78546
Cotter Pin, Castle Nut, Steer-end Wheels.....	13635-10
Cotter Pin, Castle Nut, Non-steer end Wheels	42079

Recommended Parts

Description	Part No.
Genie Blue Paint, 1 Gallon	32150
Genie Blue Paint, 12 Ounce Aerosol	1484
Genie Gray Paint, 1 Gallon	32151
Genie Gray Paint, 12 Ounce Aerosol	1268

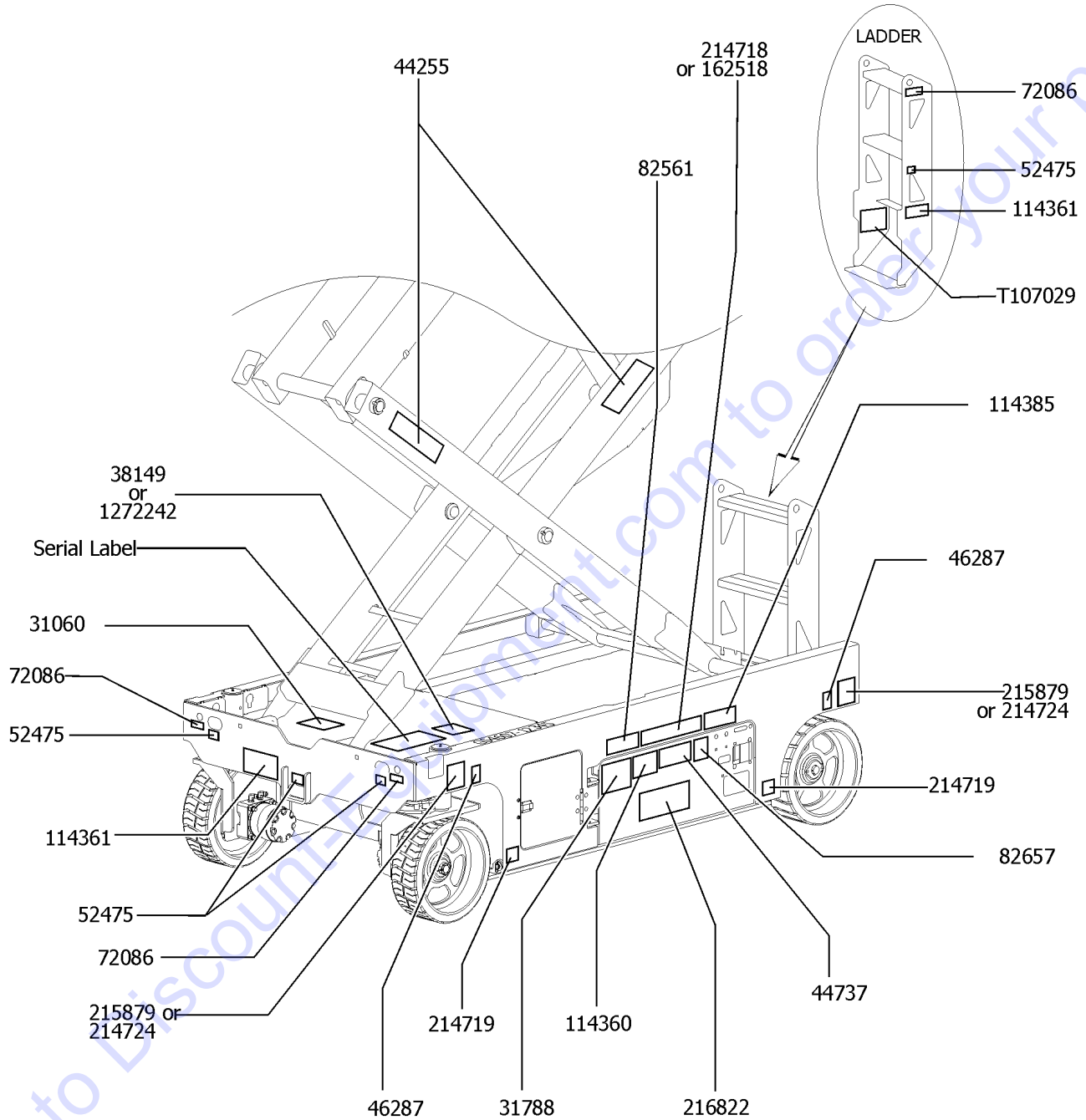
Genie also offers the following support documents:

EMI Safety Manual	27581
Manual of Responsibilities	
ANSI A92.6	44163

Go to Discount-Equipment.com to order your parts

101.1 Word Decals, Battery Side, ANSI

Battery Side

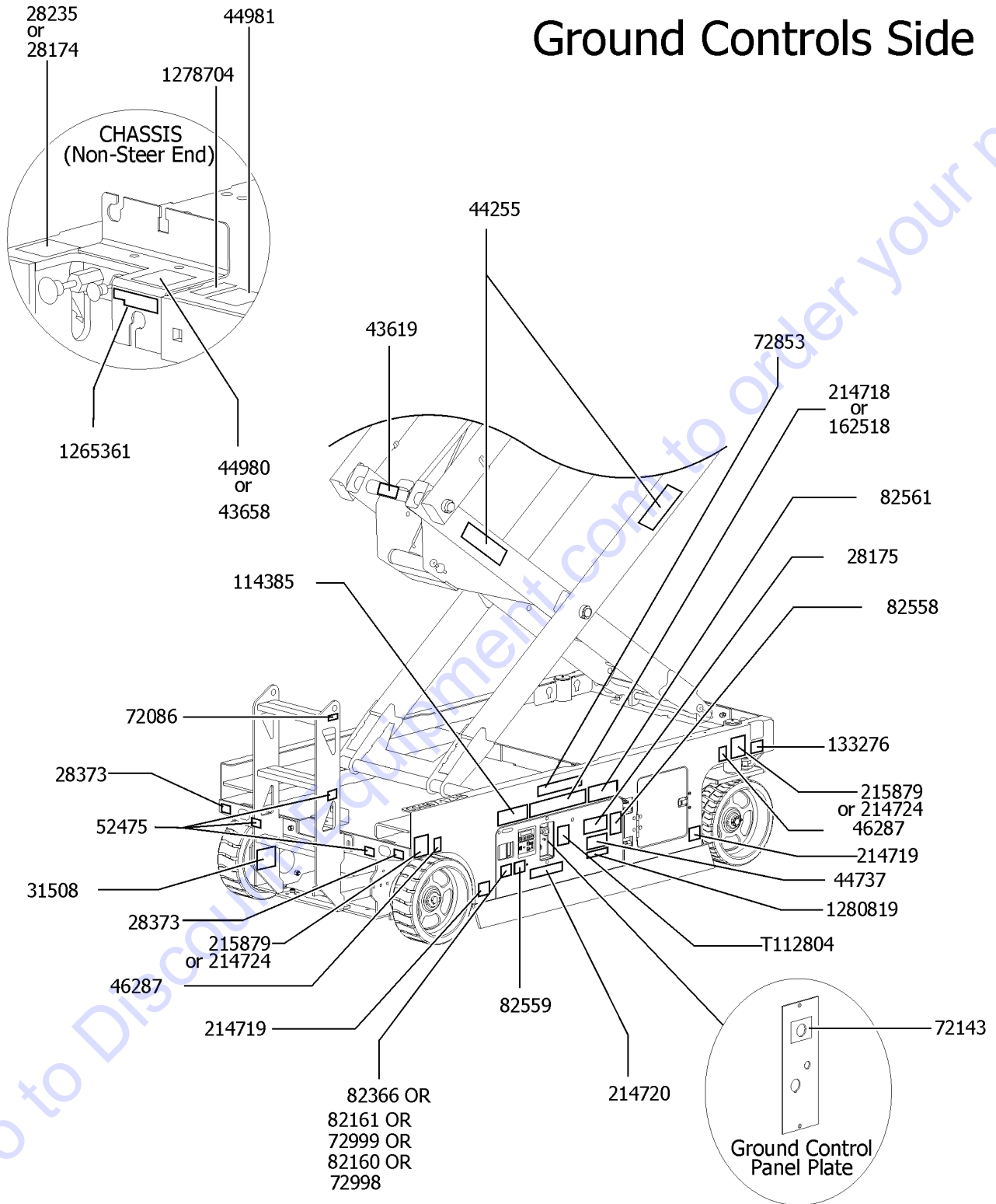


101.1 Word Decals, Battery Side, ANSI

Item	Part No.	Description	Qty.
A	217684GT	DECAL KIT,2646AV,PLAT (models with 2 speed controller) to SN GS3214A-134999	
B	217865GT	DECAL KIT,2646AV,COMP (models with 2 speed controller) to SN GS3214A-134999	
C	823223GT	DECAL KIT,2646AV35,PLAT (models with 2 speed controller) to SN GS3214A-134999	
D	823222GT	DECAL KIT,2646AV35,COMP (models with 2 speed controller) to SN GS3214A-134999	
1	31060GT	DECAL,DANGER DO NOT ALTER SWTC.....	1
2	31788GT	DECAL,DANGER,BATTERY SAFETY***.....	1
3	38149GT	DECAL,LABEL,PATENTS.....	1
4	44255GT	DECAL,DANGER,CRUSHING HAZARD.....	2
5	44737GT	DECAL DANGER TIP OVER TRAYS.....	1
6	46287GT	DECAL,LABEL-TIRE SPECS.....	2
7	52475GT	DECAL,LABEL,TRANSPORT TIEDOWN*.....	4
8	72086GT	DECAL,LABEL,LIFTING EYE.....	3
9	82561GT	DECAL,DANGER-USE SAFETY ARM....	1
10	82657GT	DECAL,INSTRUCT,BATTERY CONNECT.....	1
11	114360GT	DECAL,DANGER-TIP-OVER,BATT.....	1
12	114361GT	DECAL,LABEL-TRANSPORT DIGRAM.....	2
13	114385GT	DECAL,DANGER,ELEC HAZARD,GS....	1
14A	214718GT	DECAL,FORKLIFT MIN CAP,5400LB.... GS-2646 AV	1
14B	162518GT	DECAL,FORKLIFT MIN CAP,6400LB.... GS-2646 AV35	1
15	214719GT	DECAL,FORK LIFT POINT.....	2
16A	215879GT	DECAL,WHEELLOAD,2646AV,28MPH.... GS-2646 AV	2
16B	214724GT	DECAL,WHEELLOAD,2646AV,35MPH.... GS-2646 AV35	2
17	216822GT	DECAL,ONBOARD AND REMOTE,CHRG.....	1
18	T107029GT	DECAL,DANGER,BRAKE REL SAFETY.....	1
19	1272242GT	DECAL,MACHINE REGISTRATION/OWNER TRANSFER....	1

102.1 Word Decals, Ground Control Side, ANSI

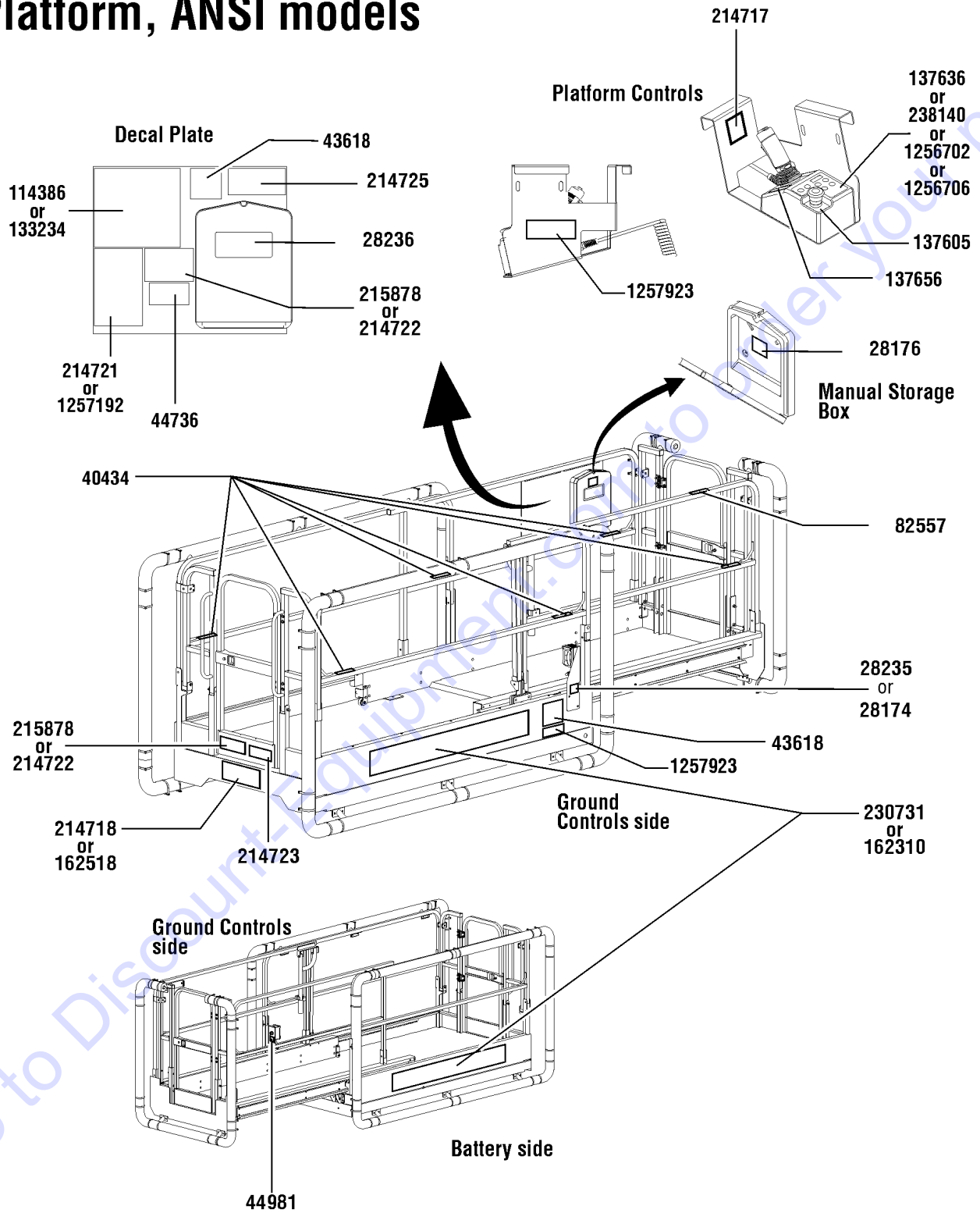
Ground Controls Side



102.1 Word Decals, Ground Control Side, ANSI

Item	Part No.	Description	Qty.	Item	Part No.	Description	Qty.
A		Ref: GS-2646AV Word Decal Kits (refer to 101.1)		30B	214724GT	DECAL,WHEELLOAD,2646AV,35MPH...2 GS-2646 AV35	2
B		Ref: GS-2646AV35 Word Decal Kits (refer to 101.1)		31	T112804GT	DECAL,GCON PANEL,GS.....1	1
1	28174GT	DECAL, POWER TO PLATFORM 230V**.....1	1	32	1256361GT	DECAL, BATTERY CHARGER INDICATOR, 3COLOR.....1	1
2	28175GT	DECAL,WARNING-COMPART ACCESS.....1	1	32	1265361GT	DECAL, BATTERY CHARGER INDICAT (from SN 139711 to 145047)	1
3	28235GT	DECAL,POWER TO PLATFORM 115V...1	1	33	1278704GT	DECAL,CHARGE STATUS IND (from SN 145048)	1
4	28373GT	DECAL,FORK LIFT POCKET.....2	2	34	1280819GT	DECAL,WARNING,CANCER AND REPRODUCTIVE HARM, PROP 65.....1 (US only ANSI from SN 145587)	1
5	31508GT	DECAL,DANGER,ELECT HAZARD,PLUG.....1	1				
6	43619GT	DECAL,LABEL,SAFETY ARM.....1	1				
7	43658GT	DECAL,LABEL,PWR TO CHARGR 230V.....1	1				
8	44255GT	DECAL,DANGER,CRUSHING HAZARD.....2	2				
9	44737GT	DECAL DANGER TIP OVER TRAYS.....1	1				
10	44980GT	DECAL,LABEL,PWR TO CHARGR 115V.....1	1				
11	44981GT	DECAL,LABEL, AIR LINE 110 PSI.....1	1				
12	46287GT	DECAL,LABEL-TIRE SPECS.....2	2				
13	52475GT	DECAL,LABEL,TRANSPORT TIEDOWN*.....3	3				
14	72086GT	DECAL,LABEL,LIFTING EYE.....1	1				
15	72143GT	DECAL,EMERGENCY STOP,GR.....1	1				
16	72853GT	DECAL,DANGER,IMPROPER USE HAZ.....1	1				
17	72998GT	DECAL,LABEL,QUINTOLUBRIK.....1	1				
18	72999GT	DECAL,LABEL,PETRO CANADA***.....1	1				
19	82160GT	DECAL,LABEL,STATOIL HYDRA WAY.....1	1				
20	82161GT	DECAL,LABEL,UCON HYDROLUBE....1	1				
21	82366GT	DECAL,CHEVRON RANDO HD.....1	1				
22	82558GT	DECAL,WARN,SKIN INJECTION HAZ*.....1	1				
23	82559GT	DECAL,INSTRUCT-ANNUAL INSP REQ.....1	1				
24	82561GT	DECAL,DANGER-USE SAFETY ARM....1	1				
25	114385GT	DECAL,DANGER,ELEC HAZARD,GS....1	1				
26	133276GT	DECAL,EMERGENCY LOWERING.....1	1				
27A	214718GT	DECAL,FORKLIFT MIN CAP,5400LB....1 GS-2646 AV	1				
27B	162518GT	DECAL,FORKLIFT MIN CAP,6400LB....1 GS-2646 AV35	1				
28	214719GT	DECAL,FORK LIFT POINT.....2	2				
29	214720GT	DECAL,OPS INST,GCON GS-2646AV....1	1				
30A	215879GT	DECAL,WHEELLOAD,2646AV,28MPH....2 GS-2646 AV	2				

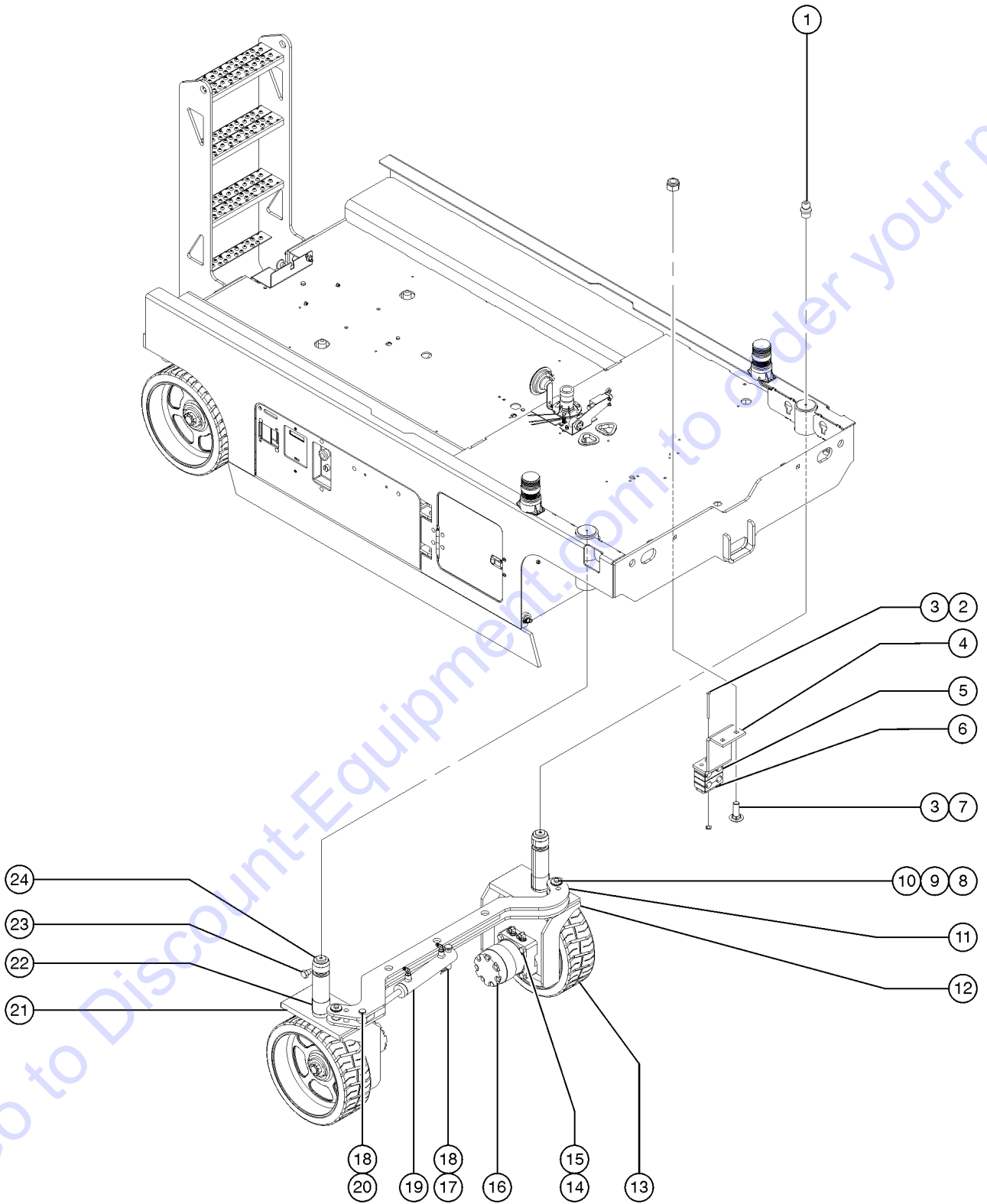
Platform, ANSI models



103.1 Word Decals, Platform, ANSI

Item	Part No.	Description	Qty.	Item	Part No.	Description	Qty.
A		Ref: GS-2646AV Word Decal Kits (refer to 101.1)		22	1256702GT	DECAL, UI, GS/GR, PROP LIFT.....1 (models with manual extension deck, proportional controller)(not included in decal kits, order separately) from SN GS4614-135000	1
B		Ref: GS-2646AV35 Word Decal Kits (refer to 101.1)		23	1256706GT	DECAL,PWR DECK,PROP LIFT,UI.....1 (models with powered extension deck, proportional controller)(not included in decal kits, order separately) from SN GS4614A-135000	1
1	28174GT	DECAL, POWER TO PLATFORM 230V**.....1	1	24	1257192GT	DECAL,OP INST,PLAT,GS46AV.....1 (models with proportional controller) from SN GS4614A-135000	1
2	28176GT	DECAL,LABEL,MANUAL NOT HERE.....1	1	25	1257923GT	DECAL, SMARTLINK PROPORTIONAL.....2 (models with proportional controller) from SN GS4614A-135000	2
3	28235GT	DECAL,POWER TO PLATFORM 115V...1	1				
4	28236GT	DECAL,WARN,IMPROPER OPERATION.....1	1				
5	40434GT	DECAL,LANYARD ANCHORAGE POINT.....6	6				
6	43618GT	DECAL, LABEL - DIRECTION ARROWS.....2	2				
7	44736GT	DECAL,DANGER,TIP-OVER,TILT.....1	1				
8	44981GT	DECAL,LABEL, AIR LINE 110 PSI.....1	1				
9	82557GT	DECAL,LABEL,PLAT CONT LOCATION.....1	1				
10A	114386GT	DECAL,DANGER-GEN SAFETY.....1 GS-2646 AV	1				
10B	133234GT	DECAL,DANGER-GEN SAFETY.....1 GS-2646 AV35	1				
11	137605GT	DECAL,E-STOP,GR/GRC/GS PCON.....1	1				
12	137636GT	DECAL, UI, GR/GRC/GS PCON.....1 (models with manual extension deck, 2 speed controller)(not included in decal kits, order separately) to SN GS4614A-134999	1				
13	137656GT	DECAL,PROPEL,GR/GRC/GS,PCON....1	1				
14	214717GT	DECAL,LABEL,FAULT CODES.....1	1				
15A	214718GT	DECAL,FORKLIFT MIN CAP,5400LB.....1 GS-2646 AV	1				
15B	162518GT	DECAL,FORKLIFT MIN CAP,6400LB.....1 GS-2646 AV35	1				
16	214721GT	DECAL,OPS,INST,PCON GS-2646AV....1 (models with 2 speed controller) to SN GS4614A-134999	1				
17	214723GT	DECAL,MAX CAPACITY,GS-2646AV....1	1				
18	214725GT	DECAL,WARNING,FALL HAZARD,AV....1	1				
19A	215878GT	DECAL,SIDEFORCE,2646AV,28MPH.....1 GS-2646 AV	1				
19B	214722GT	DECAL,SIDEFORCE,2646AV,28MPH.....1 GS-2646 AV35	1				
20A	230731GT	DECAL,COSM,2646AV.....2 GS-2646 AV	2				
20B	162310GT	COSM DECAL 2646AV35.....2 GS-2646 AV35	2				
21	238140GT	DCL,UI,GS,PCON W/ PWR EXT.....1 (models with powered extension deck, 2 speed controller)(not included in decal kits, order separately) to SN GS4614A-134999	1				

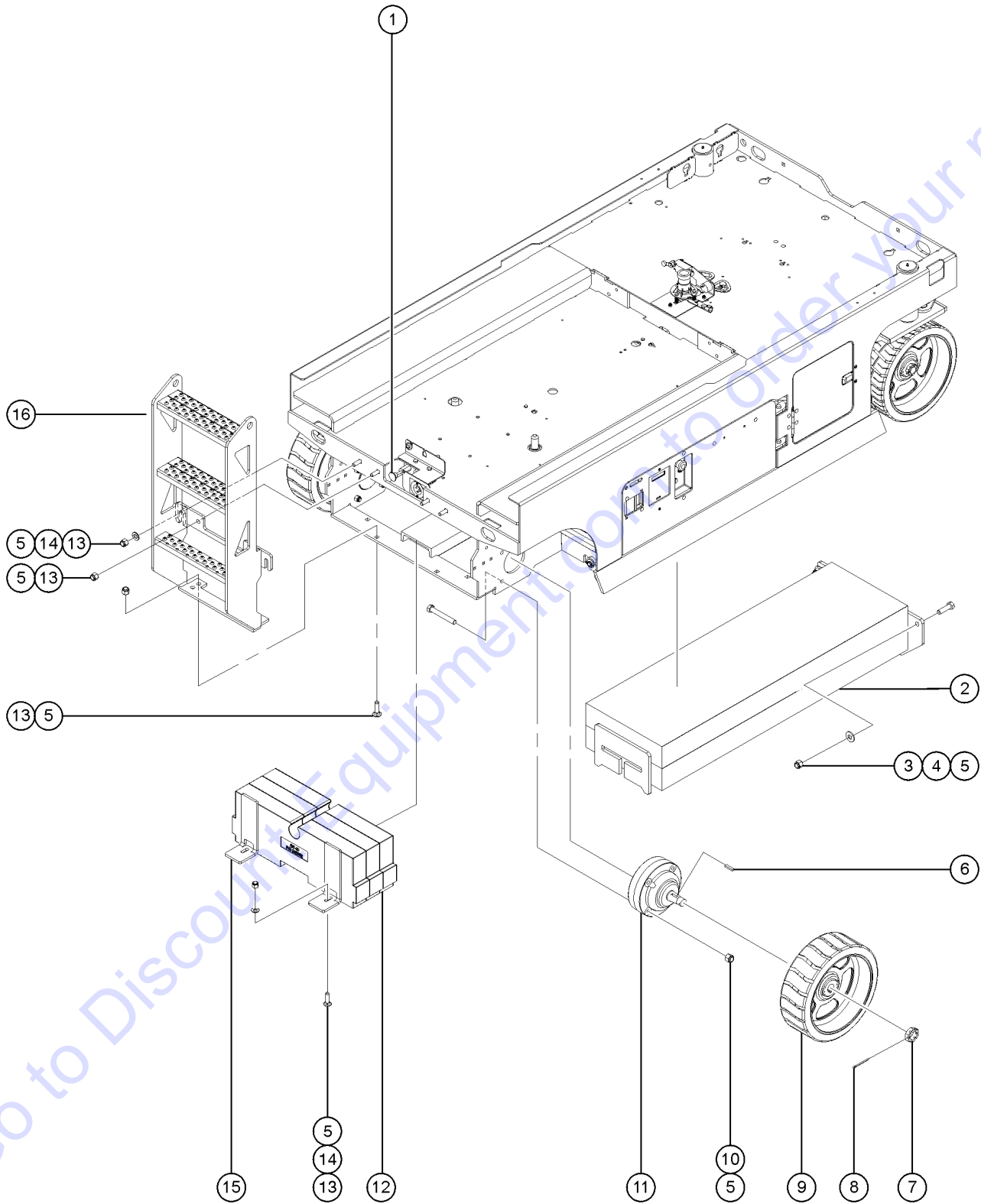
201.1 Steer Linkage, Drive Motor and Wheels



201.1 Steer Linkage, Drive Motor and Wheels

Item	Part No.	Description	Qty.
1	66770GT	FITTING,STRAIGHT DRIVE-IN ZERK...2	
2	144374GT	SCREW,HHC,1/4-20X3.25,GR8.....1	
3	6091GT	NUT,NYLOCK,1/4-20	
4	230364GT	FORMING,HOSE CLAMP SPT,PTD,BLU.....1	
5	78736GT	CLAMP,2 HOSE,PLASTIC,5/8.....4	
6	58592GT	PLATE,HOSE ROUTG,BULKHEAD(PTD).....1	
7	9116GT	BOLT,CARRIAGE,1/4-20x1.25,G2	
8	8255GT	SCREW,HHC,3/8-16 X .75	
9	15086GT	WASHER,FLAT,.375 X 1.5 X .125	
10	47946GT	BEARING,1.00IDX1.25ODX0.49L.....2	
11	97267GT	TIE ROD ASSY, GS46.....1 (battery pack side)	
--	47946GT	BEARING,1.00IDX1.25ODX0.49L.....4	
--	96574GT	WLDMT,TIE ROD,GS46.....1	
12	96573GT	WLDMT,STEER YOKE,LT,GS32/46.....1 (battery pack side)	
13	105454GT	WHEEL & TIRE ASSY LP,15".....2	
14	8357GT	SCREW,HHC,1/2-13 X 3.5	
15	6198GT	NUT,NYLOCK,1/2-13	
16	96388GT	MOTOR,HYDRAULIC,530,14.0CU.IN*...2	
17	96907GT	PIN,CLEVIS,0.75 X 3.25".....1	
18	21253GT	CLIP,HAIR PIN .125 X 2.....2	
19	105547GT	CYLINDER,GS/GR STEER***1	
--	105550GT	KIT,STEER CYL SEAL	
--	105553GT	KIT,STEER CYL SEAL,040271P,HDM (for code H408147 and up)	
--	105554GT	KIT,STEER CYL SEAL,040499P,HDM (for code H41109 and up)	
--	105555GT	KIT,STEER CYL SEAL,040505P,HDM (for codes H41205, H41255, and H501111 and up)	
20	6545GT	PIN,CLEVIS,.75 X 2.....1	
21	96572GT	WLDMT,STEER YOKE,RT,GS32/46.....1 (ground controls side)	
22	18722GT	BEARING,2.25IDX2.50ODX1.50L ***.....2	
23	55917GT	SCREW, YOKE LOCK ALL SLABS	
24	105565GT	WASHER,THRUST, GS.....2	

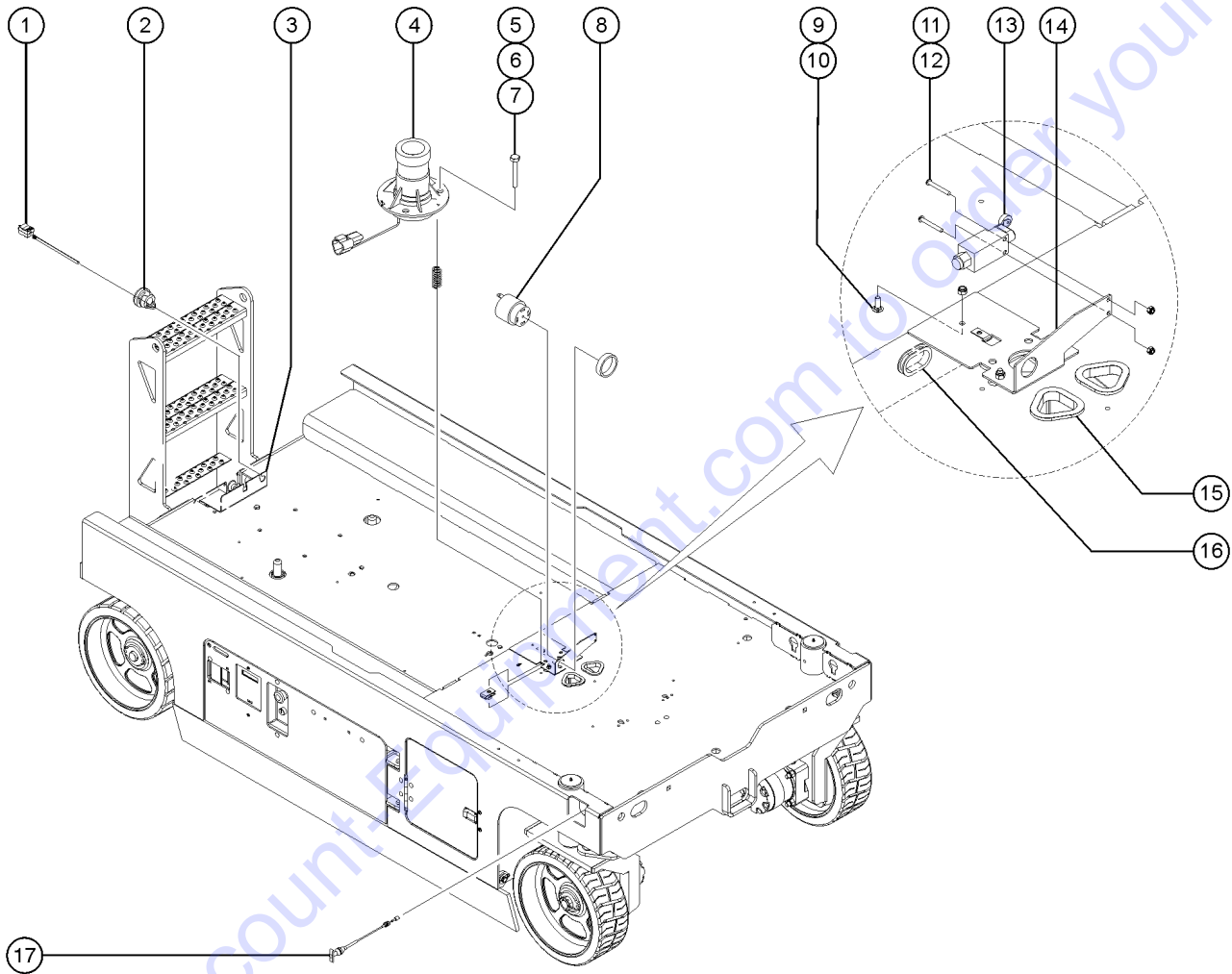
202.1 Brake, Ladder and Counterweight Installation



202.1 Brake, Ladder and Counterweight Installation

Item	Part No.	Description	Qty.
1		REF: BRAKE RELEASE MANIFOLD (refer to 503.1)	
2	96876GT	COUNTERWEIGHT, BELLY.....1 GS-2646 AV35 (inside front center of chassis)	1
3	22788GT	SCREW,HHC,1/2-13 X 1.75	
4	21020GT	WASHER,FLAT,.56 X 1.25 X .086	
5	6198GT	NUT,NYLOCK,1/2-13	
6	44781GT	KEY,RECTANGULAR,.31X.28X1.25***.....2	2
7	44780GT	NUT,CASTLE,1.125-18 UNEF.....2	2
8	42079GT	PIN,COTTER,.156 X 2.5.....2	2
9	105454GT	WHEEL & TIRE ASSY LP,15".....2	2
10	8357GT	SCREW,HHC,1/2-13 X 3.5	
11	96257GT	BRAKE, HYDRAULIC***.....2	2
12A	96887GT	CWT, REAR, XX46.....2 GS-2646 AV (inside rear chassis)	2
12B	96887GT	CWT, REAR, XX46.....3 GS-2646 AV35 (inside rear chassis)	3
13	96203GT	BOLT,CARRIAGE,1/2-13X1.75, G5	
14	13066GT	WASHER,FLAT,.5 HARDENED	
15	96886GT	FORMING, CWT CLAMP.....2	2
16	96570GT	WLDMT,GS32/46 LADDER***.....1 (decal not included, refer to section one)	1

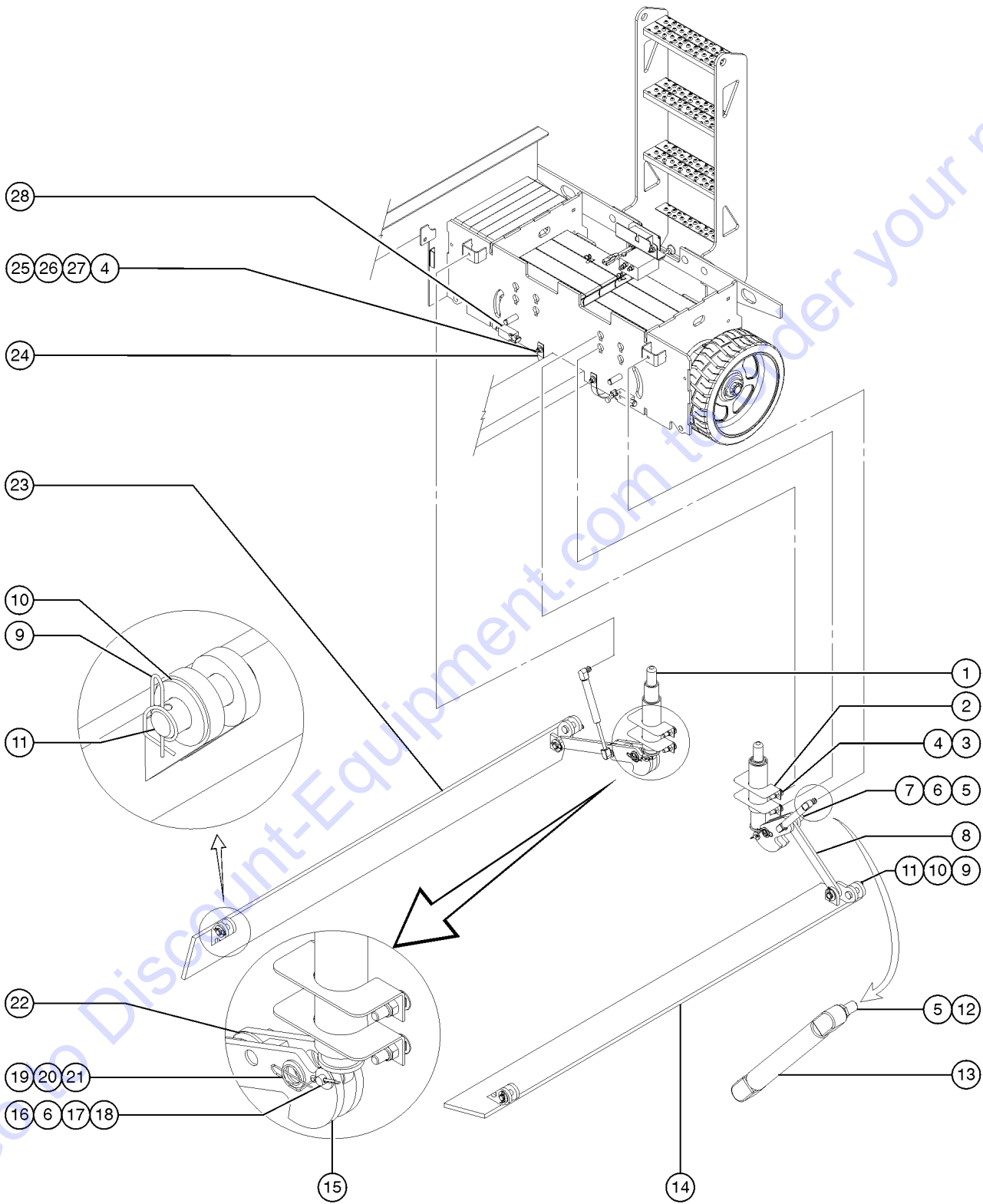
203.1 Level Sensor Installation



203.1 Level Sensor Installation

Item	Part No.	Description	Qty.
1		REF. Electrical Plugs and Cords (refer to 406.1)	
2	128118GT	BUSHING, STRAIN RELIEF, .875/.40.....1	1
3	144226GT	FORMING, REC. PLG BRKT.....1	1
4	228406GT	ASSY, LVL SNSR W/ CONNECTOR.....1	1
5	6637GT	SCREW, HHC, 1/4-20 X 1.75	
6	39469GT	SPRING, COMPRESSION. 485 X 1.75**...3	3
7	56912GT	SPRING CLIP, 1/4-20, .025-.15X.54, ZAG.....3	3
8	39540GT	ALARM, STEADY TONE***.....1 <i>Does not include 72326 nut</i>	1
--	72326GT	NUT - PLASTIC, RING FOR ALARMS	
9	6878GT	BOLT, CARRIAGE, 1/4-20 X .75, G2	
10	6091GT	NUT, NYLOCK, 1/4-20	
11	16487GT	SCREW, RHM, 10-32 X 1.5	
12	6178GT	NUT, NYLOCK, 10-32	
13	T112507GT	ASSEMBLY, DOWN LIMIT, GS.....1 <i>(Includes plug)</i>	1
--	19491GT	CONTACTOR, LIMIT SWITCH	
--	96948GT	SWITCH, LIMIT, W/ROLLER ARM***	
--	97128GT	ROLLER ARM, LIMIT SWITCH***	
14	96870GT	FORMING, ALARM BRACKET.....1	1
15	47232GT	GROMMET, RUBBER 2 X 2.75.....2	2
16	47238GT	GROMMET, RUBBER 1.5 ID.....1	1
17	39232GT	CABLE, EMERGENCY DOWN.....1	1

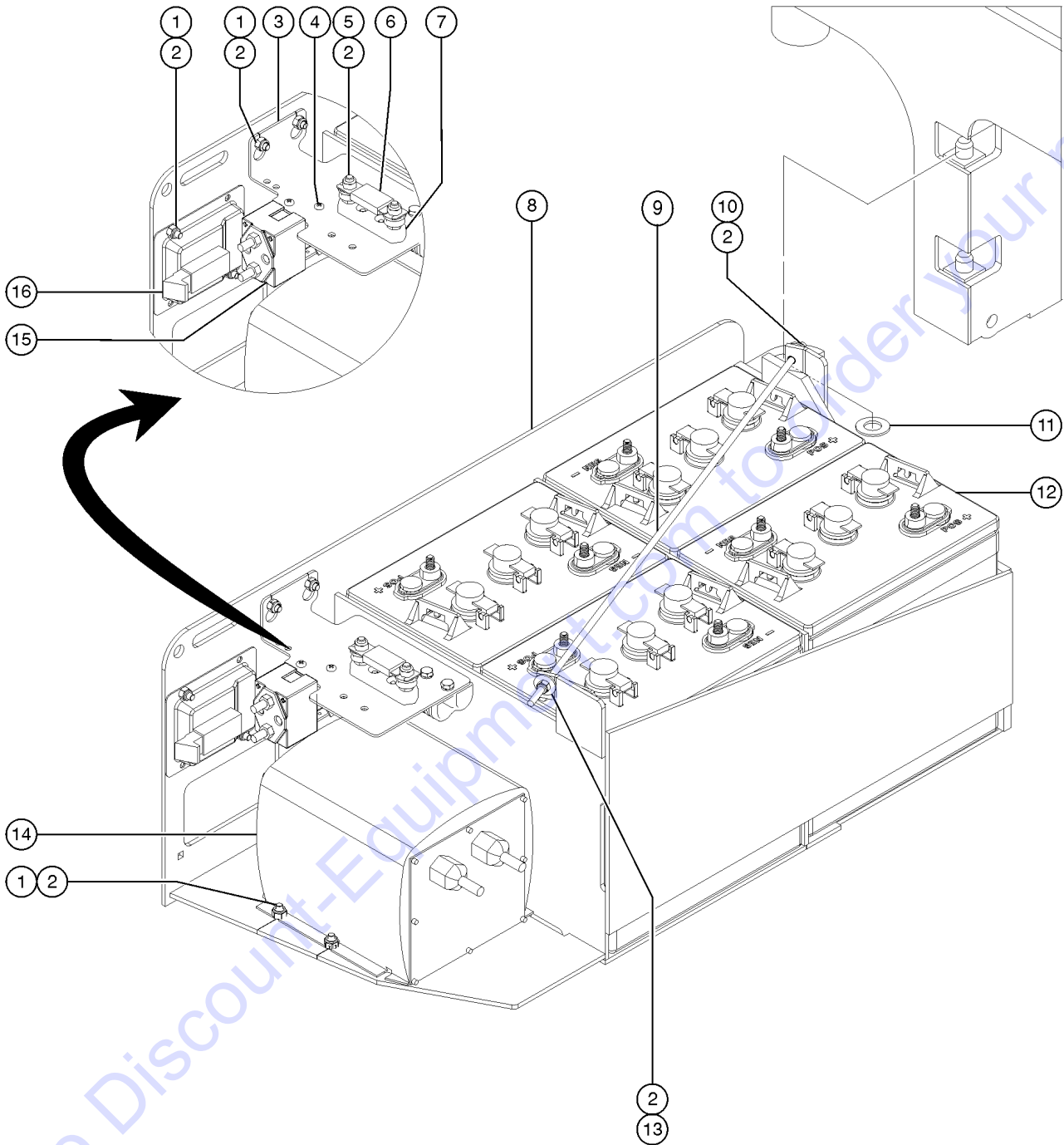
204.1 Pot Hole Protection Assembly



204.1 Pot Hole Protection Assembly

Item	Part No.	Description	Qty.
1	96839GT	ASSY,POT HOLE PUSHER,GS***.....2	
--	25817GT	BEARING,1.00IDX1.25ODX1.00L.....1	
--	96142GT	WLDMT, POT HOLE ACTUATOR.....1	
--	96838GT	SPRING, POTHOLE PUSHER.....1	
--	96840GT	PIN,PH ACTUATOR.....1	
2	105069GT	WLDMT/ASSY,PH GUIDE,GS46.....2 (ground controls side)	
--	96408GT	BEARING,1.523IDX1.75ODX0.63L.....2	
3	60790GT	BOLT, CARRIAGE, 3/8-16 X 1.50, G5	
4	4828GT	NUT,NYLOCK,3/8-16	
5	78086GT	BALL STUD, GAS STRUT, 3/8-16	
6	5397GT	WASHER,FLAT,USS,5/16",Y	
7	96643GT	PIN, POTHOLE LINK PIVOT.....2	
8	96637GT	PLATE, POTHOLE LINK.....2	
9	96422GT	RUE RING,5/8 PIN	
10	6898GT	WASHER,SHIM,.625 X 1.188X.064	
11	96135GT	PIN,CLEVIS,.625 X 1.88,ZINC PL.....4	
--	105156GT	BUSHING,FLNGD,.63 X .77 X .38.....4 (sold seperately)	
12	7713GT	NUT, LP NYLOCK, 3/8-16	
13	39542GT	GAS SHOCK,SCISSORS***.....2	
14	96639GT	WELDMENT, POTHOLE, LEFT SIDE....1 (battery pack side)	
15	84574GT	POT HOLE BELL CRNK LINK ASSYGS30.....2	
--	96281GT	PH BELLCRANK LINK.....1	
--	96642GT	BEARING,.75ID X 1.00D X 1.38LG.....1	
16	12016GT	PIN,COTTER,.125 X .75	
17	34742GT	PIN,CLEVIS,.375 X 1.75 LG.....2	
18	96541GT	CAM FOLLOWER,1.125X.375,DELRLIN..2	
19	96423GT	RUE RING,3/4 PIN	
20	6564GT	WASHER, SHIM,.765 X 1.312 X .093	
21	55355GT	SPACER,.75ID X 1.50D X 1/4THK	
22	96085GT	WASHER,THRUST,.63 X 1.13 X .06	
23	96638GT	WELDMENT, POTHOLE, RIGHT SIDE...1 (ground controls side)	
24	105060GT	GROUND STRAP, 8"LG.....2	
25	105092GT	BOLT,CARRIAGE,3/8-16X1.25,GR5	
26	6700GT	WASHER,STAR,EXTERNAL,.375	
27	6097GT	WASHER,FLAT,USS,3/8",Y	
28	96948GT	SWITCH,LIMIT,W/ROLLER ARM***.....2	
--	19491GT	CONTACTOR,LIMIT SWITCH	
--	97128GT	ROLLER ARM,LIMIT SWITCH***	

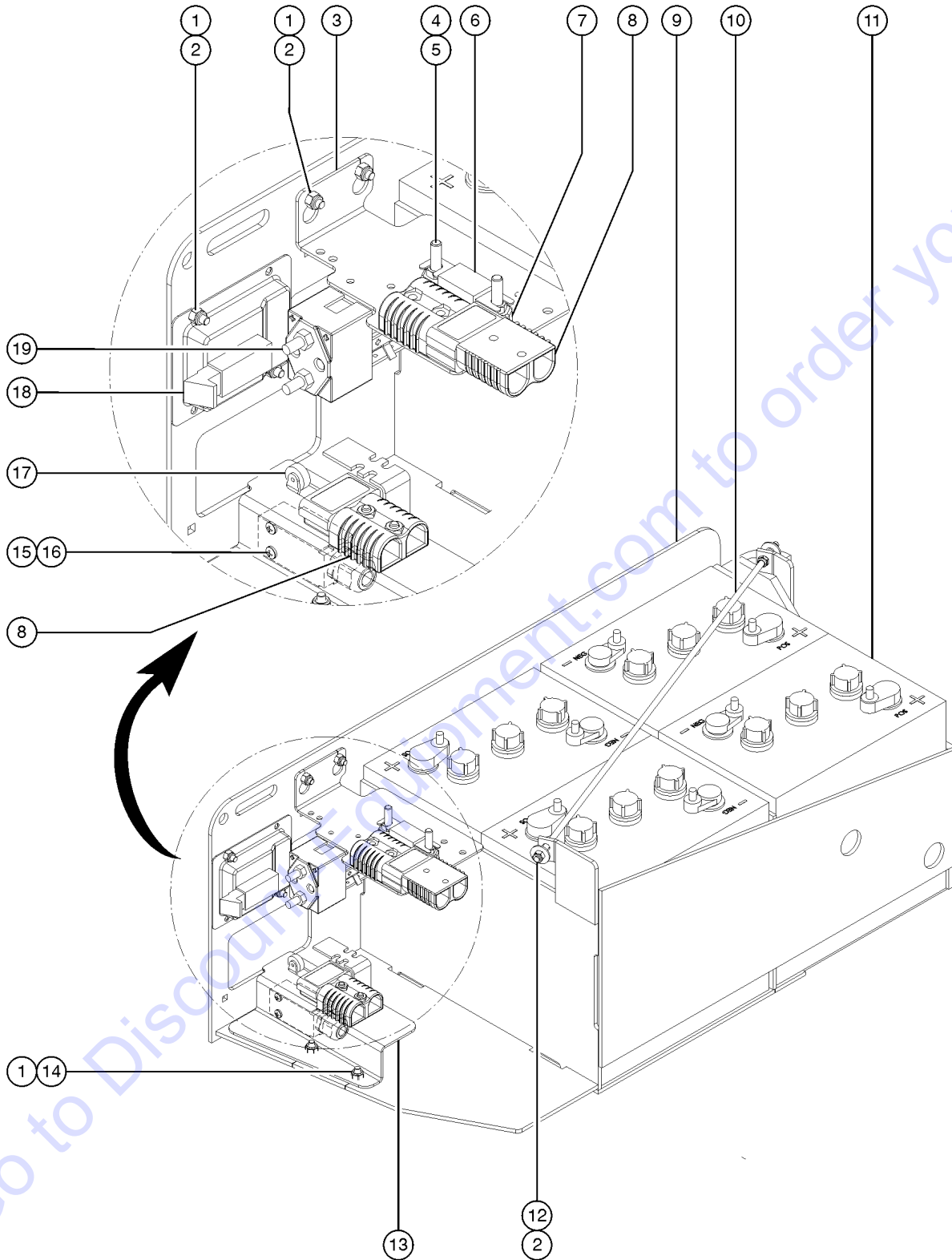
205.1 Battery Pack with Charger



205.1 Battery Pack with Charger

Item	Part No.	Description	Qty.
1	6878GT	BOLT,CARRIAGE,1/4-20 X .75,G2	
2	6091GT	NUT,NYLOCK,1/4-20	
3A	232531GT	FORMING,CONTACTOR MOUNT,GS.....1 to SN GS4616P-139710	
3B	1273054GT	FORMING, CONTACTOR/FUSE BRACKET.....1 from SN GS4616P-139711	
4	49818GT	SCREW,PHILLIPS,PHM,10-32 X .38	
5	13000GT	SCREW,HHC,5/16-18 X 1.25	
6	40833GT	FUSE,275 AMP,VERY FAST ACTING.....1	
7	66717GT	FUSE BLOCK, ANN & ANL FUSE.....1 (includes mounting fasteners)	
8A	105467GT	WLDMT,GS BATTERY TRAY.....1 to SN GS4616P-139710	
8B	1272991GT	WLDMT,BATTERY TRAY,GS.....1 from SN GS4616P-139711	
9	30784-2550GT	THREADED ROD,(1/4-20),25.50.....1	
10	6889GT	NUT,LP NYLOCK,1/4-20	
11	33278GT	WASHER,FLAT,.75 HARDENED	
12A	76502GT	BATTERY,T105 W/LPT,3 CAP,DRY**.....4	
--	18503GT	NUT,LOCKING-LG.FLANGE,5/16-18	
12B	105150GT	BATTERY, AGM, 6V, (TROJAN) ***.....4	
13	6638GT	WASHER,FLAT,USS,1/4"Y	
14		Ref. Battery Charger (refer to 207.1)	
15	74267GT	CONTACTOR,DRIVE,24V,180A***.....1	
16	55675GT	LATCH, LRG PADDLE HANDLE GS90...1	

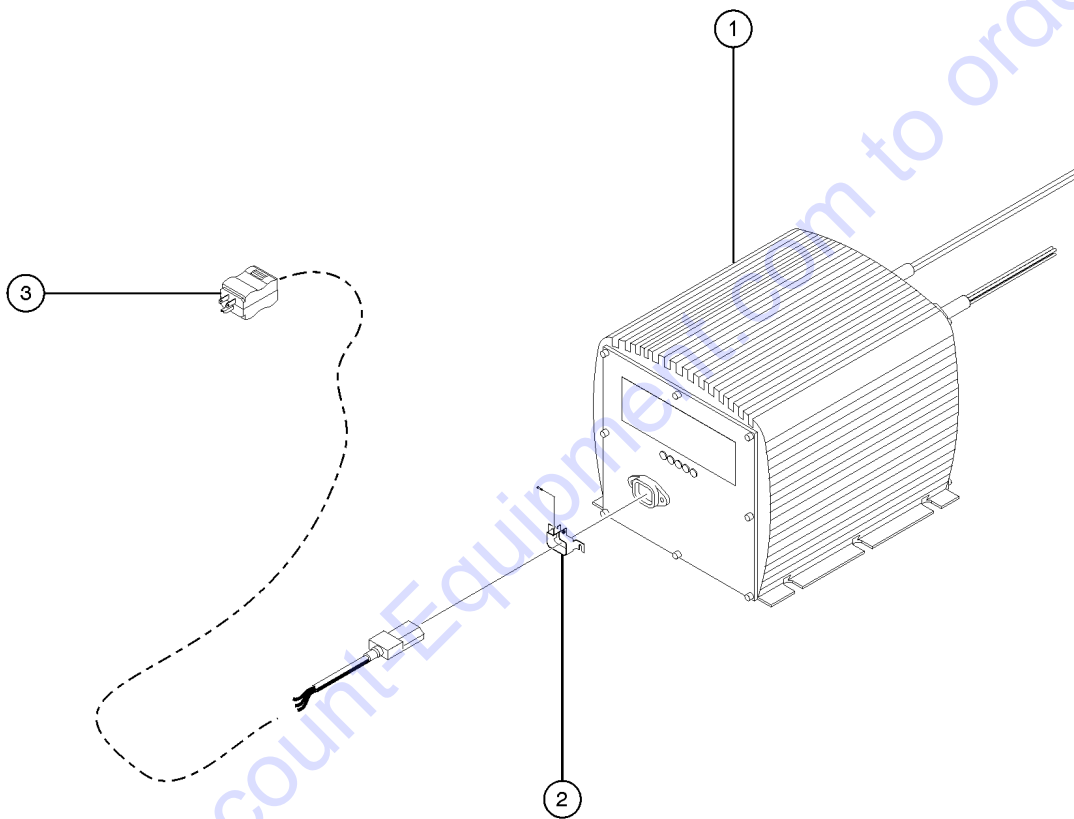
206.1 Battery Pack with Remote Charger



206.1 Battery Pack with Remote Charger

Item	Part No.	Description	Qty.
1	6878GT	BOLT,CARRIAGE,1/4-20 X .75,G2	
2	6091GT	NUT,NYLOCK,1/4-20	
3	232531GT	FORMING,CONTACTOR MOUNT,GS.....1	
4	13000GT	SCREW,HHC,5/16-18 X 1.25	
5	6037GT	NUT,HEX,5/16-18,GR5	
6	40833GT	FUSE,275 AMP,VERY FAST ACTING.....1	
7	66717GT	FUSE BLOCK, ANN & ANL FUSE.....1 <i>includes mounting fasteners</i>	
8	66397GT	QUICK DISCONNECT CASING,BATT**.....2	
--	6356GT	WASHER,LOCK,.25 <i>for 66397</i>	
--	66094GT	NUT-THIN HEAVY HEX, 1/4-20 <i>for 66397</i>	
--	8915GT	SCREW,HHC,1/4-20 X 1.25 <i>for 66397</i>	
9	105467GT	WLDMT,GS BATTERY TRAY.....1 <i>(decals not included, refer to section one)</i>	
10	30784-2550GT	THREADED ROD,(1/4-20),25.50.....1	
11	76494GT	BATT,6V,225AH T105 LPT3CAP.....4	
12	5397GT	WASHER,FLAT,USS,5/16",Y	
13	137038GT	FORMING,REMOTE CHARGER BRKT.....1	
14	18504GT	NUT,LOCKING-LG.FLANGE,1/4-20	
15	51063GT	SCREW,PHILLIPS,RHM,10-32 X 1.5	
16	6178GT	NUT,NYLOCK,10-32	
17	88356-21163GT	SWITCH,LIMIT,W/ROLLER,NC/NC.....1	
--	110650GT	CONN. SQZ PG11 .30-.40 W/ORING	
--	97128GT	ROLLER ARM,LIMIT SWITCH***	
--	97231GT	CONTACTOR,LIMIT SWITCH**	
18	55675GT	LATCH, LRG PADDLE HANDLE GS90...1	
19	74267GT	CONTACTOR,DRIVE,24V,180A***.....1	
--	74468GT	SPRING, RETURN (FOR 74267)	
--	74469GT	FIXED CONTACT (FOR 74267)	
--	74470GT	MOVING CONTACT (FOR PN 74267)	

207.1 Battery Charger

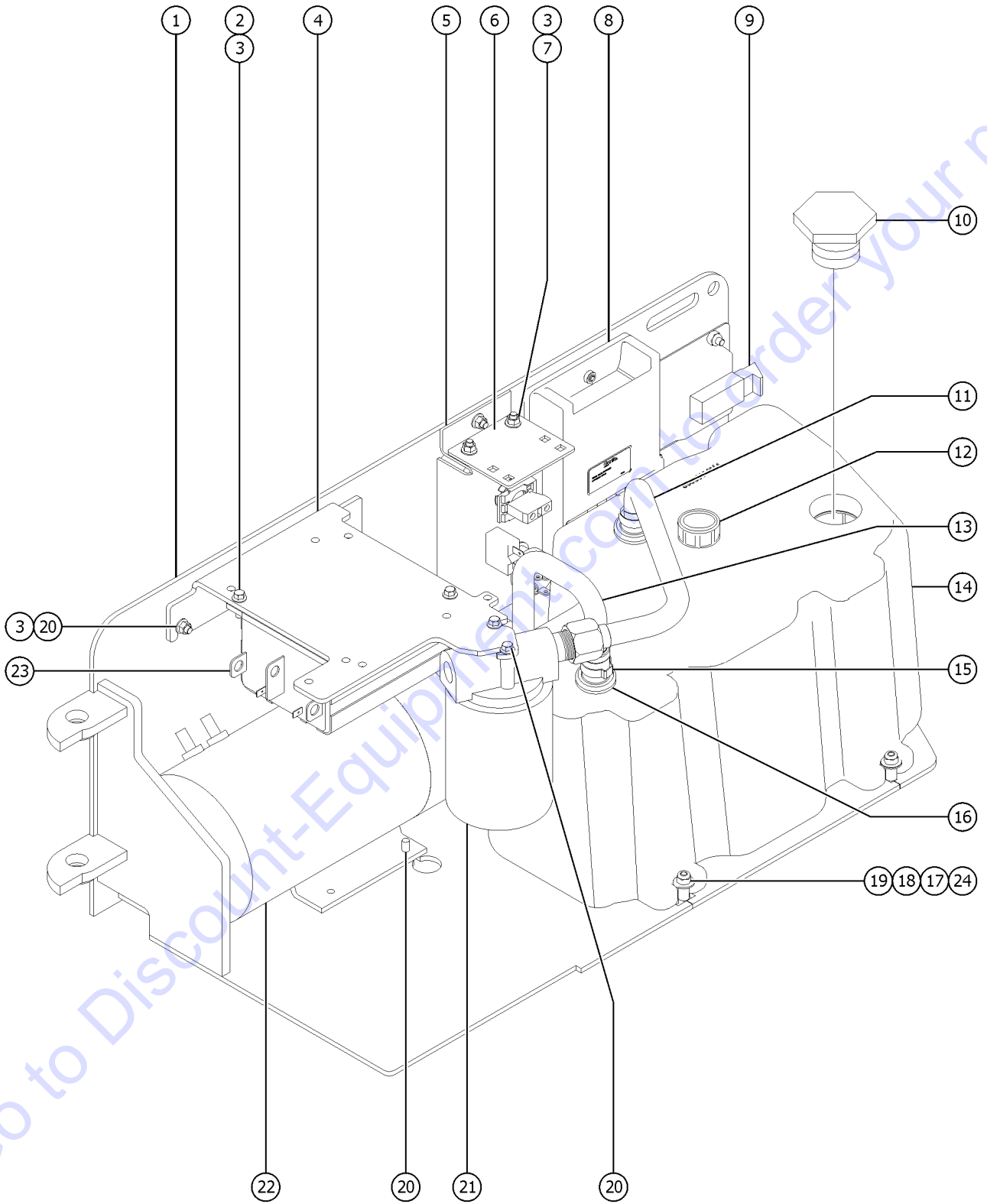


207.1 Battery Charger

Item	Part No.	Description	Qty.
--	105334GT	CONNECTOR, IEC CHARGER CORD	
--	97059GT	FUSE,BATTERY CHARGER***	
1A	105739GT	CHARGER,BAT,24VDC,H/LO GEN2.....1 <i>Signet battery charger. NOTE: Some machines are equipped with an alternative-brand battery charger. Inspect your machine before ordering OR contact Discount-equipment if needed.</i>	
--	144180GT	MANUAL,OWNERS,CHARGER,105739.1	
2	55010GT	LOCK, CONNECTOR.....1	
3	144130GT	POWER CORD, IEC 320, 115".....1	

Go to Discount-Equipment.com to order your parts

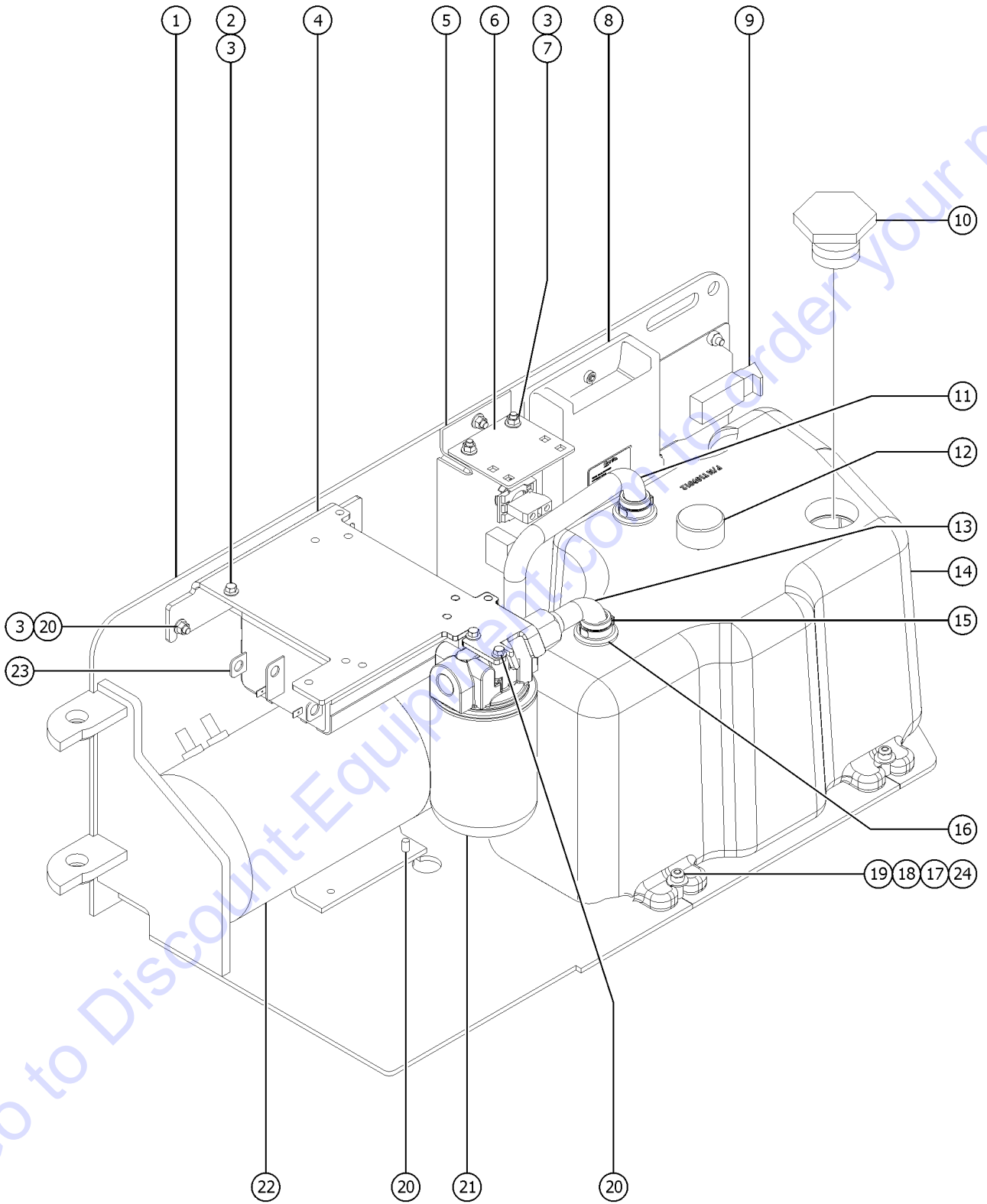
208.1 Power Unit and Tank Tray (to SN GS4616P-139987)



208.1 Power Unit and Tank Tray (to SN GS4616P-139987)

Item	Part No.	Description	Qty.
1	231114GT	HYDR TRAY ASSY W/WORDS.....1 <i>(decals not included, refer to section one)</i>	1
2	824080GT	SCREW,HHF,1/4-20X1.25,8,ZAG	
3	824027GT	NUT,TL FLG,1/4-20,G,ZAG	
4	105308GT	FORMING, FILTER-CNTRLR MOUNT....1	
5		Ref. FORMING, CONTROL PANEL <i>(refer to 208.1)</i>	
6	T108326GT	PLATE,HARNESS MOUNT.....1	1
7	824124GT	BOLT,CARRIAGE,1/4-20X.75,5,ZAG	
8		Ref. GCON, GR/GRC/GS <i>(refer to figure 208.1)</i>	
9	55675GT	LATCH, LRG PADDLE HANDLE GS90...1	1
10	66204GT	FILTER CAP (PLUG 1-1/2" NPT HEX....1	1
11	96355GT	TUBE, ASSY, RETURN.....1	1
12	78546GT	BREATHER CAP,HYD. TANK,1/4 NPT.....1	1
13	96354GT	TUBE, ASSY, DRAW.....1	1
14	226163GT	HYD. TANK KIT, GS30,32,46.....1 <i>(includes items 15 and 16)</i>	1
--	T109012GT	TANK,HYD, SLAB SCISSORS	
15	96855GT	CLAMP,HOSE,1 EAR,1-1/16***.....2	2
16	96709GT	GROMMET,SLAB HYD TANK***.....2	2
17	96699GT	SLEEVE,TANK SUPPORT	
18	824113GT	WASHER,FLAT,USS,1/4,ZAG	
19	1256463GT	BOLT,CARRIAGE,1/4-20X1.25,5,ZAG	
20	824078GT	SCREW,HHF,1/4-20X.75,8,ZAG	
21		REF. FILTER ASSY <i>(refer to figure 501.1)</i>	
22		REF. ELECTRIC MOTOR/PUMP <i>(refer to figure 505.1)</i>	
23A	1257205GT	KIT,GS46 MOTOR CONTROLLER.....1 <i>(from SN 60,000 to SN 135367)</i>	1
23B	1257840GT	MOTOR CONTROLLER, DC,24V,360A <i>(from SN P-135368 to 138770)</i>	
23C	1257840GT	MOTOR CONTROLLER, DC,24V,360A <i>(from SN P-138771)</i>	
24	6091GT	NUT,NYLOCK,1/4-20.....3	3

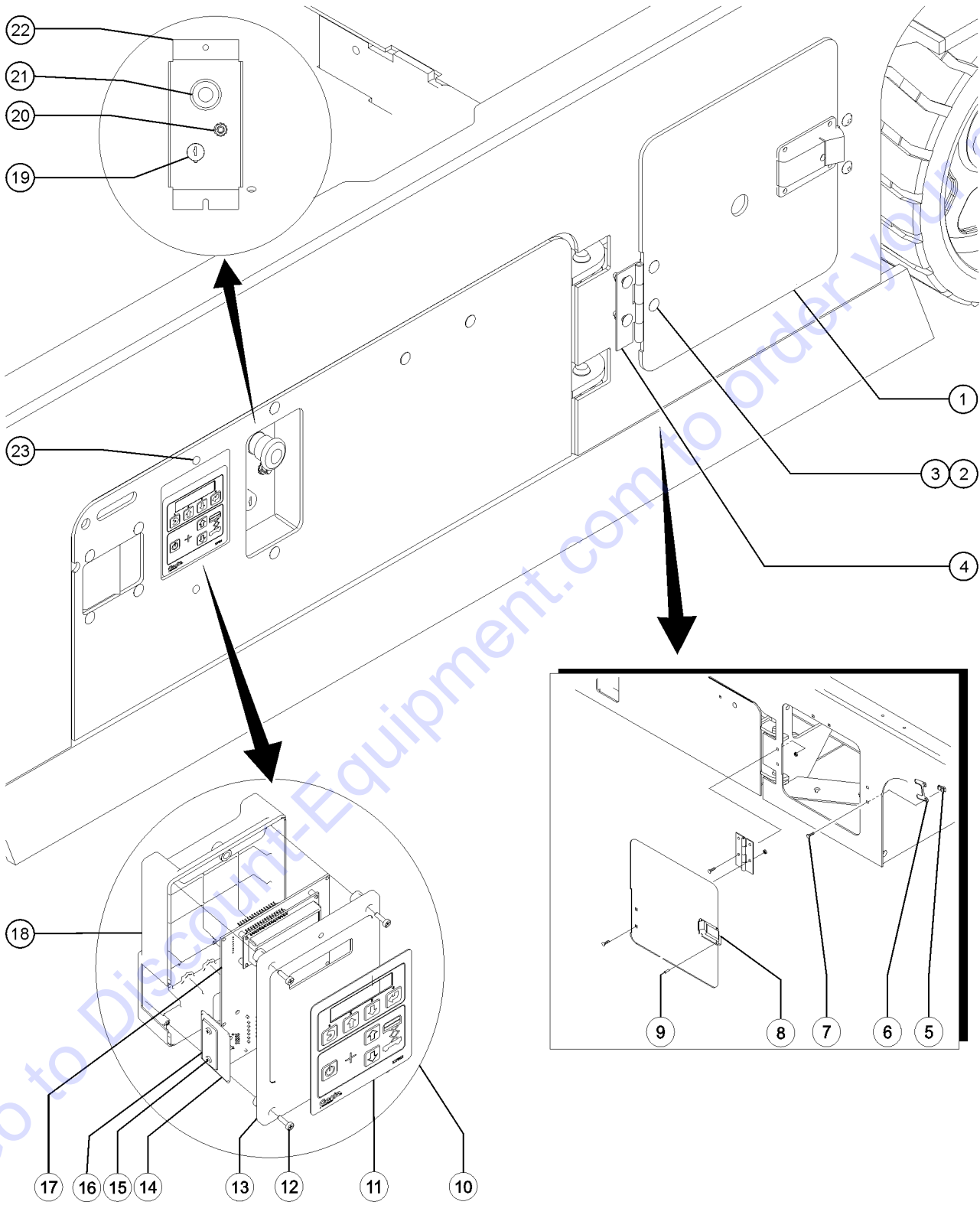
208.2 Power Unit and Tank Tray (from SN GS4616P-139988)



208.2 Power Unit and Tank Tray (from SN GS4616P-139988)

Item	Part No.	Description	Qty.	Item	Part No.	Description	Qty.
1	T113296GT	WELDMENT,GS HYD TRAY <i>(decals not included, refer to section one)</i>		15	96855GT	CLAMP,HOSE,1 EAR,1-1/16***.....	2
2	824080GT	SCREW,HHF,1/4-20X1.25,8,ZAG <i>(refer to figure 208.1)</i>		16	96709GT	GROMMET,SLAB HYD TANK***.....	2
3	824027GT	NUT,TL FLG,1/4-20,G,ZAG		17	96699GT	SLEEVE,TANK SUPPORT	
4A	1280158GT	KIT,SLAB HYD TANK TUBE REPLACEMENT <i>from SN GS4616P-139988 to 142350 (includes draw tube, return tube, and filter control mount)</i>		18	824113GT	WASHER,FLAT,USS,1/4,ZAG	
--	1270598GT	TUBE, SLAB DRAW ASSEMBLY <i>from SN GS4616P-139988 to 142350</i>		19	1256463GT	BOLT,CARRIAGE,1/4-20X1.25,5,ZAG	
--	1276561GT	TUBE, SLAB RETURN ASSEMBLY <i>from SN GS4616P-139988 to 142350</i>		20	824078GT	SCREW,HHF,1/4-20X.75,8,ZAG	
4B	1276562GT	FORMING,FILTER-CONTROLLER MOUNT <i>from SN GS46P-142351</i>		21		REF. FILTER ASSY <i>(refer to figure 501.1)</i>	
5		Ref. FORMING, CONTROL PANEL		22		REF. ELECTRIC MOTOR/PUMP <i>(refer to figure 505.1)</i>	
6	T108326GT	PLATE,HARNES MOUNT.....	1	23	1257840GT	MOTOR CONTROLLER, DC,24V,360A	
7	824124GT	BOLT,CARRIAGE,1/4-20X.75,5,ZAG		24	6091GT	NUT,NYLOCK,1/4-20.....	3
8		Ref. GCON, GR/GRC/GS <i>(refer to figure 208.1)</i>					
9	55675GT	LATCH, LRG PADDLE HANDLE GS90....	1				
10	66204GT	FILTER CAP (PLUG 1-1/2" NPT HEX....)	1				
11A	1280158GT	KIT,SLAB HYD TANK TUBE REPLACEMENT <i>from SN GS4616P-139988 to 142350 (includes draw tube, return tube, and filter control mount)</i>					
--	1276561GT	TUBE, SLAB RETURN ASSEMBLY <i>from SN GS4616P-139988 to 142350</i>					
--	1276562GT	FORMING,FILTER-CONTROLLER MOUNT <i>from SN GS4616P-139988 to 142350</i>					
11B	1270598GT	TUBE, SLAB DRAW ASSEMBLY <i>from SN GS46P-142351</i>					
12	78546GT	BREATHER CAP,HYD.TANK,1/4 NPT.....	1				
13A	1280158GT	KIT,SLAB HYD TANK TUBE REPLACEMENT <i>from SN GS4616P-139988 to 142350 (includes draw tube, return tube, and filter control mount)</i>					
--	1270598GT	TUBE, SLAB DRAW ASSEMBLY <i>from SN GS4616P-139988 to 142350</i>					
--	1276562GT	FORMING,FILTER-CONTROLLER MOUNT <i>from SN GS4616P-139988 to 142350</i>					
13B	1276561GT	TUBE, SLAB RETURN ASSEMBLY <i>from SN GS46P-142351</i>					
14	226163GT	HYD. TANK KIT, GS30,32,46.....	1				
--	T109012GT	TANK,HYD, SLAB SCISSORS					

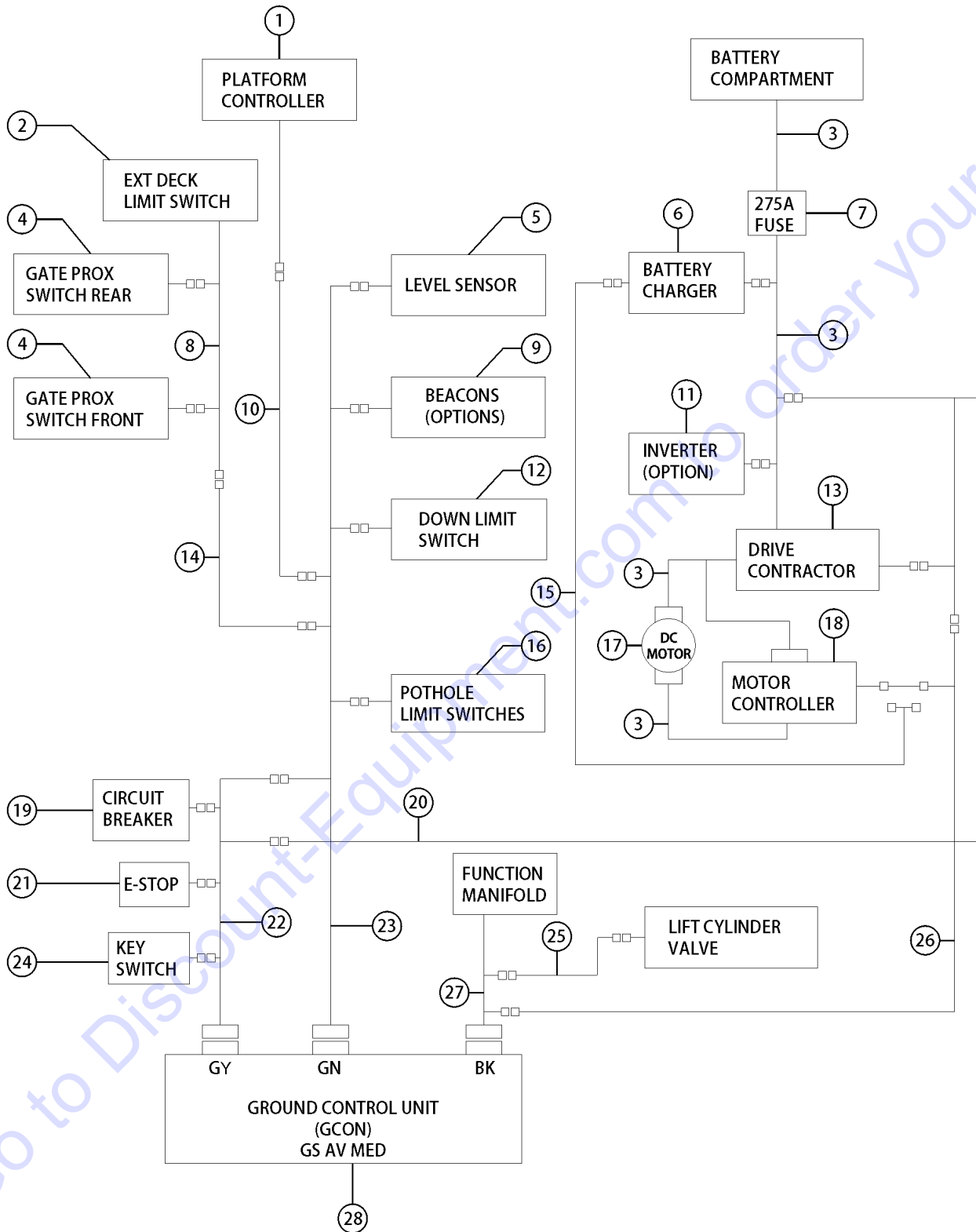
209.1 Ground Controls



209.1 Ground Controls

Item	Part No.	Description	Qty.	Item	Part No.	Description	Qty.
A	1252764GT	SPACER, GROUND CONTROL ECU.....1		17D	1256720GT	PCBA,GCON O/R,PROP LIFT.....1 <i>(models with powered extension deck, proportional controller) from SN GS4614A-135000</i>	
B	824216GT	SCREW,PHPM,10-32X1.5,ZAG		18A	T106372GT	ENCLOSURE, GC21-19, BK.....1 <i>(manual extension deck models)</i>	
1	105732GT	PLATE,SIDE DOOR***.....1		18B	T106371GT	ENCLOSURE, GC27-25, BK.....1 <i>(powered extension deck models)</i>	
2	6878GT	BOLT,CARRIAGE,1/4-20 X .75,G2.....4		19A	96008-SGT	KEYSWITCH,3 POS. W/KEYS***.....1 <i>(models with keys) (shown)</i>	
3	6091GT	NUT,NYLOCK,1/4-20.....4		--	37947GT	KEYS,10 PACK*** <i>(sold seperately)</i>	
4	105734GT	HINGE,ACCESS DOOR(13G).....1		--	83093GT	KEY SINGLE*** <i>(sold seperately)</i>	
5	56912GT	SPRING CLIP,1/4-20,.025-.15X.54,ZAG.....2		--	85239GT	NUT,RETAINER (96008)	
6	105572GT	PLATE,SIDE DOOR STOP***.....1		--	96009GT	WASHER,NITRILE <i>(sold seperately)</i>	
7	43137GT	SCREW,PHM,1/4-20 X .75.....2		--	96010GT	SCREW,PHILLIPS,PHM,8-32 X.25** <i>(sold seperately)</i>	
8	105759GT	LATCH,COMPRESSION,SMALL.....1		19B	230351GT	SELECTOR SWITCH,3 POS. KEYLESS.....1 <i>(models without keys)</i>	
9	6272GT	RIVET,STL,STL,P,.125 X .25.....4		--	137056GT	SWITCH BODY,W/DOUBLE NO.....1	
10A	137692GT	GCON, GR/GRC/GS.....1 <i>(models with manual extension deck, 2 speed controller) to SN GS4614A-134999</i>		--	218235GT	SWITCH,3 POS. SELECTOR.....1	
--	137673GT	LABEL, SERIAL, GC21-19.....1		20	96452GT	CIRCUIT BREAKER,7.0 AMP***.....1	
10B	215670GT	GCON,GS PWR DECK.....1 <i>(models with powered extension deck, 2 speed controller) to SN GS4614A-134999</i>		--	122994GT	NICKEL PLATED JAM NUT	
--	215671GT	LABEL, GCON, GS AV.....1		--	6700GT	WASHER,STAR,EXTERNAL,,375	
10C	1256721GT	GCON,STD,PROP LIFT.....1 <i>(models with manual extension deck, proportional controller) from SN GS4614A-135000</i>		21	66812GT	BUTTON,PUSH,RED MUSHROOM HEAD.....1	
10D	1256724GT	GCON,PWR DECK,PROP LIFT.....1 <i>(models with powered extension deck, proportional controller) from SN GS4614A-135000</i>		--	58627GT	NUT	
--	1256810GT	LABEL,GCON PWR DECK,SERIAL.....1		--	66817GT	BASE WITH 1 NC CONTACT, E-STOP	
11A	137562GT	DECAL,MEMBRANE, GR/GRC/GS GCON.....1 <i>(manual extension deck models)</i>		22	T108327GT	FORMING,CONTROL PANEL.....1	
11B	238139GT	DCL,MEMBRN,GS,GCON W/PWR EXT <i>(powered extension deck models)</i>		23	51063GT	SCREW,PHILLIPS,RHM,10-32 X 1.5.....2	
12	137668GT	SCREW,PHM,6-19X.75, 48-2 TRI-L.....4					
13	T106366GT	ENCLOSURE,GC27-25/GC21-19,FRNT.1					
14	T106363GT	ADAPTER, RJ45, GC27-25/GC21-19.....1					
15	137637GT	SCREW,PHM,4-20X.5, 48-2 TRI-L.....2					
16	T106362GT	COVER, RJ45, GC27-25/GC21-19.....1					
17A	137604GT	PCBA, GC21-19.....1 <i>(models with manual extension deck, 2 speed controller) to SN GS4614A-134999</i>					
17B	137564GT	PCBA, GC27-25.....1 <i>(models with powered extension deck, 2 speed controller) to SN GS4614A-134999</i>					
17C	1256719GT	PCBA,GCON STD,PROP LIFT.....1 <i>(models with manual extension deck, proportional controller) from SN GS4614A-135000</i>					

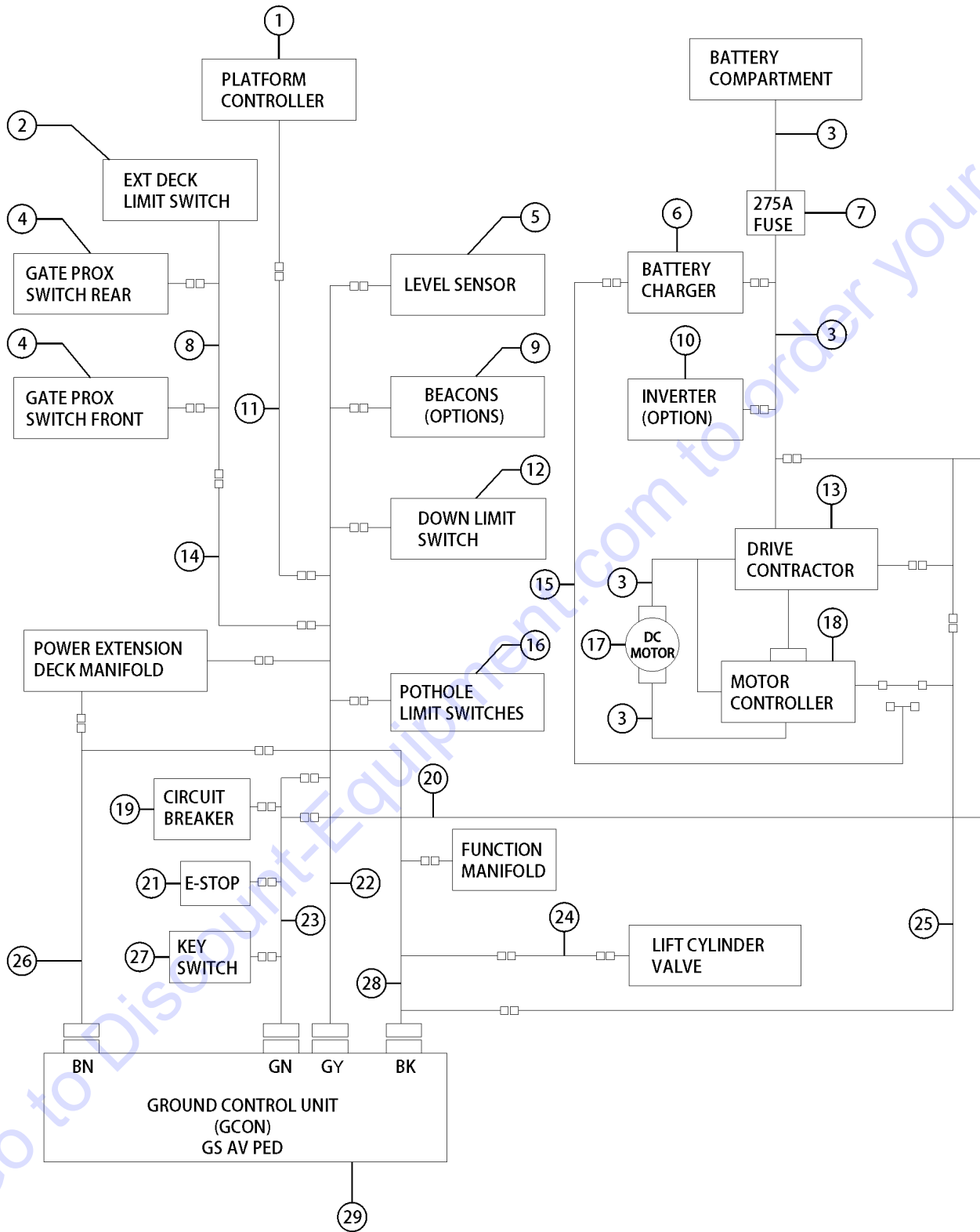
210.1 Electrical Wiring, Models with Manual Extension Deck



210.1 Electrical Wiring, Models with Manual Extension Deck

Item	Part No.	Description	Qty.	Item	Part No.	Description	Qty.
B	1264822GT	KIT, TRC RETROFIT, STNDRD <i>Telematics (includes 1264834)</i>		27A	T110889GT	HARNESS, GS FUNC MANIFOLD.....1 <i>(to SN GS4614A-135366) (Black connector)</i>	1
--	1264834GT	INSTRN, TRC RETROFIT, STNDRD		27B	1257824GT	HARNESS,FUNCTION MANIFOLD,GS...1 <i>(from SN GS4614A-135367) (Black connector)</i>	1
1		REF: Platform Controller.....1 <i>(refer to 407.1)</i>	1	28		REF: Ground Control Unit.....1 <i>(refer to 209.1)</i>	1
2		REF: Extension Deck Limit Switch.....1 <i>(refer to 404.1)</i>	1				
3		REF:Battery Cable Assembly.....1 <i>(refer to 212.1)</i>	1				
4	214862GT	HARNESS,GS,PROXIMITY.....2	2				
5		REF: Level Sensor.....1 <i>(refer to 203.1)</i>	1				
6		REF: Charger.....1 <i>(refer to 207.1)</i>	1				
7		REF: Fuse.....1 <i>(refer to 205.1 or 206.1)</i>	1				
8	214698GT	HARNESS,GS,PLAT,AV.....1	1				
9		REF: Beacon.....1 <i>(refer to 601.1)</i>	1				
10	233051GT	CABLE, PLATFORM CONTROL, 26XX...1	1				
11		REF: 24V DC Inverter.....1 <i>(refer to 603.1)</i>	1				
12		REF: Down Limit Assembly.....1 <i>(refer to 203.1)</i>	1				
13		REF: Drive Contactor.....1 <i>(refer to 206.1)</i>	1				
14	214697GT	HARNESS,GS,LINKSTACK,AV,MED.....1	1				
15	144213GT	CHARGER INTERLOCK CBLE,GS30/32.....1	1				
16	96309GT	ASSY,POTHOLE HARNESS,GS.....1	1				
17		REF: Electric Motor.....1 <i>(refer to 504.1)</i>	1				
18		REF: DC Motor Controller.....1 <i>(refer to 208.1)</i>	1				
19		REF: Circuit Breaker.....1 <i>(refer to 209.1)</i>	1				
20	233430GT	HRNS,CONTACTOR SIGNAL,GS46.....1	1				
21		REF: E-Stop Button.....1 <i>(refer to 209.1)</i>	1				
22	214440GT	HARNESS,GS POWER CONTROL,AV...1	1				
23	214439GT	HARNESS,GS SENSORS,ANSI,AV,MED.....1	1				
--	233711GT	HRNS ASSY,RESISTOR DIODE <i>for 214439</i>					
24		REF: Keypress.....1 <i>(refer to 209.1)</i>	1				
25	233054GT	CABLE,LFT CYL DN,20/26XX,WO/LS...1	1				
26	232580GT	HARNESS,DIODE JUMPER.....1 <i>(to SN GS4614A-135366)</i>	1				

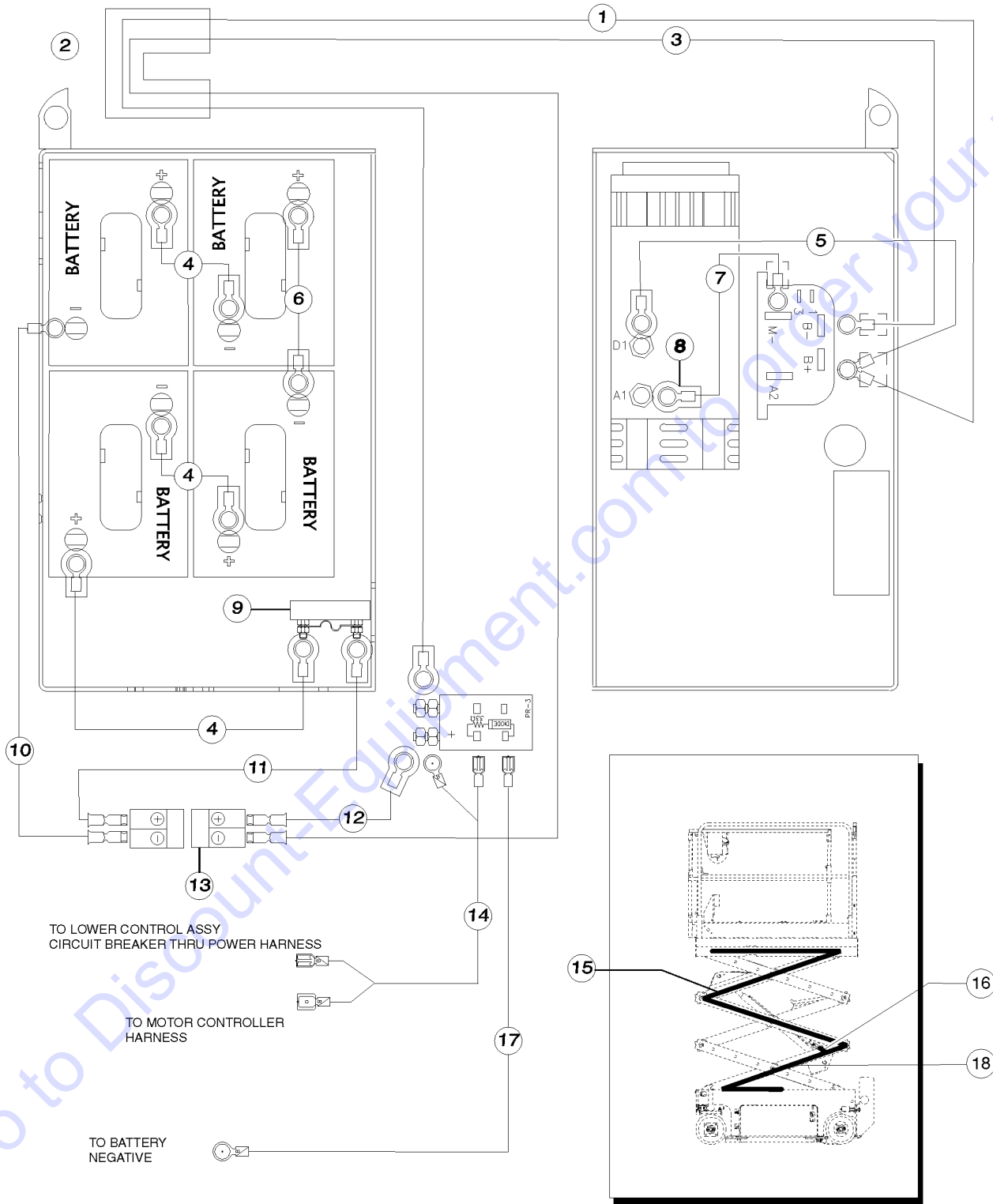
211.1 Electrical Wiring, Models with Powered Extension Deck



211.1 Electrical Wiring, Models with Powered Extension Deck

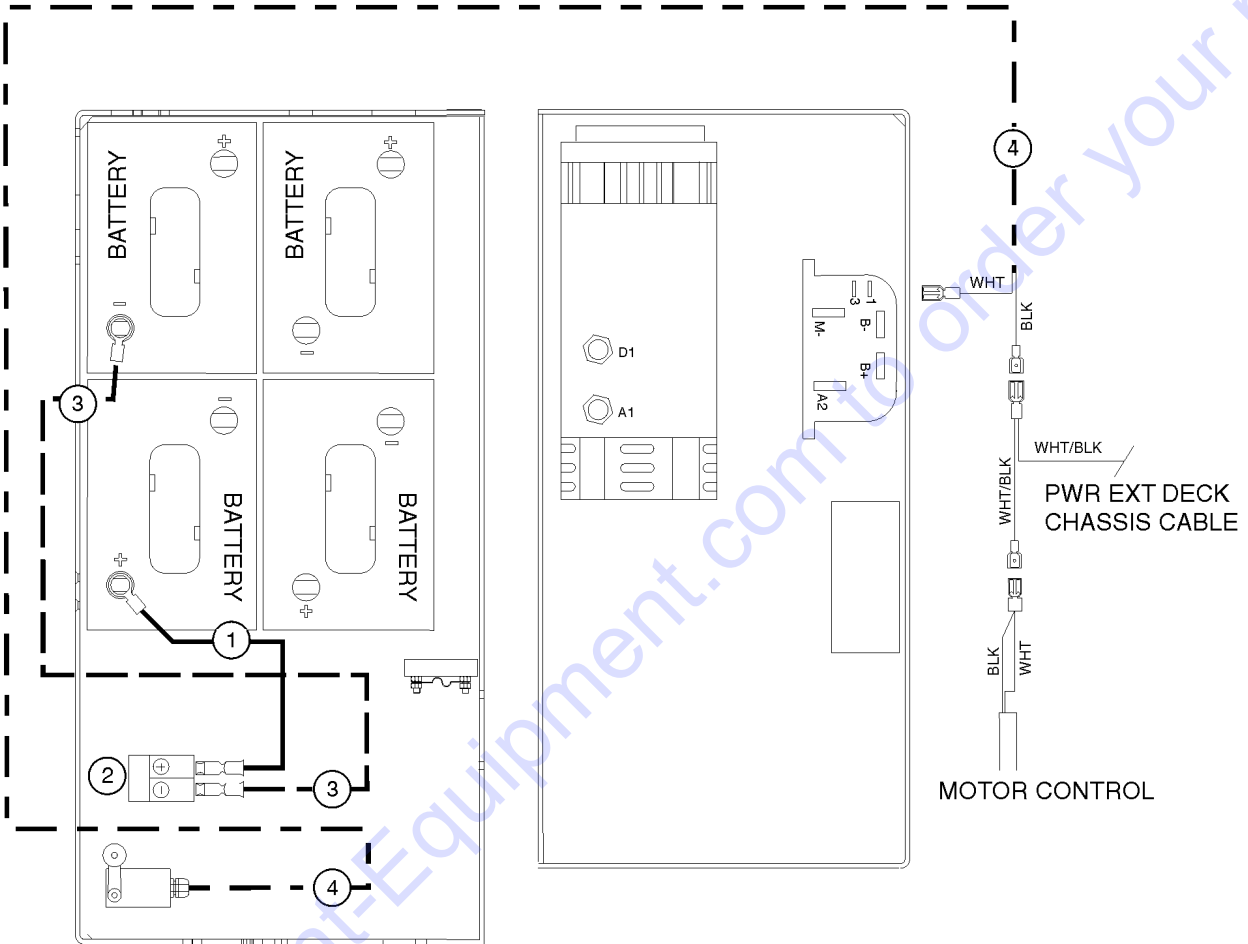
Item	Part No.	Description	Qty.	Item	Part No.	Description	Qty.
B	1264822GT	KIT, TRC RETROFIT, STNDRD <i>Telematics (includes 1264834)</i>		28A	214441GT	HARNESS,GS FUNC MANIFOLD,AV.....1 <i>(to SN GS4614A-135366)</i>	1
--	1264834GT	INSTRN, TRC RETROFIT, STNDRD		28B	1258900GT	HARNESS,AV FUNC. MANIFOLD, GS.....1 <i>(from SN GS4614A-135367)</i>	1
1		REF: Platform Controller.....1 <i>(refer to 407.1)</i>	1	29		REF: Ground Control Unit.....1 <i>(refer to 209.1)</i>	1
2		REF: Extension Deck Limit Switch.....1 <i>(refer to 404.1)</i>	1				
3		REF:Battery Cable Assembly.....1 <i>(refer to 212.1)</i>	1				
4	214862GT	HARNESS,GS,PROXIMITY.....2	2				
5		REF: Level Sensor.....1 <i>(refer to 203.1)</i>	1				
6		REF: Charger.....1 <i>(refer to 207.1)</i>	1				
7		REF: Fuse.....1 <i>(refer to 205.1 or 206.1)</i>	1				
8	214698GT	HARNESS,GS,PLAT,AV.....1	1				
9		REF: Beacon.....1 <i>(refer to 601.1)</i>	1				
10		REF: 24V DC Inverter.....1 <i>(refer to 603.1)</i>	1				
11	233051GT	CABLE, PLATFORM CONTROL, 26XX...1	1				
12		REF: Down Limit Assembly.....1 <i>(refer to 203.1)</i>	1				
13		REF: Drive Contactor.....1 <i>(refer to 206.1)</i>	1				
14	214442GT	HARNESS,GS,LINKSTACK,AV,PED.....1	1				
15	144213GT	CHARGER INTERLOCK CBLE,GS30/32.....1	1				
16	96309GT	ASSY,POTHOLE HARNESS,GS.....1	1				
17		REF: Electric Motor.....1 <i>(refer to 504.1)</i>	1				
18		REF: DC Motor Controller.....1 <i>(refer to 208.1)</i>	1				
19		REF: Circuit Breaker.....1 <i>(refer to 209.1)</i>	1				
20	233430GT	HRNS,CONTACTOR SIGNAL,GS46.....1	1				
21		REF: E-Stop Button.....1 <i>(refer to 209.1)</i>	1				
22	214438GT	HARNESS,GS SENSORS,ANSI,AV,PED.....1	1				
--	233711GT	HRNS ASSY,RESISTOR DIODE <i>for 214438</i>					
23	214440GT	HARNESS,GS POWER CONTROL,AV...1	1				
24	233054GT	CABLE,LFT CYL DN,20/26XX,WO/LS...1	1				
25	232580GT	HARNESS,DIODE JUMPER.....1	1				
26	214688GT	HANRESS,MANIFOLD,AV PED.....1	1				
27		REF: Keyswitch.....1 <i>(refer to 209.1)</i>	1				

212.1 Power Cables



Item	Part No.	Description	Qty.
1	233370GT	CABLE ASSY,BATT,83"RED.....	1
2	28131GT	WIRE LOOM,1.25 DIA.....	18inches
3	96947GT	CABLE ASSY,BATT,90".AND.BLK.....	1
4	96304GT	CABLE ASSY,BATT,5.50"RED.....	3
5	96302GT	CABLE ASSY,BATT, 7.50" RED.....	1
6	96306GT	CABLE ASSY,BATT,9.50"RED.....	1
7	96303GT	CABLE ASSY,BATT, 7.50" BLACK.....	1
8	96110GT	BOOT,CABLE TERMINAL COVER.....	11
9		REF. FUSE BLOCK (refer to 205.1 or 206.1)	
10	232578GT	CABLE ASSY,BATT, 20" BLK.....	1
11	232576GT	CABLE ASSY,BATT, 12" RED.....	1
12	233371GT	CABLE ASSY,BATT,23"RED.....	1
13	66397GT	QUICK DISCONNECT CASING,BATT**	2
14	233430GT	HRNS,CONTACTOR SIGNAL,GS46.....	1
15A	214442GT	HARNESS,GS,LINKSTACK,AV,PED..... (powered extension deck)	1
15B	214697GT	HARNESS,GS,LINKSTACK,AV,MED..... (manual extension deck)	1
16		REF. LIFT CYLINDER DOWN CABLE (refer to 2010.1 or 211.1)	
17	232582GT	GROUND WIRE ASSY,GS.....	1
18		REF. PLATFORM CONTROL CABLE (refer to 210.1 or 211.1)	

213.1 Remote Charger Cables (models without charger)



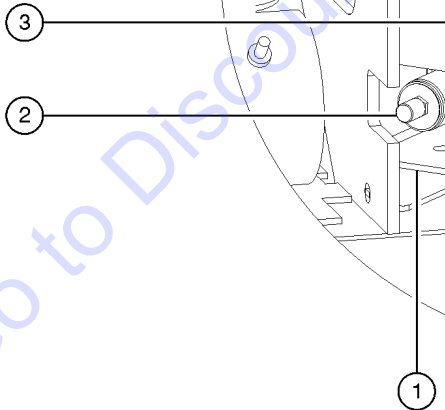
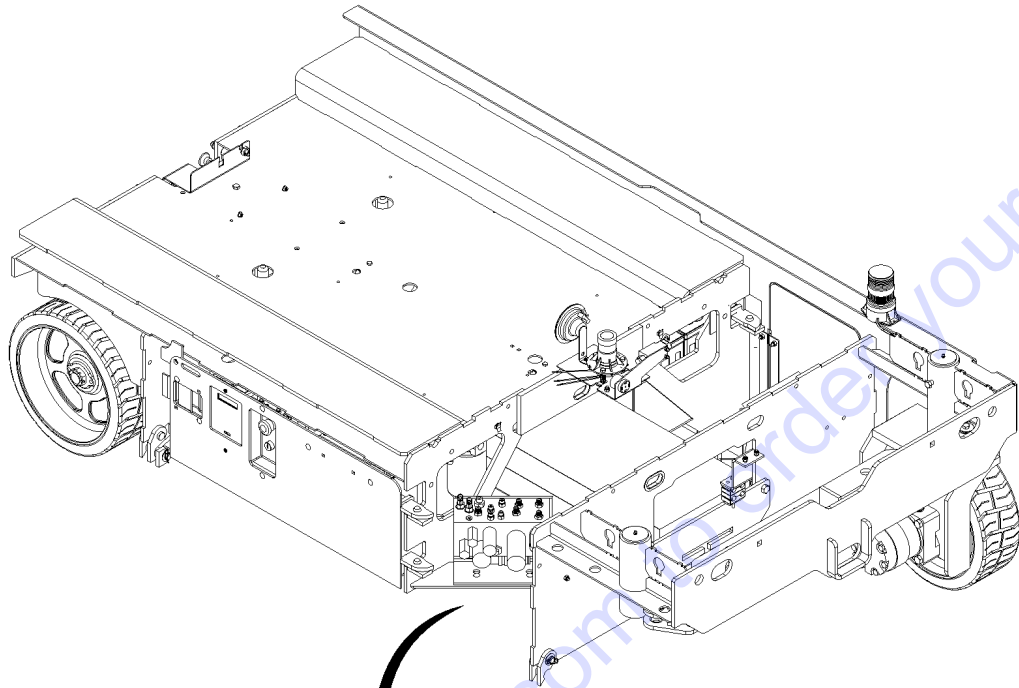
Go to Discount-Equipment.com to order your parts

213.1 Remote Charger Cables (models without charger)

Item	Part No.	Description	Qty.
1	137129GT	CABLE ASSY,EXT CHRGR,RED.....	1
2	66397GT	QUICK DISCONNECT CASING,BATT**.....	1
3	137130GT	CABLE ASSY,EXT CHRGR,BLK.....	1
4	137128GT	HARNESS,REMOTE CHARGER.....	1

Go to Discount-Equipment.com to order your parts

214.1 Function Manifold and Accumulator Installation

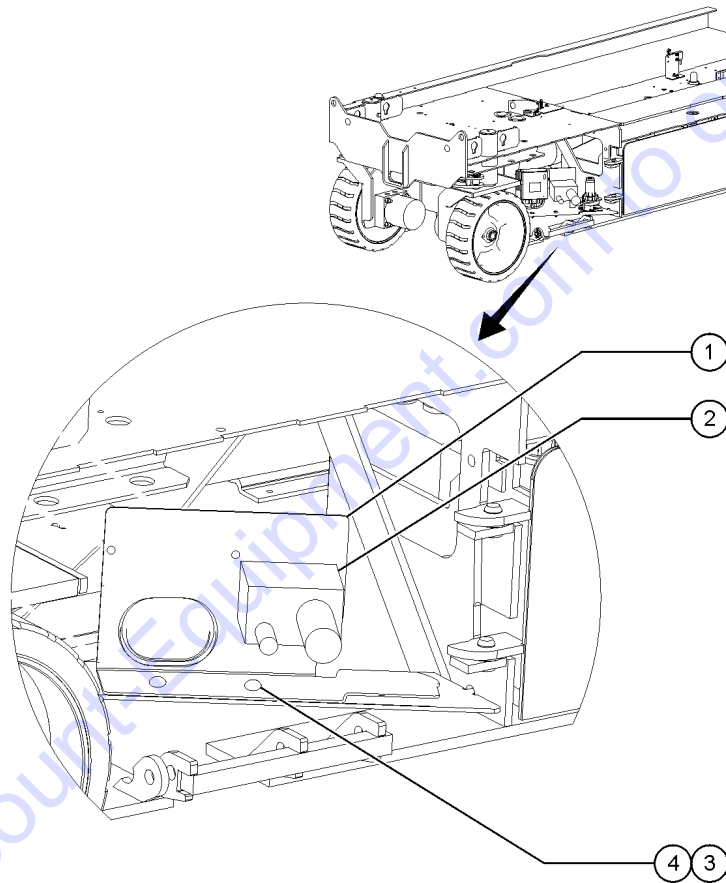


214.1 Function Manifold and Accumulator Installation

Item	Part No.	Description	Qty.
1	105574GT	FORMING,MANIFOLD MOUNT.....	1
2	78422GT	ACCUMULATOR,180 PSI PRECHARGE*.....	1
3		REF: Function Manifold..... (refer to 502.1)	1

Go to Discount-Equipment.com to order your parts

215.1 Powered Extension Deck Manifold Installation

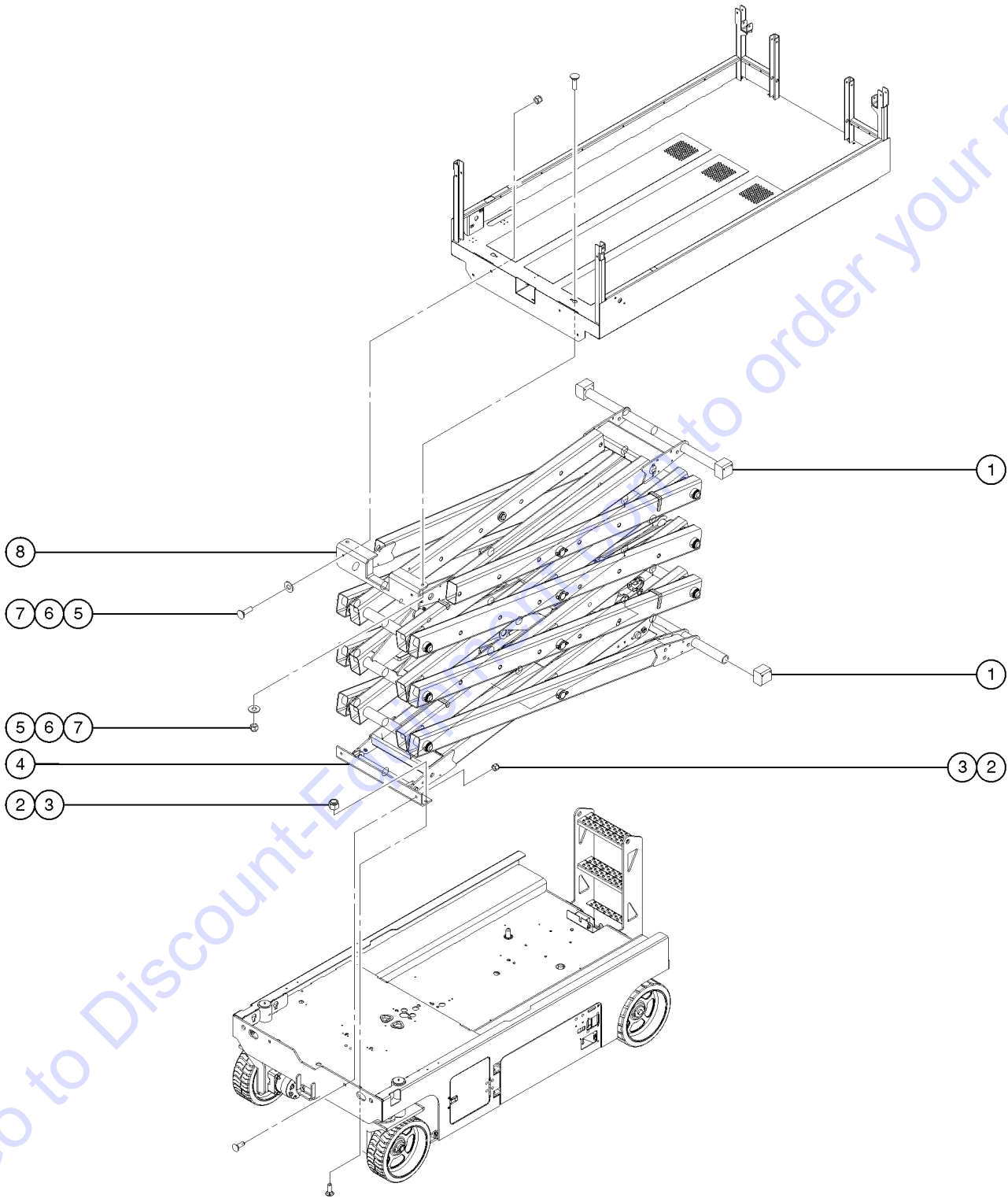


215.1 Powered Extension Deck Manifold Installation

Item	Part No.	Description	Qty.
1	217143GT	FORMING,PED MANIFOLD BRKT.....1	
2		REF: Powered Extension Deck (refer to 508.1)	
3	6878GT	BOLT,CARRIAGE,1/4-20 X .75,G2	
4	6091GT	NUT,NYLOCK,1/4-20	

Go to Discount-Equipment.com to order your parts

301.1 Scissor Assembly Installation

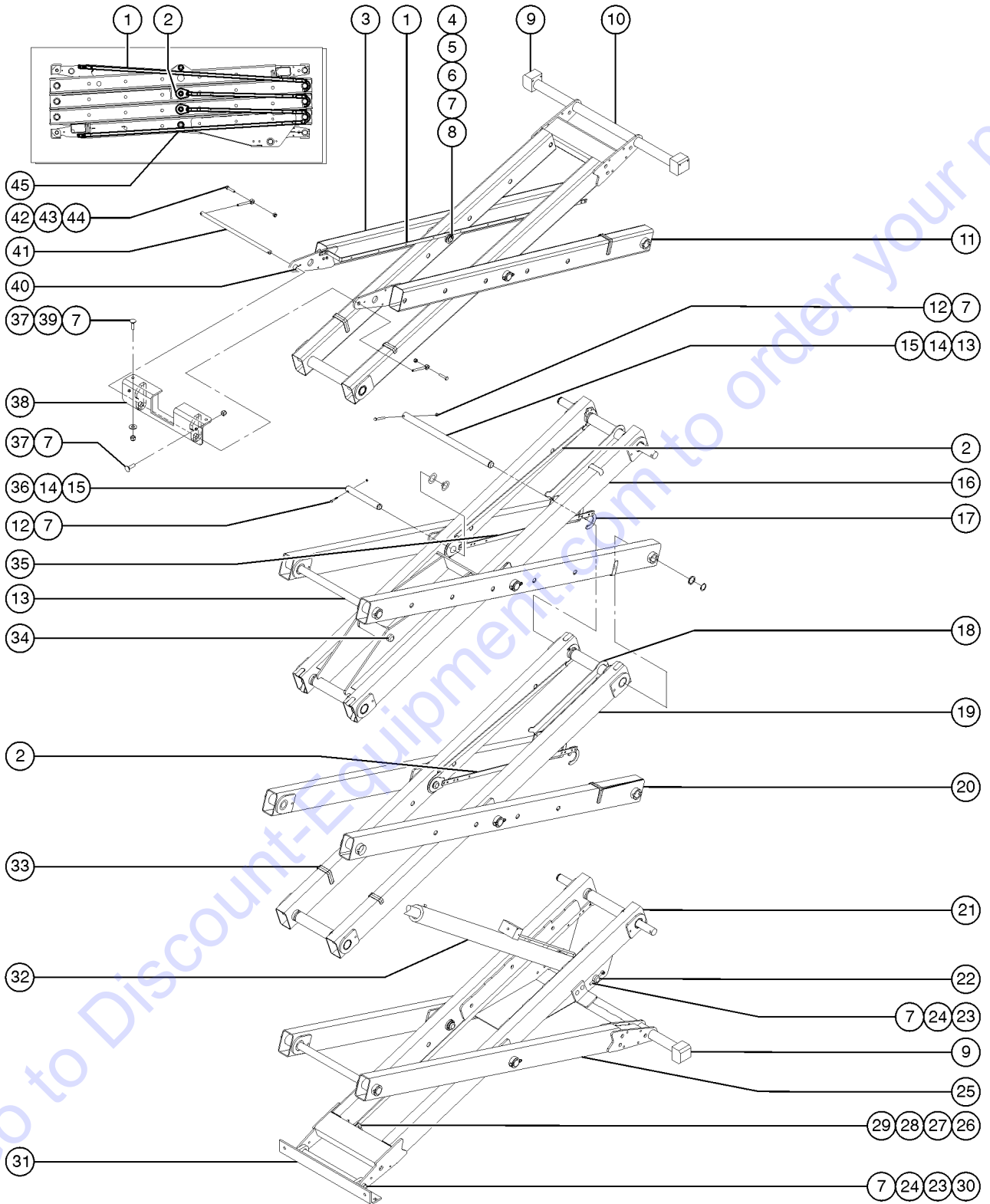


301.1 Scissor Assembly Installation

Item	Part No.	Description	Qty.
1	96595GT	SLIDER,UHMW.....	4
2	6198GT	NUT,NYLOCK,1/2-13.....	8
3	96977GT	BOLT,CARRIAGE,1/2-13X1.50,GR5.....	8
4	97241GT	CHASSIS MOUNT ASSY, GS32&46.....	1
--	51474GT	BEARING,1.00IDX1.25ODX0.75L.....	2
5	4828GT	NUT,NYLOCK,3/8-16	
6	6097GT	WASHER,FLAT,USS,3/8",Y	
7	105092GT	BOLT,CARRIAGE,3/8-16X1.25,GR5	
8	237979GT	ASSY,AV PLAT MOUNT.....	1
--	36369GT	BEARING,0.75IDX1.00ODX0.75L.....	2

Go to Discount-Equipment.com to order your parts

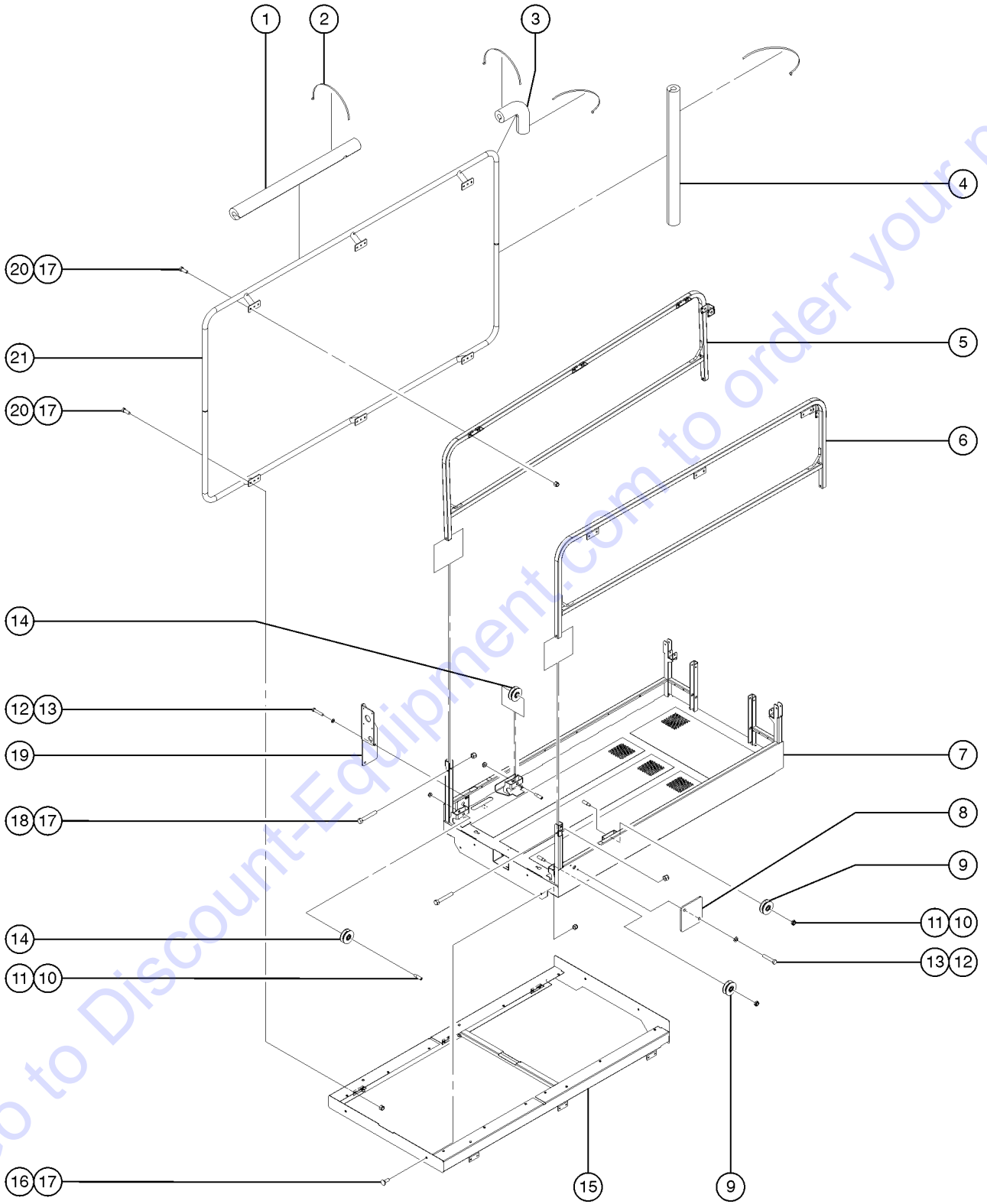
302.1 Scissor Link Assembly



302.1 Scissor Link Assembly

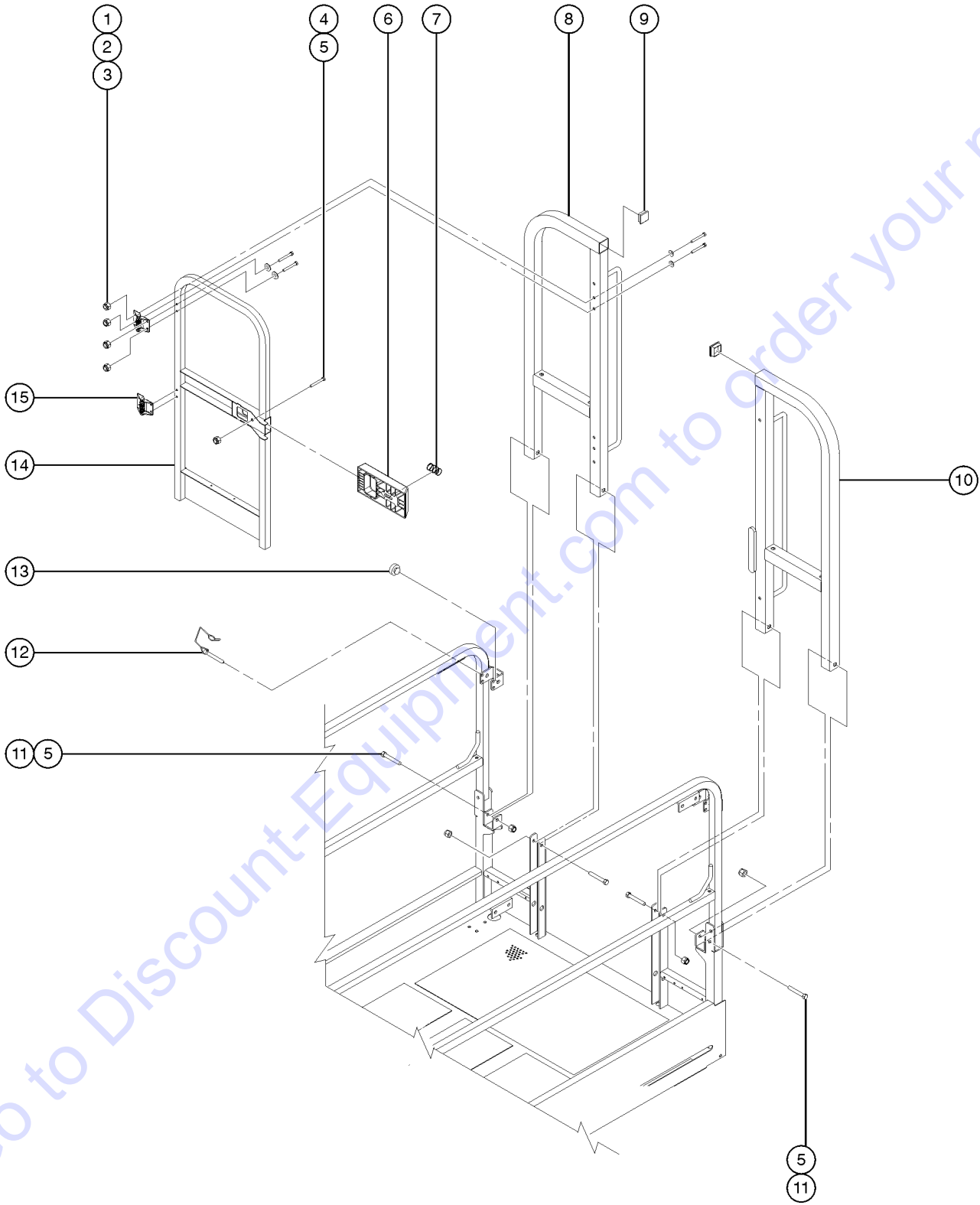
Item	Part No.	Description	Qty.	Item	Part No.	Description	Qty.
1	105189GT	BAR,CABLE BRIDGE ARM,UPPER.....1	1	28	96905GT	BOLT,CARRIAGE,1/4-20 X 2.5,G2	
2	105187GT	WELDMENT,CABLE BRIDGE, TOP,32XX.....2	2	29	18504GT	NUT,LOCKING-LG.FLANGE,1/4-20	
3	137284GT	WLDMT,LINK,OUTER #4,26XX,RIGHT...1 (ground controls side)	1	30	96862GT	PIN, LINKSET MOUNT, 1".....1	1
4	96130GT	PIN, MINI, CENTER.....2	2	31		Ref. Chassis Mount Assembly (refer to 301.1)	
5	30217GT	SNAP RING,EXTERNAL,1.25 DIA.**		32		Ref. Lift Cylinder (refer to 505.1)	
6	96390GT	WASHER,FLAT, 1.27 X 2.13 X .13		33	96836GT	LINK BUMPER, SHORT TUBE.....8	8
7	4828GT	NUT,NYLOCK,3/8-16		34	96812GT	PIN,LOWER CYL,ROD END.....1	1
8	14033GT	SCREW,HHC,3/8-16 X 2.75		35	105188GT	WLDMT,CABLE BRIDGE,BOTTOM,3246.....2	2
9		Ref. Platform Slider.....4 (refer to 301.1)	4	36	96900GT	PIN, SHORT, GS46.....6	6
10	226086GT	UPPER ARM ASSY,AV 2646.....1 (includes bearing)	1	37	105092GT	BOLT,CARRIAGE,3/8-16X1.25,GR5.....4	4
--	137283GT	WLDMT,LINK,INNER #4,26XX.....1	1	38		Ref. Platform Mount Assembly.....1 (refer to 301.1)	1
--	66055GT	BEARING,1.50IDX1.77ODX1.25L.....2	2	39	6097GT	WASHER,FLAT,USS,3/8",Y	
--	96487GT	BEARING,1.26IDX1.53ODX1.25L.....4	4	40	36369GT	BEARING,0.75IDX1.00ODX0.75L	
11	137285GT	WLDMT,LNK,OUTER #4,26XX,LEFT.....1 (battery pack side)	1	41	96932GT	PIN, LINKSET MOUNT, 3/4".....1	1
12	1256848GT	SCREW,HHC,3/8-16X2.75,8,ZAG.....12	12	42	8915GT	SCREW,HHC,1/4-20 X 1.25	
13	96899GT	PIN, LONG, GS46.....6	6	43	45748GT	ROD END,250 X 2.75 LG.....2	2
14	1260941GT	WASHER,SHIM,1.54X2.00X.125,ZAG		44	6091GT	NUT,NYLOCK,1/4-20	
15	18383GT	SNAP RING,EXTERNAL,1.5 DIA***.....12	12	45	105186GT	WLDMNT,CABLE BRIDGE,LOWER.....1	1
16	97244GT	INNER ARM ASSY #3, 2632/2646.....1 (includes bearing)	1				
--	66055GT	BEARING,1.50IDX1.77ODX1.25L.....8	8				
--	96607GT	WLDMT,LNK,INNER #3, 26XX					
17	105193GT	CLIP,CABLEBRIDGE, GS32/46					
18	58000GT	SAFETY CHOCK,SCISSOR.....1	1				
19	97234GT	INNER ARM ASSY, #2, GS32&46.....1 (includes bearing)	1				
--	66055GT	BEARING,1.50IDX1.77ODX1.25L.....8	8				
--	96604GT	WLDMT,LNK,INNER #2					
20	96605GT	WLDMT,LNK,OUTER #2,#3,#4.....4	4				
21	237565GT	INNER ARM ASSEMBLY #1,GS32/46 (includes bearing) (decals not included, refer to section one)					
--	66055GT	BEARING,1.50IDX1.77ODX1.25L.....6	6				
--	96601GT	WLDMT,LNK,INNER #1					
22	96662GT	PIN, LOWER CYLINDER MOUNT.....1	1				
23	825019GT	ROD END,.375X3.69,ZAG.....3	3				
24	8516GT	SCREW, HCC, 3/8-16 X 1.50					
25	96603GT	WLDMT,LNK,OUTER #1,XX46.....1	1				
26	58592GT	PLATE,HOSE ROUTG,BULKHEAD(PTD).....2	2				
27	78736GT	CLAMP,2 HOSE,PLASTIC,5/8.....4	4				

401.1 Platform Main Deck



Item	Part No.	Description	Qty.
1	125874GT	BUMPER,FOAM,MAIN DECK,LONG....8	
2	229903GT	CABLE TIE, 14.5" YELLOW	
3	125872GT	BUMPER,FOAM,ELBOW.....8	
4	238267GT	BUMPER,FOAM,VERT,38.00.....4	
5	227535GT	WLDMNT, MAIN RAIL, R, AV.....1	
6	227536GT	WLDMNT, MAIN RAIL, L, AV.....1	
7	237752GT	WLDMNT,MAIN DECK,GS46AV.....1	
8	237772GT	PLATE,RESTRAINT COVER.....1	
9	131416GT	V-ROLLER,NARROW,EXT DECK.....2	
10	38028GT	NUT,LP NYLOCK,5/8-11.....4	
11	87568GT	PIN, SHOULDER, 5/8-11 X 1.77.....4	
12	5224GT	SCREW,HHC,3/8-16 X 2	
13	6021GT	WASHER,LOCK,.375	
14	55665GT	V-ROLLER, EXT PLAT, GS90.....2	
15	237766GT	WLDMNT,PLATFORM SKIRT.....1	
16	73466GT	BOLT,CARRIAGE,3/8-16 X 1.00,G2	
17	4828GT	NUT,NYLOCK,3/8-16	
18	8178GT	SCREW,HHC,3/8-16 X 2.5	
19	237771GT	FORMING,T-BOX BRKT,AV.....1	
20	6175GT	SCREW,HHC,3/8-16 X 1	
21	237783GT	WLDMNT,AV SIDE BUMPER.....2	

402.1 Platform Main Entry Gate



PARTS FINDER

**Search Website
by Part Number**



**Search Manual
Library For Parts
Manual & Lookup Part
Numbers – Purchase
or Request Quote**

Search Manuals

Enter your information to help us find the right parts manual for your machine.

* Brand:

* Model:

* Serial:

* Part Number:

SEARCH

**Can't Find Part or
Manual? Request Help
by Manufacturer,
Model & Description**

Parts Order Form

Please fill in the following information to help us find the right part for your machine.

Manufacturer:	<input type="text"/>
Model:	<input type="text"/>
Description:	<input type="text"/>
Part Number:	<input type="text"/>
Quantity:	<input type="text"/>
Notes:	<input type="text"/>

Discount-Equipment.com is your online resource for quality parts & equipment.

Florida: **561-964-4949** Outside Florida TOLL FREE: **877-690-3101**

Need parts?

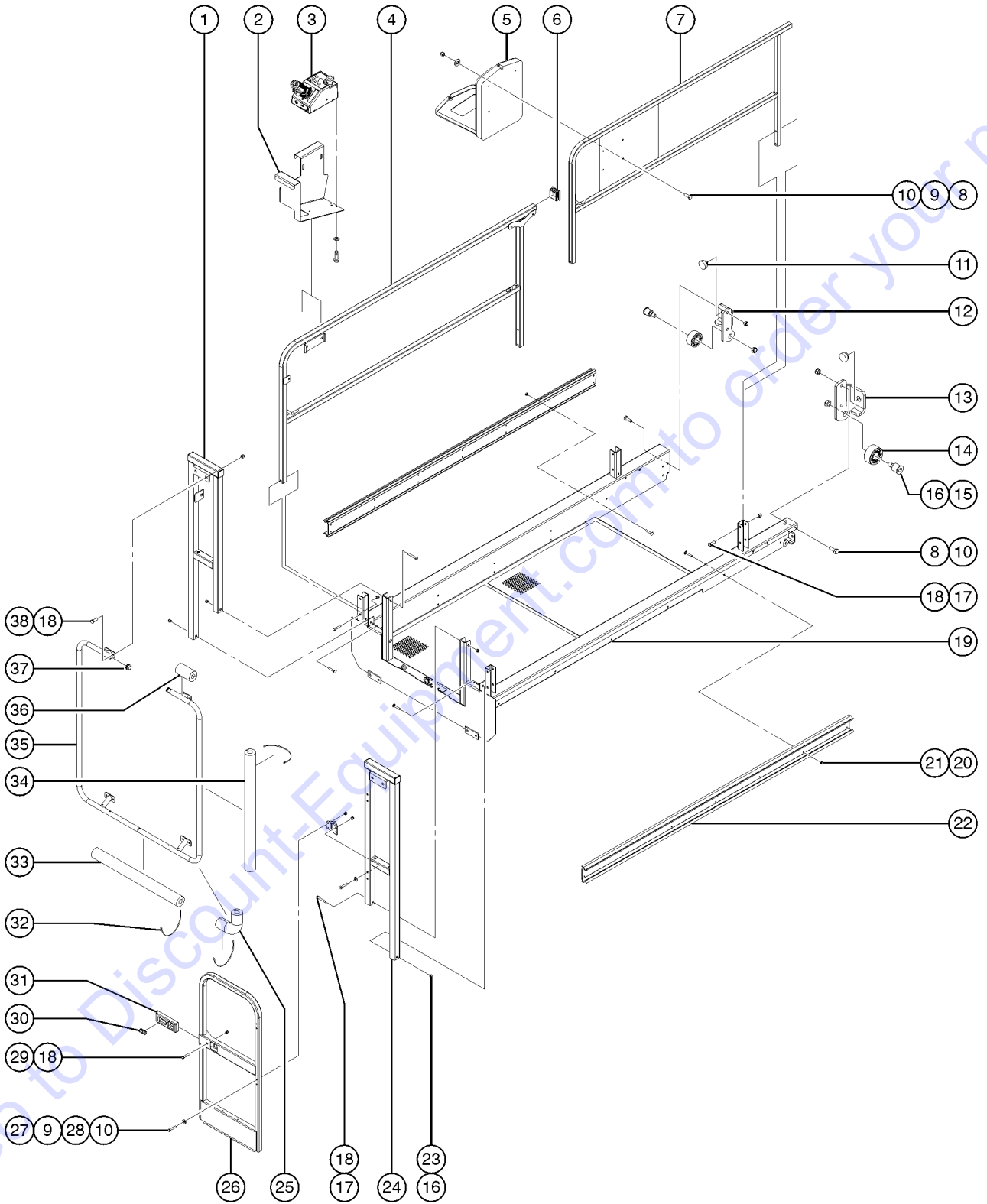
Click on this link: <http://www.discount-equipment.com/category/5443-parts/> and choose one of the options to help get the right parts and equipment you are looking for. Please have the machine model and serial number available in order to help us get you the correct parts. If you don't find the part on the website or on one of the online manuals, please fill out the request form and one of our experienced staff members will get back to you with a quote for the right part that your machine needs.

We sell worldwide for the brands: Genie, Terex, JLG, MultiQuip, Mikasa, Essick, Whiteman, Mayco, Toro Stone, Diamond Products, Generac Magnum, Airman, Haulotte, Barreto, Power Blanket, Nifty Lift, Atlas Copco, Chicago Pneumatic, Allmand, Miller Curber, Skyjack, Lull, Skytrak, Tsurumi, Husquvarna Target, Stow, Wacker, Sakai, Mi-T-M, Sullair, Basic, Dynapac, MBW, Weber, Bartell, Bennar Newman, Haulotte, Ditch Runner, Menegotti, Morrison, Contec, Buddy, Crown, Edco, Wyco, Bomag, Laymor, EZ Trench, Bil-Jax, F.S. Curtis, Gehl Pavers, Heli, Honda, ICS/PowerGrit, IHI, Partner, Imer, Clipper, MMD, Koshin, Rice, CH&E, General Equipment, Amida, Coleman, NAC, Gradall, Square Shooter, Kent, Stanley, Tamco, Toku, Hatz, Kohler, Robin, Wisconsin, Northrock, Oztec, Toker TK, Rol-Air, APT, Wylie, Ingersoll Rand / Doosan, Innovatech, Con X, Ammann, Mecalac, Makinex, Smith Surface Prep, Small Line, Wanco, Yanmar

402.1 Platform Main Entry Gate

Item	Part No.	Description	Qty.
1	6091GT	NUT,NYLOCK,1/4-20.....	12
2	6638GT	WASHER,FLAT,USS,1/4"Y.....	16
3	4266GT	SCREW,HHC,1/4-20 X 2.....	8
4	5224GT	SCREW,HHC,3/8-16 X 2.....	1
5	4828GT	NUT,NYLOCK,3/8-16.....	5
6	66544GT	LATCH HANDLE..... <i>(spring not included)</i>	1
7	22446GT	SPRING,COMPRESSION .835 X 2.....	1
8	238254GT	WLDMNT,GRAB BAR HINGE RAIL.....	1
9	78038GT	CAP, TUBE, SQ,1.25 X .083.....	2
10	238255GT	WLDMNT,GRAB BAR CATCH RAIL.....	1
11	8178GT	SCREW,HHC,3/8-16 X 2.5.....	4
12	66030GT	PIN, WIRE LOCK 3/8 X 2 -1/2.....	2
13	43392GT	BUMPER,BATTERY BOX & RAILS.....	6
14	97242GT	SWING GATE ASSY, GS46 WELD..... <i>(includes items 4, 5, 6 and 7) (decals not included refer to section one)</i>	1
--	66512GT	WLDMT, FULL HEIGHT GATE.....	1
15	104804GT	HINGE, SPRING, LONG LEG.....	2

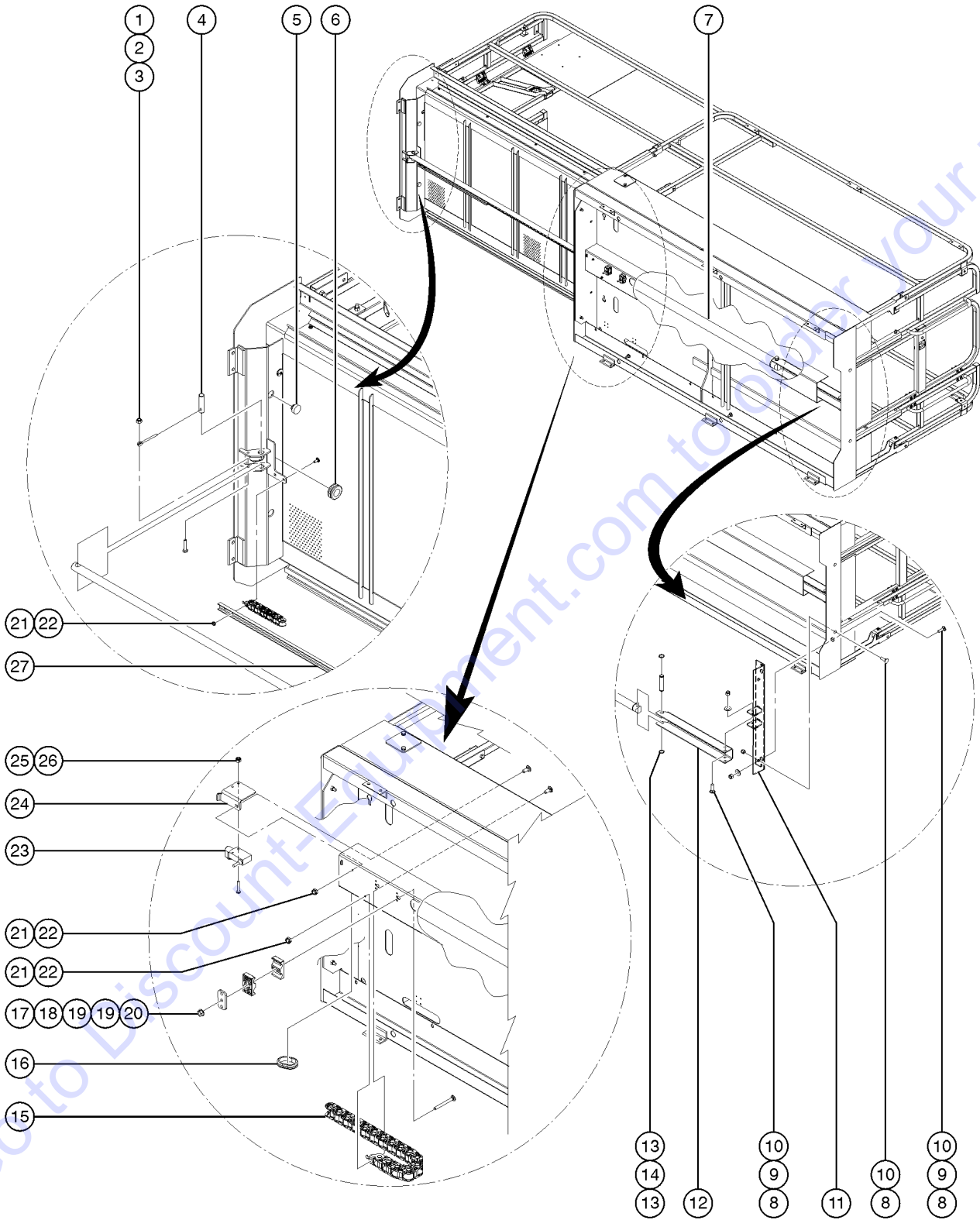
403.1 Platform Extension Deck View 1



403.1 Platform Extension Deck View 1

Item	Part No.	Description	Qty.	Item	Part No.	Description	Qty.
1	227557GT	WLDMNT, FRONT CATCH RAIL.....	1	32	229903GT	CABLE TIE, 14.5" YELLOW	
2	T114397GT	FORMING, PLAT CONTROL BOX.....	1	33	238270GT	BUMPER, FOAM, FRONT LONG.....	1
3		Ref. Platform Control Box..... <i>(refer to 408.1)</i>	1	34	238267GT	BUMPER, FOAM, VERT, 38.00.....	2
4	238169GT	WLDMNT, EXT RAIL, RIGHT.....	1	35	237786GT	WLDMNT, AV FRONT BUMPER.....	1
5A	44743GT	MANUAL BOX W/DECALS***..... <i>USA/Canada/Australia</i>	1	36	238269GT	BUMPER, FOAM, FRONT SHORT.....	2
--	1256855GT	SCREW, HHF, 1/4-20X.625, 8, ZAG.....	4	37	55753GT	BUMPER, PLASTIC, 1.25 O.D.....	2
--	824027GT	NUT, TL FLG, 1/4-20, G, ZAG.....	4	38	6175GT	SCREW, HHC, 3/8-16 X 1	
--	824113GT	WASHER, FLAT, USS, 1/4, ZAG.....	4				
5B	24514GT	BOX, INSTRUCTION STORAGE <i>Europe/Asia/South America (decals required; refer to Section 100)</i>					
--	1256855GT	SCREW, HHF, 1/4-20X.625, 8, ZAG.....	4				
--	824027GT	NUT, TL FLG, 1/4-20, G, ZAG.....	4				
--	824113GT	WASHER, FLAT, USS, 1/4, ZAG.....	4				
6	78038GT	CAP, TUBE, SQ, 1.25 X .083.....	6				
7	238176GT	WLDMNT, EXT RAIL, LEFT.....	1				
8	6090GT	SCREW, HHC, 1/4-20 X .75					
9	6638GT	WASHER, FLAT, USS, 1/4"Y					
10	6091GT	NUT, NYLOCK, 1/4-20					
11	47230GT	BUMPER, RUBBER.....	2				
12	87570GT	FORMING, EXT DECK STOP, RIGHT.....	1				
13	87571GT	FORMING, EXT DECK STOP, LEFT.....	1				
14	38026GT	ROLLER, MACHINED AWP***.....	2				
15	35706GT	BOLT, ROLLER, .470"(SHORT)					
16	7713GT	NUT, LP NYLOCK, 3/8-16					
17	8178GT	SCREW, HHC, 3/8-16 X 2.5					
18	4828GT	NUT, NYLOCK, 3/8-16					
19	237738GT	WLDMNT, EXT DECK, GS46AV.....	1				
20	6889GT	NUT, LP NYLOCK, 1/4-20					
21	1260963GT	BOLT, CARRIAGE, 1/4-20X.63, 5, ZAG.....	24				
22	237736GT	V-ROLLER TRK, ALUM, AV DECK.....	2				
23	87564GT	BOLT, CARRIAGE, 3/8-16 X 2.00, G2					
24	227556GT	WLDMNT, FRONT HINGE RAIL.....	1				
25	238268GT	BUMPER, FOAM, FRONT ELBOW.....	4				
26	97242GT	SWING GATE ASSY, GS46 WELD..... <i>(includes items 18, 29, 30 and 31) (Decals not included, see section one)</i>	1				
--	66512GT	WLDMT, FULL HEIGHT GATE					
27	4266GT	SCREW, HHC, 1/4-20 X 2					
28	104804GT	HINGE, SPRING, LONG LEG.....	2				
29	5224GT	SCREW, HHC, 3/8-16 X 2					
30	22446GT	SPRING, COMPRESSION .835 X 2.....	1				
31	66544GT	LATCH HANDLE.....	1				

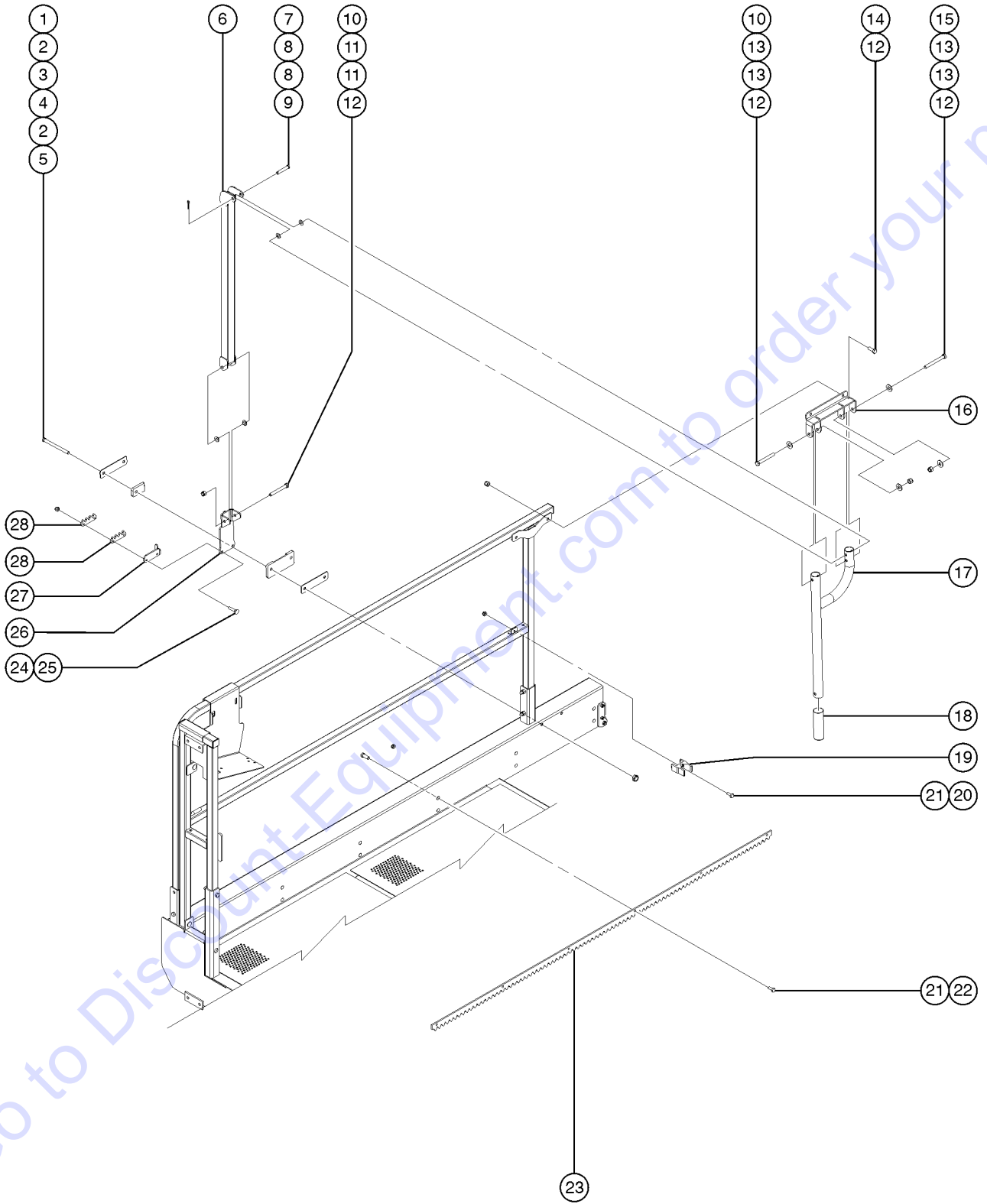
404.1 Platform Extension Deck View 2



404.1 Platform Extension Deck View 2

Item	Part No.	Description	Qty.
1	6091GT	NUT,NYLOCK,1/4-20	
2	45748GT	ROD END,.250 X 2.75 LG.....1	1
3	8915GT	SCREW,HHC,1/4-20 X 1.25	
4	60358GT	PIN,.75DIA X 2.89LG,1HOLE.....1	1
5	47230GT	BUMPER,RUBBER.....2	2
6	60584GT	GROMMET,RUBBER .75 X .19 X 1**.....1	1
7	125835GT	CYLINDER,EXT DECK.....1 <i>From SN GS4616P-138909, the ports changed from #4 to #6. Verify port size before ordering. For models with #4 ports, use hose assembly 215806 and connectors 12342, 78091. For models with #6 ports, use hose assemblies 1255267 and connectors 39878.</i>	1
--	219669GT	SEAL KIT (125835)	
8	105092GT	BOLT,CARRIAGE,3/8-16X1.25,GR5	
9	6097GT	WASHER,FLAT,USS,3/8",Y	
10	4828GT	NUT,NYLOCK,3/8-16	
11	238166GT	WLDMNT,AV CYL. MOUNT.....1	1
12	238165GT	FORMING,EXT DECK CYL. MOUNT.....1	1
13	10262GT	SNAP RING,EXTERNAL,.75 DIA.....2	2
14	125916GT	PIN,EXT DECK CYLINDER.....1	1
15	229895GT	CABLE TRACK, SP059 X 60.....1	1
16	24649GT	GROMMET,RUBBER 1.5 X .25 X 2.....1	1
17	18504GT	NUT,LOCKING-LG.FLANGE,1/4-20	
18	96196GT	PLATE,HOSE ROUTING,BULKHEAD **.....2	2
19	78736GT	CLAMP,2 HOSE,PLASTIC,5/8.....4	4
20	96905GT	BOLT,CARRIAGE,1/4-20 X 2.5,G2	
21	6889GT	NUT,LP NYLOCK,1/4-20	
22	87645GT	BOLT,CARRIAGE,1/4-20 X .63,G2	
23	105692GT	SWITCH,LIMIT,W/ROLLER ARM.....1	1
24	215439GT	FORMING,LMT SWCH BRKT,AV.....1	1
25	18605GT	NUT,NYLOCK,8-32	
26	54380GT	SCREW,PHILLIPS,PHM,8-32 X .875	
27	215713GT	CHANNEL,CABLETRACK SUPPORT.....1	1

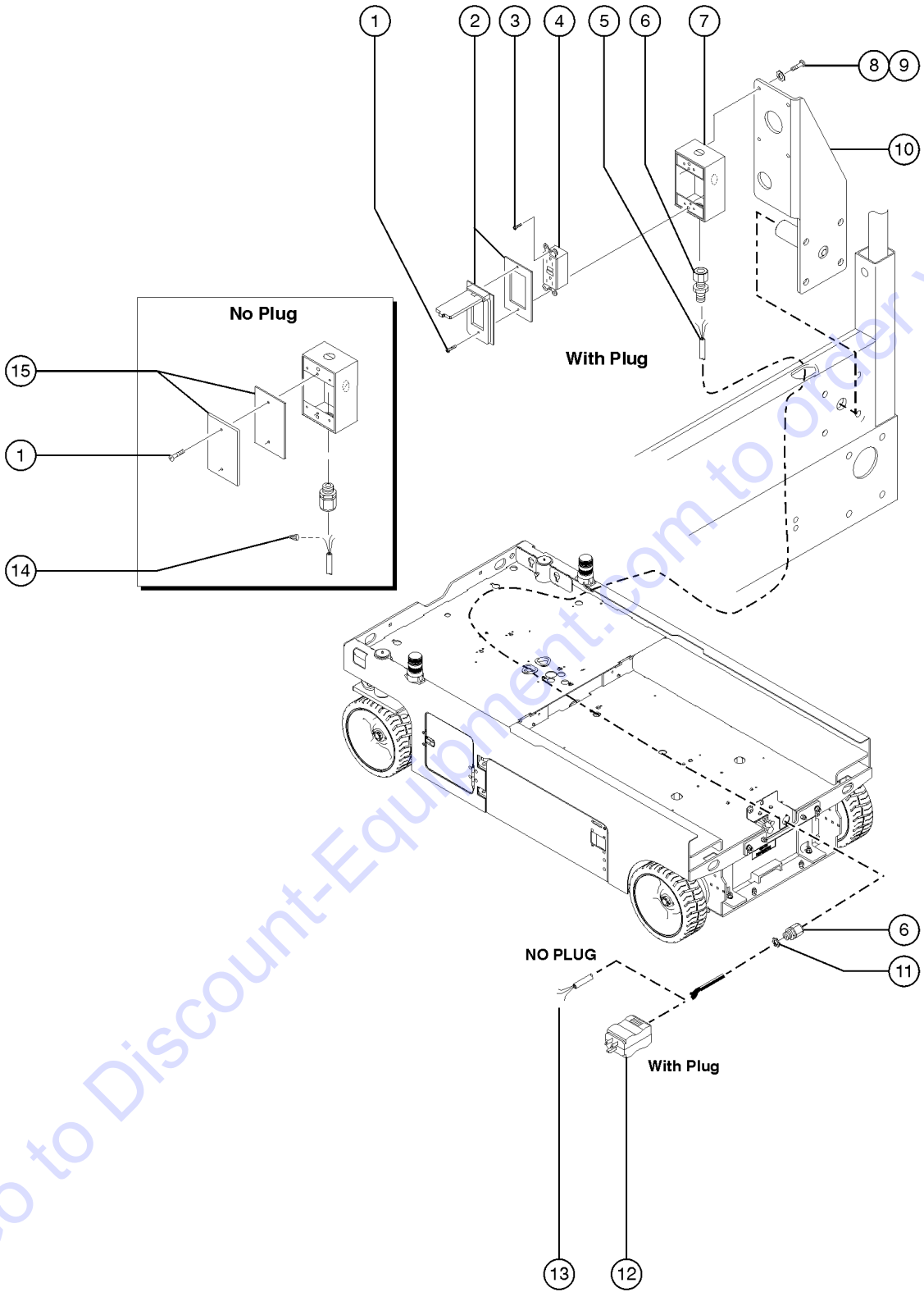
405.1 Manual Extension Deck Lock



405.1 Manual Extension Deck Lock

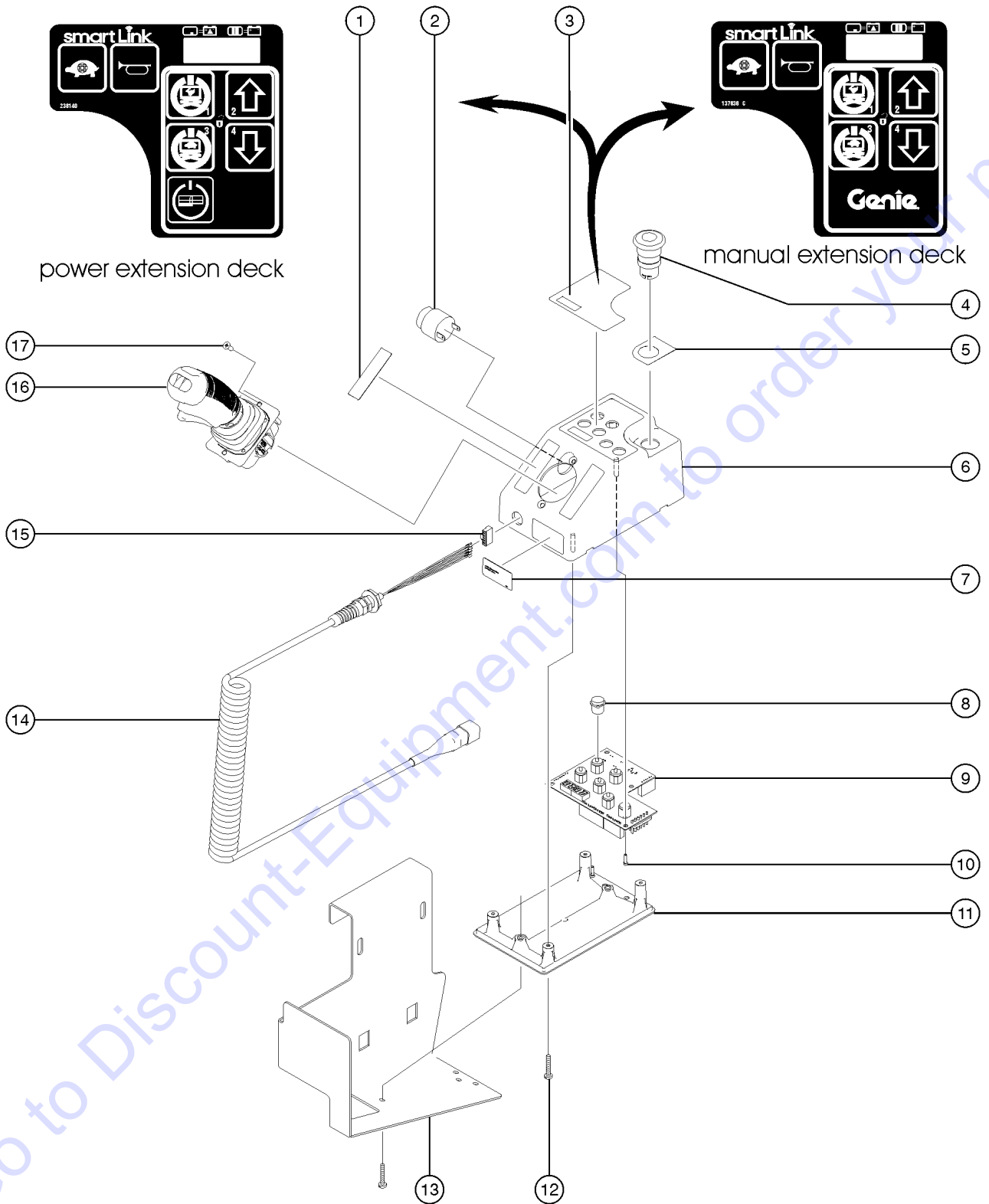
Item	Part No.	Description	Qty.
1	12981GT	SCREW,HHC,3/8-16 X 4.5.....	2
2	238188GT	PLATE,AV LATCH GUIDE.....	2
3	238189GT	GUIDE,AV LATCH OUTER.....	2
4	87651GT	LATCH GUIDE,INNER GS68.....	1
5	7713GT	NUT, LP NYLOCK, 3/8-16.....	2
6	238184GT	WLDMNT,AV DECK ACTUATOR.....	1
7	106365GT	PIN,CLEVIS,2.00 NITRIDED.....	1
8	47228GT	WASHER,NYLON,.406 X.750 X.032.....	2
9	106383GT	PIN,COTTER,.156 X .75.....	1
10	6326GT	SCREW,HHC,3/8-16 X 3	
11	47222GT	WASHER,SHOULDER,NYLON	
12	4828GT	NUT,NYLOCK,3/8-16	
13	6097GT	WASHER,FLAT,USS,3/8",Y	
14	6175GT	SCREW,HHC,3/8-16 X 1	
15	6605GT	SCREW,HHC,3/8-16 X 3.5,GR5	
16	219467GT	WLDMNT,AV LATCH MOUNT	1
17	238181GT	WLDMNT,AV DECK HANDLE.....	1
18	51415GT	GRIP,HANDLE EXT PLATFORM LOCK.....	1
19	71545GT	CATCH CLIP, EXT. DECK ARM,GS90.....	1
20	8914GT	SCREW,HHC,1/4-20 X .625	
21	6889GT	NUT,LP NYLOCK,1/4-20	
22	87645GT	BOLT,CARRIAGE,1/4-20 X .63,G2	
23	237758GT	PLATE,EXT DECK LOCK TOOTH	
24	9116GT	BOLT,CARRIAGE,1/4-20x1.25,G2	
25	6091GT	NUT,NYLOCK,1/4-20	
26	238190GT	WLDMNT,AV LATCH LOCK.....	1
27	238193GT	FORMING,LOCK BRKT SPCR.....	1
28	87545-SGT	PLATE,EXT LATCH TEETH GS68.....	2

406.1 Power to Platform



Item	Part No.	Description	Qty.
1	7127GT	SCREW,PHILLIPS,PHM,6-32 X .75	
2	74006GT	COVER,GFCI,HORIZONTAL,WEATHER.1 (models with plug)(includes gasket and mounting fasteners)	
3	45546GT	SCREW,RHM,6-32 X .5	
4	13585GT	OUTLET, 110V.....1	
5	43956GT	WIRE CABLE,14/3 CON.TPE JKT*	
6	7056GT	CONN,SQUEEZE,1/2NPT .38-.50,SM	
7	10775GT	T-BOX,2.75 X 4.5 X 2.0.....1	
8	44936GT	WASHER,STAR,EXTERNAL,#8	
9	57075GT	SCREW,PHIL,8-32X.50,SELF TAP	
10		Ref: T-box bracket (refer to 401.1)	
11	6935GT	LOCKNUT,ELEC,1/2"	
12A	6595GT	PLUG,ELECTRICAL,DOMESTIC.....2 (from SN 139711 to 145047)	
12B	6595GT	PLUG,ELECTRICAL,DOMESTIC.....1 (from SN 145048)	
13	105117GT	PLUG,FLG INLET,15A/125V,2PWGD.....1 (to SN 139711) (from SN 145048)	
--	105118GT	GASKET,(BOOT) FLANGE INLET PLG	
14	6626GT	WIRE CAP,ORANGE	
15	10777GT	COVER,BLANK.....1 (models without plug)	

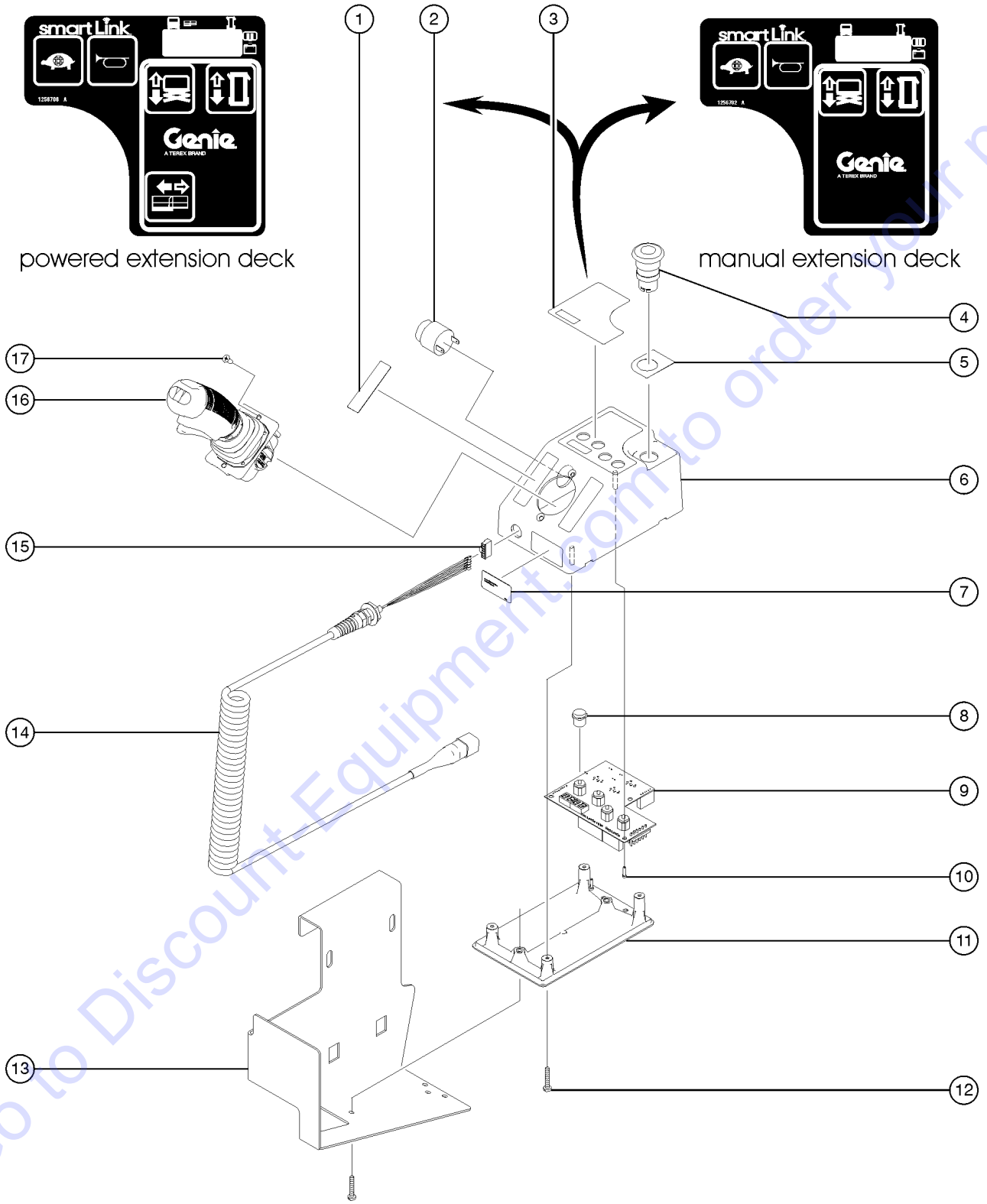
407.1 Platform Control Box, 2 Speed (to SN 134999)



407.1 Platform Control Box, 2 Speed (to SN 134999)

Item	Part No.	Description	Qty.
--	137633GT	PCON, GR/GRC/GS <i>(models with manual extension deck) complete platform control box with coil cord, bracket not included</i>	
--	215669GT	PCON,GS PWR DECK <i>(models with powered extension deck)</i>	
--	219205GT	FLASH DRIVE,SL1K1.0 SOFTWARE <i>(models with 2 speed lift)</i>	
--	137587GT	HARNESS, ESTOP, GR/GRC/GS PCON	
1	137656GT	DECAL,PROPEL,GR/GRC/GS,PCON.....1	
2A	39540GT	ALARM,STEADY TONE***.....1 <i>order 72326 mounting ring separately</i>	
2B	72326GT	NUT - PLASTIC,RING FOR ALARMS <i>for 39540</i>	
3A	137636GT	DECAL, UI, GR/GRC/GS PCON.....1 <i>(models with manual extension deck)</i>	
3B	238140GT	DCL,UI,GS,PCON W/ PWR EXT.....1 <i>(models with powered extension deck)</i>	
4	66812GT	BUTTON,PUSH,RED MUSHROOM HEAD.....1	
--	66814GT	BASE,WITH 2 N.O. CONTACTS***.....1	
5	137605GT	DECAL,E-STOP,GR/GRC/GS PCON.....1	
6A	T106368GT	ENCLOSURE, GC14-1, TOP.....1 <i>(models with manual extension deck)</i>	
6B	T106367GT	ENCLOSURE, GC16-1, TOP.....1 <i>(models with powered extension deck)</i>	
7A	137642GT	LABEL, GR/GRC/GS PCON.....1 <i>(models with manual extension deck)</i>	
7B	215672GT	LABEL, PCON, GS AV.....1 <i>(models with powered extension deck)</i>	
8	T106373GT	CAP,BUTTON,K12	
9A	137522GT	PCBA, GC14-1.....1 <i>(models with manual extension deck)</i>	
9B	137711GT	PCBA, GC16-1.....1 <i>(models with powered extension deck)</i>	
10	137637GT	SCREW,PHM,4-20X.5, 48-2 TRI-L	
11	T106370GT	ENCLOSURE,GC14-1/GC16-1, BOT.....1	
12	137640GT	SCREW,PHM,8-16X.75, 48-2 TRI-L	
13	T114397GT	FORMING,PLAT CONTROL BOX.....1 <i>(decal not included, refer to section one)</i>	
14	235464GT	KIT,COIL CORD,CONTRLR,SL1000	
--	231921GT	KIT,CONN,RECEPT W/PIN AND LOCK	
--	231922GT	KIT,CONN,PLUG W/SCKT AND LOCK	
15	137699GT	PLUG, 6POS ECO PWR	
16		Ref: Joystick <i>(refer to 409.1)</i>	
17	229845GT	SCREW,BHSCS,M5X10,SS.....4	

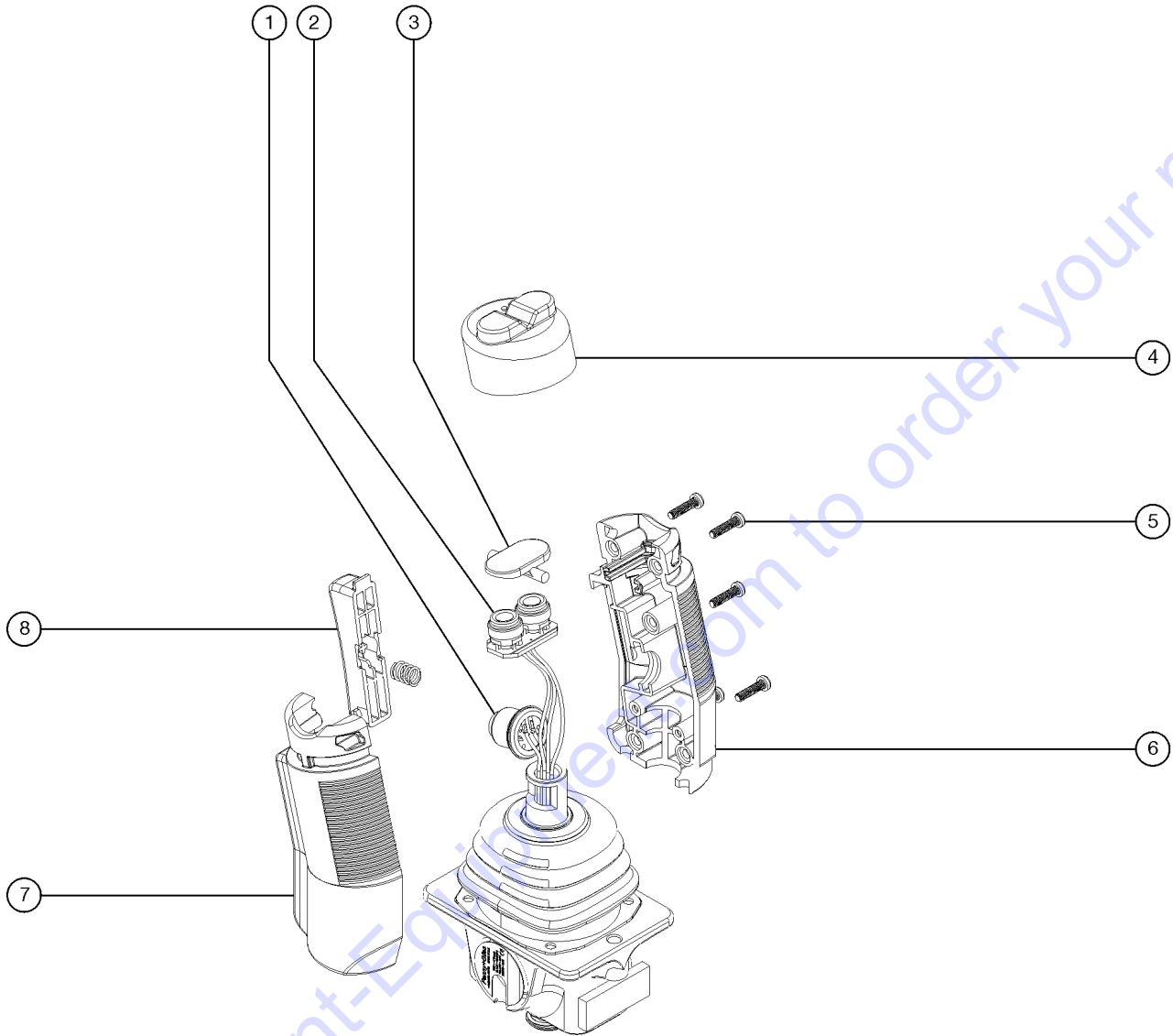
408.1 Platform Control Box, Proportional Lift (from SN 135000)



408.1 Platform Control Box, Proportional Lift (from SN 135000)

Item	Part No.	Description	Qty.
--	1256727GT	PCON,STD,PROP LIFT,GR/GS <i>(models with manual extension deck) complete platform control box with coil cord, bracket not included</i>	
--	1256734GT	PCON,PWR DECK,PROP LIFT <i>(models with powered extension deck)</i>	
--	1258731GT	FLASH DRIVE,SL1K2.0 SOFTWARE <i>(For proportional lift or upgrade kits only. Software update available on-line. Flash drive sold separately.)</i>	
--	137587GT	HARNESS, ESTOP, GR/GRC/GS PCON	
1	137656GT	DECAL,PROPEL,GR/GRC/GS,PCON.....1	
2A	39540GT	ALARM,STEADY TONE***.....1 <i>order 72326 mounting ring separately</i>	
2B	72326GT	NUT - PLASTIC,RING FOR ALARMS <i>for 39540</i>	
3A	1256702GT	DECAL, UI, GS/GR, PROP LIFT.....1 <i>(models with manual extension deck)</i>	
3B	1256706GT	DECAL,PWR DECK,PROP LIFT,UI.....1 <i>(models with powered extension deck)</i>	
4	66812GT	BUTTON,PUSH,RED MUSHROOM HEAD.....1	
--	66814GT	BASE,WITH 2 N.O. CONTACTS***.....1	
5	137605GT	DECAL,E-STOP,GR/GRC/GS PCON.....1	
6A	1256656GT	ENCLOSURE,STD 4-BUTTON,TOP.....1 <i>(models with manual extension deck)</i>	
6B	1256658GT	ENCLOSURE, O/R 5-BUTTON,TOP.....1 <i>(models with powered extension deck)</i>	
7A		<i>(component no longer available).....1</i>	
8	T106373GT	CAP,BUTTON,K12	
9A	1256725GT	PCBA,PCON STD,PROP LIFT.....1 <i>(models with manual extension deck)</i>	
9B	1256726GT	PCBA,PCON O/R,PROP LIFT.....1 <i>(models with powered extension deck)</i>	
10	137637GT	SCREW,PHM,4-20X.5, 48-2 TRI-L	
11	T106370GT	ENCLOSURE,GC14-1/GC16-1, BOT.....1	
12	137640GT	SCREW,PHM,8-16X.75, 48-2 TRI-L	
13	T114397GT	FORMING,PLAT CONTROL BOX.....1 <i>(decal not included, refer to section one)</i>	
14	235464GT	KIT,COIL CORD,CONTRLR,SL1000	
--	231921GT	KIT,CONN,RECEPT W/PIN AND LOCK	
--	231922GT	KIT,CONN,PLUG W/SCKT AND LOCK	
15	137699GT	PLUG, 6POS ECO PWR	
16		Ref: Joystick <i>(refer to 409.1)</i>	
17	229845GT	SCREW,BHSCS,M5X10,SS.....4	

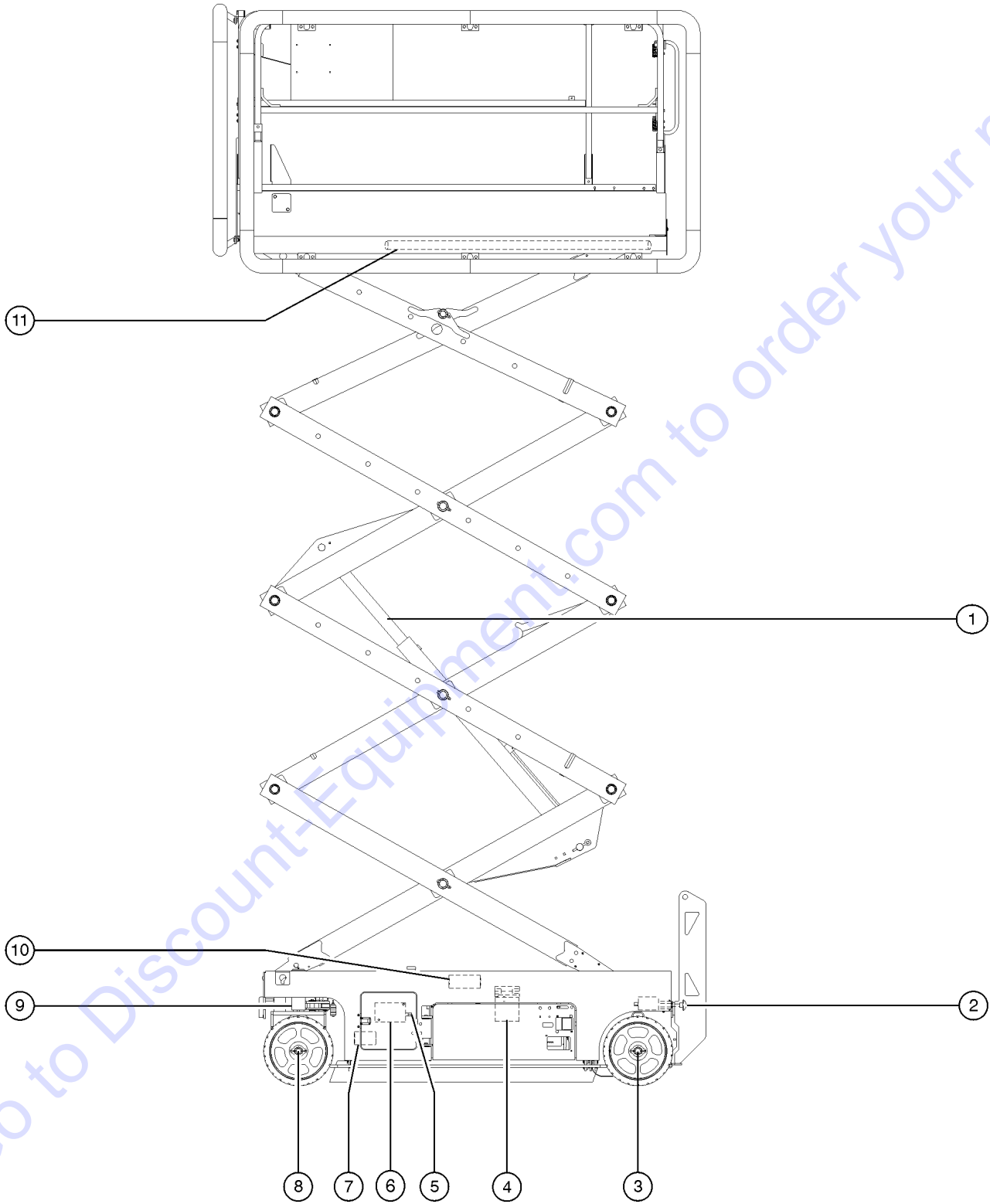
409.1 Joystick Controller



Go to Discount-Engine.com to order your parts

Item	Part No.	Description	Qty.
--	137634GT	JOYSTICK, HALL EFFECT, SINGLE	
--	235463GT	KIT,SWITCH,JYSTK,SL1000	
--	214544GT	KIT,BOOT,JOYSTICK,SL1000 <i>joystick boot</i>	
--	229097GT	TERMINAL, SPLINE (AMP)	
1	235463GT	KIT,SWITCH,JYSTK,SL1000	
2	235463GT	KIT,SWITCH,JYSTK,SL1000	
3	229092GT	ROCKER,2 SWITCH.....	1
4	229093GT	BOOT, 2 SWITCH, SILICON.....	1
5	229086GT	SCREW, SELF TAP.....	5
6	229087GT	HANDLE HALF,RIGHT,W/TOP SWITCH.....	1
6A	229091GT	SCREW,GRUB,M5X8MM,HLF DOG,BZP <i>for 229087</i>	
7	229088GT	HANDLE HALF,LEFT,W/TOP SWITCH....	1
7A	229090GT	SCREW,GRUB,M5X8MM CUP(BLK) <i>for 229088</i>	
8	229089GT	TRIGGER, EXTENDED.....	1
--	229094GT	SPRING, HANDLE TRIGGER.....	1

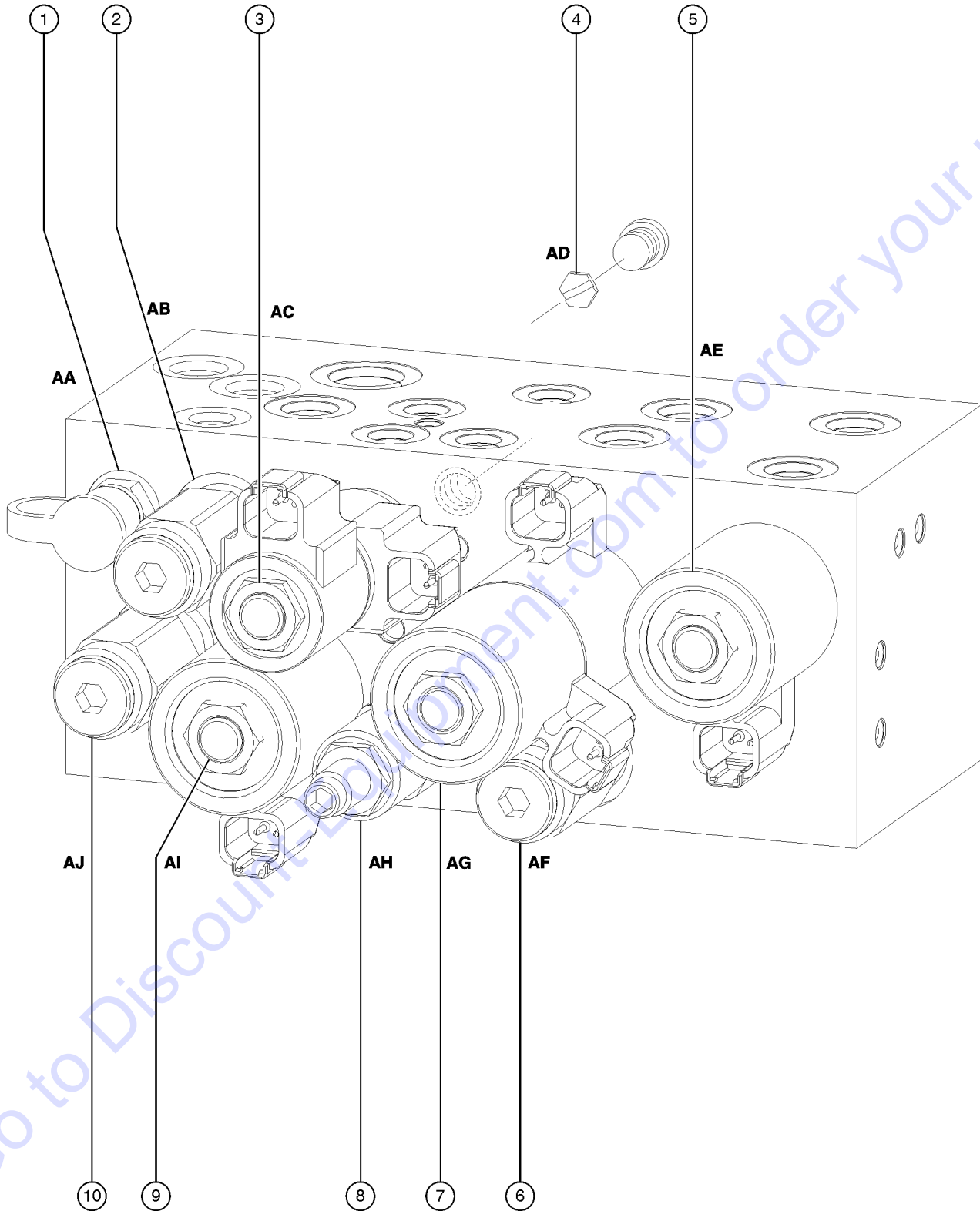
501.1 Hydraulic Component Layout



501.1 Hydraulic Component Layout

Item	Part No.	Description	Qty.
1		REF: Lift Cylinder Assembly (refer to 505.1)	
2		REF: Brake Release Hand Pump Manifold (refer to 503.1)	
3		REF: Hydraulic Brake (refer to 202.1)	
4		REF: Filter Assembly.....1 (refer to 208.1)	
5		REF: Check Valve (refer to 501.1)	
6		REF: Function Manifold (refer to 501.1)	
7		REF: Powered Extension Manifold (refer to 508.1)	
8		REF: Hydraulic Motor (refer to 201.1)	
9		REF: Steer Cylinder.....1 (refer to 201.1)	
10		REF: Accumulator.....1 (refer to 214.1)	
11		REF: Extension Deck Cylinder (refer to 404.1)	

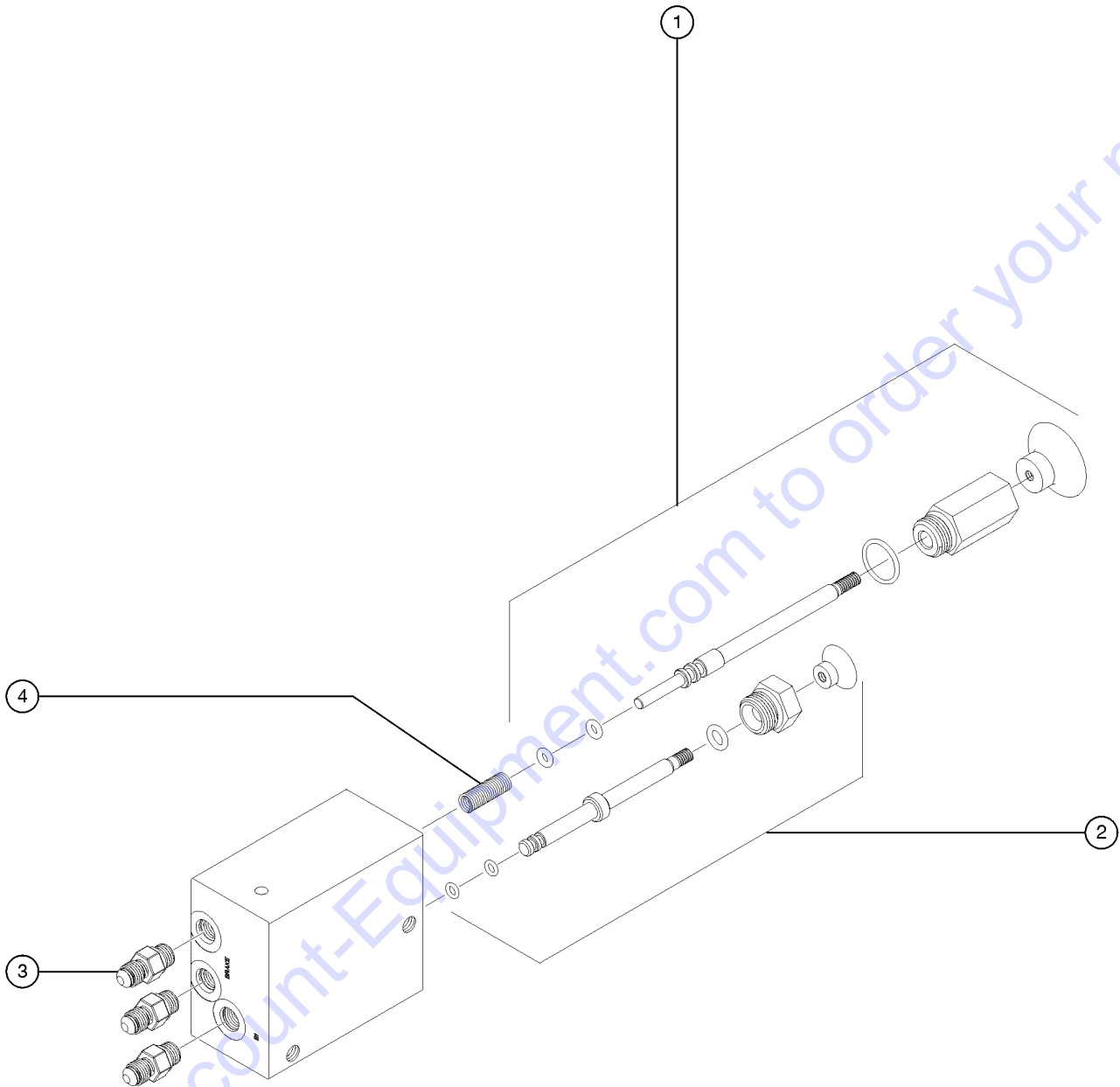
502.1 Function Manifold



502.1 Function Manifold

Item	Part No.	Description	Qty.	Item	Part No.	Description	Qty.
--	150105GT	MANIFOLD,FUNCTION,2 SPEED		--	44226GT	SEAL KIT-FOR P.N.44167	
--	49612GT	O-RING KIT (ORFS FITTINGS)					
--	49613GT	PLUG AND CAP KIT-SERVICE,ORFS*					
1	48997GT	NIPPLE,DIAGNOSTIC,#4.....1 (AA, Testing)					
--	20224GT	DIAGNOSTIC FEMALE Q-DSCNT					
--	48880GT	CAP,DIAGNOSTIC NIPPLE					
2	65962GT	VALVE-RELIEF, 3700 PSI #8**.....1 (AB, System relief)					
--	44226GT	SEAL KIT-FOR P.N.44167					
3	44168GT	VALVE,SOLENOID,3POS 4WAY.....1 (AC, Steer left/right)					
--	44174GT	NUT-COIL SHORT (sold separately)					
--	44229GT	SEAL KIT, VALVE					
--	44236GT	SPACER-DUAL COIL,#8*** (sold separately)					
--	77709GT	COIL,#8 20VDC,DEUTSCH W/DIODE (sold separately)					
4	84386GT	CHECK DISK, NO SPRING (AD, Steer circuit)					
5	44171GT	VALVE-SOLENOID,2POS 4WAY**.....1 (AE, Drive speed select circuit)					
--	44175GT	SPACER-DUAL COIL,#10, SCISSORS (sold separately)					
--	44230GT	SEAL KIT-P.N.44169,44172,44171					
--	84385GT	COIL,20VDC DEUTCSH W/DIODE (sold separately)					
6	97409GT	VALVE,DIFF.AREA RELIEF,50PSI.....1 (AF, Brake release)					
7	150104GT	VALVE, DYN. BRAKING, GS32/46.....1					
--	44175GT	SPACER-DUAL COIL,#10, SCISSORS (sold separately)					
--	84385GT	COIL,20VDC DEUTCSH W/DIODE (sold separately)					
8	84384GT	PRTY,FLOW CNTRL VALVE,,75 GPM.....1 (AH, Steer circuit)					
--	1261888GT	SEAL KIT (84384) for 84384					
--	44230GT	SEAL KIT-P.N.44169,44172,44171					
9	44169GT	VALVE-SOLENOID, 2POS 4 WAY.....1 (AI, Platform up)					
--	44175GT	SPACER-DUAL COIL,#10, SCISSORS (sold separately)					
--	44230GT	SEAL KIT-P.N.44169,44172,44171					
--	84385GT	COIL,20VDC DEUTCSH W/DIODE (sold separately)					
10	65962GT	VALVE-RELIEF, 3700 PSI #8**.....1 (AJ, Lift relief)					

503.1 Brake Release Hand Pump Manifold



Go to Discount-Equipment.com to order your parts

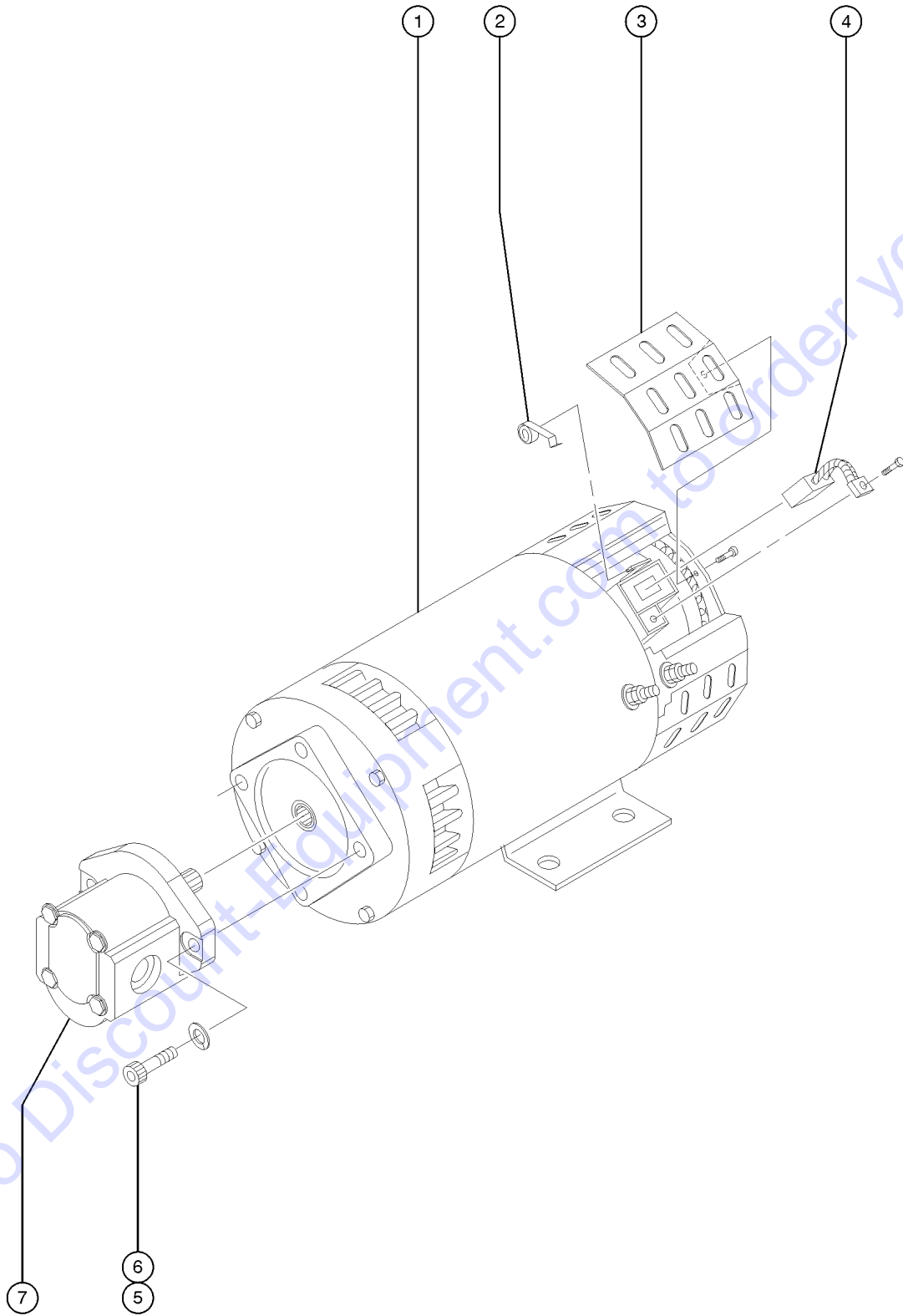
503.1 Brake Release Hand Pump Manifold

Item	Part No.	Description	Qty.
--	105067GT	MANIFOLD,BRAKE RELEASE <i>(includes items 1, 2 and 4)</i>	
1	84739GT	VALVE,HAND PUMP ASSEMBLY***.....1	1
--	84740GT	SEAL KIT,HAND PUMP***	
--	84742GT	KNOB,HAND PUMP (RED)***	
2	84743GT	VALVE,PILOT OPERATED ASSEMBLY*.....1	1
--	84740GT	SEAL KIT,HAND PUMP***	
--	84746GT	KNOB,PILOT OP VALVE (BLACK)***	
3	39877GT	CONNECTOR,070120-4-4.....3	3
4	84748GT	SPRING,HAND PUMP ROD.....1	1

Go to Discount-Equipment.com to order your parts

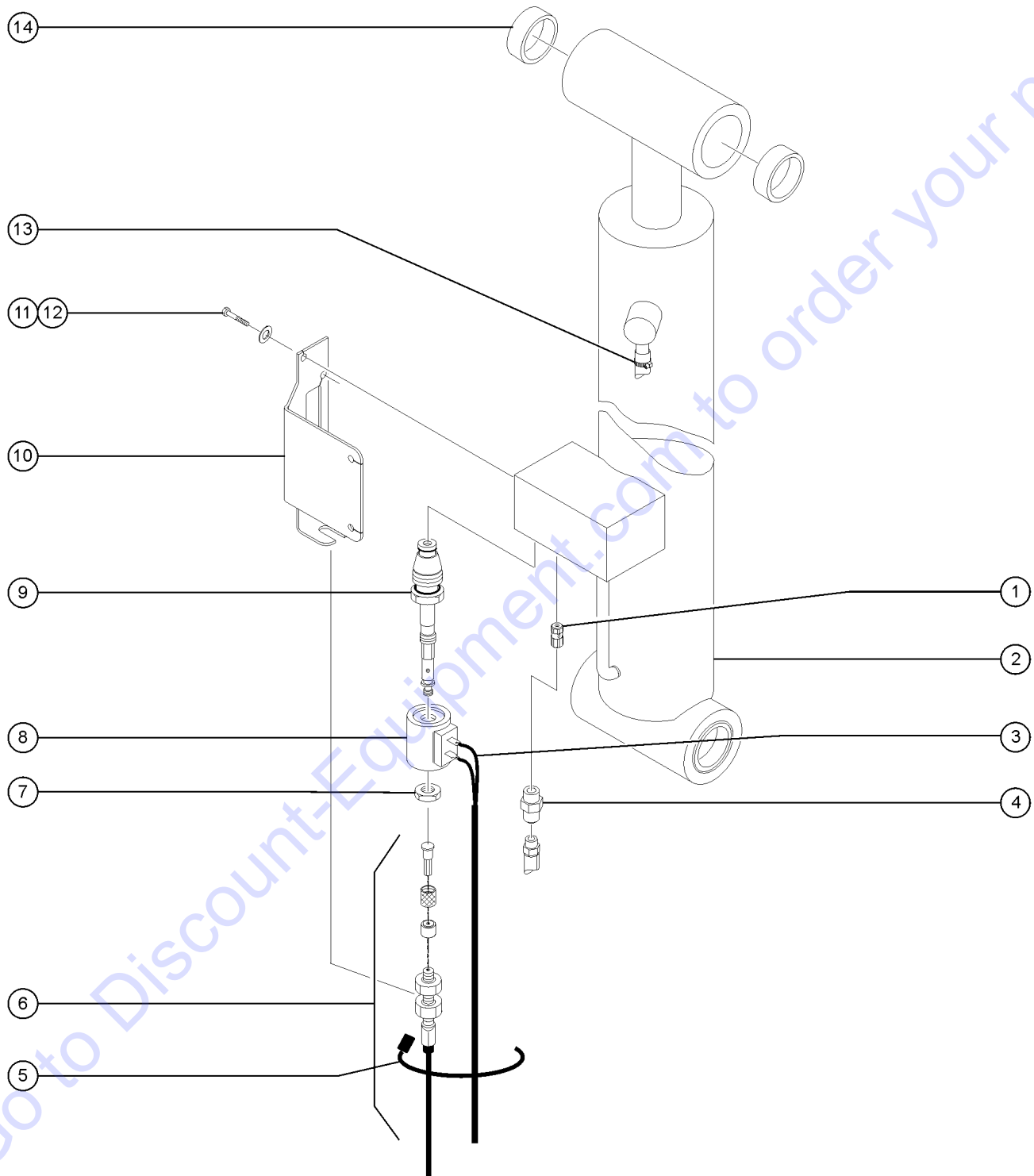


504.1 Hydraulic Power Unit



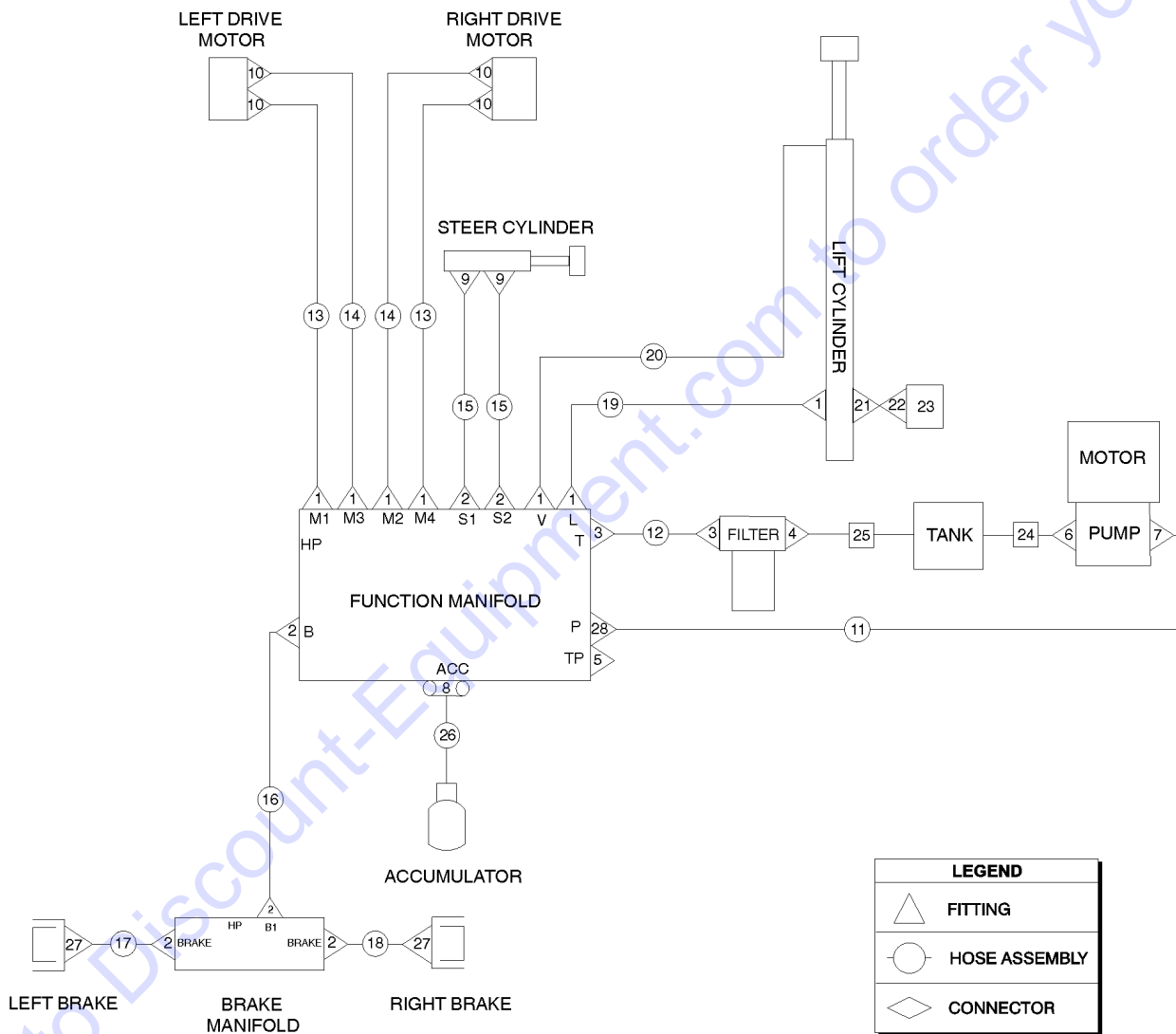
Item	Part No.	Description	Qty.
1	40844GT	MOTOR,ELECTRIC,24VDC 4.5HP.....1	
--	44777GT	BEARING,MOTOR	
--	44778GT	BEARING,MOTOR,36843,BRUSH END*	
2	44750GT	SPRING-BRUSH,40844, SCISSORS.....4	
3	44752GT	COVER-BRUSH INSPEC.40844,SCISS.....4	
4	44751GT	BRUSH,PWR UNIT (40844)**.....4	
5	55921GT	SCREW,SHC,3/8-24 X 1.25"	
6	6021GT	WASHER,LOCK,.375	
7	96193GT	PUMP,4CC GEAR,CCW***.....1 <i>(Bosch/Rexroth) (check pump ID plate for correct seal kit)</i>	
--	85197GT	SEAL KIT,BOSCH PUMP*** <i>For Bosch PN 9510290001</i>	
7B	T108662GT	PUMP,5.6CC GEAR,CCW.....1 <i>(from SN 3214A-119071, 4614A-117178, 3214C-11874, 4614C-12074, 4714C-1460)</i>	
--	236837GT	SEAL KIT,PUMP,5.6CC GEAR <i>for T108662</i>	
7C	1255060GT	KIT, 5CC PUMP UPGRADE <i>For GS-32; Software required - order 219205 shown below (for SN 3211A-110000 to A119070, 3212C-10000 to C11873)</i>	
--	T108662GT	PUMP,5.6CC GEAR,CCW <i>for 1255060</i>	
7D	1255060GT	KIT, 5CC PUMP UPGRADE <i>For GS-46; Software required - order 219205 shown below (for SN 4611A-110000 to 117177, 4612C-10000 to 12073)</i>	
--	T108662GT	PUMP,5.6CC GEAR,CCW <i>for 1255060</i>	
7E	1255060GT	KIT, 5CC PUMP UPGRADE <i>For GS-47; Software required - order 219205 shown below (for SN 4712C-101 to 1459)</i>	
--	T108662GT	PUMP,5.6CC GEAR,CCW <i>for 1255060</i>	
7F	219205GT	FLASH DRIVE,SL1K1.0 SOFTWARE <i>required software for 1255060</i>	

505.1 Lift Cylinder Assembly



Item	Part No.	Description	Qty.
1	55560GT	ORIFICE, LONG, .059".....	1
2	137229GT	CYLINDER, PRIMARY LIFT, 108.83.....	1
--	219978GT	SEAL KIT FOR 137229	
3		REF: Lift Cylinder Down Harness HRNS (refer to 210.1 or 211.1)	
4	39878GT	CONNECTOR, 070120-6-6.....	1
5	28443GT	CABLE TIE, 11.5" BLACK.....	3
6	39232GT	CABLE, EMERGENCY DOWN.....	1
7	44973GT	NUT, COIL (39909).....	1
8	66467GT	COIL, PLAT LWR VALVE, SCISSORS**.....	1
9	66465GT	VALVE, W/20V NC SOLENOID, MANUAL.....	1
--	40477GT	VALVE, CARTRIDGE***	
--	44979GT	SEAL KIT, 39909, PLAT LWR VALVE*	
10	41557-SGT	CABLE BRACKET, PAINTED.....	1
11	7339GT	SCREW, HHC, 1/4-20 X .5.....	1
12	6356GT	WASHER, LOCK, .25.....	1
13	96770GT	CLAMP, HOSE, 1 EAR, 11/16.....	1
14	105478GT	BEARING, 1.5025IDX1.5075ODX1.5L.....	4

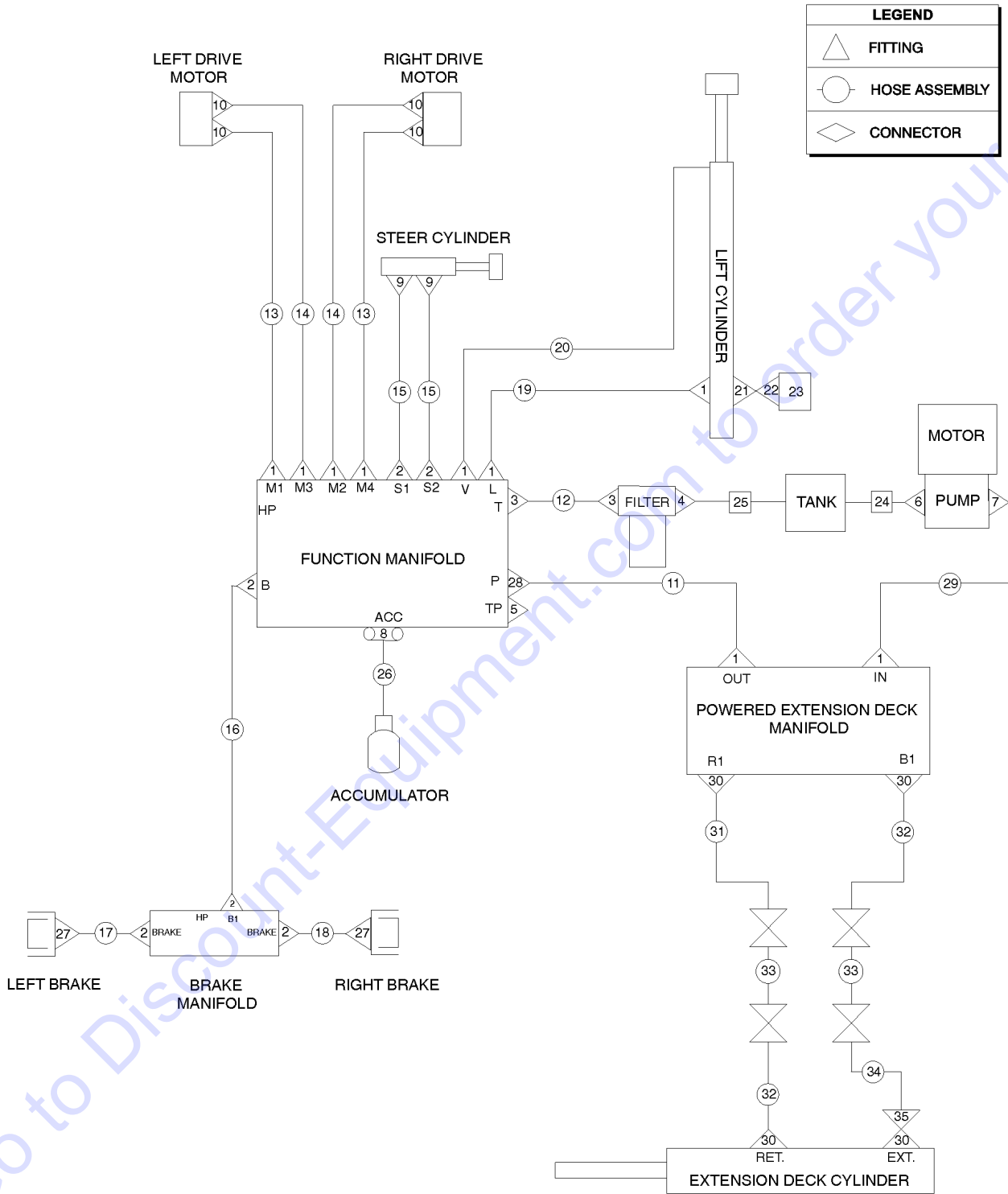
506.1 Hydraulic Hoses and Fittings, Manual Extension Deck Models



506.1 Hydraulic Hoses and Fittings, Manual Extension Deck Models

Item	Part No.	Description	Qty.	Item	Part No.	Description	Qty.
--		<i>The hose lengths below reflect the length of the hose only. Refer to the 'Fittings Cross Reference' to match Genie part numbers to Parker part numbers.</i>		25	96355GT	TUBE, ASSY, RETURN.....	1
1	39878GT	CONNECTOR,070120-6-6.....	6	26	105246GT	HOSE ASSY, MAN/ACCUM, GS32/46... (Components: 78855, 78855, and 78852 @ 17 inches)	1
2	39877GT	CONNECTOR,070120-4-4.....	6	27	39877GT	CONNECTOR,070120-4-4.....	2
--	39882GT	PLUG,HEX SOCKET,090109B-4.....	1	28	39878GT	CONNECTOR,070120-6-6.....	1
3	96397GT	CONNECTOR, 070120-8-8.....	2				
4	96398GT	CONNECTOR, 070120-12-8.....	1				
5		Ref. Diagnostic Nipple 502.1					
6	22664GT	ELBOW,070220-12-10.....	1				
7	39876GT	ELBOW,070220-6-8.....	1				
8	53500GT	O-RING-4.....	1				
9	13921GT	ELBOW,070220-4-4..... GS-2032, GS-2632, GS-2046, GS-2646	2				
10	39873GT	ELBOW,070220-6-6.....	4				
11	96744GT	HOSE, ASSY, PRESSURE..... (Components: 39890, 39890, and 56776 @ 50 inches)	1				
12	96348GT	HOSE, ASSY, MAN TO FILTER..... (Components: 96406, 96406, and 75631 @ 25 inches)	1				
13	105801GT	HOSE ASSY,DRIVE MOTORS,GS46..... (Components: 39890, 39890, and 56776 @ 60 inches)	2				
14	105580GT	HOSE ASSY,DRIVE MOTORS,GS46..... (Components: 39890, 39890, and 56776 @ 64 inches)	4				
15	105578GT	HOSE,ASSY STEER,GS32/46..... (Components: 78855, 78855, and 78852 @ 36 inches)	2				
16	105577GT	HOSE,ASSY,BRAKE,GS46..... (Components: 78855, 78855, and 78852 @ 65 inches)	1				
17	105803GT	HOSE,ASSY, BRAKE MAN,GS46..... (Components: 39890, 39890, and 78852 @ 22 inches)	2				
18	96749GT	HOSE, ASSY, BRAKE MAN, GS46..... (Components: 78855, 78855, and 78852 @ 20 inches)	2				
19	96750GT	HOSE, ASSY, LIFT..... (Components: 39890, 39890, and 56776 @ 42 inches)	1				
20	96881GT	HOSE,ASSY,VENT..... (Components: 96406, 96407, and 75631 @ 42 inches)	1				
21	96885GT	CONN,SWIVEL,STR,THR,465OX-S.....	1				
22	39881GT	CONNECTOR,070120-4-6.....	1				
23		Ref.Pressure Switch 702.1.....	1				
24	96354GT	TUBE, ASSY, DRAW.....	1				

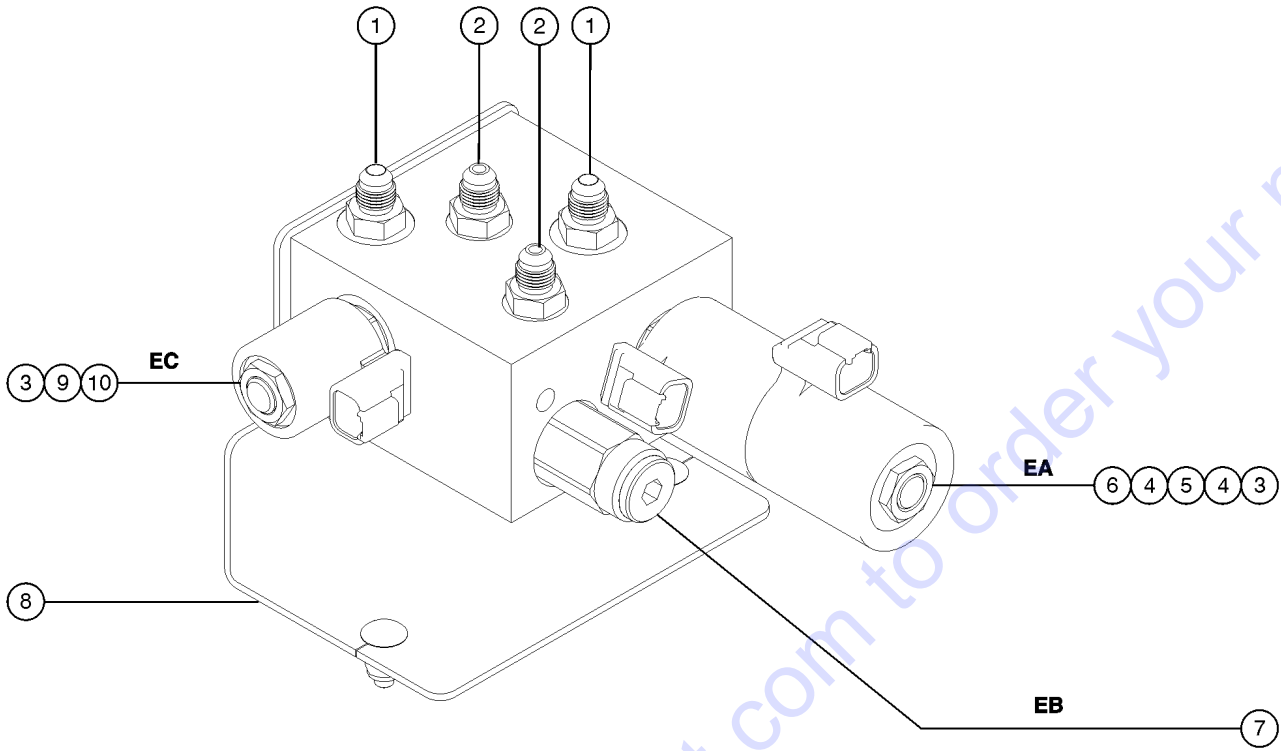
507.1 Hydraulic Hoses and Fittings, Powered Extension Deck Models



507.1 Hydraulic Hoses and Fittings, Powered Extension Deck Models

Item	Part No.	Description	Qty.	Item	Part No.	Description	Qty.
--		<i>The hose lengths below reflect the length of the hose only. Refer to the 'Fittings Cross Reference' to match Genie part numbers to Parker part numbers.</i>		25	96355GT	TUBE, ASSY, RETURN.....	1
1	39878GT	CONNECTOR,070120-6-6.....	6	26	105246GT	HOSE ASSY, MAN/ACCUM, GS32/46... (Components: 78855, 78855, and 78852 @ 17 inches)	1
2	39877GT	CONNECTOR,070120-4-4.....	6	27	39877GT	CONNECTOR,070120-4-4.....	2
--	39882GT	PLUG,HEX SOCKET,090109B-4.....	1	28	39878GT	CONNECTOR,070120-6-6.....	1
3	96397GT	CONNECTOR, 070120-8-8.....	2	29	144320GT	HOSE ASSY,PUMP-MAN,PED..... (Components: 39890, 39890, and 56776 @ 65.5 inches)	1
4	96398GT	CONNECTOR, 070120-12-8.....	1	30A	12342GT	CONNECTOR,070120-6-4..... to SN GS4616P-138908 (port size on manifold and cylinder changed from #4 to #6) (verify port size on manifold and/or cylinder before ordering)	4
5		Ref. Diagnostic Nipple 502.1		30B	39878GT	CONNECTOR,070120-6-6..... from SN GS4616P-138909 (port size on manifold and cylinder changed from #4 to #6) (verify port size on manifold and/or cylinder before ordering)	5
6	22664GT	ELBOW,070220-12-10.....	1	31	218453GT	HOSE ASSY,MAN-LINK,PED AV	
7	39876GT	ELBOW,070220-6-8.....	1	32	215807GT	HOSE ASSY,MAN & RET,PED AV..... (Components: 48805, 137086, and 48751 @ 20 inches)	2
8	53500GT	O-RING-4.....	1	33	215805GT	HOSE ASSY,LINKS,PED AV..... (Components: 39890, 47223, and 56776 @ 390 inches)	2
9	13921GT	ELBOW,070220-4-4..... GS-2032, GS-2632, GS-2046, GS-2646	2	34A	215806GT	HOSE ASSY,PLAT-EXT,PED AV..... to SN GS4616P-138908 (port size on manifold and cylinder changed from #4 to #6) (verify port size on cylinder before ordering)	1
10	39873GT	ELBOW,070220-6-6.....	4	34B	1255267GT	HOSE ASSY,PLAT-EXT,PED AV..... from SN GS4616P-138909 (port size on manifold and cylinder changed from #4 to #6) (verify port size on cylinder before ordering)	1
11	96744GT	HOSE, ASSY, PRESSURE..... (Components: 39890, 39890, and 56776 @ 50 inches)	1	35	78091GT	ELBOW,SWIVEL NUT 90DEG, -6..... to SN GS4616P-138908	1
12	96348GT	HOSE, ASSY, MAN TO FILTER..... (Components: 96406, 96406, and 75631 @ 25 inches)	1				
13	105801GT	HOSE ASSY,DRIVE MOTORS,GS46..... (Components: 39890, 39890, and 56776 @ 60 inches)	2				
14	105580GT	HOSE ASSY,DRIVE MOTORS,GS46..... (Components: 39890, 39890, and 56776 @ 64 inches)	4				
15	105578GT	HOSE,ASSY STEER,GS32/46..... (Components: 78855, 78855, and 78852 @ 36 inches)	2				
16	105577GT	HOSE,ASSY,BRAKE,GS46..... (Components: 78855, 78855, and 78852 @ 65 inches)	1				
17	105803GT	HOSE,ASSY, BRAKE MAN,GS46..... (Components: 39890, 39890, and 78852 @ 22 inches)	2				
18	96749GT	HOSE, ASSY, BRAKE MAN, GS46..... (Components: 78855, 78855, and 78852 @ 20 inches)	2				
19	96750GT	HOSE, ASSY, LIFT..... (Components: 39890, 39890, and 56776 @ 42 inches)	1				
20	96881GT	HOSE,ASSY,VENT..... (Components: 96406, 96407, and 75631 @ 42 inches)	1				
21	96885GT	CONN,SWIVEL,STR,THR,465OX-S.....	1				
22	39881GT	CONNECTOR,070120-4-6.....	1				
23		Ref.Pressure Switch 702.1.....	1				
24	96354GT	TUBE, ASSY, DRAW.....	1				

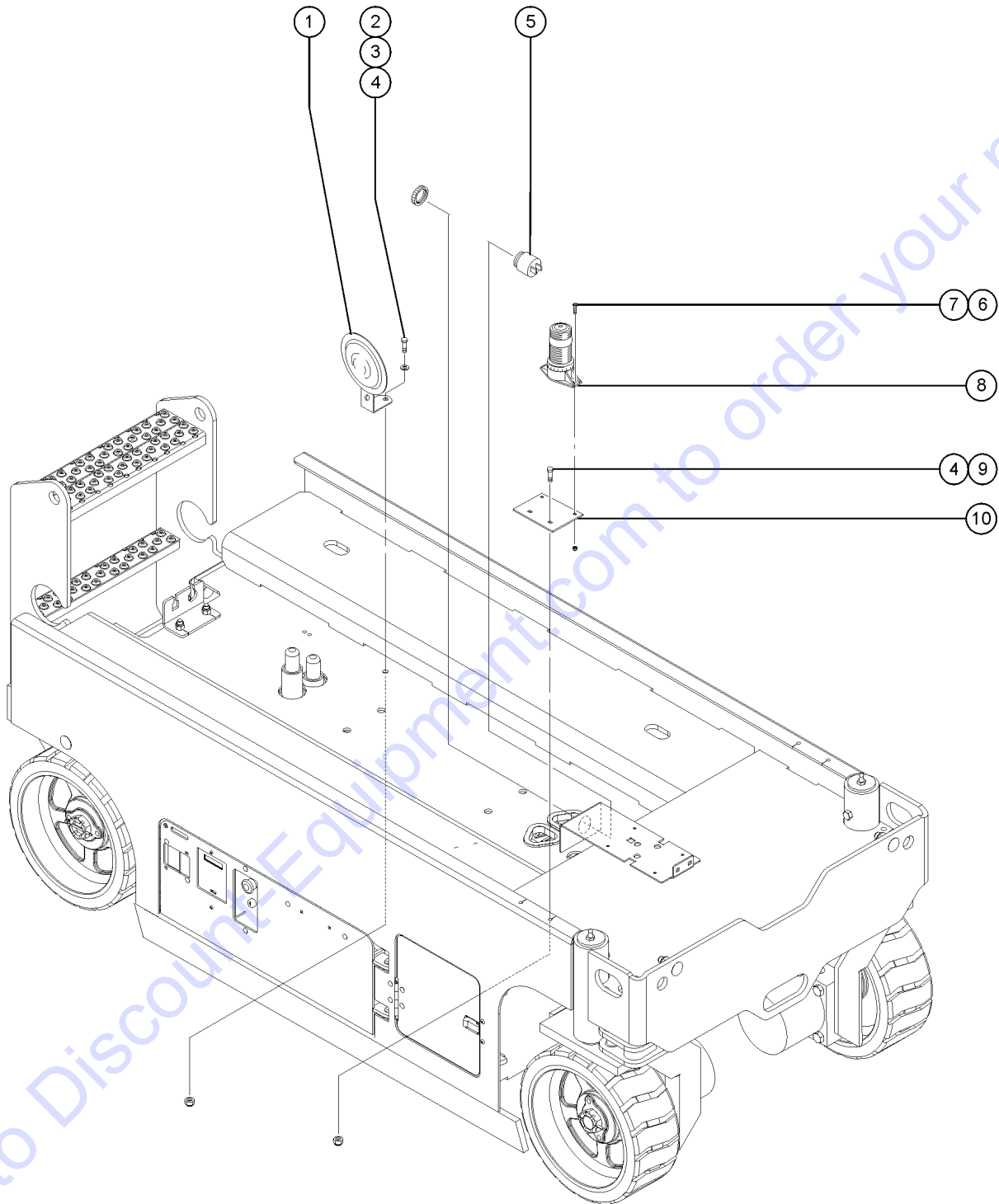
508.1 Powered Extension Deck Manifold



508.1 Powered Extension Deck Manifold

Item	Part No.	Description	Qty.
A	216589GT	MANIFOLD,POWER EXT DECK.....1 <i>At SN GS4616P-138909, port size for item 2 changed from #4 to #6 (verify port size on cylinder and order 2A or 2B accordingly)</i>	
1	39878GT	CONNECTOR,070120-6-6.....2	
2A	12342GT	CONNECTOR,070120-6-4.....2 <i>To SN GS4616P-138908. At SN GS4616P-138909, port size on manifold changed from #4 to #6 (verify size before ordering)(not included with 216589)</i>	
2B	39878GT	CONNECTOR,070120-6-6.....4 <i>From SN GS4616P-138909. At SN GS4616P-138909, port size on manifold changed from #4 to #6 (verify size before ordering)(not included with 216589)</i>	
3	44174GT	NUT-COIL SHORT.....2	
4	84385GT	COIL,20VDC DEUTC SH W/DIODE.....2	
5	44175GT	SPACER-DUAL COIL,#10, SCISSORS...1	
6	52380GT	VALVE,SOLENOID,3POS4WAY,GS68....1	
--	44230GT	SEAL KIT-P.N.44169,44172,44171	
7	219917GT	RELIEF VALVE 750PSI.....1	
--	44227GT	SEAL KIT, VALVE	
8	217143GT	FORMING,PED MANIFOLD BRKT.....1	
9	77709GT	COIL,#8 20VDC,DEUTSCH W/DIOD....1	
10	115210GT	SOLENOID VALVE.....1	
--	44227GT	SEAL KIT, VALVE	

601.1 Alarm, Horn and Flashing Beacon

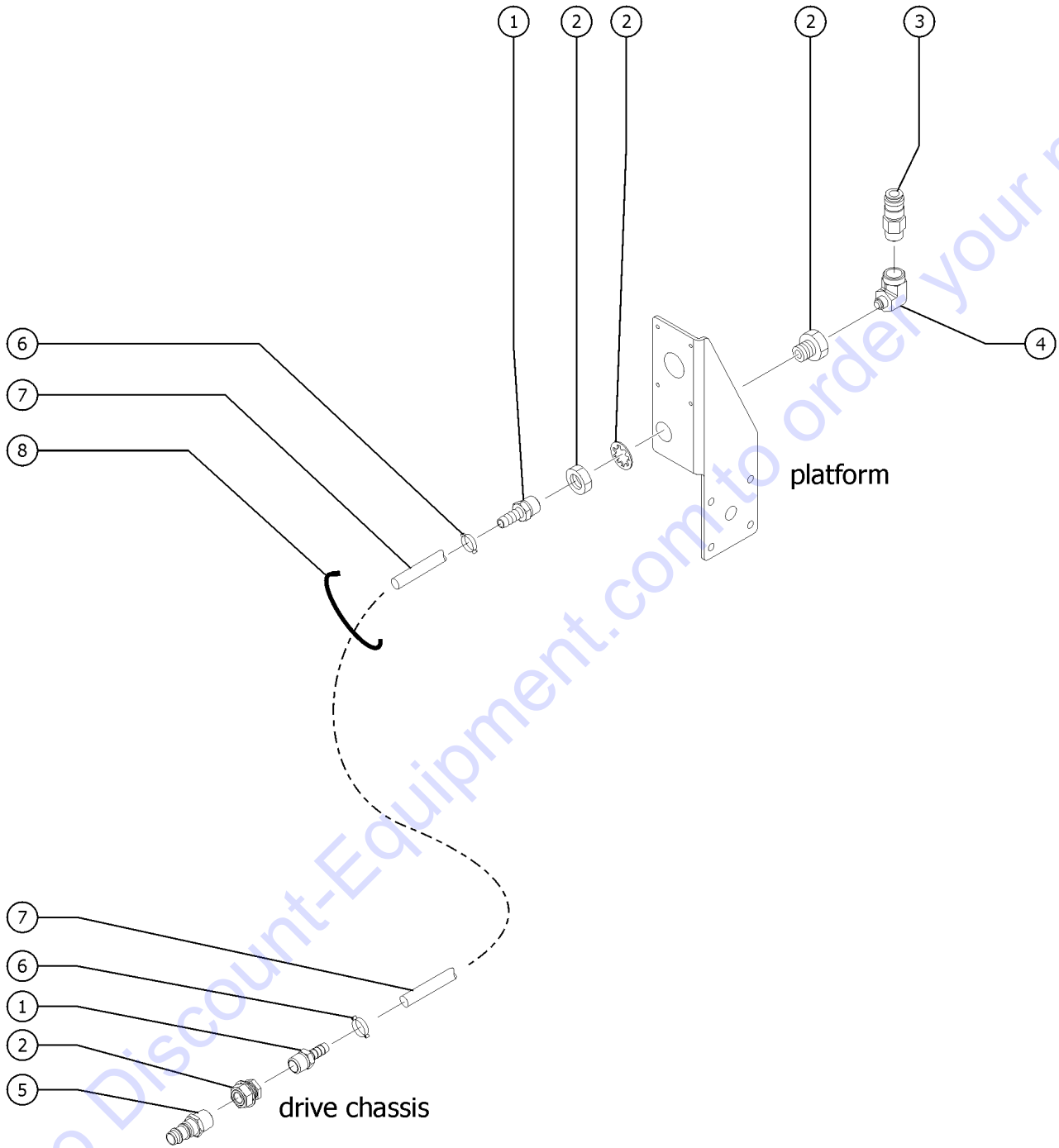


Go to DiscountEquipment.com to order your parts

601.1 Alarm, Horn and Flashing Beacon

Item	Part No.	Description	Qty.
--	144046GT	KIT,BEACON,GENIE SCISSOR	
1	81579GT	HORN,24VDC,SPADE TERMINALS***1	1
2	8914GT	SCREW,HHC,1/4-20 X .625	
3	6638GT	WASHER,FLAT,USS,1/4"Y	
4	6091GT	NUT,NYLOCK,1/4-20	
5	39540GT	ALARM,STEADY TONE***.....1 (72326 nut not included; order separately)	1
--	72326GT	NUT - PLASTIC,RING FOR ALARMS	
6	49816GT	SCREW,PHILLIPS,PHM,10-32 X .75	
7	6178GT	NUT,NYLOCK,10-32	
8	231931GT	STROBE,BEACON, AC COMP 12-80V...2	2
--	105556GT	LENS,FLASHING BEACON	
--	105557GT	BULB,FLASHING BEACON	
9	6878GT	BOLT,CARRIAGE,1/4-20 X .75,G2	
10	96363GT	PLATE,BEACON MOUNT.....2	2

602.1 Air Line to Platform

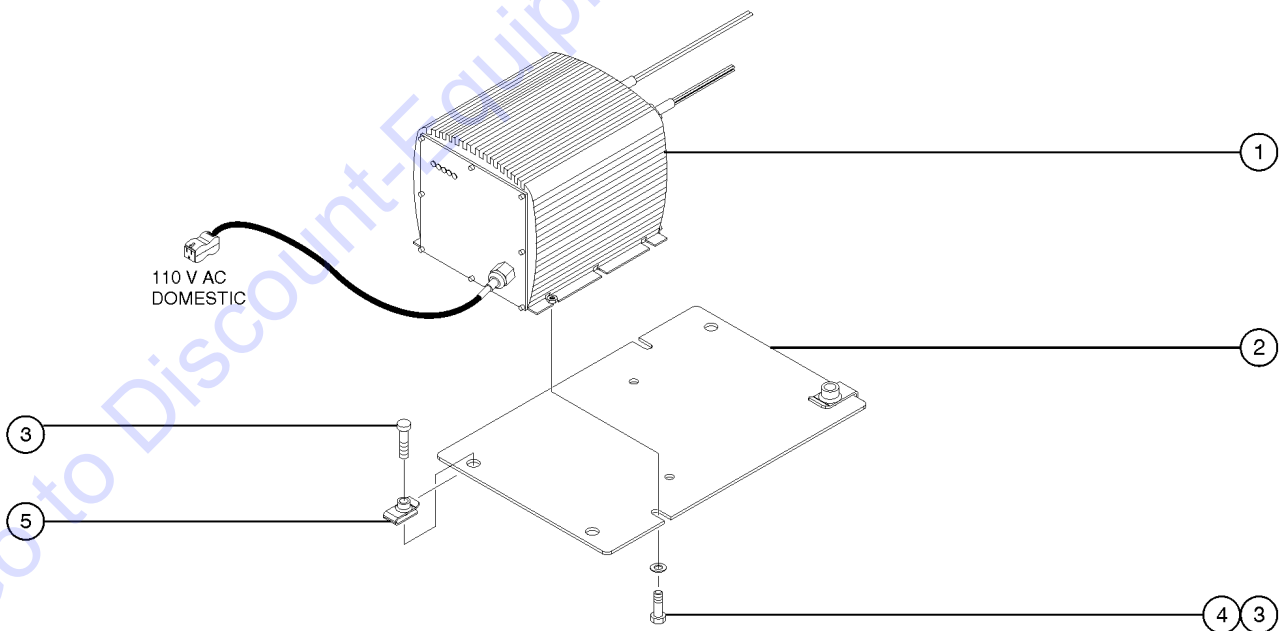
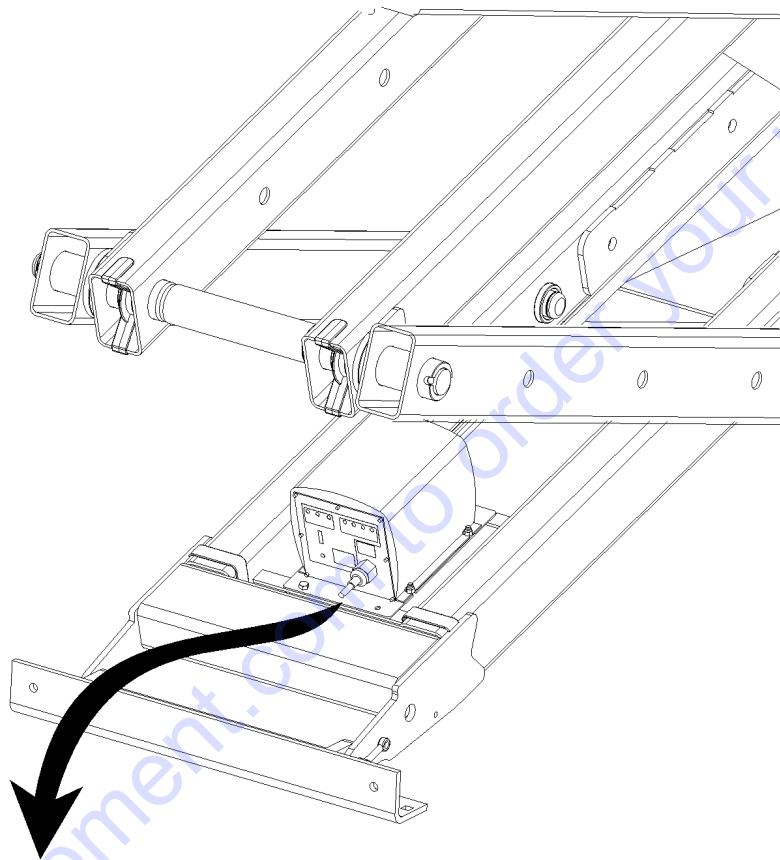


602.1 Air Line to Platform

Item	Part No.	Description	Qty.
--	45454GT	CLAMP,RUB CUSH,0.75,#12 X 3/8*	
1	27901GT	HOSE END,BARBED,RIGID,-6-6.....2	
2	27900GT	BULKHEAD,FEMALE X 6 X 6.....2 <i>(includes fitting, washer and nut)</i>	
3		REF: T-Box Bracket <i>(decals not included, refer to section one)</i>	
4	105958GT	COUPLER,INTERFACE,RECTUS 25.....1	
5	105959GT	ELBOW,90,3/8"NPT,MALE.....1	
6	1281122GT	COUPLER, MALE, 1/4"BODY, 3/8NPT....1	
7	27902GT	CLAMP,HOSE,2 EAR, 5/8.....2	
8	27903GT	HOSE,LOW PRESSURE,.375 ID,BLK.....490-inches	

Go to Discount-Equipment.com to order your parts

603.1 Voltage Inverter



603.1 Voltage Inverter

Item	Part No.	Description	Qty.
1	96950GT	INVERTER,24VDC,110/230 VAC***.....1	
2	105129GT	PLATE, INVERTER MOUNT.....1	
3	6090GT	SCREW,HHC,1/4-20 X .75	
4	6638GT	WASHER,FLAT,USS,1/4"Y	
5	56912GT	SPRING CLIP,1/4-20,.025-.15X.54,ZAG	

Go to Discount-Equipment.com to order your parts

Part Number Index

The Part Number Index is a numeric index of all part numbers included in this manual. The index shows what page(s) the part is used on.

Part Number	Page	Part Number	Page	Part Number	Page	Part Number	Page
10262GT	59	1256848GT	51	15086GT	17	229845GT	65, 67
104804GT	55, 57	1256855GT	57	162310GT	15	229895GT	59
105060GT	23	1257192GT	15	162518GT	11, 13, 15	229903GT	53, 57
105067GT	75	1257205GT	31	16487GT	21	230351GT	35
105069GT	23	1257824GT	37	18383GT	51	230364GT	17
105092GT	23, 49, 51, 59	1257840GT	31, 33	18503GT	25	230731GT	15
105117GT	63	1257923GT	15	18504GT	27, 51, 59	231114GT	31
105118GT	63	1258355GT	59	18605GT	59	231921GT	65, 67
105129GT	91	125872GT	53	18722GT	17	231922GT	65, 67
105150GT	25	1258731GT	67	19491GT	21, 23	231931GT	87
105156GT	23	125874GT	53	20224GT	73	232531GT	25, 27
105186GT	51	1258900GT	39	21020GT	19	232576GT	41
105187GT	51	125916GT	59	21253GT	17	232578GT	41
105188GT	51	1260941GT	51	214438GT	39	232580GT	37, 39
105189GT	51	1260963GT	57	214439GT	37	232582GT	41
105193GT	51	1261888GT	73	214440GT	37, 39	233051GT	37, 39
105246GT	81, 83	1264822GT	37, 39	214441GT	39	233054GT	37, 39
105308GT	31	1264834GT	37, 39	214442GT	39, 41	233370GT	41
105334GT	29	1265361GT	13	214544GT	69	233371GT	41
105454GT	17, 19	1270598GT	33	214688GT	39	233430GT	37, 39, 41
105467GT	25, 27	1272242GT	11	214697GT	37, 41	233711GT	37, 39
105478GT	79	1272991GT	25	214698GT	37, 39	235463GT	69
105547GT	17	1273054GT	25	214717GT	15	235464GT	65, 67
105550GT	17	1276561GT	33	214718GT	11, 13, 15	236837GT	77
105553GT	17	1276562GT	33	214719GT	11, 13	237565GT	51
105554GT	17	1278704GT	13	214720GT	13	237736GT	57
105555GT	17	1280158GT	33	214721GT	15	237738GT	57
105556GT	87	1280819GT	13	214722GT	15	237752GT	53
105557GT	87	1281122GT	89	214723GT	15	237758GT	61
105565GT	17	128118GT	21	214724GT	11, 13	237766GT	53
105572GT	35	12981GT	61	214725GT	15	237771GT	53
105574GT	45	13000GT	25, 27	214862GT	37, 39	237772GT	53
105577GT	81, 83	13066GT	19	215439GT	59	237783GT	53
105578GT	81, 83	131416GT	53	215669GT	65	237786GT	57
105580GT	81, 83	133234GT	15	215670GT	35	237979GT	49
105692GT	59	133276GT	13	215671GT	35	238139GT	35
105732GT	35	13585GT	63	215672GT	65	238140GT	15, 65
105734GT	35	137038GT	27	215713GT	59	238165GT	59
105739GT	29	137056GT	35	215805GT	83	238166GT	59
105759GT	35	137128GT	43	215806GT	83	238169GT	57
105801GT	81, 83	137129GT	43	215807GT	83	238176GT	57
105803GT	81, 83	137130GT	43	215878GT	15	238181GT	61
105958GT	89	137229GT	79	215879GT	11, 13	238184GT	61
105959GT	89	137283GT	51	216589GT	85	238188GT	61
106365GT	61	137284GT	51	216822GT	11	238189GT	61
106383GT	61	137285GT	51	217143GT	47, 85	238190GT	61
10775GT	63	137522GT	65	217684GT	11	238193GT	61
10777GT	63	137562GT	35	217865GT	11	238254GT	55
110650GT	27	137564GT	35	218235GT	35	238255GT	55
114360GT	11	137587GT	65, 67	218453GT	83	238267GT	53, 57
114361GT	11	137604GT	35	219205GT	65, 77	238268GT	57
114385GT	11, 13	137605GT	15, 65, 67	219467GT	61	238269GT	57
114386GT	15	137633GT	65	219669GT	59	238270GT	57
115210GT	85	137634GT	69	219917GT	85	24514GT	57
12016GT	23	137636GT	15, 65	219978GT	79	24649GT	59
122994GT	35	137637GT	35, 65, 67	22446GT	55, 57	25817GT	23
12342GT	83, 85	137640GT	65, 67	226086GT	51	27900GT	89
1252764GT	35	137642GT	65	226163GT	31, 33	27901GT	89
1255060GT	77	137656GT	15, 65, 67	22664GT	81, 83	27902GT	89
1255267GT	83	137668GT	35	227535GT	53	27903GT	89
1256361GT	13	137673GT	35	227536GT	53	28131GT	41
1256463GT	31, 33	137692GT	35	227556GT	57	28174GT	13, 15
1256656GT	67	137699GT	65, 67	227557GT	57	28175GT	13
1256658GT	67	137711GT	65	22788GT	19	28176GT	15
1256702GT	15, 67	13921GT	81, 83	228406GT	21	28235GT	13, 15
1256706GT	15, 67	14033GT	51	229086GT	69	28236GT	15
1256719GT	35	144046GT	87	229087GT	69	28373GT	13
1256720GT	35	144130GT	29	229088GT	69	28443GT	79
1256721GT	35	144180GT	29	229089GT	69	30217GT	51
1256724GT	35	144213GT	37, 39	229090GT	69	30784-2550GT	25, 27
1256725GT	67	144226GT	21	229091GT	69	31060GT	11
1256726GT	67	144320GT	83	229092GT	69	31508GT	13
1256727GT	67	144374GT	17	229093GT	69	31788GT	11
1256734GT	67	150104GT	73	229094GT	69	33278GT	25
1256810GT	35	150105GT	73	229097GT	69	34742GT	23

Part Number	Page	Part Number	Page	Part Number	Page	Part Number	Page
35706GT	57	5224GT	53, 55, 57	74267GT	25, 27	96306GT	41
36369GT	49, 51	52380GT	85	74468GT	27	96309GT	37, 39
37947GT	35	52475GT	11, 13	74469GT	27	96348GT	81, 83
38026GT	57	53500GT	81, 83	74470GT	27	96354GT	31, 81, 83
38028GT	53	5397GT	23, 27	76494GT	27	96355GT	31, 81, 83
38149GT	11	54380GT	59	76502GT	25	96363GT	87
39232GT	21, 79	55010GT	29	7713GT	23, 57, 61	96388GT	17
39469GT	21	55355GT	23	77709GT	73, 85	96390GT	51
39540GT	21, 65, 67, 87	55560GT	79	78038GT	55, 57	96397GT	81, 83
39542GT	23	55665GT	53	78086GT	23	96398GT	81, 83
39873GT	81, 83	55675GT	25, 27, 31, 33	78091GT	83	96408GT	23
39876GT	81, 83	55753GT	57	78422GT	45	96422GT	23
39877GT	75, 81, 83	55917GT	17	78546GT	31, 33	96423GT	23
39878GT	79, 81, 83, 85	55921GT	77	78736GT	17, 51, 59	96452GT	35
39881GT	81, 83	56912GT	21, 35, 91	81579GT	87	96487GT	51
39882GT	81, 83	57075GT	63	8178GT	53, 55, 57	96541GT	23
40434GT	15	58000GT	51	82160GT	13	96570GT	19
40477GT	79	58592GT	17, 51	82161GT	13	96572GT	17
40833GT	25, 27	58627GT	35	823222GT	11	96573GT	17
40844GT	77	6021GT	53, 77	823223GT	11	96574GT	17
41557-SGT	79	60358GT	59	82366GT	13	96595GT	49
42079GT	19	6037GT	27	824027GT	31, 33, 57	96601GT	51
4266GT	55, 57	60584GT	59	824078GT	31, 33	96603GT	51
43137GT	35	60790GT	23	824080GT	31, 33	96604GT	51
43392GT	55	6090GT	57, 91	824113GT	31, 33, 57	96605GT	51
43618GT	15	6091GT	17, 21, 25, 27, 31, 33, 35, 47,	824124GT	31, 33	96607GT	51
43619GT	13		51, 55, 57, 59, 61, 87	824216GT	35	96637GT	23
43658GT	13	6097GT	23, 49, 51, 59, 61	825019GT	51	96638GT	23
43956GT	63	6175GT	53, 57, 61	82557GT	15	96639GT	23
44168GT	73	6178GT	21, 27, 87	82558GT	13	96642GT	23
44169GT	73	6198GT	17, 19, 49	82559GT	13	96643GT	23
44171GT	73	6272GT	35	8255GT	17	96662GT	51
44174GT	73, 85	6326GT	61	82561GT	11, 13	96699GT	31, 33
44175GT	73, 85	6356GT	27, 79	82657GT	11	96709GT	31, 33
44226GT	73	6545GT	17	83093GT	35	96744GT	81, 83
44227GT	85	6564GT	23	8357GT	17, 19	96749GT	81, 83
44229GT	73	6595GT	63	84384GT	73	96750GT	81, 83
44230GT	73, 85	65962GT	73	84385GT	73, 85	96770GT	79
44236GT	73	66030GT	55	84386GT	73	96812GT	51
44255GT	11, 13	66055GT	51	84574GT	23	96836GT	51
44736GT	15	6605GT	61	84739GT	75	96838GT	23
44737GT	11, 13	66094GT	27	84740GT	75	96839GT	23
44743GT	57	66204GT	31, 33	84742GT	75	96840GT	23
44750GT	77	6626GT	63	84743GT	75	96855GT	31, 33
44751GT	77	6637GT	21	84746GT	75	96862GT	51
44752GT	77	6638GT	25, 55, 57, 87, 91	84748GT	75	96870GT	21
44777GT	77	66397GT	27, 41, 43	8516GT	51	96876GT	19
44778GT	77	66465GT	79	85197GT	77	96881GT	81, 83
44780GT	19	66467GT	79	85239GT	35	96885GT	81, 83
44781GT	19	66512GT	55, 57	87545-SGT	61	96886GT	19
44936GT	63	66544GT	55, 57	87564GT	57	96887GT	19
44973GT	79	66717GT	25, 27	87568GT	53	96899GT	51
44979GT	79	66770GT	17	87570GT	57	96900GT	51
44980GT	13	66812GT	35, 65, 67	87571GT	57	96905GT	51, 59
44981GT	13, 15	66814GT	65, 67	87645GT	59, 61	96907GT	17
45454GT	89	66817GT	35	87651GT	61	96932GT	51
45546GT	63	6700GT	23, 35	88356-21163GT	27	96947GT	41
45748GT	51, 59	6878GT	21, 25, 27, 35, 47, 87	8914GT	61, 87	96948GT	21, 23
46287GT	11, 13	6889GT	25, 57, 59, 61	8915GT	27, 51, 59	96950GT	91
47222GT	61	6898GT	23	9116GT	17, 61	96977GT	49
47228GT	61	6935GT	63	96008-SGT	35	97059GT	29
47230GT	57, 59	7056GT	63	96009GT	35	97128GT	21, 23, 27
47232GT	21	7127GT	63	96010GT	35	97231GT	27
47238GT	21	71545GT	61	96085GT	23	97234GT	51
47946GT	17	72086GT	11, 13	96110GT	41	97241GT	49
4828GT	23, 49, 51, 53, 55, 57, 59, 61	72143GT	13	96130GT	51	97242GT	55, 57
48880GT	73	72326GT	21, 65, 67, 87	96135GT	23	97244GT	51
48997GT	73	72853GT	13	96142GT	23	97267GT	17
49612GT	73	72998GT	13	96193GT	77	97409GT	73
49613GT	73	72999GT	13	96196GT	59	T106362GT	35
49816GT	87	7339GT	79	96203GT	19	T106363GT	35
49818GT	25	73466GT	53	96257GT	19	T106366GT	35
51063GT	27, 35	74006GT	63	96281GT	23	T106367GT	65
51415GT	61			96302GT	41	T106368GT	65
51474GT	49			96303GT	41	T106370GT	65, 67
				96304GT	41	T106371GT	35

Part Number Index (continued)

Part Number	Page
T106372GT	35
T106373GT	65, 67
T107029GT	11
T108326GT	31, 33
T108327GT	35
T108662GT	77
T109012GT	31, 33
T110889GT	37
T112507GT	21
T112804GT	13
T113296GT	33
T114397GT	57, 65, 67

Go to Discount-Equipment.com to order your parts

The Part Description Index is an alphabetical index of all part descriptions included in this manual. The index shows what page(s) the part is used on.

(component no longer available).....67

A

ACCUMULATOR, 180 PSI PRECHARGE*.....45
 ADAPTER, RJ45, GC27-25/GC21-19.....35
 ALARM, STEADY TONE***.....21, 65, 67, 87
 ASSEMBLY, DOWN LIMIT, GS.....21
 ASSY, AV PLAT MOUNT.....49
 ASSY, LVL SNSR W/ CONNECTOR.....21
 ASSY, POT HOLE PUSHER, GS***.....23
 ASSY, POTHOLE HARNESS, GS.....37, 39

B

BALL STUD, GAS STRUT, 3/8-16.....23
 BAR, CABLE BRIDGE ARM, UPPER.....51
 BASE WITH 1 NC CONTACT, E-STOP.....35
 BASE, WITH 2 N.O. CONTACTS***.....65, 67
 BATT, 6V, 225AH T105 LPT13CAP.....27
 BATTERY, AGM, 6V, (TROJAN) ***.....25
 BATTERY, T105 W/LPT, 3 CAP, DRY**.....25
 BEARING, .75ID X 1.00D X 1.38LG.....23
 BEARING, 0.75ID X 1.00OD X 0.75L.....49, 51
 BEARING, 1.00ID X 1.25OD X 0.49L.....17
 BEARING, 1.00ID X 1.25OD X 0.75L.....49
 BEARING, 1.00ID X 1.25OD X 1.00L.....23
 BEARING, 1.26ID X 1.53OD X 1.25L.....51
 BEARING, 1.5025ID X 1.5075OD X 1.5L.....79
 BEARING, 1.50ID X 1.77OD X 1.25L.....51
 BEARING, 1.523ID X 1.75OD X 0.63L.....23
 BEARING, 2.25ID X 2.50OD X 1.50L***.....17
 BEARING, MOTOR.....77
 BEARING, MOTOR, 36843, BRUSH END*.....77
 BOLT, CARRIAGE, 3/8-16 X 1.50, G5.....23
 BOLT, CARRIAGE, 1/2-13X1.50, GR5.....49
 BOLT, CARRIAGE, 1/2-13X1.75, G5.....19
 BOLT, CARRIAGE, 1/4-20 X .63, G2.....59, 61
 BOLT, CARRIAGE, 1/4-20 X .75, G2.....21, 25, 27, 35, 47, 87
 BOLT, CARRIAGE, 1/4-20 X 2.5, G2.....51, 59
 BOLT, CARRIAGE, 1/4-20X.63, 5, ZAG.....57
 BOLT, CARRIAGE, 1/4-20X.75, 5, ZAG.....31, 33
 BOLT, CARRIAGE, 1/4-20X1.25, 5, ZAG.....31, 33
 BOLT, CARRIAGE, 1/4-20X1.25, G2.....17, 61
 BOLT, CARRIAGE, 3/8-16 X 1.00, G2.....53
 BOLT, CARRIAGE, 3/8-16 X 2.00, G2.....57
 BOLT, CARRIAGE, 3/8-16X1.25, GR5.....23, 49, 51, 59
 BOLT, ROLLER, .470"(SHORT).....57
 BOOT, 2 SWITCH, SILICON.....69
 BOOT, CABLE TERMINAL COVER.....41
 BOX, INSTRUCTION STORAGE.....57
 BRAKE, HYDRAULIC***.....19
 BREATHER CAP, HYD. TANK, 1/4 NPT.....31, 33
 BRUSH, PWR UNIT (40844)**.....77
 BULB, FLASHING BEACON.....87
 BULKHEAD, FEMALE X 6 X 6.....89
 BUMPER, PLASTIC, 1.25 O.D.....57
 BUMPER, BATTERY BOX & RAILS.....55
 BUMPER, FOAM, ELBOW.....53
 BUMPER, FOAM, FRONT ELBOW.....57
 BUMPER, FOAM, FRONT LONG.....57
 BUMPER, FOAM, FRONT SHORT.....57

BUMPER, FOAM, MAIN DECK, LONG.....53
 BUMPER, FOAM, VERT, 38.00.....53, 57
 BUMPER, RUBBER.....57, 59
 BUSHING, FLNGD, .63 X .77 X .38.....23
 BUSHING, STRAIN RELIEF, .875/.40.....21
 BUTTON, PUSH, RED MUSHROOM HEAD.....35, 65, 67

C

CABLE ASSY, BATT, 12" RED.....41
 CABLE ASSY, BATT, 20" BLK.....41
 CABLE ASSY, BATT, 7.50" BLACK.....41
 CABLE ASSY, BATT, 7.50" RED.....41
 CABLE ASSY, BATT, 23" RED.....41
 CABLE ASSY, BATT, 5.50" RED.....41
 CABLE ASSY, BATT, 83" RED.....41
 CABLE ASSY, BATT, 9.50" RED.....41
 CABLE ASSY, EXT CHRGR, BLK.....43
 CABLE ASSY, EXT CHRGR, RED.....43
 CABLE ASSY, BATT, 90" AND, BLK.....41
 CABLE BRACKET, PAINTED.....79
 CABLE TIE, 14.5" YELLOW.....53, 57
 CABLE TIE, 11.5" BLACK.....79
 CABLE TRACK, SP059 X 60.....59
 CABLE, PLATFORM CONTROL, 26XX.....37, 39
 CABLE, EMERGENCY DOWN.....21, 79
 CABLE, LFT CYL DN, 20/26XX, WO/LS.....37, 39
 CAM FOLLOWER, 1.125X.375, DELRIN.....23
 CAP, TUBE, SQ, 1.25 X .083.....55, 57
 CAP, BUTTON, K12.....65, 67
 CAP, DIAGNOSTIC NIPPLE.....73
 CATCH CLIP, EXT. DECK ARM, GS90.....61
 CHANNEL, CABLE TRACK SUPPORT.....59
 CHARGER INTERLOCK CBLE, GS30/32.....37, 39
 CHARGER, BAT, 24VDC, H/LO GEN2.....29
 CHASSIS MOUNT ASSY, GS32&46.....49
 CHECK DISK, NO SPRING.....73
 CIRCUIT BREAKER, 7.0 AMP***.....35
 CLAMP, HOSE, 1 EAR, 11/16.....79
 CLAMP, 2 HOSE, PLASTIC, 5/8.....17, 51, 59
 CLAMP, HOSE, 1 EAR, 1-1/16***.....31, 33
 CLAMP, HOSE, 2 EAR, 5/8.....89
 CLAMP, RUB CUSH, 0.75, #12 X 3/8*.....89
 CLIP, CABLE BRIDGE, GS32/46.....51
 CLIP, HAIR PIN, 1.25 X 2.....17
 COIL, #8 20VDC, DEUTSCH W/DIODE.....73, 85
 COIL, 20VDC DEUTSCH W/DIODE.....73, 85
 COIL, PLAT LWR VALVE, SCISSORS**.....79
 CONN, SQUEEZE, 1/2NPT .38-.50, SM.....63
 CONN, SWIVEL, STR, THR, 465OX-S.....81, 83
 CONN, SQZ PG11 .30-.40 W/ORING.....27
 CONNECTOR, 070120-12-8.....81, 83
 CONNECTOR, 070120-8-8.....81, 83
 CONNECTOR, IEC CHARGER CORD.....29
 CONNECTOR, 070120-4-4.....75, 81, 83
 CONNECTOR, 070120-4-6.....81, 83
 CONNECTOR, 070120-6-4.....83, 85
 CONNECTOR, 070120-6-6.....79, 81, 83, 85
 CONTACTOR, DRIVE, 24V, 180A***.....25, 27
 CONTACTOR, LIMIT SWITCH.....21, 23
 CONTACTOR, LIMIT SWITCH**.....27
 COSM DECAL 2646AV35.....15
 COUNTERWEIGHT, BELLY.....19
 COUPLER, MALE, 1/4" BODY, 3/8NPT.....89

COUPLER, INTERFACE, RECTUS 25.....89
 COVER, RJ45, GC27-25/GC21-19.....35
 COVER, BLANK.....63
 COVER, GFCl, HORIZONTAL, WEATHER.....63
 COVER-BRUSH INSPEC.40844, SCISS.....77
 CWT, REAR, XX46.....19
 CYLINDER, EXT DECK.....59
 CYLINDER, GS/GR STEER***.....17
 CYLINDER, PRIMARY LIFT, 108.83.....79

D

DCL, MEMBRN, GS, GCON W/PWR EXT.....35
 DCL, UI, GS, PCON W/ PWR EXT.....15, 65
 DECAL DANGER TIP OVER TRAYS.....11, 13
 DECAL KIT, 2646AV, COMP.....11
 DECAL KIT, 2646AV, PLAT.....11
 DECAL KIT, 2646AV35, COMP.....11
 DECAL KIT, 2646AV35, PLAT.....11
 DECAL, BATTERY CHARGER INDICAT.....13
 DECAL, BATTERY CHARGER INDICATOR, 3COLOR.....13
 DECAL, LABEL - DIRECTION ARROWS.....15
 DECAL, POWER TO PLATFORM 230V**.....13, 15
 DECAL, SMARTLINK PROPORTIONAL.....15
 DECAL, UI, GR/GRC/GS PCON.....15, 65
 DECAL, UI, GS/GR, PROP LIFT.....15, 67
 DECAL, CHARGE STATUS IND.....13
 DECAL, CHEVRON RANDO HD.....13
 DECAL, COSM, 2646AV.....15
 DECAL, DANGER DO NOT ALTER SWTC.....11
 DECAL, DANGER, BATTERY SAFETY***.....11
 DECAL, DANGER, BRAKE REL SAFETY.....11
 DECAL, DANGER, CRUSHING HAZARD.....11, 13
 DECAL, DANGER, ELEC HAZARD, GS.....11, 13
 DECAL, DANGER, ELECT HAZARD, PLUG.....13
 DECAL, DANGER, IMPROPER USE HAZ.....13
 DECAL, DANGER, TIP-OVER, TILT.....15
 DECAL, DANGER-GEN SAFETY.....15
 DECAL, DANGER-TIP-OVER, BATT.....11
 DECAL, DANGER-USE SAFETY ARM.....11, 13
 DECAL, E-STOP, GR/GRC/GS PCON.....15, 65, 67
 DECAL, EMERGENCY LOWERING.....13
 DECAL, EMERGENCY STOP, GR.....13
 DECAL, FORK LIFT POCKET.....13
 DECAL, FORK LIFT POINT.....11, 13
 DECAL, FORKLIFT MIN CAP, 5400LB.....11, 13, 15
 DECAL, FORKLIFT MIN CAP, 6400LB.....11, 13, 15
 DECAL, GCON PANEL, GS.....13
 DECAL, INSTRUCT, BATTERY CONNECT.....11
 DECAL, INSTRUCT-ANNUAL INSP REQ.....13
 DECAL, LABEL, AIR LINE 110 PSI.....13, 15
 DECAL, LABEL, FAULT CODES.....15
 DECAL, LABEL, LIFTING EYE.....11, 13
 DECAL, LABEL, MANUAL NOT HERE.....15
 DECAL, LABEL, PATENTS.....11
 DECAL, LABEL, PETRO CANADA***.....13
 DECAL, LABEL, PLAT CONT LOCATION.....15
 DECAL, LABEL, PWR TO CHARGR 115V.....13
 DECAL, LABEL, PWR TO CHARGR 230V.....13
 DECAL, LABEL, QUINTOLUBRIK.....13
 DECAL, LABEL, SAFETY ARM.....13

Part Description Index (continued)

DECAL,LABEL,STATOIL HYDRA WAY.....13	FORMING,LMT SWCH BRKT,AV.....59	HOSE,LOW PRESSURE,,375 ID,BLK.....89
DECAL,LABEL,TRANSPORT TIEDOWN*.....11, 13	FORMING,LOCK BRKT SPCR.....61	HRNS ASSY,RESISTOR DIODE.....37, 39
DECAL,LABEL,UCON HYDROLUBE.....13	FORMING,MANIFOLD MOUNT.....45	HRNS,CONTACTOR SIGNAL,GS46.....37, 39, 41
DECAL,LABEL-TIRE SPECS.....11, 13	FORMING,PED MANIFOLD BRKT.....47, 85	HYD. TANK KIT, GS30,32,46.....31, 33
DECAL,LABEL-TRANSPORT DIGRAM.....11	FORMING,PLAT CONTROL BOX.....57, 65, 67	HYDR TRAY ASSY W/WORDS.....31
DECAL,LANYARD ANCHORAGE POINT.....15	FORMING,REC.PLG BRKT.....21	
DECAL,MACHINE REGISTRATION/OWNER TRANSFER.....11	FORMING,REMOTE CHARGER BRKT.....27	I
DECAL,MAX CAPACITY,GS-2646AV.....15	FORMING,T-BOX BRKT,AV.....53	INNER ARM ASSEMBLY #1,GS32/46.....51
DECAL,MEMBRANE,GR/GRC/GS GCON...35	FUSE BLOCK, ANN & ANL FUSE.....25, 27	INNER ARM ASSY #3, 2632/2646.....51
DECAL,ONBOARD AND REMOTE,CHRG...11	FUSE,275 AMP,VERY FAST ACTING.....25, 27	INNER ARM ASSY, #2, GS32&46.....51
DECAL,OP INST,PLAT,GS46AV.....15	FUSE,BATTERY CHARGER***.....29	INSTRN, TRC RETROFIT, STNDRD.....37, 39
DECAL,OPS INST,GCON GS-2646AV.....13		INVERTER,24VDC,110/230 VAC***.....91
DECAL,OPS,INST,PCON GS-2646AV.....15	G	
DECAL,POWER TO PLATFORM 115V.....13, 15	GAS SHOCK,SCISSORS***.....23	
DECAL,PROPEL,GR/GRC/GS,PCON.....15, 65, 67	GASKET,(BOOT) FLANGE INLET PLG.....63	J
DECAL,PWR DECK,PROP LIFT,UI.....15, 67	GCON, GR/GRC/GS.....35	JOYSTICK, HALL EFFECT, SINGLE.....69
DECAL,SIDEFORCE,2646AV,28MPH.....15	GCON,GS PWR DECK.....35	
DECAL,WARN,IMPROPER OPERATION.....15	GCON,PWR DECK,PROP LIFT.....35	K
DECAL,WARN,SKIN INJECTION HAZ*.....13	GCON,STD,PROP LIFT.....35	KEY SINGLE***.....35
DECAL,WARNING,CANCER AND REPRODUCTIVE HARM, PROP 65.....13	GRIP,HANDLE EXT PLATFORM LOCK.....61	KEY,RECTANGULAR,,31X.28X1.25**.....19
DECAL,WARNING,FALL HAZARD,AV.....15	GROMMET,RUBBER .75 X .19 X 1**.....59	KEYS,10 PACK***.....35
DECAL,WARNING-COMPART ACCESS.....13	GROMMET,RUBBER 1.5 ID.....21	KEYSWITCH,3 POS. W/KEYS***.....35
DECAL,WHEELLOAD,2646AV,28MPH.....11, 13	GROMMET,RUBBER 1.5 X .25 X 2.....59	KIT,5CC PUMP UPGRADE.....77
DECAL,WHEELLOAD,2646AV,35MPH.....11, 13	GROMMET,RUBBER 2 X 2.75.....21	KIT,TRC RETROFIT, STNDRD.....37, 39
DIAGNOSTIC FEMALE Q-DSCNT.....73	GROMMET,SLAB HYD TANK***.....31, 33	KIT,BEACON,GENIE SCISSOR.....87
	GROUND STRAP, 8"LG.....23	KIT,BOOT,JOYSTICK,SL1000.....69
	GROUND WIRE ASSY,GS.....41	KIT,COIL CORD,CONTRLR,SL1000.....65, 67
	GUIDE,AV LATCH OUTER.....61	KIT,CONN,PLUG W/SCKT AND LOCK.....65, 67
		KIT,CONN,RECEPT W/PIN AND LOCK.....65, 67
	H	KIT,GS46 MOTOR CONTROLLER.....31
	HANDLE HALF,LEFT,W/TOP SWITCH.....69	KIT,SLAB HYD TANK TUBE REPLACEMENT.....33
	HANDLE HALF,RIGHT,W/TOP SWITCH.....69	KIT,STEER CYL SEAL.....17
	HANRESS,MANIFOLD,AV PED.....39	KIT,STEER CYL SEAL,040271P,HDM.....17
	HARNESS,ESTOP,GR/GRC/GS PCON.....65, 67	KIT,STEER CYL SEAL,040499P,HDM.....17
	HARNESS, GS FUNC MANIFOLD.....37	KIT,STEER CYL SEAL,040505P,HDM.....17
	HARNESS,AV FUNC. MANIFOLD, GS.....39	KIT,SWITCH,JYSTK,SL1000.....69
	HARNESS,DIODE JUMPER.....37, 39	KNOB,HAND PUMP (RED)***.....75
	HARNESS,FUNCTION MANIFOLD,GS.....37	KNOB,PILOT OP VALVE (BLACK)***.....75
	HARNESS,GS FUNC MANIFOLD,AV.....39	
	HARNESS,GS POWER CONTROL,AV.....37, 39	L
	HARNESS,GS SENSORS,ANSI,AV,MED.....37	LABEL, GCON, GS AV.....35
	HARNESS,GS SENSORS,ANSI,AV,PED.....39	LABEL, GR/GRC/GS PCON.....65
	HARNESS,GS,LINKSTACK,AV,MED.....37, 41	LABEL, PCON, GS AV.....65
	HARNESS,GS,LINKSTACK,AV,PED.....39, 41	LABEL, SERIAL, GC21-19.....35
	HARNESS,GS,PLAT,AV.....37, 39	LABEL,GCON PWR DECK,SERIAL.....35
	HARNESS,GS,PROXIMITY.....37, 39	LATCH GUIDE,INNER GS68.....61
	HARNESS,REMOTE CHARGER.....43	LATCH HANDLE.....55, 57
	HINGE, SPRING, LONG LEG.....55, 57	LATCH, LRG PADDLE HANDLE GS90.....25, 27, 31, 33
	HINGE,ACCESS DOOR(13G).....35	LATCH,COMPRESSION,SMALL.....35
	HORN,24VDC,SPADE TERMINALS***.....87	LENS,FLASHING BEACON.....87
	HOSE ASSY,MAN/ACCUM, GS32/46.....81, 83	LINK BUMPER, SHORT TUBE.....51
	HOSE ASSY,DRIVE MOTORS,GS46.....81, 83	LOCK, CONNECTOR.....29
	HOSE ASSY,LINKS,PED AV.....83	LOCKNUT,ELEC,1/2".....63
	HOSE ASSY,MAN & RET,PED AV.....83	
	HOSE ASSY,MAN-LINK,PED AV.....83	M
	HOSE ASSY,PLAT-EXT,PED AV.....83	MANIFOLD,BRAKE RELEASE.....75
	HOSE ASSY,PUMP-MAN,PED.....83	MANIFOLD,FUNCTION,2 SPEED.....73
	HOSE END,BARBED,RIGID,-6-6.....89	MANIFOLD,POWER EXT DECK.....85
	HOSE, ASSY, BRAKE MAN, GS46.....81, 83	MANUAL BOX W/DECALS***.....57
	HOSE, ASSY, LIFT.....81, 83	MANUAL,OWNERS,CHARGER,105739.....29
	HOSE, ASSY, MAN TO FILTER.....81, 83	MOTOR CONTROLLER, DC,24V,360A.....31, 33
	HOSE, ASSY, PRESSURE.....81, 83	MOTOR,ELECTRIC,24VDC 4.5HP.....77
	HOSE,ASSY STEER,GS32/46.....81, 83	
	HOSE,ASSY, BRAKE MAN,GS46.....81, 83	
	HOSE,ASSY,BRAKE,GS46.....81, 83	
	HOSE,ASSY,VENT.....81, 83	
ELBOW,070220-12-10.....81, 83		
ELBOW,070220-4-4.....81, 83		
ELBOW,070220-6-6.....81, 83		
ELBOW,070220-6-8.....81, 83		
ELBOW,90,3/8"NPT,MALE.....89		
ELBOW,SWIVEL NUT 90DEG, -6.....83		
ENCLOSURE, GC14-1, TOP.....65		
ENCLOSURE, GC16-1, TOP.....65		
ENCLOSURE, GC21-19, BK.....35		
ENCLOSURE, GC27-25, BK.....35		
ENCLOSURE, O/R 5-BUTTON, TOP.....67		
ENCLOSURE,GC14-1/GC16-1, BOT.....65, 67		
ENCLOSURE,GC27-25/GC21-19,FRNT.....35		
ENCLOSURE,STD 4-BUTTON, TOP.....67		
	F	
FILTER CAP (PLUG 1-1/2" NPT HEX.....31, 33		
FITTING,STRAIGHT DRIVE-IN ZERK.....17		
FIXED CONTACT (FOR 74267).....27		
FLASH DRIVE,SL1K1.0 SOFTWARE.....65, 77		
FLASH DRIVE,SL1K2.0 SOFTWARE.....67		
FORMING, CONTACTOR/FUSE BRACKET.....25		
FORMING, CWT CLAMP.....19		
FORMING, FILTER-CNTRLR MOUNT.....31		
FORMING,ALARM BRACKET.....21		
FORMING,CONTACTOR MOUNT,GS.....25, 27		
FORMING,CONTROL PANEL.....35		
FORMING,EXT DECK CYL. MOUNT.....59		
FORMING,EXT DECK STOP,LEFT.....57		
FORMING,EXT DECK STOP,RIGHT.....57		
FORMING, FILTER - CONTROLLER MOUNT.....33		
FORMING,HOSE CLAMP SPT,PTD,BLU.....17		

MOTOR, HYDRAULIC, 530, 14.0 CU. IN* 17
MOVING CONTACT (FOR PN 74267) 27

N

NICKEL PLATED JAM NUT 35
NIPPLE, DIAGNOSTIC, #4 73
NUT 35
NUT - PLASTIC, RING FOR ALARMS 21, 65, 67, 87
NUT, LP NYLOCK, 3/8-16 23, 57, 61
NUT, CASTLE, 1.125-18 UNEF 19
NUT, COIL (39909) 79
NUT, HEX, 5/16-18, GR5 27
NUT, LOCKING-LG. FLANGE, 1/4-20 27, 51, 59
NUT, LOCKING-LG. FLANGE, 5/16-18 25
NUT, LP NYLOCK, 1/4-20 25, 57, 59, 61
NUT, LP NYLOCK, 5/8-11 53
NUT, NYLOCK, 1/2-13 17, 19, 49
NUT, NYLOCK, 1/4-20 17, 21, 25, 27, 31, 33, 35, 47, 51, 55, 57, 59, 61, 87
NUT, NYLOCK, 10-32 21, 27, 87
NUT, NYLOCK, 3/8-16 23, 49, 51, 53, 55, 57, 59, 61
NUT, NYLOCK, 8-32 59
NUT, RETAINER (96008) 35
NUT, TL FLG, 1/4-20, G, ZAG 31, 33, 57
NUT-COIL SHORT 73, 85
NUT-THIN HEAVY HEX, 1/4-20 27

O

O-RING KIT (ORFS FITTINGS) 73
O-RING-4 81, 83
ORIFICE, LONG, .059" 79
OUTLET, 110V 63

P

PCBA, GC14-1 65
PCBA, GC16-1 65
PCBA, GC21-19 35
PCBA, GC27-25 35
PCBA, GCON O/R, PROP LIFT 35
PCBA, GCON STD, PROP LIFT 35
PCBA, PCON O/R, PROP LIFT 67
PCBA, PCON STD, PROP LIFT 67
PCON, GR/GRC/GS 65
PCON, GS PWR DECK 65
PCON, PWR DECK, PROP LIFT 67
PCON, STD, PROP LIFT, GR/GS 67
PH BELL CRANK LINK 23
PIN, LINKSET MOUNT, 1" 51
PIN, LINKSET MOUNT, 3/4" 51
PIN, LONG, GS46 51
PIN, LOWER CYLINDER MOUNT 51
PIN, MINI, CENTER 51
PIN, POTHOLE LINK PIVOT 23
PIN, SHORT, GS46 51
PIN, SHOULDER, 5/8-11 X 1.77 53
PIN, WIRE LOCK 3/8 X 2 -1/2 55
PIN, .75 DIA X 2.89 LG, 1 HOLE 59
PIN, CLEVIS, .375 X 1.75 LG 23
PIN, CLEVIS, .625 X 1.88, ZINC PL 23
PIN, CLEVIS, .75 X 2 17
PIN, CLEVIS, 0.75 X 3.25" 17
PIN, CLEVIS, 2.00 NITRIDED 61
PIN, COTTER, .125 X .75 23
PIN, COTTER, .156 X .75 61
PIN, COTTER, .156 X 2.5 19

PIN, EXT DECK CYLINDER 59
PIN, LOWER CYL, ROD END 51
PIN, PH ACTUATOR 23
PLATE, INVERTER MOUNT 91
PLATE, POTHOLE LINK 23
PLATE, AV LATCH GUIDE 61
PLATE, BEACON MOUNT 87
PLATE, EXT DECK LOCK TOOTH 61
PLATE, EXT LATCH TEETH GS68 61
PLATE, HARNESS MOUNT 31, 33
PLATE, HOSE ROUTG, BULKHEAD (PTD) 17, 51
PLATE, HOSE ROUTING, BULKHEAD ** 59
PLATE, RESTRAINT COVER 53
PLATE, SIDE DOOR STOP *** 35
PLATE, SIDE DOOR *** 35
PLUG AND CAP KIT-SERVICE, ORFS* 73
PLUG, 6POS ECO PWR 65, 67
PLUG, ELECTRICAL, DOMESTIC 63
PLUG, FLG INLET, 15A/125V, 2PWGD 63
PLUG, HEX SOCKET, 090109B-4 81, 83
POTHOLE BELL CRNK LINK ASSY GS30 23
POWER CORD, IEC 320, 115" 29
PRTY, FLOW CNTRL VALVE, .75 GPM 73
PUMP, 4CC GEAR, CCW *** 77
PUMP, 5.6CC GEAR, CCW 77

Q

QUICK DISCONNECT CASING, BATT** 27, 41, 43

R

REF. ELECTRIC MOTOR/PUMP 31, 33
REF. Electrical Plugs and Cords 21
REF. FILTER ASSY 31, 33
REF. FUSE BLOCK 41
REF. LIFT CYLINDER DOWN CABLE 41
REF. PLATFORM CONTROL CABLE 41
REF: 24V DC Inverter 37, 39
REF: Accumulator 71
REF: Beacon 37, 39
REF: Brake Release Hand Pump Manifold 71
REF: BRAKE RELEASE MANIFOLD 19
REF: Charger 37, 39
REF: Check Valve 71
REF: Circuit Breaker 37, 39
REF: DC Motor Controller 37, 39
REF: Down Limit Assembly 37, 39
REF: Drive Contactor 37, 39
REF: E-Stop Button 37, 39
REF: Electric Motor 37, 39
REF: Extension Deck Cylinder 71
REF: Extension Deck Limit Switch 37, 39
REF: Filter Assembly 71
REF: Function Manifold 45, 71
REF: Fuse 37, 39
REF: Ground Control Unit 37, 39
Ref: GS-2646AV Word Decal Kits 13, 15
Ref: GS-2646AV35 Word Decal Kits 13, 15
REF: Hydraulic Brake 71
REF: Hydraulic Motor 71
Ref: Joystick 65, 67
REF: Keypad 37, 39
REF: Level Sensor 37, 39
REF: Lift Cylinder Assembly 71
REF: Lift Cylinder Down Harness HRNS 79
REF: Platform Controller 37, 39
REF: Powered Extension Deck 47

REF: Powered Extension Manifold 71
REF: Steer Cylinder 71
REF: T-Box Bracket 89
Ref: T-box bracket 63
REF: Battery Cable Assembly 37, 39
RELIEF VALVE 750PSI 85
RIVET, STL, STL, P, 125 X .25 35
ROCKER, 2 SWITCH 69
ROD END, .250 X 2.75 LG 51, 59
ROD END, .375 X 3.69, ZAG 51
ROLLER ARM, LIMIT SWITCH *** 21, 23, 27
ROLLER, MACHINED AWP *** 57
RUE RING, 3/4 PIN 23
RUE RING, 5/8 PIN 23

S

SAFETY CHOCK, SCISSOR 51
SCREW, HCC, 3/8-16 X 1.50 51
SCREW, SELF TAP 69
SCREW, YOKE LOCK ALL SLABS 17
SCREW, BHSCS, M5X10, SS 65, 67
SCREW, GRUB, M5X8MM CUP (BLK) 69
SCREW, GRUB, M5X8MM, HLF DOG, BZP 69
SCREW, HHC, 1/2-13 X 1.75 19
SCREW, HHC, 1/2-13 X 3.5 17, 19
SCREW, HHC, 1/4-20 X .5 79
SCREW, HHC, 1/4-20 X .625 61, 87
SCREW, HHC, 1/4-20 X .75 57, 91
SCREW, HHC, 1/4-20 X 1.25 27, 51, 59
SCREW, HHC, 1/4-20 X 1.75 21
SCREW, HHC, 1/4-20 X 2 55, 57
SCREW, HHC, 1/4-20 X 3.25, GR8 17
SCREW, HHC, 3/8-16 X .75 17
SCREW, HHC, 3/8-16 X 1 53, 57, 61
SCREW, HHC, 3/8-16 X 2 53, 55, 57
SCREW, HHC, 3/8-16 X 2.5 53, 55, 57
SCREW, HHC, 3/8-16 X 2.75 51
SCREW, HHC, 3/8-16 X 3 61
SCREW, HHC, 3/8-16 X 3.5, GR5 61
SCREW, HHC, 3/8-16 X 4.5 61
SCREW, HHC, 3/8-16 X 2.75, 8, ZAG 51
SCREW, HHC, 5/16-18 X 1.25 25, 27
SCREW, HHF, 1/4-20 X .625, 8, ZAG 57
SCREW, HHF, 1/4-20 X .75, 8, ZAG 31, 33
SCREW, HHF, 1/4-20 X 1.25, 8, ZAG 31, 33
SCREW, PHIL, 8-32 X .50, SELF TAP 63
SCREW, PHILLIPS, PHM, 10-32 X .38 25
SCREW, PHILLIPS, PHM, 10-32 X .75 87
SCREW, PHILLIPS, PHM, 6-32 X .75 63
SCREW, PHILLIPS, PHM, 8-32 X .875 59
SCREW, PHILLIPS, PHM, 8-32 X 2.5 ** 35
SCREW, PHILLIPS, RHM, 10-32 X 1.5 27, 35
SCREW, PHM, 1/4-20 X .75 35
SCREW, PHM, 4-20 X .5, 48-2 TRI-L 35, 65, 67
SCREW, PHM, 6-19 X .75, 48-2 TRI-L 35
SCREW, PHM, 8-16 X .75, 48-2 TRI-L 65, 67
SCREW, PHPM, 10-32 X 1.5, ZAG 35
SCREW, RHM, 10-32 X 1.5 21
SCREW, RHM, 6-32 X .5 63
SCREW, SHC, 3/8-24 X 1.25" 77
SEAL KIT (125835) 59
SEAL KIT (84384) 73
SEAL KIT FOR 137229 79
SEAL KIT, VALVE 73, 85
SEAL KIT, 39909, PLAT LWR VALVE* 79
SEAL KIT, BOSCH PUMP *** 77
SEAL KIT, HAND PUMP *** 75
SEAL KIT, PUMP, 5.6CC GEAR 77
SEAL KIT-FOR P.N.44167 73

This Page Intentionally Left Blank

Go to Discount-Equipment.com to order your parts

Fitting Cross References

Genie PN	Parker PN	Description	Genie PN	Parker PN	Description
12342	6-4 F5OX-S	CONNECTOR,STRAIGHT THREAD TO FLARE TUBE	42794	1 CR-S	ELBOW,90°,MALE PIPE
13757	4 R6X-S	RUN TEE,SWIVEL NUT,ORFS	42795	BV-0839	BALL VALVE
19685	12-10 C5OX-S	ELBOW,90°,STRAIGHT THREAD TO FLARE TUBE	42796	BV-0838	BALL VALVE
22664	12-10 C5OX	ELBOW,90°,STRAIGHT THREAD TO FLARE TUBE	42874	6-8 CLO-S	ELBOW,90°,MALE PIPE TO ORFS
27431	8-12 F5OX-S	CONNECTOR,STRAIGHT THREAD TO FLARE TUBE	42912	13943-6-4	HOSE END,90° FEMALE SWIVEL,JIC
28678	AS-B-33	SLEEVE,NYLON,1.81" ID	42920	BV-0840	BALL VALVE,90°
39871	6 WETX-WLN-S	UNION,90° BULKHEAD W/NUT,FLARE TUBE	42932	AS-B-17	SLEEVE,NYLON,1.22" ID
39872	4 R5OX-S	RUN TEE,STRAIGHT THREAD	42936	10243-2-4	HOSE END,FEMALE PIPE
39873	6 C5OX-S	ELBOW,90°,STRAIGHT THREAD TO FLARE TUBE	42953	1/2 DD-S	ELBOW,90°,FEMALE PIPE
39874	8-6 C5OX-S	ELBOW,90°,STRAIGHT THREAD TO FLARE TUBE	42956	6 WELO-WLNL-S	UNION,90° BULKHEAD W/NUT,ORFS
39875	4-6 C5OX-S	ELBOW,90°,STRAIGHT THREAD TO FLARE TUBE	45349	8 V5OX-S	ELBOW,45°,STRAIGHT THREAD TO FLARE TUBE
39876	6-8 C5OX-S	ELBOW,90°,STRAIGHT THREAD TO FLARE TUBE	45351	4 V5OX-S	ELBOW,45°,STRAIGHT THREAD TO FLARE TUBE
39877	4 F5OX-S	CONNECTOR,STRAIGHT THREAD TO FLARE TUBE	47223	10343-6-6	HOSE END,MALE,JIC
39878	6 F5OX-S	CONNECTOR,STRAIGHT THREAD TO FLARE TUBE	47419	PS690503-6-6	SWIVEL,90°,STRAIGHT THREAD TO 37° FLARE
39879	4-8 F5OX-S	CONNECTOR,STRAIGHT THREAD TO FLARE TUBE	48750	421-4	HOSE,1/4 INCH ID
39880	6-10 F5OX-S	CONNECTOR,STRAIGHT THREAD TO FLARE TUBE	48751	481TC-4	HOSE,1/4 INCH ID
39881	4-6 F5OX-S	CONNECTOR,STRAIGHT THREAD TO FLARE TUBE	48752	482TC-4	HOSE,1/4 INCH ID
39882	4-HP5ON-S	PLUG,STRAIGHT THREAD	48753	451TC-6	HOSE,3/8 INCH ID
39883	8-8 FTX-S	CONNECTOR,MALE PIPE TO FLARE TUBE	48754	482TC-6	HOSE,3/8 INCH ID
39885	269HB 12-12	ELBOW,90°,BEADED HOSE BARB TO MALE PIPE	48755	381-6	HOSE,3/8 INCH ID
39886	431-6	HOSE,3/8 INCH ID	48756	451TC-8	HOSE,1/2 INCH ID
39887	540N-2	HOSE,1/8 INCH ID	48757	482TC-8	HOSE,1/2 INCH ID
39888	801-8	HOSE,1/2 INCH ID	48758	381-8	HOSE,1/2 INCH ID
39889	801-12	HOSE,3/4 INCH ID	48759	381-10	HOSE,5/8 INCH ID
39890	10643-6-6	HOSE END,FEMALE SWIVEL,JIC	48760	451TC-10	HOSE,5/8 INCH ID
39891	13943-6-6	HOSE END,90° FEMALE SWIVEL,JIC	48761	482TC-12	HOSE,3/4 INCH ID
39892	13743-6-6	HOSE END,45° FEMALE SWIVEL,JIC	48762	451TC-12	HOSE,3/4 INCH ID
39894	30682-8-8	HOSE END,FEMALE SWIVEL,JIC	48763	772-12	HOSE,3/4 INCH ID
39895	30682-10-12	HOSE END,FEMALE SWIVEL,JIC	48764	881-16	HOSE,1 INCH ID
42286	8-8 CTX-S	ELBOW,90°,MALE PIPE TO FLARE TUBE	48765	772-16	HOSE,1 INCH ID
42756	8-12 CLO-S	ELBOW,90,MALE PIPE TO ORFS	48766	AS-B-15	SLEEVE,NYLON,1.06" ID
42757	8-12 FLO-S	CONNECTOR,MALE PIPE TO ORFS	48767	AS-B-22	SLEEVE,NYLON,1.42" ID
42758	4 JLO-S	UNION TEE,ORFS	48770	881-8	HOSE,1/2 INCH ID
42759	4-4 FLO-S	CONNECTOR,MALE PIPE TO ORFS			
42760	6-8 FLO-S	CONNECTOR,MALE PIPE TO ORFS			
42761	1J143-6-4	HOSE END,90° FEMALE SWIVEL,SEAL LOK			
42762	1J743-6-4	HOSE END,45° FEMALE SWIVEL,SEAL LOK			
42768	1JO43-4-4	HOSE END,MALE,SEAL LOK			
42776	801-8	HOSE,1/2 INCH ID			
42777	1J743-16-16	HOSE END,45° FEMALE SWIVEL,SEAL LOK			
42786	16 CLO-S	ELBOW,90°,MALE PIPE TO ORFS			
42787	16 R6LO-S	RUN TEE,SWIVEL NUT,ORFS			
42788	16-8 TRLO-BL-S	REDUCER,TUBE END TO SWIVEL,ORFS			
42789	6-6 CLO-S	ELBOW,90°,MALE PIPE TO ORFS			
42790	8-10 V5OLO-S	ELBOW,45°,STRAIGHT THREAD TO ORFS			
42791	3/4 CD-S	ELBOW,90°,MALE TO FEMALE PIPE			
42792	3/4 X 1/2 PTR-S	REDUCER,MALE TO FEMALE PIPE			
42793	1/2 CR-S	ELBOW,90°,MALE PIPE			

Fitting Cross References (Continued)

Genie PN	Parker PN	Description	Genie PN	Parker PN	Description
48771	881-10	HOSE,5/8 INCH ID	48847	13943-12-12	HOSE END,90° FEMALE SWIVEL,JIC
48772	381-4	HOSE,1/4 INCH ID	48848	10543-12-12	HOSE END,MALE,STRAIGHT THREAD
48773	AS-B-13	SLEEVE,NYLON,.86" ID	48849	1JC71-12-12	HOSE END,FEMALE SWIVEL,SEAL LOK
48800	1JC43-4-4	HOSE END,FEMALE SWIVEL,SEAL LOK	48850	1JS71-12-12	HOSE END,FEMALE SWIVEL,SEAL LOK
48801	1J743-4-4	HOSE END,45° FEMALE SWIVEL,SEAL LOK	48851	1J171-12-12	HOSE END,90° FEMALE SWIVEL,SEAL LOK
48802	1J943-4-4	HOSE END,90° FEMALE SWIVEL,SEAL LOK	48852	1J771-12-12	HOSE END,45° FEMALE SWIVEL,SEAL LOK
48804	1JM43-4-4	HOSE END,MALE,SEAL LOK, NO O-RING	48853	1J971-12-12	HOSE END,90° FEMALE SWIVEL,SEAL LOK
48805	10643-4-4	HOSE END,FEMALE SWIVEL,JIC	48854	1JC43-16-16	HOSE END,FEMALE SWIVEL,SEAL LOK
48806	13943-4-4	HOSE END,90° FEMALE SWIVEL,JIC	48855	1J943-16-16	HOSE END,90° FEMALE SWIVEL,SEAL LOK
48807	1JS43-4-4	HOSE END,FEMALE SWIVEL,SEAL LOK	48856	1J171-16-16	HOSE END,90° FEMALE SWIVEL,SEAL LOK
48808	3JC82-8-8	HOSE END,FEMALE SWIVEL,SEAL LOK	48857	1J971-16-16	HOSE END,90° FEMALE SWIVEL,SEAL LOK
48809	3JC82-12-12	HOSE END,FEMALE SWIVEL,SEAL LOK	48859	1JS43-8-4	HOSE END,FEMALE SWIVEL,SEAL LOK
48810	1JC43-6-4	HOSE END,FEMALE SWIVEL,SEAL LOK	48867	PD36BTL	DIAGNOSTIC NIPPLE,SEAL-LOK SWIVEL
48811	1J943-6-4	HOSE END,90° FEMALE SWIVEL,SEAL LOK	48873	6 PNLO-S	PLUG,TUBE END,ORFS
48812	1JC43-6-6	HOSE END,FEMALE SWIVEL,SEAL LOK	48874	6 PNTX-S	PLUG,FLARE TUBE
48813	1J143-6-6	HOSE END,90° FEMALE SWIVEL,SEAL LOK	48875	6 R6LO-S	RUN TEE,SWIVEL NUT,ORFS
48814	1J543-6-6	HOSE END,90° FEMALE SWIVEL,SEAL LOK	48877	4 F5OLO-SW/.025	CONNECTOR,STRAIGHT THREAD TO ORFS, W/.025 ORI
48815	1J743-6-6	HOSE END,45° FEMALE SWIVEL,SEAL LOK	48878	16-12 C5OLO-S	ELBOW,90°,STRAIGHT THREAD TO ORFS
48816	1J943-6-6	HOSE END,90° FEMALE SWIVEL,SEAL LOK	48879	8 C6LO-S	ELBOW,90°,SWIVEL NUT ORFS
48817	1JS43-6-8	HOSE END,FEMALE SWIVEL,SEAL LOK	48880	PD6-285	CAP,DIAGNOSTIC NIPPLE
48818	1J943-8-4	HOSE END,90° FEMALE SWIVEL,SEAL LOK	48881	6 HLO-S	UNION,ORFS
48819	1JC43-8-6	HOSE END,FEMALE SWIVEL,SEAL LOK	48883	8 P5ON-S	PLUG,STRAIGHT THREAD
48820	1J743-8-6	HOSE END,45° FEMALE SWIVEL,SEAL LOK	48884	8M18F87OMLO-S	CONNECTOR,METRIC,STRAIGHT THREAD TO ORFS
48821	1J943-8-6	HOSE END,90° FEMALE SWIVEL,SEAL LOK	48885	4 WGTX-WLN-S	CONNECTOR,BULKHEAD,FEMALE PIPE TO FLARE TUBE
48822	1JC43-8-8	HOSE END,FEMALE SWIVEL,SEAL LOK	48886	4 F5OLO-SW/2MM	CONNECTOR,MACHINED STRAIGHT THREAD TO ORFS
48823	1JS43-8-8	HOSE END,FEMALE SWIVEL,SEAL LOK	48887	4 CTX-S	ELBOW,90°,MALE PIPE TO FLARE TUBE
48824	1J143-8-8	HOSE END,90° FEMALE SWIVEL,SEAL LOK	48888	10-12 V5OLO-S	ELBOW,45°,STRAIGHT THREAD TO ORFS
48825	1J543-8-8	HOSE END,90° FEMALE SWIVEL,SEAL LOK	48890	4 S5OLO-S	BRANCH TEE,STRAIGHT THREAD TO ORFS
48826	1J743-8-8	HOSE END,45° FEMALE SWIVEL,SEAL LOK	48891	4 S6LO-S	BRANCH TEE,SWIVEL NUT TO ORFS
48827	1J943-8-8	HOSE END,90° FEMALE SWIVEL,SEAL LOK			
48828	1JC43-10-8	HOSE END,FEMALE SWIVEL,SEAL LOK			
48829	1JS43-10-8	HOSE END,FEMALE SWIVEL,SEAL LOK			
48830	1J743-10-8	HOSE END,45° FEMALE SWIVEL,SEAL LOK			
48831	1J943-10-8	HOSE END,90° FEMALE SWIVEL,SEAL LOK			
48833	1JC43-10-10	HOSE END,FEMALE SWIVEL,SEAL LOK			
48834	1J943-10-10	HOSE END,90° FEMALE SWIVEL,SEAL LOK			
48835	1JS43-10-12	HOSE END,FEMALE SWIVEL,SEAL LOK			
48836	1JC43-12-8	HOSE END,FEMALE SWIVEL,SEAL LOK			
48837	1JS43-12-8	HOSE END,FEMALE SWIVEL,SEAL LOK			
48838	1J743-12-8	HOSE END,45° FEMALE SWIVEL,SEAL LOK			
48839	1J943-12-8	HOSE END,90° FEMALE SWIVEL,SEAL LOK			
48840	1J943-12-10	HOSE END,90° FEMALE SWIVEL,SEAL LOK			
48841	1JC43-12-12	HOSE END,FEMALE SWIVEL,SEAL LOK			
48842	1JO43-12-12	HOSE END,MALE,SEAL LOK			
48843	1J143-12-12	HOSE END,90° FEMALE SWIVEL,SEAL LOK			
48844	1J543-12-12	HOSE END,90° FEMALE SWIVEL,SEAL LOK			
48845	1J743-12-12	HOSE END,45° FEMALE SWIVEL,SEAL LOK			
48846	1J943-12-12	HOSE END,90° FEMALE SWIVEL,SEAL LOK			

Fitting Cross References (Continued)

Genie PN	Parker PN	Description	Genie PN	Parker PN	Description
48892	6 C6LO-S	ELBOW,90°,SWIVEL NUT ORFS	48938	8 R6LO-S	RUN TEE,SWIVEL NUT,ORFS
48893	6 F5OHAO-S	UNION,STRAIGHT THREAD	48939	8 S6LO-S	BRANCH TEE,SWIVEL NUT TO ORFS
48894	8 WLO-WLNL-S	UNION,BULKHEAD,ORFS	48940	8 WJLO-WLNL-S	RUN TEE, BULKHEAD,ORFS
48895	DT-370-MSMO-5	VALVE,CHECK	48941	8-4 TRLO-S	REDUCER,TUBE END TO SWIVEL,ORFS
48896	6 JLO-S	UNION,TEE,ORFS	48942	8-6 C5OLO-S	ELBOW,90°,STRAIGHT THREAD TO ORFS
48897	DT-750-MSMS-5	VALVE,CHECK	48943	8-6 F5OLO-S	CONNECTOR,STRAIGHT THREAD TO ORFS
48898	DT-750-MOMS-5	VALVE,CHECK	48944	8-8 FLO-S	CONNECTOR,MALE PIPE TO ORFS
48899	DT-620-MOMS-5	VALVE,CHECK	48945	8 FTX-S	CONNECTOR,MALE PIPE TO FLARE TUBE
48900	4-6 F5OLO-SW/.035	CONNECTOR,STRAIGHT THREAD TO ORFS, W/.035 ORI	48946	8-10 F5OLO-S	CONNECTOR,STRAIGHT THREAD TO ORFS
48902	16-1 AOE4G-S	ELBOW,90° LONG,FEMALE PIPE TO STRAIGHT THREAD	48947	8-12 C5OLO-S	ELBOW,90°,STRAIGHT THREAD TO ORFS
48903	1 FF-S	NIPPLE,PIPE	48948	8-12 F5OLO-S	CONNECTOR,STRAIGHT THREAD TO ORFS
48904	4 C5OLO-S	ELBOW,90°,STRAIGHT THREAD TO ORFS	48949	8-16 F5OLO-S	CONNECTOR,STRAIGHT THREAD TO ORFS
48905	4 F5OLO-S	CONNECTOR,STRAIGHT THREAD TO ORFS	48950	10 C5OLO-S	ELBOW,90°,STRAIGHT THREAD TO ORFS
48906	4 R5OLO-S	RUN TEE,STRAIGHT THREAD	48951	10 CC5OLO-S	ELBOW,90° LONG,STRAIGHT THREAD TO ORFS
48907	4 V5OLO-S	ELBOW,45°,STRAIGHT THREAD TO ORFS	48952	10 F5OLO-S	CONNECTOR,STRAIGHT THREAD TO ORFS
48908	4 R6LO-S	RUN TEE,SWIVEL NUT,ORFS	48953	10 R5OLO-S	RUN TEE,STRAIGHT THREAD
48909	4 WJLO-WLNL-S	RUN TEE, BULKHEAD,ORFS	48954	10 S5OLO-S	BRANCH TEE,STRAIGHT THREAD TO ORFS
48910	4 GTX-S W/.030	CONNECTOR,FEMALE PIPE TO FLARE TUBE	48955	10 R6LO-S	RUN TEE,SWIVEL NUT,ORFS
48911	4-6 C5OLO-S	ELBOW,90°,STRAIGHT THREAD TO ORFS	48956	10-4 TRLO-BL-S	REDUCER,TUBE END TO SWIVEL,ORFS
48912	4-6 F5OLO-S	CONNECTOR,STRAIGHT THREAD TO ORFS	48957	10-6 TRLO-BL-S	REDUCER,TUBE END TO SWIVEL,ORFS
48913	4-6 F5OLO-SW/.030	CONNECTOR,STRAIGHT THREAD TO ORFS, W/.030 ORI	48958	10-12 F5OLO-S	CONNECTOR,STRAIGHT THREAD TO ORFS
48914	4-8 F5OLO-S	CONNECTOR,STRAIGHT THREAD TO ORFS	48959	12 C5OLO-S	ELBOW,90°,STRAIGHT THREAD TO ORFS
48915	6 C5OLO-S	ELBOW,90°,STRAIGHT THREAD TO ORFS	48960	12 F5OLO-S	CONNECTOR,STRAIGHT THREAD TO ORFS
48916	6 F5OLO-S	CONNECTOR,STRAIGHT THREAD TO ORFS	48961	12 R5OLO-S	RUN TEE,STRAIGHT THREAD
48917	6 FF5OLO-S	CONNECTOR,LONG,STRAIGHT THREAD TO ORFS	48962	12 S5OLO-S	BRANCH TEE,STRAIGHT THREAD TO ORFS
48918	6 R5OLO-S	RUN TEE,STRAIGHT THREAD	48963	12 V5OLO-S	ELBOW,45°,STRAIGHT THREAD TO ORFS
48919	6 S5OLO-S	BRANCH TEE,STRAIGHT THREAD TO ORFS	48964	12 R6LO-S	RUN TEE,SWIVEL NUT,ORFS
48920	6 V5OLO-S	ELBOW,45°,STRAIGHT THREAD TO ORFS	48965	12 CLO-S	ELBOW,90°,MALE PIPE TO ORFS
48921	6 FLO-S	CONNECTOR,MALE PIPE TO ORFS	48966	12 FLO-S	CONNECTOR,MALE PIPE TO ORFS
48922	6-6 FLO-S	CONNECTOR,MALE PIPE TO ORFS	48967	12 JLO-S	UNION TEE,ORFS
48923	6 P5ON-S	PLUG,STRAIGHT THREAD	48968	12 WLO-WLNL-S	UNION,BULKHEAD,ORFS
48925	6 WELO-S	UNION,90° BULKHEAD,ORFS	48969	12 WJLO-WLNL-S	RUN TEE, BULKHEAD,ORFS
48926	6-4 C5OLO-S	ELBOW,90°,STRAIGHT THREAD TO ORFS	48970	12 WELO-WLNL-S	UNION,90° BULKHEAD W/NUT,ORFS
48927	6-4 F5OLO-S	CONNECTOR,STRAIGHT THREAD TO ORFS			
48928	6-4 V5OLO-S	ELBOW,45°,STRAIGHT THREAD TO ORFS			
48929	6-8 C5OLO-S	ELBOW,90°,STRAIGHT THREAD TO ORFS			
48930	6-8 F5OLO-S	CONNECTOR,STRAIGHT THREAD TO ORFS			
48931	6-10 F5OLO-S	CONNECTOR,STRAIGHT THREAD TO ORFS			
48932	8 C5OLO-S	ELBOW,90°,STRAIGHT THREAD TO ORFS			
48933	8 F5OLO-S	CONNECTOR,STRAIGHT THREAD TO ORFS			
48934	8 FF5OLO-S	CONNECTOR,LONG,STRAIGHT THREAD TO ORFS			
48935	8 R5OLO-S	RUN TEE,STRAIGHT THREAD			
48936	8 S5OLO-S	BRANCH TEE,STRAIGHT THREAD TO ORFS			
48937	8 V5OLO-S	ELBOW,45°,STRAIGHT THREAD TO ORFS			

Fitting Cross References (Continued)

Genie PN	Parker PN	Description	Genie PN	Parker PN	Description
48971	12 G5G5JG5-S	TEE,FEMALE STRAIGHT THREAD	49612	PKT02586	O-RING KIT (ORFS FITTINGS)
48972	12 XHL6-S	ADAPTER, 37° MALE TO SWIVEL ORFS	49613	PKT06276	PLUG AND CAP KIT-SERVICE,ORFS
48973	12-1/2 F5OG-S	ADAPTER,FEMALE PIPE TO STRAIGHT THREAD	49728	10143-12-12	HOSE END, MALE PIPE
48974	12-10 C5OLO-S	ELBOW,90°,STRAIGHT THREAD TO ORFS	49729	16-1 F5OG-S	ADAPTER,FEMALE PIPE TO STRAIGHT THREAD
48975	12-10 F5OLO-S	CONNECTOR,STRAIGHT THREAD TO ORFS	49814	12-8 FLO-S	CONNECTOR,MALE PIPE TO ORFS
48976	12-16 C5OLO-S	ELBOW,90°,STRAIGHT THREAD TO ORFS	49829	DT-500-MOMF-5	VALVE,CHECK
48977	12-16 F5OLO-S	CONNECTOR,STRAIGHT THREAD TO ORFS	49831	881-12	HOSE,3/4 INCH ID
48978	12-16 V5OLO-S	ELBOW,45°,STRAIGHT THREAD TO ORFS	49834	16 JLO-S	UNION TEE,ORFS
48980	12-16 FLO-S	CONNECTOR,MALE PIPE TO ORFS	49838	12-8 TRLO-BL-S	REDUCER,TUBE END TO SWIVEL,ORFS
48983	16 C5OLO-S	ELBOW,90°,STRAIGHT THREAD TO ORFS	49840	8 JLO-S	UNION TEE,ORFS
48984	16 F5OLO-S	CONNECTOR,STRAIGHT THREAD TO ORFS	49844	10-8 TRLO-BL-S	REDUCER,TUBE END TO SWIVEL,ORFS
48985	16 V5OLO-S	ELBOW,45°,STRAIGHT THREAD TO ORFS	49854	8 P5ON-S	PLUG,STRAIGHT THREAD
48986	16 FLO-S	CONNECTOR,MALE PIPE TO ORFS	49855	1JC43-16-12	HOSE END,FEMALE SWIVEL,SEAL LOK
48988	16 CD45-S	ELBOW,45°,MALE TO FEMALE PIPE	49859	4 P5ON-S	PLUG,STRAIGHT THREAD
48989	12 CD45-S	ELBOW,45°,MALE TO FEMALE PIPE	49861	4 FF5OLO-S	CONNECTOR, LONG, STRAIGHT THREAD TO ORFS
48990	8 CD45-S	ELBOW,45°,MALE TO FEMALE PIPE	49867	12-3/4 F5OG-S	ADAPTER,FEMALE PIPE TO STRAIGHT THREAD
48991	16-12 FLO-S	CONNECTOR,MALE PIPE TO ORFS	51152	6 R6X-S	RUN TEE,SWIVEL NUT,ORFS
48992	16-12 V5OLO-S	ELBOW,45°,STRAIGHT THREAD TO ORFS	51153	6-4 TRTX-S	REDUCER,TUBE END TO SWIVEL,ORFS
48993	XV501-12	BALL VALVE	51154	4-4 GTX	CONNECTOR,FEMALE PIPE TO FLARE TUBE
48994	XV501-16	BALL VALVE	51264	881-12	HOSE,3/4 INCH ID
48995	XV510P-12	BALL VALVE	51265	8 JLO-S	UNION TEE,ORFS
48996	XV510P-16	BALL VALVE	51508	6 BTX-S	NUT,FLARE TUBE
48997	PD341	DIAGNOSTIC NIPPLE, STRAIGHT THREAD	51580	12-8 TRLO-BL-S	TUBE END REDUCER,ORFS
48998	PD 361	DIAGNOSTIC NIPPLE, STRAIGHT THREAD	51628	6 R6X-S	RUN TEE,SWIVEL NUT,ORFS
48999	DT-500-MOMS-5	VALVE,CHECK	51735	3/8 HHP	PLUG,PIPE THREAD
49201	10 V5OLO-S	ELBOW,45°,STRAIGHT THREAD TO ORFS	51803	1J943-6-8	HOSE END,90° FEMALE SWIVEL,SEAL LOK
49202	1JC43-12-10	HOSE END,FEMALE SWIVEL,SEAL LOK	53023	125HBL-5-4	FITTING,HOSE BARB TO MALE PIPE
49203	10-8 V5OLO-S	ELBOW,45°,STRAIGHT THREAD TO ORFS	53497	PKT02585	O-RING KIT
49205	6 F5OHAO-S	UNION,STRAIGHT THREAD	53499	1JC71-16-16	HOSE END,FEMALE SWIVEL,SEAL LOK
49207	PD34BTL	DIAGNOSTIC NIPPLE,SEAL-LOK SWIVEL	53500	3-904	O-RING,STRAIGHT THREAD,-4
49209	8M18F870MX-S	CONNECTOR,METRIC,STRAIGHT THREAD TO FLARE TUBE	53501	3-906	O-RING,STRAIGHT THREAD,-6
49212	8 WGTX-WLN-S	CONNECTOR,BULKHEAD,FEMALE PIPE TO FLARE TUBE	53502	3-908	O-RING,STRAIGHT THREAD,-8
49213	30682-8-8	HOSE END,FEMALE SWIVEL,JIC	53503	3-910	O-RING,STRAIGHT THREAD,-10
49216	831-8	HOSE,1/2 INCH ID			
49217	33982-8-8	HOSE END,90° FEMALE SWIVEL,JIC			
49219	PS-B-35	SLEEVE,NYLON,2.19" ID			
49418	4-6 V5OLO-S	ELBOW,45°,STRAIGHT THREAD TO ORFS			
49511	DT370-MOMS-5	VALVE,CHECK			
49512	1 DD-S	ELBOW,90°,FEMALE PIPE			
49513	1 FF-S	NIPPLE,PIPE			
49514	10 HP5ON-S	PLUG,STRAIGHT THREAD			
49515	12-16 CLO-S	ELBOW,90°,MALE PIPE TO ORFS			
49517	6 HP5ON-S	PLUG,STRAIGHT THREAD			
49519	16-12 F5OLO-S	CONNECTOR,STRAIGHT THREAD TO ORFS			
49520	4 VTX-S	ELBOW,45°,MALE PIPE TO FLARE TUBE			
49530	16 C6LO-S	ELBOW,90°,SWIVEL NUT ORFS			

Fitting Cross References (Continued)

Genie PN	Parker PN	Description	Genie PN	Parker PN	Description
53535	3-912	O-RING, STRAIGHT THREAD, -12	61083	24 F5OLO-S	CONNECTOR, STRAIGHT THREAD TO ORFS
53536	4-PNLO-S	PLUG, TUBE END, ORFS	61086	20 R5OLO-S	RUN TEE, STRAIGHT THREAD
53537	6 PNLO-S	PLUG, TUBE END, ORFS	61090	24-20 F5OLO-S	CONNECTOR, STRAIGHT THREAD TO ORFS
53538	8 PNLO-S	PLUG, TUBE END, ORFS	61091	1J943 24-24	HOSE END, 90° FEMALE SWIVEL, SEAL LOK
53539	10 PNLO-S	PLUG, TUBE END, ORFS	61093	1J978-12-12	HOSE END, 90° FEMALE SWIVEL, JIC
53540	12 PNLO-S	PLUG, TUBE END, ORFS	61095	1JS43-20-16	HOSE END, FEMALE SWIVEL, SEAL LOK
53946	129HB-5-4	FITTING, 90° HOSE BARB TO MALE PIPE	61100	811-24	HOSE, 1 1/2 INCH ID
53951	8-1/4F50G-S	ADAPTER, FEMALE PIPE TO STRAIGHT THREAD	61130	1JS43-24-24	HOSE END, FEMALE SWIVEL, SEAL LOK
53980	6 S6LO-S	BRANCH TEE, SWIVEL NUT TO ORFS	61131	1JS78 12-12	HOSE END, FEMALE SWIVEL, SEAL LOK
54132	4 C6LO-S	ELBOW, 90°, SWIVEL NUT ORFS	61132	1J778-12-12	HOSE END, 45° FEMALE SWIVEL, JIC
54135	11343-16-16	HOSE END, MALE SWIVEL, PIPE	61152	139HB-6-4	ELBOW, 45°, BARB TO MALE PIPE
54283	8-10 C5OLO-S	ELBOW, 90°, STRAIGHT THREAD TO ORFS	61251	BV-0750	BALL VALVE
54428	8M18C870MLO-S	ELBOW, 90° METRIC, STRAIGHT THREAD TO ORFS	61259	4 CC5OLO-S	ELBOW, 90° LONG, STRAIGHT THREAD TO ORFS
54803	FS-F-16-10	SLEEVE, FIRE, .96" ID	61260	20-12 TRLO-BL	REDUCER, TUBE END TO SWIVEL, ORFS
54954	10143-2-4	HOSE END, MALE PIPE	61262	12 C6LO-S	ELBOW, 90°, SWIVEL NUT ORFS
55190	3/8 HP-S	PLUG, PIPE THREAD	61263	20 F5OHAO-S	UNION, STRAIGHT THREAD
55448	8 HLO-S	UNION, ORFS	61264	6-10 C5OLO-S	ELBOW, 90°, STRAIGHT THREAD TO ORFS
55839	6 F65OX-S	CONNECTOR, STRAIGHT THREAD TO 37° SWIVEL	61265	6 WNLO-WLNL-S	UNION, BULKHEAD 45°, ORFS
55968	10 C5OX-S	ELBOW, 90°, STRAIGHT THREAD TO FLARE TUBE	61268	4 WNLO-WLNL-S	UNION, BULKHEAD 45°, ORFS
56003	6 CC5OLO-S	ELBOW, 90° LONG, STRAIGHT THREAD TO ORFS	61269	4 WLO-WLNL-S	UNION, BULKHEAD, ORFS
56166	BV-0837	BALL VALVE, 90°	61272	12 AOEL6	ELBOW, 90°, STRAIGHT THREAD TO ORFS SWIVEL
56188	10143-8-6	HOSE END, MALE PIPE	61316	482TC-16	HOSE, 1 INCH ID
56233	2-011	O-RING, ORFS, -4	61321	6 JLO-S	UNION TEE, ORFS
56234	2-012	O-RING, ORFS, -6	61327	782-12	HOSE, 3/4 INCH ID
56235	2-014	O-RING, ORFS, -8	61328	881-24	HOSE, 1 1/2 INCH ID
56236	2-016	O-RING, ORFS, -10	61336	11943-20-24	HOSE END, 90° FLANGE HEAD
56237	2-018	O-RING, ORFS, -12	61345	12 WJLO-WLNL-S	RUN TEE, BULKHEAD, ORFS
56238	2-021	O-RING, ORFS, -16	61346	8 WNLO-WLNL-S 4	UNION, BULKHEAD 45°, ORFS
56352	6 WLNL-S	LOCKNUT, BULKHEAD	61569	33782-8-8	HOSE END, 45° FEMALE SWIVEL, JIC
56353	3J782-12-12	HOSE END, 45° FEMALE SWIVEL, SEAL LOK	61610	12 FF5OLO-S	CONNECTOR, LONG, STRAIGHT THREAD TO ORFS
56354	3J982-12-12	HOSE END, 90° FEMALE SWIVEL, SEAL LOK	61742	1/8 X 1.5 FFF	NIPPLE, PIPE
56604	10-8 F5OLO-S	CONNECTOR, STRAIGHT THREAD TO ORFS	63426	8 PNTX-S	PLUG, FLARE TUBE
56639	3JC82-10-10	HOSE END, FEMALE SWIVEL, SEAL LOK			
56640	3J982-10-10	HOSE END, 90° FEMALE SWIVEL, SEAL LOK			
56655	3JC82-8-10	HOSE END, FEMALE SWIVEL, SEAL LOK			
56676	10-8 C5OLO-S	ELBOW, 90°, STRAIGHT THREAD TO ORFS			
56776	471TC-6	HOSE, 3/8 INCH ID			
56777	471TC-8	HOSE, 1/2 INCH ID			
56789	811-16	HOSE, 1 INCH ID			
57884	3/8 FF	NIPPLE, PIPE			
59335	6 FNL-S	CAP, TUBE END			
59342	4 FNL-S	CAP, TUBE END			
59371	8 HP5ON-S	PLUG, STRAIGHT THREAD			
60653	BV-0751	BALL VALVE			
60806	125HB-3-4	FITTING, HOSE BARB TO MALE PIPE			
61064	5-1/4 F5OG-S	ADAPTER, FEMALE PIPE TO STRAIGHT THREAD			
61079	4 WELO-WLNL-S	UNION, 90° BULKHEAD W/NUT, ORFS			
61080	6 WLO-WLNL-S	UNION, BULKHEAD, ORFS			

Fitting Cross References (Continued)

Genie PN	Parker PN	Description	Genie PN	Parker PN	Description
64271	4 WLO-WLNL-S	UNION,BULKHEAD,ORFS	75631	801-6	HOSE,3/8 INCH ID
64272	6 WLO-WLNL-S	UNION,BULKHEAD,ORFS	75654	20 F5OLO-S	CONNECTOR,STRAIGHT THREAD TO ORFS
65776	8 F65OL-S	CONNECTOR,STRAIGHT THREAD TO ORFS SWIVEL	75655	1J943-20-20	HOSE END,90° FEMALE SWIVEL,SEAL LOK
65880	6001012	O-RING KIT	75656	881-20	HOSE,1-1/4 INCH ID
66154	6 WTX-WLNS	UNION,BULKHEAD,FLARE TUBE	75971	8 F5OHAO-S	UNION,STRAIGHT THREAD
66155	6 WETX-S	UNION,BULKHEAD 90°,FLARE TUBE	77307	1JB43-8-8	HOSE END,BULKHEAD,SEAL LOK
66156	6 WLN-S	BULKHEAD LOCKNUT	77309	8 WLNL-S	BULKHEAD LOCKNUT
66389	6-8 F5OX-S	CONNECTOR,STRAIGHT THREAD TO FLARE TUBE	77379	8M18C87OMX-S	ELBOW,90° METRIC,STRAIGHT THREAD TO FLARE TUBE
66392	6 R5OX-S	RUN TEE,STRAIGHT THREAD	77703	3J982-8-8	HOSE END,90° FEMALE SWIVEL,SEAL LOK
66396	811-12	HOSE,3/4 INCH ID	77711	801-10	HOSE,5/8 INCH ID
66829	H3174PP	CLAMP,TUBE	77758	12 WNLO-WLNL-S	UNION,BULKHEAD 45°,ORFS
67217	4 KLO-S	UNION,CROSS,ORFS	78091	6 C6X-S	ELBOW,90°,SWIVEL NUT TO FLARE TUBE
67339	10-6 F5OX-S	CONNECTOR,STRAIGHT THREAD TO FLARE TUBE	78684	30582-8-8B	HOSE END,PUSH LOK,MALE
67357	13943-8-6	HOSE END,90° FEMALE SWIVEL,JIC	78852	549-2	HOSE,1/8 INCH ID
67358	10 HP5ON-S	PLUG,STRAIGHT THREAD	78855	10657-4-2	HOSE END,FEMALE SWIVEL,JIC
67371	12 S6LO-S	BRANCH TEE,SWIVEL NUT TO ORFS	79138	PS-B-37	SLEEVE,NYLON,2.38" ID
67498	4 FNL-S	CAP, TUBE END	79476	1JS43-6-8	HOSE END,FEMALE SWIVEL,SEAL LOK
67906	DC-370-F0F0-5	VALVE,CHECK	79847	12-3/4 A0EG-S	ELBOW,90°,STRAIGHT THREAD TO FEMALE PIPE
69316	8 FLO-S	CONNECTOR,MALE PIPE TO ORFS	80044	8 CLO-S	ELBOW,90°,MALE PIPE TO ORFS
69333	H3174PP	CLAMP,HYDRAULIC HOSE	80502	8 F5OX-S	CONNECTOR,STRAIGHT THREAD TO FLARE TUBE
69503	4 F65OX-S	CONNECTOR,STRAIGHT THREAD TO 37° SWIVEL	80503	8 C5OX-S	ELBOW,90°,STRAIGHT THREAD TO FLARE TUBE
69775	8 FNL-S	CAP, TUBE END	81010	AS-B-27	SLEEVE,NYLON,1.63" ID
71038	1/4X1/4F3HG-S	ADAPTER,CONVERSION	83052	821-6	HOSE,3/8 INCH ID
71196	12-8 F5OLO-S	CONNECTOR,STRAIGHT THREAD TO ORFS	83053	821-8	HOSE,1/2 INCH ID
71383	1/4 CD45-S	ELBOW,45°,MALE TO FEMALE PIPE	83054	821-12	HOSE,3/4 INCH ID
72270	12FNL-S	CAP, TUBE END	83055	30682-6-6	HOSE END,FEMALE SWIVEL,JIC
73436	60C-4	SLEEVE,COMPRESSION	83056	30682-12-12	HOSE END,FEMALE SWIVEL,JIC
73437	61C-4	NUT,COMPRESSION	83057	33782-6-6	HOSE END,45° FEMALE SWIVEL,JIC
73438	33482-4-4B	HOSE END,PUSH LOK,MALE	83058	33982-6-6	HOSE END,90° FEMALE SWIVEL,JIC
73767	1CD-S	ELBOW,90°,MALE TO FEMALE PIPE	83060	33982-12-12	HOSE END,90° FEMALE SWIVEL,JIC
73768	20-16-F5OG5-S	ADAPTER,FEMALE PIPE TO STRAIGHT THREAD	83063	13743-4-4	HOSE END,45° FEMALE SWIVEL,JIC
73769	16-20 F5OLO-S	CONNECTOR,STRAIGHT THREAD TO ORFS			
74660	6-8 F42EDMLO-S	CONNECTOR,MALE BSPP TO ORFS			
74661	8-8 F42EDMLO-S	CONNECTOR,MALE BSPP TO ORFS			
75007	4 FLO-S	CONNECTOR,MALE PIPE TO ORFS			
75008	1/8 HP-S	PLUG,PIPE THREAD			
75014	1/2 HP-S	PLUG,PIPE THREAD			
75042	8 WELO-WLNL-S	UNION,90° BULKHEAD W/NUT,ORFS			
75043	3/4 FF-S	NIPPLE,PIPE			
75254	24 F5OHAO-S	UNION,STRAIGHT THREAD			
75255	12 F5OHAO-S	UNION,STRAIGHT THREAD			
75256	XV506P-24	BALL VALVE			
75574	4 WLNL-S	BULKHEAD LOCKNUT			
75612	8 WJLO-WLNL-S	RUN TEE, BULKHEAD,ORFS			
75613	12-8 F5OG5-S	ADAPTER,FEMALE PIPE TO STRAIGHT THREAD			
75614	8 CC5OLO-S	ELBOW,90° LONG,STRAIGHT THREAD TO ORFS			
75628	1JB43-4-4	HOSE END,BULKHEAD,SEAL LOK			

Fitting Cross References (Continued)

Genie PN	Parker PN	Description	Genie PN	Parker PN	Description
83064	13743-8-8	HOSE END,45° FEMALE SWIVEL,JIC	89449	6 WJLO-WLNL-S	RUN TEE, BULKHEAD,ORFS
83065	13743-12-12	HOSE END,45° FEMALE SWIVEL,JIC	89489	4 WJMLO-S	BRANCH TEE,BULKHEAD,ORFS
83066	13943-8-8	HOSE END,90° FEMALE SWIVEL,JIC	89551	1JB43-6-6	HOSE END,BULKHEAD,SEAL LOK
83067	14143-6-6	HOSE END,90° FEMALE SWIVEL,JIC	89552	1JB43-8-8	HOSE END,BULKHEAD,SEAL LOK
83068	14143-8-8	HOSE END,90° FEMALE SWIVEL,JIC	89593	20 C5OLO-S	ELBOW,90°,STRAIGHT THREAD TO ORFS
83069	14143-12-12	HOSE END,90° FEMALE SWIVEL,JIC	94161	8-8 CLO-S	ELBOW,90°,MALE PIPE TO ORFS
83070	772-8	HOSE,1/2 INCH ID	94358	351TC-12	HOSE,3/4 INCH ID
83071	10671-8-8	HOSE END,FEMALE SWIVEL,JIC	94418	20 FLO-S	CONNECTOR,MALE PIPE TO ORFS
83072	10671-12-12	HOSE END,FEMALE SWIVEL,JIC	96358	12 TX-S	SLEEVE,FLARE TUBE
83073	13771-8-8	HOSE END,45° FEMALE SWIVEL,JIC	96359	12 BTX-S	NUT,FLARE TUBE
83074	13771-12-12	HOSE END,45° FEMALE SWIVEL,JIC	96397	8 F5OX-S	CONNECTOR,STRAIGHT THREAD TO FLARE TUBE
83075	13971-8-8	HOSE END,90° FEMALE SWIVEL,JIC	96398	12-8 F5OX-S	CONNECTOR,STRAIGHT THREAD TO FLARE TUBE
83076	13971-12-12	HOSE END,90° FEMALE SWIVEL,JIC	96402	10343-6-6	HOSE END,MALE,JIC
83077	14171-8-8	HOSE END,90° FEMALE SWIVEL,JIC	96407	30382-6-6B	HOSE END,MALE,JIC
83078	14171-12-12	HOSE END,90° FEMALE SWIVEL,JIC			
83080	13943-16-16	HOSE END,90° FEMALE SWIVEL,JIC			
83103	10671-16-12	HOSE END,FEMALE SWIVEL,JIC			
83104	10671-10-12	HOSE END,FEMALE SWIVEL,JIC			
83112	1JC71-8-8	HOSE END,FEMALE SWIVEL,SEAL LOK			
83113	1JS71-16-12	HOSE END,FEMALE SWIVEL,SEAL LOK			
83114	1JS71-10-12	HOSE END,FEMALE SWIVEL,SEAL LOK			
83115	1J971-8-8	HOSE END,90° FEMALE SWIVEL,SEAL LOK			
83116	1J171-8-8	HOSE END,90° FEMALE SWIVEL,SEAL LOK			
83117	1J771-8-8	HOSE END,45° FEMALE SWIVEL,SEAL LOK			
83127	1J543-6-8	HOSE END,90° FEMALE SWIVEL,JIC			
83128	1JC43-6-8	HOSE END,FEMALE SWIVEL,SEAL LOK			
87033	12-6 TRLO-S	REDUCER,TUBE END TO SWIVEL,ORFS			
87034	3J782-8-8	HOSE END,45° FEMALE SWIVEL,SEAL LOK			
87172	12 HP5ON-S	PLUG,STRAIGHT THREAD			
87185	8 WNLO-WLNL-S	UNION,BULKHEAD 45°,ORFS			
87246	4 C6X-S	ELBOW,90°,SWIVEL NUT TO FLARE TUBE			
87679	6 LHP-S	FLANGE SEAL FITTING, MALE			
87681	6PLS N0702	BONDED SEAL			
88100	SR88100	ADAPTER,OIL DRAIN,GM 3.0L			
88311	1JS43-20-20	HOSE END,FEMALE SWIVEL,SEAL LOK			
88353	20 V5OLO-S	ELBOW,45°,STRAIGHT THREAD TO ORFS			
88474	10081-20	Crimp Shell, 1.25"			
88475	1988-20-24	HOSE END,90° FLANGE HEAD			
88476	JS88-24-24	HOSE END,FEMALE SWIVEL,SEAL LOK			
88477	1JC88-20-20	HOSE END,FEMALE SWIVEL,SEAL LOK			
88478	811-20	HOSE,11/4 INCH ID			
88936	20-16 F5OLO-S	CONNECTOR,STRAIGHT THREAD TO ORFS			
88937	20-16 FLO-S	CONNECTOR,MALE PIPE TO ORFS			
88938	1JC88-16-16	HOSE END,FEMALE SWIVEL,SEAL LOK			
88939	1J988-16-16	HOSE END,90° FEMALE SWIVEL,ORFS			
88940	811-16	HOSE,1 INCH ID			
88944	1J988-20-20	HOSE END,90° FEMALE SWIVEL,ORFS			
89403	16 VLO-S	ELBOW,45°,MALE PIPE TO ORFS			

California Proposition 65



Operating, servicing and maintaining this equipment can expose you to chemicals including engine exhaust, carbon monoxide, phthalates, and lead, which are known to the State of California to cause cancer and birth defects or other reproductive harm. These chemicals can be emitted from or contained in other various parts and systems, fluids and some component wear by-products. To minimize exposure, avoid breathing exhaust, do not idle the engine except as necessary, service your equipment and vehicle in a well-ventilated area and wear gloves or wash your hands frequently when servicing your equipment or vehicle and after operation. For more information go to www.P65Warnings.ca.gov/passenger-vehicle.

Distributed By:

Go to Discount-Equipment.com to order your parts

PARTS FINDER

**Search Website
by Part Number**



**Search Manual
Library For Parts
Manual & Lookup Part
Numbers – Purchase
or Request Quote**

Search Manuals

Enter your information to help us find the right parts manual for your machine.

* Brand:

* Model:

* Serial:

* Part Number:

SEARCH

**Can't Find Part or
Manual? Request Help
by Manufacturer,
Model & Description**

Parts Order Form

Please fill in the following information to help us find the right part for your machine.

Manufacturer:	<input type="text"/>
Model:	<input type="text"/>
Description:	<input type="text"/>
Part Number:	<input type="text"/>
Quantity:	<input type="text"/>
Notes:	<input type="text"/>

Submit

Discount-Equipment.com is your online resource for quality parts & equipment.

Florida: **561-964-4949** Outside Florida TOLL FREE: **877-690-3101**

Need parts?

Click on this link: <http://www.discount-equipment.com/category/5443-parts/> and choose one of the options to help get the right parts and equipment you are looking for. Please have the machine model and serial number available in order to help us get you the correct parts. If you don't find the part on the website or on one of the online manuals, please fill out the request form and one of our experienced staff members will get back to you with a quote for the right part that your machine needs.

We sell worldwide for the brands: Genie, Terex, JLG, MultiQuip, Mikasa, Essick, Whiteman, Mayco, Toro Stone, Diamond Products, Generac Magnum, Airman, Haulotte, Barreto, Power Blanket, Nifty Lift, Atlas Copco, Chicago Pneumatic, Allmand, Miller Curber, Skyjack, Lull, Skytrak, Tsurumi, Husquvarna Target, Stow, Wacker, Sakai, Mi-T-M, Sullair, Basic, Dynapac, MBW, Weber, Bartell, Bennar Newman, Haulotte, Ditch Runner, Menegotti, Morrison, Contec, Buddy, Crown, Edco, Wyco, Bomag, Laymor, EZ Trench, Bil-Jax, F.S. Curtis, Gehl Pavers, Heli, Honda, ICS/PowerGrit, IHI, Partner, Imer, Clipper, MMD, Koshin, Rice, CH&E, General Equipment, Amida, Coleman, NAC, Gradall, Square Shooter, Kent, Stanley, Tamco, Toku, Hatz, Kohler, Robin, Wisconsin, Northrock, Oztec, Toker TK, Rol-Air, APT, Wylie, Ingersoll Rand / Doosan, Innovatech, Con X, Ammann, Mecalac, Makinex, Smith Surface Prep, Small Line, Wanco, Yanmar