



Parts Manual

Serial Number Range

GS-1530

from SN GS3014D-101 to
GS3016D-6079

GS-1532

from GS30D-6080 to
GS30D-16322

GS-1930

GS-1932

Part No. 1264204

Rev A18

December 2018

Go to Discount-Equipment.com to order your parts

PARTS FINDER

**Search Website
by Part Number**



**Search Manual
Library For Parts
Manual & Lookup Part
Numbers – Purchase
or Request Quote**

Search Manuals

Enter your information to help us find the right parts manual for your machine.

* Brand:

* Model:

* Serial:

* Part Number:

SEARCH

**Can't Find Part or
Manual? Request Help
by Manufacturer,
Model & Description**

Parts Order Form

Please fill in the following information to help us find the right part for your machine.

Manufacturer:	<input type="text"/>
Model:	<input type="text"/>
Description:	<input type="text"/>
Part Number:	<input type="text"/>
Quantity:	<input type="text"/>
Notes:	<input type="text"/>

Submit

Discount-Equipment.com is your online resource for quality parts & equipment.

Florida: **561-964-4949** Outside Florida TOLL FREE: **877-690-3101**

Need parts?

Click on this link: <http://www.discount-equipment.com/category/5443-parts/> and choose one of the options to help get the right parts and equipment you are looking for. Please have the machine model and serial number available in order to help us get you the correct parts. If you don't find the part on the website or on one of the online manuals, please fill out the request form and one of our experienced staff members will get back to you with a quote for the right part that your machine needs.

We sell worldwide for the brands: Genie, Terex, JLG, MultiQuip, Mikasa, Essick, Whiteman, Mayco, Toro Stone, Diamond Products, Generac Magnum, Airman, Haulotte, Barreto, Power Blanket, Nifty Lift, Atlas Copco, Chicago Pneumatic, Allmand, Miller Curber, Skyjack, Lull, Skytrak, Tsurumi, Husquvarna Target, Stow, Wacker, Sakai, Mi-T-M, Sullair, Basic, Dynapac, MBW, Weber, Bartell, Bennar Newman, Haulotte, Ditch Runner, Menegotti, Morrison, Contec, Buddy, Crown, Edco, Wyco, Bomag, Laymor, EZ Trench, Bil-Jax, F.S. Curtis, Gehl Pavers, Heli, Honda, ICS/PowerGrit, IHI, Partner, Imer, Clipper, MMD, Koshin, Rice, CH&E, General Equipment, Amida, Coleman, NAC, Gradall, Square Shooter, Kent, Stanley, Tamco, Toku, Hatz, Kohler, Robin, Wisconsin, Northrock, Oztec, Toker TK, Rol-Air, APT, Wylie, Ingersoll Rand / Doosan, Innovatech, Con X, Ammann, Mecalac, Makinex, Smith Surface Prep, Small Line, Wanco, Yanmar

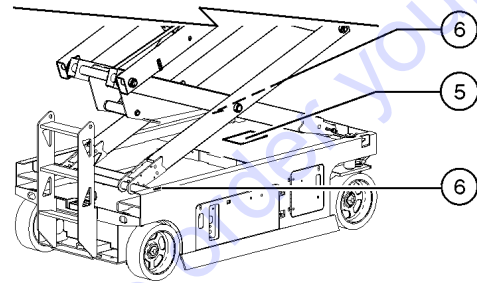
To August 31, 2016

Genie
A TEREX BRAND

Model:
Serial number: GS3016P-123456
Manufacture date: 1/2/16 **Model year:** 2016
Electrical schematic number:
Machine unladen weight:
Rated work load (including occupants):
Maximum number of platform occupants:
Maximum allowable inclination of the chassis:
Outrigger retracted:
Outrigger deployed:

GS30 16 P - 123456

1 2 3 4



- 1 Model
- 2 Model year
- 3 Facility code

- 4 Sequence number
- 5 Serial label (located on chassis)
- 6 Serial number (stamped on chassis)

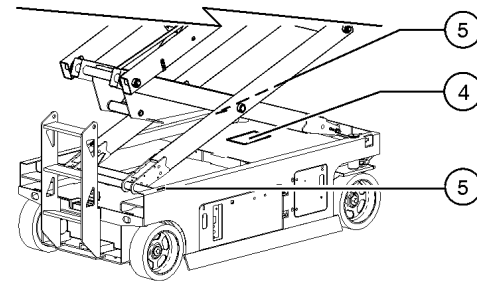
From September 1, 2016

Genie
A TEREX BRAND

Model:
Serial number: GS30P-123456
Year of manufacture: 2016
Electrical schematic number:
Machine unladen weight:
Rated work load (including occupants):
Maximum number of platform occupants:
Maximum allowable inclination of the chassis:
Outrigger retracted:
Outrigger deployed:

GS30 P - 123456

1 2 3



- 1 Model
- 2 Facility code
- 3 Sequence number

- 4 Serial label (located on chassis)
- 5 Serial number (stamped on chassis)

Table of Contents

This manual is updated frequently. For the most up-to-date parts information, visit www.discount-equipment.com

How to Read Your Serial Number.....	3
Parts Stocking List.....	7

Electronic Version

Click on any page number to view the figure.

100 Decals

101.1 Decals with Words, GS-1530, Battery Side, ANSI & Australia.....	10
102.1 Decals with Words, GS-1530, Ground Controls Side, ANSI & Australia.....	12
103.1 Decals with Words, GS-1530, Platform, ANSI.....	14
104.1 Decals with Words, GS-1530, Platform, Australia.....	16
105.1 Decals with Symbols, GS-1530 Battery Side, ANSI & CE.....	18
106.1 Decals with Symbols, GS-1530 Ground Control Side, ANSI & CE.....	20
107.1 Decals with Symbols, GS-1530 Platform, ANSI.....	22
108.1 Decals with Symbols, GS-1530 Platform, CE.....	24
109.1 Decals with Words, GS-1532, Battery Side, Australia.....	26
110.1 Decals with Words, GS-1532 Ground Controls Side, Australia.....	28
111.1 Decals with Words, GS-1532 Platform, Australia.....	30
112.1 Decals with Symbols, GS-1532 Battery Side, CE.....	32
113.1 Decals with Symbols, GS-1532 Ground Control Side, CE.....	34
114.1 Decals with Symbols, GS-1532 Platform, CE.....	36
115.1 Decals with Words, GS-1930 Battery Side, ANSI & Australia.....	38
116.1 Decals with Words, GS-1930 Ground Controls Side, ANSI & Australia.....	40
117.1 Decals with Words, GS-1930 Platform, ANSI.....	42
118.1 Decals with Words, GS-1930 Platform, Australia.....	44
119.1 Decals with Symbols, GS-1930 Battery Side, ANSI & CE.....	46
120.1 Decals with Symbols, GS-1930 Ground Control Side, ANSI & CE.....	48

121.1 Decals with Symbols, GS-1930 Platform ANSI.....	50
122.1 Decals with Symbols, GS-1930 Platform CE.....	52
123.1 Decals with Words, GS-1932 Battery Side, Australia.....	54
124.1 Decals with Words, GS-1932 Ground Controls Side, Australia.....	56
125.1 Decals with Words, GS-1932 Platform, Australia.....	58
126.1 Decals with Symbols, GS-1932 Battery Side, CE.....	60
127.1 Decals with Symbols, GS-1932 Ground Control Side, CE.....	62
128.1 Decals with Symbols, GS-1932 Platform CE.....	64

200 Drive Chassis Components

201.1 Steer Linkage and Wheels, GS-1530/1532/1930/1932.....	66
202.1 Non-steer Axle Installation, All Models.....	68
203.1 Level Sensor Installation, All Models.....	70
204.1 Pothole Protection Assembly, GS-1530/1532/1930/1932.....	72
205.1 Battery Pack Module.....	74
206.1 Battery Charger.....	76
207.1 Power Unit Module.....	78
208.1 Ground Controls, All Models.....	80
209.1 Electrical Wiring.....	82
210.1 Power Cables (models without contactor).....	84
210.2 Power Cables (models with contactor).....	86
211.1 Function Manifold and Accumulator Components, GS-1530/1532/1930/1932.....	88

300 Scissor Components

301.1 Scissor Assembly Installation.....	90
302.1 Scissor Assembly, GS-1530/1532.....	92
303.1 Scissor Assembly, GS-1930/1932.....	94

400 Platform Components

401.1 Platform Components, GS-1530.....	96
402.1 Platform Components, GS-1532.....	100
403.1 Platform Components, GS-1930.....	104
404.1 Platform Components, GS-1932.....	108
405.1 Platform Gates, GS-1530/1532/1930/1932.....	112
406.1 Power to Platform.....	114
407.1 Platform Controls, 6 Button (2 Speed Lift).....	116
408.1 Platform Controls, 4 Button (Proportional Lift).....	118
409.1 Joystick Controller.....	120

500 Hydraulic Components

501.1 Hydraulic Components.....	122
502.1 Function Manifold, GS-1530, GS-1532, GS-1930, GS-1932.....	124

503.1 Check Valve Manifold, GS-1530, GS-1532, GS-1930, GS-1932.....	126
504.1 Brake Release Hand Pump Manifold.....	128
505.1 Hydraulic Power Unit, All Models.....	130
506.1 Lift Cylinder Assembly, All Models.....	132
507.1 Hydraulic Hoses and Fittings, GS-1530, GS-1532, GS-1930, GS-1932.....	134

600 Accessories

601.1 Alarm, Horn and Flashing Beacons.....	136
602.1 Air Line to Platform.....	138
603.1 Platform Work Light.....	140
604.1 Voltage Inverter, GS-1530, GS-1532, GS-1930, GS-1932.....	142
605.1 Padded Auxiliary Rail, GS-1930.....	144

700 Platform Overload Components

701.1 Platform Overload, GS-1530, GS-1532, GS-1930, GS-1932.....	146
---	-----

Indices

Part Number Index.....	148
Part Description Index.....	151

Cross References

Fittings Cross Reference.....	156
-------------------------------	-----

Required Parts

The following parts are required to perform maintenance procedures as outlined in the *Genie GS-30 Service Manual*.

Description	Part No.
Filter Element, 10 Micron.....	44788
Dielectric Grease.....	66399
Chevron Ultra-duty Grease (Lithium) or equivalent, EP NLGI 1.....(source locally)	
Breather Cap, Hydraulic Tank.....	78546
Cotter Pin, Castle Nut, Steer-end Wheels, GS-30 and Non-steer end Wheels, All Models	42079

Recommended Parts

Description	Part No.
Genie Blue Paint, 1 Gallon	32150
Genie Blue Paint, 12 Ounce Aerosol.....	1484
Genie Gray Paint, 1 Gallon	32151
Genie Gray Paint, 12 Ounce Aerosol	1268

Genie also offers the following support documents:

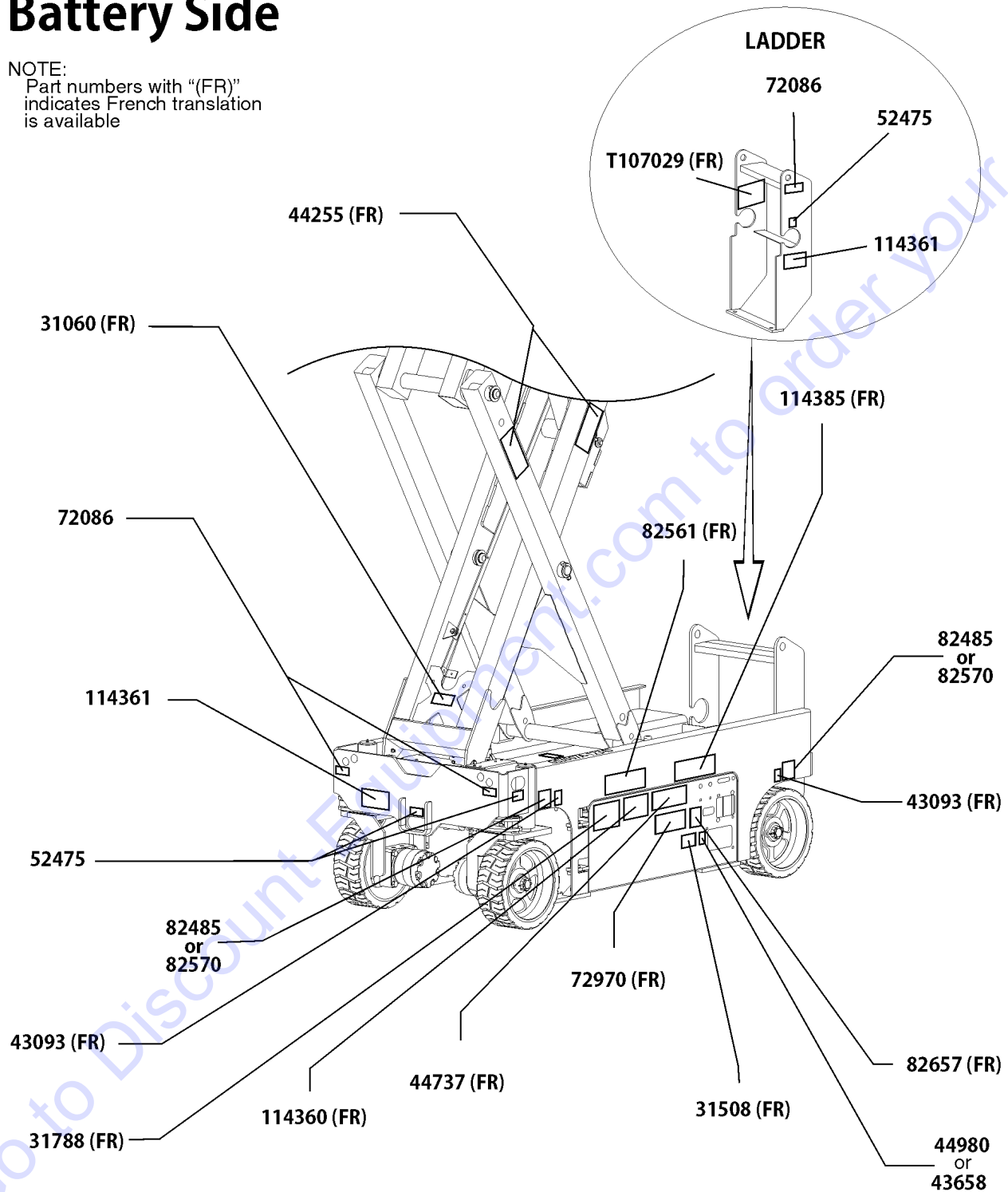
EMI Safety Manual	27581
Manual of Responsibilities ANSI A92.5.....	44163

Go to Discount-Equipment.com to order your parts



Battery Side

NOTE:
Part numbers with "(FR)" indicates French translation is available



101.1 Decals with Words, GS-1530, Battery Side, ANSI & Australia

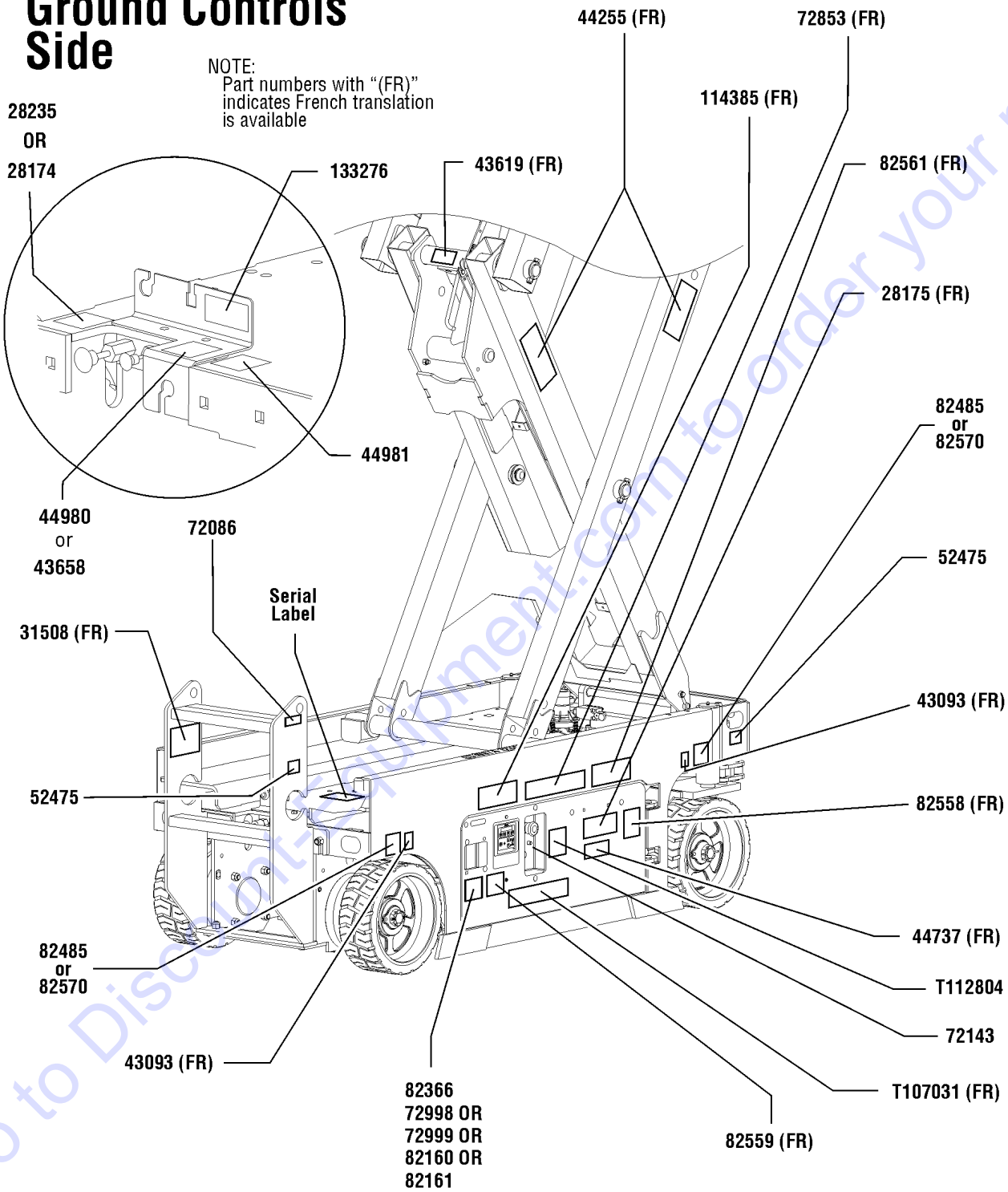
Item	Part No.	Description	Qty.	Item	Part No.	Description	Qty.
--	232052GT	DECAL KIT,1530 PLAT.,WRD,ANSI (ANSI models with 2 speed controller) to SN GS3014A-134999 and to SN GS3014C-16999		19	T107029GT	DECAL,DANGER,BRAKE REL SAFETY.....	1
--	232053GT	DECAL KIT,1530 COMP.,WRD,ANSI (ANSI models with 2 speed controller) to SN GS3014A-134999 and to SN GS3014C-16999 (order platform controls decal separately)					
--	232060GT	DECAL KIT,1530 PLAT.,WRD,AUST (Australia models with 2 speed controller) to SN GS3014A-134999 and to SN GS3014C-16999					
--	232061GT	DECAL KIT,1530 COMP.,WRD,AUST (Australia models with 2 speed controller) to SN GS3014A-134999 and to SN GS3014C-16999					
1	44255GT	DECAL,DANGER,CRUSHING HAZARD.....	2				
2	31060GT	DECAL,DANGER DO NOT ALTER SWTC.....	1				
3	31508GT	DECAL,DANGER,ELECT HAZARD,PLUG..... (Australia models)	1				
4	31788GT	DECAL,DANGER,BATTERY SAFETY***.....	1				
5	43093GT	DECAL,LABEL,TIRE SPECS.....	2				
6	43658GT	DECAL,LABEL,PWR TO CHARGR 230V..... (Australia models)	1				
7	44737GT	DECAL DANGER TIP OVER TRAYS.....	1				
8	44980GT	DECAL,LABEL,PWR TO CHARGR 115V..... (Australia models)	1				
9	52475GT	DECAL,LABEL,TRANSPORT TIEDOWN*.....	3				
10	72086GT	DECAL,LABEL,LIFTING EYE.....	3				
11	72970GT	DECAL,INSTRUCTIONS-CHARGER OP.....	1				
12	82485GT	DECAL,LABEL,WHEEL LOAD 1530..... (ANSI models)	2				
13	82561GT	DECAL,DANGER-USE SAFETY ARM....	1				
14	82570GT	DECAL,LABEL-WHEEL LOAD 1530/32..... (Australia models)	2				
15	82657GT	DECAL,INSTRUCT,BATTERY CONNECT.....	1				
16	114360GT	DECAL,DANGER-TIP-OVER,BATT.....	1				
17	114361GT	DECAL,LABEL-TRANSPORT DIGRAM.....	2				
18	114385GT	DECAL,DANGER,ELEC HAZARD,GS.....	1				



102.1 Decals with Words, GS-1530, Ground Controls Side, ANSI & Australia

Ground Controls Side

NOTE:
Part numbers with "(FR)" indicates French translation is available



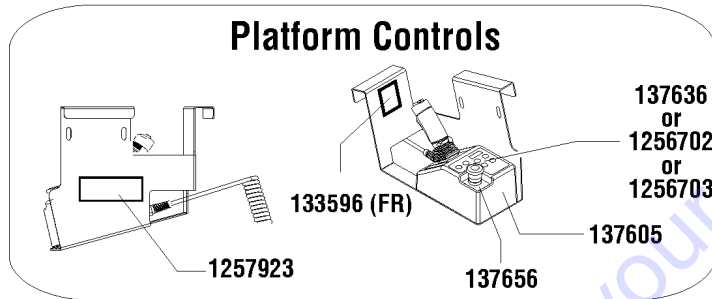
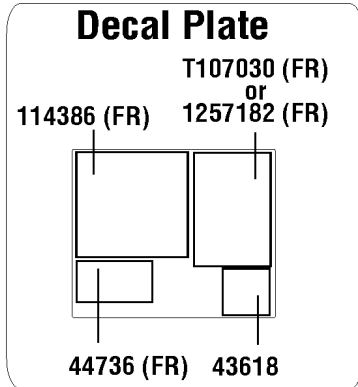
102.1 Decals with Words, GS-1530, Ground Controls Side, ANSI & Australia

Item	Part No.	Description	Qty.	Item	Part No.	Description	Qty.
--		REF. GS-1530 Word Decal Kits <i>(refer to 101.1)</i>		26	114385GT	DECAL,DANGER,ELEC HAZARD,GS.....1	1
1	28174GT	DECAL, POWER TO PLATFORM 230V**.....1	1	27	133276GT	DECAL,EMERGENCY LOWERING.....1	1
2	28175GT	DECAL,WARNING-COMPART ACCESS.....1	1	28	T107031GT	DECAL,OP INST,GCON.....1	1
3	28235GT	DECAL,POWER TO PLATFORM 115V...1	1	29	T112804GT	DECAL,GCON PANEL,GS.....1	1
4	31508GT	DECAL,DANGER,ELECT HAZARD,PLUG.....1 <i>(ANSI models)</i>	1				
5	43093GT	DECAL,LABEL,TIRE SPECS.....2	2				
6	43619GT	DECAL,LABEL,SAFETY ARM.....1	1				
7	43658GT	DECAL,LABEL,PWR TO CHARGR 230V.....1 <i>(ANSI models)</i>	1				
8	44255GT	DECAL,DANGER,CRUSHING HAZARD.....2	2				
9	44737GT	DECAL DANGER TIP OVER TRAYS.....1	1				
10	44980GT	DECAL,LABEL,PWR TO CHARGR 115V.....1 <i>(ANSI models)</i>	1				
11	44981GT	DECAL,LABEL, AIR LINE 110 PSI.....1 <i>(option)</i>	1				
12	52475GT	DECAL,LABEL,TRANSPORT TIEDOWN*.....2	2				
13	72086GT	DECAL,LABEL,LIFTING EYE.....1	1				
14	72143GT	DECAL,EMERGENCY STOP,GR.....1	1				
15	72853GT	DECAL,DANGER,IMPROPER USE HAZ.....1	1				
16	72998GT	DECAL,LABEL,QUINTOLUBRIK.....1 <i>(models with Quintolub hydraulic oil)</i>	1				
17	72999GT	DECAL,LABEL,PETRO CANADA***.....1 <i>(models with Petro Canada hydraulic oil)</i>	1				
18	82160GT	DECAL,LABEL,STATOIL HYDRA WAY.....1 <i>(models with Statoil hydraulic oil)</i>	1				
19	82161GT	DECAL,LABEL,UCON HYDROLUBE....1 <i>(models with UConn Hydrolube hydraulic oil)</i>	1				
20	82366GT	DECAL,CHEVRON RANDO HD.....1 <i>(models with Chevron Random hydraulic oil)</i>	1				
21	82485GT	DECAL,LABEL,WHEEL LOAD 1530.....2 <i>(ANSI models)</i>	2				
22	82558GT	DECAL,WARN,SKIN INJECTION HAZ*.....1	1				
23	82559GT	DECAL,INSTRUCT-ANNUAL INSP REQ.....1	1				
24	82561GT	DECAL,DANGER-USE SAFETY ARM....1	1				
25	82570GT	DECAL,LABEL-WHEEL LOAD 1530/32.....2 <i>(Australia models)</i>	2				

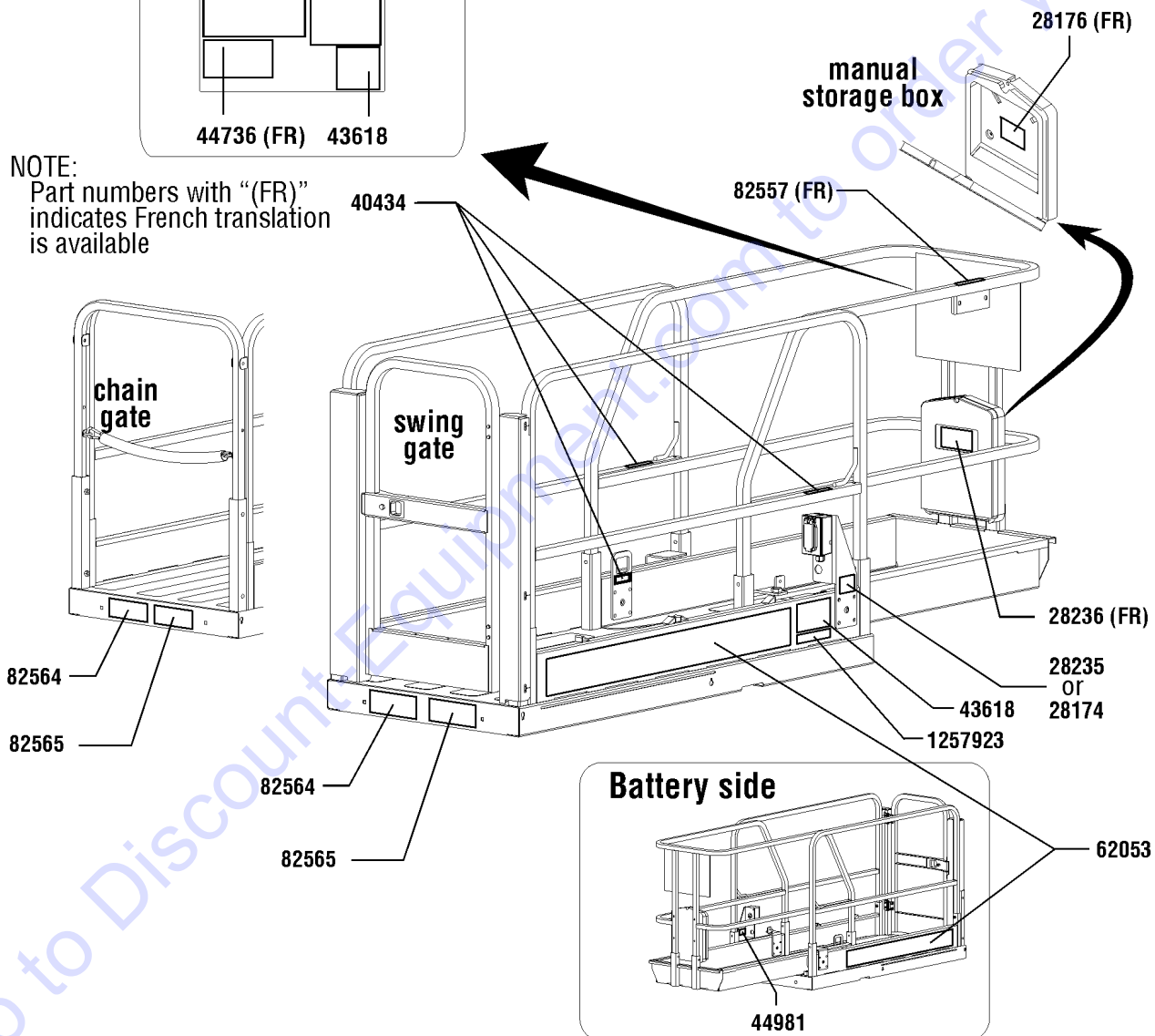


103.1 Decals with Words, GS-1530, Platform, ANSI

Platform, ANSI models



NOTE:
 Part numbers with "(FR)" indicates French translation is available

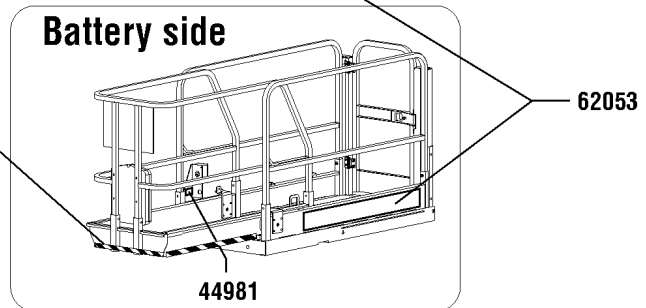
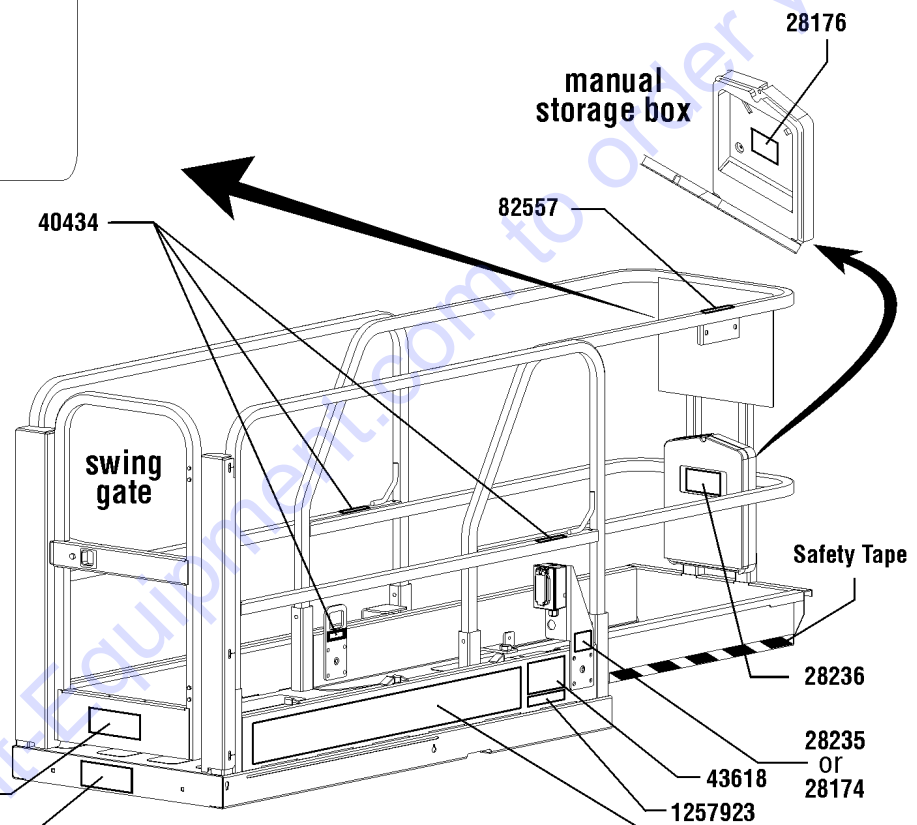
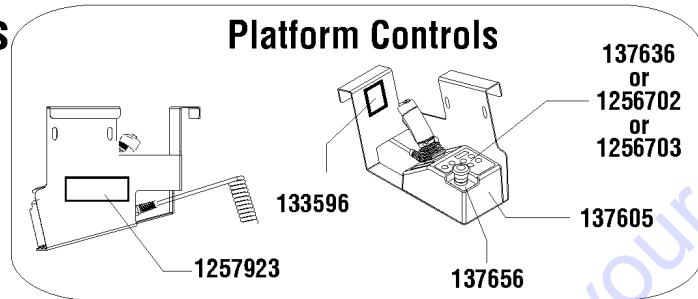
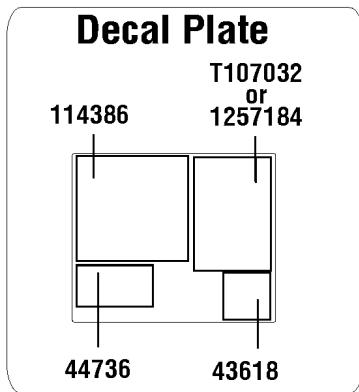


103.1 Decals with Words, GS-1530, Platform, ANSI

Item	Part No.	Description	Qty.
--		REF. GS-1530 Word Decal Kits (refer to 101.1)	
1	28174GT	DECAL, POWER TO PLATFORM 230V**.....1	1
2	28176GT	DECAL,LABEL,MANUAL NOT HERE.....1	1
3	28235GT	DECAL,POWER TO PLATFORM 115V...1	1
4	28236GT	DECAL,WARN,IMPROPER OPERATION.....1	1
5	40434GT	DECAL,LANYARD ANCHORAGE POINT.....3	3
6	43618GT	DECAL, LABEL - DIRECTION ARROWS.....2	2
7	44736GT	DECAL,DANGER,TIP-OVER,TILT.....1	1
8	44981GT	DECAL,LABEL, AIR LINE 110 PSI.....1	1
9	62053GT	DECAL,COSMETIC,GENIE GS-1530**...2	2
10	82557GT	DECAL,LABEL,PLAT CONT LOCATION.....1	1
11	82564GT	DECAL,INSTR-MAX CAP 600LBS.....1	1
12	82565GT	DECAL,INSTR-SIDE FRC,ANSI.....1	1
13	114386GT	DECAL,DANGER-GEN SAFETY.....1	1
14	133596GT	DECAL,LABEL,FAULT CODES.....1	1
15	137605GT	DECAL,E-STOP,GR/GRC/GS PCON....1	1
16	137636GT	DECAL, UI, GR/GRC/GS PCON.....1 (models with 6 button, 2 speed controller) to SN GS3014A-134999 and to SN GS3014C-16999	1
17	137656GT	DECAL,PROPEL,GR/GRC/GS,PCON....1	1
18	T107030GT	DECAL,OP INST,PCON,GS-30,ANSI....1 (models with 6 button, 2 speed controller) to SN GS3014A-134999 and to SN GS3014C-16999	1
19	1256702GT	DECAL, UI, GS/GR, PROP LIFT.....1 (models with 4 button, proportional controller)	1
20	1256703GT	DECAL, STD, PROP LIFT, UI, SVC.....1 (units converted from 6 button, 2 speed lift to 4 button, proportional controller)	1
21	1257182GT	DECAL, OP INST, PLAT, GS30, ANSI....1 (models with proportional controller)	1
22	1257923GT	DECAL, SMARTLINK PROPORTIONAL.....2 (models with 4 button, proportional controller, and units converted from 6 button, 2 speed lift to 4 button, proportional controller)	2

104.1 Decals with Words, GS-1530, Platform, Australia

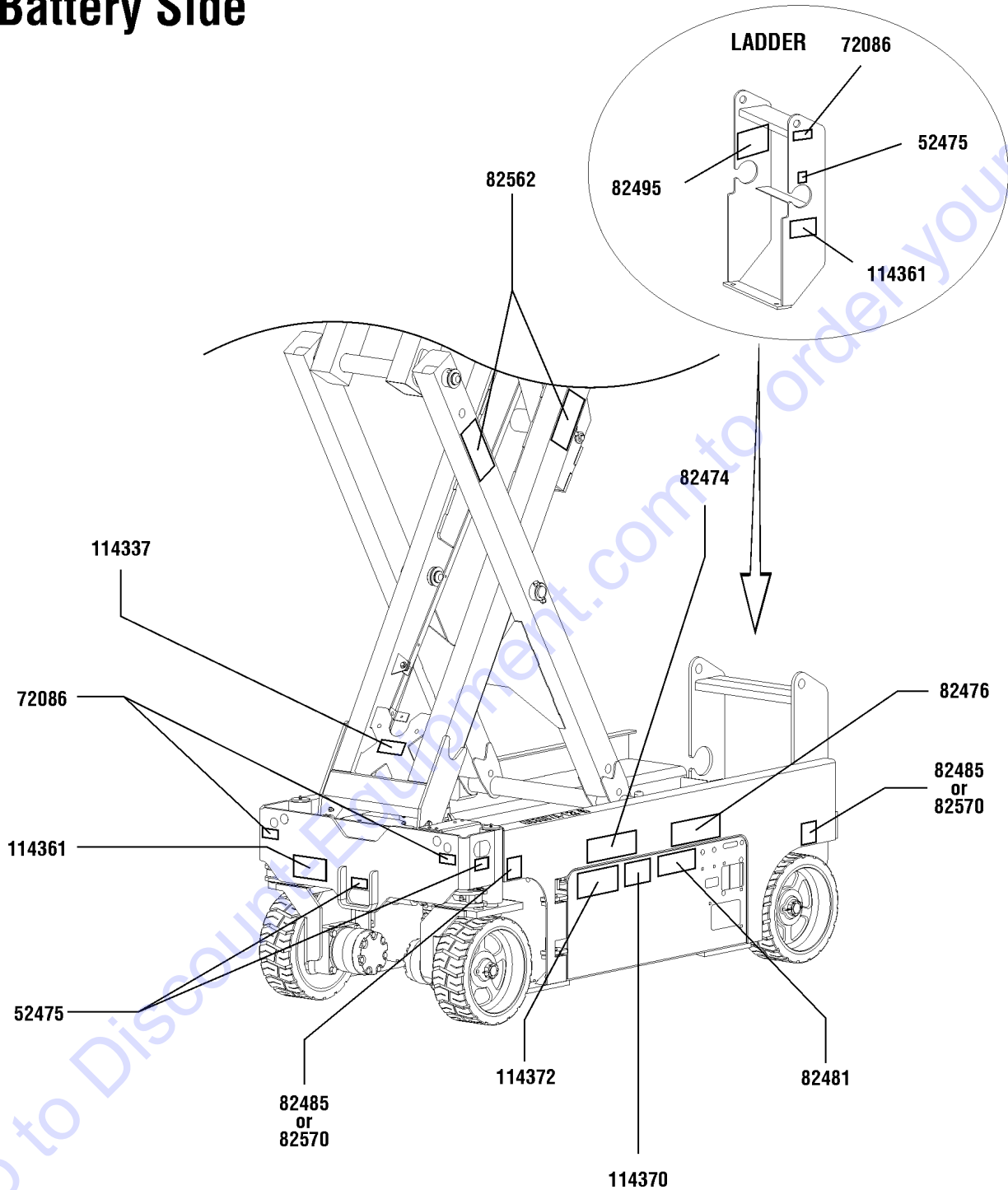
Platform, Australia Models



104.1 Decals with Words, GS-1530, Platform, Australia

Item	Part No.	Description	Qty.
--		REF. GS-1530 Word Decal Kits (refer to 101.1)	
1	28174GT	DECAL, POWER TO PLATFORM 230V**.....1	1
2	28176GT	DECAL,LABEL,MANUAL NOT HERE.....1	1
3	28235GT	DECAL,POWER TO PLATFORM 115V...1	1
4	28236GT	DECAL,WARN,IMPROPER OPERATION.....1	1
5	40434GT	DECAL,LANYARD ANCHORAGE POINT.....3	3
6	43618GT	DECAL, LABEL - DIRECTION ARROWS.....2	2
7	44736GT	DECAL,DANGER,TIP-OVER,TILT.....1	1
8	44981GT	DECAL,LABEL, AIR LINE 110 PSI.....1	1
9	62053GT	DECAL,COSMETIC,GENIE GS-1530**...2	2
10	82557GT	DECAL,LABEL,PLAT CONT LOCATION.....1	1
11	97618GT	DECAL,INSTR-INDOOR USE,AUS.....1	1
12	114386GT	DECAL,DANGER-GEN SAFETY.....1	1
13	133596GT	DECAL,LABEL,FAULT CODES.....1	1
14	137605GT	DECAL,E-STOP,GR/GRC/GS PCON.....1	1
15	137636GT	DECAL, UI, GR/GRC/GS PCON.....1 (models with 6 button, 2 speed controller) to SN GS3014A-134999 and to SN GS3014C-16999	1
16	137656GT	DECAL,PROPEL,GR/GRC/GS,PCON.....1	1
17	T107032GT	DECAL,OP INST,PCON,GS-30,AUS.....1 (models with 6 button, 2 speed controller) to SN GS3014A-134999 and to SN GS3014C-16999	1
18	82564GT	DECAL,INSTR-MAX CAP 600LBS.....1	1
19	1256702GT	DECAL, UI, GS/GR, PROP LIFT.....1 (models with 4 button, proportional controller)	1
20	1256703GT	DECAL, STD, PROP LIFT, UI, SVC.....1 (units converted from 6 button, 2 speed lift to 4 button, proportional controller)	1
21	1257184GT	DECAL, OP INST, PLAT, GS30, AUS.....1 (models with proportional controller)	1
22	1257923GT	DECAL, SMARTLINK PROPORTIONAL.....2 (models with 4 button, proportional controller, and units converted from 6 button, 2 speed lift to 4 button, proportional controller)	2

Battery Side

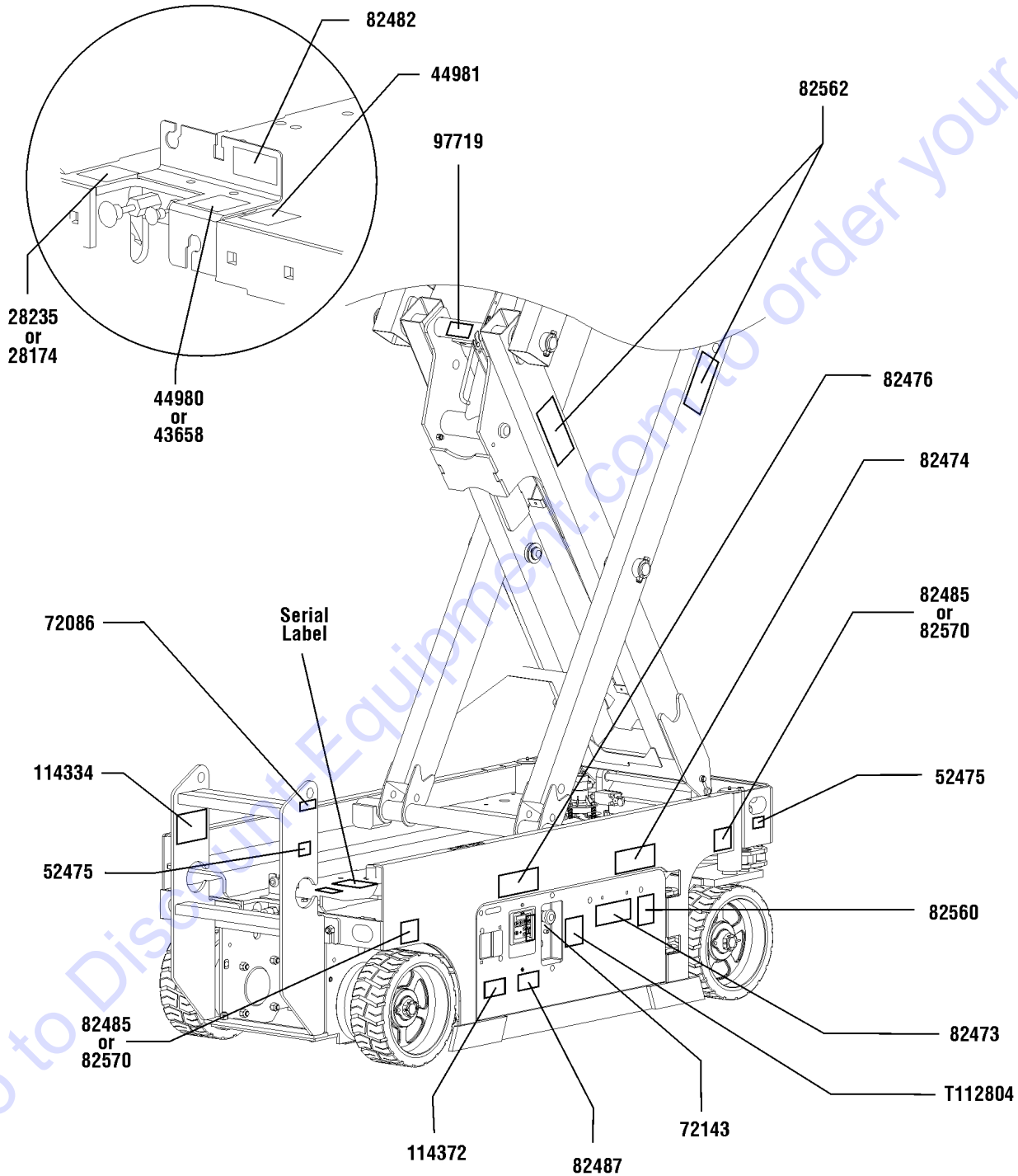


105.1 Decals with Symbols, GS-1530 Battery Side, ANSI & CE

Item	Part No.	Description	Qty.
--	232056GT	DECAL KIT,1530 PLAT.,SYM,ANSI (ANSI models with 2 speed controller) to SN GS3014A-134999 and to SN GS3014C-16999 (order platform controls decal separately)	
--	232057GT	DECAL KIT,1530 COMP.,SYM,ANSI (ANSI models with 2 speed controller) to SN GS3014A-134999 and to SN GS3014C-16999	
--	232068GT	DECAL KIT,1530 PLAT.,SYM,CE (CE models with 2 speed controller) to SN GS3014A-134999 and to SN GS3014C-16999	
--	232069GT	DECAL KIT,1530 COMP.,SYM,CE (CE models with 2 speed controller) to SN GS3014A-134999 and to SN GS3014C-16999 (order platform controls decal separately)	
1	52475GT	DECAL,LABEL,TRANSPORT TIEDOWN*.....	3
2	72086GT	DECAL,LABEL,LIFTING EYE.....	3
3	82474GT	DECAL,SYMBOL-USE SAFETY ARM....	1
4	82476GT	DECAL,SYMBOL-ELEC HAZARD,GS....	1
5	82481GT	DECAL,SYMBOL-BATTERY SAFETY....	1
6	82485GT	DECAL,LABEL,WHEEL LOAD 1530..... (ANSI models)	2
7	82495GT	DECAL,SYMBOL-BRAKE REL SAFETY.....	1
8	82562GT	DECAL,SYMBOL-CRUSHING HAZARD.....	2
9	82570GT	DECAL,LABEL-WHEEL LOAD 1530/32..... (CE models)	2
10	114337GT	DECAL,SYM-TIP-OVER,LIM SWITCH....	1
11	114361GT	DECAL,LABEL-TRANSPORT DIGRAM.....	2
12	114370GT	DECAL-SYM-TIP-OVR,BATTRIES.....	1
13	114372GT	DECAL SYMBOL TIP OVER TRAYS.....	1

106.1 Decals with Symbols, GS-1530 Ground Control Side, ANSI & CE

Ground Controls Side

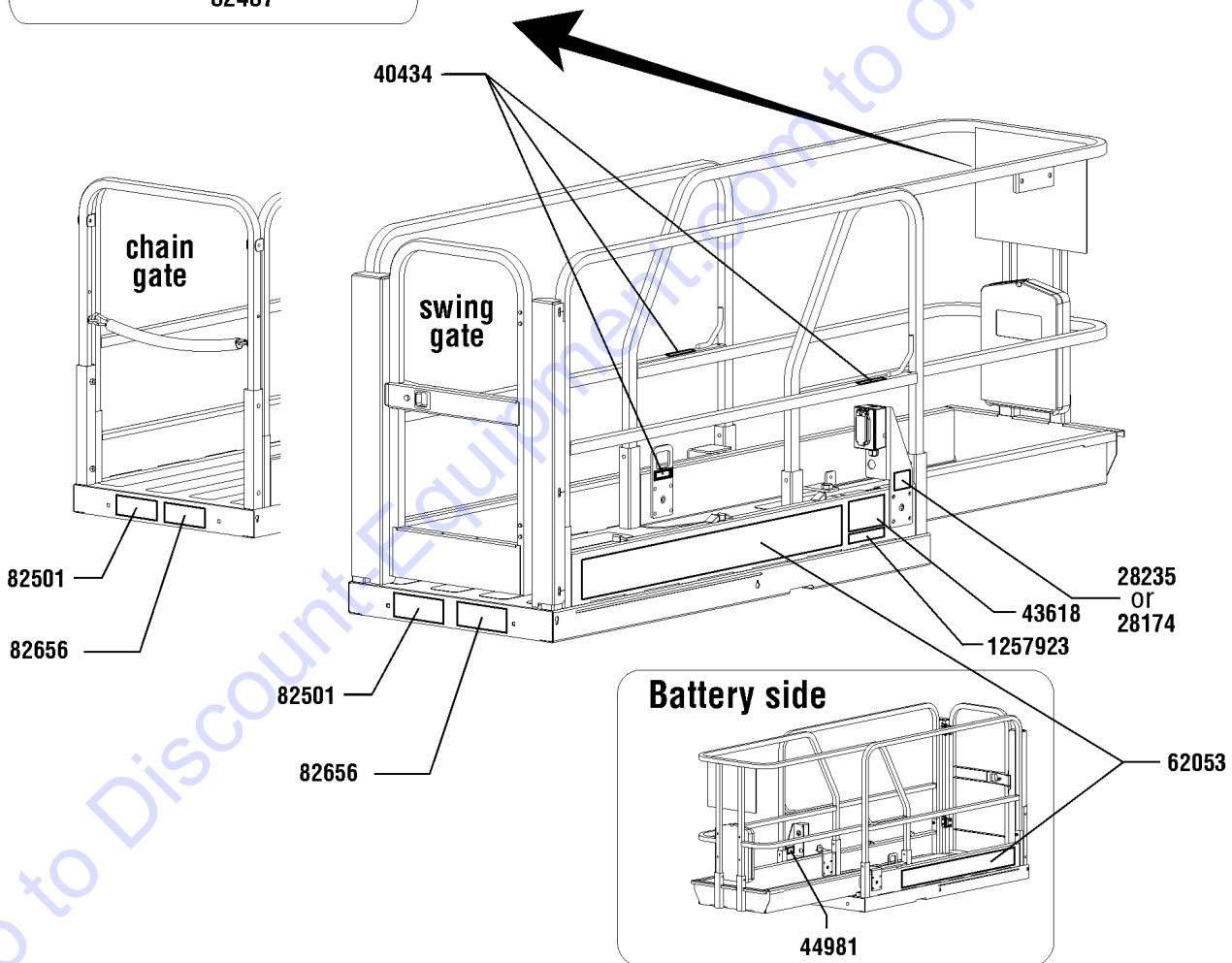
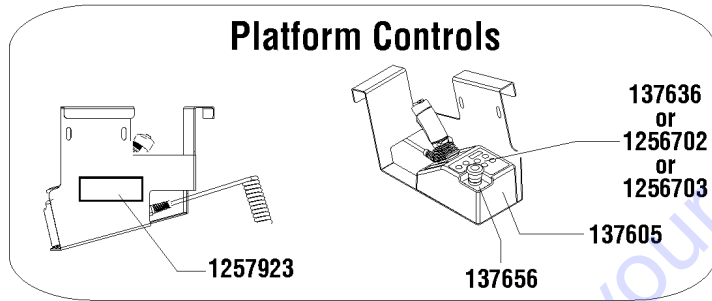
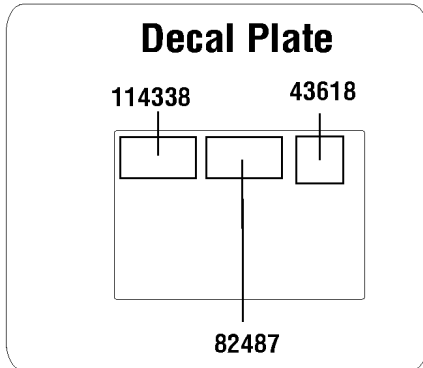


106.1 Decals with Symbols, GS-1530 Ground Control Side, ANSI & CE

Item	Part No.	Description	Qty.
--		REF. GS-1530 Symbol Decal Kits (refer to 105.1)	
1	28174GT	DECAL, POWER TO PLATFORM 230V**.....	1
2	28235GT	DECAL,POWER TO PLATFORM 115V...1	1
3	43658GT	DECAL,LABEL,PWR TO CHARGR 230V.....	1
4	44980GT	DECAL,LABEL,PWR TO CHARGR 115V.....	1
5	44981GT	DECAL,LABEL, AIR LINE 110 PSI.....1	1
6	52475GT	DECAL,LABEL, TRANSPORT TIEDOWN*.....	2
7	72086GT	DECAL,LABEL,LIFTING EYE.....1	1
8	72143GT	DECAL,EMERGENCY STOP,GR.....1	1
9	82473GT	DECAL,SYMBOL-COMP ACCESS.....1	1
10	82474GT	DECAL,SYMBOL-USE SAFETY ARM...1	1
11	82476GT	DECAL,SYMBOL-ELEC HAZARD,GS....1	1
12	82482GT	DECAL,LABEL,AUX LOWERING.....1	1
13	82485GT	DECAL,LABEL,WHEEL LOAD 1530.....2 (ANSI models)	2
14	82487GT	DECAL, SYMBOL - READ THE MANUAL.....	1
15	82560GT	DECAL,SYMBOL-SKIN INJECT HAZRD.....	1
16	82562GT	DECAL,SYMBOL-CRUSHING HAZARD.....	2
17	82570GT	DECAL,LABEL-WHEEL LOAD 1530/32..... (CE models)	2
18	97719GT	DECAL, LABEL, SAFETY ARM SYMB...1	1
19	114334GT	DECAL,SYM-ELEC HAZARD,PLUG.....1	1
20	114372GT	DECAL SYMBOL TIP OVER TRAYS.....1	1
21	T112804GT	DECAL,GCON PANEL,GS.....1	1

107.1 Decals with Symbols, GS-1530 Platform, ANSI

Platform, ANSI models

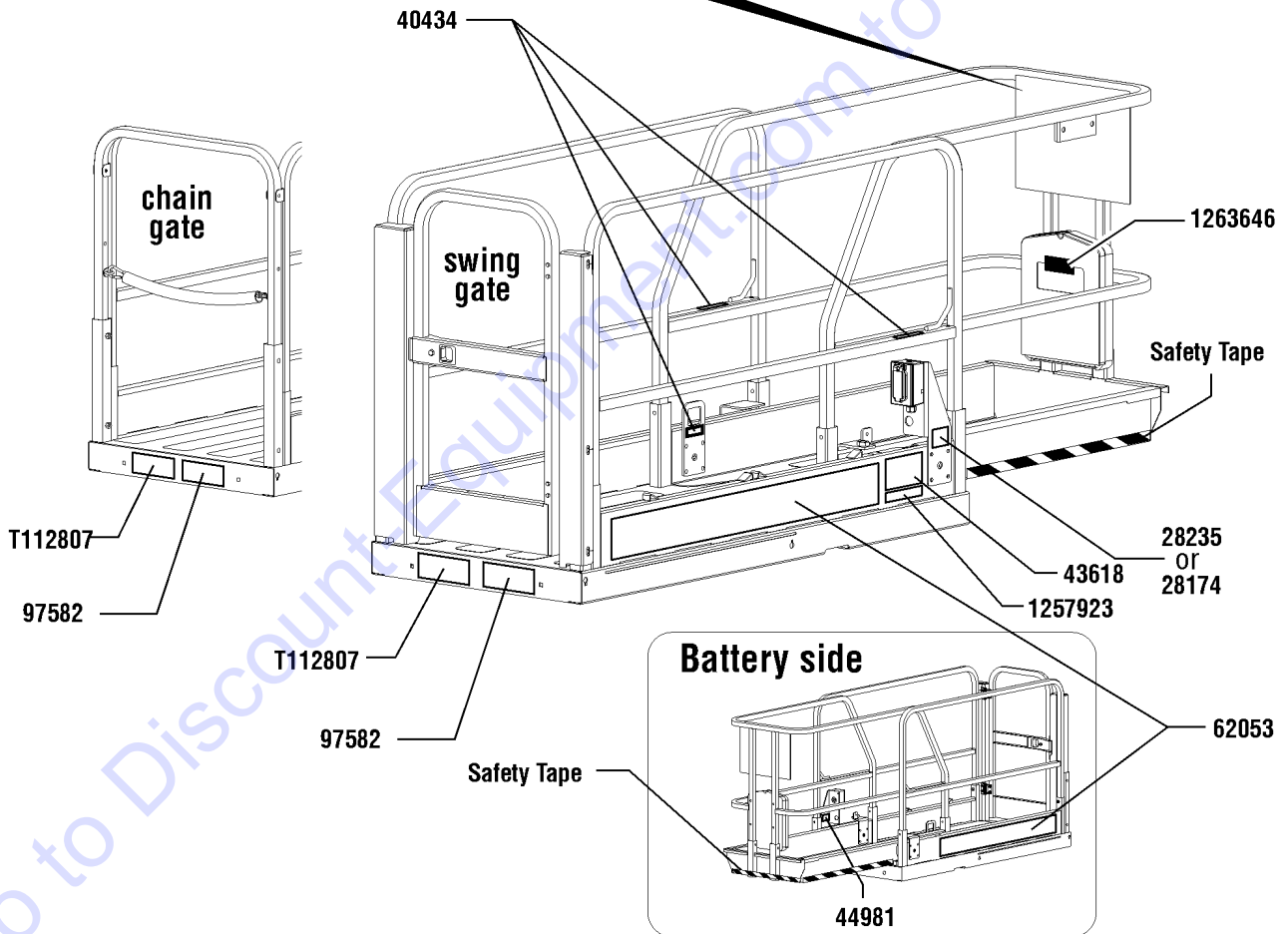
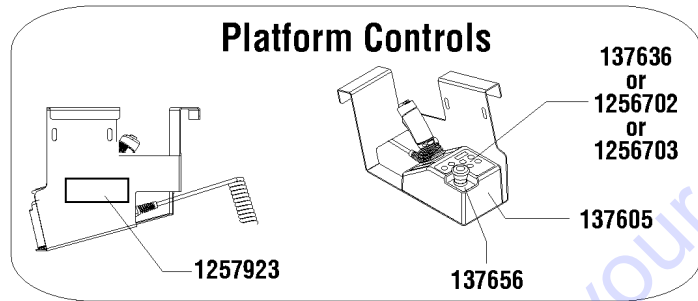
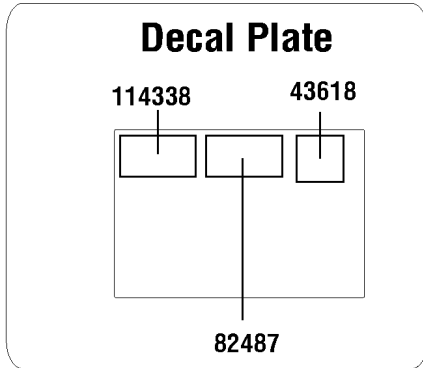


107.1 Decals with Symbols, GS-1530 Platform, ANSI

Item	Part No.	Description	Qty.
--		REF. GS-1530 Symbol Decal Kits (refer to 105.1)	
1	28174GT	DECAL, POWER TO PLATFORM 230V**.....1	1
2	28235GT	DECAL,POWER TO PLATFORM 115V...1	1
3	40434GT	DECAL,LANYARD ANCHORAGE POINT.....3	3
4	43618GT	DECAL, LABEL - DIRECTION ARROWS.....2	2
5	44981GT	DECAL,LABEL, AIR LINE 110 PSI.....1	1
6	62053GT	DECAL,COSMETIC,GENIE GS-1530**...2	2
7	82487GT	DECAL, SYMBOL - READ THE MANUAL.....1	1
8	82501GT	DECAL,SYM-MAXCAP 600.....1	1
9	82656GT	DECAL,SYM-SIDE FORCE 445N.....1	1
10	114338GT	DECAL,SYM-TIP-OVER,TILT ALARM....1	1
11	137605GT	DECAL,E-STOP,GR/GRC/GS PCON....1	1
12	137636GT	DECAL, UI, GR/GRC/GS PCON.....1 (models with 6 button, 2 speed controller) to SN GS3014A-134999 and to SN GS3014C-16999	1
13	137656GT	DECAL,PROPEL,GR/GRC/GS,PCON....1	1
14	1256702GT	DECAL, UI, GS/GR, PROP LIFT.....1 (models with 4 button, proportional controller)	1
15	1256703GT	DECAL, STD, PROP LIFT, UI, SVC.....1 (units converted from 6 button, 2 speed lift to 4 button, proportional controller)	1
16	1257923GT	DECAL, SMARTLINK PROPORTIONAL.....2 (models with 4 button, proportional controller, and units converted from 6 button, 2 speed lift to 4 button, proportional controller)	2

108.1 Decals with Symbols, GS-1530 Platform, CE

Platform, CE models



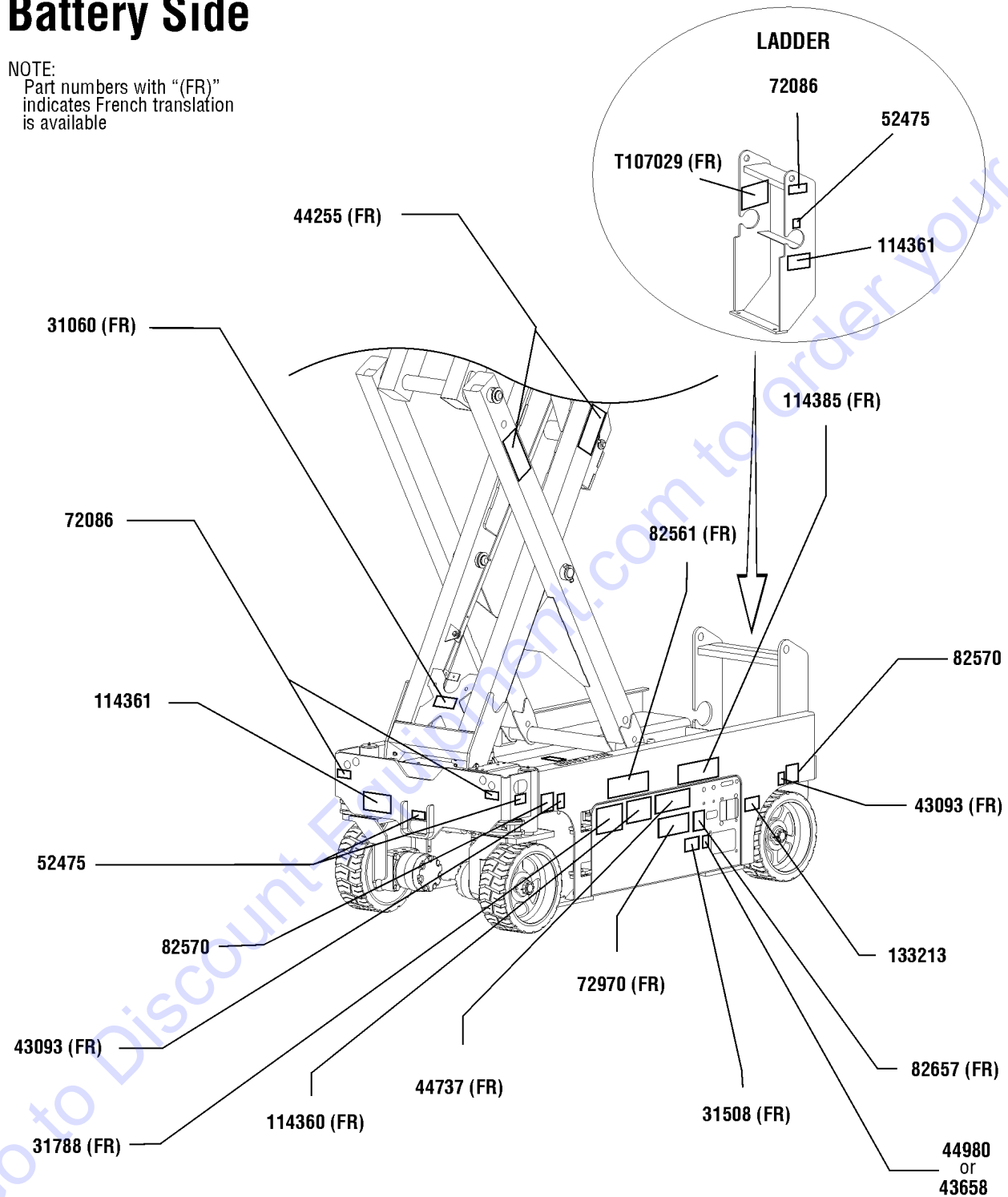
108.1 Decals with Symbols, GS-1530 Platform, CE

Item	Part No.	Description	Qty.
--		REF. GS-1530 Symbol Decal Kits (refer to 105.1)	
1	28174GT	DECAL, POWER TO PLATFORM 230V**.....1	1
2	28235GT	DECAL,POWER TO PLATFORM 115V...1	1
3	40434GT	DECAL,LANYARD ANCHORAGE POINT.....3	3
4	43618GT	DECAL, LABEL - DIRECTION ARROWS.....2	2
5	44981GT	DECAL,LABEL, AIR LINE 110 PSI.....1	1
6	62053GT	DECAL,COSMETIC,GENIE GS-1530**...2	2
7	82487GT	DECAL, SYMBOL - READ THE MANUAL.....1	1
8	97582GT	DECAL,SYM-SIDEFORCE 400N ID.....1	1
9	114338GT	DECAL,SYM-TIP-OVER,TILT ALARM.....1	1
10	137605GT	DECAL,E-STOP,GR/GRC/GS PCON.....1	1
11	137636GT	DECAL, UI, GR/GRC/GS PCON.....1 (models with 6 button, 2 speed controller) to SN GS3014A-134999 and to SN GS3014C-16999	1
12	137656GT	DECAL,PROPEL,GR/GRC/GS,PCON.....1	1
13	T112807GT	DECAL,SYM MAX CAP 272 KG,CE.....1	1
14	1256702GT	DECAL, UI, GS/GR, PROP LIFT (models with 4 button, proportional controller)	1
15	1256703GT	DECAL, STD, PROP LIFT, UI, SVC.....1 (units converted from 6 button, 2 speed lift to 4 button, proportional controller)	1
16	1257923GT	DECAL, SMARTLINK PROPORTIONAL.....2 (models with 4 button, proportional controller, and units converted from 6 button, 2 speed lift to 4 button, proportional controller)	2
17	1257923GT	DECAL, SMARTLINK PROPORTIONAL.....2 (models with 4 button, proportional controller, and units converted from 6 button, 2 speed lift to 4 button, proportional controller)	2

109.1 Decals with Words, GS-1532, Battery Side, Australia

Battery Side

NOTE:
Part numbers with "(FR)"
indicates French translation
is available



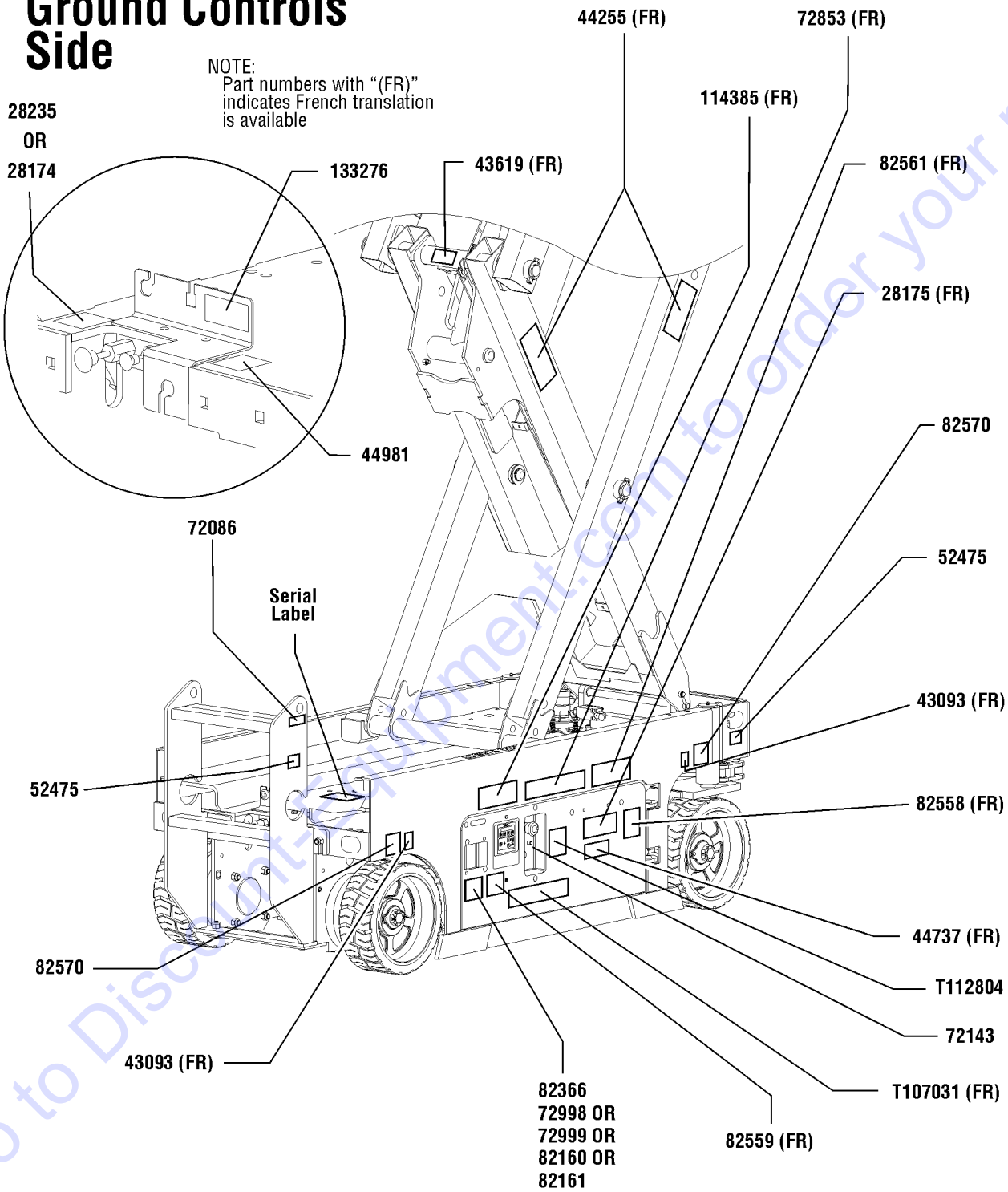
109.1 Decals with Words, GS-1532, Battery Side, Australia

Item	Part No.	Description	Qty.
--	232062GT	DECAL KIT,1532 PLAT.,WRD,AUST (Australia models with 2 speed controller) to SN GS3014A-134999 and to SN GS3014C-16999	
--	232063GT	DECAL KIT,1532 COMP.,WRD,AUST (Australia models with 2 speed controller) to SN GS3014A-134999 and to SN GS3014C-16999	
1	44255GT	DECAL,DANGER,CRUSHING HAZARD.....	2
2	31060GT	DECAL,DANGER DO NOT ALTER SWTC.....	1
3	31508GT	DECAL,DANGER,ELECT HAZARD,PLUG..... (Australia models)	1
4	31788GT	DECAL,DANGER,BATTERY SAFETY***.....	1
5	43093GT	DECAL,LABEL,TIRE SPECS.....	2
6	43658GT	DECAL,LABEL,PWR TO CHARGR 230V..... (Australia models)	1
7	44737GT	DECAL DANGER TIP OVER TRAYS.....	1
8	44980GT	DECAL,LABEL,PWR TO CHARGR 115V..... (Australia models)	1
9	52475GT	DECAL,LABEL,TRANSPORT TIEDOWN*.....	3
10	72086GT	DECAL,LABEL,LIFTING EYE.....	3
11	72970GT	DECAL,INSTRUCTIONS-CHARGER OP.....	1
12	82561GT	DECAL,DANGER-USE SAFETY ARM....	1
13	82570GT	DECAL,LABEL-WHEEL LOAD 1530/32..... (Australia models)	2
14	82657GT	DECAL,INSTRUCT,BATTERY CONNECT.....	1
15	114360GT	DECAL,DANGER-TIP-OVER,BATT.....	1
16	114361GT	DECAL,LABEL-TRANSPORT DIGRAM.....	2
17	114385GT	DECAL,DANGER,ELEC HAZARD,GS....	1
18	133213GT	DECAL,NOTICE-DO NOT OPEN DOOR.....	1
19	T107029GT	DECAL,DANGER,BRAKE REL SAFETY.....	1

110.1 Decals with Words, GS-1532 Ground Controls Side, Australia

Ground Controls Side

NOTE:
Part numbers with "(FR)" indicates French translation is available

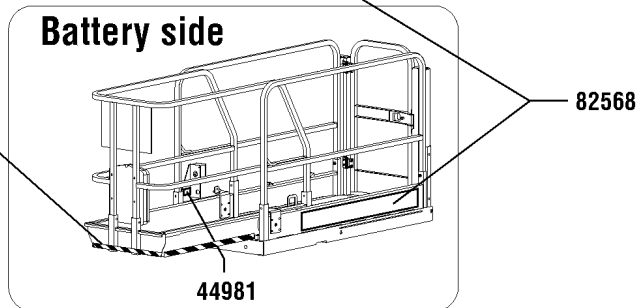
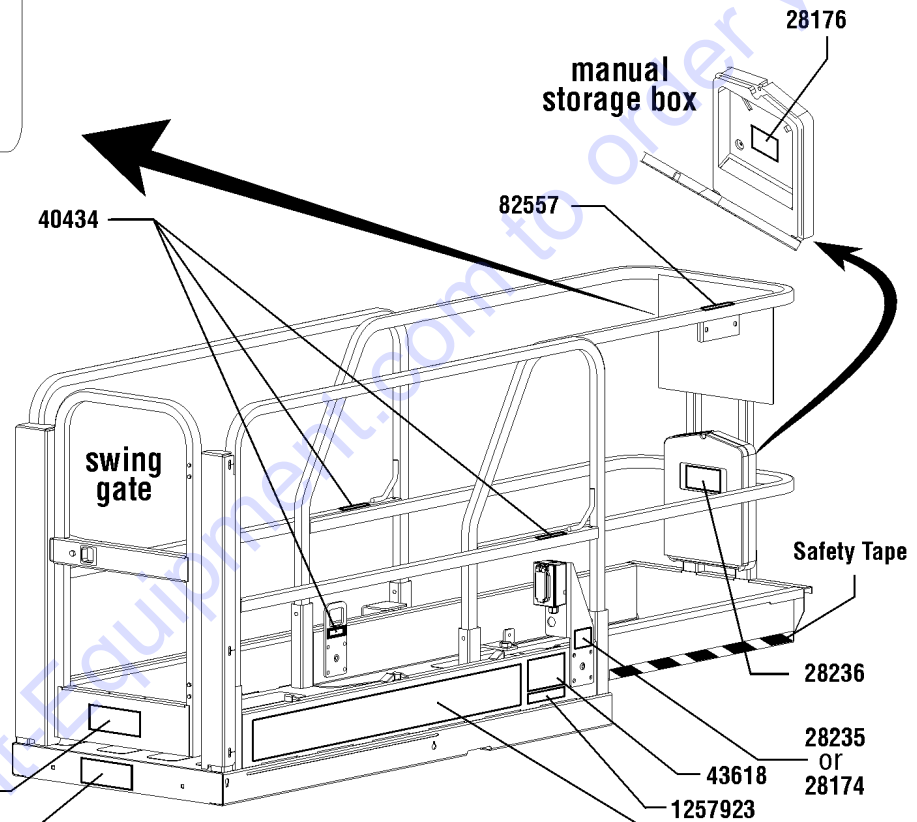
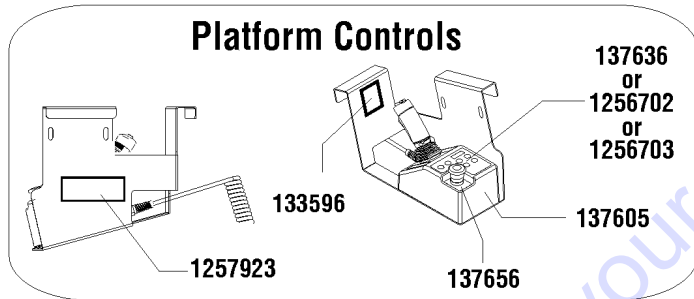
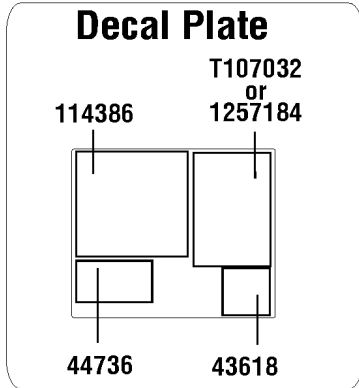


110.1 Decals with Words, GS-1532 Ground Controls Side, Australia

Item	Part No.	Description	Qty.
--		REF. GS-1532 Word Decal Kits (refer to 109.1)	
1	28174GT	DECAL, POWER TO PLATFORM 230V**.....1	1
2	28175GT	DECAL,WARNING-COMPART ACCESS.....1	1
3	28235GT	DECAL,POWER TO PLATFORM 115V...1	1
4	43093GT	DECAL,LABEL,TIRE SPECS.....2	2
5	43619GT	DECAL,LABEL,SAFETY ARM.....1	1
7	44255GT	DECAL,DANGER,CRUSHING HAZARD.....2	2
8	44737GT	DECAL DANGER TIP OVER TRAYS.....1	1
9	44981GT	DECAL,LABEL, AIR LINE 110 PSI.....1 (option)	1
10	52475GT	DECAL,LABEL,TRANSPORT TIEDOWN*.....2	2
11	72086GT	DECAL,LABEL,LIFTING EYE.....1	1
12	72143GT	DECAL,EMERGENCY STOP,GR.....1	1
13	72853GT	DECAL,DANGER,IMPROPER USE HAZ.....1	1
14	72998GT	DECAL,LABEL,QUINTOLUBRIK.....1 (models with Quintolub hydraulic oil)	1
15	72999GT	DECAL,LABEL,PETRO CANADA***.....1 (models with Petro Canada hydraulic oil)	1
16	82160GT	DECAL,LABEL,STATOIL HYDRA WAY1 (models with Statoil hydraulic oil)	1
17	82161GT	DECAL,LABEL,UCON HYDROLUBE.....1 (models with Ucon Hydrolube hydraulic oil)	1
18	82366GT	DECAL,CHEVRON RANDO HD.....1 (models with Chevron Random hydraulic oil)	1
19	82558GT	DECAL,WARN,SKIN INJECTION HAZ*.....1	1
20	82559GT	DECAL,INSTRUCT-ANNUAL INSP REQ.....1	1
21	82561GT	DECAL,DANGER-USE SAFETY ARM...1	1
22	82570GT	DECAL,LABEL-WHEEL LOAD 1530/32.....2 (Australia models)	2
23	114385GT	DECAL,DANGER,ELEC HAZARD,GS....1	1
24	133276GT	DECAL,EMERGENCY LOWERING.....1	1
25	T107031GT	DECAL,OP INST,GCON.....1	1
26	T112804GT	DECAL,GCON PANEL,GS.....1	1

111.1 Decals with Words, GS-1532 Platform, Australia

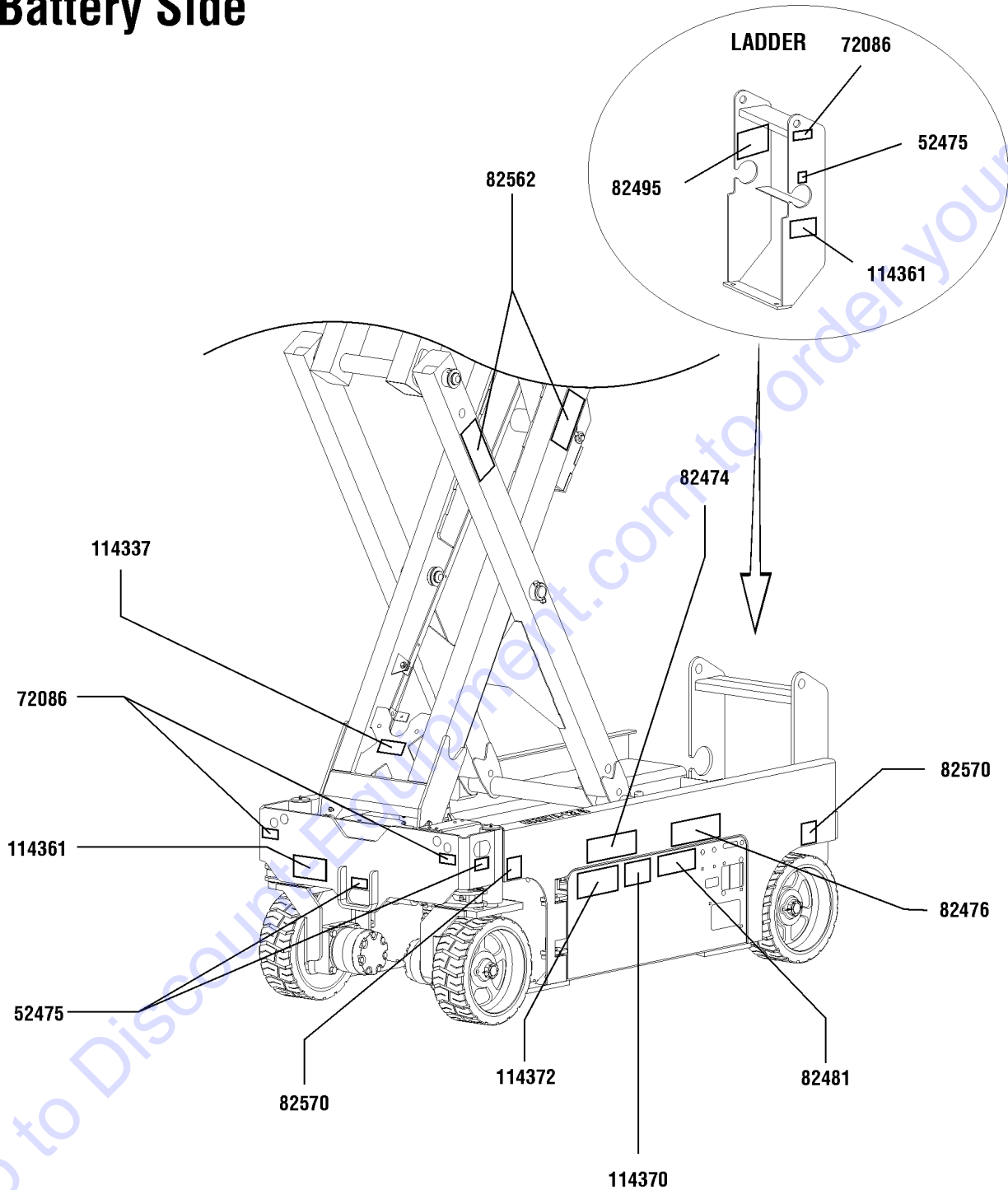
Platform, Australia Models



111.1 Decals with Words, GS-1532 Platform, Australia

Item	Part No.	Description	Qty.
--		REF. GS-1532 Word Decal Kits (refer to 109.1)	
1	28174GT	DECAL, POWER TO PLATFORM 230V**.....1	1
2	28176GT	DECAL,LABEL,MANUAL NOT HERE.....1	1
3	28235GT	DECAL,POWER TO PLATFORM 115V...1	1
4	28236GT	DECAL,WARN,IMPROPER OPERATION.....1	1
5	40434GT	DECAL,LANYARD ANCHORAGE POINT.....3	3
6	43618GT	DECAL, LABEL - DIRECTION ARROWS.....2	2
7	44736GT	DECAL,DANGER,TIP-OVER,TILT.....1	1
8	44981GT	DECAL,LABEL, AIR LINE 110 PSI.....1	1
9	82568GT	DECAL,COSMETIC,GENIE GS-1532....2	2
10	82557GT	DECAL,LABEL,PLAT CONT LOCATION.....1	1
11	82566GT	DECAL,INSTR-MANUAL FRC,AUS.....1	1
12	114386GT	DECAL,DANGER-GEN SAFETY.....1	1
13	133596GT	DECAL,LABEL,FAULT CODES.....1	1
14	137605GT	DECAL,E-STOP,GR/GRC/GS PCON....1	1
15	137636GT	DECAL, UI, GR/GRC/GS PCON.....1 (models with 6 button, 2 speed controller) to SN GS3014A-134999 and to SN GS3014C-16999	1
16	137656GT	DECAL,PROPEL,GR/GRC/GS,PCON....1	1
17	T107032GT	DECAL,OP INST,PCON,GS-30,AUS....1 (models with 6 button, 2 speed controller) to SN GS3014A-134999 and to SN GS3014C-16999	1
18	82564GT	DECAL,INSTR-MAX CAP 600LBS.....1	1
19	1256702GT	DECAL, UI, GS/GR, PROP LIFT.....1 (models with 4 button, proportional controller)	1
20	1256703GT	DECAL, STD, PROP LIFT, UI, SVC.....1 (units converted from 6 button, 2 speed lift to 4 button, proportional controller)	1
21	1257184GT	DECAL, OP INST, PLAT, GS30, AUS....1 (models with proportional controller)	1
22	1257923GT	DECAL, SMARTLINK PROPORTIONAL.....2 (models with 4 button, proportional controller, and units converted from 6 button, 2 speed lift to 4 button, proportional controller)	2

Battery Side



112.1 Decals with Symbols, GS-1532 Battery Side, CE

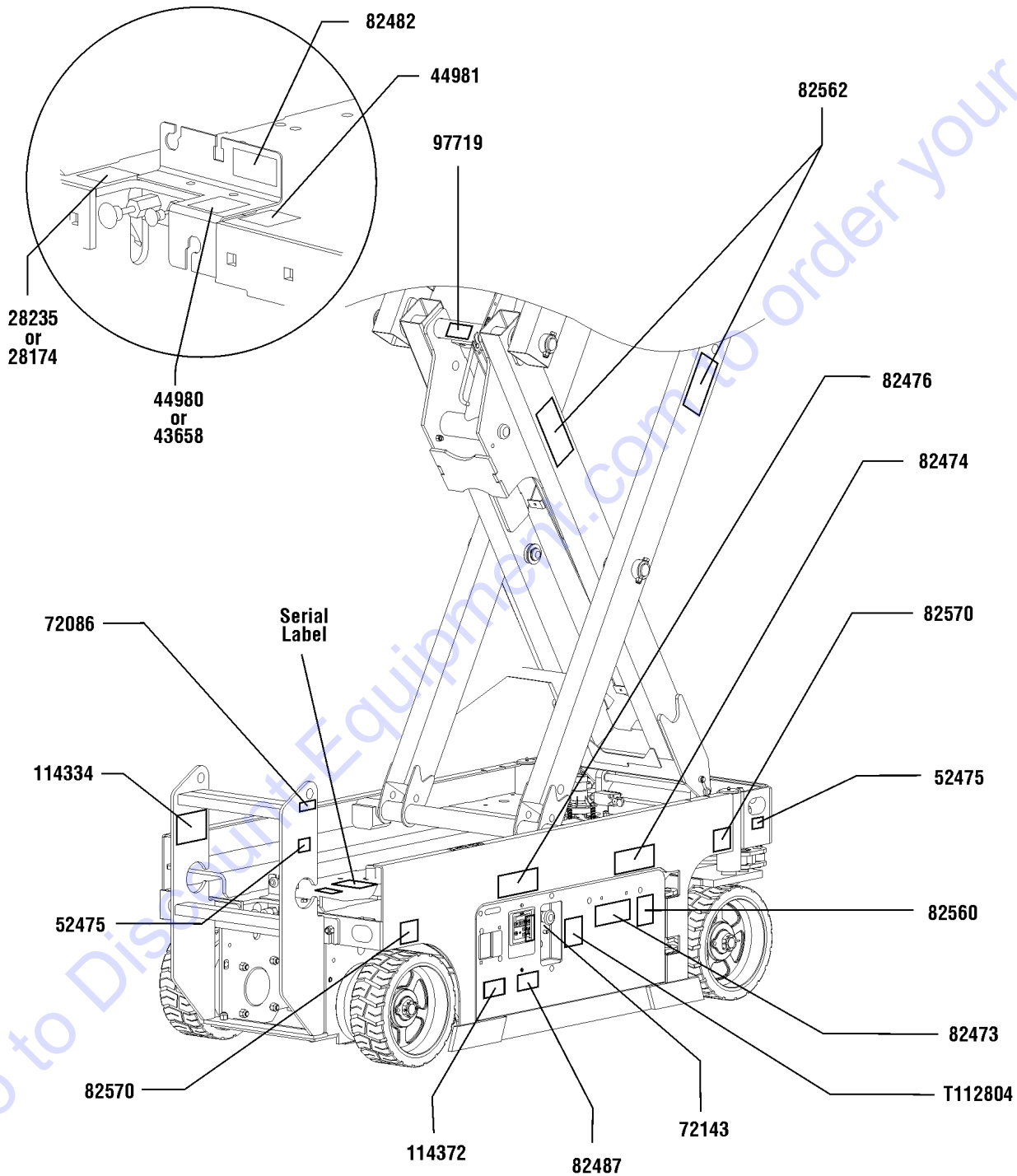
Item	Part No.	Description	Qty.
--	232070GT	DECAL KIT,1532 PLAT.,SYM,CE (CE models with 2 speed controller) to SN GS3014A-134999 and to SN GS3014C-16999	
--	232071GT	DECAL KIT,1532 COMP.,SYM,CE (CE models with 2 speed controller) to SN GS3014A-134999 and to SN GS3014C-16999	
1	52475GT	DECAL,LABEL,TRANSPORT TIEDOWN*.....	3
2	72086GT	DECAL,LABEL,LIFTING EYE.....	3
3	82474GT	DECAL,SYMBOL-USE SAFETY ARM....	1
4	82476GT	DECAL,SYMBOL-ELEC HAZARD,GS....	1
5	82481GT	DECAL,SYMBOL-BATTERY SAFETY.....	1
6	82495GT	DECAL,SYMBOL-BRAKE REL SAFETY.....	1
7	82562GT	DECAL,SYMBOL-CRUSHING HAZARD.....	2
8	82570GT	DECAL,LABEL-WHEEL LOAD 1530/32..... (CE models)	2
9	114337GT	DECAL,SYM-TIP-OVER,LIM SWITCH....	1
10	114361GT	DECAL,LABEL-TRANSPORT DIGRAM.....	2
11	114370GT	DECAL-SYM-TIP-OVR,BATTRIES.....	1
12	114372GT	DECAL SYMBOL TIP OVER TRAYS.....	1

Go to Discount-Equipment.com to order your parts



113.1 Decals with Symbols, GS-1532 Ground Control Side, CE

Ground Controls Side

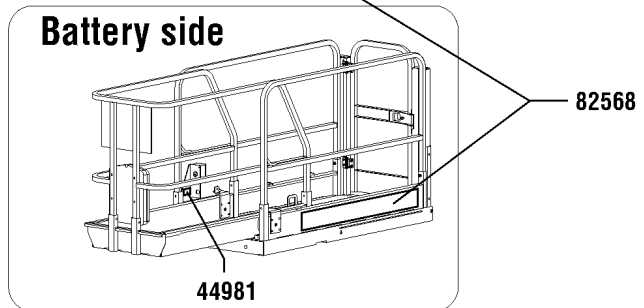
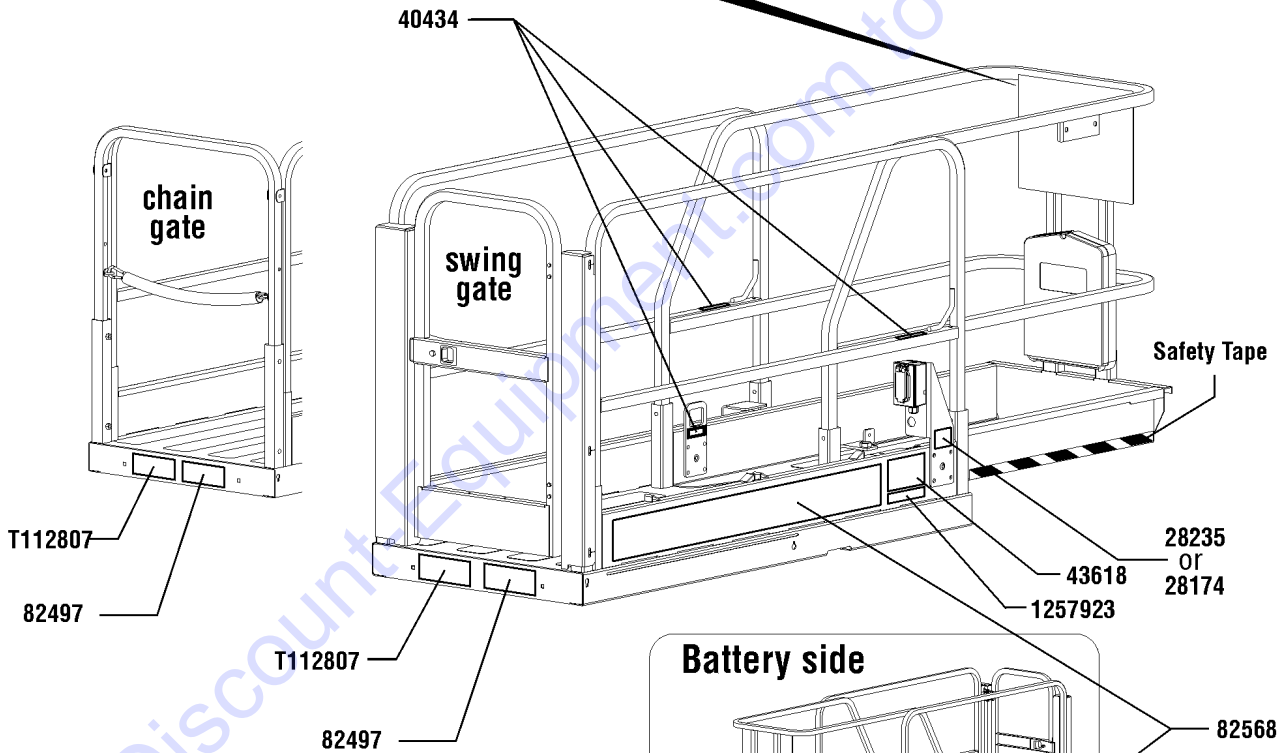
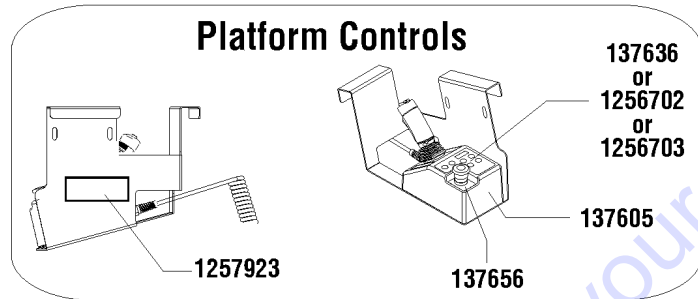
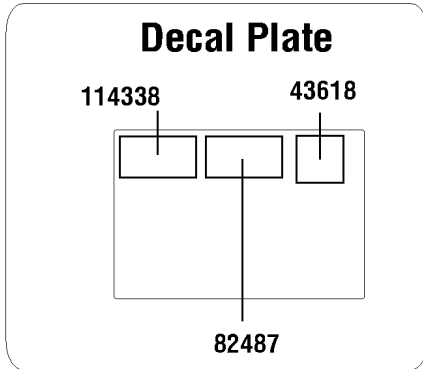


113.1 Decals with Symbols, GS-1532 Ground Control Side, CE

Item	Part No.	Description	Qty.
--		REF. GS-1532 Symbol Decal Kits (refer to 112.1)	
1	28174GT	DECAL, POWER TO PLATFORM 230V**.....1	1
2	28235GT	DECAL,POWER TO PLATFORM 115V...1	1
3	43658GT	DECAL,LABEL,PWR TO CHARGR 230V.....1	1
4	44980GT	DECAL,LABEL,PWR TO CHARGR 115V.....1	1
5	44981GT	DECAL,LABEL, AIR LINE 110 PSI.....1	1
6	52475GT	DECAL,LABEL,TRANSPORT TIEDOWN*.....2	2
7	72086GT	DECAL,LABEL,LIFTING EYE.....1	1
8	72143GT	DECAL,EMERGENCY STOP,GR.....1	1
9	82473GT	DECAL,SYMBOL-COMP ACCESS.....1	1
10	82474GT	DECAL,SYMBOL-USE SAFETY ARM...1	1
11	82476GT	DECAL,SYMBOL-ELEC HAZARD,GS....1	1
12	82482GT	DECAL,LABEL,AUX LOWERING.....1	1
13	82487GT	DECAL, SYMBOL - READ THE MANUAL.....1	1
14	82560GT	DECAL,SYMBOL-SKIN INJECT HAZRD.....1	1
15	82562GT	DECAL,SYMBOL-CRUSHING HAZARD.....2	2
16	82570GT	DECAL,LABEL-WHEEL LOAD 1530/32.....2 (CE models)	2
17	97719GT	DECAL, LABEL, SAFETY ARM SYMB...1	1
18	114334GT	DECAL,SYM-ELEC HAZARD,PLUG.....1	1
19	114372GT	DECAL SYMBOL TIP OVER TRAYS.....1	1
20	T112804GT	DECAL,GCON PANEL,GS.....1	1

114.1 Decals with Symbols, GS-1532 Platform, CE

Platform, CE models



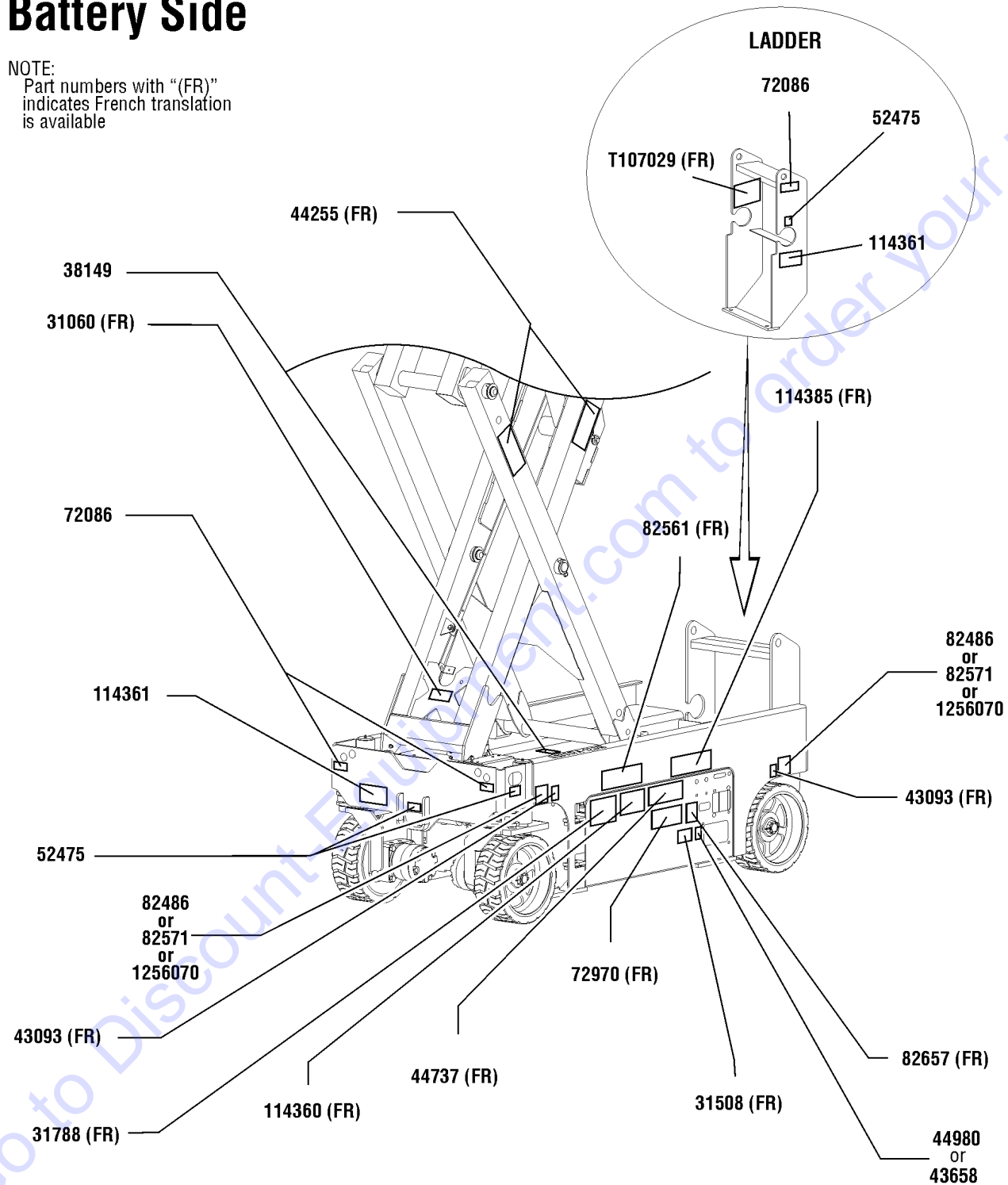
114.1 Decals with Symbols, GS-1532 Platform, CE

Item	Part No.	Description	Qty.
--		REF. GS-1532 Symbol Decal Kits (refer to 112.1)	
1	28174GT	DECAL, POWER TO PLATFORM 230V**.....	1
2	28235GT	DECAL,POWER TO PLATFORM 115V...1	1
3	40434GT	DECAL,LANYARD ANCHORAGE POINT.....	3
4	43618GT	DECAL, LABEL - DIRECTION ARROWS.....	2
5	44981GT	DECAL,LABEL, AIR LINE 110 PSI.....	1
6	82487GT	DECAL, SYMBOL - READ THE MANUAL.....	1
7	82497GT	DECAL,SYM-SIDEFORCE 200400.....	1
8	82568GT	DECAL,COSMETIC,GENIE GS-1532....	2
9	114338GT	DECAL,SYM-TIP-OVER,TILT ALARM....	1
10	137605GT	DECAL,E-STOP,GR/GRC/GS PCON....	1
11	137636GT	DECAL, UI, GR/GRC/GS PCON..... (models with 6 button, 2 speed controller) to SN GS3014A-134999 and to SN GS3014C-16999	1
12	137656GT	DECAL,PROPEL,GR/GRC/GS,PCON....	1
13	T112807GT	DECAL,SYM MAX CAP 272 KG,CE.....	1
14	1256702GT	DECAL, UI, GS/GR, PROP LIFT (models with 4 button, proportional controller)	1
15	1256703GT	DECAL, STD, PROP LIFT, UI, SVC..... (units converted from 6 button, 2 speed lift to 4 button, proportional controller)	1
16	1257923GT	DECAL, SMARTLINK PROPORTIONAL..... (models with 4 button, proportional controller, and units converted from 6 button, 2 speed lift to 4 button, proportional controller)	2

115.1 Decals with Words, GS-1930 Battery Side, ANSI & Australia

Battery Side

NOTE:
Part numbers with "(FR)" indicates French translation is available



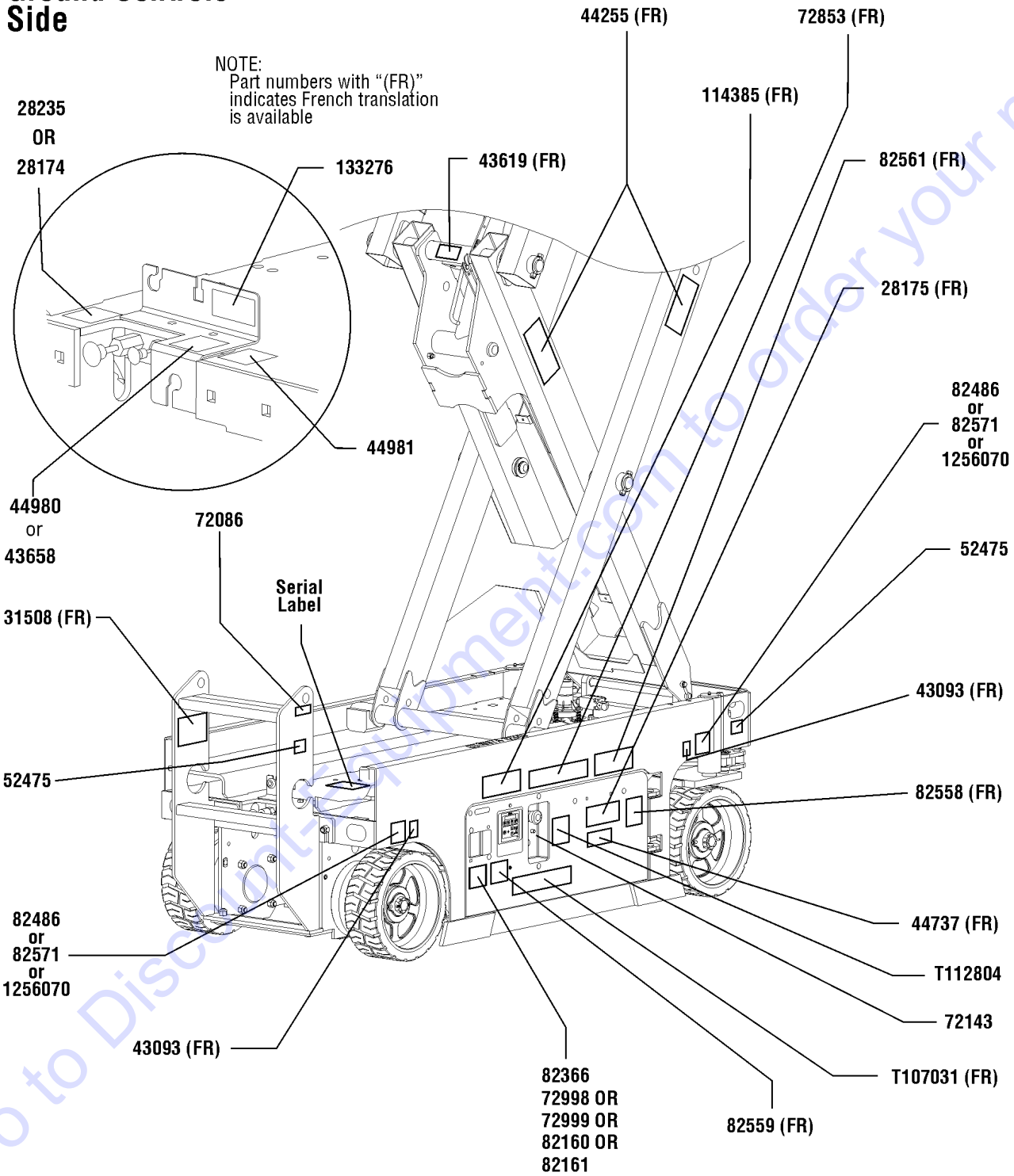
115.1 Decals with Words, GS-1930 Battery Side, ANSI & Australia

Item	Part No.	Description	Qty.	Item	Part No.	Description	Qty.
--	232054GT	DECAL KIT,1930 PLAT.,WRD,ANSI (ANSI models with 2 speed controller) to SN GS3014A-134999 and to SN GS3014C-16999		19	1256070GT	DECAL,LABEL,WHEEL LOAD,1930PAR.....2 (ANSI models with padded auxiliary rail only)	2
--	232055GT	DECAL KIT,1930 COMP.,WRD,ANSI (ANSI models with 2 speed controller) to SN GS3014A-134999 and to SN GS3014C-16999 (order platform controls decal separately)		20	T107029GT	DECAL,DANGER,BRAKE REL SAFETY.....1	1
--	232064GT	DECAL KIT,1930 PLAT.,WRD,AUST (CE models with 2 speed controller) to SN GS3014A-134999 and to SN GS3014C-16999					
--	232065GT	DECAL KIT,1930 COMP.,WRD,AUST (CE models with 2 speed controller) to SN GS3014A-134999 and to SN GS3014C-16999					
1	44255GT	DECAL,DANGER,CRUSHING HAZARD.....2	2				
2	31060GT	DECAL,DANGER DO NOT ALTER SWTC.....1	1				
3	31508GT	DECAL,DANGER,ELECT HAZARD,PLUG.....1 (Australia models)	1				
4	31788GT	DECAL,DANGER,BATTERY SAFETY***.....1	1				
5	43093GT	DECAL,LABEL,TIRE SPECS.....2	2				
6	43658GT	DECAL,LABEL,PWR TO CHARGR 230V.....1 (Australia models)	1				
7	44737GT	DECAL DANGER TIP OVER TRAYS.....1	1				
8	44980GT	DECAL,LABEL,PWR TO CHARGR 115V.....1 (Australia models)	1				
9	52475GT	DECAL,LABEL,TRANSPORT TIEDOWN*.....3	3				
10	72086GT	DECAL,LABEL,LIFTING EYE.....3	3				
11	72970GT	DECAL,INSTRUCTIONS-CHARGER OP.....1	1				
12	82486GT	DECAL,LABEL,WHEEL LOAD 1930.....2 (ANSI models)	2				
13	82561GT	DECAL,DANGER-USE SAFETY ARM....1	1				
14	82571GT	DECAL,LABEL,WHEEL LOAD 19XX....2 (Australia models)	2				
15	82657GT	DECAL,INSTRUCT,BATTERY CONNECT.....1	1				
16	114360GT	DECAL,DANGER-TIP-OVER,BATT.....1	1				
17	114361GT	DECAL,LABEL-TRANSPORT DIGRAM.....2	2				
18	114385GT	DECAL,DANGER,ELEC HAZARD,GS.....1	1				

116.1 Decals with Words, GS-1930 Ground Controls Side, ANSI & Australia

Ground Controls Side

NOTE:
Part numbers with "(FR)" indicates French translation is available

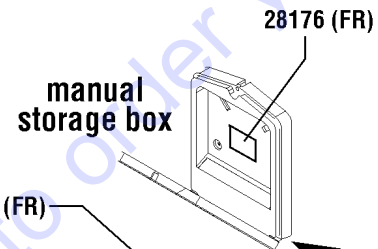
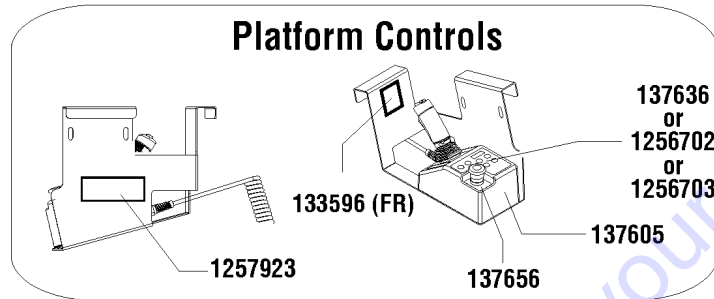
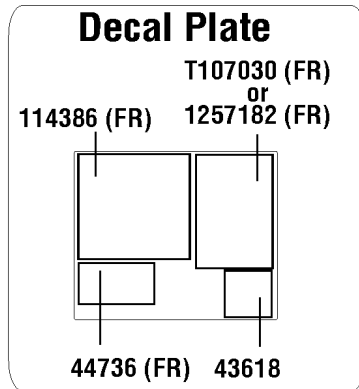


116.1 Decals with Words, GS-1930 Ground Controls Side, ANSI & Australia

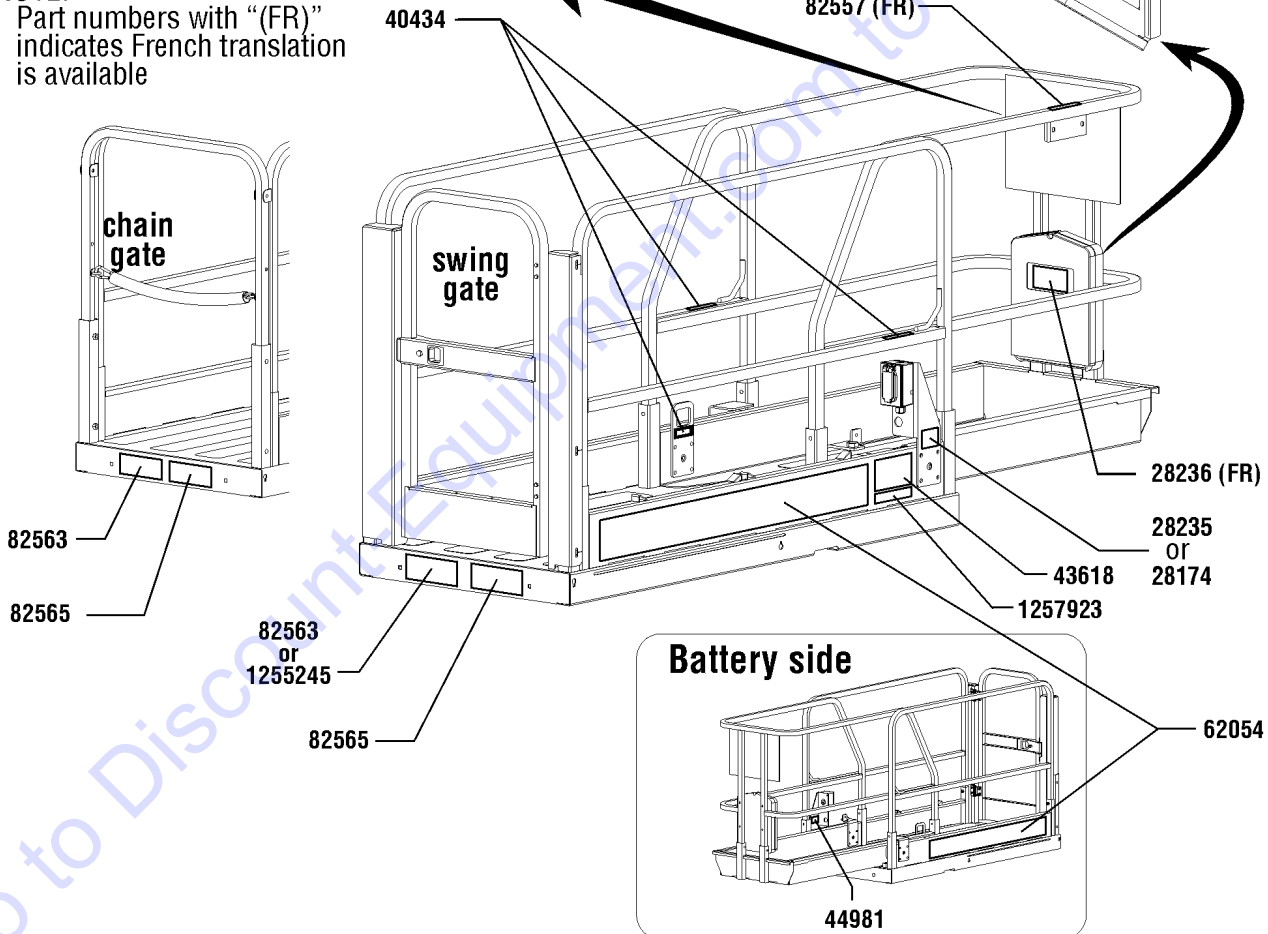
Item	Part No.	Description	Qty.	Item	Part No.	Description	Qty.
--		REF. GS-1930 Word Decal Kits <i>(refer to 115.1)</i>		26	114385GT	DECAL,DANGER,ELEC HAZARD,GS.....1	1
1	28174GT	DECAL, POWER TO PLATFORM 230V**.....1	1	27	133276GT	DECAL,EMERGENCY LOWERING.....1	1
2	28175GT	DECAL,WARNING-COMPART ACCESS.....1	1	28	1256070GT	DECAL,LABEL,WHEEL LOAD,1930PAR.....2 <i>(ANSI models with padded auxiliary rail only)</i>	2
3	28235GT	DECAL,POWER TO PLATFORM 115V...1	1	29	T107031GT	DECAL,OP INST,GCON.....1	1
4	31508GT	DECAL,DANGER,ELECT HAZARD,PLUG.....1 <i>(ANSI models)</i>	1	30	T112804GT	DECAL,GCON PANEL,GS.....1	1
5	43093GT	DECAL,LABEL,TIRE SPECS.....2	2				
6	43619GT	DECAL,LABEL,SAFETY ARM.....1	1				
7	43658GT	DECAL,LABEL,PWR TO CHARGR 230V.....1 <i>(ANSI models)</i>	1				
8	44255GT	DECAL,DANGER,CRUSHING HAZARD.....2	2				
9	44737GT	DECAL DANGER TIP OVER TRAYS.....1	1				
10	44980GT	DECAL,LABEL,PWR TO CHARGR 115V.....1 <i>(ANSI models)</i>	1				
11	44981GT	DECAL,LABEL, AIR LINE 110 PSI.....1 <i>(option)</i>	1				
12	52475GT	DECAL,LABEL,TRANSPORT TIEDOWN*.....2	2				
13	72086GT	DECAL,LABEL,LIFTING EYE.....1	1				
14	72143GT	DECAL,EMERGENCY STOP,GR.....1	1				
15	72853GT	DECAL,DANGER,IMPROPER USE HAZ.....1	1				
16	72998GT	DECAL,LABEL,QUINTOLUBRIK.....1 <i>(models with Quintolub hydraulic oil)</i>	1				
17	72999GT	DECAL,LABEL,PETRO CANADA***.....1 <i>(models with Petro Canada hydraulic oil)</i>	1				
18	82160GT	DECAL,LABEL,STATOIL HYDRA WAY.....1 <i>(models with Statoil hydraulic oil)</i>	1				
19	82161GT	DECAL,LABEL,UCON HYDROLUBE....1 <i>(models with UConn Hydrolube hydraulic oil)</i>	1				
20	82366GT	DECAL,CHEVRON RANDO HD.....1 <i>(models with Chevron Random hydraulic oil)</i>	1				
21	82486GT	DECAL,LABEL,WHEEL LOAD 1930.....2 <i>(ANSI models)</i>	2				
22	82558GT	DECAL,WARN,SKIN INJECTION HAZ*.....1	1				
23	82559GT	DECAL,INSTRUCT-ANNUAL INSP REQ.....1	1				
24	82561GT	DECAL,DANGER-USE SAFETY ARM....1	1				
25	82571GT	DECAL,LABEL,WHEEL LOAD 19XX....2 <i>(Australia models)</i>	2				

117.1 Decals with Words, GS-1930 Platform, ANSI

Platform, ANSI models



NOTE:
 Part numbers with "(FR)" indicates French translation is available

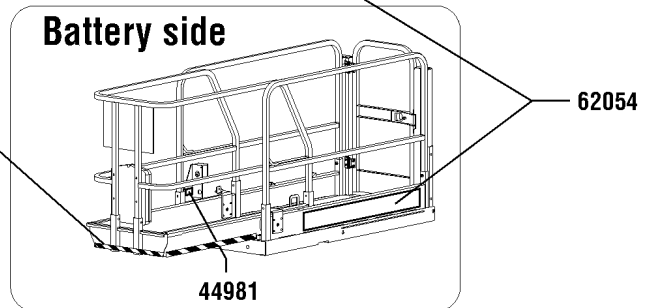
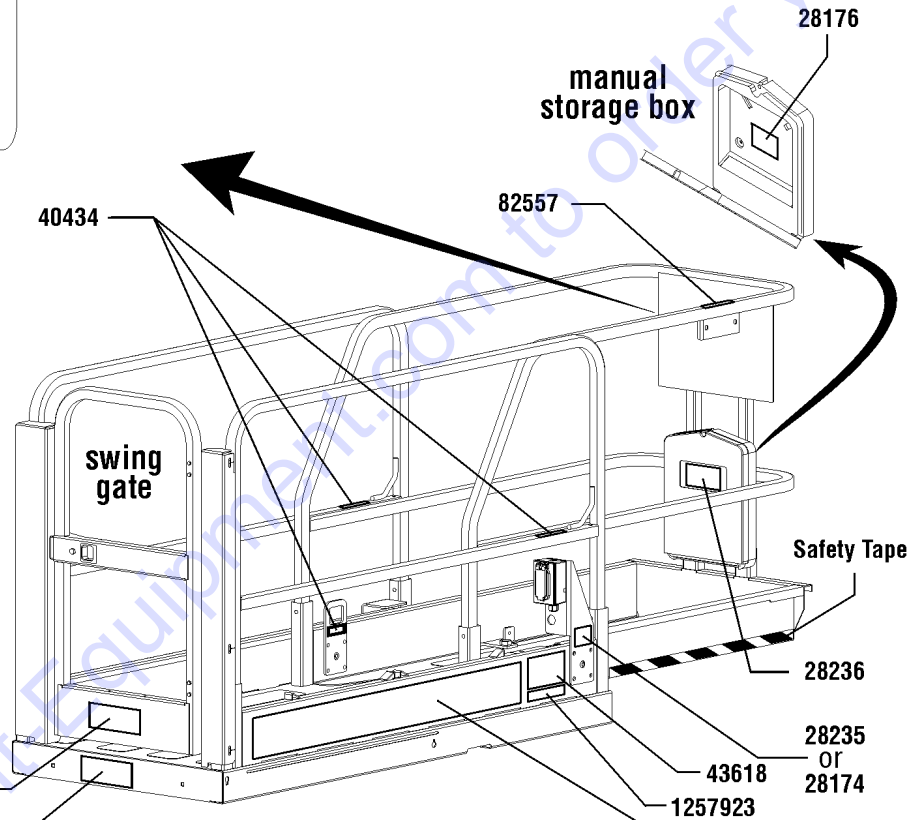
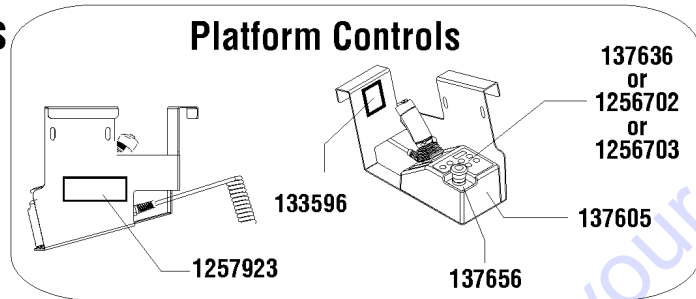
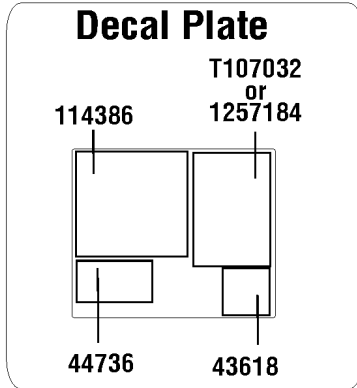


117.1 Decals with Words, GS-1930 Platform, ANSI

Item	Part No.	Description	Qty.
--		REF. GS-1930 Word Decal Kits (refer to 115.1)	
1	28174GT	DECAL, POWER TO PLATFORM 230V**.....1	1
2	28176GT	DECAL,LABEL,MANUAL NOT HERE.....1	1
3	28235GT	DECAL,POWER TO PLATFORM 115V...1	1
4	28236GT	DECAL,WARN,IMPROPER OPERATION.....1	1
5	40434GT	DECAL,LANYARD ANCHORAGE POINT.....3	3
6	43618GT	DECAL, LABEL - DIRECTION ARROWS.....2	2
7	44736GT	DECAL,DANGER,TIP-OVER,TILT.....1	1
8	44981GT	DECAL,LABEL, AIR LINE 110 PSI.....1	1
9	62054GT	DECAL,COSMETIC,GENIE GS-1930**...2	2
10	82557GT	DECAL,LABEL,PLAT CONT LOCATION.....1	1
11	82563GT	DECAL,INSTR-MAX CAP 500 LBS.....1 (GS1930 and GS1932 models)	1
12	82565GT	DECAL,INSTR-SIDE FRC,ANSI.....1	1
13	114386GT	DECAL,DANGER-GEN SAFETY.....1	1
14	133596GT	DECAL,LABEL,FAULT CODES.....1	1
15	137605GT	DECAL,E-STOP,GR/GRC/GS PCON....1	1
16	137636GT	DECAL, UI, GR/GRC/GS PCON.....1 (models with 6 button, 2 speed controller) to SN GS3014A-134999 and to SN GS3014C-16999	1
17	137656GT	DECAL,PROPEL,GR/GRC/GS,PCON....1	1
18	1255245GT	DECAL,INSTR-MAX CAP 400 LBS.....1 (models with padded auxiliary rail only)	1
19	1256702GT	DECAL, UI, GS/GR, PROP LIFT.....1 (models with 4 button, proportional controller)	1
20	1256703GT	DECAL, STD, PROP LIFT, UI, SVC.....1 (units converted from 6 button, 2 speed lift to 4 button, proportional controller)	1
21	1257182GT	DECAL, OP INST, PLAT, GS30, ANSI....1 (models with proportional controller)	1
22	1257923GT	DECAL, SMARTLINK PROPORTIONAL.....2 (models with 4 button, proportional controller, and units converted from 6 button, 2 speed lift to 4 button, proportional controller)	2
23	T107030GT	DECAL,OP INST,PCON,GS-30,ANSI....1 (models with 6 button, 2 speed controller) to SN GS3014A-134999 and to SN GS3014C-16999	1

118.1 Decals with Words, GS-1930 Platform, Australia

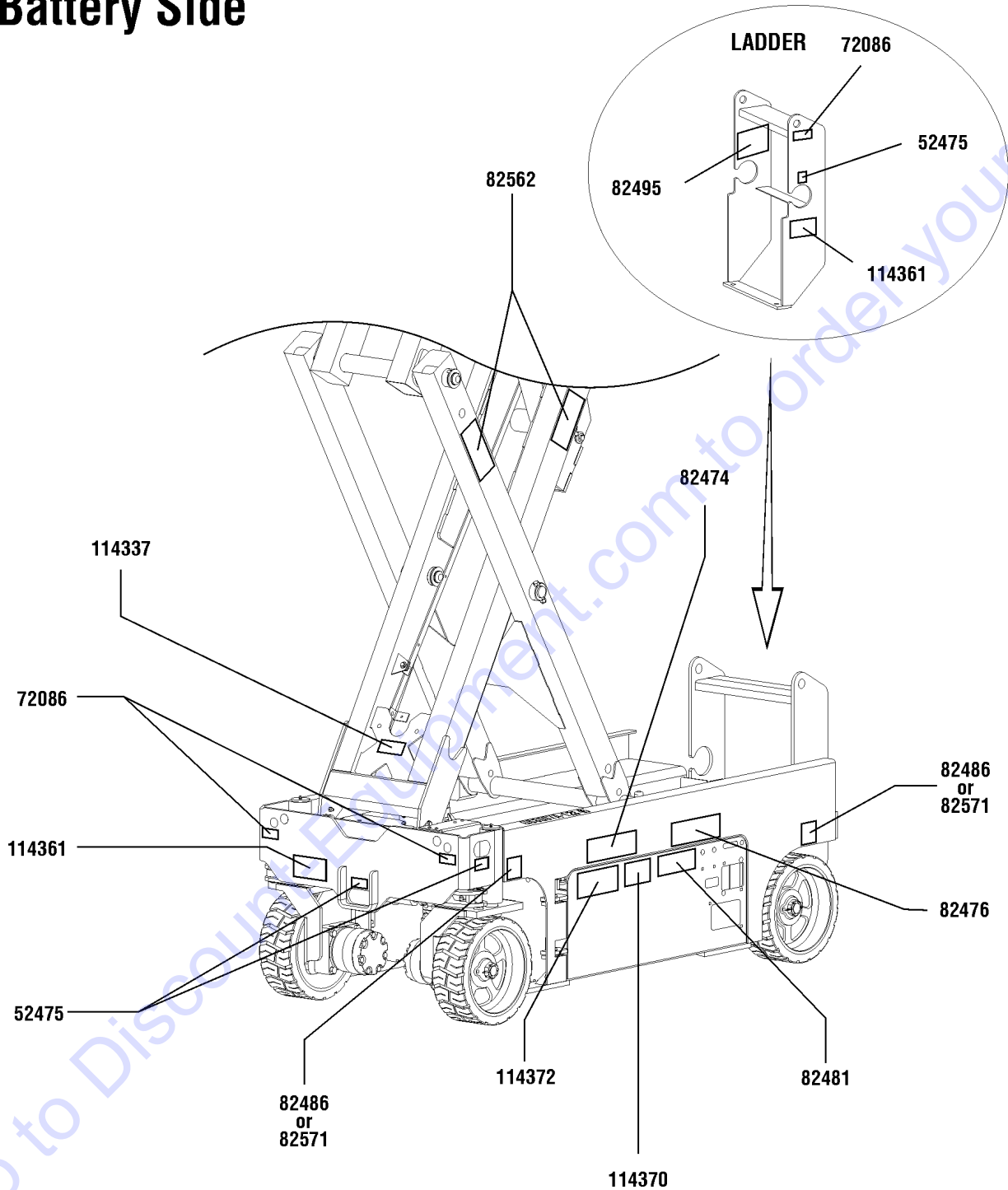
Platform, Australia Models



118.1 Decals with Words, GS-1930 Platform, Australia

Item	Part No.	Description	Qty.
--		REF. GS-1930 Word Decal Kits (refer to 115.1)	
1	28174GT	DECAL, POWER TO PLATFORM 230V**.....1	1
2	28176GT	DECAL,LABEL,MANUAL NOT HERE.....1	1
3	28235GT	DECAL,POWER TO PLATFORM 115V...1	1
4	28236GT	DECAL,WARN,IMPROPER OPERATION.....1	1
5	40434GT	DECAL,LANYARD ANCHORAGE POINT.....3	3
6	43618GT	DECAL, LABEL - DIRECTION ARROWS.....2	2
7	44736GT	DECAL,DANGER,TIP-OVER,TILT.....1	1
8	44981GT	DECAL,LABEL, AIR LINE 110 PSI.....1	1
9	62054GT	DECAL,COSMETIC,GENIE GS-1930**...2	2
10	82557GT	DECAL,LABEL,PLAT CONT LOCATION.....1	1
11	97618GT	DECAL,INSTR-INDOOR USE,AUS.....1	1
12	114386GT	DECAL,DANGER-GEN SAFETY.....1	1
13	133596GT	DECAL,LABEL,FAULT CODES.....1	1
14	137605GT	DECAL,E-STOP,GR/GRC/GS PCON.....1	1
15	137636GT	DECAL, UI, GR/GRC/GS PCON.....1 (models with 6 button, 2 speed controller) to SN GS3014A-134999 and to SN GS3014C-16999	1
16	137656GT	DECAL,PROPEL,GR/GRC/GS,PCON.....1	1
17	T107032GT	DECAL,OP INST,PCON,GS-30,AUS.....1 (models with 6 button, 2 speed controller) to SN GS3014A-134999 and to SN GS3014C-16999	1
18	82563GT	DECAL,INSTR-MAX CAP 500 LBS.....1 (GS1930 and GS1932 models)	1
19	1256702GT	DECAL, UI, GS/GR, PROP LIFT.....1 (models with 4 button, proportional controller)	1
20	1256703GT	DECAL, STD, PROP LIFT, UI, SVC.....1 (units converted from 6 button, 2 speed lift to 4 button, proportional controller)	1
21	1257184GT	DECAL, OP INST, PLAT, GS30, AUS.....1 (models with proportional controller)	1
22	1257923GT	DECAL, SMARTLINK PROPORTIONAL.....2 (models with 4 button, proportional controller, and units converted from 6 button, 2 speed lift to 4 button, proportional controller)	2

Battery Side

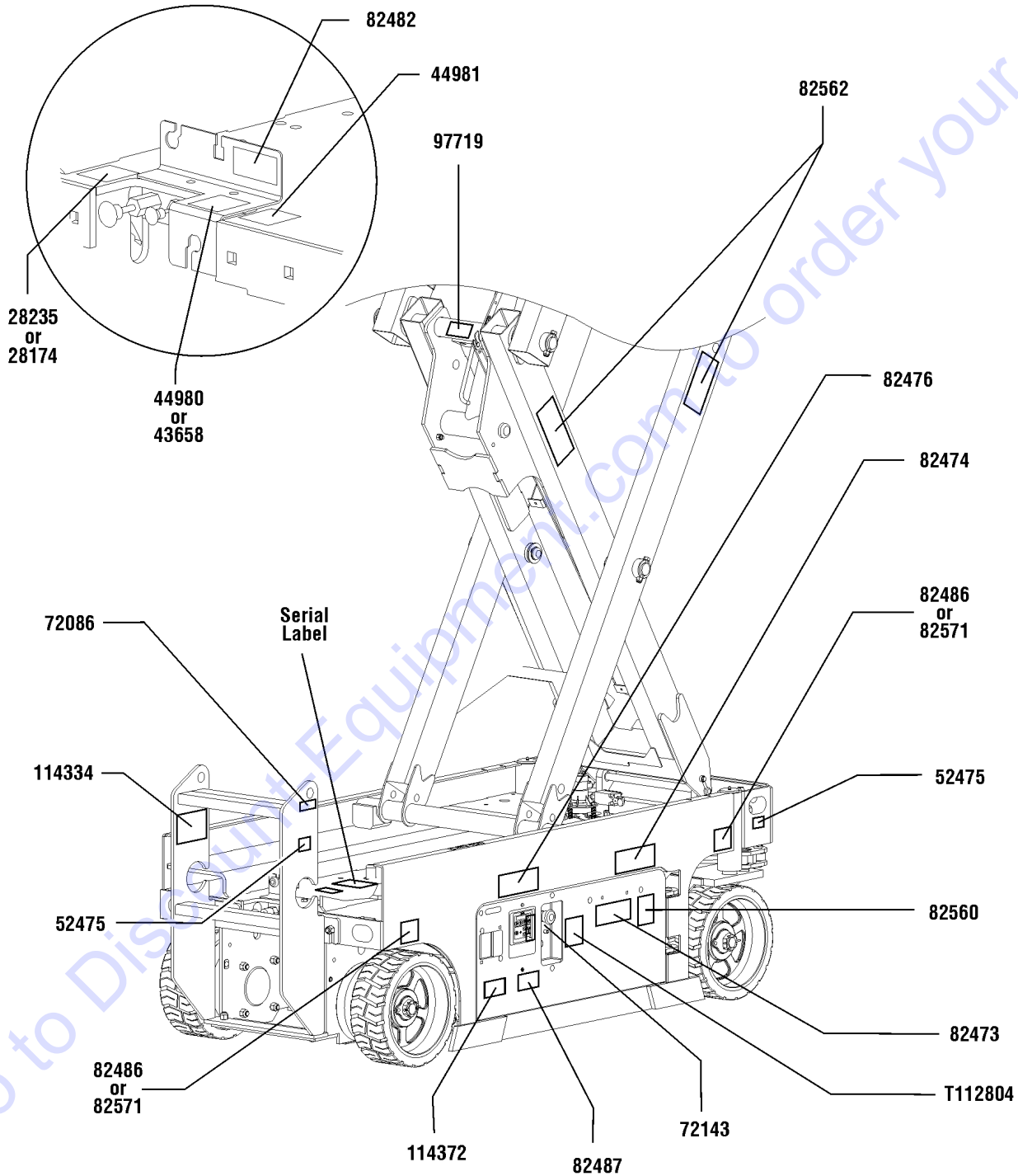


119.1 Decals with Symbols, GS-1930 Battery Side, ANSI & CE

Item	Part No.	Description	Qty.
--	232058GT	DECAL KIT,1930 PLAT.,SYM,ANSI (ANSI models with 2 speed controller) to SN GS3014A-134999 and to SN GS3014C-16999 (order platform controls decal separately)	
--	232059GT	DECAL KIT,1930 COMP.,SYM,ANSI (ANSI models with 2 speed controller) to SN GS3014A-134999 and to SN GS3014C-16999	
--	232072GT	DECAL KIT,1930 PLAT.,SYM,CE (CE models with 2 speed controller) to SN GS3014A-134999 and to SN GS3014C-16999	
--	232073GT	DECAL KIT,1930 COMP.,SYM,CE (CE models with 2 speed controller) to SN GS3014A-134999 and to SN GS3014C-16999 (order platform controls decal separately)	
1	52475GT	DECAL,LABEL,TRANSPORT TIEDOWN*.....	3
2	72086GT	DECAL,LABEL,LIFTING EYE.....	3
3	82474GT	DECAL,SYMBOL-USE SAFETY ARM....	1
4	82476GT	DECAL,SYMBOL-ELEC HAZARD,GS....	1
5	82481GT	DECAL,SYMBOL-BATTERY SAFETY....	1
6	82486GT	DECAL,LABEL,WHEEL LOAD 1930.... (ANSI models)	2
7	82495GT	DECAL,SYMBOL-BRAKE REL SAFETY.....	1
8	82562GT	DECAL,SYMBOL-CRUSHING HAZARD.....	2
9	82571GT	DECAL,LABEL,WHEEL LOAD 19XX.... (CE models)	2
10	114337GT	DECAL,SYM-TIP-OVER,LIM SWITCH....	1
11	114361GT	DECAL,LABEL-TRANSPORT DIGRAM.....	2
12	114370GT	DECAL-SYM-TIP-OVR,BATTRIES.....	1
13	114372GT	DECAL SYMBOL TIP OVER TRAYS.....	1

120.1 Decals with Symbols, GS-1930 Ground Control Side, ANSI & CE

Ground Controls Side

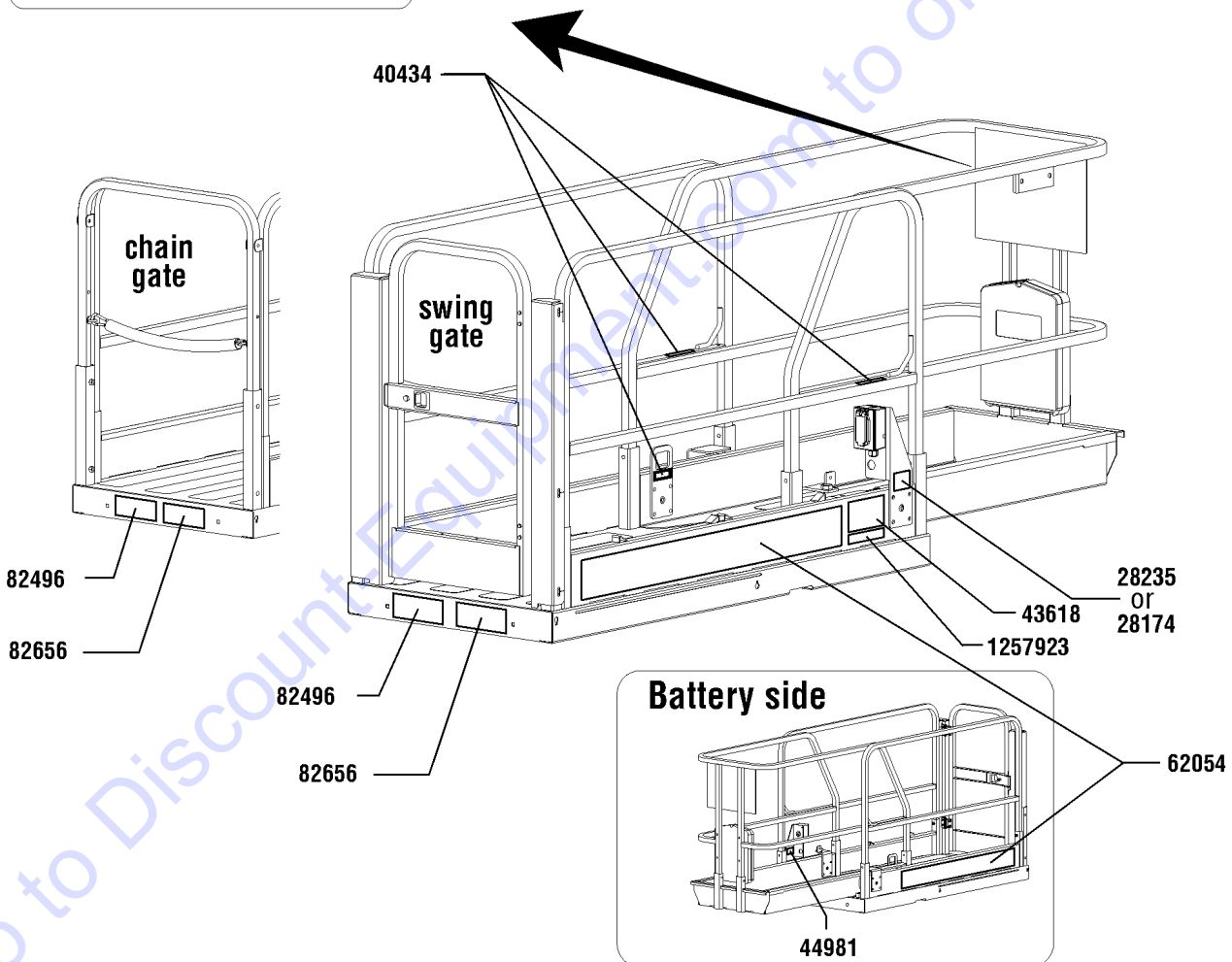
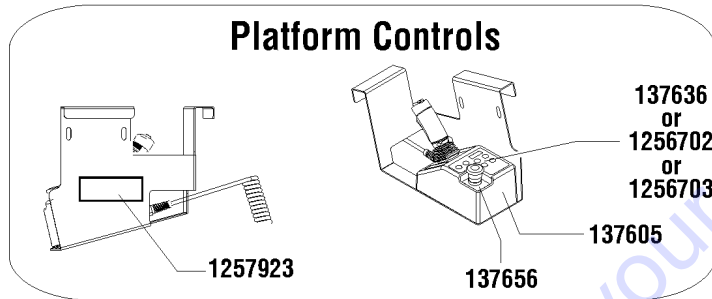
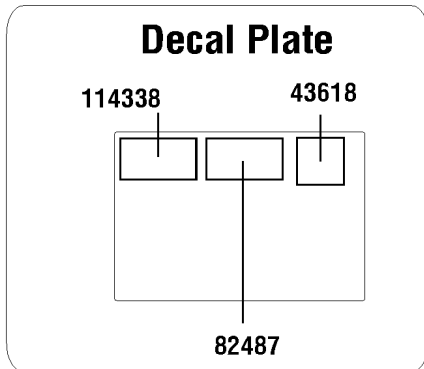


120.1 Decals with Symbols, GS-1930 Ground Control Side, ANSI & CE

Item	Part No.	Description	Qty.
--		REF. GS-1930 Symbol Decal Kits (refer to 119.1)	
1	28174GT	DECAL, POWER TO PLATFORM 230V**.....1	1
2	28235GT	DECAL,POWER TO PLATFORM 115V...1	1
3	43658GT	DECAL,LABEL,PWR TO CHARGR 230V.....1	1
4	44980GT	DECAL,LABEL,PWR TO CHARGR 115V.....1	1
5	44981GT	DECAL,LABEL, AIR LINE 110 PSI.....1	1
6	52475GT	DECAL,LABEL,TRANSPORT TIEDOWN*.....2	2
7	72086GT	DECAL,LABEL,LIFTING EYE.....1	1
8	72143GT	DECAL,EMERGENCY STOP,GR.....1	1
9	82473GT	DECAL,SYMBOL-COMP ACCESS.....1	1
10	82474GT	DECAL,SYMBOL-USE SAFETY ARM...1	1
11	82476GT	DECAL,SYMBOL-ELEC HAZARD,GS....1	1
12	82482GT	DECAL,LABEL,AUX LOWERING.....1	1
13	82486GT	DECAL,LABEL,WHEEL LOAD 1930.....2 (ANSI Models)	2
14	82487GT	DECAL, SYMBOL - READ THE MANUAL.....1	1
15	82560GT	DECAL,SYMBOL-SKIN INJECT HAZRD.....1	1
16	82562GT	DECAL,SYMBOL-CRUSHING HAZARD.....2	2
17	82571GT	DECAL,LABEL,WHEEL LOAD 19XX....2 (CE Models)	2
18	97719GT	DECAL, LABEL, SAFETY ARM SYMB...1	1
19	114334GT	DECAL,SYM-ELEC HAZARD,PLUG.....1	1
20	114372GT	DECAL SYMBOL TIP OVER TRAYS.....1	1
21	T112804GT	DECAL,GCON PANEL,GS.....1	1

121.1 Decals with Symbols, GS-1930 Platform ANSI

Platform, ANSI models



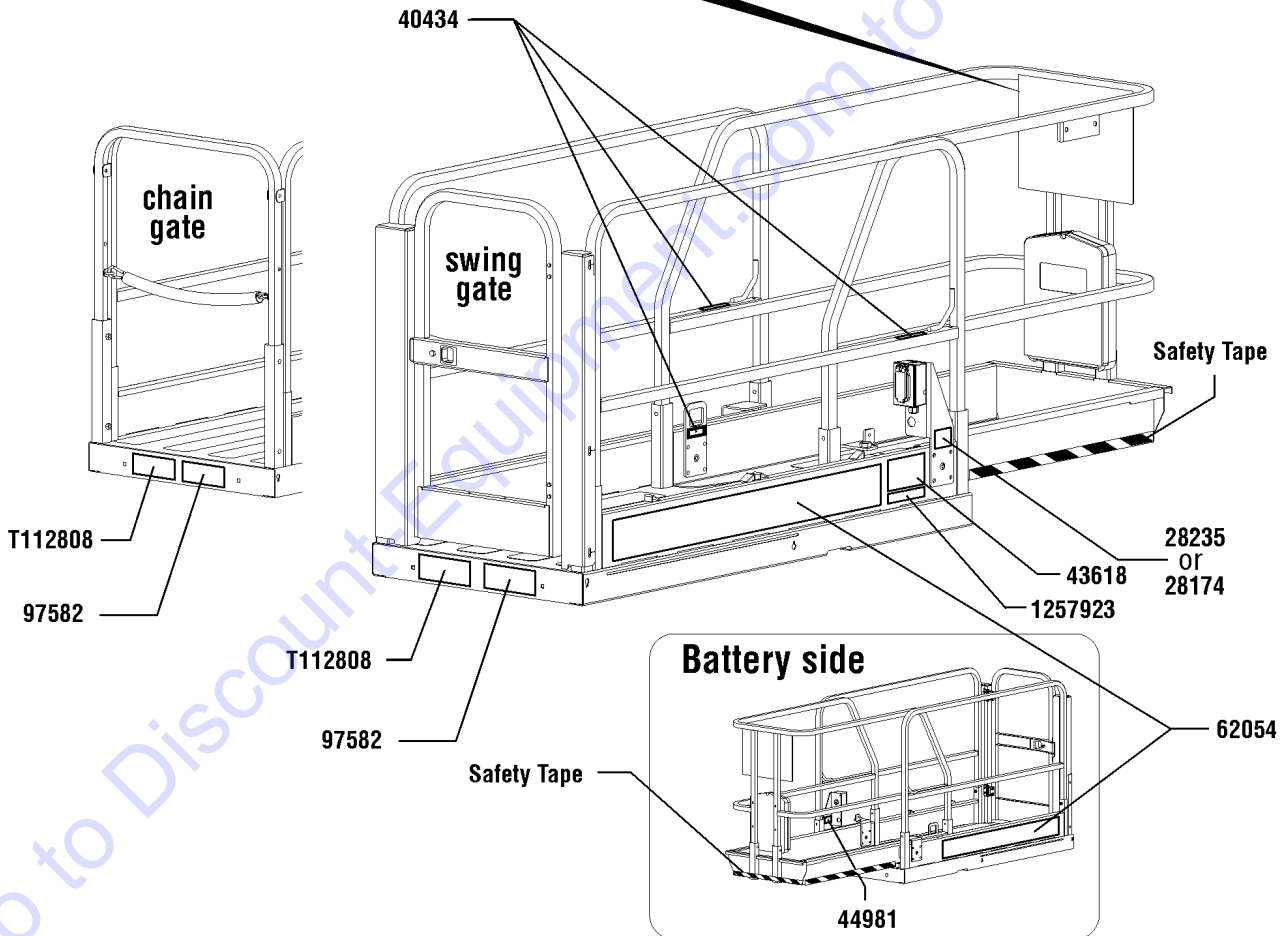
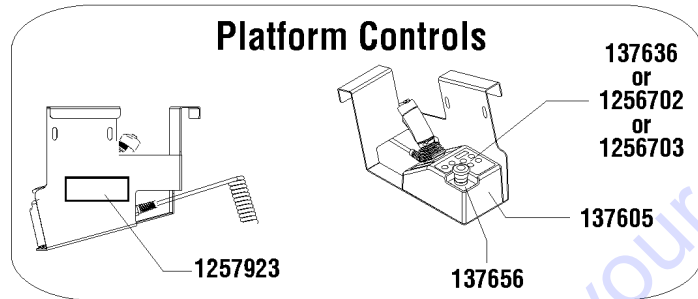
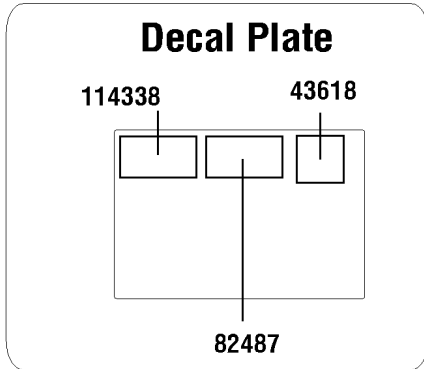
121.1 Decals with Symbols, GS-1930 Platform ANSI

Item	Part No.	Description	Qty.
--		REF. GS-1930 Symbol Decal Kits <i>(refer to 119.1)</i>	
1	28174GT	DECAL, POWER TO PLATFORM 230V**.....1	1
2	28235GT	DECAL,POWER TO PLATFORM 115V...1	1
3	40434GT	DECAL,LANYARD ANCHORAGE POINT.....3	3
4	43618GT	DECAL, LABEL - DIRECTION ARROWS.....2	2
5	44981GT	DECAL,LABEL, AIR LINE 110 PSI.....1	1
6	62054GT	DECAL,COSMETIC,GENIE GS-1930**...2	2
7	82487GT	DECAL, SYMBOL - READ THE MANUAL.....1	1
8	82496GT	DECAL,SYM-MAXCAP 500.....1	1
9	82656GT	DECAL,SYM-SIDE FORCE 445N.....1	1
10	114338GT	DECAL,SYM-TIP-OVER,TILT ALARM....1	1
11	137605GT	DECAL,E-STOP,GR/GRC/GS PCON....1	1
12	137636GT	DECAL, UI, GR/GRC/GS PCON.....1 <i>(models with 6 button, 2 speed controller to SN GS3014A-134999 and to SN GS3014C-16999)</i>	1
13	137656GT	DECAL,PROPEL,GR/GRC/GS,PCON....1	1
14	1256702GT	DECAL, UI, GS/GR, PROP LIFT.....1 <i>(models with 4 button, proportional controller)</i>	1
15	1256703GT	DECAL, STD, PROP LIFT, UI, SVC.....1 <i>(units converted from 6 button, 2 speed lift to 4 button, proportional controller)</i>	1
16	1257923GT	DECAL, SMARTLINK PROPORTIONAL.....2 <i>(models with 4 button, proportional controller, and units converted from 6 button, 2 speed lift to 4 button, proportional controller)</i>	2

Go to DiscountEquipment.com to order your parts

122.1 Decals with Symbols, GS-1930 Platform CE

Platform, CE models



122.1 Decals with Symbols, GS-1930 Platform CE

Item	Part No.	Description	Qty.
--		REF. GS-1930 Symbol Decal Kits (refer to 119.1)	
1	28174GT	DECAL, POWER TO PLATFORM 230V**.....1	1
2	28235GT	DECAL,POWER TO PLATFORM 115V...1	1
3	40434GT	DECAL,LANYARD ANCHORAGE POINT.....3	3
4	43618GT	DECAL, LABEL - DIRECTION ARROWS.....2	2
5	44981GT	DECAL,LABEL, AIR LINE 110 PSI.....1	1
6	62054GT	DECAL,COSMETIC,GENIE GS-1930**...2	2
7	82487GT	DECAL, SYMBOL - READ THE MANUAL.....1	1
8	97582GT	DECAL,SYM-SIDEFORCE 400N ID.....1	1
9	114338GT	DECAL,SYM-TIP-OVER,TILT ALARM.....1	1
10	137605GT	DECAL,E-STOP,GR/GRC/GS PCON.....1	1
11	137636GT	DECAL, UI, GR/GRC/GS PCON.....1 (models with 6 button, 2 speed controller) to SN GS3014A-134999 and to SN GS3014C-16999	1
12	137656GT	DECAL,PROPEL,GR/GRC/GS,PCON.....1	1
13	T112808GT	DECAL,SYM MAX CAP 227 KG,CE.....1	1
14	1256702GT	DECAL, UI, GS/GR, PROP LIFT (models with 4 button, proportional controller)	1
15	1256703GT	DECAL, STD, PROP LIFT, UI, SVC.....1 (units converted from 6 button, 2 speed lift to 4 button, proportional controller)	1
16	1257923GT	DECAL, SMARTLINK PROPORTIONAL.....2 (models with 4 button, proportional controller, and units converted from 6 button, 2 speed lift to 4 button, proportional controller)	2

PARTS FINDER

**Search Website
by Part Number**



**Search Manual
Library For Parts
Manual & Lookup Part
Numbers – Purchase
or Request Quote**

Search Manuals

Enter your information to help us find the right parts manual for your machine.

* Brand:

* Model:

* Serial:

* Part Number:

SEARCH

**Can't Find Part or
Manual? Request Help
by Manufacturer,
Model & Description**

Parts Order Form

Please fill in the following information to help us find the right part for your machine.

Manufacturer:	<input type="text"/>
Model:	<input type="text"/>
Description:	<input type="text"/>
Part Number:	<input type="text"/>
Quantity:	<input type="text"/>
Notes:	<input type="text"/>

Submit

Discount-Equipment.com is your online resource for quality parts & equipment.

Florida: **561-964-4949** Outside Florida TOLL FREE: **877-690-3101**

Need parts?

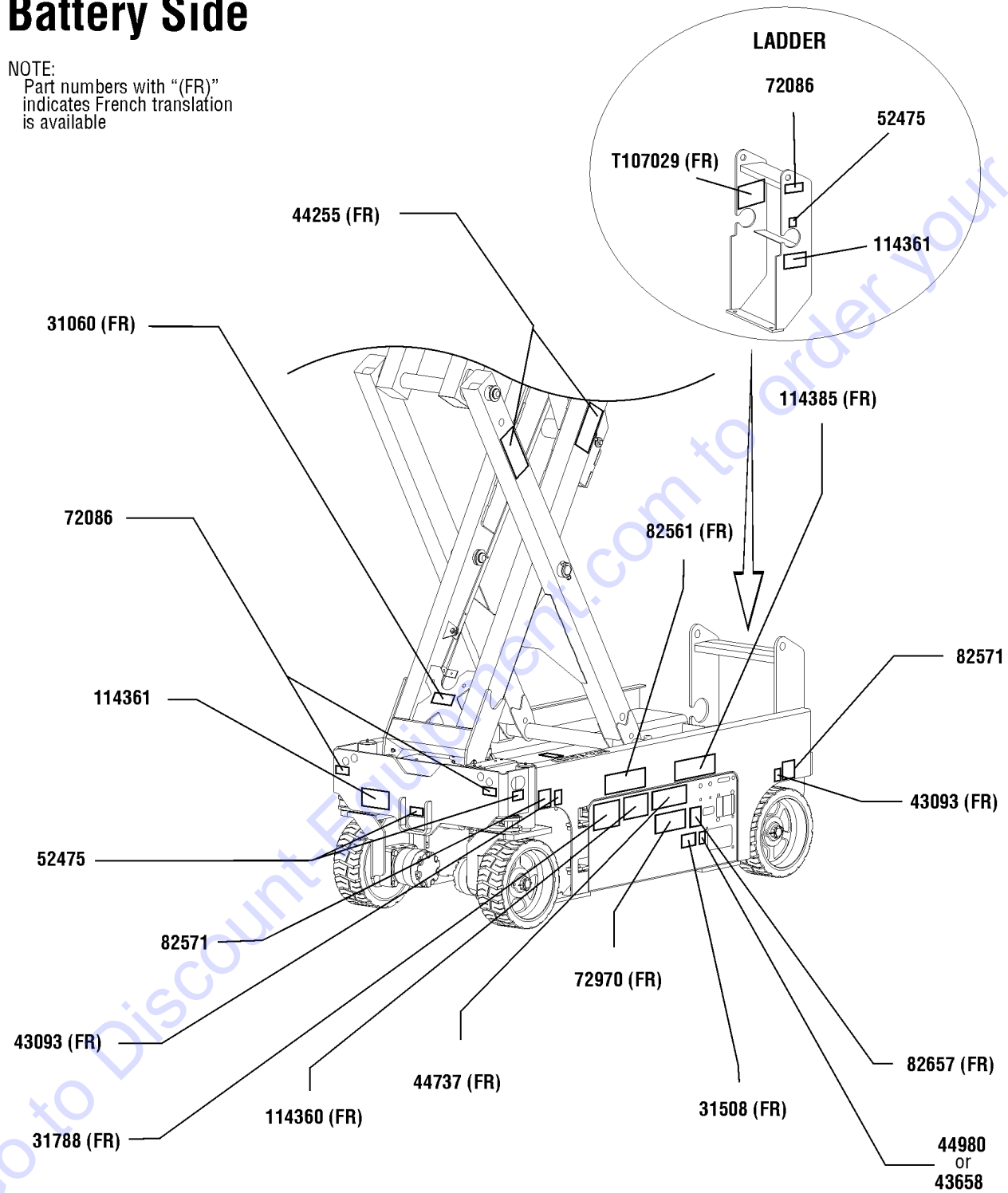
Click on this link: <http://www.discount-equipment.com/category/5443-parts/> and choose one of the options to help get the right parts and equipment you are looking for. Please have the machine model and serial number available in order to help us get you the correct parts. If you don't find the part on the website or on one of the online manuals, please fill out the request form and one of our experienced staff members will get back to you with a quote for the right part that your machine needs.

We sell worldwide for the brands: Genie, Terex, JLG, MultiQuip, Mikasa, Essick, Whiteman, Mayco, Toro Stone, Diamond Products, Generac Magnum, Airman, Haulotte, Barreto, Power Blanket, Nifty Lift, Atlas Copco, Chicago Pneumatic, Allmand, Miller Curber, Skyjack, Lull, Skytrak, Tsurumi, Husquvarna Target, Stow, Wacker, Sakai, Mi-T-M, Sullair, Basic, Dynapac, MBW, Weber, Bartell, Bennar Newman, Haulotte, Ditch Runner, Menegotti, Morrison, Contec, Buddy, Crown, Edco, Wyco, Bomag, Laymor, EZ Trench, Bil-Jax, F.S. Curtis, Gehl Pavers, Heli, Honda, ICS/PowerGrit, IHI, Partner, Imer, Clipper, MMD, Koshin, Rice, CH&E, General Equipment, Amida, Coleman, NAC, Gradall, Square Shooter, Kent, Stanley, Tamco, Toku, Hatz, Kohler, Robin, Wisconsin, Northrock, Oztec, Toker TK, Rol-Air, APT, Wylie, Ingersoll Rand / Doosan, Innovatech, Con X, Ammann, Mecalac, Makinex, Smith Surface Prep, Small Line, Wanco, Yanmar

123.1 Decals with Words, GS-1932 Battery Side, Australia

Battery Side

NOTE:
Part numbers with "(FR)"
indicates French translation
is available



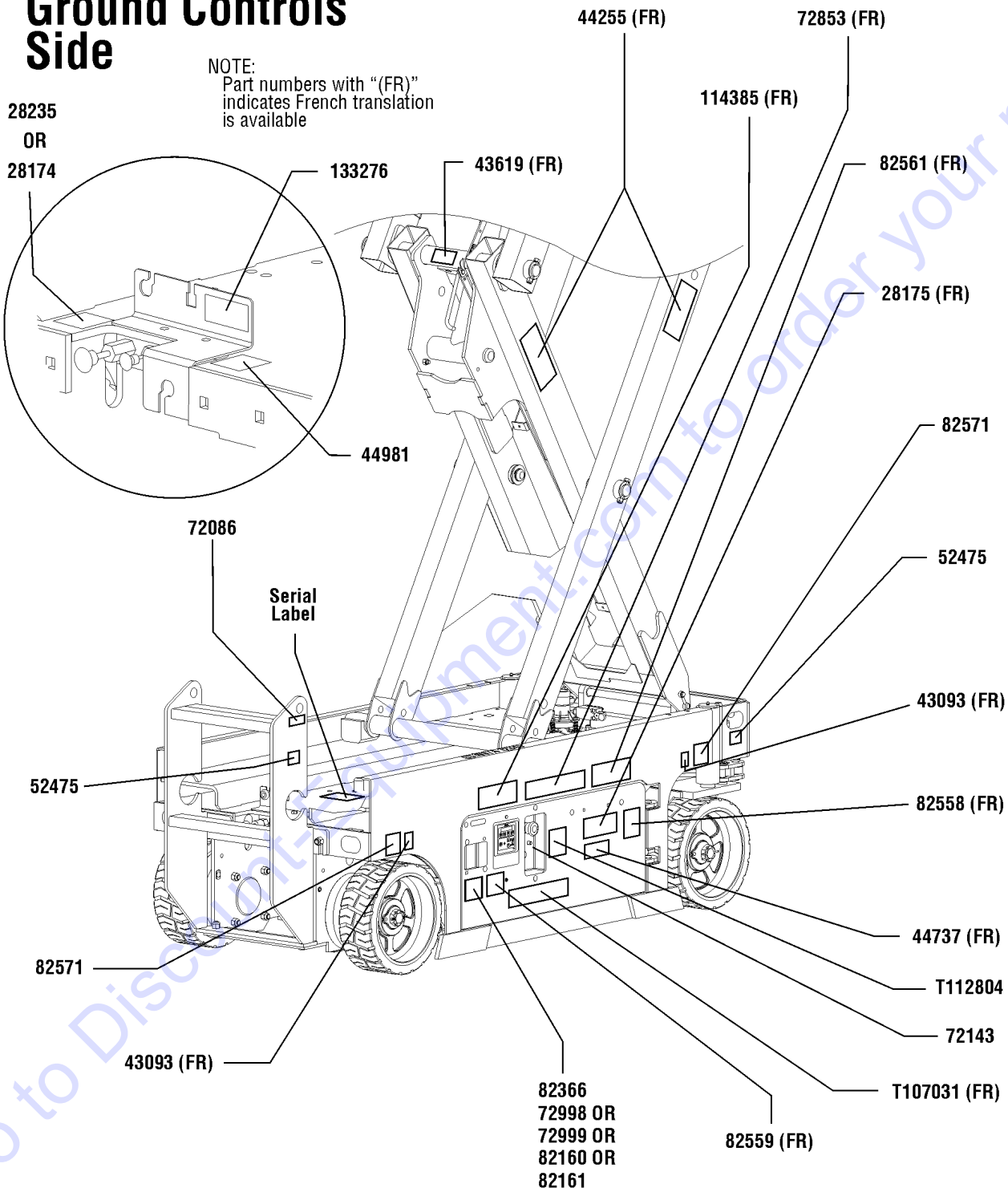
123.1 Decals with Words, GS-1932 Battery Side, Australia

Item	Part No.	Description	Qty.
--	232066GT	DECAL KIT,1932 PLAT.,WRD,AUST (Australia models with 2 speed controller) to SN GS3014A-134999 and to SN GS3014C-16999	
--	232067GT	DECAL KIT,1932 COMP.,WRD,AUST (Australia models with 2 speed controller) to SN GS3014A-134999 and to SN GS3014C-16999	
1	44255GT	DECAL,DANGER,CRUSHING HAZARD.....	2
2	31060GT	DECAL,DANGER DO NOT ALTER SWTC.....	1
3	31508GT	DECAL,DANGER,ELECT HAZARD,PLUG..... (Australia models)	1
4	31788GT	DECAL,DANGER,BATTERY SAFETY***.....	1
5	43093GT	DECAL,LABEL,TIRE SPECS.....	2
6	43658GT	DECAL,LABEL,PWR TO CHARGR 230V..... (Australia models)	1
7	44737GT	DECAL DANGER TIP OVER TRAYS.....	1
8	44980GT	DECAL,LABEL,PWR TO CHARGR 115V..... (Australia models)	1
9	52475GT	DECAL,LABEL,TRANSPORT TIEDOWN*.....	3
10	72086GT	DECAL,LABEL,LIFTING EYE.....	4
11	72970GT	DECAL,INSTRUCTIONS-CHARGER OP.....	1
12	82561GT	DECAL,DANGER-USE SAFETY ARM....	1
13	82571GT	DECAL,LABEL,WHEEL LOAD 19XX.... (Australia models)	4
14	82657GT	DECAL,INSTRUCT,BATTERY CONNECT.....	1
15	114360GT	DECAL,DANGER-TIP-OVER,BATT.....	1
16	114361GT	DECAL,LABEL-TRANSPORT DIGRAM.....	2
17	114385GT	DECAL,DANGER,ELEC HAZARD,GS....	1
18	T107029GT	DECAL,DANGER,BRAKE REL SAFETY.....	1

124.1 Decals with Words, GS-1932 Ground Controls Side, Australia

Ground Controls Side

NOTE:
Part numbers with "(FR)" indicates French translation is available

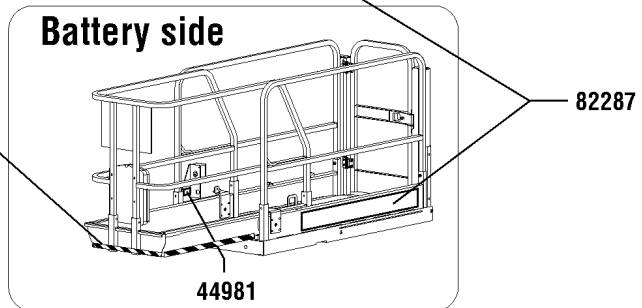
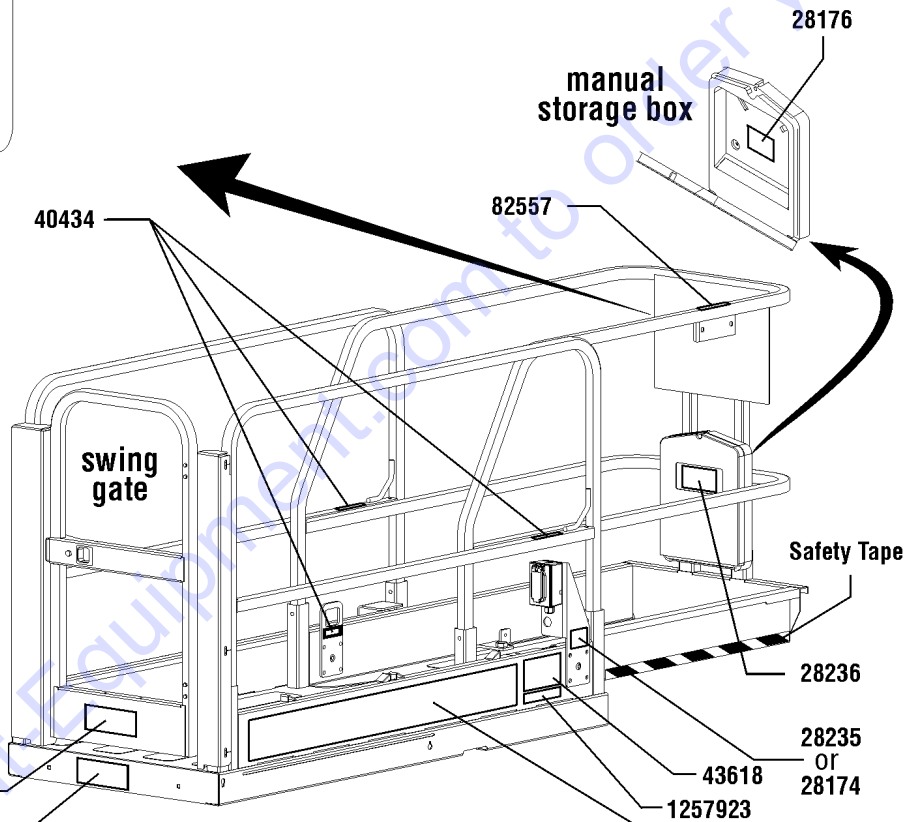
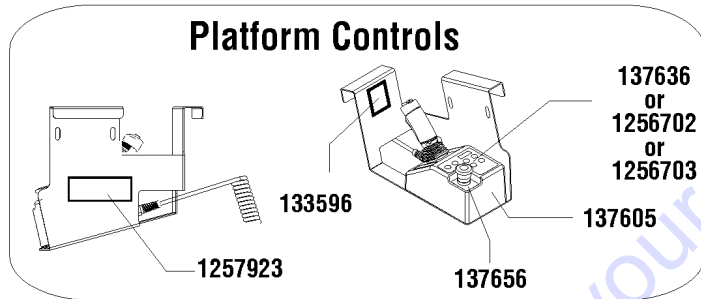
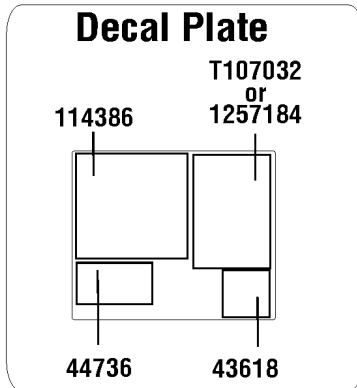


124.1 Decals with Words, GS-1932 Ground Controls Side, Australia

Item	Part No.	Description	Qty.
--		REF. GS-1932 Word Decal Kits (refer to 123.1)	
1	28174GT	DECAL, POWER TO PLATFORM 230V**.....1	1
2	28175GT	DECAL,WARNING-COMPART ACCESS.....1	1
3	28235GT	DECAL,POWER TO PLATFORM 115V...1	1
4	43093GT	DECAL,LABEL,TIRE SPECS.....2	2
5	43619GT	DECAL,LABEL,SAFETY ARM.....1	1
6	44255GT	DECAL,DANGER,CRUSHING HAZARD.....2	2
7	44737GT	DECAL DANGER TIP OVER TRAYS.....1	1
8	44981GT	DECAL,LABEL, AIR LINE 110 PSI.....1 (option)	1
9	52475GT	DECAL,LABEL,TRANSPORT TIEDOWN*.....2	2
10	72086GT	DECAL,LABEL,LIFTING EYE.....1	1
11	72143GT	DECAL,EMERGENCY STOP,GR.....1	1
12	72853GT	DECAL,DANGER,IMPROPER USE HAZ.....1	1
13	72998GT	DECAL,LABEL,QUINTOLUBRIK.....1 (models with Quintolub hydraulic oil)	1
14	72999GT	DECAL,LABEL,PETRO CANADA***.....1 (models with Petro Canada hydraulic oil)	1
15	82160GT	DECAL,LABEL,STATOIL HYDRA WAY1 (models with Statoil hydraulic oil)	1
16	82161GT	DECAL,LABEL,UCON HYDROLUBE.....1 (models with UConn Hydrolube hydraulic oil)	1
17	82366GT	DECAL,CHEVRON RANDO HD.....1 (models with Chevron Random hydraulic oil)	1
18	82558GT	DECAL,WARN,SKIN INJECTION HAZ*.....1	1
19	82559GT	DECAL,INSTRUCT-ANNUAL INSP REQ.....1	1
20	82561GT	DECAL,DANGER-USE SAFETY ARM....1	1
21	82571GT	DECAL,LABEL,WHEEL LOAD 19XX....4 (Australia models)	4
22	114385GT	DECAL,DANGER,ELEC HAZARD,GS....1	1
23	133276GT	DECAL,EMERGENCY LOWERING.....1	1
24	T107031GT	DECAL,OP INST,GCON.....1	1
25	T112804GT	DECAL,GCON PANEL,GS.....1	1

125.1 Decals with Words, GS-1932 Platform, Australia

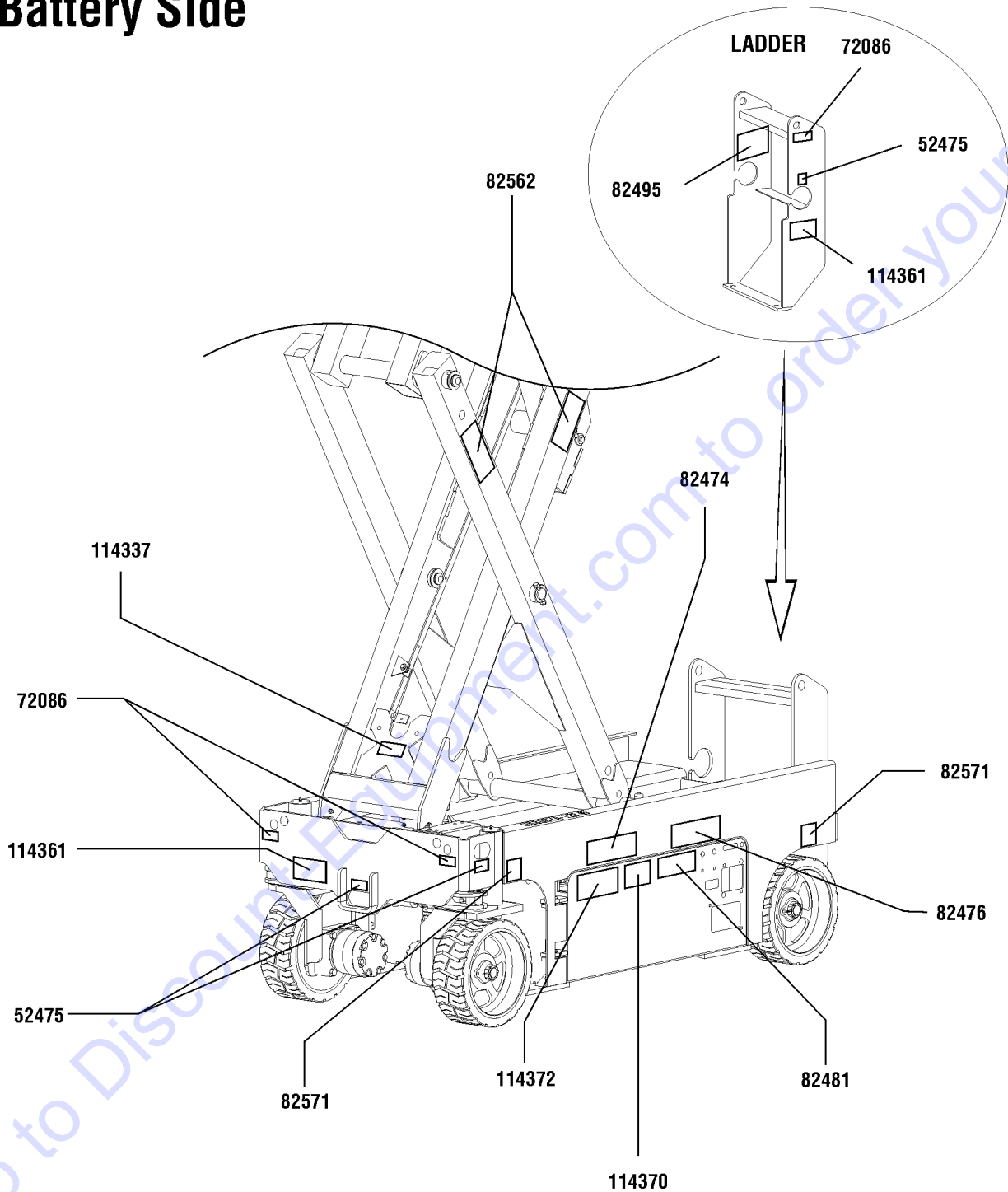
Platform, Australia Models



125.1 Decals with Words, GS-1932 Platform, Australia

Item	Part No.	Description	Qty.
--		REF. GS-1932 Word Decal Kits (refer to 123.1)	
1	28174GT	DECAL, POWER TO PLATFORM 230V**.....1	1
2	28176GT	DECAL,LABEL,MANUAL NOT HERE.....1	1
3	28235GT	DECAL,POWER TO PLATFORM 115V...1	1
4	28236GT	DECAL,WARN,IMPROPER OPERATION.....1	1
5	40434GT	DECAL,LANYARD ANCHORAGE POINT.....3	3
6	43618GT	DECAL, LABEL - DIRECTION ARROWS.....2	2
7	44736GT	DECAL,DANGER,TIP-OVER,TILT.....1	1
8	44981GT	DECAL,LABEL, AIR LINE 110 PSI.....1	1
9	82287GT	DECAL,COSMETIC,GENIE GS-1932....2	2
10	82557GT	DECAL,LABEL,PLAT CONT LOCATION.....1	1
11	82566GT	DECAL,INSTR-MANUAL FRC,AUS.....1	1
12	114386GT	DECAL,DANGER-GEN SAFETY.....1	1
13	133596GT	DECAL,LABEL,FAULT CODES.....1	1
14	137605GT	DECAL,E-STOP,GR/GRC/GS PCON....1	1
15	137636GT	DECAL, UI, GR/GRC/GS PCON.....1 (models with 6 button, 2 speed controller) to SN GS3014A-134999 and to SN GS3014C-16999	1
16	137656GT	DECAL,PROPEL,GR/GRC/GS,PCON....1	1
17	T107032GT	DECAL,OP INST,PCON,GS-30,AUS....1 (models with 6 button, 2 speed controller) to SN GS3014A-134999 and to SN GS3014C-16999	1
18	82563GT	DECAL,INSTR-MAX CAP 500 LBS.....1	1
19	1256702GT	DECAL, UI, GS/GR, PROP LIFT.....1 (models with 4 button, proportional controller)	1
20	1256703GT	DECAL, STD, PROP LIFT, UI, SVC.....1 (units converted from 6 button, 2 speed lift to 4 button, proportional controller)	1
21	1257184GT	DECAL, OP INST, PLAT, GS30, AUS....1 (models with 4 button, proportional controller)	1
22	1257923GT	DECAL, SMARTLINK PROPORTIONAL.....2 (models with 4 button, proportional controller, and units converted from 6 button, 2 speed lift to 4 button, proportional controller)	2

Battery Side

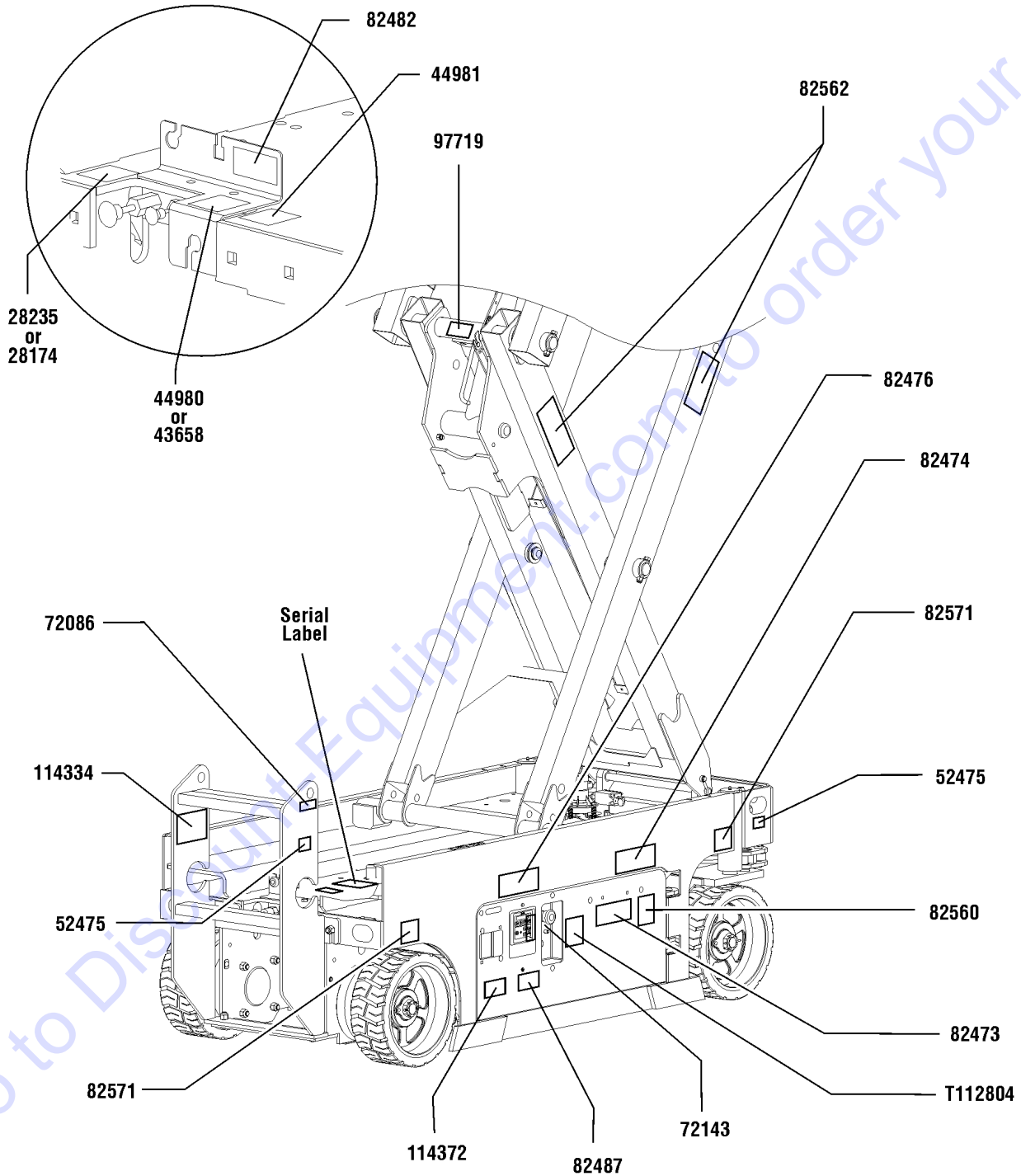


126.1 Decals with Symbols, GS-1932 Battery Side, CE

Item	Part No.	Description	Qty.
--	232074GT	DECAL KIT,1932 PLAT.,SYM,CE (CE models with 2 speed controller) to SN GS3014A-134999 and to SN GS3014C-16999	
--	232075GT	DECAL KIT,1932 COMP.,SYM,CE (CE models with 2 speed controller) to SN GS3014A-134999 and to SN GS3014C-16999	
1	52475GT	DECAL,LABEL,TRANSPORT TIEDOWN*.....	3
2	72086GT	DECAL,LABEL,LIFTING EYE.....	3
3	82474GT	DECAL,SYMBOL-USE SAFETY ARM....	1
4	82476GT	DECAL,SYMBOL-ELEC HAZARD,GS....	1
5	82481GT	DECAL,SYMBOL-BATTERY SAFETY.....	1
6	82495GT	DECAL,SYMBOL-BRAKE REL SAFETY.....	1
7	82562GT	DECAL,SYMBOL-CRUSHING HAZARD.....	2
8	82571GT	DECAL,LABEL,WHEEL LOAD 19XX.... (CE models)	2
9	114337GT	DECAL,SYM-TIP-OVER,LIM SWITCH....	1
10	114361GT	DECAL,LABEL-TRANSPORT DIGRAM.....	1
11	114370GT	DECAL-SYM-TIP-OVR,BATTRIES.....	1
12	114372GT	DECAL SYMBOL TIP OVER TRAYS.....	1

127.1 Decals with Symbols, GS-1932 Ground Control Side, CE

Ground Controls Side

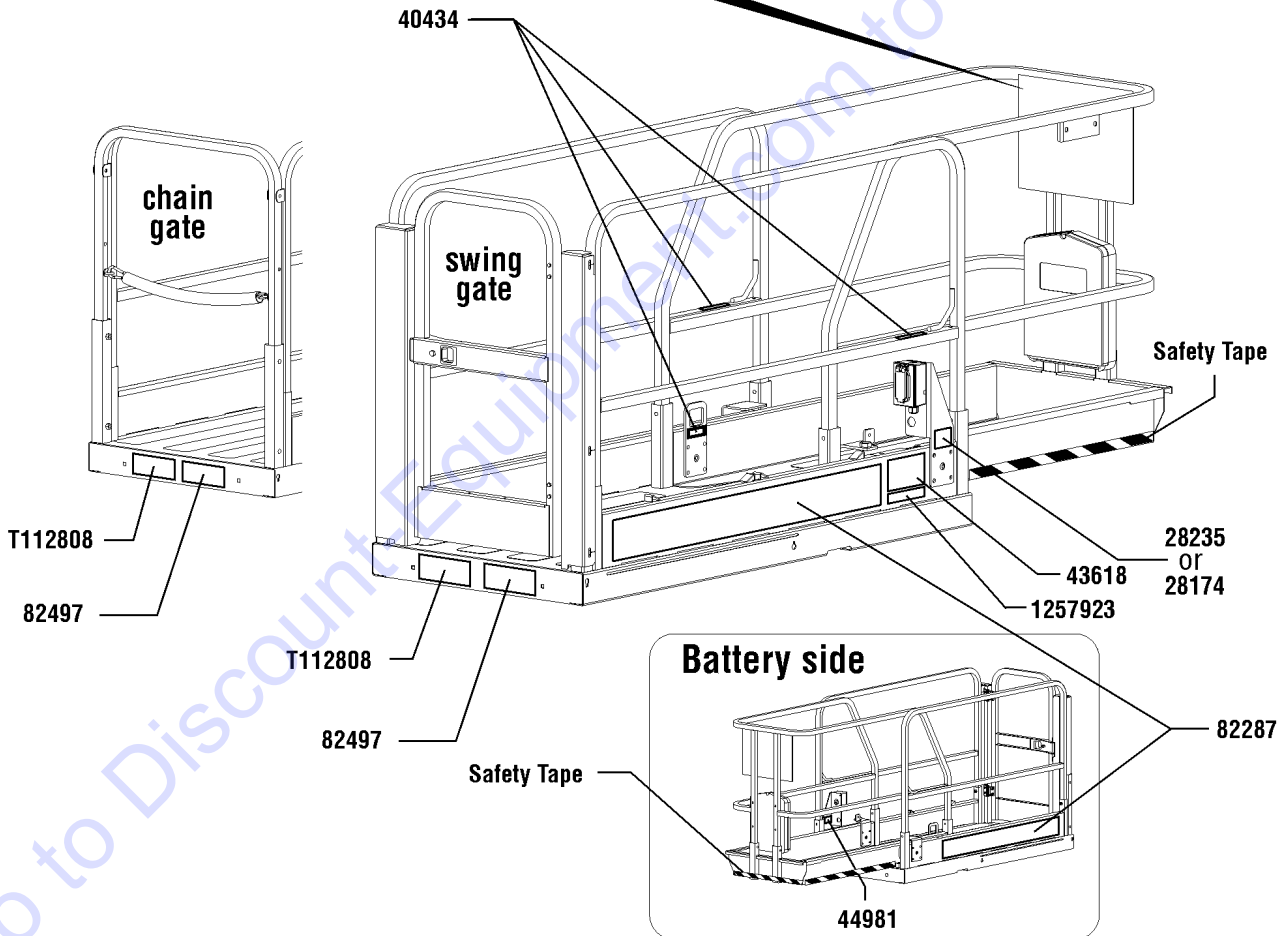
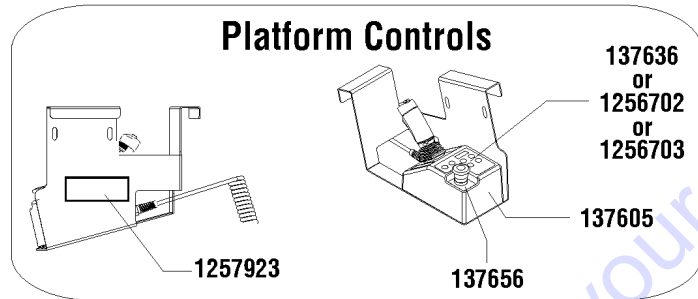
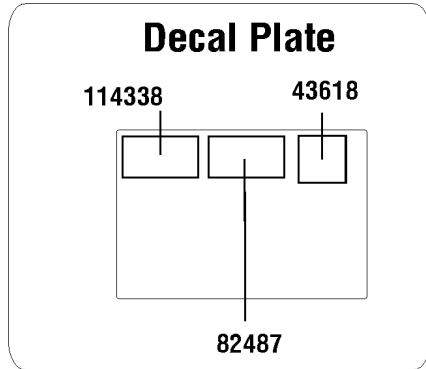


127.1 Decals with Symbols, GS-1932 Ground Control Side, CE

Item	Part No.	Description	Qty.
--		REF. GS-1932 Symbol Decal Kits (refer to 126.1)	
1	28174GT	DECAL, POWER TO PLATFORM 230V**.....1	1
2	28235GT	DECAL,POWER TO PLATFORM 115V...1	1
3	43658GT	DECAL,LABEL,PWR TO CHARGR 230V.....1	1
4	44980GT	DECAL,LABEL,PWR TO CHARGR 115V.....1	1
5	44981GT	DECAL,LABEL, AIR LINE 110 PSI.....1	1
6	52475GT	DECAL,LABEL, TRANSPORT TIEDOWN*.....2	2
7	72086GT	DECAL,LABEL,LIFTING EYE.....1	1
8	72143GT	DECAL,EMERGENCY STOP,GR.....1	1
9	82473GT	DECAL,SYMBOL-COMP ACCESS.....1	1
10	82474GT	DECAL,SYMBOL-USE SAFETY ARM....1	1
11	82476GT	DECAL,SYMBOL-ELEC HAZARD,GS....1	1
12	82482GT	DECAL,LABEL,AUX LOWERING.....1	1
13	82487GT	DECAL, SYMBOL - READ THE MANUAL.....1	1
14	82560GT	DECAL,SYMBOL-SKIN INJECT HAZRD.....1	1
15	82562GT	DECAL,SYMBOL-CRUSHING HAZARD.....2	2
16	82571GT	DECAL,LABEL,WHEEL LOAD 19XX....2 (CE models)	2
17	97719GT	DECAL, LABEL, SAFETY ARM SYMB....1	1
18	114334GT	DECAL,SYM-ELEC HAZARD,PLUG.....1	1
19	114372GT	DECAL SYMBOL TIP OVER TRAYS.....1	1
20	T112804GT	DECAL,GCON PANEL,GS.....1	1

128.1 Decals with Symbols, GS-1932 Platform CE

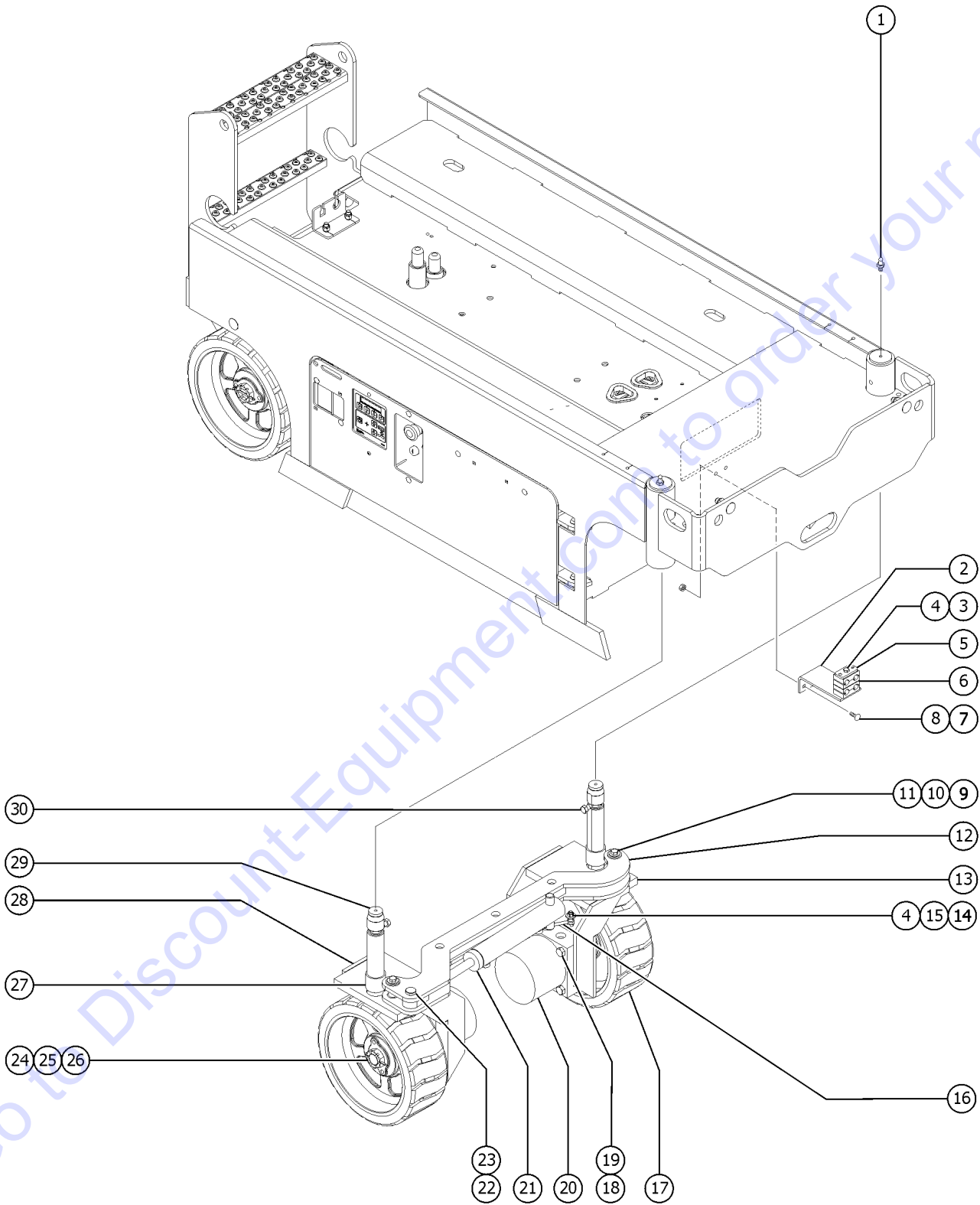
Platform, CE models



128.1 Decals with Symbols, GS-1932 Platform CE

Item	Part No.	Description	Qty.
--		REF. GS-1932 Symbol Decal Kits (refer to 126.1)	
1	28174GT	DECAL, POWER TO PLATFORM 230V**.....1	1
2	28235GT	DECAL,POWER TO PLATFORM 115V...1	1
3	40434GT	DECAL,LANYARD ANCHORAGE POINT.....3	3
4	43618GT	DECAL, LABEL - DIRECTION ARROWS.....2	2
5	44981GT	DECAL,LABEL, AIR LINE 110 PSI.....1	1
6	82287GT	DECAL,COSMETIC,GENIE GS-1932....2	2
7	82487GT	DECAL, SYMBOL - READ THE MANUAL.....1	1
8	82497GT	DECAL,SYM-SIDEFORCE 200400.....1	1
9	114338GT	DECAL,SYM-TIP-OVER,TILT ALARM....1	1
10	137605GT	DECAL,E-STOP,GR/GRC/GS PCON....1	1
11	137636GT	DECAL, UI, GR/GRC/GS PCON.....1 (models with 6 button, 2 speed controller) to SN GS3014A-134999 and to SN GS3014C-16999	1
12	137656GT	DECAL,PROPEL,GR/GRC/GS,PCON....1	1
13	T112808GT	DECAL,SYM MAX CAP 227 KG,CE.....2	2
14	1256702GT	DECAL, UI, GS/GR, PROP LIFT (models with 4 button, proportional controller)	
15	1256703GT	DECAL, STD, PROP LIFT, UI, SVC.....1 (units converted from 6 button, 2 speed lift to 4 button, proportional controller)	1
16	1257923GT	DECAL, SMARTLINK PROPORTIONAL.....2 (models with 4 button, proportional controller, and units converted from 6 button, 2 speed lift to 4 button, proportional controller)	2

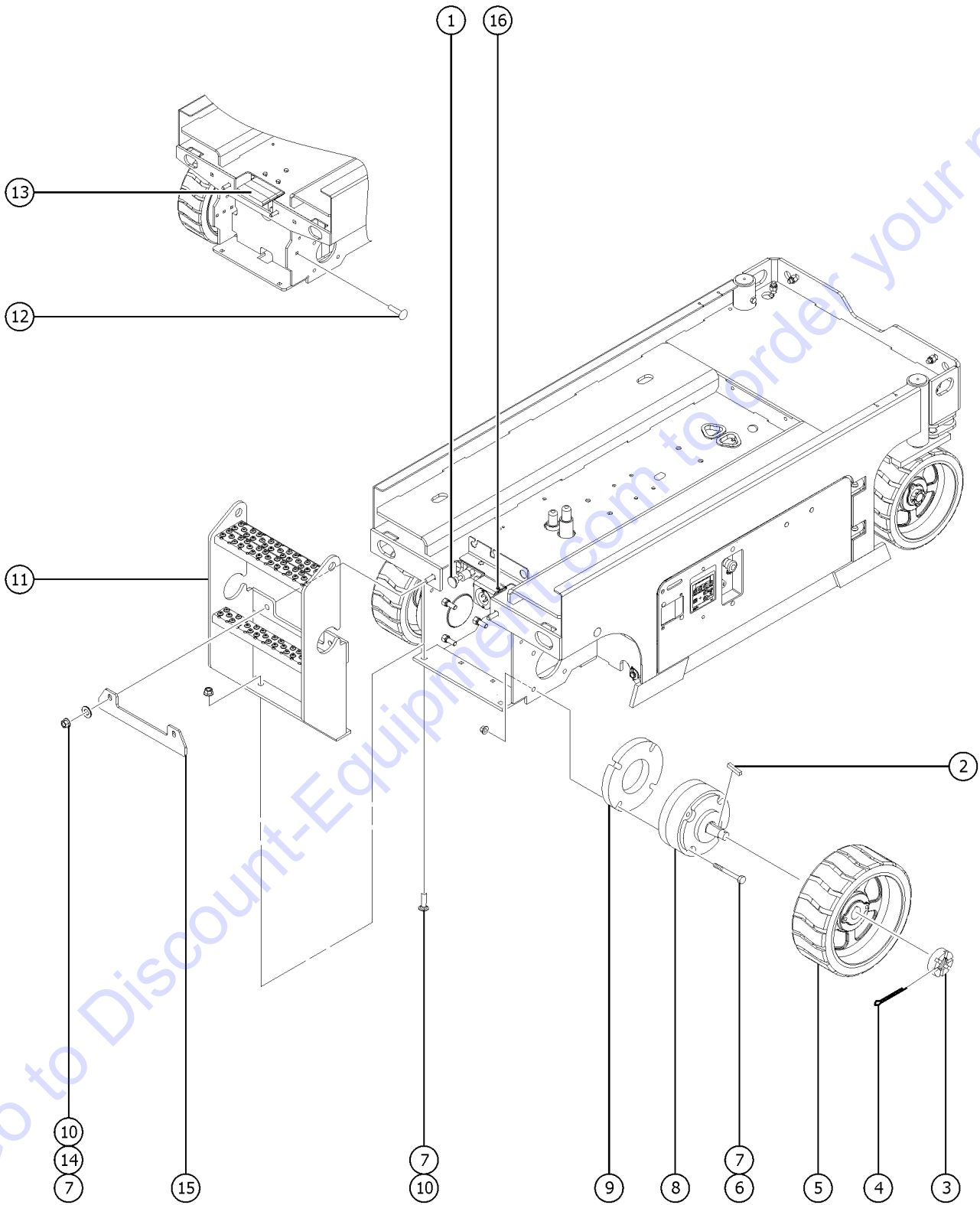
201.1 Steer Linkage and Wheels, GS-1530/1532/1930/1932



201.1 Steer Linkage and Wheels, GS-1530/1532/1930/1932

Item	Part No.	Description	Qty.
1	66770GT	FITTING,STRAIGHT DRIVE-IN ZERK....2	
2	105051GT	FORMING,HOSE CLAMP SUPPORT.....1	
3	144374GT	SCREW,HHC,1/4-20X3.25,GR8	
4	6091GT	NUT,NYLOCK,1/4-20	
5	58592GT	PLATE,HOSE ROUTG,BULKHEAD(PTD).....1 <i>ANSI/CSA models</i>	
5	96196GT	PLATE,HOSE ROUTING,BULKHEAD **1 <i>CE models</i>	
6	78736GT	CLAMP,2 HOSE,PLASTIC,5/8.....4	
7	105092GT	BOLT,CARRIAGE,3/8-16X1.25,GR5	
8	4828GT	NUT,NYLOCK,3/8-16	
9	8255GT	SCREW,HHC,3/8-16 X .75	
10	6097GT	WASHER,FLAT,USS,3/8",Y	
11	47548GT	BEARING,FL,0.75ID X 1 OD X .49.....4	
12	84571GT	TIE ROD ASSEMBLY.....1	
--	47548GT	BEARING,FL,0.75ID X 1 OD X .49.....4	
--	96074GT	WELDMENT, TIE ROD, GS30.....1 <i>(bearings not included)</i>	
13A	96068GT	WELDMENT, STR YOKE, 30 MINI LT.....1 <i>GS-1530, GS-1930 (battery side)</i>	
13B	96066GT	WELDMENT, STR YOKE, 32 MINI LT.....1 <i>GS-1532, GS-1932 (battery side)</i>	
14	6888GT	SCREW,HHC,1/4-20 X 1	
15	96258GT	PIN,STEER CYLINDER.....1	
16	45748GT	ROD END,.250 X 2.75 LG.....1	
17	1278615GT	WHEEL&TIRE ASSY.LP.12".EXMALE....2	
18	8357GT	SCREW,HHC,1/2-13 X 3.5	
19	6198GT	NUT,NYLOCK,1/2-13	
20		Ref. Drive Motor <i>(refer to 501.1)</i>	
21		Ref. Steer Cylinder <i>(refer to 501.1)</i>	
22	6545GT	PIN,CLEVIS,.75 X 2.....1	
23	21253GT	CLIP,HAIR PIN .125 X 2.....1	
24	44780GT	NUT,CASTLE,1.125-18 UNEF.....2	
25	44781GT	KEY,RECTANGULAR,.31X.28X1.25**.....2	
26	42079GT	PIN,COTTER,.156 X 2.5.....2	
27	119619GT	BEARING,1.5IDX1.75ODX1.5L,PTFE....2	
28A	96069GT	WELDMENT, STR YOKE, 30 MINI RT.....1 <i>GS-1530, GS-1930 (ground control side)</i>	
28B	96067GT	WELDMENT, STR YOKE, 32 MINI RT.....1 <i>GS-1532, GS-1932 (ground control side)</i>	
29	105565GT	WASHER,THRUST, GS.....2	
30	55917GT	SCREW, YOKE LOCK ALL SLABS	

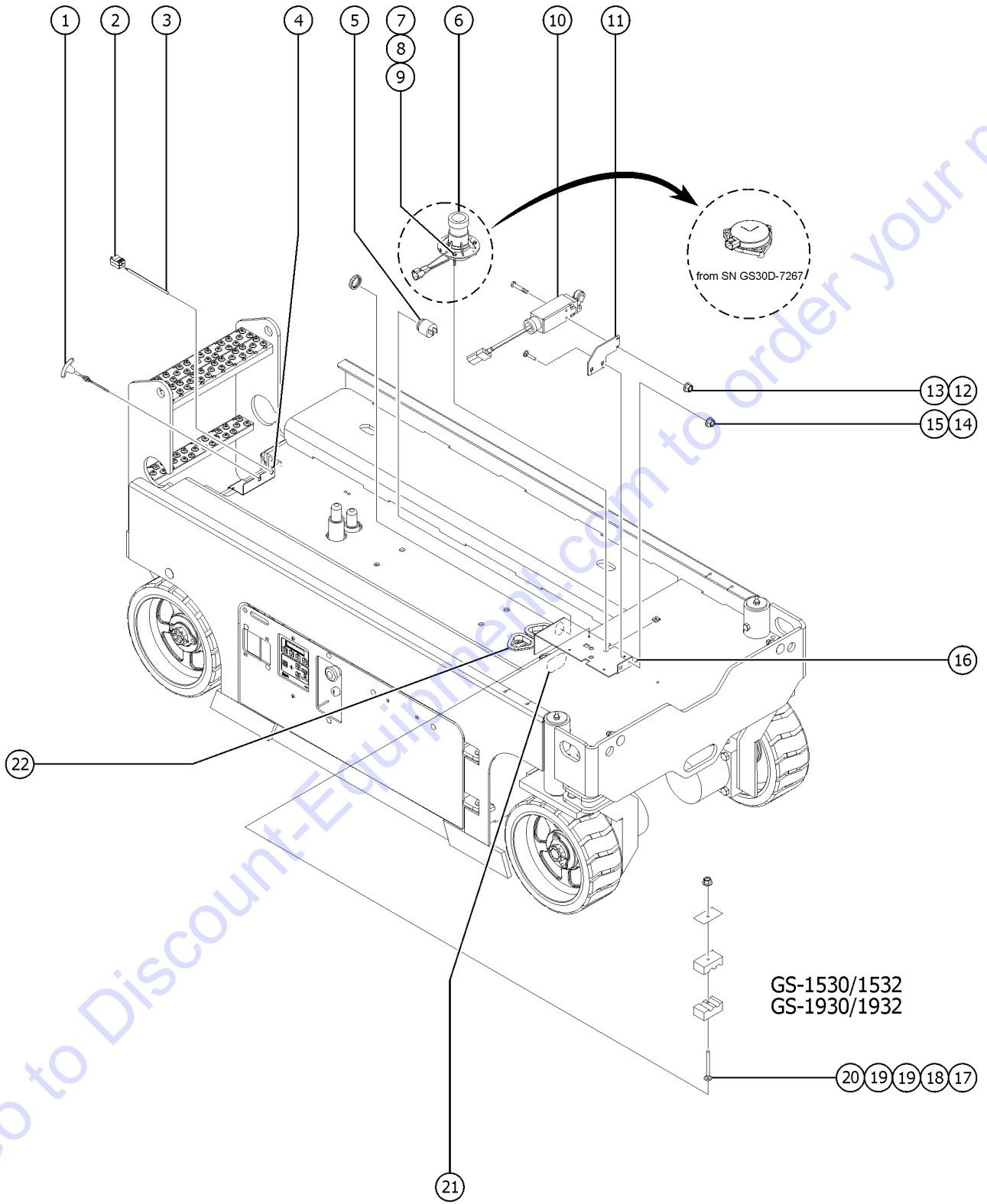
202.1 Non-steer Axle Installation, All Models



202.1 Non-steer Axle Installation, All Models

Item	Part No.	Description	Qty.
--		LADDER ASSY,GS30,WORD,ENG	
1		REF. BRAKE RELEASE MANIFOLD <i>(refer to 504.1)</i>	
2	44781GT	KEY,RECTANGULAR,.31X.28X1.25***.....2	
3	44780GT	NUT,CASTLE,1.125-18 UNEF.....2	
4	42079GT	PIN,COTTER,.156 X 2.5.....2	
5	1278615GT	WHEEL&TIRE ASSY.LP.12".EXMALE.....2	
6A	8357GT	SCREW,HHC,1/2-13 X 3.5 <i>GS-1530 & GS1930 models only</i>	
6B	78732GT	SCREW,HHC,1/2-13 X 5 GR5, PLT <i>GS-1532 & GS1932 models only</i>	
7	6086GT	NUT,LP NYLOCK,1/2-13	
8		REF. HYDRAULIC BRAKE <i>(refer to 501.1)</i>	
9	1282140GT	PLATE, BRAKE SPACER,METRIC.....2 <i>GS-1532 & GS1932 models only</i>	
10	96977GT	BOLT,CARRIAGE,1/2-13X1.50,GR5	
11A	144375GT	LADDER ASSY,GS30,WORD,ENG.....1 <i>(USA, Canada and Australia)</i>	
--	96102GT	WELDMENT,MINI LADDER <i>(decals not included, refer to section one)</i>	
11B	144379GT	LADDER ASSY,GS30,SYM.....1 <i>(Europe, Asia and South America)</i>	
--	96102GT	WELDMENT,MINI LADDER	
12A	105092GT	BOLT,CARRIAGE,3/8-16X1.25,GR5.....2 <i>GS-1530 & GS-1532 CE and Australia Indoor</i>	
--	4828GT	NUT,NYLOCK,3/8-16 <i>GS-1530 & GS-1532 CE and Australia Indoor</i>	
--	5397GT	WASHER,FLAT,USS,5/16",Y <i>GS-1530 & GS-1532 CE and Australia Indoor</i>	
12B	39429GT	SCREW,BHHS,3/8-16 X 1.75.....2 <i>GS-1930 & GS-1932 CE and Australia</i>	
13A	96465GT	WELDMENT, 1532 COUNTERWT, CE....1 <i>GS-1530 & GS-1532 CE and Australia Indoor</i>	
13B	96466GT	COUNTERWEIGHT,CAST,CE,1930/32...1 <i>GS-1930 & GS-1932 CE and Australia</i>	
14	13066GT	WASHER,FLAT,.5 HARDENED	
15	1258406GT	PLATE, COUNTERWEIGHT LOCK, METRIC <i>CE and Australia</i>	
16	1270281GT	ASSEMBLY, CHARGER STATUS LED, 2V.....1	

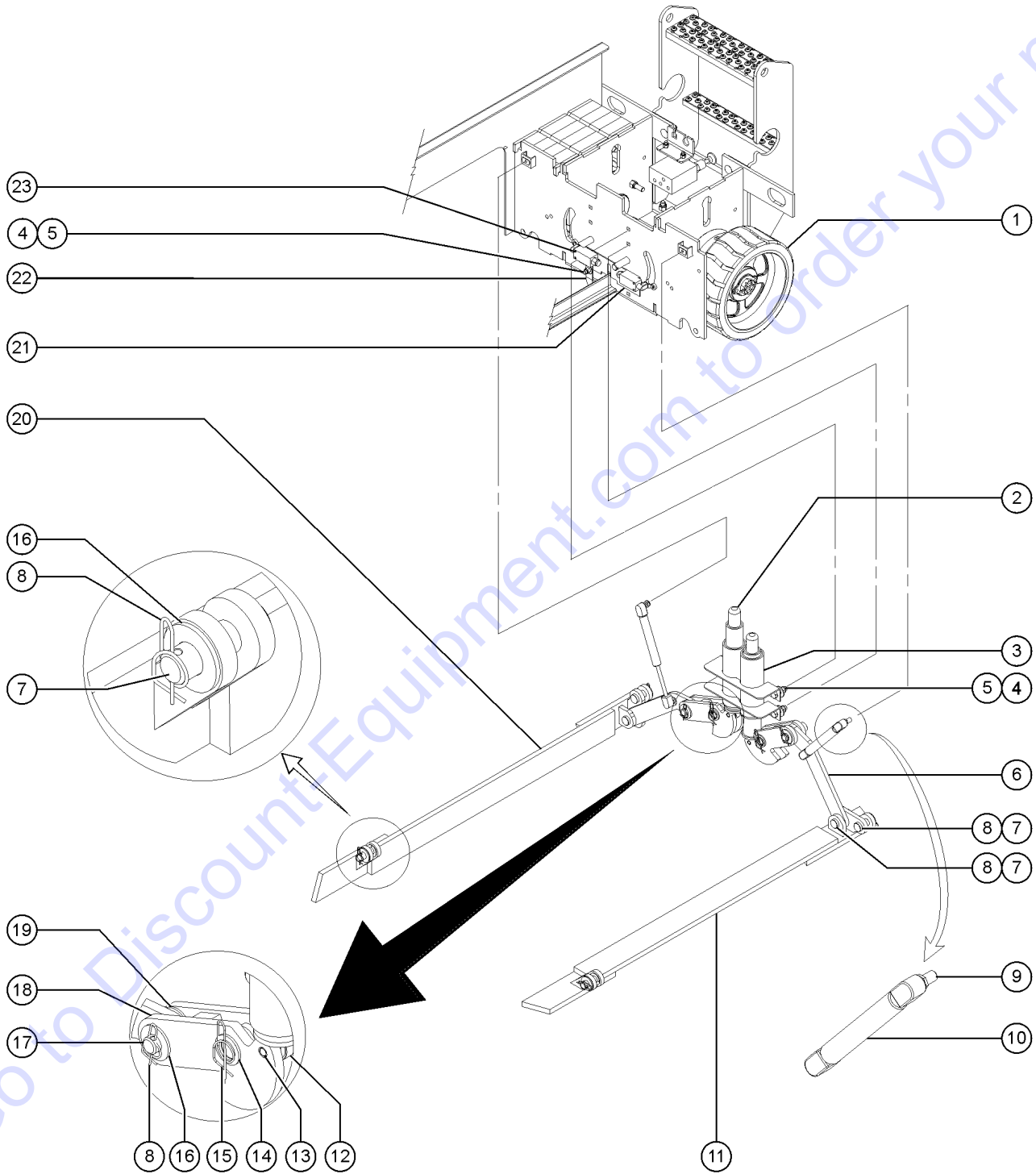
203.1 Level Sensor Installation, All Models



203.1 Level Sensor Installation, All Models

Item	Part No.	Description	Qty.
1	39232GT	CABLE,EMERGENCY DOWN.....	1
2		Ref. Electrical Plug <i>(refer to 406.1)</i>	
3		Ref. Electrical Cord <i>(refer to 406.1)</i>	
4A	144226GT	FORMING,REC.PLG BRKT.....	1
		<i>CE</i>	
4B	1282153GT	FORMING,REC.PLG BRKT,METRIC.....	1
		<i>US market</i>	
4C	1282145GT	FORMING, PLUG/LED BRACKET,METRIC.....	1
		<i>AUS market</i>	
5	39540GT	ALARM,STEADY TONE***.....	1
		<i>Does not include 72326 nut</i>	
--	72326GT	NUT - PLASTIC,RING FOR ALARMS	
6A	228406GT	ASSY,LVL SNSR W/ CONNECTOR.....	1
		<i>to SN GS30D-7266</i>	
6B	823368GT	SENSOR,LEVEL,UNIVERSAL.....	1
		<i>from SN GS30D-7267</i>	
7	6637GT	SCREW,HHC,1/4-20 X 1.75	
8	39469GT	SPRING,COMPRESSION.485 X1.75**	
9	56912GT	SPRING CLIP,1/4-20,.025-.15X.54,ZAG.....	5
10	T112507GT	ASSEMBLY, DOWN LIMIT, GS.....	1
		<i>(Includes plug)</i>	
--	19491GT	CONTACTOR,LIMIT SWITCH	
--	96948GT	SWITCH,LIMIT,W/ROLLER ARM***	
--	97128GT	ROLLER ARM,LIMIT SWITCH***	
11	96493GT	PLATE, LIMIT SWITCH MOUNT.....	1
12	6178GT	NUT,NYLOCK,10-32.....	2
13	16487GT	SCREW,RHM,10-32 X 1.5.....	2
14	6091GT	NUT,NYLOCK,1/4-20.....	2
15	6878GT	BOLT,CARRIAGE,1/4-20 X .75,G2.....	2
16	105310GT	FORMING, ALARM BRACKET,MINI.....	1
17	18504GT	NUT,LOCKING-LG.FLANGE,1/4-20.....	1
18	58592GT	PLATE,HOSE ROUTG,BULKHEAD(PTD).....	1
		<i>ANSI/CSA models</i>	
18	96196GT	PLATE,HOSE ROUTING,BULKHEAD **.....	1
		<i>CE models</i>	
19	78736GT	CLAMP,2 HOSE,PLASTIC,5/8.....	2
20	1255797GT	BOLT,CARRIAGE,1/4-20X2,5,ZAG.....	1
21	131582GT	GROMMET,RUBBER,1.50IDX.375.....	1
22	105440GT	GROMMET,RUBBER 2.5 X 3.0.....	2

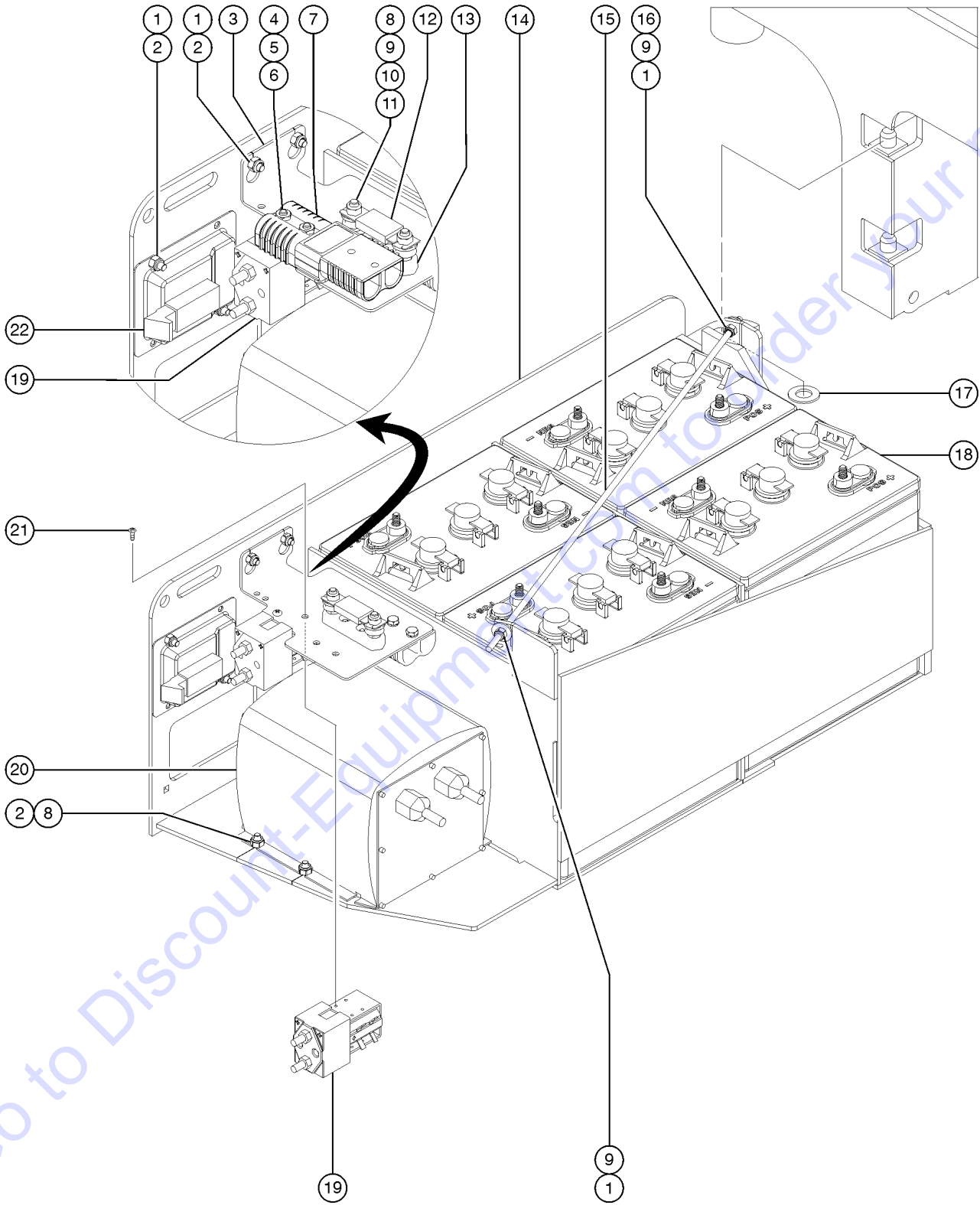
204.1 Pothole Protection Assembly, GS-1530/1532/1930/1932



204.1 Pothole Protection Assembly, GS-1530/1532/1930/1932

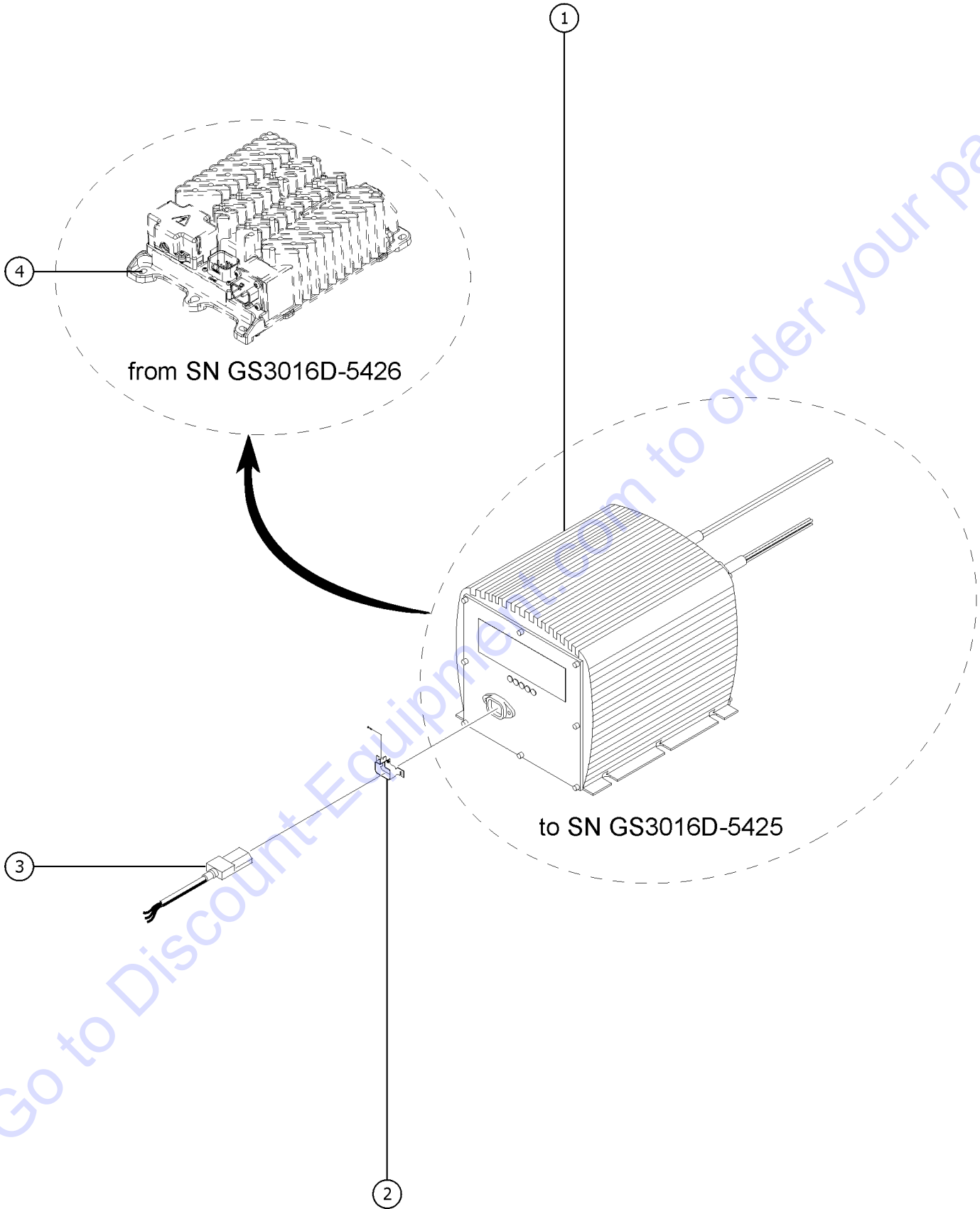
Item	Part No.	Description	Qty.
1		Ref. Wheel and Tire Assy (refer to 201.1)	
2	96839GT	ASSY,POT HOLE PUSHER,GS***.....2	
3	96524GT	WLDMT/ASSY, PH GUIDE,GS30/32.....1	
--	96408GT	BEARING,1.523IDX1.75ODX0.63L	
4	4828GT	NUT,NYLOCK,3/8-16	
5	105092GT	BOLT,CARRIAGE,3/8-16X1.25,GR5	
6	105055GT2	
7	96135GT	PIN,CLEVIS,.625 X 1.88,ZINC PL.....6	
--	105156GT	BUSHING,FLNGD,.63 X .77 X .38.....4	
8	96422GT	RUE RING,5/8 PIN.....8	
9	78086GT	BALL STUD, GAS STRUT, 3/8-16.....2	
10	39542GT	GAS SHOCK,SCISSORS***.....2	
11	96039GT	POT HOLE GUARD,LT,WLDMT.....1 (battery pack side)	
12	96541GT	CAM FOLLOWER,1.125X.375,DELFIN.....2	
13	34742GT	PIN,CLEVIS,.375 X 1.75 LG.....2	
--	12016GT	PIN,COTTER,.125 X .75	
--	5397GT	WASHER,FLAT,USS,5/16",Y	
14	6564GT	WASHER, SHIM,.765 X 1.312 X .093.....2	
15	96423GT	RUE RING,3/4 PIN.....2	
16	6898GT	WASHER,SHIM,.625 X 1.188X.064.....2	
17	96134GT	PIN,CLEVIS,.625 X 1.56,ZINC PL.....2	
18	96281GT	PH BELLCRANK LINK.....2	
--	96642GT	BEARING,.75ID X 1.0OD X 1.38LG.....2	
19	96085GT	WASHER,THRUST,.63 X 1.13 X .06.....4	
20	96038GT	POT HOLE GUARD,RT,WLDMT.....1 (ground controls side)	
21	105275GT	BRACKET,LIMIT SWITCH MTG***	
22	105060GT	GROUND STRAP, 8"LG.....1	
23	96948GT	SWITCH,LIMIT,W/ROLLER ARM***.....2	
--	19491GT	CONTACTOR,LIMIT SWITCH	
--	97128GT	ROLLER ARM,LIMIT SWITCH***	

205.1 Battery Pack Module



Item	Part No.	Description	Qty.
1	6091GT	NUT,NYLOCK,1/4-20.....	6
2	6878GT	BOLT,CARRIAGE,1/4-20 X .75,G2.....	8
3A	232531GT	FORMING,CONTACTOR MOUNT,GS..... <i>(from SN GS3011A-110828 and from GS3011C-10010)</i>	1
3B	1282144GT	FORMING, CONTACTOR/FUSE BRACKET,METRIC..... <i>(to SN GS3011A-110827 and to SN GS3011C-10009)</i>	1
4	66094GT	NUT-THIN HEAVY HEX, 1/4-20.....	4
5	6356GT	WASHER,LOCK,.25.....	4
6	8915GT	SCREW,HHC,1/4-20 X 1.25.....	4
7	66397GT	QUICK DISCONNECT CASING,BATT**.....	2
8	18504GT	NUT,LOCKING-LG.FLANGE,1/4-20.....	2
9	5397GT	WASHER,FLAT,USS,5/16",Y.....	2
10	18503GT	NUT,LOCKING-LG.FLANGE,5/16-18.....	2
11	105273GT	SCREW,HEX HD,NO SLOT,#14X.50.....	2
12	40833GT	FUSE,275 AMP,VERY FAST ACTING.....	1
13	66717GT	FUSE BLOCK, ANN & ANL FUSE..... <i>(includes mounting fasteners)</i>	1
14A	233366GT	ASSY,GS BATTERY TRAY <i>(from SN GS3011A-110828 and from GS3011C-10010, does not include decals, please refer to section 1) (includes items 1, 2, 3A, 10, 15, and 22)</i>	1
14B	105467GT	WLDMT,GS BATTERY TRAY..... <i>(to SN GS3011A-110827 and to GS3011C-10009, does not include decals, please refer to section 1) (includes items 1, 2, 3B, 10, 15, and 22)</i>	1
15	30784-2550GT	THREADED ROD,(1/4-20),25.50.....	1
16	6889GT	NUT,LP NYLOCK,1/4-20.....	1
17	33278GT	WASHER,FLAT,.75 HARDENED	
18A	76502GT	BATTERY,T105 W/LPT,3 CAP,DRY**.....	4
--	18503GT	NUT,LOCKING-LG.FLANGE,5/16-18.....	8
18B	105150GT	BATTERY, AGM, 6V, (TROJAN) ***.....	4
19	74267GT	CONTACTOR,DRIVE,24V,180A***.....	1
20		Ref. Battery Charger <i>(Refer to 206.1)</i>	
21	49818GT	SCREW,PHILLIPS,PHM,10-32 X .38.....	2
22	55675GT	LATCH, LRG PADDLE HANDLE GS90...1	1

206.1 Battery Charger

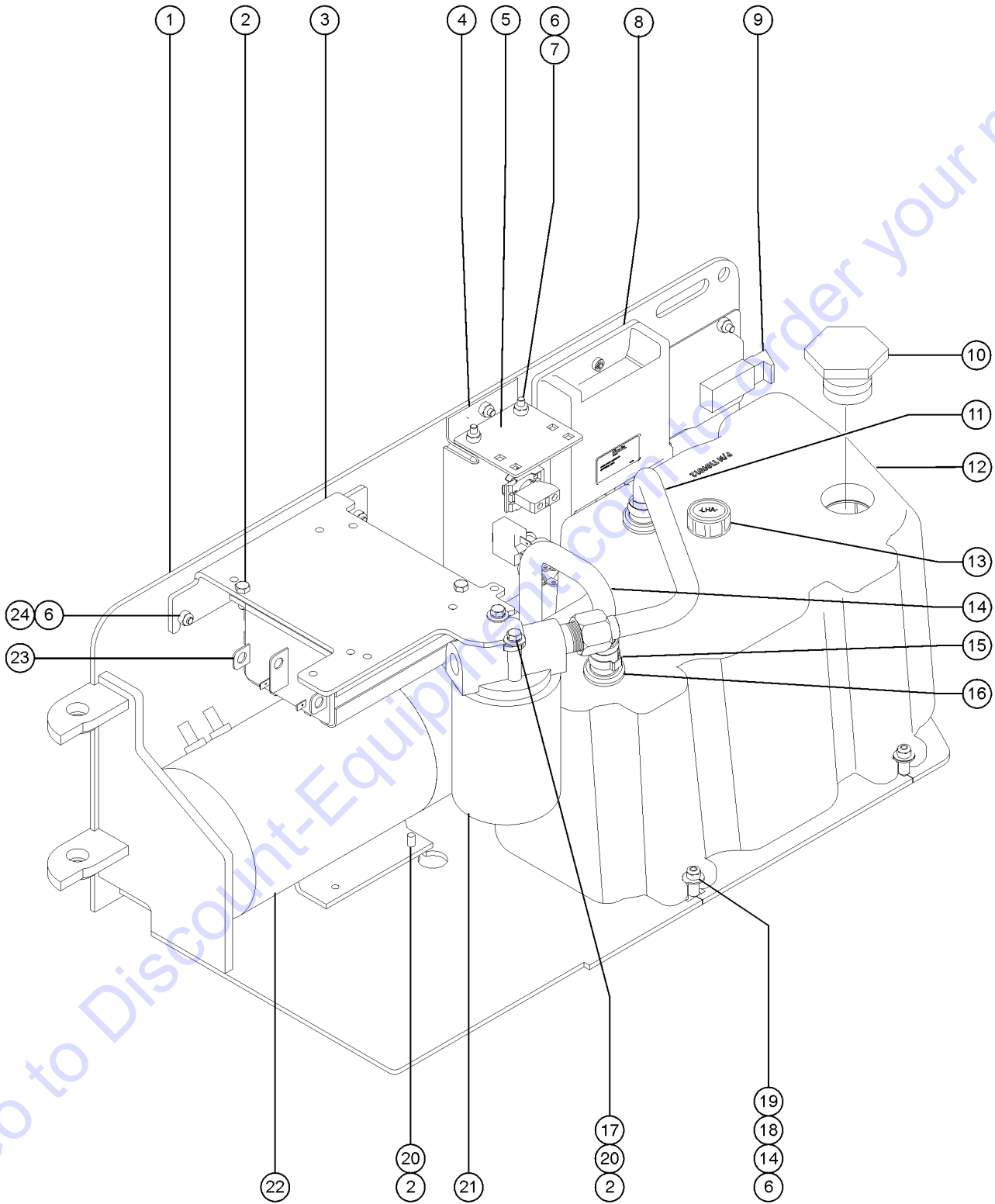


Go to Discount-Equipment.com to order your parts

206.1 Battery Charger

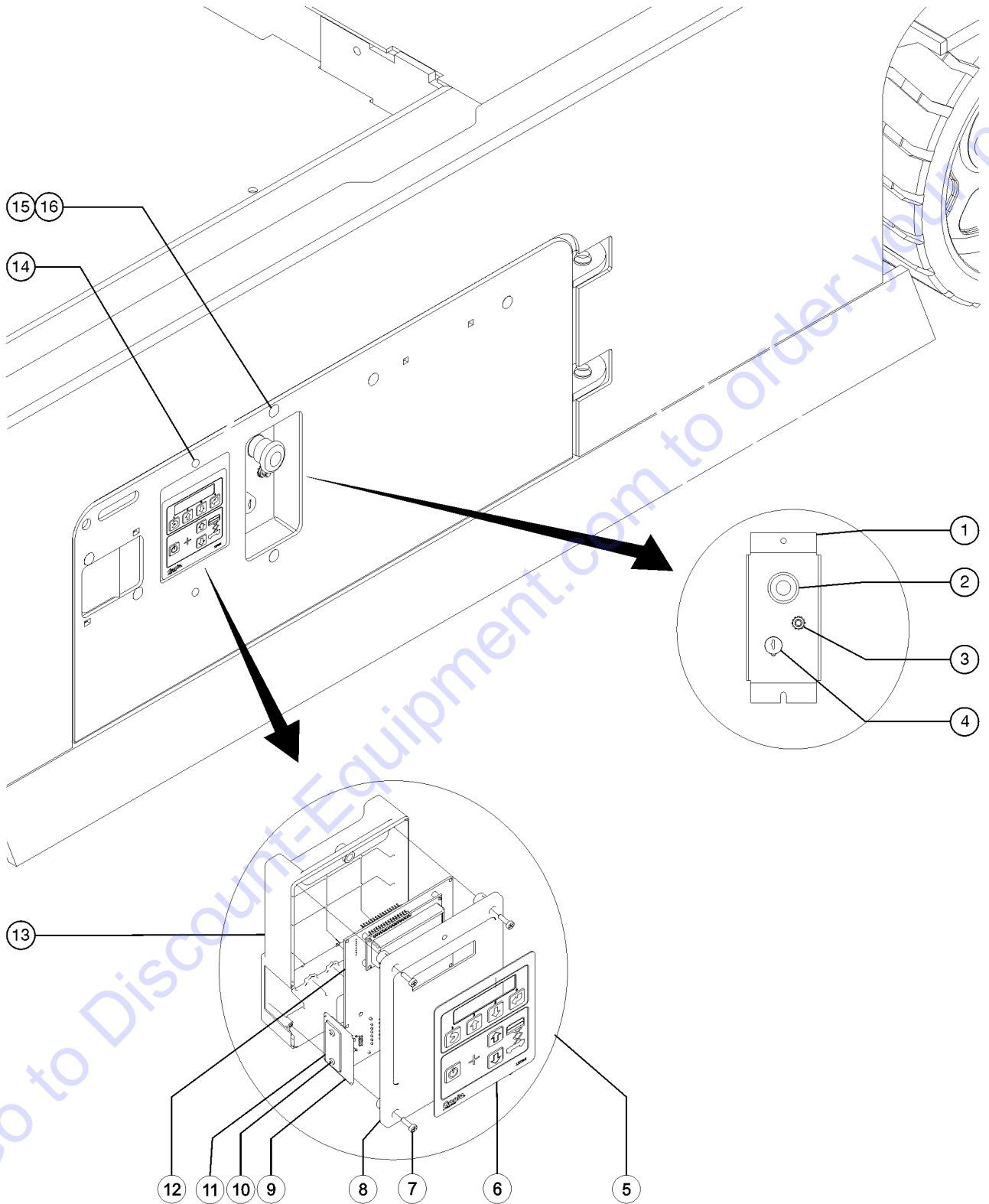
Item	Part No.	Description	Qty.
--	105334GT	CONNECTOR, IEC CHARGER CORD <i>for 5-LED battery charger</i>	
--	97059GT	FUSE,BATTERY CHARGER*** <i>for 5-LED battery charger</i>	
1A	105739GT	CHARGER,BAT,24VDC,H/LO GEN2.....1 <i>Signet battery charger. NOTE: Some machines are equipped with an alternative-brand battery charger. Inspect your machine before ordering OR contact Discount-equipment if needed.</i>	
--	144180GT	MANUAL,OWNERS,CHARGER,105739	
1B		Ref. Field Assembly Recessed Charger Plug <i>(refer to 406.1)</i>	
1C	219480GT	KIT,BATTERY CHARGER,24V <i>(includes 105739 charger, fasteners, ring terminals and instructions for field installation)</i>	
1D	1272232GT	CHARGER,24V,650W,USB.....1 <i>from SN GS3016D-5426</i>	
--	1279428GT	KIT,DC BLOCK ASSEMBLY <i>for 1279428</i>	
2	55010GT	LOCK, CONNECTOR.....1 <i>(includes fasteners)</i>	
3A	144130GT	POWER CORD, IEC 320, 115".....1 <i>to SN GS3016D-5425</i>	
3B	1272557GT	POWER CORD, IEC 320, 90 DEG.....1 <i>from SN GS3016D-5426</i>	
4	1272292GT	OPT,SUNBELT MOVIE PAINT,S100.....1	

207.1 Power Unit Module



Item	Part No.	Description	Qty.
1	229195GT	ASSY,GS HYDRAULIC TRAY,MET.....1	
--	227166GT	WELDMENT,GS HYD TRAY,MET <i>decals not included</i>	
2	8915GT	SCREW,HHC,1/4-20 X 1.25	
3	105308GT	FORMING, FILTER-CNTRLR MOUNT....1	
4		REF. FORMING,CONTROL PANEL <i>refer to figure 208.1</i>	
5	227164GT	PLATE, HARNESS MOUNT, MET.....1	
6	6091GT	NUT,NYLOCK,1/4-20	
7	6878GT	BOLT,CARRIAGE,1/4-20 X .75,G2	
8		REF. GCON, GR/GRC/GS <i>refer to figure 208.1</i>	
9	55675GT	LATCH, LRG PADDLE HANDLE GS90...1	
10	66204GT	FILTER CAP (PLUG 1-1/2" NPT HEX....1	
11	96355GT	TUBE, ASSY, RETURN.....1	
12	226163GT	HYD. TANK KIT, GS30,32,46 <i>includes items 15 and 16</i>	
--	T109012GT	TANK,HYD, SLAB SCISSORS.....1	
13	78546GT	BREATHER CAP,HYD.TANK,1/4 NPT....1	
14	96354GT	TUBE, ASSY, DRAW.....1	
15	96855GT	CLAMP,HOSE,1 EAR,1-1/16***.....2	
16	96709GT	GROMMET,SLAB HYD TANK***.....2	
17	6638GT	WASHER,FLAT,USS,1/4"Y	
18	96699GT	SLEEVE,TANK SUPPORT	
19	9116GT	BOLT,CARRIAGE,1/4-20x1.25,G2	
20	6356GT	WASHER,LOCK,.25	
21		REF. FILTER ASSY <i>refer to figure 501.1</i>	
22		REF. ELECTRIC MOTOR/PUMP <i>refer to figure 505.1</i>	
--	823408GT	MOTOR CONTROLLER, DC,24V,300A.....1 <i>motor controllers sold separately only in cases where upgrade kits are N/A or an upgrade kit has been previously installed</i>	
23A	1257204GT	KIT,GS30/32 MOTOR CONTROLLER.....1	
23B	232534GT	KIT,CONTACTOR,GS <i>all machines must have a contactor installed regardless of serial number. If no contactor is present order the appropriate contactor kit.</i>	
24	6878GT	BOLT,CARRIAGE,1/4-20 X .75,G2	

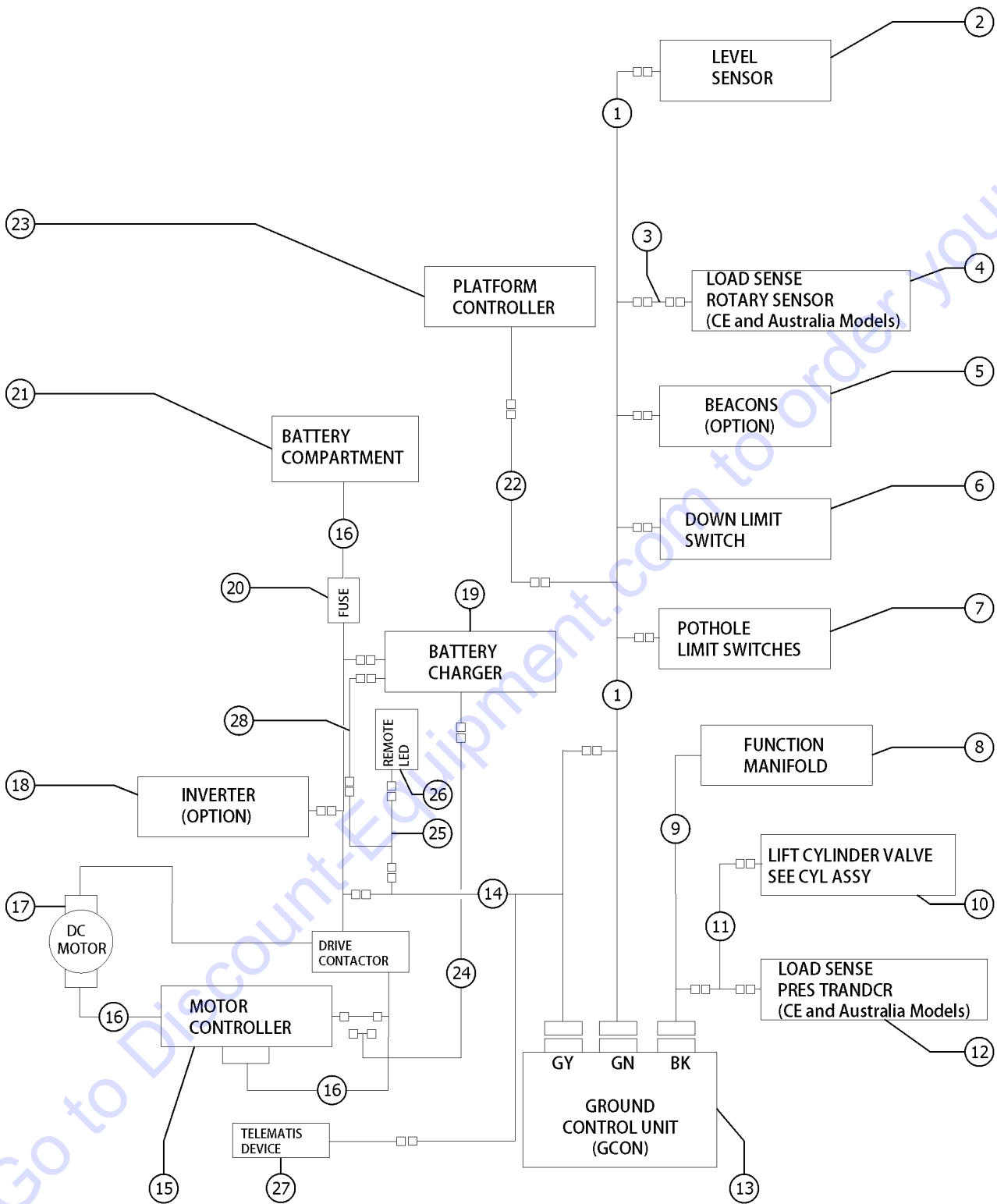
208.1 Ground Controls, All Models



208.1 Ground Controls, All Models

Item	Part No.	Description	Qty.	Item	Part No.	Description	Qty.
A	83093GT	KEY SINGLE*** <i>includes rubber boot</i>		12B	1256719GT	PCBA,GCON STD,PROP LIFT <i>(models with 4 button, proportional controller) from SN GS3014A-13500 and from SN GS3014C-17000</i>	
B	21982GT	KEY,SINGLE*** <i>without rubber boot</i>		13	T106372GT	ENCLOSURE, GC21-19, BK.....1	
C	37947GT	KEYS,10 PACK*** <i>without rubber boots</i>		14	75041GT	SCREW,PHILLIPS,PHM,10-32 X 1.....2	
D	1252764GT	SPACER, GROUND CONTROL ECU.....1		15	6878GT	BOLT,CARRIAGE,1/4-20 X .75,G2.....2	
E	824216GT	SCREW,PHPM,10-32X1.5,ZAG		16	6091GT	NUT,NYLOCK,1/4-20.....2	
1	227165GT	FORMING,CONTROL PANEL,MET.....1					
2	66812GT	BUTTON,PUSH,RED MUSHROOM HEAD.....1					
--	58627GT	NUT.....1					
--	66817GT	BASE WITH 1 NC CONTACT, E-STOP...1					
--	66818GT	CONTACT, N.C.....1					
3	96452GT	CIRCUIT BREAKER,7.0 AMP***1					
--	122994GT	NICKEL PLATED JAM NUT.....1					
--	6700GT	WASHER,STAR,EXTERNAL,,375.....1					
4A	96008-SGT	KEYSWITCH,3 POS. W/KEYS***1					
--	85239GT	NUT,RETAINER (96008)					
--	96009GT	WASHER,NITRILE <i>(sold seperately)</i>					
--	96010GT	SCREW,PHILLIPS,PHM,8-32 X.25** <i>(sold seperately)</i>					
4B	83131GT	KEYSWITCH,3 POS W/KEYS,LOCKING.....1 <i>Australia market only; not for CE market</i>					
--	85239GT	NUT,RETAINER (96008).....1					
5A	137692GT	GCON, GR/GRC/GS.....1 <i>(models with 6 button, 2 speed controller) to SN GS3014A-134999 and to SN GS3014C-16999</i>					
--	137673GT	LABEL, SERIAL, GC21-19.....1 <i>(for 137692)</i>					
5B	1256721GT	GCON,STD,PROP LIFT.....1 <i>(models with 4 button, proportional controller) from SN GS3014A-13500 and from SN GS3014C-17000</i>					
6	137562GT	DECAL,MEMBRANE, GR/GRC/GS GCON.....1					
7	137668GT	SCREW,PHM,6-19X.75, 48-2 TRI-L.....4					
8	T106366GT	ENCLOSURE,GC27-25/GC21-19,FRNT.1					
9	T106363GT	ADAPTER, RJ45, GC27-25/GC21-19....1					
10	137637GT	SCREW,PHM,4-20X.5, 48-2 TRI-L.....2 <i>(Not shown)</i>					
11	T106362GT	COVER, RJ45, GC27-25/GC21-19.....1					
12A	137604GT	PCBA, GC21-19.....1 <i>(models with 6 button, 2 speed controller) to SN GS3014A-134999 and to SN GS3014C-16999</i>					

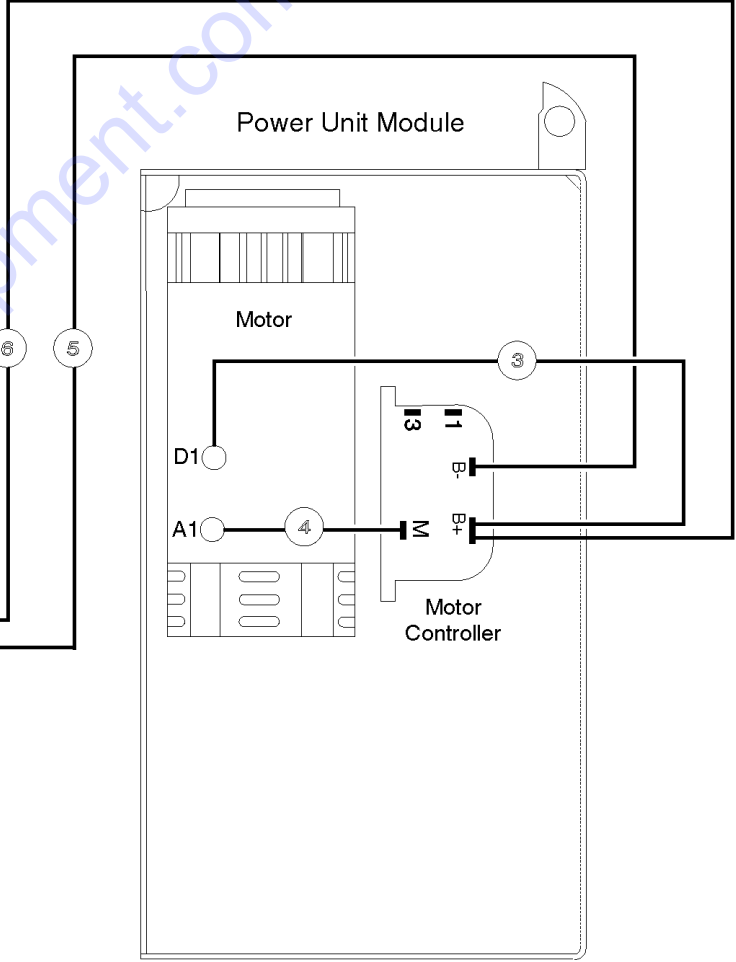
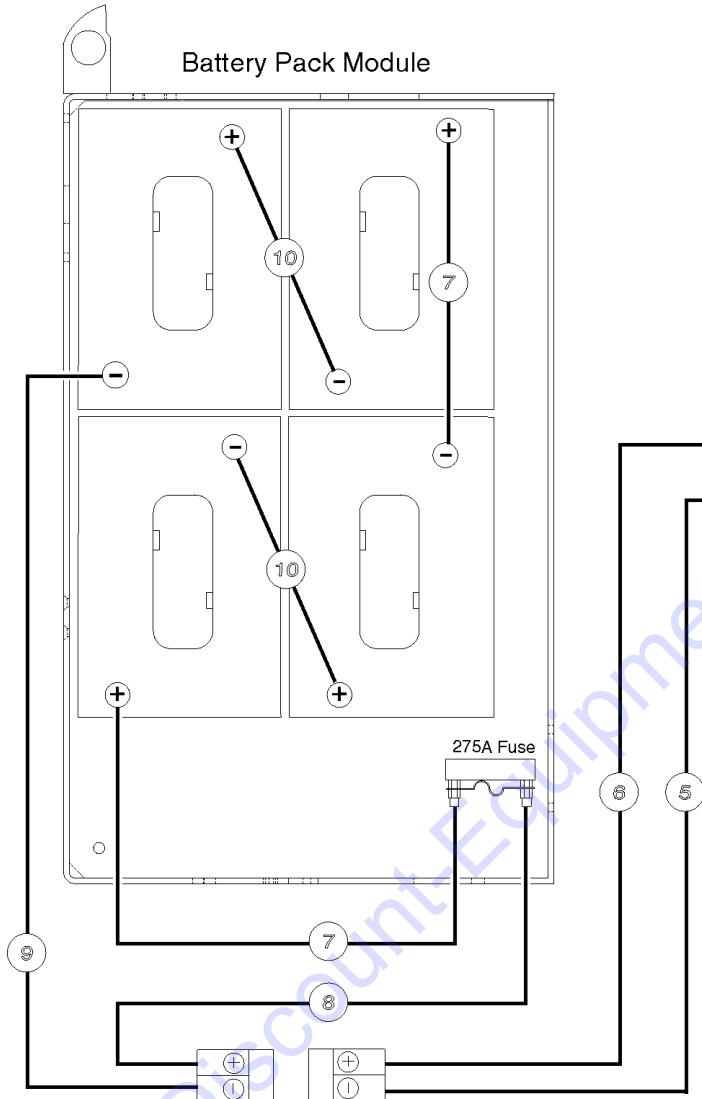
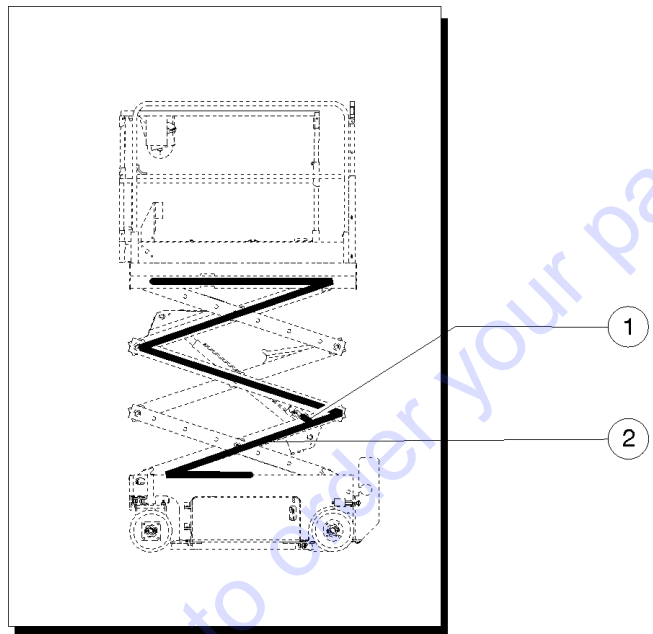
209.1 Electrical Wiring



209.1 Electrical Wiring

Item	Part No.	Description	Qty.	Item	Part No.	Description	Qty.
A	88335GT	PLUG,DTM SEAL 20-24GA		18	96459GT	HARNESS ASSEMBLY, INVERTER	
B	1264822GT	KIT, TRC RETROFIT, STNDRD <i>Telematics (includes 1264834)</i>		19		REF. BATTERY CHARGER <i>refer to 206.1</i>	
--	1264834GT	INSTRN, TRC RETROFIT, STNDRD		20		REF. FUSE <i>refer to 205.1</i>	
1A	228786GT	HARNESS, GS SENSORS, ANSI.....1 <i>USA, Canada, South America (Green connector)</i>		21		REF. BATTERY COMPARTMENT <i>refer to 205.1</i>	
--	233644GT	RESISTOR,200 OHM 10W,CERAMIC		22A	T112510GT	CABLE, PLATFORM CONTROL, 15XX...1 <i>GS-1530 and GS-1532</i>	
--	233711GT	HRNS ASSY,RESISTOR DIODE <i>for 228786 and T110891</i>		--	218579GT	WIRE CABLE 18/5 - UNSHIELDED.....212-inches <i>GS-1530 and GS-1532</i>	
1B	T110891GT	HARNESS, GS SENSORS, CE.....1 <i>Europe, Asia, Australia (Green connector)</i>		--	231921GT	KIT,CONN,RECEPT W/PIN AND LOCK	
--	233711GT	HRNS ASSY,RESISTOR DIODE <i>for 228786 and T110891</i>		--	231922GT	KIT,CONN,PLUG W/SCKT AND LOCK	
2		REF. LEVEL SENSOR <i>refer to 203.1</i>		22B	T112511GT	CABLE, PLATFORM CONTROL, 19XX...1 <i>GS-1930 and GS-1932</i>	
3	T114031GT	HARNESS, ROTARY ANGLE <i>Europe, Australia only</i>		--	218579GT	WIRE CABLE 18/5 - UNSHIELDED.....278-inches <i>GS-1930 and GS-1932</i>	
4	T113136GT	ASSY,ROT SENSR W/ HARNESS.....1 <i>Europe, Australia only</i>		--	231921GT	KIT,CONN,RECEPT W/PIN AND LOCK	
5		REF. BEACONS <i>refer to 601.1</i>		--	231922GT	KIT,CONN,PLUG W/SCKT AND LOCK	
6	T112507GT	ASSEMBLY, DOWN LIMIT, GS.....1		23		REF. Joystick Controller <i>refer to 407.1</i>	
7	96309GT	ASSY,POTHOLE HARNESS,GS.....1		24	144213GT	CHARGER INTERLOCK CBLE,GS30/32	
8		REF. FUNCTION MANIFOLD <i>refer to 502.1</i>		25A	1288219GT	HARNESS,CHARGER EXTENSION,BLACK PLUG.....1 <i>from SN GS3016D-5426 to SN GS3016D-6095</i>	
9A	T110889GT	HARNESS, GS FUNC MANIFOLD.....1 <i>(to SN GS3014A-136972) (Black connector)</i>		25B	1273394GT	HARNESS, CHARGER EXTENSION.....1 <i>from SN GS3016D-6096</i>	
9B	1257824GT	HARNESS,FUNCTION MANIFOLD,GS...1 <i>(from SN GS3014A-136973) (Black connector)</i>		26A	1288206GT	ASSEMBLY, CHARGER STATUS LED, 2V,BCI.....1 <i>from SN GS3016D-5426 to SN GS3016D-6095</i>	
10		REF. LIFT CYLINDER VALVE <i>refer to 506.1</i>		26B	1270281GT	ASSEMBLY, CHARGER STATUS LED, 2V.....1 <i>from SN GS3016D-6096</i>	
11A	T112508GT	CABLE, LIFT CYL DOWN WO/LS.....1 <i>North America, Asia, South America</i>		27	1283053GT	HARNESS, TELEMATICS, GS SLAB.....1 <i>from SN GS30D-17247</i>	
11B	T112509GT	CABLE, LIFT CYL DOWN W/LS.....1 <i>Europe, Australia</i>		28	1265771GT	HARNESS, CHARGER CONTROL.....1 <i>from SN GS3016D-5426</i>	
12	229750GT	HARNESS,PRESS,TRANSDUCER***....1 <i>Europe, Australia only</i>					
13		REF. GROUND CONTROLS <i>refer to 208.1</i>					
14	T110890GT	HARNESS, GS POWER CONTRL.....1 <i>(Grey connector)</i>					
15		REF. MOTOR CONTROLLER <i>refer to 207.1</i>					
16		REF. ELECTRICAL WIRING AND POWER CABLES <i>refer to 210.1</i>					
17		REF. DC MOTOR <i>refer to 505.1</i>					

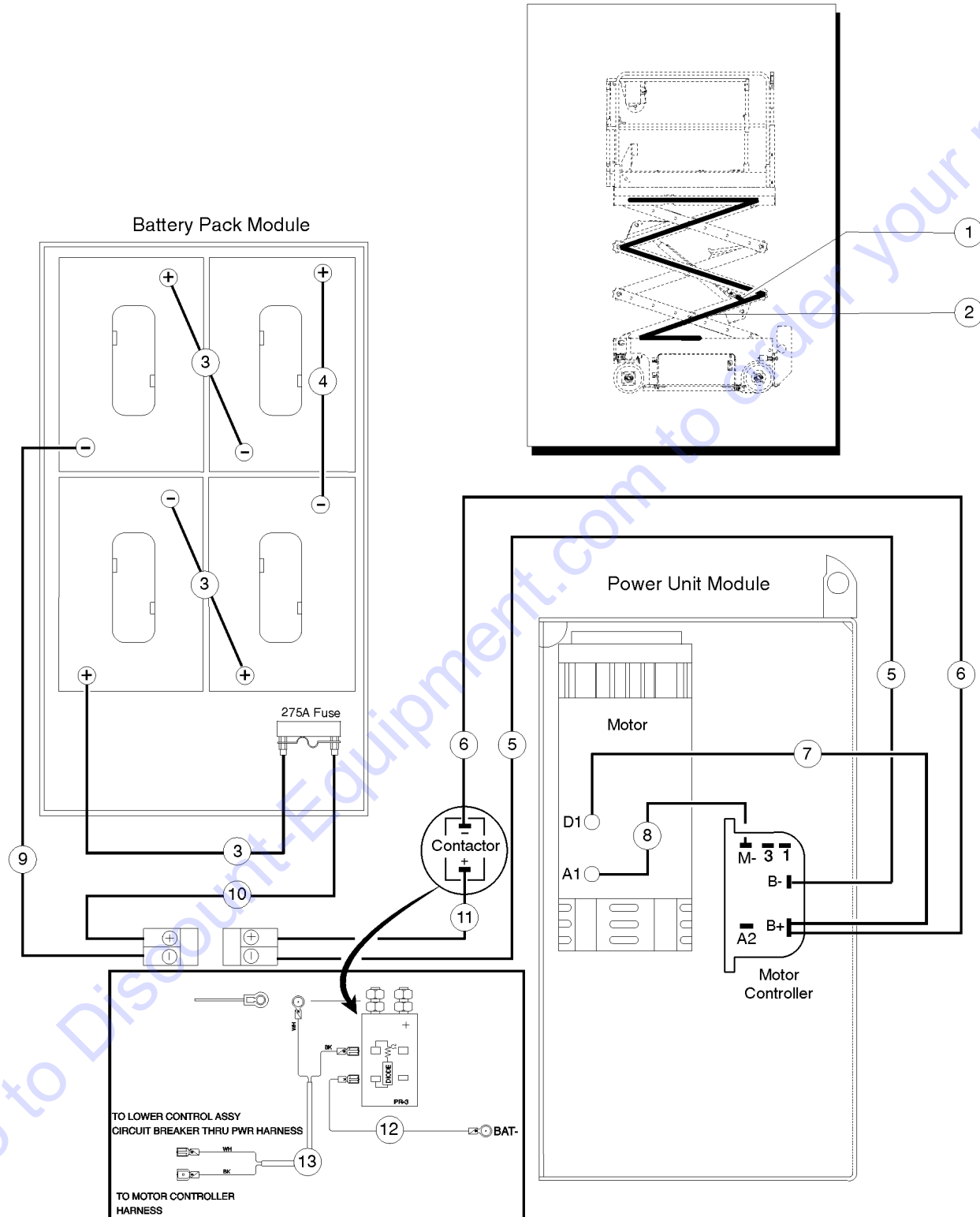
210.1 Power Cables (models without contactor)



210.1 Power Cables (models without contactor)

Item	Part No.	Description	Qty.
--	105953GT	BATTERY CABLE ASSY, GS30/32 (includes items 3-10 and fuse)	
--	96387GT	ASSY,MOTOR CONTROL HARNESS (ANSI, CSA and Australia models)	
--	96819GT	ASSY,MOTOR CONTRL HARN,CE (CE models)	
--	96522GT	STD CONTROL HARNESS, SLAB (ANSI, CSA and Australia models) (includes wire harnesses 96489, 96387, 96344 and 105321)	
--	96440GT	CE CONTROL HARNESS, SLAB (CE models) (includes wire harnesses 96489, 96819, 96520, 105320 and 47124)	
1		REF: Lift Cylinder Down Cable.....1 (refer to 209.1)	
2		REF: Platform Control Cable.....1 (refer to 209.1)	
3	96302GT	CABLE ASSY,BATT, 7.50" RED.....1	
4	96303GT	CABLE ASSY,BATT, 7.50" BLACK.....1	
5	96299GT	CABLE ASSY.BATT.75".AND.BLK.....1	
6	96298GT	CABLE ASSY.BATT.75",AND.RED.....1	
7	96306GT	CABLE ASSY,BATT,9.50"RED.....2	
8	96300GT	CABLE ASSY,BATT,7.50",AND. RED.....1	
9	105071GT	CABLE ASSY, BATT,19"AND.BLK.....1	
10	96304GT	CABLE ASSY,BATT,5.50"RED.....2	

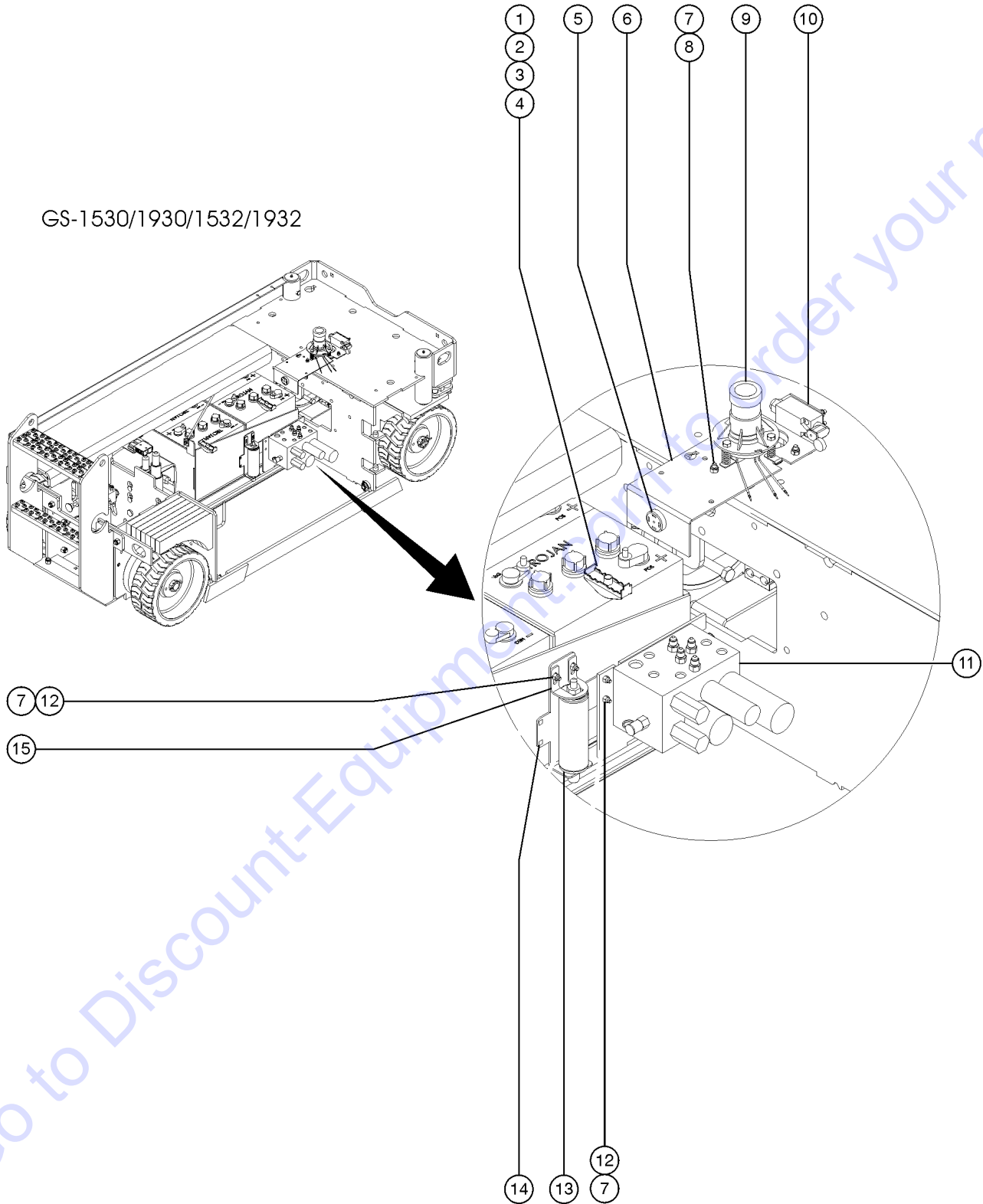
210.2 Power Cables (models with contactor)



210.2 Power Cables (models with contactor)

Item	Part No.	Description	Qty.
--	1257033GT	BATTERY CABLE ASSEMBLY, GS30/32 <i>includes items 3-13</i>	
--	233439GT	ASSY,MOTOR CONTROL HARNESS <i>ANSI, CSA and Australia models</i>	
--	233438GT	ASSY,MOTOR CONTROL HARNESS,CE <i>CE models</i>	
--	96522GT	STD CONTROL HARNESS, SLAB <i>(ANSI, CSA and Australia models)</i> <i>(includes wire harnesses 96489, 96387, 96344 and 105321)</i>	
--	96440GT	CE CONTROL HARNESS, SLAB <i>(CE models) (includes wire harnesses 96489, 96819, 96520, 105320 and 47124)</i>	
1		REF: Lift Cylinder Down Cable.....1 <i>refer to 209.1</i>	
2		REF: Platform Control Cable.....1 <i>refer to 209.1</i>	
3	96304GT	CABLE ASSY,BATT,5.50"RED.....3	
4	96306GT	CABLE ASSY,BATT,9.50"RED.....1	
5	1257058GT	CABLE ASSY., BATT. 79" BLACK.....1 <i>replaced 96299</i>	
6	1257059GT	CABLE ASSY., BATT. 75" RED.....1 <i>replaced 233368</i>	
7	1257054GT	CABLE ASSY., BATT. 14" RED.....1 <i>replaced 96302</i>	
8	1257055GT	CABLE ASSY., BATT. 12" BLACK.....1 <i>replaced 96303</i>	
9	232578GT	CABLE ASSY,BATT, 20" BLK.....1	
10	232576GT	CABLE ASSY,BATT, 12" RED.....1	
11	233371GT	CABLE ASSY,BATT,23"RED.....1	
12	232582GT	GROUND WIRE ASSY,GS.....1	
13	233431GT	HRNS,CONTACTOR SIGNL,GS30/32.....1	

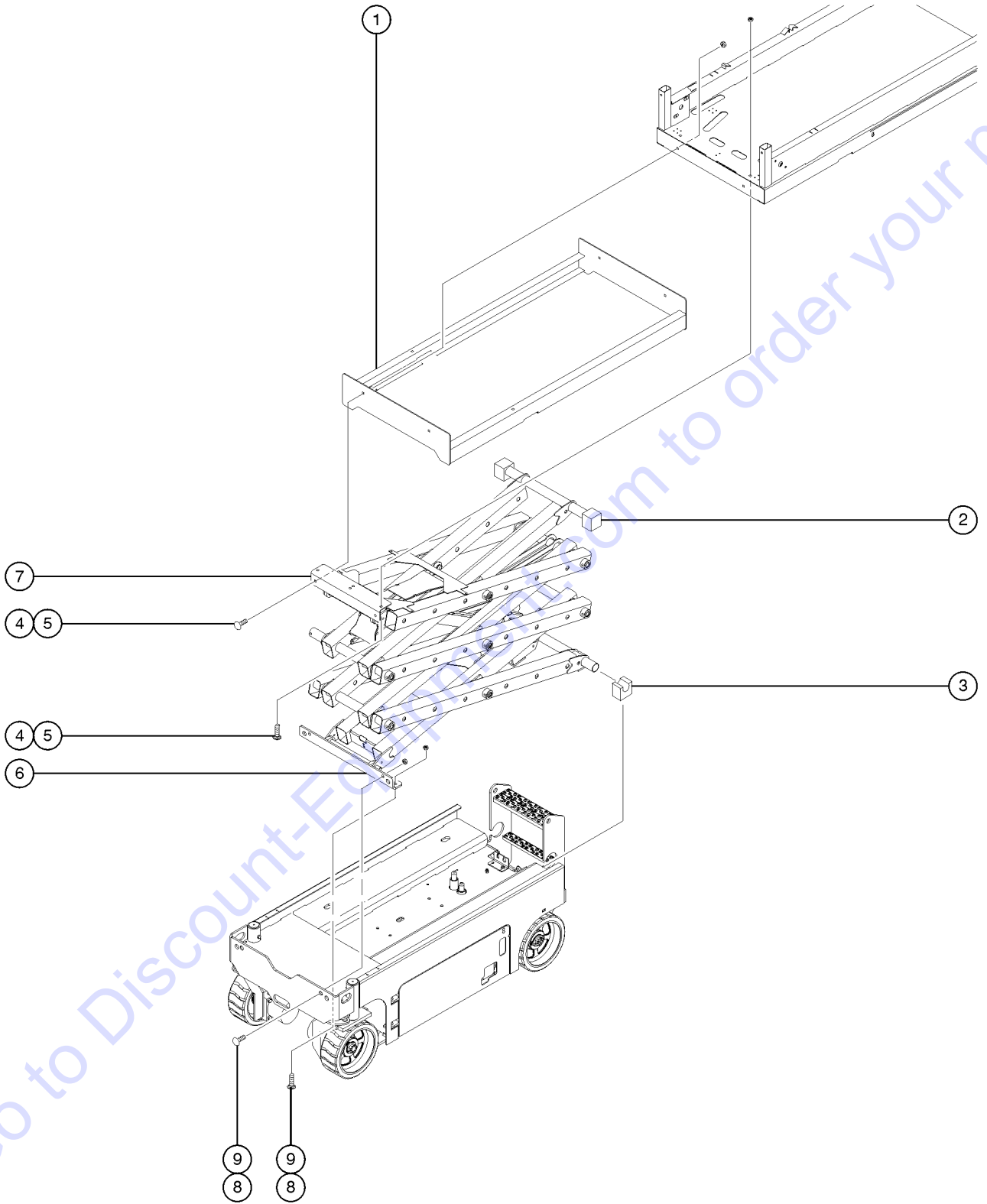
211.1 Function Manifold and Accumulator Components, GS-1530/1532/1930/1932



211.1 Function Manifold and Accumulator Components, GS-1530/1532/1930/1932

Item	Part No.	Description	Qty.
--		CLAMP,CABLE & HOSE	
1	105209GT	CLAMP,CABLE & HOSE.....	2
2	6145GT	SCREW,HHC,1/4-20 X 1.5	
3	6638GT	WASHER,FLAT,USS,1/4"Y	
4	18504GT	NUT,LOCKING-LG.FLANGE,1/4-20	
5		Ref. Alarm, Steady Tone (refer to 203.1)	
6		Ref. Alarm Bracket (refer to 203.1)	
7	6091GT	NUT,NYLOCK,1/4-20	
8	79456GT	BOLT,CARRIAGE,1/4-20 X 1.00,G2	
9		Ref. Level Sensor (refer to 203.1)	
10		Ref. Limit Switch with Roller (refer to 203.1)	
11		Ref. Function Manifold (refer to 502.1)	
12	9116GT	BOLT,CARRIAGE,1/4-20x1.25,G2	
13	78422GT	ACCUMULATOR,180 PSI PRECHARGE*	
14	105210GT	FORMING, ACCUMULATOR BRACKET.....	1
15	105211GT	FORMING, ACCUMULATOR CLAMP.....	1

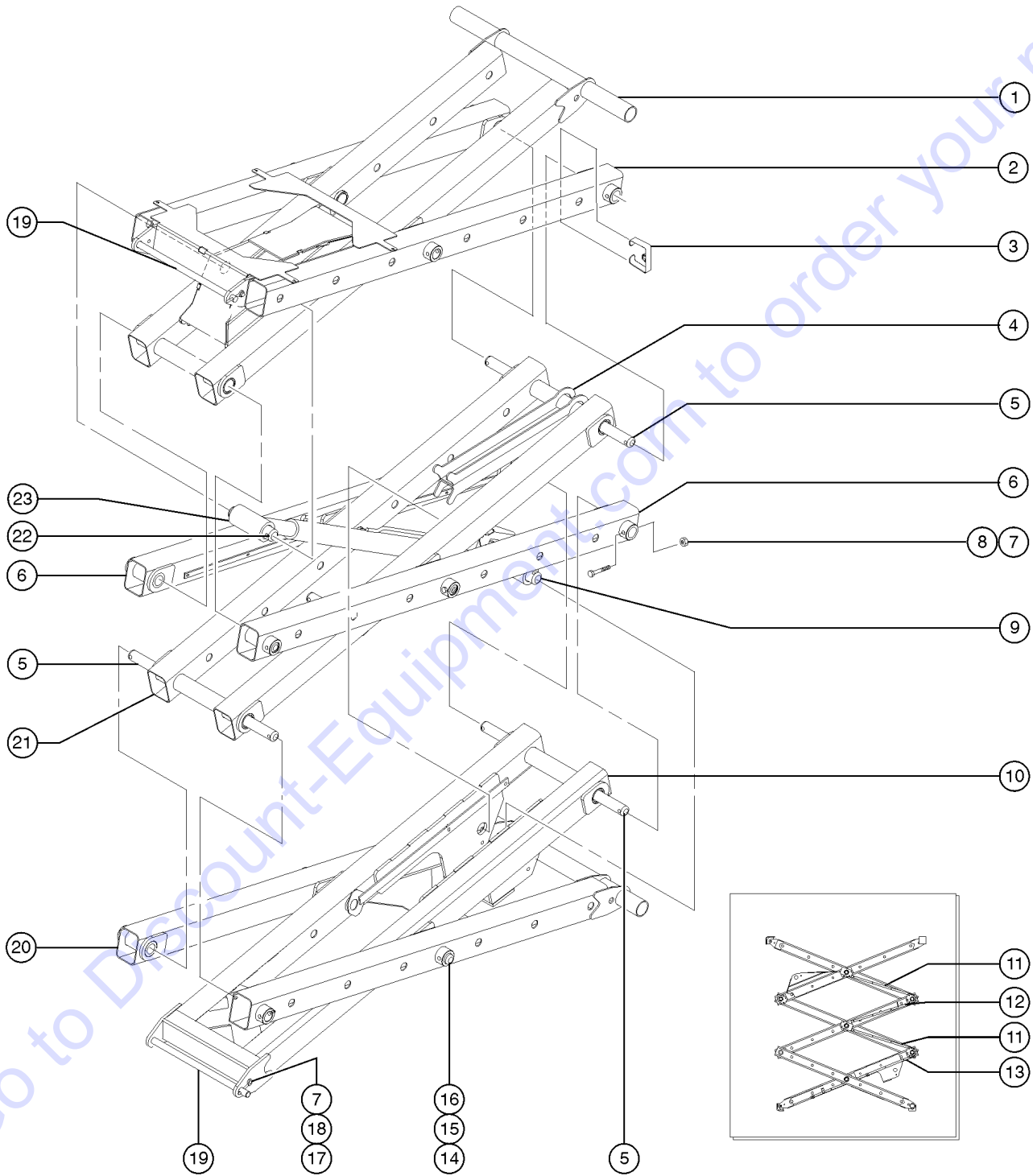
301.1 Scissor Assembly Installation



301.1 Scissor Assembly Installation

Item	Part No.	Description	Qty.
1		PLATFORM SLIDER WELDMENT.....1 <i>not available separately - shown for illustration purposes only</i>	
2	96576GT	SLIDER,MINI PLATFORM,DRILLED**....2	
3	96126GT	SLIDER, UHMW.....2	
4	105092GT	BOLT,CARRIAGE,3/8-16X1.25,GR5	
5	4828GT	NUT,NYLOCK,3/8-16	
6	84693GT	CHASSIS MOUNT ASSY, GS30.....1	
--	36369GT	BEARING,0.75IDX1.00ODX0.75L.....2	
7A	84694GT	PLATFORM MOUNT ASSY, 15 FT.....1 GS-1530, GS-1532	
--	36369GT	BEARING,0.75IDX1.00ODX0.75L.....2	
7B	84695GT	PLATFORM MOUNT ASSY, 19 FT GS-1930, GS-1932	
--	36369GT	BEARING,0.75IDX1.00ODX0.75L.....2	
8	96977GT	BOLT,CARRIAGE,1/2-13X1.50,GR5.....8	
9	6198GT	NUT,NYLOCK,1/2-13.....8	

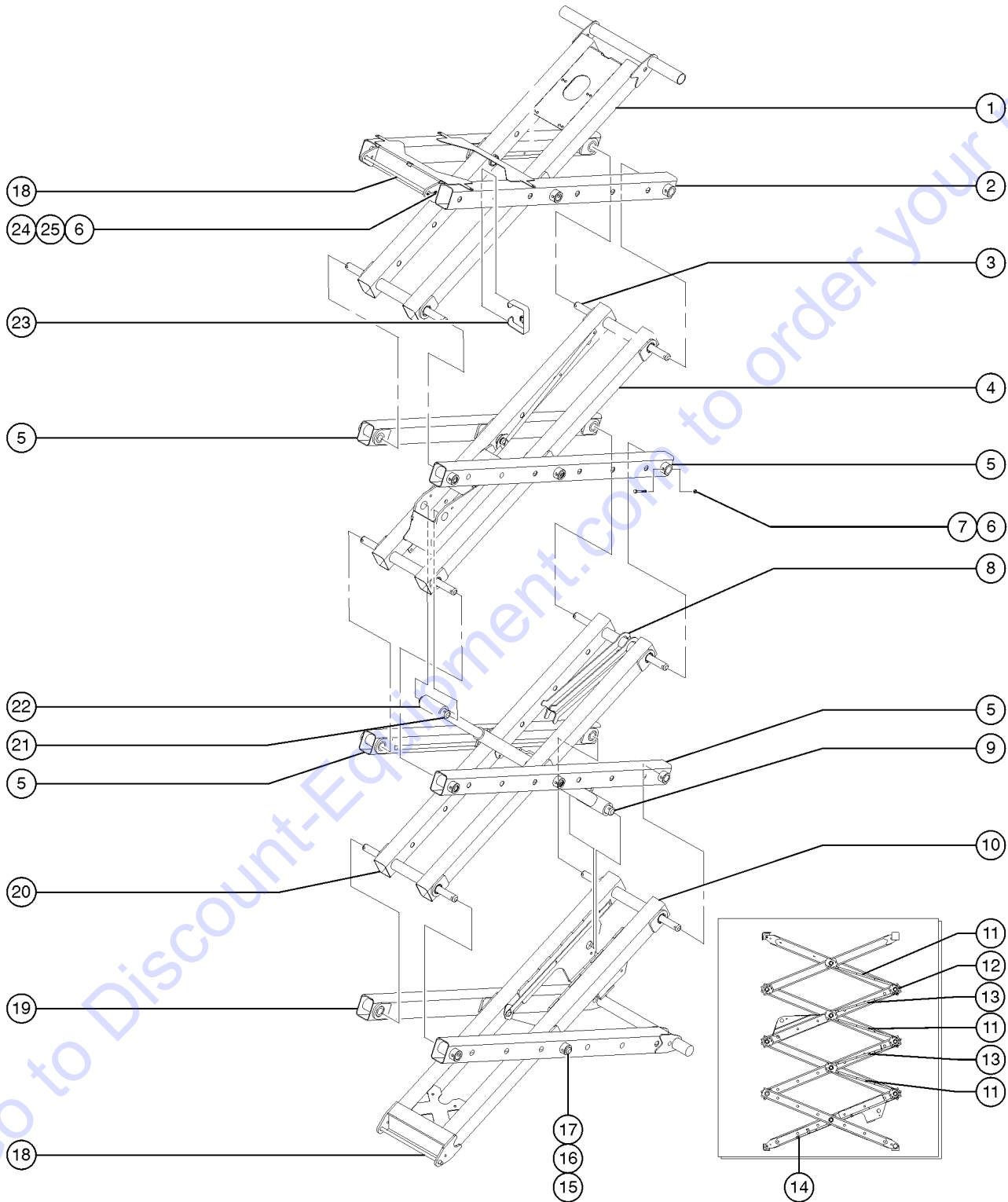
302.1 Scissor Assembly, GS-1530/1532



302.1 Scissor Assembly, GS-1530/1532

Item	Part No.	Description	Qty.
1	84578GT	INNER ARM ASSY,#3,15FT.....	1
--	96487GT	BEARING,1.26IDX1.53ODX1.25L.....	6
2	105280GT	WELDMNT,LINK PLATFORM MNT***.....	2
3	96331GT	LINK BUMPER.....	8
4	84693GT	CHASSIS MOUNT ASSY, GS30.....	1
5	105085GT	PIN,MINI END***.....	4
6	96121GT	WELDMNT, LINK, SINGLE.....	2
7	4828GT	NUT,NYLOCK,3/8-16	
8	14033GT	SCREW,HHC,3/8-16 X 2.75	
9	47666GT	PIN,1.50DIA X 9.13LG,1HOLE.....	1
10A	105997GT	INNER ARM ASSY#1,15&19FT,WORD.....	1
		<i>(USA, Canada, and Australia)</i>	
--	105818GT	WLDTMT,LINK,#1 INNER,15&19 FT.....	1
		<i>(decals not included, refer to section one)</i>	
--	96487GT	BEARING,1.26IDX1.53ODX1.25L.....	6
10B	105998GT	INNER ARM ASSY#1,15&19FT,SYMB....	1
		<i>(Europe, Asia, South America)</i>	
--	105818GT	WLDTMT,LINK,#1 INNER,15&19 FT.....	1
		<i>(decals not included, refer to section one)</i>	
--	96487GT	BEARING,1.26IDX1.53ODX1.25L.....	6
11	105183GT	WLDMT,CABLE BRIDGE,BOTTOM,MINI.....	2
12	105184GT	WELDMNT,CABLE BRIDGE,TOP,MINI.....	1
13	105182GT	WLDMT,CABLE BRIDGE,LOWER,MINI.....	1
14	30217GT	SNAP RING,EXTERNAL,1.25 DIA. **.....	6
15	96390GT	WASHER,FLAT, 1.27 X 2.13 X .13	
16	96130GT	PIN, MINI, CENTER.....	6
17	8516GT	SCREW, HCC, 3/8-16 X 1.50	
18	45748GT	ROD END,.250 X 2.75 LG.....	2
19	96131GT	PIN, CHASSIS PIVOT.....	2
20A	84581GT	OUTER ARM ASSY#1,15&19FT WORD.....	1
		<i>(USA, Canada, and Australia)</i>	
20B	84583GT	OUTER ARM ASSY,#1,15&19FT SYMB.....	1
		<i>(Europe, Asia, South America)</i>	
21	84582GT	INNER ARM ASSY,#2,15/19 FT,WRD....	1
		<i>(decals not included, refer to section one)</i>	
--	96487GT	BEARING,1.26IDX1.53ODX1.25L.....	8
22	96283GT	PIN, CYLINDER, SHORT.....	1
23		REF. LIFT CYLINDER <i>(refer to 506.1)</i>	

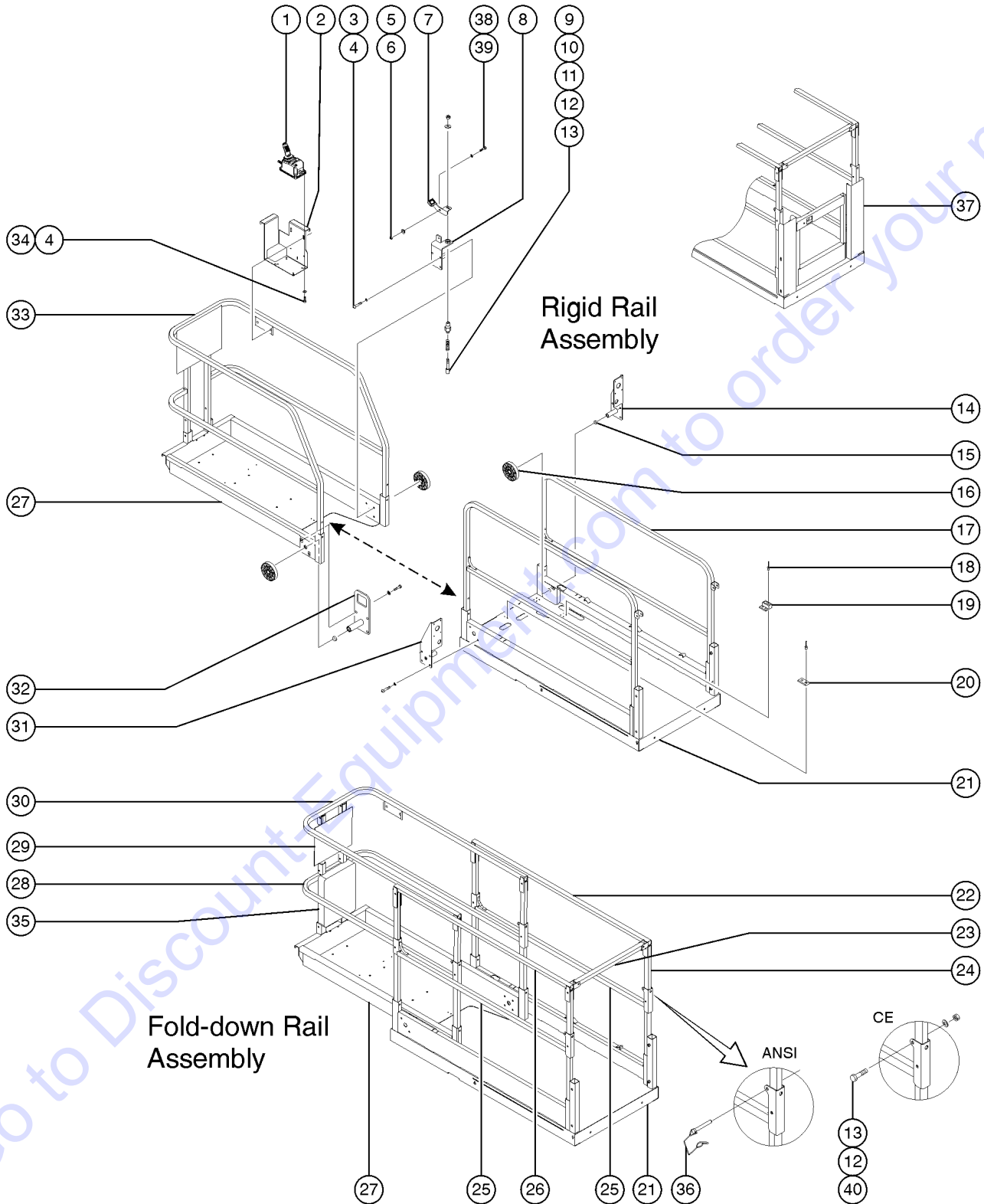
303.1 Scissor Assembly, GS-1930/1932



303.1 Scissor Assembly, GS-1930/1932

Item	Part No.	Description	Qty.	Item	Part No.	Description	Qty.
1	84579GT	INNER ARM ASSY,#4 19FT.....	1	22		Ref. Lift Cylinder (refer to 506.1)	
--	96487GT	BEARING,1.26IDX1.53ODX1.25L.....	6	23	96331GT	LINK BUMPER.....	8
2	105280GT	WELDMENT,LINK PLATFORM MNT***.....	2	24	8516GT	SCREW, HCC, 3/8-16 X 1.50	
3	105085GT	PIN,MINI END***.....	6	25	45748GT	ROD END,.250 X 2.75 LG.....	2
4	84580GT	INNER ARM ASSY, #3, 19FT.....	1				
--	96487GT	BEARING,1.26IDX1.53ODX1.25L.....	8				
5	96121GT	WELDMENT, LINK, SINGLE.....	4				
6	4828GT	NUT,NYLOCK,3/8-16					
7	8178GT	SCREW,HHC,3/8-16 X 2.5					
8	58000GT	SAFETY CHOCK,SCISSOR.....	1				
--	1256756GT	BOLT,CARRIAGE,3/8-16X1.5,5,ZAG.....	2				
--	78901GT	FORMING,SAFETY ARM***.....	2				
--	824029GT	NUT,TL FLG,3/8-16,G,ZAG.....	2				
9	47666GT	PIN,1.50DIA X 9.13LG,1HOLE.....	1				
10A	105997GT	INNER ARM ASSY#1,15&19FT,WORD.....	1				
		(USA, Canada, Australia)					
--	105818GT	WLDTMT,LINK,#1 INNER,15&19 FT.....	1				
		(decals not included, refer to section one)					
--	96487GT	BEARING,1.26IDX1.53ODX1.25L.....	6				
10B	105998GT	INNER ARM ASSY#1,15&19FT,SYMB.....	1				
		(Europe, Asia, South America)					
--	105818GT	WLDTMT,LINK,#1 INNER,15&19 FT.....	1				
		(decals not included, refer to section one)					
--	96487GT	BEARING,1.26IDX1.53ODX1.25L.....	6				
11	105183GT	WLDMT,CABLE BRIDGE,BOTTOM,MINI.....	3				
12	105185GT	CLIP, CABLEBRIDGE, MINI.....	3				
13	105184GT	WELDMENT,CABLE BRIDGE, TOP,MINI.....	2				
14	105182GT	WLDMT,CABLE BRIDGE, LOWER,MINI.....	1				
15	30217GT	SNAP RING,EXTERNAL,1.25 DIA.**.....	8				
16	96390GT	WASHER,FLAT, 1.27 X 2.13 X .13					
17	96130GT	PIN, MINI, CENTER.....	8				
18	96131GT	PIN, CHASSIS PIVOT.....	2				
19A	84581GT	OUTER ARM ASSY#1,15&19FT WORD.....	1				
		(USA, Canada, Australia)					
19B	84583GT	OUTER ARM ASSY,#1,15&19FT SYMB.....	1				
		(Europe, Asia, South America)					
20A	84582GT	INNER ARM ASSY,#2,15/19 FT,WRD.....	1				
20B	1275748GT	WELDMENT, LINK, INNER,#2, KO.....	1				
		(Korean)					
21	96283GT	PIN, CYLINDER, SHORT.....	1				

401.1 Platform Components, GS-1530



401.1 Platform Components, GS-1530

Item	Part No.	Description	Qty.	Item	Part No.	Description	Qty.
1		Ref. Platform Control Box <i>(refer to 407.1 or 408.1)</i>		--	47098GT	TAPE, NON-SKID, DIE CUT, 4" X 40"	
2		Ref. Platform Control Box Mount Bracket <i>(refer to 407.1 or 408.1)</i>		--	47231GT	TAPE, NON-SKID, DIE CUT, 4" X 16"	
3	5224GT	SCREW, HHC, 3/8-16 X 2		21E	1259719GT	WLDMNT, PLATFORM, MINI, GS30.....1 <i>replaced 132132 from SN 110000 (weldment only; decals not included, refer to section one)</i>	
4	6021GT	WASHER, LOCK, .375		22	66890-SGT	WLDMT, MAIN SIDERAIL, UPP, RT **.....1	
5	6002GT	NUT, LP NYLOCK, 5/16-18.....1	1	--	78038GT	CAP, TUBE, SQ, 1.25 X .083	
6	47222GT	WASHER, SHOULDER, NYLON.....1	1	23	66886GT	ENTRY SWING TUBE.....1	
7	47166GT	BRACKET, FOOT PEDAL.....1	1	24	66485GT	TUBE, VERT, FOLDING.....6	
--	47166GT	BRACKET, FOOT PEDAL <i>(does not include non-skid tape)</i>		25	66592GT	WELDMENT, MAIN FOLDING SIDERAIL.....2	
--	47225GT	TAPE, NON-SKID, DIE CUT, 1.38X1.5		--	78038GT	CAP, TUBE, SQ, 1.25 X .083	
8	96413GT	WLDMT, LOCKING ROLLER SUPPORT.....1	1	26	66889-SGT	WLDMT, MAIN SIDERAIL, UPPER, LFT...1	
9	39470GT	PIN, LOCK.....1	1	--	78038GT	CAP, TUBE, SQ, 1.25 X .083	
10	39469GT	SPRING, COMPRESSION. 485 X 1.75**...1	1	--	39474GT	WEAR PAD, PLATFORM.....1	
11	41630GT	HOUSING, LOCK PIN.....1	1	--	47374GT	TAPE, NON-SKID, DIE CUT, 4" X 32".....3	
12	6097GT	WASHER, FLAT, USS, 3/8", Y		--	T113787GT	RIVET, ALUM, STL, .188 X .250.....2 <i>for 39474</i>	
13	7713GT	NUT, LP NYLOCK, 3/8-16		27A	97123GT	PLAT EXT DECK ASSY, GS30.....1	
14A	84587GT	ROLLER BRACKET ASSY, GRND CNTR.....1 <i>(ground controls side)</i>	1	27B	96335GT	WELDMENT, EXT PLATFORM.....1 <i>(decals not included, refer to section one)</i>	
14B	96247GT	WELDMENT, ROLLER BRACKET, RT***.....1 <i>(decals not included, refer to section one)</i>	1	28	96336GT	WLDMT, EXT DECK LWR RAIL.....1 <i>(fold down)</i>	
15	21279GT	BUTTON, .800 O.D. X .281.....3	3	--	78038GT	CAP, TUBE, SQ, 1.25 X .083	
16	47163GT	ROLLER, PLATFORM EXTENSION.....4	4	29A	231111GT	DECAL PLATE ASSY, GS30, ANSI.....1 <i>(North America)</i>	
17	66948GT	WELDMENT, MAIN, SIDERAIL***.....2	2	29B	231610GT	DECAL PLATE ASSY, GS30, AUSTRAL...1 <i>(Australia)</i>	
18	39579GT	RIVET, STL, STL, .188 X .45.....20	20	29C	84590GT	DECAL PLATE ASSY W/SYM DECALS.....1 <i>(Asia, Europe and South America)</i>	
19	39310GT	WEAR/GUIDE PAD MAIN PLATFORM....4	4	29D	96849GT	WELDMENT, DECAL PLATE.....1 <i>(decals not included, refer to section one)</i>	
20	39474GT	WEAR PAD, PLATFORM.....2	2	--	78038GT	CAP, TUBE, SQ, 1.25 X .083	
21A	97115GT	PLAT MAIN DECK ASSY, 1530 ANSI.....1 <i>GS-1530 (North America) (includes items 18, 19 & 20)</i>	1	30A	97213GT	EXT RAIL ASSY, UPPER, GS30.....1	
--	47098GT	TAPE, NON-SKID, DIE CUT, 4" X 40"		30B	133206GT	DECAL, OPEN WINDOW INST.....1 <i>(decals not included, refer to section one)</i>	
--	47231GT	TAPE, NON-SKID, DIE CUT, 4" X 16"		31	96246GT	WELDMENT, ROLLER BRACKET, LT***.....1	
21B	231103GT	PLAT MAIN DECK ASSY, 1530 AU.....1 <i>GS-1530 (Australia) (includes items 18, 19 & 20)</i>	1	--	21279GT	BUTTON, .800 O.D. X .281	
--	47098GT	TAPE, NON-SKID, DIE CUT, 4" X 40"		32A	84586GT	LANYARD ROLLER BRKT ASSY W/DEC.....1	
--	47231GT	TAPE, NON-SKID, DIE CUT, 4" X 16"		32B	96200GT	WLDMT, LANYARD ROLLER BRKT.....1 <i>(decals not included, refer to section one)</i>	
21C	97118GT	PLAT MAIN DECK ASSY, 1530 SMBL.....1 <i>GS-1530 (Asia, and South America) (includes items 18, 19 & 20)</i>	1	33A	231112GT	FIXED RAILS ASSY, GS30, ANSI.....1 <i>(North America)</i>	
--	47098GT	TAPE, NON-SKID, DIE CUT, 4" X 40"		33B	231611GT	FIXED RAILS ASSY, GS30, AUSTRAL....1 <i>(Australia)</i>	
--	47231GT	TAPE, NON-SKID, DIE CUT, 4" X 16"					
21D	231104GT	PLAT MAIN DECK ASSY, 1530 CE.....1 <i>GS-1530 (Europe) (includes items 18, 19 & 20)</i>	1				

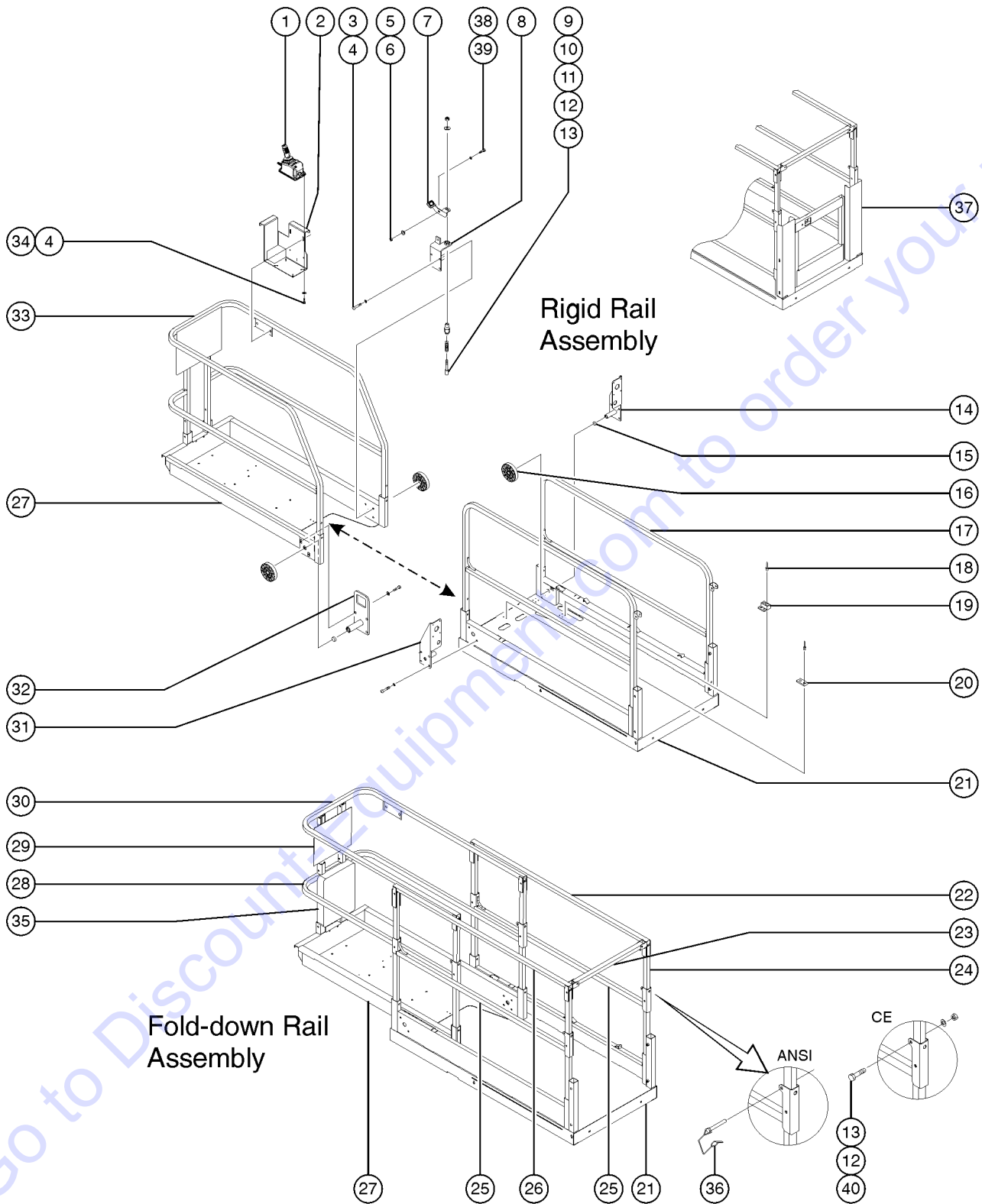
401.1 Platform Components, GS-1530
(continued)

Item	Part No.	Description	Qty.
33C	97132GT	FIXED RAILS ASSY, GS30 SYMBOL.....1 <i>(Asia, Europe and South America)</i>	
33D	1282141GT	WLDMT, EXT SIDERAIL,METRIC.....1 <i>(decals not included, refer to section one)</i>	
34	8255GT	SCREW,HHC,3/8-16 X .75	
35A	44743GT	MANUAL BOX W/DECALS***.....1 <i>USA/Canada/Australia</i>	
35B	24514GT	BOX,INSTRUCTION STORAGE <i>Europe/Asia/South America (decal required; refer to Section100)</i>	
36	66030GT	PIN, WIRE LOCK 3/8 X 2 -1/2.....4	
--	78022GT	LANYARD,BLACK NYLON,TYPE 1*** <i>(CE & Australia models)</i>	
37		Ref. SWING GATE ASSEMBLY <i>(refer to 405.1)</i>	
38	1259223GT	BOLT,SHS,3/8X.375X5/16-18,ZAG.....1	
39	12013GT	SHIM,.375 X .063.....1	
40	14033GT	SCREW,HHC,3/8-16 X 2.75.....5	

This Page Intentionally Left Blank

Go to Discount-Equipment.com to order your parts

402.1 Platform Components, GS-1532



402.1 Platform Components, GS-1532

Item	Part No.	Description	Qty.	Item	Part No.	Description	Qty.
1		Ref. Platform Control Box (refer to 407.1 or 408.1)		24	66485GT	TUBE, VERT, FOLDING.....	6
2		Ref. Platform Control Box Mount Bracket (refer to 407.1 or 408.1)		25	66592GT	WELDMENT, MAIN FOLDING SIDERAIL.....	2
3	5224GT	SCREW,HHC,3/8-16 X 2		--	78038GT	CAP, TUBE, SQ,1.25 X .083	
4	6021GT	WASHER,LOCK,.375		26	66889-SGT	WLDMT, MAIN SIDERAIL, UPPER,LFT...1	
5	6002GT	NUT,LP NYLOCK,5/16-18		--	78038GT	CAP, TUBE, SQ,1.25 X .083	
6	47222GT	WASHER,SHOULDER,NYLON.....	1	--	39474GT	WEAR PAD,PLATFORM.....	1
7	47166GT	BRACKET,FOOT PEDAL.....	1	--	47374GT	TAPE,NON-SKID,DIE CUT,4"X 32".....	3
--	47166GT	BRACKET,FOOT PEDAL (does not include non-skid tape)		--	T113787GT	RIVET,ALUM,STL,.188 X .250.....	2
--	47225GT	TAPE,NON-SKID,DIE CUT,1.38X1.5		27A	97123GT	PLAT EXT DECK ASSY,GS30.....	1
8	96413GT	WLDMT,LOCKING ROLLER SUPPORT.....	1	27B	96335GT	WELDMENT, EXT PLATFORM.....	1
9	39470GT	PIN, LOCK.....	1	28	96336GT	WLDMT, EXT DECK LWR RAIL.....	1
10	39469GT	SPRING,COMPRESSION.485 X1.75**....	1	--	78038GT	CAP, TUBE, SQ,1.25 X .083	
11	41630GT	HOUSING, LOCK PIN.....	1	29A	231111GT	DECAL PLATE ASSY,GS30,ANSI.....	1
12	6097GT	WASHER,FLAT,USS,3/8",Y				(North America)	
13	7713GT	NUT, LP NYLOCK, 3/8-16		29B	231610GT	DECAL PLATE ASSY,GS30,AUSTRAL...1	
14A	84587GT	ROLLER BRACKET ASSY, GRND CNTR.....	1			(Australia)	
		(ground controls side)		29C	84590GT	DECAL PLATE ASSY W/SYM DECALS.....	1
14B	96247GT	WELDMENT,ROLLER BRACKET,RT***.....	1			(Asia, Europe and South America)	
		(decals not included, refer to section one)		29D	96849GT	WELDMENT, DECAL PLATE.....	1
15	21279GT	BUTTON, .800 O.D. X .281.....	3	--	78038GT	CAP, TUBE, SQ,1.25 X .083	
16	47163GT	ROLLER,PLATFORM EXTENSION.....	4	30A	97213GT	EXT RAIL ASSY, UPPER, GS30.....	1
17	66948GT	WELDMENT, MAIN, SIDERAIL ***.....	2	30B	133206GT	DECAL,OPEN WINDOW INST.....	1
18	39579GT	RIVET,STL,STL,.188 X .45.....	20			(decals not included, refer to section one)	
19	39310GT	WEAR/GUIDE PAD MAIN PLATFORM....	4	31	96246GT	WELDMENT,ROLLER BRACKET,LT***.....	1
20	39474GT	WEAR PAD,PLATFORM.....	2	--	21279GT	BUTTON, .800 O.D. X .281	
21A	231105GT	PLAT MAIN DECK ASSY,1532 AU.....	1	32A	84586GT	LANYARD ROLLER BRKT ASSY W/DEC.....	1
		GS-1532 (Australia) (includes items 18, 19 & 20)		32B	96200GT	WLDMT, LANYARD ROLLER BRKT.....	1
--	47098GT	TAPE,NON-SKID,DIE CUT,4"X 40"				(decals not included, refer to section one)	
--	47231GT	TAPE,NON-SKID,DIE CUT,4"X 16"		33A	231112GT	FIXED RAILS ASSY,GS30,ANSI.....	1
21B	231106GT	PLAT MAIN DECK ASSY,1532 CE.....	1			(North America)	
		GS-1532 (Europe) (includes items 18, 19, & 20)		33B	231611GT	FIXED RAILS ASSY,GS30,AUSTRAL....	1
--	47098GT	TAPE,NON-SKID,DIE CUT,4"X 40"				(Australia)	
--	47231GT	TAPE,NON-SKID,DIE CUT,4"X 16"		33C	97132GT	FIXED RAILS ASSY, GS30 SYMBOL (Asia, Europe and South America)	
21C	1259719GT	WLDMNT,PLATFORM, MINI, GS30.....	1	33D	1282141GT	WLDMT, EXT SIDERAIL,METRIC.....	1
		(weldment only; decals not included, refer to section one)				(decals not included, refer to section one)	
22	66890-SGT	WLDMT, MAIN SIDERAIL,UPP,RT **.....	1	34	8255GT	SCREW,HHC,3/8-16 X .75	
--	78038GT	CAP, TUBE, SQ,1.25 X .083		35A	44743GT	MANUAL BOX W/DECALS***.....	1
23	66886GT	ENTRY SWING TUBE.....	1			USA/Canada/Australia	
				35B	24514GT	BOX,INSTRUCTION STORAGE.....	1
						CE (decals required; refer to Section100)	

402.1 Platform Components, GS-1532
(continued)

Item	Part No.	Description	Qty.
36	66030GT	PIN, WIRE LOCK 3/8 X 2 -1/2.....	4
--	78022GT	LANYARD, BLACK NYLON, TYPE 1*** (CE & Australia models)	
37		Ref. SWING GATE ASSEMBLY (refer to 405.1)	
38	1259223GT	BOLT, SHS, 3/8 X .375 X 5/16-18, ZAG.....	1
39	12013GT	SHIM, .375 X .063.....	1
40	14033GT	SCREW, HHC, 3/8-16 X 2.75.....	5

Go to Discount-Equipment.com to order your parts

PARTS FINDER

**Search Website
by Part Number**



**Search Manual
Library For Parts
Manual & Lookup Part
Numbers – Purchase
or Request Quote**

Search Manuals

Enter your information to help us find the right parts manual for your machine.

* Brand:

* Model:

* Serial:

* Part Number:

SEARCH

**Can't Find Part or
Manual? Request Help
by Manufacturer,
Model & Description**

Parts Order Form

Please fill in the following information to help us find the right part for your machine.

Manufacturer:	<input type="text"/>
Model:	<input type="text"/>
Description:	<input type="text"/>
Part Number:	<input type="text"/>
Quantity:	<input type="text"/>
Notes:	<input type="text"/>

Discount-Equipment.com is your online resource for quality parts & equipment.

Florida: **561-964-4949** Outside Florida TOLL FREE: **877-690-3101**

Need parts?

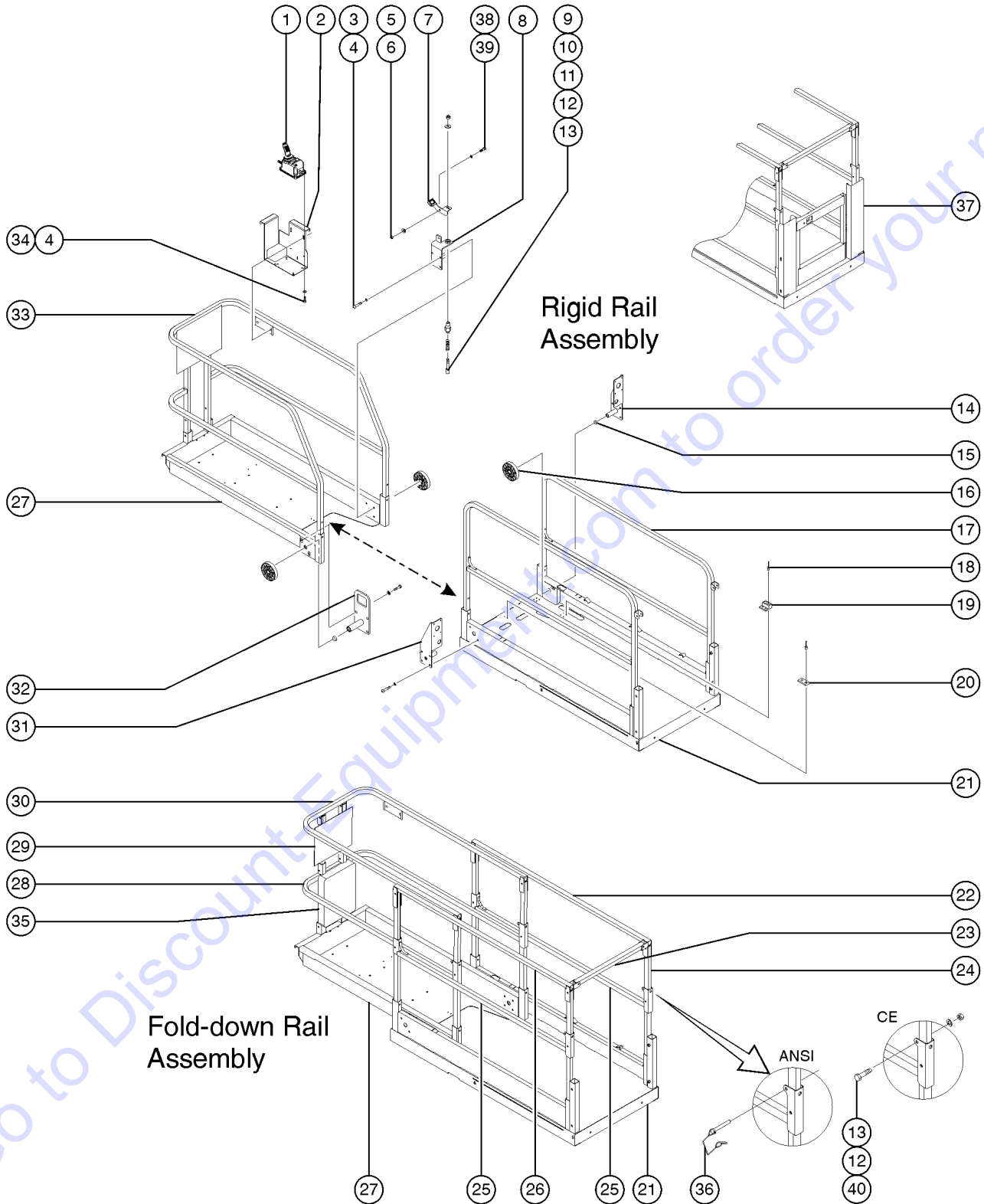
Click on this link: <http://www.discount-equipment.com/category/5443-parts/> and choose one of the options to help get the right parts and equipment you are looking for. Please have the machine model and serial number available in order to help us get you the correct parts. If you don't find the part on the website or on one of the online manuals, please fill out the request form and one of our experienced staff members will get back to you with a quote for the right part that your machine needs.

We sell worldwide for the brands: Genie, Terex, JLG, MultiQuip, Mikasa, Essick, Whiteman, Mayco, Toro Stone, Diamond Products, Generac Magnum, Airman, Haulotte, Barreto, Power Blanket, Nifty Lift, Atlas Copco, Chicago Pneumatic, Allmand, Miller Curber, Skyjack, Lull, Skytrak, Tsurumi, Husquvarna Target, Stow, Wacker, Sakai, Mi-T-M, Sullair, Basic, Dynapac, MBW, Weber, Bartell, Bennar Newman, Haulotte, Ditch Runner, Menegotti, Morrison, Contec, Buddy, Crown, Edco, Wyco, Bomag, Laymor, EZ Trench, Bil-Jax, F.S. Curtis, Gehl Pavers, Heli, Honda, ICS/PowerGrit, IHI, Partner, Imer, Clipper, MMD, Koshin, Rice, CH&E, General Equipment, Amida, Coleman, NAC, Gradall, Square Shooter, Kent, Stanley, Tamco, Toku, Hatz, Kohler, Robin, Wisconsin, Northrock, Oztec, Toker TK, Rol-Air, APT, Wylie, Ingersoll Rand / Doosan, Innovatech, Con X, Ammann, Mecalac, Makinex, Smith Surface Prep, Small Line, Wanco, Yanmar

This Page Intentionally Left Blank

Go to Discount-Equipment.com to order your parts

403.1 Platform Components, GS-1930



403.1 Platform Components, GS-1930

Item	Part No.	Description	Qty.	Item	Part No.	Description	Qty.
1		Ref. Platform Control Box <i>(refer to 407.1 or 408.1)</i>		--	47098GT	TAPE, NON-SKID, DIE CUT, 4" X 40"	
2		Ref. Platform Control Box Mount Bracket <i>(refer to 407.1 or 408.1)</i>		--	47231GT	TAPE, NON-SKID, DIE CUT, 4" X 16"	
3	5224GT	SCREW, HHC, 3/8-16 X 2		21E	1259719GT	WLDMNT, PLATFORM, MINI, GS30.....1 <i>replaced 132132 from SN 110000 (weldment only; decals not included, refer to section one)</i>	
4	6021GT	WASHER, LOCK, .375		22	66890-SGT	WLDMT, MAIN SIDERAIL, UPP, RT **.....1	
5	6002GT	NUT, LP NYLOCK, 5/16-18		--	78038GT	CAP, TUBE, SQ, 1.25 X .083	
6	47222GT	WASHER, SHOULDER, NYLON.....1		23	66886GT	ENTRY SWING TUBE.....1	
7	47166GT	BRACKET, FOOT PEDAL.....1		24	66485GT	TUBE, VERT, FOLDING.....6	
--	47166GT	BRACKET, FOOT PEDAL <i>(does not include non-skid tape)</i>		25	66592GT	WELDMENT, MAIN FOLDING SIDERAIL.....2	
--	47225GT	TAPE, NON-SKID, DIE CUT, 1.38X1.5		--	78038GT	CAP, TUBE, SQ, 1.25 X .083	
8	96413GT	WLDMT, LOCKING ROLLER SUPPORT.....1		26	66889-SGT	WLDMT, MAIN SIDERAIL, UPPER, LFT...1	
9	39470GT	PIN, LOCK.....1		--	78038GT	CAP, TUBE, SQ, 1.25 X .083	
10	39469GT	SPRING, COMPRESSION. 485 X 1.75**...1		--	39474GT	WEAR PAD, PLATFORM.....1	
11	41630GT	HOUSING, LOCK PIN.....1		--	47374GT	TAPE, NON-SKID, DIE CUT, 4" X 32".....3	
12	6097GT	WASHER, FLAT, USS, 3/8", Y		--	T113787GT	RIVET, ALUM, STL, .188 X .250.....2 <i>for 39474</i>	
13	7713GT	NUT, LP NYLOCK, 3/8-16		27A	97123GT	PLAT EXT DECK ASSY, GS30.....1	
14A	84587GT	ROLLER BRACKET ASSY, GRND CNTR.....1 <i>(ground controls side)</i>		27B	96335GT	WELDMENT, EXT PLATFORM.....1 <i>(decals not included, refer to section one)</i>	
14B	96247GT	WELDMENT, ROLLER BRACKET, RT***.....1 <i>(decals not included, refer to section one)</i>		28	96336GT	WLDMT, EXT DECK LWR RAIL.....1 <i>(fold down)</i>	
15	21279GT	BUTTON, .800 O.D. X .281.....3		--	78038GT	CAP, TUBE, SQ, 1.25 X .083	
16	47163GT	ROLLER, PLATFORM EXTENSION.....4		29A	231111GT	DECAL PLATE ASSY, GS30, ANSI.....1 <i>(North America)</i>	
17	66948GT	WELDMENT, MAIN, SIDERAIL***.....2		29B	231610GT	DECAL PLATE ASSY, GS30, AUSTRAL...1	
18	39579GT	RIVET, STL, STL, .188 X .45.....20		29C	84590GT	DECAL PLATE ASSY W/SYM DECALS.....1	
19	39310GT	WEAR/GUIDE PAD MAIN PLATFORM...4		29D	96849GT	WELDMENT, DECAL PLATE.....1 <i>(decals not included, refer to section one)</i>	
20	39474GT	WEAR PAD, PLATFORM.....2		--	78038GT	CAP, TUBE, SQ, 1.25 X .083	
21A	97119GT	PLAT MAIN DECK ASSY, 1930 ANSI.....1 <i>GS-1930 (North America) (includes items 18, 19 & 20)</i>		30A	97213GT	EXT RAIL ASSY, UPPER, GS30.....1	
--	47098GT	TAPE, NON-SKID, DIE CUT, 4" X 40"		30B	133206GT	DECAL, OPEN WINDOW INST.....1 <i>(decals not included, refer to section one)</i>	
--	47231GT	TAPE, NON-SKID, DIE CUT, 4" X 16"		31	96246GT	WELDMENT, ROLLER BRACKET, LT***.....1	
21B	231107GT	PLAT MAIN DECK ASSY, 1930 AU.....1 <i>GS-1930 (Australia) (includes items 18, 19 & 20)</i>		--	21279GT	BUTTON, .800 O.D. X .281	
--	47098GT	TAPE, NON-SKID, DIE CUT, 4" X 40"		32A	84586GT	LANYARD ROLLER BRKT ASSY W/DEC.....1	
--	47231GT	TAPE, NON-SKID, DIE CUT, 4" X 16"		32B	96200GT	WLDMT, LANYARD ROLLER BRKT.....1 <i>(decals not included, refer to section one)</i>	
21C	97122GT	PLAT MAIN DECK ASSY, 1930 SMBL.....1 <i>GS-1930 (Asia and South America) (includes items 18, 19 & 20)</i>		33A	231112GT	FIXED RAILS ASSY, GS30, ANSI.....1 <i>(North America)</i>	
--	47098GT	TAPE, NON-SKID, DIE CUT, 4" X 40"		33B	231611GT	FIXED RAILS ASSY, GS30, AUSTRAL...1	
--	47231GT	TAPE, NON-SKID, DIE CUT, 4" X 16"		33C	97132GT	FIXED RAILS ASSY, GS30 SYMBOL.....1	
21D	231108GT	PLAT MAIN DECK ASSY, 1930 CE.....1 <i>GS-1930 (Europe) (includes items 18, 19, & 20)</i>		33D	1282141GT	WLDMT, EXT SIDERAIL, METRIC.....1 <i>(decals not included, refer to section one)</i>	

403.1 Platform Components, GS-1930
(continued)

Item	Part No.	Description	Qty.
34	8255GT	SCREW,HHC,3/8-16 X .75	
35A	44743GT	MANUAL BOX W/DECALS***.....1 <i>USA/Canada/Australia</i>	
35B	24514GT	BOX,INSTRUCTION STORAGE <i>Europe/Asia/South America (decal required; refer to Section100)</i>	
36	66030GT	PIN, WIRE LOCK 3/8 X 2 -1/2.....4	
--	78022GT	LANYARD,BLACK NYLON,TYPE 1*** <i>(CE & Australia models)</i>	
37		Ref. SWING GATE ASSEMBLY <i>(refer to 405.1)</i>	
38	1259223GT	BOLT,SHS,3/8X.375X5/16-18,ZAG.....1	
39	12013GT	SHIM,.375 X .063.....1	
40	14033GT	SCREW,HHC,3/8-16 X 2.75.....5	

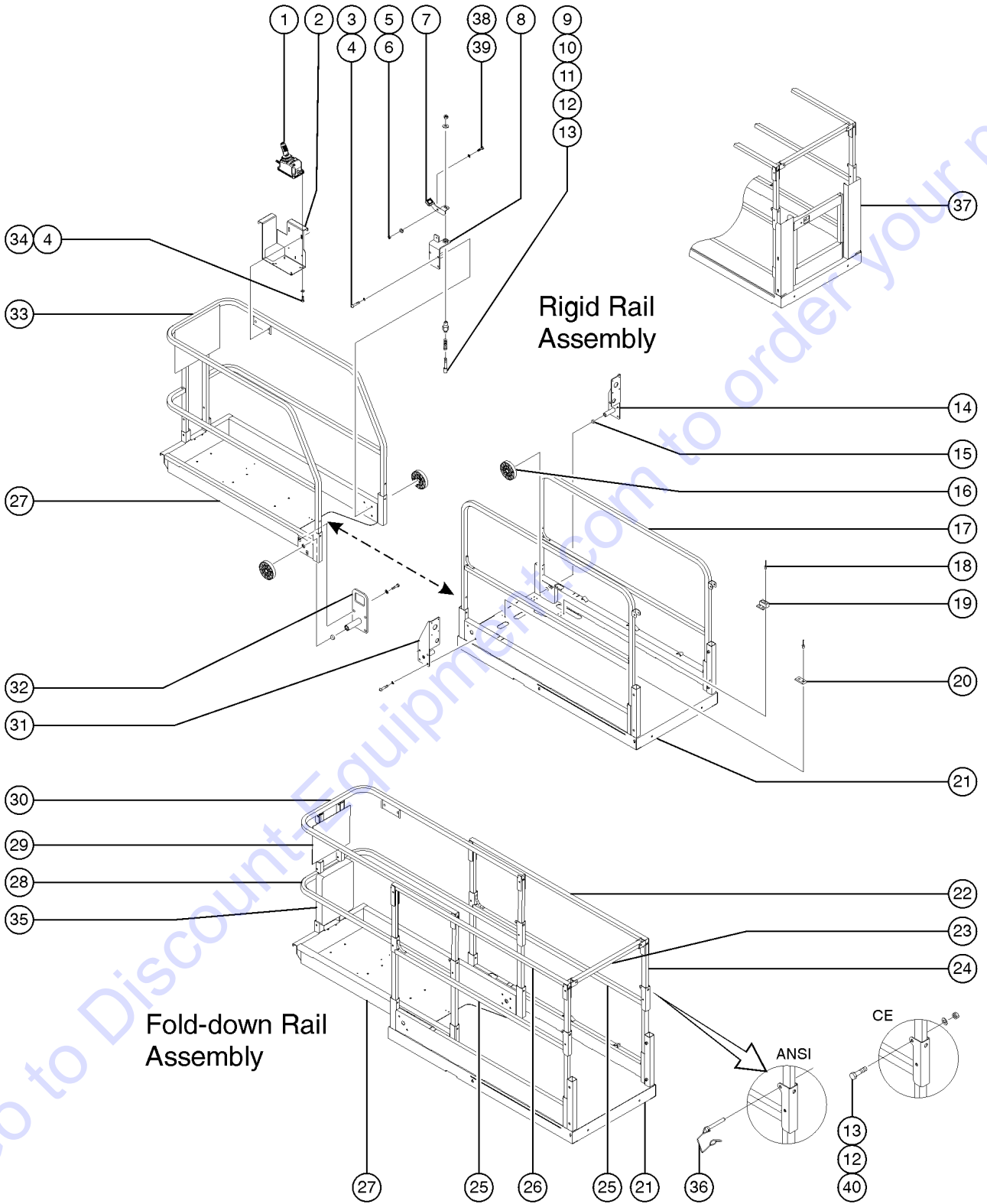
Go to Discount-Equipment.com to order your parts



This Page Intentionally Left Blank

Go to Discount-Equipment.com to order your parts

404.1 Platform Components, GS-1932



404.1 Platform Components, GS-1932

Item	Part No.	Description	Qty.	Item	Part No.	Description	Qty.
1		Ref. Platform Control Box <i>(refer to 407.1 or 408.1)</i>		--	78038GT	CAP, TUBE, SQ, 1.25 X .083	
2		Ref. Platform Control Box Mount Bracket <i>(refer to 407.1 or 408.1)</i>		23	66886GT	ENTRY SWING TUBE.....	1
3	5224GT	SCREW, HHC, 3/8-16 X 2		24	66485GT	TUBE, VERT, FOLDING.....	6
4	6021GT	WASHER, LOCK, .375		25	66592GT	WELDMENT, MAIN FOLDING SIDERAIL.....	2
5	6002GT	NUT, LP NYLOCK, 5/16-18		--	78038GT	CAP, TUBE, SQ, 1.25 X .083	
6	47222GT	WASHER, SHOULDER, NYLON.....	1	26	66889-SGT	WLDMT, MAIN SIDERAIL, UPPER, LFT...1	
7	47166GT	BRACKET, FOOT PEDAL.....	1	--	78038GT	CAP, TUBE, SQ, 1.25 X .083	
--	47166GT	BRACKET, FOOT PEDAL <i>(does not include non-skid tape)</i>		--	39474GT	WEAR PAD, PLATFORM.....	1
--	47225GT	TAPE, NON-SKID, DIE CUT, 1.38X1.5		--	47374GT	TAPE, NON-SKID, DIE CUT, 4"X 32".....	3
8	96413GT	WLDMT, LOCKING ROLLER SUPPORT.....	1	--	T113787GT	RIVET, ALUM, STL, .188 X .250.....	2
9	39470GT	PIN, LOCK.....	1	27A	97123GT	PLAT EXT DECK ASSY, GS30.....	1
10	39469GT	SPRING, COMPRESSION. 485 X 1.75**.....	1	27B	96335GT	WELDMENT, EXT PLATFORM.....	1
11	41630GT	HOUSING, LOCK PIN.....	1	28	96336GT	WLDMT, EXT DECK LWR RAIL.....	1
12	6097GT	WASHER, FLAT, USS, 3/8", Y				<i>(fold down)</i>	
13	7713GT	NUT, LP NYLOCK, 3/8-16		--	78038GT	CAP, TUBE, SQ, 1.25 X .083	
14A	84587GT	ROLLER BRACKET ASSY, GRND CNTR.....	1	29A	231111GT	DECAL PLATE ASSY, GS30, ANSI.....	1
14B	96247GT	WELDMENT, ROLLER BRACKET, RT***.....	1			<i>(North America)</i>	
		<i>(decals not included, refer to section one)</i>		29B	231610GT	DECAL PLATE ASSY, GS30, AUSTRAL...1	
15	21279GT	BUTTON, .800 O.D. X .281.....	3			<i>(Australia)</i>	
16	47163GT	ROLLER, PLATFORM EXTENSION.....	4	29C	84590GT	DECAL PLATE ASSY W/SYM DECALS.....	1
17	66948GT	WELDMENT, MAIN, SIDERAIL***.....	2			<i>(Asia, Europe and South America)</i>	
18	39579GT	RIVET, STL, STL, .188 X .45.....	20	29D	96849GT	WELDMENT, DECAL PLATE.....	1
19	39310GT	WEAR/GUIDE PAD MAIN PLATFORM....	4			<i>(decals not included, refer to section one)</i>	
20	39474GT	WEAR PAD, PLATFORM.....	2	--	78038GT	CAP, TUBE, SQ, 1.25 X .083	
21A	231109GT	PLAT MAIN DECK ASSY, 1932 AU.....	1	30A	97213GT	EXT RAIL ASSY, UPPER, GS30.....	1
		<i>GS-1932 (Australia) (includes items 18, 19 & 20)</i>		30B	133206GT	DECAL, OPEN WINDOW INST.....	1
--	47098GT	TAPE, NON-SKID, DIE CUT, 4"X 40".....	4			<i>(decals not included, refer to section one)</i>	
--	47231GT	TAPE, NON-SKID, DIE CUT, 4"X 16".....	2	31	96246GT	WELDMENT, ROLLER BRACKET, LT***.....	1
21B	231110GT	PLAT MAIN DECK ASSY, 1932 CE.....	1	--	21279GT	BUTTON, .800 O.D. X .281	
		<i>GS-1932 (Europe) (includes items 18, 19 & 20)</i>		32A	84586GT	LANYARD ROLLER BRKT ASSY W/DEC.....	1
--	47098GT	TAPE, NON-SKID, DIE CUT, 4"X 40".....	4	32B	96200GT	WLDMT, LANYARD ROLLER BRKT.....	1
--	47231GT	TAPE, NON-SKID, DIE CUT, 4"X 16".....	2			<i>(decals not included, refer to section one)</i>	
21C	96275GT	WELDMENT, PLATFORM, MAIN <i>to SN 109999 (weldment only, decals not included, refer to section one)</i>		33A	231112GT	FIXED RAILS ASSY, GS30, ANSI.....	1
21D	1259719GT	WLDMNT, PLATFORM, MINI, GS30 <i>from SN 110000 (weldment only, decals not included, refer to section one)</i>				<i>(North America)</i>	
22	66890-SGT	WLDMT, MAIN SIDERAIL, UPP, RT **.....	1	33B	231611GT	FIXED RAILS ASSY, GS30, AUSTRAL....1	
						<i>(Australia)</i>	
				33C	97132GT	FIXED RAILS ASSY, GS30 SYMBOL.....	1
						<i>(Asia, Europe and South America)</i>	
				33D	1282141GT	WLDMT, EXT SIDERAIL, METRIC.....	1
						<i>(decals not included, refer to section one)</i>	
				34	8255GT	SCREW, HHC, 3/8-16 X .75	
				--	24514GT	BOX, INSTRUCTION STORAGE <i>Europe/Asia/South America (decals required; refer to Section 100)</i>	

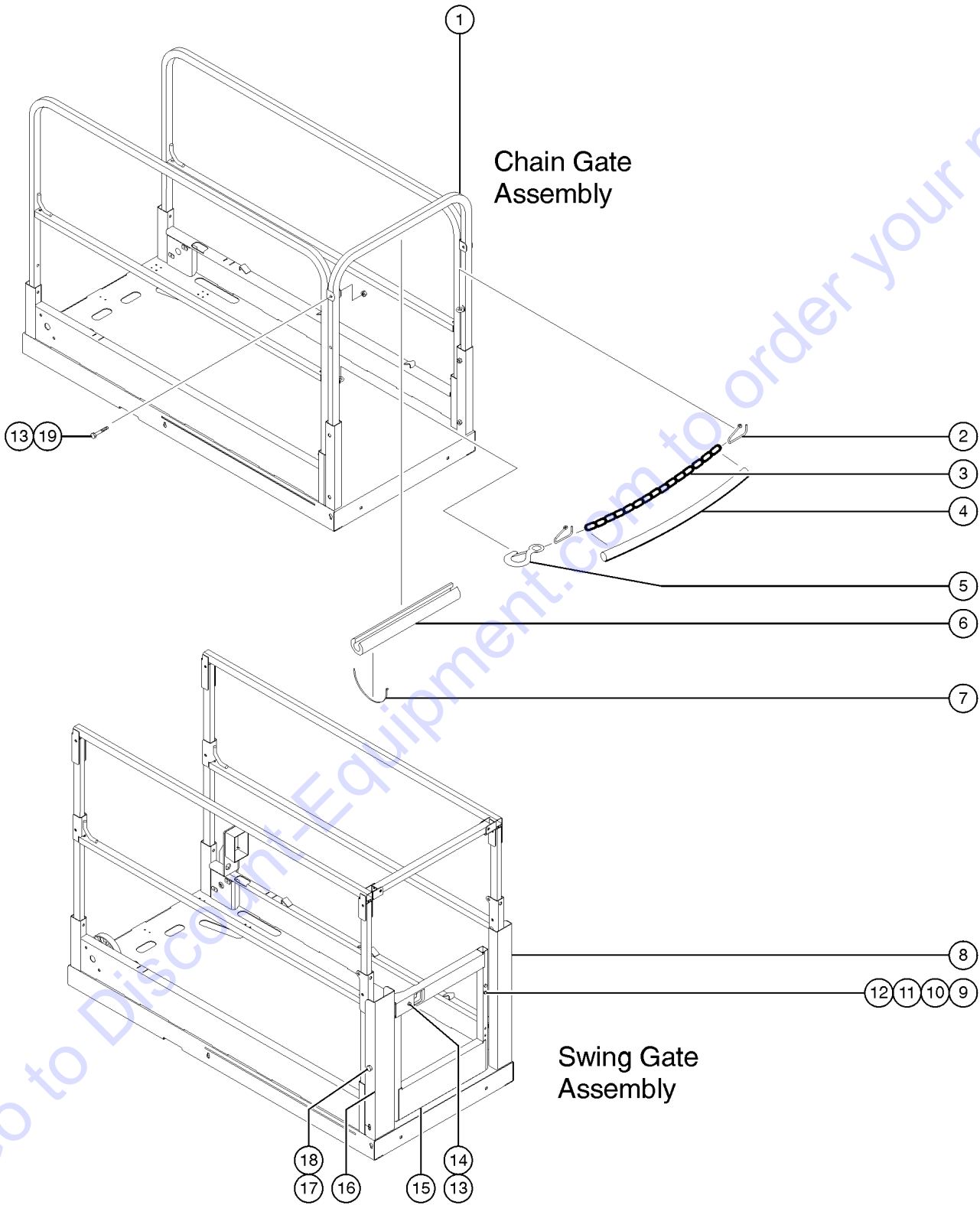
404.1 Platform Components, GS-1932
(continued)

Item	Part No.	Description	Qty.
35A	44743GT	MANUAL BOX W/DECALS***.....1 <i>USA/Canada/Australia</i>	1
36	66030GT	PIN, WIRE LOCK 3/8 X 2 -1/2.....4	4
--	78022GT	LANYARD,BLACK NYLON,TYPE 1*** <i>(CE & Australia models)</i>	
37		Ref. SWING GATE ASSEMBLY <i>(refer to 405.1)</i>	
38	1259223GT	BOLT,SHS,3/8X.375X5/16-18,ZAG.....1	1
39	12013GT	SHIM,.375 X .063.....1	1
40	14033GT	SCREW,HHC,3/8-16 X 2.75.....5	5

This Page Intentionally Left Blank

Go to Discount-Equipment.com to order your parts

405.1 Platform Gates, GS-1530/1532/1930/1932



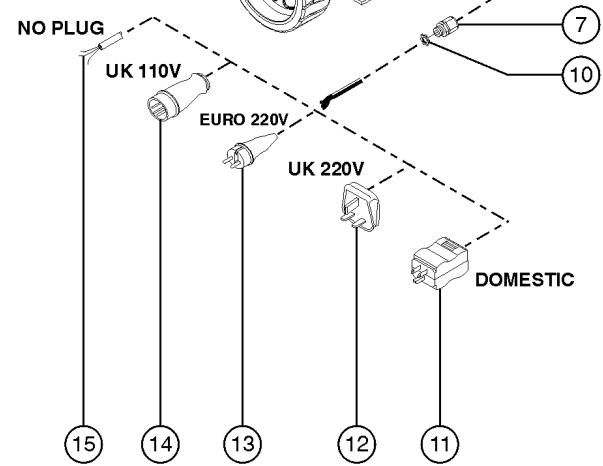
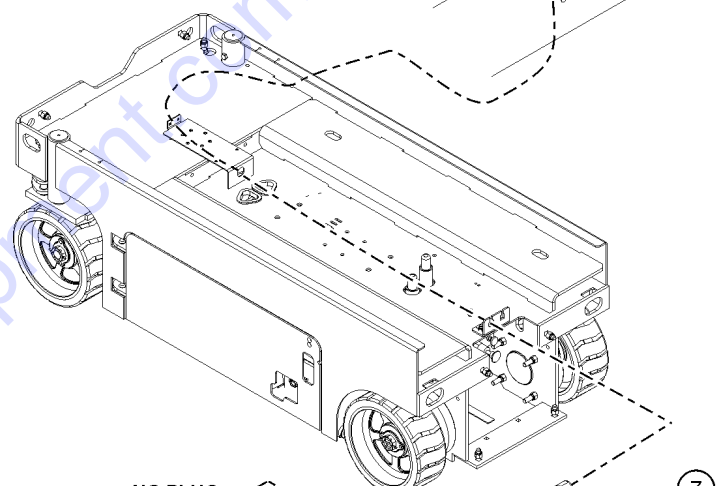
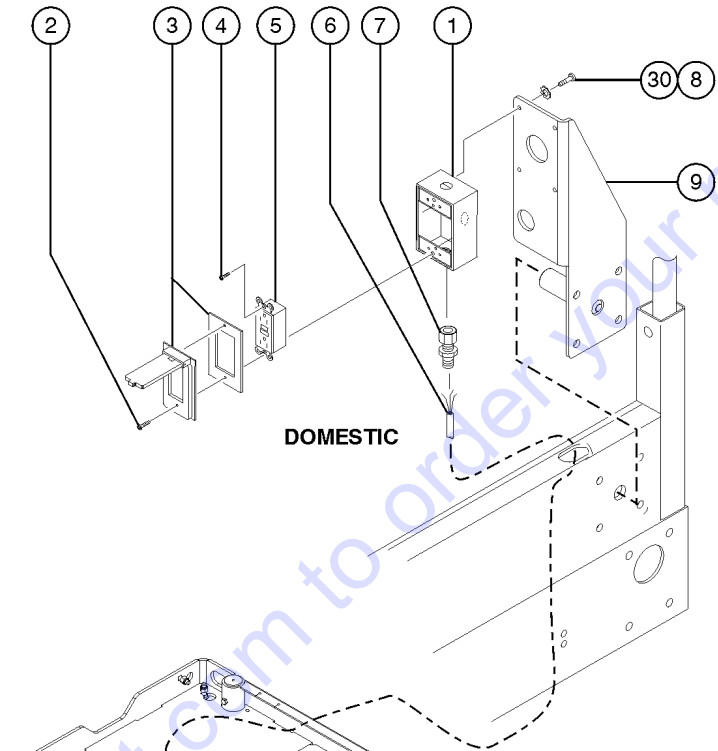
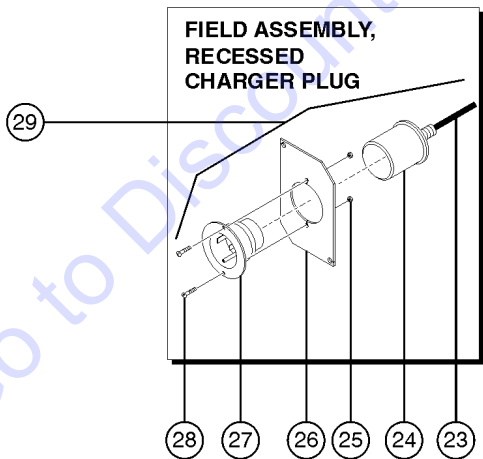
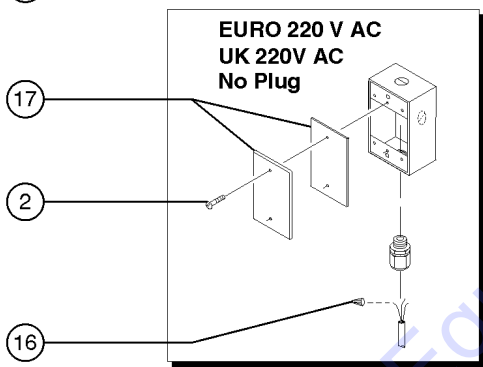
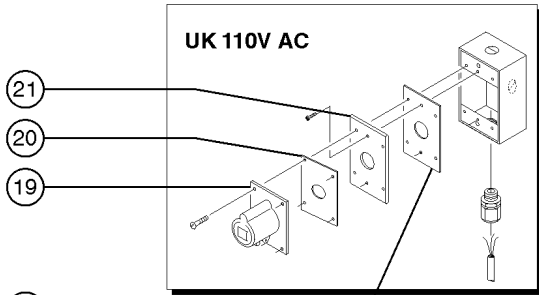
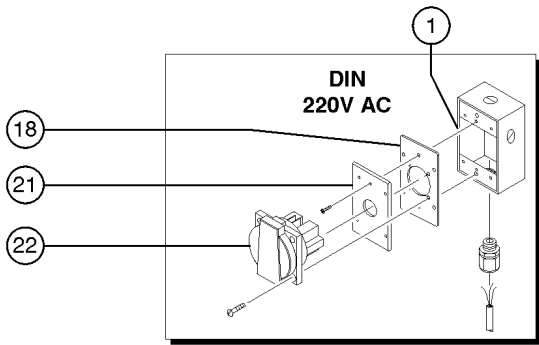
Go to Discount-Equipment.com to order your parts

405.1 Platform Gates, GS-1530/1532/1930/1932

Item	Part No.	Description	Qty.	Item	Part No.	Description	Qty.
--	144175GT	KIT,MINI FULL HT,ANSI GATE (ANSI and CSA models) (includes instructions)		15E	231178GT	SWING GATE ASSY,GS1532 CE (GS-1532 CE models)	
1	97280GT	CHAIN GATE KIT,GS30 (includes items 2 through 7)		--	66551GT	WELDMENT, HALF GATE (decals not included, see section one) (for use with items 15A through 15G)	
--	1282139GT	WLDMT, CHAIN ENTRY GATE,METRIC		15F	231179GT	SWING GATE ASSY,GS1930 CE (GS-1930 CE models)	
--	97105GT	PLAT ENTRY ASSY,RIGID GS30.....1 (includes items 6 & 7)		--	66551GT	WELDMENT, HALF GATE (decals not included, see section one) (for use with items 15A through 15G)	
2	96163GT	LINK,(SPLIT) OPEN-END.....2		15G	231180GT	SWING GATE ASSY,GS1932 CE (GS-1932 CE models)	
3	39509GT	CHAIN,3/16,OPEN LINK 22.5".....1		--	66551GT	WELDMENT, HALF GATE (decals not included, see section one) (for use with items 15A through 15G)	
4	47224GT	TUBING,PVC,1",BLACK***.....21		15H	65990-SGT	KIT,GATE LATCH.....1 (includes items 13, 14, the spring, 22446, and the latch, 66544) (for use with items 15A through 15G)	
5	39510GT	RIGID EYE SNAP.....1		--	22446GT	SPRING,COMPRESSION .835 X 2.....1 (for use with items 15A through 15G)	
6	47188GT	FOAM,CLOSED CELL 1.75X.250X18"....1		--	66544GT	LATCH HANDLE (for use with items 15A through 15G)	
7	28443GT	CABLE TIE,11.5" BLACK		16	66903-SGT	WLDMT, FORMING, HALFGATE CATCH.....1	
8	66883GT	FORMING, HALF GATE HINGE.....1		17	8178GT	SCREW,HHC,3/8-16 X 2.5	
9	4266GT	SCREW,HHC,1/4-20 X 2		18	5397GT	WASHER,FLAT,USS,5/16",Y	
10	6638GT	WASHER,FLAT,USS,1/4"Y		19	7713GT	NUT, LP NYLOCK, 3/8-16	
11	6091GT	NUT,NYLOCK,1/4-20					
12	104804GT	HINGE, SPRING, LONG LEG.....2					
13	5224GT	SCREW,HHC,3/8-16 X 2					
14	4828GT	NUT,NYLOCK,3/8-16					
15A	97110GT	SWING GATE ASSY,GS30/32** (GS-1530 & GS 1930 ANSI and CSA models)					
--	47598GT	WEATHERSTRIP,SWING GATE.....18-inches (for use with items 15A through 15G)					
--	66551GT	WELDMENT, HALF GATE.....1 (decals not included, see section one) (for use with items 15A through 15G)					
15B	231175GT	SWING GATE ASSY,1530/1930 AUS.....1 (GS-1530 & GS-1930 Australia models)					
--	47598GT	WEATHERSTRIP,SWING GATE.....18-inches (for use with items 15A through 15G)					
--	66551GT	WELDMENT, HALF GATE.....1 (decals not included, see section one) (for use with items 15A through 15G)					
15C	231176GT	SWING GATE ASSY,1532/1932 AUS (GS-1532 & GS-1932 Australia models)					
--	47598GT	WEATHERSTRIP,SWING GATE.....18-inches (for use with items 15A through 15G)					
--	66551GT	WELDMENT, HALF GATE (decals not included, see section one) (for use with items 15A through 15G)					
15D	231177GT	SWING GATE ASSY,GS1530 CE.....1 (GS-1530 CE models)					
--	66551GT	WELDMENT, HALF GATE.....1 (decals not included, see section one) (for use with items 15A through 15G)					



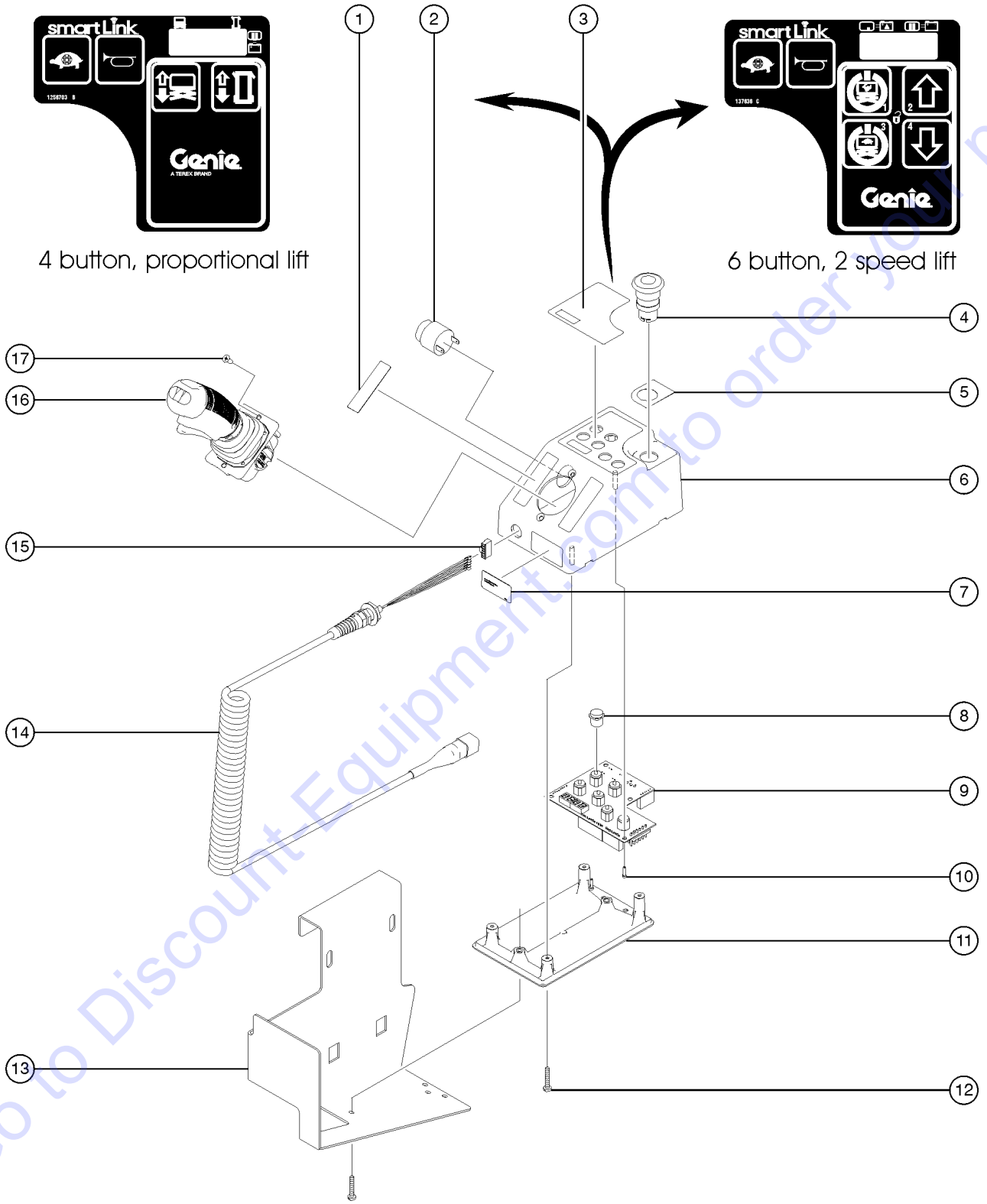
406.1 Power to Platform



406.1 Power to Platform

Item	Part No.	Description	Qty.	Item	Part No.	Description	Qty.
--	33724GT	KIT,GASKET,UK POWER TO PLAT. <i>(includes 1 each, items 18 and 20)</i>		27	105117GT	PLUG,FLG INLET,15A/125V,2PWGD.....1	1
1	10775GT	T-BOX,2.75 X 4.5 X 2.0.....1	1	28	55906GT	SCREW,PHILLIPS,PHM,8-32 X .5.....2	2
2	7127GT	SCREW,PHILLIPS,PHM,6-32 X .75		29	105448GT	FIELD ASSY,REC.CHARGER PLUG.....1 <i>(includes items 23-28)</i>	1
3	74006GT	COVER,GFCI,HORIZONTAL,WEATHER.1 <i>(ANSI and CSA models) (includes gasket and mounting fasteners)</i>	1	30	44936GT	WASHER,STAR,EXTERNAL,#8.....4	4
4	45546GT	SCREW,RHM,6-32 X .5					
5	13585GT	OUTLET, 110V.....1 <i>(ANSI and CSA models)</i>	1				
6A	43956GT	WIRE CABLE,14/3 CON.TPE JKT*.....264-inches GS-1530, GS-1532					
6B	43956GT	WIRE CABLE,14/3 CON.TPE JKT*.....364-inches GS-1930, GS-1932					
7	7056GT	CONN,SQUEEZE,1/2NPT .38-.50,SM....1	1				
8	57075GT	SCREW,PHIL,8-32X.50,SELF TAP					
9		Ref. ROLLER BRACKET <i>(refer to 401.1 through 404.1)</i>					
10	6935GT	LOCKNUT,ELEC,1/2".....1	1				
11	6595GT	PLUG,ELECTRICAL,DOMESTIC.....1	1				
12	25388GT	PLUG,FUSED,250V,13AMP,U.K.**					
13	1280665GT	PLUG, TYPE F, 230A, 50HZ, 16A, IP44					
14	144161GT	PLUG,PWR,UK,16AMP,3PIN,BLK					
15	105117GT	PLUG,FLG INLET,15A/125V,2PWGD					
--	105118GT	GASKET,(BOOT) FLANGE INLET PLG					
16	6626GT	WIRE CAP,ORANGE.....1	1				
17	10777GT	COVER,BLANK.....1	1				
18	66355GT	GASKET, UK & DIN PWR. TO PLAT.....1 <i>(2.9 x 2.9 inches)</i>	1				
19	T112563GT	SVC KIT,UK RECEPT.REPLACEMENT.....1	1				
20	66356GT	GASKET, UK RECEPTACLE.....1 <i>(2.9 x 2.9 inches)</i>	1				
21A	105483-SGT	PLATE,AC ADAPTER(ANSI/CSA) <i>(ANSI/CSA)</i>					
21B	96236GT	PLATE,AC ADAPTER,DIN/UK***					
21C	105090GT	PLATE, AC ADAPTER(AUS)					
22	66353GT	RECEPTACLE, DIN, 220V 50A.....1	1				
23	48282GT	POWER CORD, IEC 320 BLANK, 79".....1	1				
24	105118GT	GASKET,(BOOT) FLANGE INLET PLG.....1	1				
25	18605GT	NUT,NYLOCK,8-32.....2	2				
26	105483-SGT	PLATE,AC ADAPTER(ANSI/CSA).....1	1				
--	6091GT	NUT,NYLOCK,1/4-20.....2 <i>not included</i>	2				
--	6878GT	BOLT,CARRIAGE,1/4-20 X .75,G2.....2 <i>not included</i>	2				

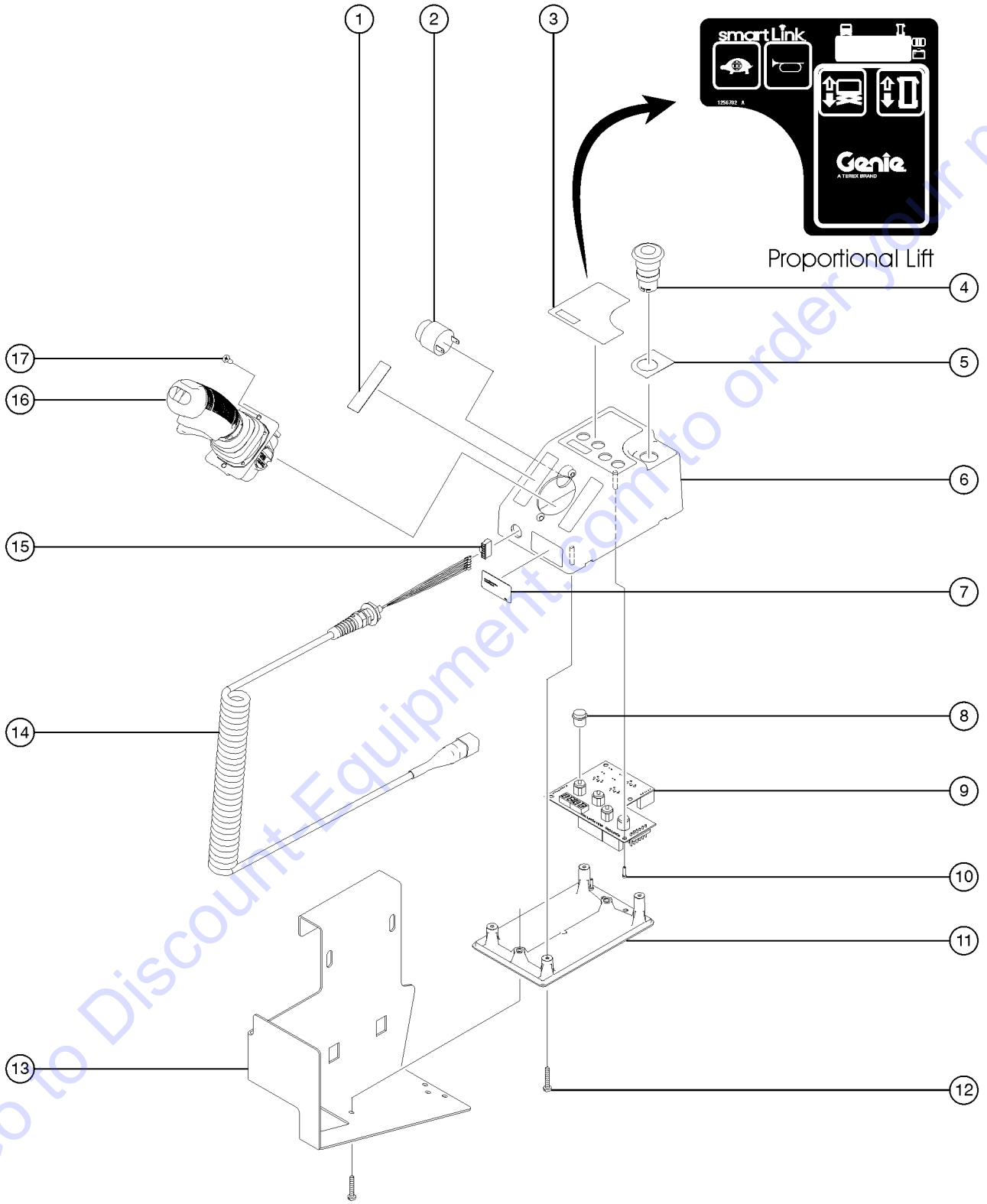
407.1 Platform Controls, 6 Button (2 Speed Lift)



407.1 Platform Controls, 6 Button (2 Speed Lift)

Item	Part No.	Description	Qty.	Item	Part No.	Description	Qty.
A	1258332GT	KIT, SL PROP UPGRD, ANSI, GS30 (For 2 speed to proportional lift conversion. Software upgrade is required and available on-line or refer to 408.1 for USB flash drive) to SN GS3014A-134999 and to SN GS3014C-16999		7	137642GT	LABEL, GR/GRC/GS PCON.....	1
B	1258333GT	KIT, SL PROP UPGRD, AUS, GS30 (For 2 speed to proportional lift conversion. Software upgrade is required and available on-line or refer to 408.1 for USB flash drive) to SN GS3014A-134999 and to SN GS3014C-16999		8	T106373GT	CAP,BUTTON,K12.....	6
C	1258334GT	KIT, SL PROP UPGRD, CE, GS (For 2 speed to proportional lift conversion. Software upgrade is required and available on-line or refer to 408.1 for USB flash drive) to SN GS3014A-134999 and to SN GS3014C-16999		9	137522GT	PCBA, GC14-1.....	1
D	1258515GT	KIT, SL PROP UPGRD, ANSI SYM, GS (For 2 speed to proportional lift conversion. Software upgrade is required and available on-line or refer to 408.1 for USB flash drive) to SN GS3014A-134999 and to SN GS3014C-16999		10	137637GT	SCREW,PHM,4-20X.5, 48-2 TRI-L	
E	137633GT	PCON, GR/GRC/GS (models with 6 button, 2 speed controller) (complete platform control box with coil cord, bracket not included) to SN GS3014A-134999 and to SN GS3014C-16999		11	T106370GT	ENCLOSURE,GC14-1/GC16-1, BOT.....	1
--	219205GT	FLASH DRIVE,SL1K1.0 SOFTWARE (models with 6 button, 2 speed controller) (complete platform control box with coil cord, bracket not included) to SN GS3014A-134999 and to SN GS3014C-16999		12	137640GT	SCREW,PHM,8-16X.75, 48-2 TRI-L	
F	137587GT	HARNESS, ESTOP, GR/GRC/GS PCON		13	231331GT	PLAT CONTROL BRKT ASSY,GS MINI.....	1
1	137656GT	DECAL,PROPEL,GR/GRC/GS,PCON.....	1	--	227167GT	FORMING, PLAT CONTROL BOX, MET Europe, Asia and S. America	
2A	39540GT	ALARM,STEADY TONE***.....	1	14	235464GT	KIT,COIL CORD,CONTRLR,SL1000.....	1
2B	72326GT	NUT - PLASTIC,RING FOR ALARMS for 39540		--	231921GT	KIT,CONN,RECEPT W/PIN AND LOCK	
3A	137636GT	DECAL, UI, GR/GRC/GS PCON.....	1	--	231922GT	KIT,CONN,PLUG W/SCKT AND LOCK	
3B	1256703GT	DECAL, STD, PROP LIFT, UI, SVC.....	1	15	137699GT	PLUG, 6POS ECO PWR.....	1
4	66812GT	BUTTON,PUSH,RED MUSHROOM HEAD.....	1	16		Ref., JOYSTICK.....	1
--	66817GT	BASE WITH 1 NC CONTACT, E-STOP		17	229845GT	SCREW,BHSCS,M5X10,SS apply Loctite 243 or equivalent before installation	
5	137605GT	DECAL,E-STOP,GR/GRC/GS PCON.....	1				
6	T106368GT	ENCLOSURE, GC14-1, TOP.....	1				

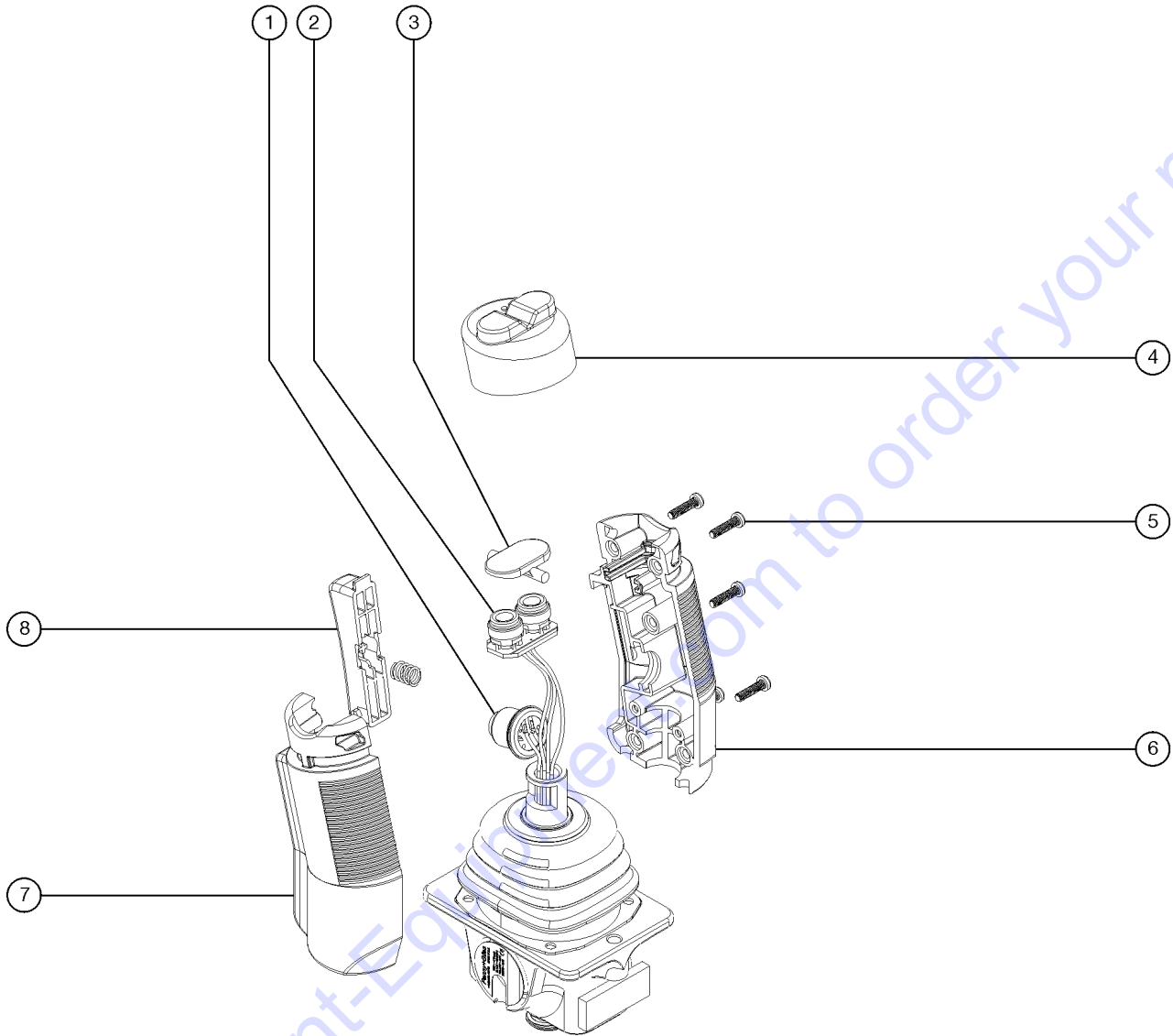
408.1 Platform Controls, 4 Button (Proportional Lift)



408.1 Platform Controls, 4 Button (Proportional Lift)

Item	Part No.	Description	Qty.
A	1256727GT	PCON,STD,PROP LIFT,GR/GS.....1 <i>(complete platform control box with coil cord, bracket not included) from SN GS3014A-135000 and from SN GS3014C-17000</i>	1
--	1258731GT	FLASH DRIVE,SL1K2.0 SOFTWARE <i>(For proportional lift or upgrade kits only. Software update available on-line. Flash drive sold separately.)</i>	
--	137587GT	HARNESS, ESTOP, GR/GRC/GS PCON	
1	137656GT	DECAL,PROPEL,GR/GRC/GS,PCON.....1	1
2A	39540GT	ALARM,STEADY TONE***.....1 <i>order 72326 mounting ring separately</i>	1
2B	72326GT	NUT - PLASTIC,RING FOR ALARMS <i>for 39540</i>	
3A	1256702GT	DECAL, UI, GS/GR, PROP LIFT.....1 <i>(models with 4 button, proportional controller)</i>	1
3B		REF:DECAL,STD,PROP LIFT,UI,SVC.....1 <i>(units converted from 6 button, 2 speed lift to 4 button, proportional controller, refer to 407.1)</i>	1
4	66812GT	BUTTON,PUSH,RED MUSHROOM HEAD.....1	1
--	66817GT	BASE WITH 1 NC CONTACT, E-STOP	
5	137605GT	DECAL,E-STOP,GR/GRC/GS PCON.....1	1
6	1256656GT	ENCLOSURE,STD 4-BUTTON,TOP	
7		<i>(component no longer available)</i>	
8	T106373GT	CAP,BUTTON,K12.....6	6
9	1256725GT	PCBA,PCON STD,PROP LIFT.....1	1
10	137637GT	SCREW,PHM,4-20X.5, 48-2 TRI-L	
11	T106370GT	ENCLOSURE,GC14-1/GC16-1, BOT.....1	1
12	137640GT	SCREW,PHM,8-16X.75, 48-2 TRI-L	
13	231331GT	PLAT CONTROL BRKT ASSY,GS MINI.....1 <i>USA, Canada, Australia</i>	1
--	227167GT	FORMING, PLAT CONTROL BOX, MET <i>Europe, Asia and S. America</i>	
14	235464GT	KIT,COIL CORD,CONTRLR,SL1000.....1 <i>includes item 15</i>	1
--	231921GT	KIT,CONN,RECEPT W/PIN AND LOCK	
--	231922GT	KIT,CONN,PLUG W/SCKT AND LOCK	
15	137699GT	PLUG, 6POS ECO PWR.....1	1
16		Ref., JOYSTICK.....1 <i>refer to 409.1</i>	1
17	229845GT	SCREW,BHSCS,M5X10,SS <i>apply Loctite 243 or equivalent before installation</i>	

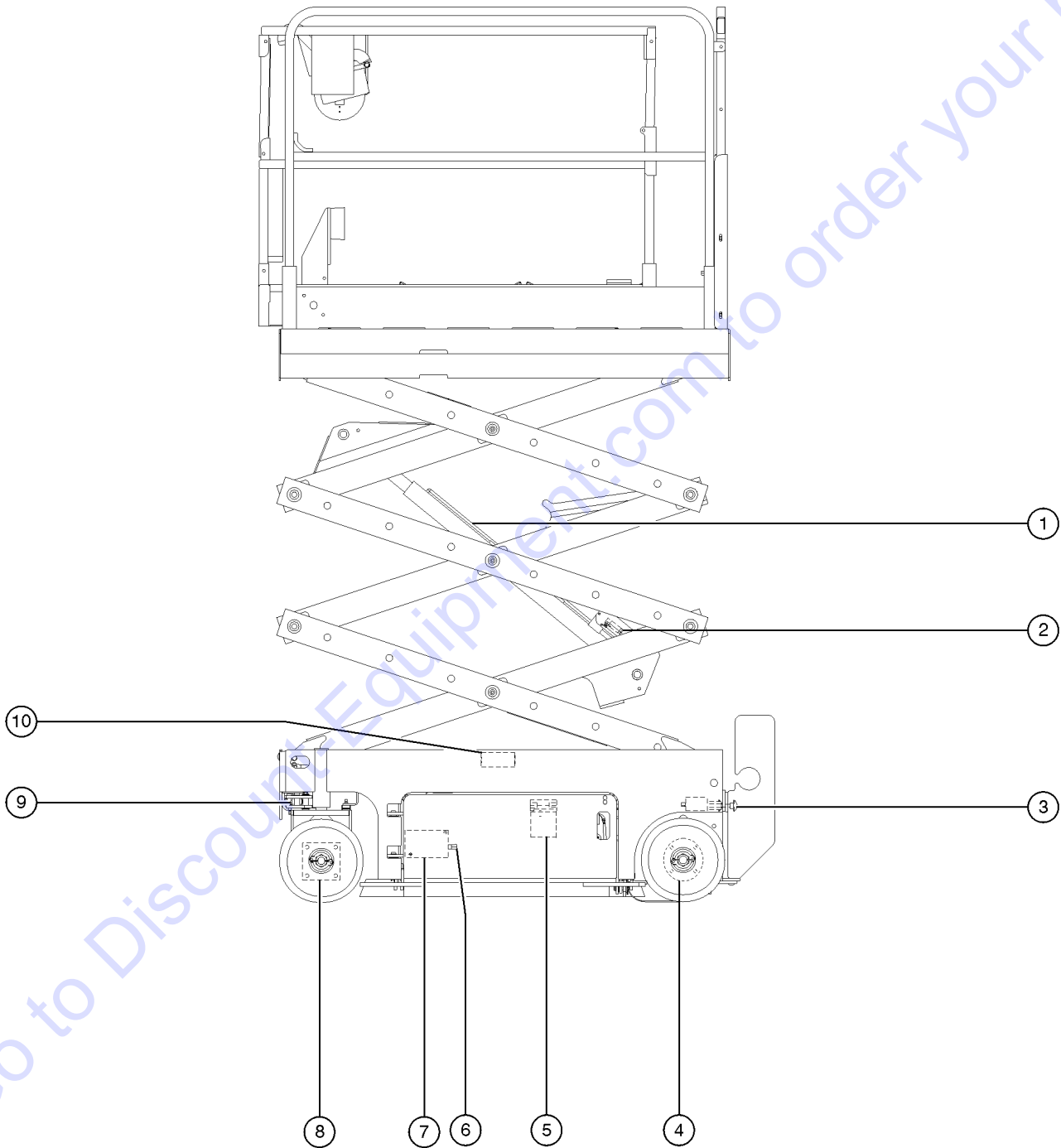
409.1 Joystick Controller



409.1 Joystick Controller

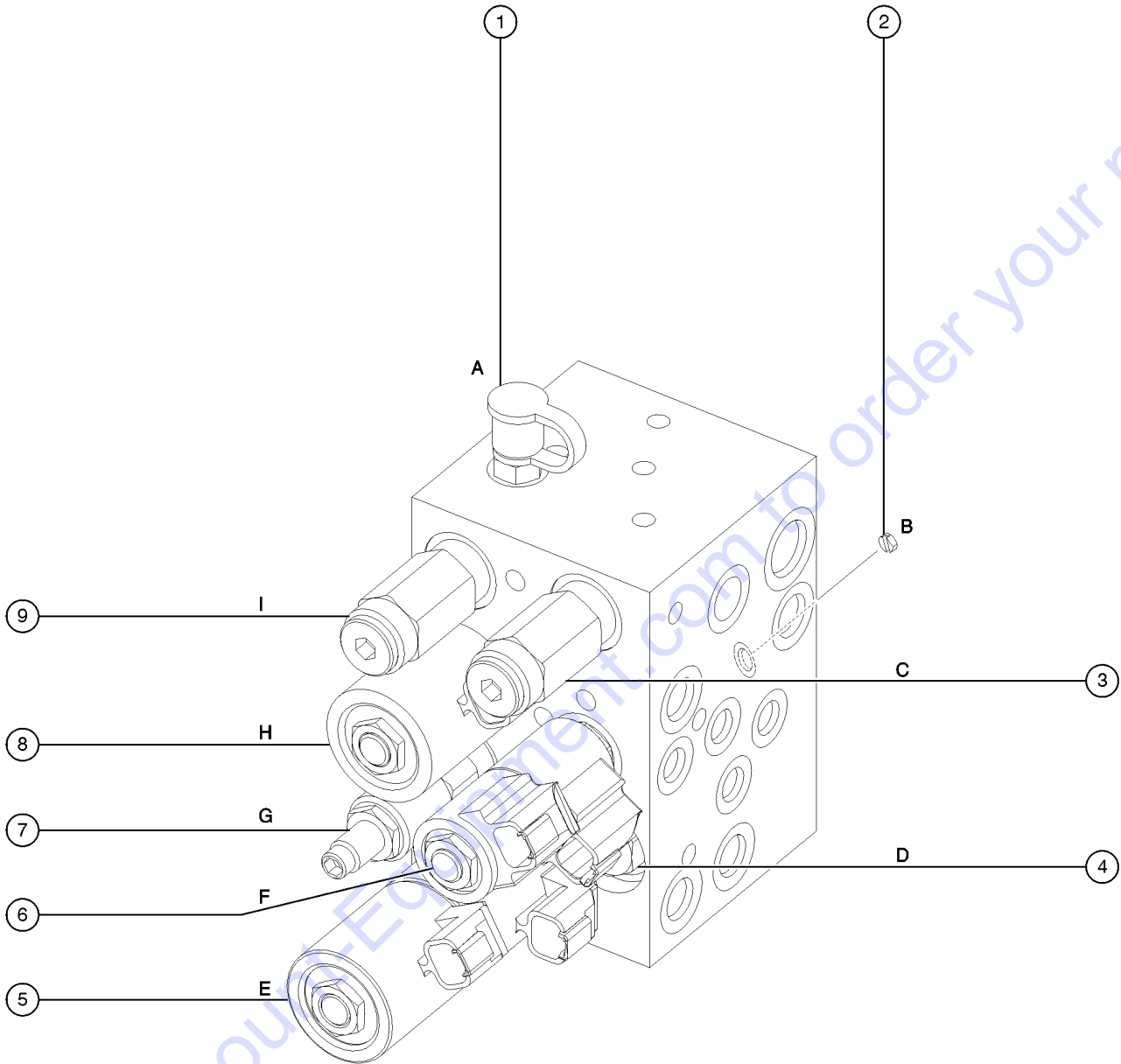
Item	Part No.	Description	Qty.
--	137634GT	JOYSTICK, HALL EFFECT, SINGLE	
--	214544GT	KIT,BOOT,JOYSTICK,SL1000 <i>joystick boot</i>	
1	235463GT	KIT,SWITCH,JYSTK,SL1000.....1 <i>function enable and steer switches</i>	
2	235463GT	KIT,SWITCH,JYSTK,SL1000.....1 <i>function enable and steer switches</i>	
3	229092GT	ROCKER,2 SWITCH.....1	
4	229093GT	BOOT, 2 SWITCH, SILICON.....1	
5	229086GT	SCREW, SELF TAP.....5	
6	229087GT	HANDLE HALF,RIGHT,W/TOP SWITCH.....1	
6A	229091GT	SCREW,GRUB,M5X8MM,HLF DOG,BZP <i>for 229087</i>	
7	229088GT	HANDLE HALF,LEFT,W/TOP SWITCH....1	
7A	229090GT	SCREW,GRUB,M5X8MM CUP(BLK) <i>for 229088</i>	
8	229089GT	TRIGGER, EXTENDED.....1 <i>squeeze handle</i>	
--	229094GT	SPRING, HANDLE TRIGGER.....1	

501.1 Hydraulic Components



Item	Part No.	Description	Qty.
1		Ref. Lift Cylinder Assembly (refer to 506.1)	
2		Ref. Pressure Transducer (refer to 701.1)	
3		Ref. Brake Release Hand Pump Manifold (refer to 504.1)	
4	96257GT	BRAKE, HYDRAULIC***.....2 (no seal kits available)	
5A	78622GT	FILTER ASSY,SAE8,10 MIC,PAPR**.....1 (paper, standard)	
--	44788GT	FILTER ELEMENT,10MICRON,PAPER* (paper, standard)	
5B	T114321GT	FILTER ASSY,FIBRGLS,#8-#8.....1 (fiberglass, optional upgrade)	
--	44207GT	FILTER ELEMENT,BETA(10)=200 (fiberglass, optional upgrade)	
6		Ref. Check Valve Manifold (refer to 502.2)	
7		Ref. Function Manifold (refer to 502.1 or 503.1)	
8	96388GT	MOTOR,HYDRAULIC,530,14.0CU.IN*....2 GS-30	
--	96419GT	SEAL KIT,RC SERIES DR MOTOR*** (for 96388 and 96417)	
9	105547GT	CYLINDER,GS/GR STEER***.....1	
--	105550GT	KIT,STEER CYL SEAL (from SN GS3007A-88642, GS3007B-83785, GS3008C-101, GS3207-84485, GS3208C-101, GS4607-83692, and GS4609C-101)	
--	105553GT	KIT,STEER CYL SEAL,040271P,HDM (for code H408147 and up)	
--	105554GT	KIT,STEER CYL SEAL,040499P,HDM (for code H41109 and up)	
--	105555GT	KIT,STEER CYL SEAL,040505P,HDM (for codes H41205, H41255, and H501111 and up)	
10	78422GT	ACCUMULATOR,180 PSI PRECHARGE*.....1	

502.1 Function Manifold, GS-1530, GS-1532, GS-1930, GS-1932

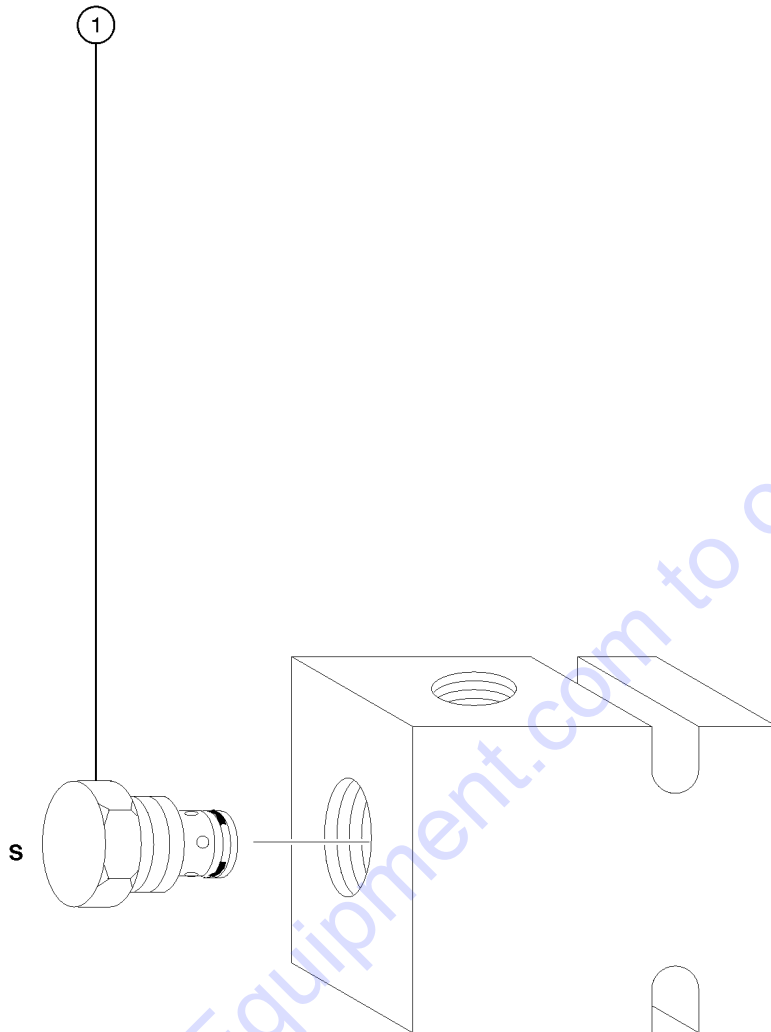


Go to DiscountEquipment.com to order your parts

502.1 Function Manifold, GS-1530, GS-1532, GS-1930, GS-1932

Item	Part No.	Description	Qty.
--	105304GT	MANIFOLD,FUNCTION*** (from SN GS3005A-76492, GS3005B-76085 and GS3008C-101) (manifold, complete)	
--	49612GT	O-RING KIT (ORFS FITTINGS)	
--	49613GT	PLUG AND CAP KIT-SERVICE,ORFS*	
1	48997GT	NIPPLE,DIAGNOSTIC,#4 (A, Testing)	
--	20224GT	DIAGNOSTIC FEMALE Q-DSCNT (pressure gauge not included)	
--	48880GT	CAP,DIAGNOSTIC NIPPLE	
2	84386GT	CHECK DISK, NO SPRING (B, Steer circuit)	
3	65962GT	VALVE-RELIEF, 3700 PSI #8** (C, Lift relief)	
--	44226GT	SEAL KIT-FOR P.N.44167	
4	46216GT	VALVE,CHECK,IWP-S/CWP PWR ASSI (D, Drive circuit)	
--	44227GT	SEAL KIT, VALVE	
5	105457GT	KIT,DYN BRAKING VALVE,MINI (to SN GS3005A-76491 and to GS3005B-76084) (E, Drive forward/reverse)	
--	105303GT	VALVE, DYN. BRAKING, GS30** (from SN GS3005A-76492, GS3005B-76085, and GS3008C-101) (E, Drive forward/reverse)	
--	44174GT	NUT-COIL SHORT	
--	44230GT	SEAL KIT-P.N.44169,44172,44171	
--	84385GT	COIL,20VDC DEUTCSH W/DIODE (sold separately)	
6	44168GT	VALVE,SOLENOID,3POS 4WAY (F, Steer left/right)	
--	44174GT	NUT-COIL SHORT	
--	44229GT	SEAL KIT, VALVE	
--	77709GT	COIL,#8 20VDC,DEUTSCH W/DIODE (sold separately)	
7	84384GT	PRTY,FLOW CNTRL VALVE,.75 GPM (G, Steer circuit)	
--	1261888GT	SEAL KIT (84384) for 84384	
8	44169GT	VALVE-SOLENOID, 2POS 4 WAY (H, Platform up)	
--	44174GT	NUT-COIL SHORT	
--	44230GT	SEAL KIT-P.N.44169,44172,44171	
--	84385GT	COIL,20VDC DEUTCSH W/DIODE (sold separately)	
9	65962GT	VALVE-RELIEF, 3700 PSI #8** (I, System relief)	
--	44226GT	SEAL KIT-FOR P.N.44167	

503.1 Check Valve Manifold, GS-1530, GS-1532, GS-1930, GS-1932



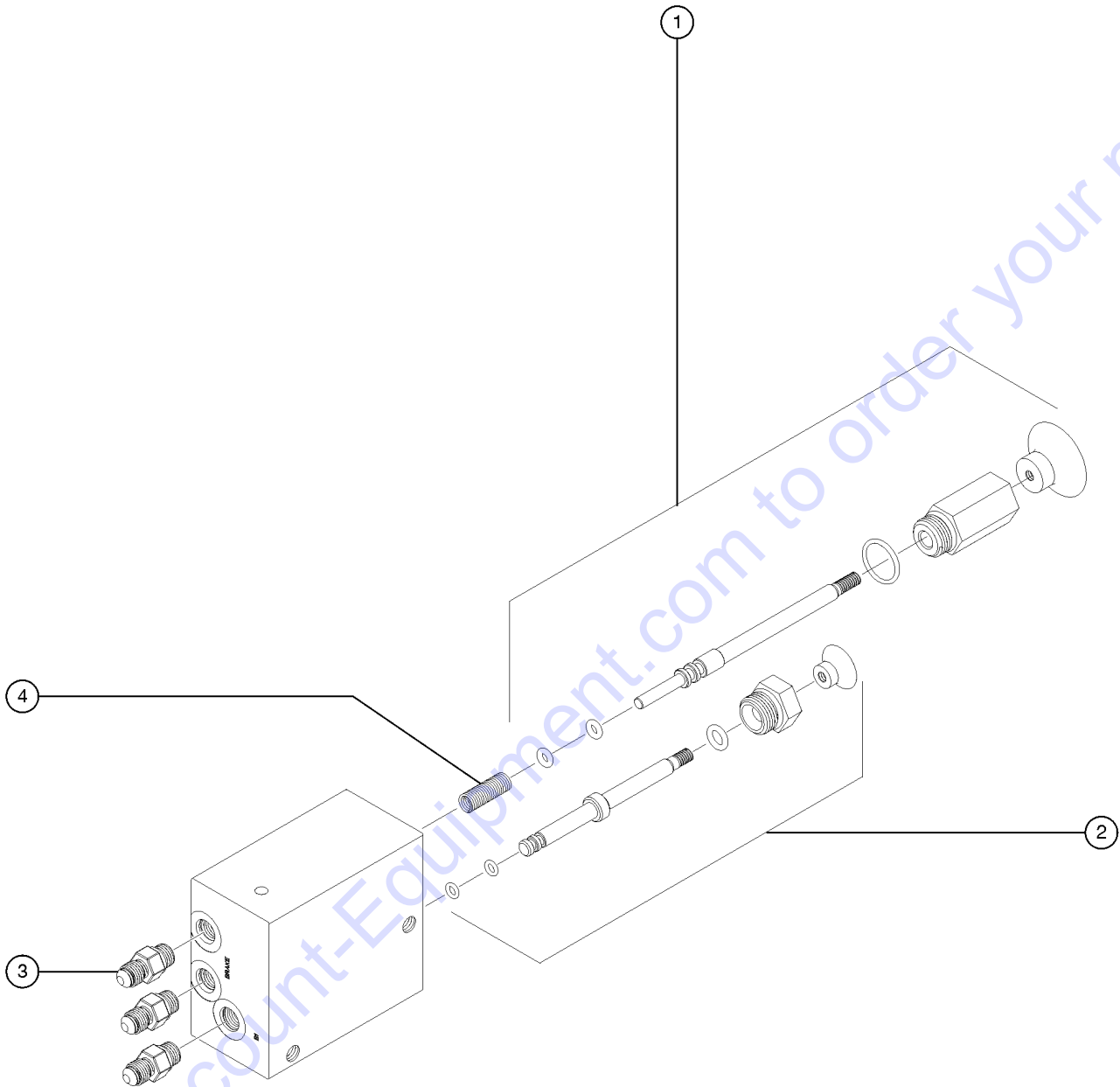
Go to Discount-Equipment.com to order your parts

503.1 Check Valve Manifold, GS-1530, GS-1532, GS-1930, GS-1932

Item	Part No.	Description	Qty.
--	105164GT	KIT,MANIFOLD,200 PSI CV,MINI	
--	105167GT	ACCESSORY,MINI CHK VAL MANIF	
1	105165GT	MANIFOLD,200 PSI CHECK VALVE (S, Drive circuit)	

Go to Discount-Equipment.com to order your parts

504.1 Brake Release Hand Pump Manifold



Go to Discount-Equipment.com to order your parts

504.1 Brake Release Hand Pump Manifold

Item	Part No.	Description	Qty.
--	105067GT	MANIFOLD,BRAKE RELEASE <i>(includes items 1, 2 and 4)</i>	
1	84739GT	VALVE,HAND PUMP ASSEMBLY***.....1	1
--	84740GT	SEAL KIT,HAND PUMP***	
--	84742GT	KNOB,HAND PUMP (RED)***	
2	84743GT	VALVE,PILOT OPERATED ASSEMBLY*.....1	1
--	84740GT	SEAL KIT,HAND PUMP***	
--	84746GT	KNOB,PILOT OP VALVE (BLACK)***	
3	39877GT	CONNECTOR,070120-4-4.....3	3
4	84748GT	SPRING,HAND PUMP ROD.....1	1

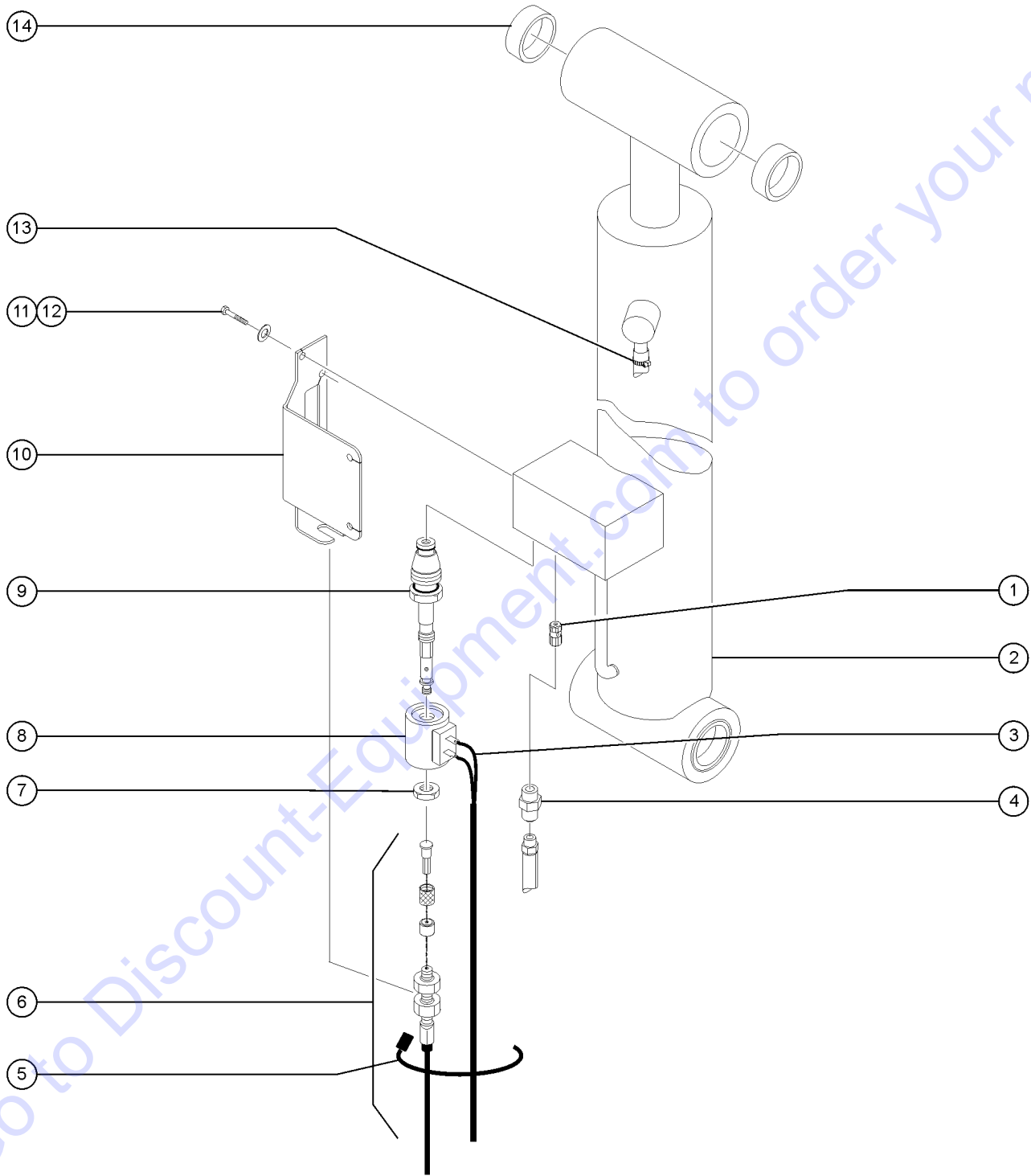
Go to Discount-Equipment.com to order your parts



505.1 Hydraulic Power Unit, All Models

Item	Part No.	Description	Qty.
--	49812GT	ENCLOSING BAND KIT <i>Band Kit (EE models)</i>	
--	78006GT	FORMING,PADLOCK BRACKET	
--	44716GT	HANDLE,ANDERSON CONNECTOR SB	
1A	40844GT	MOTOR,ELECTRIC,24VDC 4.5HP.....1	
--	43685GT	SEAL KIT,LIFT PUMP,BARNES**	
--	44777GT	BEARING,MOTOR	
--	44778GT	BEARING,MOTOR,36843,BRUSH END*	
1B	1256517GT	MOTOR,DC24V,3.3KW.....1 <i>(for CE & Australia models)</i>	
--	1262821GT	SEAL KIT,LIFT PUMP,BARNES	
--	1262822GT	BEARING,MOTOR	
--	1262823GT	BEARING,MOTOR,BRUSH END*	
2	44750GT	SPRING-BRUSH,40844, SCISSORS.....4	
3	44752GT	COVER-BRUSH INSPEC.40844,SCISS.....4	
4	44751GT	BRUSH,PWR UNIT (40844)**.....4	
5	55921GT	SCREW,SHC,3/8-24 X 1.25"	
6	6021GT	WASHER,LOCK,.375	
7A		PUMP,4CC GEAR,CCW 228192 <i>Parker (component no longer available)</i>	
--	229453GT	SEAL KIT,PUMP,PARKER (228192) <i>for Parker pump 228192</i>	
7B	96193GT	PUMP,4CC GEAR,CCW***1 <i>When replacing the 96193 pump, please refer to the Discount-equipment to confirm your machine has the most current (check pump ID for correct seal kit)</i>	
--	233641GT	SEAL KIT,BOSCH PUMP <i>For 96193 w/Bosch PN 9510090001</i>	
--	85197GT	SEAL KIT,BOSCH PUMP*** <i>For 96193 w/Bosch PN 9510290001</i>	
--	233568GT	SEAL KIT,PUMP,5.6CC GEAR <i>for 231572 (from SN A-122373 to SN A-123487) (GRH) (check pump ID plate to order correct seal kit)</i>	

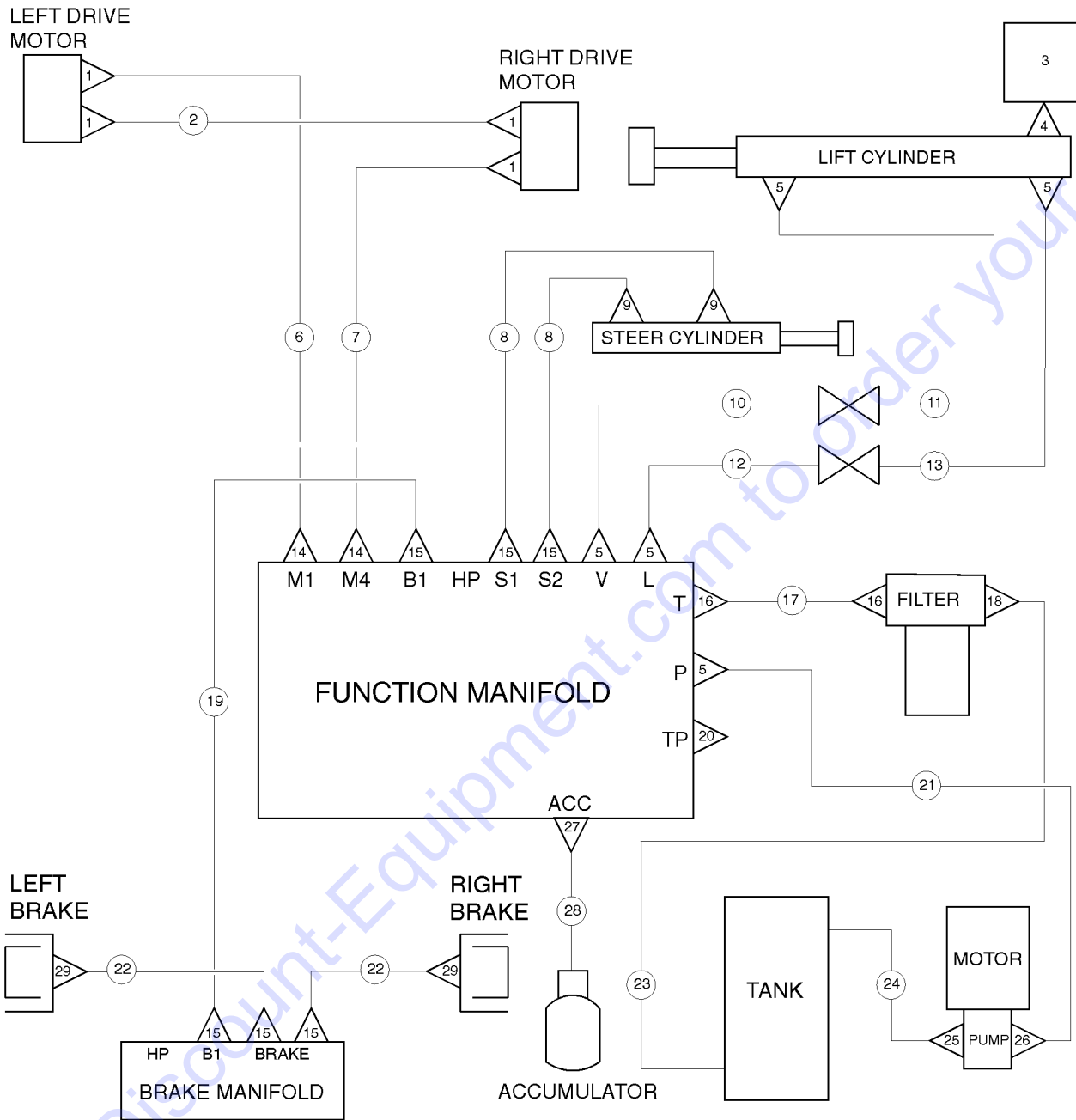
506.1 Lift Cylinder Assembly, All Models



506.1 Lift Cylinder Assembly, All Models

Item	Part No.	Description	Qty.
1	55558GT	ORIFICE, LONG, .037*** <i>(lift cylinder)</i>	1
2	105543GT	CYLINDER, MINI LIFT	1
--	105548GT	KIT, MINI LIFT CYL SEAL <i>(from SN GS3007A-88642, GS3007B-83785 and GS3008C-101)</i>	
3		Ref. Down Coil Wire Harness <i>(refer to 210.1)</i>	
4	39878GT	CONNECTOR, 070120-6-6	1
5	28443GT	CABLE TIE, 11.5" BLACK	3
6		Ref. Emergency Down Cable <i>(refer to 203.1)</i>	
7	44973GT	NUT, COIL (39909)	1
8	84422GT	COIL-SOLENOID VALVE, 20V DC***	1
9	66465GT	VALVE, W/20V NC SOLENOID, MANUAL <i>(includes items 7 and 8)</i>	1
--	40477GT	VALVE, CARTRIDGE***	
--	44979GT	SEAL KIT, 39909, PLAT LWR VALVE*	
10	41557GT		1
11	7339GT	SCREW, HHC, 1/4-20 X .5	
12	6356GT	WASHER, LOCK, .25	
13	96770GT	CLAMP, HOSE, 1 EAR, 11/16	1
14	105478GT	BEARING, 1.5025IDX1.5075ODX1.5L	4

507.1 Hydraulic Hoses and Fittings, GS-1530, GS-1532, GS-1930, GS-1932



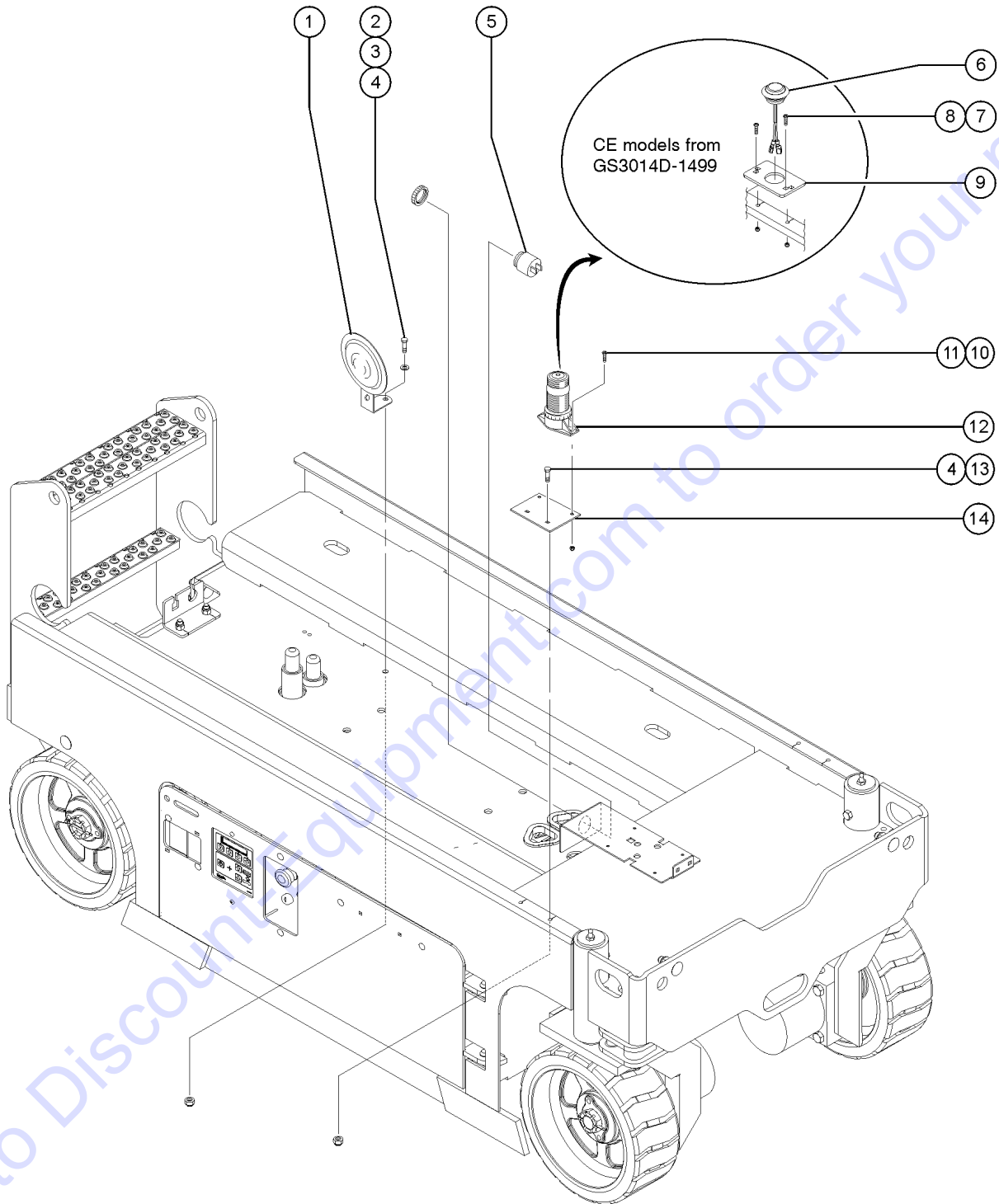
LEGEND	
	ADAPTER
	HOSE ASSEMBLY
	UNION

507.1 Hydraulic Hoses and Fittings, GS-1530, GS-1532, GS-1930, GS-1932

Item	Part No.	Description	Qty.	Item	Part No.	Description	Qty.
--		<i>The hose lengths below reflect the length of the hose only. Refer to the 'Fittings Cross Reference' to match Genie part numbers to Parker part numbers.</i>		23	96355GT	TUBE, ASSY, RETURN.....	1
1	39873GT	ELBOW,070220-6-6.....	4	24	96354GT	TUBE, ASSY, DRAW.....	1
2	96350GT	HOSE, ASSY, MOTOR CROSSOVER..... (Components: 39890, 39890, and 56776 @ 53.25 inches)	1	25	22664GT	ELBOW,070220-12-10.....	1
3		Ref. Pressure Transducer Harness (refer to 701.1)		26	39876GT	ELBOW,070220-6-8.....	1
4	39881GT	CONNECTOR,070120-4-6..... (CE models)	1	27	53501GT	O-RING-6.....	1
5	39878GT	CONNECTOR,070120-6-6.....	5	28	105283GT	HOSE ASSY, MAN/ACCUM, MINI..... (Components: 78855, 78855, and 78852 @ 14 inches)	1
6	115166GT	HOSE, ASSY, DRIVE MOTORS, MINI, L (Components: 39890, 39890, and 56776 @ 31 inches)		29	39877GT	CONNECTOR,070120-4-4.....	2
7	105653GT	HOSE, ASSY, DRIVE MOTORS, MINI..... (Components: 39890, 39890, and 56776 @ 31 inches)	1				
8	96351GT	HOSE, ASSY, STEER..... (Components: 78855, 78855, and 78852 @ 22 inches)	2				
9	13921GT	ELBOW,070220-4-4.....	2				
10	105263GT	HOSE, ASSY, LOWER VENT (Components: 96406, 96406, and 75361 @ 12 inches)					
11	105261GT	HOSE, ASSY, UPPER VENT (Components: 96407, and 75631 @ 107 inches)					
12	105264GT	HOSE, ASSY, LOWER LIFT (Components: 39890, 47223, and 56776 @ 13 inches)					
13	105262GT	HOSE, ASSY, UPPER LIFT (Components: 39890, 39890, and 56776 @ 73 inches)					
14	42283GT	ELBOW,070320-6-6.....	2				
15	39877GT	CONNECTOR,070120-4-4.....	7				
16	20923GT	CONNECTOR,070120-8-6.....	1				
17	105285GT	HOSE, ASSY, MAN TO FILTER..... (Components: 96406, 96406, and 75631 @ 22 inches)	1				
18	96398GT	CONNECTOR, 070120-12-8.....	1				
19	105284GT	HOSE, ASSY, BRAKE..... (Components: 78855, 78855, and 78852 @ 46 inches)	1				
20		Ref. Diagnostic Nipple (refer to 502.1)					
21	96353GT	HOSE, ASSY, PRESSURE..... (Components: 39890, 39890, and 56776 @ 40 inches)	1				
22	96391GT	HOSE, ASSY..... (Components: 78855, 78855, and 78852 @ 17 inches)	1				



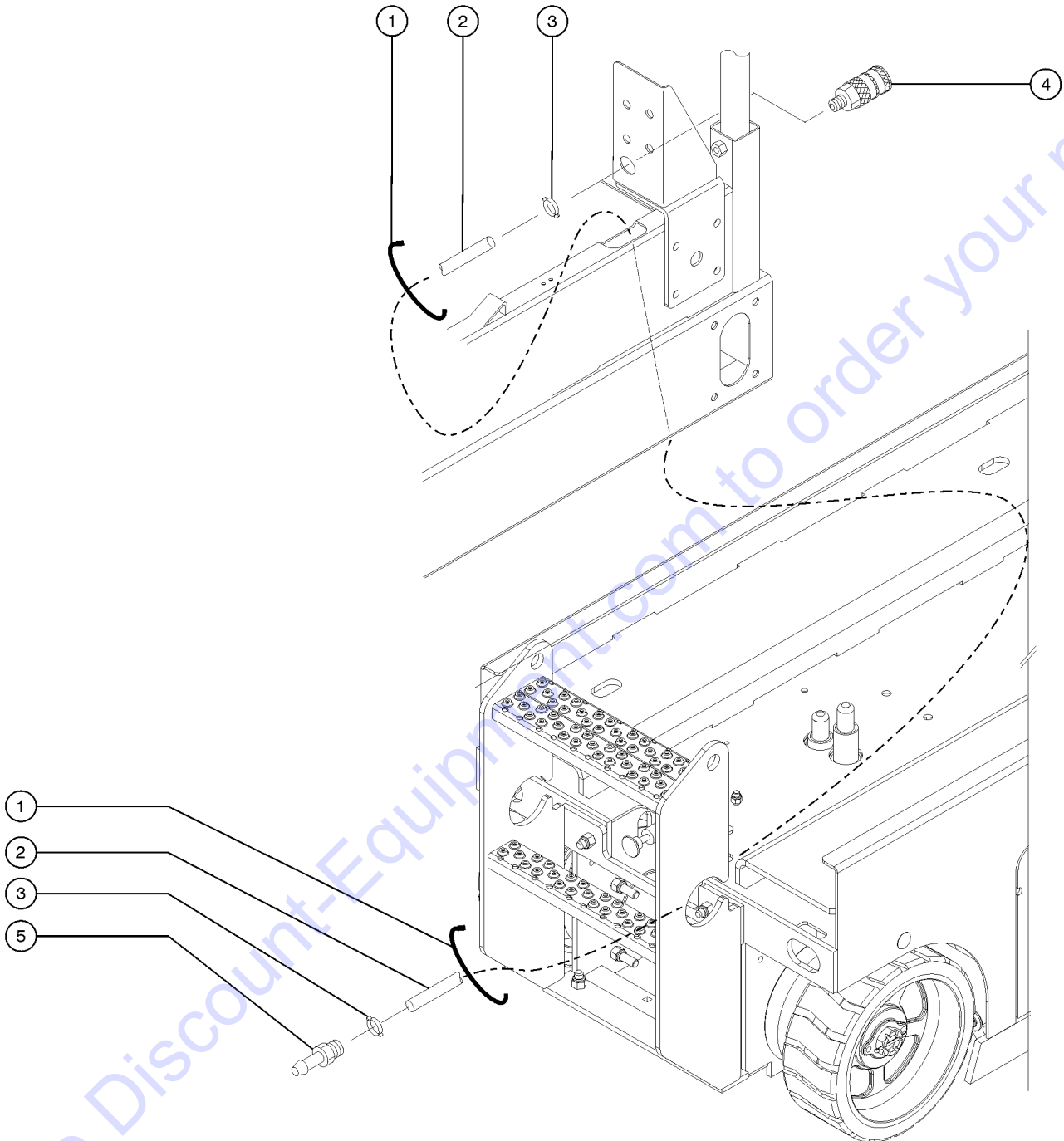
601.1 Alarm, Horn and Flashing Beacons



601.1 Alarm, Horn and Flashing Beacons

Item	Part No.	Description	Qty.
--	105797GT	KIT,BEACON,GS32/46	
--	1260386GT	VISUAL INDICATOR LIGHTS <i>CE Models, from SN GS3015A-141718 and SN GS3015C-17801</i>	
1	81579GT	HORN,24VDC,SPADE TERMINALS***1	
1A	96484GT	ASSY,DIODE <i>for GS-3232</i>	
2	8914GT	SCREW,HHC,1/4-20 X .625	
3	6638GT	WASHER,FLAT,USS,1/4"Y	
4	6091GT	NUT,NYLOCK,1/4-20	
5	39540GT	ALARM,STEADY TONE***1 <i>Does not include 72326 nut</i>	
--	72326GT	NUT - PLASTIC,RING FOR ALARMS	
6	1261183GT	ASSEMBLY, VISUAL IND LIGHT.....2 <i>CE Models, from SN GS3014D-1499</i>	
--	1254572GT	LIGHT,TURN SIGNAL,1.25" LED,AMB....2 <i>CE Models, from SN GS3014D-1499</i>	
--	1261526GT	HARNESS,VISUAL IND LIGHTS,MINI....1 <i>CE Models, from SN GS3014D-1499</i>	
7	9116GT	BOLT,CARRIAGE,1/4-20x1.25,G2.....4 <i>CE Models, from SN GS3014D-1499</i>	
8	6889GT	NUT,LP NYLOCK,1/4-20.....4 <i>CE Models, from SN GS3014D-1499</i>	
9	1261143GT	PLATE,VISUAL IND LIGHT MOUNT.....2 <i>CE Models, from SN GS3014D-1499</i>	
10	49816GT	SCREW,PHILLIPS,PHM,10-32 X .75	
11	6178GT	NUT,NYLOCK,10-32	
12	231931GT	STROBE,BEACON, AC COMP 12-80V...2	
--	105556GT	LENS,FLASHING BEACON <i>for 231931</i>	
--	105557GT	BULB,FLASHING BEACON <i>for 231931</i>	
13	6878GT	BOLT,CARRIAGE,1/4-20 X .75,G2	
14	96363GT	PLATE,BEACON MOUNT	

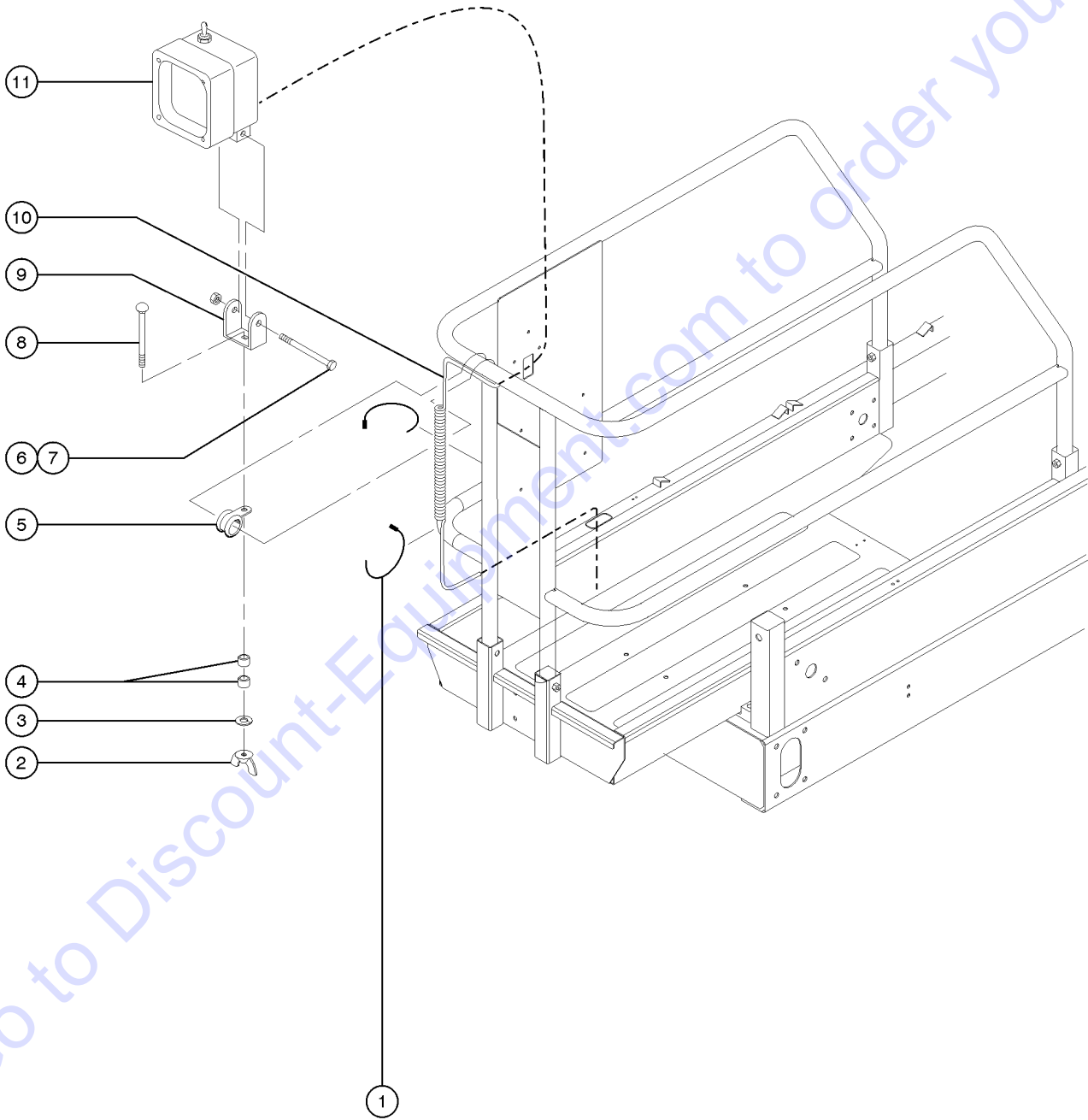
602.1 Air Line to Platform



602.1 Air Line to Platform

Item	Part No.	Description	Qty.
--	96515-SGT	AIR TO PLAT, GS15, ACC GS-1530, GS-1532	
--	96516-SGT	AIR TO PLAT, GS19, ACC GS-1930, GS-1932	
1	28443GT	CABLE TIE, 11.5" BLACK	
2A	27903GT	HOSE, LOW PRESSURE, .375 ID, BLK.....275-inches GS-1530, GS-1532	
2B	27903GT	HOSE, LOW PRESSURE, .375 ID, BLK.....340-inches GS-1930, GS-1932	
3	45454GT	CLAMP, RUB CUSH, 0.75, #12 X 3/8*.....1	
4	96543GT	COUPLER, 1/4" SERIES, 3/8 P-LOK.....1	
5	96542GT	PLUG, 1/4" SERIES, 3/8 P-LOCK***.....1	

603.1 Platform Work Light

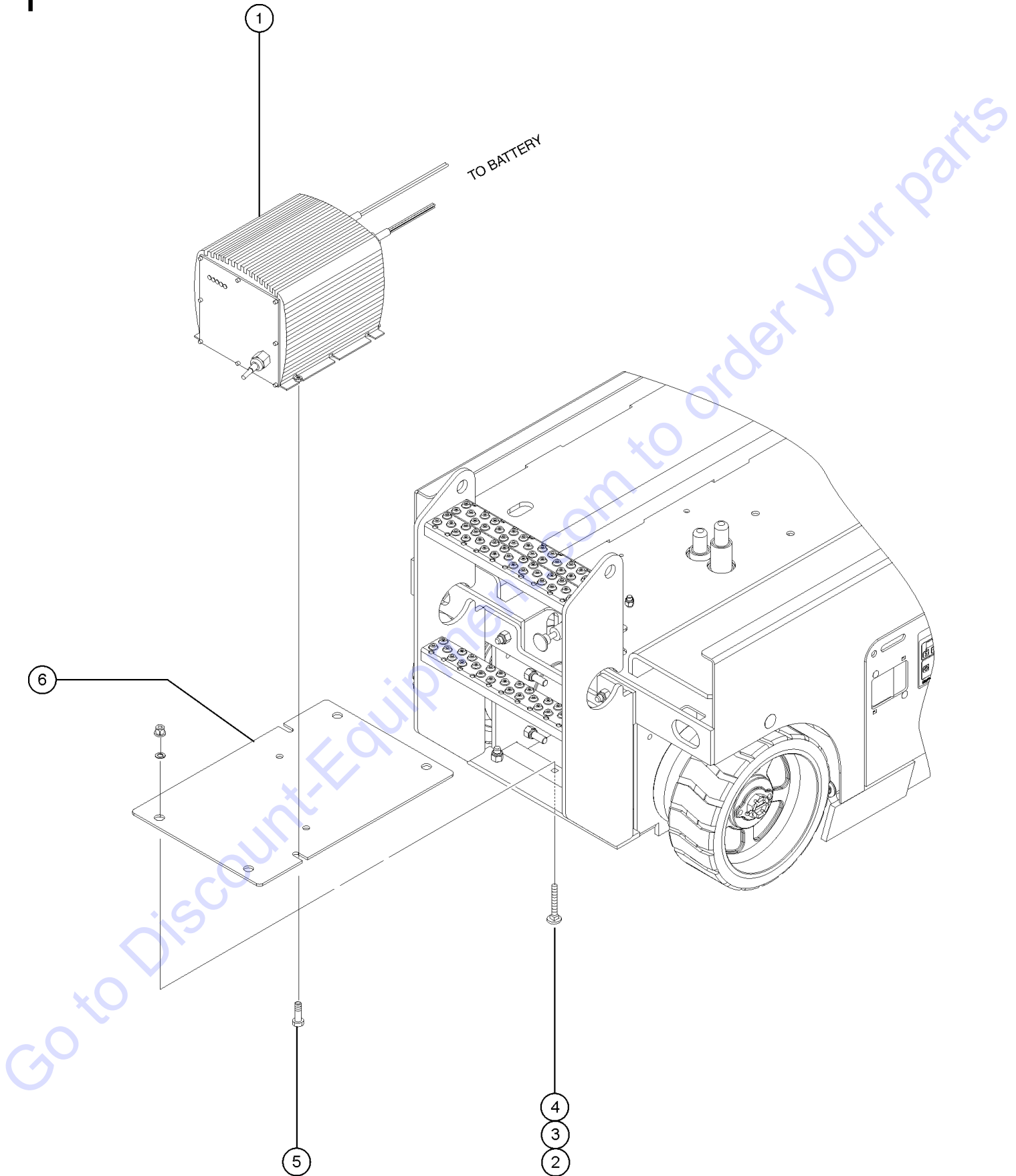


Go to Discount-Equipment.com to order your parts

603.1 Platform Work Light

Item	Part No.	Description	Qty.
--	105971GT	WORKLIGHT PIGTAIL ASSY <i>(chassis) GS-1530, GS-1532</i>	
--	105972GT	WORKLIGHT CABLE,GS15XX <i>(linkset) GS-1530, GS-1532</i>	
--	105971GT	WORKLIGHT PIGTAIL ASSY <i>(chassis) GS-1930, GS-1932</i>	
--	105973GT	WORKLIGHT CABLE,GS19/20XX <i>(linkset) GS-1930, GS-1932</i>	
1	28443GT	CABLE TIE,11.5" BLACK.....	10
2	69229GT	NUT,WING 5/16-18.....	1
3	6886GT	WASHER,LOCK,.313	
4	5397GT	WASHER,FLAT,USS,5/16",Y..... <i>add sufficient washers to equal aproximately 0.435 inch thickness of each spacer</i>	2
5	33784GT	CLAMP,1.31,#21 X 1/4,RUB CUSH.....	1
6	50793GT	SCREW,HHC,5/16-18 X 2	
7	6782GT	NUT,NYLOCK,5/16-18	
8	65439GT	BOLT,CARRIAGE,5/16-18 X 2.0,G2	
9	144009GT	WORKLIGHT BRACKET.....	1
10	65721GT	COIL CORD,WORKLIGHT(144011).....	1
11	144011GT	WORKLIGHT,24V,COIL CORD.....	1

604.1 Voltage Inverter, GS-1530, GS-1532, GS-1930, GS-1932

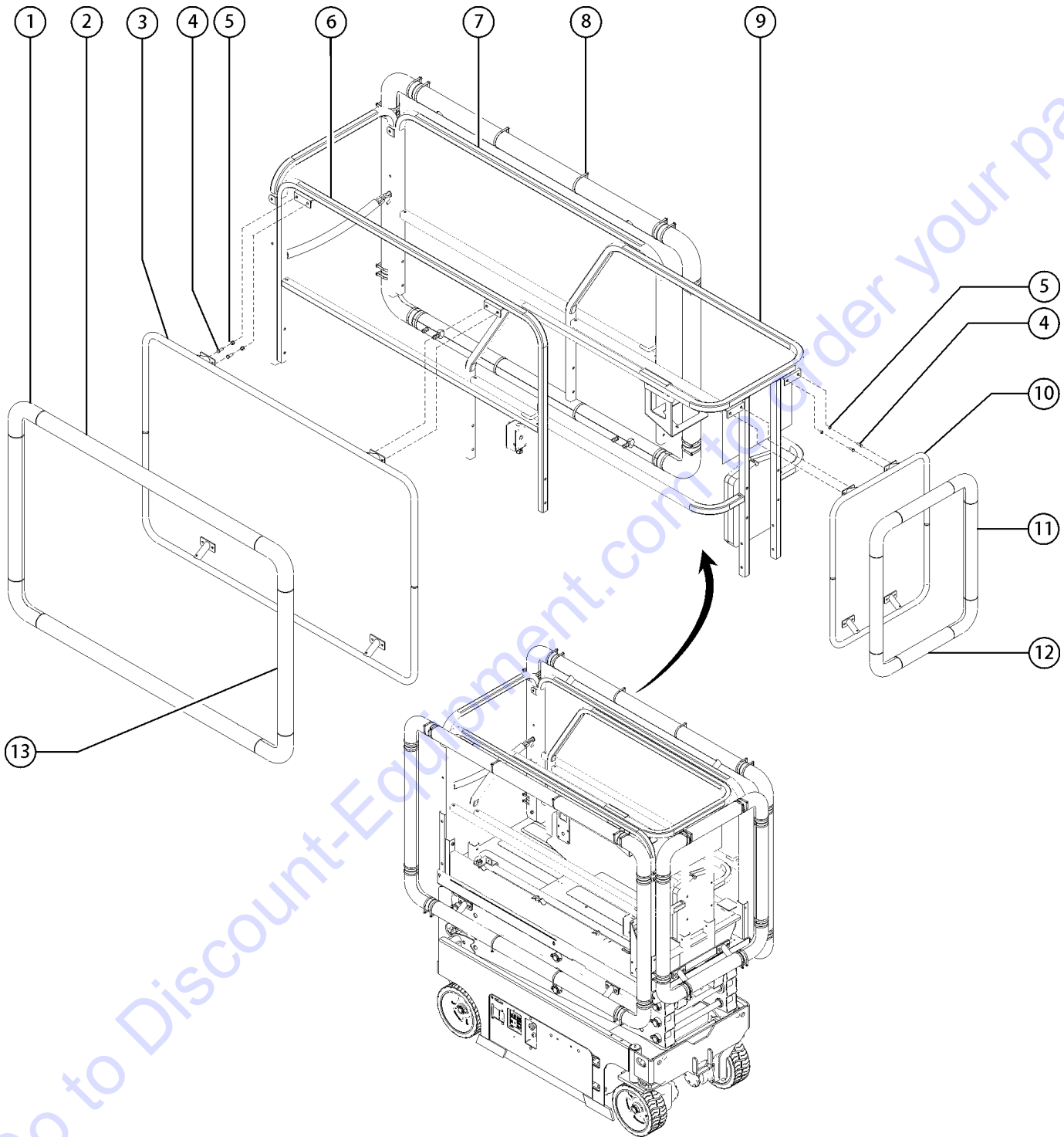


604.1 Voltage Inverter, GS-1530, GS-1532, GS-1930, GS-1932

Item	Part No.	Description	Qty.
--	105248GT	SERVICE KIT,INVERTER 800W***	
1	96950GT	INVERTER,24VDC,110/230 VAC***	1
2	105092GT	BOLT,CARRIAGE,3/8-16X1.25,GR5	
3	5397GT	WASHER,FLAT,USS,5/16",Y	
4	4828GT	NUT,NYLOCK,3/8-16	
5	6090GT	SCREW,HHC,1/4-20 X .75	
6	105129GT	PLATE, INVERTER MOUNT.....	1

Go to Discount-Equipment.com to order your parts

605.1 Padded Auxiliary Rail, GS-1930



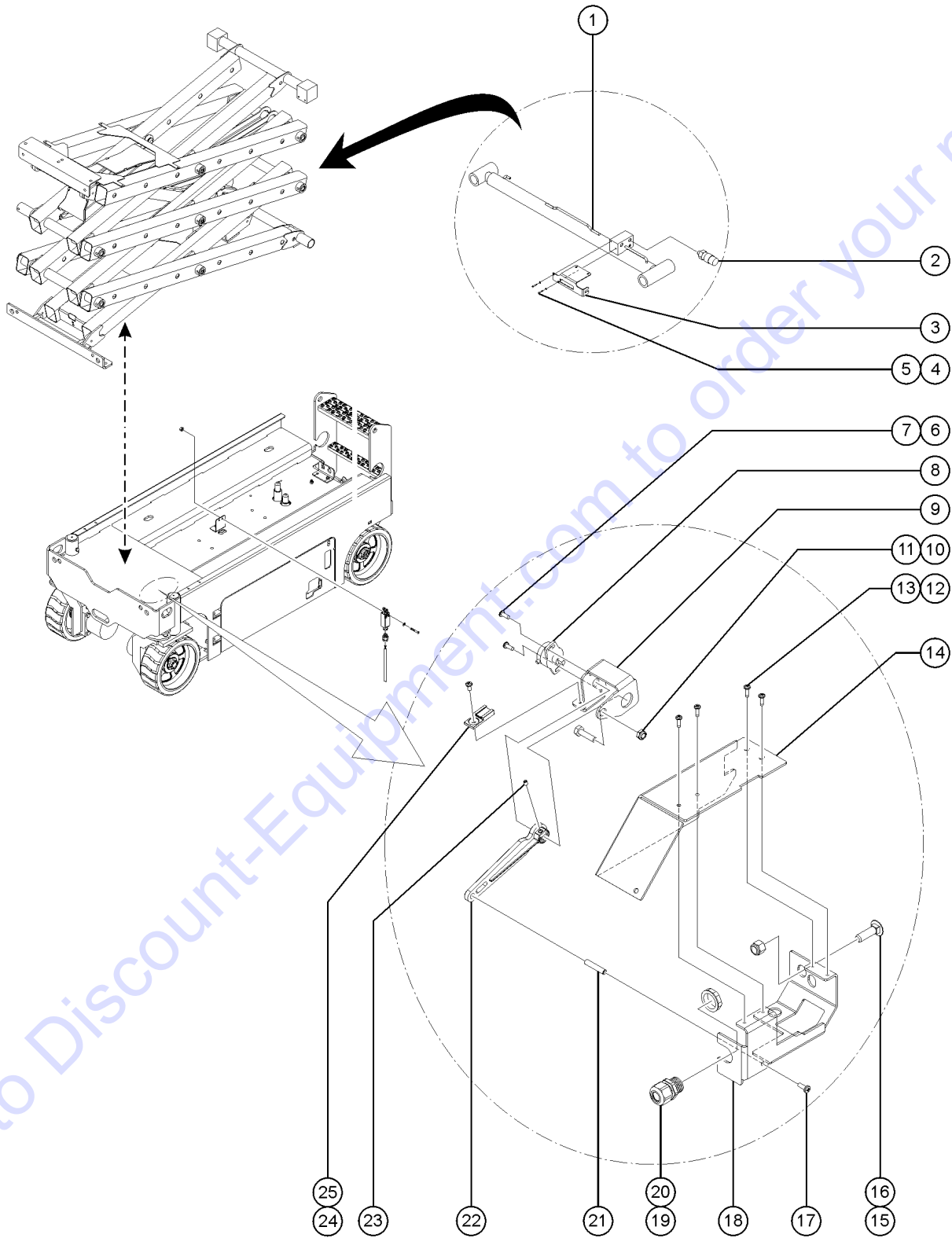
Factory installed option only. After-market kit not available.

605.1 Padded Auxiliary Rail, GS-1930

Item	Part No.	Description	Qty.
1	238268GT	BUMPER,FOAM,FRONT ELBOW.....	12
2	825304GT	BUMPER, PAR, SIDE, HORIZONTAL....	4
3	825302GT	WELDMENT, PAR, SIDE.....	2
4	6175GT	SCREW,HHC,3/8-16 X 1	
5	4828GT	NUT,NYLOCK,3/8-16	
6	825313GT	WLDT, MAIN SIDERAIL, PAR, LH.....	1
7	825312GT	WLDT, MAIN SIDERAIL, PAR, RH.....	1
8	229903GT	CABLE TIE, 14.5" YELLOW.....	56
9	825311GT	WLDT, EXT SIDERAIL, PAR.....	1
10	825307GT	WELDMENT, PAR, FRONT.....	1
11	825640GT	BUMPER, PAR, FRONT, VERTICAL.....	2
12	825309GT	BUMPER, PAR, FRONT, HORIZONTAL.....	2
13	825305GT	BUMPER, PAR, SIDE, VERTICAL.....	4

Go to Discount-Equipment.com to order your parts

701.1 Platform Overload, GS-1530, GS-1532, GS-1930, GS-1932



701.1 Platform Overload, GS-1530, GS-1532, GS-1930, GS-1932

Item	Part No.	Description	Qty.
1		Ref. Lift Cylinder.....1 (refer to 506.1)	1
2	229750GT	HARNESS,PRESS,TRANSDUCER***.....1	1
3	41557GT1	1
4	7339GT	SCREW,HHC,1/4-20 X .5.....1	1
5	6356GT	WASHER,LOCK,.25.....1	1
6A	229655GT	SCREW,PHM,8-32X.313,SELF TAP.....7	7
6B	55906GT	SCREW,PHILLIPS,PHM,8-32 X .5.....2 (used on 161979)	2
7	18605GT	NUT,NYLOCK,8-32.....2 (used on 161979)	2
8	T113136GT	ASSY,ROT SENSR W/ HARNESS.....1	1
9A	T113140GT	FRMNG,ARM SENSOR BRCKT,MINI.....1 (to SN GS3014A-137487)	1
9B	161979GT	FRMG,ARM SENSOR BRCKT,MINI.....1 (from SN GS3014A-137488)	1
10	6889GT	NUT,LP NYLOCK,1/4-20.....1	1
11	6888GT	SCREW,HHC,1/4-20 X 1.....1	1
12	8914GT	SCREW,HHC,1/4-20 X .625.....2 (used on 161977)	2
13	56912GT	SPRING CLIP,1/4-20,.025-.15X.54,ZAG.....2 (used on 161977)	2
14A	227188GT	FRMNG,SENSOR COVER,MINI.....1 (to SN GS3014A-137487 and SN GS3214A-136070)	1
14B	161977GT	FRMG,SENSOR COVERING.....1 (from SN GS3014A-137488 and SN GS3214A-136071)	1
15	96203GT	BOLT,CARRIAGE,1/2-13X1.75, G5.....1	1
16	6198GT	NUT,NYLOCK,1/2-13.....1	1
17	49819GT	SCREW,PHILLIPS,PHM,10-32 X .5.....1	1
18A	T113141GT	FRMG,CHASSIS BRKT.....1 (to SN GS3014A-137487)	1
18B	161975GT	FRMG,CHASSIS BRKTING.....1 (from SN GS3014A-137488)	1
19	33576GT	CONN,SQZ,BLK,1/2NPT,.38-.50,SM.....1	1
20	T115429GT	NUT,CORDGRIP,1/2 NPT.....1	1
21	T113142GT	OFFSET, RDN, 1/4-1.25,10-32.....1	1
22	T114082GT	LEVER ARM,ANGLE SENSR ACTUATOR.....1	1
23	229146GT	SCREW,SET,8-32X.25.....1	1
24	T113139GT	CLIP,DTM,RECEPTACLE.....1	1
25	39579GT	RIVET,STL,STL,.188 X .45.....1	1

Part Number Index

The Part Number Index is a numeric index of all part numbers included in this manual. The index shows what page(s) the part is used on.

Part Number	Page	Part Number	Page	Part Number	Page	Part Number	Page
104804GT	113	114361GT	11, 19, 27, 33,	1280665GT	115	214544GT	121
105051GT	67		39, 47, 55, 61	1282139GT	113	218579GT	83
105055GT	73	114370GT	19, 33, 47, 61	1282140GT	69	219205GT	117
105060GT	73	114372GT	19, 21, 33, 35,	1282141GT	98, 101-102,	219480GT	77
105067GT	129		47, 49, 61, 63		105-106, 109-	21982GT	81
105071GT	85	114385GT	11, 13, 27, 29,		110	22446GT	113
105085GT	93, 95		39, 41, 55, 57	1282144GT	75	226163GT	79
105090GT	115	114386GT	15, 17, 31, 43,	1282145GT	71	22664GT	135
105092GT	67, 69, 73, 91,		45, 59	1282153GT	71	227164GT	79
	143	115166GT	135	1283053GT	83	227165GT	81
105117GT	115	119619GT	67	1288206GT	83	227166GT	79
105118GT	115	12013GT	98, 102, 106, 110	1288219GT	83	227167GT	117, 119
105129GT	143	12016GT	73	13066GT	69	227188GT	147
105150GT	75	122994GT	81	131582GT	71	228406GT	71
105156GT	73	1252764GT	81	133206GT	97-98, 101-102,	228786GT	83
105164GT	127	1254572GT	137		105-106, 109-	229086GT	121
105165GT	127	1255245GT	43		110	229087GT	121
105167GT	127	1255797GT	71	133213GT	27	229088GT	121
105182GT	93, 95	1256070GT	39, 41	133276GT	13, 29, 41, 57	229089GT	121
105183GT	93, 95	1256517GT	131	133596GT	15, 17, 31, 43,	229090GT	121
105184GT	93, 95	1256656GT	119		45, 59	229091GT	121
105185GT	95	1256702GT	15, 17, 23, 25,	13585GT	115	229092GT	121
105209GT	89		31, 37, 43, 45,	137522GT	117	229093GT	121
105210GT	89		51, 53, 59, 65,	137562GT	81	229094GT	121
105211GT	89		119	137587GT	117, 119	229146GT	147
105248GT	143	1256703GT	15, 17, 23, 25,	137604GT	81	229195GT	79
105261GT	135		31, 37, 43, 45,	137605GT	15, 17, 23, 25,	229453GT	131
105262GT	135		51, 53, 59, 65,		31, 37, 43, 45,	229655GT	147
105263GT	135		117		51, 53, 59, 65,	229750GT	83, 147
105264GT	135	1256719GT	81		117, 119	229845GT	117, 119
105273GT	75	1256721GT	81	137633GT	117	229903GT	145
105275GT	73	1256725GT	119	137634GT	121	231103GT	97-98
105280GT	93, 95	1256727GT	119	137636GT	15, 17, 23, 25,	231104GT	97-98
105283GT	135	1256756GT	95		31, 37, 43, 45,	231105GT	101-102
105284GT	135	1257033GT	87		51, 53, 59, 65,	231106GT	101-102
105285GT	135	1257054GT	87		117	231107GT	105-106
105303GT	125	1257055GT	87	137637GT	81, 117, 119	231108GT	105-106
105304GT	125	1257058GT	87	137640GT	117, 119	231109GT	109-110
105308GT	79	1257059GT	87	137642GT	117	231110GT	109-110
105310GT	71	1257182GT	15, 43	137656GT	15, 17, 23, 25,	231111GT	97-98, 101-102,
105334GT	77	1257184GT	17, 31, 45, 59		31, 37, 43, 45,		105-106, 109-
105440GT	71	1257204GT	79		51, 53, 59, 65,		110
105448GT	115	1257824GT	83		117, 119	231112GT	97-98, 101-102,
105457GT	125	1257923GT	15, 17, 23, 25,	137668GT	81		105-106, 109-
105467GT	75		31, 37, 43, 45,	137673GT	81		110
105478GT	133		51, 53, 59, 65	137692GT	81	231175GT	113
105483-SGT	115	1258332GT	117	137699GT	117, 119	231176GT	113
105543GT	133	1258333GT	117	13921GT	135	231177GT	113
105547GT	123	1258334GT	117	14033GT	93, 98, 102, 106,	231178GT	113
105548GT	133	1258406GT	69		110	231179GT	113
105550GT	123	1258515GT	117	144009GT	141	231180GT	113
105553GT	123	1258731GT	119	144011GT	141	231331GT	117, 119
105554GT	123	1259223GT	98, 102, 106, 110	144130GT	77	231610GT	97-98, 101-102,
105555GT	123	1259719GT	97-98, 101-102,	144161GT	115		105-106, 109-
105556GT	137		105-106, 109-	144175GT	113		110
105557GT	137		110	144180GT	77	231611GT	97-98, 101-102,
105565GT	67	1260386GT	137	144213GT	83		105-106, 109-
105653GT	135	1261143GT	137	144226GT	71		110
105739GT	77	1261183GT	137	144374GT	67	231921GT	83, 117, 119
105797GT	137	1261526GT	137	144375GT	69	231922GT	83, 117, 119
105818GT	93, 95	1261888GT	125	144379GT	69	231931GT	137
105953GT	85	1262821GT	131	161975GT	147	232052GT	11
105971GT	141	1262822GT	131	161977GT	147	232053GT	11
105972GT	141	1262823GT	131	161979GT	147	232054GT	39
105973GT	141	1264822GT	83	16487GT	71	232055GT	39
105997GT	93, 95	1264834GT	83	18503GT	75	232056GT	19
105998GT	93, 95	1265771GT	83	18504GT	71, 75, 89	232057GT	19
10775GT	115	1270281GT	69, 83	18605GT	115, 147	232058GT	47
10777GT	115	1272232GT	77	19491GT	71, 73	232059GT	47
114334GT	21, 35, 49, 63	1272292GT	77	20224GT	125	232060GT	11
114337GT	19, 33, 47, 61	1272557GT	77	20923GT	135	232061GT	11
114338GT	23, 25, 37, 51,	1273394GT	83	21253GT	67	232062GT	27
	53, 65	1275748GT	95	21279GT	97-98, 101-102,	232063GT	27
114360GT	11, 27, 39, 55	1278615GT	67, 69		105-106, 109-	232064GT	39
		1279428GT	77		110	232065GT	39

Part Number Index (continued)

Part Number	Page	Part Number	Page	Part Number	Page	Part Number	Page
232066GT	55	39510GT	113	47098GT	97-98, 101-102,	6178GT	71, 137
232067GT	55	39540GT	71, 117, 119, 137		105-106, 109-	6198GT	67, 91, 147
232068GT	19	39542GT	73		110	62053GT	15, 17, 23, 25
232069GT	19	39579GT	97-98, 101-102,	47163GT	97-98, 101-102,	62054GT	43, 45, 51, 53
232070GT	33		105-106, 109-		105-106, 109-	6356GT	75, 79, 133, 147
232071GT	33		110, 147		110	65439GT	141
232072GT	47	39873GT	135	47166GT	97-98, 101-102,	6545GT	67
232073GT	47	39876GT	135		105-106, 109-	6564GT	73
232074GT	61	39877GT	129, 135		110	65721GT	141
232075GT	61	39878GT	133, 135	47188GT	113	6595GT	115
232531GT	75	39881GT	135	47222GT	97-98, 101-102,	65962GT	125
232534GT	79	40434GT	15, 17, 23, 25,		105-106, 109-	65990-SGT	113
232576GT	87		31, 37, 43, 45,		110	66030GT	98, 102, 106, 110
232578GT	87		51, 53, 59, 65	47224GT	113	66094GT	75
232582GT	87	40477GT	133	47225GT	97-98, 101-102,	66204GT	79
233366GT	75	40833GT	75		105-106, 109-	6626GT	115
233371GT	87	40844GT	131		110	66353GT	115
233431GT	87	41557GT	133, 147	47231GT	97-98, 101-102,	66355GT	115
233438GT	87	41630GT	97-98, 101-102,		105-106, 109-	66356GT	115
233439GT	87		105-106, 109-		110	6637GT	71
233568GT	131		110	47374GT	97-98, 101-102,	6638GT	79, 89, 113, 137
233641GT	131	42079GT	67, 69		105-106, 109-	66397GT	75
233644GT	83	42283GT	135		110	66465GT	133
233711GT	83	4266GT	113	47548GT	67	66485GT	97-98, 101-102,
235463GT	121	43093GT	11, 13, 27, 29,	47598GT	113		105-106, 109-
235464GT	117, 119		39, 41, 55, 57	47666GT	93, 95		110
238268GT	145	43618GT	15, 17, 23, 25,	48282GT	115	66544GT	113
24514GT	98, 101-102,		31, 37, 43, 45,	4828GT	67, 69, 73, 91,	66551GT	113
	106, 109-110		51, 53, 59, 65		93, 95, 113, 143,	66592GT	97-98, 101-102,
25388GT	115	43619GT	13, 29, 41, 57		145		105-106, 109-
27903GT	139	43658GT	11, 13, 21, 27,	48880GT	125		110
28174GT	13, 15, 17, 21,		35, 39, 41, 49,	48997GT	125	66717GT	75
	23, 25, 29, 31,		55, 63	49612GT	125	66770GT	67
	35, 37, 41, 43,	43685GT	131	49613GT	125	66812GT	81, 117, 119
	45, 49, 51, 53,	43956GT	115	49812GT	131	66817GT	81, 117, 119
	57, 59, 63, 65	44168GT	125	49816GT	137	66818GT	81
28175GT	13, 29, 41, 57	44169GT	125	49818GT	75	66883GT	113
28176GT	15, 17, 31, 43,	44174GT	125	49819GT	147	66886GT	97-98, 101-102,
	45, 59	44207GT	123	50793GT	141		105-106, 109-
28235GT	13, 15, 17, 21,	44226GT	125	5224GT	97-98, 101-102,		110
	23, 25, 29, 31,	44227GT	125		105-106, 109-	66889-SGT	97-98, 101-102,
	35, 37, 41, 43,	44229GT	125		110, 113		105-106, 109-
	45, 49, 51, 53,	44230GT	125	52475GT	11, 13, 19, 21,		110
	57, 59, 63, 65	44255GT	11, 13, 27, 29,		27, 29, 33, 35,	66890-SGT	97-98, 101-102,
28236GT	15, 17, 31, 43,		39, 41, 55, 57		39, 41, 47, 49,		105-106, 109-
	45, 59	44716GT	131		55, 57, 61, 63		110
28443GT	113, 133, 139,	44736GT	15, 17, 31, 43,	53501GT	135	66903-SGT	113
	141		45, 59	5397GT	69, 73, 75, 113,	66948GT	97-98, 101-102,
30217GT	93, 95	44737GT	11, 13, 27, 29,		141, 143		105-106, 109-
30784-2550GT	75		39, 41, 55, 57	55010GT	77		110
31060GT	11, 27, 39, 55	44743GT	98, 101-102,	55558GT	133	6700GT	81
31508GT	11, 13, 27, 39,		106, 110	55675GT	75, 79	6782GT	141
	41, 55	44750GT	131	55906GT	115, 147	6878GT	71, 75, 79, 81,
31788GT	11, 27, 39, 55	44751GT	131	55917GT	67		115, 137
33278GT	75	44752GT	131	55921GT	131	6886GT	141
33576GT	147	44777GT	131	56912GT	71, 147	6888GT	67, 147
33724GT	115	44778GT	131	57075GT	115	6889GT	75, 137, 147
33784GT	141	44780GT	67, 69	58000GT	95	6898GT	73
34742GT	73	44781GT	67, 69	58592GT	67, 71	69229GT	141
36369GT	91	44788GT	123	58627GT	81	6935GT	115
37947GT	81	44936GT	115	6002GT	97-98, 101-102,	7056GT	115
39232GT	71	44973GT	133		105-106, 109-	7127GT	115
39310GT	97-98, 101-102,	44979GT	133		110	72086GT	11, 13, 19, 21,
	105-106, 109-	44980GT	11, 13, 21, 27,	6021GT	97-98, 101-102,		27, 29, 33, 35,
	110		35, 39, 41, 49,		105-106, 109-		39, 41, 47, 49,
39429GT	69		55, 63		110, 131		55, 57, 61, 63
39469GT	71, 97-98, 101-	44981GT	13, 15, 17, 21,	6086GT	69	72143GT	13, 21, 29, 35,
	102, 105-106,		23, 25, 29, 31,	6090GT	143		41, 49, 57, 63
	109-110		35, 37, 41, 43,	6091GT	67, 71, 75, 79,	72326GT	71, 117, 119, 137
39470GT	97-98, 101-102,		45, 49, 51, 53,		81, 89, 113, 115,	72853GT	13, 29, 41, 57
	105-106, 109-		57, 59, 63, 65		137	72970GT	11, 27, 39, 55
	110	45454GT	139	6097GT	67, 97-98, 101-	72998GT	13, 29, 41, 57
39474GT	97-98, 101-102,	45546GT	115		102, 105-106,	72999GT	13, 29, 41, 57
	105-106, 109-	45748GT	67, 93, 95		109-110	7339GT	133, 147
	110	46216GT	125	6145GT	89	74006GT	115
39509GT	113			6175GT	145	74267GT	75

Part Number Index (continued)

Part Number	Page	Part Number	Page	Part Number	Page	Part Number	Page
75041GT	81	83093GT	81	96298GT	85	97213GT	97-98, 101-102,
76502GT	75	83131GT	81	96299GT	85		105-106, 109-
7713GT	97-98, 101-102,	8357GT	67, 69	96300GT	85		110
	105-106, 109-	84384GT	125	96302GT	85	97280GT	113
	110, 113	84385GT	125	96303GT	85	97582GT	25, 53
77709GT	125	84386GT	125	96304GT	85, 87	97618GT	17, 45
78006GT	131	84422GT	133	96306GT	85, 87	97719GT	21, 35, 49, 63
78022GT	98, 102, 106, 110	84571GT	67	96309GT	83	T106362GT	81
78038GT	97-98, 101-102,	84578GT	93	96331GT	93, 95	T106363GT	81
	105-106, 109-	84579GT	95	96335GT	97-98, 101-102,	T106366GT	81
	110	84580GT	95		105-106, 109-	T106368GT	117
78086GT	73	84581GT	93, 95		110	T106370GT	117, 119
78422GT	89, 123	84582GT	93, 95	96336GT	97-98, 101-102,	T106372GT	81
78546GT	79	84583GT	93, 95		105-106, 109-	T106373GT	117, 119
78622GT	123	84586GT	97-98, 101-102,		110	T107029GT	11, 27, 39, 55
78732GT	69		105-106, 109-	96350GT	135	T107030GT	15, 43
78736GT	67, 71		110	96351GT	135	T107031GT	13, 29, 41, 57
78901GT	95	84587GT	97-98, 101-102,	96353GT	135	T107032GT	17, 31, 45, 59
79456GT	89		105-106, 109-	96354GT	79, 135	T109012GT	79
81579GT	137		110	96355GT	79, 135	T110889GT	83
8178GT	95, 113	84590GT	97-98, 101-102,	96363GT	137	T110890GT	83
82160GT	13, 29, 41, 57		105-106, 109-	96387GT	85	T110891GT	83
82161GT	13, 29, 41, 57		110	96388GT	123	T112507GT	71, 83
82287GT	59, 65	84693GT	91, 93	96390GT	93, 95	T112508GT	83
823368GT	71	84694GT	91	96391GT	135	T112509GT	83
823408GT	79	84695GT	91	96398GT	135	T112510GT	83
82366GT	13, 29, 41, 57	84739GT	129	96408GT	73	T112511GT	83
824029GT	95	84740GT	129	96413GT	97-98, 101-102,	T112563GT	115
824216GT	81	84742GT	129		105-106, 109-	T112804GT	13, 21, 29, 35,
82473GT	21, 35, 49, 63	84743GT	129		110		41, 49, 57, 63
82474GT	19, 21, 33, 35,	84746GT	129	96419GT	123	T112807GT	25, 37
	47, 49, 61, 63	84748GT	129	96422GT	73	T112808GT	53, 65
82476GT	19, 21, 33, 35,	8516GT	93, 95	96423GT	73	T113136GT	83, 147
	47, 49, 61, 63	85197GT	131	96440GT	85, 87	T113139GT	147
82481GT	19, 33, 47, 61	85239GT	81	96452GT	81	T113140GT	147
82482GT	21, 35, 49, 63	88335GT	83	96459GT	83	T113141GT	147
82485GT	11, 13, 19, 21	8914GT	137, 147	96465GT	69	T113142GT	147
82486GT	39, 41, 47, 49	8915GT	75, 79	96466GT	69	T113787GT	97-98, 101-102,
82487GT	21, 23, 25, 35,	9116GT	79, 89, 137	96484GT	137		105-106, 109-
	37, 49, 51, 53,	96008-SGT	81	96487GT	93, 95		110
	63, 65	96009GT	81	96493GT	71	T114031GT	83
82495GT	19, 33, 47, 61	96010GT	81	96515-SGT	139	T114082GT	147
82496GT	51	96038GT	73	96516-SGT	139	T114321GT	123
82497GT	37, 65	96039GT	73	96522GT	85, 87	T115429GT	147
82501GT	23	96066GT	67	96524GT	73		
825302GT	145	96067GT	67	96541GT	73		
825304GT	145	96068GT	67	96542GT	139		
825305GT	145	96069GT	67	96543GT	139		
825307GT	145	96074GT	67	96576GT	91		
825309GT	145	96085GT	73	96642GT	73		
825311GT	145	96102GT	69	96699GT	79		
825312GT	145	96121GT	93, 95	96709GT	79		
825313GT	145	96126GT	91	96770GT	133		
82557GT	15, 17, 31, 43,	96130GT	93, 95	96819GT	85		
	45, 59	96131GT	93, 95	96839GT	73		
82558GT	13, 29, 41, 57	96134GT	73	96849GT	97-98, 101-102,		
82559GT	13, 29, 41, 57	96135GT	73		105-106, 109-		
8255GT	67, 98, 101-102,	96163GT	113		110		
	106, 109-110	96193GT	131	96855GT	79		
82560GT	21, 35, 49, 63	96196GT	67, 71	96948GT	71, 73		
82561GT	11, 13, 27, 29,	96200GT	97-98, 101-102,	96950GT	143		
	39, 41, 55, 57,		105-106, 109-	96977GT	69, 91		
82562GT	19, 21, 33, 35,		110	97059GT	77		
	47, 49, 61, 63	96203GT	147	97105GT	113		
82563GT	43, 45, 59	96236GT	115	97110GT	113		
82564GT	15, 17, 31	96246GT	97-98, 101-102,	97115GT	97-98		
82565GT	15, 43		105-106, 109-	97118GT	97-98		
82566GT	31, 59		110	97119GT	105-106		
82568GT	31, 37	96247GT	97-98, 101-102,	97122GT	105-106		
82570GT	11, 13, 19, 21,		105-106, 109-	97123GT	97-98, 101-102,		
	27, 29, 33, 35,		110		105-106, 109-		
82571GT	39, 41, 47, 49,	96257GT	123		110		
	55, 57, 61, 63	96258GT	67	97128GT	71, 73		
82656GT	23, 51	96275GT	109-110	97132GT	98, 101-102,		
82657GT	11, 27, 39, 55	96281GT	73		105-106, 109-		
		96283GT	93, 95		110		

The Part Description Index is an alphabetical index of all part descriptions included in this manual. The index shows what page(s) the part is used on.

(component no longer available).....119

A

ACCESSORY,MINI CHK VAL MANIF.....127
 ACCUMULATOR,180 PSI PRECHARGE*...89, 123
 ADAPTER, RJ45, GC27-25/GC21-19.....81
 AIR TO PLAT, GS15, ACC.....139
 AIR TO PLAT, GS19, ACC.....139
 ALARM,STEADY TONE***.....71, 117, 119, 137
 ASSEMBLY, CHARGER STATUS LED, 2V.....69, 83
 ASSEMBLY, CHARGER STATUS LED, 2V,BCI.....83
 ASSEMBLY, DOWN LIMIT, GS.....71, 83
 ASSEMBLY, VISUAL IND LIGHT.....137
 ASSY,DIODE.....137
 ASSY,GS BATTERY TRAY.....75
 ASSY,GS HYDRAULIC TRAY,MET.....79
 ASSY,LVL SNSR W/ CONNECTOR.....71
 ASSY,MOTOR CONTRL HARN,CE.....85
 ASSY,MOTOR CONTROL HARNESS.....85, 87
 ASSY,MOTOR CONTROL HARNESS,CE.....87
 ASSY,POT HOLE PUSHER,GS***.....73
 ASSY,POTHOLE HARNESS,GS.....83
 ASSY,ROT SNSR W/ HARNESS.....83, 147

B

BALL STUD, GAS STRUT, 3/8-16.....73
 BASE WITH 1 NC CONTACT, E-STOP.....81, 117, 119
 BATTERY CABLE ASSEMBLY, GS30/32.....87
 BATTERY CABLE ASSY, GS30/32.....85
 BATTERY, AGM, 6V, (TROJAN) ***.....75
 BATTERY,T105 W/LPT,3 CAP,DRY**.....75
 BEARING,.75ID X 1.0OD X 1.38LG.....73
 BEARING,0.75IDX1.00ODX0.75L.....91
 BEARING,1.26IDX1.53ODX1.25L.....93, 95
 BEARING,1.5025IDX1.5075ODX1.5L.....133
 BEARING,1.523IDX1.75ODX0.63L.....73
 BEARING,1.5IDX1.75ODX1.5L,PTFE.....67
 BEARING,FL,0.75ID X 1 OD X .49.....67
 BEARING,MOTOR.....131
 BEARING,MOTOR,36843,BRUSH END*.....131
 BEARING,MOTOR,BRUSH END*.....131
 BOLT,CARRIAGE,1/2-13X1.50,GR5.....69, 91
 BOLT,CARRIAGE,1/2-13X1.75, G5.....147
 BOLT,CARRIAGE,1/4-20 X .75,G2.....71, 75, 79, 81, 115, 137
 BOLT,CARRIAGE,1/4-20 X 1.00,G2.....89
 BOLT,CARRIAGE,1/4-20x1.25,G2.....79, 89, 137
 BOLT,CARRIAGE,1/4-20X2.5,ZAG.....71
 BOLT,CARRIAGE,3/8-16X1.25,GR5.....67, 69, 73, 91, 143
 BOLT,CARRIAGE,3/8-16X1.5,5,ZAG.....95
 BOLT,CARRIAGE,5/16-18 X 2.0,G2.....141
 BOLT,SHS,3/8X.375X5/16-18,ZAG.....98, 102, 106, 110
 BOOT, 2 SWITCH, SILICON.....121
 BOX,INSTRUCTION STORAGE.....98, 101-102, 106, 109-110

BRACKET,FOOT PEDAL.....97-98, 101-102, 105-106, 109-110
 BRACKET,LIMIT SWITCH MTG***.....73
 BRAKE, HYDRAULIC***.....123
 BREATHER CAP,HYD. TANK,1/4 NPT.....79
 BRUSH,PWR UNIT (40844)**.....131
 BULB,FLASHING BEACON.....137
 BUMPER, PAR, FRONT, HORIZONTAL.....145
 BUMPER, PAR, FRONT, VERTICAL.....145
 BUMPER, PAR, SIDE, HORIZONTAL.....145
 BUMPER, PAR, SIDE, VERTICAL.....145
 BUMPER,FOAM,FRONT ELBOW.....145
 BUSHING,FLNGD,.63 X .77 X .38.....73
 BUTTON, .800 O.D. X .281.....97-98, 101-102, 105-106, 109-110
 BUTTON,PUSH,RED MUSHROOM HEAD.....81, 117, 119

C

CABLE ASSY, BATT,19"AND.BLK.....85
 CABLE ASSY,BATT, 12" RED.....87
 CABLE ASSY,BATT, 20" BLK.....87
 CABLE ASSY,BATT, 7.50" BLACK.....85
 CABLE ASSY,BATT, 7.50" RED.....85
 CABLE ASSY,BATT,23"RED.....87
 CABLE ASSY,BATT,5.50"RED.....85, 87
 CABLE ASSY,BATT,7.50",AND. RED.....85
 CABLE ASSY,BATT,9.50"RED.....85, 87
 CABLE ASSY, BATT. 12" BLACK.....87
 CABLE ASSY, BATT. 14" RED.....87
 CABLE ASSY, BATT. 75" RED.....87
 CABLE ASSY, BATT. 79" BLACK.....87
 CABLE ASSY,BATT.75",AND.RED.....85
 CABLE ASSY,BATT.75",AND.BLK.....85
 CABLE TIE, 14.5" YELLOW.....145
 CABLE TIE,11.5" BLACK.....113, 133, 139, 141
 CABLE, LIFT CYL DOWN W/LS.....83
 CABLE, LIFT CYL DOWN WO/LS.....83
 CABLE, PLATFORM CONTROL, 15XX.....83
 CABLE, PLATFORM CONTROL, 19XX.....83
 CABLE,EMERGENCY DOWN.....71
 CAM FOLLOWER,1.125X.375,DELRLN.....73
 CAP, TUBE, SQ,1.25 X .083.....97-98, 101-102, 105-106, 109-110
 CAP,BUTTON,K12.....117, 119
 CAP,DIAGNOSTIC NIPPLE.....125
 CE CONTROL HARNESS, SLAB.....85, 87
 CHAIN GATE KIT,GS30.....113
 CHAIN,3/16,OPEN LINK 22.5".....113
 CHARGER INTERLOCK CBLE,GS30/32.....83
 CHARGER,24V,650W,USB.....77
 CHARGER,BAT,24VDC,H/LO GEN2.....77
 CHASSIS MOUNT ASSY, GS30.....91, 93
 CHECK DISK, NO SPRING.....125
 CIRCUIT BREAKER,7.0 AMP***.....81
 CLAMP, HOSE, 1 EAR, 11/16.....133
 CLAMP,1.31,#21 X 1/4,TRUB CUSH.....141
 CLAMP,2 HOSE,PLASTIC,5/8.....67, 71
 CLAMP,CABLE & HOSE.....89
 CLAMP,HOSE,1 EAR,1-1/16***.....79
 CLAMP,RUB CUSH,0.75,#12 X 3/8".....139
 CLIP, CABLEBRIDGE, MINI.....95
 CLIP,DTM,RECEPTACLE.....147
 CLIP,HAIR PIN .125 X 2.....67
 COIL CORD,WORKLIGHT(144011).....141
 COIL,#8 20VDC,DEUTSCH W/DIOD.....125

COIL,20VDC DEUTCSH W/DIODE.....125
 COIL-SOLENOID VALVE,20V DC***.....133
 CONN,SQUEEZE,1/2NPT .38-.50,SM.....115
 CONN,SQZ,BLK,1/2NPT,38-.50,SM.....147
 CONNECTOR, 070120-12-8.....135
 CONNECTOR, IEC CHARGER CORD.....77
 CONNECTOR,070120-4-4.....129, 135
 CONNECTOR,070120-4-6.....135
 CONNECTOR,070120-6-6.....133, 135
 CONNECTOR,070120-8-6.....135
 CONTACT, N.C.....81
 CONTACTOR,DRIVE, 24V,180A***.....75
 CONTACTOR,LIMIT SWITCH.....71, 73
 COUNTERWEIGHT,CAST,CE,1930/32.....69
 COUPLER,1/4"SERIES,3/8 P-LOK.....139
 COVER, RJ45, GC27-25/GC21-19.....81
 COVER,BLANK.....115
 COVER,GFCI,HORIZONTAL,WEATHER....115
 COVER-BRUSH INSPEC.40844,SCISS.....131
 CYLINDER, MINI LIFT.....133
 CYLINDER,GS/GR STEER***.....123

D

DECAL DANGER TIP OVER TRAYS.....11, 13, 27, 29, 39, 41, 55, 57
 DECAL KIT,1530 COMP.,SYM,ANSI.....19
 DECAL KIT,1530 COMP.,SYM,CE.....19
 DECAL KIT,1530 COMP.,WRD,ANSI.....11
 DECAL KIT,1530 COMP.,WRD,AUST.....11
 DECAL KIT,1530 PLAT.,SYM,ANSI.....19
 DECAL KIT,1530 PLAT.,SYM,CE.....19
 DECAL KIT,1530 PLAT.,WRD,ANSI.....11
 DECAL KIT,1530 PLAT.,WRD,AUST.....11
 DECAL KIT,1532 COMP.,SYM,CE.....33
 DECAL KIT,1532 COMP.,WRD,AUST.....27
 DECAL KIT,1532 COMP.,WRD,AUST.....27
 DECAL KIT,1532 PLAT.,SYM,CE.....33
 DECAL KIT,1532 PLAT.,WRD,AUST.....27
 DECAL KIT,1930 COMP.,SYM,ANSI.....47
 DECAL KIT,1930 COMP.,SYM,CE.....47
 DECAL KIT,1930 COMP.,WRD,ANSI.....39
 DECAL KIT,1930 COMP.,WRD,AUST.....39
 DECAL KIT,1930 PLAT.,SYM,ANSI.....47
 DECAL KIT,1930 PLAT.,SYM,CE.....47
 DECAL KIT,1930 PLAT.,WRD,ANSI.....39
 DECAL KIT,1930 PLAT.,WRD,AUST.....39
 DECAL KIT,1932 COMP.,SYM,CE.....61
 DECAL KIT,1932 COMP.,WRD,AUST.....55
 DECAL KIT,1932 PLAT.,SYM,CE.....61
 DECAL KIT,1932 PLAT.,WRD,AUST.....55
 DECAL PLATE ASSY W/SYM DECALS.....97-98, 101-102, 105-106, 109-110
 DECAL PLATE ASSY,GS30,ANSI.....97-98, 101-102, 105-106, 109-110
 DECAL PLATE ASSY,GS30,AUSTRAL.....97-98, 101-102, 105-106, 109-110
 DECAL SYMBOL TIP OVER TRAYS.....19, 21, 33, 35, 47, 49, 61, 63
 DECAL, LABEL - DIRECTION ARROWS.....15, 17, 23, 25, 31, 37, 43, 45, 51, 53, 59, 65
 DECAL, LABEL, SAFETY ARM SYMB.....21, 35, 49, 63
 DECAL, OP INST, PLAT, GS30, ANSI.....15, 43
 DECAL, OP INST, PLAT, GS30, AUS.....17, 31, 45, 59

PARTS FINDER

**Search Website
by Part Number**



**Search Manual
Library For Parts
Manual & Lookup Part
Numbers – Purchase
or Request Quote**

Search Manuals

Enter your information to help us find the right parts manual for your machine.

* Brand:

* Model:

* Serial:

* Part Number:

SEARCH

**Can't Find Part or
Manual? Request Help
by Manufacturer,
Model & Description**

Parts Order Form

Please fill in the following information to help us find the right part for your machine.

Manufacturer:	<input type="text"/>
Model:	<input type="text"/>
Description:	<input type="text"/>
Part Number:	<input type="text"/>
Quantity:	<input type="text"/>
Notes:	<input type="text"/>

Submit

Discount-Equipment.com is your online resource for quality parts & equipment.

Florida: **561-964-4949** Outside Florida TOLL FREE: **877-690-3101**

Need parts?

Click on this link: <http://www.discount-equipment.com/category/5443-parts/> and choose one of the options to help get the right parts and equipment you are looking for. Please have the machine model and serial number available in order to help us get you the correct parts. If you don't find the part on the website or on one of the online manuals, please fill out the request form and one of our experienced staff members will get back to you with a quote for the right part that your machine needs.

We sell worldwide for the brands: Genie, Terex, JLG, MultiQuip, Mikasa, Essick, Whiteman, Mayco, Toro Stone, Diamond Products, Generac Magnum, Airman, Haulotte, Barreto, Power Blanket, Nifty Lift, Atlas Copco, Chicago Pneumatic, Allmand, Miller Curber, Skyjack, Lull, Skytrak, Tsurumi, Husquvarna Target, Stow, Wacker, Sakai, Mi-T-M, Sullair, Basic, Dynapac, MBW, Weber, Bartell, Bennar Newman, Haulotte, Ditch Runner, Menegotti, Morrison, Contec, Buddy, Crown, Edco, Wyco, Bomag, Laymor, EZ Trench, Bil-Jax, F.S. Curtis, Gehl Pavers, Heli, Honda, ICS/PowerGrit, IHI, Partner, Imer, Clipper, MMD, Koshin, Rice, CH&E, General Equipment, Amida, Coleman, NAC, Gradall, Square Shooter, Kent, Stanley, Tamco, Toku, Hatz, Kohler, Robin, Wisconsin, Northrock, Oztec, Toker TK, Rol-Air, APT, Wylie, Ingersoll Rand / Doosan, Innovatech, Con X, Ammann, Mecalac, Makinex, Smith Surface Prep, Small Line, Wanco, Yanmar

Part Description Index (continued)

- DECAL, POWER TO PLATFORM 230V**...13, 15, 17, 21, 23, 25, 29, 31, 35, 37, 41, 43, 45, 49, 51, 53, 57, 59, 63, 65
- DECAL, SMARTLINK PROPORTIONAL.....15, 17, 23, 25, 31, 37, 43, 45, 51, 53, 59, 65
- DECAL, STD, PROP LIFT, UI, SVC.....15, 17, 23, 25, 31, 37, 43, 45, 51, 53, 59, 65, 117
- DECAL, SYMBOL - READ THE MANUAL....21, 23, 25, 35, 37, 49, 51, 53, 63, 65
- DECAL, UI, GR/GRC/GS PCON.....15, 17, 23, 25, 31, 37, 43, 45, 51, 53, 59, 65, 117
- DECAL, UI, GS/GR, PROP LIFT.....15, 17, 23, 25, 31, 37, 43, 45, 51, 53, 59, 65, 119
- DECAL,CHEVRON RANDO HD.....13, 29, 41, 57
- DECAL,COSMETIC,GENIE GS-1530**.....15, 17, 23, 25
- DECAL,COSMETIC,GENIE GS-1532.....31, 37
- DECAL,COSMETIC,GENIE GS-1930**.....43, 45, 51, 53
- DECAL,COSMETIC,GENIE GS-1932.....59, 65
- DECAL,DANGER DO NOT ALTER SWTC.....11, 27, 39, 55
- DECAL,DANGER,BATTERY SAFETY***.....11, 27, 39, 55
- DECAL,DANGER,BRAKE REL SAFETY....11, 27, 39, 55
- DECAL,DANGER,CRUSHING HAZARD.....11, 13, 27, 29, 39, 41, 55, 57
- DECAL,DANGER,ELEC HAZARD,GS.....11, 13, 27, 29, 39, 41, 55, 57
- D E C A L , D A N G E R , E L E C T HAZARD,PLUG.....11, 13, 27, 39, 41, 55
- DECAL,DANGER,IMPROPER USE HAZ....13, 29, 41, 57
- DECAL,DANGER,TIP-OVER,TILT.....15, 17, 31, 43, 45, 59
- DECAL,DANGER-GEN SAFETY.....15, 17, 31, 43, 45, 59
- DECAL,DANGER-TIP-OVER,BATT.....11, 27, 39, 55
- DECAL,DANGER-USE SAFETY ARM.....11, 13, 27, 29, 39, 41, 55, 57
- DECAL,E-STOP,GR/GRC/GS PCON.....15, 17, 23, 25, 31, 37, 43, 45, 51, 53, 59, 65, 117, 119
- DECAL,EMERGENCY LOWERING.....13, 29, 41, 57
- DECAL,EMERGENCY STOP,GR....13, 21, 29, 35, 41, 49, 57, 63
- DECAL,GCON PANEL,GS.....13, 21, 29, 35, 41, 49, 57, 63
- DECAL,INSTR-INDOOR USE,AUS.....17, 45
- DECAL,INSTR-MANUAL FRC,AUS.....31, 59
- DECAL,INSTR-MAX CAP 400 LBS.....43
- DECAL,INSTR-MAX CAP 500 LBS.....43, 45, 59
- DECAL,INSTR-MAX CAP 600LBS.....15, 17, 31
- DECAL,INSTR-SIDE FRC,ANSI.....15, 43
- D E C A L , I N S T R U C T , B A T T E R Y CONNECT.....11, 27, 39, 55
- DECAL,INSTRUCT-ANNUAL INSP REQ....13, 29, 41, 57
- DECAL,INSTRUCTIONS-CHARGER OP....11, 27, 39, 55
- DECAL,LABEL, AIR LINE 110 PSI.....13, 15, 17, 21, 23, 25, 29, 31, 35, 37, 41, 43, 45, 49, 51, 53, 57, 59, 63, 65
- DECAL,LABEL,AUX LOWERING....21, 35, 49, 63
- DECAL,LABEL,FAULT CODES.....15, 17, 31, 43, 45, 59
- DECAL,LABEL,LIFTING EYE....11, 13, 19, 21, 27, 29, 33, 35, 39, 41, 47, 49, 55, 57, 61, 63
- DECAL,LABEL,MANUAL NOT HERE....15, 17, 31, 43, 45, 59
- DECAL,LABEL,PETRO CANADA***.....13, 29, 41, 57
- DECAL,LABEL,PLAT CONT LOCATION.....15, 17, 31, 43, 45, 59
- DECAL,LABEL,PWR TO CHARGR 115V....11, 13, 21, 27, 35, 39, 41, 49, 55, 63
- DECAL,LABEL,PWR TO CHARGR 230V....11, 13, 21, 27, 35, 39, 41, 49, 55, 63
- DECAL,LABEL,QUINTOLUBRIK.....13, 29, 41, 57
- DECAL,LABEL,SAFETY ARM.....13, 29, 41, 57
- DECAL,LABEL,STATOIL HYDRA WAY.....13, 29, 41, 57
- DECAL,LABEL,TIRE SPECS.....11, 13, 27, 29, 39, 41, 55, 57
- DECAL,LABEL,TRANSPORT TIEDOWN*..11, 13, 19, 21, 27, 29, 33, 35, 39, 41, 47, 49, 55, 57, 61, 63
- DECAL,LABEL,UCON HYDROLUBE.....13, 29, 41, 57
- DECAL,LABEL,WHEEL LOAD 1530.....11, 13, 19, 21
- DECAL,LABEL,WHEEL LOAD 1930.....39, 41, 47, 49
- DECAL,LABEL,WHEEL LOAD 19XX.....39, 41, 47, 49, 55, 57, 61, 63
- DECAL,LABEL,WHEEL LOAD,1930PAR....39, 41
- DECAL,LABEL-TRANSPORT DIGRAM.....11, 19, 27, 33, 39, 47, 55, 61
- DECAL,LABEL-WHEEL LOAD 1530/32.....11, 13, 19, 21, 27, 29, 33, 35
- DECAL,LANYARD ANCHORAGE POINT...15, 17, 23, 25, 31, 37, 43, 45, 51, 53, 59, 65
- DECAL,MEMBRANE, GR/GRC/GS GCON...81
- DECAL,NOTICE-DO NOT OPEN DOOR....27
- DECAL,OP INST,GCON.....13, 29, 41, 57
- DECAL,OP INST,PCON,GS-30,ANSI.....15, 43
- DECAL,OP INST,PCON,GS-30,AUS.....17, 31, 45, 59
- DECAL,OPEN WINDOW INST.....97-98, 101-102, 105-106, 109-110
- DECAL,POWER TO PLATFORM 115V.....13, 15, 17, 21, 23, 25, 29, 31, 35, 37, 41, 43, 45, 49, 51, 53, 57, 59, 63, 65
- DECAL,PROPEL,GR/GRC/GS,PCON.....15, 17, 23, 25, 31, 37, 43, 45, 51, 53, 59, 65, 117, 119
- DECAL,SYM MAX CAP 227 KG,CE.....53, 65
- DECAL,SYM MAX CAP 272 KG,CE.....25, 37
- DECAL,SYM-ELEC HAZARD,PLUG.....21, 35, 49, 63
- DECAL,SYM-MAXCAP 500.....51
- DECAL,SYM-MAXCAP 600.....23
- DECAL,SYM-SIDE FORCE 445N.....23, 51
- DECAL,SYM-SIDEFORCE 200400.....37, 65
- DECAL,SYM-SIDEFORCE 400N ID.....25, 53
- DECAL,SYM-TIP-OVER,LIM SWITCH.....19, 33, 47, 61
- DECAL,SYM-TIP-OVER,TILT ALARM.....23, 25, 37, 51, 53, 65
- DECAL,SYMBOL-BATTERY SAFETY.....19, 33, 47, 61
- DECAL,SYMBOL-BRAKE REL SAFETY....19, 33, 47, 61
- DECAL,SYMBOL-COMP ACCESS.....21, 35, 49, 63
- DECAL,SYMBOL-CRUSHING HAZARD.....19, 21, 33, 35, 47, 49, 61, 63
- DECAL,SYMBOL-ELEC HAZARD,GS.....19, 21, 33, 35, 47, 49, 61, 63
- DECAL,SYMBOL-SKIN INJECT HAZRD....21, 35, 49, 63
- DECAL,SYMBOL-USE SAFETY ARM.....19, 21, 33, 35, 47, 49, 61, 63
- DECAL,WARN,IMPROPER OPERATION...15, 17, 31, 43, 45, 59
- DECAL,WARN,SKIN INJECTION HAZ*....13, 29, 41, 57
- DECAL,WARNING-COMPART ACCESS....13, 29, 41, 57
- DECAL-SYM-TIP-OVR,BATTRIES.....19, 33, 47, 61
- DIAGNOSTIC FEMALE Q-DSCNT.....125

E

- ELBOW,070220-12-10.....135
- ELBOW,070220-4-4.....135
- ELBOW,070220-6-6.....135
- ELBOW,070220-6-8.....135
- ELBOW,070320-6-6.....135
- ENCLOSING BAND KIT.....131
- ENCLOSURE, GC14-1, TOP.....117
- ENCLOSURE, GC21-19, BK.....81
- ENCLOSURE,GC14-1/GC16-1, BOT.....117, 119
- ENCLOSURE,GC27-25/GC21-19,FRNT.....81
- ENCLOSURE,STD 4-BUTTON, TOP.....119
- ENTRY SWING TUBE...97-98, 101-102, 105-106, 109-110
- EXT RAIL ASSY, UPPER, GS30...97-98, 101-102, 105-106, 109-110

F

- FIELD ASSY,REC.CHARGER PLUG.....115
- FILTER ASSY,FIBRGLS,#8-#8.....123
- FILTER ASSY,SAE8,10 MIC,PAPR**.....123
- FILTER CAP (PLUG 1-1/2" NPT HEX.....79
- FILTER ELEMENT,10MICRON,PAPER*.....123
- FILTER ELEMENT,BETA(10)=200.....123
- FITTING,STRAIGHT DRIVE-IN ZERK....67
- FIXED RAILS ASSY, GS30 SYMBOL.....98, 101-102, 105-106, 109-110
- FIXED RAILS ASSY,GS30,ANSI...97-98, 101-102, 105-106, 109-110
- FIXED RAILS ASSY,GS30,AUSTRAL.....97-98, 101-102, 105-106, 109-110
- FLASH DRIVE,SL1K1.0 SOFTWARE.....117
- FLASH DRIVE,SL1K2.0 SOFTWARE.....119
- FOAM,CLOSED CELL 1.75X.250X18".....113
- FORMING, ACCUMULATOR BRACKET....89
- FORMING, ACCUMULATOR CLAMP....89
- FORMING, ALARM BRACKET,MINI.....71
- FORMING, CONTACTOR/FUSE BRACKET,METRIC.....75
- FORMING, FILTER-CNTRLR MOUNT....79
- FORMING, HALF GATE HINGE.....113
- FORMING, PLAT CONTROL BOX, MET...117, 119
- F O R M I N G , P L U G / L E D BRACKET,METRIC.....71

Part Description Index (continued)

OUTLET, 110V.....115	PLUG, FLG INLET, 15A/125V, 2PWGD..... 115	SCREW, YOKE LOCK ALL SLABS.....67
P	PLUG, FUSED, 250V, 13AMP, U.K. **..... 115	SCREW, BHHS, 3/8-16 X 1.75.....69
PCBA, GC14-1.....117	PLUG, PWR, UK, 16AMP, 3PIN, BLK..... 115	SCREW, BHSCS, M5X10, SS.....117, 119
PCBA, GC21-19.....81	POT HOLE GUARD, LT, WLDMT.....73	SCREW, GRUB, M5X8MM CUP(BLK).....121
PCBA, GCON STD, PROP LIFT.....81	POT HOLE GUARD, RT, WLDMT.....73	SCREW, GRUB, M5X8MM, HLF DOG, BZP...121
PCBA, PCON STD, PROP LIFT.....119	POWER CORD, IEC 320 BLANK, 79".....115	SCREW, HEX HD, NO SLOT, #14X.50.....75
PCON, GR/GRC/GS.....117	POWER CORD, IEC 320, 115".....77	SCREW, HHC, 1/2-13 X 3.5.....67, 69
PCON, STD, PROP LIFT, GR/GS.....119	POWER CORD, IEC 320, 90 DEG.....77	SCREW, HHC, 1/2-13 X 5 GR5, PLT.....69
PH BELL CRANK LINK.....73	PRTY, FLOW CNTRL VALVE, .75 GPM.....125	SCREW, HHC, 1/4-20 X .5.....133, 147
PIN, CHASSIS PIVOT.....93, 95	PUMP, 4CC GEAR, CCW 228192.....131	SCREW, HHC, 1/4-20 X .625.....137, 147
PIN, CYLINDER, SHORT.....93, 95	PUMP, 4CC GEAR, CCW***.....131	SCREW, HHC, 1/4-20 X .75.....143
PIN, LOCK.....97-98, 101-102, 105-106, 109-110		SCREW, HHC, 1/4-20 X 1.....67, 147
PIN, MINI, CENTER.....93, 95	Q	SCREW, HHC, 1/4-20 X 1.25.....75, 79
PIN, WIRE LOCK 3/8 X 2 -1/2.....98, 102, 106, 110	QUICK DISCONNECT CASING, BATT**.....75	SCREW, HHC, 1/4-20 X 1.5.....89
PIN, 1.50DIA X .93LG, 1HOLE.....93, 95		SCREW, HHC, 1/4-20 X 1.75.....71
PIN, CLEVIS, .375 X 1.75 LG.....73	R	SCREW, HHC, 1/4-20 X 2.....113
PIN, CLEVIS, .625 X 1.56, ZINC PL.....73	RECEPTACLE, DIN, 220V 50A.....115	SCREW, HHC, 1/4-20X3.25, GR8.....67
PIN, CLEVIS, .625 X 1.88, ZINC PL.....73	REF. BATTERY CHARGER.....83	SCREW, HHC, 3/8-16 X .75.....67, 98, 101-102, 106, 109-110
PIN, CLEVIS, .75 X 2.....67	REF. BATTERY COMPARTMENT.....83	SCREW, HHC, 3/8-16 X 1.....145
PIN, COTTER, .125 X .75.....73	REF. BEACONS.....83	SCREW, HHC, 3/8-16 X 2.....97-98, 101-102, 105-106, 109-110, 113
PIN, COTTER, .156 X 2.5.....67, 69	REF. BRAKE RELEASE MANIFOLD.....69	SCREW, HHC, 3/8-16 X 2.5.....95, 113
PIN, MINI END***.....93, 95	REF. DC MOTOR.....83	SCREW, HHC, 3/8-16 X 2.75.....93, 98, 102, 106, 110
PIN, STEER CYLINDER.....67	REF. ELECTRIC MOTOR/PUMP.....79	SCREW, HHC, 5/16-18 X 2.....141
PLAT CONTROL BRKT ASSY, GS MINI.....117, 119	REF. ELECTRICAL WIRING AND POWER CABLES.....83	SCREW, PHIL, 8-32X.50, SELF TAP.....115
PLAT ENTRY ASSY, RIGID GS30.....113	REF. FILTER ASSY.....79	SCREW, PHILLIPS, PHM, 10-32 X .38.....75
PLAT EXT DECK ASSY, GS30.....97-98, 101-102, 105-106, 109-110	REF. FORMING, CONTROL PANEL.....79	SCREW, PHILLIPS, PHM, 10-32 X .5.....147
PLAT MAIN DECK ASSY, 1530 ANSI.....97-98	REF. FUNCTION MANIFOLD.....83	SCREW, PHILLIPS, PHM, 10-32 X .75.....137
PLAT MAIN DECK ASSY, 1530 AU.....97-98	REF. FUSE.....83	SCREW, PHILLIPS, PHM, 10-32 X 1.....81
PLAT MAIN DECK ASSY, 1530 CE.....97-98	REF. GCON, GR/GRC/GS.....79	SCREW, PHILLIPS, PHM, 6-32 X .75.....115
PLAT MAIN DECK ASSY, 1530 SMBL.....97-98	REF. GROUND CONTROLS.....83	SCREW, PHILLIPS, PHM, 8-32 X .5.....115, 147
PLAT MAIN DECK ASSY, 1532 AU.....101-102	REF. GS-1530 Symbol Decal Kits.....21, 23, 25	SCREW, PHILLIPS, PHM, 8-32 X .5.....81
PLAT MAIN DECK ASSY, 1532 CE.....101-102	REF. GS-1530 Word Decal Kits.....13, 15, 17	SCREW, PHM, 4-20X.5, 48-2 TRI-L.....81, 117, 119
PLAT MAIN DECK ASSY, 1930 ANSI.....105-106	REF. GS-1532 Symbol Decal Kits.....35, 37	SCREW, PHM, 6-19X.75, 48-2 TRI-L.....81
PLAT MAIN DECK ASSY, 1930 AU.....105-106	REF. GS-1532 Word Decal Kits.....29, 31	SCREW, PHM, 8-16X.75, 48-2 TRI-L.....117, 119
PLAT MAIN DECK ASSY, 1930 CE.....105-106	REF. GS-1930 Symbol Decal Kits.....49, 51, 53	SCREW, PHM, 8-32X.313, SELF TAP.....147
PLAT MAIN DECK ASSY, 1930 SMBL.....105-106	REF. GS-1930 Word Decal Kits.....41, 43, 45	SCREW, PHM, 8-32X.5, 48-2 TRI-L.....81
PLAT MAIN DECK ASSY, 1932 AU.....109-110	REF. GS-1932 Symbol Decal Kits.....63, 65	SCREW, RHM, 10-32 X 1.5.....71
PLAT MAIN DECK ASSY, 1932 CE.....109-110	REF. GS-1932 Word Decal Kits.....57, 59	SCREW, RHM, 6-32 X .5.....115
PLATE, AC ADAPTER(AUS).....115	REF. HYDRAULIC BRAKE.....69	SCREW, SET, 8-32X.25.....147
PLATE, BRAKE SPACER, METRIC.....69	REF. Joystick Controller.....83	SCREW, SHC, 3/8-24 X 1.25".....131
PLATE, COUNTERWEIGHT LOCK, METRIC.....69	REF. LEVEL SENSOR.....83	SEAL KIT (84384).....125
PLATE, HARNESS MOUNT, MET.....79	REF. LIFT CYLINDER VALVE.....83	SEAL KIT, VALVE.....125
PLATE, INVERTER MOUNT.....143	REF. LIFT CYLINDER.....93	SEAL KIT, 39909, PLAT LWR VALVE*.....133
PLATE, LIMIT SWITCH MOUNT.....71	REF. MOTOR CONTROLLER.....83	SEAL KIT, BOSCH PUMP.....131
PLATE, AC ADAPTER(ANSI/CSA).....115	REF: Lift Cylinder Down Cable.....85, 87	SEAL KIT, BOSCH PUMP***.....131
PLATE, AC ADAPTER, DIN/UK***.....115	REF: Platform Control Cable.....85, 87	SEAL KIT, HAND PUMP***.....129
PLATE, BEACON MOUNT.....137	REF: DECAL, STD, PROP LIFT, UI, SVC.....119	SEAL KIT, LIFT PUMP, BARNES.....131
PLATE, HOSE ROUTG, BULKHEAD(PTD).....67, 71	RESISTOR, 200 OHM 10W, CERAMIC.....83	SEAL KIT, LIFT PUMP, BARNES**.....131
PLATE, HOSE ROUTING, BULKHEAD **.....67, 71	RIGID EYE SNAP.....113	SEAL KIT, PUMP, 5.6CC GEAR.....131
PLATE, VISUAL IND LIGHT MOUNT.....137	RIVET, ALUM, STL, .188 X .250.....97-98, 101-102, 105-106, 109-110	SEAL KIT, PUMP, PARKER (228192).....131
PLATFORM MOUNT ASSY, 15 FT.....91	RIVET, STL, STL, .188 X .45.....97-98, 101-102, 105-106, 109-110, 147	SEAL KIT, RC SERIES DR MOTOR***.....123
PLATFORM MOUNT ASSY, 19 FT.....91	ROCKER, 2 SWITCH.....121	SEAL KIT-FOR P.N.44167.....125
PLATFORM SLIDER WELDMENT.....91	ROD END, .250 X 2.75 LG.....67, 93, 95	SEAL KIT-P.N.44169, 44172, 44171.....125
PLUG AND CAP KIT-SERVICE, ORFS*.....125	ROLLER ARM, LIMIT SWITCH***.....71, 73	SENSOR, LEVEL, UNIVERSAL.....71
PLUG, 6POS ECO PWR.....117, 119	ROLLER BRACKET ASSY, GRND CNTR.....97-98, 101-102, 105-106, 109-110	SERVICE KIT, INVERTER 800W***.....143
PLUG, TYPE F, 230A, 50HZ, 16A, IP44.....115	ROLLER, PLATFORM EXTENSION.....97-98, 101-102, 105-106, 109-110	SHIM, .375 X .063.....98, 102, 106, 110
PLUG, 1/4"SERIES, 3/8 P-LOCK***.....139	RUE RING, 3/4 PIN.....73	SLEEVE, TANK SUPPORT.....79
PLUG, DTM SEAL 20-24GA.....83	RUE RING, 5/8 PIN.....73	SLIDER, UHMW.....91
PLUG, ELECTRICAL, DOMESTIC.....115		SLIDER, MINI PLATFORM, DRILLED**.....91
	S	SNAP RING, EXTERNAL, 1.25 DIA. **.....93, 95
	SAFETY CHOCK, SCISSOR.....95	SPACER, GROUND CONTROL ECU.....81
	SCREW, HCC, 3/8-16 X 1.50.....93, 95	SPRING CLIP, 1/4-20, .025-.15X.54, ZAG.....71, 147
	SCREW, SELF TAP.....121	SPRING, HANDLE TRIGGER.....121
		SPRING, COMPRESSION .835 X 2.....113

SPRING, COMPRESSION, 485 X 1.75**.....71, 97-98, 101-102, 105-106, 109-110	WASHER, THRUST, GS.....67	WORKLIGHT CABLE, GS19/20XX.....141
SPRING, HAND PUMP ROD.....129	WASHER, THRUST, 63 X 1.13 X .06.....73	WORKLIGHT PIGTAIL ASSY.....141
SPRING-BRUSH, 40844, SCISSORS.....131	WEAR PAD, PLATFORM.....97-98, 101-102, 105-106, 109-110	WORKLIGHT, 24V, COIL CORD.....141
STD CONTROL HARNESS, SLAB.....85, 87	WEAR/GUIDE PAD MAIN PLATFORM.....97- 98, 101-102, 105-106, 109-110	
STROBE, BEACON, AC COMP 12-80V.....137	WEATHERSTRIP, SWING GATE.....113	
SVC KIT, UK RECEPT. REPLACEMENT.....115	WELDMENT, 1532 COUNTERWT, CE.....69	
SWING GATE ASSY, 1530/1930 AUS.....113	WELDMENT, DECAL PLATE.....97-98, 101- 102, 105-106, 109-110	
SWING GATE ASSY, 1532/1932 AUS.....113	WELDMENT, EXT PLATFORM.....97-98, 101- 102, 105-106, 109-110	
SWING GATE ASSY, GS1530 CE.....113	WELDMENT, HALF GATE.....113	
SWING GATE ASSY, GS1532 CE.....113	WELDMENT, LINK, INNER, #2, KO.....95	
SWING GATE ASSY, GS1930 CE.....113	WELDMENT, LINK, SINGLE.....93, 95	
SWING GATE ASSY, GS1932 CE.....113	WELDMENT, MAIN FOLDING SIDERAIL...97- 98, 101-102, 105-106, 109-110	
SWING GATE ASSY, GS30/32**.....113	WELDMENT, MAIN, SIDERAIL***.....97-98, 101-102, 105-106, 109-110	
SWITCH, LIMIT, W/ROLLER ARM***.....71, 73	WELDMENT, PAR, FRONT.....145	
	WELDMENT, PAR, SIDE.....145	
	WELDMENT, PLATFORM, MAIN.....109-110	
	WELDMENT, STR YOKE, 30 MINI LT.....67	
	WELDMENT, STR YOKE, 30 MINI RT.....67	
	WELDMENT, STR YOKE, 32 MINI LT.....67	
	WELDMENT, STR YOKE, 32 MINI RT.....67	
	WELDMENT, TIE ROD, GS30.....67	
	WELDMENT, CABLE BRIDGE, TOP, MINI.....93, 95	
	WELDMENT, GS HYD TRAY, MET.....79	
	WELDMENT, LINK PLATFORM MNT***.....93, 95	
	WELDMENT, MINI LADDER.....69	
	WELDMENT, ROLLER BRACKET, LT***.....97- 98, 101-102, 105-106, 109-110	
	WELDMENT, ROLLER BRACKET, RT***.....97- 98, 101-102, 105-106, 109-110	
	WHEEL & TIRE ASSY, LP, 12". EXMALE.....67, 69	
	WIRE CABLE 18/5 - UNSHIELDED.....83	
	WIRE CABLE, 14/3 CON. TPE JKT*.....115	
	WIRE CAP, ORANGE.....115	
	WLDMNT, PLATFORM, MINI, GS30.....97-98, 101-102, 105-106, 109-110	
	WLDMT, CHAIN ENTRY GATE, METRIC.....113	
	WLDMT, EXT DECK LWR RAIL.....97-98, 101- 102, 105-106, 109-110	
	WLDMT, EXT SIDERAIL, METRIC.....98, 101- 102, 105-106, 109-110	
	WLDMT, FORMING, HALFGATE CATCH.....113	
	WLDMT, LANYARD ROLLER BRKT.....97-98, 101-102, 105-106, 109-110	
	WLDMT, MAIN SIDERAIL, UPP, RT **.....97-98, 101-102, 105-106, 109-110	
	WLDMT, MAIN SIDERAIL, UPPER, LFT.....97- 98, 101-102, 105-106, 109-110	
	WLDMT, CABLE BRIDGE, BOTTOM, MINI.....93, 95	
	WLDMT, CABLE BRIDGE, LOWER, MINI.....93, 95	
	WLDMT, GS BATTERY TRAY.....75	
	WLDMT, LOCKING ROLLER SUPPORT.....97- 98, 101-102, 105-106, 109-110	
	WLDMT/ASSY, PH GUIDE, GS30/32.....73	
	WLDT, EXT SIDERAIL, PAR.....145	
	WLDT, MAIN SIDERAIL, PAR, LH.....145	
	WLDT, MAIN SIDERAIL, PAR, RH.....145	
	WLDTMT, LINK, #1 INNER, 15&19 FT.....93, 95	
	WORKLIGHT BRACKET.....141	
	WORKLIGHT CABLE, GS15XX.....141	
T		
T-BOX, 2.75 X 4.5 X 2.0.....115		
TANK, HYD, SLAB SCISSORS.....79		
TAPE, NON-SKID, DIE CUT, 1.38X1.5.....97-98, 101-102, 105-106, 109-110		
TAPE, NON-SKID, DIE CUT, 4" X 16".....97-98, 101-102, 105-106, 109-110		
TAPE, NON-SKID, DIE CUT, 4" X 32".....97-98, 101-102, 105-106, 109-110		
TAPE, NON-SKID, DIE CUT, 4" X 40".....97-98, 101-102, 105-106, 109-110		
THREADED ROD, (1/4-20), 25.50.....75		
TIE ROD ASSEMBLY.....67		
TRIGGER, EXTENDED.....121		
TUBE, ASSY, DRAW.....79, 135		
TUBE, ASSY, RETURN.....79, 135		
TUBE, VERT, FOLDING.....97-98, 101-102, 105-106, 109-110		
TUBING, PVC, 1", BLACK***.....113		
V		
VALVE, DYN. BRAKING, GS30**.....125		
VALVE, CARTRIDGE***.....133		
VALVE, CHECK, IWP-S/CWP PWR ASSI.....125		
VALVE, HAND PUMP ASSEMBLY***.....129		
VALVE, PILOT OPERATED ASSEMBLY*.....129		
VALVE, SOLENOID, 3POS 4WAY.....125		
VALVE, W/20V NC SOLENOID, MANUAL.....133		
VALVE-RELIEF, 3700 PSI #8**.....125		
VALVE-SOLENOID, 2POS 4 WAY.....125		
VISUAL INDICATOR LIGHTS.....137		
W		
WASHER, SHIM, 765 X 1.312 X .093.....73		
WASHER, FLAT, 1.27 X 2.13 X .13.....93, 95		
WASHER, FLAT, 5 HARDENED.....69		
WASHER, FLAT, 75 HARDENED.....75		
WASHER, FLAT, USS, 1/4" Y.....79, 89, 113, 137		
WASHER, FLAT, USS, 3/8", Y.....67, 97-98, 101- 102, 105-106, 109-110		
WASHER, FLAT, USS, 5/16", Y.....69, 73, 75, 113, 141, 143		
WASHER, LOCK, .25.....75, 79, 133, 147		
WASHER, LOCK, .313.....141		
WASHER, LOCK, .375.....97-98, 101-102, 105- 106, 109-110, 131		
WASHER, NITRILE.....81		
WASHER, SHIM, 625 X 1.188 X .064.....73		
WASHER, SHOULDER, NYLON.....97-98, 101- 102, 105-106, 109-110		
WASHER, STAR, EXTERNAL #8.....115		
WASHER, STAR, EXTERNAL, .375.....81		

Fitting Cross References

Genie PN	Parker PN	Description	Genie PN	Parker PN	Description
12342	6-4 F5OX-S	CONNECTOR,STRAIGHT THREAD TO FLARE TUBE	42794	1 CR-S	ELBOW,90°,MALE PIPE
13757	4 R6X-S	RUN TEE,SWIVEL NUT,ORFS	42795	BV-0839	BALL VALVE
19685	12-10 C5OX-S	ELBOW,90°,STRAIGHT THREAD TO FLARE TUBE	42796	BV-0838	BALL VALVE
22664	12-10 C5OX	ELBOW,90°,STRAIGHT THREAD TO FLARE TUBE	42874	6-8 CLO-S	ELBOW,90°,MALE PIPE TO ORFS
27431	8-12 F5OX-S	CONNECTOR,STRAIGHT THREAD TO FLARE TUBE	42912	13943-6-4	HOSE END,90° FEMALE SWIVEL,JIC
28678	AS-B-33	SLEEVE,NYLON,1.81" ID	42920	BV-0840	BALL VALVE,90°
39871	6 WETX-WLN-S	UNION,90° BULKHEAD W/NUT,FLARE TUBE	42932	AS-B-17	SLEEVE,NYLON,1.22" ID
39872	4 R5OX-S	RUN TEE,STRAIGHT THREAD	42936	10243-2-4	HOSE END,FEMALE PIPE
39873	6 C5OX-S	ELBOW,90°,STRAIGHT THREAD TO FLARE TUBE	42953	1/2 DD-S	ELBOW,90°,FEMALE PIPE
39874	8-6 C5OX-S	ELBOW,90°,STRAIGHT THREAD TO FLARE TUBE	42956	6 WELO-WLNL-S	UNION,90° BULKHEAD W/NUT,ORFS
39875	4-6 C5OX-S	ELBOW,90°,STRAIGHT THREAD TO FLARE TUBE	45349	8 V5OX-S	ELBOW,45°,STRAIGHT THREAD TO FLARE TUBE
39876	6-8 C5OX-S	ELBOW,90°,STRAIGHT THREAD TO FLARE TUBE	45351	4 V5OX-S	ELBOW,45°,STRAIGHT THREAD TO FLARE TUBE
39877	4 F5OX-S	CONNECTOR,STRAIGHT THREAD TO FLARE TUBE	47223	10343-6-6	HOSE END,MALE,JIC
39878	6 F5OX-S	CONNECTOR,STRAIGHT THREAD TO FLARE TUBE	47419	PS690503-6-6	SWIVEL,90°,STRAIGHT THREAD TO 37° FLARE
39879	4-8 F5OX-S	CONNECTOR,STRAIGHT THREAD TO FLARE TUBE	48750	421-4	HOSE,1/4 INCH ID
39880	6-10 F5OX-S	CONNECTOR,STRAIGHT THREAD TO FLARE TUBE	48751	481TC-4	HOSE,1/4 INCH ID
39881	4-6 F5OX-S	CONNECTOR,STRAIGHT THREAD TO FLARE TUBE	48752	482TC-4	HOSE,1/4 INCH ID
39882	4-HP5ON-S	PLUG,STRAIGHT THREAD	48753	451TC-6	HOSE,3/8 INCH ID
39883	8-8 FTX-S	CONNECTOR,MALE PIPE TO FLARE TUBE	48754	482TC-6	HOSE,3/8 INCH ID
39885	269HB 12-12	ELBOW,90°,BEADED HOSE BARB TO MALE PIPE	48755	381-6	HOSE,3/8 INCH ID
39886	431-6	HOSE,3/8 INCH ID	48756	451TC-8	HOSE,1/2 INCH ID
39887	540N-2	HOSE,1/8 INCH ID	48757	482TC-8	HOSE,1/2 INCH ID
39888	801-8	HOSE,1/2 INCH ID	48758	381-8	HOSE,1/2 INCH ID
39889	801-12	HOSE,3/4 INCH ID	48759	381-10	HOSE,5/8 INCH ID
39890	10643-6-6	HOSE END,FEMALE SWIVEL,JIC	48760	451TC-10	HOSE,5/8 INCH ID
39891	13943-6-6	HOSE END,90° FEMALE SWIVEL,JIC	48761	482TC-12	HOSE,3/4 INCH ID
39892	13743-6-6	HOSE END,45° FEMALE SWIVEL,JIC	48762	451TC-12	HOSE,3/4 INCH ID
39894	30682-8-8	HOSE END,FEMALE SWIVEL,JIC	48763	772-12	HOSE,3/4 INCH ID
39895	30682-10-12	HOSE END,FEMALE SWIVEL,JIC	48764	881-16	HOSE,1 INCH ID
42286	8-8 CTX-S	ELBOW,90°,MALE PIPE TO FLARE TUBE	48765	772-16	HOSE,1 INCH ID
42756	8-12 CLO-S	ELBOW,90,MALE PIPE TO ORFS	48766	AS-B-15	SLEEVE,NYLON,1.06" ID
42757	8-12 FLO-S	CONNECTOR,MALE PIPE TO ORFS	48767	AS-B-22	SLEEVE,NYLON,1.42" ID
42758	4 JLO-S	UNION TEE,ORFS	48770	881-8	HOSE,1/2 INCH ID
42759	4-4 FLO-S	CONNECTOR,MALE PIPE TO ORFS			
42760	6-8 FLO-S	CONNECTOR,MALE PIPE TO ORFS			
42761	1J143-6-4	HOSE END,90° FEMALE SWIVEL,SEAL LOK			
42762	1J743-6-4	HOSE END,45° FEMALE SWIVEL,SEAL LOK			
42768	1JO43-4-4	HOSE END,MALE,SEAL LOK			
42776	601-8	HOSE,1/2 INCH ID			
42777	1J743-16-16	HOSE END,45° FEMALE SWIVEL,SEAL LOK			
42786	16 CLO-S	ELBOW,90°,MALE PIPE TO ORFS			
42787	16 R6LO-S	RUN TEE,SWIVEL NUT,ORFS			
42788	16-8 TRLO-BL-S	REDUCER,TUBE END TO SWIVEL,ORFS			
42789	6-6 CLO-S	ELBOW,90°,MALE PIPE TO ORFS			
42790	8-10 V5OLO-S	ELBOW,45°,STRAIGHT THREAD TO ORFS			
42791	3/4 CD-S	ELBOW,90°,MALE TO FEMALE PIPE			
42792	3/4 X 1/2 PTR-S	REDUCER,MALE TO FEMALE PIPE			
42793	1/2 CR-S	ELBOW,90°,MALE PIPE			

Fitting Cross References (Continued)

Genie PN	Parker PN	Description	Genie PN	Parker PN	Description
48771	881-10	HOSE,5/8 INCH ID	48847	13943-12-12	HOSE END,90° FEMALE SWIVEL,JIC
48772	381-4	HOSE,1/4 INCH ID	48848	10543-12-12	HOSE END,MALE,STRAIGHT THREAD
48773	AS-B-13	SLEEVE,NYLON,.86" ID	48849	1JC71-12-12	HOSE END,FEMALE SWIVEL,SEAL LOK
48800	1JC43-4-4	HOSE END,FEMALE SWIVEL,SEAL LOK	48850	1JS71-12-12	HOSE END,FEMALE SWIVEL,SEAL LOK
48801	1J743-4-4	HOSE END,45° FEMALE SWIVEL,SEAL LOK	48851	1J171-12-12	HOSE END,90° FEMALE SWIVEL,SEAL LOK
48802	1J943-4-4	HOSE END,90° FEMALE SWIVEL,SEAL LOK	48852	1J771-12-12	HOSE END,45° FEMALE SWIVEL,SEAL LOK
48804	1JM43-4-4	HOSE END,MALE,SEAL LOK, NO O-RING	48853	1J971-12-12	HOSE END,90° FEMALE SWIVEL,SEAL LOK
48805	10643-4-4	HOSE END,FEMALE SWIVEL,JIC	48854	1JC43-16-16	HOSE END,FEMALE SWIVEL,SEAL LOK
48806	13943-4-4	HOSE END,90° FEMALE SWIVEL,JIC	48855	1J943-16-16	HOSE END,90° FEMALE SWIVEL,SEAL LOK
48807	1JS43-4-4	HOSE END,FEMALE SWIVEL,SEAL LOK	48856	1J171-16-16	HOSE END,90° FEMALE SWIVEL,SEAL LOK
48808	3JC82-8-8	HOSE END,FEMALE SWIVEL,SEAL LOK	48857	1J971-16-16	HOSE END,90° FEMALE SWIVEL,SEAL LOK
48809	3JC82-12-12	HOSE END,FEMALE SWIVEL,SEAL LOK	48859	1JS43-8-4	HOSE END,FEMALE SWIVEL,SEAL LOK
48810	1JC43-6-4	HOSE END,FEMALE SWIVEL,SEAL LOK	48867	PD36BTL	DIAGNOSTIC NIPPLE,SEAL-LOK SWIVEL
48811	1J943-6-4	HOSE END,90° FEMALE SWIVEL,SEAL LOK	48873	6 PNLO-S	PLUG,TUBE END,ORFS
48812	1JC43-6-6	HOSE END,FEMALE SWIVEL,SEAL LOK	48874	6 PNTX-S	PLUG,FLARE TUBE
48813	1J143-6-6	HOSE END,90° FEMALE SWIVEL,SEAL LOK	48875	6 R6LO-S	RUN TEE,SWIVEL NUT,ORFS
48814	1J543-6-6	HOSE END,90° FEMALE SWIVEL,SEAL LOK	48877	4 F5OLO-SW/.025	CONNECTOR,STRAIGHT THREAD TO ORFS, W/.025 ORI
48815	1J743-6-6	HOSE END,45° FEMALE SWIVEL,SEAL LOK	48878	16-12 C5OLO-S	ELBOW,90°,STRAIGHT THREAD TO ORFS
48816	1J943-6-6	HOSE END,90° FEMALE SWIVEL,SEAL LOK	48879	8 C6LO-S	ELBOW,90°,SWIVEL NUT ORFS
48817	1JS43-6-8	HOSE END,FEMALE SWIVEL,SEAL LOK	48880	PD6-285	CAP,DIAGNOSTIC NIPPLE
48818	1J943-8-4	HOSE END,90° FEMALE SWIVEL,SEAL LOK	48881	6 HLO-S	UNION,ORFS
48819	1JC43-8-6	HOSE END,FEMALE SWIVEL,SEAL LOK	48883	8 P5ON-S	PLUG,STRAIGHT THREAD
48820	1J743-8-6	HOSE END,45° FEMALE SWIVEL,SEAL LOK	48884	8M18F87OMLO-S	CONNECTOR,METRIC,STRAIGHT THREAD TO ORFS
48821	1J943-8-6	HOSE END,90° FEMALE SWIVEL,SEAL LOK	48885	4 WGTX-WLN-S	CONNECTOR,BULKHEAD,FEMALE PIPE TO FLARE TUBE
48822	1JC43-8-8	HOSE END,FEMALE SWIVEL,SEAL LOK	48886	4 F5OLO-SW/2MM	CONNECTOR,MACHINED STRAIGHT THREAD TO ORFS
48823	1JS43-8-8	HOSE END,FEMALE SWIVEL,SEAL LOK	48887	4 CTX-S	ELBOW,90°,MALE PIPE TO FLARE TUBE
48824	1J143-8-8	HOSE END,90° FEMALE SWIVEL,SEAL LOK	48888	10-12 V5OLO-S	ELBOW,45°,STRAIGHT THREAD TO ORFS
48825	1J543-8-8	HOSE END,90° FEMALE SWIVEL,SEAL LOK	48890	4 S5OLO-S	BRANCH TEE,STRAIGHT THREAD TO ORFS
48826	1J743-8-8	HOSE END,45° FEMALE SWIVEL,SEAL LOK	48891	4 S6LO-S	BRANCH TEE,SWIVEL NUT TO ORFS
48827	1J943-8-8	HOSE END,90° FEMALE SWIVEL,SEAL LOK			
48828	1JC43-10-8	HOSE END,FEMALE SWIVEL,SEAL LOK			
48829	1JS43-10-8	HOSE END,FEMALE SWIVEL,SEAL LOK			
48830	1J743-10-8	HOSE END,45° FEMALE SWIVEL,SEAL LOK			
48831	1J943-10-8	HOSE END,90° FEMALE SWIVEL,SEAL LOK			
48833	1JC43-10-10	HOSE END,FEMALE SWIVEL,SEAL LOK			
48834	1J943-10-10	HOSE END,90° FEMALE SWIVEL,SEAL LOK			
48835	1JS43-10-12	HOSE END,FEMALE SWIVEL,SEAL LOK			
48836	1JC43-12-8	HOSE END,FEMALE SWIVEL,SEAL LOK			
48837	1JS43-12-8	HOSE END,FEMALE SWIVEL,SEAL LOK			
48838	1J743-12-8	HOSE END,45° FEMALE SWIVEL,SEAL LOK			
48839	1J943-12-8	HOSE END,90° FEMALE SWIVEL,SEAL LOK			
48840	1J943-12-10	HOSE END,90° FEMALE SWIVEL,SEAL LOK			
48841	1JC43-12-12	HOSE END,FEMALE SWIVEL,SEAL LOK			
48842	1JO43-12-12	HOSE END,MALE,SEAL LOK			
48843	1J143-12-12	HOSE END,90° FEMALE SWIVEL,SEAL LOK			
48844	1J543-12-12	HOSE END,90° FEMALE SWIVEL,SEAL LOK			
48845	1J743-12-12	HOSE END,45° FEMALE SWIVEL,SEAL LOK			
48846	1J943-12-12	HOSE END,90° FEMALE SWIVEL,SEAL LOK			

Fitting Cross References (Continued)

Genie PN	Parker PN	Description	Genie PN	Parker PN	Description
48892	6 C6LO-S	ELBOW,90°,SWIVEL NUT ORFS	48938	8 R6LO-S	RUN TEE,SWIVEL NUT,ORFS
48893	6 F5OHAO-S	UNION,STRAIGHT THREAD	48939	8 S6LO-S	BRANCH TEE,SWIVEL NUT TO ORFS
48894	8 WLO-WLNL-S	UNION,BULKHEAD,ORFS	48940	8 WJLO-WLNL-S	RUN TEE, BULKHEAD,ORFS
48895	DT-370-MSMO-5	VALVE,CHECK	48941	8-4 TRLO-S	REDUCER,TUBE END TO SWIVEL,ORFS
48896	6 JLO-S	UNION,TEE,ORFS	48942	8-6 C5OLO-S	ELBOW,90°,STRAIGHT THREAD TO ORFS
48897	DT-750-MSMS-5	VALVE,CHECK	48943	8-6 F5OLO-S	CONNECTOR,STRAIGHT THREAD TO ORFS
48898	DT-750-MOMS-5	VALVE,CHECK	48944	8-8 FLO-S	CONNECTOR,MALE PIPE TO ORFS
48899	DT-620-MOMS-5	VALVE,CHECK	48945	8 FTX-S	CONNECTOR,MALE PIPE TO FLARE TUBE
48900	4-6 F5OLO-SW/.035	CONNECTOR,STRAIGHT THREAD TO ORFS, W/.035 ORI	48946	8-10 F5OLO-S	CONNECTOR,STRAIGHT THREAD TO ORFS
48902	16-1 AOE4G-S	ELBOW,90° LONG,FEMALE PIPE TO STRAIGHT THREAD	48947	8-12 C5OLO-S	ELBOW,90°,STRAIGHT THREAD TO ORFS
48903	1 FF-S	NIPPLE,PIPE	48948	8-12 F5OLO-S	CONNECTOR,STRAIGHT THREAD TO ORFS
48904	4 C5OLO-S	ELBOW,90°,STRAIGHT THREAD TO ORFS	48949	8-16 F5OLO-S	CONNECTOR,STRAIGHT THREAD TO ORFS
48905	4 F5OLO-S	CONNECTOR,STRAIGHT THREAD TO ORFS	48950	10 C5OLO-S	ELBOW,90°,STRAIGHT THREAD TO ORFS
48906	4 R5OLO-S	RUN TEE,STRAIGHT THREAD	48951	10 CC5OLO-S	ELBOW,90° LONG,STRAIGHT THREAD TO ORFS
48907	4 V5OLO-S	ELBOW,45°,STRAIGHT THREAD TO ORFS	48952	10 F5OLO-S	CONNECTOR,STRAIGHT THREAD TO ORFS
48908	4 R6LO-S	RUN TEE,SWIVEL NUT,ORFS	48953	10 R5OLO-S	RUN TEE,STRAIGHT THREAD
48909	4 WJLO-WLNL-S	RUN TEE, BULKHEAD,ORFS	48954	10 S5OLO-S	BRANCH TEE,STRAIGHT THREAD TO ORFS
48910	4 GTX-S W/.030	CONNECTOR,FEMALE PIPE TO FLARE TUBE	48955	10 R6LO-S	RUN TEE,SWIVEL NUT,ORFS
48911	4-6 C5OLO-S	ELBOW,90°,STRAIGHT THREAD TO ORFS	48956	10-4 TRLO-BL-S	REDUCER,TUBE END TO SWIVEL,ORFS
48912	4-6 F5OLO-S	CONNECTOR,STRAIGHT THREAD TO ORFS	48957	10-6 TRLO-BL-S	REDUCER,TUBE END TO SWIVEL,ORFS
48913	4-6 F5OLO-SW/.030	CONNECTOR,STRAIGHT THREAD TO ORFS, W/.030 ORI	48958	10-12 F5OLO-S	CONNECTOR,STRAIGHT THREAD TO ORFS
48914	4-8 F5OLO-S	CONNECTOR,STRAIGHT THREAD TO ORFS	48959	12 C5OLO-S	ELBOW,90°,STRAIGHT THREAD TO ORFS
48915	6 C5OLO-S	ELBOW,90°,STRAIGHT THREAD TO ORFS	48960	12 F5OLO-S	CONNECTOR,STRAIGHT THREAD TO ORFS
48916	6 F5OLO-S	CONNECTOR,STRAIGHT THREAD TO ORFS	48961	12 R5OLO-S	RUN TEE,STRAIGHT THREAD
48917	6 FF5OLO-S	CONNECTOR,LONG,STRAIGHT THREAD TO ORFS	48962	12 S5OLO-S	BRANCH TEE,STRAIGHT THREAD TO ORFS
48918	6 R5OLO-S	RUN TEE,STRAIGHT THREAD	48963	12 V5OLO-S	ELBOW,45°,STRAIGHT THREAD TO ORFS
48919	6 S5OLO-S	BRANCH TEE,STRAIGHT THREAD TO ORFS	48964	12 R6LO-S	RUN TEE,SWIVEL NUT,ORFS
48920	6 V5OLO-S	ELBOW,45°,STRAIGHT THREAD TO ORFS	48965	12 CLO-S	ELBOW,90°,MALE PIPE TO ORFS
48921	6 FLO-S	CONNECTOR,MALE PIPE TO ORFS	48966	12 FLO-S	CONNECTOR,MALE PIPE TO ORFS
48922	6-6 FLO-S	CONNECTOR,MALE PIPE TO ORFS	48967	12 JLO-S	UNION TEE,ORFS
48923	6 P5ON-S	PLUG,STRAIGHT THREAD	48968	12 WLO-WLNL-S	UNION,BULKHEAD,ORFS
48925	6 WELO-S	UNION,90° BULKHEAD,ORFS	48969	12 WJLO-WLNL-S	RUN TEE, BULKHEAD,ORFS
48926	6-4 C5OLO-S	ELBOW,90°,STRAIGHT THREAD TO ORFS	48970	12 WELO-WLNL-S	UNION,90° BULKHEAD W/NUT,ORFS
48927	6-4 F5OLO-S	CONNECTOR,STRAIGHT THREAD TO ORFS			
48928	6-4 V5OLO-S	ELBOW,45°,STRAIGHT THREAD TO ORFS			
48929	6-8 C5OLO-S	ELBOW,90°,STRAIGHT THREAD TO ORFS			
48930	6-8 F5OLO-S	CONNECTOR,STRAIGHT THREAD TO ORFS			
48931	6-10 F5OLO-S	CONNECTOR,STRAIGHT THREAD TO ORFS			
48932	8 C5OLO-S	ELBOW,90°,STRAIGHT THREAD TO ORFS			
48933	8 F5OLO-S	CONNECTOR,STRAIGHT THREAD TO ORFS			
48934	8 FF5OLO-S	CONNECTOR,LONG,STRAIGHT THREAD TO ORFS			
48935	8 R5OLO-S	RUN TEE,STRAIGHT THREAD			
48936	8 S5OLO-S	BRANCH TEE,STRAIGHT THREAD TO ORFS			
48937	8 V5OLO-S	ELBOW,45°,STRAIGHT THREAD TO ORFS			

Fitting Cross References (Continued)

Genie PN	Parker PN	Description	Genie PN	Parker PN	Description
48971	12 G5G5JG5-S	TEE,FEMALE STRAIGHT THREAD	49612	PKT02586	O-RING KIT (ORFS FITTINGS)
48972	12 XHL6-S	ADAPTER, 37° MALE TO SWIVEL ORFS	49613	PKT06276	PLUG AND CAP KIT-SERVICE,ORFS
48973	12-1/2 F5OG-S	ADAPTER,FEMALE PIPE TO STRAIGHT THREAD	49728	10143-12-12	HOSE END, MALE PIPE
48974	12-10 C5OLO-S	ELBOW,90°,STRAIGHT THREAD TO ORFS	49729	16-1 F5OG-S	ADAPTER,FEMALE PIPE TO STRAIGHT THREAD
48975	12-10 F5OLO-S	CONNECTOR,STRAIGHT THREAD TO ORFS	49814	12-8 FLO-S	CONNECTOR,MALE PIPE TO ORFS
48976	12-16 C5OLO-S	ELBOW,90°,STRAIGHT THREAD TO ORFS	49829	DT-500-MOMF-5	VALVE,CHECK
48977	12-16 F5OLO-S	CONNECTOR,STRAIGHT THREAD TO ORFS	49831	881-12	HOSE,3/4 INCH ID
48978	12-16 V5OLO-S	ELBOW,45°,STRAIGHT THREAD TO ORFS	49834	16 JLO-S	UNION TEE,ORFS
48980	12-16 FLO-S	CONNECTOR,MALE PIPE TO ORFS	49838	12-8 TRLO-BL-S	REDUCER,TUBE END TO SWIVEL,ORFS
48983	16 C5OLO-S	ELBOW,90°,STRAIGHT THREAD TO ORFS	49840	8 JLO-S	UNION TEE,ORFS
48984	16 F5OLO-S	CONNECTOR,STRAIGHT THREAD TO ORFS	49844	10-8 TRLO-BL-S	REDUCER,TUBE END TO SWIVEL,ORFS
48985	16 V5OLO-S	ELBOW,45°,STRAIGHT THREAD TO ORFS	49854	8 P5ON-S	PLUG,STRAIGHT THREAD
48986	16 FLO-S	CONNECTOR,MALE PIPE TO ORFS	49855	1JC43-16-12	HOSE END,FEMALE SWIVEL,SEAL LOK
48988	16 CD45-S	ELBOW,45°,MALE TO FEMALE PIPE	49859	4 P5ON-S	PLUG,STRAIGHT THREAD
48989	12 CD45-S	ELBOW,45°,MALE TO FEMALE PIPE	49861	4 FF5OLO-S	CONNECTOR, LONG, STRAIGHT THREAD TO ORFS
48990	8 CD45-S	ELBOW,45°,MALE TO FEMALE PIPE	49867	12-3/4 F5OG-S	ADAPTER,FEMALE PIPE TO STRAIGHT THREAD
48991	16-12 FLO-S	CONNECTOR,MALE PIPE TO ORFS	51152	6 R6X-S	RUN TEE,SWIVEL NUT,ORFS
48992	16-12 V5OLO-S	ELBOW,45°,STRAIGHT THREAD TO ORFS	51153	6-4 TRTX-S	REDUCER,TUBE END TO SWIVEL,ORFS
48993	XV501-12	BALL VALVE	51154	4-4 GTX	CONNECTOR,FEMALE PIPE TO FLARE TUBE
48994	XV501-16	BALL VALVE	51264	881-12	HOSE,3/4 INCH ID
48995	XV510P-12	BALL VALVE	51265	8 JLO-S	UNION TEE,ORFS
48996	XV510P-16	BALL VALVE	51508	6 BTX-S	NUT,FLARE TUBE
48997	PD341	DIAGNOSTIC NIPPLE, STRAIGHT THREAD	51580	12-8 TRLO-BL-S	TUBE END REDUCER,ORFS
48998	PD 361	DIAGNOSTIC NIPPLE, STRAIGHT THREAD	51628	6 R6X-S	RUN TEE,SWIVEL NUT,ORFS
48999	DT-500-MOMS-5	VALVE,CHECK	51735	3/8 HHP	PLUG,PIPE THREAD
49201	10 V5OLO-S	ELBOW,45°,STRAIGHT THREAD TO ORFS	51803	1J943-6-8	HOSE END,90° FEMALE SWIVEL,SEAL LOK
49202	1JC43-12-10	HOSE END,FEMALE SWIVEL,SEAL LOK	53023	125HBL-5-4	FITTING,HOSE BARB TO MALE PIPE
49203	10-8 V5OLO-S	ELBOW,45°,STRAIGHT THREAD TO ORFS	53497	PKT02585	O-RING KIT
49205	6 F5OHAO-S	UNION,STRAIGHT THREAD	53499	1JC71-16-16	HOSE END,FEMALE SWIVEL,SEAL LOK
49207	PD34BTL	DIAGNOSTIC NIPPLE,SEAL-LOK SWIVEL	53500	3-904	O-RING,STRAIGHT THREAD,-4
49209	8M18F870MX-S	CONNECTOR,METRIC,STRAIGHT THREAD TO FLARE TUBE	53501	3-906	O-RING,STRAIGHT THREAD,-6
49212	8 WGTX-WLN-S	CONNECTOR,BULKHEAD,FEMALE PIPE TO FLARE TUBE	53502	3-908	O-RING,STRAIGHT THREAD,-8
49213	30682-8-8	HOSE END,FEMALE SWIVEL,JIC	53503	3-910	O-RING,STRAIGHT THREAD,-10
49216	831-8	HOSE,1/2 INCH ID			
49217	33982-8-8	HOSE END,90° FEMALE SWIVEL,JIC			
49219	PS-B-35	SLEEVE,NYLON,2.19" ID			
49418	4-6 V5OLO-S	ELBOW,45°,STRAIGHT THREAD TO ORFS			
49511	DT370-MOMS-5	VALVE,CHECK			
49512	1 DD-S	ELBOW,90°,FEMALE PIPE			
49513	1 FF-S	NIPPLE,PIPE			
49514	10 HP5ON-S	PLUG,STRAIGHT THREAD			
49515	12-16 CLO-S	ELBOW,90°,MALE PIPE TO ORFS			
49517	6 HP5ON-S	PLUG,STRAIGHT THREAD			
49519	16-12 F5OLO-S	CONNECTOR,STRAIGHT THREAD TO ORFS			
49520	4 VTX-S	ELBOW,45°,MALE PIPE TO FLARE TUBE			
49530	16 C6LO-S	ELBOW,90°,SWIVEL NUT ORFS			

Fitting Cross References (Continued)

Genie PN	Parker PN	Description	Genie PN	Parker PN	Description
53535	3-912	O-RING,STRAIGHT THREAD,-12	61083	24 F5OLO-S	CONNECTOR,STRAIGHT THREAD TO ORFS
53536	4-PNLO-S	PLUG,TUBE END,ORFS	61086	20 R5OLO-S	RUN TEE,STRAIGHT THREAD
53537	6 PNLO-S	PLUG,TUBE END,ORFS	61090	24-20 F5OLO-S	CONNECTOR,STRAIGHT THREAD TO ORFS
53538	8 PNLO-S	PLUG,TUBE END,ORFS	61091	1J943 24-24	HOSE END,90° FEMALE SWIVEL,SEAL LOK
53539	10 PNLO-S	PLUG,TUBE END,ORFS	61093	1J978-12-12	HOSE END,90° FEMALE SWIVEL,JIC
53540	12 PNLO-S	PLUG,TUBE END,ORFS	61095	1JS43-20-16	HOSE END,FEMALE SWIVEL,SEAL LOK
53946	129HB-5-4	FITTING,90° HOSE BARB TO MALE PIPE	61100	811-24	HOSE,11/2 INCH ID
53951	8-1/4F50G-S	ADAPTER,FEMALE PIPE TO STRAIGHT THREAD	61130	1JS43-24-24	HOSE END,FEMALE SWIVEL,SEAL LOK
53980	6 S6LO-S	BRANCH TEE,SWIVEL NUT TO ORFS	61131	1JS78 12-12	HOSE END,FEMALE SWIVEL,SEAL LOK
54132	4 C6LO-S	ELBOW,90°,SWIVEL NUT ORFS	61132	1J778-12-12	HOSE END,45° FEMALE SWIVEL,JIC
54135	11343-16-16	HOSE END,MALE SWIVEL,PIPE	61152	139HB-6-4	ELBOW,45°,BARB TO MALE PIPE
54283	8-10 C5OLO-S	ELBOW,90°,STRAIGHT THREAD TO ORFS	61251	BV-0750	BALL VALVE
54428	8M18C870MLO-S	ELBOW, 90° METRIC, STRAIGHT THREAD TO ORFS	61259	4 CC5OLO-S	ELBOW,90° LONG,STRAIGHT THREAD TO ORFS
54803	FS-F-16-10	SLEEVE,FIRE,-96" ID	61260	20-12 TRLO-BL	REDUCER,TUBE END TO SWIVEL,ORFS
54954	10143-2-4	HOSE END, MALE PIPE	61262	12 C6LO-S	ELBOW,90°,SWIVEL NUT ORFS
55190	3/8 HP-S	PLUG,PIPE THREAD	61263	20 F5OHAO-S	UNION,STRAIGHT THREAD
55448	8 HLO-S	UNION,ORFS	61264	6-10 C5OLO-S	ELBOW,90°,STRAIGHT THREAD TO ORFS
55839	6 F65OX-S	CONNECTOR,STRAIGHT THREAD TO 37° SWIVEL	61265	6 WNLO-WLNL-S	UNION,BULKHEAD 45°,ORFS
55968	10 C5OX-S	ELBOW,90°,STRAIGHT THREAD TO FLARE TUBE	61268	4 WNLO-WLNL-S	UNION,BULKHEAD 45°,ORFS
56003	6 CC5OLO-S	ELBOW,90° LONG,STRAIGHT THREAD TO ORFS	61269	4 WLO-WLNL-S	UNION,BULKHEAD,ORFS
56166	BV-0837	BALL VALVE,90°	61272	12 AOEL6	ELBOW,90°,STRAIGHT THREAD TO ORFS SWIVEL
56188	10143-8-6	HOSE END, MALE PIPE	61316	482TC-16	HOSE,1 INCH ID
56233	2-011	O-RING,ORFS,-4	61321	6 JLO-S	UNION TEE,ORFS
56234	2-012	O-RING,ORFS,-6	61327	782-12	HOSE,3/4 INCH ID
56235	2-014	O-RING,ORFS,-8	61328	881-24	HOSE,11/2 INCH ID
56236	2-016	O-RING,ORFS,-10	61336	11943-20-24	HOSE END,90° FLANGE HEAD
56237	2-018	O-RING,ORFS,-12	61345	12 WJLO-WLNL-S	RUN TEE, BULKHEAD,ORFS
56238	2-021	O-RING,ORFS,-16	61346	8 WNLO-WLNL-S 4	UNION,BULKHEAD 45°,ORFS
56352	6 WLNL-S	LOCKNUT,BULKHEAD	61569	33782-8-8	HOSE END,45° FEMALE SWIVEL,JIC
56353	3J782-12-12	HOSE END,45° FEMALE SWIVEL,SEAL LOK	61610	12 FF5OLO-S	CONNECTOR,LONG,STRAIGHT THREAD TO ORFS
56354	3J982-12-12	HOSE END,90° FEMALE SWIVEL,SEAL LOK	61742	1/8 X 1.5 FFF	NIPPLE,PIPE
56604	10-8 F5OLO-S	CONNECTOR,STRAIGHT THREAD TO ORFS	63426	8 PNTX-S	PLUG,FLARE TUBE
56639	3JC82-10-10	HOSE END,FEMALE SWIVEL,SEAL LOK			
56640	3J982-10-10	HOSE END,90° FEMALE SWIVEL,SEAL LOK			
56655	3JC82-8-10	HOSE END,FEMALE SWIVEL,SEAL LOK			
56676	10-8 C5OLO-S	ELBOW,90°,STRAIGHT THREAD TO ORFS			
56776	471TC-6	HOSE,3/8 INCH ID			
56777	471TC-8	HOSE,1/2 INCH ID			
56789	811-16	HOSE,1 INCH ID			
57884	3/8 FF	NIPPLE,PIPE			
59335	6 FNL-S	CAP,TUBE END			
59342	4 FNL-S	CAP,TUBE END			
59371	8 HP5ON-S	PLUG,STRAIGHT THREAD			
60653	BV-0751	BALL VALVE			
60806	125HB-3-4	FITTING,HOSE BARB TO MALE PIPE			
61064	5-1/4 F5OG-S	ADAPTER,FEMALE PIPE TO STRAIGHT THREAD			
61079	4 WELO-WLNL-S	UNION,90° BULKHEAD W/NUT,ORFS			
61080	6 WLO-WLNL-S	UNION,BULKHEAD,ORFS			

Fitting Cross References (Continued)

Genie PN	Parker PN	Description	Genie PN	Parker PN	Description
64271	4 WLO-WLNL-S	UNION,BULKHEAD,ORFS	75631	801-6	HOSE,3/8 INCH ID
64272	6 WLO-WLNL-S	UNION,BULKHEAD,ORFS	75654	20 F5OLO-S	CONNECTOR,STRAIGHT THREAD TO ORFS
65776	8 F65OL-S	CONNECTOR,STRAIGHT THREAD TO ORFS SWIVEL	75655	1J943-20-20	HOSE END,90° FEMALE SWIVEL,SEAL LOK
65880	6001012	O-RING KIT	75656	881-20	HOSE,1-1/4 INCH ID
66154	6 WTX-WLNS	UNION,BULKHEAD,FLARE TUBE	75971	8 F5OHAO-S	UNION,STRAIGHT THREAD
66155	6 WETX-S	UNION,BULKHEAD 90°,FLARE TUBE	77307	1JB43-8-8	HOSE END,BULKHEAD,SEAL LOK
66156	6 WLN-S	BULKHEAD LOCKNUT	77309	8 WLNL-S	BULKHEAD LOCKNUT
66389	6-8 F5OX-S	CONNECTOR,STRAIGHT THREAD TO FLARE TUBE	77379	8M18C87OMX-S	ELBOW,90° METRIC,STRAIGHT THREAD TO FLARE TUBE
66392	6 R5OX-S	RUN TEE,STRAIGHT THREAD	77703	3J982-8-8	HOSE END,90° FEMALE SWIVEL,SEAL LOK
66396	811-12	HOSE,3/4 INCH ID	77711	801-10	HOSE,5/8 INCH ID
66829	H3174PP	CLAMP,TUBE	77758	12 WNLO-WLNL-S	UNION,BULKHEAD 45°,ORFS
67217	4 KLO-S	UNION,CROSS,ORFS	78091	6 C6X-S	ELBOW,90°,SWIVEL NUT TO FLARE TUBE
67339	10-6 F5OX-S	CONNECTOR,STRAIGHT THREAD TO FLARE TUBE	78684	30582-8-8B	HOSE END,PUSH LOK,MALE
67357	13943-8-6	HOSE END,90° FEMALE SWIVEL,JIC	78852	549-2	HOSE,1/8 INCH ID
67358	10 HP5ON-S	PLUG,STRAIGHT THREAD	78855	10657-4-2	HOSE END,FEMALE SWIVEL,JIC
67371	12 S6LO-S	BRANCH TEE,SWIVEL NUT TO ORFS	79138	PS-B-37	SLEEVE,NYLON,2.38" ID
67498	4 FNL-S	CAP, TUBE END	79476	1JS43-6-8	HOSE END,FEMALE SWIVEL,SEAL LOK
67906	DC-370-F0F0-5	VALVE,CHECK	79847	12-3/4 A0EG-S	ELBOW,90°,STRAIGHT THREAD TO FEMALE PIPE
69316	8 FLO-S	CONNECTOR,MALE PIPE TO ORFS	80044	8 CLO-S	ELBOW,90°,MALE PIPE TO ORFS
69333	H3174PP	CLAMP,HYDRAULIC HOSE	80502	8 F5OX-S	CONNECTOR,STRAIGHT THREAD TO FLARE TUBE
69503	4 F65OX-S	CONNECTOR,STRAIGHT THREAD TO 37° SWIVEL	80503	8 C5OX-S	ELBOW,90°,STRAIGHT THREAD TO FLARE TUBE
69775	8 FNL-S	CAP, TUBE END	81010	AS-B-27	SLEEVE,NYLON,1.63" ID
71038	1/4X1/4F3HG-S	ADAPTER,CONVERSION	83052	821-6	HOSE,3/8 INCH ID
71196	12-8 F5OLO-S	CONNECTOR,STRAIGHT THREAD TO ORFS	83053	821-8	HOSE,1/2 INCH ID
71383	1/4 CD45-S	ELBOW,45°,MALE TO FEMALE PIPE	83054	821-12	HOSE,3/4 INCH ID
72270	12FNL-S	CAP, TUBE END	83055	30682-6-6	HOSE END,FEMALE SWIVEL,JIC
73436	60C-4	SLEEVE,COMPRESSION	83056	30682-12-12	HOSE END,FEMALE SWIVEL,JIC
73437	61C-4	NUT,COMPRESSION	83057	33782-6-6	HOSE END,45° FEMALE SWIVEL,JIC
73438	33482-4-4B	HOSE END,PUSH LOK,MALE	83058	33982-6-6	HOSE END,90° FEMALE SWIVEL,JIC
73767	1CD-S	ELBOW,90°,MALE TO FEMALE PIPE	83060	33982-12-12	HOSE END,90° FEMALE SWIVEL,JIC
73768	20-16-F5OG5-S	ADAPTER,FEMALE PIPE TO STRAIGHT THREAD	83063	13743-4-4	HOSE END,45° FEMALE SWIVEL,JIC
73769	16-20 F5OLO-S	CONNECTOR,STRAIGHT THREAD TO ORFS			
74660	6-8 F42EDMLO-S	CONNECTOR,MALE BSPP TO ORFS			
74661	8-8 F42EDMLO-S	CONNECTOR,MALE BSPP TO ORFS			
75007	4 FLO-S	CONNECTOR,MALE PIPE TO ORFS			
75008	1/8 HP-S	PLUG,PIPE THREAD			
75014	1/2 HP-S	PLUG,PIPE THREAD			
75042	8 WELO-WLNL-S	UNION,90° BULKHEAD W/NUT,ORFS			
75043	3/4 FF-S	NIPPLE,PIPE			
75254	24 F5OHAO-S	UNION,STRAIGHT THREAD			
75255	12 F5OHAO-S	UNION,STRAIGHT THREAD			
75256	XV506P-24	BALL VALVE			
75574	4 WLNL-S	BULKHEAD LOCKNUT			
75612	8 WJLO-WLNL-S	RUN TEE, BULKHEAD,ORFS			
75613	12-8 F5OG5-S	ADAPTER,FEMALE PIPE TO STRAIGHT THREAD			
75614	8 CC5OLO-S	ELBOW,90° LONG,STRAIGHT THREAD TO ORFS			
75628	1JB43-4-4	HOSE END,BULKHEAD,SEAL LOK			

Fitting Cross References (Continued)

Genie PN	Parker PN	Description	Genie PN	Parker PN	Description
83064	13743-8-8	HOSE END,45° FEMALE SWIVEL,JIC	89449	6 WJLO-WLNL-S	RUN TEE, BULKHEAD,ORFS
83065	13743-12-12	HOSE END,45° FEMALE SWIVEL,JIC	89489	4 WJMLO-S	BRANCH TEE,BULKHEAD,ORFS
83066	13943-8-8	HOSE END,90° FEMALE SWIVEL,JIC	89551	1JB43-6-6	HOSE END,BULKHEAD,SEAL LOK
83067	14143-6-6	HOSE END,90° FEMALE SWIVEL,JIC	89552	1JB43-8-8	HOSE END,BULKHEAD,SEAL LOK
83068	14143-8-8	HOSE END,90° FEMALE SWIVEL,JIC	89593	20 C5OLO-S	ELBOW,90°,STRAIGHT THREAD TO ORFS
83069	14143-12-12	HOSE END,90° FEMALE SWIVEL,JIC	94161	8-8 CLO-S	ELBOW,90°,MALE PIPE TO ORFS
83070	772-8	HOSE,1/2 INCH ID	94358	351TC-12	HOSE,3/4 INCH ID
83071	10671-8-8	HOSE END,FEMALE SWIVEL,JIC	94418	20 FLO-S	CONNECTOR,MALE PIPE TO ORFS
83072	10671-12-12	HOSE END,FEMALE SWIVEL,JIC	96358	12 TX-S	SLEEVE,FLARE TUBE
83073	13771-8-8	HOSE END,45° FEMALE SWIVEL,JIC	96359	12 BTX-S	NUT,FLARE TUBE
83074	13771-12-12	HOSE END,45° FEMALE SWIVEL,JIC	96397	8 F5OX-S	CONNECTOR,STRAIGHT THREAD TO FLARE TUBE
83075	13971-8-8	HOSE END,90° FEMALE SWIVEL,JIC	96398	12-8 F5OX-S	CONNECTOR,STRAIGHT THREAD TO FLARE TUBE
83076	13971-12-12	HOSE END,90° FEMALE SWIVEL,JIC	96402	10343-6-6	HOSE END,MALE,JIC
83077	14171-8-8	HOSE END,90° FEMALE SWIVEL,JIC	96407	30382-6-6B	HOSE END,MALE,JIC
83078	14171-12-12	HOSE END,90° FEMALE SWIVEL,JIC			
83080	13943-16-16	HOSE END,90° FEMALE SWIVEL,JIC			
83103	10671-16-12	HOSE END,FEMALE SWIVEL,JIC			
83104	10671-10-12	HOSE END,FEMALE SWIVEL,JIC			
83112	1JC71-8-8	HOSE END,FEMALE SWIVEL,SEAL LOK			
83113	1JS71-16-12	HOSE END,FEMALE SWIVEL,SEAL LOK			
83114	1JS71-10-12	HOSE END,FEMALE SWIVEL,SEAL LOK			
83115	1J971-8-8	HOSE END,90° FEMALE SWIVEL,SEAL LOK			
83116	1J171-8-8	HOSE END,90° FEMALE SWIVEL,SEAL LOK			
83117	1J771-8-8	HOSE END,45° FEMALE SWIVEL,SEAL LOK			
83127	1J543-6-8	HOSE END,90° FEMALE SWIVEL,JIC			
83128	1JC43-6-8	HOSE END,FEMALE SWIVEL,SEAL LOK			
87033	12-6 TRLO-S	REDUCER,TUBE END TO SWIVEL,ORFS			
87034	3J782-8-8	HOSE END,45° FEMALE SWIVEL,SEAL LOK			
87172	12 HP5ON-S	PLUG,STRAIGHT THREAD			
87185	8 WNLO-WLNL-S	UNION,BULKHEAD 45°,ORFS			
87246	4 C6X-S	ELBOW,90°,SWIVEL NUT TO FLARE TUBE			
87679	6 LHP-S	FLANGE SEAL FITTING, MALE			
87681	6PLS N0702	BONDED SEAL			
88100	SR88100	ADAPTER,OIL DRAIN,GM 3.0L			
88311	1JS43-20-20	HOSE END,FEMALE SWIVEL,SEAL LOK			
88353	20 V5OLO-S	ELBOW,45°,STRAIGHT THREAD TO ORFS			
88474	10081-20	Crimp Shell, 1.25"			
88475	1988-20-24	HOSE END,90° FLANGE HEAD			
88476	JS88-24-24	HOSE END,FEMALE SWIVEL,SEAL LOK			
88477	1JC88-20-20	HOSE END,FEMALE SWIVEL,SEAL LOK			
88478	811-20	HOSE,11/4 INCH ID			
88936	20-16 F5OLO-S	CONNECTOR,STRAIGHT THREAD TO ORFS			
88937	20-16 FLO-S	CONNECTOR,MALE PIPE TO ORFS			
88938	1JC88-16-16	HOSE END,FEMALE SWIVEL,SEAL LOK			
88939	1J988-16-16	HOSE END,90° FEMALE SWIVEL,ORFS			
88940	811-16	HOSE,1 INCH ID			
88944	1J988-20-20	HOSE END,90° FEMALE SWIVEL,ORFS			
89403	16 VLO-S	ELBOW,45°,MALE PIPE TO ORFS			

California Proposition 65



Operating, servicing and maintaining this equipment can expose you to chemicals including engine exhaust, carbon monoxide, phthalates, and lead, which are known to the State of California to cause cancer and birth defects or other reproductive harm. These chemicals can be emitted from or contained in other various parts and systems, fluids and some component wear by-products. To minimize exposure, avoid breathing exhaust, do not idle the engine except as necessary, service your equipment and vehicle in a well-ventilated area and wear gloves or wash your hands frequently when servicing your equipment or vehicle and after operation. For more information go to www.P65Warnings.ca.gov/passenger-vehicle.

Distributed By:

Go to Discount-Equipment.com to order your parts

PARTS FINDER

**Search Website
by Part Number**



**Search Manual
Library For Parts
Manual & Lookup Part
Numbers – Purchase
or Request Quote**

Search Manuals

Enter your information to help us find the right parts manual for your machine.

* Brand:

* Model:

* Serial:

* Part Number:

SEARCH

**Can't Find Part or
Manual? Request Help
by Manufacturer,
Model & Description**

Parts Order Form

Please fill in the following information to help us find the right part for your machine.

Manufacturer:	<input type="text"/>
Model:	<input type="text"/>
Description:	<input type="text"/>
Part Number:	<input type="text"/>
Quantity:	<input type="text"/>
Notes:	<input type="text"/>

Submit

Discount-Equipment.com is your online resource for quality parts & equipment.

Florida: **561-964-4949** Outside Florida TOLL FREE: **877-690-3101**

Need parts?

Click on this link: <http://www.discount-equipment.com/category/5443-parts/> and choose one of the options to help get the right parts and equipment you are looking for. Please have the machine model and serial number available in order to help us get you the correct parts. If you don't find the part on the website or on one of the online manuals, please fill out the request form and one of our experienced staff members will get back to you with a quote for the right part that your machine needs.

We sell worldwide for the brands: Genie, Terex, JLG, MultiQuip, Mikasa, Essick, Whiteman, Mayco, Toro Stone, Diamond Products, Generac Magnum, Airman, Haulotte, Barreto, Power Blanket, Nifty Lift, Atlas Copco, Chicago Pneumatic, Allmand, Miller Curber, Skyjack, Lull, Skytrak, Tsurumi, Husquvarna Target, Stow, Wacker, Sakai, Mi-T-M, Sullair, Basic, Dynapac, MBW, Weber, Bartell, Bennar Newman, Haulotte, Ditch Runner, Menegotti, Morrison, Contec, Buddy, Crown, Edco, Wyco, Bomag, Laymor, EZ Trench, Bil-Jax, F.S. Curtis, Gehl Pavers, Heli, Honda, ICS/PowerGrit, IHI, Partner, Imer, Clipper, MMD, Koshin, Rice, CH&E, General Equipment, Amida, Coleman, NAC, Gradall, Square Shooter, Kent, Stanley, Tamco, Toku, Hatz, Kohler, Robin, Wisconsin, Northrock, Oztec, Toker TK, Rol-Air, APT, Wylie, Ingersoll Rand / Doosan, Innovatech, Con X, Ammann, Mecalac, Makinex, Smith Surface Prep, Small Line, Wanco, Yanmar