



A TEREX BRAND



Parts Manual

Serial Number Range

GS-2669DC

from SN GS6912-1300 to
GS6914-3661

GS-3369DC

GS-4069DC

Part No. 237928

Rev D3

November 2018

Go to Discount-Equipment.com to order your parts

PARTS FINDER

**Search Website
by Part Number**



**Search Manual
Library For Parts
Manual & Lookup Part
Numbers – Purchase
or Request Quote**

Search Manuals

Enter your information to help us find the right parts manual for your machine.

* Brand:

* Model:

* Serial:

* Part Number:

SEARCH

**Can't Find Part or
Manual? Request Help
by Manufacturer,
Model & Description**

Parts Order Form

Please fill in the following information to help us find the right part for your machine.

Manufacturer:	<input type="text"/>
Model:	<input type="text"/>
Description:	<input type="text"/>
Part Number:	<input type="text"/>
Quantity:	<input type="text"/>
Notes:	<input type="text"/>

Submit

Discount-Equipment.com is your online resource for quality parts & equipment.

Florida: **561-964-4949** Outside Florida TOLL FREE: **877-690-3101**

Need parts?

Click on this link: <http://www.discount-equipment.com/category/5443-parts/> and choose one of the options to help get the right parts and equipment you are looking for. Please have the machine model and serial number available in order to help us get you the correct parts. If you don't find the part on the website or on one of the online manuals, please fill out the request form and one of our experienced staff members will get back to you with a quote for the right part that your machine needs.

We sell worldwide for the brands: Genie, Terex, JLG, MultiQuip, Mikasa, Essick, Whiteman, Mayco, Toro Stone, Diamond Products, Generac Magnum, Airman, Haulotte, Barreto, Power Blanket, Nifty Lift, Atlas Copco, Chicago Pneumatic, Allmand, Miller Curber, Skyjack, Lull, Skytrak, Tsurumi, Husquvarna Target, Stow, Wacker, Sakai, Mi-T-M, Sullair, Basic, Dynapac, MBW, Weber, Bartell, Bennar Newman, Haulotte, Ditch Runner, Menegotti, Morrison, Contec, Buddy, Crown, Edco, Wyco, Bomag, Laymor, EZ Trench, Bil-Jax, F.S. Curtis, Gehl Pavers, Heli, Honda, ICS/PowerGrit, IHI, Partner, Imer, Clipper, MMD, Koshin, Rice, CH&E, General Equipment, Amida, Coleman, NAC, Gradall, Square Shooter, Kent, Stanley, Tamco, Toku, Hatz, Kohler, Robin, Wisconsin, Northrock, Oztec, Toker TK, Rol-Air, APT, Wylie, Ingersoll Rand / Doosan, Innovatech, Con X, Ammann, Mecalac, Makinex, Smith Surface Prep, Small Line, Wanco, Yanmar

Genie

A TEREX BRAND

Model: GS-3369
Serial number: GS6912-1301
Model year: 2012 **Manufacture date:** 05/10/12
Electrical schematic number: Es0539
Machine unladen weight: 7,672 lb / 3,480 kg

Rated work load (including occupants): 1,000 lb / 454 kg

Maximum allowable inclination of the chassis:

N/A

Gradeability: N/A

Maximum allowable side force : 200 lb / 890 N

Maximum number of platform occupants: 4

Country of manufacture: USA

This machine complies with:

ANSI A92.6
B354.2

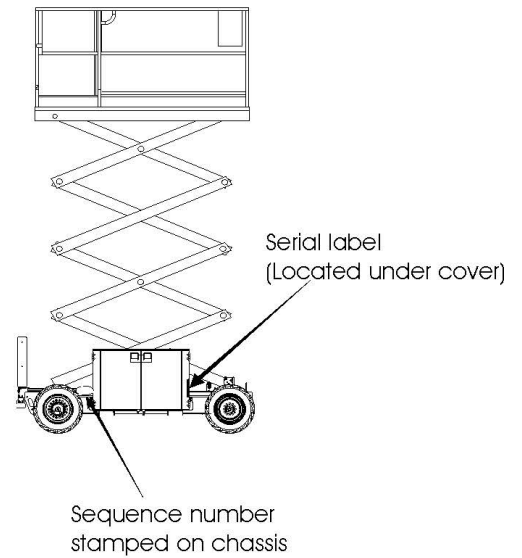
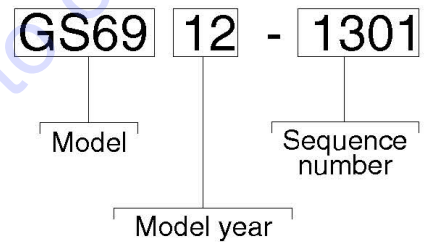


Table of Contents

This manual is updated frequently. For the most up-to-date parts information, visit www.discount-equipment.com

How to Read Your Serial Number.....	3
Parts Stocking List.....	7

Electronic Version

Click on any page number to view the figure.

100 Decals

101.1 Decals with Words, GS-2669DC, Battery Side.....	10
102.1 Decals with Words, GS-2669DC, Controls Side.....	12
103.1 Decals with Words, GS-2669DC, Platform, ANSI & CSA.....	14
104.1 Decals with Words, GS-2669DC, Platform, AUS.....	16
105.1 Decals with Symbols, GS-2669DC, Battery Side.....	18
106.1 Decals with Symbols, GS-2669DC, Controls Side.....	20
107.1 Decals with Symbols, GS-2669DC, Platform, Asia & S. America.....	22
108.1 Decals with Symbols, GS-2669DC, Platform, CE.....	24
109.1 Decals with Words, GS-3369DC, Battery Side.....	26
110.1 Decals with Words, GS-3369DC, Controls Side.....	28
111.1 Decals with Words, GS-3369DC, Platform, ANSI & CSA.....	30
112.1 Decals with Words, GS-3369DC, Platform, AUS.....	32
113.1 Decals with Symbols, GS-3369DC, Battery Side.....	34
114.1 Decals with Symbols, GS-3369DC, Controls Side.....	36
115.1 Decals with Symbols, GS-3369DC, Platform, Asia & S. America.....	38
116.1 Decals with Symbols, GS-3369DC, Platform, CE.....	40
117.1 Decals with Words, GS-4069DC, Battery Side.....	42
118.1 Decals with Words, GS-4069DC, Controls Side.....	44
119.1 Decals with Words, GS-4069DC, Platform, ANSI & CSA.....	46
120.1 Decals with Words, GS-4069DC, Platform, AUS.....	48
121.1 Decals with Symbols, GS-4069DC, Battery Side.....	50
122.1 Decals with Symbols, GS-4069DC, Controls Side.....	52
123.1 Decals with Symbols, GS-4069DC, Platform, Asia & S. America.....	54
124.1 Decals with Symbols, GS-4069DC, Platform, CE.....	56

200 Drive Chassis Components

201.1 Steer Axle Linkage, Wheels and Drive Motors.....	58
202.1 Steer Axle Linkage, Oscillation.....	62
203.1 Non-Steer Axle and Drive Motors.....	64
204.1 Ladder and Counterweight.....	66
205.1 Drive Chassis, Safety Components.....	68

300 Chassis Tray Components

301.1 Hydraulic Tank and Ground Controls Installation.....	70
302.1 Hydraulic Tray Components, View 1.....	72
303.1 Hydraulic Tray Components, View 2.....	74
304.1 Battery Tray Components, View 1.....	76
305.1 Battery Tray Components, View 2.....	78
306.1 Ground Controls.....	80
307.1 Chassis Cover Installation.....	82
308.1 Power Cables.....	84
309.1 Electrical Wiring.....	86

400 Scissor Components

401.1 Scissor Components, GS-2669DC.....	88
402.1 Scissor Components, GS-3369DC, View 1.....	90
403.1 Scissor Components, GS-3369DC, View 2.....	92
404.1 Scissor Components, GS-4069DC, View 1.....	94
405.1 Scissor Components, GS-4069DC, View 2.....	96

500 Platform Components

501.1 Platform Installation, GS-2669DC.....	98
502.1 Platform Installation, GS-3369DC & GS-4069DC.....	100
503.1 Platform Railing Installation.....	102
504.1 Platform Entry Gate.....	104
505.1 Platform Extension.....	106
506.1 Platform Extension Deck Lock.....	108
507.1 Power to Platform.....	110
508.1 Platform Controls, 7 and 5 Button (2 Speed Lift).....	112
509.1 Platform Controls, 5 and 3 Button (Proportional Lift).....	114
510.1 Platform Controls Joystick.....	116

600 Hydraulic Components

601.1 Function Manifold.....	118
602.1 Oscillate Cylinder Assembly, All Models.....	120
603.1 Lift Cylinders.....	122
604.1 Hydraulic Hoses and Fitting, Lift Cylinder, GS-4069DC.....	124
605.1 Hydraulic Hoses and Fittings.....	126

700 Accessories

701.1 Flashing and Motion Beacon (to SN GS6916F-9824).....	128
702.1 Outrigger Installation, View 1.....	130

703.1 Outrigger Installation, View 2.....132
704.1 Outrigger Manifold.....134
705.1 Outrigger Cylinders, All Models.....136
706.1 Hydraulic Hoses and Fittings, Outrigger.....138
707.1 Air to Platform.....140
708.1 Link Guard, CE and Australia.....142
709.1 Platform Work Light.....144

Indices

Part Number Index.....146
Part Description Index.....150

Cross References

Fittings Cross Reference.....156

Go to Discount-Equipment.com to order your parts

Required Parts

The following parts are required to perform maintenance procedures as outlined in the *Genie GS-69 DC Service Manual*.

Description	Part No.
Plug and Cap Kit (for ORFS fittings).....	49613
Dielectric Grease.....	66399
Hydraulic Filter.....	60857
Cotter Pin.....	45114
Hydraulic Tank Cap (models w/opt. hyd fluid).....	131658

Recommended Parts

Description	Part No.
Genie Blue Paint, 1 Gallon	32150
Genie Blue Paint, 12 Ounce Aerosol.....	1484
Genie Gray Paint, 1 Gallon	32151
Genie Gray Paint, 12 Ounce Aerosol	1268

Genie also offers the following support documents:

EMI Safety Manual	27581
Manual of Responsibilities	
ANSI A92.6	44163

Go to Discount-Equipment.com to order your parts

101.1 Decals with Words, GS-2669DC, Battery Side

Battery Side

NOTE:
Part numbers with "(FR)" indicates French translation is available

■ Shading indicates decal is hidden from view.

Serial Number Stamping

229827 (FR)

114202

72086

52475

114202

52475

72086

72186 (FR)

237926

44255 (FR)

114385 (FR)

82561 (FR)

28175 (FR)

237118 (FR)
or 237923 (FR)

237117 (FR)
or 237134 (FR)

72186 (FR)

237926

31788 (FR)

28373 (FR)

28174
or 28235

28373 (FR)

237124

230804 (FR)

230804 (FR)

237124

237124

237130 (FR)

31060 (FR)

114202

72086

52475

101.1 Decals with Words, GS-2669DC, Battery Side

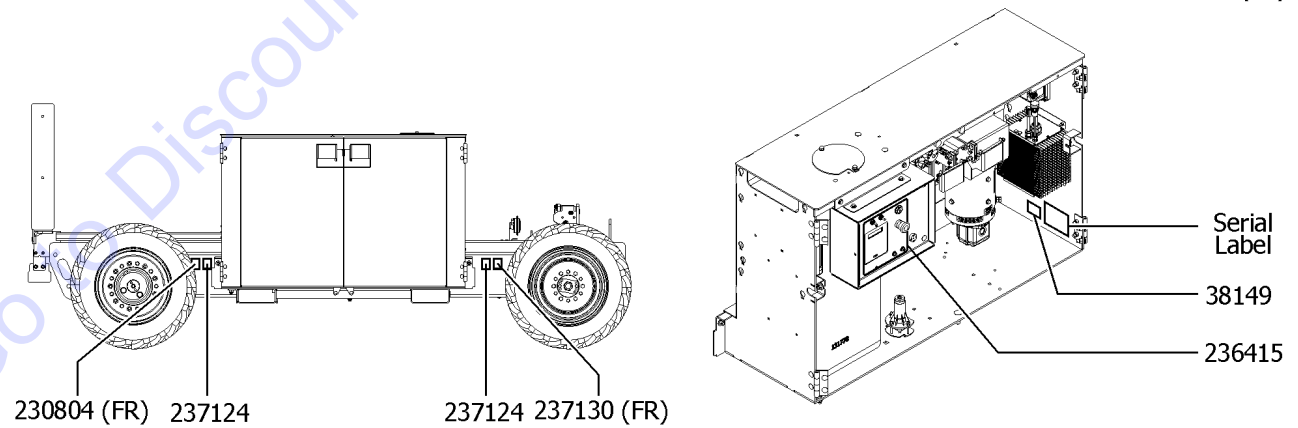
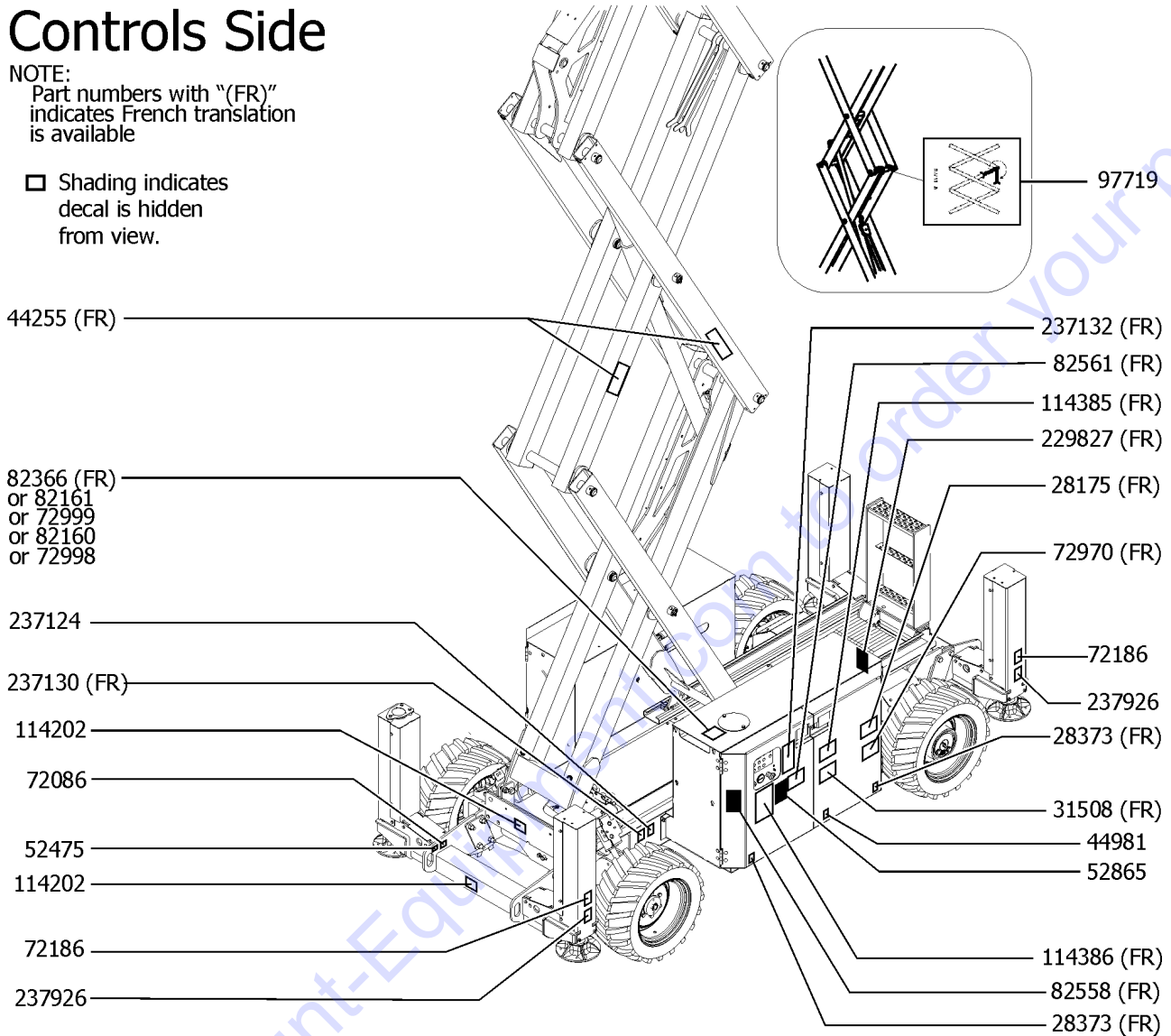
Item	Part No.	Description	Qty.
--	216826GT	DECAL KIT,2669DC COMP,WRD,ANSI <i>(Decal kit, complete for ANSI models only)</i>	
--	216827GT	DECAL KIT,2669DC PLAT,WRDS,ANSI <i>(Decal kit, platform for ANSI models only)</i>	
--	216874GT	DECAL KIT,2669DC COMP,WRD,AUS <i>(Decal kit, complete for AUS models only)</i>	
--	216875GT	DECAL KIT,2669DC PLAT,WRDS,AUS <i>(Decal kit, platform for AUS models only)</i>	
1	28174GT	DECAL, POWER TO PLATFORM 230V**.....	1
2	28175GT	DECAL,WARNING-COMPART ACCESS.....	1
3	28235GT	DECAL,POWER TO PLATFORM 115V...1	
4	28373GT	DECAL,FORK LIFT POCKET.....2	
5	31060GT	DECAL,DANGER DO NOT ALTER SWTC.....	1
6	31788GT	DECAL,DANGER,BATTERY SAFETY***.....	1
7	44255GT	DECAL,DANGER,CRUSHING HAZARD.....	2
8	52475GT	DECAL,LABEL,TRANSPORT TIEDOWN*.....	3
9	72086GT	DECAL,LABEL,LIFTING EYE.....	3
10	72186GT	DECAL,WARNING,CRUSHING HAZARD..... <i>(option)</i>	2
11	82561GT	DECAL,DANGER-USE SAFETY ARM...1	
12	114202GT	DECAL,LABEL,TRANSPORT TIE 68....3	
13	114385GT	DECAL,DANGER,ELEC HAZARD,GS....1	
14	229827GT	DECAL,WARNING,HOT SURFACE.....1	
15	230804GT	DECAL,NOTICE,TIRE SPECS, REAR...1 <i>(non-steer end)</i>	
16	237117GT	DECAL,DANGER-TIP-OVR,BATT,J305...1 <i>(option)</i>	
17	237118GT	DECAL,BATT CONN DIAGRAM,J305....1 <i>(option)</i>	
18	237124GT	DECAL,LABEL,WHEEL LD,GS2669DC.....	2
19	237130GT	DECAL,NOTICE,TIRE SPECS, FRONT..... <i>(steer end)</i>	1
20	237134GT	DECAL,DANGER-TIP-OVR,BATT,T105...1 <i>GS-2669DC and GS-3369DC ONLY</i>	
21	237923GT	DECAL,BATT CONN DIAGRAM,T105....1 <i>(GS-2669DC and GS-3369DC ONLY)</i>	
22	237926GT	DECAL,LABEL,OUTRIGGER LD.....2 <i>(option)</i>	

102.1 Decals with Words, GS-2669DC, Controls Side

Controls Side

NOTE:
Part numbers with "(FR)" indicates French translation is available

☐ Shading indicates decal is hidden from view.



102.1 Decals with Words, GS-2669DC, Controls Side

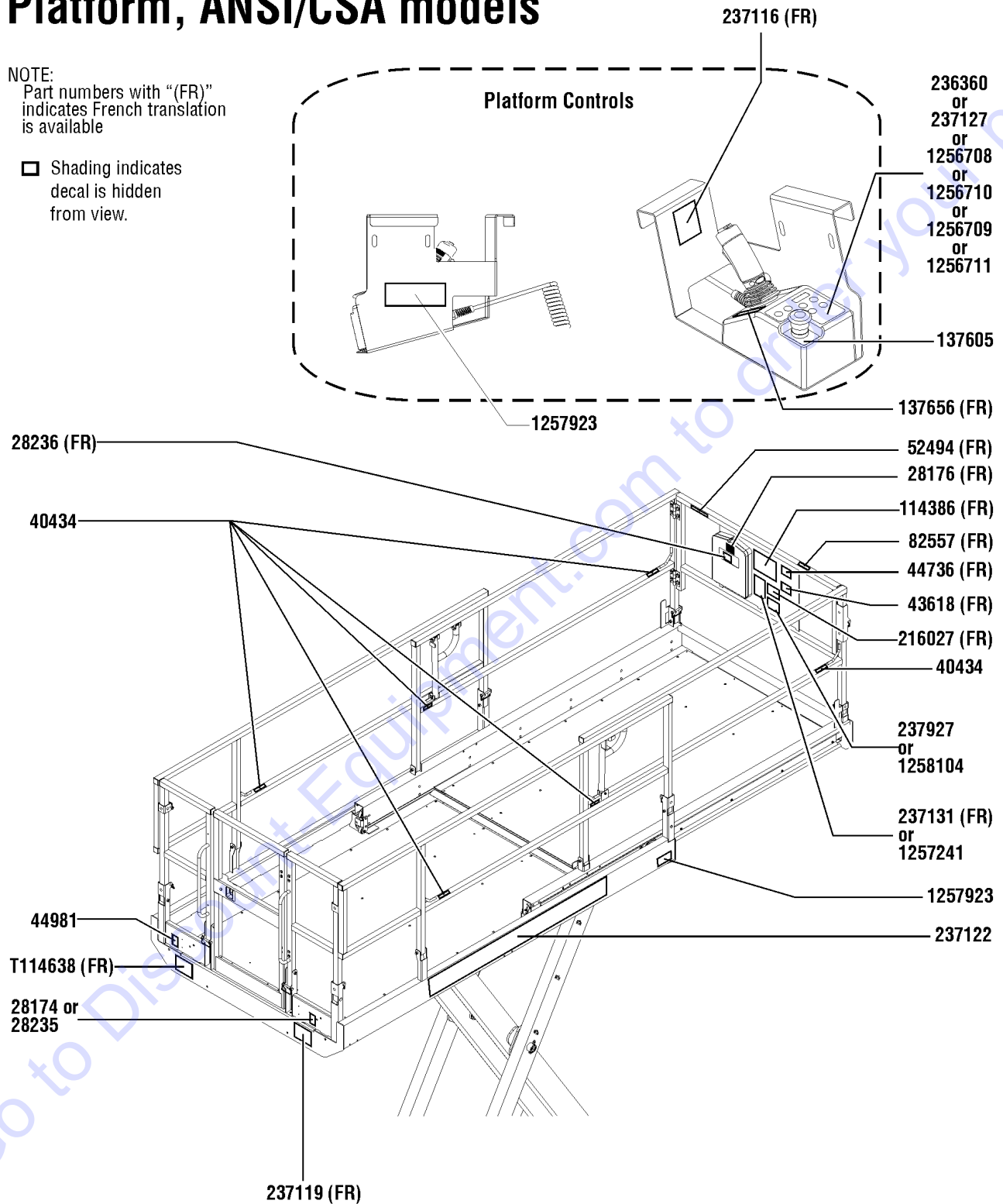
Item	Part No.	Description	Qty.	Item	Part No.	Description	Qty.
--		Ref. Word Decal Kits (refer to 101.1)		27	236415GT	DECAL, GROUND CONTROL PANEL, G.....	1
1	28174GT	DECAL, POWER TO PLATFORM 230V**.....	1	28	237124GT	DECAL,LABEL,WHEEL LD,GS2669DC.....	3
2	28175GT	DECAL,WARNING-COMPART ACCESS.....	1	29	237130GT	DECAL,NOTICE,TIRE SPECS, FRONT..... (steer end)	2
3	28235GT	DECAL,POWER TO PLATFORM 115V...1	1	30	237132GT	DECAL,GRND OPS INSTRUCT,GS69DC.....	1
4	28373GT	DECAL,FORK LIFT POCKET.....2	2	31	237926GT	DECAL,LABEL,OUTRIGGER LD..... (option)	2
5	31508GT	DECAL,DANGER,ELECT HAZARD,PLUG.....	1				
6	38149GT	DECAL,LABEL,PATENTS..... (US Only)	1				
7	44255GT	DECAL,DANGER,CRUSHING HAZARD.....	2				
8	44981GT	DECAL,LABEL, AIR LINE 110 PSI..... (option)	1				
9	52475GT	DECAL,LABEL,TRANSPORT TIEDOWN*.....	1				
10	52865GT	DECAL,ANNUAL INSP***.....	1				
11	72086GT	DECAL,LABEL,LIFTING EYE.....	1				
12	72186GT	DECAL,WARNING,CRUSHING HAZARD..... (option)	2				
13	72970GT	DECAL,INSTRUCTIONS-CHARGER OP.....	1				
14	72998GT	DECAL,LABEL,QUINTOLUBRIK..... (For models with Quintolub hydraulic oil only)	1				
15	72999GT	DECAL,LABEL,PETRO CANADA***..... (For models with Petro Canada hydraulic oil only)	1				
16	82160GT	DECAL,LABEL,STATOIL HYDRA WAY..... (For models with Statoil hydraulic oil only)	1				
17	82161GT	DECAL,LABEL,UCON HYDROLUBE..... (For models with Ucon Hydrolube hydraulic oil only)	1				
18	82366GT	DECAL,CHEVRON RANDO HD..... (For models with Chevron Rando hydraulic oil only)	1				
19	82558GT	DECAL,WARN,SKIN INJECTION HAZ*.....	1				
20	82561GT	DECAL,DANGER-USE SAFETY ARM....1	1				
21	97719GT	DECAL, LABEL, SAFETY ARM SYMB....1	1				
22	114202GT	DECAL,LABEL,TRANSPORT TIE 68....2	2				
23	114385GT	DECAL,DANGER,ELEC HAZARD,GS....1	1				
24	114386GT	DECAL,DANGER-GEN SAFETY.....1	1				
25	229827GT	DECAL,WARNING,HOT SURFACE.....1	1				
26	230804GT	DECAL,NOTICE,TIRE SPECS, REAR....1 (non-steer end)	1				

103.1 Decals with Words, GS-2669DC, Platform, ANSI & CSA

Platform, ANSI/CSA models

NOTE:
Part numbers with "(FR)" indicates French translation is available

☐ Shading indicates decal is hidden from view.



103.1 Decals with Words, GS-2669DC, Platform, ANSI & CSA

Item	Part No.	Description	Qty.	Item	Part No.	Description	Qty.
--		Ref. Word Decal Kits (refer to 101.1)		25	1256710GT	DECAL,O/R,PROP LIFT,69DC,UI.....1 (models with outriggers 5 button, proportional controller)	1
1	28174GT	DECAL, POWER TO PLATFORM 230V**.....1 (option)	1	26	1256711GT	DECAL, O/R, PROP LIFT, 69DC, U.....1 (models with outriggers that are converted from 7 button, 2 speed lift to 5 button, proportional controller)	1
2	28176GT	DECAL,LABEL,MANUAL NOT HERE.....1	1	27	1257396GT	DECAL,OP,INSTR,PLAT,69DC,AUS.....1 (models with proportional controller)	1
3	28235GT	DECAL,POWER TO PLATFORM 115V...1 (option)	1	28	1257923GT	DECAL, SMARTLINK PROPORTIONAL.....2 (models with proportional controller)	2
4	28236GT	DECAL,WARN,IMPROPER OPERATION.....1	1	29	1258104GT	DECAL,DANGER,OUTRIGGER SAFETY.....1 (models with outriggers and proportional controller)	1
5	40434GT	DECAL,LANYARD ANCHORAGE POINT.....6	6				
6	43618GT	DECAL, LABEL - DIRECTION ARROWS.....1	1				
7	44736GT	DECAL,DANGER,TIP-OVER,TILT.....1	1				
8	44981GT	DECAL,LABEL, AIR LINE 110 PSI.....1 (option)	1				
9	52494GT	DECAL,CAUTION,CRUSH HAZ, RAILS.....1	1				
10	82557GT	DECAL,LABEL,PLAT CONT LOCATION.....1	1				
11	114386GT	DECAL,DANGER-GEN SAFETY.....1	1				
12	137605GT	DECAL,E-STOP,GR/GRC/GS PCON....1	1				
13	137656GT	DECAL,PROPEL,GR/GRC/GS,PCON....1	1				
14	216027GT	DECAL,DANGER-RUNAWAY HAZARD,SLOPE.....1	1				
15	236360GT	DECAL, UI, GS69DC,PCON.....1 (models without outriggers and with 5 button, 2 speed controller)	1				
16	237116GT	DECAL,LABEL,FAULT CODES,69DC....1	1				
17	237119GT	DECAL,NOTICE,SIDE FRC GS2669DC.....1	1				
18	237122GT	DECAL,COSMETIC,GENIE GS-2669DC.....1	1				
19	237127GT	DECAL,UI,GS69DC W/OR,PCON.....1 (models with outriggers and 7 button, 2 speed controller)	1				
20	237131GT	DECAL,PLAT OPS INSTRUCT,GS69DC.....1 (models with 2 speed controller)	1				
21	237927GT	DECAL,DANGER,OUTRIGGER SAFETY.....1 (models with outriggers and 2 speed controller)	1				
22	T114638GT	DECAL,NOTICE,MAX CAP GS2669.....1	1				
23	1256708GT	DECAL,STD,PROP LIFT,69DC,UI.....1 (models without outriggers and with 3 button, proportional controller)	1				
24	1256709GT	DECAL, STD, PROP LIFT, 69DC, U.....1 (models without outriggers that are converted from 5 button, 2 speed lift to 3 button, proportional controller)	1				

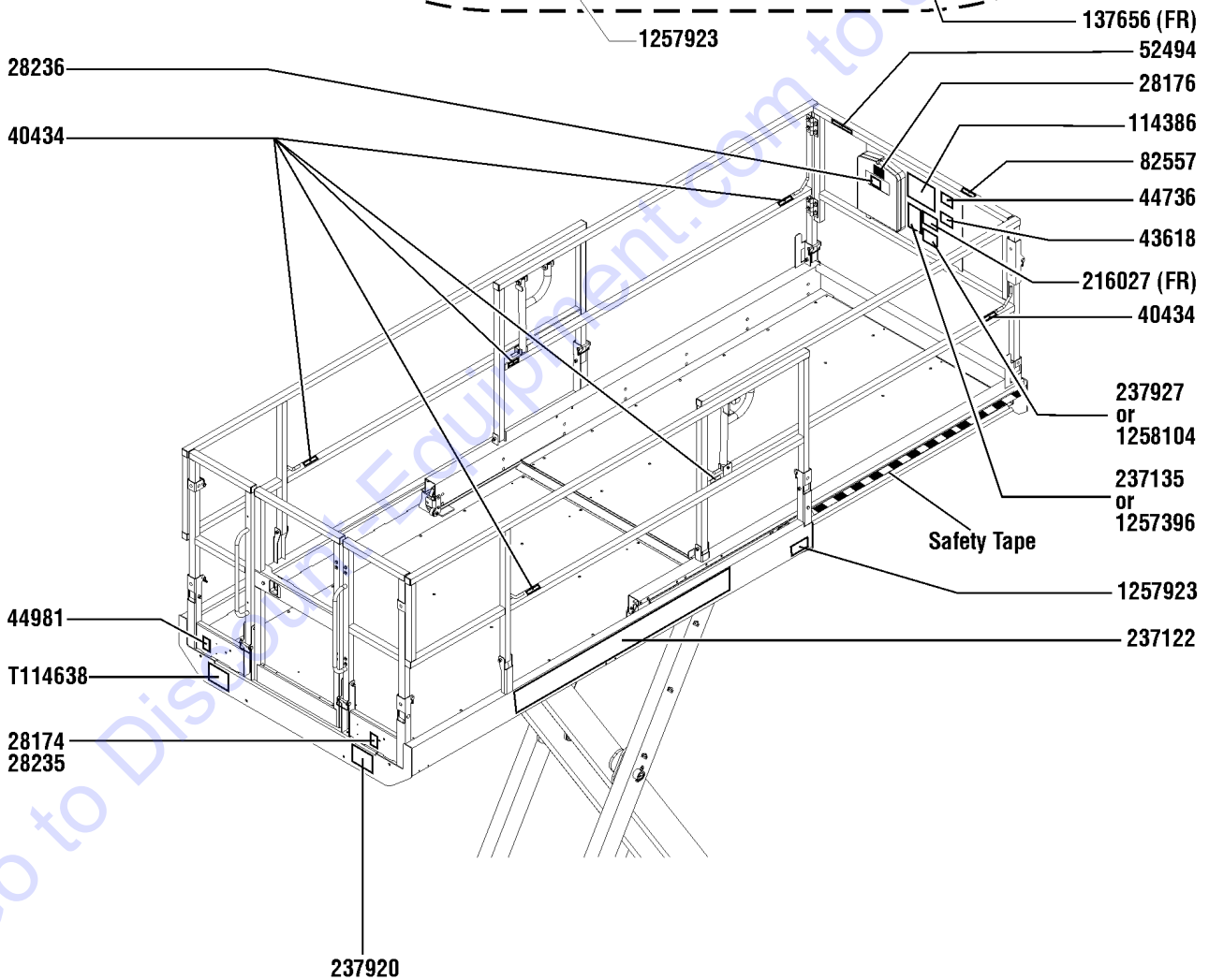
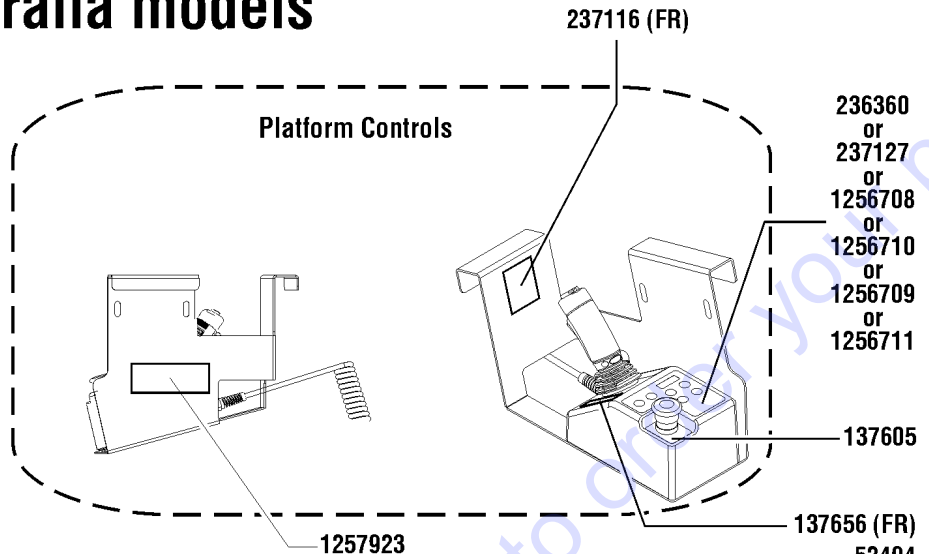


104.1 Decals with Words, GS-2669DC, Platform, AUS

Platform, Australia models

NOTE:
Part numbers with "(FR)" indicates French translation is available

☐ Shading indicates decal is hidden from view.



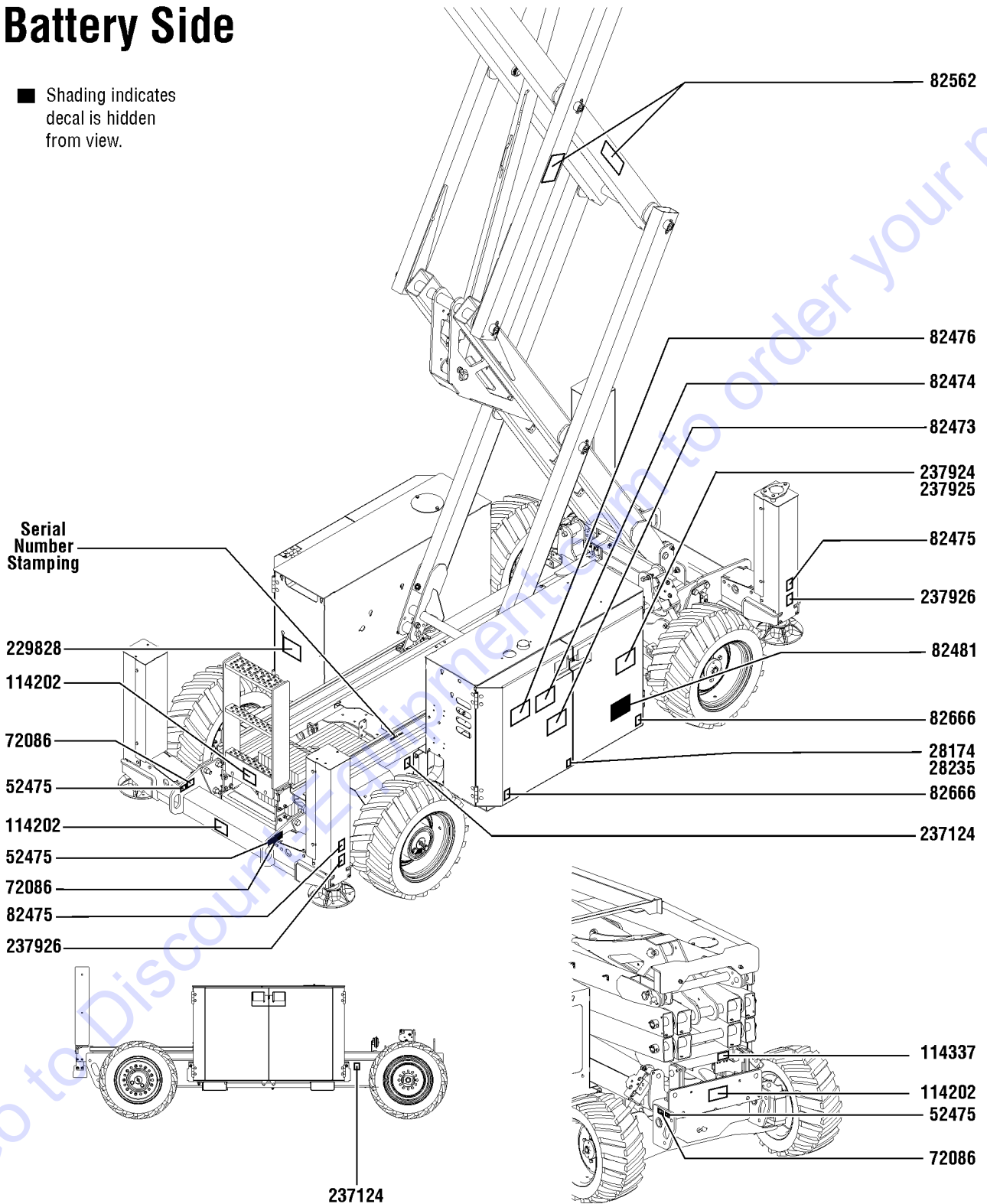
104.1 Decals with Words, GS-2669DC, Platform, AUS

Item	Part No.	Description	Qty.	Item	Part No.	Description	Qty.
--		Ref. Word Decal Kits (refer to 101.1)		25	1256710GT	DECAL,O/R,PROP LIFT,69DC,UI.....1 (models with outriggers 5 button, proportional controller)	1
1	28174GT	DECAL, POWER TO PLATFORM 230V**.....1	1	26	1256711GT	DECAL, O/R, PROP LIFT, 69DC, U.....1 (models with outriggers that are converted from 7 button, 2 speed lift to 5 button, proportional controller)	1
2	28176GT	DECAL,LABEL,MANUAL NOT HERE.....1	1	27	1257396GT	DECAL,OP,INSTR,PLAT,69DC,AUS.....1 (models with proportional controller)	1
3	28235GT	DECAL,POWER TO PLATFORM 115V...1	1	28	1257923GT	DECAL, SMARTLINK PROPORTIONAL.....2 (models with proportional controller)	2
4	28236GT	DECAL,WARN,IMPROPER OPERATION.....1	1	29	1258104GT	DECAL,DANGER,OUTRIGGER SAFETY.....1 (models with outriggers and proportional controller)	1
5	40434GT	DECAL,LANYARD ANCHORAGE POINT.....6	6				
6	43618GT	DECAL, LABEL - DIRECTION ARROWS.....1	1				
7	44736GT	DECAL,DANGER,TIP-OVER,TILT.....1	1				
8	44981GT	DECAL,LABEL, AIR LINE 110 PSI.....1 (option)	1				
9	52494GT	DECAL,CAUTION,CRUSH HAZ, RAILS.....1	1				
10	82557GT	DECAL,LABEL,PLAT CONT LOCATION.....1	1				
11	114386GT	DECAL,DANGER-GEN SAFETY.....1	1				
12	137605GT	DECAL,E-STOP,GR/GRC/GS PCON....1	1				
13	137656GT	DECAL,PROPEL,GR/GRC/GS,PCON....1	1				
14	216027GT	DECAL,DANGER-RUNAWAY HAZARD,SLOPE.....1	1				
15	236360GT	DECAL, UI, GS69DC,PCON.....1 (models without outriggers and with 5 button, 2 speed controller)	1				
16	237116GT	DECAL,LABEL,FAULT CODES,69DC....1	1				
17	237122GT	DECAL,COSMETIC,GENIE GS-2669DC.....1	1				
18	237127GT	DECAL,UI,GS69DC W/OR,PCON.....1 (models with outriggers and 7 button, 2 speed controller)	1				
19	237135GT	DECAL,PLAT OPS INSTRUCT,GS69DC.....1 (models with 2 speed controller)	1				
20	237920GT	DECAL,NOTICE,SIDE FRC GS2669DC.....1	1				
21	237927GT	DECAL,DANGER,OUTRIGGER SAFETY.....1 (models with outriggers and 2 speed controller)	1				
22	T114638GT	DECAL,NOTICE,MAX CAP GS2669.....1	1				
23	1256708GT	DECAL,STD,PROP LIFT,69DC,UI.....1 (models without outriggers and with 3 button, proportional controller)	1				
24	1256709GT	DECAL, STD, PROP LIFT, 69DC, U.....1 (models without outriggers that are converted from 5 button, 2 speed lift to 3 button, proportional controller)	1				

105.1 Decals with Symbols, GS-2669DC, Battery Side

Battery Side

■ Shading indicates decal is hidden from view.



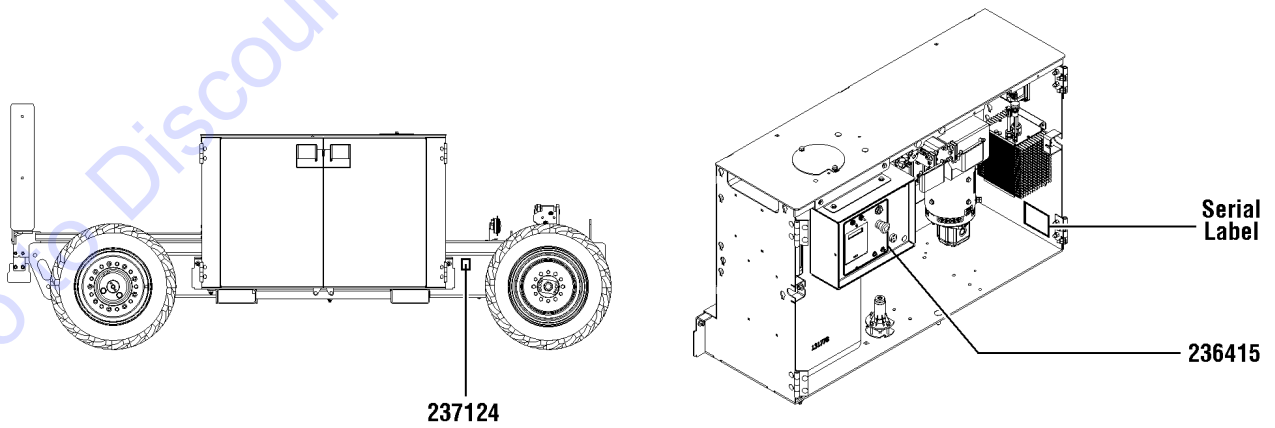
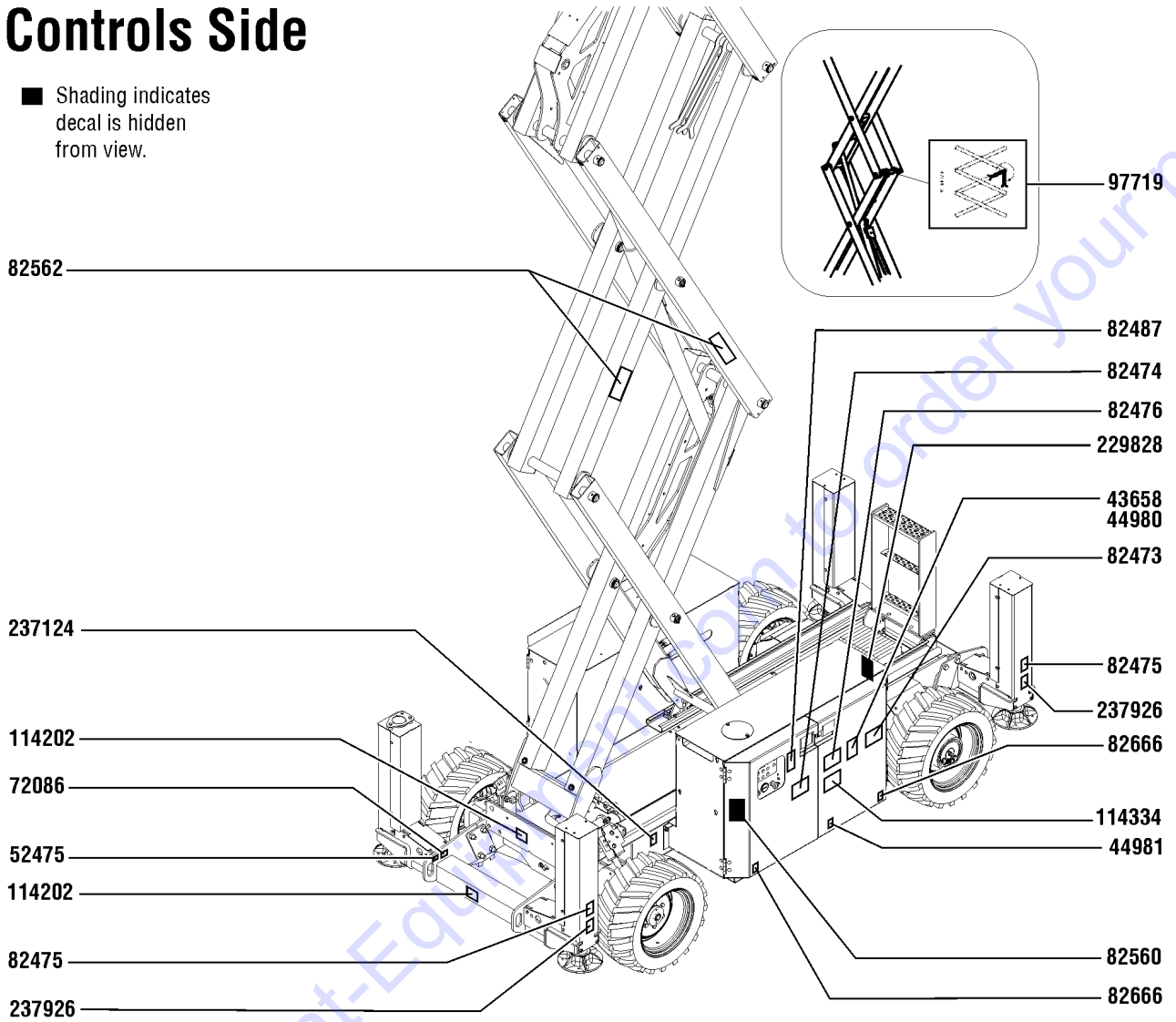
105.1 Decals with Symbols, GS-2669DC, Battery Side

Item	Part No.	Description	Qty.
--	216832GT	DECAL KIT,2669DC COMP,SYM,ANSI (Decal kit, complete for ANSI models only)	
--	216880GT	DECAL KIT,2669DC PLAT,SYM,ANSI (Decal kit, platform for ANSI models only)	
--	216883GT	DECAL KIT,2669DC COMP,SYM,CE (Decal kit, complete for CE models only)	
--	216884GT	DECAL KIT,2669DC PLAT,SYM,CE (Decal kit, platform for CE models only)	
1	28174GT	DECAL, POWER TO PLATFORM 230V**.....	1
2	28235GT	DECAL,POWER TO PLATFORM 115V...1	
3	52475GT	DECAL,LABEL,TRANSPORT TIEDOWN*.....	3
4	72086GT	DECAL,LABEL,LIFTING EYE.....	3
5	82473GT	DECAL,SYMBOL-COMP ACCESS.....	1
6	82474GT	DECAL,SYMBOL-USE SAFETY ARM...1	
7	82475GT	DECAL,SYMBOL-FOOT CRUSHING....	2
8	82476GT	DECAL,SYMBOL-ELEC HAZARD,GS....	1
9	82481GT	DECAL,SYMBOL-BATTERY SAFETY.....	1
10	82562GT	DECAL,SYMBOL-CRUSHING HAZARD.....	2
11	82666GT	DECAL,LABEL,FORKLIFT POCKET.....	2
12	114202GT	DECAL,LABEL,TRANSPORT TIE 68....	3
13	114337GT	DECAL,SYM-TIP-OVER,LIM SWITCH....	1
14	229828GT	DECAL,LABEL,HOT,SYMBOL.....	1
15	237124GT	DECAL,LABEL,WHEEL LD,GS2669DC.....	2
16	237924GT	DECAL,DNGR-TIP-OVR,BATT,J305CE...1 (option)	
17	237925GT	DECAL,DNGR-TIP-OVR,BATT,T105CE..1 GS-2669DC and GS-3369DC ONLY	
18	237926GT	DECAL,LABEL,OUTRIGGER LD.....2 (option)	

106.1 Decals with Symbols, GS-2669DC, Controls Side

Controls Side

■ Shading indicates decal is hidden from view.

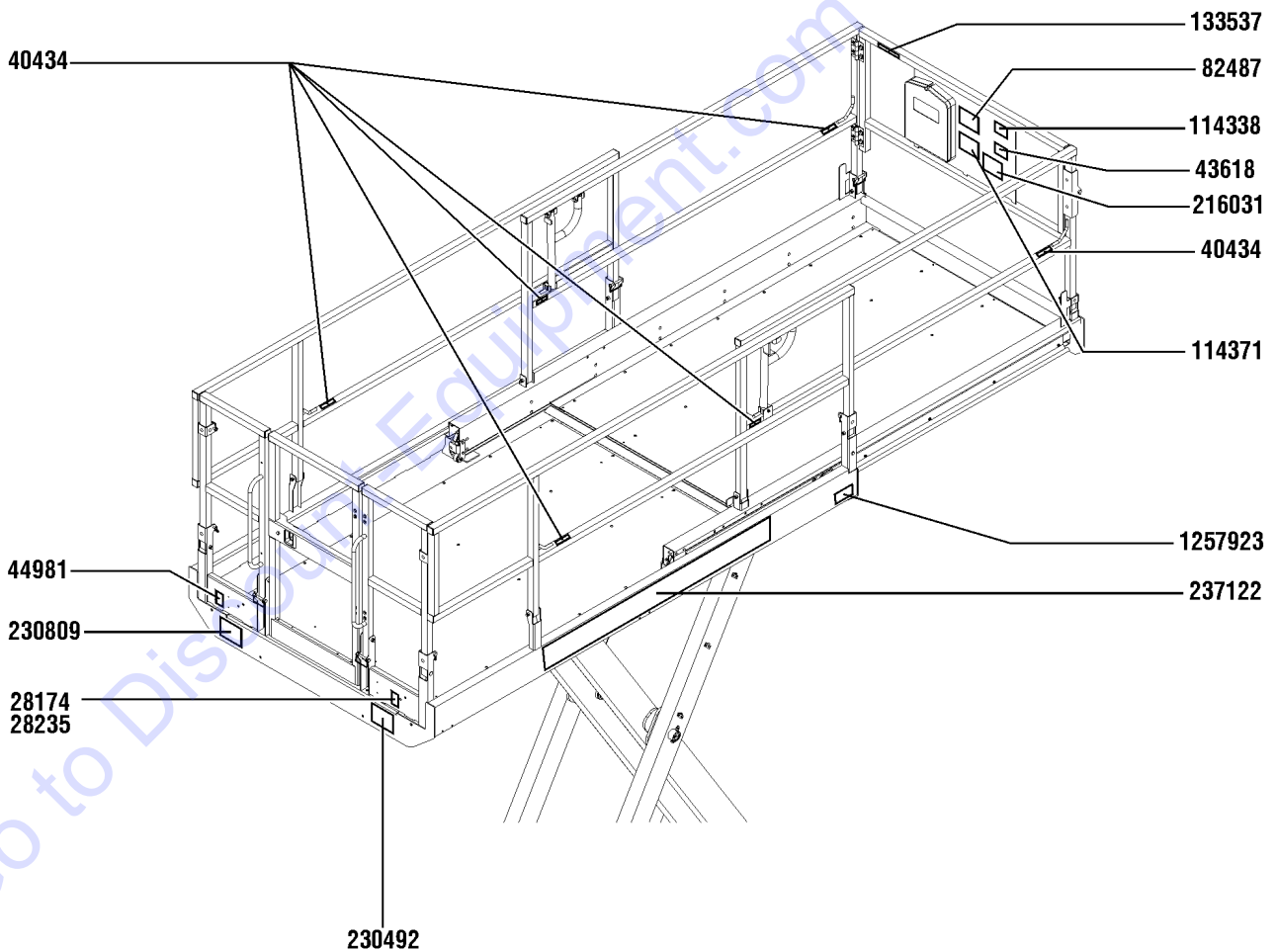
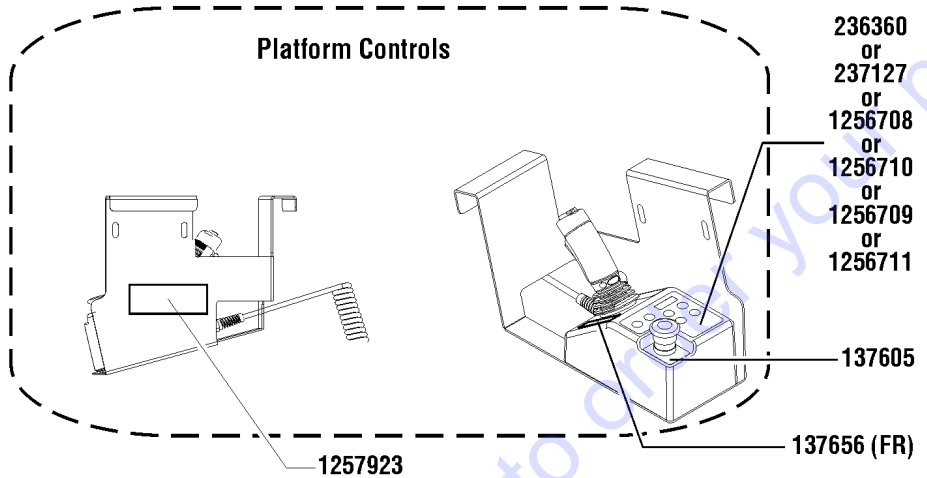


106.1 Decals with Symbols, GS-2669DC, Controls Side

Item	Part No.	Description	Qty.
--		Ref. Symbol Decal Kits (refer to 105.1)	
1	43658GT	DECAL,LABEL,PWR TO CHARGR 230V.....	1
2	44980GT	DECAL,LABEL,PWR TO CHARGR 115V.....	1
3	44981GT	DECAL,LABEL, AIR LINE 110 PSI..... (option)	1
4	52475GT	DECAL,LABEL,TRANSPORT TIEDOWN*.....	1
5	72086GT	DECAL,LABEL,LIFTING EYE.....	1
6	82473GT	DECAL,SYMBOL-COMP ACCESS.....	1
7	82474GT	DECAL,SYMBOL-USE SAFETY ARM....	1
8	82475GT	DECAL,SYMBOL-FOOT CRUSHING....	2
9	82476GT	DECAL,SYMBOL-ELEC HAZARD,GS....	1
10	82487GT	DECAL, SYMBOL - READ THE MANUAL.....	1
11	82560GT	DECAL,SYMBOL-SKIN INJECT HAZRD.....	1
12	82562GT	DECAL,SYMBOL-CRUSHING HAZARD.....	2
13	82666GT	DECAL,LABEL,FORKLIFT POCKET....	2
14	97719GT	DECAL, LABEL, SAFETY ARM SYMB....	1
15	114202GT	DECAL,LABEL,TRANSPORT TIE 68....	2
16	114334GT	DECAL,SYM-ELEC HAZARD,PLUG.....	1
17	229828GT	DECAL,LABEL,HOT,SYMBOL.....	1
18	236415GT	DECAL, GROUND CONTROL PANEL, G.....	1
19	237124GT	DECAL,LABEL,WHEEL LD,GS2669DC.....	2
20	237926GT	DECAL,LABEL,OUTRIGGER LD..... (option)	2

Platform ANSI models

☐ Shading indicates decal is hidden from view.

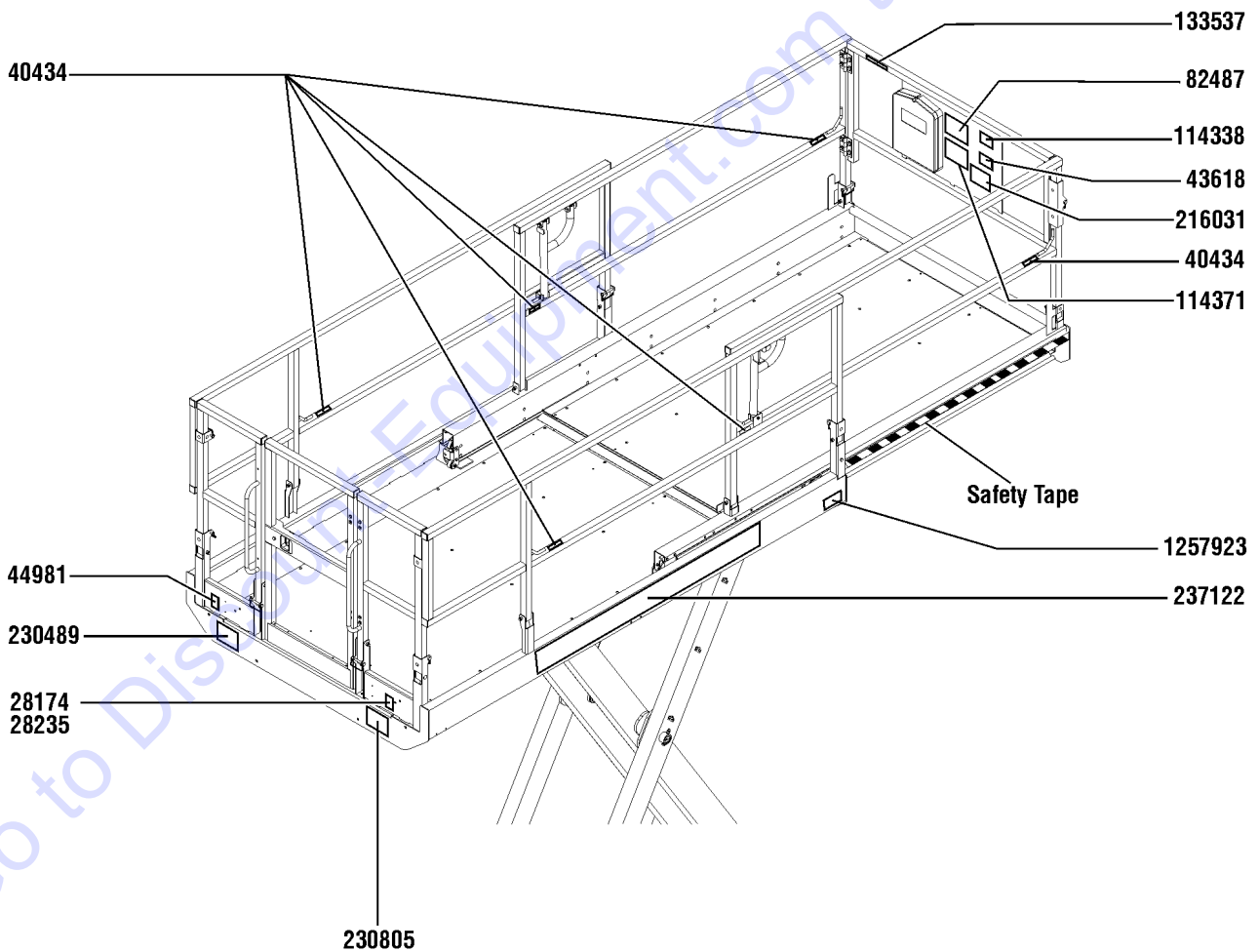
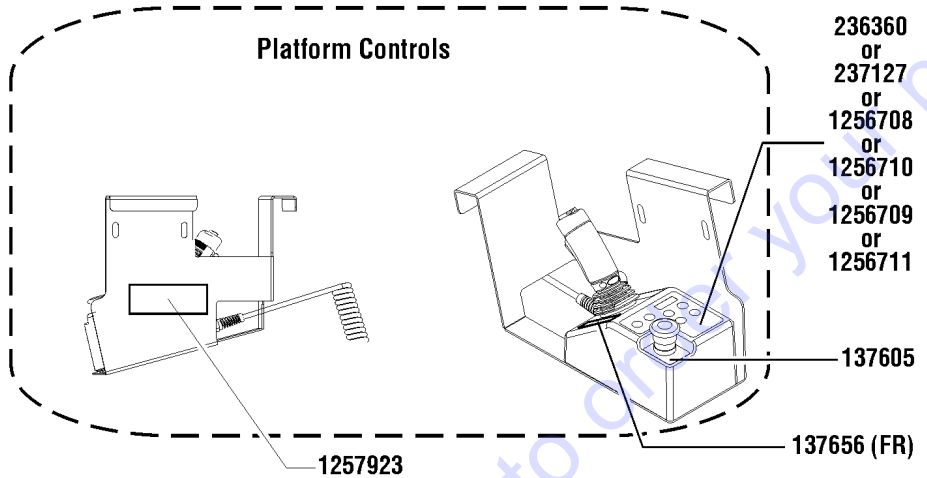


107.1 Decals with Symbols, GS-2669DC, Platform, Asia & S. America

Item	Part No.	Description	Qty.
--		Ref. Symbol Decal Kits (refer to 105.1)	
1	28174GT	DECAL, POWER TO PLATFORM 230V**.....1	1
2	28235GT	DECAL,POWER TO PLATFORM 115V...1	1
3	40434GT	DECAL,LANYARD ANCHORAGE POINT.....6	6
4	43618GT	DECAL, LABEL - DIRECTION ARROWS.....1	1
5	44981GT	DECAL,LABEL, AIR LINE 110 PSI.....1 (option)	1
6	82487GT	DECAL, SYMBOL - READ THE MANUAL.....1	1
7	114338GT	DECAL,SYM-TIP-OVER,TILT ALARM....1	1
8	114371GT	DECAL,SYM-TIP-OVER,OUTRGR.....1 (models with outriggers)	1
9	133537GT	DECAL,CRUSH HAZ RAILS SYMB.....1	1
10	137605GT	DECAL,E-STOP,GR/GRC/GS PCON....1	1
11	137656GT	DECAL,PROPEL,GR/GRC/GS,PCON....1	1
12	216031GT	DECAL,DANGER,RUNAWAY HAZ, SYM.....1	1
13	230492GT	DECAL,DANGER,SIDE FRC,GS2669....1	1
14	230809GT	DECAL,NOTICE,MAX CAP GS2669....1	1
15	236360GT	DECAL, UI, GS69DC,PCON.....1 (models without outriggers and with 5 button, 2 speed controller)	1
16	237122GT	DECAL,COSMETIC,GENIE GS-2669DC.....1	1
17	237127GT	DECAL,UI,GS69DC W/OR,PCON.....1 (models with outriggers and 7 button, 2 speed controller)	1
18	1256708GT	DECAL,STD,PROP LIFT,69DC,UI.....1 (models without outriggers and with 3 button, proportional controller)	1
19	1256709GT	DECAL, STD, PROP LIFT, 69DC, U.....1 (models without outriggers that are converted from 5 button, 2 speed lift to 3 button, proportional controller)	1
20	1256710GT	DECAL,O/R,PROP LIFT,69DC,UI.....1 (models with outriggers and 5 button, proportional controller)	1
21	1256711GT	DECAL, O/R, PROP LIFT, 69DC, U.....1 (models with outriggers that are converted from 7 button, 2 speed lift to 5 button, proportional controller)	1
22	1257923GT	DECAL, SMARTLINK PROPORTIONAL.....2 (models with proportional controller)	2

Platform CE models

☐ Shading indicates decal is hidden from view.



108.1 Decals with Symbols, GS-2669DC, Platform, CE

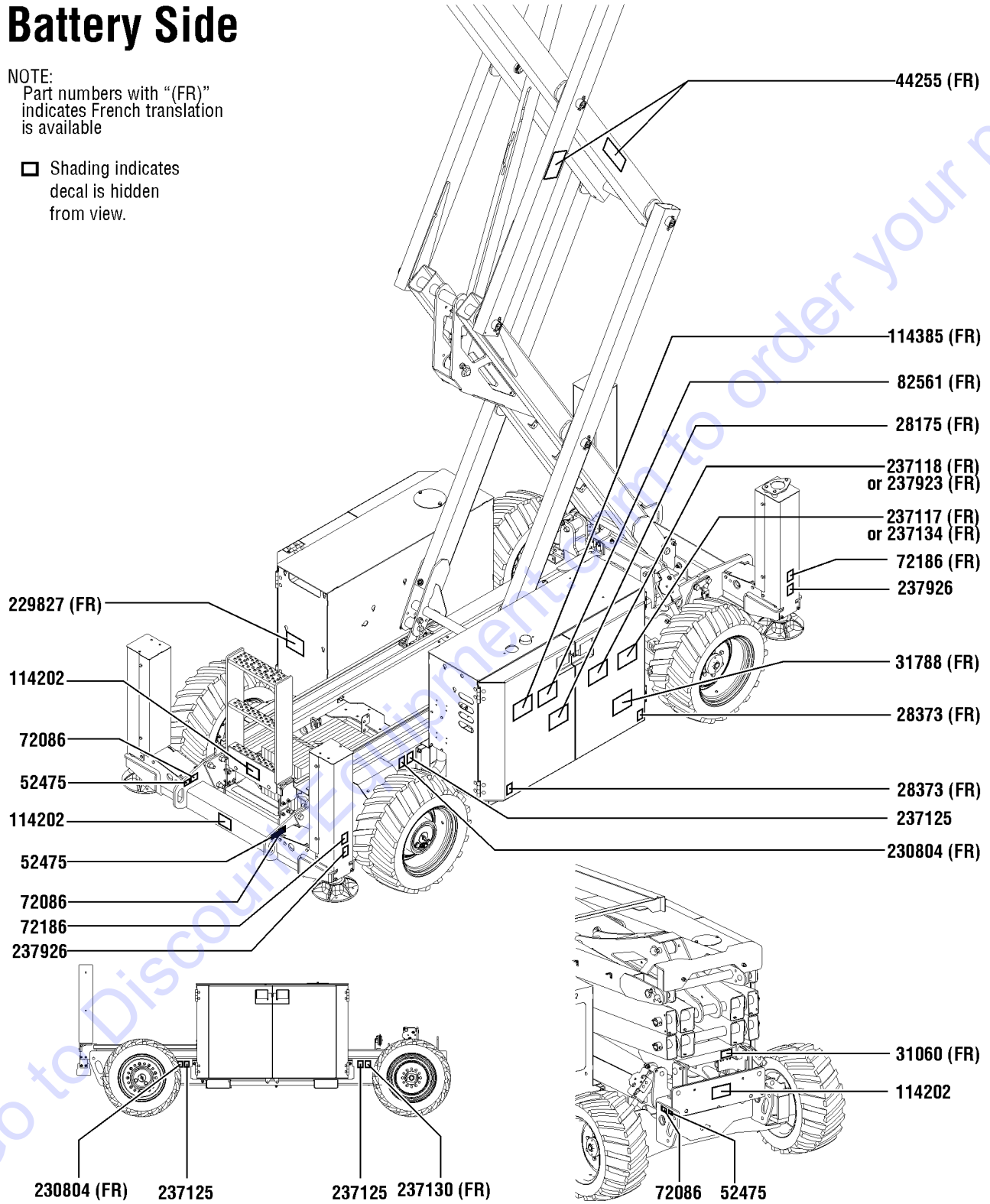
Item	Part No.	Description	Qty.
--		Ref. Symbol Decal Kits (refer to 105.1)	
1	28174GT	DECAL, POWER TO PLATFORM 230V**.....1	1
2	28235GT	DECAL,POWER TO PLATFORM 115V...1	1
3	40434GT	DECAL,LANYARD ANCHORAGE POINT.....6	6
4	43618GT	DECAL, LABEL - DIRECTION ARROWS.....1	1
5	44981GT	DECAL,LABEL, AIR LINE 110 PSI.....1 (option)	1
6	82487GT	DECAL, SYMBOL - READ THE MANUAL.....1	1
7	114338GT	DECAL,SYM-TIP-OVER,TILT ALARM....1	1
8	114371GT	DECAL,SYM-TIP-OVER,OUTRGR.....1 (models with outriggers)	1
9	133537GT	DECAL,CRUSH HAZ RAILS SYMB.....1	1
10	137605GT	DECAL,E-STOP,GR/GRC/GS PCON....1	1
11	137656GT	DECAL,PROPEL,GR/GRC/GS,PCON....1	1
12	216031GT	DECAL,DANGER,RUNAWAY HAZ, SYM.....1	1
13	230489GT	DECAL,NOTICE,MAX CAP GS2669.....1	1
14	236360GT	DECAL, UI, GS69DC,PCON.....1	1
15	236360GT	DECAL, UI, GS69DC,PCON.....1 (models without outriggers and with 5 button, 2 speed controller)	1
16	237122GT	DECAL,COSMETIC,GENIE GS-2669DC.....1	1
17	237127GT	DECAL,UI,GS69DC W/OR,PCON.....1 (models with outriggers and 7 button, 2 speed controller)	1
18	1256708GT	DECAL,STD,PROP LIFT,69DC,UI.....1 (models without outriggers and with 3 button, proportional controller)	1
19	1256709GT	DECAL, STD, PROP LIFT, 69DC, U.....1 (models without outriggers that are converted from 5 button, 2 speed lift to 3 button, proportional controller)	1
20	1256710GT	DECAL,O/R,PROP LIFT,69DC,UI.....1 (models with outriggers and 5 button, proportional controller)	1
21	1256711GT	DECAL, O/R, PROP LIFT, 69DC, U.....1 (models with outriggers that are converted from 7 button, 2 speed lift to 5 button, proportional controller)	1
22	1257923GT	DECAL, SMARTLINK PROPORTIONAL.....2 (models with proportional controller)	2

109.1 Decals with Words, GS-3369DC, Battery Side

Battery Side

NOTE:
Part numbers with "(FR)" indicates French translation is available

☐ Shading indicates decal is hidden from view.



109.1 Decals with Words, GS-3369DC, Battery Side

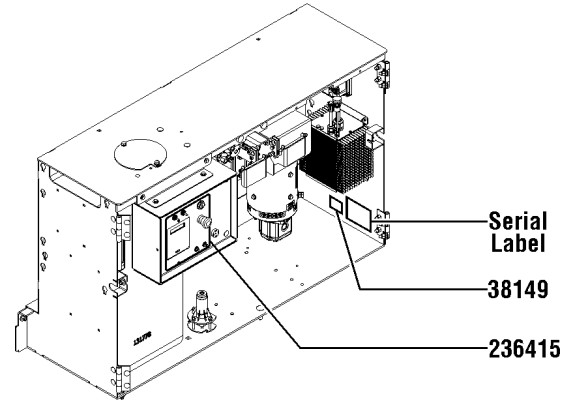
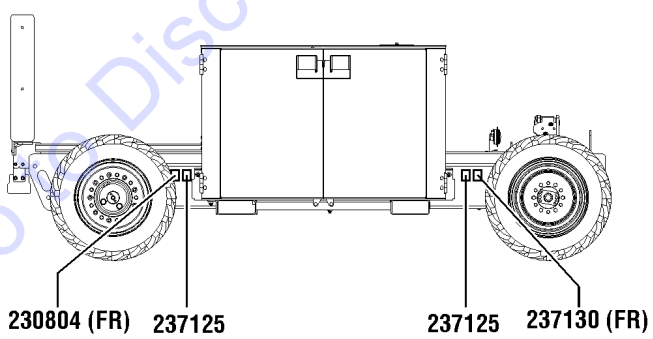
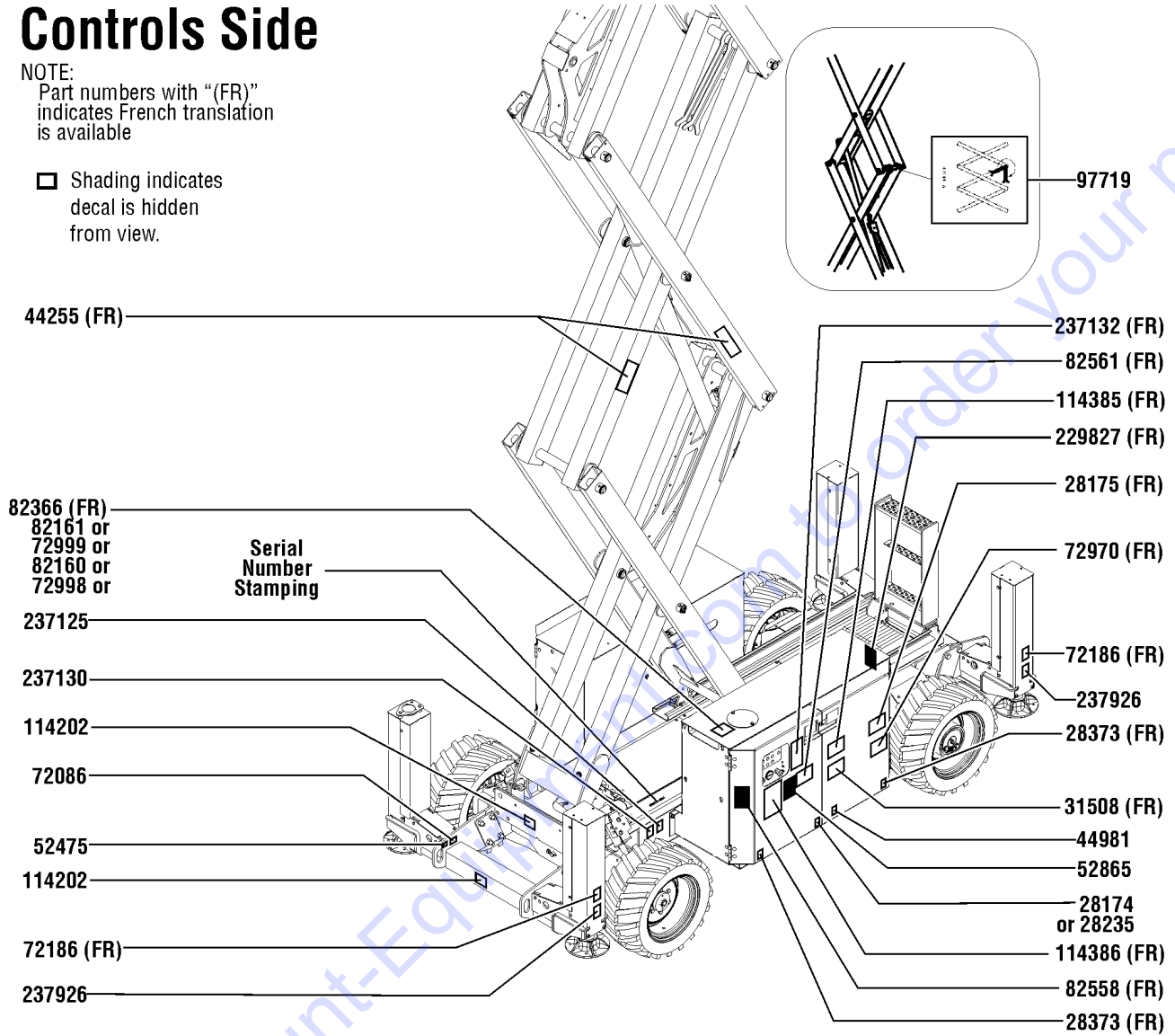
Item	Part No.	Description	Qty.
--	216828GT	DECAL KIT,3369DC COMP,WRD,ANSI (Decal kit, complete for ANSI models only)	
--	216829GT	DECAL KIT,3369DC PLAT,WRDS,ANSI (Decal kit, platform for ANSI models only)	
--	216876GT	DECAL KIT,3369DC COMP,WRD,AUS (Decal kit, complete for AUS models only)	
--	216877GT	DECAL KIT,3369DC PLAT,WRDS,AUS (Decal kit, platform for AUS models only)	
1	28175GT	DECAL,WARNING-COMPART ACCESS.....	1
2	28373GT	DECAL,FORK LIFT POCKET.....	2
3	31060GT	DECAL,DANGER DO NOT ALTER SWTC.....	1
4	31788GT	DECAL,DANGER,BATTERY SAFETY***.....	1
5	44255GT	DECAL,DANGER,CRUSHING HAZARD.....	2
6	52475GT	DECAL,LABEL,TRANSPORT TIEDOWN*.....	3
7	72086GT	DECAL,LABEL,LIFTING EYE.....	3
8	72186GT	DECAL,WARNING,CRUSHING HAZARD.....	2
9	82561GT	DECAL,DANGER-USE SAFETY ARM....	1
10	114202GT	DECAL,LABEL,TRANSPORT TIE 68....	3
11	114385GT	DECAL,DANGER,ELEC HAZARD,GS....	1
12	229827GT	DECAL,WARNING,HOT SURFACE.....	1
13	230804GT	DECAL,NOTICE,TIRE SPECS, REAR.... (non-steer end)	1
14	237117GT	DECAL,DANGER-TIP-OVR,BATT,J305... (option)	1
15	237118GT	DECAL,BATT CONN DIAGRAM,J305.... (option)	1
16	237125GT	DECAL,LABEL,WHEEL LD,GS3369DC.....	2
17	237130GT	DECAL,NOTICE,TIRE SPECS, FRONT.....	1
18	237134GT	DECAL,DANGER-TIP-OVR,BATT,T105... GS-2669DC and GS-3369DC ONLY	1
19	237923GT	DECAL,BATT CONN DIAGRAM,T105.... GS-2669DC and GS-3369DC ONLY	1
20	237926GT	DECAL,LABEL,OUTRIGGER LD..... (option)	2

110.1 Decals with Words, GS-3369DC, Controls Side

Controls Side

NOTE:
Part numbers with "(FR)" indicates French translation is available

☐ Shading indicates decal is hidden from view.



110.1 Decals with Words, GS-3369DC, Controls Side

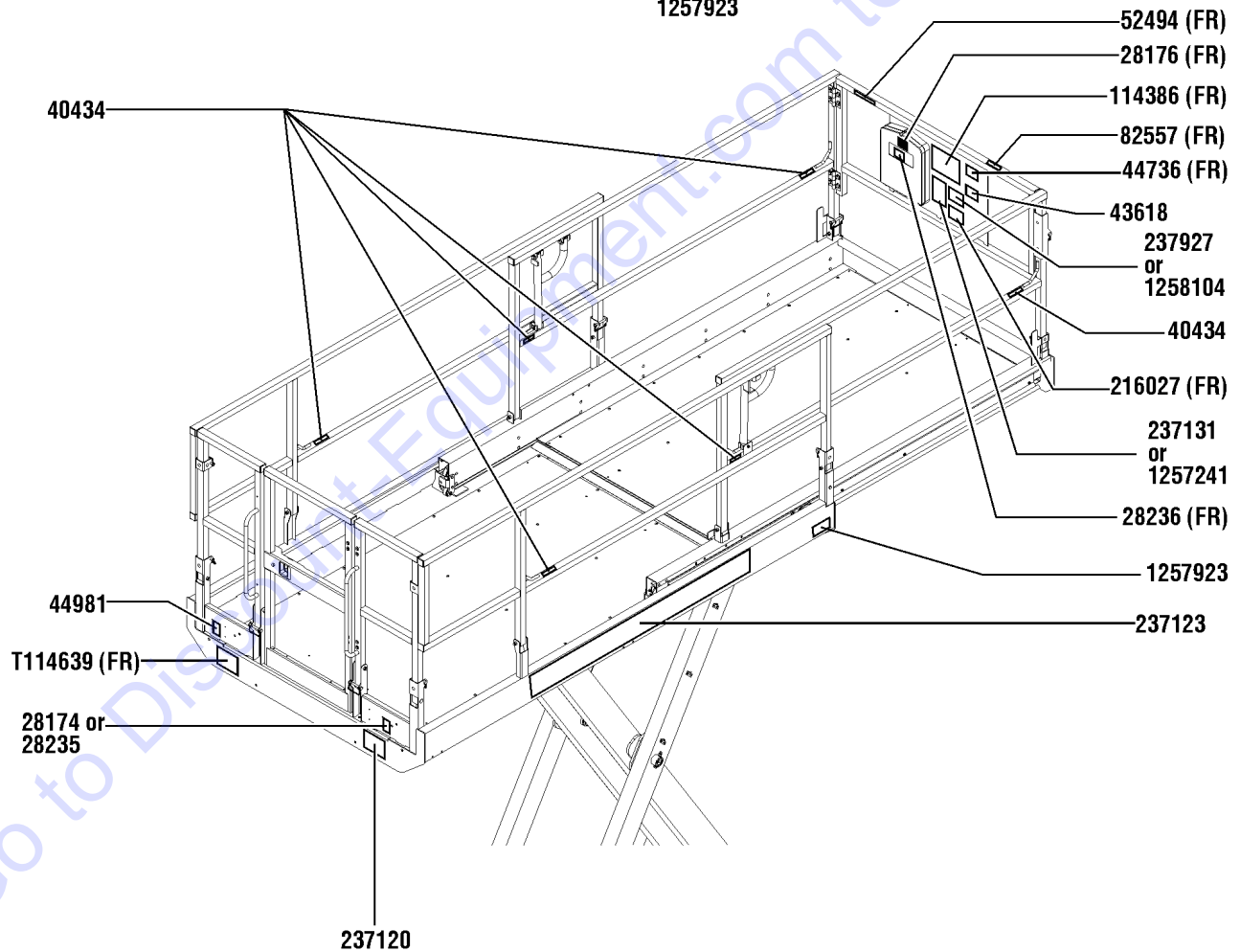
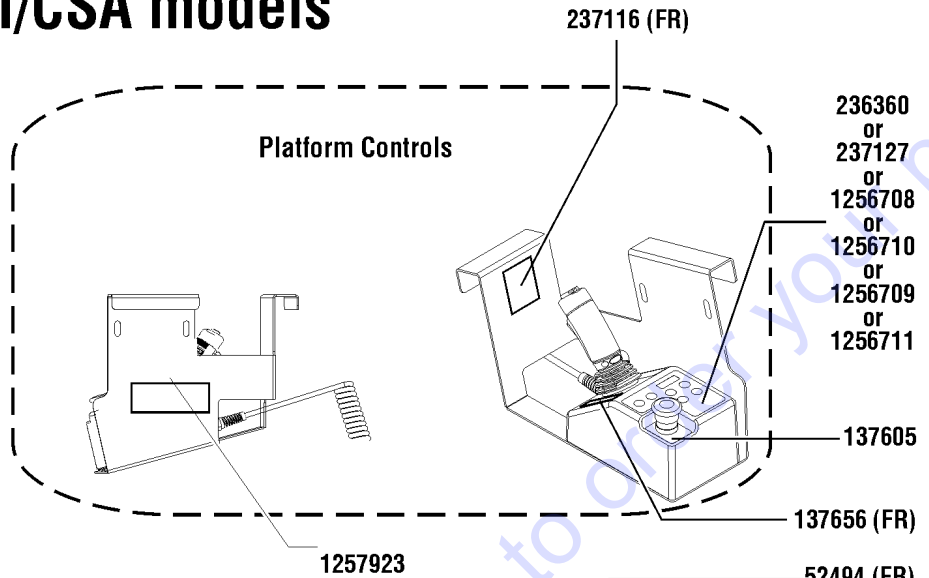
Item	Part No.	Description	Qty.	Item	Part No.	Description	Qty.
--		Ref. Word Decal Kits (refer to 109.1)		27	236415GT	DECAL, GROUND CONTROL PANEL, G.....	1
1	28174GT	DECAL, POWER TO PLATFORM 230V**.....	1	28	237125GT	DECAL,LABEL,WHEEL LD,GS3369DC.....	3
2	28175GT	DECAL,WARNING-COMPART ACCESS.....	1	29	237130GT	DECAL,NOTICE,TIRE SPECS, FRONT.....	2
3	28235GT	DECAL,POWER TO PLATFORM 115V...1	1			(steer end)	
4	28373GT	DECAL,FORK LIFT POCKET.....	2	30	237132GT	DECAL,GRND OPS INSTRUCT,GS69DC.....	1
5	31508GT	DECAL,DANGER,ELECT HAZARD,PLUG.....	1	31	237926GT	DECAL,LABEL,OUTRIGGER LD.....	2
6	38149GT	DECAL,LABEL,PATENTS.....	1			(option)	
		(US Only)					
7	44255GT	DECAL,DANGER,CRUSHING HAZARD.....	2				
8	44981GT	DECAL,LABEL, AIR LINE 110 PSI.....	1				
		(option)					
9	52475GT	DECAL,LABEL,TRANSPORT TIEDOWN*.....	1				
10	52865GT	DECAL,ANNUAL INSP***.....	1				
11	72086GT	DECAL,LABEL,LIFTING EYE.....	1				
12	72186GT	DECAL,WARNING,CRUSHING HAZARD.....	2				
13	72970GT	DECAL,INSTRUCTIONS-CHARGER OP.....	1				
14	72998GT	DECAL,LABEL,QUINTOLUBRIK.....	1				
		(For models with Quintolub hydraulic oil only)					
15	72999GT	DECAL,LABEL,PETRO CANADA***.....	1				
		(For models with Petro Canada hydraulic oil only)					
16	82160GT	DECAL,LABEL,STATOIL HYDRA WAY.....	1				
		(For models with Statoil hydraulic oil only)					
17	82161GT	DECAL,LABEL,UCON HYDROLUBE.....	1				
		(For models with Ucon Hydrolube hydraulic oil only)					
18	82366GT	DECAL,CHEVRON RANDO HD.....	1				
		(For models with Chevron Rando hydraulic oil only)					
19	82558GT	DECAL,WARN,SKIN INJECTION HAZ*.....	1				
20	82561GT	DECAL,DANGER-USE SAFETY ARM....	1				
21	97719GT	DECAL, LABEL, SAFETY ARM SYMB....	1				
22	114202GT	DECAL,LABEL,TRANSPORT TIE 68....	2				
23	114385GT	DECAL,DANGER,ELEC HAZARD,GS....	1				
24	114386GT	DECAL,DANGER-GEN SAFETY.....	1				
25	229827GT	DECAL,WARNING,HOT SURFACE.....	1				
26	230804GT	DECAL,NOTICE,TIRE SPECS, REAR....	1				
		(non-steer end)					

111.1 Decals with Words, GS-3369DC, Platform, ANSI & CSA

Platform, ANSI/CSA models

NOTE:
Part numbers with "(FR)" indicates French translation is available

☐ Shading indicates decal is hidden from view.



111.1 Decals with Words, GS-3369DC, Platform, ANSI & CSA

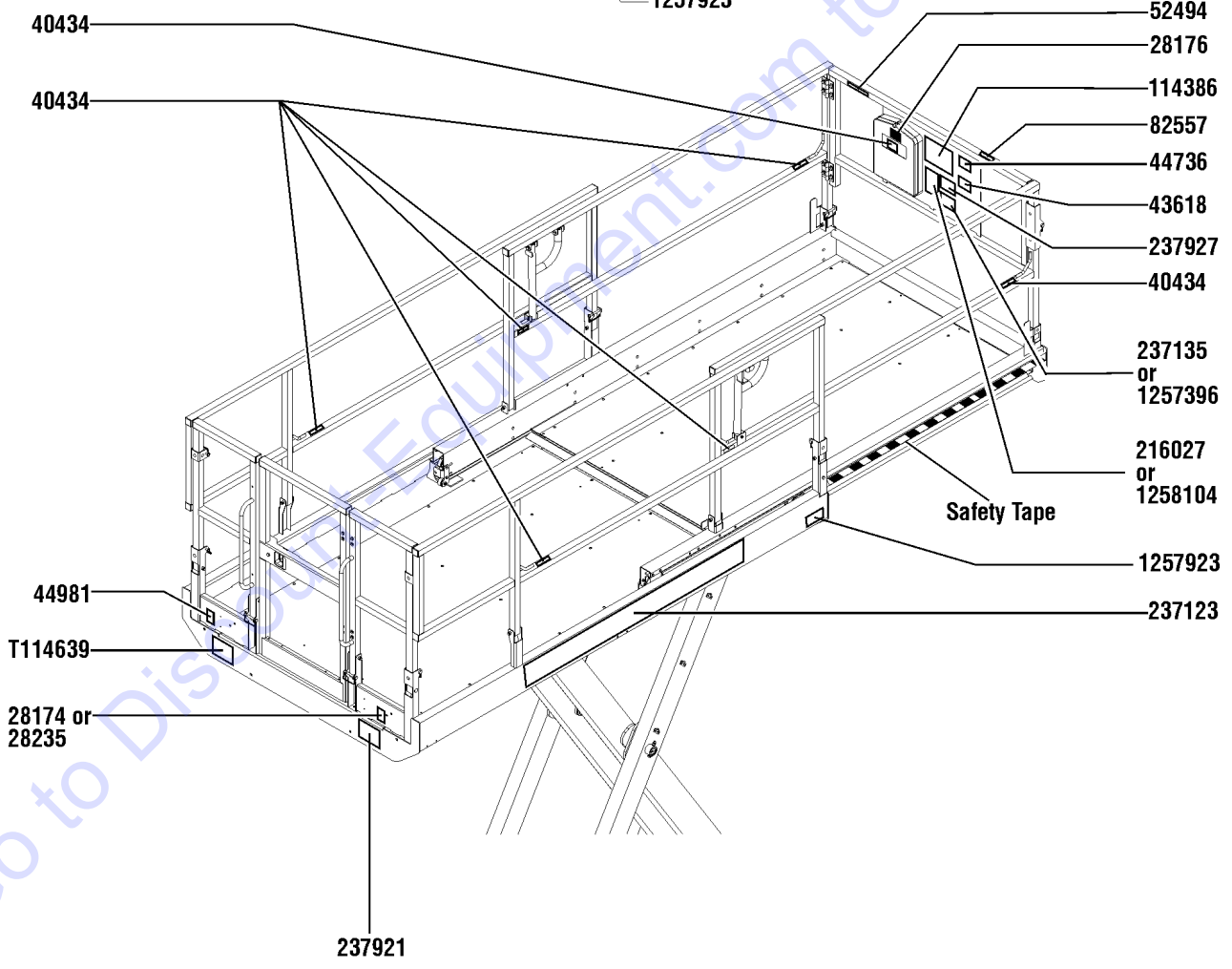
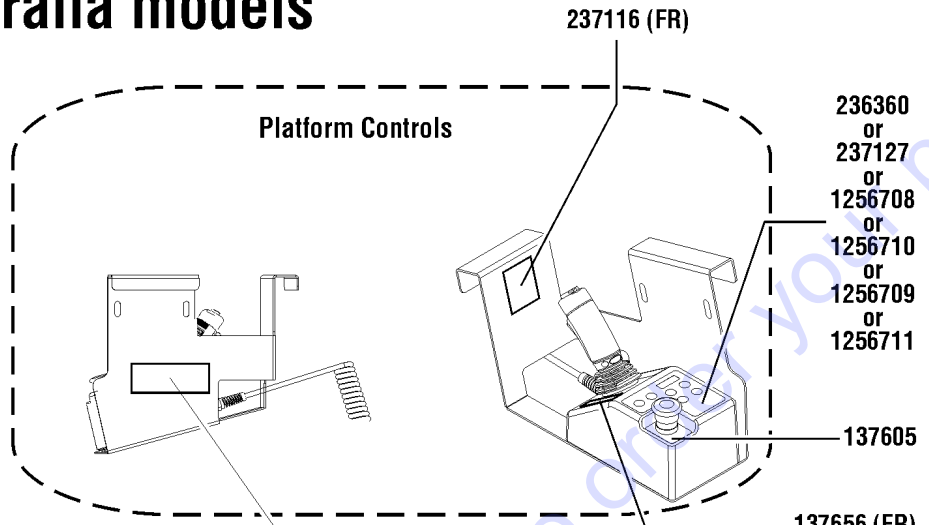
Item	Part No.	Description	Qty.	Item	Part No.	Description	Qty.
--		Ref. Word Decal Kits (refer to 109.1)		26	1256711GT	DECAL, O/R, PROP LIFT, 69DC, U.....1 (models with outriggers that are converted from 7 button, 2 speed lift to 5 button, proportional controller)	1
1	28174GT	DECAL, POWER TO PLATFORM 230V**.....1	1	27	1257396GT	DECAL, OP, INSTR, PLAT, 69DC, AUS.....1 (models with proportional controller)	1
2	28176GT	DECAL, LABEL, MANUAL NOT HERE.....1	1	28	1257923GT	DECAL, SMARTLINK PROPORTIONAL.....2 (models with proportional controller)	2
3	28235GT	DECAL, POWER TO PLATFORM 115V.....1	1	29	1258104GT	DECAL, DANGER, OUTRIGGER SAFETY.....1 (models with outriggers and proportional controller)	1
4	28236GT	DECAL, WARN, IMPROPER OPERATION.....1	1				
5	40434GT	DECAL, LANYARD ANCHORAGE POINT.....6	6				
6	43618GT	DECAL, LABEL - DIRECTION ARROWS.....1	1				
7	44736GT	DECAL, DANGER, TIP-OVER, TILT.....1	1				
8	44981GT	DECAL, LABEL, AIR LINE 110 PSI.....1 (option)	1				
9	52494GT	DECAL, CAUTION, CRUSH HAZ, RAILS.....1	1				
10	82557GT	DECAL, LABEL, PLAT CONT LOCATION.....1	1				
11	114386GT	DECAL, DANGER-GEN SAFETY.....1	1				
12	137605GT	DECAL, E-STOP, GR/GRC/GS PCON.....1	1				
13	137656GT	DECAL, PROPEL, GR/GRC/GS, PCON.....1	1				
14	216027GT	DECAL, DANGER-RUNAWAY HAZARD, SLOPE.....1	1				
15	236360GT	DECAL, UI, GS69DC, PCON.....1 (models without outriggers and with 5 button, 2 speed controller)	1				
16	237116GT	DECAL, LABEL, FAULT CODES, 69DC.....1	1				
17	237120GT	DECAL, NOTICE, SIDE FRC, 3369 ANS...1	1				
18	237123GT	DECAL, COSMETIC, GENIE GS-3369DC.....1	1				
19	237127GT	DECAL, UI, GS69DC W/OR, PCON.....1 (models with outriggers and 7 button, 2 speed controller)	1				
20	237131GT	DECAL, PLAT OPS INSTRUCT, GS69DC.....1 (models with 2 speed controller)	1				
21	237927GT	DECAL, DANGER, OUTRIGGER SAFETY.....1 (models with outriggers and 2 speed controller)	1				
22	T114639GT	DECAL, NOTICE, MAX CAP, GS3369.....1	1				
23	1256708GT	DECAL, STD, PROP LIFT, 69DC, UI.....1 (models without outriggers and with 3 button, proportional controller)	1				
24	1256709GT	DECAL, STD, PROP LIFT, 69DC, U.....1 (models without outriggers that are converted from 5 button, 2 speed lift to 3 button, proportional controller)	1				
25	1256710GT	DECAL, O/R, PROP LIFT, 69DC, UI.....1 (models with outriggers 5 button, proportional controller)	1				

112.1 Decals with Words, GS-3369DC, Platform, AUS

Platform, Australia models

NOTE:
Part numbers with "(FR)" indicates French translation is available

☐ Shading indicates decal is hidden from view.



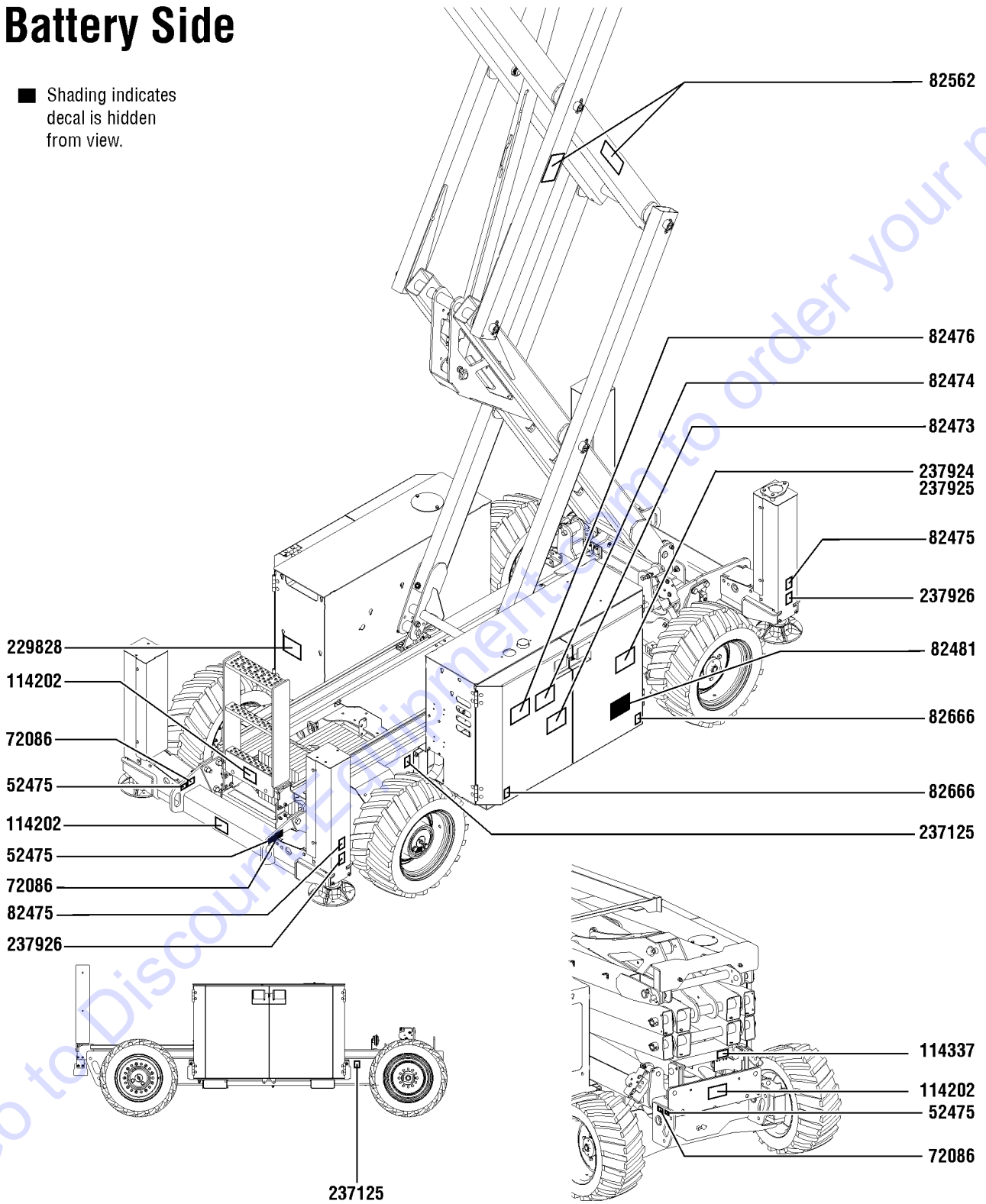
112.1 Decals with Words, GS-3369DC, Platform, AUS

Item	Part No.	Description	Qty.	Item	Part No.	Description	Qty.
--		Ref. Word Decal Kits (refer to 109.1)		26	1256711GT	DECAL, O/R, PROP LIFT, 69DC, U.....1 (models with outriggers that are converted from 7 button, 2 speed lift to 5 button, proportional controller)	1
1	28174GT	DECAL, POWER TO PLATFORM 230V**.....1	1	27	1257396GT	DECAL, OP, INSTR, PLAT, 69DC, AUS.....1 (models with proportional controller)	1
2	28176GT	DECAL, LABEL, MANUAL NOT HERE.....1	1	28	1257923GT	DECAL, SMARTLINK PROPORTIONAL.....2 (models with proportional controller)	2
3	28235GT	DECAL, POWER TO PLATFORM 115V.....1	1	29	1258104GT	DECAL, DANGER, OUTRIGGER SAFETY.....1 (models with outriggers and proportional controller)	1
4	28236GT	DECAL, WARN, IMPROPER OPERATION.....1	1				
5	40434GT	DECAL, LANYARD ANCHORAGE POINT.....6	6				
6	43618GT	DECAL, LABEL - DIRECTION ARROWS.....1	1				
7	44736GT	DECAL, DANGER, TIP-OVER, TILT.....1	1				
8	44981GT	DECAL, LABEL, AIR LINE 110 PSI.....1 (option)	1				
9	52494GT	DECAL, CAUTION, CRUSH HAZ, RAILS.....1	1				
10	82557GT	DECAL, LABEL, PLAT CONT LOCATION.....1	1				
11	114386GT	DECAL, DANGER-GEN SAFETY.....1	1				
12	137605GT	DECAL, E-STOP, GR/GRC/GS PCON.....1	1				
13	137656GT	DECAL, PROPEL, GR/GRC/GS, PCON.....1	1				
14	216027GT	DECAL, DANGER-RUNAWAY HAZARD, SLOPE.....1	1				
15	236360GT	DECAL, UI, GS69DC, PCON.....1 (models without outriggers and with 5 button, 2 speed controller)	1				
16	237116GT	DECAL, LABEL, FAULT CODES, 69DC.....1	1				
17	237123GT	DECAL, COSMETIC, GENIE GS-3369DC.....1	1				
18	237127GT	DECAL, UI, GS69DC W/OR, PCON.....1 (models with outriggers and 7 button, 2 speed controller)	1				
19	237135GT	DECAL, PLAT OPS INSTRUCT, GS69DC.....1 (models with 2 speed controller)	1				
20	237921GT	DECAL, NOTICE, MAN FRC, 3369, AUS.....1	1				
21	237927GT	DECAL, DANGER, OUTRIGGER SAFETY.....1 (models with outriggers and 2 speed controller)	1				
22	T114639GT	DECAL, NOTICE, MAX CAP, GS3369.....1	1				
23	1256708GT	DECAL, STD, PROP LIFT, 69DC, UI.....1 (models without outriggers and with 3 button, proportional controller)	1				
24	1256709GT	DECAL, STD, PROP LIFT, 69DC, U.....1 (models without outriggers that are converted from 5 button, 2 speed lift to 3 button, proportional controller)	1				
25	1256710GT	DECAL, O/R, PROP LIFT, 69DC, UI.....1 (models with outriggers 5 button, proportional controller)	1				

113.1 Decals with Symbols, GS-3369DC, Battery Side

Battery Side

■ Shading indicates decal is hidden from view.



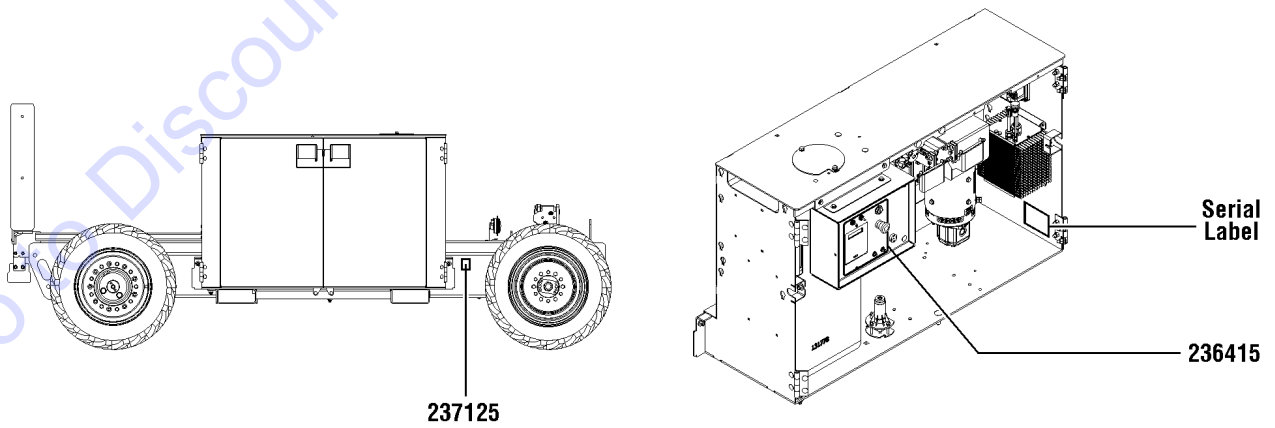
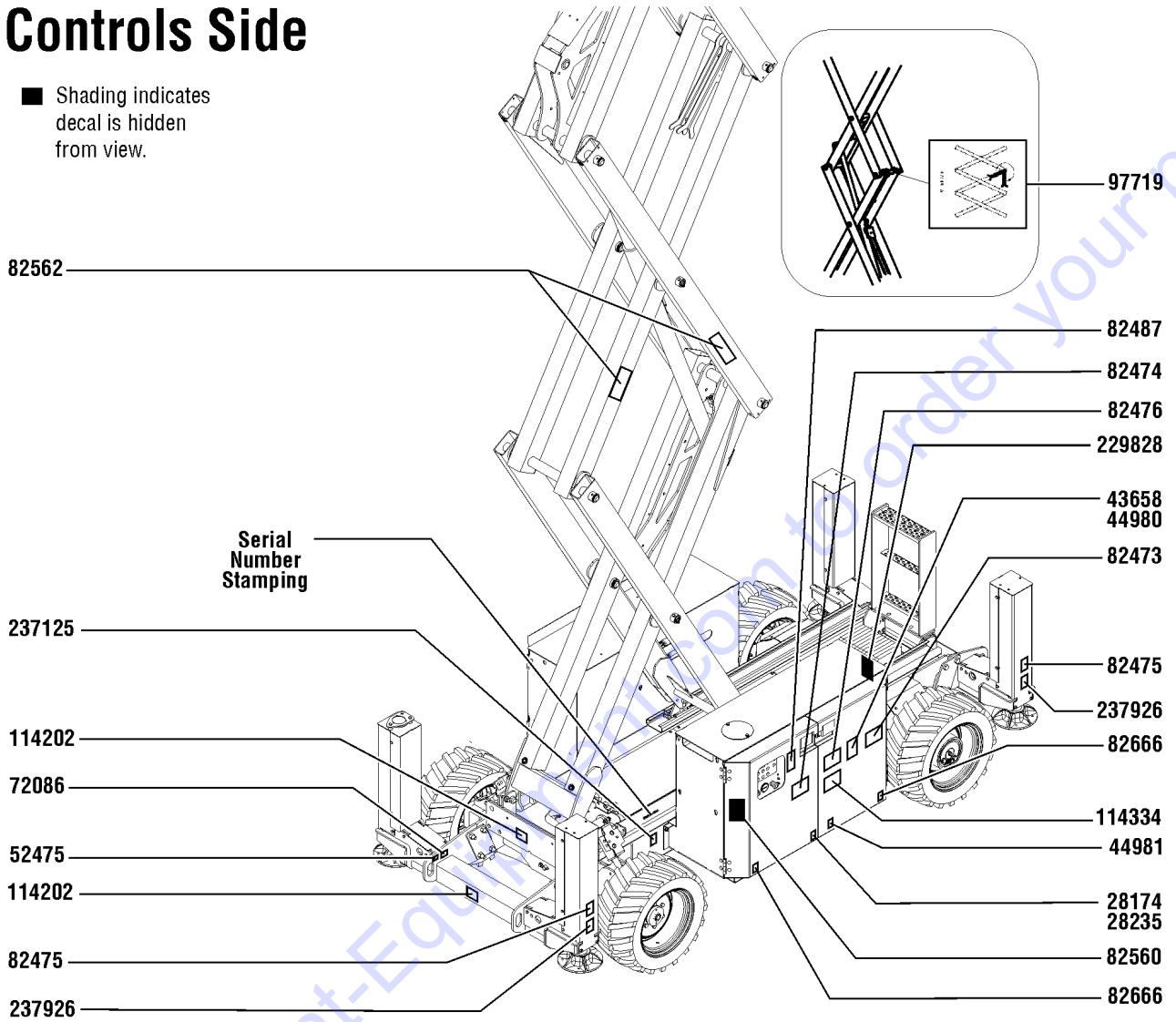
113.1 Decals with Symbols, GS-3369DC, Battery Side

Item	Part No.	Description	Qty.
--	216833GT	DECAL KIT,3369DC COMP,SYM,ANSI (Decal kit, complete for ANSI models only)	
--	216881GT	DECAL KIT,3369DC PLAT,SYM,ANSI (Decal kit, platform for ANSI models only)	
--	216885GT	DECAL KIT,3369DC COMP,SYM,CE (Decal kit, complete for CE models only)	
--	216886GT	DECAL KIT,3369DC PLAT,SYM,CE (Decal kit, platform for CE models only)	
1	52475GT	DECAL,LABEL,TRANSPORT TIEDOWN*.....	3
2	72086GT	DECAL,LABEL,LIFTING EYE.....	3
3	82473GT	DECAL,SYMBOL-COMP ACCESS.....	1
4	82474GT	DECAL,SYMBOL-USE SAFETY ARM....	1
5	82475GT	DECAL,SYMBOL-FOOT CRUSHING....	2
6	82476GT	DECAL,SYMBOL-ELEC HAZARD,GS....	1
7	82481GT	DECAL,SYMBOL-BATTERY SAFETY.....	1
8	82562GT	DECAL,SYMBOL-CRUSHING HAZARD.....	2
9	82666GT	DECAL,LABEL,FORKLIFT POCKET.....	2
10	114202GT	DECAL,LABEL,TRANSPORT TIE 68....	3
11	114337GT	DECAL,SYM-TIP-OVER,LIM SWITCH....	1
12	229828GT	DECAL,LABEL,HOT,SYMBOL.....	1
13	237125GT	DECAL,LABEL,WHEEL LD,GS3369DC.....	2
14	237924GT	DECAL,DNGR-TIP-OVR,BATT,J305CE... (option)	1
15	237925GT	DECAL,DNGR-TIP-OVR,BATT,T105CE..1 GS-2669DC and GS-3369DC ONLY	1
16	237926GT	DECAL,LABEL,OUTRIGGER LD..... (option)	2

114.1 Decals with Symbols, GS-3369DC, Controls Side

Controls Side

■ Shading indicates decal is hidden from view.

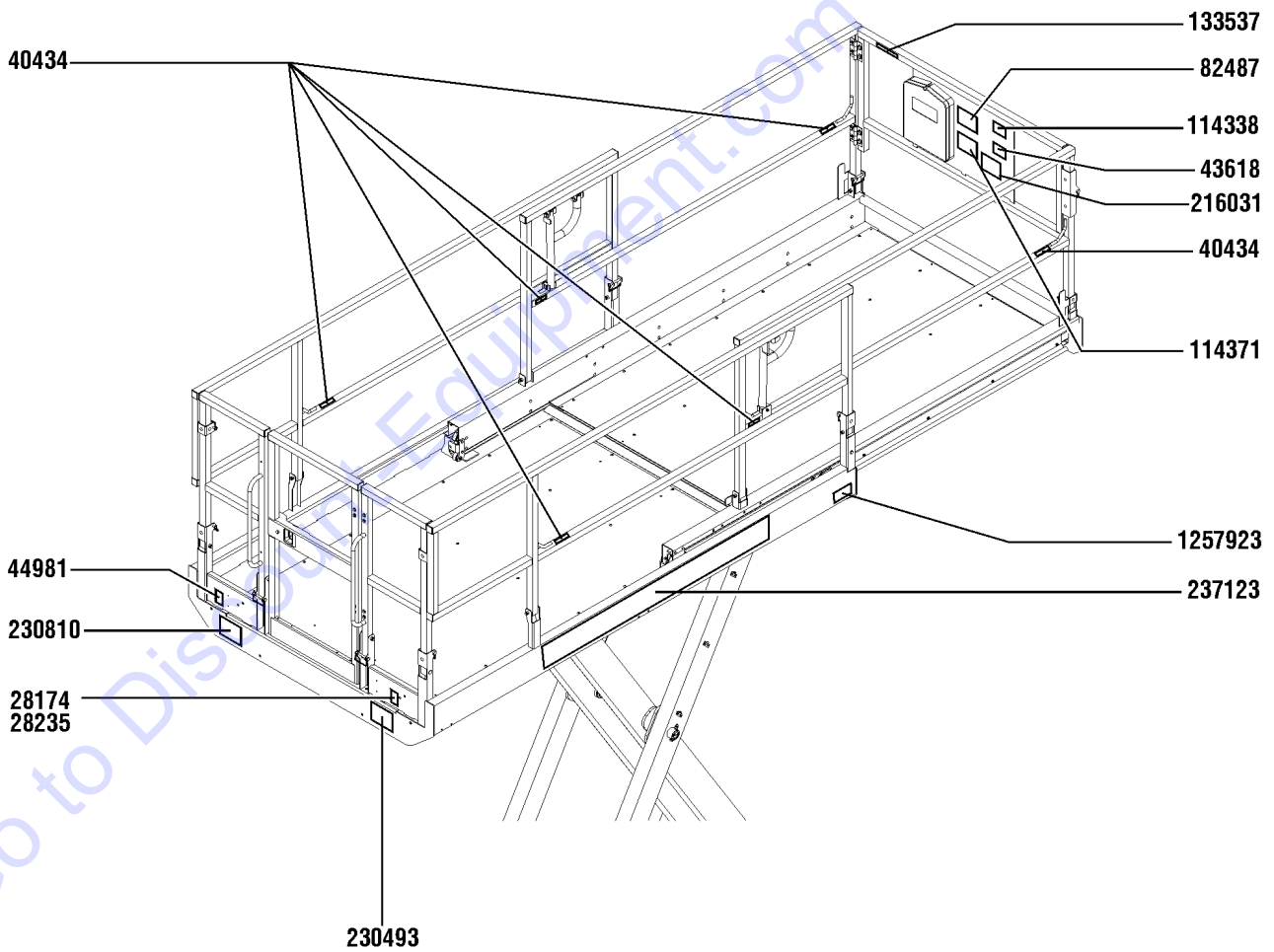
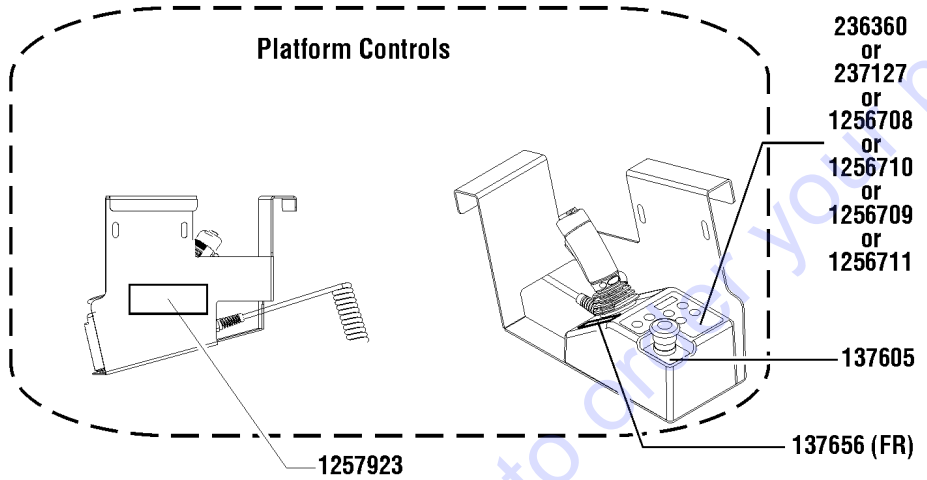


114.1 Decals with Symbols, GS-3369DC, Controls Side

Item	Part No.	Description	Qty.
--		Ref. Symbol Decal Kits (refer to 113.1)	
1	28174GT	DECAL, POWER TO PLATFORM 230V**.....1	1
2	28235GT	DECAL,POWER TO PLATFORM 115V...1	1
3	43658GT	DECAL,LABEL,PWR TO CHARGR 230V.....1 (option)	1
4	44980GT	DECAL,LABEL,PWR TO CHARGR 115V.....1 (option)	1
5	44981GT	DECAL,LABEL, AIR LINE 110 PSI.....1 (option)	1
6	52475GT	DECAL,LABEL,TRANSPORT TIEDOWN*.....1	1
7	72086GT	DECAL,LABEL,LIFTING EYE.....1	1
8	82473GT	DECAL,SYMBOL-COMP ACCESS.....1	1
9	82474GT	DECAL,SYMBOL-USE SAFETY ARM...1	1
10	82475GT	DECAL,SYMBOL-FOOT CRUSHING....2	2
11	82476GT	DECAL,SYMBOL-ELEC HAZARD,GS.....1	1
12	82487GT	DECAL, SYMBOL - READ THE MANUAL.....1	1
13	82560GT	DECAL,SYMBOL-SKIN INJECT HAZRD.....1	1
14	82562GT	DECAL,SYMBOL-CRUSHING HAZARD.....2	2
15	82666GT	DECAL,LABEL,FORKLIFT POCKET....2	2
16	97719GT	DECAL, LABEL, SAFETY ARM SYMB...1	1
17	114202GT	DECAL,LABEL,TRANSPORT TIE 68....2	2
18	114334GT	DECAL,SYM-ELEC HAZARD,PLUG.....1	1
19	229828GT	DECAL,LABEL,HOT,SYMBOL.....1	1
20	236415GT	DECAL, GROUND CONTROL PANEL, G.....1	1
21	237125GT	DECAL,LABEL,WHEEL LD,GS3369DC.....2	2
22	237926GT	DECAL,LABEL,OUTRIGGER LD.....2 (option)	2

Platform ANSI models

☐ Shading indicates decal is hidden from view.

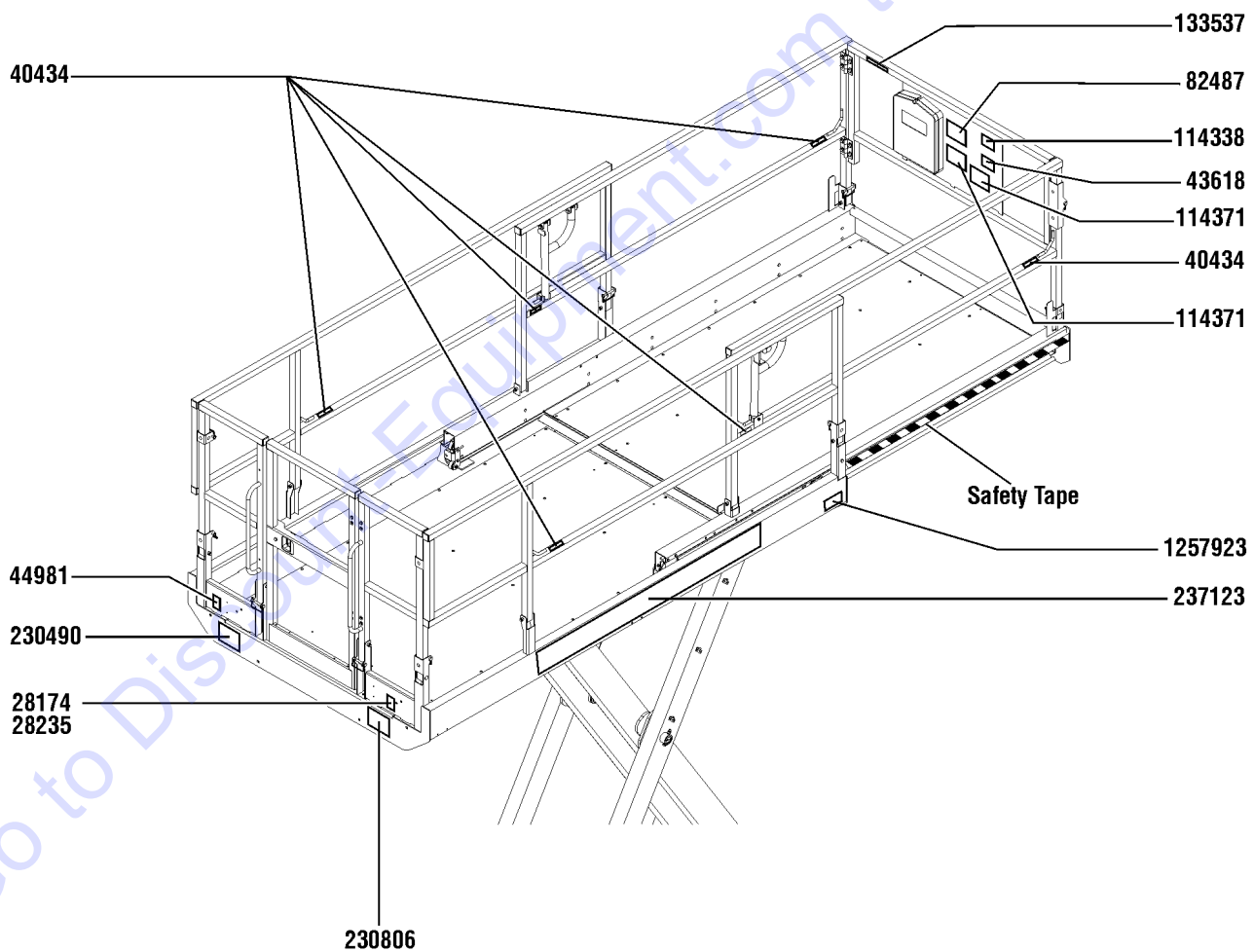
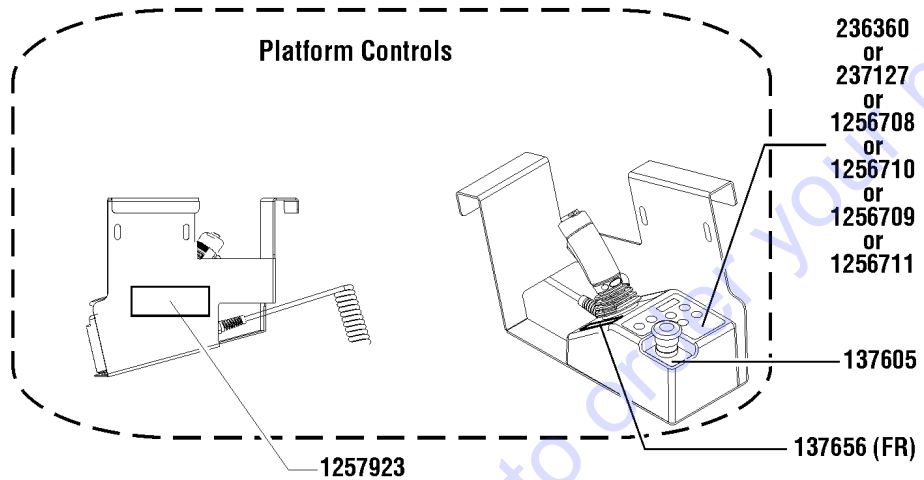


115.1 Decals with Symbols, GS-3369DC, Platform, Asia & S. America

Item	Part No.	Description	Qty.
--		Ref. Symbol Decal Kits (refer to 113.1)	
1	28174GT	DECAL, POWER TO PLATFORM 230V**.....1	1
2	28235GT	DECAL,POWER TO PLATFORM 115V...1	1
3	40434GT	DECAL,LANYARD ANCHORAGE POINT.....6	6
4	43618GT	DECAL, LABEL - DIRECTION ARROWS.....1	1
5	44981GT	DECAL,LABEL, AIR LINE 110 PSI.....1 (option)	1
6	82487GT	DECAL, SYMBOL - READ THE MANUAL.....1	1
7	114338GT	DECAL,SYM-TIP-OVER,TILT ALARM....1	1
8	114371GT	DECAL,SYM-TIP-OVER,OUTRGR.....1 (models with outriggers)	1
9	133537GT	DECAL,CRUSH HAZ RAILS SYMB.....1	1
10	137605GT	DECAL,E-STOP,GR/GRC/GS PCON....1	1
11	137656GT	DECAL,PROPEL,GR/GRC/GS,PCON....1	1
12	216031GT	DECAL,DANGER,RUNAWAY HAZ, SYM.....1	1
13	230493GT	DECAL,DANGER,SIDE FRC,GS3369....1	1
14	230810GT	DECAL,NOTICE,MAX CAP GS3369....1	1
15	236360GT	DECAL, UI, GS69DC,PCON.....1 (models without outriggers and with 5 button, 2 speed controller)	1
16	237123GT	DECAL,COSMETIC,GENIE GS-3369DC.....1	1
17	237127GT	DECAL,UI,GS69DC W/OR,PCON.....1 (models with outriggers and 7 button, 2 speed controller)	1
18	1256708GT	DECAL,STD,PROP LIFT,69DC,UI.....1 (models without outriggers and with 3 button, proportional controller)	1
19	1256709GT	DECAL, STD, PROP LIFT, 69DC, U.....1 (models without outriggers that are converted from 5 button, 2 speed lift to 3 button, proportional controller)	1
20	1256710GT	DECAL,O/R,PROP LIFT,69DC,UI.....1 (models with outriggers and 5 button, proportional controller)	1
21	1256711GT	DECAL, O/R, PROP LIFT, 69DC, U.....1 (models with outriggers that are converted from 7 button, 2 speed lift to 5 button, proportional controller)	1
22	1257923GT	DECAL, SMARTLINK PROPORTIONAL.....2 (models with proportional controller)	2

Platform CE models

☐ Shading indicates decal is hidden from view.



116.1 Decals with Symbols, GS-3369DC, Platform, CE

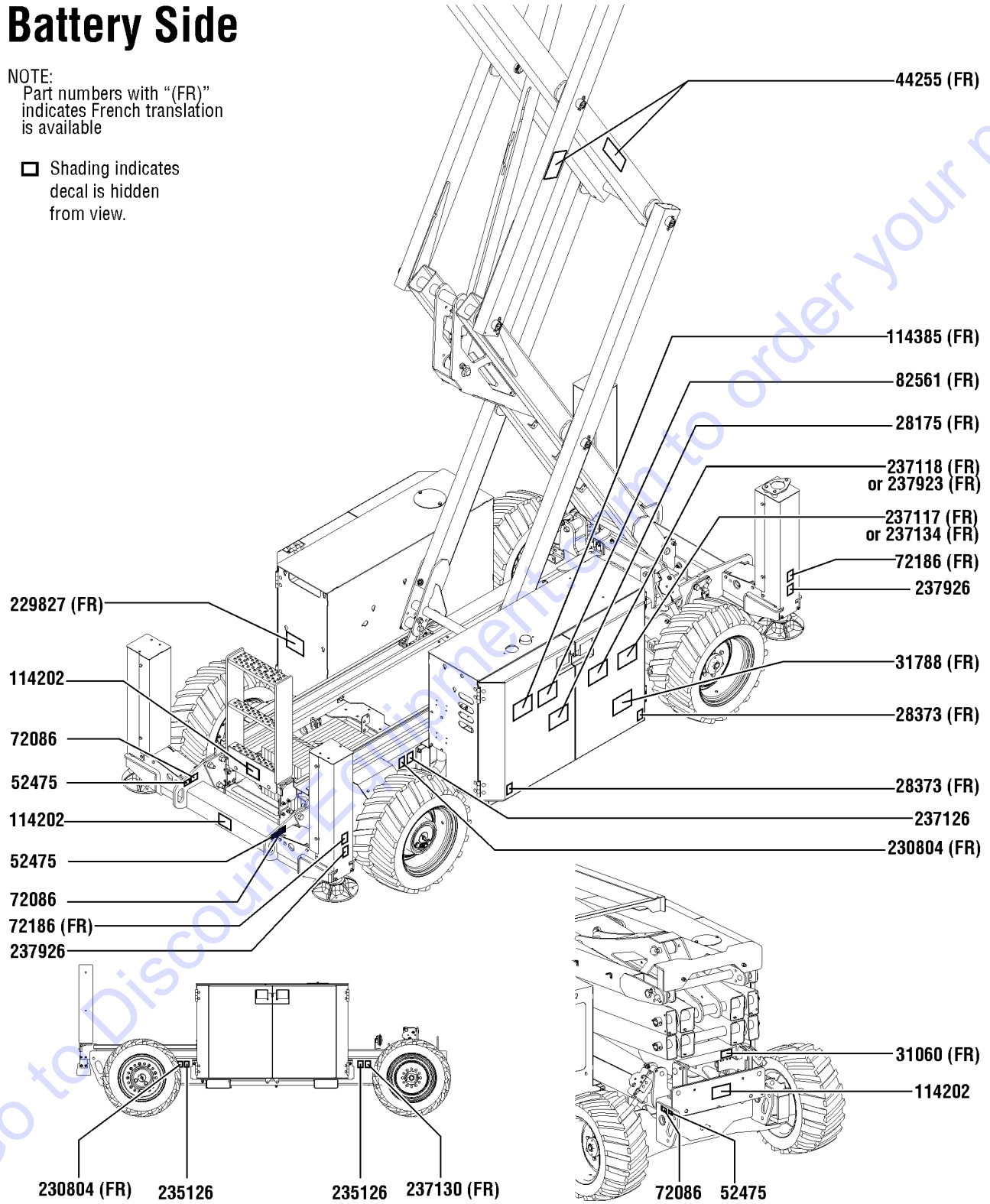
Item	Part No.	Description	Qty.
--		Ref. Symbol Decal Kits (refer to 113.1)	
1	28174GT	DECAL, POWER TO PLATFORM 230V**.....	1
2	28235GT	DECAL,POWER TO PLATFORM 115V...1	1
3	40434GT	DECAL,LANYARD ANCHORAGE POINT.....	6
4	43618GT	DECAL, LABEL - DIRECTION ARROWS.....	1
5	44981GT	DECAL,LABEL, AIR LINE 110 PSI..... (option)	1
6	82487GT	DECAL, SYMBOL - READ THE MANUAL.....	1
7	114338GT	DECAL,SYM-TIP-OVER,TILT ALARM....1	1
8	114371GT	DECAL,SYM-TIP-OVER,OUTRGR.....1	1
9	133537GT	DECAL,CRUSH HAZ RAILS SYMB.....1	1
10	137605GT	DECAL,E-STOP,GR/GRC/GS PCON....1	1
11	137656GT	DECAL,PROPEL,GR/GRC/GS,PCON....1	1
12	216031GT	DECAL,DANGER,RUNAWAY HAZ, SYM.....	1
13	230490GT	DECAL,NOTICE,MAX CAP GS3369.....1	1
14	230490GT	DECAL,NOTICE,MAX CAP GS3369.....1	1
15	236360GT	DECAL, UI, GS69DC,PCON..... (models without outriggers and with 5 button, 2 speed controller)	1
16	237123GT	DECAL,COSMETIC,GENIE GS-3369DC.....	1
17	237127GT	DECAL,UI,GS69DC W/OR,PCON..... (models with outriggers and 7 button, 2 speed controller)	1
18	1256708GT	DECAL,STD,PROP LIFT,69DC,UI..... (models without outriggers and with 3 button, proportional controller)	1
19	1256709GT	DECAL, STD, PROP LIFT, 69DC, U..... (models without outriggers that are converted from 5 button, 2 speed lift to 3 button, proportional controller)	1
20	1256710GT	DECAL,O/R,PROP LIFT,69DC,UI..... (models with outriggers and 5 button, proportional controller)	1
21	1256711GT	DECAL, O/R, PROP LIFT, 69DC, U..... (models with outriggers that are converted from 7 button, 2 speed lift to 5 button, proportional controller)	1
22	1257923GT	DECAL, SMARTLINK PROPORTIONAL..... (models with proportional controller)	2

117.1 Decals with Words, GS-4069DC, Battery Side

Battery Side

NOTE:
Part numbers with "(FR)" indicates French translation is available

☐ Shading indicates decal is hidden from view.



117.1 Decals with Words, GS-4069DC, Battery Side

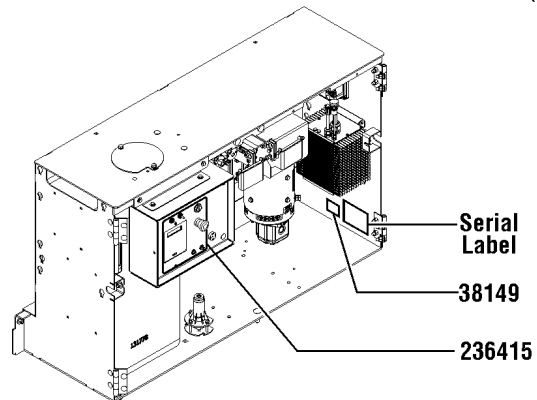
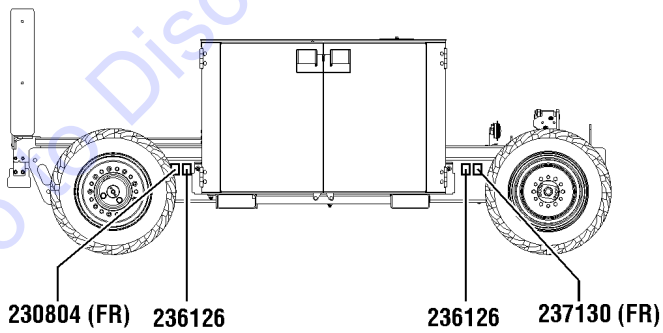
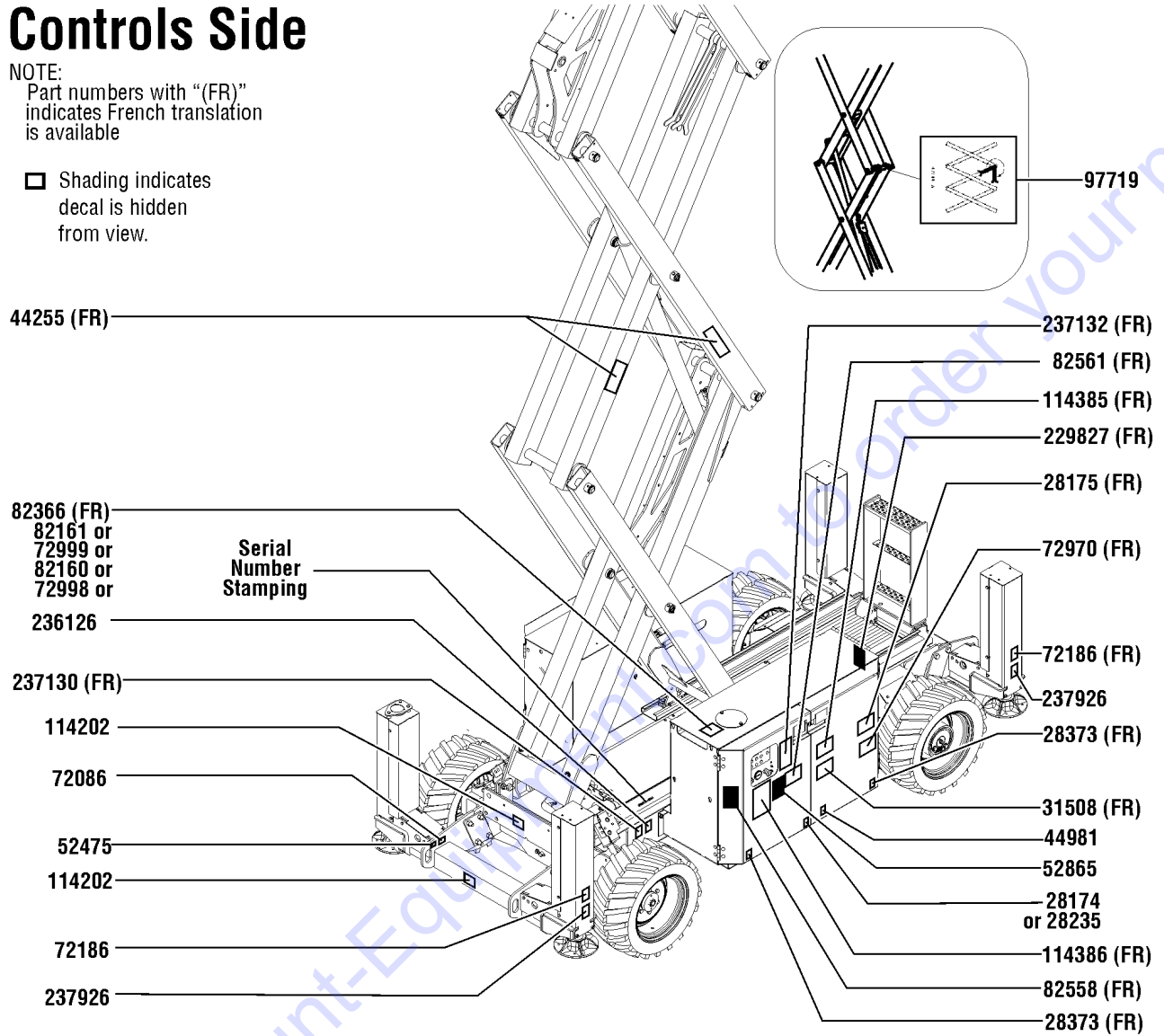
Item	Part No.	Description	Qty.
--	216830GT	DECAL KIT,4069DC COMP,WRD,ANSI (Decal kit, complete for ANSI models only)	
--	216831GT	DECAL KIT,4069DC PLAT,WRD,ANSI (Decal kit, platform for ANSI models only)	
--	216878GT	DECAL KIT,4069DC COMP,WRD,AUS (Decal kit, complete for AUS models only)	
--	216879GT	DECAL KIT,4069DC PLAT,WRD,AUS (Decal kit, platform for AUS models only)	
1	28175GT	DECAL,WARNING-COMPART ACCESS.....	1
2	28373GT	DECAL,FORK LIFT POCKET.....	2
3	31060GT	DECAL,DANGER DO NOT ALTER SWTC.....	1
4	31788GT	DECAL,DANGER,BATTERY SAFETY***.....	1
5	44255GT	DECAL,DANGER,CRUSHING HAZARD.....	2
6	52475GT	DECAL,LABEL,TRANSPORT TIEDOWN*.....	3
7	72086GT	DECAL,LABEL,LIFTING EYE.....	3
8	72186GT	DECAL,WARNING,CRUSHING HAZARD.....	2
9	82561GT	DECAL,DANGER-USE SAFETY ARM....	1
10	114202GT	DECAL,LABEL,TRANSPORT TIE 68....	3
11	114385GT	DECAL,DANGER,ELEC HAZARD,GS....	1
12	229827GT	DECAL,WARNING,HOT SURFACE.....	1
13	230804GT	DECAL,NOTICE,TIRE SPECS, REAR.... (non-steer end)	1
14	237117GT	DECAL,DANGER-TIP-OVR,BATT,J305...	1
15	237118GT	DECAL,BATT CONN DIAGRAM,J305....	1
16	237126GT	DECAL,LABEL,WHEEL LD,GS4069DC.....	2
17	237130GT	DECAL,NOTICE,TIRE SPECS, FRONT..... (steer end)	1
18	237926GT	DECAL,LABEL,OUTRIGGER LD..... (option)	2

118.1 Decals with Words, GS-4069DC, Controls Side

Controls Side

NOTE:
Part numbers with "(FR)" indicates French translation is available

☐ Shading indicates decal is hidden from view.



118.1 Decals with Words, GS-4069DC, Controls Side

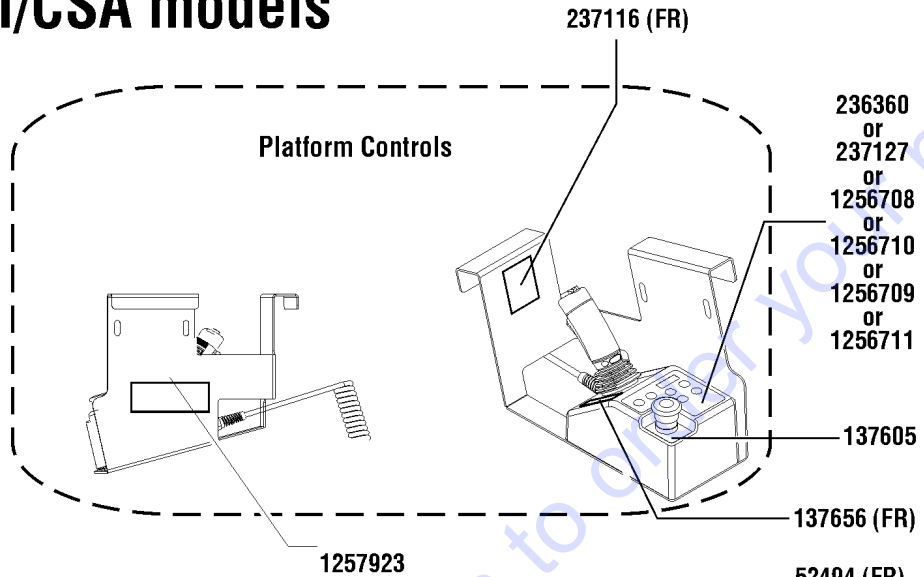
Item	Part No.	Description	Qty.	Item	Part No.	Description	Qty.
--		Ref. Word Decal Kits (refer to 117.1)		28	236415GT	DECAL, GROUND CONTROL PANEL, G.....	1
1	28174GT	DECAL, POWER TO PLATFORM 230V**.....	1	29	237130GT	DECAL, NOTICE, TIRE SPECS, FRONT..... (steer end)	2
2	28175GT	DECAL, WARNING-COMPART ACCESS.....	1	30	237132GT	DECAL, GRND OPS INSTRUCT, GS69DC.....	1
3	28235GT	DECAL, POWER TO PLATFORM 115V...1	1	31	237926GT	DECAL, LABEL, OUTRIGGER LD..... (option)	2
4	28373GT	DECAL, FORK LIFT POCKET.....2	2				
5	31508GT	DECAL, DANGER, ELECT HAZARD, PLUG.....	1				
6	38149GT	DECAL, LABEL, PATENTS..... (US Only)	1				
7	44255GT	DECAL, DANGER, CRUSHING HAZARD.....	1				
8	44981GT	DECAL, LABEL, AIR LINE 110 PSI.....1	1				
9	52475GT	DECAL, LABEL, TRANSPORT TIEDOWN*.....	1				
10	52865GT	DECAL, ANNUAL INSP***.....1	1				
11	72086GT	DECAL, LABEL, LIFTING EYE.....1	1				
12	72186GT	DECAL, WARNING, CRUSHING HAZARD.....	2				
13	72970GT	DECAL, INSTRUCTIONS-CHARGER OP.....	1				
14	72998GT	DECAL, LABEL, QUINTOLUBRIK..... (For models with Quintolub hydraulic oil only)	1				
15	72999GT	DECAL, LABEL, PETRO CANADA***..... (For models with Petro Canada hydraulic oil only)	1				
16	82160GT	DECAL, LABEL, STATOIL HYDRA WAY..... (For models with Statoil hydraulic oil only)	1				
17	82161GT	DECAL, LABEL, UCON HYDROLUBE..... (For models with Ucon Hydrolube hydraulic oil only)	1				
18	82366GT	DECAL, CHEVRON RANDO HD..... (For models with Chevron Rando hydraulic oil only)	1				
19	82558GT	DECAL, WARN, SKIN INJECTION HAZ*.....	1				
20	82561GT	DECAL, DANGER-USE SAFETY ARM....1	1				
21	97719GT	DECAL, LABEL, SAFETY ARM SYMB....1	1				
22	114202GT	DECAL, LABEL, TRANSPORT TIE 68....2	2				
23	114385GT	DECAL, DANGER, ELEC HAZARD, GS....1	1				
24	114386GT	DECAL, DANGER-GEN SAFETY.....1	1				
25	229827GT	DECAL, WARNING, HOT SURFACE.....1	1				
26	230804GT	DECAL, NOTICE, TIRE SPECS, REAR.... (non-steer end)	1				
27	237126GT	DECAL, LABEL, WHEEL LD, GS4069DC.....	3				

119.1 Decals with Words, GS-4069DC, Platform, ANSI & CSA

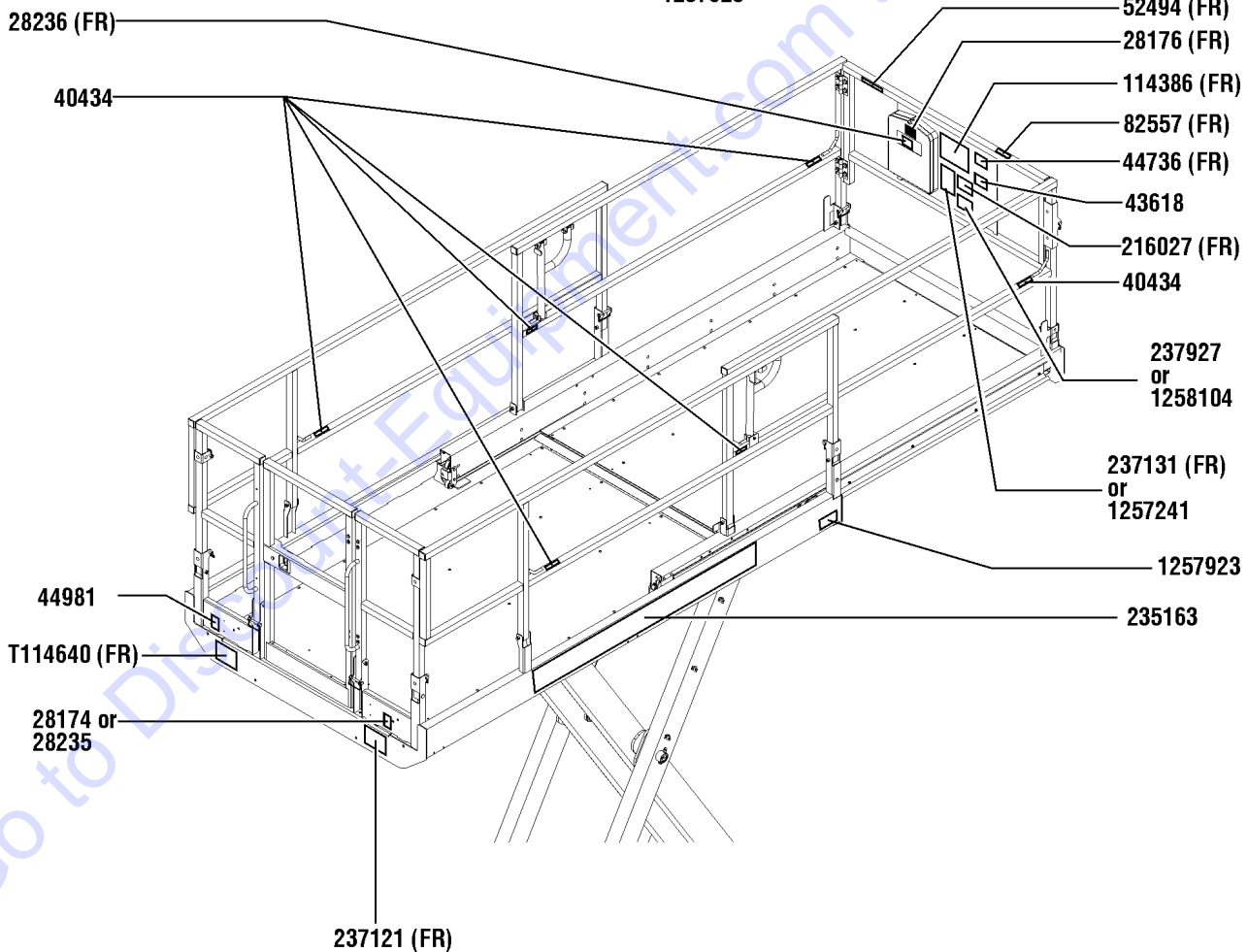
Platform, ANSI/CSA models

NOTE:
Part numbers with "(FR)" indicates French translation is available

☐ Shading indicates decal is hidden from view.



- 236360
- or
- 237127
- or
- 1256708
- or
- 1256710
- or
- 1256709
- or
- 1256711



119.1 Decals with Words, GS-4069DC, Platform, ANSI & CSA

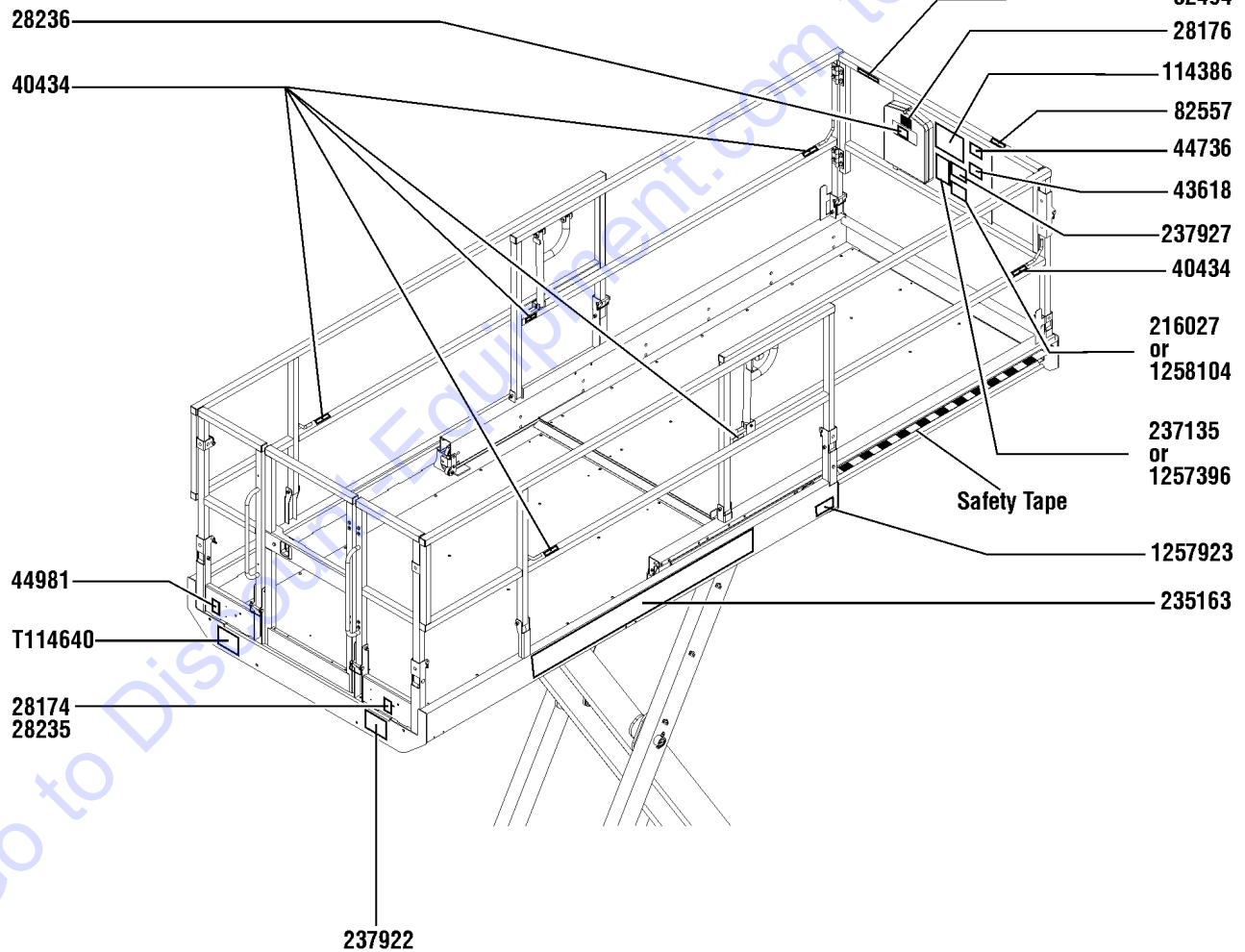
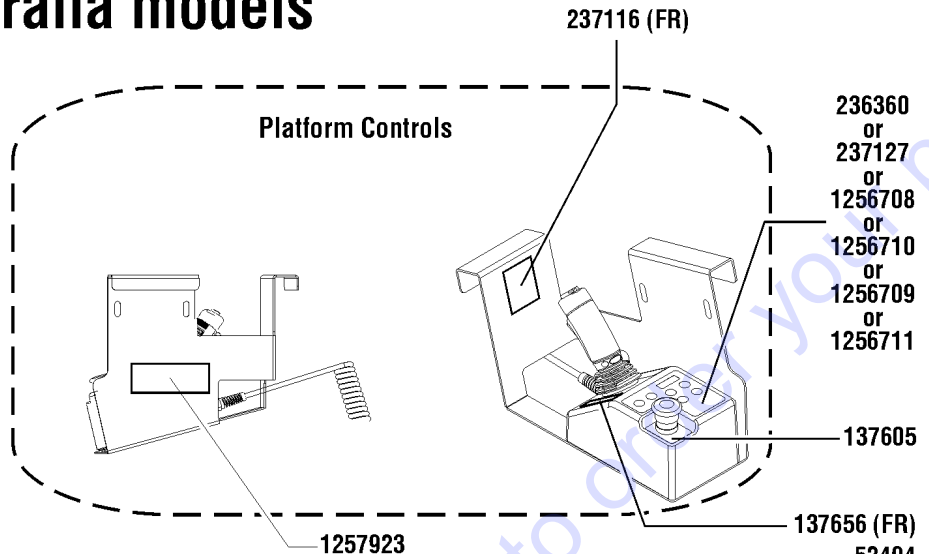
Item	Part No.	Description	Qty.	Item	Part No.	Description	Qty.
--		Ref. Word Decal Kits (refer to 117.1)		26	1256711GT	DECAL, O/R, PROP LIFT, 69DC, U.....1 (models with outriggers that are converted from 7 button, 2 speed lift to 5 button, proportional controller)	1
1	28174GT	DECAL, POWER TO PLATFORM 230V**.....1	1	27	1257241GT	DECAL, NOTICE, OP, INST, PLAT, 69DC.....1 (models with proportional controller)	1
2	28176GT	DECAL, LABEL, MANUAL NOT HERE.....1	1	28	1257923GT	DECAL, SMARTLINK PROPORTIONAL.....2 (models with proportional controller)	2
3	28235GT	DECAL, POWER TO PLATFORM 115V.....1	1	29	1258104GT	DECAL, DANGER, OUTRIGGER SAFETY.....1 (models with outriggers and proportional controller)	1
4	28236GT	DECAL, WARN, IMPROPER OPERATION.....1	1				
5	40434GT	DECAL, LANYARD ANCHORAGE POINT.....6	6				
6	43618GT	DECAL, LABEL - DIRECTION ARROWS.....1	1				
7	44736GT	DECAL, DANGER, TIP-OVER, TILT.....1	1				
8	44981GT	DECAL, LABEL, AIR LINE 110 PSI.....1 (option)	1				
9	52494GT	DECAL, CAUTION, CRUSH HAZ, RAILS.....1	1				
10	82557GT	DECAL, LABEL, PLAT CONT LOCATION.....1	1				
11	114386GT	DECAL, DANGER-GEN SAFETY.....1	1				
12	137605GT	DECAL, E-STOP, GR/GRC/GS PCON.....1	1				
13	137656GT	DECAL, PROPEL, GR/GRC/GS, PCON.....1	1				
14	216027GT	DECAL, DANGER-RUNAWAY HAZARD, SLOPE.....1	1				
15	235163GT	DECAL COSMETIC, GS4069DC.....1	1				
16	236360GT	DECAL, UI, GS69DC, PCON.....1 (models without outriggers and with 5 button, 2 speed controller)	1				
17	237116GT	DECAL, LABEL, FAULT CODES, 69DC.....1	1				
18	237121GT	DECAL, NOTICE, SIDE FRC, 4069 ANS...1	1				
19	237127GT	DECAL, UI, GS69DC W/OR, PCON.....1 (models with outriggers and 7 button, 2 speed controller)	1				
20	237131GT	DECAL, PLAT OPS INSTRUCT, GS69DC.....1 (models with 2 speed controller)	1				
21	237927GT	DECAL, DANGER, OUTRIGGER SAFETY.....1 (models with outriggers and 2 speed controller)	1				
22	T114640GT	DECAL, NOTICE, MAX CAP GS4069.....1	1				
23	1256708GT	DECAL, STD, PROP LIFT, 69DC, UI.....1 (models without outriggers and with 3 button, proportional controller)	1				
24	1256709GT	DECAL, STD, PROP LIFT, 69DC, U.....1 (models without outriggers that are converted from 5 button, 2 speed lift to 3 button, proportional controller)	1				
25	1256710GT	DECAL, O/R, PROP LIFT, 69DC, UI.....1 (models with outriggers 5 button, proportional controller)	1				

120.1 Decals with Words, GS-4069DC, Platform, AUS

Platform, Australia models

NOTE:
Part numbers with "(FR)" indicates French translation is available

☐ Shading indicates decal is hidden from view.



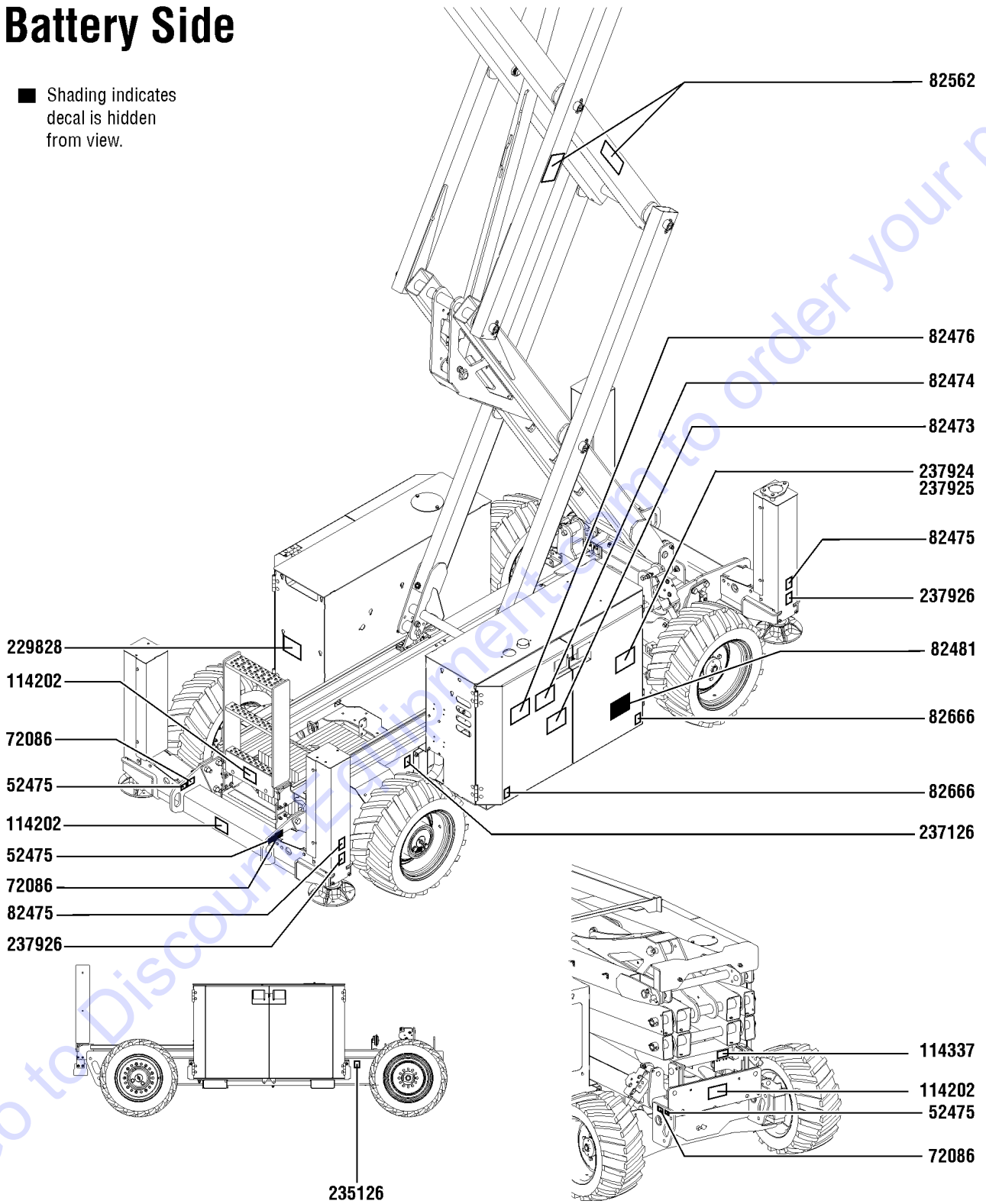
120.1 Decals with Words, GS-4069DC, Platform, AUS

Item	Part No.	Description	Qty.	Item	Part No.	Description	Qty.
--		Ref. Word Decal Kits (refer to 117.1)		26	1256711GT	DECAL, O/R, PROP LIFT, 69DC, U.....1 (models with outriggers that are converted from 7 button, 2 speed lift to 5 button, proportional controller)	1
1	28174GT	DECAL, POWER TO PLATFORM 230V**.....1	1	27	1257396GT	DECAL, OP, INSTR, PLAT, 69DC, AUS.....1 (models with proportional controller)	1
2	28176GT	DECAL, LABEL, MANUAL NOT HERE.....1	1	28	1257923GT	DECAL, SMARTLINK PROPORTIONAL.....2 (models with proportional controller)	2
3	28235GT	DECAL, POWER TO PLATFORM 115V...1	1	29	1258104GT	DECAL, DANGER, OUTRIGGER SAFETY.....1 (models with outriggers and proportional controller)	1
4	28236GT	DECAL, WARN, IMPROPER OPERATION.....1	1				
5	40434GT	DECAL, LANYARD ANCHORAGE POINT.....6	6				
6	43618GT	DECAL, LABEL - DIRECTION ARROWS.....1	1				
7	44736GT	DECAL, DANGER, TIP-OVER, TILT.....1	1				
8	44981GT	DECAL, LABEL, AIR LINE 110 PSI.....1 (option)	1				
9	52494GT	DECAL, CAUTION, CRUSH HAZ, RAILS.....1	1				
10	82557GT	DECAL, LABEL, PLAT CONT LOCATION.....1	1				
11	114386GT	DECAL, DANGER-GEN SAFETY.....1	1				
12	137605GT	DECAL, E-STOP, GR/GRC/GS PCON....1	1				
13	137656GT	DECAL, PROPEL, GR/GRC/GS, PCON....1	1				
14	216027GT	DECAL, DANGER-RUNAWAY HAZARD, SLOPE.....1	1				
15	236360GT	DECAL, UI, GS69DC, PCON.....1 (models without outriggers and with 5 button, 2 speed controller)	1				
16	237116GT	DECAL, LABEL, FAULT CODES, 69DC....1	1				
17	235163GT	DECAL COSMETIC, GS4069DC.....1	1				
18	237127GT	DECAL, UI, GS69DC W/OR, PCON.....1 (models with outriggers and 7 button, 2 speed controller)	1				
19	237135GT	DECAL, PLAT OPS INSTRUCT, GS69DC.....1 (models with 2 speed controller)	1				
20	237922GT	DECAL, NOTICE, MAN FRC, 4069, AUS....1	1				
21	237927GT	DECAL, DANGER, OUTRIGGER SAFETY.....1 (models with outriggers and 2 speed controller)	1				
22	T114640GT	DECAL, NOTICE, MAX CAP GS4069.....1	1				
23	1256708GT	DECAL, STD, PROP LIFT, 69DC, UI.....1 (models without outriggers and with 3 button, proportional controller)	1				
24	1256709GT	DECAL, STD, PROP LIFT, 69DC, U.....1 (models without outriggers that are converted from 5 button, 2 speed lift to 3 button, proportional controller)	1				
25	1256710GT	DECAL, O/R, PROP LIFT, 69DC, UI.....1 (models with outriggers 5 button, proportional controller)	1				

121.1 Decals with Symbols, GS-4069DC, Battery Side

Battery Side

■ Shading indicates decal is hidden from view.



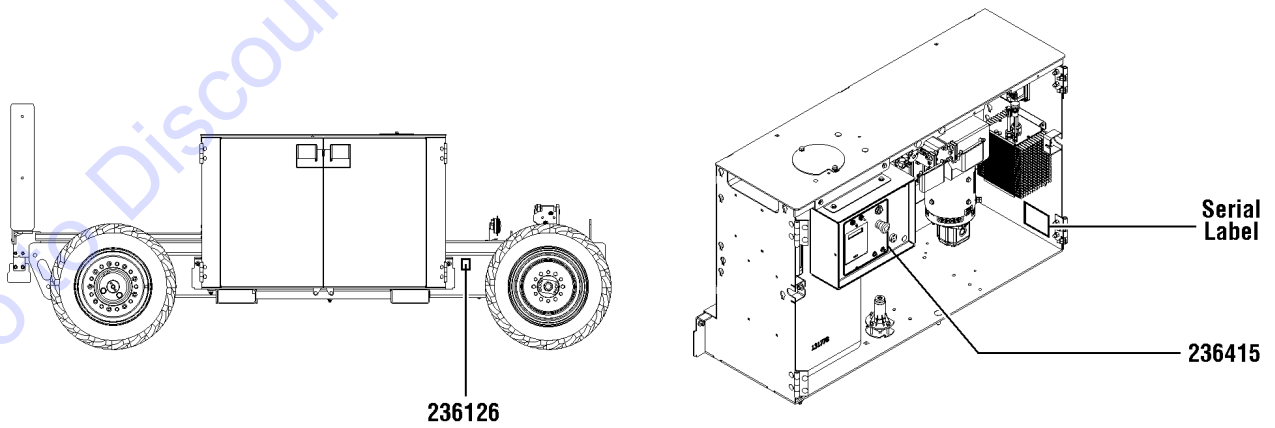
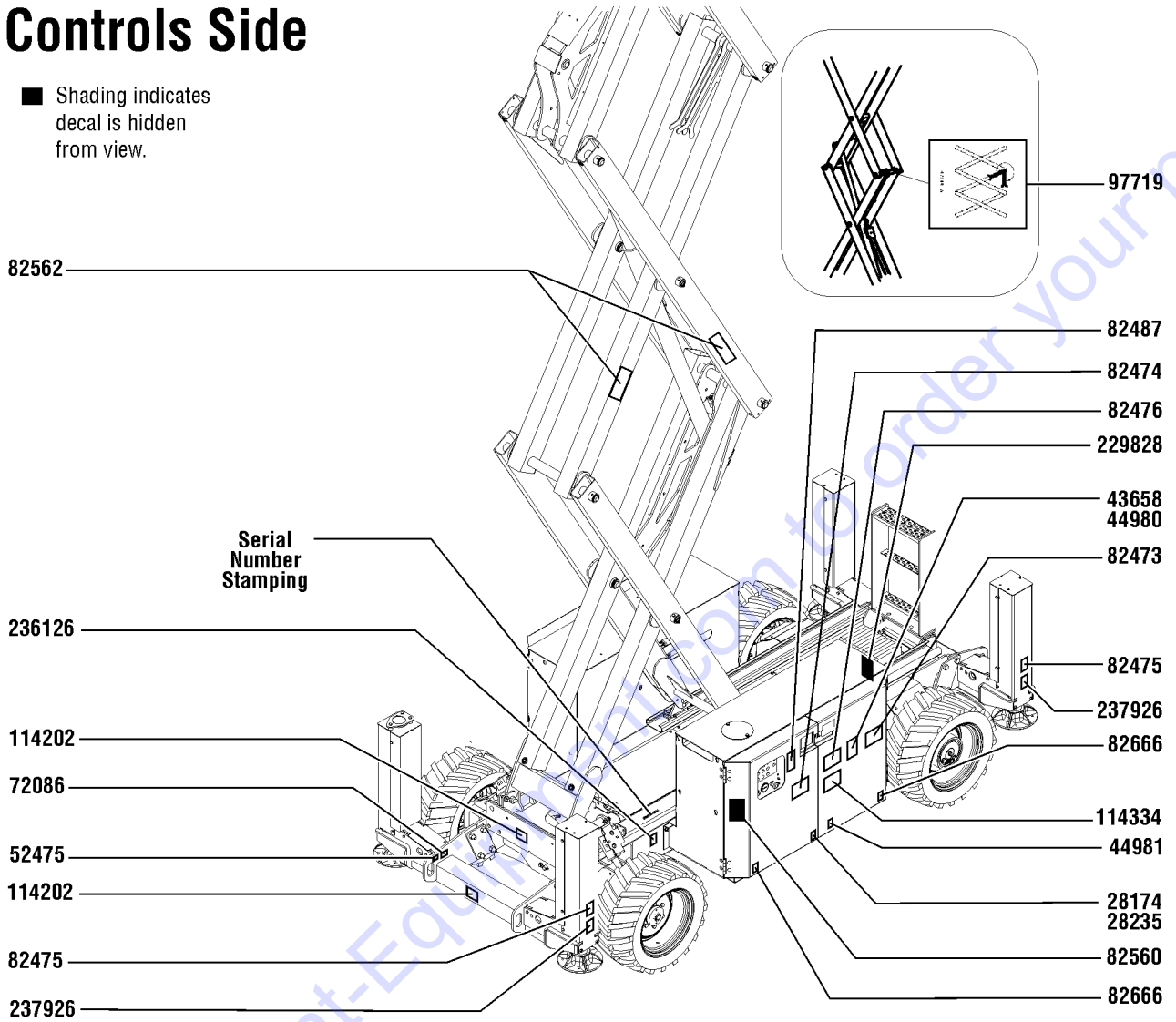
121.1 Decals with Symbols, GS-4069DC, Battery Side

Item	Part No.	Description	Qty.
--	216834GT	DECAL KIT,4069DC COMP,SYM,ANSI (Decal kit, complete for ANSI models only)	
--	216882GT	DECAL KIT,4069DC PLAT,SYM,ANSI (Decal kit, platform for ANSI models only)	
--	216887GT	DECAL KIT,4069DC COMP,SYM,CE (Decal kit, complete for CE models only)	
--	216888GT	DECAL KIT,4069DC PLAT,SYM,CE (Decal kit, platform for CE models only)	
1	52475GT	DECAL,LABEL,TRANSPORT TIEDOWN*.....	3
2	72086GT	DECAL,LABEL,LIFTING EYE.....	3
3	82473GT	DECAL,SYMBOL-COMP ACCESS.....	1
4	82474GT	DECAL,SYMBOL-USE SAFETY ARM....	1
5	82475GT	DECAL,SYMBOL-FOOT CRUSHING....	2
6	82476GT	DECAL,SYMBOL-ELEC HAZARD,GS....	1
7	82481GT	DECAL,SYMBOL-BATTERY SAFETY.....	1
8	82562GT	DECAL,SYMBOL-CRUSHING HAZARD.....	2
9	82666GT	DECAL,LABEL,FORKLIFT POCKET.....	2
10	114202GT	DECAL,LABEL,TRANSPORT TIE 68....	3
11	114337GT	DECAL,SYM-TIP-OVER,LIM SWITCH....	1
12	229828GT	DECAL,LABEL,HOT,SYMBOL.....	1
13	237126GT	DECAL,LABEL,WHEEL LD,GS4069DC.....	1
14	237924GT	DECAL,DNGR-TIP-OVR,BATT,J305CE...1	
15	237926GT	DECAL,LABEL,OUTRIGGER LD..... (option)	2

122.1 Decals with Symbols, GS-4069DC, Controls Side

Controls Side

■ Shading indicates decal is hidden from view.



122.1 Decals with Symbols, GS-4069DC, Controls Side

Item	Part No.	Description	Qty.
A		Ref. Symbol Decal Kits <i>refer to 121.1</i>	
1	28174GT	DECAL, POWER TO PLATFORM 230V**.....1	1
2	28235GT	DECAL,POWER TO PLATFORM 115V...1	1
3	43658GT	DECAL,LABEL,PWR TO CHARGR 230V.....1 <i>option</i>	1
4	44980GT	DECAL,LABEL,PWR TO CHARGR 115V.....1 <i>option</i>	1
5	44981GT	DECAL,LABEL, AIR LINE 110 PSI.....1 <i>option</i>	1
6	52475GT	DECAL,LABEL,TRANSPORT TIEDOWN*.....1	1
7	72086GT	DECAL,LABEL,LIFTING EYE.....1	1
8	82473GT	DECAL,SYMBOL-COMP ACCESS.....1	1
9	82474GT	DECAL,SYMBOL-USE SAFETY ARM...1	1
10	82475GT	DECAL,SYMBOL-FOOT CRUSHING....2 <i>option</i>	2
11	82476GT	DECAL,SYMBOL-ELEC HAZARD,GS....1	1
12	82487GT	DECAL, SYMBOL - READ THE MANUAL.....1	1
13	82560GT	DECAL,SYMBOL-SKIN INJECT HAZRD.....1	1
14	82562GT	DECAL,SYMBOL-CRUSHING HAZARD.....2	2
15	82666GT	DECAL,LABEL,FORKLIFT POCKET.....2	2
16	97719GT	DECAL, LABEL, SAFETY ARM SYMB...1	1
17	114202GT	DECAL,LABEL,TRANSPORT TIE 68....2	2
18	114334GT	DECAL,SYM-ELEC HAZARD,PLUG.....1	1
19	229828GT	DECAL,LABEL,HOT,SYMBOL.....1	1
20	237126GT	DECAL,LABEL,WHEEL LD,GS4069DC.....2	2
21	236415GT	DECAL, GROUND CONTROL PANEL, G.....1	1
22	237926GT	DECAL,LABEL,OUTRIGGER LD.....2 <i>option</i>	2

PARTS FINDER

**Search Website
by Part Number**



**Search Manual
Library For Parts
Manual & Lookup Part
Numbers – Purchase
or Request Quote**

Search Manuals

Enter your information to help us find the right parts manual for your machine.

* Brand:

* Model:

* Serial:

* Part Number:

SEARCH

**Can't Find Part or
Manual? Request Help
by Manufacturer,
Model & Description**

Parts Order Form

Please fill in the following information to help us find the right part for your machine.

Manufacturer:	<input type="text"/>
Model:	<input type="text"/>
Description:	<input type="text"/>
Part Number:	<input type="text"/>
Quantity:	<input type="text"/>
Notes:	<input type="text"/>

Submit

Discount-Equipment.com is your online resource for quality parts & equipment.

Florida: **561-964-4949** Outside Florida TOLL FREE: **877-690-3101**

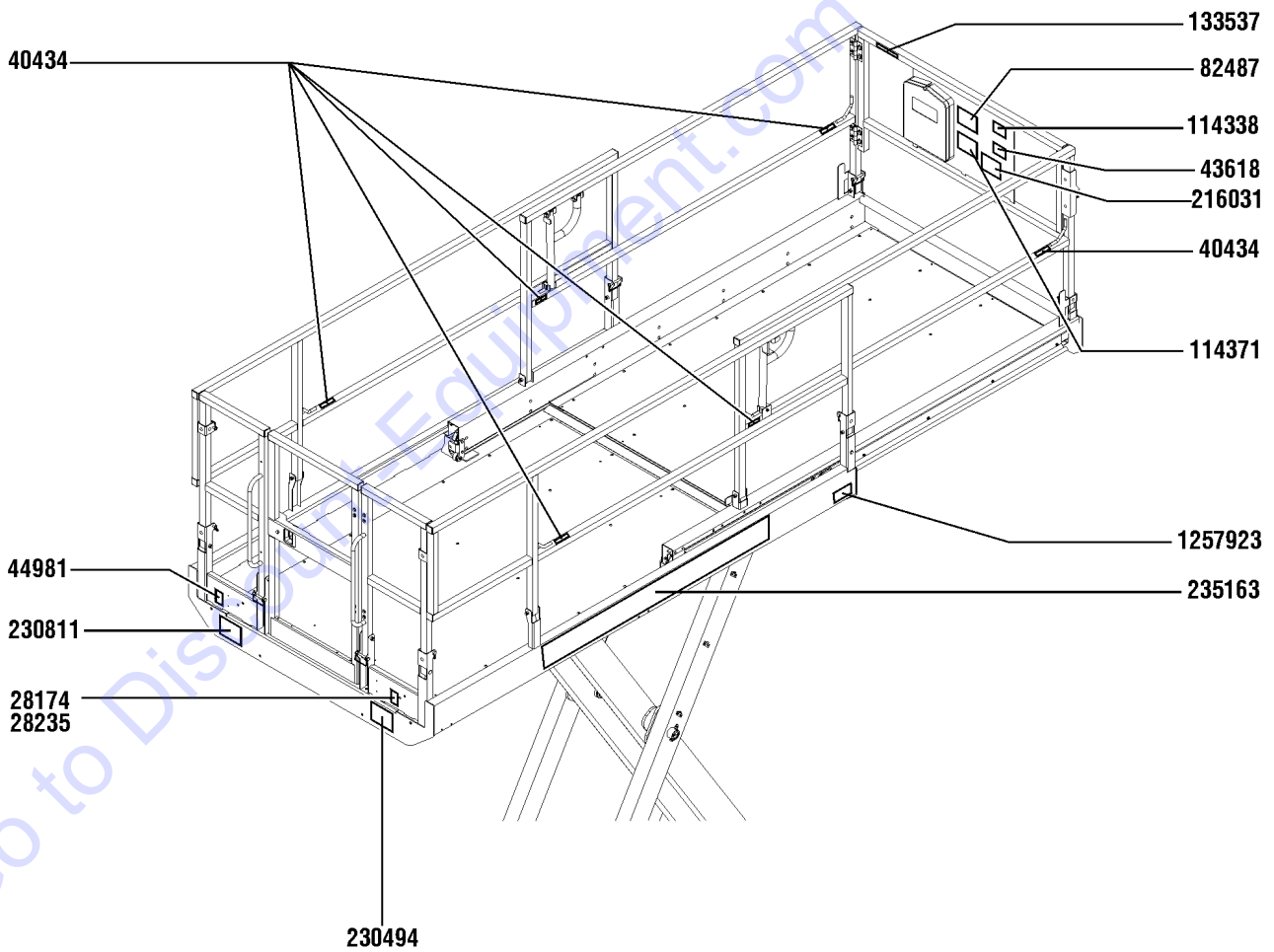
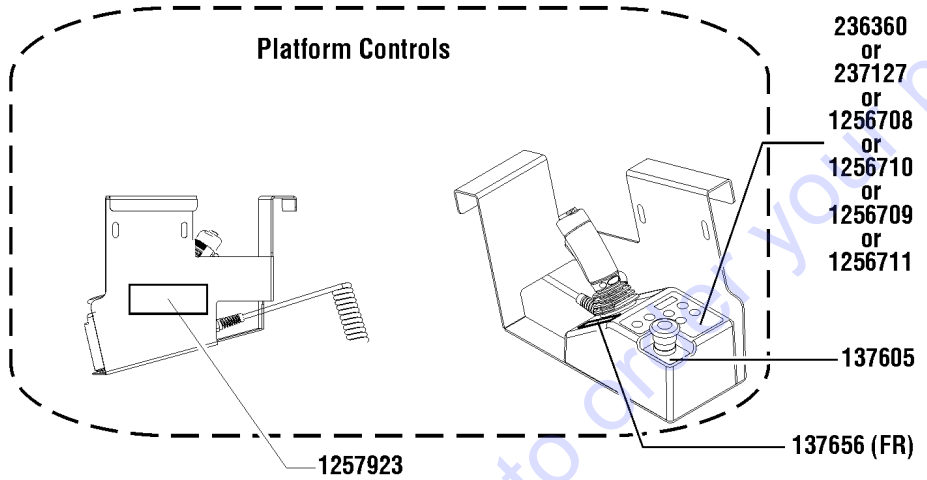
Need parts?

Click on this link: <http://www.discount-equipment.com/category/5443-parts/> and choose one of the options to help get the right parts and equipment you are looking for. Please have the machine model and serial number available in order to help us get you the correct parts. If you don't find the part on the website or on one of the online manuals, please fill out the request form and one of our experienced staff members will get back to you with a quote for the right part that your machine needs.

We sell worldwide for the brands: Genie, Terex, JLG, MultiQuip, Mikasa, Essick, Whiteman, Mayco, Toro Stone, Diamond Products, Generac Magnum, Airman, Haulotte, Barreto, Power Blanket, Nifty Lift, Atlas Copco, Chicago Pneumatic, Allmand, Miller Curber, Skyjack, Lull, Skytrak, Tsurumi, Husquvarna Target, Stow, Wacker, Sakai, Mi-T-M, Sullair, Basic, Dynapac, MBW, Weber, Bartell, Bennar Newman, Haulotte, Ditch Runner, Menegotti, Morrison, Contec, Buddy, Crown, Edco, Wyco, Bomag, Laymor, EZ Trench, Bil-Jax, F.S. Curtis, Gehl Pavers, Heli, Honda, ICS/PowerGrit, IHI, Partner, Imer, Clipper, MMD, Koshin, Rice, CH&E, General Equipment, Amida, Coleman, NAC, Gradall, Square Shooter, Kent, Stanley, Tamco, Toku, Hatz, Kohler, Robin, Wisconsin, Northrock, Oztec, Toker TK, Rol-Air, APT, Wylie, Ingersoll Rand / Doosan, Innovatech, Con X, Ammann, Mecalac, Makinex, Smith Surface Prep, Small Line, Wanco, Yanmar

Platform ANSI models

☐ Shading indicates decal is hidden from view.

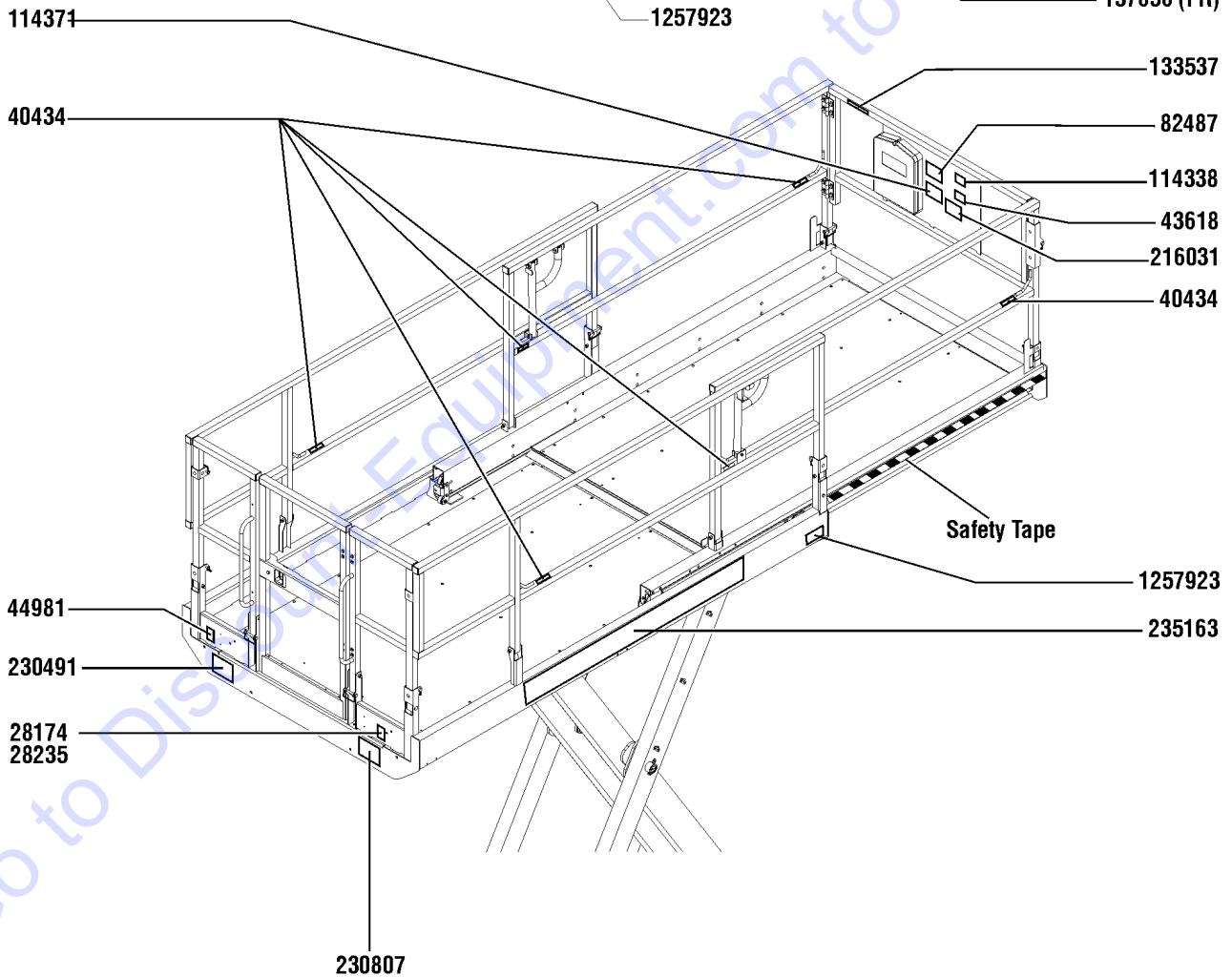
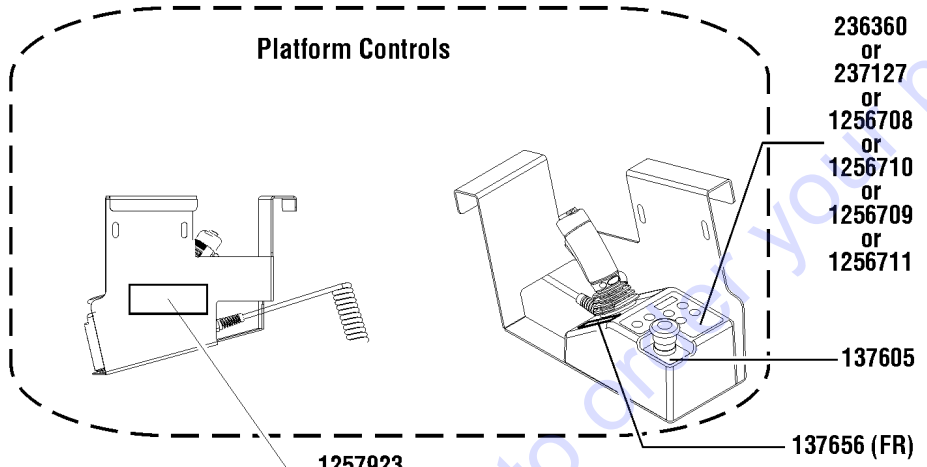


123.1 Decals with Symbols, GS-4069DC, Platform, Asia & S. America

Item	Part No.	Description	Qty.
--		Ref. Symbol Decal Kits (refer to 121.1)	
1	28174GT	DECAL, POWER TO PLATFORM 230V**.....1	1
2	28235GT	DECAL,POWER TO PLATFORM 115V...1	1
3	40434GT	DECAL,LANYARD ANCHORAGE POINT.....6	6
4	43618GT	DECAL, LABEL - DIRECTION ARROWS.....1	1
5	44981GT	DECAL,LABEL, AIR LINE 110 PSI.....1 (option)	1
6	82487GT	DECAL, SYMBOL - READ THE MANUAL.....1	1
7	114338GT	DECAL,SYM-TIP-OVER,TILT ALARM....1	1
8	114371GT	DECAL,SYM-TIP-OVER,OUTRGR.....1 (models with outriggers)	1
9	133537GT	DECAL,CRUSH HAZ RAILS SYMB.....1	1
10	137605GT	DECAL,E-STOP,GR/GRC/GS PCON....1	1
11	137656GT	DECAL,PROPEL,GR/GRC/GS,PCON....1	1
12	216031GT	DECAL,DANGER,RUNAWAY HAZ, SYM.....1	1
13	230494GT	DECAL,DANGER,SIDE FRC,GS4069....1	1
14	230811GT	DECAL,NOTICE,MAX CAP GS4069....1	1
15	235163GT	DECAL COSMETIC,GS4069DC.....1	1
16	236360GT	DECAL, UI, GS69DC,PCON.....1 (models without outriggers and with 5 button, 2 speed controller)	1
17	237127GT	DECAL,UI,GS69DC W/OR,PCON.....1 (models with outriggers and 7 button, 2 speed controller)	1
18	1256708GT	DECAL,STD,PROP LIFT,69DC,UI.....1 (models without outriggers and with 3 button, proportional controller)	1
19	1256709GT	DECAL, STD, PROP LIFT, 69DC, U.....1 (models without outriggers that are converted from 5 button, 2 speed lift to 3 button, proportional controller)	1
20	1256710GT	DECAL,O/R,PROP LIFT,69DC,UI.....1 (models with outriggers and 5 button, proportional controller)	1
21	1256711GT	DECAL, O/R, PROP LIFT, 69DC, U.....1 (models with outriggers that are converted from 7 button, 2 speed lift to 5 button, proportional controller)	1
22	1257923GT	DECAL, SMARTLINK PROPORTIONAL.....2 (models with proportional controller)	2

Platform CE models

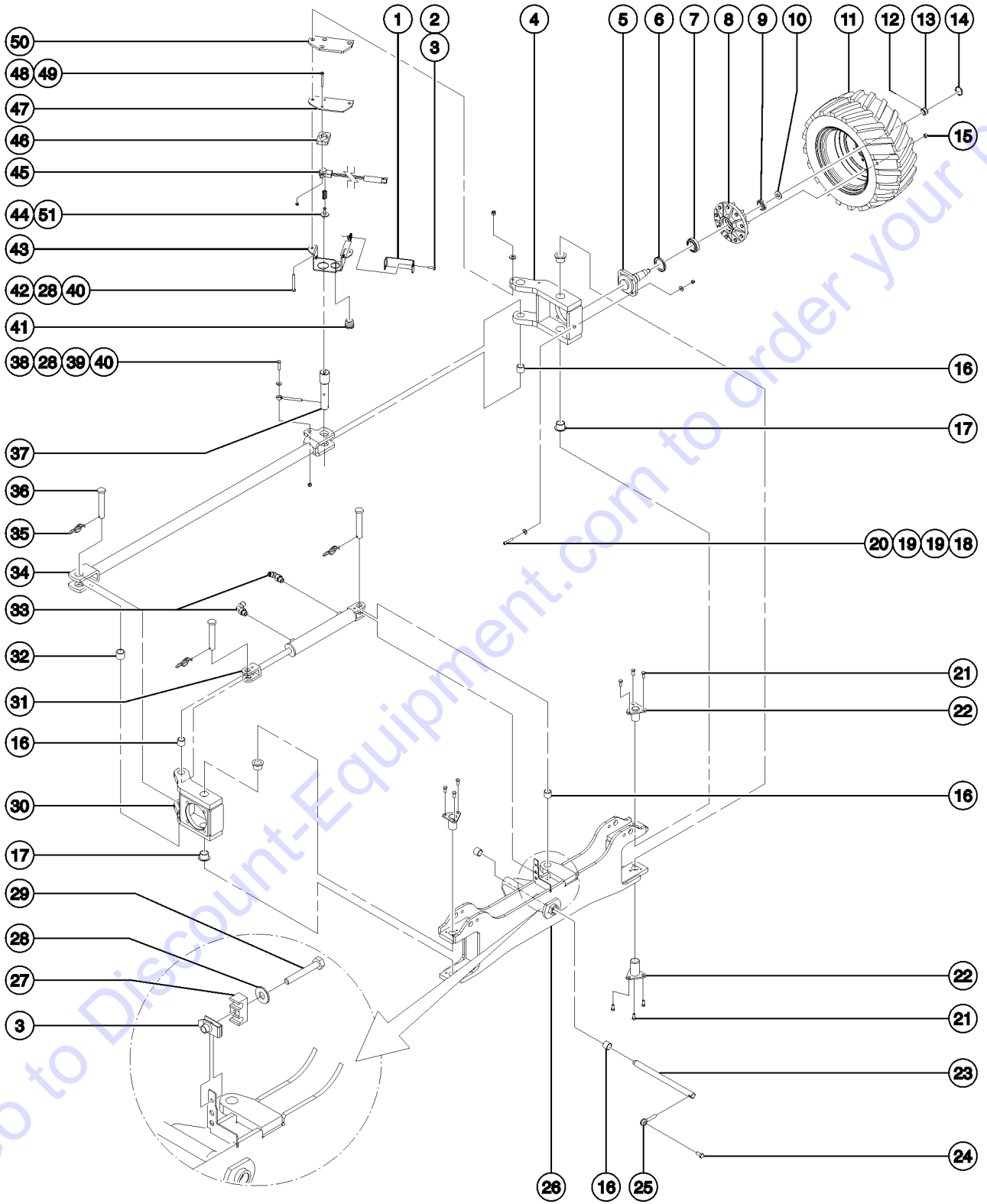
☐ Shading indicates decal is hidden from view.



124.1 Decals with Symbols, GS-4069DC, Platform, CE

Item	Part No.	Description	Qty.
--		Ref. Symbol Decal Kits (refer to 121.1)	
1	28174GT	DECAL, POWER TO PLATFORM 230V**.....1	1
2	28235GT	DECAL,POWER TO PLATFORM 115V...1	1
3	40434GT	DECAL,LANYARD ANCHORAGE POINT.....6	6
4	43618GT	DECAL, LABEL - DIRECTION ARROWS.....1	1
5	44981GT	DECAL,LABEL, AIR LINE 110 PSI.....1 (option)	1
6	82487GT	DECAL, SYMBOL - READ THE MANUAL.....1	1
7	114338GT	DECAL,SYM-TIP-OVER,TILT ALARM....1	1
8	114371GT	DECAL,SYM-TIP-OVER,OUTRGR.....1 (option)	1
9	133537GT	DECAL,CRUSH HAZ RAILS SYMB.....1	1
10	137605GT	DECAL,E-STOP,GR/GRC/GS PCON....1	1
11	137656GT	DECAL,PROPEL,GR/GRC/GS,PCON....1	1
12	230491GT	DECAL,NOTICE,MAX CAP GS4069.....1	1
13	216031GT	DECAL,DANGER,RUNAWAY HAZ, SYM.....1	1
14	230807GT	DECAL,DANGER,MAN FRC, GS4069...1	1
15	235163GT	DECAL COSMETIC,GS4069DC.....1	1
16	236360GT	DECAL, UI, GS69DC,PCON.....1 (models without outriggers and with 5 button, 2 speed controller)	1
17	237127GT	DECAL,UI,GS69DC W/OR,PCON.....1 (models with outriggers and 7 button, 2 speed controller)	1
18	1256708GT	DECAL,STD,PROP LIFT,69DC,UI.....1 (models without outriggers and with 3 button, proportional controller)	1
19	1256709GT	DECAL, STD, PROP LIFT, 69DC, U.....1 (models without outriggers that are converted from 5 button, 2 speed lift to 3 button, proportional controller)	1
20	1256710GT	DECAL,O/R,PROP LIFT,69DC,UI.....1 (models with outriggers and 5 button, proportional controller)	1
21	1256711GT	DECAL, O/R, PROP LIFT, 69DC, U.....1 (models with outriggers that are converted from 7 button, 2 speed lift to 5 button, proportional controller)	1
22	1257923GT	DECAL, SMARTLINK PROPORTIONAL.....2 (models with proportional controller)	2

201.1 Steer Axle Linkage, Wheels and Drive Motors



201.1 Steer Axle Linkage, Wheels and Drive Motors

Item	Part No.	Description	Qty.	Item	Part No.	Description	Qty.
1A	237773GT	FORMING, STEER SENSOR COVER PL.....1 <i>Genie blue</i>	1	28	6638GT	WASHER,FLAT,USS,1/4"Y	1
1B	1254431GT	FORMING, STEER SENSOR COVER PL.....1 <i>traffic black</i>	1	29	6637GT	SCREW,HHC,1/4-20 X 1.75.....1	1
2	6090GT	SCREW,HHC,1/4-20 X .75		30	238299GT	ASSEMBLY, STEER YOKE, RT.....1 <i>(includes 2 each items of 17 and 1 each item 16 and 32)</i>	1
3	56912GT	SPRING CLIP,1/4-20,.025-.15X.54,ZAG		31	89065GT	CYLINDER,STEER***.....1	1
4	235375GT	ASSEMBLY, STEER YOKE, LFT.....1 <i>(includes 2 each items of 17 and 1 each item 16)</i>	1	--	89066GT	SEAL KIT,STEER CYL (89065).....1	1
5	231650GT	WELDMNT,FRONT STEER,GS69DC...1	1	32	53452GT	BEARING,1.00IDX1.50ODX1.00L.....1	1
6	54960GT	SEAL-GREASE,9-BOLT HUB 54840.....1	1	33	48911GT	ELBOW,90D,520220-4-6***.....2	2
7	54961GT	BEARING,INNER,9 BOLT HUB***.....1	1	34A	219903GT	KIT,SERVICE,TIE ROD,GS69DC.....1 <i>to SN GS6913-1755</i>	1
8	54958GT	HUB,SUB ASSEMBLY,9 BOLT***.....1	1	34B	219356GT	WELDMNT,TIE ROD,GS69DC.....1 <i>from SN GS6913-1756</i>	1
9	54962GT	BEARING,OUTER,9 BOLT HUB***.....1	1	35	74389GT	RUE RING,1.00.....3	3
10	45112GT	WASHER,SPINDLE.....1	1	36	19440GT	PIN,CLEVIS,1 X 2.5 LG.....3	3
11A	1258632GT	WHEEL ASSY,FOAM,12X26,NM,LF.....1 <i>RT, Foam-filled, Non-marking, controls side (left front) (water-based foam)</i>	1	37A	219903GT	KIT,SERVICE,TIE ROD,GS69DC.....1 <i>to SN GS6913-1755</i>	1
11B	1258633GT	WHEEL ASSY,FOAM,12X26,NM,RF.....1 <i>RT, Foam-filled, Non-marking, engine side (right front) (water-based foam)</i>	1	37B	219206GT	PIN,CLEVIS,1X5.55 LG,GS69DC.....1 <i>from SN GS6913-1756</i>	1
11C	1258759GT	WHEEL ASSY,FOAM,12X26,NM,LF.....1 <i>RT, Foam-filled, Non-marking, controls side (left front) (petroleum-based foam)</i>	1	38	8915GT	SCREW,HHC,1/4-20 X 1.25.....1	1
11D	1258760GT	WHEEL ASSY,FOAM,12X26,NM,RF.....1 <i>RT, Foam-filled, Non-marking, engine side (right front) (petroleum-based foam)</i>	1	39	45748GT	ROD END,250 X 2.75 LG.....1	1
11E		WHEEL ASSEMBLY, HI FLOAT FOAM, DC, FRONT.....2 <i>(available soon)</i>	2	40	6091GT	NUT,NYLOCK,1/4-20.....1	1
12	45114GT	PIN,COTTER,.219 X 1.75.....1	1	41	60746GT	BUSHING, STRAIN RELIEF, 1".....1	1
13	45113GT	NUT,SPINDLE,1-14.....1	1	42	8179GT	SCREW,HHC,1/4-20 X 2.25.....1	1
14	54959GT	CAP,DUST (54840 HUB ASSY).....1	1	43A	235662GT	FORMING, STEER SENSOR COVER, G.....1 <i>Genie blue</i>	1
15	54627GT	NUT,LUG,5/8-18 X 90 DEGREE,Z45.....1	1	43B	1254434GT	FORMING, STEER SENSOR COVER <i>traffic black</i>	1
16	25817GT	BEARING,1.00IDX1.25ODX1.00L.....5	5	44	110556GT	STEER SENSOR ACTUATOR,HEX.....1	1
17	148353GT	BEARING,BRZ,FL,1.25X1.50X1.1.....4	4	45	233767GT	STEER SENSOR ASSEMBLY.....1 <i>(complete assembly includes part number 237254)</i>	1
18	236813GT	SCREW,SHC,1/2-13 x 2.5 ZINC		--	237254GT	ASSY,STEER SENSOR, GS69DC.....1 <i>(includes steer sensor and pigtail)</i>	1
19	229167GT	WASHER,FLAT .56 X 1.375 X .11		46	232853GT	SPACER,STEER SENSOR.....1 <i>to SN 1575</i>	1
20	104328GT	NUT,HEX,1/2-13 GRD 8		--	219279GT	SPACER,STEER SENSOR,UHMW.....1 <i>from SN 1576</i>	1
21	49857GT	SCREW,HHC,3/8-16 X .88,GRD 8.....16	16	47A	235663GT	PLATE, STEER SENSOR BRACKET, G.....1 <i>Genie blue</i>	1
22	131616GT	WELDMNT,KING PIN.....4	4	47B	1254432GT	PLATE, STEER SENSOR BRACKET <i>traffic black</i>	1
23	237340GT	PIN,OSC PIVOT.....1	1	48	49775GT	SCREW,PHILLIPS,PHM,10-32X 1.75.....1	1
24	8255GT	SCREW,HHC,3/8-16 X .75		49	14392GT	NUT,LP NYLOCK,10-32.....1	1
25	1255452GT	ROD END,.375 X 2.25,ZAG.....1	1	50A	232852GT	PLATE,STEER SENSOR SPACER,GS69.....1 <i>Genie blue</i>	1
26	131602GT	WELDMNT,OSC.AXLE.....1	1				
27	148396GT	CLAMP,HOSE,2X#4,GS69.....1	1				

201.1 Steer Axle Linkage, Wheels and Drive Motors
(continued)

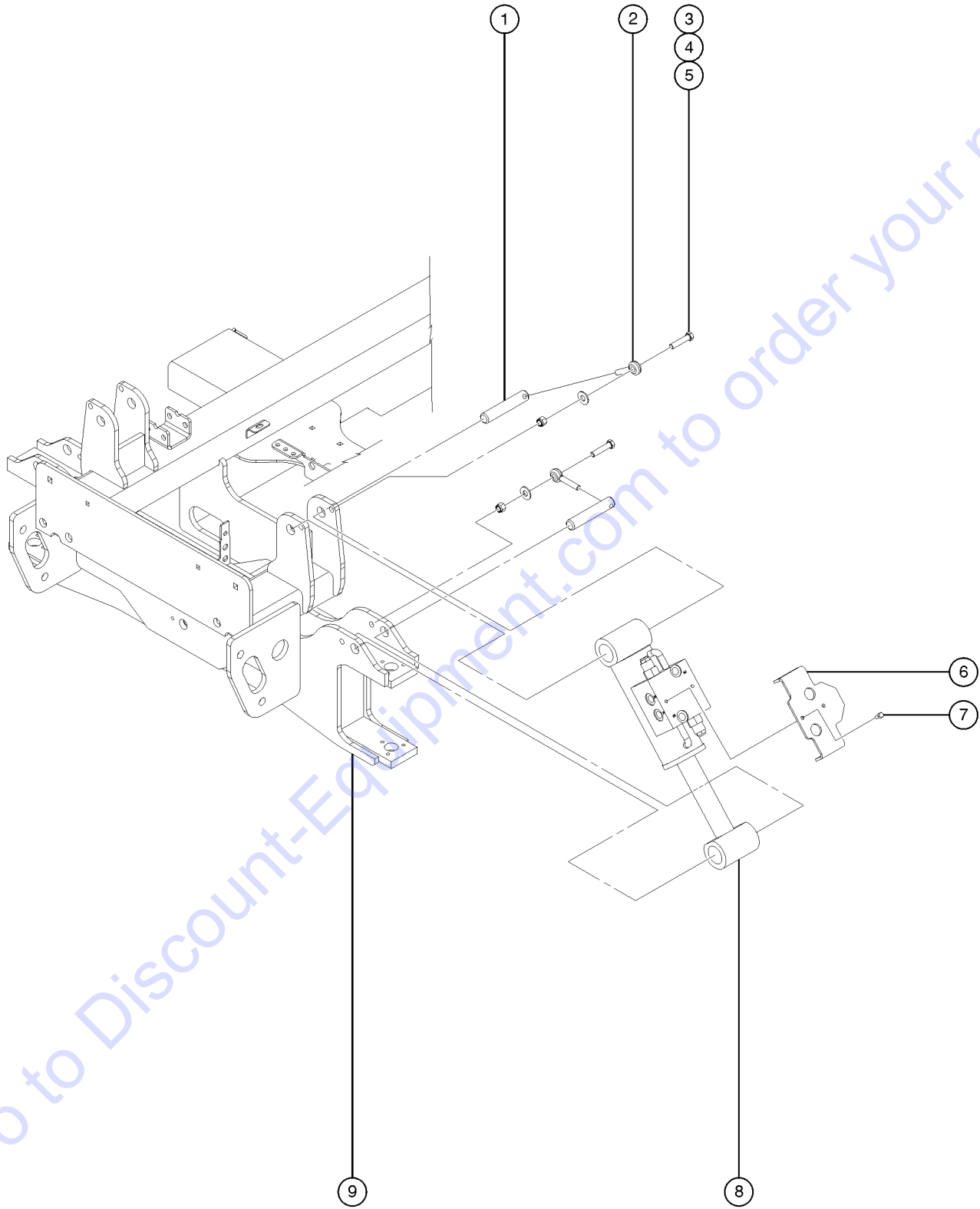
Item	Part No.	Description	Qty.
50B	1254433GT	PLATE,STEER SENSOR SPACER,GS69 <i>traffic black</i>	
51	119910GT	SPRING,COMP,300 OD X .63LG.....1 <i>from SN GS6913-1756</i>	

Go to Discount-Equipment.com to order your parts

This Page Intentionally Left Blank

Go to Discount-Equipment.com to order your parts

202.1 Steer Axle Linkage, Oscillation

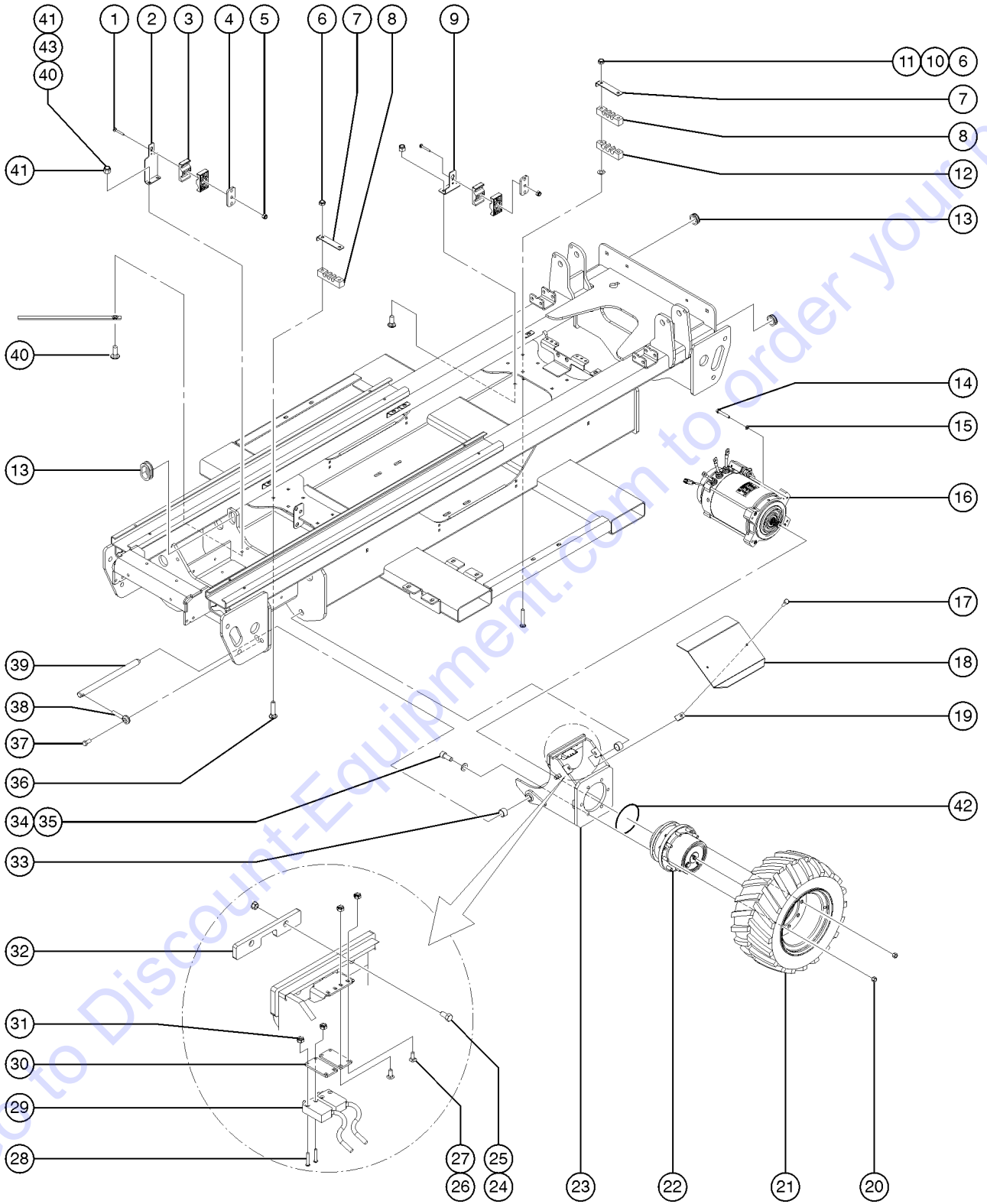


202.1 Steer Axle Linkage, Oscillation

Item	Part No.	Description	Qty.
1	67387GT	PIN,1.00DIA X 5.27LG,1HOLE.....	4
2	1255452GT	ROD END,.375 X 2.25,ZAG.....	4
3	13918GT	SCREW,HHC,3/8-16 X 1.75,GRD.8.....	4
4	6097GT	WASHER,FLAT,USS,3/8",Y.....	4
5	4828GT	NUT,NYLOCK,3/8-16.....	4
6	148400GT	FORMING,OSC.COVER,GS69.....	2
7	7339GT	SCREW,HHC,1/4-20 X .5.....	4
8		Ref. CYLINDER, OSCILATING,GS69 (refer to 503.1)	
9		Ref. WELDMENT,OSC.AXLE (refer to 201.1)	

Go to Discount-Equipment.com to order your parts

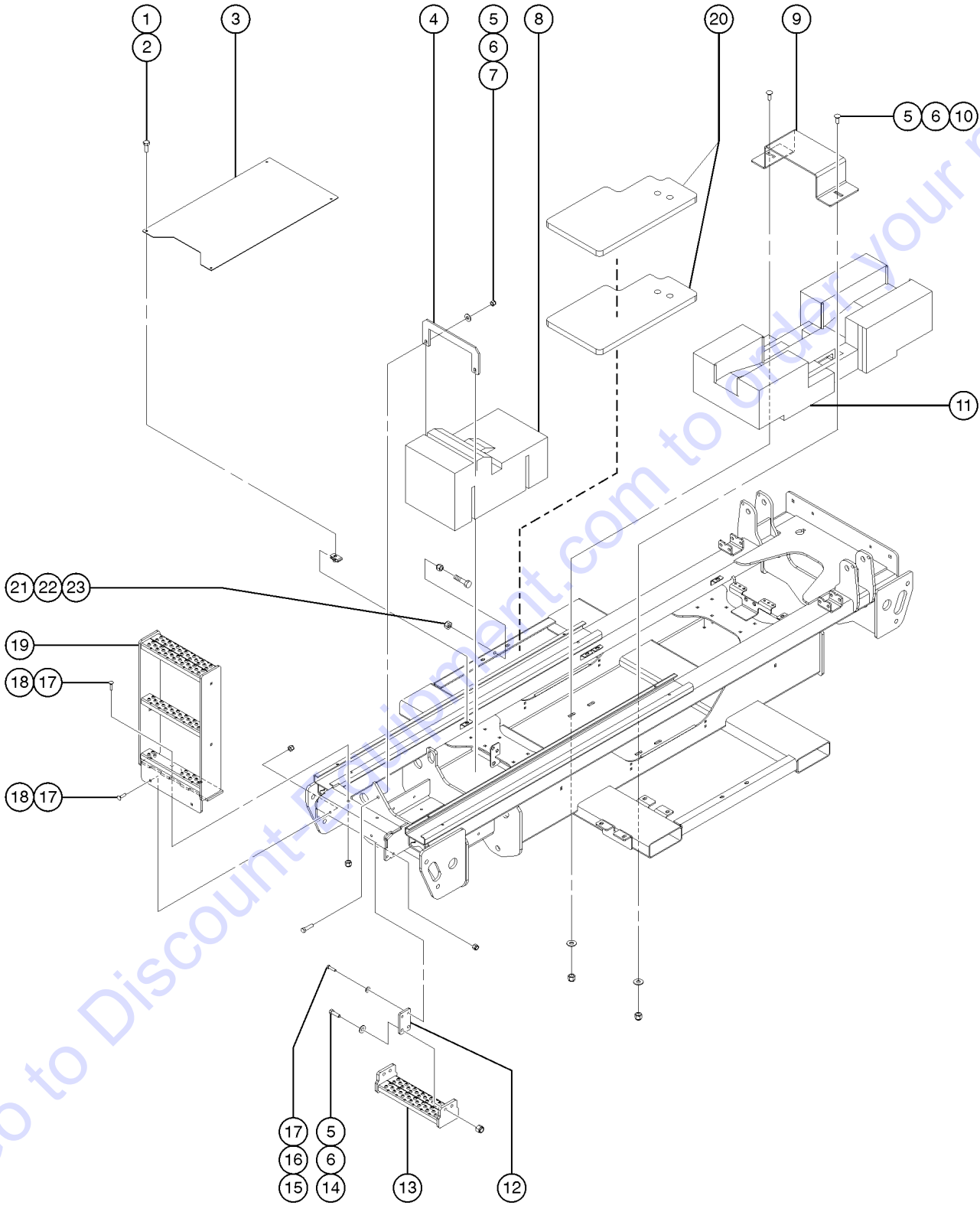
203.1 Non-Steer Axle and Drive Motors



203.1 Non-Steer Axle and Drive Motors

Item	Part No.	Description	Qty.	Item	Part No.	Description	Qty.
1	73464GT	BOLT,CARRIAGE,1/4-20 X 1.75,G2.....4	4	--	21149GT	LUG,WHEEL STUD,5/8-18,W1/4HB** for 106445	
2	T107969GT	FORMING,REAR DRIVE HOSE CLAMP.....2	2	--	58320GT	KIT,TORQUE HUB COVER(101584)** for 106445	
3	78736GT	CLAMP,2 HOSE,PLASTIC,5/8.....8	8	--	74714GT	BEARING KIT-74097 TORQUE HUB** for 106445 (inventory limited to stock on hand as component is no longer available)	
4	112589GT	PLATE,HOSE ROUTING,BULKHEAD....4	4	--	83092GT	SNAP RING (74097) for 106445	
5	6091GT	NUT,NYLOCK,1/4-20		23	235377GT	SUBASSY,DC REAR AXLE.....2 includes item 33	2
6	7713GT	NUT, LP NYLOCK, 3/8-16		24	33987GT	SCREW,HHC,1/2-13 X 1, GR 5	
7	T107978GT	FORMING,CLAMP,CHASSIS,FRONT....4	4	25	96320GT	NUT,LOCKING-LG.FLANGE, 1/2-13	
8	T109744GT	CLAMP,HOSE,FRONT,3X#4.....4	4	26	1283121GT	BOLT,CARRIAGE,#10-24X 5/8",G2	
9	T107936GT	FORMING,DRIVE HOSE CLAMP MOUNT.....2	2	27	5365GT	NUT,NYLOCK,10-24	
10	87684GT	PUSH RETAINER, 3/8" SCREW.....4	4	28	18540GT	SCREW,RHM,8-32 X 1	
11	112476GT	BOLT,CARRIAGE,3/8-16X2.75,G5.....4	4	29	148236GT	SWITCH,LIMIT,PLUNGER,SMALL.....4	4
12	T109745GT	CLAMP,HOSE,FRONT,2X#4,#6.....2	2	30	131640GT	PLATE,SENSE AXLE SWITCH.....4	4
13	T109739GT	GROMMET,RUBBER,1.75 ID.....12	12	31	18605GT	NUT,NYLOCK,8-32	
14	50793GT	SCREW,HHC,5/16-18 X 2		32	131639GT	PAD,SENSE AXLE REST.....2	2
15	6886GT	WASHER,LOCK,.313		33	51474GT	BEARING,1.00IDX1.25ODX0.75L.....4	4
16	232523GT	MOTOR,DRIVE,AC,INT. BRAKE,IP67.....1	1	34	112512GT	SCREW,SHC,5/8-11 X 1.5 NDPATCH	
17	6090GT	SCREW,HHC,1/4-20 X .75		35	13064GT	WASHER,FLAT,.625 HARDENED	
18	131755GT	COVER,REAR AXLE		36	112572GT	BOLT,CARRIAGE,3/8-16X1.75	
19	56912GT	SPRING CLIP,1/4-20,.025-.15X.54,ZAG.....4	4	37	8255GT	SCREW,HHC,3/8-16 X .75	
20	54627GT	NUT,LUG,5/8-18 X 90 DEGREE,Z45.....18	18	38	1255452GT	ROD END,.375 X 2.25,ZAG.....2	2
21A	1258628GT	WHEEL ASSY,FOAM,12X26,NM,LR.....1 RT, Foam-filled, Non-marking, controls side (left rear) (water-based foam)	1	39	237340GT	PIN,OSC PIVOT.....2	2
21B	1258629GT	WHEEL ASSY, FOAM,12X26,NM,RR.....1 RT, Foam-filled, Non-marking, engine side (right rear) (water-based foam)	1	40	73466GT	BOLT,CARRIAGE,3/8-16 X 1.00,G2.....8	8
21C	1258753GT	WHEEL ASSY,FOAM,12X26,NM,LR.....1 RT, Foam-filled, Non-marking, controls side (left rear) (petroleum-based foam)	1	41	4828GT	NUT,NYLOCK,3/8-16.....8	8
21D	1258754GT	WHEEL ASSY,FOAM,12X26,NM,RR.....1 RT, Foam-filled, Non-marking, engine side (right rear) (petroleum-based foam)	1	42	110965GT	O-RING,.188 X 5'OD,BUNA N,70A.....1	1
21E	131695GT	ASSY, HI FLOAT TIRE/WHEEL REAR...2	2	43	54436GT	GROUND STRAP,18"LG	
22	106445GT	WHEEL DRIVE,4HB,57:1***2	2	--	87684GT	PUSH RETAINER, 3/8" SCREW not included, sold seperately	
--	106121GT	ROD,DISCONNECT 4HP/4HB*** for 106445					
--	106122GT	CAP,DISENGAGE,4HP/4HB*** for 106445					
--	106123GT	O-RING,END COVER,4HP/4HB*** for 106445					
--	1286600GT	SEAL KIT,WHEEL DRIVE (106148/106445/107712) for 106445 (inventory limited to stock on hand as component is no longer available)					
--	1286601GT	BEARING KIT,WHEEL DRIVE (106148/106445/107712) for 106445					

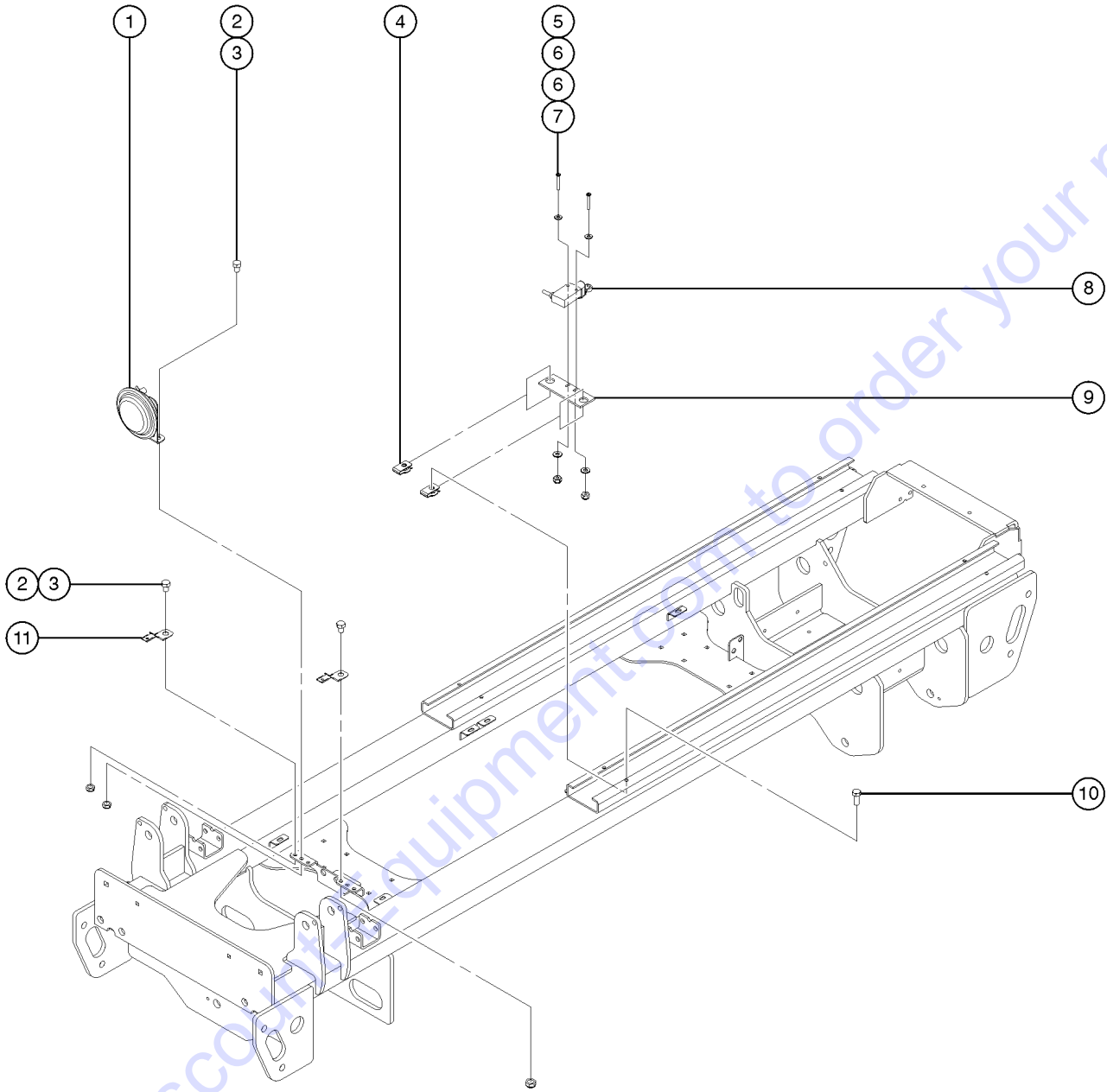
204.1 Ladder and Counterweight



204.1 Ladder and Counterweight

Item	Part No.	Description	Qty.
1	6090GT	SCREW,HHC,1/4-20 X .75.....	8
2	56912GT	SPRING CLIP,1/4-20,.025-.15X.54,ZAG.....	8
3	148271GT	FORMING,CHASSIS COVER.....	2
4	T115515GT	PLATE,REAR CW BRACKET..... (GS-2669 & GS-4069)	1
5	6198GT	NUT,NYLOCK,1/2-13.....	8
6	6095GT	WASHER,FLAT,USS,1/2",Y.....	8
7	6096GT	SCREW,HHC,1/2-13 X 2 GR5.....	2
8	232537GT	CASTING,CW,REAR,4069..... (GS-2669 & GS-4069)	1
9	T114860GT	FORMING,MID CW BRACKET..... (GS-4069)	1
10	96977GT	BOLT,CARRIAGE,1/2-13X1.50,GR5.....	2
11	232536GT	CASTING,CW,MID,4069..... (GS-4069)	1
12	148403GT	STRAP, RUBBER STEP SUPPORT.....	2
13	148292GT	WELDMENT,LOWER LADDER STEP.....	1
14	22788GT	SCREW,HHC,1/2-13 X 1.75.....	4
15	8516GT	SCREW, HCC, 3/8-16 X 1.50.....	4
16	6097GT	WASHER,FLAT,USS,3/8",Y.....	4
17	4828GT	NUT,NYLOCK,3/8-16.....	8
18	60790GT	BOLT, CARRIAGE, 3/8-16 X 1.50, G5.....	4
19A	148277GT	WELDMENT,26/32 LADDER..... (GS-2669 and GS-3369)(decals not included, refer to section 100)	1
19B	148307GT	WELDMENT, GS4068 LADDER..... (GS-4069)(decals not included, refer to section 100)	1
20	214212GT	PLATE,COUNTERWEIGHT,DC69 (GS-4069)	
21	104235GT	SCREW,HHC,1/2-13X2.25 GRD 8..... (GS-4069)	1
22	104328GT	NUT,HEX,1/2-13 GRD 8..... (GS-4069)	1
23	6086GT	NUT,LP NYLOCK,1/2-13	

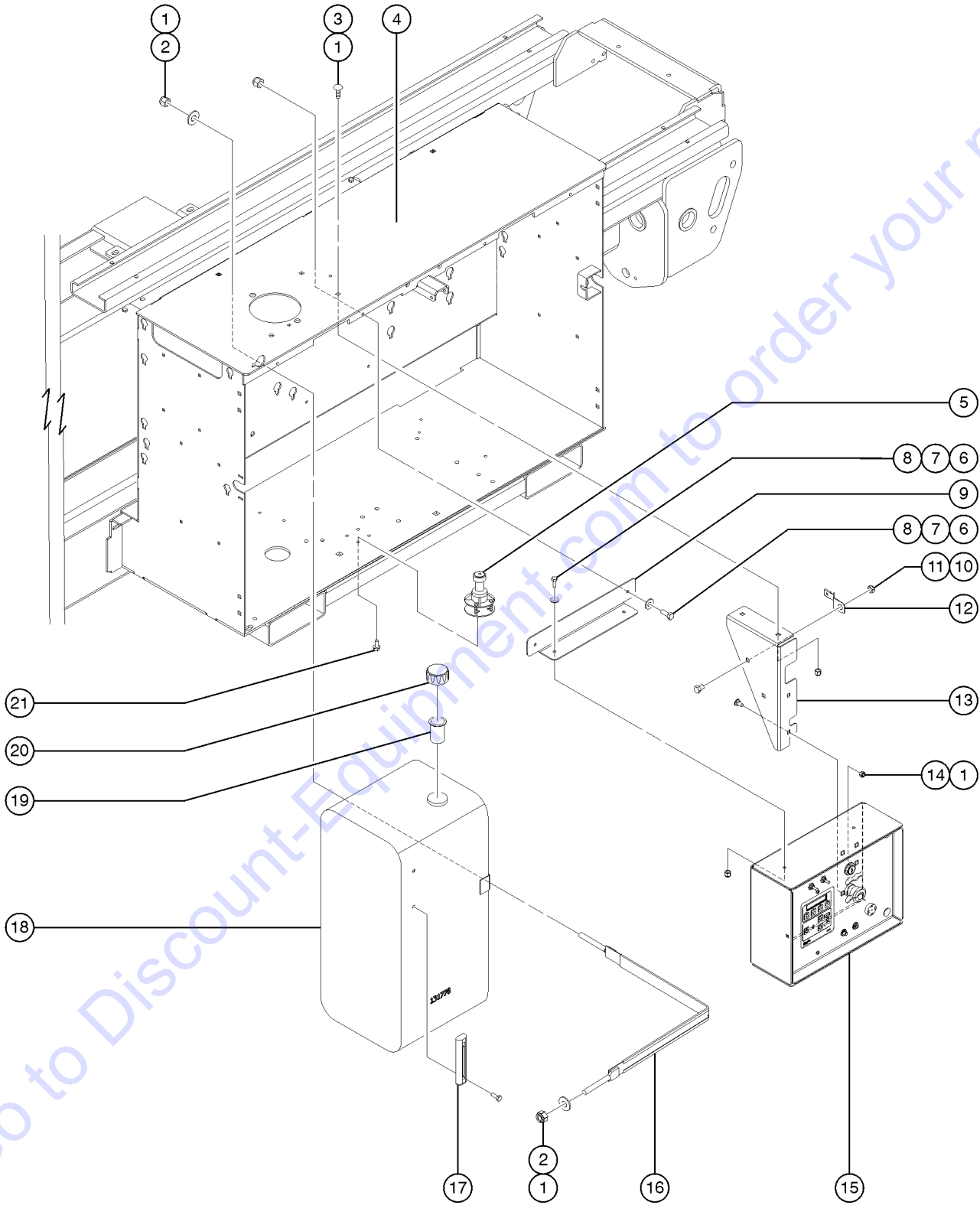
205.1 Drive Chassis, Safety Components



205.1 Drive Chassis, Safety Components

Item	Part No.	Description	Qty.
1	81579GT	HORN,24VDC,SPADE TERMINALS***.....1	1
2	71508GT	SCREW,HHC,3/8-16 X .50 GR.5.....2	2
3	7713GT	NUT, LP NYLOCK, 3/8-16.....2	2
4A	29868GT	SPRING CLIP,3/8-16,.05-.20X.73,ZAG to SN 1755	2
4B	4828GT	NUT,NYLOCK,3/8-16.....2 from SN 1756	2
5	49821GT	SCREW,PHILLIPS,PHM,8-32 X 1.25.....2	2
6	35461GT	WASHER,FLAT,MS,#8,Y.....4	4
7	18605GT	NUT,NYLOCK,8-32.....2	2
8A	105692GT	SWITCH,LIMIT,W/ROLLER ARM to SN 1755	1
8B	220237GT	SWITCH,LIMIT,ZCY15 ARM.....1 from SN 1756	1
9A	148413GT	PLATE,UP L.S. MOUNT to SN 1755	1
9B	220153GT	PLATE,LIMIT SWITCH,LS.....1 from SN 1756	1
10A	49857GT	SCREW,HHC,3/8-16 X .88,GRD 8 to SN 1755	2
10B	64154GT	BOLT,CARRIAGE,3/8-16 X1.00,G5.....2 from SN 1756	2
11	99346GT	CLIP, METAL MOUNTING.....3	3

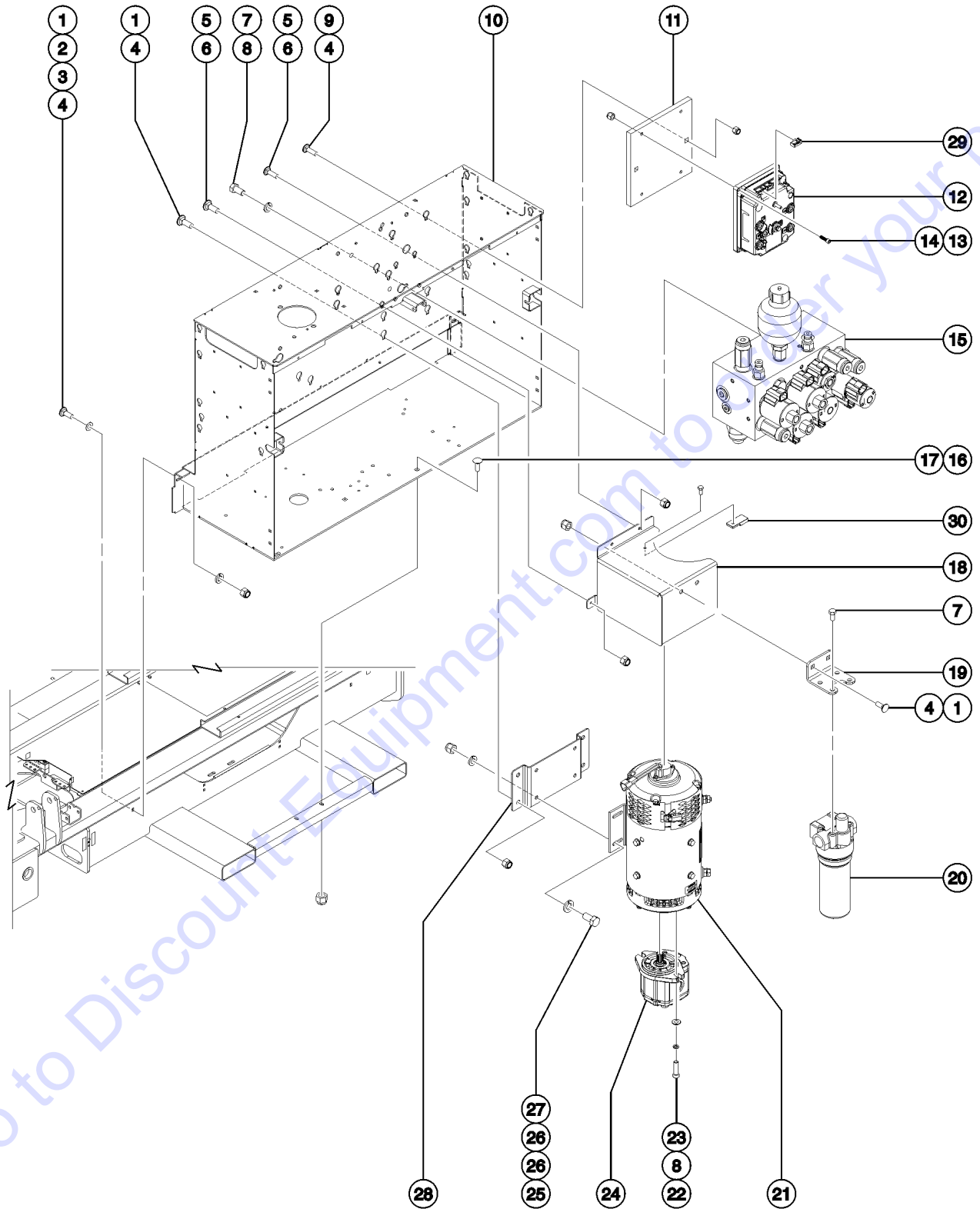
301.1 Hydraulic Tank and Ground Controls Installation



301.1 Hydraulic Tank and Ground Controls Installation

Item	Part No.	Description	Qty.
1	4828GT	NUT,NYLOCK,3/8-16.....	6
2	6097GT	WASHER,FLAT,USS,3/8",Y.....	2
3	64154GT	BOLT,CARRIAGE,3/8-16 X1.00,G5.....	1
4		Ref., WLDMT, HYD BOX GS68 (refer to 302.1)	
5A	71484GT	SENSOR,LEVEL, ANALOG.....	1
		(models with outriggers)	
5B	78674GT	LEVEL SENSOR,LS60,BLUE,2X3** (models without outriggers)	
6	6090GT	SCREW,HHC,1/4-20 X .75.....	4
7	6638GT	WASHER,FLAT,USS,1/4"Y.....	4
8	6091GT	NUT,NYLOCK,1/4-20.....	4
9	232549GT	FORMING, BRACKET, CONTROL BOX,.....	1
10	7713GT	NUT, LP NYLOCK, 3/8-16.....	1
11	71508GT	SCREW,HHC,3/8-16 X .50 GR.5.....	1
12	99346GT	CLIP, METAL MOUNTING.....	1
13	235397GT	FORMING,BRACE,69DC CONTROLS BO.....	1
14	101718GT	BOLT,CARRIAGE,3/8-16 X .75,G2.....	2
15		Ref., GROUND CONTROLS (refer to 306.1)	
16	T106782GT	TANK STRAP,BOLT STYLE,HYD,GS69.....	1
--	31658-SGT	EXTRUSION,RUBBER BUMPER STRIP	
17	215229GT	GAUGE,HYDRAULIC TANK T/L VL.....	1
18	T106793GT	ASSY,HYD.TANK,GS69.....	1
19	31506GT	STRAINER,FILLER NECK.....	1
20	131658GT	CAP,HYDRAULIC TANK,GS68/84/90.....	1
21	230850GT	SCREW, WASH HEAD, 20-9X5/8.....	4

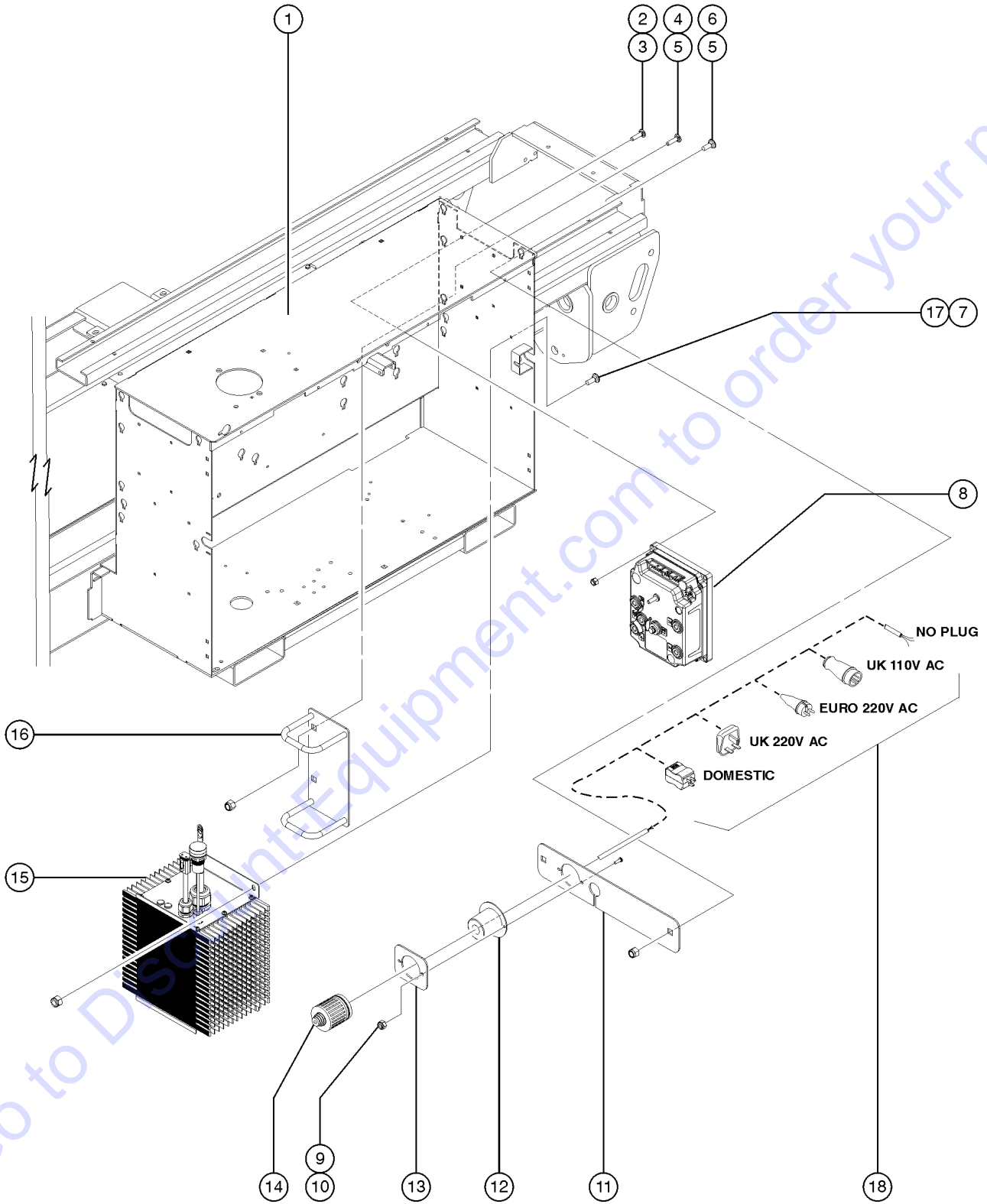
302.1 Hydraulic Tray Components, View 1



302.1 Hydraulic Tray Components, View 1

Item	Part No.	Description	Qty.
1	64154GT	BOLT,CARRIAGE,3/8-16 X1.00,G5.....	4
2	87684GT	PUSH RETAINER, 3/8" SCREW.....	2
3	6097GT	WASHER,FLAT,USS,3/8",Y.....	2
4	4828GT	NUT,NYLOCK,3/8-16.....	10
5	6878GT	BOLT,CARRIAGE,1/4-20 X .75,G2.....	4
6	6091GT	NUT,NYLOCK,1/4-20.....	4
7	8255GT	SCREW,HHC,3/8-16 X .75.....	6
8	58486GT	WASHER,FLAT,3/8,HARDENED,YZ.....	2
9	105092GT	BOLT,CARRIAGE,3/8-16X1.25,GR5.....	2
10	131800GT	WLDMT, HYD BOX GS69.....	1
11	238382GT	PLATE, MTG, MOTOR CONTROLLER...1	1
12	230488GT	MOTOR CONTROLLER,48VAC,3PH....1 (2 motor controllers are used on the machine; refer to Figure 303.1 for the installation of the other controller)	1
13	238383GT	SCREW,SHC,1/4-20 X .875.....	4
14	6889GT	NUT,LP NYLOCK,1/4-20.....	4
15		Ref., Function Manifold (refer to 501.1)	
16	96203GT	BOLT,CARRIAGE,1/2-13X1.75, G5	
17	6198GT	NUT,NYLOCK,1/2-13	
18	215213GT	WELDMENT, MOTOR SPRAY GUARD.....	1
19	71202GT	FORMING,HIGH PRESS FILTER BRKT.....	1
20	60334GT	FILTER ASSY,HIGH PRESS SAE-12*....1	1
--	1279465GT	BACKUP RING,71.60X67.20X1.40PTFE(60334)	
--	1279466GT	O-RING,67.95X2.62-NBR-70SH(HF2P)(60334)	
--	60857GT	FILTER,ELEMENT,BETA(5)=1000	
21	230485GT	MOTOR W/TACH,48VDC, 12.25 HP.....1	1
--	128009GT	SENSOR KIT, SPEED (110573) <i>includes sensor, magnet, and fasteners</i>	
22	55921GT	SCREW,SHC,3/8-24 X 1.25".....	2
23	22699GT	WASHER,FLAT,M10,ZINC PLTD.....	2
24	214222GT	PUMP, GEAR, 6CC.....	1
25	13002GT	SCREW,HHC,5/16-18 X 1 GR5.....	4
26	5397GT	WASHER,FLAT,USS,5/16",Y.....	8
27	6782GT	NUT,NYLOCK,5/16-18.....	4
28	236021GT	FORMING, MOTOR BRACKET.....	1
29	160536GT	CONN,BLANK,L MTR CTRL,GS69DC....1	1
30	T113139GT	CLIP,DTM,RECEPTACLE.....	1

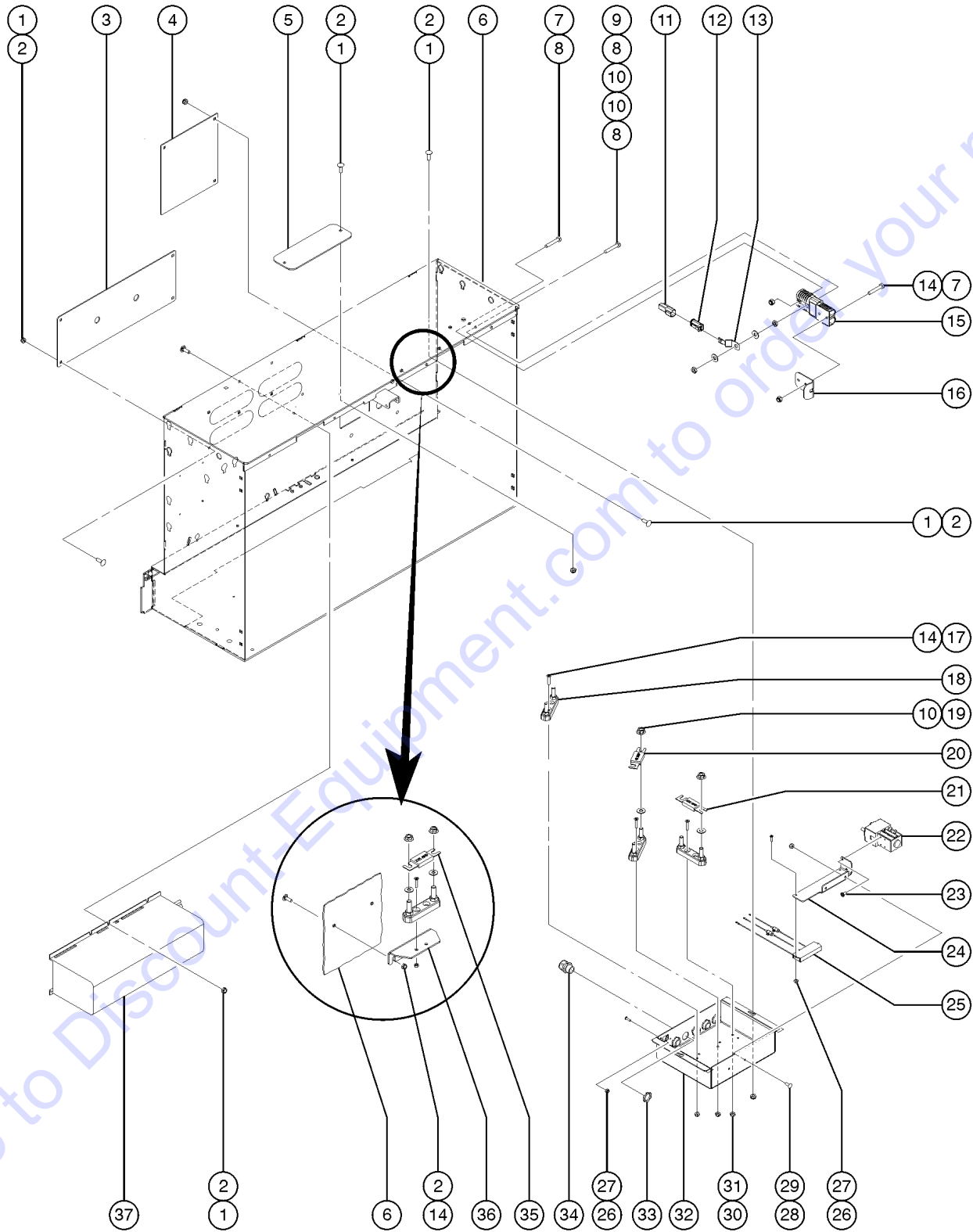
303.1 Hydraulic Tray Components, View 2



303.1 Hydraulic Tray Components, View 2

Item	Part No.	Description	Qty.
--	161359GT	CABLE ASSY, BATTERY CHARGER NO PLUG	
--	1280665GT	<i>Ref. No Plug - Consult Discount-equipment</i> PLUG, TYPE F, 230A, 50HZ, 16A, IP44 <i>(for Euro 220)</i>	
--	25388GT	PLUG,FUSED,250V,13AMP,U.K.** <i>(for UK 220)</i>	
--	65737GT	FUSE,13 AMP,220V PLUG*** <i>(for 25388)</i>	
1		Ref., Hyd Box <i>(refer to 302.1)</i>	
2	238383GT	SCREW,SHC,1/4-20 X .875	
3	6889GT	NUT,LP NYLOCK,1/4-20	
4	101718GT	BOLT,CARRIAGE,3/8-16 X .75,G2	
5	4828GT	NUT,NYLOCK,3/8-16	
6	64154GT	BOLT,CARRIAGE,3/8-16 X1.00,G5	
7	6878GT	BOLT,CARRIAGE,1/4-20 X .75,G2	
8	230488GT	MOTOR CONTROLLER,48VAC,3PH.....1 <i>(2 motor controllers are used on the machine; refer to Figure 302.1 for the installation of the other controller)</i>	
9	55906GT	SCREW,PHILLIPS,PHM,8-32 X .5	
10	18605GT	NUT,NYLOCK,8-32	
11	235719GT	PLATE,RECESSED PLUG MOUNT,GS69.....1	
12	105117GT	PLUG,FLG INLET,15A/125V,2PWGD.....1	
13	236802GT	PLT,RECESSED PLUG BACKING, GS6.....1 <i>(for US 110 models)</i>	
--	219058GT	PLATE,STR RELIEF BACK, DC69 <i>(for models with UK 110, UK 220, Euro 220 and no plug)</i>	
14	105118GT	GASKET,(BOOT) FLANGE INLET PLG.....1	
15	128375GT	CHARGER 48V/30A AUTO AC X-LED....1 <i>(order power cord separately)</i>	
--	128376GT	CORD EURO AC IEC320-C19PIGTAIL <i>(sold seperately) (not shown) (for Euro and UK models)</i>	
--	128377GT	CORD AC IEC320-C19 TO 110US <i>(sold seperately) (not shown) (for US models)</i>	
--	228947GT	CLIP,RETAINING,IES CHARGER	
--	228973GT	KIT,ASSY,LED,IES CHARGER	
16	215330GT	WLDMNT,MTR CNTRL CABLE GUIDE...1	
17	6091GT	NUT,NYLOCK,1/4-20	
18	144161GT	PLUG,PWR,UK,16AMP,3PIN,BLK <i>(for UK 110)</i>	

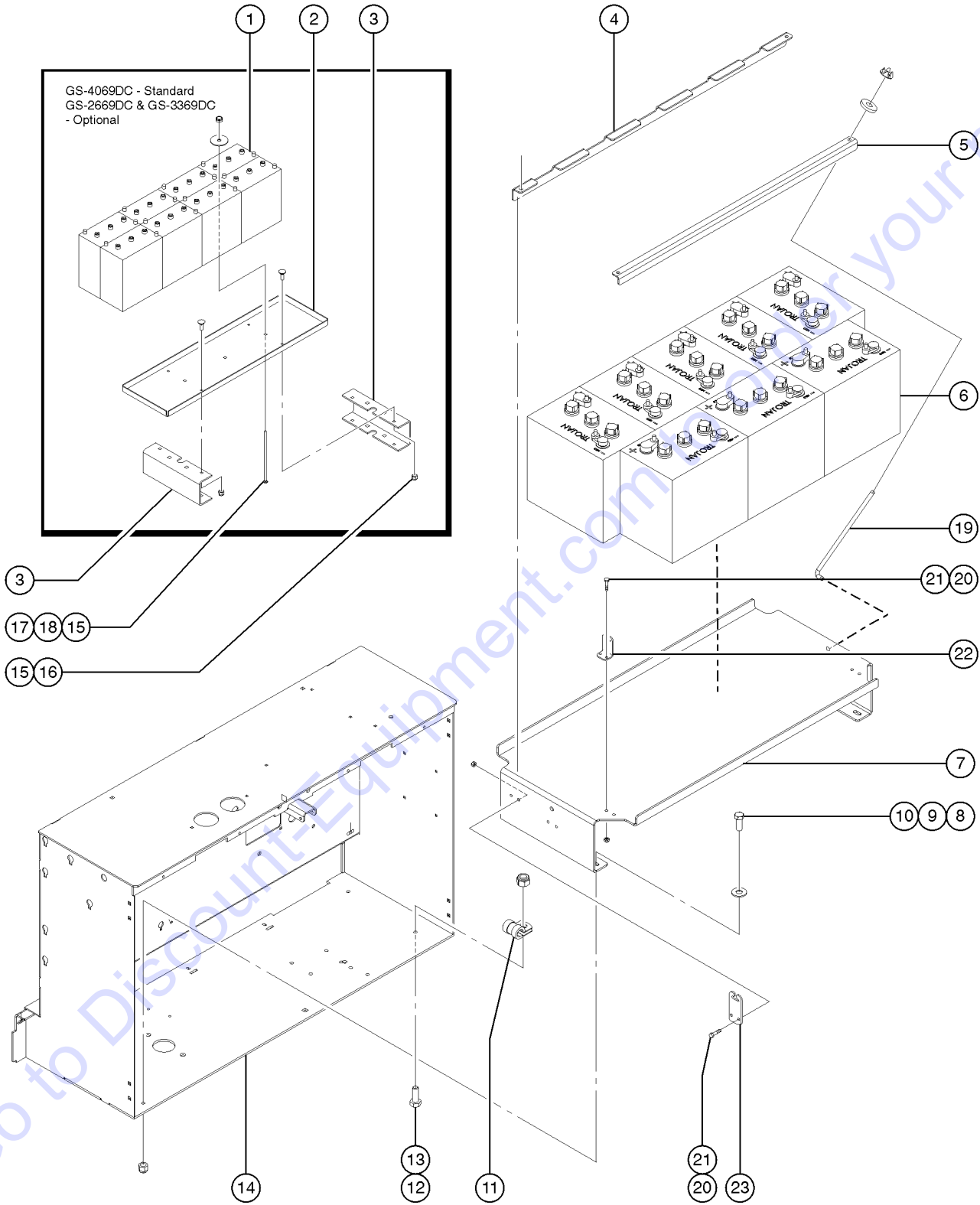
304.1 Battery Tray Components, View 1



304.1 Battery Tray Components, View 1

Item	Part No.	Description	Qty.
1	6889GT	NUT,LP NYLOCK,1/4-20	
2	6878GT	BOLT,CARRIAGE,1/4-20 X .75,G2	
3	235696GT	PLATE, BLOCKOFF, ENGINE VENT.....1	
4	235697GT	FORMING,BRACE,69DC CONTROLS BO.....1	
5	236429GT	PLATE, RAIN CAP, GS69 DC.....1 to SN 3661	
6	235693GT	WELDMENT,BATTERY BOX,GS69DC....1	
7	8915GT	SCREW,HHC,1/4-20 X 1.25	
8	66094GT	NUT-THIN HEAVY HEX, 1/4-20	
9	6145GT	SCREW,HHC,1/4-20 X 1.5	
10	6638GT	WASHER,FLAT,USS,1/4"Y	
11	119065GT	CONN,RECEP 2 WAY ENDCAP DT	
12	60424GT	CONN,PLUG 2 WAY,14-18GA	
13	99346GT	CLIP, METAL MOUNTING	
14	6091GT	NUT,NYLOCK,1/4-20	
15	66397GT	QUICK DISCONNECT CASING,BATT**1	
--	19436GT	CONNECTOR,ANDERSON SB 175,1/0G	
16	74651GT	FORMING,HANDLE BATTERY CONN...1	
17	17626GT	SCREW,FHM,10-32 X .75.....8	
18	66717GT	FUSE BLOCK, ANN & ANL FUSE.....4	
19	18503GT	NUT,LOCKING-LG.FLANGE,5/16-18....8	
20	216005GT	FUSE,40 AMP,NON TIME DELAY,ANL....1	
21	215488GT	FUSE,325 AMP,VERY FAST ACTING....1	
22	74267GT	CONTACTOR,DRIVE,24V,180A***1	
23	49818GT	SCREW,PHILLIPS,PHM,10-32 X .38	
24	236019GT	FORMING, BATTERY BALANCER BRAC.....1	
25	229642GT	BATTERY,EQUALIZER,48V-24V,3WIR...1	
26	12344GT	NUT,NYLOCK,6-32	
27	49820GT	SCREW,PHILLIPS,PHM,6-32 X .5	
28	71874GT	BOLT,CARRIAGE,#10-24X.50,G2	
29	5365GT	NUT,NYLOCK,10-24	
30	6178GT	NUT,NYLOCK,10-32	
31	6873GT	SCREW,FHM,10-32 X 1	
32	236018GT	FORMING,FUSE BOX	
33	14041GT	LOCKNUT,ELECTRIC,3/4"	
34	70684GT	STRAIN RELIEF, 3/4, NPT, GRY	
35	36372GT	FUSE,50 AMP,VERY FAST ACTING.....1	
36	119432GT	FORMING,FUSE MOUNT BRACKET.....1	
37	150026GT	INVERTER,48VDC,120VAC/60HZ.....1	

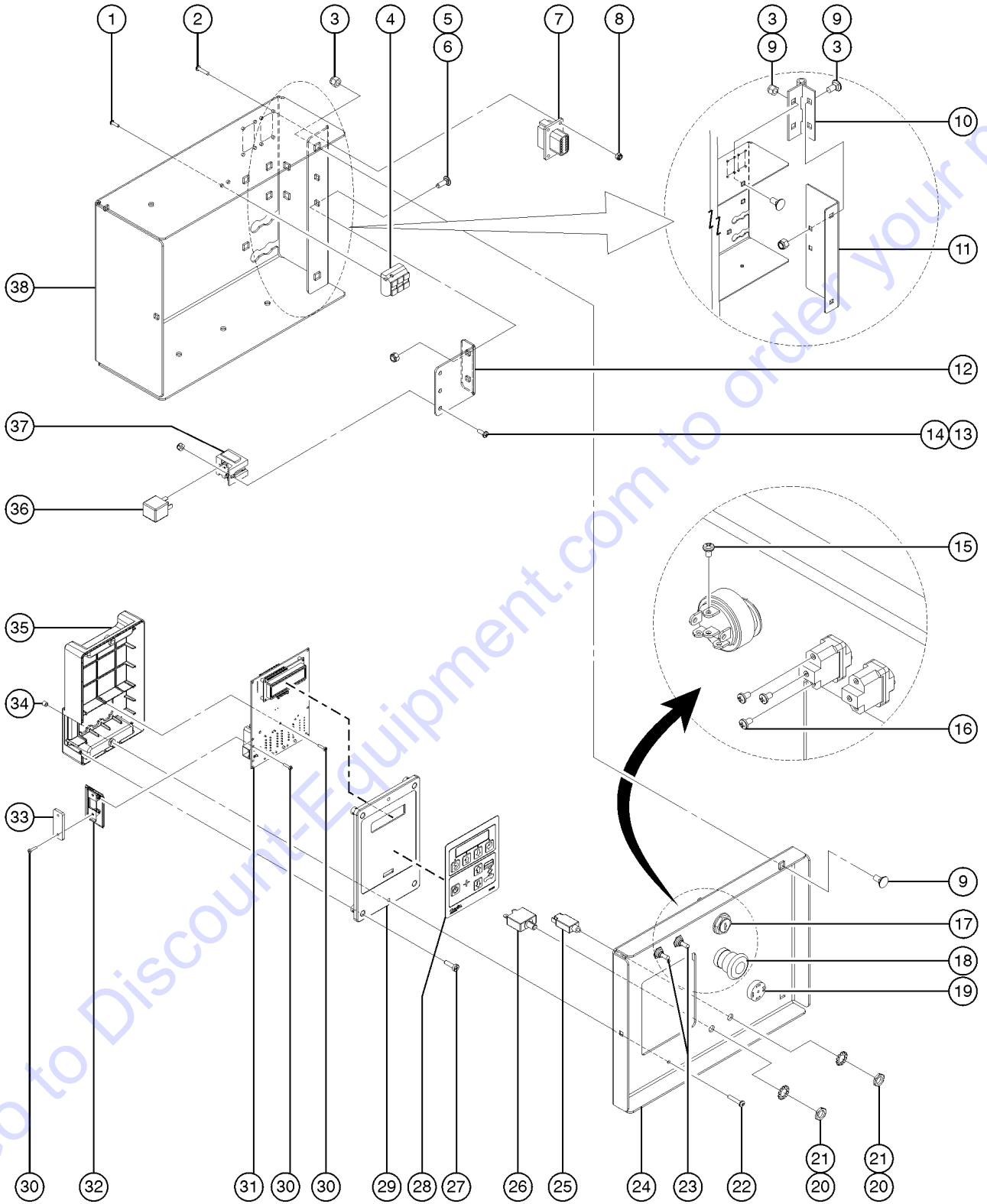
305.1 Battery Tray Components, View 2



305.1 Battery Tray Components, View 2

Item	Part No.	Description	Qty.
1	56462GT	BATTERY, J 305GH, 315AH.....8 (option) GS-2669DC & GS-3369DC; (standard) GS-4069DC	
2	237431GT	FORMING,BATT TRAY,J305,GS69DC....1 (option) GS-2669DC & GS-3369DC; (standard) GS-4069DC	
3	237432GT	FORMING,TRAY SUP,J305,GS69DC....2 (option) GS-2669DC & GS-3369DC; (standard) GS-4069DC	
4	235498GT	FORMING,BATT HOLDER, REAR.....1 GS-2669DC & GS-3369DC only	
5	79469GT	FORMING,BATTERY HOLDER FRONT.....1 GS-2669DC & GS-3369DC only	
6	76494GT	BATT,6V,225AH T105 LPT\3CAP.....8 (option) GS-2669DC & GS-3369DC only	
7	235497GT	FORMING, BATTERY SHELF.....4 GS-2669DC & GS-3369DC only	
8	6175GT	SCREW,HHC,3/8-16 X 1	
9	6097GT	WASHER,FLAT,USS,3/8",Y	
10	4828GT	NUT,NYLOCK,3/8-16	
11	45470GT	CLAMP,0.31,#5 X 1/4,RUB CUSH.....1	
12	6090GT	SCREW,HHC,1/4-20 X .75	
13	6091GT	NUT,NYLOCK,1/4-20	
14		Ref. BATTERY BOX (refer to 304.1)	
15	6198GT	NUT,NYLOCK,1/2-13	
16	96203GT	BOLT,CARRIAGE,1/2-13X1.75, G5	
17	238385GT	BOLT,CARRIAGE,1/2-13X15	
18	238384GT	WASHER, FENDER, .125X.531X2.5	
19	6086GT	NUT,LP NYLOCK,1/2-13	
19	87312GT	HOOK-BATT HOLD DOWN 12"LG.....4 (includes mounting fasteners)	
20	8914GT	SCREW,HHC,1/4-20 X .625	
21	6889GT	NUT,LP NYLOCK,1/4-20	
22	55587GT	FORMING, BATTERY BRACKET,GS90.....2 (from SN 1764 to 3661)	
23	160390GT	PLATE,BATTERY BRACKET,GS69DC....2 (from SN 1764 to 3661)	

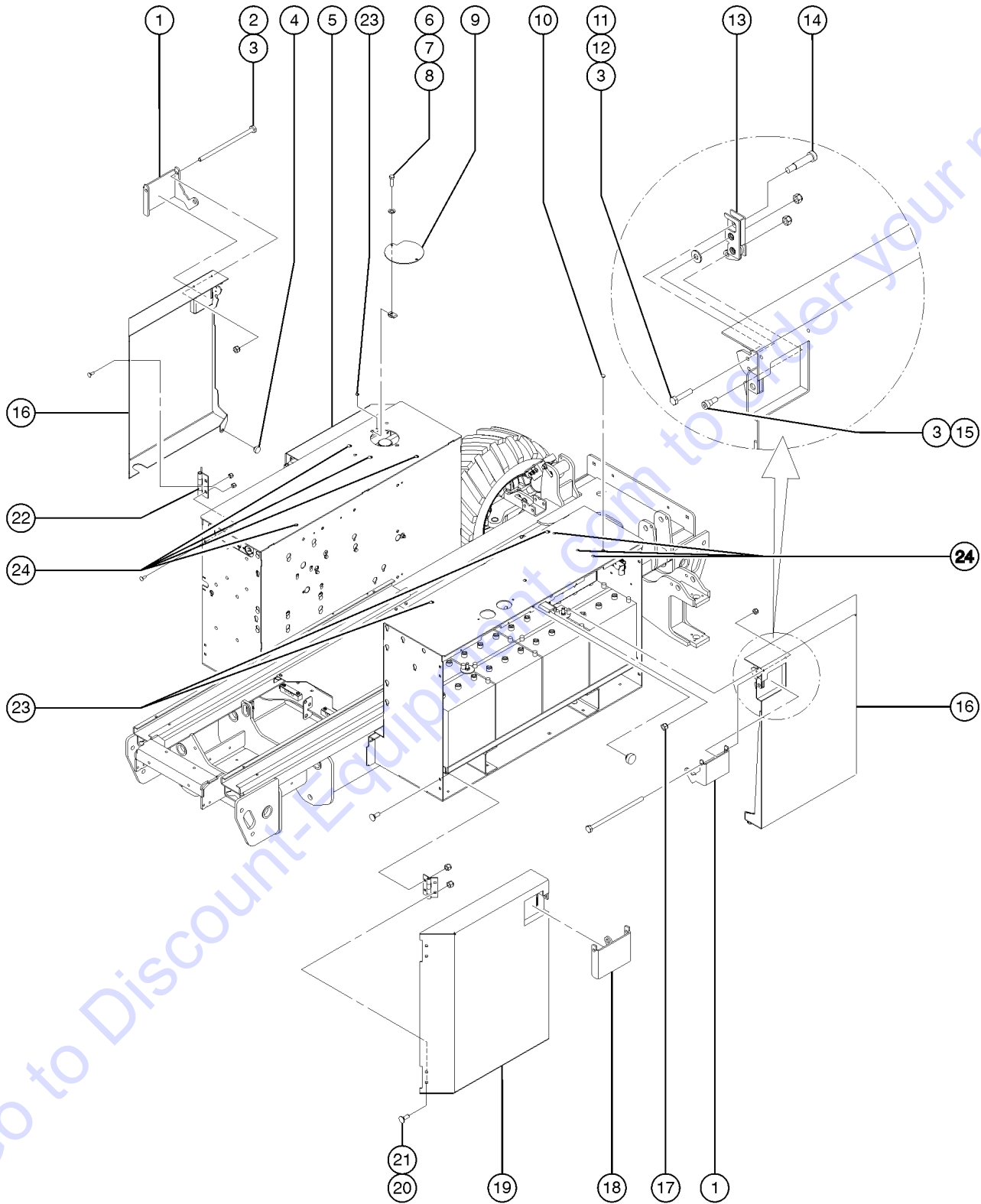
306.1 Ground Controls



306.1 Ground Controls

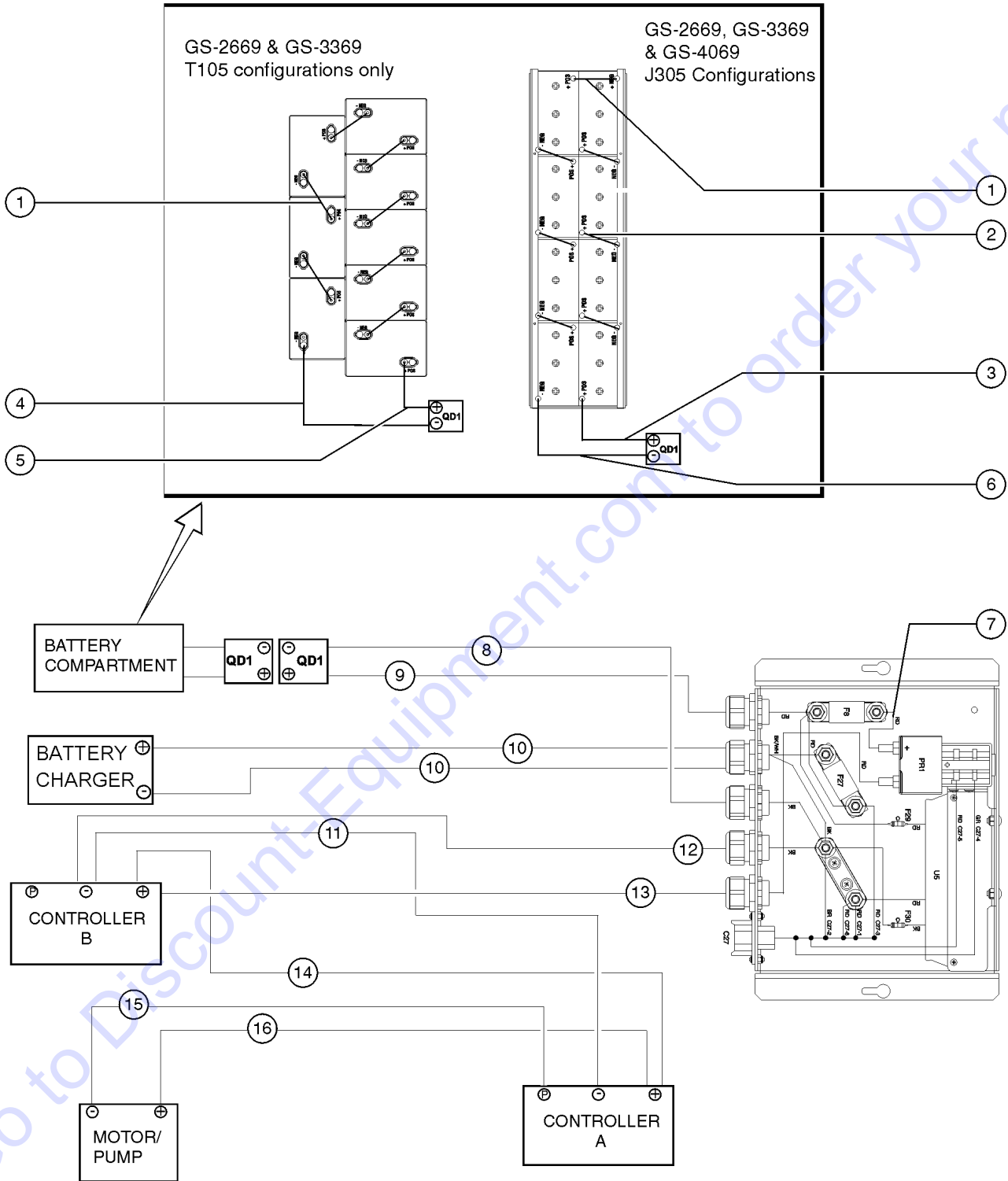
Item	Part No.	Description	Qty.	Item	Part No.	Description	Qty.
--	137692GT	GCON, GR/GRC/GS (2-speed controller without outriggers) (includes items 27 thru 35)		26	96452GT	CIRCUIT BREAKER,7.0 AMP***.....	1
--	137644GT	GCON,GS O/R (2-speed controller with outriggers) (includes items 27 thru 35)		27	137668GT	SCREW,PHM,6-19X.75, 48-2 TRI-L.....	4
--	1256721GT	GCON,STD,PROP LIFT (proportional controller without outriggers) (includes items 27 thru 35)		28	137562GT	DECAL,MEMBRANE, GR/GRC/GS GCON.....	1
1	49820GT	SCREW,PHILLIPS,PHM,6-32 X .5.....	2	29	T106366GT	ENCLOSURE,GC27-25/GC21-19,FRNT.1	1
2	45645GT	SCREW,RHM,8-32 X .75.....	8	30	137637GT	SCREW,PHM,4-20X.5, 48-2 TRI-L.....	3
3	4828GT	NUT,NYLOCK,3/8-16.....	6	31A	137604GT	PCBA, GC21-19..... for 137692, models without outriggers	1
4	214542GT	TERM BLK,3 POLE/12 POS,LCP.....	1	31B	137564GT	PCBA, GC27-25..... for 137644, models with outriggers	1
5	124580GT	BOLT,CARRIAGE,1/4X.75,G5.....	2	32	T106363GT	ADAPTER, RJ45, GC27-25/GC21-19..... replaced 137655	1
6	6091GT	NUT,NYLOCK,1/4-20.....	2	33	T106362GT	COVER, RJ45, GC27-25/GC21-19..... replaced 137584	1
7	73730GT	CONN,RECEP 12 WAY,GRY FLANGE....	2	34	66842GT	INSERT, 10-32 X .25.....	2
8	18605GT	NUT,NYLOCK,8-32.....	8	35A	T106372GT	ENCLOSURE, GC21-19, BK..... models without outriggers	1
9	101718GT	BOLT,CARRIAGE,3/8-16 X .75,G2.....	4	35B	T106371GT	ENCLOSURE, GC27-25, BK..... models with outriggers	1
10	55517GT	HINGE, GSRT90 BOX.....	1	36	56302GT	RELAY,24VDC,40/30A,SEALED***.....	2
11	235381GT	FORMING, DOOR, BULKHEAD MOUNT.....	1	37	34053GT	ASSY,RELAY SOCKET, AUTO.....	2
12	235383GT	FORMING, BRACKET, RELAY MOUNT.....	1	38	235380GT	FORMING, BOX, CONTROL ENCLOSUR.....	1
13	49819GT	SCREW,PHILLIPS,PHM,10-32 X .5.....	2				
14	6178GT	NUT,NYLOCK,10-32.....	2				
15	96010GT	SCREW,PHILLIPS,PHM,8-32 X.25**.....	6				
16	128578GT	SCREW T-SWITCH PH/PH 6-32X1/4.....	6				
17	96008-SGT	KEYSWITCH,3 POS. W/KEYS***.....	1				
--	37947GT	KEYS,10 PACK***					
--	83093GT	KEY SINGLE***					
--	83131GT	KEYSWITCH,3 POS W/KEYS,LOCKING					
18	66812GT	BUTTON,PUSH,RED MUSHROOM HEAD.....	1				
--	66818GT	CONTACT, N.C.					
--	66821GT	BASE,WITHOUT CONTACTS					
19	39540GT	ALARM,STEADY TONE***.....	1				
20	6700GT	WASHER,STAR,EXTERNAL,,.375.....	2				
21	122994GT	NICKEL PLATED JAM NUT.....	2				
22	75041GT	SCREW,PHILLIPS,PHM,10-32 X 1.....	2				
23	128200GT	SWITCH TOGGLE ASSY SPDT 3P MOM.....	2				
--	128578GT	SCREW T-SWITCH PH/PH 6-32X1/4					
--	128580GT	SWITCH TOGGLE SPDT 3P MOM SHDR					
--	27246GT	BOOT,TOGGLE SWITCH,SHORT*					
24	235382GT	FORMING, DOOR, GCON MOUNT.....	1				
25	1277226GT	ASSEMBLY,CIRCUIT BREAKER,15AMP					

307.1 Chassis Cover Installation



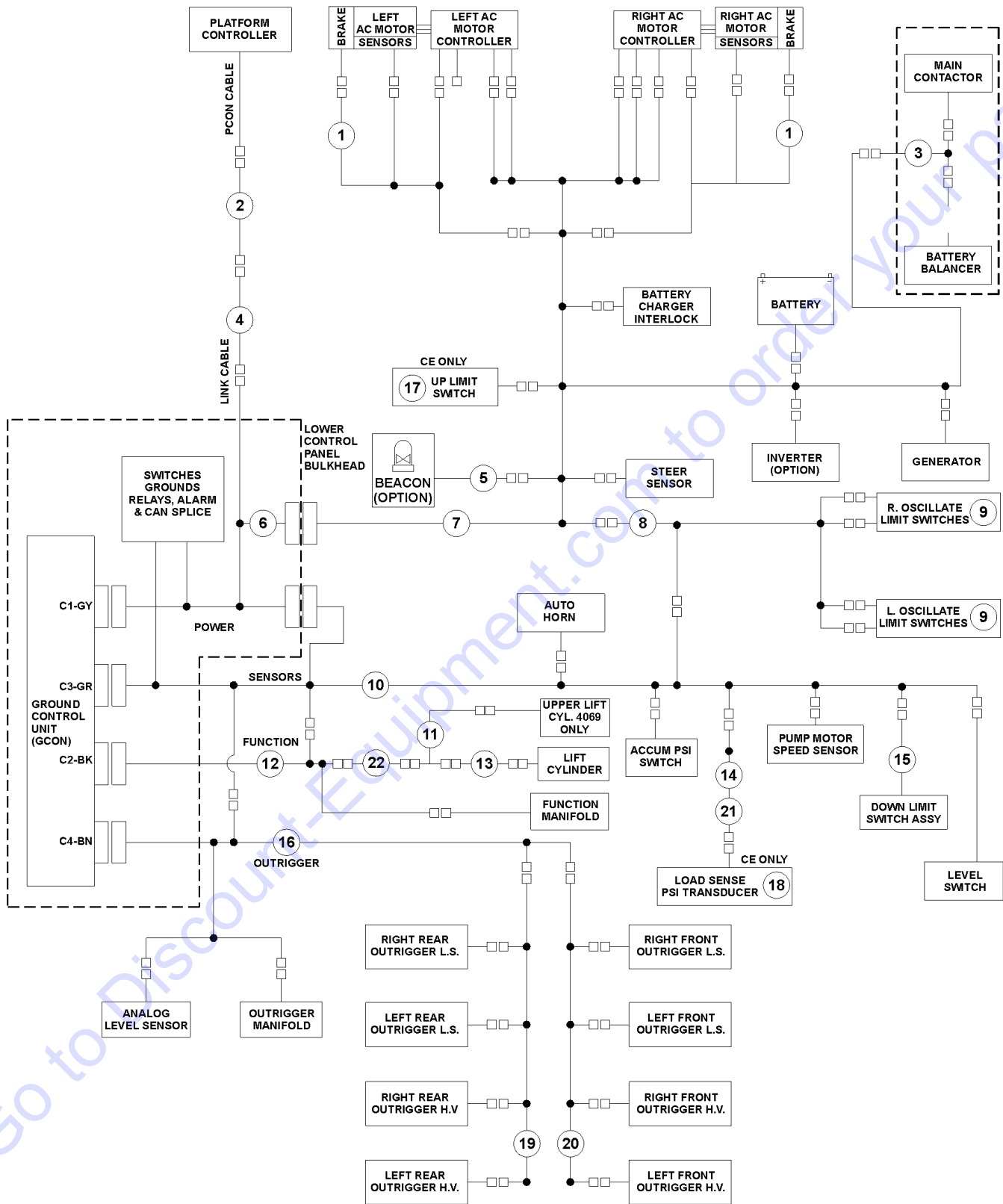
Item	Part No.	Description	Qty.
1	131926GT	FORMING,DOOR LATCH HANDLE,RT.....	2
2	10744GT	SCREW,HHC,1/4-20 X 5	
3	6091GT	NUT,NYLOCK,1/4-20	
4	43392GT	BUMPER,BATTERY BOX & RAILS.....	8
5	131780GT	WELDMENT,BOX DOOR,LEFT,WINDOW.....	1
		<i>(decals not included, refer to section 100)</i>	
--	235081GT	COVER ASSY,ENGINE SIDE,RT,WO <i>(decals included)</i>	
6	6019GT	SCREW,HHC,3/8-16 X 1.25 GRD 5	
7	6021GT	WASHER,LOCK,.375	
8	29868GT	SPRING CLIP,3/8-16,.05-.20X.73,ZAG....	2
9	131873GT	PLATE,HYD TANK FILLER COVER.....	1
10	45384GT	PLUG,NYLON .50 BLACK DOMED.....	2
11	161805GT	SCREW,HHC,1/4-20 X 1.25, TAP	
12	6638GT	WASHER,FLAT,USS,1/4"Y	
13	105319GT	LATCH,BATT/HYDR TRAY***	4
14	131928GT	BOLT,SHLDR,3/8X1.25,5/16-18S/S	
15	148291GT	BOLT,SHLDR,5/16X1/4X1/14-20S/S	
16	131790GT	WELDMENT,BOX DOOR,RT.....	2
		<i>(decals not included, refer to section 100)</i>	
17	6782GT	NUT,NYLOCK,5/16-18	
18	131929GT	FORMING,DOOR LATCH HANDLE,LT...2	
19	148226GT	WLDT,BOX DOOR,ENG,LT,GS68.....	1
		<i>(decals not included, refer to section 100)</i>	
20	64154GT	BOLT,CARRIAGE,3/8-16 X1.00,G5	
21	4828GT	NUT,NYLOCK,3/8-16	
22	55517GT	HINGE, GSRT90 BOX.....	5
23	215915GT	PLUG,NYLON,.281"RING	
24	215914GT	PLUG,NYLON,.391"RING	

308.1 Power Cables



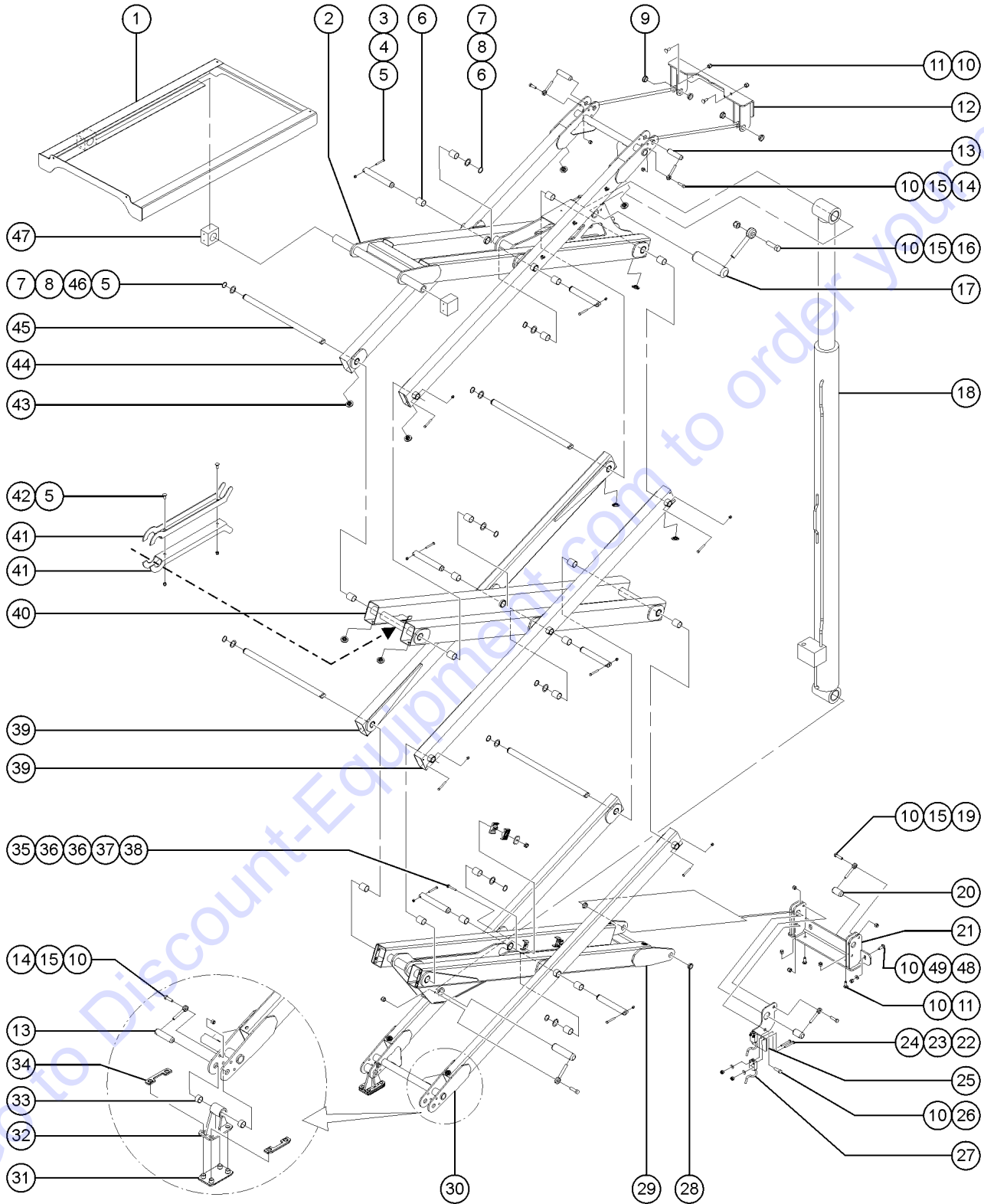
Item	Part No.	Description	Qty.
--	67504GT	FUSE HOLDER,ATC 3-30 AMPS	
--	67505GT	FUSE,10 AMP,ATC	
1A	238364GT	CABLE ASSY, BATTERY JUMPERS.....7 (T105 battery configuration) GS-2669 and GS-3369 only	
1B	238364GT	CABLE ASSY, BATTERY JUMPERS.....1 (J305 battery configuration) all GS-69	
2	160545GT	CABLE ASSY, BATTERY JMPR LONG	
3	160903GT	CABLE ASSY, B+ TO AN. PLG,J305	
4	238366GT	CABLE ASSY, B- TO ANDERSON PLU.....1	
5	238365GT	CABLE ASSY, B+ TO ANDERSON PLU.....1	
6	160904GT	CABLE ASSY, B- TO AN. PLG,J305	
7	238369GT	CABLE ASSY, CONTA FUSE TO CONT.....1	
8	238368GT	CABLE ASSY, ANDERSON TO GRND L.....1	
9	238367GT	CABLE ASSY. ANDERSON TO CONTA.....1	
10	161359GT	CABLE ASSY, BATTERY CHARGER.....1	
11	238374GT	CABLE ASSY, CONTR A B- TO CONT...1	
12	238373GT	CABLE ASSY, GRND LUG TO CONTR.....1	
13	238370GT	CABLE ASSY, CONTA TO PUMP MOTO.....1	
14	238372GT	CABLE ASSY, CONTR A B+ TO CONT.....1	
15	238375GT	CABLE ASSY, CONTR A P- TO PUMP...1	
16	238371GT	CABLE ASSY, PUMP MT+ TO CONTR.....1	

309.1 Electrical Wiring



Item	Part No.	Description	Qty.	Item	Part No.	Description	Qty.
A	137587GT	HARNESS, ESTOP, GR/GRC/GS PCON		21	218245GT	JUMPER,SENSOR,TERMINAL.....1	1
B	137611GT	ASSY, COIL CORD, GR/GRC/GS		22A	1259498GT	KIT,PROP. DOWN,GS26/3369 DC/BE.....1 (includes proportional down harnesses, valve and instructions)	1
C	1264822GT	KIT, TRC RETROFIT, STNDRD <i>Telematics (includes 1264834)</i>		22B	1259991GT	KIT,PROP. DOWN,GS4069 DC/BE.....1 (includes proportional down harnesses, valve and instructions)	1
--	1264834GT	INSTRN, TRC RETROFIT, STNDRD					
1	234837GT	HARNESS, MOTOR/BRAKE,GS69DC....2					
2A	236066GT	CABLE,CNTRL,LINKS,GS2669DC <i>GS-2669DC</i>					
2B	236067GT	CABLE,CNTRL,LINKS,GS3369DC.....1 <i>GS-3369DC</i>					
2C	236068GT	CABLE,CNTRL,LINKS,GS4069DC <i>GS-4069DC</i>					
3	235398GT	HARNESS, CONTROL POWER,GS69DC.....1	1				
4	237476GT	CABLE,CONTROL,EXTEND,GS69DC....1					
5	148076GT	HARNESS,BEACON,GS69.....1 <i>(option)</i>	1				
6	234830GT	HARNESS,LCP,GS69DC.....1	1				
--	67504GT	FUSE HOLDER,ATC 3-30 AMPS					
--	67505GT	FUSE,10 AMP,ATC					
7	234832GT	HARNESS,MOTOR CONTROL,GS69DC.....1	1				
8	235399GT	HARNESS,EXTEND,OSC LS,GS69DC...1					
9	148414GT	HARNESS,OSC SWITCH REAR.....2					
10	234831GT	HARNESS,SENSORS,GS69DC.....1					
11	148087GT	CABLE,DOWN COILS,GS4069 <i>GS-4069DC</i>					
12	234833GT	HARNESS,FUNCTION,HYD,GS69DC....1					
13	148086GT	CABLE,DOWN COILS,GS3369.....1 <i>GS-2669DC & GS-3369DC</i>	1				
14	219973GT	CABLE,PRESSURE SWITCH, 6S.....1 <i>CE only</i>	1				
15	148092GT	HARNESS,DOWN LIMIT SENSOR,GS69.....1	1				
16	234834GT	HARNESS, OUTRIGGER,MAIN,GS69DC.....1 <i>(option)</i>	1				
17	T114634GT	HARNESS,UP LIMIT SWITCH.....1 <i>CE only</i>	1				
18	104571GT	HARNESS,PRESS.SWITCH.....1 <i>CE only</i>	1				
19A	148091GT	HARNESS,OUTRIGGERS,REAR,GS69.1 <i>(to SN GS6913-1844) option</i>					
19B	161213GT	HARNESS, OR HARNESS, J11.....1 <i>(from SN GS6913-1845) option</i>	1				
20A	148090GT	HARNESS,OUTRIGGERS,FRNT,GS69..1 <i>(to SN GS6913-1844) option</i>					
20B	161213GT	HARNESS, OR HARNESS, J11.....1 <i>(from SN GS6913-1845) option</i>	1				

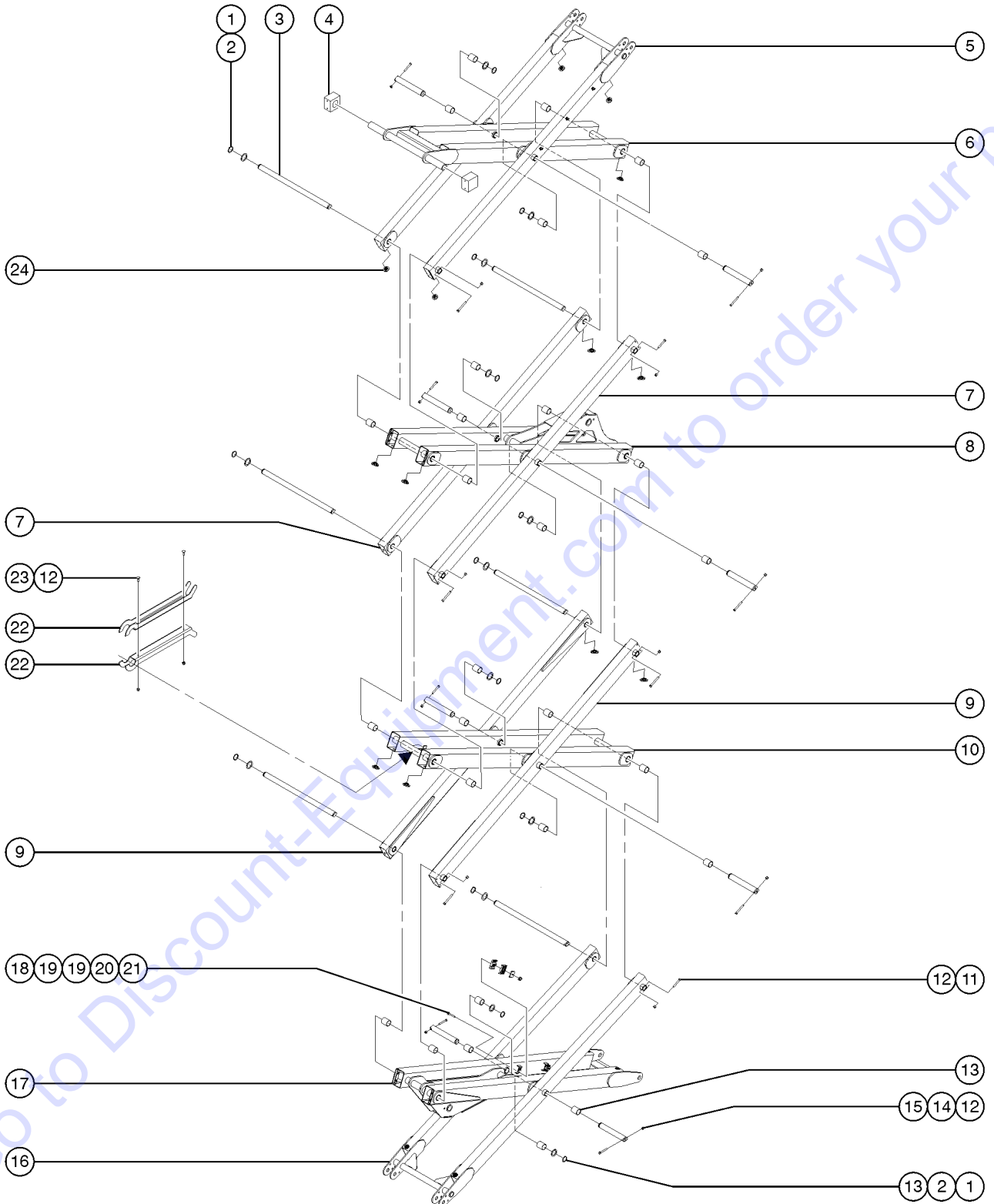
401.1 Scissor Components, GS-2669DC



401.1 Scissor Components, GS-2669DC

Item	Part No.	Description	Qty.	Item	Part No.	Description	Qty.
1	131874GT	WLDMNT,PLATFORM SPACER, 2669....1		39	T108137GT	WLDMT,LINK,OUTER,#2.....1 (decals not included, refer to section 100)	1
2	112127GT	ASSY,LINK,INNER #3,BLUE,2669.....1 (includes item #6)		40	112124GT	ASSY,LINK,INNER #2,BLUE,GS69.....1 (includes item #6) (decals not included, refer to section 100)	1
--	105214GT	CABLE TIE MOUNT, WINGED		41	1254192GT	FORMING, SAFETY ARM.....2	2
--	28443GT	CABLE TIE, 11.5" BLACK.....8	8	42	64154GT	BOLT,CARRIAGE,3/8-16 X1.00,G5.....2	2
3	14033GT	SCREW,HHC,3/8-16 X 2.75.....6	6	43	T109734GT	BUMPER,LINKS,GS69.....16	16
4	148433GT	PIN,CENTER LINK,GS69.....9	9	44	112076GT	WELDMENT,LINK, TOP OUTER,GS69....1	1
5	4828GT	NUT,NYLOCK,3/8-16.....12	12	--	28443GT	CABLE TIE, 11.5" BLACK.....8	8
6	T108138GT	BEARING, 1.50IDX1.75ODX2.00L.....20	20	45	148434GT	PIN,END LINK,GS69.....4	4
7	18383GT	SNAP RING,EXTERNAL, 1.5 DIA***10	10	46	6326GT	SCREW,HHC,3/8-16 X 3.....4	4
8	T108139GT	WASHER,FLAT,1.510X2.125.....10	10	47	112708GT	SLIDER BLOCK, GS69.....2	2
9	112375GT	BEARING,FL, 1.25IDX1.50ODX.44LG....4	4	48	96203GT	BOLT,CARRIAGE, 1/2-13X1.75, G5	
10	6198GT	NUT,NYLOCK, 1/2-13.....14	14	49	6095GT	WASHER,FLAT,USS, 1/2",Y	
11	96977GT	BOLT,CARRIAGE, 1/2-13X1.50,GR5.....6	6				
12	112229GT	WELDMENT,PLATFORM PIVOT,2669.....1					
13	112115GT	PIN,1.25 DIA X 5.00 LG,1 HOLE.....4	4				
14	22788GT	SCREW,HHC, 1/2-13 X 1.75.....4	4				
15	1256267GT	ROD END, .5 X 3.75,ZAG.....8	8				
16	6096GT	SCREW,HHC, 1/2-13 X 2 GR5.....4	4				
17	112121GT	PIN, CYLINDER, LONG.....2	2				
18		Ref. Lift Cylinders (refer to 603.1)					
19	10598GT	SCREW,HHC, 1/2-13 X 3.....2	2				
20	112116GT	PIN,1.50 DIA X 2.75 LG,1 HOLE.....2	2				
21	131899GT	WELDMENT,CHASSIS LINK PVT,2669.....1	1				
22	49821GT	SCREW,PHILLIPS,PHM,8-32 X 1.25.....4	4				
23	35461GT	WASHER,FLAT,MS,#8,Y.....4	4				
24	18605GT	NUT,NYLOCK,8-32.....4	4				
25	148317GT	FORMING,DOWN LIMIT SWITCH MNT.....1	1				
26	8177GT	SCREW,HHC, 1/2-13 X 1.5.....1	1				
27	148236GT	SWITCH,LIMIT,PLUNGER,SMALL.....2	2				
28	112350GT	BRG,FL,1.5ID X 1.75OD X .5 LG.....2	2				
29	112123GT	ASSY,LINK,INNER #1,BLUE,GS69.....1 (includes item #6 and item #28)	1				
30	112070GT	WELDMENT,LINK,OUTER #1.....1	1				
31	112099GT	WEAR PAD,SLIDER FOOT,LOWER.....2	2				
32	131903GT	WELDMENT,SLIDER FOOT, GS2669.....2	2				
33	30434GT	BEARING,1.25IDX1.50ODX0.88L.....4	4				
34	112100GT	WEAR PAD,SLIDER FOOT,UPPER.....4	4				
35	96905GT	BOLT,CARRIAGE, 1/4-20 X 2.5,G2					
36	78736GT	CLAMP,2 HOSE,PLASTIC,5/8.....8	8				
37	112589GT	PLATE,HOSE ROUTING,BULKHEAD....4	4				
38	6091GT	NUT,NYLOCK, 1/4-20					

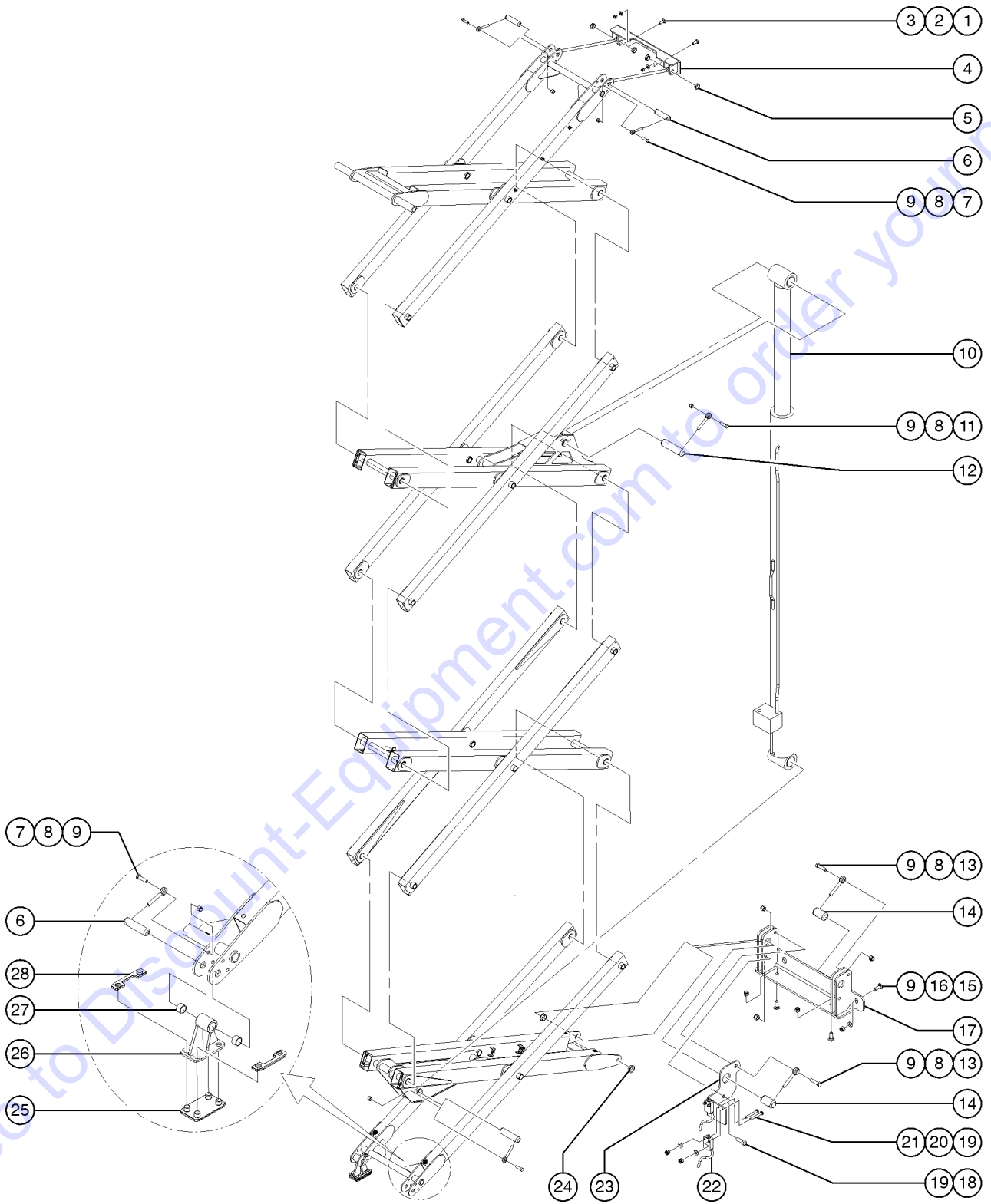
402.1 Scissor Components, GS-3369DC, View 1



402.1 Scissor Components, GS-3369DC, View 1

Item	Part No.	Description	Qty.
1	18383GT	SNAP RING,EXTERNAL,1.5 DIA***.....	14
2	T108139GT	WASHER,FLAT,1.510X2.125.....	14
3	148434GT	PIN,END LINK,GS69.....	6
4	112708GT	SLIDER BLOCK, GS69.....	2
5	112076GT	WELDMENT,LINK,TOP OUTER,GS69....	1
--	40928GT	CABLE TIE,BUTTON,BLACK,10.00LG	
6	112134GT	ASSY,LINK,INR #4-3369,#5-4069..... <i>(includes item #13)</i>	1
7	112072GT	WELDMENT,LINK,OUTER #2,3,4.....	2
8	131687GT	ASSY,LINK,INNER #3,BLUE,3369..... <i>(includes item #13)</i>	1
9	T108137GT	WLDMT,LINK,OUTER,#2..... <i>(decals not included, refer to section 100)</i>	1
10	112124GT	ASSY,LINK,INNER #2,BLUE,GS69..... <i>(includes item #13)</i>	1
11	6326GT	SCREW,HHC,3/8-16 X 3	
12	4828GT	NUT,NYLOCK,3/8-16	
13	T108138GT	BEARING,1.50IDX1.75ODX2.00L.....	28
14	148433GT	PIN,CENTER LINK,GS69.....	8
15	14033GT	SCREW,HHC,3/8-16 X 2.75	
16	112070GT	WELDMENT,LINK,OUTER #1.....	1
17	112123GT	ASSY,LINK,INNER #1,BLUE,GS69..... <i>(includes item #13)</i>	1
18	96905GT	BOLT,CARRIAGE,1/4-20 X 2.5,G2.....	4
19	78736GT	CLAMP,2 HOSE,PLASTIC,5/8.....	8
20	112589GT	PLATE,HOSE ROUTING,BULKHEAD....	4
21	6091GT	NUT,NYLOCK,1/4-20.....	4
22	1254192GT	FORMING, SAFETY ARM.....	2
23	64154GT	BOLT,CARRIAGE,3/8-16 X1.00,G5.....	2
24	T109734GT	BUMPER,LINKS,GS69.....	24

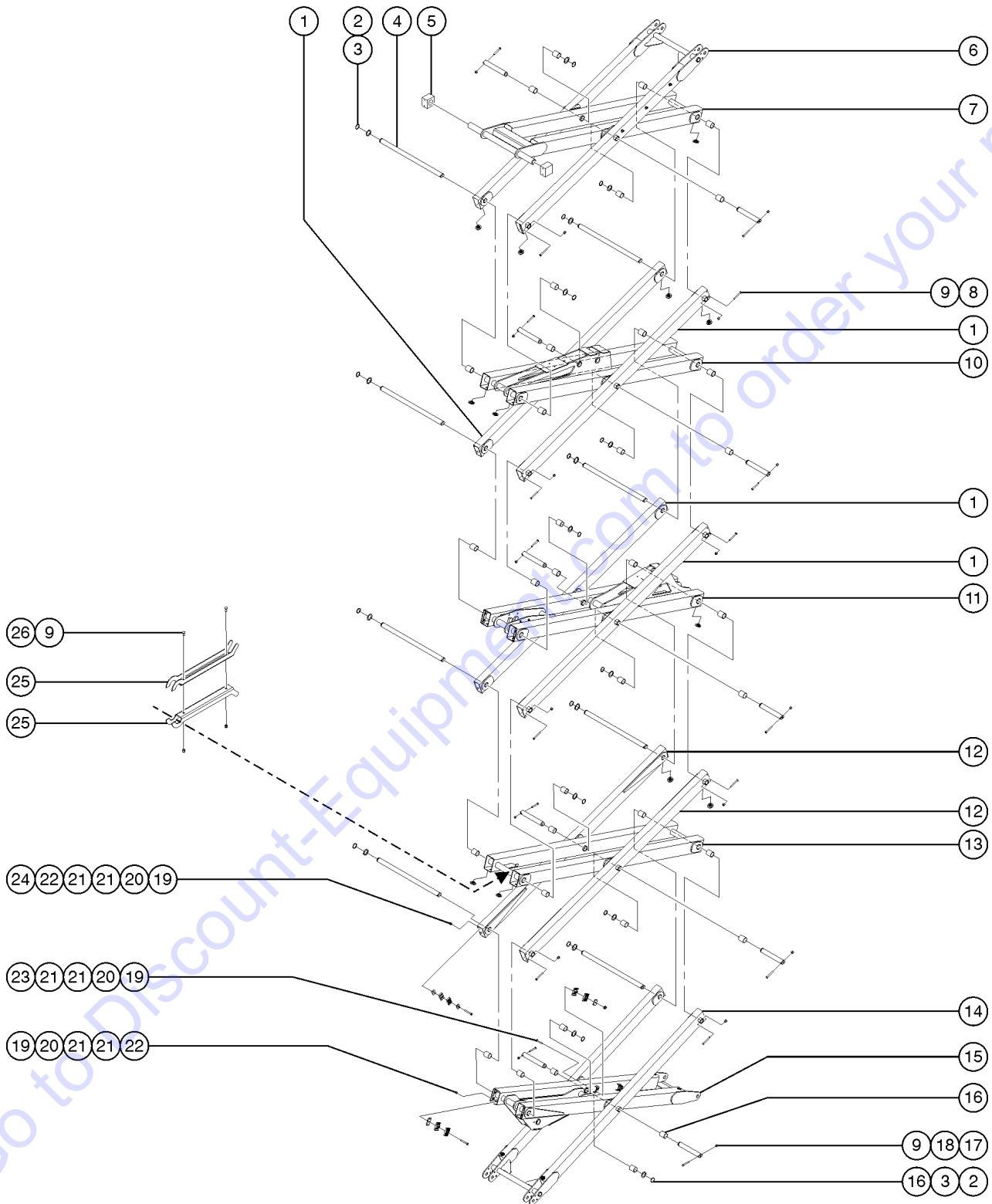
403.1 Scissor Components, GS-3369DC, View 2



403.1 Scissor Components, GS-3369DC, View 2

Item	Part No.	Description	Qty.
1	96977GT	BOLT,CARRIAGE,1/2-13X1.50,GR5	
2	6097GT	WASHER,FLAT,USS,3/8",Y	
3	4828GT	NUT,NYLOCK,3/8-16	
4	112136GT	WELDMENT,PLAT PIVOT,33/4069.....1	
5	112375GT	BEARING,FL,1.25IDX1.50ODX.44LG.....4	
6	112115GT	PIN,1.25 DIA X 5.00 LG,1 HOLE.....4	
7	22788GT	SCREW,HHC,1/2-13 X 1.75	
8	1256267GT	ROD END,.5 X 3.75,ZAG.....8	
9	6198GT	NUT,NYLOCK,1/2-13	
10		Ref. Lift Cylinders (refer to 603.1)	
11	6096GT	SCREW,HHC,1/2-13 X 2 GR5	
12	112121GT	PIN, CYLINDER, LONG.....2	
13	10598GT	SCREW,HHC,1/2-13 X 3.....2	
14	112116GT	PIN,1.50 DIA X 2.75 LG,1 HOLE.....2	
15	96203GT	BOLT,CARRIAGE,1/2-13X1.75, G5.....2	
16	6095GT	WASHER,FLAT,USS,1/2",Y	
17	112210GT	WLDMT,CHASSIS LINK PVT,33/4069.....1	
18	8177GT	SCREW,HHC,1/2-13 X 1.5	
19	49821GT	SCREW,PHILLIPS,PHM,8-32 X 1.25	
20	35461GT	WASHER,FLAT,MS,#8,Y	
21	18605GT	NUT,NYLOCK,8-32	
22	148236GT	SWITCH,LIMIT,PLUNGER,SMALL.....2	
23	148317GT	FORMING,DOWN LIMIT SWITCH MNT.....1	
24	112350GT	BRG,FL,1.5ID X 1.75OD X .5 LG.....2	
25	112099GT	WEAR PAD,SLIDER FOOT,LOWER.....2	
26	112177GT	WELDMENT,SLIDER FOOT, 32/4069.....2	
27	30434GT	BEARING,1.25IDX1.50ODX0.88L.....4	
28	112100GT	WEAR PAD,SLIDER FOOT,UPPER.....4	

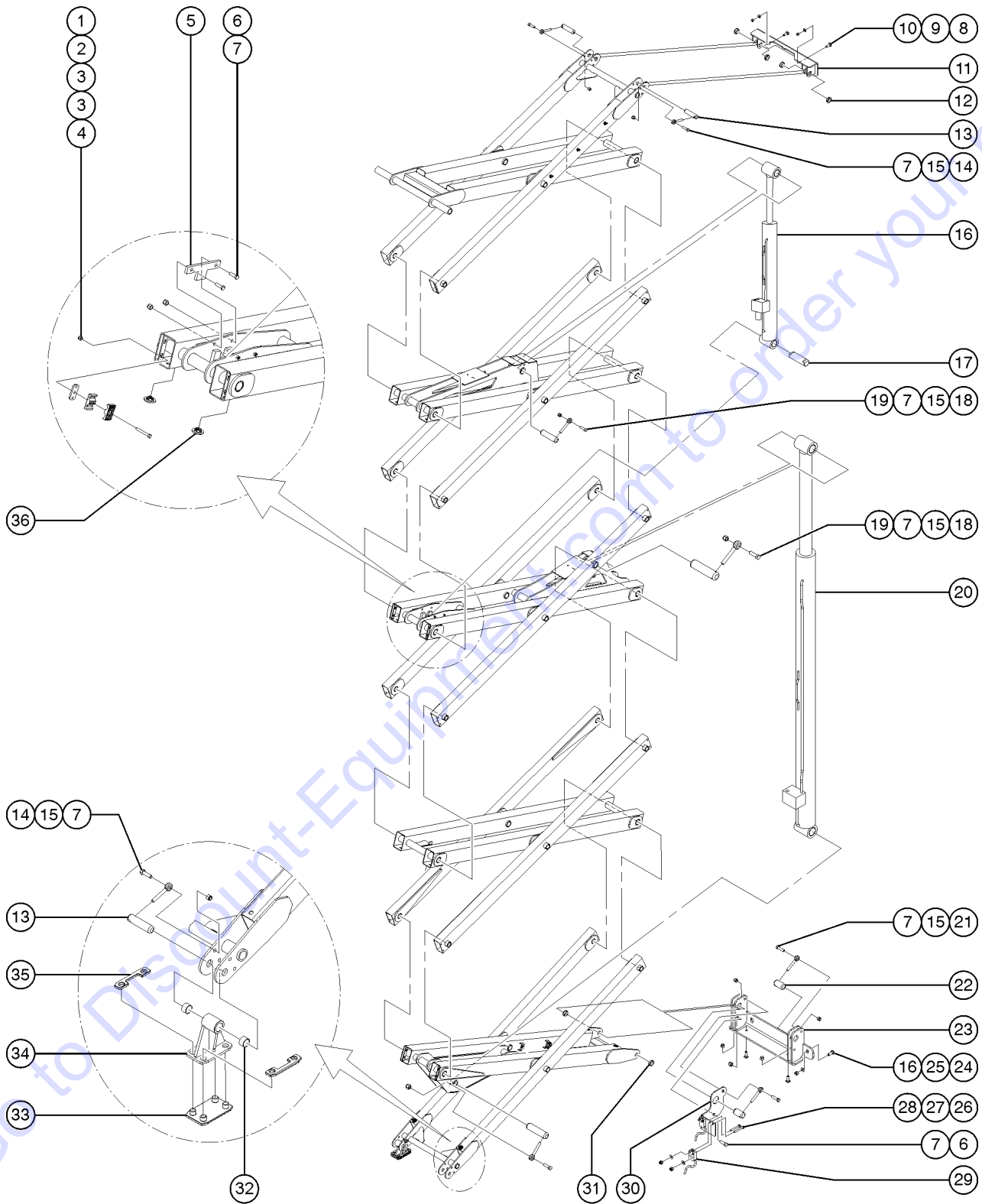
404.1 Scissor Components, GS-4069DC, View 1



404.1 Scissor Components, GS-4069DC, View 1

Item	Part No.	Description	Qty.
1	112072GT	WELDMENT, LINK, OUTER #2,3,4.....	4
2	18383GT	SNAP RING, EXTERNAL, 1.5 DIA***.....	18
3	T108139GT	WASHER, FLAT, 1.510X2.125	
4	148434GT	PIN, END LINK, GS69.....	8
5	112708GT	SLIDER BLOCK, GS69.....	2
6	112076GT	WELDMENT, LINK, TOP OUTER, GS69....	1
7	112134GT	ASSY, LINK, INR #4-3369, #5-4069..... (includes item #16)	1
8	6326GT	SCREW, HHC, 3/8-16 X 3	
9	4828GT	NUT, NYLOCK, 3/8-16	
10	112126GT	ASSY, LINK, INNER #4, BLUE, 4069..... (includes item #16)	1
11	112125GT	ASSY, LINK, INNER #3, BLUE, 4069..... (includes item #16)	1
12	T108137GT	WLDMT, LINK, OUTER, #2..... (decals not included, refer to section 100)	1
13	112124GT	ASSY, LINK, INNER #2, BLUE, GS69..... (includes item #16)	1
14	112070GT	WELDMENT, LINK, OUTER #1.....	1
15	112123GT	ASSY, LINK, INNER #1, BLUE, GS69.....	1
--	40928GT	CABLE TIE, BUTTON, BLACK, 10.00LG	
16	T108138GT	BEARING, 1.50IDX1.75ODX2.00L	
17	14033GT	SCREW, HHC, 3/8-16 X 2.75	
18	148433GT	PIN, CENTER LINK, GS69.....	10
19	6091GT	NUT, NYLOCK, 1/4-20	
20	112589GT	PLATE, HOSE ROUTING, BULKHEAD....	7
21	78736GT	CLAMP, 2 HOSE, PLASTIC, 5/8.....	14
22	4266GT	SCREW, HHC, 1/4-20 X 2	
23	96905GT	BOLT, CARRIAGE, 1/4-20 X 2.5, G2	
24	228103GT	PLATE, BACKING, LINKS	
25	1254192GT	FORMING, SAFETY ARM.....	2
26	64154GT	BOLT, CARRIAGE, 3/8-16 X1.00, G5.....	2

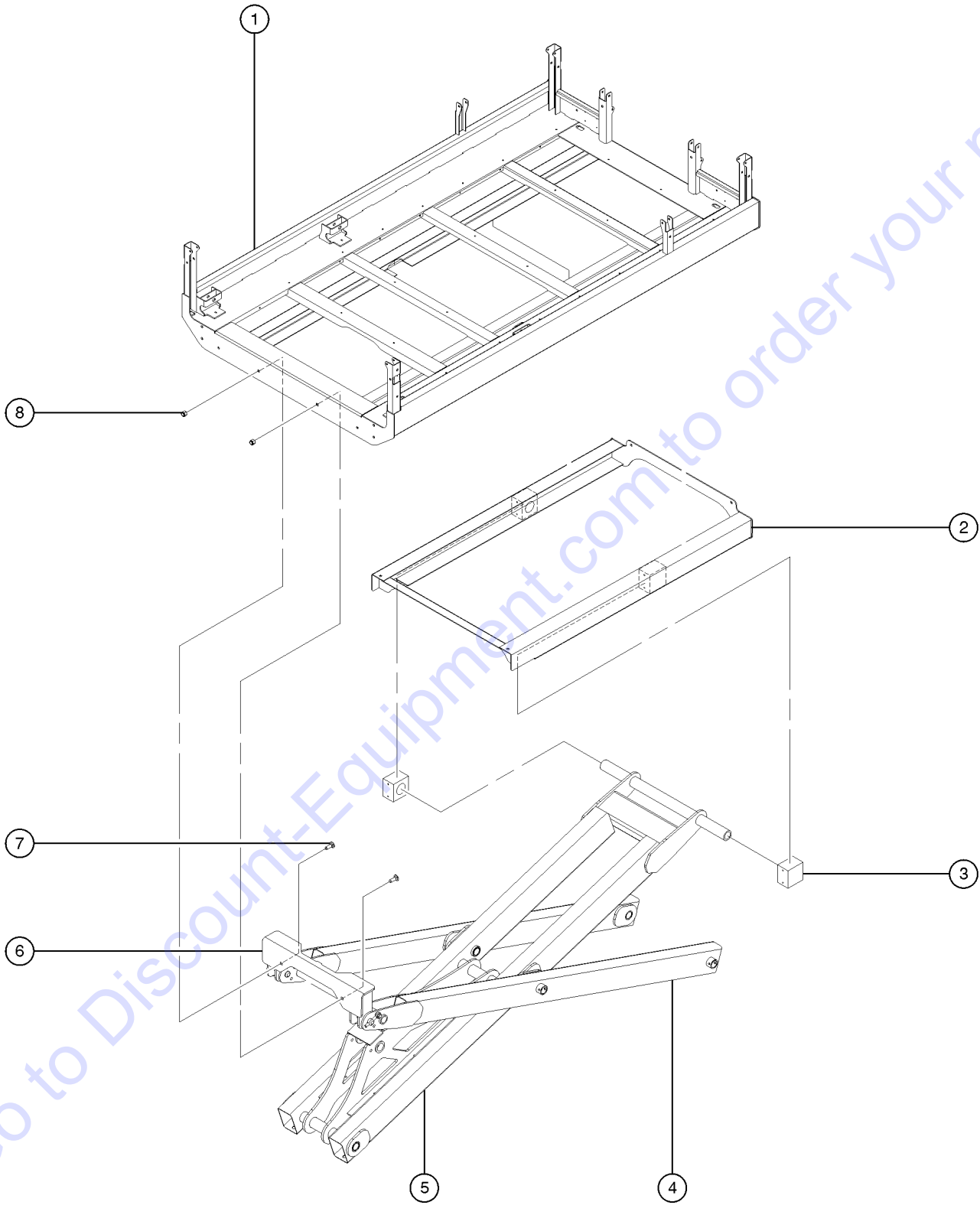
405.1 Scissor Components, GS-4069DC, View 2



405.1 Scissor Components, GS-4069DC, View 2

Item	Part No.	Description	Qty.
1	6091GT	NUT,NYLOCK,1/4-20	
2	112589GT	PLATE,HOSE ROUTING,BULKHEAD.....1	
3	78736GT	CLAMP,2 HOSE,PLASTIC,5/8.....2	
4	4266GT	SCREW,HHC,1/4-20 X 2	
5	112106GT	PLATE,UPR CYL,PIN RETAINR 4069.....2	
6	8177GT	SCREW,HHC,1/2-13 X 1.5	
7	6198GT	NUT,NYLOCK,1/2-13	
8	96977GT	BOLT,CARRIAGE,1/2-13X1.50,GR5	
9	6097GT	WASHER,FLAT,USS,3/8",Y	
10	4828GT	NUT,NYLOCK,3/8-16	
11	112136GT	WELDMENT,PLAT PIVOT,33/4069.....1	
12	112375GT	BEARING,FL,1.25IDX1.50ODX.44LG	
13	112115GT	PIN,1.25 DIA X 5.00 LG,1 HOLE.....4	
14	22788GT	SCREW,HHC,1/2-13 X 1.75	
15	1256267GT	ROD END,.5 X 3.75,ZAG.....9	
16		Ref. Lift Cylinders, Upper (refer to 603.1)	
17	235122GT	PIN,UPPER CYLINDER.....1	
18	6096GT	SCREW,HHC,1/2-13 X 2 GR5	
19	112121GT	PIN, CYLINDER, LONG.....3	
20		Ref. Lift Cylinders (refer to 603.1)	
21	10598GT	SCREW,HHC,1/2-13 X 3	
22	112116GT	PIN,1.50 DIA X 2.75 LG,1 HOLE.....2	
23	112210GT	WLDMT,CHASSIS LINK PVT,33/4069.....1	
24	96203GT	BOLT,CARRIAGE,1/2-13X1.75, G5	
25	6095GT	WASHER,FLAT,USS,1/2",Y	
26	49821GT	SCREW,PHILLIPS,PHM,8-32 X 1.25	
27	35461GT	WASHER,FLAT,MS,#8,Y	
28	18605GT	NUT,NYLOCK,8-32	
29	148236GT	SWITCH,LIMIT,PLUNGER,SMALL.....2	
30	148317GT	FORMING,DOWN LIMIT SWITCH MNT.....1	
31	112350GT	BRG,FL,1.5ID X 1.75OD X .5 LG.....2	
32	30434GT	BEARING,1.25IDX1.50ODX0.88L.....4	
33	112099GT	WEAR PAD,SLIDER FOOT,LOWER.....2	
34	112177GT	WELDMENT,SLIDER FOOT, 32/4069.....2	
35	112100GT	WEAR PAD,SLIDER FOOT,UPPER.....4	
36	T109734GT	BUMPER,LINKS,GS69.....32	

501.1 Platform Installation, GS-2669DC

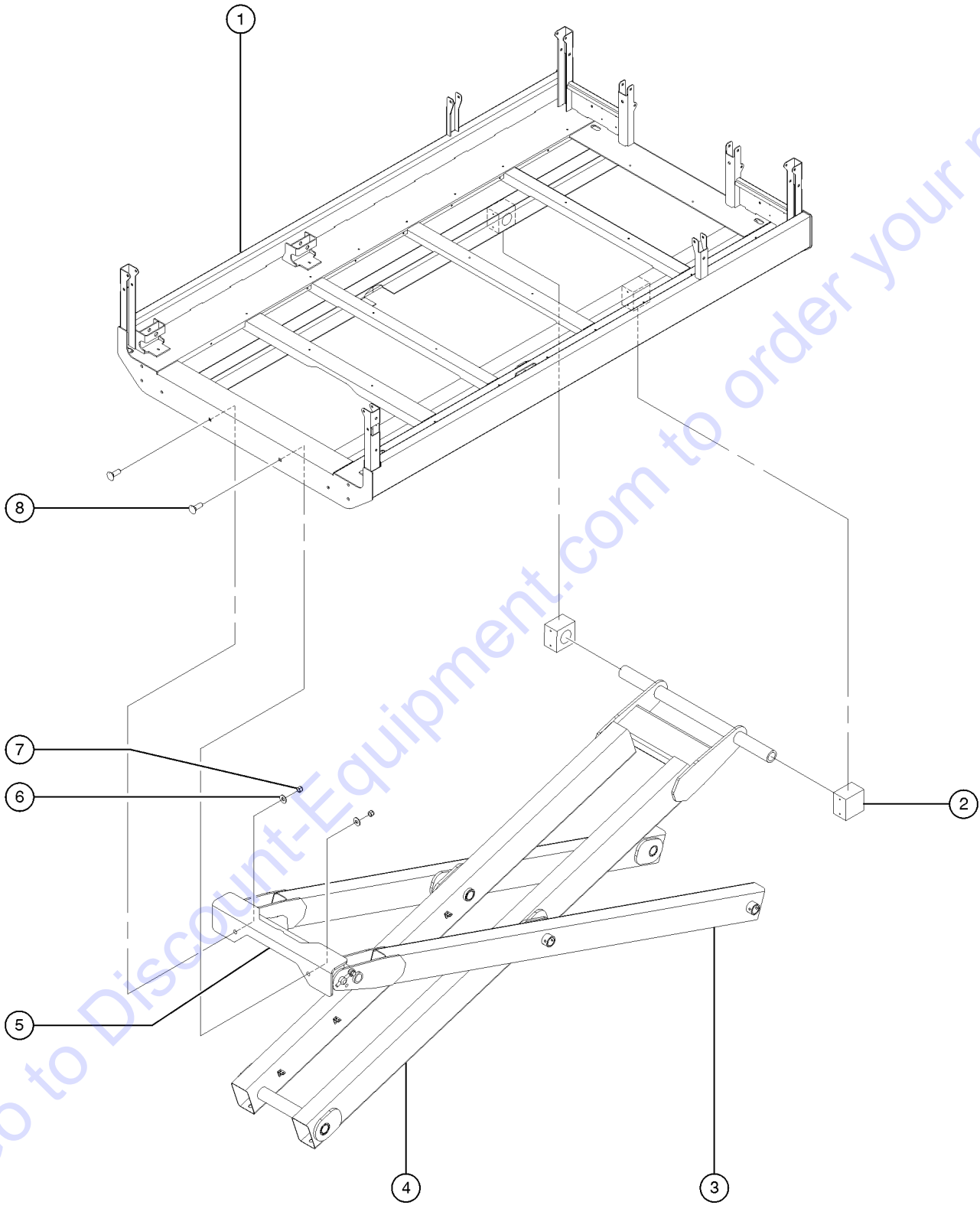


501.1 Platform Installation, GS-2669DC

Item	Part No.	Description	Qty.
1	112703GT	WELDMENT,MAIN PLATFORM,GS69....1 <i>(decals not included, refer to section 100)</i>	1
2		Ref. WLDMNT,PLATFORM SPACER, 2669.....1 <i>(refer to 401.1)</i>	1
3	112708GT	SLIDER BLOCK, GS69.....2	2
4	112076GT	WELDMENT,LINK, TOP OUTER,GS69....1	1
5	112083GT	WELDMNT,LINK, TOP INNER,32/4069....1	1
6	112136GT	WELDMENT,PLAT PIVOT,33/4069.....1	1
7	96977GT	BOLT,CARRIAGE,1/2-13X1.50,GR5.....2	2
8	6198GT	NUT,NYLOCK,1/2-13.....2	2

Go to Discount-Equipment.com to order your parts

502.1 Platform Installation, GS-3369DC & GS-4069DC



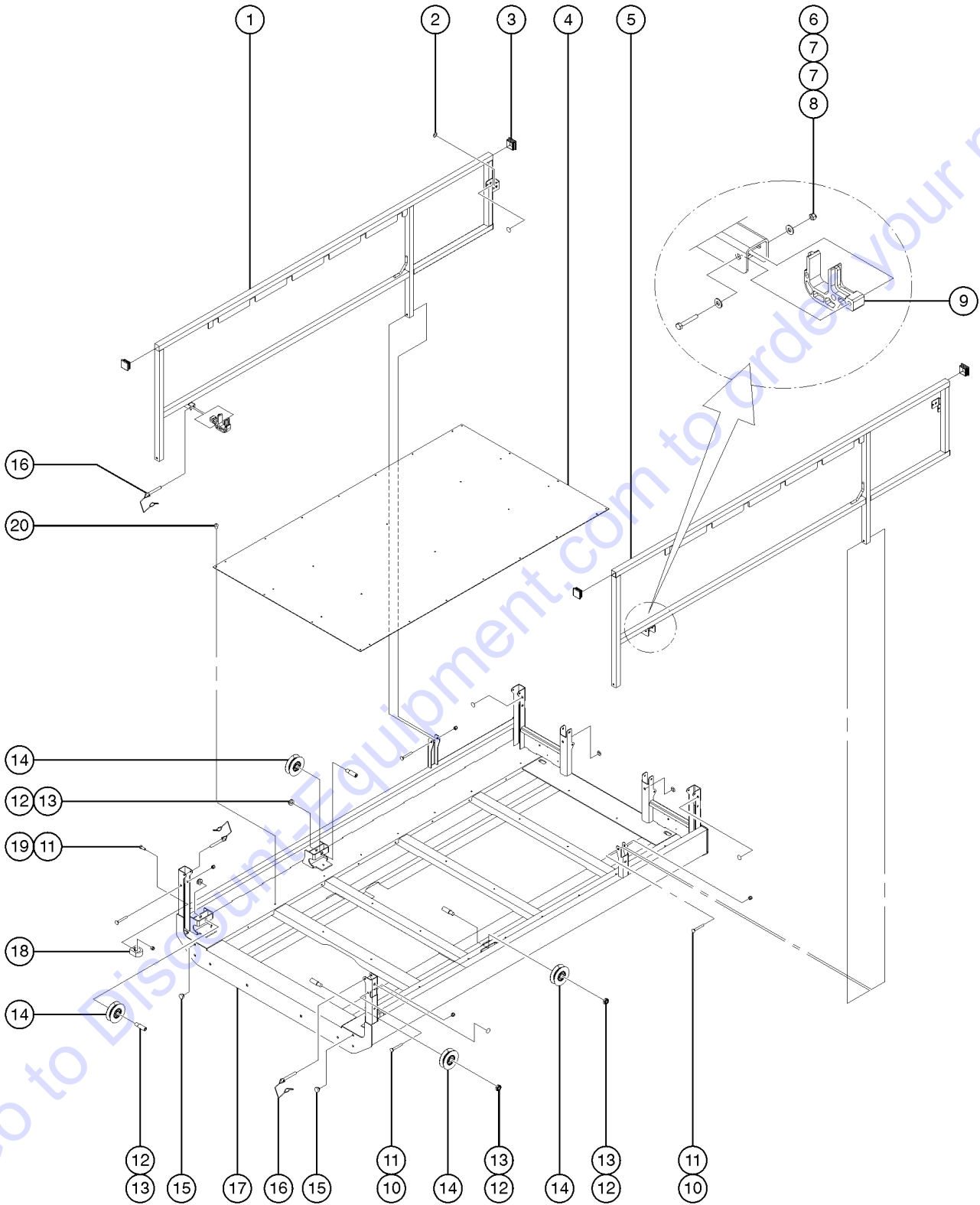
Go to Discount-Equipment.com to order your parts

502.1 Platform Installation, GS-3369DC & GS-4069DC

Item	Part No.	Description	Qty.
1	112703GT	WELDMENT,MAIN PLATFORM,GS69....1 <i>(decals not included, refer to section 100)</i>	1
2	112708GT	SLIDER BLOCK, GS69.....	2
3	112076GT	WELDMENT,LINK,TOP OUTER,GS69....	1
4	112134GT	ASSY,LINK,INR #4-3369,#5-4069.....1 <i>(bearings included)</i>	1
5	148450GT	ASSY,LINK MOUNT,TOP,GS69.....	1
6	6097GT	WASHER,FLAT,USS,3/8",Y	
7	4828GT	NUT,NYLOCK,3/8-16	
8	96977GT	BOLT,CARRIAGE,1/2-13X1.50,GR5	

Go to Discount-Equipment.com to order your parts

503.1 Platform Railing Installation



PARTS FINDER

**Search Website
by Part Number**



**Search Manual
Library For Parts
Manual & Lookup Part
Numbers – Purchase
or Request Quote**

Search Manuals

Enter your information to help us find the right parts manual for your machine.

* Brand:

* Model:

* Serial:

* Part Number:

SEARCH

**Can't Find Part or
Manual? Request Help
by Manufacturer,
Model & Description**

Parts Order Form

Please fill in the following information to help us find the right part for your machine.

Manufacturer:	<input type="text"/>
Model:	<input type="text"/>
Description:	<input type="text"/>
Part Number:	<input type="text"/>
Quantity:	<input type="text"/>
Notes:	<input type="text"/>

Submit

Discount-Equipment.com is your online resource for quality parts & equipment.

Florida: **561-964-4949** Outside Florida TOLL FREE: **877-690-3101**

Need parts?

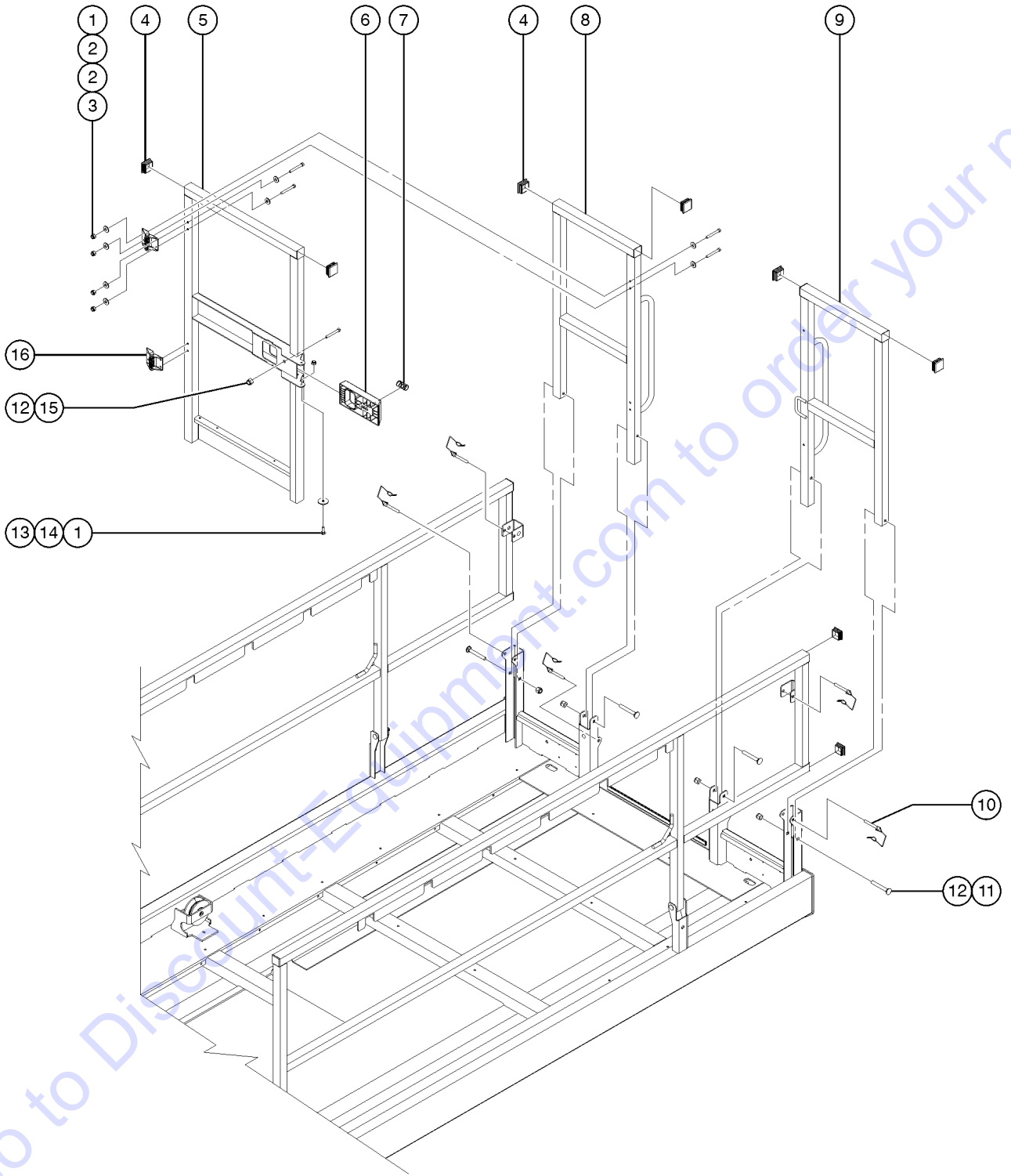
Click on this link: <http://www.discount-equipment.com/category/5443-parts/> and choose one of the options to help get the right parts and equipment you are looking for. Please have the machine model and serial number available in order to help us get you the correct parts. If you don't find the part on the website or on one of the online manuals, please fill out the request form and one of our experienced staff members will get back to you with a quote for the right part that your machine needs.

We sell worldwide for the brands: Genie, Terex, JLG, MultiQuip, Mikasa, Essick, Whiteman, Mayco, Toro Stone, Diamond Products, Generac Magnum, Airman, Haulotte, Barreto, Power Blanket, Nifty Lift, Atlas Copco, Chicago Pneumatic, Allmand, Miller Curber, Skyjack, Lull, Skytrak, Tsurumi, Husquvarna Target, Stow, Wacker, Sakai, Mi-T-M, Sullair, Basic, Dynapac, MBW, Weber, Bartell, Bennar Newman, Haulotte, Ditch Runner, Menegotti, Morrison, Contec, Buddy, Crown, Edco, Wyco, Bomag, Laymor, EZ Trench, Bil-Jax, F.S. Curtis, Gehl Pavers, Heli, Honda, ICS/PowerGrit, IHI, Partner, Imer, Clipper, MMD, Koshin, Rice, CH&E, General Equipment, Amida, Coleman, NAC, Gradall, Square Shooter, Kent, Stanley, Tamco, Toku, Hatz, Kohler, Robin, Wisconsin, Northrock, Oztec, Toker TK, Rol-Air, APT, Wylie, Ingersoll Rand / Doosan, Innovatech, Con X, Ammann, Mecalac, Makinex, Smith Surface Prep, Small Line, Wanco, Yanmar

503.1 Platform Railing Installation

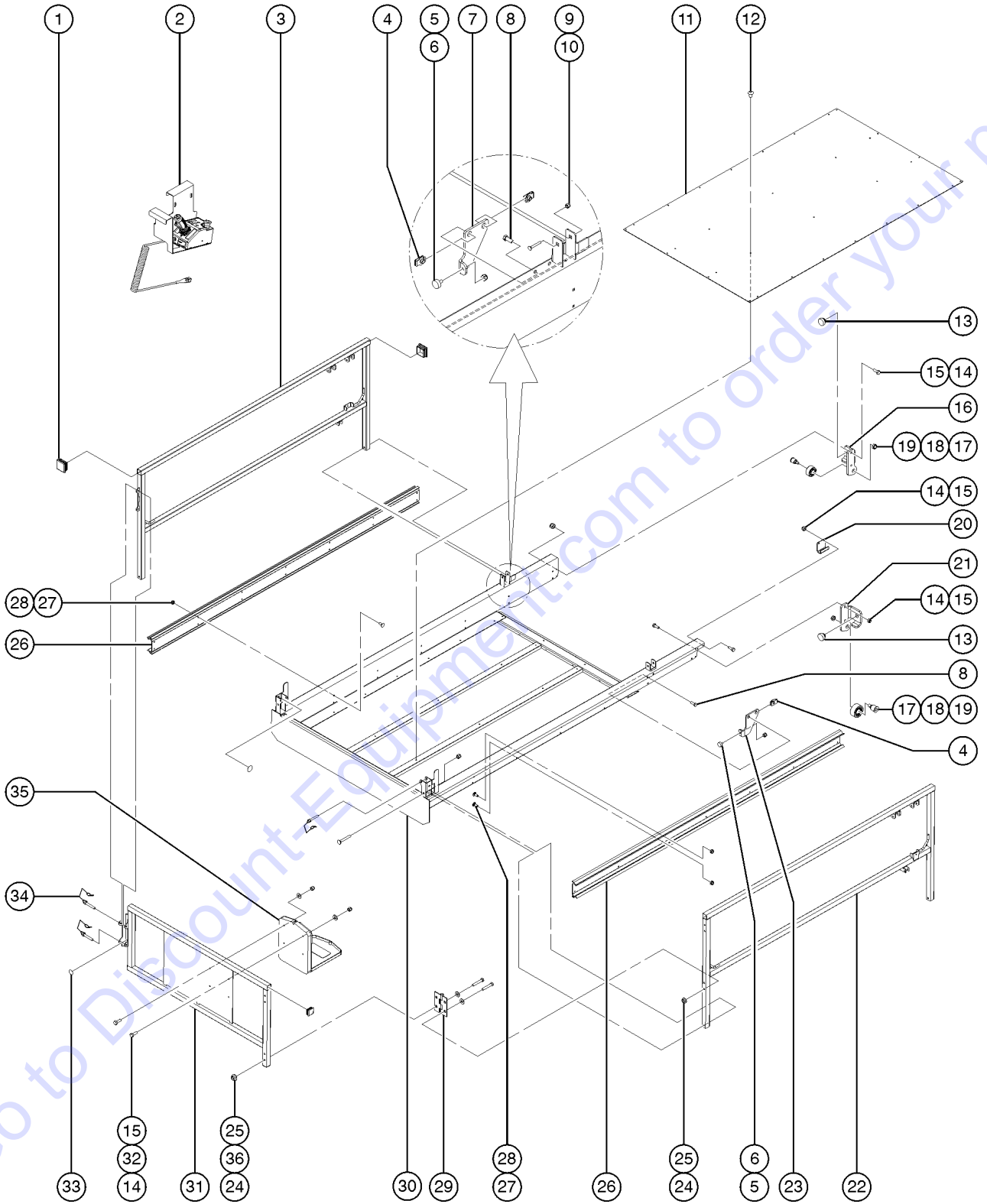
Item	Part No.	Description	Qty.
1	131744GT	WELDMENT,MAIN RAIL,RIGHT.....1 <i>(decals not included, refer to section 100)</i>	1
2	47478GT	BUMPER, RUBBER, 1"OD X .461H.....10	10
3	79355GT	PLUG,TUBE,SQ 1.50X.065.....6	6
4	131749GT	PLATE,GS69 DECK.....1	1
5	131745GT	WELDMENT, MAIN RAIL, LEFT.....1 <i>(decals not included, refer to section 100)</i>	1
6	6091GT	NUT,NYLOCK,1/4-20	
7	6638GT	WASHER,FLAT,USS,1/4"Y	
8	6637GT	SCREW,HHC,1/4-20 X 1.75	
9	71376GT	RAIL SPACER, GS90.....2	2
10	112476GT	BOLT,CARRIAGE,3/8-16X2.75,G5	
11	4828GT	NUT,NYLOCK,3/8-16	
12	38028GT	NUT,LP NYLOCK,5/8-11	
13	87568GT	PIN, SHOULDER, 5/8-11 X 1.77.....4	4
14	131416GT	V-ROLLER,NARROW,EXT DECK.....4	4
15	47230GT	BUMPER,RUBBER.....2	2
16	66030GT	PIN, WIRE LOCK 3/8 X 2 -1/2.....4	4
17		Ref., WELDMENT, MAIN PLATFORM <i>(refer to 501.1 & 502.1)</i>	
18	87523GT	COIL CORD CLIP.....1	1
19	6175GT	SCREW,HHC,3/8-16 X 1	
20	71315GT	RIVET,DRIVE, .25 X .25.....24	24

504.1 Platform Entry Gate



Item	Part No.	Description	Qty.
1	6889GT	NUT,LP NYLOCK,1/4-20	
2	6638GT	WASHER,FLAT,USS,1/4"Y	
3	4266GT	SCREW,HHC,1/4-20 X 2.....	8
4	79355GT	PLUG,TUBE,SQ 1.50X.065.....	10
5	87320-SGT	WELDMENT,ENTRY GATE.....	1
6	112543GT	SLIDER, GATE CATCH.....	1
7	22446GT	SPRING,COMPRESSION .835 X 2.....	1
8	131747GT	WELDMENT, MAIN, A-RAIL, RIGHT.....	1
9	131746GT	WELDMENT, MAIN, A-RAIL, LEFT.....	1
10	66030GT	PIN, WIRE LOCK 3/8 X 2 -1/2.....	4
11	112476GT	BOLT,CARRIAGE,3/8-16X2.75,G5	
12	4828GT	NUT,NYLOCK,3/8-16	
13	6878GT	BOLT,CARRIAGE,1/4-20 X .75,G2	
14	47793GT	BUMPER, MODULE TRAY.....	1
15	6708GT	SCREW,HHC,3/8-16 X 2.25	
16	104804GT	HINGE, SPRING, LONG LEG.....	2

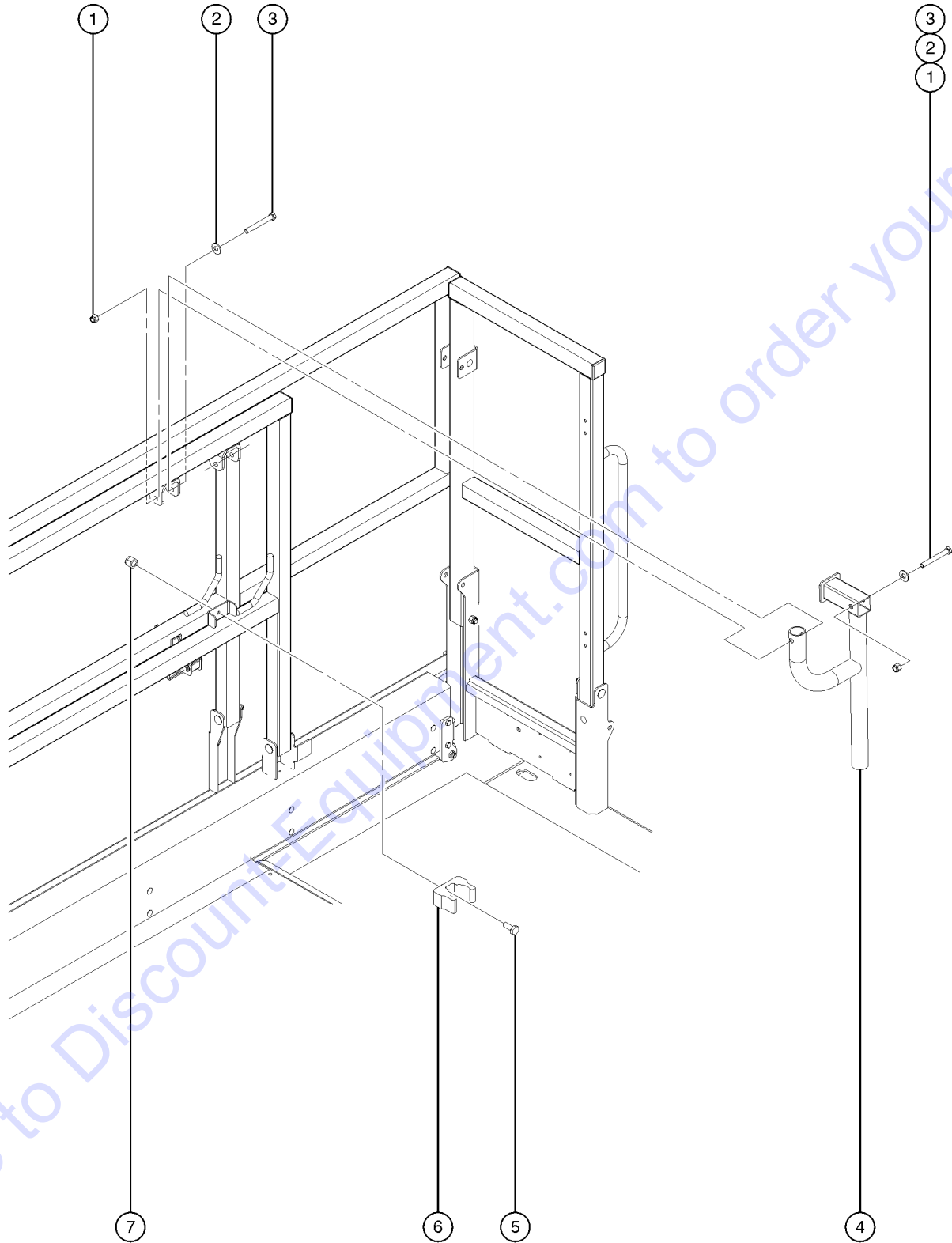
505.1 Platform Extension



505.1 Platform Extension

Item	Part No.	Description	Qty.	Item	Part No.	Description	Qty.
--	33550GT	TAPE,WARNING,BLK/YEL, 50***66-inches (CE and Australia models only)		36	219210GT	WASHER,FLAT,SAE,3/8",Y	
1	79355GT	PLUG,TUBE,SQ 1.50X.065.....8					
2		Ref. Platform Controller (refer to 508.1)					
3	131743GT	WELDMENT,SIDE EXT RAIL,RIGHT.....1 (decals not included, refer to section 100)					
4	29868GT	SPRING CLIP,3/8-16,.05-.20X.73,ZAG....4					
5	79090GT	BUMPER, 1.00 X .375 X 5/16.....2					
6	6782GT	NUT,NYLOCK,5/16-18					
7	99268GT	FORMING,PLATFORM STOP,LEFT.....1					
8	6175GT	SCREW,HHC,3/8-16 X 1					
9	112476GT	BOLT,CARRIAGE,3/8-16X2.75,G5					
10	4828GT	NUT,NYLOCK,3/8-16					
11	131749GT	PLATE,GS69 DECK.....1					
12	71315GT	RIVET,DRIVE, .25 X .25.....24					
13	47230GT	BUMPER,RUBBER.....2					
14	6090GT	SCREW,HHC,1/4-20 X .75					
15	6091GT	NUT,NYLOCK,1/4-20					
16	87570GT	FORMING,EXT DECK STOP,RIGHT.....1					
17	7713GT	NUT, LP NYLOCK, 3/8-16					
18	38016GT	ROLLER,PLASTIC,AWP96**.....2					
19	35706GT	BOLT,ROLLER,.470"(SHORT).....2					
20	87675GT	FORMING,EXT DECK CATCH.....2					
21	87571GT	FORMING,EXT DECK STOP,LEFT.....2					
22	131741GT	WELDMENT,SIDE EXT RAIL,LEFT.....1 (decals not included, refer to section 100)					
23	99267GT	FORMING,PLATFORM STOP,RIGHT.....1					
24	48425GT	NUT,FLG-LRG,3/8-16,YZ					
25	6708GT	SCREW,HHC,3/8-16 X 2.25					
26	131751GT	EXTRUSION,ALUM,V-ROLLER TRK....2					
27	87645GT	BOLT,CARRIAGE,1/4-20 X .63,G2					
28	6889GT	NUT,LP NYLOCK,1/4-20					
29	55517GT	HINGE, GSRT90 BOX.....2					
30	131735GT	WELDMENT,EXT.DECK,GS69.....1					
31	131742GT	WELDMENT,EXT DECK RAIL,END.....1 (decals not included, refer to section 100)					
32	6638GT	WASHER,FLAT,USS,1/4"Y					
33	47478GT	BUMPER, RUBBER, 1"OD X .461H.....4					
34	66030GT	PIN, WIRE LOCK 3/8 X 2 -1/2.....4					
35A	44743GT	MANUAL BOX W/DECALS***1 USA/Canada/Australia					
35B	24514GT	BOX,INSTRUCTION STORAGE Europe/Asia/South America (decal required; refer to Section100)					

506.1 Platform Extension Deck Lock

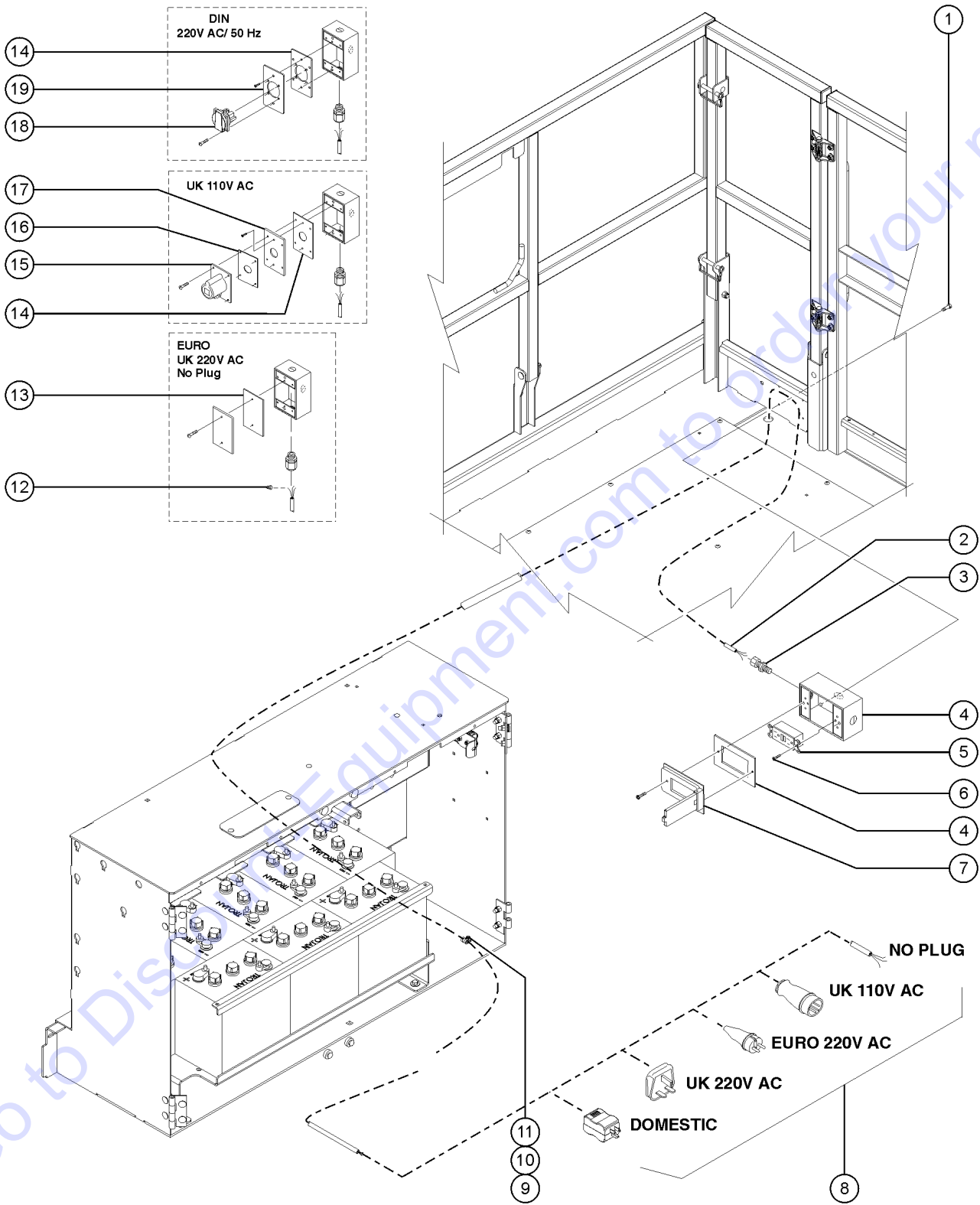


506.1 Platform Extension Deck Lock

Item	Part No.	Description	Qty.
1	4828GT	NUT,NYLOCK,3/8-16	
2	6097GT	WASHER,FLAT,USS,3/8",Y	
3	6326GT	SCREW,HHC,3/8-16 X 3.....	4
4A	148422GT	WLDMT,EXT DECK HANDLE,R..... <i>(right side)</i>	1
4B	T108039GT	WLDMT,EXT DECK HANDLE,L..... <i>(left side)</i>	1
5	8914GT	SCREW,HHC,1/4-20 X .625.....	2
6	T108074GT	UHMW,EXT LATCH ARM CATCH.....	2
7	6889GT	NUT,LP NYLOCK,1/4-20	

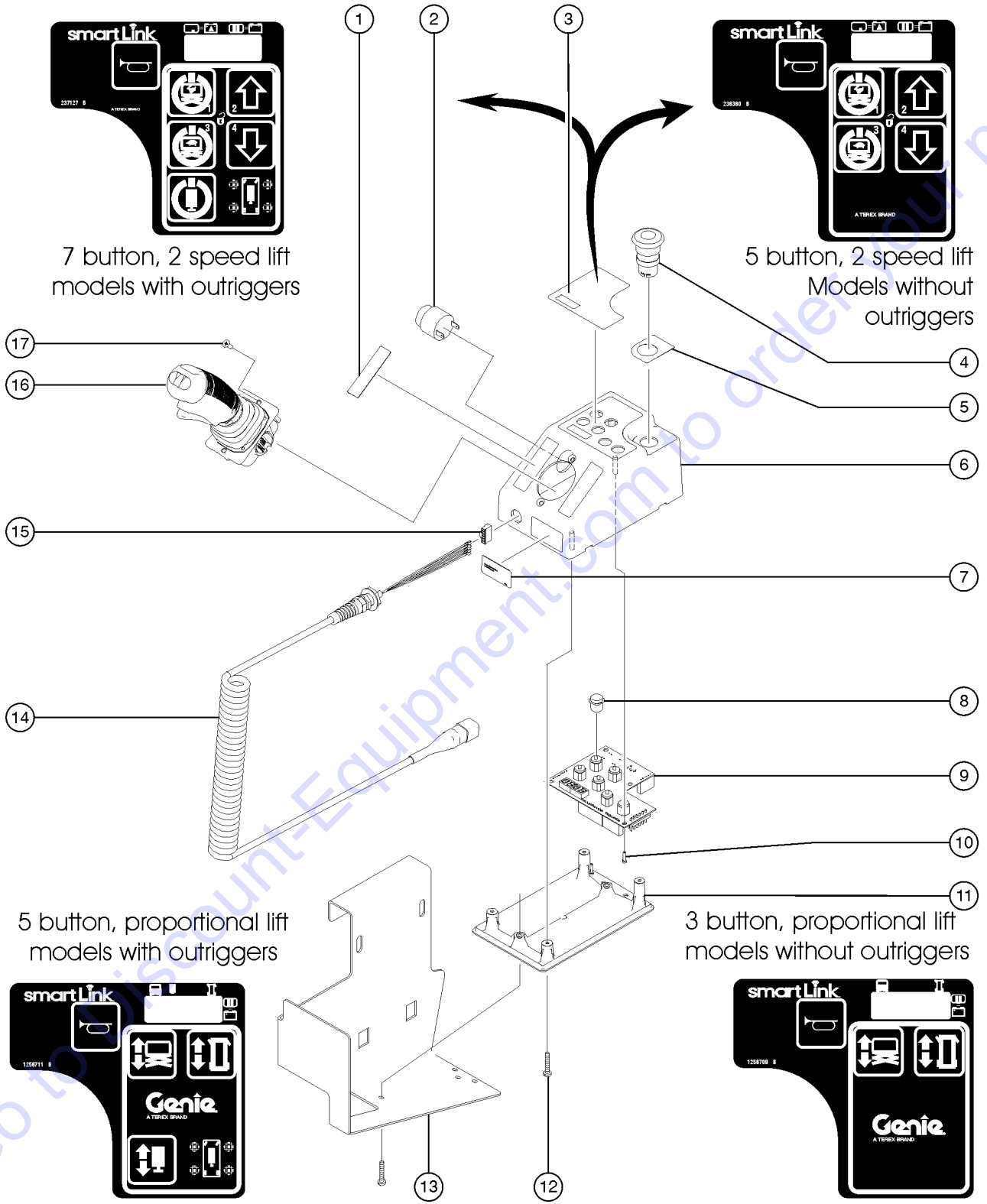
Go to Discount-Equipment.com to order your parts

507.1 Power to Platform



Item	Part No.	Description	Qty.
--	33724GT	KIT,GASKET,UK POWER TO PLAT. <i>(includes items 14 and 16)</i>	
1	112772GT	SCREW,PHM,8-32X.438	
2A	43956GT	WIRE CABLE,14/3 CON.TPE JKT*.....624-inches GS-2669	
2B	43956GT	WIRE CABLE,14/3 CON.TPE JKT*.....756-inches GS-3369	
2C	43956GT	WIRE CABLE,14/3 CON.TPE JKT*.....900-inches GS-4069	
3	7056GT	CONN,SQUEEZE,1/2NPT .38-.50,SM	
4	10775GT	T-BOX,2.75 X 4.5 X 2.0.....1	
5	13585GT	OUTLET, 110V.....1 <i>(North America)</i>	
6	7127GT	SCREW,PHILLIPS,PHM,6-32 X .75	
7	45437GT	COVER,GFCI,WEATHERPROOF.....1 <i>(North America; includes gasket and mounting fasteners)</i>	
8	6595GT	PLUG,ELECTRICAL,DOMESTIC.....1	
--		NO PLUG <i>Ref. No Plug - Consult Discount-equipment</i>	
--	1280665GT	PLUG, TYPE F, 230A, 50HZ, 16A, IP44	
--	144161GT	PLUG,PWR,UK,16AMP,3PIN,BLK	
--	25388GT	PLUG,FUSED,250V,13AMP,U.K.**	
--	65737GT	FUSE,13 AMP,220V PLUG***	
--	87193GT	PLUG, AUSTRALIAN	
9	6090GT	SCREW,HHC,1/4-20 X .75	
10	6091GT	NUT,NYLOCK,1/4-20	
11	45470GT	CLAMP,0.31,#5 X 1/4,RUB CUSH.....1	
12	6626GT	WIRE CAP,ORANGE.....3	
13	10777GT	COVER,BLANK.....1 <i>(includes mounting fasteners)</i>	
14	66355GT	GASKET, UK & DIN PWR. TO PLAT.....1	
15A	T112563GT	SVC KIT,UK RECEPT.REPLACEMENT.....1 <i>to SN GS6912-1574 (includes mounting plate, gasket, fasteners)</i>	
15B	T112560GT	RECEPTACLE,UK,110V <i>from SN GS6912-1575</i>	
16	66356GT	GASKET, UK RECEPTACLE.....1	
17	33629GT	PLATE,UK POWER TO PLATFORM.....1	
18	66353GT	RECEPTACLE, DIN, 220V 50A.....1	
19	96236GT	PLATE,AC ADAPTER,DIN/UK***.....1	

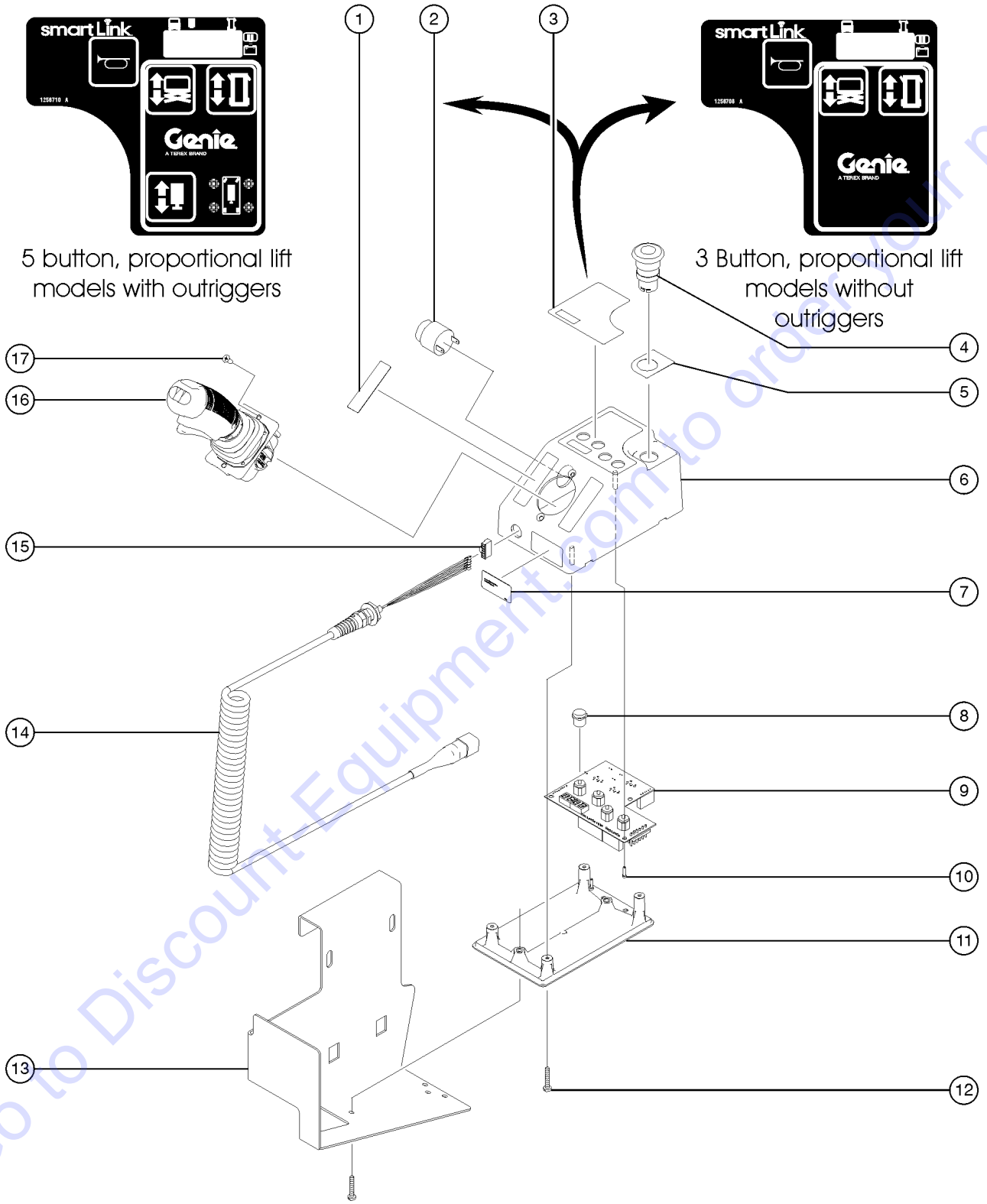
508.1 Platform Controls, 7 and 5 Button (2 Speed Lift)



508.1 Platform Controls, 7 and 5 Button (2 Speed Lift)

Item	Part No.	Description	Qty.	Item	Part No.	Description	Qty.
--		<i>Platform controls with 2 speed lift - no longer available, replace with proportional upgrade kit for first time replacement</i>		3D	1256711GT	DECAL, O/R, PROP LIFT, 69DC, U.....1 <i>(models with outriggers and converted to proportional lift)</i>	1
--	1258347GT	KIT, SL PROP UPGRD, ANSI, 69DC <i>(models without outriggers) (For 2 speed to proportional lift conversion. Software upgrade is required and available on-line or refer to 509.1 for USB flash drive)</i>		4	66812GT	BUTTON,PUSH,RED MUSHROOM HEAD.....1	1
--	1258348GT	KIT, SL PROP UPGRD, AUS, 69DC <i>(models without outriggers) (For 2 speed to proportional lift conversion. Software upgrade is required and available on-line or refer to 509.1 for USB flash drive)</i>		--	66817GT	BASE WITH 1 NC CONTACT, E-STOP	
--	1258349GT	KIT, SL PROP UPGRD, CE, 69DC <i>(models without outriggers) (For 2 speed to proportional lift conversion. Software upgrade is required and available on-line or refer to 509.1 for USB flash drive)</i>		--	66818GT	CONTACT, N.C.	
--	1258521GT	KIT, SL PROP UPGRD ANSI SYM 69 <i>(models without outriggers) (For 2 speed to proportional lift conversion. Software upgrade is required and available on-line or refer to 509.1 for USB flash drive)</i>		5	137605GT	DECAL,E-STOP,GR/GRC/GS PCON.....1	1
--	1258352GT	KIT, SL PROP UPGRD, ANSI, 69DC <i>(models with outriggers) (For 2 speed to proportional lift conversion. Software upgrade is required and available on-line or refer to 405.1 for USB flash drive)</i>		6A	214253GT	ENCLOSURE,GC14-1,TOP.....1 <i>(models without outriggers)</i>	1
--	1258353GT	KIT, SL PROP UPGRD, AUS, 69DC <i>(models with outriggers) (For 2 speed to proportional lift conversion. Software upgrade is required and available on-line or refer to 405.1 for USB flash drive)</i>		6B	214254GT	ENCLOSURE,GC16-1,TOP <i>(for models with outriggers)</i>	
--	1258354GT	KIT, SL PROP UPGRD, CE, 69DC O <i>(models with outriggers) (For 2 speed to proportional lift conversion. Software upgrade is required and available on-line or refer to 405.1 for USB flash drive)</i>		7A	237615GT	LABEL,SERIAL 69 DC PCON SL1K.....1 <i>(models without outriggers)</i>	1
--	1258522GT	KIT, SL PROP UPGRD ANSI SYM 69 <i>(models with outriggers) (For 2 speed to proportional lift conversion. Software upgrade is required and available on-line or refer to 405.1 for USB flash drive)</i>		8	T106373GT	CAP,BUTTON,K12.....5	5
1	137656GT	DECAL,PROPEL,GR/GRC/GS,PCON.....1		9A	137522GT	PCBA, GC14-1.....1 <i>(models without outriggers)</i>	1
2	39540GT	ALARM,STEADY TONE***.....1 <i>order 72326 mounting ring separately</i>		9B	137711GT	PCBA, GC16-1 <i>(for models with outriggers)</i>	
--	72326GT	NUT - PLASTIC,RING FOR ALARMS <i>for 39540</i>		10	137637GT	SCREW,PHM,4-20X.5, 48-2 TRI-L	
3A	236360GT	DECAL, UI, GS69DC,PCON.....1 <i>(models without outriggers and 2 speed lift)</i>		11	T106370GT	ENCLOSURE,GC14-1/GC16-1, BOT.....1	1
3B	237127GT	DECAL,UI,GS69DC W/OR,PCON.....1 <i>(models with outriggers and 2 speed lift)</i>		--	69853GT	INSERT, 1/4-20 X .5,ULTRASONIC	
3C	1256709GT	DECAL, STD, PROP LIFT, 69DC, U.....1 <i>(models without outriggers and converted to proportional lift)</i>		12	137640GT	SCREW,PHM,8-16X.75, 48-2 TRI-L	
				13	T114397GT	FORMING,PLAT CONTROL BOX.....1 <i>(decals not included, refer to section 100)</i>	1
				14	235464GT	KIT,COIL CORD,CONTRLR,SL1000.....1 <i>includes item 15</i>	1
				--	137611GT	ASSY, COIL CORD, GR/GRC/GS	
				--	231921GT	KIT,CONN,RECEPT W/PIN AND LOCK	
				--	231922GT	KIT,CONN,PLUG W/SCKT AND LOCK	
				15	137699GT	PLUG, 6POS ECO PWR.....1	1
				16		Ref., JOYSTICK.....1 <i>(refer to 510.1)</i>	1
				17	229845GT	SCREW,BHSCS,M5X10,SS <i>apply Loctite 243 or equivalent before installation</i>	

509.1 Platform Controls, 5 and 3 Button (Proportional Lift)



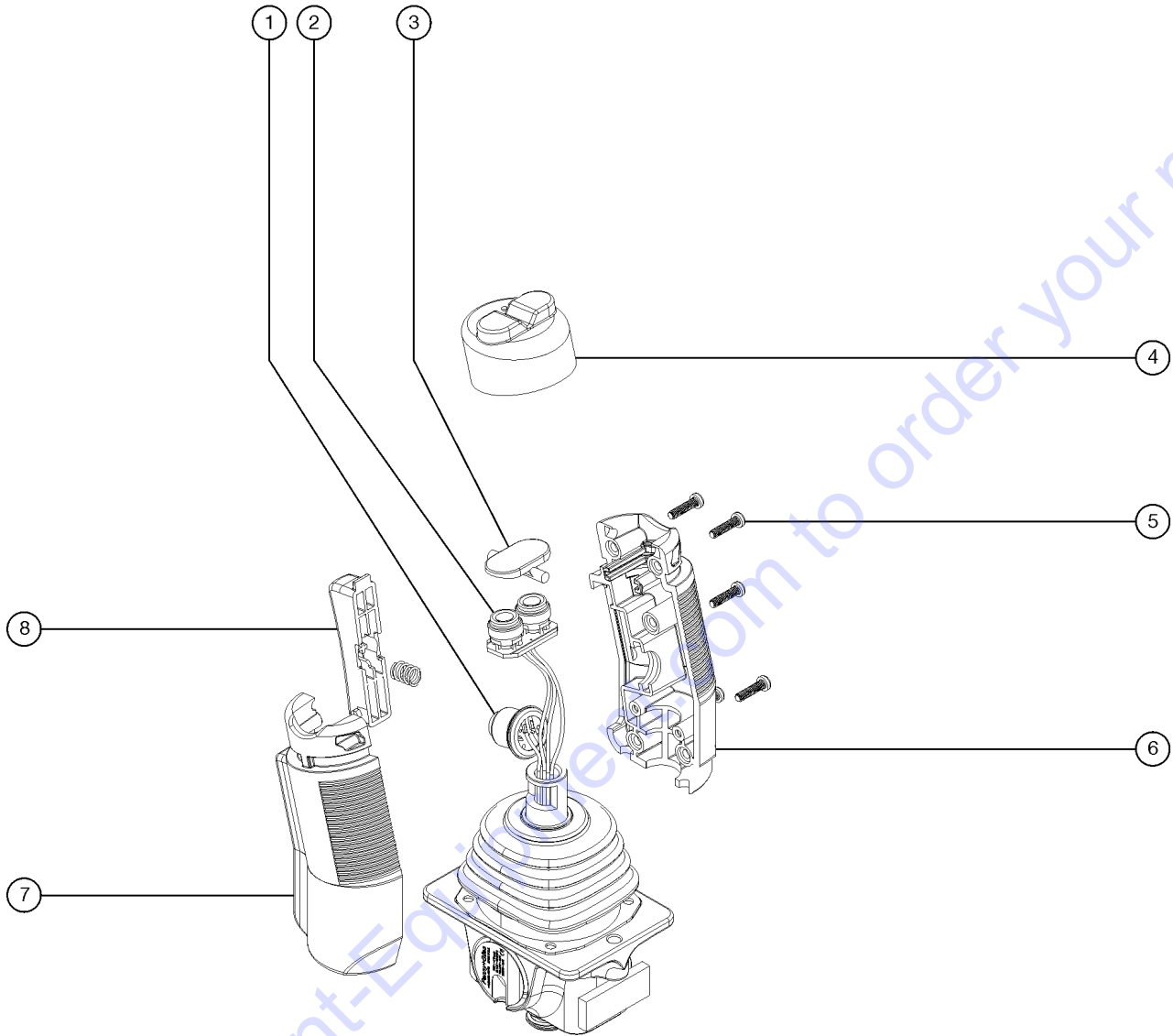
5 button, proportional lift models with outriggers

3 Button, proportional lift models without outriggers

509.1 Platform Controls, 5 and 3 Button (Proportional Lift)

Item	Part No.	Description	Qty.	Item	Part No.	Description	Qty.
A	1256729GT	PCON,STD,PROP LIFT,69DC (models without outriggers)		16		Ref., JOYSTICK.....1 (refer to 510.1)	1
--	1258731GT	FLASH DRIVE,SL1K2.0 SOFTWARE (For proportional lift or upgrade kits only. Software update available on-line. Flash drive sold separately.)		17	229845GT	SCREW,BHSCS,M5X10,SS apply Loctite 243 or equivalent before installation	
--	137587GT	HARNESS, ESTOP, GR/GRC/GS PCON					
B	1256730GT	PCON,O/R,PROP LIFT,69DC (models with outriggers)					
--	128731GT	FLASH DRIVE,SL1K2.0 SOFTWARE (For proportional lift or upgrade kits only. Software update available on-line. Flash drive sold separately.)					
--	137587GT	HARNESS, ESTOP, GR/GRC/GS PCON					
1	137656GT	DECAL,PROPEL,GR/GRC/GS,PCON.....1					
2	39540GT	ALARM,STEADY TONE***1 order 72326 mounting ring separately	1				
--	72326GT	NUT - PLASTIC,RING FOR ALARMS for 39540					
3A	1256708GT	DECAL,STD,PROP LIFT,69DC,UI.....1 (models without outriggers)	1				
3B	1256710GT	DECAL,O/R,PROP LIFT,69DC,UI.....1 (models with outriggers)	1				
4	66812GT	BUTTON,PUSH,RED MUSHROOM HEAD.....1	1				
--	66817GT	BASE WITH 1 NC CONTACT, E-STOP					
--	66818GT	CONTACT, N.C.					
5	137605GT	DECAL,E-STOP,GR/GRC/GS PCON.....1	1				
6A	1256655GT	ENCLOSURE,STD 3-BUTTON,TOP (models without outriggers)					
6B	1256657GT	ENCLOSURE,O/R 4-BUTTON,TOP (for models with outriggers)					
8	T106373GT	CAP,BUTTON,K12.....5	5				
9A	1256725GT	PCBA,PCON STD,PROP LIFT (models without outriggers)					
9B	1256726GT	PCBA,PCON O/R,PROP LIFT (for models with outriggers)					
10	137637GT	SCREW,PHM,4-20X.5, 48-2 TRI-L					
11	T106370GT	ENCLOSURE,GC14-1/GC16-1, BOT.....1	1				
--	69853GT	INSERT, 1/4-20 X .5,ULTRASONIC					
12	137640GT	SCREW,PHM,8-16X.75, 48-2 TRI-L					
13	T114397GT	FORMING,PLAT CONTROL BOX.....1 (decals not included, refer to section 100)	1				
14	235464GT	KIT,COIL CORD,CONTRLR,SL1000.....1 includes item 15	1				
--	137611GT	ASSY, COIL CORD, GR/GRC/GS					
--	231921GT	KIT,CONN,RECEPT W/PIN AND LOCK					
--	231922GT	KIT,CONN,PLUG W/SCKT AND LOCK					
15	137699GT	PLUG, 6POS ECO PWR.....1	1				

510.1 Platform Controls Joystick

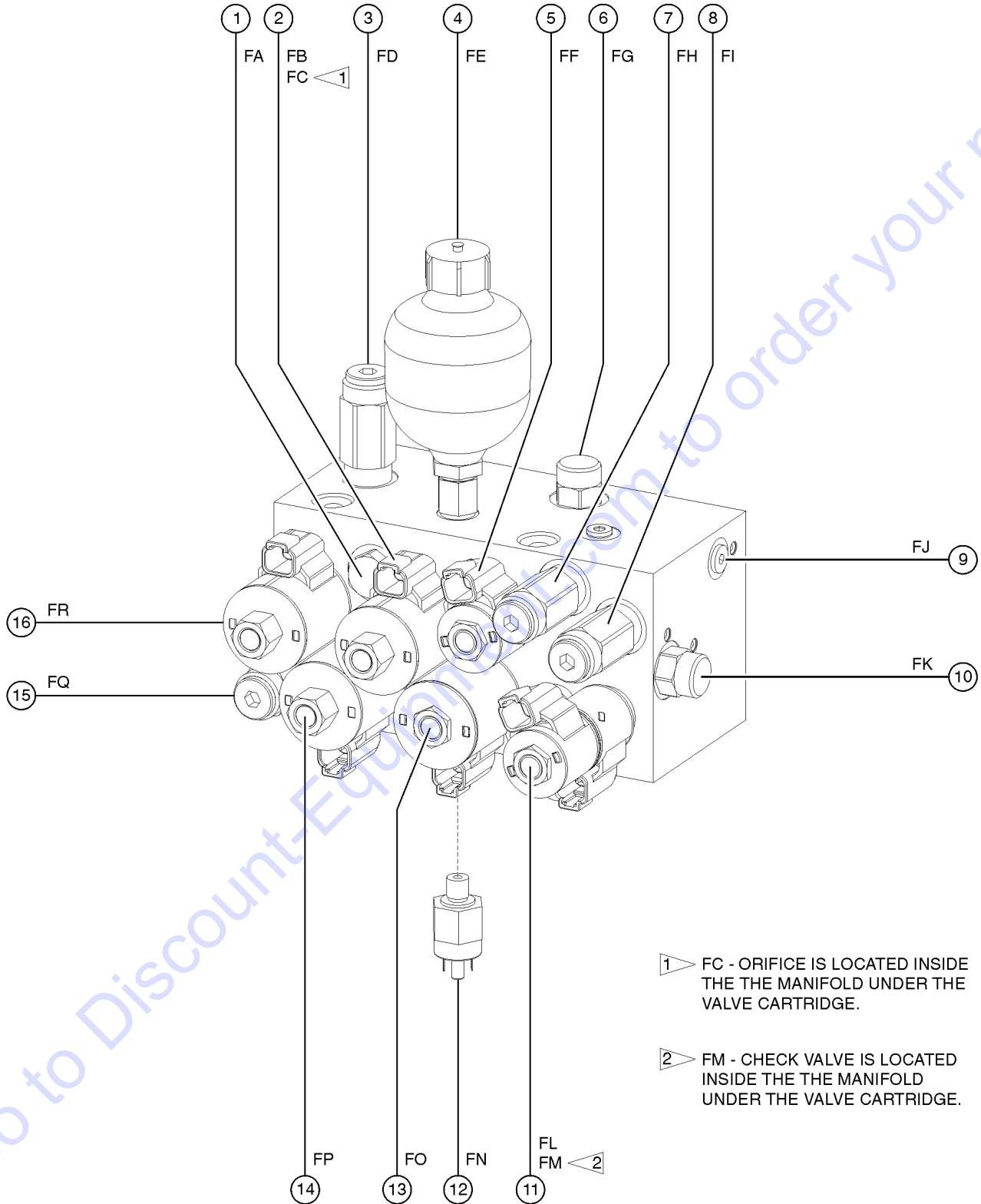


Go to Discount-Equipment.com to order your parts

510.1 Platform Controls Joystick

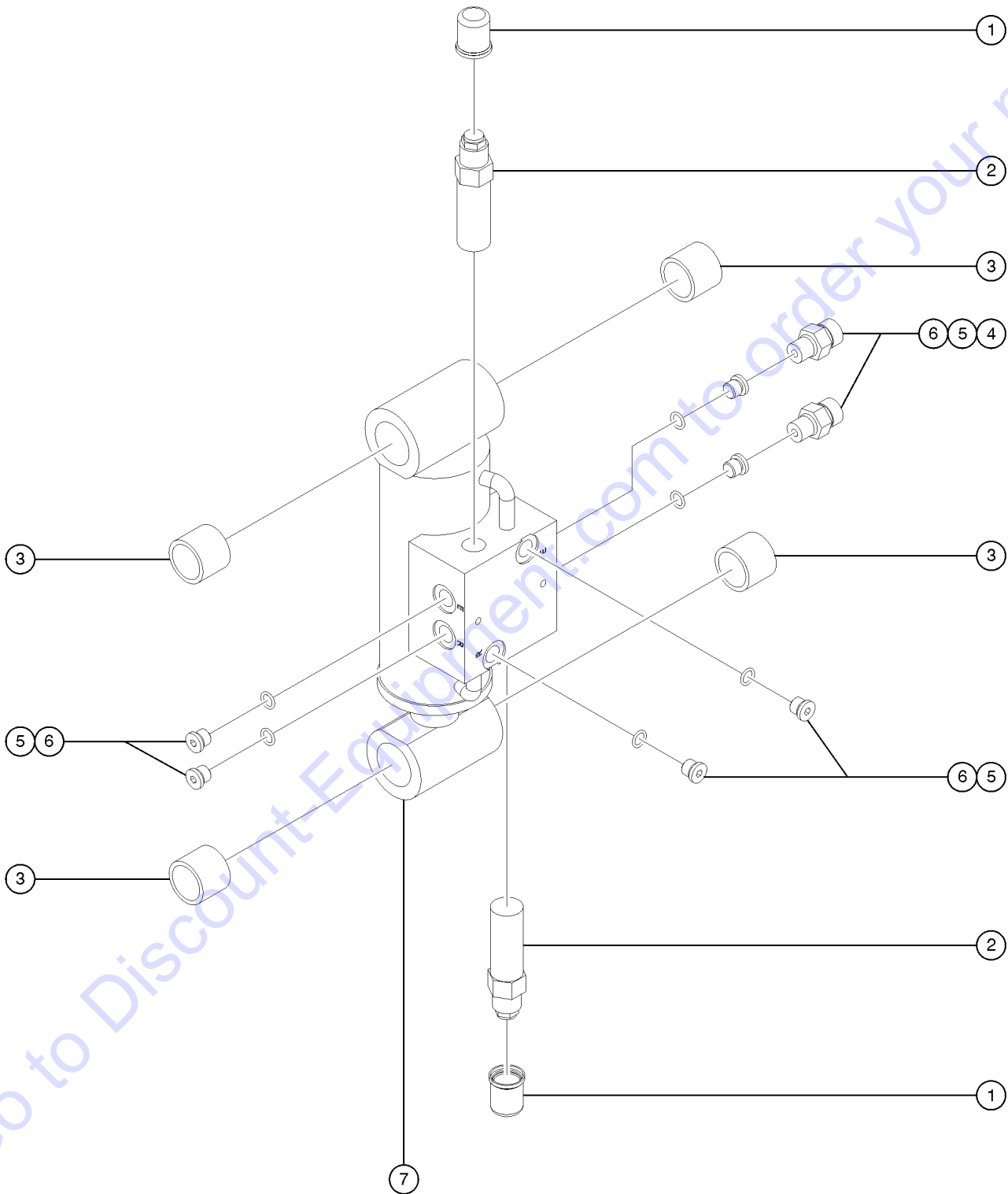
Item	Part No.	Description	Qty.
--	137634GT	JOYSTICK, HALL EFFECT, SINGLE	
--	229097GT	TERMINAL, SPLINE (AMP)	
--	214544GT	KIT,BOOT,JOYSTICK,SL1000 <i>joystick boot</i>	
1	235463GT	KIT,SWITCH,JYSTK,SL1000 <i>function enable and steer switches</i>	
2	235463GT	KIT,SWITCH,JYSTK,SL1000 <i>function enable and steer switches</i>	
3	229092GT	ROCKER,2 SWITCH.....	1
4	229093GT	BOOT, 2 SWITCH, SILICON.....	1
5	229086GT	SCREW, SELF TAP.....	5
6	229087GT	HANDLE HALF,RIGHT,W/TOP SWITCH.....	1
6A	229091GT	SCREW,GRUB,M5X8MM,HLF DOG,BZP <i>for 229087</i>	
7	229088GT	HANDLE HALF,LEFT,W/TOP SWITCH....	1
7A	229090GT	SCREW,GRUB,M5X8MM CUP(BLK) <i>for 229088</i>	
8	229089GT	TRIGGER, EXTENDED.....	1
--	229094GT	SPRING, HANDLE TRIGGER.....	1

601.1 Function Manifold



Item	Part No.	Description	Qty.
--	230861GT	MANIFOLD,FUNCTION,GS69,DC <i>Complete (does not include fittings)</i>	
1	218730GT	VALVE,CHECK,10 PSI.....1 <i>(FA, oscillate circuit)</i>	
2	218616GT	VALVE,DIRECTION,2-POS,3WAY,SCRN.1 <i>(FB, oscillate/accumulator)</i>	
--	101069GT	ORIFICE DISK,.030 <i>(FC)</i>	
--	104763GT	COIL,24VDC #10DTSCH IP69 ECOIL	
3	97172GT	VALVE-RELIEF,3500PSI.....1 <i>(FD, lift circuit)</i>	
4	94499GT	ACCUMULATOR,10CC,1000PSI,#6SAE.1 <i>(FE, oscillate circuit)</i>	
5	218617GT	VALVE,SOLENOID, 2POS,3WAY,SCRN.....1 <i>(FF, oscillate circuit)</i>	
--	104762GT	COIL,24VDC #8DTSCH IP69 ECOIL	
6	218731GT	VALVE, FLOW REG, 1.0 GPM.....1 <i>(FG, controls flow to the oscillate circuit)</i>	
7	97172GT	VALVE-RELIEF,3500PSI.....1 <i>(FH, system relief)</i>	
8	218732GT	VALVE, CROSS RELIEF, 1500 PSI.....1 <i>(FI, steer circuit)</i>	
9	52907GT	VALVE-CHECK, #4 SAE, 5 PSI*.....1 <i>(FJ, load sense)</i>	
10	218733GT	VALVE,FLOW REG,2.0 GPM.....1 <i>(FK, controls flow to the steer circuit)</i>	
11	234600GT	VALVE, SOLENOID, 5W-3P.....1 <i>(FL, steer circuit)</i>	
--	104762GT	COIL,24VDC #8DTSCH IP69 ECOIL	
--	234599GT	VALVE, CHECK, DROP IN <i>(FM)</i>	
12	237797GT	SWITCH,PRESS,#4SAE,1500 PSI.....1 <i>(FN, oscillate/accumulator)</i>	
13	218735GT	VALVE,SOLENOID,2-POS,3-WAY.....1 <i>(FO, lift circuit)</i>	
--	104763GT	COIL,24VDC #10DTSCH IP69 ECOIL	
14	218616GT	VALVE,DIRECTION,2-POS,3WAY,SCRN.1 <i>(FP, oscillate right)</i>	
--	104763GT	COIL,24VDC #10DTSCH IP69 ECOIL	
15	218734GT	VALVE,RELIEF,3300 PSI.....1 <i>(FQ, oscillate relief)</i>	
16	218616GT	VALVE,DIRECTION,2-POS,3WAY,SCRN.1 <i>(FR, oscillate left)</i>	
--	104763GT	COIL,24VDC #10DTSCH IP69 ECOIL	

602.1 Oscillate Cylinder Assembly, All Models

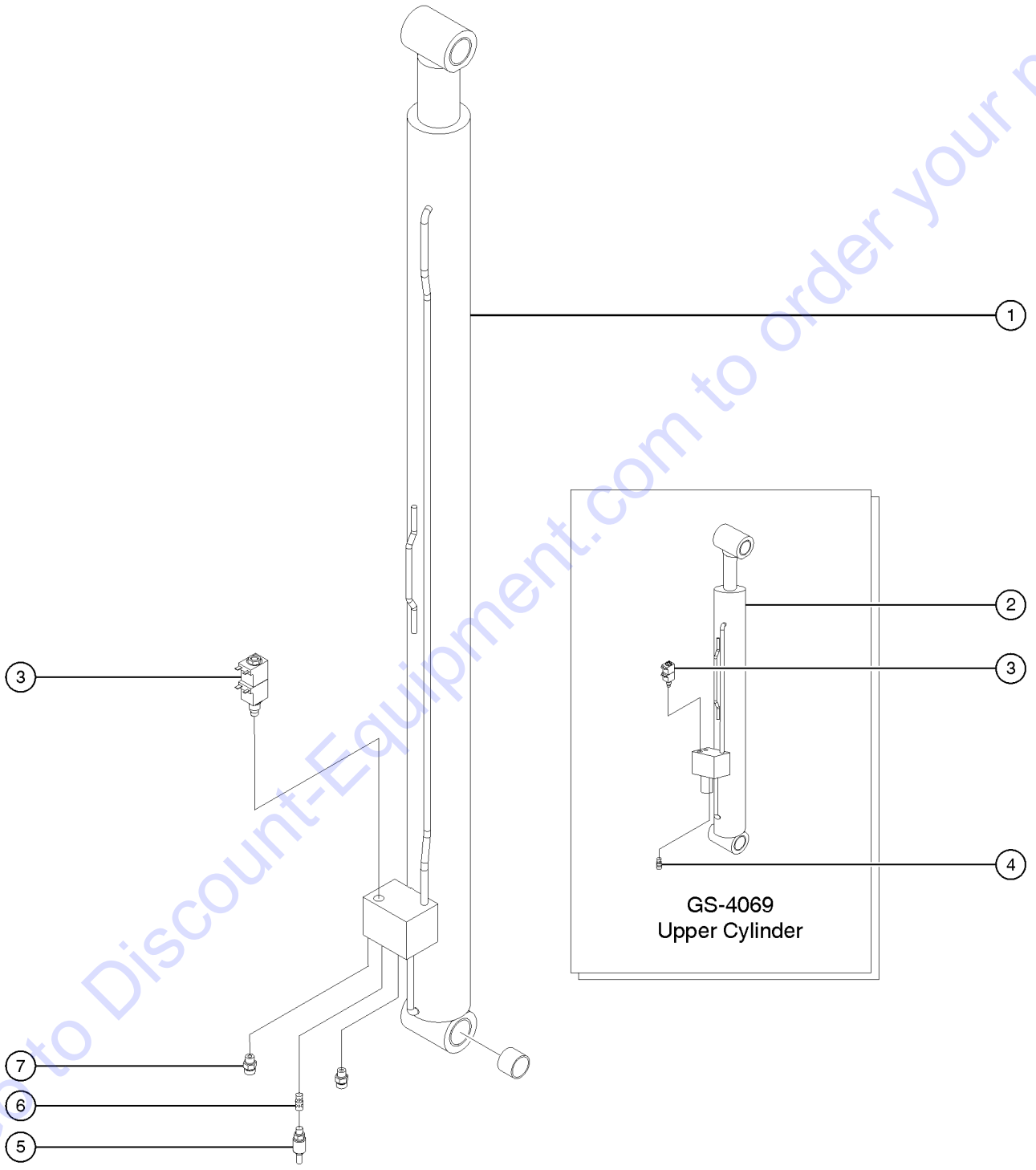


602.1 Oscillate Cylinder Assembly, All Models

Item	Part No.	Description	Qty.
--	128142GT	SERV KIT,CAP,SERIES 1CB VALVE (package of 4)	
1	128085GT	CAP,SERIES 1 CB VALVE,SINGLE**.....2	
2	115402GT	VALVE,COUNTERBALNCE,3800 PSI.....2	
3	25817GT	BEARING,1.00IDX1.25ODX1.00L.....4	
4	48905GT	CONN,520120-4***.....2	
5	39882GT	PLUG,HEX SOCKET,090109B-4.....6	
6	53500GT	O-RING-4.....6	
7	131621GT	CYLINDER,OSCILATING,GS69.....1	
--	226380GT	SEAL KIT,226380 (for 131621)	

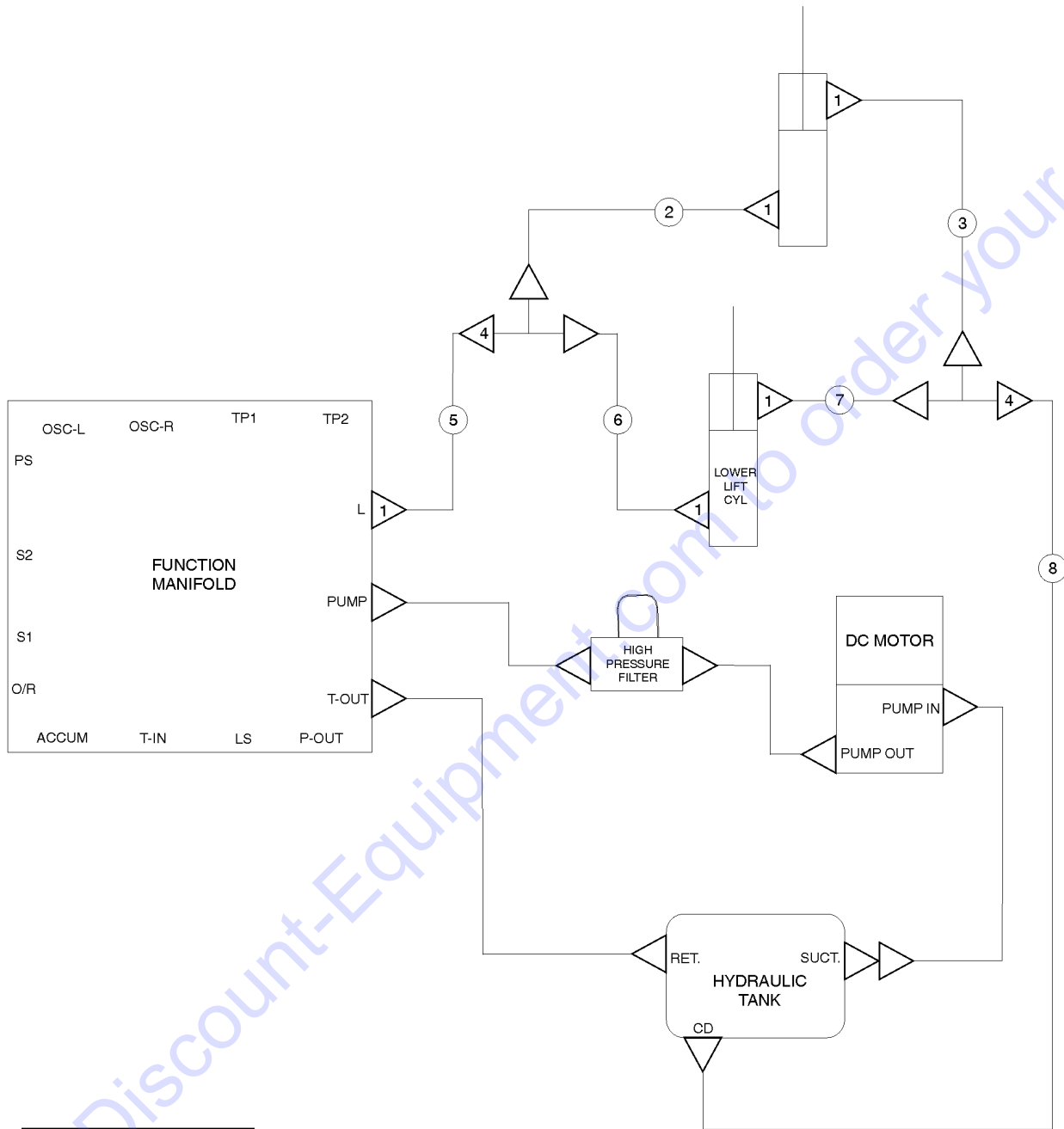
Go to Discount-Equipment.com to order your parts

603.1 Lift Cylinders



Item	Part No.	Description	Qty.
1	131920GT	CYLINDER, LIFT, LOWER, GS69.....1	1
--	226378GT	SEAL KIT,LIFT,LOWER (131920) (for 131920)	
2	131921GT	CYLINDER,LIFT,UPPER,4069.....1 GS-4069DC	1
--	1261085GT	VALVE, RELIEF, 2500PSI (for 131921) (sold seperately)	
--	226379GT	SEAL KIT,LIFT,UPPER (131921) GS-4069DC (for 131921)	
--	44227GT	SEAL KIT, VALVE (for 97130)	
3A	66683GT	VALVE,DBL PULL S-NOID 20V***1 GS-2669, GS-3369	1
--	44973GT	NUT,COIL (39909)	
--	84421GT	WASHER-SOLENOID VALVE (66683)*	
--	84422GT	COIL-SOLENOID VALVE,20V DC***	
3B	1259498GT	KIT,PROP. DOWN,GS26/3369 DC/BE.....1	1
--	1265331GT	VALVE, NC PROP POPPET, 20VDC	
3C	1259991GT	KIT,PROP. DOWN,GS4069 DC/BE.....2	2
--	1259992GT	VALVE,NC PROP. POPPET,MAN. RLS	
4A	230858GT	ORIFICE, LONG, .086".....1 GS-2669DC, GS-3369DC	1
4B	55559GT	ORIFICE, LONG, .046".....1 GS-4069DC	1
5		Ref. HARNESS, PRESSURE SWITCH...1 (refer to 309.1)	1
6	230858GT	ORIFICE, LONG, .086".....1	1
7	48916GT	CONN, 520120-6.....2	2

604.1 Hydraulic Hoses and Fitting, Lift Cylinder, GS-4069DC



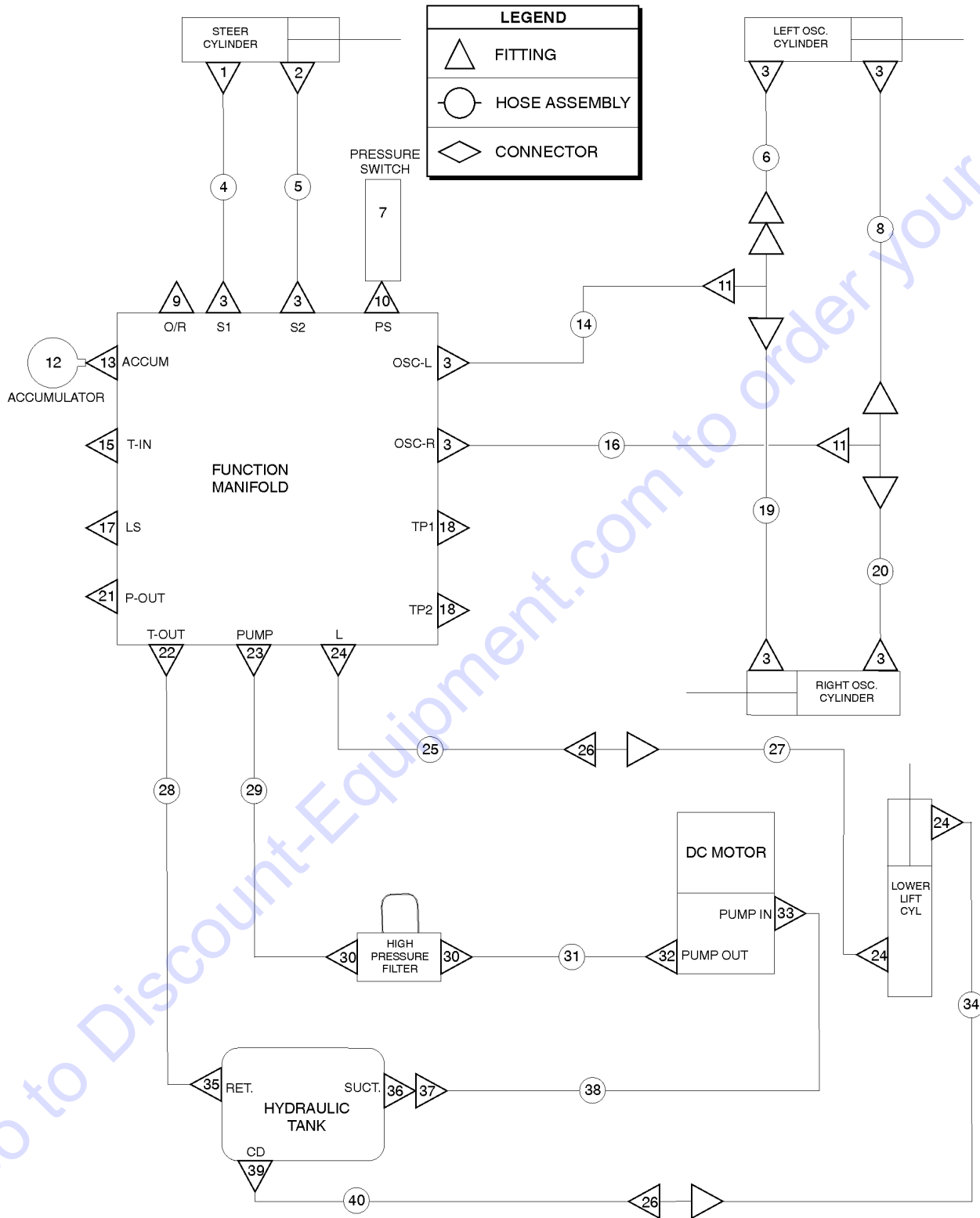
LEGEND	
	FITTING
	HOSE ASSEMBLY
	CONNECTOR

604.1 Hydraulic Hoses and Fitting, Lift Cylinder, GS-4069DC

Item	Part No.	Description	Qty.
1	48916GT	CONN, 520120-6.....	2
2	227479GT	HOSE ASSY,RET(ULCYL)-RET(TEE)....1 (components: 48812, 48816, 48753 @ 410 inches)	1
3	227478GT	HOSE ASSY,PRESS(TEE)-PRESS(ULC).....1 (components: 48812, 48816, 56776 @ 410 inches)	1
4	227614GT	TEE,BULKHEAD,RUN,520120-6.....	2
5	227471GT	HOSE ASSY,LIFT(F.MF)-P(TEE)	
6	227472GT	HOSE ASSY,PRESS(TEE)-PRESS(LLC	
7	227473GT	HOSE ASSY,RET(LLCYL)-RET(TEE)	
8	227474GT	HOSE ASSY,RET(TEE)-TANK	

Go to Discount-Equipment.com to order your parts

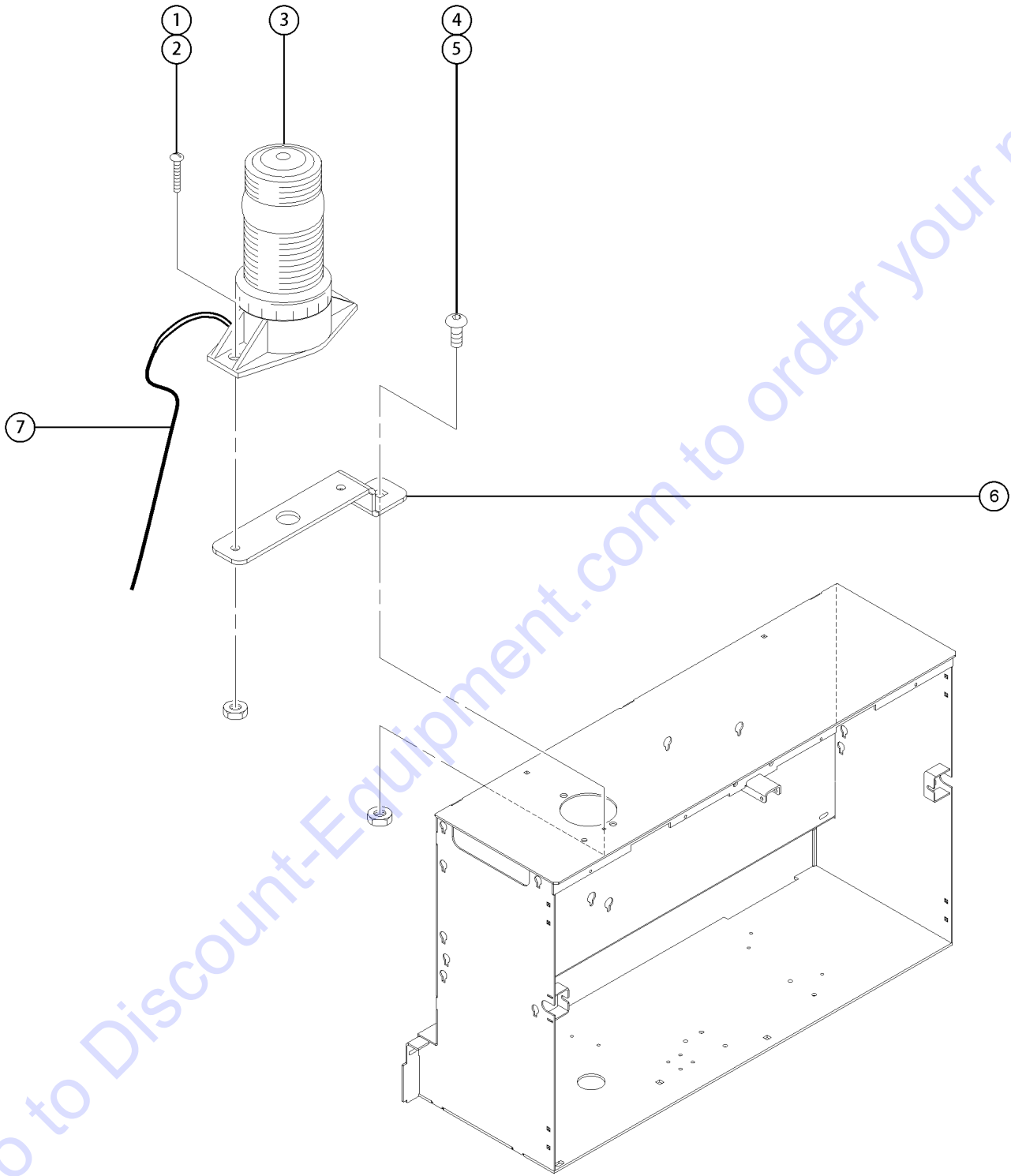
605.1 Hydraulic Hoses and Fittings



605.1 Hydraulic Hoses and Fittings

Item	Part No.	Description	Qty.	Item	Part No.	Description	Qty.
1	48912GT	CONN,520120-4-6***.....	1	28	215214GT	HOSE,ASSY,T-OUT(F,MF)-RET(TNK).....1 (components: 48809, 48809, 39889 @ 34 inches)	1
2	39875GT	ELBOW,070220-4-6.....	2	29	215215GT	HOSE,ASSY,FIL-P,IN(F,MF).....1 (components: 48822, 48822, 56777 @ 8 inches)	1
3	48905GT	CONN,520120-4***.....	8	30	48947GT	ELBOW,90D,520220-8-12.....	2
4	227466GT	HOSE ASSY,S1(F,MF)-B(STRCYL).....1 (components: 48800, 48801, 48751 @ 74 inches)	1	31	237932GT	HOSE,ASSY,OUT(PUMP)-FIL.....1 (components: 48822, 48822, 56777 @ 11 inches)	1
5	227467GT	HOSE ASSY,S2(F,MF)-R(STRCYL).....1 (components: 48800, 48801, 48751 @ 81 inches)	1	32	48946GT	CONN,520120-8-10.....	1
6	227469GT	HOSE ASSY,OSC(TEE)-E(L.OSC.CYL).....1 (components: 48800, 48802, 48751 @ 19.5 inches)	1	33	48878GT	ELBOW,90D,520220-16-12.....	1
7	237797GT	SWITCH,PRESS,#4SAE,1500 PSI.....	1	34	227473GT	HOSE ASSY,RET(LLCYL)-RET(TEE).....1 (components: 48812, 48812, 48753 @ 128 inches)	1
8	227610GT	HOSE ASSY,OSC(TEE)-R(L.OSC.CYL).....1 (components: 48800, 48802, 48751 @ 19.5 inches)	1	35	48959GT	FITTING,ELBOW,90D,520220-12.....	1
9	49517GT	PLUG,HEX SOCKET,090109B-6***.....	1	36	147419GT	KIT,STRAINER REPLACEMENT.....	1
10	131393GT	REDUCER,MORB-FORB,04-04****.....	1	37	48984GT	CONN,520120-16.....	1
11	48909GT	TEE,BULKHEAD,RUN,520958-4.....	1	38	237931GT	HOSE,ASSY,SUCT(TANK)-IN(PUMP).....1 (components: 48854, 48854, 48764 @ 19.5 inches)	1
12	94499GT	ACCUMULATOR,10CC,1000PSI,#6SAE.2		39	48915GT	ELBOW,90D,520220-6.....	1
13	83020GT	COUPLER,090136, 4-6.....	1	40	227474GT	HOSE ASSY,RET(TEE)-TANK.....1 (components: 48812, 48812, 48753 @ 75 inches)	1
14	227468GT	HOSE ASSY,OSC(F,MF)-OSC(TEE).....1 (components: 48800, 48800, 48751 @ 74 inches)	1				
15	87172GT	PLUG,HEX SOCKET,090109B-12.....	1				
16	227609GT	HOSE ASSY,OSCR(F,MF)-OSC(TEE).....1 (components: 48800, 48800, 48751 @ 74 inches)	1				
17	39882GT	PLUG,HEX SOCKET,090109B-4.....	1				
18	48997GT	NIPPLE,DIAGNOSTIC,#4.....	2				
19	227612GT	HOSE ASSY,OSC(TEE)-R(R.OSC.CYL).....1 (components: 48800, 48802, 48751 @ 19.5 inches)	1				
20	227611GT	HOSE ASSY,OSC(TEE)-E(R.OSC.CYL).....1 (components: 48800, 48802, 48751 @ 19.5 inches)	1				
21	238256GT	PLUG,HEX SOCKET,090109B-8.....	1				
22	48960GT	FITTING,CONN,520120-12***.....	1				
23	48933GT	CONN,520120-8***.....	1				
24	48916GT	CONN, 520120-6.....	3				
25	227471GT	HOSE ASSY,LIFT(F,MF)-P(TEE).....1 (components: 48812, 48812, 56776 @ 62 inches)	1				
26	227613GT	UNION,BULKHEAD,ORFS,-6-6.....	2				
27	227472GT	HOSE ASSY,PRESS(TEE)-PRESS(LLC).....1 (components: 48812, 48812, 56776 @ 128 inches)	1				

701.1 Flashing and Motion Beacon (to SN GS6916F-9824)

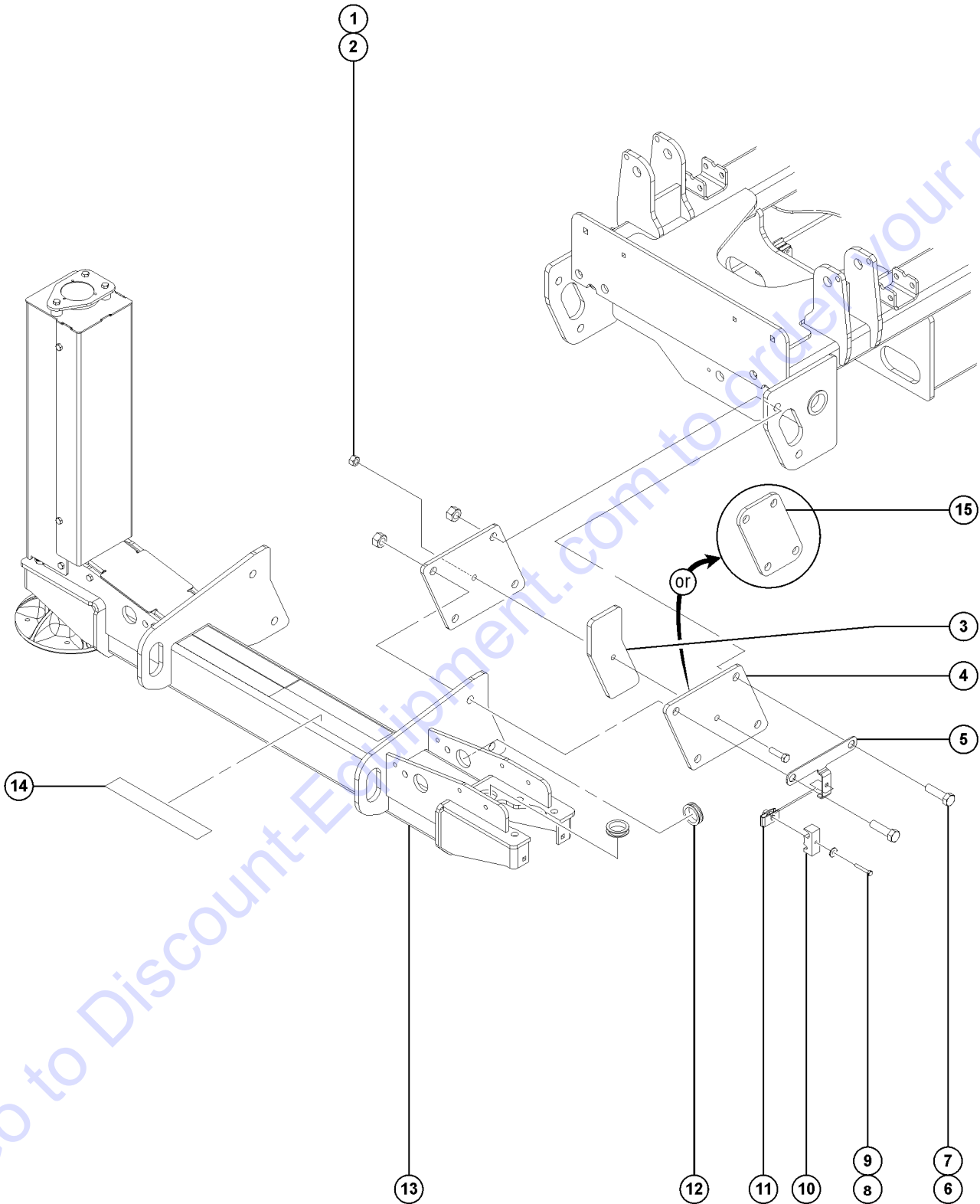


701.1 Flashing and Motion Beacon (to SN GS6916F-9824)

Item	Part No.	Description	Qty.
1	49816GT	SCREW,PHILLIPS,PHM,10-32 X .75	
2	6178GT	NUT,NYLOCK,10-32	
3	87265GT	BEACON LIGHT ASSY.....	2
--	105556GT	LENS,FLASHING BEACON for 87265	
--	105557GT	BULB,FLASHING BEACON for 87265	
4	6878GT	BOLT,CARRIAGE,1/4-20 X .75,G2	
5	6091GT	NUT,NYLOCK,1/4-20	
6	79374GT	FORMING,BEACON MOUNT.....	2
7	148076GT	HARNESS,BEACON,GS69	

Go to Discount-Equipment.com to order your parts

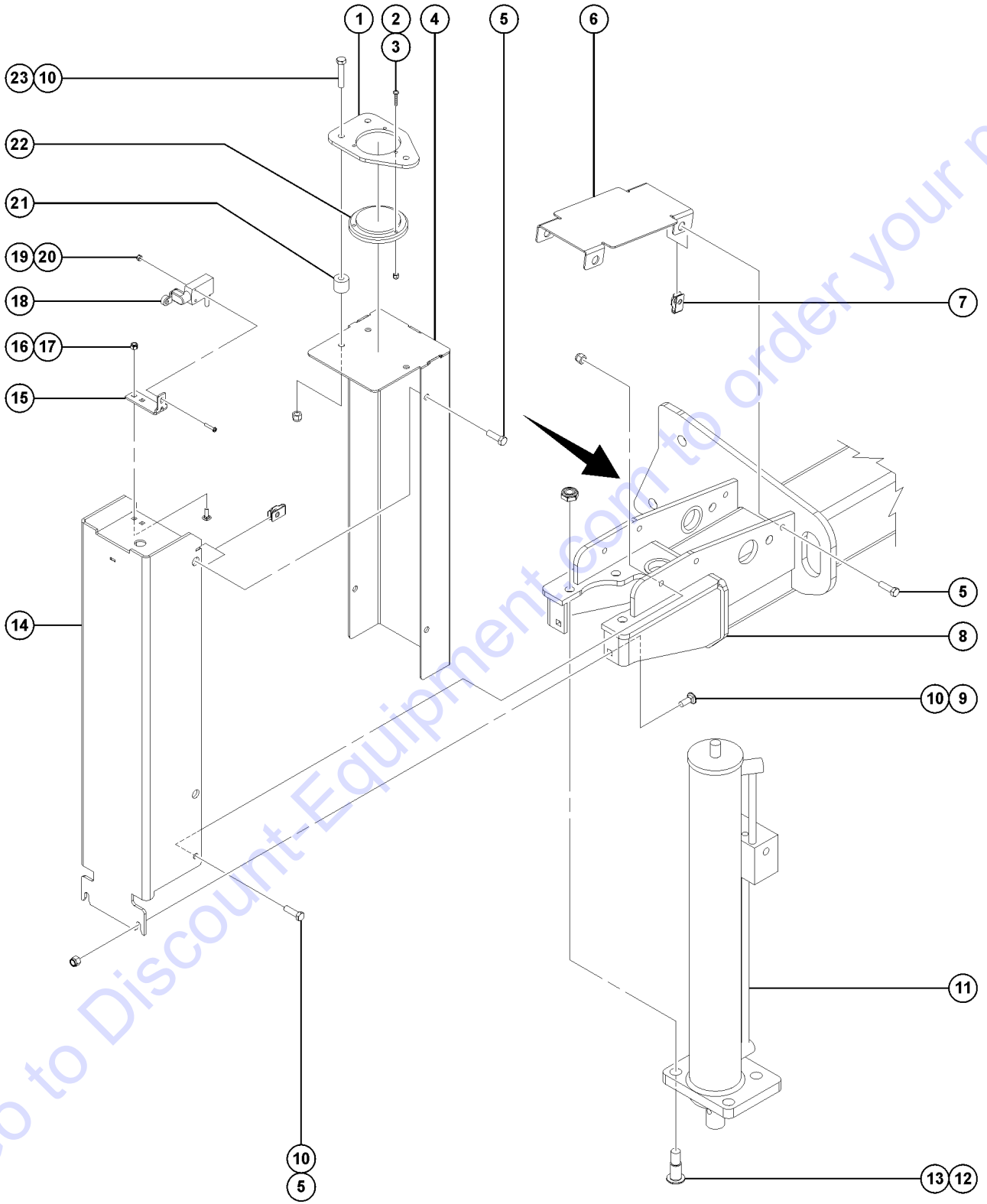
702.1 Outrigger Installation, View 1



702.1 Outrigger Installation, View 1

Item	Part No.	Description	Qty.
1	6178GT	NUT,NYLOCK,10-32.....2 <i>(steer end) (models with high floatation tires)</i>	2
2	6096GT	SCREW,HHC,1/2-13 X 2 GR5.....2 <i>(steer end) (models with high floatation tires)</i>	2
3	160740GT	PLATE,O/R SPACER, HI FLOAT.....2 <i>(steer end) (models with high floatation tires)</i>	2
4	160739GT	PLATE, O/R MOUNT, HI FLOAT.....4 <i>(steer end) (models with high floatation tires)</i>	4
5A	160744GT	FORM,O/R FRONT CLAMP,HI FLOAT....2 <i>(steer end) (models with high floatation tires)</i>	2
5B	148409GT	FORMING,O/R FRONT CLAMP.....2 <i>(steer end) (models without high floatation tires)</i>	2
6	51428GT	SCREW,HHC,3/4-10 X 2.75.....8	8
7	10258GT	NUT,NYLOCK,3/4-10,GRD.2.....8	8
8	6637GT	SCREW,HHC,1/4-20 X 1.75.....2 <i>(steer end)</i>	2
9	6638GT	WASHER,FLAT,USS,1/4"Y.....2 <i>(steer end)</i>	2
10	148410GT	CLAMP,#4 HOSE,CLAMP.....2 <i>(steer end)</i>	2
11	56912GT	SPRING CLIP,1/4-20,.025-.15X.54,ZAG.....2 <i>(steer end)</i>	2
12	47238GT	GROMMET,RUBBER 1.5 ID.....8	8
13		Ref. WELDMENT,OUTRIGGER YOKE <i>(refer to 703.1)</i>	
14	148329GT	TAPE,NON-SKID,2"X14".....2	2
15	148046GT	PLATE,OUTRIGGER MOUNT.....4 <i>(non-steer end and steer end models without high floatation tires)</i>	4

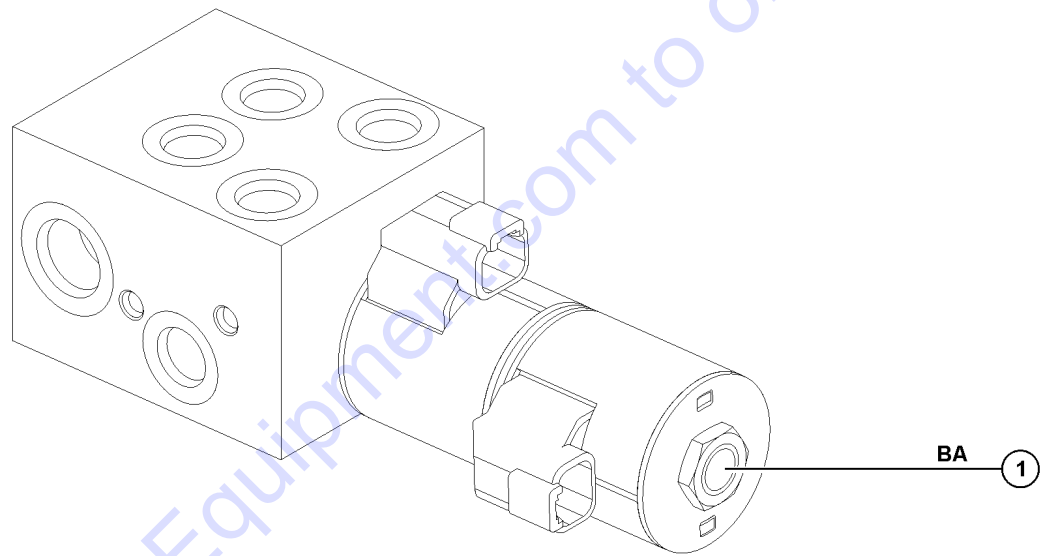
703.1 Outrigger Installation, View 2



703.1 Outrigger Installation, View 2

Item	Part No.	Description	Qty.
1	87002GT	PLATE,BUBBLE LEVEL MOUNT.....1	
2	49816GT	SCREW,PHILLIPS,PHM,10-32 X .75	
3	6178GT	NUT,NYLOCK,10-32	
4	148001GT	WELDMENT,O/R SWITCH COVER.....4	
5	6019GT	SCREW,HHC,3/8-16 X 1.25 GRD 5	
6	131972GT	FORMING,O/R HOSE COVER.....4	
7	29868GT	SPRING CLIP,3/8-16,.05-.20X.73,ZAG	
8A	148027GT	WELDMENT,OUTRIGGER YOKE.....1 <i>steer end</i>	
8B	148044GT	WELDMENT,OUTRIGGER YOKE <i>non-steer end</i>	
9	64154GT	BOLT,CARRIAGE,3/8-16 X1.00,G5	
10	4828GT	NUT,NYLOCK,3/8-16	
11		Ref. CYLINDER,OUTRIGGER,GS69 <i>(refer to 705.1)</i>	
12	71912GT	BOLT,SHOULDER,5/8-11 X 1.19 LT	
13	38028GT	NUT,LP NYLOCK,5/8-11	
14	235089GT	HOUSING ASSY,OUTRIGGER,WO <i>(ANSI, CSA & Australia models with word decals)</i>	
--	148000GT	WELDMENT,OUTRIGGER COVER.....4 <i>(decals not included, refer to section 100)</i>	
--	235091GT	HOUSING ASSY,OUTRIGGER,SY <i>(Asia, S. America & CE models with symbol decals)</i>	
15	148024GT	FORMING,O/R LIM SWTCH BRACKET.....1	
16	6091GT	NUT,NYLOCK,1/4-20	
17	6878GT	BOLT,CARRIAGE,1/4-20 X .75,G2	
18	105692GT	SWITCH,LIMIT,W/ROLLER ARM.....1	
19	18605GT	NUT,NYLOCK,8-32	
20	54380GT	SCREW,PHILLIPS,PHM,8-32 X .875	
21	59568GT	RUBBER, VIBRATION MOUNT.....3	
22A	1259500GT	KIT,BUBBLE LEVEL UPDATE <i>to SN 11474</i>	
23	5224GT	SCREW,HHC,3/8-16 X 2	

704.1 Outrigger Manifold



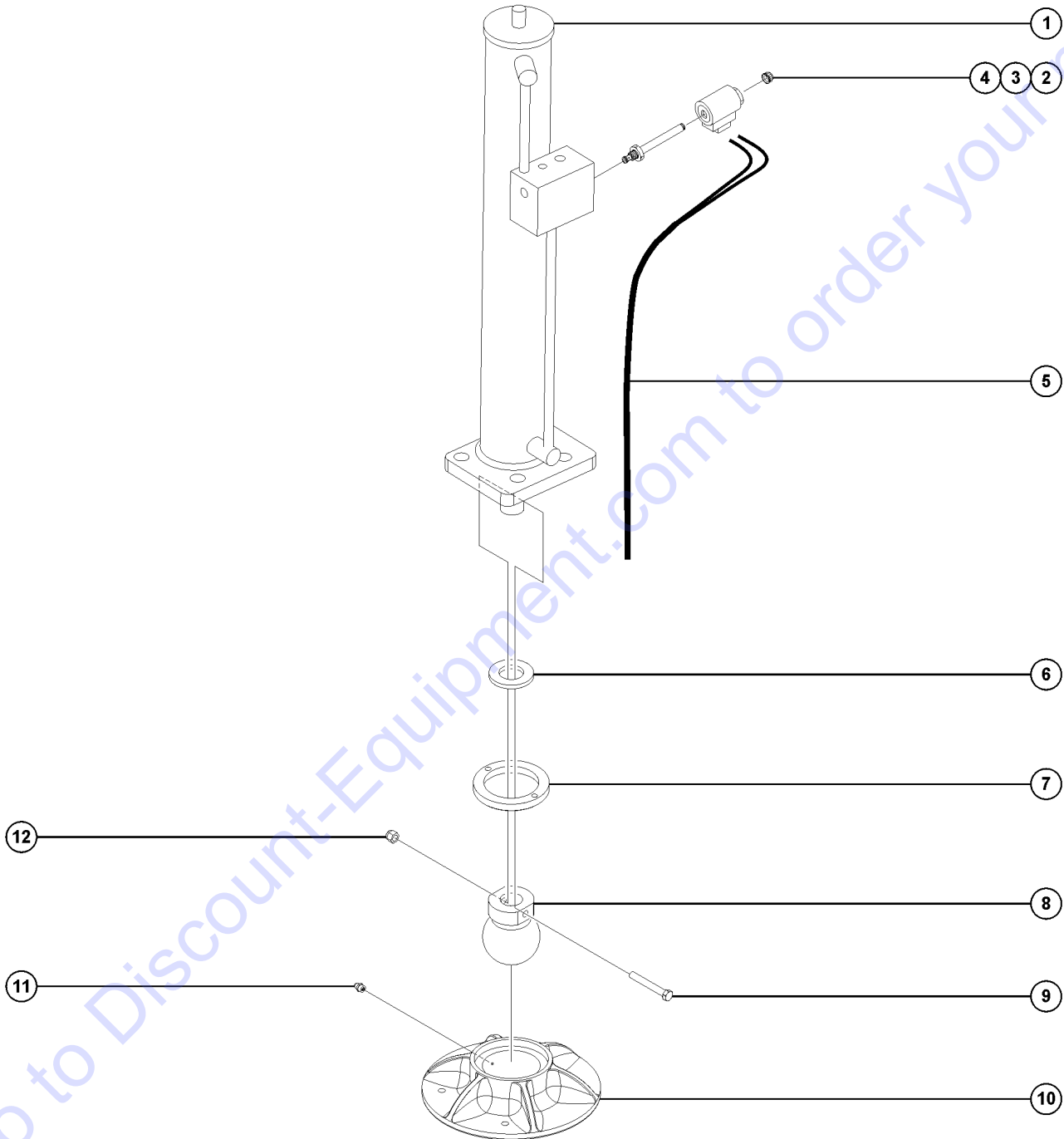
Go to Discount-Equipment.com to order your parts

704.1 Outrigger Manifold

Item	Part No.	Description	Qty.
--		<i>Use the letter callouts to cross-reference with the Service Manual.</i>	
--	234999GT	MANIFOLD,OUTRIGGER,GS69DC (manifold, complete)	
1	84109GT	VALVE,DIR,#10 SAE,3 POS. 4 WAY.....1 (BA, Outriggers in / out)	
--	104763GT	COIL,24VDC #10DTSCH IP69 ECOIL	
--	44174GT	NUT-COIL SHORT	
--	44175GT	SPACER-DUAL COIL,#10, SCISSORS	
--	44230GT	SEAL KIT-P.N.44169,44172,44171	

Go to Discount-Equipment.com to order your parts



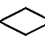
705.1 Outrigger Cylinders, All Models

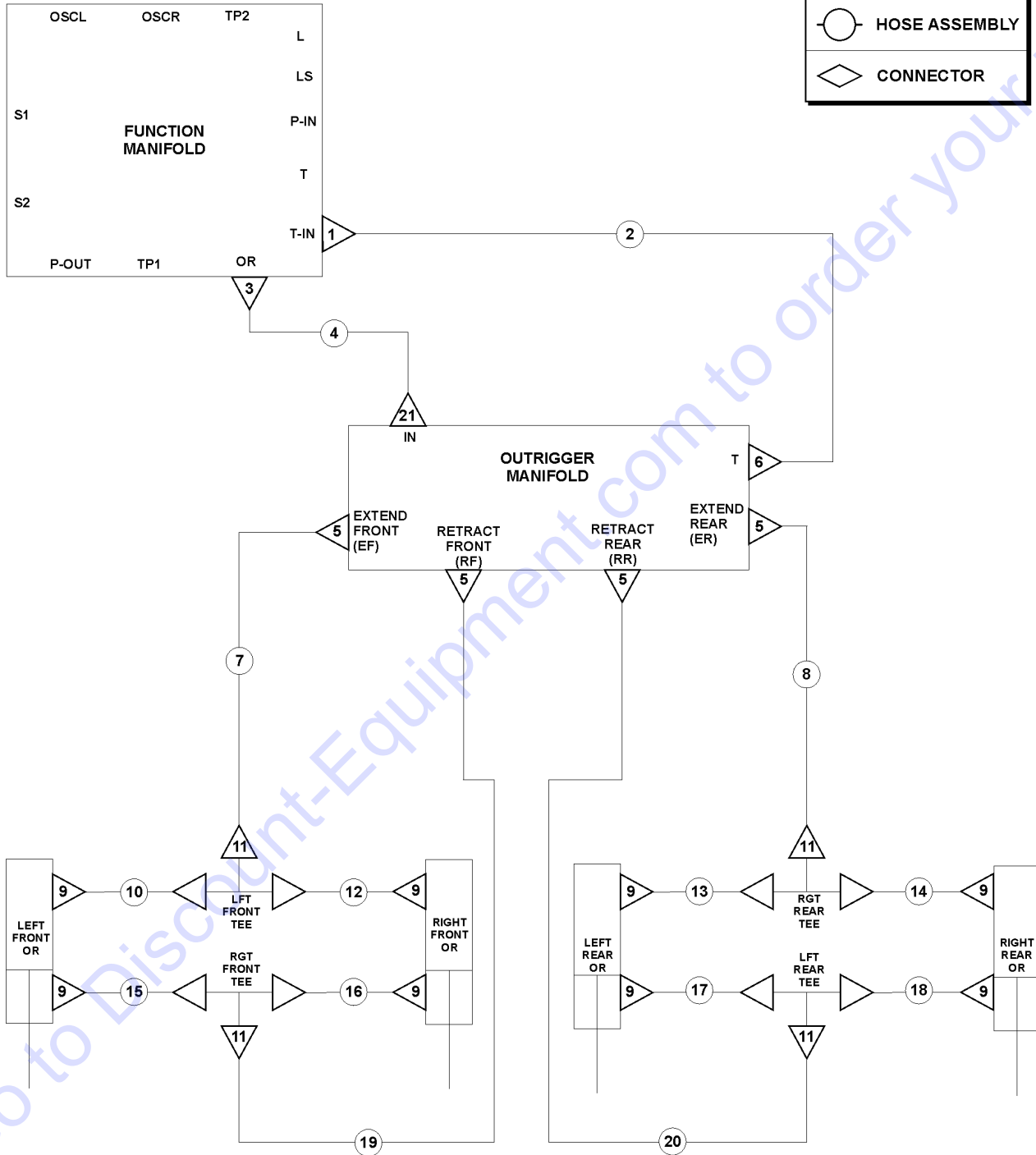


705.1 Outrigger Cylinders, All Models

Item	Part No.	Description	Qty.
--	112537GT	FOOTPAD ASSY,RTSC OUTRIGGER <i>(includes items 6, 7 & 9)</i>	
1	131428GT	CYLINDER,OUTRIGGER,GS69.....	1
--	226381GT	SEAL KIT,(131428) <i>(for 131428)</i>	
2	72097GT	NUT,SOLENOID VALVE,OUTRIGGERS.....	1
3A	79831GT	COIL, 12VDC,DIODE,DEUTSCH.....	1
3B	217978GT	COIL, 24VDC,DIODE,DEUTSCH	
4	67933GT	VALVE,NC,BI-DI,CART***.....	1
4A	71925GT	PILOT CHECK VALVE	
5		Ref. Outrigger Wire Harness <i>(refer to 309.1)</i>	
6	55682GT	PLATE, CYL UP LIMIT.....	1
7	55484GT	RETAINER, GS68 O/R FOOTPAD***.....	1
8	55485GT	CASTING, BALL, GS OUTRIGGER.....	1
9	14033GT	SCREW,HHC,3/8-16 X 2.75.....	1
10	51814GT	CASTING,OUTRIGGER FOOTPAD ***... <i>order 1280156 separately</i>	1
10B	1280156GT	KIT,OUTRIGGER PAD LOCTITE,RT <i>order footpad separately</i>	
11	28646GT	ZERK,GREASE,1/8 NPT.....	1
12	4828GT	NUT,NYLOCK,3/8-16.....	1

706.1 Hydraulic Hoses and Fittings, Outrigger

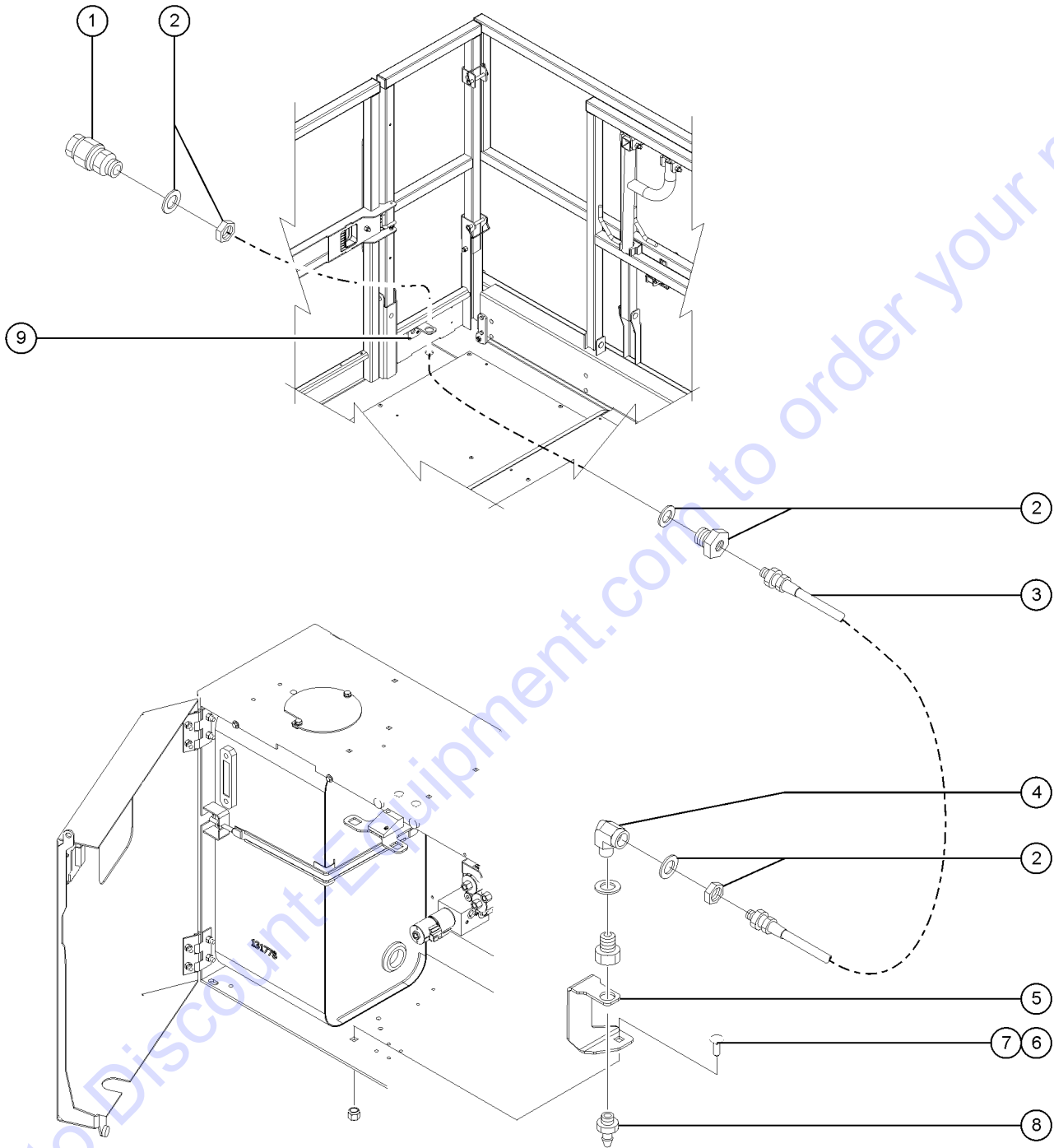
LEGEND	
	FITTING
	HOSE ASSEMBLY
	CONNECTOR



706.1 Hydraulic Hoses and Fittings, Outrigger

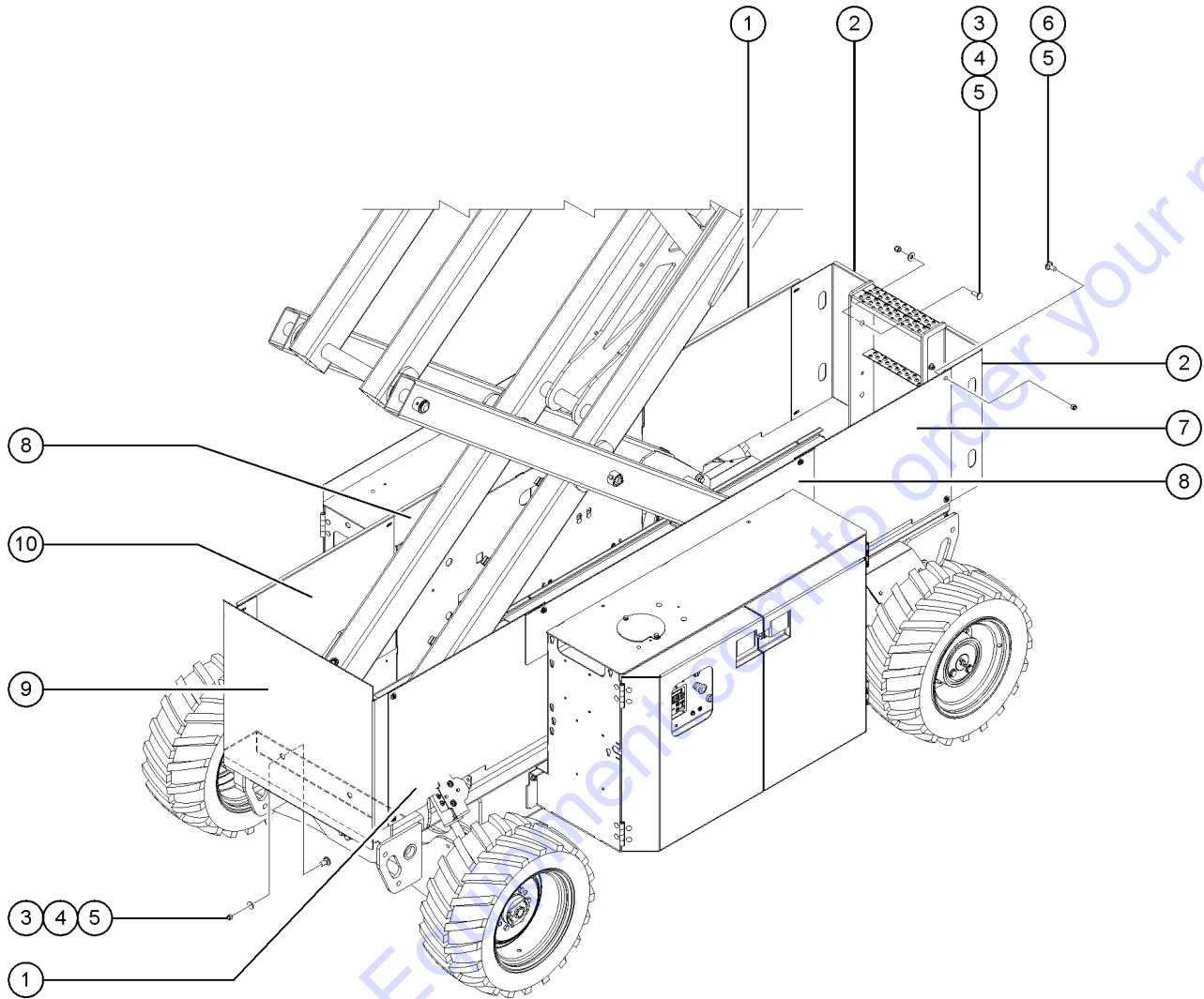
Item	Part No.	Description	Qty.	Item	Part No.	Description	Qty.
1	48948GT	CONN,520120-8-12.....	1	19	227726GT	HOSE ASSY,FR(OR.MF)-RF.OR.TEE.....1 (components: 48812, 227488, 56776 @ 98 inches)	1
2A	219139GT	HOSE,ASSY,T(OR.MF)-TIN(F.MF).....1 (components: 48822, 48825, 48756 @ 20.5 inches) (from serial number 101 to 3514)	1	20	227735GT	HOSE ASSY,RR(OR.MF)-RR.OR.TEE....1 (components: 48812, 227488, 56776 @ 98 inches)	1
2B	1254069GT	HOSE,ASSY,T(OR.MF)-TIN(F.MF).....1 (components: 2x 48822, 48756 @ 17.5 inches) (from serial number 3515)	1	21A	48916GT	CONN, 520120-6.....1 (from serial number 101 to 3514)	1
3	48930GT	CONN,520120-6-8.....	1	21B	48915GT	ELBOW,90D,520220-6.....1 (from serial number 3515)	1
4A	227486GT	HOSE ASSY,OR(F.MF)-IN(OR.MF).....1 (components: 48812, 48815, 56776 @ 19 inches) (from serial number 101 to 3514)	1				
4B	1254068GT	HOSE ASSY,OR(F.MF)-IN(OR.MF).....1 (components: 2x 48812, 56776 @ 17.5 inches) (from serial number 3515)	1				
5	48916GT	CONN, 520120-6.....	4				
6A	48933GT	CONN,520120-8***.....	1				
6B	48932GT	FITTING,ELBOW,90D,520220-8***.....	1				
7	227487GT	HOSE ASSY,EF(OR.MF)-LF.OR.TEE....1 (components: 48812, 227488, 56776 @ 98 inches)	1				
8	227724GT	HOSE ASSY,ER(OR.MF)-LR.OR.TEE....1	1				
9	48905GT	CONN,520120-4***.....	8				
10	227489GT	HOSE ASSY,LF.OR.TEE-E(LF.OR.CY....1 (components: 48812, 227488, 56776 @ 98 inches)	1				
11	48909GT	TEE,BULKHEAD,RUN,520958-4.....	4				
12	227490GT	HOSE ASSY,LF.OR.TEE-E(RF.OR.CY....1 (components: 48800, 48800, 48751 @ 75 inches)	1				
13	227738GT	HOSE ASSY,LR.OR.TEE-E(LR.OR.CY....1 (components: 48800, 48802, 48751 @ 75 inches)	1				
14	227728GT	HOSE ASSY,LR.OR.TEE-E(RR.OR.CY.....1 (components: 48800, 48800, 48751 @ 20 inches)	1				
15	227730GT	HOSE ASSY,RF.OR.TEE-R(LF.OR.CY....1 (components: 48800, 48800, 48751 @ 75 inches)	1				
16	227740GT	HOSE ASSY,RF.OR.TEE-R(RF.OR.CY.....1 (components: 48800, 48802, 48751 @ 20 inches)	1				
17	227732GT	HOSE ASSY,RR.OR.TEE-R(LR.OR.CY.....1 (components: 48800, 48800, 48751 @ 20 inches)	1				
18	227742GT	HOSE ASSY,RR.OR.TEE-R(RR.OR.CY.....1 (components: 48800, 48802, 48751 @ 75 inches)	1				

707.1 Air to Platform



Item	Part No.	Description	Qty.
1	27895GT	COUPLER,1/4"SERIES 3/8 MPT.....	1
2	27900GT	BULKHEAD,FEMALE X 6 X 6.....	2
3A	27903GT	HOSE,LOW PRESSURE,.375 ID,BLK.....900-inches GS4069 DC	
--	27901GT	HOSE END,BARBED,RIGID,-6-6.....	2
3B	27903GT	HOSE,LOW PRESSURE,.375 ID,BLK.....790-inches GS-3369 DC	
--	27901GT	HOSE END,BARBED,RIGID,-6-6.....	2
3C	27903GT	HOSE,LOW PRESSURE,.375 ID,BLK.....676-inches GS-2669DC	
--	27901GT	HOSE END,BARBED,RIGID,-6-6.....	2
4	79383GT	BRASS STREET ELBOW.....	1
5	218681GT	FORMING,AIRLINE MOUNTING.....	1
6	96977GT	BOLT,CARRIAGE,1/2-13X1.50,GR5.....	1
7	6198GT	NUT,NYLOCK,1/2-13.....	1
8	27894GT	PLUG,1/4"SERIES,3/8 MPT.....	1
9	47077GT	BRACKET,AIRLINE MOUNTING.....	1

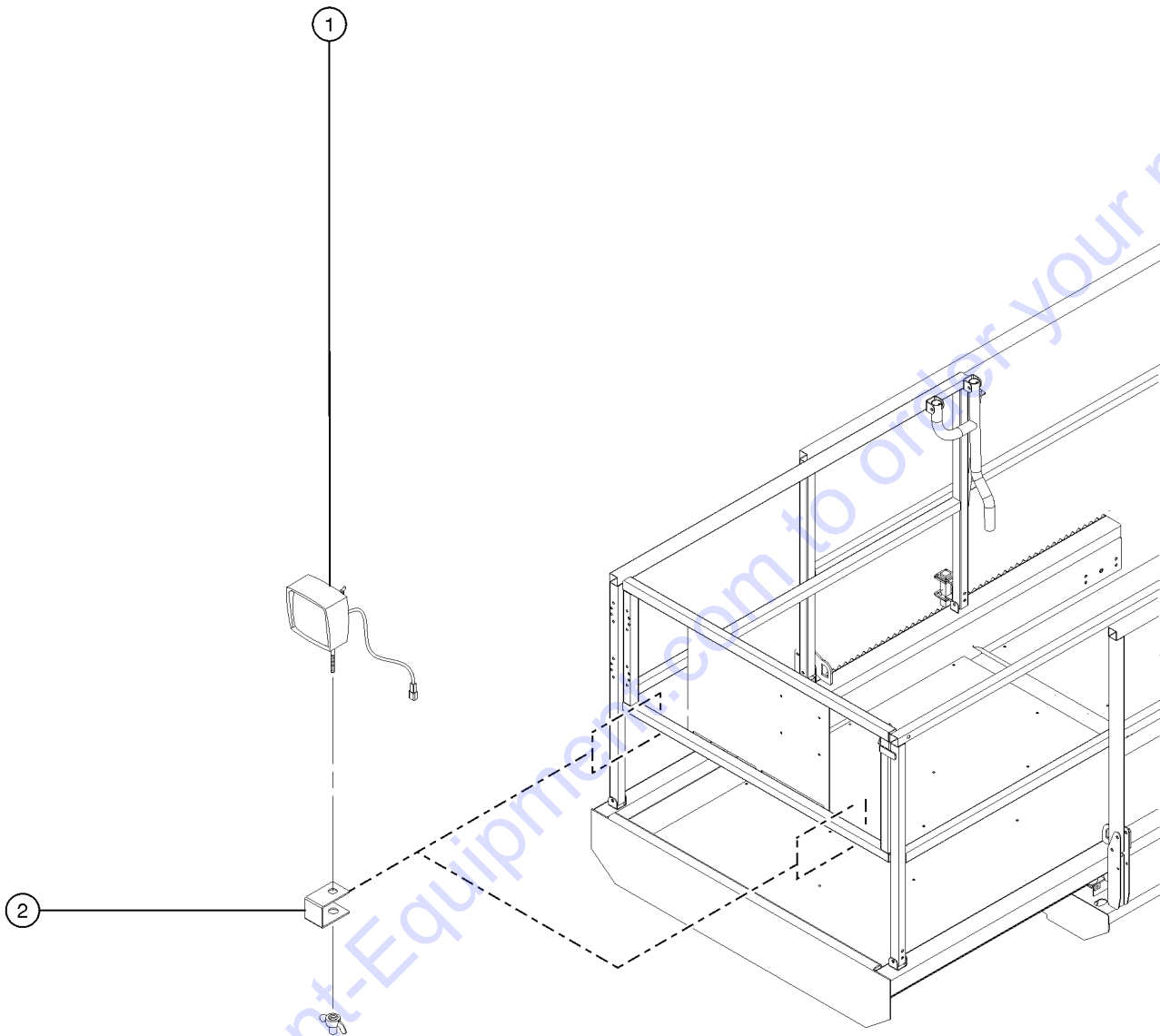
708.1 Link Guard, CE and Australia



708.1 Link Guard, CE and Australia

Item	Part No.	Description	Qty.
1A	227768GT	FORMING, LINK GUARD, SIDE, 26/33...2 for GS-2669DC & GS-3369DC (ground controls side, front & battery pack side, rear)	
1B	T114354GT	FORMING, LINKGUARD, SIDE, 40.....2 for GS-4069DC (ground controls side, front & battery pack side, rear)	
2A	227713GT	FORMING, LINK GUARD, BACK, 26/33.....2 for GS-2669DC & GS-3369DC	
2B	T114357GT	FORMING, LINKGUARD, END, 40.....2 for GS-4069DC	
3	105092GT	BOLT, CARRIAGE, 3/8-16X1.25, GR5	
4	6097GT	WASHER, FLAT, USS, 3/8", Y	
5	4828GT	NUT, NYLOCK, 3/8-16	
6	73466GT	BOLT, CARRIAGE, 3/8-16 X 1.00, G2	
7A	227716GT	FORMING, LINK GUARD, SIDE, 26/33...1 for GS-2669DC & GS-3369DC without oil cooler option (ground controls side, rear)	
7B	227714GT	FORMING, LNK GRD, SIDE, OPT, 26/33....1 for GS-2669DC & GS-3369DC with oil cooler option (ground controls side, rear)	
7C	T114353GT	FORMING, LINKGUARD, SIDE, 40.....1 for GS-4069DC without oil cooler option (ground controls side, rear)	
7D	227717GT	FORMING, LINK GUARD, SIDE, OPT, 40...1 for GS-4069DC with oil cooler option (ground controls side, rear)	
8	T114358GT	FORMING, LINKGUARD, BOXTOP.....2 for GS-4069DC	
9A	227715GT	FORMING, LINK GUARD, FRONT, 26/33.....1 for GS-2669DC & GS-3369DC	
9B	T114356GT	FORMING, LINKGUARD, SIDE, 40.....1 for GS-4069DC	
10A	227716GT	FORMING, LINK GUARD, SIDE, 26/33...1 for GS-2669DC & GS-3369DC (battery pack side, front)	
10B	T114353GT	FORMING, LINKGUARD, SIDE, 40.....1 for GS-4069DC (battery pack side, front)	

709.1 Platform Work Light



Go to Discount-Equipment.com to order your parts

709.1 Platform Work Light

Item	Part No.	Description	Qty.
A	823041GT	WORKLIGHTS,FIELD KIT,GS-2669.....1	
--	823044GT	HARNESS,GS2669 WORKLIGHTS.....1	
B	823042GT	WORKLIGHTS,FIELD KIT,GS-3369.....1	
--	823045GT	HARNESS,GS3369 WORKLIGHTS.....1	
C	823043GT	WORKLIGHTS,FIELD KIT,GS-4069.....1	
--	823046GT	HARNESS,GS4069 WORKLIGHTS.....1	
1	71498GT	WORKLIGHT, 12V, DEUTSCH RECEPT.....2	
2	71382GT	BRACKET, WORK LIGHTS, OPTION.....2	
3	28443GT	CABLE TIE,11.5" BLACK <i>not shown</i>	

Go to Discount-Equipment.com to order your parts

Part Number Index

The Part Number Index is a numeric index of all part numbers included in this manual. The index shows what page(s) the part is used on.

Part Number	Page	Part Number	Page	Part Number	Page	Part Number	Page
101069GT	119	119432GT	77	128085GT	121	14033GT	89, 91, 95, 137
101718GT	71, 75, 81	119910GT	60	128142GT	121	14041GT	77
10258GT	131	122994GT	81	128200GT	81	14392GT	59-60
104235GT	67	12344GT	77	1283121GT	65	144161GT	75, 111
104328GT	59-60, 67	124580GT	81	128375GT	75	147419GT	127
104571GT	87	1254068GT	139	128376GT	75	148000GT	133
104762GT	119	1254069GT	139	128377GT	75	148001GT	133
104763GT	119, 135	1254192GT	89, 91, 95	128578GT	81	148024GT	133
104804GT	105	1254431GT	59-60	128580GT	81	148027GT	133
105092GT	73, 143	1254432GT	59-60	1286600GT	65	148044GT	133
105117GT	75	1254433GT	60	1286601GT	65	148046GT	131
105118GT	75	1254434GT	59-60	128731GT	115	148076GT	87, 129
105214GT	89	1255452GT	59-60, 63, 65	13002GT	73	148086GT	87
105319GT	83	1256267GT	89, 93, 97	13064GT	65	148087GT	87
105556GT	129	1256655GT	115	131393GT	127	148090GT	87
105557GT	129	1256657GT	115	131416GT	103	148091GT	87
105692GT	69, 133	1256708GT	15, 17, 23, 25,	131428GT	137	148092GT	87
10598GT	89, 93, 97		31, 33, 39, 41,	131602GT	59-60	148226GT	83
106121GT	65		47, 49, 55, 57,	131616GT	59-60	148236GT	65, 89, 93, 97
106122GT	65		115	131621GT	121	148271GT	67
106123GT	65	1256709GT	15, 17, 23, 25,	131639GT	65	148277GT	67
106445GT	65		31, 33, 39, 41,	131640GT	65	148291GT	83
10744GT	83		47, 49, 55, 57,	131658GT	71	148292GT	67
10775GT	111		113	131687GT	91	148307GT	67
10777GT	111	1256710GT	15, 17, 23, 25,	131695GT	65	148317GT	89, 93, 97
110556GT	59-60		31, 33, 39, 41,	131735GT	107	148329GT	131
110965GT	65		47, 49, 55, 57,	131741GT	107	148353GT	59-60
112070GT	89, 91, 95		115	131742GT	107	148396GT	59-60
112072GT	91, 95	1256711GT	15, 17, 23, 25,	131743GT	107	148400GT	63
112076GT	89, 91, 95, 99,		31, 33, 39, 41,	131744GT	103	148403GT	67
	101		47, 49, 55, 57,	131745GT	103	148409GT	131
112083GT	99		113	131746GT	105	148410GT	131
112099GT	89, 93, 97	1256721GT	81	131747GT	105	148413GT	69
112100GT	89, 93, 97	1256725GT	115	131749GT	103, 107	148414GT	87
112106GT	97	1256726GT	115	131751GT	107	148422GT	109
112115GT	89, 93, 97	1256729GT	115	131755GT	65	148433GT	89, 91, 95
112116GT	89, 93, 97	1256730GT	115	131780GT	83	148434GT	89, 91, 95
112121GT	89, 93, 97	1257241GT	47	131790GT	83	148450GT	101
112123GT	89, 91, 95	1257396GT	15, 17, 31, 33, 49	131800GT	73	150026GT	77
112124GT	89, 91, 95	1257923GT	15, 17, 23, 25,	131873GT	83	160390GT	79
112125GT	95		31, 33, 39, 41,	131874GT	89	160536GT	73
112126GT	95		47, 49, 55, 57,	131899GT	89	160545GT	85
112127GT	89	1258104GT	15, 17, 31, 33,	131903GT	89	160739GT	131
112134GT	91, 95, 101		47, 49	131920GT	123	160740GT	131
112136GT	93, 97, 99	1258347GT	113	131921GT	123	160744GT	131
112177GT	93, 97	1258348GT	113	131926GT	83	160903GT	85
112210GT	93, 97	1258349GT	113	131928GT	83	160904GT	85
112229GT	89	1258352GT	113	131929GT	83	161213GT	87
112350GT	89, 93, 97	1258353GT	113	131972GT	133	161359GT	75, 85
112375GT	89, 93, 97	1258354GT	113	133537GT	23, 25, 39, 41,	161805GT	83
112476GT	65, 103, 105, 107	1258521GT	113		55, 57	17626GT	77
112512GT	65	1258522GT	113	13585GT	111	18383GT	89, 91, 95
112537GT	137	1258628GT	65	137522GT	113	18503GT	77
112543GT	105	1258629GT	65	137562GT	81	18540GT	65
112572GT	65	1258632GT	59-60	137564GT	81	18605GT	65, 69, 75, 81,
112589GT	65, 89, 91, 95, 97	1258633GT	59-60	137587GT	87, 115		89, 93, 97, 133
112703GT	99, 101	1258731GT	115	137604GT	81	19436GT	77
112708GT	89, 91, 95, 99,	1258753GT	65	137605GT	15, 17, 23, 25,	19440GT	59-60
	101	1258754GT	65		31, 33, 39, 41,	21149GT	65
112772GT	111	1258759GT	59-60		47, 49, 55, 57,	214212GT	67
114202GT	11, 13, 19, 21,	1258760GT	59-60		113, 115	214222GT	73
	27, 29, 35, 37,	1259498GT	87, 123	137611GT	87, 113, 115	214253GT	113
	43, 45, 51, 53	1259500GT	133	137634GT	117	214254GT	113
114334GT	21, 37, 53	1259991GT	87, 123	137637GT	81, 113, 115	214542GT	81
114337GT	19, 35, 51	1259992GT	123	137640GT	113, 115	214544GT	117
114338GT	23, 25, 39, 41,	1261085GT	123	137644GT	81	215213GT	73
	55, 57	1264822GT	87	137656GT	15, 17, 23, 25,	215214GT	127
114371GT	23, 25, 39, 41,	1264834GT	87		31, 33, 39, 41,	215215GT	127
	55, 57	1265331GT	123		47, 49, 55, 57,	215229GT	71
114385GT	11, 13, 27, 29,	1277226GT	81		113, 115	215330GT	75
	43, 45	1279465GT	73	137668GT	81	215488GT	77
114386GT	13, 15, 17, 29,	1279466GT	73	137692GT	81	215914GT	83
	31, 33, 45, 47, 49	128009GT	73	137699GT	113, 115	215915GT	83
115402GT	121	1280156GT	137	137711GT	113	216005GT	77
119065GT	77	1280665GT	75, 111	13918GT	63		

Part Number	Page	Part Number	Page	Part Number	Page	Part Number	Page
216027GT	15, 17, 31, 33, 47, 49	227714GT	143	235375GT	59-60	237932GT	127
216031GT	23, 25, 39, 41, 55, 57	227715GT	143	235377GT	65	238256GT	127
216826GT	11	227716GT	143	235380GT	81	238299GT	59-60
216827GT	11	227717GT	143	235381GT	81	238364GT	85
216828GT	27	227724GT	139	235382GT	81	238365GT	85
216829GT	27	227726GT	139	235383GT	81	238366GT	85
216830GT	43	227728GT	139	235397GT	71	238367GT	85
216831GT	43	227730GT	139	235398GT	87	238368GT	85
216832GT	19	227732GT	139	235399GT	87	238369GT	85
216833GT	35	227735GT	139	235463GT	117	238370GT	85
216834GT	51	227738GT	139	235464GT	113, 115	238371GT	85
216874GT	11	227740GT	139	235497GT	79	238372GT	85
216875GT	11	227742GT	139	235498GT	79	238373GT	85
216876GT	27	227768GT	143	235662GT	59-60	238374GT	85
216877GT	27	22788GT	67, 89, 93, 97	235663GT	59-60	238375GT	85
216878GT	43	228103GT	95	235693GT	77	238382GT	73
216879GT	43	228947GT	75	235696GT	77	238383GT	73, 75
216880GT	19	228973GT	75	235697GT	77	238384GT	79
216881GT	35	229086GT	117	235719GT	75	238385GT	79
216882GT	51	229087GT	117	236018GT	77	24514GT	107
216883GT	19	229088GT	117	236019GT	77	25388GT	75, 111
216884GT	19	229089GT	117	236021GT	73	25817GT	59-60, 121
216885GT	35	229090GT	117	236066GT	87	27246GT	81
216886GT	35	229091GT	117	236067GT	87	27894GT	141
216887GT	51	229092GT	117	236068GT	87	27895GT	141
216888GT	51	229093GT	117	236360GT	15, 17, 23, 25, 31, 33, 39, 41, 47, 49, 55, 57, 113	27900GT	141
217978GT	137	229094GT	117	236415GT	13, 21, 29, 37, 45, 53	27901GT	141
218245GT	87	229097GT	117	236429GT	77	27903GT	141
218616GT	119	229167GT	59-60	236802GT	75	28174GT	11, 13, 15, 17, 19, 23, 25, 29, 31, 33, 37, 39, 41, 45, 47, 49, 53, 55, 57
218617GT	119	229642GT	77	236813GT	59-60	28175GT	11, 13, 27, 29, 43, 45
218681GT	141	229827GT	11, 13, 27, 29, 43, 45	237116GT	15, 17, 31, 33, 47, 49	28176GT	15, 17, 31, 33, 47, 49
218730GT	119	229828GT	19, 21, 35, 37, 51, 53	237117GT	11, 27, 43	28235GT	11, 13, 15, 17, 19, 23, 25, 29, 31, 33, 37, 39, 41, 45, 47, 49, 53, 55, 57
218731GT	119	229845GT	113, 115	237118GT	11, 27, 43	28236GT	15, 17, 31, 33, 47, 49
218732GT	119	230485GT	73	237119GT	15	28373GT	11, 13, 27, 29, 43, 45
218733GT	119	230488GT	73, 75	237120GT	31	28443GT	89, 145
218734GT	119	230489GT	25	237121GT	47	28646GT	137
218735GT	119	230490GT	41	237122GT	15, 17, 23, 25	29868GT	69, 83, 107, 133
219058GT	75	230491GT	57	237123GT	31, 33, 39, 41	30434GT	89, 93, 97
219139GT	139	230492GT	23	237124GT	11, 13, 19, 21	31060GT	11, 27, 43
219206GT	59-60	230493GT	39	237125GT	27, 29, 35, 37	31506GT	71
219210GT	107	230494GT	55	237126GT	43, 45, 51, 53	31508GT	13, 29, 45
219279GT	59-60	230804GT	11, 13, 27, 29, 43, 45	237127GT	15, 17, 23, 25, 31, 33, 39, 41, 47, 49, 55, 57, 113	31658-SGT	71
219356GT	59-60	230807GT	57	237130GT	11, 13, 27, 29, 43, 45	31788GT	11, 27, 43
219903GT	59-60	230809GT	23	237131GT	15, 31, 47	33550GT	107
219973GT	87	230810GT	39	237132GT	13, 29, 45	33629GT	111
220153GT	69	230811GT	55	237134GT	11, 27	33724GT	111
220237GT	69	230850GT	71	237135GT	17, 33, 49	33987GT	65
22446GT	105	230858GT	123	237254GT	59-60	34053GT	81
226378GT	123	230861GT	119	237340GT	59-60, 65	35461GT	69, 89, 93, 97
226379GT	123	231650GT	59-60	237431GT	79	35706GT	107
226380GT	121	231921GT	113, 115	237432GT	79	36372GT	77
226381GT	137	231922GT	113, 115	237476GT	87	37947GT	81
22699GT	73	232523GT	65	237615GT	113	38016GT	107
227466GT	127	232536GT	67	237773GT	59-60	38028GT	103, 133
227468GT	127	232537GT	67	237797GT	119, 127	38149GT	13, 29, 45
227469GT	127	232549GT	71	237920GT	17	39540GT	81, 113, 115
227471GT	125, 127	232852GT	59-60	237921GT	33	39875GT	127
227472GT	125, 127	232853GT	59-60	237922GT	49	39882GT	121, 127
227473GT	125, 127	233767GT	59-60	237923GT	11, 27	40434GT	15, 17, 23, 25, 31, 33, 39, 41, 47, 49, 55, 57
227474GT	125, 127	234599GT	119	237924GT	19, 35, 51		
227478GT	125	234600GT	119	237925GT	19, 35		
227479GT	125	234830GT	87	237926GT	11, 13, 19, 21, 27, 29, 35, 37, 43, 45, 51, 53		
227486GT	139	234831GT	87	237927GT	15, 17, 31, 33, 47, 49		
227487GT	139	234832GT	87	237931GT	127		
227489GT	139	234833GT	87				
227490GT	139	234834GT	87				
227609GT	127	234837GT	87				
227610GT	127	234999GT	135				
227611GT	127	235081GT	83				
227612GT	127	235089GT	133				
227613GT	127	235091GT	133				
227614GT	125	235122GT	97				
227713GT	143	235163GT	47, 49, 55, 57				

Part Number Index (continued)

Part Number	Page	Part Number	Page	Part Number	Page	Part Number	Page
43618GT	15, 17, 23, 25, 31, 33, 39, 41, 47, 49, 55, 57	52494GT	15, 17, 31, 33, 47, 49	66717GT	77	82474GT	19, 21, 35, 37, 51, 53
43658GT	21, 37, 53	52865GT	13, 29, 45	66812GT	81, 113, 115	82475GT	19, 21, 35, 37, 51, 53
43956GT	111	52907GT	119	66817GT	113, 115	82476GT	19, 21, 35, 37, 51, 53
44174GT	135	53452GT	59-60	66818GT	81, 113, 115	82481GT	19, 21, 35, 37, 51, 53
44175GT	135	53500GT	121	66821GT	81	82487GT	21, 23, 25, 37, 39, 41, 53, 55, 57
44227GT	123	5365GT	65, 77	66842GT	81	82557GT	15, 17, 31, 33, 47, 49
44230GT	135	5397GT	73	6700GT	81	82558GT	13, 29, 45
44255GT	11, 13, 27, 29, 43, 45	54380GT	133	6708GT	105, 107	82559GT	59-60, 65, 73
44736GT	15, 17, 31, 33, 47, 49	54436GT	65	67387GT	63	82560GT	21, 37, 53
44743GT	107	54627GT	59-60, 65	67504GT	85, 87	82561GT	11, 13, 27, 29, 43, 45
44973GT	123	54958GT	59-60	67505GT	85, 87	82562GT	19, 21, 35, 37, 51, 53
44980GT	21, 37, 53	54959GT	59-60	6782GT	73, 83, 107	82666GT	19, 21, 35, 37, 51, 53
44981GT	13, 15, 17, 21, 23, 25, 29, 31, 33, 37, 39, 41, 45, 47, 49, 53, 55, 57	54960GT	59-60	67933GT	137	83020GT	127
45112GT	59-60	54961GT	59-60	6873GT	77	83092GT	65
45113GT	59-60	54962GT	59-60	6878GT	73, 75, 77, 105, 129, 133	83093GT	81
45114GT	59-60	55484GT	137	6886GT	65	83131GT	81
45384GT	83	55485GT	137	6889GT	73, 75, 77, 79, 105, 107, 109	84109GT	135
45437GT	111	55517GT	81, 83, 107	69853GT	113, 115	84421GT	123
45470GT	79, 111	55559GT	123	7056GT	111	84422GT	123
45645GT	81	55587GT	79	70684GT	77	8516GT	67
45748GT	59-60	55682GT	137	71202GT	73	87002GT	133
47077GT	141	55906GT	75	7127GT	111	87172GT	127
47230GT	103, 107	55921GT	73	71315GT	103, 107	87193GT	111
47238GT	131	56302GT	81	71376GT	103	87265GT	129
47478GT	103, 107	56462GT	79	71382GT	145	87312GT	79
47793GT	105	56912GT	59-60, 65, 67, 131	71484GT	71	87320-SGT	105
4828GT	63, 65, 67, 69, 71, 73, 75, 79, 81, 83, 89, 91, 93, 95, 97, 101, 103, 105, 107, 109, 133, 137, 143	58320GT	65	71498GT	145	87523GT	103
48425GT	107	58486GT	73	71508GT	69, 71	87568GT	103
48878GT	127	59568GT	133	71874GT	77	87570GT	107
48905GT	121, 127, 139	6019GT	83, 133	71912GT	133	87571GT	107
48909GT	127, 139	6021GT	83	71925GT	137	87645GT	107
48911GT	59-60	60334GT	73	72086GT	11, 13, 19, 21, 27, 29, 35, 37, 43, 45, 51, 53	87675GT	107
48912GT	127	60424GT	77	72097GT	137	87684GT	65, 73
48915GT	127, 139	60746GT	59-60	72186GT	11, 13, 27, 29, 43, 45	89065GT	59-60
48916GT	123, 125, 127, 139	60790GT	67	72326GT	113, 115	89066GT	59-60
48930GT	139	60857GT	73	72970GT	13, 29, 45	8914GT	79, 109
48932GT	139	6086GT	67, 79	72998GT	13, 29, 45	8915GT	59-60, 77
48933GT	127, 139	6090GT	59-60, 65, 67, 71, 79, 107, 111	72999GT	13, 29, 45	94499GT	119, 127
48946GT	127	6091GT	59-60, 65, 71, 73, 75, 77, 79,	7339GT	63	96008-SGT	81
48947GT	127	6095GT	67, 89, 93, 97	73464GT	65	96010GT	81
48948GT	139	6096GT	67, 89, 93, 97, 131	73466GT	65, 143	96203GT	73, 79, 89, 93, 97
48959GT	127	6097GT	63, 67, 71, 73, 79, 93, 97, 101, 109, 143	73730GT	81	96236GT	111
48960GT	127	6145GT	77	74267GT	77	96320GT	65
48984GT	127	6175GT	79, 103, 107	74389GT	59-60	96452GT	81
48997GT	127	6178GT	77, 81, 129, 131, 133	74651GT	77	96905GT	89, 91, 95
49517GT	127	6198GT	67, 73, 79, 89, 93, 97, 99, 141	74714GT	65	96977GT	67, 89, 93, 97, 99, 101, 141
49775GT	59-60	6326GT	89, 91, 95, 109	75041GT	81	97172GT	119
49816GT	129, 133	64154GT	69, 71, 73, 75, 83, 89, 91, 95, 133	76494GT	79	97719GT	13, 21, 29, 37, 45, 53
49818GT	77	65737GT	75, 111	7713GT	65, 69, 71, 107	99267GT	107
49819GT	81	6595GT	111	78674GT	71	99268GT	107
49820GT	77, 81	66030GT	103, 105, 107	78736GT	65, 89, 91, 95, 97	99346GT	69, 71, 77
49821GT	69, 89, 93, 97	66094GT	77	79090GT	107	T106362GT	81
49857GT	59-60, 69	6626GT	111	79355GT	103, 105, 107	T106363GT	81
50793GT	65	66353GT	111	79374GT	129	T106366GT	81
51428GT	131	66355GT	111	79383GT	141	T106370GT	113, 115
51474GT	65	66356GT	111	79469GT	79	T106371GT	81
51814GT	137	6637GT	59-60, 103, 131	79831GT	137	T106372GT	81
5224GT	133	6638GT	59-60, 71, 77, 83, 103, 105, 107, 131	81579GT	69	T106373GT	113, 115
52475GT	11, 13, 19, 21, 27, 29, 35, 37, 43, 45, 51, 53	66397GT	77	8177GT	89, 93, 97	T106782GT	71
		66683GT	123	8179GT	59-60	T106793GT	71
				82160GT	13, 29, 45	T107936GT	65
				82161GT	13, 29, 45	T107969GT	65
				823041GT	145	T107978GT	65
				823042GT	145	T108039GT	109
				823043GT	145	T108074GT	109
				823044GT	145	T108137GT	89, 91, 95
				823045GT	145		
				823046GT	145		
				82366GT	13, 29, 45		
				82473GT	19, 21, 35, 37, 51, 53		

<u>Part Number</u>	<u>Page</u>
T108138GT	89, 91, 95
T108139GT	89, 91, 95
T109734GT	89, 91, 97
T109739GT	65
T109744GT	65
T109745GT	65
T112560GT	111
T112563GT	111
T113139GT	73
T114353GT	143
T114354GT	143
T114356GT	143
T114357GT	143
T114358GT	143
T114397GT	113, 115
T114634GT	87
T114638GT	15, 17
T114639GT	31, 33
T114640GT	47, 49
T114860GT	67
T115515GT	67

Go to Discount-Equipment.com to order your parts

Part Description Index

The Part Description Index is an alphabetical index of all part descriptions included in this manual. The index shows what page(s) the part is used on.

A

ACCUMULATOR,10CC,1000PSI,#6SAE...119, 127
 ADAPTER, RJ45, GC27-25/GC21-19.....81
 ALARM,STEADY TONE***.....81, 113, 115
 ASSEMBLY, STEER YOKE, LFT.....59-60
 ASSEMBLY, STEER YOKE, RT.....59-60
 ASSEMBLY,CIRCUIT BREAKER,15AMP.....81
 ASSY, COIL CORD, GR/GRC/GS.....87, 113, 115
 ASSY, HI FLOAT TIRE/WHEEL REAR.....65
 ASSY,HYD.TANK,GS69.....71
 ASSY,LINK MOUNT, TOP,GS69.....101
 ASSY,LINK,INNER #1,BLUE,GS69.....89, 91, 95
 ASSY,LINK,INNER #2,BLUE,GS69.....89, 91, 95
 ASSY,LINK,INNER #3,BLUE,2669.....89
 ASSY,LINK,INNER #3,BLUE,3369.....91
 ASSY,LINK,INNER #3,BLUE,4069.....95
 ASSY,LINK,INNER #4,BLUE,4069.....95
 ASSY,LINK,INR #4-3369,#5-4069...91, 95, 101
 ASSY,RELAY SOCKET, AUTO.....81
 ASSY,STEER SENSOR, GS69DC.....59-60

B

B A C K U P
 RING,71.60X67.20X1.40PTFE(60334).....73
 BASE WITH 1 NC CONTACT, E-STOP.....113, 115
 BASE,WITHOUT CONTACTS.....81
 BATT,6V,225AH T105 LPT3CAP.....79
 BATTERY, J 305GH, 315AH.....79
 BATTERY,EQUALIZER,48V-24V,3WIR.....77
 BEACON LIGHT ASSY.....129
 BEARING KIT,WHEEL DRIVE (106148/106445/107712).....65
 BEARING KIT-74097 TORQUE HUB**.....65
 BEARING,1.00IDX1.25ODX0.75L.....65
 BEARING,1.00IDX1.25ODX1.00L.....59-60, 121
 BEARING,1.00IDX1.50ODX1.00L.....59-60
 BEARING,1.25IDX1.50ODX0.88L.....89, 93, 97
 BEARING,1.50IDX1.75ODX2.00L.....89, 91, 95
 BEARING,BRZ,FL,1.25X1.50X1.1.....59-60
 BEARING,FL,1.25IDX1.50ODX.44LG.....89, 93, 97
 BEARING,INNER,9 BOLT HUB***.....59-60
 BEARING,OUTER,9 BOLT HUB***.....59-60
 BOLT, CARRIAGE, 3/8-16 X 1.50, G5.....67
 BOLT,CARRIAGE,#10-24X 5/8",G2.....65
 BOLT,CARRIAGE,#10-24X.50,G2.....77
 BOLT,CARRIAGE,1/2-13X1.50,GR5.....67, 89, 93, 97, 99, 101, 141
 BOLT,CARRIAGE,1/2-13X1.75, G5.....73, 79, 89, 93, 97
 BOLT,CARRIAGE,1/2-13X15.....79
 BOLT,CARRIAGE,1/4-20 X .63,G2.....107
 BOLT,CARRIAGE,1/4-20 X .75,G2.....73, 75, 77, 105, 129, 133
 BOLT,CARRIAGE,1/4-20 X 1.75,G2.....65
 BOLT,CARRIAGE,1/4-20 X 2.5,G2.....89, 91, 95
 BOLT,CARRIAGE,1/4X.75,G5.....81
 BOLT,CARRIAGE,3/8-16 X .75,G2.....71, 75, 81

BOLT,CARRIAGE,3/8-16 X 1.00,G2.....65, 143
 BOLT,CARRIAGE,3/8-16 X1.00,G5.....69, 71, 73, 75, 83, 89, 91, 95, 133
 BOLT,CARRIAGE,3/8-16X1.25,GR5.....73, 143
 BOLT,CARRIAGE,3/8-16X1.75.....65
 BOLT,CARRIAGE,3/8-16X2.75,G5.....65, 103, 105, 107
 BOLT,ROLLER,470"(SHORT).....107
 BOLT,SHLDR,3/8X1.25,5/16-18S/S.....83
 BOLT,SHLDR,5/16X1/4X1/14-20S/S.....83
 BOLT,SHOULDER,5/8-11 X 1.19 LT.....133
 BOOT, 2 SWITCH, SILICON.....117
 BOOT,TOGGLE SWITCH,SHORT*.....81
 BOX,INSTRUCTION STORAGE.....107
 BRACKET, WORK LIGHTS, OPTION.....145
 BRACKET,AIRLINE MOUNTING.....141
 BRASS STREET ELBOW.....141
 BRG,FL,1.5ID X 1.75OD X .5 LG.....89, 93, 97
 BULB,FLASHING BEACON.....129
 BULKHEAD,FEMALE X 6 X 6.....141
 BUMPER, 1.00 X .375 X 5/16.....107
 BUMPER, MODULE TRAY.....105
 BUMPER, RUBBER, 1"OD X .461H.....103, 107
 BUMPER,BATTERY BOX & RAILS.....83
 BUMPER,LINKS,GS69.....89, 91, 97
 BUMPER,RUBBER.....103, 107
 BUSHING, STRAIN RELIEF, 1".....59-60
 BUTTON,PUSH,RED MUSHROOM HEAD.....81, 113, 115

C

CABLE ASSY, ANDERSON TO GRND L.....85
 CABLE ASSY, B+ TO AN. PLG,J305.....85
 CABLE ASSY, B+ TO ANDERSON PLU.....85
 CABLE ASSY, B- TO AN. PLG,J305.....85
 CABLE ASSY, B- TO ANDERSON PLU.....85
 CABLE ASSY, BATTERY CHARGER.....75, 85
 CABLE ASSY, BATTERY JMPR LONG.....85
 CABLE ASSY, BATTERY JUMPERS.....85
 CABLE ASSY, CONTA FUSE TO CONT.....85
 CABLE ASSY, CONTA TO PUMP MOTO.....85
 CABLE ASSY, CONTR A B+ TO CONT.....85
 CABLE ASSY, CONTR A B- TO CONT.....85
 CABLE ASSY, CONTR A P- TO PUMP.....85
 CABLE ASSY, GRND LUG TO CONTR.....85
 CABLE ASSY, PUMP MT+ TO CONTR.....85
 CABLE ASSY, ANDERSON TO CONTA.....85
 CABLE TIE MOUNT, WINGED.....89
 CABLE TIE,11.5" BLACK.....89, 145
 CABLE TIE,BUTTON,BLACK,10.00LG.....91, 95
 CABLE,CNTRL,LINKS,GS2669DC.....87
 CABLE,CNTRL,LINKS,GS3369DC.....87
 CABLE,CNTRL,LINKS,GS4069DC.....87
 CABLE,CONTROL,EXTEND,GS69DC.....87
 CABLE,DOWN COILS,GS3369.....87
 CABLE,DOWN COILS,GS4069.....87
 CABLE,PRESSURE SWITCH, 6S.....87
 CAP,BUTTON,K12.....113, 115
 CAP,DISENGAGE,4HP/4HB***.....65
 CAP,DUST (54840 HUB ASSY).....59-60
 CAP,HYDRAULIC TANK,GS68/84/90.....71
 CAP,SERIES 1 CB VALVE,SINGLE**.....121
 CASTING, BALL, GS OUTRIGGER.....137
 CASTING,CW,MID,4069.....67
 CASTING,CW,REAR,4069.....67

CASTING,OUTRIGGER FOOTPAD ***.....137
 CHARGER 48V/30A AUTO AC X-LED.....75
 CIRCUIT BREAKER,7.0 AMP***.....81
 CLAMP,#4 HOSE,CLAMP.....131
 CLAMP,0.31,#5 X 1/4,RUB CUSH.....79, 111
 CLAMP,2 HOSE,PLASTIC,5/8.....65, 89, 91, 95, 97
 CLAMP,HOSE,2X#4,GS69.....59-60
 CLAMP,HOSE,FRONT,2X#4,#6.....65
 CLAMP,HOSE,FRONT,3X#4.....65
 CLIP, METAL MOUNTING.....69, 71, 77
 CLIP,DTM,RECEPTACLE.....73
 CLIP,RETAINING,IES CHARGER.....75
 COIL CORD CLIP.....103
 COIL, 12VDC,DIODE,DEUTSCH.....137
 COIL, 24VDC,DIODE,DEUTSCH.....137
 COIL,24VDC #10DTSCH IP69 ECOIL.....119, 135
 COIL,24VDC #8DTSCH IP69 ECOIL.....119
 COIL-SOLENOID VALVE,20V DC***.....123
 CONN, 520120-6.....123, 125, 127, 139
 CONN,520120-16.....127
 CONN,520120-4***.....121, 127, 139
 CONN,520120-4-6***.....127
 CONN,520120-6-8.....139
 CONN,520120-8***.....127, 139
 CONN,520120-8-10.....127
 CONN,520120-8-12.....139
 CONN,BLANK,L MTR CTRL,GS69DC.....73
 CONN,PLUG 2 WAY,14-18GA.....77
 CONN,RECEP 12 WAY,GRY FLANGE.....81
 CONN,RECEP 2 WAY ENDCAP DT.....77
 CONN,SQUEEZE,1/2NPT .38-.50,SM.....111
 CONNECTOR,ANDERSON SB 175,1/0G.....77
 CONTACT, N.C.....81, 113, 115
 CONTACTOR,DRIVE,24V,180A***.....77
 CORD AC IEC320-C19 TO 110US.....75
 CORD EURO AC IEC320-C19PIGTAIL.....75
 COUPLER,090136,4-6.....127
 COUPLER,1/4"SERIES 3/8 MPT.....141
 COVER ASSY,ENGINE SIDE,RT,WO.....83
 COVER, RJ45, GC27-25/GC21-19.....81
 COVER,BLANK.....111
 COVER,GFCI,WEATHERPROOF.....111
 COVER,REAR AXLE.....65
 CYLINDER, LIFT, LOWER, GS69.....123
 CYLINDER,LIFT,UPPER,4069.....123
 CYLINDER,OSCILATING,GS69.....121
 CYLINDER,OUTRIGGER,GS69.....137
 CYLINDER,STEER***.....59-60

D

DECAL COSMETIC,GS4069DC.....47, 49, 55, 57
 DECAL KIT,2669DC COMP,SYM,ANSI.....19
 DECAL KIT,2669DC COMP,SYM,CE.....19
 DECAL KIT,2669DC COMP,WRD,ANSI.....11
 DECAL KIT,2669DC COMP,WRD,AUS.....11
 DECAL KIT,2669DC PLAT,SYM,ANSI.....19
 DECAL KIT,2669DC PLAT,SYM,CE.....19
 DECAL KIT,2669DC PLAT,WRDS,ANSI.....11
 DECAL KIT,2669DC PLAT,WRDS,AUS.....11
 DECAL KIT,3369DC COMP,SYM,ANSI.....35
 DECAL KIT,3369DC COMP,SYM,CE.....35
 DECAL KIT,3369DC COMP,WRD,ANSI.....27
 DECAL KIT,3369DC COMP,WRD,AUS.....27

DECAL KIT,3369DC PLAT,SYM,ANSI.....35	DECAL,DANGER-TIP-OVR,BATT,J305.....11, 27, 43	DECAL,NOTICE,SIDE FRC GS2669DC.....15, 17
DECAL KIT,3369DC PLAT,SYM,CE.....35	DECAL,DANGER-TIP-OVR,BATT,T105.....11, 27	DECAL,NOTICE,SIDE FRC,3369 ANS.....31
DECAL KIT,3369DC PLAT,WRDS,ANSI.....27	DECAL,DANGER-USE SAFETY ARM.....11, 13, 27, 29, 43, 45	DECAL,NOTICE,SIDE FRC,4069 ANS.....47
DECAL KIT,4069DC COMP,SYM,ANSI.....51	DECAL,DNGR-TIP-OVR,BATT,J305CE.....19, 35, 51	DECAL,NOTICE,TIRE SPECS, FRONT.....11, 13, 27, 29, 43, 45
DECAL KIT,4069DC COMP,SYM,CE.....51	DECAL,DNGR-TIP-OVR,BATT,T105CE.....19, 35	DECAL,NOTICE,TIRE SPECS, REAR.....11, 13, 27, 29, 43, 45
DECAL KIT,4069DC COMP,WRD,ANSI.....43	DECAL,E-STOP,GR/GRC/GS PCON.....15, 17, 23, 25, 31, 33, 39, 41, 47, 49, 55, 57, 113, 115	DECAL,O/R,PROP LIFT,69DC,UI.....15, 17, 23, 25, 31, 33, 39, 41, 47, 49, 55, 57, 115
DECAL KIT,4069DC COMP,WRD,AUS.....43	DECAL,FORK LIFT POCKET.....11, 13, 27, 29, 43, 45	DECAL,OP,INSTR,PLAT,69DC,AUS.....15, 17, 31, 33, 49
DECAL KIT,4069DC PLAT,SYM,ANSI.....51	DECAL,GRND OPS INSTRUCT,GS69DC.....13, 29, 45	DECAL,PLAT OPS INSTRUCT,GS69DC.....15, 17, 31, 33, 47, 49
DECAL KIT,4069DC PLAT,WRD,ANSI.....43	DECAL,INSTRUCTIONS-CHARGER OP.....13, 29, 45	DECAL,POWER TO PLATFORM 115V.....11, 13, 15, 17, 19, 23, 25, 29, 31, 33, 37, 39, 41, 45, 47, 49, 53, 55, 57
DECAL KIT,4069DC PLAT,WRD,AUS.....43	DECAL,LABEL, AIR LINE 110 PSI.....13, 15, 17, 21, 23, 25, 29, 31, 33, 37, 39, 41, 45, 47, 49, 53, 55, 57	DECAL,PROPEL,GR/GRC/GS,PCON.....15, 17, 23, 25, 31, 33, 39, 41, 47, 49, 55, 57, 113, 115
DECAL, GROUND CONTROL PANEL, G...13, 21, 29, 37, 45, 53	DECAL,LABEL,FAULT CODES,69DC.....15, 17, 31, 33, 47, 49	DECAL,STD,PROP LIFT,69DC,UI.....15, 17, 23, 25, 31, 33, 39, 41, 47, 49, 55, 57, 115
DECAL, LABEL - DIRECTION ARROWS.....15, 17, 23, 25, 31, 33, 39, 41, 47, 49, 55, 57	DECAL,LABEL,FORKLIFT POCKET.....19, 21, 35, 37, 51, 53	DECAL,SYM-ELEC HAZARD,PLUG.....21, 37, 53
DECAL, LABEL, SAFETY ARM SYMB.....13, 21, 29, 37, 45, 53	DECAL,LABEL,HOT,SYMBOL.....19, 21, 35, 37, 51, 53	DECAL,SYM-TIP-OVER,LIM SWITCH.....19, 35, 51
DECAL, O/R, PROP LIFT, 69DC, U.....15, 17, 23, 25, 31, 33, 39, 41, 47, 49, 55, 57, 113	DECAL,LABEL,LIFTING EYE.....11, 13, 19, 21, 27, 29, 35, 37, 43, 45, 51, 53	DECAL,SYM-TIP-OVER,OUTRGR.....23, 25, 39, 41, 55, 57
DECAL, POWER TO PLATFORM 230V**.....11, 13, 15, 17, 19, 23, 25, 29, 31, 33, 37, 39, 41, 45, 47, 49, 53, 55, 57	DECAL,LABEL,MANUAL NOT HERE.....15, 17, 31, 33, 47, 49	DECAL,SYMBOL-BATTERY SAFETY.....19, 35, 51
DECAL, SMARTLINK PROPORTIONAL.....15, 17, 23, 25, 31, 33, 39, 41, 47, 49, 55, 57	DECAL,LABEL,OUTRIGGER LD.....11, 13, 19, 21, 27, 29, 35, 37, 43, 45, 51, 53	DECAL,SYMBOL-COMP ACCESS.....19, 21, 35, 37, 51, 53
DECAL, STD, PROP LIFT, 69DC, U.....15, 17, 23, 25, 31, 33, 39, 41, 47, 49, 55, 57, 113	DECAL,LABEL,PATENTS.....13, 29, 45	DECAL,SYMBOL-CRUSHING HAZARD.....19, 21, 35, 37, 51, 53
DECAL, SYMBOL - READ THE MANUAL...21, 23, 25, 37, 39, 41, 53, 55, 57	DECAL,LABEL,PETRO CANADA***.....13, 29, 45	DECAL,SYMBOL-ELEC HAZARD,GS.....19, 21, 35, 37, 51, 53
DECAL, UI, GS69DC,PCON.....15, 17, 23, 25, 31, 33, 39, 41, 47, 49, 55, 57, 113	DECAL,LABEL,PLAT CONT LOCATION.....15, 17, 31, 33, 47, 49	DECAL,SYMBOL-FOOT CRUSHING.....19, 21, 35, 37, 51, 53
DECAL,ANNUAL INSP***.....13, 29, 45	DECAL,LABEL,PWR TO CHARGR 115V.....21, 37, 53	DECAL,SYMBOL-SKIN INJECT HAZRD...21, 37, 53
DECAL,BATT CONN DIAGRAM,J305.....11, 27, 43	DECAL,LABEL,PWR TO CHARGR 230V.....21, 37, 53	DECAL,SYMBOL-USE SAFETY ARM.....19, 21, 35, 37, 51, 53
DECAL,BATT CONN DIAGRAM,T105.....11, 27	DECAL,LABEL,QUINTOLUBRIK.....13, 29, 45	DECAL,UI,GS69DC W/OR,PCON...15, 17, 23, 25, 31, 33, 39, 41, 47, 49, 55, 57, 113
DECAL,CAUTION,CRUSH HAZ, RAILS.....15, 17, 31, 33, 47, 49	DECAL,LABEL,STATOIL HYDRA WAY.....13, 29, 45	DECAL,WARN,IMPROPER OPERATION...15, 17, 31, 33, 47, 49
DECAL,CHEVRON RANDO HD.....13, 29, 45	DECAL,LABEL,TRANSPORT TIE 68.....11, 13, 19, 21, 27, 29, 35, 37, 43, 45, 51, 53	DECAL,WARN,SKIN INJECTION HAZ*.....13, 29, 45
DECAL,COSMETIC,GENIE GS-2669DC.....15, 17, 23, 25	DECAL,LABEL,TRANSPORT TIEDOWN*..11, 13, 19, 21, 27, 29, 35, 37, 43, 45, 51, 53	DECAL,WARNING,CRUSHING HAZARD...11, 13, 27, 29, 43, 45
DECAL,COSMETIC,GENIE GS-3369DC...31, 33, 39, 41	DECAL,LABEL,UCON HYDROLUBE.....13, 29, 45	DECAL,WARNING,HOT SURFACE.....11, 13, 27, 29, 43, 45
DECAL,CRUSH HAZ RAILS SYMB.....23, 25, 39, 41, 55, 57	DECAL,LABEL,WHEEL LD,GS2669DC.....11, 13, 19, 21	DECAL,WARNING-COMPART ACCESS...11, 13, 27, 29, 43, 45
DECAL,DANGER DO NOT ALTER SWTC.....11, 27, 43	DECAL,LABEL,WHEEL LD,GS3369DC.....27, 29, 35, 37	
DECAL,DANGER,BATTERY SAFETY***.....11, 27, 43	DECAL,LABEL,WHEEL LD,GS4069DC.....43, 45, 51, 53	
DECAL,DANGER,CRUSHING HAZARD.....11, 13, 27, 29, 43, 45	DECAL,LANYARD ANCHORAGE POINT...15, 17, 23, 25, 31, 33, 39, 41, 47, 49, 55, 57	
DECAL,DANGER,ELEC HAZARD,GS.....11, 13, 27, 29, 43, 45	DECAL,MEMBRANE, GR/GRC/GS GCON...81	
D E C A L , D A N G E R , E L E C T HAZARD,PLUG.....13, 29, 45	DECAL,NOTICE,MAN FRC,3369,AUS.....33	
DECAL,DANGER,MAN FRC, GS4069.....57	DECAL,NOTICE,MAN FRC,4069,AUS.....49	
DECAL,DANGER,OUTRIGGER SAFETY...15, 17, 31, 33, 47, 49	DECAL,NOTICE,MAX CAP GS2669.....15, 17, 23, 25	
DECAL,DANGER,RUNAWAY HAZ, SYM...23, 25, 39, 41, 55, 57	DECAL,NOTICE,MAX CAP GS3369.....39, 41	
DECAL,DANGER,SIDE FRC,GS2669.....23	DECAL,NOTICE,MAX CAP GS4069.....47, 49, 55, 57	
DECAL,DANGER,SIDE FRC,GS3369.....39	DECAL,NOTICE,OP,INST,PLAT,69DC.....47	
DECAL,DANGER,SIDE FRC,GS4069.....55		
DECAL,DANGER,TIP-OVER,TILT.....15, 17, 31, 33, 47, 49		
DECAL,DANGER-GEN SAFETY.....13, 15, 17, 29, 31, 33, 45, 47, 49		
D E C A L , D A N G E R - R U N A W A Y HAZARD,SLOPE.....15, 17, 31, 33, 47, 49		

E

ELBOW,070220-4-6.....127
ELBOW,90D,520220-16-12.....127
ELBOW,90D,520220-4-6***.....59-60
ELBOW,90D,520220-6.....127, 139
ELBOW,90D,520220-8-12.....127
ENCLOSURE, GC21-19, BK.....81
ENCLOSURE, GC27-25, BK.....81
ENCLOSURE,GC14-1,TOP.....113
ENCLOSURE,GC14-1/GC16-1, BOT.....113, 115
ENCLOSURE,GC16-1,TOP.....113

PARTS FINDER

**Search Website
by Part Number**



**Search Manual
Library For Parts
Manual & Lookup Part
Numbers – Purchase
or Request Quote**

Search Manuals

Enter your information to help us find the right parts manual for your machine.

* Brand:

* Model:

* Serial:

* Part Number:

SEARCH

**Can't Find Part or
Manual? Request Help
by Manufacturer,
Model & Description**

Parts Order Form

Please fill in the following information to help us find the right part for your machine.

Manufacturer:	<input type="text"/>
Model:	<input type="text"/>
Description:	<input type="text"/>
Part Number:	<input type="text"/>
Quantity:	<input type="text"/>
Notes:	<input type="text"/>

Discount-Equipment.com is your online resource for quality parts & equipment.

Florida: **561-964-4949** Outside Florida TOLL FREE: **877-690-3101**

Need parts?

Click on this link: <http://www.discount-equipment.com/category/5443-parts/> and choose one of the options to help get the right parts and equipment you are looking for. Please have the machine model and serial number available in order to help us get you the correct parts. If you don't find the part on the website or on one of the online manuals, please fill out the request form and one of our experienced staff members will get back to you with a quote for the right part that your machine needs.

We sell worldwide for the brands: Genie, Terex, JLG, MultiQuip, Mikasa, Essick, Whiteman, Mayco, Toro Stone, Diamond Products, Generac Magnum, Airman, Haulotte, Barreto, Power Blanket, Nifty Lift, Atlas Copco, Chicago Pneumatic, Allmand, Miller Curber, Skyjack, Lull, Skytrak, Tsurumi, Husquvarna Target, Stow, Wacker, Sakai, Mi-T-M, Sullair, Basic, Dynapac, MBW, Weber, Bartell, Bennar Newman, Haulotte, Ditch Runner, Menegotti, Morrison, Contec, Buddy, Crown, Edco, Wyco, Bomag, Laymor, EZ Trench, Bil-Jax, F.S. Curtis, Gehl Pavers, Heli, Honda, ICS/PowerGrit, IHI, Partner, Imer, Clipper, MMD, Koshin, Rice, CH&E, General Equipment, Amida, Coleman, NAC, Gradall, Square Shooter, Kent, Stanley, Tamco, Toku, Hatz, Kohler, Robin, Wisconsin, Northrock, Oztec, Toker TK, Rol-Air, APT, Wylie, Ingersoll Rand / Doosan, Innovatech, Con X, Ammann, Mecalac, Makinex, Smith Surface Prep, Small Line, Wanco, Yanmar

Part Description Index (continued)

ENCLOSURE,GC27-25/GC21-19,FRNT.....81
 ENCLOSURE,O/R 4-BUTTON, TOP.....115
 ENCLOSURE,STD 3-BUTTON, TOP.....115
 EXTRUSION,ALUM,V-ROLLER TRK.....107
 EXTRUSION,RUBBER BUMPER STRIP.....71

F

FILTER ASSY,HIGH PRESS SAE-12*.....73
 FILTER,ELEMENT,BETA(5)=1000.....73
 FITTING,CONN,520120-12***.....127
 FITTING,ELBOW,90D,520220-12.....127
 FITTING,ELBOW,90D,520220-8***.....139
 FLASH DRIVE,SL1K2.0 SOFTWARE.....115
 FOOTPAD ASSY,RTSC OUTRIGGER.....137
 FORM,O/R FRONT CLAMP,HI FLOAT.....131
 FORMING, BATTERY BALANCER BRAC.....77
 FORMING, BATTERY BRACKET,GS90.....79
 FORMING, BATTERY SHELF.....79
 FORMING, BOX, CONTROL ENCLOSUR.....81
 FORMING, BRACKET, CONTROL BOX.....71
 FORMING, BRACKET, RELAY MOUNT.....81
 FORMING, DOOR, BULKHEAD MOUNT.....81
 FORMING, DOOR, GCON MOUNT.....81
 FORMING, LINK GUARD, BACK, 26/33.....143
 FORMING, LINK GUARD, FRONT, 26/33.....143
 FORMING, LINK GUARD, SIDE, 26/33.....143
 FORMING, MOTOR BRACKET.....73
 FORMING, SAFETY ARM.....89, 91, 95
 FORMING, STEER SENSOR COVER.....59-60
 FORMING, STEER SENSOR COVER PL.....59-60
 FORMING, STEER SENSOR COVER, G.....59-60
 FORMING,AIRLINE MOUNTING.....141
 FORMING,BATT HOLDER, REAR.....79
 FORMING,BATT TRAY,J305,GS69DC.....79
 FORMING,BATTERY HOLDER FRONT.....79
 FORMING,BEACON MOUNT.....129
 FORMING,BRACE,69DC CONTROLS BO.....71, 77
 FORMING,CHASSIS COVER.....67
 FORMING,CLAMP,CHASSIS,FRONT.....65
 FORMING,DOOR LATCH HANDLE,LT.....83
 FORMING,DOOR LATCH HANDLE,RT.....83
 FORMING,DOWN LIMIT SWITCH MNT.....89, 93, 97
 FORMING,DRIVE HOSE CLAMP MOUNT.....65
 FORMING,EXT DECK CATCH.....107
 FORMING,EXT DECK STOP,LEFT.....107
 FORMING,EXT DECK STOP,RIGHT.....107
 FORMING,FUSE BOX.....77
 FORMING,FUSE MOUNT BRACKET.....77
 FORMING,HANDLE BATTERY CONN.....77
 FORMING,HIGH PRESS FILTER BRKT.....73
 FORMING,LINK GUARD,SIDE,OPT,40.....143
 FORMING,LINKGUARD,BOXTOP.....143
 FORMING,LINKGUARD,END,40.....143
 FORMING,LINKGUARD,SIDE,40.....143
 FORMING,LNK GRD,SIDE,OPT,26/33.....143
 FORMING,MID CW BRACKET.....67
 FORMING,O/R FRONT CLAMP.....131
 FORMING,O/R HOSE COVER.....133
 FORMING,O/R LIM SWTCH BRACKET.....133
 FORMING,OSC.COVER,GS69.....63
 FORMING,PLAT CONTROL BOX.....113, 115
 FORMING,PLATFORM STOP,RIGHT.....107
 FORMING,PLATFORM STOP,LEFT.....107
 FORMING,REAR DRIVE HOSE CLAMP.....65
 FORMING,TRAY SUP,J305,GS69DC.....79

FUSE BLOCK, ANN & ANL FUSE.....77
 FUSE HOLDER,ATC 3-30 AMPS.....85, 87
 FUSE,10 AMP,ATC.....85, 87
 FUSE,13 AMP,220V PLUG***.....75, 111
 FUSE,325 AMP,VERY FAST ACTING.....77
 FUSE,40 AMP,NON TIME DELAY,ANL.....77
 FUSE,50 AMP,VERY FAST ACTING.....77

G

GASKET, UK & DIN PWR. TO PLAT.....111
 GASKET, UK RECEPTACLE.....111
 GASKET,(BOOT) FLANGE INLET PLG.....75
 GAUGE,HYDRAULIC TANK T/L VL.....71
 GCON, GR/GRC/GS.....81
 GCON,GS O/R.....81
 GCON,STD,PROP LIFT.....81
 GROMMET,RUBBER 1.5 ID.....131
 GROMMET,RUBBER,1.75 ID.....65
 GROUND STRAP,18"LG.....65

H

HANDLE HALF,LEFT,W/TOP SWITCH.....117
 HANDLE HALF,RIGHT,W/TOP SWITCH.....117
 HARNESS, CONTROL POWER,GS69DC.....87
 HARNESS, ESTOP, GR/GRC/GS PCON.....87, 115
 HARNESS, MOTOR/BRAKE,GS69DC.....87
 HARNESS, OR HARNESS, J11.....87
 HARNESS, OUTRIGGER,MAIN,GS69DC.....87
 HARNESS,BEACON,GS69.....87, 129
 HARNESS,DOWN LIMIT SENSOR,GS69.....87
 HARNESS,EXTEND,OSC LS,GS69DC.....87
 HARNESS,FUNCTION,HYD,GS69DC.....87
 HARNESS,GS2669 WORKLIGHTS.....145
 HARNESS,GS3369 WORKLIGHTS.....145
 HARNESS,GS4069 WORKLIGHTS.....145
 HARNESS,LCP,GS69DC.....87
 HARNESS,MOTOR CONTROL,GS69DC.....87
 HARNESS,OSC SWITCH REAR.....87
 HARNESS,OUTRIGGERS,FRNT,GS69.....87
 HARNESS,OUTRIGGERS,REAR,GS69.....87
 HARNESS,PRESS.SWITCH.....87
 HARNESS,SENSORS,GS69DC.....87
 HARNESS,UP LIMIT SWITCH.....87
 HINGE, GSRT90 BOX.....81, 83, 107
 HINGE, SPRING, LONG LEG.....105
 HOOK-BATT HOLD DOWN 12"LG.....79
 HORN,24VDC,SPADE TERMINALS***.....69
 HOSE ASSY,EF(OR.MF)-LF.OR.TEE.....139
 HOSE ASSY,ER(OR.MF)-LR.OR.TEE.....139
 HOSE ASSY,FR(OR.MF)-RF.OR.TEE.....139
 HOSE ASSY,LF.OR.TEE-E(LF.OR.CY.....139
 HOSE ASSY,LF.OR.TEE-E(RF.OR.CY.....139
 HOSE ASSY,LIFT(F.MF)-P(TEE).....125, 127
 HOSE ASSY,LR.OR.TEE-E(LR.OR.CY.....139
 HOSE ASSY,LR.OR.TEE-E(RR.OR.CY.....139
 HOSE ASSY,OR(F,MF)-IN(OR,MF).....139
 HOSE ASSY,OR(F,MF)-IN(OR,MF).....139
 HOSE ASSY,OSC(F,MF)-OSC(TEE).....127
 HOSE ASSY,OSC(TEE)-E(L.OSC.CYL.....127
 HOSE ASSY,OSC(TEE)-E(R.OSC.CYL.....127
 HOSE ASSY,OSC(TEE)-R(L.OSC.CYL.....127
 HOSE ASSY,OSC(TEE)-R(R.OSC.CYL.....127
 HOSE ASSY,OSCR(F,MF)-OSC(TEE).....127
 HOSE ASSY,PRESS(TEE)-PRESS(LLC.....125, 127
 HOSE ASSY,PRESS(TEE)-PRESS(ULC.....125

HOSE ASSY,RET(LLCYL)-RET(TEE).....125, 127
 HOSE ASSY,RET(TEE)-TANK.....125, 127
 HOSE ASSY,RET(ULCYL)-RET(TEE).....125
 HOSE ASSY,RF.OR.TEE-R(LF.OR.CY.....139
 HOSE ASSY,RF.OR.TEE-R(RF.OR.CY.....139
 HOSE ASSY,RR(OR.MF)-RR.OR.TEE.....139
 HOSE ASSY,RR.OR.TEE-R(LR.OR.CY.....139
 HOSE ASSY,RR.OR.TEE-R(RR.OR.CY.....139
 HOSE ASSY,S1(F,MF)-B(STRCYL).....127
 HOSE ASSY,S2(F,MF)-R(STRCYL).....127
 HOSE END,BARBED,RIGID,-6-6.....141
 HOSE,ASSY,FIL-P,IN(F,MF).....127
 HOSE,ASSY,OUT(PUMP)-FIL.....127
 HOSE,ASSY,SUCT(TANK)-IN(PUMP).....127
 HOSE,ASSY,T(OR,MF)-TIN(F,MF).....139
 HOSE,ASSY,T(OR,MF)-TIN(F,MF).....139
 HOSE,ASSY,T-OUT(F,MF)-RET(TNK).....127
 HOSE,LOW PRESSURE,375 ID,BLK.....141
 HOUSING ASSY,OUTRIGGER,SY.....133
 HOUSING ASSY,OUTRIGGER,WO.....133
 HUB,SUB ASSEMBLY,9 BOLT***.....59-60

I

INSERT, 1/4-20 X .5,ULTRASONIC.....113, 115
 INSERT, 10-32 X .25.....81
 INSTRN, TRC RETROFIT, STNDRD.....87
 INVERTER,48VDC,120VAC/60HZ.....77

J

JOYSTICK, HALL EFFECT, SINGLE.....117
 JUMPER,SENSOR,TERMINAL.....87

K

KEY SINGLE***.....81
 KEYS,10 PACK***.....81
 KEYSWITCH,3 POS W/KEYS,LOCKING.....81
 KEYSWITCH,3 POS. W/KEYS***.....81
 KIT, SL PROP UPGRD ANSI SYM 69.....113
 KIT, SL PROP UPGRD, ANSI, 69DC.....113
 KIT, SL PROP UPGRD, AUS, 69DC.....113
 KIT, SL PROP UPGRD, CE, 69DC.....113
 KIT, SL PROP UPGRD, CE, 69DC O.....113
 KIT, TRC RETROFIT, STNDRD.....87
 KIT,ASSY,LED,IES CHARGER.....75
 KIT,BOOT,JOYSTICK,SL1000.....117
 KIT,BUBBLE LEVEL UPDATE.....133
 KIT,COIL CORD,CONTRLR,SL1000.....113, 115
 KIT,CONN,PLUG W/SCKT AND LOCK.....113, 115
 KIT,CONN,RECEPT W/PIN AND LOCK.....113, 115
 KIT,GASKET,UK POWER TO PLAT.....111
 KIT,OUTRIGGER PAD LOCTITE,RT.....137
 KIT,PROP. DOWN,GS26/3369 DC/BE.....87, 123
 KIT,PROP. DOWN,GS4069 DC/BE.....87, 123
 KIT,SERVICE,TIE ROD,GS69DC.....59-60
 KIT,STRAINER REPLACEMENT.....127
 KIT,SWITCH,JYSTK,SL1000.....117
 KIT,TORQUE HUB COVER(101584)**.....65

L

LABEL,SERIAL 69 DC PCON SL1K.....113
 LATCH,BATT/HYDR TRAY***.....83
 LENS,FLASHING BEACON.....129

LEVEL SENSOR,LS60,BLUE,2X3**.....71
 LOCKNUT,ELECTRIC,3/4".....77
 LUG,WHEEL STUD,5/8-18,W1/4HB**.....65

M

MANIFOLD,FUNCTION,GS69,DC.....119
 MANIFOLD,OUTRIGGER,GS69DC.....135
 MANUAL BOX W/DECALS***.....107
 MOTOR CONTROLLER,48VAC,3PH.....73, 75
 MOTOR W/TACH,48VDC,12.25 HP.....73
 MOTOR,DRIVE,AC,INT. BRAKE,IP67.....65

N

NICKEL PLATED JAM NUT.....81
 NIPPLE,DIAGNOSTIC,#4.....127
 NO PLUG.....75, 111
 NUT - PLASTIC,RING FOR ALARMS.....113, 115
 NUT, LP NYLOCK, 3/8-16.....65, 69, 71, 107
 NUT,COIL (39909).....123
 NUT,FLG-LRG,3/8-16,YZ.....107
 NUT,HEX,1/2-13 GRD 8.....59-60, 67
 NUT,LOCKING-LG.FLANGE, 1/2-13.....65
 NUT,LOCKING-LG.FLANGE,5/16-18.....77
 NUT,LP NYLOCK,1/2-13.....67, 79
 NUT,LP NYLOCK,1/4-20.....73, 75, 77, 79, 105, 107, 109
 NUT,LP NYLOCK,10-32.....59-60
 NUT,LP NYLOCK,5/8-11.....103, 133
 NUT,LUG,5/8-18 X 90 DEGREE,Z45.....59-60, 65
 NUT,NYLOCK,1/2-13.....67, 73, 79, 89, 93, 97, 99, 141
 NUT,NYLOCK,1/4-20.....59-60, 65, 71, 73, 75, 77, 79, 81, 83, 89, 91, 95, 97, 103, 107, 111, 129, 133
 NUT,NYLOCK,10-24.....65, 77
 NUT,NYLOCK,10-32.....77, 81, 129, 131, 133
 NUT,NYLOCK,3/4-10,GRD.2.....131
 NUT,NYLOCK,3/8-16.....63, 65, 67, 69, 71, 73, 75, 79, 81, 83, 89, 91, 93, 95, 97, 101, 103, 105, 107, 109, 133, 137, 143
 NUT,NYLOCK,5/16-18.....73, 83, 107
 NUT,NYLOCK,6-32.....77
 NUT,NYLOCK,8-32.....65, 69, 75, 81, 89, 93, 97, 133
 NUT,SOLENOID VALVE,OUTRIGGERS.....137
 NUT,SPINDLE,1-14.....59-60
 NUT-COIL SHORT.....135
 NUT-THIN HEAVY HEX, 1/4-20.....77

O

O-RING,.188 X 5'OD,BUNA N,70A.....65
 O-RING,67.95X2.62-NBR-70SH(HF2P)(60334).73
 O-RING,END COVER,4HP/4HB***.....65
 O-RING-4.....121
 ORIFICE DISK,.030.....119
 ORIFICE,LONG,.046.....123
 ORIFICE,LONG,.086".....123
 OUTLET,110V.....111

P

PAD,SENSE AXLE REST.....65
 PCBA, GC14-1.....113
 PCBA, GC16-1.....113
 PCBA, GC21-19.....81
 PCBA, GC27-25.....81

PCBA,PCON O/R,PROP LIFT.....115
 PCBA,PCON STD,PROP LIFT.....115
 PCON,O/R,PROP LIFT,69DC.....115
 PCON,STD,PROP LIFT,69DC.....115
 PILOT CHECK VALVE.....137
 PIN, CYLINDER, LONG.....89, 93, 97
 PIN, SHOULDER, 5/8-11 X 1.77.....103
 PIN, WIRE LOCK 3/8 X 2 -1/2.....103, 105, 107
 PIN,1.00DIA X 5.27LG,1HOLE.....63
 PIN,1.25 DIA X 5.00 LG,1 HOLE.....89, 93, 97
 PIN,1.50 DIA X 2.75 LG,1 HOLE.....89, 93, 97
 PIN,CENTER LINK,GS69.....89, 91, 95
 PIN,CLEVIS,1 X 2.5 LG.....59-60
 PIN,CLEVIS,1X5.55 LG,GS69DC.....59-60
 PIN,COTTER,.219 X 1.75.....59-60
 PIN,END LINK,GS69.....89, 91, 95
 PIN,OSC PIVOT.....59-60, 65
 PIN,UPPER CYLINDER.....97
 PLATE, BLOCKOFF, ENGINE VENT.....77
 PLATE, CYL UP LIMIT.....137
 PLATE, MTG, MOTOR CONTROLLER.....73
 PLATE, O/R MOUNT, HI FLOAT.....131
 PLATE, RAIN CAP, GS69 DC.....77
 PLATE, STEER SENSOR BRACKET.....59-60
 PLATE, STEER SENSOR BRACKET, G.....59-60
 PLATE,AC ADAPTER,DIN/UK***.....111
 PLATE,BACKING,LINKS.....95
 PLATE,BATTERY BRACKET,GS69DC.....79
 PLATE,BUBBLE LEVEL MOUNT.....133
 PLATE,COUNTERWEIGHT,DC69.....67
 PLATE,GS69 DECK.....103, 107
 PLATE,HOSE ROUTING,BULKHEAD.....65, 89, 91, 95, 97
 PLATE,HYD TANK FILLER COVER.....83
 PLATE,LIMIT SWITCH,LS.....69
 PLATE,O/R SPACER, HI FLOAT.....131
 PLATE,OUTRIGGER MOUNT.....131
 PLATE,REAR CW BRACKET.....67
 PLATE,RECESSED PLUG MOUNT,GS69.....75
 PLATE,SENSE AXLE SWITCH.....65
 PLATE,STEER SENSOR SPACER,GS69.....59-60
 PLATE,STR RELIEF BACK, DC69.....75
 PLATE,UK POWER TO PLATFORM.....111
 PLATE,UP L.S. MOUNT.....69
 PLATE,UPR CYL,PIN RETAINR 4069.....97
 PLT,RECESSED PLUG BACKING, GS6.....75
 PLUG, 6POS ECO PWR.....113, 115
 PLUG, AUSTRALIAN.....111
 PLUG, TYPE F, 230A, 50HZ, 16A, IP44.....75, 111
 PLUG,1/4"SERIES,3/8 MPT.....141
 PLUG,ELECTRICAL,DOMESTIC.....111
 PLUG,FLG INLET,15A/125V,2PWGD.....75
 PLUG,FUSED,250V,13AMP,U.K.**.....75, 111
 PLUG,HEX SOCKET,090109B-12.....127
 PLUG,HEX SOCKET,090109B-4.....121, 127
 PLUG,HEX SOCKET,090109B-6***.....127
 PLUG,HEX SOCKET,090109B-8.....127
 PLUG,NYLON .50 BLACK DOMED.....83
 PLUG,NYLON,.281"RING.....83
 PLUG,NYLON,.391"RING.....83
 PLUG,PWR,UK,16AMP,3PIN,BLK.....75, 111
 PLUG,TUBE,SQ 1.50X.065.....103, 105, 107
 PUMP, GEAR, 6CC.....73
 PUSH RETAINER, 3/8" SCREW.....65, 73

Q

QUICK DISCONNECT CASING,BATT**.....77

R

RAIL SPACER, GS90.....103
 RECEPTACLE, DIN, 220V 50A.....111
 RECEPTACLE,UK,110V.....111
 REDUCER,MORB-FORB,04-04****.....127
 RELAY,24VDC,40/30A,SEALED***.....81
 RETAINER, GS68 O/R FOOTPAD***.....137
 RIVET,DRIVE,.25 X .25.....103, 107
 ROCKER,2 SWITCH.....117
 ROD END,.250 X 2.75 LG.....59-60
 ROD END,.375 X 2.25,ZAG.....59-60, 63, 65
 ROD END,.5 X 3.75,ZAG.....89, 93, 97
 ROD,DISCONNECT 4HP/4HB***.....65
 ROLLER,PLASTIC,AWP96**.....107
 RUBBER, VIBRATION MOUNT.....133
 RUE RING,1.00.....59-60

S

SCREW T-SWITCH PH/PH 6-32X1/4.....81
 SCREW, HCC, 3/8-16 X 1.50.....67
 SCREW, SELF TAP.....117
 SCREW, WASH HEAD, 20-9X5/8.....71
 SCREW,BHSCS,M5X10,SS.....113, 115
 SCREW,FHM,10-32 X .75.....77
 SCREW,FHM,10-32 X 1.....77
 SCREW,GRUB,M5X8MM CUP(BLK).....117
 SCREW,GRUB,M5X8MM,HLF DOG,BZP...117
 SCREW,HHC,1/2-13 X 1, GR 5.....65
 SCREW,HHC,1/2-13 X 1.5.....89, 93, 97
 SCREW,HHC,1/2-13 X 1.75.....67, 89, 93, 97
 SCREW,HHC,1/2-13 X 2 GR5...67, 89, 93, 97, 131
 SCREW,HHC,1/2-13 X 3.....89, 93, 97
 SCREW,HHC,1/2-13X2.25 GRD 8.....67
 SCREW,HHC,1/4-20 X .5.....63
 SCREW,HHC,1/4-20 X .625.....79, 109
 SCREW,HHC,1/4-20 X .75.....59-60, 65, 67, 71, 79, 107, 111
 SCREW,HHC,1/4-20 X 1.25.....59-60, 77
 SCREW,HHC,1/4-20 X 1.25, TAP.....83
 SCREW,HHC,1/4-20 X 1.5.....77
 SCREW,HHC,1/4-20 X 1.75.....59-60, 103, 131
 SCREW,HHC,1/4-20 X 2.....95, 97, 105
 SCREW,HHC,1/4-20 X 2.25.....59-60
 SCREW,HHC,1/4-20 X 5.....83
 SCREW,HHC,3/4-10 X 2.75.....131
 SCREW,HHC,3/8-16 X .50 GR.5.....69, 71
 SCREW,HHC,3/8-16 X .75.....59-60, 65, 73
 SCREW,HHC,3/8-16 X .88,GRD 8.....59-60, 69
 SCREW,HHC,3/8-16 X 1.....79, 103, 107
 SCREW,HHC,3/8-16 X 1.25 GRD 5.....83, 133
 SCREW,HHC,3/8-16 X 1.75,GRD.8.....63
 SCREW,HHC,3/8-16 X 2.....133
 SCREW,HHC,3/8-16 X 2.25.....105, 107
 SCREW,HHC,3/8-16 X 2.75.....89, 91, 95, 137
 SCREW,HHC,3/8-16 X 3.....89, 91, 95, 109
 SCREW,HHC,5/16-18 X 1 GR5...73
 SCREW,HHC,5/16-18 X 2.....65
 SCREW,PHILLIPS,PHM,10-32 X .38.....77
 SCREW,PHILLIPS,PHM,10-32 X .5.....81
 SCREW,PHILLIPS,PHM,10-32 X .75.....129, 133
 SCREW,PHILLIPS,PHM,10-32 X 1.....81
 SCREW,PHILLIPS,PHM,10-32X 1.75.....59-60
 SCREW,PHILLIPS,PHM,6-32 X .5.....77, 81

Part Description Index (continued)

SCREW,PHILLIPS,PHM,6-32 X .75.....111
 SCREW,PHILLIPS,PHM,8-32 X .5.....75
 SCREW,PHILLIPS,PHM,8-32 X .875.....133
 SCREW,PHILLIPS,PHM,8-32 X 1.25.....69, 89,
 93, 97
 SCREW,PHILLIPS,PHM,8-32 X.25**.....81
 SCREW,PHM,4-20X.5, 48-2 TRI-L.....81, 113,
 115
 SCREW,PHM,6-19X.75, 48-2 TRI-L.....81
 SCREW,PHM,8-16X.75, 48-2 TRI-L.....113, 115
 SCREW,PHM,8-32X.438.....111
 SCREW,RHM,8-32 X .75.....81
 SCREW,RHM,8-32 X 1.....65
 SCREW,SHC,1/2-13 x 2.5 ZINC.....59-60
 SCREW,SHC,1/4-20 X .875.....73, 75
 SCREW,SHC,3/8-24 X 1.25**.....73
 SCREW,SHC,5/8-11 X 1.5 NDPATCH.....65
 SEAL KIT, VALVE.....123
 SEAL KIT,(131428).....137
 SEAL KIT,226380.....121
 SEAL KIT,LIFT,LOWER (131920).....123
 SEAL KIT,LIFT,UPPER (131921).....123
 SEAL KIT,STEER CYL (89065).....59-60
 SEAL KIT, WHEEL DRIVE
 (106148/106445/107712).....65
 SEAL KIT-P.N.44169,44172,44171.....135
 SEAL-GREASE,9-BOLT HUB 54840.....59-60
 SENSOR KIT, SPEED (110573).....73
 SENSOR,LEVEL, ANALOG.....71
 SERV KIT,CAP,SERIES 1CB VALVE.....121
 SLIDER BLOCK, GS69.....89, 91, 95, 99, 101
 SLIDER, GATE CATCH.....105
 SNAP RING (74097).....65
 SNAP RING,EXTERNAL,1.5 DIA***.....89, 91,
 95
 SPACER,STEER SENSOR.....59-60
 SPACER,STEER SENSOR,UHMW.....59-60
 SPACER-DUAL COIL,#10, SCISSORS.....135
 SPRING CLIP,1/4-20,.025-.15X.54,ZAG.....59-
 60, 65, 67, 131
 SPRING CLIP,3/8-16,.05-.20X.73,ZAG.....69,
 83, 107, 133
 SPRING, HANDLE TRIGGER.....117
 SPRING,COMP,300 OD X .63LG.....60
 SPRING,COMPRESSION .835 X 2.....105
 STEER SENSOR ACTUATOR,HEX.....59-60
 STEER SENSOR ASSEMBLY.....59-60
 STRAIN RELIEF, 3/4, NPT, GRY.....77
 STRAINER,FILLER NECK.....71
 STRAP, RUBBER STEP SUPPORT.....67
 SUBASSY,DC REAR AXLE.....65
 SVC KIT,UK RECEPT.REPLACEMENT.....111
 SWITCH TOGGLE ASSY SPDT 3P MOM.....81
 SWITCH TOGGLE SPDT 3P MOM SHDR.....81
 SWITCH,LIMIT,PLUNGER,SMALL.....65, 89,
 93, 97
 SWITCH,LIMIT,W/ROLLER ARM.....69, 133
 SWITCH,LIMIT,ZCY15 ARM.....69
 SWITCH,PRESS,#4SAE,1500 PSI.....119, 127

T

T-BOX,2.75 X 4.5 X 2.0.....111
 TANK STRAP,BOLT STYLE,HYD,GS69.....71
 TAPE,NON-SKID,2"X14".....131
 TAPE,WARNING,BLK/YEL, 50***.....107
 TEE,BULKHEAD,RUN,520120-6.....125
 TEE,BULKHEAD,RUN,520958-4.....127, 139
 TERM BLK,3 POLE/12 POS,LCP.....81
 TERMINAL, SPLINE (AMP).....117

TRIGGER, EXTENDED.....117

U

UHMW,EXT LATCH ARM CATCH.....109
 UNION,BULKHEAD,ORFS,-6-6.....127

V

V-ROLLER,NARROW,EXT DECK.....103
 VALVE, CHECK, DROP IN.....119
 VALVE, CROSS RELIEF, 1500 PSI.....119
 VALVE, FLOW REG, 1.0 GPM.....119
 VALVE, NC PROP POPPET, 20VDC.....123
 VALVE, RELIEF, 2500PSI.....123
 VALVE, SOLENOID, 5W-3P.....119
 VALVE,CHECK,10 PSI.....119
 VALVE,COUNTERBALNCE,3800 PSI.....121
 VALVE,DBL PULL S-NOID 20V***.....123
 VALVE,DIR,#10 SAE,3 POS.4 WAY.....135
 VALVE,DIRECTION,2-POS,3WAY,SCRN.....119
 VALVE,FLOW REG,2.0 GPM.....119
 VALVE,NC PROP. POPPET,MAN. RLS.....123
 VALVE,NC,BI-DI,CART***.....137
 VALVE,RELIEF,3300 PSI.....119
 VALVE,SOLENOID,2POS,3WAY,SCRN.....119
 VALVE,SOLENOID,2-POS,3-WAY.....119
 VALVE-CHECK, #4 SAE, 5 PSI*.....119
 VALVE-RELIEF,3500PSI.....119

W

WASHER, FENDER, .125X.531X2.5.....79
 WASHER,FLAT .56 X 1.375 X .11.....59-60
 WASHER,FLAT,.625 HARDENED.....65
 WASHER,FLAT,1.510X2.125.....89, 91, 95
 WASHER,FLAT,3/8,HARDENED,YZ.....73
 WASHER,FLAT,M10,ZINC PLTD.....73
 WASHER,FLAT,MS,#8,Y.....69, 89, 93, 97
 WASHER,FLAT,SAE,3/8",Y.....107
 WASHER,FLAT,USS,1/2",Y.....67, 89, 93, 97
 WASHER,FLAT,USS,1/4"Y.....59-60, 71, 77,
 83, 103, 105, 107, 131
 WASHER,FLAT,USS,3/8",Y.....63, 67, 71, 73,
 79, 93, 97, 101, 109, 143
 WASHER,FLAT,USS,5/16",Y.....73
 WASHER,LOCK,313.....65
 WASHER,LOCK,.375.....83
 WASHER,SPINDLE.....59-60
 WASHER,STAR,EXTERNAL,.375.....81
 WASHER-SOLENOID VALVE (66683)*.....123
 WEAR PAD,SLIDER FOOT,LOWER.....89, 93,
 97
 WEAR PAD,SLIDER FOOT,UPPER.....89, 93,
 97
 WELDMENT, GS4068 LADDER.....67
 WELDMENT, MAIN RAIL, LEFT.....103
 WELDMENT, MAIN, A-RAIL, LEFT.....105
 WELDMENT, MAIN, A-RAIL, RIGHT.....105
 WELDMENT, MOTOR SPRAY GUARD.....73
 WELDMENT,26/32 LADDER.....67
 WELDMENT,BATTERY BOX,GS69DC.....77
 WELDMENT,BOX DOOR,LEFT,WINDOW.....83
 WELDMENT,BOX DOOR,RT.....83
 WELDMENT,CHASSIS LINK PVT,2669.....89
 WELDMENT,ENTRY GATE.....105
 WELDMENT,EXT DECK RAIL,END.....107
 WELDMENT,EXT.DECK,GS69.....107
 WELDMENT,FRONT STEER,GS69DC.....59-
 60
 WELDMENT,KING PIN.....59-60

WELDMENT,LINK,OUTER #1.....89, 91, 95
 WELDMENT,LINK,OUTER #2,3,4.....91, 95
 WELDMENT,LINK,TOP OUTER,GS69.....89,
 91, 95, 99, 101
 WELDMENT,LOWER LADDER STEP.....67
 WELDMENT,MAIN PLATFORM,GS69.....99,
 101
 WELDMENT,MAIN RAIL,RIGHT.....103
 WELDMENT,O/R SWITCH COVER.....133
 WELDMENT,OSC.AXLE.....59-60
 WELDMENT,OUTRIGGER COVER.....133
 WELDMENT,OUTRIGGER YOKE.....133
 WELDMENT,PLAT PIVOT,33/4069.....93, 97,
 99
 WELDMENT,PLATFORM PIVOT,2669.....89
 WELDMENT,SIDE EXT RAIL,LEFT.....107
 WELDMENT,SIDE EXT RAIL,RIGHT.....107
 WELDMENT,SLIDER FOOT, 32/4069.....93, 97
 WELDMENT,SLIDER FOOT, GS2669.....89
 WELDMENT,TIE ROD,GS69DC.....59-60
 WELDMNT,LINK,TOP INNER,32/4069.....99
 WHEEL ASSEMBLY, HI FLOAT FOAM, DC,
 FRONT.....59-60
 WHEEL ASSY,FOAM,12X26,NM,RR.....65
 WHEEL ASSY,FOAM,12X26,NM,LF.....59-60
 WHEEL ASSY,FOAM,12X26,NM,LR.....65
 WHEEL ASSY,FOAM,12X26,NM,RF.....59-60
 WHEEL ASSY,FOAM,12X26,NM,RR.....65
 WHEEL DRIVE,4HB,57:1***.....65
 WIRE CABLE,14/3 CON.TPE JKT*.....111
 WIRE CAP,ORANGE.....111
 WLDMNT,MTR CNTRL CABLE GUIDE.....75
 WLDMNT,PLATFORM SPACER, 2669.....89
 WLDMT, HYD BOX GS69.....73
 WLDMT,CHASSIS LINK PVT,33/4069.....93, 97
 WLDMT,EXT DECK HANDLE,L.....109
 WLDMT,EXT DECK HANDLE,R.....109
 WLDMT,LINK,OUTER,#2.....89, 91, 95
 WLDT,BOX DOOR,ENG,LT,GS68.....83
 WORKLIGHT, 12V, DEUTSCH RECEPT.....145
 WORKLIGHTS,FIELD KIT,GS-2669.....145
 WORKLIGHTS,FIELD KIT,GS-3369.....145
 WORKLIGHTS,FIELD KIT,GS-4069.....145

Z

ZERK,GREASE,1/8 NPT.....137

This Page Intentionally Left Blank

Go to Discount-Equipment.com to order your parts

Fitting Cross References

Genie PN	Parker PN	Description	Genie PN	Parker PN	Description
12342	6-4 F5OX-S	CONNECTOR,STRAIGHT THREAD TO FLARE TUBE	42794	1 CR-S	ELBOW,90°,MALE PIPE
13757	4 R6X-S	RUN TEE,SWIVEL NUT,ORFS	42795	BV-0839	BALL VALVE
19685	12-10 C5OX-S	ELBOW,90°,STRAIGHT THREAD TO FLARE TUBE	42796	BV-0838	BALL VALVE
22664	12-10 C5OX	ELBOW,90°,STRAIGHT THREAD TO FLARE TUBE	42874	6-8 CLO-S	ELBOW,90°,MALE PIPE TO ORFS
27431	8-12 F5OX-S	CONNECTOR,STRAIGHT THREAD TO FLARE TUBE	42912	13943-6-4	HOSE END,90° FEMALE SWIVEL,JIC
28678	AS-B-33	SLEEVE,NYLON,1.81" ID	42920	BV-0840	BALL VALVE,90°
39871	6 WETX-WLN-S	UNION,90° BULKHEAD W/NUT,FLARE TUBE	42932	AS-B-17	SLEEVE,NYLON,1.22" ID
39872	4 R5OX-S	RUN TEE,STRAIGHT THREAD	42936	10243-2-4	HOSE END,FEMALE PIPE
39873	6 C5OX-S	ELBOW,90°,STRAIGHT THREAD TO FLARE TUBE	42953	1/2 DD-S	ELBOW,90°,FEMALE PIPE
39874	8-6 C5OX-S	ELBOW,90°,STRAIGHT THREAD TO FLARE TUBE	42956	6 WELO-WLNL-S	UNION,90° BULKHEAD W/NUT,ORFS
39875	4-6 C5OX-S	ELBOW,90°,STRAIGHT THREAD TO FLARE TUBE	45349	8 V5OX-S	ELBOW,45°,STRAIGHT THREAD TO FLARE TUBE
39876	6-8 C5OX-S	ELBOW,90°,STRAIGHT THREAD TO FLARE TUBE	45351	4 V5OX-S	ELBOW,45°,STRAIGHT THREAD TO FLARE TUBE
39877	4 F5OX-S	CONNECTOR,STRAIGHT THREAD TO FLARE TUBE	47223	10343-6-6	HOSE END,MALE,JIC
39878	6 F5OX-S	CONNECTOR,STRAIGHT THREAD TO FLARE TUBE	47419	PS690503-6-6	SWIVEL,90°,STRAIGHT THREAD TO 37° FLARE
39879	4-8 F5OX-S	CONNECTOR,STRAIGHT THREAD TO FLARE TUBE	48750	421-4	HOSE,1/4 INCH ID
39880	6-10 F5OX-S	CONNECTOR,STRAIGHT THREAD TO FLARE TUBE	48751	481TC-4	HOSE,1/4 INCH ID
39881	4-6 F5OX-S	CONNECTOR,STRAIGHT THREAD TO FLARE TUBE	48752	482TC-4	HOSE,1/4 INCH ID
39882	4-HP5ON-S	PLUG,STRAIGHT THREAD	48753	451TC-6	HOSE,3/8 INCH ID
39883	8-8 FTX-S	CONNECTOR,MALE PIPE TO FLARE TUBE	48754	482TC-6	HOSE,3/8 INCH ID
39885	269HB 12-12	ELBOW,90°,BEADED HOSE BARB TO MALE PIPE	48755	381-6	HOSE,3/8 INCH ID
39886	431-6	HOSE,3/8 INCH ID	48756	451TC-8	HOSE,1/2 INCH ID
39887	540N-2	HOSE,1/8 INCH ID	48757	482TC-8	HOSE,1/2 INCH ID
39888	801-8	HOSE,1/2 INCH ID	48758	381-8	HOSE,1/2 INCH ID
39889	801-12	HOSE,3/4 INCH ID	48759	381-10	HOSE,5/8 INCH ID
39890	10643-6-6	HOSE END,FEMALE SWIVEL,JIC	48760	451TC-10	HOSE,5/8 INCH ID
39891	13943-6-6	HOSE END,90° FEMALE SWIVEL,JIC	48761	482TC-12	HOSE,3/4 INCH ID
39892	13743-6-6	HOSE END,45° FEMALE SWIVEL,JIC	48762	451TC-12	HOSE,3/4 INCH ID
39894	30682-8-8	HOSE END,FEMALE SWIVEL,JIC	48763	772-12	HOSE,3/4 INCH ID
39895	30682-10-12	HOSE END,FEMALE SWIVEL,JIC	48764	881-16	HOSE,1 INCH ID
42286	8-8 CTX-S	ELBOW,90°,MALE PIPE TO FLARE TUBE	48765	772-16	HOSE,1 INCH ID
42756	8-12 CLO-S	ELBOW,90,MALE PIPE TO ORFS	48766	AS-B-15	SLEEVE,NYLON,1.06" ID
42757	8-12 FLO-S	CONNECTOR,MALE PIPE TO ORFS	48767	AS-B-22	SLEEVE,NYLON,1.42" ID
42758	4 JLO-S	UNION TEE,ORFS	48770	881-8	HOSE,1/2 INCH ID
42759	4-4 FLO-S	CONNECTOR,MALE PIPE TO ORFS			
42760	6-8 FLO-S	CONNECTOR,MALE PIPE TO ORFS			
42761	1J143-6-4	HOSE END,90° FEMALE SWIVEL,SEAL LOK			
42762	1J743-6-4	HOSE END,45° FEMALE SWIVEL,SEAL LOK			
42768	1JO43-4-4	HOSE END,MALE,SEAL LOK			
42776	601-8	HOSE,1/2 INCH ID			
42777	1J743-16-16	HOSE END,45° FEMALE SWIVEL,SEAL LOK			
42786	16 CLO-S	ELBOW,90°,MALE PIPE TO ORFS			
42787	16 R6LO-S	RUN TEE,SWIVEL NUT,ORFS			
42788	16-8 TRLO-BL-S	REDUCER,TUBE END TO SWIVEL,ORFS			
42789	6-6 CLO-S	ELBOW,90°,MALE PIPE TO ORFS			
42790	8-10 V5OLO-S	ELBOW,45°,STRAIGHT THREAD TO ORFS			
42791	3/4 CD-S	ELBOW,90°,MALE TO FEMALE PIPE			
42792	3/4 X 1/2 PTR-S	REDUCER,MALE TO FEMALE PIPE			
42793	1/2 CR-S	ELBOW,90°,MALE PIPE			

Fitting Cross References (Continued)

Genie PN	Parker PN	Description	Genie PN	Parker PN	Description
48771	881-10	HOSE,5/8 INCH ID	48847	13943-12-12	HOSE END,90° FEMALE SWIVEL,JIC
48772	381-4	HOSE,1/4 INCH ID	48848	10543-12-12	HOSE END,MALE,STRAIGHT THREAD
48773	AS-B-13	SLEEVE,NYLON,.86" ID	48849	1JC71-12-12	HOSE END,FEMALE SWIVEL,SEAL LOK
48800	1JC43-4-4	HOSE END,FEMALE SWIVEL,SEAL LOK	48850	1JS71-12-12	HOSE END,FEMALE SWIVEL,SEAL LOK
48801	1J743-4-4	HOSE END,45° FEMALE SWIVEL,SEAL LOK	48851	1J171-12-12	HOSE END,90° FEMALE SWIVEL,SEAL LOK
48802	1J943-4-4	HOSE END,90° FEMALE SWIVEL,SEAL LOK	48852	1J771-12-12	HOSE END,45° FEMALE SWIVEL,SEAL LOK
48804	1JM43-4-4	HOSE END,MALE,SEAL LOK, NO O-RING	48853	1J971-12-12	HOSE END,90° FEMALE SWIVEL,SEAL LOK
48805	10643-4-4	HOSE END,FEMALE SWIVEL,JIC	48854	1JC43-16-16	HOSE END,FEMALE SWIVEL,SEAL LOK
48806	13943-4-4	HOSE END,90° FEMALE SWIVEL,JIC	48855	1J943-16-16	HOSE END,90° FEMALE SWIVEL,SEAL LOK
48807	1JS43-4-4	HOSE END,FEMALE SWIVEL,SEAL LOK	48856	1J171-16-16	HOSE END,90° FEMALE SWIVEL,SEAL LOK
48808	3JC82-8-8	HOSE END,FEMALE SWIVEL,SEAL LOK	48857	1J971-16-16	HOSE END,90° FEMALE SWIVEL,SEAL LOK
48809	3JC82-12-12	HOSE END,FEMALE SWIVEL,SEAL LOK	48859	1JS43-8-4	HOSE END,FEMALE SWIVEL,SEAL LOK
48810	1JC43-6-4	HOSE END,FEMALE SWIVEL,SEAL LOK	48867	PD36BTL	DIAGNOSTIC NIPPLE,SEAL-LOK SWIVEL
48811	1J943-6-4	HOSE END,90° FEMALE SWIVEL,SEAL LOK	48873	6 PNLO-S	PLUG,TUBE END,ORFS
48812	1JC43-6-6	HOSE END,FEMALE SWIVEL,SEAL LOK	48874	6 PNTX-S	PLUG,FLARE TUBE
48813	1J143-6-6	HOSE END,90° FEMALE SWIVEL,SEAL LOK	48875	6 R6LO-S	RUN TEE,SWIVEL NUT,ORFS
48814	1J543-6-6	HOSE END,90° FEMALE SWIVEL,SEAL LOK	48877	4 F5OLO-SW/.025	CONNECTOR,STRAIGHT THREAD TO ORFS, W/.025 ORI
48815	1J743-6-6	HOSE END,45° FEMALE SWIVEL,SEAL LOK	48878	16-12 C5OLO-S	ELBOW,90°,STRAIGHT THREAD TO ORFS
48816	1J943-6-6	HOSE END,90° FEMALE SWIVEL,SEAL LOK	48879	8 C6LO-S	ELBOW,90°,SWIVEL NUT ORFS
48817	1JS43-6-8	HOSE END,FEMALE SWIVEL,SEAL LOK	48880	PD6-285	CAP,DIAGNOSTIC NIPPLE
48818	1J943-8-4	HOSE END,90° FEMALE SWIVEL,SEAL LOK	48881	6 HLO-S	UNION,ORFS
48819	1JC43-8-6	HOSE END,FEMALE SWIVEL,SEAL LOK	48883	8 P5ON-S	PLUG,STRAIGHT THREAD
48820	1J743-8-6	HOSE END,45° FEMALE SWIVEL,SEAL LOK	48884	8M18F87OMLO-S	CONNECTOR,METRIC,STRAIGHT THREAD TO ORFS
48821	1J943-8-6	HOSE END,90° FEMALE SWIVEL,SEAL LOK	48885	4 WGTX-WLN-S	CONNECTOR,BULKHEAD,FEMALE PIPE TO FLARE TUBE
48822	1JC43-8-8	HOSE END,FEMALE SWIVEL,SEAL LOK	48886	4 F5OLO-SW/2MM	CONNECTOR,MACHINED STRAIGHT THREAD TO ORFS
48823	1JS43-8-8	HOSE END,FEMALE SWIVEL,SEAL LOK	48887	4 CTX-S	ELBOW,90°,MALE PIPE TO FLARE TUBE
48824	1J143-8-8	HOSE END,90° FEMALE SWIVEL,SEAL LOK	48888	10-12 V5OLO-S	ELBOW,45°,STRAIGHT THREAD TO ORFS
48825	1J543-8-8	HOSE END,90° FEMALE SWIVEL,SEAL LOK	48890	4 S5OLO-S	BRANCH TEE,STRAIGHT THREAD TO ORFS
48826	1J743-8-8	HOSE END,45° FEMALE SWIVEL,SEAL LOK	48891	4 S6LO-S	BRANCH TEE,SWIVEL NUT TO ORFS
48827	1J943-8-8	HOSE END,90° FEMALE SWIVEL,SEAL LOK			
48828	1JC43-10-8	HOSE END,FEMALE SWIVEL,SEAL LOK			
48829	1JS43-10-8	HOSE END,FEMALE SWIVEL,SEAL LOK			
48830	1J743-10-8	HOSE END,45° FEMALE SWIVEL,SEAL LOK			
48831	1J943-10-8	HOSE END,90° FEMALE SWIVEL,SEAL LOK			
48833	1JC43-10-10	HOSE END,FEMALE SWIVEL,SEAL LOK			
48834	1J943-10-10	HOSE END,90° FEMALE SWIVEL,SEAL LOK			
48835	1JS43-10-12	HOSE END,FEMALE SWIVEL,SEAL LOK			
48836	1JC43-12-8	HOSE END,FEMALE SWIVEL,SEAL LOK			
48837	1JS43-12-8	HOSE END,FEMALE SWIVEL,SEAL LOK			
48838	1J743-12-8	HOSE END,45° FEMALE SWIVEL,SEAL LOK			
48839	1J943-12-8	HOSE END,90° FEMALE SWIVEL,SEAL LOK			
48840	1J943-12-10	HOSE END,90° FEMALE SWIVEL,SEAL LOK			
48841	1JC43-12-12	HOSE END,FEMALE SWIVEL,SEAL LOK			
48842	1JO43-12-12	HOSE END,MALE,SEAL LOK			
48843	1J143-12-12	HOSE END,90° FEMALE SWIVEL,SEAL LOK			
48844	1J543-12-12	HOSE END,90° FEMALE SWIVEL,SEAL LOK			
48845	1J743-12-12	HOSE END,45° FEMALE SWIVEL,SEAL LOK			
48846	1J943-12-12	HOSE END,90° FEMALE SWIVEL,SEAL LOK			

Fitting Cross References (Continued)

Genie PN	Parker PN	Description	Genie PN	Parker PN	Description
48892	6 C6LO-S	ELBOW,90°,SWIVEL NUT ORFS	48938	8 R6LO-S	RUN TEE,SWIVEL NUT,ORFS
48893	6 F5OHAO-S	UNION,STRAIGHT THREAD	48939	8 S6LO-S	BRANCH TEE,SWIVEL NUT TO ORFS
48894	8 WLO-WLNL-S	UNION,BULKHEAD,ORFS	48940	8 WJLO-WLNL-S	RUN TEE, BULKHEAD,ORFS
48895	DT-370-MSMO-5	VALVE,CHECK	48941	8-4 TRLO-S	REDUCER,TUBE END TO SWIVEL,ORFS
48896	6 JLO-S	UNION,TEE,ORFS	48942	8-6 C5OLO-S	ELBOW,90°,STRAIGHT THREAD TO ORFS
48897	DT-750-MSMS-5	VALVE,CHECK	48943	8-6 F5OLO-S	CONNECTOR,STRAIGHT THREAD TO ORFS
48898	DT-750-MOMS-5	VALVE,CHECK	48944	8-8 FLO-S	CONNECTOR,MALE PIPE TO ORFS
48899	DT-620-MOMS-5	VALVE,CHECK	48945	8 FTX-S	CONNECTOR,MALE PIPE TO FLARE TUBE
48900	4-6 F5OLO-SW/.035	CONNECTOR,STRAIGHT THREAD TO ORFS, W/.035 ORI	48946	8-10 F5OLO-S	CONNECTOR,STRAIGHT THREAD TO ORFS
48902	16-1 AOE4G-S	ELBOW,90° LONG,FEMALE PIPE TO STRAIGHT THREAD	48947	8-12 C5OLO-S	ELBOW,90°,STRAIGHT THREAD TO ORFS
48903	1 FF-S	NIPPLE,PIPE	48948	8-12 F5OLO-S	CONNECTOR,STRAIGHT THREAD TO ORFS
48904	4 C5OLO-S	ELBOW,90°,STRAIGHT THREAD TO ORFS	48949	8-16 F5OLO-S	CONNECTOR,STRAIGHT THREAD TO ORFS
48905	4 F5OLO-S	CONNECTOR,STRAIGHT THREAD TO ORFS	48950	10 C5OLO-S	ELBOW,90°,STRAIGHT THREAD TO ORFS
48906	4 R5OLO-S	RUN TEE,STRAIGHT THREAD	48951	10 CC5OLO-S	ELBOW,90° LONG,STRAIGHT THREAD TO ORFS
48907	4 V5OLO-S	ELBOW,45°,STRAIGHT THREAD TO ORFS	48952	10 F5OLO-S	CONNECTOR,STRAIGHT THREAD TO ORFS
48908	4 R6LO-S	RUN TEE,SWIVEL NUT,ORFS	48953	10 R5OLO-S	RUN TEE,STRAIGHT THREAD
48909	4 WJLO-WLNL-S	RUN TEE, BULKHEAD,ORFS	48954	10 S5OLO-S	BRANCH TEE,STRAIGHT THREAD TO ORFS
48910	4 GTX-S W/.030	CONNECTOR,FEMALE PIPE TO FLARE TUBE	48955	10 R6LO-S	RUN TEE,SWIVEL NUT,ORFS
48911	4-6 C5OLO-S	ELBOW,90°,STRAIGHT THREAD TO ORFS	48956	10-4 TRLO-BL-S	REDUCER,TUBE END TO SWIVEL,ORFS
48912	4-6 F5OLO-S	CONNECTOR,STRAIGHT THREAD TO ORFS	48957	10-6 TRLO-BL-S	REDUCER,TUBE END TO SWIVEL,ORFS
48913	4-6 F5OLO-SW/.030	CONNECTOR,STRAIGHT THREAD TO ORFS, W/.030 ORI	48958	10-12 F5OLO-S	CONNECTOR,STRAIGHT THREAD TO ORFS
48914	4-8 F5OLO-S	CONNECTOR,STRAIGHT THREAD TO ORFS	48959	12 C5OLO-S	ELBOW,90°,STRAIGHT THREAD TO ORFS
48915	6 C5OLO-S	ELBOW,90°,STRAIGHT THREAD TO ORFS	48960	12 F5OLO-S	CONNECTOR,STRAIGHT THREAD TO ORFS
48916	6 F5OLO-S	CONNECTOR,STRAIGHT THREAD TO ORFS	48961	12 R5OLO-S	RUN TEE,STRAIGHT THREAD
48917	6 FF5OLO-S	CONNECTOR,LONG,STRAIGHT THREAD TO ORFS	48962	12 S5OLO-S	BRANCH TEE,STRAIGHT THREAD TO ORFS
48918	6 R5OLO-S	RUN TEE,STRAIGHT THREAD	48963	12 V5OLO-S	ELBOW,45°,STRAIGHT THREAD TO ORFS
48919	6 S5OLO-S	BRANCH TEE,STRAIGHT THREAD TO ORFS	48964	12 R6LO-S	RUN TEE,SWIVEL NUT,ORFS
48920	6 V5OLO-S	ELBOW,45°,STRAIGHT THREAD TO ORFS	48965	12 CLO-S	ELBOW,90°,MALE PIPE TO ORFS
48921	6 FLO-S	CONNECTOR,MALE PIPE TO ORFS	48966	12 FLO-S	CONNECTOR,MALE PIPE TO ORFS
48922	6-6 FLO-S	CONNECTOR,MALE PIPE TO ORFS	48967	12 JLO-S	UNION TEE,ORFS
48923	6 P5ON-S	PLUG,STRAIGHT THREAD	48968	12 WLO-WLNL-S	UNION,BULKHEAD,ORFS
48925	6 WELO-S	UNION,90° BULKHEAD,ORFS	48969	12 WJLO-WLNL-S	RUN TEE, BULKHEAD,ORFS
48926	6-4 C5OLO-S	ELBOW,90°,STRAIGHT THREAD TO ORFS	48970	12 WELO-WLNL-S	UNION,90° BULKHEAD W/NUT,ORFS
48927	6-4 F5OLO-S	CONNECTOR,STRAIGHT THREAD TO ORFS			
48928	6-4 V5OLO-S	ELBOW,45°,STRAIGHT THREAD TO ORFS			
48929	6-8 C5OLO-S	ELBOW,90°,STRAIGHT THREAD TO ORFS			
48930	6-8 F5OLO-S	CONNECTOR,STRAIGHT THREAD TO ORFS			
48931	6-10 F5OLO-S	CONNECTOR,STRAIGHT THREAD TO ORFS			
48932	8 C5OLO-S	ELBOW,90°,STRAIGHT THREAD TO ORFS			
48933	8 F5OLO-S	CONNECTOR,STRAIGHT THREAD TO ORFS			
48934	8 FF5OLO-S	CONNECTOR,LONG,STRAIGHT THREAD TO ORFS			
48935	8 R5OLO-S	RUN TEE,STRAIGHT THREAD			
48936	8 S5OLO-S	BRANCH TEE,STRAIGHT THREAD TO ORFS			
48937	8 V5OLO-S	ELBOW,45°,STRAIGHT THREAD TO ORFS			

Fitting Cross References (Continued)

Genie PN	Parker PN	Description	Genie PN	Parker PN	Description
48971	12 G5G5JG5-S	TEE,FEMALE STRAIGHT THREAD	49612	PKT02586	O-RING KIT (ORFS FITTINGS)
48972	12 XHL6-S	ADAPTER, 37° MALE TO SWIVEL ORFS	49613	PKT06276	PLUG AND CAP KIT-SERVICE,ORFS
48973	12-1/2 F5OG-S	ADAPTER,FEMALE PIPE TO STRAIGHT THREAD	49728	10143-12-12	HOSE END, MALE PIPE
48974	12-10 C5OLO-S	ELBOW,90°,STRAIGHT THREAD TO ORFS	49729	16-1 F5OG-S	ADAPTER,FEMALE PIPE TO STRAIGHT THREAD
48975	12-10 F5OLO-S	CONNECTOR,STRAIGHT THREAD TO ORFS	49814	12-8 FLO-S	CONNECTOR,MALE PIPE TO ORFS
48976	12-16 C5OLO-S	ELBOW,90°,STRAIGHT THREAD TO ORFS	49829	DT-500-MOMF-5	VALVE,CHECK
48977	12-16 F5OLO-S	CONNECTOR,STRAIGHT THREAD TO ORFS	49831	881-12	HOSE,3/4 INCH ID
48978	12-16 V5OLO-S	ELBOW,45°,STRAIGHT THREAD TO ORFS	49834	16 JLO-S	UNION TEE,ORFS
48980	12-16 FLO-S	CONNECTOR,MALE PIPE TO ORFS	49838	12-8 TRLO-BL-S	REDUCER,TUBE END TO SWIVEL,ORFS
48983	16 C5OLO-S	ELBOW,90°,STRAIGHT THREAD TO ORFS	49840	8 JLO-S	UNION TEE,ORFS
48984	16 F5OLO-S	CONNECTOR,STRAIGHT THREAD TO ORFS	49844	10-8 TRLO-BL-S	REDUCER,TUBE END TO SWIVEL,ORFS
48985	16 V5OLO-S	ELBOW,45°,STRAIGHT THREAD TO ORFS	49854	8 P5ON-S	PLUG,STRAIGHT THREAD
48986	16 FLO-S	CONNECTOR,MALE PIPE TO ORFS	49855	1JC43-16-12	HOSE END,FEMALE SWIVEL,SEAL LOK
48988	16 CD45-S	ELBOW,45°,MALE TO FEMALE PIPE	49859	4 P5ON-S	PLUG,STRAIGHT THREAD
48989	12 CD45-S	ELBOW,45°,MALE TO FEMALE PIPE	49861	4 FF5OLO-S	CONNECTOR, LONG, STRAIGHT THREAD TO ORFS
48990	8 CD45-S	ELBOW,45°,MALE TO FEMALE PIPE	49867	12-3/4 F5OG-S	ADAPTER,FEMALE PIPE TO STRAIGHT THREAD
48991	16-12 FLO-S	CONNECTOR,MALE PIPE TO ORFS	51152	6 R6X-S	RUN TEE,SWIVEL NUT,ORFS
48992	16-12 V5OLO-S	ELBOW,45°,STRAIGHT THREAD TO ORFS	51153	6-4 TRTX-S	REDUCER,TUBE END TO SWIVEL,ORFS
48993	XV501-12	BALL VALVE	51154	4-4 GTX	CONNECTOR,FEMALE PIPE TO FLARE TUBE
48994	XV501-16	BALL VALVE	51264	881-12	HOSE,3/4 INCH ID
48995	XV510P-12	BALL VALVE	51265	8 JLO-S	UNION TEE,ORFS
48996	XV510P-16	BALL VALVE	51508	6 BTX-S	NUT,FLARE TUBE
48997	PD341	DIAGNOSTIC NIPPLE, STRAIGHT THREAD	51580	12-8 TRLO-BL-S	TUBE END REDUCER,ORFS
48998	PD 361	DIAGNOSTIC NIPPLE, STRAIGHT THREAD	51628	6 R6X-S	RUN TEE,SWIVEL NUT,ORFS
48999	DT-500-MOMS-5	VALVE,CHECK	51735	3/8 HHP	PLUG,PIPE THREAD
49201	10 V5OLO-S	ELBOW,45°,STRAIGHT THREAD TO ORFS	51803	1J943-6-8	HOSE END,90° FEMALE SWIVEL,SEAL LOK
49202	1JC43-12-10	HOSE END,FEMALE SWIVEL,SEAL LOK	53023	125HBL-5-4	FITTING,HOSE BARB TO MALE PIPE
49203	10-8 V5OLO-S	ELBOW,45°,STRAIGHT THREAD TO ORFS	53497	PKT02585	O-RING KIT
49205	6 F5OHAO-S	UNION,STRAIGHT THREAD	53499	1JC71-16-16	HOSE END,FEMALE SWIVEL,SEAL LOK
49207	PD34BTL	DIAGNOSTIC NIPPLE,SEAL-LOK SWIVEL	53500	3-904	O-RING,STRAIGHT THREAD,-4
49209	8M18F870MX-S	CONNECTOR,METRIC,STRAIGHT THREAD TO FLARE TUBE	53501	3-906	O-RING,STRAIGHT THREAD,-6
49212	8 WGTX-WLN-S	CONNECTOR,BULKHEAD,FEMALE PIPE TO FLARE TUBE	53502	3-908	O-RING,STRAIGHT THREAD,-8
49213	30682-8-8	HOSE END,FEMALE SWIVEL,JIC	53503	3-910	O-RING,STRAIGHT THREAD,-10
49216	831-8	HOSE,1/2 INCH ID			
49217	33982-8-8	HOSE END,90° FEMALE SWIVEL,JIC			
49219	PS-B-35	SLEEVE,NYLON,2.19" ID			
49418	4-6 V5OLO-S	ELBOW,45°,STRAIGHT THREAD TO ORFS			
49511	DT370-MOMS-5	VALVE,CHECK			
49512	1 DD-S	ELBOW,90°,FEMALE PIPE			
49513	1 FF-S	NIPPLE,PIPE			
49514	10 HP5ON-S	PLUG,STRAIGHT THREAD			
49515	12-16 CLO-S	ELBOW,90°,MALE PIPE TO ORFS			
49517	6 HP5ON-S	PLUG,STRAIGHT THREAD			
49519	16-12 F5OLO-S	CONNECTOR,STRAIGHT THREAD TO ORFS			
49520	4 VTX-S	ELBOW,45°,MALE PIPE TO FLARE TUBE			
49530	16 C6LO-S	ELBOW,90°,SWIVEL NUT ORFS			

Fitting Cross References (Continued)

Genie PN	Parker PN	Description	Genie PN	Parker PN	Description
53535	3-912	O-RING, STRAIGHT THREAD, -12	61083	24 F5OLO-S	CONNECTOR, STRAIGHT THREAD TO ORFS
53536	4-PNLO-S	PLUG, TUBE END, ORFS	61086	20 R5OLO-S	RUN TEE, STRAIGHT THREAD
53537	6 PNLO-S	PLUG, TUBE END, ORFS	61090	24-20 F5OLO-S	CONNECTOR, STRAIGHT THREAD TO ORFS
53538	8 PNLO-S	PLUG, TUBE END, ORFS	61091	1J943 24-24	HOSE END, 90° FEMALE SWIVEL, SEAL LOK
53539	10 PNLO-S	PLUG, TUBE END, ORFS	61093	1J978-12-12	HOSE END, 90° FEMALE SWIVEL, JIC
53540	12 PNLO-S	PLUG, TUBE END, ORFS	61095	1JS43-20-16	HOSE END, FEMALE SWIVEL, SEAL LOK
53946	129HB-5-4	FITTING, 90° HOSE BARB TO MALE PIPE	61100	811-24	HOSE, 1 1/2 INCH ID
53951	8-1/4F50G-S	ADAPTER, FEMALE PIPE TO STRAIGHT THREAD	61130	1JS43-24-24	HOSE END, FEMALE SWIVEL, SEAL LOK
53980	6 S6LO-S	BRANCH TEE, SWIVEL NUT TO ORFS	61131	1JS78 12-12	HOSE END, FEMALE SWIVEL, SEAL LOK
54132	4 C6LO-S	ELBOW, 90°, SWIVEL NUT ORFS	61132	1J778-12-12	HOSE END, 45° FEMALE SWIVEL, JIC
54135	11343-16-16	HOSE END, MALE SWIVEL, PIPE	61152	139HB-6-4	ELBOW, 45°, BARB TO MALE PIPE
54283	8-10 C5OLO-S	ELBOW, 90°, STRAIGHT THREAD TO ORFS	61251	BV-0750	BALL VALVE
54428	8M18C870MLO-S	ELBOW, 90° METRIC, STRAIGHT THREAD TO ORFS	61259	4 CC5OLO-S	ELBOW, 90° LONG, STRAIGHT THREAD TO ORFS
54803	FS-F-16-10	SLEEVE, FIRE, .96" ID	61260	20-12 TRLO-BL	REDUCER, TUBE END TO SWIVEL, ORFS
54954	10143-2-4	HOSE END, MALE PIPE	61262	12 C6LO-S	ELBOW, 90°, SWIVEL NUT ORFS
55190	3/8 HP-S	PLUG, PIPE THREAD	61263	20 F5OHAO-S	UNION, STRAIGHT THREAD
55448	8 HLO-S	UNION, ORFS	61264	6-10 C5OLO-S	ELBOW, 90°, STRAIGHT THREAD TO ORFS
55839	6 F65OX-S	CONNECTOR, STRAIGHT THREAD TO 37° SWIVEL	61265	6 WNLO-WLNL-S	UNION, BULKHEAD 45°, ORFS
55968	10 C5OX-S	ELBOW, 90°, STRAIGHT THREAD TO FLARE TUBE	61268	4 WNLO-WLNL-S	UNION, BULKHEAD 45°, ORFS
56003	6 CC5OLO-S	ELBOW, 90° LONG, STRAIGHT THREAD TO ORFS	61269	4 WLO-WLNL-S	UNION, BULKHEAD, ORFS
56166	BV-0837	BALL VALVE, 90°	61272	12 AOEL6	ELBOW, 90°, STRAIGHT THREAD TO ORFS SWIVEL
56188	10143-8-6	HOSE END, MALE PIPE	61316	482TC-16	HOSE, 1 INCH ID
56233	2-011	O-RING, ORFS, -4	61321	6 JLO-S	UNION TEE, ORFS
56234	2-012	O-RING, ORFS, -6	61327	782-12	HOSE, 3/4 INCH ID
56235	2-014	O-RING, ORFS, -8	61328	881-24	HOSE, 1 1/2 INCH ID
56236	2-016	O-RING, ORFS, -10	61336	11943-20-24	HOSE END, 90° FLANGE HEAD
56237	2-018	O-RING, ORFS, -12	61345	12 WJLO-WLNL-S	RUN TEE, BULKHEAD, ORFS
56238	2-021	O-RING, ORFS, -16	61346	8 WNLO-WLNL-S 4	UNION, BULKHEAD 45°, ORFS
56352	6 WLNL-S	LOCKNUT, BULKHEAD	61569	33782-8-8	HOSE END, 45° FEMALE SWIVEL, JIC
56353	3J782-12-12	HOSE END, 45° FEMALE SWIVEL, SEAL LOK	61610	12 FF5OLO-S	CONNECTOR, LONG, STRAIGHT THREAD TO ORFS
56354	3J982-12-12	HOSE END, 90° FEMALE SWIVEL, SEAL LOK	61742	1/8 X 1.5 FFF	NIPPLE, PIPE
56604	10-8 F5OLO-S	CONNECTOR, STRAIGHT THREAD TO ORFS	63426	8 PNTX-S	PLUG, FLARE TUBE
56639	3JC82-10-10	HOSE END, FEMALE SWIVEL, SEAL LOK			
56640	3J982-10-10	HOSE END, 90° FEMALE SWIVEL, SEAL LOK			
56655	3JC82-8-10	HOSE END, FEMALE SWIVEL, SEAL LOK			
56676	10-8 C5OLO-S	ELBOW, 90°, STRAIGHT THREAD TO ORFS			
56776	471TC-6	HOSE, 3/8 INCH ID			
56777	471TC-8	HOSE, 1/2 INCH ID			
56789	811-16	HOSE, 1 INCH ID			
57884	3/8 FF	NIPPLE, PIPE			
59335	6 FNL-S	CAP, TUBE END			
59342	4 FNL-S	CAP, TUBE END			
59371	8 HP5ON-S	PLUG, STRAIGHT THREAD			
60653	BV-0751	BALL VALVE			
60806	125HB-3-4	FITTING, HOSE BARB TO MALE PIPE			
61064	5-1/4 F5OG-S	ADAPTER, FEMALE PIPE TO STRAIGHT THREAD			
61079	4 WELO-WLNL-S	UNION, 90° BULKHEAD W/NUT, ORFS			
61080	6 WLO-WLNL-S	UNION, BULKHEAD, ORFS			

Fitting Cross References (Continued)

Genie PN	Parker PN	Description	Genie PN	Parker PN	Description
64271	4 WLO-WLNL-S	UNION,BULKHEAD,ORFS	75631	801-6	HOSE,3/8 INCH ID
64272	6 WLO-WLNL-S	UNION,BULKHEAD,ORFS	75654	20 F5OLO-S	CONNECTOR,STRAIGHT THREAD TO ORFS
65776	8 F65OL-S	CONNECTOR,STRAIGHT THREAD TO ORFS SWIVEL	75655	1J943-20-20	HOSE END,90° FEMALE SWIVEL,SEAL LOK
65880	6001012	O-RING KIT	75656	881-20	HOSE,1-1/4 INCH ID
66154	6 WTX-WLNS	UNION,BULKHEAD,FLARE TUBE	75971	8 F5OHAO-S	UNION,STRAIGHT THREAD
66155	6 WETX-S	UNION,BULKHEAD 90°,FLARE TUBE	77307	1JB43-8-8	HOSE END,BULKHEAD,SEAL LOK
66156	6 WLN-S	BULKHEAD LOCKNUT	77309	8 WLNL-S	BULKHEAD LOCKNUT
66389	6-8 F5OX-S	CONNECTOR,STRAIGHT THREAD TO FLARE TUBE	77379	8M18C87OMX-S	ELBOW,90° METRIC,STRAIGHT THREAD TO FLARE TUBE
66392	6 R5OX-S	RUN TEE,STRAIGHT THREAD	77703	3J982-8-8	HOSE END,90° FEMALE SWIVEL,SEAL LOK
66396	811-12	HOSE,3/4 INCH ID	77711	801-10	HOSE,5/8 INCH ID
66829	H3174PP	CLAMP,TUBE	77758	12 WNLO-WLNL-S	UNION,BULKHEAD 45°,ORFS
67217	4 KLO-S	UNION,CROSS,ORFS	78091	6 C6X-S	ELBOW,90°,SWIVEL NUT TO FLARE TUBE
67339	10-6 F5OX-S	CONNECTOR,STRAIGHT THREAD TO FLARE TUBE	78684	30582-8-8B	HOSE END,PUSH LOK,MALE
67357	13943-8-6	HOSE END,90° FEMALE SWIVEL,JIC	78852	549-2	HOSE,1/8 INCH ID
67358	10 HP5ON-S	PLUG,STRAIGHT THREAD	78855	10657-4-2	HOSE END,FEMALE SWIVEL,JIC
67371	12 S6LO-S	BRANCH TEE,SWIVEL NUT TO ORFS	79138	PS-B-37	SLEEVE,NYLON,2.38" ID
67498	4 FNL-S	CAP, TUBE END	79476	1JS43-6-8	HOSE END,FEMALE SWIVEL,SEAL LOK
67906	DC-370-F0F0-5	VALVE,CHECK	79847	12-3/4 A0EG-S	ELBOW,90°,STRAIGHT THREAD TO FEMALE PIPE
69316	8 FLO-S	CONNECTOR,MALE PIPE TO ORFS	80044	8 CLO-S	ELBOW,90°,MALE PIPE TO ORFS
69333	H3174PP	CLAMP,HYDRAULIC HOSE	80502	8 F5OX-S	CONNECTOR,STRAIGHT THREAD TO FLARE TUBE
69503	4 F65OX-S	CONNECTOR,STRAIGHT THREAD TO 37° SWIVEL	80503	8 C5OX-S	ELBOW,90°,STRAIGHT THREAD TO FLARE TUBE
69775	8 FNL-S	CAP, TUBE END	81010	AS-B-27	SLEEVE,NYLON,1.63" ID
71038	1/4X1/4F3HG-S	ADAPTER,CONVERSION	83052	821-6	HOSE,3/8 INCH ID
71196	12-8 F5OLO-S	CONNECTOR,STRAIGHT THREAD TO ORFS	83053	821-8	HOSE,1/2 INCH ID
71383	1/4 CD45-S	ELBOW,45°,MALE TO FEMALE PIPE	83054	821-12	HOSE,3/4 INCH ID
72270	12FNL-S	CAP, TUBE END	83055	30682-6-6	HOSE END,FEMALE SWIVEL,JIC
73436	60C-4	SLEEVE,COMPRESSION	83056	30682-12-12	HOSE END,FEMALE SWIVEL,JIC
73437	61C-4	NUT,COMPRESSION	83057	33782-6-6	HOSE END,45° FEMALE SWIVEL,JIC
73438	33482-4-4B	HOSE END,PUSH LOK,MALE	83058	33982-6-6	HOSE END,90° FEMALE SWIVEL,JIC
73767	1CD-S	ELBOW,90°,MALE TO FEMALE PIPE	83060	33982-12-12	HOSE END,90° FEMALE SWIVEL,JIC
73768	20-16-F5OG5-S	ADAPTER,FEMALE PIPE TO STRAIGHT THREAD	83063	13743-4-4	HOSE END,45° FEMALE SWIVEL,JIC
73769	16-20 F5OLO-S	CONNECTOR,STRAIGHT THREAD TO ORFS			
74660	6-8 F42EDMLO-S	CONNECTOR,MALE BSPP TO ORFS			
74661	8-8 F42EDMLO-S	CONNECTOR,MALE BSPP TO ORFS			
75007	4 FLO-S	CONNECTOR,MALE PIPE TO ORFS			
75008	1/8 HP-S	PLUG,PIPE THREAD			
75014	1/2 HP-S	PLUG,PIPE THREAD			
75042	8 WELO-WLNL-S	UNION,90° BULKHEAD W/NUT,ORFS			
75043	3/4 FF-S	NIPPLE,PIPE			
75254	24 F5OHAO-S	UNION,STRAIGHT THREAD			
75255	12 F5OHAO-S	UNION,STRAIGHT THREAD			
75256	XV506P-24	BALL VALVE			
75574	4 WLNL-S	BULKHEAD LOCKNUT			
75612	8 WJLO-WLNL-S	RUN TEE, BULKHEAD,ORFS			
75613	12-8 F5OG5-S	ADAPTER,FEMALE PIPE TO STRAIGHT THREAD			
75614	8 CC5OLO-S	ELBOW,90° LONG,STRAIGHT THREAD TO ORFS			
75628	1JB43-4-4	HOSE END,BULKHEAD,SEAL LOK			

Fitting Cross References (Continued)

Genie PN	Parker PN	Description	Genie PN	Parker PN	Description
83064	13743-8-8	HOSE END,45° FEMALE SWIVEL,JIC	89449	6 WJLO-WLNL-S	RUN TEE, BULKHEAD,ORFS
83065	13743-12-12	HOSE END,45° FEMALE SWIVEL,JIC	89489	4 WJMLO-S	BRANCH TEE,BULKHEAD,ORFS
83066	13943-8-8	HOSE END,90° FEMALE SWIVEL,JIC	89551	1JB43-6-6	HOSE END,BULKHEAD,SEAL LOK
83067	14143-6-6	HOSE END,90° FEMALE SWIVEL,JIC	89552	1JB43-8-8	HOSE END,BULKHEAD,SEAL LOK
83068	14143-8-8	HOSE END,90° FEMALE SWIVEL,JIC	89593	20 C5OLO-S	ELBOW,90°,STRAIGHT THREAD TO ORFS
83069	14143-12-12	HOSE END,90° FEMALE SWIVEL,JIC	94161	8-8 CLO-S	ELBOW,90°,MALE PIPE TO ORFS
83070	772-8	HOSE,1/2 INCH ID	94358	351TC-12	HOSE,3/4 INCH ID
83071	10671-8-8	HOSE END,FEMALE SWIVEL,JIC	94418	20 FLO-S	CONNECTOR,MALE PIPE TO ORFS
83072	10671-12-12	HOSE END,FEMALE SWIVEL,JIC	96358	12 TX-S	SLEEVE,FLARE TUBE
83073	13771-8-8	HOSE END,45° FEMALE SWIVEL,JIC	96359	12 BTX-S	NUT,FLARE TUBE
83074	13771-12-12	HOSE END,45° FEMALE SWIVEL,JIC	96397	8 F5OX-S	CONNECTOR,STRAIGHT THREAD TO FLARE TUBE
83075	13971-8-8	HOSE END,90° FEMALE SWIVEL,JIC	96398	12-8 F5OX-S	CONNECTOR,STRAIGHT THREAD TO FLARE TUBE
83076	13971-12-12	HOSE END,90° FEMALE SWIVEL,JIC	96402	10343-6-6	HOSE END,MALE,JIC
83077	14171-8-8	HOSE END,90° FEMALE SWIVEL,JIC	96407	30382-6-6B	HOSE END,MALE,JIC
83078	14171-12-12	HOSE END,90° FEMALE SWIVEL,JIC			
83080	13943-16-16	HOSE END,90° FEMALE SWIVEL,JIC			
83103	10671-16-12	HOSE END,FEMALE SWIVEL,JIC			
83104	10671-10-12	HOSE END,FEMALE SWIVEL,JIC			
83112	1JC71-8-8	HOSE END,FEMALE SWIVEL,SEAL LOK			
83113	1JS71-16-12	HOSE END,FEMALE SWIVEL,SEAL LOK			
83114	1JS71-10-12	HOSE END,FEMALE SWIVEL,SEAL LOK			
83115	1J971-8-8	HOSE END,90° FEMALE SWIVEL,SEAL LOK			
83116	1J171-8-8	HOSE END,90° FEMALE SWIVEL,SEAL LOK			
83117	1J771-8-8	HOSE END,45° FEMALE SWIVEL,SEAL LOK			
83127	1J543-6-8	HOSE END,90° FEMALE SWIVEL,JIC			
83128	1JC43-6-8	HOSE END,FEMALE SWIVEL,SEAL LOK			
87033	12-6 TRLO-S	REDUCER,TUBE END TO SWIVEL,ORFS			
87034	3J782-8-8	HOSE END,45° FEMALE SWIVEL,SEAL LOK			
87172	12 HP5ON-S	PLUG,STRAIGHT THREAD			
87185	8 WNLO-WLNL-S	UNION,BULKHEAD 45°,ORFS			
87246	4 C6X-S	ELBOW,90°,SWIVEL NUT TO FLARE TUBE			
87679	6 LHP-S	FLANGE SEAL FITTING, MALE			
87681	6PLS N0702	BONDED SEAL			
88100	SR88100	ADAPTER,OIL DRAIN,GM 3.0L			
88311	1JS43-20-20	HOSE END,FEMALE SWIVEL,SEAL LOK			
88353	20 V5OLO-S	ELBOW,45°,STRAIGHT THREAD TO ORFS			
88474	10081-20	Crimp Shell, 1.25"			
88475	1988-20-24	HOSE END,90° FLANGE HEAD			
88476	JS88-24-24	HOSE END,FEMALE SWIVEL,SEAL LOK			
88477	1JC88-20-20	HOSE END,FEMALE SWIVEL,SEAL LOK			
88478	811-20	HOSE,11/4 INCH ID			
88936	20-16 F5OLO-S	CONNECTOR,STRAIGHT THREAD TO ORFS			
88937	20-16 FLO-S	CONNECTOR,MALE PIPE TO ORFS			
88938	1JC88-16-16	HOSE END,FEMALE SWIVEL,SEAL LOK			
88939	1J988-16-16	HOSE END,90° FEMALE SWIVEL,ORFS			
88940	811-16	HOSE,1 INCH ID			
88944	1J988-20-20	HOSE END,90° FEMALE SWIVEL,ORFS			
89403	16 VLO-S	ELBOW,45°,MALE PIPE TO ORFS			

California Proposition 65



Operating, servicing and maintaining this equipment can expose you to chemicals including engine exhaust, carbon monoxide, phthalates, and lead, which are known to the State of California to cause cancer and birth defects or other reproductive harm. These chemicals can be emitted from or contained in other various parts and systems, fluids and some component wear by-products. To minimize exposure, avoid breathing exhaust, do not idle the engine except as necessary, service your equipment and vehicle in a well-ventilated area and wear gloves or wash your hands frequently when servicing your equipment or vehicle and after operation. For more information go to www.P65Warnings.ca.gov/passenger-vehicle.

Distributed By:

Go to Discount-Equipment.com to order your parts

PARTS FINDER

**Search Website
by Part Number**



**Search Manual
Library For Parts
Manual & Lookup Part
Numbers – Purchase
or Request Quote**

Search Manuals

Enter your information to help us find the right parts manual for your machine.

* Brand:

* Model:

* Serial:

* Part Number:

SEARCH

**Can't Find Part or
Manual? Request Help
by Manufacturer,
Model & Description**

Parts Order Form

Please fill in the following information to help us find the right part for your machine.

Manufacturer:	<input type="text"/>
Model:	<input type="text"/>
Description:	<input type="text"/>
Part Number:	<input type="text"/>
Quantity:	<input type="text"/>
Notes:	<input type="text"/>

Submit

Discount-Equipment.com is your online resource for quality parts & equipment.

Florida: **561-964-4949** Outside Florida TOLL FREE: **877-690-3101**

Need parts?

Click on this link: <http://www.discount-equipment.com/category/5443-parts/> and choose one of the options to help get the right parts and equipment you are looking for. Please have the machine model and serial number available in order to help us get you the correct parts. If you don't find the part on the website or on one of the online manuals, please fill out the request form and one of our experienced staff members will get back to you with a quote for the right part that your machine needs.

We sell worldwide for the brands: Genie, Terex, JLG, MultiQuip, Mikasa, Essick, Whiteman, Mayco, Toro Stone, Diamond Products, Generac Magnum, Airman, Haulotte, Barreto, Power Blanket, Nifty Lift, Atlas Copco, Chicago Pneumatic, Allmand, Miller Curber, Skyjack, Lull, Skytrak, Tsurumi, Husquvarna Target, Stow, Wacker, Sakai, Mi-T-M, Sullair, Basic, Dynapac, MBW, Weber, Bartell, Bennar Newman, Haulotte, Ditch Runner, Menegotti, Morrison, Contec, Buddy, Crown, Edco, Wyco, Bomag, Laymor, EZ Trench, Bil-Jax, F.S. Curtis, Gehl Pavers, Heli, Honda, ICS/PowerGrit, IHI, Partner, Imer, Clipper, MMD, Koshin, Rice, CH&E, General Equipment, Amida, Coleman, NAC, Gradall, Square Shooter, Kent, Stanley, Tamco, Toku, Hatz, Kohler, Robin, Wisconsin, Northrock, Oztec, Toker TK, Rol-Air, APT, Wylie, Ingersoll Rand / Doosan, Innovatech, Con X, Ammann, Mecalac, Makinex, Smith Surface Prep, Small Line, Wanco, Yanmar