



A TEREX BRAND



Parts Manual

Serial Number Range

GS-2032

from SN GS3211A-110000 to
GS3215A-140497

GS-2632

from SN GS4611A-110000 to
GS4615A-137426

GS-3232

from SN GS3212C-10000 to
GS3216C-17299

GS-2046

from GS32C-17300 to
GS32C-17527

GS-2646

from SN GS4612C-10000 to
GS4616C-18099

GS-3246

from SN GS46C-18100 to
GS46C-18354

Part No. 236418GT

Rev D3

November 2018

PARTS FINDER

**Search Website
by Part Number**



**Search Manual
Library For Parts
Manual & Lookup Part
Numbers – Purchase
or Request Quote**

Search Manuals

Enter your information to help us find the right parts manual for your machine.

* Brand:

* Model:

* Serial:

* Part Number:

SEARCH

**Can't Find Part or
Manual? Request Help
by Manufacturer,
Model & Description**

Parts Order Form

Please fill in the following information to help us find the right part for your machine.

Manufacturer:	<input type="text"/>
Model:	<input type="text"/>
Description:	<input type="text"/>
Part Number:	<input type="text"/>
Quantity:	<input type="text"/>
Notes:	<input type="text"/>

Discount-Equipment.com is your online resource for quality parts & equipment.

Florida: **561-964-4949** Outside Florida TOLL FREE: **877-690-3101**

Need parts?

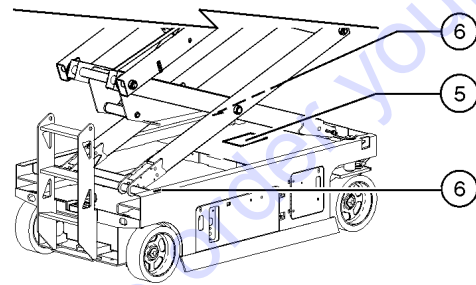
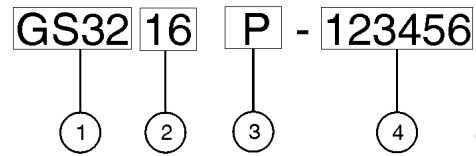
Click on this link: <http://www.discount-equipment.com/category/5443-parts/> and choose one of the options to help get the right parts and equipment you are looking for. Please have the machine model and serial number available in order to help us get you the correct parts. If you don't find the part on the website or on one of the online manuals, please fill out the request form and one of our experienced staff members will get back to you with a quote for the right part that your machine needs.

We sell worldwide for the brands: Genie, Terex, JLG, MultiQuip, Mikasa, Essick, Whiteman, Mayco, Toro Stone, Diamond Products, Generac Magnum, Airman, Haulotte, Barreto, Power Blanket, Nifty Lift, Atlas Copco, Chicago Pneumatic, Allmand, Miller Curber, Skyjack, Lull, Skytrak, Tsurumi, Husquvarna Target, Stow, Wacker, Sakai, Mi-T-M, Sullair, Basic, Dynapac, MBW, Weber, Bartell, Bennar Newman, Haulotte, Ditch Runner, Menegotti, Morrison, Contec, Buddy, Crown, Edco, Wyco, Bomag, Laymor, EZ Trench, Bil-Jax, F.S. Curtis, Gehl Pavers, Heli, Honda, ICS/PowerGrit, IHI, Partner, Imer, Clipper, MMD, Koshin, Rice, CH&E, General Equipment, Amida, Coleman, NAC, Gradall, Square Shooter, Kent, Stanley, Tamco, Toku, Hatz, Kohler, Robin, Wisconsin, Northrock, Oztec, Toker TK, Rol-Air, APT, Wylie, Ingersoll Rand / Doosan, Innovatech, Con X, Ammann, Mecalac, Makinex, Smith Surface Prep, Small Line, Wanco, Yanmar

To August 31, 2016

Genie
A TEREX BRAND

Model:
Serial number: GS3216P-123456
Manufacture date: 1/2/16 **Model year:** 2016
Electrical schematic number:
Machine unladen weight:
Rated work load (including occupants):
Maximum number of platform occupants:
Maximum allowable inclination of the chassis:
Outrigger retracted:
Outrigger deployed:



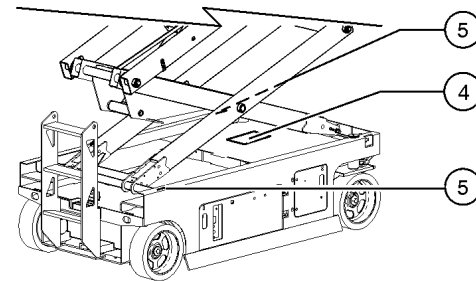
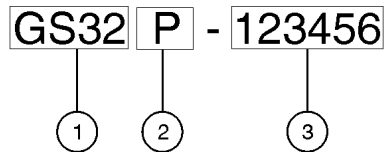
- 1 Model
- 2 Model year
- 3 Facility code

- 4 Sequence number
- 5 Serial label (located on chassis)
- 6 Serial number (stamped on chassis)

From September 1, 2016

Genie
A TEREX BRAND

Model:
Serial number: GS32P-123456
Year of manufacture: 2016
Electrical schematic number:
Machine unladen weight:
Rated work load (including occupants):
Maximum number of platform occupants:
Maximum allowable inclination of the chassis:
Outrigger retracted:
Outrigger deployed:



- 1 Model
- 2 Facility code
- 3 Sequence number

- 4 Serial label (located on chassis)
- 5 Serial number (stamped on chassis)

Table of Contents

This manual is updated frequently. For the most up-to-date parts information, visit www.discount-equipment.com

How to Read Your Serial Number.....	3
Parts Stocking List.....	7

Electronic Version

Click on any page number to view the figure.

001 Parts Stocking List

001.1 Parts Stocking List.....	10
--------------------------------	----

100 Decals

101.1 Word Decals, GS-2032, Battery Side, ANSI & Australia.....	12
102.1 Word Decals, GS-2032, Ground Control Side, ANSI and Australia.....	14
103.1 Word Decals, GS-2032, Platform, ANSI.....	16
104.1 Word Decals, GS-2032, Platform, Australia.....	18
105.1 Word Decals, GS-2632, Battery Side, ANSI & Australia.....	20
106.1 Word Decals, GS-2632, Ground Control Side, ANSI and Australia.....	22
107.1 Word Decals, GS-2632, Platform, ANSI.....	24
108.1 Word Decals, GS-2632, Platform, Australia.....	26
109.1 Word Decals, GS-3232, Battery Side, ANSI & Australia.....	28
110.1 Word Decals, GS-3232, Ground Control Side, ANSI and Australia.....	30
111.1 Word Decals, GS-3232, Platform, ANSI.....	32
112.1 Word Decals, GS-3232, Platform, Australia.....	34
113.1 Word Decals, GS-2046, Battery Side, ANSI & Australia.....	36
114.1 Word Decals, GS-2046, Ground Control Side, ANSI and Australia.....	38
115.1 Word Decals, GS-2046, Platform, ANSI.....	40
116.1 Word Decals, GS-2046, Platform, Australia.....	42
117.1 Word Decals, GS-2646, Battery Side, ANSI & Australia.....	44
118.1 Word Decals, GS-2646, Ground Control Side, ANSI and Australia.....	46

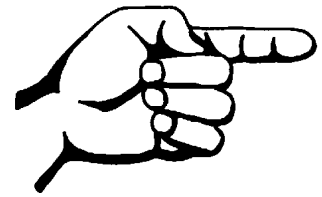
119.1 Word Decals, GS-2646, Platform, ANSI.....	48
120.1 Word Decals, GS-2646, Platform, Australia.....	50
121.1 Word Decals, GS-3246, Battery Side, ANSI & Australia.....	52
122.1 Word Decals, GS-3246, Ground Control Side, ANSI and Australia.....	54
123.1 Word Decals, GS-3246, Platform, ANSI.....	56
124.1 Word Decals, GS-3246, Platform, Australia.....	58
125.1 Symbol Decals, GS-2032, Battery Side, ANSI & CE.....	60
126.1 Symbol Decals, GS-2032, Ground Control Side, ANSI & CE.....	62
127.1 Symbol Decals, GS-2032, Platform, ANSI.....	64
128.1 Symbol Decals, GS-2032, Platform, CE.....	66
129.1 Symbol Decals, GS-2632, Battery Side, ANSI & CE.....	68
130.1 Symbol Decals, GS-2632, Ground Control Side, ANSI and CE.....	70
131.1 Symbol Decals, GS-2632, Platform, ANSI.....	72
132.1 Symbol Decals, GS-2632, Platform, CE.....	74
133.1 Symbol Decals, GS-3232, Battery Side, ANSI & CE.....	76
134.1 Symbol Decals, GS-3232, Ground Control Side, ANSI and CE.....	78
135.1 Symbol Decals, GS-3232, Platform, ANSI.....	80
136.1 Symbol Decals, GS-3232, Platform, CE.....	82
137.1 Symbol Decals, GS-2046, Battery Side, ANSI & CE.....	84
138.1 Symbol Decals, GS-2046, Ground Control Side, ANSI and CE.....	86
139.1 Symbol Decals, GS-2046, Platform, ANSI.....	88
140.1 Symbol Decals, GS-2046, Platform, CE.....	90
141.1 Symbol Decals, GS-2646, Battery Side, ANSI & CE.....	92
142.1 Symbol Decals, GS-2646, Ground Control Side, ANSI and CE.....	94
143.1 Symbol Decals, GS-2646, Platform, ANSI.....	96
144.1 Symbol Decals, GS-2646, Platform, CE.....	98
145.1 Symbol Decals, GS-3246, Battery Side, ANSI & CE.....	100
146.1 Symbol Decals, GS-3246, Ground Control Side, ANSI and CE.....	102
147.1 Symbol Decals, GS-3246, Platform, ANSI.....	104
148.1 Symbol Decals, GS-3246, Platform, CE.....	106

200 Drive Chassis Components

201.1 Steer Linkage and Wheels, GS-32 & GS-46.....	108
202.1 Non-steer Axle Installation, GS-32 & GS-46.....	110
203.1 Level Sensor Installation, GS-32 & GS-46.....	112
204.1 Pothole Protection Assembly, GS-32 & GS-46.....	114
205.1 Battery Pack Module.....	116
206.1 Battery Charger.....	118
207.1 Power Unit Module.....	120
208.1 Ground Controls.....	122

209.1 Electrical Wiring, GS-2032, GS-2632, GS-2046, GS-2646, GS-3246.....	124	607.1 RCBO.....	200
210.1 Electrical Wiring, GS-3232.....	128	700 Platform Overload Components	
211.1 Power Cables (to SN GS32A-135714, GS46A-135366, GS32C-14377, GS4615C-14503).....	130	701.1 Platform Overload.....	202
211.2 Power Cables (from SN GS32A-135715, GS46A-135367, GS32C-14378).....	132	Indices	
211.3 Power Cables (from SN GS4615C-14504).....	134	Part Number Index.....	204
212.1 Outrigger Components, GS-3232.....	136	Part Description Index.....	208
213.1 Function Manifold and Accumulator Components, GS-2032, GS-2632, GS-2046, GS-2646, GS-3246.....	138	Cross References	
214.1 Function Manifold and Accumulator Components, GS-3232.....	140	Fittings Cross Reference.....	214
300 Scissor Components			
301.1 Scissor Assembly Installation.....	142		
302.1 Scissor Assembly, GS-2032, GS-2046.....	144		
303.1 Scissor Assembly, GS-2632, GS-2646.....	146		
304.1 Scissor Assembly, GS-3232, GS-3246.....	148		
400 Platform Components			
401.1 Platform Components, GS-2032, GS-2632, GS-3232.....	150		
402.1 Platform Components, GS-2046, GS-2646, GS-3246.....	154		
403.1 Power to Platform.....	158		
404.1 Platform Controls, 8 and 6 Button (2 Speed Lift).....	160		
405.1 Platform Controls, 6 and 4 Button (Proportional Lift).....	164		
406.1 Joystick Controller.....	166		
500 Hydraulic Components			
501.1 Hydraulic Components.....	168		
502.1 Function Manifold.....	170		
503.1 Brake Release Hand Pump Manifold.....	172		
504.1 Hydraulic Power Unit, All Models.....	174		
505.1 Lift Cylinder Assembly, All Models.....	176		
506.1 Hydraulic Hoses and Fittings.....	178		
507.1 Hydraulic Hoses and Fittings, Outriggers, GS-3232.....	182		
508.1 Outrigger Cylinders, Front and Rear, GS-3232.....	184		
509.1 Outrigger Function Manifold, GS-3232.....	186		
600 Accessories			
601.1 Alarm, Horn and Flashing Beacons.....	188		
602.1 Air Line to Platform.....	190		
603.1 Platform Work Light.....	192		
604.1 Voltage Inverter.....	194		
605.1 Pipe Cradle Assembly, GS-2046, GS-2646, GS-3246.....	196		
606.1 Panel Carrier Assembly, GS-2046, GS-2646 (ANSI/CSA models).....	198		

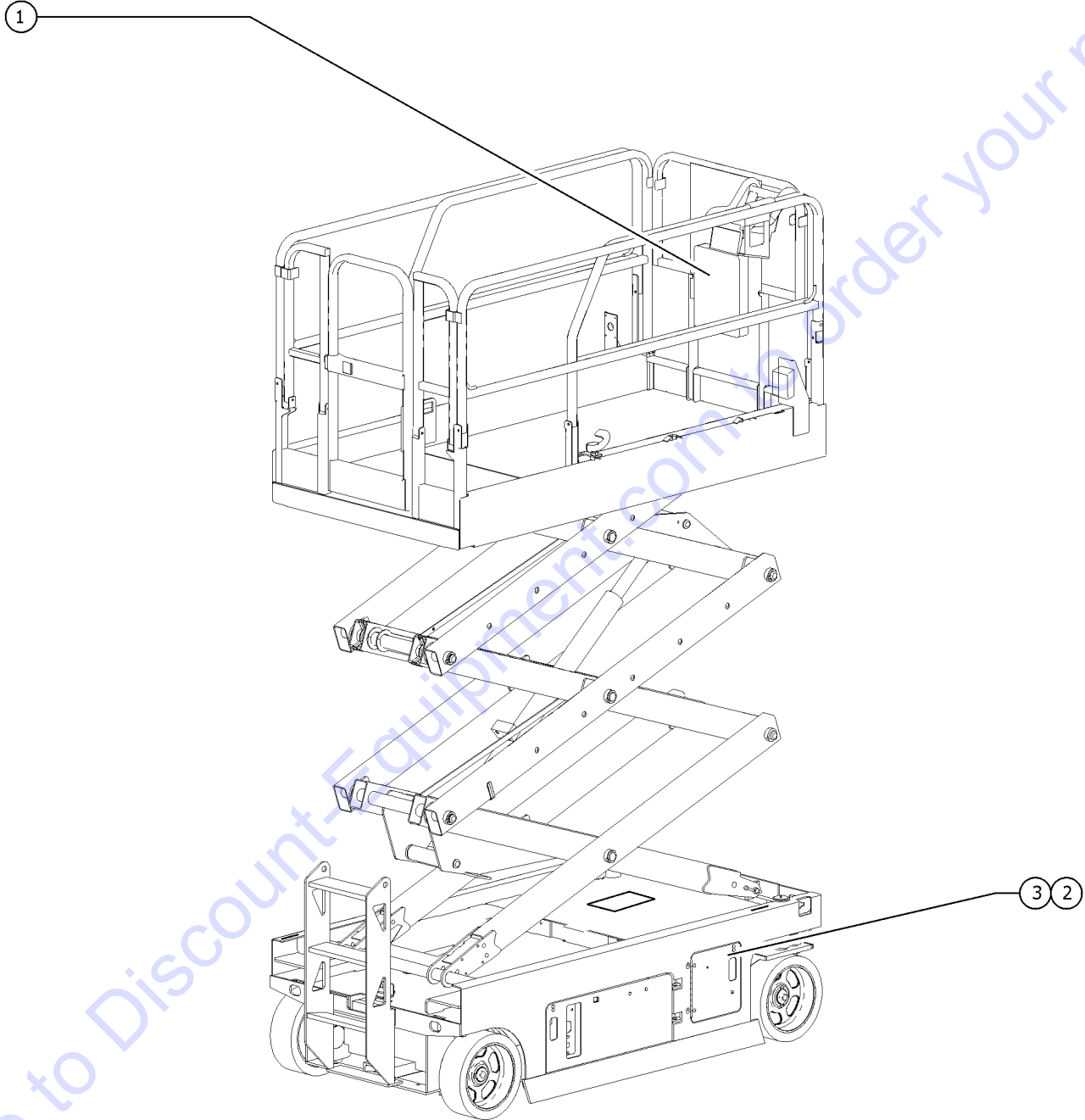
Please refer to section 001 for the Recommended Spare Parts List.



This page intentionally left blank.

Go to Discount-Equipment.com to order your parts

001.1 Parts Stocking List

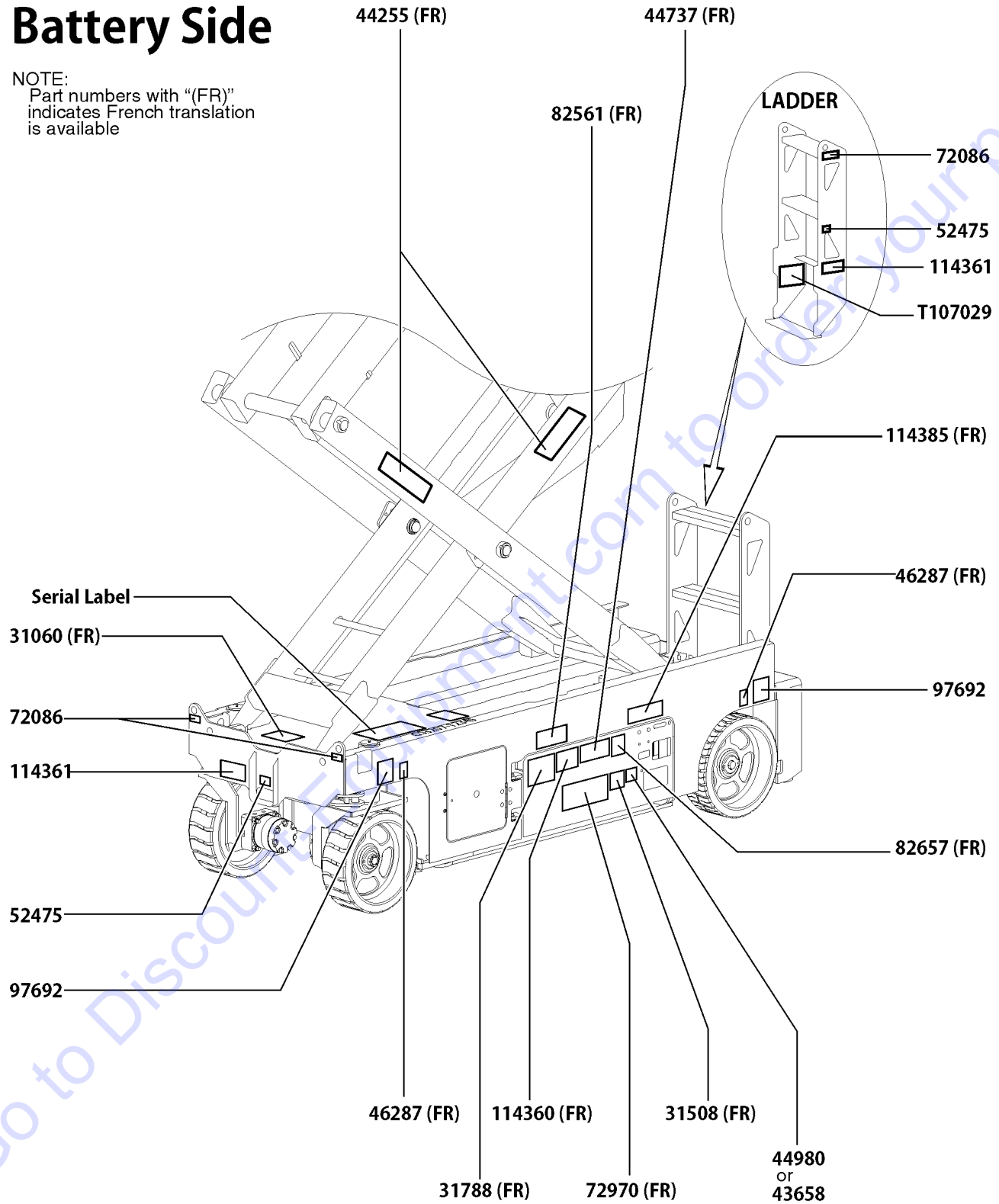


Item	Part No.	Description	Qty.
--	66399GT	GREASE,DIELECTRIC 4 OZ**	
--		Ref. CHEVRON ULTRA-DUTY GREASE (LITHIUM), OR EQUIVALENT, EP NLGI 1 <i>(source locally)</i>	
--	1258567GT	PAINT, AEROSOL, TRAFFIC BLACK <i>12-ounce spray paint</i>	
--	1268GT	PAINT,AEROSOL,GENIE GRAY*** <i>12-ounce spray paint</i>	
--	1484GT	PAINT,AEROSOL,BRIGHT BLUE*** <i>12-ounce spray paint</i>	
--	1257733GT	PAINT,WET,TRAFFIC BLACK (1 GL)** <i>1-gallon</i>	
--	32150GT	PAINT,WET,GENIE BLUE (1 GL)** <i>1-gallon</i>	
--	32151GT	PAINT,WET,GENIE GRAY (1 GL)** <i>1-gallon</i>	
--	49613GT	PLUG AND CAP KIT-SERVICE,ORFS*	
1A	27581GT	MANUAL,AEM SAFETY	
1B	44163GT	MANUAL,RESPON,A92.6 SCISSOR	
2	44788GT	FILTER ELEMENT,10MICRON,PAPER*	
3	78546GT	BREATHER CAP,HYD. TANK,1/4 NPT	

101.1 Word Decals, GS-2032, Battery Side, ANSI & Australia

Battery Side

NOTE:
Part numbers with "(FR)" indicates French translation is available



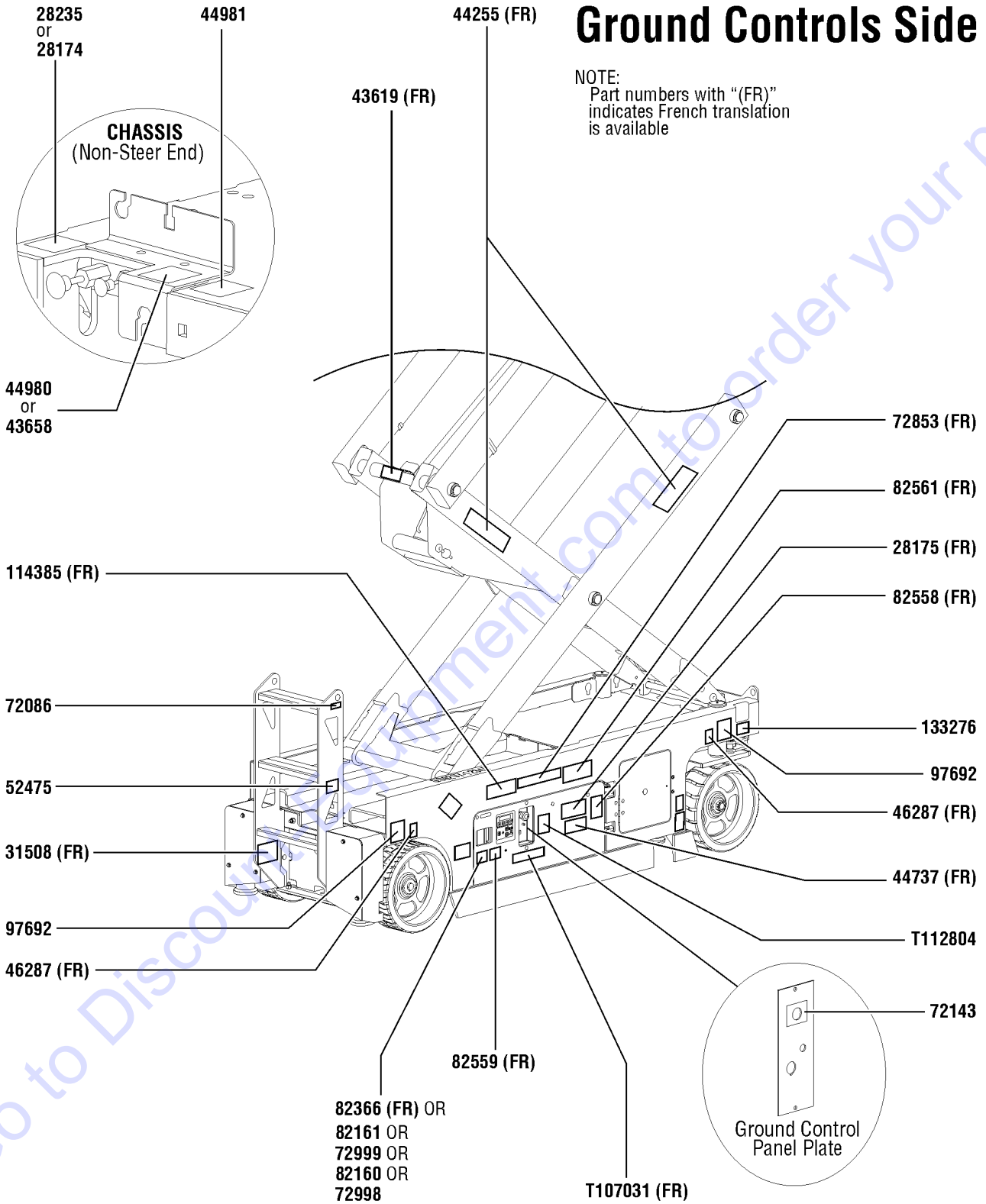
101.1 Word Decals, GS-2032, Battery Side, ANSI & Australia

Item	Part No.	Description	Qty.
A	217251GT	DECAL KIT,2032 PLAT.,WRD,ANSI (ANSI models with 2 speed controller) to SN GS3214A-134999 and to SN GS3214C-13999	
B	217252GT	DECAL KIT,2032 COMP.,WRD,ANSI (ANSI models with 2 speed controller) to SN GS3214A-134999 and to SN GS3214C-13999	
C	217263GT	DECAL KIT,2032 PLAT.,WRD,AUST (Australia models with 2 speed controller) to SN GS3214A-134999 and to SN GS3214C-13999	
D	217264GT	DECAL KIT,2032 COMP.,WRD,AUST (Australia models with 2 speed controller) to SN GS3214A-134999 and to SN GS3214C-13999	
1	31060GT	DECAL,DANGER DO NOT ALTER SWTC.....	1
2	31508GT	DECAL,DANGER,ELECT HAZARD,PLUG..... (Australia models only)	1
3	31788GT	DECAL,DANGER,BATTERY SAFETY***.....	1
4	43658GT	DECAL,LABEL,PWR TO CHARGR 230V..... (Australia models only)	1
5	44255GT	DECAL,DANGER,CRUSHING HAZARD.....	2
6	44737GT	DECAL DANGER TIP OVER TRAYS.....	1
7	44980GT	DECAL,LABEL,PWR TO CHARGR 115V..... (Australia models only)	1
8	46287GT	DECAL,LABEL-TIRE SPECS.....	2
9	52475GT	DECAL,LABEL,TRANSPORT TIEDOWN*.....	2
10	72086GT	DECAL,LABEL,LIFTING EYE.....	3
11	72970GT	DECAL,INSTRUCTIONS-CHARGER OP.....	1
12	82561GT	DECAL,DANGER-USE SAFETY ARM....	1
13	82657GT	DECAL,INSTRUCT,BATTERY CONNECT.....	1
14	97692GT	DECAL,LABEL,WHEEL LOAD 2032....	2
15	114360GT	DECAL,DANGER-TIP-OVER,BATT.....	1
16	114361GT	DECAL,LABEL-TRANSPORT DIGRAM.....	2
17	114385GT	DECAL,DANGER,ELEC HAZARD,GS....	1
18	T107029GT	DECAL,DANGER,BRAKE REL SAFETY.....	1

102.1 Word Decals, GS-2032, Ground Control Side, ANSI and Australia

Ground Controls Side

NOTE:
Part numbers with "(FR)" indicates French translation is available

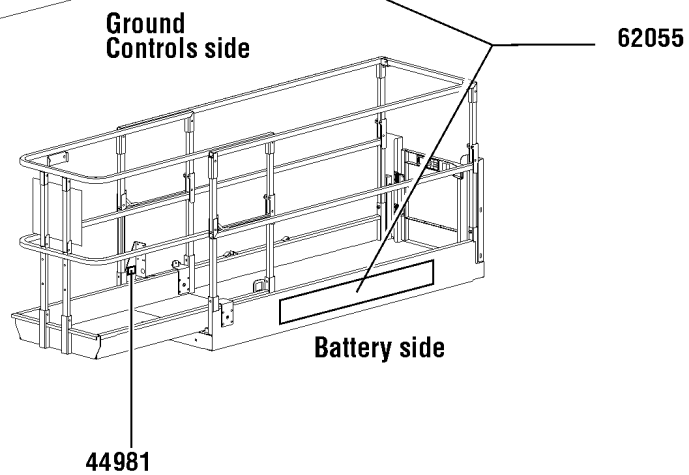
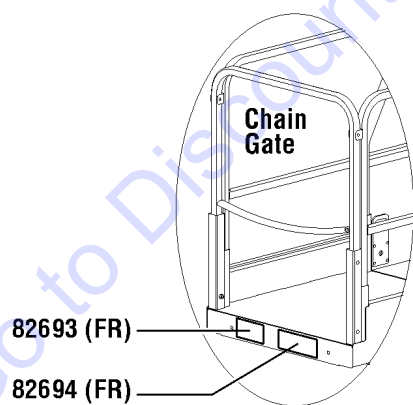
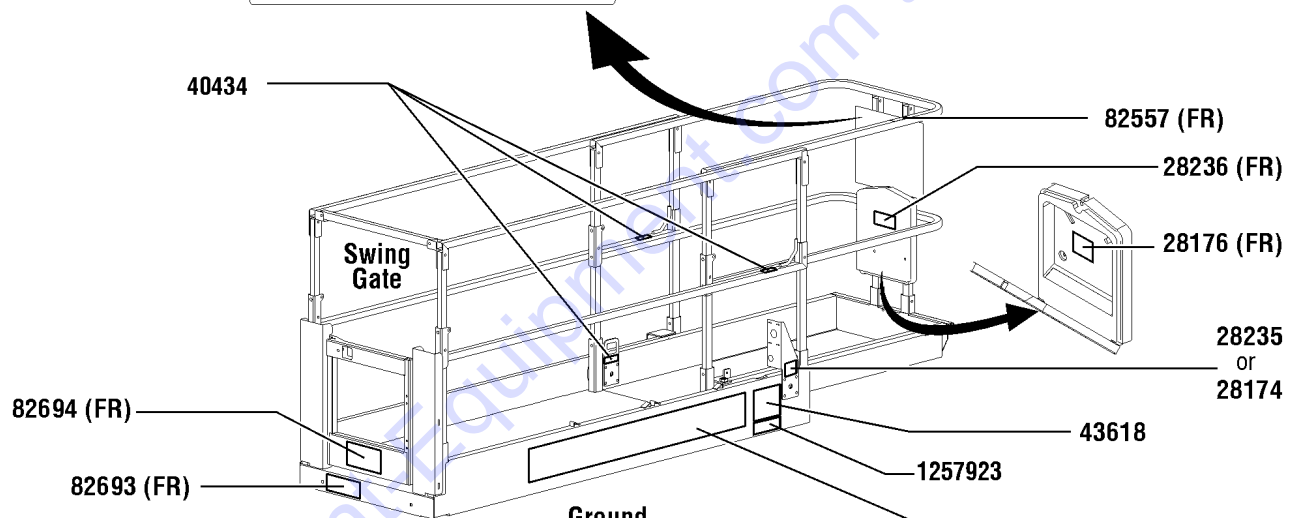
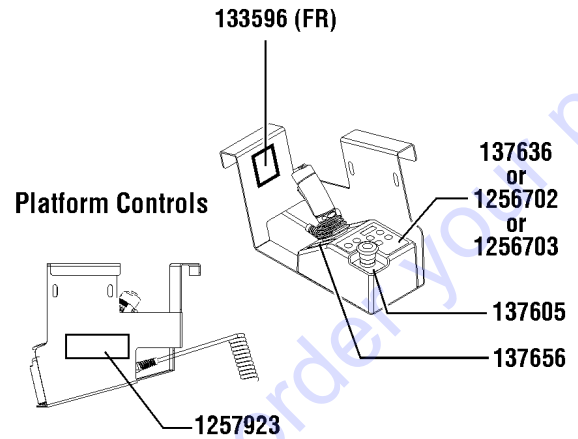
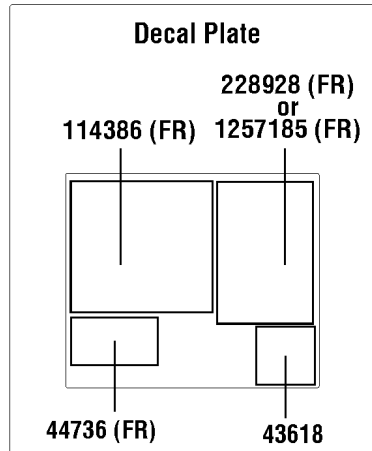


102.1 Word Decals, GS-2032, Ground Control Side, ANSI and Australia

Item	Part No.	Description	Qty.	Item	Part No.	Description	Qty.
--		REF: Word Decal Kits for ANSI and Australia (refer to 101.1)		26	133276GT	DECAL,EMERGENCY LOWERING.....	1
1	28174GT	DECAL, POWER TO PLATFORM 230V**.....	1	27	T107031GT	DECAL,OP INST,GCON.....	1
2	28175GT	DECAL,WARNING-COMPART ACCESS.....	1	28	T112804GT	DECAL,GCON PANEL,GS.....	1
3	28235GT	DECAL,POWER TO PLATFORM 115V...1					
4	31508GT	DECAL,DANGER,ELECT HAZARD,PLUG..... (ANSI models)	1				
5	43619GT	DECAL,LABEL,SAFETY ARM.....	1				
6	43658GT	DECAL,LABEL,PWR TO CHARGR 230V..... (ANSI models)	1				
7	44255GT	DECAL,DANGER,CRUSHING HAZARD.....	2				
8	46287GT	DECAL,LABEL-TIRE SPECS.....	2				
9	44737GT	DECAL DANGER TIP OVER TRAYS.....	1				
10	44980GT	DECAL,LABEL,PWR TO CHARGR 115V..... (ANSI models)	1				
11	44981GT	DECAL,LABEL, AIR LINE 110 PSI..... (Option)	1				
12	52475GT	DECAL,LABEL,TRANSPORT TIEDOWN*.....	1				
13	72086GT	DECAL,LABEL,LIFTING EYE.....	1				
14	72143GT	DECAL,EMERGENCY STOP,GR.....	1				
15	72853GT	DECAL,DANGER,IMPROPER USE HAZ.....	1				
16	72998GT	DECAL,LABEL,QUINTOLUBRIK..... (models with Quintolub hydraulic oil)	1				
17	72999GT	DECAL,LABEL,PETRO CANADA***..... (models with Petro Canada hydraulic oil)	1				
18	82160GT	DECAL,LABEL,STATOIL HYDRA WAY..... (models with Statoil hydraulic oil)	1				
19	82161GT	DECAL,LABEL,UCON HYDROLUBE..... (models with UConn Hydrolube hydraulic oil)	1				
20	82366GT	DECAL,CHEVRON RANDO HD..... (models with Chevron Random hydraulic oil)	1				
21	82558GT	DECAL,WARN,SKIN INJECTION HAZ*.....	1				
22	82559GT	DECAL,INSTRUCT-ANNUAL INSP REQ.....	1				
23	82561GT	DECAL,DANGER-USE SAFETY ARM....	1				
24	97692GT	DECAL,LABEL,WHEEL LOAD 2032.....	2				
25	114385GT	DECAL,DANGER,ELEC HAZARD,GS.....	1				

Platform, ANSI models

NOTE:
Part numbers with "(FR)" indicates French translation is available

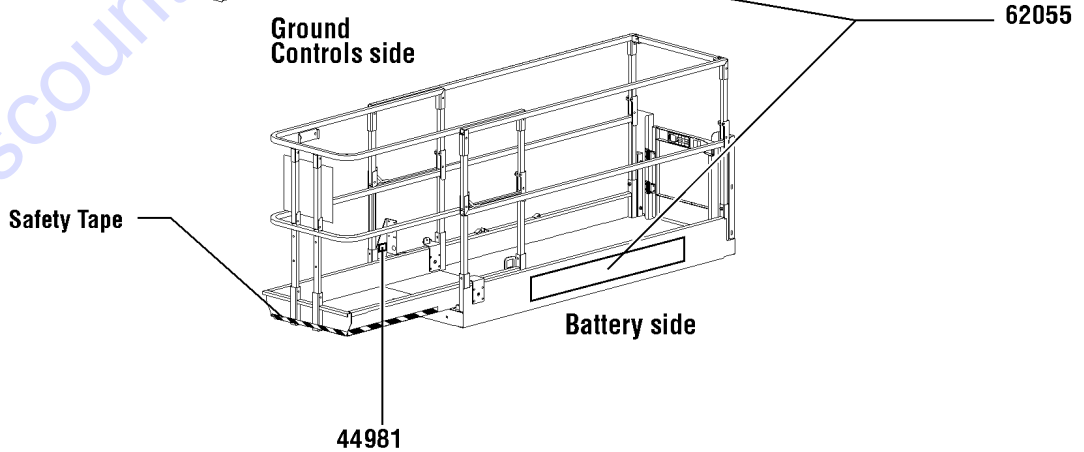
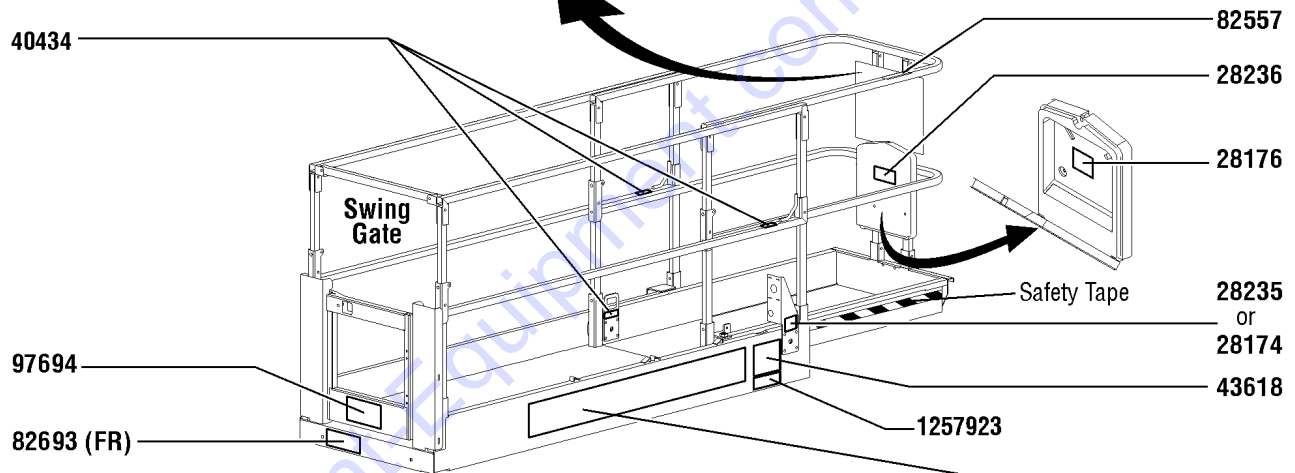
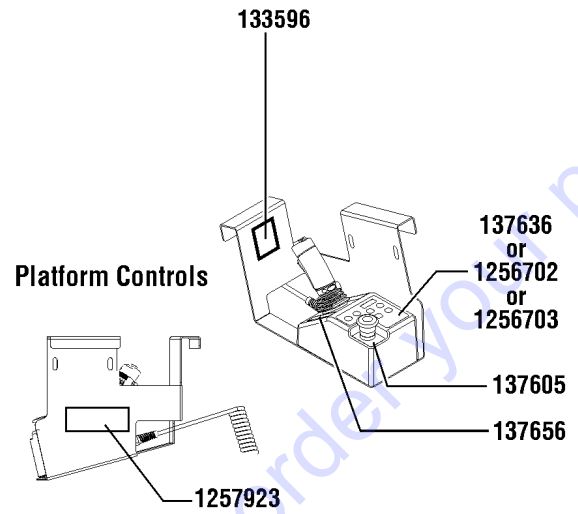
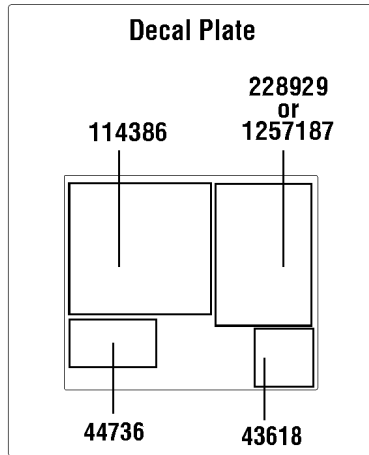


103.1 Word Decals, GS-2032, Platform, ANSI

Item	Part No.	Description	Qty.
--		REF: Word Decal Kits for ANSI (refer to 101.1)	
--	137605GT	DECAL,E-STOP,GR/GRC/GS PCON	
1	28174GT	DECAL, POWER TO PLATFORM 230V**.....1	
2	28176GT	DECAL,LABEL,MANUAL NOT HERE.....1	
3	28235GT	DECAL,POWER TO PLATFORM 115V...1	
4	28236GT	DECAL,WARN,IMPROPER OPERATION.....1	
5	40434GT	DECAL,LANYARD ANCHORAGE POINT.....3	
6	43618GT	DECAL, LABEL - DIRECTION ARROWS.....2	
7	44736GT	DECAL,DANGER,TIP-OVER,TILT.....1	
8	44981GT	DECAL,LABEL, AIR LINE 110 PSI.....1	
9	62055GT	DECAL,COSMETIC,GENIE GS-2032....2	
10	82557GT	DECAL,LABEL,PLAT CONT LOCATION.....1	
11	82693GT	DECAL,INSTR-MAX CAP 800 LBS.....1	
12	82694GT	DECAL,INSTR-SIDE FRC,ANSI 2032....1	
13	114386GT	DECAL,DANGER-GEN SAFETY.....1	
15	133596GT	DECAL,LABEL,FAULT CODES.....1	
16	137605GT	DECAL,E-STOP,GR/GRC/GS PCON.....1	
17	137636GT	DECAL, UI, GR/GRC/GS PCON.....1 (models with 6 button, 2 speed controller) to SN GS3214A-134999 and to SN GS3214C-13999	
18	137656GT	DECAL,PROPEL,GR/GRC/GS,PCON....1	
19	228928GT	DECAL,INSTRUCTIONS,OPER,GS32....1 (models with 6 button, 2 speed controller) to SN GS3214A-134999 and to SN GS3214C-13999	
20	1256702GT	DECAL, UI, GS/GR, PROP LIFT.....1 (models with 4 button, proportional controller)	
21	1256703GT	DECAL, STD, PROP LIFT, UI, SVC.....1 (units converted from 6 button, 2 speed lift to 4 button, proportional controller)	
22	1257185GT	DECAL,OP INST,PLAT,GS32 ANSI.....1 (models with 4 button, proportional controller)	
23	1257923GT	DECAL, SMARTLINK PROPORTIONAL.....2 (models with 4 button, proportional controller, and units converted from 6 button, 2 speed lift to 4 button, proportional controller)	

Platform, Australia models

NOTE:
Part numbers with "(FR)"
indicates French translation
is available



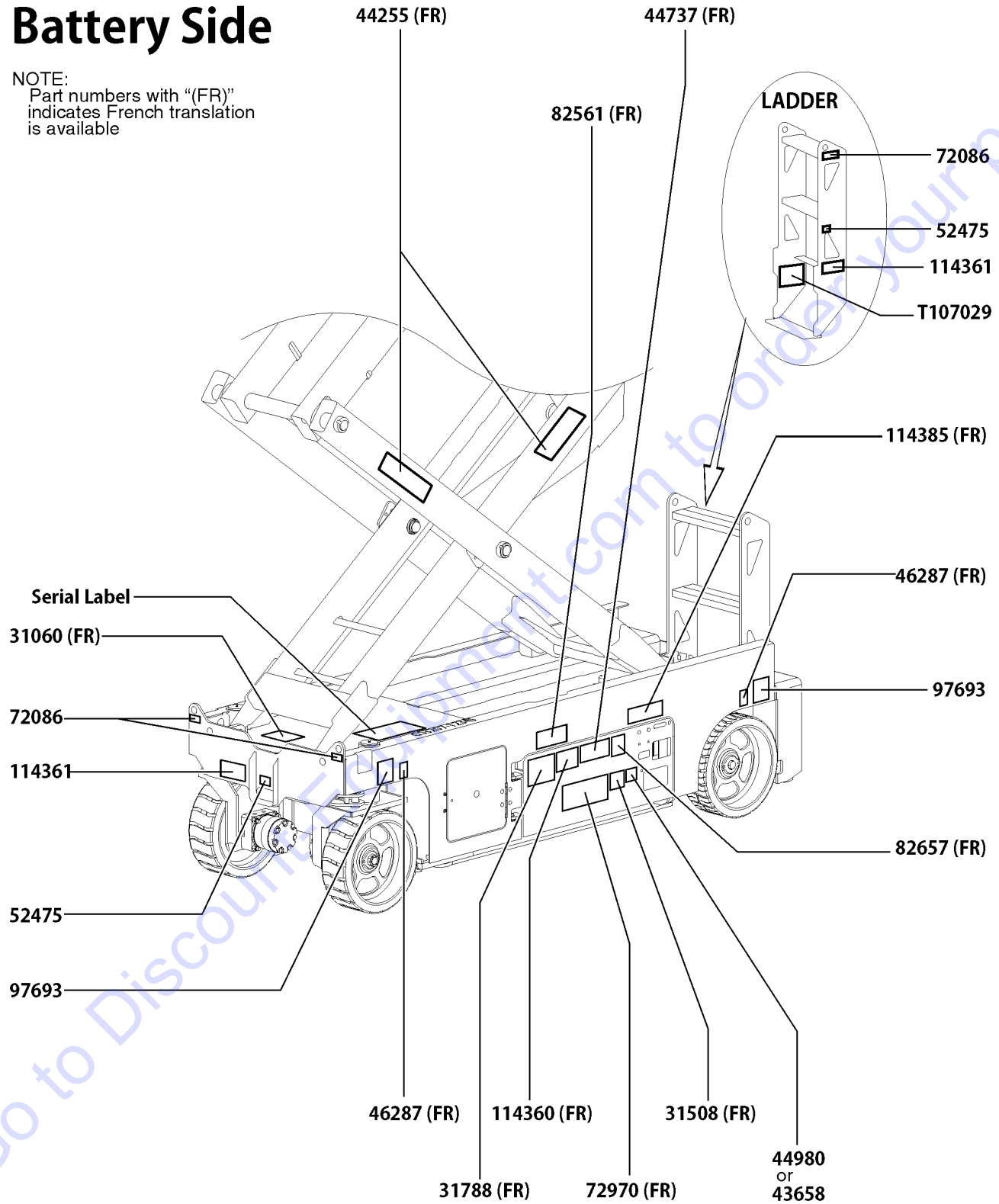
104.1 Word Decals, GS-2032, Platform, Australia

Item	Part No.	Description	Qty.
--		REF: Word Decal Kits for ANSI and Australia (refer to 101.1)	
1	28174GT	DECAL, POWER TO PLATFORM 230V**.....1	1
2	28176GT	DECAL,LABEL,MANUAL NOT HERE.....1	1
3	28235GT	DECAL,POWER TO PLATFORM 115V...1	1
4	28236GT	DECAL,WARN,IMPROPER OPERATION.....1	1
5	40434GT	DECAL,LANYARD ANCHORAGE POINT.....3	3
6	43618GT	DECAL, LABEL - DIRECTION ARROWS.....2	2
7	44736GT	DECAL,DANGER,TIP-OVER,TILT.....1	1
8	44981GT	DECAL,LABEL, AIR LINE 110 PSI.....1 (Option)	1
9	62055GT	DECAL,COSMETIC,GENIE GS-2032....2	2
10	82557GT	DECAL,LABEL,PLAT CONT LOCATION.....1	1
11	82693GT	DECAL,INSTR-MAX CAP 800 LBS.....1	1
12	97694GT	DECAL,INSTR-MANUALFRC,AUS 2032.....1	1
13	114386GT	DECAL,DANGER-GEN SAFETY.....1	1
14	133596GT	DECAL,LABEL,FAULT CODES.....1	1
15	137605GT	DECAL,E-STOP,GR/GRC/GS PCON....1	1
16	137636GT	DECAL, UI, GR/GRC/GS PCON.....1 (models with 6 button, 2 speed controller) to SN GS3214A-134999 and to SN GS3214C-13999	1
17	137656GT	DECAL,PROPEL,GR/GRC/GS,PCON....1	1
18	228929GT	DECAL,OP INST,AUS,GS-32.....1 (models with 6 button, 2 speed controller) to SN GS3214A-134999 and to SN GS3214C-13999	1
19	1256702GT	DECAL, UI, GS/GR, PROP LIFT.....1 (models with 4 button, proportional controller)	1
20	1256703GT	DECAL, STD, PROP LIFT, UI, SVC.....1 (units converted from 6 button, 2 speed lift to 4 button, proportional controller)	1
21	1257187GT	DECAL,OP INST,PLAT,GS32,AUS.....1 (models with 4 button, proportional controller)	1
22	1257923GT	DECAL, SMARTLINK PROPORTIONAL.....2 (models with 4 button, proportional controller, and units converted from 6 button, 2 speed lift to 4 button, proportional controller)	2

105.1 Word Decals, GS-2632, Battery Side, ANSI & Australia

Battery Side

NOTE:
Part numbers with "(FR)" indicates French translation is available



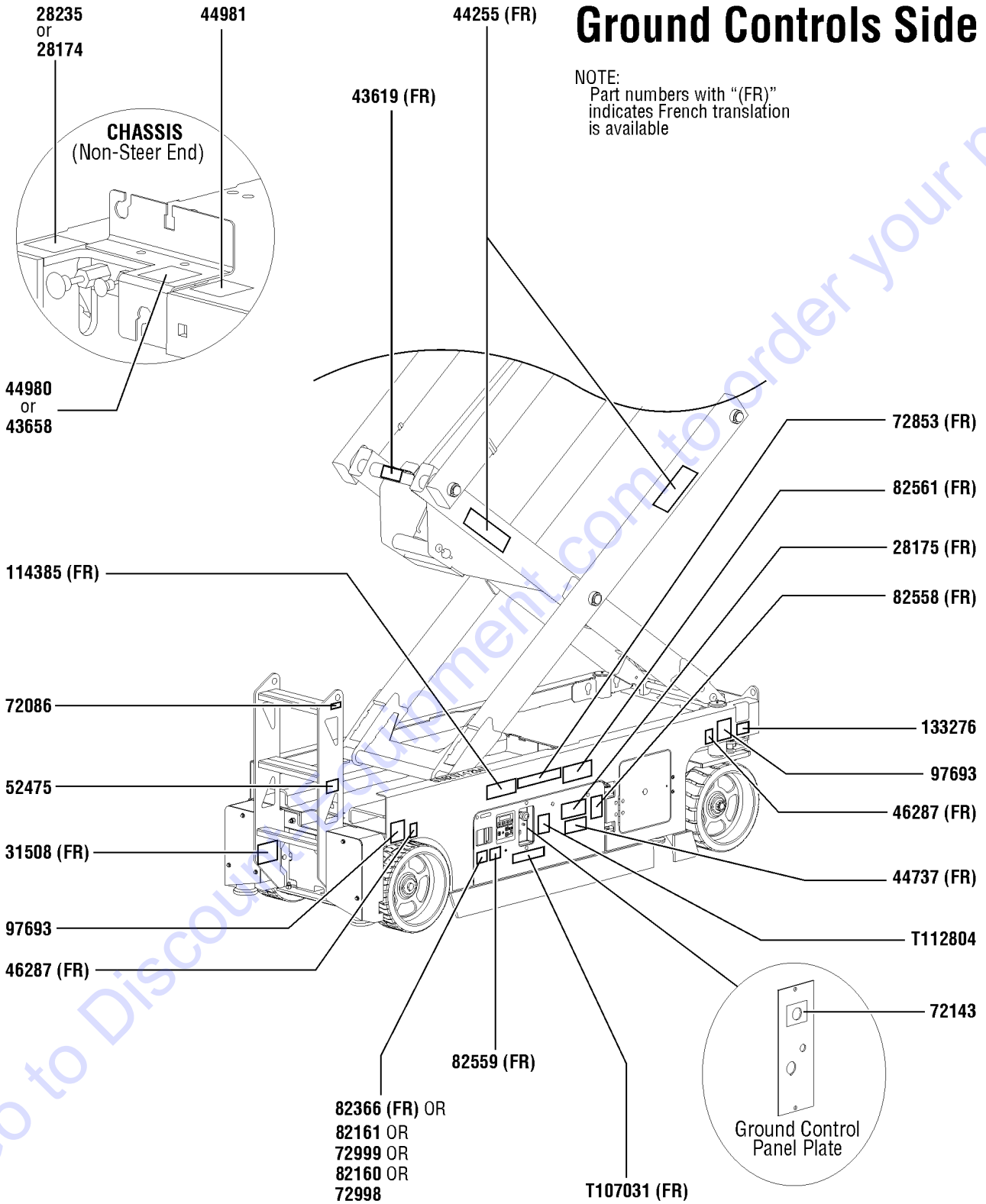
105.1 Word Decals, GS-2632, Battery Side, ANSI & Australia

Item	Part No.	Description	Qty.
A	217253GT	DECAL KIT,2632 PLAT.,WRD,ANSI (ANSI models with 2 speed controller) to SN GS3214A-134999 and to SN GS3214C-13999	
B	217254GT	DECAL KIT,2632 COMP.,WRD,ANSI (ANSI models with 2 speed controller) to SN GS3214A-134999 and to SN GS3214C-13999	
C	217265GT	DECAL KIT,2632 PLAT.,WRD,AUST (Australia models with 2 speed controller) to SN GS3214A-134999 and to SN GS3214C-13999	
D	217266GT	DECAL KIT,2632 COMP.,WRD,AUST (Australia models with 2 speed controller) to SN GS3214A-134999 and to SN GS3214C-13999	
1	31060GT	DECAL,DANGER DO NOT ALTER SWTC.....	1
2	31508GT	DECAL,DANGER,ELECT HAZARD,PLUG..... (Australia models only)	1
3	31788GT	DECAL,DANGER,BATTERY SAFETY***.....	1
4	43658GT	DECAL,LABEL,PWR TO CHARGR 230V..... (Australia models only)	1
5	44255GT	DECAL,DANGER,CRUSHING HAZARD.....	2
6	44737GT	DECAL DANGER TIP OVER TRAYS.....	1
7	44980GT	DECAL,LABEL,PWR TO CHARGR 115V..... (Australia models only)	1
8	46287GT	DECAL,LABEL-TIRE SPECS.....	2
9	52475GT	DECAL,LABEL,TRANSPORT TIEDOWN*.....	2
10	72086GT	DECAL,LABEL,LIFTING EYE.....	3
11	72970GT	DECAL,INSTRUCTIONS-CHARGER OP.....	1
12	82561GT	DECAL,DANGER-USE SAFETY ARM....	1
13	82657GT	DECAL,INSTRUCT,BATTERY CONNECT.....	1
14	97693GT	DECAL,LABEL,WHEEL LOAD 2632.....	2
15	114360GT	DECAL,DANGER-TIP-OVER,BATT.....	1
16	114361GT	DECAL,LABEL-TRANSPORT DIGRAM.....	2
17	114385GT	DECAL,DANGER,ELEC HAZARD,GS....	1
18	T107029GT	DECAL,DANGER,BRAKE REL SAFETY.....	1

106.1 Word Decals, GS-2632, Ground Control Side, ANSI and Australia

Ground Controls Side

NOTE:
Part numbers with "(FR)" indicates French translation is available

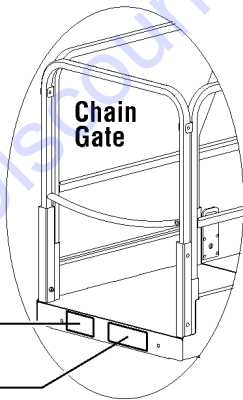
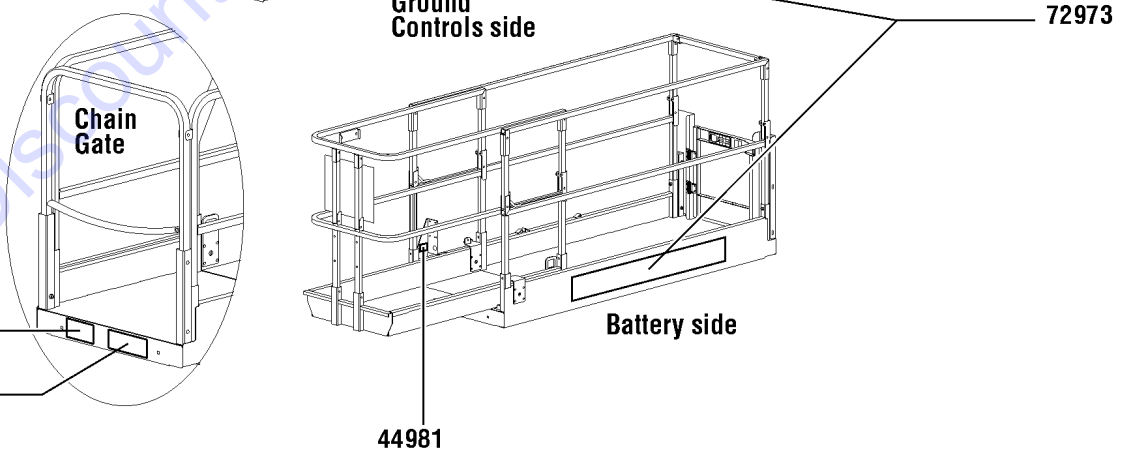
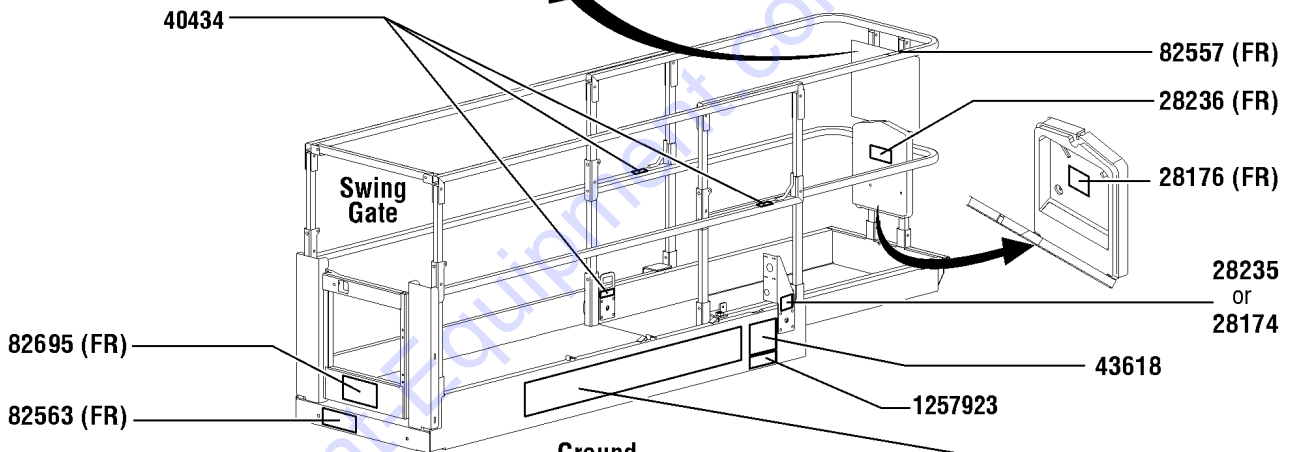
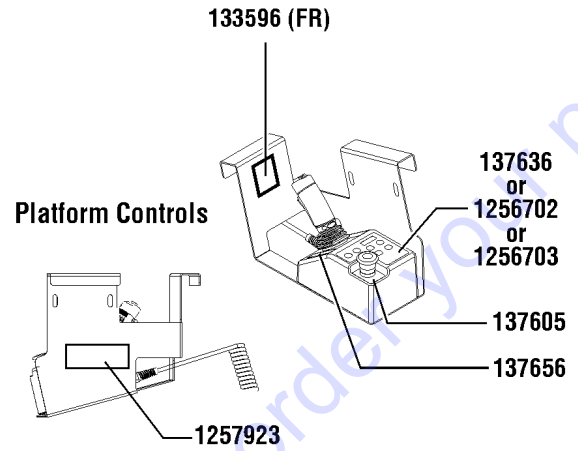
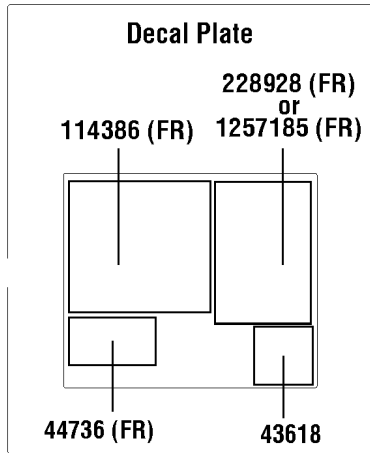


106.1 Word Decals, GS-2632, Ground Control Side, ANSI and Australia

Item	Part No.	Description	Qty.	Item	Part No.	Description	Qty.
--		REF: Word Decal Kits (refer to 105.1)		26	133276GT	DECAL,EMERGENCY LOWERING.....	1
1	28174GT	DECAL, POWER TO PLATFORM 230V**.....	1	27	T107031GT	DECAL,OP INST,GCON.....	1
2	28175GT	DECAL,WARNING-COMPART ACCESS.....	1	28	T112804GT	DECAL,GCON PANEL,GS.....	1
3	28235GT	DECAL,POWER TO PLATFORM 115V...1					
4	31508GT	DECAL,DANGER,ELECT HAZARD,PLUG.....	1				
		(For ANSI models only)					
5	43619GT	DECAL,LABEL,SAFETY ARM.....	1				
6	43658GT	DECAL,LABEL,PWR TO CHARGR 230V.....	1				
		(For ANSI models only)					
7	44255GT	DECAL,DANGER,CRUSHING HAZARD.....	2				
8	46287GT	DECAL,LABEL-TIRE SPECS.....	2				
9	44737GT	DECAL DANGER TIP OVER TRAYS.....	1				
10	44980GT	DECAL,LABEL,PWR TO CHARGR 115V.....	1				
		(For ANSI models only)					
11	44981GT	DECAL,LABEL, AIR LINE 110 PSI.....	1				
		(Option)					
12	52475GT	DECAL,LABEL,TRANSPORT TIEDOWN*.....	1				
13	72086GT	DECAL,LABEL,LIFTING EYE.....	1				
14	72143GT	DECAL,EMERGENCY STOP,GR.....	1				
15	72853GT	DECAL,DANGER,IMPROPER USE HAZ.....	1				
16	72998GT	DECAL,LABEL,QUINTOLUBRIK.....	1				
		(models with Quintolub hydraulic oil)					
17	72999GT	DECAL,LABEL,PETRO CANADA***.....	1				
		(For models with Petro Canada hydraulic oil only)					
18	82160GT	DECAL,LABEL,STATOIL HYDRA WAY.....	1				
		(For models with Statoil hydraulic oil only)					
19	82161GT	DECAL,LABEL,UCON HYDROLUBE.....	1				
		(For models with Ucon Hydrolube hydraulic oil only)					
20	82366GT	DECAL,CHEVRON RANDO HD.....	1				
		(For models with Chevron Rando hydraulic oil only)					
21	82558GT	DECAL,WARN,SKIN INJECTION HAZ*.....	1				
22	82559GT	DECAL,INSTRUCT-ANNUAL INSP REQ.....	1				
23	82561GT	DECAL,DANGER-USE SAFETY ARM....	1				
24	97693GT	DECAL,LABEL,WHEEL LOAD 2632.....	2				
25	114385GT	DECAL,DANGER,ELEC HAZARD,GS.....	1				

Platform, ANSI models

NOTE:
Part numbers with "(FR)" indicates French translation is available

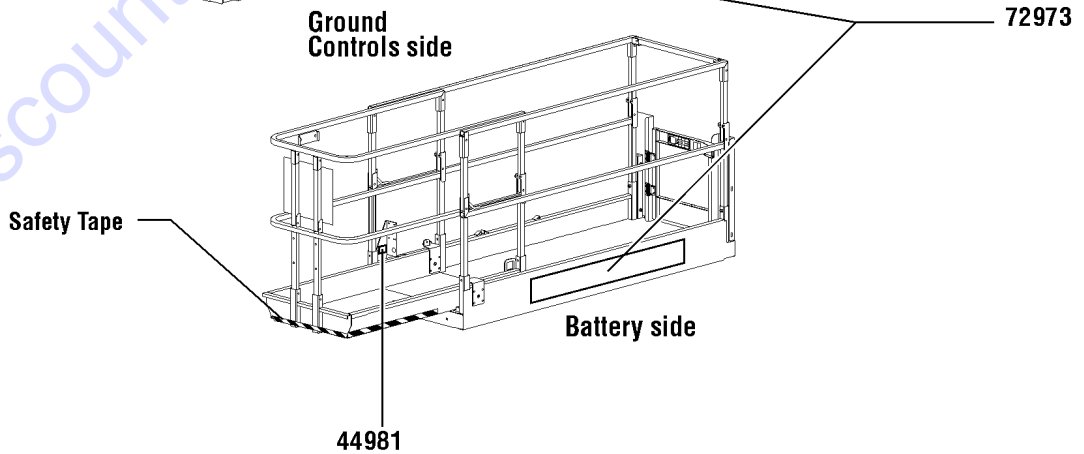
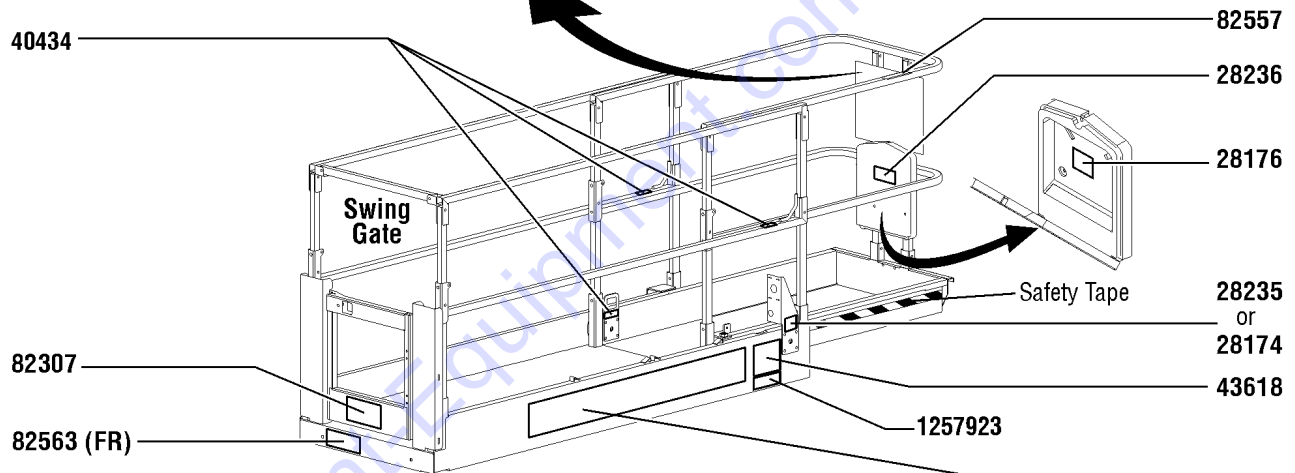
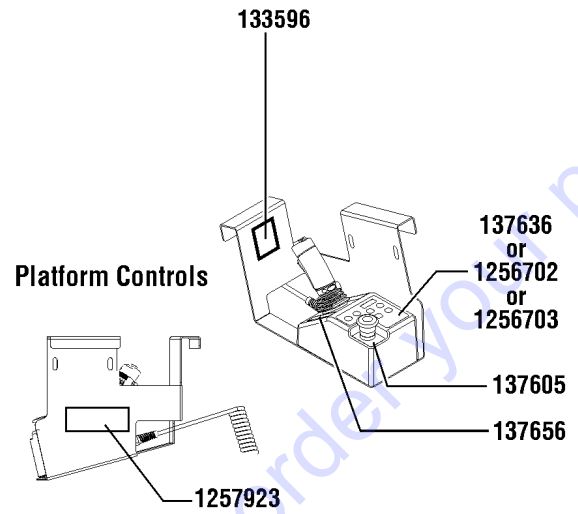
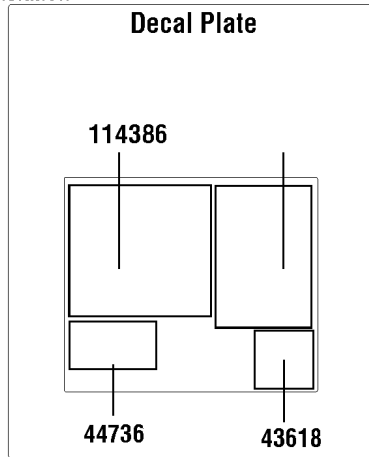


107.1 Word Decals, GS-2632, Platform, ANSI

Item	Part No.	Description	Qty.
--		REF: Word Decal Kits (refer to 105.1)	
1	28174GT	DECAL, POWER TO PLATFORM 230V**.....1	1
2	28176GT	DECAL,LABEL,MANUAL NOT HERE.....1	1
3	28235GT	DECAL,POWER TO PLATFORM 115V...1	1
4	28236GT	DECAL,WARN,IMPROPER OPERATION.....1	1
5	40434GT	DECAL,LANYARD ANCHORAGE POINT.....3	3
6	43618GT	DECAL, LABEL - DIRECTION ARROWS.....2	2
7	44736GT	DECAL,DANGER,TIP-OVER,TILT.....1	1
8	44981GT	DECAL,LABEL, AIR LINE 110 PSI.....1	1
9	72973GT	DECAL,COSMETIC,GENIE GS-2632**...2	2
10	82557GT	DECAL,LABEL,PLAT CONT LOCATION.....1	1
11	82563GT	DECAL,INSTR-MAX CAP 500 LBS.....1 <i>for GS2632 models</i>	1
12	82695GT	DECAL,INSTR-SIDE FRC,ANSI.....1	1
13	114386GT	DECAL,DANGER-GEN SAFETY.....1	1
14	133596GT	DECAL,LABEL,FAULT CODES.....1	1
15	137636GT	DECAL, UI, GR/GRC/GS PCON.....1 <i>(models with 6 button, 2 speed controller) to SN GS32 14A-134999 and to SN GS3214C-13999</i>	1
16	137605GT	DECAL,E-STOP,GR/GRC/GS PCON....1	1
17	137656GT	DECAL,PROPEL,GR/GRC/GS,PCON....1	1
18	228928GT	DECAL,INSTRUCTIONS,OPER,GS32....1 <i>(models with 6 button, 2 speed controller) to SN GS32 14A-134999 and to SN GS32 14C-13999</i>	1
19	1256702GT	DECAL, UI, GS/GR, PROP LIFT.....1 <i>(models with 4 button, proportional controller)</i>	1
20	1256703GT	DECAL, STD, PROP LIFT, UI, SVC.....1 <i>(units converted from 6 button, 2 speed lift to 4 button, proportional controller)</i>	1
21	1257185GT	DECAL,OP INST,PLAT,GS32 ANSI.....1 <i>(models with 4 button, proportional controller)</i>	1
22	1257923GT	DECAL, SMARTLINK PROPORTIONAL.....2 <i>(models with 4 button, proportional controller, and units converted from 6 button, 2 speed lift to 4 button, proportional controller)</i>	2

Platform, Australia models

NOTE:
Part numbers with "(FR)"
indicates French translation
is available



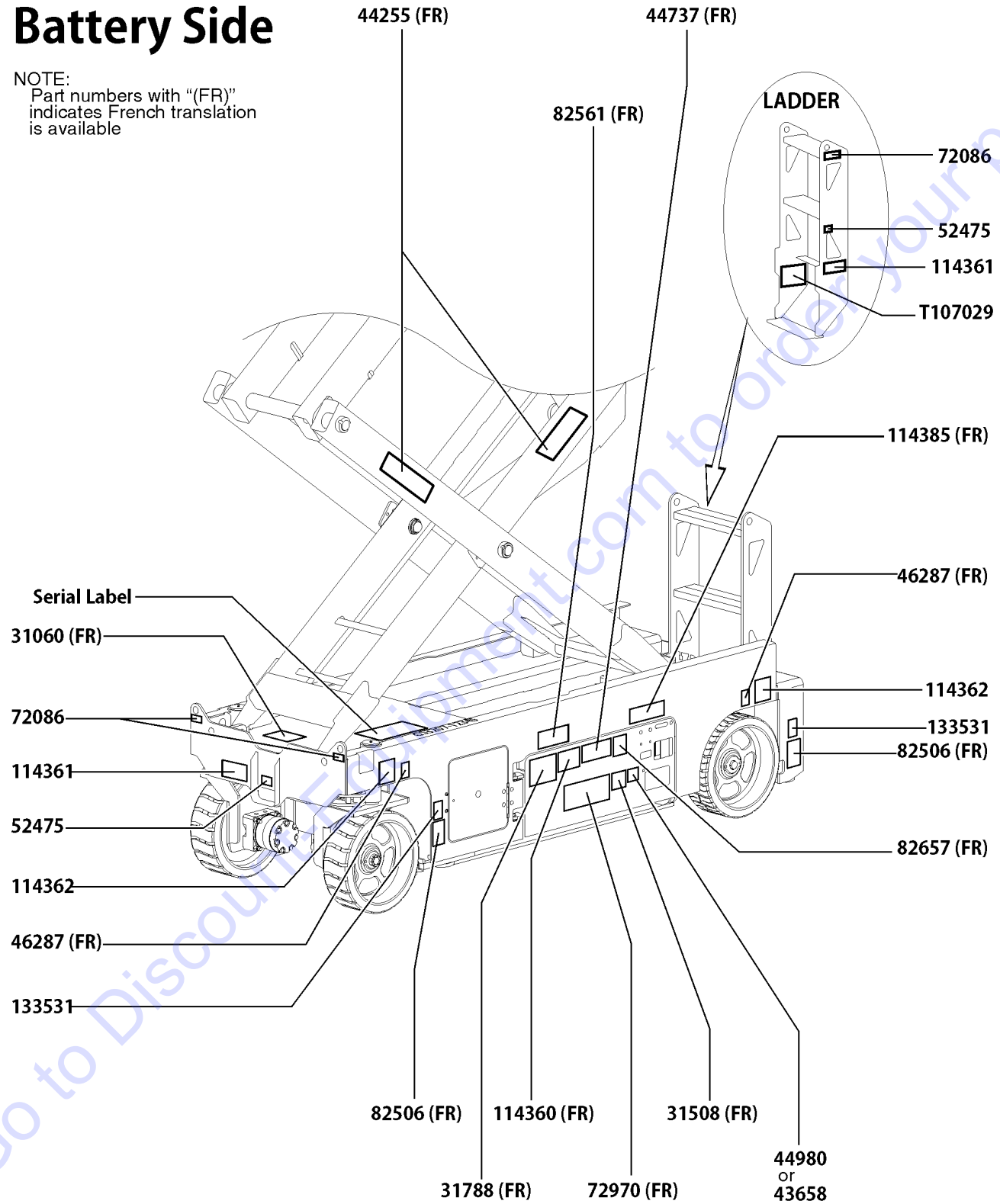
108.1 Word Decals, GS-2632, Platform, Australia

Item	Part No.	Description	Qty.
--		REF: Word Decal Kits (refer to 105.1)	
1	28174GT	DECAL, POWER TO PLATFORM 230V**.....1	1
2	28176GT	DECAL,LABEL,MANUAL NOT HERE.....1	1
3	28235GT	DECAL,POWER TO PLATFORM 115V...1	1
4	28236GT	DECAL,WARN,IMPROPER OPERATION.....1	1
5	40434GT	DECAL,LANYARD ANCHORAGE POINT.....3	3
6	43618GT	DECAL, LABEL - DIRECTION ARROWS.....2	2
7	44736GT	DECAL,DANGER,TIP-OVER,TILT.....1	1
8	44981GT	DECAL,LABEL, AIR LINE 110 PSI.....1 (Option)	1
9	72973GT	DECAL,COSMETIC,GENIE GS-2632**...1	1
10	82307GT	DECAL,INSTR,INDOOR,AUS-26/3232...1	1
11	82557GT	DECAL,LABEL,PLAT CONT LOCATION.....1	1
12	82563GT	DECAL,INSTR-MAX CAP 500 LBS.....1 for GS2632 models	1
13	114386GT	DECAL,DANGER-GEN SAFETY.....1	1
14	133596GT	DECAL,LABEL,FAULT CODES.....1	1
15	137605GT	DECAL,E-STOP,GR/GRC/GS PCON....1	1
16	137636GT	DECAL, UI, GR/GRC/GS PCON.....1 (models with 6 button, 2 speed controller) to SN GS3214A-134999 and to SN GS3214C-13999	1
17	137656GT	DECAL,PROPEL,GR/GRC/GS,PCON....1	1
18	228929GT	DECAL,OP INST,AUS,GS-32.....1 (models with 6 button, 2 speed controller) to SN GS3214A-134999 and to SN GS3214C-13999	1
19	1256702GT	DECAL, UI, GS/GR, PROP LIFT.....1 (models with 4 button, proportional controller)	1
20	1256703GT	DECAL, STD, PROP LIFT, UI, SVC.....1 (units converted from 6 button, 2 speed lift to 4 button, proportional controller)	1
21	1257187GT	DECAL,OP INST,PLAT,GS32,AUS.....1 (models with 4 button, proportional controller)	1
22	1257923GT	DECAL, SMARTLINK PROPORTIONAL.....2 (models with 4 button, proportional controller, and units converted from 6 button, 2 speed lift to 4 button, proportional controller)	2

109.1 Word Decals, GS-3232, Battery Side, ANSI & Australia

Battery Side

NOTE:
Part numbers with "(FR)" indicates French translation is available



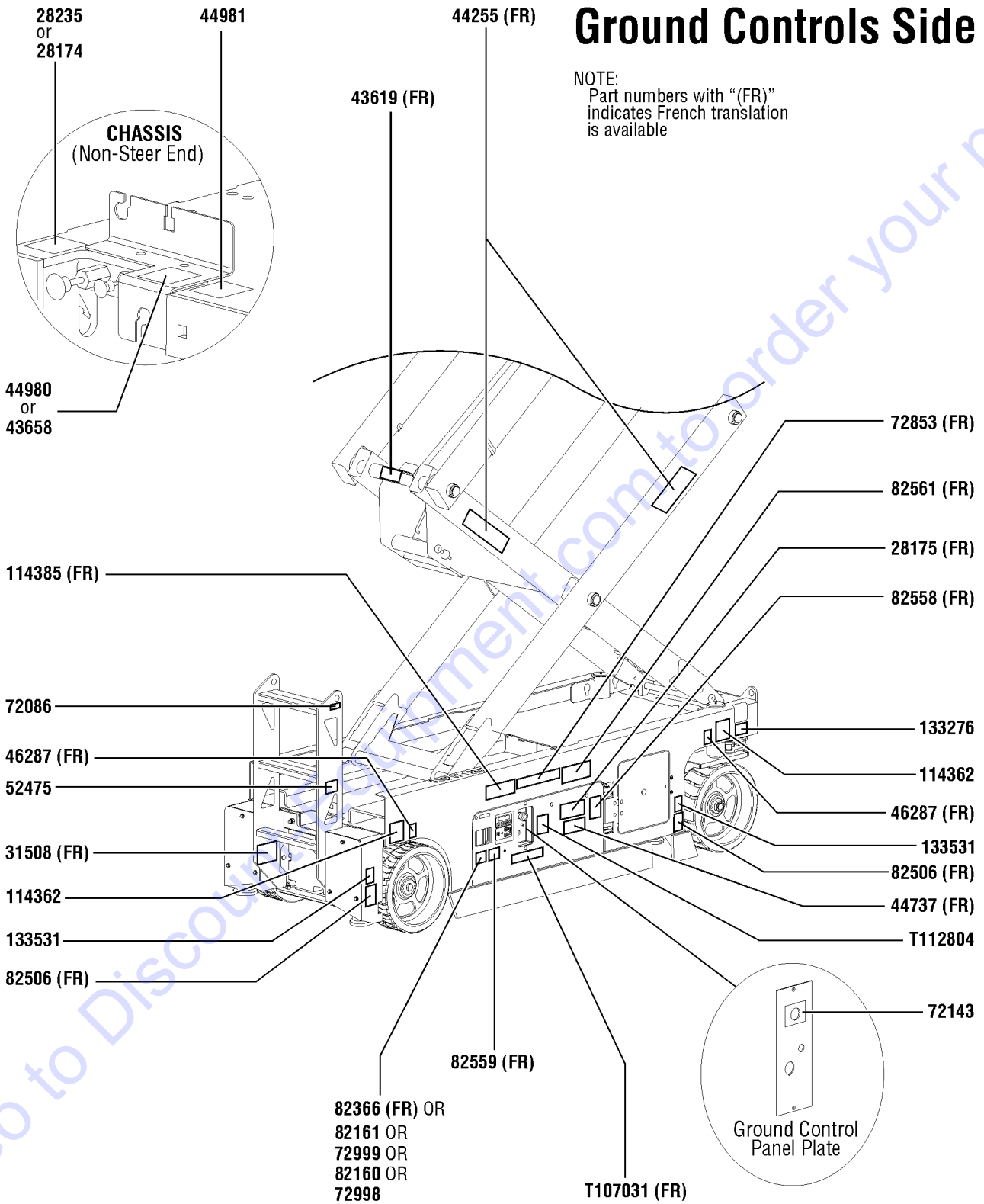
109.1 Word Decals, GS-3232, Battery Side, ANSI & Australia

Item	Part No.	Description	Qty.
A	217255GT	DECAL KIT,3232 PLAT.,WRD,ANSI (ANSI models with 2 speed controller) to SN GS3214A-134999	
B	217256GT	DECAL KIT,3232 COMP.,WRD,ANSI (ANSI models with 2 speed controller) to SN GS3214A-134999	
C	217267GT	DECAL KIT,3232 PLAT.,WRD,AUST (Australia models with 2 speed controller) to SN GS3214A-134999	
D	217268GT	DECAL KIT,3232 COMP.,WRD,AUST (Australia models with 2 speed controller) to SN GS3214A-134999	
1	31060GT	DECAL,DANGER DO NOT ALTER SWTC.....	1
2	31508GT	DECAL,DANGER,ELECT HAZARD,PLUG..... (Australia models only)	1
3	31788GT	DECAL,DANGER,BATTERY SAFETY***.....	1
4	43658GT	DECAL,LABEL,PWR TO CHARGR 230V..... (Australia models only)	1
5	44255GT	DECAL,DANGER,CRUSHING HAZARD.....	1
6	44737GT	DECAL DANGER TIP OVER TRAYS.....	1
7	44980GT	DECAL,LABEL,PWR TO CHARGR 115V..... (Australia models only)	1
8	46287GT	DECAL,LABEL-TIRE SPECS.....	2
9	52475GT	DECAL,LABEL,TRANSPORT TIEDOWN*.....	2
10	72086GT	DECAL,LABEL,LIFTING EYE.....	3
11	72970GT	DECAL,INSTRUCTIONS-CHARGER OP.....	1
12	82506GT	DECAL,WARNING-FOOT CRUSHING....	2
13	82561GT	DECAL,DANGER-USE SAFETY ARM....	1
14	82657GT	DECAL,INSTRUCT,BATTERY CONNECT.....	1
15	114360GT	DECAL,DANGER-TIP-OVER,BATT.....	1
16	114361GT	DECAL,LABEL-TRANSPORT DIGRAM.....	2
17	114362GT	DECAL,LABEL-WHEEL LOAD,GS-3232.....	2
18	114385GT	DECAL,DANGER,ELEC HAZARD,GS....	1
19	133531GT	LABEL,OUTRIGGER,LOAD,GS-3232....	2
20	T107029GT	DECAL,DANGER,BRAKE REL SAFETY.....	1

110.1 Word Decals, GS-3232, Ground Control Side, ANSI and Australia

Ground Controls Side

NOTE:
Part numbers with "(FR)" indicates French translation is available



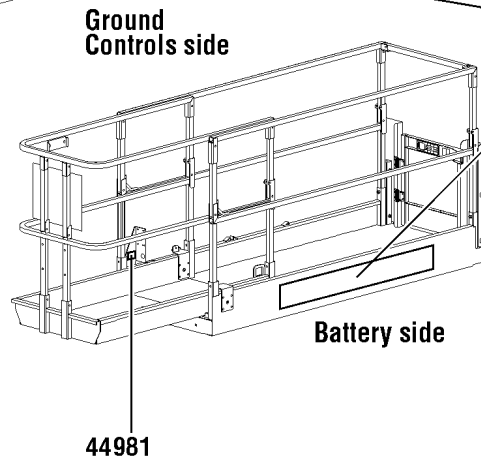
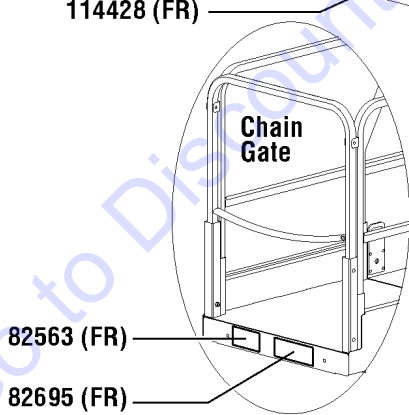
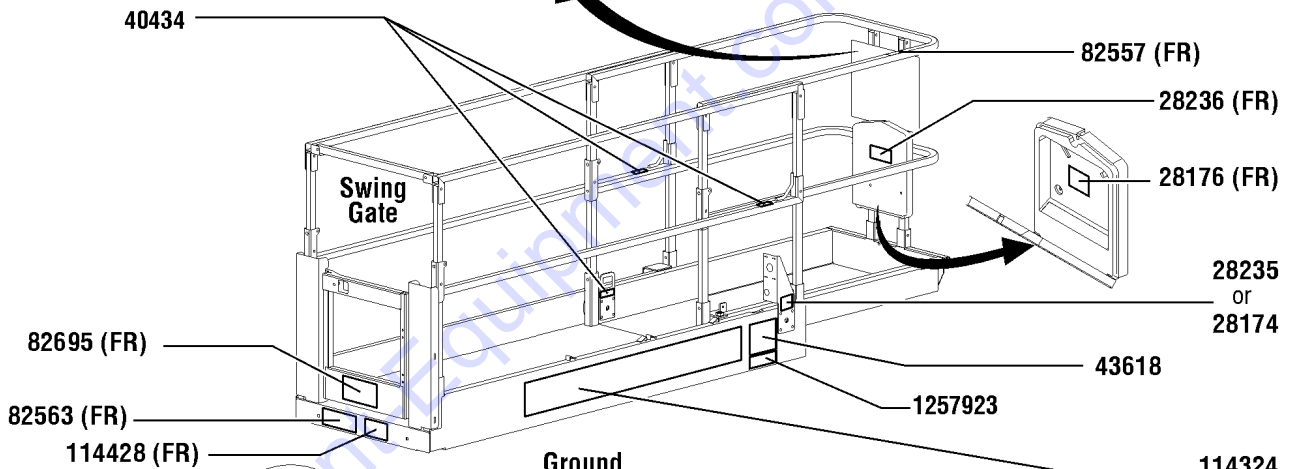
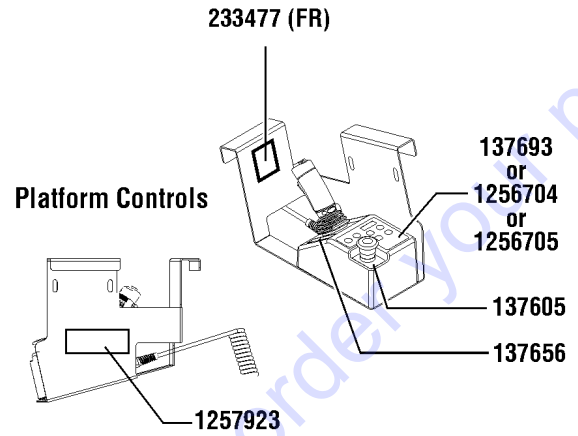
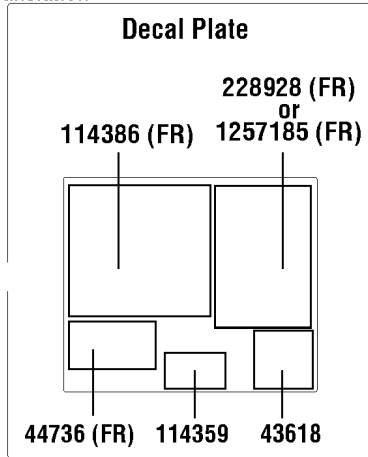
110.1 Word Decals, GS-3232, Ground Control Side, ANSI and Australia

Item	Part No.	Description	Qty.	Item	Part No.	Description	Qty.
--		REF: Word Decal Kits for ANSI and Australia (refer to 109.1)		25	114362GT	DECAL,LABEL-WHEEL LOAD,GS-3232.....	2
1	28174GT	DECAL, POWER TO PLATFORM 230V**.....	1	26	114385GT	DECAL,DANGER,ELEC HAZARD,GS.....	1
2	28175GT	DECAL,WARNING-COMPART ACCESS.....	1	27	133276GT	DECAL,EMERGENCY LOWERING.....	1
3	28235GT	DECAL,POWER TO PLATFORM 115V...1	1	28	133531GT	LABEL,OUTRIGGER,LOAD,GS-3232....2	2
4	31508GT	DECAL,DANGER,ELECT HAZARD,PLUG..... (For ANSI models only)	1	29	T107031GT	DECAL,OP INST,GCON.....	1
5	43619GT	DECAL,LABEL,SAFETY ARM.....	1	30	T112804GT	DECAL,GCON PANEL,GS.....	1
6	43658GT	DECAL,LABEL,PWR TO CHARGR 230V..... (For ANSI models only)	1				
7	44255GT	DECAL,DANGER,CRUSHING HAZARD.....	2				
8	46287GT	DECAL,LABEL-TIRE SPECS.....	2				
9	44737GT	DECAL DANGER TIP OVER TRAYS.....	1				
10	44980GT	DECAL,LABEL,PWR TO CHARGR 115V..... (For ANSI models only)	1				
11	44981GT	DECAL,LABEL, AIR LINE 110 PSI..... (Option)	1				
12	52475GT	DECAL,LABEL,TRANSPORT TIEDOWN*.....	1				
13	72086GT	DECAL,LABEL,LIFTING EYE.....	1				
14	72143GT	DECAL,EMERGENCY STOP,GR.....	1				
15	72853GT	DECAL,DANGER,IMPROPER USE HAZ.....	1				
16	72998GT	DECAL,LABEL,QUINTOLUBRIK..... (models with Quintolub hydraulic oil)	1				
17	72999GT	DECAL,LABEL,PETRO CANADA***..... (For models with Petro Canada hydraulic oil only)	1				
18	82160GT	DECAL,LABEL,STATOIL HYDRA WAY..... (For models with Statoil hydraulic oil only)	1				
19	82161GT	DECAL,LABEL,UCON HYDROLUBE..... (For models with Ucon Hydrolube hydraulic oil only)	1				
20	82366GT	DECAL,CHEVRON RANDO HD..... (For models with Chevron Rando hydraulic oil only)	1				
21	82506GT	DECAL,WARNING-FOOT CRUSHING...2	2				
22	82558GT	DECAL,WARN,SKIN INJECTION HAZ*.....	1				
23	82559GT	DECAL,INSTRUCT-ANNUAL INSP REQ.....	1				
24	82561GT	DECAL,DANGER-USE SAFETY ARM....1	1				

111.1 Word Decals, GS-3232, Platform, ANSI

Platform, ANSI models

NOTE:
Part numbers with "(FR)" indicates French translation is available

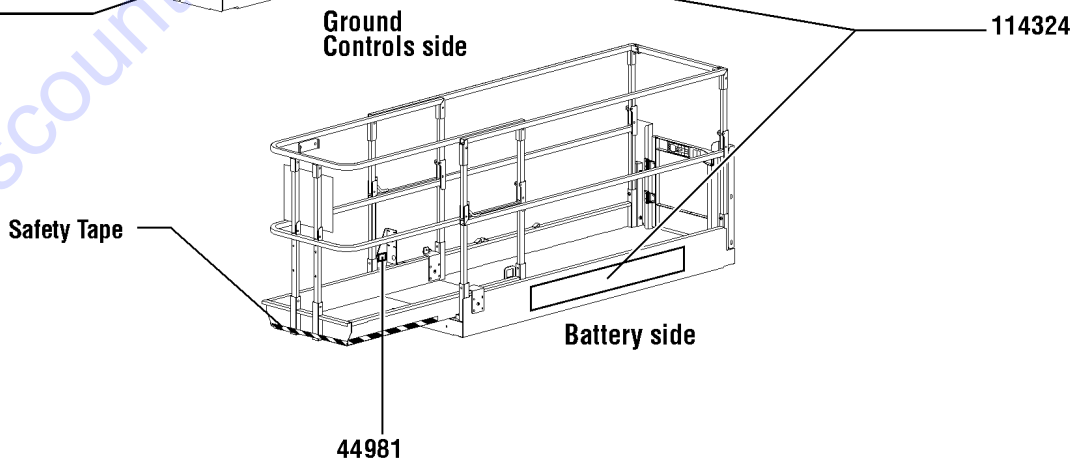
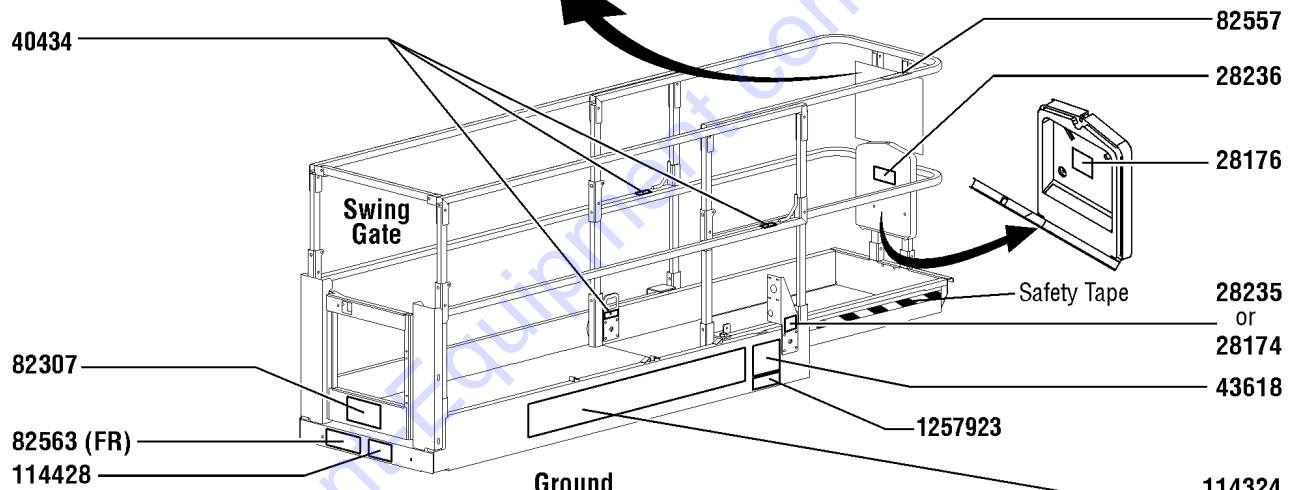
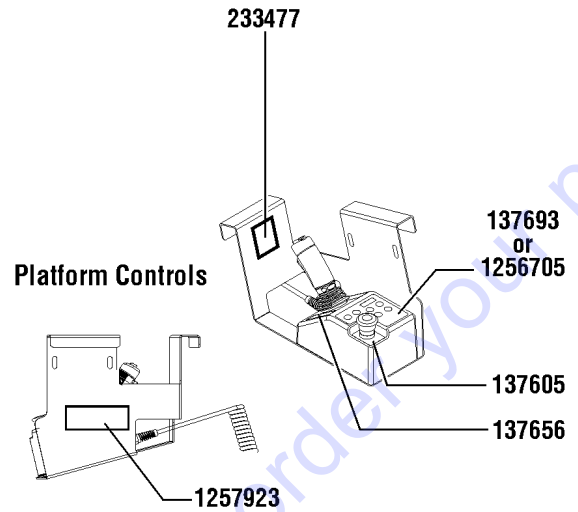
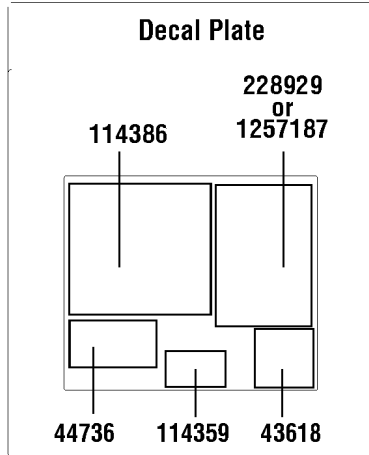


111.1 Word Decals, GS-3232, Platform, ANSI

Item	Part No.	Description	Qty.
--		REF: Word Decal Kits for ANSI and Australia (refer to 109.1)	
1	28174GT	DECAL, POWER TO PLATFORM 230V**.....1	1
2	28176GT	DECAL,LABEL,MANUAL NOT HERE.....1	1
3	28235GT	DECAL,POWER TO PLATFORM 115V...1	1
4	28236GT	DECAL,WARN,IMPROPER OPERATION.....1	1
5	40434GT	DECAL,LANYARD ANCHORAGE POINT.....3	3
6	43618GT	DECAL, LABEL - DIRECTION ARROWS.....2	2
7	44736GT	DECAL,DANGER,TIP-OVER,TILT.....1	1
8	44981GT	DECAL,LABEL, AIR LINE 110 PSI.....1	1
9	82557GT	DECAL,LABEL,PLAT CONT LOCATION.....1	1
10	82563GT	DECAL,INSTR-MAX CAP 500 LBS.....1 <i>for GS3232 models</i>	1
11	82695GT	DECAL,INSTR-SIDE FRC,ANSI.....1	1
12	114324GT	DECAL,COSMETIC-GENIE GS-3232....2	2
13	114359GT	DANGER/INSTR-OUTRGR OP-GS3232.....1	1
14	114386GT	DECAL,DANGER-GEN SAFETY.....1	1
15	114428GT	DECAL,INSTRUCT,TRAVEL HEIGHT....1	1
16	137605GT	DECAL,E-STOP,GR/GRC/GS PCON....1	1
17	137656GT	DECAL,PROPEL,GR/GRC/GS,PCON....1	1
18	137693GT	DECAL, UI, GS3232, PCON.....1 <i>(models with 8 button, 2 speed controller) to SN GS32 14A-134999</i>	1
19	228928GT	DECAL,INSTRUCTIONS,OPER,GS32....1 <i>(models with 8 button, 2 speed controller) to SN GS32 14A-134999</i>	1
20	233477GT	DECAL,LABEL,FAULT CODES.....1	1
21	1256705GT	DECAL, O/R, PROP LIFT, UI, SVC.....1 <i>(models with 6 button, proportional controller)</i>	1
22	1256705GT	DECAL, O/R, PROP LIFT, UI, SVC.....1 <i>(units converted from 8 button, 2 speed lift to 6 button, proportional controller)</i>	1
23	1257185GT	DECAL,OP INST,PLAT,GS32 ANSI.....1 <i>(models with 6 button, proportional controller)</i>	1
24	1257923GT	DECAL, SMARTLINK PROPORTIONAL.....2 <i>(models with 6 button, proportional controller, and units converted from 8 button, 2 speed lift to 6 button, proportional controller)</i>	2

Platform, Australia models

NOTE:
Part numbers with "(FR)" indicates French translation is available



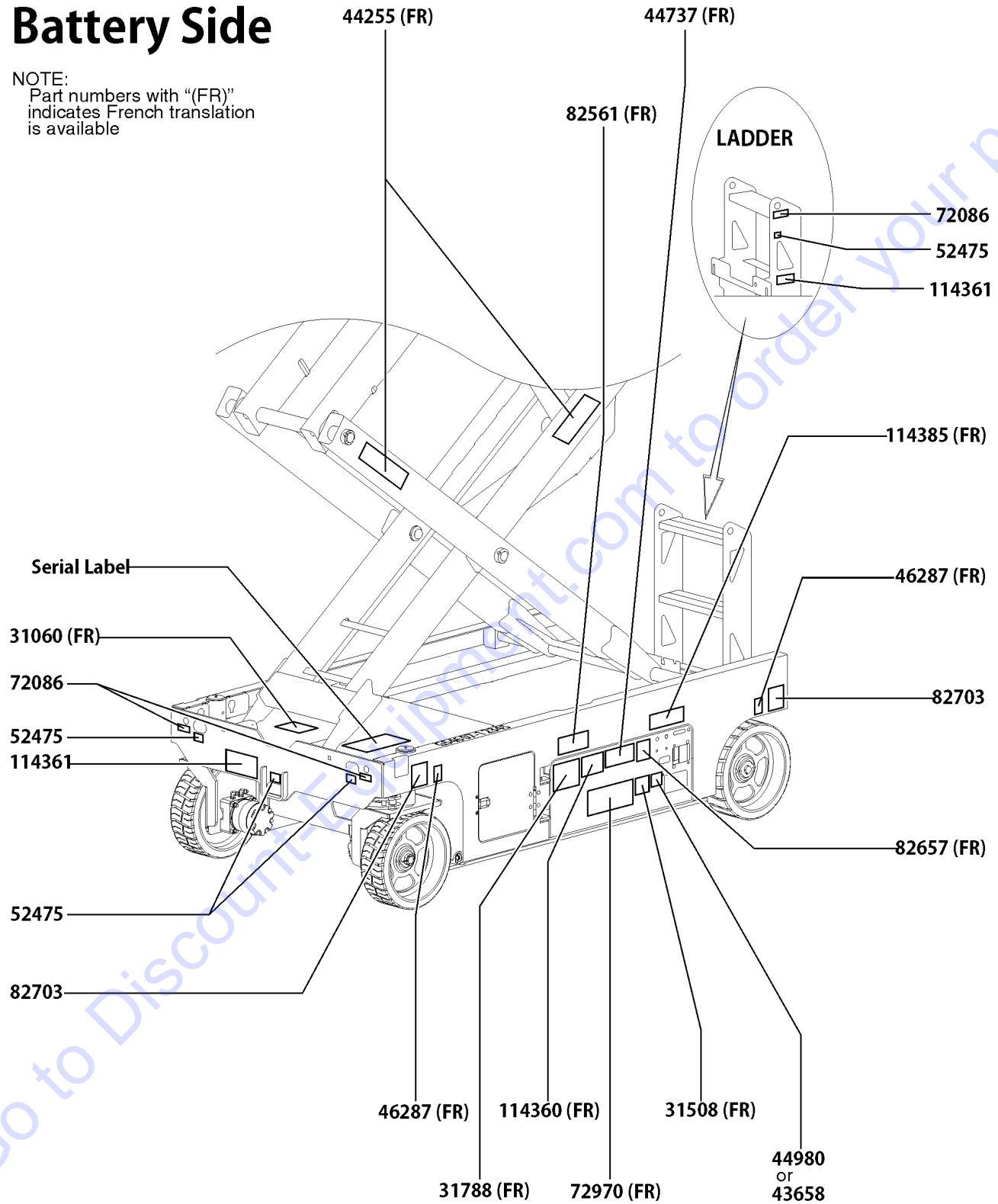
112.1 Word Decals, GS-3232, Platform, Australia

Item	Part No.	Description	Qty.
--		REF: Word Decal Kits for ANSI and Australia (refer to 109.1)	
1	28174GT	DECAL, POWER TO PLATFORM 230V**.....1	1
2	28176GT	DECAL,LABEL,MANUAL NOT HERE.....1	1
3	28235GT	DECAL,POWER TO PLATFORM 115V...1	1
4	28236GT	DECAL,WARN,IMPROPER OPERATION.....1	1
5	40434GT	DECAL,LANYARD ANCHORAGE POINT.....3	3
6	43618GT	DECAL, LABEL - DIRECTION ARROWS.....2	2
7	44736GT	DECAL,DANGER,TIP-OVER,TILT.....1	1
8	44981GT	DECAL,LABEL, AIR LINE 110 PSI.....1 (Option)	1
9	82307GT	DECAL,INSTR,INDOOR,AUS-26/3232...1	1
10	82557GT	DECAL,LABEL,PLAT CONT LOCATION.....1	1
11	82563GT	DECAL,INSTR-MAX CAP 500 LBS.....1 for GS3232 models	1
12	114324GT	DECAL,COSMETIC-GENIE GS-3232.....1	1
13	114359GT	DANGER/INSTR-OUTRGR OP-GS3232.....1	1
14	114386GT	DECAL,DANGER-GEN SAFETY.....1	1
15	114428GT	DECAL,INSTRUCT,TRAVEL HEIGHT....1	1
16	137605GT	DECAL,E-STOP,GR/GRC/GS PCON....1	1
17	137656GT	DECAL,PROPEL,GR/GRC/GS,PCON....1	1
18	137693GT	DECAL, UI, GS3232, PCON (models with 8 button, 2 speed controller) to SN GS3214A-134999	1
19	228929GT	DECAL,OP INST,AUS,GS-32.....1 (models with 8 button, 2 speed controller) to SN GS3214A-134999	1
20	233477GT	DECAL,LABEL,FAULT CODES.....1	1
21	1256705GT	DECAL, O/R, PROP LIFT, UI, SVC.....1 (models with 6 button, proportional controller and units converted from 8 button, 2 speed lift to 6 button, proportional controller)	1
22	1257187GT	DECAL,OP INST,PLAT,GS32,AUS.....1 (models with 6 button, proportional controller)	1
23	1257923GT	DECAL, SMARTLINK PROPORTIONAL.....2 (models with 6 button, proportional controller, and units converted from 8 button, 2 speed lift to 6 button, proportional controller)	2

113.1 Word Decals, GS-2046, Battery Side, ANSI & Australia

Battery Side

NOTE:
Part numbers with "(FR)" indicates French translation is available



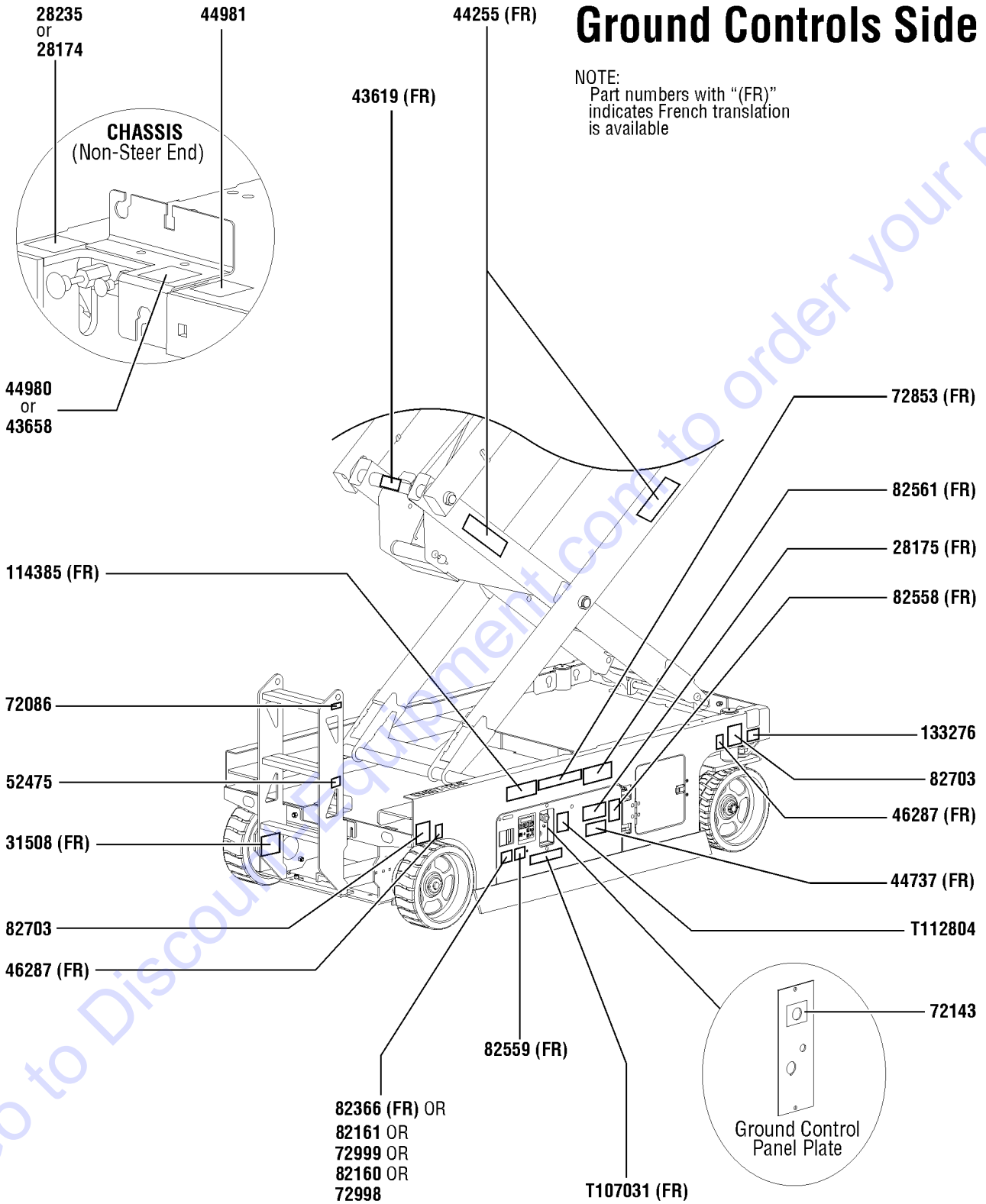
113.1 Word Decals, GS-2046, Battery Side, ANSI & Australia

Item	Part No.	Description	Qty.
A	217257GT	DECAL KIT,2046 PLAT.,WRD,ANSI (ANSI models with 2 speed controller) to SN GS4614A-134999 and to SN GS4614C-13999	
B	217258GT	DECAL KIT,2046 COMP.,WRD,ANSI (ANSI models with 2 speed controller) to SN GS4614A-134999 and to SN GS4614C-13999	
C	217269GT	DECAL KIT,2046 PLAT.,WRD,AUST (Australia models with 2 speed controller) to SN GS4614A-134999 and to SN GS4614C-13999	
D	217270GT	DECAL KIT,2046 COMP.,WRD,AUST (Australia models with 2 speed controller) to SN GS4614A-134999 and to SN GS4614C-13999	
1	31060GT	DECAL,DANGER DO NOT ALTER SWTC.....	1
2	31508GT	DECAL,DANGER,ELECT HAZARD,PLUG..... (Australia models only)	1
3	31788GT	DECAL,DANGER,BATTERY SAFETY***.....	1
4	43658GT	DECAL,LABEL,PWR TO CHARGR 230V..... (Australia models only)	1
5	44255GT	DECAL,DANGER,CRUSHING HAZARD.....	2
6	44737GT	DECAL DANGER TIP OVER TRAYS.....	1
7	44980GT	DECAL,LABEL,PWR TO CHARGR 115V..... (Australia models only)	1
8	46287GT	DECAL,LABEL-TIRE SPECS.....	2
9	52475GT	DECAL,LABEL,TRANSPORT TIEDOWN*.....	4
10	72086GT	DECAL,LABEL,LIFTING EYE.....	3
11	72970GT	DECAL,INSTRUCTIONS-CHARGER OP.....	1
12	82561GT	DECAL,DANGER-USE SAFETY ARM....	1
13	82657GT	DECAL,INSTRUCT,BATTERY CONNECT.....	1
14	82703GT	DECAL,LABEL,WHEEL LOAD 2046....	2
15	114360GT	DECAL,DANGER-TIP-OVER,BATT.....	1
16	114361GT	DECAL,LABEL-TRANSPORT DIGRAM.....	2
17	114385GT	DECAL,DANGER,ELEC HAZARD,GS....	1
18	T107029GT	DECAL,DANGER,BRAKE REL SAFETY.....	1

114.1 Word Decals, GS-2046, Ground Control Side, ANSI and Australia

Ground Controls Side

NOTE:
Part numbers with "(FR)" indicates French translation is available

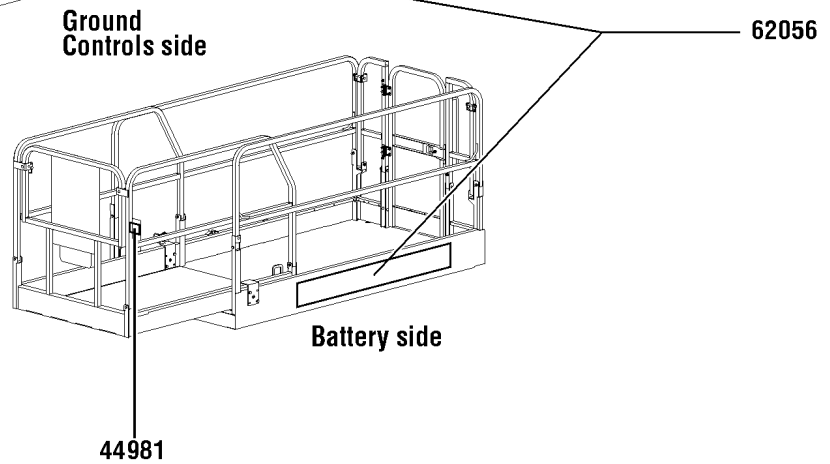
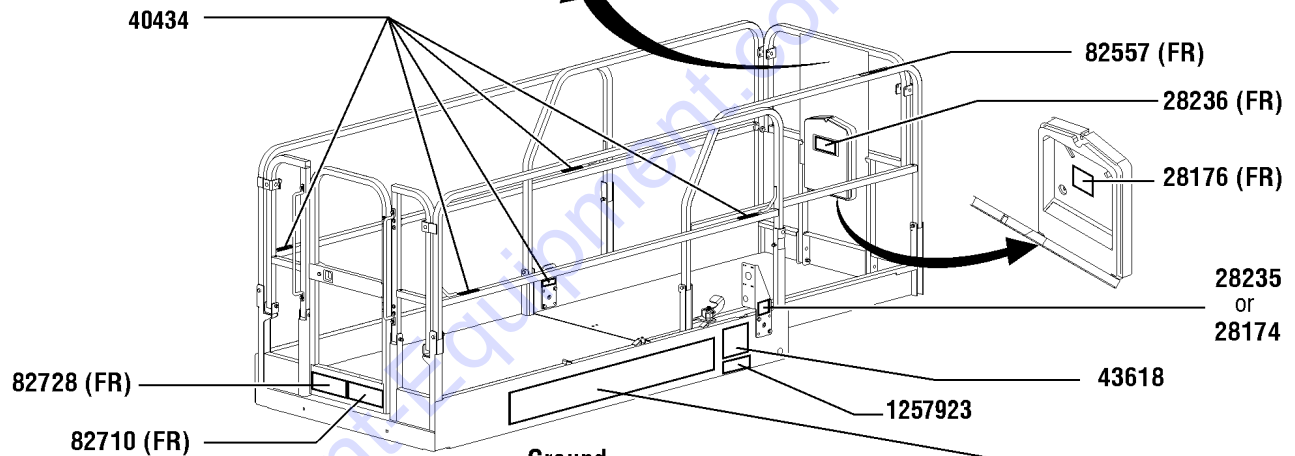
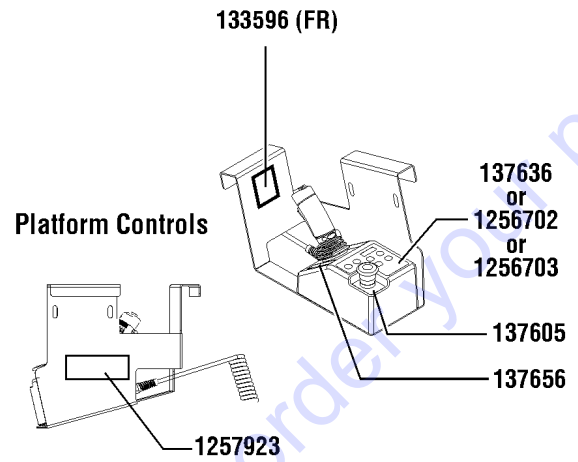
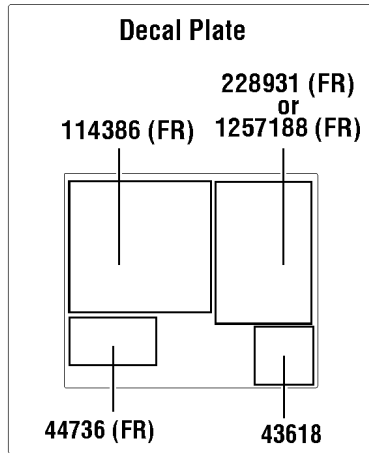


114.1 Word Decals, GS-2046, Ground Control Side, ANSI and Australia

Item	Part No.	Description	Qty.	Item	Part No.	Description	Qty.
--		REF: Word Decal Kits (refer to 113.1)		26	133276GT	DECAL,EMERGENCY LOWERING.....	1
1	28174GT	DECAL, POWER TO PLATFORM 230V**.....	1	27	T107031GT	DECAL,OP INST,GCON.....	1
2	28175GT	DECAL,WARNING-COMPART ACCESS.....	1	28	T112804GT	DECAL,GCON PANEL,GS.....	1
3	28235GT	DECAL,POWER TO PLATFORM 115V...1					
4	31508GT	DECAL,DANGER,ELECT HAZARD,PLUG.....	1				
		(ANSI models)					
5	43619GT	DECAL,LABEL,SAFETY ARM.....	1				
6	43658GT	DECAL,LABEL,PWR TO CHARGR 230V.....	1				
		(ANSI models)					
7	44255GT	DECAL,DANGER,CRUSHING HAZARD.....	2				
8	44737GT	DECAL DANGER TIP OVER TRAYS.....	1				
9	44980GT	DECAL,LABEL,PWR TO CHARGR 115V.....	1				
		(ANSI models)					
10	44981GT	DECAL,LABEL, AIR LINE 110 PSI.....	1				
		(Option)					
11	46287GT	DECAL,LABEL-TIRE SPECS.....	2				
12	52475GT	DECAL,LABEL,TRANSPORT TIEDOWN*.....	1				
13	72086GT	DECAL,LABEL,LIFTING EYE.....	1				
14	72143GT	DECAL,EMERGENCY STOP,GR.....	1				
15	72853GT	DECAL,DANGER,IMPROPER USE HAZ.....	1				
16	72998GT	DECAL,LABEL,QUINTOLUBRIK.....	1				
		(models with Quintolub hydraulic oil)					
17	72999GT	DECAL,LABEL,PETRO CANADA***.....	1				
		(For models with Petro Canada hydraulic oil only)					
18	82160GT	DECAL,LABEL,STATOIL HYDRA WAY.....	1				
		(For models with Statoil hydraulic oil only)					
19	82161GT	DECAL,LABEL,UCON HYDROLUBE.....	1				
		(For models with Ucon Hydrolube hydraulic oil only)					
20	82366GT	DECAL,CHEVRON RANDO HD.....	1				
		(For models with Chevron Rando hydraulic oil only)					
21	82558GT	DECAL,WARN,SKIN INJECTION HAZ*.....	1				
22	82559GT	DECAL,INSTRUCT-ANNUAL INSP REQ.....	1				
23	82561GT	DECAL,DANGER-USE SAFETY ARM....	1				
24	82703GT	DECAL,LABEL,WHEEL LOAD 2046.....	2				
25	114385GT	DECAL,DANGER,ELEC HAZARD,GS.....	1				

Platform, ANSI models

NOTE:
Part numbers with "(FR)" indicates French translation is available

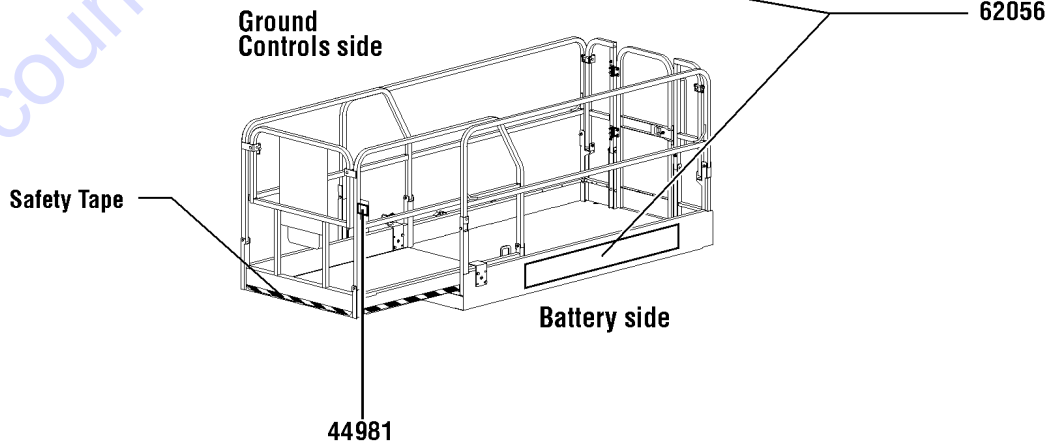
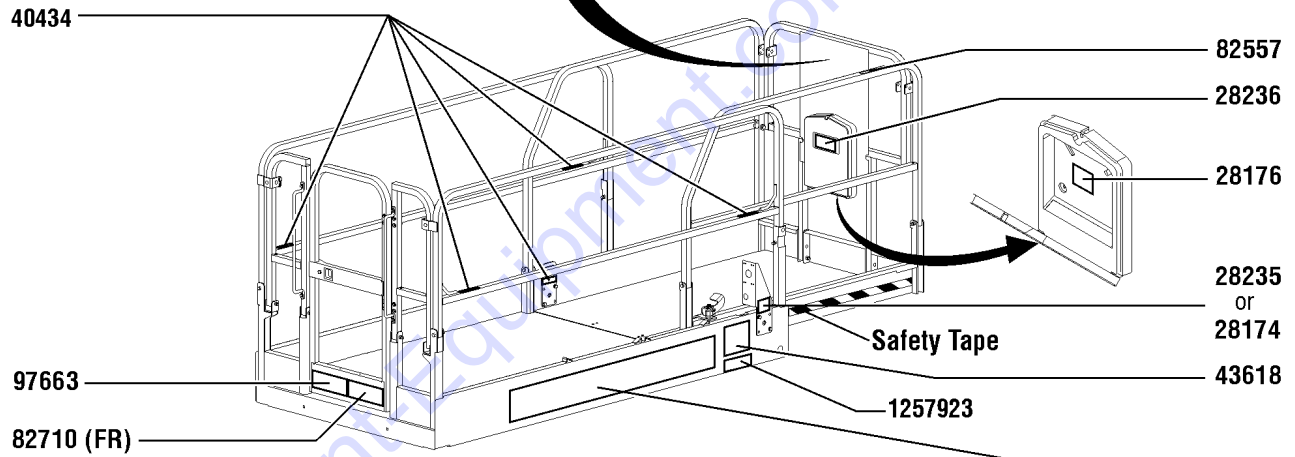
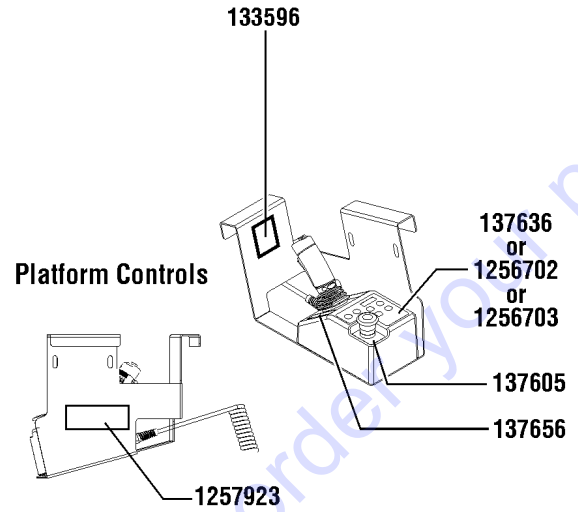
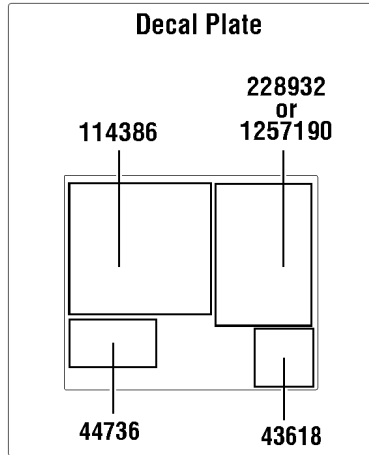


115.1 Word Decals, GS-2046, Platform, ANSI

Item	Part No.	Description	Qty.
--		REF: Word Decal Kits (refer to 113.1)	
1	28174GT	DECAL, POWER TO PLATFORM 230V**.....1	1
2	28176GT	DECAL,LABEL,MANUAL NOT HERE.....1	1
3	28235GT	DECAL,POWER TO PLATFORM 115V...1	1
4	28236GT	DECAL,WARN,IMPROPER OPERATION.....1	1
5	40434GT	DECAL,LANYARD ANCHORAGE POINT.....5	5
6	43618GT	DECAL, LABEL - DIRECTION ARROWS.....2	2
7	44736GT	DECAL,DANGER,TIP-OVER,TILT.....1	1
8	44981GT	DECAL,LABEL, AIR LINE 110 PSI.....1 (Option)	1
9	62056GT	DECAL,COSMETIC,GENIE GS-2046**...2	2
10	82557GT	DECAL,LABEL,PLAT CONT LOCATION.....1	1
11	82710GT	DECAL,INSTR-MAX CAP 1200LBS.....1 GS-2046	1
12	82728GT	DECAL,INSTR-SIDE FRC,ANSI 2046.....1	1
13	114386GT	DECAL,DANGER-GEN SAFETY.....1	1
14	133596GT	DECAL,LABEL,FAULT CODES.....1	1
15	137605GT	DECAL,E-STOP,GR/GRC/GS PCON.....1	1
16	137636GT	DECAL, UI, GR/GRC/GS PCON.....1 (models with 6 button, 2 speed controller) to SN GS4614A-134999 and to SN GS4614C-13999	1
17	137656GT	DECAL,PROPEL,GR/GRC/GS,PCON....1	1
18	228931GT	DECAL,INSTRUCTIONS,OPER,GS46....1 (models with 6 button, 2 speed controller) to SN GS4614A-134999 and to SN GS4614C-13999	1
19	1256702GT	DECAL, UI, GS/GR, PROP LIFT.....1 (models with 4 button, proportional controller)	1
20	1256703GT	DECAL, STD, PROP LIFT, UI, SVC.....1 (units converted from 6 button, 2 speed lift to 4 button, proportional controller)	1
21	1257188GT	DECAL,OP INST,PLAT,GS46 ANSI.....1 (models with 4 button, proportional controller)	1
22	1257923GT	DECAL, SMARTLINK PROPORTIONAL.....2 (models with 4 button, proportional controller, and units converted from 6 button, 2 speed lift to 4 button, proportional controller)	2

Platform, Australia models

NOTE:
Part numbers with "(FR)"
indicates French translation
is available



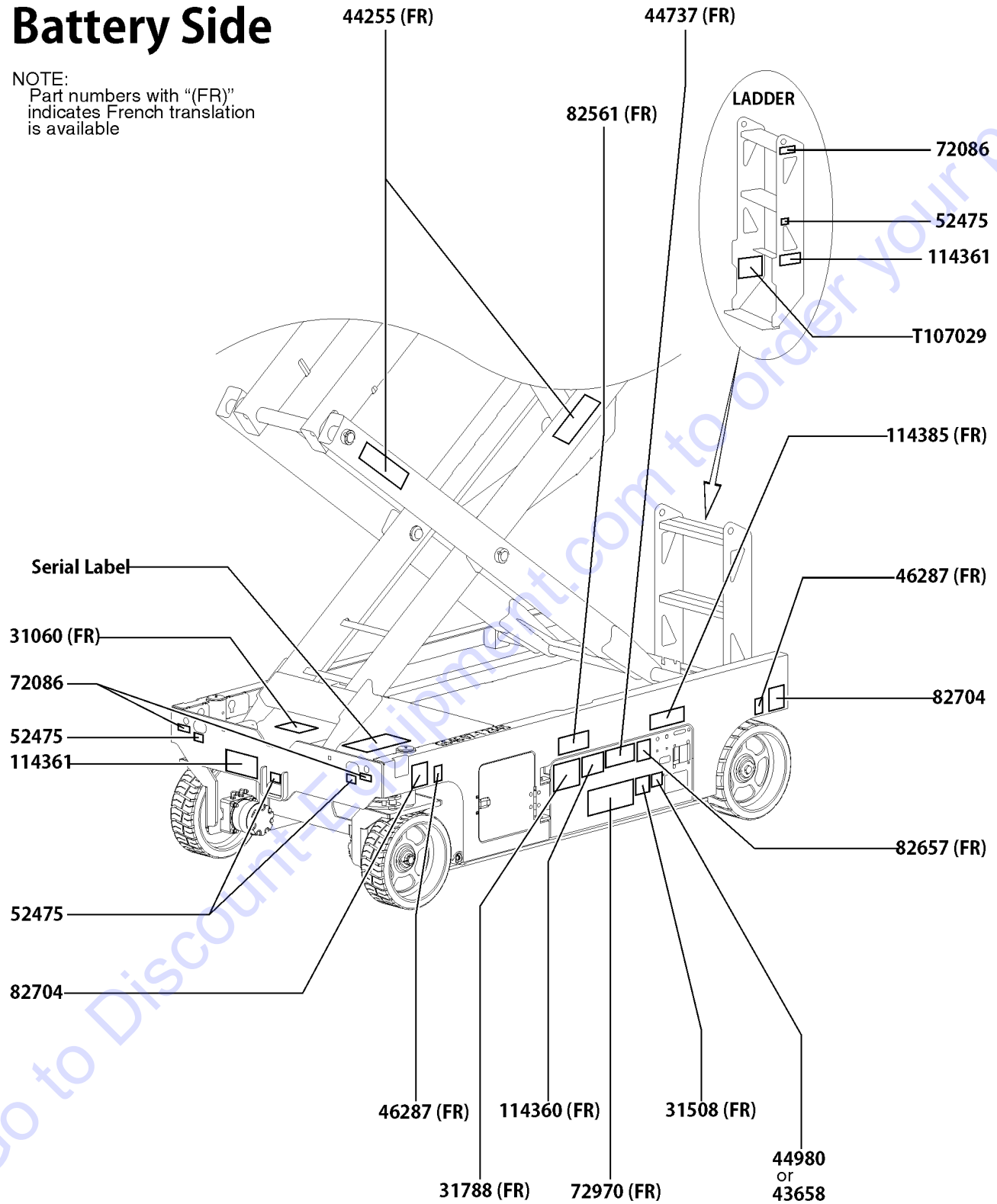
116.1 Word Decals, GS-2046, Platform, Australia

Item	Part No.	Description	Qty.
--		REF: Word Decal Kits (refer to 113.1)	
1	28174GT	DECAL, POWER TO PLATFORM 230V**.....1	1
2	28176GT	DECAL,LABEL,MANUAL NOT HERE.....1	1
3	28235GT	DECAL,POWER TO PLATFORM 115V...1	1
4	28236GT	DECAL,WARN,IMPROPER OPERATION.....1	1
5	40434GT	DECAL,LANYARD ANCHORAGE POINT.....5	5
6	43618GT	DECAL, LABEL - DIRECTION ARROWS.....2	2
7	44736GT	DECAL,DANGER,TIP-OVER,TILT.....1	1
8	44981GT	DECAL,LABEL, AIR LINE 110 PSI.....1 (Option)	1
9	62056GT	DECAL,COSMETIC,GENIE GS-2046**...2	2
10	82557GT	DECAL,LABEL,PLAT CONT LOCATION.....1	1
11	82710GT	DECAL,INSTR-MAX CAP 1200LBS.....1 GS-2046	1
12	97663GT	DECAL,INSTR-MANUALFRC,AUS 400N.....1 GS-2046	1
13	114386GT	DECAL,DANGER-GEN SAFETY.....1	1
14	133596GT	DECAL,LABEL,FAULT CODES.....1	1
15	137605GT	DECAL,E-STOP,GR/GRC/GS PCON....1	1
16	137636GT	DECAL, UI, GR/GRC/GS PCON.....1 (models with 6 button, 2 speed controller) to SN GS4614A-134999 and to SN GS4614C-13999	1
17	137656GT	DECAL,PROPEL,GR/GRC/GS,PCON....1	1
18	228932GT	DECAL,OP INST,AUS,GS-46.....1 (models with 6 button, 2 speed controller) to SN GS4614A-134999 and to SN GS4614C-13999	1
19	1256702GT	DECAL, UI, GS/GR, PROP LIFT.....1 (models with 4 button, proportional controller)	1
21	1257190GT	DECAL,OP INST,PLAT,GS46,AUS.....1 (models with 4 button, proportional controller)	1
22	1256703GT	DECAL, STD, PROP LIFT, UI, SVC.....1 (units converted from 6 button, 2 speed lift to 4 button, proportional controller)	1
22	1257923GT	DECAL, SMARTLINK PROPORTIONAL.....2 (models with 4 button, proportional controller, and units converted from 6 button, 2 speed lift to 4 button, proportional controller)	2

117.1 Word Decals, GS-2646, Battery Side, ANSI & Australia

Battery Side

NOTE:
Part numbers with "(FR)" indicates French translation is available



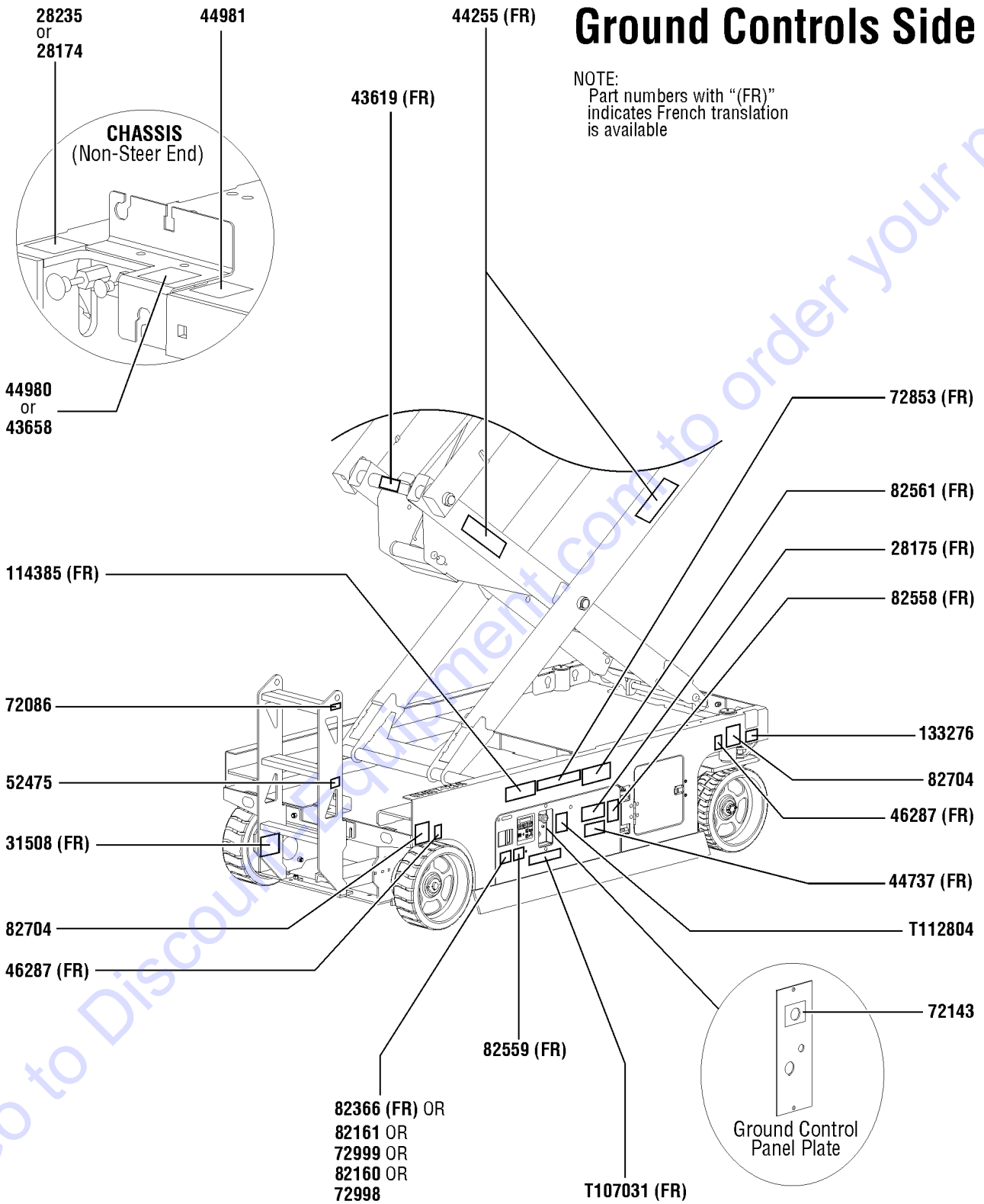
117.1 Word Decals, GS-2646, Battery Side, ANSI & Australia

Item	Part No.	Description	Qty.
A	217259GT	DECAL KIT,2646 PLAT.,WRD,ANSI (ANSI models with 2 speed controller) to SN GS4614A-134999 and to SN GS4614C-13999	
B	217260GT	DECAL KIT,2646 COMP.,WRD,ANSI (ANSI models with 2 speed controller) to SN GS4614A-134999 and to SN GS4614C-13999	
C	217271GT	DECAL KIT,2646 PLAT.,WRD,AUST (Australia models with 2 speed controller) to SN GS4614A-134999 and to SN GS4614C-13999	
D	217272GT	DECAL KIT,2646COMP.,WRD,AUST (Australia models with 2 speed controller) to SN GS4614A-134999 and to SN GS4614C-13999	
1	31060GT	DECAL,DANGER DO NOT ALTER SWTC.....	1
2	31508GT	DECAL,DANGER,ELECT HAZARD,PLUG..... (Australia models only)	1
3	31788GT	DECAL,DANGER,BATTERY SAFETY***.....	1
4	43658GT	DECAL,LABEL,PWR TO CHARGR 230V..... (Australia models only)	1
5	44255GT	DECAL,DANGER,CRUSHING HAZARD.....	2
6	44737GT	DECAL DANGER TIP OVER TRAYS.....	1
7	44980GT	DECAL,LABEL,PWR TO CHARGR 115V..... (Australia models only)	1
8	46287GT	DECAL,LABEL-TIRE SPECS.....	2
9	52475GT	DECAL,LABEL,TRANSPORT TIEDOWN*.....	4
10	72086GT	DECAL,LABEL,LIFTING EYE.....	3
11	72970GT	DECAL,INSTRUCTIONS-CHARGER OP.....	1
12	82561GT	DECAL,DANGER-USE SAFETY ARM....	1
13	82657GT	DECAL,INSTRUCT,BATTERY CONNECT.....	1
14	82704GT	DECAL,LABEL,WHEEL LOAD 2646....	2
15	114360GT	DECAL,DANGER-TIP-OVER,BATT.....	1
16	114361GT	DECAL,LABEL-TRANSPORT DIGRAM.....	2
17	114385GT	DECAL,DANGER,ELEC HAZARD,GS....	1
18	T107029GT	DECAL,DANGER,BRAKE REL SAFETY.....	1

118.1 Word Decals, GS-2646, Ground Control Side, ANSI and Australia

Ground Controls Side

NOTE:
Part numbers with "(FR)" indicates French translation is available

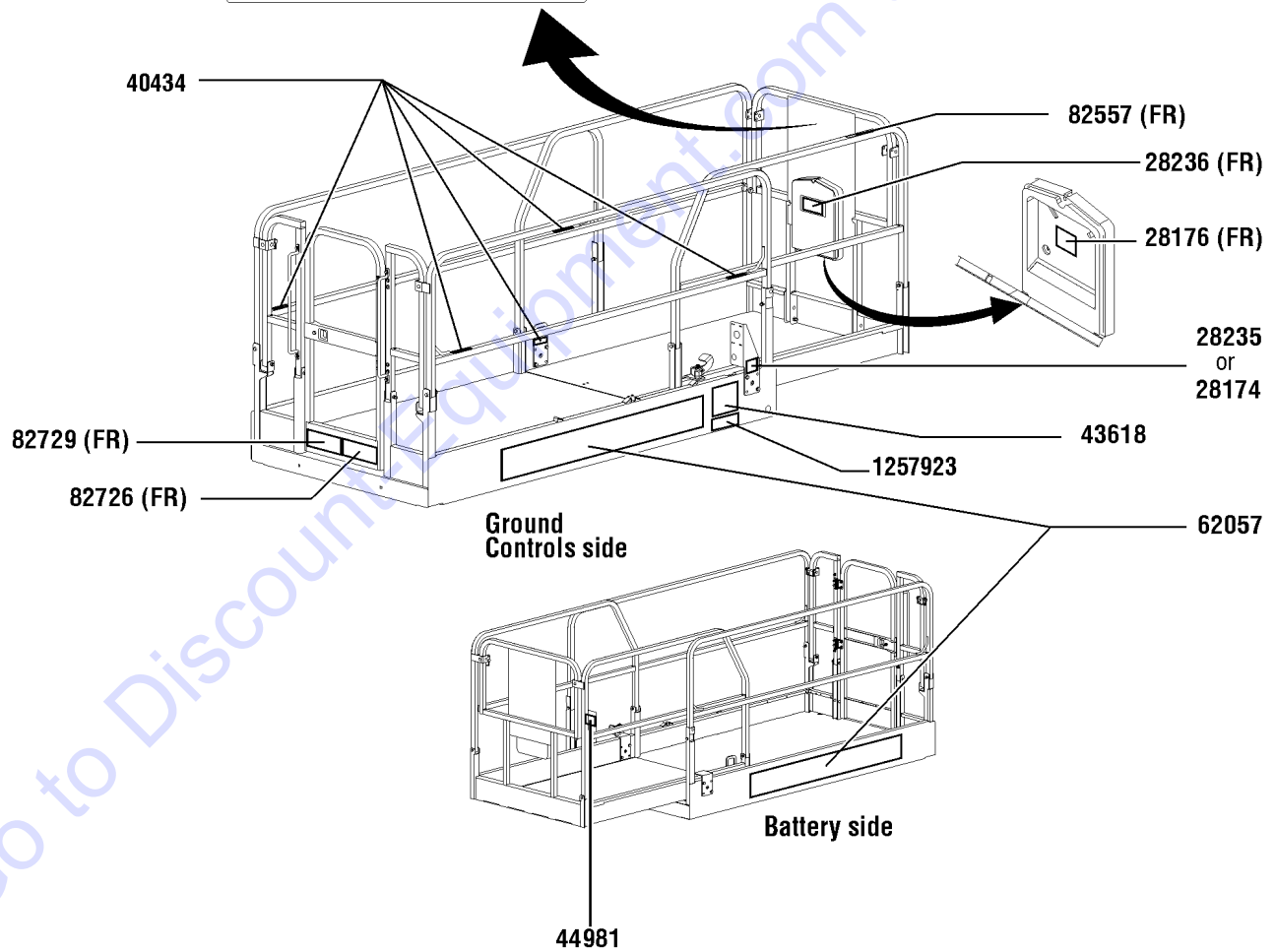
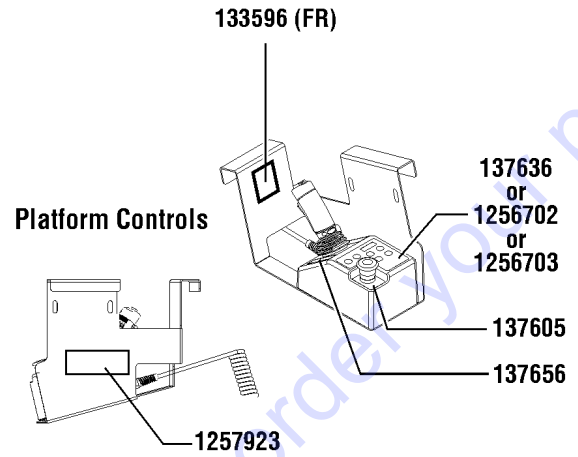
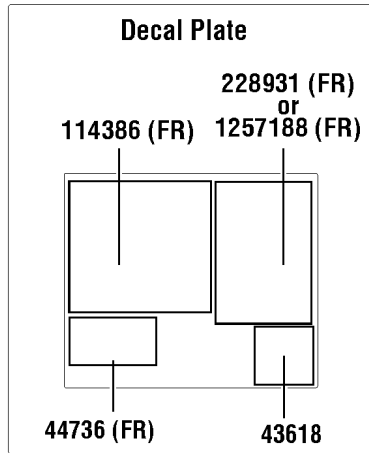


118.1 Word Decals, GS-2646, Ground Control Side, ANSI and Australia

Item	Part No.	Description	Qty.	Item	Part No.	Description	Qty.
--		REF: Word Decal Kits (refer to 117.1)		26	133276GT	DECAL,EMERGENCY LOWERING.....	1
1	28174GT	DECAL, POWER TO PLATFORM 230V**.....	1	27	T107031GT	DECAL,OP INST,GCON.....	1
2	28175GT	DECAL,WARNING-COMPART ACCESS.....	1	28	T112804GT	DECAL,GCON PANEL,GS.....	1
3	28235GT	DECAL,POWER TO PLATFORM 115V...1					
4	31508GT	DECAL,DANGER,ELECT HAZARD,PLUG.....	1				
		(ANSI models only)					
5	43619GT	DECAL,LABEL,SAFETY ARM.....	1				
6	43658GT	DECAL,LABEL,PWR TO CHARGR 230V.....	1				
		(ANSI models only)					
7	44255GT	DECAL,DANGER,CRUSHING HAZARD.....	2				
8	44737GT	DECAL DANGER TIP OVER TRAYS.....	1				
9	44980GT	DECAL,LABEL,PWR TO CHARGR 115V.....	1				
		(ANSI models only)					
10	44981GT	DECAL,LABEL, AIR LINE 110 PSI.....	1				
		(Option)					
11	46287GT	DECAL,LABEL-TIRE SPECS.....	2				
12	52475GT	DECAL,LABEL,TRANSPORT TIEDOWN*.....	1				
13	72086GT	DECAL,LABEL,LIFTING EYE.....	1				
14	72143GT	DECAL,EMERGENCY STOP,GR.....	1				
15	72853GT	DECAL,DANGER,IMPROPER USE HAZ.....	1				
16	72998GT	DECAL,LABEL,QUINTOLUBRIK.....	1				
		(models with Quintolub hydraulic oil)					
17	72999GT	DECAL,LABEL,PETRO CANADA***.....	1				
		(For models with Petro Canada hydraulic oil only)					
18	82160GT	DECAL,LABEL,STATOIL HYDRA WAY.....	1				
		(For models with Statoil hydraulic oil only)					
19	82161GT	DECAL,LABEL,UCON HYDROLUBE.....	1				
		(For models with Ucon Hydrolube hydraulic oil only)					
20	82366GT	DECAL,CHEVRON RANDO HD.....	1				
		(For models with Chevron Rando hydraulic oil only)					
21	82558GT	DECAL,WARN,SKIN INJECTION HAZ*.....	1				
22	82559GT	DECAL,INSTRUCT-ANNUAL INSP REQ.....	1				
23	82561GT	DECAL,DANGER-USE SAFETY ARM....	1				
24	82704GT	DECAL,LABEL,WHEEL LOAD 2646.....	2				
25	114385GT	DECAL,DANGER,ELEC HAZARD,GS.....	1				

Platform, ANSI models

NOTE:
Part numbers with "(FR)"
indicates French translation
is available

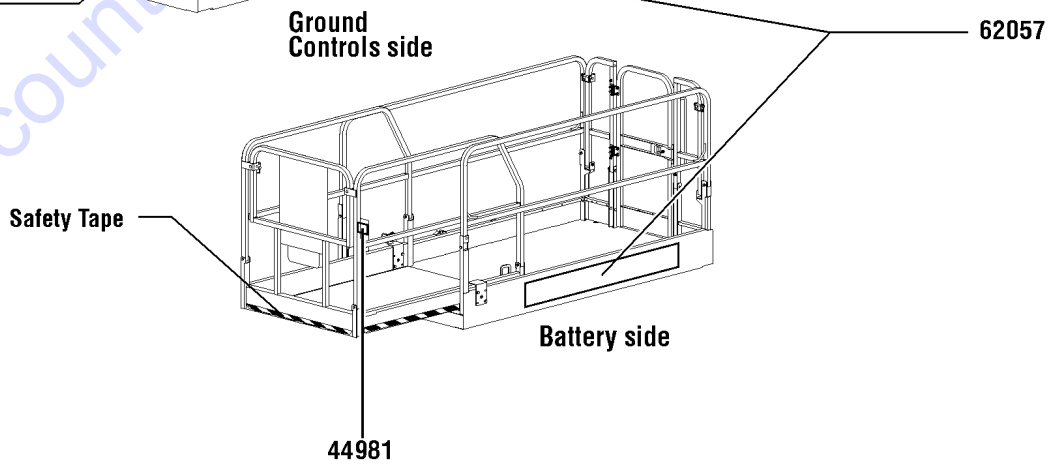
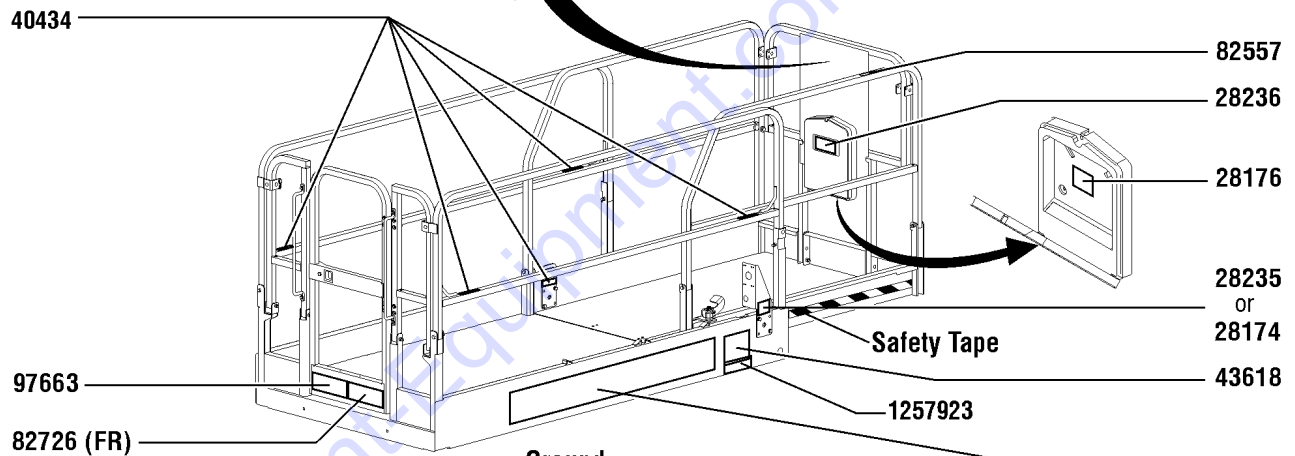
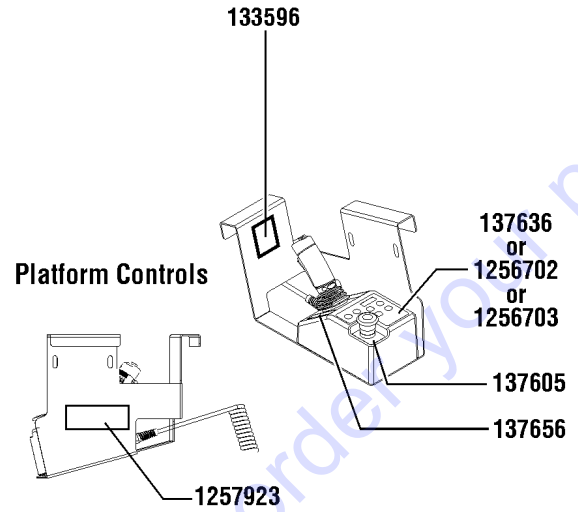
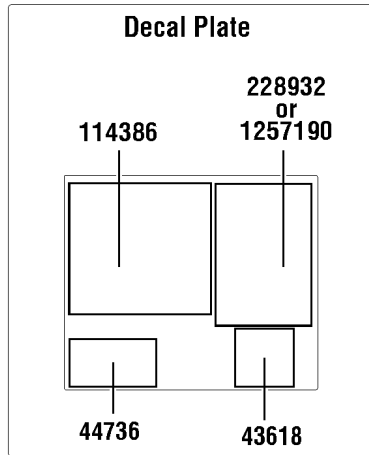


119.1 Word Decals, GS-2646, Platform, ANSI

Item	Part No.	Description	Qty.
--		REF: Word Decal Kits (refer to 117.1)	
1	28174GT	DECAL, POWER TO PLATFORM 230V**.....1	1
2	28176GT	DECAL,LABEL,MANUAL NOT HERE.....1	1
3	28235GT	DECAL,POWER TO PLATFORM 115V...1	1
4	28236GT	DECAL,WARN,IMPROPER OPERATION.....1	1
5	40434GT	DECAL,LANYARD ANCHORAGE POINT.....5	5
6	43618GT	DECAL, LABEL - DIRECTION ARROWS.....2	2
7	44736GT	DECAL,DANGER,TIP-OVER,TILT.....1	1
8	44981GT	DECAL,LABEL, AIR LINE 110 PSI.....1 (Option)	1
9	62057GT	DECAL,COSMETIC,GENIE GS-2646....2	2
10	82557GT	DECAL,LABEL,PLAT CONT LOCATION.....1	1
11	82726GT	DECAL,INSTRUCT,MAXCAP1000LBS...1 GS-2646	1
12	82729GT	NOTICE,SIDE FRC ANSI2646.....1	1
13	114386GT	DECAL,DANGER-GEN SAFETY.....1	1
14	133596GT	DECAL,LABEL,FAULT CODES.....1	1
15	137605GT	DECAL,E-STOP,GR/GRC/GS PCON....1	1
16	137636GT	DECAL, UI, GR/GRC/GS PCON.....1 (models with 6 button, 2 speed controller) to SN GS4614A-134999 and to SN GS4614C-13999	1
17	137656GT	DECAL,PROPEL,GR/GRC/GS,PCON....1	1
18	228931GT	DECAL,INSTRUCTIONS,OPER,GS46....1 (models with 6 button, 2 speed controller) to SN GS4614A-134999 and to SN GS4614C-13999	1
19	1256702GT	DECAL, UI, GS/GR, PROP LIFT.....1 (models with 4 button, proportional controller)	1
20	1256703GT	DECAL, STD, PROP LIFT, UI, SVC.....1 (units converted from 6 button, 2 speed lift to 4 button, proportional controller)	1
21	1257188GT	DECAL,OP INST,PLAT,GS46 ANSI.....1 (models with 4 button, proportional controller)	1
22	1257923GT	DECAL, SMARTLINK PROPORTIONAL.....2 (models with 4 button, proportional controller, and units converted from 6 button, 2 speed lift to 4 button, proportional controller)	2

Platform, Australia models

NOTE:
Part numbers with "(FR)"
indicates French translation
is available



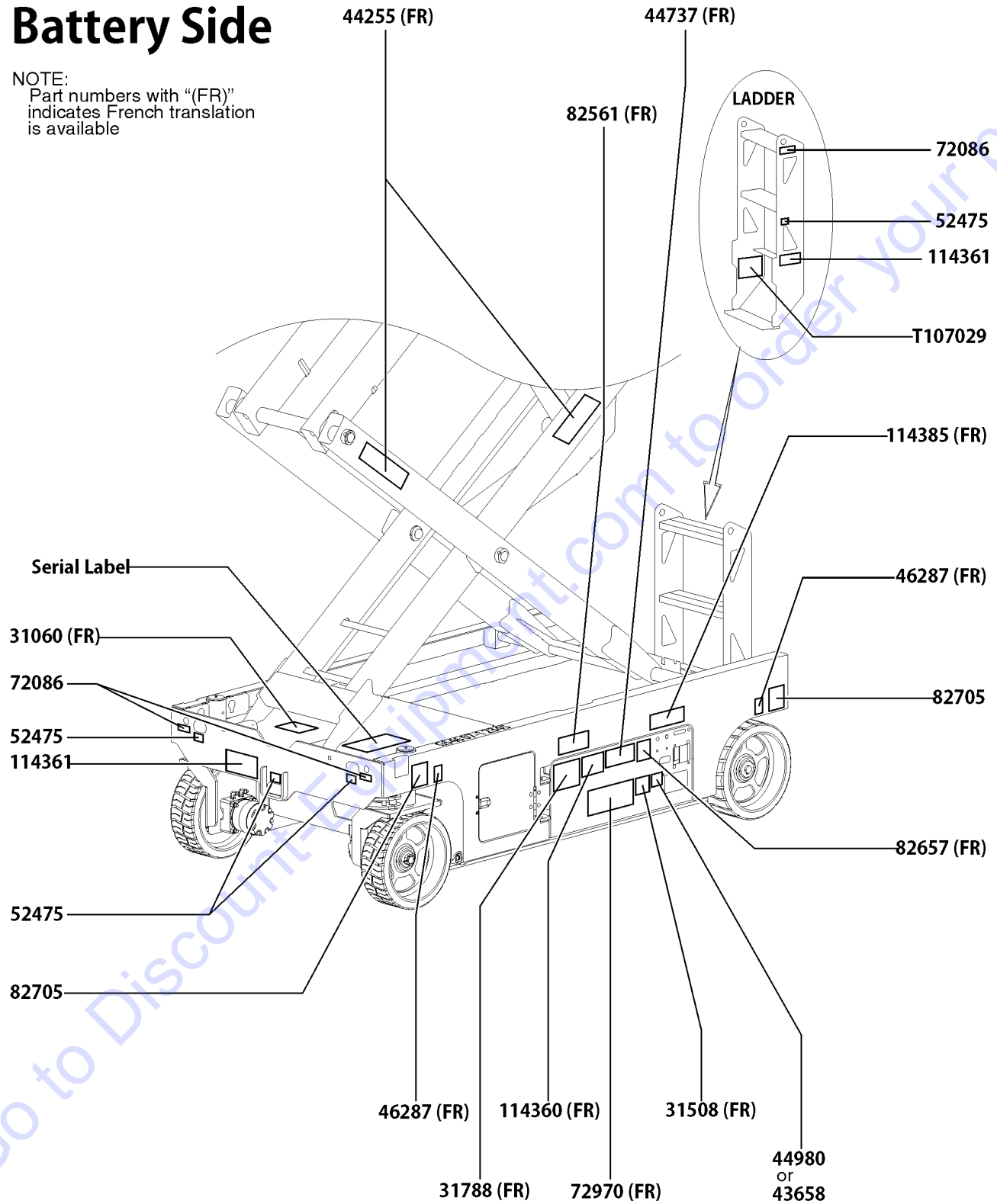
120.1 Word Decals, GS-2646, Platform, Australia

Item	Part No.	Description	Qty.
--		REF: Word Decal Kits (refer to 117.1)	
1	28174GT	DECAL, POWER TO PLATFORM 230V**.....1	1
2	28176GT	DECAL,LABEL,MANUAL NOT HERE.....1	1
3	28235GT	DECAL,POWER TO PLATFORM 115V...1	1
4	28236GT	DECAL,WARN,IMPROPER OPERATION.....1	1
5	40434GT	DECAL,LANYARD ANCHORAGE POINT.....5	5
6	43618GT	DECAL, LABEL - DIRECTION ARROWS.....2	2
7	44736GT	DECAL,DANGER,TIP-OVER,TILT.....1	1
8	44981GT	DECAL,LABEL, AIR LINE 110 PSI.....1 (Option)	1
9	62057GT	DECAL,COSMETIC,GENIE GS-2646....2	2
10	82557GT	DECAL,LABEL,PLAT CONT LOCATION.....1	1
11	82726GT	DECAL,INSTRUCT,MAXCAP1000LBS...1 GS-2646	1
12	97663GT	DECAL,INSTR-MANUALFRC,AUS 400N.....1 GS-2646	1
13	114386GT	DECAL,DANGER-GEN SAFETY.....1	1
14	133596GT	DECAL,LABEL,FAULT CODES.....1	1
15	137605GT	DECAL,E-STOP,GR/GRC/GS PCON....1	1
16	137636GT	DECAL, UI, GR/GRC/GS PCON.....1 (models with 6 button, 2 speed controller) to SN GS4614A-134999 and to SN GS4614C-13999	1
17	137656GT	DECAL,PROPEL,GR/GRC/GS,PCON....1	1
18	228932GT	DECAL,OP INST,AUS,GS-46.....1 (models with 6 button, 2 speed controller) to SN GS4614A-134999 and to SN GS4614C-13999	1
19	1256702GT	DECAL, UI, GS/GR, PROP LIFT.....1 (models with 4 button, proportional controller)	1
20	1256703GT	DECAL, STD, PROP LIFT, UI, SVC.....1 (units converted from 6 button, 2 speed lift to 4 button, proportional controller)	1
21	1257190GT	DECAL,OP INST,PLAT,GS46,AUS.....1 (models with 4 button, proportional controller)	1
22	1257923GT	DECAL, SMARTLINK PROPORTIONAL.....2 (models with 4 button, proportional controller, and units converted from 6 button, 2 speed lift to 4 button, proportional controller)	2

121.1 Word Decals, GS-3246, Battery Side, ANSI & Australia

Battery Side

NOTE:
Part numbers with "(FR)" indicates French translation is available



121.1 Word Decals, GS-3246, Battery Side, ANSI & Australia

Item	Part No.	Description	Qty.
A	217261GT	DECAL KIT,3246 PLAT.,WRD,ANSI (ANSI models with 2 speed controller) to SN GS4614A-134999 and to SN GS4614C-13999	
B	217262GT	DECAL KIT,3246 COMP.,WRD,ANSI (ANSI models with 2 speed controller) to SN GS4614A-134999 and to SN GS4614C-13999	
C	217273GT	DECAL KIT,3246 PLAT.,WRD,AUST (Australia models with 2 speed controller) to SN GS4614A-134999 and to SN GS4614C-13999	
D	217274GT	DECAL KIT,3246 COMP.,WRD,AUST (Australia models with 2 speed controller) to SN GS4614A-134999 and to SN GS4614C-13999	
1	31060GT	DECAL,DANGER DO NOT ALTER SWTC.....	1
2	31508GT	DECAL,DANGER,ELECT HAZARD,PLUG..... (Australia models only)	1
3	31788GT	DECAL,DANGER,BATTERY SAFETY***.....	1
4	43658GT	DECAL,LABEL,PWR TO CHARGR 230V..... (Australia models only)	1
5	44255GT	DECAL,DANGER,CRUSHING HAZARD.....	2
6	44737GT	DECAL DANGER TIP OVER TRAYS.....	1
7	44980GT	DECAL,LABEL,PWR TO CHARGR 115V..... (Australia models only)	1
8	46287GT	DECAL,LABEL-TIRE SPECS.....	2
9	52475GT	DECAL,LABEL,TRANSPORT TIEDOWN*.....	4
10	72086GT	DECAL,LABEL,LIFTING EYE.....	3
11	72970GT	DECAL,INSTRUCTIONS-CHARGER OP.....	1
12	82561GT	DECAL,DANGER-USE SAFETY ARM....	1
13	82657GT	DECAL,INSTRUCT,BATTERY CONNECT.....	1
14	82705GT	DECAL,LABEL,WHEEL LOAD 3246....	2
15	114360GT	DECAL,DANGER-TIP-OVER,BATT.....	1
16	114361GT	DECAL,LABEL-TRANSPORT DIGRAM.....	2
17	114385GT	DECAL,DANGER,ELEC HAZARD,GS....	1
18	T107029GT	DECAL,DANGER,BRAKE REL SAFETY.....	1

PARTS FINDER

**Search Website
by Part Number**



**Search Manual
Library For Parts
Manual & Lookup Part
Numbers – Purchase
or Request Quote**

Search Manuals

Enter your information to help us find the right parts manual for your machine.

* Brand:

* Model:

* Serial:

* Part Number:

SEARCH

**Can't Find Part or
Manual? Request Help
by Manufacturer,
Model & Description**

Parts Order Form

Please fill in the following information to help us find the right part for your machine.

MANUFACTURER:

MODEL:

DESCRIPTION:

SEARCH

Discount-Equipment.com is your online resource for quality parts & equipment.

Florida: **561-964-4949** Outside Florida TOLL FREE: **877-690-3101**

Need parts?

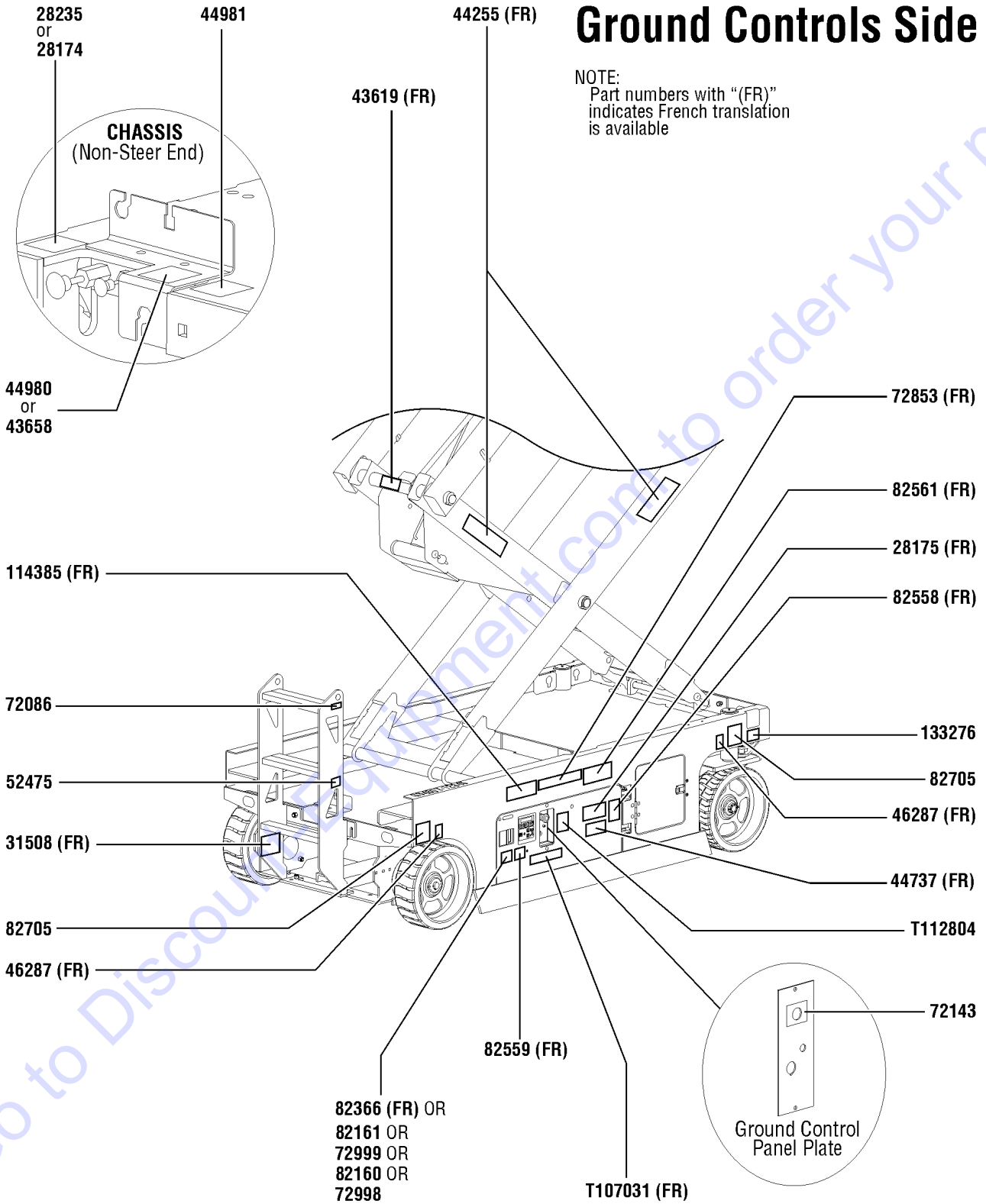
Click on this link: <http://www.discount-equipment.com/category/5443-parts/> and choose one of the options to help get the right parts and equipment you are looking for. Please have the machine model and serial number available in order to help us get you the correct parts. If you don't find the part on the website or on one of the online manuals, please fill out the request form and one of our experienced staff members will get back to you with a quote for the right part that your machine needs.

We sell worldwide for the brands: Genie, Terex, JLG, MultiQuip, Mikasa, Essick, Whiteman, Mayco, Toro Stone, Diamond Products, Generac Magnum, Airman, Haulotte, Barreto, Power Blanket, Nifty Lift, Atlas Copco, Chicago Pneumatic, Allmand, Miller Curber, Skyjack, Lull, Skytrak, Tsurumi, Husquvarna Target, Stow, Wacker, Sakai, Mi-T-M, Sullair, Basic, Dynapac, MBW, Weber, Bartell, Bennar Newman, Haulotte, Ditch Runner, Menegotti, Morrison, Contec, Buddy, Crown, Edco, Wyco, Bomag, Laymor, EZ Trench, Bil-Jax, F.S. Curtis, Gehl Pavers, Heli, Honda, ICS/PowerGrit, IHI, Partner, Imer, Clipper, MMD, Koshin, Rice, CH&E, General Equipment, Amida, Coleman, NAC, Gradall, Square Shooter, Kent, Stanley, Tamco, Toku, Hatz, Kohler, Robin, Wisconsin, Northrock, Oztec, Toker TK, Rol-Air, APT, Wylie, Ingersoll Rand / Doosan, Innovatech, Con X, Ammann, Mecalac, Makinex, Smith Surface Prep, Small Line, Wanco, Yanmar

122.1 Word Decals, GS-3246, Ground Control Side, ANSI and Australia

Ground Controls Side

NOTE:
Part numbers with "(FR)" indicates French translation is available



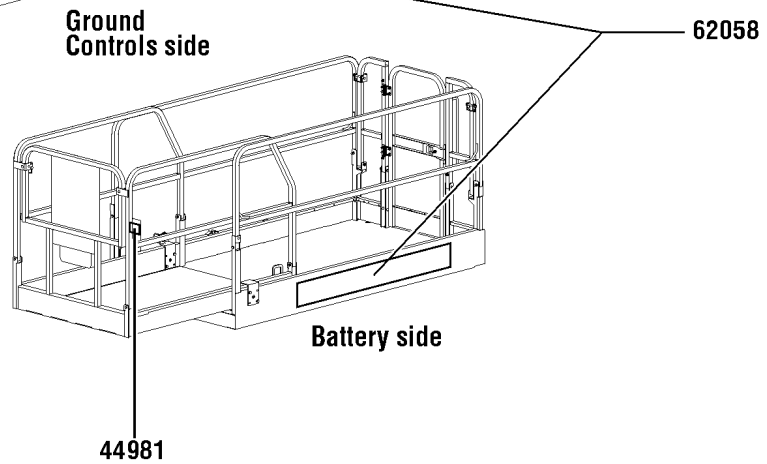
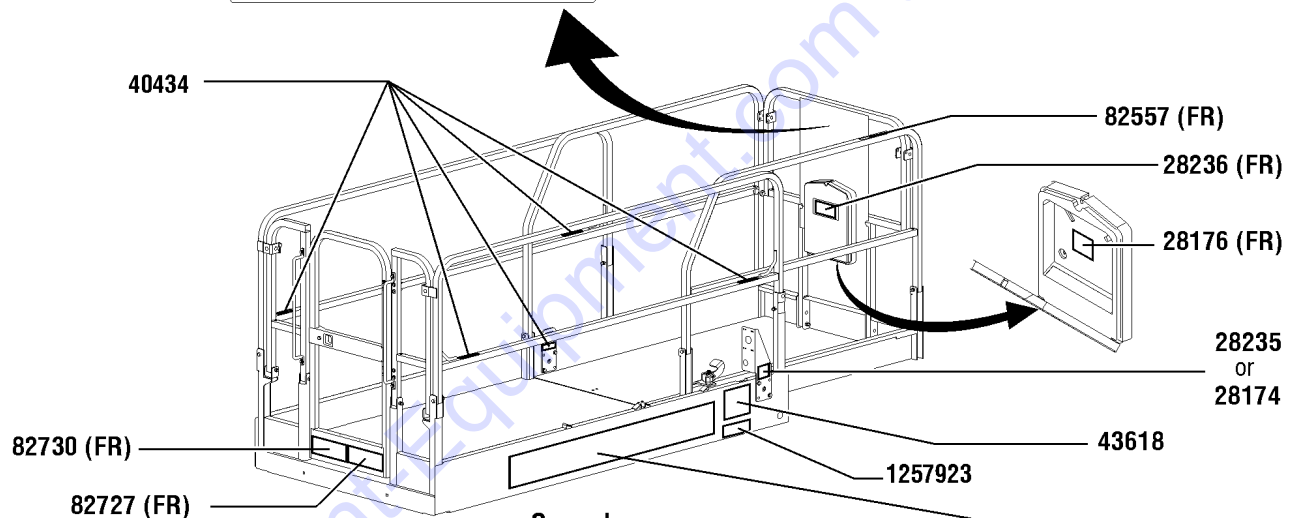
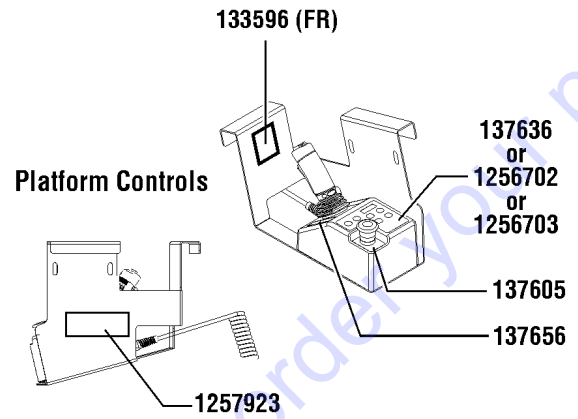
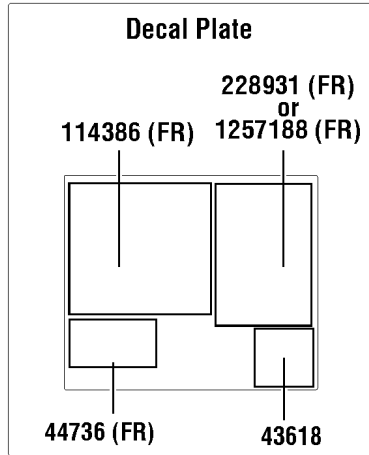
122.1 Word Decals, GS-3246, Ground Control Side, ANSI and Australia

Item	Part No.	Description	Qty.	Item	Part No.	Description	Qty.
--		REF: Word Decal Kits (refer to 121.1)		26	133276GT	DECAL,EMERGENCY LOWERING.....	1
1	28174GT	DECAL, POWER TO PLATFORM 230V**.....	1	27	T107031GT	DECAL,OP INST,GCON.....	1
2	28175GT	DECAL,WARNING-COMPART ACCESS.....	1	28	T112804GT	DECAL,GCON PANEL,GS.....	1
3	28235GT	DECAL,POWER TO PLATFORM 115V...1					
4	31508GT	DECAL,DANGER,ELECT HAZARD,PLUG.....	1				
		(ANSI models)					
5	43619GT	DECAL,LABEL,SAFETY ARM.....	1				
6	43658GT	DECAL,LABEL,PWR TO CHARGR 230V.....	1				
		(ANSI models)					
7	44255GT	DECAL,DANGER,CRUSHING HAZARD.....	2				
8	44737GT	DECAL DANGER TIP OVER TRAYS.....	1				
9	44980GT	DECAL,LABEL,PWR TO CHARGR 115V.....	1				
		(ANSI models)					
10	44981GT	DECAL,LABEL, AIR LINE 110 PSI.....	1				
		(Option)					
11	46287GT	DECAL,LABEL-TIRE SPECS.....	2				
12	52475GT	DECAL,LABEL,TRANSPORT TIEDOWN*.....	1				
13	72086GT	DECAL,LABEL,LIFTING EYE.....	1				
14	72143GT	DECAL,EMERGENCY STOP,GR.....	1				
15	72853GT	DECAL,DANGER,IMPROPER USE HAZ.....	1				
16	72998GT	DECAL,LABEL,QUINTOLUBRIK.....	1				
		(models with Quintolub hydraulic oil)					
17	72999GT	DECAL,LABEL,PETRO CANADA***.....	1				
		(For models with Petro Canada hydraulic oil only)					
18	82160GT	DECAL,LABEL,STATOIL HYDRA WAY.....	1				
		(For models with Statoil hydraulic oil only)					
19	82161GT	DECAL,LABEL,UCON HYDROLUBE.....	1				
		(For models with Ucon Hydrolube hydraulic oil only)					
20	82366GT	DECAL,CHEVRON RANDO HD.....	1				
		(For models with Chevron Rando hydraulic oil only)					
21	82558GT	DECAL,WARN,SKIN INJECTION HAZ*.....	1				
22	82559GT	DECAL,INSTRUCT-ANNUAL INSP REQ.....	1				
23	82561GT	DECAL,DANGER-USE SAFETY ARM....	1				
24	82705GT	DECAL,LABEL,WHEEL LOAD 3246.....	2				
25	114385GT	DECAL,DANGER,ELEC HAZARD,GS.....	1				

123.1 Word Decals, GS-3246, Platform, ANSI

Platform, ANSI models

NOTE:
Part numbers with "(FR)" indicates French translation is available

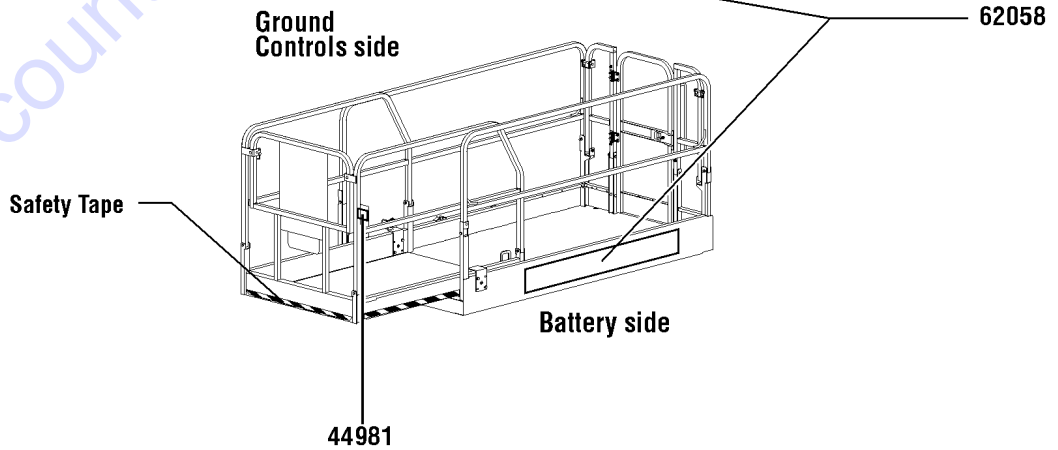
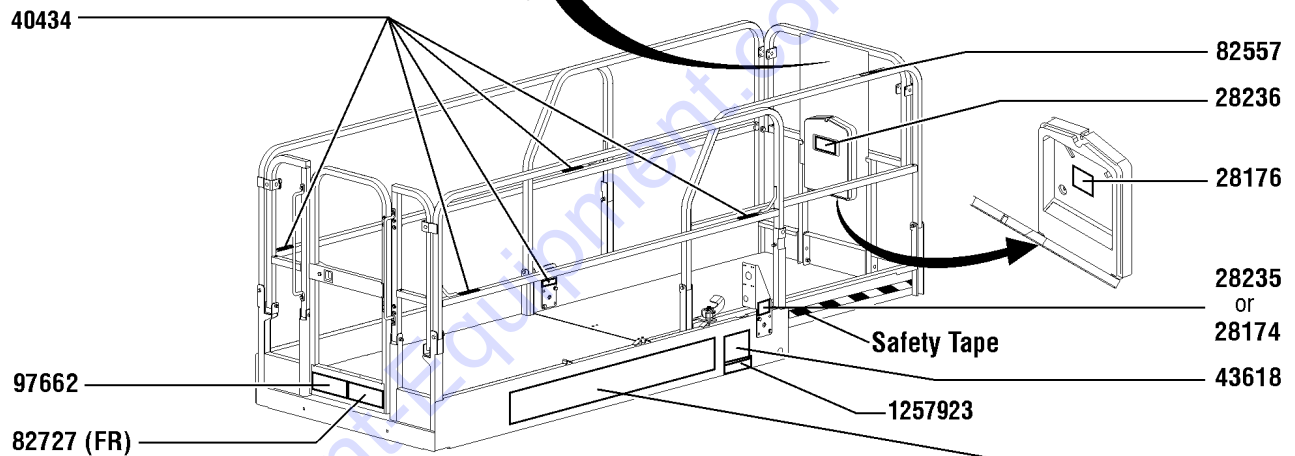
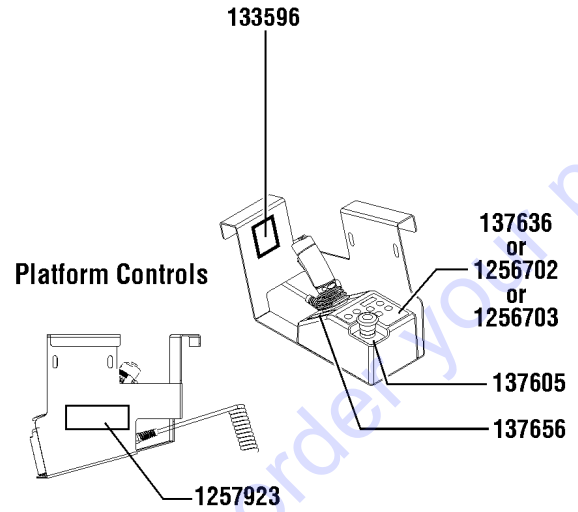
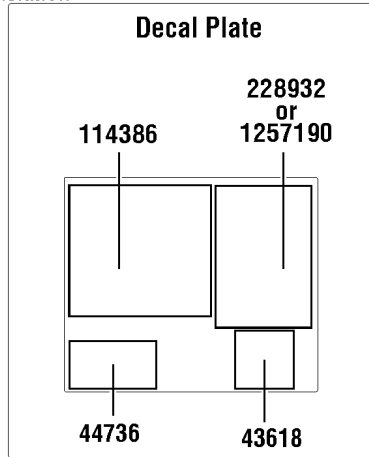


123.1 Word Decals, GS-3246, Platform, ANSI

Item	Part No.	Description	Qty.
--		REF: Word Decal Kits (refer to 121.1)	
1	28174GT	DECAL, POWER TO PLATFORM 230V**.....1	1
2	28176GT	DECAL,LABEL,MANUAL NOT HERE.....1	1
3	28235GT	DECAL,POWER TO PLATFORM 115V...1	1
4	28236GT	DECAL,WARN,IMPROPER OPERATION.....1	1
5	40434GT	DECAL,LANYARD ANCHORAGE POINT.....5	5
6	43618GT	DECAL, LABEL - DIRECTION ARROWS.....2	2
7	44736GT	DECAL,DANGER,TIP-OVER,TILT.....1	1
8	44981GT	DECAL,LABEL, AIR LINE 110 PSI.....1 (Option)	1
9	62058GT	DECAL,COSMETIC,GENIE GS-3246....2	2
10	82557GT	DECAL,LABEL,PLAT CONT LOCATION.....1	1
11	82727GT	DECAL,INSTR-MAX CAP 700LBS.....1 GS-3246	1
12	82730GT	DECAL,INSTR-SIDE FRC,ANSI 3246....1	1
13	114386GT	DECAL,DANGER-GEN SAFETY.....1	1
14	133596GT	DECAL,LABEL,FAULT CODES.....1	1
15	137605GT	DECAL,E-STOP,GR/GRC/GS PCON....1	1
16	137636GT	DECAL, UI, GR/GRC/GS PCON.....1 (models with 6 button, 2 speed controller) to SN GS4614A-134999 and to SN GS4614C-13999	1
17	137656GT	DECAL,PROPEL,GR/GRC/GS,PCON....1	1
18	228931GT	DECAL,INSTRUCTIONS,OPER,GS46....1 (models with 6 button, 2 speed controller) to SN GS4614A-134999 and to SN GS4614C-13999	1
19	1256702GT	DECAL, UI, GS/GR, PROP LIFT.....1 (models with 4 button, proportional controller)	1
20	1256703GT	DECAL, STD, PROP LIFT, UI, SVC.....1 (units converted from 6 button, 2 speed lift to 4 button, proportional controller)	1
21	1257188GT	DECAL,OP INST,PLAT,GS46 ANSI.....1 (models with 4 button, proportional controller)	1
22	1257923GT	DECAL, SMARTLINK PROPORTIONAL.....2 (models with 4 button, proportional controller, and units converted from 6 button, 2 speed lift to 4 button, proportional controller)	2

Platform, Australia models

NOTE:
Part numbers with "(FR)" indicates French translation is available

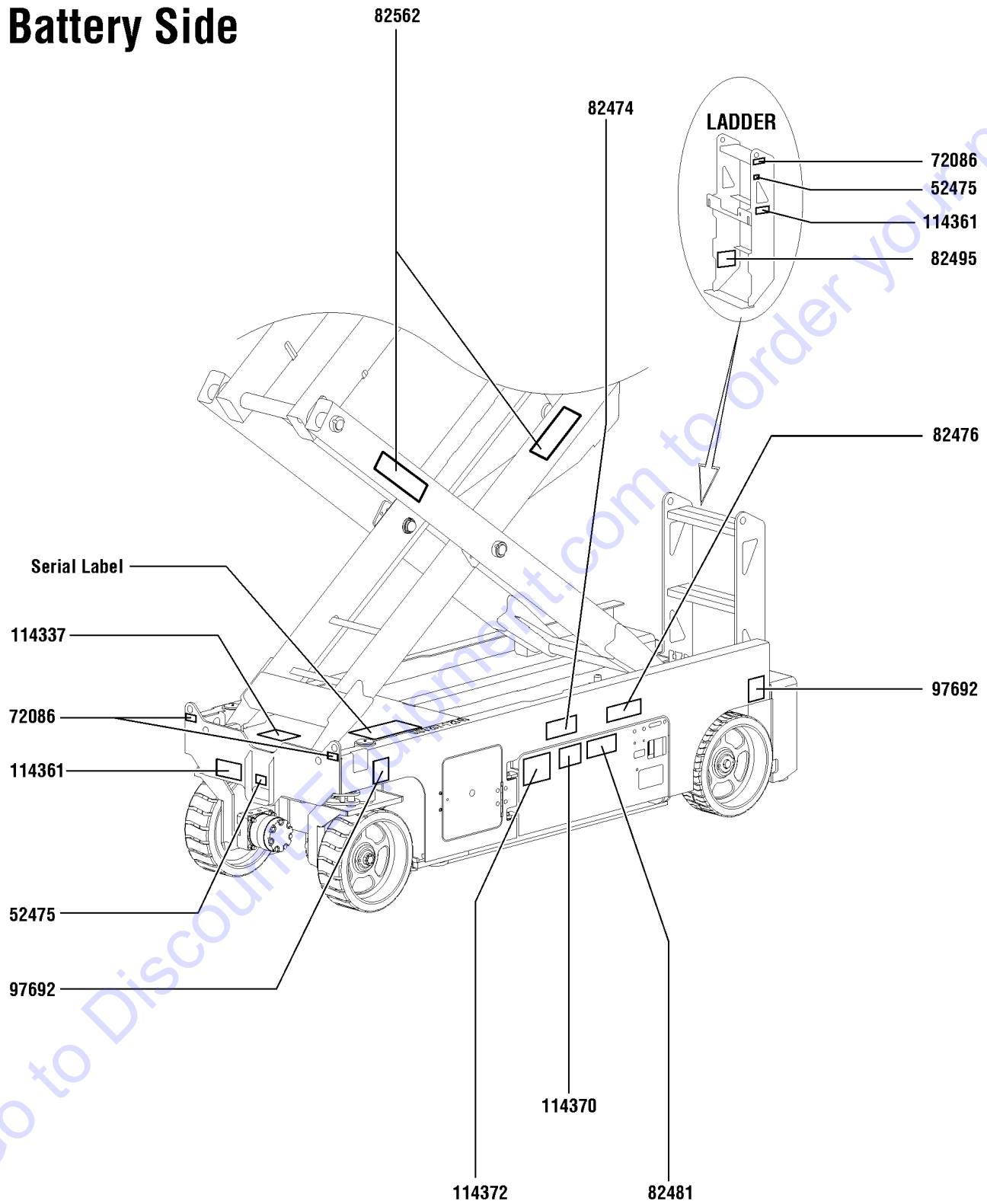


124.1 Word Decals, GS-3246, Platform, Australia

Item	Part No.	Description	Qty.
--		REF: Word Decal Kits (refer to 121.1)	
1	28174GT	DECAL, POWER TO PLATFORM 230V**.....1	1
2	28176GT	DECAL,LABEL,MANUAL NOT HERE.....1	1
3	28235GT	DECAL,POWER TO PLATFORM 115V...1	1
4	28236GT	DECAL,WARN,IMPROPER OPERATION.....1	1
5	40434GT	DECAL,LANYARD ANCHORAGE POINT.....5	5
6	43618GT	DECAL, LABEL - DIRECTION ARROWS.....2	2
7	44736GT	DECAL,DANGER,TIP-OVER,TILT.....1	1
8	44981GT	DECAL,LABEL, AIR LINE 110 PSI.....1 (Option)	1
9	62058GT	DECAL,COSMETIC,GENIE GS-3246....1	1
10	82557GT	DECAL,LABEL,PLAT CONT LOCATION.....1	1
11	82727GT	DECAL,INSTR-MAX CAP 700LBS.....1 GS-3246	1
12	97662GT	DECAL,INSTR-MANUALFRC,AUS 3246.....1	1
13	114386GT	DECAL,DANGER-GEN SAFETY.....1	1
14	133596GT	DECAL,LABEL,FAULT CODES.....1	1
15	137605GT	DECAL,E-STOP,GR/GRC/GS PCON....1	1
16	137636GT	DECAL, UI, GR/GRC/GS PCON.....1 (models with 6 button, 2 speed controller) to SN GS4614A-134999 and to SN GS4614C-13999	1
17	137656GT	DECAL,PROPEL,GR/GRC/GS,PCON....1	1
18	228932GT	DECAL,OP INST,AUS,GS-46.....1 (models with 6 button, 2 speed controller) to SN GS4614A-134999 and to SN GS4614C-13999	1
19	1256702GT	DECAL, UI, GS/GR, PROP LIFT.....1 (models with 4 button, proportional controller)	1
20	1256703GT	DECAL, STD, PROP LIFT, UI, SVC.....1 (units converted from 6 button, 2 speed lift to 4 button, proportional controller)	1
21	1257190GT	DECAL,OP INST,PLAT,GS46,AUS.....1 (models with 4 button, proportional controller)	1
22	1257923GT	DECAL, SMARTLINK PROPORTIONAL.....2 (models with 4 button, proportional controller, and units converted from 6 button, 2 speed lift to 4 button, proportional controller)	2

125.1 Symbol Decals, GS-2032, Battery Side, ANSI & CE

Battery Side

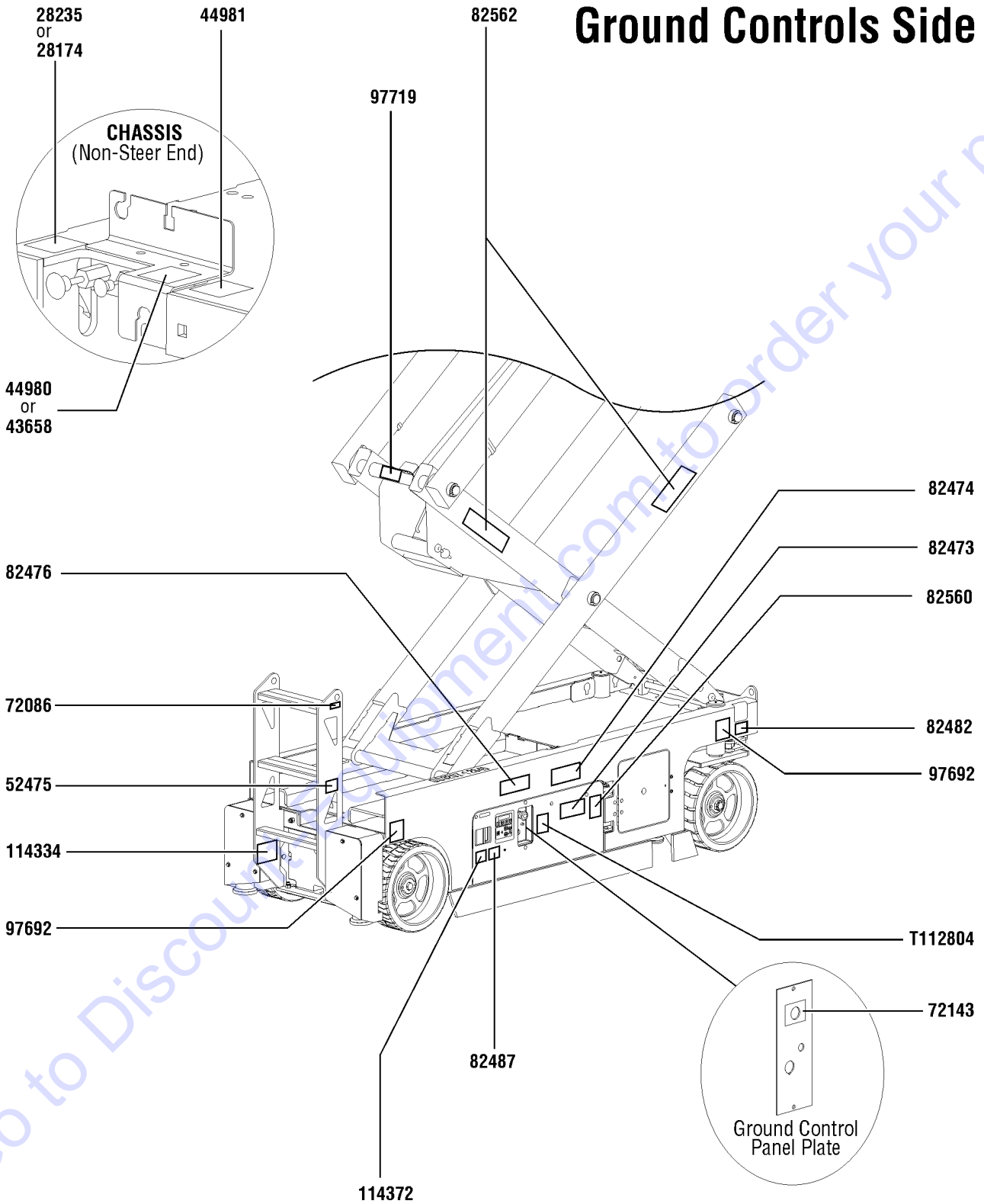


125.1 Symbol Decals, GS-2032, Battery Side, ANSI & CE

Item	Part No.	Description	Qty.
A	217275GT	DECAL KIT,2032 PLAT.,SYM,ANSI (ANSI models with 2 speed controller) to SN GS3214A-134999 and to SN GS3214C-13999	
B	217276GT	DECAL KIT,2032 COMP.,SYM,ANSI (ANSI models with 2 speed controller) to SN GS3214A-134999 and to SN GS3214C-13999	
C	217287GT	DECAL KIT,2032 PLAT.,SYM,CE (CE models with 2 speed controller) to SN GS3214A-134999 and to SN GS3214C-13999	
D	217288GT	DECAL KIT,2032 COMP.,SYM,CE (CE models with 2 speed controller) to SN GS3214A-134999 and to SN GS3214C-13999	
1	52475GT	DECAL,LABEL,TRANSPORT TIEDOWN*.....	2
2	72086GT	DECAL,LABEL,LIFTING EYE.....	3
3	82474GT	DECAL,SYMBOL-USE SAFETY ARM....	1
4	82476GT	DECAL,SYMBOL-ELEC HAZARD,GS....	1
5	82481GT	DECAL,SYMBOL-BATTERY SAFETY....	1
6	82495GT	DECAL,SYMBOL-BRAKE REL SAFETY.....	1
7	82562GT	DECAL,SYMBOL-CRUSHING HAZARD.....	2
8	97692GT	DECAL,LABEL,WHEEL LOAD 2032.....	2
9	114337GT	DECAL,SYM-TIP-OVER,LIM SWITCH....	1
10	114361GT	DECAL,LABEL-TRANSPORT DIGRAM.....	2
11	114370GT	DECAL-SYM-TIP-OVR,BATTRIES.....	1
12	114372GT	DECAL SYMBOL TIP OVER TRAYS.....	1

126.1 Symbol Decals, GS-2032, Ground Control Side, ANSI & CE

Ground Controls Side

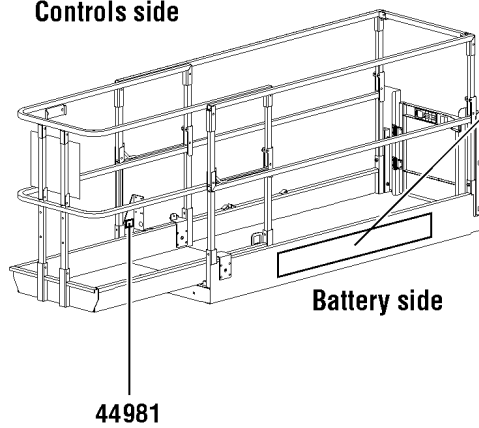
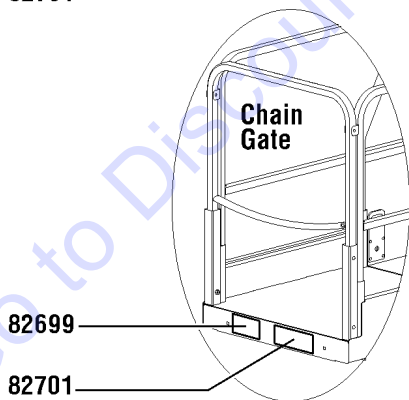
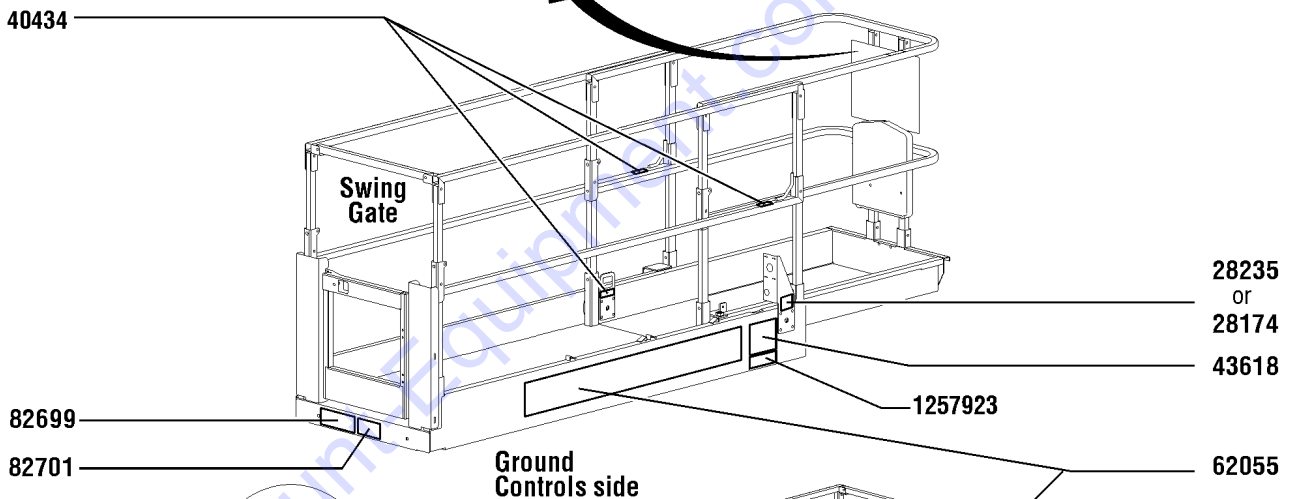
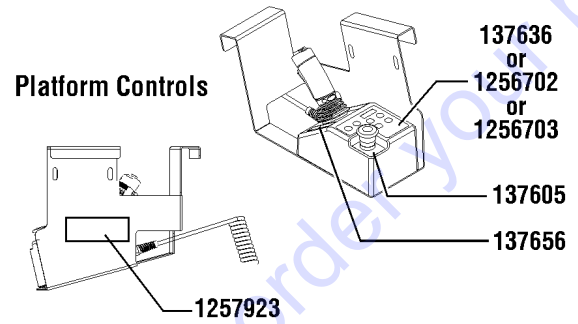
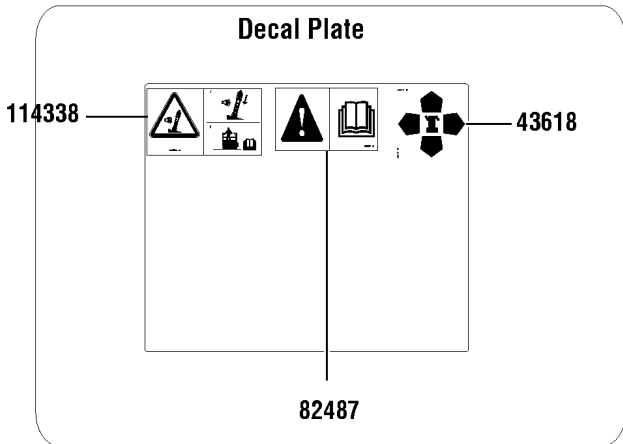


126.1 Symbol Decals, GS-2032, Ground Control Side, ANSI & CE

Item	Part No.	Description	Qty.
--		REF: Symbol Decal Kits for ANSI and CE (refer to 125.1)	
1	28174GT	DECAL, POWER TO PLATFORM 230V**.....1	1
2	28235GT	DECAL,POWER TO PLATFORM 115V...1	1
3	43658GT	DECAL,LABEL,PWR TO CHARGR 230V.....1	1
4	44980GT	DECAL,LABEL,PWR TO CHARGR 115V.....1	1
5	44981GT	DECAL,LABEL, AIR LINE 110 PSI.....1 (Option)	1
6	52475GT	DECAL,LABEL,TRANSPORT TIEDOWN*.....1	1
7	72086GT	DECAL,LABEL,LIFTING EYE.....1	1
8	72143GT	DECAL,EMERGENCY STOP,GR.....1	1
9	82473GT	DECAL,SYMBOL-COMP ACCESS.....1	1
10	82474GT	DECAL,SYMBOL-USE SAFETY ARM...1	1
11	82476GT	DECAL,SYMBOL-ELEC HAZARD,GS....1	1
12	82482GT	DECAL,LABEL,AUX LOWERING.....1	1
13	82487GT	DECAL, SYMBOL - READ THE MANUAL.....1	1
14	82560GT	DECAL,SYMBOL-SKIN INJECT HAZRD.....1	1
15	82562GT	DECAL,SYMBOL-CRUSHING HAZARD.....2	2
16	97692GT	DECAL,LABEL,WHEEL LOAD 2032.....2	2
17	97719GT	DECAL, LABEL, SAFETY ARM SYMB...1	1
18	114334GT	DECAL,SYM-ELEC HAZARD,PLUG.....1	1
19	114372GT	DECAL SYMBOL TIP OVER TRAYS.....1	1
20	T112804GT	DECAL,GCON PANEL,GS.....1	1

127.1 Symbol Decals, GS-2032, Platform, ANSI

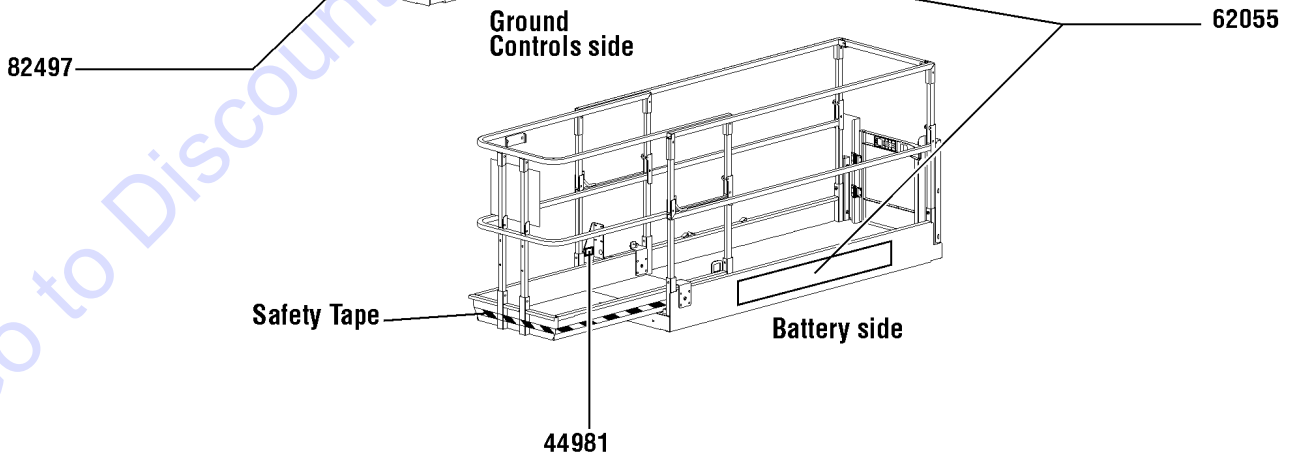
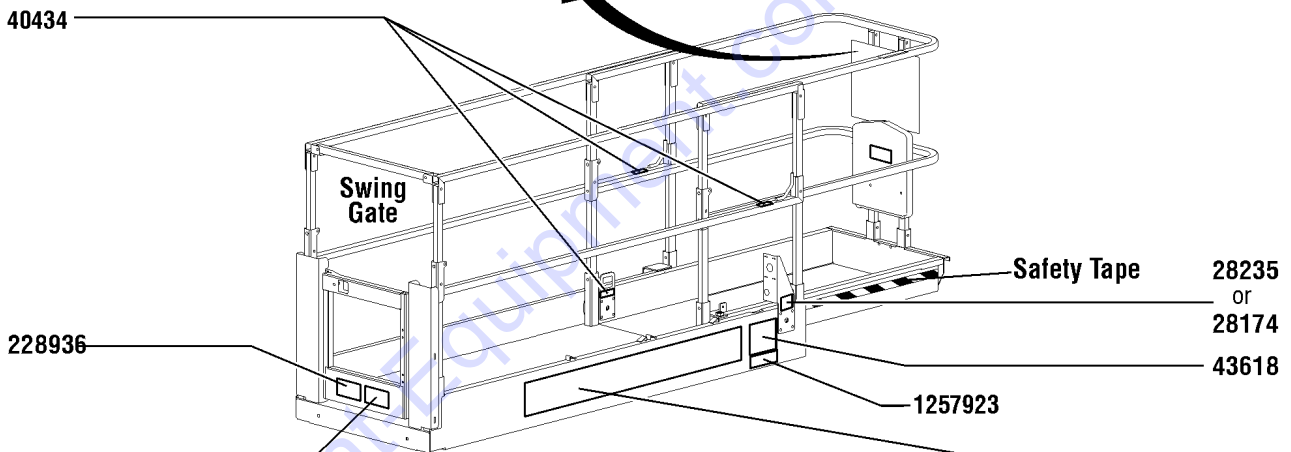
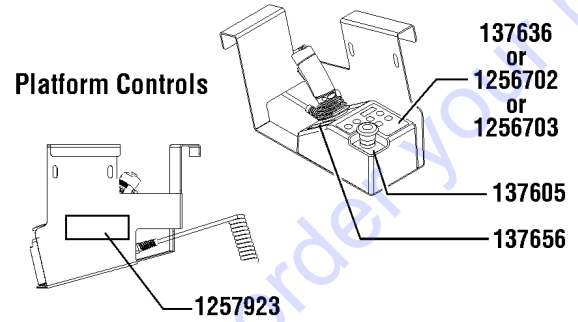
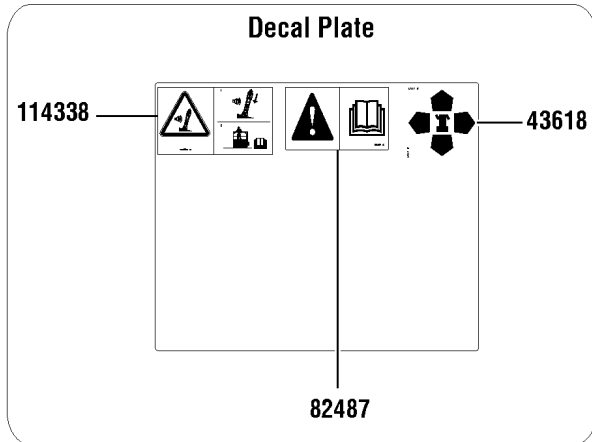
Platform, ANSI models



127.1 Symbol Decals, GS-2032, Platform, ANSI

Item	Part No.	Description	Qty.
--		REF: Symbol Decal Kits for ANSI (refer to 125.1)	
1	28174GT	DECAL, POWER TO PLATFORM 230V**.....1	1
2	28235GT	DECAL,POWER TO PLATFORM 115V...1	1
3	40434GT	DECAL,LANYARD ANCHORAGE POINT.....3	3
4	43618GT	DECAL, LABEL - DIRECTION ARROWS.....2	2
5	44981GT	DECAL,LABEL, AIR LINE 110 PSI.....1 (Option)	1
6	62055GT	DECAL,COSMETIC,GENIE GS-2032....2	2
7	82487GT	DECAL, SYMBOL - READ THE MANUAL.....1	1
8	82699GT	DECAL,SYM-MAXCAP 800.....1	1
9	82701GT	DECAL,SYM-SIDE FORCE 534N.....1	1
10	114338GT	DECAL,SYM-TIP-OVER,TILT ALARM....1	1
11	137605GT	DECAL,E-STOP,GR/GRC/GS PCON....1	1
12	137636GT	DECAL, UI, GR/GRC/GS PCON.....1 (models with 6 button, 2 speed controller) to SN GS3214A-134999 and to SN GS3214C-13999	1
13	137656GT	DECAL,PROPEL,GR/GRC/GS,PCON....1	1
14	1256702GT	DECAL, UI, GS/GR, PROP LIFT.....1 (models with 4 button, proportional controller)	1
15	1256703GT	DECAL, STD, PROP LIFT, UI, SVC.....1 (units converted from 6 button, 2 speed lift to 4 button, proportional controller)	1
16	1257923GT	DECAL, SMARTLINK PROPORTIONAL.....2 (models with 4 button, proportional controller, and units converted from 6 button, 2 speed lift to 4 button, proportional controller)	2

Platform, CE models

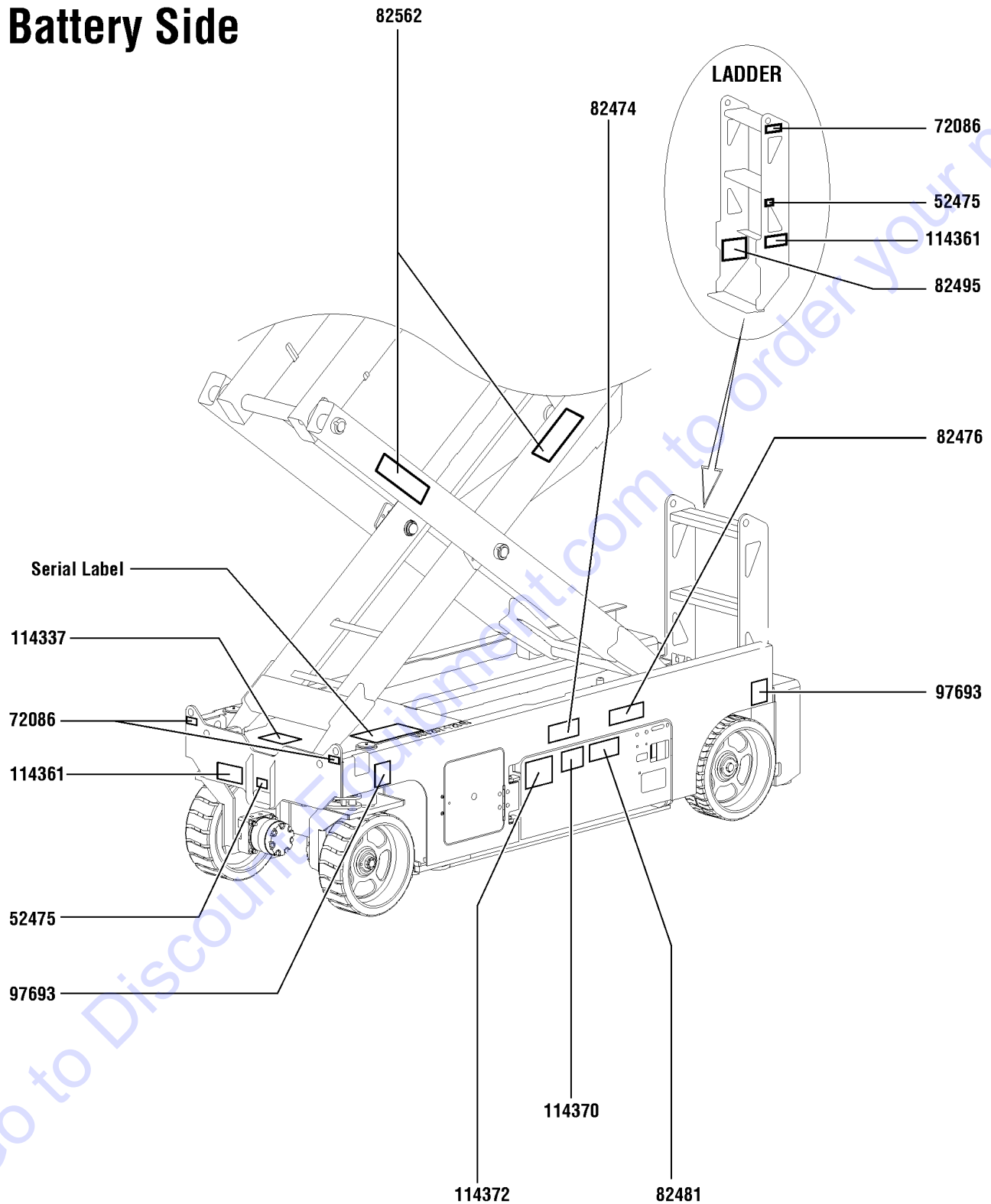


128.1 Symbol Decals, GS-2032, Platform, CE

Item	Part No.	Description	Qty.
--		REF: Symbol Decal Kits for CE (refer to 125.1)	
1	28174GT	DECAL, POWER TO PLATFORM 230V**.....1	1
2	28235GT	DECAL,POWER TO PLATFORM 115V...1	1
3	40434GT	DECAL,LANYARD ANCHORAGE POINT.....3	3
4	43618GT	DECAL, LABEL - DIRECTION ARROWS.....2	2
5	44981GT	DECAL,LABEL, AIR LINE 110 PSI.....1 (Option)	1
6	62055GT	DECAL,COSMETIC,GENIE GS-2032....2	2
7	82487GT	DECAL, SYMBOL - READ THE MANUAL.....1	1
8	82497GT	DECAL,SYM-SIDEFORCE 200400.....1	1
9	114338GT	DECAL,SYM-TIP-OVER,TILT ALARM....1	1
10	137605GT	DECAL,E-STOP,GR/GRC/GS PCON....1	1
11	137636GT	DECAL, UI, GR/GRC/GS PCON.....1 (models with 6 button, 2 speed controller) to SN GS3214A-134999 and to SN GS3214C-13999	1
12	137656GT	DECAL,PROPEL,GR/GRC/GS,PCON....1	1
13	228936GT	DECAL,INST MAX CAP 363 KG,SYM....1	1
14	1256702GT	DECAL, UI, GS/GR, PROP LIFT.....1 (models with 4 button, proportional controller)	1
15	1256703GT	DECAL, STD, PROP LIFT, UI, SVC.....1 (units converted from 6 button, 2 speed lift to 4 button, proportional controller)	1
16	1257923GT	DECAL, SMARTLINK PROPORTIONAL.....2 (models with 4 button, proportional controller, and units converted from 6 button, 2 speed lift to 4 button, proportional controller)	2

129.1 Symbol Decals, GS-2632, Battery Side, ANSI & CE

Battery Side

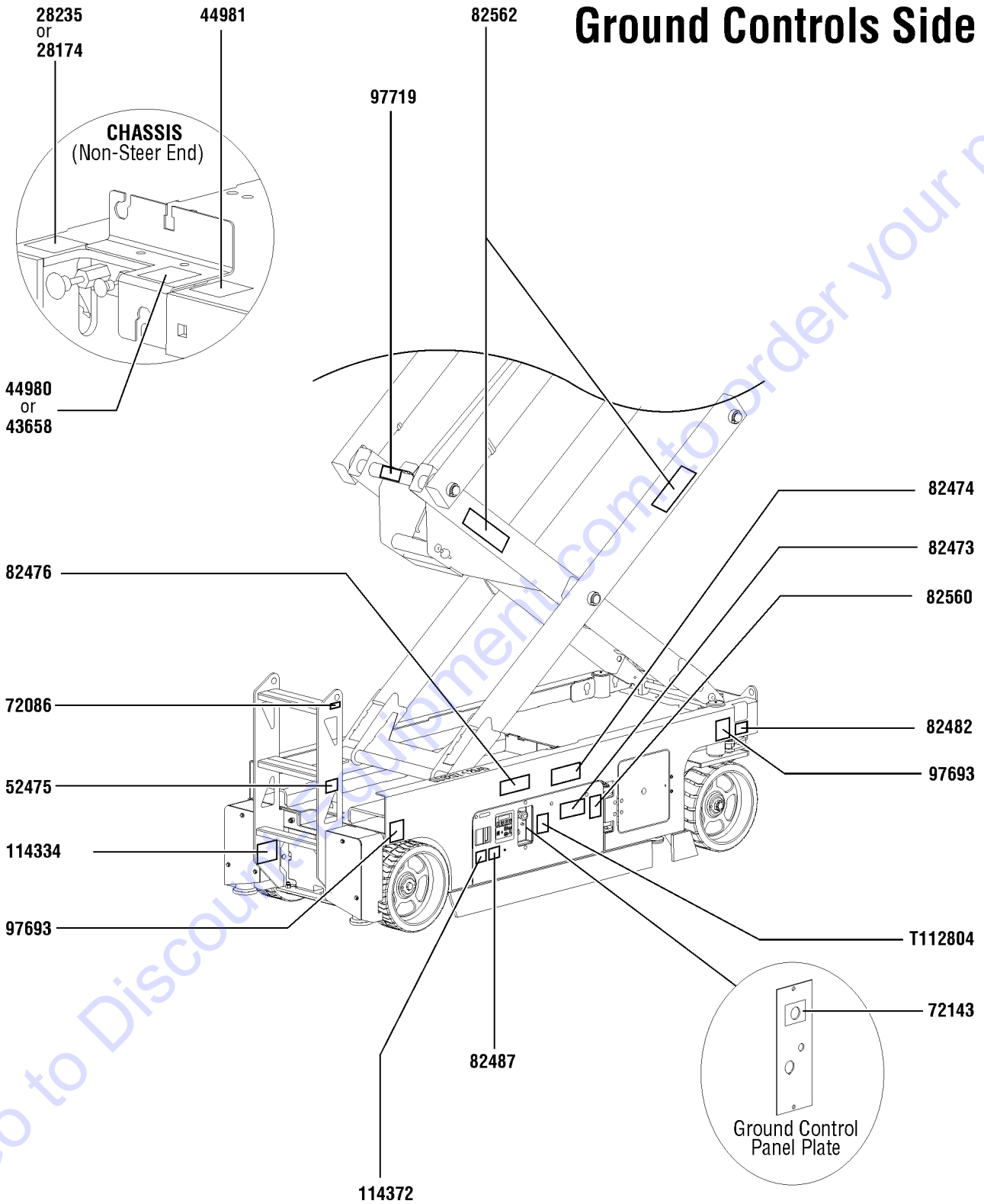


129.1 Symbol Decals, GS-2632, Battery Side, ANSI & CE

Item	Part No.	Description	Qty.
A	217277GT	DECAL KIT,2632 PLAT.,SYM,ANSI (ANSI models with 2 speed controller) to SN GS3214A-134999 and to SN GS3214C-13999	
B	217278GT	DECAL KIT,2632 COMP.,SYM,ANSI (ANSI models with 2 speed controller) to SN GS3214A-134999 and to SN GS3214C-13999	
C	217289GT	DECAL KIT,2632 PLAT.,SYM,CE (CE models with 2 speed controller) to SN GS3214A-134999 and to SN GS3214C-13999	
D	217290GT	DECAL KIT,2632 COMP.,SYM,CE (CE models with 2 speed controller) to SN GS3214A-134999 and to SN GS3214C-13999	
1	52475GT	DECAL,LABEL,TRANSPORT TIEDOWN*.....	2
2	72086GT	DECAL,LABEL,LIFTING EYE.....	3
3	82474GT	DECAL,SYMBOL-USE SAFETY ARM....	1
4	82476GT	DECAL,SYMBOL-ELEC HAZARD,GS....	1
5	82481GT	DECAL,SYMBOL-BATTERY SAFETY.....	1
6	82495GT	DECAL,SYMBOL-BRAKE REL SAFETY.....	1
7	82562GT	DECAL,SYMBOL-CRUSHING HAZARD.....	2
8	97693GT	DECAL,LABEL,WHEEL LOAD 2632.....	2
9	114337GT	DECAL,SYM-TIP-OVER,LIM SWITCH....	1
10	114361GT	DECAL,LABEL-TRANSPORT DIGRAM.....	2
11	114370GT	DECAL-SYM-TIP-OVR,BATTRIES.....	1
12	114372GT	DECAL SYMBOL TIP OVER TRAYS.....	1

130.1 Symbol Decals, GS-2632, Ground Control Side, ANSI and CE

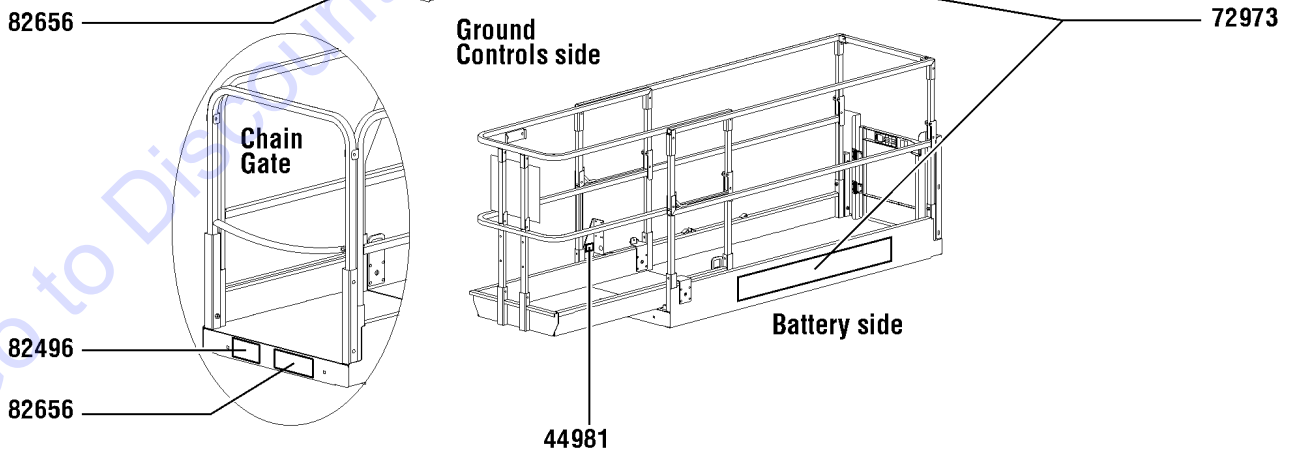
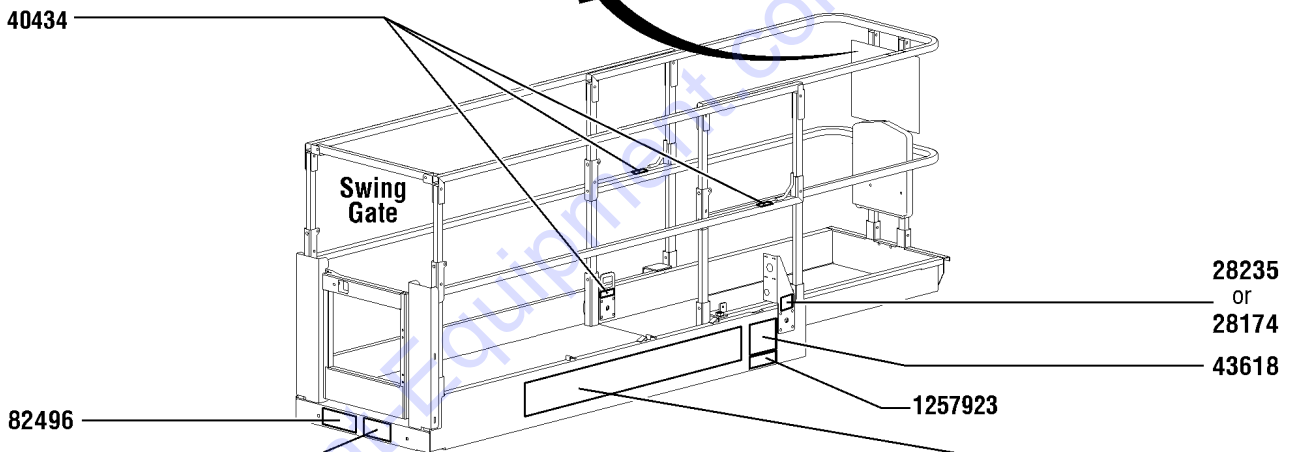
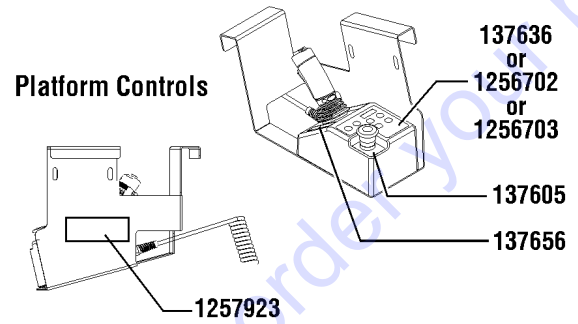
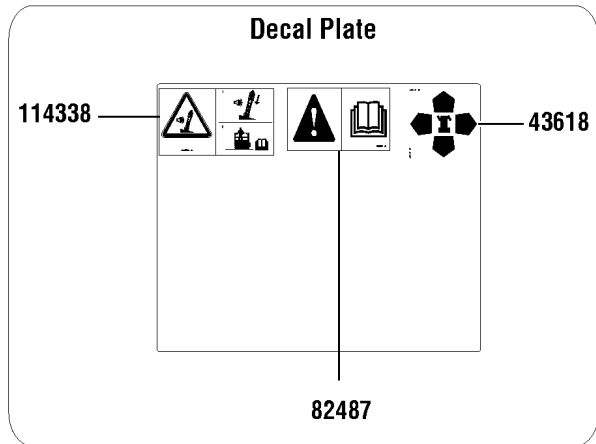
Ground Controls Side



130.1 Symbol Decals, GS-2632, Ground Control Side, ANSI and CE

Item	Part No.	Description	Qty.
--		REF: Symbol Decal Kits (refer to 129.1)	
1	28174GT	DECAL, POWER TO PLATFORM 230V**.....1	1
2	28235GT	DECAL,POWER TO PLATFORM 115V...1	1
3	43658GT	DECAL,LABEL,PWR TO CHARGR 230V.....1	1
4	44980GT	DECAL,LABEL,PWR TO CHARGR 115V.....1	1
5	44981GT	DECAL,LABEL, AIR LINE 110 PSI.....1 (Option)	1
6	52475GT	DECAL,LABEL,TRANSPORT TIEDOWN*.....1	1
7	72086GT	DECAL,LABEL,LIFTING EYE.....1	1
8	72143GT	DECAL,EMERGENCY STOP,GR.....1	1
9	82473GT	DECAL,SYMBOL-COMP ACCESS.....1	1
10	82474GT	DECAL,SYMBOL-USE SAFETY ARM...1	1
11	82476GT	DECAL,SYMBOL-ELEC HAZARD,GS....1	1
12	82482GT	DECAL,LABEL,AUX LOWERING.....1	1
13	82487GT	DECAL, SYMBOL - READ THE MANUAL.....1	1
14	82560GT	DECAL,SYMBOL-SKIN INJECT HAZRD.....1	1
15	82562GT	DECAL,SYMBOL-CRUSHING HAZARD.....2	2
16	97693GT	DECAL,LABEL,WHEEL LOAD 2632.....2	2
17	97719GT	DECAL, LABEL, SAFETY ARM SYMB...1	1
18	114334GT	DECAL,SYM-ELEC HAZARD,PLUG.....1	1
19	114372GT	DECAL SYMBOL TIP OVER TRAYS.....1	1
20	T112804GT	DECAL,GCON PANEL,GS.....1	1

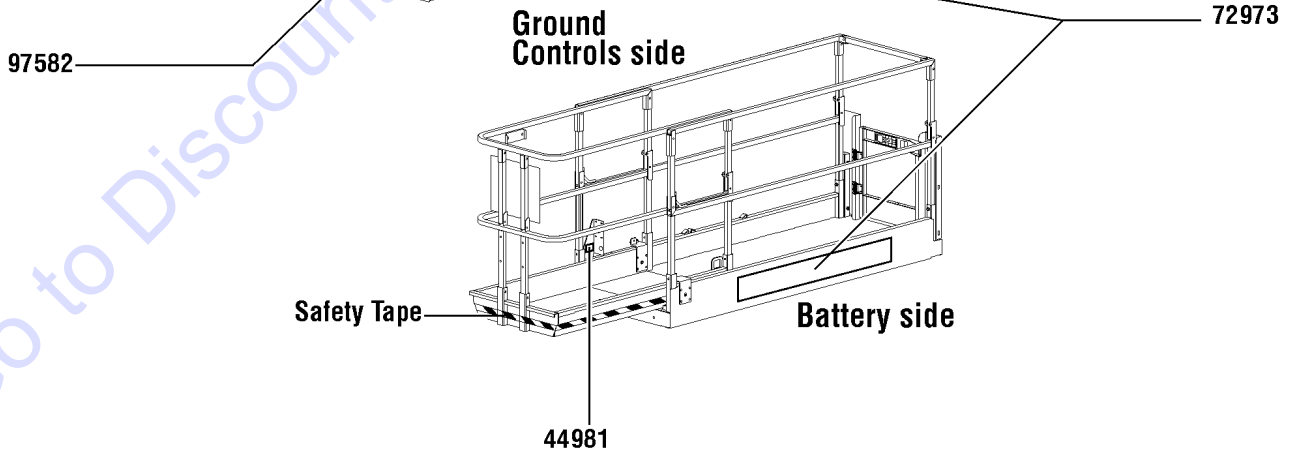
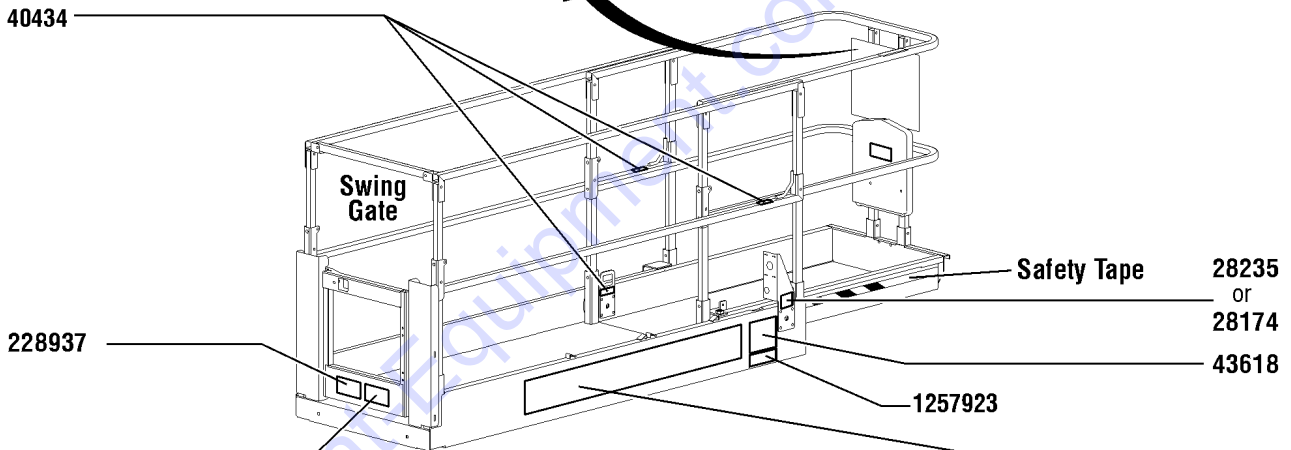
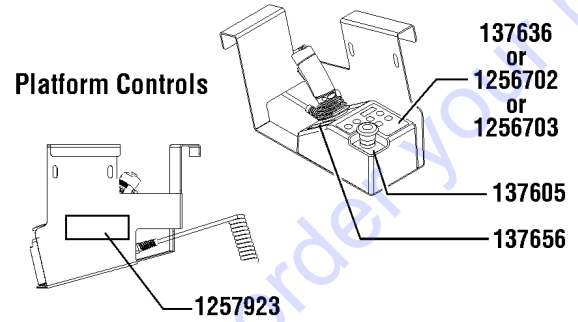
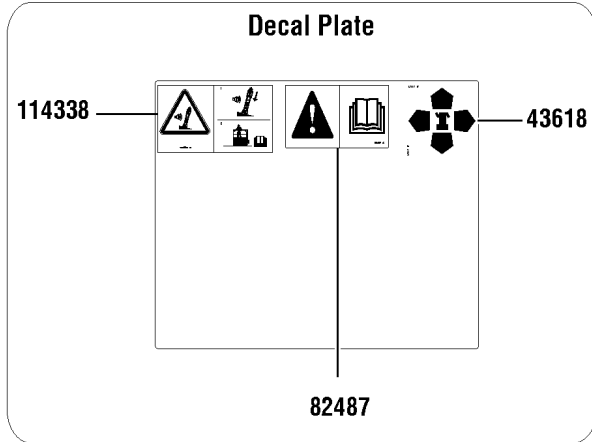
Platform, ANSI models



131.1 Symbol Decals, GS-2632, Platform, ANSI

Item	Part No.	Description	Qty.
--		REF: Symbol Decal Kits (refer to 129.1)	
1	28174GT	DECAL, POWER TO PLATFORM 230V**.....1	1
2	28235GT	DECAL,POWER TO PLATFORM 115V...1	1
3	40434GT	DECAL,LANYARD ANCHORAGE POINT.....3	3
4	43618GT	DECAL, LABEL - DIRECTION ARROWS.....2	2
5	44981GT	DECAL,LABEL, AIR LINE 110 PSI.....1 (Option)	1
6	72973GT	DECAL,COSMETIC,GENIE GS-2632**...2	2
7	82487GT	DECAL, SYMBOL - READ THE MANUAL.....1	1
8	82496GT	DECAL,SYM-MAXCAP 500.....1	1
9	82656GT	DECAL,SYM-SIDE FORCE 445N.....1	1
10	114338GT	DECAL,SYM-TIP-OVER,TILT ALARM....1	1
11	137605GT	DECAL,E-STOP,GR/GRC/GS PCON....1	1
12	137636GT	DECAL, UI, GR/GRC/GS PCON.....1 (models with 6 button, 2 speed controller) to SN GS3214A-134999 and to SN GS3214C-13999	1
13	137656GT	DECAL,PROPEL,GR/GRC/GS,PCON....1	1
14	1256702GT	DECAL, UI, GS/GR, PROP LIFT.....1 (models with 4 button, proportional controller)	1
15	1256703GT	DECAL, STD, PROP LIFT, UI, SVC.....1 (units converted from 6 button, 2 speed lift to 4 button, proportional controller)	1
16	1257923GT	DECAL, SMARTLINK PROPORTIONAL.....2 (models with 4 button, proportional controller, and units converted from 6 button, 2 speed lift to 4 button, proportional controller)	2

Platform, CE models

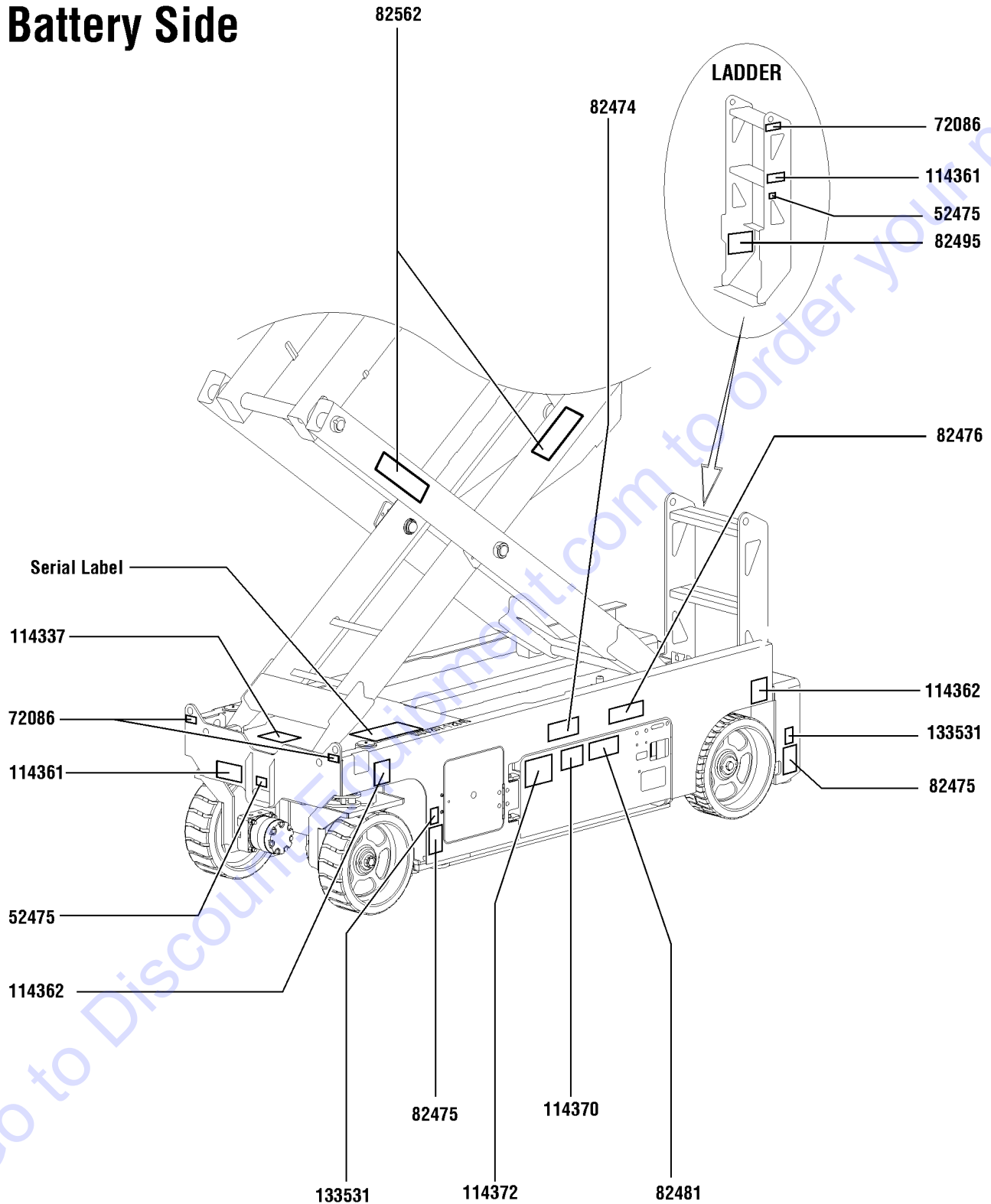


132.1 Symbol Decals, GS-2632, Platform, CE

Item	Part No.	Description	Qty.
--		REF: Symbol Decal Kits (refer to 129.1)	
1	28174GT	DECAL, POWER TO PLATFORM 230V**.....1	1
2	28235GT	DECAL,POWER TO PLATFORM 115V...1	1
3	40434GT	DECAL,LANYARD ANCHORAGE POINT.....3	3
4	43618GT	DECAL, LABEL - DIRECTION ARROWS.....2	2
5	44981GT	DECAL,LABEL, AIR LINE 110 PSI.....1 (Option)	1
6	72973GT	DECAL,COSMETIC,GENIE GS-2632**...2	2
7	82487GT	DECAL, SYMBOL - READ THE MANUAL.....1	1
8	97582GT	DECAL,SYM-SIDEFORCE 400N ID.....1	1
9	114338GT	DECAL,SYM-TIP-OVER,TILT ALARM.....1	1
10	137605GT	DECAL,E-STOP,GR/GRC/GS PCON.....1	1
11	137636GT	DECAL, UI, GR/GRC/GS PCON.....1 (models with 6 button, 2 speed controller) to SN GS3214A-134999 and to SN GS3214C-13999	1
12	137656GT	DECAL,PROPEL,GR/GRC/GS,PCON.....1	1
13	228937GT	DECAL,SYM-MAXCAP CE GS2632.....1	1
14	1256702GT	DECAL, UI, GS/GR, PROP LIFT.....1 (models with 4 button, proportional controller)	1
15	1256703GT	DECAL, STD, PROP LIFT, UI, SVC.....1 (units converted from 6 button, 2 speed lift to 4 button, proportional controller)	1
16	1257923GT	DECAL, SMARTLINK PROPORTIONAL.....2 (models with 4 button, proportional controller, and units converted from 6 button, 2 speed lift to 4 button, proportional controller)	2

133.1 Symbol Decals, GS-3232, Battery Side, ANSI & CE

Battery Side

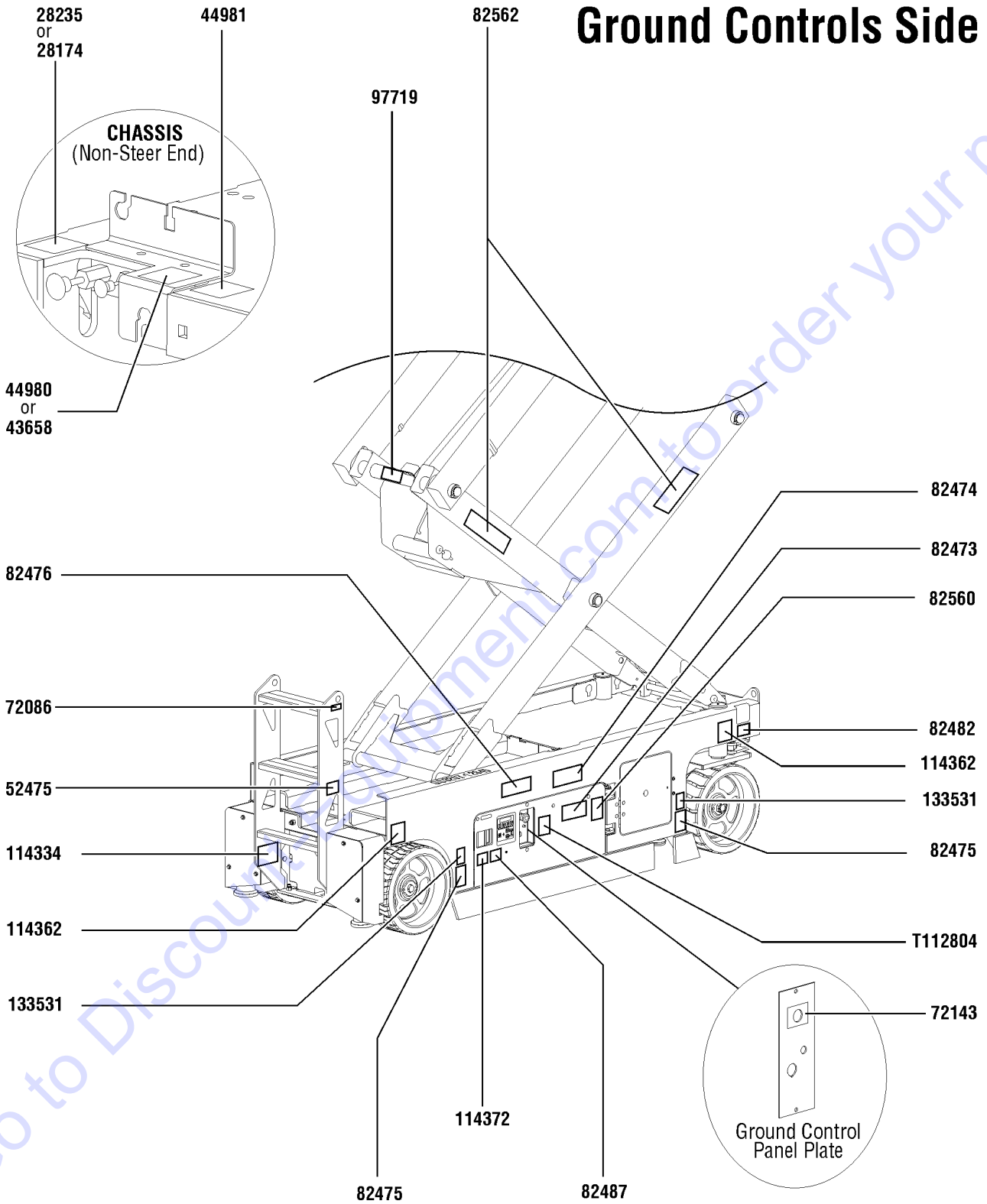


133.1 Symbol Decals, GS-3232, Battery Side, ANSI & CE

Item	Part No.	Description	Qty.
A	217279GT	DECAL KIT,3232 PLAT.,SYM,ANSI (ANSI models with 2 speed controller) to SN GS3214A-134999	
B	217280GT	DECAL KIT,3232 COMP.,SYM,ANSI (ANSI models with 2 speed controller) to SN GS3214A-134999	
C	217291GT	DECAL KIT,3232 PLAT.,SYM,CE (CE models with 2 speed controller) to SN GS3214A-134999	
D	217292GT	DECAL KIT,3232 COMP.,SYM,CE (CE models with 2 speed controller) to SN GS3214A-134999	
1	52475GT	DECAL,LABEL,TRANSPORT TIEDOWN*.....	2
2	72086GT	DECAL,LABEL,LIFTING EYE.....	3
3	82474GT	DECAL,SYMBOL-USE SAFETY ARM....	1
4	82475GT	DECAL,SYMBOL-FOOT CRUSHING....	2
5	82476GT	DECAL,SYMBOL-ELEC HAZARD,GS....	1
6	82481GT	DECAL,SYMBOL-BATTERY SAFETY.....	1
7	82495GT	DECAL,SYMBOL-BRAKE REL SAFETY.....	1
8	82562GT	DECAL,SYMBOL-CRUSHING HAZARD.....	2
9	114337GT	DECAL,SYM-TIP-OVER,LIM SWITCH....	1
10	114361GT	DECAL,LABEL-TRANSPORT DIGRAM.....	2
11	114362GT	DECAL,LABEL-WHEEL LOAD,GS-3232.....	2
12	114370GT	DECAL-SYM-TIP-OVR,BATTRIES.....	1
13	114372GT	DECAL SYMBOL TIP OVER TRAYS.....	1
14	133531GT	LABEL,OUTRIGGER,LOAD,GS-3232....	2

134.1 Symbol Decals, GS-3232, Ground Control Side, ANSI and CE

Ground Controls Side

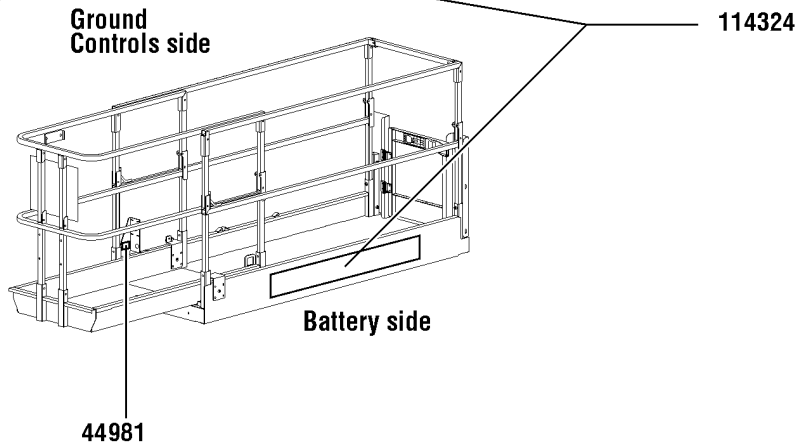
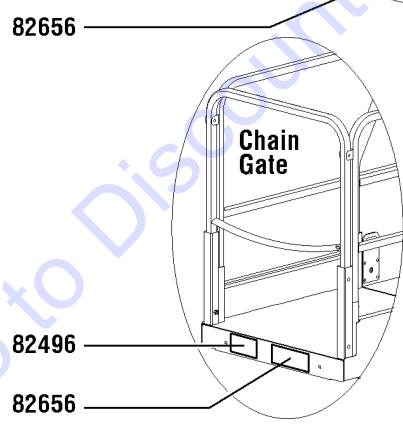
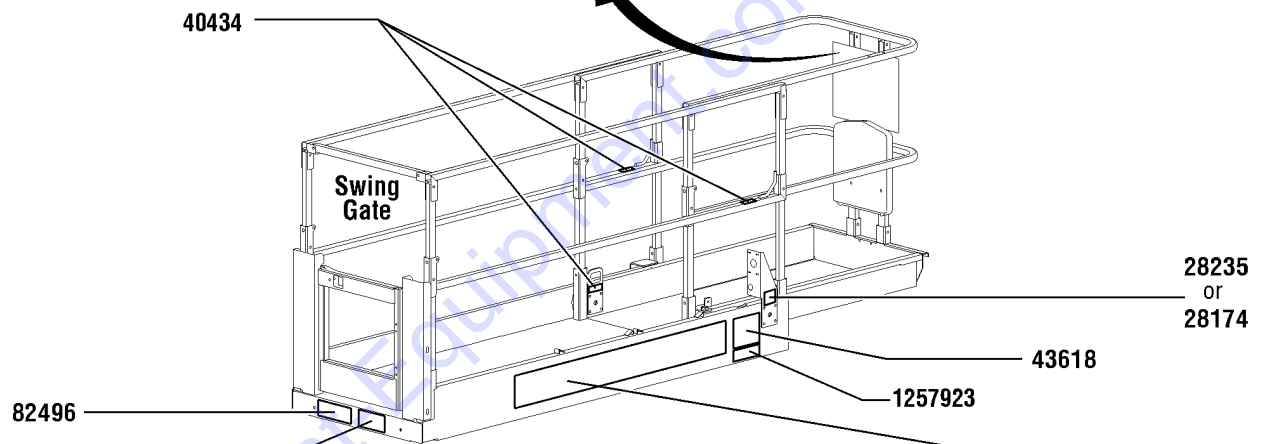
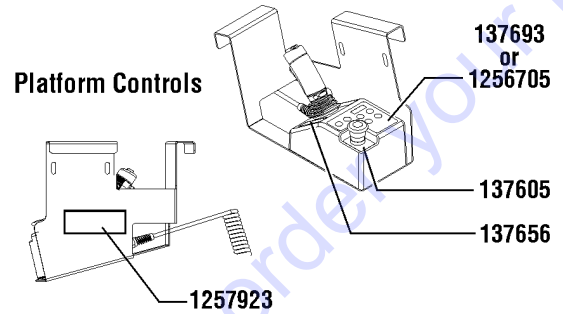
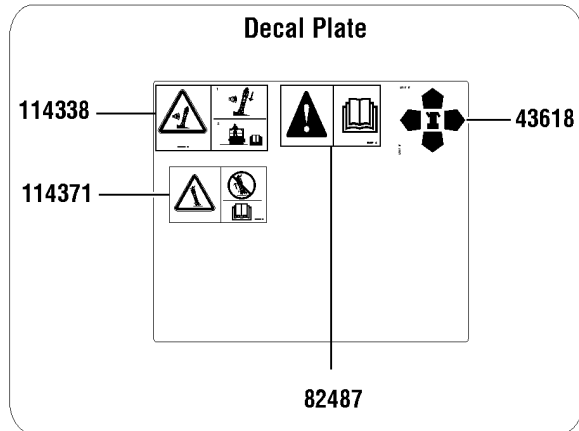


134.1 Symbol Decals, GS-3232, Ground Control Side, ANSI and CE

Item	Part No.	Description	Qty.
--		REF: Symbol Decal Kits for ANSI and CE (refer to 133.1)	
1	28174GT	DECAL, POWER TO PLATFORM 230V**.....1	1
2	28235GT	DECAL,POWER TO PLATFORM 115V...1	1
3	43658GT	DECAL,LABEL,PWR TO CHARGR 230V.....1	1
4	44980GT	DECAL,LABEL,PWR TO CHARGR 115V.....1	1
5	44981GT	DECAL,LABEL, AIR LINE 110 PSI.....1 (Option)	1
6	52475GT	DECAL,LABEL,TRANSPORT TIEDOWN*.....1	1
7	72086GT	DECAL,LABEL,LIFTING EYE.....1	1
8	72143GT	DECAL,EMERGENCY STOP,GR.....1	1
9	82473GT	DECAL,SYMBOL-COMP ACCESS.....1	1
10	82474GT	DECAL,SYMBOL-USE SAFETY ARM....1	1
11	82475GT	DECAL,SYMBOL-FOOT CRUSHING....2	2
12	82476GT	DECAL,SYMBOL-ELEC HAZARD,GS....1	1
13	82482GT	DECAL,LABEL,AUX LOWERING.....1	1
14	82487GT	DECAL, SYMBOL - READ THE MANUAL.....1	1
15	82560GT	DECAL,SYMBOL-SKIN INJECT HAZRD.....1	1
16	82562GT	DECAL,SYMBOL-CRUSHING HAZARD.....2	2
17	97719GT	DECAL, LABEL, SAFETY ARM SYMB...1	1
18	114334GT	DECAL,SYM-ELEC HAZARD,PLUG.....1	1
19	114362GT	DECAL,LABEL-WHEEL LOAD,GS-3232.....2	2
20	114372GT	DECAL SYMBOL TIP OVER TRAYS.....1	1
21	133531GT	LABEL,OUTRIGGER,LOAD,GS-3232....2	2
22	T112804GT	DECAL,GCON PANEL,GS.....1	1

135.1 Symbol Decals, GS-3232, Platform, ANSI

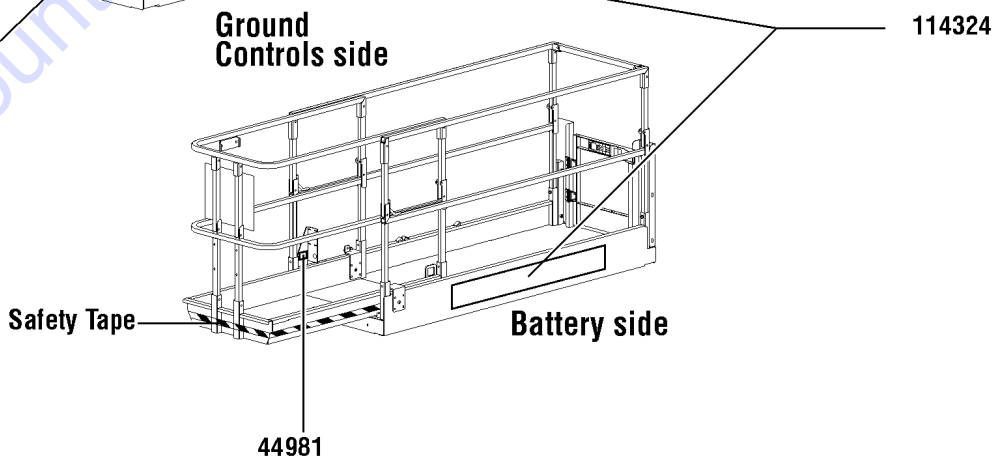
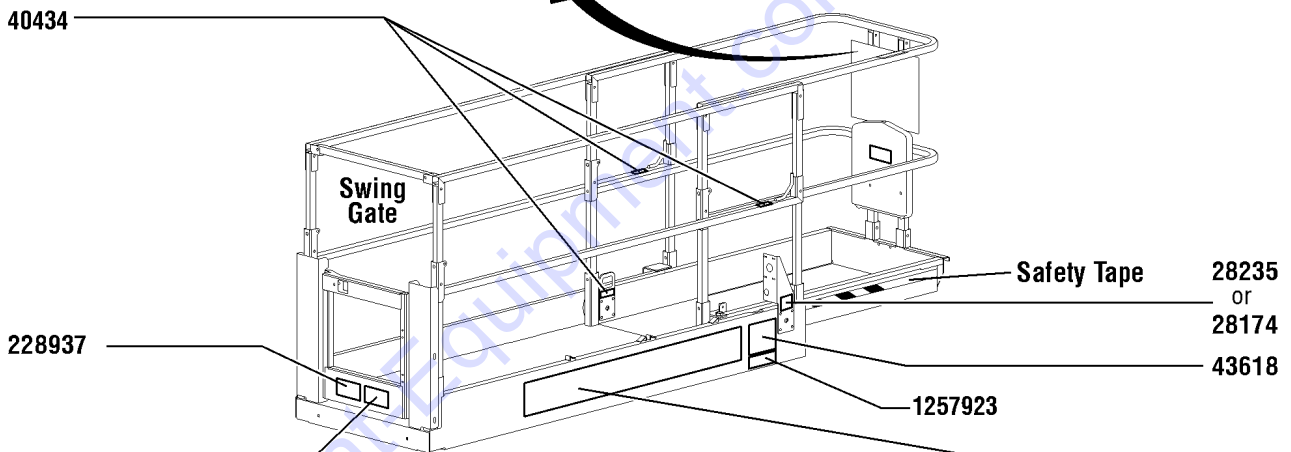
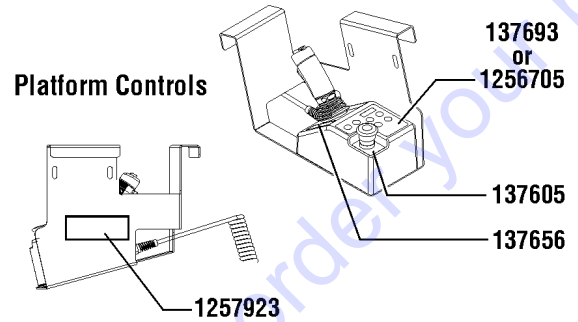
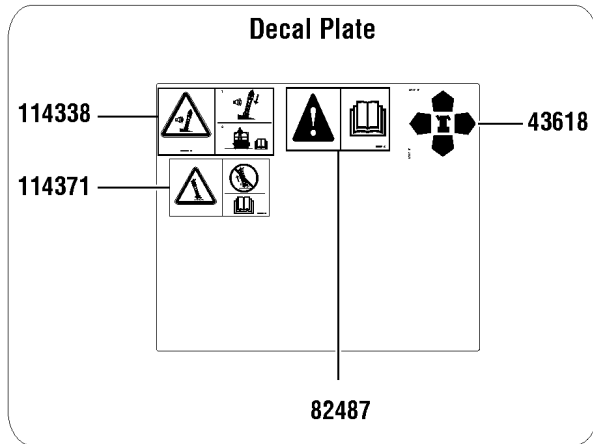
Platform, ANSI models



135.1 Symbol Decals, GS-3232, Platform, ANSI

Item	Part No.	Description	Qty.
--		REF: Symbol Decal Kits for ANSI and CE (refer to 133.1)	
1	28174GT	DECAL, POWER TO PLATFORM 230V**.....1	1
2	28235GT	DECAL,POWER TO PLATFORM 115V...1	1
3	40434GT	DECAL,LANYARD ANCHORAGE POINT.....3	3
4	43618GT	DECAL, LABEL - DIRECTION ARROWS.....2	2
5	44981GT	DECAL,LABEL, AIR LINE 110 PSI.....1 (Option)	1
6	82487GT	DECAL, SYMBOL - READ THE MANUAL.....1	1
7	82496GT	DECAL,SYM-MAXCAP 500.....1	1
8	82656GT	DECAL,SYM-SIDE FORCE 445N.....1	1
9	114324GT	DECAL,COSMETIC-GENIE GS-3232....2	2
10	114338GT	DECAL,SYM-TIP-OVER,TILT ALARM....1	1
11	114371GT	DECAL,SYM-TIP-OVER,OUTRGR.....1	1
12	137605GT	DECAL,E-STOP,GR/GRC/GS PCON....1	1
13	137656GT	DECAL,PROPEL,GR/GRC/GS,PCON....1	1
14	137693GT	DECAL, UI, GS3232, PCON.....1 (models with 8 button, 2 speed controller) to SN GS3214A-134999	1
15	1256705GT	DECAL, O/R, PROP LIFT, UI, SVC.....1 (models with 6 button, proportional controller and units converted from 8 button, 2 speed lift to 6 button, proportional controller)	1
16	1257923GT	DECAL, SMARTLINK PROPORTIONAL.....2 (models with 6 button, proportional controller, and units converted from 8 button, 2 speed lift to 6 button, proportional controller)	2

Platform, CE models

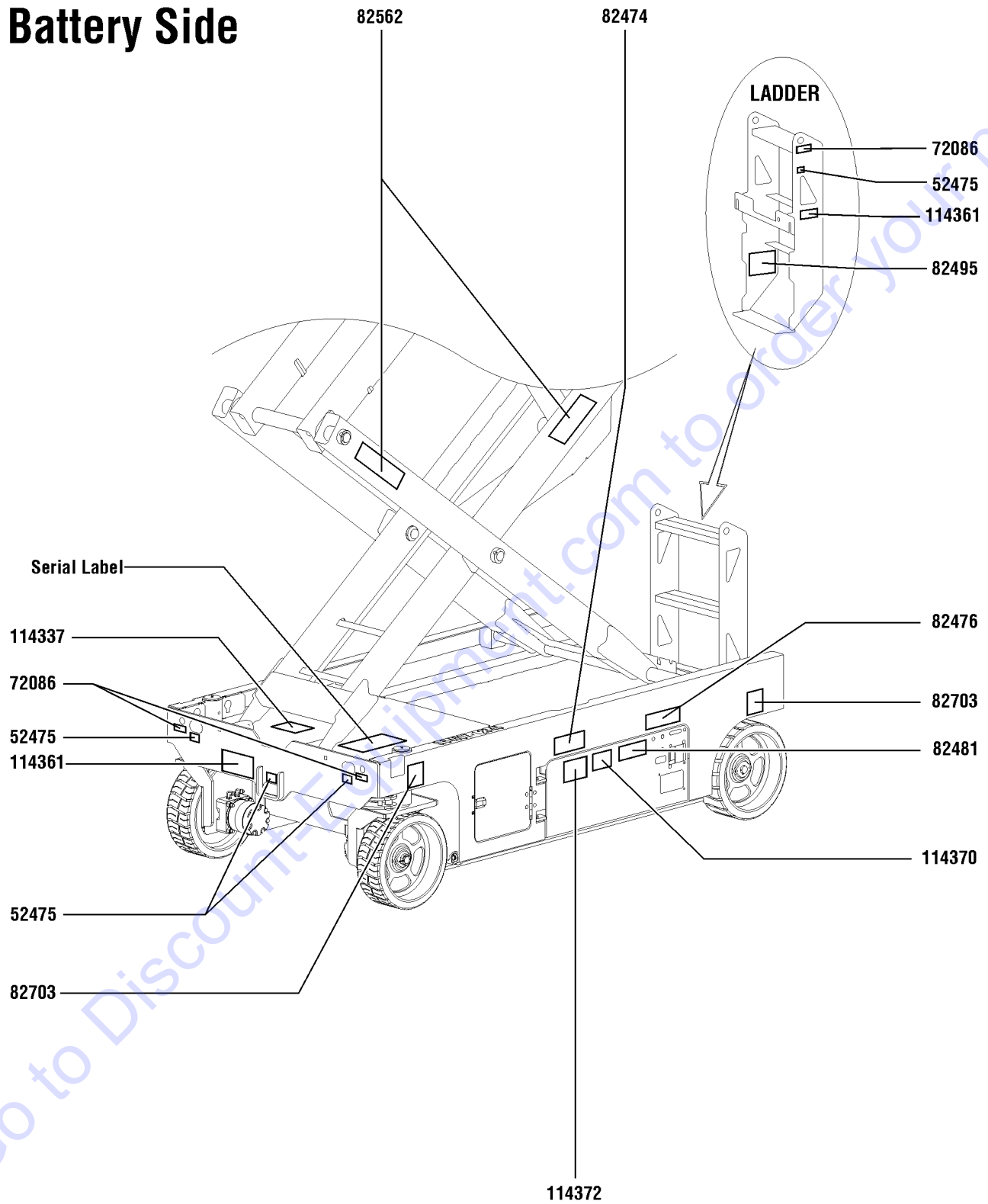


136.1 Symbol Decals, GS-3232, Platform, CE

Item	Part No.	Description	Qty.
--		REF: Symbol Decal Kits for ANSI and CE (refer to 133.1)	
1	28174GT	DECAL, POWER TO PLATFORM 230V**.....1	1
2	28235GT	DECAL,POWER TO PLATFORM 115V...1	1
3	40434GT	DECAL,LANYARD ANCHORAGE POINT.....3	3
4	43618GT	DECAL, LABEL - DIRECTION ARROWS.....2	2
5	44981GT	DECAL,LABEL, AIR LINE 110 PSI.....1 (Option)	1
6	82487GT	DECAL, SYMBOL - READ THE MANUAL.....1	1
7	97582GT	DECAL,SYM-SIDEFORCE 400N ID.....1	1
8	114324GT	DECAL,COSMETIC-GENIE GS-3232.....2	2
9	114338GT	DECAL,SYM-TIP-OVER,TILT ALARM.....1	1
10	114371GT	DECAL,SYM-TIP-OVER,OUTRGR.....1	1
11	137605GT	DECAL,E-STOP,GR/GRC/GS PCON.....1	1
12	137656GT	DECAL,PROPEL,GR/GRC/GS,PCON.....1	1
13	137693GT	DECAL, UI, GS3232, PCON.....1 (models with 8 button, 2 speed controller) to SN GS3214A-134999	1
14	228937GT	DECAL,SYM-MAXCAP CE GS2632.....1	1
15	1256705GT	DECAL, O/R, PROP LIFT, UI, SVC.....1 (models with 6 button, proportional controller)	1
16	1256705GT	DECAL, O/R, PROP LIFT, UI, SVC.....1 (units converted from 8 button, 2 speed lift to 6 button, proportional controller)	1
17	1257923GT	DECAL, SMARTLINK PROPORTIONAL.....2 (models with 6 button, proportional controller, and units converted from 8 button, 2 speed lift to 6 button, proportional controller)	2

137.1 Symbol Decals, GS-2046, Battery Side, ANSI & CE

Battery Side

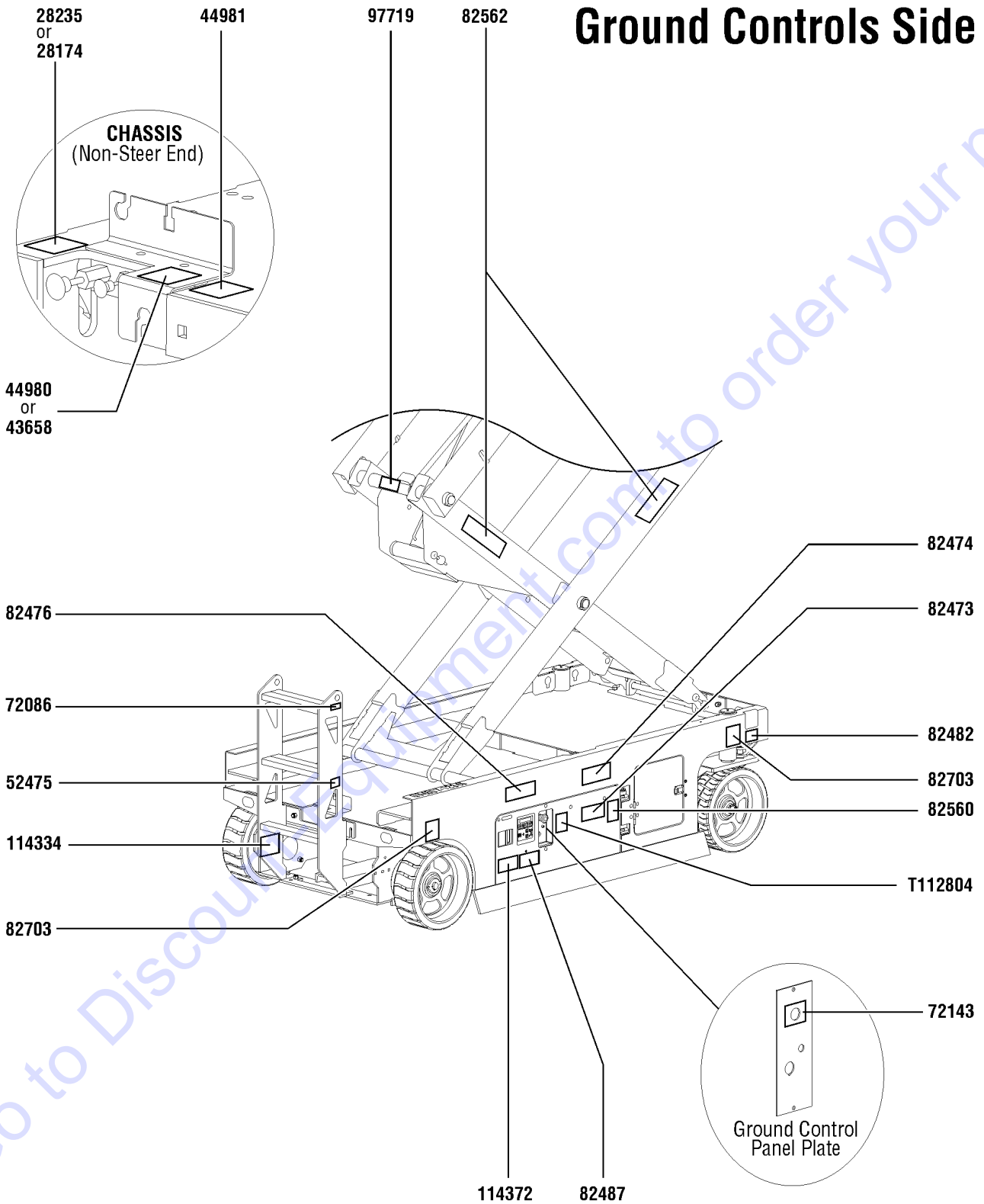


137.1 Symbol Decals, GS-2046, Battery Side, ANSI & CE

Item	Part No.	Description	Qty.
A	217281GT	DECAL KIT,2046 PLAT.,SYM,ANSI (ANSI models with 2 speed controller) to SN GS4614A-134999 and to SN GS4614C-13999	
B	217282GT	DECAL KIT,2046 COMP.,SYM,ANSI (ANSI models with 2 speed controller) to SN GS4614A-134999 and to SN G46214C-13999	
C	217294GT	DECAL KIT,2046 PLAT.,SYM,CE (CE models with 2 speed controller) to SN GS4614A-134999 and to SN GS4614C-13999	
D	217295GT	DECAL KIT,2046 COMP.,SYM,CE (CE models with 2 speed controller) to SN GS4614A-134999 and to SN GS4614C-13999	
1	52475GT	DECAL,LABEL,TRANSPORT TIEDOWN*.....	4
2	72086GT	DECAL,LABEL,LIFTING EYE.....	3
3	82474GT	DECAL,SYMBOL-USE SAFETY ARM....	1
4	82476GT	DECAL,SYMBOL-ELEC HAZARD,GS.....	1
5	82481GT	DECAL,SYMBOL-BATTERY SAFETY.....	1
6	82495GT	DECAL,SYMBOL-BRAKE REL SAFETY.....	1
7	82562GT	DECAL,SYMBOL-CRUSHING HAZARD.....	2
8	82703GT	DECAL,LABEL,WHEEL LOAD 2046.....	2
9	114337GT	DECAL,SYM-TIP-OVER,LIM SWITCH....	1
10	114361GT	DECAL,LABEL-TRANSPORT DIGRAM.....	2
11	114370GT	DECAL-SYM-TIP-OVR,BATTRIES.....	1
12	114372GT	DECAL SYMBOL TIP OVER TRAYS.....	1

138.1 Symbol Decals, GS-2046, Ground Control Side, ANSI and CE

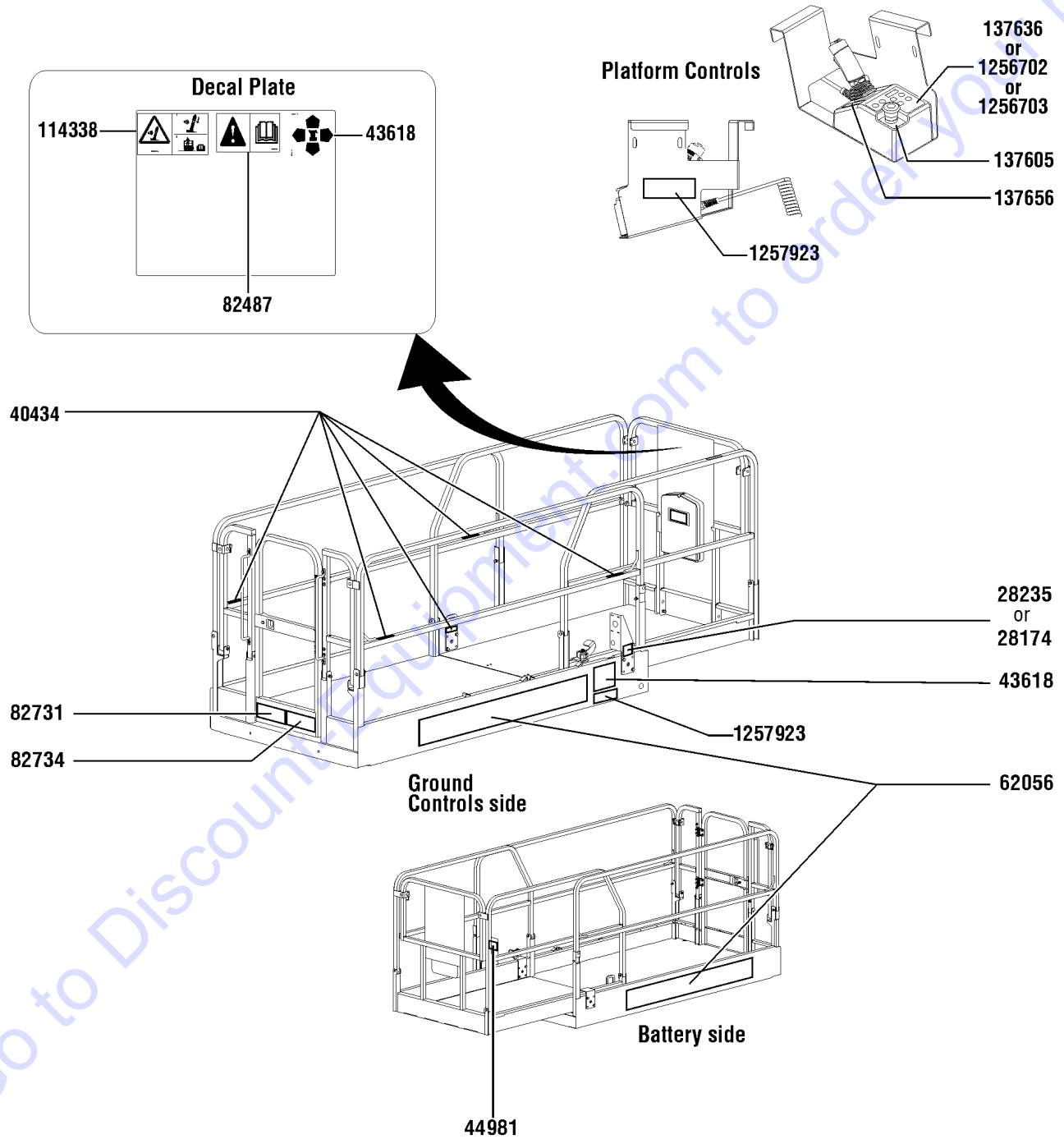
Ground Controls Side



138.1 Symbol Decals, GS-2046, Ground Control Side, ANSI and CE

Item	Part No.	Description	Qty.
--		REF: Symbol Decal Kits (refer to 113.1)	
1	28174GT	DECAL, POWER TO PLATFORM 230V**.....1	1
2	28235GT	DECAL,POWER TO PLATFORM 115V...1	1
3	43658GT	DECAL,LABEL,PWR TO CHARGR 230V.....1	1
4	44980GT	DECAL,LABEL,PWR TO CHARGR 115V.....1	1
5	44981GT	DECAL,LABEL, AIR LINE 110 PSI.....1 (Option)	1
6	52475GT	DECAL,LABEL,TRANSPORT TIEDOWN*.....1	1
7	72086GT	DECAL,LABEL,LIFTING EYE.....1	1
8	72143GT	DECAL,EMERGENCY STOP,GR.....1	1
9	82473GT	DECAL,SYMBOL-COMP ACCESS.....1	1
10	82474GT	DECAL,SYMBOL-USE SAFETY ARM...1	1
11	82476GT	DECAL,SYMBOL-ELEC HAZARD,GS....1	1
12	82482GT	DECAL,LABEL,AUX LOWERING.....1	1
13	82487GT	DECAL, SYMBOL - READ THE MANUAL.....1	1
14	82560GT	DECAL,SYMBOL-SKIN INJECT HAZRD.....1	1
15	82562GT	DECAL,SYMBOL-CRUSHING HAZARD.....2	2
16	82703GT	DECAL,LABEL,WHEEL LOAD 2046.....2	2
17	97719GT	DECAL, LABEL, SAFETY ARM SYMB...1	1
18	114334GT	DECAL,SYM-ELEC HAZARD,PLUG.....1	1
19	114372GT	DECAL SYMBOL TIP OVER TRAYS.....1	1
20	T112804GT	DECAL,GCON PANEL,GS.....1	1

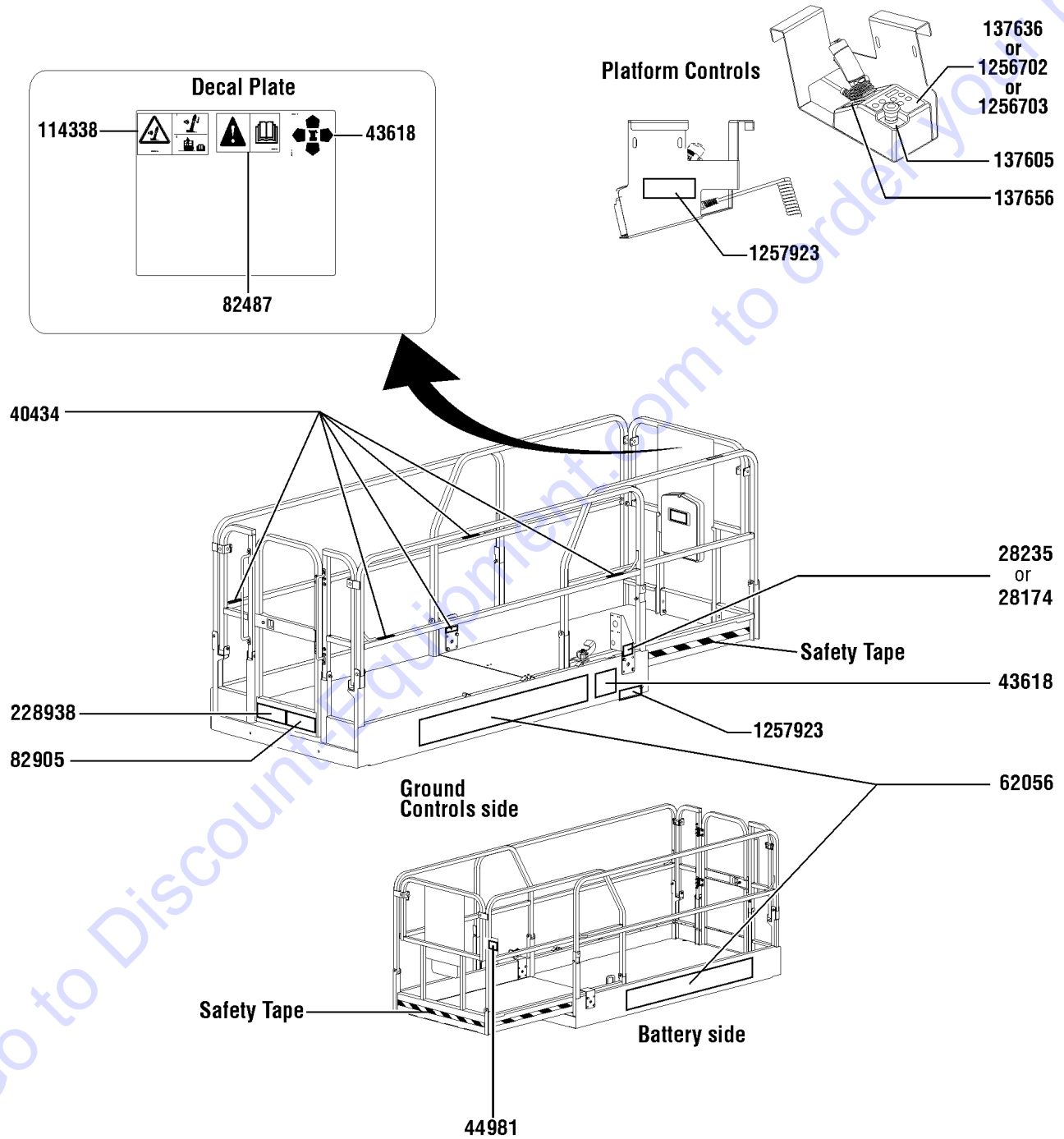
Platform, ANSI models



139.1 Symbol Decals, GS-2046, Platform, ANSI

Item	Part No.	Description	Qty.
--		REF: Symbol Decal Kits (refer to 113.1)	
1	28174GT	DECAL, POWER TO PLATFORM 230V**.....1	1
2	28235GT	DECAL,POWER TO PLATFORM 115V...1	1
3	40434GT	DECAL,LANYARD ANCHORAGE POINT.....5	5
4	43618GT	DECAL, LABEL - DIRECTION ARROWS.....2	2
5	44981GT	DECAL,LABEL, AIR LINE 110 PSI.....1 (Option)	1
6	62056GT	DECAL,COSMETIC,GENIE GS-2046**...2	2
7	82487GT	DECAL, SYMBOL - READ THE MANUAL.....1	1
8	82731GT	DECAL,SYM-MAXCAP 1200.....1	1
9	82734GT	DECAL,SYM-SIDE FORCE 2046.....1	1
10	114338GT	DECAL,SYM-TIP-OVER,TILT ALARM....1	1
11	137605GT	DECAL,E-STOP,GR/GRC/GS PCON....1	1
12	137636GT	DECAL, UI, GR/GRC/GS PCON.....1 (models with 6 button, 2 speed controller) to SN GS4614A-134999 and to SN GS4614C-13999	1
13	137656GT	DECAL,PROPEL,GR/GRC/GS,PCON....1	1
14	1256702GT	DECAL, UI, GS/GR, PROP LIFT.....1 (models with 4 button, proportional controller)	1
15	1256703GT	DECAL, STD, PROP LIFT, UI, SVC.....1 (units converted from 6 button, 2 speed lift to 4 button, proportional controller)	1
16	1257923GT	DECAL, SMARTLINK PROPORTIONAL.....2 (models with 4 button, proportional controller, and units converted from 6 button, 2 speed lift to 4 button, proportional controller)	2

Platform, CE models

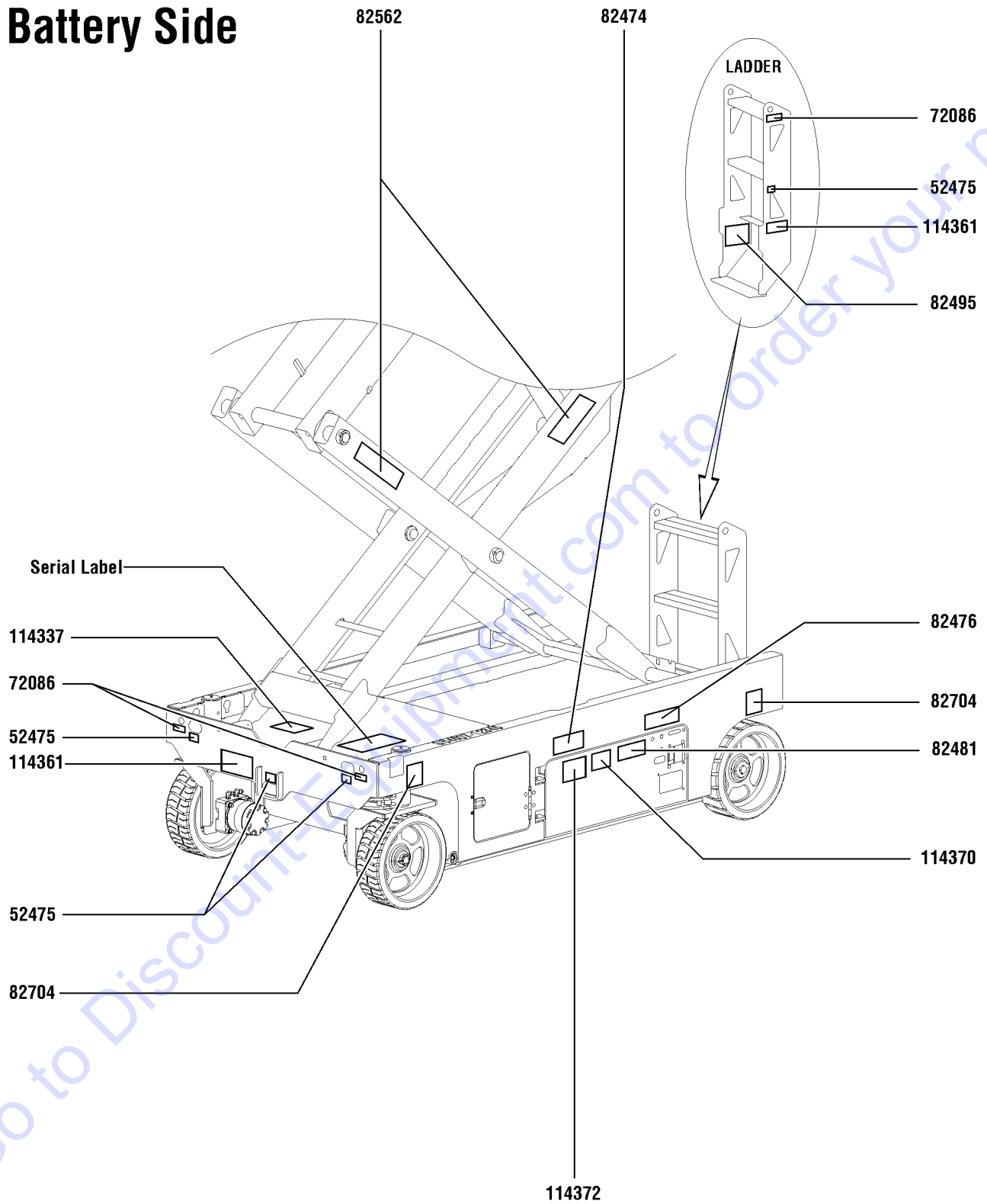


140.1 Symbol Decals, GS-2046, Platform, CE

Item	Part No.	Description	Qty.
--		REF: Symbol Decal Kits (refer to 113.1)	
1	28174GT	DECAL, POWER TO PLATFORM 230V**.....1	1
2	28235GT	DECAL,POWER TO PLATFORM 115V...1	1
3	40434GT	DECAL,LANYARD ANCHORAGE POINT.....5	5
4	43618GT	DECAL, LABEL - DIRECTION ARROWS.....2	2
5	44981GT	DECAL,LABEL, AIR LINE 110 PSI.....1 (Option)	1
6	62056GT	DECAL,COSMETIC,GENIE GS-2046**...2	2
7	82487GT	DECAL, SYMBOL - READ THE MANUAL.....1	1
8	82905GT	DECAL,SYM-SIDEFORCE 400N.....1	1
9	114338GT	DECAL,SYM-TIP-OVER,TILT ALARM....1	1
10	137605GT	DECAL,E-STOP,GR/GRC/GS PCON....1	1
11	137636GT	DECAL, UI, GR/GRC/GS PCON.....1 (models with 6 button, 2 speed controller) to SN GS4614A-134999 and to SN GS4614C-13999	1
12	137656GT	DECAL,PROPEL,GR/GRC/GS,PCON....1	1
13	228938GT	DECAL,SYM,MAXCAP CE,GS2046.....1	1
14	1256702GT	DECAL, UI, GS/GR, PROP LIFT.....1 (models with 4 button, proportional controller)	1
15	1256703GT	DECAL, STD, PROP LIFT, UI, SVC.....1 (units converted from 6 button, 2 speed lift to 4 button, proportional controller)	1
16	1257923GT	DECAL, SMARTLINK PROPORTIONAL.....2 (models with 4 button, proportional controller, and units converted from 6 button, 2 speed lift to 4 button, proportional controller)	2

141.1 Symbol Decals, GS-2646, Battery Side, ANSI & CE

Battery Side

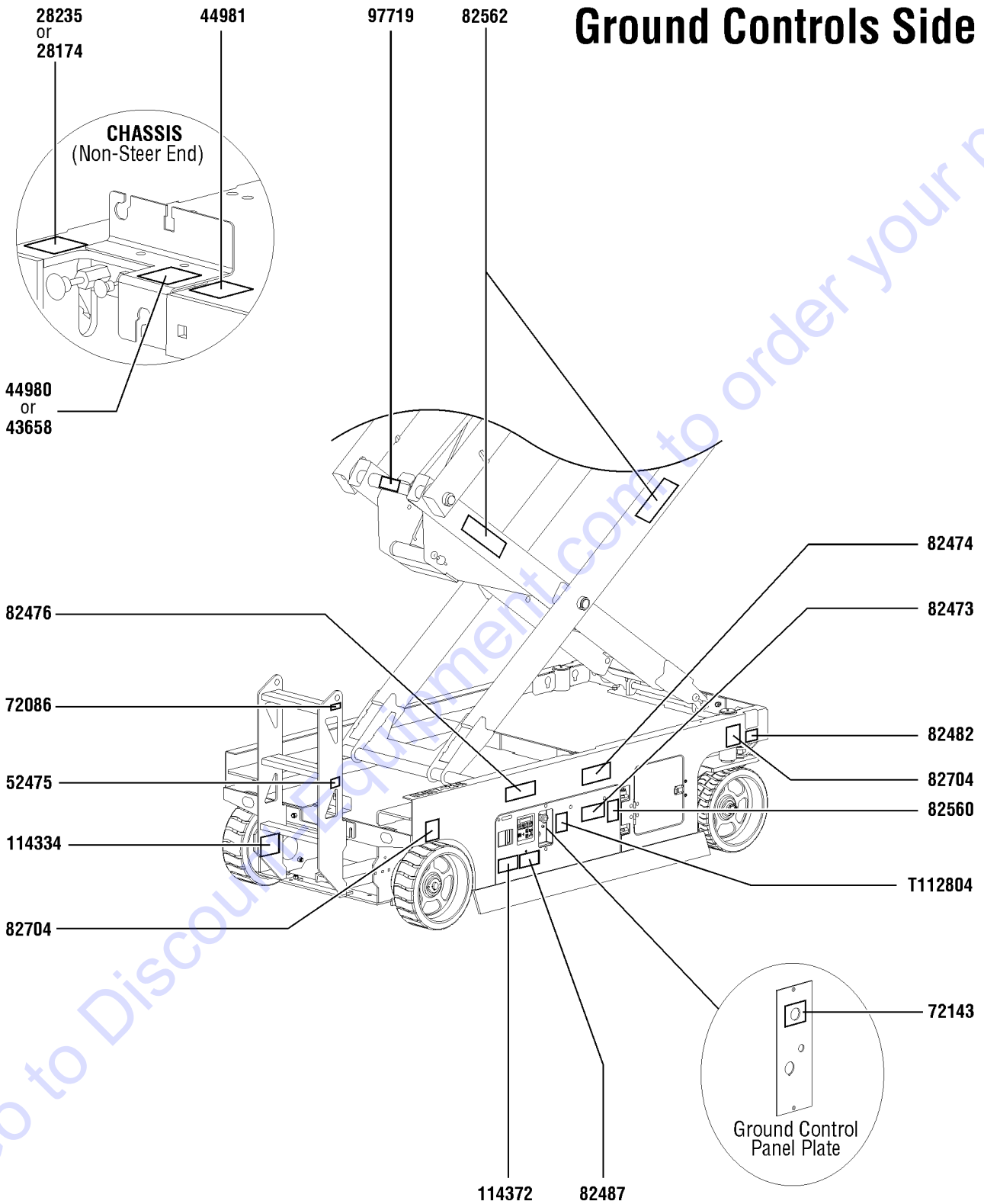


141.1 Symbol Decals, GS-2646, Battery Side, ANSI & CE

Item	Part No.	Description	Qty.
A	217283GT	DECAL KIT,2646 PLAT.,SYM,ANSI (ANSI models with 2 speed controller) to SN GS4614A-134999 and to SN GS4614C-13999	
B	217284GT	DECAL KIT,2646 COMP.,SYM,ANSI (ANSI models with 2 speed controller) to SN GS4614A-134999 and to SN GS4614C-13999	
C	217296GT	DECAL KIT,2646 PLAT.,SYM,CE (CE models with 2 speed controller) to SN GS4614A-134999 and to SN GS4614C-13999	
D	217297GT	DECAL KIT,2646 COMP.,SYM,CE (CE models with 2 speed controller) to SN GS4614A-134999 and to SN GS4614C-13999	
1	52475GT	DECAL,LABEL,TRANSPORT TIEDOWN*.....	4
2	72086GT	DECAL,LABEL,LIFTING EYE.....	3
3	82474GT	DECAL,SYMBOL-USE SAFETY ARM....	1
4	82476GT	DECAL,SYMBOL-ELEC HAZARD,GS....	1
5	82481GT	DECAL,SYMBOL-BATTERY SAFETY.....	1
6	82495GT	DECAL,SYMBOL-BRAKE REL SAFETY.....	1
7	82562GT	DECAL,SYMBOL-CRUSHING HAZARD.....	2
8	82704GT	DECAL,LABEL,WHEEL LOAD 2646.....	2
9	114337GT	DECAL,SYM-TIP-OVER,LIM SWITCH....	1
10	114361GT	DECAL,LABEL-TRANSPORT DIGRAM.....	2
11	114370GT	DECAL-SYM-TIP-OVR,BATTRIES.....	1
12	114372GT	DECAL SYMBOL TIP OVER TRAYS.....	1

142.1 Symbol Decals, GS-2646, Ground Control Side, ANSI and CE

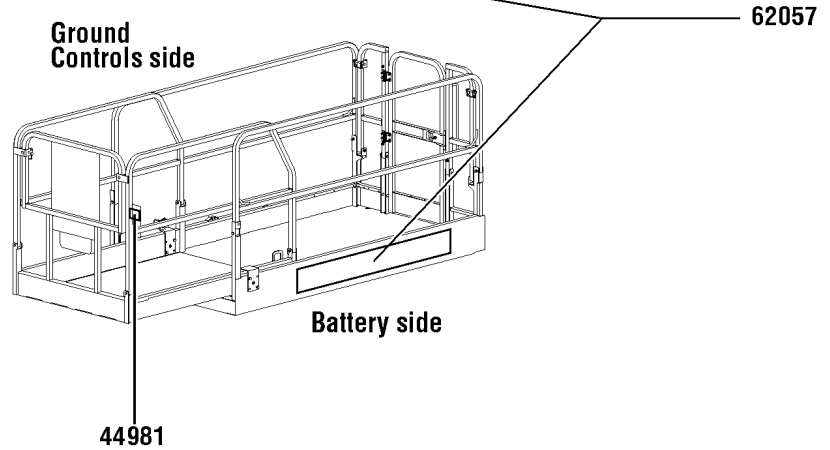
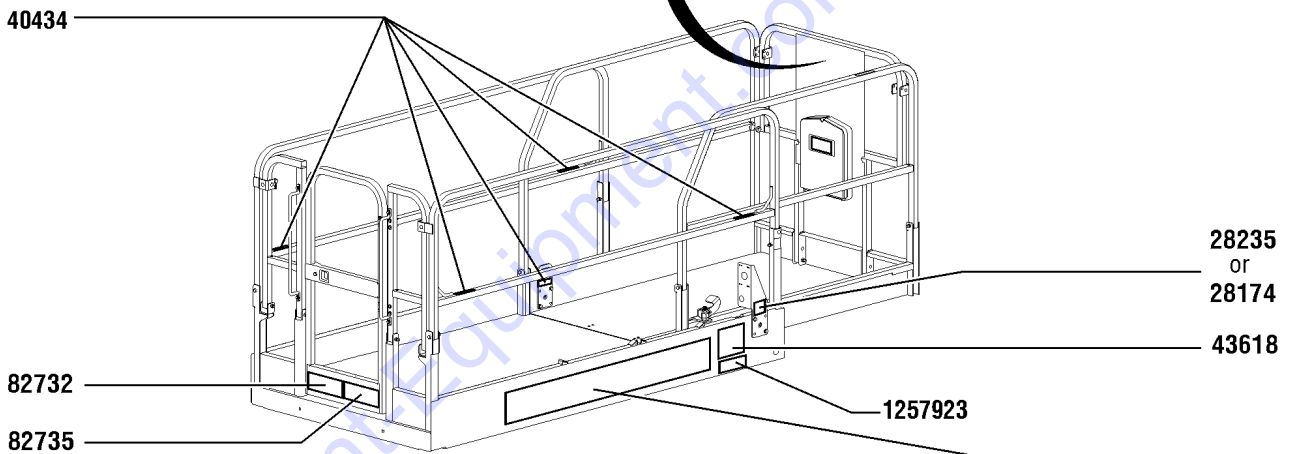
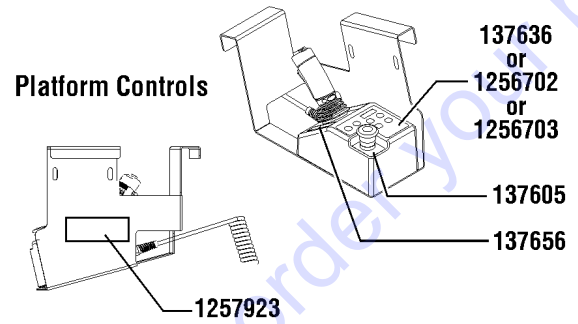
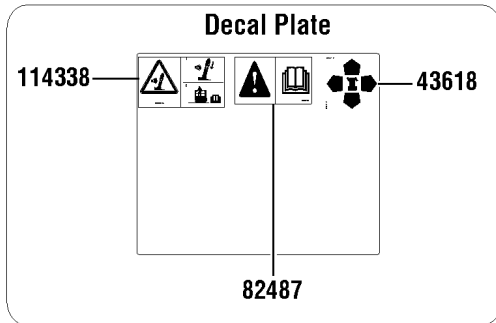
Ground Controls Side



142.1 Symbol Decals, GS-2646, Ground Control Side, ANSI and CE

Item	Part No.	Description	Qty.
--		REF: Symbol Decal Kits (refer to 141.1)	
1	28174GT	DECAL, POWER TO PLATFORM 230V**.....1	1
2	28235GT	DECAL,POWER TO PLATFORM 115V...1	1
3	43658GT	DECAL,LABEL,PWR TO CHARGR 230V.....1	1
4	44980GT	DECAL,LABEL,PWR TO CHARGR 115V.....1	1
5	44981GT	DECAL,LABEL, AIR LINE 110 PSI.....1 (Option)	1
6	52475GT	DECAL,LABEL,TRANSPORT TIEDOWN*.....1	1
7	72086GT	DECAL,LABEL,LIFTING EYE.....1	1
8	72143GT	DECAL,EMERGENCY STOP,GR.....1	1
9	82473GT	DECAL,SYMBOL-COMP ACCESS.....1	1
10	82474GT	DECAL,SYMBOL-USE SAFETY ARM...1	1
11	82476GT	DECAL,SYMBOL-ELEC HAZARD,GS....1	1
12	82482GT	DECAL,LABEL,AUX LOWERING.....1	1
13	82487GT	DECAL, SYMBOL - READ THE MANUAL.....1	1
14	82560GT	DECAL,SYMBOL-SKIN INJECT HAZRD.....1	1
15	82562GT	DECAL,SYMBOL-CRUSHING HAZARD.....2	2
16	82704GT	DECAL,LABEL,WHEEL LOAD 2646.....2	2
17	97719GT	DECAL, LABEL, SAFETY ARM SYMB...1	1
18	114334GT	DECAL,SYM-ELEC HAZARD,PLUG.....1	1
19	114372GT	DECAL SYMBOL TIP OVER TRAYS.....1	1
20	T112804GT	DECAL,GCON PANEL,GS.....1	1

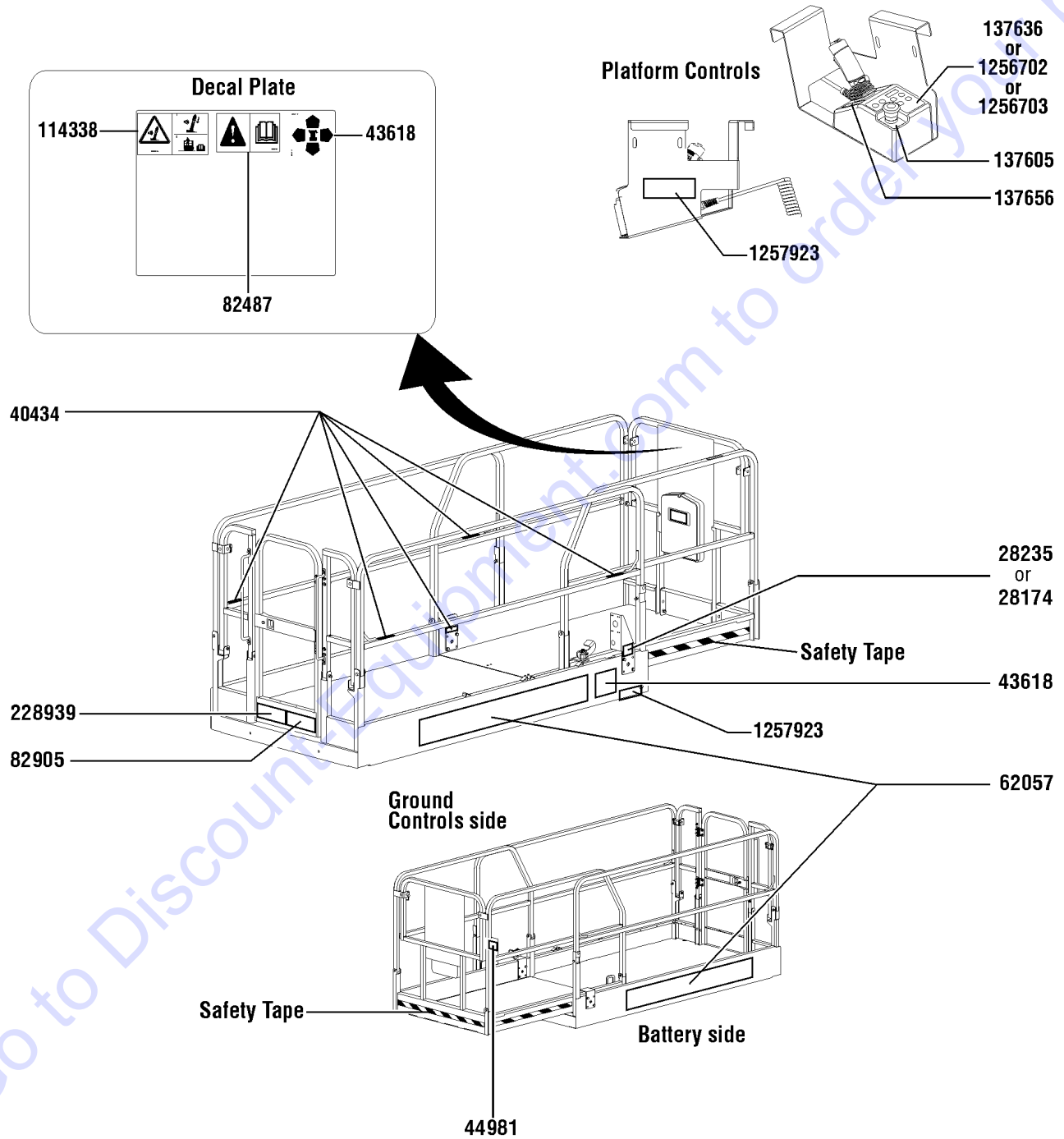
Platform, ANSI models



143.1 Symbol Decals, GS-2646, Platform, ANSI

Item	Part No.	Description	Qty.
--		REF: Symbol Decal Kits (refer to 141.1)	
1	28174GT	DECAL, POWER TO PLATFORM 230V**.....	1
2	28235GT	DECAL,POWER TO PLATFORM 115V...1	1
3	40434GT	DECAL,LANYARD ANCHORAGE POINT.....	5
4	43618GT	DECAL, LABEL - DIRECTION ARROWS.....	2
5	44981GT	DECAL,LABEL, AIR LINE 110 PSI..... (Option)	1
6	62057GT	DECAL,COSMETIC,GENIE GS-2646....	2
7	82487GT	DECAL, SYMBOL - READ THE MANUAL.....	1
8	82732GT	DECAL,SYM-MAXCAP 1000.....	1
9	82735GT	DECAL,SYM-SIDE FORCE 2646.....	1
10	114338GT	DECAL,SYM-TIP-OVER,TILT ALARM....	1
11	137605GT	DECAL,E-STOP,GR/GRC/GS PCON....	1
12	137636GT	DECAL, UI, GR/GRC/GS PCON..... (models with 6 button, 2 speed controller) to SN GS4614A-134999 and to SN GS4614C-13999	1
13	137656GT	DECAL,PROPEL,GR/GRC/GS,PCON....	1
14	1256702GT	DECAL, UI, GS/GR, PROP LIFT..... (models with 4 button, proportional controller)	1
15	1256703GT	DECAL, STD, PROP LIFT, UI, SVC..... (units converted from 6 button, 2 speed lift to 4 button, proportional controller)	1
16	1257923GT	DECAL, SMARTLINK PROPORTIONAL..... (models with 4 button, proportional controller, and units converted from 6 button, 2 speed lift to 4 button, proportional controller)	2

Platform, CE models

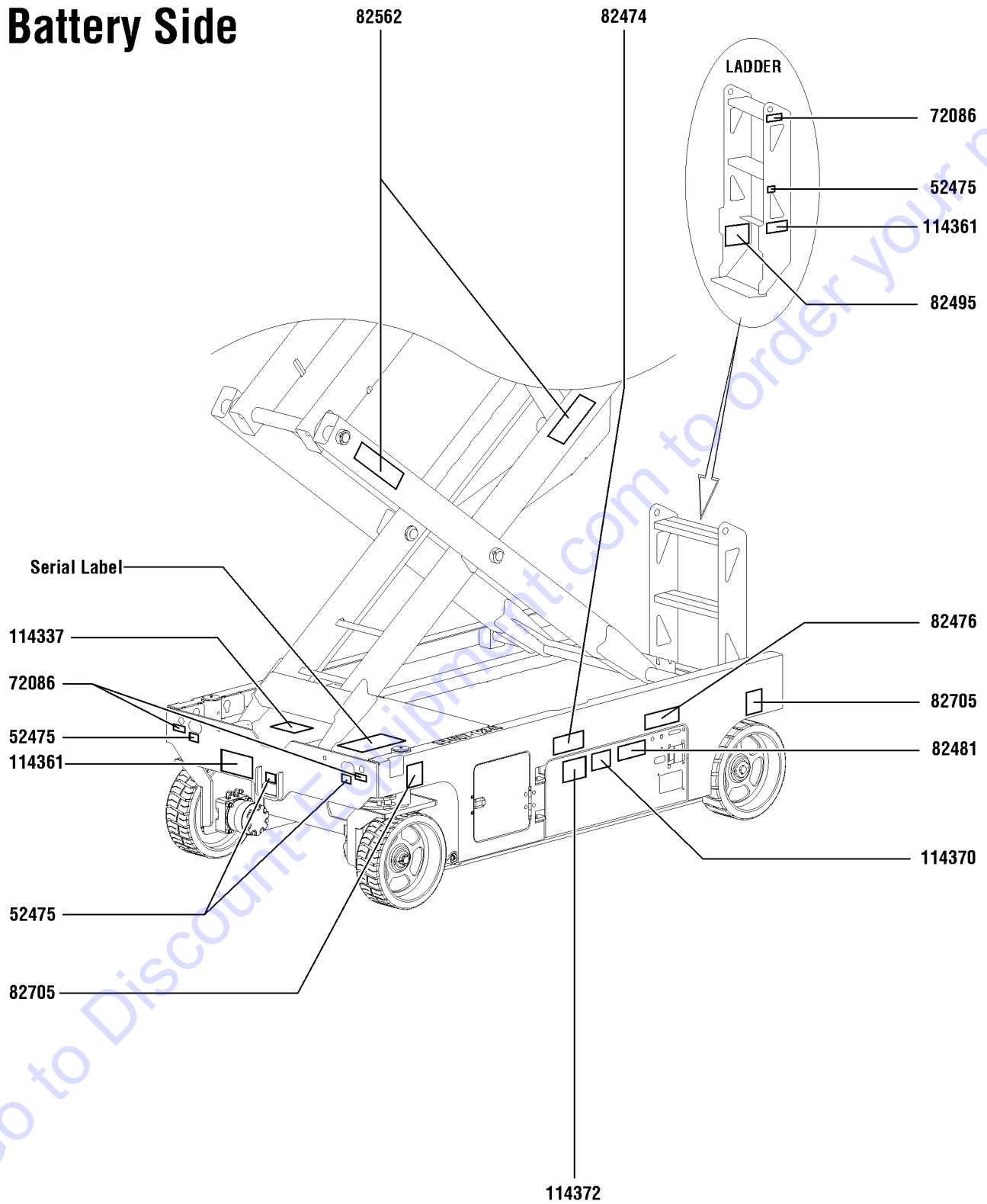


144.1 Symbol Decals, GS-2646, Platform, CE

Item	Part No.	Description	Qty.
--		REF: Symbol Decal Kits (refer to 141.1)	
1	28174GT	DECAL, POWER TO PLATFORM 230V**.....1	1
2	28235GT	DECAL,POWER TO PLATFORM 115V...1	1
3	40434GT	DECAL,LANYARD ANCHORAGE POINT.....5	5
4	43618GT	DECAL, LABEL - DIRECTION ARROWS.....2	2
5	44981GT	DECAL,LABEL, AIR LINE 110 PSI.....1 (Option)	1
6	62057GT	DECAL,COSMETIC,GENIE GS-2646....2	2
7	82487GT	DECAL, SYMBOL - READ THE MANUAL.....1	1
8	82905GT	DECAL,SYM-SIDEFORCE 400N.....1	1
9	114338GT	DECAL,SYM-TIP-OVER,TILT ALARM....1	1
10	137605GT	DECAL,E-STOP,GR/GRC/GS PCON....1	1
11	137636GT	DECAL, UI, GR/GRC/GS PCON.....1	1
12	137656GT	DECAL,PROPEL,GR/GRC/GS,PCON....1 (models with 6 button, 2 speed controller) to SN GS4614A-134999 and to SN GS4614C-13999	1
13	228939GT	DECAL,SYM,MAX CAP,CE,GS2646.....1	1
14	1256702GT	DECAL, UI, GS/GR, PROP LIFT.....1 (models with 4 button, proportional controller)	1
15	1256703GT	DECAL, STD, PROP LIFT, UI, SVC.....1 (units converted from 6 button, 2 speed lift to 4 button, proportional controller)	1
16	1257923GT	DECAL, SMARTLINK PROPORTIONAL.....2 (models with 4 button, proportional controller, and units converted from 6 button, 2 speed lift to 4 button, proportional controller)	2

145.1 Symbol Decals, GS-3246, Battery Side, ANSI & CE

Battery Side

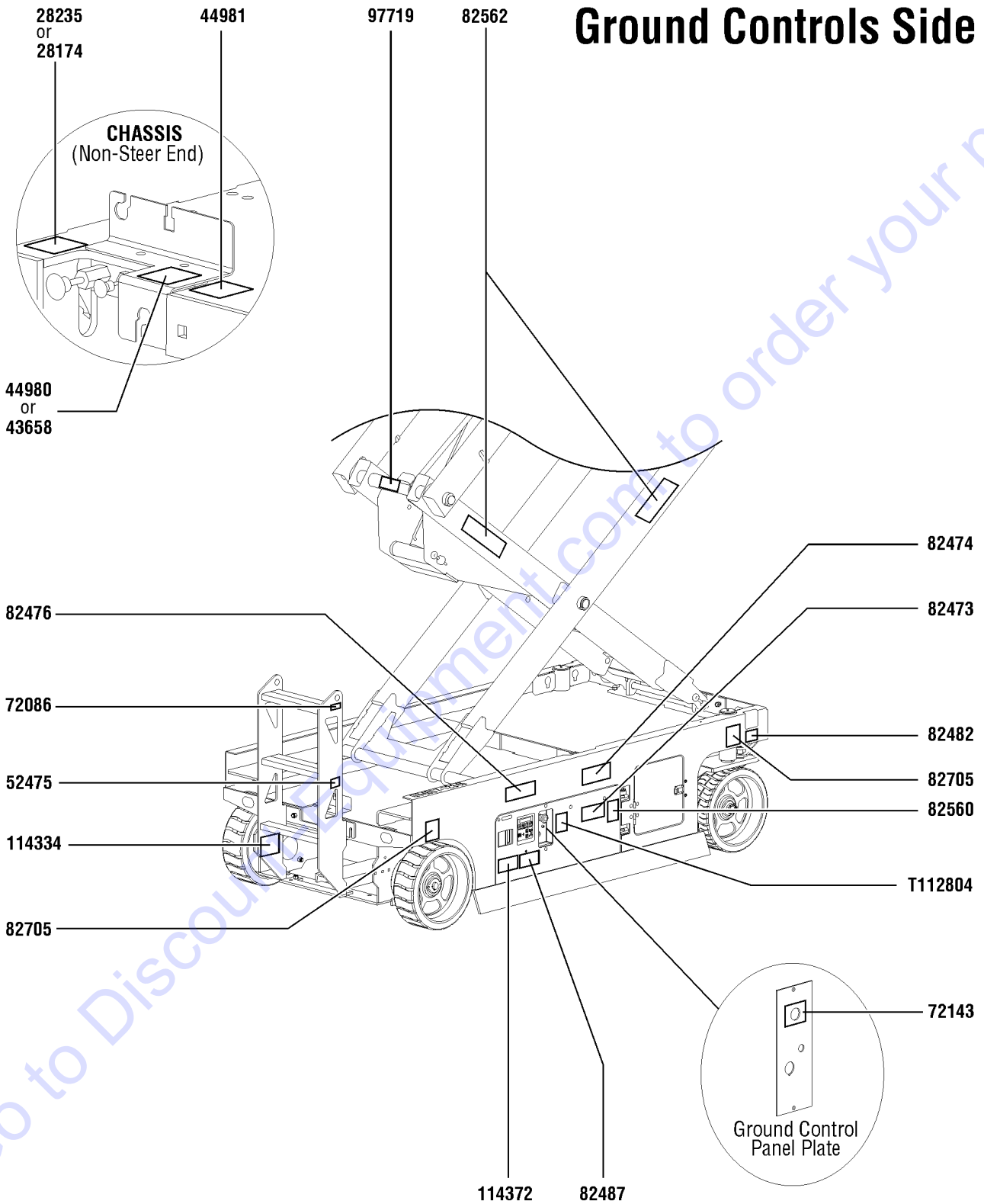


145.1 Symbol Decals, GS-3246, Battery Side, ANSI & CE

Item	Part No.	Description	Qty.
A	217285GT	DECAL KIT,3246 PLAT.,SYM,ANSI (ANSI models with 2 speed controller) to SN GS4614A-134999 and to SN GS4614C-13999	
B	217286GT	DECAL KIT,3246 COMP.,SYM,ANSI (ANSI models with 2 speed controller) to SN GS4614A-134999 and to SN GS4614C-13999	
C	217298GT	DECAL KIT,3246 PLAT.,SYM,CE (CE models with 2 speed controller) to SN GS4614A-134999 and to SN GS4614C-13999	
D	217299GT	DECAL KIT,3246 COMP.,SYM,CE (CE models with 2 speed controller) to SN GS4614A-134999 and to SN GS4614C-13999	
1	52475GT	DECAL,LABEL,TRANSPORT TIEDOWN*.....	4
2	72086GT	DECAL,LABEL,LIFTING EYE.....	3
3	82474GT	DECAL,SYMBOL-USE SAFETY ARM....	1
4	82476GT	DECAL,SYMBOL-ELEC HAZARD,GS....	1
5	82481GT	DECAL,SYMBOL-BATTERY SAFETY.....	1
6	82495GT	DECAL,SYMBOL-BRAKE REL SAFETY.....	1
7	82562GT	DECAL,SYMBOL-CRUSHING HAZARD.....	2
8	82705GT	DECAL,LABEL,WHEEL LOAD 3246.....	2
9	114337GT	DECAL,SYM-TIP-OVER,LIM SWITCH....	1
10	114361GT	DECAL,LABEL-TRANSPORT DIGRAM.....	2
11	114370GT	DECAL-SYM-TIP-OVR,BATTRIES.....	1
12	114372GT	DECAL SYMBOL TIP OVER TRAYS.....	1

146.1 Symbol Decals, GS-3246, Ground Control Side, ANSI and CE

Ground Controls Side



PARTS FINDER

**Search Website
by Part Number**



**Search Manual
Library For Parts
Manual & Lookup Part
Numbers – Purchase
or Request Quote**

Search Manuals

Enter your information to help us find the right parts manual for your machine.

* Brand:

* Model:

* Serial:

* Part Number:

SEARCH

**Can't Find Part or
Manual? Request Help
by Manufacturer,
Model & Description**

Parts Order Form

Please fill in the following information to help us find the right part for your machine.

Manufacturer:	<input type="text"/>
Model:	<input type="text"/>
Description:	<input type="text"/>
Part Number:	<input type="text"/>
Quantity:	<input type="text"/>
Notes:	<input type="text"/>

Submit

Discount-Equipment.com is your online resource for quality parts & equipment.

Florida: **561-964-4949** Outside Florida TOLL FREE: **877-690-3101**

Need parts?

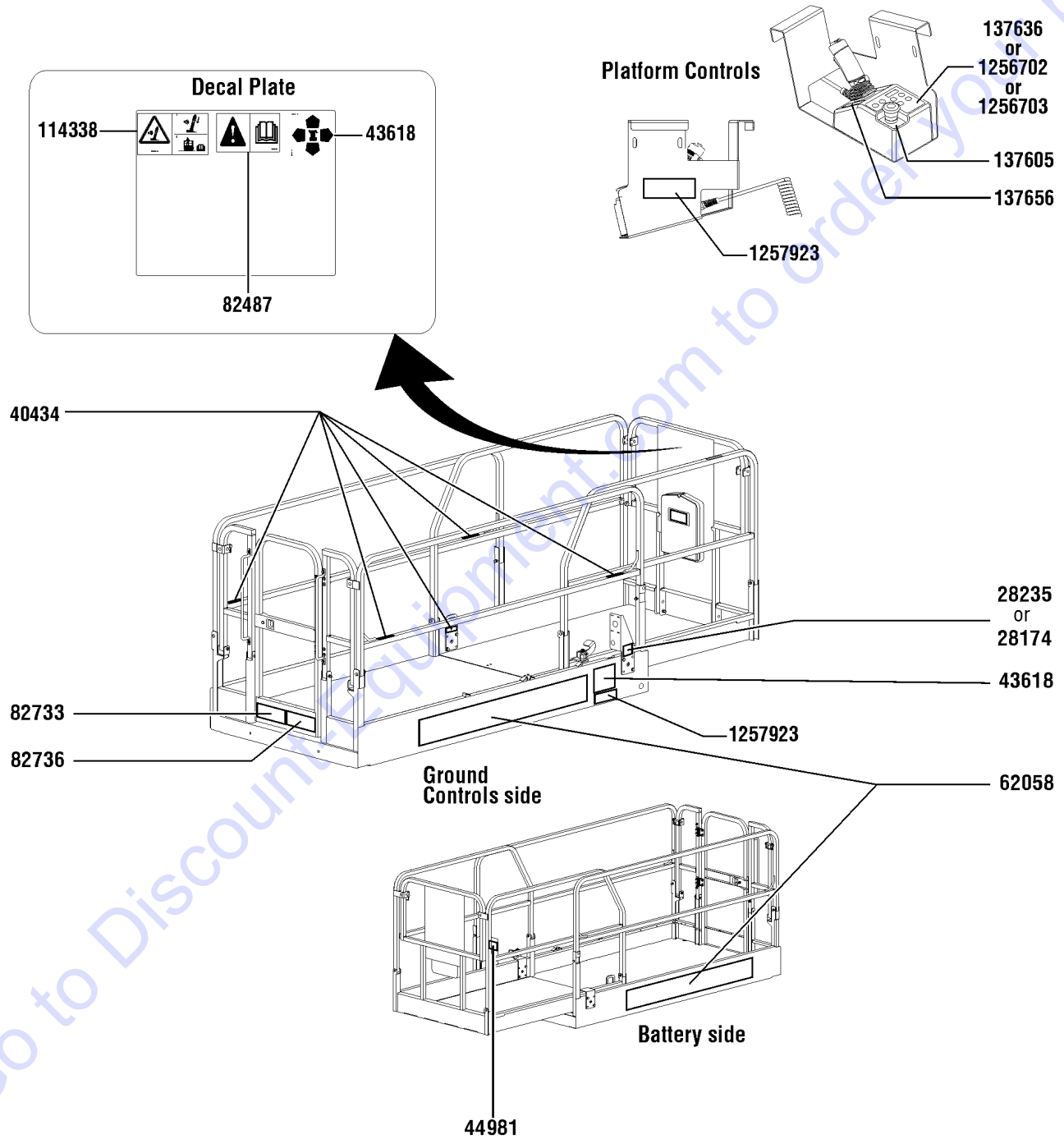
Click on this link: <http://www.discount-equipment.com/category/5443-parts/> and choose one of the options to help get the right parts and equipment you are looking for. Please have the machine model and serial number available in order to help us get you the correct parts. If you don't find the part on the website or on one of the online manuals, please fill out the request form and one of our experienced staff members will get back to you with a quote for the right part that your machine needs.

We sell worldwide for the brands: Genie, Terex, JLG, MultiQuip, Mikasa, Essick, Whiteman, Mayco, Toro Stone, Diamond Products, Generac Magnum, Airman, Haulotte, Barreto, Power Blanket, Nifty Lift, Atlas Copco, Chicago Pneumatic, Allmand, Miller Curber, Skyjack, Lull, Skytrak, Tsurumi, Husquvarna Target, Stow, Wacker, Sakai, Mi-T-M, Sullair, Basic, Dynapac, MBW, Weber, Bartell, Bennar Newman, Haulotte, Ditch Runner, Menegotti, Morrison, Contec, Buddy, Crown, Edco, Wyco, Bomag, Laymor, EZ Trench, Bil-Jax, F.S. Curtis, Gehl Pavers, Heli, Honda, ICS/PowerGrit, IHI, Partner, Imer, Clipper, MMD, Koshin, Rice, CH&E, General Equipment, Amida, Coleman, NAC, Gradall, Square Shooter, Kent, Stanley, Tamco, Toku, Hatz, Kohler, Robin, Wisconsin, Northrock, Oztec, Toker TK, Rol-Air, APT, Wylie, Ingersoll Rand / Doosan, Innovatech, Con X, Ammann, Mecalac, Makinex, Smith Surface Prep, Small Line, Wanco, Yanmar

146.1 Symbol Decals, GS-3246, Ground Control Side, ANSI and CE

Item	Part No.	Description	Qty.
1	28174GT	DECAL, POWER TO PLATFORM 230V**.....	1
2	28235GT	DECAL,POWER TO PLATFORM 115V...1	1
3	43658GT	DECAL,LABEL,PWR TO CHARGR 230V.....	1
4	44980GT	DECAL,LABEL,PWR TO CHARGR 115V.....	1
5	44981GT	DECAL,LABEL, AIR LINE 110 PSI.....1 (Option)	1
6	52475GT	DECAL,LABEL,TRANSPORT TIEDOWN*.....	1
7	72086GT	DECAL,LABEL,LIFTING EYE.....	1
8	72143GT	DECAL,EMERGENCY STOP,GR.....	1
9	82473GT	DECAL,SYMBOL-COMP ACCESS.....	1
10	82474GT	DECAL,SYMBOL-USE SAFETY ARM....	1
11	82476GT	DECAL,SYMBOL-ELEC HAZARD,GS....	1
12	82482GT	DECAL,LABEL,AUX LOWERING.....	1
13	82487GT	DECAL, SYMBOL - READ THE MANUAL.....	1
14	82560GT	DECAL,SYMBOL-SKIN INJECT HAZRD.....	1
15	82562GT	DECAL,SYMBOL-CRUSHING HAZARD.....	2
16	82705GT	DECAL,LABEL,WHEEL LOAD 3246....	2
17	97719GT	DECAL, LABEL, SAFETY ARM SYMB....	1
18	114334GT	DECAL,SYM-ELEC HAZARD,PLUG.....	1
19	114372GT	DECAL SYMBOL TIP OVER TRAYS.....	1
20	T112804GT	DECAL,GCON PANEL,GS.....	1

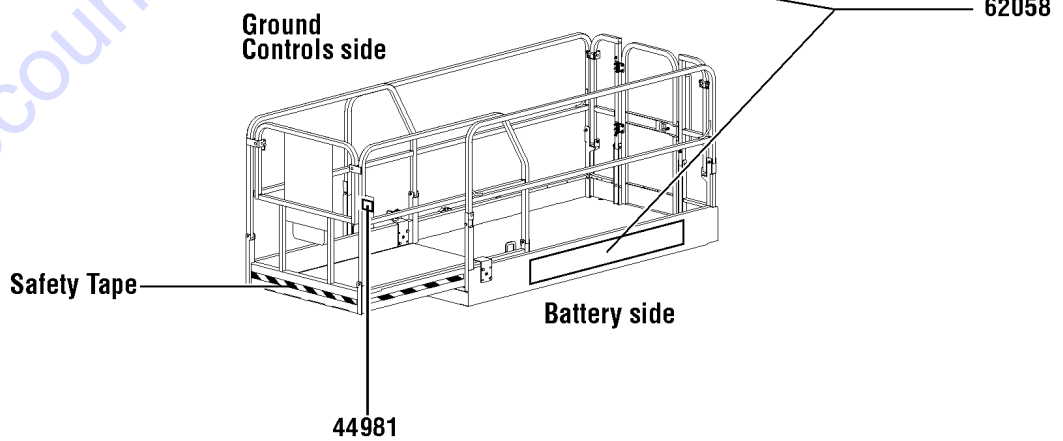
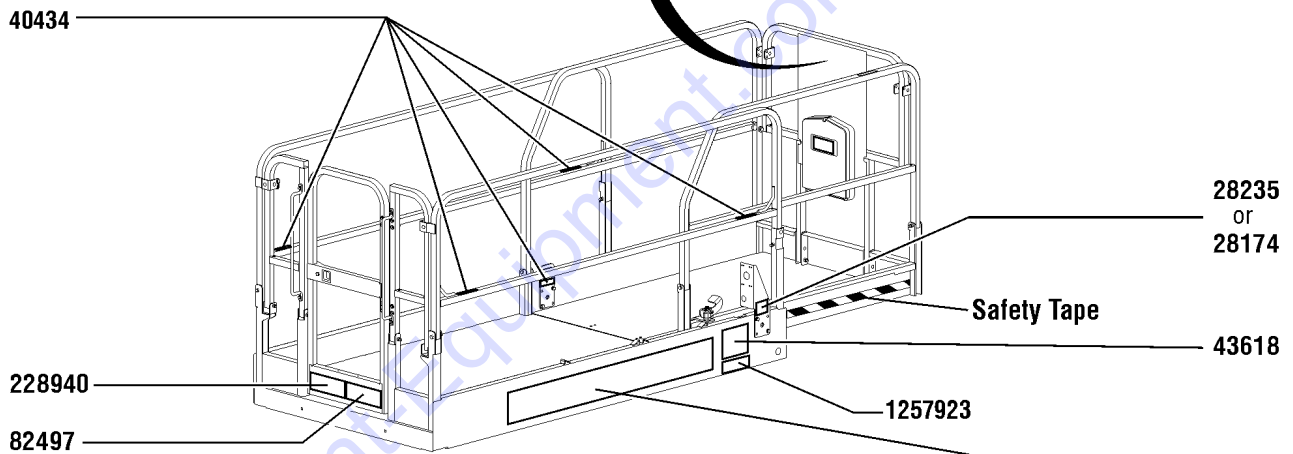
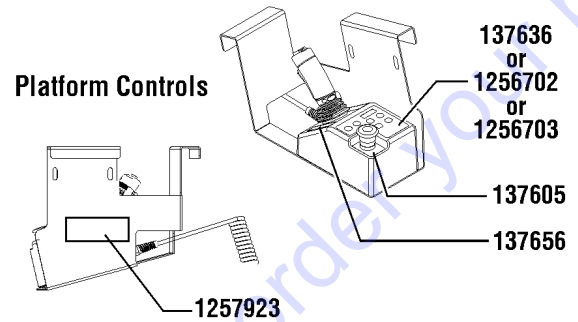
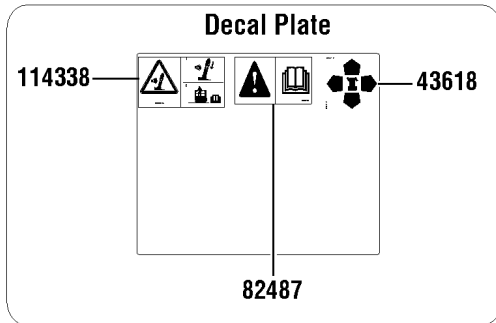
Platform, ANSI models



147.1 Symbol Decals, GS-3246, Platform, ANSI

Item	Part No.	Description	Qty.
--		REF: Symbol Decal Kits for ANSI and CE (refer to 145.1)	
1	28174GT	DECAL, POWER TO PLATFORM 230V**.....1	1
2	28235GT	DECAL,POWER TO PLATFORM 115V...1	1
3	40434GT	DECAL,LANYARD ANCHORAGE POINT.....5	5
4	43618GT	DECAL, LABEL - DIRECTION ARROWS.....2	2
5	44981GT	DECAL,LABEL, AIR LINE 110 PSI.....1 (Option)	1
6	62058GT	DECAL,COSMETIC,GENIE GS-3246....2	2
7	82487GT	DECAL, SYMBOL - READ THE MANUAL.....1	1
8	82733GT	DECAL,SYM-MAXCAP 700.....1	1
9	82736GT	DECAL,SYM-SIDE FORCE.....1	1
10	114338GT	DECAL,SYM-TIP-OVER,TILT ALARM....1	1
11	137605GT	DECAL,E-STOP,GR/GRC/GS PCON....1	1
12	137636GT	DECAL, UI, GR/GRC/GS PCON.....1 (models with 6 button, 2 speed controller) to SN GS4614A-134999 and to SN GS4614C-13999	1
13	137656GT	DECAL,PROPEL,GR/GRC/GS,PCON....1	1
14	1256702GT	DECAL, UI, GS/GR, PROP LIFT.....1 (models with 4 button, proportional controller)	1
15	1256703GT	DECAL, STD, PROP LIFT, UI, SVC.....1 (units converted from 6 button, 2 speed lift to 4 button, proportional controller)	1
16	1257923GT	DECAL, SMARTLINK PROPORTIONAL.....2 (models with 4 button, proportional controller, and units converted from 6 button, 2 speed lift to 4 button, proportional controller)	2

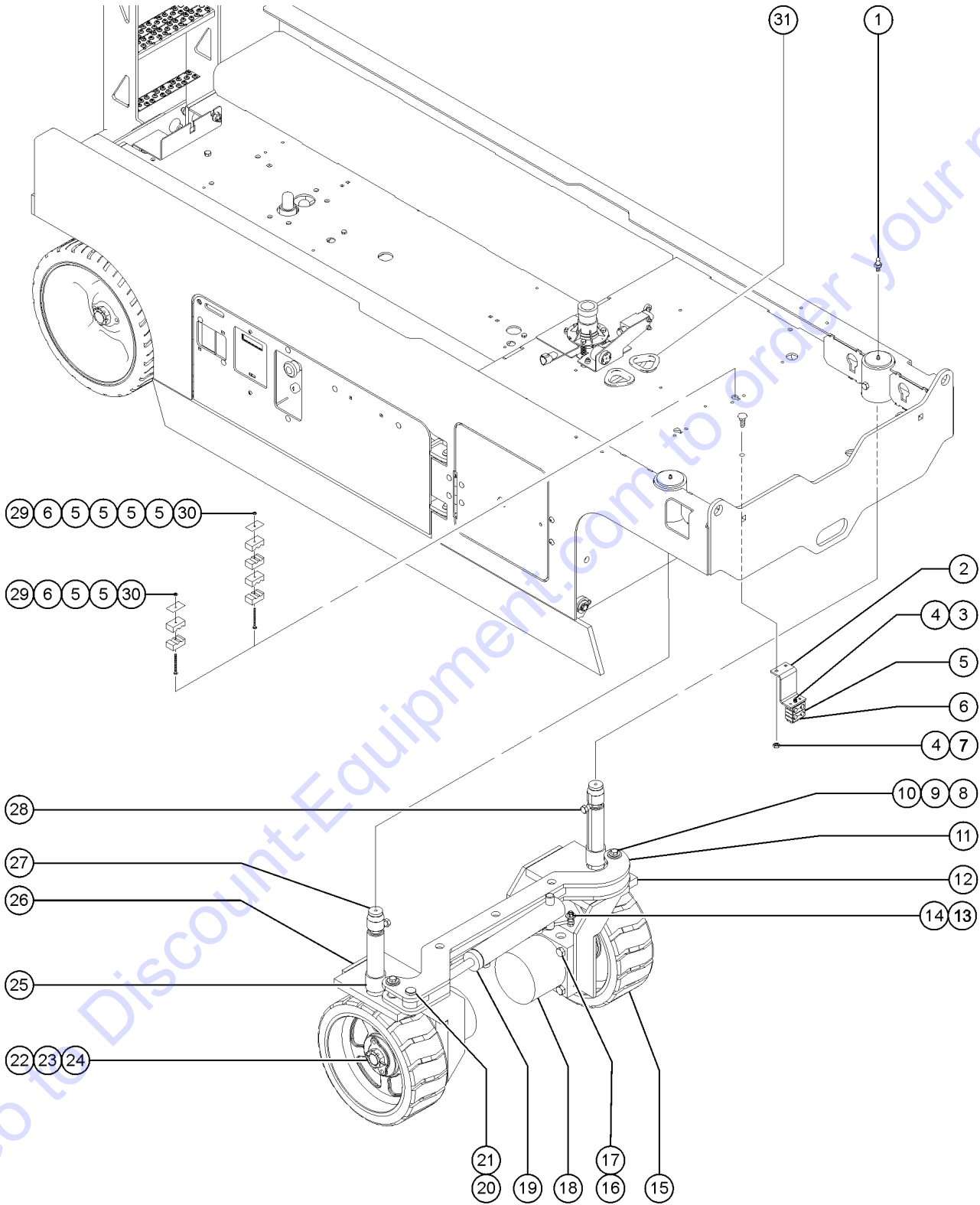
Platform, CE models



148.1 Symbol Decals, GS-3246, Platform, CE

Item	Part No.	Description	Qty.
--		REF: Symbol Decal Kits for ANSI and CE (refer to 145.1)	
1	28174GT	DECAL, POWER TO PLATFORM 230V**.....1	1
2	28235GT	DECAL,POWER TO PLATFORM 115V...1	1
3	40434GT	DECAL,LANYARD ANCHORAGE POINT.....5	5
4	43618GT	DECAL, LABEL - DIRECTION ARROWS.....2	2
5	44981GT	DECAL,LABEL, AIR LINE 110 PSI.....1 (Option)	1
6	62058GT	DECAL,COSMETIC,GENIE GS-3246....2	2
7	82487GT	DECAL, SYMBOL - READ THE MANUAL.....1	1
8	82497GT	DECAL,SYM-SIDEFORCE 200400.....1	1
9	114338GT	DECAL,SYM-TIP-OVER,TILT ALARM....1	1
10	137605GT	DECAL,E-STOP,GR/GRC/GS PCON....1	1
11	137636GT	DECAL, UI, GR/GRC/GS PCON.....1 (models with 6 button, 2 speed controller) to SN GS4614A-134999 and to SN GS4614C-13999	1
12	137656GT	DECAL,PROPEL,GR/GRC/GS,PCON....1	1
13	228940GT	DECAL,SYM-MAX CAP CE GS3246....1	1
14	1256702GT	DECAL, UI, GS/GR, PROP LIFT.....1 (models with 4 button, proportional controller)	1
15	1256703GT	DECAL, STD, PROP LIFT, UI, SVC.....1 (units converted from 6 button, 2 speed lift to 4 button, proportional controller)	1
16	1257923GT	DECAL, SMARTLINK PROPORTIONAL.....2 (models with 4 button, proportional controller, and units converted from 6 button, 2 speed lift to 4 button, proportional controller)	2

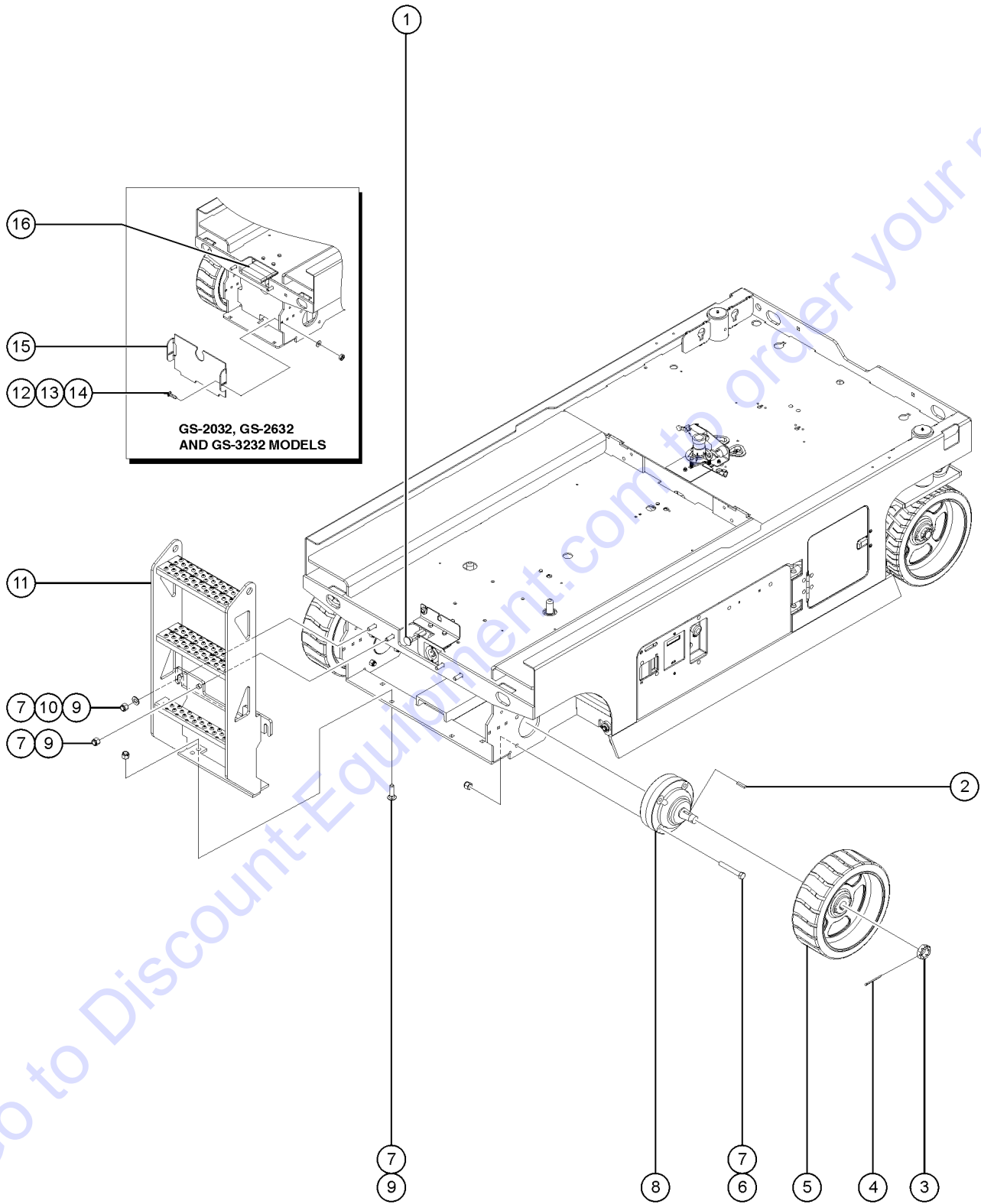
201.1 Steer Linkage and Wheels, GS-32 & GS-46



201.1 Steer Linkage and Wheels, GS-32 & GS-46

Item	Part No.	Description	Qty.	Item	Part No.	Description	Qty.
1	66770GT	FITTING,STRAIGHT DRIVE-IN ZERK....2		18		Ref. Drive Motor (refer to 501.1)	
2A	105051GT	FORMING,HOSE CLAMP SUPPORT.....1 GS-32 models		19		Ref. Steer Cylinder (refer to 501.1)	
2B	230364GT	FORMING,HOSE CLAMP SPT,PTD,BLU.....1 GS-46 models		20	6545GT	PIN,CLEVIS,.75 X 2.....1	
3A	144374GT	SCREW,HHC,1/4-20X3.25,GR8 (from SN GS3211A-110000; from SN GS4611A-110000; from SN GS4612C-10000; from SN GS3212C-10000 to 15249)		21	21253GT	CLIP,HAIR PIN .125 X 2.....1	
3B	50160GT	SCREW,HHC,1/4-20 X 3.75 (from SN GS3216C-15250)		22	44780GT	NUT,CASTLE,1.125-18 UNEF.....2	
4	6091GT	NUT,NYLOCK,1/4-20		23	13635-10GT	PIN,COTTER,.156 X 1.75.....2	
5	78736GT	CLAMP,2 HOSE,PLASTIC,5/8 (as required)		24	44781GT	KEY,RECTANGULAR,.31X.28X1.25***.....2	
6A	58592GT	PLATE,HOSE ROUTG,BULKHEAD(PTD) (from SN GS3211A-110000; from SN GS4611A-110000; from SN GS4612C-10000; from SN GS3212C-10000 to 15249)		25	18722GT	BEARING,2.25IDX2.50ODX1.50L***	
6B	58592GT	PLATE,HOSE ROUTG,BULKHEAD(PTD).....1 ANSI/CSA models (from SN GS3212C-15250 to 17299)		26	96572GT	WLDMT,STEER YOKE,RT,GS32/46.....1 (ground controls side)	
6B	96196GT	PLATE,HOSE ROUTING,BULKHEAD **1 CE models (from SN GS3212C-15250 to 17299)		27	105565GT	WASHER,THRUST, GS.....2	
7	9116GT	BOLT,CARRIAGE,1/4-20x1.25,G2		28	55917GT	SCREW,YOKE LOCK ALL SLABS	
8	8255GT	SCREW,HHC,3/8-16 X .75		29	18504GT	NUT,LOCKING-LG.FLANGE,1/4-20	
9	15086GT	WASHER,FLAT,.375 X 1.5 X .125		30A	96905GT	BOLT,CARRIAGE,1/4-20 X 2.5,G2 GS-2032, GS-2632, GS-2046, GS-2646	
10	47946GT	BEARING,1.00IDX1.25ODX0.49L.....2		30B	96903GT	BOLT,CARRIAGE,1/4-20 X 3.50,G2 GS-3232, GS-3246	
11A	84699GT	TIE ROD ASSEMBLY, GS32.....1 GS-32 models		31	47232GT	GROMMET,RUBBER 2 X 2.75.....2	
--	47946GT	BEARING,1.00IDX1.25ODX0.49L.....4					
--	96831GT	WLDMT,TIE ROD,GS32.....1 (does not include bearings)					
11B	97267GT	TIE ROD ASSY, GS46.....1 GS-46 models					
--	47946GT	BEARING,1.00IDX1.25ODX0.49L.....4					
--	96574GT	WLDMT,TIE ROD,GS46.....1 (does not include bearings)					
12	96573GT	WLDMT,STEER YOKE,LT,GS32/46.....1 (battery pack side)					
13	96423GT	RUE RING,3/4 PIN.....1					
14	96907GT	PIN,CLEVIS,0.75 X 3.25".....1					
15	105454GT	WHEEL & TIRE ASSY LP,15".....2					
16	8357GT	SCREW,HHC,1/2-13 X 3.5					
17	6198GT	NUT,NYLOCK,1/2-13					

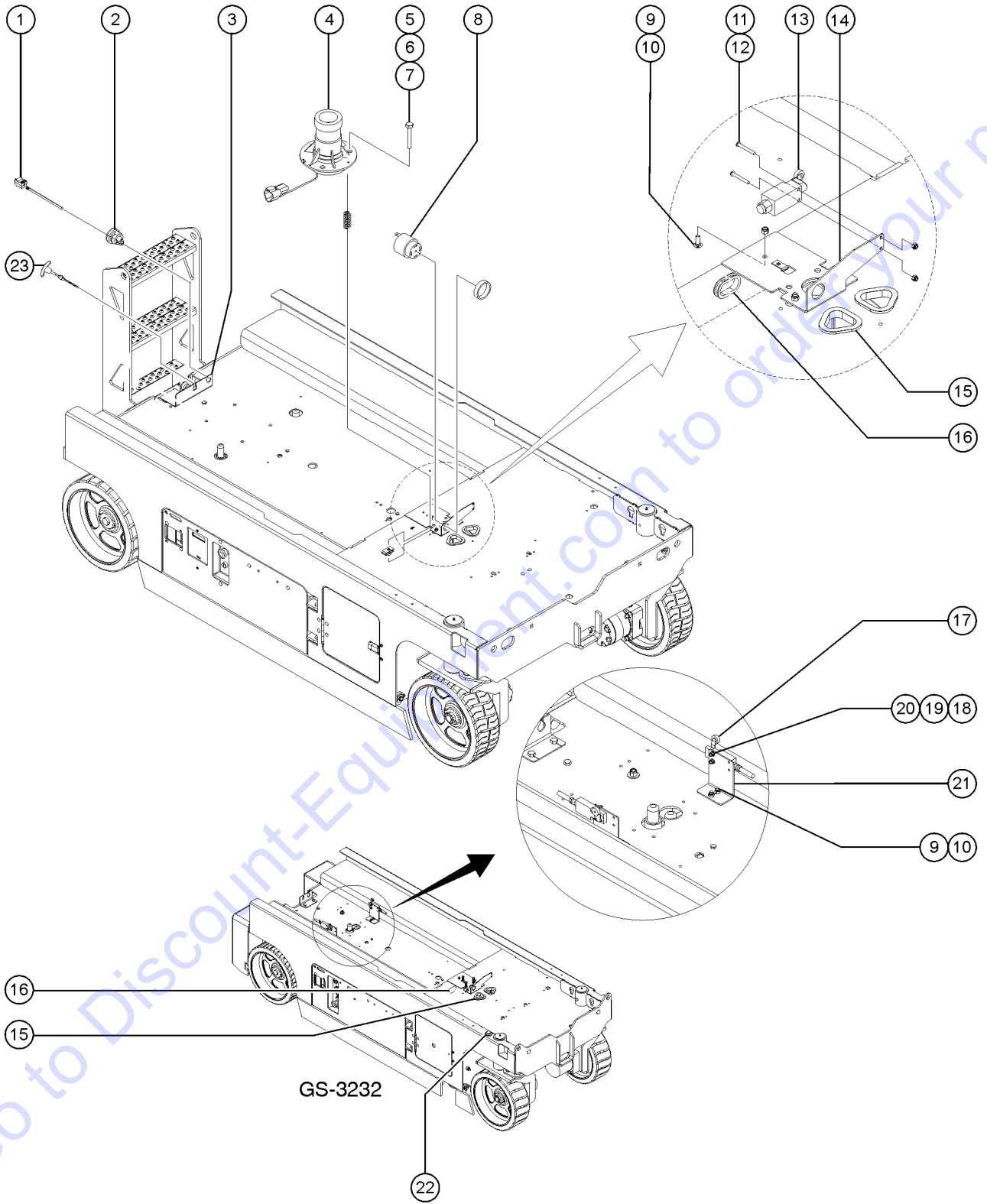
202.1 Non-steer Axle Installation, GS-32 & GS-46



202.1 Non-steer Axle Installation, GS-32 & GS-46

Item	Part No.	Description	Qty.
1		REF: BRAKE RELEASE MANIFOLD (refer to 503.1)	
2	44781GT	KEY,RECTANGULAR,.31X.28X1.25**.....2	
3	44780GT	NUT,CASTLE,1.125-18 UNEF.....2	
4	42079GT	PIN,COTTER,.156 X 2.5.....2	
5		REF: WHEEL & TIRE ASSY (refer to 201.1)	
5	105454GT	WHEEL & TIRE ASSY LP,15".....2	
6	8357GT	SCREW,HHC,1/2-13 X 3.5	
7	6198GT	NUT,NYLOCK,1/2-13	
8		REF: HYDRAULIC BRAKE (refer to 501.1)	
9	96203GT	BOLT,CARRIAGE,1/2-13X1.75, G5	
10	13066GT	WASHER,FLAT,.5 HARDENED.....2	
11A	96570GT	WLDMT,GS32/46 LADDER***1 GS-2632, GS-2646, GS-3232, GS-3246 (decals not included refer to section one)	
11B	96895GT	WELDMNT,20XX LADDER GS-2032, GS-2046 (decals not included refer to section one)	
12A	105092GT	BOLT,CARRIAGE,3/8-16X1.25,GR5 GS-2032, GS-2632	
12B	96203GT	BOLT,CARRIAGE,1/2-13X1.75, G5 GS-2046, GS-2646, GS-3246	
12C	60790GT	BOLT, CARRIAGE, 3/8-16 X 1.50, G5 GS-3232	
13	6097GT	WASHER,FLAT,USS,3/8",Y	
14A	4828GT	NUT,NYLOCK,3/8-16 GS-2032, GS-2632, GS-3232	
14B	6198GT	NUT,NYLOCK,1/2-13 GS-2046, GS-2646, GS-3246	
15A	105140GT	FORMING,CWT,COVER,GS32 GS-2032, GS-2632, GS-3232 (shown)	
15B	96886GT	FORMING, CWT CLAMP GS-2046, GS-2646, GS-3246	
16A	105080GT	COUNTERWEIGHT,GS32,REAR.....1 GS-32, Australia & CE (inside rear chassis)	
16B	105100GT	PLATE,CWGT,GS32 REAR.....1 GS-2632 & GS-3232 (rear stack plate)	
16C	96887GT	CWT, REAR, XX46 GS-46 Australia & CE (inside rear chassis)	
16D	96876GT	COUNTERWEIGHT, BELLY.....1 GS-2646, GS-3246 (inside front center of chassis)	

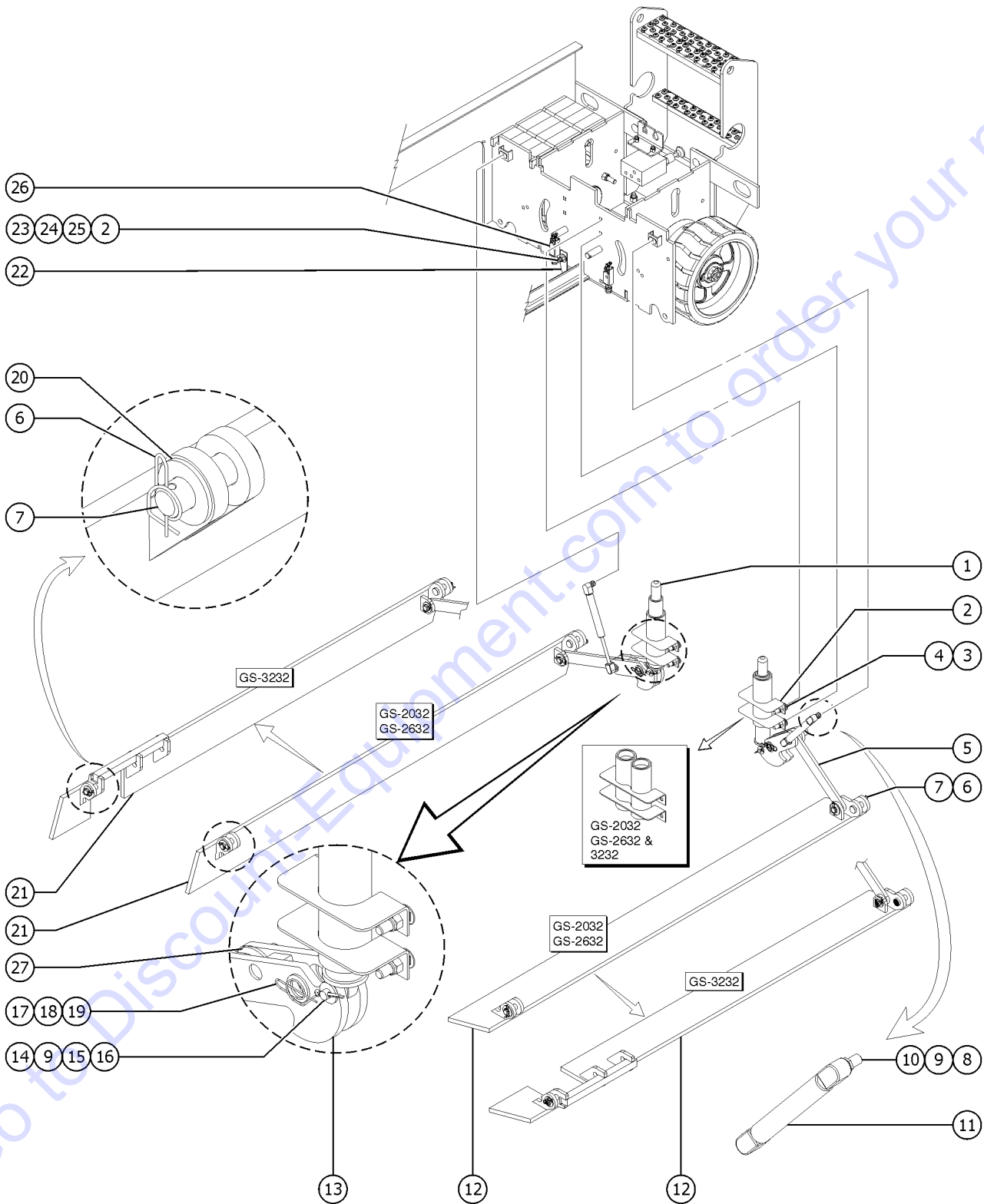
203.1 Level Sensor Installation, GS-32 & GS-46



203.1 Level Sensor Installation, GS-32 & GS-46

Item	Part No.	Description	Qty.	Item	Part No.	Description	Qty.
--	1284236GT	KIT, UTS LEVEL SENSOR CONVERSION, GS3232 <i>(to convert from uts to analog and digital level sensors)</i>		--	19491GT	CONTACTOR,LIMIT SWITCH	
--	1284414GT	GS3232 LEVEL SENSOR CONVERSION INSTALLATION INSTRUCTIONS <i>(instructions for 1284236)</i>		--	96948GT	SWITCH,LIMIT,W/ROLLER ARM***	
1		Ref. Electrical Plugs and Cords <i>refer to 403.1</i>		--	97128GT	ROLLER ARM,LIMIT SWITCH***	
2	128118GT	BUSHING,STRAIN RELIEF,.875/.40.....1		14A	96870GT	FORMING,ALARM BRACKET.....1 <i>to GS3215A-141898; to GS4615A-137959 (for use with 228406)</i>	
3	144226GT	FORMING,REC.PLG BRKT.....1		14B	1264843GT	FORMING, ALARM BRACKET <i>to GS3215A-141898; to GS4615A-137959 (for use with 823368)</i>	
4A	228406GT	ASSY,LVL SNSR W/ CONNECTOR.....1 <i>to GS3215A-141898; to GS4615A-137959 (use with 96870)</i>		15	47232GT	GROMMET,RUBBER 2 X 2.75.....2	
4B	823368GT	SENSOR,LEVEL,UNIVERSAL.....1 <i>(not shown) from SN GS3215A-141899; from GS4615A-137960 (use with 1264843)</i>		16	47238GT	GROMMET,RUBBER 1.5 ID.....1	
5A	6637GT	SCREW,HHC,1/4-20 X 1.75 <i>to GS3215A-141898; to GS4615A-137959</i>		17	105664GT	ASSY,22 FT LIMIT SWITCH,GS3232.....1	
5B	824079GT	SCREW,HHF,1/4-20X1,8,ZAG <i>from SN GS3215A-141899; from GS4615A-137960</i>		--		Ref. Wire Harness Assy GS-3232 <i>refer to 210.1</i>	
6	39469GT	SPRING,COMPRESSION.485 X1.75**...3 <i>to GS3215A-141898; to GS4615A-137959</i>		18	18605GT	NUT,NYLOCK,8-32	
7	56912GT	SPRING CLIP,1/4-20,.025-.15X.54,ZAG.....3		19	35461GT	WASHER,FLAT,MS,#8,Y	
8	39540GT	ALARM,STEADY TONE***.....1 <i>plastic nut not included</i>		20	54380GT	SCREW,PHILLIPS,PHM,8-32 X .875	
--	72326GT	NUT - PLASTIC,RING FOR ALARMS		21	105736GT	FRMING,LMT SWCH BRKT,3232	
9A	6878GT	BOLT,CARRIAGE,1/4-20 X .75,G2 <i>to GS3215A-141898; to GS4615A-137959</i>		22	6714GT	LEVEL,BUBBLE	
9B	824124GT	BOLT,CARRIAGE,1/4-20X.75,5,ZAG <i>from SN GS3215A-141899; from GS4615A-137960</i>		23	39232GT	CABLE,EMERGENCY DOWN.....1	
10A	6091GT	NUT,NYLOCK,1/4-20 <i>to GS3215A-141898; to GS4615A-137959</i>					
10B	824027GT	NUT,TL FLG,1/4-20,G,ZAG <i>from SN GS3215A-141899; from GS4615A-137960</i>					
11	16487GT	SCREW,RHM,10-32 X 1.5					
11A	16487GT	SCREW,RHM,10-32 X 1.5 <i>to GS3215A-141898; to GS4615A-137959</i>					
11B	824216GT	SCREW,PHPM,10-32X1.5,ZAG <i>from SN GS3215A-141899; from GS4615A-137960</i>					
12A	6178GT	NUT,NYLOCK,10-32 <i>to GS3215A-141898; to GS4615A-137959</i>					
12B	824032GT	NUT,TL FLG,10-32,F,ZAG <i>from SN GS3215A-141899; from GS4615A-137960</i>					
13	T112507GT	ASSEMBLY, DOWN LIMIT, GS.....1 <i>includes plug</i>					

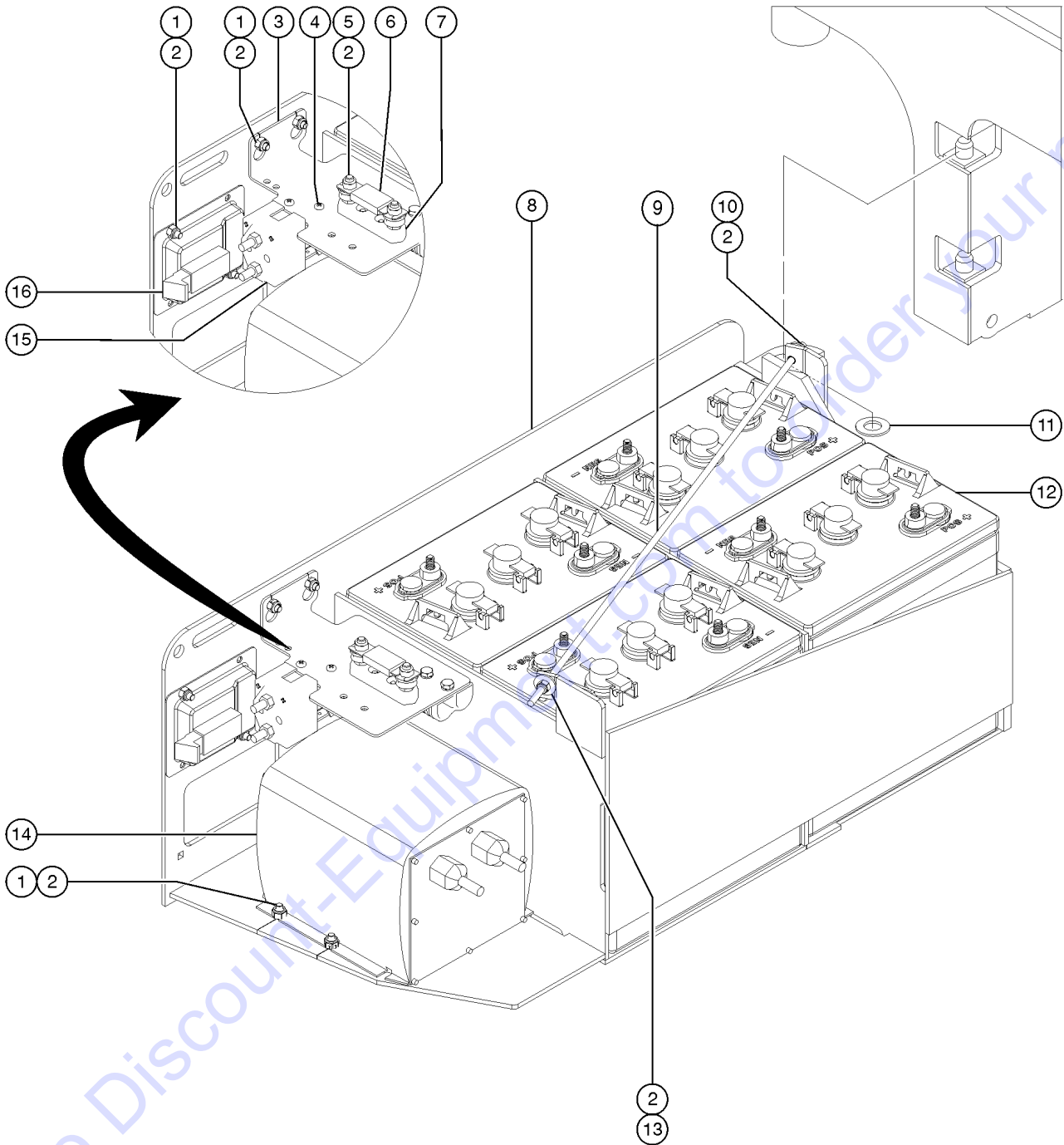
204.1 Pothole Protection Assembly, GS-32 & GS-46



204.1 Pothole Protection Assembly, GS-32 & GS-46

Item	Part No.	Description	Qty.
1	96839GT	ASSY,POT HOLE PUSHER,GS***	
2A	96524GT	WLDMT/ASSY, PH GUIDE,GS30/32.....2 GS-32 models	
--	96408GT	BEARING,1.523IDX1.75ODX0.63L	
2B	105069GT	WLDMT/ASSY,PH GUIDE,GS46.....2 GS-46 models	
--	96408GT	BEARING,1.523IDX1.75ODX0.63L	
3	60790GT	BOLT, CARRIAGE, 3/8-16 X 1.50, G5	
4	4828GT	NUT,NYLOCK,3/8-16	
5	96637GT	PLATE, POTHOLE LINK.....2	
6	96422GT	RUE RING,5/8 PIN	
7	96135GT	PIN,CLEVIS,.625 X 1.88,ZINC PL.....4	
--	105156GT	BUSHING,FLNGD,.63 X .77 X .38.....4 (sold seperately)	
8	96643GT	PIN, POTHOLE LINK PIVOT.....2	
9	5397GT	WASHER,FLAT,USS,5/16",Y	
10	78086GT	BALL STUD, GAS STRUT, 3/8-16	
11	39542GT	GAS SHOCK,SCISSORS***2	
12A	96639GT	WELDMENT, POTHOLE, LEFT SIDE.....1 GS-2032, GS-2632, GS-2046, GS-2646, GS-3246 (battery pack side)	
12B	109894GT	WLDMT,POTHOLE,LT,OR.....1 GS-3232 (battery pack side)	
13	84574GT	POTHLE BELL CRNK LINK ASSYGS30.....2	
--	96642GT	BEARING,.75ID X 1.00D X 1.38LG	
14	12016GT	PIN,COTTER,.125 X .75	
15	34742GT	PIN,CLEVIS,.375 X 1.75 LG.....2	
16	96541GT	CAM FOLLOWER,1.125X.375,DELRIN.2	
17	96423GT	RUE RING,3/4 PIN	
18	6564GT	WASHER, SHIM,.765 X 1.312 X .093	
19	55355GT	SPACER,.75ID X 1.50D X 1/4THK	
20	6898GT	WASHER,SHIM,.625 X 1.188X.064	
21A	96638GT	WELDMENT, POTHOLE, RIGHT SIDE...1 GS-2032, GS-2632, GS-2046, GS-2646, GS-3246 (ground controls side)	
21B	109893GT	WLDMT,POTHOLE,RT,OR.....1 GS-3232 (battery pack side)	
22	105060GT	GROUND STRAP, 8"LG.....1	
23	64154GT	BOLT,CARRIAGE,3/8-16 X1.00,G5	
24	6700GT	WASHER,STAR,EXTERNAL,.375	
25	6097GT	WASHER,FLAT,USS,3/8",Y	
26	96948GT	SWITCH,LIMIT,W/ROLLER ARM***2 (down limit switch)	
--	19491GT	CONTACTOR,LIMIT SWITCH	
--	97128GT	ROLLER ARM,LIMIT SWITCH***	
27	96085GT	WASHER,THRUST,.63 X 1.13 X .06	

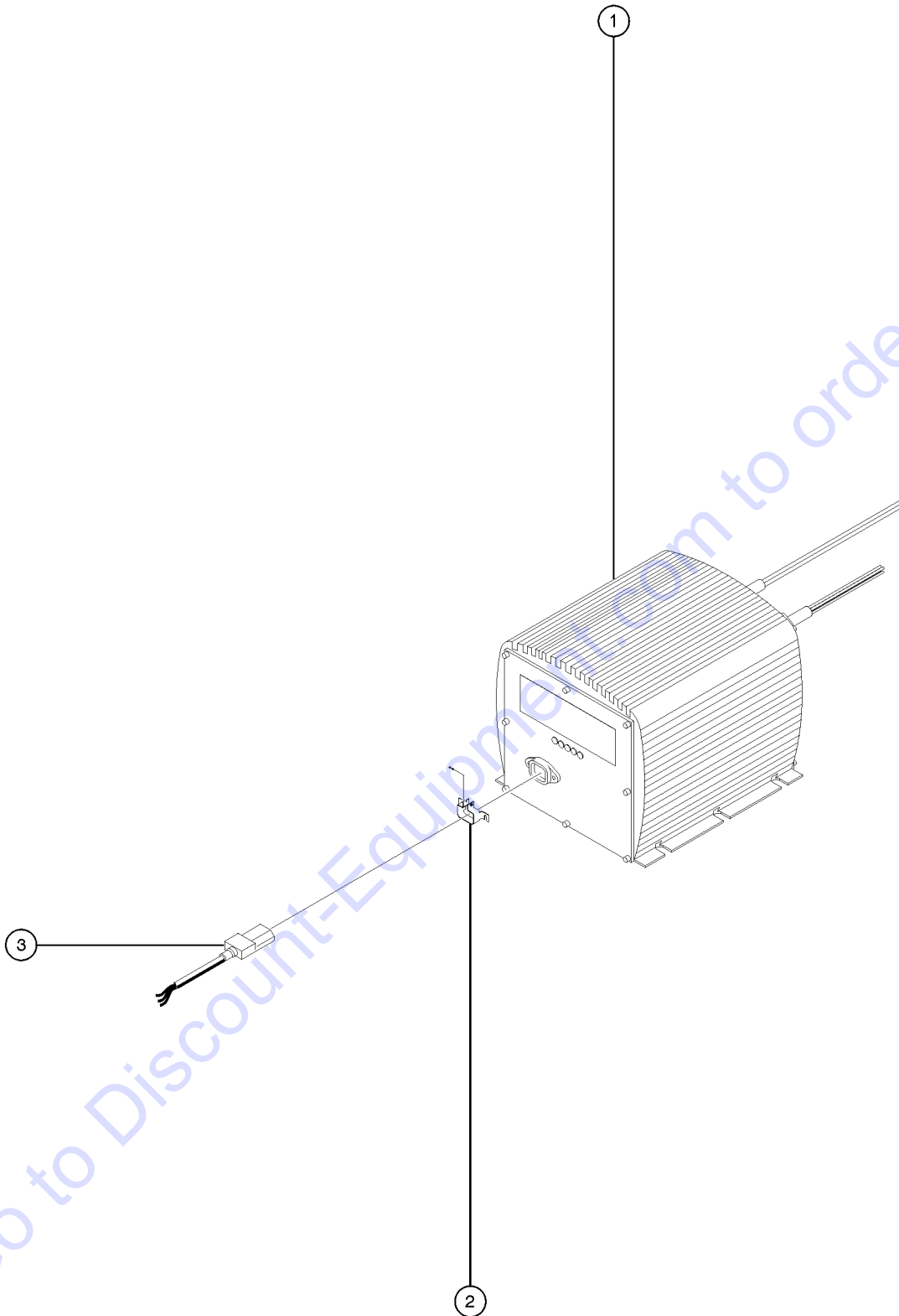
205.1 Battery Pack Module



205.1 Battery Pack Module

Item	Part No.	Description	Qty.
1	6878GT	BOLT,CARRIAGE,1/4-20 X .75,G2	
2	6091GT	NUT,NYLOCK,1/4-20	
3	232531GT	FORMING,CONTACTOR MOUNT,GS.....1	
4	49818GT	SCREW,PHILLIPS,PHM,10-32 X .38	
5	13000GT	SCREW,HHC,5/16-18 X 1.25	
6	40833GT	FUSE,275 AMP,VERY FAST ACTING.....1	
7	66717GT	FUSE BLOCK, ANN & ANL FUSE.....1 (includes mounting fasteners)	
8	105467GT	WLDMT,GS BATTERY TRAY.....1	
9	30784-2550GT	THREADED ROD,(1/4-20),25.50.....1	
10	6889GT	NUT,LP NYLOCK,1/4-20	
11	33278GT	WASHER,FLAT,.75 HARDENED	
12A	76502GT	BATTERY,T105 W/LPT,3 CAP,DRY**.....4	
--	137769GT	BATTERY WATERING HAND PUMP	
--	137770GT	BATTERY WATERING KIT, 24V UNIV (to watch the installation video, copy and paste this link to your web browser) https://www.youtube.com/watch?v=13zTt-hWik	
--	18503GT	NUT,LOCKING-LG.FLANGE,5/16-18	
12B	105150GT	BATTERY, AGM, 6V, (TROJAN) ***.....4	
--	137769GT	BATTERY WATERING HAND PUMP	
--	137770GT	BATTERY WATERING KIT, 24V UNIV (to watch the installation video, copy and paste this link to your web browser) https://www.youtube.com/watch?v=13zTt-hWik	
13	6638GT	WASHER,FLAT,USS,1/4"Y	
14		Ref. Battery Charger (refer to 206.1)	
15A	74267GT	CONTACTOR,DRIVE,24V,180A***.....1 to SN GS3216C-16139, GS4616C-16933	
15B	1270456GT	CONTACTOR,DRIVE,24V,180A from SN GS3216C-16140, GS4616C-16934	
16	55675GT	LATCH, LRG PADDLE HANDLE GS90...1	

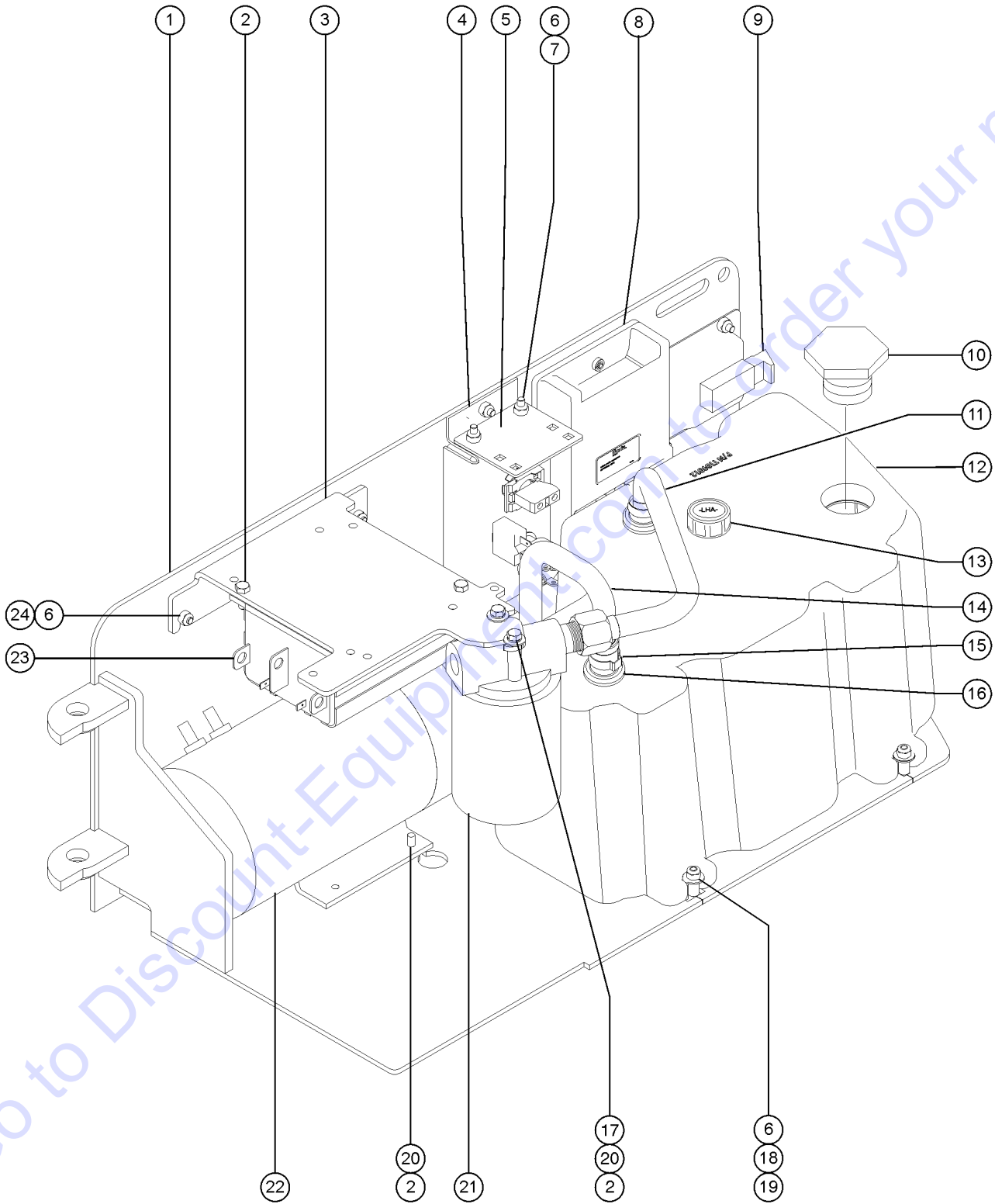
206.1 Battery Charger



206.1 Battery Charger

Item	Part No.	Description	Qty.
--	105334GT	CONNECTOR, IEC CHARGER CORD <i>for 5-LED battery charger</i>	
--	97059GT	FUSE,BATTERY CHARGER*** <i>for 5-LED battery charger</i>	
1	105739GT	CHARGER,BAT,24VDC,H/LO GEN2.....1	
--	144180GT	MANUAL,OWNERS,CHARGER,105739	
1A	105739GT	CHARGER,BAT,24VDC,H/LO GEN2.....1 <i>Signet battery charger. NOTE: Some machines are equipped with an alternative-brand battery charger. Inspect your machine before ordering OR contact Discount-equipment if needed.</i>	
--		Ref. Field Assembly Recessed Charger Plug <i>(refer to 403.1)</i>	
--	144180GT	MANUAL,OWNERS,CHARGER,105739	
1B		Ref. Field Assembly Recessed Charger Plug <i>(refer to 403.1)</i>	
1C	219480GT	KIT,BATTERY CHARGER,24V <i>(includes 105739 charger, fasteners, ring terminals and instructions for field installation)</i>	
2	55010GT	LOCK, CONNECTOR.....1 <i>(includes fasteners)</i>	
3	144130GT	POWER CORD, IEC 320, 115".....1	

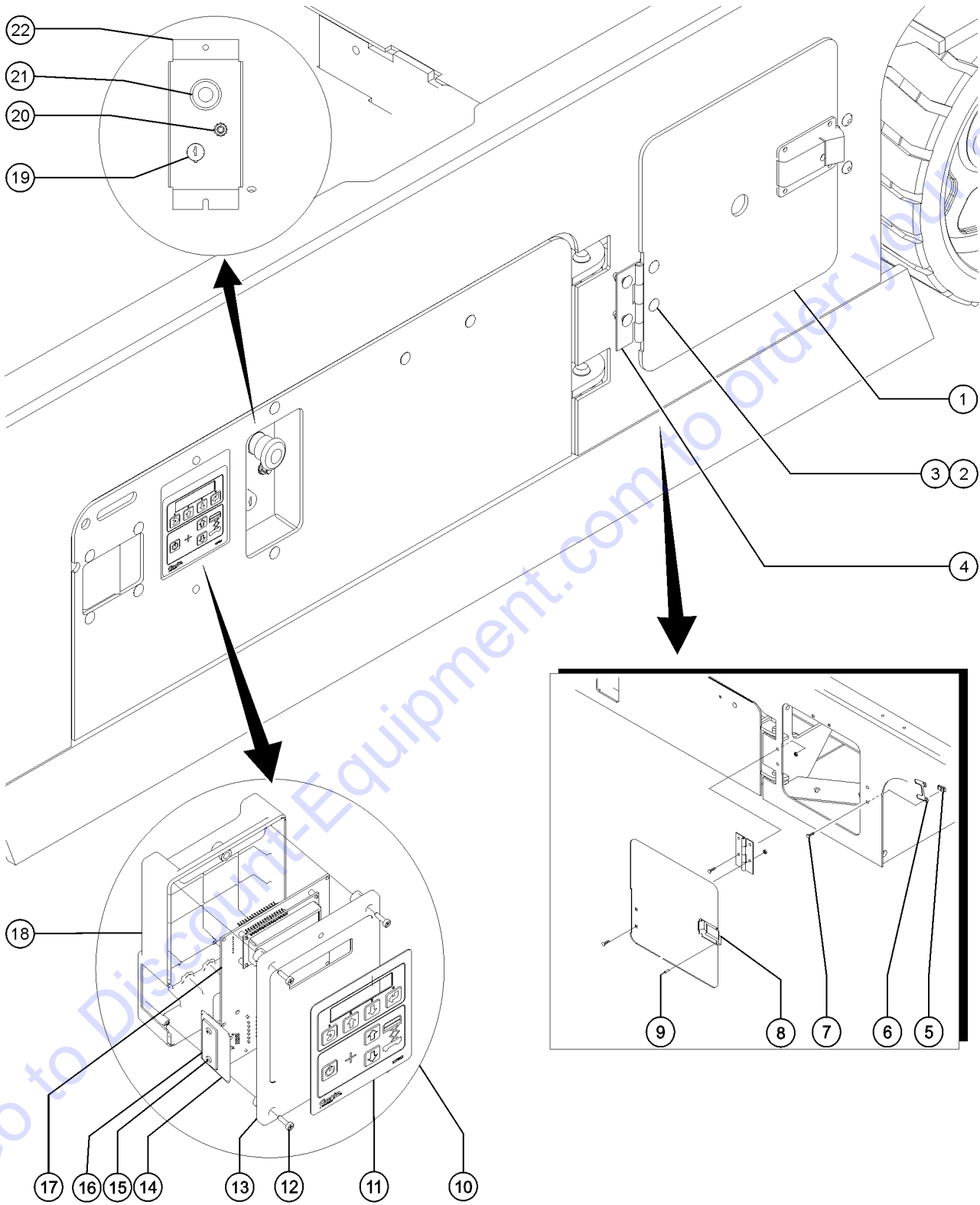
207.1 Power Unit Module



207.1 Power Unit Module

Item	Part No.	Description	Qty.	Item	Part No.	Description	Qty.
1A	231114GT	HYDR TRAY ASSY W/WORDS.....1		23D	1257840GT	MOTOR CONTROLLER, DC,24V,360A from SN GS3216C-15601, from SN GS4616C-16205	
--	T113296GT	WELDMENT,GS HYD TRAY decals not included, refer to section one		23E	232534GT	KIT,CONTACTOR,GS from SN GS32A-135716, from SN GS46A-135368, from SN GS3216C-14378, from SN GS4616C-14504	
1B	231167GT	HYDR TRAY ASSY,GS30 W/SYMBOLS.....1		23F	1261335GT	KIT,BATT. CABLE ASSY.,GS30/32 from SN GS32A-135716, from SN GS46A-135368, from SN GS3216C-14378, from SN GS4616C-14504	
--	T113296GT	WELDMENT,GS HYD TRAY decals not included, refer to section one		23G	233379GT	KIT, INVERTER JUMPER, GS GS32A, GS46A with inverter and 823408 installed	
2	8915GT	SCREW,HHC,1/4-20 X 1.25 replaced 6090		24	6878GT	BOLT,CARRIAGE,1/4-20 X .75,G2	
3	105308GT	FORMING, FILTER-CNTRLR MOUNT....1					
4		REF. FORMING,CONTROL PANEL refer to figure 208.1					
5	T108326GT	PLATE,HARNESS MOUNT.....1					
6	6091GT	NUT,NYLOCK,1/4-20					
7	6878GT	BOLT,CARRIAGE,1/4-20 X .75,G2					
8		REF. GCON refer to figure 208.1					
9	55675GT	LATCH, LRG PADDLE HANDLE GS90...1					
10	66204GT	FILTER CAP (PLUG 1-1/2" NPT HEX....1					
11	96355GT	TUBE, ASSY, RETURN.....1					
12	226163GT	HYD. TANK KIT, GS30,32,46 includes items 15 and 16					
--	T109012GT	TANK,HYD, SLAB SCISSORS.....1					
13	78546GT	BREATHER CAP,HYD. TANK,1/4 NPT....1					
14	96354GT	TUBE, ASSY, DRAW.....1					
15	96855GT	CLAMP,HOSE,1 EAR,1-1/16***.....2					
16	96709GT	GROMMET,SLAB HYD TANK***.....2					
17	6638GT	WASHER,FLAT,USS,1/4"Y					
18	96699GT	SLEEVE,TANK SUPPORT					
19	9116GT	BOLT,CARRIAGE,1/4-20x1.25,G2					
20	6356GT	WASHER,LOCK,.25					
21		REF. FILTER ASSY refer to figure 501.1					
22		REF. ELECTRIC MOTOR/PUMP refer to figure 504.1					
23A	1257204GT	KIT,GS30/32 MOTOR CONTROLLER to SN GS32A-135715, from SN GS32C-1 to GS32C-14377					
23B	1257205GT	KIT,GS46 MOTOR CONTROLLER to SN GS46A-135367, from SN GS46C-1 to GS46C-14503					
23C	1257840GT	MOTOR CONTROLLER, DC,24V,360A All SN GS32A and GS46A, from SN GS3216C-14378 to GS32C16-15600, from SN GS4616C-14504 to GS4616C-16204					
23C	823408GT	MOTOR CONTROLLER, DC,24V,300A All SN GS32A and GS46A, from SN GS3216C-14378 to GS32C16-15600, from SN GS4616C-14504 to GS4616C-16204					

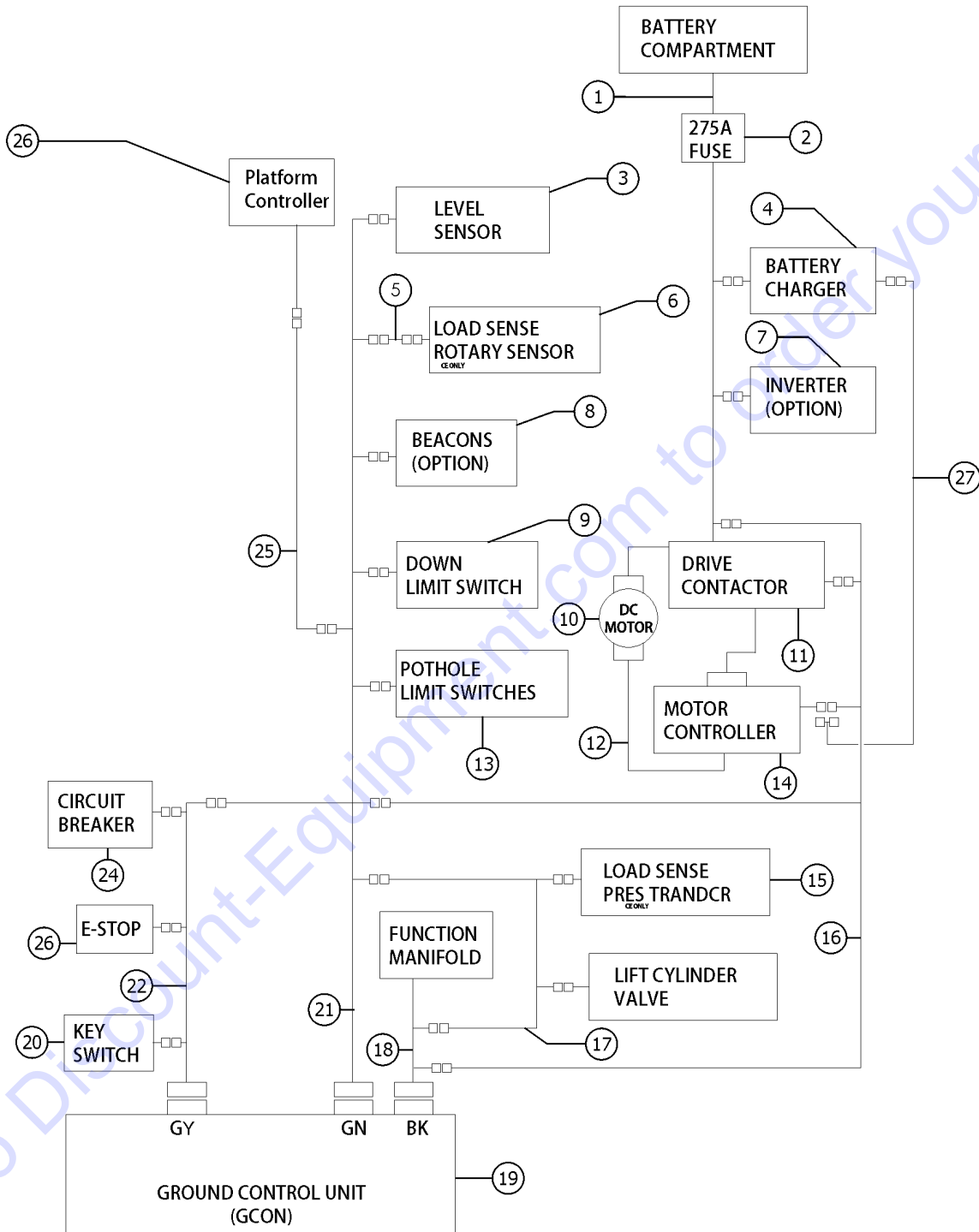
208.1 Ground Controls



208.1 Ground Controls

Item	Part No.	Description	Qty.	Item	Part No.	Description	Qty.
A	1252764GT	SPACER, GROUND CONTROL ECU.....1		17C	1256719GT	PCBA,GCON STD,PROP LIFT.....1 GS-2032, GS-2632, GS-2046, GS-2646, GS-3246 (models with 4 button, proportional controller) from SN GS14A-135000 and from GS14C-14000	
--	1252764GT	SPACER, GROUND CONTROL ECU.....1		17D	1256720GT	PCBA,GCON O/R,PROP LIFT.....1 GS-3232 (models with 4 button, proportional controller) from SN GS14A-135000	
B	824216GT	SCREW,PHPM,10-32X1.5,ZAG		18A	T106372GT	ENCLOSURE, GC21-19, BK.....1 GS-2032, GS-2632, GS-2046, GS-2646, GS-3246	
--	824216GT	SCREW,PHPM,10-32X1.5,ZAG		18B	T106371GT	ENCLOSURE, GC27-25, BK.....1 (GS-3232)	
1	105732GT	PLATE,SIDE DOOR***.....1		19	96008-SGT	KEYSWITCH,3 POS. W/KEYS***.....1	
2	6878GT	BOLT,CARRIAGE,1/4-20 X .75,G2.....4		--	37947GT	KEYS,10 PACK*** (sold seperately)	
3	6091GT	NUT,NYLOCK,1/4-20.....4		--	83093GT	KEY SINGLE*** (sold seperately)	
4	105734GT	HINGE,ACCESS DOOR(13G).....1		--	85239GT	NUT,RETAINER (96008) (sold seperately)	
5	56912GT	SPRING CLIP,1/4-20,.025-.15X.54,ZAG.....2		--	96009GT	WASHER,NITRILE (sold seperately)	
6	105572GT	PLATE,SIDE DOOR STOP***.....1		--	96010GT	SCREW,PHILLIPS,PHM,8-32 X.25** (sold seperately)	
7	43137GT	SCREW,PHM,1/4-20 X .75.....2		20	96452GT	CIRCUIT BREAKER,7.0 AMP***.....1	
8	105759GT	LATCH,COMPRESSION,SMALL.....1		--	122994GT	NICKEL PLATED JAM NUT	
9	6272GT	RIVET,STL,STL,P,.125 X .25.....4		--	6700GT	WASHER,STAR,EXTERNAL,.375	
10A	137692GT	GCON, GR/GRC/GS.....1 GS-2032, GS-2632, GS-2046, GS-2646, GS-3246 (models with 6 button, 2 speed controller) to SN GS14A-134999 and to SN GS14C-13999		21	66812GT	BUTTON,PUSH,RED MUSHROOM HEAD.....1	
--	137673GT	LABEL, SERIAL, GC21-19.....1		--	58627GT	NUT	
10B		REF. GCON,GS O/R.....1 GS-3232 (models with 2 speed controller refer to 404.1 for upgrade kit) to SN GS14A-134999		--	66817GT	BASE WITH 1 NC CONTACT, E-STOP	
10C	1256721GT	GCON,STD,PROP LIFT.....1 GS-2032, GS-2632, GS-2046, GS-2646, GS-3246 (models with 4 button, proportional controller) from SN GS14A-135000 and from GS14C-14000		22	T108327GT	FORMING,CONTROL PANEL.....1	
10D	1256722GT	GCON,O/R,PROP LIFT.....1 GS-3232 (models with 4 button, proportional controller) from SN GS14A-135000					
--	1256808GT	LABEL,GCON O/R,SERIAL.....1 (GS-3232)					
11	137562GT	DECAL,MEMBRANE, GR/GRC/GS GCON.....1					
12	137668GT	SCREW,PHM,6-19X.75, 48-2 TRI-L.....4					
13	T106366GT	ENCLOSURE,GC27-25/GC21-19,FRNT.1					
14	T106363GT	ADAPTER, RJ45, GC27-25/GC21-19.....1					
15	137637GT	SCREW,PHM,4-20X.5, 48-2 TRI-L.....2					
16	T106362GT	COVER, RJ45, GC27-25/GC21-19.....1					
17A	137604GT	PCBA, GC21-19.....1 GS-2032, GS-2632, GS-2046, GS-2646, GS-3246 (models with 6 button, 2 speed controller) to SN GS14A-134999 and to SN GS14C-13999					
17B		REF. PCBA, GC27-25.....1 GS-3232 (models with 2 speed controller refer to 404.1 for upgrade kit) to SN GS14A-134999					

209.1 Electrical Wiring, GS-2032, GS-2632, GS-2046, GS-2646, GS-3246



209.1 Electrical Wiring, GS-2032, GS-2632, GS-2046, GS-2646, GS-3246

Item	Part No.	Description	Qty.	Item	Part No.	Description	Qty.
A	105214GT	CABLE TIE MOUNT, WINGED <i>not shown</i>		18B	1257824GT	HARNESS,FUNCTION MANIFOLD,GS...1 <i>(from SN GS3214A-135715) (Black connector)</i>	
A	56926GT	CLIP,TIE HARNESS MOUNT*** <i>not shown</i>		19		REF. GCON <i>refer to 208.1</i>	
B	1264822GT	KIT, TRC RETROFIT, STNDRD <i>Telematics (includes 1264834)</i>		20		REF. KEYSWITCH <i>refer to 208.1</i>	
--	1264834GT	INSTRN, TRC RETROFIT, STNDRD		21A	228786GT	HARNESS, GS SENSORS, ANSI.....1 <i>ANSI & CSA; to SN GS3215A-141898 and GS4615A-137959</i>	
1		REF. BATTERY CABLE <i>refer to 211.1</i>		--	233711GT	HRNS ASSY,RESISTOR DIODE <i>for 228786GT and T110891GT</i>	
2		REF. FUSE <i>refer to 205.1</i>		21B	1263221GT	HARNESS, GS SENSORS, ANSI,UTS <i>ANSI & CSA; from GS3215A-141899 and GS4615A-137960 (for universal tilt sensor 823368, not backwards compatible)</i>	
3		REF. LEVEL SENSOR <i>refer to 203.1</i>		21C	T110891GT	HARNESS, GS SENSORS, CE.....1 <i>CE & AUS; to SN GS3215A-141898 and GS4615A-137959 (Green connector)</i>	
4		REF. CHARGER <i>refer to 206.1</i>		--	233644GT	RESISTOR,200 OHM 10W,CERAMIC <i>for 233711GT</i>	
5	T114031GT	HARNESS, ROTARY ANGLE.....1		--	233711GT	HRNS ASSY,RESISTOR DIODE <i>for 228786GT and T110891GT</i>	
6	T113136GT	ASSY,ROT SENSR W/ HARNESS.....1		21D	1263220GT	HARNESS, GS SENSORS, CE,UTS <i>CE and AUS; from GS3215A-141899 and GS4615A-137960 (for universal tilt sensor 823368, not backwards compatible)</i>	
7		REF. INVERTER <i>refer to 604.1</i>		22	T110890GT	HARNESS, GS POWER CONTRL.....1 <i>(Grey connector)</i>	
8		REF. STOBE,BEACON <i>refer to 601.1</i>		22A	T110890GT	HARNESS, GS POWER CONTRL.....1 <i>to SN 134999 (Grey connector)</i>	
9		REF. DOWN LIMIT, GS <i>refer to 203.1</i>		22B	1258394GT	HARNESS,GS POWER CONTROL <i>from SN 135000 (Grey connector)</i>	
10		REF. ELECTRIC MOTOR <i>refer to 504.1</i>		23		REF. E-STOP BUTTON <i>refer to 208.1</i>	
11	74267GT	CONTACTOR,DRIVE,24V,180A***.....1		24		REF. CIRCUIT BREAKER <i>refer to 208.1</i>	
12		REF. BATTERY CABLE <i>refer to 211.1</i>		25A	233050GT	CABLE, PLATFORM CONTROL, 20XX...1 <i>GS-2032, GS-2046</i>	
13	96309GT	ASSY,POTHOLE HARNESS,GS.....1		--	218579GT	WIRE CABLE 18/5 - UNSHIELDED.....324-inches <i>GS-2032, GS-2046</i>	
14		REF. MOTOR CONTROLLER <i>refer to 207.1</i>		--	231921GT	KIT,CONN,RECEPT W/PIN AND LOCK	
15	229750GT	HARNESS,PRESS,TRANSDUCER***.....1		--	231922GT	KIT,CONN,PLUG W/SCKT AND LOCK	
16A	233431GT	HRNS,CONTACTOR SIGNL,GS30/32.....1 <i>GS2032, GS-2632, GS3232</i>		25B	233051GT	CABLE, PLATFORM CONTROL, 26XX...1 <i>GS-2632, GS-2646</i>	
16B	233430GT	HRNS,CONTACTOR SIGNAL,GS46.....1 <i>GS2046, GS-2646, GS-3246</i>		--	218579GT	WIRE CABLE 18/5 - UNSHIELDED.....440-inches <i>GS-2632, GS-2646</i>	
17A	233053GT	CABLE,LFT CYL DN,20/26XX,W/LS.....1 <i>GS-2032, GS-2046, GS-2632, GS-2646 (CE, Australia)</i>		--	231921GT	KIT,CONN,RECEPT W/PIN AND LOCK	
17B	233054GT	CABLE,LFT CYL DN,20/26XX,WO/LS....1 <i>GS-2032, GS-2046, GS-2632, GS-2646 (ANSI, CSA)</i>		--	231922GT	KIT,CONN,PLUG W/SCKT AND LOCK	
17C	233055GT	CABLE,LIFT CYL DWN, 32XX,W/LS.....1 <i>GS-3232, GS-3246 (CE, Australia)</i>		25C	233052GT	CABLE, PLATFORM CONTROL, 32XX...1 <i>GS-3232, GS-3246</i>	
17D	234168GT	CABLE,LIFT CYL DWN, 32XX,WO/LS....1 <i>GS-3232, GS-3246 (ANSI, CSA)</i>					
18	1257824GT	HARNESS,FUNCTION MANIFOLD,GS...1 <i>replaced T110889 (Black connector)</i>					
18A	T110889GT	HARNESS, GS FUNC MANIFOLD.....1 <i>(to SN GS3214A-135714) (Black connector)</i>					

209.1 Electrical Wiring, GS-2032, GS-2632, GS-2046, GS-2646, GS-3246
(continued)

Item	Part No.	Description	Qty.
--	218579GT	WIRE CABLE 18/5 - UNSHIELDED.....518-Inches GS-3232, GS-3246	
--	231921GT	KIT,CONN,RECEPT W/PIN AND LOCK	
--	231922GT	KIT,CONN,PLUG W/SCKT AND LOCK	
26		REF. PCON <i>refer to 404.1</i>	
27A	144213GT	CHARGER INTERLOCK CBLE,GS30/32	
27B	144215GT	CHARGER INTERLOCK CABLE,GS46	

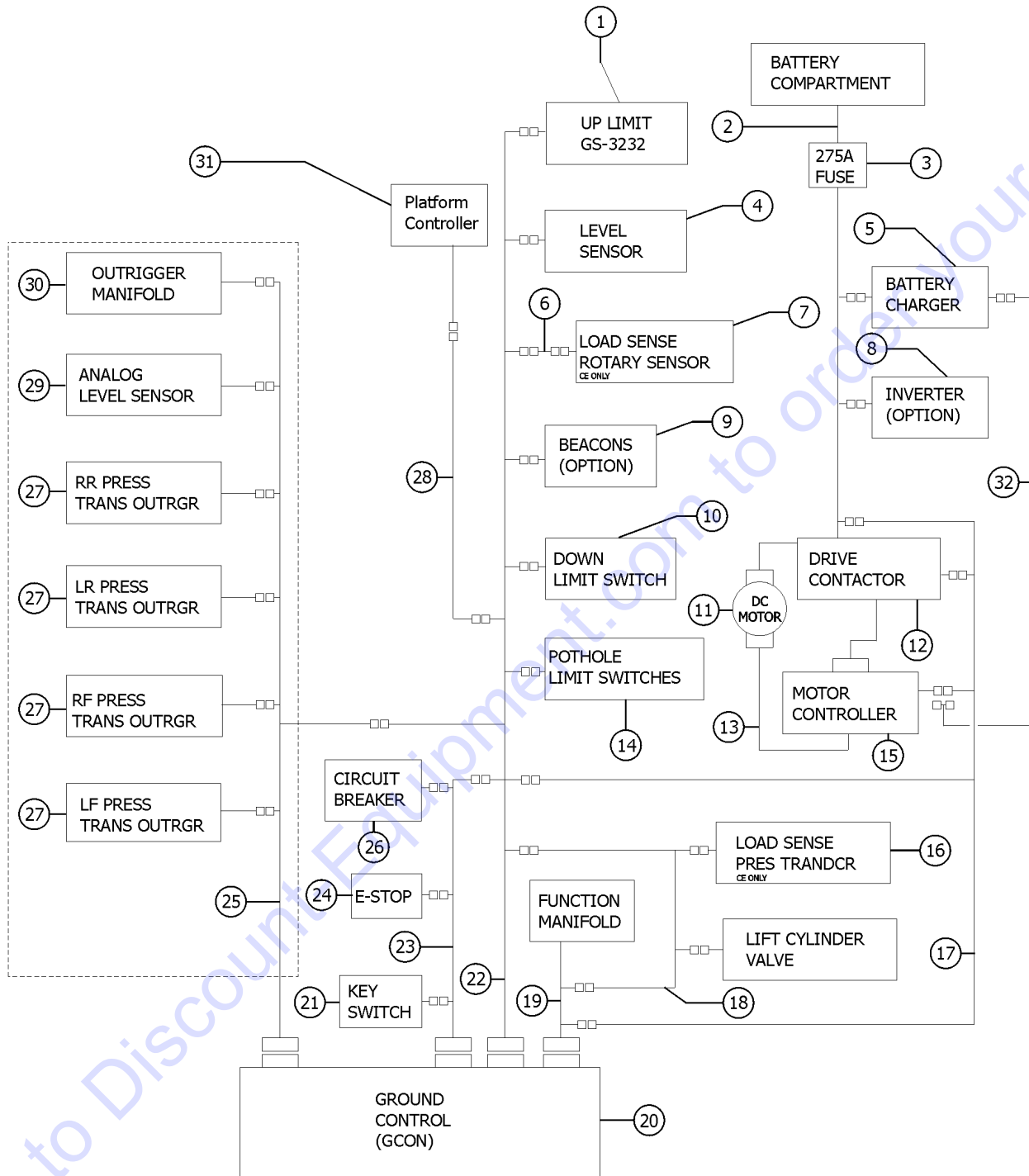
Go to Discount-Equipment.com to order your parts



This Page Intentionally Left Blank

Go to Discount-Equipment.com to order your parts

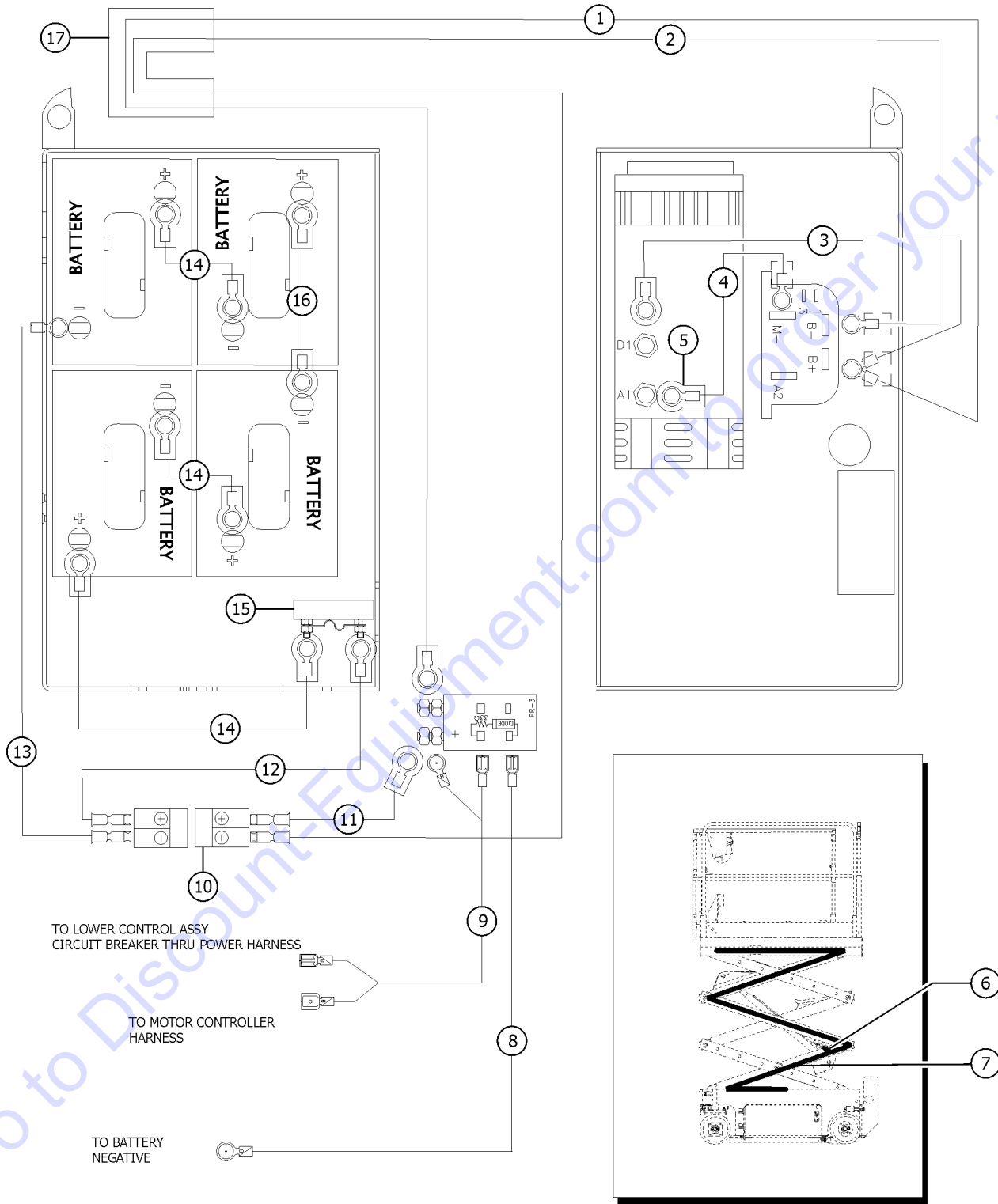
210.1 Electrical Wiring, GS-3232



210.1 Electrical Wiring, GS-3232

Item	Part No.	Description	Qty.	Item	Part No.	Description	Qty.
B	1264822GT	KIT, TRC RETROFIT, STNDRD <i>Telematics (includes 1264834)</i>		--	233711GT	HRNS ASSY,RESISTOR DIODE <i>for 228786GT and T110891GT</i>	
--	1264834GT	INSTRN, TRC RETROFIT, STNDRD		22C	1263532GT	HARNESS, GS SENSORS, ANSI, 323 <i>ANSI & CSA; FROM SN GS3215A-141899</i>	
1	105664GT	ASSY,22 FT LIMIT SWITCH,GS3232		22D	1263533GT	HARNESS, GS SENSORS, CE, 3232 <i>CE & AUS; from SN GS3215A-141899</i>	
2		REF. BATTERY CABLE <i>refer to 211.1</i>		23	T110890GT	HARNESS, GS POWER CONTRL.....1 <i>(Grey connector)</i>	
3		REF. FUSE <i>refer to 205.1</i>		24		REF. E-STOP BUTTON <i>refer to 208.1</i>	
4		REF. LEVEL SENSOR <i>refer to 203.1</i>		25	229670GT	HARNESS, OUTRIGGER, GS3232.....1	
5		REF. CHARGER <i>refer to 206.1</i>		26		REF. CIRCUIT BREAKER <i>refer to 208.1</i>	
6	T114031GT	HARNESS, ROTARY ANGLE.....1		27	229750GT	HARNESS,PRESS,TRANSDUCER***1 <i>GS-3232 outriggers</i>	
7	T113136GT	ASSY,ROT SENSR W/ HARNESS.....1		28	233052GT	CABLE, PLATFORM CONTROL, 32XX...1 <i>GS-3232</i>	
8		REF. INVERTER <i>refer to 604.1</i>		--	218579GT	WIRE CABLE 18/5 - UNSHIELDED.....518-inches	
9		REF. STOBE,BEACON <i>refer to 601.1</i>		--	231921GT	KIT,CONN,RECEPT W/PIN AND LOCK	
10		REF. DOWN LIMIT, GS <i>refer to 203.1</i>		--	231922GT	KIT,CONN,PLUG W/SCKT AND LOCK	
11		REF. ELECTRIC MOTOR <i>refer to 504.1</i>		29	105708GT	LEVEL SENSOR, ANALOG.....1 <i>(for use with 228406)</i>	
12	74267GT	CONTACTOR,DRIVE,24V,180A***1		30		REF. OUTRIGGER MANIFOLD <i>refer to 214.1</i>	
13		REF. BATTERY CABLE <i>refer to 211.1</i>		31		REF. PCON <i>refer to 404.1</i>	
14	96309GT	ASSY,POTHOLE HARNESS,GS.....1		32	144213GT	CHARGER INTERLOCK CBLE,GS30/32	
15		REF. MOTOR CONTROLLER <i>refer to 207.1</i>					
16		REF. PRESSURE TRANSDUCER HARNESS.....1 <i>refer to 701.1</i>					
17	233431GT	HRNS,CONTACTOR SIGNL,GS30/32.....1 <i>GS3232</i>					
18A	233055GT	CABLE,LIFT CYL DWN, 32XX,W/LS.....1 <i>GS-3232 (Australia, CE)</i>					
18B	234168GT	CABLE,LIFT CYL DWN, 32XX,WO/LS....1 <i>GS-3232 (ANSI, CSA)</i>					
19	1257824GT	HARNESS,FUNCTION MANIFOLD,GS...1 <i>replaced T110889GT (Black connector)</i>					
20		REF. GCON <i>refer to 208.1</i>					
21		REF. KEYSWITCH <i>refer to 208.1</i>					
22A	233049GT	HARNESS, GS SENSRS, ANSI, 3232....1 <i>ANSI & CSA; to SN GS3215A-141898</i>					
--	233711GT	HRNS ASSY,RESISTOR DIODE <i>for 233049GT and 229672GT</i>					
22B	229672GT	HARNESS, GS SENSORS, CE, 3232.....1 <i>CE & AUS; to SN GS3215A-141898</i>					
--	233644GT	RESISTOR,200 OHM 10W,CERAMIC <i>for 233711GT</i>					

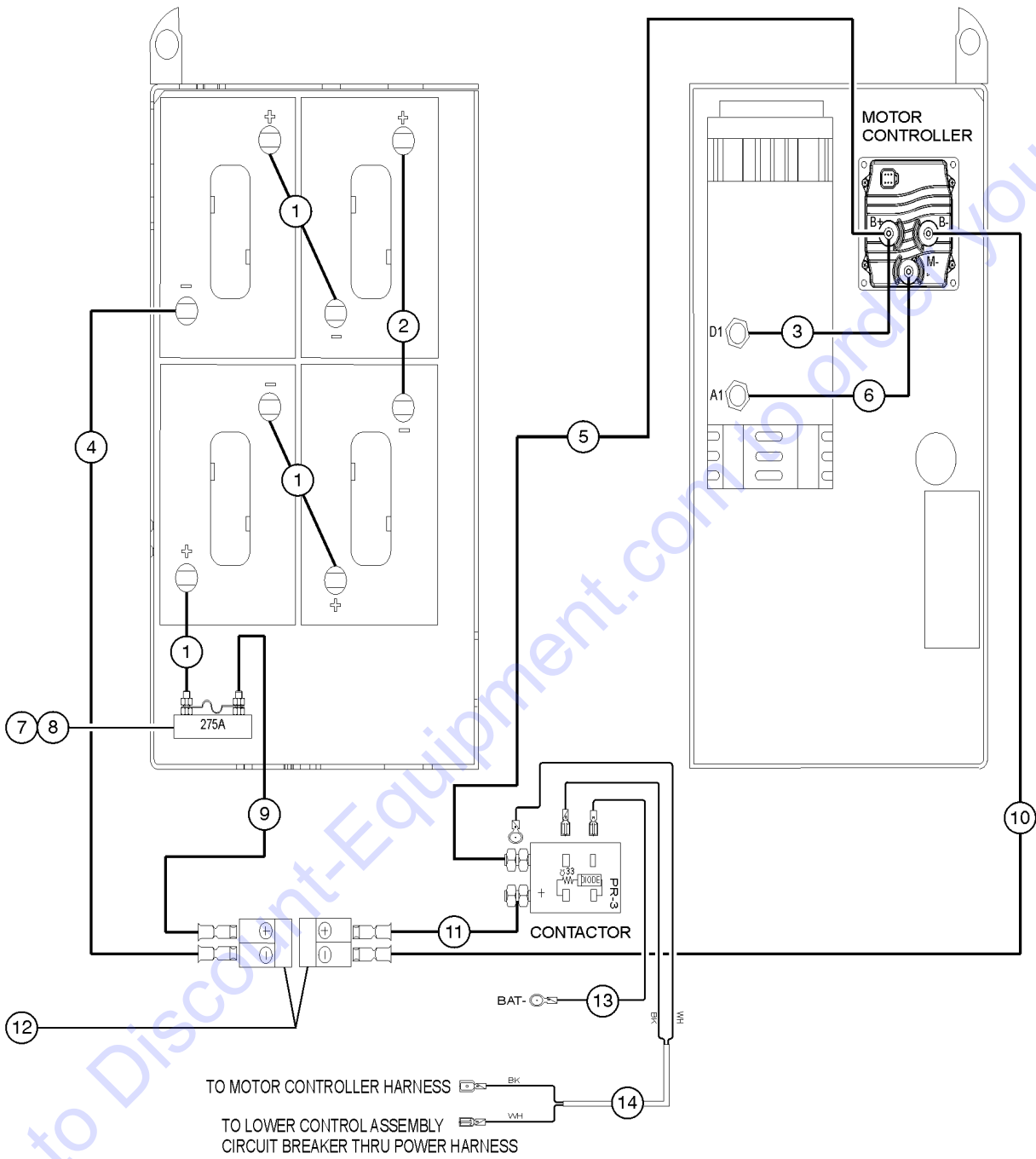
211.1 Power Cables (to SN GS32A-135714, GS46A-135366, GS32C-14377, GS4615C-14503)



211.1 Power Cables (to SN GS32A-135714, GS46A-135366, GS32C-14377, GS4615C-14503)

Item	Part No.	Description	Qty.	Item	Part No.	Description	Qty.
A	96387GT	ASSY,MOTOR CONTROL HARNESS <i>ANSI, CSA and Australia models</i>		13	232578GT	CABLE ASSY,BATT, 20" BLK.....	1
--	96387GT	ASSY,MOTOR CONTROL HARNESS <i>ANSI, CSA and Australia models</i>		14	96304GT	CABLE ASSY,BATT,5.50"RED.....	3
B	96819GT	ASSY,MOTOR CONTRL HARN,CE <i>CE models</i>		15		REF. FUSE BLOCK <i>refer to 205.1</i>	
--	96819GT	ASSY,MOTOR CONTRL HARN,CE <i>CE models</i>		16	96306GT	CABLE ASSY,BATT,9.50"RED.....	1
C	96522GT	STD CONTROL HARNESS, SLAB <i>(ANSI, CSA and Australia models)</i> <i>(includes wire harnesses 96489, 96387, 96344 and 105321)</i>		17	28131GT	WIRE LOOM,1.25 DIA.....	18-inches
--	96522GT	STD CONTROL HARNESS, SLAB <i>(ANSI, CSA and Australia models)</i> <i>(includes wire harnesses 96489, 96387, 96344 and 105321)</i>					
D	96440GT	CE CONTROL HARNESS, SLAB <i>(CE models) (includes wire harnesses 96489, 96819, 96520, 105320 and 47124)</i>					
--	96440GT	CE CONTROL HARNESS, SLAB <i>(CE models) (includes wire harnesses 96489, 96819, 96520, 105320 and 47124)</i>					
E	1264822GT	KIT, TRC RETROFIT, STNDRD <i>Telematics (includes 1264834)</i>					
--	1264834GT	INSTRN, TRC RETROFIT, STNDRD					
1A	1257059GT	CABLE ASSY., BATT. 75" RED.....1 <i>GS-2032, GS-2632, GS-3232; replaced 233368GT</i>					
1B	1257057GT	CABLE ASSY., BATT. 88.5" RED.....1 <i>GS2046, GS-2646, GS-3246; replaced 233370GT</i>					
2A	1257058GT	CABLE ASSY., BATT. 79" BLACK.....1 <i>GS2032, GS-2632, GS3232; replaced 96299GT</i>					
2B	1257056GT	CABLE ASSY., BATT. 93" BLACK.....1 <i>GS2046, GS-2646, GS-3246; replaced 96947GT</i>					
3	1257054GT	CABLE ASSY., BATT. 14" RED.....1 <i>replaced 96302GT</i>					
4	1257055GT	CABLE ASSY., BATT. 12" BLACK.....1 <i>replaced 96303GT</i>					
5	96110GT	BOOT,CABLE TERMINAL COVER.....11					
6		REF. LIFT CYLINDER DOWN CABLE <i>refer to 209.1 or 210.1</i>					
7		REF. PLATFORM CONTROL CABLE <i>refer to 209.1 or 210.1</i>					
8	232582GT	GROUND WIRE ASSY,GS.....	1				
9	233430GT	HRNS,CONTACTOR SIGNAL,GS46.....	1				
10	66397GT	QUICK DISCONNECT CASING,BATT**	2				
11	233371GT	CABLE ASSY,BATT,23"RED.....	1				
12	232576GT	CABLE ASSY,BATT, 12" RED.....	1				

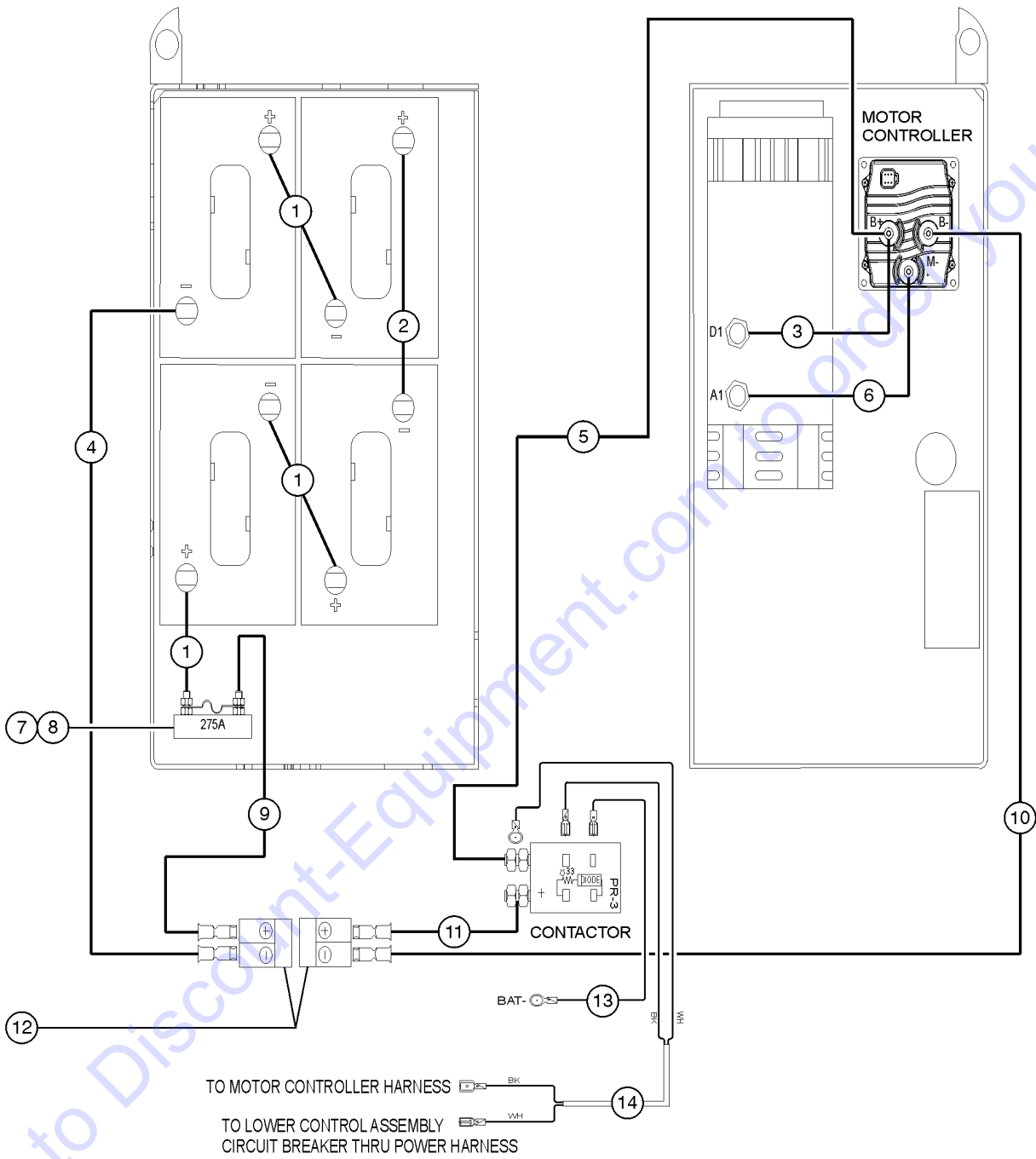
211.2 Power Cables (from SN GS32A-135715, GS46A-135367, GS32C-14378)



211.2 Power Cables (from SN GS32A-135715, GS46A-135367, GS32C-14378)

Item	Part No.	Description	Qty.
A	28131GT	WIRE LOOM,1.25 DIA.....16-inches	
B	96110GT	BOOT,CABLE TERMINAL COVER.....14	
C	79140GT	BOOT,CABLE TERMINAL,RED,XL.....2	
D	1264822GT	KIT, TRC RETROFIT, STNDRD <i>Telematics (includes 1264834)</i>	
--	1264834GT	INSTRN, TRC RETROFIT, STNDRD	
1	96304GT	CABLE ASSY,BATT,5.50"RED.....3	
2	96306GT	CABLE ASSY,BATT,9.50"RED.....1	
3	1257054GT	CABLE ASSY., BATT. 14" RED.....1	
4	232578GT	CABLE ASSY,BATT, 20" BLK.....1	
5	1257059GT	CABLE ASSY., BATT. 75" RED.....1	
6	1257055GT	CABLE ASSY., BATT. 12" BLACK.....1	
7	66717GT	FUSE BLOCK, ANN & ANL FUSE.....1	
8	40833GT	FUSE,275 AMP,VERY FAST ACTING.....1	
9	232576GT	CABLE ASSY,BATT, 12" RED.....1	
10	1257058GT	CABLE ASSY., BATT. 79" BLACK.....1	
11	233371GT	CABLE ASSY,BATT,23"RED.....1	
12	66397GT	QUICK DISCONNECT CASING,BATT**.....2	
13	232582GT	GROUND WIRE ASSY,GS.....1	
14	233431GT	HRNS,CONTACTOR SIGNL,GS30/32.....1	

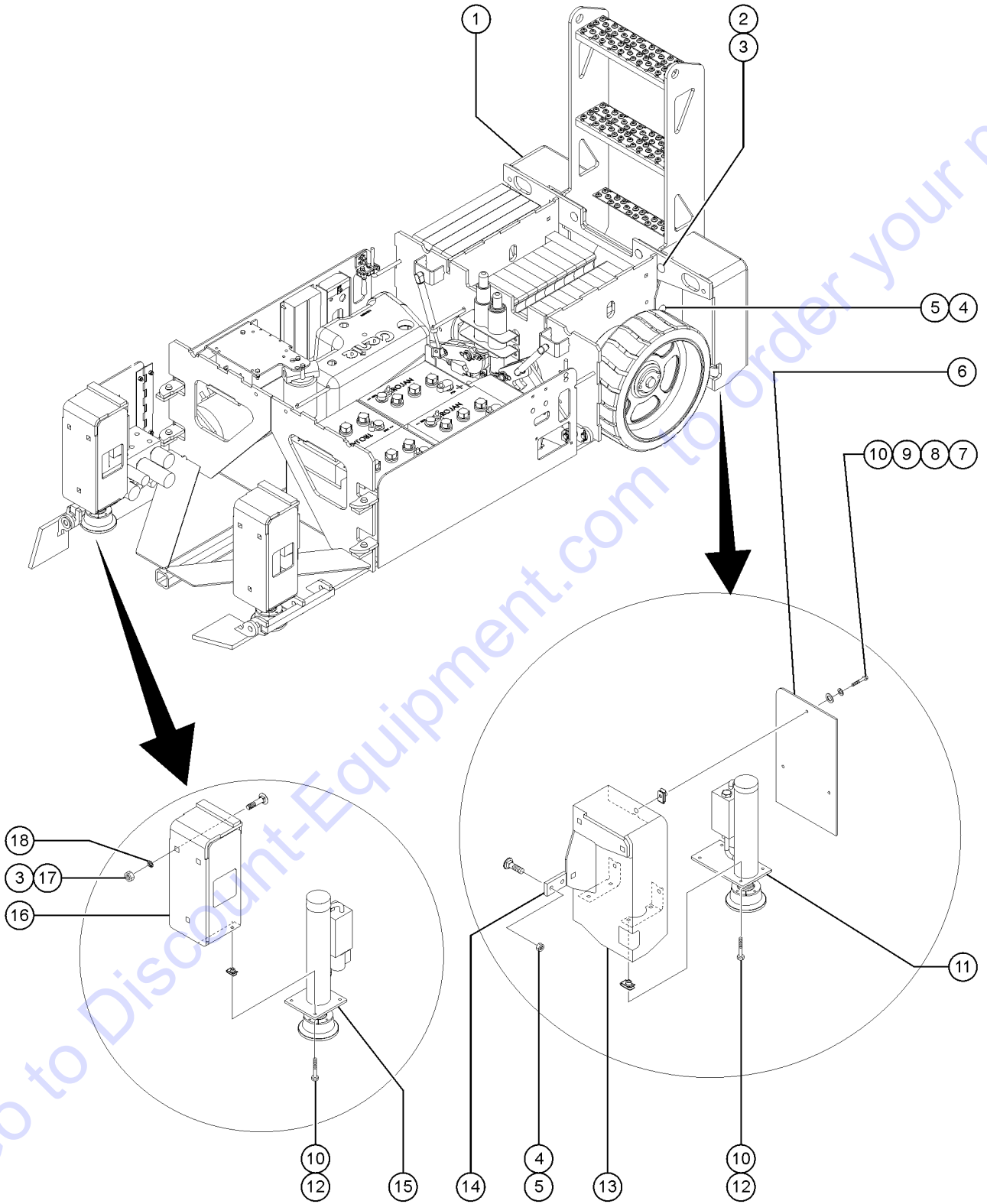
211.3 Power Cables (from SN GS4615C-14504)



211.3 Power Cables (from SN GS4615C-14504)

Item	Part No.	Description	Qty.
A	28131GT	WIRE LOOM,1.25 DIA.....16-inches	
B	96110GT	BOOT,CABLE TERMINAL COVER.....14	
C	79140GT	BOOT,CABLE TERMINAL,RED,XL.....2	
1	96304GT	CABLE ASSY,BATT,5.50"RED.....3	
2	96306GT	CABLE ASSY,BATT,9.50"RED.....1	
3	1257054GT	CABLE ASSY., BATT. 14" RED.....1	
4	232578GT	CABLE ASSY,BATT, 20" BLK.....1	
5	1257057GT	CABLE ASSY., BATT. 88.5" RED.....1	
6	1257055GT	CABLE ASSY., BATT. 12" BLACK.....1	
7	66717GT	FUSE BLOCK, ANN & ANL FUSE.....1	
8	40833GT	FUSE,275 AMP,VERY FAST ACTING.....1	
9	232576GT	CABLE ASSY,BATT, 12" RED.....1	
10	1257056GT	CABLE ASSY., BATT. 93" BLACK.....1	
11	233371GT	CABLE ASSY,BATT,23"RED.....1	
12	66397GT	QUICK DISCONNECT CASING,BATT**2	
13	232582GT	GROUND WIRE ASSY,GS.....1	
14	233430GT	HRNS,CONTACTOR SIGNAL,GS46.....1	

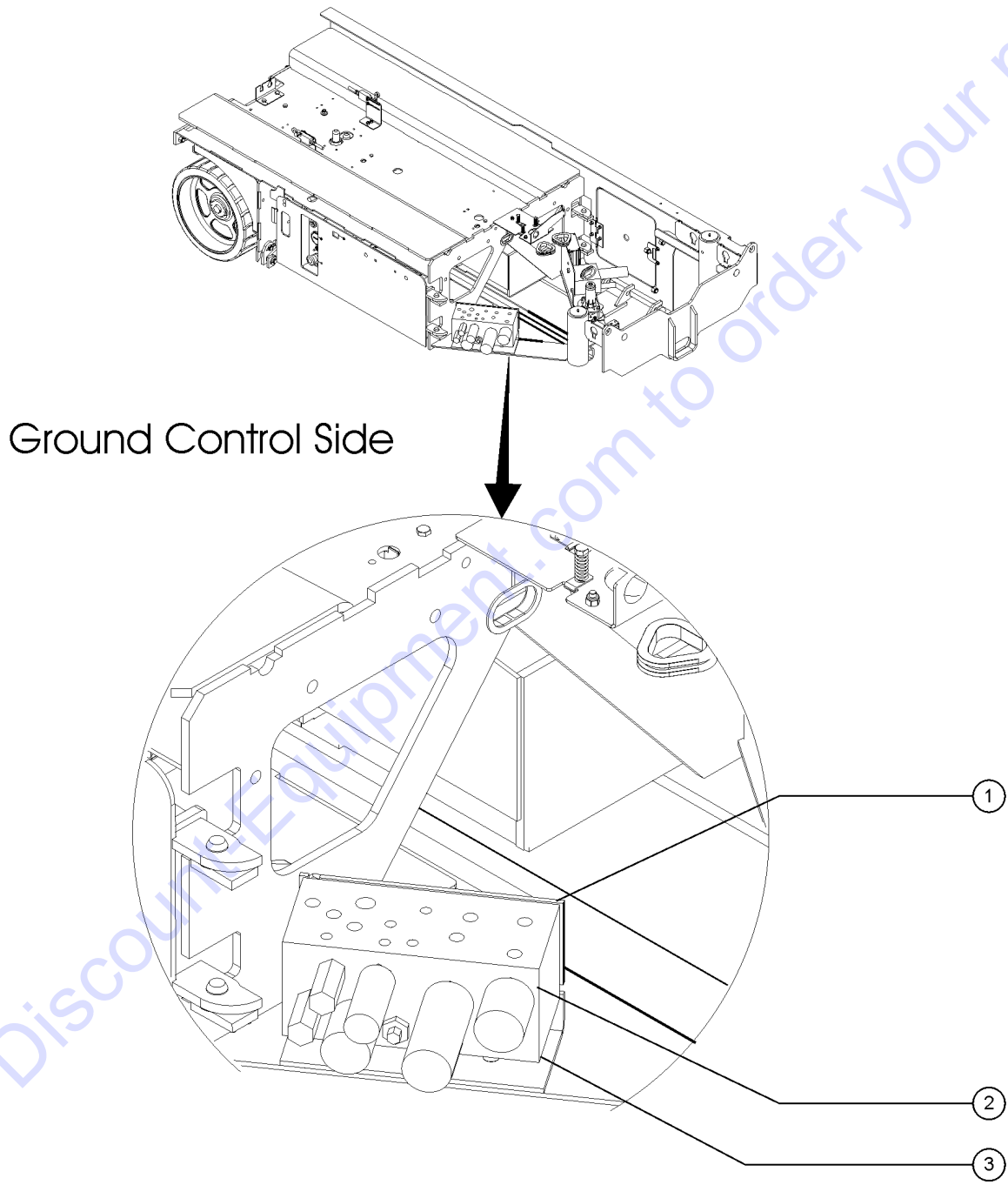
212.1 Outrigger Components, GS-3232



212.1 Outrigger Components, GS-3232

Item	Part No.	Description	Qty.
1	109735GT	WLDMT, OUTRIGGER, RR.....1 (ground control side)	1
2	105688GT	BOLT,CARRIAGE,1/2X2.00,G5	
3	6198GT	NUT,NYLOCK,1/2-13	
4	105092GT	BOLT,CARRIAGE,3/8-16X1.25,GR5	
5	4828GT	NUT,NYLOCK,3/8-16	
6	109745GT	PLATE,REAR COVER.....2	2
7	6888GT	SCREW,HHC,1/4-20 X 1	
8	6356GT	WASHER,LOCK,.25	
9	6638GT	WASHER,FLAT,USS,1/4"Y	
10	56912GT	SPRING CLIP,1/4-20,.025-.15X.54,ZAG	
11		Ref: Outrigger Cylinder, Rear (refer to 508.1)	
12	105388GT	SCREW,HHC,1/4-20 X 1 W/PATCH	
13	109737GT	WLDMT, OUTRIGGER, LR.....2 (battery pack side)	2
14	105758GT	PLATE, SHEAR, OUTRIGGER.....2	2
15		Ref: Outrigger Cylinder, Front (refer to 508.1)	
16	109749GT	WLDMT, OUTRIGGER, FRONT.....2	2
17	96203GT	BOLT,CARRIAGE,1/2-13X1.75, G5	
18	105634GT	PUSH RETAINER, 1/2" SCREW	

213.1 Function Manifold and Accumulator Components, GS-2032, GS-2632, GS-2046, GS-2646, GS-3246

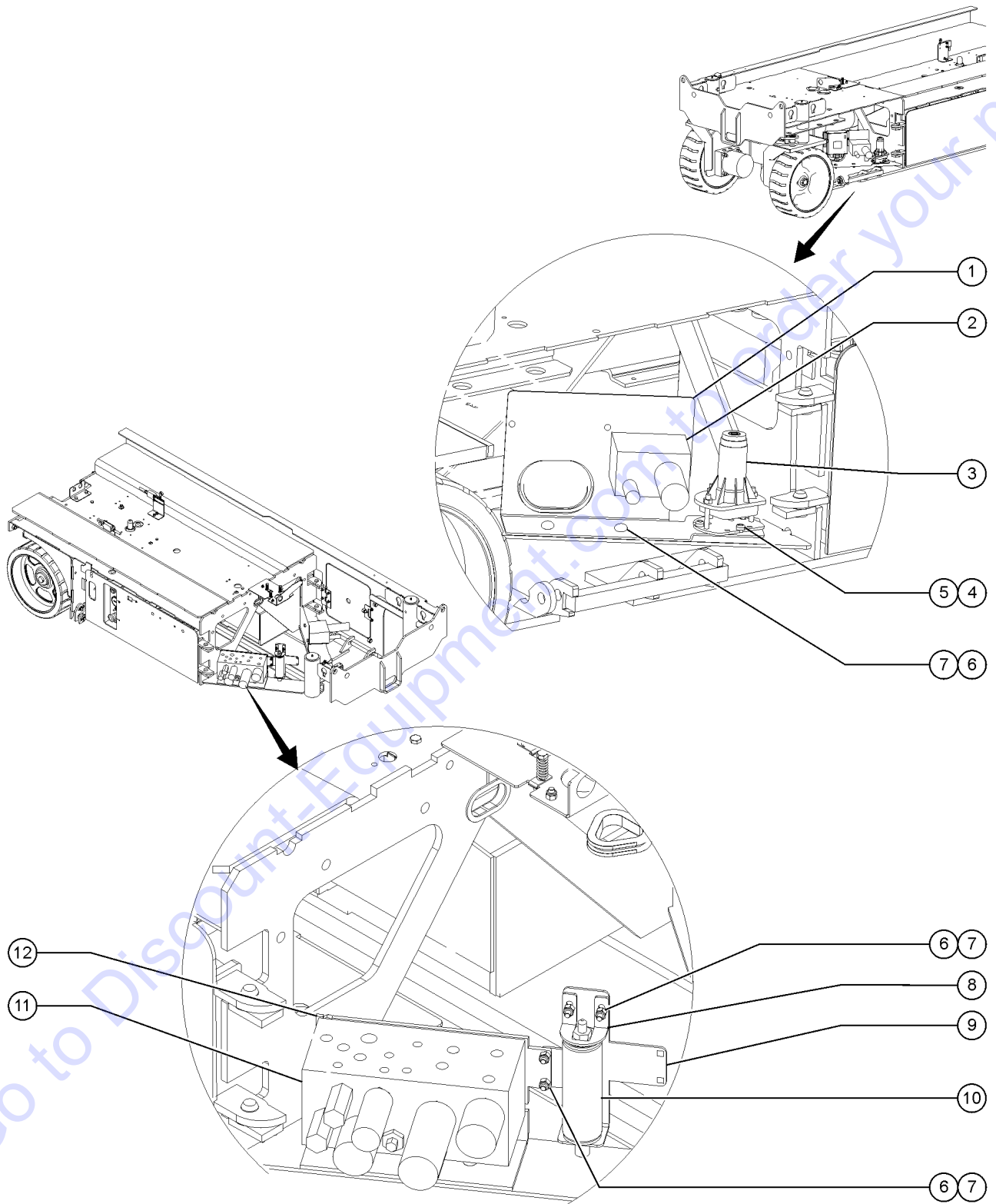


213.1 Function Manifold and Accumulator Components, GS-2032, GS-2632, GS-2046,
GS-2646, GS-3246

Item	Part No.	Description	Qty.
1	105574GT	FORMING,MANIFOLD MOUNT	
2		Ref. Function Manifold <i>(refer to 502.1)</i>	
3	78422GT	ACCUMULATOR,180 PSI PRECHARGE* <i>(hidden from view)</i>	
--	18504GT	NUT,LOCKING-LG.FLANGE,1/4-20	
--	32339GT	CLAMP,1.75,#28 X 3/8,RUB CUSH*	
--	9116GT	BOLT,CARRIAGE,1/4-20x1.25,G2	

Go to Discount-Equipment.com to order your parts

214.1 Function Manifold and Accumulator Components, GS-3232

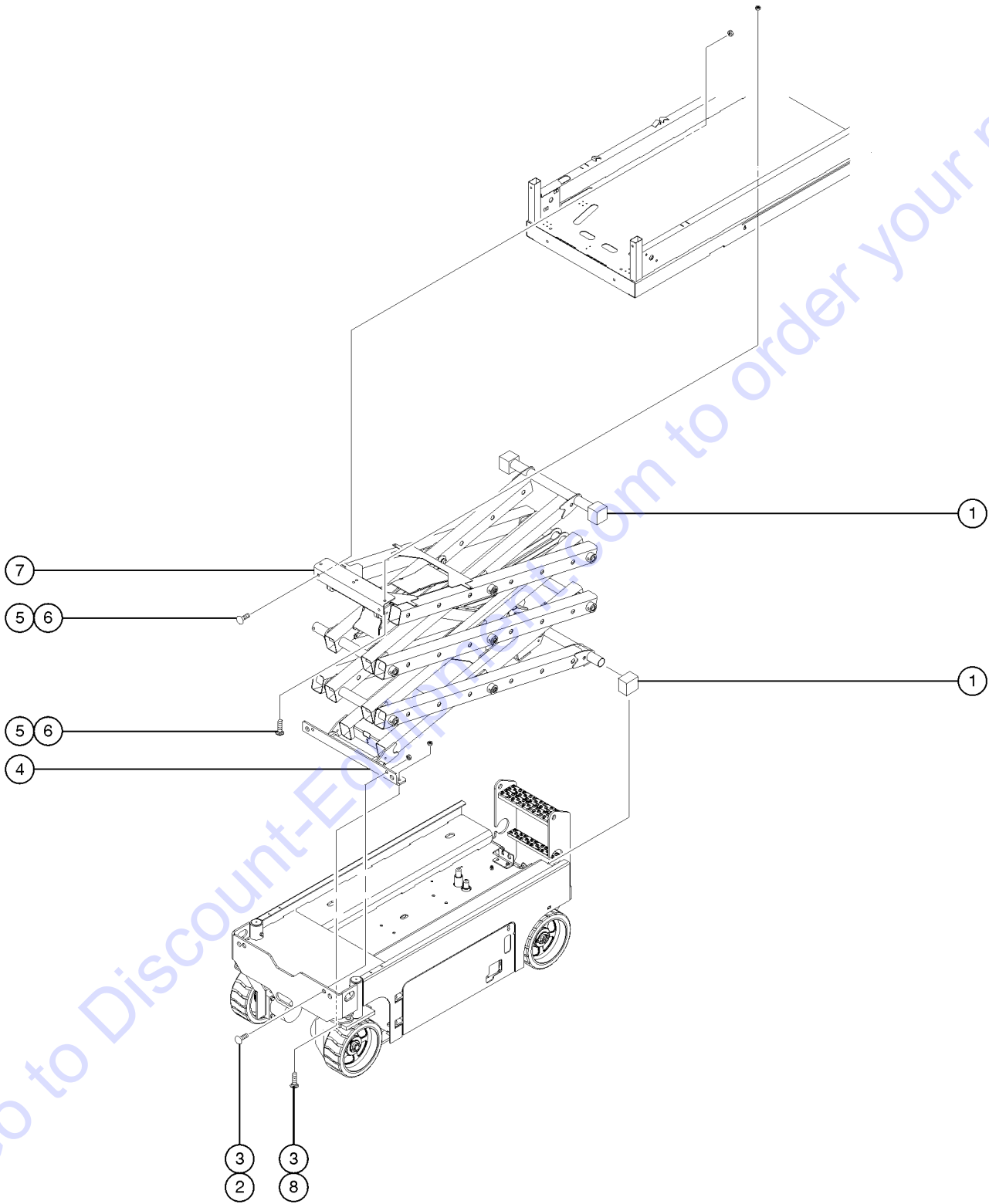


214.1 Function Manifold and Accumulator Components, GS-3232

Item	Part No.	Description	Qty.
1A	105643GT	FORMING,COMPONENT BRKT, GS3232	
2		Ref. Outrigger Manifold <i>(refer to 509.1)</i>	
3	71484GT	SENSOR,LEVEL, ANALOG	
4	6889GT	NUT,LP NYLOCK,1/4-20	
5	80149GT	BOLT,CARRIAGE,1/4-20 X .5,G2	
6	6878GT	BOLT,CARRIAGE,1/4-20 X .75,G2	
7	6091GT	NUT,NYLOCK,1/4-20	
8	105211GT	FORMING, ACCUMULATOR CLAMP	
9	105210GT	FORMING, ACCUMULATOR BRACKET	
10	78422GT	ACCUMULATOR,180 PSI PRECHARGE*	
11		Ref. Function Manifold <i>(refer to 502.1)</i>	
12	105644GT	FORMING,MANIFOLD BRKT, GS3232	

Go to Discount-Equipment.com to order your parts

301.1 Scissor Assembly Installation



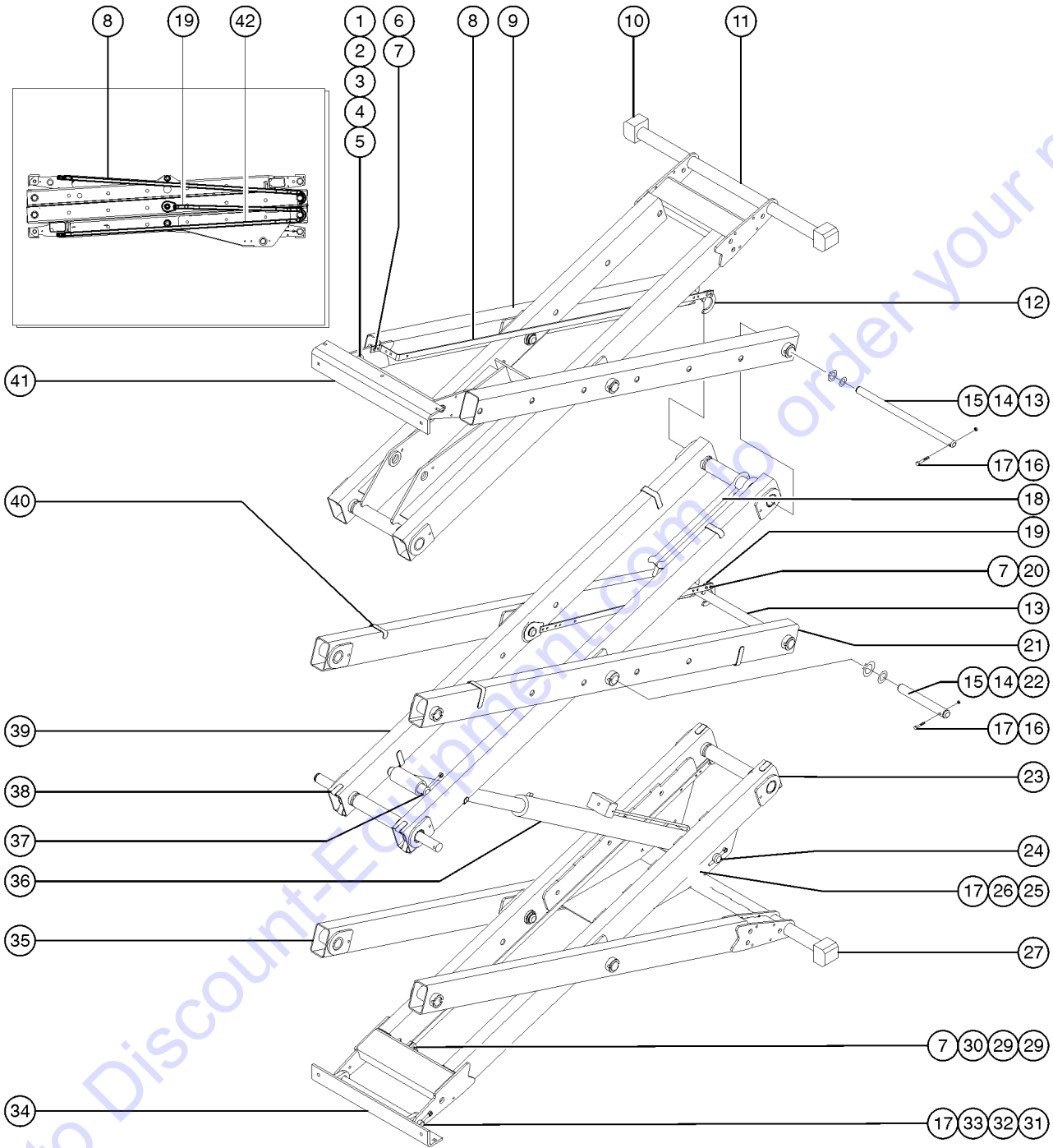
Go to Discount-Equipment.com to order your parts

301.1 Scissor Assembly Installation

Item	Part No.	Description	Qty.
1	96595GT	SLIDER,UHMW.....	4
2	96977GT	BOLT,CARRIAGE,1/2-13X1.50,GR5.....	2
3	6198GT	NUT,NYLOCK,1/2-13.....	4
4	97241GT	CHASSIS MOUNT ASSY, GS32&46.....	1
--	51474GT	BEARING,1.00IDX1.25ODX0.75L.....	2
5	105092GT	BOLT,CARRIAGE,3/8-16X1.25,GR5	
6	4828GT	NUT,NYLOCK,3/8-16	
7	84747GT	PLATFORM MOUNT ASSY, GS32&46....	1
--	36369GT	BEARING,0.75IDX1.00ODX0.75L.....	2
8	96203GT	BOLT,CARRIAGE,1/2-13X1.75, G5.....	2

Go to Discount-Equipment.com to order your parts

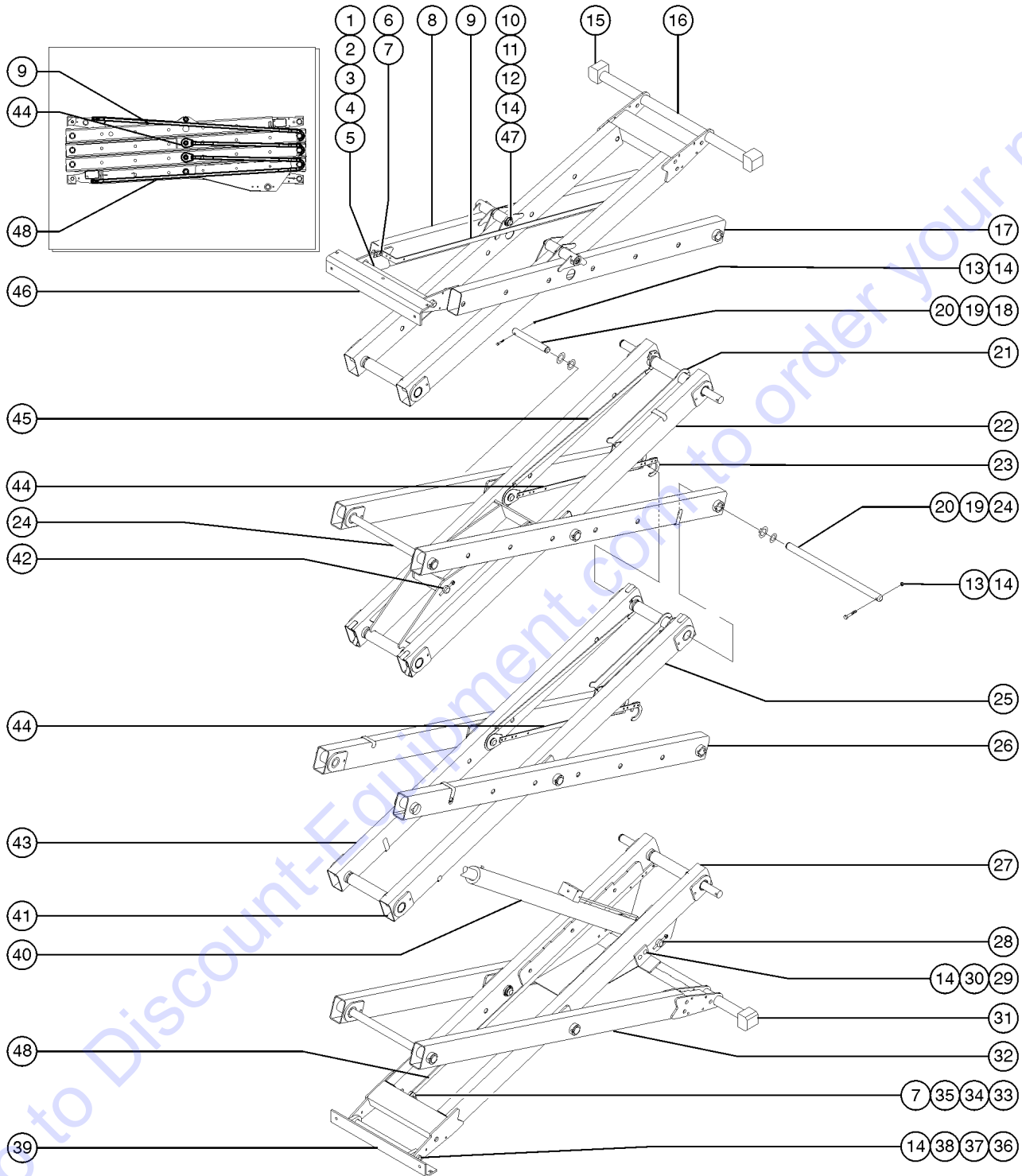
302.1 Scissor Assembly, GS-2032, GS-2046



302.1 Scissor Assembly, GS-2032, GS-2046

Item	Part No.	Description	Qty.	Item	Part No.	Description	Qty.
1	96932GT	PIN, LINKSET MOUNT, 3/4".....	1	31	96862GT	PIN, LINKSET MOUNT, 1".....	1
2	45748GT	ROD END,.250 X 2.75 LG.....	2	32	825019GT	ROD END,.375X3.69,ZAG.....	3
3	8915GT	SCREW,HHC,1/4-20 X 1.25		33	8516GT	SCREW, HCC, 3/8-16 X 1.50	
4	6356GT	WASHER,LOCK, .25		34		Ref. Chassis Mount Assembly (refer to 301.1)	
5	6091GT	NUT,NYLOCK,1/4-20		35A	105029GT	WLDMT,LNK,OUTER #1,GS32.....	1
6	9116GT	BOLT,CARRIAGE,1/4-20x1.25,G2				(decal not included refer to section one)	
7	18504GT	NUT,LOCKING-LG.FLANGE,1/4-20		35B	96603GT	WLDMT,LNK,OUTER #1,XX46.....	1
8	105189GT	BAR,CABLE BRIDGE ARM,UPPER.....	1			(decal not included refer to section one)	
9	96611GT	WLDMT,LNK,OUT #3-20XX,#5-32XX....	2	36		Ref. Lift Cylinder (refer to 505.1)	
10		Ref. Platform Slider (refer to 301.1)		37	96661GT	PIN, UPPER CYLINDER MOUNT.....	1
11A	84696GT	INNER ARM ASSY,#3 GS2032.....	1	38	96735GT	LINK BUMPER, 5".....	4
--	105030GT	WLDMT,LNK,INNER #3,2032.....	1	39	97234GT	INNER ARM ASSY, #2, GS32&46.....	1
		(bearings not included)		--	66055GT	BEARING,1.50IDX1.77ODX1.25L.....	8
--	66055GT	BEARING,1.50IDX1.77ODX1.25L.....	6	40	96836GT	LINK BUMPER, SHORT TUBE.....	8
11B	97233GT	INNER ARM ASSY, #3, 2046.....	1	41		Ref. Platform Mounting Assembly (refer to 301.1)	
--	66055GT	BEARING,1.50IDX1.77ODX1.25L.....	6	42	105186GT	WLDMNT,CABLE BRIDGE,LOWER.....	1
--	96606GT	WLDMT,LNK,INNER #3,2046 (bearings not included)					
12	105193GT	CLIP,CABLEBRIDGE, GS32/46.....	2				
13	96899GT	PIN, LONG, GS46.....	4				
14	1260941GT	WASHER,SHIM,1.54X2.00X.125,ZAG					
15	18383GT	SNAP RING,EXTERNAL,1.5 DIA***.....	10				
16	6326GT	SCREW,HHC,3/8-16 X 3					
17	4828GT	NUT,NYLOCK,3/8-16					
18	58000GT	SAFETY CHOCK,SCISSOR.....	1				
19A	105191GT	WELDMNT.CABLE BRIDGE, TOP.....	2				
19B	105190GT	WLDMT,CABLE BRIDGE,BOTTOM.....	2				
20	6878GT	BOLT,CARRIAGE,1/4-20 X .75,G2					
21	96605GT	WLDMT,LNK,OUTER #2,#3,#4.....	2				
22	96900GT	PIN, SHORT, GS46.....	6				
23	237565GT	INNER ARM ASSEMBLY #1,GS32/46....	1				
		(decal not included refer to section one)					
--	66055GT	BEARING,1.50IDX1.77ODX1.25L.....	6				
--	96601GT	WLDMT,LNK,INNER #1.....	1				
		(bearings not included)					
24	96662GT	PIN, LOWER CYLINDER MOUNT.....	1				
25	105092GT	BOLT,CARRIAGE,3/8-16X1.25,GR5					
26	105074GT	FORMING,PH PUSHER, GS46.....	1				
27		Ref. Chassis Slider (refer to 301.1)					
28	58592GT	PLATE,HOSE ROUTG,BULKHEAD(PTD).....	2				
29	78736GT	CLAMP,2 HOSE,PLASTIC,5/8.....	4				
30	96905GT	BOLT,CARRIAGE,1/4-20 X 2.5,G2					

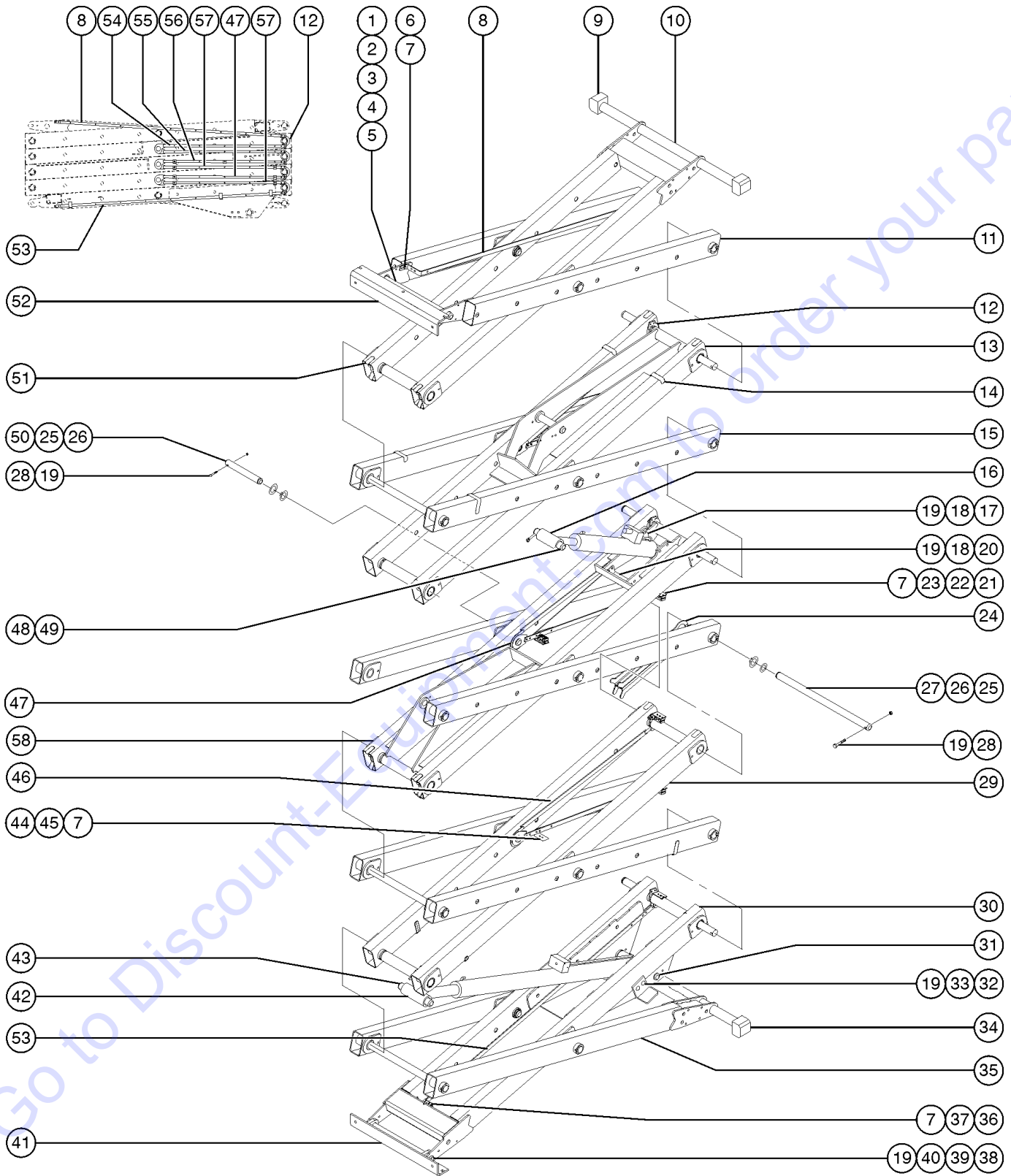
303.1 Scissor Assembly, GS-2632, GS-2646



303.1 Scissor Assembly, GS-2632, GS-2646

Item	Part No.	Description	Qty.	Item	Part No.	Description	Qty.
1	96932GT	PIN, LINKSET MOUNT, 3/4".....	1	32A	105029GT	WLDMT,LNK,OUTER #1,GS32.....	1 <i>(decal not included refer to section one)</i>
2	45748GT	ROD END,.250 X 2.75 LG.....	2	32B	96603GT	WLDMT,LNK,OUTER #1,XX46.....	1 <i>(decal not included refer to section one)</i>
3	8915GT	SCREW,HHC,1/4-20 X 1.25		33	58592GT	PLATE,HOSE	
4	6356GT	WASHER,LOCK,.25				ROUTG,BULKHEAD(PTD).....	2
5	6091GT	NUT,NYLOCK,1/4-20		34	78736GT	CLAMP,2 HOSE,PLASTIC,5/8.....	4
6	9116GT	BOLT,CARRIAGE,1/4-20x1.25,G2		35	96905GT	BOLT,CARRIAGE,1/4-20 X 2.5,G2	
7	18504GT	NUT,LOCKING-LG.FLANGE,1/4-20		36	96862GT	PIN, LINKSET MOUNT, 1".....	1
8	96615GT	WLDMT,LNK,OUTER #4,26XX.....	1 <i>(ground controls side)</i>	37	825019GT	ROD END,.375X3.69,ZAG.....	3
9	105189GT	BAR,CABLE BRIDGE ARM,UPPER		38	8516GT	SCREW, HCC, 3/8-16 X 1.50	
10	96130GT	PIN, MINI, CENTER.....	2	39		Ref. Chassis Mount Assembly <i>(refer to 301.1)</i>	
11	30217GT	SNAP RING,EXTERNAL,1.25 DIA.**		40		Ref. Lift Cylinder <i>(refer to 505.1)</i>	
12	96390GT	WASHER,FLAT, 1.27 X 2.13 X .13		41	96735GT	LINK BUMPER, 5".....	4
13	6326GT	SCREW,HHC,3/8-16 X 3		42	96812GT	PIN,LOWER CYL,ROD END.....	1
14	4828GT	NUT,NYLOCK,3/8-16		43	97234GT	INNER ARM ASSY, #2, GS32&46.....	1
15		Ref. Platform Slider <i>(refer to 301.1)</i>		--	66055GT	BEARING, 1.50IDX1.77ODX1.25L.....	8
16A	84698GT	INNER ARM ASSY,#4 GS2632.....	1	44	105191GT	WELDMENT.CABLE BRIDGE, TOP	
--	105031GT	WLDMT,LNK,INNER #4,2632.....	1 <i>(bearings not included)</i>	45	105190GT	WLDMT,CABLE BRIDGE,BOTTOM	
--	66055GT	BEARING, 1.50IDX1.77ODX1.25L.....	8	46		Ref. Platform Mount Assembly <i>(refer to 301.1)</i>	
16B	97243GT	INNER ARM ASSY #4, 2646.....	1	47	14033GT	SCREW,HHC,3/8-16 X 2.75	
--	66055GT	BEARING, 1.50IDX1.77ODX1.25L.....	6	48	105186GT	WLDMNT,CABLE BRIDGE,LOWER.....	1 GS-2646
17	96616GT	WLDMT,LNK,OUTER #4,26XX,LEFT.....	1 <i>(battery pack side)</i>				
18	96900GT	PIN, SHORT, GS46.....	6				
19	1260941GT	WASHER,SHIM,1.54X2.00X.125,ZAG					
20	18383GT	SNAP RING,EXTERNAL,1.5 DIA***.....	12				
21	58000GT	SAFETY CHOCK,SCISSOR.....	1				
22	97244GT	INNER ARM ASSY #3, 2632/2646.....	1				
--	66055GT	BEARING, 1.50IDX1.77ODX1.25L.....	8				
23	105193GT	CLIP,CABLEBRIDGE, GS32/46					
24	96899GT	PIN, LONG, GS46.....	6				
25	96836GT	LINK BUMPER, SHORT TUBE.....	8				
26	96605GT	WLDMT,LNK,OUTER #2,#3,#4.....	4				
27	237565GT	INNER ARM ASSEMBLY #1,GS32/46.....	1 <i>(decal not included refer to section one)</i>				
--	66055GT	BEARING, 1.50IDX1.77ODX1.25L.....	6				
--	96601GT	WLDMT,LNK,INNER #1.....	1 <i>(bearings not included)</i>				
28	96662GT	PIN, LOWER CYLINDER MOUNT.....	1				
29	105092GT	BOLT,CARRIAGE,3/8-16X1.25,GR5.....	1 GS-2646				
30	105074GT	FORMING,PH PUSHER, GS46.....	1				
31		Ref. Chassis Slider <i>(refer to 301.1)</i>					

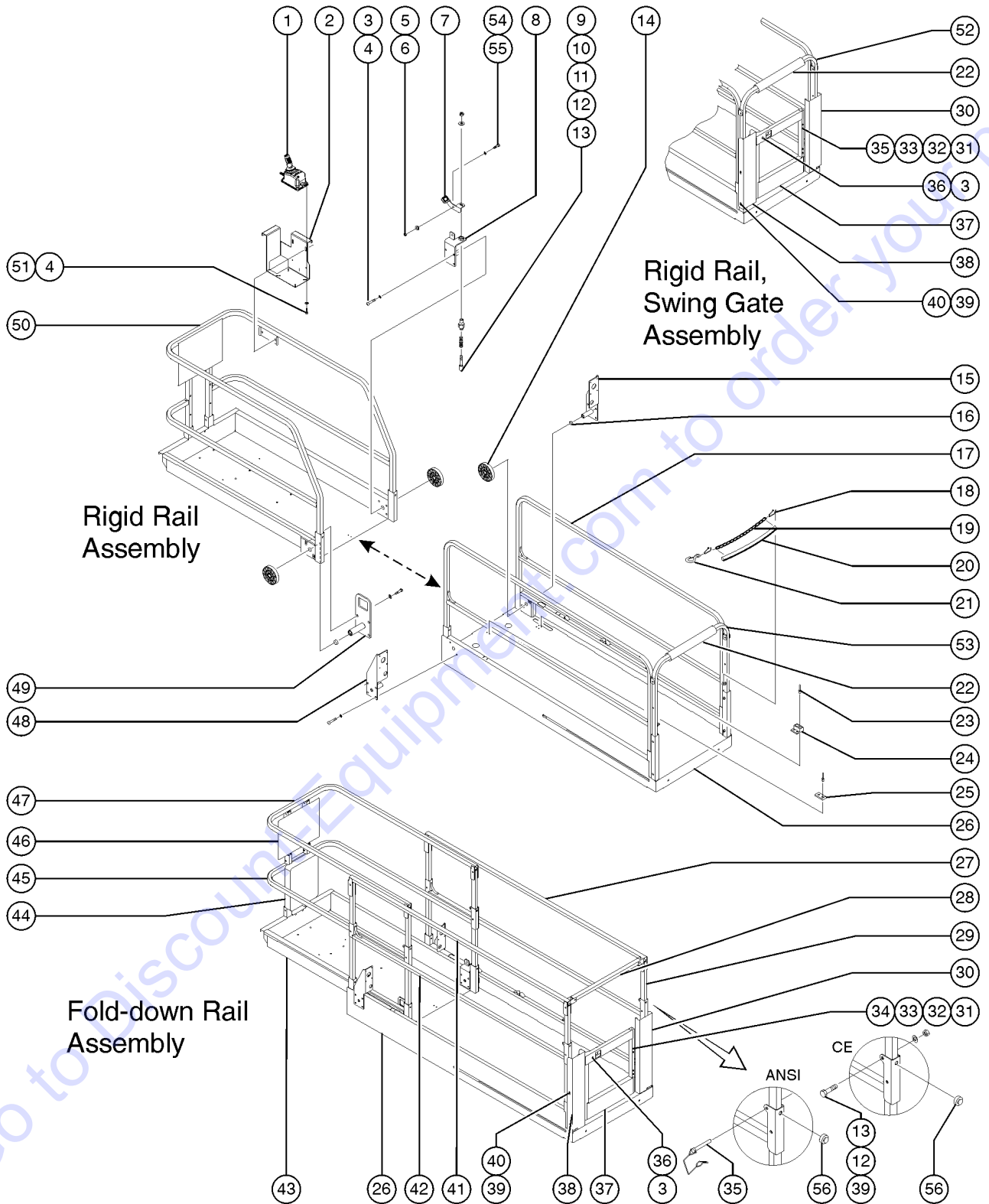
304.1 Scissor Assembly, GS-3232, GS-3246



304.1 Scissor Assembly, GS-3232, GS-3246

Item	Part No.	Description	Qty.	Item	Part No.	Description	Qty.
1	96932GT	PIN, LINKSET MOUNT, 3/4".....	1	34		Ref. Chassis Slider (refer to 301.1)	
2	45748GT	ROD END,.250 X 2.75 LG.....	2	35A	105029GT	WLDMT,LNK,OUTER #1,GS32 (decals not included refer to section one)	
3	8915GT	SCREW,HHC,1/4-20 X 1.25		35B	96603GT	WLDMT,LNK,OUTER #1,XX46 (decals not included refer to section one)	
4	6356GT	WASHER,LOCK,.25		36	58592GT	PLATE,HOSE ROUTG,BULKHEAD(PTD).....	3
5	6091GT	NUT,NYLOCK,1/4-20		37	96903GT	BOLT,CARRIAGE,1/4-20 X 3.50,G2	
6	9116GT	BOLT,CARRIAGE,1/4-20x1.25,G2		38	96862GT	PIN, LINKSET MOUNT, 1".....	1
7	18504GT	NUT,LOCKING-LG.FLANGE,1/4-20		39	825019GT	ROD END,.375X3.69,ZAG.....	4
8	105189GT	BAR,CABLE BRIDGE ARM,UPPER		40	8516GT	SCREW, HCC, 3/8-16 X 1.50	
9		Ref. Platform Slider (refer to 301.1)		41		Ref. Chassis Mount Assembly (refer to 301.1)	
10A	115114GT	INNER ARM ASSY #5, 3232.....	1	42		Ref. Lift Cylinder, Bottom (refer to 505.1)	
--	66055GT	BEARING,1.50IDX1.77ODX1.25L.....	8	43	96812GT	PIN,LOWER CYL,ROD END.....	1
10B	97245GT	INNER ARM ASSY #5, 3246.....	1	44	105021GT	FORMING,CB HOSE CLAMP..... GS-3232	2
--	66055GT	BEARING,1.50IDX1.77ODX1.25L.....	8	45	6878GT	BOLT,CARRIAGE,1/4-20 X .75,G2	
11	96611GT	WLDMT,LNK,OUT #3-20XX,#5-32XX.....	2	46	96978GT	WELDMENT,CABLEBRIDGE HOOK..... (to SN GS32-86049 and to GS46-85766)	3
12	105193GT	CLIP,CABLEBRIDGE, GS32/46		47	105187GT	WELDMENT,CABLE BRIDGE,TOP,32XX.....	6
13	97246GT	INNER ARM ASSY #4, 3246.....	1	48	96661GT	PIN, UPPER CYLINDER MOUNT.....	1
--	66055GT	BEARING,1.50IDX1.77ODX1.25L.....	8	49	96663GT	PIN,SADDLE CYLINDER MOUNT.....	1
14	96836GT	LINK BUMPER, SHORT TUBE.....	8	50	96900GT	PIN, SHORT, GS46.....	6
15	96605GT	WLDMT,LNK,OUTER #2,#3,#4.....	6	51	96735GT	LINK BUMPER, 5".....	8
16		Ref. Lift Cylinder, Top (refer to 505.1)		52		Ref. Platform Mount Assembly (refer to 301.1)	
17	96700GT	PLATE, PIN RETAINER.....	2	53	105186GT	WLDMNT,CABLE BRIDGE,LOWER..... (from SN GS32-86050, GS3208C-101, GS46-85767, GS4609C-101)	1
18	60790GT	BOLT, CARRIAGE, 3/8-16 X 1.50, G5		54	105191GT	WELDMENT.CABLE BRIDGE, TOP..... (from SN GS32-86050, GS3208C-101, GS46-85767, GS4609C-101)	1
19	4828GT	NUT,NYLOCK,3/8-16		55	105190GT	WLDMT,CABLE BRIDGE,BOTTOM..... (from SN GS32-86050, GS3208C-101, GS46-85767, GS4609C-101)	1
20	96971GT	FORMING,HOSE CLAMP,UPPER CYL.....	1	56	105192GT	WELDMENT,CABLE BRIDGE***..... (from SN GS32-86050, GS3208C-101, GS46-85767, GS4609C-101)	1
21	78736GT	CLAMP,2 HOSE,PLASTIC,5/8.....	18	57	105188GT	WLDMT,CABLE BRIDGE,BOTTOM,3246..... (from SN GS32-86050, GS3208C-101, GS46-85767, GS4609C-101)	2
22	6145GT	SCREW,HHC,1/4-20 X 1.5		58	96608GT	WLDMT,LNK,INNER #3,32XX.....	1
23	6638GT	WASHER,FLAT,USS,1/4"Y		--	66055GT	BEARING,1.50IDX1.77ODX1.25L.....	8
24	58001GT	SAFETY CHOCK-SCISSOR.....	1				
25	96899GT	PIN, LONG, GS46.....	8				
26	1260941GT	WASHER,SHIM,1.54X2.00X.125,ZAG					
27	18383GT	SNAP RING,EXTERNAL,1.5 DIA***.....	18				
28	6326GT	SCREW,HHC,3/8-16 X 3					
29	97234GT	INNER ARM ASSY, #2, GS32&46.....	1				
--	66055GT	BEARING,1.50IDX1.77ODX1.25L.....	8				
30	237565GT	INNER ARM ASSEMBLY #1,GS32/46..... (decals not included refer to section one)	1				
--	66055GT	BEARING,1.50IDX1.77ODX1.25L.....	6				
--	96601GT	WLDMT,LNK,INNER #1					
31	96662GT	PIN, LOWER CYLINDER MOUNT.....	1				
32	105092GT	BOLT,CARRIAGE,3/8-16X1.25,GR5					
33	105074GT	FORMING,PH PUSHER, GS46.....	2				

401.1 Platform Components, GS-2032, GS-2632, GS-3232



401.1 Platform Components, GS-2032, GS-2632, GS-3232

Item	Part No.	Description	Qty.	Item	Part No.	Description	Qty.
--				27	84685GT	MAIN FLDG RAIL ASSY,UPR RT,32.....1 (ground controls side)	1
1		Ref. Platform Control Box (refer to 404.1)		--	78038GT	CAP, TUBE, SQ,1.25 X .083	
2		Ref. Platform Control Box Mount (refer to 404.1)		28	105057GT	TUBE, ENTRY SWING, GS32.....1	1
3	5224GT	SCREW,HHC,3/8-16 X 2		29	66485GT	TUBE, VERT, FOLDING.....6	6
4	6356GT	WASHER,LOCK, .25		30	105004GT	FORMING, HALF GATE, HINGE.....1 (ground controls side)	1
5	6002GT	NUT,LP NYLOCK,5/16-18		31	4266GT	SCREW,HHC,1/4-20 X 2	
6	47222GT	WASHER,SHOULDER,NYLON.....1	1	32	6638GT	WASHER,FLAT,USS,1/4"Y	
7	46260GT	FOOTPEDAL W/NON-SKID TAPE,GS**.....1	1	33	104804GT	HINGE, SPRING, LONG LEG.....2	2
--	47166GT	BRACKET,FOOT PEDAL.....1 (non skid tape not included)	1	34	6091GT	NUT,NYLOCK,1/4-20	
--	47225GT	TAPE,NON-SKID,DIE CUT,1.38X1.5 (sold separately)		35	66030GT	PIN, WIRE LOCK 3/8 X 2 -1/2.....4	4
8	96413GT	WLDMT,LOCKING ROLLER SUPPORT.....1	1	--	78022GT	LANYARD,BLACK NYLON,TYPE 1*** (CE & Australia models)	
9	39470GT	PIN, LOCK.....1	1	36	4828GT	NUT,NYLOCK,3/8-16	
10	39469GT	SPRING,COMPRESSION.485 X1.75**...1	1	--	65990-SGT	KIT,GATE LATCH (includes latch, spring and hardware)	
11	41630GT	HOUSING, LOCK PIN.....1	1	37A	84690GT	SWING GATE ASSY,GS32,COMPLETE (decals not included, refer to section one)	
12	6097GT	WASHER,FLAT,USS,3/8",Y		37B	97110GT	SWING GATE ASSY,GS30/32** (decals not included, refer to section one)	
13	7713GT	NUT, LP NYLOCK, 3/8-16		37C	66551GT	WELDMENT, HALF GATE.....1 (decals not included, refer to section one)	1
14	47163GT	ROLLER,PLATFORM EXTENSION.....4	4	37D	65990-SGT	KIT,GATE LATCH (includes latch, spring and hardware)	
15	84587GT	ROLLER BRACKET ASSY, GRND CNTR.....1 (ground controls side)	1	--	22446GT	SPRING,COMPRESSION .835 X 2.....1 included in kit 65990-SGT	1
16	21279GT	BUTTON, .800 O.D. X .281.....3	3	--	66544GT	LATCH HANDLE.....1 included in kit 65990-SGT	1
17	97044GT	MAIN RAIL RIGID, SQ GS32.....2	2	38	105099GT	WLDT, HALF GATE CATCH, GS32.....1 (battery pack side)	1
18	97305GT	CHAIN GATE ASSY, COM GS32.....1 (GS-2032)	1	39	8178GT	SCREW,HHC,3/8-16 X 2.5	
--	96163GT	LINK,(SPLIT) OPEN-END.....2	2	40	5397GT	WASHER,FLAT,USS,5/16",Y	
19	39509GT	CHAIN,3/16,OPEN LINK 22.5".....1	1	41	84684GT	MAIN FLDG RAIL ASSY,UPR L,GS32....1 (battery pack side) (fold-down)	1
20	47224GT	TUBING,PVC,1",BLACK***.....21-inches		--	78038GT	CAP, TUBE, SQ,1.25 X .083	
21	39510GT	RIGID EYE SNAP.....1	1	42	84683GT	MAIN FLDG RAIL ASSY, LWR, GS32.....2 (fold-down)	2
22	47188GT	FOAM,CLOSED CELL 1.75X.250X18"		--	78038GT	CAP, TUBE, SQ,1.25 X .083	
--	28443GT	CABLE TIE,11.5" BLACK		--	105024GT	WLDMT, EXT. DECK, GS32.....1	1
23	39579GT	RIVET,STL,STL,.188 X .45.....20	20	--	39474GT	WEAR PAD,PLATFORM.....1	1
24	39310GT	WEAR/GUIDE PAD MAIN PLATFORM....4	4	--	47231GT	TAPE,NON-SKID,DIE CUT,4"X 16".....1	1
25	39474GT	WEAR PAD,PLATFORM.....2	2	--	47374GT	TAPE,NON-SKID,DIE CUT,4"X 32".....3	3
26	1284266GT	WLDMT,MAIN DECK,GS32.....1 (decals not included, refer to section one)	1	--	T113787GT	RIVET,ALUM,STL,.188 X .250.....2 for 39474GT	2
--	47098GT	TAPE,NON-SKID,DIE CUT,4"X 40" (not included sold separately)		43A	84680GT	EXT. DECK ASSY, GS32.....1 (ANSI and CSA models)	1
--	47231GT	TAPE,NON-SKID,DIE CUT,4"X 16" (not included sold separately)		43B	84681GT	EXT. DECK ASSY, GS32 CE (CE models)	
--	47374GT	TAPE,NON-SKID,DIE CUT,4"X 32" (not included sold separately)					

PARTS FINDER

**Search Website
by Part Number**



**Search Manual
Library For Parts
Manual & Lookup Part
Numbers – Purchase
or Request Quote**

Search Manuals

Enter your information to help us find the right parts manual for your machine.

* Brand:

* Model:

* Serial:

* Part Number:

SEARCH

**Can't Find Part or
Manual? Request Help
by Manufacturer,
Model & Description**

Parts Order Form

Please fill in the following information to help us find the right part for your machine.

MANUFACTURER:

MODEL:

DESCRIPTION:

DATE:

TIME:

PHONE:

EMAIL:

ADDRESS:

CITY:

STATE:

ZIP:

COUNTRY:

SEARCH

Discount-Equipment.com is your online resource for quality parts & equipment.

Florida: **561-964-4949** Outside Florida TOLL FREE: **877-690-3101**

Need parts?

Click on this link: <http://www.discount-equipment.com/category/5443-parts/> and choose one of the options to help get the right parts and equipment you are looking for. Please have the machine model and serial number available in order to help us get you the correct parts. If you don't find the part on the website or on one of the online manuals, please fill out the request form and one of our experienced staff members will get back to you with a quote for the right part that your machine needs.

We sell worldwide for the brands: Genie, Terex, JLG, MultiQuip, Mikasa, Essick, Whiteman, Mayco, Toro Stone, Diamond Products, Generac Magnum, Airman, Haulotte, Barreto, Power Blanket, Nifty Lift, Atlas Copco, Chicago Pneumatic, Allmand, Miller Curber, Skyjack, Lull, Skytrak, Tsurumi, Husquvarna Target, Stow, Wacker, Sakai, Mi-T-M, Sullair, Basic, Dynapac, MBW, Weber, Bartell, Bennar Newman, Haulotte, Ditch Runner, Menegotti, Morrison, Contec, Buddy, Crown, Edco, Wyco, Bomag, Laymor, EZ Trench, Bil-Jax, F.S. Curtis, Gehl Pavers, Heli, Honda, ICS/PowerGrit, IHI, Partner, Imer, Clipper, MMD, Koshin, Rice, CH&E, General Equipment, Amida, Coleman, NAC, Gradall, Square Shooter, Kent, Stanley, Tamco, Toku, Hatz, Kohler, Robin, Wisconsin, Northrock, Oztec, Toker TK, Rol-Air, APT, Wylie, Ingersoll Rand / Doosan, Innovatech, Con X, Ammann, Mecalac, Makinex, Smith Surface Prep, Small Line, Wanco, Yanmar

401.1 Platform Components, GS-2032, GS-2632, GS-3232
(continued)

Item	Part No.	Description	Qty.
44A	44743GT	MANUAL BOX W/DECALS***.....1 <i>USA/Canada/Australia</i>	1
44B	24514GT	BOX,INSTRUCTION STORAGE <i>Europe/Asia/South America (decals required; refer to Section100)</i>	
45	105023GT	WLDMT, LOWER EXT RAIL.....1	1
--	78038GT	CAP, TUBE, SQ,1.25 X .083 <i>(not included sold separately)</i>	
46	96849GT	WELDMENT, DECAL PLATE.....1 <i>(decals not included, refer to section one)</i>	1
47	105026GT	WELDMENT,UPPER EXT RAIL,GS32**.....1 <i>(decals not included, refer to section one)</i>	1
--	78038GT	CAP, TUBE, SQ,1.25 X .083 <i>(not included sold separately)</i>	
47A	84686GT	EXT FLDG RAIL ASSY,UPR,32,WO**1 <i>word decals</i>	1
47B	84687GT	EXT FLDG RAIL ASSY, UPR, 32, S <i>symbol decals</i>	
48	96246GT	WELDMENT,ROLLER BRACKET,LT***.....1 <i>(decals not included, refer to section one)</i>	1
49	96200GT	WLDMT, LANYARD ROLLER BRKT.....1 <i>(decals not included, refer to section one)</i>	1
--	21279GT	BUTTON, .800 O.D. X .281.....1 <i>(sold separately)</i>	1
50	105091GT	WELDMENT,EXT SIDERAIL ***.....1 <i>(decals not included, refer to section one)</i>	1
51	6090GT	SCREW,HHC,1/4-20 X .75	
52	105146GT	FORMING,SG HEADER RAIL,GS2032...1	1
53	105093GT	WELDMENT, CHAIN GATE.....1	1
54	1259223GT	BOLT,SHS,3/8X.375X5/16-18,ZAG.....1	1
55	12013GT	SHIM,.375 X .063.....1	1
56	43392GT	BUMPER,BATTERY BOX & RAILS.....4	4

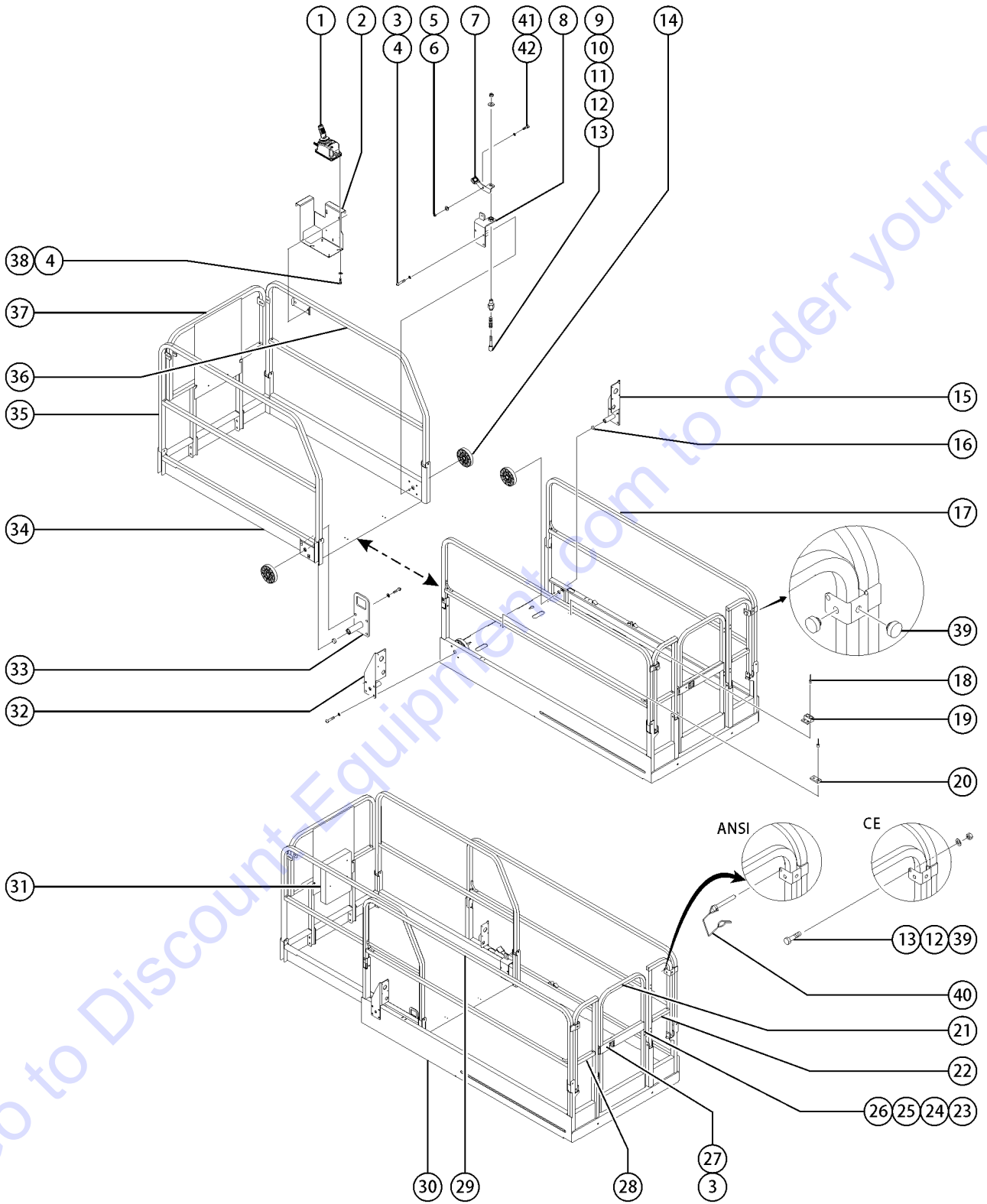
401.1 Platform Components, GS-2032, GS-2632, GS-3232
(continued)

This Page Intentionally Left Blank

Go to Discount-Equipment.com to order your parts



402.1 Platform Components, GS-2046, GS-2646, GS-3246



402.1 Platform Components, GS-2046, GS-2646, GS-3246

Item	Part No.	Description	Qty.	Item	Part No.	Description	Qty.
1		Ref. Platform Control Box (refer to 404.1)		24	6638GT	WASHER,FLAT,USS,1/4"Y	
2		Ref. Platform Control Box Mount Bracket (refer to 404.1)		25	104804GT	HINGE, SPRING, LONG LEG.....2	
3	5224GT	SCREW,HHC,3/8-16 X 2		26	6091GT	NUT,NYLOCK,1/4-20	
4	6356GT	WASHER,LOCK,.25		27	4828GT	NUT,NYLOCK,3/8-16	
5	6002GT	NUT,LP NYLOCK,5/16-18		28	66920GT	WLDMT, ENTRY SIDERAIL, LT.....1 (battery pack side)	
6	1259223GT	BOLT,SHS,3/8X.375X5/16-18,ZAG		--	78038GT	CAP, TUBE, SQ,1.25 X .083 (not included sold separately)	
6	47222GT	WASHER,SHOULDER,NYLON.....1		29	82053-SGT	RAIL-GS46 PLAT,MAINDECK LT****.....1 (battery pack side)	
7	46260GT	FOOTPEDAL W/NON-SKID TAPE,GS**.....1		--	43392GT	BUMPER,BATTERY BOX & RAILS.....3	
--	47166GT	BRACKET,FOOT PEDAL.....1 (non skid tape not included)		30	1284268GT	WLDMT,MAIN DECK,GS46.....1 (decals not included, refer to section one)	
--	47225GT	TAPE,NON-SKID,DIE CUT,1.38X1.5 (not included sold separately)		--	47098GT	TAPE,NON-SKID,DIE CUT,4"X 40" (not included sold separately)	
8	96413GT	WLDMT,LOCKING ROLLER SUPPORT.....1		--	47231GT	TAPE,NON-SKID,DIE CUT,4"X 16" (not included sold separately)	
9	39470GT	PIN, LOCK.....1		--	47374GT	TAPE,NON-SKID,DIE CUT,4"X 32" (not included sold separately)	
10	39469GT	SPRING,COMPRESSION.485 X1.75**...1		31A	44743GT	MANUAL BOX W/DECALS***.....1 USA/Canada/Australia	
11	41630GT	HOUSING, LOCK PIN.....1		31B	24514GT	BOX,INSTRUCTION STORAGE Europe/Asia/South America (decal required; refer to Section100)	
12	6097GT	WASHER,FLAT,USS,3/8",Y		32	96246GT	WELDMENT,ROLLER BRACKET,LT***.....1	
13	7713GT	NUT, LP NYLOCK, 3/8-16		33	96200GT	WLDMT, LANYARD ROLLER BRKT.....1 (decals not included, refer to section one)	
14	47163GT	ROLLER,PLATFORM EXTENSION.....4		--	21279GT	BUTTON, .800 O.D. X .281.....1 (sold separately)	
15	84587GT	ROLLER BRACKET ASSY, GRND CNTR.....1 (ground controls side)		34	97258GT	EXT. DECK ASSY, GS46.....1	
16	21279GT	BUTTON, .800 O.D. X .281.....3		--	39474GT	WEAR PAD,PLATFORM.....2	
17	82052-SGT	RAIL-GS46 PLAT,MAINDECK RT****.....1 (ground controls side)		--	47374GT	TAPE,NON-SKID,DIE CUT,4"X 32".....7	
18	39579GT	RIVET,STL,STL,.188 X .45.....20		--	96719GT	WLDMT, EXT. DECK, GSXX46.....1	
19	39310GT	WEAR/GUIDE PAD MAIN PLATFORM...4		--	T113787GT	RIVET,ALUM,STL,.188 X .250.....4 for 39474GT	
20	39474GT	WEAR PAD,PLATFORM.....3		35	97263GT	LEFT EX. RAIL, GS46.....1 (battery pack side)	
21A	96760GT	ASSY, PLATFORM GATE, GSXX46.....1 COMPLETE (decals not included, refer to section one)		--	43392GT	BUMPER,BATTERY BOX & RAILS.....3	
21B	97242GT	SWING GATE ASSY, GS46 WELD.....1 (decals not included, refer to section one)		36	97264GT	RIGHT EXT RAIL, GS46 (SYMBOL).....1 (decals not included, refer to section one)	
21C	66512GT	WLDMT, FULL HEIGHT GATE.....1		--	43392GT	BUMPER,BATTERY BOX & RAILS.....3	
21D	65990-SGT	KIT,GATE LATCH (includes items 3 and 27)		37A	97259GT	EXT. ENDRAIL ASSY, GS46 (WORD).....1 Word decals	
--	22446GT	SPRING,COMPRESSION .835 X 2.....1 included in kit 65990-SGT		37B	97260GT	EXT. ENDRAIL ASSY, GS46 (SYMB) Symbol decals	
--	66544GT	LATCH HANDLE.....1 included in kit 65990-SGT		38	6090GT	SCREW,HHC,1/4-20 X .75	
22	66923GT	WLDMT, ENTRY SIDERAIL, RT.....1 (ground controls side)		39	43392GT	BUMPER,BATTERY BOX & RAILS.....14	
--	78038GT	CAP, TUBE, SQ,1.25 X .083		40	66030GT	PIN, WIRE LOCK 3/8 X 2 -1/2	
23	4266GT	SCREW,HHC,1/4-20 X 2					

402.1 Platform Components, GS-2046, GS-2646, GS-3246
(continued)

Item	Part No.	Description	Qty.
--	78022GT	LANYARD,BLACK NYLON,TYPE 1*** (CE & Australia models)	
41	1259223GT	BOLT,SHS,3/8X.375X5/16-18,ZAG.....	1
42	12013GT	SHIM,.375 X .063.....	1

Go to Discount-Equipment.com to order your parts



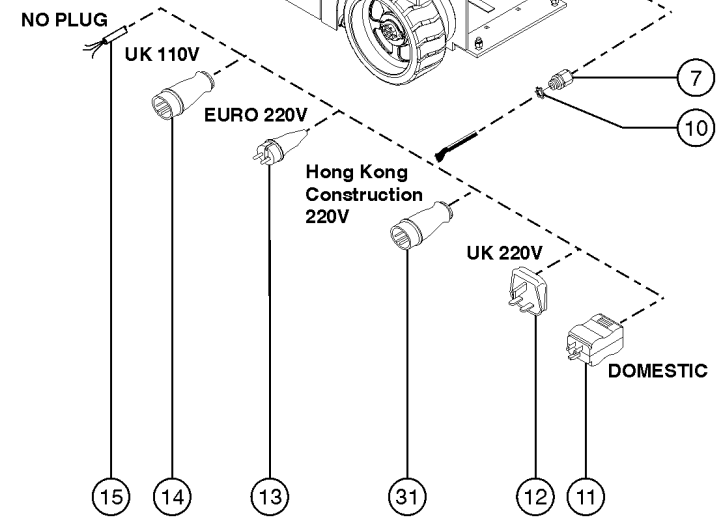
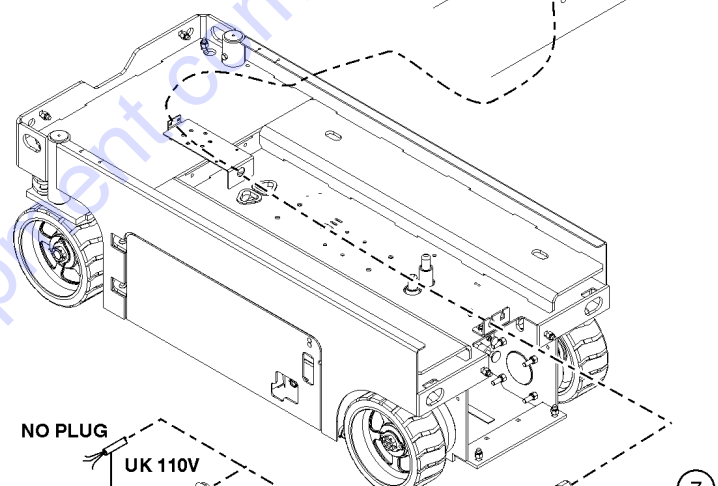
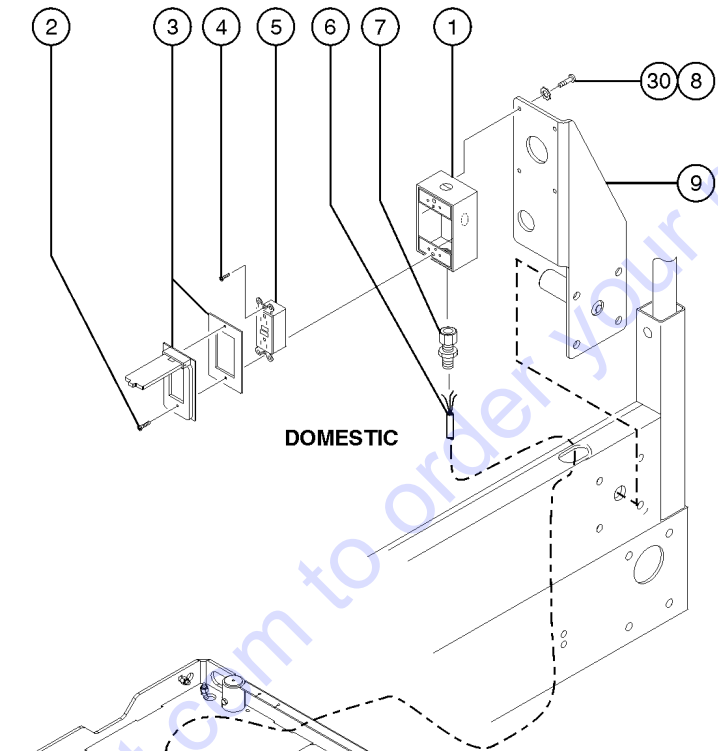
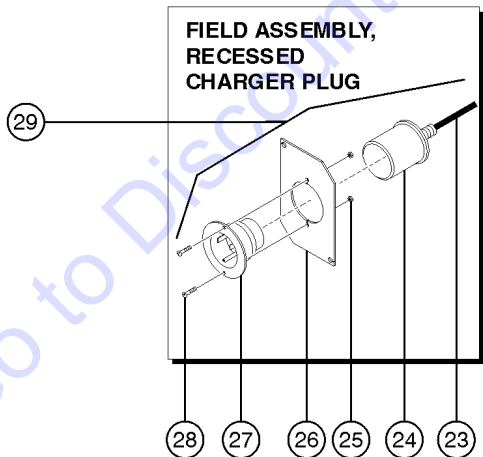
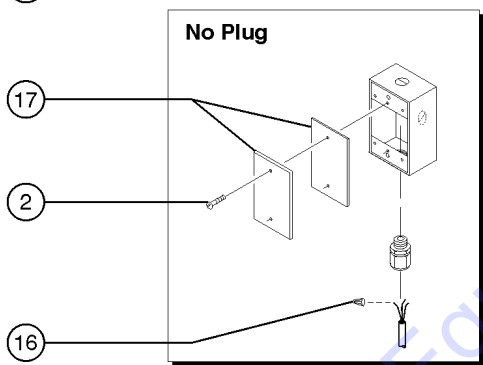
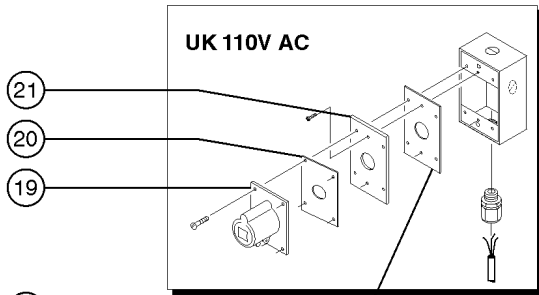
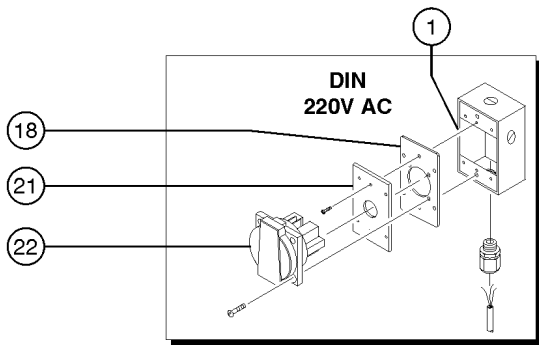
402.1 Platform Components, GS-2046, GS-2646, GS-3246
(continued)

This Page Intentionally Left Blank

Go to Discount-Equipment.com to order your parts



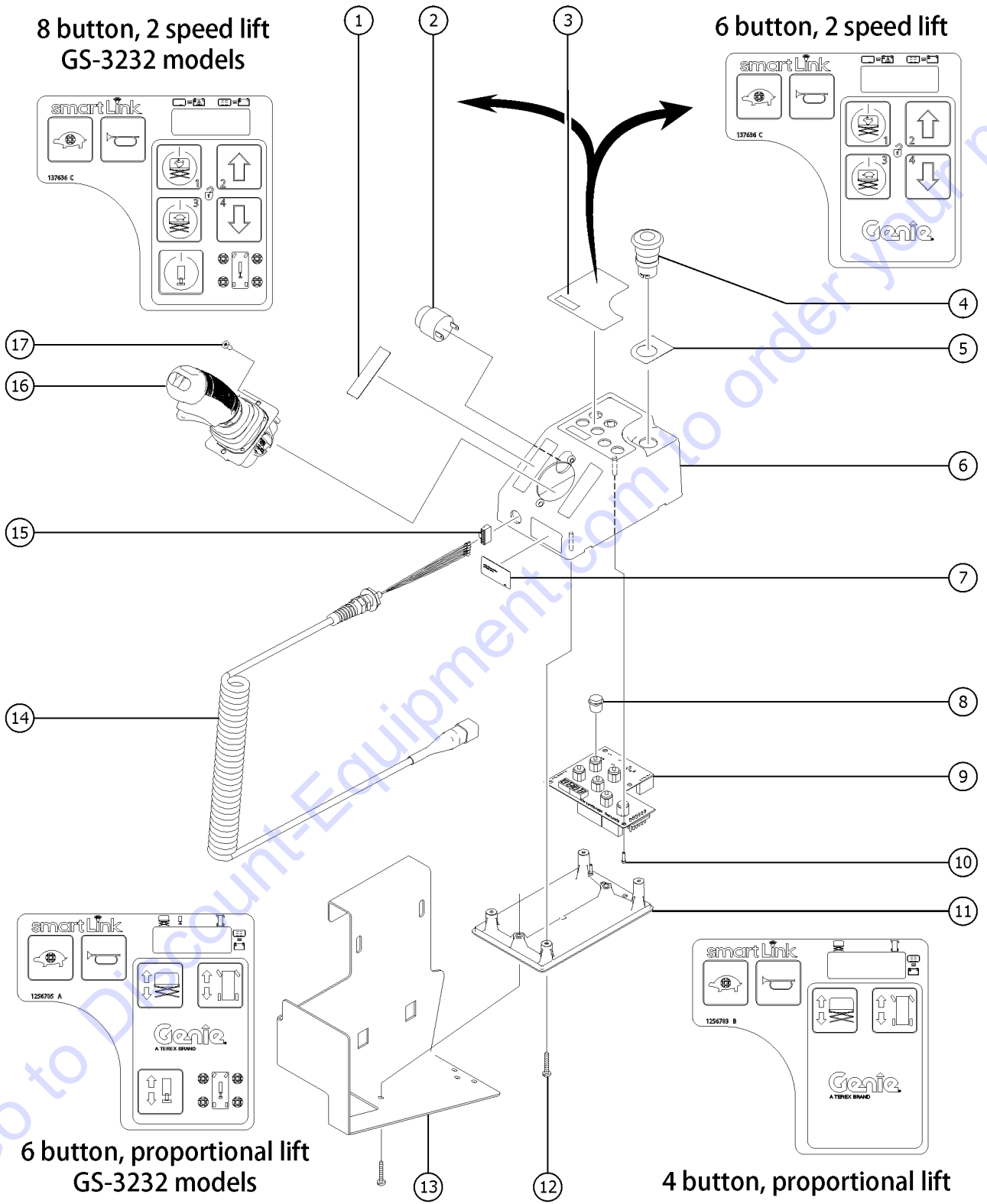
403.1 Power to Platform



403.1 Power to Platform

Item	Part No.	Description	Qty.	Item	Part No.	Description	Qty.
--	33724GT	KIT,GASKET,UK POWER TO PLAT. <i>(includes 1 each, items 18 and 20)</i>		25	18605GT	NUT,NYLOCK,8-32.....	2
1	10775GT	T-BOX,2.75 X 4.5 X 2.0.....	1	26	105483-SGT	PLATE,AC ADAPTER(ANSI/CSA).....	1
2	7127GT	SCREW,PHILLIPS,PHM,6-32 X .75		--	6091GT	NUT,NYLOCK,1/4-20..... <i>not included</i>	2
3A	74006GT	COVER,GFCI,HORIZONTAL,WEATHER.1 <i>(ANSI and CSA models) (includes gasket and mounting fasteners)</i>	1	--	6878GT	BOLT,CARRIAGE,1/4-20 X .75,G2..... <i>not included</i>	2
3B	105812GT	COVER,T-BOX LOCKABLE..... <i>EE rated (not shown)</i>	1	27	105117GT	PLUG,FLG INLET,15A/125V,2PWGD.....	1
4	45546GT	SCREW,RHM,6-32 X .5		28	55906GT	SCREW,PHILLIPS,PHM,8-32 X .5.....	2
5	13585GT	OUTLET, 110V..... <i>(ANSI and CSA models)</i>	1	29	105448GT	FIELD ASSY,REC.CHARGER PLUG..... <i>(includes items 23-28)</i>	1
6A	43956GT	WIRE CABLE,14/3 CON.TPE JKT*..... GS-2032, GS-2046	456-inches	30	44936GT	WASHER,STAR,EXTERNAL,#8.....	4
6B	43956GT	WIRE CABLE,14/3 CON.TPE JKT*..... GS-2632, GS-2646	516-inches	31	1263471GT	PLUG,IEC60309 CEE, 3PIN 220-24..... <i>(Hong Kong Construction)</i>	1
6D	43956GT	WIRE CABLE,14/3 CON.TPE JKT*..... GS-3232, GS-3246	624-inches				
7	7056GT	CONN,SQUEEZE,1/2NPT .38-.50,SM....	1				
8	57075GT	SCREW,PHIL,8-32X.50,SELF TAP					
9		Ref. ROLLER BRACKET <i>(refer to 401.1 through 402.1)</i>					
10	6935GT	LOCKNUT,ELEC,1/2".....	1				
11	6595GT	PLUG,ELECTRICAL,DOMESTIC.....	1				
12	25388GT	PLUG,FUSED,250V,13AMP,U.K.**					
13	1280665GT	PLUG, TYPE F, 230A, 50HZ, 16A, IP44					
14	144161GT	PLUG,PWR,UK,16AMP,3PIN,BLK					
15	105117GT	PLUG,FLG INLET,15A/125V,2PWGD					
--	105118GT	GASKET,(BOOT) FLANGE INLET PLG					
16	6626GT	WIRE CAP,ORANGE.....	1				
17	10777GT	COVER,BLANK.....	1				
18	66355GT	GASKET, UK & DIN PWR. TO PLAT..... <i>(2.9 x 2.9 inches)</i>	1				
19	T112563GT	SVC KIT,UK RECEPT.REPLACEMENT.....	1				
20	66356GT	GASKET, UK RECEPTACLE..... <i>(2.9 x 2.9 inches)</i>	1				
21A	105483-SGT	PLATE,AC ADAPTER(ANSI/CSA) <i>(ANSI/CSA)</i>					
21B	96236GT	PLATE,AC ADAPTER,DIN/UK***					
21C	105090GT	PLATE, AC ADAPTER(AUS)					
22	66353GT	RECEPTACLE, DIN, 220V 50A.....	1				
23	48282GT	POWER CORD, IEC 320 BLANK, 79".....	1				
24	105118GT	GASKET,(BOOT) FLANGE INLET PLG.....	1				

404.1 Platform Controls, 8 and 6 Button (2 Speed Lift)



404.1 Platform Controls, 8 and 6 Button (2 Speed Lift)

Item	Part No.	Description	Qty.	Item	Part No.	Description	Qty.
A	1258334GT	KIT, SL PROP UPGRD, CE, GS GS-2032 & GS-2632, GS-2046, GS-2646, GS-3246 (For 2 speed to proportional lift conversion. Software upgrade is required and available on-line or refer to 405.1 for USB flash drive) to SN GS14A-134999 and to SN GS14C-13999		K	137633GT	PCON, GR/GRC/GS GS-2032, GS-2046, GS-2632, GS-2646, GS-3246 (For models with 6 button, 2 speed lift controller)(complete platform control box with coil cord, bracket not included) to SN GS14A-134999 and to SN GS14C-13999	
B	1258337GT	KIT, SL PROP UPGRD, ANSI, 3232 GS-3232 (For 2 speed to proportional lift conversion. Software upgrade is required and available on-line or refer to 405.1 for USB flash drive) to SN GS14A-134999		--	137587GT	HARNES, ESTOP, GR/GRC/GS PCON	
C	1258338GT	KIT, SL PROP UPGRD, AUS, 3232 GS-3232 (For 2 speed to proportional lift conversion. Software upgrade is required and available on-line or refer to 405.1 for USB flash drive) to SN GS14A-134999		--	219205GT	FLASH DRIVE,SL1K1.0 SOFTWARE GS-2032, GS-2046, GS-2632, GS-2646, GS-3246 (For models with 6 button, 2 speed lift controller)(complete platform control box with coil cord, bracket not included) to SN GS14A-134999 and to SN GS14C-13999	
D	1258339GT	KIT, SL PROP UPGRD, CE, 3232 GS-3232 (For 2 speed to proportional lift conversion. Software upgrade is required and available on-line or refer to 405.1 for USB flash drive) to SN GS14A-134999		L	Ref.	Part 137585 is no longer available for the GS-3232; May be replaced by PCON 1256728 and one of the machine-specific upgrade kits (1258337, 1258338, 1258339) to update unit from two speed lift to proportional lift (refer to 405.1)	
E	1258361GT	KIT, SL PROP UPGRD, ANSI, GS32 GS-2032 & GS-2632 (For 2 speed to proportional lift conversion. Software upgrade is required and available on-line or refer to 405.1 for USB flash drive) to SN GS14A-134999 and to SN GS14C-13999		--	219205GT	FLASH DRIVE,SL1K1.0 SOFTWARE GS-3232 (For 2 speed to proportional lift conversion. Software upgrade is required and available on-line or refer to 405.1 for USB flash drive) to SN GS14A-134999	
F	1258365GT	KIT, SL PROP UPGRD, AUS, GS32 GS-2032 & GS-2632 (For 2 speed to proportional lift conversion. Software upgrade is required and available on-line or refer to 405.1 for USB flash drive) to SN GS14A-134999 and to SN GS14C-13999		M	137587GT	HARNES, ESTOP, GR/GRC/GS PCON	
G	1258366GT	KIT, SL PROP UPGRD, ANSI, GS46 GS-2046, GS-2646, GS-3246 (For 2 speed to proportional lift conversion. Software upgrade is required and available on-line or refer to 405.1 for USB flash drive) to SN GS14A-134999 and to SN GS14C-13999		1	137656GT	DECAL,PROPEL,GR/GRC/GS,PCON.....1	
H	1258384GT	KIT, SL PROP UPGRD, AUS, GS46 GS-2046, GS-2646, GS-3246 (For 2 speed to proportional lift conversion. Software upgrade is required and available on-line or refer to 405.1 for USB flash drive) to SN GS14A-134999 and to SN GS14C-13999		2A	39540GT	ALARM,STEADY TONE***.....1 order 72326 mounting ring separately	
I	1258515GT	KIT, SL PROP UPGRD, ANSI SYM, GS GS-2032 & GS-2632, GS-2046, GS-2646, GS-3246 (For 2 speed to proportional lift conversion. Software upgrade is required and available on-line or refer to 405.1 for USB flash drive) to SN GS14A-134999 and to SN GS14C-13999		2B	72326GT	NUT - PLASTIC,RING FOR ALARMS for 39540	
				3A	137636GT	DECAL, UI, GR/GRC/GS PCON.....1 GS-2032, GS-2046, GS-2632, GS-2646, GS-3246 (For models with 6 button, 2 speed lift control to SN GS14A-134999 and to SN GS14C-13999	
				3B	137693GT	DECAL, UI, GS3232, PCON.....1 GS-3232 (For models with 8 button, 2 speed lift controller)(complete platform control box with coil cord, bracket not included) to SN GS14A-134999	
				3C	1256703GT	DECAL, STD, PROP LIFT, UI, SVC.....1 GS-2032, GS-2046, GS-2632, GS-2646, GS-3246(units converted from 6 button, 2 speed lift to 4 button, proportional controller)	
				3D	1256705GT	DECAL, O/R, PROP LIFT, UI, SVC.....1 GS-3232 (units converted from 8 button, 2 speed lift to 6 button, proportional controller)	
				4	66812GT	BUTTON,PUSH,RED MUSHROOM HEAD.....1	
				--	66817GT	BASE WITH 1 NC CONTACT, E-STOP	

404.1 Platform Controls, 8 and 6 Button (2 Speed Lift) (continued)

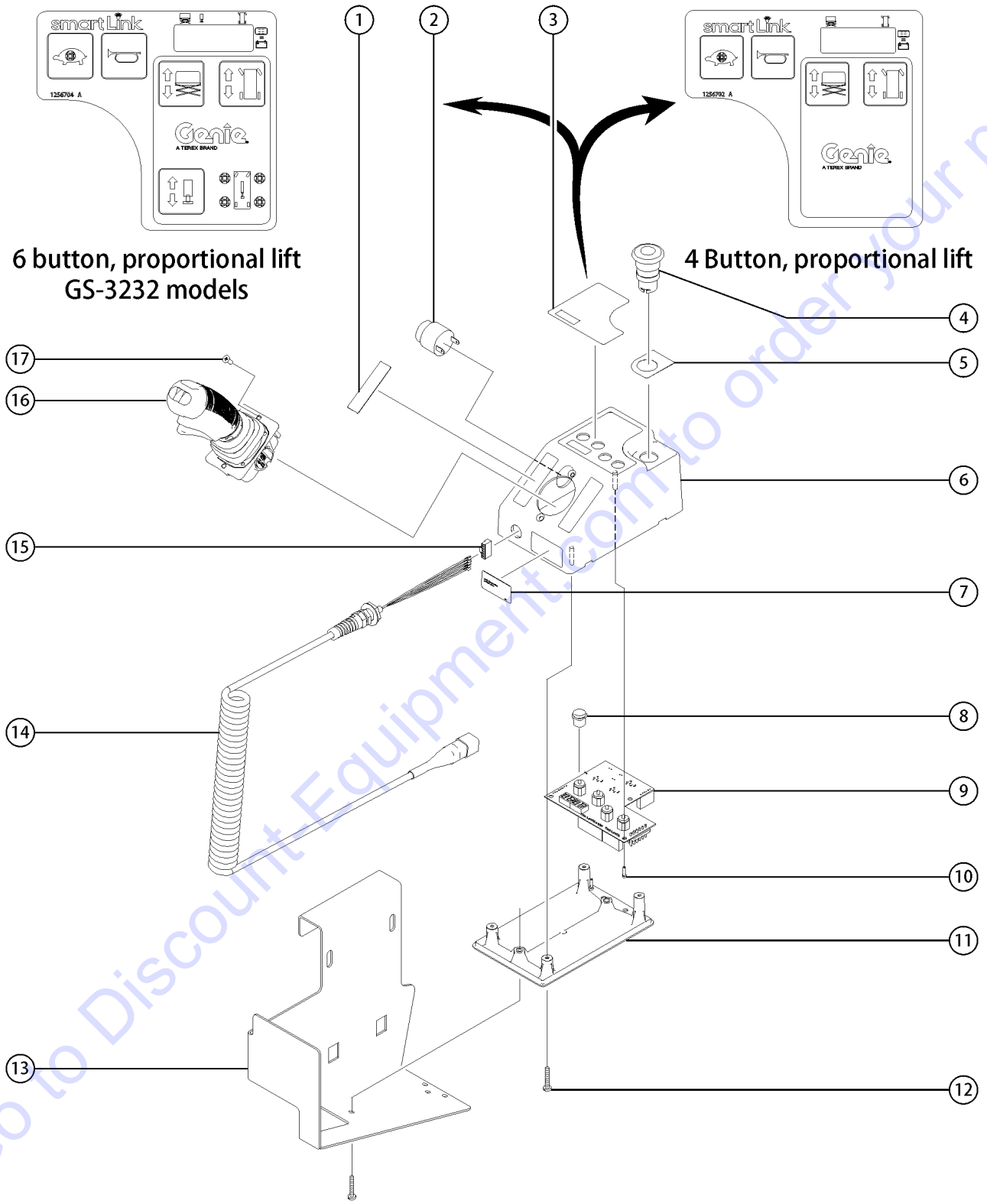
Item	Part No.	Description	Qty.
5	137605GT	DECAL,E-STOP,GR/GRC/GS PCON.....1	
6A	T106368GT	ENCLOSURE, GC14-1, TOP.....1 GS-2032, GS-2046, GS-2632, GS-2646, GS-3246	
6B	T106367GT	ENCLOSURE, GC16-1, TOP.....1 GS-3232	
7A	137642GT	LABEL, GR/GRC/GS PCON.....1 GS-2032, GS-2632, GS-2046, GS-2646, GS-3246 (models with 6 button, 2 speed controller) to SN GS14A-134999 and to SN GS14C-13999	
7B		Ref., LABEL, GS3232 PCON.....1 GS-3232 (component no longer available)	
8	T106373GT	CAP,BUTTON,K12.....6 GS-2032, GS-2046, GS-2632, GS-2646, GS-3246	
9A	137522GT	PCBA, GC14-1.....1 GS-2032, GS-2632, GS-2046, GS-2646, GS-3246 (models with 6 button, 2 speed controller) to SN GS14A-134999 and to SN GS14C-13999	
9B	137711GT	PCBA, GC16-1.....1 GS-3232	
10	137637GT	SCREW,PHM,4-20X.5, 48-2 TRI-L	
11	T106370GT	ENCLOSURE,GC14-1/GC16-1, BOT.....1	
12	137640GT	SCREW,PHM,8-16X.75, 48-2 TRI-L	
13	T114397GT	FORMING,PLAT CONTROL BOX (decals not included, refer to section one)	
14	235464GT	KIT,COIL CORD,CONTRLR,SL1000.....1 includes item 15	
--	231921GT	KIT,CONN,RECEPT W/PIN AND LOCK	
--	231922GT	KIT,CONN,PLUG W/SCKT AND LOCK	
15	137699GT	PLUG, 6POS ECO PWR.....1	
16		Ref., JOYSTICK.....1 (refer to 406.1)	
17	229845GT	SCREW,BHSCS,M5X10,SS apply Loctite 243 or equivalent before installation	

404.1 Platform Controls, 8 and 6 Button (2 Speed Lift)
(continued)

This Page Intentionally Left Blank

Go to Discount-Equipment.com to order your parts

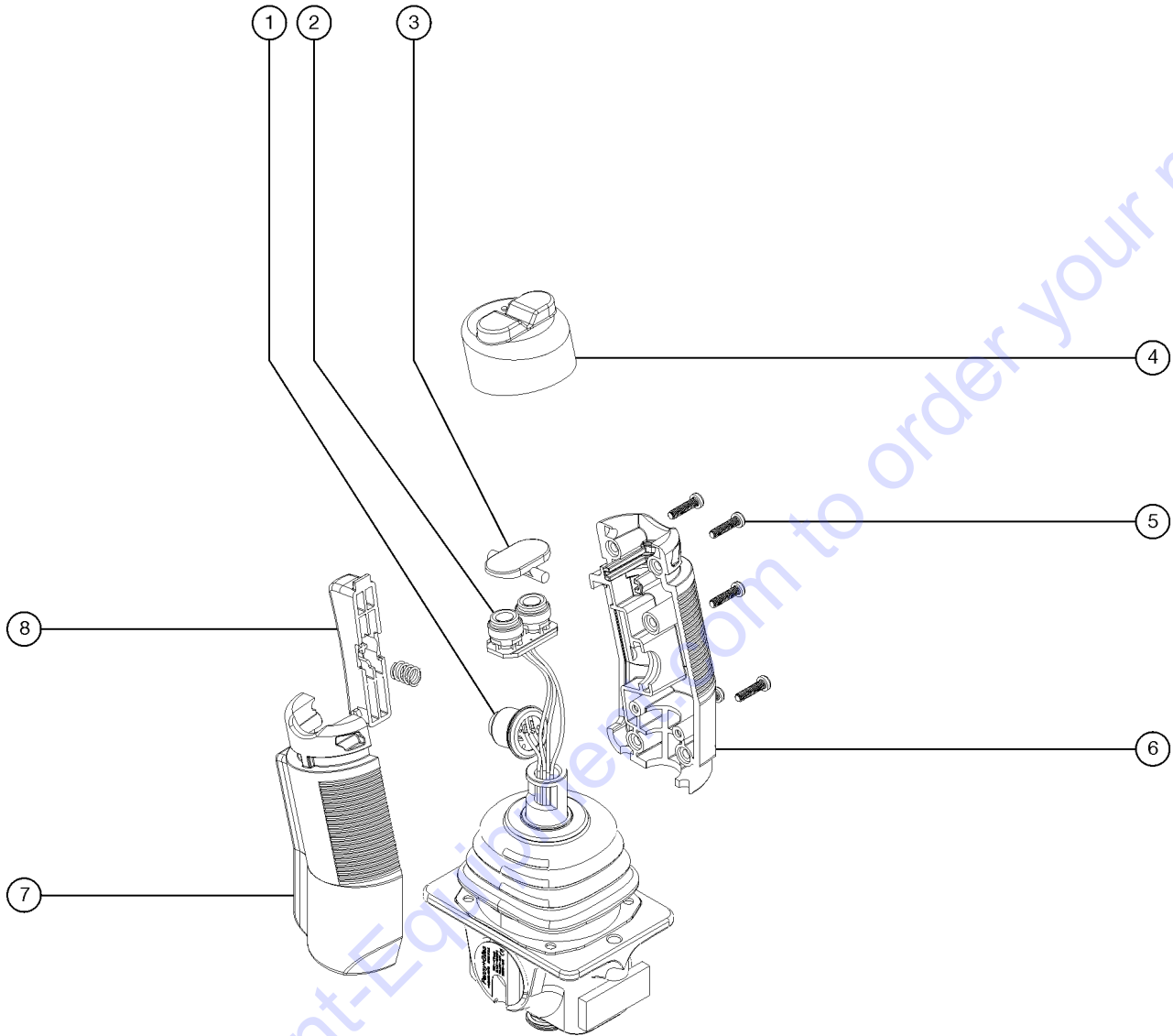
405.1 Platform Controls, 6 and 4 Button (Proportional Lift)



405.1 Platform Controls, 6 and 4 Button (Proportional Lift)

Item	Part No.	Description	Qty.	Item	Part No.	Description	Qty.
A	1256727GT	PCON,STD,PROP LIFT,GR/GS GS-2032, GS-2046, GS-2632, GS-2646, GS-3246, complete platform control box with coil cord, bracket not included		11	T106370GT	ENCLOSURE,GC14-1/GC16-1, BOT.....1	
--	1258731GT	FLASH DRIVE,SL1K2.0 SOFTWARE (For proportional lift or upgrade kits only. Software update available on-line. Flash drive sold separately.)		12	137640GT	SCREW,PHM,8-16X.75, 48-2 TRI-L	
--	137587GT	HARNESS, ESTOP, GR/GRC/GS PCON		13	T114397GT	FORMING,PLAT CONTROL BOX (decals not included, refer to section one)	
B	1256728GT	PCON,O/R,PROP LIFT,GS GS-3232, complete platform control box with coil cord, bracket not included		14	235464GT	KIT,COIL CORD,CONTRLR,SL1000.....1 includes item 15	
--	1258731GT	FLASH DRIVE,SL1K2.0 SOFTWARE (For proportional lift or upgrade kits only. Software update available on-line. Flash drive sold separately.)		--	231921GT	KIT,CONN,RECEPT W/PIN AND LOCK	
--	137587GT	HARNESS, ESTOP, GR/GRC/GS PCON		--	231922GT	KIT,CONN,PLUG W/SCKT AND LOCK	
1	137656GT	DECAL,PROPEL,GR/GRC/GS,PCON.....1		15	137699GT	PLUG, 6POS ECO PWR.....1	
2A	39540GT	ALARM,STEADY TONE***.....1 order 72326 mounting ring separately		16		Ref., JOYSTICK.....1 (refer to 406.1)	
2B	72326GT	NUT - PLASTIC,RING FOR ALARMS for 39540		17	229845GT	SCREW,BHSCS,M5X10,SS apply Loctite 243 or equivalent before installation	
3A	1256702GT	DECAL, UI, GS/GR, PROP LIFT.....1 GS-2032, GS-2046, GS-2632, GS-2646, GS-3246 (models with 4 button, proportional controller)					
3B	1256705GT	DECAL, O/R, PROP LIFT, UI, SVC.....1 GS-3232 (models with 4 button, proportional controller)					
3C		REF: DECAL,STD,PROP LIFT,UI,SVC....1 (units converted from 6 button, 2 speed lift to 4 button, proportional controller, refer to 407.1)					
4	66812GT	BUTTON,PUSH,RED MUSHROOM HEAD.....1					
--	66817GT	BASE WITH 1 NC CONTACT, E-STOP					
5	137605GT	DECAL,E-STOP,GR/GRC/GS PCON.....1					
6A	1256656GT	ENCLOSURE,STD 4-BUTTON,TOP.....1 GS-2032, GS-2046, GS-2632, GS-2646, GS-3246					
6B	1256658GT	ENCLOSURE, O/R 5-BUTTON,TOP.....1 GS-3232					
7		(component no longer available)					
8	T106373GT	CAP,BUTTON,K12.....6 GS-2032, GS-2046, GS-2632, GS-2646, GS-3246					
9A	1256725GT	PCBA,PCON STD,PROP LIFT.....1 GS-2032, GS-2046, GS-2632, GS-2646, GS-3246					
9B	1256726GT	PCBA,PCON O/R,PROP LIFT.....1 GS-3232					
10	137637GT	SCREW,PHM,4-20X.5, 48-2 TRI-L					

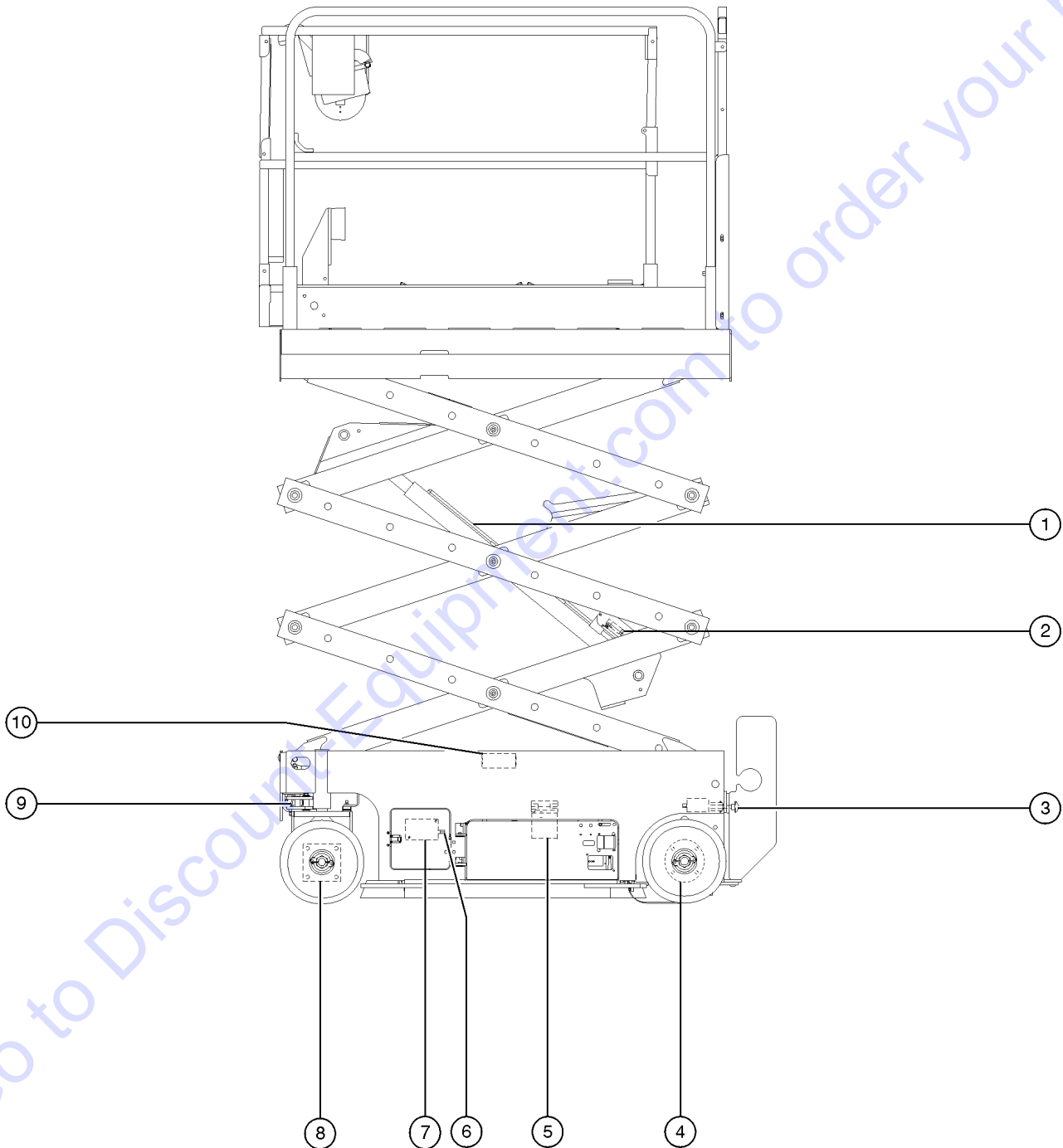
406.1 Joystick Controller



Go to Discount-Equipment.com to order your parts

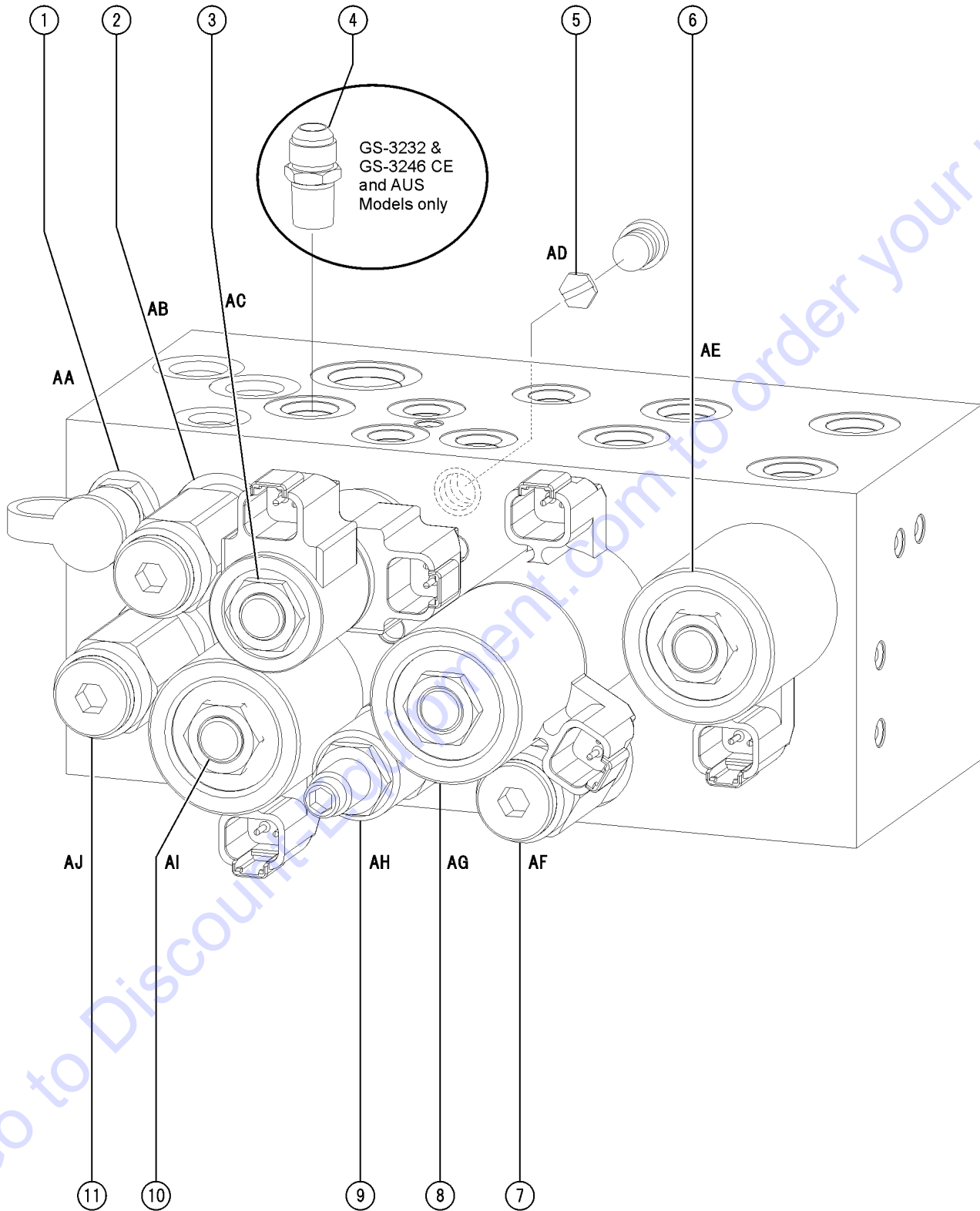
Item	Part No.	Description	Qty.
--	137634GT	JOYSTICK, HALL EFFECT, SINGLE	
--	229097GT	TERMINAL, SPLINE (AMP)	
--	214544GT	KIT,BOOT,JOYSTICK,SL1000 <i>joystick boot</i>	
1	235463GT	KIT,SWITCH,JYSTK,SL1000 <i>function enable and steer switches</i>	
2	235463GT	KIT,SWITCH,JYSTK,SL1000 <i>function enable and steer switches</i>	
3	229092GT	ROCKER,2 SWITCH.....	1
4	229093GT	BOOT, 2 SWITCH, SILICON.....	1
5	229086GT	SCREW, SELF TAP.....	2
6A	229087GT	HANDLE HALF,RIGHT,W/TOP SWITCH.....	1
6B	229091GT	SCREW,GRUB,M5X8MM,HLF DOG,BZP <i>for 229087GT</i>	
7A	229088GT	HANDLE HALF,LEFT,W/TOP SWITCH....	1
7B	229090GT	SCREW,GRUB,M5X8MM CUP(BLK) <i>for 229088GT</i>	
8	229089GT	TRIGGER, EXTENDED.....	1
--	229094GT	SPRING, HANDLE TRIGGER.....	1

501.1 Hydraulic Components



Item	Part No.	Description	Qty.
1		Ref. Lift Cylinder Assembly (refer to 505.1)	
2		Ref. Pressure Transducer (refer to 701.1)	
3		Ref. Brake Release Hand Pump Manifold (refer to 503.1)	
4	96257GT	BRAKE, HYDRAULIC***.....	2
5A	78622GT	FILTER ASSY,SAE8,10 MIC,PAPR**..... (paper, standard)	1
--	44788GT	FILTER ELEMENT,10MICRON,PAPER* (paper, standard)	
5B	T114321GT	FILTER ASSY,FIBRGLS,#8-#8..... (fiberglass, optional upgrade)	1
--	44207GT	FILTER ELEMENT,BETA(10)=200 (fiberglass, optional upgrade)	
6		Ref. Check Valve (refer to 502.1)	
7		Ref. Function Manifold (refer to 502.1)	
8A	96417GT	DRIVE MOTOR,18.3 CU. IN/REV..... to SN GS3216C-16097, GS4616C-16893	2
--	96419GT	SEAL KIT,RC SERIES DR MOTOR*** for 96417	
8B	T108663GT	DRIVE MOTOR,22.9CI/REV from SN GS3216C-16098, GS4616C-16894	
--	96419GT	SEAL KIT,RC SERIES DR MOTOR*** for T108663	
9	105547GT	CYLINDER,GS/GR STEER***.....	1
--	105550GT	KIT,STEER CYL SEAL	
--	105553GT	KIT,STEER CYL SEAL,040271P,HDM (for code H408147 and up)	
--	105554GT	KIT,STEER CYL SEAL,040499P,HDM (for code H41109 and up)	
--	105555GT	KIT,STEER CYL SEAL,040505P,HDM (for codes H41205, H41255, H51290, H501111, H505109, H509101, H60723 and H60870)	
10	78422GT	ACCUMULATOR,180 PSI PRECHARGE*.....	1

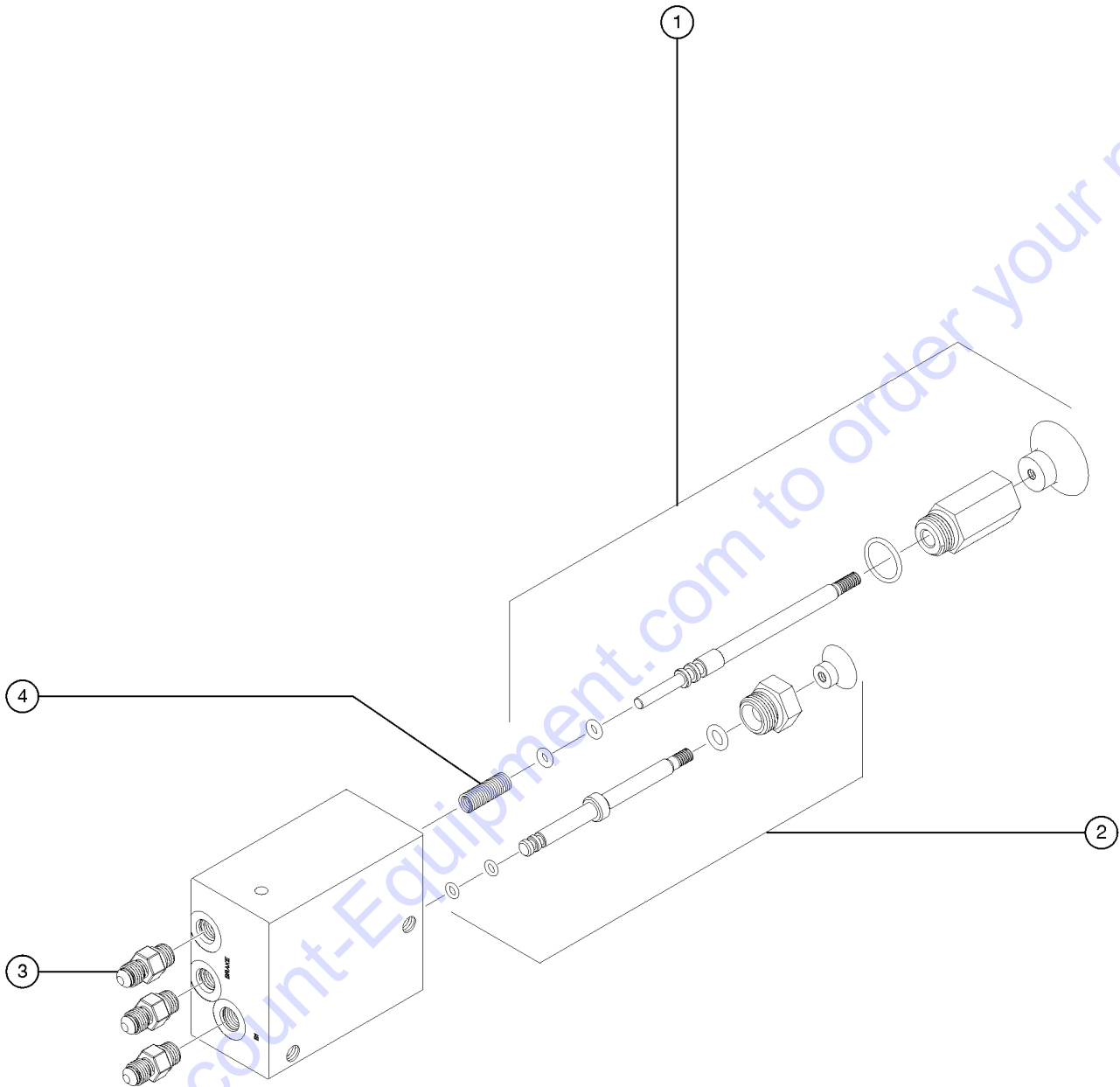
502.1 Function Manifold



502.1 Function Manifold

Item	Part No.	Description	Qty.	Item	Part No.	Description	Qty.
--	105463GT	126,DYN.BRAKING,MANIF,32/46		--	44230GT	SEAL KIT-P.N.44169,44172,44171	
--	150105GT	MANIFOLD,FUNCTION,2 SPEED <i>(does not include check valve, item 4)</i>		--	84385GT	COIL,20VDC DEUTCSH W/DIODE <i>(sold separately)</i>	
--	49612GT	O-RING KIT (ORFS FITTINGS)		11	65962GT	VALVE-RELIEF, 3700 PSI #8** <i>(AJ, Lift relief)</i>	
--	49613GT	PLUG AND CAP KIT-SERVICE,ORFS*		--	44226GT	SEAL KIT-FOR P.N.44167	
1	48997GT	NIPPLE,DIAGNOSTIC,#4 <i>(AA, Testing)</i>					
--	20224GT	DIAGNOSTIC FEMALE Q-DSCNT					
--	48880GT	CAP,DIAGNOSTIC NIPPLE					
2	65962GT	VALVE-RELIEF, 3700 PSI #8** <i>(AB, System relief)</i>					
--	44226GT	SEAL KIT-FOR P.N.44167					
3	44168GT	VALVE,SOLENOID,3POS 4WAY <i>(AC, Steer left/right)</i>					
--	44174GT	NUT-COIL SHORT <i>(sold separately)</i>					
--	44229GT	SEAL KIT, VALVE					
--	44236GT	SPACER-DUAL COIL,#8*** <i>(sold separately)</i>					
--	77709GT	COIL,#8 20VDC,DEUTSCH W/DIODE <i>(sold separately)</i>					
4	237086GT	VALVE,CHECK,#6-#6,MJIC TO MORB <i>GS-3232, GS-3246 (Australia & CE) (sold separately)</i>					
5	84386GT	CHECK DISK, NO SPRING <i>(AD, Steer circuit)</i>					
6	44171GT	VALVE-SOLENOID,2POS 4WAY** <i>(AE, Drive speed select circuit)</i>					
--	44175GT	SPACER-DUAL COIL,#10, SCISSORS <i>(sold separately)</i>					
--	44230GT	SEAL KIT-P.N.44169,44172,44171					
--	84385GT	COIL,20VDC DEUTCSH W/DIODE <i>(sold separately)</i>					
7	97409GT	VALVE,DIFF.AREA RELIEF,50PSI <i>(AF, Brake release)</i>					
8	150104GT	VALVE, DYN. BRAKING, GS32/46					
--	44175GT	SPACER-DUAL COIL,#10, SCISSORS <i>(sold separately)</i>					
--	84385GT	COIL,20VDC DEUTCSH W/DIODE <i>(sold separately)</i>					
9	84384GT	PRTY,FLOW CNTRL VALVE,.75 GPM <i>(AH, Steer circuit)</i>					
--	1261888GT	SEAL KIT (84384) <i>for 84384</i>					
--	44230GT	SEAL KIT-P.N.44169,44172,44171					
10	44169GT	VALVE-SOLENOID, 2POS 4 WAY <i>(AI, Platform up)</i>					
--	44175GT	SPACER-DUAL COIL,#10, SCISSORS <i>(sold separately)</i>					

503.1 Brake Release Hand Pump Manifold

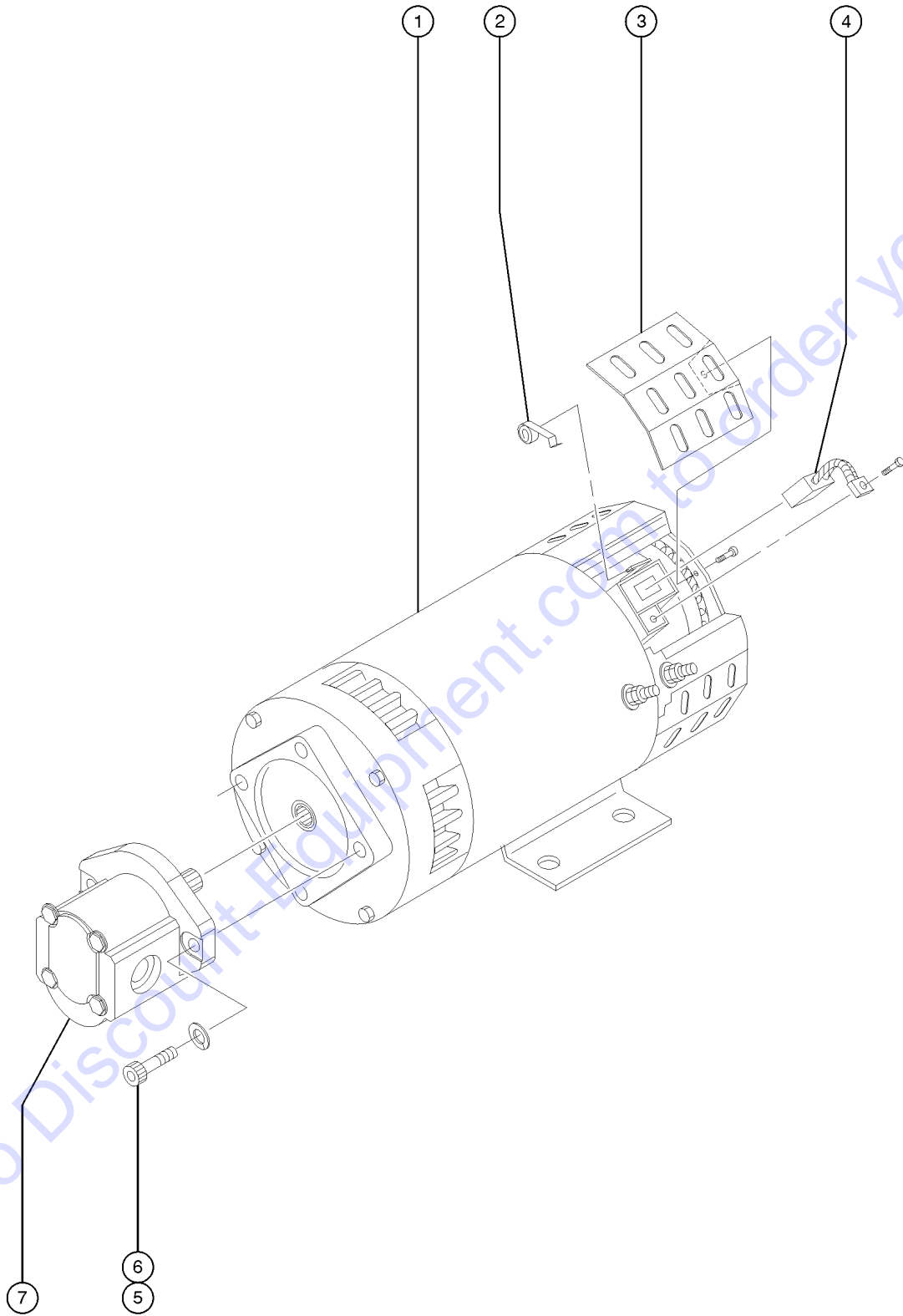


503.1 Brake Release Hand Pump Manifold

Item	Part No.	Description	Qty.
--	105067GT	MANIFOLD,BRAKE RELEASE <i>(includes items 1, 2 and 4)</i>	
1	84739GT	VALVE,HAND PUMP ASSEMBLY***.....1	1
--	84740GT	SEAL KIT,HAND PUMP***	
--	84742GT	KNOB,HAND PUMP (RED)***	
2	84743GT	VALVE,PILOT OPERATED ASSEMBLY*.....1	1
--	84740GT	SEAL KIT,HAND PUMP***	
--	84746GT	KNOB,PILOT OP VALVE (BLACK)***	
3	39877GT	CONNECTOR,070120-4-4.....3	3
4	84748GT	SPRING,HAND PUMP ROD.....1	1

Go to Discount-Equipment.com to order your parts

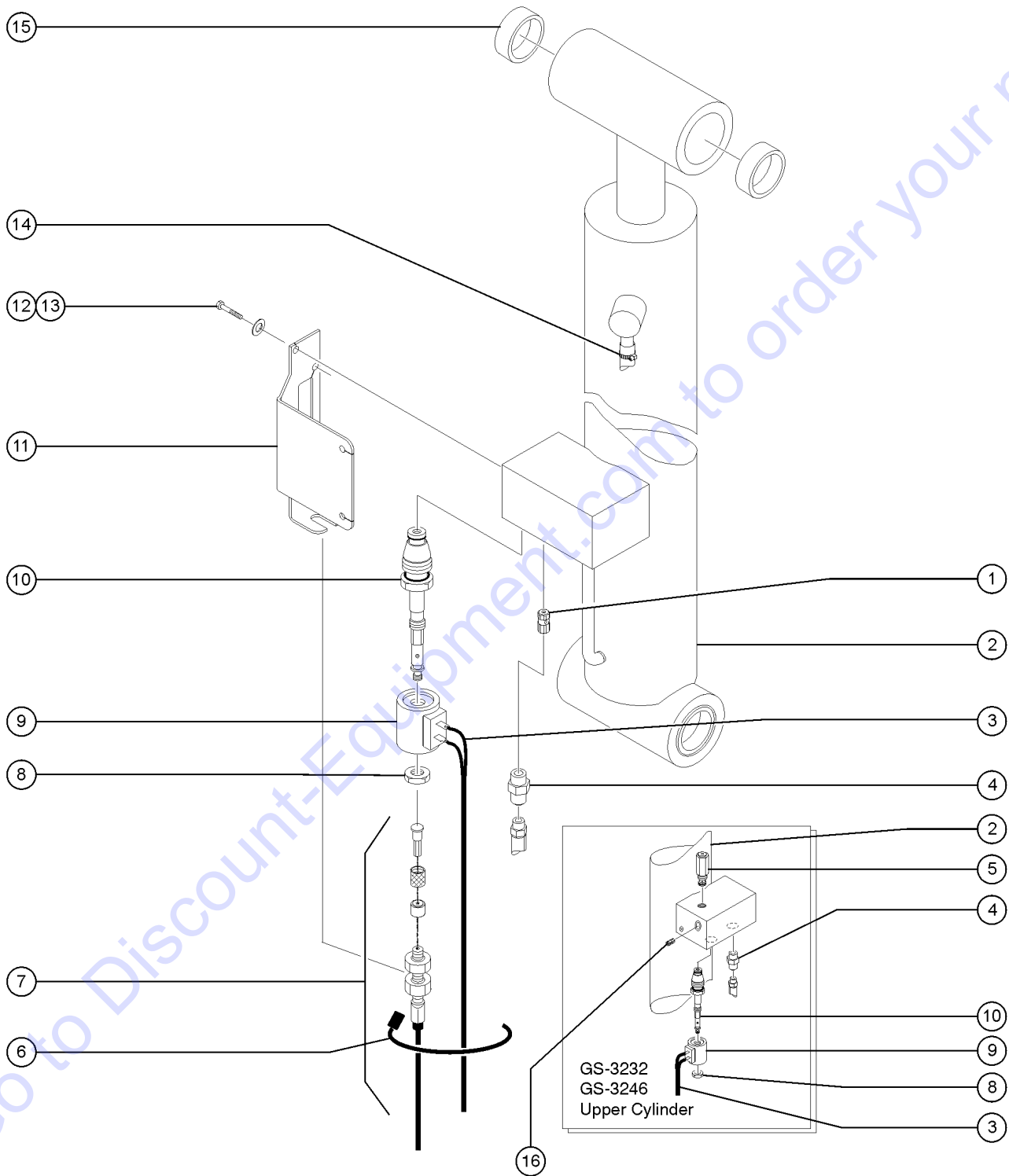
504.1 Hydraulic Power Unit, All Models



504.1 Hydraulic Power Unit, All Models

Item	Part No.	Description	Qty.
--	49812GT	ENCLOSING BAND KIT <i>Band Kit (EE models)</i>	
--	78006GT	FORMING,PADLOCK BRACKET	
--	44716GT	HANDLE,ANDERSON CONNECTOR SB	
1	40844GT	MOTOR,ELECTRIC,24VDC 4.5HP.....1	
--	43685GT	SEAL KIT,LIFT PUMP,BARNES**	
--	44777GT	BEARING,MOTOR	
--	44778GT	BEARING,MOTOR,36843,BRUSH END*	
2	44750GT	SPRING-BRUSH,40844, SCISSORS....4	
3	44752GT	COVER-BRUSH INSPEC.40844,SCISS.....4	
4	44751GT	BRUSH,PWR UNIT (40844)**.....4	
5	55921GT	SCREW,SHC,3/8-24 X 1.25"	
6	6021GT	WASHER,LOCK, .375	
7A	96193GT	PUMP,4CC GEAR,CCW***1 <i>(Bosch/Rexroth) (check pump ID plate for correct seal kit) (to SN GS3214A-119070, to GS4614A-117177, to GS3214C-11873, to GS4614C-12073)</i>	
--	85197GT	SEAL KIT,BOSCH PUMP*** <i>For Bosch PN 9510290001</i>	
7B	1255060GT	KIT, 5CC PUMP UPGRADE <i>For GS-32; Software required - order 219205 shown below (for SN GS3211A-110000 to 119070, for GS4611A-110000 to 117177, for GS4612C-10000 to 12073, for GS3212C-10000 to 11873, for GS4712C-101 to 1459)</i>	
--	T108662GT	PUMP,5.6CC GEAR,CCW <i>for 1255060GT</i>	
7C	T108662GT	PUMP,5.6CC GEAR,CCW.....1 <i>(from SN GS3214A-119071, GS4614A-117178, GS3214C-11874, GS4614C-12074)</i>	
--	236837GT	SEAL KIT,PUMP,5.6CC GEAR <i>for T108662GT</i>	
7D	219205GT	FLASH DRIVE,SL1K1.0 SOFTWARE <i>required software for 1255060GT</i>	

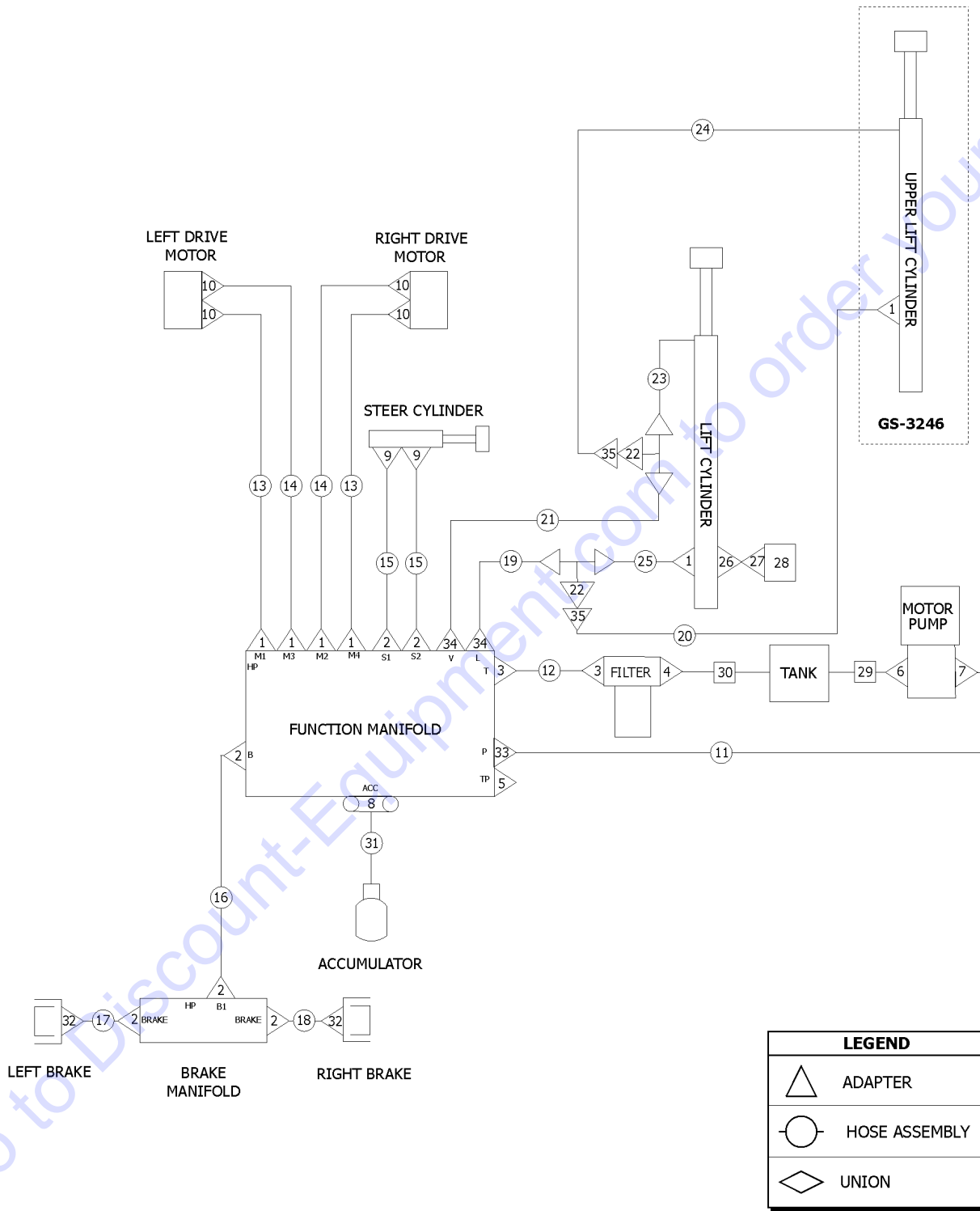
505.1 Lift Cylinder Assembly, All Models



505.1 Lift Cylinder Assembly, All Models

Item	Part No.	Description	Qty.	Item	Part No.	Description	Qty.
1A	55560GT	ORIFICE, LONG, .059" GS-2032, GS-2632, GS-2046, GS-2646, GS-3232, GS-3246		15	105478GT	BEARING, 1.5025IDX1.5075ODX1.5L.....4	4
--	105479GT	KIT, TWO ORIFICE, .059"		16	55558GT	ORIFICE, LONG, .037***.....1 GS-3232, GS-3246	1
--	105481GT	KIT, ORIFICE, .059"					
2A	105544GT	CYLINDER, 20XX LIFT.....1 GS-2032, GS-2046	1				
--	105549GT	SEAL KIT (105545) (for PN 105544)					
2B	105545GT	CYLINDER, 26XX/32XX LIFT.....1 GS-2632, GS-2646	1				
--	105549GT	SEAL KIT (105545) (for PN 105545)					
2C	105546GT	CYLINDER, 32XX UPPER LIFT.....1 GS-3232, GS-3246 (upper cylinder)	1				
--	105564GT	SEAL KIT (105546) (for PN 105546)					
2D	105545GT	CYLINDER, 26XX/32XX LIFT.....1 GS-3232, GS-3246 (lower cylinder)	1				
--	105549GT	SEAL KIT (105545) (for PN 105545)					
3		Ref. Down Coil Wire Harness (refer to 211.1)					
4	39878GT	CONNECTOR, 070120-6-6.....1	1				
5	97130GT	VALVE-RELIEF, 2500PSI					
5A	97130GT	VALVE-RELIEF, 2500PSI to SN GS3212A-112398; to SN GS3213C-10443; to SN GS4612A-111452; to SN GS4613C-10514					
--	44227GT	SEAL KIT, VALVE for 97130					
5B	237455GT	VALVE, RELIEF, 2900 PSI, BOSCH from SN GS3212A-112399; from SN GS3213C-10444; from SN GS4612-111453; from SN GS4613C-10515					
6	28443GT	CABLE TIE, 11.5" BLACK.....3	3				
7		Ref. Emergency Down Cable (refer to 203.1)					
8	44973GT	NUT, COIL (39909).....1	1				
9	84422GT	COIL-SOLENOID VALVE, 20V DC***.....1 (direct replacement for 66467)	1				
10	66465GT	VALVE, W/20V NC SOLENOID, MANUAL.....1 (includes items 7 and 8)	1				
--	40477GT	VALVE, CARTRIDGE***					
--	44979GT	SEAL KIT, 39909, PLAT LWR VALVE*					
11	41557-SGT	CABLE BRACKET, PAINTED.....1	1				
12	7339GT	SCREW, HHC, 1/4-20 X .5					
13	6356GT	WASHER, LOCK, .25					
14	96770GT	CLAMP, HOSE, 1 EAR, 11/16.....1	1				

506.1 Hydraulic Hoses and Fittings



506.1 Hydraulic Hoses and Fittings

Item	Part No.	Description	Qty.	Item	Part No.	Description	Qty.
--		<i>The hose lengths below reflect the length of the hose only. Refer to the 'Fittings Cross Reference' to match Genie part numbers to Parker part numbers.</i>		15	105578GT	HOSE,ASSY STEER,GS32/46.....2 (Components: 78855, 78855, and 78852 @ 36 inches)	2
--	66765-3000GT	WIRE LOOM, SPIRAL, 1-5/8 ID 30" used as hose protection on 3/8 hoses, sold by the inch		16A	105804GT	HOSE,ASSY,BRAKE MAN,GS32.....1 GS-2032, GS-2632, GS-3232 (Components: 78855, 78855, and 78852 @ 62 inches)	1
1	39878GT	CONNECTOR,070120-6-6.....	5	16B	105577GT	HOSE,ASSY,BRAKE,GS46.....1 GS-2046, GS-2646, GS-3246 (Components: 78855, 78855, and 78852 @ 65 inches)	1
2	39877GT	CONNECTOR,070120-4-4.....	6	17A	96391GT	HOSE, ASSY.....2 GS-2032, GS-2632, GS-3232 (Components: 78855, 78855, and 78852 @ 17 inches)	2
--	39882GT	PLUG,HEX SOCKET,090109B-4.....	1	17B	105803GT	HOSE,ASSY, BRAKE MAN,GS46.....2 GS-2046, GS-2646, GS-3246 (Components: 39890, 39890, and 78852 @ 22 inches)	2
3	66389GT	CONN,070120-8-6.....	2	18A	96391GT	HOSE, ASSY.....2 GS-2032, GS-2632, GS-3232 (Components: 78855, 78855, and 78852 @ 17 inches)	2
4	96398GT	CONNECTOR, 070120-12-8.....	1	18B	96749GT	HOSE, ASSY, BRAKE MAN, GS46.....2 GS-2046, GS-2646, GS-3246 (Components: 78855, 78855, and 78852 @ 20 inches)	2
5		Ref. Diagnostic Nipple 502.1		19	96750GT	HOSE, ASSY, LIFT.....1 (Components: 39890, 39890, and 56776 @ 42 inches)	1
6	22664GT	ELBOW,070220-12-10.....	1	20	96880GT	HOSE,ASSY,UPPER LIFT.....1 GS-3232, GS-3246 (Components: 39890, 39891, and 56776 @ 297 inches)	1
7	39876GT	ELBOW,070220-6-8.....	1	20B	96880GT	HOSE,ASSY,UPPER LIFT.....1 GS-3246 UK models (from SN GS4612C-10000 to 17150)	1
8	39877GT	CONNECTOR,070120-4-4.....	1	20C	1268105GT	HOSE,ASSY,UPPER LIFT.....1 GS-3246 UK models (from SN GS4616C-17151)	1
9A	13921GT	ELBOW,070220-4-4.....2 GS-2032, GS-2632, GS-2046, GS-2646	2	21	96881GT	HOSE,ASSY,VENT.....1 (Components: 96406, 96407, and 75631 @ 42 inches)	1
9B	13921GT	ELBOW,070220-4-4.....4 GS-3232, GS-3246	4	22	51152GT	TEE,RUN 070432-6****.....2 GS-3232, GS-3246	2
10A	39873GT	ELBOW,070220-6-6.....4 GS32A, GS46A	4	23	75631GT	HOSE,AIR 3/8.....161-inches (for hose ends see items 31 & 34)	161
10B	39873GT	ELBOW,070220-6-6.....4 (to SN GS3212C-15249)	4	23	96882GT	HOSE,LOWER VENT.....1 (Components: 75631 @ 161 inches)	1
10C	42283GT	ELBOW,070320-6-6.....2 (from SN GS3216C-15250)	2	24	96883GT	HOSE,UPPER VENT.....1 GS-3232, GS-3246 (Components: 105045, and 75631 @ 320 inches)	1
11A	96744GT	HOSE, ASSY, PRESSURE.....1 (Components: 39890, 39890, and 56776 @ 50 inches)	1	24B	96883GT	HOSE,UPPER VENT.....1 GS-3246 UK models (from SN GS4612C-10000 to 17150)	1
11B	236913GT	HOSE,ASSY,PRESSURE.....1 from SN GS4615C-15468	1				
12A	96348GT	HOSE, ASSY, MAN TO FILTER.....1 (Components: 96406, 96406, and 75631 @ 25 inches)	1				
12B	236914GT	HOSE,ASSY,MAN TO FILTER.....1 from SN GS4615C-15468	1				
13A	105802GT	HOSE ASSY,DRIVE MOTORS,GS32.....2 GS-2032, GS-2632, GS-3232 (Components: 39890, 39890, and 56776 @ 50 inches)	2				
13B	105801GT	HOSE ASSY,DRIVE MOTORS,GS46.....2 GS-2046, GS-2646, GS-3246 (Components: 39890, 39890, and 56776 @ 60 inches)	2				
14A	105579GT	HOSE ASSY,DRIVE MOTORS,GS32.....2 GS-2032, GS-2632, GS-3232 (Components: 39890, 39890, and 56776 @ 54 inches)	2				
14B	105580GT	HOSE ASSY,DRIVE MOTORS,GS46.....4 GS-2046, GS-2646, GS-3246 (Components: 39890, 39890, and 56776 @ 64 inches)	4				

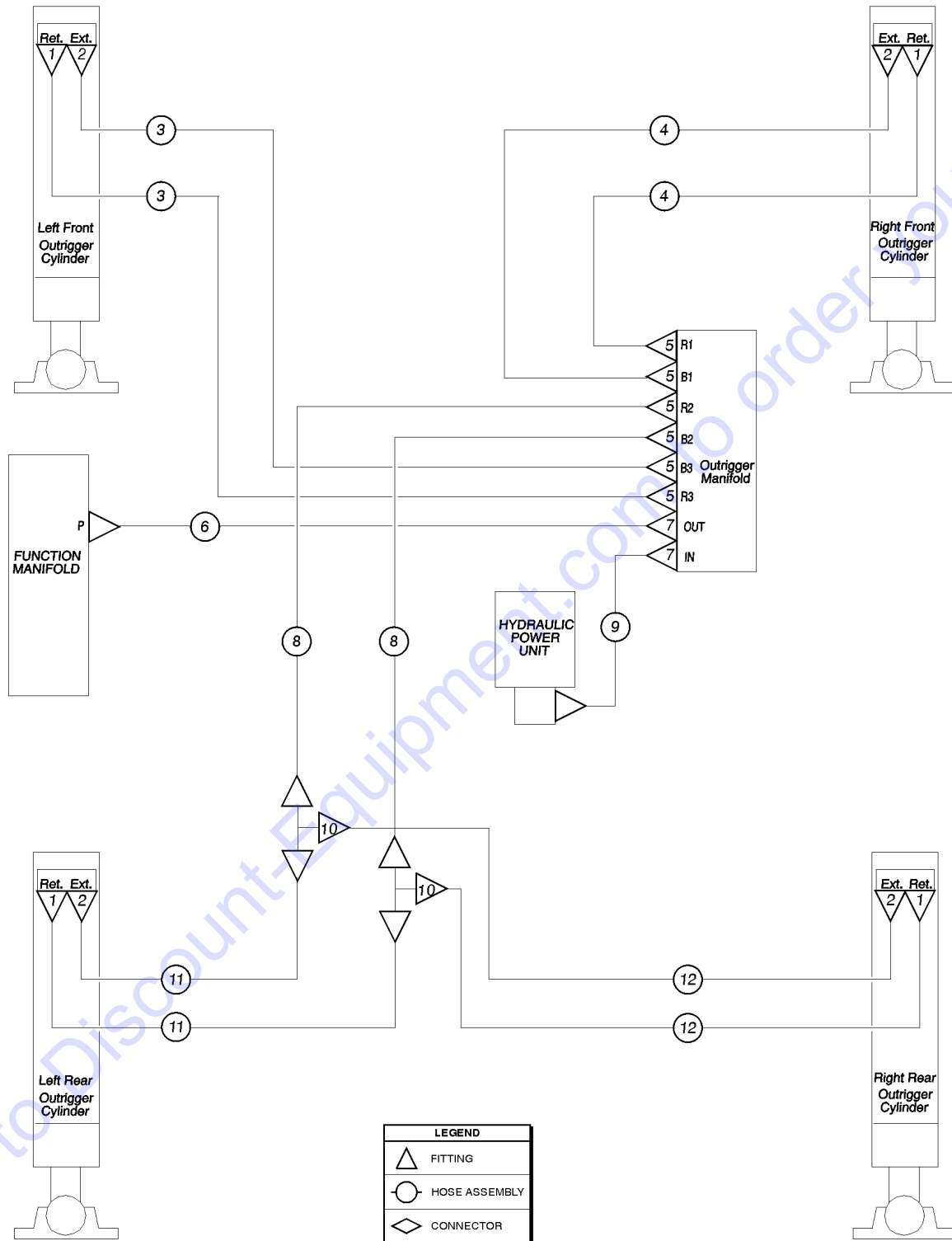
506.1 Hydraulic Hoses and Fittings (continued)

Item	Part No.	Description	Qty.
24C	1268107GT	HOSE,UPPER VENT.....1 GS-3246 UK models (from SN GS4616C-17151)	1
25	105046GT	HOSE ASSY,LOWER LIFT.....1 (Components: 39890, 47223, and 56776 @ 127 inches)	1
26	96885GT	CONN,SWIVEL,STR,THR,465OX-S.....1	1
27	39881GT	CONNECTOR,070120-4-6.....1	1
28		Ref.Pressure Switch 701.1.....1	1
29	96354GT	TUBE, ASSY, DRAW.....1	1
30	96355GT	TUBE, ASSY, RETURN.....1	1
31	105246GT	HOSE ASSY, MAN/ACCUM, GS32/46...1 (Components: 78855, 78855, and 78852 @ 17 inches)	1
32	39877GT	CONNECTOR,070120-4-4.....2	2
33A	39878GT	CONNECTOR,070120-6-6.....1	1
33B	237086GT	VALVE,CHECK,#6-#6,MJIC TO MORB...1 GS-3232, GS-3246 (Australia, CE)	1
34A	42283GT	ELBOW,070320-6-6.....2	2
34B	130011GT	HOSE CLAMP, SAE #6.....2 GS-3232, GS-3246	2
35	78091GT	ELBOW,SWIVEL NUT 90DEG, -6.....2 GS-3246 (UK models only) (from SN GS4616C-17151)	2

This Page Intentionally Left Blank

Go to Discount-Equipment.com to order your parts

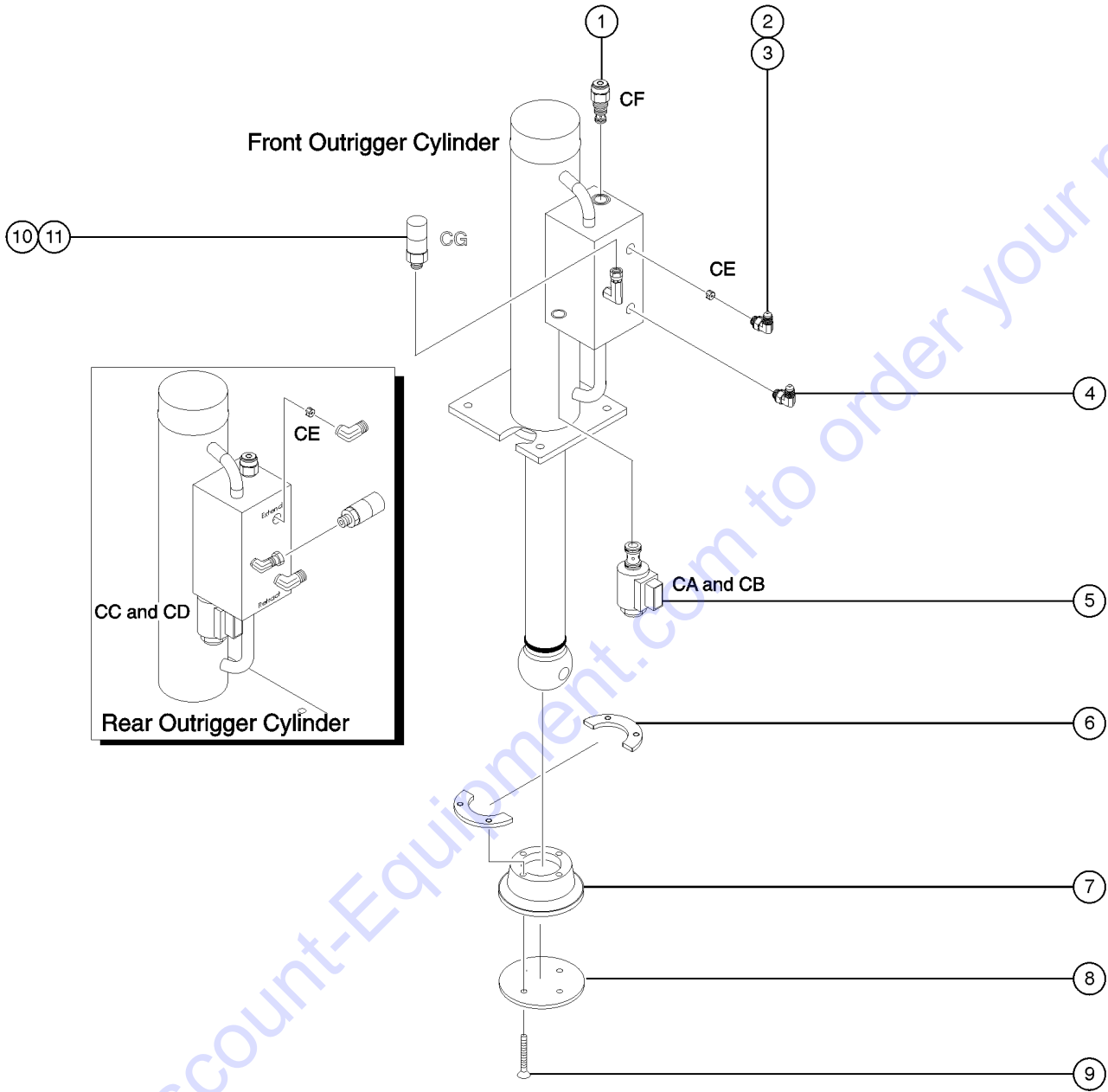
507.1 Hydraulic Hoses and Fittings, Outriggers, GS-3232



507.1 Hydraulic Hoses and Fittings, Outriggers, GS-3232

Item	Part No.	Description	Qty.
1	13921GT	ELBOW,070220-4-4.....	4
2	39875GT	ELBOW,070220-4-6.....	4
3	105645GT	HOSE ASSY,LT FRONTO/R,GS3232....2 (Components: 78855, 78855, and 78852 @ 12 inches)	2
4	105648GT	HOSE ASSY,RT FRONT O/R,GS3232....2 (Components: 78855, 78855, and 78852 @ 36 inches)	2
5	39877GT	CONNECTOR,070120-4-4.....	6
6	105650GT	HOSE ASSY,MANIFOLD, GS3232.....1 (Components: 39890, 39890, and 56776 @ 32 inches)	1
7	39878GT	CONNECTOR,070120-6-6.....	2
8	105649GT	HOSE ASSY,O/R MAN-T, GS3232.....2 (Components: 78855, 78855, and 78852 @ 60 inches)	2
9	105651GT	HOSE ASSY,PUMP-O/R MAN, GS3232.....	1
		(Components: 39890, 39890, and 56776 @ 56 inches)	
10	8342GT	TEE,UNION,070401-4.....	4
11	105646GT	HOSE ASSY,LT REAR O/R, GS3232....2 (Components: 78855, 78855, and 78852 @ 16 inches)	2
12	105647GT	HOSE ASSY,RT REAR O/R, GS3232....2 (Components: 78855, 78855, and 78852 @ 24 inches)	2

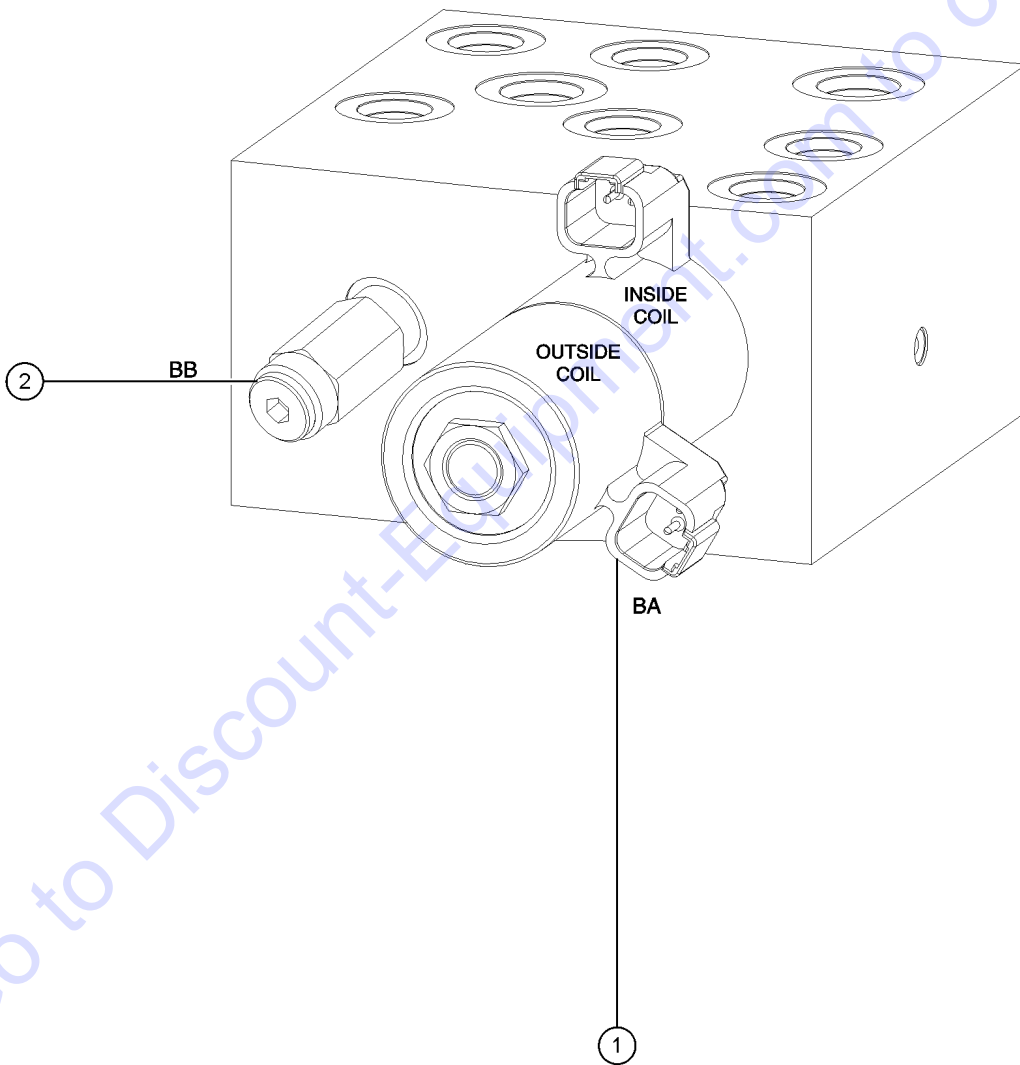
508.1 Outrigger Cylinders, Front and Rear, GS-3232



508.1 Outrigger Cylinders, Front and Rear, GS-3232

Item	Part No.	Description	Qty.
--	109877GT	CYLINDER,REAR OUTRIGGER <i>order valves, orifice and fittings separately</i>	
--	109878GT	CYLINDER,FRONT OUTRIGGER <i>order valves, orifice and fittings separately</i>	
--	144655GT	SEAL KIT,O/R CYLINDER*** <i>for 109877GT and 109878GT</i>	
1	105628GT	VALVE,CHECK,PILOT OPERATED.....1 <i>(3500 psi, 240 bar)</i>	
--	105695GT	SEAL KIT	
2	39875GT	ELBOW,070220-4-6.....1	
3	67744GT	ORIFICE,SHORT, 0.037 INCH.....1 <i>(0.037 inch; 0.94 mm)</i>	
4	13921GT	ELBOW,070220-4-4.....1	
5	105629GT	VALVE,SOLENOID 2 POS, 2 WAY.....1	
--	44228GT	SEAL KIT, VALVE	
6	109750GT	PLATE,FOOTPAD RING.....2	
7	109756GT	FOOTPAD,OUTRIGGER,3232.....1	
8	105575GT	FOOTPAD,NON MARKING.....1	
9	40945GT	SCREW,FHS,1/4-20 X 2.25	
10	229750GT	HARNES,PRESS,TRANSDUCER***.....1	
11	105652GT	FITTING,ELBOW 4-4, SAE.....1	

509.1 Outrigger Function Manifold, GS-3232

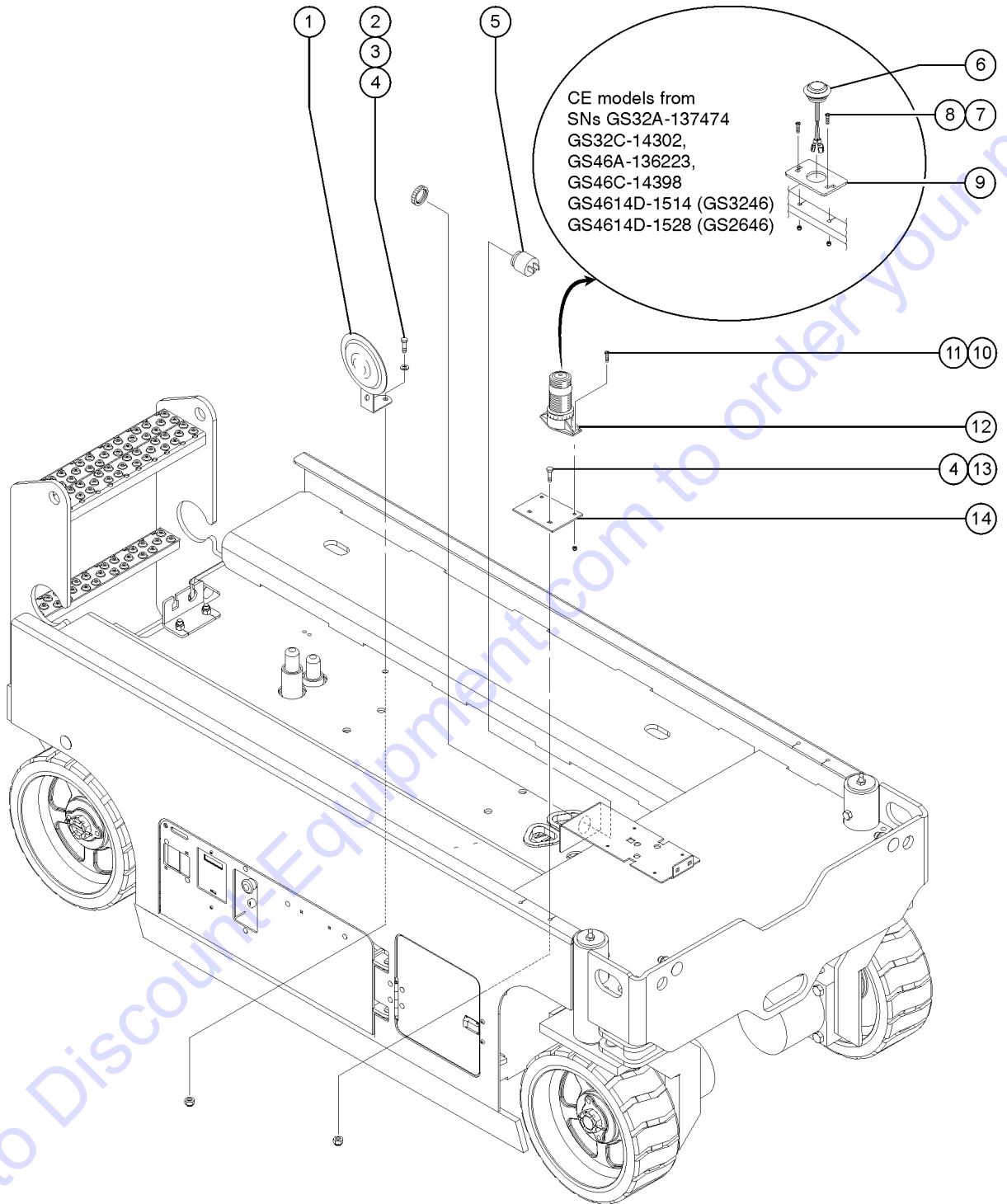


509.1 Outrigger Function Manifold, GS-3232

Item	Part No.	Description	Qty.
--	109757GT	MANIFOLD,OUTRIGGER OPTION	
--	49612GT	O-RING KIT (ORFS FITTINGS)	
--	49613GT	PLUG AND CAP KIT-SERVICE,ORFS*	
1	52376GT	VALVE,RELIEF,3500PSI*** (BB, Outrigger circuit)	
--	44227GT	SEAL KIT, VALVE	
2	52380GT	VALVE,SOLENOID,3POS4WAY,GS68 (BA, Outrigger extend/retract)	
--	44174GT	NUT-COIL SHORT	
--	44175GT	SPACER-DUAL COIL,#10, SCISSORS	
--	44230GT	SEAL KIT-P.N.44169,44172,44171	
--	84385GT	COIL,20VDC DEUTCSH W/DIODE	

Go to Discount-Equipment.com to order your parts

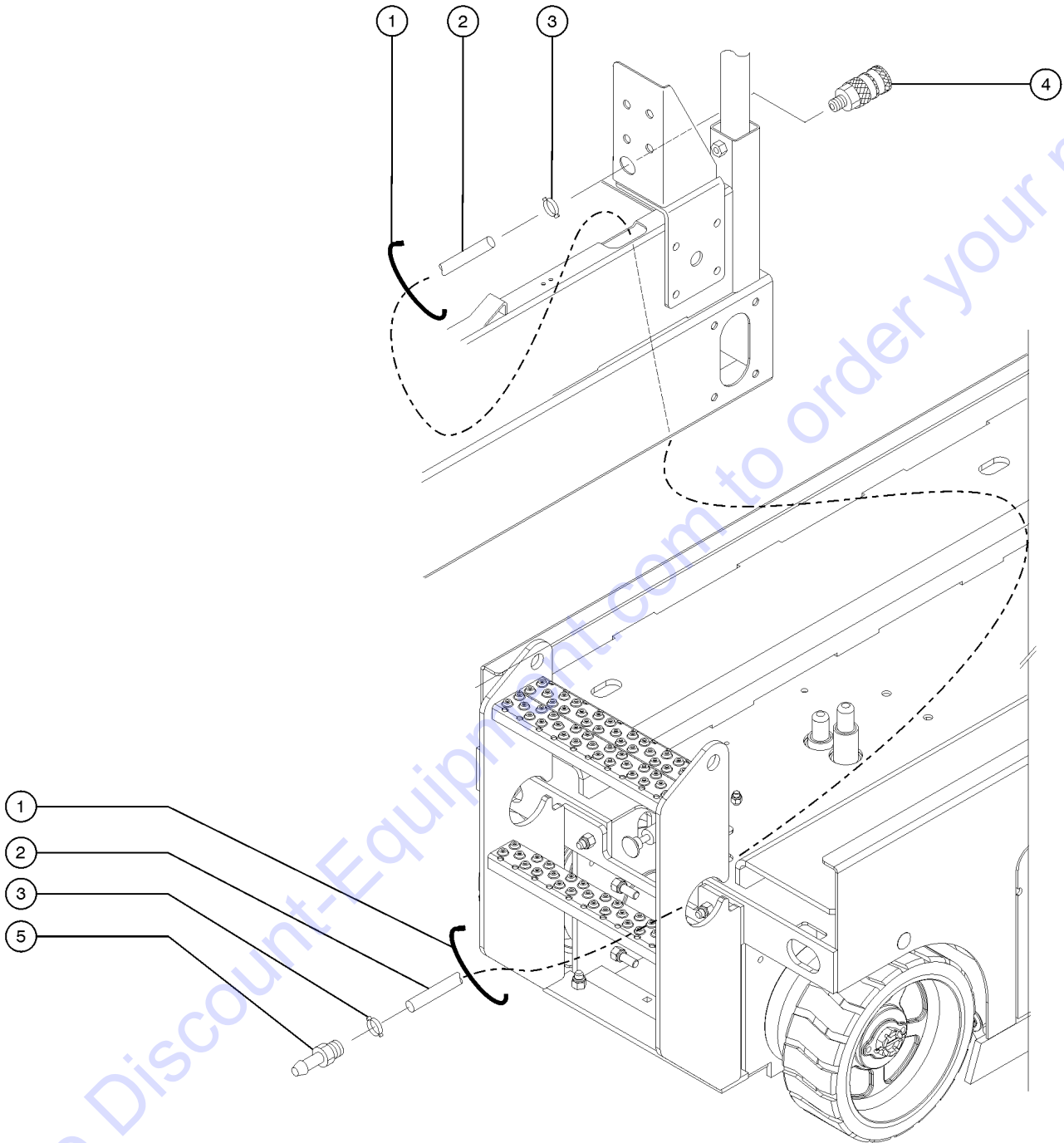
601.1 Alarm, Horn and Flashing Beacons



601.1 Alarm, Horn and Flashing Beacons

Item	Part No.	Description	Qty.
--	144046GT	KIT,BEACON,GENIE SCISSOR	
--	1260386GT	VISUAL INDICATOR LIGHTS <i>CE Models, from SN GS3215A-137474, GS4615A-136223, GS3215C-14302, GS4615C-14398, GS4614D-1514 (GS3246), and GS4614D-1528 (GS2646)</i>	
1A	81579GT	HORN,24VDC,SPADE TERMINALS***.....1	
1B	96484GT	ASSY,DIODE <i>for GS-3232</i>	
2	8914GT	SCREW,HHC,1/4-20 X .625	
3	6638GT	WASHER,FLAT,USS,1/4"Y	
4	6091GT	NUT,NYLOCK,1/4-20	
5	39540GT	ALARM,STEADY TONE***.....1 <i>Does not include 72326 nut</i>	
--	72326GT	NUT - PLASTIC,RING FOR ALARMS	
6	1261183GT	ASSEMBLY, VISUAL IND LIGHT.....2 <i>CE Models, from SN GS3215A-137474, GS4615A-136223, GS3215C-14302, GS4615C-14398, GS4614D-1514 (GS3246), and GS4614D-1528 (GS2646)</i>	
--	1254572GT	LIGHT,TURN SIGNAL,1.25" LED,AMB....2 <i>CE Models, from SN GS3215A-137474, GS4615A-136223, GS3215C-14302, GS4615C-14398, GS4614D-1514 (GS3246), and GS4614D-1528 (GS2646)</i>	
--	1261168GT	HARNES,VISUAL IND LIGHTS.....1 <i>CE Models, from SN GS3215A-137474, GS4615A-136223, GS3215C-14302, GS4615C-14398, GS4614D-1514 (GS3246), and GS4614D-1528 (GS2646)</i>	
7	9116GT	BOLT,CARRIAGE,1/4-20x1.25,G2.....4 <i>CE Models, from SN GS3215A-137474, GS4615A-136223, GS3215C-14302, GS4615C-14398, GS4614D-1514 (GS3246), and GS4614D-1528 (GS2646)</i>	
8	6889GT	NUT,LP NYLOCK,1/4-20.....4 <i>CE Models, from SN GS3215A-137474, GS4615A-136223, GS3215C-14302, GS4615C-14398, GS4614D-1514 (GS3246), and GS4614D-1528 (GS2646)</i>	
9	1261143GT	PLATE,VISUAL IND LIGHT MOUNT.....2 <i>CE Models, from SN GS3215A-137474, GS4615A-136223, GS3215C-14302, GS4615C-14398, GS4614D-1514 (GS3246), and GS4614D-1528 (GS2646)</i>	
10	49816GT	SCREW,PHILLIPS,PHM,10-32 X .75	
11	6178GT	NUT,NYLOCK,10-32	
12	231931GT	STROBE,BEACON, AC COMP 12-80V...2	
--	105556GT	LENS,FLASHING BEACON	
--	105557GT	BULB,FLASHING BEACON	
13	6878GT	BOLT,CARRIAGE,1/4-20 X .75,G2	
14	96363GT	PLATE,BEACON MOUNT.....2	

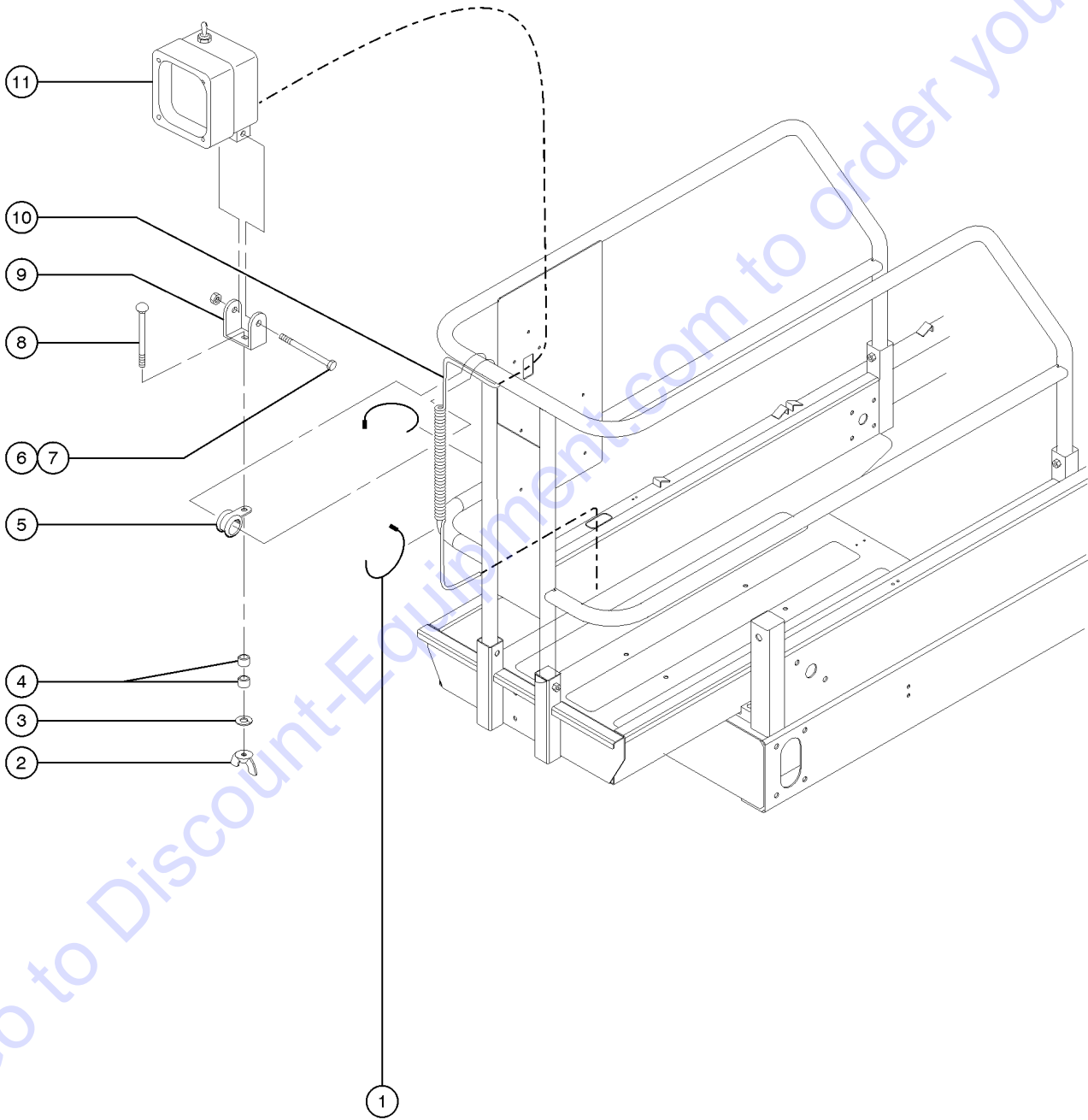
602.1 Air Line to Platform



602.1 Air Line to Platform

Item	Part No.	Description	Qty.
--	96731-SGT	AIR TO PLAT, GS20XX, ACC GS-2032, GS-2046	
--	96990-SGT	AIR TO PLAT, GS26XX, ACC GS-2632, GS-2646	
--	96991-SGT	AIR TO PLAT, GS3246, ACC GS-3232, GS-3246	
1	28443GT	CABLE TIE, 11.5" BLACK	
2A	27903GT	HOSE, LOW PRESSURE, .375 ID, BLK.....390-inches GS-2032, GS-2046	
2B	27903GT	HOSE, LOW PRESSURE, .375 ID, BLK.....490-inches GS-2632, GS-2646	
2C	27903GT	HOSE, LOW PRESSURE, .375 ID, BLK.....590-inches GS-3232, GS-3246	
3	45454GT	CLAMP, RUB CUSH, 0.75, #12 X 3/8*1	
4	96543GT	COUPLER, 1/4" SERIES, 3/8 P-LOK1	
5	96542GT	PLUG, 1/4" SERIES, 3/8 P-LOCK***1	

603.1 Platform Work Light

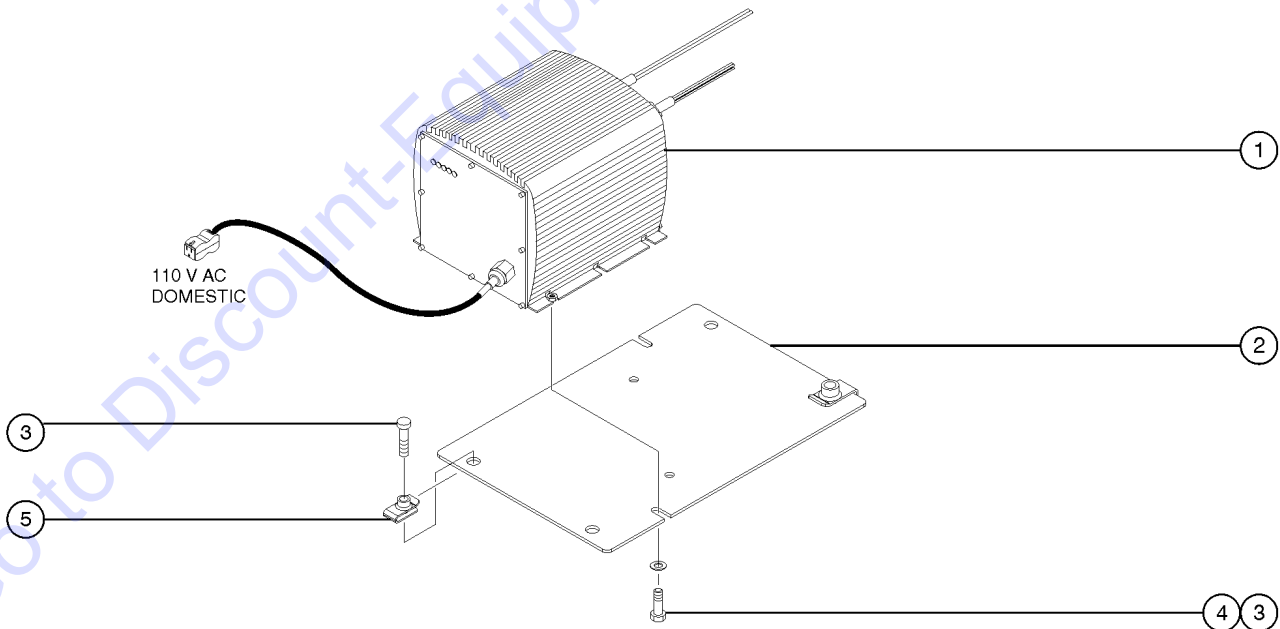
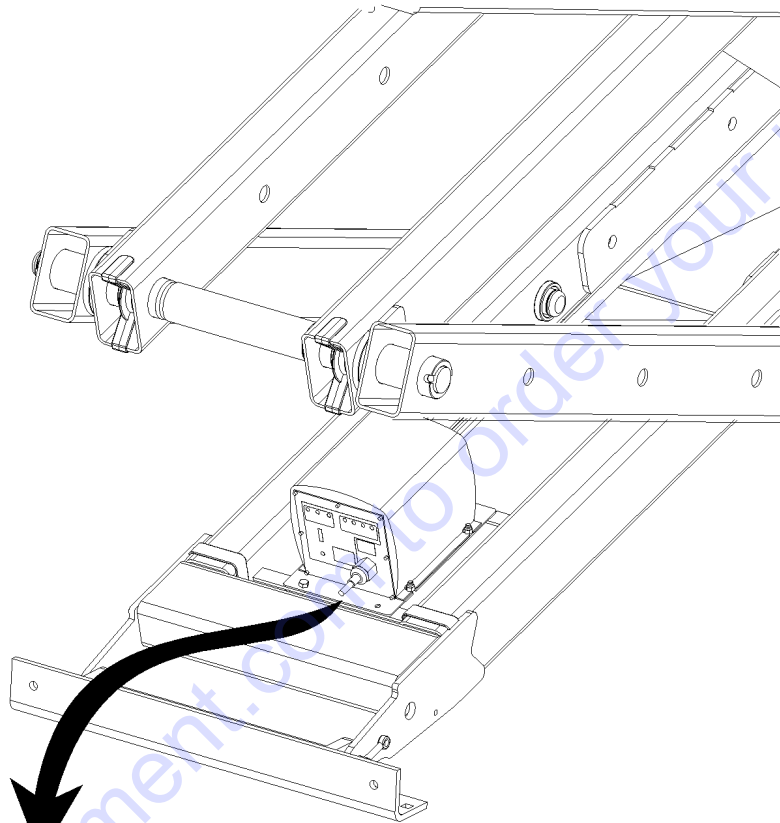


Go to Discount-Equipment.com to order your parts

603.1 Platform Work Light

Item	Part No.	Description	Qty.
--	105971GT	WORKLIGHT PIGTAIL ASSY <i>(chassis)</i>	
--	105973GT	WORKLIGHT CABLE,GS19/20XX <i>(linkset) GS-2032, GS-2046</i>	
--	105974GT	WORKLIGHT CABLE,GS26XX <i>(linkset) GS-2632, GS-2646</i>	
--	105975GT	WORKLIGHT CABLE,GS32XX <i>(linkset) GS-3232, GS-3246</i>	
1	28443GT	CABLE TIE,11.5" BLACK.....	10
2	69229GT	NUT,WING 5/16-18.....	1
3	6886GT	WASHER,LOCK,.313	
4	5397GT	WASHER,FLAT,USS,5/16",Y..... <i>add sufficient washers to equal aproximately 0.435 inch thickness of each spacer</i>	2
5	33784GT	CLAMP,1.31,#21 X 1/4,RUB CUSH.....	1
6	50793GT	SCREW,HHC,5/16-18 X 2	
7	6782GT	NUT,NYLOCK,5/16-18	
8	65439GT	BOLT,CARRIAGE,5/16-18 X 2.0,G2	
9	144009GT	WORKLIGHT BRACKET.....	1
10	65721GT	COIL CORD,WORKLIGHT(144011).....	1
11	144011GT	WORKLIGHT,24V,COIL CORD.....	1

604.1 Voltage Inverter

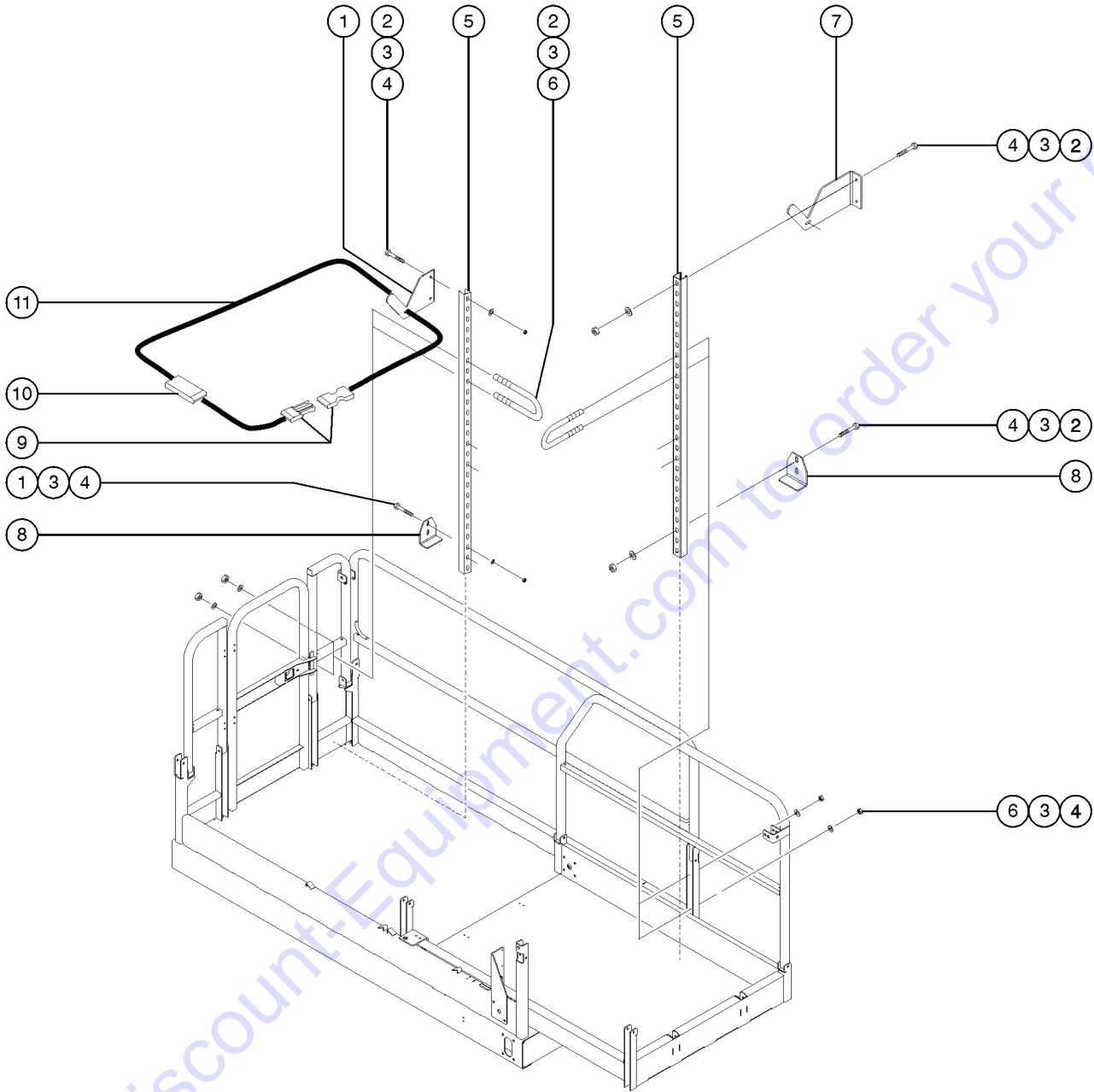


604.1 Voltage Inverter

Item	Part No.	Description	Qty.
1	96950GT	INVERTER,24VDC,110/230 VAC***.....1	
2	105129GT	PLATE, INVERTER MOUNT.....1	
3	6090GT	SCREW,HHC,1/4-20 X .75	
4	6638GT	WASHER,FLAT,USS,1/4"Y	
5	56912GT	SPRING CLIP,1/4-20,.025-.15X.54,ZAG.....2	

Go to Discount-Equipment.com to order your parts

605.1 Pipe Cradle Assembly, GS-2046, GS-2646, GS-3246

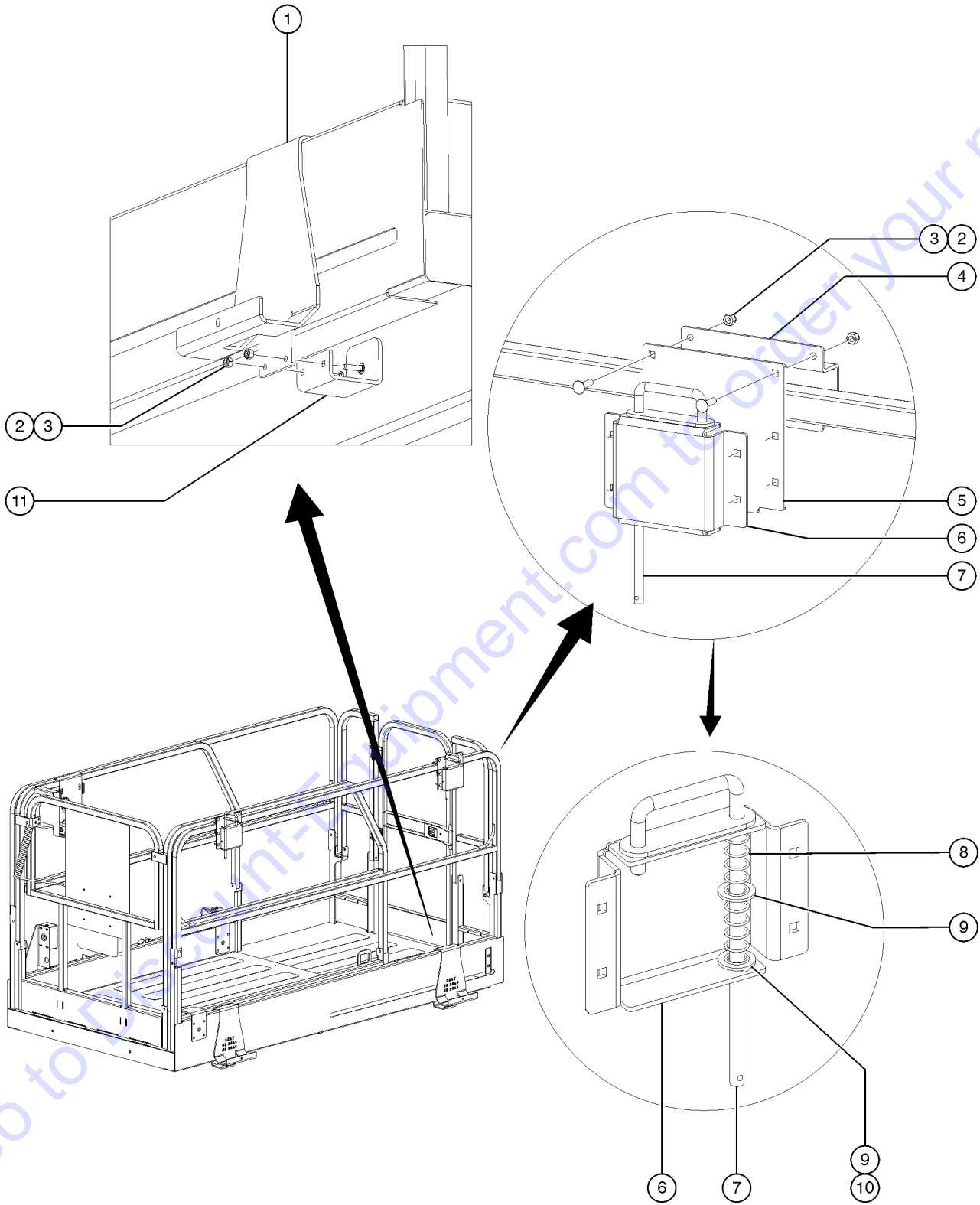


605.1 Pipe Cradle Assembly, GS-2046, GS-2646, GS-3246

Item	Part No.	Description	Qty.
--	72878GT	PIPE CRDL,SQ RAILINGS,GS46	
1	79156GT	PLATE,PIPE HOLDER, GS68.....	1
2	14033GT	SCREW,HHC,3/8-16 X 2.75	
3	6097GT	WASHER,FLAT,USS,3/8",Y	
4	4828GT	NUT,NYLOCK,3/8-16	
5	66171GT	CHANNEL,PIPE RACK.....	2
6	66472GT	U-BOLT, SQR, 3/8-16X2X5, PLTD.....	4
7	66169GT	FORMING, PIPE HOLDER RACK.....	1
8	66170GT	FORMING, PIPE RACK BASE.....	2
9	100810GT	BUCKLE & SLIDE STRAP SET.....	1
10	35643GT	BUCKLE,SIDE RELEASE.....	2
11	35642GT	STRAP,NYLON,1.0 IN. BLACK.....	96-inches

Go to Discount-Equipment.com to order your parts

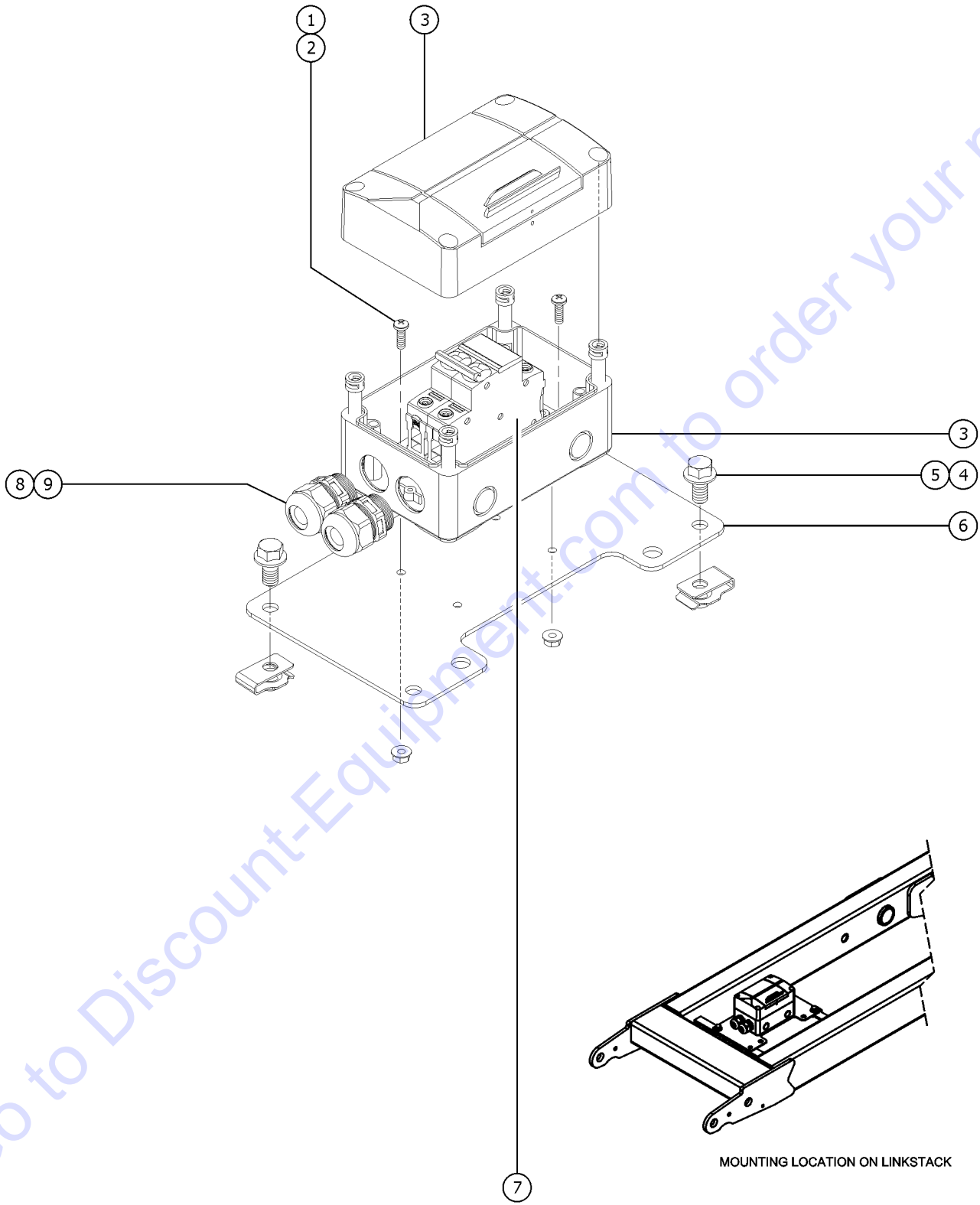
606.1 Panel Carrier Assembly, GS-2046, GS-2646 (ANSI/CSA models)



606.1 Panel Carrier Assembly, GS-2046, GS-2646 (ANSI/CSA models)

Item	Part No.	Description	Qty.
A	1251827GT	ACCESSORY, PANEL CARRIER <i>For GS-2046 and GS-2646 only (ANSI/CSA models only) (not approved for use on CE or AUS models)</i>	
1	1251805GT	FORMING, PANEL HOOK.....	2
2	6091GT	NUT,NYLOCK,1/4-20	
3	124576GT	BOLT,CARRIAGE,1/4-20X1.00 G5	
4	1251809GT	FORMING, RAIL CLAMP.....	2
5	1251808GT	PLATE, COVER.....	2
6	1251807GT	FORMING, HOUSING, CLAMP.....	2
7	1251812GT	WELDMENT, CLAMP.....	2
8	1251813GT	SPRING, .660 X 2.00, 14.8 #/IN.....	4
9	6097GT	WASHER,FLAT,USS,3/8",Y	
10	12016GT	PIN,COTTER,.125 X .75.....	2
11	1251806GT	FORMING, RETAINER.....	2

607.1 RCBO



PARTS FINDER

**Search Website
by Part Number**



**Search Manual
Library For Parts
Manual & Lookup Part
Numbers – Purchase
or Request Quote**

Search Manuals

Enter your information to help us find the right parts manual for your machine.

* Brand:

* Model:

* Serial:

* Part Number:

SEARCH

**Can't Find Part or
Manual? Request Help
by Manufacturer,
Model & Description**

Parts Order Form

Please fill in the following information to help us find the right part for your machine.

Manufacturer:	<input type="text"/>
Model:	<input type="text"/>
Description:	<input type="text"/>
Part Number:	<input type="text"/>
Quantity:	<input type="text"/>
Notes:	<input type="text"/>

Submit

Discount-Equipment.com is your online resource for quality parts & equipment.

Florida: **561-964-4949** Outside Florida TOLL FREE: **877-690-3101**

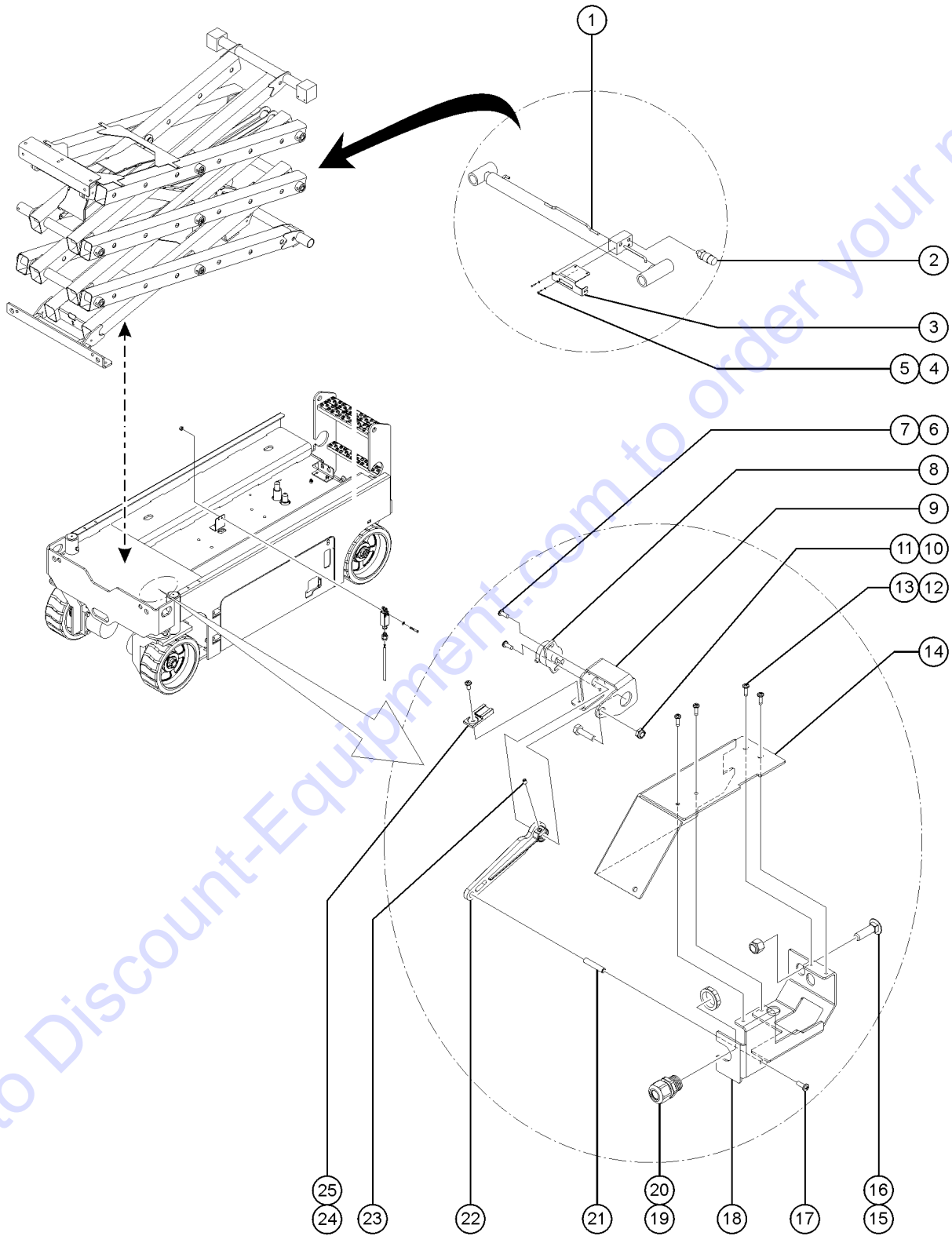
Need parts?

Click on this link: <http://www.discount-equipment.com/category/5443-parts/> and choose one of the options to help get the right parts and equipment you are looking for. Please have the machine model and serial number available in order to help us get you the correct parts. If you don't find the part on the website or on one of the online manuals, please fill out the request form and one of our experienced staff members will get back to you with a quote for the right part that your machine needs.

We sell worldwide for the brands: Genie, Terex, JLG, MultiQuip, Mikasa, Essick, Whiteman, Mayco, Toro Stone, Diamond Products, Generac Magnum, Airman, Haulotte, Barreto, Power Blanket, Nifty Lift, Atlas Copco, Chicago Pneumatic, Allmand, Miller Curber, Skyjack, Lull, Skytrak, Tsurumi, Husquvarna Target, Stow, Wacker, Sakai, Mi-T-M, Sullair, Basic, Dynapac, MBW, Weber, Bartell, Bennar Newman, Haulotte, Ditch Runner, Menegotti, Morrison, Contec, Buddy, Crown, Edco, Wyco, Bomag, Laymor, EZ Trench, Bil-Jax, F.S. Curtis, Gehl Pavers, Heli, Honda, ICS/PowerGrit, IHI, Partner, Imer, Clipper, MMD, Koshin, Rice, CH&E, General Equipment, Amida, Coleman, NAC, Gradall, Square Shooter, Kent, Stanley, Tamco, Toku, Hatz, Kohler, Robin, Wisconsin, Northrock, Oztec, Toker TK, Rol-Air, APT, Wylie, Ingersoll Rand / Doosan, Innovatech, Con X, Ammann, Mecalac, Makinex, Smith Surface Prep, Small Line, Wanco, Yanmar

Item	Part No.	Description	Qty.
1	1257227GT	SCREW,PHPM,10-32X.625,ZAG.....	2
2	1256467GT	NUT,TL FLG,10-24,F,ZAG.....	2
3	1269086GT	ENCLOSURE, FUSE, MODULAR, 150X.....	1
4	824089GT	SCREW,HHF,3/8-16X.75,8,ZAG.....	2
5	29868GT	SPRING CLIP,3/8-16,.05-.20X.73,ZAG...	2
6	1274540GT	PLATE, RCBO, GS.....	1
7	231868GT	RCBO,16A,30MA,6KA 110/230VAC.....	1
8	1269087GT	CONNECTOR, SQUEEZE, M25, 6-13MM.....	2
9	1269107GT	NUT, PLASTIC, M25, GREY.....	2
10	43956GT	WIRE CABLE,14/3 CON.TPE JKT*..... <i>not shown</i>	115-inches
11	1262911GT	SLEEVE, CABLE-END, 14AWG, 2.5MM..... <i>for 43956</i>	6

701.1 Platform Overload



Go to Discount-Equipment.com to order your parts

701.1 Platform Overload

Item	Part No.	Description	Qty.	Item	Part No.	Description	Qty.
1		Ref: Lift Cylinder.....1 (refer to 505.1)	1	23	229146GT	SCREW,SET,8-32X.25.....1	1
2A	229750GT	HARNES,PRESS,TRANSDUCER***.....1 GS-2032, GS-2046, GS-2632, GS-2646, GS-3246 (includes transducer)	1	24	T113139GT	CLIP,DTM,RECEPTACLE.....1	1
2B	237472GT	PRESSURE TRANSDUCER,1K-3K PSI.....1 GS-3232 (Australia & CE)	1	25	39579GT	RIVET,STL,STL,.188 X .45.....1	1
3	41557-SGT	CABLE BRACKET,PAINTED.....1	1				
4	7339GT	SCREW,HHC,1/4-20 X .5.....1	1				
5	6356GT	WASHER,LOCK,.25.....1	1				
6A	57075GT	SCREW,PHIL,8-32X.50,SELF TAP.....7	7				
6B	55906GT	SCREW,PHILLIPS,PHM,8-32 X .5.....2 (used with 161981)	2				
7	18605GT	NUT,NYLOCK,8-32.....2 (used with 161981)	2				
8	T113136GT	ASSY,ROT SENSR W/ HARNES.....1	1				
9A	227169GT	FRMNG,ARM SENSOR BRCKT,32/46....1 (to SN GS3214A-136070 and SN GS4614A-135498)	1				
9B	161981GT	FRMNG,ARM SENSOR BRCKT,32/46....1 (from SN GS3214A-136071 and SN GS4614A-135499)	1				
10	7713GT	NUT, LP NYLOCK, 3/8-16.....1	1				
11	6175GT	SCREW,HHC,3/8-16 X 1.....1	1				
12	8914GT	SCREW,HHC,1/4-20 X .625.....2 (used with 161977)	2				
13	56912GT	SPRING CLIP,1/4-20,.025-.15X.54,ZAG.....2 (used with 161977)	2				
14A	227170GT	FRMNG,SENSOR COVER,32/46.....1 (to SN GS3214A-136070 and SN GS4614A-135498)	1				
14B	161977GT	FRMG,SENSOR COVERING.....1 (from SN GS3214A-136071 and SN GS4614A-135499)	1				
15	96203GT	BOLT,CARRIAGE,1/2-13X1.75, G5.....1	1				
16	6198GT	NUT,NYLOCK,1/2-13.....1	1				
17	49819GT	SCREW,PHILLIPS,PHM,10-32 X .5.....1	1				
18A	T113141GT	FRMG,CHASSIS BRKT.....1 (to SN GS3214A-136070 and SN GS4614A-135498)	1				
18B	161975GT	FRMG,CHASSIS BRKTING.....1 (from SN GS3214A-136071 and SN GS4614A-135499)	1				
19	33576GT	CONN,SQZ,BLK,1/2NPT,.38-.50,SM.....1	1				
20	T115429GT	NUT,CORDGRIP,1/2 NPT.....1	1				
21	T113142GT	OFFSET, RDN, 1/4-1.25,10-32.....1	1				
22	T114082GT	LEVER ARM,ANGLE SENSR ACTUATOR.....1	1				

Part Number Index

The Part Number Index is a numeric index of all part numbers included in this manual. The index shows what page(s) the part is used on.

Part Number	Page	Part Number	Page	Part Number	Page	Part Number	Page
100810GT	197	105580GT	179-180	12013GT	152, 156	1259223GT	152, 155-156
104804GT	151-152, 155-156	105628GT	185	12016GT	115, 199	1260386GT	189
105004GT	151-152	105629GT	185	122994GT	123	1260941GT	145, 147, 149
105021GT	149	105634GT	137	124576GT	199	1261143GT	189
105023GT	152	105643GT	141	1251805GT	199	1261168GT	189
105024GT	151-152	105644GT	141	1251806GT	199	1261183GT	189
105026GT	152	105645GT	183	1251807GT	199	1261335GT	121
105029GT	145, 147, 149	105646GT	183	1251808GT	199	1261888GT	171
105030GT	145	105647GT	183	1251809GT	199	1262911GT	201
105031GT	147	105648GT	183	1251812GT	199	1263220GT	125-126
105046GT	180	105649GT	183	1251813GT	199	1263221GT	125-126
105051GT	109	105650GT	183	1251827GT	199	1263471GT	159
105057GT	151-152	105651GT	183	1252764GT	123	1263532GT	129
105060GT	115	105652GT	185	1254572GT	189	1263533GT	129
105067GT	173	105664GT	113, 129	1255060GT	175	1264822GT	125-126, 129, 131, 133
105069GT	115	105688GT	137	1256467GT	201	1264834GT	125-126, 129, 131, 133
105074GT	145, 147, 149	105695GT	185	1256656GT	165	1264843GT	113
105080GT	111	105708GT	129	1256658GT	165	1268105GT	179-180
105090GT	159	105732GT	123	1256702GT	17, 19, 25, 27, 41, 43, 49, 51, 57, 59, 65, 67, 73, 75, 89, 91, 97, 99, 105, 107, 165	1268107GT	180
105091GT	152	105734GT	123			1268GT	11
105092GT	111, 137, 143, 145, 147, 149	105736GT	113	1256703GT	17, 19, 25, 27, 41, 43, 49, 51, 57, 59, 65, 67, 73, 75, 89, 91, 97, 99, 105, 107, 165	1269086GT	201
105093GT	152	105739GT	119			1269087GT	201
105099GT	151-152	105758GT	137			1269107GT	201
105100GT	111	105759GT	123			1270456GT	117
105117GT	159	105801GT	179-180			1274540GT	201
105118GT	159	105802GT	179-180			1280665GT	159
105129GT	195	105803GT	179-180			128118GT	113
105140GT	111	105804GT	179-180			1284236GT	113
105146GT	152	105812GT	159			1284266GT	151-152
105150GT	117	105971GT	193			1284268GT	155-156
105156GT	115	105973GT	193			1284414GT	113
105186GT	145, 147, 149	105974GT	193			13000GT	117
105187GT	149	105975GT	193			130011GT	180
105188GT	149	10775GT	159			13066GT	111
105189GT	145, 147, 149	10777GT	159			133276GT	15, 23, 31, 39, 47, 55
105190GT	145, 147, 149	109735GT	137			133531GT	29, 31, 77, 79
105191GT	145, 147, 149	109737GT	137			133596GT	17, 19, 25, 27, 41, 43, 49, 51, 57, 59
105192GT	149	109745GT	137				
105193GT	145, 147, 149	109749GT	137				
105210GT	141	109750GT	185				
105211GT	141	109756GT	185				
105214GT	125-126	109757GT	187				
105246GT	180	109877GT	185				
105308GT	121	109878GT	185				
105334GT	119	109893GT	115				
105388GT	137	109894GT	115				
105448GT	159	114324GT	33, 35, 81, 83, 95, 103				
105454GT	109, 111	114334GT	63, 71, 79, 87, 95, 103				
105463GT	171	114337GT	61, 69, 77, 85, 93, 101				
105467GT	117						
105478GT	177	114338GT	65, 67, 73, 75, 81, 83, 89, 91, 97, 99, 105, 107				
105479GT	177						
105481GT	177	114359GT	33, 35				
105483-SGT	159	114360GT	13, 21, 29, 37, 45, 53				
105544GT	177						
105545GT	177	114361GT	13, 21, 29, 37, 45, 53, 61, 69, 77, 85, 93, 101				
105546GT	177						
105547GT	169	114362GT	29, 31, 77, 79				
105549GT	177	114370GT	61, 69, 77, 85, 93, 101				
105550GT	169						
105553GT	169	114371GT	81, 83				
105554GT	169	114372GT	61, 63, 69, 71, 77, 79, 85, 87, 93, 95, 101, 103				
105555GT	169						
105556GT	189	114385GT	13, 15, 21, 23, 29, 31, 37, 39, 45, 47, 53, 55				
105557GT	189						
105564GT	177	114386GT	17, 19, 25, 27, 33, 35, 41, 43, 49, 51, 57, 59				
105565GT	109						
105572GT	123						
105574GT	139						
105575GT	185						
105577GT	179-180						
105578GT	179-180	114428GT	33, 35				
105579GT	179-180	115114GT	149				
				1258334GT	161-162	137637GT	123, 162, 165
				1258337GT	161-162	137640GT	162, 165
				1258338GT	161-162	137642GT	162
				1258339GT	161-162	137656GT	17, 19, 25, 27, 33, 35, 41, 43, 49, 51, 57, 59, 73, 75, 89, 91, 97, 99, 105, 107, 161-162
				1258361GT	161-162		
				1258365GT	161-162		
				1258366GT	161-162		
				1258384GT	161-162		
				1258394GT	125-126		
				1258515GT	161-162		
				1258567GT	11	137668GT	123
				1258731GT	165	137673GT	123

Part Number Index (continued)

Part Number	Page	Part Number	Page	Part Number	Page	Part Number	Page
137692GT	123	217286GT	101	233477GT	33, 35	39474GT	151-152, 155-156
137693GT	33, 35, 81, 83, 161-162	217287GT	61	233644GT	125-126, 129		
137699GT	162, 165	217288GT	61	233711GT	125-126, 129	39509GT	151-152
137711GT	162	217289GT	69	234168GT	125-126, 129	39510GT	151-152
137769GT	117	217290GT	69	235463GT	167	39540GT	113, 161-162, 165, 189
137770GT	117	217291GT	77	235464GT	162, 165		
13921GT	179-180, 183, 185	217292GT	77	236837GT	175	39542GT	115
14033GT	147, 197	217294GT	85	236913GT	179-180	39579GT	151-152, 155-156, 203
144009GT	193	217295GT	85	236914GT	179-180		
144011GT	193	217296GT	93	237086GT	171, 180	39873GT	179-180
144046GT	189	217297GT	93	237455GT	177	39875GT	183, 185
144130GT	119	217298GT	101	237472GT	203	39876GT	179-180
144161GT	159	217299GT	101	237565GT	145, 147, 149	39877GT	173, 179-180, 183
144180GT	119	218579GT	125-126, 129	24514GT	152, 155-156		
144213GT	126, 129	219205GT	161-162, 175	25388GT	159	39878GT	177, 179-180, 183
144215GT	126	219480GT	119	27581GT	11		
144226GT	113	22446GT	151-152, 155-156	27903GT	191	39881GT	180
144374GT	109			28131GT	131, 133, 135	39882GT	179-180
144655GT	185	226163GT	121	28174GT	15, 17, 19, 23, 25, 27, 31, 33, 35, 39, 41, 43, 47, 49, 51, 55, 57, 59, 63, 65, 67, 71, 73, 75, 79, 81, 83, 87, 89, 91, 95, 97, 99, 103, 105, 107	40434GT	17, 19, 25, 27, 33, 35, 41, 43, 49, 51, 57, 59, 65, 67, 73, 75, 81, 83, 89, 91, 97, 99, 105, 107
1484GT	11	22664GT	179-180				
150104GT	171	227169GT	203			40477GT	177
150105GT	171	227170GT	203			40833GT	117, 133, 135
15086GT	109	228406GT	113			40844GT	175
161975GT	203	228786GT	125-126	28175GT	15, 23, 31, 39, 47, 55	40945GT	185
161977GT	203	228928GT	17, 25, 33	28176GT	17, 19, 25, 27, 33, 35, 41, 43, 49, 51, 57, 59	41557-SGT	177, 203
161981GT	203	228929GT	19, 27, 35			41630GT	151-152, 155-156
16487GT	113	228931GT	41, 49, 57				
18383GT	145, 147, 149	228932GT	43, 51, 59			42079GT	111
18503GT	117	228936GT	67	28235GT	15, 17, 19, 23, 25, 27, 31, 33, 35, 39, 41, 43, 47, 49, 51, 55, 57, 59, 63, 65, 67, 71, 73, 75, 79, 81, 83, 87, 89, 91, 95, 97, 99, 103, 105, 107	42283GT	179-180
18504GT	109, 139, 145, 147, 149	228937GT	75, 83			4266GT	151-152, 155-156
18605GT	113, 159, 203	228938GT	91				
18722GT	109	228939GT	99			43137GT	123
19491GT	113, 115	228940GT	107			43392GT	152, 155-156
20224GT	171	229086GT	167	28236GT	17, 19, 25, 27, 33, 35, 41, 43, 49, 51, 57, 59	43618GT	17, 19, 25, 27, 33, 35, 41, 43, 49, 51, 57, 59, 65, 67, 73, 75, 81, 83, 89, 91, 97, 99, 105, 107
21253GT	109	229087GT	167				
21279GT	151-152, 155-156	229088GT	167	28443GT	151-152, 177, 191, 193	43658GT	13, 15, 21, 23, 29, 31, 37, 39, 45, 47, 53, 55, 63, 71, 79, 87, 95, 103
214544GT	167	229089GT	167				
217251GT	13	229090GT	167	29868GT	201	43685GT	175
217252GT	13	229091GT	167	30217GT	147	43956GT	159, 201
217253GT	21	229092GT	167	30784-2550GT	117	44163GT	11
217254GT	21	229093GT	167	31060GT	13, 21, 29, 37, 45, 53	44168GT	171
217255GT	29	229094GT	167			44169GT	171
217256GT	29	229097GT	167	31508GT	13, 15, 21, 23, 29, 31, 37, 39, 45, 47, 53, 55	44171GT	171
217257GT	37	229146GT	203			44174GT	171, 187
217258GT	37	229670GT	129	31788GT	13, 21, 29, 37, 45, 53	44175GT	171, 187
217259GT	45	229672GT	129			44207GT	169
217260GT	45	229750GT	125-126, 129, 185, 203	32150GT	11	44226GT	171
217261GT	53	229845GT	162, 165	32151GT	11	44227GT	177, 187
217262GT	53	230364GT	109	32339GT	139	44228GT	185
217263GT	13	231114GT	121	33278GT	117	44229GT	171
217264GT	13	231167GT	121	33576GT	203	44230GT	171, 187
217265GT	21	231868GT	201	33724GT	159	44236GT	171
217266GT	21	231921GT	125-126, 129, 162, 165	33784GT	193	44255GT	13, 15, 21, 23, 29, 31, 37, 39, 45, 47, 53, 55
217267GT	29	231922GT	125-126, 129, 162, 165	34742GT	115		
217268GT	29	231931GT	189	35461GT	113	44716GT	175
217269GT	37	232531GT	117	35642GT	197	44736GT	17, 19, 25, 27, 33, 35, 41, 43, 49, 51, 57, 59
217270GT	37	232534GT	121	35643GT	197		
217271GT	45	232576GT	131, 133, 135	36369GT	143		
217272GT	45	232578GT	131, 133, 135	37947GT	123		
217273GT	53	232582GT	131, 133, 135	39232GT	113		
217274GT	53	233049GT	129	39310GT	151-152, 155-156		
217275GT	61	233050GT	125-126				
217276GT	61	233051GT	125-126	39469GT	113, 151-152, 155-156		
217277GT	69	233052GT	125-126, 129	39470GT	151-152, 155-156		
217278GT	69	233053GT	125-126				
217279GT	77	233054GT	125-126				
217280GT	77	233055GT	125-126, 129				
217281GT	85	233371GT	131, 133, 135				
217282GT	85	233379GT	121				
217283GT	93	233430GT	125-126, 131, 135				
217284GT	93						
217285GT	101	233431GT	125-126, 129, 133				

Part Number Index (continued)

Part Number	Page	Part Number	Page	Part Number	Page	Part Number	Page
44750GT	175		61, 63, 69, 71,	6638GT	117, 121, 137,	78622GT	169
44751GT	175		77, 79, 85, 87,		149, 151-152,	78736GT	109, 145, 147,
44752GT	175		93, 95, 101, 103		155-156, 189,		149
44777GT	175	5397GT	115, 151-152,		195	79140GT	133, 135
44778GT	175		193	66397GT	131, 133, 135	79156GT	197
44780GT	109, 111	54380GT	113	66399GT	11	80149GT	141
44781GT	109, 111	55010GT	119	66465GT	177	81579GT	189
44788GT	11, 169	55355GT	115	66472GT	197	8178GT	151-152
44936GT	159	55558GT	177	66485GT	151-152	82052-SGT	155-156
44973GT	177	55560GT	177	66512GT	155-156	82053-SGT	155-156
44979GT	177	55675GT	117, 121	66544GT	151-152, 155-	82160GT	15, 23, 31, 39,
44980GT	13, 15, 21, 23,	55906GT	159, 203		156		47, 55
	29, 31, 37, 39,	55917GT	109	66551GT	151-152	82161GT	15, 23, 31, 39,
	45, 47, 53, 55,	55921GT	175	66717GT	117, 133, 135		47, 55
	63, 71, 79, 87,	56912GT	113, 123, 137,	66765-3000GT	179-180	82307GT	27, 35
	95, 103		195, 203	66770GT	109	823368GT	113
44981GT	15, 17, 19, 23,	56926GT	125-126	66812GT	123, 161-162,	823408GT	121
	25, 27, 31, 33,	57075GT	159, 203		165	82366GT	15, 23, 31, 39,
	35, 39, 41, 43,	58000GT	145, 147	66817GT	123, 161-162,		47, 55
	47, 49, 51, 55,	58001GT	149		165	824027GT	113
	57, 59, 63, 65,	58592GT	109, 145, 147,	66920GT	155-156	824032GT	113
	67, 71, 73, 75,		149	66923GT	155-156	824079GT	113
	79, 81, 83, 87,	58627GT	123	6700GT	115, 123	824089GT	201
	89, 91, 95, 97,	6002GT	151-152, 155-	6714GT	113	824124GT	113
	99, 103, 105, 107		156	67744GT	185	824216GT	113, 123
45454GT	191	6021GT	175	6782GT	193	82473GT	63, 71, 79, 87,
45546GT	159	60790GT	111, 115, 149	6878GT	113, 117, 121,		95, 103
45748GT	145, 147, 149	6090GT	152, 155-156,		123, 141, 145,	82474GT	61, 63, 69, 71,
46260GT	151-152, 155-		195		149, 159, 189		77, 79, 85, 87,
	156	6091GT	109, 113, 117,	6886GT	193		93, 95, 101, 103
46287GT	13, 15, 21, 23,		121, 123, 141,	6888GT	137	82475GT	77, 79
	29, 31, 37, 39,		145, 147, 149,	6889GT	117, 141, 189	82476GT	61, 63, 69, 71,
	45, 47, 53, 55		151-152, 155-	6898GT	115		77, 79, 85, 87,
47098GT	151-152, 155-		156, 159, 189,	69229GT	193		93, 95, 101, 103
	156		199	6935GT	159	82481GT	61, 69, 77, 85,
47163GT	151-152, 155-	6097GT	111, 115, 151-	7056GT	159		93, 101
	156		152, 155-156,	7127GT	159	82482GT	63, 71, 79, 87,
47166GT	151-152, 155-		197, 199	71484GT	141		95, 103
	156	6145GT	149	72086GT	13, 15, 21, 23,	82487GT	63, 65, 67, 71,
47188GT	151-152	6175GT	203		29, 31, 37, 39,		73, 75, 79, 81,
47222GT	151-152, 155-	6178GT	113, 189		45, 47, 53, 55,		83, 87, 89, 91,
	156	6198GT	109, 111, 137,		61, 63, 69, 71,		95, 97, 99, 103,
47224GT	151-152		143, 203		77, 79, 85, 87,		105, 107
47225GT	151-152, 155-	62055GT	17, 19, 65, 67		93, 95, 101, 103	82495GT	61, 69, 77, 85,
	156	62056GT	41, 43, 89, 91	72143GT	15, 23, 31, 39,		93, 101
47231GT	151-152, 155-	62057GT	49, 51, 97, 99		47, 55, 63, 71,	82496GT	73, 81
	156	62058GT	57, 59, 105, 107		79, 87, 95, 103	82497GT	67, 107
47232GT	109, 113	6272GT	123	72326GT	113, 161-162,	825019GT	145, 147, 149
47238GT	113	6326GT	145, 147, 149		165, 189	82506GT	29, 31
47374GT	151-152, 155-	6356GT	121, 137, 145,	72853GT	15, 23, 31, 39,	82557GT	17, 19, 25, 27,
	156		147, 149, 151-		47, 55		33, 35, 41, 43,
47946GT	109		152, 155-156,	72878GT	197		49, 51, 57, 59
48282GT	159		177, 203	72970GT	13, 21, 29, 37,	82558GT	15, 23, 31, 39,
4828GT	111, 115, 137,	64154GT	115		45, 53		47, 55
	143, 145, 147,	65439GT	193	72973GT	25, 27, 73, 75	82559GT	15, 23, 31, 39,
	149, 151-152,	6545GT	109	72998GT	15, 23, 31, 39,		47, 55
	155-156, 197	6564GT	115		47, 55	8255GT	109
48880GT	171	65721GT	193	72999GT	15, 23, 31, 39,	82560GT	63, 71, 79, 87,
48997GT	171	6595GT	159		47, 55		95, 103
49612GT	171, 187	65962GT	171	7339GT	177, 203	82561GT	13, 15, 21, 23,
49613GT	11, 171, 187	65990-SGT	151-152, 155-	74006GT	159		29, 31, 37, 39,
49812GT	175		156	74267GT	117, 125-126,		45, 47, 53, 55
49816GT	189	66030GT	151-152, 155-		129	82562GT	61, 63, 69, 71,
49818GT	117		156	75631GT	179-180		77, 79, 85, 87,
49819GT	203	66055GT	145, 147, 149	76502GT	117		93, 95, 101, 103
50160GT	109	66169GT	197	7713GT	151-152, 155-	82563GT	25, 27, 33, 35
50793GT	193	66170GT	197		156, 203	82656GT	73, 81
51152GT	179-180	66171GT	197	77709GT	171	82657GT	13, 21, 29, 37,
51474GT	143	66204GT	121	78006GT	175		45, 53
5224GT	151-152, 155-	6626GT	159	78022GT	151-152, 156	82693GT	17, 19
	156	66353GT	159	78038GT	151-152, 155-	82694GT	17
52376GT	187		159		156	82695GT	25, 33
52380GT	187	66355GT	159	78086GT	115	82699GT	65
52475GT	13, 15, 21, 23,	66356GT	159	78091GT	180	82701GT	65
	29, 31, 37, 39,	6637GT	113	78422GT	139, 141, 169	82703GT	37, 39, 85, 87
	45, 47, 53, 55,	66389GT	179-180	78546GT	11, 121	82704GT	45, 47, 93, 95

Part Number	Page	Part Number	Page	Part Number	Page
82705GT	53, 55, 101, 103	96391GT	179-180	96977GT	143
82710GT	41, 43	96398GT	179-180	96978GT	149
82726GT	49, 51	96408GT	115	96990-SGT	191
82727GT	57, 59	96413GT	151-152, 155-156	96991-SGT	191
82728GT	41			97044GT	151-152
82729GT	49	96417GT	169	97059GT	119
82730GT	57	96419GT	169	97110GT	151-152
82731GT	89	96422GT	115	97128GT	113, 115
82732GT	97	96423GT	109, 115	97130GT	177
82733GT	105	96440GT	131	97233GT	145
82734GT	89	96452GT	123	97234GT	145, 147, 149
82735GT	97	96484GT	189	97241GT	143
82736GT	105	96522GT	131	97242GT	155-156
82905GT	91, 99	96524GT	115	97243GT	147
83093GT	123	96541GT	115	97244GT	147
8342GT	183	96542GT	191	97245GT	149
8357GT	109, 111	96543GT	191	97246GT	149
84384GT	171	96570GT	111	97258GT	155-156
84385GT	171, 187	96572GT	109	97259GT	155-156
84386GT	171	96573GT	109	97260GT	155-156
84422GT	177	96574GT	109	97263GT	155-156
84574GT	115	96595GT	143	97264GT	155-156
84587GT	151-152, 155-156	96601GT	145, 147, 149	97267GT	109
		96603GT	145, 147, 149	97305GT	151-152
84680GT	151-152	96605GT	145, 147, 149	97409GT	171
84681GT	151-152	96606GT	145	97582GT	75, 83
84683GT	151-152	96608GT	149	97662GT	59
84684GT	151-152	96611GT	145, 149	97663GT	43, 51
84685GT	151-152	96615GT	147	97692GT	13, 15, 61, 63
84686GT	152	96616GT	147	97693GT	21, 23, 69, 71
84687GT	152	96637GT	115	97694GT	19
84690GT	151-152	96638GT	115	97719GT	63, 71, 79, 87, 95, 103
84696GT	145	96639GT	115	T106362GT	123
84698GT	147	96642GT	115	T106363GT	123
84699GT	109	96643GT	115	T106366GT	123
84739GT	173	96661GT	145, 149	T106367GT	162
84740GT	173	96662GT	145, 147, 149	T106368GT	162
84742GT	173	96663GT	149	T106370GT	162, 165
84743GT	173	96699GT	121	T106371GT	123
84746GT	173	96700GT	149	T106372GT	123
84747GT	143	96709GT	121	T106373GT	162, 165
84748GT	173	96719GT	155-156	T107029GT	13, 21, 29, 37, 45, 53
8516GT	145, 147, 149	96731-SGT	191	T107031GT	15, 23, 31, 39, 47, 55
85197GT	175	96735GT	145, 147, 149	T108326GT	121
85239GT	123	96744GT	179-180	T108327GT	123
8914GT	189, 203	96749GT	179-180	T108662GT	175
8915GT	121, 145, 147, 149	96750GT	179-180	T108663GT	169
		96760GT	155-156	T109012GT	121
9116GT	109, 121, 139, 145, 147, 149, 189	96770GT	177	T110889GT	125-126
		96812GT	147, 149	T110890GT	125-126, 129
96008-SGT	123	96819GT	131	T110891GT	125-126
96009GT	123	96831GT	109	T112507GT	113
96010GT	123	96836GT	145, 147, 149	T112563GT	159
96085GT	115	96839GT	115	T112804GT	15, 23, 31, 39, 47, 55, 63, 71, 79, 87, 95, 103
96110GT	131, 133, 135	96849GT	152	T113136GT	125-126, 129, 203
96130GT	147	96855GT	121	T113139GT	203
96135GT	115	96862GT	145, 147, 149	T113141GT	203
96163GT	151-152	96870GT	113	T113142GT	203
96193GT	175	96876GT	111	T113296GT	121
96196GT	109	96880GT	179-180	T113787GT	151-152, 155-156
96200GT	152, 155-156	96881GT	179-180		
96203GT	111, 137, 143, 203	96882GT	179-180	T114031GT	125-126, 129
96236GT	159	96883GT	179-180	T114082GT	203
96246GT	152, 155-156	96885GT	180	T114321GT	169
96257GT	169	96886GT	111	T114397GT	162, 165
96304GT	131, 133, 135	96887GT	111	T115429GT	203
96306GT	131, 133, 135	96895GT	111		
96309GT	125-126, 129	96899GT	145, 147, 149		
96348GT	179-180	96900GT	145, 147, 149		
96354GT	121, 180	96903GT	109, 149		
96355GT	121, 180	96905GT	109, 145, 147		
96363GT	189	96907GT	109		
96387GT	131	96932GT	145, 147, 149		
96390GT	147	96948GT	113, 115		
		96950GT	195		
		96971GT	149		

Part Description Index

The Part Description Index is an alphabetical index of all part descriptions included in this manual. The index shows what page(s) the part is used on.

(component no longer available).....165

1

126,DYN.BRAKING,MANIF,32/46.....171

A

ACCESSORY, PANEL CARRIER.....199
 ACCUMULATOR, 180 PSI
 PRECHARGE*.....139, 141, 169
 ADAPTER, RJ45, GC27-25/GC21-19.....123
 AIR TO PLAT, GS20XX, ACC.....191
 AIR TO PLAT, GS26XX, ACC.....191
 AIR TO PLAT, GS3246, ACC.....191
 ALARM,STEADY TONE***.....113, 161-162,
 165, 189
 ASSEMBLY, DOWN LIMIT, GS.....113
 ASSEMBLY, VISUAL IND LIGHT.....189
 ASSY, PLATFORM GATE, GSXX46.....155-156
 ASSY,22 FT LIMIT SWITCH,GS3232.....113,
 129
 ASSY,DIODE.....189
 ASSY,LVL SNSR W/ CONNECTOR.....113
 ASSY,MOTOR CONTRL HARN,CE.....131
 ASSY,MOTOR CONTROL HARNESS.....131
 ASSY,POT HOLE PUSHER,GS***.....115
 ASSY,POT HOLE HARNESS,GS.....125-126,
 129
 ASSY,ROT SNSR W/ HARNESS.....125-126,
 129, 203

B

BALL STUD, GAS STRUT, 3/8-16.....115
 BAR,CABLE BRIDGE ARM,UPPER.....145,
 147, 149
 BASE WITH 1 NC CONTACT, E-STOP.....123,
 161-162, 165
 BATTERY WATERING HAND PUMP.....117
 BATTERY WATERING KIT, 24V UNIV.....117
 BATTERY, AGM, 6V, (TROJAN) ***.....117
 BATTERY,T105 W/LPT,3 CAP,DRY**.....117
 BEARING,.75ID X 1.00D X 1.38LG.....115
 BEARING,0.75IDX1.00ODX0.75L.....143
 BEARING,1.00IDX1.25ODX0.49L.....109
 BEARING,1.00IDX1.25ODX0.75L.....143
 BEARING,1.5025IDX1.5075ODX1.5L.....177
 BEARING,1.50IDX1.77ODX1.25L.....145, 147,
 149
 BEARING,1.523IDX1.75ODX0.63L.....115
 BEARING,2.25IDX2.50ODX1.50L***.....109
 BEARING,MOTOR.....175
 BEARING,MOTOR,36843,BRUSH END*.....175
 BOLT, CARRIAGE, 3/8-16 X 1.50, G5.....111,
 115, 149
 BOLT,CARRIAGE,1/2-13X1.50,GR5.....143
 BOLT,CARRIAGE,1/2-13X1.75, G5.....111, 137,
 143, 203
 BOLT,CARRIAGE,1/2X2.00,G5.....137
 BOLT,CARRIAGE,1/4-20 X .5,G2.....141
 BOLT,CARRIAGE,1/4-20 X .75,G2.....113, 117,
 121, 123, 141, 145, 149, 159, 189
 BOLT,CARRIAGE,1/4-20 X 2.5,G2.....109, 145,
 147
 BOLT,CARRIAGE,1/4-20 X 3.50,G2.....109, 149

BOLT,CARRIAGE,1/4-20X.75,5,ZAG.....113
 BOLT,CARRIAGE,1/4-20X1.00 G5.....199
 BOLT,CARRIAGE,1/4-20x1.25,G2.....109, 121,
 139, 145, 147, 149, 189
 BOLT,CARRIAGE,3/8-16 X1.00,G5.....115
 BOLT,CARRIAGE,3/8-16X1.25,GR5.....111,
 137, 143, 145, 147, 149
 BOLT,CARRIAGE,5/16-18 X 2.0,G2.....193
 BOLT,SHS,3/8X.375X5/16-18,ZAG.....152, 155-
 156
 BOOT, 2 SWITCH, SILICON.....167
 BOOT,CABLE TERMINAL COVER.....131, 133,
 135
 BOOT,CABLE TERMINAL,RED,XL.....133, 135
 BOX,INSTRUCTION STORAGE.....152, 155-
 156
 BRACKET,FOOT PEDAL.....151-152, 155-156
 BRAKE, HYDRAULIC***.....169
 BREATHER CAP,HYD. TANK,1/4 NPT.....11,
 121
 BRUSH,PWR UNIT (40844)**.....175
 BUCKLE & SLIDE STRAP SET.....197
 BUCKLE,SIDE RELEASE.....197
 BULB,FLASHING BEACON.....189
 BUMPER,BATTERY BOX & RAILS...152, 155-
 156
 BUSHING,FLNGD, 63 X .77 X .38.....115
 BUSHING,STRAIN RELIEF,.875/.40.....113
 BUTTON, .800 O.D. X .281.....151-152, 155-
 156
 BUTTON,PUSH,RED MUSHROOM
 HEAD.....123, 161-162, 165

C

CABLE ASSY,BATT, 12" RED.....131, 133, 135
 CABLE ASSY,BATT, 20" BLK.....131, 133, 135
 CABLE ASSY,BATT,23"RED.....131, 133, 135
 CABLE ASSY,BATT,5.50"RED.....131, 133, 135
 CABLE ASSY,BATT,9.50"RED.....131, 133, 135
 CABLE ASSY., BATT. 12" BLACK.....131, 133,
 135
 CABLE ASSY., BATT. 14" RED.....131, 133,
 135
 CABLE ASSY., BATT. 75" RED.....131, 133
 CABLE ASSY., BATT. 79" BLACK.....131, 133
 CABLE ASSY., BATT. 88.5" RED.....131, 135
 CABLE ASSY., BATT. 93" BLACK.....131, 135
 CABLE BRACKET,PAINTED.....177, 203
 CABLE TIE MOUNT, WINGED.....125-126
 CABLE TIE,11.5" BLACK...151-152, 177, 191,
 193
 CABLE, PLATFORM CONTROL, 20XX.....125-
 126
 CABLE, PLATFORM CONTROL, 26XX.....125-
 126
 CABLE, PLATFORM CONTROL, 32XX.....125-
 126, 129
 CABLE,EMERGENCY DOWN.....113
 CABLE,LFT CYL DN,20/26XX,W/LS...125-126
 CABLE,LFT CYL DN,20/26XX,W/LS.....125-
 126
 CABLE,LIFT CYL DWN, 32XX,W/LS.....125-
 126, 129
 CABLE,LIFT CYL DWN, 32XX,W/LS.....125-
 126, 129
 CAM FOLLOWER,1.125X.375,DELIRIN.....115

CAP, TUBE, SQ,1.25 X .083.....151-152, 155-
 156
 CAP,BUTTON,K12.....162, 165
 CAP,DIAGNOSTIC NIPPLE.....171
 CE CONTROL HARNESS, SLAB.....131
 CHAIN GATE ASSY, COM GS32.....151-152
 CHAIN,3/16,OPEN LINK 22.5".....151-152
 CHANNEL,PIPE RACK.....197
 CHARGER INTERLOCK CABLE,GS46.....126
 C H A R G E R I N T E R L O C K
 C B L E , G S 3 0 / 3 2 1 2 6 , 1 2 9
 CHARGER,BAT,24VDC,H/O GEN2.....119
 CHASSIS MOUNT ASSY, GS32&46.....143
 CHECK DISK, NO SPRING.....171
 CIRCUIT BREAKER,7.0 AMP***.....123
 CLAMP, HOSE, 1 EAR, 11/16.....177
 CLAMP,1.31,#21 X 1/4,RUB CUSH.....193
 CLAMP,1.75,#28 X 3/8,RUB CUSH*.....139
 CLAMP,2 HOSE,PLASTIC,5/8...109, 145, 147,
 149
 CLAMP,HOSE,1 EAR,1-1/16***.....121
 CLAMP,RUB CUSH,0.75,#12 X 3/8*.....191
 CLIP,CABLEBRIDGE, GS32/46.....145, 147,
 149
 CLIP,DTM,RECEPTACLE.....203
 CLIP,HAIR PIN .125 X 2.....109
 CLIP,TIE HARNESS MOUNT***.....125-126
 COIL CORD,WORKLIGHT(144011).....193
 COIL,#8 20VDC,DEUTSCH W/DIOD.....171
 COIL,20VDC DEUTCSH W/DIODE.....171, 187
 COIL-SOLENOID VALVE,20V DC***.....177
 CONN,070120-8-6.....179-180
 CONN,SQUEEZE,1/2NPT .38-.50,SM.....159
 CONN,SQZ,BLK,1/2NPT,38-.50,SM.....203
 CONN,SWIVEL,STR,THR,465OX-S.....180
 CONNECTOR, 070120-12-8.....179-180
 CONNECTOR, IEC CHARGER CORD.....119
 CONNECTOR, SQUEEZE, M25, 6-13MM..201
 CONNECTOR,070120-4-4.....173, 179-180,
 183
 CONNECTOR,070120-4-6.....180
 CONNECTOR,070120-6-6.....177, 179-180,
 183
 CONTACTOR,DRIVE,24V,180A.....117
 CONTACTOR,DRIVE,24V,180A***.....117, 125-
 126, 129
 CONTACTOR,LIMIT SWITCH.....113, 115
 COUNTERWEIGHT, BELLY.....111
 COUNTERWEIGHT,GS32,REAR.....111
 COUPLER,1/4"SERIES,3/8 P-LOK.....191
 COVER, RJ45, GC27-25/GC21-19.....123
 COVER,BLANK.....159
 COVER,GFCI,HORIZONTAL,WEATHER....159
 COVER,T-BOX LOCKABLE.....159
 COVER-BRUSH INSPEC.40844,SCISS.....175
 CWT, REAR, XX46.....111
 CYLINDER, 20XX LIFT.....177
 CYLINDER, 26XX/32XX LIFT.....177
 CYLINDER, 32XX UPPER LIFT.....177
 CYLINDER,FRONT OUTRIGGER.....185
 CYLINDER,GS/GR STEER***.....169
 CYLINDER,REAR OUTRIGGER.....185

D

DANGER/INSTR-OUTRGR OP-GS3232....33,
 35

Part Description Index (continued)

- DECAL,LANYARD ANCHORAGE POINT...17,
19, 25, 27, 33, 35, 41, 43, 49, 51, 57, 59, 65,
67, 73, 75, 81, 83, 89, 91, 97, 99, 105, 107
- DECAL,MEMBRANE, GR/GRC/GS
GCON.....123
- DECAL,OP INST,AUS,GS-32.....19, 27, 35
- DECAL,OP INST,AUS,GS-46.....43, 51, 59
- DECAL,OP INST,GCON.....15, 23, 31, 39, 47,
55
- DECAL,OP INST,PLAT,GS32 ANSI.....17, 25,
33
- DECAL,OP INST,PLAT,GS32,AUS.....19, 27,
35
- DECAL,OP INST,PLAT,GS46 ANSI.....41, 49,
57
- DECAL,OP INST,PLAT,GS46,AUS.....43, 51,
59
- DECAL,POWER TO PLATFORM 115V.....15,
17, 19, 23, 25, 27, 31, 33, 35, 39, 41, 43, 47,
49, 51, 55, 57, 59, 63, 65, 67, 71, 73, 75, 79,
81, 83, 87, 89, 91, 95, 97, 99, 103, 105, 107
- DECAL,PROPEL,GR/GRC/GS,PCON.....17,
19, 25, 27, 33, 35, 41, 43, 49, 51, 57, 59, 65,
67, 73, 75, 81, 83, 89, 91, 97, 99, 105, 107,
161-162, 165
- DECAL,SYM,MAX CAP,CE,GS2646.....99
- DECAL,SYM,MAXCAP CE,GS2046.....91
- DECAL,SYM-ELEC HAZARD,PLUG.....63, 71,
79, 87, 95, 103
- DECAL,SYM-MAX CAP CE GS3246.....107
- DECAL,SYM-MAXCAP 1000.....97
- DECAL,SYM-MAXCAP 1200.....89
- DECAL,SYM-MAXCAP 500.....73, 81
- DECAL,SYM-MAXCAP 700.....105
- DECAL,SYM-MAXCAP 800.....65
- DECAL,SYM-MAXCAP CE GS2632.....75, 83
- DECAL,SYM-SIDE FORCE.....105
- DECAL,SYM-SIDE FORCE 2046.....89
- DECAL,SYM-SIDE FORCE 2646.....97
- DECAL,SYM-SIDE FORCE 445N.....73, 81
- DECAL,SYM-SIDE FORCE 534N.....65
- DECAL,SYM-SIDEFORCE 200400.....67, 107
- DECAL,SYM-SIDEFORCE 400N.....91, 99
- DECAL,SYM-SIDEFORCE 400N ID.....75, 83
- DECAL,SYM-TIP-OVER,LIM SWITCH.....61,
69, 77, 85, 93, 101
- DECAL,SYM-TIP-OVER,OUTRGR.....81, 83
- DECAL,SYM-TIP-OVER,TILT ALARM.....65,
67, 73, 75, 81, 83, 89, 91, 97, 99, 105, 107
- DECAL,SYMBOL-BATTERY SAFETY.....61,
69, 77, 85, 93, 101
- DECAL,SYMBOL-BRAKE REL SAFETY...61,
69, 77, 85, 93, 101
- DECAL,SYMBOL-COMP ACCESS.....63, 71,
79, 87, 95, 103
- DECAL,SYMBOL-CRUSHING HAZARD.....61,
63, 69, 71, 77, 79, 85, 87, 93, 95, 101, 103
- DECAL,SYMBOL-ELEC HAZARD,GS.....61,
63, 69, 71, 77, 79, 85, 87, 93, 95, 101, 103
- DECAL,SYMBOL-FOOT CRUSHING.....77, 79
- DECAL,SYMBOL-SKIN INJECT HAZRD...63,
71, 79, 87, 95, 103
- DECAL,SYMBOL-USE SAFETY ARM.....61,
63, 69, 71, 77, 79, 85, 87, 93, 95, 101, 103
- DECAL,WARN,IMPROPER OPERATION...17,
19, 25, 27, 33, 35, 41, 43, 49, 51, 57, 59
- DECAL,WARN,SKIN INJECTION HAZ*...15,
23, 31, 39, 47, 55
- DECAL,WARNING-COMPART ACCESS....15,
23, 31, 39, 47, 55
- DECAL,WARNING-FOOT CRUSHING.....29,
31
- DECAL-SYM-TIP-OVR,BATTRIES.....61, 69,
77, 85, 93, 101
- DIAGNOSTIC FEMALE Q-DSCNT.....171
- DRIVE MOTOR,18.3 CU. IN/REV.....169
- DRIVE MOTOR,22.9CI/REV.....169

E

- ELBOW,070220-12-10.....179-180
- ELBOW,070220-4-4.....179-180, 183, 185
- ELBOW,070220-4-6.....183, 185
- ELBOW,070220-6-6.....179-180
- ELBOW,070220-6-8.....179-180
- ELBOW,070320-6-6.....179-180
- ELBOW,SWIVEL NUT 90DEG, -6.....180
- ENCLOSING BAND KIT.....175
- ENCLOSURE, FUSE, MODULAR, 150X.....201
- ENCLOSURE, GC14-1, TOP.....162
- ENCLOSURE, GC16-1, TOP.....162
- ENCLOSURE, GC21-19, BK.....123
- ENCLOSURE, GC27-25, BK.....123
- ENCLOSURE, O/R 5-BUTTON, TOP.....165
- ENCLOSURE,GC14-1/GC16-1, BOT.....162,
165
- ENCLOSURE,GC27-25/GC21-19,FRNT.....123
- ENCLOSURE,STD 4-BUTTON, TOP.....165
- EXT FLDG RAIL ASSY, UPR, 32, S.....152
- EXT FLDG RAIL ASSY,UPR,32,WO**.....152
- EXT. DECK ASSY, GS32.....151-152
- EXT. DECK ASSY, GS32 CE.....151-152
- EXT. DECK ASSY, GS46.....155-156
- EXT. ENDRAIL ASSY, GS46 (SYMB).....155-
156
- EXT. ENDRAIL ASSY, GS46 (WORD).....155-
156

F

- FIELD ASSY,REC.CHARGER PLUG.....159
- FILTER ASSY,FIBRGLS,#8-#8.....169
- FILTER ASSY,SAE8,10 MIC,PAPR**.....169
- FILTER CAP (PLUG 1-1/2" NPT HEX.....121
- FILTER ELEMENT,10MICRON,PAPER*.....11,
169
- FILTER ELEMENT,BETA(10)=200.....169
- FITTING,ELBOW 4-4, SAE.....185
- FITTING,STRAIGHT DRIVE-IN ZERK.....109
- FLASH DRIVE,SL1K1.0 SOFTWARE.....161-
162, 175
- FLASH DRIVE,SL1K2.0 SOFTWARE.....165
- FOAM,CLOSED CELL 1.75X.250X18".....151-
152
- FOOTPAD,NON MARKING.....185
- FOOTPAD,OUTRIGGER,3232.....185
- FOOTPEDAL W/NON-SKID TAPE,GS**.....151-
152, 155-156
- FORMING, ACCUMULATOR BRACKET.....141
- FORMING, ACCUMULATOR CLAMP.....141
- FORMING, ALARM BRACKET.....113
- FORMING, CWT CLAMP.....111
- FORMING, FILTER-CNTRLR MOUNT.....121
- FORMING, HALF GATE, HINGE.....151-152
- FORMING, HOUSING, CLAMP.....199
- FORMING, PANEL HOOK.....199
- FORMING, PIPE HOLDER RACK.....197
- FORMING, PIPE RACK BASE.....197

- FORMING, RAIL CLAMP.....199
- FORMING, RETAINER.....199
- FORMING,ALARM BRACKET.....113
- FORMING,CB HOSE CLAMP.....149
- FORMING,COMPONENT BRKT,
GS3232.....141
- FORMING,CONTACTOR MOUNT,GS.....117
- FORMING,CONTROL PANEL.....123
- FORMING,CWT,COVER,GS32.....111
- FORMING,HOSE CLAMP SPT,PTD,BLU....109
- FORMING,HOSE CLAMP SUPPORT.....109
- FORMING,HOSE CLAMP,UPPER CYL.....149
- FORMING,MANIFOLD BRKT, GS3232.....141
- FORMING,MANIFOLD MOUNT.....139
- FORMING,PADLOCK BRACKET.....175
- FORMING,PH PUSHER, GS46...145, 147, 149
- FORMING,PLAT CONTROL BOX.....162, 165
- FORMING,REC.PLG BRKT.....113
- FORMING,SG HEADER RAIL,GS2032.....152
- FRMG,CHASSIS BRKT.....203
- FRMG,CHASSIS BRKTING.....203
- FRMG,SENSOR COVERING.....203
- FRMING,LMT SWCH BRKT,3232.....113
- FRMNG,ARM SENSOR BRCKT,32/46.....203
- FRMNG,SENSOR COVER,32/46.....203
- FUSE BLOCK, ANN & ANL FUSE.....117, 133,
135
- FUSE,275 AMP,VERY FAST ACTING.....117,
133, 135
- FUSE,BATTERY CHARGER***.....119

G

- GAS SHOCK,SCISSORS***.....115
- GASKET, UK & DIN PWR. TO PLAT.....159
- GASKET, UK RECEPTACLE.....159
- GASKET,(BOOT) FLANGE INLET PLG.....159
- GCON, GR/GRC/GS.....123
- GCON,O/R,PROP LIFT.....123
- GCON,STD,PROP LIFT.....123
- GREASE,DIELECTRIC 4 OZ**.....11
- GROMMET,RUBBER 1.5 ID.....113
- GROMMET,RUBBER 2 X 2.75.....109, 113
- GROMMET,SLAB HYD TANK***.....121
- GROUND STRAP, 8"LG.....115
- GROUND WIRE ASSY,GS.....131, 133, 135
- GS3232 LEVEL SENSOR CONVERSION
INSTALLATION INSTRUCTIONS.....113

H

- HANDLE HALF,LEFT,W/TOP SWITCH.....167
- HANDLE HALF,RIGHT,W/TOP SWITCH.....167
- HANDLE,ANDERSON CONNECTOR SB...175
- HARNESS, ESTOP, GR/GRC/GS
PCON.....161-162, 165
- HARNESS, GS FUNC MANIFOLD.....125-126
- HARNESS, GS POWER CONTRL.....125-126,
129
- HARNESS, GS SENSORS, ANSI.....125-126
- HARNESS, GS SENSORS, ANSI, 323.....129
- HARNESS, GS SENSORS, ANSI,UTS.....125-
126
- HARNESS, GS SENSORS, CE.....125-126
- HARNESS, GS SENSORS, CE, 3232.....129
- HARNESS, GS SENSORS, CE,UTS.....125-
126
- HARNESS, GS SENSRS, ANSI, 3232.....129
- HARNESS, OUTRIGGER, GS3232.....129
- HARNESS, ROTARY ANGLE.....125-126, 129

HARNES,FUNCTION MANIFOLD,GS.....125-126, 129
 HARNES,GS POWER CONTROL.....125-126
 HARNES,PRESS,TRANSDUCER***.....125-126, 129, 185, 203
 HARNES,VISUAL IND LIGHTS.....189
 HINGE, SPRING, LONG LEG...151-152, 155-156
 HINGE,ACCESS DOOR(13G).....123
 HORN,24VDC,SPADE TERMINALS***.....189
 HOSE ASSY, MAN/ACCUM, GS32/46.....180
 HOSE ASSY,DRIVE MOTORS,GS32.....179-180
 HOSE ASSY,DRIVE MOTORS,GS46.....179-180
 HOSE ASSY,LOWER LIFT.....180
 HOSE ASSY,LT FRONT O/R,GS3232.....183
 HOSE ASSY,LT REAR O/R, GS3232.....183
 HOSE ASSY,MANIFOLD, GS3232.....183
 HOSE ASSY,O/R MAN-T, GS3232.....183
 HOSE ASSY,PUMP-O/R MAN, GS3232.....183
 HOSE ASSY,RT FRONT O/R,GS3232.....183
 HOSE ASSY,RT REAR O/R, GS3232.....183
 HOSE CLAMP, SAE #6.....180
 HOSE, ASSY.....179-180
 HOSE, ASSY, BRAKE MAN, GS46.....179-180
 HOSE, ASSY, LIFT.....179-180
 HOSE, ASSY, MAN TO FILTER.....179-180
 HOSE, ASSY, PRESSURE.....179-180
 HOSE, AIR 3/8.....179-180
 HOSE,ASSY STEER,GS32/46.....179-180
 HOSE,ASSY, BRAKE MAN,GS46.....179-180
 HOSE,ASSY,BRAKE MAN,GS32.....179-180
 HOSE,ASSY,BRAKE,GS46.....179-180
 HOSE,ASSY,MAN TO FILTER.....179-180
 HOSE,ASSY,PRESSURE.....179-180
 HOSE,ASSY,UPPER LIFT.....179-180
 HOSE,ASSY,VENT.....179-180
 HOSE,LOW PRESSURE,375 ID,BLK.....191
 HOSE,LOWER VENT.....179-180
 HOSE,UPPER VENT.....179-180
 HOUSING, LOCK PIN.....151-152, 155-156
 HRNS ASSY,RESISTOR DIODE.....125-126, 129
 HRNS,CONTACTOR SIGNAL,GS46.....125-126, 131, 135
 HRNS,CONTACTOR SIGNL,GS30/32.....125-126, 129, 133
 HYD. TANK KIT, GS30,32,46.....121
 HYDR TRAY ASSY W/WORDS.....121
 HYDR TRAY ASSY,GS30 W/SYMBOLS.....121

I

INNER ARM ASSEMBLY #1,GS32/46.....145, 147, 149
 INNER ARM ASSY #3, 2632/2646.....147
 INNER ARM ASSY #4, 2646.....147
 INNER ARM ASSY #4, 3246.....149
 INNER ARM ASSY #5, 3232.....149
 INNER ARM ASSY #5, 3246.....149
 INNER ARM ASSY, #2, GS32&46.....145, 147, 149
 INNER ARM ASSY, #3, 2046.....145
 INNER ARM ASSY,#3 GS2032.....145
 INNER ARM ASSY,#4 GS2632.....147
 INSTRN, TRC RETROFIT, STNDRD.....125-126, 129, 131, 133
 INVERTER,24VDC,110/230 VAC***.....195

J

JOYSTICK, HALL EFFECT, SINGLE.....167

K

KEY SINGLE***.....123
 KEY,RECTANGULAR,.31X.28X1.25**.....109, 111
 KEYS,10 PACK***.....123
 KEYSWITCH,3 POS. W/KEYS***.....123
 KIT, 5CC PUMP UPGRADE.....175
 KIT, INVERTER JUMPER, GS.....121
 KIT, SL PROP UPGRD, CE, 3232.....161-162
 KIT, SL PROP UPGRD, ANSI SYM, GS.....161-162
 KIT, SL PROP UPGRD, ANSI, 3232.....161-162
 KIT, SL PROP UPGRD, ANSI, GS32.....161-162
 KIT, SL PROP UPGRD, ANSI, GS46.....161-162
 KIT, SL PROP UPGRD, AUS, 3232.....161-162
 KIT, SL PROP UPGRD, AUS, GS32.....161-162
 KIT, SL PROP UPGRD, AUS, GS46.....161-162
 KIT, SL PROP UPGRD, CE, GS.....161-162
 KIT, TRC RETROFIT, STNDRD.....125-126, 129, 131, 133
 KIT, UTS LEVEL SENSOR CONVERSION, GS3232.....113
 KIT,BATT. CABLE ASSY,GS30/32.....121
 KIT,BATTERY CHARGER,24V.....119
 KIT,BEACON,GENIE SCISSOR.....189
 KIT,BOOT,JOYSTICK,SL1000.....167
 KIT,COIL CORD,CONTRLR,SL1000.....162, 165
 KIT,CONN,PLUG W/SCKT AND LOCK.....125-126, 129, 162, 165
 KIT,CONN,RECEPT W/PIN AND LOCK.....125-126, 129, 162, 165
 KIT,CONTACTOR,GS.....121
 KIT,GASKET,UK POWER TO PLAT.....159
 KIT,GATE LATCH.....151-152, 155-156
 KIT,GS30/32 MOTOR CONTROLLER.....121
 KIT,GS46 MOTOR CONTROLLER.....121
 KIT,ORIFICE,.059".....177
 KIT,STEER CYL SEAL.....169
 KIT,STEER CYL SEAL,040271P,HDM.....169
 KIT,STEER CYL SEAL,040499P,HDM.....169
 KIT,STEER CYL SEAL,040505P,HDM.....169
 KIT,SWITCH,JYSTK,SL1000.....167
 KIT,TWO ORIFICE,.059".....177
 KNOB,HAND PUMP (RED)***.....173
 KNOB,PILOT OP VALVE (BLACK)***.....173

L

LABEL, GR/GRC/GS PCON.....162
 LABEL, SERIAL, GC21-19.....123
 LABEL,GCON O/R,SERIAL.....123
 LABEL,OUTRIGGER,LOAD,GS-3232...29, 31, 77, 79
 LANYARD,BLACK NYLON,TYPE 1***.....151-152, 156
 LATCH HANDLE.....151-152, 155-156
 LATCH, LRG PADDLE HANDLE GS90.....117, 121
 LATCH,COMPRESSION,SMALL.....123
 LEFT EX. RAIL, GS46.....155-156
 LENS,FLASHING BEACON.....189
 LEVEL SENSOR, ANALOG.....129
 LEVEL,BUBBLE.....113

LEVER ARM,ANGLE SENSUR ACTUATOR.....203
 LIGHT,TURN SIGNAL,1.25" LED,AMB.....189
 LINK BUMPER, 5".....145, 147, 149
 LINK BUMPER, SHORT TUBE.....145, 147, 149
 LINK,(SPLIT) OPEN-END.....151-152
 LOCK, CONNECTOR.....119
 LOCKNUT,ELEC,1/2".....159

M

MAIN FLDG RAIL ASSY, LWR, GS32.....151-152
 MAIN FLDG RAIL ASSY,UPR L,GS32.....151-152
 MAIN FLDG RAIL ASSY,UPR RT,32.....151-152
 MAIN RAIL RIGID, SQ GS32.....151-152
 MANIFOLD,BRAKE RELEASE.....173
 MANIFOLD,FUNCTION,2 SPEED.....171
 MANIFOLD,OUTRIGGER OPTION.....187
 MANUAL BOX W/DECALS***.....152, 155-156
 MANUAL,AEM SAFETY.....11
 MANUAL,OWNERS,CHARGER,105739.....119
 MANUAL,RESPON,A92.6 SCISSOR.....11
 MOTOR CONTROLLER, DC,24V,300A.....121
 MOTOR CONTROLLER, DC,24V,360A.....121
 MOTOR,ELECTRIC,24VDC 4.5HP.....175

N

NICKEL PLATED JAM NUT.....123
 NIPPLE,DIAGNOSTIC,#4.....171
 NOTICE,SIDE FRC ANSI2646.....49
 NUT.....123
 NUT - PLASTIC,RING FOR ALARMS.....113, 161-162, 165, 189
 NUT, LP NYLOCK, 3/8-16.....151-152, 155-156, 203
 NUT, PLASTIC, M25, GREY.....201
 NUT,CASTLE,1.125-18 UNEF.....109, 111
 NUT,COIL (39909).....177
 NUT,CORDGRIP,1/2 NPT.....203
 NUT,LOCKING-LG.FLANGE,1/4-20.....109, 139, 145, 147, 149
 NUT,LOCKING-LG.FLANGE,5/16-18.....117
 NUT,LP NYLOCK,1/4-20.....117, 141, 189
 NUT,LP NYLOCK,5/16-18...151-152, 155-156
 NUT,NYLOCK,1/2-13.....109, 111, 137, 143, 203
 NUT,NYLOCK,1/4-20.....109, 113, 117, 121, 123, 141, 145, 147, 149, 151-152, 155-156, 159, 189, 199
 NUT,NYLOCK,10-32.....113, 189
 NUT,NYLOCK,3/8-16.....111, 115, 137, 143, 145, 147, 149, 151-152, 155-156, 197
 NUT,NYLOCK,5/16-18.....193
 NUT,NYLOCK,8-32.....113, 159, 203
 NUT,RETAINER (96008).....123
 NUT,TL FLG,1/4-20,G,ZAG.....113
 NUT,TL FLG,10-24,F,ZAG.....201
 NUT,TL FLG,10-32,F,ZAG.....113
 NUT,WING 5/16-18.....193
 NUT-COIL SHORT.....171, 187

O

O-RING KIT (ORFS FITTINGS).....171, 187
 OFFSET, RDN, 1/4-1.25,10-32.....203
 ORIFICE, LONG, .037***.....177
 ORIFICE, LONG, .059".....177

Part Description Index (continued)

ORIFICE, SHORT, 0.037 INCH.....185
 OUTLET, 110V.....159

P

PAINT, AEROSOL, TRAFFIC BLACK.....11
 PAINT, AEROSOL, BRIGHT BLUE***.....11
 PAINT, AEROSOL, GENIE GRAY***.....11
 PAINT, WET, GENIE BLUE (1 GL)**.....11
 PAINT, WET, GENIE GRAY (1 GL)**.....11
 PAINT, WET, TRAFFIC BLACK (1 GL)**.....11
 PCBA, GC14-1.....162
 PCBA, GC16-1.....162
 PCBA, GC21-19.....123
 PCBA, GCON O/R, PROP LIFT.....123
 PCBA, GCON STD, PROP LIFT.....123
 PCBA, PCON O/R, PROP LIFT.....165
 PCBA, PCON STD, PROP LIFT.....165
 PCON, GR/GRC/GS.....161-162
 PCON, O/R, PROP LIFT, GS.....165
 PCON, STD, PROP LIFT, GR/GS.....165
 PIN, LINKSET MOUNT, 1".....145, 147, 149
 PIN, LINKSET MOUNT, 3/4".....145, 147, 149
 PIN, LOCK.....151-152, 155-156
 PIN, LONG, GS46.....145, 147, 149
 PIN, LOWER CYLINDER MOUNT.....145, 147, 149
 PIN, MINI, CENTER.....147
 PIN, POTHOLE LINK PIVOT.....115
 PIN, SHORT, GS46.....145, 147, 149
 PIN, UPPER CYLINDER MOUNT.....145, 149
 PIN, WIRE LOCK 3/8 X 2 -1/2.....151-152, 155-156
 PIN, CLEVIS, .375 X 1.75 LG.....115
 PIN, CLEVIS, .625 X 1.88, ZINC PL.....115
 PIN, CLEVIS, .75 X 2.....109
 PIN, CLEVIS, 0.75 X 3.25".....109
 PIN, COTTER, .125 X .75.....115, 199
 PIN, COTTER, .156 X 1.75.....109
 PIN, COTTER, .156 X 2.5.....111
 PIN, LOWER CYL, ROD END.....147, 149
 PIN, SADDLE CYLINDER MOUNT.....149
 PIPE CRDL, SQ RAILINGS, GS46.....197
 PLATE, AC ADAPTER(AUS).....159
 PLATE, COVER.....199
 PLATE, INVERTER MOUNT.....195
 PLATE, PIN RETAINER.....149
 PLATE, POTHOLE LINK.....115
 PLATE, RCBO, GS.....201
 PLATE, SHEAR, OUTRIGGER.....137
 PLATE, AC ADAPTER(ANSI/CSA).....159
 PLATE, AC ADAPTER, DIN/UK***.....159
 PLATE, BEACON MOUNT.....189
 PLATE, CWGT, GS32 REAR.....111
 PLATE, FOOTPAD RING.....185
 PLATE, HARNESS MOUNT.....121
P L A T E , H O S E
 ROUTG, BULKHEAD(PTD).....109, 145, 147, 149
 PLATE, HOSE ROUTING, BULKHEAD **.....109
 PLATE, PIPE HOLDER, GS68.....197
 PLATE, REAR COVER.....137
 PLATE, SIDE DOOR STOP***.....123
 PLATE, SIDE DOOR***.....123
 PLATE, VISUAL IND LIGHT MOUNT.....189
 PLATFORM MOUNT ASSY, GS32&46.....143
 PLUG AND CAP KIT-SERVICE, ORFS*.....11, 171, 187
 PLUG, 6POS ECO PWR.....162, 165
 PLUG, TYPE F, 230A, 50HZ, 16A, IP44.....159

PLUG, 1/4"SERIES, 3/8 P-LOCK***.....191
 PLUG, ELECTRICAL, DOMESTIC.....159
 PLUG, FLG INLET, 15A/125V, 2PWGD.....159
 PLUG, FUSED, 250V, 13AMP, U.K. **.....159
 PLUG, HEX SOCKET, 090109B-4.....179-180
 PLUG, IEC60309 CEE, 3PIN 220-24.....159
 PLUG, PWR, UK, 16AMP, 3PIN, BLK.....159
 POTHOLE BELL CRNK LINK ASSYGS30.....115
 POWER CORD, IEC 320 BLANK, 79".....159
 POWER CORD, IEC 320, 115".....119
 PRESSURE TRANSDUCER, 1K-3K PSI.....203
 PRTY, FLOW CNTRL VALVE, .75 GPM.....171
 PUMP, 4CC GEAR, CCW***.....175
 PUMP, 5.6CC GEAR, CCW.....175
 PUSH RETAINER, 1/2" SCREW.....137

Q

QUICK DISCONNECT CASING, BATT**.....131, 133, 135

R

RAIL-GS46 PLAT, MAINDECK LT****.....155-156
 RAIL-GS46 PLAT, MAINDECK RT****.....155-156
 RCBO, 16A, 30MA, 6KA 110/230VAC.....201
 RECEPTACLE, DIN, 220V 50A.....159
 REF. BATTERY CABLE.....125-126, 129
 REF. CHARGER.....125-126, 129
 REF. CIRCUIT BREAKER.....125-126, 129
 REF. DOWN LIMIT, GS.....125-126, 129
 REF. E-STOP BUTTON.....125-126, 129
 REF. ELECTRIC MOTOR.....125-126, 129
 REF. ELECTRIC MOTOR/PUMP.....121
 REF. FILTER ASSY.....121
 REF. FORMING, CONTROL PANEL.....121
 REF. FUSE.....125-126, 129
 REF. FUSE BLOCK.....131
 REF. GCON.....121, 125-126, 129
 REF. GCON, GS O/R.....123
 REF. INVERTER.....125-126, 129
 REF. KEYSWITCH.....125-126, 129
 REF. LEVEL SENSOR.....125-126, 129
 REF. LIFT CYLINDER DOWN CABLE.....131
 REF. MOTOR CONTROLLER.....125-126, 129
 REF. OUTRIGGER MANIFOLD.....129
 REF. PCBA, GC27-25.....123
 REF. PCON.....126, 129
 REF. PLATFORM CONTROL CABLE.....131
 REF. PRESSURE TRANSDUCER HARNESS.....129
 REF. STOBE, BEACON.....125-126, 129
 REF: BRAKE RELEASE MANIFOLD.....111
 REF: DECAL, STD, PROP LIFT, UI, SVC.....165
 REF: HYDRAULIC BRAKE.....111
 Ref: Lift Cylinder.....203
 Ref: Outrigger Cylinder, Front.....137
 Ref: Outrigger Cylinder, Rear.....137
 REF: Symbol Decal Kits.....71, 73, 75, 87, 89, 91, 95, 97, 99
 REF: Symbol Decal Kits for ANSI.....65
 REF: Symbol Decal Kits for ANSI and CE...63, 79, 81, 83, 105, 107
 REF: Symbol Decal Kits for CE.....67
 REF: WHEEL & TIRE ASSY.....111
 REF: Word Decal Kits.....23, 25, 27, 39, 41, 43, 47, 49, 51, 55, 57, 59
 REF: Word Decal Kits for ANSI.....17

REF: Word Decal Kits for ANSI and Australia.....15, 19, 31, 33, 35
 RESISTOR, 200 OHM 10W, CERAMIC.....125-126, 129
 RIGHT EXT RAIL, GS46 (SYMBOL)...155-156
 RIGID EYE SNAP.....151-152
 RIVET, ALUM, STL, .188 X .250...151-152, 155-156
 RIVET, STL, STL, .188 X .45.....151-152, 155-156, 203
 RIVET, STL, STL, P, .125 X .25.....123
 ROCKER, 2 SWITCH.....167
 ROD END, .250 X 2.75 LG.....145, 147, 149
 ROD END, .375X3.69, ZAG.....145, 147, 149
 ROLLER ARM, LIMIT SWITCH***.....113, 115
 ROLLER BRACKET ASSY, GRND CNTR.....151-152, 155-156
 ROLLER, PLATFORM EXTENSION...151-152, 155-156
 RUE RING, 3/4 PIN.....109, 115
 RUE RING, 5/8 PIN.....115

S

SAFETY CHOCK, SCISSOR.....145, 147
 SAFETY CHOCK-SCISSOR.....149
 SCREW, HCC, 3/8-16 X 1.50.....145, 147, 149
 SCREW, SELF TAP.....167
 SCREW, YOKE LOCK ALL SLABS.....109
 SCREW, BHSCS, M5X10, SS.....162, 165
 SCREW, FHS, 1/4-20 X 2.25.....185
 SCREW, GRUB, M5X8MM CUP(BLK).....167
 SCREW, GRUB, M5X8MM, HLF DOG, BZP...167
 SCREW, HHC, 1/2-13 X 3.5.....109, 111
 SCREW, HHC, 1/4-20 X .5.....177, 203
 SCREW, HHC, 1/4-20 X .625.....189, 203
 SCREW, HHC, 1/4-20 X .75.....152, 155-156, 195
 SCREW, HHC, 1/4-20 X 1.....137
 SCREW, HHC, 1/4-20 X 1 W/PATCH.....137
 SCREW, HHC, 1/4-20 X 1.25.....121, 145, 147, 149
 SCREW, HHC, 1/4-20 X 1.5.....149
 SCREW, HHC, 1/4-20 X 1.75.....113
 SCREW, HHC, 1/4-20 X 2.....151-152, 155-156
 SCREW, HHC, 1/4-20 X 3.75.....109
 SCREW, HHC, 1/4-20X3.25, GR8.....109
 SCREW, HHC, 3/8-16 X .75.....109
 SCREW, HHC, 3/8-16 X 1.....203
 SCREW, HHC, 3/8-16 X 2.....151-152, 155-156
 SCREW, HHC, 3/8-16 X 2.5.....151-152
 SCREW, HHC, 3/8-16 X 2.75.....147, 197
 SCREW, HHC, 3/8-16 X 3.....145, 147, 149
 SCREW, HHC, 5/16-18 X 1.25.....117
 SCREW, HHC, 5/16-18 X 2.....193
 SCREW, HHF, 1/4-20X1.8, ZAG.....113
 SCREW, HHF, 3/8-16X.75, 8, ZAG.....201
 SCREW, PHIL, 8-32X.50, SELF TAP.....159, 203
 SCREW, PHILLIPS, PHM, 10-32 X .38.....117
 SCREW, PHILLIPS, PHM, 10-32 X .5.....203
 SCREW, PHILLIPS, PHM, 10-32 X .75.....189
 SCREW, PHILLIPS, PHM, 6-32 X .75.....159
 SCREW, PHILLIPS, PHM, 8-32 X .5.....159, 203
 SCREW, PHILLIPS, PHM, 8-32 X .875.....113
 SCREW, PHILLIPS, PHM, 8-32 X.25**.....123
 SCREW, PHM, 1/4-20 X .75.....123
 SCREW, PHM, 4-20X.5, 48-2 TRI-L.....123, 162, 165
 SCREW, PHM, 6-19X.75, 48-2 TRI-L.....123
 SCREW, PHM, 8-16X.75, 48-2 TRI-L.....162, 165

Fitting Cross References

Genie PN	Parker PN	Description	Genie PN	Parker PN	Description
12342	6-4 F5OX-S	CONNECTOR,STRAIGHT THREAD TO FLARE TUBE	42794	1 CR-S	ELBOW,90°,MALE PIPE
13757	4 R6X-S	RUN TEE,SWIVEL NUT,ORFS	42795	BV-0839	BALL VALVE
19685	12-10 C5OX-S	ELBOW,90°,STRAIGHT THREAD TO FLARE TUBE	42796	BV-0838	BALL VALVE
22664	12-10 C5OX	ELBOW,90°,STRAIGHT THREAD TO FLARE TUBE	42874	6-8 CLO-S	ELBOW,90°,MALE PIPE TO ORFS
27431	8-12 F5OX-S	CONNECTOR,STRAIGHT THREAD TO FLARE TUBE	42912	13943-6-4	HOSE END,90° FEMALE SWIVEL,JIC
28678	AS-B-33	SLEEVE,NYLON,1.81" ID	42920	BV-0840	BALL VALVE,90°
39871	6 WETX-WLN-S	UNION,90° BULKHEAD W/NUT,FLARE TUBE	42932	AS-B-17	SLEEVE,NYLON,1.22" ID
39872	4 R5OX-S	RUN TEE,STRAIGHT THREAD	42936	10243-2-4	HOSE END,FEMALE PIPE
39873	6 C5OX-S	ELBOW,90°,STRAIGHT THREAD TO FLARE TUBE	42953	1/2 DD-S	ELBOW,90°,FEMALE PIPE
39874	8-6 C5OX-S	ELBOW,90°,STRAIGHT THREAD TO FLARE TUBE	42956	6 WELO-WLNL-S	UNION,90° BULKHEAD W/NUT,ORFS
39875	4-6 C5OX-S	ELBOW,90°,STRAIGHT THREAD TO FLARE TUBE	45349	8 V5OX-S	ELBOW,45°,STRAIGHT THREAD TO FLARE TUBE
39876	6-8 C5OX-S	ELBOW,90°,STRAIGHT THREAD TO FLARE TUBE	45351	4 V5OX-S	ELBOW,45°,STRAIGHT THREAD TO FLARE TUBE
39877	4 F5OX-S	CONNECTOR,STRAIGHT THREAD TO FLARE TUBE	47223	10343-6-6	HOSE END,MALE,JIC
39878	6 F5OX-S	CONNECTOR,STRAIGHT THREAD TO FLARE TUBE	47419	PS690503-6-6	SWIVEL,90°,STRAIGHT THREAD TO 37° FLARE
39879	4-8 F5OX-S	CONNECTOR,STRAIGHT THREAD TO FLARE TUBE	48750	421-4	HOSE,1/4 INCH ID
39880	6-10 F5OX-S	CONNECTOR,STRAIGHT THREAD TO FLARE TUBE	48751	481TC-4	HOSE,1/4 INCH ID
39881	4-6 F5OX-S	CONNECTOR,STRAIGHT THREAD TO FLARE TUBE	48752	482TC-4	HOSE,1/4 INCH ID
39882	4-HP5ON-S	PLUG,STRAIGHT THREAD	48753	451TC-6	HOSE,3/8 INCH ID
39883	8-8 FTX-S	CONNECTOR,MALE PIPE TO FLARE TUBE	48754	482TC-6	HOSE,3/8 INCH ID
39885	269HB 12-12	ELBOW,90°,BEADED HOSE BARB TO MALE PIPE	48755	381-6	HOSE,3/8 INCH ID
39886	431-6	HOSE,3/8 INCH ID	48756	451TC-8	HOSE,1/2 INCH ID
39887	540N-2	HOSE,1/8 INCH ID	48757	482TC-8	HOSE,1/2 INCH ID
39888	801-8	HOSE,1/2 INCH ID	48758	381-8	HOSE,1/2 INCH ID
39889	801-12	HOSE,3/4 INCH ID	48759	381-10	HOSE,5/8 INCH ID
39890	10643-6-6	HOSE END,FEMALE SWIVEL,JIC	48760	451TC-10	HOSE,5/8 INCH ID
39891	13943-6-6	HOSE END,90° FEMALE SWIVEL,JIC	48761	482TC-12	HOSE,3/4 INCH ID
39892	13743-6-6	HOSE END,45° FEMALE SWIVEL,JIC	48762	451TC-12	HOSE,3/4 INCH ID
39894	30682-8-8	HOSE END,FEMALE SWIVEL,JIC	48763	772-12	HOSE,3/4 INCH ID
39895	30682-10-12	HOSE END,FEMALE SWIVEL,JIC	48764	881-16	HOSE,1 INCH ID
42286	8-8 CTX-S	ELBOW,90°,MALE PIPE TO FLARE TUBE	48765	772-16	HOSE,1 INCH ID
42756	8-12 CLO-S	ELBOW,90,MALE PIPE TO ORFS	48766	AS-B-15	SLEEVE,NYLON,1.06" ID
42757	8-12 FLO-S	CONNECTOR,MALE PIPE TO ORFS	48767	AS-B-22	SLEEVE,NYLON,1.42" ID
42758	4 JLO-S	UNION TEE,ORFS	48770	881-8	HOSE,1/2 INCH ID
42759	4-4 FLO-S	CONNECTOR,MALE PIPE TO ORFS			
42760	6-8 FLO-S	CONNECTOR,MALE PIPE TO ORFS			
42761	1J143-6-4	HOSE END,90° FEMALE SWIVEL,SEAL LOK			
42762	1J743-6-4	HOSE END,45° FEMALE SWIVEL,SEAL LOK			
42768	1JO43-4-4	HOSE END,MALE,SEAL LOK			
42776	601-8	HOSE,1/2 INCH ID			
42777	1J743-16-16	HOSE END,45° FEMALE SWIVEL,SEAL LOK			
42786	16 CLO-S	ELBOW,90°,MALE PIPE TO ORFS			
42787	16 R6LO-S	RUN TEE,SWIVEL NUT,ORFS			
42788	16-8 TRLO-BL-S	REDUCER,TUBE END TO SWIVEL,ORFS			
42789	6-6 CLO-S	ELBOW,90°,MALE PIPE TO ORFS			
42790	8-10 V5OLO-S	ELBOW,45°,STRAIGHT THREAD TO ORFS			
42791	3/4 CD-S	ELBOW,90°,MALE TO FEMALE PIPE			
42792	3/4 X 1/2 PTR-S	REDUCER,MALE TO FEMALE PIPE			
42793	1/2 CR-S	ELBOW,90°,MALE PIPE			

Fitting Cross References (Continued)

Genie PN	Parker PN	Description	Genie PN	Parker PN	Description
48771	881-10	HOSE,5/8 INCH ID	48847	13943-12-12	HOSE END,90° FEMALE SWIVEL,JIC
48772	381-4	HOSE,1/4 INCH ID	48848	10543-12-12	HOSE END,MALE,STRAIGHT THREAD
48773	AS-B-13	SLEEVE,NYLON,.86" ID	48849	1JC71-12-12	HOSE END,FEMALE SWIVEL,SEAL LOK
48800	1JC43-4-4	HOSE END,FEMALE SWIVEL,SEAL LOK	48850	1JS71-12-12	HOSE END,FEMALE SWIVEL,SEAL LOK
48801	1J743-4-4	HOSE END,45° FEMALE SWIVEL,SEAL LOK	48851	1J171-12-12	HOSE END,90° FEMALE SWIVEL,SEAL LOK
48802	1J943-4-4	HOSE END,90° FEMALE SWIVEL,SEAL LOK	48852	1J771-12-12	HOSE END,45° FEMALE SWIVEL,SEAL LOK
48804	1JM43-4-4	HOSE END,MALE,SEAL LOK, NO O-RING	48853	1J971-12-12	HOSE END,90° FEMALE SWIVEL,SEAL LOK
48805	10643-4-4	HOSE END,FEMALE SWIVEL,JIC	48854	1JC43-16-16	HOSE END,FEMALE SWIVEL,SEAL LOK
48806	13943-4-4	HOSE END,90° FEMALE SWIVEL,JIC	48855	1J943-16-16	HOSE END,90° FEMALE SWIVEL,SEAL LOK
48807	1JS43-4-4	HOSE END,FEMALE SWIVEL,SEAL LOK	48856	1J171-16-16	HOSE END,90° FEMALE SWIVEL,SEAL LOK
48808	3JC82-8-8	HOSE END,FEMALE SWIVEL,SEAL LOK	48857	1J971-16-16	HOSE END,90° FEMALE SWIVEL,SEAL LOK
48809	3JC82-12-12	HOSE END,FEMALE SWIVEL,SEAL LOK	48859	1JS43-8-4	HOSE END,FEMALE SWIVEL,SEAL LOK
48810	1JC43-6-4	HOSE END,FEMALE SWIVEL,SEAL LOK	48867	PD36BTL	DIAGNOSTIC NIPPLE,SEAL-LOK SWIVEL
48811	1J943-6-4	HOSE END,90° FEMALE SWIVEL,SEAL LOK	48873	6 PNLO-S	PLUG,TUBE END,ORFS
48812	1JC43-6-6	HOSE END,FEMALE SWIVEL,SEAL LOK	48874	6 PNTX-S	PLUG,FLARE TUBE
48813	1J143-6-6	HOSE END,90° FEMALE SWIVEL,SEAL LOK	48875	6 R6LO-S	RUN TEE,SWIVEL NUT,ORFS
48814	1J543-6-6	HOSE END,90° FEMALE SWIVEL,SEAL LOK	48877	4 F5OLO-SW/.025	CONNECTOR,STRAIGHT THREAD TO ORFS, W/.025 ORI
48815	1J743-6-6	HOSE END,45° FEMALE SWIVEL,SEAL LOK	48878	16-12 C5OLO-S	ELBOW,90°,STRAIGHT THREAD TO ORFS
48816	1J943-6-6	HOSE END,90° FEMALE SWIVEL,SEAL LOK	48879	8 C6LO-S	ELBOW,90°,SWIVEL NUT ORFS
48817	1JS43-6-8	HOSE END,FEMALE SWIVEL,SEAL LOK	48880	PD6-285	CAP,DIAGNOSTIC NIPPLE
48818	1J943-8-4	HOSE END,90° FEMALE SWIVEL,SEAL LOK	48881	6 HLO-S	UNION,ORFS
48819	1JC43-8-6	HOSE END,FEMALE SWIVEL,SEAL LOK	48883	8 P5ON-S	PLUG,STRAIGHT THREAD
48820	1J743-8-6	HOSE END,45° FEMALE SWIVEL,SEAL LOK	48884	8M18F87OMLO-S	CONNECTOR,METRIC,STRAIGHT THREAD TO ORFS
48821	1J943-8-6	HOSE END,90° FEMALE SWIVEL,SEAL LOK	48885	4 WGTX-WLN-S	CONNECTOR,BULKHEAD,FEMALE PIPE TO FLARE TUBE
48822	1JC43-8-8	HOSE END,FEMALE SWIVEL,SEAL LOK	48886	4 F5OLO-SW/2MM	CONNECTOR,MACHINED STRAIGHT THREAD TO ORFS
48823	1JS43-8-8	HOSE END,FEMALE SWIVEL,SEAL LOK	48887	4 CTX-S	ELBOW,90°,MALE PIPE TO FLARE TUBE
48824	1J143-8-8	HOSE END,90° FEMALE SWIVEL,SEAL LOK	48888	10-12 V5OLO-S	ELBOW,45°,STRAIGHT THREAD TO ORFS
48825	1J543-8-8	HOSE END,90° FEMALE SWIVEL,SEAL LOK	48890	4 S5OLO-S	BRANCH TEE,STRAIGHT THREAD TO ORFS
48826	1J743-8-8	HOSE END,45° FEMALE SWIVEL,SEAL LOK	48891	4 S6LO-S	BRANCH TEE,SWIVEL NUT TO ORFS
48827	1J943-8-8	HOSE END,90° FEMALE SWIVEL,SEAL LOK			
48828	1JC43-10-8	HOSE END,FEMALE SWIVEL,SEAL LOK			
48829	1JS43-10-8	HOSE END,FEMALE SWIVEL,SEAL LOK			
48830	1J743-10-8	HOSE END,45° FEMALE SWIVEL,SEAL LOK			
48831	1J943-10-8	HOSE END,90° FEMALE SWIVEL,SEAL LOK			
48833	1JC43-10-10	HOSE END,FEMALE SWIVEL,SEAL LOK			
48834	1J943-10-10	HOSE END,90° FEMALE SWIVEL,SEAL LOK			
48835	1JS43-10-12	HOSE END,FEMALE SWIVEL,SEAL LOK			
48836	1JC43-12-8	HOSE END,FEMALE SWIVEL,SEAL LOK			
48837	1JS43-12-8	HOSE END,FEMALE SWIVEL,SEAL LOK			
48838	1J743-12-8	HOSE END,45° FEMALE SWIVEL,SEAL LOK			
48839	1J943-12-8	HOSE END,90° FEMALE SWIVEL,SEAL LOK			
48840	1J943-12-10	HOSE END,90° FEMALE SWIVEL,SEAL LOK			
48841	1JC43-12-12	HOSE END,FEMALE SWIVEL,SEAL LOK			
48842	1JO43-12-12	HOSE END,MALE,SEAL LOK			
48843	1J143-12-12	HOSE END,90° FEMALE SWIVEL,SEAL LOK			
48844	1J543-12-12	HOSE END,90° FEMALE SWIVEL,SEAL LOK			
48845	1J743-12-12	HOSE END,45° FEMALE SWIVEL,SEAL LOK			
48846	1J943-12-12	HOSE END,90° FEMALE SWIVEL,SEAL LOK			

Fitting Cross References (Continued)

Genie PN	Parker PN	Description	Genie PN	Parker PN	Description
48892	6 C6LO-S	ELBOW,90°,SWIVEL NUT ORFS	48938	8 R6LO-S	RUN TEE,SWIVEL NUT,ORFS
48893	6 F5OHAO-S	UNION,STRAIGHT THREAD	48939	8 S6LO-S	BRANCH TEE,SWIVEL NUT TO ORFS
48894	8 WLO-WLNL-S	UNION,BULKHEAD,ORFS	48940	8 WJLO-WLNL-S	RUN TEE, BULKHEAD,ORFS
48895	DT-370-MSMO-5	VALVE,CHECK	48941	8-4 TRLO-S	REDUCER,TUBE END TO SWIVEL,ORFS
48896	6 JLO-S	UNION,TEE,ORFS	48942	8-6 C5OLO-S	ELBOW,90°,STRAIGHT THREAD TO ORFS
48897	DT-750-MSMS-5	VALVE,CHECK	48943	8-6 F5OLO-S	CONNECTOR,STRAIGHT THREAD TO ORFS
48898	DT-750-MOMS-5	VALVE,CHECK	48944	8-8 FLO-S	CONNECTOR,MALE PIPE TO ORFS
48899	DT-620-MOMS-5	VALVE,CHECK	48945	8 FTX-S	CONNECTOR,MALE PIPE TO FLARE TUBE
48900	4-6 F5OLO-SW/.035	CONNECTOR,STRAIGHT THREAD TO ORFS, W/.035 ORI	48946	8-10 F5OLO-S	CONNECTOR,STRAIGHT THREAD TO ORFS
48902	16-1 AOE4G-S	ELBOW,90° LONG,FEMALE PIPE TO STRAIGHT THREAD	48947	8-12 C5OLO-S	ELBOW,90°,STRAIGHT THREAD TO ORFS
48903	1 FF-S	NIPPLE,PIPE	48948	8-12 F5OLO-S	CONNECTOR,STRAIGHT THREAD TO ORFS
48904	4 C5OLO-S	ELBOW,90°,STRAIGHT THREAD TO ORFS	48949	8-16 F5OLO-S	CONNECTOR,STRAIGHT THREAD TO ORFS
48905	4 F5OLO-S	CONNECTOR,STRAIGHT THREAD TO ORFS	48950	10 C5OLO-S	ELBOW,90°,STRAIGHT THREAD TO ORFS
48906	4 R5OLO-S	RUN TEE,STRAIGHT THREAD	48951	10 CC5OLO-S	ELBOW,90° LONG,STRAIGHT THREAD TO ORFS
48907	4 V5OLO-S	ELBOW,45°,STRAIGHT THREAD TO ORFS	48952	10 F5OLO-S	CONNECTOR,STRAIGHT THREAD TO ORFS
48908	4 R6LO-S	RUN TEE,SWIVEL NUT,ORFS	48953	10 R5OLO-S	RUN TEE,STRAIGHT THREAD
48909	4 WJLO-WLNL-S	RUN TEE, BULKHEAD,ORFS	48954	10 S5OLO-S	BRANCH TEE,STRAIGHT THREAD TO ORFS
48910	4 GTX-S W/.030	CONNECTOR,FEMALE PIPE TO FLARE TUBE	48955	10 R6LO-S	RUN TEE,SWIVEL NUT,ORFS
48911	4-6 C5OLO-S	ELBOW,90°,STRAIGHT THREAD TO ORFS	48956	10-4 TRLO-BL-S	REDUCER,TUBE END TO SWIVEL,ORFS
48912	4-6 F5OLO-S	CONNECTOR,STRAIGHT THREAD TO ORFS	48957	10-6 TRLO-BL-S	REDUCER,TUBE END TO SWIVEL,ORFS
48913	4-6 F5OLO-SW/.030	CONNECTOR,STRAIGHT THREAD TO ORFS, W/.030 ORI	48958	10-12 F5OLO-S	CONNECTOR,STRAIGHT THREAD TO ORFS
48914	4-8 F5OLO-S	CONNECTOR,STRAIGHT THREAD TO ORFS	48959	12 C5OLO-S	ELBOW,90°,STRAIGHT THREAD TO ORFS
48915	6 C5OLO-S	ELBOW,90°,STRAIGHT THREAD TO ORFS	48960	12 F5OLO-S	CONNECTOR,STRAIGHT THREAD TO ORFS
48916	6 F5OLO-S	CONNECTOR,STRAIGHT THREAD TO ORFS	48961	12 R5OLO-S	RUN TEE,STRAIGHT THREAD
48917	6 FF5OLO-S	CONNECTOR,LONG,STRAIGHT THREAD TO ORFS	48962	12 S5OLO-S	BRANCH TEE,STRAIGHT THREAD TO ORFS
48918	6 R5OLO-S	RUN TEE,STRAIGHT THREAD	48963	12 V5OLO-S	ELBOW,45°,STRAIGHT THREAD TO ORFS
48919	6 S5OLO-S	BRANCH TEE,STRAIGHT THREAD TO ORFS	48964	12 R6LO-S	RUN TEE,SWIVEL NUT,ORFS
48920	6 V5OLO-S	ELBOW,45°,STRAIGHT THREAD TO ORFS	48965	12 CLO-S	ELBOW,90°,MALE PIPE TO ORFS
48921	6 FLO-S	CONNECTOR,MALE PIPE TO ORFS	48966	12 FLO-S	CONNECTOR,MALE PIPE TO ORFS
48922	6-6 FLO-S	CONNECTOR,MALE PIPE TO ORFS	48967	12 JLO-S	UNION TEE,ORFS
48923	6 P5ON-S	PLUG,STRAIGHT THREAD	48968	12 WLO-WLNL-S	UNION,BULKHEAD,ORFS
48925	6 WELO-S	UNION,90° BULKHEAD,ORFS	48969	12 WJLO-WLNL-S	RUN TEE, BULKHEAD,ORFS
48926	6-4 C5OLO-S	ELBOW,90°,STRAIGHT THREAD TO ORFS	48970	12 WELO-WLNL-S	UNION,90° BULKHEAD W/NUT,ORFS
48927	6-4 F5OLO-S	CONNECTOR,STRAIGHT THREAD TO ORFS			
48928	6-4 V5OLO-S	ELBOW,45°,STRAIGHT THREAD TO ORFS			
48929	6-8 C5OLO-S	ELBOW,90°,STRAIGHT THREAD TO ORFS			
48930	6-8 F5OLO-S	CONNECTOR,STRAIGHT THREAD TO ORFS			
48931	6-10 F5OLO-S	CONNECTOR,STRAIGHT THREAD TO ORFS			
48932	8 C5OLO-S	ELBOW,90°,STRAIGHT THREAD TO ORFS			
48933	8 F5OLO-S	CONNECTOR,STRAIGHT THREAD TO ORFS			
48934	8 FF5OLO-S	CONNECTOR,LONG,STRAIGHT THREAD TO ORFS			
48935	8 R5OLO-S	RUN TEE,STRAIGHT THREAD			
48936	8 S5OLO-S	BRANCH TEE,STRAIGHT THREAD TO ORFS			
48937	8 V5OLO-S	ELBOW,45°,STRAIGHT THREAD TO ORFS			

Fitting Cross References (Continued)

Genie PN	Parker PN	Description	Genie PN	Parker PN	Description
48971	12 G5G5JG5-S	TEE,FEMALE STRAIGHT THREAD	49612	PKT02586	O-RING KIT (ORFS FITTINGS)
48972	12 XHL6-S	ADAPTER, 37° MALE TO SWIVEL ORFS	49613	PKT06276	PLUG AND CAP KIT-SERVICE,ORFS
48973	12-1/2 F5OG-S	ADAPTER,FEMALE PIPE TO STRAIGHT THREAD	49728	10143-12-12	HOSE END, MALE PIPE
48974	12-10 C5OLO-S	ELBOW,90°,STRAIGHT THREAD TO ORFS	49729	16-1 F5OG-S	ADAPTER,FEMALE PIPE TO STRAIGHT THREAD
48975	12-10 F5OLO-S	CONNECTOR,STRAIGHT THREAD TO ORFS	49814	12-8 FLO-S	CONNECTOR,MALE PIPE TO ORFS
48976	12-16 C5OLO-S	ELBOW,90°,STRAIGHT THREAD TO ORFS	49829	DT-500-MOMF-5	VALVE,CHECK
48977	12-16 F5OLO-S	CONNECTOR,STRAIGHT THREAD TO ORFS	49831	881-12	HOSE,3/4 INCH ID
48978	12-16 V5OLO-S	ELBOW,45°,STRAIGHT THREAD TO ORFS	49834	16 JLO-S	UNION TEE,ORFS
48980	12-16 FLO-S	CONNECTOR,MALE PIPE TO ORFS	49838	12-8 TRLO-BL-S	REDUCER,TUBE END TO SWIVEL,ORFS
48983	16 C5OLO-S	ELBOW,90°,STRAIGHT THREAD TO ORFS	49840	8 JLO-S	UNION TEE,ORFS
48984	16 F5OLO-S	CONNECTOR,STRAIGHT THREAD TO ORFS	49844	10-8 TRLO-BL-S	REDUCER,TUBE END TO SWIVEL,ORFS
48985	16 V5OLO-S	ELBOW,45°,STRAIGHT THREAD TO ORFS	49854	8 P5ON-S	PLUG,STRAIGHT THREAD
48986	16 FLO-S	CONNECTOR,MALE PIPE TO ORFS	49855	1JC43-16-12	HOSE END,FEMALE SWIVEL,SEAL LOK
48988	16 CD45-S	ELBOW,45°,MALE TO FEMALE PIPE	49859	4 P5ON-S	PLUG,STRAIGHT THREAD
48989	12 CD45-S	ELBOW,45°,MALE TO FEMALE PIPE	49861	4 FF5OLO-S	CONNECTOR, LONG, STRAIGHT THREAD TO ORFS
48990	8 CD45-S	ELBOW,45°,MALE TO FEMALE PIPE	49867	12-3/4 F5OG-S	ADAPTER,FEMALE PIPE TO STRAIGHT THREAD
48991	16-12 FLO-S	CONNECTOR,MALE PIPE TO ORFS	51152	6 R6X-S	RUN TEE,SWIVEL NUT,ORFS
48992	16-12 V5OLO-S	ELBOW,45°,STRAIGHT THREAD TO ORFS	51153	6-4 TRTX-S	REDUCER,TUBE END TO SWIVEL,ORFS
48993	XV501-12	BALL VALVE	51154	4-4 GTX	CONNECTOR,FEMALE PIPE TO FLARE TUBE
48994	XV501-16	BALL VALVE	51264	881-12	HOSE,3/4 INCH ID
48995	XV510P-12	BALL VALVE	51265	8 JLO-S	UNION TEE,ORFS
48996	XV510P-16	BALL VALVE	51508	6 BTX-S	NUT,FLARE TUBE
48997	PD341	DIAGNOSTIC NIPPLE, STRAIGHT THREAD	51580	12-8 TRLO-BL-S	TUBE END REDUCER,ORFS
48998	PD 361	DIAGNOSTIC NIPPLE, STRAIGHT THREAD	51628	6 R6X-S	RUN TEE,SWIVEL NUT,ORFS
48999	DT-500-MOMS-5	VALVE,CHECK	51735	3/8 HHP	PLUG,PIPE THREAD
49201	10 V5OLO-S	ELBOW,45°,STRAIGHT THREAD TO ORFS	51803	1J943-6-8	HOSE END,90° FEMALE SWIVEL,SEAL LOK
49202	1JC43-12-10	HOSE END,FEMALE SWIVEL,SEAL LOK	53023	125HBL-5-4	FITTING,HOSE BARB TO MALE PIPE
49203	10-8 V5OLO-S	ELBOW,45°,STRAIGHT THREAD TO ORFS	53497	PKT02585	O-RING KIT
49205	6 F5OHAO-S	UNION,STRAIGHT THREAD	53499	1JC71-16-16	HOSE END,FEMALE SWIVEL,SEAL LOK
49207	PD34BTL	DIAGNOSTIC NIPPLE,SEAL-LOK SWIVEL	53500	3-904	O-RING,STRAIGHT THREAD,-4
49209	8M18F870MX-S	CONNECTOR,METRIC,STRAIGHT THREAD TO FLARE TUBE	53501	3-906	O-RING,STRAIGHT THREAD,-6
49212	8 WGTX-WLN-S	CONNECTOR,BULKHEAD,FEMALE PIPE TO FLARE TUBE	53502	3-908	O-RING,STRAIGHT THREAD,-8
49213	30682-8-8	HOSE END,FEMALE SWIVEL,JIC	53503	3-910	O-RING,STRAIGHT THREAD,-10
49216	831-8	HOSE,1/2 INCH ID			
49217	33982-8-8	HOSE END,90° FEMALE SWIVEL,JIC			
49219	PS-B-35	SLEEVE,NYLON,2.19" ID			
49418	4-6 V5OLO-S	ELBOW,45°,STRAIGHT THREAD TO ORFS			
49511	DT370-MOMS-5	VALVE,CHECK			
49512	1 DD-S	ELBOW,90°,FEMALE PIPE			
49513	1 FF-S	NIPPLE,PIPE			
49514	10 HP5ON-S	PLUG,STRAIGHT THREAD			
49515	12-16 CLO-S	ELBOW,90°,MALE PIPE TO ORFS			
49517	6 HP5ON-S	PLUG,STRAIGHT THREAD			
49519	16-12 F5OLO-S	CONNECTOR,STRAIGHT THREAD TO ORFS			
49520	4 VTX-S	ELBOW,45°,MALE PIPE TO FLARE TUBE			
49530	16 C6LO-S	ELBOW,90°,SWIVEL NUT ORFS			

Fitting Cross References (Continued)

Genie PN	Parker PN	Description	Genie PN	Parker PN	Description
53535	3-912	O-RING,STRAIGHT THREAD,-12	61083	24 F5OLO-S	CONNECTOR,STRAIGHT THREAD TO ORFS
53536	4-PNLO-S	PLUG,TUBE END,ORFS	61086	20 R5OLO-S	RUN TEE,STRAIGHT THREAD
53537	6 PNLO-S	PLUG,TUBE END,ORFS	61090	24-20 F5OLO-S	CONNECTOR,STRAIGHT THREAD TO ORFS
53538	8 PNLO-S	PLUG,TUBE END,ORFS	61091	1J943 24-24	HOSE END,90° FEMALE SWIVEL,SEAL LOK
53539	10 PNLO-S	PLUG,TUBE END,ORFS	61093	1J978-12-12	HOSE END,90° FEMALE SWIVEL,JIC
53540	12 PNLO-S	PLUG,TUBE END,ORFS	61095	1JS43-20-16	HOSE END,FEMALE SWIVEL,SEAL LOK
53946	129HB-5-4	FITTING,90° HOSE BARB TO MALE PIPE	61100	811-24	HOSE,11/2 INCH ID
53951	8-1/4F50G-S	ADAPTER,FEMALE PIPE TO STRAIGHT THREAD	61130	1JS43-24-24	HOSE END,FEMALE SWIVEL,SEAL LOK
53980	6 S6LO-S	BRANCH TEE,SWIVEL NUT TO ORFS	61131	1JS78 12-12	HOSE END,FEMALE SWIVEL,SEAL LOK
54132	4 C6LO-S	ELBOW,90°,SWIVEL NUT ORFS	61132	1J778-12-12	HOSE END,45° FEMALE SWIVEL,JIC
54135	11343-16-16	HOSE END,MALE SWIVEL,PIPE	61152	139HB-6-4	ELBOW,45°,BARB TO MALE PIPE
54283	8-10 C5OLO-S	ELBOW,90°,STRAIGHT THREAD TO ORFS	61251	BV-0750	BALL VALVE
54428	8M18C870MLO-S	ELBOW, 90° METRIC, STRAIGHT THREAD TO ORFS	61259	4 CC5OLO-S	ELBOW,90° LONG,STRAIGHT THREAD TO ORFS
54803	FS-F-16-10	SLEEVE,FIRE,.96" ID	61260	20-12 TRLO-BL	REDUCER,TUBE END TO SWIVEL,ORFS
54954	10143-2-4	HOSE END, MALE PIPE	61262	12 C6LO-S	ELBOW,90°,SWIVEL NUT ORFS
55190	3/8 HP-S	PLUG,PIPE THREAD	61263	20 F5OHAO-S	UNION,STRAIGHT THREAD
55448	8 HLO-S	UNION,ORFS	61264	6-10 C5OLO-S	ELBOW,90°,STRAIGHT THREAD TO ORFS
55839	6 F65OX-S	CONNECTOR,STRAIGHT THREAD TO 37° SWIVEL	61265	6 WNLO-WLNL-S	UNION,BULKHEAD 45°,ORFS
55968	10 C5OX-S	ELBOW,90°,STRAIGHT THREAD TO FLARE TUBE	61268	4 WNLO-WLNL-S	UNION,BULKHEAD 45°,ORFS
56003	6 CC5OLO-S	ELBOW,90° LONG,STRAIGHT THREAD TO ORFS	61269	4 WLO-WLNL-S	UNION,BULKHEAD,ORFS
56166	BV-0837	BALL VALVE,90°	61272	12 AOEL6	ELBOW,90°,STRAIGHT THREAD TO ORFS SWIVEL
56188	10143-8-6	HOSE END, MALE PIPE	61316	482TC-16	HOSE,1 INCH ID
56233	2-011	O-RING,ORFS,-4	61321	6 JLO-S	UNION TEE,ORFS
56234	2-012	O-RING,ORFS,-6	61327	782-12	HOSE,3/4 INCH ID
56235	2-014	O-RING,ORFS,-8	61328	881-24	HOSE,11/2 INCH ID
56236	2-016	O-RING,ORFS,-10	61336	11943-20-24	HOSE END,90° FLANGE HEAD
56237	2-018	O-RING,ORFS,-12	61345	12 WJLO-WLNL-S	RUN TEE, BULKHEAD,ORFS
56238	2-021	O-RING,ORFS,-16	61346	8 WNLO-WLNL-S 4	UNION,BULKHEAD 45°,ORFS
56352	6 WLNL-S	LOCKNUT,BULKHEAD	61569	33782-8-8	HOSE END,45° FEMALE SWIVEL,JIC
56353	3J782-12-12	HOSE END,45° FEMALE SWIVEL,SEAL LOK	61610	12 FF5OLO-S	CONNECTOR,LONG,STRAIGHT THREAD TO ORFS
56354	3J982-12-12	HOSE END,90° FEMALE SWIVEL,SEAL LOK	61742	1/8 X 1.5 FFF	NIPPLE,PIPE
56604	10-8 F5OLO-S	CONNECTOR,STRAIGHT THREAD TO ORFS	63426	8 PNTX-S	PLUG,FLARE TUBE
56639	3JC82-10-10	HOSE END,FEMALE SWIVEL,SEAL LOK			
56640	3J982-10-10	HOSE END,90° FEMALE SWIVEL,SEAL LOK			
56655	3JC82-8-10	HOSE END,FEMALE SWIVEL,SEAL LOK			
56676	10-8 C5OLO-S	ELBOW,90°,STRAIGHT THREAD TO ORFS			
56776	471TC-6	HOSE,3/8 INCH ID			
56777	471TC-8	HOSE,1/2 INCH ID			
56789	811-16	HOSE,1 INCH ID			
57884	3/8 FF	NIPPLE,PIPE			
59335	6 FNL-S	CAP,TUBE END			
59342	4 FNL-S	CAP,TUBE END			
59371	8 HP50N-S	PLUG,STRAIGHT THREAD			
60653	BV-0751	BALL VALVE			
60806	125HB-3-4	FITTING,HOSE BARB TO MALE PIPE			
61064	5-1/4 F50G-S	ADAPTER,FEMALE PIPE TO STRAIGHT THREAD			
61079	4 WELO-WLNL-S	UNION,90° BULKHEAD W/NUT,ORFS			
61080	6 WLO-WLNL-S	UNION,BULKHEAD,ORFS			

Fitting Cross References (Continued)

Genie PN	Parker PN	Description	Genie PN	Parker PN	Description
64271	4 WLO-WLNL-S	UNION,BULKHEAD,ORFS	75631	801-6	HOSE,3/8 INCH ID
64272	6 WLO-WLNL-S	UNION,BULKHEAD,ORFS	75654	20 F5OLO-S	CONNECTOR,STRAIGHT THREAD TO ORFS
65776	8 F65OL-S	CONNECTOR,STRAIGHT THREAD TO ORFS SWIVEL	75655	1J943-20-20	HOSE END,90° FEMALE SWIVEL,SEAL LOK
65880	6001012	O-RING KIT	75656	881-20	HOSE,1-1/4 INCH ID
66154	6 WTX-WLNS	UNION,BULKHEAD,FLARE TUBE	75971	8 F5OHAO-S	UNION,STRAIGHT THREAD
66155	6 WETX-S	UNION,BULKHEAD 90°,FLARE TUBE	77307	1JB43-8-8	HOSE END,BULKHEAD,SEAL LOK
66156	6 WLN-S	BULKHEAD LOCKNUT	77309	8 WLNL-S	BULKHEAD LOCKNUT
66389	6-8 F5OX-S	CONNECTOR,STRAIGHT THREAD TO FLARE TUBE	77379	8M18C87OMX-S	ELBOW,90° METRIC,STRAIGHT THREAD TO FLARE TUBE
66392	6 R5OX-S	RUN TEE,STRAIGHT THREAD	77703	3J982-8-8	HOSE END,90° FEMALE SWIVEL,SEAL LOK
66396	811-12	HOSE,3/4 INCH ID	77711	801-10	HOSE,5/8 INCH ID
66829	H3174PP	CLAMP,TUBE	77758	12 WNLO-WLNL-S	UNION,BULKHEAD 45°,ORFS
67217	4 KLO-S	UNION,CROSS,ORFS	78091	6 C6X-S	ELBOW,90°,SWIVEL NUT TO FLARE TUBE
67339	10-6 F5OX-S	CONNECTOR,STRAIGHT THREAD TO FLARE TUBE	78684	30582-8-8B	HOSE END,PUSH LOK,MALE
67357	13943-8-6	HOSE END,90° FEMALE SWIVEL,JIC	78852	549-2	HOSE,1/8 INCH ID
67358	10 HP5ON-S	PLUG,STRAIGHT THREAD	78855	10657-4-2	HOSE END,FEMALE SWIVEL,JIC
67371	12 S6LO-S	BRANCH TEE,SWIVEL NUT TO ORFS	79138	PS-B-37	SLEEVE,NYLON,2.38" ID
67498	4 FNL-S	CAP, TUBE END	79476	1JS43-6-8	HOSE END,FEMALE SWIVEL,SEAL LOK
67906	DC-370-F0F0-5	VALVE,CHECK	79847	12-3/4 A0EG-S	ELBOW,90°,STRAIGHT THREAD TO FEMALE PIPE
69316	8 FLO-S	CONNECTOR,MALE PIPE TO ORFS	80044	8 CLO-S	ELBOW,90°,MALE PIPE TO ORFS
69333	H3174PP	CLAMP,HYDRAULIC HOSE	80502	8 F5OX-S	CONNECTOR,STRAIGHT THREAD TO FLARE TUBE
69503	4 F65OX-S	CONNECTOR,STRAIGHT THREAD TO 37° SWIVEL	80503	8 C5OX-S	ELBOW,90°,STRAIGHT THREAD TO FLARE TUBE
69775	8 FNL-S	CAP, TUBE END	81010	AS-B-27	SLEEVE,NYLON,1.63" ID
71038	1/4X1/4F3HG-S	ADAPTER,CONVERSION	83052	821-6	HOSE,3/8 INCH ID
71196	12-8 F5OLO-S	CONNECTOR,STRAIGHT THREAD TO ORFS	83053	821-8	HOSE,1/2 INCH ID
71383	1/4 CD45-S	ELBOW,45°,MALE TO FEMALE PIPE	83054	821-12	HOSE,3/4 INCH ID
72270	12FNL-S	CAP, TUBE END	83055	30682-6-6	HOSE END,FEMALE SWIVEL,JIC
73436	60C-4	SLEEVE,COMPRESSION	83056	30682-12-12	HOSE END,FEMALE SWIVEL,JIC
73437	61C-4	NUT,COMPRESSION	83057	33782-6-6	HOSE END,45° FEMALE SWIVEL,JIC
73438	33482-4-4B	HOSE END,PUSH LOK,MALE	83058	33982-6-6	HOSE END,90° FEMALE SWIVEL,JIC
73767	1CD-S	ELBOW,90°,MALE TO FEMALE PIPE	83060	33982-12-12	HOSE END,90° FEMALE SWIVEL,JIC
73768	20-16-F5OG5-S	ADAPTER,FEMALE PIPE TO STRAIGHT THREAD	83063	13743-4-4	HOSE END,45° FEMALE SWIVEL,JIC
73769	16-20 F5OLO-S	CONNECTOR,STRAIGHT THREAD TO ORFS			
74660	6-8 F42EDMLO-S	CONNECTOR,MALE BSPP TO ORFS			
74661	8-8 F42EDMLO-S	CONNECTOR,MALE BSPP TO ORFS			
75007	4 FLO-S	CONNECTOR,MALE PIPE TO ORFS			
75008	1/8 HP-S	PLUG,PIPE THREAD			
75014	1/2 HP-S	PLUG,PIPE THREAD			
75042	8 WELO-WLNL-S	UNION,90° BULKHEAD W/NUT,ORFS			
75043	3/4 FF-S	NIPPLE,PIPE			
75254	24 F5OHAO-S	UNION,STRAIGHT THREAD			
75255	12 F5OHAO-S	UNION,STRAIGHT THREAD			
75256	XV506P-24	BALL VALVE			
75574	4 WLNL-S	BULKHEAD LOCKNUT			
75612	8 WJLO-WLNL-S	RUN TEE, BULKHEAD,ORFS			
75613	12-8 F5OG5-S	ADAPTER,FEMALE PIPE TO STRAIGHT THREAD			
75614	8 CC5OLO-S	ELBOW,90° LONG,STRAIGHT THREAD TO ORFS			
75628	1JB43-4-4	HOSE END,BULKHEAD,SEAL LOK			

Fitting Cross References (Continued)

Genie PN	Parker PN	Description	Genie PN	Parker PN	Description
83064	13743-8-8	HOSE END,45° FEMALE SWIVEL,JIC	89449	6 WJLO-WLNL-S	RUN TEE, BULKHEAD,ORFS
83065	13743-12-12	HOSE END,45° FEMALE SWIVEL,JIC	89489	4 WJMLO-S	BRANCH TEE,BULKHEAD,ORFS
83066	13943-8-8	HOSE END,90° FEMALE SWIVEL,JIC	89551	1JB43-6-6	HOSE END,BULKHEAD,SEAL LOK
83067	14143-6-6	HOSE END,90° FEMALE SWIVEL,JIC	89552	1JB43-8-8	HOSE END,BULKHEAD,SEAL LOK
83068	14143-8-8	HOSE END,90° FEMALE SWIVEL,JIC	89593	20 C5OLO-S	ELBOW,90°,STRAIGHT THREAD TO ORFS
83069	14143-12-12	HOSE END,90° FEMALE SWIVEL,JIC	94161	8-8 CLO-S	ELBOW,90°,MALE PIPE TO ORFS
83070	772-8	HOSE,1/2 INCH ID	94358	351TC-12	HOSE,3/4 INCH ID
83071	10671-8-8	HOSE END,FEMALE SWIVEL,JIC	94418	20 FLO-S	CONNECTOR,MALE PIPE TO ORFS
83072	10671-12-12	HOSE END,FEMALE SWIVEL,JIC	96358	12 TX-S	SLEEVE,FLARE TUBE
83073	13771-8-8	HOSE END,45° FEMALE SWIVEL,JIC	96359	12 BTX-S	NUT,FLARE TUBE
83074	13771-12-12	HOSE END,45° FEMALE SWIVEL,JIC	96397	8 F5OX-S	CONNECTOR,STRAIGHT THREAD TO FLARE TUBE
83075	13971-8-8	HOSE END,90° FEMALE SWIVEL,JIC	96398	12-8 F5OX-S	CONNECTOR,STRAIGHT THREAD TO FLARE TUBE
83076	13971-12-12	HOSE END,90° FEMALE SWIVEL,JIC	96402	10343-6-6	HOSE END,MALE,JIC
83077	14171-8-8	HOSE END,90° FEMALE SWIVEL,JIC	96407	30382-6-6B	HOSE END,MALE,JIC
83078	14171-12-12	HOSE END,90° FEMALE SWIVEL,JIC			
83080	13943-16-16	HOSE END,90° FEMALE SWIVEL,JIC			
83103	10671-16-12	HOSE END,FEMALE SWIVEL,JIC			
83104	10671-10-12	HOSE END,FEMALE SWIVEL,JIC			
83112	1JC71-8-8	HOSE END,FEMALE SWIVEL,SEAL LOK			
83113	1JS71-16-12	HOSE END,FEMALE SWIVEL,SEAL LOK			
83114	1JS71-10-12	HOSE END,FEMALE SWIVEL,SEAL LOK			
83115	1J971-8-8	HOSE END,90° FEMALE SWIVEL,SEAL LOK			
83116	1J171-8-8	HOSE END,90° FEMALE SWIVEL,SEAL LOK			
83117	1J771-8-8	HOSE END,45° FEMALE SWIVEL,SEAL LOK			
83127	1J543-6-8	HOSE END,90° FEMALE SWIVEL,JIC			
83128	1JC43-6-8	HOSE END,FEMALE SWIVEL,SEAL LOK			
87033	12-6 TRLO-S	REDUCER,TUBE END TO SWIVEL,ORFS			
87034	3J782-8-8	HOSE END,45° FEMALE SWIVEL,SEAL LOK			
87172	12 HP5ON-S	PLUG,STRAIGHT THREAD			
87185	8 WNLO-WLNL-S	UNION,BULKHEAD 45°,ORFS			
87246	4 C6X-S	ELBOW,90°,SWIVEL NUT TO FLARE TUBE			
87679	6 LHP-S	FLANGE SEAL FITTING, MALE			
87681	6PLS N0702	BONDED SEAL			
88100	SR88100	ADAPTER,OIL DRAIN,GM 3.0L			
88311	1JS43-20-20	HOSE END,FEMALE SWIVEL,SEAL LOK			
88353	20 V5OLO-S	ELBOW,45°,STRAIGHT THREAD TO ORFS			
88474	10081-20	Crimp Shell, 1.25"			
88475	1988-20-24	HOSE END,90° FLANGE HEAD			
88476	JS88-24-24	HOSE END,FEMALE SWIVEL,SEAL LOK			
88477	1JC88-20-20	HOSE END,FEMALE SWIVEL,SEAL LOK			
88478	811-20	HOSE,11/4 INCH ID			
88936	20-16 F5OLO-S	CONNECTOR,STRAIGHT THREAD TO ORFS			
88937	20-16 FLO-S	CONNECTOR,MALE PIPE TO ORFS			
88938	1JC88-16-16	HOSE END,FEMALE SWIVEL,SEAL LOK			
88939	1J988-16-16	HOSE END,90° FEMALE SWIVEL,ORFS			
88940	811-16	HOSE,1 INCH ID			
88944	1J988-20-20	HOSE END,90° FEMALE SWIVEL,ORFS			
89403	16 VLO-S	ELBOW,45°,MALE PIPE TO ORFS			

California Proposition 65



Operating, servicing and maintaining this equipment can expose you to chemicals including engine exhaust, carbon monoxide, phthalates, and lead, which are known to the State of California to cause cancer and birth defects or other reproductive harm. These chemicals can be emitted from or contained in other various parts and systems, fluids and some component wear by-products. To minimize exposure, avoid breathing exhaust, do not idle the engine except as necessary, service your equipment and vehicle in a well-ventilated area and wear gloves or wash your hands frequently when servicing your equipment or vehicle and after operation. For more information go to www.P65Warnings.ca.gov/passenger-vehicle.

Distributed By:

Go to Discount-Equipment.com to order your parts

PARTS FINDER

**Search Website
by Part Number**



**Search Manual
Library For Parts
Manual & Lookup Part
Numbers – Purchase
or Request Quote**

Search Manuals

Enter your information to help us find the right parts manual for your machine.

* Brand:

* Model:

* Serial:

* Part Number:

SEARCH

**Can't Find Part or
Manual? Request Help
by Manufacturer,
Model & Description**

Parts Order Form

Please fill in the following information to help us find the right part for your machine.

MANUFACTURER:

MODEL:

DESCRIPTION:

DATE:

NAME:

PHONE:

EMAIL:

ADDRESS:

CITY:

STATE:

ZIP:

REQUEST FOR QUOTE

Discount-Equipment.com is your online resource for quality parts & equipment.

Florida: **561-964-4949** Outside Florida TOLL FREE: **877-690-3101**

Need parts?

Click on this link: <http://www.discount-equipment.com/category/5443-parts/> and choose one of the options to help get the right parts and equipment you are looking for. Please have the machine model and serial number available in order to help us get you the correct parts. If you don't find the part on the website or on one of the online manuals, please fill out the request form and one of our experienced staff members will get back to you with a quote for the right part that your machine needs.

We sell worldwide for the brands: Genie, Terex, JLG, MultiQuip, Mikasa, Essick, Whiteman, Mayco, Toro Stone, Diamond Products, Generac Magnum, Airman, Haulotte, Barreto, Power Blanket, Nifty Lift, Atlas Copco, Chicago Pneumatic, Allmand, Miller Curber, Skyjack, Lull, Skytrak, Tsurumi, Husquvarna Target, Stow, Wacker, Sakai, Mi-T-M, Sullair, Basic, Dynapac, MBW, Weber, Bartell, Bennar Newman, Haulotte, Ditch Runner, Menegotti, Morrison, Contec, Buddy, Crown, Edco, Wyco, Bomag, Laymor, EZ Trench, Bil-Jax, F.S. Curtis, Gehl Pavers, Heli, Honda, ICS/PowerGrit, IHI, Partner, Imer, Clipper, MMD, Koshin, Rice, CH&E, General Equipment, Amida, Coleman, NAC, Gradall, Square Shooter, Kent, Stanley, Tamco, Toku, Hatz, Kohler, Robin, Wisconsin, Northrock, Oztec, Toker TK, Rol-Air, APT, Wylie, Ingersoll Rand / Doosan, Innovatech, Con X, Ammann, Mecalac, Makinex, Smith Surface Prep, Small Line, Wanco, Yanmar