



A TEREX BRAND



# Parts Manual

Serial Number Range

**GS-4047**

from SN GS4712C-101 to  
GS4716C-4499

from SN GS47C-4500 to  
GS47C-4658

Part No. 237966GT

Rev D6

November 2018

Go to Discount-Equipment.com to order your parts

# PARTS FINDER

**Search Website  
by Part Number**



**Search Manual  
Library For Parts  
Manual & Lookup Part  
Numbers – Purchase  
or Request Quote**

**Search Manuals**

Enter your information to help us find the right parts manual for your machine.

\* Brand:

\* Model:

\* Serial:

\* Part Number:

SEARCH

**Can't Find Part or  
Manual? Request Help  
by Manufacturer,  
Model & Description**

**Parts Order Form**

Please fill in the following information to help us find the right part for your machine.

Manufacturer:	<input type="text"/>
Model:	<input type="text"/>
Description:	<input type="text"/>
Part Number:	<input type="text"/>
Quantity:	<input type="text"/>
Notes:	<input type="text"/>

Discount-Equipment.com is your online resource for quality parts & equipment.

Florida: **561-964-4949** Outside Florida TOLL FREE: **877-690-3101**

**Need parts?**

Click on this link: <http://www.discount-equipment.com/category/5443-parts/> and choose one of the options to help get the right parts and equipment you are looking for. Please have the machine model and serial number available in order to help us get you the correct parts. If you don't find the part on the website or on one of the online manuals, please fill out the request form and one of our experienced staff members will get back to you with a quote for the right part that your machine needs.

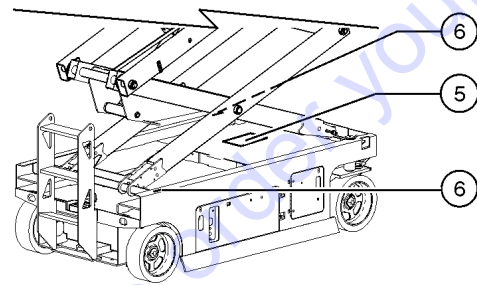
We sell worldwide for the brands: Genie, Terex, JLG, MultiQuip, Mikasa, Essick, Whiteman, Mayco, Toro Stone, Diamond Products, Generac Magnum, Airman, Haulotte, Barreto, Power Blanket, Nifty Lift, Atlas Copco, Chicago Pneumatic, Allmand, Miller Curber, Skyjack, Lull, Skytrak, Tsurumi, Husquvarna Target, Stow, Wacker, Sakai, Mi-T-M, Sullair, Basic, Dynapac, MBW, Weber, Bartell, Bennar Newman, Haulotte, Ditch Runner, Menegotti, Morrison, Contec, Buddy, Crown, Edco, Wyco, Bomag, Laymor, EZ Trench, Bil-Jax, F.S. Curtis, Gehl Pavers, Heli, Honda, ICS/PowerGrit, IHI, Partner, Imer, Clipper, MMD, Koshin, Rice, CH&E, General Equipment, Amida, Coleman, NAC, Gradall, Square Shooter, Kent, Stanley, Tamco, Toku, Hatz, Kohler, Robin, Wisconsin, Northrock, Oztec, Toker TK, Rol-Air, APT, Wylie, Ingersoll Rand / Doosan, Innovatech, Con X, Ammann, Mecalac, Makinex, Smith Surface Prep, Small Line, Wanco, Yanmar

**Genie**  
A TEREX BRAND

**Model:**  
**Serial number:** GS4716P-123456  
**Manufacture date:** 1/2/16      **Model year:** 2016  
**Electrical schematic number:**  
**Machine unladen weight:**  
**Rated work load (including occupants):**  
**Maximum number of platform occupants:**  
**Maximum allowable inclination of the chassis:**  
**Outrigger retracted:**  
**Outrigger deployed:**

GS47 16 P - 123456

1 2 3 4

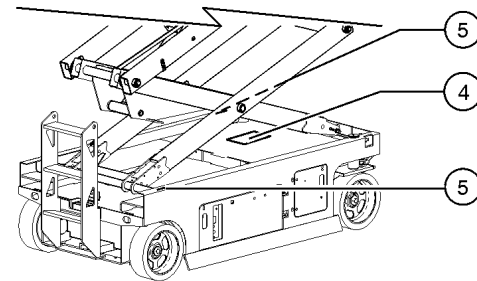


**Genie**  
A TEREX BRAND

**Model:**  
**Serial number:** GS47P-123456  
**Year of manufacture:** 2016  
**Electrical schematic number:**  
**Machine unladen weight:**  
**Rated work load (including occupants):**  
**Maximum number of platform occupants:**  
**Maximum allowable inclination of the chassis:**  
**Outrigger retracted:**  
**Outrigger deployed:**

GS47 P - 123456

1 2 3



## Table of Contents

This manual is updated frequently. For the most up-to-date parts information, visit [www.discount-equipment.com](http://www.discount-equipment.com)

How to Read Your Serial Number.....	3
Parts Stocking List.....	7

**Electronic Version**

Click on any page number to view the figure.

**001 Parts Stocking List**

001.1 Parts Stocking List.....	10
--------------------------------	----

**100 Decals**

101.1 Symbol Decals, GS-4047, Battery Side, CE & ANSI..	12
102.1 Symbol Decals, GS-4047, Ground Control Side, CE & ANSI.....	14
103.1 Symbol Decals, GS-4047, Platform, CE & ANSI.....	16
104.1 Word Decals, GS-4047, Battery Side, Australia & ANSI.....	18
105.1 Word Decals, GS-4047, Ground Control Side, Australia & ANSI.....	20
106.1 Word Decals, GS-4047, Platform, Australia & ANSI...22	

**200 Drive Chassis Components**

201.1 Steer Linkage and Wheels.....	24
202.1 Non-Steer Axle Installation.....	26
203.1 Level Sensor Installation.....	28
204.1 Pot Hole Protection Assembly.....	30
205.1 Battery Pack Tray.....	32
206.1 Battery Charger.....	34
207.1 Power Unit Module.....	36
208.1 Ground Controls.....	38
209.1 Electrical Wiring.....	40
210.1 Power Cables (to SN GS4715C-2030).....	42
210.2 Power Cables (from SN GS4715C-2031, from SN GS4714D-101).....	44
211.1 Accumulator, Lift Pressure Select and Function Manifolds.....	46

**300 Scissor Components**

301.1 Scissor Assy Installation.....	48
--------------------------------------	----

302.1 Scissor Assembly.....	50
303.1 Scissor Assembly, Hose Clamps.....	54

**400 Platform Components**

401.1 Platform Components.....	56
402.1 Power to Platform.....	60
403.1 Platform Controls, 2 Speed.....	62
404.1 Platform Controls, Proportional.....	64
405.1 Joystick Controller.....	66

**500 Hydraulic Components**

501.1 Hydraulic Components.....	68
502.1 Function Manifold.....	70
503.1 Brake Release Hand Pump Manifold.....	72
504.1 Hydraulic Power Unit.....	74
505.1 Lift Cylinder Assemblies.....	76
506.1 Hydraulic Hoses and Fittings.....	78

**600 Accessories**

601.1 Alarm, Horn and Flashing Beacons.....	80
602.1 Air Line to Platform.....	82
603.1 RCBO.....	84

**700 Platform Overload Components**

701.1 Platform Overload.....	86
------------------------------	----

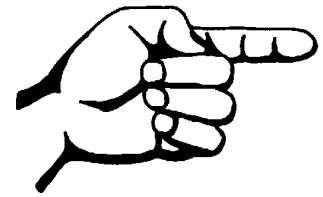
**Indices**

Part Number Index.....	88
Part Description Index.....	91

**Cross References**

Fittings Cross Reference.....	96
-------------------------------	----

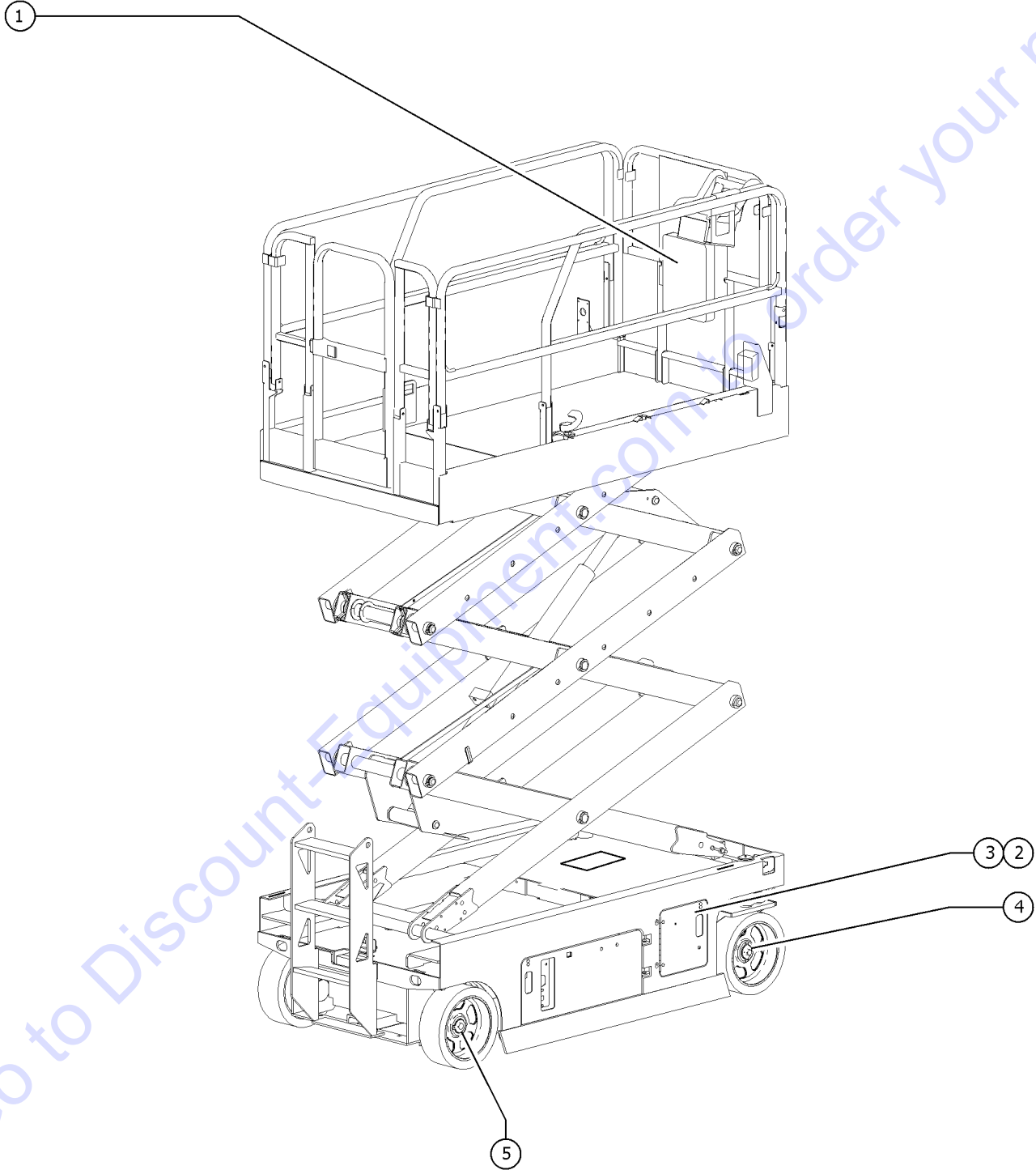
Please refer to section 001 for the Recommended Spare Parts List.



This page intentionally left blank.

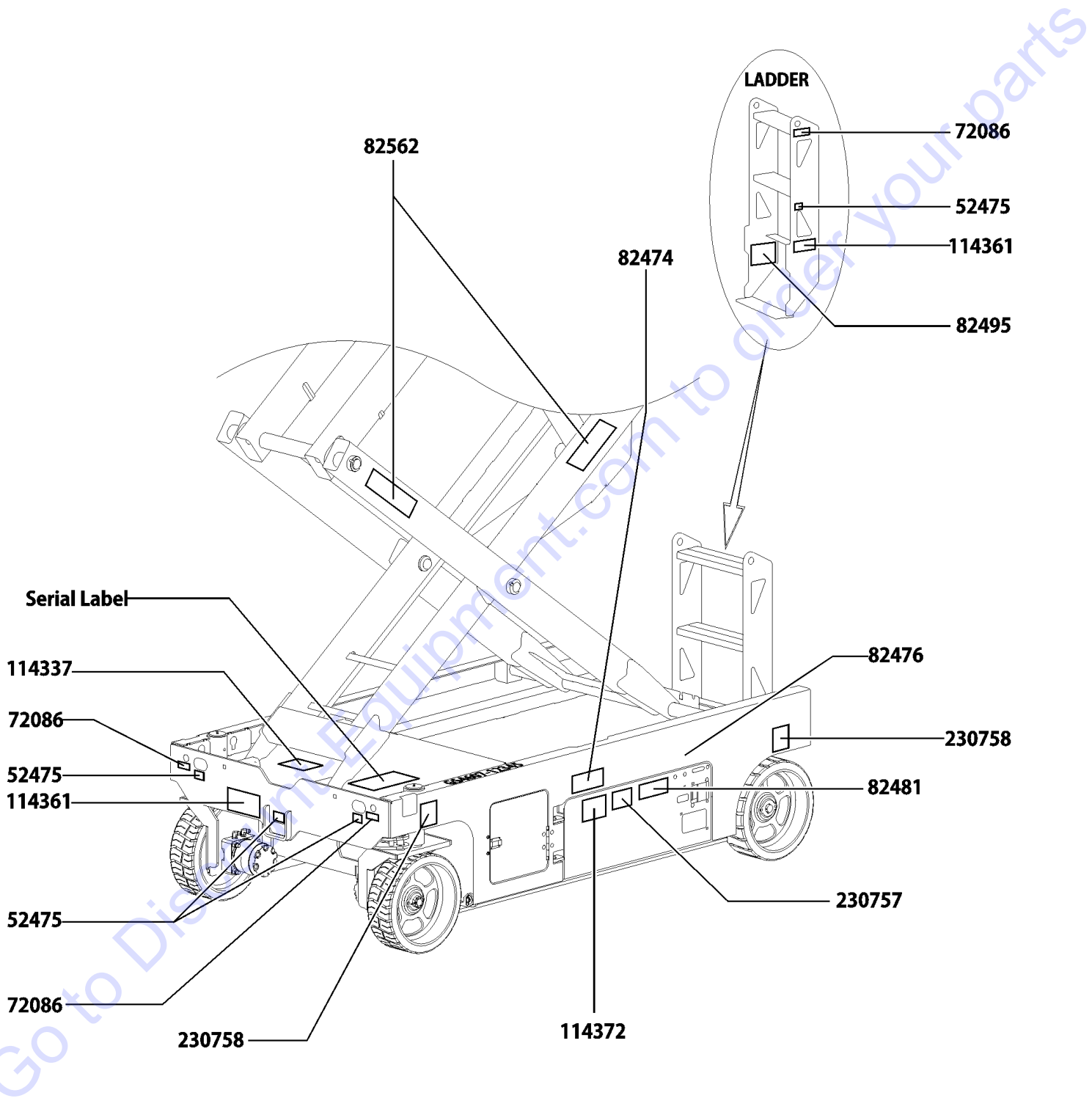
Go to Discount-Equipment.com to order your parts

001.1 Parts Stocking List



Item	Part No.	Description	Qty.
--	66399GT	GREASE,DIELECTRIC 4 OZ**	
--		Ref. CHEVRON ULTRA-DUTY GREASE (LITHIUM), OR EQUIVALENT, EP NLGI 1 <i>(source locally)</i>	
--	1258567GT	PAINT, AEROSOL, TRAFFIC BLACK <i>12-ounce spray paint</i>	
--	1268GT	PAINT,AEROSOL,GENIE GRAY*** <i>12-ounce spray paint</i>	
--	1484GT	PAINT,AEROSOL,BRIGHT BLUE*** <i>12-ounce spray paint</i>	
--	1257733GT	PAINT,WET,TRAFFIC BLACK (1 GL)** <i>1-gallon</i>	
--	32150GT	PAINT,WET,GENIE BLUE (1 GL)** <i>1-gallon</i>	
--	32151GT	PAINT,WET,GENIE GRAY (1 GL)** <i>1-gallon</i>	
--	49613GT	PLUG AND CAP KIT-SERVICE,ORFS*	
1A	27581GT	MANUAL,AEM SAFETY	
1B	44163GT	MANUAL,RESPON,A92.6 SCISSOR	
2	44788GT	FILTER ELEMENT,10MICRON,PAPER*	
3	78546GT	BREATHER CAP,HYD. TANK,1/4 NPT	
4	13635-10GT	PIN,COTTER,.156 X 1.75	
5	42079GT	PIN,COTTER,.156 X 2.5	

101.1 Symbol Decals, GS-4047, Battery Side, CE & ANSI



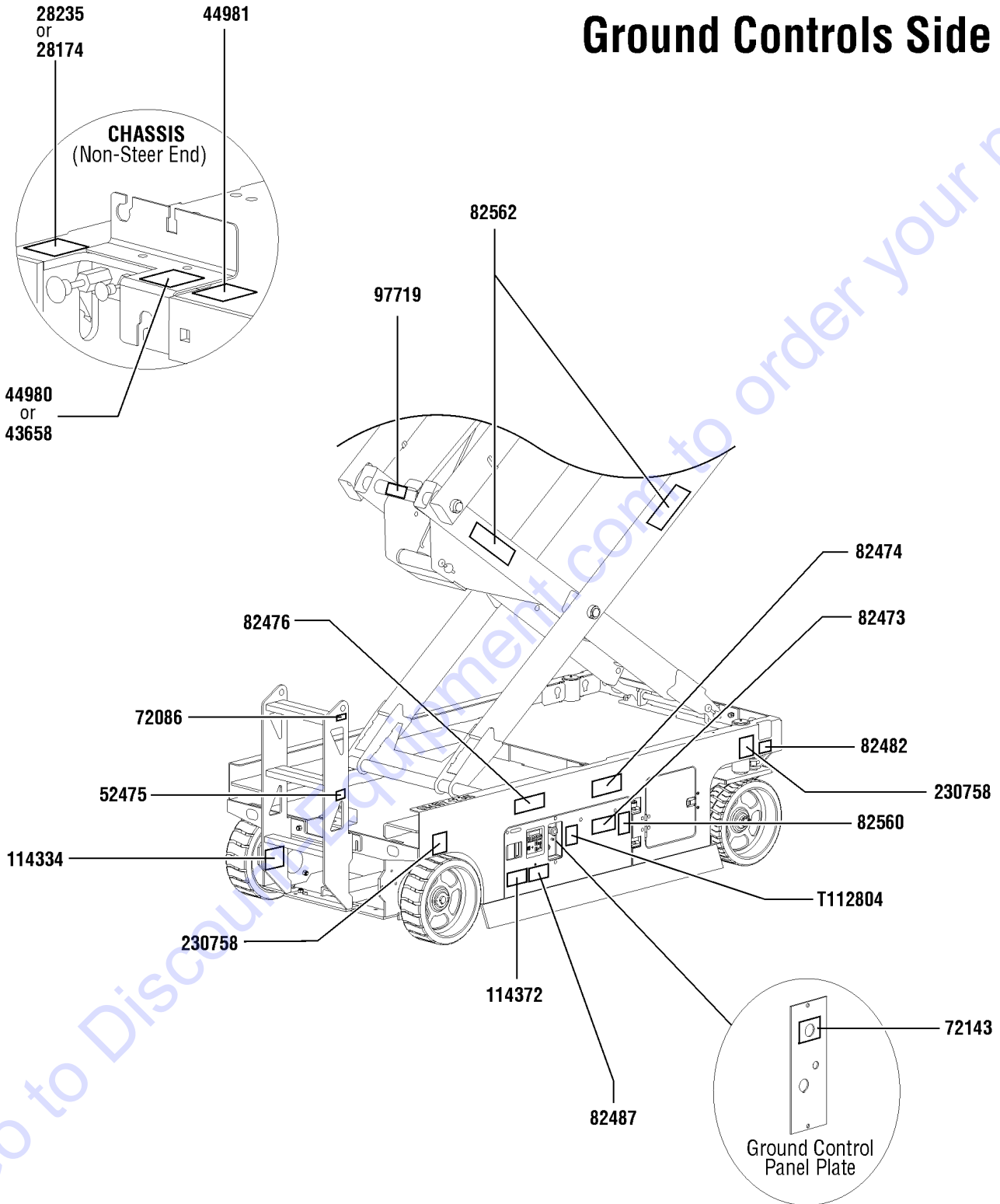


## 101.1 Symbol Decals, GS-4047, Battery Side, CE &amp; ANSI

Item	Part No.	Description	Qty.
--	1261982GT	DECAL KIT, SYM, PLAT, ANSI <i>(Decal kit, platform, for ANSI models)</i>	
--	1261998GT	OPTION, SYM DECALS, ANSI, 4047 <i>(Decal kit, complete, for ANSI models)</i>	
--	215612GT	DECAL KIT, 4047 COMP. SYMBOL <i>Decal kit, complete, for CE models</i> <i>(includes decal placement drawing) to SN</i> <i>GS4714C-1799</i>	
--	215613GT	DECAL KIT, 4047 PLAT. SYMBOL <i>(Decal kit, platform, for CE models)</i> <i>(includes decal placement drawing) to SN</i> <i>GS4714C-1799</i>	
1	52475GT	DECAL, LABEL, TRANSPORT TIEDOWN*.....	4
2	72086GT	DECAL, LABEL, LIFTING EYE.....	3
3	82474GT	DECAL, SYMBOL-USE SAFETY ARM....	1
4	82476GT	DECAL, SYMBOL-ELEC HAZARD, GS....	1
5	82481GT	DECAL, SYMBOL-BATTERY SAFETY....	1
6	82495GT	DECAL, SYMBOL-BRAKE REL SAFETY.....	1
7	82562GT	DECAL, SYMBOL-CRUSHING HAZARD.....	2
8	114337GT	DECAL, SYM-TIP-OVER, LIM SWITCH....	1
9	114361GT	DECAL, LABEL-TRANSPORT DIGRAM.....	2
10	114372GT	DECAL SYMBOL TIP OVER TRAYS.....	1
11	230757GT	DECAL, SYM, TIPOVER, BATT, GS-4047...	1
12	230758GT	DECAL, LABEL, WHEEL LOAD, GS-4047.....	2

102.1 Symbol Decals, GS-4047, Ground Control Side, CE & ANSI

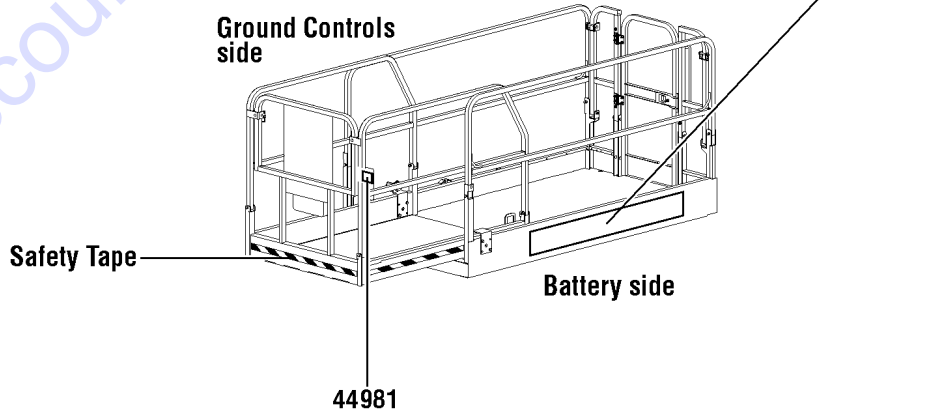
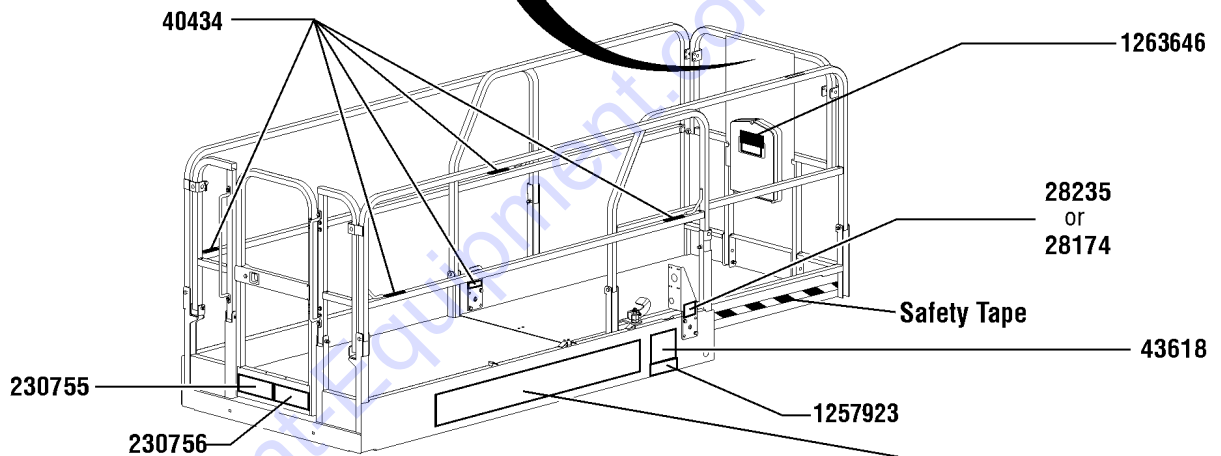
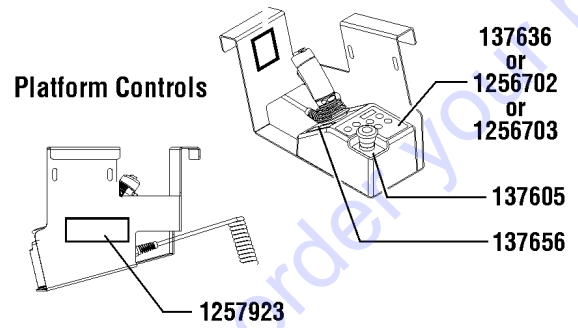
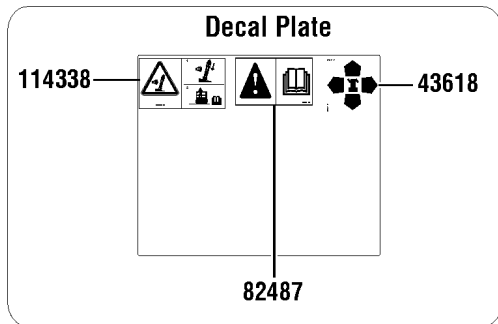
# Ground Controls Side



## 102.1 Symbol Decals, GS-4047, Ground Control Side, CE &amp; ANSI

Item	Part No.	Description	Qty.
--		REF: GS-4047 SYMBOL DECAL KITS (refer to 101.1)	
1	28174GT	DECAL, POWER TO PLATFORM 230V**.....1	1
2	28235GT	DECAL,POWER TO PLATFORM 115V...1	1
3	43658GT	DECAL,LABEL,PWR TO CHARGR 230V.....1	1
4	44980GT	DECAL,LABEL,PWR TO CHARGR 115V.....1	1
5	44981GT	DECAL,LABEL, AIR LINE 110 PSI.....1 (Option)	1
6	52475GT	DECAL,LABEL,TRANSPORT TIEDOWN*.....1	1
7	72086GT	DECAL,LABEL,LIFTING EYE.....1	1
8	72143GT	DECAL,EMERGENCY STOP,GR.....1	1
9	82473GT	DECAL,SYMBOL-COMP ACCESS.....1	1
10	82474GT	DECAL,SYMBOL-USE SAFETY ARM...1	1
11	82476GT	DECAL,SYMBOL-ELEC HAZARD,GS....1	1
12	82482GT	DECAL,LABEL,AUX LOWERING.....1	1
13	82487GT	DECAL, SYMBOL - READ THE MANUAL.....1	1
14	82560GT	DECAL,SYMBOL-SKIN INJECT HAZRD.....1	1
15	82562GT	DECAL,SYMBOL-CRUSHING HAZARD.....2	2
16	97719GT	DECAL, LABEL, SAFETY ARM SYMB...1	1
17	114334GT	DECAL,SYM-ELEC HAZARD,PLUG.....1	1
18	114372GT	DECAL SYMBOL TIP OVER TRAYS.....1	1
19	230758GT	DECAL,LABEL,WHEEL LOAD,GS-4047.....2	2
20	T112804GT	DECAL,GCON PANEL,GS.....1	1

# Platform, CE models



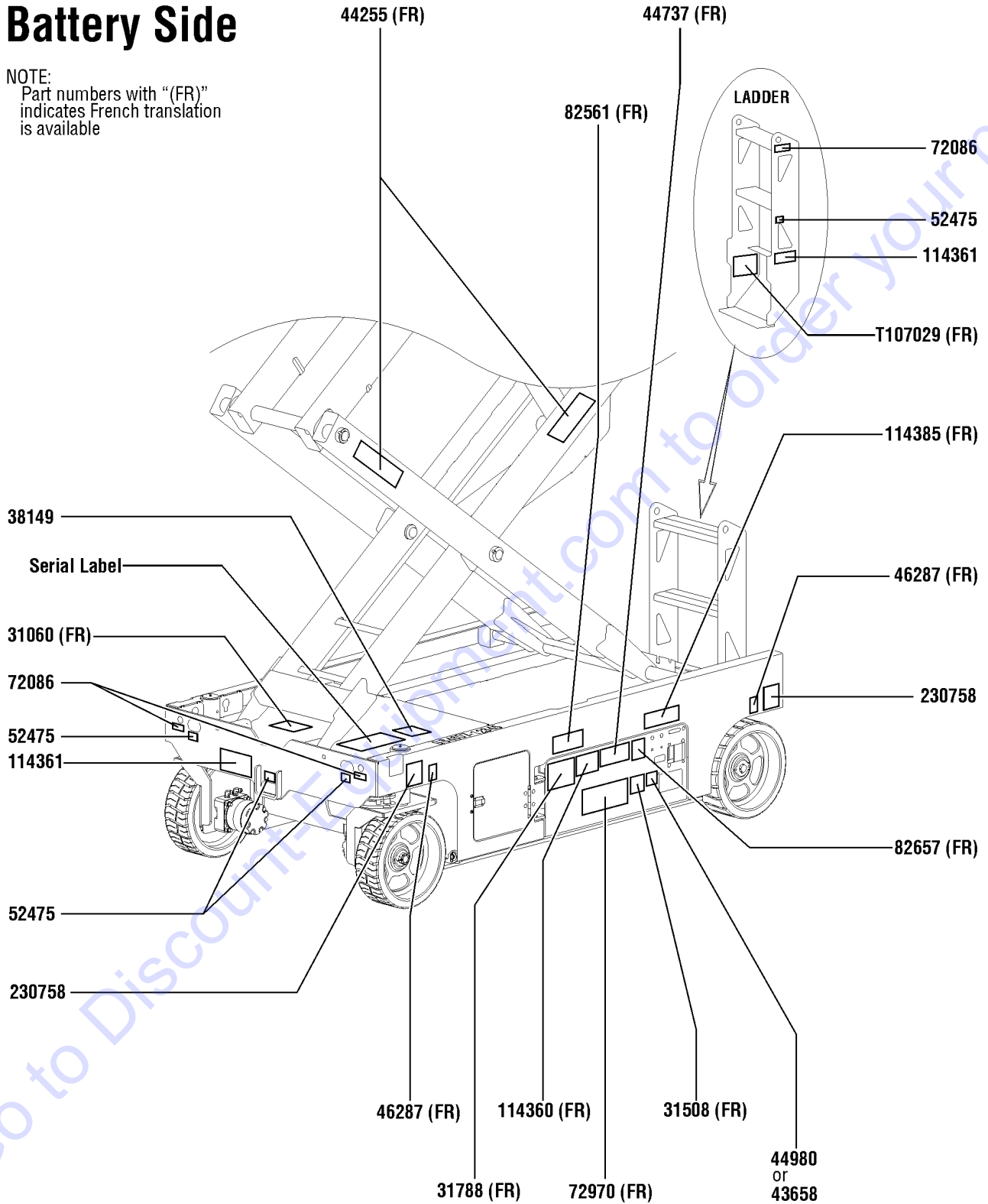
## 103.1 Symbol Decals, GS-4047, Platform, CE &amp; ANSI

Item	Part No.	Description	Qty.
--		REF: GS-4047 SYMBOL DECAL KITS (refer to 101.1)	
1	28174GT	DECAL, POWER TO PLATFORM 230V**.....1	1
2	28235GT	DECAL,POWER TO PLATFORM 115V...1	1
3	40434GT	DECAL,LANYARD ANCHORAGE POINT.....5	5
4	43618GT	DECAL, LABEL - DIRECTION ARROWS.....2	2
5	44981GT	DECAL,LABEL, AIR LINE 110 PSI.....1 (Option)	1
6	82487GT	DECAL, SYMBOL - READ THE MANUAL.....1	1
7	230756GT	DECAL,MANUAL FORCE,GS-4047.....1	1
8	114338GT	DECAL,SYM-TIP-OVER,TILT ALARM.....1	1
9	137605GT	DECAL,E-STOP,GR/GRC/GS PCON.....1	1
10	137636GT	DECAL, UI, GR/GRC/GS PCON.....1 (models with 6 button, 2 speed controller) to SN GS4714C-1799	1
11	137656GT	DECAL,PROPEL,GR/GRC/GS,PCON.....1	1
12	230620GT	DECAL,COSMETIC,GS-4047.....2	2
13	230755GT	DECAL,MAXIMUM CAPACITY,GS-4047.....1	1
14	1256702GT	DECAL, UI, GS/GR, PROP LIFT.....1 (models with 4 button, proportional controller)	1
15	1256703GT	DECAL, STD, PROP LIFT, UI, SVC.....1 (units converted from 6 button, 2 speed lift to 4 button, proportional controller)	1
16	1257923GT	DECAL, SMARTLINK PROPORTIONAL.....2 (models with 4 button, proportional controller, and units converted from 6 button, 2 speed lift to 4 button, proportional controller)	2
17	1261983GT	DECAL,SYM,MAX CAP,4047,ANSI.....1	1
18	82736GT	DECAL,SYM-SIDE FORCE.....1	1
19	1263646GT	DECAL,QR CODE,PARTS&SERVICE MANUAL.....1	1

104.1 Word Decals, GS-4047, Battery Side, Australia & ANSI

# Battery Side

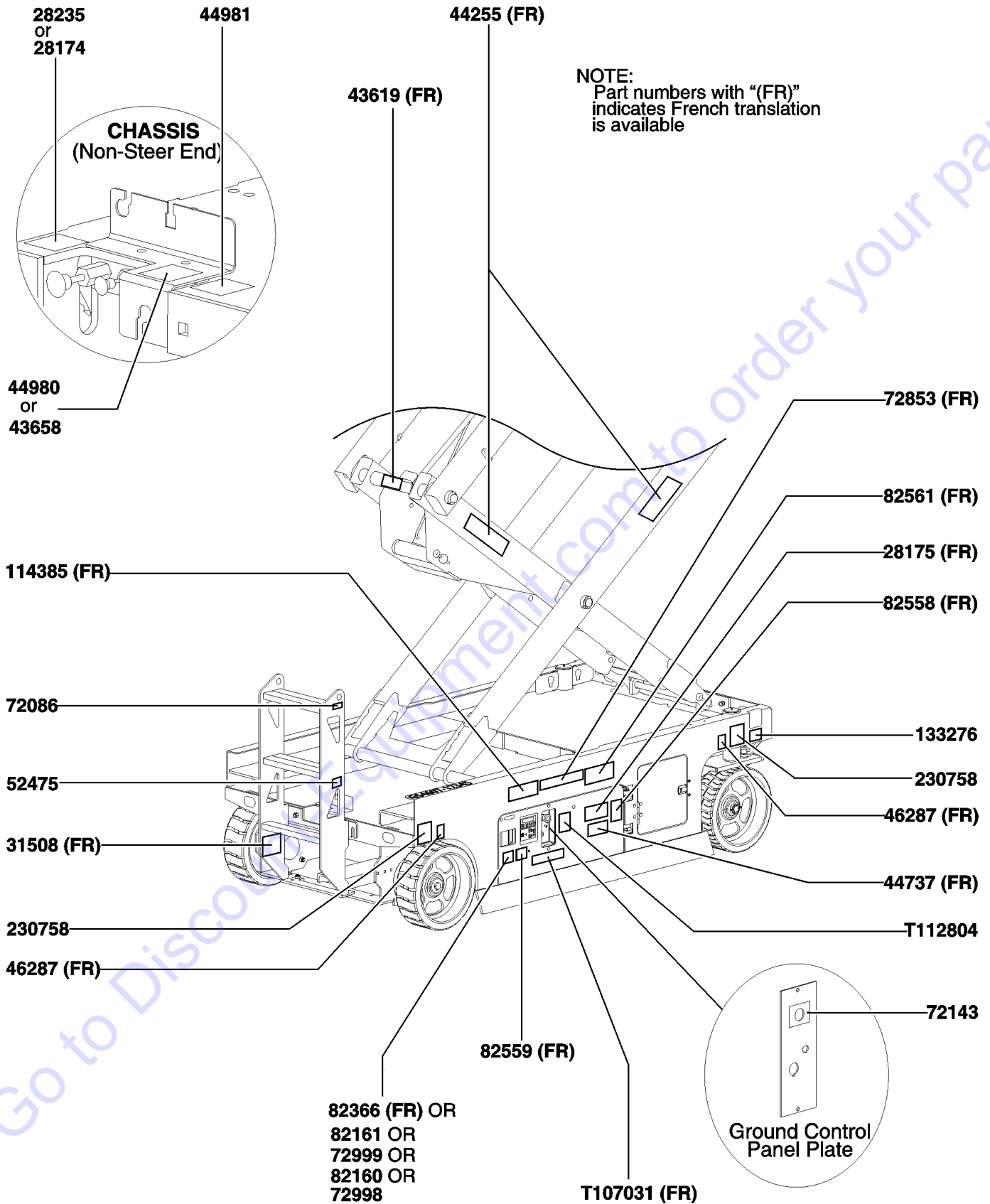
NOTE:  
Part numbers with "(FR)" indicates French translation is available



## 104.1 Word Decals, GS-4047, Battery Side, Australia &amp; ANSI

Item	Part No.	Description	Qty.
1	31060GT	DECAL,DANGER DO NOT ALTER SWTC.....	1
2	31508GT	DECAL,DANGER,ELECT HAZARD,PLUG..... <i>(Australia models only)</i>	1
3	31788GT	DECAL,DANGER,BATTERY SAFETY***.....	1
4	43658GT	DECAL,LABEL,PWR TO CHARGR 230V..... <i>(Australia models only)</i>	1
5	44255GT	DECAL,DANGER,CRUSHING HAZARD.....	2
6	44737GT	DECAL DANGER TIP OVER TRAYS.....	1
7	44980GT	DECAL,LABEL,PWR TO CHARGR 115V..... <i>(Australia models only)</i>	1
8	46287GT	DECAL,LABEL-TIRE SPECS.....	2
9	52475GT	DECAL,LABEL,TRANSPORT TIEDOWN*.....	4
10	72086GT	DECAL,LABEL,LIFTING EYE.....	3
11	72970GT	DECAL,INSTRUCTIONS-CHARGER OP.....	1
12	82561GT	DECAL,DANGER-USE SAFETY ARM.....	1
13	114361GT	DECAL,LABEL-TRANSPORT DIGRAM.....	1
14	114385GT	DECAL,DANGER,ELEC HAZARD,GS.....	2
15	214864GT	DECAL,BATTERY CONNECTION,GS-4047.....	1
16	214867GT	DECAL,DANGER-TIP-OVER,BATT,4047.1	1
17	230758GT	DECAL,LABEL,WHEEL LOAD,GS-4047.....	1
18	T107029GT	DECAL,DANGER,BRAKE REL SAFETY.....	1

105.1 Word Decals, GS-4047, Ground Control Side, Australia & ANSI



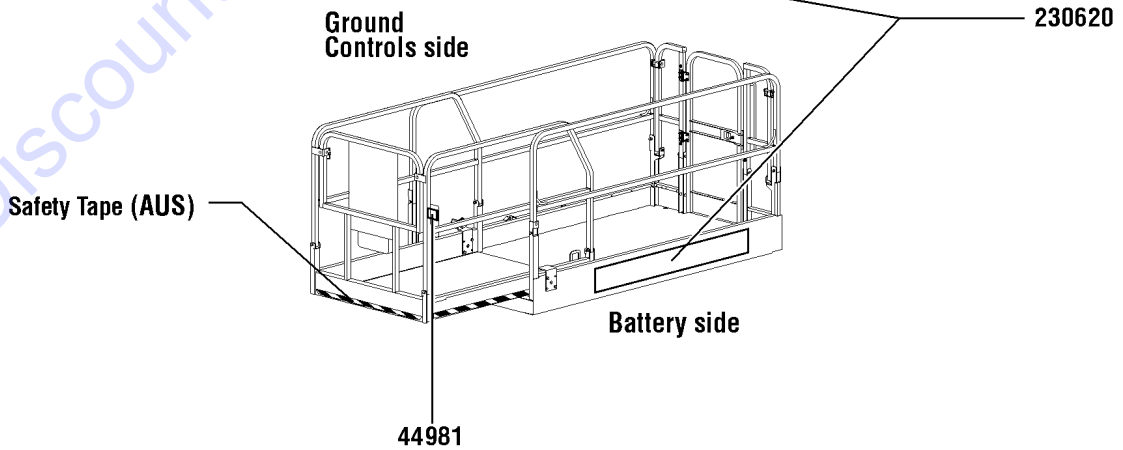
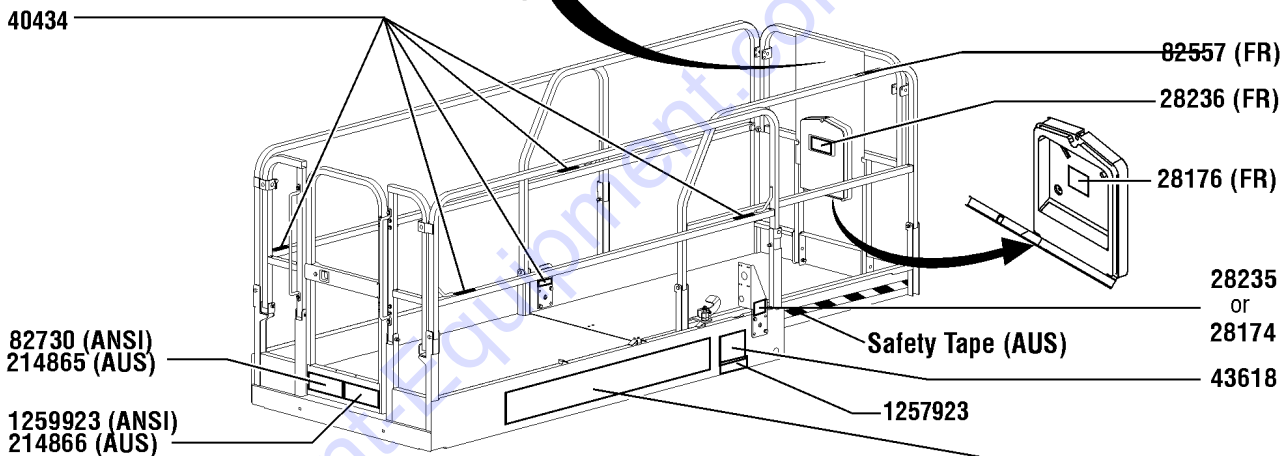
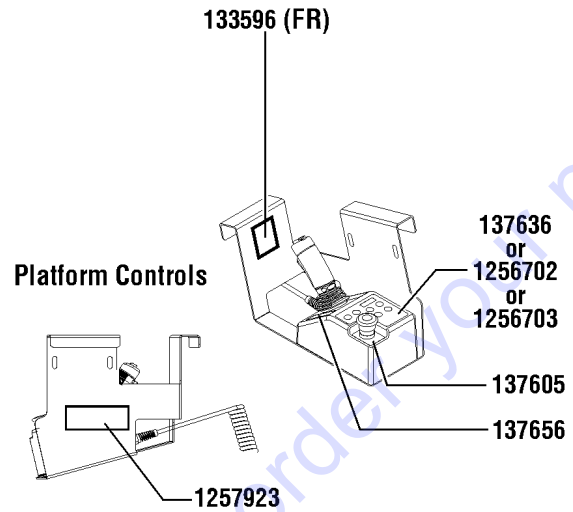
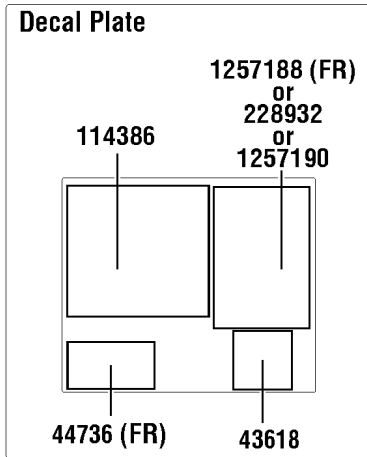


## 105.1 Word Decals, GS-4047, Ground Control Side, Australia &amp; ANSI

Item	Part No.	Description	Qty.
1	28174GT	DECAL, POWER TO PLATFORM 230V**.....	1
2	28175GT	DECAL,WARNING-COMPART ACCESS.....	1
3	28235GT	DECAL,POWER TO PLATFORM 115V...1	1
4	43619GT	DECAL,LABEL,SAFETY ARM.....1	1
5	44255GT	DECAL,DANGER,CRUSHING HAZARD.....	2
6	44737GT	DECAL DANGER TIP OVER TRAYS.....1	1
7	44981GT	DECAL,LABEL, AIR LINE 110 PSI.....1 (Option)	1
8	46287GT	DECAL,LABEL-TIRE SPECS.....2	2
9	52475GT	DECAL,LABEL,TRANSPORT TIEDOWN*.....	1
10	72086GT	DECAL,LABEL,LIFTING EYE.....1	1
11	72143GT	DECAL,EMERGENCY STOP,GR.....1	1
12	72853GT	DECAL,DANGER,IMPROPER USE HAZ.....	1
13	72998GT	DECAL,LABEL,QUINTOLUBRIK.....1 (models with Quintolub hydraulic oil)	1
14	72999GT	DECAL,LABEL,PETRO CANADA***.....1 (For models with Petro Canada hydraulic oil only)	1
15	82160GT	DECAL,LABEL,STATOIL HYDRA WAY .....1 (For models with Statoil hydraulic oil only)	1
16	82161GT	DECAL,LABEL,UCON HYDROLUBE.....1 (For models with Ucon Hydrolube hydraulic oil only)	1
17	82366GT	DECAL,CHEVRON RANDO HD.....1 (For models with Chevron Rando hydraulic oil only)	1
18	82558GT	DECAL,WARN,SKIN INJECTION HAZ*.....	1
19	82559GT	DECAL,INSTRUCT-ANNUAL INSP REQ.....	1
20	82561GT	DECAL,DANGER-USE SAFETY ARM...1	1
22	114385GT	DECAL,DANGER,ELEC HAZARD,GS....1	1
23	133276GT	DECAL,EMERGENCY LOWERING.....1	1
24	230758GT	DECAL,LABEL,WHEEL LOAD,GS-4047.....	1
25	T107031GT	DECAL,OP INST,GCON.....1	1
26	T112804GT	DECAL,GCON PANEL,GS.....1	1

# Platform, Australia models

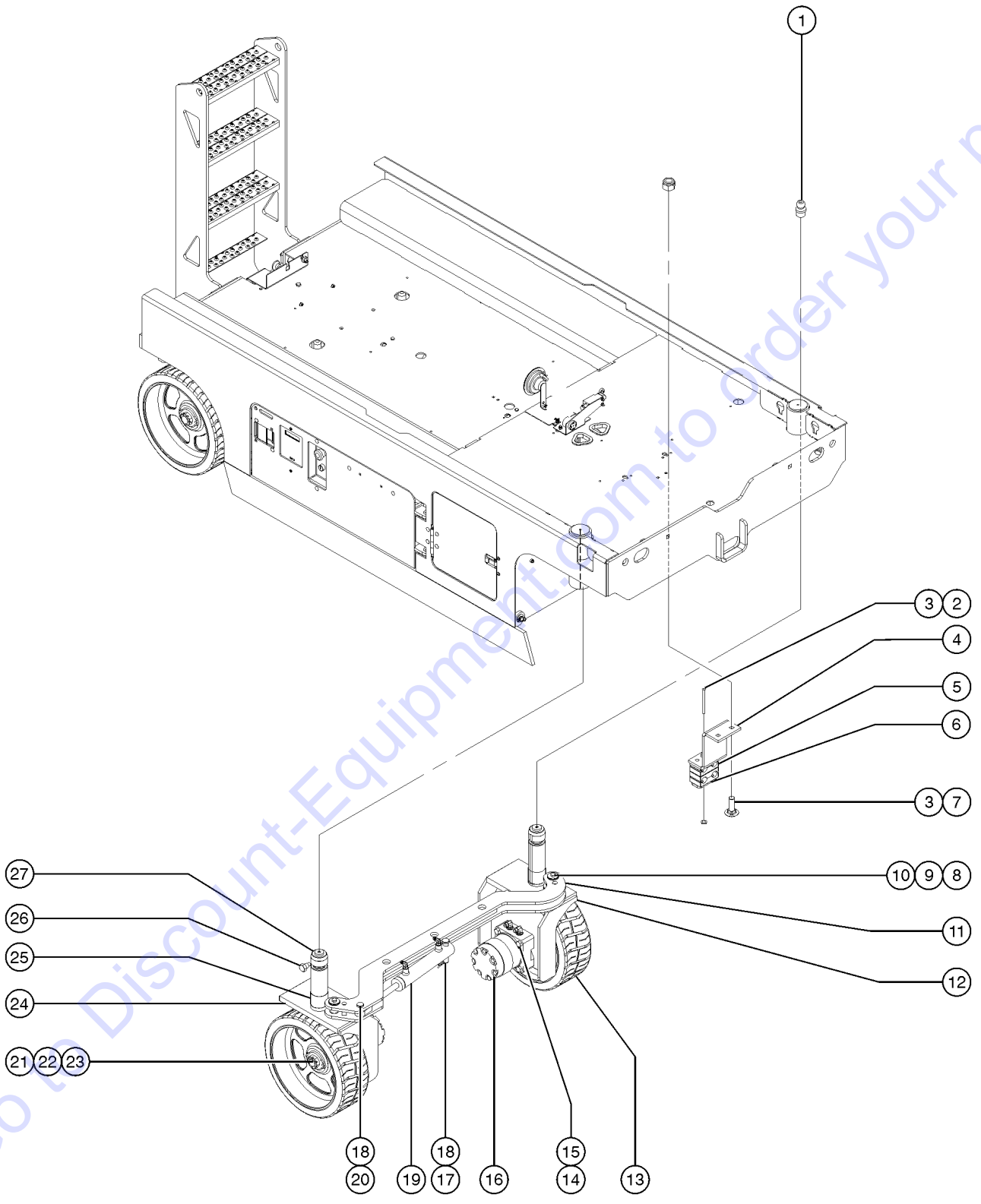
NOTE:  
Part numbers with "(FR)" indicates French translation is available



## 106.1 Word Decals, GS-4047, Platform, Australia &amp; ANSI

Item	Part No.	Description	Qty.
1	28174GT	DECAL, POWER TO PLATFORM 230V**.....	1
2	28176GT	DECAL,LABEL,MANUAL NOT HERE.....	1
3	28235GT	DECAL,POWER TO PLATFORM 115V...1	1
4	28236GT	DECAL,WARN,IMPROPER OPERATION.....	1
5	40434GT	DECAL,LANYARD ANCHORAGE POINT.....	5
6	43618GT	DECAL, LABEL - DIRECTION ARROWS.....	2
7	44736GT	DECAL,DANGER,TIP-OVER,TILT.....	1
8	44981GT	DECAL,LABEL, AIR LINE 110 PSI..... (Option)	1
9	82557GT	DECAL,LABEL,PLAT CONT LOCATION.....	1
10	114386GT	DECAL,DANGER-GEN SAFETY.....	1
11	133596GT	DECAL,LABEL,FAULT CODES.....	1
12	137605GT	DECAL,E-STOP,GR/GRC/GS PCON.....	1
13	137636GT	DECAL, UI, GR/GRC/GS PCON..... (models with 6 button, 2 speed controller) to SN GS4714C-1799	1
14	137656GT	DECAL,PROPEL,GR/GRC/GS,PCON.....	1
15	228932GT	DECAL,OP INST,AUS,GS-46..... (models with 6 button, 2 speed controller) to SN GS4714C-1799	1
16	214865GT	DECAL,MANUAL FORCE,GS-4047.....	1
17	214866GT	DECAL,PLAT.CAPACITY,GS-4047.....	1
18	230620GT	DECAL,COSMETIC,GS-4047.....	2
19	1256702GT	DECAL, UI, GS/GR, PROP LIFT..... (models with 4 button, proportional controller)	1
20	1256703GT	DECAL, STD, PROP LIFT, UI, SVC..... (units converted from 6 button, 2 speed lift to 4 button, proportional controller)	1
21	1257190GT	DECAL,OP INST,PLAT,GS46,AUS..... (models with 4 button, proportional controller)	1
22	1257923GT	DECAL, SMARTLINK PROPORTIONAL..... (models with 4 button, proportional controller, and units converted from 6 button, 2 speed lift to 4 button, proportional controller)	2
23	1257188GT	DECAL,OP INST,PLAT,GS46 ANSI.....	1
24	82730GT	DECAL,INSTR-SIDE FRC,ANSI 3246.....	1
25	1259923GT	DECAL,INSTR-MAX CAP, 4047.....	1

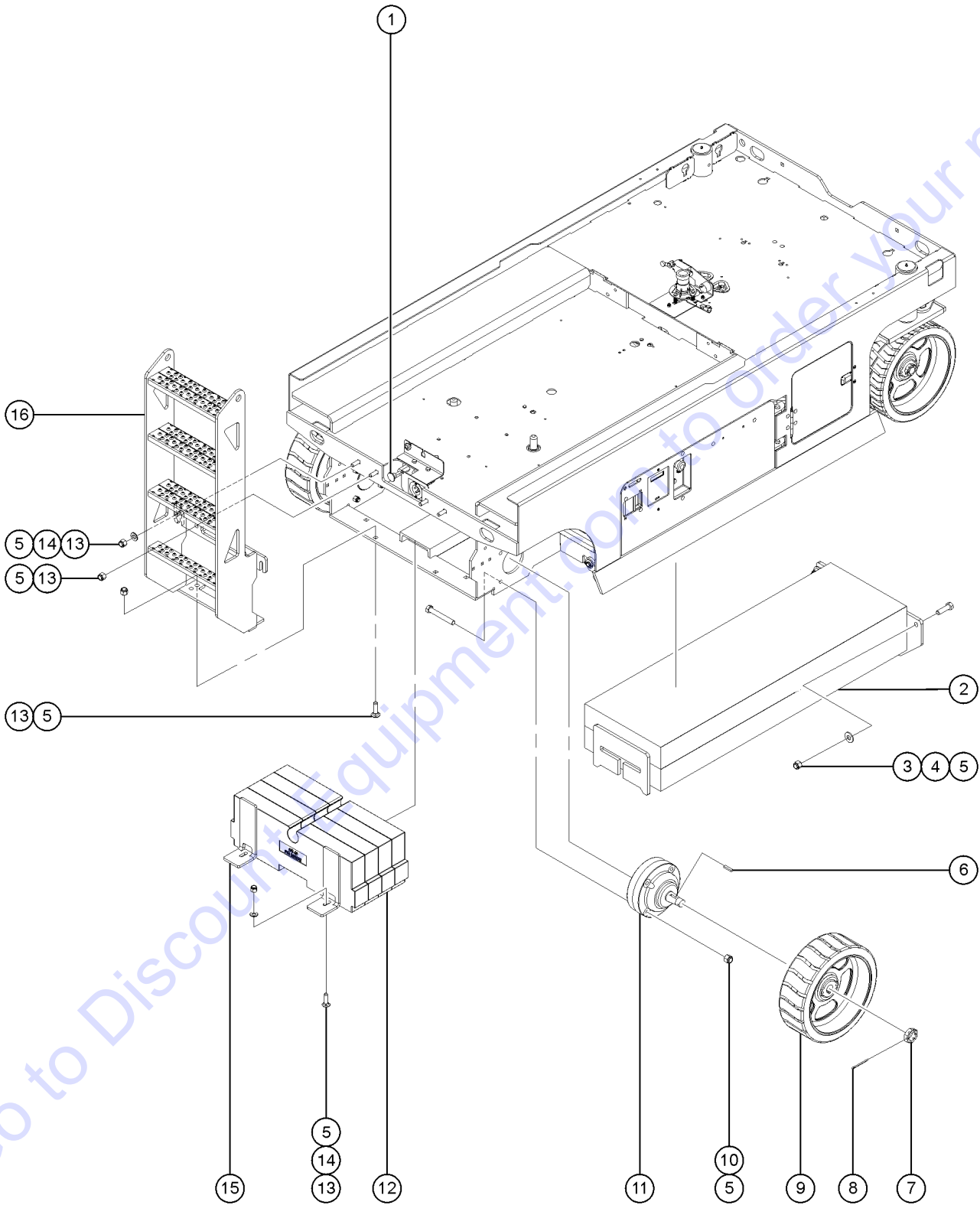
201.1 Steer Linkage and Wheels



## 201.1 Steer Linkage and Wheels

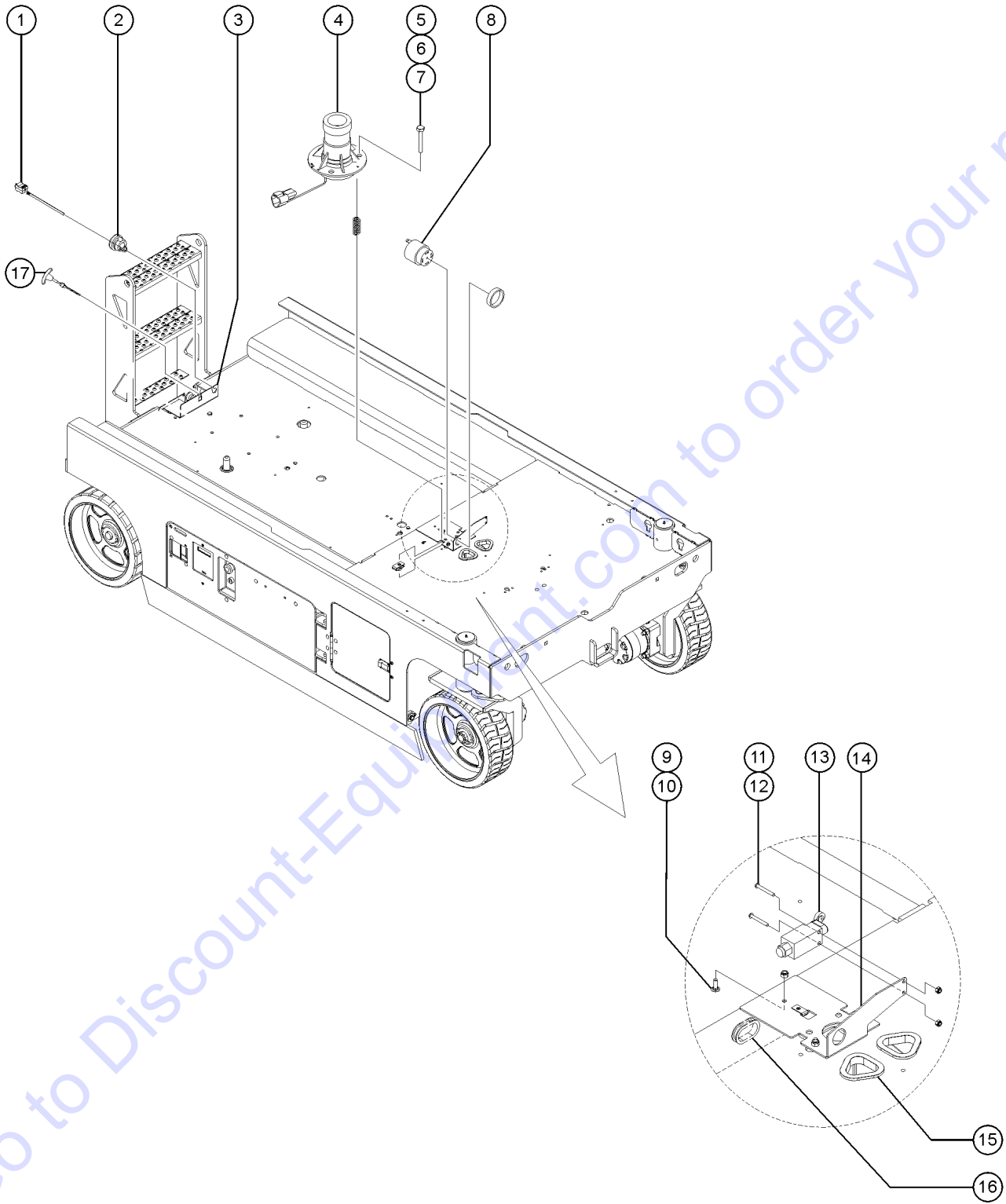
Item	Part No.	Description	Qty.
1	66770GT	FITTING,STRAIGHT DRIVE-IN ZERK....2	
2	144374GT	SCREW,HHC,1/4-20X3.25,GR8.....1	
3	6091GT	NUT,NYLOCK,1/4-20	
4	230364GT	FORMING,HOSE CLAMP SPT,PTD,BLU.....1	
5	78736GT	CLAMP,2 HOSE,PLASTIC,5/8.....4	
6	58592GT	PLATE,HOSE ROUTG,BULKHEAD(PTD).....1	
7	9116GT	BOLT,CARRIAGE,1/4-20x1.25,G2	
8	8255GT	SCREW,HHC,3/8-16 X .75	
9	15086GT	WASHER,FLAT,.375 X 1.5 X .125	
10	47946GT	BEARING,1.00IDX1.25ODX0.49L.....2	
11	97267GT	TIE ROD ASSY, GS46.....1 (battery pack side)	
--	47946GT	BEARING,1.00IDX1.25ODX0.49L.....4	
--	96574GT	WLDMT,TIE ROD,GS46.....1	
12	228349GT	WELDMENT, STEER YOKE, LT.....1 (battery pack side)	
13	105454GT	WHEEL & TIRE ASSY LP,15".....2	
14	8357GT	SCREW,HHC,1/2-13 X 3.5	
15	6198GT	NUT,NYLOCK,1/2-13	
16		Ref. Drive Motor (refer to 501.1)	
17	96907GT	PIN,CLEVIS,0.75 X 3.25".....1	
18	21253GT	CLIP,HAIR PIN .125 X 2.....2	
19		Ref. Steer Cylinder (refer to 501.1)	
20	6545GT	PIN,CLEVIS,.75 X 2.....1	
21	44780GT	NUT,CASTLE,1.125-18 UNEF.....2	
22	13635-10GT	PIN,COTTER,.156 X 1.75.....2	
23	44781GT	KEY,RECTANGULAR,.31X.28X1.25"***.....2	
24	228350GT	WELDMENT, STEER YOKE, RT.....1 (ground controls side)	
25	18722GT	BEARING,2.25IDX2.50ODX1.50L***.....2	
26	55917GT	SCREW, YOKE LOCK ALL SLABS	
27	105565GT	WASHER,THRUST, GS.....2	

202.1 Non-Steer Axle Installation



Item	Part No.	Description	Qty.
1		REF: BRAKR RELEASE MANIFOLD (refer to 503.1)	
2	96876GT	COUNTERWEIGHT, BELLY.....1 (inside front center of chasis)	1
3	22788GT	SCREW,HHC,1/2-13 X 1.75	
4	21020GT	WASHER,FLAT,.56 X 1.25 X .086	
5	6198GT	NUT,NYLOCK,1/2-13	
6	44781GT	KEY,RECTANGULAR,.31X.28X1.25** .....2	2
7	44780GT	NUT,CASTLE,1.125-18 UNEF.....2	2
8	42079GT	PIN,COTTER,.156 X 2.5.....2	2
9	105454GT	WHEEL & TIRE ASSY LP,15".....2	2
10	8357GT	SCREW,HHC,1/2-13 X 3.5	
11		REF: HYDRAULIC BRAKE (refer to 501.1)	
12	96887GT	CWT, REAR, XX46.....1 Australia & CE (inside rear chasis)	1
13	96203GT	BOLT,CARRIAGE,1/2-13X1.75, G5	
14	13066GT	WASHER,FLAT,.5 HARDENED	
15	228377GT	FORMING, CWT CLAMP.....2	2
16	228367GT	WELDMENT, LADDER.....1	1

203.1 Level Sensor Installation

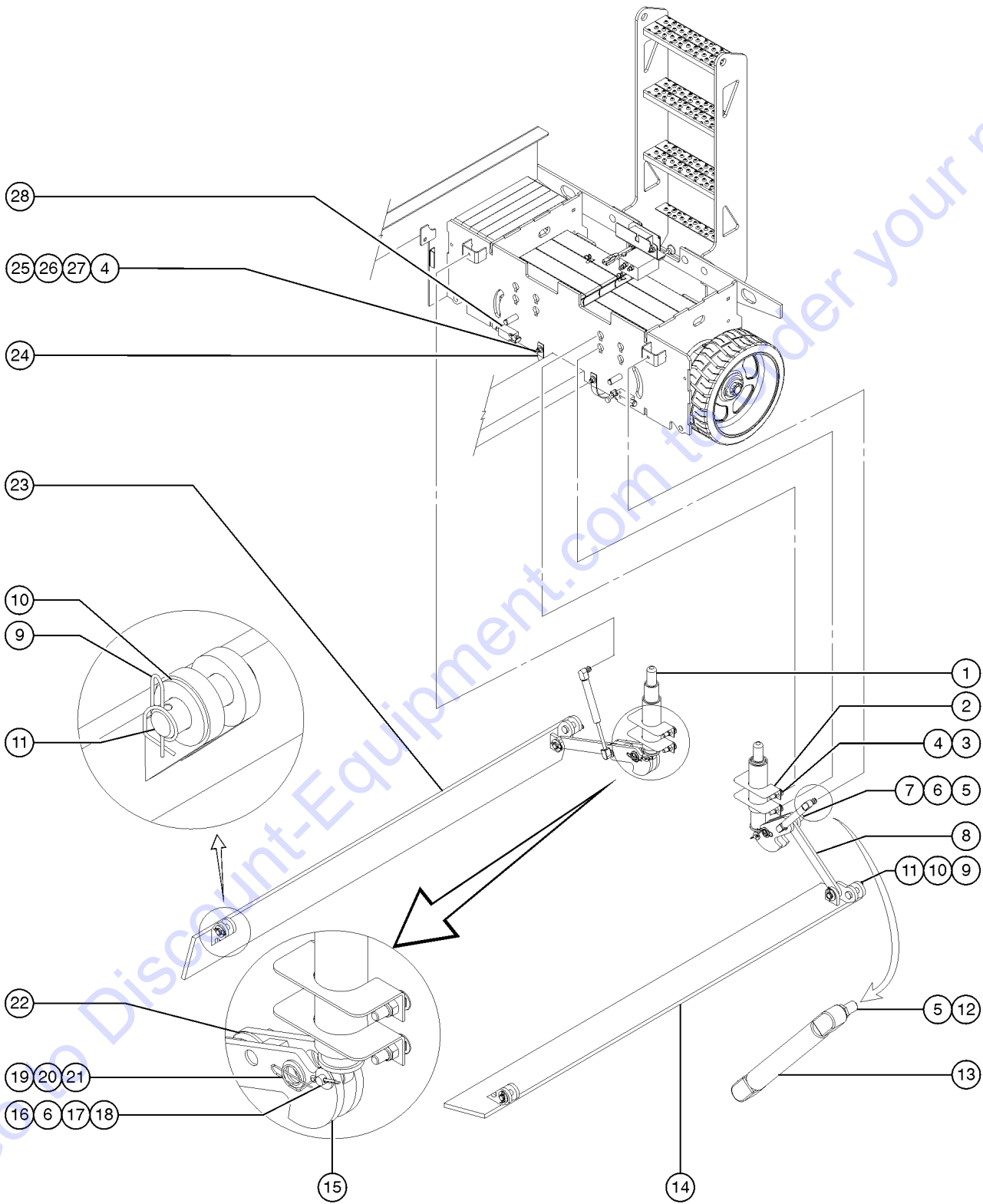




## 203.1 Level Sensor Installation

Item	Part No.	Description	Qty.
1		REF. Electrical Plugs and Cords <i>(refer to 402.1)</i>	
2	128118GT	BUSHING,STRAIN RELIEF,.875/.40.....1	
3	144226GT	FORMING,REC.PLG BRKT.....1	
4	228406GT	ASSY,LVL SNSR W/ CONNECTOR.....1	
--	105142GT	LEVEL SENSOR,LS60,RED,1.5 DIA.....1 <i>(does not include connectors)</i>	
--	60440GT	CONN,RECEP 3 WAY, 14-18GA.....1	
--	60441GT	LOCK,RECEP 3 WAY,14-18GA.....1	
5	6637GT	SCREW,HHC,1/4-20 X 1.75	
6	39469GT	SPRING,COMPRESSION.485 X1.75**...3	
7	56912GT	SPRING CLIP,1/4-20,.025-.15X.54,ZAG.....3	
8	39540GT	ALARM,STEADY TONE*** .....1 <i>Does not include 72326 nut</i>	
--	72326GT	NUT - PLASTIC,RING FOR ALARMS	
9	6878GT	BOLT,CARRIAGE,1/4-20 X .75,G2	
10	6091GT	NUT,NYLOCK,1/4-20	
11	16487GT	SCREW,RHM,10-32 X 1.5	
12	6178GT	NUT,NYLOCK,10-32	
13	T112507GT	ASSEMBLY, DOWN LIMIT, GS.....1 <i>(Includes plug)</i>	
--	19491GT	CONTACTOR,LIMIT SWITCH	
--	96948GT	SWITCH,LIMIT,W/ROLLER ARM***	
--	97128GT	ROLLER ARM,LIMIT SWITCH***	
14	96870GT	FORMING,ALARM BRACKET.....1	
15	47232GT	GROMMET,RUBBER 2 X 2.75.....2	
16	47238GT	GROMMET,RUBBER 1.5 ID.....1	
17	39232GT	CABLE,EMERGENCY DOWN.....1	

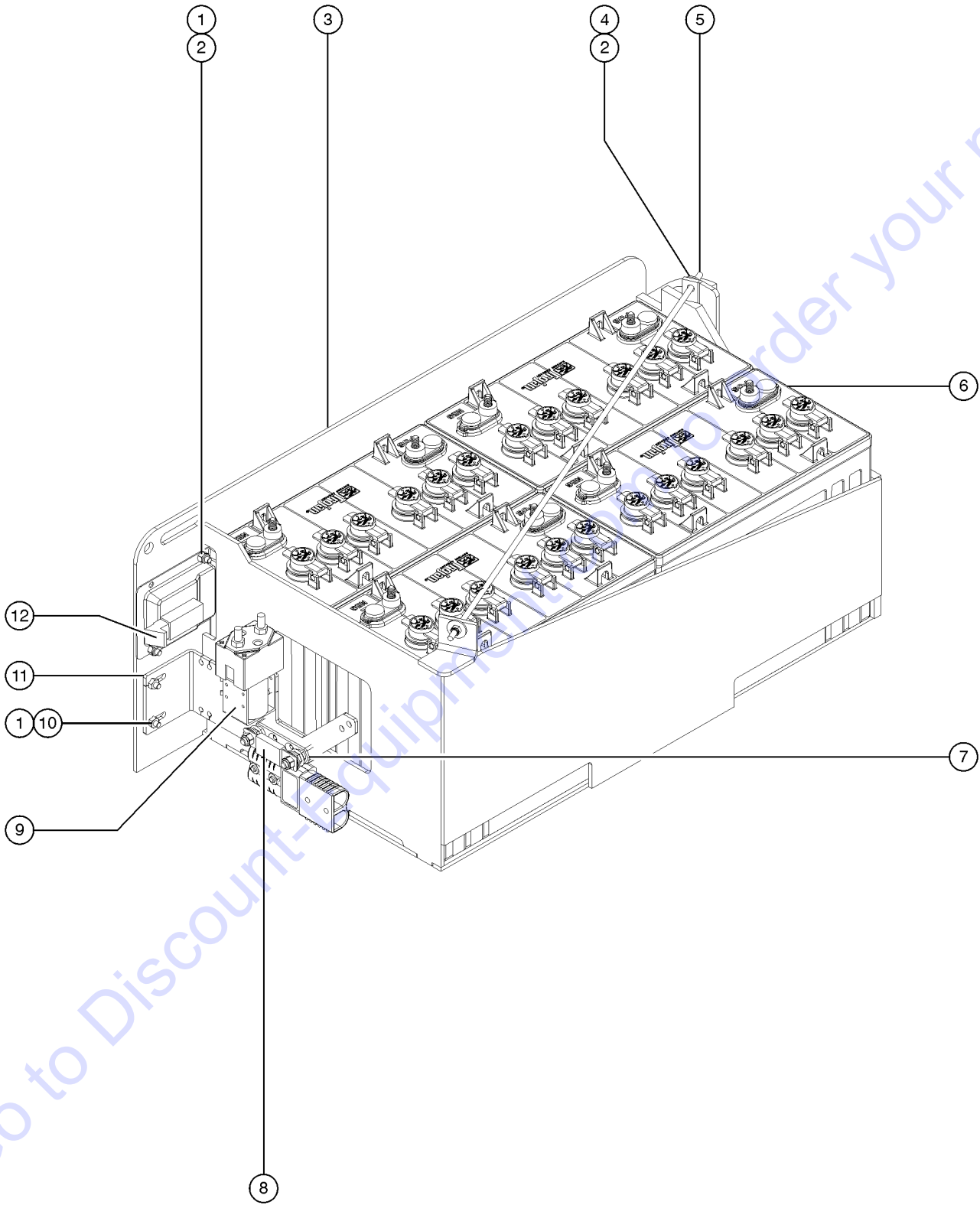
204.1 Pot Hole Protection Assembly



## 204.1 Pot Hole Protection Assembly

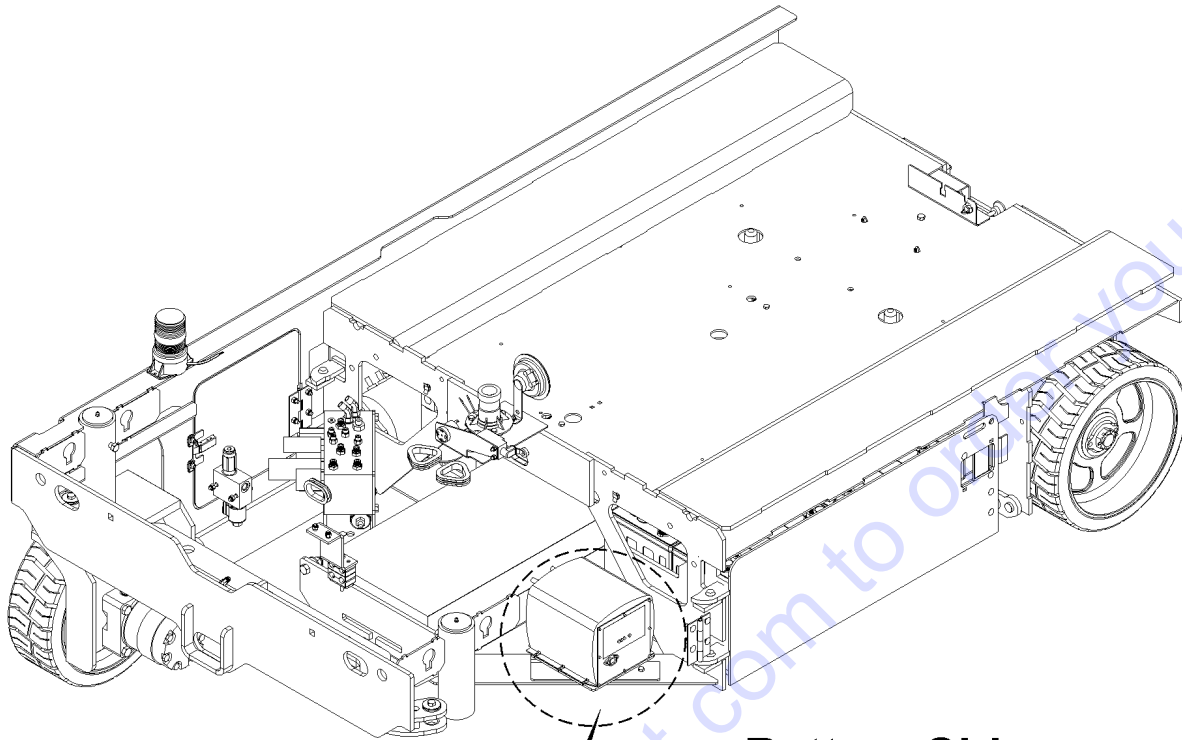
Item	Part No.	Description	Qty.
1	96839GT	ASSY,POT HOLE PUSHER,GS***.....2	
--	25817GT	BEARING,1.00IDX1.25ODX1.00L.....1	
--	96142GT	WLDMT, POT HOLE ACTUATOR.....1	
--	96838GT	SPRING, POTHOLE PUSHER.....1	
--	96840GT	PIN,PH ACTUATOR.....1	
2	105069GT	WLDMT/ASSY,PH GUIDE,GS46.....2 (ground controls side)	
--	96408GT	BEARING,1.523IDX1.75ODX0.63L.....2	
3	60790GT	BOLT, CARRIAGE, 3/8-16 X 1.50, G5	
4	4828GT	NUT,NYLOCK,3/8-16	
5	78086GT	BALL STUD, GAS STRUT, 3/8-16	
6	5397GT	WASHER,FLAT,USS,5/16",Y	
7	96643GT	PIN, POTHOLE LINK PIVOT.....2	
8	96637GT	PLATE, POTHOLE LINK.....2	
9	96422GT	RUE RING,5/8 PIN	
10	6898GT	WASHER,SHIM,.625 X 1.188X.064	
11	96135GT	PIN,CLEVIS,.625 X 1.88,ZINC PL.....4	
--	105156GT	BUSHING,FLNGD,.63 X .77 X .38.....4 (sold seperately)	
12	7713GT	NUT, LP NYLOCK, 3/8-16	
13	39542GT	GAS SHOCK,SCISSORS***.....2	
14	96639GT	WELDMENT, POTHOLE, LEFT SIDE....1 (battery pack side)	
15	84574GT	POT HOLE BELL CRNK LINK ASSYGS30.....2	
--	96281GT	PH BELLCRANK LINK.....1	
--	96642GT	BEARING,.75ID X 1.0OD X 1.38LG.....1	
16	12016GT	PIN,COTTER,.125 X .75	
17	34742GT	PIN,CLEVIS,.375 X 1.75 LG.....2	
18	96541GT	CAM FOLLOWER,1.125X.375,DELRLIN..2	
19	96423GT	RUE RING,3/4 PIN	
20	6564GT	WASHER, SHIM,.765 X 1.312 X .093	
21	55355GT	SPACER,.75ID X 1.5OD X 1/4THK	
22	96085GT	WASHER,THRUST,.63 X 1.13 X .06	
23	96638GT	WELDMENT, POTHOLE, RIGHT SIDE...1 (ground controls side)	
24	105060GT	GROUND STRAP, 8"LG.....2	
25	105092GT	BOLT,CARRIAGE,3/8-16X1.25,GR5	
26	6700GT	WASHER,STAR,EXTERNAL,.375	
27	6097GT	WASHER,FLAT,USS,3/8",Y	
28	96948GT	SWITCH,LIMIT,W/ROLLER ARM***.....2	
--	19491GT	CONTACTOR,LIMIT SWITCH	
--	97128GT	ROLLER ARM,LIMIT SWITCH***	

205.1 Battery Pack Tray

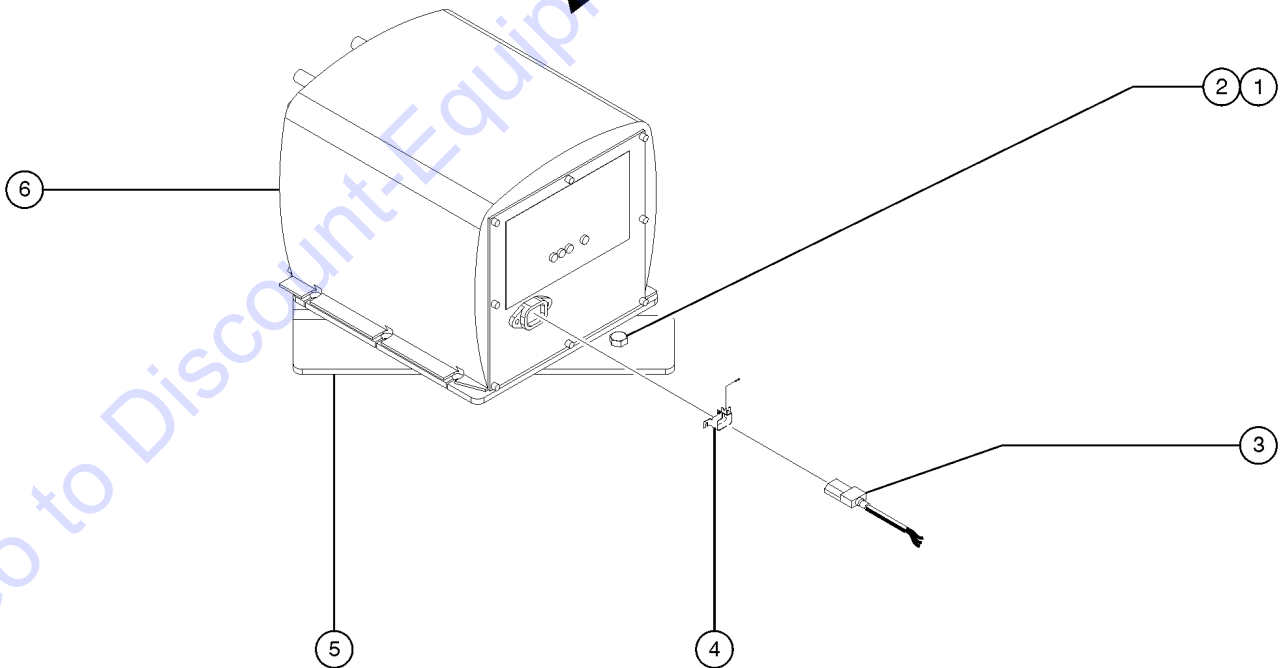


Item	Part No.	Description	Qty.
--	75631GT	HOSE,AIR 3/8 26.5 inches	
1	6878GT	BOLT,CARRIAGE,1/4-20 X .75,G2.....	4
2	6091GT	NUT,NYLOCK,1/4-20.....	2
3	T108670GT	WLDMT,GS4047 BATTERY TRAY.....	1
4	6889GT	NUT,LP NYLOCK,1/4-20.....	1
5	237165GT	THREADED ROD,1/4-20,28.5".....	1
6	T113971GT	BATTERY,12V,150AH, T1275.....	4
7	66717GT	FUSE BLOCK, ANN & ANL FUSE..... (includes mounting fasteners)	1
8	40833GT	FUSE,275 AMP,VERY FAST ACTING.....	1
9A	74267GT	CONTACTOR,DRIVE,24V,180A***..... to SN GS4716C-3368	1
9B	1270456GT	CONTACTOR,DRIVE,24V,180A from SN GS4616C-3369	
10	18504GT	NUT,LOCKING-LG.FLANGE,1/4-20.....	2
11	214375GT	FORMING, FUSE BRACKET.....	1
12	55675GT	LATCH, LRG PADDLE HANDLE GS90...	1

206.1 Battery Charger



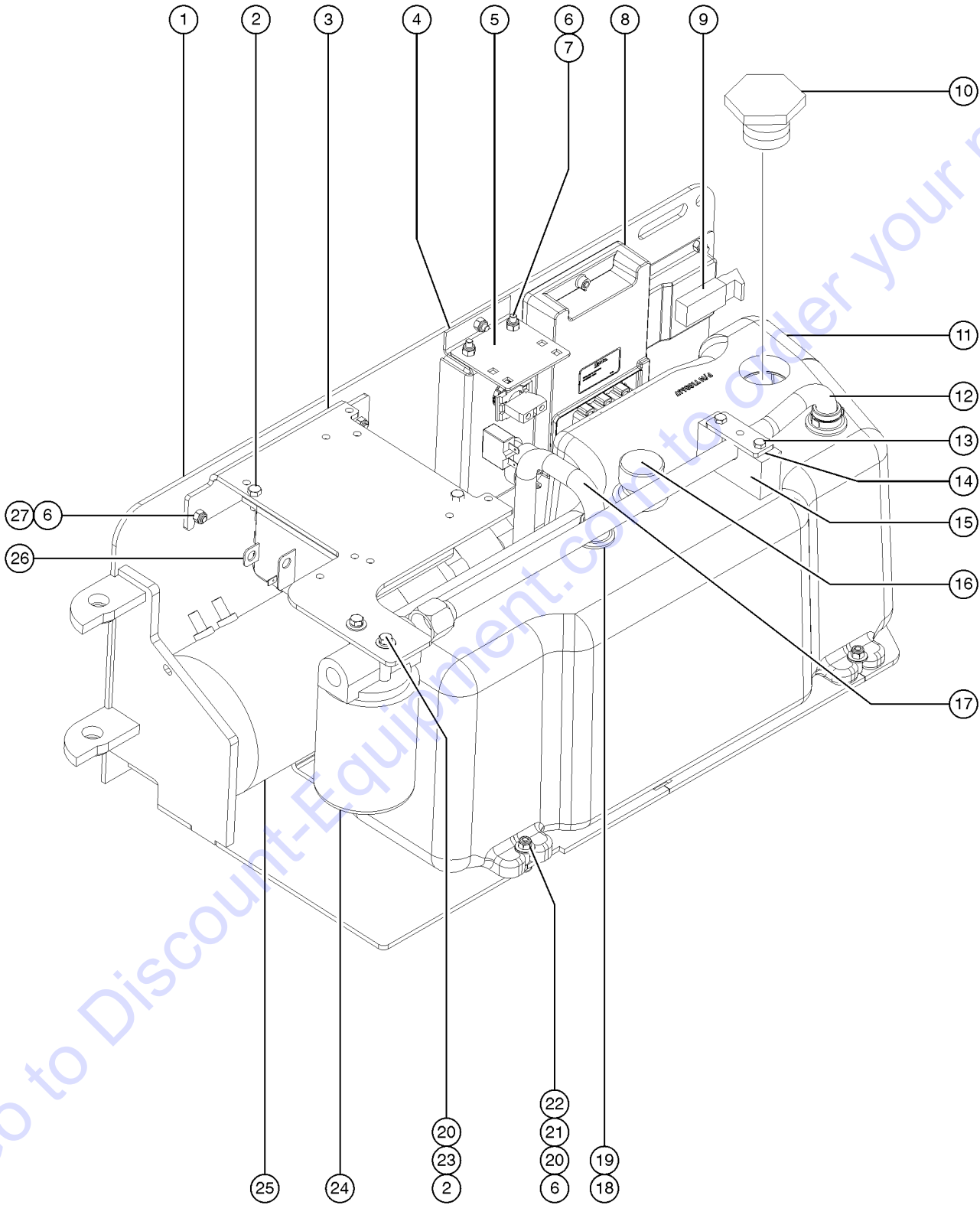
Battery Side



## 206.1 Battery Charger

Item	Part No.	Description	Qty.
--		Ref, Field Assembly Recessed Charger Plug <i>(refer to 402.1)</i>	
--	105334GT	CONNECTOR, IEC CHARGER CORD <i>for 5-LED battery charger</i>	
1	6090GT	SCREW,HHC,1/4-20 X .75.....	2
2	6091GT	NUT,NYLOCK,1/4-20.....	2
3	144130GT	POWER CORD, IEC 320, 115".....	1
4	55010GT	LOCK, CONNECTOR..... <i>(includes fasteners)</i>	1
5	229605GT	FORMING, CHARGER MOUNT.....	1
6A	229604GT	CHARGER,24VDC,HI/LOW,GEN2,25A...1	
--	215543GT	MANUAL, OWNERS, CHARGER, 229604	
--	216234GT	FUSE, BATTERY CHARGER <i>for 5-LED battery charger</i>	
6B	219611GT	KIT,BATTERY CHARGER,24V <i>(includes 229604 charger, fasteners, ring terminals and instructions for field installation)</i>	

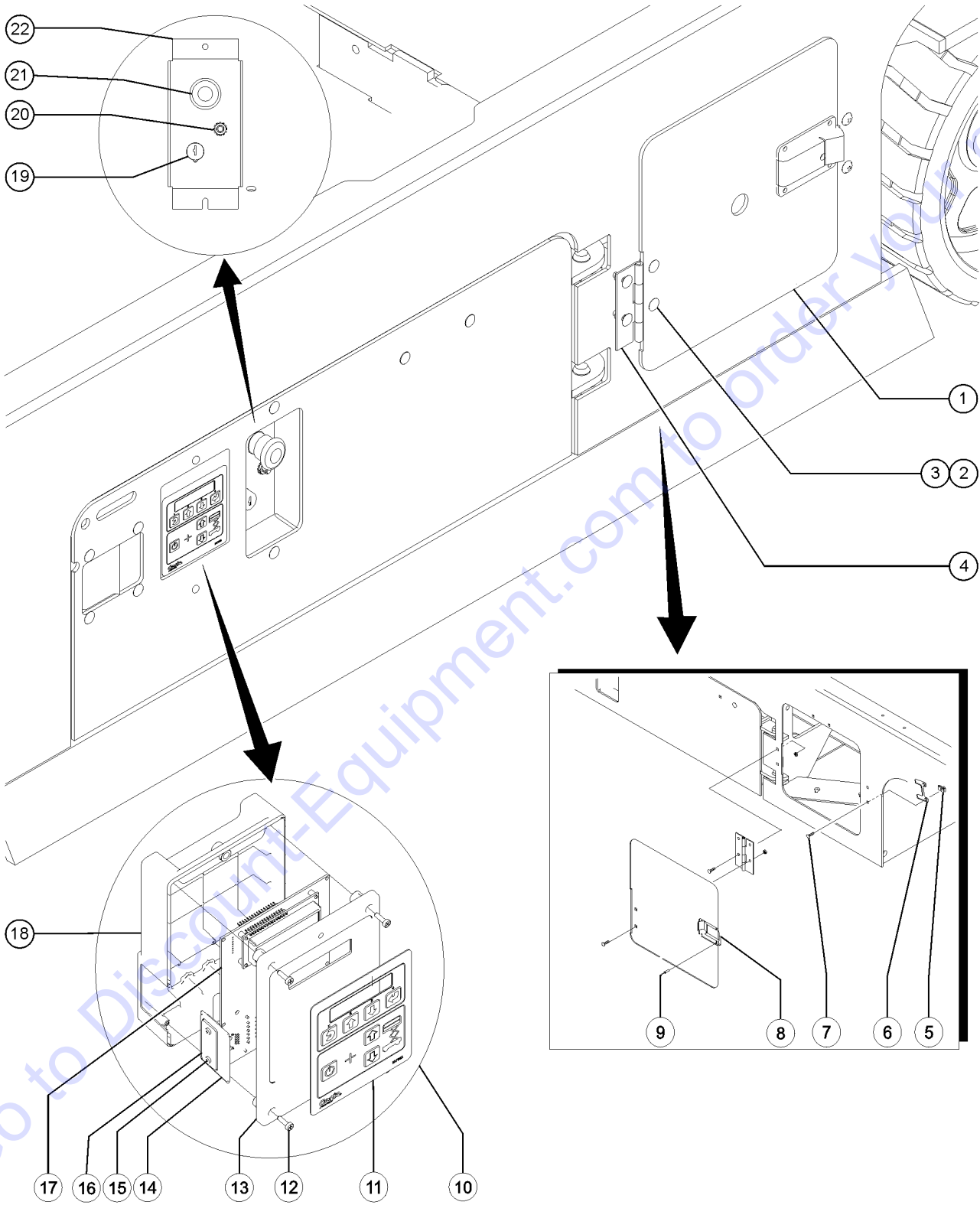
207.1 Power Unit Module





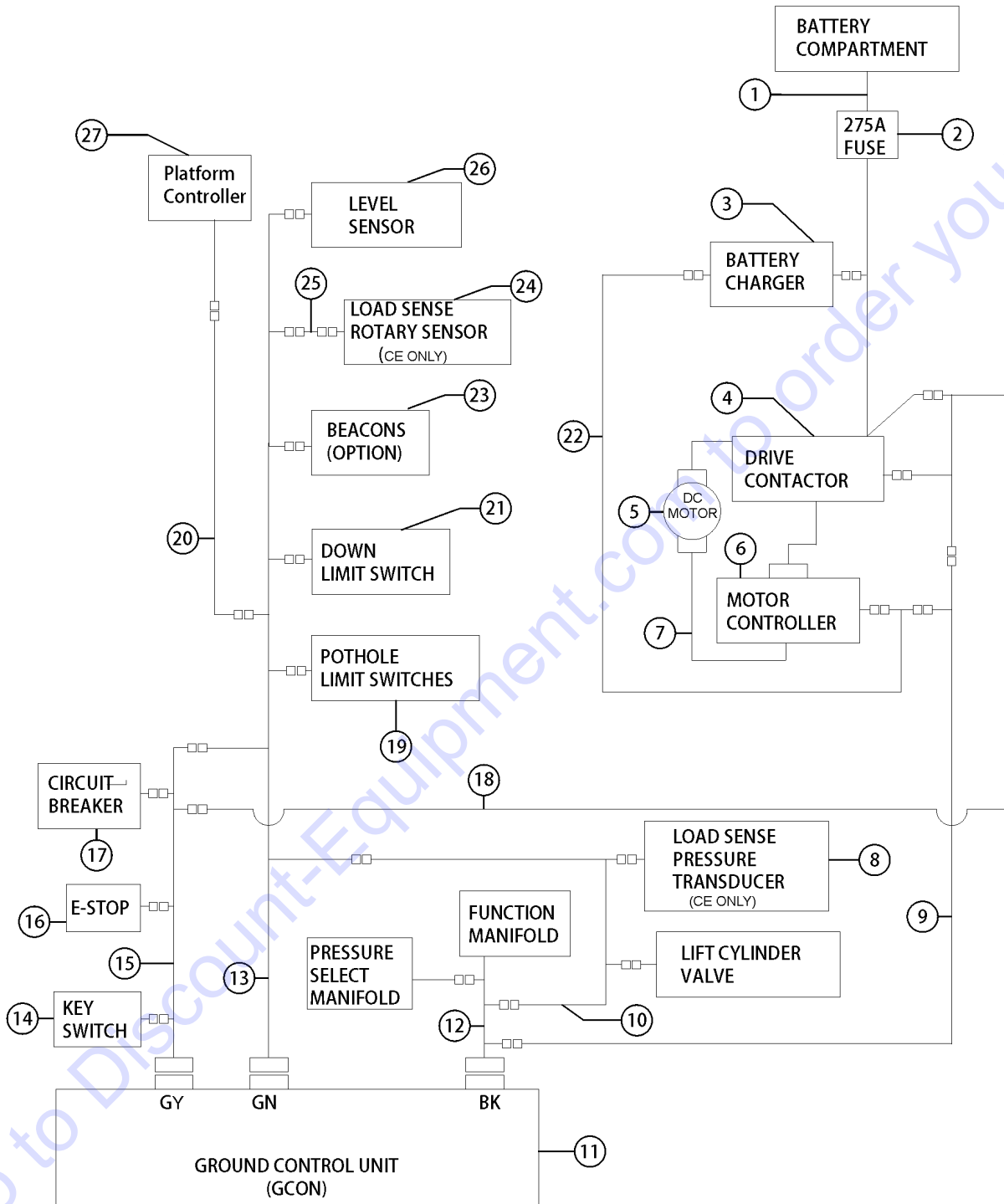
Item	Part No.	Description	Qty.
1	227166GT	WELDMENT,GS HYD TRAY,MET.....1 <i>(decals not included, refer to section one)</i>	1
2	6090GT	SCREW,HHC,1/4-20 X .75	
3	228342GT	FORMING, FILTER-CNTRLR MOUNT....1	
4		REF. FORMING,CONTROL PANEL <i>(refer to figure 208.1)</i>	
5	T108326GT	PLATE,HARNESS MOUNT.....1	
6	6091GT	NUT,NYLOCK,1/4-20	
7	6878GT	BOLT,CARRIAGE,1/4-20 X .75,G2	
8		REF. GCON <i>(refer to figure 208.1)</i>	
9	55675GT	LATCH, LRG PADDLE HANDLE GS90...1	
10	66204GT	FILTER CAP (PLUG 1-1/2" NPT HEX....1	
11	T108667GT	TANK,HYDRAULIC,6.5 GAL.....1	
12	228339GT	ASSEMBLY,TANK RETURN,TUBE.....1	
13	237360GT	SCREW, HHC, M6 X 55MM.....2	
14	228362GT	PLATE, CLAMP.....1	
15	228361GT	CLAMP, RETURN LINE.....1	
16	78546GT	BREATHER CAP,HYD.TANK,1/4 NPT....1	
17	96354GT	TUBE, ASSY, DRAW.....1	
18	96855GT	CLAMP,HOSE,1 EAR,1-1/16***.....2	
19	96709GT	GROMMET,SLAB HYD TANK***.....2	
20	6638GT	WASHER,FLAT,USS,1/4"Y	
21	96699GT	SLEEVE,TANK SUPPORT	
22	9116GT	BOLT,CARRIAGE,1/4-20x1.25,G2	
23	6356GT	WASHER,LOCK,.25	
24		REF. FILTER ASSY <i>(refer to figure 501.1)</i>	
25		REF. ELECTRIC MOTOR/PUMP <i>(refer to figure 504.1)</i>	
26A	823408GT	MOTOR CONTROLLER, DC,24V,300A.....1 <i>(to SN 15C-2130)</i>	1
--	1268799GT	KIT, GS47 MOTOR CONTROLLER <i>(includes 1257840GT, cables, and instructions)</i>	
26B	1257840GT	MOTOR CONTROLLER, DC,24V,360A.....1 <i>(from SN 15C-2131)</i>	1
27	6878GT	BOLT,CARRIAGE,1/4-20 X .75,G2	

208.1 Ground Controls



Item	Part No.	Description	Qty.
1	105732GT	PLATE,SIDE DOOR*** .....	1
2	6878GT	BOLT,CARRIAGE,1/4-20 X .75,G2.....	4
3	6091GT	NUT,NYLOCK,1/4-20.....	4
4	105734GT	HINGE,ACCESS DOOR(13G).....	1
5	56912GT	SPRING CLIP,1/4-20,.025-.15X.54,ZAG.....	2
6	105733GT	PLATE,SIDE DOOR STOP*** .....	1
7	43137GT	SCREW,PHM,1/4-20 X .75.....	2
8	105759GT	LATCH,COMPRESSION,SMALL.....	1
9	6272GT	RIVET,STL,STL,P,.125 X .25.....	4
10A	137692GT	GCON, GR/GRC/GS..... <i>(models with 6 button, 2 speed controller) to SN GS4714C-1799</i>	1
--	137673GT	LABEL, SERIAL, GC21-19.....	1
10B	1256721GT	GCON,STD,PROP LIFT..... <i>(models with 4 button, proportional controller)</i>	1
11	137562GT	DECAL,MEMBRANE, GR/GRC/GS GCON.....	1
12	137668GT	SCREW,PHM,6-19X.75, 48-2 TRI-L.....	4
13	T106366GT	ENCLOSURE,GC27-25/GC21-19,FRNT.1	1
14	T106363GT	ADAPTER, RJ45, GC27-25/GC21-19.....	1
15	137637GT	SCREW,PHM,4-20X.5, 48-2 TRI-L.....	2
16	T106362GT	COVER, RJ45, GC27-25/GC21-19.....	1
17A	137604GT	PCBA, GC21-19..... <i>(models with 6 button, 2 speed controller) to SN GS4714C-1799</i>	1
17B	1256719GT	PCBA,GCON STD,PROP LIFT..... <i>(models with 4 button, proportional controller)</i>	1
18	T106372GT	ENCLOSURE, GC21-19, BK.....	1
19	96008-SGT	KEYSWITCH,3 POS. W/KEYS*** .....	1
--	37947GT	KEYS,10 PACK***	
--	83093GT	KEY SINGLE***	
--	85239GT	NUT,RETAINER (96008)	
--	96010GT	SCREW,PHILLIPS,PHM,8-32 X.25**	
20	96452GT	CIRCUIT BREAKER,7.0 AMP*** .....	1
--	122994GT	NICKEL PLATED JAM NUT	
--	6700GT	WASHER,STAR,EXTERNAL,.375	
21	66812GT	BUTTON,PUSH,RED MUSHROOM HEAD.....	1
--	58627GT	NUT	
--	66817GT	BASE WITH 1 NC CONTACT, E-STOP	
22	T108327GT	FORMING,CONTROL PANEL.....	1

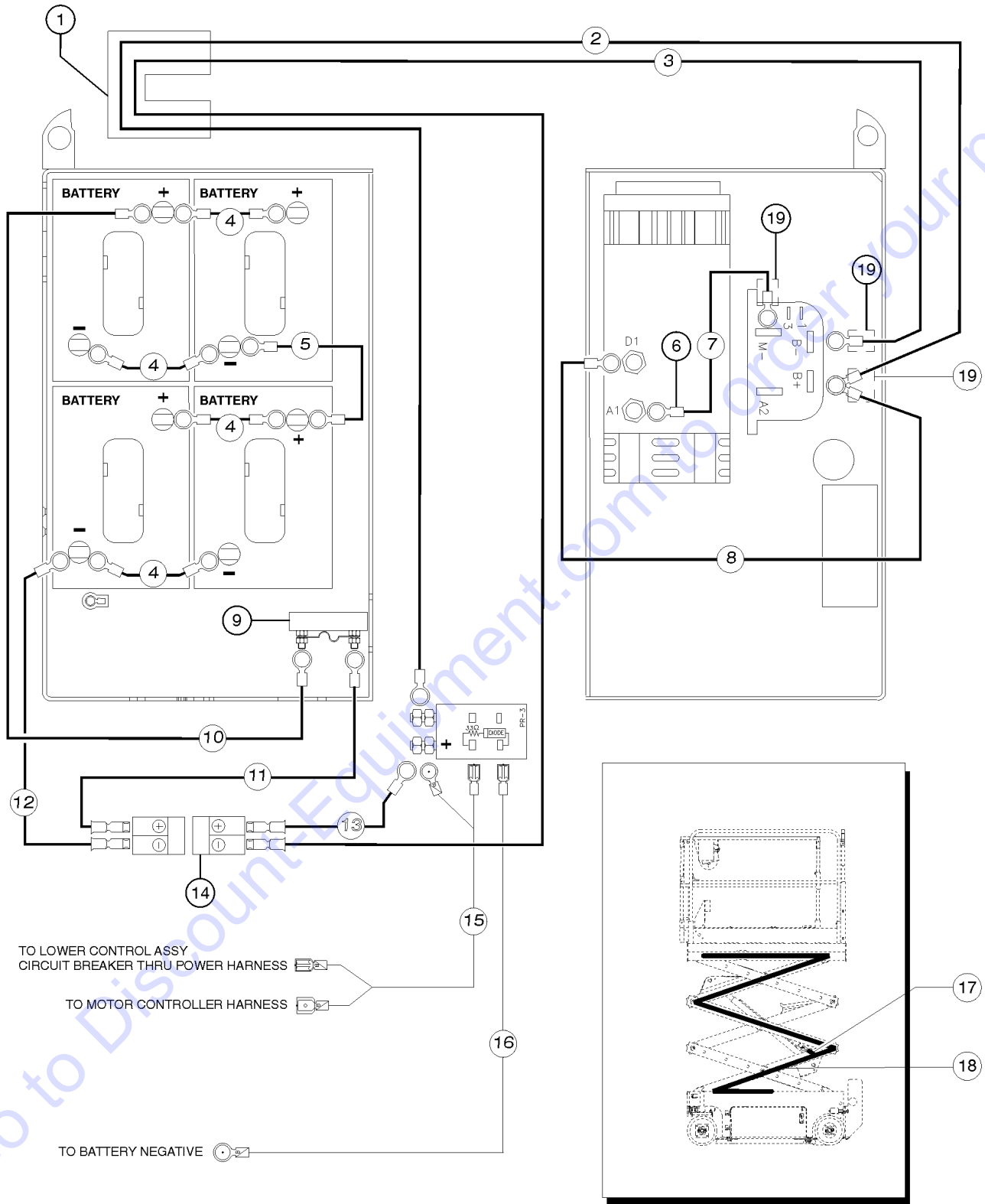
209.1 Electrical Wiring



## 209.1 Electrical Wiring

Item	Part No.	Description	Qty.	Item	Part No.	Description	Qty.
--	T112509GT	CABLE, LIFT CYL DOWN W/LS (not shown)		20B	1260202GT	CABLE,PLAT CNTRL,GS4047.....1 (ANSI models)	1
--	T112508GT	CABLE, LIFT CYL DOWN WO/LS (not shown)		21		REF: Down Limit (refer to 203.1)	
--	105214GT	CABLE TIE MOUNT, WINGED (not shown)		22	144213GT	CHARGER INTERLOCK CBLE,GS30/32	
--	56926GT	CLIP,TIE HARNESS MOUNT*** (not shown)		23		REF: Strobe Beacon (refer to 601.1)	
--	1264822GT	KIT, TRC RETROFIT, STNDRD Telematics (includes 1264834)		24	T113136GT	ASSY,ROT SENSR W/ HARNESS.....1	1
--	1264834GT	INSTRN, TRC RETROFIT, STNDRD		25	T114031GT	HARNESS, ROTARY ANGLE.....1	1
1		REF: Battery Cable (refer to 210.1)		26		REF: Level Sensor (refer to 203.1)	
2		REF: Fuse (refer to 205.1)		27		REF: Platform Controls (PCON) (refer to 403.1)	
3		REF: Battery Charger (refer to 206.1)					
4		REF: Drive Contactor.....1 (refer to 205.1)	1				
5		REF: Electric Motor (refer to 504.1)					
6		REF: Motor Contoller (refer to 207.1)					
7		REF: Battery Cable (refer to 210.1)					
8		REF: Pressure Transducer Harness (refer to 701.1)					
9	232580GT	HARNESS,DIODE JUMPER.....1	1				
10	236781GT	CABLE,LIFT CYL,GS4047.....1	1				
11		REF: Ground Controls (GCON) (refer to 208.1)					
12A	238007GT	HARNESS,FUNCTION MAN,GS4047.....1 (replaced by 1257845 from SN GS4714C-2131)	1				
12B	1257845GT	HARNESS, FUNC. MANIFOLD, GS47....1 (replaced 238007 from SN GS4714C-2131)	1				
13	T110891GT	HARNESS, GS SENSORS, CE.....1 (Green connector)	1				
14		REF: Key Switch (refer to 208.1)					
15	T110890GT	HARNESS, GS POWER CONTRL.....1 (Grey connector)	1				
16		REF: E-Stop (refer to 208.1)					
17		REF: Circuit Breaker (refer to 208.1)					
18	233430GT	HRNS,CONTACTOR SIGNAL,GS46.....1	1				
19	96309GT	ASSY,POTHOLE HARNESS,GS.....1	1				
20A	238006GT	CABLE,PLAT CNTRL,GS4047.....1 (CE models)	1				

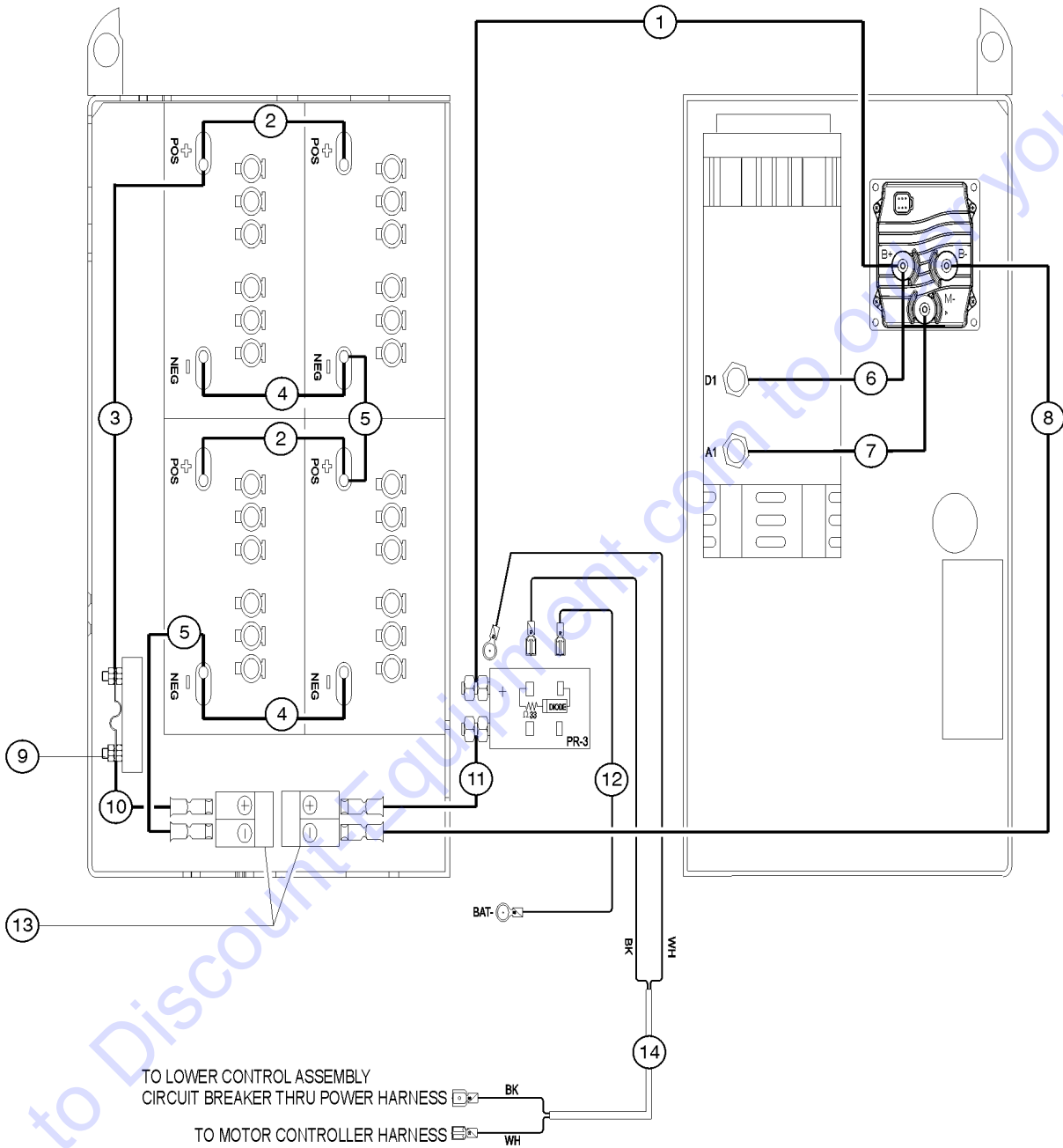
210.1 Power Cables (to SN GS4715C-2030)



## 210.1 Power Cables (to SN GS4715C-2030)

Item	Part No.	Description	Qty.
1	28131GT	WIRE LOOM,1.25 DIA.....16-inches	
2	236823GT	CABLE ASSY,BATT,97.5" RED.....1	
3	236818GT	CABLE ASSY,BATT,100" BLACK.....1	
4	236817GT	CABLE ASSY,BATT,7" BLACK.....4	
5	236824GT	CABLE ASSY,BATT,11" BLACK.....1	
6	96110GT	BOOT,CABLE TERMINAL COVER.....13	
7	96303GT	CABLE ASSY,BATT, 7.50" BLACK.....1	
8	96302GT	CABLE ASSY,BATT, 7.50" RED.....1	
9	66717GT	FUSE BLOCK, ANN & ANL FUSE.....1	
--	40833GT	FUSE,275 AMP,VERY FAST ACTING.....1	
10	236806GT	CABLE ASSY,BATT,30.5" RED.....1	
11	236821GT	CABLE ASSY,BATT,10.5" RED.....1	
12	236822GT	CABLE ASSY,BATT,12.5" RED.....1	
13	214827GT	CABLE ASSY,BATT,15"RED.....1	
14	66397GT	QUICK DISCONNECT CASING,BATT** .....2	
15	233430GT	HRNS,CONTACTOR SIGNAL,GS46.....1	
16	232582GT	GROUND WIRE ASSY,GS.....1	
17		REF: Lift Cylinder Down Cable (refer to 209.1)	
18		REF: Platform Control Cable (refer to 209.1)	
19	47224GT	TUBING,PVC,1",BLACK*** .....3	

210.2 Power Cables (from SN GS4715C-2031, from SN GS4714D-101)

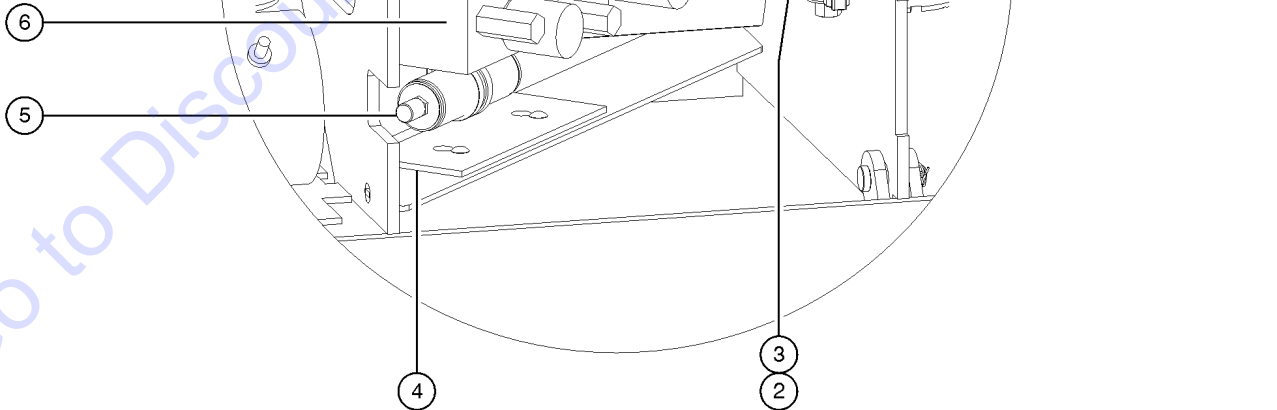
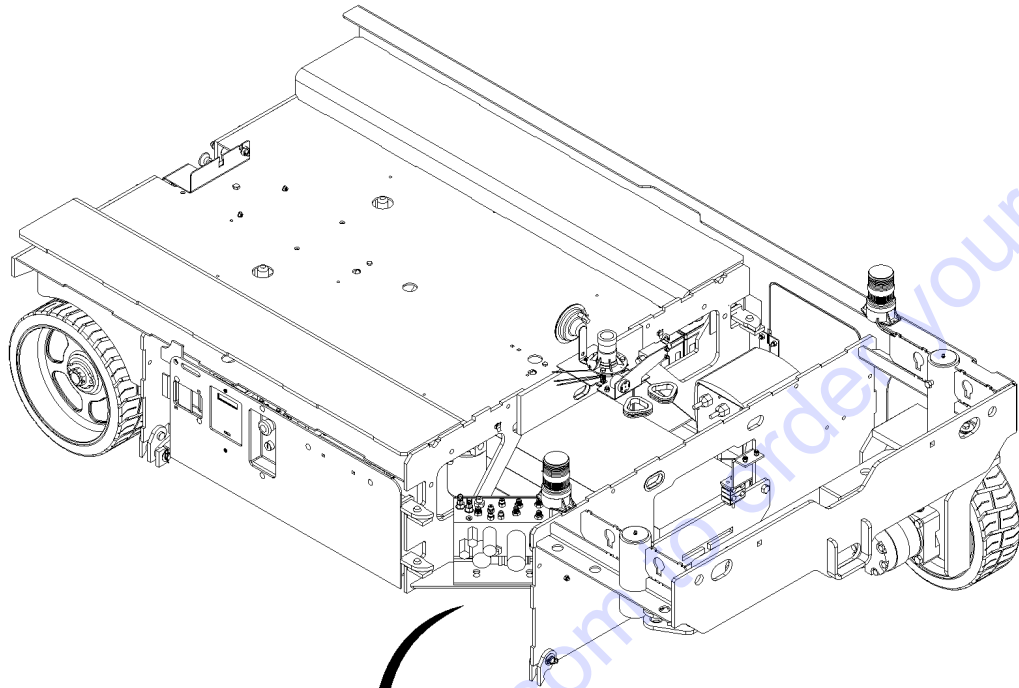




## 210.2 Power Cables (from SN GS4715C-2031, from SN GS4714D-101)

Item	Part No.	Description	Qty.
A	28131GT	WIRE LOOM,1.25 DIA.....16-inches	
B	96110GT	BOOT,CABLE TERMINAL COVER.....11	
C	79140GT	BOOT,CABLE TERMINAL,RED,XL.....6	
1	1257858GT	CABLE ASSY., BATT. 101", RED.....1	
2	1252766GT	CABLE ASSY,BATT,11"RED.....2	
3	236806GT	CABLE ASSY,BATT,30.5" RED.....1	
4	1252765GT	CABLE ASSY,BATT,11"BLACK.....2	
5	1252767GT	CABLE ASSY,BATT,14"BLACK.....2	
6	1257054GT	CABLE ASSY., BATT. 14" RED.....1	
7	1257055GT	CABLE ASSY., BATT. 12" BLACK.....1	
8	1257855GT	CABLE ASSY., BATT. 106" BLACK.....1	
9	66717GT	FUSE BLOCK, ANN & ANL FUSE.....1	
10	236821GT	CABLE ASSY,BATT,10.5" RED.....1	
11	214827GT	CABLE ASSY,BATT,15"RED.....1	
12	232582GT	GROUND WIRE ASSY,GS.....1	
13	66397GT	QUICK DISCONNECT CASING,BATT** .....2	
14	233430GT	HRNS,CONTACTOR SIGNAL,GS46.....1	

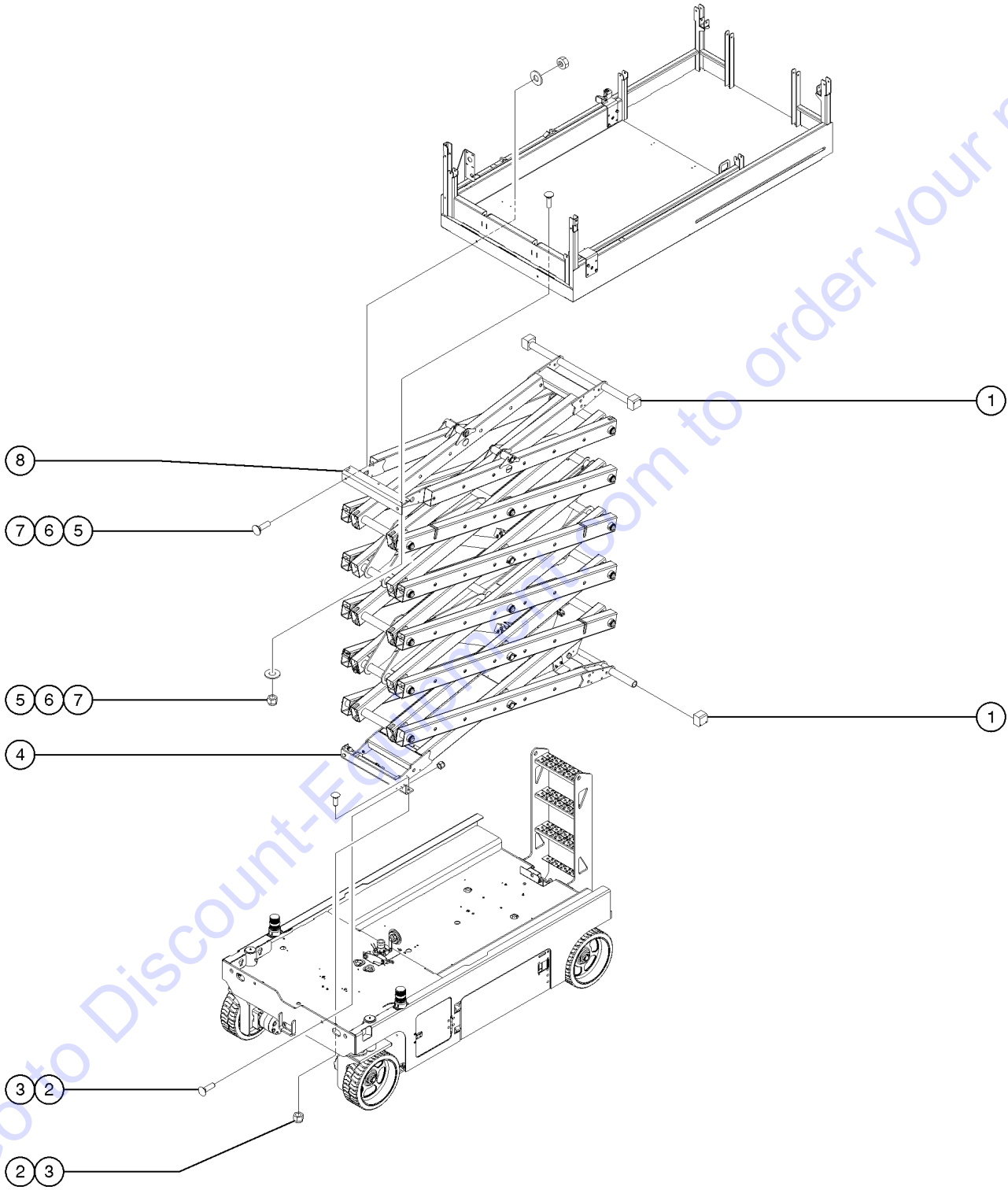
211.1 Accumulator, Lift Pressure Select and Function Manifolds



## 211.1 Accumulator, Lift Pressure Select and Function Manifolds

Item	Part No.	Description	Qty.
1	229606GT	MANIFOLD,LIFT PRESSURE SELECT..1	
--	119827GT	COIL, 20V, ZENER DIODE DEUTSCH....1	
--	229616GT	VALVE,RELIEF,SZ8, 3500 PSI.....1	
--	44997GT	VALVE,SOLENOID,2POS 2WAY N.O.*....1	
2	8179GT	SCREW,HHC,1/4-20 X 2.25.....2	
3	6091GT	NUT,NYLOCK,1/4-20.....2	
4	105574GT	FORMING,MANIFOLD MOUNT.....1	
5	78422GT	ACCUMULATOR,180 PSI PRECHARGE*.....1	
--	1256127GT	BOLT,CARRIAGE,1/4-20X1.5,ZAG	
--	18504GT	NUT,LOCKING-LG.FLANGE,1/4-20	
--	32339GT	CLAMP,1.75,#28 X 3/8,RUB CUSH*	
6		Ref. Function Manifold.....1 (refer to 502.1)	

301.1 Scissor Assy Installation

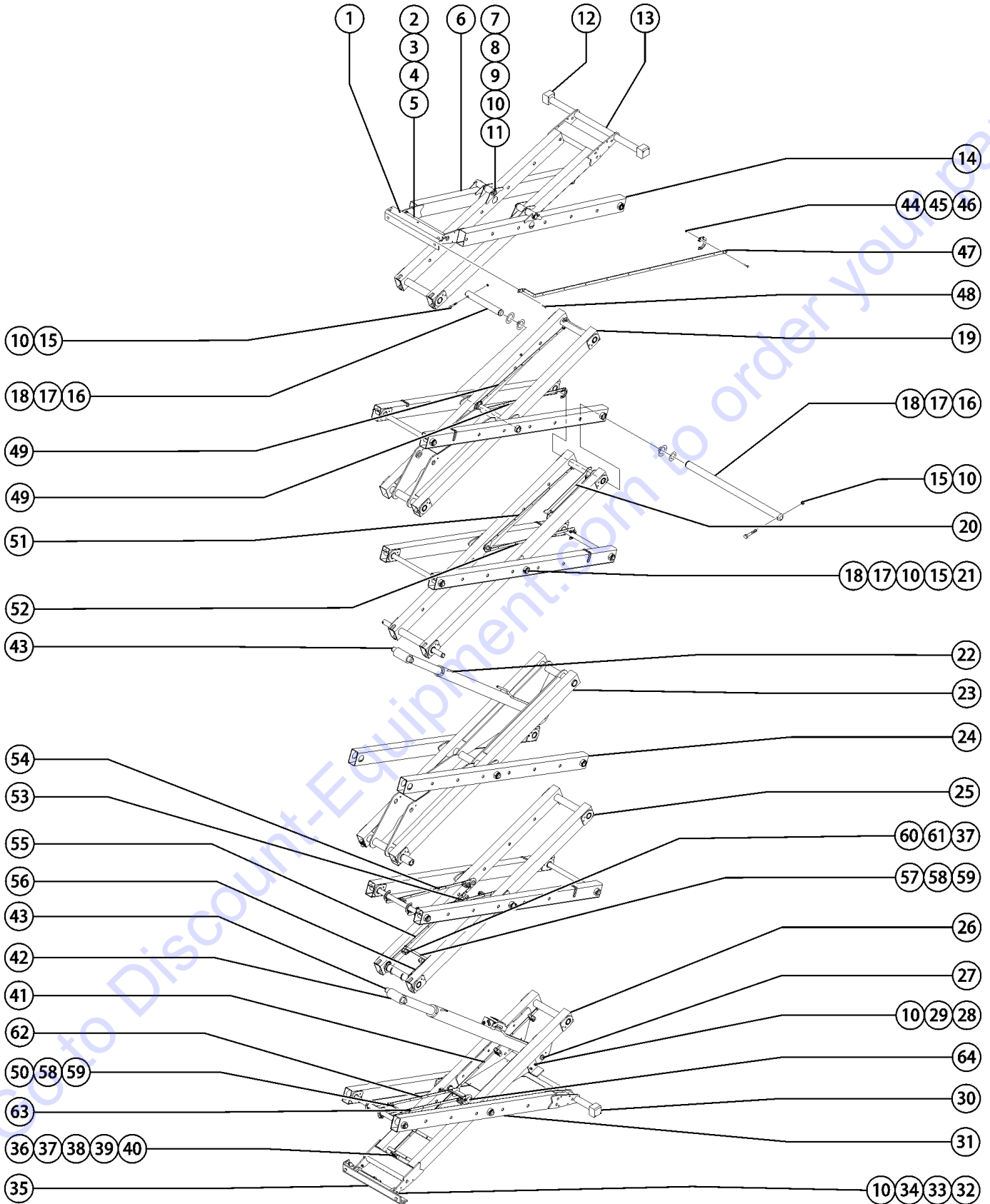


## 301.1 Scissor Assy Installation

Item	Part No.	Description	Qty.
--	216276GT	WIRE LOOM,BLACK SPIRAL,1.10".....98-inches	
1	96595GT	SLIDER,UHMW.....4	
2	6198GT	NUT,NYLOCK,1/2-13.....8	
3	96977GT	BOLT,CARRIAGE,1/2-13X1.50,GR5.....8	
4	97241GT	CHASSIS MOUNT ASSY, GS32&46.....1	
--	51474GT	BEARING,1.00IDX1.25ODX0.75L.....2	
5	4828GT	NUT,NYLOCK,3/8-16	
6	6097GT	WASHER,FLAT,USS,3/8",Y	
7	105092GT	BOLT,CARRIAGE,3/8-16X1.25,GR5	
8	84747GT	PLATFORM MOUNT ASSY, GS32&46....1	
--	36369GT	BEARING,0.75IDX1.00ODX0.75L.....2	

Go to Discount-Equipment.com to order your parts

302.1 Scissor Assembly



## 302.1 Scissor Assembly

Item	Part No.	Description	Qty.	Item	Part No.	Description	Qty.
1		Ref. Platform Mount Assembly (refer to 301.1)		27	96662GT	PIN, LOWER CYLINDER MOUNT.....1	1
2	96932GT	PIN, LINKSET MOUNT, 3/4".....1	1	28	105092GT	BOLT,CARRIAGE,3/8-16X1.25,GR5	
3	45748GT	ROD END,.250 X 2.75 LG.....2	2	29	105074GT	FORMING,PH PUSHER, GS46.....2	2
4	8915GT	SCREW,HHC,1/4-20 X 1.25		30		Ref. Chassis Slider (refer 301.1)	
5	6091GT	NUT,NYLOCK,1/4-20		31	96603GT	WLDMT,LNK,OUTER #1,XX46.....1 (decal not included refer to section one)	1
6	96615GT	WLDMT,LNK,OUTER #4,26XX.....1 (ground controls side)	1	32	96862GT	PIN, LINKSET MOUNT, 1"	
7	96130GT	PIN, MINI, CENTER.....2	2	33	825019GT	ROD END,.375X3.69,ZAG.....6	6
8	30217GT	SNAP RING,EXTERNAL,1.25 DIA.**		34	8516GT	SCREW, HCC, 3/8-16 X 1.50	
9	96390GT	WASHER,FLAT, 1.27 X 2.13 X .13		35		Ref. Chassis Mount Assembly (refer 301.1)	
10	4828GT	NUT,NYLOCK,3/8-16		36	105208GT	RUBBER CUSHION,SEPARATOR.....5	5
11	14033GT	SCREW,HHC,3/8-16 X 2.75		37	105213GT	RUBBER CUSHION, CLAMP,SHORT	
12		Ref. Platform Slider (refer 301.1)		38	105205GT	CLAMP,LONG	
13	97243GT	INNER ARM ASSY #4, 2646.....1	1	39	5365GT	NUT,NYLOCK,10-24	
--	66055GT	BEARING,1.50IDX1.77ODX1.25L.....2	2	40	822801GT	BOLT,CARRIAGE,10-24 X 2,GA,Z	
--	96487GT	BEARING,1.26IDX1.53ODX1.25L.....4	4	41A	105186GT	WLDMNT,CABLE BRIDGE,LOWER.....1 (CE and Australia models) (Right side) (shown)	1
14	96616GT	WLDMT,LNK,OUTER #4,26XX,LEFT.....1 (battery pack side)	1	41B	237810GT	WELDMENT,CABLE BRIDGE,SHORT.....1 (CE and Australia models) (Left side) (not shown)	1
15	6326GT	SCREW,HHC,3/8-16 X 3		41C	105186GT	WLDMNT,CABLE BRIDGE,LOWER.....1 (ANSI models only)	1
16	96899GT	PIN, LONG, GS46.....13	13	42		Ref. Lift Cylinder, Bottom (refer 505.1)	
17	1260941GT	WASHER,SHIM,1.54X2.00X.125,ZAG		43	96661GT	PIN, UPPER CYLINDER MOUNT.....3	3
18	18383GT	SNAP RING,EXTERNAL,1.5 DIA***.....8	8	44	18504GT	NUT,LOCKING-LG.FLANGE,1/4-20.....22 (ANSI models only)	22
--	66055GT	BEARING,1.50IDX1.77ODX1.25L.....6	6	45	105193GT	CLIP,CABLEBRIDGE, GS32/46.....12 (ANSI models only)	12
19A	229584GT	ASSEMBLY, LINK, INNER #5.....1 (CE and Australia models)	1	46	80149GT	BOLT,CARRIAGE,1/4-20 X .5,G2.....20 (ANSI models only)	20
19B	1260196GT	ASSEMBLY, LINK, INNER #5.....1 (ANSI models only)	1	47	105189GT	BAR,CABLE BRIDGE ARM,UPPER.....1 (ANSI models only)	1
20	58000GT	SAFETY CHOCK,SCISSOR.....1	1	48	9116GT	BOLT,CARRIAGE,1/4-20x1.25,G2.....2 (ANSI models only)	2
21	96900GT	PIN, SHORT, GS46.....4	4	49	1259943GT	BAR, CABLE BRIDGE ARM, SYM.....2 (ANSI models only)	2
22		Ref. Lift Cylinder, Top (refer 505.1)		50	1259937GT	FORMING, END CONNECTING.....2 (ANSI models only)	2
--	66055GT	BEARING,1.50IDX1.77ODX1.25L.....6	6	51	105191GT	WELDMENT.CABLE BRIDGE, TOP.....1 (ANSI models only)	1
23A	229583GT	ASSEMBLY, LINK, INNER #3.....1 (CE and Australia models)	1	52	1259942GT	WELDMENT, CABLE BRIDGE, BOTTOM.....1 (ANSI models only)	1
23B	1260306GT	ASSEMBLY, LINK, INNER #6.....1 (ANSI models only)	1	53	1259945GT	WELDMENT, CABLE BRIDGE, TOP.....1 (ANSI models only)	1
24	229579GT	WELDMENT,LINK,OUTER,#2,3,4,5.....8	8				
--	66055GT	BEARING,1.50IDX1.77ODX1.25L.....8	8				
25A	229582GT	ASSEMBLY, LINK, INNER #2, 4.....2 (CE and Australia models)	2				
25B	1260199GT	ASSEMBLY, LINK, INNER #2,4.....1 (ANSI models only)	1				
26	96601GT	WLDMT,LNK,INNER #1.....1 (decal not included refer to section one)	1				
--	66055GT	BEARING,1.50IDX1.77ODX1.25L.....4	4				

302.1 Scissor Assembly  
(continued)

Item	Part No.	Description	Qty.
54	1259944GT	WELDMENT, CABLE BRIDGE, TOP.....1 <i>(ANSI models only)</i>	1
55	1259946GT	WELDMENT, CABLE BRIDGE, BOTTOM.....1 <i>(ANSI models only)</i>	1
56	1259939GT	WELDMENT, CABLE BRIDGE, BOTTOM.....1 <i>(ANSI models only)</i>	1
57	1260201GT	FORMING, END CONNECTING.....1 <i>(ANSI models only)</i>	1
58	18504GT	NUT,LOCKING-LG.FLANGE, 1/4-20.....6 <i>(ANSI models only)</i>	6
59	80149GT	BOLT,CARRIAGE, 1/4-20 X .5,G2.....6 <i>(ANSI models only)</i>	6
60	1259949GT	CLAMP, SHORT.....12 <i>(ANSI models only)</i>	12
61	1261822GT	BOLT,CARRIAGE, 10-24 X 1.5", G2.....12 <i>(ANSI models only)</i>	12
62	1259947GT	WELDMENT, CABLE BRIDGE, TOP.....1 <i>(ANSI models only)</i>	1
63	1259948GT	WELDMENT, CABLE BRIDGE, TOP.....1 <i>(ANSI models only)</i>	1
64	1261823GT	BEARING, 1.5IDX1.75ODX2.4L.....2 <i>(ANSI models only)</i>	2

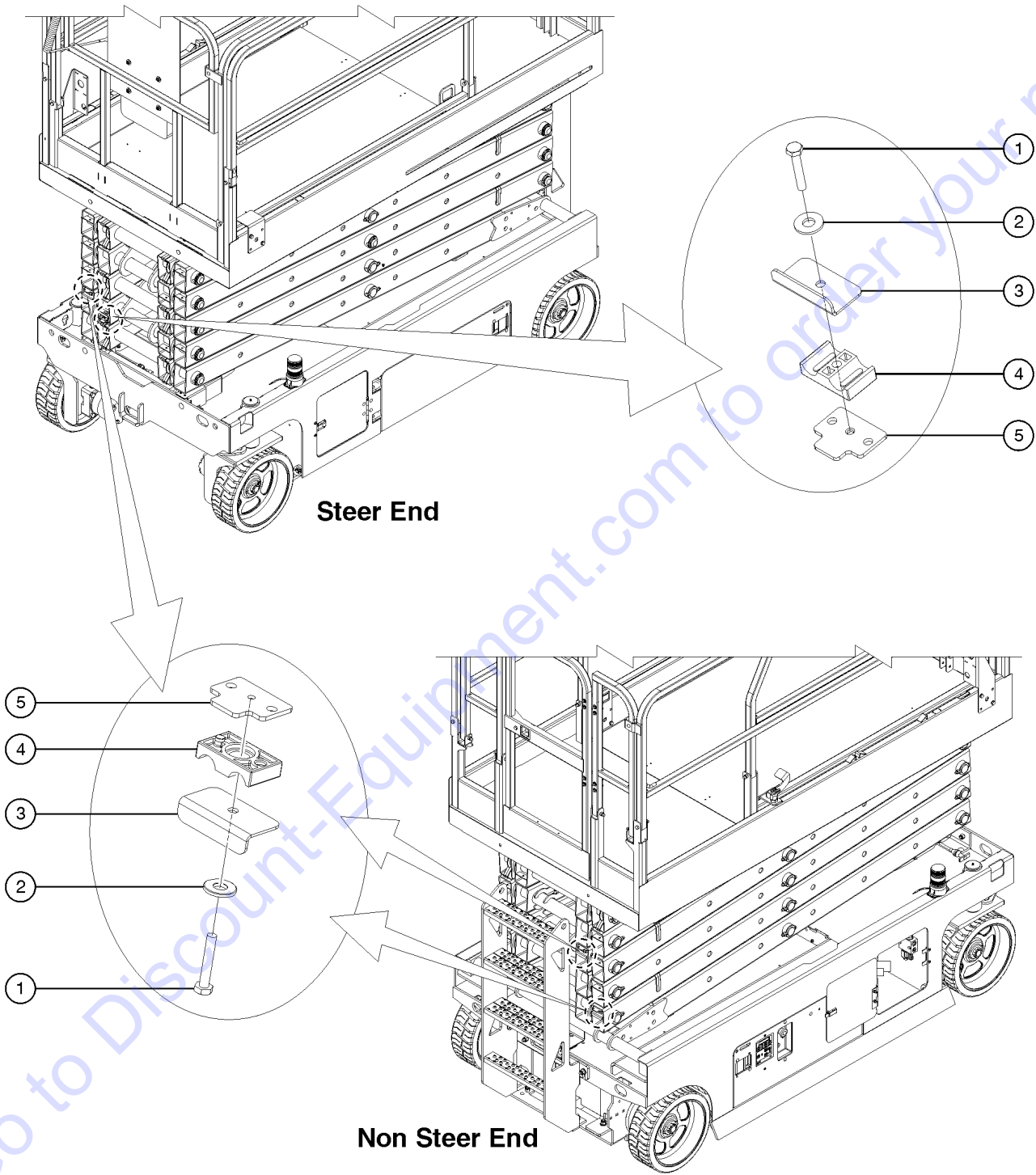
Go to Discount-Equipment.com to order your parts



*This Page Intentionally Left Blank*

Go to Discount-Equipment.com to order your parts

303.1 Scissor Assembly, Hose Clamps



# PARTS FINDER

**Search Website  
by Part Number**



**Search Manual  
Library For Parts  
Manual & Lookup Part  
Numbers – Purchase  
or Request Quote**

**Search Manuals**

Enter your information to help us find the right parts manual for your machine.

\* Brand:

\* Model:

\* Serial:

\* Part Number:

SEARCH

**Can't Find Part or  
Manual? Request Help  
by Manufacturer,  
Model & Description**

**Parts Order Form**

Please fill in the following information to help us find the right part for your machine.

MANUFACTURER:

MODEL:

DESCRIPTION:

DATE:

TIME:

PHONE:

EMAIL:

ADDRESS:

CITY:

STATE:

ZIP:

COUNTRY:

SEARCH

Discount-Equipment.com is your online resource for quality parts & equipment.

Florida: **561-964-4949** Outside Florida TOLL FREE: **877-690-3101**

**Need parts?**

Click on this link: <http://www.discount-equipment.com/category/5443-parts/> and choose one of the options to help get the right parts and equipment you are looking for. Please have the machine model and serial number available in order to help us get you the correct parts. If you don't find the part on the website or on one of the online manuals, please fill out the request form and one of our experienced staff members will get back to you with a quote for the right part that your machine needs.

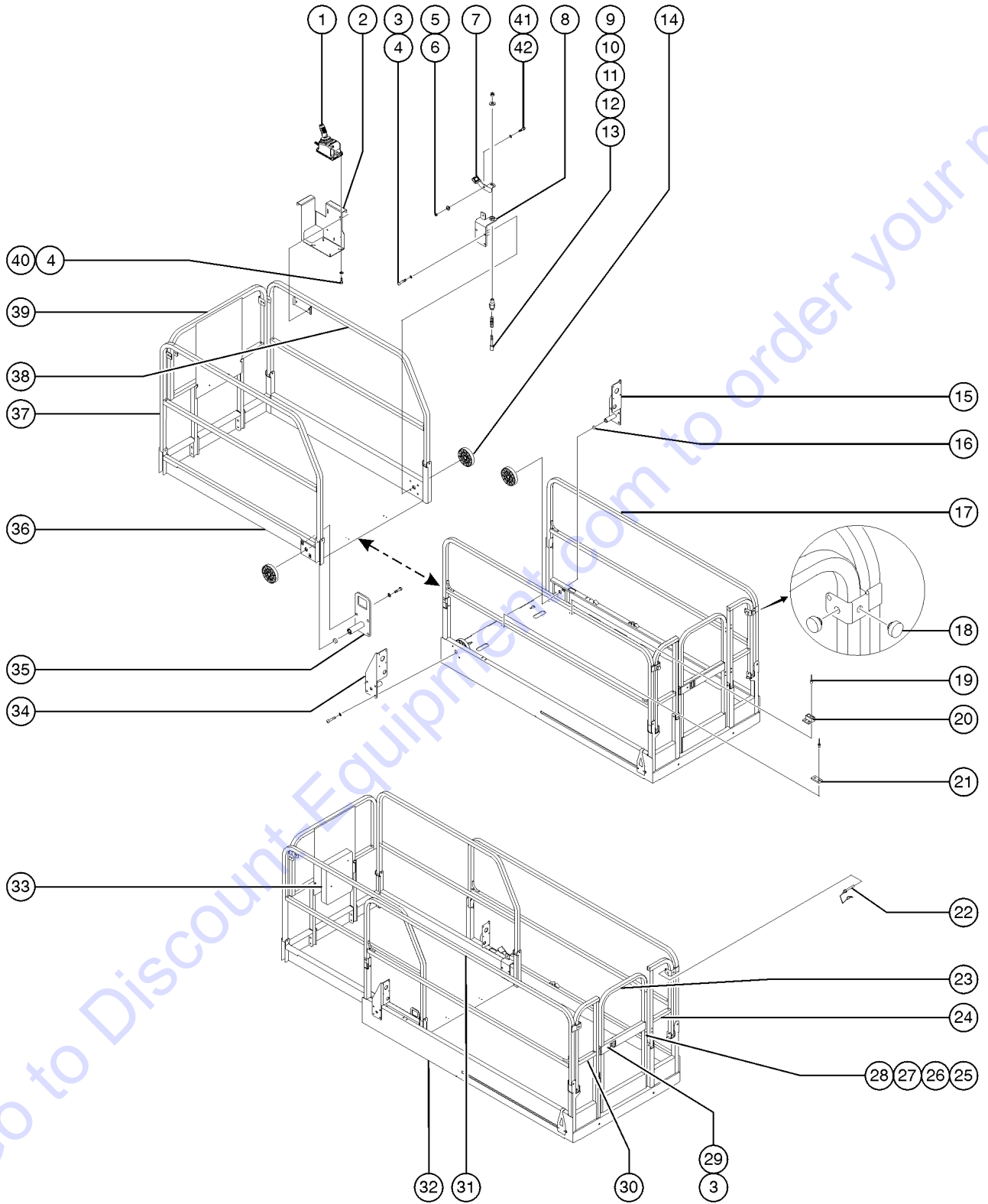
We sell worldwide for the brands: Genie, Terex, JLG, MultiQuip, Mikasa, Essick, Whiteman, Mayco, Toro Stone, Diamond Products, Generac Magnum, Airman, Haulotte, Barreto, Power Blanket, Nifty Lift, Atlas Copco, Chicago Pneumatic, Allmand, Miller Curber, Skyjack, Lull, Skytrak, Tsurumi, Husquvarna Target, Stow, Wacker, Sakai, Mi-T-M, Sullair, Basic, Dynapac, MBW, Weber, Bartell, Bennar Newman, Haulotte, Ditch Runner, Menegotti, Morrison, Contec, Buddy, Crown, Edco, Wyco, Bomag, Laymor, EZ Trench, Bil-Jax, F.S. Curtis, Gehl Pavers, Heli, Honda, ICS/PowerGrit, IHI, Partner, Imer, Clipper, MMD, Koshin, Rice, CH&E, General Equipment, Amida, Coleman, NAC, Gradall, Square Shooter, Kent, Stanley, Tamco, Toku, Hatz, Kohler, Robin, Wisconsin, Northrock, Oztec, Toker TK, Rol-Air, APT, Wylie, Ingersoll Rand / Doosan, Innovatech, Con X, Ammann, Mecalac, Makinex, Smith Surface Prep, Small Line, Wanco, Yanmar

## 303.1 Scissor Assembly, Hose Clamps

Item	Part No.	Description	Qty.
1	238348GT	SCREW, HHC, 1/4-20 X 1.5"L, STL GR8.....	4
2	5397GT	WASHER, FLAT, USS, 5/16", Y.....	4
3	237674GT	FORMING, HOSE CLAMP.....	4
4	78736GT	CLAMP, 2 HOSE, PLASTIC, 5/8.....	4
5	237673GT	PLATE, RETAINER, HOSE CLAMP.....	4

Go to Discount-Equipment.com to order your parts

401.1 Platform Components



## 401.1 Platform Components

Item	Part No.	Description	Qty.	Item	Part No.	Description	Qty.
--				--	78038GT	CAP, TUBE, SQ, 1.25 X .083	
1		Ref. Platform Control Box <i>refer to 403.1</i>		25	4266GT	SCREW, HHC, 1/4-20 X 2	
2		Ref. Platform Control Box Mount Bracket <i>refer to 403.1</i>		26	6638GT	WASHER, FLAT, USS, 1/4"Y	
3	5224GT	SCREW, HHC, 3/8-16 X 2		27	104804GT	HINGE, SPRING, LONG LEG.....2	
4	6356GT	WASHER, LOCK, .25		28	6091GT	NUT, NYLOCK, 1/4-20	
5	6002GT	NUT, LP NYLOCK, 5/16-18		29	4828GT	NUT, NYLOCK, 3/8-16	
6	47222GT	WASHER, SHOULDER, NYLON		30	66920GT	WLDMT, ENTRY SIDERAIL, LT.....1 <i>battery pack side</i>	
7	46260GT	FOOTPEDAL W/NON-SKID TAPE, GS**.....1		--	78038GT	CAP, TUBE, SQ, 1.25 X .083 <i>not included sold separately</i>	
--	47166GT	BRACKET, FOOT PEDAL.....1 <i>non skid tape not included</i>		31	82053-SGT	RAIL-GS46 PLAT, MAINDECK LT****.....1 <i>battery pack side</i>	
--	47225GT	TAPE, NON-SKID, DIE CUT, 1.38X1.5 <i>not included sold separately</i>		--	43392GT	BUMPER, BATTERY BOX & RAILS.....3	
8	96413GT	WLDMT, LOCKING ROLLER SUPPORT.....1		32	1284268GT	WLDMT, MAIN DECK, GS46.....1 <i>decals not included, refer to section one</i>	
9	39470GT	PIN, LOCK.....1		--	47098GT	TAPE, NON-SKID, DIE CUT, 4"X 40" <i>not included sold separately</i>	
10	39469GT	SPRING, COMPRESSION. 485 X 1.75**...1		--	47231GT	TAPE, NON-SKID, DIE CUT, 4"X 16" <i>not included sold separately</i>	
11	41630GT	HOUSING, LOCK PIN.....1		--	47374GT	TAPE, NON-SKID, DIE CUT, 4"X 32" <i>not included sold separately</i>	
12	6097GT	WASHER, FLAT, USS, 3/8", Y		33A	44743GT	MANUAL BOX W/DECALS***.....1 <i>USA/Canada/Australia</i>	
13	7713GT	NUT, LP NYLOCK, 3/8-16		33B	24514GT	BOX, INSTRUCTION STORAGE <i>Europe/Asia/South America (decals required; refer to Section 100)</i>	
14	47163GT	ROLLER, PLATFORM EXTENSION.....4		34	96246GT	WELDMENT, ROLLER BRACKET, LT***.....1	
15	84587GT	ROLLER BRACKET ASSY, GRND CNTR.....1 <i>ground controls side</i>		35	96200GT	WLDMT, LANYARD ROLLER BRKT.....1 <i>(decals not included, refer to section one)</i>	
16	21279GT	BUTTON, .800 O.D. X .281.....3		--	21279GT	BUTTON, .800 O.D. X .281.....1 <i>sold separately</i>	
17	82052-SGT	RAIL-GS46 PLAT, MAINDECK RT****.....1 <i>ground controls side</i>		36	97258GT	EXT. DECK ASSY, GS46.....1	
18	43392GT	BUMPER, BATTERY BOX & RAILS.....20		--	39474GT	WEAR PAD, PLATFORM.....2	
19	43392GT	BUMPER, BATTERY BOX & RAILS.....14		--	47374GT	TAPE, NON-SKID, DIE CUT, 4"X 32".....7	
20	39310GT	WEAR/GUIDE PAD MAIN PLATFORM...4		--	96719GT	WLDMT, EXT. DECK, GSXX46.....1	
21	39474GT	WEAR PAD, PLATFORM.....3		--	T113787GT	RIVET, ALUM, STL, .188 X .250.....4 <i>for 39474</i>	
22	66030GT	PIN, WIRE LOCK 3/8 X 2 -1/2		37	97263GT	LEFT EX. RAIL, GS46.....1 <i>battery pack side</i>	
--	78022GT	LANYARD, BLACK NYLON, TYPE 1*** <i>CE &amp; Australia models</i>		--	43392GT	BUMPER, BATTERY BOX & RAILS.....3	
23A	96760GT	ASSY, PLATFORM GATE, GSXX46.....1 <i>includes latch assy (decals not included, refer to section one)</i>		38	97264GT	RIGHT EXT RAIL, GS46 (SYMBOL).....1 <i>(decals not included, refer to section one)</i>	
23B	66512GT	WLDMT, FULL HEIGHT GATE.....1		--	43392GT	BUMPER, BATTERY BOX & RAILS.....3	
23C	65990-SGT	KIT, GATE LATCH <i>includes latch, spring and hardware</i>		39	96794GT	WLDMT, EXTENSION ENDRAIL.....1 <i>(decals not included, refer to section one)</i>	
--	22446GT	SPRING, COMPRESSION .835 X 2.....1 <i>included in kit 65990-S</i>		40	6090GT	SCREW, HHC, 1/4-20 X .75	
--	66544GT	LATCH HANDLE.....1 <i>included in kit 65990-S</i>		41	1259223GT	BOLT, SHS, 3/8X.375X5/16-18, ZAG	
24	66923GT	WLDMT, ENTRY SIDERAIL, RT.....1 <i>ground controls side</i>					

401.1 Platform Components  
(continued)

Item	Part No.	Description	Qty.
42	12013GT	SHIM,.375 X .063	

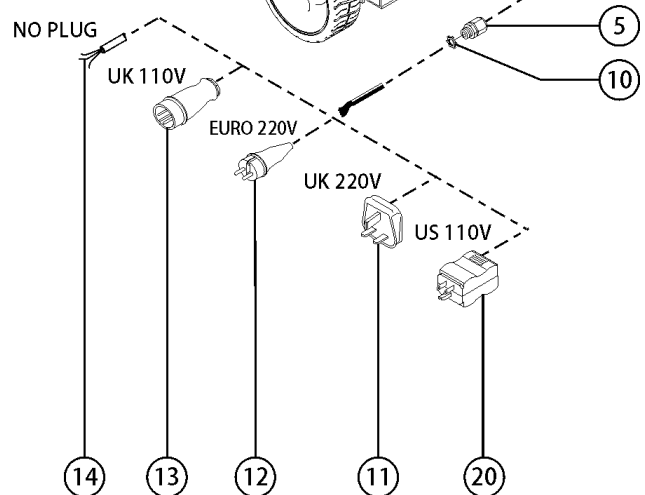
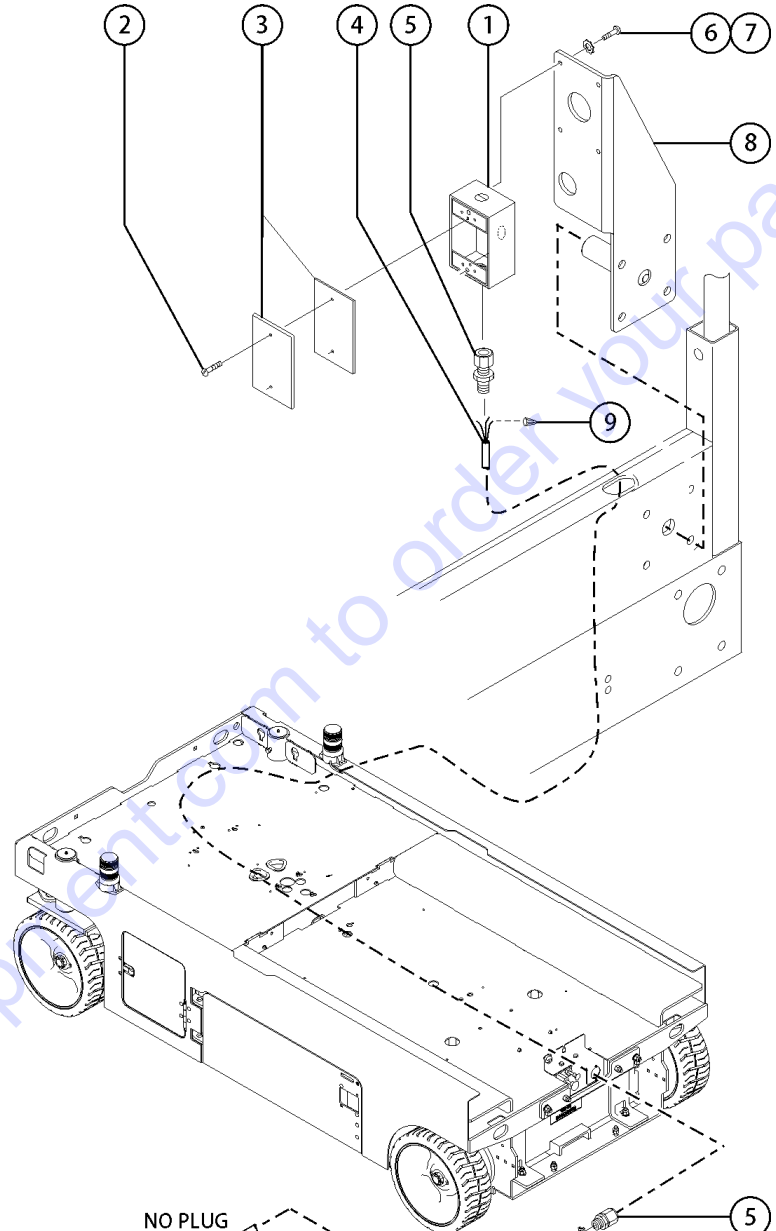
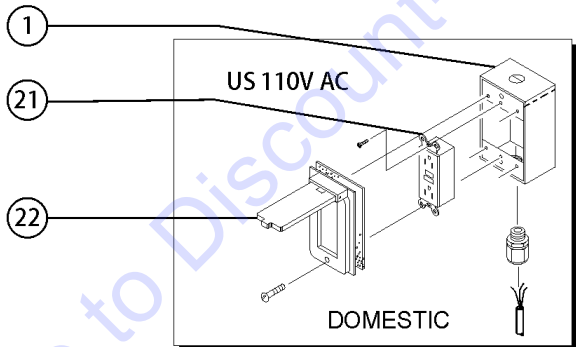
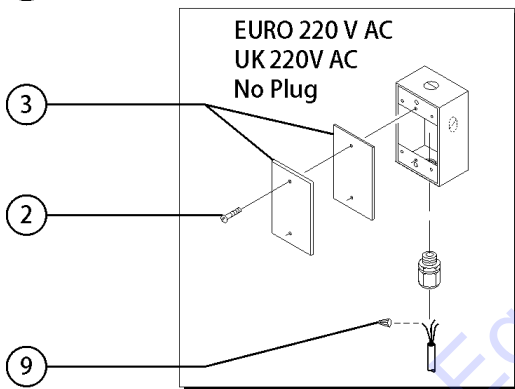
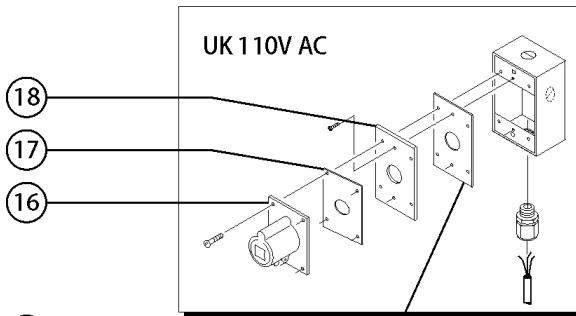
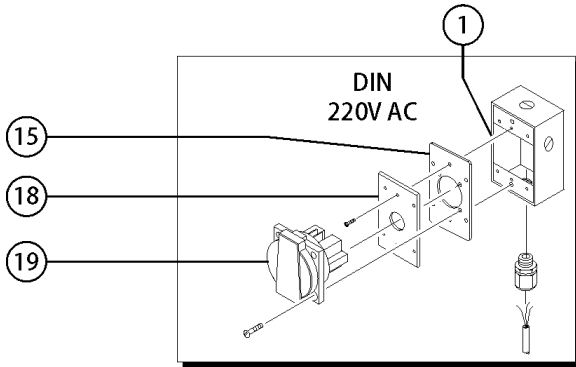
Go to Discount-Equipment.com to order your parts

*This Page Intentionally Left Blank*

Go to [Discount-Equipment.com](http://Discount-Equipment.com) to order your parts

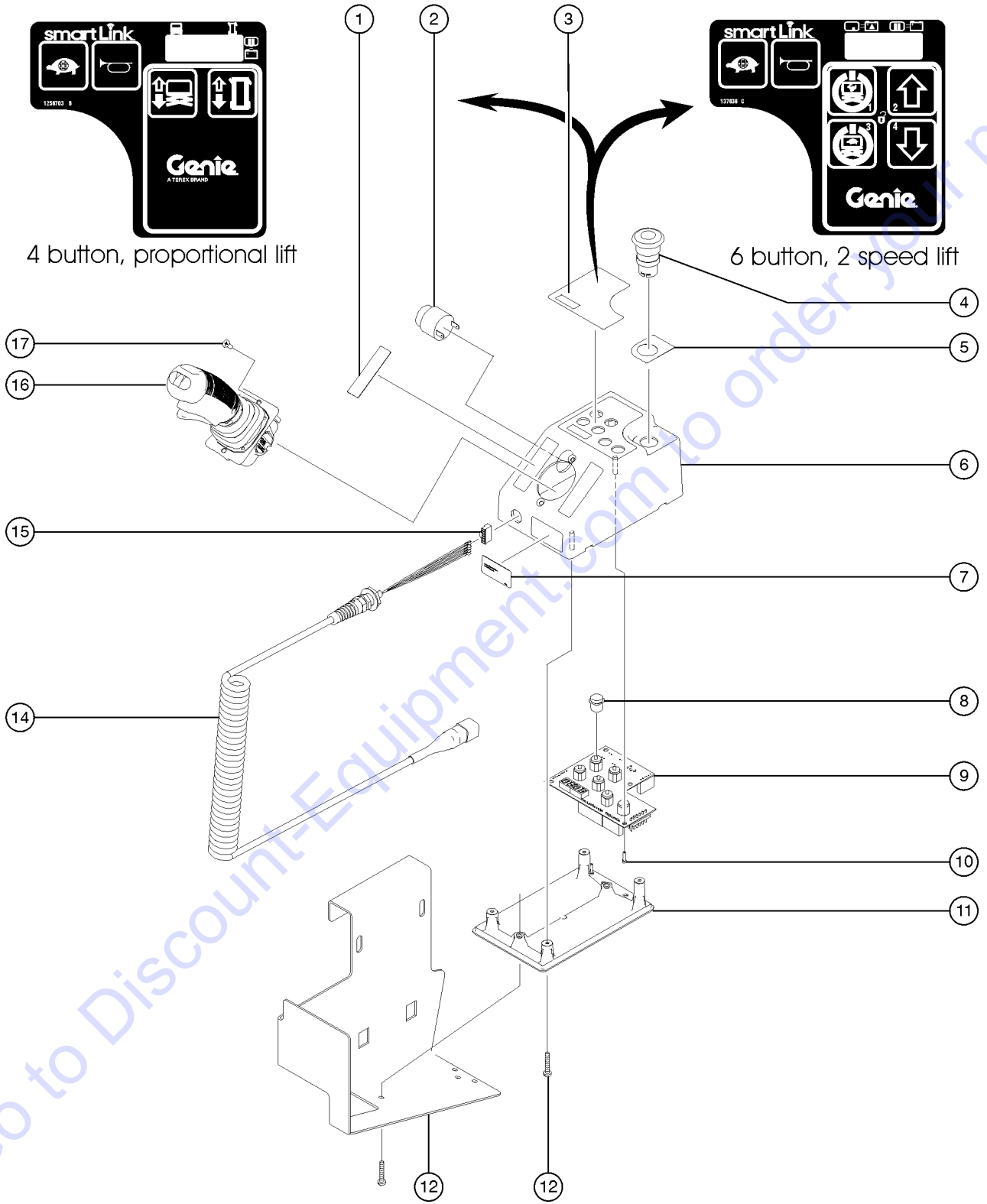


402.1 Power to Platform



Item	Part No.	Description	Qty.
--	33724GT	KIT,GASKET,UK POWER TO PLAT.	
1	10775GT	T-BOX,2.75 X 4.5 X 2.0.....1	1
2	7127GT	SCREW,PHILLIPS,PHM,6-32 X .75	
3	10777GT	COVER,BLANK.....1	1
4	43956GT	WIRE CABLE,14/3 CON.TPE JKT*.....724-inches	
5	7056GT	CONN,SQUEEZE,1/2NPT .38-.50,SM....2	
6	44936GT	WASHER,STAR,EXTERNAL,#8	
7	57075GT	SCREW,PHIL,8-32X.50,SELF TAP	
8		REF: Roller Bracket (refer to 401.1)	
9	6626GT	WIRE CAP,ORANGE.....3	3
10	6935GT	LOCKNUT,ELEC,1/2"	
11	25388GT	PLUG,FUSED,250V,13AMP,U.K.**	
12	1280665GT	PLUG, TYPE F, 230A, 50HZ, 16A, IP44	
13	144161GT	PLUG,PWR,UK,16AMP,3PIN,BLK	
14	105117GT	PLUG,FLG INLET,15A/125V,2PWGD	
--	105118GT	GASKET,(BOOT) FLANGE INLET PLG	
15	66355GT	GASKET, UK & DIN PWR. TO PLAT.	
16	T112563GT	SVC KIT,UK RECEPT.REPLACEMENT	
17	66356GT	GASKET, UK RECEPTACLE	
18A	96236GT	PLATE,AC ADAPTER,DIN/UK*** <i>CE Models</i>	
18B	105090GT	PLATE, AC ADAPTER(AUS) <i>Australia Models</i>	
19	66353GT	RECEPTACLE, DIN, 220V 50A	
20	6595GT	PLUG,ELECTRICAL,DOMESTIC.....1	1
21	13585GT	OUTLET, 110V.....1 <i>ANSI models</i>	1
22	45546GT	SCREW,RHM,6-32 X .5.....2	2
23	74006GT	COVER,GFCI,HORIZONTAL,WEATHER.1 <i>ANSI models (includes gasket and mounting fasteners)</i>	1

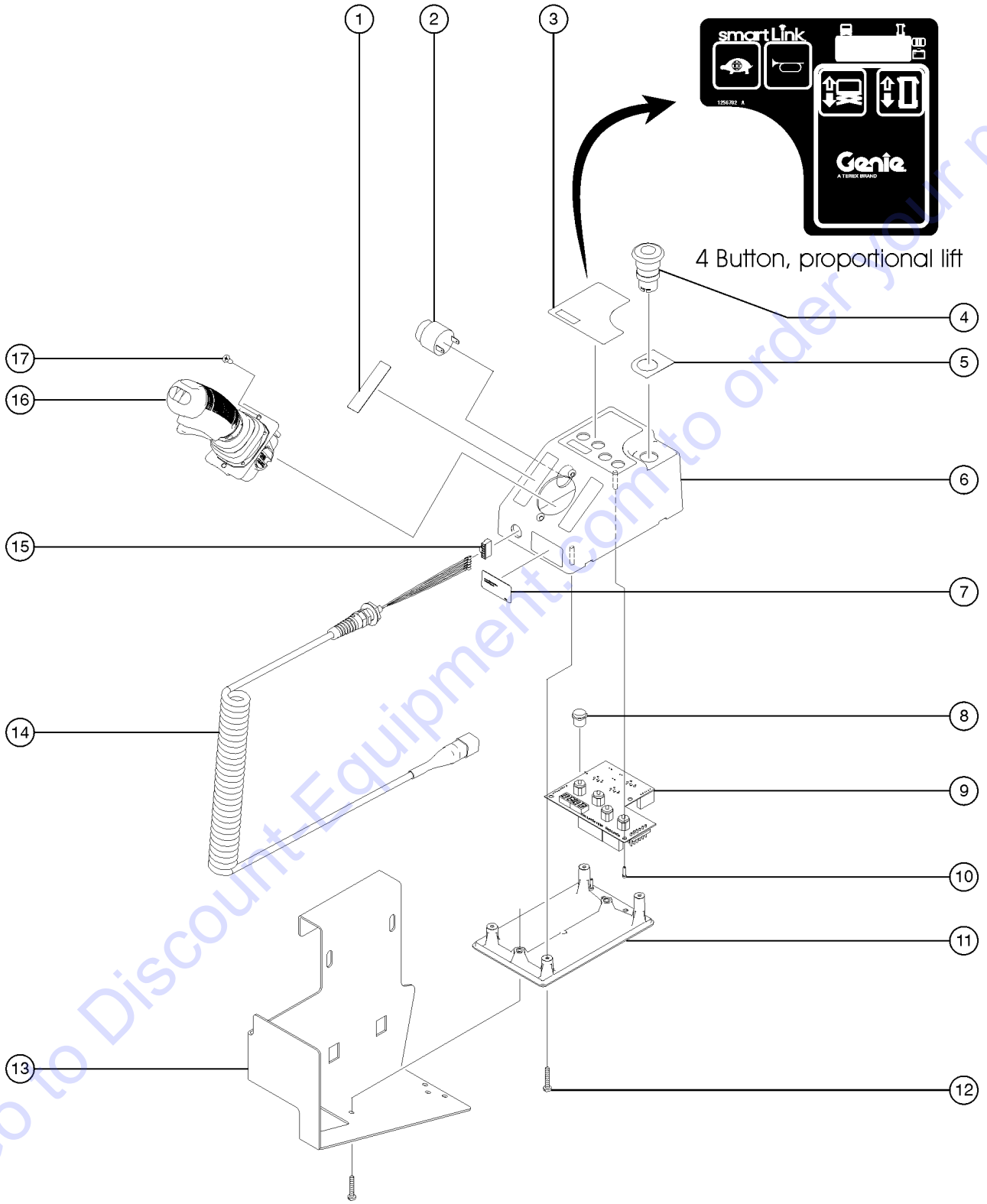
403.1 Platform Controls, 2 Speed



## 403.1 Platform Controls, 2 Speed

Item	Part No.	Description	Qty.
A	1258334GT	KIT, SL PROP UPGRD, CE, GS <i>CE models (For 2 speed to proportional lift conversion. Software upgrade is required and available on-line or refer to 405.1 for USB flash drive) to SN GS4714C-1799</i>	
B	1258384GT	KIT, SL PROP UPGRD, AUS, GS46 <i>Australia models (For 2 speed to proportional lift conversion. Software upgrade is required and available on-line or refer to 405.1 for USB flash drive) to SN GS4714C-1799</i>	
C	137633GT	PCON, GR/GRC/GS <i>complete platform control box with coil cord, bracket not included</i>	
--	137587GT	HARNESS, ESTOP, GR/GRC/GS PCON	
--	219205GT	FLASH DRIVE,SL1K1.0 SOFTWARE	
1	137656GT	DECAL,PROPEL,GR/GRC/GS,PCON.....1	
2A	39540GT	ALARM,STEADY TONE***.....1 <i>order 72326 mounting ring separately</i>	
2B	72326GT	NUT - PLASTIC,RING FOR ALARMS <i>for 39540</i>	
3A	137636GT	DECAL, UI, GR/GRC/GS PCON.....1 <i>(For models with 6 button, 2 speed lift controller) (bracket not included) to SN GS4714C-1799</i>	
3B	1256703GT	DECAL, STD, PROP LIFT, UI, SVC.....1 <i>(units converted from 6 button, 2 speed lift to 4 button, proportional controller) (bracket not included)</i>	
4	66812GT	BUTTON,PUSH,RED MUSHROOM HEAD.....1	
--	66817GT	BASE WITH 1 NC CONTACT, E-STOP...1	
5	137605GT	DECAL,E-STOP,GR/GRC/GS PCON.....1	
6	T106368GT	ENCLOSURE, GC14-1, TOP.....1	
7	137642GT	LABEL, GR/GRC/GS PCON.....1	
8	T106373GT	CAP,BUTTON,K12.....6	
9	137522GT	PCBA, GC14-1.....1	
10	137637GT	SCREW,PHM,4-20X.5, 48-2 TRI-L.....1	
11	T106370GT	ENCLOSURE,GC14-1/GC16-1, BOT.....1	
12	137640GT	SCREW,PHM,8-16X.75, 48-2 TRI-L.....1	
13	T114397GT	FORMING,PLAT CONTROL BOX.....1	
14	235464GT	KIT,COIL CORD,CONTRLR,SL1000.....1	
--	231921GT	KIT,CONN,RECEPT W/PIN AND LOCK	
--	231922GT	KIT,CONN,PLUG W/SCKT AND LOCK	
15	137699GT	PLUG, 6POS ECO PWR.....1	
16		REF: Joystick.....1 <i>(refer to 405.1)</i>	
17	229845GT	SCREW,BHSCS,M5X10,SS <i>apply Loctite 243 or equivalent before installation</i>	

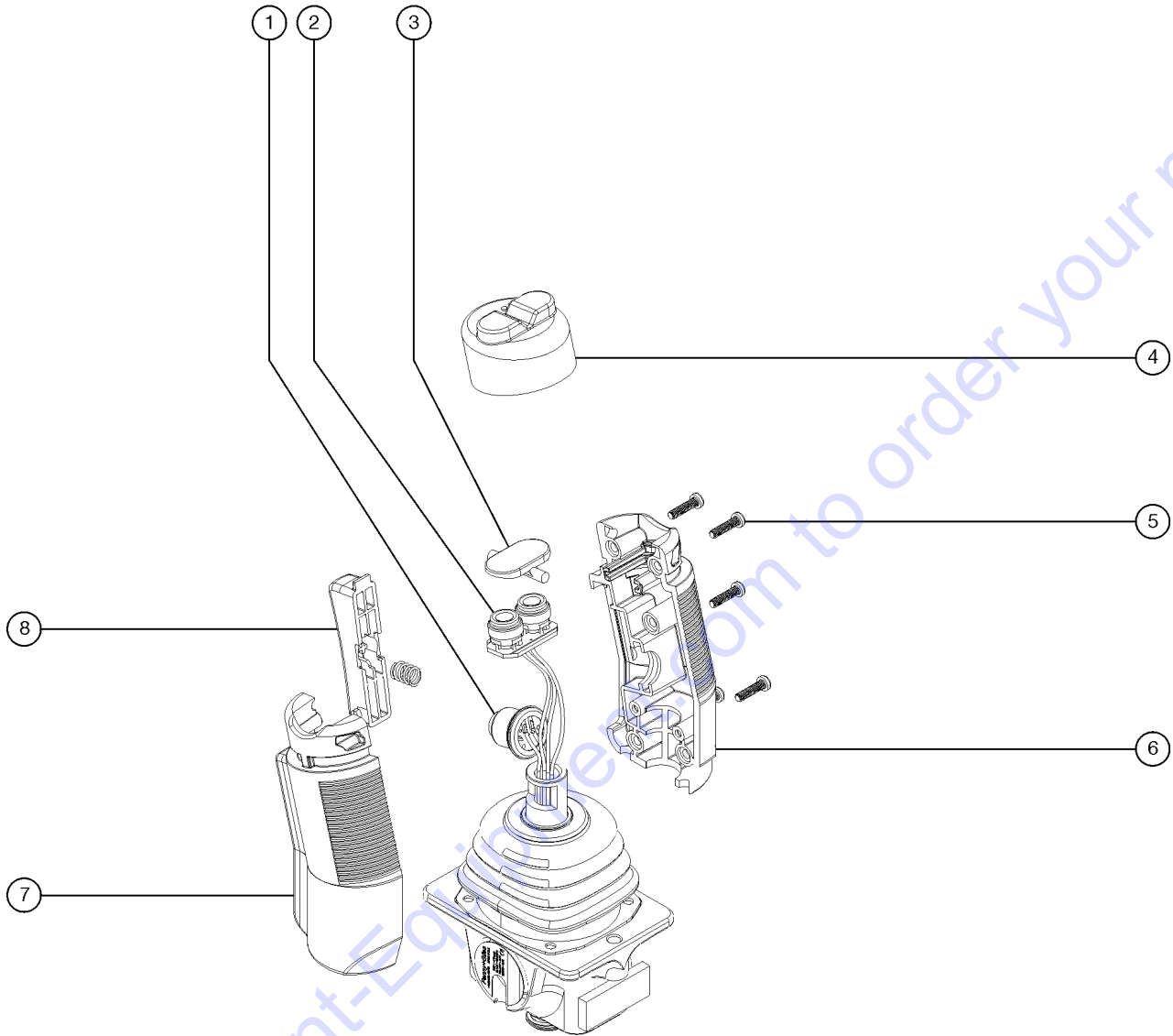
404.1 Platform Controls, Proportional



## 404.1 Platform Controls, Proportional

Item	Part No.	Description	Qty.
--	1256727GT	PCON,STD,PROP LIFT,GR/GS <i>complete platform control box with coil cord, bracket not included</i>	
--	1258731GT	FLASH DRIVE,SL1K2.0 SOFTWARE <i>(For proportional lift or upgrade kits only. Software update available on-line. Flash drive sold separately.)</i>	
--	137587GT	HARNESS, ESTOP, GR/GRC/GS PCON	
1	137656GT	DECAL,PROPEL,GR/GRC/GS,PCON.....1 <i>(refer to 103.1)</i>	
2A	39540GT	ALARM,STEADY TONE*** .....1 <i>order 72326 mounting ring separately</i>	
2B	72326GT	NUT - PLASTIC,RING FOR ALARMS <i>for 39540</i>	
3		Ref: UI, GR/GRC/GS PCON DECAL.....1 <i>(refer to 103.1)</i>	
4	66812GT	BUTTON,PUSH,RED MUSHROOM HEAD.....1	
--	66817GT	BASE WITH 1 NC CONTACT, E-STOP...1	
5		Ref: DECAL,E-STOP,GR/GRC/GS PCON.....1 <i>(refer to 103.1)</i>	
6	T106368GT	ENCLOSURE, GC14-1, TOP.....1	
7	137642GT	LABEL, GR/GRC/GS PCON.....1	
8	T106373GT	CAP,BUTTON,K12.....6	
9	1256725GT	PCBA,PCON STD,PROP LIFT.....1	
10	137637GT	SCREW,PHM,4-20X.5, 48-2 TRI-L.....1	
11	T106370GT	ENCLOSURE,GC14-1/GC16-1, BOT.....1	
12	137640GT	SCREW,PHM,8-16X.75, 48-2 TRI-L.....1	
13	T114397GT	FORMING,PLAT CONTROL BOX.....1	
14	235464GT	KIT,COIL CORD,CONTRLR,SL1000.....1	
--	231921GT	KIT,CONN,RECEPT W/PIN AND LOCK	
--	231922GT	KIT,CONN,PLUG W/SCKT AND LOCK	
15	137699GT	PLUG, 6POS ECO PWR.....1	
16		REF: Joystick.....1 <i>(refer to 404.1)</i>	
17	229845GT	SCREW,BHSCS,M5X10,SS <i>apply Loctite 243 or equivalent before installation</i>	

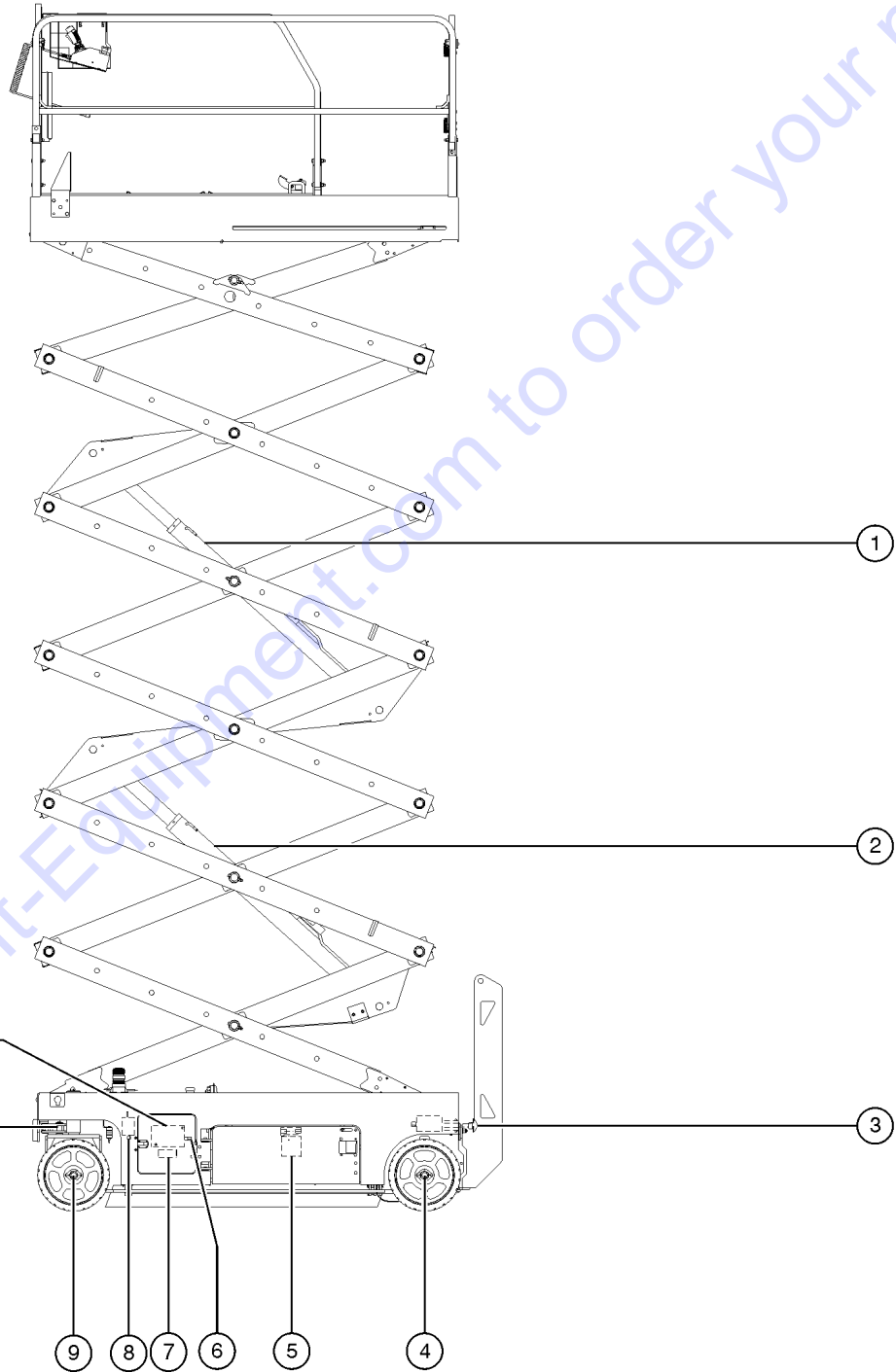
405.1 Joystick Controller



Item	Part No.	Description	Qty.
--	137634GT	JOYSTICK, HALL EFFECT, SINGLE	
--	235462GT	KIT,STR SWITCH,JYSTK,SL1000	
--	229097GT	TERMINAL, SPLINE (AMP)	
--	214544GT	KIT,BOOT,JOYSTICK,SL1000 <i>joystick boot</i>	
1	235463GT	KIT,SWITCH,JYSTK,SL1000	
2	235463GT	KIT,SWITCH,JYSTK,SL1000	
3	229092GT	ROCKER,2 SWITCH.....	1
4	229093GT	BOOT, 2 SWITCH, SILICON.....	1
5	229086GT	SCREW, SELF TAP.....	5
6	229087GT	HANDLE HALF,RIGHT,W/TOP SWITCH.....	1
6A	229091GT	SCREW,GRUB,M5X8MM,HLF DOG,BZP <i>for 229087</i>	
7	229088GT	HANDLE HALF,LEFT,W/TOP SWITCH....	1
7A	229090GT	SCREW,GRUB,M5X8MM CUP(BLK) <i>for 229088</i>	
8	229089GT	TRIGGER, EXTENDED.....	1
8A	229094GT	SPRING, HANDLE TRIGGER.....	1

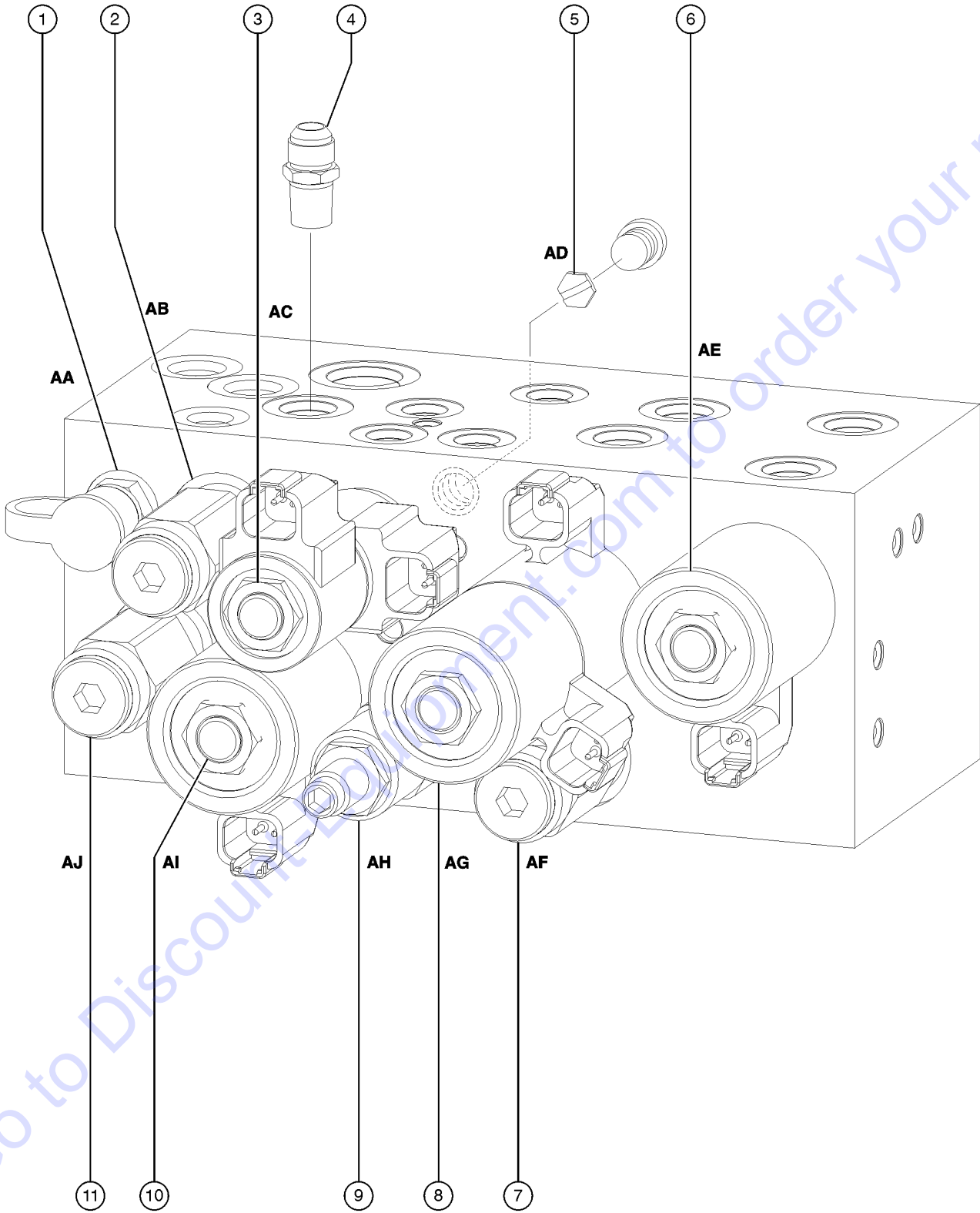


501.1 Hydraulic Components



Item	Part No.	Description	Qty.
1		Ref: Upper Lift Cylinder (refer to 505.1)	
2		Ref: Lower Lift Cylinder (refer to 505.1)	
3		Ref: Brake Release Hand Pump (refer to 503.1)	
4	T108664GT	BRAKE, HYDRAULIC, 15KIP-IN.....	2
5	78622GT	FILTER ASSY, SAE8, 10 MIC, PAPER**.....	1
--	44207GT	FILTER ELEMENT, BETA(10)=200	
--	44788GT	FILTER ELEMENT, 10MICRON, PAPER*	
6		Ref: Check Valve (refer to 502.1)	
7		Ref: Accumulator (refer to 211.1)	
8		Ref: Lift Pressure Select Manifold (refer to 211.1)	
9	T108663GT	DRIVE MOTOR, 22.9CI/REV.....	2
--	44780GT	NUT, CASTLE, 1.125-18 UNEF	
--	96419GT	SEAL KIT, RC SERIES DR MOTOR*** (for PN T108663)	
10	105547GT	CYLINDER, GS/GR STEER***.....	1
--	105550GT	KIT, STEER CYL SEAL	
11		Ref: Function Manifold (refer to 502.1)	

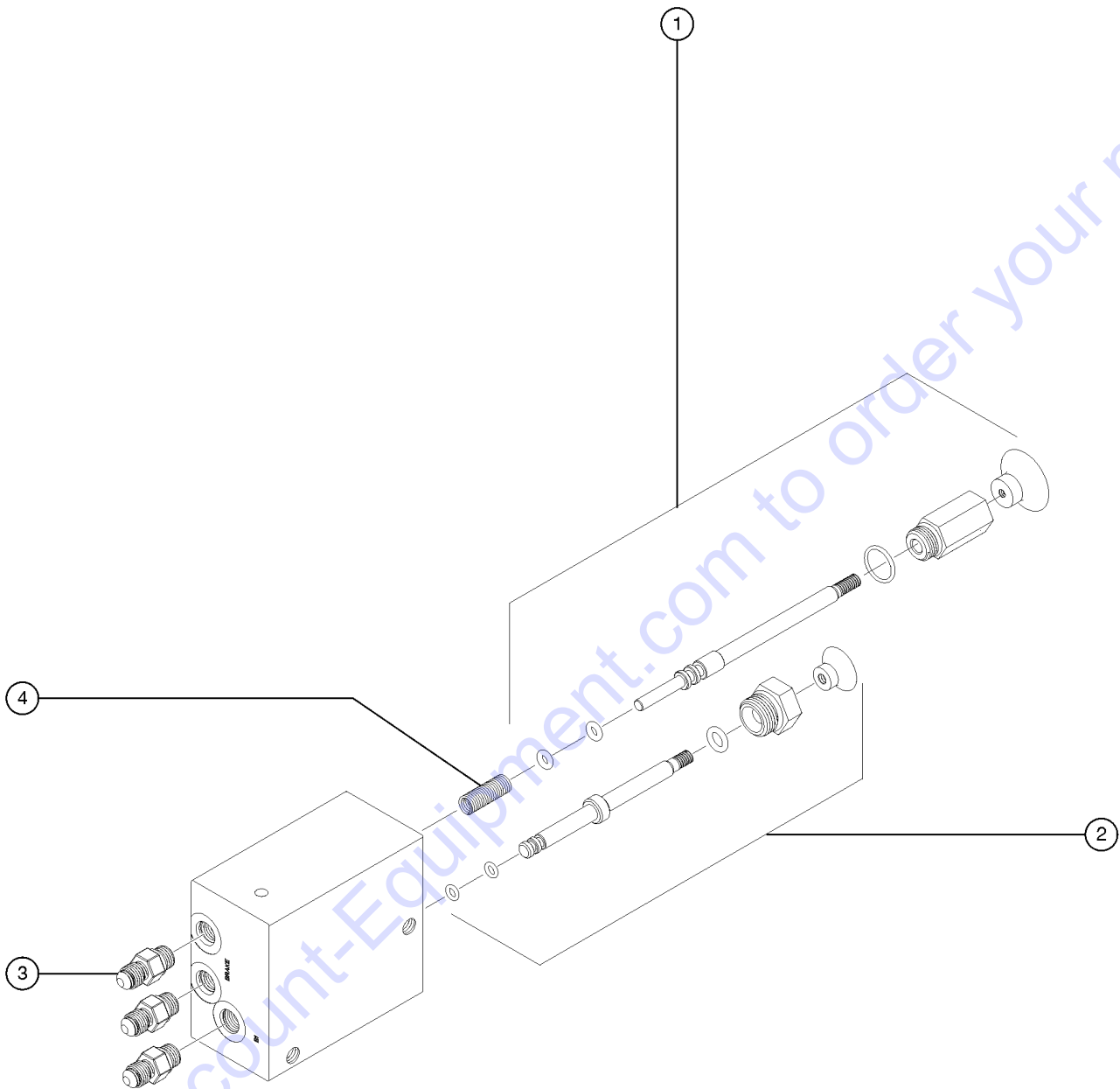
502.1 Function Manifold



## 502.1 Function Manifold

Item	Part No.	Description	Qty.	Item	Part No.	Description	Qty.
--	105463GT	126,DYN.BRAKING,MANIF,32/46		--	84385GT	COIL,20VDC DEUTCSH W/DIODE <i>(sold separately)</i>	
--	150105GT	MANIFOLD,FUNCTION,2 SPEED <i>(does not include check valve, item 4)</i>		11	65962GT	VALVE-RELIEF, 3700 PSI #8** <i>(AJ, Lift relief)</i>	
--	49612GT	O-RING KIT (ORFS FITTINGS)		--	44226GT	SEAL KIT-FOR P.N.44167	
--	49613GT	PLUG AND CAP KIT-SERVICE,ORFS*					
1	48997GT	NIPPLE,DIAGNOSTIC,#4 <i>(AA, Testing)</i>					
--	20224GT	DIAGNOSTIC FEMALE Q-DSCNT					
--	48880GT	CAP,DIAGNOSTIC NIPPLE					
2	65962GT	VALVE-RELIEF, 3700 PSI #8** <i>(AB, System relief)</i>					
--	44226GT	SEAL KIT-FOR P.N.44167					
3	44168GT	VALVE,SOLENOID,3POS 4WAY <i>(AC, Steer left/right)</i>					
--	44174GT	NUT-COIL SHORT <i>(sold separately)</i>					
--	44229GT	SEAL KIT, VALVE					
--	44236GT	SPACER-DUAL COIL,#8*** <i>(sold separately)</i>					
--	77709GT	COIL,#8 20VDC,DEUTSCH W/DIODE <i>(sold separately)</i>					
4	237086GT	VALVE,CHECK,#6-#6,MJIC TO MORB <i>(sold separately)</i>					
5	84386GT	CHECK DISK, NO SPRING <i>(AD, Steer circuit)</i>					
6	44171GT	VALVE-SOLENOID,2POS 4WAY** <i>(AE, Drive speed select circuit)</i>					
--	44175GT	SPACER-DUAL COIL,#10, SCISSORS <i>(sold separately)</i>					
--	44230GT	SEAL KIT-P.N.44169,44172,44171					
--	84385GT	COIL,20VDC DEUTCSH W/DIODE <i>(sold separately)</i>					
7	97409GT	VALVE,DIFF.AREA RELIEF,50PSI <i>(AF, Brake release)</i>					
8	150104GT	VALVE, DYN. BRAKING, GS32/46					
--	44175GT	SPACER-DUAL COIL,#10, SCISSORS <i>(sold separately)</i>					
--	84385GT	COIL,20VDC DEUTCSH W/DIODE <i>(sold separately)</i>					
9	84384GT	PRTY,FLOW CNTRL VALVE,.75 GPM <i>(AH, Steer circuit)</i>					
--	1261888GT	SEAL KIT (84384) <i>for 84384</i>					
--	44230GT	SEAL KIT-P.N.44169,44172,44171					
10	44169GT	VALVE-SOLENOID, 2POS 4 WAY <i>(AI, Platform up)</i>					
--	44175GT	SPACER-DUAL COIL,#10, SCISSORS <i>(sold separately)</i>					
--	44230GT	SEAL KIT-P.N.44169,44172,44171					

503.1 Brake Release Hand Pump Manifold

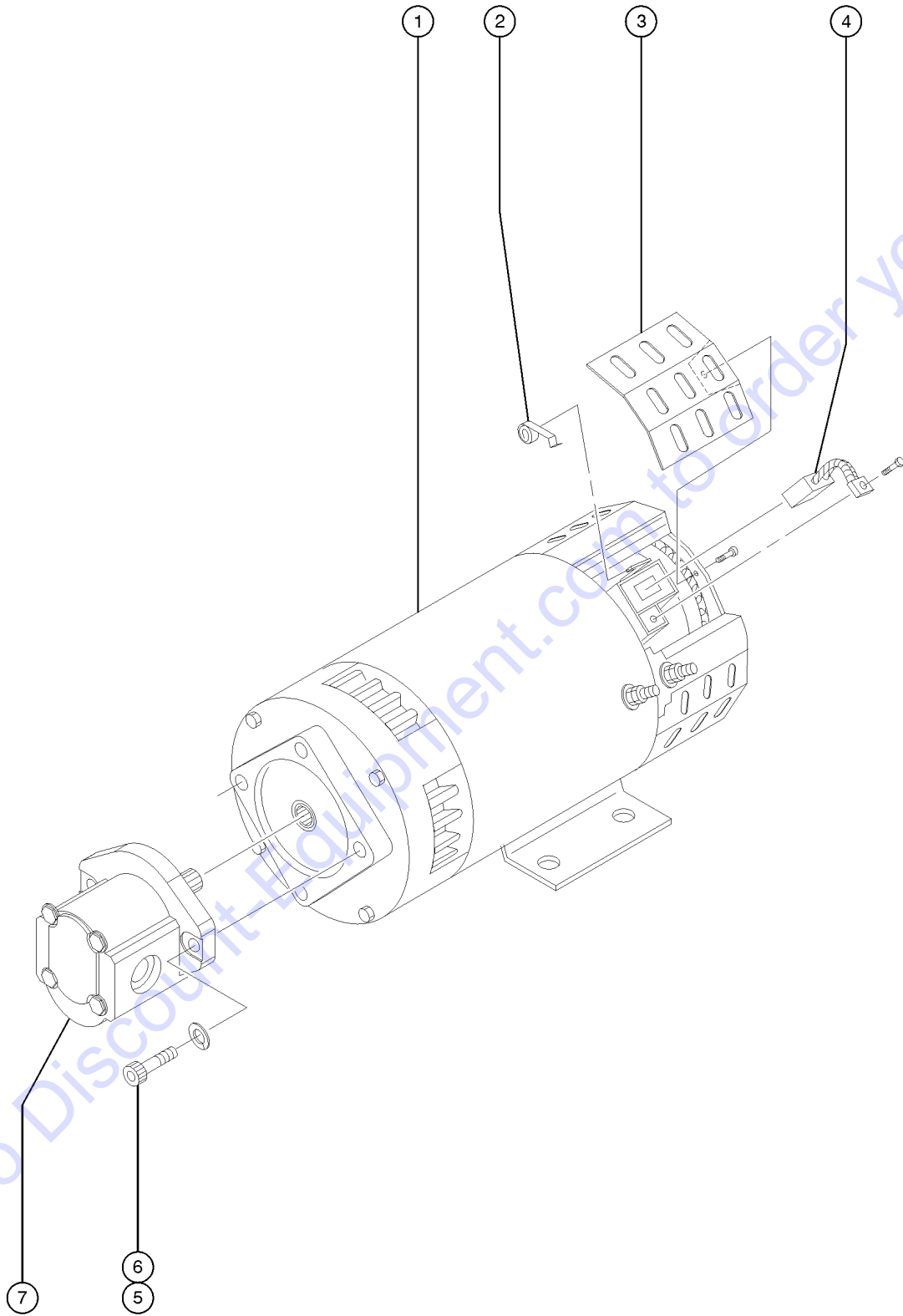


503.1 Brake Release Hand Pump Manifold

Item	Part No.	Description	Qty.
--	105067GT	MANIFOLD,BRAKE RELEASE <i>(includes items 1, 2 and 4)</i>	
1	84739GT	VALVE,HAND PUMP ASSEMBLY***.....1	1
--	84740GT	SEAL KIT,HAND PUMP***	
--	84742GT	KNOB,HAND PUMP (RED)***	
2	84743GT	VALVE,PILOT OPERATED ASSEMBLY*.....1	1
--	84740GT	SEAL KIT,HAND PUMP***	
--	84746GT	KNOB,PILOT OP VALVE (BLACK)***	
3		Ref: Connector.....3 <i>(refer to 506.1)</i>	3
4	84748GT	SPRING,HAND PUMP ROD.....1	1

Go to Discount-Equipment.com to order your parts

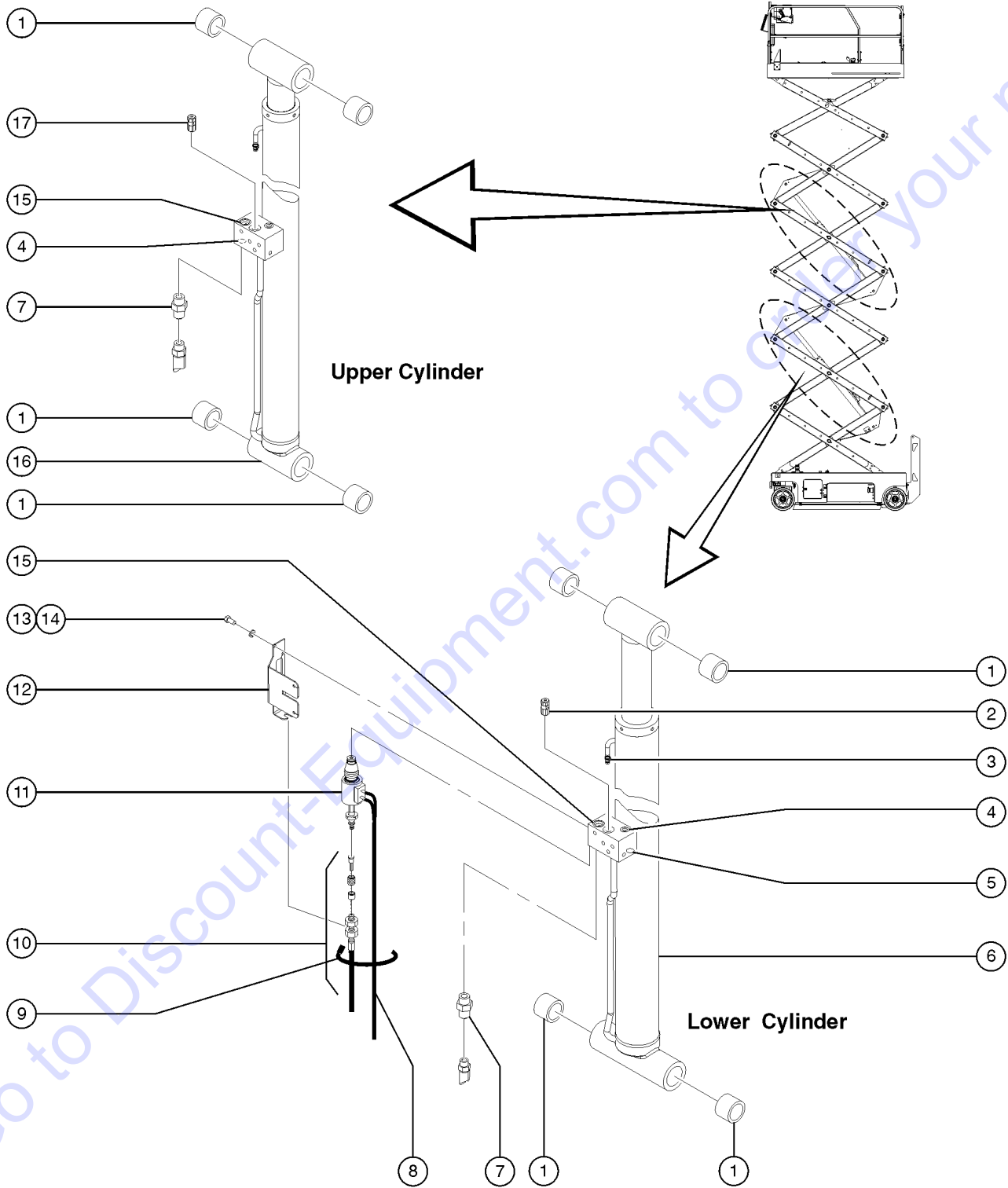
504.1 Hydraulic Power Unit



Item	Part No.	Description	Qty.
--	78006GT	FORMING,PADLOCK BRACKET	
--	44716GT	HANDLE,ANDERSON CONNECTOR SB	
1A	40844GT	MOTOR,ELECTRIC,24VDC 4.5HP (for GS47A GS47B GS47D ANSI models)	
--	43685GT	SEAL KIT,LIFT PUMP,BARNES**.....1	
--	44777GT	BEARING,MOTOR	
--	44778GT	BEARING,MOTOR,36843,BRUSH END*	
1B	1256517GT	MOTOR,DC24V,3.3KW.....1 (for GS47D CE & Australia models)	
--	1262821GT	SEAL KIT,LIFT PUMP,BARNES	
--	1262822GT	BEARING,MOTOR	
--	1262823GT	BEARING,MOTOR,BRUSH END*	
2	44750GT	SPRING-BRUSH,40844, SCISSORS	
3	44752GT	COVER-BRUSH INSPEC.40844,SCISS.....4	
4	44751GT	BRUSH,PWR UNIT (40844)**.....4	
5	55921GT	SCREW,SHC,3/8-24 X 1.25".....4	
6	6021GT	WASHER,LOCK,.375	
7A	T108662GT	PUMP,5.6CC GEAR,CCW	
--	236837GT	SEAL KIT,PUMP,5.6CC GEAR.....1 For Bosch PN 9510290037	

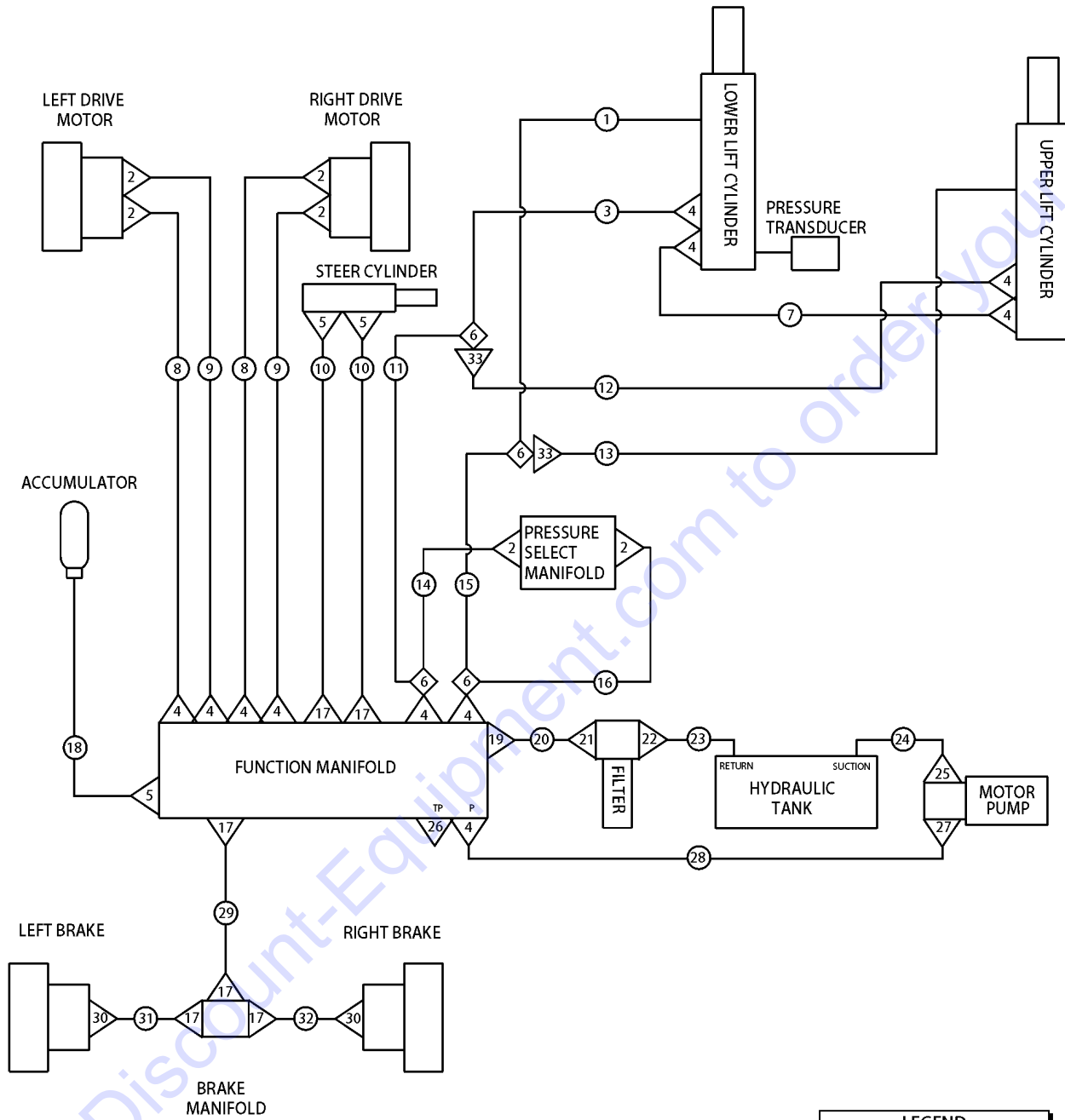



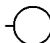
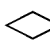
505.1 Lift Cylinder Assemblies



Item	Part No.	Description	Qty.
1	30738GT	BEARING,1.50IDX2.00ODX1.50LG.....	8
2	214817GT	ORIFICE,LONG,.076".....	1
3	96770GT	CLAMP, HOSE, 1 EAR, 11/16.....	1
4	52368GT	VALVE,CHECK,GS68 (SIZE8 8).....	2
5	237472GT	PRESSURE TRANSDUCER,1K-3K PSI.....	1
6	T113970GT	CYLINDER,LIFT 3.5 BORE,LOWER.....	1
--	236264GT	SEAL KIT,3.5"BORE, 2.75"ROD (For PN T113970)	
7	39878GT	CONNECTOR,070120-6-6.....	2
8		Ref. Down Coil Wire Harness (Refer to 210.1)	
9	28443GT	CABLE TIE,11.5" BLACK.....	3
10		Ref. Emergency Down Cable (Refer to 203.1)	
11	229615GT	VALVE, PROPORTIONAL, SP08-20..... (includes p/n 84422 and 44973)	1
12	41557-SGT	CABLE BRACKET,PAINTED.....	1
13	7339GT	SCREW,HHC,1/4-20 X .5	
14	6356GT	WASHER,LOCK,.25	
15A	236279GT	VALVE,RELIEF,SIZE 8,3500 PSI..... to SN GS4713C-465	1
15B	237455GT	VALVE,RELIEF,2900 PSI,BOSCH from SN GS4713C-466	
16	T113968GT	CYLINDER,LIFT 3.0 BORE,UPPER.....	1
--	236276GT	SEAL KIT,3.0" BORE, 2.50" ROD for T113968	
17	55560GT	ORIFICE,LONG,.059".....	1

506.1 Hydraulic Hoses and Fittings

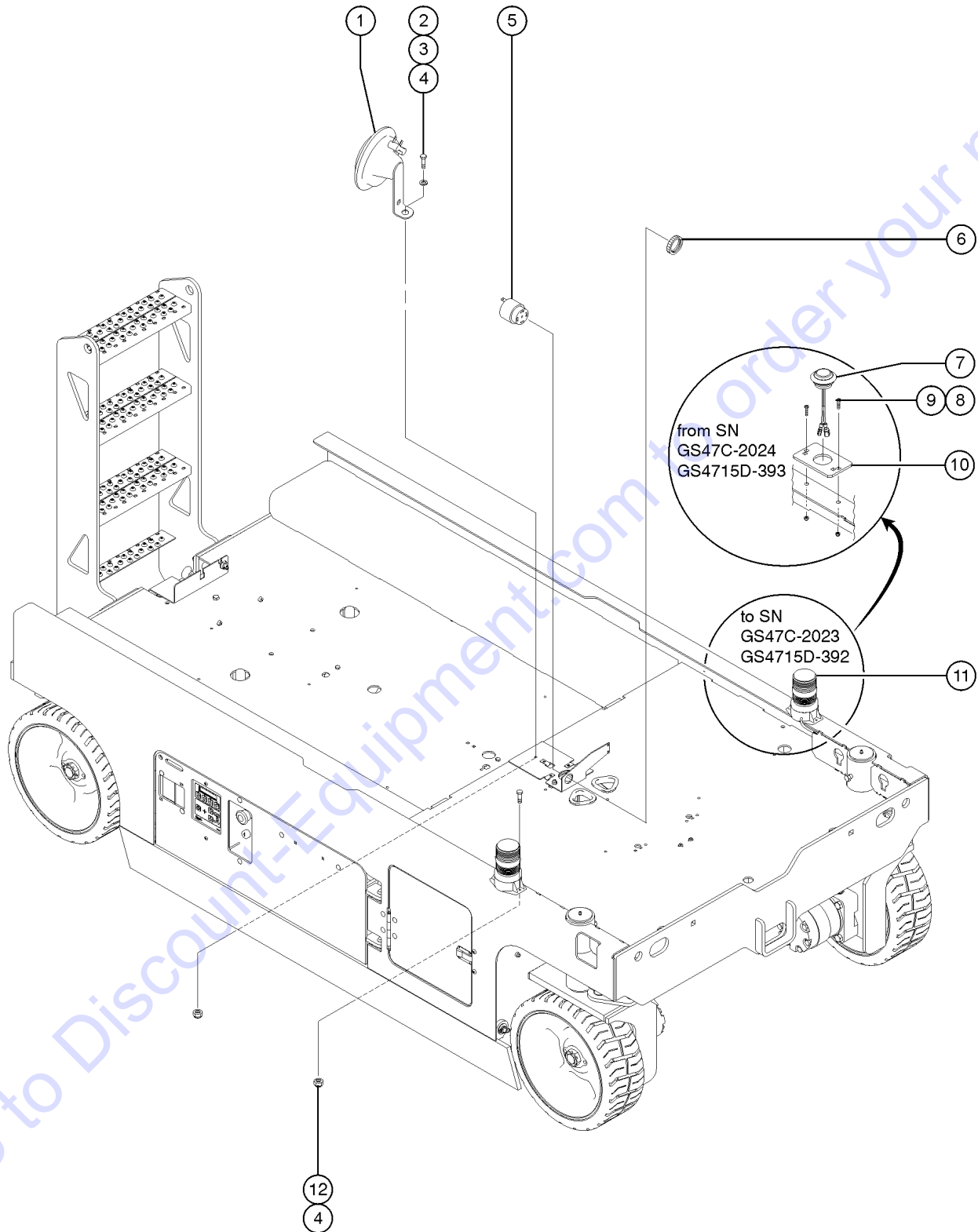


LEGEND	
	ADAPTER
	HOSE ASSEMBLY
	UNION

## 506.1 Hydraulic Hoses and Fittings

Item	Part No.	Description	Qty.	Item	Part No.	Description	Qty.
--		<i>The hose lengths below reflect the length of the hose only. Refer to the 'Fittings Cross Reference' to match Genie part numbers to Parker part numbers.</i>		13D	1268142GT	HOSE,VENT,UPPER.....1 <i>CE (from SN GS4716C-3515)</i>	1
1	96882GT	HOSE,LOWER VENT.....1 <i>(Components: 75631 @ 161 inches)</i>	1	14	215749GT	HOSE,ASSY,PRESS SELECTOR,PRESS.....1 <i>(Components: 39890, 39890, and 56776 @ 18 inches)</i>	1
2	39873GT	ELBOW,070220-6-6.....6	6	15	96881GT	HOSE,ASSY,VENT.....1 <i>(Components: 96406, 96407, and 75631 @ 42 inches)</i>	1
3	105046GT	HOSE ASSY,LOWER LIFT.....1 <i>(Components: 39890, 47223, and 56776 @ 127 inches)</i>	1	16	236917GT	HOSE,ASSY,PRESSURE SELECTOR....1 <i>(Components: 96406, 105045, and 75631 @ 18 inches)</i>	1
4	39878GT	CONNECTOR,070120-6-6.....11	11	17	39877GT	CONNECTOR,070120-4-4.....6	6
5	13921GT	ELBOW,070220-4-4.....3	3	18	105246GT	HOSE ASSY, MAN/ACCUM, GS32/46...1 <i>(Components: 78855, 78855, and 78852 @ 17 inches)</i>	1
6	51152GT	TEE,RUN 070432-6*****.....4	4	19	66389GT	CONN,070120-8-6.....1	1
7A	236918GT	HOSE,ASSY,CYL TO CYL.....1 <i>CE &amp; Australia (Components: 96406, 96406, and 56776 @ 288 inches)</i>	1	20	236914GT	HOSE,ASSY,MAN TO FILTER.....1 <i>(Components: 96406, 96406, and 75631 @ 55 inches)</i>	1
7B	1260603GT	HOSE,ASSY,CYL TO CYL.....1 <i>ANSI (Components: 39890, 39890, and 56776 @ 340 inches)</i>	1	21	78091GT	ELBOW,SWIVEL NUT 90DEG, -6.....1	1
8	105801GT	HOSE ASSY,DRIVE MOTORS,GS46....2 <i>(Components: 39890, 39890, and 56776 @ 60 inches)</i>	2	22	96398GT	CONNECTOR, 070120-12-8.....1	1
9	105580GT	HOSE ASSY,DRIVE MOTORS,GS46....2 <i>(Components: 39890, 39890, and 56776 @ 64 inches)</i>	2	23	228339GT	ASSEMBLY,TANK RETURN,TUBE.....1	1
10	105578GT	HOSE,ASSY STEER,GS32/46.....2 <i>(Components: 78855, 78855, and 78852 @ 36 inches)</i>	2	24	96354GT	TUBE, ASSY, DRAW.....1	1
11	96750GT	HOSE, ASSY, LIFT.....1 <i>(Components: 39890, 39890, and 56776 @ 42 inches)</i>	1	25	22664GT	ELBOW,070220-12-10.....1	1
12A	236915GT	HOSE,ASSY,UPPER LIFT.....1 <i>Australia (Components: 39890, 39891, and 56776 @ 372 inches)</i>	1	26	48997GT	NIPPLE,DIAGNOSTIC,#4.....1	1
12B	1260604GT	HOSE,ASSY,UPPER LIFT.....1 <i>ANSI (Components: 39890, 39891, and 56776 @ 344 inches)</i>	1	27	39876GT	ELBOW,070220-6-8.....1	1
12C	236915GT	HOSE,ASSY,UPPER LIFT.....1 <i>CE (from SN GS4712C-101 to 3514) (Components: 39890, 39891, and 56776 @ 372 inches)</i>	1	28	236913GT	HOSE,ASSY,PRESSURE.....1 <i>(Components: 39890, 39890, and 56776 @ 60 inches)</i>	1
12D	1268122GT	HOSE,ASSY,UPPER LIFT.....1 <i>CE (from SN GS4716C-3515)</i>	1	29	105577GT	HOSE,ASSY,BRAKE,GS46.....1 <i>(Components: 78855, 78855, and 78852 @ 65 inches)</i>	1
13A	236916GT	HOSE,VENT,UPPER.....1 <i>Australia (Components: 105045, and 75631 @ 388 inches)</i>	1	30	45351GT	ELBOW,070320-4-4.....2	2
13B	1260605GT	HOSE,VENT,UPPER.....1 <i>ANSI (Components: 105045 and 75631 @ 372 inches)</i>	1	31	105803GT	HOSE,ASSY, BRAKE MAN,GS46.....1 <i>(Components: 78855, 78855, and 78852 @ 22 inches)</i>	1
13C	236916GT	HOSE,VENT,UPPER.....1 <i>CE (from SN GS4712C-101 to 3514) (Components: 105045, and 75631 @ 388 inches)</i>	1	32	96749GT	HOSE, ASSY, BRAKE MAN, GS46.....1 <i>(Components: 78855, 78855, and 78852 @ 20 inches)</i>	1
				33	78091GT	ELBOW,SWIVEL NUT 90DEG, -6.....2 <i>GS-4047 (UK models only) (from SN GS4716C-3515)</i>	2

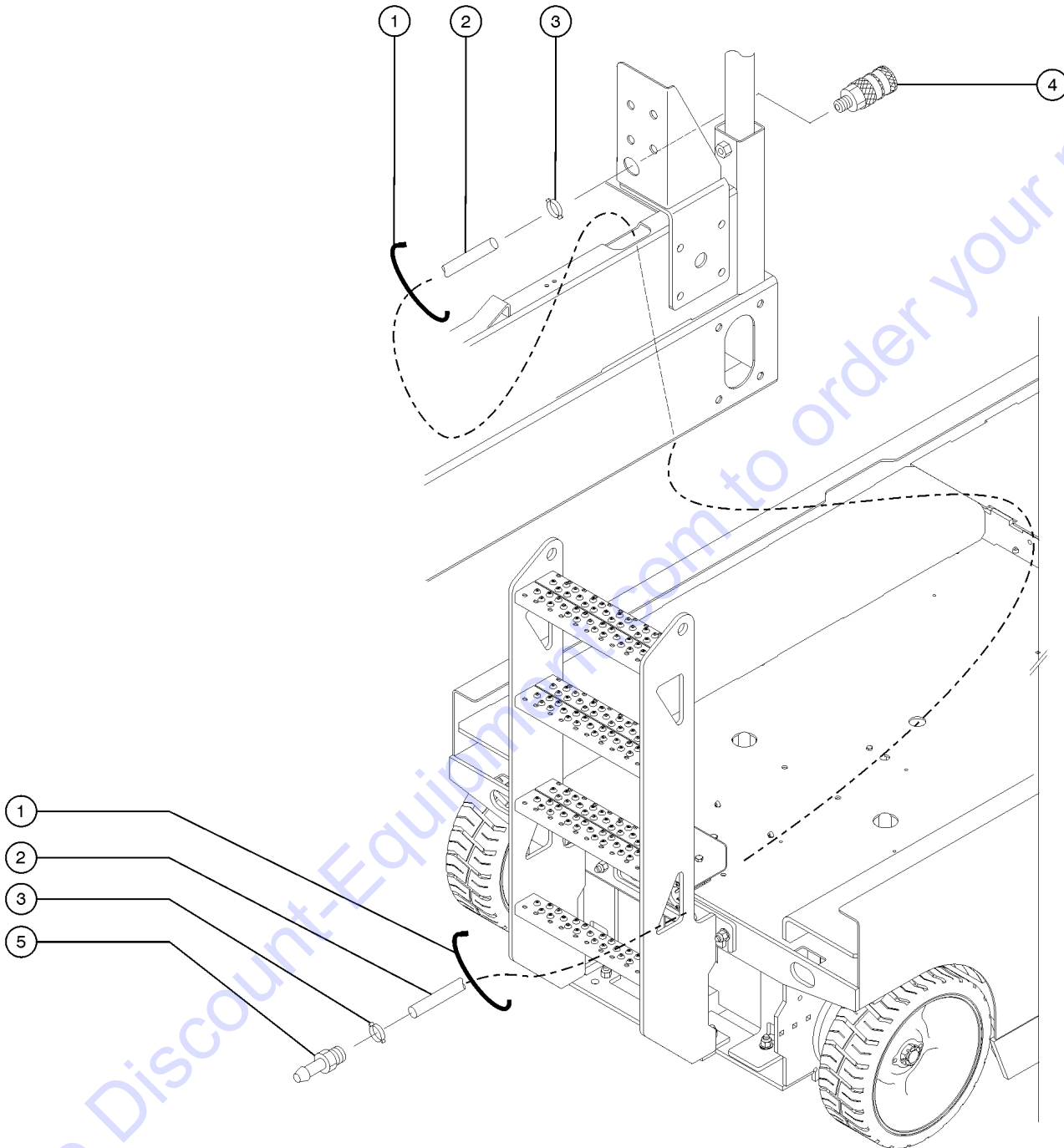
601.1 Alarm, Horn and Flashing Beacons



## 601.1 Alarm, Horn and Flashing Beacons

Item	Part No.	Description	Qty.
--	1260386GT	VISUAL INDICATOR LIGHTS <i>from SN GS4715C-2024 and GS4715D-393</i>	
1	81579GT	HORN,24VDC,SPADE TERMINALS*** ....1	
2	8914GT	SCREW,HHC,1/4-20 X .625	
3	6638GT	WASHER,FLAT,USS,1/4"Y	
4	6091GT	NUT,NYLOCK,1/4-20	
5	39540GT	ALARM,STEADY TONE*** .....1 <i>Does not include 72326 nut</i>	
6	72326GT	NUT - PLASTIC,RING FOR ALARMS	
7	1261183GT	ASSEMBLY, VISUAL IND LIGHT.....2 <i>from SN GS4715C-2024 and GS4715D-393</i>	
--	1254572GT	LIGHT,TURN SIGNAL,1.25" LED,AMB....2 <i>from SN GS4715C-2024 and GS4715D-393</i>	
--	1261526GT	HARNESS,VISUAL IND LIGHTS,MINI....1 <i>from SN GS4715C-2024 and GS4715D-393</i>	
8	9116GT	BOLT,CARRIAGE,1/4-20x1.25,G2.....4 <i>from SN GS4715C-2024 and GS4715D-393</i>	
9	6889GT	NUT,LP NYLOCK,1/4-20.....4 <i>from SN GS4715C-2024 and GS4715D-393</i>	
10	1261143GT	PLATE,VISUAL IND LIGHT MOUNT.....2 <i>from SN GS4715C-2024 and GS4715D-393</i>	
11	231931GT	STROBE,BEACON, AC COMP 12-80V...2 <i>to SN GS4715C-2023 and GS4715D-392</i>	
--	105556GT	LENS,FLASHING BEACON <i>for 231931</i>	
--	105557GT	BULB,FLASHING BEACON <i>for 231931</i>	
12	6878GT	BOLT,CARRIAGE,1/4-20 X .75,G2	

602.1 Air Line to Platform



Go to Discount-Equipment.com to order your parts

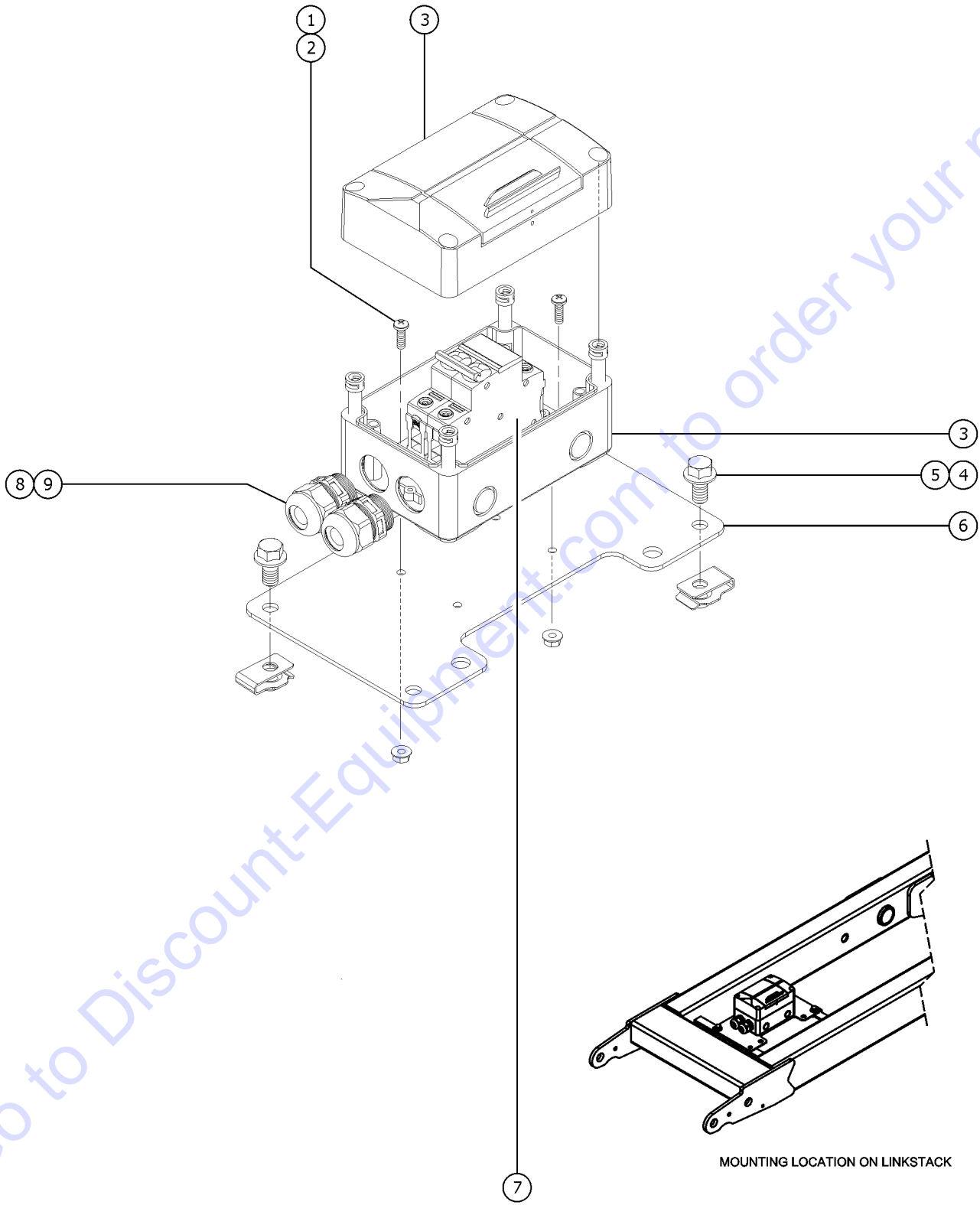
## 602.1 Air Line to Platform

Item	Part No.	Description	Qty.
1	28443GT	CABLE TIE,11.5" BLACK	
2	27903GT	HOSE,LOW PRESSURE,.375 ID,BLK.....744-inches	
3	45454GT	CLAMP,RUB CUSH,0.75,#12 X 3/8*.....1	
4	96354GT	TUBE, ASSY, DRAW.....1	
5	96542GT	PLUG,1/4"SERIES,3/8 P-LOCK***.....1	

Go to Discount-Equipment.com to order your parts

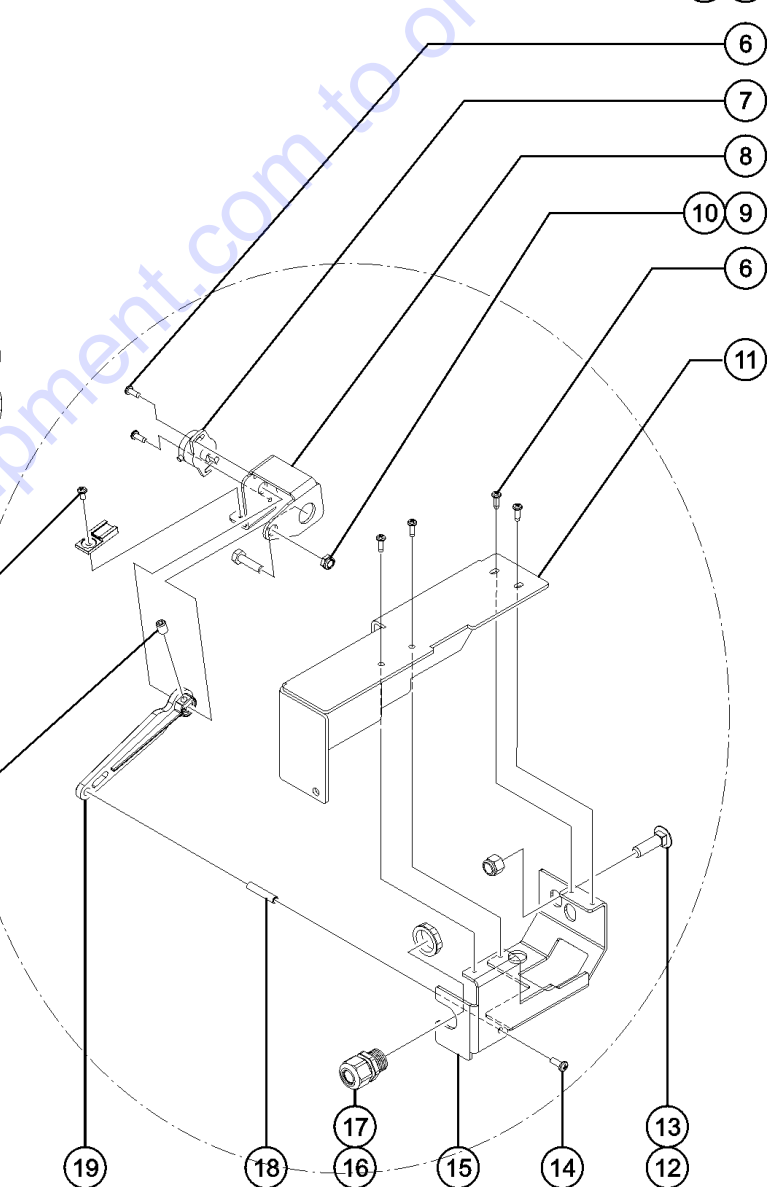
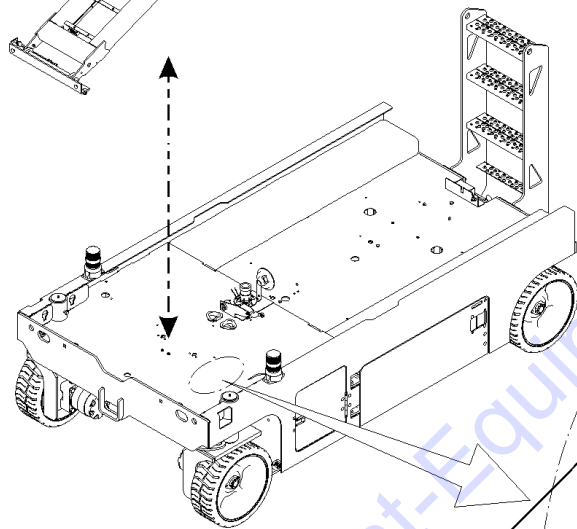
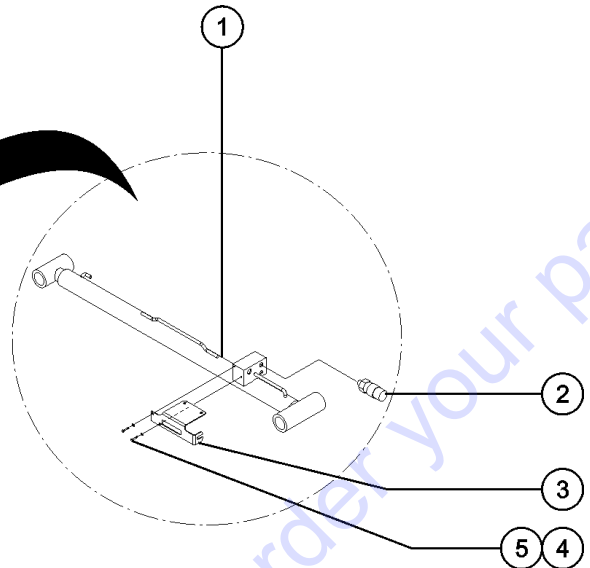
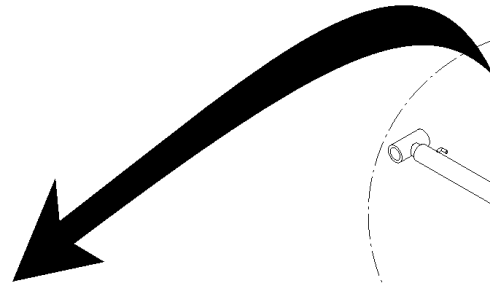
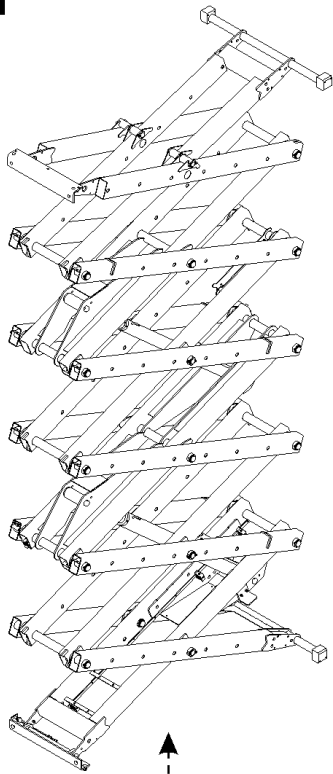


603.1 RCBO



Item	Part No.	Description	Qty.
1	1257227GT	SCREW,PHPM,10-32X.625,ZAG.....	2
2	1256467GT	NUT,TL FLG,10-24,F,ZAG.....	2
3	1269086GT	ENCLOSURE, FUSE, MODULAR, 150X.....	1
4	824089GT	SCREW,HHF,3/8-16X.75,8,ZAG.....	2
5	29868GT	SPRING CLIP,3/8-16,.05-.20X.73,ZAG....	2
6	1274540GT	PLATE, RCBO, GS.....	1
7	231868GT	RCBO,16A,30MA,6KA 110/230VAC.....	1
8	1269087GT	CONNECTOR, SQUEEZE, M25, 6-13MM.....	2
9	1269107GT	NUT, PLASTIC, M25, GREY.....	2
10	43956GT	WIRE CABLE,14/3 CON.TPE JKT*..... <i>not shown</i>	115-inches
11	1262911GT	SLEEVE, CABLE-END, 14AWG, 2.5MM..... <i>for 43956</i>	6

701.1 Platform Overload



Go to Discount-Equipment.com to order your parts

Item	Part No.	Description	Qty.
1		Ref: Lift Cylinder (refer to 505.1)	
2	237472GT	PRESSURE TRANSDUCER,1K-3K PSI.....	1
3	41557-SGT	CABLE BRACKET,PAINTED.....	1
4	7339GT	SCREW,HHC,1/4-20 X .5	
5	6356GT	WASHER,LOCK,.25	
6	229655GT	SCREW,PHM,8-32X.313,SELF TAP.....	7
7	T113136GT	ASSY,ROT SENSR W/ HARNESS.....	1
8	227169GT	FRMNG,ARM SENSOR BRCKT,32/46....	1
9	7713GT	NUT, LP NYLOCK, 3/8-16	
10	6175GT	SCREW,HHC,3/8-16 X 1	
11	227170GT	FRMNG,SENSOR COVER,32/46.....	1
12	96203GT	BOLT,CARRIAGE,1/2-13X1.75, G5	
13	6198GT	NUT,NYLOCK,1/2-13	
14	49819GT	SCREW,PHILLIPS,PHM,10-32 X .5	
15	T113141GT	FRMNG,CHASSIS BRKT.....	1
16	33576GT	CONN,SQZ,BLK,1/2NPT,.38-.50,SM.....	1
17	T115429GT	NUT,CORDGRIP,1/2 NPT.....	1
18	T113142GT	OFFSET, RDN, 1/4-1.25,10-32.....	1
19	T114082GT	LEVER ARM,ANGLE SENSR ACTUATOR.....	1
20	229146GT	SCREW,SET,8-32X.25	
21	T113139GT	CLIP,DTM,RECEPTACLE.....	1

## Part Number Index

The Part Number Index is a numeric index of all part numbers included in this manual. The index shows what page(s) the part is used on.

Part Number	Page	Part Number	Page	Part Number	Page	Part Number	Page
104804GT	57-58	1257923GT	17, 23	137699GT	63, 65	230364GT	25
105046GT	79	1258334GT	63	13921GT	79	230620GT	17, 23
105060GT	31	1258384GT	63	14033GT	51-52	230755GT	17
105067GT	73	1258567GT	11	144130GT	35	230756GT	17
105069GT	31	1258731GT	65	144161GT	61	230757GT	13
105074GT	51-52	1259223GT	57-58	144213GT	41	230758GT	13, 15, 19, 21
105090GT	61	1259923GT	23	144226GT	29	231868GT	85
105092GT	31, 49, 51-52	1259937GT	51-52	144374GT	25	231921GT	63, 65
105117GT	61	1259939GT	52	1484GT	11	231922GT	63, 65
105118GT	61	1259942GT	51-52	150104GT	71	231931GT	81
105142GT	29	1259943GT	51-52	150105GT	71	232580GT	41
105156GT	31	1259944GT	52	15086GT	25	232582GT	43, 45
105186GT	51-52	1259945GT	51-52	16487GT	29	233430GT	41, 43, 45
105189GT	51-52	1259946GT	52	18383GT	51-52	235462GT	67
105191GT	51-52	1259947GT	52	18504GT	33, 47, 51-52	235463GT	67
105193GT	51-52	1259948GT	52	18722GT	25	235464GT	63, 65
105205GT	51-52	1259949GT	52	19491GT	29, 31	236264GT	77
105208GT	51-52	1260196GT	51-52	20224GT	71	236276GT	77
105213GT	51-52	1260199GT	51-52	21020GT	27	236279GT	77
105214GT	41	1260201GT	52	21253GT	25	236781GT	41
105246GT	79	1260202GT	41	21279GT	57-58	236806GT	43, 45
105334GT	35	1260306GT	51-52	214375GT	33	236817GT	43
105454GT	25, 27	1260386GT	81	214544GT	67	236818GT	43
105463GT	71	1260603GT	79	214817GT	77	236821GT	43, 45
105547GT	69	1260604GT	79	214827GT	43, 45	236822GT	43
105550GT	69	1260605GT	79	214864GT	19	236823GT	43
105556GT	81	1260941GT	51-52	214865GT	23	236824GT	43
105557GT	81	1261143GT	81	214866GT	23	236837GT	75
105565GT	25	1261183GT	81	214867GT	19	236913GT	79
105574GT	47	1261526GT	81	215543GT	35	236914GT	79
105577GT	79	1261822GT	52	215612GT	13	236915GT	79
105578GT	79	1261823GT	52	215613GT	13	236916GT	79
105580GT	79	1261888GT	71	215749GT	79	236917GT	79
105732GT	39	1261982GT	13	216234GT	35	236918GT	79
105733GT	39	1261983GT	17	216276GT	49	237086GT	71
105734GT	39	1261998GT	13	219205GT	63	237165GT	33
105759GT	39	1262821GT	75	219611GT	35	237360GT	37
105801GT	79	1262822GT	75	22446GT	57-58	237455GT	77
105803GT	79	1262823GT	75	22664GT	79	237472GT	77, 87
10775GT	61	1262911GT	85	227166GT	37	237673GT	55
10777GT	61	1263646GT	17	227169GT	87	237674GT	55
114334GT	15	1264822GT	41	227170GT	87	237810GT	51-52
114337GT	13	1264834GT	41	22788GT	27	238006GT	41
114338GT	17	1268122GT	79	228339GT	37, 79	238007GT	41
114361GT	13, 19	1268142GT	79	228342GT	37	238348GT	55
114372GT	13, 15	1268799GT	37	228349GT	25	24514GT	57-58
114385GT	19, 21	1268GT	11	228350GT	25	25388GT	61
114386GT	23	1269086GT	85	228361GT	37	25817GT	31
119827GT	47	1269087GT	85	228362GT	37	27581GT	11
12013GT	58	1269107GT	85	228367GT	27	27903GT	83
12016GT	31	1270456GT	33	228377GT	27	28131GT	43, 45
122994GT	39	1274540GT	85	228406GT	29	28174GT	15, 17, 21, 23
1252765GT	45	1280665GT	61	228932GT	23	28175GT	21
1252766GT	45	128118GT	29	229086GT	67	28176GT	23
1252767GT	45	1284268GT	57-58	229087GT	67	28235GT	15, 17, 21, 23
1254572GT	81	13066GT	27	229088GT	67	28236GT	23
1256127GT	47	133276GT	21	229089GT	67	28443GT	77, 83
1256467GT	85	133596GT	23	229090GT	67	29868GT	85
1256517GT	75	13585GT	61	229091GT	67	30217GT	51-52
1256702GT	17, 23	13635-10GT	11, 25	229092GT	67	30738GT	77
1256703GT	17, 23, 63	137522GT	63	229093GT	67	31060GT	19
1256719GT	39	137562GT	39	229094GT	67	31508GT	19
1256721GT	39	137587GT	63, 65	229097GT	67	31788GT	19
1256725GT	65	137604GT	39	229146GT	87	32150GT	11
1256727GT	65	137605GT	17, 23, 63	229579GT	51-52	32151GT	11
1257054GT	45	137633GT	63	229582GT	51-52	32339GT	47
1257055GT	45	137634GT	67	229583GT	51-52	33576GT	87
1257188GT	23	137636GT	17, 23, 63	229584GT	51-52	33724GT	61
1257190GT	23	137637GT	39, 63, 65	229604GT	35	34742GT	31
1257227GT	85	137640GT	63, 65	229605GT	35	36369GT	49
1257733GT	11	137642GT	63, 65	229606GT	47	37947GT	39
1257840GT	37	137656GT	17, 23, 63, 65	229615GT	77	39232GT	29
1257845GT	41	137668GT	39	229616GT	47	39310GT	57-58
1257855GT	45	137673GT	39	229655GT	87	39469GT	29, 57-58
1257858GT	45	137692GT	39	229845GT	63, 65	39470GT	57-58

Part Number	Page	Part Number	Page	Part Number	Page	Part Number	Page
39474GT	57-58	52368GT	77	77709GT	71	96408GT	31
39540GT	29, 63, 65, 81	52475GT	13, 15, 19, 21	78006GT	75	96413GT	57-58
39542GT	31	5365GT	51-52	78022GT	57-58	96419GT	69
39873GT	79	5397GT	31, 55	78038GT	57-58	96422GT	31
39876GT	79	55010GT	35	78086GT	31	96423GT	31
39877GT	79	55355GT	31	78091GT	79	96452GT	39
39878GT	77, 79	55560GT	77	78422GT	47	96487GT	51-52
40434GT	17, 23	55675GT	33, 37	78546GT	11, 37	96541GT	31
40833GT	33, 43	55917GT	25	78622GT	69	96542GT	83
40844GT	75	55921GT	75	78736GT	25, 55	96574GT	25
41557-SGT	77, 87	56912GT	29, 39	79140GT	45	96595GT	49
41630GT	57-58	56926GT	41	80149GT	51-52	96601GT	51-52
42079GT	11, 27	57075GT	61	81579GT	81	96603GT	51-52
4266GT	57-58	58000GT	51-52	8179GT	47	96615GT	51-52
43137GT	39	58592GT	25	82052-SGT	57-58	96616GT	51-52
43392GT	57-58	58627GT	39	82053-SGT	57-58	96637GT	31
43618GT	17, 23	6002GT	57-58	82160GT	21	96638GT	31
43619GT	21	6021GT	75	82161GT	21	96639GT	31
43658GT	15, 19	60440GT	29	822801GT	51-52	96642GT	31
43685GT	75	60441GT	29	823408GT	37	96643GT	31
43956GT	61, 85	60790GT	31	82366GT	21	96661GT	51-52
44163GT	11	6090GT	35, 37, 57-58	824089GT	85	96662GT	51-52
44168GT	71	6091GT	25, 29, 33, 35,	82473GT	15	96699GT	37
44169GT	71		37, 39, 47, 51-	82474GT	13, 15	96709GT	37
44171GT	71		52, 57-58, 81	82476GT	13, 15	96719GT	57-58
44174GT	71	6097GT	31, 49, 57-58	82481GT	13	96749GT	79
44175GT	71	6175GT	87	82482GT	15	96750GT	79
44207GT	69	6178GT	29	82487GT	15, 17	96760GT	57-58
44226GT	71	6198GT	25, 27, 49, 87	82495GT	13	96770GT	77
44229GT	71	6272GT	39	825019GT	51-52	96794GT	57-58
44230GT	71	6326GT	51-52	82557GT	23	96838GT	31
44236GT	71	6356GT	37, 57-58, 77, 87	82558GT	21	96839GT	31
44255GT	19, 21	6545GT	25	82559GT	21	96840GT	31
44716GT	75	6564GT	31	8255GT	25	96855GT	37
44736GT	23	6595GT	61	82560GT	15	96862GT	51-52
44737GT	19, 21	65962GT	71	82561GT	19, 21	96870GT	29
44743GT	57-58	65990-SGT	57-58	82562GT	13, 15	96876GT	27
44750GT	75	66030GT	57-58	82730GT	23	96881GT	79
44751GT	75	66055GT	51-52	82736GT	17	96882GT	79
44752GT	75	66204GT	37	83093GT	39	96887GT	27
44777GT	75	6626GT	61	8357GT	25, 27	96899GT	51-52
44778GT	75	66353GT	61	84384GT	71	96900GT	51-52
44780GT	25, 27, 69	66355GT	61	84385GT	71	96907GT	25
44781GT	25, 27	66356GT	61	84386GT	71	96932GT	51-52
44788GT	11, 69	6637GT	29	84574GT	31	96948GT	29, 31
44936GT	61	66389GT	79	84587GT	57-58	96977GT	49
44980GT	15, 19	6638GT	37, 57-58, 81	84739GT	73	97128GT	29, 31
44981GT	15, 17, 21, 23	66397GT	43, 45	84740GT	73	97241GT	49
44997GT	47	66399GT	11	84742GT	73	97243GT	51-52
45351GT	79	66512GT	57-58	84743GT	73	97258GT	57-58
45454GT	83	66544GT	57-58	84746GT	73	97263GT	57-58
45546GT	61	66717GT	33, 43, 45	84747GT	49	97264GT	57-58
45748GT	51-52	66770GT	25	84748GT	73	97267GT	25
46260GT	57-58	66812GT	39, 63, 65	8516GT	51-52	97409GT	71
46287GT	19, 21	66817GT	39, 63, 65	85239GT	39	97719GT	15
47098GT	57-58	66920GT	57-58	8914GT	81	T106362GT	39
47163GT	57-58	66923GT	57-58	8915GT	51-52	T106363GT	39
47166GT	57-58	6700GT	31, 39	9116GT	25, 37, 51-52, 81	T106366GT	39
47222GT	57-58	6878GT	29, 33, 37, 39, 81	96008-SGT	39	T106368GT	63, 65
47224GT	43	6889GT	33, 81	96010GT	39	T106370GT	63, 65
47225GT	57-58	6898GT	31	96085GT	31	T106372GT	39
47231GT	57-58	6935GT	61	96110GT	43, 45	T106373GT	63, 65
47232GT	29	7056GT	61	96130GT	51-52	T107029GT	19
47238GT	29	7127GT	61	96135GT	31	T107031GT	21
47374GT	57-58	72086GT	13, 15, 19, 21	96142GT	31	T108326GT	37
47946GT	25	72143GT	15, 21	96200GT	57-58	T108327GT	39
4828GT	31, 49, 51-52,	72326GT	29, 63, 65, 81	96203GT	27, 87	T108662GT	75
	57-58	72853GT	21	96236GT	61	T108663GT	69
48880GT	71	72970GT	19	96246GT	57-58	T108664GT	69
48997GT	71, 79	72998GT	21	96281GT	31	T108667GT	37
49612GT	71	72999GT	21	96302GT	43	T108670GT	33
49613GT	11, 71	7339GT	77, 87	96303GT	43	T110890GT	41
49819GT	87	74006GT	61	96309GT	41	T110891GT	41
51152GT	79	74267GT	33	96354GT	37, 79, 83	T112507GT	29
51474GT	49	75631GT	33	96390GT	51-52	T112508GT	41
5224GT	57-58	7713GT	31, 57-58, 87	96398GT	79	T112509GT	41

## Part Number Index (continued)

Part Number	Page
T112563GT	.....61
T112804GT	.....15, 21
T113136GT	.....41, 87
T113139GT	.....87
T113141GT	.....87
T113142GT	.....87
T113787GT	.....57-58
T113968GT	.....77
T113970GT	.....77
T113971GT	.....33
T114031GT	.....41
T114082GT	.....87
T114397GT	.....63, 65
T115429GT	.....87

Go to Discount-Equipment.com to order your parts



The Part Description Index is an alphabetical index of all part descriptions included in this manual. The index shows what page(s) the part is used on.

**1**  
126,DYN.BRAKING,MANIF,32/46.....71

**A**  
ACCUMULATOR, 180 PSI PRECHARGE\*.....47  
ADAPTER, RJ45, GC27-25/GC21-19.....39  
ALARM,STEADY TONE\*\*\*.....29, 63, 65, 81  
ASSEMBLY, LINK, INNER #2, 4.....51-52  
ASSEMBLY, LINK, INNER #2,4.....51-52  
ASSEMBLY, LINK, INNER #5.....51-52  
ASSEMBLY, LINK, INNER #6.....51-52  
ASSEMBLY, DOWN LIMIT, GS.....29  
ASSEMBLY, LINK, INNER #3.....51-52  
ASSEMBLY, VISUAL IND LIGHT.....81  
ASSEMBLY,TANK RETURN,TUBE.....37, 79  
ASSY, PLATFORM GATE, GSXX46.....57-58  
ASSY,LVL SNSR W/ CONNECTOR.....29  
ASSY,POT HOLE PUSHER,GS\*\*\*.....31  
ASSY,POT HOLE HARNESS,GS.....41  
ASSY,ROT SENSR W/ HARNESS.....41, 87

**B**  
BALL STUD, GAS STRUT, 3/8-16.....31  
BAR, CABLE BRIDGE ARM, SYM.....51-52  
BAR,CABLE BRIDGE ARM,UPPER.....51-52  
BASE WITH 1 NC CONTACT, E-STOP.....39, 63, 65  
BATTERY,12V,150AH, T1275.....33  
BEARING,.75ID X 1.00D X 1.38LG.....31  
BEARING,0.75IDX1.00ODX0.75L.....49  
BEARING,1.00IDX1.25ODX0.49L.....25  
BEARING,1.00IDX1.25ODX0.75L.....49  
BEARING,1.00IDX1.25ODX1.00L.....31  
BEARING,1.26IDX1.53ODX1.25L.....51-52  
BEARING,1.50IDX1.77ODX1.25L.....51-52  
BEARING,1.50IDX2.00ODX1.50LG.....77  
BEARING,1.523IDX1.75ODX0.63L.....31  
BEARING,1.51DX1.75ODX2.4L.....52  
BEARING,2.25IDX2.50ODX1.50L\*\*\*.....25  
BEARING,MOTOR.....75  
BEARING,MOTOR,36843,BRUSH END\*.....75  
BEARING,MOTOR,BRUSH END\*.....75  
BOLT, CARRIAGE, 3/8-16 X 1.50, G5.....31  
BOLT,CARRIAGE,1/2-13X1.50,GR5.....49  
BOLT,CARRIAGE,1/2-13X1.75, G5.....27, 87  
BOLT,CARRIAGE,1/4-20 X .5,G2.....51-52  
BOLT,CARRIAGE,1/4-20 X .75,G2.....29, 33, 37, 39, 81  
BOLT,CARRIAGE,1/4-20x1.25,G2.....25, 37, 51-52, 81  
BOLT,CARRIAGE,1/4-20X1.5,ZAG.....47  
BOLT,CARRIAGE,10-24 X 1.5",G2.....52  
BOLT,CARRIAGE,10-24 X 2,GA,Z.....51-52  
BOLT,CARRIAGE,3/8-16X1.25,GR5.....31, 49, 51-52  
BOLT,SHS,3/8X.375X5/16-18,ZAG.....57-58  
BOOT, 2 SWITCH, SILICON.....67  
BOOT,CABLE TERMINAL COVER.....43, 45  
BOOT,CABLE TERMINAL,RED,XL.....45  
BOX,INSTRUCTION STORAGE.....57-58  
BRACKET,FOOT PEDAL.....57-58  
BRAKE,HYDRAULIC,15KIP-IN.....69  
BREATHER CAP,HYD. TANK,1/4 NPT.....11, 37

BRUSH,PWR UNIT (40844)\*\*.....75  
BULB,FLASHING BEACON.....81  
BUMPER,BATTERY BOX & RAILS.....57-58  
BUSHING,FLNGD, .63 X .77 X .38.....31  
BUSHING,STRAIN RELIEF,.875/.40.....29  
BUTTON, .800 O.D. X .281.....57-58  
BUTTON,PUSH,RED MUSHROOM HEAD.....39, 63, 65

**C**  
CABLE ASSY,BATT, 7.50" BLACK.....43  
CABLE ASSY,BATT, 7.50" RED.....43  
CABLE ASSY,BATT,100" BLACK.....43  
CABLE ASSY,BATT,11" BLACK.....43  
CABLE ASSY,BATT,11"BLACK.....45  
CABLE ASSY,BATT,11"RED.....45  
CABLE ASSY,BATT,12.5" RED.....43  
CABLE ASSY,BATT,14"BLACK.....45  
CABLE ASSY,BATT,15"RED.....43, 45  
CABLE ASSY,BATT,30.5" RED.....43, 45  
CABLE ASSY,BATT,7" BLACK.....43  
CABLE ASSY,BATT.10.5" RED.....43, 45  
CABLE ASSY., BATT. 101", RED.....45  
CABLE ASSY., BATT. 106" BLACK.....45  
CABLE ASSY., BATT. 12" BLACK.....45  
CABLE ASSY., BATT. 14" RED.....45  
CABLE BRACKET,PAINTED.....77, 87  
CABLE TIE MOUNT, WINGED.....41  
CABLE TIE,11.5" BLACK.....77, 83  
CABLE, LIFT CYL DOWN W/LS.....41  
CABLE, LIFT CYL DOWN WO/LS.....41  
CABLE,EMERGENCY DOWN.....29  
CABLE,LIFT CYL,GS4047.....41  
CABLE,PLAT CNTRL,GS4047.....41  
CABLEASSY,BATT,97.5" RED.....43  
CAM FOLLOWER,1.125X.375,DELTRIN.....31  
CAP, TUBE, SQ,1.25 X .083.....57-58  
CAP,BUTTON,K12.....63, 65  
CAP,DIAGNOSTIC NIPPLE.....71  
CHARGER INTERLOCK CBLE,GS30/32.....41  
CHARGER,24VDC,HI/LOW,GEN2,25A.....35  
CHASSIS MOUNT ASSY, GS32&46.....49  
CHECK DISK, NO SPRING.....71  
CIRCUIT BREAKER,7.0 AMP\*\*\*.....39  
CLAMP, HOSE, 1 EAR, 11/16.....77  
CLAMP, RETURN LINE.....37  
CLAMP, SHORT.....52  
CLAMP,1.75,#28 X 3/8,RUB CUSH\*.....47  
CLAMP,2 HOSE,PLASTIC,5/8.....25, 55  
CLAMP,HOSE,1 EAR,1-1/16\*\*\*.....37  
CLAMP, LONG.....51-52  
CLAMP,RUB CUSH,0.75,#12 X 3/8\*.....83  
CLIP,CABLEBRIDGE, GS32/46.....51-52  
CLIP,DTM,RECEPTACLE.....87  
CLIP,HAIR PIN .125 X 2.....25  
CLIP,TIE HARNESS MOUNT\*\*\*.....41  
COIL, #8 20VDC,DEUTSCH W/DIOD.....47  
COIL,#8 20VDC,DEUTSCH W/DIODE.....71  
CONN,070120-8-6.....79  
CONN,RECEP 3 WAY, 14-18GA.....29  
CONN,SQUEEZE,1/2NPT .38-.50,SM.....61  
CONN,SQZ,BLK,1/2NPT,.38-.50,SM.....87  
CONNECTOR, 070120-12-8.....79  
CONNECTOR, IEC CHARGER CORD.....35  
CONNECTOR, SQUEEZE, M25, 6-13MM.....85

CONNECTOR,070120-4-4.....79  
CONNECTOR,070120-6-6.....77, 79  
CONTACTOR,DRIVE,24V,180A.....33  
CONTACTOR,DRIVE,24V,180A\*\*\*.....33  
CONTACTOR,LIMIT SWITCH.....29, 31  
COUNTERWEIGHT, BELLY.....27  
COVER, RJ45, GC27-25/GC21-19.....39  
COVER,BLANK.....61  
COVER,GFCI,HORIZONTAL,WEATHER.....61  
COVER-BRUSH INSPEC.40844,SCISS.....75  
CWT, REAR, XX46.....27  
CYLINDER,GS/GR STEER\*\*\*.....69  
CYLINDER,LIFT 3.0 BORE,UPPER.....77  
CYLINDER,LIFT 3.5 BORE,LOWER.....77

**D**  
DECAL DANGER TIP OVER TRAYS.....19, 21  
DECAL KIT, SYM, PLAT, ANSI.....13  
DECAL KIT,4047 COMP.SYMBOL.....13  
DECAL KIT,4047 PLAT.SYMBOL.....13  
DECAL SYMBOL TIP OVER TRAYS.....13, 15  
DECAL, LABEL - DIRECTION ARROWS.....17, 23  
DECAL, LABEL, SAFETY ARM SYMB.....15  
DECAL, POWER TO PLATFORM 230V\*\*.....15, 17, 21, 23  
DECAL, SMARTLINK PROPORTIONAL.....17, 23  
DECAL, STD, PROP LIFT, UI, SVC.....17, 23, 63  
DECAL, SYMBOL - READ THE MANUAL...15, 17  
DECAL, UI, GR/GRC/GS PCON.....17, 23, 63  
DECAL, UI, GS/GR, PROP LIFT.....17, 23  
D E C A L , B A T T E R Y CONNECTION,GS-4047.....19  
DECAL,CHEVRON RANDO HD.....21  
DECAL,COSMETIC,GS-4047.....17, 23  
DECAL,DANGER DO NOT ALTER SWTC.....19  
DECAL,DANGER,BATTERY SAFETY\*\*\*.....19  
DECAL,DANGER,BRAKE REL SAFETY.....19  
DECAL,DANGER,CRUSHING HAZARD.....19, 21  
DECAL,DANGER,ELEC HAZARD,GS.....19, 21  
DECAL,DANGER,ELECT HAZARD,PLUG.....19  
DECAL,DANGER,IMPROPER USE HAZ.....21  
DECAL,DANGER,TIP-OVER,TILT.....23  
DECAL,DANGER-GEN SAFETY.....23  
DECAL,DANGER-TIP-OVER,BATT,4047.....19  
DECAL,DANGER-USE SAFETY ARM.....19, 21  
DECAL,E-STOP,GR/GRC/GS PCON.....17, 23, 63  
DECAL,EMERGENCY LOWERING.....21  
DECAL,EMERGENCY STOP,GR.....15, 21  
DECAL,GCON PANEL,GS.....15, 21  
DECAL,INSTR-MAX CAP, 4047.....23  
DECAL,INSTR-SIDE FRC,ANSI 3246.....23  
DECAL,INSTRUCT-ANNUAL INSP REQ.....21  
DECAL,INSTRUCTIONS-CHARGER OP.....19  
DECAL,LABEL, AIR LINE 110 PSI.....15, 17, 21, 23  
DECAL,LABEL,AUX LOWERING.....15  
DECAL,LABEL,FAULT CODES.....23  
DECAL,LABEL,LIFTING EYE.....13, 15, 19, 21  
DECAL,LABEL,MANUAL NOT HERE.....23  
DECAL,LABEL,PETRO CANADA\*\*\*.....21



## Part Description Index (continued)

- DECAL,LABEL,PLAT CONT LOCATION.....23  
 DECAL,LABEL,PWR TO CHARGR 115V.....15, 19  
 DECAL,LABEL,PWR TO CHARGR 230V.....15, 19  
 DECAL,LABEL,QUINTOLUBRIK.....21  
 DECAL,LABEL,SAFETY ARM.....21  
 DECAL,LABEL,STATOIL HYDRA WAY.....21  
 DECAL,LABEL,TRANSPORT TIEDOWN\*.....13, 15, 19, 21  
 DECAL,LABEL,UCON HYDROLUBE.....21  
 DECAL,LABEL,WHEEL LOAD,GS-4047.....13, 15, 19, 21  
 DECAL,LABEL-TIRE SPECS.....19, 21  
 DECAL,LABEL-TRANSPORT DIGRAM.....13, 19  
 DECAL,LANYARD ANCHORAGE POINT...17, 23  
 DECAL,MANUAL FORCE,GS-4047.....17, 23  
 DECAL,MAXIMUM CAPACITY,GS-4047.....17  
 DECAL,MEMBRANE, GR/GRC/GS GCON...39  
 DECAL,OP INST,AUS,GS-46.....23  
 DECAL,OP INST,GCON.....21  
 DECAL,OP INST,PLAT,GS46 ANSI.....23  
 DECAL,OP INST,PLAT,GS46,AUS.....23  
 DECAL,PLAT.CAPACITY,GS-4047.....23  
 DECAL,POWER TO PLATFORM 115V.....15, 17, 21, 23  
 DECAL,PROPEL,GR/GRC/GS,PCON.....17, 23, 63, 65  
 DECAL,QR CODE,PARTS&SERVICE MANUAL.....17  
 DECAL,SYM,MAX CAP,4047,ANSI.....17  
 DECAL,SYM,TIPOVER,BATT,GS-4047.....13  
 DECAL,SYM-ELEC HAZARD,PLUG.....15  
 DECAL,SYM-SIDE FORCE.....17  
 DECAL,SYM-TIP-OVER,LIM SWITCH.....13  
 DECAL,SYM-TIP-OVER,TILT ALARM.....17  
 DECAL,SYMBOL-BATTERY SAFETY.....13  
 DECAL,SYMBOL-BRAKE REL SAFETY.....13  
 DECAL,SYMBOL-COMP ACCESS.....15  
 DECAL,SYMBOL-CRUSHING HAZARD.....13, 15  
 DECAL,SYMBOL-ELEC HAZARD,GS.....13, 15  
 DECAL,SYMBOL-SKIN INJECT HAZRD.....15  
 DECAL,SYMBOL-USE SAFETY ARM.....13, 15  
 DECAL,WARN,IMPROPER OPERATION.....23  
 DECAL,WARN,SKIN INJECTION HAZ\*.....21  
 DECAL,WARNING-COMPART ACCESS.....21  
 DIAGNOSTIC FEMALE Q-DSCNT.....71  
 DRIVE MOTOR,22.9CI/REV.....69
- E**
- ELBOW,070220-12-10.....79  
 ELBOW,070220-4-4.....79  
 ELBOW,070220-6-6.....79  
 ELBOW,070220-6-8.....79  
 ELBOW,070320-4-4.....79  
 ELBOW,SWIVEL NUT 90DEG, -6.....79  
 ENCLOSURE, FUSE, MODULAR, 150X.....85  
 ENCLOSURE, GC14-1, TOP.....63, 65  
 ENCLOSURE, GC21-19, BK.....39  
 ENCLOSURE,GC14-1/GC16-1, BOT.....63, 65  
 ENCLOSURE,GC27-25/GC21-19,FRNT.....39  
 EXT. DECK ASSY, GS46.....57-58
- F**
- FILTER ASSY,SAE8,10 MIC,PAPR\*\*.....69
- FILTER CAP (PLUG 1-1/2" NPT HEX.....37  
 FILTER ELEMENT,10MICRON,PAPER\*.....11, 69  
 FILTER ELEMENT,BETA(10)=200.....69  
 FITTING,STRAIGHT DRIVE-IN ZERK.....25  
 FLASH DRIVE,SL1K1.0 SOFTWARE.....63  
 FLASH DRIVE,SL1K2.0 SOFTWARE.....65  
 FOOTPEDAL W/NON-SKID TAPE,GS\*\*.....57-58  
 FORMING, CHARGER MOUNT.....35  
 FORMING, CWT CLAMP.....27  
 FORMING, END CONNECTING.....51-52  
 FORMING, FILTER-CNTRLR MOUNT.....37  
 FORMING, FUSE BRACKET.....33  
 FORMING, HOSE CLAMP.....55  
 FORMING,ALARM BRACKET.....29  
 FORMING,CONTROL PANEL.....39  
 FORMING,HOSE CLAMP SPT,PTD,BLU.....25  
 FORMING,MANIFOLD MOUNT.....47  
 FORMING,PADLOCK BRACKET.....75  
 FORMING,PH PUSHER, GS46.....51-52  
 FORMING,PLAT CONTROL BOX.....63, 65  
 FORMING,REC.PLG BRKT.....29  
 FRMG,CHASSIS BRKT.....87  
 FRMNG,ARM SENSOR BRCKT,32/46.....87  
 FRMNG,SENSOR COVER,32/46.....87  
 FUSE BLOCK, ANN & ANL FUSE.....33, 43, 45  
 FUSE, BATTERY CHARGER.....35  
 FUSE,275 AMP,VERY FAST ACTING.....33, 43
- G**
- GAS SHOCK,SCISSORS\*\*\*.....31  
 GASKET, UK & DIN PWR. TO PLAT.....61  
 GASKET, UK RECEPTACLE.....61  
 GASKET,(BOOT) FLANGE INLET PLG.....61  
 GCON, GR/GRC/GS.....39  
 GCON,STD,PROP LIFT.....39  
 GREASE,DIELECTRIC 4 OZ\*\*.....11  
 GROMMET,RUBBER 1.5 ID.....29  
 GROMMET,RUBBER 2 X 2.75.....29  
 GROMMET,SLAB HYD TANK\*\*\*.....37  
 GROUND STRAP, 8"LG.....31  
 GROUND WIRE ASSY,GS.....43, 45
- H**
- HANDLE HALF,LEFT,W/TOP SWITCH.....67  
 HANDLE HALF,RIGHT,W/TOP SWITCH.....67  
 HANDLE,ANDERSON CONNECTOR SB.....75  
 HARNESS, ESTOP, GR/GRC/GS PCON.....63, 65  
 HARNESS, FUNC. MANIFOLD, GS47.....41  
 HARNESS, GS POWER CONTRL.....41  
 HARNESS, GS SENSORS, CE.....41  
 HARNESS, ROTARY ANGLE.....41  
 HARNESS,DIODE JUMPER.....41  
 HARNESS,FUNCTION MAN,GS4047.....41  
 HARNESS,VISUAL IND LIGHTS,MINI.....81  
 HINGE, SPRING, LONG LEG.....57-58  
 HINGE,ACCESS DOOR(13G).....39  
 HORN,24VDC,SPADE TERMINALS\*\*\*.....81  
 HOSE ASSY, MAN/ACCUM, GS32/46.....79  
 HOSE ASSY,DRIVE MOTORS,GS46.....79  
 HOSE ASSY,LOWER LIFT.....79  
 HOSE, ASSY, BRAKE MAN, GS46.....79  
 HOSE, ASSY, LIFT.....79  
 HOSE,AIR 3/8.....33  
 HOSE,ASSY STEER,GS32/46.....79  
 HOSE,ASSY, BRAKE MAN,GS46.....79
- HOSE,ASSY,BRAKE,GS46.....79  
 HOSE,ASSY,CYL TO CYL.....79  
 HOSE,ASSY,MAN TO FILTER.....79  
 HOSE,ASSY,PRESS SELECTOR,PRESS.....79  
 HOSE,ASSY,PRESSURE.....79  
 HOSE,ASSY,PRESSURE SELECTOR.....79  
 HOSE,ASSY,UPPER LIFT.....79  
 HOSE,ASSY,VENT.....79  
 HOSE,LOW PRESSURE,,375 ID,BLK.....83  
 HOSE,LOWER VENT.....79  
 HOSE,VENT,UPPER.....79  
 HOUSING, LOCK PIN.....57-58  
 HRNS,CONTACTOR SIGNAL,GS46.....41, 43, 45
- I**
- INNER ARM ASSY #4, 2646.....51-52  
 INSTRN, TRC RETROFIT, STNDRD.....41
- J**
- JOYSTICK, HALL EFFECT, SINGLE.....67
- K**
- KEY SINGLE\*\*\*.....39  
 KEY,RECTANGULAR,,31X.28X1.25\*\*.....25, 27  
 KEYS,10 PACK\*\*\*.....39  
 KEYSWITCH,3 POS. W/KEYS\*\*\*.....39  
 KIT, GS47 MOTOR CONTROLLER.....37  
 KIT, SL PROP UPGRD, AUS, GS46.....63  
 KIT, SL PROP UPGRD, CE, GS.....63  
 KIT, TRC RETROFIT, STNDRD.....41  
 KIT,BATTERY CHARGER,24V.....35  
 KIT,BOOT,JOYSTICK,SL1000.....67  
 KIT,COIL CORD,CONTRLR,SL1000.....63, 65  
 KIT,CONN,PLUG W/SCKT AND LOCK.....63, 65  
 KIT,CONN,RECEPT W/PIN AND LOCK.....63, 65  
 KIT,GASKET,UK POWER TO PLAT.....61  
 KIT,GATE LATCH.....57-58  
 KIT,STEER CYL SEAL.....69  
 KIT,STR SWITCH,JYSTK,SL1000.....67  
 KIT,SWITCH,JYSTK,SL1000.....67  
 KNOB,HAND PUMP (RED)\*\*\*.....73  
 KNOB,PILOT OP VALVE (BLACK)\*\*\*.....73
- L**
- LABEL, GR/GRC/GS PCON.....63, 65  
 LABEL, SERIAL, GC21-19.....39  
 LANYARD,BLACK NYLON,TYPE 1\*\*\*.....57-58  
 LATCH HANDLE.....57-58  
 LATCH, LRG PADDLE HANDLE GS90.....33, 37  
 LATCH,COMPRESSION,SMALL.....39  
 LEFT EX. RAIL, GS46.....57-58  
 LENS,FLASHING BEACON.....81  
 LEVEL SENSOR,LS60,RED,1.5 DIA.....29  
 LEVER ARM,ANGLE SENSR ACTUATOR.....87  
 LIGHT,TURN SIGNAL,1.25" LED,AMB.....81  
 LOCK, CONNECTOR.....35  
 LOCK,RECEP 3 WAY,14-18GA.....29  
 LOCKNUT,ELEC,1/2".....61
- M**
- MANIFOLD,BRAKE RELEASE.....73  
 MANIFOLD,FUNCTION,2 SPEED.....71  
 MANIFOLD,LIFT PRESSURE SELECT.....47

MANUAL BOX W/DECALS\*\*\*.....57-58  
 MANUAL, OWNERS, CHARGER, 229604.....35  
 MANUAL,AEM SAFETY.....11  
 MANUAL,RESPON,A92.6 SCISSOR.....11  
 MOTOR CONTROLLER, DC,24V,300A.....37  
 MOTOR CONTROLLER, DC,24V,360A.....37  
 MOTOR,DC24V,3.3KW.....75  
 MOTOR,ELECTRIC,24VDC 4.5HP.....75

**N**

NICKEL PLATED JAM NUT.....39  
 NIPPLE,DIAGNOSTIC,#4.....71, 79  
 NUT.....39  
 NUT - PLASTIC,RING FOR ALARMS...29, 63,  
 65, 81  
 NUT, LP NYLOCK, 3/8-16.....31, 57-58, 87  
 NUT, PLASTIC, M25, GREY.....85  
 NUT,CASTLE,1.125-18 UNEF.....25, 27, 69  
 NUT,CORDGRIP,1/2 NPT.....87  
 NUT,LOCKING-LG.FLANGE,1/4-20.....33, 47,  
 51-52  
 NUT,LP NYLOCK,1/4-20.....33, 81  
 NUT,LP NYLOCK,5/16-18.....57-58  
 NUT,NYLOCK,1/2-13.....25, 27, 49, 87  
 NUT,NYLOCK,1/4-20.....25, 29, 33, 35, 37, 39,  
 47, 51-52, 57-58, 81  
 NUT,NYLOCK,10-24.....51-52  
 NUT,NYLOCK,10-32.....29  
 NUT,NYLOCK,3/8-16.....31, 49, 51-52, 57-58  
 NUT,RETAINER (96008).....39  
 NUT,TL FLG,10-24,F,ZAG.....85  
 NUT-COIL SHORT.....71

**O**

O-RING KIT (ORFS FITTINGS).....71  
 OFFSET, RDN, 1/4-1.25,10-32.....87  
 OPTION,SYM DECALS,ANSI,4047.....13  
 ORIFICE,LONG, .059".....77  
 ORIFICE,LONG,.076".....77  
 OUTLET, 110V.....61

**P**

PAINT, AEROSOL, TRAFFIC BLACK.....11  
 PAINT,AEROSOL,BRIGHT BLUE\*\*\*.....11  
 PAINT,AEROSOL,GENIE GRAY\*\*\*.....11  
 PAINT,WET,GENIE BLUE (1 GL)\*\*.....11  
 PAINT,WET,GENIE GRAY (1 GL)\*\*.....11  
 PAINT,WET,TRAFFIC BLACK (1 GL)\*\*.....11  
 PCBA, GC14-1.....63  
 PCBA, GC21-19.....39  
 PCBA,GCON STD,PROP LIFT.....39  
 PCBA,PCON STD,PROP LIFT.....65  
 PCON, GR/GRC/GS.....63  
 PCON,STD,PROP LIFT,GR/GS.....65  
 PH BELLCRANK LINK.....31  
 PIN, LINKSET MOUNT, 1".....51-52  
 PIN, LINKSET MOUNT, 3/4".....51-52  
 PIN, LOCK.....57-58  
 PIN, LONG, GS46.....51-52  
 PIN, LOWER CYLINDER MOUNT.....51-52  
 PIN, MINI, CENTER.....51-52  
 PIN, POTHOLE LINK PIVOT.....31  
 PIN, SHORT, GS46.....51-52  
 PIN, UPPER CYLINDER MOUNT.....51-52  
 PIN, WIRE LOCK 3/8 X 2 -1/2.....57-58  
 PIN,CLEVIS,.375 X 1.75 LG.....31  
 PIN,CLEVIS,.625 X 1.88,ZINC PL.....31  
 PIN,CLEVIS,.75 X 2.....25

PIN,CLEVIS,0.75 X 3.25".....25  
 PIN,COTTER,.125 X .75.....31  
 PIN,COTTER,.156 X 1.75.....11, 25  
 PIN,COTTER,.156 X 2.5.....11, 27  
 PIN,PH ACTUATOR.....31  
 PLATE, AC ADAPTER(AUS).....61  
 PLATE, CLAMP.....37  
 PLATE, POTHOLE LINK.....31  
 PLATE, RCBO, GS.....85  
 PLATE, RETAINER, HOSE CLAMP.....55  
 PLATE,AC ADAPTER,DIN/UK\*\*\*.....61  
 PLATE,HARNESS MOUNT.....37  
 PLATE,HOSE ROUTG,BULKHEAD(PTD).....25  
 PLATE,SIDE DOOR STOP\*\*\*.....39  
 PLATE,SIDE DOOR\*\*\*.....39  
 PLATE,VISUAL IND LIGHT MOUNT.....81  
 PLATFORM MOUNT ASSY, GS32&46.....49  
 PLUG AND CAP KIT-SERVICE,ORFS\*.....11,  
 71  
 PLUG, 6POS ECO PWR.....63, 65  
 PLUG, TYPE F, 230A, 50HZ, 16A, IP44.....61  
 PLUG,1/4"SERIES,3/8 P-LOCK\*\*\*.....83  
 PLUG,ELECTRICAL,DOMESTIC.....61  
 PLUG,FLG INLET,15A/125V,2PWGD.....61  
 PLUG,FUSED,250V,13AMP,U.K.\*\*.....61  
 PLUG,PWR,UK,16AMP,3PIN,BLK.....61  
 POTHOLE BELL CRNK LINK ASSYGS30.....31  
 POWER CORD, IEC 320, 115".....35  
 PRESSURE TRANSDUCER,1K-3K PSI.....77,  
 87  
 PRTY,FLOW CNTRL VALVE,.75 GPM.....71  
 PUMP,5.6CC GEAR,CCW.....75

**Q**

QUICK DISCONNECT CASING,BATT\*\*.....43,  
 45

**R**

RAIL-GS46 PLAT,MAINDECK LT\*\*\*\*.....57-58  
 RAIL-GS46 PLAT,MAINDECK RT\*\*\*\*.....57-58  
 RCBO,16A,30MA,6KA 110/230VAC.....85  
 RECEPTACLE, DIN, 220V 50A.....61  
 Ref, Field Assembly Recessed Charger  
 Plug.....35  
 REF. ELECTRIC MOTOR/PUMP.....37  
 REF. Electrical Plugs and Cords.....29  
 REF. FILTER ASSY.....37  
 REF. FORMING,CONTROL PANEL.....37  
 REF. GCON.....37  
 Ref: Accumulator.....69  
 REF: Battery Cable.....41  
 REF: Battery Charger.....41  
 Ref: Brake Release Hand Pump.....69  
 REF: BRAKR RELEASE MANIFOLD.....27  
 Ref: Check Valve.....69  
 REF: Circuit Breaker.....41  
 Ref: Connector.....73  
 Ref: DECAL,E-STOP,GR/GRC/GS PCON.....65  
 REF: Down Limit.....41  
 REF: Drive Contacter.....41  
 REF: E-Stop.....41  
 REF: Electric Motor.....41  
 Ref: Function Manifold.....69  
 REF: Fuse.....41  
 REF: Ground Controls (GCON).....41  
 REF: GS-4047 SYMBOL DECAL KITS.....15,  
 17  
 REF: HYDRAULIC BRAKE.....27

REF: Joystick.....63, 65  
 REF: Key Switch.....41  
 REF: Level Sensor.....41  
 Ref: Lift Cylinder.....87  
 REF: Lift Cylinder Down Cable.....43  
 Ref: Lift Pressure Select Manifold.....69  
 Ref: Lower Lift Cylinder.....69  
 REF: Motor Contoller.....41  
 REF: Platform Control Cable.....43  
 REF: Platform Controls (PCON).....41  
 REF: Pressure Transducer Harness.....41  
 REF: Roller Bracket.....61  
 REF: Strobe Beacon.....41  
 Ref: UI, GR/GRC/GS PCON DECAL.....65  
 Ref: Upper Lift Cylinder.....69  
 RIGHT EXT RAIL, GS46 (SYMBOL).....57-58  
 RIVET,ALUM,STL,188 X .250.....57-58  
 RIVET,STL,STL,P,125 X .25.....39  
 ROCKER,2 SWITCH.....67  
 ROD END,.250 X 2.75 LG.....51-52  
 ROD END,.375X3.69,ZAG.....51-52  
 ROLLER ARM,LIMIT SWITCH\*\*\*.....29, 31  
 ROLLER BRACKET ASSY, GRND CNTR...57-  
 58  
 ROLLER,PLATFORM EXTENSION.....57-58  
 RUBBER CUSHION, CLAMP,SHORT.....51-52  
 RUBBER CUSHION,SEPARATOR.....51-52  
 RUE RING,3/4 PIN.....31  
 RUE RING,5/8 PIN.....31

**S**

SAFETY CHOCK,SCISSOR.....51-52  
 SCREW, HCC, 3/8-16 X 1.50.....51-52  
 SCREW, HHC, 1/4-20 X 1.5"L, STL GR8.....55  
 SCREW, HHC, M6 X 55MM.....37  
 SCREW, SELF TAP.....67  
 SCREW, YOKE LOCK ALL SLABS.....25  
 SCREW,BHSCS,M5X10,SS.....63, 65  
 SCREW,GRUB,M5X8MM CUP(BLK).....67  
 SCREW,GRUB,M5X8MM,HLF DOG,BZP.....67  
 SCREW,HHC,1/2-13 X 1.75.....27  
 SCREW,HHC,1/2-13 X 3.5.....25, 27  
 SCREW,HHC,1/4-20 X .5.....77, 87  
 SCREW,HHC,1/4-20 X .625.....81  
 SCREW,HHC,1/4-20 X .75.....35, 37, 57-58  
 SCREW,HHC,1/4-20 X 1.25.....51-52  
 SCREW,HHC,1/4-20 X 1.75.....29  
 SCREW,HHC,1/4-20 X 2.....57-58  
 SCREW,HHC,1/4-20 X 2.25.....47  
 SCREW,HHC,1/4-20X3.25,GR8.....25  
 SCREW,HHC,3/8-16 X .75.....25  
 SCREW,HHC,3/8-16 X 1.....87  
 SCREW,HHC,3/8-16 X 2.....57-58  
 SCREW,HHC,3/8-16 X 2.75.....51-52  
 SCREW,HHC,3/8-16 X 3.....51-52  
 SCREW,HHC,3/8-16X.75,8,ZAG.....85  
 SCREW,PHIL,8-32X.50,SELF TAP.....61  
 SCREW,PHILLIPS,PHM,10-32 X .5.....87  
 SCREW,PHILLIPS,PHM,6-32 X .75.....61  
 SCREW,PHILLIPS,PHM,8-32 X.25\*\*.....39  
 SCREW,PHM,1/4-20 X .75.....39  
 SCREW,PHM,4-20X.5, 48-2 TRI-L.....39, 63, 65  
 SCREW,PHM,6-19X.75, 48-2 TRI-L.....39  
 SCREW,PHM,8-16X.75, 48-2 TRI-L.....63, 65  
 SCREW,PHM,8-32X.313,SELF TAP.....87  
 SCREW,PHPM,10-32X.625,ZAG.....85  
 SCREW,RHM,10-32 X 1.5.....29  
 SCREW,RHM,6-32 X .5.....61  
 SCREW,SET,8-32X.25.....87

## Part Description Index (continued)

SCREW,SHC,3/8-24 X 1.25".....75  
 SEAL KIT (84384).....71  
 SEAL KIT, VALVE.....71  
 SEAL KIT,3.0" BORE, 2.50" ROD.....77  
 SEAL KIT,3.5"BORE, 2.75"ROD.....77  
 SEAL KIT,HAND PUMP\*\*\*.....73  
 SEAL KIT,LIFT PUMP,BARNES.....75  
 SEAL KIT,LIFT PUMP,BARNES\*\*\*.....75  
 SEAL KIT,PUMP,5.6CC GEAR.....75  
 SEAL KIT,RC SERIES DR MOTOR\*\*\* .....69  
 SEAL KIT-FOR P.N.44167.....71  
 SEAL KIT-P.N.44169,44172,44171.....71  
 SHIM,.375 X .063.....58  
 SLEEVE, CABLE-END, 14AWG, 2.5MM.....85  
 SLEEVE,TANK SUPPORT.....37  
 SLIDER,UHMW.....49  
 SNAP RING,EXTERNAL,1.25 DIA.\*\*.....51-52  
 SNAP RING,EXTERNAL,1.5 DIA\*\*\*.....51-52  
 SPACER,.75ID X 1.5OD X 1/4THK.....31  
 SPACER-DUAL COIL,#10, SCISSORS.....71  
 SPACER-DUAL COIL,#8\*\*\*.....71  
 SPRING CLIP,1/4-20,.025-.15X.54,ZAG.....29,  
 39  
 SPRING CLIP,3/8-16,.05-.20X.73,ZAG.....85  
 SPRING, HANDLE TRIGGER.....67  
 SPRING, POTHOLE PUSHER.....31  
 SPRING,COMPRESSION .835 X 2.....57-58  
 SPRING,COMPRESSION.485 X1.75\*\*.....29,  
 57-58  
 SPRING,HAND PUMP ROD.....73  
 SPRING-BRUSH,40844, SCISSORS.....75  
 STROBE,BEACON, AC COMP 12-80V.....81  
 SVC KIT,UK RECEPT.REPLACEMENT.....61  
 SWITCH,LIMIT,W/ROLLER ARM\*\*\* .....29, 31

## T

T-BOX,2.75 X 4.5 X 2.0.....61  
 TANK,HYDRAULIC,6.5 GAL.....37  
 TAPE,NON-SKID,DIE CUT,1.38X1.5.....57-58  
 TAPE,NON-SKID,DIE CUT,4"X 16".....57-58  
 TAPE,NON-SKID,DIE CUT,4"X 32".....57-58  
 TAPE,NON-SKID,DIE CUT,4"X 40".....57-58  
 TEE,RUN 070432-6\*\*\*\*\* .....79  
 TERMINAL, SPLINE (AMP).....67  
 THREADED ROD,1/4-20,28.5".....33  
 TIE ROD ASSY, GS46.....25  
 TRIGGER, EXTENDED.....67  
 TUBE, ASSY, DRAW.....37, 79, 83  
 TUBING,PVC,1",BLACK\*\*\* .....43

## V

VALVE, DYN. BRAKING, GS32/46.....71  
 VALVE, PROPORTIONAL, SP08-20.....77  
 VALVE,CHECK,#6-#6,MJIC TO MORB.....71  
 VALVE,CHECK,GS68 (SIZE8 8).....77  
 VALVE,DIFF.AREA RELIEF,50PSI.....71  
 VALVE,HAND PUMP ASSEMBLY\*\*\* .....73  
 VALVE,PILOT OPERATED ASSEMBLY\*.....73  
 VALVE,RELIEF,2900 PSI,BOSCH.....77  
 VALVE,RELIEF,SIZE 8,3500 PSI.....77  
 VALVE,RELIEF,SZ8, 3500 PSI.....47  
 VALVE,SOLENOID,2POS 2WAY N.O.\*.....47  
 VALVE,SOLENOID,3POS 4WAY.....71  
 VALVE-RELIEF, 3700 PSI #8\*\*.....71  
 VALVE-SOLENOID, 2POS 4 WAY.....71  
 VALVE-SOLENOID,2POS 4WAY\*\*.....71  
 VISUAL INDICATOR LIGHTS.....81

## W

WASHER, SHIM,.765 X 1.312 X .093.....31  
 WASHER,FLAT, 1.27 X 2.13 X .13.....51-52  
 WASHER,FLAT,.375 X 1.5 X .125.....25  
 WASHER,FLAT,.5 HARDENED.....27  
 WASHER,FLAT,.56 X 1.25 X .086.....27  
 WASHER,FLAT,USS,1/4"Y.....37, 57-58, 81  
 WASHER,FLAT,USS,3/8",Y.....31, 49, 57-58  
 WASHER,FLAT,USS,5/16",Y.....31, 55  
 WASHER,LOCK,.25.....37, 57-58, 77, 87  
 WASHER,LOCK,.375.....75  
 WASHER,SHIM,.625 X 1.188X.064.....31  
 WASHER,SHIM,1.54X2.00X.125,ZAG.....51-52  
 WASHER,SHOULDER,NYLON.....57-58  
 WASHER,STAR,EXTERNAL,#8.....61  
 WASHER,STAR,EXTERNAL,.375.....31, 39  
 WASHER,THRUST,GS.....25  
 WASHER,THRUST,.63 X 1.13 X .06.....31  
 WEAR PAD,PLATFORM.....57-58  
 WEAR/GUIDE PAD MAIN PLATFORM.....57-  
 58  
 WELDMENT, CABLE BRIDGE, BOTTOM...51-  
 52  
 WELDMENT, CABLE BRIDGE, TOP.....51-52  
 WELDMENT, LADDER.....27  
 WELDMENT, POTHOLE, LEFT SIDE.....31  
 WELDMENT, POTHOLE, RIGHT SIDE.....31  
 WELDMENT, STEER YOKE, LT.....25  
 WELDMENT, STEER YOKE, RT.....25  
 WELDMENT,CABLE BRIDGE,SHORT.....51-  
 52  
 WELDMENT,GS HYD TRAY,MET.....37  
 WELDMENT,LINK,OUTER,#2,3,4,5.....51-52  
 WELDMENT,ROLLER BRACKET,LT\*\*\*.....57-  
 58  
 WELDMENT.CABLE BRIDGE,TOP.....51-52  
 WHEEL & TIRE ASSY LP,15".....25, 27  
 WIRE CABLE,14/3 CON.TPE JKT\*.....61, 85  
 WIRE CAP,ORANGE.....61  
 WIRE LOOM,1.25 DIA.....43, 45  
 WIRE LOOM,BLACK SPIRAL,1.10".....49  
 WLDMNT,CABLE BRIDGE,LOWER.....51-52  
 WLDMT, ENTRY SIDERAIL, LT.....57-58  
 WLDMT, ENTRY SIDERAIL, RT.....57-58  
 WLDMT, EXT. DECK, GSXX46.....57-58  
 WLDMT, EXTENSION ENDRAIL.....57-58  
 WLDMT, FULL HEIGHT GATE.....57-58  
 WLDMT, LANYARD ROLLER BRKT.....57-58  
 WLDMT, POT HOLE ACTUATOR.....31  
 WLDMT,GS4047 BATTERY TRAY.....33  
 WLDMT,LNK,INNER #1.....51-52  
 WLDMT,LNK,OUTER #1,XX46.....51-52  
 WLDMT,LNK,OUTER #4,26XX.....51-52  
 WLDMT,LNK,OUTER #4,26XX,LEFT.....51-52  
 WLDMT,LOCKING ROLLER SUPPORT.....57-  
 58  
 WLDMT,MAIN DECK,GS46.....57-58  
 WLDMT,TIE ROD,GS46.....25  
 WLDMT/ASSY,PH GUIDE,GS46.....31

***This Page Intentionally Left Blank***

Go to [Discount-Equipment.com](http://Discount-Equipment.com) to order your parts

## Fitting Cross References

Genie PN	Parker PN	Description	Genie PN	Parker PN	Description
12342	6-4 F5OX-S	CONNECTOR,STRAIGHT THREAD TO FLARE TUBE	42794	1 CR-S	ELBOW,90°,MALE PIPE
13757	4 R6X-S	RUN TEE,SWIVEL NUT,ORFS	42795	BV-0839	BALL VALVE
19685	12-10 C5OX-S	ELBOW,90°,STRAIGHT THREAD TO FLARE TUBE	42796	BV-0838	BALL VALVE
22664	12-10 C5OX	ELBOW,90°,STRAIGHT THREAD TO FLARE TUBE	42874	6-8 CLO-S	ELBOW,90°,MALE PIPE TO ORFS
27431	8-12 F5OX-S	CONNECTOR,STRAIGHT THREAD TO FLARE TUBE	42912	13943-6-4	HOSE END,90° FEMALE SWIVEL,JIC
28678	AS-B-33	SLEEVE,NYLON,1.81" ID	42920	BV-0840	BALL VALVE,90°
39871	6 WETX-WLN-S	UNION,90° BULKHEAD W/NUT,FLARE TUBE	42932	AS-B-17	SLEEVE,NYLON,1.22" ID
39872	4 R5OX-S	RUN TEE,STRAIGHT THREAD	42936	10243-2-4	HOSE END,FEMALE PIPE
39873	6 C5OX-S	ELBOW,90°,STRAIGHT THREAD TO FLARE TUBE	42953	1/2 DD-S	ELBOW,90°,FEMALE PIPE
39874	8-6 C5OX-S	ELBOW,90°,STRAIGHT THREAD TO FLARE TUBE	42956	6 WELO-WLNL-S	UNION,90° BULKHEAD W/NUT,ORFS
39875	4-6 C5OX-S	ELBOW,90°,STRAIGHT THREAD TO FLARE TUBE	45349	8 V5OX-S	ELBOW,45°,STRAIGHT THREAD TO FLARE TUBE
39876	6-8 C5OX-S	ELBOW,90°,STRAIGHT THREAD TO FLARE TUBE	45351	4 V5OX-S	ELBOW,45°,STRAIGHT THREAD TO FLARE TUBE
39877	4 F5OX-S	CONNECTOR,STRAIGHT THREAD TO FLARE TUBE	47223	10343-6-6	HOSE END,MALE,JIC
39878	6 F5OX-S	CONNECTOR,STRAIGHT THREAD TO FLARE TUBE	47419	PS690503-6-6	SWIVEL,90°,STRAIGHT THREAD TO 37° FLARE
39879	4-8 F5OX-S	CONNECTOR,STRAIGHT THREAD TO FLARE TUBE	48750	421-4	HOSE,1/4 INCH ID
39880	6-10 F5OX-S	CONNECTOR,STRAIGHT THREAD TO FLARE TUBE	48751	481TC-4	HOSE,1/4 INCH ID
39881	4-6 F5OX-S	CONNECTOR,STRAIGHT THREAD TO FLARE TUBE	48752	482TC-4	HOSE,1/4 INCH ID
39882	4-HP5ON-S	PLUG,STRAIGHT THREAD	48753	451TC-6	HOSE,3/8 INCH ID
39883	8-8 FTX-S	CONNECTOR,MALE PIPE TO FLARE TUBE	48754	482TC-6	HOSE,3/8 INCH ID
39885	269HB 12-12	ELBOW,90°,BEADED HOSE BARB TO MALE PIPE	48755	381-6	HOSE,3/8 INCH ID
39886	431-6	HOSE,3/8 INCH ID	48756	451TC-8	HOSE,1/2 INCH ID
39887	540N-2	HOSE,1/8 INCH ID	48757	482TC-8	HOSE,1/2 INCH ID
39888	801-8	HOSE,1/2 INCH ID	48758	381-8	HOSE,1/2 INCH ID
39889	801-12	HOSE,3/4 INCH ID	48759	381-10	HOSE,5/8 INCH ID
39890	10643-6-6	HOSE END,FEMALE SWIVEL,JIC	48760	451TC-10	HOSE,5/8 INCH ID
39891	13943-6-6	HOSE END,90° FEMALE SWIVEL,JIC	48761	482TC-12	HOSE,3/4 INCH ID
39892	13743-6-6	HOSE END,45° FEMALE SWIVEL,JIC	48762	451TC-12	HOSE,3/4 INCH ID
39894	30682-8-8	HOSE END,FEMALE SWIVEL,JIC	48763	772-12	HOSE,3/4 INCH ID
39895	30682-10-12	HOSE END,FEMALE SWIVEL,JIC	48764	881-16	HOSE,1 INCH ID
42286	8-8 CTX-S	ELBOW,90°,MALE PIPE TO FLARE TUBE	48765	772-16	HOSE,1 INCH ID
42756	8-12 CLO-S	ELBOW,90,MALE PIPE TO ORFS	48766	AS-B-15	SLEEVE,NYLON,1.06" ID
42757	8-12 FLO-S	CONNECTOR,MALE PIPE TO ORFS	48767	AS-B-22	SLEEVE,NYLON,1.42" ID
42758	4 JLO-S	UNION TEE,ORFS	48770	881-8	HOSE,1/2 INCH ID
42759	4-4 FLO-S	CONNECTOR,MALE PIPE TO ORFS			
42760	6-8 FLO-S	CONNECTOR,MALE PIPE TO ORFS			
42761	1J143-6-4	HOSE END,90° FEMALE SWIVEL,SEAL LOK			
42762	1J743-6-4	HOSE END,45° FEMALE SWIVEL,SEAL LOK			
42768	1JO43-4-4	HOSE END,MALE,SEAL LOK			
42776	601-8	HOSE,1/2 INCH ID			
42777	1J743-16-16	HOSE END,45° FEMALE SWIVEL,SEAL LOK			
42786	16 CLO-S	ELBOW,90°,MALE PIPE TO ORFS			
42787	16 R6LO-S	RUN TEE,SWIVEL NUT,ORFS			
42788	16-8 TRLO-BL-S	REDUCER,TUBE END TO SWIVEL,ORFS			
42789	6-6 CLO-S	ELBOW,90°,MALE PIPE TO ORFS			
42790	8-10 V5OLO-S	ELBOW,45°,STRAIGHT THREAD TO ORFS			
42791	3/4 CD-S	ELBOW,90°,MALE TO FEMALE PIPE			
42792	3/4 X 1/2 PTR-S	REDUCER,MALE TO FEMALE PIPE			
42793	1/2 CR-S	ELBOW,90°,MALE PIPE			



## Fitting Cross References (Continued)

Genie PN	Parker PN	Description	Genie PN	Parker PN	Description
48771	881-10	HOSE,5/8 INCH ID	48847	13943-12-12	HOSE END,90° FEMALE SWIVEL,JIC
48772	381-4	HOSE,1/4 INCH ID	48848	10543-12-12	HOSE END,MALE,STRAIGHT THREAD
48773	AS-B-13	SLEEVE,NYLON,.86" ID	48849	1JC71-12-12	HOSE END,FEMALE SWIVEL,SEAL LOK
48800	1JC43-4-4	HOSE END,FEMALE SWIVEL,SEAL LOK	48850	1JS71-12-12	HOSE END,FEMALE SWIVEL,SEAL LOK
48801	1J743-4-4	HOSE END,45° FEMALE SWIVEL,SEAL LOK	48851	1J171-12-12	HOSE END,90° FEMALE SWIVEL,SEAL LOK
48802	1J943-4-4	HOSE END,90° FEMALE SWIVEL,SEAL LOK	48852	1J771-12-12	HOSE END,45° FEMALE SWIVEL,SEAL LOK
48804	1JM43-4-4	HOSE END,MALE,SEAL LOK, NO O-RING	48853	1J971-12-12	HOSE END,90° FEMALE SWIVEL,SEAL LOK
48805	10643-4-4	HOSE END,FEMALE SWIVEL,JIC	48854	1JC43-16-16	HOSE END,FEMALE SWIVEL,SEAL LOK
48806	13943-4-4	HOSE END,90° FEMALE SWIVEL,JIC	48855	1J943-16-16	HOSE END,90° FEMALE SWIVEL,SEAL LOK
48807	1JS43-4-4	HOSE END,FEMALE SWIVEL,SEAL LOK	48856	1J171-16-16	HOSE END,90° FEMALE SWIVEL,SEAL LOK
48808	3JC82-8-8	HOSE END,FEMALE SWIVEL,SEAL LOK	48857	1J971-16-16	HOSE END,90° FEMALE SWIVEL,SEAL LOK
48809	3JC82-12-12	HOSE END,FEMALE SWIVEL,SEAL LOK	48859	1JS43-8-4	HOSE END,FEMALE SWIVEL,SEAL LOK
48810	1JC43-6-4	HOSE END,FEMALE SWIVEL,SEAL LOK	48867	PD36BTL	DIAGNOSTIC NIPPLE,SEAL-LOK SWIVEL
48811	1J943-6-4	HOSE END,90° FEMALE SWIVEL,SEAL LOK	48873	6 PNLO-S	PLUG,TUBE END,ORFS
48812	1JC43-6-6	HOSE END,FEMALE SWIVEL,SEAL LOK	48874	6 PNTX-S	PLUG,FLARE TUBE
48813	1J143-6-6	HOSE END,90° FEMALE SWIVEL,SEAL LOK	48875	6 R6LO-S	RUN TEE,SWIVEL NUT,ORFS
48814	1J543-6-6	HOSE END,90° FEMALE SWIVEL,SEAL LOK	48877	4 F5OLO-SW/.025	CONNECTOR,STRAIGHT THREAD TO ORFS, W/.025 ORI
48815	1J743-6-6	HOSE END,45° FEMALE SWIVEL,SEAL LOK	48878	16-12 C5OLO-S	ELBOW,90°,STRAIGHT THREAD TO ORFS
48816	1J943-6-6	HOSE END,90° FEMALE SWIVEL,SEAL LOK	48879	8 C6LO-S	ELBOW,90°,SWIVEL NUT ORFS
48817	1JS43-6-8	HOSE END,FEMALE SWIVEL,SEAL LOK	48880	PD6-285	CAP,DIAGNOSTIC NIPPLE
48818	1J943-8-4	HOSE END,90° FEMALE SWIVEL,SEAL LOK	48881	6 HLO-S	UNION,ORFS
48819	1JC43-8-6	HOSE END,FEMALE SWIVEL,SEAL LOK	48883	8 P5ON-S	PLUG,STRAIGHT THREAD
48820	1J743-8-6	HOSE END,45° FEMALE SWIVEL,SEAL LOK	48884	8M18F87OMLO-S	CONNECTOR,METRIC,STRAIGHT THREAD TO ORFS
48821	1J943-8-6	HOSE END,90° FEMALE SWIVEL,SEAL LOK	48885	4 WGTX-WLN-S	CONNECTOR,BULKHEAD,FEMALE PIPE TO FLARE TUBE
48822	1JC43-8-8	HOSE END,FEMALE SWIVEL,SEAL LOK	48886	4 F5OLO-SW/2MM	CONNECTOR,MACHINED STRAIGHT THREAD TO ORFS
48823	1JS43-8-8	HOSE END,FEMALE SWIVEL,SEAL LOK	48887	4 CTX-S	ELBOW,90°,MALE PIPE TO FLARE TUBE
48824	1J143-8-8	HOSE END,90° FEMALE SWIVEL,SEAL LOK	48888	10-12 V5OLO-S	ELBOW,45°,STRAIGHT THREAD TO ORFS
48825	1J543-8-8	HOSE END,90° FEMALE SWIVEL,SEAL LOK	48890	4 S5OLO-S	BRANCH TEE,STRAIGHT THREAD TO ORFS
48826	1J743-8-8	HOSE END,45° FEMALE SWIVEL,SEAL LOK	48891	4 S6LO-S	BRANCH TEE,SWIVEL NUT TO ORFS
48827	1J943-8-8	HOSE END,90° FEMALE SWIVEL,SEAL LOK			
48828	1JC43-10-8	HOSE END,FEMALE SWIVEL,SEAL LOK			
48829	1JS43-10-8	HOSE END,FEMALE SWIVEL,SEAL LOK			
48830	1J743-10-8	HOSE END,45° FEMALE SWIVEL,SEAL LOK			
48831	1J943-10-8	HOSE END,90° FEMALE SWIVEL,SEAL LOK			
48833	1JC43-10-10	HOSE END,FEMALE SWIVEL,SEAL LOK			
48834	1J943-10-10	HOSE END,90° FEMALE SWIVEL,SEAL LOK			
48835	1JS43-10-12	HOSE END,FEMALE SWIVEL,SEAL LOK			
48836	1JC43-12-8	HOSE END,FEMALE SWIVEL,SEAL LOK			
48837	1JS43-12-8	HOSE END,FEMALE SWIVEL,SEAL LOK			
48838	1J743-12-8	HOSE END,45° FEMALE SWIVEL,SEAL LOK			
48839	1J943-12-8	HOSE END,90° FEMALE SWIVEL,SEAL LOK			
48840	1J943-12-10	HOSE END,90° FEMALE SWIVEL,SEAL LOK			
48841	1JC43-12-12	HOSE END,FEMALE SWIVEL,SEAL LOK			
48842	1JO43-12-12	HOSE END,MALE,SEAL LOK			
48843	1J143-12-12	HOSE END,90° FEMALE SWIVEL,SEAL LOK			
48844	1J543-12-12	HOSE END,90° FEMALE SWIVEL,SEAL LOK			
48845	1J743-12-12	HOSE END,45° FEMALE SWIVEL,SEAL LOK			
48846	1J943-12-12	HOSE END,90° FEMALE SWIVEL,SEAL LOK			

## Fitting Cross References (Continued)

Genie PN	Parker PN	Description	Genie PN	Parker PN	Description
48892	6 C6LO-S	ELBOW,90°,SWIVEL NUT ORFS	48938	8 R6LO-S	RUN TEE,SWIVEL NUT,ORFS
48893	6 F5OHAO-S	UNION,STRAIGHT THREAD	48939	8 S6LO-S	BRANCH TEE,SWIVEL NUT TO ORFS
48894	8 WLO-WLNL-S	UNION,BULKHEAD,ORFS	48940	8 WJLO-WLNL-S	RUN TEE, BULKHEAD,ORFS
48895	DT-370-MSMO-5	VALVE,CHECK	48941	8-4 TRLO-S	REDUCER,TUBE END TO SWIVEL,ORFS
48896	6 JLO-S	UNION,TEE,ORFS	48942	8-6 C5OLO-S	ELBOW,90°,STRAIGHT THREAD TO ORFS
48897	DT-750-MSMS-5	VALVE,CHECK	48943	8-6 F5OLO-S	CONNECTOR,STRAIGHT THREAD TO ORFS
48898	DT-750-MOMS-5	VALVE,CHECK	48944	8-8 FLO-S	CONNECTOR,MALE PIPE TO ORFS
48899	DT-620-MOMS-5	VALVE,CHECK	48945	8 FTX-S	CONNECTOR,MALE PIPE TO FLARE TUBE
48900	4-6 F5OLO-SW/.035	CONNECTOR,STRAIGHT THREAD TO ORFS, W/.035 ORI	48946	8-10 F5OLO-S	CONNECTOR,STRAIGHT THREAD TO ORFS
48902	16-1 AOE4G-S	ELBOW,90° LONG,FEMALE PIPE TO STRAIGHT THREAD	48947	8-12 C5OLO-S	ELBOW,90°,STRAIGHT THREAD TO ORFS
48903	1 FF-S	NIPPLE,PIPE	48948	8-12 F5OLO-S	CONNECTOR,STRAIGHT THREAD TO ORFS
48904	4 C5OLO-S	ELBOW,90°,STRAIGHT THREAD TO ORFS	48949	8-16 F5OLO-S	CONNECTOR,STRAIGHT THREAD TO ORFS
48905	4 F5OLO-S	CONNECTOR,STRAIGHT THREAD TO ORFS	48950	10 C5OLO-S	ELBOW,90°,STRAIGHT THREAD TO ORFS
48906	4 R5OLO-S	RUN TEE,STRAIGHT THREAD	48951	10 CC5OLO-S	ELBOW,90° LONG,STRAIGHT THREAD TO ORFS
48907	4 V5OLO-S	ELBOW,45°,STRAIGHT THREAD TO ORFS	48952	10 F5OLO-S	CONNECTOR,STRAIGHT THREAD TO ORFS
48908	4 R6LO-S	RUN TEE,SWIVEL NUT,ORFS	48953	10 R5OLO-S	RUN TEE,STRAIGHT THREAD
48909	4 WJLO-WLNL-S	RUN TEE, BULKHEAD,ORFS	48954	10 S5OLO-S	BRANCH TEE,STRAIGHT THREAD TO ORFS
48910	4 GTX-S W/.030	CONNECTOR,FEMALE PIPE TO FLARE TUBE	48955	10 R6LO-S	RUN TEE,SWIVEL NUT,ORFS
48911	4-6 C5OLO-S	ELBOW,90°,STRAIGHT THREAD TO ORFS	48956	10-4 TRLO-BL-S	REDUCER,TUBE END TO SWIVEL,ORFS
48912	4-6 F5OLO-S	CONNECTOR,STRAIGHT THREAD TO ORFS	48957	10-6 TRLO-BL-S	REDUCER,TUBE END TO SWIVEL,ORFS
48913	4-6 F5OLO-SW/.030	CONNECTOR,STRAIGHT THREAD TO ORFS, W/.030 ORI	48958	10-12 F5OLO-S	CONNECTOR,STRAIGHT THREAD TO ORFS
48914	4-8 F5OLO-S	CONNECTOR,STRAIGHT THREAD TO ORFS	48959	12 C5OLO-S	ELBOW,90°,STRAIGHT THREAD TO ORFS
48915	6 C5OLO-S	ELBOW,90°,STRAIGHT THREAD TO ORFS	48960	12 F5OLO-S	CONNECTOR,STRAIGHT THREAD TO ORFS
48916	6 F5OLO-S	CONNECTOR,STRAIGHT THREAD TO ORFS	48961	12 R5OLO-S	RUN TEE,STRAIGHT THREAD
48917	6 FF5OLO-S	CONNECTOR,LONG,STRAIGHT THREAD TO ORFS	48962	12 S5OLO-S	BRANCH TEE,STRAIGHT THREAD TO ORFS
48918	6 R5OLO-S	RUN TEE,STRAIGHT THREAD	48963	12 V5OLO-S	ELBOW,45°,STRAIGHT THREAD TO ORFS
48919	6 S5OLO-S	BRANCH TEE,STRAIGHT THREAD TO ORFS	48964	12 R6LO-S	RUN TEE,SWIVEL NUT,ORFS
48920	6 V5OLO-S	ELBOW,45°,STRAIGHT THREAD TO ORFS	48965	12 CLO-S	ELBOW,90°,MALE PIPE TO ORFS
48921	6 FLO-S	CONNECTOR,MALE PIPE TO ORFS	48966	12 FLO-S	CONNECTOR,MALE PIPE TO ORFS
48922	6-6 FLO-S	CONNECTOR,MALE PIPE TO ORFS	48967	12 JLO-S	UNION TEE,ORFS
48923	6 P5ON-S	PLUG,STRAIGHT THREAD	48968	12 WLO-WLNL-S	UNION,BULKHEAD,ORFS
48925	6 WELO-S	UNION,90° BULKHEAD,ORFS	48969	12 WJLO-WLNL-S	RUN TEE, BULKHEAD,ORFS
48926	6-4 C5OLO-S	ELBOW,90°,STRAIGHT THREAD TO ORFS	48970	12 WELO-WLNL-S	UNION,90° BULKHEAD W/NUT,ORFS
48927	6-4 F5OLO-S	CONNECTOR,STRAIGHT THREAD TO ORFS			
48928	6-4 V5OLO-S	ELBOW,45°,STRAIGHT THREAD TO ORFS			
48929	6-8 C5OLO-S	ELBOW,90°,STRAIGHT THREAD TO ORFS			
48930	6-8 F5OLO-S	CONNECTOR,STRAIGHT THREAD TO ORFS			
48931	6-10 F5OLO-S	CONNECTOR,STRAIGHT THREAD TO ORFS			
48932	8 C5OLO-S	ELBOW,90°,STRAIGHT THREAD TO ORFS			
48933	8 F5OLO-S	CONNECTOR,STRAIGHT THREAD TO ORFS			
48934	8 FF5OLO-S	CONNECTOR,LONG,STRAIGHT THREAD TO ORFS			
48935	8 R5OLO-S	RUN TEE,STRAIGHT THREAD			
48936	8 S5OLO-S	BRANCH TEE,STRAIGHT THREAD TO ORFS			
48937	8 V5OLO-S	ELBOW,45°,STRAIGHT THREAD TO ORFS			

## Fitting Cross References (Continued)

Genie PN	Parker PN	Description	Genie PN	Parker PN	Description
48971	12 G5G5JG5-S	TEE,FEMALE STRAIGHT THREAD	49612	PKT02586	O-RING KIT (ORFS FITTINGS)
48972	12 XHL6-S	ADAPTER, 37° MALE TO SWIVEL ORFS	49613	PKT06276	PLUG AND CAP KIT-SERVICE,ORFS
48973	12-1/2 F5OG-S	ADAPTER,FEMALE PIPE TO STRAIGHT THREAD	49728	10143-12-12	HOSE END, MALE PIPE
48974	12-10 C5OLO-S	ELBOW,90°,STRAIGHT THREAD TO ORFS	49729	16-1 F5OG-S	ADAPTER,FEMALE PIPE TO STRAIGHT THREAD
48975	12-10 F5OLO-S	CONNECTOR,STRAIGHT THREAD TO ORFS	49814	12-8 FLO-S	CONNECTOR,MALE PIPE TO ORFS
48976	12-16 C5OLO-S	ELBOW,90°,STRAIGHT THREAD TO ORFS	49829	DT-500-MOMF-5	VALVE,CHECK
48977	12-16 F5OLO-S	CONNECTOR,STRAIGHT THREAD TO ORFS	49831	881-12	HOSE,3/4 INCH ID
48978	12-16 V5OLO-S	ELBOW,45°,STRAIGHT THREAD TO ORFS	49834	16 JLO-S	UNION TEE,ORFS
48980	12-16 FLO-S	CONNECTOR,MALE PIPE TO ORFS	49838	12-8 TRLO-BL-S	REDUCER,TUBE END TO SWIVEL,ORFS
48983	16 C5OLO-S	ELBOW,90°,STRAIGHT THREAD TO ORFS	49840	8 JLO-S	UNION TEE,ORFS
48984	16 F5OLO-S	CONNECTOR,STRAIGHT THREAD TO ORFS	49844	10-8 TRLO-BL-S	REDUCER,TUBE END TO SWIVEL,ORFS
48985	16 V5OLO-S	ELBOW,45°,STRAIGHT THREAD TO ORFS	49854	8 P5ON-S	PLUG,STRAIGHT THREAD
48986	16 FLO-S	CONNECTOR,MALE PIPE TO ORFS	49855	1JC43-16-12	HOSE END,FEMALE SWIVEL,SEAL LOK
48988	16 CD45-S	ELBOW,45°,MALE TO FEMALE PIPE	49859	4 P5ON-S	PLUG,STRAIGHT THREAD
48989	12 CD45-S	ELBOW,45°,MALE TO FEMALE PIPE	49861	4 FF5OLO-S	CONNECTOR, LONG, STRAIGHT THREAD TO ORFS
48990	8 CD45-S	ELBOW,45°,MALE TO FEMALE PIPE	49867	12-3/4 F5OG-S	ADAPTER,FEMALE PIPE TO STRAIGHT THREAD
48991	16-12 FLO-S	CONNECTOR,MALE PIPE TO ORFS	51152	6 R6X-S	RUN TEE,SWIVEL NUT,ORFS
48992	16-12 V5OLO-S	ELBOW,45°,STRAIGHT THREAD TO ORFS	51153	6-4 TRTX-S	REDUCER,TUBE END TO SWIVEL,ORFS
48993	XV501-12	BALL VALVE	51154	4-4 GTX	CONNECTOR,FEMALE PIPE TO FLARE TUBE
48994	XV501-16	BALL VALVE	51264	881-12	HOSE,3/4 INCH ID
48995	XV510P-12	BALL VALVE	51265	8 JLO-S	UNION TEE,ORFS
48996	XV510P-16	BALL VALVE	51508	6 BTX-S	NUT,FLARE TUBE
48997	PD341	DIAGNOSTIC NIPPLE, STRAIGHT THREAD	51580	12-8 TRLO-BL-S	TUBE END REDUCER,ORFS
48998	PD 361	DIAGNOSTIC NIPPLE, STRAIGHT THREAD	51628	6 R6X-S	RUN TEE,SWIVEL NUT,ORFS
48999	DT-500-MOMS-5	VALVE,CHECK	51735	3/8 HHP	PLUG,PIPE THREAD
49201	10 V5OLO-S	ELBOW,45°,STRAIGHT THREAD TO ORFS	51803	1J943-6-8	HOSE END,90° FEMALE SWIVEL,SEAL LOK
49202	1JC43-12-10	HOSE END,FEMALE SWIVEL,SEAL LOK	53023	125HBL-5-4	FITTING,HOSE BARB TO MALE PIPE
49203	10-8 V5OLO-S	ELBOW,45°,STRAIGHT THREAD TO ORFS	53497	PKT02585	O-RING KIT
49205	6 F5OHAO-S	UNION,STRAIGHT THREAD	53499	1JC71-16-16	HOSE END,FEMALE SWIVEL,SEAL LOK
49207	PD34BTL	DIAGNOSTIC NIPPLE,SEAL-LOK SWIVEL	53500	3-904	O-RING,STRAIGHT THREAD,-4
49209	8M18F870MX-S	CONNECTOR,METRIC,STRAIGHT THREAD TO FLARE TUBE	53501	3-906	O-RING,STRAIGHT THREAD,-6
49212	8 WGTX-WLN-S	CONNECTOR,BULKHEAD,FEMALE PIPE TO FLARE TUBE	53502	3-908	O-RING,STRAIGHT THREAD,-8
49213	30682-8-8	HOSE END,FEMALE SWIVEL,JIC	53503	3-910	O-RING,STRAIGHT THREAD,-10
49216	831-8	HOSE,1/2 INCH ID			
49217	33982-8-8	HOSE END,90° FEMALE SWIVEL,JIC			
49219	PS-B-35	SLEEVE,NYLON,2.19" ID			
49418	4-6 V5OLO-S	ELBOW,45°,STRAIGHT THREAD TO ORFS			
49511	DT370-MOMS-5	VALVE,CHECK			
49512	1 DD-S	ELBOW,90°,FEMALE PIPE			
49513	1 FF-S	NIPPLE,PIPE			
49514	10 HP5ON-S	PLUG,STRAIGHT THREAD			
49515	12-16 CLO-S	ELBOW,90°,MALE PIPE TO ORFS			
49517	6 HP5ON-S	PLUG,STRAIGHT THREAD			
49519	16-12 F5OLO-S	CONNECTOR,STRAIGHT THREAD TO ORFS			
49520	4 VTX-S	ELBOW,45°,MALE PIPE TO FLARE TUBE			
49530	16 C6LO-S	ELBOW,90°,SWIVEL NUT ORFS			



## Fitting Cross References (Continued)

Genie PN	Parker PN	Description	Genie PN	Parker PN	Description
53535	3-912	O-RING,STRAIGHT THREAD,-12	61083	24 F5OLO-S	CONNECTOR,STRAIGHT THREAD TO ORFS
53536	4-PNLO-S	PLUG,TUBE END,ORFS	61086	20 R5OLO-S	RUN TEE,STRAIGHT THREAD
53537	6 PNLO-S	PLUG,TUBE END,ORFS	61090	24-20 F5OLO-S	CONNECTOR,STRAIGHT THREAD TO ORFS
53538	8 PNLO-S	PLUG,TUBE END,ORFS	61091	1J943 24-24	HOSE END,90° FEMALE SWIVEL,SEAL LOK
53539	10 PNLO-S	PLUG,TUBE END,ORFS	61093	1J978-12-12	HOSE END,90° FEMALE SWIVEL,JIC
53540	12 PNLO-S	PLUG,TUBE END,ORFS	61095	1JS43-20-16	HOSE END,FEMALE SWIVEL,SEAL LOK
53946	129HB-5-4	FITTING,90° HOSE BARB TO MALE PIPE	61100	811-24	HOSE,11/2 INCH ID
53951	8-1/4F50G-S	ADAPTER,FEMALE PIPE TO STRAIGHT THREAD	61130	1JS43-24-24	HOSE END,FEMALE SWIVEL,SEAL LOK
53980	6 S6LO-S	BRANCH TEE,SWIVEL NUT TO ORFS	61131	1JS78 12-12	HOSE END,FEMALE SWIVEL,SEAL LOK
54132	4 C6LO-S	ELBOW,90°,SWIVEL NUT ORFS	61132	1J778-12-12	HOSE END,45° FEMALE SWIVEL,JIC
54135	11343-16-16	HOSE END,MALE SWIVEL,PIPE	61152	139HB-6-4	ELBOW,45°,BARB TO MALE PIPE
54283	8-10 C5OLO-S	ELBOW,90°,STRAIGHT THREAD TO ORFS	61251	BV-0750	BALL VALVE
54428	8M18C870MLO-S	ELBOW, 90° METRIC, STRAIGHT THREAD TO ORFS	61259	4 CC5OLO-S	ELBOW,90° LONG,STRAIGHT THREAD TO ORFS
54803	FS-F-16-10	SLEEVE,FIRE,-96" ID	61260	20-12 TRLO-BL	REDUCER,TUBE END TO SWIVEL,ORFS
54954	10143-2-4	HOSE END, MALE PIPE	61262	12 C6LO-S	ELBOW,90°,SWIVEL NUT ORFS
55190	3/8 HP-S	PLUG,PIPE THREAD	61263	20 F5OHAO-S	UNION,STRAIGHT THREAD
55448	8 HLO-S	UNION,ORFS	61264	6-10 C5OLO-S	ELBOW,90°,STRAIGHT THREAD TO ORFS
55839	6 F65OX-S	CONNECTOR,STRAIGHT THREAD TO 37° SWIVEL	61265	6 WNLO-WLNL-S	UNION,BULKHEAD 45°,ORFS
55968	10 C5OX-S	ELBOW,90°,STRAIGHT THREAD TO FLARE TUBE	61268	4 WNLO-WLNL-S	UNION,BULKHEAD 45°,ORFS
56003	6 CC5OLO-S	ELBOW,90° LONG,STRAIGHT THREAD TO ORFS	61269	4 WLO-WLNL-S	UNION,BULKHEAD,ORFS
56166	BV-0837	BALL VALVE,90°	61272	12 AOEL6	ELBOW,90°,STRAIGHT THREAD TO ORFS SWIVEL
56188	10143-8-6	HOSE END, MALE PIPE	61316	482TC-16	HOSE,1 INCH ID
56233	2-011	O-RING,ORFS,-4	61321	6 JLO-S	UNION TEE,ORFS
56234	2-012	O-RING,ORFS,-6	61327	782-12	HOSE,3/4 INCH ID
56235	2-014	O-RING,ORFS,-8	61328	881-24	HOSE,11/2 INCH ID
56236	2-016	O-RING,ORFS,-10	61336	11943-20-24	HOSE END,90° FLANGE HEAD
56237	2-018	O-RING,ORFS,-12	61345	12 WJLO-WLNL-S	RUN TEE, BULKHEAD,ORFS
56238	2-021	O-RING,ORFS,-16	61346	8 WNLO-WLNL-S 4	UNION,BULKHEAD 45°,ORFS
56352	6 WLNL-S	LOCKNUT,BULKHEAD	61569	33782-8-8	HOSE END,45° FEMALE SWIVEL,JIC
56353	3J782-12-12	HOSE END,45° FEMALE SWIVEL,SEAL LOK	61610	12 FF5OLO-S	CONNECTOR,LONG,STRAIGHT THREAD TO ORFS
56354	3J982-12-12	HOSE END,90° FEMALE SWIVEL,SEAL LOK	61742	1/8 X 1.5 FFF	NIPPLE,PIPE
56604	10-8 F5OLO-S	CONNECTOR,STRAIGHT THREAD TO ORFS	63426	8 PNTX-S	PLUG,FLARE TUBE
56639	3JC82-10-10	HOSE END,FEMALE SWIVEL,SEAL LOK			
56640	3J982-10-10	HOSE END,90° FEMALE SWIVEL,SEAL LOK			
56655	3JC82-8-10	HOSE END,FEMALE SWIVEL,SEAL LOK			
56676	10-8 C5OLO-S	ELBOW,90°,STRAIGHT THREAD TO ORFS			
56776	471TC-6	HOSE,3/8 INCH ID			
56777	471TC-8	HOSE,1/2 INCH ID			
56789	811-16	HOSE,1 INCH ID			
57884	3/8 FF	NIPPLE,PIPE			
59335	6 FNL-S	CAP,TUBE END			
59342	4 FNL-S	CAP,TUBE END			
59371	8 HP5ON-S	PLUG,STRAIGHT THREAD			
60653	BV-0751	BALL VALVE			
60806	125HB-3-4	FITTING,HOSE BARB TO MALE PIPE			
61064	5-1/4 F50G-S	ADAPTER,FEMALE PIPE TO STRAIGHT THREAD			
61079	4 WELO-WLNL-S	UNION,90° BULKHEAD W/NUT,ORFS			
61080	6 WLO-WLNL-S	UNION,BULKHEAD,ORFS			

## Fitting Cross References (Continued)

Genie PN	Parker PN	Description	Genie PN	Parker PN	Description
64271	4 WLO-WLNL-S	UNION,BULKHEAD,ORFS	75631	801-6	HOSE,3/8 INCH ID
64272	6 WLO-WLNL-S	UNION,BULKHEAD,ORFS	75654	20 F5OLO-S	CONNECTOR,STRAIGHT THREAD TO ORFS
65776	8 F65OL-S	CONNECTOR,STRAIGHT THREAD TO ORFS SWIVEL	75655	1J943-20-20	HOSE END,90° FEMALE SWIVEL,SEAL LOK
65880	6001012	O-RING KIT	75656	881-20	HOSE,1-1/4 INCH ID
66154	6 WTX-WLNS	UNION,BULKHEAD,FLARE TUBE	75971	8 F5OHAO-S	UNION,STRAIGHT THREAD
66155	6 WETX-S	UNION,BULKHEAD 90°,FLARE TUBE	77307	1JB43-8-8	HOSE END,BULKHEAD,SEAL LOK
66156	6 WLN-S	BULKHEAD LOCKNUT	77309	8 WLNL-S	BULKHEAD LOCKNUT
66389	6-8 F5OX-S	CONNECTOR,STRAIGHT THREAD TO FLARE TUBE	77379	8M18C87OMX-S	ELBOW,90° METRIC,STRAIGHT THREAD TO FLARE TUBE
66392	6 R5OX-S	RUN TEE,STRAIGHT THREAD	77703	3J982-8-8	HOSE END,90° FEMALE SWIVEL,SEAL LOK
66396	811-12	HOSE,3/4 INCH ID	77711	801-10	HOSE,5/8 INCH ID
66829	H3174PP	CLAMP,TUBE	77758	12 WNLO-WLNL-S	UNION,BULKHEAD 45°,ORFS
67217	4 KLO-S	UNION,CROSS,ORFS	78091	6 C6X-S	ELBOW,90°,SWIVEL NUT TO FLARE TUBE
67339	10-6 F5OX-S	CONNECTOR,STRAIGHT THREAD TO FLARE TUBE	78684	30582-8-8B	HOSE END,PUSH LOK,MALE
67357	13943-8-6	HOSE END,90° FEMALE SWIVEL,JIC	78852	549-2	HOSE,1/8 INCH ID
67358	10 HP5ON-S	PLUG,STRAIGHT THREAD	78855	10657-4-2	HOSE END,FEMALE SWIVEL,JIC
67371	12 S6LO-S	BRANCH TEE,SWIVEL NUT TO ORFS	79138	PS-B-37	SLEEVE,NYLON,2.38" ID
67498	4 FNL-S	CAP, TUBE END	79476	1JS43-6-8	HOSE END,FEMALE SWIVEL,SEAL LOK
67906	DC-370-F0F0-5	VALVE,CHECK	79847	12-3/4 A0EG-S	ELBOW,90°,STRAIGHT THREAD TO FEMALE PIPE
69316	8 FLO-S	CONNECTOR,MALE PIPE TO ORFS	80044	8 CLO-S	ELBOW,90°,MALE PIPE TO ORFS
69333	H3174PP	CLAMP,HYDRAULIC HOSE	80502	8 F5OX-S	CONNECTOR,STRAIGHT THREAD TO FLARE TUBE
69503	4 F65OX-S	CONNECTOR,STRAIGHT THREAD TO 37° SWIVEL	80503	8 C5OX-S	ELBOW,90°,STRAIGHT THREAD TO FLARE TUBE
69775	8 FNL-S	CAP, TUBE END	81010	AS-B-27	SLEEVE,NYLON,1.63" ID
71038	1/4X1/4F3HG-S	ADAPTER,CONVERSION	83052	821-6	HOSE,3/8 INCH ID
71196	12-8 F5OLO-S	CONNECTOR,STRAIGHT THREAD TO ORFS	83053	821-8	HOSE,1/2 INCH ID
71383	1/4 CD45-S	ELBOW,45°,MALE TO FEMALE PIPE	83054	821-12	HOSE,3/4 INCH ID
72270	12FNL-S	CAP, TUBE END	83055	30682-6-6	HOSE END,FEMALE SWIVEL,JIC
73436	60C-4	SLEEVE,COMPRESSION	83056	30682-12-12	HOSE END,FEMALE SWIVEL,JIC
73437	61C-4	NUT,COMPRESSION	83057	33782-6-6	HOSE END,45° FEMALE SWIVEL,JIC
73438	33482-4-4B	HOSE END,PUSH LOK,MALE	83058	33982-6-6	HOSE END,90° FEMALE SWIVEL,JIC
73767	1CD-S	ELBOW,90°,MALE TO FEMALE PIPE	83060	33982-12-12	HOSE END,90° FEMALE SWIVEL,JIC
73768	20-16-F5OG5-S	ADAPTER,FEMALE PIPE TO STRAIGHT THREAD	83063	13743-4-4	HOSE END,45° FEMALE SWIVEL,JIC
73769	16-20 F5OLO-S	CONNECTOR,STRAIGHT THREAD TO ORFS			
74660	6-8 F42EDMLO-S	CONNECTOR,MALE BSPP TO ORFS			
74661	8-8 F42EDMLO-S	CONNECTOR,MALE BSPP TO ORFS			
75007	4 FLO-S	CONNECTOR,MALE PIPE TO ORFS			
75008	1/8 HP-S	PLUG,PIPE THREAD			
75014	1/2 HP-S	PLUG,PIPE THREAD			
75042	8 WELO-WLNL-S	UNION,90° BULKHEAD W/NUT,ORFS			
75043	3/4 FF-S	NIPPLE,PIPE			
75254	24 F5OHAO-S	UNION,STRAIGHT THREAD			
75255	12 F5OHAO-S	UNION,STRAIGHT THREAD			
75256	XV506P-24	BALL VALVE			
75574	4 WLNL-S	BULKHEAD LOCKNUT			
75612	8 WJLO-WLNL-S	RUN TEE, BULKHEAD,ORFS			
75613	12-8 F5OG5-S	ADAPTER,FEMALE PIPE TO STRAIGHT THREAD			
75614	8 CC5OLO-S	ELBOW,90° LONG,STRAIGHT THREAD TO ORFS			
75628	1JB43-4-4	HOSE END,BULKHEAD,SEAL LOK			

## Fitting Cross References (Continued)

Genie PN	Parker PN	Description	Genie PN	Parker PN	Description
83064	13743-8-8	HOSE END,45° FEMALE SWIVEL,JIC	89449	6 WJLO-WLNL-S	RUN TEE, BULKHEAD,ORFS
83065	13743-12-12	HOSE END,45° FEMALE SWIVEL,JIC	89489	4 WJMLO-S	BRANCH TEE,BULKHEAD,ORFS
83066	13943-8-8	HOSE END,90° FEMALE SWIVEL,JIC	89551	1JB43-6-6	HOSE END,BULKHEAD,SEAL LOK
83067	14143-6-6	HOSE END,90° FEMALE SWIVEL,JIC	89552	1JB43-8-8	HOSE END,BULKHEAD,SEAL LOK
83068	14143-8-8	HOSE END,90° FEMALE SWIVEL,JIC	89593	20 C5OLO-S	ELBOW,90°,STRAIGHT THREAD TO ORFS
83069	14143-12-12	HOSE END,90° FEMALE SWIVEL,JIC	94161	8-8 CLO-S	ELBOW,90°,MALE PIPE TO ORFS
83070	772-8	HOSE,1/2 INCH ID	94358	351TC-12	HOSE,3/4 INCH ID
83071	10671-8-8	HOSE END,FEMALE SWIVEL,JIC	94418	20 FLO-S	CONNECTOR,MALE PIPE TO ORFS
83072	10671-12-12	HOSE END,FEMALE SWIVEL,JIC	96358	12 TX-S	SLEEVE,FLARE TUBE
83073	13771-8-8	HOSE END,45° FEMALE SWIVEL,JIC	96359	12 BTX-S	NUT,FLARE TUBE
83074	13771-12-12	HOSE END,45° FEMALE SWIVEL,JIC	96397	8 F5OX-S	CONNECTOR,STRAIGHT THREAD TO FLARE TUBE
83075	13971-8-8	HOSE END,90° FEMALE SWIVEL,JIC	96398	12-8 F5OX-S	CONNECTOR,STRAIGHT THREAD TO FLARE TUBE
83076	13971-12-12	HOSE END,90° FEMALE SWIVEL,JIC	96402	10343-6-6	HOSE END,MALE,JIC
83077	14171-8-8	HOSE END,90° FEMALE SWIVEL,JIC	96407	30382-6-6B	HOSE END,MALE,JIC
83078	14171-12-12	HOSE END,90° FEMALE SWIVEL,JIC			
83080	13943-16-16	HOSE END,90° FEMALE SWIVEL,JIC			
83103	10671-16-12	HOSE END,FEMALE SWIVEL,JIC			
83104	10671-10-12	HOSE END,FEMALE SWIVEL,JIC			
83112	1JC71-8-8	HOSE END,FEMALE SWIVEL,SEAL LOK			
83113	1JS71-16-12	HOSE END,FEMALE SWIVEL,SEAL LOK			
83114	1JS71-10-12	HOSE END,FEMALE SWIVEL,SEAL LOK			
83115	1J971-8-8	HOSE END,90° FEMALE SWIVEL,SEAL LOK			
83116	1J171-8-8	HOSE END,90° FEMALE SWIVEL,SEAL LOK			
83117	1J771-8-8	HOSE END,45° FEMALE SWIVEL,SEAL LOK			
83127	1J543-6-8	HOSE END,90° FEMALE SWIVEL,JIC			
83128	1JC43-6-8	HOSE END,FEMALE SWIVEL,SEAL LOK			
87033	12-6 TRLO-S	REDUCER,TUBE END TO SWIVEL,ORFS			
87034	3J782-8-8	HOSE END,45° FEMALE SWIVEL,SEAL LOK			
87172	12 HP5ON-S	PLUG,STRAIGHT THREAD			
87185	8 WNLO-WLNL-S	UNION,BULKHEAD 45°,ORFS			
87246	4 C6X-S	ELBOW,90°,SWIVEL NUT TO FLARE TUBE			
87679	6 LHP-S	FLANGE SEAL FITTING, MALE			
87681	6PLS N0702	BONDED SEAL			
88100	SR88100	ADAPTER,OIL DRAIN,GM 3.0L			
88311	1JS43-20-20	HOSE END,FEMALE SWIVEL,SEAL LOK			
88353	20 V5OLO-S	ELBOW,45°,STRAIGHT THREAD TO ORFS			
88474	10081-20	Crimp Shell, 1.25"			
88475	1988-20-24	HOSE END,90° FLANGE HEAD			
88476	JS88-24-24	HOSE END,FEMALE SWIVEL,SEAL LOK			
88477	1JC88-20-20	HOSE END,FEMALE SWIVEL,SEAL LOK			
88478	811-20	HOSE,11/4 INCH ID			
88936	20-16 F5OLO-S	CONNECTOR,STRAIGHT THREAD TO ORFS			
88937	20-16 FLO-S	CONNECTOR,MALE PIPE TO ORFS			
88938	1JC88-16-16	HOSE END,FEMALE SWIVEL,SEAL LOK			
88939	1J988-16-16	HOSE END,90° FEMALE SWIVEL,ORFS			
88940	811-16	HOSE,1 INCH ID			
88944	1J988-20-20	HOSE END,90° FEMALE SWIVEL,ORFS			
89403	16 VLO-S	ELBOW,45°,MALE PIPE TO ORFS			

California Proposition 65



Operating, servicing and maintaining this equipment can expose you to chemicals including engine exhaust, carbon monoxide, phthalates, and lead, which are known to the State of California to cause cancer and birth defects or other reproductive harm. These chemicals can be emitted from or contained in other various parts and systems, fluids and some component wear by-products. To minimize exposure, avoid breathing exhaust, do not idle the engine except as necessary, service your equipment and vehicle in a well-ventilated area and wear gloves or wash your hands frequently when servicing your equipment or vehicle and after operation. For more information go to [www.P65Warnings.ca.gov/passenger-vehicle](http://www.P65Warnings.ca.gov/passenger-vehicle).

Distributed By:

Go to [Discount-Equipment.com](http://Discount-Equipment.com) to order your parts

# PARTS FINDER

**Search Website  
by Part Number**



**Search Manual  
Library For Parts  
Manual & Lookup Part  
Numbers – Purchase  
or Request Quote**

**Search Manuals**

Enter your information to help us find the right parts manual for your machine.

\* Brand:

\* Model:

\* Serial:

\* Part Number:

SEARCH

**Can't Find Part or  
Manual? Request Help  
by Manufacturer,  
Model & Description**

**Parts Order Form**

Please fill in the following information to help us find the right part for your machine.

Manufacturer:	<input type="text"/>
Model:	<input type="text"/>
Description:	<input type="text"/>
Part Number:	<input type="text"/>
Quantity:	<input type="text"/>
Notes:	<input type="text"/>

Submit

Discount-Equipment.com is your online resource for quality parts & equipment.

Florida: **561-964-4949** Outside Florida TOLL FREE: **877-690-3101**

**Need parts?**

Click on this link: <http://www.discount-equipment.com/category/5443-parts/> and choose one of the options to help get the right parts and equipment you are looking for. Please have the machine model and serial number available in order to help us get you the correct parts. If you don't find the part on the website or on one of the online manuals, please fill out the request form and one of our experienced staff members will get back to you with a quote for the right part that your machine needs.

We sell worldwide for the brands: Genie, Terex, JLG, MultiQuip, Mikasa, Essick, Whiteman, Mayco, Toro Stone, Diamond Products, Generac Magnum, Airman, Haulotte, Barreto, Power Blanket, Nifty Lift, Atlas Copco, Chicago Pneumatic, Allmand, Miller Curber, Skyjack, Lull, Skytrak, Tsurumi, Husquvarna Target, Stow, Wacker, Sakai, Mi-T-M, Sullair, Basic, Dynapac, MBW, Weber, Bartell, Bennar Newman, Haulotte, Ditch Runner, Menegotti, Morrison, Contec, Buddy, Crown, Edco, Wyco, Bomag, Laymor, EZ Trench, Bil-Jax, F.S. Curtis, Gehl Pavers, Heli, Honda, ICS/PowerGrit, IHI, Partner, Imer, Clipper, MMD, Koshin, Rice, CH&E, General Equipment, Amida, Coleman, NAC, Gradall, Square Shooter, Kent, Stanley, Tamco, Toku, Hatz, Kohler, Robin, Wisconsin, Northrock, Oztec, Toker TK, Rol-Air, APT, Wylie, Ingersoll Rand / Doosan, Innovatech, Con X, Ammann, Mecalac, Makinex, Smith Surface Prep, Small Line, Wanco, Yanmar