



A TEREX BRAND



Parts Manual

Serial Number Range

GS-2669RT

from SN GS6911-101 to
GS6916-7896

GS-3369RT

from SN GS6916F-7897 to
GS6916F-10499

GS-4069RT

Part No. 229832GT

Rev C2

November 2018

Go to Discount-Equipment.com to order your parts

PARTS FINDER

**Search Website
by Part Number**



**Search Manual
Library For Parts
Manual & Lookup Part
Numbers – Purchase
or Request Quote**

Search Manuals

Enter your information to help us find the right parts manual for your machine.

* Brand:

* Model:

* Serial:

* Part Number:

SEARCH

**Can't Find Part or
Manual? Request Help
by Manufacturer,
Model & Description**

Parts Order Form

Please fill in the following information to help us find the right part for your machine.

Manufacturer:	<input type="text"/>
Model:	<input type="text"/>
Description:	<input type="text"/>
Part Number:	<input type="text"/>
Quantity:	<input type="text"/>
Notes:	<input type="text"/>

Submit

Discount-Equipment.com is your online resource for quality parts & equipment.

Florida: **561-964-4949** Outside Florida TOLL FREE: **877-690-3101**

Need parts?

Click on this link: <http://www.discount-equipment.com/category/5443-parts/> and choose one of the options to help get the right parts and equipment you are looking for. Please have the machine model and serial number available in order to help us get you the correct parts. If you don't find the part on the website or on one of the online manuals, please fill out the request form and one of our experienced staff members will get back to you with a quote for the right part that your machine needs.

We sell worldwide for the brands: Genie, Terex, JLG, MultiQuip, Mikasa, Essick, Whiteman, Mayco, Toro Stone, Diamond Products, Generac Magnum, Airman, Haulotte, Barreto, Power Blanket, Nifty Lift, Atlas Copco, Chicago Pneumatic, Allmand, Miller Curber, Skyjack, Lull, Skytrak, Tsurumi, Husquvarna Target, Stow, Wacker, Sakai, Mi-T-M, Sullair, Basic, Dynapac, MBW, Weber, Bartell, Bennar Newman, Haulotte, Ditch Runner, Menegotti, Morrison, Contec, Buddy, Crown, Edco, Wyco, Bomag, Laymor, EZ Trench, Bil-Jax, F.S. Curtis, Gehl Pavers, Heli, Honda, ICS/PowerGrit, IHI, Partner, Imer, Clipper, MMD, Koshin, Rice, CH&E, General Equipment, Amida, Coleman, NAC, Gradall, Square Shooter, Kent, Stanley, Tamco, Toku, Hatz, Kohler, Robin, Wisconsin, Northrock, Oztec, Toker TK, Rol-Air, APT, Wylie, Ingersoll Rand / Doosan, Innovatech, Con X, Ammann, Mecalac, Makinex, Smith Surface Prep, Small Line, Wanco, Yanmar

To August 31, 2016

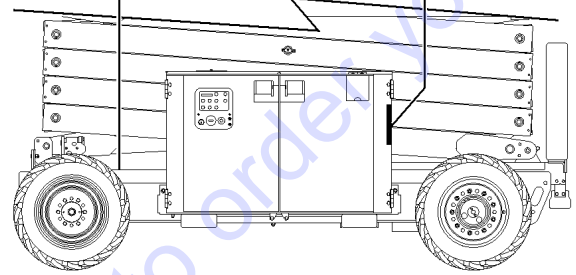
Genie
A TEREX BRAND

Model:
Serial number: GS6916F-12345
Manufacture date: 1/2/16
Electrical schematic number:
Machine unladen weight:
Rated work load (including occupants):
Maximum number of platform occupants:
Maximum allowable inclination of the chassis:
Outrigger retracted:
Outrigger deployed:

GS69 16 F - 12345

1 2 3 4

6 5



- 1 Model
- 2 Model year
- 3 Facility code

- 4 Sequence number
- 5 Serial label (located inside compartment)
- 6 Serial number (stamped on chassis)

From September 1, 2016

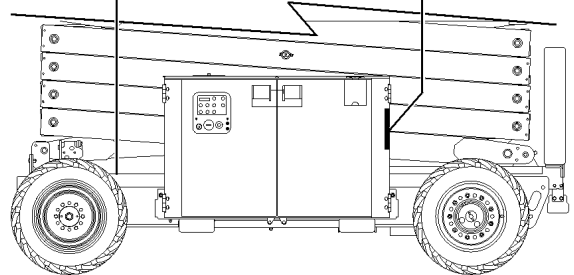
Genie
A TEREX BRAND

Model:
Serial number: GS69F-12345
Year of manufacture: 2016
Electrical schematic number:
Machine unladen weight:
Rated work load (including occupants):
Maximum number of platform occupants:
Maximum allowable inclination of the chassis:
Outrigger retracted:
Outrigger deployed:

GS69 F - 12345

1 2 3

5 4



- 1 Model
- 2 Facility code
- 3 Sequence number

- 4 Serial label (located inside compartment)
- 5 Serial number (stamped on chassis)

Table of Contents

This manual is updated frequently. For the most up-to-date parts information, visit www.discount-equipment.com

How to Read Your Serial Number.....	3
Parts Stocking List.....	7

Electronic Version

Click on any page number to view the figure.

001 Parts Stocking List

001.1 Parts Stocking List.....	10
--------------------------------	----

100 Decals

101.1 Decals with Words, GS-2669, Engine Side.....	12
102.1 Decals with Words, GS-2669, Controls Side.....	14
103.1 Decals with Words, GS-2669 Platform, ANSI & CSA.....	16
104.1 Decals with Words, GS-2669 Platform, Australia.....	18
105.1 Decals with Symbols, GS-2669, Engine Side.....	20
106.1 Decals with Symbols, GS-2669, Controls Side.....	22
107.1 Decals with Symbols, GS-2669 Platform, Asia & South America.....	24
108.1 Decals with Symbols, GS-2669 Platform, CE.....	26
109.1 Decals with Words, GS-3369, Engine Side.....	28
110.1 Decals with Words, GS-3369, Controls Side.....	30
111.1 Decals with Words, GS-3369 Platform, ANSI & CSA.....	32
112.1 Decals with Words, GS-3369 Platform, Australia.....	34
113.1 Decals with Symbols, GS-3369, Engine Side.....	36
114.1 Decals with Symbols, GS-3369, Controls Side.....	38
115.1 Decals with Symbols, GS-3369 Platform, Asia & South America.....	40
116.1 Decals with Symbols, GS-3369 Platform, CE.....	42
117.1 Decals with Words, GS-4069, Engine Side.....	44
118.1 Decals with Words, GS-4069, Controls Side.....	46
119.1 Decals with Words, GS-4069 Platform, ANSI & CSA.....	48
120.1 Decals with Words, GS-4069 Platform, Australia.....	50
121.1 Decals with Symbols, GS-4069, Engine Side.....	52
122.1 Decals with Symbols, GS-4069, Controls Side.....	54

123.1 Decals with Symbols, GS-4069 Platform, Asia & South America.....	56
124.1 Decals with Symbols, GS-4069 Platform, CE.....	58

200 Drive Chassis Components

201.1 Steer Axle Linkage, Wheels and Drive Motors.....	60
202.1 Steer Axle Linkage, Oscillation.....	62
203.1 Non-Steer Axle and Drive Motors.....	64
204.1 Ladder and Counterweight.....	68
205.1 Drive Chassis, Safety Components.....	70

300 Engine Components

301.1 Kubota WG-972 Engine, View 1 (to SN GS6916F-8533).....	72
302.1 Kubota WG-972 Engine, View 2 (to SN GS6916F-8533).....	74
303.1 Kubota WG-972 Engine, View 3 (to SN GS6916F-8533).....	78
304.1 Kubota WG-972 Engine, View 4 (to SN GS6916F-8533).....	80
305.1 Kubota D-1105 Engine, View 1.....	82
306.1 Kubota D-1105 Engine, View 2.....	84
307.1 Kubota D-1105 Engine, View 3.....	86
308.1 Kubota D-1105 Engine, View 4.....	88
309.1 Perkins 403D-11 Engine, View 1.....	90
310.1 Perkins 403D-11 Engine, View 2.....	94
311.1 GM 0.998L Engine, View 1.....	96
312.1 GM 0.998L Engine, View 2.....	98
313.1 GM 0.998L Engine, View 3.....	100

400 Chassis Tray Components

401.1 Engine Tray Components, View 1.....	102
402.1 Engine Tray Components, View 2.....	104
403.1 Hydraulic Tank And Ground Controls Installation.....	106
403.2 Gasoline Tank, Hoses and Fittings, GM 0.998L Engine.....	110
404.1 Hydraulic Tray Components.....	112
405.1 Ground Controls.....	114
406.1 LPG Tank Installation.....	116
407.1 Chassis Cover Installation (to SN GS6914-3661).....	118
407.2 Chassis Cover Installation (from SN GS6914-3662).....	120
408.1 Electrical Wiring and Power Cables.....	122

500 Scissor Components

501.1 Scissor Components, GS-2669 RT.....	126
502.1 Scissor Components, GS-3369 RT, View 1.....	130
503.1 Scissor Components, GS-3369 RT, View 2.....	132
504.1 Scissor Components, GS-4069 RT, View 1.....	134
505.1 Scissor Components, GS-4069 RT, View 2.....	136

600 Platform Components

601.1 Platform Installation, GS-2669 RT, View 1.....	138
602.1 Platform Installation, GS-3369 RT and GS-4069 RT, View 2.....	140
603.1 Platform Railing Installation.....	142
604.1 Platform Entry Gate.....	144
605.1 Platform Extension.....	146
606.1 Platform Extension Deck Lock.....	148
607.1 Power to Platform.....	150
608.1 Platform Controls.....	152
609.1 Platform Controls Joystick.....	154

700 Hydraulic Components

701.1 Function Manifold.....	156
702.1 Traction Manifold, View 1.....	158
703.1 Traction Manifold, View 2.....	160
704.1 Oscillate Cylinders, All Models.....	162
705.1 Lift Cylinders.....	164
706.1 Hydraulic Hoses and Fittings, Lift Cylinder, GS-4069 RT.....	166
707.1 Hydraulic Hoses and Fittings, View 1.....	168
708.1 Hydraulic Hoses and Fittings, View 2.....	170

800 Accessories

801.1 Flashing Motion Beacon (to SN GS6916F-9067).....	172
801.2 Flashing Motion Beacon (from SN GS6916F-9068).....	174
802.1 Generator Installation.....	176
803.1 Generator.....	178
804.1 Hydraulic Hoses and Fittings, Generator.....	180
805.1 Oil Cooler.....	182
806.1 Hydraulic Hoses and Fittings, Oil Cooler.....	184
807.1 Cold Start Installation.....	186
808.1 Outrigger Installation, View 1.....	188
809.1 Outrigger Installation, View 2.....	190
810.1 Outrigger Manifold.....	192
811.1 Outrigger Cylinders, All Models.....	194
812.1 Hydraulic Hoses and Fittings, Outrigger.....	196
813.1 Air to Platform.....	198
814.1 Link Guard, CE and Australia.....	200
815.1 Platform Work Light.....	202

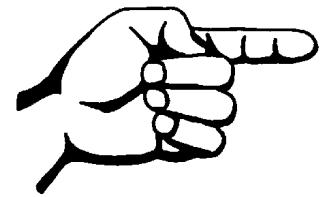
Indices

Part Number Index.....	204
Part Description Index.....	210

Cross References

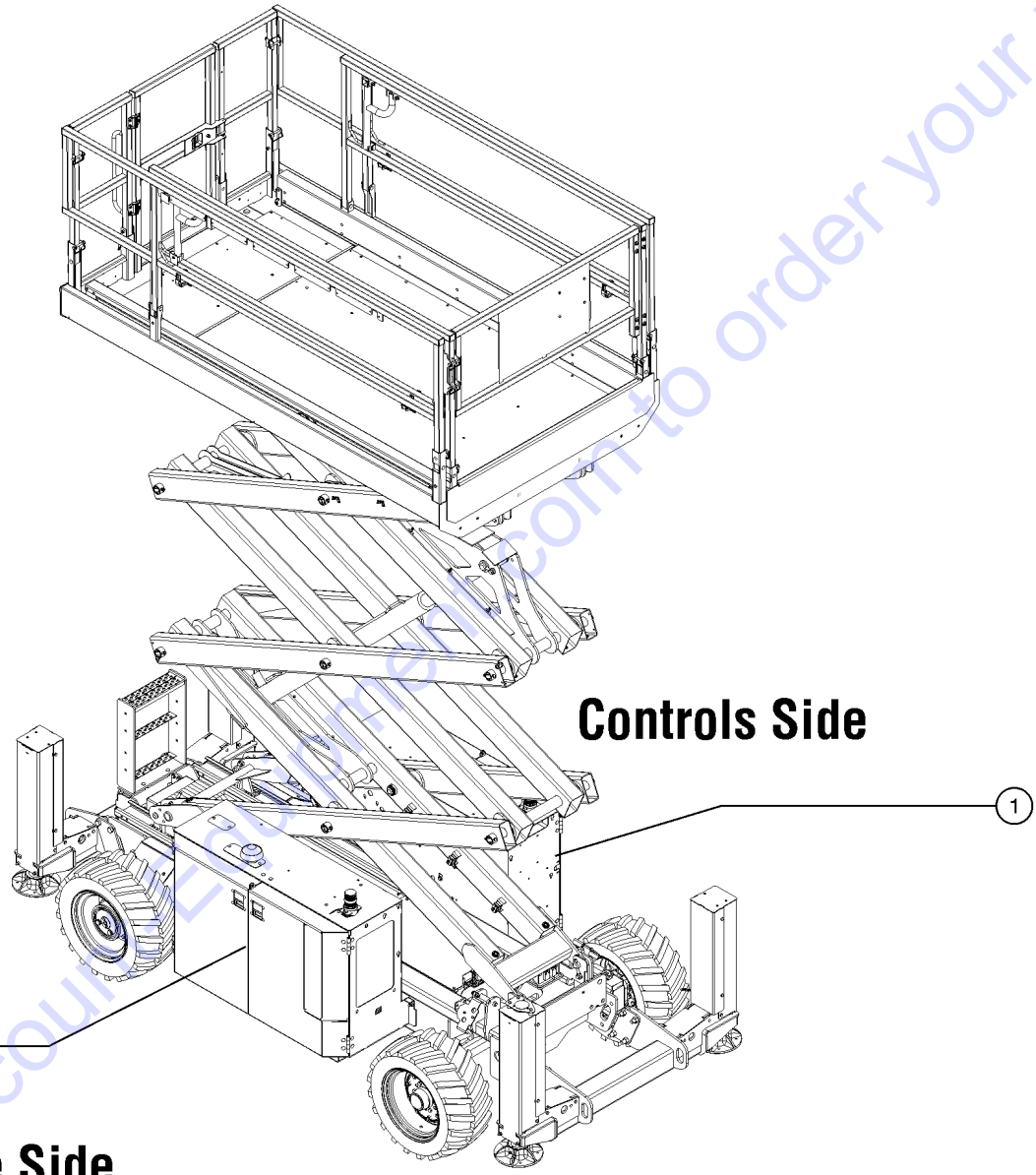
Fittings Cross Reference.....	220
-------------------------------	-----

Please refer to section 001 for the Parts Stocking List.



This page intentionally left blank.

Go to Discount-Equipment.com to order your parts



Controls Side

Engine Side

Steer End

001.1 Parts Stocking List

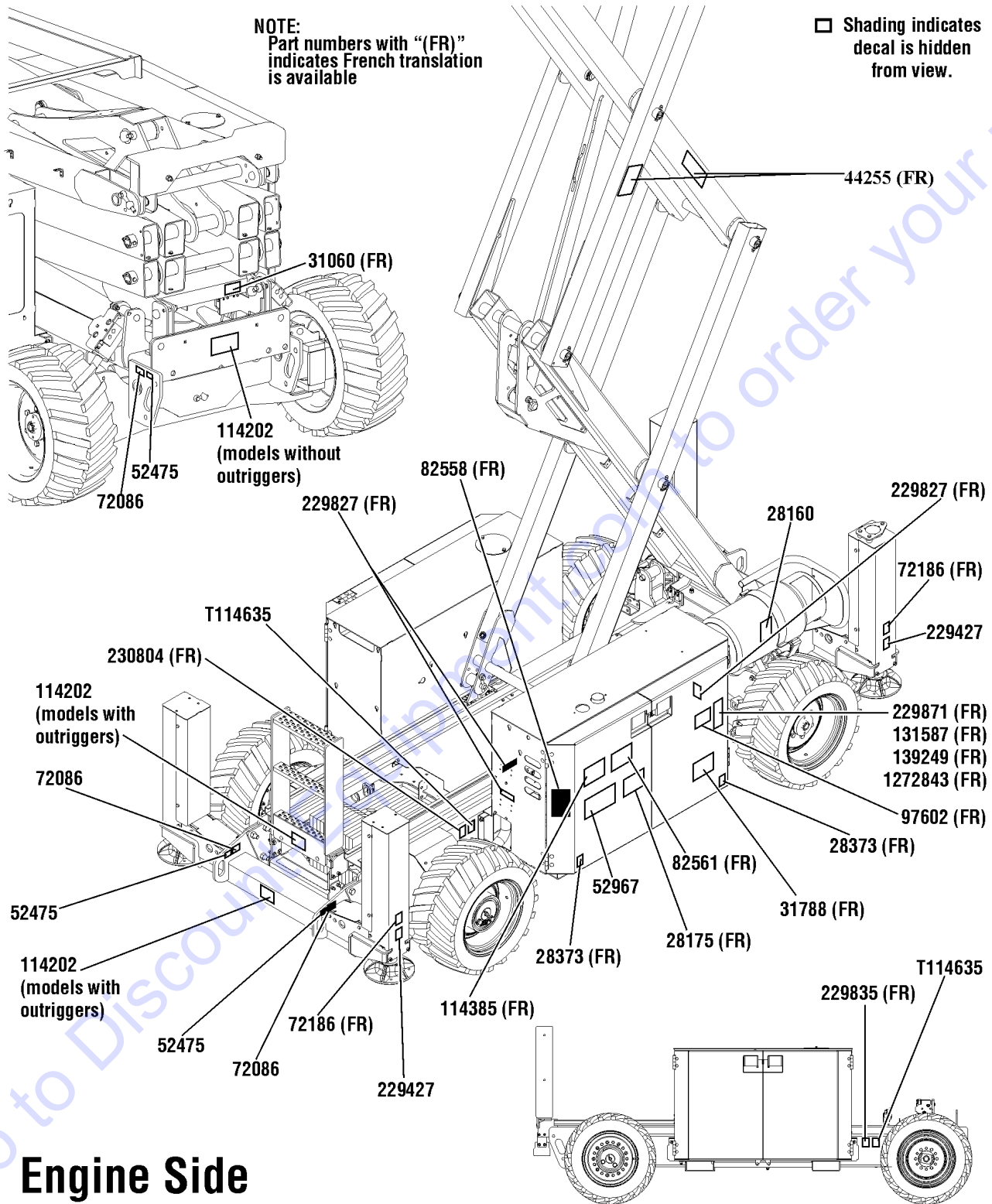
Item	Part No.	Description	Qty.	Item	Part No.	Description	Qty.
--	1257733GT	PAINT,WET,TRAFFIC BLACK (1 GL)** 1-gallon		2A	236095GT	FILTER,AIR,D1105 (kubota D1105 engine) (refer to section 300)	
--	1258567GT	PAINT, AEROSOL, TRAFFIC BLACK 12-ounce spray paint		2A	52816GT	BELT,FAN,KUBOTA DF972/Z482-E (kubota WG-972 engine) (refer to section 300)	
--	1268GT	PAINT,AEROSOL,GENIE GRAY*** 12-ounce spray paint		2A	60857GT	FILTER,ELEMENT,BETA(5)=1000 use with high pressure filter 60334GT	
--	131379GT	MANUAL,OPER,KUBOTA DIESEL **** (kubota D1105 engine)		2A	65853GT	FILTER,FUEL/WATER SEPARATOR*** (kubota D1105 engine) (refer to section 300)	
--	131661GT	MANUAL,OPERATORS,PERKINS,403D (perkins 403D-11 engine)		2A	866050GT	FILTER,OIL,KUBOTA.....1 (kubota D1105 engine) (refer to section 300)	
--	131662GT	MANUAL,WORKSHOP,PERKINS,403D (perkins 403D-11 engine)		2A	866127GT	ELEMENT,AIR CLEANER,KUBOTA (kubota WG-972 engine) (refer to section 300)	
--	1484GT	PAINT,AEROSOL,BRIGHT BLUE*** 12-ounce spray paint		2A	866400GT	KUBOTA OIL FILTER (kubota WG-972 engine) (refer to section 300)	
--	229761GT	MANUAL,WORKSHOP,D1105 (kubota D1105 engine)		2B	42767GT	SEPARATOR/FILTER ELEMENT,FUEL* (perkins 403D-11 engine) (refer to section 300)	
--	234802GT	WORKSHOP MANUAL, WG972-E2 (kubota WG-972 engine)		2B	52867GT	FILTER,AIR*** (perkins 403D-11 engine) (refer to section 300)	
--	234803GT	OPERATORS MANUAL, WG972-E2 (kubota WG-972 engine)		2B	62421GT	FILTER,FUEL,PERKINS (perkins 403D-11 engine) (refer to section 300)	
--	27581GT	MANUAL,AEM SAFETY (all models)		2B	85071GT	BELT-FAN, PERKINS (103.10) (perkins 403D-11 engine) (refer to section 300)	
--	31779GT	MANUAL,RESPON,A92.5 BOOM (all models)		2B	94762GT	OIL FILTER - PERKINS (perkins 403D-11 engine) (refer to section 300)	
--	32150GT	PAINT,WET,GENIE BLUE (1 GL)** 1-gallon		2C	119684	AIRCLEANER ASSEMBLY (GM .998L engine)	
--	32151GT	PAINT,WET,GENIE GRAY (1 GL)** 1-gallon		2C	1271754GT	GASKET, WATER INLET .998L (GM .998L engine)	
--	49613GT	PLUG AND CAP KIT-SERVICE,ORFS* (all models)		2C	1271797GT	KIT, VAPORIZER .998L (GM .998L engine)	
--	66399GT	GREASE,DIELECTRIC 4 OZ** (all models)		2C	1271823GT	KIT, ELECTRICAL .998L (GM .998L engine)	
1		Ref: Hydraulic Box Components (refer to section 400)		2C	1271848GT	KIT, EXHAUST .998L (GM .998L engine)	
--	131658GT	CAP,HYDRAULIC TANK,GS68/84/90 (all models)		2C	1271876GT	KIT, STARTER .998L (GM .998L engine)	
1A	23168GT	FILTER,FUEL,IN-LINE** (kubota WG-972 engine)					
1C	1272018GT	PUMP, FUEL, GM .998L (GM .998L engine)					
1C	1272019GT	FILTER, FUEL (GM .998L engine)					
2		Ref: Engine Box Components (refer to section 400)					
2A	139203GT	SPARK PLUG, DF972 (kubota WG-972 engine) (refer to section 300)					
2A	231233GT	BELT,FAN,D-1105 (kubota D1105 engine) (refer to section 300)					



101.1 Decals with Words, GS-2669, Engine Side

NOTE:
Part numbers with "(FR)" indicates French translation is available

☐ Shading indicates decal is hidden from view.



Engine Side

101.1 Decals with Words, GS-2669, Engine Side

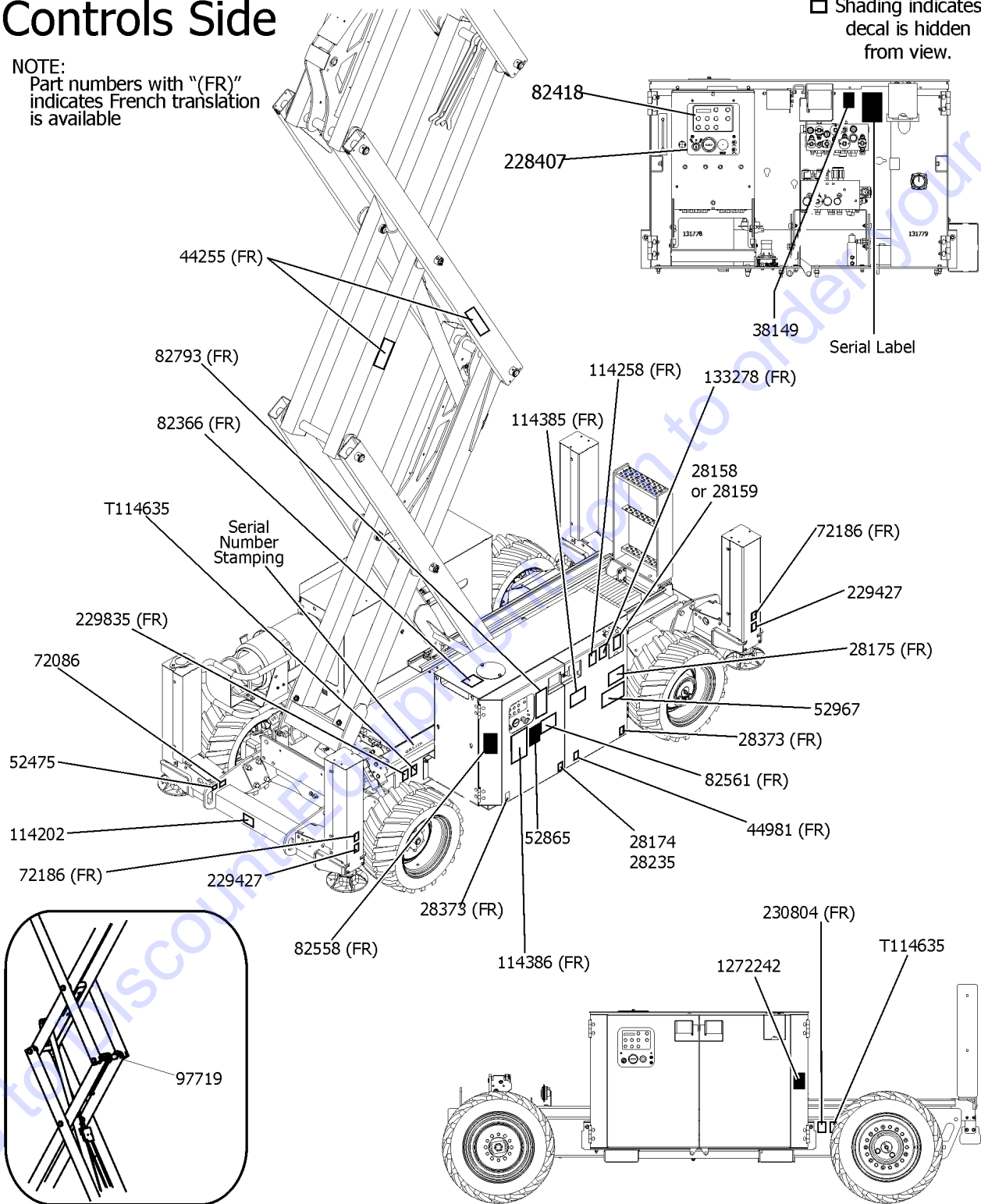
Item	Part No.	Description	Qty.
--	233039GT	DECAL KIT, 2669 COMP,WRD,ANSI <i>(Decal kit, complete for ANSI models only)</i>	
--	233044GT	DECAL KIT, 2669 COMP,WRD,AUS <i>(Decal kit, complete for AUS models only)</i>	
--	233047GT	DECAL KIT, 2669 PLAT,WRD,ANSI <i>(Decal kit, platform for ANSI models only)</i>	
--	233800GT	DECAL KIT, 2669 PLAT,WRD,AUS <i>(Decal kit, platform for AUS models only)</i>	
1	28160GT	DECAL,LABEL,LIQUID PROPANE.....1	
2	28175GT	DECAL,WARNING-COMPART ACCESS.....1	
3	28373GT	DECAL,FORK LIFT POCKET.....2	
4	31060GT	DECAL,DANGER DO NOT ALTER SWTC.....1	
5	31788GT	DECAL,DANGER,BATTERY SAFETY***.....1	
6	44255GT	DECAL,DANGER,CRUSHING HAZARD.....2	
7	52475GT	DECAL,LABEL,TRANSPORT TIEDOWN*.....2	
8	52967GT	DECAL,COSMETIC,4 X 4.....1	
9	72086GT	DECAL,LABEL,LIFTING EYE.....2	
10	72186GT	DECAL,WARNING,CRUSHING HAZARD.....2	
11	82558GT	DECAL,WARN,SKIN INJECTION HAZ*.....1	
12	82561GT	DECAL,DANGER-USE SAFETY ARM....1	
13	97602GT	DECAL,EXPLOSION HAZARD.....1	
14	114202GT	DECAL,LABEL,TRANSPORT TIE 68....1	
15	114385GT	DECAL,DANGER,ELEC HAZARD,GS....1	
16	131587GT	DECAL,NOTICE,KUB,D1105,T4.....1 <i>(option)</i>	
17	139249GT	DECAL,NOTICE,PERKINS 403D SPEC.....1 <i>(option)</i>	
18	229427GT	DECAL,LABEL,OUTRIGGER LD.....2	
19	229827GT	DECAL,WARNING,HOT SURFACE.....3	
20	229835GT	DECAL,NOTICE,TIRE SPECS.....1 <i>(steer end)</i>	
21	229871GT	DECAL,NOTICE,KUBOTA GAS SPECS.....1 <i>(option)</i>	
22	230804GT	DECAL,NOTICE,TIRE SPECS, REAR....1 <i>(non-steer end)</i>	
23	1272843GT	DECAL,NOTICE,GM .998L SPEC.....1 <i>(option)</i>	
24	T114635GT	DECAL,LABEL,WHEEL LD,GS2669RT...2	

102.1 Decals with Words, GS-2669, Controls Side

Controls Side

NOTE:
Part numbers with "(FR)" indicates French translation is available

☐ Shading indicates decal is hidden from view.

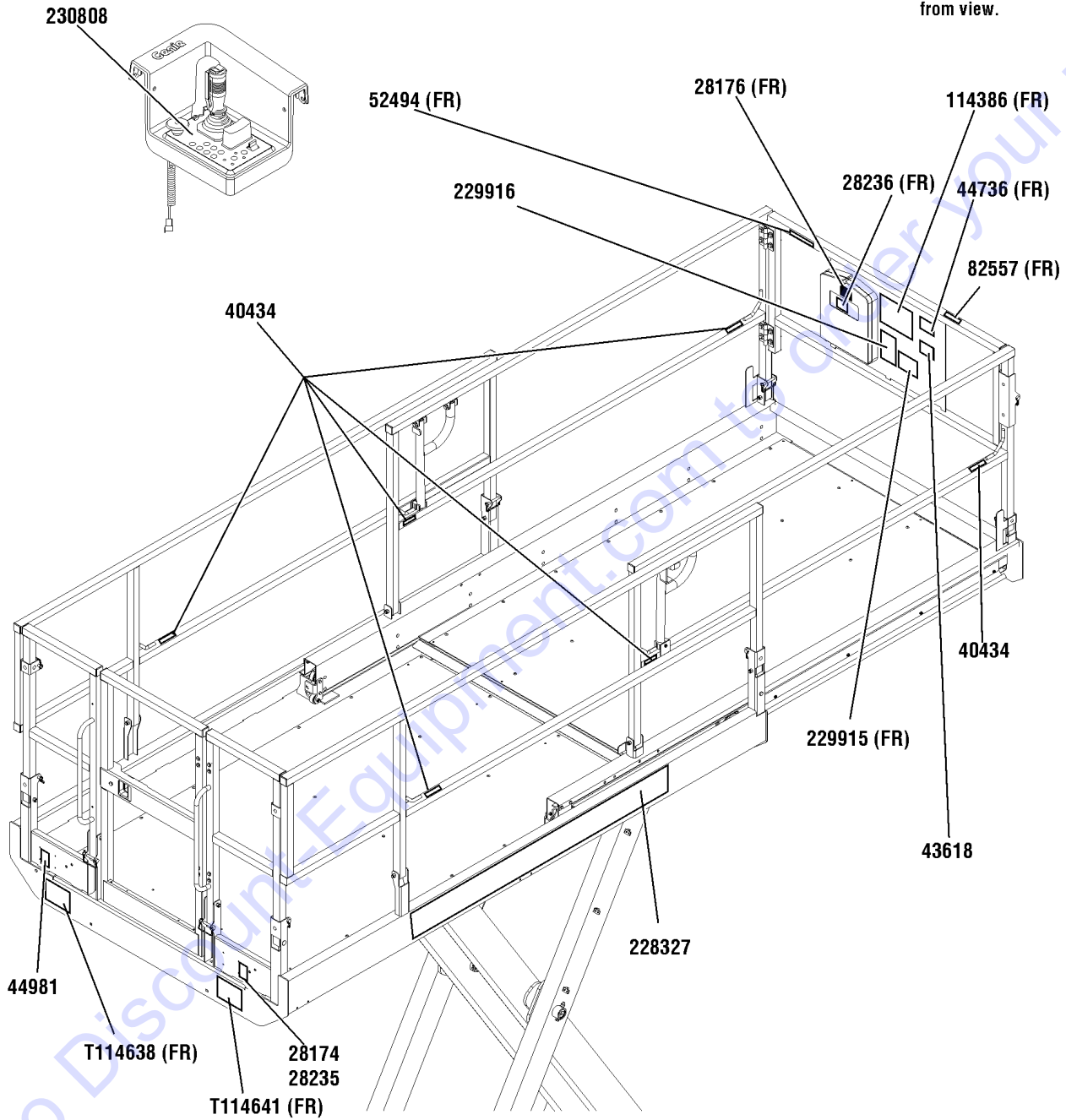


102.1 Decals with Words, GS-2669, Controls Side

Item	Part No.	Description	Qty.
--		Ref. Word Decal Kits (refer to 101.1)	
1	28158GT	DECAL,LABEL,UNLEADED GAS ONLY.....	1
2	28159GT	DECAL,DIESEL.....	1
3	28174GT	DECAL, POWER TO PLATFORM 230V**.....	1
4	28175GT	DECAL,WARNING-COMPART ACCESS.....	1
5	28235GT	DECAL,POWER TO PLATFORM 115V...1	
6	28373GT	DECAL,FORK LIFT POCKET.....	2
7	38149GT	DECAL,LABEL,PATENTS..... (US only)	1
8	44255GT	DECAL,DANGER,CRUSHING HAZARD.....	2
9	44981GT	DECAL,LABEL, AIR LINE 110 PSI.....	1
10	52475GT	DECAL,LABEL,TRANSPORT TIEDOWN*.....	2
11	52865GT	DECAL,ANNUAL INSP***.....	1
12	52967GT	DECAL,COSMETIC,4 X 4.....	1
13	72086GT	DECAL,LABEL,LIFTING EYE.....	2
14	72186GT	DECAL,WARNING,CRUSHING HAZARD.....	2
15	82366GT	DECAL,CHEVRON RANDO HD.....	1
16	82418GT	DECAL,GROUND CONTROL PANEL.....	1
17	82558GT	DECAL,WARN,SKIN INJECTION HAZ*.....	1
18	82561GT	DECAL,DANGER-USE SAFETY ARM...1	
19	82793GT	DECAL,NOTICE,OP INST,GROUND.....	1
20	97719GT	DECAL, LABEL, SAFETY ARM SYMB....	1
21	114202GT	DECAL,LABEL,TRANSPORT TIE 68....	1
22	114258GT	DECAL,DANGER,NO SMOKING.....	1
23	114385GT	DECAL,DANGER,ELEC HAZARD,GS....	1
24	114386GT	DECAL,DANGER-GEN SAFETY.....	1
25	133278GT	DECAL,LOW/ULTRA LOW SULFR FUEL..... (diesel models only)	1
26	228407GT	DECAL,GROUND CONTROL PANEL.....	1
27	229427GT	DECAL,LABEL,OUTRIGGER LD.....	2
28	229835GT	DECAL,NOTICE,TIRE SPECS..... (steer end)	1
29	230804GT	DECAL,NOTICE,TIRE SPECS, REAR...1 (non-steer end)	
30	T114635GT	DECAL,LABEL,WHEEL LD,GS2669RT...2	
31	1272242GT	DECAL,MACHINE REGISTRATION/OWNER TRANSFER....	1

Platform, ANSI/CSA models

☐ Shading indicates decal is hidden from view.



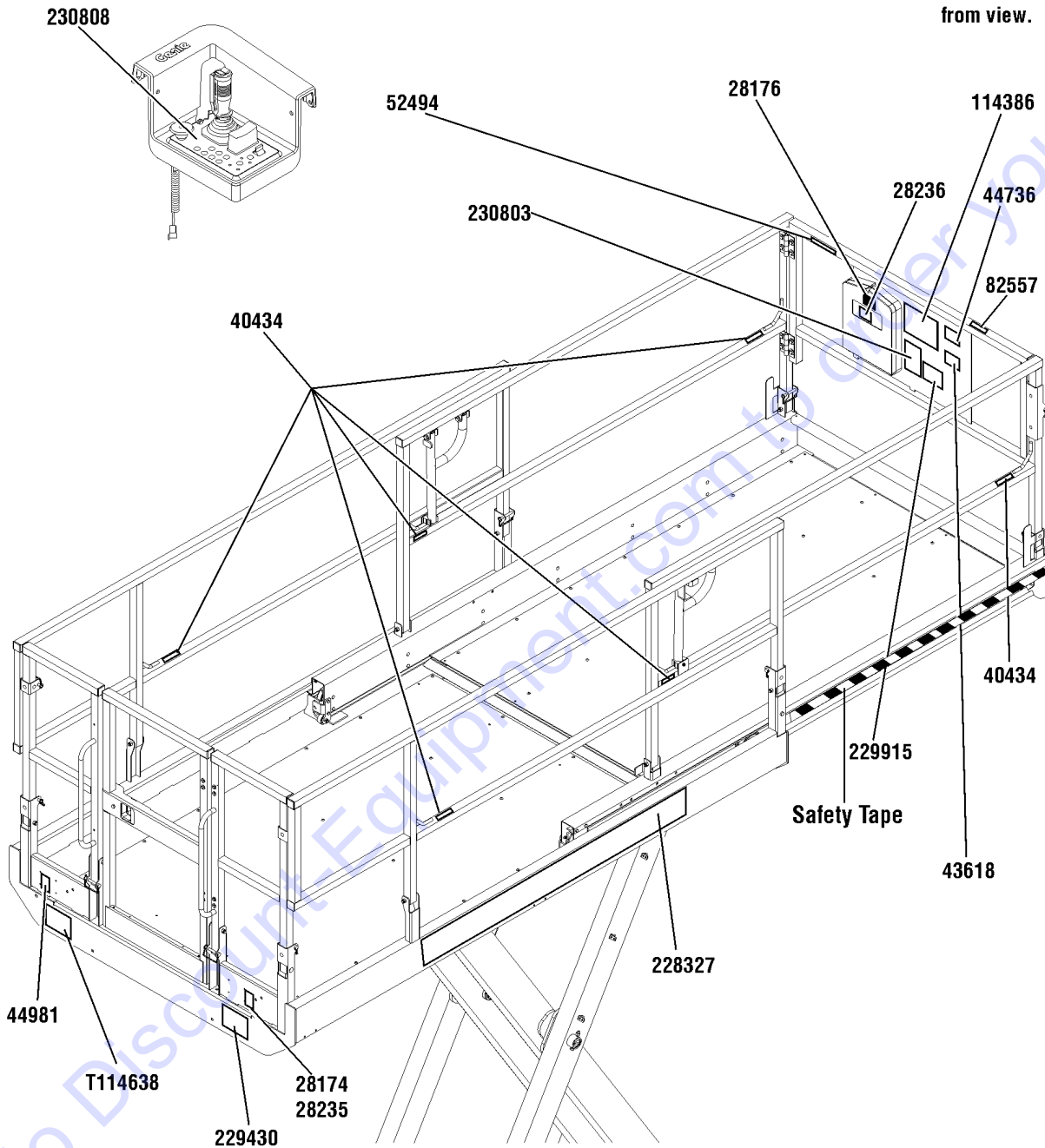
NOTE:
Part numbers with "(FR)" indicates French translation is available

103.1 Decals with Words, GS-2669 Platform, ANSI & CSA

Item	Part No.	Description	Qty.
--		Ref. Word Decal Kits (refer to 101.1)	
1	28174GT	DECAL, POWER TO PLATFORM 230V**.....	1
2	28176GT	DECAL,LABEL,MANUAL NOT HERE.....	1
3	28235GT	DECAL,POWER TO PLATFORM 115V...1	1
4	28236GT	DECAL,WARN,IMPROPER OPERATION.....	1
5	40434GT	DECAL,LANYARD ANCHORAGE POINT.....	6
6	43618GT	DECAL, LABEL - DIRECTION ARROWS.....	1
7	44736GT	DECAL,DANGER,TIP-OVER,TILT.....	1
8	44981GT	DECAL,LABEL, AIR LINE 110 PSI.....	1
9	52494GT	DECAL,CAUTION,CRUSH HAZ, RAILS.....	1
10	82557GT	DECAL,LABEL,PLAT CONT LOCATION.....	1
11	114386GT	DECAL,DANGER-GEN SAFETY.....	1
12	228327GT	DECAL,COSMETIC,GENIE GS-2669RT.....	2
13	229915GT	DECAL,DANGER,OUTRIGGER SAFETY.....	1
14	229916GT	DECAL,NOTICE,INST,PLAT-GS69RT....	1
15	230808GT	DECAL,PLAT CONTROL PANEL GS69.....	1
16	T114638GT	DECAL,NOTICE,MAX CAP GS2669..... (ANSI & CSA models only)	1
17	T114641GT	DECAL,NOTICE,SIDE FRC,2669 ANS... (ANSI & CSA models only)	1

Platform, Australia models

☐ Shading indicates decal is hidden from view.

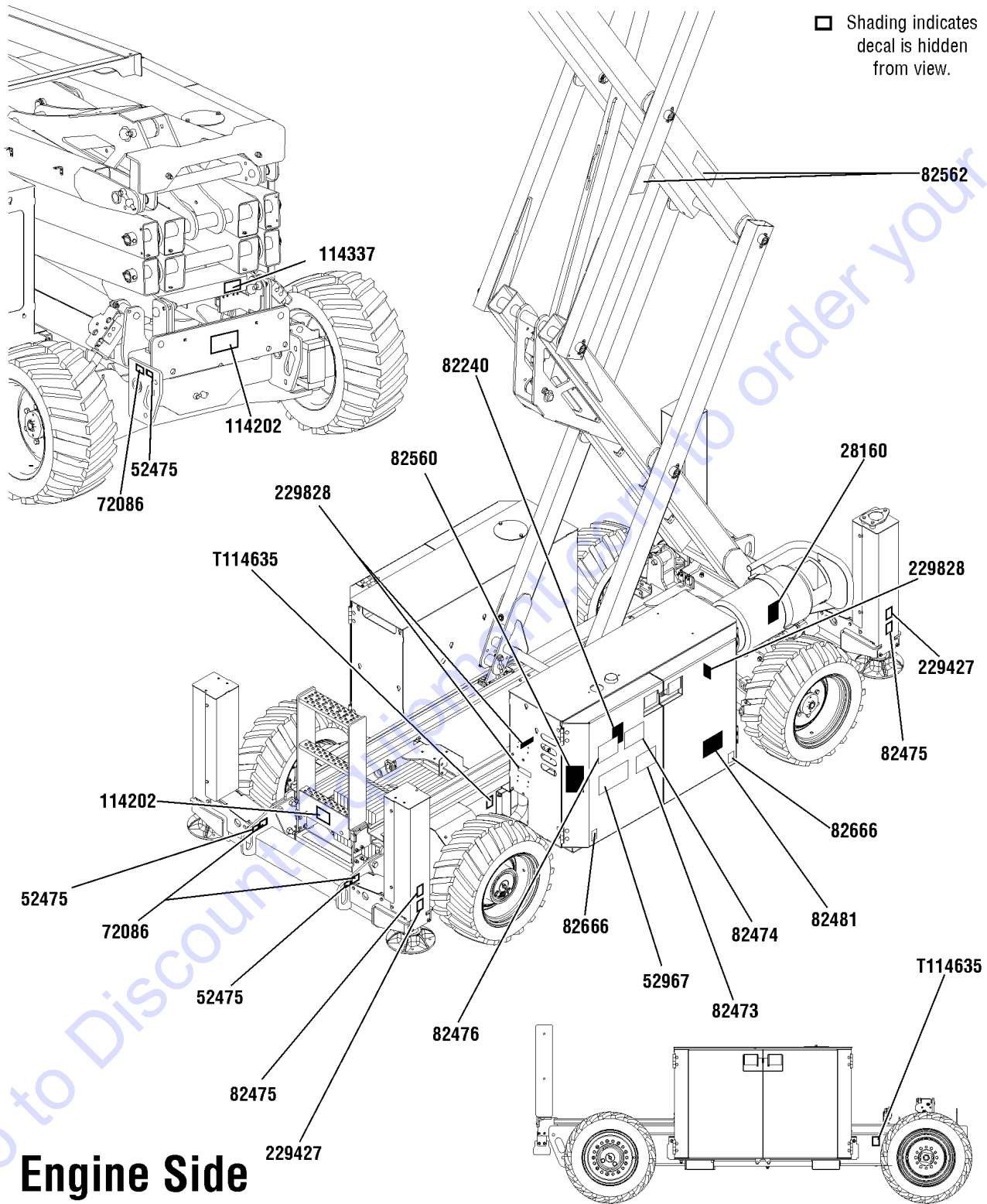


104.1 Decals with Words, GS-2669 Platform, Australia

Item	Part No.	Description	Qty.
--		Ref. Word Decal Kits (refer to 101.1)	
1	28174GT	DECAL, POWER TO PLATFORM 230V**.....	1
2	28176GT	DECAL,LABEL,MANUAL NOT HERE.....	1
3	28235GT	DECAL,POWER TO PLATFORM 115V...1	1
4	28236GT	DECAL,WARN,IMPROPER OPERATION.....	1
5	40434GT	DECAL,LANYARD ANCHORAGE POINT.....	6
6	43618GT	DECAL, LABEL - DIRECTION ARROWS.....	1
7	44736GT	DECAL,DANGER,TIP-OVER,TILT.....	1
8	44981GT	DECAL,LABEL, AIR LINE 110 PSI.....	1
9	52494GT	DECAL,CAUTION,CRUSH HAZ, RAILS.....	1
10	82557GT	DECAL,LABEL,PLAT CONT LOCATION.....	1
11	114386GT	DECAL,DANGER-GEN SAFETY.....	1
12	228327GT	DECAL,COSMETIC,GENIE GS-2669RT.....	2
13	229915GT	DECAL,DANGER,OUTRIGGER SAFETY.....	1
14	230803GT	DECAL,NOTICE,INST,PLAT-GS69RT....	1
15	230808GT	DECAL,PLAT CONTROL PANEL GS69.....	1
16	T114638GT	DECAL,NOTICE,MAX CAP GS2669..... (Australia models only)	1
17	229430GT	DECAL NOTICE,MAN FRC,2669 AUS.... (Australia models only)	1

105.1 Decals with Symbols, GS-2669, Engine Side

☐ Shading indicates decal is hidden from view.



Engine Side



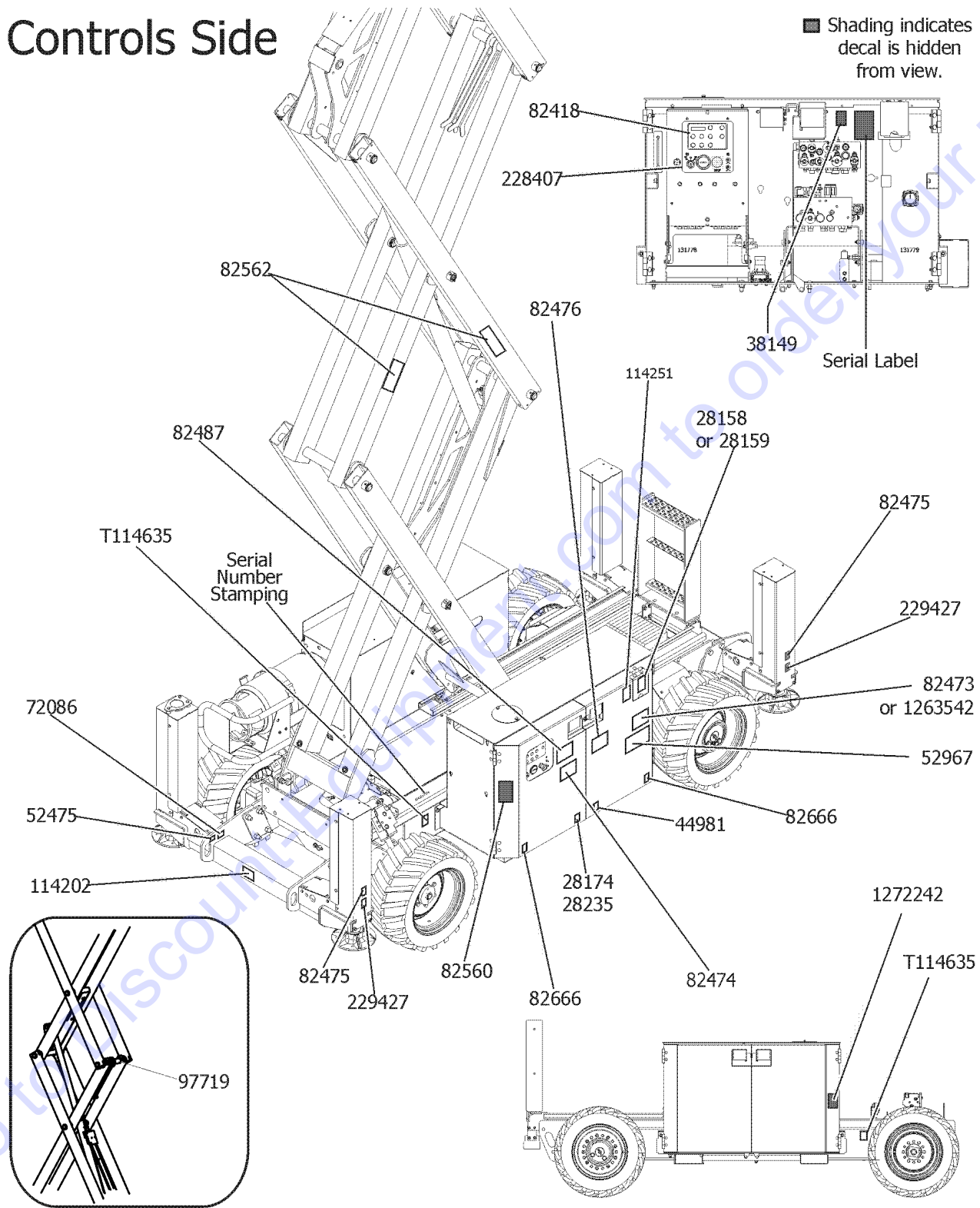
105.1 Decals with Symbols, GS-2669, Engine Side

Item	Part No.	Description	Qty.
--	233040GT	DECAL KIT,2669 COMP,SYM,ANSI <i>(Decal kit, complete for ANSI models only)</i>	
--	233956GT	DECAL KIT,2669 COMP,SYM,CE <i>(Decal kit, complete for CE models only)</i>	
--	233959GT	DECAL KIT,2669 PLAT,SYM,ANSI <i>(Decal kit, platform for Asia & South America models only)</i>	
--	233962GT	DECAL KIT,2669 PLAT,SYM,CE <i>(Decal kit, platform for CE models only)</i>	
1	28160GT	DECAL,LABEL,LIQUID PROPANE.....1	
2	52475GT	DECAL,LABEL,TRANSPORT TIEDOWN*.....2	
3	52967GT	DECAL,COSMETIC,4 X 4.....1	
4	72086GT	DECAL,LABEL,LIFTING EYE.....2	
5	82240GT	DECAL,LABEL,105 DB.....1 <i>(CE models only)</i>	
6	82473GT	DECAL,SYMBOL-COMP ACCESS.....1	
7	82474GT	DECAL,SYMBOL-USE SAFETY ARM....1	
8	82475GT	DECAL,SYMBOL-FOOT CRUSHING....2	
9	82476GT	DECAL,SYMBOL-ELEC HAZARD,GS....1	
10	82481GT	DECAL,SYMBOL-BATTERY SAFETY....1	
11	82560GT	DECAL,SYMBOL-SKIN INJECT HAZRD.....1	
12	82562GT	DECAL,SYMBOL-CRUSHING HAZARD.....2	
13	82666GT	DECAL,LABEL,FORKLIFT POCKET.....2	
14	114202GT	DECAL,LABEL,TRANSPORT TIE 68....1	
15	114337GT	DECAL,SYM-TIP-OVER,LIM SWITCH...1	
16	229427GT	DECAL,LABEL,OUTRIGGER LD.....2	
17	229828GT	DECAL,LABEL,HOT,SYMBOL.....3	
18	T114635GT	DECAL,LABEL,WHEEL LD,GS2669RT...2	

106.1 Decals with Symbols, GS-2669, Controls Side

Controls Side

■ Shading indicates decal is hidden from view.

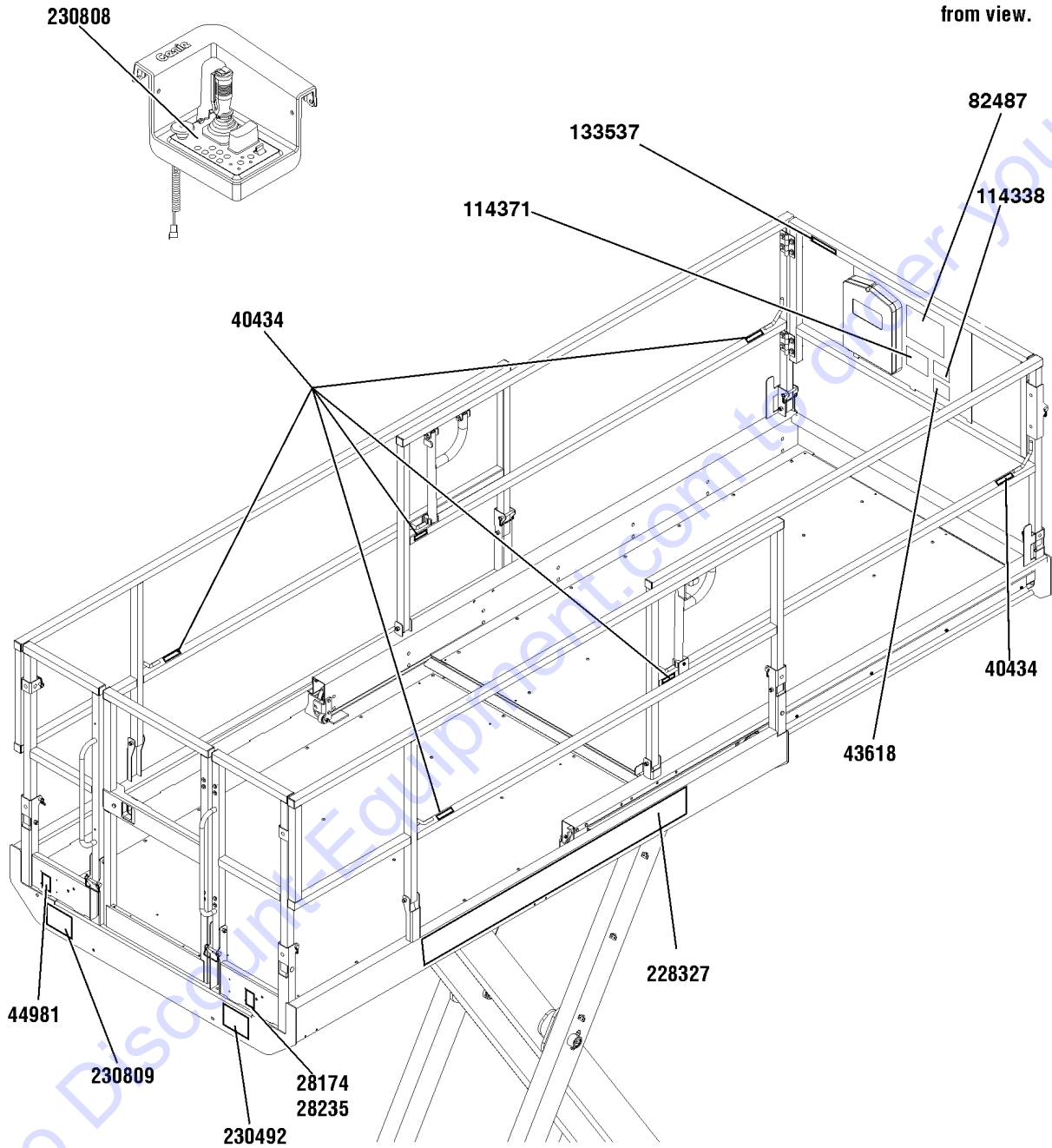


106.1 Decals with Symbols, GS-2669, Controls Side

Item	Part No.	Description	Qty.
--		Ref. Symbol Decal Kits (refer to 105.1)	
1	28158GT	DECAL,LABEL,UNLEADED GAS ONLY.....	1
2	28159GT	DECAL,DIESEL.....	1
3	28174GT	DECAL, POWER TO PLATFORM 230V**.....	1
4	28235GT	DECAL,POWER TO PLATFORM 115V...1	
5	38149GT	DECAL,LABEL,PATENTS..... (US models only)	1
6	44981GT	DECAL,LABEL, AIR LINE 110 PSI.....	1
7	52475GT	DECAL,LABEL,TRANSPORT TIEDOWN*.....	2
8	52967GT	DECAL,COSMETIC,4 X 4.....	1
9	72086GT	DECAL,LABEL,LIFTING EYE.....	2
10	82418GT	DECAL,GROUND CONTROL PANEL....	1
11	82473GT	DECAL,SYMBOL-COMP ACCESS.....	1
12	82474GT	DECAL,SYMBOL-USE SAFETY ARM....	1
13	82475GT	DECAL,SYMBOL-FOOT CRUSHING....	2
14	82476GT	DECAL,SYMBOL-ELEC HAZARD,GS....	1
15	82487GT	DECAL, SYMBOL - READ THE MANUAL.....	1
16	82560GT	DECAL,SYMBOL-SKIN INJECT HAZRD.....	1
17	82562GT	DECAL,SYMBOL-CRUSHING HAZARD.....	2
18	82666GT	DECAL,LABEL,FORKLIFT POCKET....	2
19	97719GT	DECAL, LABEL, SAFETY ARM SYMB....	1
20	114202GT	DECAL,LABEL,TRANSPORT TIE 68....	1
21	114251GT	DECAL,LABEL,NO SMOKING,SYMB....	1
22	228407GT	DECAL,GROUND CONTROL PANEL....	1
23	229427GT	DECAL,LABEL,OUTRIGGER LD.....	2
24	T114635GT	DECAL,LABEL,WHEEL LD,GS2669RT...2	
25	1272242GT	DECAL,MACHINE REGISTRATION/OWNER TRANSFER....	1

Platform, ANSI models

☐ Shading indicates decal is hidden from view.



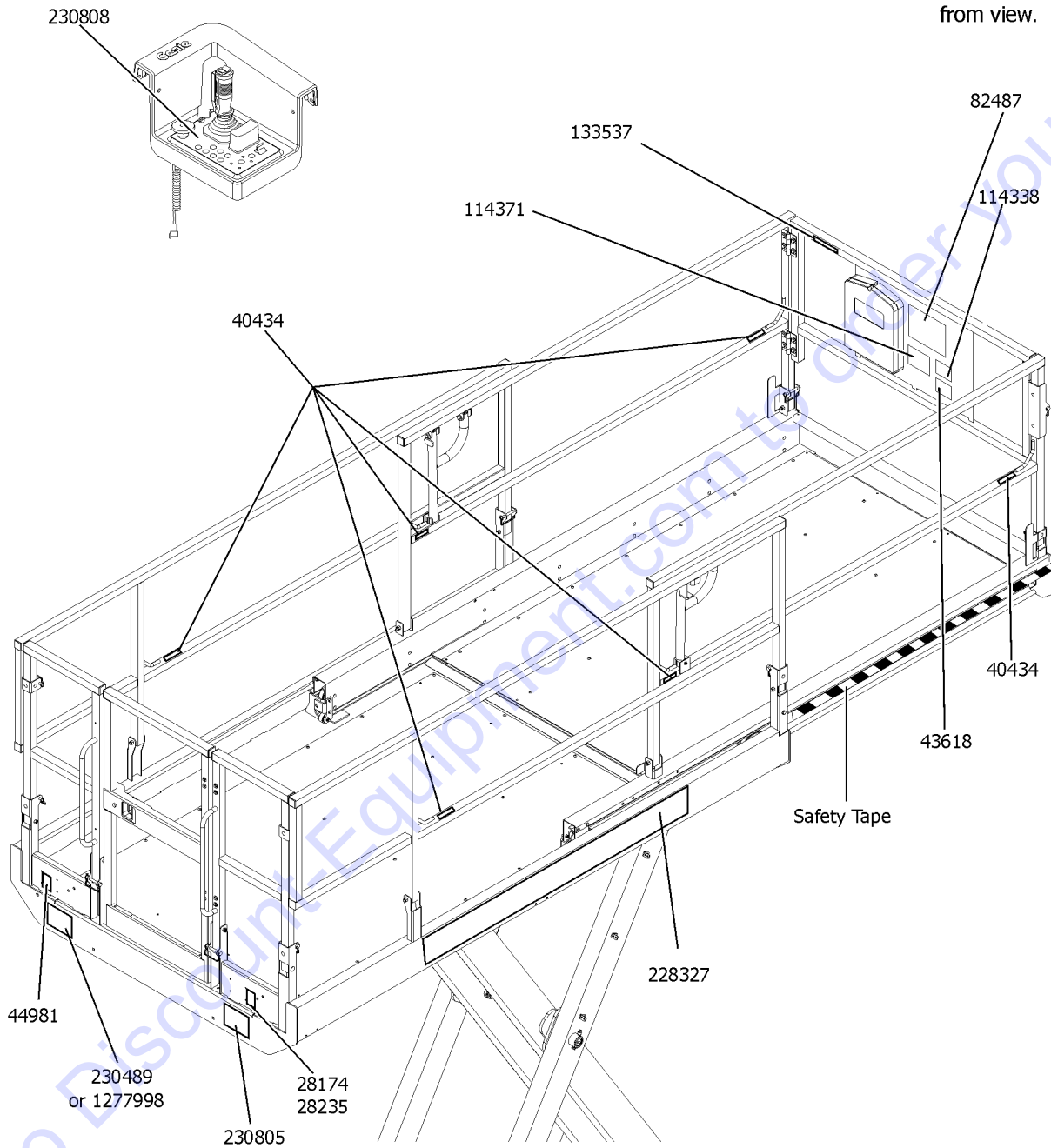
107.1 Decals with Symbols, GS-2669 Platform, Asia & South America

Item	Part No.	Description	Qty.
--		Ref. Symbol Decal Kits (refer to 105.1)	
1	28174GT	DECAL, POWER TO PLATFORM 230V**.....	1
2	28235GT	DECAL,POWER TO PLATFORM 115V...1	1
3	40434GT	DECAL,LANYARD ANCHORAGE POINT.....	6
4	43618GT	DECAL, LABEL - DIRECTION ARROWS.....	1
5	44981GT	DECAL,LABEL, AIR LINE 110 PSI.....	1
6	82487GT	DECAL, SYMBOL - READ THE MANUAL.....	1
7	114338GT	DECAL,SYM-TIP-OVER,TILT ALARM.....	1
8	114371GT	DECAL,SYM-TIP-OVER,OUTRGR.....	1
9	133537GT	DECAL,CRUSH HAZ RAILS SYMB.....	1
10	228327GT	DECAL,COSMETIC,GENIE GS-2669RT.....	2
11	230492GT	DECAL,DANGER,SIDE FRC,GS2669..... (Asia & S. America models only)	1
12	230808GT	DECAL,PLAT CONTROL PANEL GS69.....	1
13	230809GT	DECAL,NOTICE,MAX CAP GS2669..... (Asia & S. America models only)	1

108.1 Decals with Symbols, GS-2669 Platform, CE

Platform, CE models

☐ Shading indicates decal is hidden from view.



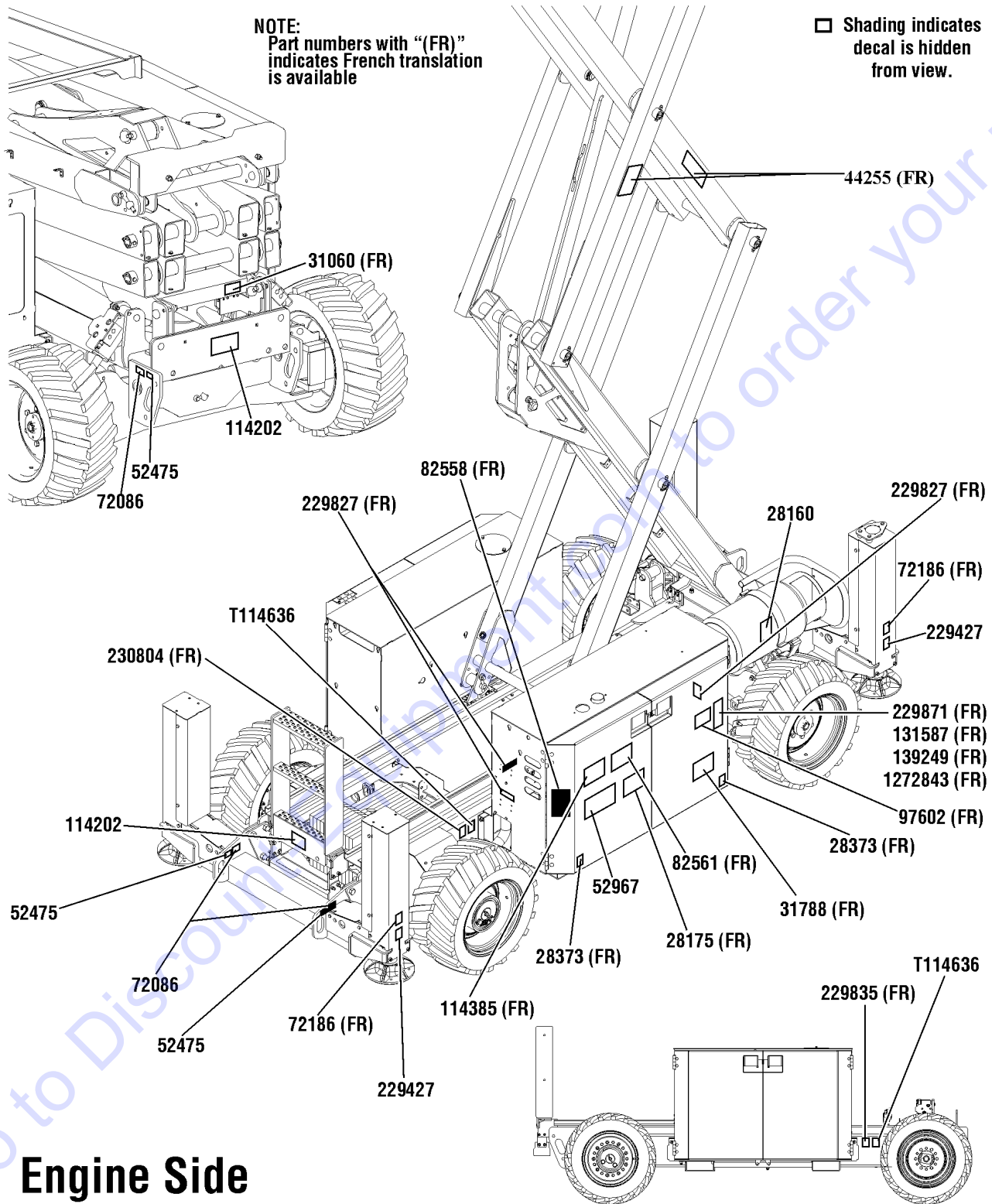
108.1 Decals with Symbols, GS-2669 Platform, CE

Item	Part No.	Description	Qty.
--		Ref. Symbol Decal Kits (refer to 105.1)	
1	28174GT	DECAL, POWER TO PLATFORM 230V**.....	1
2	28235GT	DECAL,POWER TO PLATFORM 115V...1	1
3	40434GT	DECAL,LANYARD ANCHORAGE POINT.....	6
4	43618GT	DECAL, LABEL - DIRECTION ARROWS.....	1
5	44981GT	DECAL,LABEL, AIR LINE 110 PSI.....	1
6	82487GT	DECAL, SYMBOL - READ THE MANUAL.....	1
7	114338GT	DECAL,SYM-TIP-OVER,TILT ALARM.....	1
8	114371GT	DECAL,SYM-TIP-OVER,OUTRGR.....	1
9	133537GT	DECAL,CRUSH HAZ RAILS SYMB.....	1
10	228327GT	DECAL,COSMETIC,GENIE GS-2669RT.....	2
11	230489GT	DECAL,NOTICE,MAX CAP GS2669..... (CE models only)	1
12	230808GT	DECAL,PLAT CONTROL PANEL GS69.....	1
13	230805GT	DECAL,DANGER,MAN FRC, GS2669..... (CE models only)	1

109.1 Decals with Words, GS-3369, Engine Side

NOTE:
Part numbers with "(FR)"
indicates French translation
is available

☐ Shading indicates
decal is hidden
from view.



Engine Side

109.1 Decals with Words, GS-3369, Engine Side

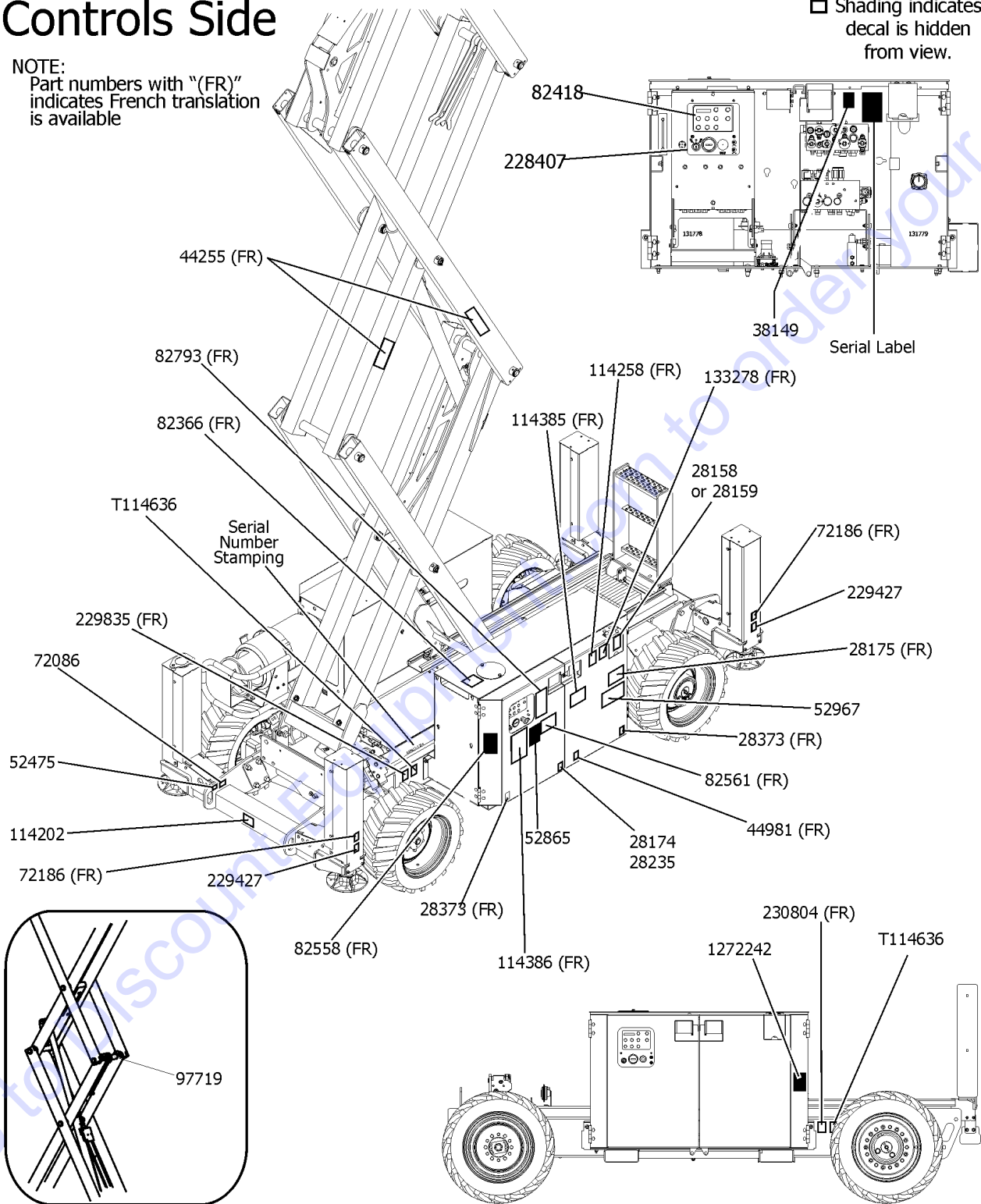
Item	Part No.	Description	Qty.
--	233042GT	DECAL KIT, 3369 COMP,WRD,ANSI <i>(Decal kit, complete for ANSI models only)</i>	
--	233045GT	DECAL KIT, 3369 COMP,WRD,AUS <i>(Decal kit, complete for AUS models only)</i>	
--	233048GT	DECAL KIT, 3369 PLAT,WRD,ANSI <i>(Decal kit, platform for ANSI models only)</i>	
--	233801GT	DECAL KIT, 3369 PLAT,WRD,AUS <i>(Decal kit, platform for AUS models only)</i>	
1	28160GT	DECAL,LABEL,LIQUID PROPANE.....1	
2	28175GT	DECAL,WARNING-COMPART ACCESS.....1	
3	28373GT	DECAL,FORK LIFT POCKET.....2	
4	31060GT	DECAL,DANGER DO NOT ALTER SWTC.....1	
5	31788GT	DECAL,DANGER,BATTERY SAFETY***.....1	
6	44255GT	DECAL,DANGER,CRUSHING HAZARD.....2	
7	52475GT	DECAL,LABEL,TRANSPORT TIEDOWN*.....2	
8	52967GT	DECAL,COSMETIC,4 X 4.....1	
9	72086GT	DECAL,LABEL,LIFTING EYE.....2	
10	72186GT	DECAL,WARNING,CRUSHING HAZARD.....2	
11	82558GT	DECAL,WARN,SKIN INJECTION HAZ*.....1	
12	82561GT	DECAL,DANGER-USE SAFETY ARM....1	
13	97602GT	DECAL,EXPLOSION HAZARD.....1	
14	114202GT	DECAL,LABEL,TRANSPORT TIE 68....1	
15	114385GT	DECAL,DANGER,ELEC HAZARD,GS....1	
16	131587GT	DECAL,NOTICE,KUB,D1105,T4.....1 <i>(option)</i>	
17	139249GT	DECAL,NOTICE,PERKINS 403D SPEC.....1 <i>(option)</i>	
18	229427GT	DECAL,LABEL,OUTRIGGER LD.....2	
19	229827GT	DECAL,WARNING,HOT SURFACE.....3	
20	229835GT	DECAL,NOTICE,TIRE SPECS.....1 <i>(steer end)</i>	
21	229871GT	DECAL,NOTICE,KUBOTA GAS SPECS.....1 <i>(option)</i>	
22	230804GT	DECAL,NOTICE,TIRE SPECS, REAR....1 <i>(non-steer end)</i>	
23	1272843GT	DECAL,NOTICE,GM .998L SPEC.....1 <i>(option)</i>	
24	T114636GT	DECAL,LABEL,WHEEL LD,GS3369RT...2	

110.1 Decals with Words, GS-3369, Controls Side

Controls Side

NOTE:
Part numbers with "(FR)" indicates French translation is available

☐ Shading indicates decal is hidden from view.



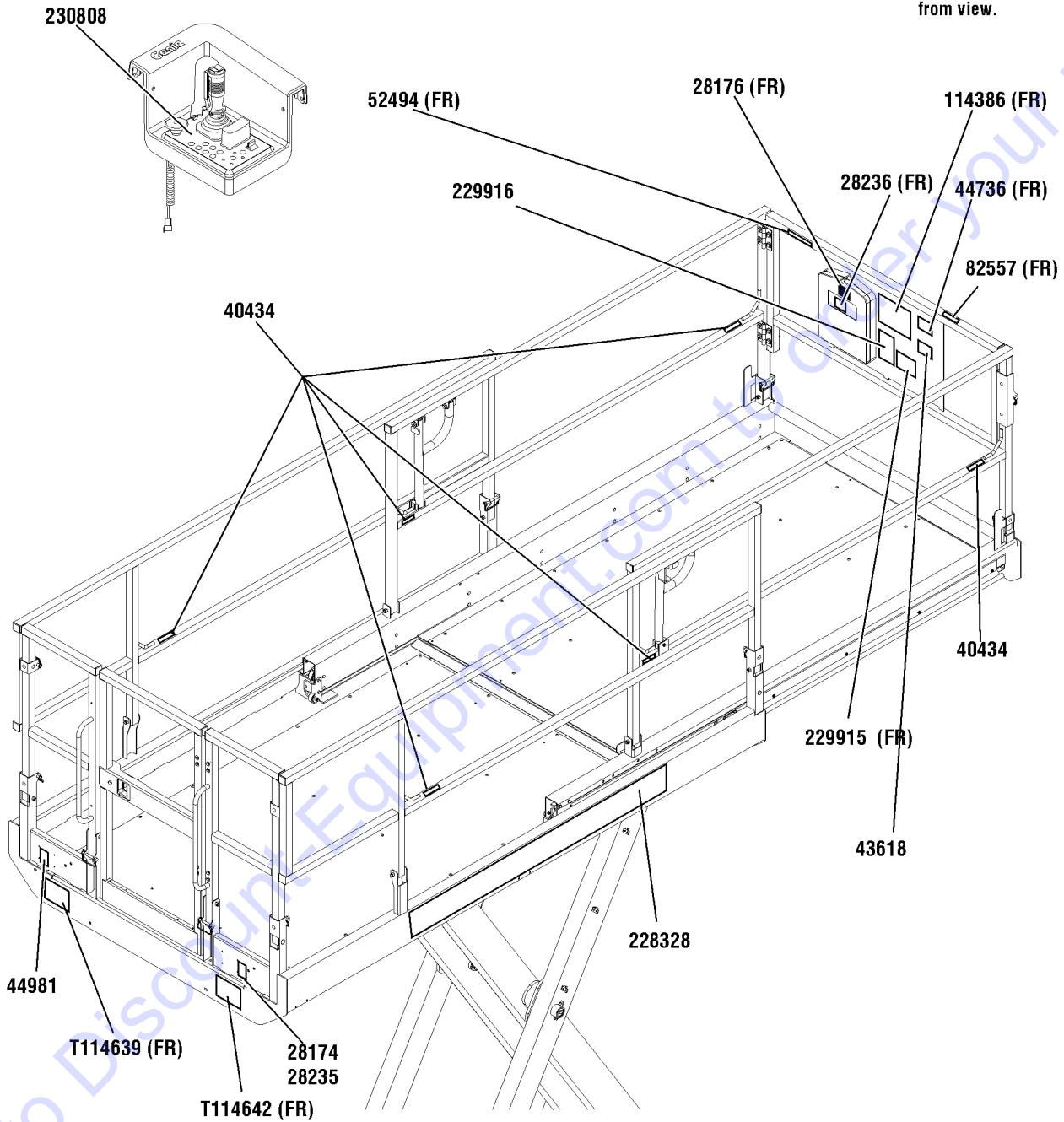
110.1 Decals with Words, GS-3369, Controls Side

Item	Part No.	Description	Qty.
--		Ref. Word Decal Kits (refer to 109.1)	
1	28158GT	DECAL,LABEL,UNLEADED GAS ONLY.....	1
2	28159GT	DECAL,DIESEL.....	1
3	28174GT	DECAL, POWER TO PLATFORM 230V**.....	1
4	28175GT	DECAL,WARNING-COMPART ACCESS.....	1
5	28235GT	DECAL,POWER TO PLATFORM 115V....	1
6	28373GT	DECAL,FORK LIFT POCKET.....	2
7	38149GT	DECAL,LABEL,PATENTS..... (US models only)	1
8	44255GT	DECAL,DANGER,CRUSHING HAZARD.....	2
9	44981GT	DECAL,LABEL, AIR LINE 110 PSI.....	1
10	52475GT	DECAL,LABEL,TRANSPORT TIEDOWN*.....	2
11	52865GT	DECAL,ANNUAL INSP***.....	1
12	52967GT	DECAL,COSMETIC,4 X 4.....	1
13	72086GT	DECAL,LABEL,LIFTING EYE.....	2
14	72186GT	DECAL,WARNING,CRUSHING HAZARD.....	2
15	82366GT	DECAL,CHEVRON RANDO HD.....	1
16	82418GT	DECAL,GROUND CONTROL PANEL.....	1
17	82558GT	DECAL,WARN,SKIN INJECTION HAZ*.....	1
18	82561GT	DECAL,DANGER-USE SAFETY ARM....	1
19	82793GT	DECAL,NOTICE,OP INST,GROUND.....	1
20	97719GT	DECAL, LABEL, SAFETY ARM SYMB....	1
21	114202GT	DECAL,LABEL,TRANSPORT TIE 68....	1
22	114258GT	DECAL,DANGER,NO SMOKING.....	1
23	114385GT	DECAL,DANGER,ELEC HAZARD,GS....	1
24	114386GT	DECAL,DANGER-GEN SAFETY.....	1
25	133278GT	DECAL,LOW/ULTRA LOW SULFR FUEL..... (diesel models only)	1
26	228407GT	DECAL,GROUND CONTROL PANEL.....	1
27	229427GT	DECAL,LABEL,OUTRIGGER LD.....	2
28	229835GT	DECAL,NOTICE,TIRE SPECS..... (steer end)	1
29	230804GT	DECAL,NOTICE,TIRE SPECS, REAR.... (non-steer end)	1
30	T114636GT	DECAL,LABEL,WHEEL LD,GS3369RT...2	
31	1272242GT	DECAL,MACHINE REGISTRATION/OWNER TRANSFER....	1

111.1 Decals with Words, GS-3369 Platform, ANSI & CSA

Platform, ANSI/CSA models

☐ Shading indicates decal is hidden from view.



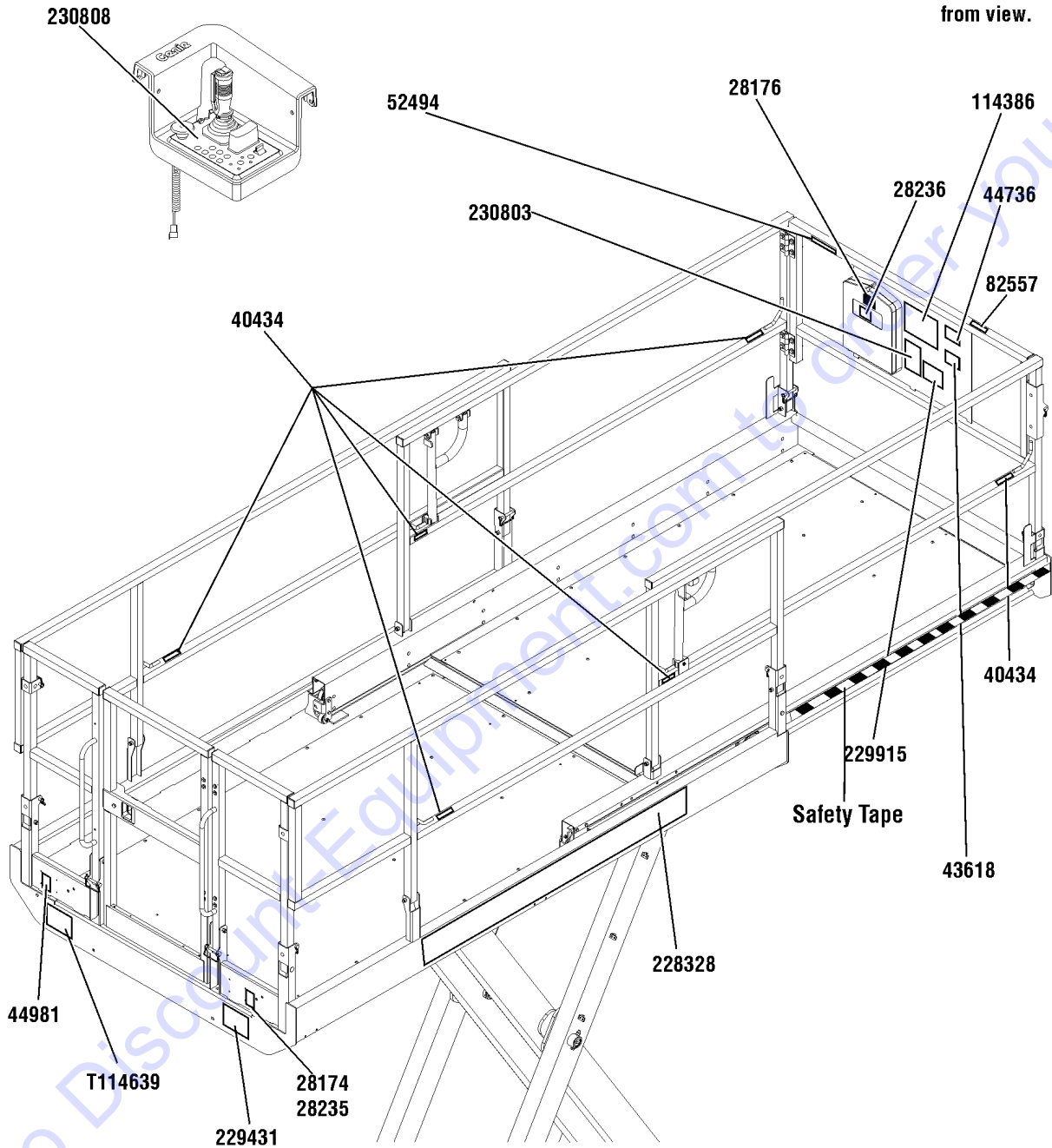
NOTE:
Part numbers with "(FR)" indicates French translation is available

111.1 Decals with Words, GS-3369 Platform, ANSI & CSA

Item	Part No.	Description	Qty.
--		Ref. Word Decal Kits (refer to 109.1)	
1	28174GT	DECAL, POWER TO PLATFORM 230V**.....1	1
2	28176GT	DECAL,LABEL,MANUAL NOT HERE.....1	1
3	28235GT	DECAL,POWER TO PLATFORM 115V...1	1
4	28236GT	DECAL,WARN,IMPROPER OPERATION.....1	1
5	40434GT	DECAL,LANYARD ANCHORAGE POINT.....6	6
6	43618GT	DECAL, LABEL - DIRECTION ARROWS.....1	1
7	44736GT	DECAL,DANGER,TIP-OVER,TILT.....1	1
8	44981GT	DECAL,LABEL, AIR LINE 110 PSI.....1	1
9	52494GT	DECAL,CAUTION,CRUSH HAZ, RAILS.....1	1
10	82557GT	DECAL,LABEL,PLAT CONT LOCATION.....1	1
11	114386GT	DECAL,DANGER-GEN SAFETY.....1	1
12	228328GT	DECAL,COSMETIC,GENIE GS-3369RT.....2	2
13	229915GT	DECAL,DANGER,OUTRIGGER SAFETY.....1	1
14	229916GT	DECAL,NOTICE,INST,PLAT-GS69RT....1	1
15	230808GT	DECAL,PLAT CONTROL PANEL GS69.....1	1
16	T114639GT	DECAL,NOTICE,MAX CAP,GS3369.....1 (ANSI & CSA modes only)	1
17	T114642GT	DECAL,NOTICE,SIDE FRC,3369 ANS...1 (ANSI & CSA modes only)	1

Platform, Australia models

☐ Shading indicates decal is hidden from view.

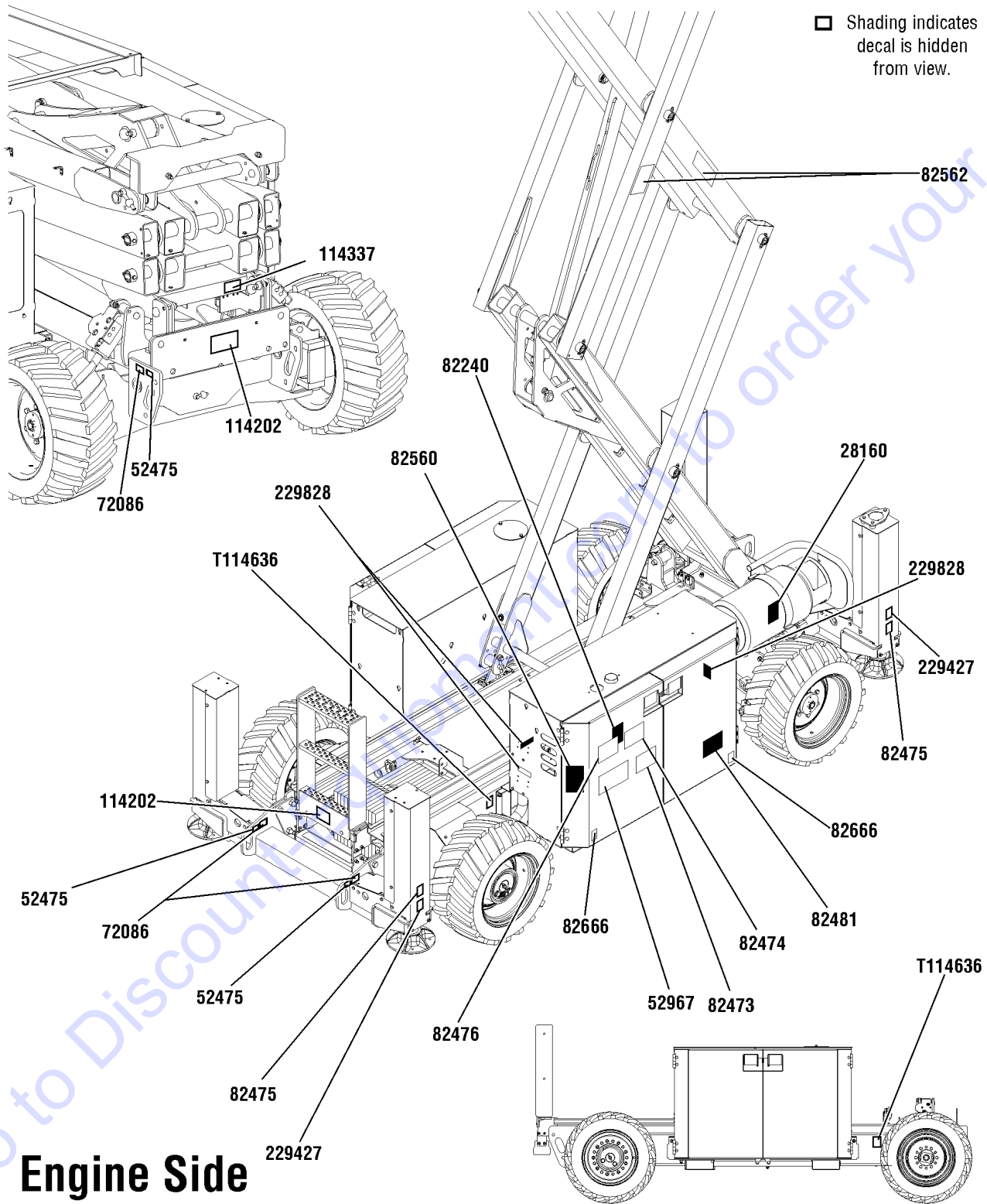


112.1 Decals with Words, GS-3369 Platform, Australia

Item	Part No.	Description	Qty.
--		Ref. Word Decal Kits (refer to 109.1)	
1	28174GT	DECAL, POWER TO PLATFORM 230V**.....1	1
2	28176GT	DECAL,LABEL,MANUAL NOT HERE.....1	1
3	28235GT	DECAL,POWER TO PLATFORM 115V...1	1
4	28236GT	DECAL,WARN,IMPROPER OPERATION.....1	1
5	40434GT	DECAL,LANYARD ANCHORAGE POINT.....6	6
6	43618GT	DECAL, LABEL - DIRECTION ARROWS.....1	1
7	44736GT	DECAL,DANGER,TIP-OVER,TILT.....1	1
8	44981GT	DECAL,LABEL, AIR LINE 110 PSI.....1	1
9	52494GT	DECAL,CAUTION,CRUSH HAZ, RAILS.....1	1
10	82557GT	DECAL,LABEL,PLAT CONT LOCATION.....1	1
11	114386GT	DECAL,DANGER-GEN SAFETY.....1	1
12	228328GT	DECAL,COSMETIC,GENIE GS-3369RT.....2	2
13	229915GT	DECAL,DANGER,OUTRIGGER SAFETY.....1	1
14	230803GT	DECAL,NOTICE,INST,PLAT-GS69RT....1	1
15	230808GT	DECAL,PLAT CONTROL PANEL GS69.....1	1
16	230490GT	DECAL,NOTICE,MAX CAP GS3369.....1 (Australia models only)	1
17	229431GT	DECAL,NOTICE,MAN FRC,3369 AUS....1 (Australia models only)	1

113.1 Decals with Symbols, GS-3369, Engine Side

☐ Shading indicates decal is hidden from view.



Engine Side

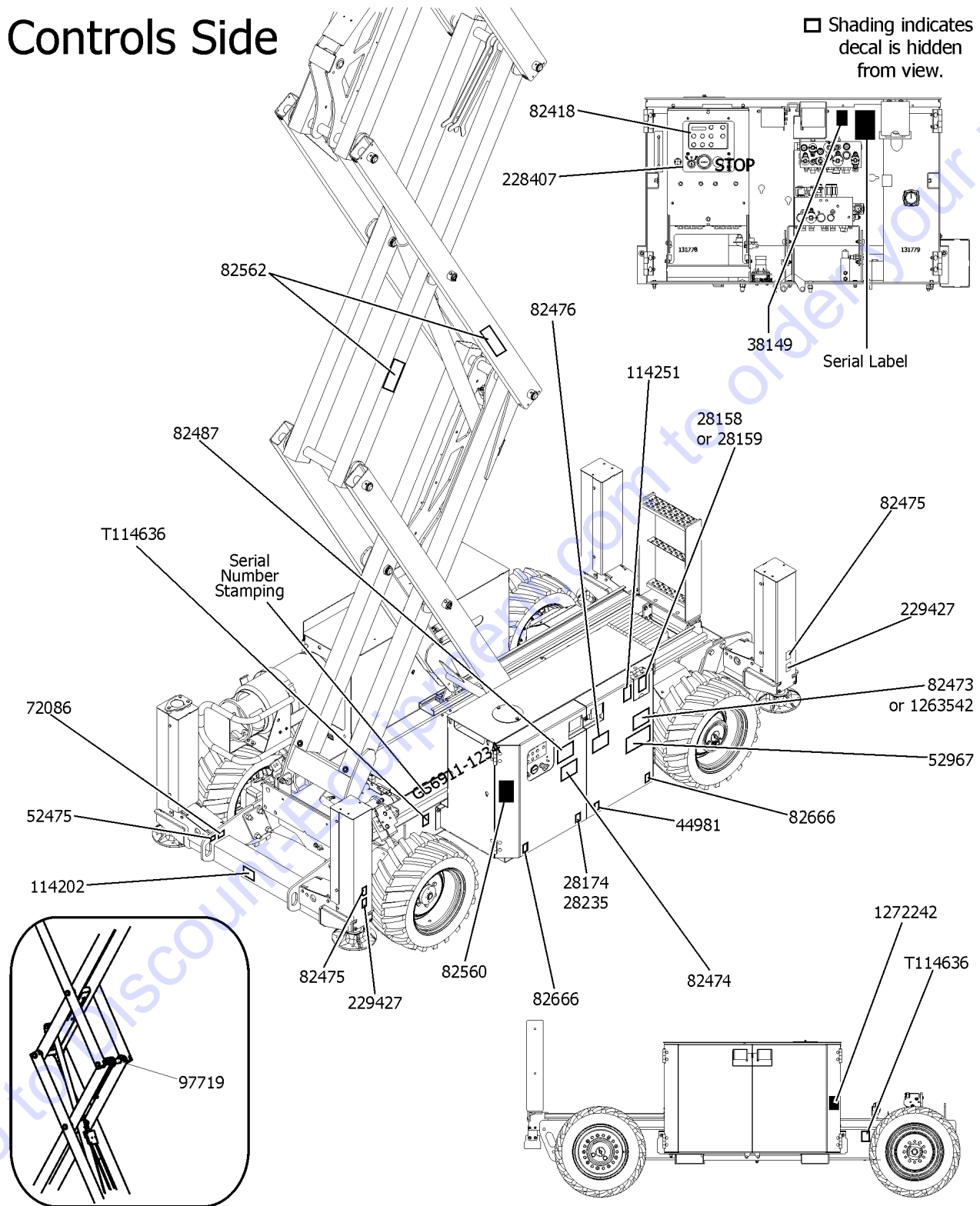
113.1 Decals with Symbols, GS-3369, Engine Side

Item	Part No.	Description	Qty.
--	233954GT	DECAL KIT,3369 COMP,SYM,ANSI <i>(Decal kit, complete for ANSI models only)</i>	
--	233957GT	DECAL KIT,3369 COMP,SYM,CE <i>(Decal kit, complete for CE models only)</i>	
--	233960GT	DECAL KIT,3369 PLAT,SYM,ANSI <i>(Decal kit, platform for Asia & South America models only)</i>	
--	233963GT	DECAL KIT,3369 PLAT,SYM,CE <i>(Decal kit, platform for CE models only)</i>	
1	28160GT	DECAL,LABEL,LIQUID PROPANE.....	1
2	52475GT	DECAL,LABEL,TRANSPORT TIEDOWN*.....	2
3	52967GT	DECAL,COSMETIC,4 X 4.....	1
4	72086GT	DECAL,LABEL,LIFTING EYE.....	2
5	82240GT	DECAL,LABEL,105 DB..... <i>(CE models only)</i>	1
6	82473GT	DECAL,SYMBOL-COMP ACCESS.....	1
7	82474GT	DECAL,SYMBOL-USE SAFETY ARM....	1
8	82475GT	DECAL,SYMBOL-FOOT CRUSHING....	2
9	82476GT	DECAL,SYMBOL-ELEC HAZARD,GS....	1
10	82481GT	DECAL,SYMBOL-BATTERY SAFETY....	1
11	82560GT	DECAL,SYMBOL-SKIN INJECT HAZRD.....	1
12	82562GT	DECAL,SYMBOL-CRUSHING HAZARD.....	2
13	82666GT	DECAL,LABEL,FORKLIFT POCKET.....	2
14	114202GT	DECAL,LABEL,TRANSPORT TIE 68....	1
15	114337GT	DECAL,SYM-TIP-OVER,LIM SWITCH....	1
16	229427GT	DECAL,LABEL,OUTRIGGER LD.....	2
17	229828GT	DECAL,LABEL,HOT,SYMBOL.....	3
18	T114636GT	DECAL,LABEL,WHEEL LD,GS3369RT...2	

114.1 Decals with Symbols, GS-3369, Controls Side

Controls Side

☐ Shading indicates decal is hidden from view.

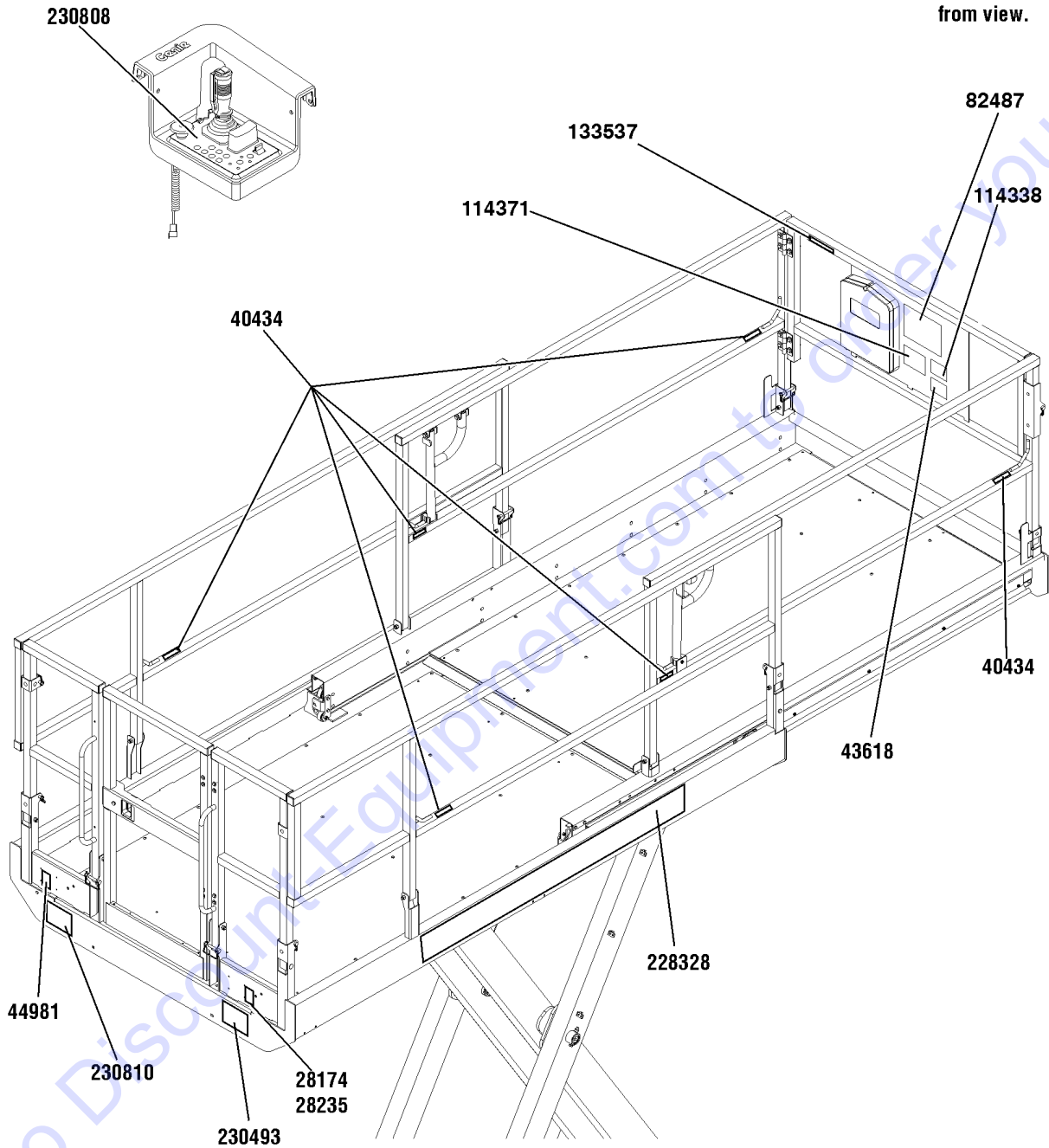


114.1 Decals with Symbols, GS-3369, Controls Side

Item	Part No.	Description	Qty.
--		Ref. Symbol Decal Kits (refer to 113.1)	
1	28158GT	DECAL,LABEL,UNLEADED GAS ONLY.....	1
2	28159GT	DECAL,DIESEL.....	1
3	28174GT	DECAL, POWER TO PLATFORM 230V**.....	1
4	28235GT	DECAL,POWER TO PLATFORM 115V....	1
5	38149GT	DECAL,LABEL,PATENTS..... (US models only)	1
6	44981GT	DECAL,LABEL, AIR LINE 110 PSI.....	1
7	52475GT	DECAL,LABEL,TRANSPORT TIEDOWN*.....	2
8	52967GT	DECAL,COSMETIC,4 X 4.....	1
9	72086GT	DECAL,LABEL,LIFTING EYE.....	2
10	82418GT	DECAL,GROUND CONTROL PANEL.....	1
11	82473GT	DECAL,SYMBOL-COMP ACCESS.....	1
12	82474GT	DECAL,SYMBOL-USE SAFETY ARM....	1
13	82475GT	DECAL,SYMBOL-FOOT CRUSHING....	2
14	82476GT	DECAL,SYMBOL-ELEC HAZARD,GS.....	1
15	82487GT	DECAL, SYMBOL - READ THE MANUAL.....	1
16	82560GT	DECAL,SYMBOL-SKIN INJECT HAZRD.....	1
17	82562GT	DECAL,SYMBOL-CRUSHING HAZARD.....	2
18	82666GT	DECAL,LABEL,FORKLIFT POCKET.....	2
19	97719GT	DECAL, LABEL, SAFETY ARM SYMB....	1
20	114202GT	DECAL,LABEL,TRANSPORT TIE 68....	1
21	114251GT	DECAL,LABEL,NO SMOKING,SYMB....	1
22	228407GT	DECAL,GROUND CONTROL PANEL.....	1
23	229427GT	DECAL,LABEL,OUTRIGGER LD.....	2
24	T114636GT	DECAL,LABEL,WHEEL LD,GS3369RT...2	
25	1272242GT	DECAL,MACHINE REGISTRATION/OWNER TRANSFER....	1

Platform, ANSI models

☐ Shading indicates decal is hidden from view.



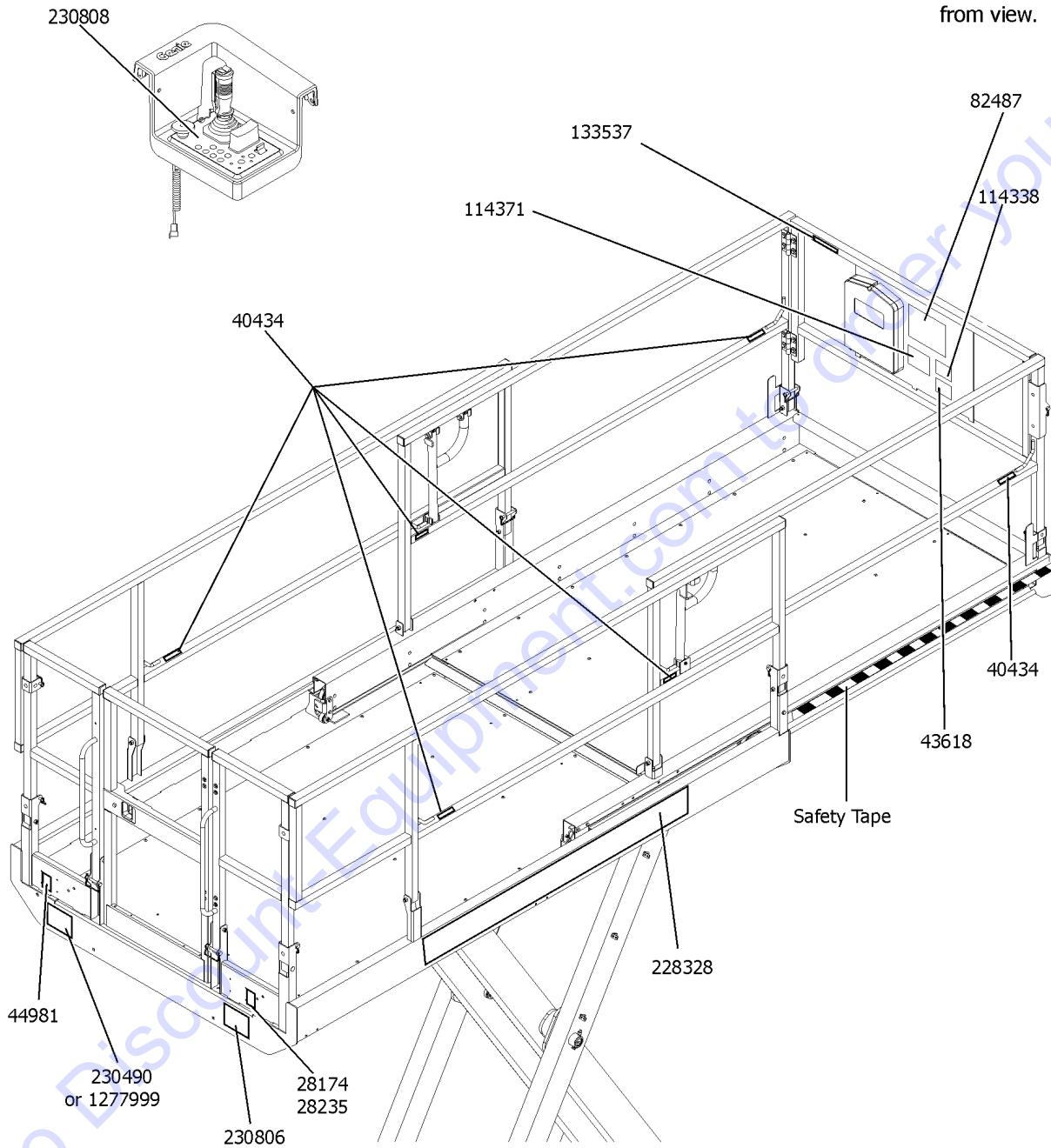
115.1 Decals with Symbols, GS-3369 Platform, Asia & South America

Item	Part No.	Description	Qty.
--		Ref. Symbol Decal Kits (refer to 113.1)	
1	28174GT	DECAL, POWER TO PLATFORM 230V**.....	1
2	28235GT	DECAL,POWER TO PLATFORM 115V...1	1
3	40434GT	DECAL,LANYARD ANCHORAGE POINT.....	6
4	43618GT	DECAL, LABEL - DIRECTION ARROWS.....	1
5	44981GT	DECAL,LABEL, AIR LINE 110 PSI.....	1
6	82487GT	DECAL, SYMBOL - READ THE MANUAL.....	1
7	114338GT	DECAL,SYM-TIP-OVER,TILT ALARM.....	1
8	114371GT	DECAL,SYM-TIP-OVER,OUTRGR.....	1
9	133537GT	DECAL,CRUSH HAZ RAILS SYMB.....	1
10	228328GT	DECAL,COSMETIC,GENIE GS-3369RT.....	2
11	230493GT	DECAL,DANGER,SIDE FRC,GS3369..... (Asia & S. America models only)	2
12	230808GT	DECAL,PLAT CONTROL PANEL GS69.....	1
13	230810GT	DECAL,NOTICE,MAX CAP GS3369..... (Asia & S. America models only)	1

116.1 Decals with Symbols, GS-3369 Platform, CE

Platform, CE models

☐ Shading indicates decal is hidden from view.



Go to DiscountEquipment.com to order your parts

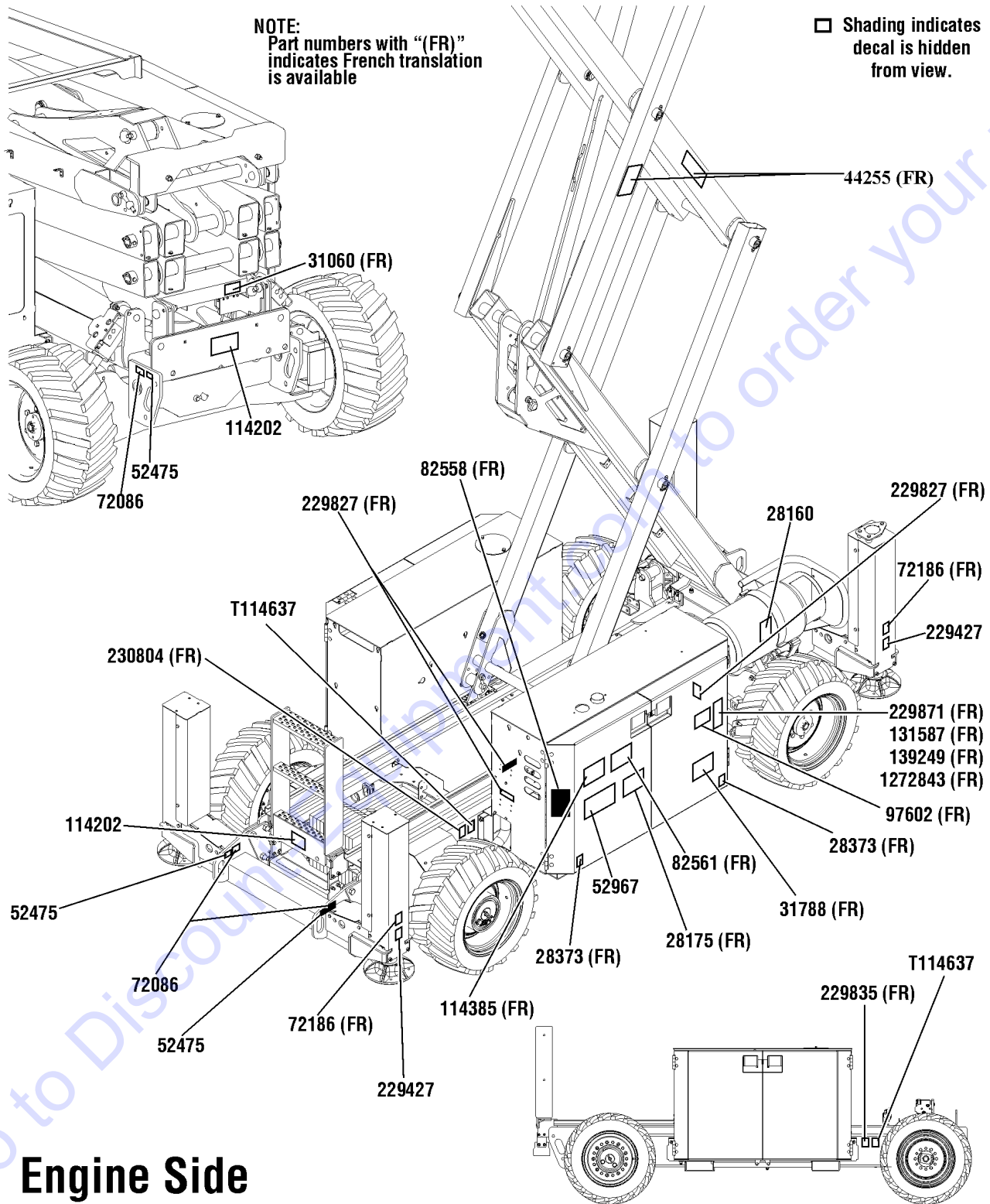
116.1 Decals with Symbols, GS-3369 Platform, CE

Item	Part No.	Description	Qty.
--		Ref. Symbol Decal Kits (refer to 113.1)	
1	28174GT	DECAL, POWER TO PLATFORM 230V**.....	1
2	28235GT	DECAL,POWER TO PLATFORM 115V...1	1
3	40434GT	DECAL,LANYARD ANCHORAGE POINT.....	6
4	43618GT	DECAL, LABEL - DIRECTION ARROWS.....	1
5	44981GT	DECAL,LABEL, AIR LINE 110 PSI.....	1
6	82487GT	DECAL, SYMBOL - READ THE MANUAL.....	1
7	114338GT	DECAL,SYM-TIP-OVER,TILT ALARM.....	1
8	114371GT	DECAL,SYM-TIP-OVER,OUTRGR.....	1
9	133537GT	DECAL,CRUSH HAZ RAILS SYMB.....	1
10	228328GT	DECAL,COSMETIC,GENIE GS-3369RT.....	2
11	230490GT	DECAL,NOTICE,MAX CAP GS3369..... (CE models only)	1
12	230808GT	DECAL,PLAT CONTROL PANEL GS69.....	1
13	230806GT	DECAL,DANGER,MAN FRC, GS3369..... (CE models only)	1

117.1 Decals with Words, GS-4069, Engine Side

NOTE:
Part numbers with "(FR)" indicates French translation is available

☐ Shading indicates decal is hidden from view.



Engine Side

117.1 Decals with Words, GS-4069, Engine Side

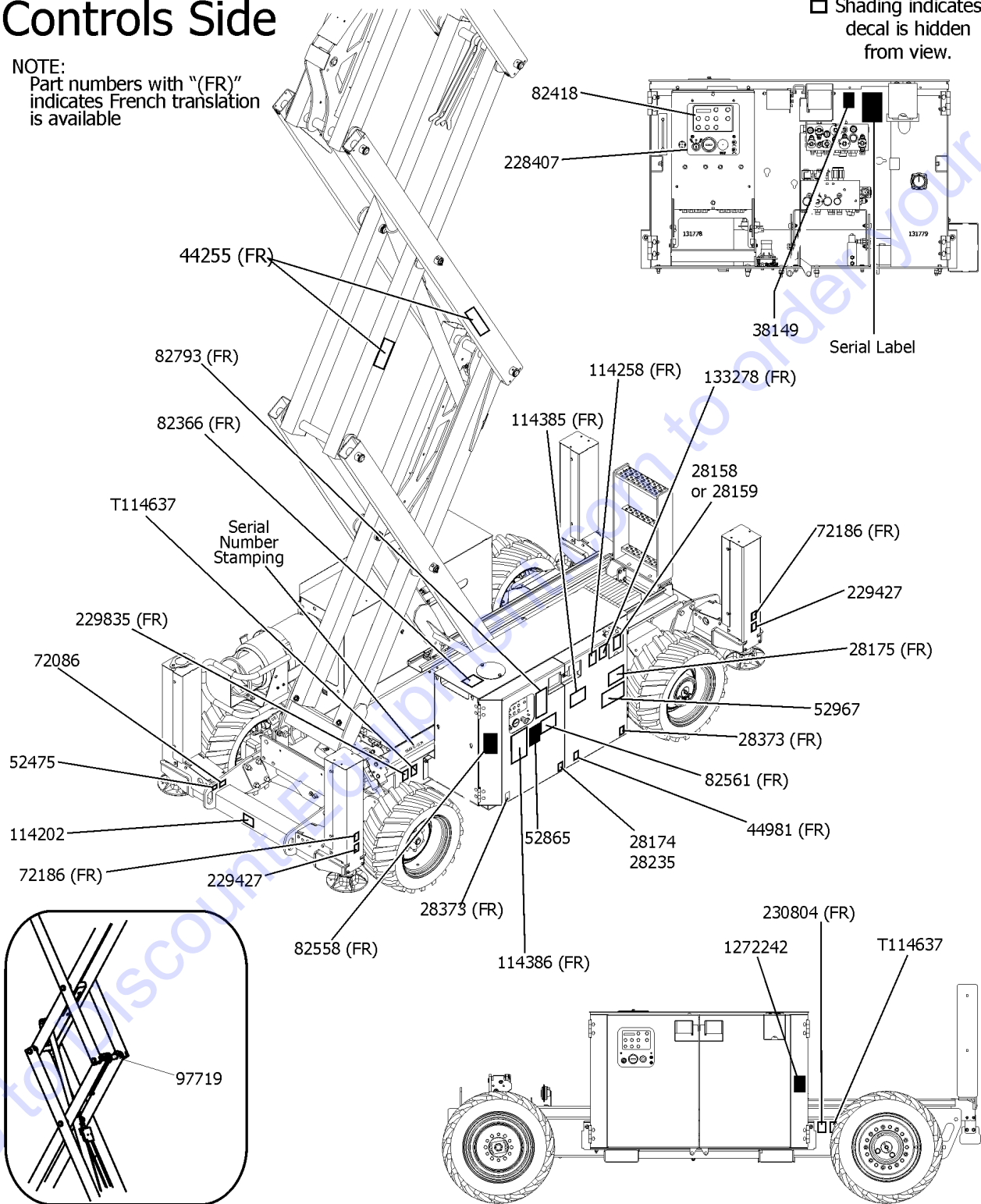
Item	Part No.	Description	Qty.
--	233043GT	DECAL KIT, 4069 COMP,WRD,ANSI <i>(Decal kit, complete for ANSI models only)</i>	
--	233046GT	DECAL KIT, 4069 COMP,WRD,AUS <i>(Decal kit, complete for AUS models only)</i>	
--	233799GT	DECAL KIT, 4069 PLAT,WRD,ANSI <i>(Decal kit, platform for ANSI models only)</i>	
--	233802GT	DECAL KIT, 4069 PLAT,WRD,AUS <i>(Decal kit, platform for AUS models only)</i>	
1	28160GT	DECAL,LABEL,LIQUID PROPANE.....1	
2	28175GT	DECAL,WARNING-COMPART ACCESS.....1	
3	28373GT	DECAL,FORK LIFT POCKET.....2	
4	31060GT	DECAL,DANGER DO NOT ALTER SWTC.....1	
5	31788GT	DECAL,DANGER,BATTERY SAFETY***.....1	
6	44255GT	DECAL,DANGER,CRUSHING HAZARD.....2	
7	52475GT	DECAL,LABEL,TRANSPORT TIEDOWN*.....2	
8	52967GT	DECAL,COSMETIC,4 X 4.....1	
9	72086GT	DECAL,LABEL,LIFTING EYE.....2	
10	72186GT	DECAL,WARNING,CRUSHING HAZARD.....2	
11	82558GT	DECAL,WARN,SKIN INJECTION HAZ*.....1	
12	82561GT	DECAL,DANGER-USE SAFETY ARM....1	
13	97602GT	DECAL,EXPLOSION HAZARD.....1	
14	114202GT	DECAL,LABEL,TRANSPORT TIE 68....1	
15	114385GT	DECAL,DANGER,ELEC HAZARD,GS....1	
16	131587GT	DECAL,NOTICE,KUB,D1105,T4.....1 <i>(option)</i>	
17	139249GT	DECAL,NOTICE,PERKINS 403D SPEC.....1 <i>(option)</i>	
18	229427GT	DECAL,LABEL,OUTRIGGER LD.....2	
19	229827GT	DECAL,WARNING,HOT SURFACE.....3	
20	229835GT	DECAL,NOTICE,TIRE SPECS.....1 <i>(steer end)</i>	
21	229871GT	DECAL,NOTICE,KUBOTA GAS SPECS.....1 <i>(option)</i>	
22	230804GT	DECAL,NOTICE,TIRE SPECS, REAR....1 <i>(non-steer end)</i>	
23	1272843GT	DECAL,NOTICE,GM .998L SPEC.....1 <i>(option)</i>	
24	T114637GT	DECAL,LABEL,WHEEL LD,GS4069RT...2	

118.1 Decals with Words, GS-4069, Controls Side

Controls Side

NOTE:
Part numbers with "(FR)" indicates French translation is available

☐ Shading indicates decal is hidden from view.

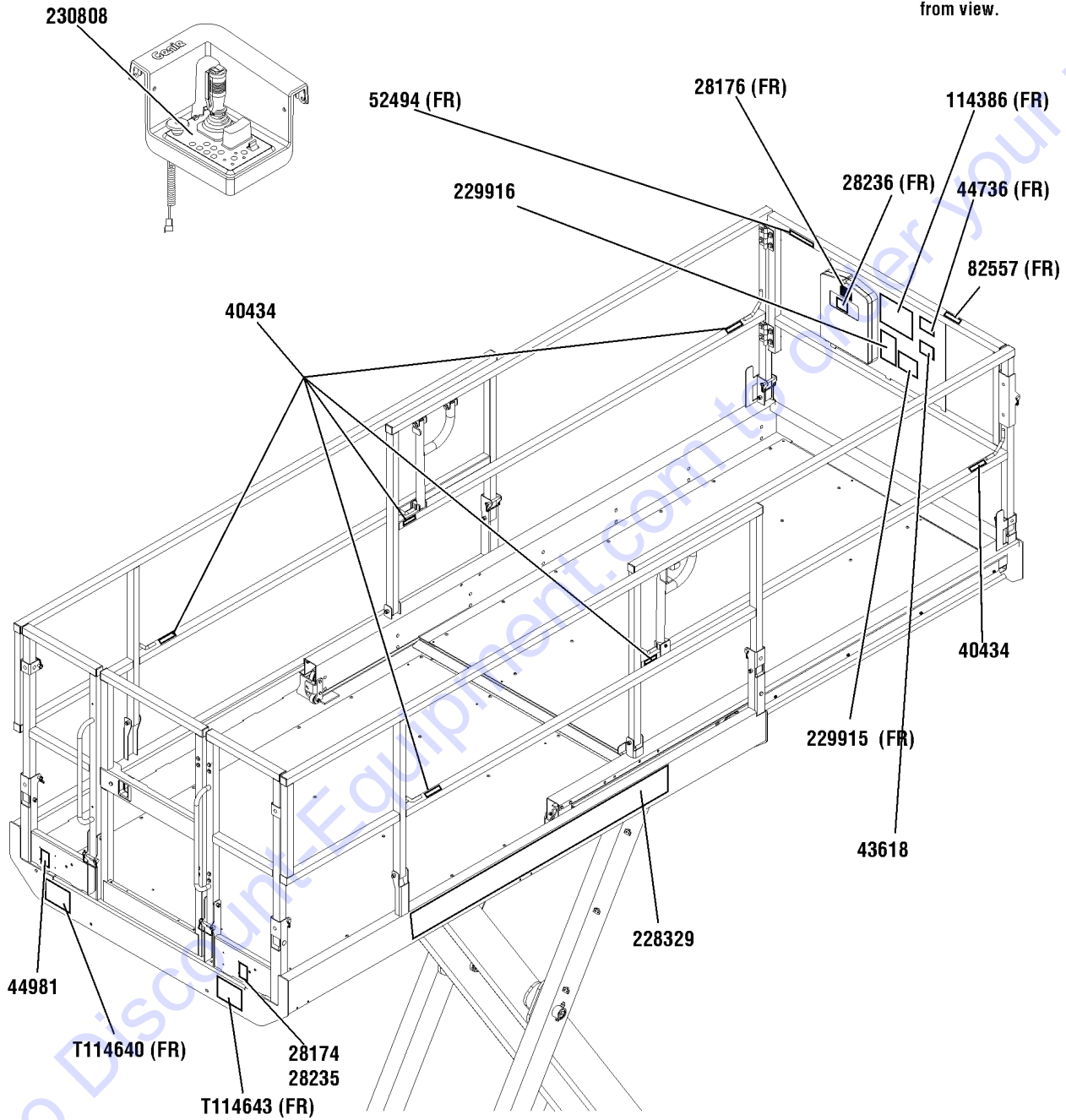


118.1 Decals with Words, GS-4069, Controls Side

Item	Part No.	Description	Qty.
--		Ref. Word Decal Kits (refer to 117.1)	
1	28158GT	DECAL,LABEL,UNLEADED GAS ONLY.....	1
2	28159GT	DECAL,DIESEL.....	1
3	28174GT	DECAL, POWER TO PLATFORM 230V**.....	1
4	28175GT	DECAL,WARNING-COMPART ACCESS.....	1
5	28235GT	DECAL,POWER TO PLATFORM 115V...1	
6	28373GT	DECAL,FORK LIFT POCKET.....	2
7	38149GT	DECAL,LABEL,PATENTS..... (US models only)	1
8	44255GT	DECAL,DANGER,CRUSHING HAZARD.....	2
9	44981GT	DECAL,LABEL, AIR LINE 110 PSI.....	1
10	52475GT	DECAL,LABEL,TRANSPORT TIEDOWN*.....	2
11	52865GT	DECAL,ANNUAL INSP***.....	1
12	52967GT	DECAL,COSMETIC,4 X 4.....	1
13	72086GT	DECAL,LABEL,LIFTING EYE.....	2
14	72186GT	DECAL,WARNING,CRUSHING HAZARD.....	2
15	82366GT	DECAL,CHEVRON RANDO HD.....	1
16	82418GT	DECAL,GROUND CONTROL PANEL.....	1
17	82558GT	DECAL,WARN,SKIN INJECTION HAZ*.....	1
18	82561GT	DECAL,DANGER-USE SAFETY ARM...1	
19	82793GT	DECAL,NOTICE,OP INST,GROUND.....	1
20	97719GT	DECAL, LABEL, SAFETY ARM SYMB...1	
21	114202GT	DECAL,LABEL,TRANSPORT TIE 68....1	
22	114258GT	DECAL,DANGER,NO SMOKING.....	1
23	114385GT	DECAL,DANGER,ELEC HAZARD,GS....1	
24	114386GT	DECAL,DANGER-GEN SAFETY.....	1
25	133278GT	DECAL,LOW/ULTRA LOW SULFR FUEL..... (diesel models only)	1
26	228407GT	DECAL,GROUND CONTROL PANEL.....	1
27	229427GT	DECAL,LABEL,OUTRIGGER LD.....	2
28	229835GT	DECAL,NOTICE,TIRE SPECS..... (steer end)	1
29	230804GT	DECAL,NOTICE,TIRE SPECS, REAR...1 (non-steer end)	
30	T114637GT	DECAL,LABEL,WHEEL LD,GS4069RT...2	
31	1272242GT	DECAL,MACHINE REGISTRATION/OWNER TRANSFER....1	

Platform, ANSI/CSA models

☐ Shading indicates decal is hidden from view.



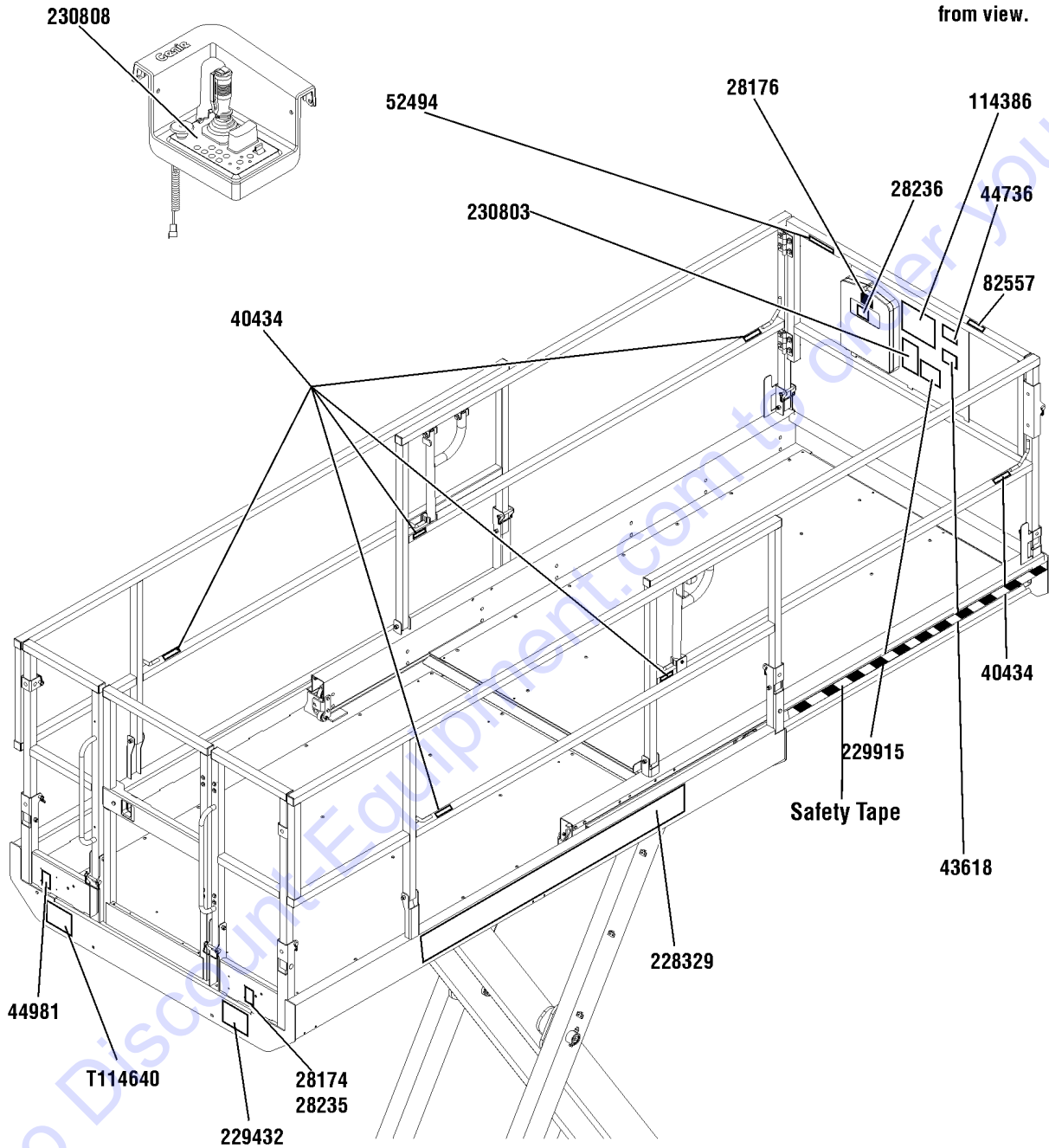
NOTE:
Part numbers with "(FR)" indicates French translation is available

119.1 Decals with Words, GS-4069 Platform, ANSI & CSA

Item	Part No.	Description	Qty.
--		Ref. Word Decal Kits (refer to 117.1)	
1	28174GT	DECAL, POWER TO PLATFORM 230V**.....1	1
2	28176GT	DECAL,LABEL,MANUAL NOT HERE.....1	1
3	28235GT	DECAL,POWER TO PLATFORM 115V...1	1
4	28236GT	DECAL,WARN,IMPROPER OPERATION.....1	1
5	40434GT	DECAL,LANYARD ANCHORAGE POINT.....6	6
6	43618GT	DECAL, LABEL - DIRECTION ARROWS.....1	1
7	44736GT	DECAL,DANGER,TIP-OVER,TILT.....1	1
8	44981GT	DECAL,LABEL, AIR LINE 110 PSI.....1	1
9	52494GT	DECAL,CAUTION,CRUSH HAZ, RAILS.....1	1
10	82557GT	DECAL,LABEL,PLAT CONT LOCATION.....1	1
11	114386GT	DECAL,DANGER-GEN SAFETY.....1	1
12	228329GT	DECAL,COSMETIC,GENIE GS-4069RT.....2	2
13	229915GT	DECAL,DANGER,OUTRIGGER SAFETY.....1	1
14	229916GT	DECAL,NOTICE,INST,PLAT-GS69RT....1	1
15	230808GT	DECAL,PLAT CONTROL PANEL GS69.....1	1
16	T114640GT	DECAL,NOTICE,MAX CAP GS4069.....1 (ANSI & CSA models only)	1
17	T114643GT	DECAL,NOTICE,SIDE FRC,4069 ANS...1 (ANSI & CSA models only)	1

Platform, Australia models

☐ Shading indicates decal is hidden from view.

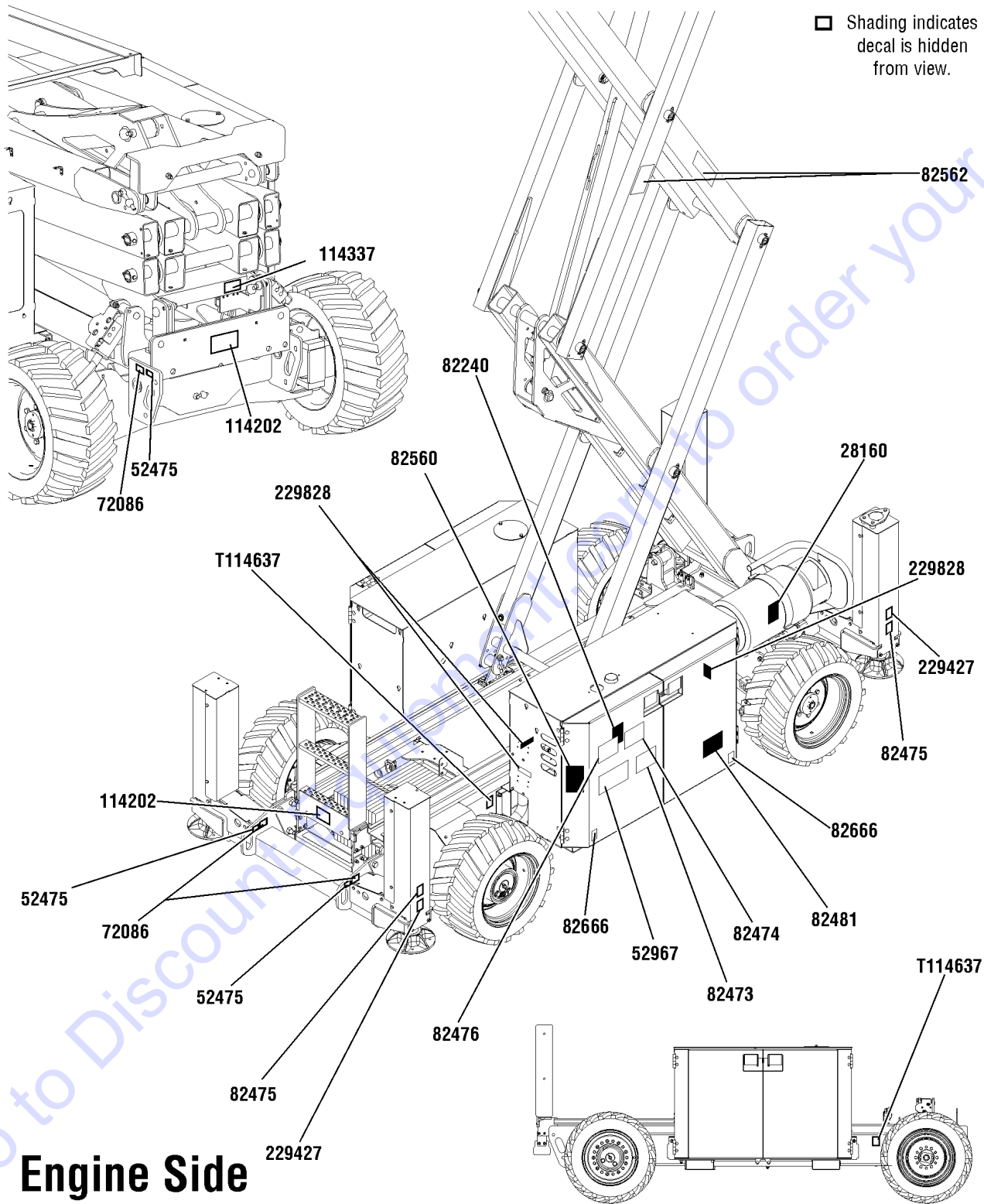


120.1 Decals with Words, GS-4069 Platform, Australia

Item	Part No.	Description	Qty.
--		Ref. Word Decal Kits (refer to 117.1)	
1	28174GT	DECAL, POWER TO PLATFORM 230V**.....1	1
2	28176GT	DECAL,LABEL,MANUAL NOT HERE.....1	1
3	28235GT	DECAL,POWER TO PLATFORM 115V...1	1
4	28236GT	DECAL,WARN,IMPROPER OPERATION.....1	1
5	40434GT	DECAL,LANYARD ANCHORAGE POINT.....6	6
6	43618GT	DECAL, LABEL - DIRECTION ARROWS.....1	1
7	44736GT	DECAL,DANGER,TIP-OVER,TILT.....1	1
8	44981GT	DECAL,LABEL, AIR LINE 110 PSI.....1	1
9	52494GT	DECAL,CAUTION,CRUSH HAZ, RAILS.....1	1
10	82557GT	DECAL,LABEL,PLAT CONT LOCATION.....1	1
11	114386GT	DECAL,DANGER-GEN SAFETY.....1	1
12	228329GT	DECAL,COSMETIC,GENIE GS-4069RT.....2	2
13	229915GT	DECAL,DANGER,OUTRIGGER SAFETY.....1	1
14	230803GT	DECAL,NOTICE,INST,PLAT-GS69RT....1	1
15	230808GT	DECAL,PLAT CONTROL PANEL GS69.....1	1
16	T114640GT	DECAL,NOTICE,MAX CAP GS4069.....1 (Australia models only)	1
17	229432GT	DECAL,NOTICE,MAN FRC,4069.....1 (Australia models only)	1

121.1 Decals with Symbols, GS-4069, Engine Side

☐ Shading indicates decal is hidden from view.



Engine Side

121.1 Decals with Symbols, GS-4069, Engine Side

Item	Part No.	Description	Qty.
--	233955GT	DECAL KIT,4069 COMP,SYM,ANSI <i>(Decal kit, complete for ANSI models only)</i>	
--	233958GT	DECAL KIT,4069 COMP,SYM,CE <i>(Decal kit, complete for CE models only)</i>	
--	233961GT	DECAL KIT,4069 PLAT,SYM,ANSI <i>(Decal kit, platform for Asia & South America models only)</i>	
--	233964GT	DECAL KIT,4069 PLAT,SYM,CE <i>(Decal kit, platform for CE models only)</i>	
1	28160GT	DECAL,LABEL,LIQUID PROPANE.....	1
2	52475GT	DECAL,LABEL,TRANSPORT TIEDOWN*.....	2
3	52967GT	DECAL,COSMETIC,4 X 4.....	1
4	72086GT	DECAL,LABEL,LIFTING EYE.....	2
5	82240GT	DECAL,LABEL,105 DB..... <i>(CE models only)</i>	1
6	82473GT	DECAL,SYMBOL-COMP ACCESS.....	1
7	82474GT	DECAL,SYMBOL-USE SAFETY ARM....	1
8	82475GT	DECAL,SYMBOL-FOOT CRUSHING....	2
9	82476GT	DECAL,SYMBOL-ELEC HAZARD,GS....	1
10	82481GT	DECAL,SYMBOL-BATTERY SAFETY....	1
11	82560GT	DECAL,SYMBOL-SKIN INJECT HAZRD.....	1
12	82562GT	DECAL,SYMBOL-CRUSHING HAZARD.....	2
13	82666GT	DECAL,LABEL,FORKLIFT POCKET.....	2
14	114202GT	DECAL,LABEL,TRANSPORT TIE 68....	1
15	114337GT	DECAL,SYM-TIP-OVER,LIM SWITCH....	1
16	229427GT	DECAL,LABEL,OUTRIGGER LD.....	2
17	229828GT	DECAL,LABEL,HOT,SYMBOL.....	3
18	T114637GT	DECAL,LABEL,WHEEL LD,GS4069RT...2	

PARTS FINDER

**Search Website
by Part Number**



**Search Manual
Library For Parts
Manual & Lookup Part
Numbers – Purchase
or Request Quote**

Search Manuals

Enter your information to help us find the right parts manual for your machine.

* Brand:

* Model:

* Serial:

* Part Number:

SEARCH

**Can't Find Part or
Manual? Request Help
by Manufacturer,
Model & Description**

Parts Order Form

Please fill in the following information to help us find the right part for your machine.

Manufacturer:	<input type="text"/>
Model:	<input type="text"/>
Description:	<input type="text"/>
Part Number:	<input type="text"/>
Quantity:	<input type="text"/>
Notes:	<input type="text"/>

Submit

Discount-Equipment.com is your online resource for quality parts & equipment.

Florida: **561-964-4949** Outside Florida TOLL FREE: **877-690-3101**

Need parts?

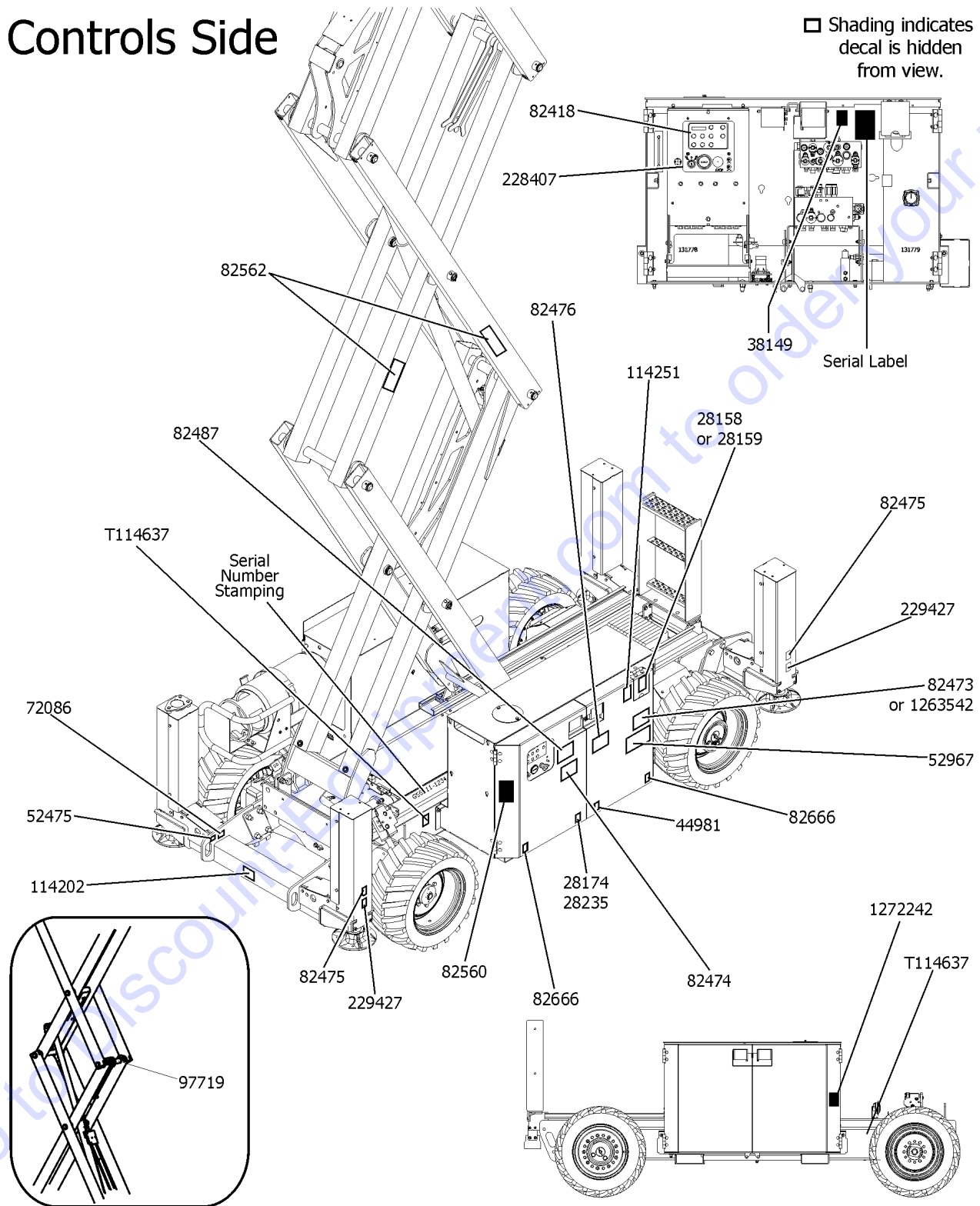
Click on this link: <http://www.discount-equipment.com/category/5443-parts/> and choose one of the options to help get the right parts and equipment you are looking for. Please have the machine model and serial number available in order to help us get you the correct parts. If you don't find the part on the website or on one of the online manuals, please fill out the request form and one of our experienced staff members will get back to you with a quote for the right part that your machine needs.

We sell worldwide for the brands: Genie, Terex, JLG, MultiQuip, Mikasa, Essick, Whiteman, Mayco, Toro Stone, Diamond Products, Generac Magnum, Airman, Haulotte, Barreto, Power Blanket, Nifty Lift, Atlas Copco, Chicago Pneumatic, Allmand, Miller Curber, Skyjack, Lull, Skytrak, Tsurumi, Husquvarna Target, Stow, Wacker, Sakai, Mi-T-M, Sullair, Basic, Dynapac, MBW, Weber, Bartell, Bennar Newman, Haulotte, Ditch Runner, Menegotti, Morrison, Contec, Buddy, Crown, Edco, Wyco, Bomag, Laymor, EZ Trench, Bil-Jax, F.S. Curtis, Gehl Pavers, Heli, Honda, ICS/PowerGrit, IHI, Partner, Imer, Clipper, MMD, Koshin, Rice, CH&E, General Equipment, Amida, Coleman, NAC, Gradall, Square Shooter, Kent, Stanley, Tamco, Toku, Hatz, Kohler, Robin, Wisconsin, Northrock, Oztec, Toker TK, Rol-Air, APT, Wylie, Ingersoll Rand / Doosan, Innovatech, Con X, Ammann, Mecalac, Makinex, Smith Surface Prep, Small Line, Wanco, Yanmar

122.1 Decals with Symbols, GS-4069, Controls Side

Controls Side

☐ Shading indicates decal is hidden from view.

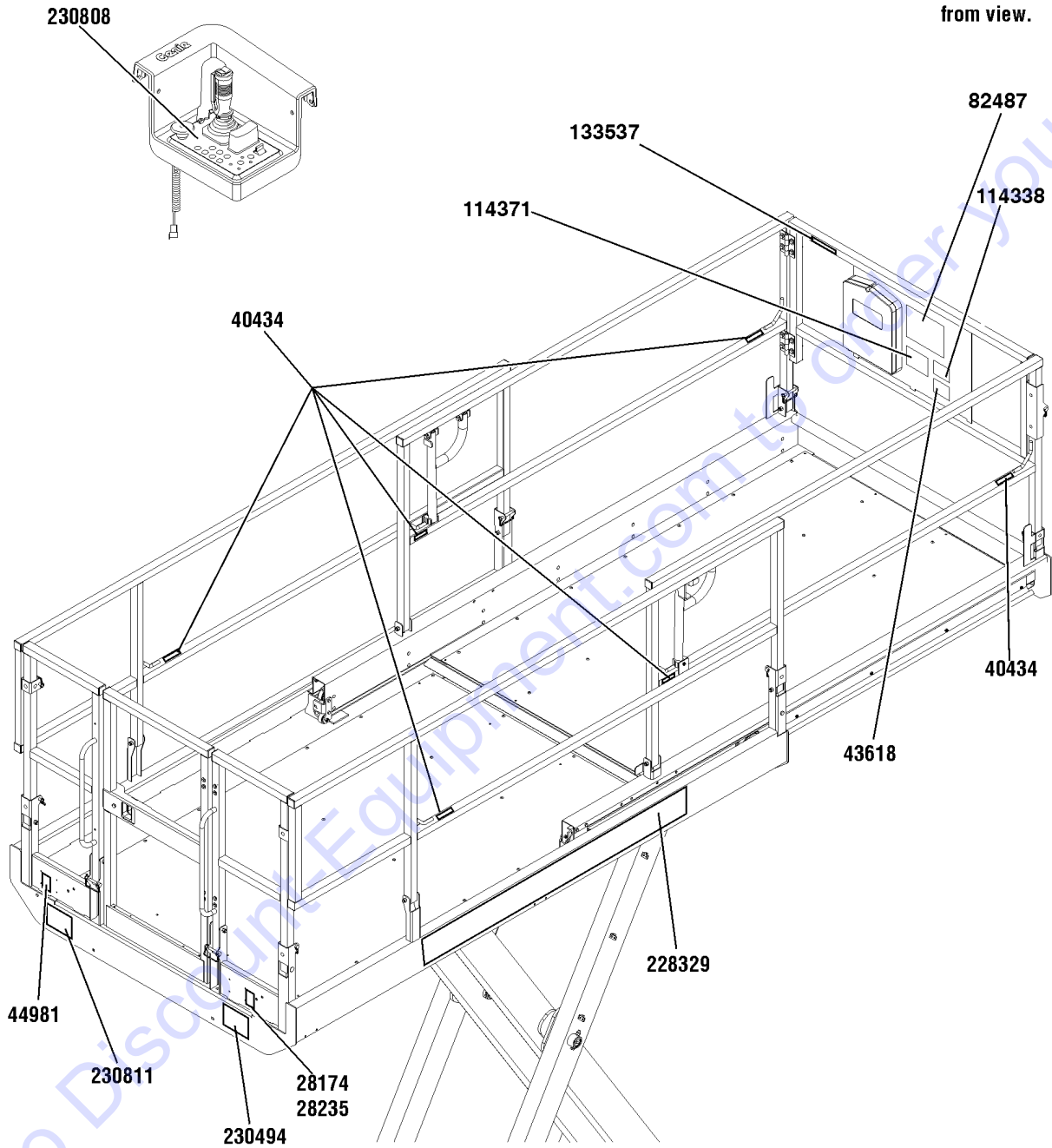


122.1 Decals with Symbols, GS-4069, Controls Side

Item	Part No.	Description	Qty.
--		Ref. Symbol Decal Kits (refer to 121.1)	
1	28158GT	DECAL,LABEL,UNLEADED GAS ONLY.....	1
2	28159GT	DECAL,DIESEL.....	1
3	28174GT	DECAL, POWER TO PLATFORM 230V**.....	1
4	28235GT	DECAL,POWER TO PLATFORM 115V...1	
5	38149GT	DECAL,LABEL,PATENTS..... (US models only)	1
6	44981GT	DECAL,LABEL, AIR LINE 110 PSI.....	1
7	52475GT	DECAL,LABEL,TRANSPORT TIEDOWN*.....	2
8	52967GT	DECAL,COSMETIC,4 X 4.....	1
9	72086GT	DECAL,LABEL,LIFTING EYE.....	2
10	82418GT	DECAL,GROUND CONTROL PANEL....	1
11	82473GT	DECAL,SYMBOL-COMP ACCESS.....	1
12	82474GT	DECAL,SYMBOL-USE SAFETY ARM....	1
13	82475GT	DECAL,SYMBOL-FOOT CRUSHING....	2
14	82476GT	DECAL,SYMBOL-ELEC HAZARD,GS....	1
15	82487GT	DECAL, SYMBOL - READ THE MANUAL.....	1
16	82560GT	DECAL,SYMBOL-SKIN INJECT HAZRD.....	1
17	82562GT	DECAL,SYMBOL-CRUSHING HAZARD.....	2
18	82666GT	DECAL,LABEL,FORKLIFT POCKET....	2
19	97719GT	DECAL, LABEL, SAFETY ARM SYMB....	1
20	114202GT	DECAL,LABEL,TRANSPORT TIE 68....	1
21	114251GT	DECAL,LABEL,NO SMOKING,SYMB....	1
22	228407GT	DECAL,GROUND CONTROL PANEL....	1
23	229427GT	DECAL,LABEL,OUTRIGGER LD.....	2
24	T114637GT	DECAL,LABEL,WHEEL LD,GS4069RT...2	
25	1272242GT	DECAL,MACHINE REGISTRATION/OWNER TRANSFER....	1

Platform, ANSI models

☐ Shading indicates decal is hidden from view.



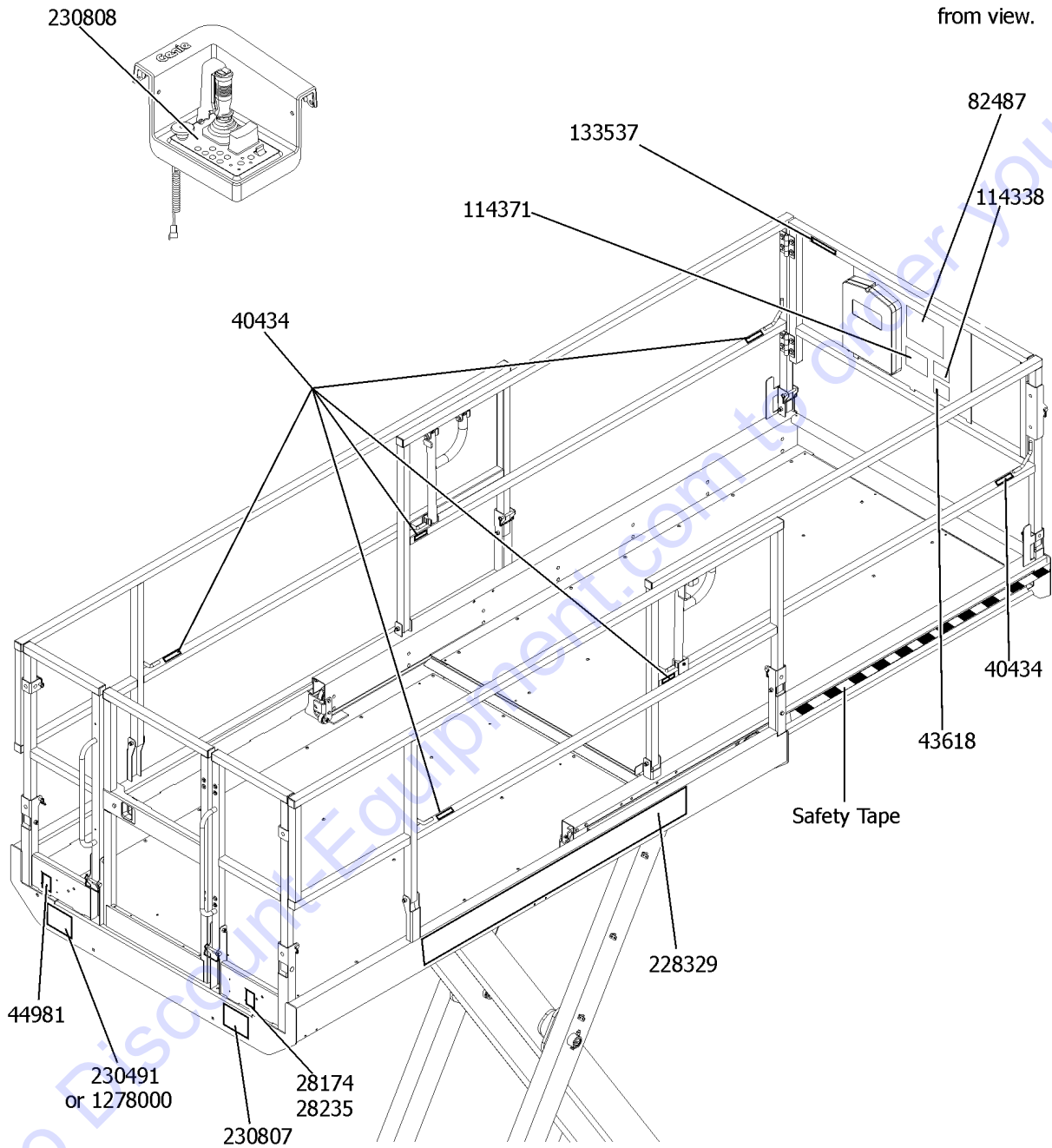
123.1 Decals with Symbols, GS-4069 Platform, Asia & South America

Item	Part No.	Description	Qty.
--		Ref. Symbol Decal Kits (refer to 121.1)	
1	28174GT	DECAL, POWER TO PLATFORM 230V**.....	1
2	28235GT	DECAL,POWER TO PLATFORM 115V...1	1
3	40434GT	DECAL,LANYARD ANCHORAGE POINT.....	6
4	43618GT	DECAL, LABEL - DIRECTION ARROWS.....	1
5	44981GT	DECAL,LABEL, AIR LINE 110 PSI.....	1
6	82487GT	DECAL, SYMBOL - READ THE MANUAL.....	1
7	114338GT	DECAL,SYM-TIP-OVER,TILT ALARM.....	1
8	114371GT	DECAL,SYM-TIP-OVER,OUTRGR.....	1
9	133537GT	DECAL,CRUSH HAZ RAILS SYMB.....	1
10	228329GT	DECAL,COSMETIC,GENIE GS-4069RT.....	3
11	230494GT	DECAL,DANGER,SIDE FRC,GS4069..... (Asia & S. America models only)	3
12	230808GT	DECAL,PLAT CONTROL PANEL GS69.....	1
13	230811GT	DECAL,NOTICE,MAX CAP GS4069..... (Asia & S. America models only)	1

124.1 Decals with Symbols, GS-4069 Platform, CE

Platform, CE models

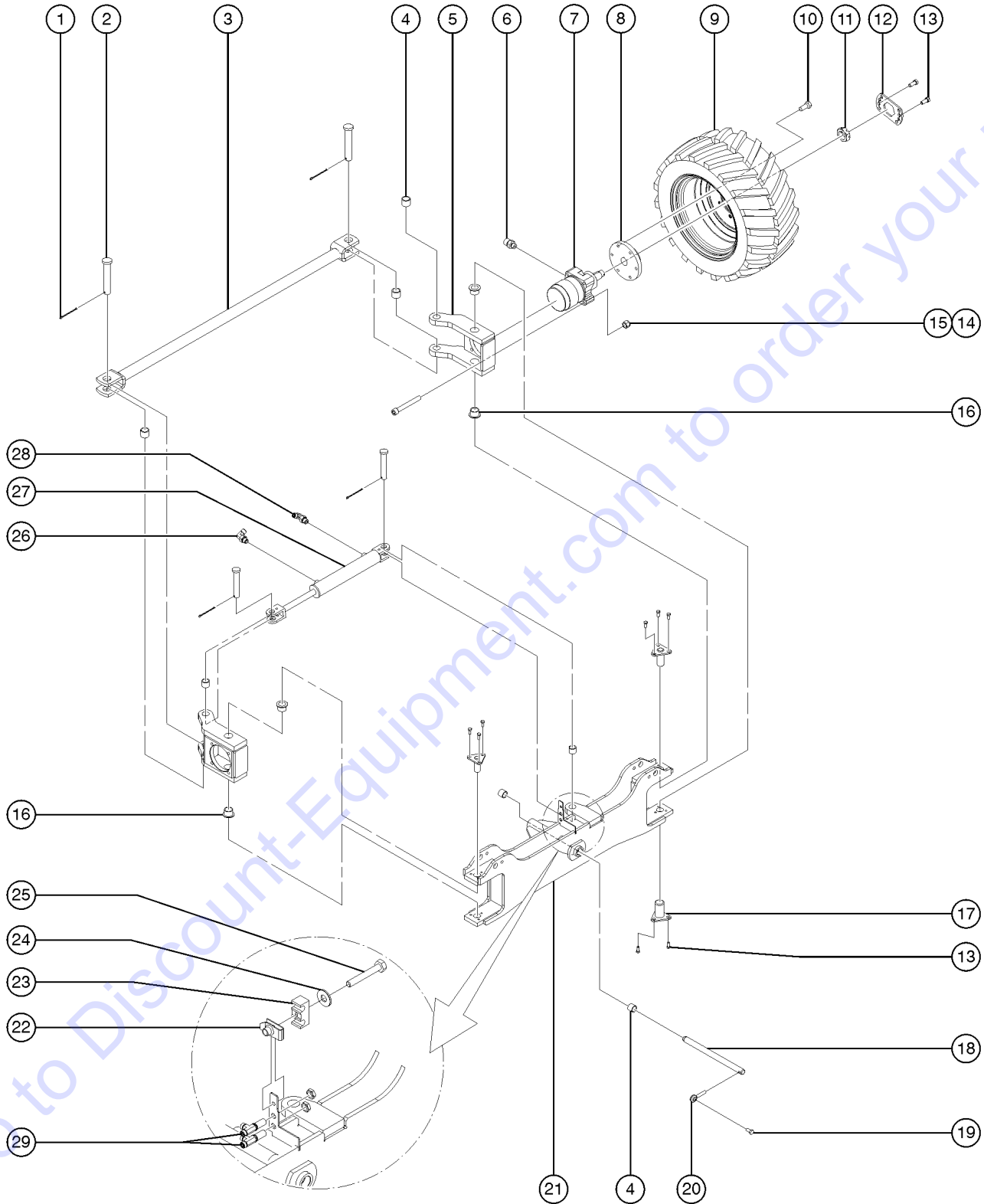
☐ Shading indicates decal is hidden from view.



124.1 Decals with Symbols, GS-4069 Platform, CE

Item	Part No.	Description	Qty.
--		Ref. Symbol Decal Kits (refer to 121.1)	
1	28174GT	DECAL, POWER TO PLATFORM 230V**.....	1
2	28235GT	DECAL,POWER TO PLATFORM 115V...1	1
3	40434GT	DECAL,LANYARD ANCHORAGE POINT.....	6
4	43618GT	DECAL, LABEL - DIRECTION ARROWS.....	1
5	44981GT	DECAL,LABEL, AIR LINE 110 PSI.....	1
6	82487GT	DECAL, SYMBOL - READ THE MANUAL.....	1
7	114338GT	DECAL,SYM-TIP-OVER,TILT ALARM.....	1
8	114371GT	DECAL,SYM-TIP-OVER,OUTRGR.....	1
9	133537GT	DECAL,CRUSH HAZ RAILS SYMB.....	1
10	228329GT	DECAL,COSMETIC,GENIE GS-4069RT.....	2
11A	230491GT	DECAL,NOTICE,MAX CAP GS4069..... (CE models only)	1
12	230808GT	DECAL,PLAT CONTROL PANEL GS69.....	1
13	230807GT	DECAL,DANGER,MAN FRC, GS4069..... (CE models only)	1

201.1 Steer Axle Linkage, Wheels and Drive Motors

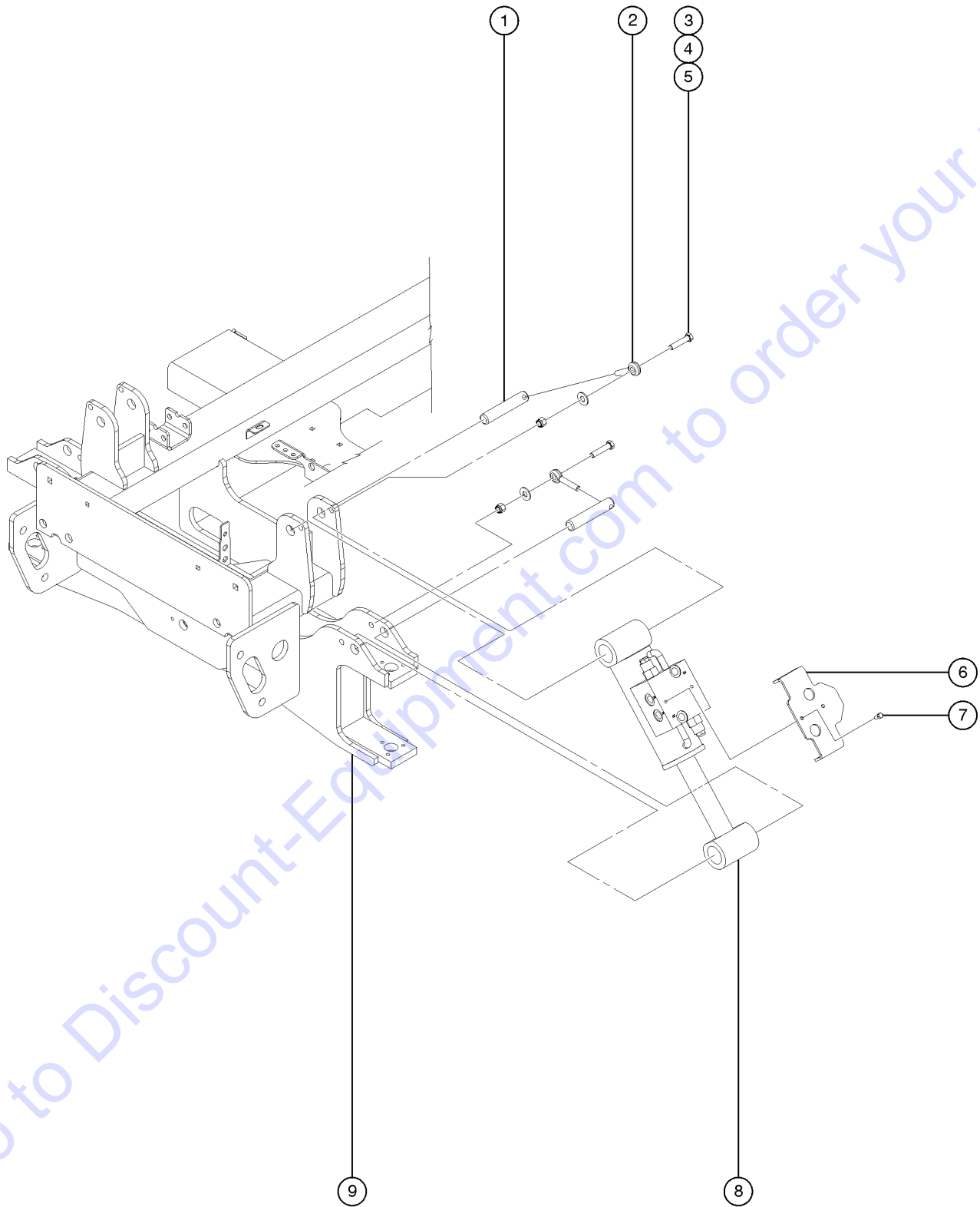


Go to Discount-Equipment.com to order your parts

201.1 Steer Axle Linkage, Wheels and Drive Motors

Item	Part No.	Description	Qty.	Item	Part No.	Description	Qty.
1	74389GT	RUE RING,1.00.....	4	16	148353GT	BEARING,BRZ,FL,1.25X1.50X1.1.....	4
2	19440GT	PIN,CLEVIS,1 X 2.5 LG.....	4	17	131616GT	WELDMNT,KING PIN.....	4
3A	131615GT	WELDMNT,TIE ROD..... <i>(to SN 3661) (Genie blue)</i>	1	18		Ref. PIN,OSC PIVOT..... <i>(for replacement, please call factory)</i>	1
3B	1254181GT	WELDMNT,TIE ROD,GS69..... <i>(from SN 3662) (traffic black)</i>	1	19	8255GT	SCREW,HHC,3/8-16 X .75.....	1
4	25817GT	BEARING,1.00IDX1.25ODX1.00L.....	7	20	1255452GT	ROD END,.375 X 2.25,ZAG.....	1
5A	131610GT	STEER YOKE ASSY..... <i>(to SN 3661) (Genie blue)</i>	2	21A	131602GT	WELDMNT,OSC.AXLE..... <i>(to SN 3661) (Genie blue)</i>	1
5B	1254182GT	ASSY, PAINT,STEER YOKE, RT..... <i>(from SN 3662) (traffic black)</i>	2	21B	1254180GT	WELDMNT,OSC.AXLE..... <i>(from SN 3662) (traffic black)</i>	1
6	48943GT	CONN, 520120-8-6.....	4	22	56912GT	SPRING CLIP,1/4-20,.025-.15X.54,ZAG.....	1
7	T109593GT	MOTOR,22.8 CI/REV,GEROTOR.....	2	23	148396GT	CLAMP,HOSE,2X#4,GS69.....	1
--	44782GT	SEAL KIT,DR MTR.GS15/19,Z20*** <i>for T109593</i>		24	6638GT	WASHER,FLAT,USS,1/4"Y.....	1
8	47312GT	ADAPTER,WHEEL,GS68/GS69.....	2	25	6637GT	SCREW,HHC,1/4-20 X 1.75.....	1
9A	1258626GT	WHEEL ASSY,FOAM,12X26,BLK,LF..... <i>RT, Foam-filled, controls side (left front) (water-based foam)</i>	1	26	48911GT	ELBOW,90D,520220-4-6***.....	2
9A	1258627GT	WHEEL ASSY,FOAM,12X26,BLK,RF..... <i>RT, Foam-filled, engine side (right front) (water-based foam)</i>	1	27	89065GT	CYLINDER,STEER***.....	1
9B	1258751GT	WHEEL ASSY,FOAM,12X26,BLK,LF <i>RT, Foam-filled, controls side (left front) (petroleum-based foam)</i>		--	89066GT	SEAL KIT,STEER CYL (89065)	
9B	1258752GT	WHEEL ASSY,FOAM,12X26,BLK,RF <i>RT, Foam-filled, engine side (right front) (petroleum-based foam)</i>		28	48912GT	CONN,520120-4-6***.....	1
9C	1258630GT	WHEEL ASSY,FOAM,12X26,NM,LF <i>RT, Foam-filled, Non-marking, controls side (left front) (water-based foam)</i>		29	48909GT	TEE,BULKHEAD,RUN,520958-4.....	2
9C	1258631GT	WHEEL ASSY,FOAM,12X26,NM,RF <i>RT, Foam-filled, Non-marking, engine side (right front) (water-based foam)</i>					
9D	1258755GT	WHEEL ASSY,FOAM,12X26,NM,LF <i>RT, Foam-filled, Non-marking, controls side (left front) (petroleum-based foam)</i>					
9D	1258756GT	WHEEL ASSY,FOAM,12X26,NM,RF <i>RT, Foam-filled, Non-marking, engine side (right front) (petroleum-based foam)</i>					
9E	T112503GT	ASSY,HI FLOAT TIRE/WHEEL FRONT..... <i>Hi-Floatation, Foam-filled, Front (to SN GS6916F-9824)</i>	2				
10	148426GT	LUG BOLT,45 DEG,1/2-20 UNF.....	12				
11	44780GT	NUT,CASTLE,1.125-18 UNEF.....	2				
12	T109085GT	PLATE, CASTLE NUT LOCK.....	2				
13	49857GT	SCREW,HHC,3/8-16 X .88,GRD 8.....	16				
14	6198GT	NUT,NYLOCK,1/2-13.....	8				
15	42360GT	SCREW,SHC,1/2-13 X 4 ZINC.....	8				

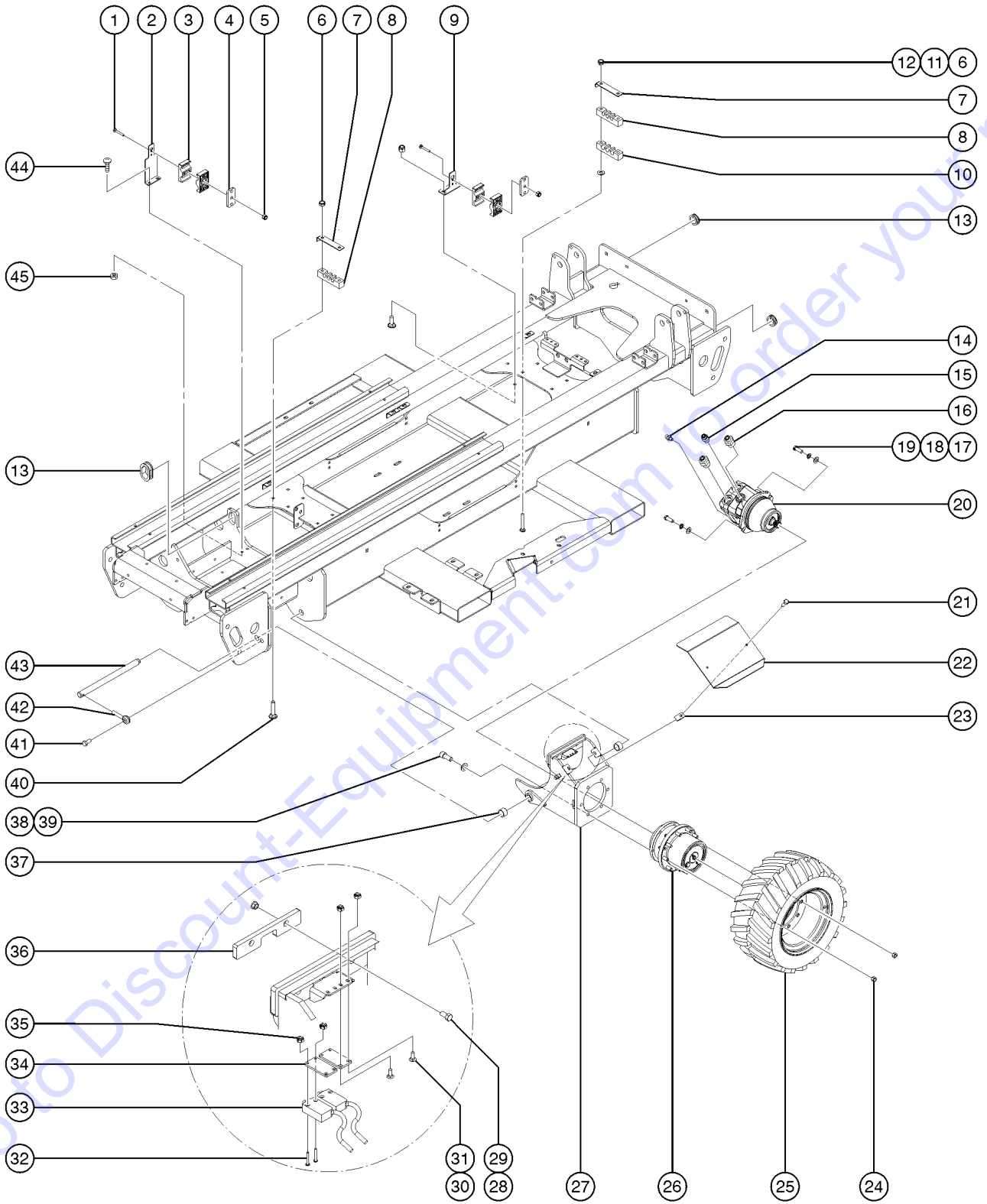
202.1 Steer Axle Linkage, Oscillation



202.1 Steer Axle Linkage, Oscillation

Item	Part No.	Description	Qty.
1	67387GT	PIN,1.00DIAX5.27LG,1HOLE.....	4
2	1255452GT	ROD END,.375 X 2.25,ZAG.....	4
3	13918GT	SCREW,HHC,3/8-16 X 1.75,GRD.8.....	4
4	6097GT	WASHER,FLAT,USS,3/8",Y.....	4
5	4828GT	NUT,NYLOCK,3/8-16.....	4
6A	148400GT	FORMING,OSC.COVER,GS69..... <i>(to SN 3661) (Genie blue)</i>	2
6B	1254184GT	FORMING,OSC.COVER,GS69..... <i>(from SN 3662) (traffic black)</i>	2
7	7339GT	SCREW,HHC,1/4-20 X .5.....	4
8		Ref. CYLINDER,OSCILATING,GS69 <i>(refer to 704.1)</i>	
9		Ref. WELDMENT,OSC.AXLE..... <i>(refer to 201.1)</i>	1

203.1 Non-Steer Axle and Drive Motors



203.1 Non-Steer Axle and Drive Motors

Item	Part No.	Description	Qty.	Item	Part No.	Description	Qty.
1	73464GT	BOLT,CARRIAGE,1/4-20 X 1.75,G2.....4 (GS-2669RT & GS-3369RT)	4	24	54627GT	NUT,LUG,5/8-18 X 90 DEGREE,Z45.....18	18
2A	T107969GT	FORMING,REAR DRIVE HOSE CLAMP.....2 (GS-2669RT & GS-3369RT) (to SN 3661) (Genie blue)	2	25A	1258624GT	WHEEL ASSY,FOAM,12X26,BLK,LR.....1 RT, Foam-filled, controls side (left rear) (water-based foam)	1
2B	1254437GT	FORMING,REAR DRIVE HOSE CLAMP (GS-2669RT & GS-3369RT) (from SN 3662) (traffic black)	2	25A	1258625GT	WHEEL ASSY,FOAM,12X26,BLK,RR.....1 RT, Foam-filled, engine side (right rear) (water-based foam)	1
3	78736GT	CLAMP,2 HOSE,PLASTIC,5/8.....8 (GS-2669RT & GS-3369RT)	8	25B	1258749GT	WHEEL ASSY,FOAM,12X26,BLK,LR.....1 RT, Foam-filled, controls side (left rear) (petroleum-based foam)	1
4	58592GT	PLATE,HOSE ROUTG,BULKHEAD(PTD).....4 (GS-2669RT & GS-3369RT)	4	25B	1258750GT	WHEEL ASSY,FOAM,12X26,BLK,RR.....1 RT, Foam-filled, engine side (right rear) (petroleum-based foam)	1
5	6091GT	NUT,NYLOCK,1/4-20.....4 (GS-2669RT & GS-3369RT)	4	25C	1258628GT	WHEEL ASSY,FOAM,12X26,NM,LR.....1 RT, Foam-filled, Non-marking, controls side (left rear) (water-based foam)	1
6	7713GT	NUT, LP NYLOCK, 3/8-16.....8	8	25C	1258629GT	WHEEL ASSY, FOAM, 12X26,NM,RR.....1 RT, Foam-filled, Non-marking, engine side (right rear) (water-based foam)	1
7A	T107978GT	FORMING,CLAMP,CHASSIS,FRONT.....4 (to SN 3661) (Genie gray)	4	25D	1258753GT	WHEEL ASSY,FOAM,12X26,NM,LR.....1 RT, Foam-filled, Non-marking, controls side (left rear) (petroleum-based foam)	1
7B	1254175GT	FORMING,CLAMP,CHASSIS,FRONT.....4 (from SN 3662) (traffic black)	4	25D	1258754GT	WHEEL ASSY,FOAM,12X26,NM,RR.....1 RT, Foam-filled, Non-marking, engine side (right rear) (petroleum-based foam)	1
8	T109744GT	CLAMP,HOSE,FRONT,3X#4.....4	4	25E	131695GT	ASSY, HI FLOAT TIRE/WHEEL REAR....2 Hi-Floatation, Foam-filled, Rear (to SN GS6916F-9824)	2
9A	T107936GT	FORMING,DRIVE HOSE CLAMP MOUNT.....2 (to SN 3661) (Genie blue)	2	26	T110637GT	WHEEL DRIVE W/ BRAKE,48.1.....2	2
9B	1254176GT	FORMING,DRIVE HOSE CLAMP MOUNT.....2 (from SN 3662) (traffic black)	2	--	106117GT	O-RING,2-010,VITON (Mating O-ring for Brake Port)(Extremely small)	
10	T109745GT	CLAMP,HOSE,FRONT,2X#4,#6.....2	2	--	106118GT	O-RING,2-157,VITON*** (Motor to Hub O-ring)	
11	87684GT	PUSH RETAINER, 3/8" SCREW.....4	4	--	139966GT	ROD,DISCONNECT,OMNI***	
12	112476GT	BOLT,CARRIAGE,3/8-16X2.75,G5.....4	4	--	139967GT	CAP,DISENGAGE,OMNI***	
13	T109739GT	GROMMET,RUBBER,1.75 ID.....12	12	--	139968GT	O-RING,END COVER,OMNI***	
14	48905GT	CONN,520120-4***.....4	4	--	139969GT	LINING KIT,BRAKE,OMNI***	
15	48930GT	CONN,520120-6-8.....2	2	--	139970GT	SEAL KIT,BRAKE,OMNI***	
16	48948GT	CONN,520120-8-12.....4	4	--	139971GT	BEARING KIT,OMNI***	
17	88296GT	SCREW,HHC,7/16-14 X 1.25.....4	4	--	147033GT	O-RING,PIPE PLUG KIT,OMNI***	
18	20912GT	WASHER,LOCK,,437,PLTD.....4	4	--	147034GT	PIPE PLUG KIT,OMNI***	
19	106134GT	WASHER,FLAT,HARDENED 7/16.....4	4	--	230849GT	WHEEL STUD,5/8-18X67MM.....9	9
20	101586GT	MOTOR,PISTON,LC25,6.5 DEG,13T....2	2	--	233041GT	SEAL KIT, WHEEL DRIVE	
--	106098GT	SEAL KIT,MOTOR,LC/KC***		27A	131643GT	SUBASSY,IC REAR AXLE.....2 (to SN 3661) (Genie blue) (includes item 37)	2
--	106117GT	O-RING,2-010,VITON		27B	1267290GT	SUBASSY, IC REAR AXLE.....2 (from SN 3662) (traffic black) (includes item 37)	2
--	106118GT	O-RING,2-157,VITON***		28	33987GT	SCREW,HHC,1/2-13 X 1, GR 5.....4	4
21	6090GT	SCREW,HHC,1/4-20 X .75.....4	4				
22A	131755GT	COVER,REAR AXLE.....2 (to SN 3661) (Genie blue)	2				
22B	1254178GT	COVER,REAR AXLE.....2 (from SN 3662) (traffic black)	2				
23	56912GT	SPRING CLIP,1/4-20,.025-.15X.54,ZAG.....4	4				

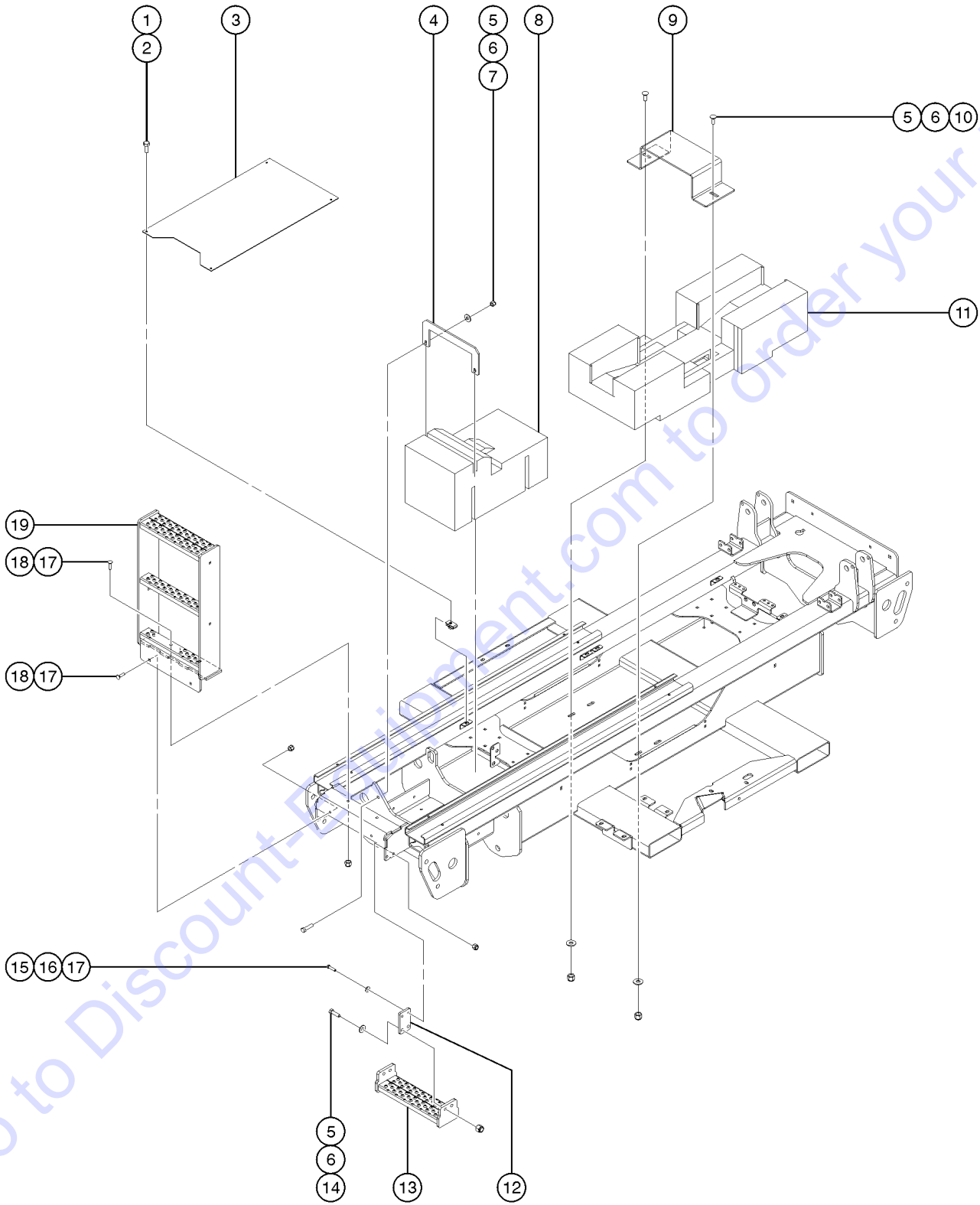
203.1 Non-Steer Axle and Drive Motors (continued)

Item	Part No.	Description	Qty.
29	96320GT	NUT,LOCKING-LG.FLANGE, 1/2-13.....	4
30	1283121GT	BOLT,CARRIAGE,#10-24X 5/8",G2.....	8
31	5365GT	NUT,NYLOCK,10-24.....	8
32	18540GT	SCREW,RHM,8-32 X 1.....	8
33	148236GT	SWITCH,LIMIT,PLUNGER,SMALL.....	4
34A	131640GT	PLATE,SENSE AXLE SWITCH..... (to SN 3661) (Genie blue)	4
34B	1254177GT	PLATE,SENSE AXLE SWITCH..... (from SN 3662) (traffic black)	4
35	18605GT	NUT,NYLOCK,8-32.....	4
36	131639GT	PAD,SENSE AXLE REST.....	2
37	51474GT	BEARING,1.00IDX1.25ODX0.75L.....	4
38	112512GT	SCREW,SHC,5/8-11 X 1.5 NDPATCH.....	12
39	13064GT	WASHER,FLAT,625 HARDENED.....	12
40	112572GT	BOLT,CARRIAGE,3/8-16X1.75.....	4
41	8255GT	SCREW,HHC,3/8-16 X .75.....	2
42	1255452GT	ROD END,375 X 2.25,ZAG.....	2
43	237340GT	PIN,OSC PIVOT.....	2
44	73466GT	BOLT,CARRIAGE,3/8-16 X 1.00,G2..... (GS-2669RT & GS-3369RT)	8
45	4828GT	NUT,NYLOCK,3/8-16..... (GS-2669RT & GS-3369RT)	8

This Page Intentionally Left Blank

Go to Discount-Equipment.com to order your parts

204.1 Ladder and Counterweight

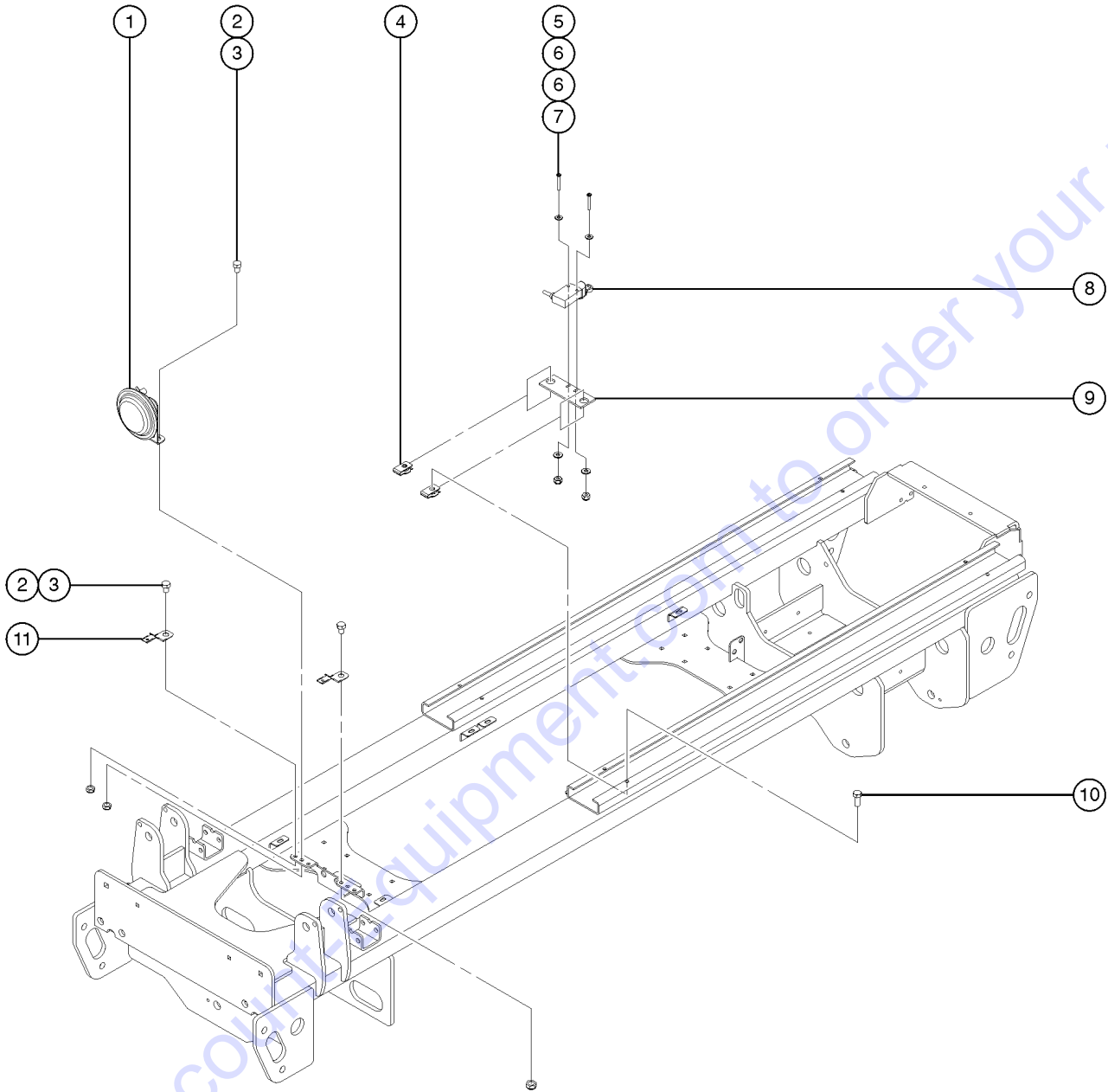


Go to Discount-Equipment.com to order your parts

204.1 Ladder and Counterweight

Item	Part No.	Description	Qty.	Item	Part No.	Description	Qty.
1	6090GT	SCREW,HHC,1/4-20 X .75.....	8	19D	1254188GT	WELDMENT,LADDER,GS4069.....	1
2	56912GT	SPRING CLIP,1/4-20,.025-.15X.54,ZAG.....	8			(GS-4069 RT) (from SN 3662) (Genie blue)	
3A	148271GT	FORMING,CHASSIS COVER.....	2			(decals not included, refer to 100)	
		(to SN 3661) (Genie blue)					
3B	1254174GT	FORMING,CHASSIS COVER.....	2				
		(from SN 3662) (traffic black)					
4A	T115515GT	PLATE,REAR CW BRACKET.....	1				
		(GS-4069 RT) (to SN 3661) (Genie blue)					
4B	1254436GT	PLATE,REAR CW BRACKET.....	1				
		(GS-4069 RT) (from SN 3662) (traffic black)					
5	6198GT	NUT,NYLOCK,1/2-13.....	8				
6	6095GT	WASHER,FLAT,USS,1/2",Y.....	8				
7	6096GT	SCREW,HHC,1/2-13 X 2 GR5.....	2				
8	232537GT	CASTING,CW,REAR,4069.....	1				
		(GS-4069 RT)					
9A	T114860GT	FORMING,MID CW BRACKET.....	1				
		(GS-4069 RT) (to SN 3661) (Genie blue)					
9B	1254462GT	FORMING,MID CW BRACKET.....	1				
		(GS-4069 RT) (from SN 3662) (traffic black)					
10	96977GT	BOLT,CARRIAGE,1/2-13X1.50,GR5.....	2				
11	232536GT	CASTING,CW,MID,4069.....	1				
		(GS-4069 RT)					
12	148403GT	STRAP, RUBBER STEP SUPPORT.....	2				
13A	148292GT	WELDMENT,LOWER LADDER STEP.....	1				
		(to SN 3661) (Genie gray) (models without outriggers)					
13B	1254187GT	WELDMENT,LOWER LADDER STEP.....	1				
		(from SN 3662) (Genie blue) (models without outriggers)					
14	22788GT	SCREW,HHC,1/2-13 X 1.75.....	4				
15	8516GT	SCREW, HCC, 3/8-16 X 1.50.....	4				
16	6097GT	WASHER,FLAT,USS,3/8",Y.....	4				
17	4828GT	NUT,NYLOCK,3/8-16.....	8				
18	60790GT	BOLT, CARRIAGE, 3/8-16 X 1.50, G5.....	4				
19A	235095GT	LADDER ASSY,2669&3369.....	1				
		(GS-2669 RT and GS-3369 RT) (to SN 3661) (Genie gray)					
--	148277GT	WELDMENT,26/32 LADDER.....	1				
		(GS-2669 RT and GS-3369 RT) (to SN 3661) (Genie gray) (decals not included, refer to section 100)					
19B	1254189GT	WELDMENT,LADDER,GS26/3369.....	1				
		(GS-2669 RT and GS-3369 RT) (from SN 3662) (Genie blue) (decals not included, refer to section 100)					
19C	235096GT	LADDER ASSY,GS4069.....	1				
		(GS-4069 RT) (to SN 3661) (Genie gray)					
--	148307GT	WELDMENT, GS4068 LADDER.....	1				
		(GS-4069 RT) (to SN 3661) (Genie gray) (decals not included, refer to 100)					

205.1 Drive Chassis, Safety Components

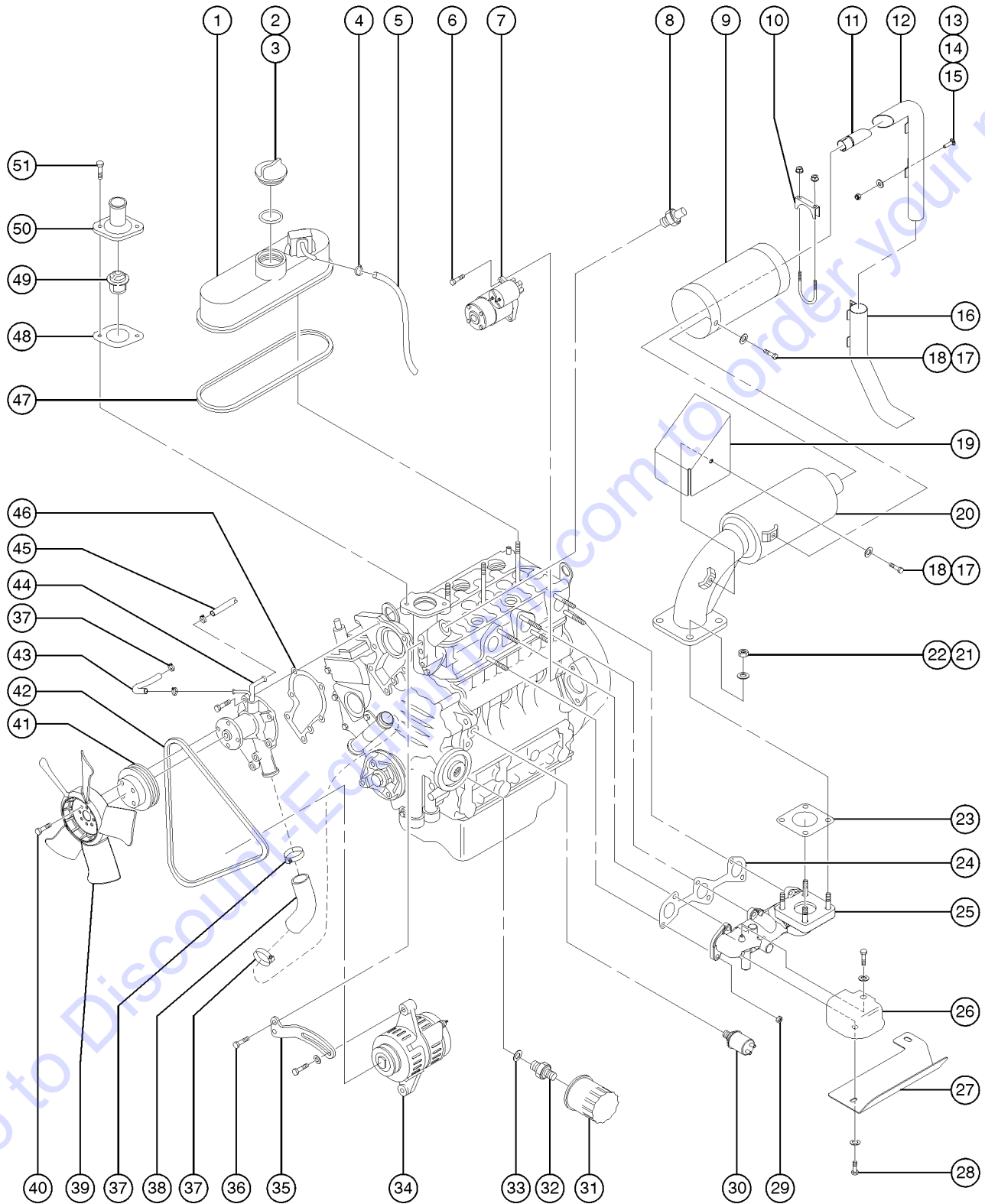


Go to Discount Equipment (Go) to order your parts

205.1 Drive Chassis, Safety Components

Item	Part No.	Description	Qty.
1	81579GT	HORN,24VDC,SPADE TERMINALS***.....1	1
2	71508GT	SCREW,HHC,3/8-16 X .50 GR.5.....2	2
3	7713GT	NUT, LP NYLOCK, 3/8-16.....2	2
4A	29868GT	SPRING CLIP,3/8-16,.05-.20X.73,ZAG to SN 1755	2
4B	4828GT	NUT,NYLOCK,3/8-16.....2 from SN 1756	2
5	49821GT	SCREW,PHILLIPS,PHM,8-32 X 1.25.....2	2
6	35461GT	WASHER,FLAT,MS,#8,Y.....4	4
7	18605GT	NUT,NYLOCK,8-32.....2	2
8A	105692GT	SWITCH,LIMIT,W/ROLLER ARM to SN 1755	1
8B	220237GT	SWITCH,LIMIT,ZCY15 ARM.....1 from SN 1756	1
9A	148413GT	PLATE,UP L.S. MOUNT to SN 1755	1
9B	220153GT	PLATE,LIMIT SWITCH,LS.....1 from SN 1756 to 3661	1
9C	1254170GT	PLATE,LIMIT SWITCH,LS.....1 from SN 3662	1
10A	49857GT	SCREW,HHC,3/8-16 X .88,GRD 8 to SN 1755	2
10B	64154GT	BOLT,CARRIAGE,3/8-16 X1.00,G5.....2 from SN 1756	2
11	99346GT	CLIP, METAL MOUNTING.....3	3

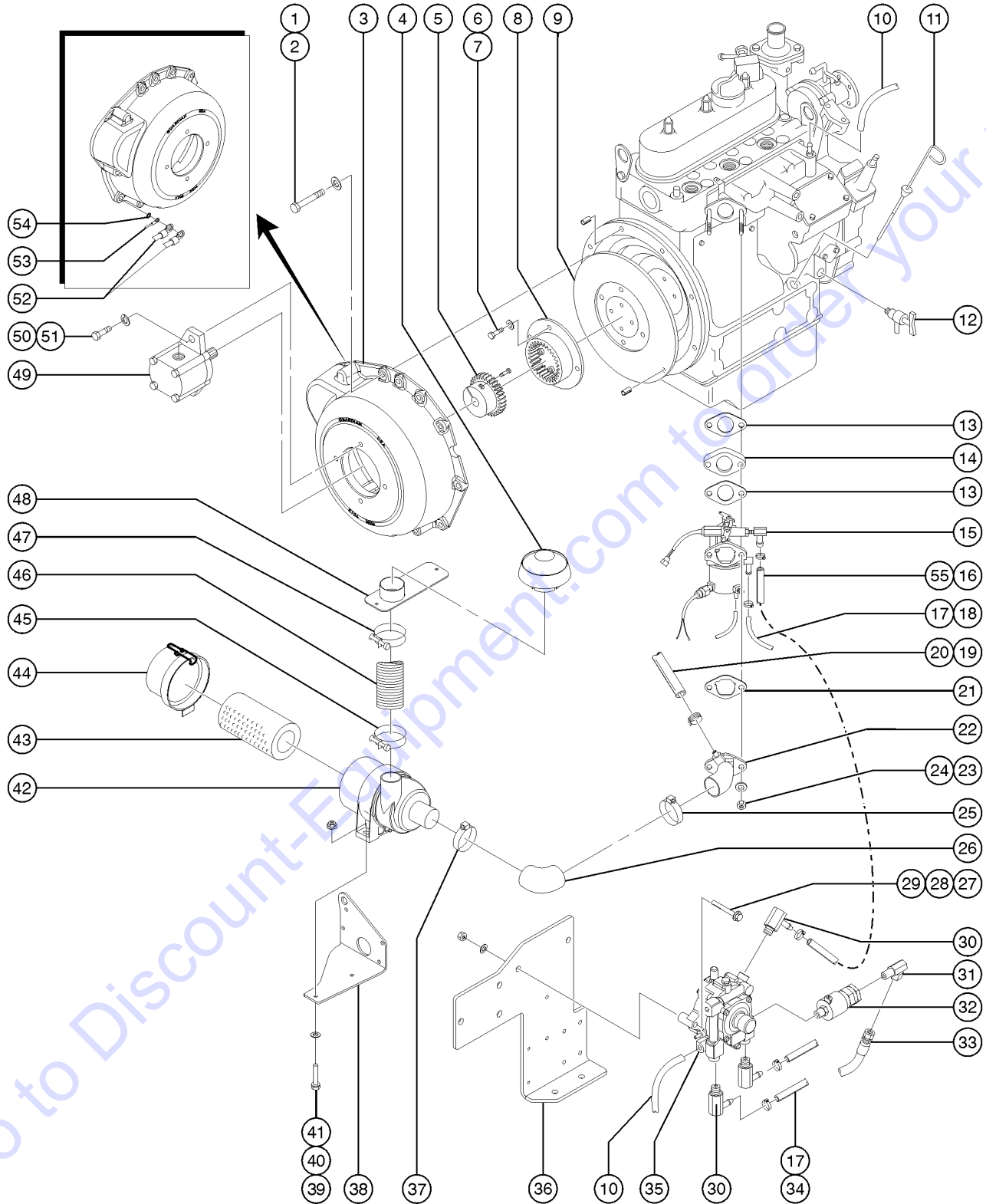
301.1 Kubota WG-972 Engine, View 1 (to SN GS6916F-8533)



301.1 Kubota WG-972 Engine, View 1 (to SN GS6916F-8533)

Item	Part No.	Description	Qty.	Item	Part No.	Description	Qty.
--	139192GT	SOLENOID, KUBOTA,DF972		39	227594GT	RAD. FAN,5-BLADE,DF-972.....1	1
--		<i>for internal engine components, contact engine dealer</i>		40	235509GT	BOLT, FAN, WG972	
1	235499GT	VALVE COVER, WG972.....1	1	41	23469GT	PULLEY,FAN,WG750B***.....1	1
2	235500GT	ORING, OIL FILLER PLUG, WG972.....1	1	42	52816GT	BELT,FAN,KUBOTA DF972/Z482-E.....1	1
3	52808GT	PLUG,OIL FILLER Z482,Z34/22BE*.....1	1	43	235510GT	HOSE, UP, WATER PUMP, WG972.....1	1
4	32069GT	CLAMP,HOSE,KUBOTA WG750.....4	4	44	139196GT	WATER PUMP, DF972.....1	1
5	235501GT	PIPE, BREATHER JOINT, WG972.....1	1	45	235511GT	JOINT PIPE, WG972.....1	1
6	235502GT	BOLT, M8X30MM, KUBOTA		46	23472GT	GASKET,WATER PUMPWG750B/Z482-E.....1	1
7	139191GT	STARTER MOTOR, KUBOTA, DF972.....1	1	47	235512GT	GASKET, VALVE COVER, WG972.....1	1
8	54332GT	SWITCH,WATER TEMP.....1	1	48	28092GT	GASKET,THERMOSTAT-28091.....1	1
9	227592GT	COVER,MUFFLER,DF-972.....1	1	49	139278GT	THERMOSTAT.....1	1
10	62160GT	CLAMP,TAIPIPE, 1 1/2***.....1 <i>including mounting fasteners</i>	1	50	139200GT	THERMOSTAT HOUSING, DF972.....1	1
11	T108133GT	TAILPIPE,DF-972,GS69.....1	1	51	235513GT	BOLT, THERMOSTAT COVER, WG972	
12	148416GT	TAILPIPE,EXTENSION,UNIV.....1	1				
13	79456GT	BOLT,CARRIAGE,1/4-20 X 1.00,G2.....4	4				
14	6638GT	WASHER,FLAT,USS,1/4"Y.....4	4				
15	6091GT	NUT,NYLOCK,1/4-20.....4	4				
16	228974GT	TAILPIPE,END,UNIV.....1	1				
17	235503GT	BOLT, MUFFLER COVER, WG972					
18	235504GT	WASHER, MUFFLER COVER, WG972					
19	227593GT	COVER,MUFFLER,FLANGE,DF-972.....1	1				
20	T114655GT	CATALYTIC MUFFLER,DF-972.....1	1				
21	52850GT	NUT-SELF LOCKING, M8X1.25MM.....4	4				
22	52535GT	WASHER,LOCK,GOV.LEVER,DF750***.4	4				
23	832128GT	GASKET,MUFFLER,KUBOTA D905/11.....1	1				
24	235552GT	GASKET, EXH. MANIFOLD, WG972.....1	1				
25	139202GT	EXHAUST MANIFOLD, DF972.....1	1				
26	227582GT	HEAT SHIELD,EXH MAN,DF-972.....1	1				
27	T113979GT	HEAT SHIELD,DF972 EXHAUST MAN...1	1				
28	235505GT	BOLT, HEAT SHIELD, WG972					
29	235506GT	NUT, EXH. MAN., WG972					
30	22934GT	SWITCH,OIL,PRESSURE,KUBOTA.....1	1				
31	866400GT	KUBOTA OIL FILTER.....1	1				
32	84039GT	JOINT-PIPE.....1	1				
33	84040GT	WASHER-PLAIN.....1	1				
34	T114682GT	ALTERNATOR,40-AMP,DF-972.....1	1				
--	227579GT	ALTERNATOR GUARD,DF-972					
35	44184GT	ALTERNATOR STAY,WG750***.....1	1				
36	233507GT	BOLT, ALT. STAY, WG972					
37	32092GT	CLAMP,HOSE,KUBOTA WG750.....2	2				
38	233508GT	HOSE, LWR, WATER PUMP, WG972.....1	1				

302.1 Kubota WG-972 Engine, View 2 (to SN GS6916F-8533)



302.1 Kubota WG-972 Engine, View 2 (to SN GS6916F-8533)

Item	Part No.	Description	Qty.	Item	Part No.	Description	Qty.
--		for internal engine components, contact engine dealer		18A	233943GT	HOSE, FUEL 3/16", 100"LG (check valve to carburetor) (evaporative)	
1A	235516GT	BOLT, BELLHOUSING MNT, WG972 (for SN 101 to 2311)		18A	233944GT	HOSE, FUEL 3/16", 5"LG (tank to check valve) (evaporative)	
1B	162458GT	HRDWKIT,BELLHSING,WG972,GRDN (from SN 2312)		19	235522GT	PIPE, BREATHER JOINT, WG972	
2A	235517GT	WASHER, BELLHOUSING MNT, WG972 (for SN 101 to 2311)		20	32069GT	CLAMP,HOSE,KUBOTA WG750	
3A	148040GT	BELLHOUSING,DF-972,GS69.....1 (for SN 101 to 2311)	1	21	52427GT	GASKET,AIR CLEANER, DF-750	
3B	162457GT	BELLHOUSING,DF-972,GRDN,GS69 (from SN 2312)		22	T114659GT	AIR CLEANER FLANGE,DF-972.....1	1
4	52420GT	CAP,RAIN,AIR CLEANER, GS68RT**.....1	1	23	52850GT	NUT-SELF LOCKING, M8X1.25MM	
5	1268809GT	COUPLER, SPLINED,9 TOOTH, 30MM.....1 (30mm long)	1	24	52535GT	WASHER,LOCK,GOV.LEVER,DF750***	
6	235518GT	BOLT, FLANGE ADAPTER, WG972		25	35434GT	CLAMP,HOSE,2.00***.....1	1
7	235519GT	WASHER, FLANGE ADAPTER, WG972		26	139483GT	HOSE, INLET, DF972.....1	1
8	161193GT	ADAPTER,FLANGE,FLYWHEEL.....1	1	27	121067GT	SCREW,HHC,FLG,1/4-20 X 2.00	
9	235520GT	FLYWHEEL, WG972.....2	2	28	6638GT	WASHER,FLAT,USS,1/4"Y	
10	51495GT	HOSE,1/8" VACUUM.....27-inches (intake manifold to LPG regulator)		29	6091GT	NUT,NYLOCK,1/4-20	
11	139193GT	DIP STICK, DF972.....1	1	30	84408GT	FITTING,90DEG ELBOW.....3	3
12	235521GT	PETCOCK, DRAIN, WG972.....1	1	31	19859GT	ELBOW,010202-6-4.....1	1
13	52425GT	GASKET,CARBURETOR,KUBOTA DF750.....2	2	32	81633GT	VALVE,LP LOCKOUT W/O CONNECTOR.....1	1
14	23467GT	FLANGE,CARBURETOR,WG750B***.....1	1	33	1266868GT	HOSE ASSEMBLY,LP GAS-112" LONG (LPG tank to regulator)	
15	T114657GT	CARBURATOR ASSY,DF-972.....1 (for correct jetting, refer to 161209 and 218604)	1	34A	27903GT	HOSE,LOW PRESSURE,.375 ID,BLK.....32-inches (LPG regulator to intake manifold)	
15A	161209GT	JET KIT,KUB,WG972,CARB,1000M (for T114657, for use between 4300 and 8900 feet altitude)		34B	27903GT	HOSE,LOW PRESSURE,.375 ID,BLK.....28-inches (LPG regulator to water pump)	
15A	218604GT	JET KIT,KUB,WG972,CARB,2000M (for T114657, for use between 1000 and 5600 feet altitude)		35	97482GT	REGULATOR,LPG,KUBOTA,DF-752***	
16	74514GT	HOSE LPG 1/2" ID X 11.25" LG.....1 (LPG regulator to carburetor)	1	36A	148023GT	FORMING,AIR CLEANER MT,DF-972....1 (to SN 3661) (Genie blue)	1
17	21465GT	CLAMP,HOSE,.25" - .63" X .3125.....8	8	36B	1254142GT	FORMING,VAPORIZER MT,KUB DF (from SN 3662) (traffic black)	
18	233945GT	HOSE, FUEL LO-PERM 5/16", 4"LG.....1 (fuel filter to fuel pump)	1	37	32084GT	CLAMP,AIR CLEANER HOSE,WG750**.....1	1
18	233946GT	HOSE, FUEL LO-PERM 5/16", 7"LG.....1 (fuel tank to fuel filter)	1	38A	128332GT	BRACKET, AIR CLEANER.....1 (to SN 3661) (Genie blue)	1
18	233947GT	HOSE, FUEL LO-PERM 5/16",88"LG.....1 (fuel pump to carburetor)	1	38B	1254145GT	BRACKET, AIR CLEANER (from SN 3662) (traffic black)	
18A	1261278GT	VALVE,2WAY ,1PSI.....1 (from SN 6028)	1	39	13000GT	SCREW,HHC,5/16-18 X 1.25	
18A	226960GT	VALVE,2 WAY,2.5PSI (check valve) (evaporative) (from SN 101 to 6027)		40	5397GT	WASHER,FLAT,USS,5/16",Y	
				41	18503GT	NUT,LOCKING-LG.FLANGE,5/16-18	
				42	84808GT	AIR CLEANER ASSEMBLY, DF-752.....1 (includes item 40-41)	1
				43	866127GT	ELEMENT,AIR CLEANER,KUBOTA.....1	1
				44	84810GT	AIR CLEANER COVER, DF-752.....1	1
				45	45435GT	CLAMP,HOSE,2.50****.....1	1
				46	131372GT	HOSE,1.75ID,2.50IDX12.0".....1	1

302.1 Kubota WG-972 Engine, View 2 (to SN GS6916F-8533)
 (continued)

Item	Part No.	Description	Qty.
47	45435GT	CLAMP,HOSE,2.50****	1
48A	99097GT	WELDMENT,RAIN CAP MNT, KUBOTA	1
		(to SN 3661) (Genie blue)	
48B	1254107GT	WELDMENT,RAIN CAP MNT, KUB (from SN 3662) (traffic black)	
49	1270697GT	PUMP, GEAR, 16CC/REV	1
--	1273258GT	SEAL KIT,CASAPPA for pump 1270697	
--	85197GT	SEAL KIT,BOSCH PUMP*** for pump 87918	
50	6019GT	SCREW,HHC,3/8-16 X 1.25 GRD 5	
51	6021GT	WASHER,LOCK,.375	
52		Ref., HARNESS,BATTERY (refer to 408.1)	
53		Ref., HARNESS,ENGINE (refer to 408.1)	
54	6700GT	WASHER,STAR,EXTERNAL,.375 (from SN 2312)	
55	46131GT	CLAMP,HOSE,.63" - 1.0" X .5"	8

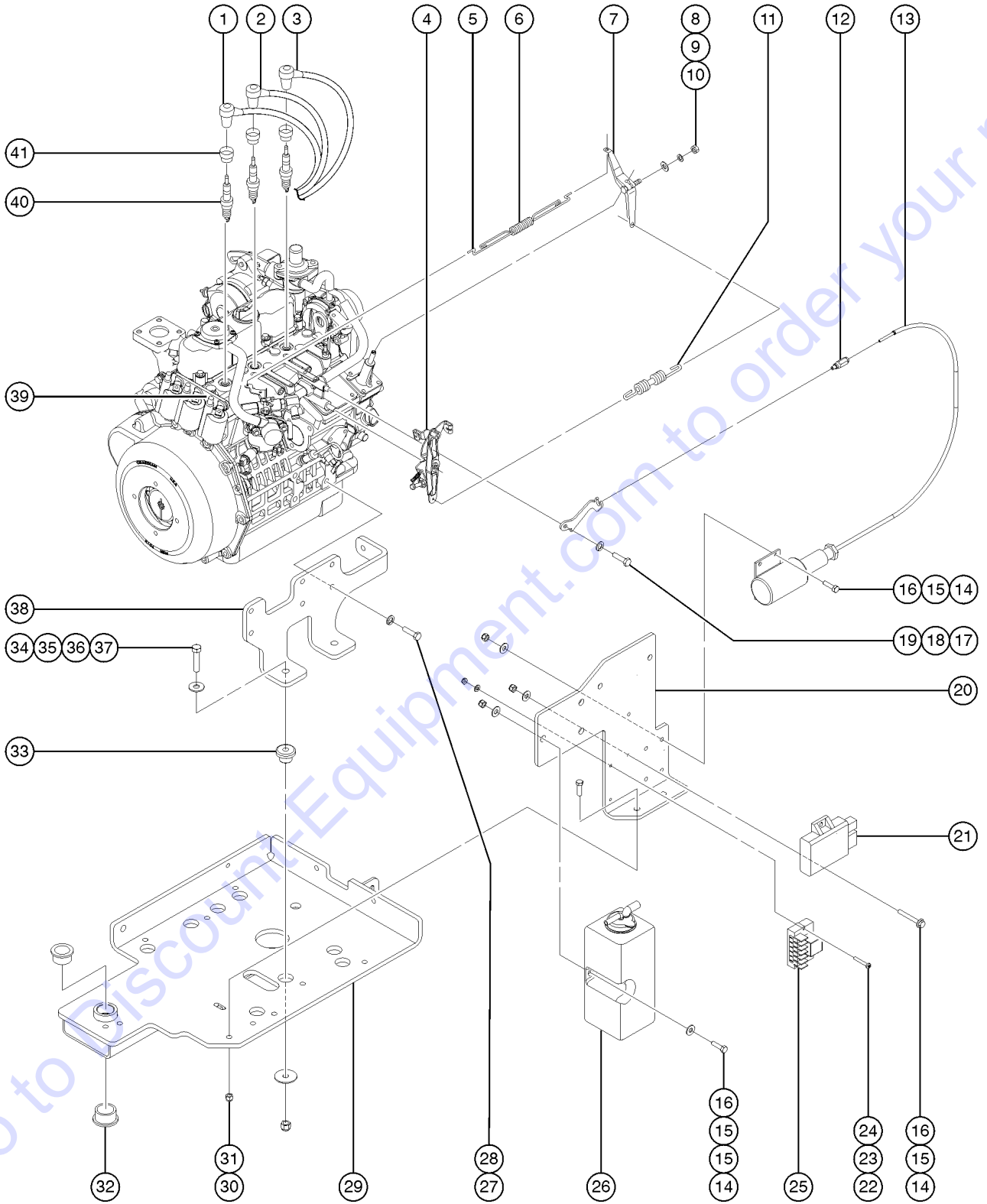
Go to Discount-Equipment.com to order your parts

302.1 Kubota WG-972 Engine, View 2 (to SN GS6916F-8533)
(continued)

This Page Intentionally Left Blank

Go to Discount-Equipment.com to order your parts

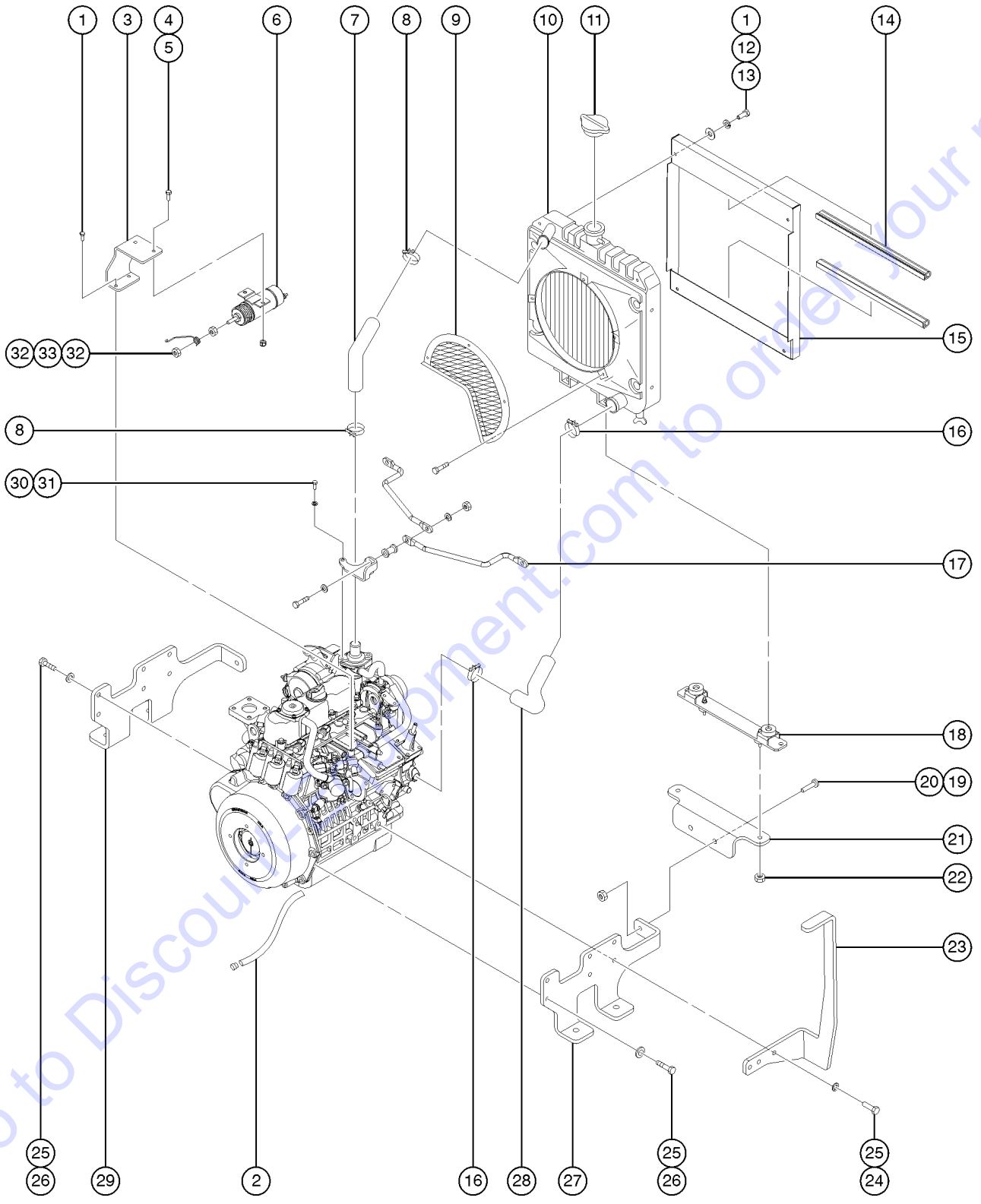
303.1 Kubota WG-972 Engine, View 3 (to SN GS6916F-8533)



303.1 Kubota WG-972 Engine, View 3 (to SN GS6916F-8533)

Item	Part No.	Description	Qty.	Item	Part No.	Description	Qty.
--		<i>for internal engine components, contact engine dealer</i>		27	228698GT	SCREW,HHC,M10 X 1.25 X 35MM	
1	139206GT	SPARK PLUG WIRE 3, DF972.....1 <i>limited inventory available; component no longer available from supplier</i>	1	28	22700GT	WASHER,LOCK,M10	
2	139205GT	SPARK PLUG WIRE 2, DF972.....1 <i>limited inventory available; component no longer available from supplier</i>	1	29		Ref: Engine Swing Tray Weldment.....1 <i>(refer to 402.1)</i>	1
3	139204GT	SPARK PLUG WIRE 1, DF972.....1 <i>limited inventory available; component no longer available from supplier</i>	1	30	4828GT	NUT,NYLOCK,3/8-16	
4	235523GT	ASSY, PLATE CONTROL, WG972.....1	1	31	6019GT	SCREW,HHC,3/8-16 X 1.25 GRD 5	
5	235524GT	ROD, GOVERNOR, WG972		32	131813GT	BEARING,BRZ,FL,1.0IDX1.25OD.....2	
6	235525GT	SPRING, GOVERNOR, WG972.....1	1	33	112929GT	ISOLATOR,ENGINE,CNTR-BOND,50D...4	
7	84053GT	LEVER,GOVERNOR,DF***1	1	34	104235GT	SCREW,HHC,1/2-13X2.25 GRD 8	
8	52521GT	NUT,TAILPIPE,KUBOTA, 2668		35	6095GT	WASHER,FLAT,USS,1/2",Y.....1	1
9	52535GT	WASHER,LOCK,GOV.LEVER,DF750***		36	112946GT	WASHER,FENDER,.5X2.125	
10	52536GT	WASHER,FLAT,GOV.LEVER, DF750		37	6198GT	NUT,NYLOCK,1/2-13	
11	44190GT	SPRING,GOVERNOR,LOWER, WG750**1	1	38A	131897GT	FORMING,ENGINE MOUNT,RT,DF-972.....1 <i>(to SN 3661) (Genie blue)</i>	1
12		CABLE END.....1 <i>Component not available separately. Refer to 229071GT</i>	1	38B	1254144GT	FORMING,ENGINE MOUNT,RT,KUB DF.....1 <i>(from SN 3662) (traffic black)</i>	1
13	229071GT	SOLENOID,THROTTLE W/CABLE.....1	1	39		Ref: BRACKET, AIR CLEANER.....1 <i>(refer to 302.1)</i>	1
14	6888GT	SCREW,HHC,1/4-20 X 1		40	139203GT	SPARK PLUG, DF972.....3	3
15	6638GT	WASHER,FLAT,USS,1/4"Y		41	128516GT	CAP, SPARK PLUG.....3	3
16	6091GT	NUT,NYLOCK,1/4-20					
17	235526GT	BOLT, THROTTLE RET., WG972					
18		<i>not used</i>					
19A	229243GT	BRACKET, THROTTLE END RETAINER.....1 <i>(to SN 3661) (Genie blue)</i>	1				
19B	1254127GT	BRACKET, THROTTLE END RETAINER.....1 <i>(from SN 3662) (traffic black)</i>	1				
20		Ref: FORMING,AIR CLEANER MT,DF-972.....1 <i>(refer to 302.1)</i>	1				
21	128350GT	IGNITION MODULE, DF972.....1	1				
--	128351GT	HARNES, IGNITION MODULE					
22	49817GT	SCREW,PHILLIPS,PHM,10-32 X1.25					
23	6146GT	WASHER,FLAT,MS,#10,Y					
24	14392GT	NUT,LP NYLOCK,10-32					
25	89997GT	RELAY MODULE(89996,89998).....1	1				
26	94532GT	BOTTLE,COOLANT RECOVERY,1.4***1	1				
26A	115431GT	CAP ASSY, COOLANT BOTTLE.....1 <i>(for 94532)</i>	1				
26B	131581GT	HOSE,RAD.OVERFLOW,KD-1105,50"					

304.1 Kubota WG-972 Engine, View 4 (to SN GS6916F-8533)

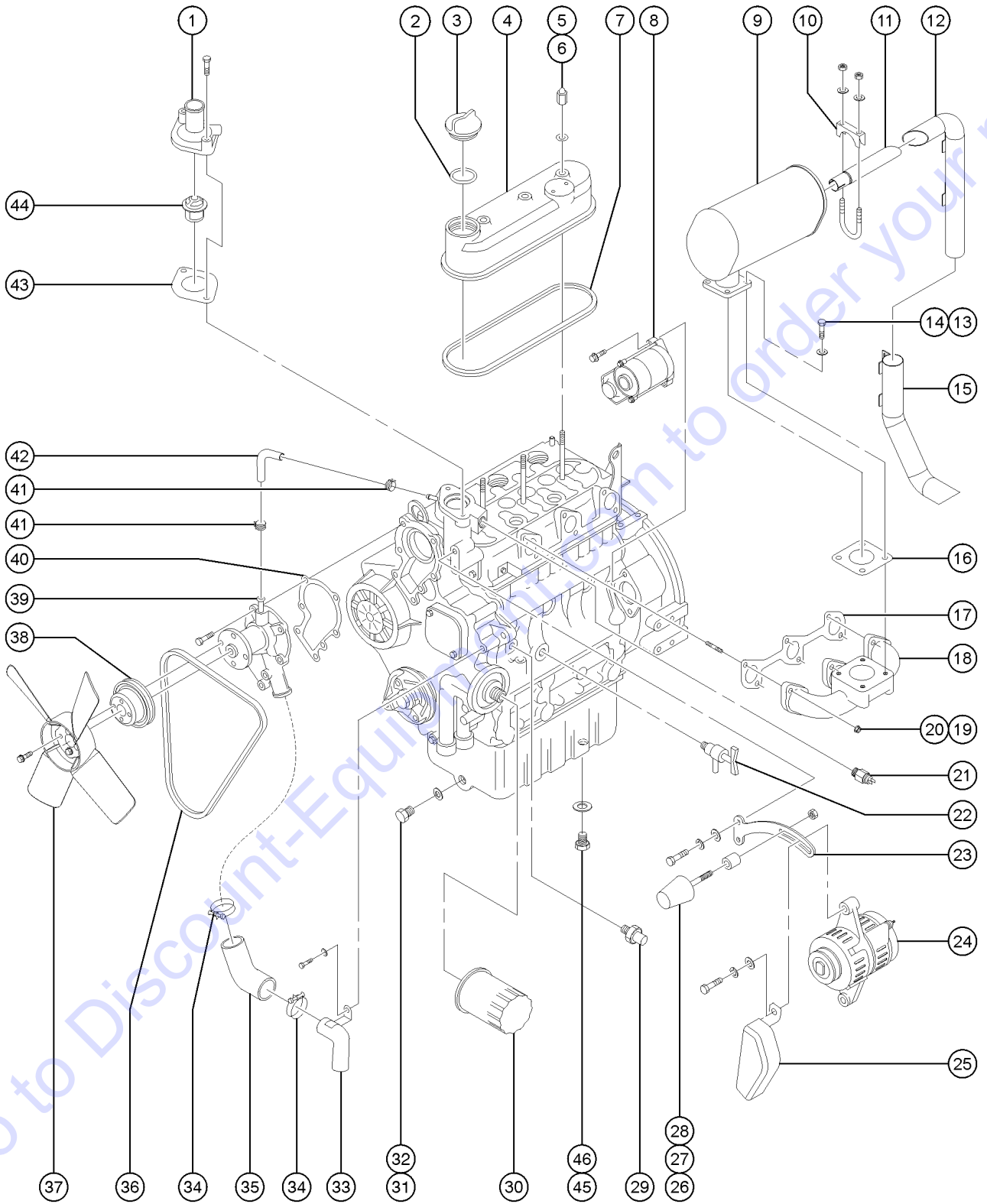


Go to Discount.com to order your parts

304.1 Kubota WG-972 Engine, View 4 (to SN GS6916F-8533)

Item	Part No.	Description	Qty.	Item	Part No.	Description	Qty.
--		<i>for internal engine components, contact engine dealer</i>		26	22676GT	SCREW,HHC,M10 X 1.25 X 30MM**.....	10
--		Perkins 404D-22T Engine Spec Decal		27		Ref: Engine mount,RT..... <i>refer to 303.1</i>	1
1	49375GT	SCREW,HHC,M6 X 16.....	6	28	139212GT	RADIATOR HOSE, LOWER, DF972.....	1
2	139168GT	HOSE ASSY, 3/8",21.00..... <i>oil drain</i>	1	29A	131954GT	FORMING,ENGIE MOUNT,LT,DF-972..... <i>(to SN 3661) (Genie blue)</i>	1
3A	161714GT	FORMING,CHOKE SOL.MOUNT,DF972..... <i>(to SN 3661) (Genie blue)</i>	1	29B	1254143GT	FORMING,ENGIE MOUNT,LT,KUB DF... <i>(from SN 3662) (traffic black)</i>	1
3B	1254128GT	FORMING,CHOKE SOL. MNT, KUB DF..... <i>(from SN 3662) (traffic black)</i>	1	30	235532GT	SCREW, 8MMX1.25X30MM, WG972	
4	6090GT	SCREW,HHC,1/4-20 X .75.....	2	31	235533GT	WASHER, LOCK, 8MM, WG972	
5	6091GT	NUT,NYLOCK,1/4-20.....	8	32	21496GT	NUT,HEX,1/4-28	
6	51745GT	SOLENOID,1"STRKE,12V,SYNCR***.....	1	33A	51510GT	CHOKE LINKAGE GS68..... <i>to SN 1580</i>	1
7	139213GT	RADIATOR HOSE, UPPER, DF972.....	1	33B	161715GT	ASSY,WIRE ROPE, CHOKE, WG972..... <i>from SN 1581</i>	1
8	235527GT	CLAMP, UP. RAD. HOSE, WG972.....	2				
9	84077GT	GUARD-FAN,905,752 KUBOTA ENG.....	1				
10A	139211GT	RADIATOR ASSY, DF972.....	1				
--	131581GT	HOSE,RAD.OVERFLOW,KD-1105,50".....	1				
--	87584GT	CLAMP,HOSE,SELF TIGHT, 7/16..... <i>for 131581</i>	2				
10B	94532GT	BOTTLE,COOLANT RECOVERY,1.4***.....	1				
--	115431GT	CAP ASSY, COOLANT BOTTLE..... <i>for 94532</i>	1				
11	139215GT	RADIATOR CAP, DF972.....	1				
12	6356GT	WASHER,LOCK,.25					
13	6638GT	WASHER,FLAT,USS,1/4"Y					
14	233933GT	SEAL, RUBBER STRAIGHT BULB, 15...2					
15	139173GT	SHROUD, RADIATOR.....	1				
16	235528GT	CLAMP, LWR. RAD. HOSE, WG972.....	2				
17	235529GT	SUPPORT, KIT RADIATOR, WG972.....	1				
18	235530GT	STAY, RADIATOR, WG972.....	1				
19	6019GT	SCREW,HHC,3/8-16 X 1.25 GRD 5.....	4				
20	4828GT	NUT,NYLOCK,3/8-16.....	4				
21A	112871GT	FORMING,RAD.MOUNT,D972..... <i>(to SN 3661) (Genie blue)</i>	1				
21B	1254422GT	FORMING,RAD.MOUNT,KUB DF..... <i>(from SN 3662) (traffic black)</i>	1				
22	235531GT	NUT, RADIATOR 8MM, WG972					
23A	148115GT	FORMING, PULL HANDLE..... <i>(to SN 3661) (Genie blue)</i>	1				
23B	1254139GT	FORMING, PULL HANDLE..... <i>(from SN 3662) (traffic black)</i>	11				
24	228698GT	SCREW,HHC,M10 X 1.25 X 35MM.....	2				
25	22700GT	WASHER,LOCK,M10.....	12				

305.1 Kubota D-1105 Engine, View 1

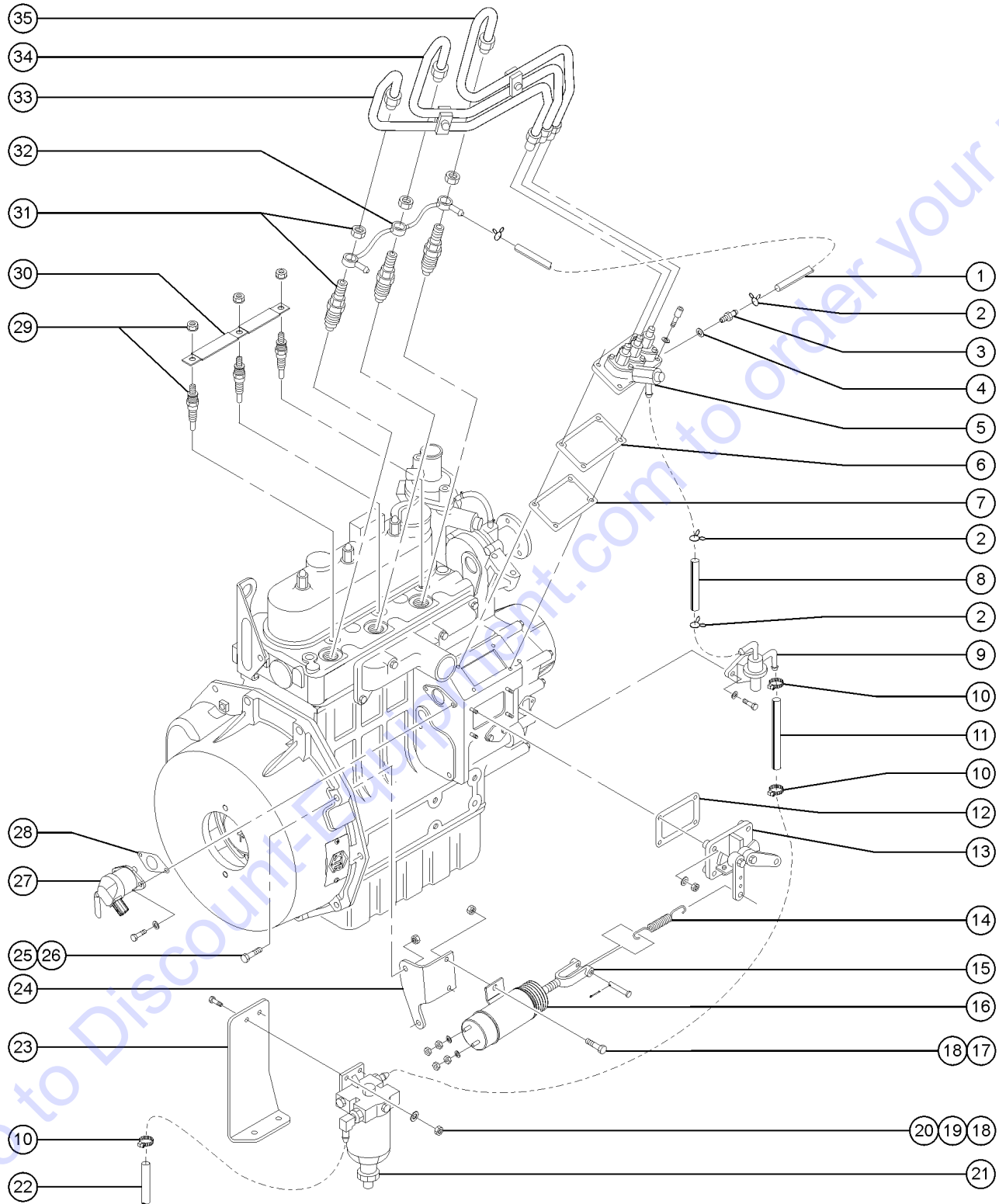


Go to Discount-Equipment.com to order your parts

305.1 Kubota D-1105 Engine, View 1

Item	Part No.	Description	Qty.	Item	Part No.	Description	Qty.
--	139273GT	MANIFOLD, INLET		33	234844GT	HOSE,LOWER RADIATOR,DF752.....	1
--	139280GT	OIL PAN		34	32185GT	CLAMP,HOSE.....	2
--	139282GT	INNER OIL FILTER (located inside oil pan)		35	116523GT	KUBOTA HOSE,D905, D1105.....	1
--	22934GT	SWITCH,OIL,PRESSURE,KUBOTA		36	839209GT	V-BELT,KUBOTA.....	1
--	52532GT	PLUG,ENGINE OIL DRAIN,D-905***		37	231232GT	RAD. FAN,7-BLADE,D-1105.....	1
--	52533GT	GASKET (52532) OIL DRAIN, D905		38	52531GT	PULLEY,FAN,KUBOTA, D-905,GS68.....	1
--		for internal engine components, contact engine dealer		--	101200GT	FAN DRIVE PULLEY,KUBOTA	
1	139279GT	THERMOSTAT COVER.....	1	38A	231929GT	COLLAR, 7 BLADE FAN, D1105.....	1
2	22903GT	O-RING,OIL FILLER PLUG,KUBOTA*.....	1	39	101201GT	WATER PUMP ASSY,KUBOTA.....	1
3	839151GT	KUBOTA OIL FILLER PLUG,V1305.....	1	40	32199GT	GASKET,WATER PUMP.....	1
4	44191GT	VALVE COVER, D905.....	1	41	32069GT	CLAMP,HOSE,KUBOTA WG750.....	2
5	44193GT	NUT,VALVE COVER CAP, D905.....	3	42	32200GT	HOSE,WATER PUMP RETURN,D905....	1
6	44192GT	GASKET,VALVE COVER CAP, D905.....	3	43	28092GT	GASKET,THERMOSTAT-28091.....	1
7	32189GT	GASKET,VALVE COVER,KUBOTA D905.....	1	44	139278GT	THERMOSTAT.....	1
8	65837GT	STARTER,KUBOTA D905 VERS 2***.....	1	45	162455GT	PLUG PLUGENGINEOIL,D1105 BTM..... (from SN 2312)	1
--	32194GT	SOLENOID,32193 STARTER,D905		46	162456GT	GSKT, PLUENGINEOIL,D1105 BTM..... (from SN 2312)	1
9	131378GT	MUFFLER ASSEMBLY.....	1				
10	62160GT	CLAMP,TAILPIPE, 1 1/2***..... Includes mounting fasteners	1				
11	131945GT	TAILPIPE,DIESEL,GS69.....	1				
12	148416GT	TAILPIPE,EXTENSION,UNIV.....	1				
13	25929GT	SCREW,HHC,M8 X 30MM,GRD 8.8.....	4				
14	49408GT	WASHER,LOCK,M8.....	4				
15	228974GT	TAILPIPE,END,UNIV.....	1				
16	832128GT	GASKET,MUFFLER,KUBOTA D905/11.....	1				
17	32191GT	GASKET,EXHAUST MANIFOLD,D905....	1				
18	32192GT	MANIFOLD, EXHAUST, KUBOTA.....	1				
19	101209GT	NUT,EXHAUST MANIFOLD.....	6				
20	101208GT	STUD,EXHAUST MANIFOLD.....	6				
21	54332GT	SWITCH,WATER TEMP.....	1				
22	32077GT	PETCOCK,DRAIN,KUBOTA WG750B....	1				
23	231231GT	STAY,ALTERNATOR,D-1105.....	1				
24	101203GT	ALTERNATOR,40 AMP,INT REG.....	1				
25	148099GT	COVER,V-BELT,D1105,KUBOTA.....	1				
26	30973GT	BUMPER,RUBBER-1 X 1.25.....	1				
27	116503GT	BUSHING, 630DX.328ID .375T.....	1				
28	6002GT	NUT,LP NYLOCK,5/16-18.....	1				
29	22934GT	SWITCH,OIL,PRESSURE,KUBOTA.....	1				
30	866050GT	FILTER,OIL,KUBOTA.....	1				
31	234842GT	PLUG, ENGINE OIL, D1105.....	1				
32	234843GT	GASKET (52532) OIL DRAIN, D905.....	1				

306.1 Kubota D-1105 Engine, View 2

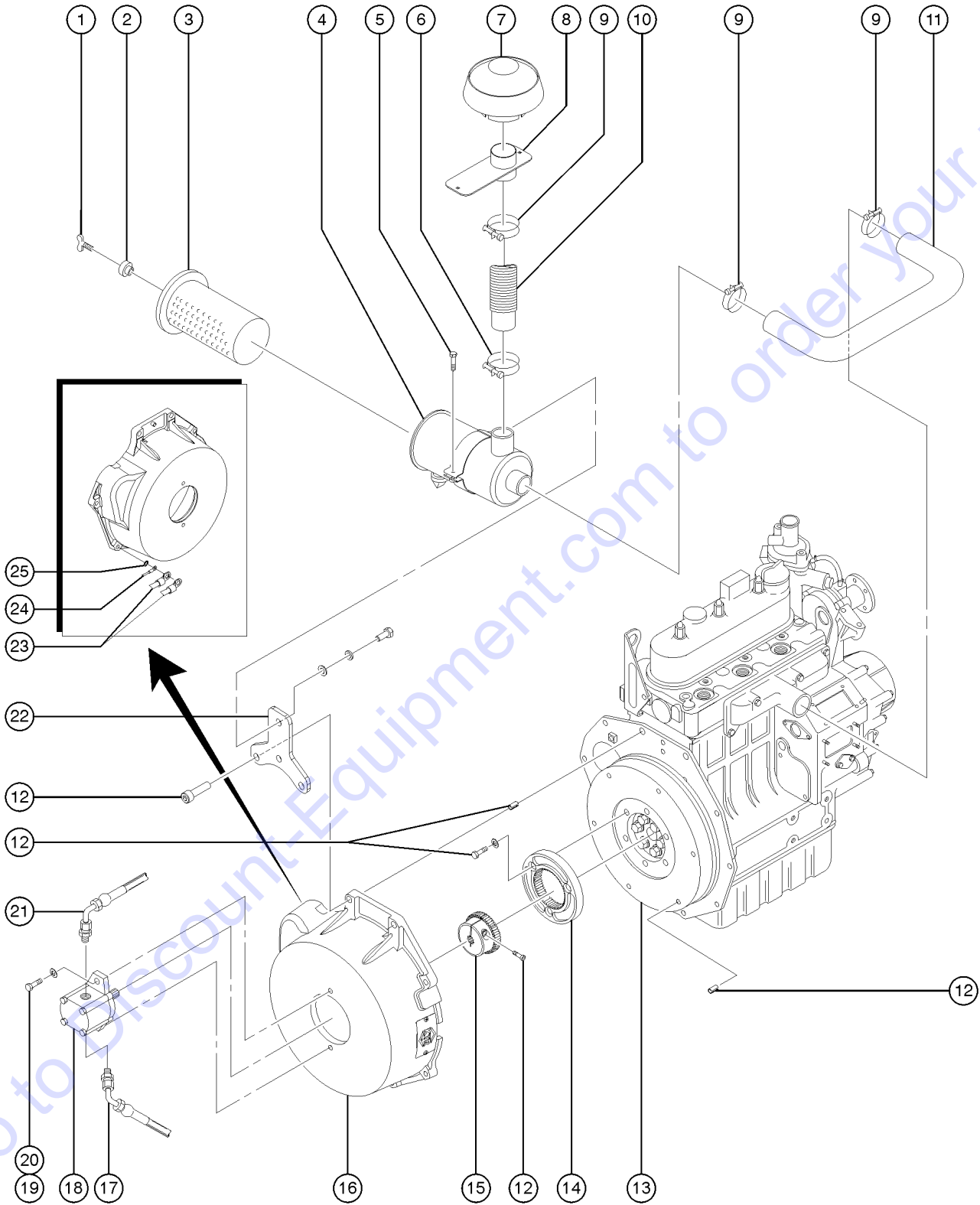


Go to DiscountFurniture.com to order your parts

306.1 Kubota D-1105 Engine, View 2

Item	Part No.	Description	Qty.	Item	Part No.	Description	Qty.
--		<i>for internal engine components, contact engine dealer</i>		32	62117GT	PIPE ASSY-OVERFLOW-D905.....	1
1	35418GT	HOSE,FUEL,3/16,SAE 30R7.....3-inches injector pump to injector pipe assy		32A	35418GT	HOSE,FUEL,3/16,SAE 30R7.....89-inches injector pipe assy to tank	
2	52834GT	CLAMP-HOSE, .375, FUEL PUMP.....	3	33	44196GT	PIPE,INJECTOR 1,D905,D1105.....	1
3	62119GT	SCREW-AIR BREATHER, D905		34	44197GT	PIPE,INJECTOR 2,D905,D1105.....	1
4	44181GT	GASKET,VALVE COVER CAP, WG750.....	1	35	44198GT	PIPE,INJECTOR 3,D905,D1105.....	1
5	839149GT	KUBOTA INJECTOR PUMP, D1105.....	1				
6	32103GT	GASKET,INJECTION PUMP.....	1				
7	32182GT	GASKET,INJECTION PUMP.....	1				
8	236007GT	HOSE, FUEL PUMP TO INJ, D1105..... lift pump to injector pump	1				
9	866070GT	FUEL PUMP, MECHANICAL.....	1				
--	839233GT	KUBOTA FUEL PUMP GASKET.....	1				
10	87584GT	CLAMP,HOSE,SELF TIGHT, 7/16.....	5				
11	27089GT	HOSE,5/16 FUEL,SAE 30R7.....18-inches fuel/water separator to lift pump					
12	44202GT	GASKET,SPEED CONTROL ASSY,D905.....	1				
13	234867GT	SPEED CONTROL ASSY.....	1				
--	44201GT	SPRING,RETURN,SPEED CONTR,D905					
14	31379GT	SPRING,TENSION-1.25 X.438 DIA.....	1				
15	21130GT	CLEVIS YOKE-1/4-28,PLTD W/PIN.....	1				
16	51745GT	SOLENOID,1"STRKE,12V,SYNCR***.....	1				
17	6090GT	SCREW,HHC,1/4-20 X .75					
18	6091GT	NUT,NYLOCK,1/4-20					
19	6888GT	SCREW,HHC,1/4-20 X 1					
20	6638GT	WASHER,FLAT,USS,1/4"Y					
21	56949GT	FILTER/SEPARATOR,FUEL DIESEL**.....	1				
--	65853GT	FILTER,FUEL/WATER SEPARATOR***					
22	27089GT	HOSE,5/16 FUEL,SAE 30R7.....89-inches fuel tank to fuel/water separator					
23		Ref. Fuel Filter MNT..... (refer to 308.1)	1				
24A	148055GT	FORMING,SOLENOID MNT,D-1105..... (to SN 3661) (Genie blue)	1				
24B	1254113GT	FORMING,SOLENOID MNT,KD..... (from SN 3662) (traffic black)	1				
25	61741GT	SCREW,HHC,5/16-18 X 1.50					
26	6782GT	NUT,NYLOCK,5/16-18					
27	99199GT	SOLENOID,KUBOTA D9/1105 SHTDWN.....	1				
28	866040GT	GASKET,SOLENOID,KUBOTA.....	1				
29	839119GT	KUBOTA GLOW PLUG.....	3				
30	62118GT	JUMPER-GLOW PLUG.....	1				
31	62116GT	INJECTOR,FUEL,D905**.....	3				

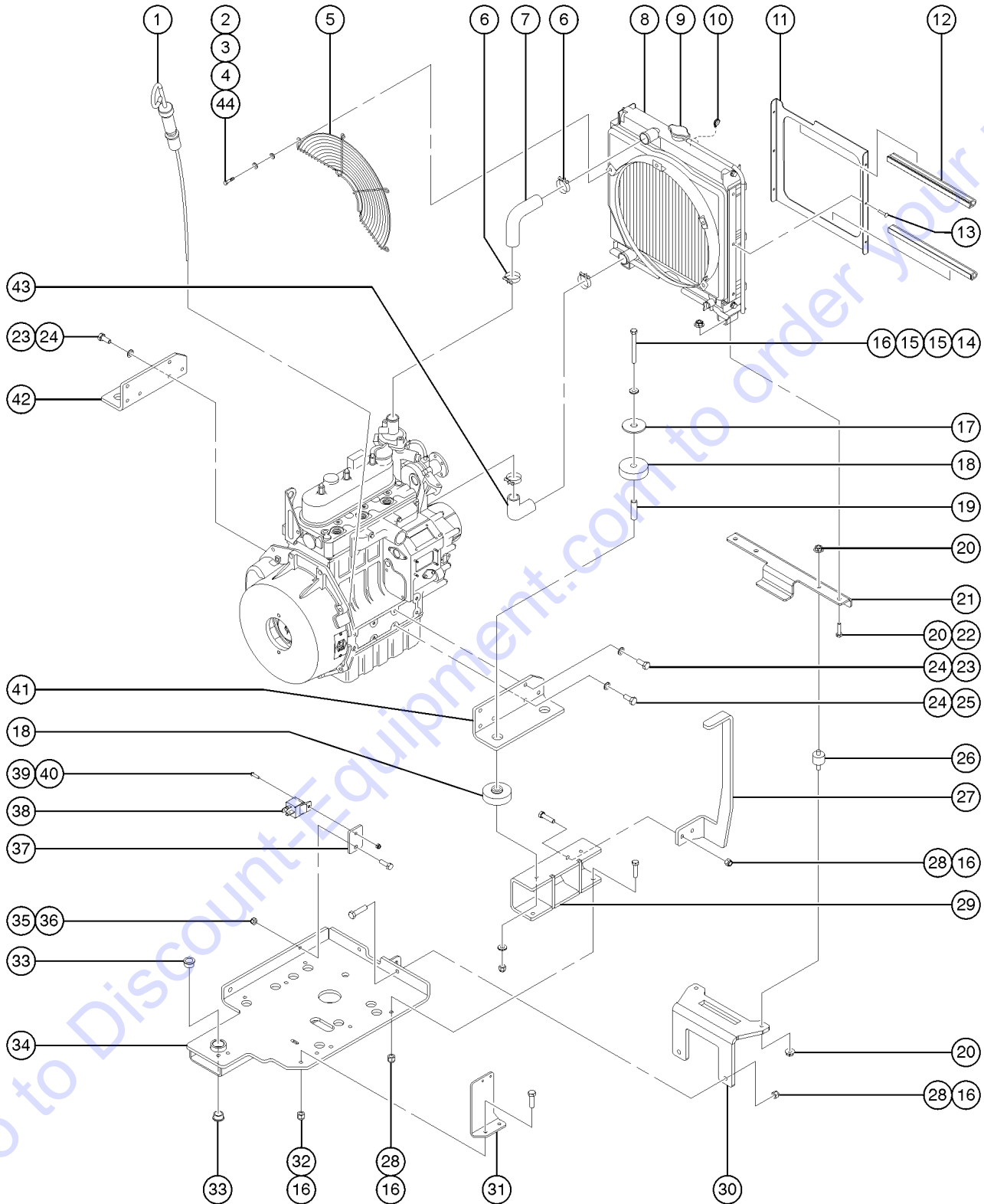
307.1 Kubota D-1105 Engine, View 3



307.1 Kubota D-1105 Engine, View 3

Item	Part No.	Description	Qty.	Item	Part No.	Description	Qty.
--	139273GT	MANIFOLD, INLET		23		Ref., HARNESS,BATTERY (refer to 408.1)	
--		<i>for internal engine components, contact engine dealer</i>		24		Ref., HARNESS,ENGINE (refer to 408.1)	
1	44203GT	BOLT,WING,FILTER ELEMENT, D905....1		25	6700GT	WASHER,STAR,EXTERNAL,.375 (from SN 2312)	
2	44204GT	WASHER ASSY,FILTER ELEMNT,D905.....1					
3	236095GT	FILTER,AIR,D1105.....1					
4	101202GT	AIR CLEANER ASSY.....1 <i>includes items 1-5</i>					
5	101204GT	AIR CLEANER STAY.....1					
5	62296GT	SCREW,M8 X 35MM.....1					
6	45435GT	CLAMP,HOSE,2.50"***1					
7	52420GT	CAP,RAIN,AIR CLEANER, GS68RT**1					
8A	99097GT	WELDMNT,RAIN CAP MNT, KUBOTA.....1 <i>(to SN 3661) (Genie blue)</i>					
8B	1254107GT	WELDMNT,RAIN CAP MNT, KUB.....1 <i>(from SN 3662) (traffic black)</i>					
9	22672GT	CLAMP,HOSE,1.75.....3					
10	131372GT	HOSE,1.75ID,2.50IDX12.0".....1					
11	43700GT	PIPE,INLET, D905.....1					
12A	104367GT	HARDWARE KIT, BELLHSING KUBOTA.....1 <i>(for SN 101 to 2311)</i>					
12B	162463GT	HRDWKIT,BELLHSING,KD-1105,GRDN.1 <i>(from SN 2312)</i>					
13	139274GT	COMP. FLYWHEEL.....1					
--	99882GT	BOLT,FLYWHEEL,KUBOTA D905					
14	94688GT	ADAPTER, FLANGE GEAR, 3 HOLE....1					
15	1268809GT	COUPLER, SPLINED,9 TOOTH, 30MM.....1					
16A	131484GT	BELLHOUSING, KD-1105, A-PILOT.....1 <i>(for SN 101 to 2311)</i>					
16B	161695GT	KIT,HOUSING,COUPLER,APILOT,GDN <i>(from SN 2312)</i>					
17	227475GT	HOSE ASSY,SUCT(TANK)-IN(PUMP)....1					
18	1270697GT	PUMP, GEAR, 16CC/REV.....1					
--	1273258GT	SEAL KIT,CASAPPA <i>for pump 1270697</i>					
--	85197GT	SEAL KIT,BOSCH PUMP*** <i>for pump 87918</i>					
19	6019GT	SCREW,HHC,3/8-16 X 1.25 GRD 5					
20	6021GT	WASHER,LOCK,.375					
21	227476GT	HOSE ASSY,OUT(PUMP)-HP FILTER...1					
22A	74544GT	BRKT. AIR CLEANER MOUNT.....1 <i>(to SN 3661) (Genie blue)</i>					
22B	1254425GT	BRKT. AIR CLEANER MOUNT.....1 <i>(from SN 3662) (traffic black)</i>					

308.1 Kubota D-1105 Engine, View 4

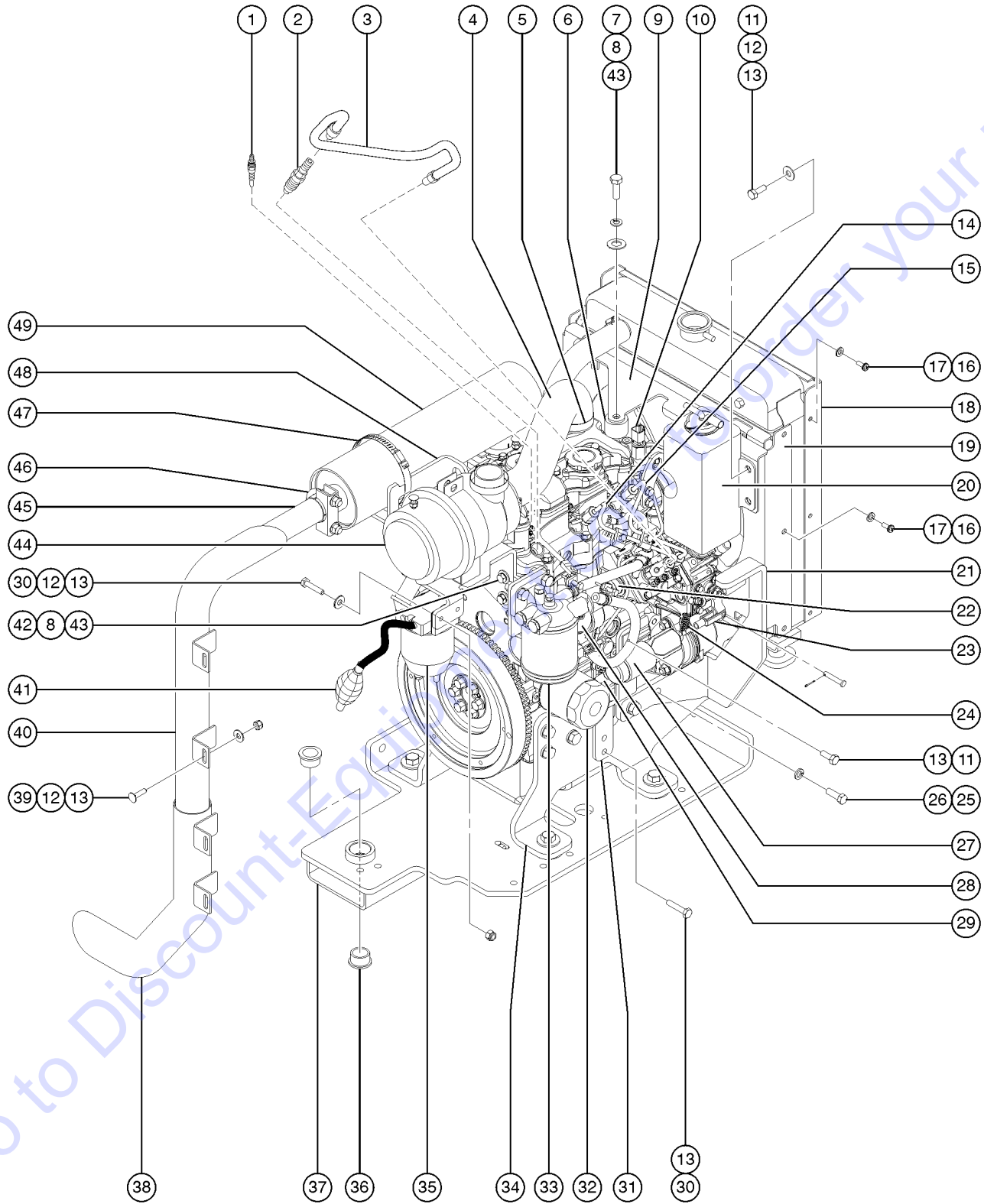


Go to DiscountEquipment.com to order your parts

308.1 Kubota D-1105 Engine, View 4

Item	Part No.	Description	Qty.	Item	Part No.	Description	Qty.
--		<i>for internal engine components, contact engine dealer</i>		30A	227925GT	FORMING,RADIATOR MOUNT,D1105....1 (to SN 3661) (Genie blue)	1
--	139277GT	COMP. WATER FLANGE.....	1	30B	1254110GT	FORMING, RADIATOR MOUNT,KD (from SN 3662) (traffic black)	1
1	231226GT	DIPSTICK,D-1105.....	1	31A	148054GT	FORMING,FUEL FILTER MNT,D-1105....1 (to SN 3661) (Genie blue)	1
--	231227GT	DIPSTICK GUIDE,D-1105		31B	1254114GT	FORMING,FUEL FILTER MNT,KD (from SN 3662 to 9155) (traffic black)	1
2	234845GT	BOLT, FAN COVER, D1105		31C	1270142GT	FORMING, FUEL FILTER MOUNT, KD (from 9156) (traffic black)	1
3	234846GT	WASHER, FAN COVER, D1105		32	6019GT	SCREW,HHC,3/8-16 X 1.25 GRD 5	1
4	234847GT	WASHER, LOCK, FAN COVER, D1105		33	131813GT	BEARING,BRZ,FL,1.0ID X 1.25OD.....	2
5	131373GT	COVER, FAN.....	1	34		Ref: Engine Swing Tray Weldment.....1 (refer to 402.1)	1
6	32185GT	CLAMP,HOSE.....	4	35	6782GT	NUT,NYLOCK,5/16-18	1
7	32205GT	HOSE,UPPR RADIATOR,KUBOTA D905.....	1	36	13022GT	SCREW,HHC,5/16-18 X 1 INCH	1
8	112531GT	RADIATOR ASSY,ALUM.D-905.....	1	37A	227872GT	PLATE,GLOWPLUG,RELAY MT,D1105.....	1
--	115431GT	CAP ASSY, COOLANT BOTTLE <i>for 94532</i>				(to SN 3661) (Genie blue)	
--	131581GT	HOSE,RAD.OVERFLOW,KD-1105,50"		37B	1254111GT	PLATE,GLWPLUG,RELAY MT,KD (from SN 3662) (traffic black)	1
--	94532GT	BOTTLE,COOLANT RECOVERY,1.4***		38	61225GT	RELAY,12VDC,70AMP,SEALED.....	1
9	23061GT	CAP,RADIATOR,13 PSI.....	1	39	6606GT	SCREW,RHM,10-32 X .75	1
10	45454GT	CLAMP,RUB CUSH,0.75,#12 X 3/8*.....	1	40	6178GT	NUT,NYLOCK,10-32	1
11	128328GT	BRKT, BAFFLE, RADIATOR.....	1	41A	148053GT	FORMING, ENGINE MNT, RT, D1105....1 (to SN 3661) (Genie blue)	1
12	233822GT	SEAL, RUBBER 90D BULB, 15IN.....	2	41B	1254115GT	FORMING, ENGINE MNT, RT, KD (from SN 3662) (traffic black)	1
13	51738GT	SCREW,RHM,M6 X 12MM		42A	148052GT	FORMING, ENGINE MNT, LFT, D-11....1 (to SN 3661) (Genie blue)	1
14	6605GT	SCREW,HHC,3/8-16 X 3.5,GR5		42B	1254116GT	FORMING, ENGINE MNT, LFT, KD (from SN 3662) (traffic black)	1
15	5397GT	WASHER,FLAT,USS,5/16",Y		43	131427GT	HOSE,RADIATOR,LOWER,D905.....	1
16	4828GT	NUT,NYLOCK,3/8-16		44	234848GT	NUT, FAN COVER, D1105	1
17	33418GT	WASHER,FLAT,.625 X 2.25 X 15					
18	24037GT	SHOCK MOUNT,LARGE**.....	4				
19	139230GT	SPACER, SHOCK MOUNT					
20	18503GT	NUT,LOCKING-LG.FLANGE,5/16-18					
21A	231574GT	MOUNT, RADIATOR, D1105.....1 (to SN 3661) (Genie blue)	1				
21B	1254424GT	FORMING, RAD SUPPORT, KD (from SN 3662) (traffic black)					
22	13000GT	SCREW,HHC,5/16-18 X 1.25					
23	22676GT	SCREW,HHC,M10 X 1.25 X 30MM**					
24	22700GT	WASHER,LOCK,M10					
25	228698GT	SCREW,HHC,M10 X 1.25 X 35MM					
26	219437GT	ISOLATOR, VIBRATION.....	2				
27A	230477GT	FORMING, ENGINE HANDLE, D1105....1 (to SN 3661) (Genie blue)	1				
27B	1254108GT	FORMING, PULL HANDLE, KD (from SN 3662) (traffic black)					
28	8516GT	SCREW, HCC, 3/8-16 X 1.50					
29A	230473GT	WELDMENT, RISE BRKT, D1105.....2 (to SN 3661) (Genie blue)	2				
29B	1254109GT	WELDMENT, RISE BRKT, KD (from SN 3662) (traffic black)					

309.1 Perkins 403D-11 Engine, View 1



Go to Discount-Equipment.com to order your parts

309.1 Perkins 403D-11 Engine, View 1

Item	Part No.	Description	Qty.	Item	Part No.	Description	Qty.
A	139251GT	ENGINE KIT,PERKINS 403D, T41		22	236426GT	SOLENOID KIT,SHUT DN,PERKINS.....1	
B	1274301GT	KIT, AIR INTAKE HOSE, PERKINS, RT69		23	21130GT	CLEVIS YOKE-1/4-28,PLTD W/PIN.....1	
--		<i>for internal engine components, contact engine dealer</i>		24	31379GT	SPRING,TENSION-1.25 X.438 DIA.....1	
1	139270GT	GLOW PLUGS.....3		25	75175GT	SCREW,HHC,M12X 1.25X36MM,GR8.8.....2	
2	139272GT	FUEL INJECTOR.....3		26	6033GT	WASHER,LOCK,0.5".....6	
3	84814GT	PIPE,INJECTOR 3, 403C-11.....1		27	77402GT	SOLENOID,THROTTLE ACTUATOR DSL.....1	
4	94244GT	HOSE,AIR INTAKE,PERKINS.....1		28	139267GT	LIFT PUMP (FUEL).....1	
5	35434GT	CLAMP,HOSE,2.00***.....3		29	101320GT	DIPSTICK,STRAIGHT SHORT.....1	
6	60585GT	ISOLATOR,VIBRATION,M8 MALE/FEM.....1		--	54556GT	DIPSTICK TUBE,PERKINS 104-22**	
7	49379GT	SCREW,HHC,M8 X 1.25 X 25.....1		30	8915GT	SCREW,HHC,1/4-20 X 1.25.....4	
8	6886GT	WASHER,LOCK,.313.....3		31A	131656GT	FORMING,SOLENOID MNT,PRK,403D.....1 <i>(to SN 3661) (Genie blue)</i>	
9A	112640GT	FORMING,UPPER RAD.SUPPORT.....1 <i>(to SN 3661) (Genie blue)</i>		31B	1254117GT	FORMING,SOLENOID MNT,PD.....1 <i>(from SN 3662) (traffic black)</i>	
9B	1254132GT	FORMING,UPPER RAD.SUPPORT.....1 <i>(from SN 3662) (traffic black)</i>		32	94762GT	OIL FILTER - PERKINS.....1	
10	119809GT	SWITCH, OIL PRESSURE.....1 <i>Old switch design was used with an adaptor; New switch screws directly into engine block. With older engine, remove adaptor and install new switch directly into engine block</i>		33	94889GT	FUEL FILTER ASSEMBLY.....1	
11	6090GT	SCREW,HHC,1/4-20 X .75.....5		--	62421GT	FILTER,FUEL,PERKINS	
12	6638GT	WASHER,FLAT,USS,1/4"Y.....9		34A	148035GT	FORMING,ENG MNT RT,PRK 403D.....1 <i>(to SN 3661) (Genie blue)</i>	
13	6091GT	NUT,NYLOCK,1/4-20.....14		34B	1254135GT	FORMING,ENG MNT RT,PD.....1 <i>(from SN 3662) (traffic black)</i>	
14	84813GT	PIPE,INJECTOR 2, 403C-11.....1		35	56949GT	FILTER/SEPARATOR,FUEL DIESEL**....1	
15	84812GT	PIPE,INJECTOR 1, 403C-11.....1		--	42767GT	SEPARATOR/FILTER ELEMENT,FUEL*	
16	21019GT	SCREW,PHIL,PHM,10-24 X.5,SEMS....12		36	131813GT	BEARING,BRZ,FL,1.0IDX1.25OD.....2	
17	25926GT	WASHER,FLAT,M6 PLTD.....12		37		Ref: Engine Swing Tray Weldment.....1 <i>(refer to 402.1)</i>	
18A	148390GT	FORMING,RADIATOR SHROUD,403D...1 <i>(to SN 3661) (Genie blue)</i>		38	228974GT	TAILPIPE,END,UNIV.....1	
--	233822GT	SEAL, RUBBER 90D BULB, 15IN.....2		39	79456GT	BOLT,CARRIAGE,1/4-20 X 1.00,G2.....4	
18B	1254129GT	FORMING,RADIATOR SHROUD,PD.....1 <i>(from SN 3662) (traffic black)</i>		40	148416GT	TAILPIPE,EXTENSION,UNIV.....1	
--	233822GT	SEAL, RUBBER 90D BULB, 15IN.....2		41	85155GT	PUMP,PRIMER,PERKINS***.....1	
19A	112639GT	FORMING,RAD.SHROUD,PERKINS.....1 <i>(to SN 3661) (Genie blue)</i>		41A	21465GT	CLAMP,HOSE,.25" - .63" X .3125 <i>sold separately</i>	
19B	1254133GT	FORMING,RAD.SHROUD,PERKINS.....1 <i>(from SN 3662) (traffic black)</i>		41A	233948GT	HOSE, FUEL 5/16",2"LG.....1 <i>primer bulb to fuel/water separator</i>	
20	94532GT	BOTTLE,COOLANT RECOVERY,1.4***.....1		41A	233949GT	HOSE, FUEL 5/16",89"LG.....1 <i>fuel tank to primer bulb</i>	
--	115431GT	CAP ASSY, COOLANT BOTTLE.....1		41A	236045GT	HOSE, FUEL PUMP TO FILTER, 403D...1 <i>lift pump to fuel filter</i>	
20A	131581GT	HOSE,RAD.OVERFLOW,KD-1105,50"		41A	236046GT	HOSE, FUEL FILTER -INJ., 403D.....1 <i>fuel filter to injector pump</i>	
21A	148399GT	FORMING,PULL HANDLE,PERKINS.....1 <i>(to SN 3661) (Genie blue)</i>		41A	35418GT	HOSE,FUEL,3/16,SAE 30R7.....72-inches <i>injector nozzle to tank</i>	
21B	1254131GT	FORMING,PULL HANDLE,PERKINS.....1 <i>(from SN 3662) (traffic black)</i>		41A	71909GT	HOSE,FUEL,5/16 HIGH PRESSURE**.....8-inches <i>fuel/water separator to lift pump</i>	

309.1 Perkins 403D-11 Engine, View 1
(continued)

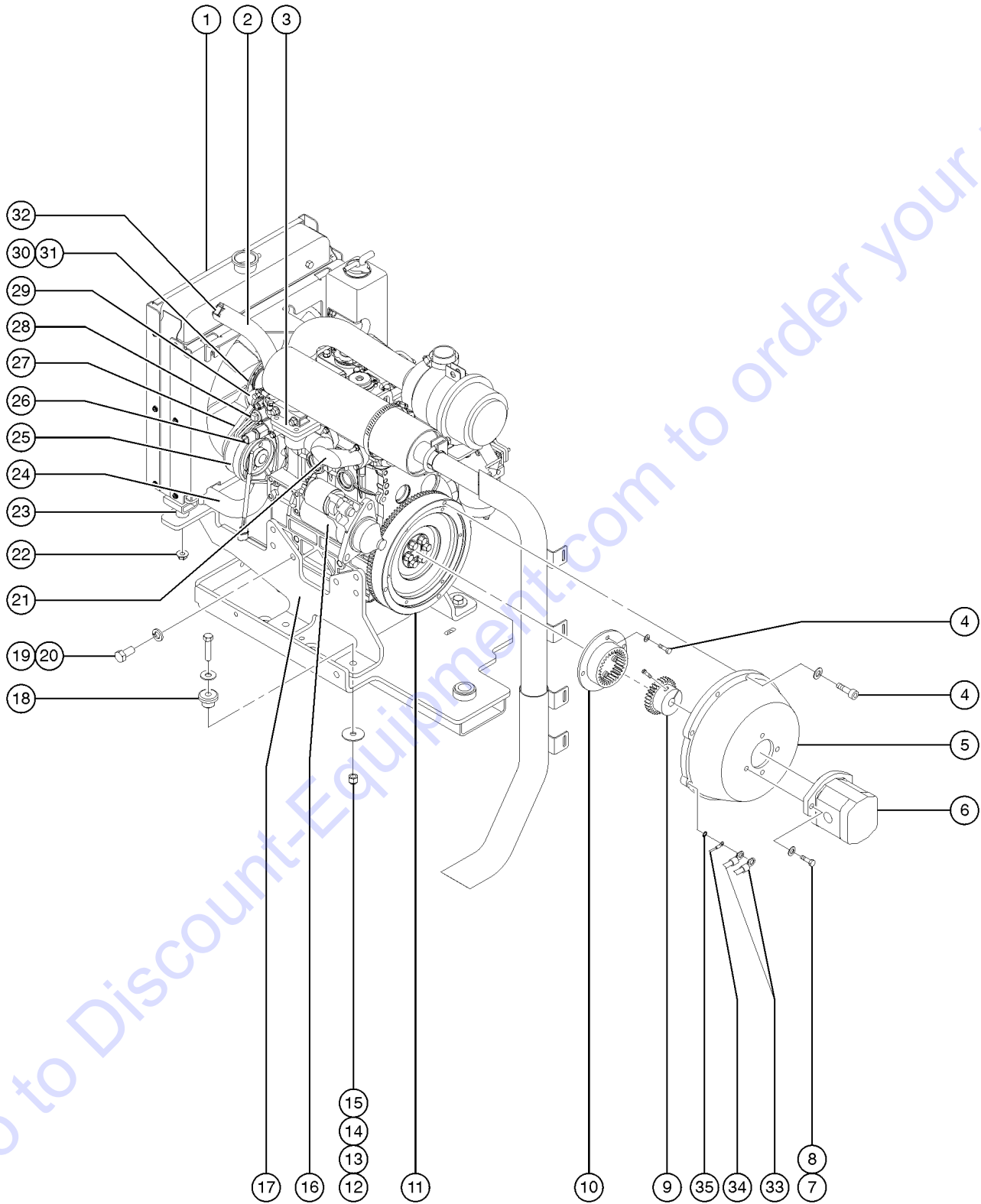
Item	Part No.	Description	Qty.
42	25929GT	SCREW,HHC,M8 X 30MM,GRD 8.8.....	2
43	5397GT	WASHER,FLAT,USS,5/16",Y	
44	119684GT	AIRCLEANER ASSEMBLY.....	1
--	119685GT	BRACKET, AIRCLEANER MT.	
--	52867GT	FILTER,AIR***	
45	148109GT	TAILPIPE,403D-11,GS69.....	1
46	62160GT	CLAMP,TAILPIPE, 1 1/2"***.....	2
47	34955GT	CLAMP,HOSE,5.00.....	1
48	229668GT	FORMING, AIR CLNR MNT,PRK 403D P.....	1
49	94239GT	MUFFLER,RND,TYPE 5,4.57 DIAX.....	1

Go to Discount-Equipment.com to order your parts

This Page Intentionally Left Blank

Go to Discount-Equipment.com to order your parts

310.1 Perkins 403D-11 Engine, View 2

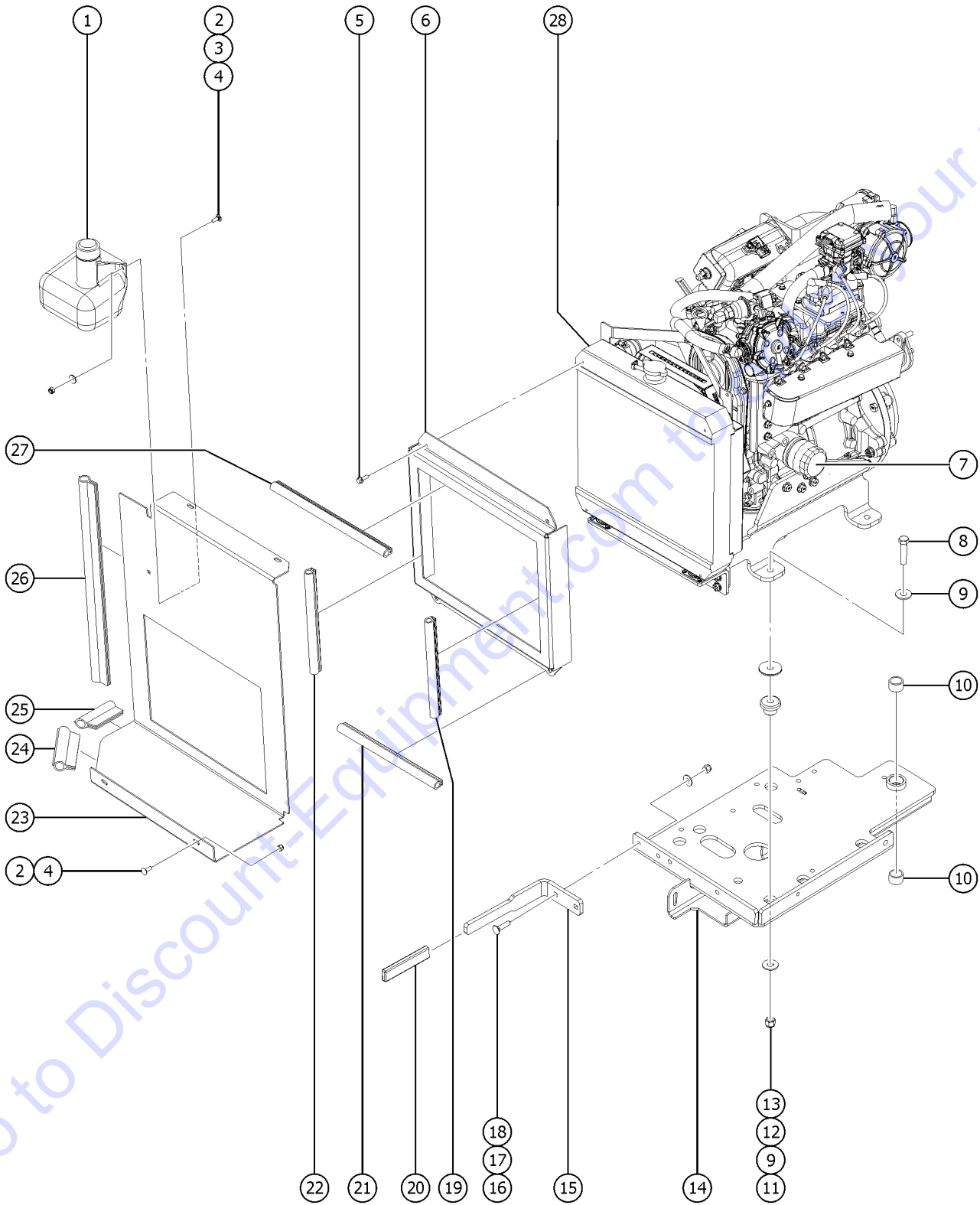


310.1 Perkins 403D-11 Engine, View 2

Item	Part No.	Description	Qty.	Item	Part No.	Description	Qty.
--		<i>for internal engine components, contact engine dealer</i>		--	131665GT	STUDS,EXHAUST	
1	94232GT	RADIATOR.....	1	--	72343GT	GASKET,EXH FLANGE-FORD/PERKINS	
--	1254823GT	CAP,RADIATOR,PERKINS(94232).....	1	--	85143GT	GASKET-EXHAUST MANIFOLD/PERKIN	
2	94242GT	HOSE,RADIATOR,UPPER PERKINS.....	1	22	18503GT	NUT,LOCKING-LG.FLANGE,5/16-18.....	2
3	94240GT	WELDMENT,HEAD PIPE,PERKINS.....	1	23	219437GT	ISOLATOR, VIBRATION.....	2
4A	84816GT	HARDWARE KIT,BELLHSNG 403C-11... <i>(for SN 101 to 2311)</i>	1	24	94243GT	HOSE,RADIATOR,LOWER,PERKINS.....	1
4B	162460GT	HARDWARE KIT,BELLHSNG GRDN <i>(from SN 2312) (includes fasteners for hub adapter and bellhousing)</i>		25	101324GT	ALTERNATOR,40 AMP,INT REGULATE.....	1
5A	99851GT	HOUSING,COUPLER,A PILOT,PERKIN.....	1	26	97473GT	SENSOR,WATER TEMPERATURE.....	1
		<i>(for SN 101 to 2311)</i>		27	85071GT	BELT-FAN, PERKINS (103.10).....	1
5B	162459GT	HOUSING,CPLR,APILOT,PERKIN,GRD <i>(from SN 2312)</i>		28	97473GT	SENSOR,WATER TEMPERATURE.....	1
6	1270697GT	PUMP, GEAR, 16CC/REV.....	1	29	101322GT	PUMP,WATER.....	1
--	1273258GT	SEAL KIT,CASAPPA <i>for pump 1270697</i>		30	101341GT	FAN.....	1
--	85197GT	SEAL KIT,BOSCH PUMP*** <i>for pump 87918</i>		31	101319GT	FAN PULLEY.....	1
7	6019GT	SCREW,HHC,3/8-16 X 1.25 GRD 5		32	30348GT	CLAMP,HOSE,1.00.....	4
8	6021GT	WASHER,LOCK, .375		33		Ref., HARNESS,BATTERY <i>(refer to 408.1)</i>	
9A	99852GT	COUPLER,HUB,9T A-A SPLN PERKIN.....	1	34		Ref., HARNESS,ENGINE <i>(refer to 408.1)</i>	
		<i>(for SN 101 to 2311)</i>		35	6700GT	WASHER,STAR,EXTERNAL, .375 <i>(from SN 2312)</i>	
9B	162461GT	COUPLER,HUB9TA-APLNSPERKINGDN <i>(from SN 2312)</i>					
10A	94688GT	ADAPTER, FLANGE GEAR, 3 HOLE..... <i>(for SN 101 to 2311)</i>	1				
10B	162462GT	ADAPTER,FLANGE GEAR,3 HOLE,GRDN <i>(from SN 2312)</i>					
11	101318GT	FLYWHEEL.....	1				
12	6198GT	NUT,NYLOCK,1/2-13.....	4				
13	112946GT	WASHER,FENDER, .5X2.125.....	4				
14	6095GT	WASHER,FLAT,USS,1/2",Y.....	4				
15	104235GT	SCREW,HHC,1/2-13X2.25 GRD 8.....	4				
16	228458GT	STARTER, PERKINS, 403D.....	1				
17A	148036GT	FORMING,ENG MNT LT,PRK 403D..... <i>(to SN 3661) (Genie blue)</i>	1				
17B	1254130GT	FORMING,ENG MNT LT,PD..... <i>(from SN 3662) (traffic black)</i>	1				
18	112929GT	ISOLATOR,ENGINE,CNTR-BOND,50D...4					
19	94784GT	SCREW,HHC,M12X1.25X25,GR 8.8.....	10				
20	6033GT	WASHER,LOCK,0.5".....	10				
21		MANIFOLD,EXHAUST (101325)..... <i>component no longer available</i>	1				
--	131664GT	NUTS,EXHAUST					

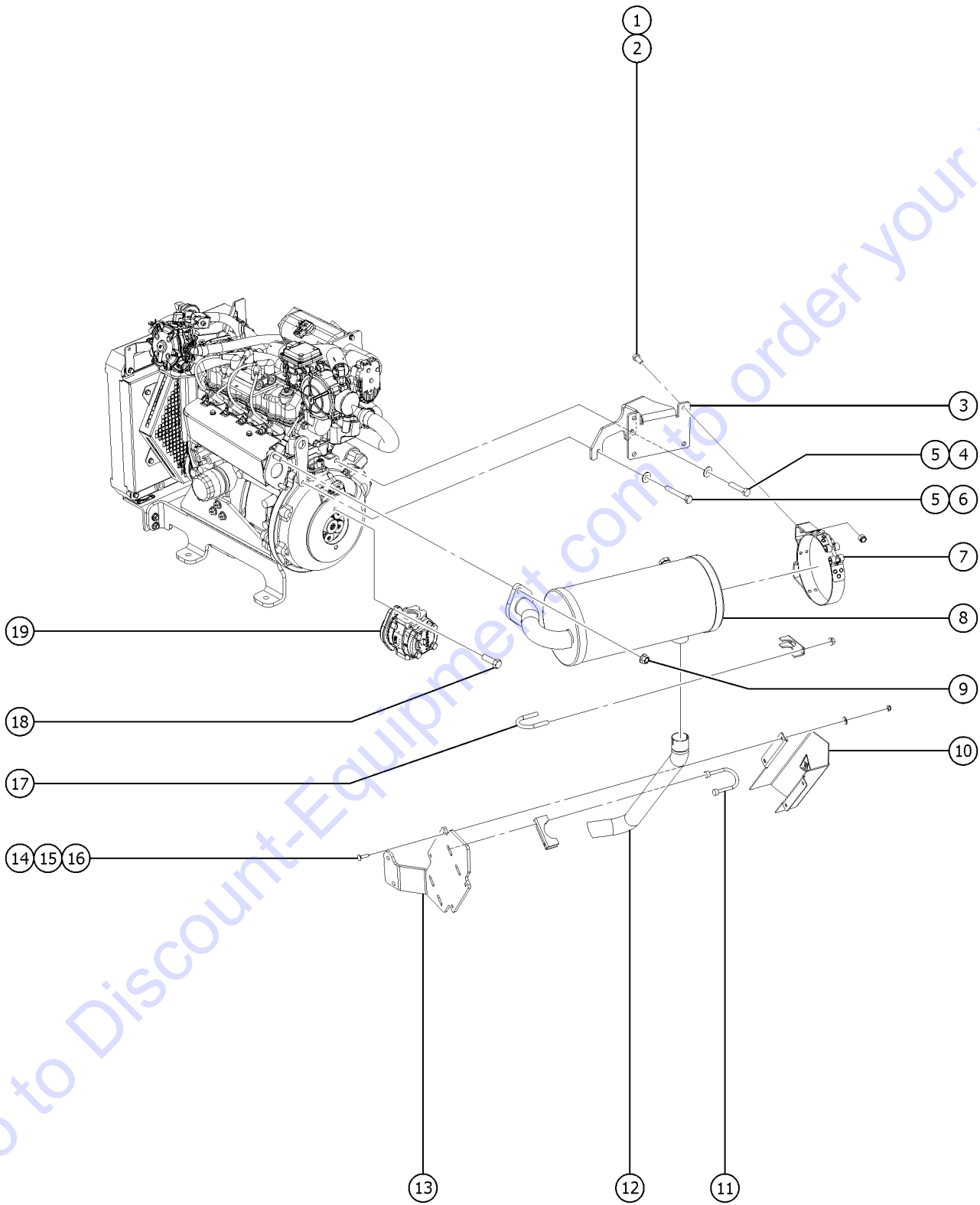
Item	Part No.	Description	Qty.
B	1280296GT	ASSY,FUEL HOSE,5/16"ID,15"L,FI <i>pump to filter</i>	
B	1280297GT	ASSY,FUEL HOSE,5/16"ID,20"L,FI <i>filter to regulator</i>	
B	1280298GT	ASSY,FUEL HOSE,5/16"ID,26"L,FI <i>regulator to tank</i>	
B	1280391GT	ASSY,FUEL HOSE,5/16"ID,41"L,FI <i>fuel tank to pump</i>	
C	1271825GT	ECM, SSI .79L / .97L	
1	52420GT	CAP,RAIN,AIR CLEANER, GS68RT**1	
2	6878GT	BOLT,CARRIAGE,1/4-20 X .75,G2.....4	
3	6091GT	NUT,NYLOCK,1/4-20.....4	
4	1272505GT	FORMING,BELT GUARD,GM .998L.....1	
5		Ref. FORMING, TAILPIPE SPRT,GM .998.....1 <i>refer to 313.1</i>	
6	8516GT	SCREW, HCC, 3/8-16 X 1.50.....2	
7	6097GT	WASHER,FLAT,USS,3/8",Y.....4	
8	4828GT	NUT,NYLOCK,3/8-16.....2	
9	1270954GT	FORMING,AIR CLNR SPRT,GM .998.....1	
10	6782GT	NUT,NYLOCK,5/16-18.....2	
11	5397GT	WASHER,FLAT,USS,5/16",Y.....2	
12	10107GT	SCREW,HHC,5/16-18 X .75.....2	
13	119685GT	BRACKET, AIRCLEANER MT.....1	
14	119684GT	AIRCLEANER ASSEMBLY.....1	
15	35434GT	CLAMP,HOSE,2.00***3	
16	131372GT	HOSE,1.75ID,2.50IDX12.0".....1	
17	45435GT	CLAMP,HOSE,2.50"***2	
18	1266292GT	HOSE, AIR, 1.75"ID X 2.5"L.....1	
19	1266263GT	WELDMENT,RAIN CAP,GM .998L.....1	

312.1 GM 0.998L Engine, View 2



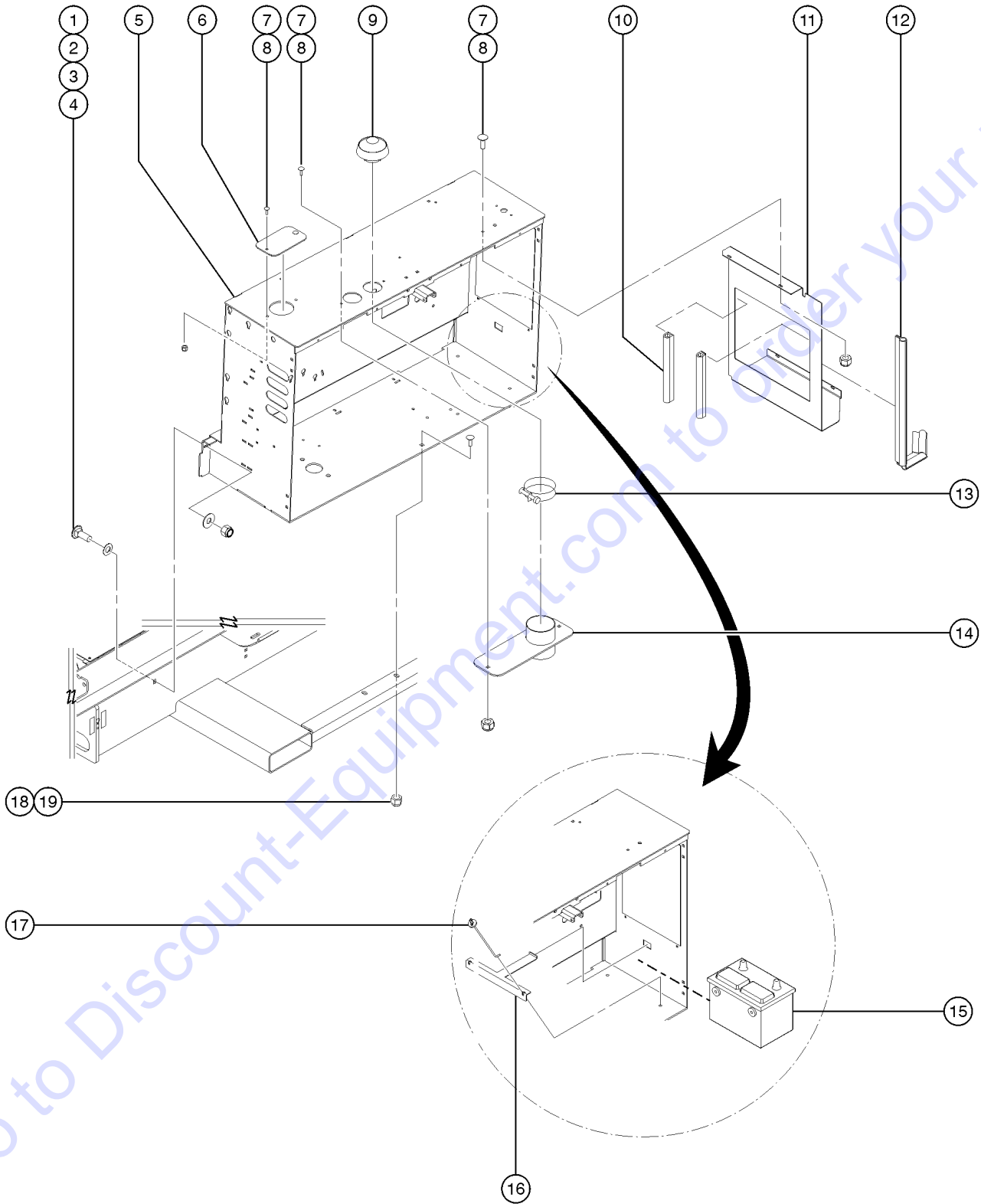
Item	Part No.	Description	Qty.
A	1281807GT	ALTERNATOR,GM .998L,PSI,Z34	
1	42662GT	COOLANT RECOVERY BOTTLE1.5 QT*.....1	1
2	6878GT	BOLT,CARRIAGE,1/4-20 X .75,G2.....4	4
3	6638GT	WASHER,FLAT,USS,1/4"Y.....2	2
4	6091GT	NUT,NYLOCK,1/4-20.....4	4
5	231532GT	SCREW,HHF,M6-1.0X20,DIN6921,10.9,ZAB.4	4
6	1265863GT	FORMING,RDTR SHROUD,GM .998L....1	1
7	1272828GT	OIL FILTER, GM .998L.....1	1
8	104235GT	SCREW,HHC,1/2-13X2.25 GRD 8.....4	4
9	6095GT	WASHER,FLAT,USS,1/2",Y.....8	8
10	131813GT	BEARING,BRZ,FL,1.0IDX1.25OD.....2	2
11	6198GT	NUT,NYLOCK,1/2-13.....4	4
12	112929GT	ISOLATOR,ENGINE,CNTR-BOND,50D...4	4
13	112946GT	WASHER,FENDER,.5X2.125.....4	4
14		REF. WELDMENT,ENGINE SWING TRAY,GS69 <i>refer to 402.1</i>	
15	1268768GT	HANDLE, ENGINE TRAY, GM .998L.....1	1
16	60790GT	BOLT, CARRIAGE, 3/8-16 X 1.50, G5.....2	2
17	6097GT	WASHER,FLAT,USS,3/8",Y.....2	2
18	4828GT	NUT,NYLOCK,3/8-16.....2	2
19	119218-1000GT	TRIM,EDGE,1/8X3/4 SIDE BULB.....1	1
20	1268767GT	COVER, HANDLE, YELLOW.....1	1
21	119218-1200GT	TRIM,EDGE,1/8X3/4 SIDE BULB.....1	1
22	119218-1050GT	TRIM,EDGE,1/8X3/4 SIDE BULB.....1	1
23	1266127GT	FORMING,RDTR INTERFACE,GM.998L.....1	1
24	148394-550GT	SEAL, RUBBER, 1" BULB.....1	1
25	148394-400GT	SEAL,RUBBER,1"BULB.....1	1
26	148394-2100GT	SEAL,RUBBER,1"BULB.....1	1
27	119218-1400GT	TRIM,EDGE,1/8X3/4 SIDE BULB.....1	1
28	1271729GT	KIT, RADIATOR, .998L	

313.1 GM 0.998L Engine, View 3



Item	Part No.	Description	Qty.
1	77692GT	SCREW,HHC,3/8-16 X 1 GRD 8.....	4
2	4828GT	NUT,NYLOCK,3/8-16.....	4
3	1270952GT	FORMING,CAT SUPPORT,GM .998L.....	1
4	1272952GT	SCREW, HHC, M10 X 1.25 X 50MM.....	1
5	6097GT	WASHER,FLAT,USS,3/8",Y.....	2
6	1272953GT	SCREW, HHC, M10 X 1.25 X 70MM.....	1
7	1271717GT	CLAMP, MUFFLER MOUNT, GM .998.....	2
8	1272457GT	CATALYTIC MUFFLER,GM .998L.....	1
--	51735GT	PLUG,HOLLOW HEX 3/8" NPT	
9	231529GT	NUT,TL FLG,M10-1.5,DIN6927,10,ZAB.....	2
10	1272458GT	HEAT SHIELD,TAILPIPE,GM .998L.....	1
11	32064GT	CLAMP,MUFFLER,1.75 INCH.....	2
12	1271715GT	TAILPIPE, GM .998L, GS69.....	1
13	1270955GT	FORMING,TAILPIPE SPRT,GM .998.....	1
14	79456GT	BOLT,CARRIAGE,1/4-20 X 1.00,G2.....	4
15	6638GT	WASHER,FLAT,USS,1/4"Y.....	4
16	6091GT	NUT,NYLOCK,1/4-20.....	4
17	62160GT	CLAMP,TAILPIPE, 1 1/2"***.....	1
18	6175GT	SCREW,HHC,3/8-16 X 1.....	2
19	1270697GT	PUMP, GEAR, 16CC/REV.....	1
--	1273258GT	SEAL KIT,CASAPPA for pump 1270697	
--	85197GT	SEAL KIT,BOSCH PUMP*** for pump 87918	

401.1 Engine Tray Components, View 1



Go to Discount-Equipment.com to order your parts

PARTS FINDER

**Search Website
by Part Number**



**Search Manual
Library For Parts
Manual & Lookup Part
Numbers – Purchase
or Request Quote**

Search Manuals

Enter your information to help us find the right parts manual for your machine.

* Brand:

* Model:

* Serial:

* Part Number:

SEARCH

**Can't Find Part or
Manual? Request Help
by Manufacturer,
Model & Description**

Parts Order Form

Please fill in the following information to help us find the right part for your machine.

Manufacturer:	<input type="text"/>
Model:	<input type="text"/>
Description:	<input type="text"/>
Part Number:	<input type="text"/>
Quantity:	<input type="text"/>
Notes:	<input type="text"/>

Discount-Equipment.com is your online resource for quality parts & equipment.

Florida: **561-964-4949** Outside Florida TOLL FREE: **877-690-3101**

Need parts?

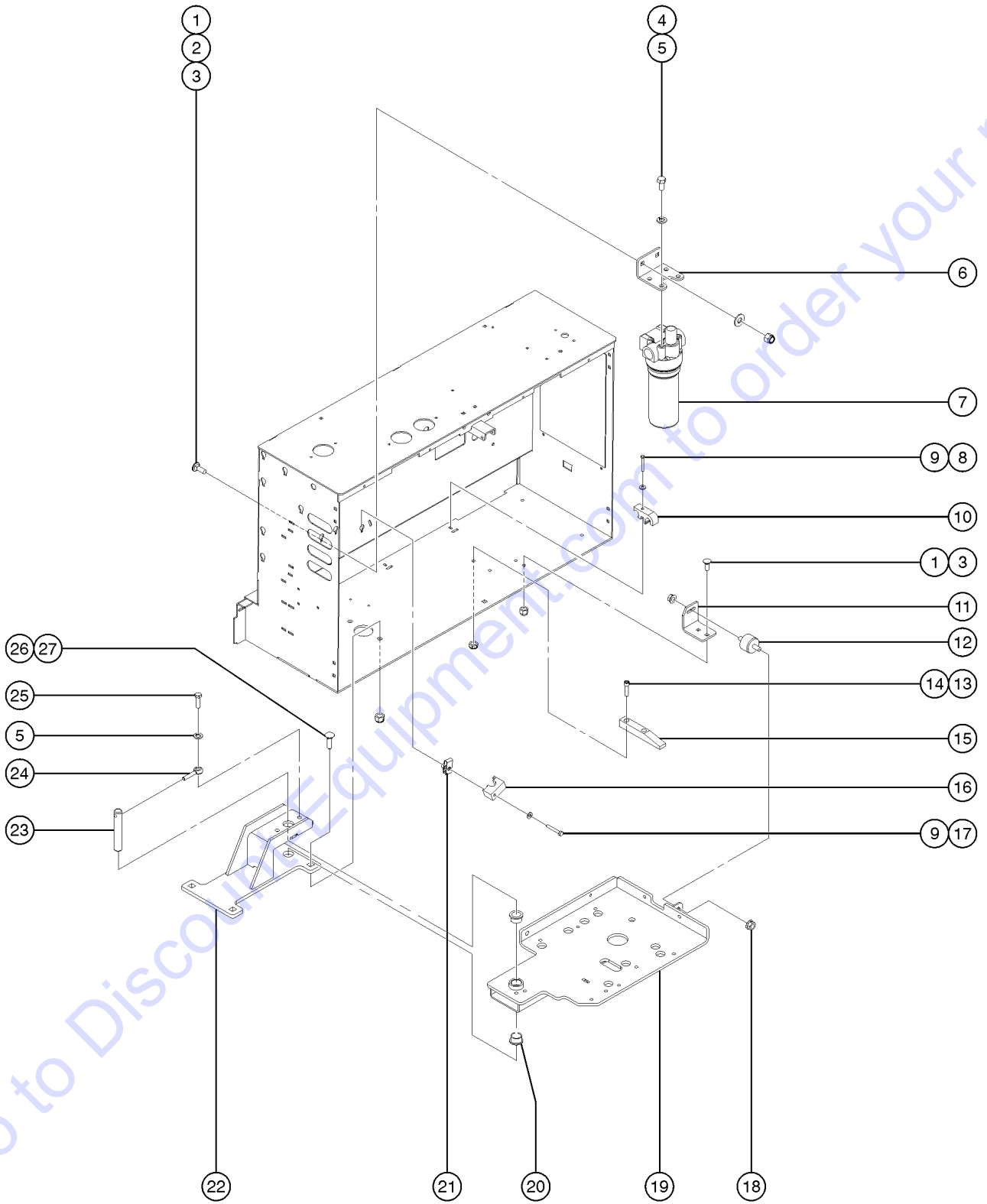
Click on this link: <http://www.discount-equipment.com/category/5443-parts/> and choose one of the options to help get the right parts and equipment you are looking for. Please have the machine model and serial number available in order to help us get you the correct parts. If you don't find the part on the website or on one of the online manuals, please fill out the request form and one of our experienced staff members will get back to you with a quote for the right part that your machine needs.

We sell worldwide for the brands: Genie, Terex, JLG, MultiQuip, Mikasa, Essick, Whiteman, Mayco, Toro Stone, Diamond Products, Generac Magnum, Airman, Haulotte, Barreto, Power Blanket, Nifty Lift, Atlas Copco, Chicago Pneumatic, Allmand, Miller Curber, Skyjack, Lull, Skytrak, Tsurumi, Husquvarna Target, Stow, Wacker, Sakai, Mi-T-M, Sullair, Basic, Dynapac, MBW, Weber, Bartell, Bennar Newman, Haulotte, Ditch Runner, Menegotti, Morrison, Contec, Buddy, Crown, Edco, Wyco, Bomag, Laymor, EZ Trench, Bil-Jax, F.S. Curtis, Gehl Pavers, Heli, Honda, ICS/PowerGrit, IHI, Partner, Imer, Clipper, MMD, Koshin, Rice, CH&E, General Equipment, Amida, Coleman, NAC, Gradall, Square Shooter, Kent, Stanley, Tamco, Toku, Hatz, Kohler, Robin, Wisconsin, Northrock, Oztec, Toker TK, Rol-Air, APT, Wylie, Ingersoll Rand / Doosan, Innovatech, Con X, Ammann, Mecalac, Makinex, Smith Surface Prep, Small Line, Wanco, Yanmar

401.1 Engine Tray Components, View 1

Item	Part No.	Description	Qty.	Item	Part No.	Description	Qty.
1	64154GT	BOLT,CARRIAGE,3/8-16 X1.00,G5.....	2	14B	1254134GT	WELDMNT,RAIN CAP MNT,PERKINS.....	1
2	87684GT	PUSH RETAINER, 3/8" SCREW.....	2			<i>(for Perkins 403D-11 & GM .998L)</i>	
3	6097GT	WASHER,FLAT,USS,3/8",Y.....	2	14C	1266263GT	WELDMNT,RAIN CAP,GM .998L.....	1
4	4828GT	NUT,NYLOCK,3/8-16.....	2			<i>(for GM .998L)</i>	
5A	131801GT	WELDMNT,ENGINE BOX,GS69.....	1	15	36872GT	BATTERY, 12V,900 CCA.....	1
		<i>(to SN 3661) (Genie blue)</i>		16A	148034GT	FORMING,BATTERY TIE DOWN.....	1
5B	1253427GT	WELDMNT,BOX,ENGINE.....	1			<i>(to SN 3661) (Genie blue)</i>	
		<i>(from SN 3662) (traffic black)</i>		16B	1254421GT	FORMING,BATTERY TIE DOWN.....	1
6	1269612GT	PLATE, RAIN HAT COVER, GS69.....	1			<i>(from SN 3662) (traffic black)</i>	
		<i>(for Kubota WG-972, Kubota D-1105 & Perkins 403D-11)</i>		17	45708GT	HOOK,BATT HOLD DOWN,10".....	2
7	6878GT	BOLT,CARRIAGE,1/4-20 X .75,G2.....	6	18	6198GT	NUT,NYLOCK,1/2-13.....	1
8	6091GT	NUT,NYLOCK,1/4-20.....	6	19	96203GT	BOLT,CARRIAGE,1/2-13X1.75, G5.....	1
9	52420GT	CAP,RAIN,AIR CLEANER, GS68RT**.....	1				
10A	233821GT	SEAL, RUBBER 90D BULB, 14IN.....	2				
		<i>(for Kubota D-1105 & Perkins 403D-11)</i>					
10B	233933GT	SEAL, RUBBER STRAIGHT BULB, 15...2					
		<i>(for Kubota WG-972)</i>					
11A	148101GT	FORMING,RAD.INTERFACE,D-1105.....	1				
		<i>(for Kubota D-1105 & Perkins 403D-11) (to SN 3661) (Genie blue)</i>					
11B	1254112GT	FORMING,RAD.INTERFACE,KD,PD.....	1				
		<i>(for Kubota D-1105 & Perkins 403D-11) (from SN 3662) (traffic black)</i>					
11C	148029GT	FORMING,RAD.INTERFACE,DF-972.....	1				
		<i>(for Kubota WG-972) (to SN 3661) (Genie blue)</i>					
11D	1254141GT	FORMING,RAD.INTERFACE,KUB DF...1					
		<i>(for Kubota WG-972) (from SN 3662) (traffic black)</i>					
11E	1266127GT	FORMING,RDTR INTERFACE,GM.998L					
		<i>(for GM .998L)</i>					
12A	233823GT	SEAL, RUBBER STRT BULB, 21".....	1				
		<i>(for Kubota D-1105 & Perkins 403D-11)</i>					
12A	233824GT	SEAL, RUBBER STRT BULB, 9.5".....	1				
		<i>(for Kubota D-1105 & Perkins 403D-11)</i>					
12B	233823GT	SEAL, RUBBER STRT BULB, 21".....	1				
		<i>(for Kubota WG-972)</i>					
12B	233824GT	SEAL, RUBBER STRT BULB, 9.5".....	1				
		<i>(for Kubota WG-972)</i>					
12C	148394-2100GT	SEAL,RUBBER,1"BULB.....	1				
		<i>(for GM .998L)</i>					
12C	148394-400GT	SEAL,RUBBER,1"BULB.....	1				
		<i>(for GM .998L)</i>					
12C	148394-550GT	SEAL, RUBBER, 1" BULB.....	1				
		<i>(for GM .998L)</i>					
13	45435GT	CLAMP,HOSE,2.50"***.....	1				
14A	99097GT	WELDMNT,RAIN CAP MNT, KUBOTA.....	1				

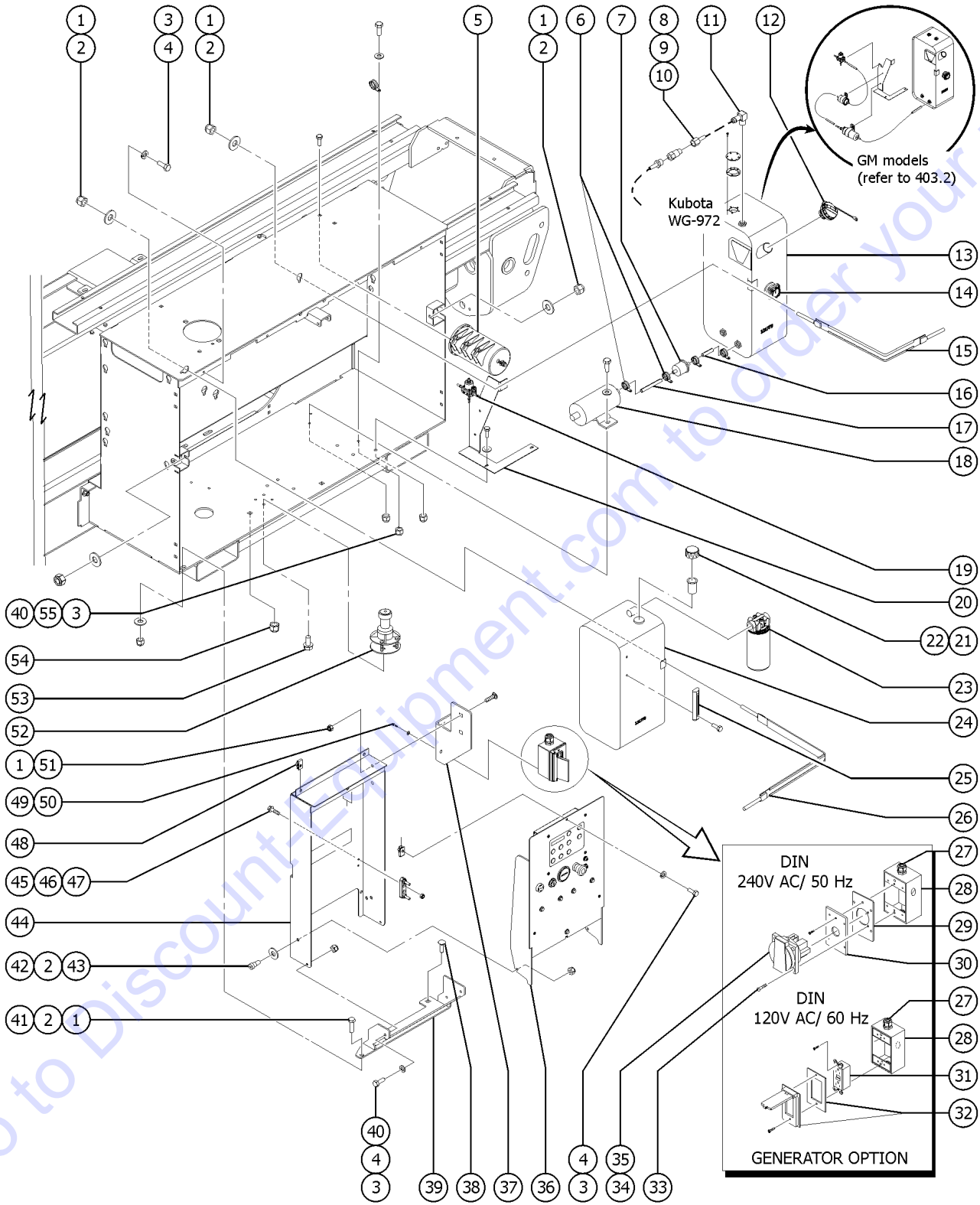
402.1 Engine Tray Components, View 2



402.1 Engine Tray Components, View 2

Item	Part No.	Description	Qty.	Item	Part No.	Description	Qty.
1	64154GT	BOLT,CARRIAGE,3/8-16 X1.00,G5.....	2	26	96203GT	BOLT,CARRIAGE,1/2-13X1.75, G5.....	4
2	5397GT	WASHER,FLAT,USS,5/16",Y.....	2	27	6198GT	NUT,NYLOCK,1/2-13.....	4
3	4828GT	NUT,NYLOCK,3/8-16.....	4				
4	8255GT	SCREW,HHC,3/8-16 X .75.....	4				
5	6021GT	WASHER,LOCK,.375.....	5				
6A	71202PGT	BRACKET, HIGH PRESSURE 4390..... <i>(to SN 3661) (Genie blue)</i>	1				
6B	1254246GT	FORMING,HIGH PRESS FILTER BRKT..... <i>(from SN 3662) (traffic black)</i>	1				
7	60334GT	FILTER ASSY,HIGH PRESS SAE-12*.....	1				
--	1279465GT	BACKUP RING,71.60X67.20X1.40PTFE(60334)					
--	1279466GT	O-RING,67.95X2.62-NBR-70SH(HF2P)(60334)					
--	60857GT	FILTER,ELEMENT,BETA(5)=1000					
8	4266GT	SCREW,HHC,1/4-20 X 2.....	2				
9	6638GT	WASHER,FLAT,USS,1/4"Y					
10	229771GT	CABLE CLAMP,3 WAY,HDPE.....	2				
11A	131814GT	FORMING ENGINE TRAY STOP..... <i>(to SN 3661) (Genie blue)</i>	1				
11B	1254419GT	FORMING ENGINE TRAY STOP..... <i>(from SN 3662) (traffic black)</i>	1				
12	75260GT	ISOLATOR,FLEX-BOLT SANDWICH***.....	1				
13	29447GT	SCREW,SHC,3/8-16 X 1.5.....	2				
14	7713GT	NUT, LP NYLOCK, 3/8-16.....	2				
15	148008GT	SLIDE BLOCK,ENGINE TRAY.....	1				
16	T112283GT	CLAMP,1X#8 HOSE.....	2				
17	4266GT	SCREW,HHC,1/4-20 X 2.....	2				
18	121422GT	NUT,HEX,FLG,3/8-16.....	2				
19A	131765GT	WELDMENT, ENGINE SWING TRAY..... <i>(to SN 3661) (Genie blue)</i>	1				
19B	1254136GT	WELDMENT, ENGINE SWING TRAY <i>(from SN 3662 to 9154) (traffic black)</i>					
19C	1264810GT	WELDMENT,ENGINE SWING TRAY,GS69..... <i>(from 9156) (traffic black)</i>	1				
20	131813GT	BEARING,BRZ,FL,1.0IDX1.25OD.....	2				
21	56912GT	SPRING CLIP,1/4-20,.025-.15X.54,ZAG.....	2				
22A	131769GT	WELDMENT,ENGINE PIVOT MOUNT.... <i>(to SN 3661) (Genie blue)</i>	1				
22B	1254420GT	WELDMENT,ENGINE PIVOT MOUNT.... <i>(from SN 3662) (traffic black)</i>	1				
23	67387GT	PIN,1.00DIA X 5.27LG,1HOLE.....	1				
24	1255452GT	ROD END,.375 X 2.25,ZAG.....	1				
25	6019GT	SCREW,HHC,3/8-16 X 1.25 GRD 5.....	1				

403.1 Hydraulic Tank And Ground Controls Installation



403.1 Hydraulic Tank And Ground Controls Installation

Item	Part No.	Description	Qty.	Item	Part No.	Description	Qty.
1	4828GT	NUT,NYLOCK,3/8-16.....	5	16A	233945GT	HOSE, FUEL LO-PERM 5/16", 4"LG.....1 (Kubota WG-972) (to SN GS6915-6174)	1
2	6097GT	WASHER,FLAT,USS,3/8",Y.....	7	16B	1266602GT	KIT,KUBWVG972 FUEL HOSE RPCMT.....1 (Kubota WG-972) (to SN GS6915-6174)	1
3	6090GT	SCREW,HHC,1/4-20 X .75.....	5	16C	1266527GT	HOSE,FUEL,5/16" DIA,EPA,2"LG.....1 (Kubota WG-972) (from SN GS6915-6175 to SN 8533)	1
4	6356GT	WASHER,LOCK,.25.....	5	17A	233946GT	HOSE, FUEL LO-PERM 5/16", 7"LG.....1 (Kubota WG-972) (to SN GS6915-6174)	1
5	1262944GT	CANISTER, CARBON, 1000CC.....1 (GM .998L) (from SN GS6916F-9156)	1	17B	1266602GT	KIT,KUBWVG972 FUEL HOSE RPCMT.....1 (Kubota WG-972) (to SN GS6915-6174)	1
6	54123GT	CLAMP,HOSE,1 EAR, 5/8.....6 (gasoline models)	6	17C	1266527GT	HOSE,FUEL,5/16" DIA,EPA,2"LG.....1 (Kubota WG-972) (from SN GS6915-6175 to SN 8533)	1
7A	23168GT	FILTER,FUEL,IN-LINE**.....1 (Kubota WG-972) (to SN 8533)	1	18A	23167GT	PUMP,FUEL,KUBOTA GAS,INLINE.....1 (Kubota WG-972) (to SN 8533)	1
7B	1272019GT	FILTER, FUEL.....1 (GM .998L) (from SN GS6916F-9156)	1	--	21465GT	CLAMP,HOSE,.25" - .63" X .3125 (sold seperately)	
--	1272022GT	CLAMP,FUEL COMPONENTS,GM .998L		18B	1272018GT	PUMP, FUEL, GM .998L.....1 (GM .998L) (from SN GS6916F-9156)	1
--	1272995GT	ASSY,FUEL HOSE,5/16"ID,10"L,FI.....2 (GM .998L) (1) from pump to filter (2) from filter to regulator)	2	--	1272022GT	CLAMP,FUEL COMPONENTS,GM .998L	
--	4828GT	NUT,NYLOCK,3/8-16		--	1272994GT	ASSY,FUEL HOSE,5/16"ID,14"L,FI (GM .998L) (from tank to fuel pump)	
--	6097GT	WASHER,FLAT,USS,3/8",Y		--	4828GT	NUT,NYLOCK,3/8-16	
--	77692GT	SCREW,HHC,3/8-16 X 1 GRD 8		--	6097GT	WASHER,FLAT,USS,3/8",Y	
8A	2347GT	CONNECTOR,B,1/8 FPT 3/16 HS.....1 (Kubota WG-972) (to SN 8533)	1	--	77692GT	SCREW,HHC,3/8-16 X 1 GRD 8	
8B	1263198GT	CONN, 1/2" BARBED, 3/8" FNPT.....1 (GM .998L) (from SN GS6916F-9156)	1	18C	Ref., FUEL HOSE (refer to 302.1, 306.1 or 309.1)		
9A	226960GT	VALVE,2 WAY,2.5PSI.....1 (gasoline models) (from SN 101 to 6027)	1	19	1272020GT	REGULATOR, FUEL, GM .998L.....1 (GM .998L) (from SN GS6916F-9156)	1
9B	1261278GT	VALVE,2WAY ,1PSI.....1 (gasoline models) (from SN 6028)	1	--	1272996GT	ASSY,FUEL HOSE,5/16"ID,8"L,FI (GM .998L) (from tank to regulator)	
10A	231557GT	CONN,BR, 1/8" MNPT-3/16" HS.....1 (Kubota WG-972) (to SN 8533)	1	--	1272997GT	ASSY,FUEL HOSE,5/16"ID,120",FI (GM .998L) (from regulator to engine)	
10B	1263199GT	CONN, 3/16" BARBED, 3/8" MNPT.....1 (GM .998L) (from SN GS6916F-9156)	1	20	1272023GT	FORMING,FUEL COMPONENT,GM .998.....1 (GM .998L) (from SN GS6916F-9156)	1
11A	34211GT	ELBOW,90DEG.1/4 MPT-5/16 BARB.....1 (Kubota WG-972) (to SN 8533)	1	--	4828GT	NUT,NYLOCK,3/8-16	
11B	1262945GT	VALVE, ROLLOVER, 1/4" BARBED.....1 (GM .998L) (from SN GS6916F-9156)	1	--	6097GT	WASHER,FLAT,USS,3/8",Y	
12A	T112457GT	CAP,FUEL,DIESEL,SAE-J NECK.....1 (diesel models)	1	--	77692GT	SCREW,HHC,3/8-16 X 1 GRD 8	
12B	119918GT	CAP,FUEL,GASOLINE 3.5PSI.....1 (gasoline models)	1	21	131658GT	CAP,HYDRAULIC TANK,GS68/84/90.....1	1
13	148444GT	ASSY,FUEL TANK,10 GAL,GS69.....1	1	22	31506GT	STRAINER,FILLER NECK.....1	1
--	1251757GT	SCREW,PHPM,10-32X.50,ZAG.....5	5	23	87070GT	FILTER ASSY,SAE 12 NO INDICAT*.....1	1
--	1271772GT	CAP, TANK, FUEL SENSOR.....1	1	--	1259055GT	FILTER ELEMENT, 10 MICRON (Genie aftermarket part)	
--	1271773GT	GASKET, TANK, FUEL SENSOR.....1	1	--	131323GT	FILTER ELEMENT,10 MICRON (Genie genuine part)	
14	148389GT	GAUGE,FUEL,GS69.....1	1	24	131778GT	TANK,HYDRAULIC,18 GALLON***.....1	1
--	146550GT	GASKET, FUEL LEVEL GAUGE, GAS		25	215229GT	GAUGE,HYDRAULIC TANK T/L VL.....1	1
--	38979GT	SCREW,PHM,1/4-20X.5 PHIL					
15	T106787GT	TANK STRAP,FUEL,BOLT STYLE,69.....1	1				
--	31658-SGT	EXTRUSION,RUBBER BUMPER STRIP					

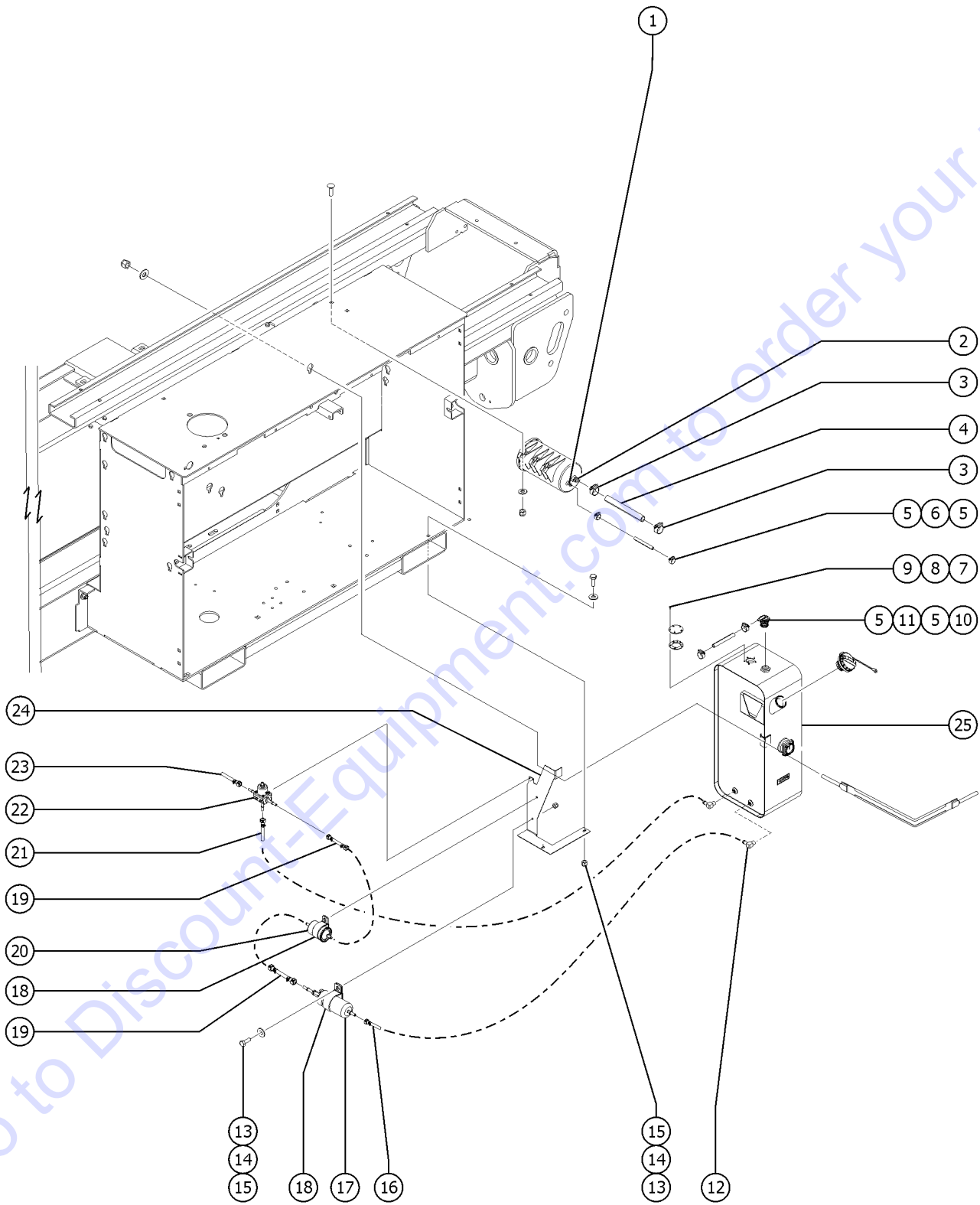
403.1 Hydraulic Tank And Ground Controls Installation (continued)

Item	Part No.	Description	Qty.	Item	Part No.	Description	Qty.
26	T106782GT	TANK STRAP,BOLT STYLE,HYD,GS69.....	1	50	44936GT	WASHER,STAR,EXTERNAL,#8 (generator option)	
--	31658-SGT	EXTRUSION,RUBBER BUMPER STRIP		51	64154GT	BOLT,CARRIAGE,3/8-16 X1.00,G5 (generator option)	
27	7056GT	CONN,SQUEEZE,1/2NPT .38-.50,SM....2 (generator option)	2	52A	78674GT	LEVEL SENSOR,LS60,BLUE,2X3**.....1 (models without outriggers)	1
28	10775GT	T-BOX,2.75 X 4.5 X 2.0.....2 (generator option)	2	52B	71484GT	SENSOR,LEVEL, ANALOG.....1 (models with outriggers)	1
29	66355GT	GASKET, UK & DIN PWR. TO PLAT.....1 (generator option)	1	53	230850GT	SCREW, WASH HEAD, 20-9X5/8.....4	4
30	96236GT	PLATE,AC ADAPTER,DIN/UK***.....1 (generator option)	1	54	6198GT	NUT,NYLOCK,1/2-13.....1	1
31	13585GT	OUTLET, 110V.....1 (generator option)	1	55	18666GT	CLAMP,1.00,#16 X 1/4,RUB CUSH.....1 (Kubota WG-972) (to SN 8533)	1
32	74006GT	COVER,GFCI,HORIZONTAL,WEATHER.1 (generator option) (includes gasket and mounting fasteners)	1				
33	229740GT	SCREW,PPH,8-32X.50,ZINC,TRS (generator option)					
34	66353GT	RECEPTACLE, DIN, 220V 50A.....1 (generator option)	1				
35	63375GT	SCREW,FHM,6-32 X .75 (generator option)					
36		Ref., GROUND CONTROLS.....1 (refer to 405.1)	1				
37A	235991GT	FORMING,GENERATOR,GFCI,GS69....1 (generator option) (to SN 3661) (Genie blue)	1				
37B	1254166GT	FORMING,GENERATOR,GFCI,GS69....1 (generator option) (from SN 3662) (traffic black)	1				
38	96203GT	BOLT,CARRIAGE,1/2-13X1.75, G5.....1	1				
39A	148243GT	WELDMENT,GRND CONT,LWR MT.....1 (to SN GS6914-3661)	1				
39B	1256582GT	WELDMENT,GRND CONT,LWR MT.....1 (from SN GS6914-3662)	1				
40	6091GT	NUT,NYLOCK,1/4-20.....2	2				
41	6019GT	SCREW,HHC,3/8-16 X 1.25 GRD 5.....1	1				
42	T115706GT	BOLT,SHLDR,3/8X5/16X5/16-18S/S.....2	2				
43	6782GT	NUT,NYLOCK,5/16-18.....2	2				
44A	148018GT	WELDMENT,MOUNT,LCP,GS69.....1 (to SN GS6914-3661)	1				
44B	1254440GT	WELDMENT,MOUNT,LCP,GS69.....1 (from SN GS6914-3662)	1				
45	6873GT	SCREW,FHM,10-32 X 1					
46	66717GT	FUSE BLOCK, ANN & ANL FUSE					
47	6178GT	NUT,NYLOCK,10-32					
48	56912GT	SPRING CLIP,1/4-20,.025-.15X.54,ZAG.....3	3				
49	57075GT	SCREW,PHIL,8-32X.50,SELF TAP (generator option)					

This Page Intentionally Left Blank

Go to Discount-Equipment.com to order your parts

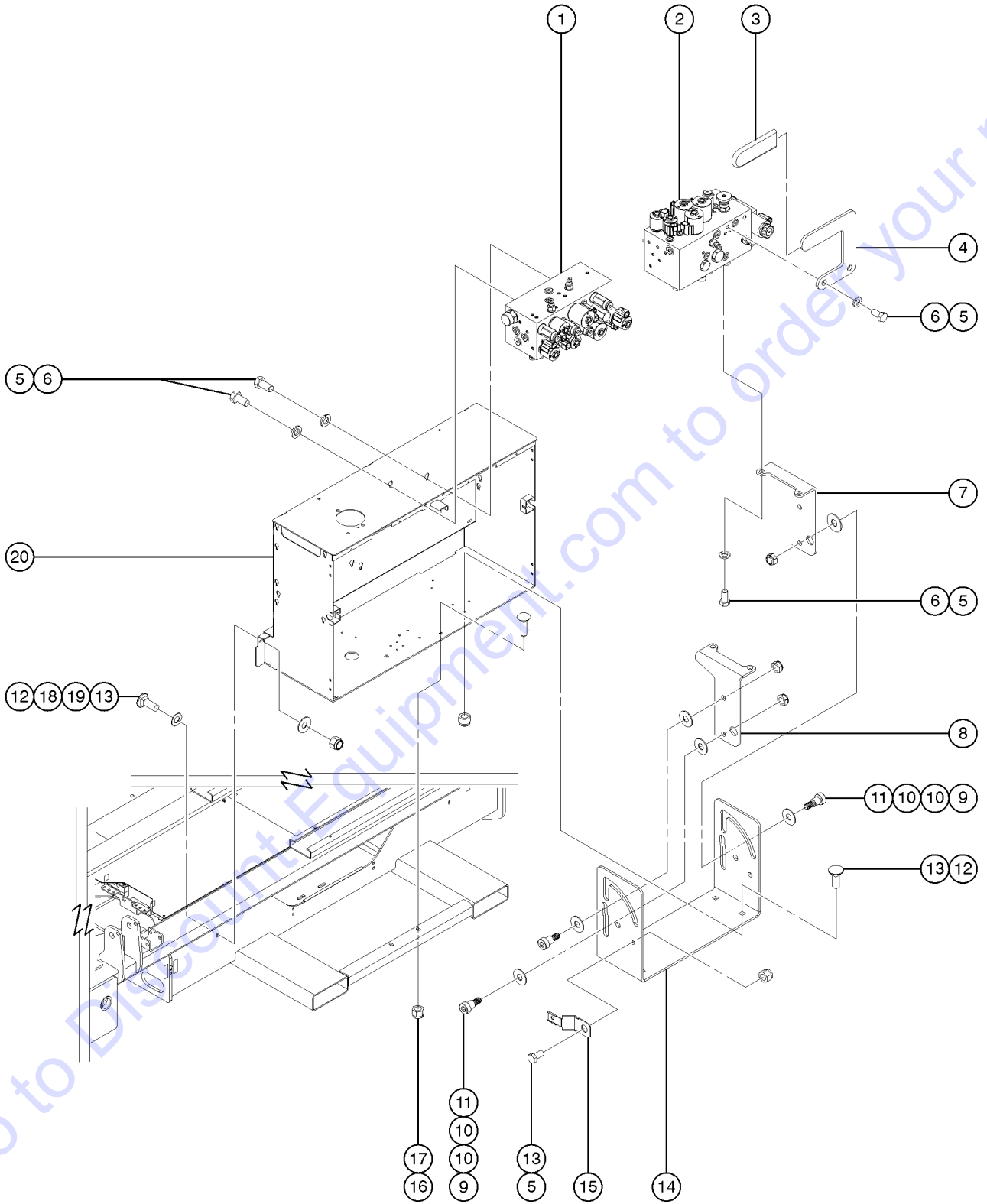
403.2 Gasoline Tank, Hoses and Fittings, GM 0.998L Engine



403.2 Gasoline Tank, Hoses and Fittings, GM 0.998L Engine

Item	Part No.	Description	Qty.
1	1263199GT	CONN, 3/16" BARBED, 3/8" MNPT.....1	1
2	1263198GT	CONN, 1/2" BARBED, 3/8" FNPT.....1	1
3	46131GT	CLAMP,HOSE,.63" - 1.0" X .5".....2	2
4	1263240GT	HOSE, FUEL, 1/2" ID, 10.00" LG.....1	1
5	44909GT	CLAMP,HOSE,.35"-.86" X .3125".....10	10
6	233943GT	HOSE, FUEL 3/16", 100"LG.....1	1
7	1251757GT	SCREW,PHPM,10-32X.50,ZAG.....6	6
8	1271772GT	CAP, TANK, FUEL SENSOR.....1	1
9	1271773GT	GASKET, TANK, FUEL SENSOR.....1	1
10	1262945GT	VALVE, ROLLOVER, 1/4" BARBED.....1	1
11	1263241GT	HOSE, FUEL, 1/4" ID, 16.00" LG.....1	1
12	34211GT	ELBOW,90DEG.1/4 MPT-5/16 BARB....2	2
13	4828GT	NUT,NYLOCK,3/8-16.....3	3
14	6097GT	WASHER,FLAT,USS,3/8",Y.....3	3
15	77692GT	SCREW,HHC,3/8-16 X 1 GRD 8.....3	3
16	1272994GT	ASSY,FUEL HOSE,5/16"ID,14"L,FI.....1	1
--	111819GT	FITTING,SAE J2044F X5/16 BARB.....1	1
--	1272587GT	HOSE,5/16",FUEL,EPA,FI.....14-INCHES	14
--	44909GT	CLAMP,HOSE,.35"-.86" X .3125".....1	1
17	1272018GT	PUMP, FUEL, GM .998L.....1	1
18	1272022GT	CLAMP,FUEL COMPONENTS,GM .998L.....2	2
19	1272995GT	ASSY,FUEL HOSE,5/16"ID,10"L,FI.....2	2
--	111819GT	FITTING,SAE J2044F X5/16 BARB.....2	2
--	1272587GT	HOSE,5/16",FUEL,EPA,FI.....10-INCHES	10
--	44909GT	CLAMP,HOSE,.35"-.86" X .3125".....2	2
20	1272019GT	FILTER, FUEL.....1	1
21	1270996GT	ASSY,FUEL HOSE,5/16"ID,8"L,FI.....1	1
--	111819GT	FITTING,SAE J2044F X5/16 BARB.....1	1
--	1272587GT	HOSE,5/16",FUEL,EPA,FI.....8-INCHES	8
--	44909GT	CLAMP,HOSE,.35"-.86" X .3125".....1	1
22	1272020GT	REGULATOR, FUEL, GM .998L.....1	1
23	1272997GT	ASSY,FUEL HOSE,5/16"ID,120",FI.....1	1
--	111819GT	FITTING,SAE J2044F X5/16 BARB.....2	2
--	1272587GT	HOSE,5/16",FUEL,EPA,FI.....12-INCHES	12
--	44909GT	CLAMP,HOSE,.35"-.86" X .3125".....2	2
24	1272023GT	FORMING,FUEL COMPONENT,GM .998.....1	1
25	148444GT	ASSY,FUEL TANK,10 GAL,GS69.....1	1

404.1 Hydraulic Tray Components

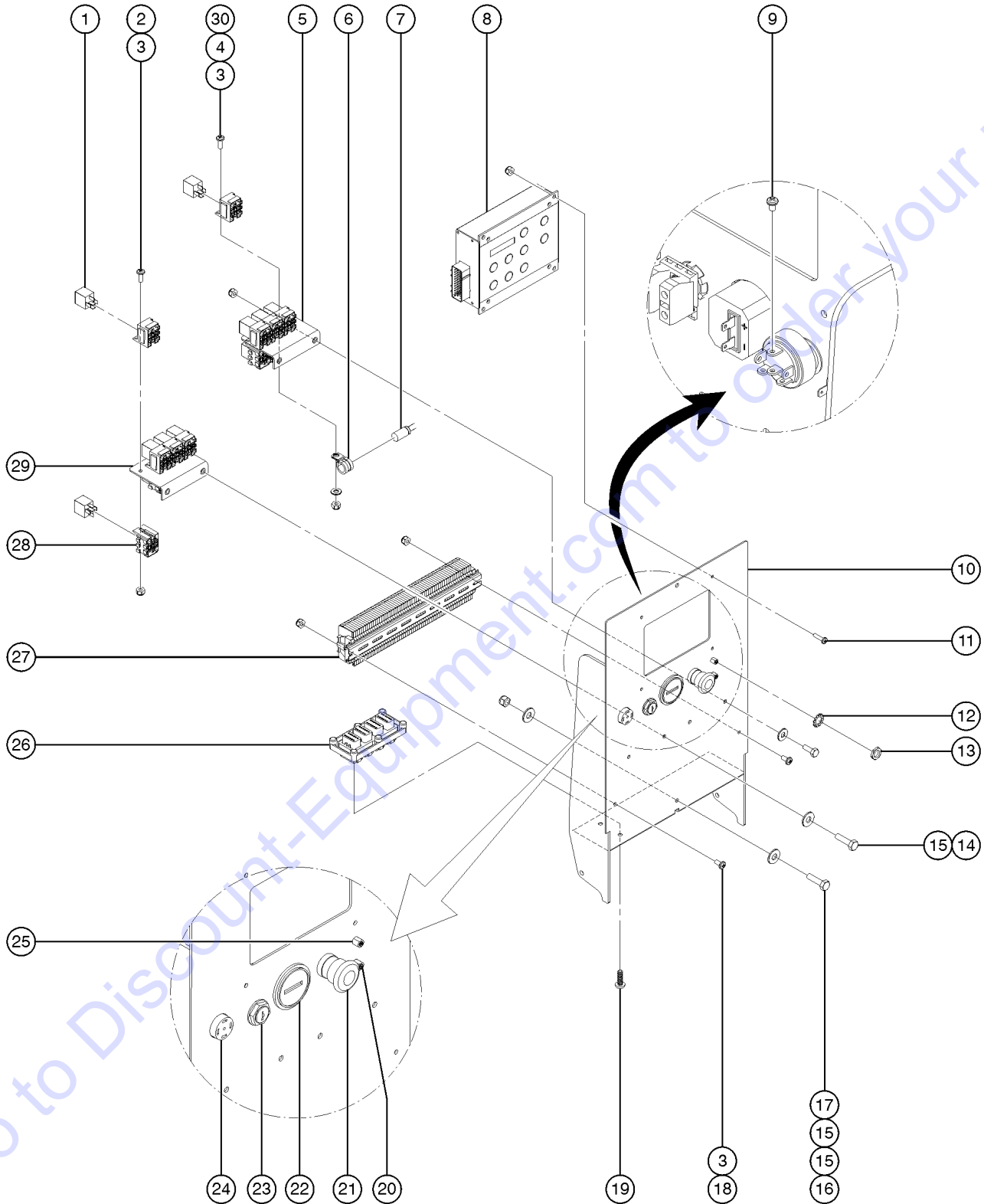


Go to DirectEquipment.com to order your parts

404.1 Hydraulic Tray Components

Item	Part No.	Description	Qty.
1		Ref. Function Manifold (refer to 701.1)	
2		Ref. Traction Manifold (refer to 702.1)	
3	44733GT	HANDLE COVER,PLASTIC.....	1
4A	226089GT	MANIFOLD HANDLE,GS69..... (to SN 3661) (Genie blue)	1
4B	1254446GT	MANIFOLD HANDLE,GS69 (from SN 3662) (traffic black)	
5	8255GT	SCREW,HHC,3/8-16 X .75	
6	58486GT	WASHER,FLAT,3/8,HARDENED,YZ.....	2
7A	T111768GT	FORMING,TRACT MAN MOUNT,RIGHT..... (to SN 3661) (Genie blue)	1
7B	1254444GT	FORMING,TRACT MAN MOUNT,RIGHT (from SN 3662) (traffic black)	
8A	T111769GT	FORMING,TRACT MAN MOUNT,LEFT..... (to SN 3661) (Genie blue)	1
8B	1254445GT	FORMING,TRACT MAN MOUNT,LEFT (from SN 3662) (traffic black)	
9	11335GT	SCREW,SHS,3/8-16 X .5	
10	87075GT	WASHER,NYLON .50 X 1.25 X .063	
11	7713GT	NUT, LP NYLOCK, 3/8-16	
12	64154GT	BOLT,CARRIAGE,3/8-16 X1.00,G5	
13	4828GT	NUT,NYLOCK,3/8-16	
14A	T111767GT	FORMING,TRACTION MANIFOLD BASE..... (to SN 3661) (Genie blue)	1
14B	1254443GT	FORMING,TRACTION MANIFOLD BASE (from SN 3662) (traffic black)	
15	99346GT	CLIP, METAL MOUNTING	
16	6198GT	NUT,NYLOCK,1/2-13	
17	96203GT	BOLT,CARRIAGE,1/2-13X1.75, G5	
18	87684GT	PUSH RETAINER, 3/8" SCREW	
19	6097GT	WASHER,FLAT,USS,3/8",Y	
20A	131800GT	WLDMT, HYD BOX GS69..... (to SN 3661) (Genie blue)	1
20B	1253426GT	WELDMENT,BOX,HYD..... (from SN 3662 to 11863) (traffic black)	1
20C	1278977GT	WELDMENT,BOX,IC,EPA..... (from 11864)	1

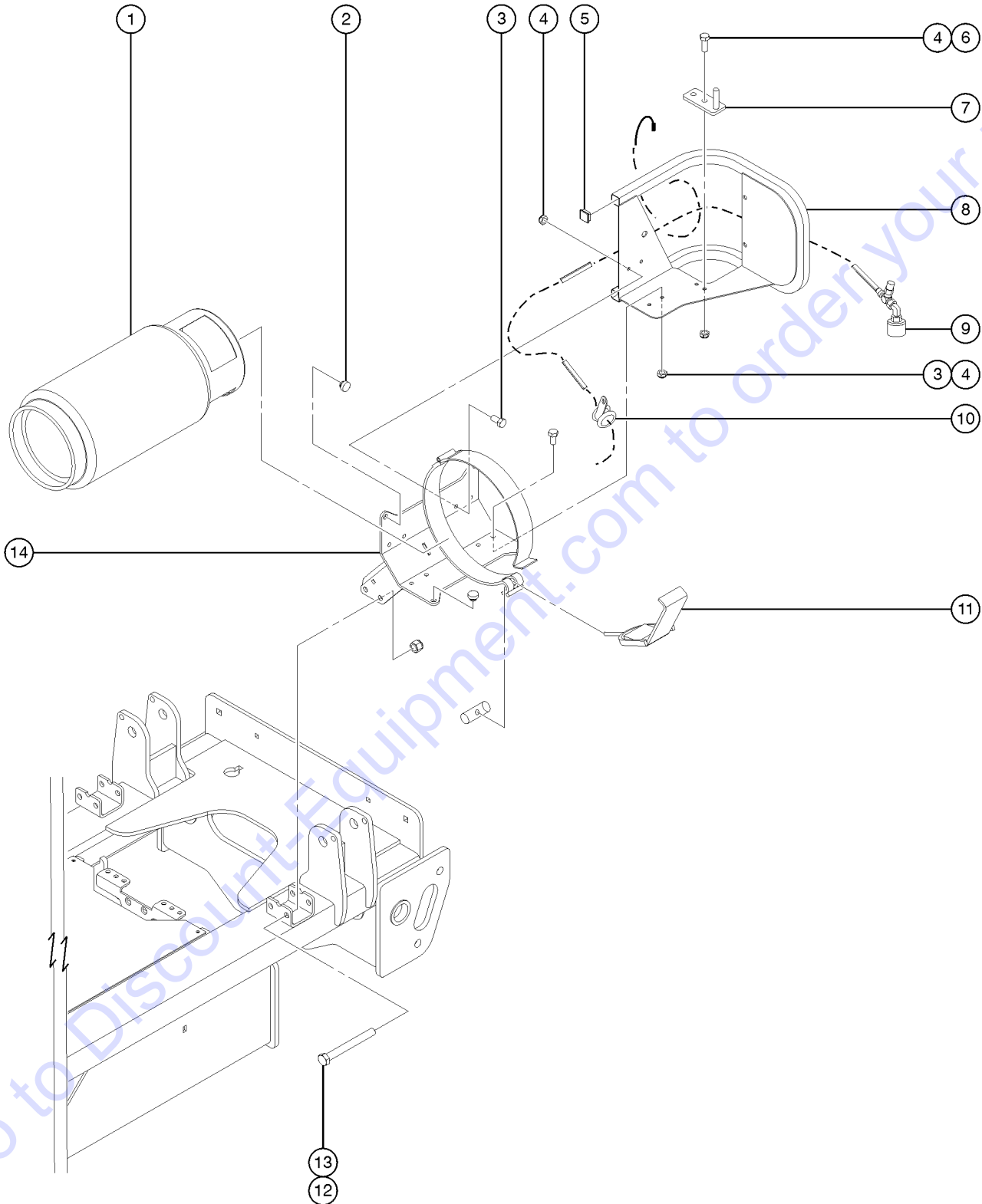
405.1 Ground Controls



405.1 Ground Controls

Item	Part No.	Description	Qty.	Item	Part No.	Description	Qty.
--	13083GT	DIODE, 3 AMP.....	4	--	1272569GT	PLATE, SPACER, HOUR METER	
--	229291GT	RESISTOR, 620 OHM 1/4 WATT.....	1	23	96008-SGT	KEYSWITCH,3 POS. W/KEYS***.....	1
--	229435GT	RESISTOR, 1000 OHM 1/4 WATT.....	2	--	37947GT	KEYS,10 PACK***	
--	232845GT	KIT,BEACON RESISTOR,GS69.....	1	--	83093GT	KEY SINGLE***	
--	67504GT	FUSE HOLDER,ATC 3-30 AMPS.....	1	--	83131GT	KEYSWITCH,3 POS W/KEYS,LOCKING	
--	69864GT	FUSE,5 AMP,ATC.....	1	--	96009GT	WASHER,NITRILE	
--	148005GT	ASSY,LCP,GS69..... <i>(must supply serial number to order this part) (includes control panel and harness, the LCP weldment will be black)</i>	1	24	39540GT	ALARM,STEADY TONE***.....	1
1	34052GT	RELAY,SPDT,12V(AUTO) PLUG IN**.....	16	25	147091GT	CIRCUIT BREAKER, 20A.....	1
2	49819GT	SCREW,PHILLIPS,PHM,10-32 X .5.....	7	26	73736GT	CONN,RECEP 48 WAY,4 X 12.....	2
3	6178GT	NUT,NYLOCK,10-32.....	10	27	T108147GT	TERMINAL RAIL,GS69.....	1
4	6146GT	WASHER,FLAT,MS,#10,Y.....	1	28	34053GT	ASSY,RELAY SOCKET, AUTO.....	13
5	54534GT	ANGLE,RELAY MNT,W/NUTSERTS,PNT.....	2	29	T106699GT	BRACKET,RELAY MOUNT W/INSERTS..... <i>bracket only; relay sold separately</i>	1
6	45454GT	CLAMP,RUB CUSH,0.75,#12 X 3/8*.....	1	30	49816GT	SCREW,PHILLIPS,PHM,10-32 X .75.....	1
--	49816GT	SCREW,PHILLIPS,PHM,10-32 X .75.....	1				
7A	99089GT	CAPACITOR,4700MFD 25V.....	1				
7B	1255881GT	CAPACITOR,1000UF,25V..... <i>replaced 99089 from SN GS6914-3738</i>	1				
8	231084GT	ECU,GS69 IC, GEN 2.....	1				
9	96010GT	SCREW,PHILLIPS,PHM,8-32 X .25**.....	5				
10A	235182GT	LOWER CONTROL PANEL ASSY,GS69..... <i>to SN GS6914-3661</i>	1				
10B	1254441GT	WELDMENT,LCP,GS69 <i>(from SN GS6914-3662) (decals not included, refer to section 100)</i>					
11	49816GT	SCREW,PHILLIPS,PHM,10-32 X .75.....	4				
12	6700GT	WASHER,STAR,EXTERNAL,.375.....	2				
13	122994GT	NICKEL PLATED JAM NUT.....	2				
14	6090GT	SCREW,HHC,1/4-20 X .75.....	4				
15	6638GT	WASHER,FLAT,USS,1/4"Y.....	6				
16	6888GT	SCREW,HHC,1/4-20 X 1.....	1				
17	6091GT	NUT,NYLOCK,1/4-20.....	1				
18	49818GT	SCREW,PHILLIPS,PHM,10-32 X .38.....	2				
19	73803GT	SCREW,SHM,PHP, #12 X .75.....	8				
20	147090GT	CIRCUIT BREAKER, 15A.....	1				
21	66812GT	BUTTON,PUSH,RED MUSHROOM HEAD.....	1				
--	66817GT	BASE WITH 1 NC CONTACT, E-STOP					
--	66818GT	CONTACT, N.C.					
22A	19506GT	HOUR METER,10-80 VOLTS***..... <i>for models with Kubota and Perkins engines</i>	1				
22B	1271076GT	DISPLAY,DIAGNOSTIC,J1939..... <i>for models with GM .998L engine</i>	1				

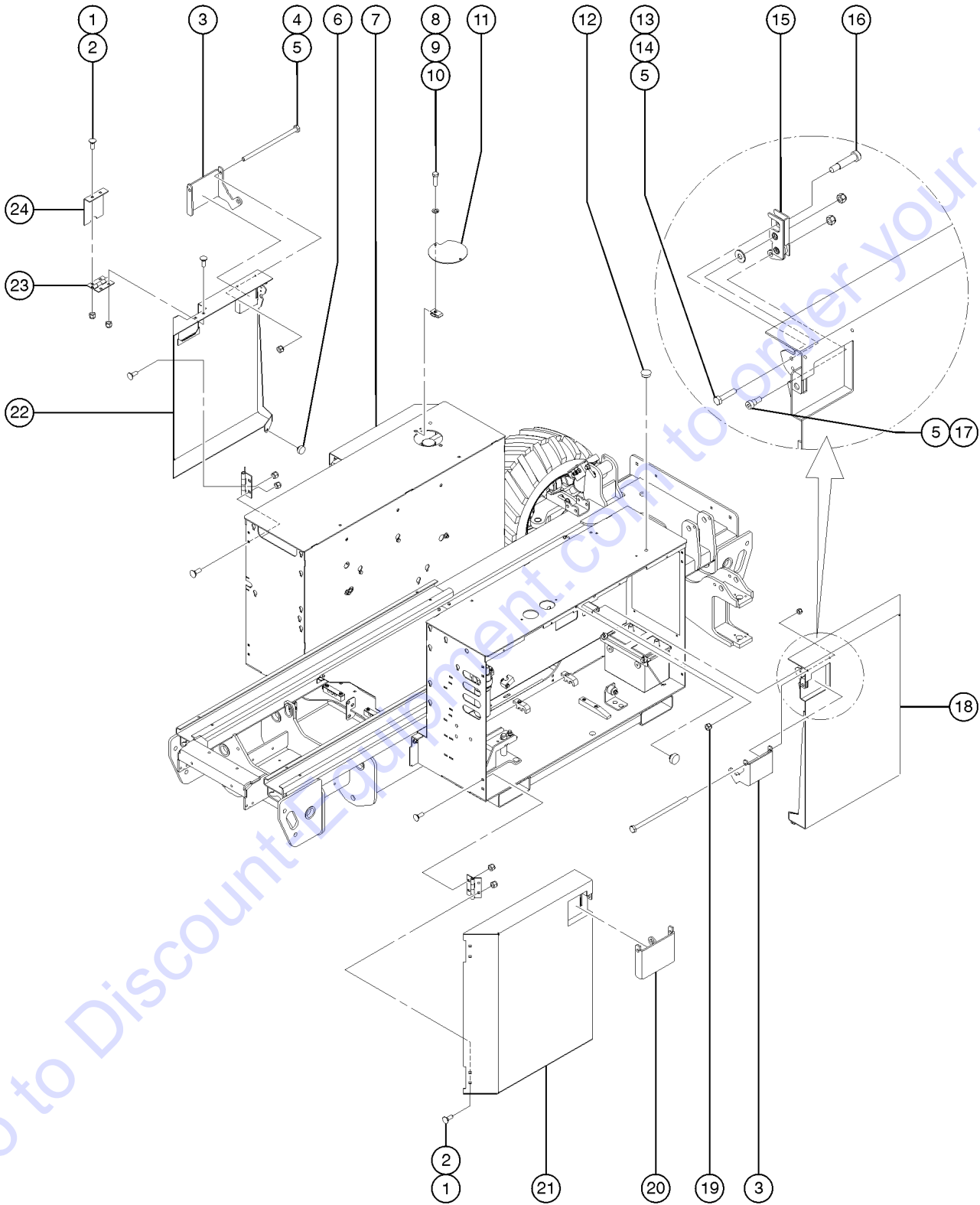
406.1 LPG Tank Installation



Go to DiscountEquipment.com to order your parts

Item	Part No.	Description	Qty.
A	1273249GT	HOSE ASSEMBLY,PROPANE,132" (GM .998L)	
1	53605GT	TANK, 7 GAL/33.5 POUND, LP.....	1
2	47230GT	BUMPER,RUBBER.....	4
3	8255GT	SCREW,HHC,3/8-16 X .75	
4	7713GT	NUT, LP NYLOCK, 3/8-16	
5	78038GT	CAP, TUBE, SQ,1.25 X .083.....	2
6	6175GT	SCREW,HHC,3/8-16 X 1	
7A	51451GT	WELDMENT,LP ALIGNMENT PIN*** (to SN 3661) (Genie blue)	1
7B	1254138GT	WELDMENT,LP ALIGNMENT PIN..... (from SN 3662) (traffic black)	1
8A	T109736GT	WELDMENT,LP GUARD,RIGHT..... (to SN 3661) (Genie blue)	1
8B	1254126GT	WELDMENT,LP GUARD,RIGHT..... (from SN 3662) (traffic black)	1
9		Ref., HOSE ASSEMBLY..... refer to 302.1	1
10	45454GT	CLAMP,RUB CUSH,0.75,#12 X 3/8*.....	1
11	49000GT	L.P.TANK LATCH.....	1
12	13854GT	SCREW,HHC,1/2-13 X 4.5,GRD.8.....	2
13	6198GT	NUT,NYLOCK,1/2-13	
14A	148105GT	WELDMENT,LP CARRIER MOUNT..... (to SN 3661) (Genie blue)	1
14B	1254140GT	WELDMENT,LP CARRIER MOUNT..... (from SN 3662) (traffic black)	1

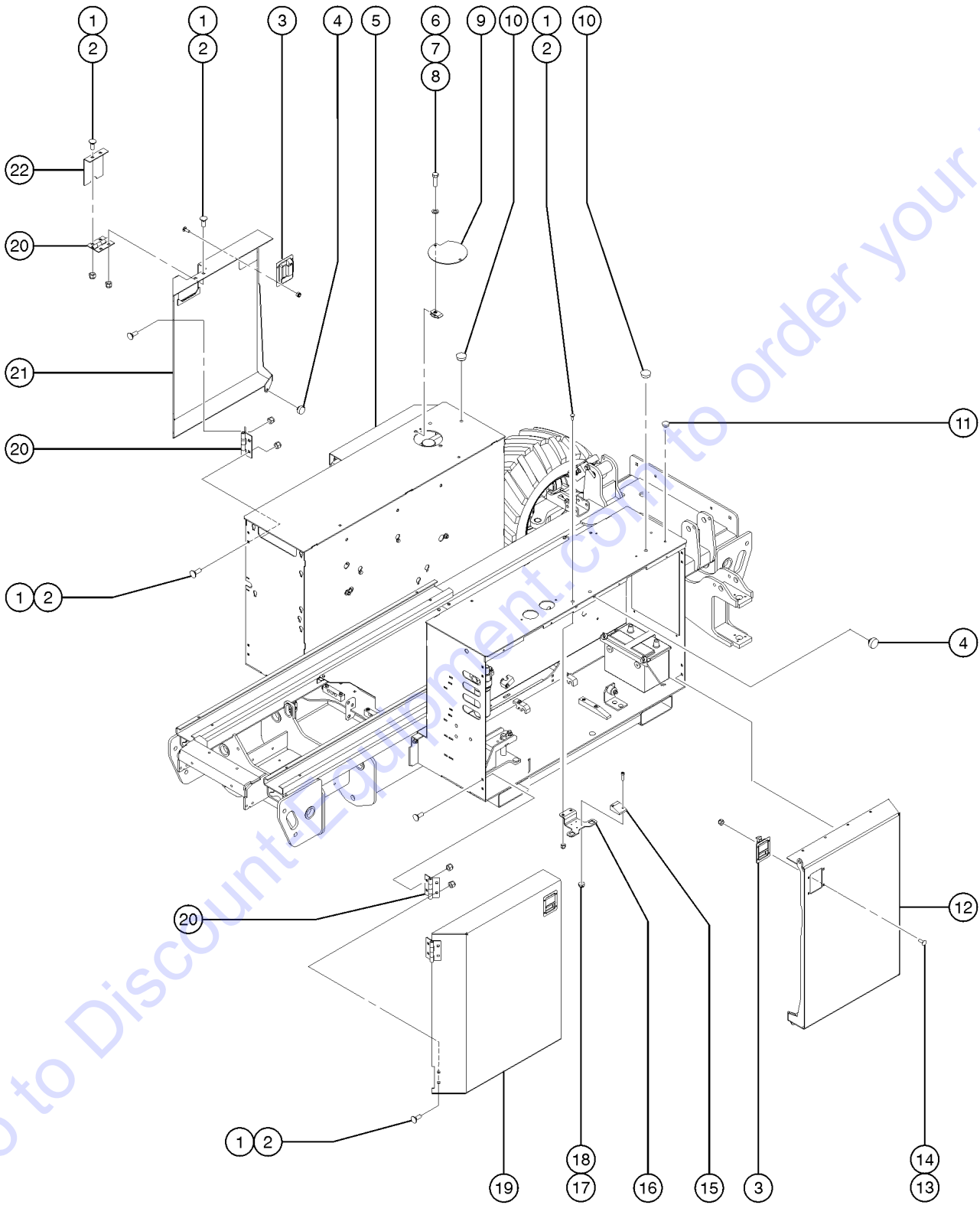
407.1 Chassis Cover Installation (to SN GS6914-3661)



407.1 Chassis Cover Installation (to SN GS6914-3661)

Item	Part No.	Description	Qty.	Item	Part No.	Description	Qty.
1	64154GT	BOLT,CARRIAGE,3/8-16 X1.00,G5		--	148461GT	WELDMENT,DOOR,HYD.BOX,GAS.....1 <i>(decals not included, refer to section 100)</i>	
2	4828GT	NUT,NYLOCK,3/8-16		--	235088GT	COVER ASSY,CNTRLS SIDE,RT,SY <i>(Asia & S. America models with symbol decals)</i>	
3	131926GT	FORMING,DOOR LATCH HANDLE,RT.....2		23	55517GT	HINGE, GSRT90 BOX.....5	
4	10744GT	SCREW,HHC,1/4-20 X 5		24	148548GT	FORMING,GAS DOOR.....1	
5	6889GT	NUT,LP NYLOCK,1/4-20					
6	43392GT	BUMPER,BATTERY BOX & RAILS.....6					
7	235082GT	COVER ASSY,CNTRLS SIDE,LT,WO <i>(ANSI, CSA & Australia models with word decals)</i>					
--	131780GT	WELDMENT,BOX DOOR,LEFT,WINDOW.....1 <i>(decals not included, refer to section 100)</i>					
--	235087GT	COVER ASSY,CNTRLS SIDE,LT,SY <i>(Asia, S. America and CE models with symbol decals)</i>					
8	6019GT	SCREW,HHC,3/8-16 X 1.25 GRD 5					
9	6021GT	WASHER,LOCK,.375					
10	29868GT	SPRING CLIP,3/8-16,.05-.20X.73,ZAG...2					
11	131873GT	PLATE,HYD TANK FILLER COVER.....1					
12	45384GT	PLUG,NYLON .50 BLACK DOMED.....2					
13	161805GT	SCREW,HHC,1/4-20 X 1.25, TAP					
14	6638GT	WASHER,FLAT,USS,1/4"Y					
15	105319GT	LATCH,BATT/HYDR TRAY***.....4					
16	131928GT	BOLT,SHLDR,3/8X1.25,5/16-18S/S					
17	148291GT	BOLT,SHLDR,5/16X1/4X1/14-20S/S					
18	235081GT	COVER ASSY,ENGINE SIDE,RT,WO <i>(ANSI, CSA & Australia models with word decals)</i>					
--	131790GT	WELDMENT,BOX DOOR,RT.....1 <i>(Asia & S. America models with symbol decals)</i>					
--	235085GT	COVER ASSY,ENGINESIDE,RT,SY <i>(Asia, S. America and CE models with symbol decals)</i>					
19	6782GT	NUT,NYLOCK,5/16-18					
20	131929GT	FORMING,DOOR LATCH HANDLE,LT...2					
21	235080GT	COVER ASSY,ENGINE SIDE,LT,WO <i>(ANSI, CSA & Australia models with word decals)</i>					
--	148226GT	WLDT,BOX DOOR,ENG,LT,GS68.....1 <i>(decals not included, refer to section 100)</i>					
--	235084GT	COVER ASSY,ENGINE SIDE,LT,SY <i>(Asia & S. America models with symbol decals)</i>					
--	235086GT	COVER ASSY,ENGINE SIDE,LT,SY,CE <i>(CE models with symbol decals)</i>					
22	235083GT	COVER ASSY,CNTRLS SIDE,RT,WO <i>(ANSI, CSA & Australia models with word decals)</i>					

407.2 Chassis Cover Installation (from SN GS6914-3662)

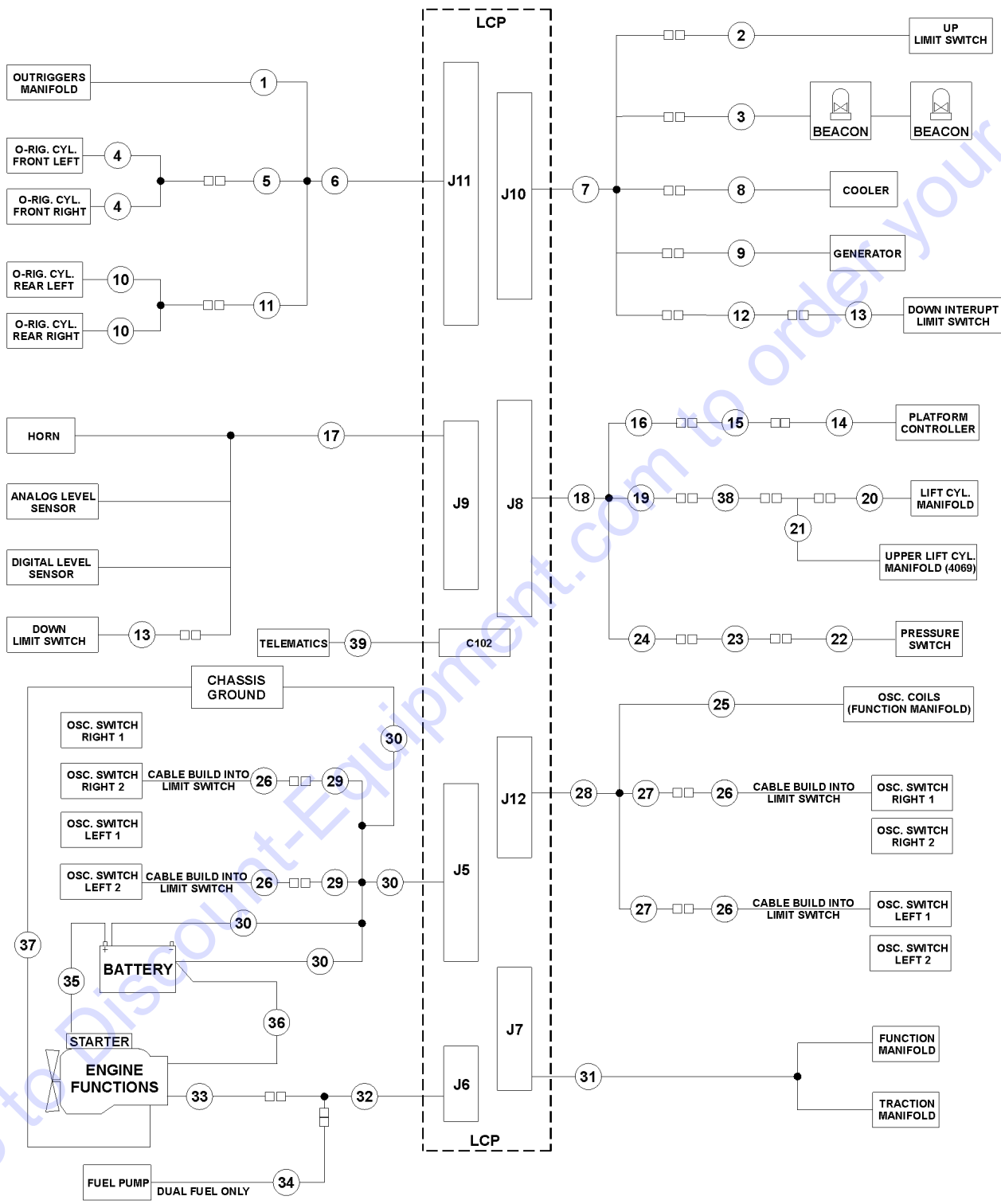


Go to DiscountEquipment.com to order your parts

407.2 Chassis Cover Installation (from SN GS6914-3662)

Item	Part No.	Description	Qty.
1	64154GT	BOLT,CARRIAGE,3/8-16 X1.00,G5	
2	4828GT	NUT,NYLOCK,3/8-16	
3	55675GT	LATCH, LRG PADDLE HANDLE GS90	
4	43392GT	BUMPER,BATTERY BOX & RAILS.....8	
5	1253424GT	WELDMENT,BOX DOOR,LT,WINDOW.....1 <i>(decals not included, refer to section 100)</i>	
6	6019GT	SCREW,HHC,3/8-16 X 1.25 GRD 5	
7	6021GT	WASHER,LOCK,.375	
8	29868GT	SPRING CLIP,3/8-16,.05-.20X.73,ZAG	
9	1254428GT	PLATE,HYD TANK FILLER COVER.....1	
10	45384GT	PLUG,NYLON .50 BLACK DOMED.....2	
11	81329GT	PLUG,ALARM BEACON HOLE.....4	
12	1253422GT	WELDMENT,BOX DOOR,RT.....1 <i>(decals not included, refer to section 100)</i>	
13	6878GT	BOLT,CARRIAGE,1/4-20 X .75,G2	
14	6091GT	NUT,NYLOCK,1/4-20	
15	1253479GT	SLIDE BLOCK,DOOR WEDGE,HDPE...2 <i>1 of 2 shown</i>	
16	1253349GT	FORMING, LATCH CATCH.....2 <i>1 of 2 shown</i>	
17	14392GT	NUT,LP NYLOCK,10-32	
18	219112GT	SCREW,SHC,10-32 X .75	
19	1253423GT	WELDMENT,BOX DOOR,LT.....1 <i>(decals not included, refer to section 100)</i>	
20	55517GT	HINGE, GSRT90 BOX.....9	
21	1253425GT	WELDMENT,BOX DOOR,RT,FUEL.....1 <i>(decals not included, refer to section 100)</i>	
22	1254427GT	FORMING,GAS DOOR.....1	

408.1 Electrical Wiring and Power Cables



408.1 Electrical Wiring and Power Cables

Item	Part No.	Description	Qty.	Item	Part No.	Description	Qty.
A	1264822GT	KIT, TRC RETROFIT, STNDRD <i>Telematics (includes 1264834)</i>		20A	148086GT	CABLE,DOWN COILS,GS3369.....1 <i>GS-2669 and GS-3369, to SN 7719</i>	1
--	1264834GT	INSTRN, TRC RETROFIT, STNDRD		20B	1259447GT	CABLE,PROP. DOWN COIL 26/3369 <i>from 7720</i>	
1	148068GT	HARNESS,O/R MNFLD,GS69.....1	1	21A	148087GT	CABLE,DOWN COILS,GS4069.....1 <i>GS-4069, to SN 7719</i>	1
2A	T114634GT	HARNESS,UP LIMIT SWITCH.....1 <i>to SN 1755</i>	1	21B	1259448GT	CABLE,PROP. DOWN COIL 4069 <i>from 7720</i>	
2B	160566GT	HARNESS, UP LIMIT SWITCH.....1 <i>from SN 1756</i>	1	22	104571GT	HARNESS,PRESS.SWITCH.....1	1
3A	148076GT	HARNESS,BEACON,GS69.....1 <i>to SN GS6916F-9067</i>	1	23	T109749GT	CABLE,PRESSURE SWITCH.....1	1
3B	1267806GT	HARNESS, LED BEACON, GS69 <i>from SN GS6916F-9068</i>		24	T109748GT	HARNESS,PRESSURE SWITCH.....1 <i>to SN 7719</i>	1
4	148090GT	HARNESS,OUTRIGGERS,FRNT,GS69..1	1	25	148088GT	HARNESS,OSC.MNFLD,GS69.....1	1
5	148069GT	CABLE,OUTRIGGER,FRNT,GS69.....1	1	26	148414GT	HARNESS,OSC SWITCH REAR.....1	1
6A	T109746GT	HARNESS,OUTRIGGER,J1,GS69.....1 <i>(includes items 1, 5, and 11) (to SN GS6913-2102)</i>	1	27	148210GT	ASSY,LIMITSWITCH,OSC.AXLE,GS69..1	1
6B	161213GT	HARNESS, OR HARNESS, J11.....1 <i>(includes items 1, 5, and 11) (from SN GS6913-2103)</i>	1	28	T109747GT	HARNESS,OSCILLATE,J12,GS69.....1	1
7	T109743GT	HARNESS,OPTIONS,J10,GS69.....1	1	29	148077GT	HARNESS,OSC LIMIT SWITCH 2.....2	2
8	148080GT	HARNESS,OIL COOLER,GS69.....1	1	30A	148075GT	HARNESS,BATTERY.....1 <i>(to SN GS6913-2102)</i>	1
9	148081GT	HARNESS,GENERATOR,GS69.....1	1	30B	161214GT	HARNESS, BATTERY, J5.....1 <i>(from SN GS6913-2103)</i>	1
10	148091GT	HARNESS,OUTRIGGERS,REAR,GS69..1	1	31	148089GT	CABLE,FUNCTION MANIFOLD,GS69....1	1
11	148070GT	CABLE,OUTRIGGER,REAR,GS69.....1	1	32	148093GT	HARNESS,ENGINE,IC.....1	1
12	T109750GT	CABLE,DWN INT LIMIT SWITCH.....1	1	33A	148072GT	HARNESS,ENGINE,DIESEL.....1 <i>(Kubota D1105 Engine)</i>	1
13A	148092GT	HARNESS,DOWN LIMIT SENSOR,GS69.....1 <i>to SN GS6916F-9067</i>	1	33B	148073GT	HARNESS, ENGINE, DUAL FUEL.....1 <i>(Kubota WG-972-E3 Engine) (to SN GS6916F-9100)</i>	1
13B	1267113GT	LIMIT SWITCH, DOWN, ASSY, GS69....1 <i>from SN GS6916F-9068</i>	1	33C	148074GT	HARNESS, ENGINE, PERKINS.....1 <i>(Perkins 403D-11 Engine)</i>	1
14A	148082GT	CABLE,CONTROL,GS2669.....1 <i>GS-2669 (420 inches, base to platform)</i>	1	33D	1271832GT	HARNESS, BI-FUEL .998L <i>(GM .998L Engine) (from SN GS6916F-9101)</i>	1
14B	148083GT	CABLE,CONTROL,BASE,GS3369.....1 <i>GS-3369 (542 inches, base to platform)</i>	1	33E	1269676GT	HARNESS, ENGINE, GS69 DUAL FUEL <i>(dual-fuel engines) (from SN GS6916F-9101)</i>	1
14C	148084GT	CABLE,CONTROL,BASE,GS4069.....1 <i>GS-4069</i>	1	34	148078GT	HARNESS,FUEL PUMP,DUAL FUEL....1	1
15	148079GT	CABLE,CONTROL JUMPER,GS69.....1	1	35A	160905GT	CABLE ASSY, B+ TO STRT, GS69IC.....1 <i>(Kubota and Perkins Engines)</i>	1
16	148206GT	CABLE,CONTROL,BASE,GS69.....1 <i>to SN 7719</i>	1	35B	1273254GT	CABLE ASSY, STARTER, PSI ENGINE.....1 <i>(GM .998L Engine) (from SN GS6916F-9156)</i>	1
17A	148071GT	HARNESS,LEVEL SENSOR,GS69.....2 <i>to SN GS6916F-9067</i>	2	36	160906GT	CABLE ASSY, ENG TO B-, GS69IC.....1	1
17B	1267270GT	HARNESS, J9, GS69IC.....2 <i>from SN GS6916F-9068</i>	2	37	160907GT	CABLE ASSY, ENG. TO GRD, GS69IC.....1	1
18A	T109738GT	HARNESS,LINKS,J8.....2 <i>to SN 7719</i>	2	38A	1259499GT	HARNESS, PROP, DOWN, GS69 <i>(to SN GS6915-6383)</i>	
18B	1266174GT	HARNESS, LINKS, GS69IC <i>from 7720</i>		38B	215919GT	PROGRAMMING CABLE,DELTA TECH** <i>(to SN GS6915-6383)</i>	
19	148094GT	HARNESS,DOWN COIL.....1 <i>to SN 7719</i>	1				

408.1 Electrical Wiring and Power Cables
(continued)

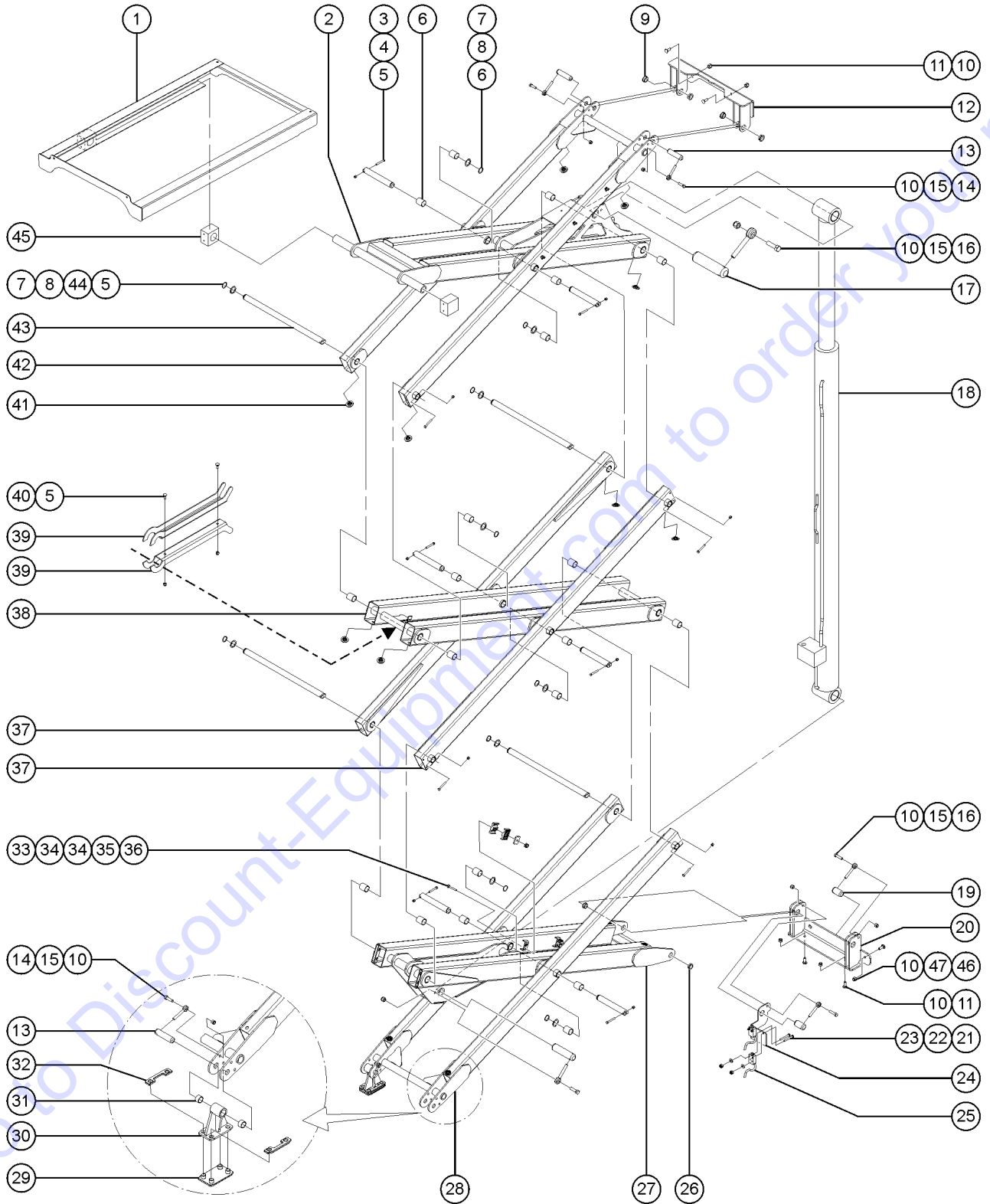
Item	Part No.	Description	Qty.
38C	1256129GT	HARNESS,MORAY,RT <i>HERTZ MODELS</i>	
38D	215919GT	PROGRAMMING CABLE,DELTATECH** <i>(from SN GS6915-6384 to GS6915-6988)</i>	
38E	1260192GT	FLASH DRIVE, GS69 IC SW <i>(from SN GS6915-6384 to GS6915-6988)</i>	
38F	1259447GT	CABLE,PROP. DOWN COIL 26/3369 <i>(from GS6915-6989)</i>	
38G	1259448GT	CABLE,PROP. DOWN COIL 4069 <i>(from GS6915-6989)</i>	
39	1256130GT	TELEMATICS LEADS, GS69RT.....1	
--	67504GT	FUSE HOLDER,ATC 3-30 AMPS	
--	69864GT	FUSE,5 AMP,ATC	

Go to Discount-Equipment.com to order your parts

This Page Intentionally Left Blank

Go to Discount-Equipment.com to order your parts

501.1 Scissor Components, GS-2669 RT



501.1 Scissor Components, GS-2669 RT

Item	Part No.	Description	Qty.	Item	Part No.	Description	Qty.
1		Ref. Platform Spacer Weldment.....1 (refer to 601.1)	1	27B	1256586GT	ASSY,LINK,INNER #1,GRAY,GS69.....1 (from SN 3662) (Genie blue) (includes item #6 and #26)	1
2A	112127GT	ASSY,LINK,INNER #3,BLUE,2669.....1 (to SN 3661) (Genie grey) (includes item #6)	1	28A	112070GT	WELDMENT,LINK,OUTER #1.....1 (to SN 3661) (Genie grey)	1
2B	1256588GT	ASSY,LINK,INNER #3,GRAY,2669.....1 (from SN 3662) (Genie blue) (includes item #6)	1	28B	1254190GT	WELDMENT,LINK,OUTER #1.....1 (from SN 3662) (Genie blue)	1
3	14033GT	SCREW,HHC,3/8-16 X 2.75.....6	6	29	112099GT	WEAR PAD,SLIDER FOOT,LOWER.....2	2
4	148433GT	PIN,CENTER LINK,GS69.....9	9	30A	131903GT	WELDMENT,SLIDER FOOT, GS2669.....2 (to SN 3661) (Genie grey)	2
5	4828GT	NUT,NYLOCK,3/8-16.....12	12	30B	1254208GT	WELDMENT,SLIDER FOOT, GS2669.....2 (from SN 3662) (Genie blue)	2
6	T108138GT	BEARING,1.50IDX1.75ODX2.00L.....20	20	31	30434GT	BEARING,1.25IDX1.50ODX0.88L.....4	4
7	18383GT	SNAP RING,EXTERNAL,1.5 DIA***.....10	10	32	112100GT	WEAR PAD,SLIDER FOOT,UPPER.....4	4
8	T108139GT	WASHER,FLAT,1.510X2.125.....10	10	33	73464GT	BOLT,CARRIAGE,1/4-20 X 1.75,G2.....4	4
9	112375GT	BEARING,FL,1.25IDX1.50ODX.44LG.....4	4	34	78736GT	CLAMP,2 HOSE,PLASTIC,5/8.....8	8
10	6198GT	NUT,NYLOCK,1/2-13.....14	14	35	228103GT	PLATE,BACKING,LINKS.....4	4
11	96977GT	BOLT,CARRIAGE,1/2-13X1.50,GR5.....6	6	36	6889GT	NUT,LP NYLOCK,1/4-20.....4	4
12		Ref. Platform Pivot Weldment, GS-2669.....1 (refer to 601.1)	1	37A	235092GT	ARM, 2ND OUTER, W/BEARINGS, WO...2 (ANSI, CSA & Australia models with word decals)	2
13	112115GT	PIN,1.25 DIA X 5.00 LG,1 HOLE.....4	4	--	235093GT	ARM, 2ND OUTER, W/BEARINGS, SY...2 (Asia, S. America and CE models with symbol decals)	2
14	22788GT	SCREW,HHC,1/2-13 X 1.75.....4	4	--	T108137GT	WLDMT,LINK,OUTER,#2.....1 (to SN 3661) (Genie grey) (decals not included, refer to section 100)	1
15	1256267GT	ROD END,.5 X 3.75,ZAG.....8	8	37B	1254204GT	WLDMT,LINK,OUTER,#2.....1 (from SN 3662) (Genie blue) (decals not included, refer to section 100)	1
16	6096GT	SCREW,HHC,1/2-13 X 2 GR5.....4	4	38A	235094GT	ARM,2ND INNER ASSY,W/BEARINGS.....1 (models with word & symbol decals)	1
17	112121GT	PIN, CYLINDER, LONG.....2	2	--	112124GT	ASSY,LINK,INNER #2,BLUE,GS69.....1 (to SN 3661) (Genie grey) (includes item #6)	1
18		Ref. Lift Cylinders (refer to 705.1)		38B	1256587GT	ASSY,LINK,INNER #2,GRAY,GS69.....1 (from SN 3662) (Genie blue) (includes item #6)	1
19	112116GT	PIN,1.50 DIA X 2.75 LG,1 HOLE.....2	2	39	1254192GT	FORMING, SAFETY ARM.....2 (from SN 3662) (Genie blue)	2
20A	131899GT	WELDMENT,CHASSIS LINK PVT,2669.....1 (to SN 3661) (Genie grey)	1	40	64154GT	BOLT,CARRIAGE,3/8-16 X1.00,G5.....2	2
20B	1254207GT	WELDMENT,CHASSIS LINK PVT,2669.....1 (from SN 3662) (Genie blue)	1	41	T109734GT	BUMPER,LINKS,GS69.....16	16
21	49821GT	SCREW,PHILLIPS,PHM,8-32 X 1.25.....4	4	42A	112076GT	WELDMENT,LINK, TOP OUTER,GS69....1 (to SN 3661) (Genie grey)	1
22	35461GT	WASHER,FLAT,MS,#8,Y.....4	4	42B	1254199GT	WELDMENT,LINK, TOP OUTER,GS69....1 (from SN 3662) (Genie blue)	1
23	18605GT	NUT,NYLOCK,8-32.....4	4	43	148434GT	PIN,END LINK,GS69.....4	4
24A	148317GT	FORMING,DOWN LIMIT SWITCH MNT.....1 (to SN 3661) (Genie grey)	1	44	6326GT	SCREW,HHC,3/8-16 X 3.....4	4
24B	1254202GT	FORMING,DOWN LIMIT SWITCH MNT.....1 (from SN 3662) (Genie blue)	1	45	112708GT	SLIDER BLOCK, GS69.....2	2
25	148236GT	SWITCH,LIMIT,PLUNGER,SMALL.....2	2				
26	112350GT	BRG,FL,1.5ID X 1.75OD X .5 LG.....2	2				
27A	112123GT	ASSY,LINK,INNER #1,BLUE,GS69.....1 (to SN 3661) (Genie grey) (includes item #6 and #26)	1				

501.1 Scissor Components, GS-2669 RT
(continued)

Item	Part No.	Description	Qty.
46	96203GT	BOLT,CARRIAGE,1/2-13X1.75, G5	
47	6095GT	WASHER,FLAT,USS,1/2",Y	

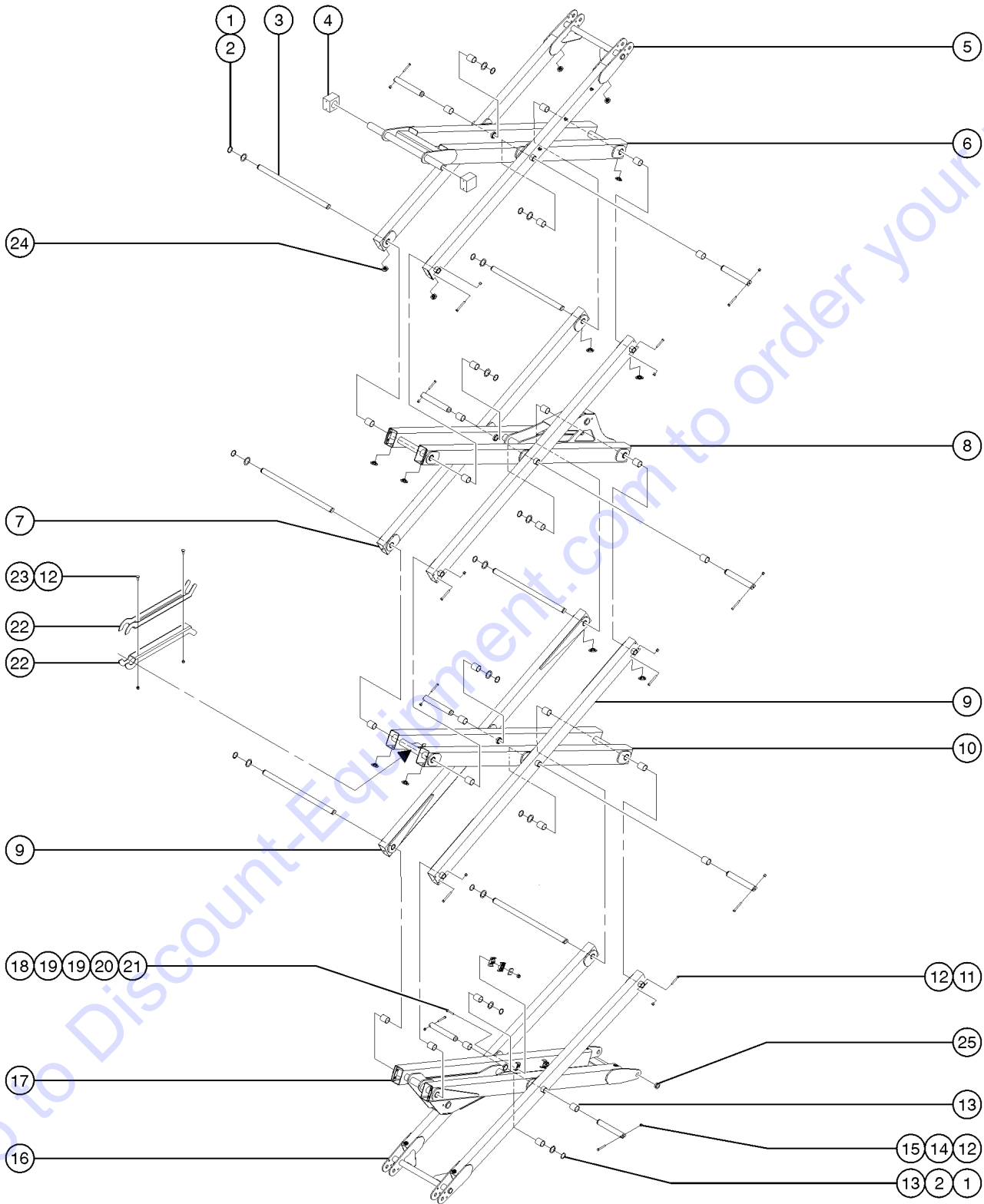
Go to Discount-Equipment.com to order your parts



This Page Intentionally Left Blank

Go to Discount-Equipment.com to order your parts

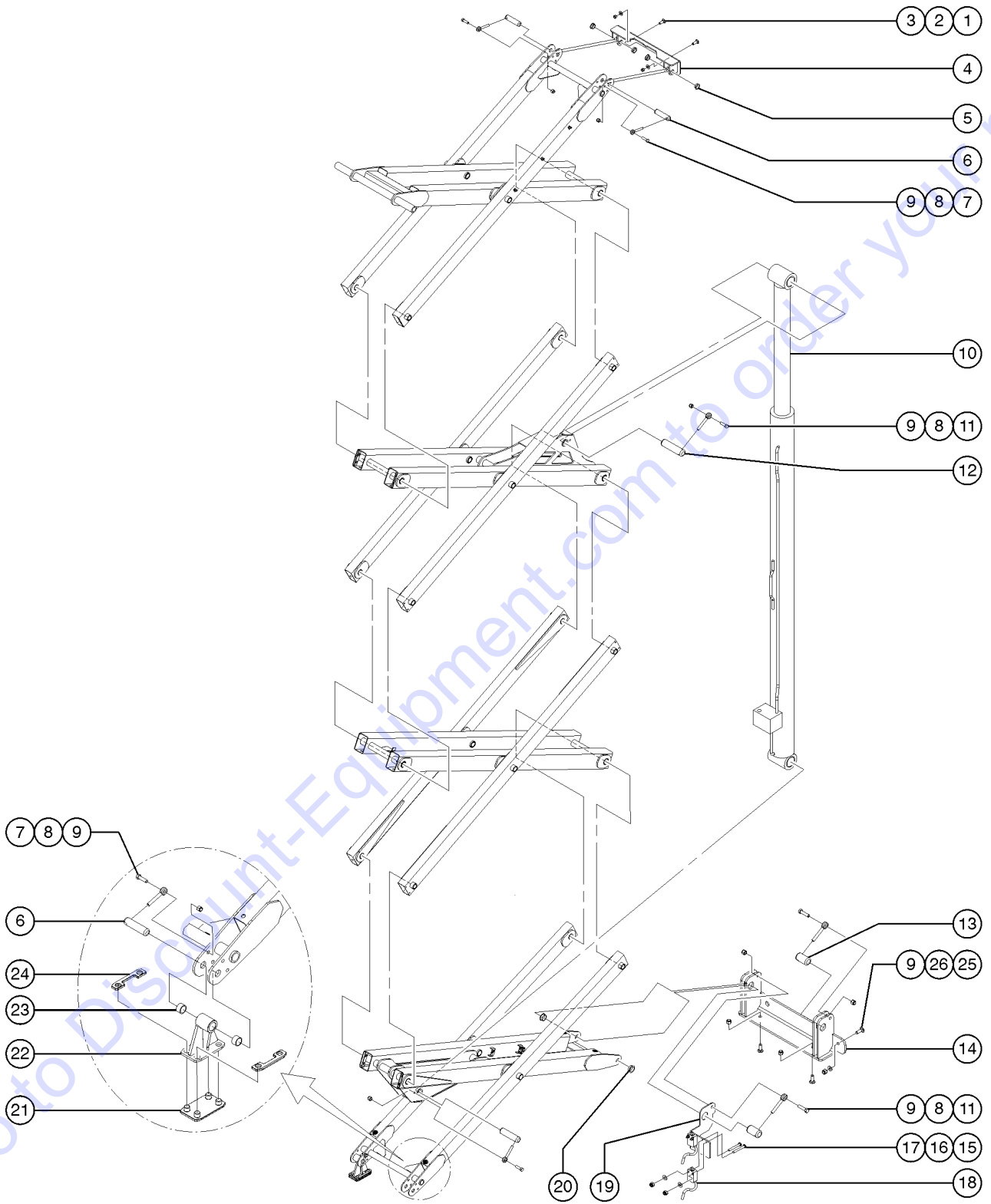
502.1 Scissor Components, GS-3369 RT, View 1



502.1 Scissor Components, GS-3369 RT, View 1

Item	Part No.	Description	Qty.	Item	Part No.	Description	Qty.
1	18383GT	SNAP RING,EXTERNAL,1.5 DIA***.....	14	16A	112070GT	WELDMENT,LINK,OUTER #1..... (to SN 3661) (Genie grey)	1
2	T108139GT	WASHER,FLAT,1.510X2.125.....	14	16B	1254190GT	WELDMENT,LINK,OUTER #1 (from SN 3662) (Genie blue)	
3	148434GT	PIN,END LINK,GS69.....	6	17A	112123GT	ASSY,LINK,INNER #1,BLUE,GS69..... (to SN 3661) (Genie grey) (includes items #13 and #25)	1
4	112708GT	SLIDER BLOCK, GS69.....	2	17B	1256586GT	ASSY,LINK,INNER #1,GRAY,GS69 (from SN 3662) (Genie blue) (includes items #13 and #25)	
5A	112076GT	WELDMENT,LINK,TOP OUTER,GS69.... (to SN 3661) (Genie grey)	1	18	73464GT	BOLT,CARRIAGE,1/4-20 X 1.75,G2	
5B	1254199GT	WELDMENT,LINK,TOP OUTER,GS69 (from SN 3662) (Genie blue)		19	78736GT	CLAMP,2 HOSE,PLASTIC,5/8.....	8
6A	112134GT	ASSY,LINK,INR #4-3369,#5-4069..... (to SN 3661) (Genie grey) (includes item #13)	1	20	228103GT	PLATE,BACKING,LINKS.....	4
6B	1256593GT	ASSY,LINK,INR #4-3369,#5-4069 (from SN 3662) (Genie blue) (includes item #13)		21	6889GT	NUT,LP NYLOCK,1/4-20.....	4
7A	112072GT	WELDMENT,LINK,OUTER #2,3,4.....	2	22	1254192GT	FORMING, SAFETY ARM.....	2
7B	1254198GT	WELDMENT,LINK,OUTER #2,3,4		23	64154GT	BOLT,CARRIAGE,3/8-16 X1.00,G5.....	2
8A	131687GT	ASSY,LINK,INNER #3,BLUE,3369..... (to SN 3661) (Genie grey) (includes item #13)	1	24	T109734GT	BUMPER,LINKS,GS69	
8B	1256594GT	ASSY,LINK,INNER #3,GRAY,3369 (from SN 3662) (Genie blue) (includes item #13)		25	112350GT	BRG,FL,1.5ID X 1.75OD X .5 LG	
9A	235092GT	ARM, 2ND OUTER,W/BEARINGS,WO... (ANSI, CSA & Australia models with word decals) (to SN 3661) (Genie grey)	2				
--	T108137GT	WLDMT,LINK,OUTER,#2..... (decals not included, refer to section 100) (Genie grey)	1				
9B	235093GT	ARM, 2ND OUTER,W/BEARINGS,SY... (Asia, S. America and CE models with symbol decals) (to SN 3661) (Genie grey)	2				
--	T108137GT	WLDMT,LINK,OUTER,#2..... (decals not included, refer to section 100) (Genie grey)	1				
9C	1254204GT	WLDMT,LINK,OUTER,#2 (decals not included, refer to section 100) (from SN 3662) (Genie blue)					
10A	235094GT	ARM,2ND INNER ASSY,W/BEARINGS..... (models with word & symbol decals) (to SN 3661) (Genie grey) (includes item #13)	1				
--	112124GT	ASSY,LINK,INNER #2,BLUE,GS69..... (Genie grey) (includes item #13)	1				
10B	1256587GT	ASSY,LINK,INNER #2,GRAY,GS69 (from SN 3662) (Genie blue) (includes item #13)					
11	6326GT	SCREW,HHC,3/8-16 X 3					
12	4828GT	NUT,NYLOCK,3/8-16					
13	T108138GT	BEARING, 1.50ID X 1.75OD X 2.00L.....	28				
14	148433GT	PIN,CENTER LINK,GS69.....	8				
15	14033GT	SCREW,HHC,3/8-16 X 2.75					

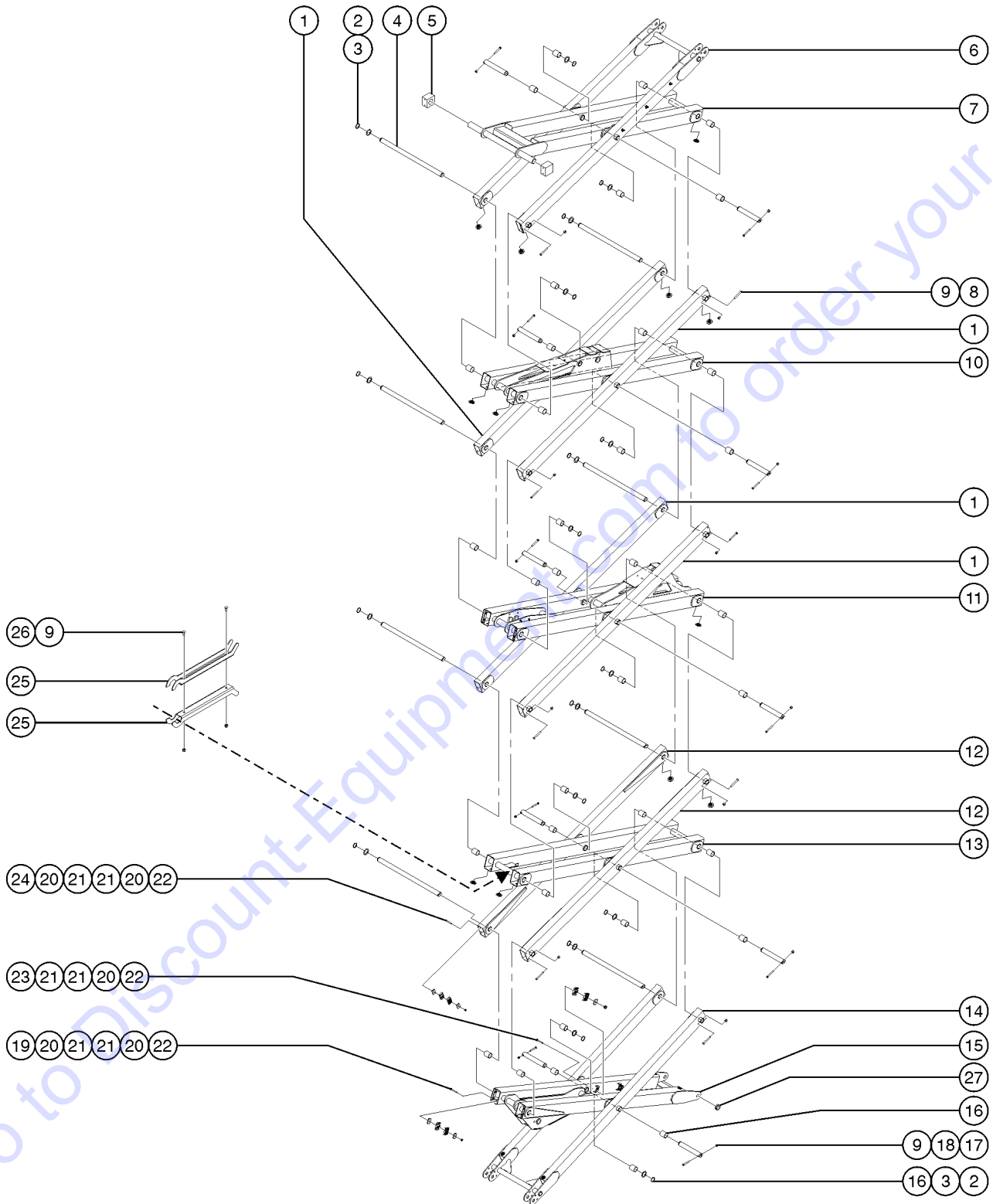
503.1 Scissor Components, GS-3369 RT, View 2



503.1 Scissor Components, GS-3369 RT, View 2

Item	Part No.	Description	Qty.
1	96977GT	BOLT,CARRIAGE,1/2-13X1.50,GR5	
2	6097GT	WASHER,FLAT,USS,3/8",Y	
3	4828GT	NUT,NYLOCK,3/8-16	
4		Ref. Platform Pivot Weldment,33/4069....1 (refer to 602.1)	
5	112375GT	BEARING,FL,1.25IDX1.50ODX.44LG....4	
6	112115GT	PIN,1.25 DIA X 5.00 LG,1 HOLE.....4	
7	22788GT	SCREW,HHC,1/2-13 X 1.75	
8	1256267GT	ROD END,.5 X 3.75,ZAG.....8	
9	6198GT	NUT,NYLOCK,1/2-13	
10		Ref. Lift Cylinders (refer to 705.1)	
11	6096GT	SCREW,HHC,1/2-13 X 2 GR5	
12	112121GT	PIN, CYLINDER, LONG.....2	
13	112116GT	PIN,1.50 DIA X 2.75 LG,1 HOLE.....2	
14A	112210GT	WLDMT,CHASSIS LINK PVT,33/4069....1 (to SN 3661) (Genie grey)	
14B	1254203GT	WLDMT,CHASSIS LINK PVT,33/4069....1 (from SN 3662) (Genie blue)	
15	49821GT	SCREW,PHILLIPS,PHM,8-32 X 1.25	
16	35461GT	WASHER,FLAT,MS,#8,Y	
17	18605GT	NUT,NYLOCK,8-32	
18	148236GT	SWITCH,LIMIT,PLUNGER,SMALL.....2	
19A	148317GT	FORMING,DOWN LIMIT SWITCH MNT.....1 (to SN 3661) (Genie grey)	
19B	1254202GT	FORMING,DOWN LIMIT SWITCH MNT.....1 (from SN 3662) (Genie blue)	
20	112350GT	BRG,FL,1.5ID X 1.75OD X .5 LG.....2	
21	112099GT	WEAR PAD,SLIDER FOOT,LOWER.....2	
22A	112177GT	WELDMENT,SLIDER FOOT, 32/4069....2 (to SN 3661) (Genie grey)	
22B	1254191GT	WELDMENT,SLIDER FT, GS33/4069....2 (from SN 3662) (Genie blue)	
23	30434GT	BEARING,1.25IDX1.50ODX0.88L.....4	
24	112100GT	WEAR PAD,SLIDER FOOT,UPPER.....4	
25	96203GT	BOLT,CARRIAGE,1/2-13X1.75, G5	
26	6095GT	WASHER,FLAT,USS,1/2",Y	

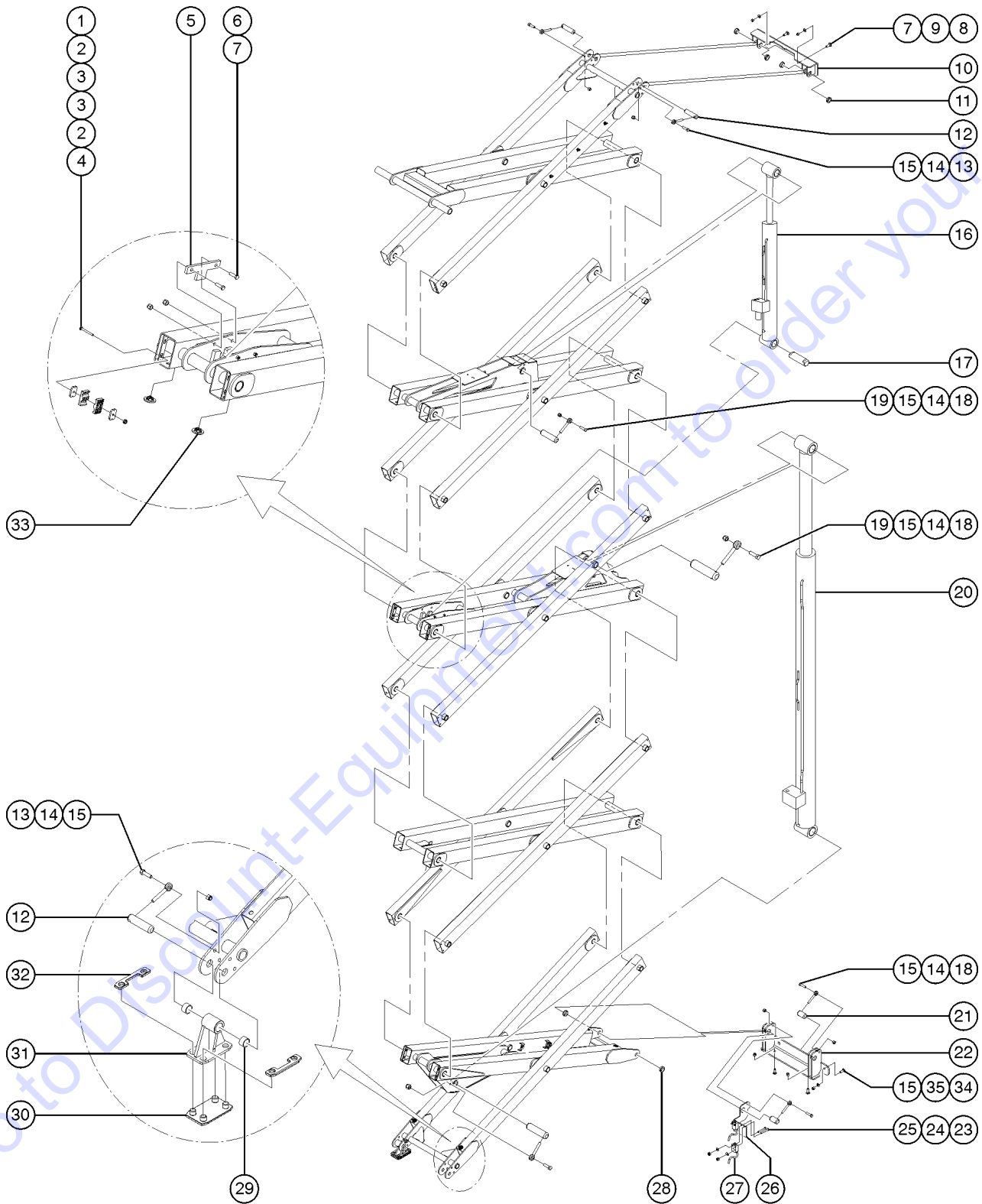
504.1 Scissor Components, GS-4069 RT, View 1



504.1 Scissor Components, GS-4069 RT, View 1

Item	Part No.	Description	Qty.	Item	Part No.	Description	Qty.
1A	112072GT	WELDMENT, LINK, OUTER #2,3,4.....4 (to SN 3661) (Genie grey)	4	14A	112070GT	WELDMENT, LINK, OUTER #1.....1 (to SN 3661) (Genie grey)	1
1B	1254198GT	WELDMENT, LINK, OUTER #2,3,4.....4 (from SN 3662) (Genie blue)	4	14B	1254190GT	WELDMENT, LINK, OUTER #1.....1 (from SN 3662) (Genie blue)	1
2	18383GT	SNAP RING, EXTERNAL, 1.5 DIA***.....18	18	15A	112123GT	ASSY, LINK, INNER #1, BLUE, GS69.....1 (to SN 3661) (Genie grey) (includes item #16 and #27)	1
3	T108139GT	WASHER, FLAT, 1.510X2.125		15B	1256586GT	ASSY, LINK, INNER #1, GRAY, GS69.....1 (from SN 3662) (Genie blue) (includes item #16 and #27)	1
4	148434GT	PIN, END LINK, GS69.....8	8	16	T108138GT	BEARING, 1.50IDX1.75ODX2.00L	
5	112708GT	SLIDER BLOCK, GS69.....2	2	17	14033GT	SCREW, HHC, 3/8-16 X 2.75	
6	112076GT	WELDMENT, LINK, TOP OUTER, GS69.....1	1	18	148433GT	PIN, CENTER LINK, GS69.....10	10
7A	112134GT	ASSY, LINK, INR #4-3369, #5-4069.....1 (to SN 3661) (Genie grey) (includes item #16)	1	19	96905GT	BOLT, CARRIAGE, 1/4-20 X 2.5, G2	
7B	1256593GT	ASSY, LINK, INR #4-3369, #5-4069.....1 (from SN 3662) (Genie blue) (includes item #16)	1	20	228103GT	PLATE, BACKING, LINKS.....8	8
8	6326GT	SCREW, HHC, 3/8-16 X 3		21	78736GT	CLAMP, 2 HOSE, PLASTIC, 5/8.....12	12
9	4828GT	NUT, NYLOCK, 3/8-16		22	6889GT	NUT, LP NYLOCK, 1/4-20	
10A	112126GT	ASSY, LINK, INNER #4, BLUE, 4069.....1 (to SN 3661) (Genie grey) (includes item #16)	1	23	73464GT	BOLT, CARRIAGE, 1/4-20 X 1.75, G2	
10B	1256598GT	ASSY, LINK, INNER #4, GRAY, 4069.....1 (from SN 3662) (Genie blue) (includes item #16)	1	24	4266GT	SCREW, HHC, 1/4-20 X 2	
11A	112125GT	ASSY, LINK, INNER #3, BLUE, 4069.....1 (to SN 3661) (Genie grey) (includes item #16)	1	25	1254192GT	FORMING, SAFETY ARM.....2	2
11B	1256597GT	ASSY, LINK, INNER #3, GRAY, 4069.....1 (from SN 3662) (Genie blue) (includes item #16)	1	26	64154GT	BOLT, CARRIAGE, 3/8-16 X 1.00, G5	
12A	235092GT	ARM, 2ND OUTER, W/BEARINGS, WO...2 (ANSI, CSA & Australia models with word decals) (to SN 3661) (Genie grey)	2	27	112350GT	BRG, FL, 1.5ID X 1.75OD X .5 LG.....2	2
--	T108137GT	WLDMT, LINK, OUTER, #2.....1 (decals not included, refer to section 100) (Genie grey)	1				
12B	235093GT	ARM, 2ND OUTER, W/BEARINGS, SY...2 (Asia, S. America and CE models with symbol decals) (to SN 3661) (Genie grey)	2				
--	T108137GT	WLDMT, LINK, OUTER, #2.....1 (decals not included, refer to section 100) (Genie grey)	1				
12C	1254204GT	WLDMT, LINK, OUTER, #2.....1 (decals not included, refer to section 100) (from SN 3662) (Genie blue)	1				
13A	235094GT	ARM, 2ND INNER ASSY, W/BEARINGS.....1 (models with word & symbol decals) (to SN 3661) (Genie grey)	1				
--	112124GT	ASSY, LINK, INNER #2, BLUE, GS69.....1 (Genie grey) (includes item #16)	1				
13B	1256587GT	ASSY, LINK, INNER #2, GRAY, GS69.....1 (from SN 3662) (Genie blue) (includes item #16)	1				

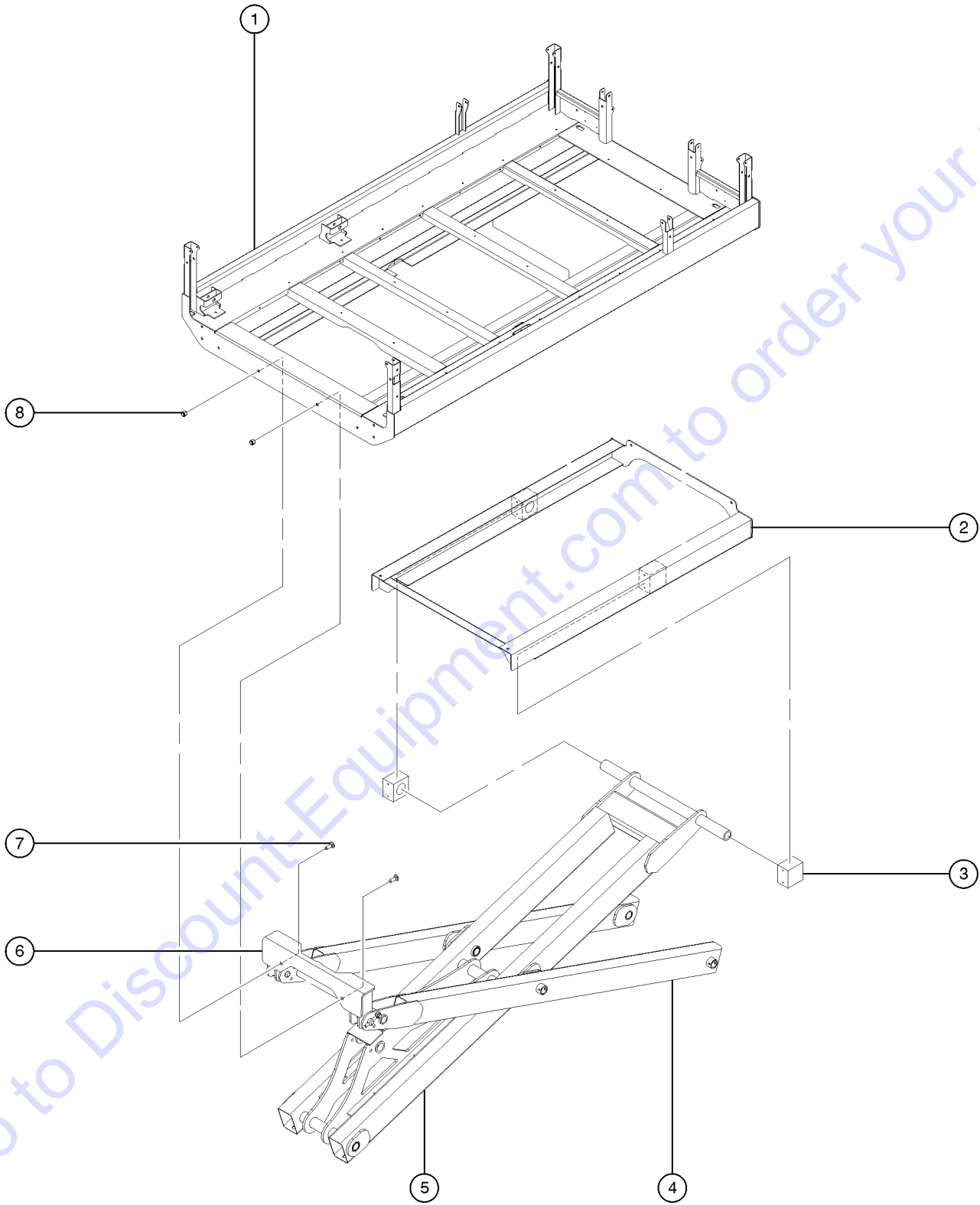
505.1 Scissor Components, GS-4069 RT, View 2



505.1 Scissor Components, GS-4069 RT, View 2

Item	Part No.	Description	Qty.	Item	Part No.	Description	Qty.
1	96905GT	BOLT,CARRIAGE,1/4-20 X 2.5,G2		32	112100GT	WEAR PAD,SLIDER FOOT,UPPER.....4	4
2	228103GT	PLATE,BACKING,LINKS.....6	6	33	T109734GT	BUMPER,LINKS,GS69.....32	32
3	78736GT	CLAMP,2 HOSE,PLASTIC,5/8.....6	6	34	96203GT	BOLT,CARRIAGE,1/2-13X1.75, G5	
4	6889GT	NUT,LP NYLOCK,1/4-20		35	6095GT	WASHER,FLAT,USS,1/2",Y	
5A	112106GT	PLATE,UPR CYL,PIN RETAINR 4069.....2 (to SN 3661) (Genie grey)	2				
5B	1254201GT	PLATE,UPR CYL,PIN RETAINR 4069.....2 (from SN 3662) (Genie blue)	2				
6	6019GT	SCREW,HHC,3/8-16 X 1.25 GRD 5					
7	4828GT	NUT,NYLOCK,3/8-16					
8	96977GT	BOLT,CARRIAGE,1/2-13X1.50,GR5					
9	6097GT	WASHER,FLAT,USS,3/8",Y					
10		Ref. Platform Pivot Weldment,33/4069.....1 (refer to 602.1)	1				
11	112375GT	BEARING,FL,1.25IDX1.50ODX.44LG					
12	112115GT	PIN,1.25 DIA X 5.00 LG,1 HOLE.....4	4				
13	22788GT	SCREW,HHC,1/2-13 X 1.75					
14	1256267GT	ROD END,.5 X 3.75,ZAG.....9	9				
15	6198GT	NUT,NYLOCK,1/2-13					
16		Ref. Lift Cylinders (refer to 705.1)					
17	235122GT	PIN,UPPER CYLINDER.....1	1				
18	6096GT	SCREW,HHC,1/2-13 X 2 GR5					
19	112121GT	PIN, CYLINDER, LONG.....3	3				
20		Ref. Lift Cylinders (refer to 705.1)					
21	112116GT	PIN,1.50 DIA X 2.75 LG,1 HOLE.....2	2				
22A	112210GT	WLDMT,CHASSIS LINK PVT,33/4069.....1 (to SN 3661) (Genie grey)	1				
22B	1254203GT	WLDMT,CHASSIS LINK PVT,33/4069.....1 (from SN 3662) (Genie blue)	1				
23	49821GT	SCREW,PHILLIPS,PHM,8-32 X 1.25					
24	35461GT	WASHER,FLAT,MS,#8,Y					
25	18605GT	NUT,NYLOCK,8-32					
26A	148317GT	FORMING,DOWN LIMIT SWITCH MNT.....1 (to SN 3661) (Genie grey)	1				
26B	1254202GT	FORMING,DOWN LIMIT SWITCH MNT.....1 (from SN 3662) (Genie blue)	1				
27	148236GT	SWITCH,LIMIT,PLUNGER,SMALL.....2	2				
28	112350GT	BRG,FL,1.5ID X 1.75OD X .5 LG.....2	2				
29	30434GT	BEARING,1.25IDX1.50ODX0.88L.....4	4				
30	112099GT	WEAR PAD,SLIDER FOOT,LOWER.....2	2				
31A	112177GT	WELDMENT,SLIDER FOOT, 32/4069.....2 (to SN 3661) (Genie grey)	2				
31B	1254191GT	WELDMENT,SLIDER FT, GS33/4069.....2 (from SN 3662) (Genie blue)	2				

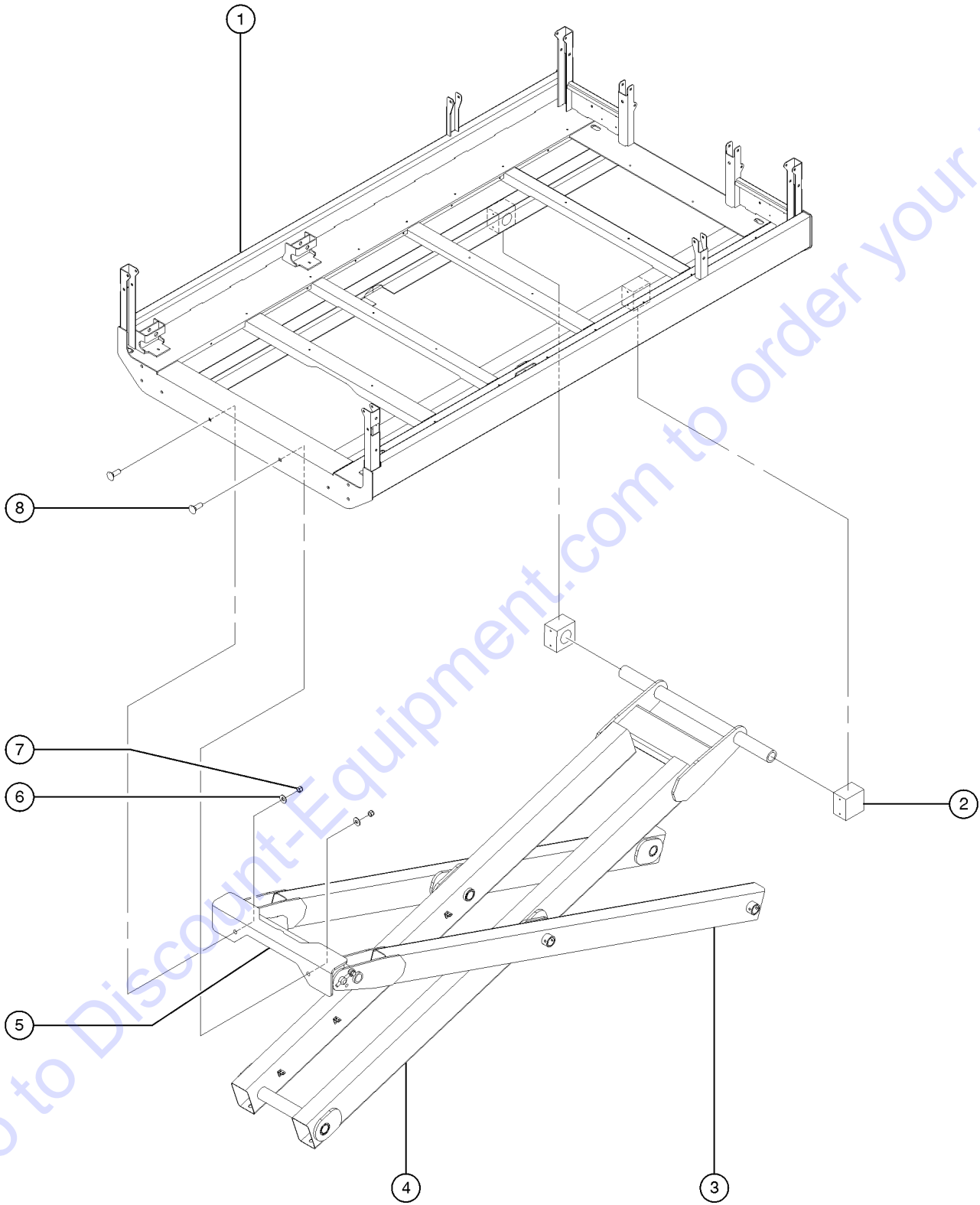
601.1 Platform Installation, GS-2669 RT, View 1



601.1 Platform Installation, GS-2669 RT, View 1

Item	Part No.	Description	Qty.
1	235170GT	MAIN PLAT DECK ASSY,2669,WO,ANSI GS-2669 RT (ANSI & CSA models with word decals)	
--	112703GT	WELDMENT,MAIN PLATFORM,GS69....1 (decals not included, refer to section 100)	
--	235173GT	MAIN PLAT DECK ASSY,2669,WO,AUS GS-2669 RT (Australia models with word decals)	
--	235176GT	MAIN PLAT DECK ASSY,2669,SY,ANSI GS-2669 RT (Asia & S. America models with symbol decals)	
--	235179GT	MAIN PLAT DECK ASSY,2669,SY,CE GS-2669 RT (CE models with symbol decals)	
2	131874GT	WLDMNT,PLATFORM SPACER, 2669....1	
3	112708GT	SLIDER BLOCK, GS69.....2	
4	112076GT	WELDMENT,LINK,TOP OUTER,GS69....1	
5	112127GT	ASSY,LINK,INNER #3,BLUE,2669.....1 (bearings included)	
6A	112229GT	WELDMENT,PLATFORM PIVOT,2669.....1 (to SN 3661) (Genie grey)	
6B	1254206GT	WELDMENT,PLATFORM PIVOT,2669.....1 (from SN 3662) (Genie blue)	
7	96977GT	BOLT,CARRIAGE,1/2-13X1.50,GR5.....2	
8	6198GT	NUT,NYLOCK,1/2-13.....2	

602.1 Platform Installation, GS-3369 RT and GS-4069 RT, View 2

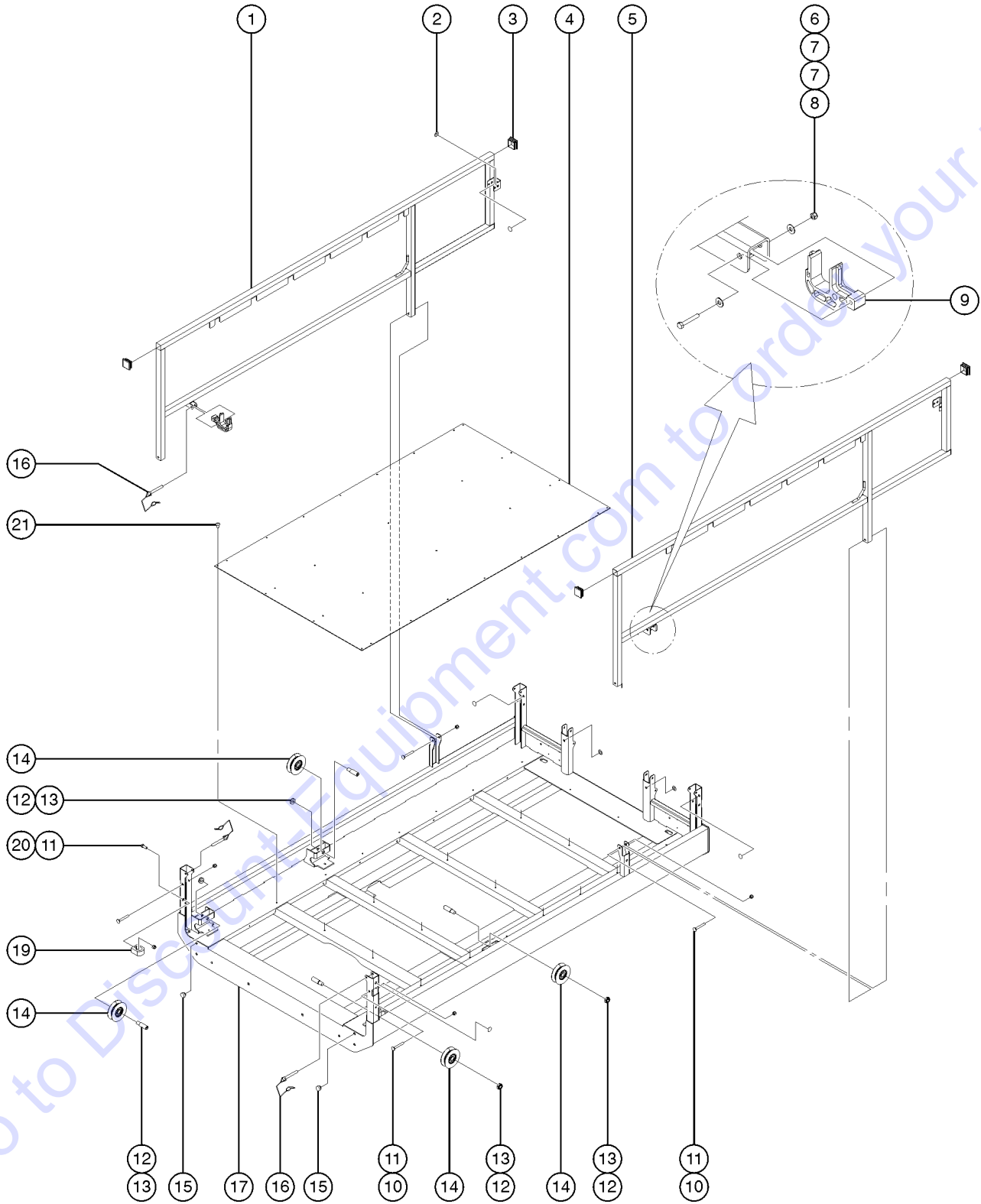


Go to Discount-Equipment.com to order your parts

602.1 Platform Installation, GS-3369 RT and GS-4069 RT, View 2

Item	Part No.	Description	Qty.
1	235171GT	MAIN PLAT DECK ASSY,3369,WO,ANSI GS-3369 RT (ANSI & CSA models with word decals)	
--	112703GT	WELDMENT,MAIN PLATFORM,GS69....1 (decals not included, refer to section 100)	
--	235172GT	MAIN PLAT DECK ASSY,4069,WO,ANSI GS-4069 RT (ANSI & CSA models with word decals)	
--	235174GT	MAIN PLAT DECK ASSY,3369,WO,AUS GS-3369 RT (Australia models with word decals)	
--	235175GT	MAIN PLAT DECK ASSY,4069,WO,AUS GS-4069 RT (Australia models with word decals)	
--	235177GT	MAIN PLAT DECK ASSY,3369,SY,ANSI GS-3369 RT (Asia & S. America models with symbol decals)	
--	235178GT	MAIN PLAT DECK ASSY,4069,SY,ANSI GS-4069 RT (Asia & S. America models with symbol decals)	
--	235180GT	MAIN PLAT DECK ASSY,3369,SY,CE GS-3369 RT (CE models with symbol decals)	
--	235181GT	MAIN PLAT DECK ASSY,4069,SY,CE GS-4069 RT (CE models with symbol decals)	
2	112708GT	SLIDER BLOCK, GS69.....	2
3	112076GT	WELDMENT,LINK, TOP OUTER,GS69....	1
4	112134GT	ASSY,LINK,INR #4-3369,#5-4069..... (bearings included)	1
5A	112136GT	WELDMENT,PLAT PIVOT,33/4069..... (to SN 3661) (Genie grey)	1
5B	1254196GT	WELDMENT,PLAT PIVOT,33/4069..... (from SN 3662) (Genie blue)	1
6	6097GT	WASHER,FLAT,USS,3/8",Y.....	2
7	4828GT	NUT,NYLOCK,3/8-16.....	2
8	96977GT	BOLT,CARRIAGE,1/2-13X1.50,GR5.....	2

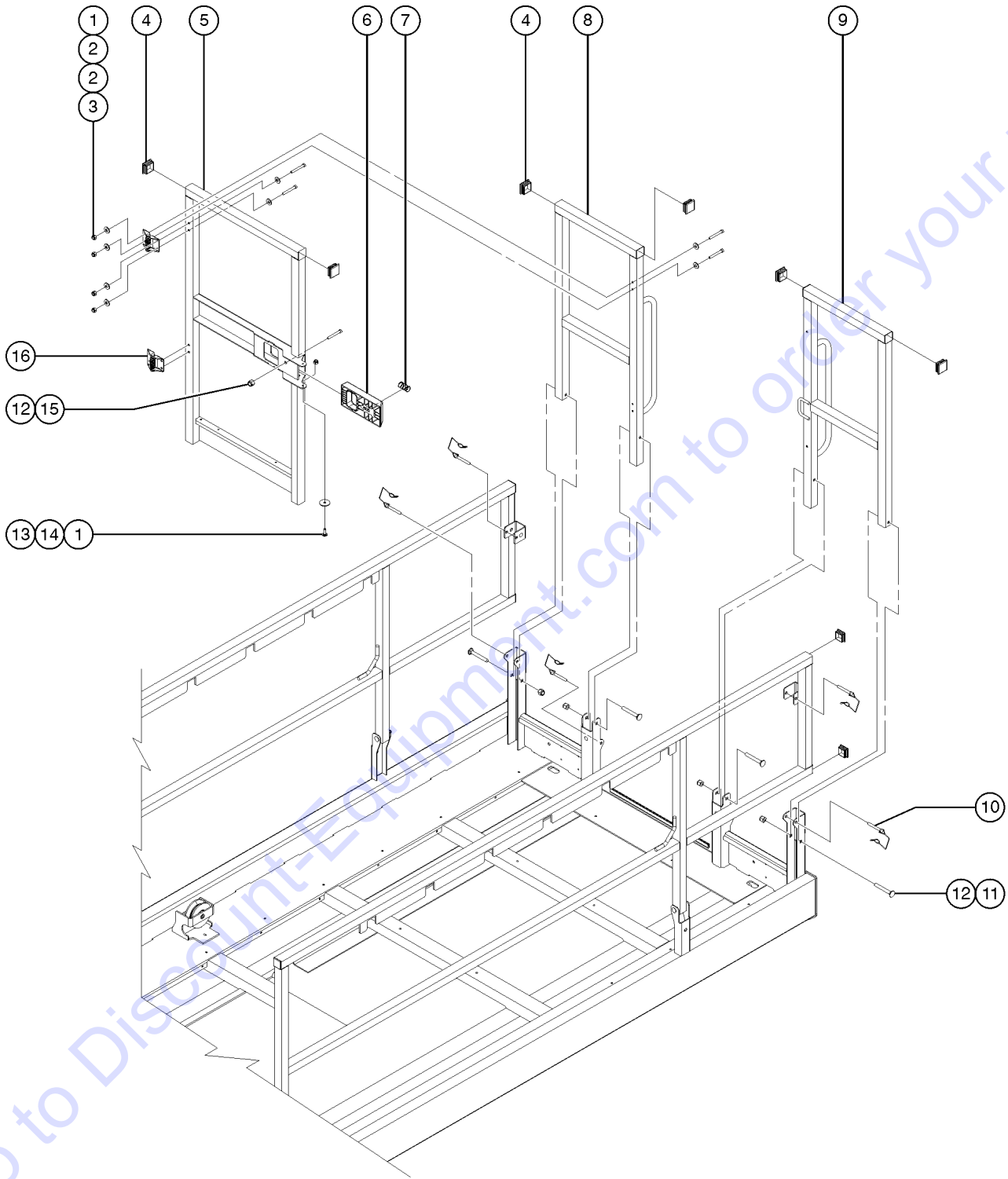
603.1 Platform Railing Installation



603.1 Platform Railing Installation

Item	Part No.	Description	Qty.
1	235331GT	MAIN PLAT RAIL ASSY,RT	
--	131744GT	WELDMENT,MAIN RAIL,RIGHT.....1 <i>(decals not included, refer to section 100)</i>	
2	47478GT	BUMPER, RUBBER, 1"OD X .461H.....10	
3	79355GT	PLUG,TUBE,SQ 1.50X.065.....6	
4	131749GT	PLATE,GS69 DECK.....1	
5	235332GT	MAIN PLAT RAIL ASSY,LT	
--	131745GT	WELDMENT, MAIN RAIL, LEFT.....1 <i>(decals not included, refer to section 100)</i>	
6	6091GT	NUT,NYLOCK,1/4-20.....2	
7	6638GT	WASHER,FLAT,USS,1/4"Y.....4	
8	6637GT	SCREW,HHC,1/4-20 X 1.75.....2	
9	71376GT	RAIL SPACER, GS90.....2	
10	112476GT	BOLT,CARRIAGE,3/8-16X2.75,G5.....4	
11	4828GT	NUT,NYLOCK,3/8-16.....5	
12	38028GT	NUT,LP NYLOCK,5/8-11.....4	
13	87568GT	PIN, SHOULDER, 5/8-11 X 1.77.....4	
14	131416GT	V-ROLLER,NARROW,EXT DECK.....4	
15	47230GT	BUMPER,RUBBER.....2	
16	66030GT	PIN, WIRE LOCK 3/8 X 2 -1/2.....4	
17		Ref., WELDMENT, MAIN PLATFORM.....1 <i>(refer to 601.1 & 602.1)</i>	
19	87523GT	COIL CORD CLIP.....1	
20	6175GT	SCREW,HHC,3/8-16 X 1.....1	
21	71315GT	RIVET,DRIVE, .25 X .25.....24	

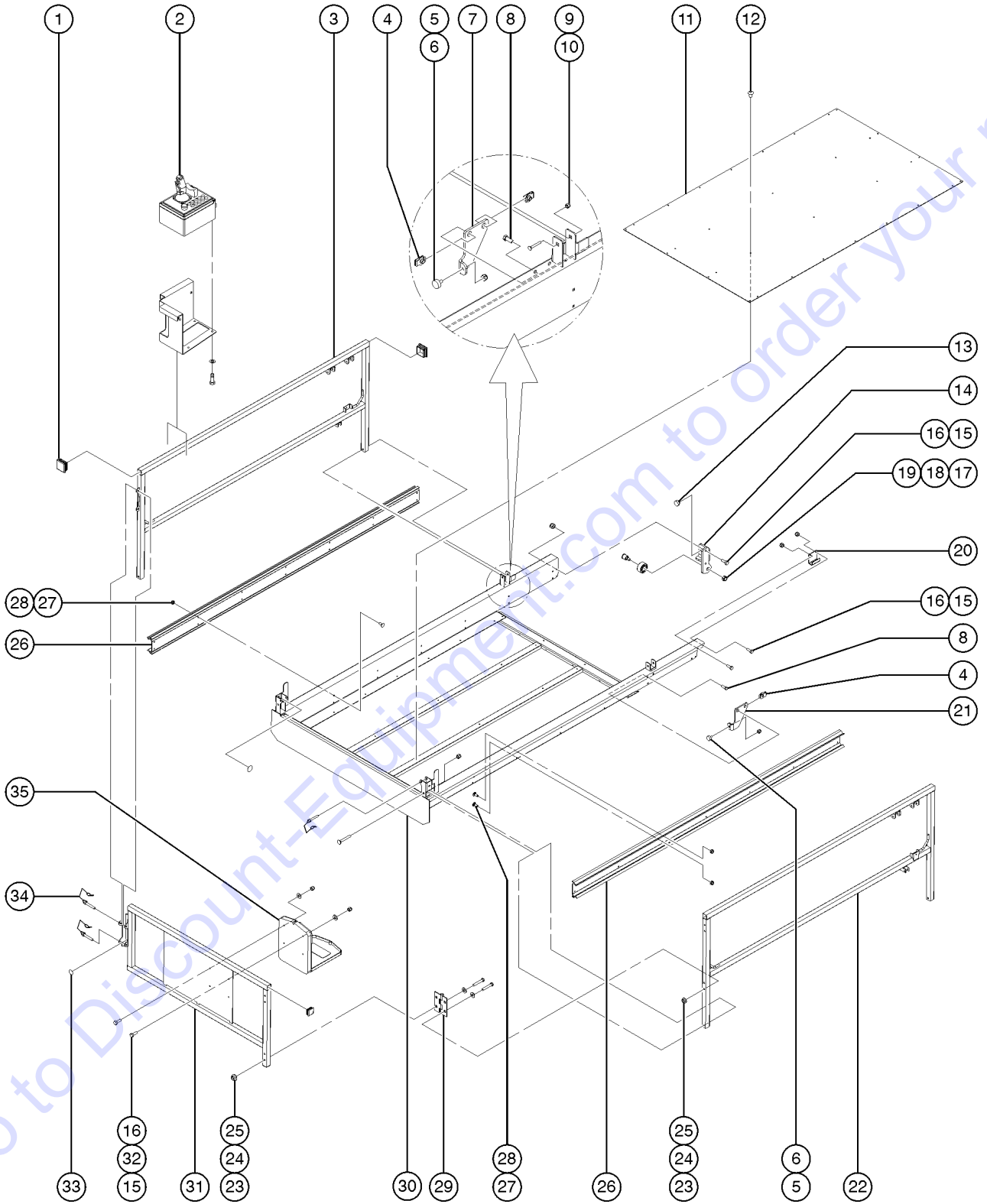
604.1 Platform Entry Gate



Go to Disjoint-Equipment.com to order your parts

Item	Part No.	Description	Qty.
1	6091GT	NUT,NYLOCK,1/4-20 <i>gate; to SN 834</i>	
1A	6889GT	NUT,LP NYLOCK,1/4-20 <i>gate; from SN 835</i>	
2	6638GT	WASHER,FLAT,USS,1/4"Y <i>door latch</i>	
3	4266GT	SCREW,HHC,1/4-20 X 2	
4	79355GT	PLUG,TUBE,SQ 1.50X.065.....	10
5	87320-SGT	WELDMENT,ENTRY GATE.....	1
6	112543GT	SLIDER, GATE CATCH.....	1
7	22446GT	SPRING,COMPRESSION .835 X 2.....	1
8	131747GT	WELDMENT, MAIN, A-RAIL, RIGHT.....	1
9	131746GT	WELDMENT, MAIN, A-RAIL, LEFT.....	1
10	66030GT	PIN, WIRE LOCK 3/8 X 2 -1/2.....	4
11	112476GT	BOLT,CARRIAGE,3/8-16X2.75,G5	
12	4828GT	NUT,NYLOCK,3/8-16	
13	6878GT	BOLT,CARRIAGE,1/4-20 X .75,G2	
14	47793GT	BUMPER, MODULE TRAY.....	1
15	6708GT	SCREW,HHC,3/8-16 X 2.25.....	1
16	104804GT	HINGE, SPRING, LONG LEG.....	2

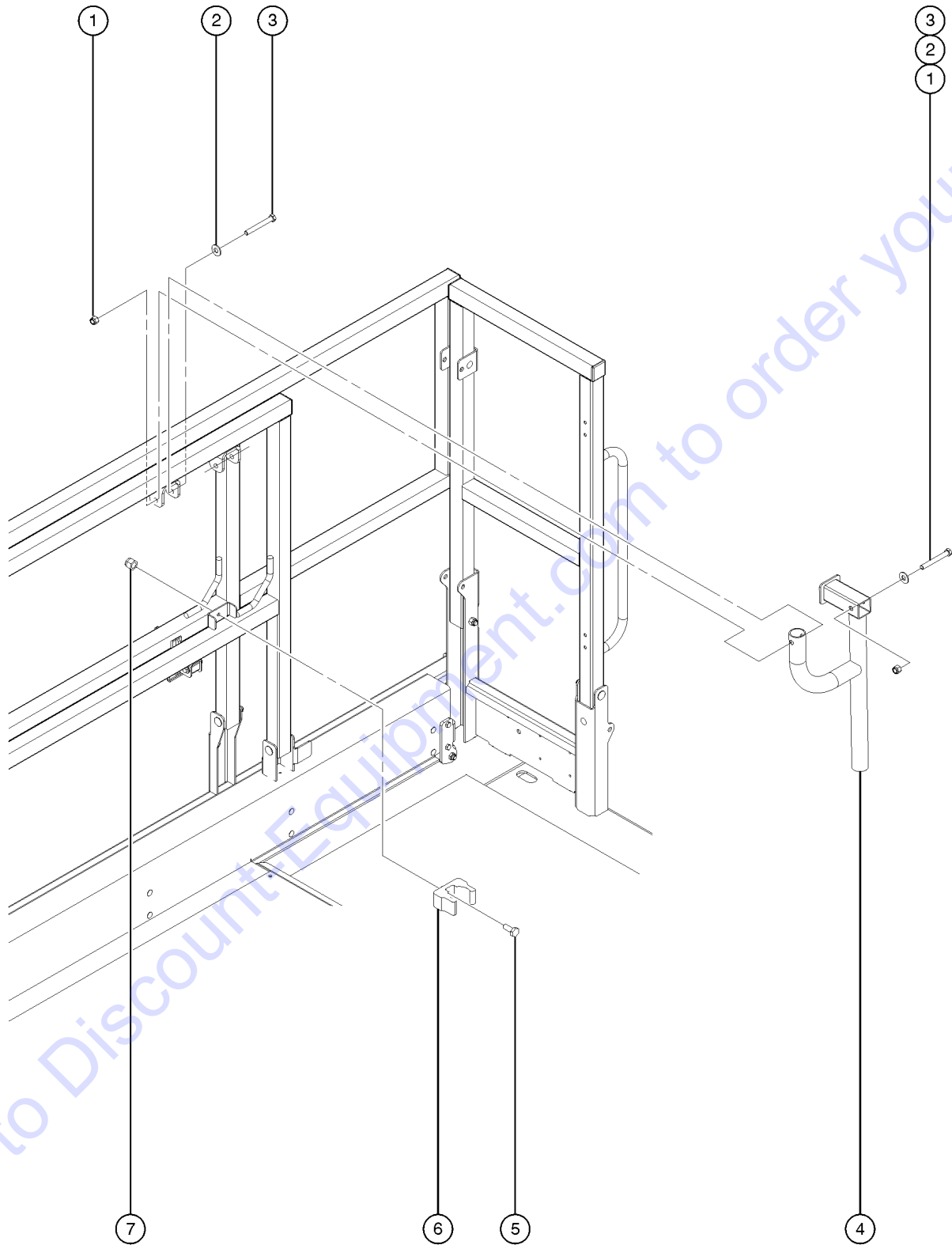
605.1 Platform Extension



605.1 Platform Extension

Item	Part No.	Description	Qty.	Item	Part No.	Description	Qty.
--	33550GT	TAPE,WARNING,BLK/YEL, 50***.....66-inches (CE and Australia models only)		30	131735GT	WELDMENT,EXT.DECK,GS69.....	1
1	79355GT	PLUG,TUBE,SQ 1.50X.065.....	8	31	235097GT	PLAT EXT DECK RAIL ASSY,END,WO (ANSI & CSA models with word decals)	
2		Ref. Platform Controller (refer to 608.1)		--	131742GT	WELDMENT,EXT DECK RAIL,END..... (decals not included, refer to section 100)	1
3	235090GT	PLAT SIDE EXT RAIL ASSY,RT		--	235098GT	PLAT EXT DECK RAIL ASSY,END,WO (Australia models with word decals)	
--	131743GT	WELDMENT,SIDE EXT RAIL,RIGHT..... (decals not included, refer to section 100)	1	--	235099GT	PLAT EXT DECK RAIL ASSY,END,SY (Asia, S. America & CE models with symbol decals)	
4	29868GT	SPRING CLIP,3/8-16,.05-.20X.73,ZAG....	4	32	6638GT	WASHER,FLAT,USS,1/4"Y.....	4
5	79090GT	BUMPER, 1.00 X .375 X 5/16.....	2	33	47478GT	BUMPER, RUBBER, 1"OD X .461H.....	4
6	6782GT	NUT,NYLOCK,5/16-18.....	2	34	66030GT	PIN, WIRE LOCK 3/8 X 2 -1/2.....	4
7	99268GT	FORMING,PLATFORM STOP,LEFT..... (CE models with no outriggers only)	1	35A	44743GT	MANUAL BOX W/DECALS***..... USA/Canada/Australia	1
8	6175GT	SCREW,HHC,3/8-16 X 1.....	4	35B	24514GT	BOX,INSTRUCTION STORAGE Europe/Asia/South America (decals required; refer to Section100)	
9	112476GT	BOLT,CARRIAGE,3/8-16X2.75,G5.....	4				
10	4828GT	NUT,NYLOCK,3/8-16.....	4				
11	131749GT	PLATE,GS69 DECK.....	1				
12	71315GT	RIVET,DRIVE, .25 X .25.....	24				
13	47230GT	BUMPER,RUBBER.....	2				
14A	87570GT	FORMING,EXT DECK STOP,RIGHT.....	2				
14B	87571GT	FORMING,EXT DECK STOP,LEFT..... (opposite side, not shown)	2				
15	6090GT	SCREW,HHC,1/4-20 X .75.....	12				
16	6091GT	NUT,NYLOCK,1/4-20.....	12				
17	7713GT	NUT, LP NYLOCK, 3/8-16.....	2				
18	38016GT	ROLLER,PLASTIC,AWP96**.....	2				
19	35706GT	BOLT,ROLLER,.470"(SHORT).....	2				
20	87675GT	FORMING,EXT DECK CATCH.....	2				
21	99267GT	FORMING,PLATFORM STOP,RIGHT..... (CE models only)	1				
22	235100GT	PLAT SIDE EXT RAIL ASSY,LT					
--	131741GT	WELDMENT,SIDE EXT RAIL,LEFT..... (decals not included, refer to section 100)	1				
23	48425GT	NUT,FLG-LRG,3/8-16,YZ.....	8				
24A	6097GT	WASHER,FLAT,USS,3/8",Y..... to SN 834	8				
24B	219210GT	WASHER,FLAT,SAE,3/8",Y..... from SN 835	8				
25A	6708GT	SCREW,HHC,3/8-16 X 2.25..... to SN 834	8				
25B	87564GT	BOLT,CARRIAGE,3/8-16 X 2.00,G2 from SN 835					
26	131751GT	EXTRUSION,ALUM,V-ROLLER TRK....	2				
27	87645GT	BOLT,CARRIAGE,1/4-20 X .63,G2.....	28				
28	6889GT	NUT,LP NYLOCK,1/4-20.....	28				
29	55517GT	HINGE, GSRT90 BOX.....	2				

606.1 Platform Extension Deck Lock

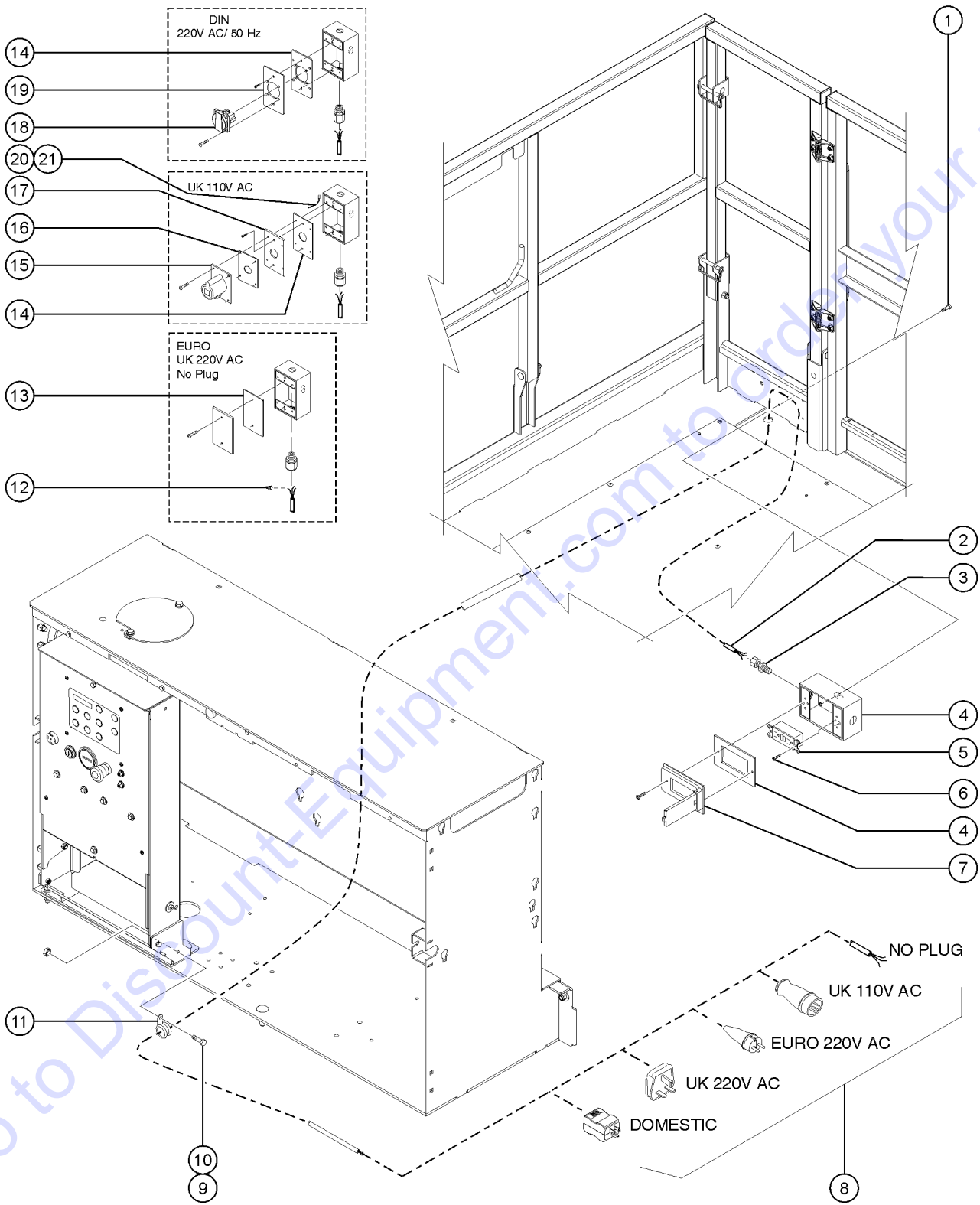


606.1 Platform Extension Deck Lock

Item	Part No.	Description	Qty.
1	4828GT	NUT,NYLOCK,3/8-16.....	4
2	6097GT	WASHER,FLAT,USS,3/8",Y.....	4
3	6326GT	SCREW,HHC,3/8-16 X 3.....	4
4A	148422GT	WLDMT,EXT DECK HANDLE,R.....	1
4B	T108039GT	WLDMT,EXT DECK HANDLE,L..... (left side)	1
5	8914GT	SCREW,HHC,1/4-20 X .625.....	2
6	T108074GT	UHMW,EXT LATCH ARM CATCH.....	2
7	6889GT	NUT,LP NYLOCK,1/4-20.....	2

Go to Discount-Equipment.com to order your parts

607.1 Power to Platform



Go to Discount-Equipment.com to order your parts

Item	Part No.	Description	Qty.
--	33724GT	KIT,GASKET,UK POWER TO PLAT. <i>(includes items 14 and 16)</i>	
1	112772GT	SCREW,PHM,8-32X.438	
2A	43956GT	WIRE CABLE,14/3 CON.TPE JKT*.....624-inches GS-2669	
2B	43956GT	WIRE CABLE,14/3 CON.TPE JKT*.....756-inches GS-3369	
2C	43956GT	WIRE CABLE,14/3 CON.TPE JKT*.....900-inches GS-4069	
3	7056GT	CONN,SQUEEZE,1/2NPT .38-.50,SM	
4	10775GT	T-BOX,2.75 X 4.5 X 2.0.....1	
5	13585GT	OUTLET, 110V.....1 <i>(North America)</i>	
6	7127GT	SCREW,PHILLIPS,PHM,6-32 X .75	
7	45437GT	COVER,GFCI,WEATHERPROOF.....1 <i>(North America; includes gasket and mounting fasteners)</i>	
8	6595GT	PLUG,ELECTRICAL,DOMESTIC.....1	
--		FUSE,13 AMP,220V PLUG <i>(component no longer available for plug 25388) refer to BS1362 BUSS TDC180-13A</i>	
--	1280665GT	PLUG, TYPE F, 230A, 50HZ, 16A, IP44	
--	144161GT	PLUG,PWR,UK,16AMP,3PIN,BLK	
--	25388GT	PLUG,FUSED,250V,13AMP,U.K.**	
--	87193GT	PLUG, AUSTRALIAN	
9	6090GT	SCREW,HHC,1/4-20 X .75	
10	6091GT	NUT,NYLOCK,1/4-20	
11	45470GT	CLAMP,0.31,#5 X 1/4,RUB CUSH.....1	
12	6626GT	WIRE CAP,ORANGE.....3	
13	10777GT	COVER,BLANK.....1 <i>(includes mounting fasteners)</i>	
14	66355GT	GASKET, UK & DIN PWR. TO PLAT.....1	
15	T112563GT	SVC KIT,UK RECEPT.REPLACEMENT.....1	
15A	T112563GT	SVC KIT,UK RECEPT.REPLACEMENT.....1 <i>to SN GS6912-1574 (includes mounting plate, gasket, fasteners)</i>	
15B	T112560GT	RECEPTACLE,UK,110V <i>from SN GS6912-1575</i>	
16	66356GT	GASKET, UK RECEPTACLE.....1	
17	33629GT	PLATE,UK POWER TO PLATFORM.....1	
18	66353GT	RECEPTACLE, DIN, 220V 50A.....1	
19	96236GT	PLATE,AC ADAPTER,DIN/UK***.....1	

PARTS FINDER

**Search Website
by Part Number**



**Search Manual
Library For Parts
Manual & Lookup Part
Numbers – Purchase
or Request Quote**

Search Manuals

Enter your information to help us find the right parts manual for your machine.

* Brand:

* Model:

* Serial:

* Part Number:

SEARCH

**Can't Find Part or
Manual? Request Help
by Manufacturer,
Model & Description**

Parts Order Form

Please fill in the following information to help us find the right part for your machine.

Manufacturer:	<input type="text"/>
Model:	<input type="text"/>
Description:	<input type="text"/>
Part Number:	<input type="text"/>
Quantity:	<input type="text"/>
Notes:	<input type="text"/>

Submit

Discount-Equipment.com is your online resource for quality parts & equipment.

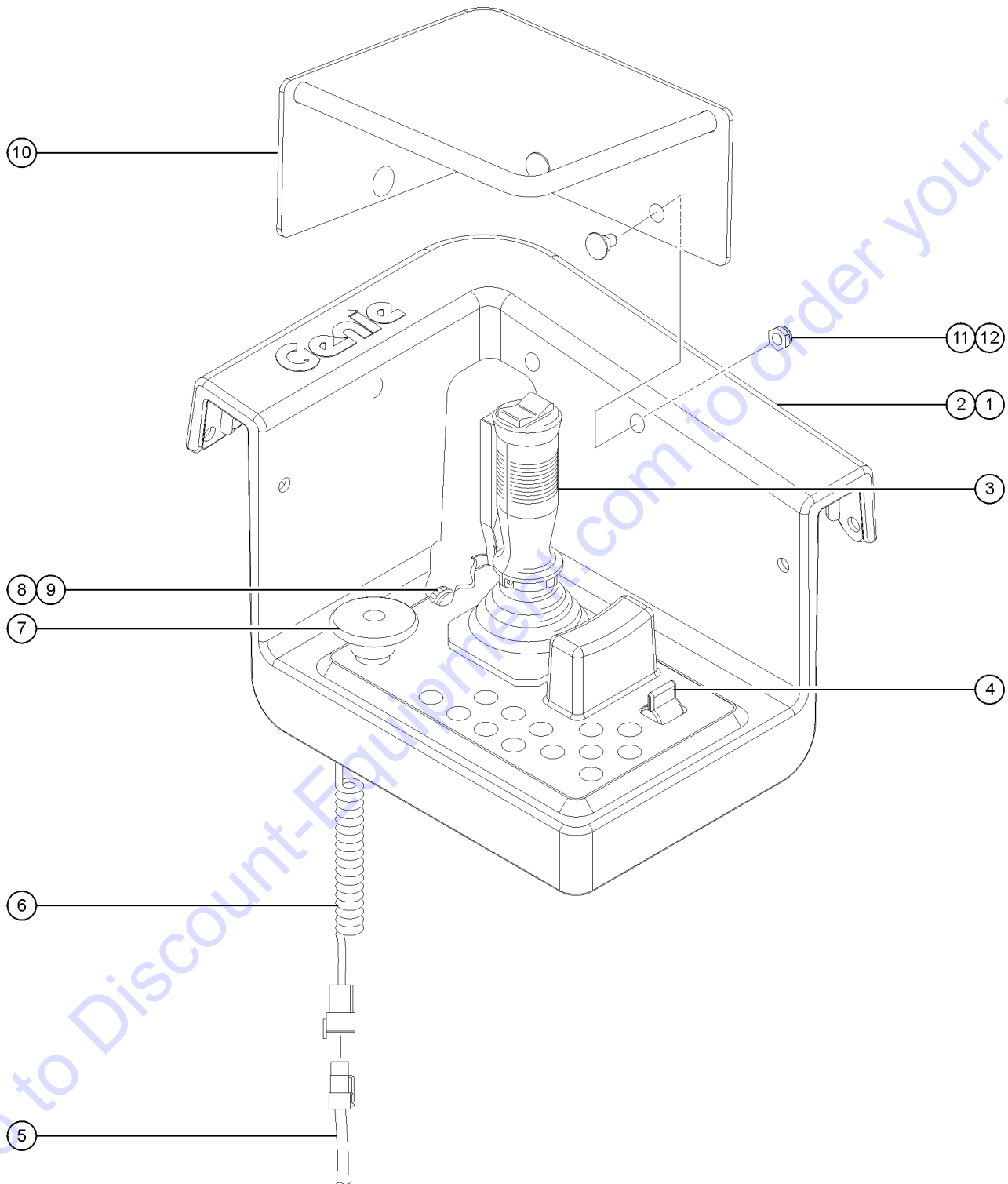
Florida: **561-964-4949** Outside Florida TOLL FREE: **877-690-3101**

Need parts?

Click on this link: <http://www.discount-equipment.com/category/5443-parts/> and choose one of the options to help get the right parts and equipment you are looking for. Please have the machine model and serial number available in order to help us get you the correct parts. If you don't find the part on the website or on one of the online manuals, please fill out the request form and one of our experienced staff members will get back to you with a quote for the right part that your machine needs.

We sell worldwide for the brands: Genie, Terex, JLG, MultiQuip, Mikasa, Essick, Whiteman, Mayco, Toro Stone, Diamond Products, Generac Magnum, Airman, Haulotte, Barreto, Power Blanket, Nifty Lift, Atlas Copco, Chicago Pneumatic, Allmand, Miller Curber, Skyjack, Lull, Skytrak, Tsurumi, Husquvarna Target, Stow, Wacker, Sakai, Mi-T-M, Sullair, Basic, Dynapac, MBW, Weber, Bartell, Bennar Newman, Haulotte, Ditch Runner, Menegotti, Morrison, Contec, Buddy, Crown, Edco, Wyco, Bomag, Laymor, EZ Trench, Bil-Jax, F.S. Curtis, Gehl Pavers, Heli, Honda, ICS/PowerGrit, IHI, Partner, Imer, Clipper, MMD, Koshin, Rice, CH&E, General Equipment, Amida, Coleman, NAC, Gradall, Square Shooter, Kent, Stanley, Tamco, Toku, Hatz, Kohler, Robin, Wisconsin, Northrock, Oztec, Toker TK, Rol-Air, APT, Wylie, Ingersoll Rand / Doosan, Innovatech, Con X, Ammann, Mecalac, Makinex, Smith Surface Prep, Small Line, Wanco, Yanmar

608.1 Platform Controls

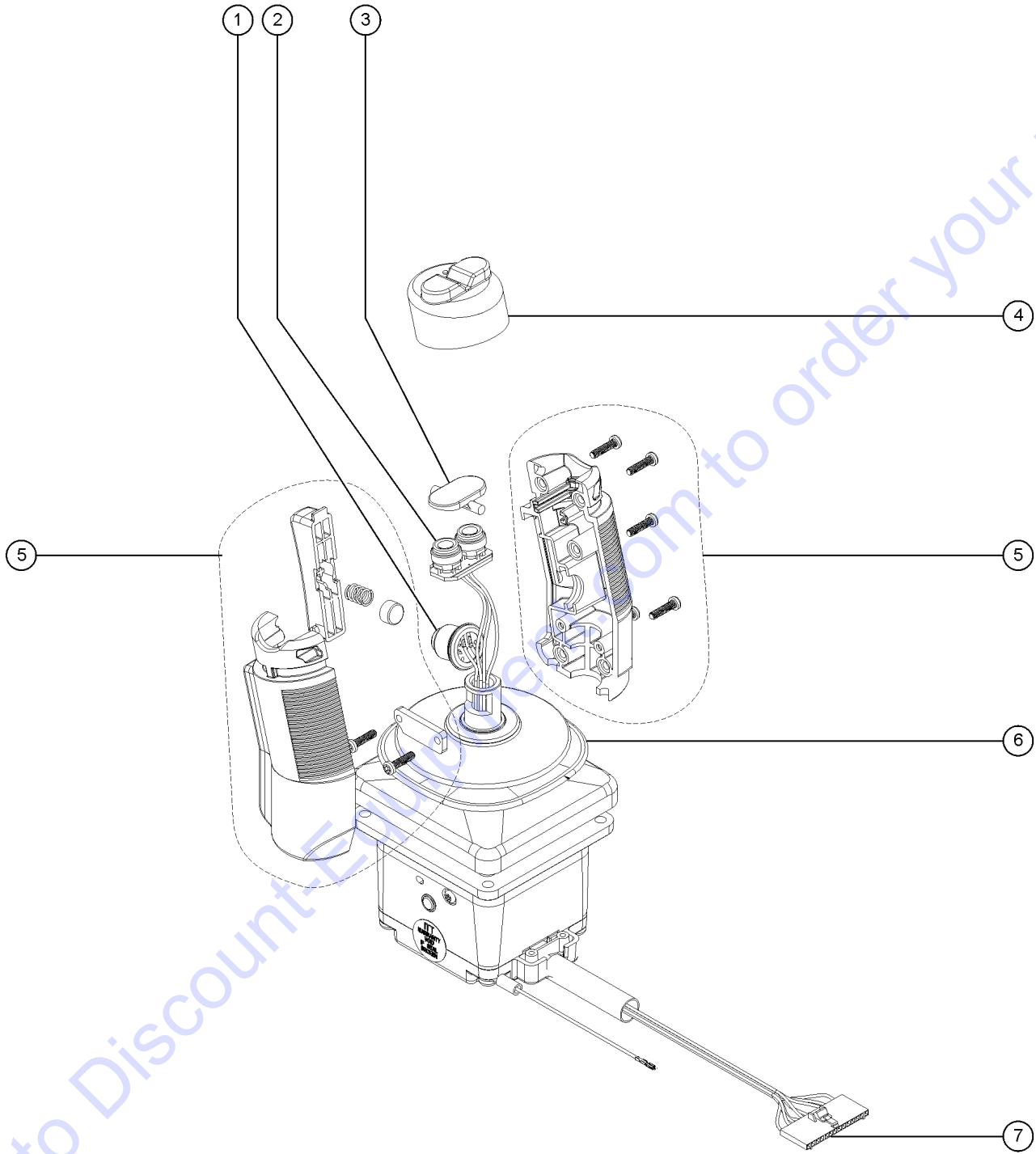


Go to Discount-Equipment.com to order your parts



Item	Part No.	Description	Qty.
--	105662GT	CLEAR SWITCH ACTUATOR	
--	230808GT	DECAL,PLAT CONTROL PANEL GS69	
--	231083GT	PLAT CONTROL BOX, GS69 GEN 2 <i>Complete</i>	
--	99163GT	PCB,RT PLATFORM CONTROLS***	
--	T108044GT	CLEAR SWITCH ACTUATOR(QTY 10)	
1	87566GT	HOUSING,RT PLATFORM CONTROLS**.....1 <i>(top)</i>	1
2	87567GT	COVER,RT PLATFORM CONTROLS***.....1 <i>(bottom)</i>	1
3		Ref. Joystick Controller <i>(refer to 609.1)</i>	
4	99164GT	ANALOG ROCKER ASSEMBLY***.....1	1
5		Ref. Control Cable Assembly <i>(refer to 408.1)</i>	
6	144065GT	KIT,GEN 5 COIL CORD.....1 <i>(kit, includes connector, coil cord, instructions, dielectric grease and cable tie; see below)</i>	1
7	66812GT	BUTTON,PUSH,RED MUSHROOM HEAD.....1	1
--	66817GT	BASE WITH 1 NC CONTACT, E-STOP	
--	66818GT	CONTACT, N.C.	
8	62164GT	ALARM ASSY,12VDC,ITT,4 PIN****.....1 <i>72326 nut included</i>	1
9	72326GT	NUT - PLASTIC,RING FOR ALARMS.....1	1
10	823341GT	KIT, PLAT CTRL GUARD RT.....1 <i>includes items 11 and 12</i>	1
--	825187GT	WELDMENT, PLT CTRL GUARD.....1	1
11	80149GT	BOLT,CARRIAGE,1/4-20 X .5,G2.....3	3
12	6889GT	NUT,LP NYLOCK,1/4-20.....3	3

609.1 Platform Controls Joystick

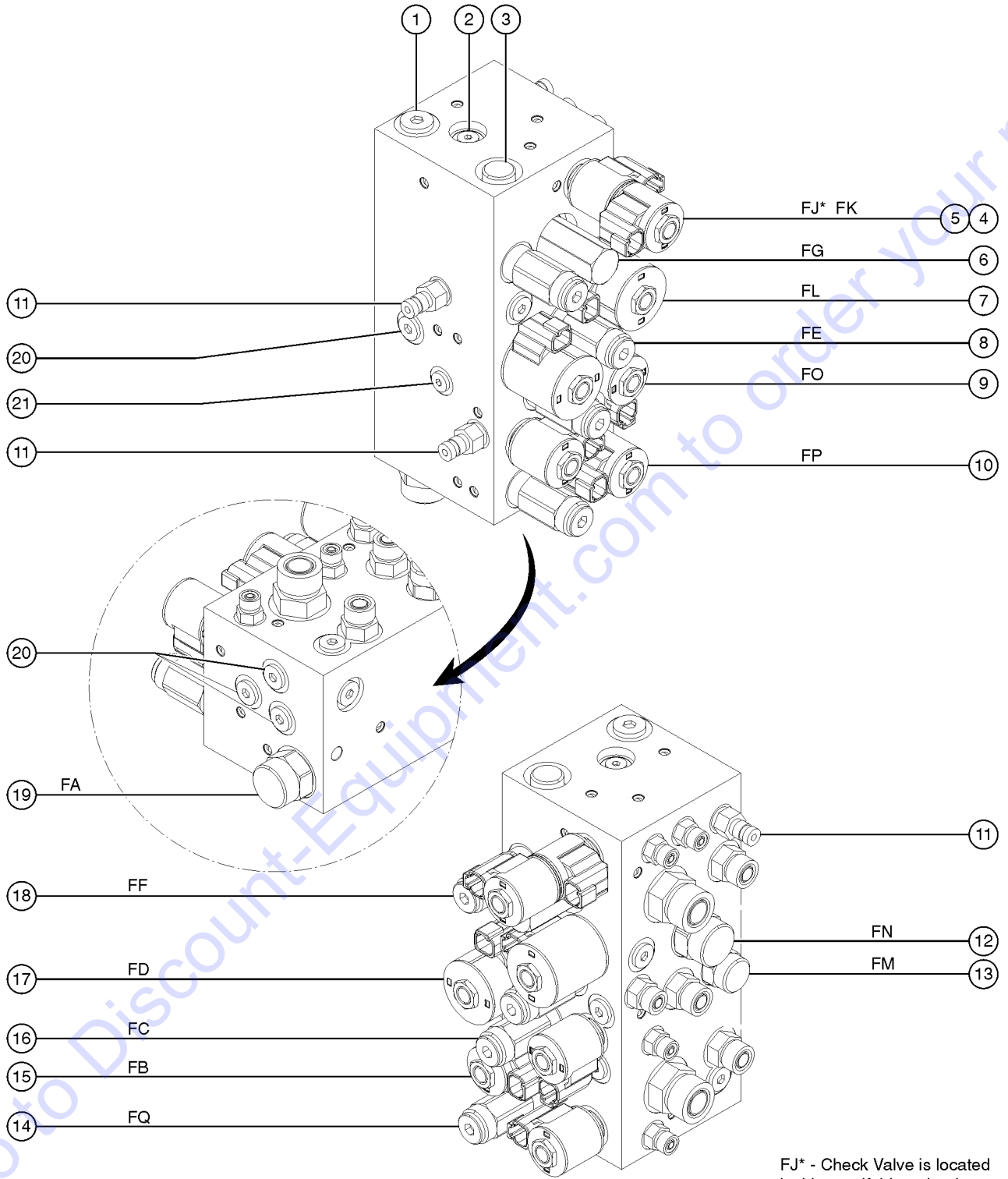


609.1 Platform Controls Joystick

Item	Part No.	Description	Qty.
--	78903GT	JOYSTICK,SINGL AXIS,HALL,SLAB* <i>OEM Joystick</i>	
--	78903HGT	JOYSTICK,SINGL AXIS,POT,SLAB <i>aftermarket joystick</i>	
1	105171GT	KIT,JOYSTICK ENABLE SWITCH.....	1
2	105108GT	STEER SWITCH REPAIR KIT***.....	1
3	105109GT	TURN SWITCH ACTUATOR,JOYSTICK**.....	1
4	97015GT	BOOT,THUMB ROCKER***.....	1
5	97014GT	JOYSTICK HANDLE SET, COMPLETE.....	1
6	97013GT	BOOT, JOYSTICK~.....	1
7	105172GT	KIT, PLATFORM PC RECEIPT/SOC.....	1

Go to Discount-Equipment.com to order your parts

701.1 Function Manifold

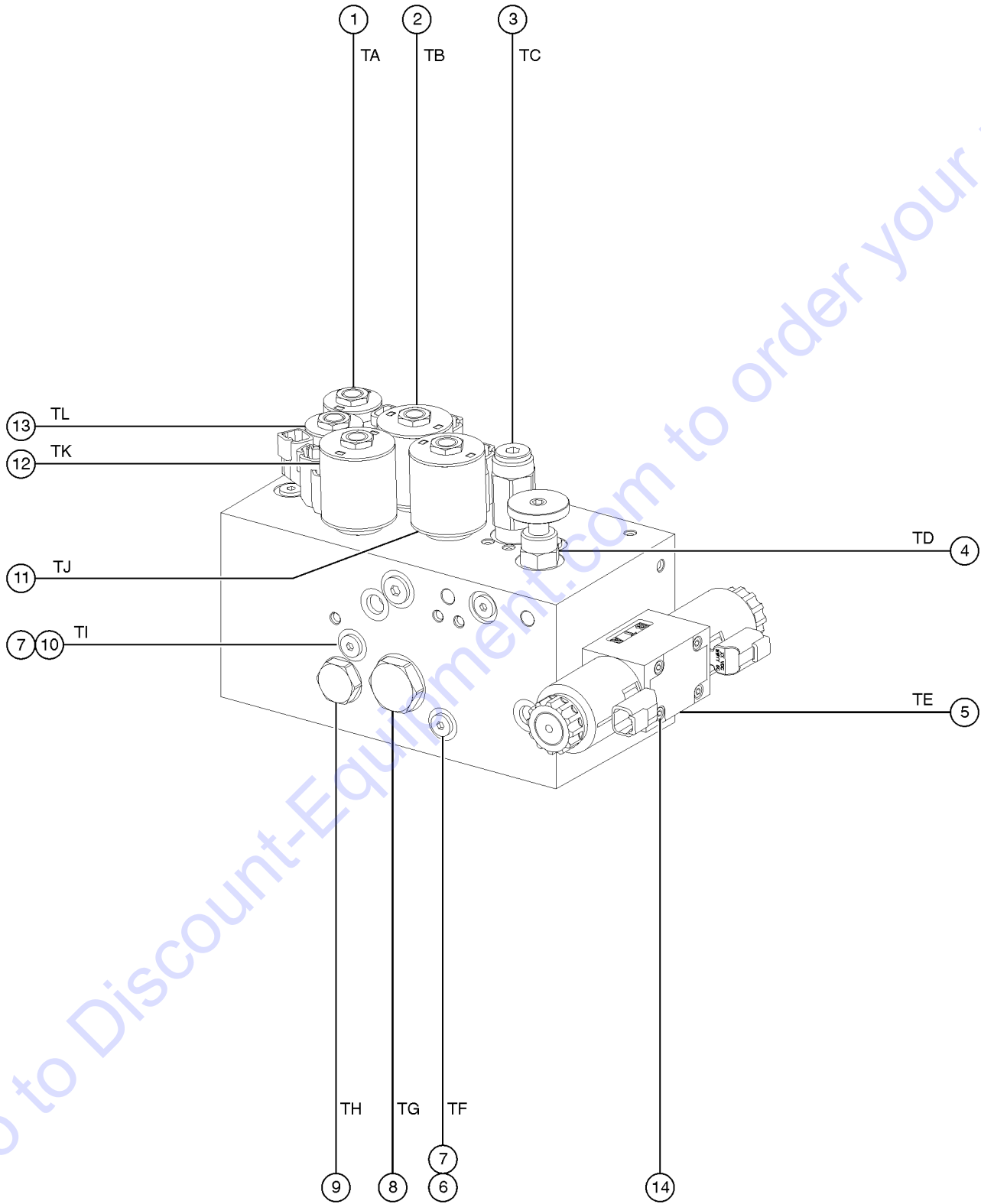


FJ* - Check Valve is located inside manifold, under the valve cartridge.

701.1 Function Manifold

Item	Part No.	Description	Qty.	Item	Part No.	Description	Qty.
--		Use the letter callouts to cross-reference with the Service Manual.		--	20224GT	DIAGNOSTIC FEMALE Q-DSCNT (pressure gauge not included)	
--	49612GT	O-RING KIT (ORFS FITTINGS)		--	48880GT	CAP,DIAGNOSTIC NIPPLE	
--	49613GT	PLUG AND CAP KIT-SERVICE,ORFS*		12	234605GT	VALVE, FLOW CONTROL, P-COMP.....1 (FN, Lift / Drive Circuit)	
--	T107408GT	ASSY,FUNCTION MANIFOLD,GS69 (manifold, complete)		--	234604GT	KIT, SEAL	
1	234613GT	PLUG, PORT SAE #8 HEX SOCKET.....1		13	234606GT	REGULATOR, FLOW, 6GPM.....1 (FM, Meters flow to functions)	
2	52907GT	VALVE-CHECK, #4 SAE, 5 PSI*.....1 (FH, Differential sensing circuit)		--	52378GT	SEAL KIT,SOLENOID(52377)	
--	62341GT	SEAL KIT,52907,SIZE 4, 2 WAY		14	234607GT	VALVE, PRESS. CNTRL 15GPM.....1 (FQ, Oscillate circuit)	
3	234598GT	REGULATOR, FLOW 2GPM.....1 (FI, Controls flow to steer circuit)		--	62337GT	SEAL KIT, VALVE	
--	44228GT	SEAL KIT, VALVE		15	52902GT	VALVE-SOLENOID,2POS/2WAY.....1 (FB, Oscillate float)	
4	234600GT	VALVE, SOLENOID, 5W-3P.....1 (FK, Steer left / right)		--	104759GT	COIL, 12VDC #8 DTSCH IP69 ECOIL (sold separately)	
--	104759GT	COIL, 12VDC #8 DTSCH IP69 ECOIL (sold separately)		--	44174GT	NUT-COIL SHORT	
--	230983GT	VITON SEAL KIT, VALVE		--	44228GT	SEAL KIT, VALVE	
--	44174GT	NUT-COIL SHORT		16	234608GT	VALVE, RELIEF, 3300 PSI.....1 (FC, Oscillate circuit)	
--	97372GT	E-COIL WASHER,#8,DUAL COIL		--	44227GT	SEAL KIT, VALVE	
5	234599GT	VALVE, CHECK, DROP IN.....1 (FJ, Steer circuit)		17	234609GT	VALVE, SOLENOID 3W-2P.....1 (FD, Platform up)	
6	234602GT	VALVE, DIRECTIONAL, P-COMP (FG, Proportional valve circuit)		--	231092GT	COIL, 10VDC #10 DTSCH NO DIODE (sold separately)	
--	234601GT	KIT, SEAL		--	44174GT	NUT-COIL SHORT	
7	234603GT	VALVE, ELEC-PROP, 2W NC (FL, Lift / Drive circuit)		--	62337GT	SEAL KIT, VALVE	
--	231092GT	COIL, 10VDC #10 DTSCH NO DIODE (sold separately)		18	115206GT	RELIEF VALVE.....1 (FF, System relief)	
--	44174GT	NUT-COIL SHORT		--	44224GT	SEAL KIT, VALVE	
--	44224GT	SEAL KIT, VALVE		19	234610GT	REGULATOR, FLOW, 25GPM.....1 (FA, Oscillate circuit)	
8	52374GT	VALVE,RELIEF,3000PSI,GS68PUMP1 (FE, Lift circuit)		--	62339GT	SEAL KIT,62329,SIZE 12, 3 WAY	
--	44227GT	SEAL KIT, VALVE		20	234611GT	PLUG, PORT SAE#6 HX SOCK.....10	
9	62815GT	VALVE,SOLENOID,2POS 3 WAY***.....1 (FO, Oscillate right)		21	234612GT	PLUG, PORT SAE#4 HX SOCK.....1	
--	104759GT	COIL, 12VDC #8 DTSCH IP69 ECOIL (sold separately)					
--	44174GT	NUT-COIL SHORT					
--	52371GT	SEAL KIT, VALVE					
10	62815GT	VALVE,SOLENOID,2POS 3 WAY***.....1 (FP, Oscillate left)					
--	104759GT	COIL, 12VDC #8 DTSCH IP69 ECOIL (sold separately)					
--	44174GT	NUT-COIL SHORT					
--	52371GT	SEAL KIT, VALVE					
11	48997GT	NIPPLE,DIAGNOSTIC,#4 (testing port)					

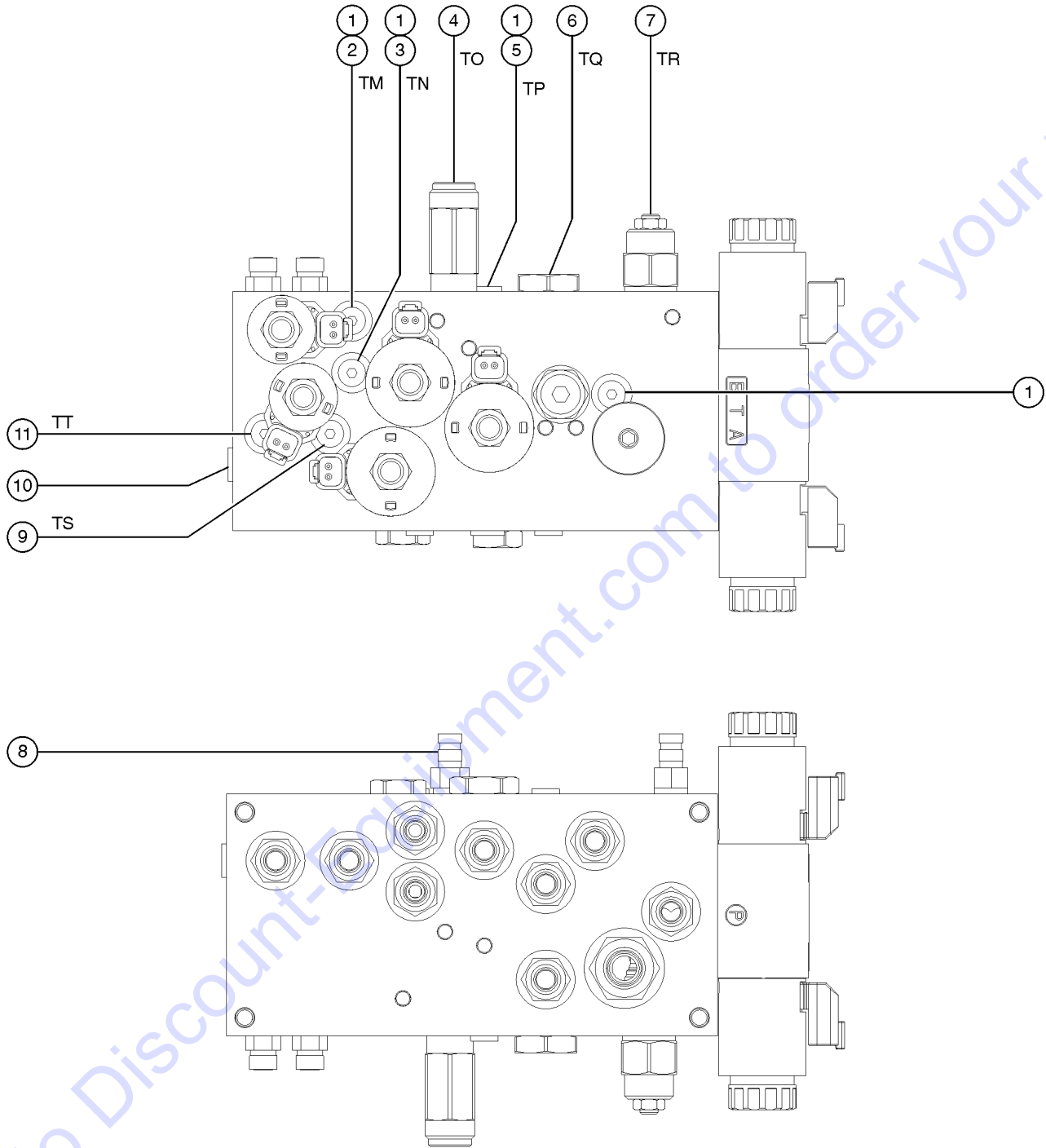
702.1 Traction Manifold, View 1



702.1 Traction Manifold, View 1

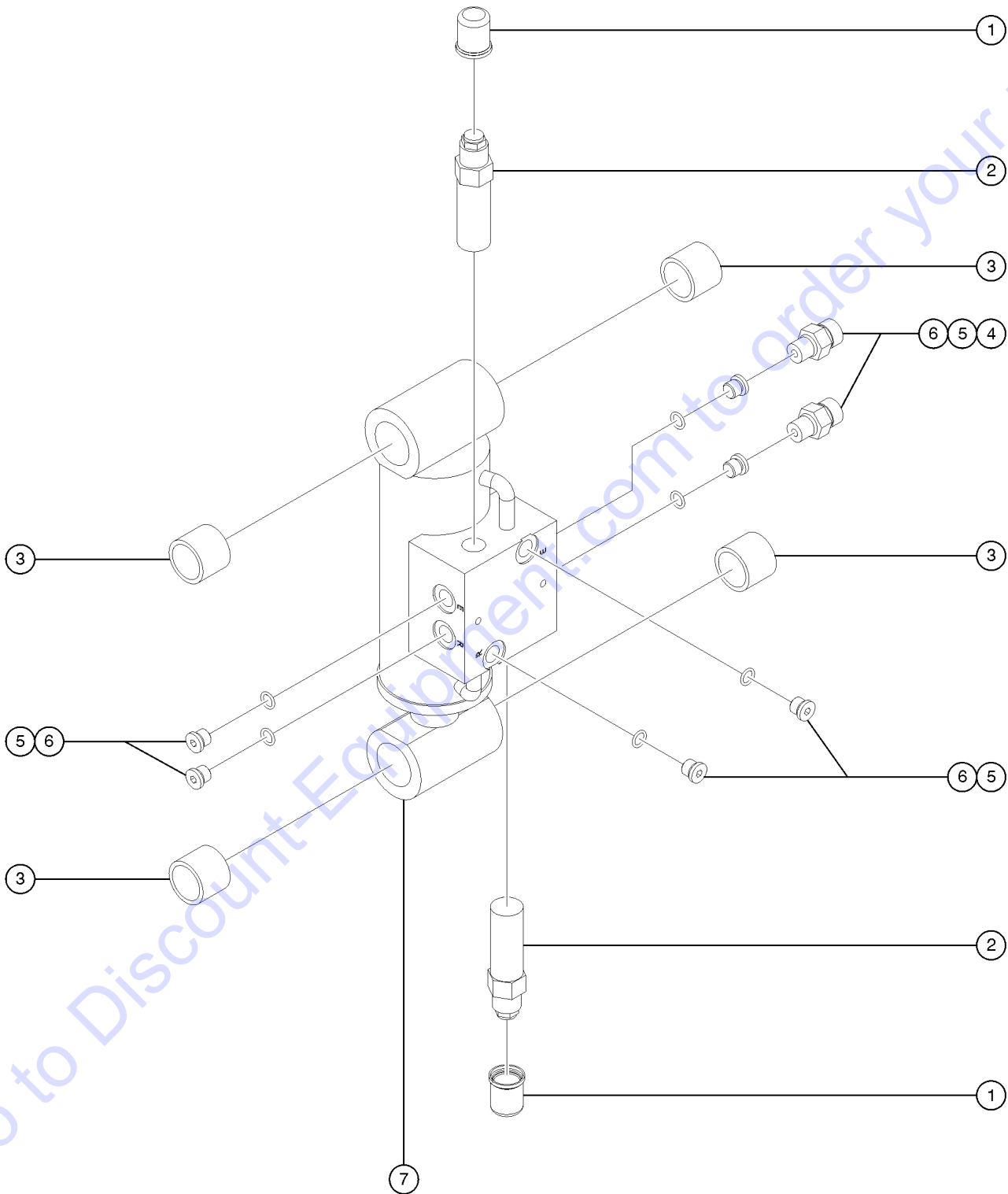
Item	Part No.	Description	Qty.	Item	Part No.	Description	Qty.
--		Use the letter callouts to cross-reference with the Service Manual.		12	52377GT	VALVE,SOLENOID,2POS2WY,NCGS68*.1 (TK, Allows flow to loop the steer end motors in high drive)	1
--	T113085GT	ASSY,TRACTION MANIFOLD,GS69 (manifold, complete)		--	104760GT	COIL,12VDC #10DTSCH IP69 ECOIL	
1	52897GT	VALVE,SOLENOID, 2POS/3WAY***1 (TA, Brake release)	1	--	44174GT	NUT-COIL SHORT	
--	104759GT	COIL,12VDC #8 DTSCH IP69 ECOIL		--	52378GT	SEAL KIT,SOLENOID(52377)	
--	44174GT	NUT-COIL SHORT		13	52897GT	VALVE,SOLENOID, 2POS/3WAY***1 (TL, Two speed circuit)	1
--	52371GT	SEAL KIT, VALVE		--	104759GT	COIL,12VDC #8 DTSCH IP69 ECOIL	
2	234769GT	VALVE, SOLENOID, 4W-2P.....1 (TB, Steer end drive motor circuit)	1	--	44174GT	NUT-COIL SHORT	
--	104760GT	COIL,12VDC #10DTSCH IP69 ECOIL		--	52371GT	SEAL KIT, VALVE	
--	44174GT	NUT-COIL SHORT		14	234777GT	BOLT, D03 MOUNTING.....4	4
--	44230GT	SEAL KIT-P.N.44169,44172,44171					
3	234770GT	VALVE, RELIEF, BI-DIR 8GPM.....1 (TC, Drive pressure circuit)	1				
--	52371GT	SEAL KIT, VALVE					
4	234771GT	VALVE, NEEDLE, 10GPM (TD, Enables towing ability)					
--	44228GT	SEAL KIT, VALVE					
5	97368GT	VLV,SOL,DO3,REXROTH,3POS 4 WAY1 (TE, Drive forward / reverse)	1				
--	102395GT	SEAL KIT,REXROTH DO3 VALVE					
--	102396GT	NUT-COIL,REXROTH DO3 VALVE					
--	104764GT	COIL,12V D03 ZENER DIODE					
6	52910GT	ORIFICE PLUG, 0.060.....1 (TF, Equalizes pressure on both sides of flow divider/combiner valve 17)	1				
7	234612GT	PLUG, PORT SAE#4 HX SOCK.....2	2				
8	234773GT	VALVE, FLOW DIV/COMB, 75-25.....1 (TG, Controls flow to flow divider / combiner valves 8 and 17)	1				
--	234772GT	KIT, SEAL					
9	234774GT	VALVE, FLOW DIV/COMB, 50-50,12GPM.....1 (TH, Controls flow to steer end drive motors in forward and reverse)	1				
--	44230GT	SEAL KIT-P.N.44169,44172,44171					
10	52910GT	ORIFICE PLUG, 0.060.....1 (TI, Equalizes pressure on both sides of flow divider/combiner valve 8)	1				
11	52377GT	VALVE,SOLENOID,2POS2WY,NCGS68*.1 (TJ, Allows flow to bypass divider/combiner valve 7 in high drive)	1				
--	104760GT	COIL,12VDC #10DTSCH IP69 ECOIL					
--	44174GT	NUT-COIL SHORT					
--	52378GT	SEAL KIT,SOLENOID(52377)					

703.1 Traction Manifold, View 2



Item	Part No.	Description	Qty.
--		Use the letter callouts to cross-reference with the Service Manual.	
1	234612GT	PLUG, PORT SAE#4 HX SOCK.....	4
2	101067GT	ORIFICE PLUG,030,1/16-27 NPT..... (TM, Brake release)	1
3	101067GT	ORIFICE PLUG,030,1/16-27 NPT..... (TN, Two-speed circuit)	1
4	234775GT	VALVE, PRESS. REDUCING, 250PSI..... (TO, Two-speed and brake circuit)	1
--	105695GT	SEAL KIT	
5	62207GT	ORIFICE PLUG, 0.035..... (TP, Equalizes pressure on both sides of flow divider/combiner valve 7)	1
6	234776GT	VALVE, FLOW DIV/COMB,50-50, 24GPM..... (TQ, Controls flow to non-steer end drive motors in forward and reverse)	1
--	234772GT	KIT, SEAL	
7	229079GT	VALVE, CV 4.5:1, 3500 PSI..... (TR, Traction relief)	1
--	102685GT	SEAL KIT,SUN T-2A CP VALVE	
8	48997GT	NIPPLE,DIAGNOSTIC,#4..... (testing port)	1
9	52907GT	VALVE-CHECK, #4 SAE, 5 PSI*..... (TS, Two-speed circuit)	1
--	62341GT	SEAL KIT,52907,SIZE 4, 2 WAY	
10	234611GT	PLUG, PORT SAE#6 HX SOCK.....	1
11	52907GT	VALVE-CHECK, #4 SAE, 5 PSI*..... (TT, Brake circuit)	1
--	62341GT	SEAL KIT,52907,SIZE 4, 2 WAY	

704.1 Oscillate Cylinders, All Models



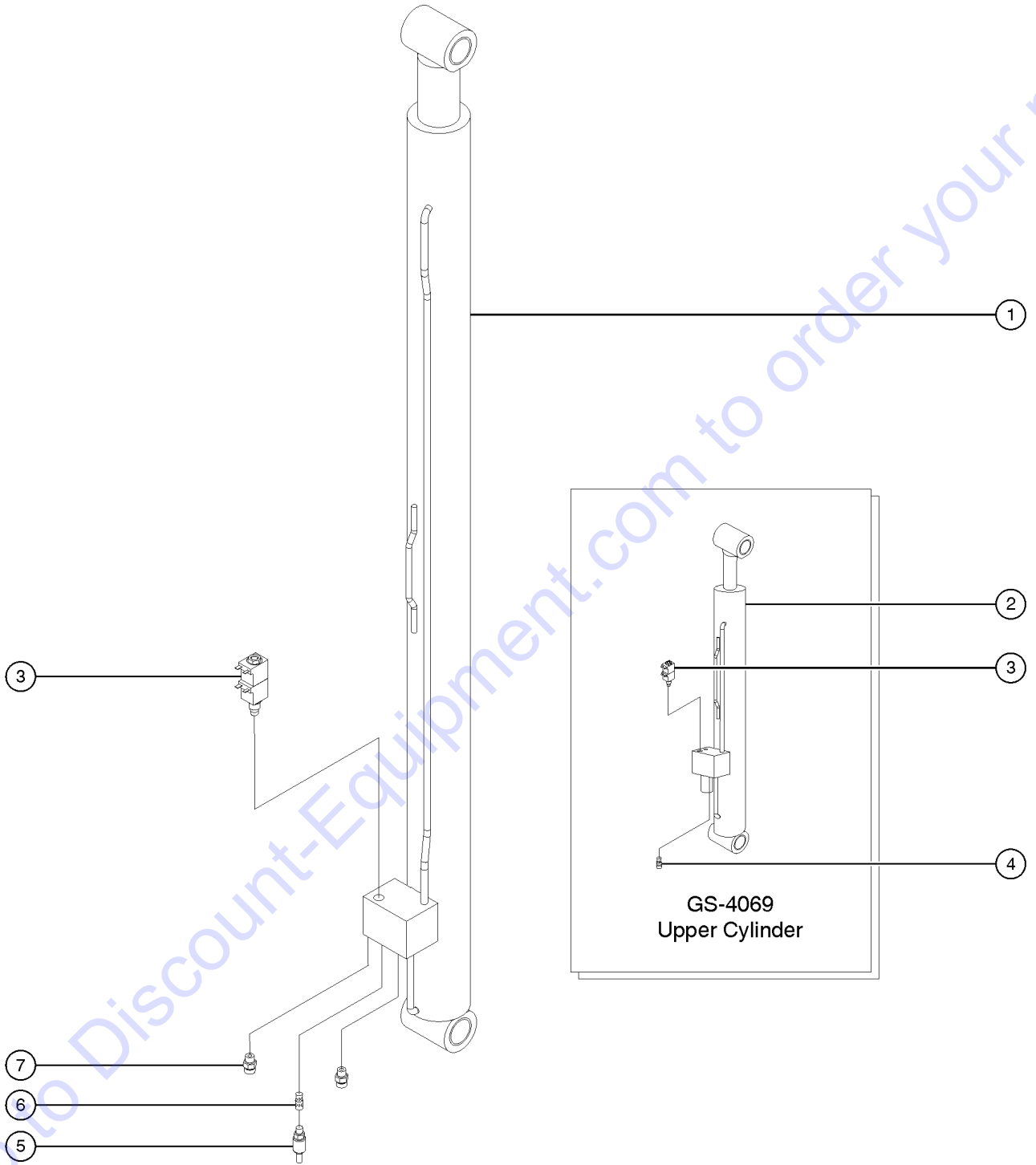
Go to Discount-Equipment.com to order your parts

704.1 Oscillate Cylinders, All Models

Item	Part No.	Description	Qty.
1	128085GT	CAP,SERIES 1 CB VALVE,SINGLE**.....2	
2	115402GT	VALVE,COUNTERBALNCE,3800 PSI.....2	
3	227492GT	BEARING,1.00IDX1.25ODX1.00L**.....4	
4	48905GT	CONN,520120-4***.....2	
5	39882GT	PLUG,HEX SOCKET,090109B-4.....6	
6	53500GT	O-RING-4.....6	
7	131621GT	CYLINDER,OSCILATING,GS69.....1 (includes items 1, 2, and 5)	
--	226380GT	SEAL KIT,226380	

Go to Discount-Equipment.com to order your parts

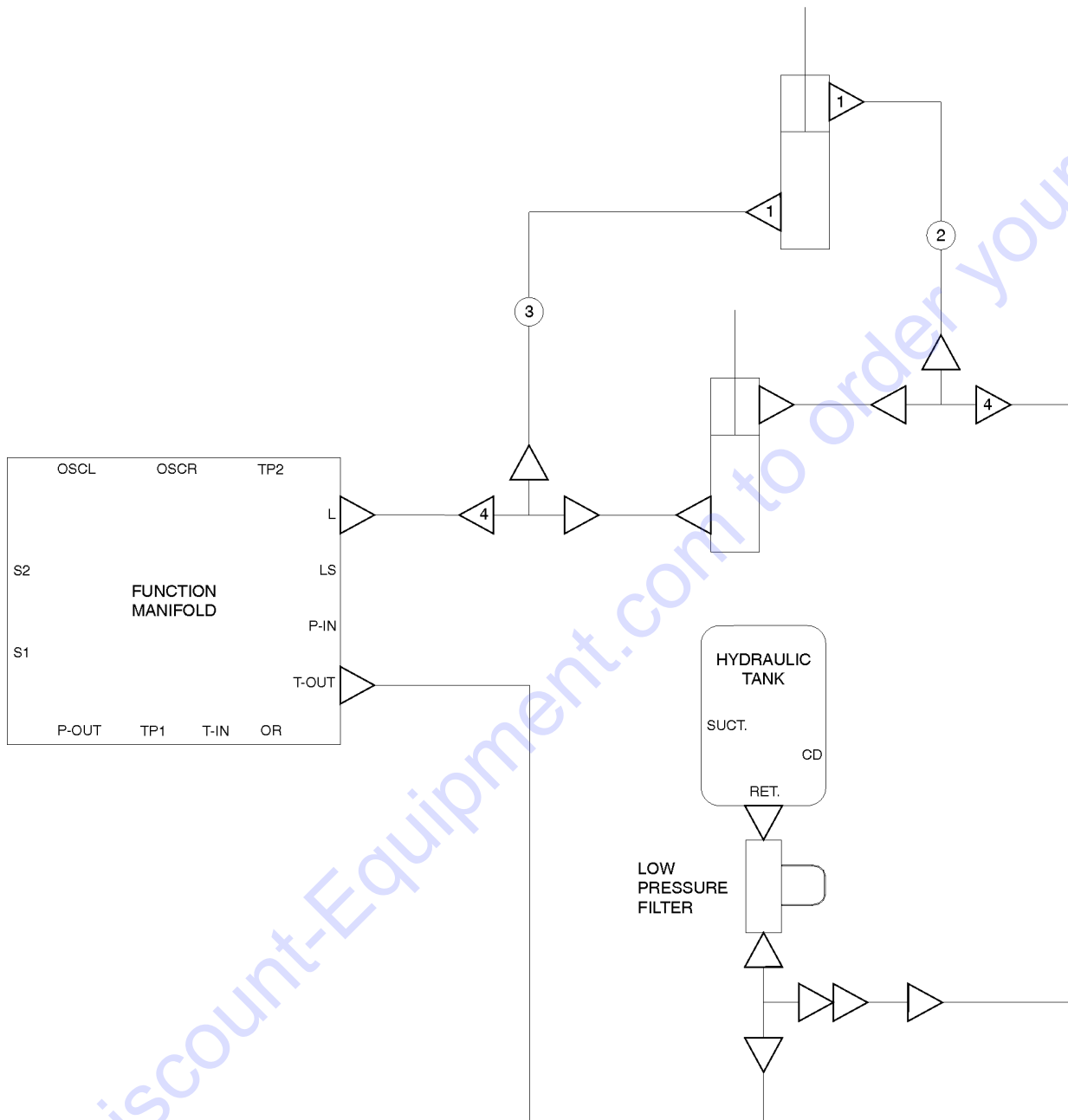
705.1 Lift Cylinders



Go to Discount-Equipment.com to order your parts

Item	Part No.	Description	Qty.
1	131920GT	CYLINDER, LIFT, LOWER, GS69.....1	
--	226378GT	SEAL KIT,LIFT,LOWER (131920) <i>for 131920</i>	
2	131921GT	CYLINDER,LIFT,UPPER,4069.....1 <i>GS-4069 RT</i>	
--	1261085GT	VALVE, RELIEF, 2500PSI <i>(for 131921)</i>	
--	226379GT	SEAL KIT,LIFT,UPPER (131921) <i>(for 131921)</i>	
--	44227GT	SEAL KIT, VALVE <i>for 97130</i>	
3A	87190GT	VALVE,DOUBLE PULL SOL SQ 12V.....1 <i>(to SN GS6915-6383)</i>	
--	44973GT	NUT,COIL (39909) <i>(to SN GS6915-6383)</i>	
--	84421GT	WASHER-SOLENOID VALVE (66683)* <i>(to SN GS6915-6383)</i>	
--	84423GT	VALVE,2 POSITION 2 WAY*** <i>(to SN GS6915-6383)</i>	
--	87191GT	COIL,SQUARE,12VDC*** <i>(to SN GS6915-6383)</i>	
3B	1265332GT	VALVE, NC PROP POPPET, 12VDC <i>(from SN GS6915-6384); replaced 1259446</i>	
--	104759GT	COIL,12VDC #8 DTSCH IP69 ECOIL <i>(from SN GS6915-6384)</i>	
--	1265367GT	VALVE, NC PROPORTIONAL POPPET	
--	44227GT	SEAL KIT, VALVE	
--	44973GT	NUT,COIL (39909) <i>(from SN GS6915-6384)</i>	
4A	55558GT	ORIFICE, LONG, .037***.....1 <i>CE/AUS only; from GS6915-6574</i>	
4B	55559GT	ORIFICE, LONG, .046.....1 <i>GS-4069 RT</i>	
5	104935GT	SWITCH, PRESSURE,0-3000PSI ADJ...1 <i>(refer to 408.1 for harness assembly)</i>	
6A	230858GT	ORIFICE, LONG, .086"	
6B	214817GT	ORIFICE, LONG, .076" <i>CE/AUS only; from GS6915-6574</i>	
7	48916GT	CONN, 520120-6.....1	

706.1 Hydraulic Hoses and Fittings, Lift Cylinder, GS-4069 RT



LEGEND	
	FITTING
	HOSE ASSEMBLY
	CONNECTOR

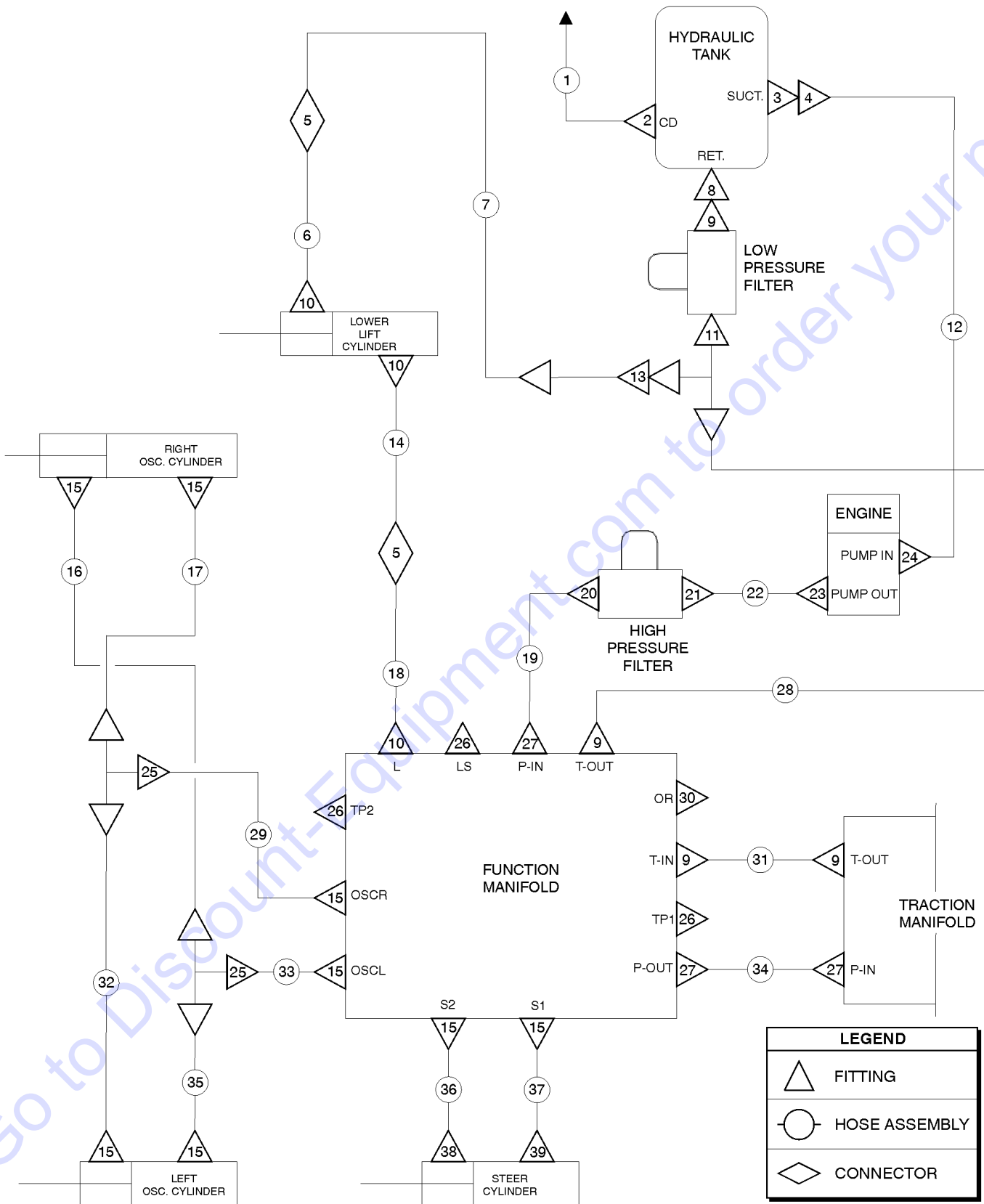
Go to Discount-Equipment.com to order your parts

706.1 Hydraulic Hoses and Fittings, Lift Cylinder, GS-4069 RT

Item	Part No.	Description	Qty.
1	48916GT	CONN, 520120-6.....	2
2	227479GT	HOSE ASSY,RET(ULCYL)-RET(TEE)....1 (components: 48812, 48816, 48753 @ 410 inches)	1
3	227478GT	HOSE ASSY,PRESS(TEE)-PRESS(ULC).....1 (components: 48812, 48816, 56776 @ 410 inches)	1
4	227614GT	TEE,BULKHEAD,RUN,520120-6.....	2

Go to Discount-Equipment.com to order your parts

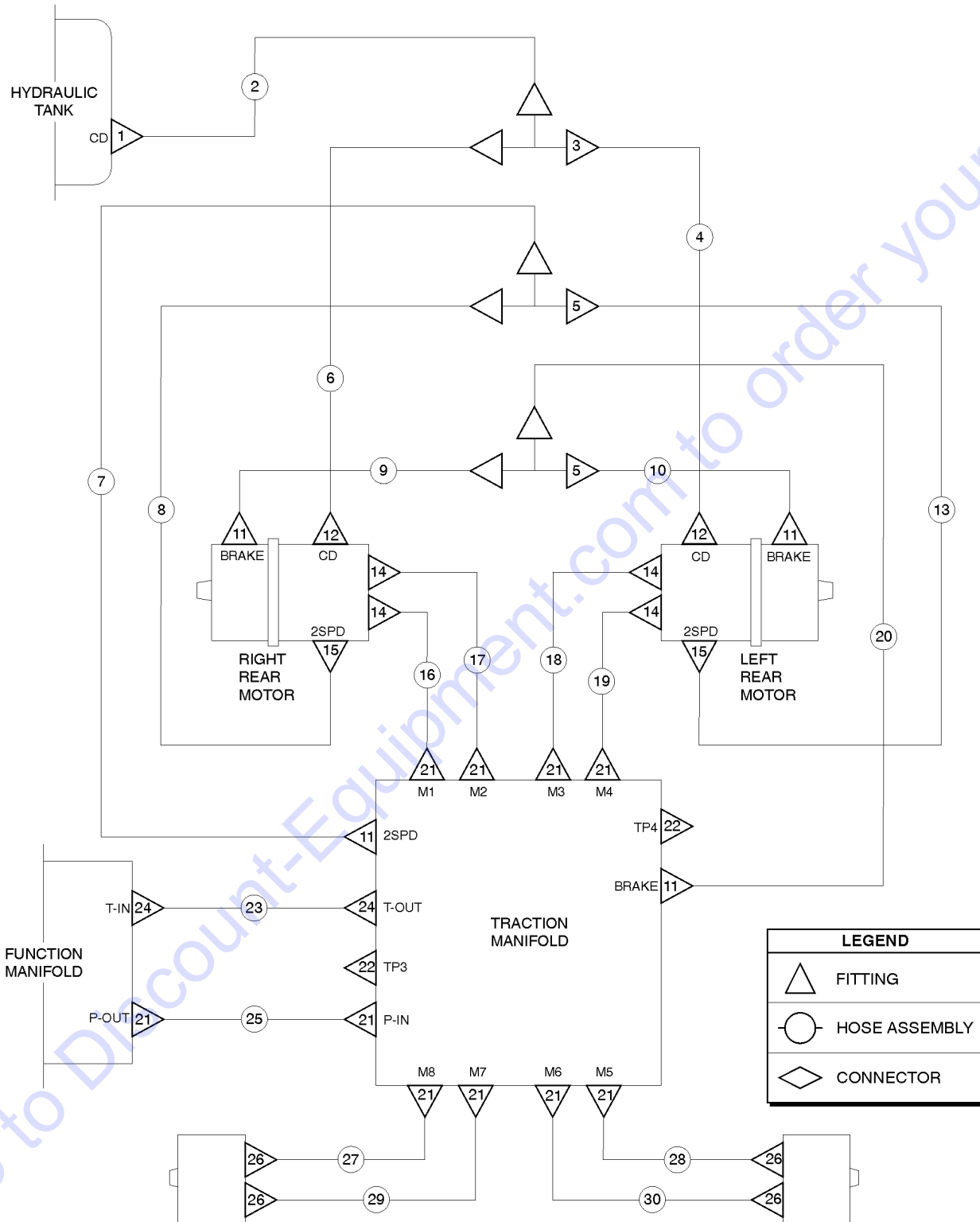
707.1 Hydraulic Hoses and Fittings, View 1



707.1 Hydraulic Hoses and Fittings, View 1

Item	Part No.	Description	Qty.	Item	Part No.	Description	Qty.
1	227462GT	HOSE ASSY, CD(TEE)-CD(TANK).....1 (components: 77949, 77949, 75631 @ 72 inches)	1	23	139877GT	ELBOW,90D,520220-8-10.....1	1
2	48915GT	ELBOW,90D,520220-6.....1	1	24A	48985GT	ELBOW,45D,520320-16.....1 (to SN 9100)	1
3	147419GT	KIT,STRAINER REPLACEMENT.....1	1	24B	48984GT	CONN,520120-16.....1 (Diesel only from SN 9101)	1
4	229625GT	CONN, LONG, ORFS-ORB, -16-16.....1	1	24C	48983GT	ELBOW,90D,520220-16.....1 (Dual fuel only from SN 9101)	1
5	227613GT	UNION,BULKHEAD,ORFS,-6-6.....2	2	25	48909GT	TEE,BULKHEAD,RUN,520958-4.....2	2
6	227473GT	HOSE ASSY,RET(LLCYL)-RET(TEE).....1 (components: 48812, 48812, 48753 @ 128 inches)	1	26	48997GT	NIPPLE,DIAGNOSTIC,#4.....3	3
7	227474GT	HOSE ASSY,RET(TEE)-TANK.....1 (components: 48812, 48812, 48753 @ 75 inches)	1	27	48933GT	CONN,520120-8***.....2	2
8	229305GT	CONN, FFSS-MORB, 520181-12.....1	1	28	227470GT	HOSE ASSY,T.OUT(F.MF)-TANK.....1 (components: 48809, 56354, 39889 @ 22 inches)	1
9	48960GT	FITTING,CONN,520120-12***.....3	3	29	227609GT	HOSE ASSY,OSCR(F.MF)-OSC(TEE).....1 (components: 48800, 48800, 48751 @ 74 inches)	1
10	48916GT	CONN, 520120-6.....3	3	30	48883GT	PLUG,HEX,090109A-8***.....1	1
11	48961GT	TEE,RUN,520428-12.....1	1	31	227465GT	HOSE ASSY,T.OUT(T.MF)-T.IN(F.M).....1 (components: 48841, 48841, 48761 @ 24 inches)	1
12A	227475GT	HOSE ASSY,SUCT(TANK)-IN(PUMP).....1 (components: 229624, 48854, 48767 @ 48 inches) (to SN 9100)	1	32	227610GT	HOSE ASSY,OSC(TEE)-R(L.OSC.CYL).....1 (components: 48800, 48802, 48751 @ 19.5 inches)	1
12B	1273617GT	HOSE ASSY, HYD, 90D,90D,PERP.....1 (components: 229624, 229624, 48764 @ 48 inches) (Diesel only from SN 9101)	1	33	227468GT	HOSE ASSY,OSC(F.MF)-OSC(TEE).....1 (components: 48800, 48800, 48751 @ 74 inches)	1
12C	1273618GT	HOSE ASSY, HYD, 90D,90D,PRLL.....1 (components: 229624, 229624, 48764 @ 48 inches) (Dual fuel only from SN 9101)	1	34	227464GT	HOSE ASY,P.OUT(F.MF)-P.IN(T.MF).....1 (components: 48822, 48822, 56777 @ 24 inches)	1
13	87033GT	REDUCER,520123-12-6.....1	1	35	227469GT	HOSE ASSY,OSC(TEE)-E(L.OSC.CYL).....1 (components: 48800, 48802, 48751 @ 19.5 inches)	1
14	227472GT	HOSE ASSY,PRESS(TEE)-PRESS(LLC).....1 (components: 48812, 48812, 56776 @ 128 inches)	1	36	227467GT	HOSE ASSY,S2(F.MF)-R(STRCYL).....1 (components: 48800, 48801, 48751 @ 81 inches)	1
15	48905GT	CONN,520120-4***.....8	8	37	227466GT	HOSE ASSY,S1(F.MF)-B(STRCYL).....1 (components: 48800, 48801, 48751 @ 74 inches)	1
16	227611GT	HOSE ASSY,OSC(TEE)-E(R.OSC.CYL).....1 (components: 48800, 48802, 48751 @ 19.5 inches)	1	38	48911GT	ELBOW,90D,520220-4-6***.....1	1
17	227612GT	HOSE ASSY,OSC(TEE)-R(R.OSC.CYL).....1 (components: 48800, 48802, 48751 @ 19.5 inches)	1	39	48912GT	CONN,520120-4-6***.....1	1
18	227471GT	HOSE ASSY,LIFT(F.MF)-P(TEE).....1 (components: 48812, 48812, 56776 @ 62 inches)	1				
19	227477GT	HOSE ASSY,HP FILTER-P.IN(F.MF).....1 (components: 48822, 48826, 56777 @ 65 inches)	1				
20	48947GT	ELBOW,90D,520220-8-12.....1	1				
21	48948GT	CONN,520120-8-12.....1	1				
22	227476GT	HOSE ASSY,OUT(PUMP)-HP FILTER...1 (components: 48822, 48826, 56777 @ 43 inches)	1				

708.1 Hydraulic Hoses and Fittings, View 2

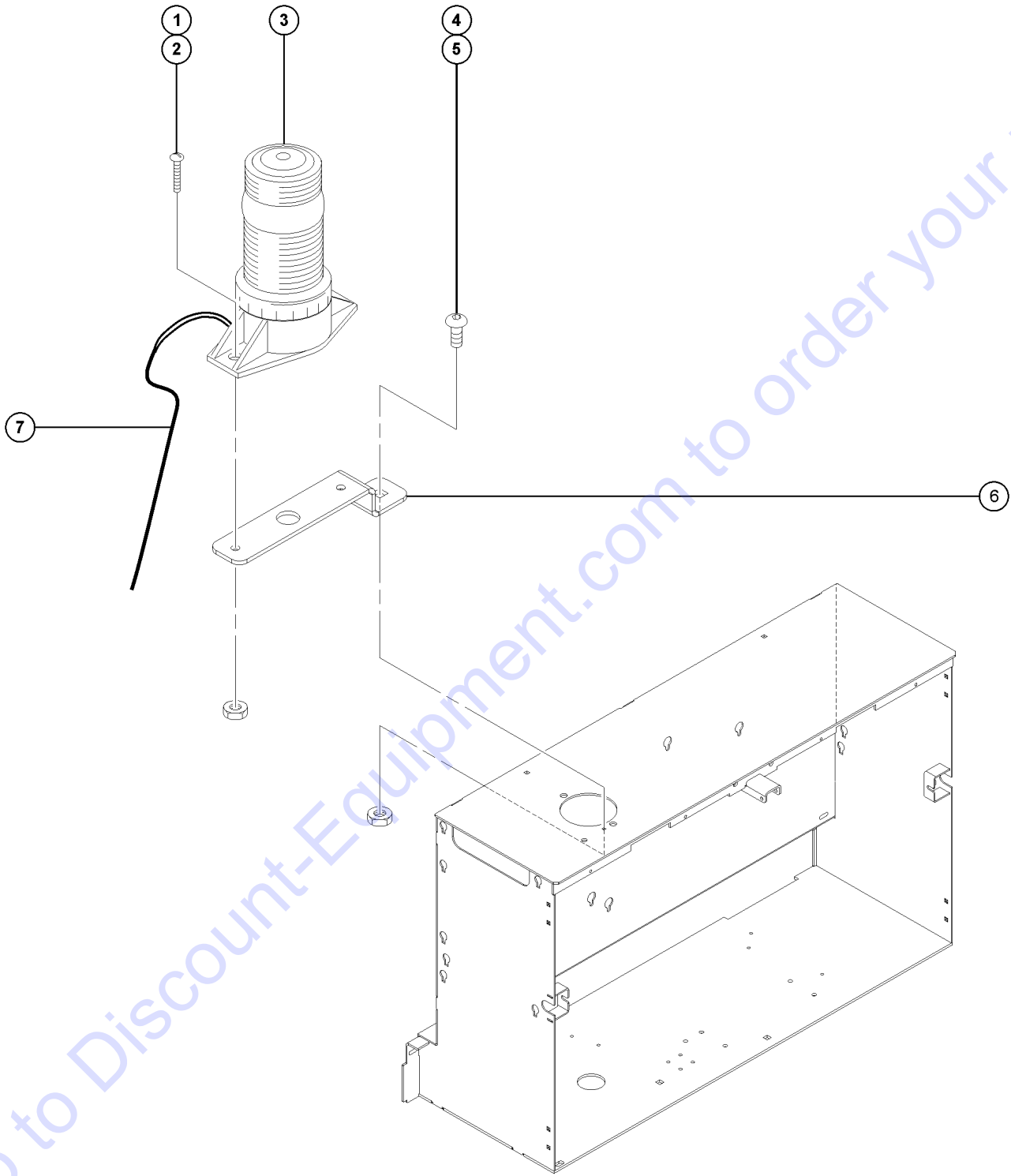


Go to Discount-Equipment.com to order your parts

708.1 Hydraulic Hoses and Fittings, View 2

Item	Part No.	Description	Qty.	Item	Part No.	Description	Qty.
1	48915GT	ELBOW,90D,520220-6		24	48960GT	FITTING,CONN,520120-12***.....1	1
2	227462GT	HOSE ASSY, CD(TEE)-CD(TANK) (components: 77949, 77949, 75631 @ 72 inches)		25	227464GT	HOSE ASSY,P.OUT(F.MF)-P.IN(T.MF).....1 (components: 48822, 48822, 56777 @ 24 inches)	1
3	227614GT	TEE,BULKHEAD,RUN,520120-6.....1	1	26	48943GT	CONN, 520120-8-6.....4	4
4	227463GT	HOSE ASSY, CD(LR.MTR)-CD(TEE).....1 (components: 77949, 77949, 75631 @ 28 inches)	1	27	227600GT	HOSE ASSY, M8(T.MF)-A(RF.MTR).....1 (components: 48822, 48825, 56777 @ 86 inches)	1
5	48909GT	TEE,BULKHEAD,RUN,520958-4.....2	2	28	227458GT	HOSE ASSY,M5(T.MF)-A(LF.MTR).....1 (components: 48812, 48815, 56776 @ 19 inches)	1
6	227608GT	HOSE ASSY,CD(RR.MTR)-CD(TEE).....1 (components: 77949, 77949, 75631 @ 28 inches)	1	29	227599GT	HOSE ASSY, M7(T.MF)-B(RF.MTR).....1 (components: 48822, 48825, 56777 @ 86 inches)	1
7	227604GT	HOSE ASSY,2SPD(T.MF)-2SPD(TEE)....1 (components: 48800, 48802, 48751 @ 56 inches)	1	30	227598GT	HOSE ASSY, M6(T.MF)-B(LF.MTR).....1 (components: 48822, 48825, 56777 @ 86 inches)	1
8	227607GT	HOSE ASSY,2SP(TEE)-2SP(RR.MTR)...1 (components: 48800, 48800, 48751 @ 30 inches)	1				
9	227605GT	HOSE ASSY,BRK(TEE)-BRK(RR.MTR).....1 (components: 48800, 48800, 48751 @ 30 inches)	1				
10	227461GT	HOSE ASSY,BRK(TEE)-BRK(LR.MTR).....1 (components: 48800, 48800, 48751 @ 30 inches)	1				
11	48905GT	CONN,520120-4***.....4	4				
12	48929GT	FITTING,ELBOW,90D,520220-6-8.....2	2				
13	227606GT	HOSE ASSY,2SP(TEE)-2SP(LR.MTR)....1 (components: 48800, 48800, 48751 @ 30 inches)	1				
14	48947GT	ELBOW,90D,520220-8-12.....4	4				
15	48912GT	CONN,520120-4-6***.....2	2				
16	227602GT	HOSE ASSY, M1(T.MF)-B(RR.MTR).....1 (components: 48822, 48822, 56777 @ 76 inches)	1				
17	227603GT	HOSE ASSY, M2(T.MF)-A(RR.MTR).....1 (components: 48822, 48822, 56777 @ 76 inches)	1				
18	227459GT	HOSE ASSY,M3(T.MF)-A(LR.MTR).....1 (components: 48822, 48822, 56777 @ 76 inches)	1				
19	227601GT	HOSE ASSY, M4(T.MF)-B(LR.MTR).....1 (components: 48822, 48822, 56777 @ 76 inches)	1				
20	227460GT	HOSE ASSY,BRK(T.MF)-BRK(TEE).....1 (components: 48800, 48802, 48751 @ 56 inches)	1				
21	48933GT	CONN,520120-8***.....9	9				
22	48997GT	NIPPLE,DIAGNOSTIC,#4.....2	2				
23	227465GT	HOSE ASSY,T.OUT(T.MF)-T.IN(F.M).....1 (components: 48841, 48841, 48761 @ 24 inches)	1				

801.1 Flashing Motion Beacon (to SN GS6916F-9067)



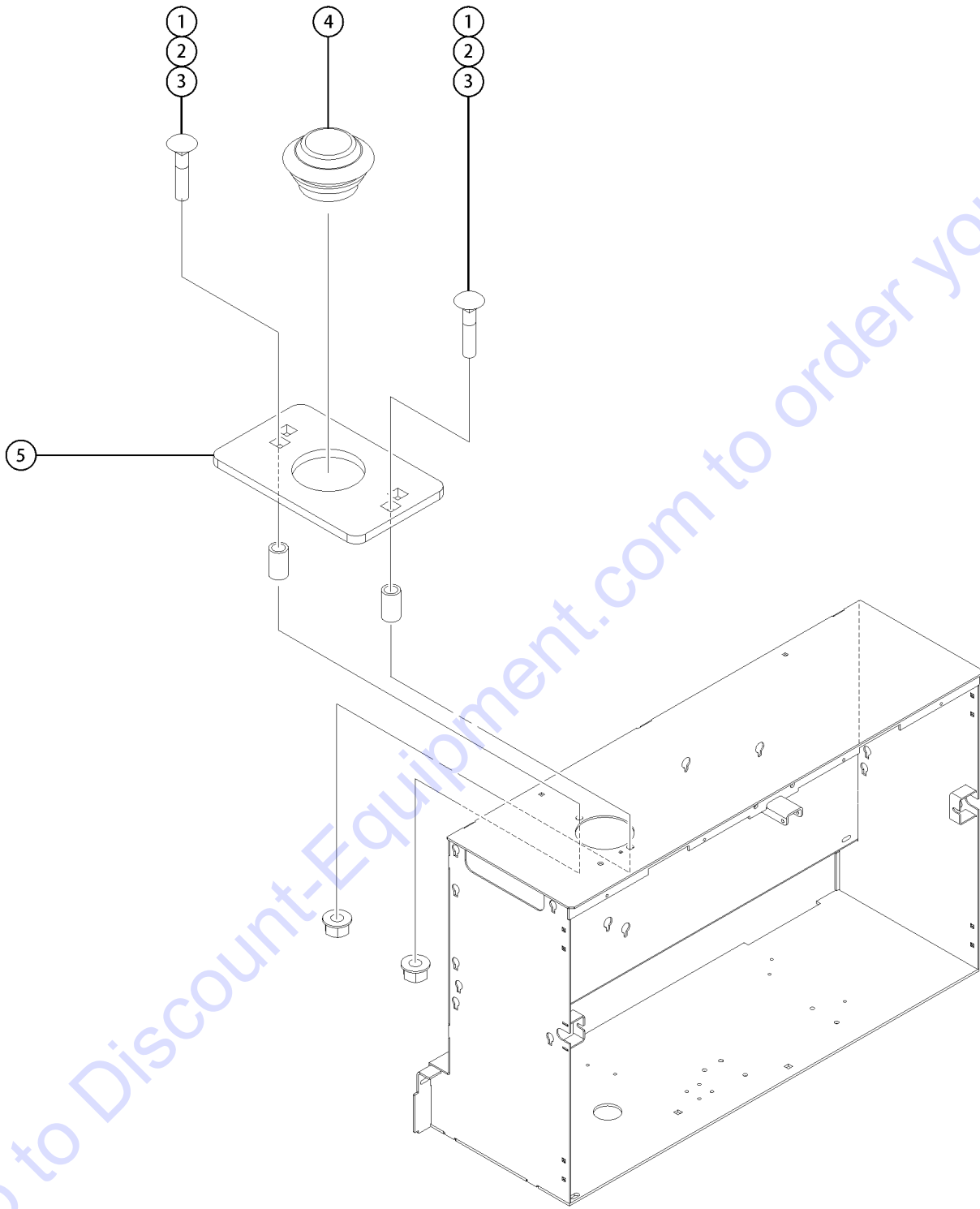
Go to Discount-Equipment.com to order your parts

801.1 Flashing Motion Beacon (to SN GS6916F-9067)

Item	Part No.	Description	Qty.
1	49816GT	SCREW,PHILLIPS,PHM,10-32 X .75	
2	6178GT	NUT,NYLOCK,10-32	
3	87265GT	BEACON LIGHT ASSY.....	2
--	105556GT	LENS,FLASHING BEACON for 87265	
--	105557GT	BULB,FLASHING BEACON for 87265	
4	6878GT	BOLT,CARRIAGE,1/4-20 X .75,G2	
5	6091GT	NUT,NYLOCK,1/4-20	
6	79374GT	FORMING,BEACON MOUNT.....	2
7	148076GT	HARNES,BEACON,GS69	

Go to Discount-Equipment.com to order your parts

801.2 Flashing Motion Beacon (from SN GS6916F-9068)



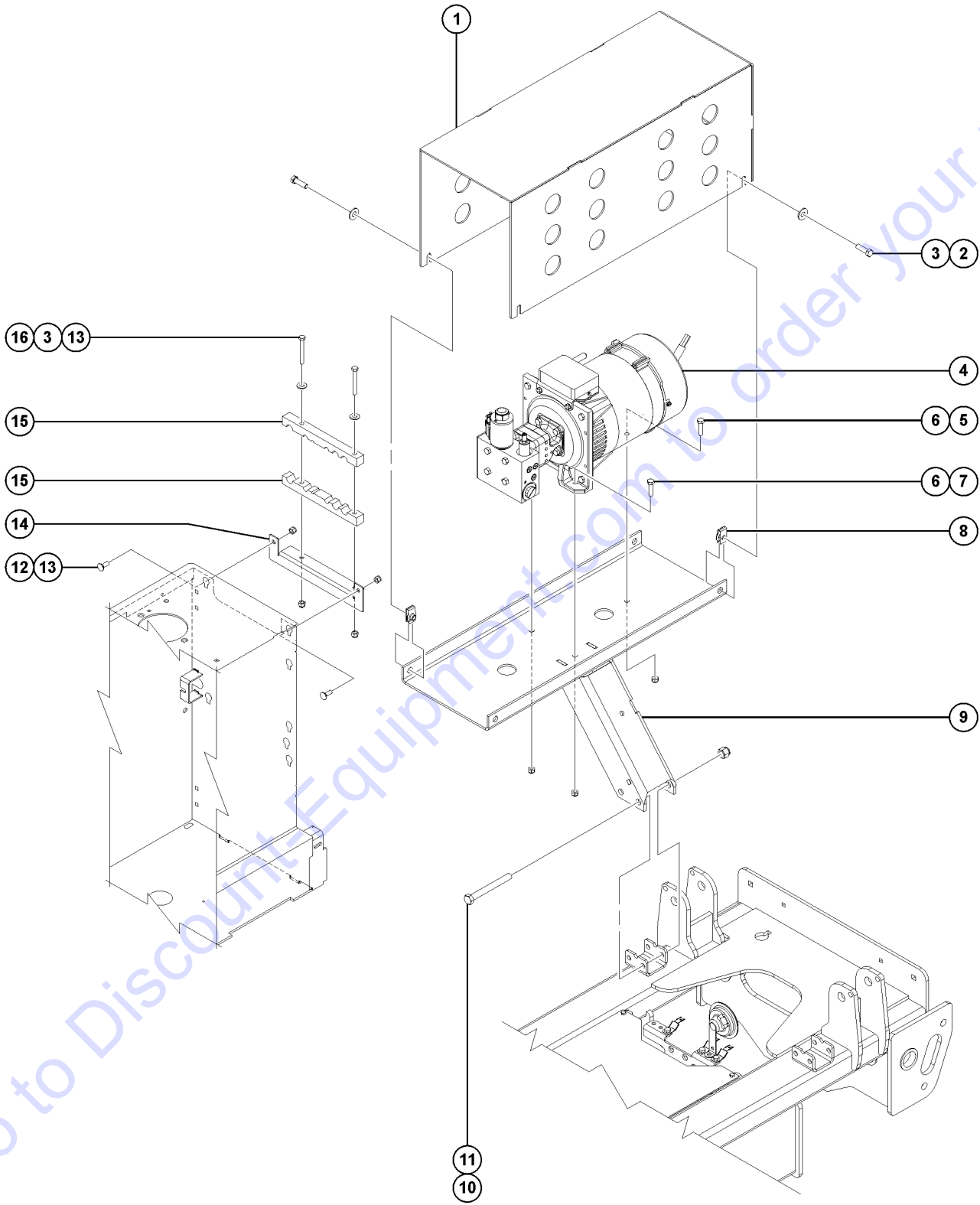
Go to Discount-Equipment.com to order your parts

801.2 Flashing Motion Beacon (from SN GS6916F-9068)

Item	Part No.	Description	Qty.
1	1256463GT	BOLT,CARRIAGE,1/4-20X1.25,5,ZAG.....	2
2	96699GT	SLEEVE,TANK SUPPORT.....	2
3	824027GT	NUT,TL FLG,1/4-20,G,ZAG.....	2
4	1254572GT	LIGHT,TURN SIGNAL,1.25" LED,AMB....	1
5	1267469GT	PLATE,VISUAL IND LIGHT MOUNT,BLK.....	1

Go to Discount-Equipment.com to order your parts

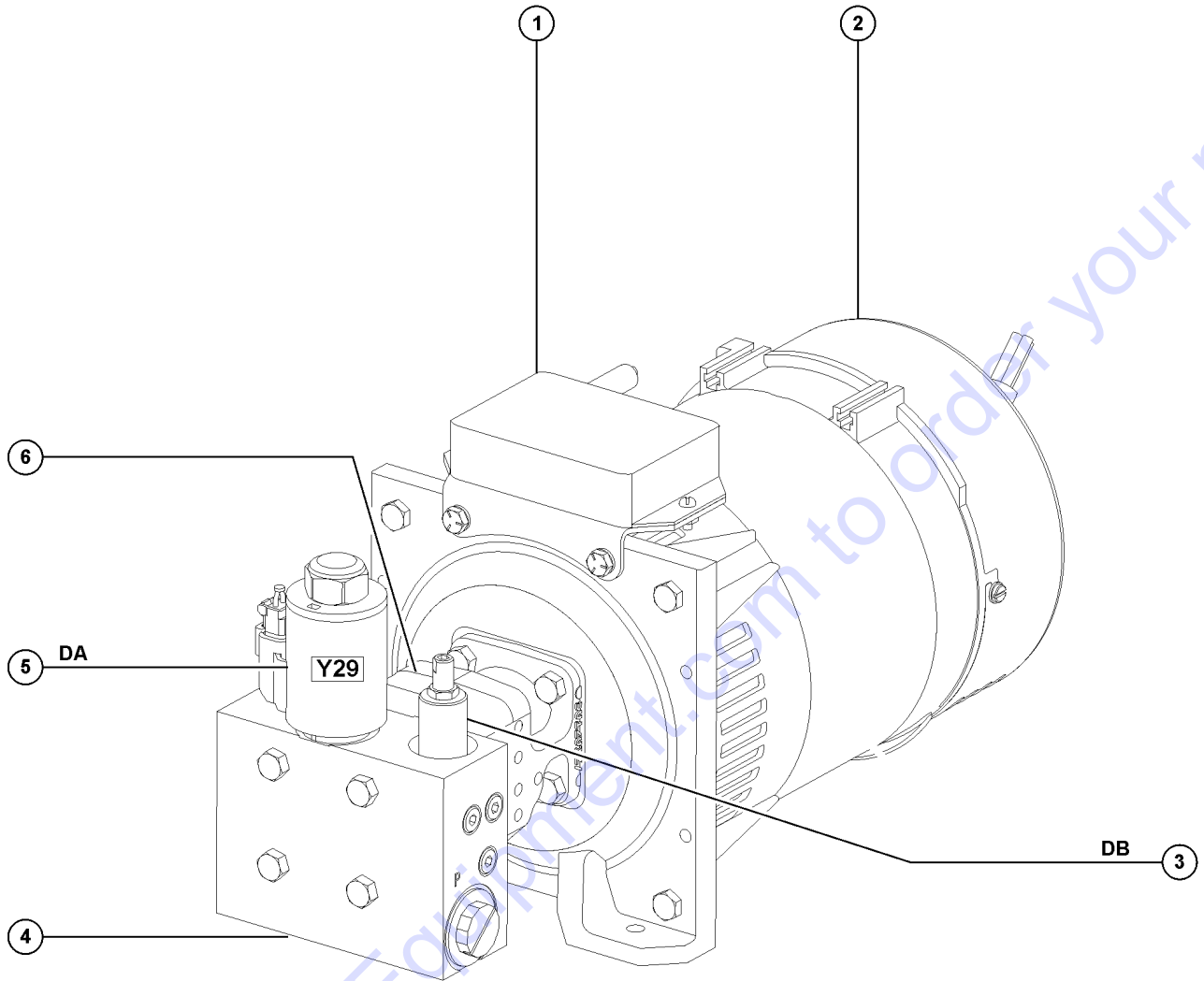
802.1 Generator Installation



802.1 Generator Installation

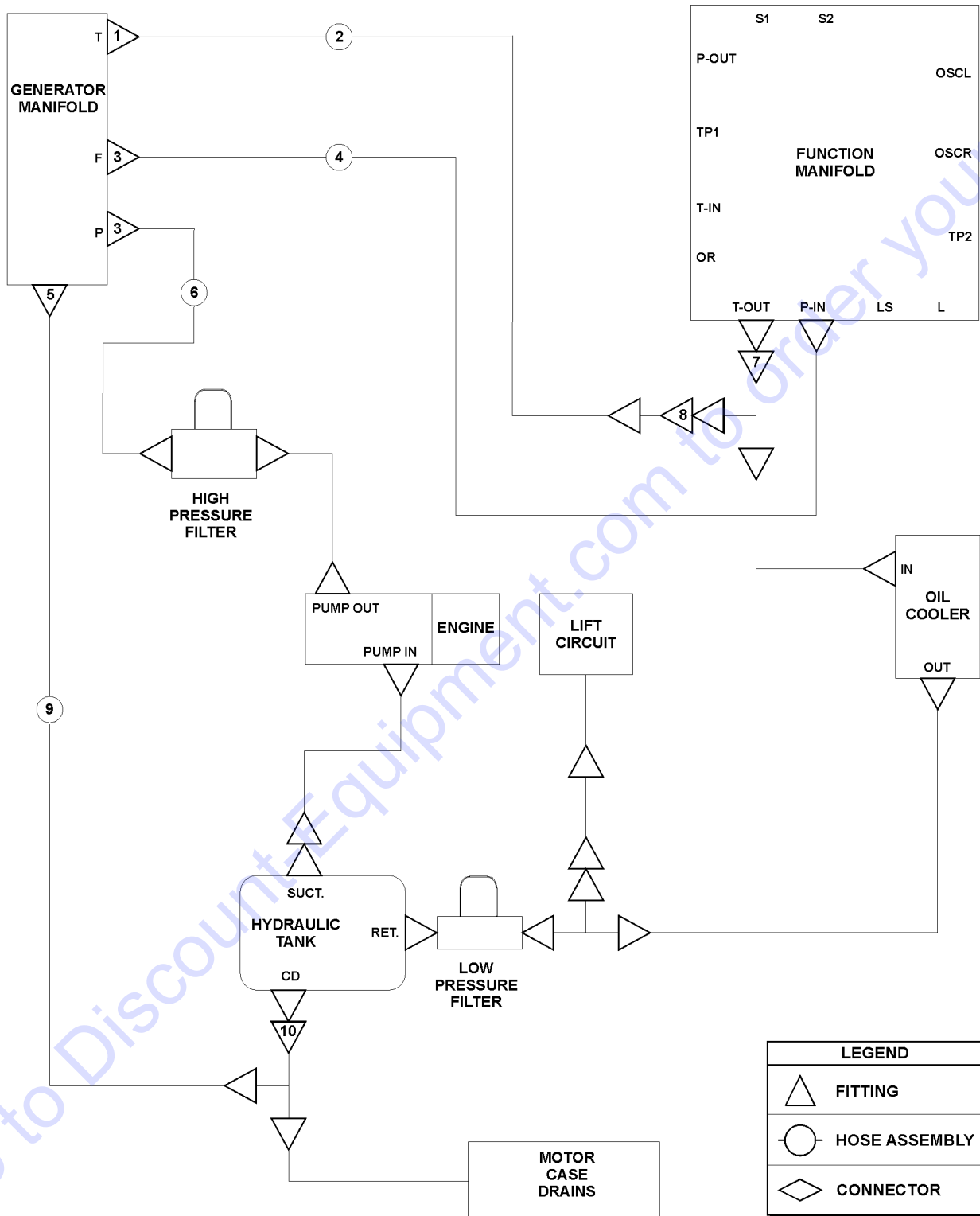
Item	Part No.	Description	Qty.
--		WIRE HARNESS (refer to 408.1)	
--	45470GT	CLAMP,0.31,#5 X 1/4,RUB CUSH.....1	
1A	148296GT	WELDMENT,GEN COVER,GS69.....1 (to SN 3661) (Genie grey)	
1B	1254163GT	WELDMENT,GEN COVER,GS69.....1 (from SN 3662) (Genie blue)	
2	6019GT	SCREW,HHC,3/8-16 X 1.25 GRD 5	
3	6097GT	WASHER,FLAT,USS,3/8",Y	
4		Ref. Generator (refer to 803.1)	
5	13002GT	SCREW,HHC,5/16-18 X 1 GR5	
6	13000GT	SCREW,HHC,5/16-18 X 1.25	
7	6782GT	NUT,NYLOCK,5/16-18	
8	29868GT	SPRING CLIP,3/8-16,.05-.20X.73,ZAG...4	
9A	148304GT	WELDMENT,GEN MOUNT,GS69.....1 (to SN 3661) (Genie grey)	
9B	1254165GT	WELDMENT,GEN MOUNT,GS69.....1 (from SN 3662) (Genie blue)	
10	13854GT	SCREW,HHC,1/2-13 X 4.5,GRD.8.....2	
11	6198GT	NUT,NYLOCK,1/2-13	
12	73466GT	BOLT,CARRIAGE,3/8-16 X 1.00,G2	
13	4828GT	NUT,NYLOCK,3/8-16	
14A	148302GT	FORMING,GEN HOSE CLAMP MOUNT.....1 (to SN 3661) (Genie grey)	
14B	1254164GT	FORMING,GEN HOSE CLAMP MOUNT.....1 (from SN 3662) (Genie blue)	
15	215475GT	CLAMP,GENERATOR HOSE,GS69.....2	
16	6326GT	SCREW,HHC,3/8-16 X 3	

803.1 Generator



Item	Part No.	Description	Qty.
--		<i>Use the letter callouts to cross-reference with the Service Manual.</i>	
A	139954GT	GENERATOR,3kW,240V/50Hz 50 Hz	
--	147258GT	BREAKER,15 AMP,GEN 50 Hz	
B	139953GT	GENERATOR, 3kW, 120V/60Hz 60 Hz	
--	119067GT	CONN,RECEP 4 WAY ENDCAP DT	
--	147239GT	BREAKER, 25 AMP, GEN 60 Hz	
--	147240GT	CAPACITOR 16 F, GEN	
--	147242GT	SCREW, GEN ROTOR	
1	1269693GT	CONTROL BOX,2KW,120/240V,50HZ.....1	
--	147228GT	CONTROLLER BOX, 120/240V, 60H	
2	147262GT	COVER, END, GENERATOR, 240V.....1 50 Hz	
--	147241GT	COVER, END, GEN, 120V 60 Hz	
3	147233GT	VALVE, RELIEF, GEN, 3.0kW.....1 (DB, Generator circuit)	
4	147229GT	MANIFOLD ASSEMBLY, GEN.....1 complete (includes items 3 & 5)	
5	147232GT	12VDC PROPORTIONAL VALVE.....1 (DA, Generator speed)	
6	147230GT	207 HYD MOTOR ASSY, GEN.....1	
--	147231GT	SEAL KIT, HYD MOTOR, GEN	

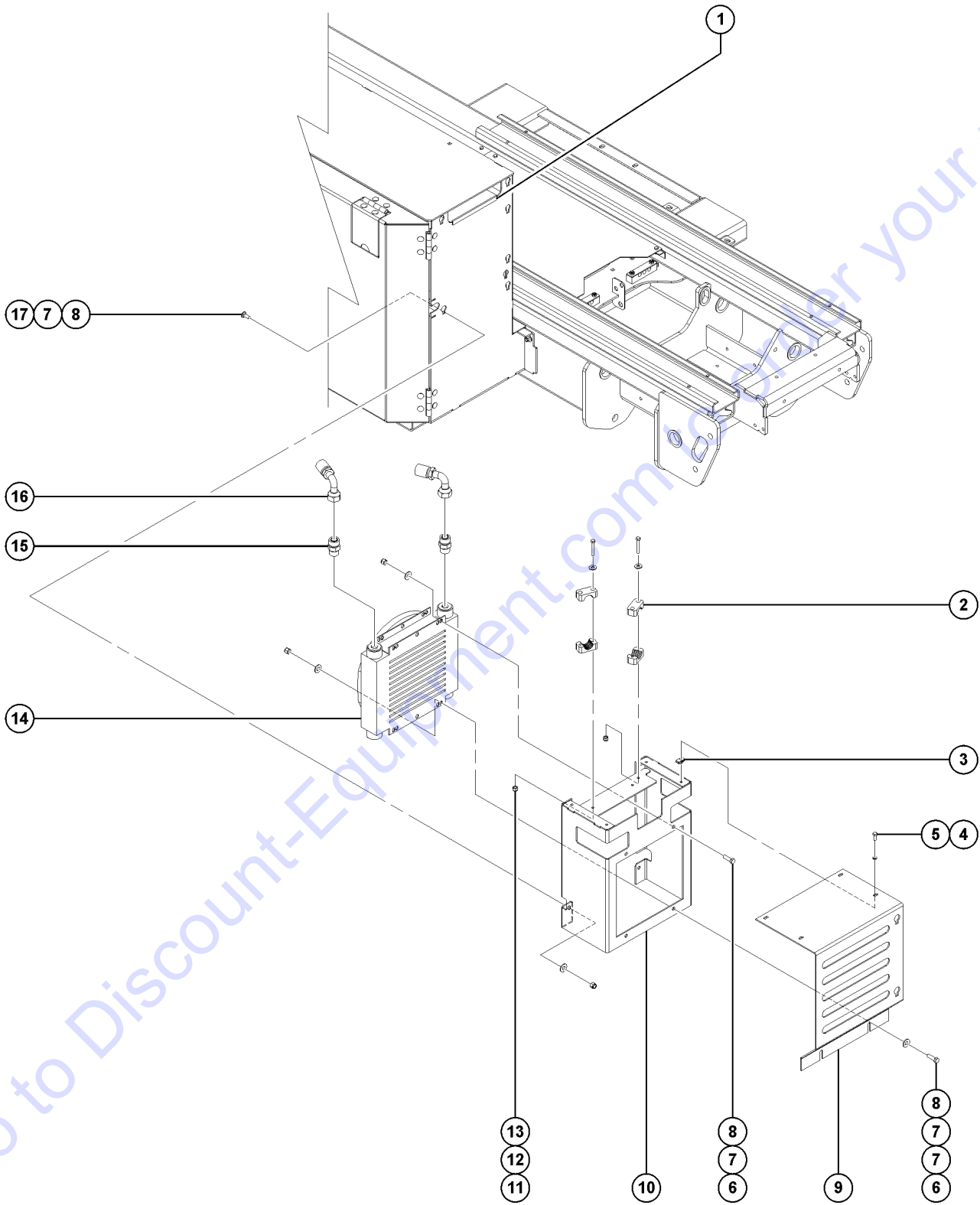
804.1 Hydraulic Hoses and Fittings, Generator



804.1 Hydraulic Hoses and Fittings, Generator

Item	Part No.	Description	Qty.
1	48933GT	CONN,520120-8***.....1	1
2	227484GT	HOSE ASSY,T(GEN)-T.OUT(F.MF).....1 (components: 48822, 48825, 48756 @ 78 inches)	1
3	48947GT	ELBOW,90D,520220-8-12.....2	2
4	227483GT	HOSE ASSY,F(GEN)-P.IN(F.MF).....1 (components: 48822, 48822, 56777 @ 78 inches)	1
5	49861GT	CONN,LONG,520122-4.....1	1
6	227482GT	HOSE ASSY,HPFILTER-P(GEN).....1 (components: 48822, 48826, 56777 @ 122 inches)	1
7	227720GT	TEE,RUN,FEMSW,520432-12.....1	1
8	51580GT	FITTING,REDUCER,520123-12-8***.....1	1
9	227485GT	HOSE ASSY,CD(GEN)-CD(TANK).....1 (components: 48800, 48811, 48751 @ 48 inches)	1
10	48875GT	TEE,RUN,SWIVEL,520432-6.....1	1

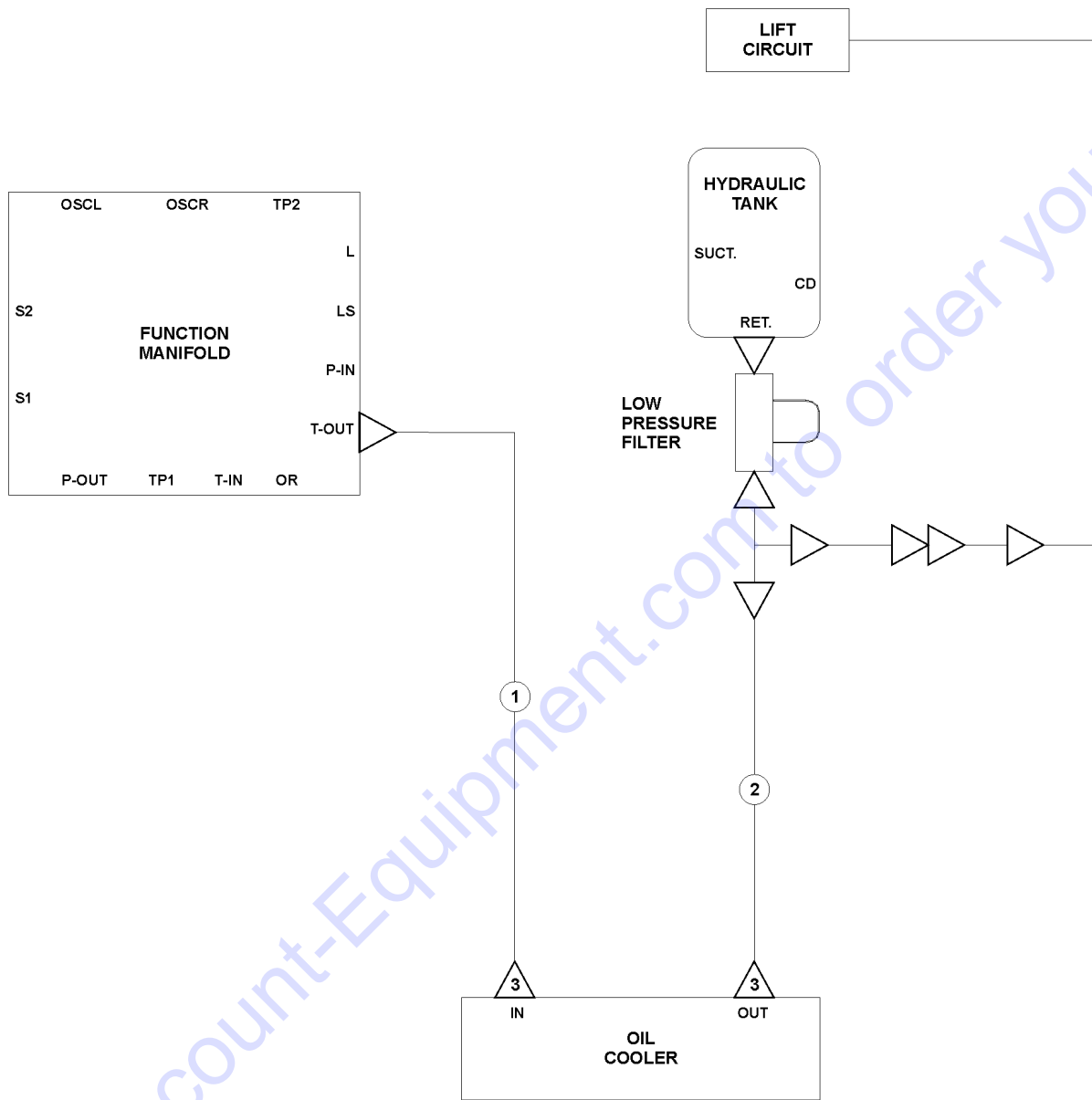
805.1 Oil Cooler



Go to Discount-Equipment.com to order your parts

Item	Part No.	Description	Qty.
A	1270096GT	KIT, OIL COOLER, GS69RT <i>(from SN GS6911-101 to GS6915-7711)</i>	
B	34053GT	ASSY,RELAY SOCKET, AUTO	
C	34052GT	RELAY,SPDT,12V(AUTO) PLUG IN**	
D	79015GT	FUSE,20 AMP,ATC	
E	67504GT	FUSE HOLDER,ATC 3-30 AMPS	
--		Ref. Oil Cooler Wire Harness <i>(refer to 408.1)</i>	
1	46718GT	TRIMLOCK,BLACK,3/16.....9.5-inches	
2	117773GT	1-1/8T TUBE CLAMP.....4 <i>two halves</i>	
3	56912GT	SPRING CLIP,1/4-20,.025-.15X.54,ZAG.....4	
4	6090GT	SCREW,HHC,1/4-20 X .75	
5	6356GT	WASHER,LOCK,.25	
6	6019GT	SCREW,HHC,3/8-16 X 1.25 GRD 5	
7	6097GT	WASHER,FLAT,USS,3/8",Y	
8	4828GT	NUT,NYLOCK,3/8-16	
9A	219696GT	FORMING,OIL COOLER COVER,GS69.....1 <i>(to SN 3661) (Genie grey)</i>	
9B	1254167GT	FORMING,OIL COOLER COVER,GS69.....1 <i>(from SN 3662) (Genie blue)</i>	
10A	219695GT	WELDMENT,OIL COOLER MOUNT,GS69.....1 <i>(to SN 3661) (Genie grey)</i>	
10B	1254168GT	WELDMENT,OIL COOLER MOUNT,GS69.....1 <i>(from SN 3662) (Genie blue)</i>	
11	6091GT	NUT,NYLOCK,1/4-20	
12	6638GT	WASHER,FLAT,USS,1/4"Y	
13	8179GT	SCREW,HHC,1/4-20 X 2.25	
14	71259GT	OIL COOLER W/FAN, 12VDC.....1	
--	75854GT	FAN - VENTED	
--	75855GT	THERMOSTAT -OIL COOLER (71259)	
15	48960GT	FITTING,CONN,520120-12***2	
16	48846GT	HOSE END,FEMSW,90D,ORFS,-12-12.....2	
17	64154GT	BOLT,CARRIAGE,3/8-16 X1.00,G5	

806.1 Hydraulic Hoses and Fittings, Oil Cooler



LEGEND	
	FITTING
	HOSE ASSEMBLY
	CONNECTOR

Go to Discount-Equipment.com to order your parts

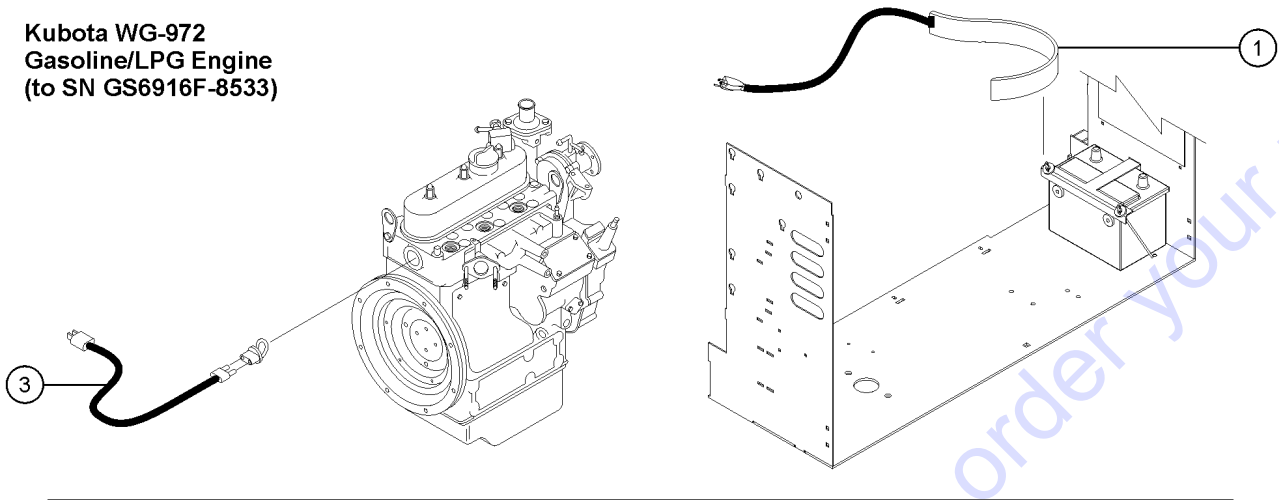
806.1 Hydraulic Hoses and Fittings, Oil Cooler

Item	Part No.	Description	Qty.
1	227480GT	HOSE ASSY,T.OUT(F.MF)-IN(OC).....1 (components: 48809, 56354, 39889 @ 50 inches)	
2	227481GT	HOSE ASSY,OUT(OC)-TANK.....1 (components: 48809, 56354, 39889 @ 34 inches)	
3	48960GT	FITTING,CONN,520120-12***.....2	

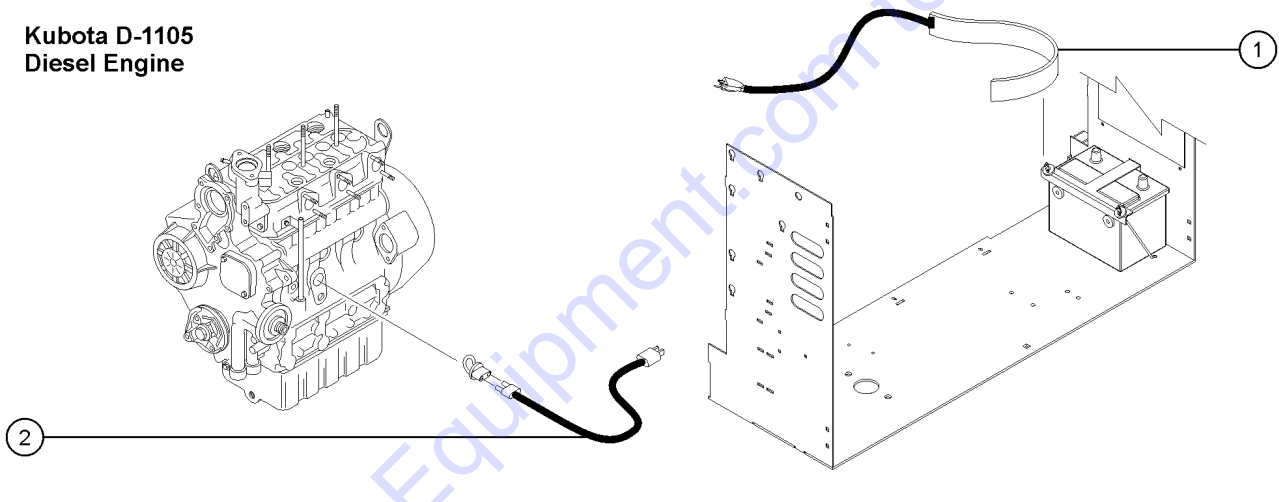
Go to Discount-Equipment.com to order your parts

807.1 Cold Start Installation

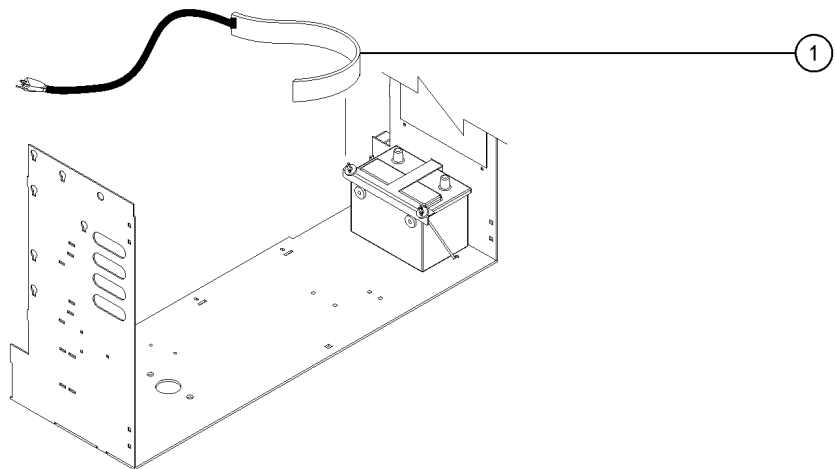
**Kubota WG-972
Gasoline/LPG Engine
(to SN GS6916F-8533)**



**Kubota D-1105
Diesel Engine**



**Perkins 403D-11
Diesel Engine
and
GM .998L
Gasoline/LPG Engine**

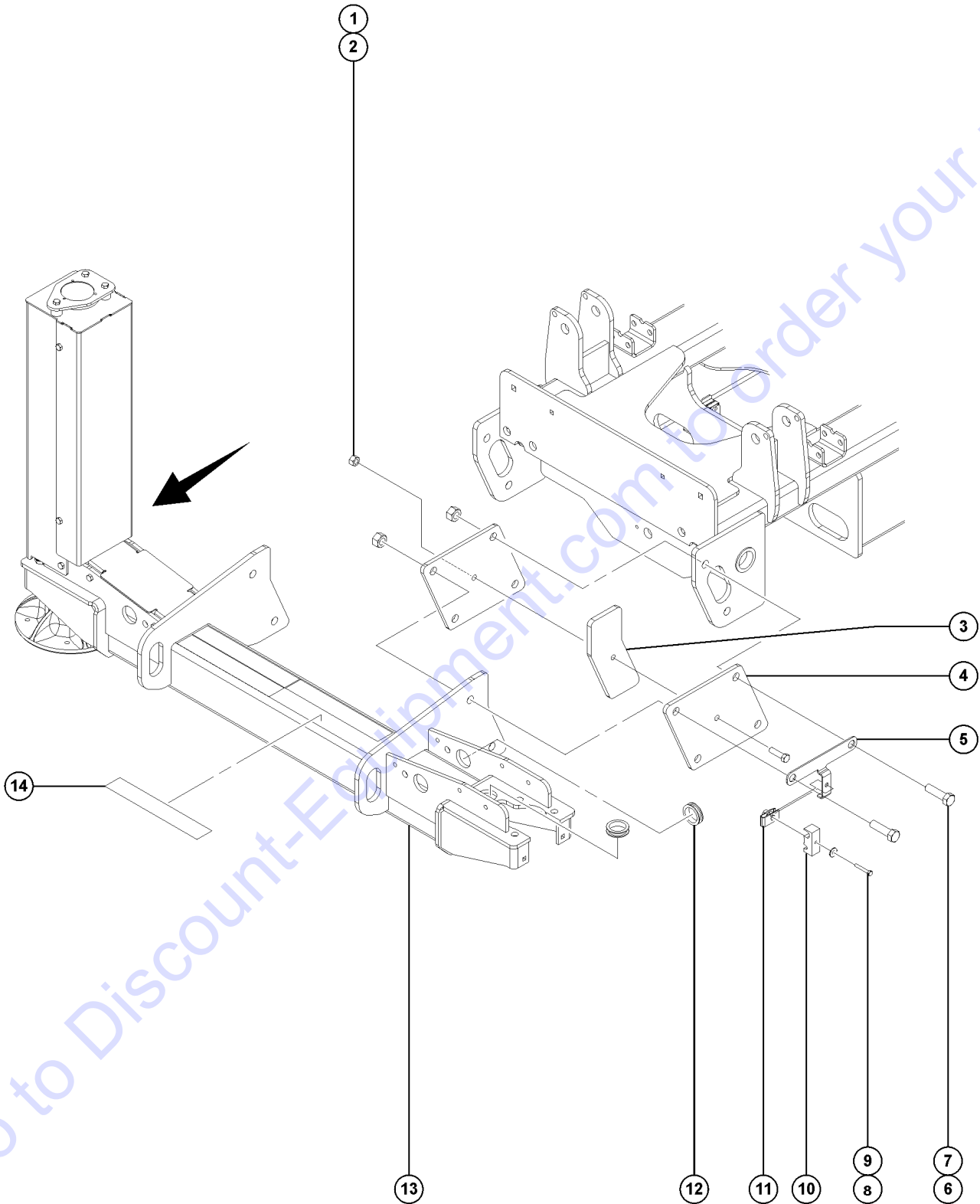


Item	Part No.	Description	Qty.
1	28853GT	BLANKET,BATTERY.....	1
2	42489GT	FREEZE PLUG HEATER,Z34IC/BE..... <i>Kubota D-1105 Diesel models</i>	1

Go to Discount-Equipment.com to order your parts



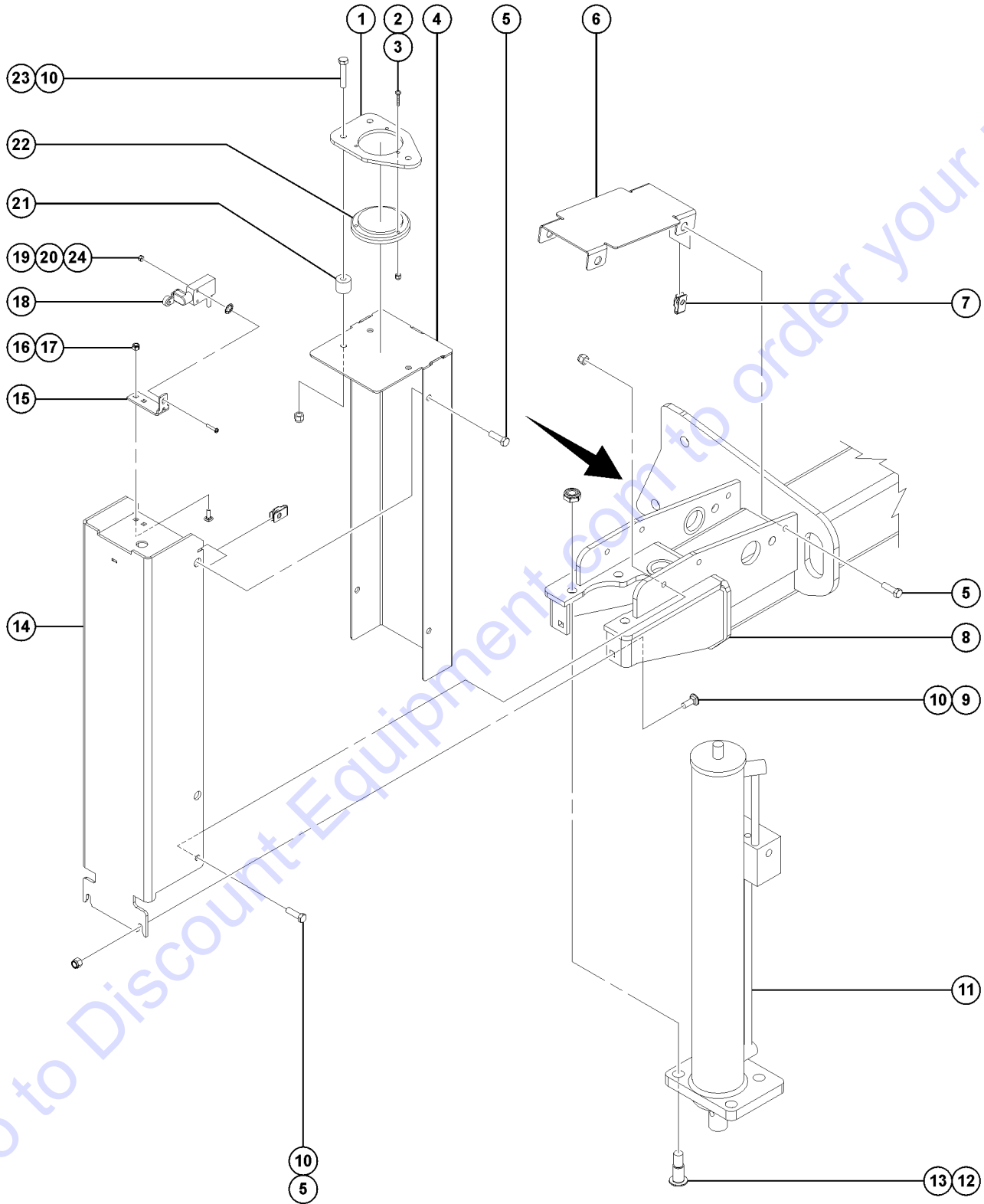
808.1 Outrigger Installation, View 1



808.1 Outrigger Installation, View 1

Item	Part No.	Description	Qty.
A	1256151GT	KIT, HI FLOAT TIRE,O/R SPACER <i>for models with hi floatation tires</i>	
1	6198GT	NUT,NYLOCK,1/2-13.....2 <i>(steer end)(models with high floatation tires)</i>	2
2	6096GT	SCREW,HHC,1/2-13 X 2 GR5.....2 <i>(steer end)(models with high floatation tires)</i>	2
3	160740GT	PLATE,O/R SPACER, HI FLOAT.....2 <i>(steer end)(models with high floatation tires)</i>	2
4	160739GT	PLATE, O/R MOUNT, HI FLOAT.....4 <i>(steer end)(models with high floatation tires)</i>	4
5A	160744GT	FORM,O/R FRONT CLAMP,HI FLOAT....2 <i>(steer end) (models with high floatation tires)</i>	2
5B	148409GT	FORMING,O/R FRONT CLAMP.....2 <i>(steer end) (models without high floatation tires)</i>	2
6	51428GT	SCREW,HHC,3/4-10 X 2.75.....8	8
7	10258GT	NUT,NYLOCK,3/4-10,GRD.2.....8	8
8	6637GT	SCREW,HHC,1/4-20 X 1.75.....2 <i>(steer end)</i>	2
9	6638GT	WASHER,FLAT,USS,1/4"Y.....2 <i>(steer end)</i>	2
10	148410GT	CLAMP,#4 HOSE,CLAMP.....2 <i>(steer end)</i>	2
11	56912GT	SPRING CLIP,1/4-20,.025-.15X.54,ZAG.....2 <i>(steer end)</i>	2
12	47238GT	GROMMET,RUBBER 1.5 ID.....8	8
13		Ref. WELDMENT,OUTRIGGER YOKE <i>(refer to 809.1)</i>	
14	148329GT	TAPE,NON-SKID,2"X14".....2	2
15	148046GT	PLATE,OUTRIGGER MOUNT.....4 <i>(non-steer end and steer end models without high floatation tires)</i>	4

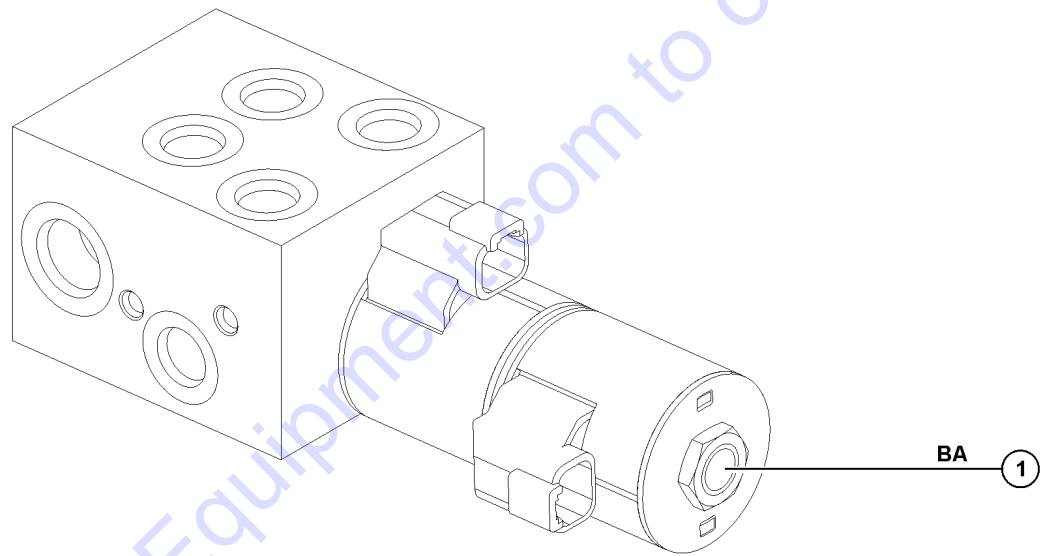
809.1 Outrigger Installation, View 2



809.1 Outrigger Installation, View 2

Item	Part No.	Description	Qty.
1	87002GT	PLATE,BUBBLE LEVEL MOUNT.....1	1
2A	49816GT	SCREW,PHILLIPS,PHM,10-32 X .75.....3 <i>to SN 5603</i>	3
2B	826516GT	SCREW, PHPM, 10-32 X 1.0, ZAG.....3 <i>from SN 5604</i>	3
3A	6178GT	NUT,NYLOCK,10-32.....3 <i>to SN 5603</i>	3
3B	1275810GT	NUT,SERRATED,10-32,SS.....3 <i>from SN 5604</i>	3
4	148001GT	WELDMENT,O/R SWITCH COVER.....4	4
5	6019GT	SCREW,HHC,3/8-16 X 1.25 GRD 5	
6	131972GT	FORMING,O/R HOSE COVER.....4	4
7	29868GT	SPRING CLIP,3/8-16,.05-.20X.73,ZAG	
8A	148027GT	WELDMENT,OUTRIGGER YOKE.....1 <i>steer end</i>	1
8B	148044GT	WELDMENT,OUTRIGGER YOKE <i>non-steer end</i>	
9	64154GT	BOLT,CARRIAGE,3/8-16 X1.00,G5	
10	4828GT	NUT,NYLOCK,3/8-16	
11		Ref. CYLINDER,OUTRIGGER,GS69 <i>(refer to 811.1)</i>	
12	71912GT	BOLT,SHOULDER,5/8-11 X 1.19 LT	
13	38028GT	NUT,LP NYLOCK,5/8-11	
14	235089GT	HOUSING ASSY,OUTRIGGER,WO <i>(ANSI, CSA & Australia models with word decals)</i>	
--	148000GT	WELDMENT,OUTRIGGER COVER.....4 <i>(decals not included, refer to section 100)</i>	4
--	235091GT	HOUSING ASSY,OUTRIGGER,SY <i>(Asia, S. America & CE models with symbol decals)</i>	
15	148024GT	FORMING,O/R LIM SWTCH BRACKET.....1	1
16	6091GT	NUT,NYLOCK,1/4-20	
17	6878GT	BOLT,CARRIAGE,1/4-20 X .75,G2	
18	105692GT	SWITCH,LIMIT,W/ROLLER ARM.....1	1
19	18605GT	NUT,NYLOCK,8-32	
20	T106385GT	SCREW,PHILLIPS,PHM,8-32 X 1.00	
21	59568GT	RUBBER, VIBRATION MOUNT.....3	3
22A	77026GT	LEVEL,BUBBLE,2 DEGREE *.....1 <i>to SN 1617</i>	1
22B	1259500GT	KIT,BUBBLE LEVEL UPDATE <i>from SN 1618 to 5603</i>	
22C	1275562GT	LEVEL,BUBBLE,3 DEG,BOSS <i>from SN 5604</i>	
23	5224GT	SCREW,HHC,3/8-16 X 2	
24	44936GT	WASHER,STAR,EXTERNAL,#8	

810.1 Outrigger Manifold



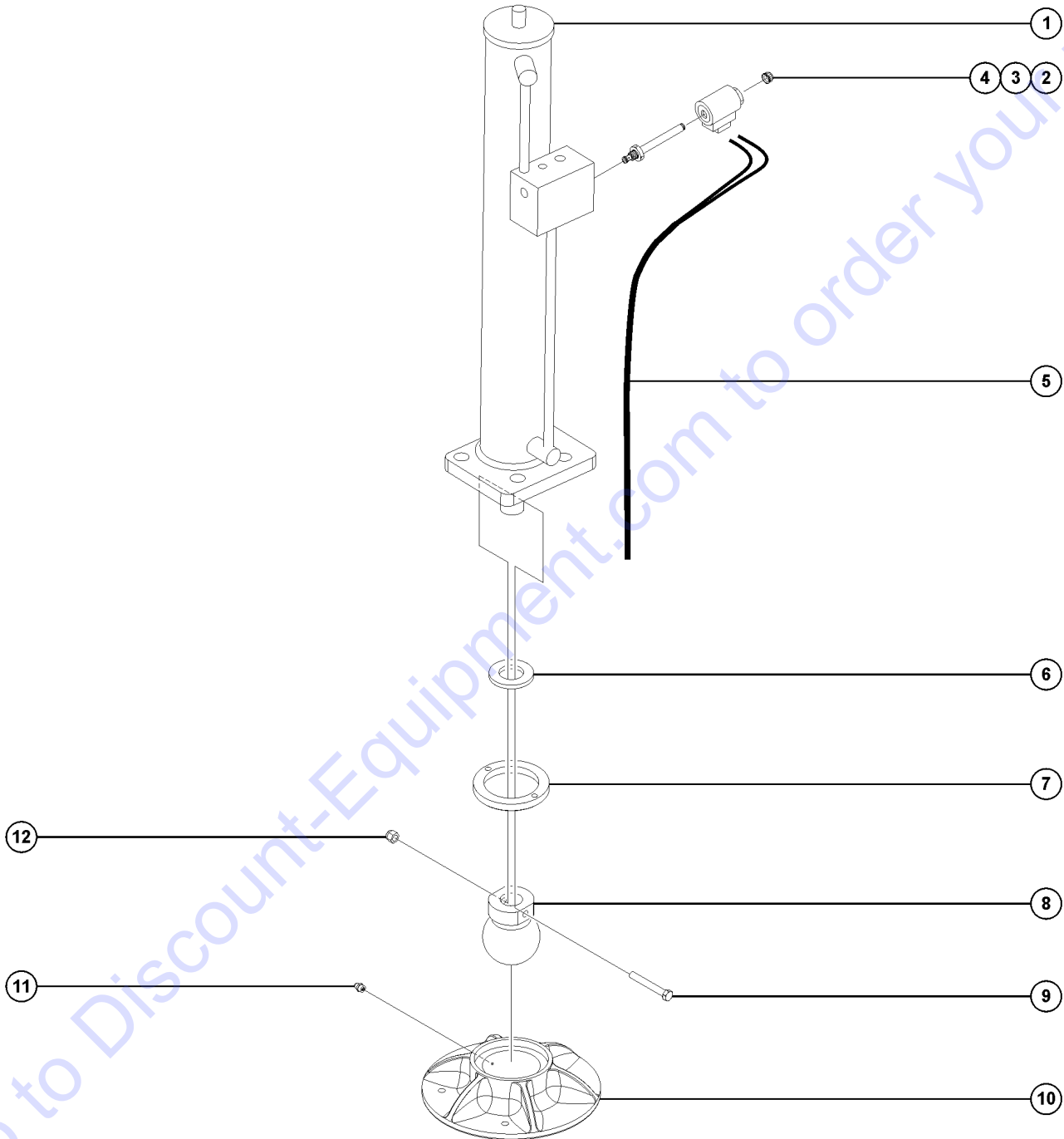
Go to Discount-Equipment.com to order your parts

810.1 Outrigger Manifold

Item	Part No.	Description	Qty.
--		<i>Use the letter callouts to cross-reference with the Service Manual.</i>	
--	T110624GT	MANIFOLD,OUTRIGGER,GS69 (manifold, complete)	
1	84109GT	VALVE,DIR,#10 SAE,3 POS. 4 WAY.....1 (BA, Outriggers in / out)	
--	104760GT	COIL,12VDC #10DTSCH IP69 ECOIL	
--	44174GT	NUT-COIL SHORT	
--	44175GT	SPACER-DUAL COIL,#10, SCISSORS	
--	44230GT	SEAL KIT-P.N.44169,44172,44171	

Go to Discount-Equipment.com to order your parts

811.1 Outrigger Cylinders, All Models

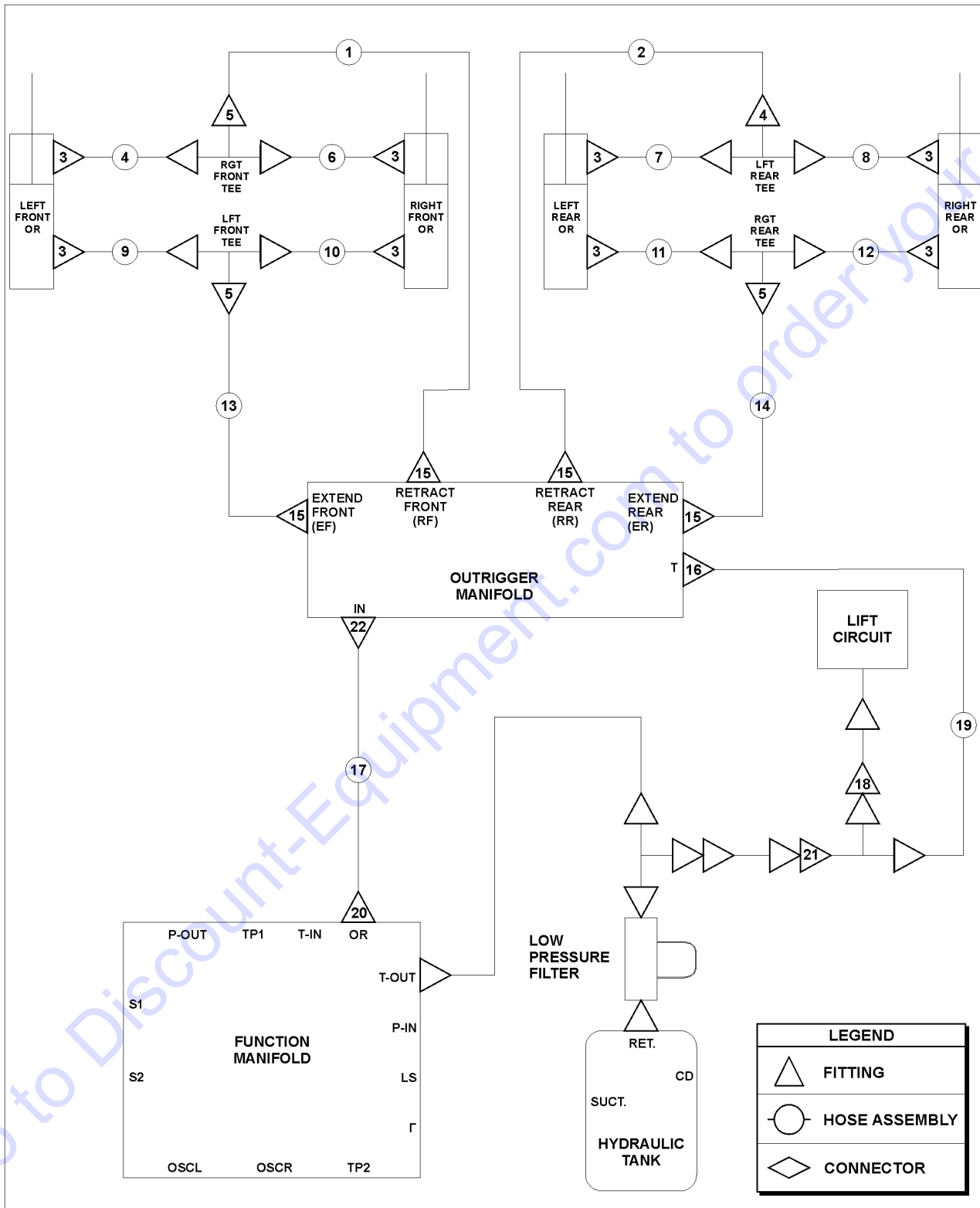


Go to Discount-Equipment.com to order your parts

811.1 Outrigger Cylinders, All Models

Item	Part No.	Description	Qty.
--	112537GT	FOOTPAD ASSY,RTSC OUTRIGGER <i>(includes items 6, 7 & 9)</i>	
1	131428GT	CYLINDER,OUTRIGGER,GS69.....	1
--	226381GT	SEAL KIT,(131428) <i>(for 131428)</i>	
2	72097GT	NUT,SOLENOID VALVE,OUTRIGGERS.....	1
3	79831GT	COIL, 12VDC,DIODE,DEUTSCH.....	1
4	67933GT	VALVE,NC,BI-DI,CART***.....	1
4A	71925GT	PILOT CHECK VALVE	
5		Ref. Outrigger Wire Harness <i>(refer to 408.1)</i>	
6	55682GT	PLATE, CYL UP LIMIT.....	1
7	55484GT	RETAINER, GS68 O/R FOOTPAD***.....	1
8	55485GT	CASTING, BALL, GS OUTRIGGER.....	1
9	6326GT	SCREW,HHC,3/8-16 X 3.....	1
10	51814GT	CASTING,OUTRIGGER FOOTPAD ***... <i>order 1280156 separately</i>	1
10B	1280156GT	KIT,OUTRIGGER PAD LOCTITE,RT <i>order footpad separately</i>	
11	28646GT	ZERK,GREASE,1/8 NPT.....	1
12	4828GT	NUT,NYLOCK,3/8-16.....	1

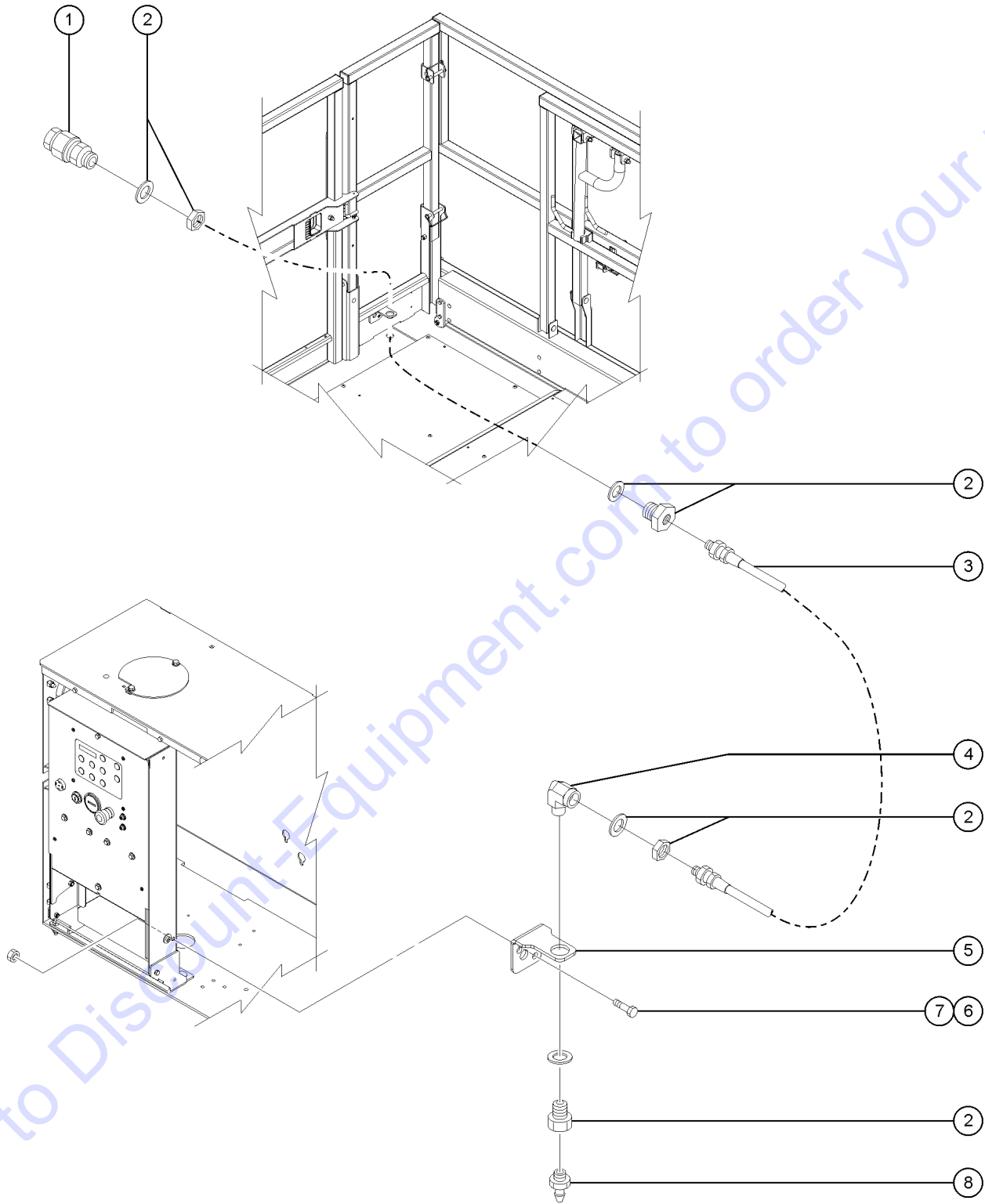
812.1 Hydraulic Hoses and Fittings, Outrigger



812.1 Hydraulic Hoses and Fittings, Outrigger

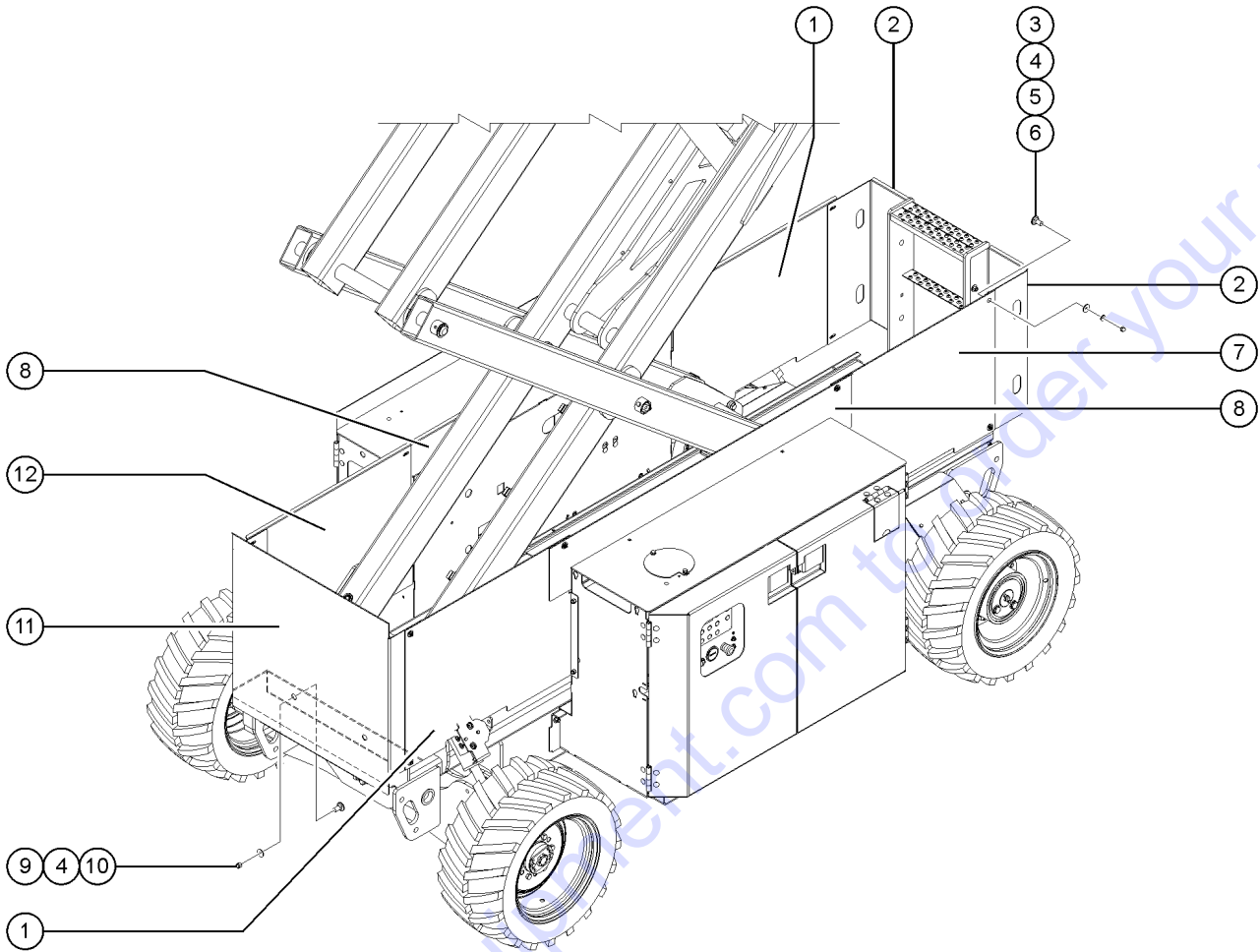
Item	Part No.	Description	Qty.	Item	Part No.	Description	Qty.
1	227726GT	HOSE ASSY,FR(OR.MF)-RF.OR.TEE.....1 (components: 48812, 48815, 56776 @ 98 inches)	1	20	48930GT	CONN,520120-6-8.....1	1
2	227735GT	HOSE ASSY,RR(OR.MF)-RR.OR.TEE.....1 (components: 48812, 48815, 56776 @ 98 inches)	1	21	48875GT	TEE,RUN,SWIVEL,520432-6.....1	1
3	48905GT	CONN,520120-4***.....8	8	22A	48916GT	CONN, 520120-6.....1 (from serial number 101 to 3514)	1
4	227730GT	HOSE ASSY,RF.OR.TEE-R(LF.OR.CY....1 (components: 48800, 48800, 48751 @ 75 inches)	1	22B	48915GT	ELBOW,90D,520220-6 (from serial number 3515)	1
5	48909GT	TEE,BULKHEAD,RUN,520958-4.....4	4				
6	227740GT	HOSE ASSY,RF.OR.TEE-R(RF.OR.CY.....1 (components: 48800, 48802, 48751 @ 20 inches)	1				
7	227732GT	HOSE ASSY,RR.OR.TEE-R(LR.OR.CY.....1 (components: 48800, 48800, 48751 @ 20 inches)	1				
8	227742GT	HOSE ASSY,RR.OR.TEE-R(RR.OR.CY.....1 (components: 48800, 48802, 48751 @ 75 inches)	1				
9	227489GT	HOSE ASSY,LF.OR.TEE-E(LF.OR.CY.....1 (components: 48800, 48802, 48751 @ 20 inches)	1				
10	227490GT	HOSE ASSY,LF.OR.TEE-E(RF.OR.CY....1 (components: 48800, 48800, 48751 @ 75 inches)	1				
11	227738GT	HOSE ASSY,LR.OR.TEE-E(LR.OR.CY...1 (components: 48800, 48802, 48751 @ 75 inches)	1				
12	227728GT	HOSE ASSY,LR.OR.TEE-E(RR.OR.CY.....1 (components: 48800, 48800, 48751 @ 20 inches)	1				
13	227487GT	HOSE ASSY,EF(OR.MF)-LF.OR.TEE.....1 (components: 48812, 227488, 56776 @ 98 inches)	1				
14	227724GT	HOSE ASSY,ER(OR.MF)-LR.OR.TEE.....1 (components: 48812, 48815, 56776 @ 98 inches)	1				
15	48916GT	CONN, 520120-6.....4	4				
16	48933GT	CONN,520120-8***.....1	1				
17A	227486GT	HOSE ASSY,OR(F.MF)-IN(OR.MF).....1 (components: 48812, 48815, 56776 @ 19 inches)	1				
17B	1254068GT	HOSE ASSY,OR(F.MF)-IN(OR,MF).....1 (components: 2x 48812, 48756 @ 17.5 in)	1				
18	48892GT	ELBOW,SWIVEL 90D, 520221-6.....1	1				
19	227491GT	HOSE ASSY,T(OR.MF)-TANK.....1 (components: 48817, 48828, 48756 @ 8 inches)	1				

813.1 Air to Platform



Item	Part No.	Description	Qty.
1	27895GT	COUPLER,1/4"SERIES 3/8 MPT.....	1
2	27900GT	BULKHEAD,FEMALE X 6 X 6.....	2
3A	27903GT	HOSE,LOW PRESSURE,.375 ID,BLK.....900-inches GS-4069 RT	
--	27901GT	HOSE END,BARBED,RIGID,-6-6.....	2
3B	27903GT	HOSE,LOW PRESSURE,.375 ID,BLK.....790-inches GS-3369 RT	
--	27901GT	HOSE END,BARBED,RIGID,-6-6.....	2
3C	27903GT	HOSE,LOW PRESSURE,.375 ID,BLK.....676-inches GS-2669 RT	
--	27901GT	HOSE END,BARBED,RIGID,-6-6.....	2
4	79383GT	BRASS STREET ELBOW.....	1
5	47077GT	BRACKET,AIRLINE MOUNTING.....	2
5A	47077GT	BRACKET,AIRLINE MOUNTING..... (to SN 3661) (Genie grey)	2
5B	1254162GT	BRACKET,AIRLINE MOUNTING..... (from SN 3662) (Genie blue)	2
6	8255GT	SCREW,HHC,3/8-16 X .75	
7	4828GT	NUT,NYLOCK,3/8-16	
8	27894GT	PLUG,1/4"SERIES,3/8 MPT.....	1

814.1 Link Guard, CE and Australia



Go to Discount-Equipment.com to order your parts

PARTS FINDER

**Search Website
by Part Number**



**Search Manual
Library For Parts
Manual & Lookup Part
Numbers – Purchase
or Request Quote**

Search Manuals

Enter your information to help us find the right parts manual for your machine.

* Brand:

* Model:

* Serial:

* Part Number:

SEARCH

**Can't Find Part or
Manual? Request Help
by Manufacturer,
Model & Description**

Parts Order Form

Please fill in the following information to help us find the right part for your machine.

Manufacturer:	<input type="text"/>
Model:	<input type="text"/>
Description:	<input type="text"/>
Part Number:	<input type="text"/>
Quantity:	<input type="text"/>
Notes:	<input type="text"/>

Submit

Discount-Equipment.com is your online resource for quality parts & equipment.

Florida: **561-964-4949** Outside Florida TOLL FREE: **877-690-3101**

Need parts?

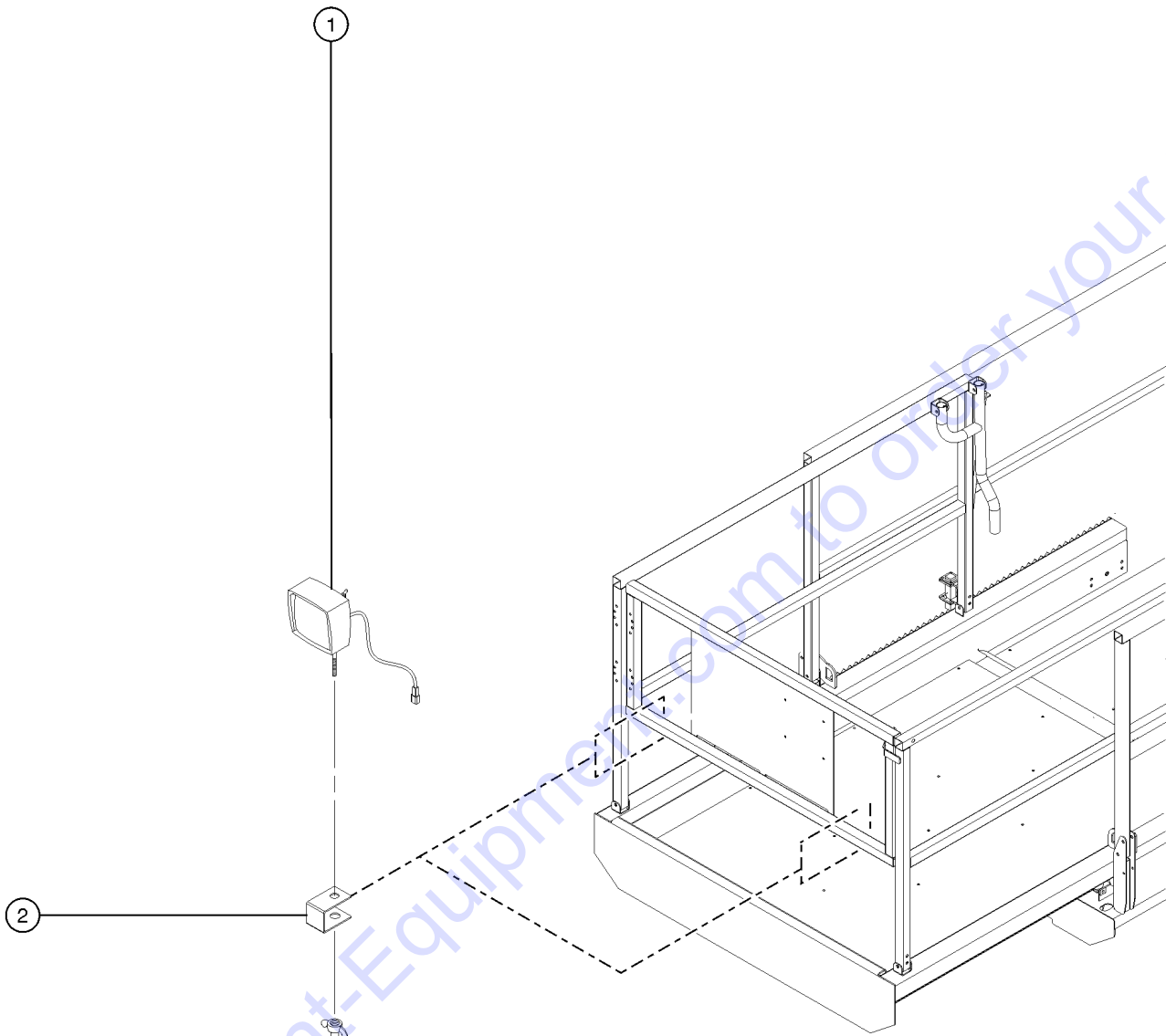
Click on this link: <http://www.discount-equipment.com/category/5443-parts/> and choose one of the options to help get the right parts and equipment you are looking for. Please have the machine model and serial number available in order to help us get you the correct parts. If you don't find the part on the website or on one of the online manuals, please fill out the request form and one of our experienced staff members will get back to you with a quote for the right part that your machine needs.

We sell worldwide for the brands: Genie, Terex, JLG, MultiQuip, Mikasa, Essick, Whiteman, Mayco, Toro Stone, Diamond Products, Generac Magnum, Airman, Haulotte, Barreto, Power Blanket, Nifty Lift, Atlas Copco, Chicago Pneumatic, Allmand, Miller Curber, Skyjack, Lull, Skytrak, Tsurumi, Husquvarna Target, Stow, Wacker, Sakai, Mi-T-M, Sullair, Basic, Dynapac, MBW, Weber, Bartell, Bennar Newman, Haulotte, Ditch Runner, Menegotti, Morrison, Contec, Buddy, Crown, Edco, Wyco, Bomag, Laymor, EZ Trench, Bil-Jax, F.S. Curtis, Gehl Pavers, Heli, Honda, ICS/PowerGrit, IHI, Partner, Imer, Clipper, MMD, Koshin, Rice, CH&E, General Equipment, Amida, Coleman, NAC, Gradall, Square Shooter, Kent, Stanley, Tamco, Toku, Hatz, Kohler, Robin, Wisconsin, Northrock, Oztec, Toker TK, Rol-Air, APT, Wylie, Ingersoll Rand / Doosan, Innovatech, Con X, Ammann, Mecalac, Makinex, Smith Surface Prep, Small Line, Wanco, Yanmar

814.1 Link Guard, CE and Australia

Item	Part No.	Description	Qty.
1A	227768GT	FORMING, LINK GUARD, SIDE, 26/33...2 for GS-2669 RT & GS-3369 RT (ground controls side, front & engine side, rear)	
1B	T114354GT	FORMING, LINKGUARD, SIDE, 40.....2 for GS-4069 RT (ground controls side, front & engine side, rear)	
2A	227713GT	FORMING, LINK GUARD, BACK, 26/33.....2 for GS-2669 RT & GS-3369 RT	
2B	T114357GT	FORMING, LINKGUARD, END, 40.....2 for GS-4069 RT	
3	101718GT	BOLT, CARRIAGE, 3/8-16 X .75, G2	
4	6097GT	WASHER, FLAT, USS, 3/8", Y	
5	6021GT	WASHER, LOCK, .375	
6	45444GT	NUT, ACORN 3/8-16 PLATED	
7A	227716GT	FORMING, LINK GUARD, SIDE, 26/33...1 for GS-2669 RT & GS-3369 RT without oil cooler option (ground controls side, rear)	
7B	227714GT	FORMING, LNK GRD, SIDE, OPT, 26/33...1 for GS-2669 RT & GS-3369 RT with oil cooler option (ground controls side, rear)	
7C	T114353GT	FORMING, LINKGUARD, SIDE, 40.....1 for GS-4069 RT without oil cooler option (engine side, rear)	
7D	227717GT	FORMING, LINK GUARD, SIDE, OPT, 40...1 for GS-4069 RT with oil cooler option (engine side, rear)	
8	T114358GT	FORMING, LINKGUARD, BOXTOP.....2 for GS-4069 RT	
9	4828GT	NUT, NYLOCK, 3/8-16	
10	73466GT	BOLT, CARRIAGE, 3/8-16 X 1.00, G2	
11A	227715GT	FORMING, LINK GUARD, FRONT, 26/33.....1 for GS-2669 RT & GS-3369 RT	
11B	T114356GT	FORMING, LINKGUARD, SIDE, 40.....1 for GS-4069 RT	
12A	227716GT	FORMING, LINK GUARD, SIDE, 26/33...1 for GS-2669 RT & GS-3369 RT without oil cooler option (engine side, front)	
12B	227716GT	FORMING, LINK GUARD, SIDE, 26/33...1 for GS-2669 RT & GS-3369 RT with oil cooler option (engine side, front)	
12C	T114353GT	FORMING, LINKGUARD, SIDE, 40.....1 for GS-4069 RT without oil cooler option (ground controls side, front)	
12D	T114353GT	FORMING, LINKGUARD, SIDE, 40.....1 for GS-4069 RT with oil cooler option (ground controls side, front)	

815.1 Platform Work Light



815.1 Platform Work Light

Item	Part No.	Description	Qty.
A	823041GT	WORKLIGHTS,FIELD KIT,GS-2669.....1	
--	823044GT	HARNESS,GS2669 WORKLIGHTS.....1	
B	823042GT	WORKLIGHTS,FIELD KIT,GS-3369.....1	
--	823045GT	HARNESS,GS3369 WORKLIGHTS.....1	
C	823043GT	WORKLIGHTS,FIELD KIT,GS-4069.....1	
--	823046GT	HARNESS,GS4069 WORKLIGHTS.....1	
1	71498GT	WORKLIGHT, 12V, DEUTSCH RECEPT.....2	
2	71382GT	BRACKET, WORK LIGHTS, OPTION.....2	
3	28443GT	CABLE TIE,11.5" BLACK <i>not shown</i>	

Go to Discount-Equipment.com to order your parts



Part Number Index

The Part Number Index is a numeric index of all part numbers included in this manual. The index shows what page(s) the part is used on.

Part Number	Page	Part Number	Page	Part Number	Page	Part Number	Page
101067GT	161	112350GT	127-128, 131,	1254126GT	117	1254823GT	95
10107GT	97		133, 135, 137	1254127GT	79	1255452GT	61, 63, 66, 105
101200GT	83	112375GT	127-128, 133,	1254128GT	81	1255881GT	115
101201GT	83		137	1254129GT	91-92	1256129GT	124
101202GT	87	112476GT	65-66, 143, 145,	1254130GT	95	1256130GT	124
101203GT	83		147	1254131GT	91-92	1256151GT	189
101204GT	87	112512GT	66	1254132GT	91-92	1256267GT	127-128, 133,
101208GT	83	112531GT	89	1254133GT	91-92		137
101209GT	83	112537GT	195	1254134GT	103	1256463GT	175
101318GT	95	112543GT	145	1254135GT	91-92	1256582GT	108
101319GT	95	112572GT	66	1254136GT	105	1256586GT	127-128, 131,
101320GT	91-92	112639GT	91-92	1254138GT	117		135
101322GT	95	112640GT	91-92	1254139GT	81	1256587GT	127-128, 131,
101324GT	95	112703GT	139, 141	1254140GT	117		135
101341GT	95	112708GT	127-128, 131,	1254141GT	103	1256588GT	127-128
101586GT	65-66		135, 139, 141	1254142GT	75-76	1256593GT	131, 135
101718GT	201	112772GT	151	1254143GT	81	1256594GT	131
102395GT	159	112871GT	81	1254144GT	79	1256597GT	135
102396GT	159	112929GT	79, 95, 99	1254145GT	75-76	1256598GT	135
10258GT	189	112946GT	79, 95, 99	1254162GT	199	1257733GT	11
102685GT	161	11335GT	113	1254163GT	177	1258567GT	11
104235GT	79, 95, 99	114202GT	13, 15, 21, 23,	1254164GT	177	1258624GT	65-66
104367GT	87		29, 31, 37, 39,	1254165GT	177	1258625GT	65-66
104571GT	123-124		45, 47, 53, 55	1254166GT	108	1258626GT	61
104759GT	157, 159, 165	114251GT	23, 39, 55	1254167GT	183	1258627GT	61
104760GT	159, 193	114258GT	15, 31, 47	1254168GT	183	1258628GT	65-66
104764GT	159	114337GT	21, 37, 53	1254170GT	71	1258629GT	65-66
104804GT	145	114338GT	25, 27, 41, 43,	1254174GT	69	1258630GT	61
104935GT	165		57, 59	1254175GT	65-66	1258631GT	61
105108GT	155	114371GT	25, 27, 41, 43,	1254176GT	65-66	1258749GT	65-66
105109GT	155		57, 59	1254177GT	66	1258750GT	65-66
105171GT	155	114385GT	13, 15, 29, 31,	1254178GT	65-66	1258751GT	61
105172GT	155		45, 47	1254180GT	61	1258752GT	61
105319GT	119	114386GT	15, 17, 19, 31,	1254181GT	61	1258753GT	65-66
105556GT	173		33, 35, 47, 49, 51	1254182GT	61	1258754GT	65-66
105557GT	173	115206GT	157	1254184GT	63	1258755GT	61
105662GT	153	115402GT	163	1254187GT	69	1258756GT	61
105692GT	71, 191	115431GT	79, 81, 89, 91-92	1254188GT	69	1259055GT	107-108
105695GT	161	116503GT	83	1254189GT	69	1259447GT	123-124
106098GT	65-66	116523GT	83	1254190GT	127-128, 131,	1259448GT	123-124
106117GT	65-66	117773GT	183		135	1259499GT	123-124
106118GT	65-66	119067GT	179	1254191GT	133, 137	1259500GT	191
106134GT	65-66	119218-1000GT	99	1254192GT	127-128, 131,	1260192GT	124
10744GT	119	119218-1050GT	99		135	1261085GT	165
10775GT	108, 151	119218-1200GT	99	1254196GT	141	1261278GT	75-76, 107-108
10777GT	151	119218-1400GT	99	1254198GT	131, 135	1262944GT	107-108
111819GT	111	119684	11	1254199GT	127-128, 131	1262945GT	107-108, 111
112070GT	127-128, 131,	119684GT	92, 97	1254201GT	137	1263198GT	107-108, 111
	135	119685GT	92, 97	1254202GT	127-128, 133,	1263199GT	107-108, 111
112072GT	131, 135	119809GT	91-92		137	1263240GT	111
112076GT	127-128, 131,	119918GT	107-108	1254203GT	133, 137	1263241GT	111
	135, 139, 141	121067GT	75-76	1254204GT	127-128, 131,	1264810GT	105
112099GT	127-128, 133,	121422GT	105		135	1264822GT	123-124
	137	122994GT	115	1254206GT	139	1264834GT	123-124
112100GT	127-128, 133,	1251757GT	107-108, 111	1254207GT	127-128	1265332GT	165
	137	1253349GT	121	1254208GT	127-128	1265367GT	165
112106GT	137	1253422GT	121	1254246GT	105	1265863GT	99
112115GT	127-128, 133,	1253423GT	121	1254419GT	105	1266127GT	99, 103
	137	1253424GT	121	1254420GT	105	1266174GT	123-124
112116GT	127-128, 133,	1253425GT	121	1254421GT	103	1266263GT	97, 103
	137	1253426GT	113	1254422GT	81	1266292GT	97
112121GT	127-128, 133,	1253427GT	103	1254424GT	89	1266527GT	107-108
	137	1253479GT	121	1254425GT	87	1266602GT	107-108
112123GT	127-128, 131,	1254068GT	197	1254427GT	121	1266868GT	75-76
	135	1254107GT	76, 87	1254428GT	121	1267113GT	123-124
112124GT	127-128, 131,	1254108GT	89	1254436GT	69	1267270GT	123-124
	135	1254109GT	89	1254437GT	65-66	1267290GT	65-66
112125GT	135	1254110GT	89	1254440GT	108	1267469GT	175
112126GT	135	1254111GT	89	1254441GT	115	1267806GT	123-124
112127GT	127-128, 139	1254112GT	103	1254443GT	113	1268767GT	99
112134GT	131, 135, 141	1254113GT	85	1254444GT	113	1268768GT	99
112136GT	141	1254114GT	89	1254445GT	113	1268809GT	75-76, 87
112177GT	133, 137	1254115GT	89	1254446GT	113	1268GT	11
112210GT	133, 137	1254116GT	89	1254462GT	69	1269612GT	103
112229GT	139	1254117GT	91-92	1254572GT	175	1269676GT	123-124

Part Number Index (continued)

Part Number	Page	Part Number	Page	Part Number	Page	Part Number	Page
1269693GT	179	131416GT	143	139213GT	81	148077GT	123-124
1270096GT	183	131427GT	89	139215GT	81	148078GT	123-124
1270142GT	89	131428GT	195	139230GT	89	148079GT	123-124
1270697GT	76, 87, 95, 101	131484GT	87	139249GT	13, 29, 45	148080GT	123-124
1270952GT	101	131581GT	79, 81, 89, 91-92	139251GT	91-92	148081GT	123-124
1270954GT	97	131587GT	13, 29, 45	139267GT	91-92	148082GT	123-124
1270955GT	101	131602GT	61	139270GT	91-92	148083GT	123-124
1270996GT	111	131610GT	61	139272GT	91-92	148084GT	123-124
1271076GT	115	131615GT	61	139273GT	83, 87	148086GT	123-124
1271715GT	101	131616GT	61	139274GT	87	148087GT	123-124
1271717GT	101	131621GT	163	139277GT	89	148088GT	123-124
1271729GT	99	131639GT	66	139278GT	73, 83	148089GT	123-124
1271754GT	11	131640GT	66	139279GT	83	148090GT	123-124
1271772GT	107-108, 111	131643GT	65-66	139280GT	83	148091GT	123-124
1271773GT	107-108, 111	131656GT	91-92	139282GT	83	148092GT	123-124
1271797GT	11	131658GT	11, 107-108	139483GT	75-76	148093GT	123-124
1271823GT	11	131661GT	11	139877GT	169	148094GT	123-124
1271825GT	97	131662GT	11	139953GT	179	148099GT	83
1271832GT	123-124	131664GT	95	139954GT	179	148101GT	103
1271848GT	11	131665GT	95	139966GT	65-66	148105GT	117
1271876GT	11	131687GT	131	139967GT	65-66	148109GT	92
1272018GT	11, 107-108, 111	131695GT	65-66	139968GT	65-66	148115GT	81
1272019GT	11, 107-108, 111	131735GT	147	139969GT	65-66	148206GT	123-124
1272020GT	107-108, 111	131741GT	147	139970GT	65-66	148210GT	123-124
1272022GT	107-108, 111	131742GT	147	139971GT	65-66	148226GT	119
1272023GT	107-108, 111	131743GT	147	14033GT	127-128, 131, 135	148236GT	66, 127-128, 133, 137
1272242GT	15, 23, 31, 39, 47, 55	131744GT	143	14392GT	79, 121	148243GT	108
1272457GT	101	131745GT	143	144065GT	153	148271GT	69
1272458GT	101	131746GT	145	144161GT	151	148277GT	69
1272505GT	97	131747GT	145	146550GT	107-108	148291GT	119
1272569GT	115	131749GT	143, 147	147033GT	65-66	148292GT	69
1272587GT	111	131751GT	147	147034GT	65-66	148296GT	177
1272828GT	99	131755GT	65-66	147090GT	115	148302GT	177
1272843GT	13, 29, 45	131765GT	105	147091GT	115	148304GT	177
1272952GT	101	131769GT	105	147228GT	179	148307GT	69
1272953GT	101	131778GT	107-108	147229GT	179	148317GT	127-128, 133, 137
1272994GT	107-108, 111	131780GT	119	147230GT	179	148329GT	189
1272995GT	107-108, 111	131790GT	119	147231GT	179	148353GT	61
1272996GT	107-108	131800GT	113	147232GT	179	148389GT	107-108
1272997GT	107-108, 111	131801GT	103	147233GT	179	148390GT	91-92
1273249GT	117	131813GT	79, 89, 91-92, 99, 105	147239GT	179	148394-2100GT	99, 103
1273254GT	123-124	131814GT	105	147240GT	179	148394-400GT	99, 103
1273258GT	76, 87, 95, 101	131873GT	119	147241GT	179	148394-550GT	99, 103
1273617GT	169	131874GT	139	147242GT	179	148396GT	61
1273618GT	169	131897GT	79	147258GT	179	148399GT	91-92
1274301GT	91-92	131899GT	127-128	147262GT	179	148400GT	63
1275562GT	191	131903GT	127-128	147419GT	169	148403GT	69
1275810GT	191	131920GT	165	148000GT	191	148409GT	189
1278977GT	113	131921GT	165	148001GT	191	148410GT	189
1279465GT	105	131926GT	119	148005GT	115	148413GT	71
1279466GT	105	131928GT	119	148008GT	105	148414GT	123-124
1280156GT	195	131929GT	119	148018GT	108	148416GT	73, 83, 91-92
1280296GT	97	131945GT	83	148023GT	75-76	148422GT	149
1280297GT	97	131954GT	81	148024GT	191	148426GT	61
1280298GT	97	131972GT	191	148027GT	191	148433GT	127-128, 131, 135
1280391GT	97	133278GT	15, 31, 47	148029GT	103	148434GT	127-128, 131, 135
1280665GT	151	133537GT	25, 27, 41, 43, 57, 59	148034GT	103	148444GT	107-108, 111
128085GT	163			148035GT	91-92	148461GT	119
1281807GT	99	13585GT	108, 151	148036GT	95	1484GT	11
1283121GT	66	13854GT	117, 177	148040GT	75-76	148548GT	119
128328GT	89	139168GT	81	148044GT	191	160566GT	123-124
128332GT	75-76	139173GT	81	148046GT	189	160739GT	189
128350GT	79	13918GT	63	148052GT	89	160740GT	189
128351GT	79	139191GT	73	148053GT	89	160744GT	189
128516GT	79	139192GT	73	148054GT	89	160905GT	123-124
13000GT	75-76, 89, 177	139193GT	75-76	148055GT	85	160906GT	123-124
13002GT	177	139196GT	73	148068GT	123-124	160907GT	123-124
13022GT	89	139200GT	73	148069GT	123-124	161193GT	75-76
13064GT	66	139202GT	73	148070GT	123-124	161209GT	75-76
13083GT	115	139203GT	11, 79	148071GT	123-124	161213GT	123-124
131323GT	107-108	139204GT	79	148072GT	123-124	161214GT	123-124
131372GT	75-76, 87, 97	139205GT	79	148073GT	123-124	161695GT	87
131373GT	89	139206GT	79	148074GT	123-124		
131378GT	83	139211GT	81	148075GT	123-124		
131379GT	11	139212GT	81	148076GT	123-124, 173		

Part Number Index (continued)

Part Number	Page	Part Number	Page	Part Number	Page	Part Number	Page
161714GT	81	227483GT	181	229668GT	92	233933GT	81, 103
161715GT	81	227484GT	181	229740GT	108	233943GT	75-76, 111
161805GT	119	227485GT	181	229761GT	11	233944GT	75-76
162455GT	83	227486GT	197	229771GT	105	233945GT	75-76, 107-108
162456GT	83	227487GT	197	229827GT	13, 29, 45	233946GT	75-76, 107-108
162457GT	75-76	227489GT	197	229828GT	21, 37, 53	233947GT	75-76
162458GT	75-76	227490GT	197	229835GT	13, 15, 29, 31, 45, 47	233948GT	91-92
162459GT	95	227491GT	197	229871GT	13, 29, 45	233949GT	91-92
162460GT	95	227492GT	163	229915GT	17, 19, 33, 35, 49, 51	233954GT	37
162461GT	95	227579GT	73	229916GT	17, 33, 49	233955GT	53
162462GT	95	227582GT	73	230473GT	89	233956GT	21
162463GT	87	227592GT	73	230477GT	89	233957GT	37
18383GT	127-128, 131, 135	227593GT	73	230489GT	27	233957GT	37
18503GT	75-76, 89, 95	227594GT	73	230490GT	35, 43	233958GT	53
18540GT	66	227598GT	171	230491GT	59	233959GT	21
18605GT	66, 71, 127-128, 133, 137, 191	227599GT	171	230492GT	25	233960GT	37
18666GT	108	227600GT	171	230493GT	41	233961GT	53
19440GT	61	227601GT	171	230494GT	57	233962GT	21
19506GT	115	227602GT	171	23061GT	89	233963GT	37
19859GT	75-76	227603GT	171	230493GT	41	233964GT	53
20224GT	157	227604GT	171	230494GT	57	234598GT	157
20912GT	65-66	227605GT	171	23061GT	89	234599GT	157
21019GT	91-92	227606GT	171	230803GT	19, 35, 51	234600GT	157
21130GT	85, 91-92	227607GT	171	230804GT	13, 15, 29, 31, 45, 47	234601GT	157
21465GT	75-76, 91-92, 107-108	227608GT	171	230805GT	27	234602GT	157
214817GT	165	227609GT	169	230806GT	43	234603GT	157
21496GT	81	227610GT	169	230807GT	59	234604GT	157
215229GT	107-108	227611GT	169	230808GT	17, 19, 25, 27, 33, 35, 41, 43, 49, 51, 57, 59, 153	234605GT	157
215475GT	177	227612GT	169	230809GT	25	234606GT	157
215919GT	123-124	227613GT	169	230810GT	41	234607GT	157
218604GT	75-76	227614GT	167, 171	230811GT	57	234608GT	157
219112GT	121	227713GT	201	230849GT	65-66	234609GT	157
219210GT	147	227714GT	201	230850GT	108	234610GT	157
219437GT	89, 95	227715GT	201	230858GT	165	234611GT	157, 161
219695GT	183	227716GT	201	230983GT	157	234612GT	157, 159, 161
219696GT	183	227717GT	201	231083GT	153	234613GT	157
220153GT	71	227720GT	181	231084GT	115	234617GT	75-76
220237GT	71	227724GT	197	231092GT	157	234669GT	73
22446GT	145	227726GT	197	231226GT	89	23472GT	73
226089GT	113	227728GT	197	231227GT	89	234769GT	159
226378GT	165	227730GT	197	231231GT	83	234770GT	159
226379GT	165	227735GT	197	231232GT	83	234771GT	159
226380GT	163	227738GT	197	231233GT	11	234772GT	159, 161
226381GT	195	227740GT	197	231239GT	101	234773GT	159
22672GT	87	227742GT	197	231529GT	101	234774GT	159
22676GT	81, 89	227768GT	201	231532GT	99	234775GT	161
226960GT	75-76, 107-108	227872GT	89	231557GT	107-108	234776GT	161
22700GT	79, 81, 89	22788GT	69, 127-128, 133, 137	231574GT	89	234777GT	159
227458GT	171	227925GT	89	23167GT	107-108	2347GT	107-108
227459GT	171	228103GT	127-128, 131, 135, 137	23168GT	11, 107-108	234802GT	11
227460GT	171	228327GT	17, 19, 25, 27	231929GT	83	234803GT	11
227461GT	171	228328GT	33, 35, 41, 43	232536GT	69	234842GT	83
227462GT	169, 171	228329GT	49, 51, 57, 59	232537GT	69	234843GT	83
227463GT	171	228407GT	15, 23, 31, 39, 47, 55	232845GT	115	234844GT	83
227464GT	169, 171	228458GT	95	233039GT	13	234845GT	89
227465GT	169, 171	228698GT	79, 81, 89	233040GT	21	234846GT	89
227466GT	169	228974GT	73, 83, 91-92	233041GT	65-66	234847GT	89
227467GT	169	22903GT	83	233042GT	29	234848GT	89
227468GT	169	229071GT	79	233043GT	45	234867GT	85
227469GT	169	229079GT	161	233044GT	13	235080GT	119
227470GT	169	229243GT	79	233045GT	29	235081GT	119
227471GT	169	229291GT	115	233046GT	45	235082GT	119
227472GT	169	229305GT	169	233047GT	13	235083GT	119
227473GT	169	22934GT	73, 83	233048GT	29	235084GT	119
227474GT	169	229427GT	13, 15, 21, 23, 29, 31, 37, 39, 45, 47, 53, 55	233507GT	73	235085GT	119
227475GT	87, 169	229430GT	19	233508GT	73	235086GT	119
227476GT	87, 169	229431GT	35	233799GT	45	235087GT	119
227477GT	169	229432GT	51	233800GT	13	235088GT	119
227478GT	167	229435GT	115	233801GT	29	235089GT	191
227479GT	167	229625GT	169	233802GT	45	235090GT	147
227480GT	185			233821GT	103	235091GT	191
227481GT	185			233822GT	89, 91-92	235092GT	127-128, 131, 135
227482GT	181			233823GT	103	235093GT	127-128, 131, 135
				233824GT	103	235094GT	127-128, 131, 135

Part Number Index (continued)

Part Number	Page	Part Number	Page	Part Number	Page	Part Number	Page
235095GT	69	28158GT	15, 23, 31, 39, 47, 55	38149GT	15, 23, 31, 39, 47, 55		131, 133, 135, 137, 141, 143, 145, 147, 149, 177, 183, 191, 195, 199, 201
235096GT	69					48425GT	147
235097GT	147	28159GT	15, 23, 31, 39, 47, 55	38979GT	107-108	48846GT	183
235098GT	147			39540GT	115	48875GT	181, 197
235099GT	147	28160GT	13, 21, 29, 37, 45, 53	39882GT	163	48880GT	157
235100GT	147			40434GT	17, 19, 25, 27, 33, 35, 41, 43, 49, 51, 57, 59	48883GT	169
235122GT	137	28174GT	15, 17, 19, 23, 25, 27, 31, 33, 35, 39, 41, 43, 47, 49, 51, 55, 57, 59			48892GT	197
235170GT	139			42360GT	61	48905GT	65-66, 163, 169, 171, 197
235171GT	141	28175GT	13, 15, 29, 31, 45, 47	42489GT	187	48909GT	61, 169, 171, 197
235172GT	141			42662GT	99	48911GT	61, 169
235173GT	139	28176GT	17, 19, 33, 35, 49, 51	4266GT	105, 135, 145	48912GT	61, 169, 171
235174GT	141			42767GT	11, 91-92	48915GT	169, 171, 197
235175GT	141	28235GT	15, 17, 19, 23, 25, 27, 31, 33, 35, 39, 41, 43, 47, 49, 51, 55, 57, 59	43392GT	119, 121	48916GT	165, 167, 169, 197
235176GT	139			43618GT	17, 19, 25, 27, 33, 35, 41, 43, 49, 51, 57, 59	48929GT	171
235177GT	141	28236GT	17, 19, 33, 35, 49, 51			48930GT	65-66, 197
235178GT	141			43700GT	87	48933GT	169, 171, 181, 197
235179GT	139	28373GT	13, 15, 29, 31, 45, 47	43956GT	151	48943GT	61, 171
235180GT	141			44174GT	157, 159, 193	48947GT	169, 171, 181
235181GT	141	28443GT	203	44175GT	193	48948GT	65-66, 169
235182GT	115	28646GT	195	44181GT	85	48960GT	169, 171, 183, 185
235331GT	143	28853GT	187	44184GT	73		
235332GT	143	29447GT	105	44190GT	79	48961GT	169
235499GT	73	29868GT	71, 119, 121, 147, 177, 191	44191GT	83	48983GT	169
235500GT	73			44192GT	83	48984GT	169
235501GT	73	30348GT	95	44193GT	83	48985GT	169
235502GT	73	30434GT	127-128, 133, 137	44196GT	85	48997GT	157, 161, 169, 171
235503GT	73			44197GT	85		
235504GT	73	30973GT	83	44198GT	85	49000GT	117
235505GT	73	31060GT	13, 29, 45	44201GT	85	49375GT	81
235506GT	73	31379GT	85, 91-92	44202GT	85	49379GT	91-92
235509GT	73	31506GT	107-108	44203GT	87	49408GT	83
235510GT	73	31658-SGT	107-108	44204GT	87	49612GT	157
235511GT	73	31779GT	11	44224GT	157	49613GT	11, 157
235512GT	73	31788GT	13, 29, 45	44227GT	157, 165	49816GT	115, 173, 191
235513GT	73	31789GT	13, 29, 45	44228GT	157, 159	49817GT	79
235516GT	75-76	32064GT	101	44230GT	159, 193	49818GT	115
235517GT	75-76	32069GT	73, 75-76, 83	44235GT	13, 15, 29, 31, 45, 47	49819GT	115
235518GT	75-76	32077GT	83	44255GT	13, 15, 29, 31, 45, 47	49821GT	71, 127-128, 133, 137
235519GT	75-76	32078GT	83				
235520GT	75-76	32084GT	75-76	44733GT	113	49857GT	61, 71
235521GT	75-76	32092GT	73	44736GT	17, 19, 33, 35, 49, 51	49861GT	181
235522GT	75-76	32103GT	85			51428GT	189
235523GT	79	32150GT	11	44743GT	147	51451GT	117
235524GT	79	32151GT	11	44780GT	61	51474GT	66
235525GT	79	32182GT	85	44782GT	61	51495GT	75-76
235526GT	79	32185GT	83, 89	44909GT	111	51510GT	81
235527GT	81	32189GT	83	44936GT	108, 191	51580GT	181
235528GT	81	32191GT	83	44973GT	165	51735GT	101
235529GT	81	32192GT	83	44981GT	15, 17, 19, 23, 25, 27, 31, 33, 35, 39, 41, 43, 47, 49, 51, 55, 57, 59	51738GT	89
235532GT	81	32194GT	83			51745GT	81, 85
235533GT	81	32199GT	83	45384GT	119, 121	51814GT	195
235552GT	73	32200GT	83	45435GT	75-76, 87, 97, 103	5224GT	191
235991GT	108	32205GT	89			52371GT	157, 159
236007GT	85	33418GT	89	45437GT	151	52374GT	157
236045GT	91-92	33550GT	147	45444GT	201	52377GT	159
236046GT	91-92	33629GT	151	45454GT	89, 115, 117	52378GT	157, 159
236095GT	11, 87	33724GT	151	45470GT	151, 177	52420GT	75-76, 87, 97, 103
236426GT	91-92	33987GT	65-66	45708GT	103	52425GT	75-76
237340GT	66	34052GT	115, 183	46131GT	76, 111	52427GT	75-76
24037GT	89	34053GT	115, 183	46718GT	183	52475GT	13, 15, 21, 23, 29, 31, 37, 39, 45, 47, 53, 55
24514GT	147	34211GT	107-108, 111	47077GT	199		
25388GT	151	34955GT	92	47230GT	117, 143, 147	52494GT	17, 19, 33, 35, 49, 51
25817GT	61	35418GT	85, 91-92	47238GT	189		
25926GT	91-92	35434GT	75-76, 91-92, 97	47312GT	61	52521GT	79
25929GT	83, 92	35461GT	71, 127-128, 133, 137	47478GT	143, 147	52531GT	83
27089GT	85			47793GT	145	52532GT	83
27581GT	11	35706GT	147	4828GT	63, 66, 69, 71, 79, 81, 89, 97, 99, 101, 103, 105, 107-108, 111, 113, 119, 121, 127-128,	52533GT	83
27894GT	199	36872GT	103				
27895GT	199	37947GT	115				
27900GT	199	38016GT	147				
27901GT	199	38028GT	143, 191				
27903GT	75-76, 199						
28092GT	73, 83						

Part Number Index (continued)

Part Number	Page	Part Number	Page	Part Number	Page	Part Number	Page
52535GT	73, 75-76, 79	6175GT	101, 117, 143, 147	71315GT	143, 147	82487GT	23, 25, 27, 39, 41, 43, 55, 57, 59
52536GT	79			71376GT	143	825187GT	153
52808GT	73	6178GT	89, 108, 115, 173, 191	71382GT	203	82557GT	17, 19, 33, 35, 49, 51
52816GT	11, 73			71484GT	108	82558GT	13, 15, 29, 31, 45, 47
52834GT	85	6198GT	61, 69, 79, 95, 99, 103, 105, 108, 113, 117, 127-128, 133, 137, 139, 177, 189	71498GT	203	8255GT	61, 66, 105, 113, 117, 199
52850GT	73, 75-76			71508GT	71	82560GT	21, 23, 37, 39, 53, 55
52865GT	15, 31, 47			71909GT	91-92	82561GT	13, 15, 29, 31, 45, 47
52867GT	11, 92			71912GT	191	82562GT	21, 23, 37, 39, 53, 55
52897GT	159			71925GT	195		
52902GT	157			72086GT	13, 15, 21, 23, 29, 31, 37, 39, 45, 47, 53, 55	826516GT	191
52907GT	157, 161	62116GT	85			82666GT	21, 23, 37, 39, 53, 55
52910GT	159	62117GT	85	72097GT	195		
52967GT	13, 15, 21, 23, 29, 31, 37, 39, 45, 47, 53, 55	62118GT	85	72186GT	13, 15, 29, 31, 45, 47	82666GT	21, 23, 37, 39, 53, 55
		62119GT	85				
53500GT	163	62160GT	73, 83, 92, 101	72326GT	153		
53605GT	117	62164GT	153	72343GT	95		
5365GT	66	62207GT	161	7339GT	63		
5397GT	75-76, 89, 92, 97, 105	62296GT	87	73464GT	65-66, 127-128, 131, 135	82793GT	15, 31, 47
		62337GT	157			83093GT	115
54123GT	107-108	62339GT	157	73466GT	66, 177, 201	83131GT	115
54332GT	73, 83	62341GT	157, 161	73736GT	115	832128GT	73, 83
54534GT	115	62421GT	11, 91-92	73803GT	115	839119GT	85
54556GT	91-92	62815GT	157	74006GT	108	839149GT	85
54627GT	65-66	6326GT	127-128, 131, 135, 149, 177, 195	74389GT	61	839151GT	83
5484GT	195			74514GT	75-76	839209GT	83
55485GT	195	63375GT	108	74544GT	87	839233GT	85
55517GT	119, 121, 147	6356GT	81, 107-108, 183	75175GT	91-92	84039GT	73
55558GT	165	64154GT	71, 103, 105, 108, 113, 119, 121, 127-128, 131, 135, 183, 191	75260GT	105	84040GT	73
55559GT	165			75854GT	183	84053GT	79
55675GT	121			75855GT	183	84077GT	81
55682GT	195			77026GT	191	84109GT	193
56912GT	61, 65-66, 69, 105, 108, 183, 189	65837GT	83	7713GT	65-66, 71, 105, 113, 117, 147	84408GT	75-76
		65853GT	11, 85	77402GT	91-92	84421GT	165
56949GT	85, 91-92	6595GT	151	77692GT	101, 107-108, 111	84423GT	165
57075GT	108	66030GT	143, 145, 147			84808GT	75-76
58486GT	113	6605GT	89	78038GT	117	84810GT	75-76
58592GT	65-66	6606GT	89	78674GT	108	84812GT	91-92
59568GT	191	6626GT	151	78736GT	65-66, 127-128, 131, 135, 137	84813GT	91-92
6002GT	83	66353GT	108, 151			84814GT	91-92
6019GT	76, 79, 81, 87, 89, 95, 105, 108, 119, 121, 137, 177, 183, 191	66355GT	108, 151	78903GT	155	84816GT	95
		66356GT	151	78903HGT	155	85071GT	11, 95
6021GT	76, 87, 95, 105, 119, 121, 201	6637GT	61, 143, 189	79015GT	183	85143GT	95
		6638GT	61, 73, 75-76, 79, 81, 85, 91-92, 99, 101, 105, 115, 119, 143, 145, 147, 183, 189	79090GT	147	85155GT	91-92
60334GT	105			79355GT	143, 145, 147	8516GT	69, 89, 97
6033GT	91-92, 95	66399GT	11	79374GT	173	85197GT	76, 87, 95, 101
60585GT	91-92	66717GT	108	79383GT	199	866040GT	85
60790GT	69, 99	66812GT	115, 153	79456GT	73, 91-92, 101	866050GT	11, 83
60857GT	11, 105	66817GT	115, 153	79831GT	195	866070GT	85
6090GT	65-66, 69, 81, 85, 91-92, 107-108, 115, 147, 151, 183	66818GT	115, 153	80149GT	153	866127GT	11, 75-76
		6700GT	76, 87, 95, 115	81329GT	121	866400GT	11, 73
6091GT	65-66, 73, 75-76, 79, 81, 85, 91-92, 97, 99, 101, 103, 108, 115, 121, 143, 145, 147, 151, 173, 183, 191	6708GT	145, 147	81579GT	71	87002GT	191
		67387GT	63, 105	81633GT	75-76	87033GT	169
		67504GT	115, 124, 183	8179GT	183	87070GT	107-108
		6782GT	85, 89, 97, 108, 119, 147, 177	82240GT	21, 37, 53	87075GT	113
		67933GT	195	823041GT	203	87190GT	165
		6873GT	108	823042GT	203	87191GT	165
6095GT	69, 79, 95, 99, 128, 133, 137	6878GT	97, 99, 103, 121, 145, 173, 191	823043GT	203	87193GT	151
				823044GT	203	87265GT	173
6096GT	69, 127-128, 133, 137, 189	6886GT	91-92	823045GT	203	87320-SGT	145
6097GT	63, 69, 97, 99, 101, 103, 107-108, 111, 113, 133, 137, 141, 147, 149, 177, 183, 201	6888GT	79, 85, 115	823046GT	203	87523GT	143
		6889GT	119, 127-128, 131, 135, 137, 145, 147, 149, 153	823341GT	153	87564GT	147
				82366GT	15, 31, 47	87566GT	153
61225GT	89	69864GT	115, 124	824027GT	175	87568GT	143
6146GT	79, 115	7056GT	108, 151	82418GT	15, 23, 31, 39, 47, 55	87570GT	147
61741GT	85	71202PGT	105	82473GT	21, 23, 37, 39, 53, 55	87571GT	147
		71259GT	183	82474GT	21, 23, 37, 39, 53, 55	87584GT	81, 85
		7127GT	151			87645GT	147
				82475GT	21, 23, 37, 39, 53, 55	87675GT	147
				82476GT	21, 23, 37, 39, 53, 55	87684GT	65-66, 103, 113
				82481GT	21, 37, 53	88296GT	65-66
						89065GT	61
						89066GT	61
						8914GT	149
						8915GT	91-92

Part Number	Page	Part Number	Page
89997GT	79	T109747GT	123-124
94232GT	95	T109748GT	123-124
94239GT	92	T109749GT	123-124
94240GT	95	T109750GT	123-124
94242GT	95	T110624GT	193
94243GT	95	T110637GT	65-66
94244GT	91-92	T111767GT	113
94532GT	79, 81, 89, 91-92	T111768GT	113
94688GT	87, 95	T111769GT	113
94762GT	11, 91-92	T112283GT	105
94784GT	95	T112457GT	107-108
94889GT	91-92	T112503GT	61
96008-SGT	115	T112560GT	151
96009GT	115	T112563GT	151
96010GT	115	T113085GT	159
96203GT	103, 105, 108, 113, 128, 133, 137	T113979GT	73
		T114353GT	201
		T114354GT	201
96236GT	108, 151	T114356GT	201
96320GT	66	T114357GT	201
96699GT	175	T114358GT	201
96905GT	135, 137	T114634GT	123-124
96977GT	69, 127-128, 133, 137, 139, 141	T114635GT	13, 15, 21, 23
		T114636GT	29, 31, 37, 39
		T114637GT	45, 47, 53, 55
97013GT	155	T114638GT	17, 19
97014GT	155	T114639GT	33
97015GT	155	T114640GT	49, 51
97368GT	159	T114641GT	17
97372GT	157	T114642GT	33
97473GT	95	T114643GT	49
97482GT	75-76	T114655GT	73
97602GT	13, 29, 45	T114657GT	75-76
97719GT	15, 23, 31, 39, 47, 55	T114659GT	75-76
		T114682GT	73
99089GT	115	T114860GT	69
99097GT	76, 87, 103	T115515GT	69
99163GT	153	T115706GT	108
99164GT	153		
99199GT	85		
99267GT	147		
99268GT	147		
99346GT	71, 113		
99851GT	95		
99852GT	95		
99882GT	87		
T106385GT	191		
T106699GT	115		
T106782GT	108		
T106787GT	107-108		
T107408GT	157		
T107936GT	65-66		
T107969GT	65-66		
T107978GT	65-66		
T108039GT	149		
T108044GT	153		
T108074GT	149		
T108133GT	73		
T108137GT	127-128, 131, 135		
T108138GT	127-128, 131, 135		
T108139GT	127-128, 131, 135		
T108147GT	115		
T109085GT	61		
T109593GT	61		
T109734GT	127-128, 131, 137		
T109736GT	117		
T109738GT	123-124		
T109739GT	65-66		
T109743GT	123-124		
T109744GT	65-66		
T109745GT	65-66		
T109746GT	123-124		

Part Description Index

The Part Description Index is an alphabetical index of all part descriptions included in this manual. The index shows what page(s) the part is used on.

- 1**
1-1/8T TUBE CLAMP.....183
12VDC PROPORTIONAL VALVE.....179
- 2**
207 HYD MOTOR ASSY, GEN.....179
- A**
ADAPTER, FLANGE GEAR, 3 HOLE.....87, 95
ADAPTER, FLANGE, FLYWHEEL.....75-76
ADAPTER, FLANGE GEAR, 3 HOLE, GRDN...95
ADAPTER, WHEEL, GS68/GS69.....61
AIR CLEANER ASSEMBLY, DF-752.....75-76
AIR CLEANER ASSY.....87
AIR CLEANER COVER, DF-752.....75-76
AIR CLEANER FLANGE, DF-972.....75-76
AIR CLEANER STAY.....87
AIR CLEANER ASSEMBLY.....11, 92, 97
ALARM ASSY, 12VDC, ITT, 4 PIN****.....153
ALARM, STEADY TONE***.....115
ALTERNATOR GUARD, DF-972.....73
ALTERNATOR STAY, WG750***.....73
ALTERNATOR, 40 AMP, INT REG.....83
ALTERNATOR, 40 AMP, INT REGULATE.....95
ALTERNATOR, 40-AMP, DF-972.....73
ALTERNATOR, GM .998L, PSI, Z34.....99
ANALOG ROCKER ASSEMBLY***.....153
ANGLE, RELAY MNT, W/NUTSERTS, PNT...115
ARM, 2ND OUTER, W/BEARINGS, SY.....127-128, 131, 135
ARM, 2ND OUTER, W/BEARINGS, WO.....127-128, 131, 135
ARM, 2ND INNER ASSY, W/BEARINGS.....127-128, 131, 135
ASSY, HI FLOAT TIRE/WHEEL REAR.....65-66
ASSY, PAINT, STEER YOKE, RT.....61
ASSY, PLATE CONTROL, WG972.....79
ASSY, WIRE ROPE, CHOKE, WG972.....81
ASSY, FUEL HOSE, 5/16"ID, 10"L, FI...107-108, 111
ASSY, FUEL HOSE, 5/16"ID, 120", FI...107-108, 111
ASSY, FUEL HOSE, 5/16"ID, 14"L, FI...107-108, 111
ASSY, FUEL HOSE, 5/16"ID, 15"L, FI.....97
ASSY, FUEL HOSE, 5/16"ID, 20"L, FI.....97
ASSY, FUEL HOSE, 5/16"ID, 26"L, FI.....97
ASSY, FUEL HOSE, 5/16"ID, 41"L, FI.....97
ASSY, FUEL HOSE, 5/16"ID, 8"L, FI.....107-108, 111
ASSY, FUEL TANK, 10 GAL, GS69.....107-108, 111
ASSY, FUNCTION MANIFOLD, GS69.....157
ASSY, HI FLOAT TIRE/WHEEL FRONT.....61
ASSY, LCP, GS69.....115
ASSY, LIMIT SWITCH, OSC, AXLE, GS69....123-124
ASSY, LINK, INNER #1, BLUE, GS69...127-128, 131, 135
ASSY, LINK, INNER #1, GRAY, GS69.....127-128, 131, 135
ASSY, LINK, INNER #2, BLUE, GS69...127-128, 131, 135
ASSY, LINK, INNER #2, GRAY, GS69.....127-128, 131, 135
ASSY, LINK, INNER #3, BLUE, 2669....127-128, 139
ASSY, LINK, INNER #3, BLUE, 3369.....131
ASSY, LINK, INNER #3, BLUE, 4069.....135
ASSY, LINK, INNER #3, GRAY, 2669.....127-128
ASSY, LINK, INNER #3, GRAY, 3369.....131
ASSY, LINK, INNER #3, GRAY, 4069.....135
ASSY, LINK, INNER #4, BLUE, 4069.....135
ASSY, LINK, INNER #4, GRAY, 4069.....135
ASSY, LINK, INR #4-3369, #5-4069.....131, 135, 141
ASSY, RELAY SOCKET, AUTO.....115, 183
ASSY, TRACTION MANIFOLD, GS69.....159
- B**
B A C K U P
RING, 71.60X67.20X1.40PTFE(60334).....105
BASE WITH 1 NC CONTACT, E-STOP.....115, 153
BATTERY, 12V, 900 CCA.....103
BEACON LIGHT ASSY.....173
BEARING KIT, OMNI***.....65-66
BEARING, 1.00IDX1.25ODX0.75L.....66
BEARING, 1.00IDX1.25ODX1.00L.....61
BEARING, 1.00IDX1.25ODX1.00L**.....163
BEARING, 1.25IDX1.50ODX0.88L.....127-128, 133, 137
BEARING, 1.50IDX1.75ODX2.00L.....127-128, 131, 135
BEARING, BRZ, FL, 1.0IDX1.25OD.....79, 89, 91-92, 99, 105
BEARING, BRZ, FL, 1.25X1.50X1.1.....61
BEARING, FL, 1.25IDX1.50ODX.44LG.....127-128, 133, 137
BELLHOUSING, KD-1105, A-PILOT.....87
BELLHOUSING, DF-972, GRDN, GS69....75-76
BELLHOUSING, DF-972, GS69.....75-76
BELT, FAN, D-1105.....11
BELT, FAN, KUBOTA DF972/Z482-E.....11, 73
BELT, FAN, PERKINS (103.10).....11, 95
BLANKET, BATTERY.....187
BOLT, ALT. STAY, WG972.....73
BOLT, BELLHOUSING MNT, WG972.....75-76
BOLT, CARRIAGE, 3/8-16 X 1.50, G5.....69, 99
BOLT, D03 MOUNTING.....159
BOLT, FAN COVER, D1105.....89
BOLT, FAN, WG972.....73
BOLT, FLANGE ADAPTER, WG972.....75-76
BOLT, HEAT SHIELD, WG972.....73
BOLT, M8X30MM, KUBOTA.....73
BOLT, MUFFLER COVER, WG972.....73
BOLT, THERMOSTAT COVER, WG972.....73
BOLT, THROTTLE RET., WG972.....79
BOLT, CARRIAGE, #10-24X 5/8", G2.....66
BOLT, CARRIAGE, 1/2-13X1.50, GR5.....69, 127-128, 133, 137, 139, 141
BOLT, CARRIAGE, 1/2-13X1.75, G5...103, 105, 108, 113, 128, 133, 137
BOLT, CARRIAGE, 1/4-20 X .5, G2.....153
BOLT, CARRIAGE, 1/4-20 X .63, G2.....147
BOLT, CARRIAGE, 1/4-20 X .75, G2.....97, 99, 103, 121, 145, 173, 191
BOLT, CARRIAGE, 1/4-20 X 1.00, G2.....73, 91-92, 101
BOLT, CARRIAGE, 1/4-20 X 1.75, G2.....65-66, 127-128, 131, 135
BOLT, CARRIAGE, 1/4-20 X 2.5, G2.....135, 137
BOLT, CARRIAGE, 1/4-20X1.25, 5, ZAG.....175
BOLT, CARRIAGE, 3/8-16 X .75, G2.....201
BOLT, CARRIAGE, 3/8-16 X 1.00, G2.....66, 177, 201
BOLT, CARRIAGE, 3/8-16 X 2.00, G2.....147
BOLT, CARRIAGE, 3/8-16 X1.00, G5.....71, 103, 105, 108, 113, 119, 121, 127-128, 131, 135, 183, 191
BOLT, CARRIAGE, 3/8-16X1.75.....66
BOLT, CARRIAGE, 3/8-16X2.75, G5.....65-66, 143, 145, 147
BOLT, FLYWHEEL, KUBOTA D905.....87
BOLT, ROLLER, .470" (SHORT).....147
BOLT, SHLDR, 3/8X1.25, 5/16-18S/S.....119
BOLT, SHLDR, 3/8X5/16X5/16-18S/S.....108
BOLT, SHLDR, 5/16X1/4X1/14-20S/S.....119
BOLT, SHOULDER, 5/8-11 X 1.19 LT.....191
BOLT, WING, FILTER ELEMENT, D905.....87
BOOT, JOYSTICK~.....155
BOOT, THUMB ROCKER***.....155
BOTTLE, COOLANT RECOVERY, 1.4***.....79, 81, 89, 91-92
BOX, INSTRUCTION STORAGE.....147
BRACKET, AIR CLEANER.....75-76
BRACKET, AIR CLEANER MT.....92, 97
BRACKET, HIGH PRESSURE 4390.....105
BRACKET, THROTTLE END RETAINER.....79
BRACKET, WORK LIGHTS, OPTION.....203
BRACKET, AIRLINE MOUNTING.....199
BRACKET, RELAY MOUNT W/INSERTS.....115
BRASS STREET ELBOW.....199
BREAKER, 25 AMP, GEN.....179
BREAKER, 15 AMP, GEN.....179
BRG, FL, 1.5ID X 1.75OD X .5 LG.....127-128, 131, 133, 135, 137
BRKT, BAFFLE, RADIATOR.....89
BRKT, AIR CLEANER MOUNT.....87
BULB, FLASHING BEACON.....173
BULKHEAD, FEMALE X 6 X 6.....199
BUMPER, 1.00 X .375 X 5/16.....147
BUMPER, MODULE TRAY.....145
BUMPER, RUBBER, 1"OD X .461H....143, 147
BUMPER, BATTERY BOX & RAILS.....119, 121
BUMPER, LINKS, GS69.....127-128, 131, 137
BUMPER, RUBBER.....117, 143, 147
BUMPER, RUBBER-1 X 1.25.....83
BUSHING, 630DX.328ID .375T.....83
BUTTON, PUSH, RED MUSHROOM HEAD.....115, 153
- C**
CABLE ASSY, B+ TO STRT, GS69IC.....123-124
CABLE ASSY, ENG TO B-, GS69IC....123-124
CABLE ASSY, ENG. TO GRD, GS69IC.....123-124
CABLE ASSY, STARTER, PSI ENGINE....123-124
CABLE CLAMP, 3 WAY, HDPE.....105
CABLE END.....79
CABLE TIE, 11.5" BLACK.....203
CABLE, CONTROL JUMPER, GS69.....123-124
CABLE, CONTROL, BASE, GS3369.....123-124

CABLE,CONTROL,BASE,GS4069.....123-124	CLAMP,HOSE,5.00.....92	COVER, END, GENERATOR, 240V.....179
CABLE,CONTROL,BASE,GS69.....123-124	CLAMP,HOSE,FRONT,2X#4,#6.....65-66	COVER, FAN.....89
CABLE,CONTROL,GS2669.....123-124	CLAMP,HOSE,FRONT,3X#4.....65-66	COVER, HANDLE, YELLOW.....99
CABLE,DOWN COILS,GS3369.....123-124	CLAMP,HOSE,KUBOTA WG750.....73, 75-76, 83	COVER,BLANK.....151
CABLE,DOWN COILS,GS4069.....123-124	CLAMP,HOSE,SELF TIGHT, 7/16.....81, 85	COVER,GFCI,HORIZONTAL,WEATHER....108
CABLE,DWN INT LIMIT SWITCH.....123-124	CLAMP,MUFFLER,1.75 INCH.....101	COVER,GFCI,WEATHERPROOF.....151
CABLE,FUNCTION MANIFOLD,GS69.....123-124	CLAMP,RUB CUSH,0.75,#12 X 3/8*.....89, 115, 117	COVER,MUFFLER,DF-972.....73
CABLE,OUTRIGGER,FRNT,GS69.....123-124	CLAMP,TAILOPIPE, 1 1/2***.....73, 83, 92, 101	COVER,MUFFLER,FLANGE,DF-972.....73
CABLE,OUTRIGGER,REAR,GS69.....123-124	CLAMP-HOSE, .375, FUEL PUMP.....85	COVER,REAR AXLE.....65-66
CABLE,PRESSURE SWITCH.....123-124	CLEAR SWITCH ACTUATOR.....153	COVER,RT PLATFORM CONTROLS***.....153
CABLE,PROP. DOWN COIL 26/3369.....123-124	CLEAR SWITCH ACTUATOR(QTY 10).....153	COVER,V-BELT,D1105,KUBOTA.....83
CABLE,PROP. DOWN COIL 4069.....123-124	CLEVIS YOKE-1/4-28,PLTD W/PIN.....85, 91-92	CYLINDER, LIFT, LOWER, GS69.....165
CANISTER, CARBON, 1000CC.....107-108	CLIP, METAL MOUNTING.....71, 113	CYLINDER,LIFT,UPPER,4069.....165
CAP ASSY, COOLANT BOTTLE.....79, 81, 89, 91-92	COIL CORD CLIP.....143	CYLINDER,OSCILATING,GS69.....163
CAP, SPARK PLUG.....79	COIL, 12VDC,DIODE,DEUTSCH.....195	CYLINDER,OUTRIGGER,GS69.....195
CAP, TANK, FUEL SENSOR.....107-108, 111	COIL,10VDC #10 DTSCH NO DIODE.....157	CYLINDER,STEER***.....61
CAP, TUBE, SQ,1.25 X .083.....117	COIL,12V D03 ZENER DIODE.....159	
CAP,DIAGNOSTIC NIPPLE.....157	COIL,12VDC #10DTSCH IP69 ECOIL.....159, 193	D
CAP,DISENGAGE,OMNI***.....65-66	COIL,12VDC #8 DTSCH IP69 ECOIL.....157, 159, 165	DECAL KIT, 2669 COMP,WRD,ANSI.....13
CAP,FUEL,DIESEL,SAE-J NECK.....107-108	COIL,SQUARE,12VDC***.....165	DECAL KIT, 2669 COMP,WRD,AUS.....13
CAP,FUEL,GASOLINE 3.5PSI.....107-108	COLLAR, 7 BLADE FAN, D1105.....83	DECAL KIT, 2669 PLAT,WRD,ANSI.....13
CAP,HYDRAULIC TANK,GS68/84/90.....11, 107-108	COMP. FLYWHEEL.....87	DECAL KIT, 2669 PLAT,WRD,AUS.....13
CAP,RADIATOR,13 PSI.....89	COMP. WATER FLANGE.....89	DECAL KIT, 3369 COMP,WRD,ANSI.....29
CAP,RADIATOR,PERKINS(94232).....95	CONN, 1/2" BARBED, 3/8" FNPT.....107-108, 111	DECAL KIT, 3369 COMP,WRD,AUS.....29
CAP,RAIN,AIR CLEANER, GS68RT**.....75-76, 87, 97, 103	CONN, 3/16" BARBED, 3/8" MNPT...107-108, 111	DECAL KIT, 3369 PLAT,WRD,ANSI.....29
CAP,SERIES 1 CB VALVE,SINGLE**.....163	CONN, 520120-6.....165, 167, 169, 197	DECAL KIT, 3369 PLAT,WRD,AUS.....29
CAPACITOR 16 F, GEN.....179	CONN, 520120-8-6.....61, 171	DECAL KIT, 4069 COMP,WRD,ANSI.....45
CAPACITOR,1000UF,25V.....115	CONN, FFSS-MORB, 520181-12.....169	DECAL KIT, 4069 COMP,WRD,AUS.....45
CAPACITOR,4700MFD 25V.....115	CONN, LONG, ORFS-ORB, -16-16.....169	DECAL KIT, 4069 PLAT,WRD,ANSI.....45
CARBURATOR ASSY,DF-972.....75-76	CONN,520120-16.....169	DECAL KIT, 4069 PLAT,WRD,AUS.....45
CASTING, BALL, GS OUTRIGGER.....195	CONN,520120-4***.....65-66, 163, 169, 171, 197	DECAL KIT,2669 COMP,SYM,ANSI.....21
CASTING,CW,MID,4069.....69	CONN,520120-4-6***.....61, 169, 171	DECAL KIT,2669 COMP,SYM,ANSI.....21
CASTING,CW,REAR,4069.....69	CONN,520120-6-8.....65-66, 197	DECAL KIT,2669 PLAT,SYM,ANSI.....21
CASTING,OUTRIGGER FOOTPAD ***.....195	CONN,520120-8***.....169, 171, 181, 197	DECAL KIT,2669 PLAT,SYM,CE.....21
CATALYTIC MUFFLER,DF-972.....73	CONN,520120-8-12.....65-66, 169	DECAL KIT,3369 COMP,SYM,ANSI.....37
CATALYTIC MUFFLER,GM .998L.....101	CONN,BR, 1/8" MNPT-3/16" HS.....107-108	DECAL KIT,3369 PLAT,SYM,ANSI.....37
CHOKE LINKAGE GS68.....81	CONN,LONG,520122-4.....181	DECAL KIT,3369 PLAT,SYM,CE.....37
CIRCUIT BREAKER, 15A.....115	CONN,RECEP 4 WAY ENDCAP DT.....179	DECAL KIT,4069 COMP,SYM,ANSI.....53
CIRCUIT BREAKER, 20A.....115	CONN,RECEP 48 WAY,4 X 12.....115	DECAL KIT,4069 PLAT,SYM,ANSI.....53
CLAMP, LWR. RAD. HOSE, WG972.....81	CONN,SQUEEZE,1/2NPT .38-.50,SM.....108, 151	DECAL KIT,4069 PLAT,SYM,CE.....53
CLAMP, MUFFLER MOUNT, GM .998.....101	CONNECTOR,B,1/8 FPT 3/16 HS.....107-108	DECAL KIT,4069 COMP,SYM,CE.....53
CLAMP, UP. RAD. HOSE, WG972.....81	CONTACT, N.C.....115, 153	DECAL KIT,4069 PLAT,SYM,ANSI.....53
CLAMP,#4 HOSE,CLAMP.....189	CONTROL BOX,2KW,120/240V,50HZ.....179	DECAL KIT,4069 PLAT,SYM,CE.....53
CLAMP,0.31,#5 X 1/4,RUB CUSH.....151, 177	CONTROLLER BOX, 120/240V, 60H.....179	DECAL NOTICE,MAN FRC,2669 AUS.....19
CLAMP,1.00,#16 X 1/4,RUB CUSH.....108	COOLANT RECOVERY BOTTLE1.5 QT*.....99	DECAL, LABEL - DIRECTION ARROWS....17, 19, 25, 27, 33, 35, 41, 43, 49, 51, 57, 59
CLAMP,1X#8 HOSE.....105	COUPLER, SPLINED,9 TOOTH, 30MM.....75-76, 87	DECAL, LABEL, SAFETY ARM SYMB.....15, 23, 31, 39, 47, 55
CLAMP,2 HOSE,PLASTIC,5/8.....65-66, 127-128, 131, 135, 137	COUPLER,1/4"SERIES 3/8 MPT.....199	DECAL, POWER TO PLATFORM 230V**.....15, 17, 19, 23, 25, 27, 31, 33, 35, 39, 41, 43, 47, 49, 51, 55, 57, 59
CLAMP,AIR CLEANER HOSE,WG750**.....75-76	COUPLER,HUB,9T A-A SPLN PERKIN.....95	DECAL, SYMBOL - READ THE MANUAL...23, 25, 27, 39, 41, 43, 55, 57, 59
CLAMP,FUEL COMPONENTS,GM .998L.....107-108, 111	COUPLER,HUB9TA-APLNSPERKINGDN.....95	DECAL,ANNUAL INSP***.....15, 31, 47
CLAMP,GENERATOR HOSE,GS69.....177	COVER ASSY,CNTRLS SIDE,LT,SY.....119	DECAL,CAUTION,CRUSH HAZ, RAILS.....17, 19, 33, 35, 49, 51
CLAMP,HOSE.....83, 89	COVER ASSY,CNTRLS SIDE,RT,SY.....119	DECAL,CHEVRON RANDO HD.....15, 31, 47
CLAMP,HOSE,.25" - .63" X .3125.....75-76, 91-92, 107-108	COVER ASSY,ENGINE SIDE,LT,SY.....119	DECAL,COSMETIC,4 X 4.....13, 15, 21, 23, 29, 31, 37, 39, 45, 47, 53, 55
CLAMP,HOSE,.35"-.86" X .3125.....111	COVER ASSY,ENGINE SIDE,LT,SY,CE.....119	DECAL,COSMETIC,GENIE GS-2669RT.....17, 19, 25, 27
CLAMP,HOSE,.63" - 1.0" X .5".....76, 111	COVER ASSY,ENGINE SIDE,RT,WO.....119	DECAL,COSMETIC,GENIE GS-3369RT.....33, 35, 41, 43
CLAMP,HOSE,1 EAR, 5/8.....107-108	COVER ASSY,ENGINE SIDE,RT,WO.....119	DECAL,COSMETIC,GENIE GS-4069RT.....49, 51, 57, 59
CLAMP,HOSE,1.00.....95	COVER ASSY,ENGINESIDE,RT,SY.....119	DECAL,CRUSH HAZ RAILS SYMB.....25, 27, 41, 43, 57, 59
CLAMP,HOSE,1.75.....87	COVER ASSY,ENGINESIDE,RT,SY.....119	DECAL,DANGER DO NOT ALTER SWTC.....13, 29, 45
CLAMP,HOSE,2.00***.....75-76, 91-92, 97	COVER, END, GEN, 120V.....179	
CLAMP,HOSE,2.50***.....75-76, 87, 97, 103		
CLAMP,HOSE,2X#4,GS69.....61		

Part Description Index (continued)

DECAL,DANGER,BATTERY SAFETY***.....13, 29, 45	DECAL,NOTICE,KUB,D1105,T4.....13, 29, 45	ECM, SSI .79L / .97L.....97
DECAL,DANGER,CRUSHING HAZARD.....13, 15, 29, 31, 45, 47	DECAL,NOTICE,KUBOTA GAS SPECS.....13, 29, 45	ECU,GS69 IC, GEN 2.....115
DECAL,DANGER,ELEC HAZARD,GS.....13, 15, 29, 31, 45, 47	DECAL,NOTICE,MAN FRC,3369 AUS.....35	ELBOW,010202-6-4.....75-76
DECAL,DANGER,MAN FRC, GS2669.....27	DECAL,NOTICE,MAN FRC,4069.....51	ELBOW,45D,520320-16.....169
DECAL,DANGER,MAN FRC, GS3369.....43	DECAL,NOTICE,MAX CAP GS2669.....17, 19, 25, 27	ELBOW,90D,520220-16.....169
DECAL,DANGER,MAN FRC, GS4069.....59	DECAL,NOTICE,MAX CAP GS3369.....35, 41, 43	ELBOW,90D,520220-4-6***.....61, 169
DECAL,DANGER,NO SMOKING.....15, 31, 47	DECAL,NOTICE,MAX CAP GS4069.....49, 51, 57, 59	ELBOW,90D,520220-6.....169, 171, 197
DECAL,DANGER,OUTRIGGER SAFETY...17, 19, 33, 35, 49, 51	DECAL,NOTICE,MAX CAP,GS3369.....33	ELBOW,90D,520220-8-10.....169
DECAL,DANGER,SIDE FRC,GS2669.....25	DECAL,NOTICE,OP INST,GROUND.....15, 31, 47	ELBOW,90D,520220-8-12.....169, 171, 181
DECAL,DANGER,SIDE FRC,GS3369.....41	DECAL,NOTICE,PERKINS 403D SPEC.....13, 29, 45	ELBOW,90DEG,1/4 MPT-5/16 BARB.....107-108, 111
DECAL,DANGER,SIDE FRC,GS4069.....57	DECAL,NOTICE,SIDE FRC,2669 ANS.....17	ELBOW,SWIVEL 90D, 520221-6.....197
DECAL,DANGER,TIP-OVER,TILT.....17, 19, 33, 35, 49, 51	DECAL,NOTICE,SIDE FRC,3369 ANS.....33	ELEMENT,AIR CLEANER,KUBOTA.....11, 75-76
DECAL,DANGER-GEN SAFETY.....15, 17, 19, 31, 33, 35, 47, 49, 51	DECAL,NOTICE,SIDE FRC,4069 ANS.....49	ENGINE KIT,PERKINS 403D, T41.....91-92
DECAL,DANGER-USE SAFETY ARM.....13, 15, 29, 31, 45, 47	DECAL,NOTICE,TIRE SPECS.....13, 15, 29, 31, 45, 47	EXHAUST MANIFOLD, DF972.....73
DECAL,DIESEL.....15, 23, 31, 39, 47, 55	DECAL,NOTICE,TIRE SPECS, REAR.....13, 15, 29, 31, 45, 47	EXTRUSION,ALUM,V-ROLLER TRK.....147
DECAL,EXPLOSION HAZARD.....13, 29, 45	DECAL,PLAT CONTROL PANEL GS69.....17, 19, 25, 27, 33, 35, 41, 43, 49, 51, 57, 59, 153	EXTRUSION,RUBBER BUMPER STRIP..107-108
DECAL,FORK LIFT POCKET.....13, 15, 29, 31, 45, 47	DECAL,POWER TO PLATFORM 115V.....15, 17, 19, 23, 25, 27, 31, 33, 35, 39, 41, 43, 47, 49, 51, 55, 57, 59	
DECAL,GROUND CONTROL PANEL.....15, 23, 31, 39, 47, 55	DECAL,SYM-TIP-OVER,LIM SWITCH.....21, 37, 53	
DECAL,LABEL, AIR LINE 110 PSI.....15, 17, 19, 23, 25, 27, 31, 33, 35, 39, 41, 43, 47, 49, 51, 55, 57, 59	DECAL,SYM-TIP-OVER,OUTRGR.....25, 27, 41, 43, 57, 59	
DECAL,LABEL,105 DB.....21, 37, 53	DECAL,SYM-TIP-OVER,TILT ALARM.....25, 27, 41, 43, 57, 59	
DECAL,LABEL,FORKLIFT POCKET.....21, 23, 37, 39, 53, 55	DECAL,SYMBOL-BATTERY SAFETY.....21, 37, 53	
DECAL,LABEL,HOT,SYMBOL.....21, 37, 53	DECAL,SYMBOL-COMP ACCESS.....21, 23, 37, 39, 53, 55	
DECAL,LABEL,LIFTING EYE.....13, 15, 21, 23, 29, 31, 37, 39, 45, 47, 53, 55	DECAL,SYMBOL-CRUSHING HAZARD.....21, 23, 37, 39, 53, 55	
DECAL,LABEL,LIQUID PROPANE.....13, 21, 29, 37, 45, 53	DECAL,SYMBOL-ELEC HAZARD,GS.....21, 23, 37, 39, 53, 55	
DECAL,LABEL,MANUAL NOT HERE...17, 19, 33, 35, 49, 51	DECAL,SYMBOL-FOOT CRUSHING.....21, 23, 37, 39, 53, 55	
DECAL,LABEL,NO SMOKING,SYMB...23, 39, 55	DECAL,SYMBOL-SKIN INJECT HAZRD.....21, 23, 37, 39, 53, 55	
DECAL,LABEL,OUTRIGGER LD...13, 15, 21, 23, 29, 31, 37, 39, 45, 47, 53, 55	DECAL,SYMBOL-USE SAFETY ARM.....21, 23, 37, 39, 53, 55	
DECAL,LABEL,PATENTS.....15, 23, 31, 39, 47, 55	DECAL,WARN,IMPROPER OPERATION...17, 19, 33, 35, 49, 51	
DECAL,LABEL,PLAT CONT LOCATION.....17, 19, 33, 35, 49, 51	DECAL,WARN,SKIN INJECTION HAZ*.....13, 15, 29, 31, 45, 47	
DECAL,LABEL,TRANSPORT TIE 68.....13, 15, 21, 23, 29, 31, 37, 39, 45, 47, 53, 55	DECAL,WARNING,CRUSHING HAZARD...13, 15, 29, 31, 45, 47	
DECAL,LABEL,TRANSPORT TIEDOWN*..13, 15, 21, 23, 29, 31, 37, 39, 45, 47, 53, 55	DECAL,WARNING,HOT SURFACE.....13, 29, 45	
DECAL,LABEL,UNLEADED GAS ONLY.....15, 23, 31, 39, 47, 55	DECAL,WARNING-COMPART ACCESS....13, 15, 29, 31, 45, 47	
DECAL,LABEL,WHEEL LD,GS2669RT.....13, 15, 21, 23	DIAGNOSTIC FEMALE Q-DSCNT.....157	
DECAL,LABEL,WHEEL LD,GS3369RT.....29, 31, 37, 39	DIODE, 3 AMP.....115	
DECAL,LABEL,WHEEL LD,GS4069RT.....45, 47, 53, 55	DIP STICK, DF972.....75-76	
DECAL,LANYARD ANCHORAGE POINT...17, 19, 25, 27, 33, 35, 41, 43, 49, 51, 57, 59	DIPSTICK GUIDE,D-1105.....89	
DECAL,LOW/ULTRA LOW SULFR FUEL...15, 31, 47	DIPSTICK TUBE,PERKINS 104-22**.....91-92	
DECAL,MACHINE REGISTRATION/OWNER TRANSFER.....15, 23, 31, 39, 47, 55	DIPSTICK,D-1105.....89	
DECAL,NOTICE,GM .998L SPEC.....13, 29, 45	DIPSTICK,STRAIGHT SHORT.....91-92	
DECAL,NOTICE,INST,PLAT-GS69RT.....17, 19, 33, 35, 49, 51	DISPLAY,DIAGNOSTIC,J1939.....115	

E

E-COIL WASHER,#8,DUAL COIL.....157

F

FAN.....95
 FAN - VENTED.....183
 FAN DRIVE PULLEY,KUBOTA.....83
 FAN PULLEY.....95
 FILTER ASSY,HIGH PRESS SAE-12*.....105
 FILTER ASSY,SAE 12 NO INDICAT*.....107-108
 FILTER ELEMENT, 10 MICRON.....107-108
 FILTER ELEMENT,10 MICRON.....107-108
 FILTER, FUEL.....11, 107-108, 111
 FILTER,AIR***.....11, 92
 FILTER,AIR,D1105.....11, 87
 FILTER,ELEMENT,BETA(5)=1000.....11, 105
 FILTER,FUEL,IN-LINE**.....11, 107-108
 FILTER,FUEL,PERKINS.....11, 91-92
 FILTER,FUEL/WATER SEPARATOR***.....11, 85
 FILTER,OIL,KUBOTA.....11, 83
 FILTER/SEPARATOR,FUEL DIESEL**.....85, 91-92
 FITTING,90DEG ELBOW.....75-76
 FITTING,CONN,520120-12***...169, 171, 183, 185
 FITTING,ELBOW,90D,520220-6-8.....171
 FITTING,REDUCER,520123-12-8***.....181
 FITTING,SAE J2044F X5/16 BARB.....111
 FLANGE,CARBURETOR,WG750B***.....75-76
 FLASH DRIVE, GS69 IC SW.....124
 FLYWHEEL.....95
 FLYWHEEL, WG972.....75-76
 FOOTPAD ASSY,RTSC OUTRIGGER.....195
 FORM,O/R FRONT CLAMP,HI FLOAT.....189
 FORMING ENGINE TRAY STOP.....105
 FORMING, AIR CLNR MNT,PRK 403D P.....92
 FORMING, ENGINE HANDLE, D1105.....89
 FORMING, ENGINE MNT, LFT, D-11.....89
 FORMING, ENGINE MNT, LFT, KD.....89
 FORMING, ENGINE MNT, RT, D1105.....89
 FORMING, ENGINE MNT, RT, KD.....89
 FORMING, FUEL FILTER MOUNT, KD.....89
 FORMING, LATCH CATCH.....121
 FORMING, LINK GUARD, BACK, 26/33.....201
 FORMING, LINK GUARD, FRONT, 26/33...201
 FORMING, LINK GUARD, SIDE, 26/33.....201
 FORMING, PULL HANDLE.....81
 FORMING, PULL HANDLE, KD.....89
 FORMING, RAD SUPPORT, KD.....89
 FORMING, RADIATOR MOUNT,KD.....89

- FORMING, SAFETY ARM...127-128, 131, 135
 FORMING,AIR CLEANER MT,DF-972.....75-76
 FORMING,AIR CLNR SPRT,GM .998.....97
 FORMING,BATTERY TIE DOWN.....103
 FORMING,BEACON MOUNT.....173
 FORMING,BELT GUARD,GM .998L.....97
 FORMING,CAT SUPPORT,GM .998L.....101
 FORMING,CHASSIS COVER.....69
 FORMING,CHOKE SOL. MNT, KUB DF.....81
 FORMING,CHOKE SOL.MOUNT,DF972.....81
 FORMING,CLAMP,CHASSIS,FRONT.....65-66
 FORMING,DOOR LATCH HANDLE,LT.....119
 FORMING,DOOR LATCH HANDLE,RT.....119
 FORMING,DOWN LIMIT SWITCH MNT...127-128, 133, 137
 FORMING,DRIVE HOSE CLAMP MOUNT.....65-66
 FORMING,ENG MNT LT,PD.....95
 FORMING,ENG MNT LT,PRK 403D.....95
 FORMING,ENG MNT RT,PD.....91-92
 FORMING,ENG MNT RT,PRK 403D.....91-92
 FORMING,ENGIE MOUNT,LT,DF-972.....81
 FORMING,ENGIE MOUNT,LT,KUB DF.....81
 FORMING,ENGINE MOUNT,RT,DF-972.....79
 FORMING,ENGINE MOUNT,RT,KUB DF.....79
 FORMING,EXT DECK CATCH.....147
 FORMING,EXT DECK STOP,LEFT.....147
 FORMING,EXT DECK STOP,RIGHT.....147
 FORMING,FUEL COMPONENT,GM .998.....107-108, 111
 FORMING,FUEL FILTER MNT,D-1105.....89
 FORMING,FUEL FILTER MNT,KD.....89
 FORMING,GAS DOOR.....119, 121
 FORMING,GEN HOSE CLAMP MOUNT.....177
 FORMING,GENERATOR,GFCI,GS69.....108
 FORMING,HIGH PRESS FILTER BRKT.....105
 FORMING,LINK GUARD,SIDE,OPT,40.....201
 FORMING,LINKGUARD,BOXTOP.....201
 FORMING,LINKGUARD,END,40.....201
 FORMING,LINKGUARD,SIDE,40.....201
 FORMING,LNK GRD,SIDE,OPT,26/33.....201
 FORMING,MID CW BRACKET.....69
 FORMING,O/R FRONT CLAMP.....189
 FORMING,O/R HOSE COVER.....191
 FORMING,O/R LIM SWTCH BRACKET.....191
 FORMING,OIL COOLER COVER,GS69.....183
 FORMING,OSC.COVER,GS69.....63
 FORMING,PLATFORM STOP,RIGHT.....147
 FORMING,PLATFORM STOP,LEFT.....147
 FORMING,PULL HANDLE,PERKINS.....91-92
 FORMING,RAD.INTERFACE,D-1105.....103
 FORMING,RAD.INTERFACE,DF-972.....103
 FORMING,RAD.INTERFACE,KD,PD.....103
 FORMING,RAD.INTERFACE,KUB DF.....103
 FORMING,RAD.MOUNT,DF972.....81
 FORMING,RAD.MOUNT,KUB DF.....81
 FORMING,RAD.SHROUD,PERKINS.....91-92
 FORMING,RADIATOR MOUNT,D1105.....89
 FORMING,RADIATOR SHROUD,403D.....91-92
 FORMING,RADIATOR SHROUD,PD.....91-92
 FORMING,RDTR INTERFACE,GM.998L.....99, 103
 FORMING,RDTR SHROUD,GM .998L.....99
 FORMING,REAR DRIVE HOSE CLAMP.....65-66
 FORMING,SOLENOID MNT,D-1105.....85
 FORMING,SOLENOID MNT,KD.....85
 FORMING,SOLENOID MNT,PD.....91-92
 FORMING,SOLENOID MNT,PRK,403D.....91-92
 FORMING,TAILPIPE SPRT,GM .998.....101
 FORMING,TRACT MAN MOUNT,LEFT.....113
 FORMING,TRACT MAN MOUNT,RIGHT.....113
 FORMING,TRACTION MANIFOLD BASE...113
 FORMING,UPPER RAD.SUPPORT.....91-92
 FORMING,VAPORIZER MT,KUB DF.....75-76
 FREEZE PLUG HEATER,Z34IC/BE.....187
 FUEL FILTER ASSEMBLY.....91-92
 FUEL INJECTOR.....91-92
 FUEL PUMP, MECHANICAL.....85
 FUSE BLOCK, ANN & ANL FUSE.....108
 FUSE HOLDER,ATC 3-30 AMPS.....115, 124, 183
 FUSE,13 AMP,220V PLUG.....151
 FUSE,20 AMP,ATC.....183
 FUSE,5 AMP,ATC.....115, 124
- ### G
- GASKET (52532) OIL DRAIN, D905.....83
 GASKET, EXH. MANIFOLD, WG972.....73
 GASKET, FUEL LEVEL GAUGE, GAS.....107-108
 GASKET, TANK, FUEL SENSOR.....107-108, 111
 GASKET, UK & DIN PWR. TO PLAT.....108, 151
 GASKET, UK RECEPTACLE.....151
 GASKET, VALVE COVER, WG972.....73
 GASKET, WATER INLET .998L.....11
 GASKET,AIR CLEANER, DF-750.....75-76
 GASKET, CARBURETOR, KUBOTA DF750.....75-76
 GASKET,EXH FLANGE-FORD/PERKINS.....95
 GASKET,EXHAUST MANIFOLD,D905.....83
 GASKET,INJECTION PUMP.....85
 GASKET,MUFFLER,KUBOTA D905/11.....73, 83
 GASKET,SOLENOID,KUBOTA.....85
 GASKET,SPEED CONTROL ASSY,D905.....85
 GASKET,THERMOSTAT-28091.....73, 83
 GASKET,VALVE COVER CAP, D905.....83
 GASKET,VALVE COVER CAP, WG750.....85
 GASKET,VALVE COVER,KUBOTA D905.....83
 GASKET,WATER PUMP.....83
 GASKET,WATER PUMPWG750B/Z482-E.....73
 GASKET-EXHAUST MANIFOLD/PERKIN.....95
 GAUGE,FUEL,GS69.....107-108
 GAUGE,HYDRAULIC TANK T/L VL.....107-108
 GENERATOR,3kW,120V/60Hz.....179
 GENERATOR,3kW,240V/50Hz.....179
 GLOW PLUGS.....91-92
 GREASE,DIELECTRIC 4 OZ**.....11
 GROMMET,RUBBER 1.5 ID.....189
 GROMMET,RUBBER,1.75 ID.....65-66
 GSKT, PLUENGINEOIL,D1105 BTM.....83
 GUARD-FAN,905,752 KUBOTA ENG.....81
- ### H
- HANDLE COVER,PLASTIC.....113
 HANDLE, ENGINE TRAY, GM .998L.....99
 HARDWARE KIT, BELLHSNG KUBOTA.....87
 HARDWARE KIT,BELLHSNG 403C-11.....95
 HARDWARE KIT,BELLHSNG GRDN.....95
 HARNESS, ENGINE, DUAL FUEL.....123-124
 HARNESS, BATTERY, J5.....123-124
 HARNESS, BI-FUEL .998L.....123-124
 HARNESS, ENGINE, GS69 DUAL FUEL.....123-124
 HARNESS, ENGINE, PERKINS.....123-124
 HARNESS, IGNITION MODULE.....79
 HARNESS, J9, GS69IC.....123-124
 HARNESS, LED BEACON, GS69.....123-124
 HARNESS, LINKS, GS69IC.....123-124
 HARNESS, OR HARNESS, J11.....123-124
 HARNESS, PROP, DOWN, GS69.....123-124
 HARNESS, UP LIMIT SWITCH.....123-124
 HARNESS,BATTERY.....123-124
 HARNESS,BEACON,GS69.....123-124, 173
 HARNESS,DOWN COIL.....123-124
 HARNESS, DOWN LIMIT SENSOR,GS69.....123-124
 HARNESS,ENGINE,DIESEL.....123-124
 HARNESS,ENGINE,IC.....123-124
 HARNESS,FUEL PUMP,DUAL FUEL.....123-124
 HARNESS,GENERATOR,GS69.....123-124
 HARNESS,GS2669 WORKLIGHTS.....203
 HARNESS,GS3369 WORKLIGHTS.....203
 HARNESS,GS4069 WORKLIGHTS.....203
 HARNESS,LEVEL SENSOR,GS69.....123-124
 HARNESS,LINKS,J8.....123-124
 HARNESS,MORAY,RT.....124
 HARNESS,O/R MNFLD,GS69.....123-124
 HARNESS,OIL COOLER,GS69.....123-124
 HARNESS,OPTIONS,J10,GS69.....123-124
 HARNESS,OSC LIMIT SWITCH 2.....123-124
 HARNESS,OSC SWITCH REAR.....123-124
 HARNESS,OSC.MNFLD,GS69.....123-124
 HARNESS,OSCILLATE,J12,GS69.....123-124
 HARNESS,OUTRIGGER,J1,GS69.....123-124
 HARNESS,OUTRIGGERS,FRNT,GS69.....123-124
 HARNESS,OUTRIGGERS,REAR,GS69.....123-124
 HARNESS,PRESS.SWITCH.....123-124
 HARNESS,PRESSURE SWITCH.....123-124
 HARNESS,UP LIMIT SWITCH.....123-124
 HEAT SHIELD,DF972 EXHAUST MAN.....73
 HEAT SHIELD,EXH MAN,DF-972.....73
 HEAT SHIELD,TAILPIPE,GM .998L.....101
 HINGE, GSRT90 BOX.....119, 121, 147
 HINGE, SPRING, LONG LEG.....145
 HOOK,BATT HOLD DOWN,10".....103
 HORN,24VDC,SPADE TERMINALS***.....71
 HOSE ASSEMBLY,LP GAS-112" LONG.....75-76
 HOSE ASSEMBLY,PROPANE,132".....117
 HOSE ASSY, 3/8",21.00.....81
 HOSE ASSY, CD(LR.MTR)-CD(TEE).....171
 HOSE ASSY, CD(TEE)-CD(TANK).....169, 171
 HOSE ASSY, HYD, 90D,90D,PERP.....169
 HOSE ASSY, HYD, 90D,90D,PRLL.....169
 HOSE ASSY, M1(T.MF)-B(RR.MTR).....171
 HOSE ASSY, M2(T.MF)-A(RR.MTR).....171
 HOSE ASSY, M4(T.MF)-B(LR.MTR).....171
 HOSE ASSY, M6(T.MF)-B(LF.MTR).....171
 HOSE ASSY, M7(T.MF)-B(RF.MTR).....171
 HOSE ASSY, M8(T.MF)-A(RF.MTR).....171
 HOSE ASSY,2SP(TEE)-2SP(LR.MTR).....171
 HOSE ASSY,2SP(TEE)-2SP(RR.MTR).....171
 HOSE ASSY,2SPD(T.MF)-2SPD(TEE).....171
 HOSE ASSY,BRK(T.MF)-BRK(TEE).....171
 HOSE ASSY,BRK(TEE)-BRK(LR.MTR).....171
 HOSE ASSY,BRK(TEE)-BRK(RR.MTR).....171
 HOSE ASSY,CD(GEN)-CD(TANK).....181

Part Description Index (continued)

- HOSE ASSY,CD(RR.MTR)-CD(TEE).....171
 HOSE ASSY,EF(OR.MF)-LF.OR.TEE.....197
 HOSE ASSY,ER(OR.MF)-LR.OR.TEE.....197
 HOSE ASSY,F(GEN)-P-IN(F.MF).....181
 HOSE ASSY,FR(OR.MF)-RF.OR.TEE.....197
 HOSE ASSY,HP FILTER-P-IN(F.MF).....169
 HOSE ASSY,HPFILTER-P(GEN).....181
 HOSE ASSY,LF.OR.TEE-E(LF.OR.CY).....197
 HOSE ASSY,LF.OR.TEE-E(RF.OR.CY).....197
 HOSE ASSY,LIFT(F.MF)-P(TEE).....169
 HOSE ASSY,LR.OR.TEE-E(LR.OR.CY).....197
 HOSE ASSY,LR.OR.TEE-E(RR.OR.CY).....197
 HOSE ASSY,M3(T.MF)-A(LR.MTR).....171
 HOSE ASSY,M5(T.MF)-A(LF.MTR).....171
 HOSE ASSY,OR(F.MF)-IN(OR.MF).....197
 HOSE ASSY,OR(F.MF)-IN(OR.MF).....197
 HOSE ASSY,OSC(F.MF)-OSC(TEE).....169
 HOSE ASSY,OSC(TEE)-E(L.OSC.CYL).....169
 HOSE ASSY,OSC(TEE)-E(R.OSC.CYL).....169
 HOSE ASSY,OSC(TEE)-R(L.OSC.CYL).....169
 HOSE ASSY,OSC(TEE)-R(R.OSC.CYL).....169
 HOSE ASSY,OSCR(F.MF)-OSC(TEE).....169
 HOSE ASSY,OUT(OC)-TANK.....185
 HOSE ASSY,OUT(PUMP)-HP FILTER.....87, 169
 HOSE ASSY,PRESS(TEE)-PRESS(LLC).....169
 HOSE ASSY,PRESS(TEE)-PRESS(ULC).....167
 HOSE ASSY,RET(LLCYL)-RET(TEE).....169
 HOSE ASSY,RET(TEE)-TANK.....169
 HOSE ASSY,RET(ULCYL)-RET(TEE).....167
 HOSE ASSY,RF.OR.TEE-R(LF.OR.CY).....197
 HOSE ASSY,RF.OR.TEE-R(RF.OR.CY).....197
 HOSE ASSY,RR(OR.MF)-RR.OR.TEE.....197
 HOSE ASSY,RR.OR.TEE-R(LR.OR.CY).....197
 HOSE ASSY,RR.OR.TEE-R(RR.OR.CY).....197
 HOSE ASSY,S1(F.MF)-B(STRCYL).....169
 HOSE ASSY,S2(F.MF)-R(STRCYL).....169
 HOSE ASSY,SUCT(TANK)-IN(PUMP).....87, 169
 HOSE ASSY,T(GEN)-T.OUT(F.MF).....181
 HOSE ASSY,T(OR.MF)-TANK.....197
 HOSE ASSY,T.OUT(F.MF)-IN(OC).....185
 HOSE ASSY,T.OUT(F.MF)-TANK.....169
 HOSE ASSY,T.OUT(T.MF)-T.IN(F.M).....169, 171
 HOSE ASSY,P.OUT(F.MF)-P.IN(T.MF).....169, 171
 HOSE END,BARBED,RIGID,-6-6.....199
 HOSE END,FEMSW,90D,ORFS,-12-12.....183
 HOSE LPG 1/2" ID X 11.25" LG.....75-76
 HOSE, AIR, 1.75"ID X 2.5"LG.....97
 HOSE, FUEL 3/16", 100"LG.....75-76, 111
 HOSE, FUEL 3/16", 5"LG.....75-76
 HOSE, FUEL 5/16",2"LG.....91-92
 HOSE, FUEL 5/16",89"LG.....91-92
 HOSE, FUEL FILTER -INJ., 403D.....91-92
 HOSE, FUEL LO-PERM 5/16", 4"LG.....75-76, 107-108
 HOSE, FUEL LO-PERM 5/16", 7"LG.....75-76, 107-108
 HOSE, FUEL LO-PERM 5/16",88"LG.....75-76
 HOSE, FUEL PUMP TO FILTER, 403D.....91-92
 HOSE, FUEL PUMP TO INJ, D1105.....85
 HOSE, FUEL, 1/2" ID, 10.00" LG.....111
 HOSE, FUEL, 1/4" ID, 16.00" LG.....111
 HOSE, INLET, DF972.....75-76
 HOSE, LWR, WATER PUMP, WG972.....73
 HOSE, UP, WATER PUMP, WG972.....73
 HOSE, 1.75ID,2.50IDX12.0".....75-76, 87, 97
 HOSE, 1/8" VACUUM.....75-76
 HOSE, 5/16 FUEL, SAE 30R7.....85
 HOSE, 5/16", FUEL, EPA, FI.....111
 HOSE, AIR INTAKE, PERKINS.....91-92
 HOSE, FUEL, 3/16, SAE 30R7.....85, 91-92
 HOSE, FUEL, 5/16 HIGH PRESSURE**.....91-92
 HOSE, FUEL, 5/16" DIA, EPA, 2"LG.....107-108
 HOSE, LOW PRESSURE, 375 ID, BLK.....75-76, 199
 HOSE, LOWER RADIATOR, DF752.....83
 HOSE, RAD.OVERFLOW, KD-1105, 50".....79, 81, 89, 91-92
 HOSE, RADIATOR, LOWER, D905.....89
 HOSE, RADIATOR, LOWER, PERKINS.....95
 HOSE, RADIATOR, UPPER PERKINS.....95
 HOSE, UPPR RADIATOR, KUBOTA D905.....89
 HOSE, WATER PUMP RETURN, D905.....83
 HOUR METER, 10-80 VOLTS***.....115
 HOUSING ASSY, OUTRIGGER, SY.....191
 HOUSING ASSY, OUTRIGGER, WO.....191
 HOUSING, COUPLER, A PILOT, PERKIN.....95
 HOUSING, CPLR, PILOT, PERKIN, GRD.....95
 HOUSING, RT PLATFORM CONTROLS**.....153
 HRDWKIT, BELLHSING, KD-1105, GRDN.....87
 HRDWKIT, BELLHSING, WG972, GRDN.....75-76
- I**
- IGNITION MODULE, DF972.....79
 INJECTOR, FUEL, D905**.....85
 INNER OIL FILTER.....83
 INSTRN, TRC RETROFIT, STNDRD.....123-124
 ISOLATOR, VIBRATION.....89, 95
 ISOLATOR, ENGINE, CNTR-BOND, 50D.....79, 95, 99
 ISOLATOR, FLEX-BOLT SANDWICH***.....105
 ISOLATOR, VIBRATION, M8 MALE/FEM.....91-92
- J**
- JET KIT, KUB, WG972, CARB, 1000M.....75-76
 JET KIT, KUB, WG972, CARB, 2000M.....75-76
 JOINT PIPE, WG972.....73
 JOINT-PIPE.....73
 JOYSTICK HANDLE SET, COMPLETE.....155
 JOYSTICK, SINGL AXIS, HALL, SLAB*.....155
 JOYSTICK, SINGL AXIS, POT, SLAB.....155
 JUMPER-GLOW PLUG.....85
- K**
- KEY SINGLE***.....115
 KEYS, 10 PACK***.....115
 KEYSWITCH, 3 POS W/KEYS, LOCKING.....115
 KEYSWITCH, 3 POS. W/KEYS***.....115
 KIT, AIR INTAKE HOSE, PERKINS, RT69.....91-92
 KIT, ELECTRICAL .998L.....11
 KIT, EXHAUST .998L.....11
 KIT, HI FLOAT TIRE, O/R SPACER.....189
 KIT, OIL COOLER, GS69RT.....183
 KIT, PLAT CTRL GUARD RT.....153
 KIT, PLATFORM PC RECEPT/SOC.....155
 KIT, RADIATOR, .998L.....99
 KIT, SEAL.....157, 159, 161
 KIT, STARTER .998L.....11
- KIT, TRC RETROFIT, STNDRD.....123-124
 KIT, VAPORIZER .998L.....11
 KIT, BEACON RESISTOR, GS69.....115
 KIT, BUBBLE LEVEL UPDATE.....191
 KIT, GASKET, UK POWER TO PLAT.....151
 KIT, GEN 5 COIL CORD.....153
 KIT, HOUSING, COUPLER, APILOT, GDN.....87
 KIT, JOYSTICK ENABLE SWITCH.....155
 KIT, KUBWG972 FUEL HOSE RPCMT.....107-108
 KIT, OUTRIGGER PAD LOCTITE, RT.....195
 KIT, STRAINER REPLACEMENT.....169
 KUBOTA FUEL PUMP GASKET.....85
 KUBOTA GLOW PLUG.....85
 KUBOTA HOSE, D905, D1105.....83
 KUBOTA INJECTOR PUMP, D1105.....85
 KUBOTA OIL FILLER PLUG, V1305.....83
 KUBOTA OIL FILTER.....11, 73
- L**
- L.P.TANK LATCH.....117
 LADDER ASSY, 2669&3369.....69
 LADDER ASSY, GS4069.....69
 LATCH, LRG PADDLE HANDLE GS90.....121
 LATCH, BATT/HYDR TRAY***.....119
 LENS, FLASHING BEACON.....173
 LEVEL SENSOR, LS60, BLUE, 2X3**.....108
 LEVEL, BUBBLE, 2 DEGREE *.....191
 LEVEL, BUBBLE, 3 DEG, BOSS.....191
 LEVER, GOVERNOR, DF***.....79
 LIFT PUMP (FUEL).....91-92
 LIGHT, TURN SIGNAL, 1.25" LED, AMB.....175
 LIMIT SWITCH, DOWN, ASSY, GS69.....123-124
 LINING KIT, BRAKE, OMNI***.....65-66
 LOWER CONTROL PANEL ASSY, GS69.....115
 LUG BOLT, 45 DEG, 1/2-20 UNF.....61
- M**
- MAIN PLAT DECK ASSY, 2669, SY, ANSI.....139
 MAIN PLAT DECK ASSY, 2669, SY, CE.....139
 MAIN PLAT DECK ASSY, 2669, WO, ANSI.....139
 MAIN PLAT DECK ASSY, 2669, WO, AUS.....139
 MAIN PLAT DECK ASSY, 3369, SY, ANSI.....141
 MAIN PLAT DECK ASSY, 3369, SY, CE.....141
 MAIN PLAT DECK ASSY, 3369, WO, ANSI.....141
 MAIN PLAT DECK ASSY, 3369, WO, AUS.....141
 MAIN PLAT DECK ASSY, 4069, SY, ANSI.....141
 MAIN PLAT DECK ASSY, 4069, SY, CE.....141
 MAIN PLAT DECK ASSY, 4069, WO, ANSI.....141
 MAIN PLAT DECK ASSY, 4069, WO, AUS.....141
 MAIN PLAT RAIL ASSY, LT.....143
 MAIN PLAT RAIL ASSY, RT.....143
 MANIFOLD ASSEMBLY, GEN.....179
 MANIFOLD HANDLE, GS69.....113
 MANIFOLD, EXHAUST, KUBOTA.....83
 MANIFOLD, INLET.....83, 87
 MANIFOLD, EXHAUST (101325).....95
 MANIFOLD, OUTRIGGER, GS69.....193
 MANUAL BOX W/DECALS***.....147
 MANUAL, AEM SAFETY.....11
 MANUAL, OPER, KUBOTA DIESEL****.....11
 MANUAL, OPERATORS, PERKINS, 403D.....11
 MANUAL, RESPON, A92.5 BOOM.....11
 MANUAL, WORKSHOP, D1105.....11
 MANUAL, WORKSHOP, PERKINS, 403D.....11
 MOTOR, 22.8 CI/REV, GEROTOR.....61
 MOTOR, PISTON, LC25, 6.5 DEG, 13T.....65-66

MOUNT, RADIATOR, D1105.....89
 MUFFLER ASSEMBLY.....83
 MUFFLER,RND,TYPE 5,4.57 DIAX.....92

N

NICKEL PLATED JAM NUT.....115
 NIPPLE,DIAGNOSTIC,#4....157, 161, 169, 171
 NUT - PLASTIC,RING FOR ALARMS.....153
 NUT, EXH. MAN., WG972.....73
 NUT, FAN COVER, D1105.....89
 NUT, LP NYLOCK, 3/8-16.....65-66, 71, 105,
 113, 117, 147
 NUT, RADIATOR 8MM, WG972.....81
 NUT,ACORN 3/8-16 PLATED.....201
 NUT,CASTLE,1.125-18 UNEF.....61
 NUT,COIL (39909).....165
 NUT,EXHAUST MANIFOLD.....83
 NUT,FLG-LRG,3/8-16,YZ.....147
 NUT,HEX,1/4-28.....81
 NUT,HEX,FLG,3/8-16.....105
 NUT,LOCKING-LG.FLANGE, 1/2-13.....66
 NUT,LOCKING-LG.FLANGE,5/16-18.....75-76,
 89, 95
 NUT,LP NYLOCK,1/4-20...119, 127-128, 131,
 135, 137, 145, 147, 149, 153
 NUT,LP NYLOCK,10-32.....79, 121
 NUT,LP NYLOCK,5/16-18.....83
 NUT,LP NYLOCK,5/8-11.....143, 191
 NUT,LUG,5/8-18 X 90 DEGREE,Z45.....65-66
 NUT,NYLOCK,1/2-13...61, 69, 79, 95, 99, 103,
 105, 108, 113, 117, 127-128, 133, 137, 139,
 177, 189
 NUT,NYLOCK,1/4-20.....65-66, 73, 75-76, 79,
 81, 85, 91-92, 97, 99, 101, 103, 108, 115, 121,
 143, 145, 147, 151, 173, 183, 191
 NUT,NYLOCK,10-24.....66
 NUT,NYLOCK,10-32.....89, 108, 115, 173, 191
 NUT,NYLOCK,3/4-10,GRD.2.....189
 NUT,NYLOCK,3/8-16.....63, 66, 69, 71, 79, 81,
 89, 97, 99, 101, 103, 105, 107-108, 111, 113,
 119, 121, 127-128, 131, 133, 135, 137, 141,
 143, 145, 147, 149, 177, 183, 191, 195, 199,
 201
 NUT,NYLOCK,5/16-18.....85, 89, 97, 108, 119,
 147, 177
 NUT,NYLOCK,8-32.....66, 71, 127-128, 133,
 137, 191
 NUT,SERRATED,10-32,SS.....191
 NUT,SOLENOID VALVE,OUTRIGGERS.....195
 NUT,TAILPIPE,KUBOTA, 2668.....79
 NUT,TL FLG,1/4-20,G,ZAG.....175
 NUT,TL FLG,M10-1.5,DIN6927,10,ZAB.....101
 NUT,VALVE COVER CAP, D905.....83
 NUT-COIL SHORT.....157, 159, 193
 NUT-COIL,REXROTH DO3 VALVE.....159
 NUT-SELF LOCKING, M8X1.25MM.....73, 75-
 76
 NUTS,EXHAUST.....95

O

O-RING KIT (ORFS FITTINGS).....157
 O-RING,2-010,VITON.....65-66
 O-RING,2-157,VITON***.....65-66
 O-RING,67.95X2.62-NBR-70SH(HF2P)(60334).105
 O-RING,END COVER,OMNI***.....65-66
 O-RING,OIL FILLER PLUG,KUBOTA*.....83
 O-RING,PIPE PLUG KIT,OMNI***.....65-66
 O-RING-4.....163

OIL COOLER W/FAN, 12VDC.....183
 OIL FILTER - PERKINS.....11, 91-92
 OIL FILTER, GM .998L.....99
 OIL PAN.....83
 OPERATORS MANUAL, WG972-E2.....11
 ORIFICE PLUG, 0.035.....161
 ORIFICE PLUG, 0.060.....159
 ORIFICE PLUG,030,1/16-27 NPT.....161
 ORIFICE,LONG, .037***.....165
 ORIFICE,LONG, .046.....165
 ORIFICE,LONG, .086".....165
 ORIFICE,LONG,.076".....165
 ORING, OIL FILLER PLUG, WG972.....73
 OUTLET, 110V.....108, 151

P

PAD,SENSE AXLE REST.....66
 PAINT, AEROSOL, TRAFFIC BLACK.....11
 PAINT,AEROSOL,BRIGHT BLUE***.....11
 PAINT,AEROSOL,GENIE GRAY***.....11
 PAINT,WET,GENIE BLUE (1 GL)**.....11
 PAINT,WET,GENIE GRAY (1 GL)**.....11
 PAINT,WET,TRAFFIC BLACK (1 GL)**.....11
 PCB,RT PLATFORM CONTROLS***.....153
 Perkins 404D-22T Engine Spec Decal.....81
 PETCOCK, DRAIN, WG972.....75-76
 PETCOCK,DRAIN,KUBOTA WG750B.....83
 PILOT CHECK VALVE.....195
 PIN, CYLINDER, LONG.....127-128, 133, 137
 PIN, SHOULDER, 5/8-11 X 1.77.....143
 PIN, WIRE LOCK 3/8 X 2 -1/2.....143, 145, 147
 PIN,1.00DIAX5.27LG,1HOLE.....63, 105
 PIN,1.25 DIA X 5.00 LG,1 HOLE.....127-128,
 133, 137
 PIN,1.50 DIA X 2.75 LG,1 HOLE.....127-128,
 133, 137
 PIN,CENTER LINK,GS69.....127-128, 131, 135
 PIN,CLEVIS,1 X 2.5 LG.....61
 PIN,END LINK,GS69.....127-128, 131, 135
 PIN,OSC PIVOT.....66
 PIN,UPPER CYLINDER.....137
 PIPE ASSY-OVERFLOW-D905.....85
 PIPE PLUG KIT,OMNI***.....65-66
 PIPE, BREATHER JOINT, WG972.....73, 75-
 76
 PIPE,INJECTOR 1, 403C-11.....91-92
 PIPE,INJECTOR 1,D905,D1105.....85
 PIPE,INJECTOR 2, 403C-11.....91-92
 PIPE,INJECTOR 2,D905,D1105.....85
 PIPE,INJECTOR 3, 403C-11.....91-92
 PIPE,INJECTOR 3,D905,D1105.....85
 PIPE,INLET, D905.....87
 PLAT CONTROL BOX, GS69 GEN 2.....153
 PLAT EXT DECK RAIL ASSY,END,SY.....147
 PLAT EXT DECK RAIL ASSY,END,WO.....147
 PLAT SIDE EXT RAIL ASSY,LT.....147
 PLAT SIDE EXT RAIL ASSY,RT.....147
 PLATE, CASTLE NUT LOCK.....61
 PLATE, CYL UP LIMIT.....195
 PLATE, O/R MOUNT, HI FLOAT.....189
 PLATE, RAIN HAT COVER, GS69.....103
 PLATE, SPACER, HOUR METER.....115
 PLATE,AC ADAPTER,DIN/UK***.....108, 151
 PLATE,BACKING,LINKS...127-128, 131, 135,
 137
 PLATE,BUBBLE LEVEL MOUNT.....191
 PLATE,GLOWPLUG,RELAY MT,D1105.....89
 PLATE,GLWPLUG,RELAY MT,KD.....89
 PLATE,GS69 DECK.....143, 147

PLATE,HOSE ROUTG,BULKHEAD(PTD)...65-
 66
 PLATE,HYD TANK FILLER COVER....119, 121
 PLATE,LIMIT SWITCH,LS.....71
 PLATE,O/R SPACER, HI FLOAT.....189
 PLATE,OUTRIGGER MOUNT.....189
 PLATE,REAR CW BRACKET.....69
 PLATE,SENSE AXLE SWITCH.....66
 PLATE,UK POWER TO PLATFORM.....151
 PLATE,UP L.S. MOUNT.....71
 PLATE,UPR CYL,PIN RETAINR 4069.....137
 PLATE,VISUAL IND LIGHT MOUNT,BLK....175
 PLUG AND CAP KIT-SERVICE,ORFS*.....11,
 157
 PLUG PLUGENGINEOIL,D1105 BTM.....83
 PLUG, AUSTRALIAN.....151
 PLUG, ENGINE OIL, D1105.....83
 PLUG, PORT SAE #8 HEX SOCKET.....157
 PLUG, PORT SAE#4 HX SOCK.....157, 159,
 161
 PLUG, PORT SAE#6 HX SOCK.....157, 161
 PLUG, TYPE F, 230A, 50HZ, 16A, IP44.....151
 PLUG,1/4"SERIES,3/8 MPT.....199
 PLUG,ALARM BEACON HOLE.....121
 PLUG,ELECTRICAL,DOMESTIC.....151
 PLUG,ENGINE OIL DRAIN,D-905***.....83
 PLUG,FUSED,250V,13AMP,U.K.**.....151
 PLUG,HEX SOCKET,090109B-4.....163
 PLUG,HEX,090109A-8***.....169
 PLUG,HOLLOW HEX 3/8" NPT.....101
 PLUG,NYLON .50 BLACK DOMED.....119, 121
 PLUG,OIL FILLER Z482,Z34/22BE*.....73
 PLUG,PWR,UK,16AMP,3PIN,BLK.....151
 PLUG,TUBE,SQ 1.50X.065.....143, 145, 147
 P R O G R A M M I N G
 CABLE,DELTA TECH**.....123-124
 PULLEY,FAN,KUBOTA, D-905,GS68.....83
 PULLEY,FAN,WG750B***.....73
 PUMP, FUEL, GM .998L.....11, 107-108, 111
 PUMP, GEAR, 16CC/REV.....76, 87, 95, 101
 PUMP,FUEL,KUBOTA GAS,INLINE.....107-108
 PUMP,PRIMER,PERKINS***.....91-92
 PUMP,WATER.....95
 PUSH RETAINER, 3/8" SCREW...65-66, 103,
 113

R

RAD. FAN,5-BLADE,DF-972.....73
 RAD. FAN,7-BLADE,D-1105.....83
 RADIATOR.....95
 RADIATOR ASSY, DF972.....81
 RADIATOR ASSY,ALUM,D-905.....89
 RADIATOR CAP, DF972.....81
 RADIATOR HOSE, LOWER, DF972.....81
 RADIATOR HOSE, UPPER, DF972.....81
 RAIL SPACER, GS90.....143
 RECEPACLE, DIN, 220V 50A.....108, 151
 RECEPACLE,UK,110V.....151
 REDUCER,520123-12-6.....169
 REF. WELDMENT,ENGINE SWING
 TRAY,GS69.....99
 Ref: BRACKET, AIR CLEANER.....79
 Ref: Engine Box Components.....11
 Ref: Engine mount,RT.....81
 Ref: Engine Swing Tray Weldment.....79, 89,
 91-92
 Ref: FORMING,AIR CLEANER MT,DF-972...79
 Ref: Hydraulic Box Components.....11
 REGULATOR, FLOW 2GPM.....157

Part Description Index (continued)

REGULATOR, FLOW, 25GPM.....157	SCREW,HHC,3/8-16 X 3.5,GR5.....89	SEAL, RUBBER STRAIGHT BULB, 15.....81, 103
REGULATOR, FLOW, 6GPM.....157	SCREW,HHC,5/16-18 X .75.....97	SEAL, RUBBER STRT BULB, 21".....103
REGULATOR, FUEL, GM .998L.....107-108, 111	SCREW,HHC,5/16-18 X 1 GR5.....177	SEAL, RUBBER STRT BULB, 9.5".....103
REGULATOR,LPG,KUBOTA,DF-752***.....75-76	SCREW,HHC,5/16-18 X 1 INCH.....89	SEAL, RUBBER, 1" BULB.....99, 103
RELAY MODULE(89996,89998).....79	SCREW,HHC,5/16-18 X 1.25.....75-76, 89, 177	SEAL,RUBBER,1"BULB.....99, 103
RELAY,12VDC,70AMP,SEALED.....89	SCREW,HHC,5/16-18 X 1.50.....85	SENSOR,LEVEL, ANALOG.....108
RELAY,SPDT,12V(AUTO) PLUG IN**.....115, 183	SCREW,HHC,7/16-14 X 1.25.....65-66	SENSOR,WATER TEMPERATURE.....95
RELIEF VALVE.....157	SCREW,HHC,FLG,1/4-20 X 2.00.....75-76	SEPARATOR/FILTER ELEMENT,FUEL*.....11, 91-92
RESISTOR, 1000 OHM 1/4 WATT.....115	SCREW,HHC,M10 X 1.25 X 30MM*.....81, 89	SHOCK MOUNT,LARGE**.....89
RESISTOR, 620 OHM 1/4 WATT.....115	SCREW,HHC,M10 X 1.25 X 35MM.....79, 81, 89	SHROUD, RADIATOR.....81
RETAINER, GS68 O/R FOOTPAD***.....195	SCREW,HHC,M12X 1.25X36MM,GR8.8.....91-92	SLEEVE,TANK SUPPORT.....175
RIVET,DRIVE, .25 X .25.....143, 147	SCREW,HHC,M12X1.25X25,GR 8.8.....95	SLIDE BLOCK,DOOR WEDGE,HDPE.....121
ROD END,.375 X 2.25,ZAG.....61, 63, 66, 105	SCREW,HHC,M6 X 16.....81	SLIDE BLOCK,ENGINE TRAY.....105
ROD END,.5 X 3.75,ZAG.....127-128, 133, 137	SCREW,HHC,M8 X 1.25 X 25.....91-92	SLIDER BLOCK, GS69.....127-128, 131, 135, 139, 141
ROD, GOVERNOR, WG972.....79	SCREW,HHC,M8 X 30MM,GRD 8.8.....83, 92	SLIDER, GATE CATCH.....145
ROD,DISCONNECT,OMNI***.....65-66	SCREW,HHC,M8 X 30MM,GRD 8.8.....83, 92	SNAP RING,EXTERNAL,1.5 DIA***.127-128, 131, 135
ROLLER,PLASTIC,AWP96**.....147	SCREW,HHF,M6-1.0X20,DIN6921,10.9,ZAB.99	SOLENOID KIT,SHUT DN,PERKINS.....91-92
RUBBER, VIBRATION MOUNT.....191	SCREW,M8 X 35MM.....87	SOLENOID, KUBOTA,DF972.....73
RUE RING,1.00.....61	SCREW,PHIL,8-32X.50,SELF TAP.....108	SOLENOID,1"STRKE,12V,SYNCR***.....81, 85
	SCREW,PHIL,PHM,10-24 X.5,SEMS.....91-92	SOLENOID,32193 STARTER,D905.....83
	SCREW,PHILLIPS,PHM,10-32 X .38.....115	SOLENOID,KUBOTA D91105 SHTDWN.....85
	SCREW,PHILLIPS,PHM,10-32 X .5.....115	SOLENOID,THROTTLE ACTUATOR DSL.....91-92
	SCREW,PHILLIPS,PHM,10-32 X .75.....115, 173, 191	SOLENOID,THROTTLE W/CABLE.....79
	SCREW,PHILLIPS,PHM,10-32 X1.25.....79	SPACER, SHOCK MOUNT.....89
	SCREW,PHILLIPS,PHM,6-32 X .75.....151	SPACER-DUAL COIL,#10, SCISSORS.....193
	SCREW,PHILLIPS,PHM,8-32 X 1.00.....191	SPARK PLUG WIRE 1, DF972.....79
	SCREW,PHILLIPS,PHM,8-32 X 1.25.....71, 127-128, 133, 137	SPARK PLUG WIRE 2, DF972.....79
	SCREW,PHILLIPS,PHM,8-32 X.25**.....115	SPARK PLUG WIRE 3, DF972.....79
	SCREW,PHM,1/4-20X.5 PHIL.....107-108	SPARK PLUG, DF972.....11, 79
	SCREW,PHM,8-32X.438.....151	SPEED CONTROL ASSY.....85
	SCREW,PHPM,10-32X.50,ZAG.....107-108, 111	SPRING CLIP,1/4-20,.025-.15X.54,ZAG.....61, 65-66, 69, 105, 108, 183, 189
	SCREW,PPH,8-32X.50,ZINC,TRS.....108	SPRING CLIP,3/8-16,.05-.20X.73,ZAG.....71, 119, 121, 147, 177, 191
	SCREW,RHM,10-32 X .75.....89	SPRING, GOVERNOR, WG972.....79
	SCREW,RHM,8-32 X 1.....66	SPRING, COMPRESSION .835 X 2.....145
	SCREW,RHM,M6 X 12MM.....89	SPRING,GOVERNOR,LOWER, WG750***.....79
	SCREW,SHC,1/2-13 X 4 ZINC.....61	SPRING,RETURN,SPEED CONTR,D905...85
	SCREW,SHC,10-32 X .75.....121	SPRING,TENSION-1.25 X.438 DIA.....85, 91-92
	SCREW,SHC,3/8-16 X 1.5.....105	STARTER MOTOR, KUBOTA, DF972.....73
	SCREW,SHC,5/8-11 X 1.5 NDPATCH.....66	STARTER, PERKINS, 403D.....95
	SCREW,SHM,PHP, #12 X .75.....115	STARTER,KUBOTA D905 VERS 2***.....83
	SCREW,SHS,3/8-16 X .5.....113	STAY, RADIATOR, WG972.....81
	SCREW-AIR BREATHER, D905.....85	STAY,ALTERNATOR,D-1105.....83
	SEAL KIT.....161	STEER SWITCH REPAIR KIT***.....155
	SEAL KIT, HYD MOTOR, GEN.....179	STEER YOKE ASSY.....61
	SEAL KIT, VALVE.....157, 159, 165	STRAINER,FILLER NECK.....107-108
	SEAL KIT, WHEEL DRIVE.....65-66	STRAP, RUBBER STEP SUPPORT.....69
	SEAL KIT,(131428).....195	STUD,EXHAUST MANIFOLD.....83
	SEAL KIT,226380.....163	STUDS,EXHAUST.....95
	SEAL KIT,52907,SIZE 4, 2 WAY.....157, 161	SUBASSY, IC REAR AXLE.....65-66
	SEAL KIT,62329,SIZE 12, 3 WAY.....157	SUBASSY,IC REAR AXLE.....65-66
	SEAL KIT,BOSCH PUMP***.....76, 87, 95, 101	SUPPORT, KIT RADIATOR, WG972.....81
	SEAL KIT,BRAKE,OMNI***.....65-66	SVC KIT,UK RECEPT.REPLACEMENT.....151
	SEAL KIT,CASAPPA.....76, 87, 95, 101	SWITCH, OIL PRESSURE.....91-92
	SEAL KIT,DR MTR.GS15/19,Z20***.....61	SWITCH, PRESSURE,0-3000PSI ADJ.....165
	SEAL KIT,LIFT,LOWER (131920).....165	SWITCH,LIMIT,PLUNGER,SMALL.....66, 127-128, 133, 137
	SEAL KIT,LIFT,UPPER (131921).....165	SWITCH,LIMIT,W/ROLLER ARM.....71, 191
	SEAL KIT,MOTOR,LC/KC***.....65-66	SWITCH,LIMIT,ZCY15 ARM.....71
	SEAL KIT,REXROTH DO3 VALVE.....159	SWITCH,OIL,PRESSURE,KUBOTA.....73, 83
	SEAL KIT,SOLENOID(52377).....157, 159	SWITCH,WATER TEMP.....73, 83
	SEAL KIT,STEER CYL (89065).....61	
	SEAL KIT,SUN T-2A CP VALVE.....161	
	SEAL KIT,P.N.44169,44172,44171.....159, 193	
	SEAL, RUBBER 90D BULB, 14IN.....103	
	SEAL, RUBBER 90D BULB, 15IN.....89, 91-92	

S

T

T-BOX, 2.75 X 4.5 X 2.0.....108, 151
 TAILPIPE, GM .998L, GS69.....101
 TAILPIPE, 403D-11, GS69.....92
 TAILPIPE, DF-972, GS69.....73
 TAILPIPE, DIESEL, GS69.....83
 TAILPIPE, END, UNIV.....73, 83, 91-92
 TAILPIPE, EXTENSION, UNIV.....73, 83, 91-92
 TANK STRAP, BOLT STYLE, HYD, GS69.....108
 TANK STRAP, FUEL, BOLT STYLE, 69.....107-108
 TANK, 7 GAL/33.5 POUND, LP.....117
 TANK, HYDRAULIC, 18 GALLON***.....107-108
 TAPE, NON-SKID, 2"X14".....189
 TAPE, WARNING, BLK/YEL, 50***.....147
 TEE, BULKHEAD, RUN, 520120-6.....167, 171
 TEE, BULKHEAD, RUN, 520958-4.....61, 169, 171, 197
 TEE, RUN, 520428-12.....169
 TEE, RUN, FEMSW, 520432-12.....181
 TEE, RUN, SWIVEL, 520432-6.....181, 197
 TELEMATICS LEADS, GS69RT.....124
 TERMINAL RAIL, GS69.....115
 THERMOSTAT.....73, 83
 THERMOSTAT -OIL COOLER (71259).....183
 THERMOSTAT COVER.....83
 THERMOSTAT HOUSING, DF972.....73
 TRIM, EDGE, 1/8X3/4 SIDE BULB.....99
 TRIMLOCK, BLACK, 3/16.....183
 TURN SWITCH ACTUATOR, JOYSTICK**.....155

U

UHMW, EXT LATCH ARM CATCH.....149
 UNION, BULKHEAD, ORFS, 6-6.....169

V

V-BELT, KUBOTA.....83
 V-ROLLER, NARROW, EXT DECK.....143
 VALVE COVER, D905.....83
 VALVE COVER, WG972.....73
 VALVE, CHECK, DROP IN.....157
 VALVE, CV 4.5:1, 3500 PSI.....161
 VALVE, DIRECTIONAL, P-COMP.....157
 VALVE, ELEC-PROP, 2W NC.....157
 VALVE, FLOW CONTROL, P-COMP.....157
 VALVE, FLOW DIV/COMB, 50-50, 12GPM.....159
 VALVE, FLOW DIV/COMB, 75-25.....159
 VALVE, FLOW DIV/COMB, 50-50, 24GPM.....161
 VALVE, NC PROP POPPET, 12VDC.....165
 VALVE, NC PROPORTIONAL POPPET.....165
 VALVE, NEEDLE, 10GPM.....159
 VALVE, PRESS. CNTRL 15GPM.....157
 VALVE, PRESS. REDUCING, 250PSI.....161
 VALVE, RELIEF, 2500PSI.....165
 VALVE, RELIEF, 3300 PSI.....157
 VALVE, RELIEF, BI-DIR 8GPM.....159
 VALVE, RELIEF, GEN, 3.0kW.....179
 VALVE, ROLLOVER, 1/4" BARBED.....107-108, 111
 VALVE, SOLENOID 3W-2P.....157
 VALVE, SOLENOID, 4W-2P.....159
 VALVE, SOLENOID, 5W-3P.....157
 VALVE, 2 POSITION 2 WAY***.....165
 VALVE, 2 WAY, 2.5PSI.....75-76, 107-108
 VALVE, 2WAY ,1PSI.....75-76, 107-108
 VALVE, COUNTERBALNCE, 3800 PSI.....163

VALVE, DIR, #10 SAE, 3 POS. 4 WAY.....193
 VALVE, DOUBLE PULL SOL SQ 12V.....165
 VALVE, LP LOCKOUT W/O CONNECTOR.....75-76
 VALVE, NC, BI-DI, CART***.....195
 VALVE, RELIEF, 3000PSI, GS68PUMP1.....157
 VALVE, SOLENOID, 2POS/3WAY***.....159
 VALVE, SOLENOID, 2POS 3 WAY***.....157
 VALVE, SOLENOID, 2POS2WY, NCGS68*.....159
 VALVE-CHECK, #4 SAE, 5 PSI*.....157, 161
 VALVE-SOLENOID, 2POS/2WAY.....157
 VITON SEAL KIT, VALVE.....157
 VLV, SOL, DO3, REXROTH, 3POS 4 WAY.....159

W

WASHER ASSY, FILTER ELEMNT, D905.....87
 WASHER, BELLHOUSING MNT, WG972.....75-76
 WASHER, FAN COVER, D1105.....89
 WASHER, FLANGE ADAPTER, WG972.....75-76
 WASHER, LOCK, 8MM, WG972.....81
 WASHER, LOCK, FAN COVER, D1105.....89
 WASHER, MUFFLER COVER, WG972.....73
 WASHER, FENDER, 5X2.125.....79, 95, 99
 WASHER, FLAT, .625 HARDENED.....66
 WASHER, FLAT, .625 X 2.25 X .15.....89
 WASHER, FLAT, 1.510X2.125.....127-128, 131, 135
 WASHER, FLAT, 3/8, HARDENED, YZ.....113
 WASHER, FLAT, GOV. LEVER, DF750.....79
 WASHER, FLAT, HARDENED 7/16.....65-66
 WASHER, FLAT, M6 PLTD.....91-92
 WASHER, FLAT, MS, #10, Y.....79, 115
 WASHER, FLAT, MS, #8, Y.....71, 127-128, 133, 137
 WASHER, FLAT, SAE, 3/8", Y.....147
 WASHER, FLAT, USS, 1/2", Y.....69, 79, 95, 99, 128, 133, 137
 WASHER, FLAT, USS, 1/4"Y.....61, 73, 75-76, 79, 81, 85, 91-92, 99, 101, 105, 115, 119, 143, 145, 147, 183, 189
 WASHER, FLAT, USS, 3/8", Y.....63, 69, 97, 99, 101, 103, 107-108, 111, 113, 133, 137, 141, 147, 149, 177, 183, 201
 WASHER, FLAT, USS, 5/16", Y.....75-76, 89, 92, 97, 105
 WASHER, LOCK, .25.....81, 107-108, 183
 WASHER, LOCK, .313.....91-92
 WASHER, LOCK, .375.....76, 87, 95, 105, 119, 121, 201
 WASHER, LOCK, .437, PLTD.....65-66
 WASHER, LOCK, 0.5".....91-92, 95
 WASHER, LOCK, GOV. LEVER, DF750***.....73, 75-76, 79
 WASHER, LOCK, M10.....79, 81, 89
 WASHER, LOCK, M8.....83
 WASHER, NITRILE.....115
 WASHER, NYLON .50 X 1.25 X .063.....113
 WASHER, STAR, EXTERNAL, #8.....108, 191
 WASHER, STAR, EXTERNAL, .375.....76, 87, 95, 115
 WASHER-PLAIN.....73
 WASHER-SOLENOID VALVE (66683)*.....165
 WATER PUMP ASSY, KUBOTA.....83
 WATER PUMP, DF972.....73
 WEAR PAD, SLIDER FOOT, LOWER.....127-128, 133, 137

WEAR PAD, SLIDER FOOT, UPPER.....127-128, 133, 137
 WELDMENT, ENGINE SWING TRAY.....105
 WELDMENT, GS4068 LADDER.....69
 WELDMENT, MAIN RAIL, LEFT.....143
 WELDMENT, MAIN, A-RAIL, LEFT.....145
 WELDMENT, MAIN, A-RAIL, RIGHT.....145
 WELDMENT, PLT CTRL GUARD.....153
 WELDMENT, RISE BRKT, D1105.....89
 WELDMENT, RISE BRKT, KD.....89
 WELDMENT, 26/32 LADDER.....69
 W E L D M E N T , B O X DOOR, LEFT, WINDOW.....119
 WELDMENT, BOX DOOR, LT.....121
 WELDMENT, BOX DOOR, LT, WINDOW.....121
 WELDMENT, BOX DOOR, RT.....119, 121
 WELDMENT, BOX DOOR, RT, FUEL.....121
 WELDMENT, BOX, ENGINE.....103
 WELDMENT, BOX, HYD.....113
 WELDMENT, BOX, IC, EPA.....113
 WELDMENT, CHASSIS LINK PVT, 2669.....127-128
 WELDMENT, DOOR, HYD, BOX, GAS.....119
 WELDMENT, ENGINE BOX, GS69.....103
 WELDMENT, ENGINE PIVOT MOUNT.....105
 WELDMENT, ENGINE SWING TRAY, GS69.....105
 WELDMENT, ENTRY GATE.....145
 WELDMENT, EXT DECK RAIL, END.....147
 WELDMENT, EXT, DECK, GS69.....147
 WELDMENT, GEN COVER, GS69.....177
 WELDMENT, GEN MOUNT, GS69.....177
 WELDMENT, GRND CONT, LWR MT.....108
 WELDMENT, HEAD PIPE, PERKINS.....95
 WELDMENT, KING PIN.....61
 WELDMENT, LADDER, GS26/3369.....69
 WELDMENT, LADDER, GS4069.....69
 WELDMENT, LCP, GS69.....115
 WELDMENT, LINK, OUTER #1.....127-128, 131, 135
 WELDMENT, LINK, OUTER #2, 3, 4.....131, 135
 WELDMENT, LINK, TOP OUTER, GS69.....127-128, 131, 135, 139, 141
 WELDMENT, LOWER LADDER STEP.....69
 WELDMENT, LP ALIGNMENT PIN.....117
 WELDMENT, LP ALIGNMENT PIN***.....117
 WELDMENT, LP CARRIER MOUNT.....117
 WELDMENT, LP GUARD, RIGHT.....117
 WELDMENT, MAIN PLATFORM, GS69.....139, 141
 WELDMENT, MAIN RAIL, RIGHT.....143
 WELDMENT, MOUNT, LCP, GS69.....108
 WELDMENT, O/R SWITCH COVER.....191
 W E L D M E N T , O I L COOLER MOUNT, GS69.....183
 WELDMENT, OSC AXLE.....61
 WELDMENT, OUTRIGGER COVER.....191
 WELDMENT, OUTRIGGER YOKE.....191
 WELDMENT, PLAT PIVOT, 33/4069.....141
 WELDMENT, PLATFORM PIVOT, 2669.....139
 WELDMENT, RAIN CAP MNT, KUB.....76, 87
 WELDMENT, RAIN CAP MNT, KUBOTA.....76, 87, 103
 WELDMENT, RAIN CAP MNT, PERKINS.....103
 WELDMENT, RAIN CAP, GM .998L.....97, 103
 WELDMENT, SIDE EXT RAIL, LEFT.....147
 WELDMENT, SIDE EXT RAIL, RIGHT.....147
 WELDMENT, SLIDER FOOT, 32/4069.....133, 137

Part Description Index (continued)

WELDMENT,SLIDER FOOT, GS2669.....127-
 128
 WELDMENT,SLIDER FT, GS33/4069.....133,
 137
 WELDMENT,TIE ROD.....61
 WELDMENT,TIE ROD,GS69.....61
 WHEEL ASSY, FOAM,12X26,NM,RR.....65-66
 WHEEL ASSY,FOAM,12X26,BLK,LF.....61
 WHEEL ASSY,FOAM,12X26,BLK,LR.....65-66
 WHEEL ASSY,FOAM,12X26,BLK,RF.....61
 WHEEL ASSY,FOAM,12X26,BLK,RR.....65-66
 WHEEL ASSY,FOAM,12X26,NM,LF.....61
 WHEEL ASSY,FOAM,12X26,NM,LR.....65-66
 WHEEL ASSY,FOAM,12X26,NM,RF.....61
 WHEEL ASSY,FOAM,12X26,NM,RR.....65-66
 WHEEL DRIVE W/ BRAKE,48.1.....65-66
 WHEEL STUD,5/8-18X67MM.....65-66
 WIRE CABLE,14/3 CON.TPE JKT*.....151
 WIRE CAP,ORANGE.....151
 WIRE HARNESS.....177
 WLDMNT,PLATFORM SPACER, 2669.....139
 WLDMT, HYD BOX GS69.....113
 WLDMT,CHASSIS LINK PVT,33/4069.....133,
 137
 WLDMT,EXT DECK HANDLE,L.....149
 WLDMT,EXT DECK HANDLE,R.....149
 WLDMT,LINK,OUTER,#2.....127-128, 131, 135
 WLDT,BOX DOOR,ENG,LT,GS68.....119
 WORKLIGHT, 12V, DEUTSCH RECEPT.....203
 WORKLIGHTS,FIELD KIT,GS-2669.....203
 WORKLIGHTS,FIELD KIT,GS-3369.....203
 WORKLIGHTS,FIELD KIT,GS-4069.....203
 WORKSHOP MANUAL, WG972-E2.....11

Z

ZERK,GREASE,1/8 NPT.....195

This Page Intentionally Left Blank

Go to Discount-Equipment.com to order your parts

Fitting Cross References

Genie PN	Parker PN	Description	Genie PN	Parker PN	Description
12342	6-4 F5OX-S	CONNECTOR,STRAIGHT THREAD TO FLARE TUBE	42794	1 CR-S	ELBOW,90°,MALE PIPE
13757	4 R6X-S	RUN TEE,SWIVEL NUT,ORFS	42795	BV-0839	BALL VALVE
19685	12-10 C5OX-S	ELBOW,90°,STRAIGHT THREAD TO FLARE TUBE	42796	BV-0838	BALL VALVE
22664	12-10 C5OX	ELBOW,90°,STRAIGHT THREAD TO FLARE TUBE	42874	6-8 CLO-S	ELBOW,90°,MALE PIPE TO ORFS
27431	8-12 F5OX-S	CONNECTOR,STRAIGHT THREAD TO FLARE TUBE	42912	13943-6-4	HOSE END,90° FEMALE SWIVEL,JIC
28678	AS-B-33	SLEEVE,NYLON,1.81" ID	42920	BV-0840	BALL VALVE,90°
39871	6 WETX-WLN-S	UNION,90° BULKHEAD W/NUT,FLARE TUBE	42932	AS-B-17	SLEEVE,NYLON,1.22" ID
39872	4 R5OX-S	RUN TEE,STRAIGHT THREAD	42936	10243-2-4	HOSE END,FEMALE PIPE
39873	6 C5OX-S	ELBOW,90°,STRAIGHT THREAD TO FLARE TUBE	42953	1/2 DD-S	ELBOW,90°,FEMALE PIPE
39874	8-6 C5OX-S	ELBOW,90°,STRAIGHT THREAD TO FLARE TUBE	42956	6 WELO-WLNL-S	UNION,90° BULKHEAD W/NUT,ORFS
39875	4-6 C5OX-S	ELBOW,90°,STRAIGHT THREAD TO FLARE TUBE	45349	8 V5OX-S	ELBOW,45°,STRAIGHT THREAD TO FLARE TUBE
39876	6-8 C5OX-S	ELBOW,90°,STRAIGHT THREAD TO FLARE TUBE	45351	4 V5OX-S	ELBOW,45°,STRAIGHT THREAD TO FLARE TUBE
39877	4 F5OX-S	CONNECTOR,STRAIGHT THREAD TO FLARE TUBE	47223	10343-6-6	HOSE END,MALE,JIC
39878	6 F5OX-S	CONNECTOR,STRAIGHT THREAD TO FLARE TUBE	47419	PS690503-6-6	SWIVEL,90°,STRAIGHT THREAD TO 37° FLARE
39879	4-8 F5OX-S	CONNECTOR,STRAIGHT THREAD TO FLARE TUBE	48750	421-4	HOSE,1/4 INCH ID
39880	6-10 F5OX-S	CONNECTOR,STRAIGHT THREAD TO FLARE TUBE	48751	481TC-4	HOSE,1/4 INCH ID
39881	4-6 F5OX-S	CONNECTOR,STRAIGHT THREAD TO FLARE TUBE	48752	482TC-4	HOSE,1/4 INCH ID
39882	4-HP5ON-S	PLUG,STRAIGHT THREAD	48753	451TC-6	HOSE,3/8 INCH ID
39883	8-8 FTX-S	CONNECTOR,MALE PIPE TO FLARE TUBE	48754	482TC-6	HOSE,3/8 INCH ID
39885	269HB 12-12	ELBOW,90°,BEADED HOSE BARB TO MALE PIPE	48755	381-6	HOSE,3/8 INCH ID
39886	431-6	HOSE,3/8 INCH ID	48756	451TC-8	HOSE,1/2 INCH ID
39887	540N-2	HOSE,1/8 INCH ID	48757	482TC-8	HOSE,1/2 INCH ID
39888	801-8	HOSE,1/2 INCH ID	48758	381-8	HOSE,1/2 INCH ID
39889	801-12	HOSE,3/4 INCH ID	48759	381-10	HOSE,5/8 INCH ID
39890	10643-6-6	HOSE END,FEMALE SWIVEL,JIC	48760	451TC-10	HOSE,5/8 INCH ID
39891	13943-6-6	HOSE END,90° FEMALE SWIVEL,JIC	48761	482TC-12	HOSE,3/4 INCH ID
39892	13743-6-6	HOSE END,45° FEMALE SWIVEL,JIC	48762	451TC-12	HOSE,3/4 INCH ID
39894	30682-8-8	HOSE END,FEMALE SWIVEL,JIC	48763	772-12	HOSE,3/4 INCH ID
39895	30682-10-12	HOSE END,FEMALE SWIVEL,JIC	48764	881-16	HOSE,1 INCH ID
42286	8-8 CTX-S	ELBOW,90°,MALE PIPE TO FLARE TUBE	48765	772-16	HOSE,1 INCH ID
42756	8-12 CLO-S	ELBOW,90,MALE PIPE TO ORFS	48766	AS-B-15	SLEEVE,NYLON,1.06" ID
42757	8-12 FLO-S	CONNECTOR,MALE PIPE TO ORFS	48767	AS-B-22	SLEEVE,NYLON,1.42" ID
42758	4 JLO-S	UNION TEE,ORFS	48770	881-8	HOSE,1/2 INCH ID
42759	4-4 FLO-S	CONNECTOR,MALE PIPE TO ORFS			
42760	6-8 FLO-S	CONNECTOR,MALE PIPE TO ORFS			
42761	1J143-6-4	HOSE END,90° FEMALE SWIVEL,SEAL LOK			
42762	1J743-6-4	HOSE END,45° FEMALE SWIVEL,SEAL LOK			
42768	1JO43-4-4	HOSE END,MALE,SEAL LOK			
42776	601-8	HOSE,1/2 INCH ID			
42777	1J743-16-16	HOSE END,45° FEMALE SWIVEL,SEAL LOK			
42786	16 CLO-S	ELBOW,90°,MALE PIPE TO ORFS			
42787	16 R6LO-S	RUN TEE,SWIVEL NUT,ORFS			
42788	16-8 TRLO-BL-S	REDUCER,TUBE END TO SWIVEL,ORFS			
42789	6-6 CLO-S	ELBOW,90°,MALE PIPE TO ORFS			
42790	8-10 V5OLO-S	ELBOW,45°,STRAIGHT THREAD TO ORFS			
42791	3/4 CD-S	ELBOW,90°,MALE TO FEMALE PIPE			
42792	3/4 X 1/2 PTR-S	REDUCER,MALE TO FEMALE PIPE			
42793	1/2 CR-S	ELBOW,90°,MALE PIPE			

Fitting Cross References (Continued)

Genie PN	Parker PN	Description	Genie PN	Parker PN	Description
48771	881-10	HOSE,5/8 INCH ID	48847	13943-12-12	HOSE END,90° FEMALE SWIVEL,JIC
48772	381-4	HOSE,1/4 INCH ID	48848	10543-12-12	HOSE END,MALE,STRAIGHT THREAD
48773	AS-B-13	SLEEVE,NYLON,.86" ID	48849	1JC71-12-12	HOSE END,FEMALE SWIVEL,SEAL LOK
48800	1JC43-4-4	HOSE END,FEMALE SWIVEL,SEAL LOK	48850	1JS71-12-12	HOSE END,FEMALE SWIVEL,SEAL LOK
48801	1J743-4-4	HOSE END,45° FEMALE SWIVEL,SEAL LOK	48851	1J171-12-12	HOSE END,90° FEMALE SWIVEL,SEAL LOK
48802	1J943-4-4	HOSE END,90° FEMALE SWIVEL,SEAL LOK	48852	1J771-12-12	HOSE END,45° FEMALE SWIVEL,SEAL LOK
48804	1JM43-4-4	HOSE END,MALE,SEAL LOK, NO O-RING	48853	1J971-12-12	HOSE END,90° FEMALE SWIVEL,SEAL LOK
48805	10643-4-4	HOSE END,FEMALE SWIVEL,JIC	48854	1JC43-16-16	HOSE END,FEMALE SWIVEL,SEAL LOK
48806	13943-4-4	HOSE END,90° FEMALE SWIVEL,JIC	48855	1J943-16-16	HOSE END,90° FEMALE SWIVEL,SEAL LOK
48807	1JS43-4-4	HOSE END,FEMALE SWIVEL,SEAL LOK	48856	1J171-16-16	HOSE END,90° FEMALE SWIVEL,SEAL LOK
48808	3JC82-8-8	HOSE END,FEMALE SWIVEL,SEAL LOK	48857	1J971-16-16	HOSE END,90° FEMALE SWIVEL,SEAL LOK
48809	3JC82-12-12	HOSE END,FEMALE SWIVEL,SEAL LOK	48859	1JS43-8-4	HOSE END,FEMALE SWIVEL,SEAL LOK
48810	1JC43-6-4	HOSE END,FEMALE SWIVEL,SEAL LOK	48867	PD36BTL	DIAGNOSTIC NIPPLE,SEAL-LOK SWIVEL
48811	1J943-6-4	HOSE END,90° FEMALE SWIVEL,SEAL LOK	48873	6 PNLO-S	PLUG,TUBE END,ORFS
48812	1JC43-6-6	HOSE END,FEMALE SWIVEL,SEAL LOK	48874	6 PNTX-S	PLUG,FLARE TUBE
48813	1J143-6-6	HOSE END,90° FEMALE SWIVEL,SEAL LOK	48875	6 R6LO-S	RUN TEE,SWIVEL NUT,ORFS
48814	1J543-6-6	HOSE END,90° FEMALE SWIVEL,SEAL LOK	48877	4 F5OLO-SW/.025	CONNECTOR,STRAIGHT THREAD TO ORFS, W/.025 ORI
48815	1J743-6-6	HOSE END,45° FEMALE SWIVEL,SEAL LOK	48878	16-12 C5OLO-S	ELBOW,90°,STRAIGHT THREAD TO ORFS
48816	1J943-6-6	HOSE END,90° FEMALE SWIVEL,SEAL LOK	48879	8 C6LO-S	ELBOW,90°,SWIVEL NUT ORFS
48817	1JS43-6-8	HOSE END,FEMALE SWIVEL,SEAL LOK	48880	PD6-285	CAP,DIAGNOSTIC NIPPLE
48818	1J943-8-4	HOSE END,90° FEMALE SWIVEL,SEAL LOK	48881	6 HLO-S	UNION,ORFS
48819	1JC43-8-6	HOSE END,FEMALE SWIVEL,SEAL LOK	48883	8 P5ON-S	PLUG,STRAIGHT THREAD
48820	1J743-8-6	HOSE END,45° FEMALE SWIVEL,SEAL LOK	48884	8M18F87OMLO-S	CONNECTOR,METRIC,STRAIGHT THREAD TO ORFS
48821	1J943-8-6	HOSE END,90° FEMALE SWIVEL,SEAL LOK	48885	4 WGTX-WLN-S	CONNECTOR,BULKHEAD,FEMALE PIPE TO FLARE TUBE
48822	1JC43-8-8	HOSE END,FEMALE SWIVEL,SEAL LOK	48886	4 F5OLO-SW/2MM	CONNECTOR,MACHINED STRAIGHT THREAD TO ORFS
48823	1JS43-8-8	HOSE END,FEMALE SWIVEL,SEAL LOK	48887	4 CTX-S	ELBOW,90°,MALE PIPE TO FLARE TUBE
48824	1J143-8-8	HOSE END,90° FEMALE SWIVEL,SEAL LOK	48888	10-12 V5OLO-S	ELBOW,45°,STRAIGHT THREAD TO ORFS
48825	1J543-8-8	HOSE END,90° FEMALE SWIVEL,SEAL LOK	48890	4 S5OLO-S	BRANCH TEE,STRAIGHT THREAD TO ORFS
48826	1J743-8-8	HOSE END,45° FEMALE SWIVEL,SEAL LOK	48891	4 S6LO-S	BRANCH TEE,SWIVEL NUT TO ORFS
48827	1J943-8-8	HOSE END,90° FEMALE SWIVEL,SEAL LOK			
48828	1JC43-10-8	HOSE END,FEMALE SWIVEL,SEAL LOK			
48829	1JS43-10-8	HOSE END,FEMALE SWIVEL,SEAL LOK			
48830	1J743-10-8	HOSE END,45° FEMALE SWIVEL,SEAL LOK			
48831	1J943-10-8	HOSE END,90° FEMALE SWIVEL,SEAL LOK			
48833	1JC43-10-10	HOSE END,FEMALE SWIVEL,SEAL LOK			
48834	1J943-10-10	HOSE END,90° FEMALE SWIVEL,SEAL LOK			
48835	1JS43-10-12	HOSE END,FEMALE SWIVEL,SEAL LOK			
48836	1JC43-12-8	HOSE END,FEMALE SWIVEL,SEAL LOK			
48837	1JS43-12-8	HOSE END,FEMALE SWIVEL,SEAL LOK			
48838	1J743-12-8	HOSE END,45° FEMALE SWIVEL,SEAL LOK			
48839	1J943-12-8	HOSE END,90° FEMALE SWIVEL,SEAL LOK			
48840	1J943-12-10	HOSE END,90° FEMALE SWIVEL,SEAL LOK			
48841	1JC43-12-12	HOSE END,FEMALE SWIVEL,SEAL LOK			
48842	1JO43-12-12	HOSE END,MALE,SEAL LOK			
48843	1J143-12-12	HOSE END,90° FEMALE SWIVEL,SEAL LOK			
48844	1J543-12-12	HOSE END,90° FEMALE SWIVEL,SEAL LOK			
48845	1J743-12-12	HOSE END,45° FEMALE SWIVEL,SEAL LOK			
48846	1J943-12-12	HOSE END,90° FEMALE SWIVEL,SEAL LOK			

Fitting Cross References (Continued)

Genie PN	Parker PN	Description	Genie PN	Parker PN	Description
48892	6 C6LO-S	ELBOW,90°,SWIVEL NUT ORFS	48938	8 R6LO-S	RUN TEE,SWIVEL NUT,ORFS
48893	6 F5OHAO-S	UNION,STRAIGHT THREAD	48939	8 S6LO-S	BRANCH TEE,SWIVEL NUT TO ORFS
48894	8 WLO-WLNL-S	UNION,BULKHEAD,ORFS	48940	8 WJLO-WLNL-S	RUN TEE, BULKHEAD,ORFS
48895	DT-370-MSMO-5	VALVE,CHECK	48941	8-4 TRLO-S	REDUCER,TUBE END TO SWIVEL,ORFS
48896	6 JLO-S	UNION,TEE,ORFS	48942	8-6 C5OLO-S	ELBOW,90°,STRAIGHT THREAD TO ORFS
48897	DT-750-MSMS-5	VALVE,CHECK	48943	8-6 F5OLO-S	CONNECTOR,STRAIGHT THREAD TO ORFS
48898	DT-750-MOMS-5	VALVE,CHECK	48944	8-8 FLO-S	CONNECTOR,MALE PIPE TO ORFS
48899	DT-620-MOMS-5	VALVE,CHECK	48945	8 FTX-S	CONNECTOR,MALE PIPE TO FLARE TUBE
48900	4-6 F5OLO-SW/.035	CONNECTOR,STRAIGHT THREAD TO ORFS, W/.035 ORI	48946	8-10 F5OLO-S	CONNECTOR,STRAIGHT THREAD TO ORFS
48902	16-1 AOE4G-S	ELBOW,90° LONG,FEMALE PIPE TO STRAIGHT THREAD	48947	8-12 C5OLO-S	ELBOW,90°,STRAIGHT THREAD TO ORFS
48903	1 FF-S	NIPPLE,PIPE	48948	8-12 F5OLO-S	CONNECTOR,STRAIGHT THREAD TO ORFS
48904	4 C5OLO-S	ELBOW,90°,STRAIGHT THREAD TO ORFS	48949	8-16 F5OLO-S	CONNECTOR,STRAIGHT THREAD TO ORFS
48905	4 F5OLO-S	CONNECTOR,STRAIGHT THREAD TO ORFS	48950	10 C5OLO-S	ELBOW,90°,STRAIGHT THREAD TO ORFS
48906	4 R5OLO-S	RUN TEE,STRAIGHT THREAD	48951	10 CC5OLO-S	ELBOW,90° LONG,STRAIGHT THREAD TO ORFS
48907	4 V5OLO-S	ELBOW,45°,STRAIGHT THREAD TO ORFS	48952	10 F5OLO-S	CONNECTOR,STRAIGHT THREAD TO ORFS
48908	4 R6LO-S	RUN TEE,SWIVEL NUT,ORFS	48953	10 R5OLO-S	RUN TEE,STRAIGHT THREAD
48909	4 WJLO-WLNL-S	RUN TEE, BULKHEAD,ORFS	48954	10 S5OLO-S	BRANCH TEE,STRAIGHT THREAD TO ORFS
48910	4 GTX-S W/.030	CONNECTOR,FEMALE PIPE TO FLARE TUBE	48955	10 R6LO-S	RUN TEE,SWIVEL NUT,ORFS
48911	4-6 C5OLO-S	ELBOW,90°,STRAIGHT THREAD TO ORFS	48956	10-4 TRLO-BL-S	REDUCER,TUBE END TO SWIVEL,ORFS
48912	4-6 F5OLO-S	CONNECTOR,STRAIGHT THREAD TO ORFS	48957	10-6 TRLO-BL-S	REDUCER,TUBE END TO SWIVEL,ORFS
48913	4-6 F5OLO-SW/.030	CONNECTOR,STRAIGHT THREAD TO ORFS, W/.030 ORI	48958	10-12 F5OLO-S	CONNECTOR,STRAIGHT THREAD TO ORFS
48914	4-8 F5OLO-S	CONNECTOR,STRAIGHT THREAD TO ORFS	48959	12 C5OLO-S	ELBOW,90°,STRAIGHT THREAD TO ORFS
48915	6 C5OLO-S	ELBOW,90°,STRAIGHT THREAD TO ORFS	48960	12 F5OLO-S	CONNECTOR,STRAIGHT THREAD TO ORFS
48916	6 F5OLO-S	CONNECTOR,STRAIGHT THREAD TO ORFS	48961	12 R5OLO-S	RUN TEE,STRAIGHT THREAD
48917	6 FF5OLO-S	CONNECTOR,LONG,STRAIGHT THREAD TO ORFS	48962	12 S5OLO-S	BRANCH TEE,STRAIGHT THREAD TO ORFS
48918	6 R5OLO-S	RUN TEE,STRAIGHT THREAD	48963	12 V5OLO-S	ELBOW,45°,STRAIGHT THREAD TO ORFS
48919	6 S5OLO-S	BRANCH TEE,STRAIGHT THREAD TO ORFS	48964	12 R6LO-S	RUN TEE,SWIVEL NUT,ORFS
48920	6 V5OLO-S	ELBOW,45°,STRAIGHT THREAD TO ORFS	48965	12 CLO-S	ELBOW,90°,MALE PIPE TO ORFS
48921	6 FLO-S	CONNECTOR,MALE PIPE TO ORFS	48966	12 FLO-S	CONNECTOR,MALE PIPE TO ORFS
48922	6-6 FLO-S	CONNECTOR,MALE PIPE TO ORFS	48967	12 JLO-S	UNION TEE,ORFS
48923	6 P5ON-S	PLUG,STRAIGHT THREAD	48968	12 WLO-WLNL-S	UNION,BULKHEAD,ORFS
48925	6 WELO-S	UNION,90° BULKHEAD,ORFS	48969	12 WJLO-WLNL-S	RUN TEE, BULKHEAD,ORFS
48926	6-4 C5OLO-S	ELBOW,90°,STRAIGHT THREAD TO ORFS	48970	12 WELO-WLNL-S	UNION,90° BULKHEAD W/NUT,ORFS
48927	6-4 F5OLO-S	CONNECTOR,STRAIGHT THREAD TO ORFS			
48928	6-4 V5OLO-S	ELBOW,45°,STRAIGHT THREAD TO ORFS			
48929	6-8 C5OLO-S	ELBOW,90°,STRAIGHT THREAD TO ORFS			
48930	6-8 F5OLO-S	CONNECTOR,STRAIGHT THREAD TO ORFS			
48931	6-10 F5OLO-S	CONNECTOR,STRAIGHT THREAD TO ORFS			
48932	8 C5OLO-S	ELBOW,90°,STRAIGHT THREAD TO ORFS			
48933	8 F5OLO-S	CONNECTOR,STRAIGHT THREAD TO ORFS			
48934	8 FF5OLO-S	CONNECTOR,LONG,STRAIGHT THREAD TO ORFS			
48935	8 R5OLO-S	RUN TEE,STRAIGHT THREAD			
48936	8 S5OLO-S	BRANCH TEE,STRAIGHT THREAD TO ORFS			
48937	8 V5OLO-S	ELBOW,45°,STRAIGHT THREAD TO ORFS			

Fitting Cross References (Continued)

Genie PN	Parker PN	Description	Genie PN	Parker PN	Description
48971	12 G5G5JG5-S	TEE,FEMALE STRAIGHT THREAD	49612	PKT02586	O-RING KIT (ORFS FITTINGS)
48972	12 XHL6-S	ADAPTER, 37° MALE TO SWIVEL ORFS	49613	PKT06276	PLUG AND CAP KIT-SERVICE,ORFS
48973	12-1/2 F5OG-S	ADAPTER,FEMALE PIPE TO STRAIGHT THREAD	49728	10143-12-12	HOSE END, MALE PIPE
48974	12-10 C5OLO-S	ELBOW,90°,STRAIGHT THREAD TO ORFS	49729	16-1 F5OG-S	ADAPTER,FEMALE PIPE TO STRAIGHT THREAD
48975	12-10 F5OLO-S	CONNECTOR,STRAIGHT THREAD TO ORFS	49814	12-8 FLO-S	CONNECTOR,MALE PIPE TO ORFS
48976	12-16 C5OLO-S	ELBOW,90°,STRAIGHT THREAD TO ORFS	49829	DT-500-MOMF-5	VALVE,CHECK
48977	12-16 F5OLO-S	CONNECTOR,STRAIGHT THREAD TO ORFS	49831	881-12	HOSE,3/4 INCH ID
48978	12-16 V5OLO-S	ELBOW,45°,STRAIGHT THREAD TO ORFS	49834	16 JLO-S	UNION TEE,ORFS
48980	12-16 FLO-S	CONNECTOR,MALE PIPE TO ORFS	49838	12-8 TRLO-BL-S	REDUCER,TUBE END TO SWIVEL,ORFS
48983	16 C5OLO-S	ELBOW,90°,STRAIGHT THREAD TO ORFS	49840	8 JLO-S	UNION TEE,ORFS
48984	16 F5OLO-S	CONNECTOR,STRAIGHT THREAD TO ORFS	49844	10-8 TRLO-BL-S	REDUCER,TUBE END TO SWIVEL,ORFS
48985	16 V5OLO-S	ELBOW,45°,STRAIGHT THREAD TO ORFS	49854	8 P5ON-S	PLUG,STRAIGHT THREAD
48986	16 FLO-S	CONNECTOR,MALE PIPE TO ORFS	49855	1JC43-16-12	HOSE END,FEMALE SWIVEL,SEAL LOK
48988	16 CD45-S	ELBOW,45°,MALE TO FEMALE PIPE	49859	4 P5ON-S	PLUG,STRAIGHT THREAD
48989	12 CD45-S	ELBOW,45°,MALE TO FEMALE PIPE	49861	4 FF5OLO-S	CONNECTOR,LONG,STRAIGHT THREAD TO ORFS
48990	8 CD45-S	ELBOW,45°,MALE TO FEMALE PIPE	49867	12-3/4 F5OG-S	ADAPTER,FEMALE PIPE TO STRAIGHT THREAD
48991	16-12 FLO-S	CONNECTOR,MALE PIPE TO ORFS	51152	6 R6X-S	RUN TEE,SWIVEL NUT,ORFS
48992	16-12 V5OLO-S	ELBOW,45°,STRAIGHT THREAD TO ORFS	51153	6-4 TRTX-S	REDUCER,TUBE END TO SWIVEL,ORFS
48993	XV501-12	BALL VALVE	51154	4-4 GTX	CONNECTOR,FEMALE PIPE TO FLARE TUBE
48994	XV501-16	BALL VALVE	51264	881-12	HOSE,3/4 INCH ID
48995	XV510P-12	BALL VALVE	51265	8 JLO-S	UNION TEE,ORFS
48996	XV510P-16	BALL VALVE	51508	6 BTX-S	NUT,FLARE TUBE
48997	PD341	DIAGNOSTIC NIPPLE, STRAIGHT THREAD	51580	12-8 TRLO-BL-S	TUBE END REDUCER,ORFS
48998	PD 361	DIAGNOSTIC NIPPLE, STRAIGHT THREAD	51628	6 R6X-S	RUN TEE,SWIVEL NUT,ORFS
48999	DT-500-MOMS-5	VALVE,CHECK	51735	3/8 HHP	PLUG,PIPE THREAD
49201	10 V5OLO-S	ELBOW,45°,STRAIGHT THREAD TO ORFS	51803	1J943-6-8	HOSE END,90° FEMALE SWIVEL,SEAL LOK
49202	1JC43-12-10	HOSE END,FEMALE SWIVEL,SEAL LOK	53023	125HBL-5-4	FITTING,HOSE BARB TO MALE PIPE
49203	10-8 V5OLO-S	ELBOW,45°,STRAIGHT THREAD TO ORFS	53497	PKT02585	O-RING KIT
49205	6 F5OHAO-S	UNION,STRAIGHT THREAD	53499	1JC71-16-16	HOSE END,FEMALE SWIVEL,SEAL LOK
49207	PD34BTL	DIAGNOSTIC NIPPLE,SEAL-LOK SWIVEL	53500	3-904	O-RING,STRAIGHT THREAD,-4
49209	8M18F870MX-S	CONNECTOR,METRIC,STRAIGHT THREAD TO FLARE TUBE	53501	3-906	O-RING,STRAIGHT THREAD,-6
49212	8 WGTX-WLN-S	CONNECTOR,BULKHEAD,FEMALE PIPE TO FLARE TUBE	53502	3-908	O-RING,STRAIGHT THREAD,-8
49213	30682-8-8	HOSE END,FEMALE SWIVEL,JIC	53503	3-910	O-RING,STRAIGHT THREAD,-10
49216	831-8	HOSE,1/2 INCH ID			
49217	33982-8-8	HOSE END,90° FEMALE SWIVEL,JIC			
49219	PS-B-35	SLEEVE,NYLON,2.19" ID			
49418	4-6 V5OLO-S	ELBOW,45°,STRAIGHT THREAD TO ORFS			
49511	DT370-MOMS-5	VALVE,CHECK			
49512	1 DD-S	ELBOW,90°,FEMALE PIPE			
49513	1 FF-S	NIPPLE,PIPE			
49514	10 HP5ON-S	PLUG,STRAIGHT THREAD			
49515	12-16 CLO-S	ELBOW,90°,MALE PIPE TO ORFS			
49517	6 HP5ON-S	PLUG,STRAIGHT THREAD			
49519	16-12 F5OLO-S	CONNECTOR,STRAIGHT THREAD TO ORFS			
49520	4 VTX-S	ELBOW,45°,MALE PIPE TO FLARE TUBE			
49530	16 C6LO-S	ELBOW,90°,SWIVEL NUT ORFS			

Fitting Cross References (Continued)

Genie PN	Parker PN	Description	Genie PN	Parker PN	Description
53535	3-912	O-RING,STRAIGHT THREAD,-12	61083	24 F5OLO-S	CONNECTOR,STRAIGHT THREAD TO ORFS
53536	4-PNLO-S	PLUG,TUBE END,ORFS	61086	20 R5OLO-S	RUN TEE,STRAIGHT THREAD
53537	6 PNLO-S	PLUG,TUBE END,ORFS	61090	24-20 F5OLO-S	CONNECTOR,STRAIGHT THREAD TO ORFS
53538	8 PNLO-S	PLUG,TUBE END,ORFS	61091	1J943 24-24	HOSE END,90° FEMALE SWIVEL,SEAL LOK
53539	10 PNLO-S	PLUG,TUBE END,ORFS	61093	1J978-12-12	HOSE END,90° FEMALE SWIVEL,JIC
53540	12 PNLO-S	PLUG,TUBE END,ORFS	61095	1JS43-20-16	HOSE END,FEMALE SWIVEL,SEAL LOK
53946	129HB-5-4	FITTING,90° HOSE BARB TO MALE PIPE	61100	811-24	HOSE,11/2 INCH ID
53951	8-1/4F50G-S	ADAPTER,FEMALE PIPE TO STRAIGHT THREAD	61130	1JS43-24-24	HOSE END,FEMALE SWIVEL,SEAL LOK
53980	6 S6LO-S	BRANCH TEE,SWIVEL NUT TO ORFS	61131	1JS78 12-12	HOSE END,FEMALE SWIVEL,SEAL LOK
54132	4 C6LO-S	ELBOW,90°,SWIVEL NUT ORFS	61132	1J778-12-12	HOSE END,45° FEMALE SWIVEL,JIC
54135	11343-16-16	HOSE END,MALE SWIVEL,PIPE	61152	139HB-6-4	ELBOW,45°,BARB TO MALE PIPE
54283	8-10 C5OLO-S	ELBOW,90°,STRAIGHT THREAD TO ORFS	61251	BV-0750	BALL VALVE
54428	8M18C870MLO-S	ELBOW, 90° METRIC, STRAIGHT THREAD TO ORFS	61259	4 CC5OLO-S	ELBOW,90° LONG,STRAIGHT THREAD TO ORFS
54803	FS-F-16-10	SLEEVE,FIRE,.96" ID	61260	20-12 TRLO-BL	REDUCER,TUBE END TO SWIVEL,ORFS
54954	10143-2-4	HOSE END, MALE PIPE	61262	12 C6LO-S	ELBOW,90°,SWIVEL NUT ORFS
55190	3/8 HP-S	PLUG,PIPE THREAD	61263	20 F5OHAO-S	UNION,STRAIGHT THREAD
55448	8 HLO-S	UNION,ORFS	61264	6-10 C5OLO-S	ELBOW,90°,STRAIGHT THREAD TO ORFS
55839	6 F65OX-S	CONNECTOR,STRAIGHT THREAD TO 37° SWIVEL	61265	6 WNLO-WLNL-S	UNION,BULKHEAD 45°,ORFS
55968	10 C5OX-S	ELBOW,90°,STRAIGHT THREAD TO FLARE TUBE	61268	4 WNLO-WLNL-S	UNION,BULKHEAD 45°,ORFS
56003	6 CC5OLO-S	ELBOW,90° LONG,STRAIGHT THREAD TO ORFS	61269	4 WLO-WLNL-S	UNION,BULKHEAD,ORFS
56166	BV-0837	BALL VALVE,90°	61272	12 AOEL6	ELBOW,90°,STRAIGHT THREAD TO ORFS SWIVEL
56188	10143-8-6	HOSE END, MALE PIPE	61316	482TC-16	HOSE,1 INCH ID
56233	2-011	O-RING,ORFS,-4	61321	6 JLO-S	UNION TEE,ORFS
56234	2-012	O-RING,ORFS,-6	61327	782-12	HOSE,3/4 INCH ID
56235	2-014	O-RING,ORFS,-8	61328	881-24	HOSE,11/2 INCH ID
56236	2-016	O-RING,ORFS,-10	61336	11943-20-24	HOSE END,90° FLANGE HEAD
56237	2-018	O-RING,ORFS,-12	61345	12 WJLO-WLNL-S	RUN TEE, BULKHEAD,ORFS
56238	2-021	O-RING,ORFS,-16	61346	8 WNLO-WLNL-S 4	UNION,BULKHEAD 45°,ORFS
56352	6 WLNL-S	LOCKNUT,BULKHEAD	61569	33782-8-8	HOSE END,45° FEMALE SWIVEL,JIC
56353	3J782-12-12	HOSE END,45° FEMALE SWIVEL,SEAL LOK	61610	12 FF5OLO-S	CONNECTOR,LONG,STRAIGHT THREAD TO ORFS
56354	3J982-12-12	HOSE END,90° FEMALE SWIVEL,SEAL LOK	61742	1/8 X 1.5 FFF	NIPPLE,PIPE
56604	10-8 F5OLO-S	CONNECTOR,STRAIGHT THREAD TO ORFS	63426	8 PNTX-S	PLUG,FLARE TUBE
56639	3JC82-10-10	HOSE END,FEMALE SWIVEL,SEAL LOK			
56640	3J982-10-10	HOSE END,90° FEMALE SWIVEL,SEAL LOK			
56655	3JC82-8-10	HOSE END,FEMALE SWIVEL,SEAL LOK			
56676	10-8 C5OLO-S	ELBOW,90°,STRAIGHT THREAD TO ORFS			
56776	471TC-6	HOSE,3/8 INCH ID			
56777	471TC-8	HOSE,1/2 INCH ID			
56789	811-16	HOSE,1 INCH ID			
57884	3/8 FF	NIPPLE,PIPE			
59335	6 FNL-S	CAP, TUBE END			
59342	4 FNL-S	CAP, TUBE END			
59371	8 HP50N-S	PLUG,STRAIGHT THREAD			
60653	BV-0751	BALL VALVE			
60806	125HB-3-4	FITTING,HOSE BARB TO MALE PIPE			
61064	5-1/4 F50G-S	ADAPTER,FEMALE PIPE TO STRAIGHT THREAD			
61079	4 WELO-WLNL-S	UNION,90° BULKHEAD W/NUT,ORFS			
61080	6 WLO-WLNL-S	UNION,BULKHEAD,ORFS			

Fitting Cross References (Continued)

Genie PN	Parker PN	Description	Genie PN	Parker PN	Description
64271	4 WLO-WLNL-S	UNION,BULKHEAD,ORFS	75631	801-6	HOSE,3/8 INCH ID
64272	6 WLO-WLNL-S	UNION,BULKHEAD,ORFS	75654	20 F5OLO-S	CONNECTOR,STRAIGHT THREAD TO ORFS
65776	8 F65OL-S	CONNECTOR,STRAIGHT THREAD TO ORFS SWIVEL	75655	1J943-20-20	HOSE END,90° FEMALE SWIVEL,SEAL LOK
65880	6001012	O-RING KIT	75656	881-20	HOSE,1-1/4 INCH ID
66154	6 WTX-WLNS	UNION,BULKHEAD,FLARE TUBE	75971	8 F5OHAO-S	UNION,STRAIGHT THREAD
66155	6 WETX-S	UNION,BULKHEAD 90°,FLARE TUBE	77307	1JB43-8-8	HOSE END,BULKHEAD,SEAL LOK
66156	6 WLN-S	BULKHEAD LOCKNUT	77309	8 WLNL-S	BULKHEAD LOCKNUT
66389	6-8 F5OX-S	CONNECTOR,STRAIGHT THREAD TO FLARE TUBE	77379	8M18C87OMX-S	ELBOW,90° METRIC,STRAIGHT THREAD TO FLARE TUBE
66392	6 R5OX-S	RUN TEE,STRAIGHT THREAD	77703	3J982-8-8	HOSE END,90° FEMALE SWIVEL,SEAL LOK
66396	811-12	HOSE,3/4 INCH ID	77711	801-10	HOSE,5/8 INCH ID
66829	H3174PP	CLAMP,TUBE	77758	12 WNLO-WLNL-S	UNION,BULKHEAD 45°,ORFS
67217	4 KLO-S	UNION,CROSS,ORFS	78091	6 C6X-S	ELBOW,90°,SWIVEL NUT TO FLARE TUBE
67339	10-6 F5OX-S	CONNECTOR,STRAIGHT THREAD TO FLARE TUBE	78684	30582-8-8B	HOSE END,PUSH LOK,MALE
67357	13943-8-6	HOSE END,90° FEMALE SWIVEL,JIC	78852	549-2	HOSE,1/8 INCH ID
67358	10 HP5ON-S	PLUG,STRAIGHT THREAD	78855	10657-4-2	HOSE END,FEMALE SWIVEL,JIC
67371	12 S6LO-S	BRANCH TEE,SWIVEL NUT TO ORFS	79138	PS-B-37	SLEEVE,NYLON,2.38" ID
67498	4 FNL-S	CAP, TUBE END	79476	1JS43-6-8	HOSE END,FEMALE SWIVEL,SEAL LOK
67906	DC-370-F0F0-5	VALVE,CHECK	79847	12-3/4 A0EG-S	ELBOW,90°,STRAIGHT THREAD TO FEMALE PIPE
69316	8 FLO-S	CONNECTOR,MALE PIPE TO ORFS	80044	8 CLO-S	ELBOW,90°,MALE PIPE TO ORFS
69333	H3174PP	CLAMP,HYDRAULIC HOSE	80502	8 F5OX-S	CONNECTOR,STRAIGHT THREAD TO FLARE TUBE
69503	4 F65OX-S	CONNECTOR,STRAIGHT THREAD TO 37° SWIVEL	80503	8 C5OX-S	ELBOW,90°,STRAIGHT THREAD TO FLARE TUBE
69775	8 FNL-S	CAP, TUBE END	81010	AS-B-27	SLEEVE,NYLON,1.63" ID
71038	1/4X1/4F3HG-S	ADAPTER,CONVERSION	83052	821-6	HOSE,3/8 INCH ID
71196	12-8 F5OLO-S	CONNECTOR,STRAIGHT THREAD TO ORFS	83053	821-8	HOSE,1/2 INCH ID
71383	1/4 CD45-S	ELBOW,45°,MALE TO FEMALE PIPE	83054	821-12	HOSE,3/4 INCH ID
72270	12FNL-S	CAP, TUBE END	83055	30682-6-6	HOSE END,FEMALE SWIVEL,JIC
73436	60C-4	SLEEVE,COMPRESSION	83056	30682-12-12	HOSE END,FEMALE SWIVEL,JIC
73437	61C-4	NUT,COMPRESSION	83057	33782-6-6	HOSE END,45° FEMALE SWIVEL,JIC
73438	33482-4-4B	HOSE END,PUSH LOK,MALE	83058	33982-6-6	HOSE END,90° FEMALE SWIVEL,JIC
73767	1CD-S	ELBOW,90°,MALE TO FEMALE PIPE	83060	33982-12-12	HOSE END,90° FEMALE SWIVEL,JIC
73768	20-16-F5OG5-S	ADAPTER,FEMALE PIPE TO STRAIGHT THREAD	83063	13743-4-4	HOSE END,45° FEMALE SWIVEL,JIC
73769	16-20 F5OLO-S	CONNECTOR,STRAIGHT THREAD TO ORFS			
74660	6-8 F42EDMLO-S	CONNECTOR,MALE BSPP TO ORFS			
74661	8-8 F42EDMLO-S	CONNECTOR,MALE BSPP TO ORFS			
75007	4 FLO-S	CONNECTOR,MALE PIPE TO ORFS			
75008	1/8 HP-S	PLUG,PIPE THREAD			
75014	1/2 HP-S	PLUG,PIPE THREAD			
75042	8 WELO-WLNL-S	UNION,90° BULKHEAD W/NUT,ORFS			
75043	3/4 FF-S	NIPPLE,PIPE			
75254	24 F5OHAO-S	UNION,STRAIGHT THREAD			
75255	12 F5OHAO-S	UNION,STRAIGHT THREAD			
75256	XV506P-24	BALL VALVE			
75574	4 WLNL-S	BULKHEAD LOCKNUT			
75612	8 WJLO-WLNL-S	RUN TEE, BULKHEAD,ORFS			
75613	12-8 F5OG5-S	ADAPTER,FEMALE PIPE TO STRAIGHT THREAD			
75614	8 CC5OLO-S	ELBOW,90° LONG,STRAIGHT THREAD TO ORFS			
75628	1JB43-4-4	HOSE END,BULKHEAD,SEAL LOK			

Fitting Cross References (Continued)

Genie PN	Parker PN	Description	Genie PN	Parker PN	Description
83064	13743-8-8	HOSE END,45° FEMALE SWIVEL,JIC	89449	6 WJLO-WLNL-S	RUN TEE, BULKHEAD,ORFS
83065	13743-12-12	HOSE END,45° FEMALE SWIVEL,JIC	89489	4 WJMLO-S	BRANCH TEE,BULKHEAD,ORFS
83066	13943-8-8	HOSE END,90° FEMALE SWIVEL,JIC	89551	1JB43-6-6	HOSE END,BULKHEAD,SEAL LOK
83067	14143-6-6	HOSE END,90° FEMALE SWIVEL,JIC	89552	1JB43-8-8	HOSE END,BULKHEAD,SEAL LOK
83068	14143-8-8	HOSE END,90° FEMALE SWIVEL,JIC	89593	20 C5OLO-S	ELBOW,90°,STRAIGHT THREAD TO ORFS
83069	14143-12-12	HOSE END,90° FEMALE SWIVEL,JIC	94161	8-8 CLO-S	ELBOW,90°,MALE PIPE TO ORFS
83070	772-8	HOSE,1/2 INCH ID	94358	351TC-12	HOSE,3/4 INCH ID
83071	10671-8-8	HOSE END,FEMALE SWIVEL,JIC	94418	20 FLO-S	CONNECTOR,MALE PIPE TO ORFS
83072	10671-12-12	HOSE END,FEMALE SWIVEL,JIC	96358	12 TX-S	SLEEVE,FLARE TUBE
83073	13771-8-8	HOSE END,45° FEMALE SWIVEL,JIC	96359	12 BTX-S	NUT,FLARE TUBE
83074	13771-12-12	HOSE END,45° FEMALE SWIVEL,JIC	96397	8 F5OX-S	CONNECTOR,STRAIGHT THREAD TO FLARE TUBE
83075	13971-8-8	HOSE END,90° FEMALE SWIVEL,JIC	96398	12-8 F5OX-S	CONNECTOR,STRAIGHT THREAD TO FLARE TUBE
83076	13971-12-12	HOSE END,90° FEMALE SWIVEL,JIC	96402	10343-6-6	HOSE END,MALE,JIC
83077	14171-8-8	HOSE END,90° FEMALE SWIVEL,JIC	96407	30382-6-6B	HOSE END,MALE,JIC
83078	14171-12-12	HOSE END,90° FEMALE SWIVEL,JIC			
83080	13943-16-16	HOSE END,90° FEMALE SWIVEL,JIC			
83103	10671-16-12	HOSE END,FEMALE SWIVEL,JIC			
83104	10671-10-12	HOSE END,FEMALE SWIVEL,JIC			
83112	1JC71-8-8	HOSE END,FEMALE SWIVEL,SEAL LOK			
83113	1JS71-16-12	HOSE END,FEMALE SWIVEL,SEAL LOK			
83114	1JS71-10-12	HOSE END,FEMALE SWIVEL,SEAL LOK			
83115	1J971-8-8	HOSE END,90° FEMALE SWIVEL,SEAL LOK			
83116	1J171-8-8	HOSE END,90° FEMALE SWIVEL,SEAL LOK			
83117	1J771-8-8	HOSE END,45° FEMALE SWIVEL,SEAL LOK			
83127	1J543-6-8	HOSE END,90° FEMALE SWIVEL,JIC			
83128	1JC43-6-8	HOSE END,FEMALE SWIVEL,SEAL LOK			
87033	12-6 TRLO-S	REDUCER,TUBE END TO SWIVEL,ORFS			
87034	3J782-8-8	HOSE END,45° FEMALE SWIVEL,SEAL LOK			
87172	12 HP5ON-S	PLUG,STRAIGHT THREAD			
87185	8 WNLO-WLNL-S	UNION,BULKHEAD 45°,ORFS			
87246	4 C6X-S	ELBOW,90°,SWIVEL NUT TO FLARE TUBE			
87679	6 LHP-S	FLANGE SEAL FITTING, MALE			
87681	6PLS N0702	BONDED SEAL			
88100	SR88100	ADAPTER,OIL DRAIN,GM 3.0L			
88311	1JS43-20-20	HOSE END,FEMALE SWIVEL,SEAL LOK			
88353	20 V5OLO-S	ELBOW,45°,STRAIGHT THREAD TO ORFS			
88474	10081-20	Crimp Shell, 1.25"			
88475	1988-20-24	HOSE END,90° FLANGE HEAD			
88476	JS88-24-24	HOSE END,FEMALE SWIVEL,SEAL LOK			
88477	1JC88-20-20	HOSE END,FEMALE SWIVEL,SEAL LOK			
88478	811-20	HOSE,1 1/4 INCH ID			
88936	20-16 F5OLO-S	CONNECTOR,STRAIGHT THREAD TO ORFS			
88937	20-16 FLO-S	CONNECTOR,MALE PIPE TO ORFS			
88938	1JC88-16-16	HOSE END,FEMALE SWIVEL,SEAL LOK			
88939	1J988-16-16	HOSE END,90° FEMALE SWIVEL,ORFS			
88940	811-16	HOSE,1 INCH ID			
88944	1J988-20-20	HOSE END,90° FEMALE SWIVEL,ORFS			
89403	16 VLO-S	ELBOW,45°,MALE PIPE TO ORFS			

California Proposition 65



Operating, servicing and maintaining this equipment can expose you to chemicals including engine exhaust, carbon monoxide, phthalates, and lead, which are known to the State of California to cause cancer and birth defects or other reproductive harm. These chemicals can be emitted from or contained in other various parts and systems, fluids and some component wear by-products. To minimize exposure, avoid breathing exhaust, do not idle the engine except as necessary, service your equipment and vehicle in a well-ventilated area and wear gloves or wash your hands frequently when servicing your equipment or vehicle and after operation. For more information go to www.P65Warnings.ca.gov/passenger-vehicle.

Breathing diesel engine exhaust exposes you to chemicals known to the State of California to cause cancer and birth defects or other reproductive harm.

- Always start and operate the engine in a well-ventilated area.
- If in an enclosed area, vent the exhaust to the outside.
- Do not modify or tamper with the exhaust system.
- Do not idle the engine except as necessary.

For more information go to www.P65warnings.ca.gov/diesel.

Distributed By:

to order your parts

PARTS FINDER

**Search Website
by Part Number**



**Search Manual
Library For Parts
Manual & Lookup Part
Numbers – Purchase
or Request Quote**

Search Manuals

Enter your information to help us find the right parts manual for your machine.

* Brand:

* Model:

* Serial:

* Part Number:

SEARCH

**Can't Find Part or
Manual? Request Help
by Manufacturer,
Model & Description**

Parts Order Form

Please fill in the following information to help us find the right part for your machine.

Manufacturer:	<input type="text"/>
Model:	<input type="text"/>
Description:	<input type="text"/>
Part Number:	<input type="text"/>
Quantity:	<input type="text"/>
Notes:	<input type="text"/>

Submit

Discount-Equipment.com is your online resource for quality parts & equipment.

Florida: **561-964-4949** Outside Florida TOLL FREE: **877-690-3101**

Need parts?

Click on this link: <http://www.discount-equipment.com/category/5443-parts/> and choose one of the options to help get the right parts and equipment you are looking for. Please have the machine model and serial number available in order to help us get you the correct parts. If you don't find the part on the website or on one of the online manuals, please fill out the request form and one of our experienced staff members will get back to you with a quote for the right part that your machine needs.

We sell worldwide for the brands: Genie, Terex, JLG, MultiQuip, Mikasa, Essick, Whiteman, Mayco, Toro Stone, Diamond Products, Generac Magnum, Airman, Haulotte, Barreto, Power Blanket, Nifty Lift, Atlas Copco, Chicago Pneumatic, Allmand, Miller Curber, Skyjack, Lull, Skytrak, Tsurumi, Husquvarna Target, Stow, Wacker, Sakai, Mi-T-M, Sullair, Basic, Dynapac, MBW, Weber, Bartell, Bennar Newman, Haulotte, Ditch Runner, Menegotti, Morrison, Contec, Buddy, Crown, Edco, Wyco, Bomag, Laymor, EZ Trench, Bil-Jax, F.S. Curtis, Gehl Pavers, Heli, Honda, ICS/PowerGrit, IHI, Partner, Imer, Clipper, MMD, Koshin, Rice, CH&E, General Equipment, Amida, Coleman, NAC, Gradall, Square Shooter, Kent, Stanley, Tamco, Toku, Hatz, Kohler, Robin, Wisconsin, Northrock, Oztec, Toker TK, Rol-Air, APT, Wylie, Ingersoll Rand / Doosan, Innovatech, Con X, Ammann, Mecalac, Makinex, Smith Surface Prep, Small Line, Wanco, Yanmar