



A TEREX BRAND



# Parts Manual

Serial Number Range

**GS-2032**

to SN 59999

**GS-2632**

Part No. 46325

Rev J3

November 2018

Go to [Discount-Equipment.com](http://Discount-Equipment.com) to order your parts

# PARTS FINDER

**Search Website  
by Part Number**



**Search Manual  
Library For Parts  
Manual & Lookup Part  
Numbers – Purchase  
or Request Quote**

**Search Manuals**

Enter your information to help us find the right parts manual for your machine.

\* Brand:

\* Model:

\* Serial:

\* Part Number:

SEARCH

**Can't Find Part or  
Manual? Request Help  
by Manufacturer,  
Model & Description**

**Parts Order Form**

Please fill in the following information to help us find the right part for your machine.

Manufacturer:	<input type="text"/>
Model:	<input type="text"/>
Description:	<input type="text"/>
Part Number:	<input type="text"/>
Quantity:	<input type="text"/>
Notes:	<input type="text"/>

Submit

Discount-Equipment.com is your online resource for quality parts & equipment.

Florida: **561-964-4949** Outside Florida TOLL FREE: **877-690-3101**

**Need parts?**

Click on this link: <http://www.discount-equipment.com/category/5443-parts/> and choose one of the options to help get the right parts and equipment you are looking for. Please have the machine model and serial number available in order to help us get you the correct parts. If you don't find the part on the website or on one of the online manuals, please fill out the request form and one of our experienced staff members will get back to you with a quote for the right part that your machine needs.

We sell worldwide for the brands: Genie, Terex, JLG, MultiQuip, Mikasa, Essick, Whiteman, Mayco, Toro Stone, Diamond Products, Generac Magnum, Airman, Haulotte, Barreto, Power Blanket, Nifty Lift, Atlas Copco, Chicago Pneumatic, Allmand, Miller Curber, Skyjack, Lull, Skytrak, Tsurumi, Husquvarna Target, Stow, Wacker, Sakai, Mi-T-M, Sullair, Basic, Dynapac, MBW, Weber, Bartell, Bennar Newman, Haulotte, Ditch Runner, Menegotti, Morrison, Contec, Buddy, Crown, Edco, Wyco, Bomag, Laymor, EZ Trench, Bil-Jax, F.S. Curtis, Gehl Pavers, Heli, Honda, ICS/PowerGrit, IHI, Partner, Imer, Clipper, MMD, Koshin, Rice, CH&E, General Equipment, Amida, Coleman, NAC, Gradall, Square Shooter, Kent, Stanley, Tamco, Toku, Hatz, Kohler, Robin, Wisconsin, Northrock, Oztec, Toker TK, Rol-Air, APT, Wylie, Ingersoll Rand / Doosan, Innovatech, Con X, Ammann, Mecalac, Makinex, Smith Surface Prep, Small Line, Wanco, Yanmar

**Genie**  
A TEREX BRAND

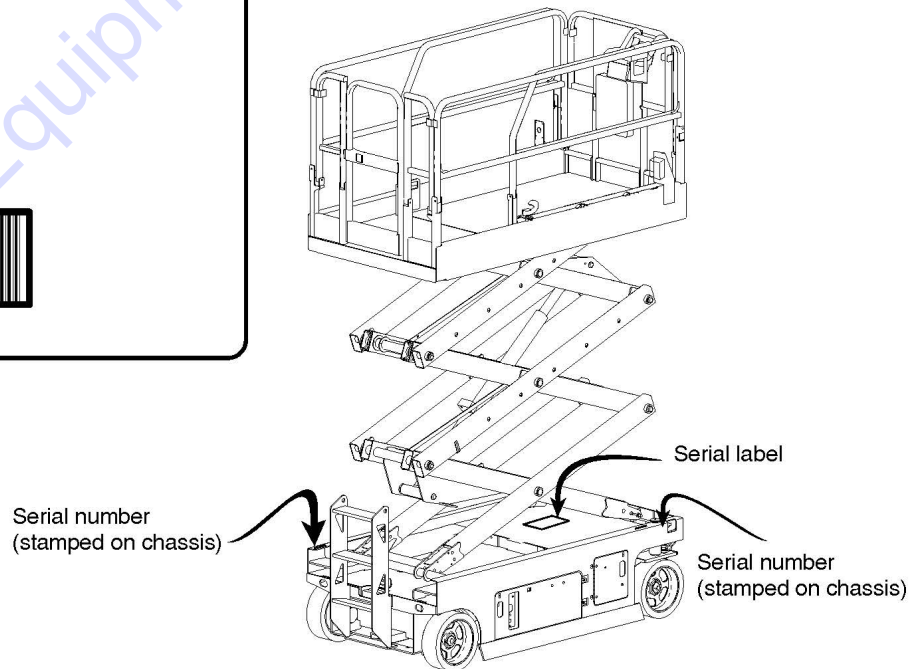
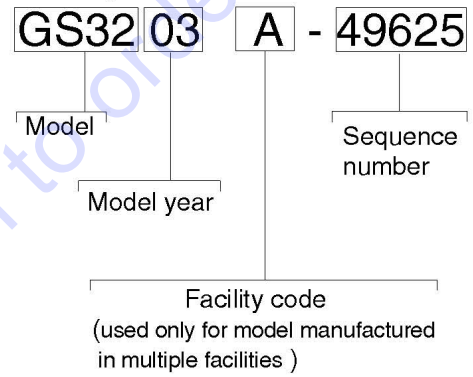

Model: GS-1930  
Serial number: GS3005A-12345  
Model year: 2005    Manufacture date: 04/12/05  
Electrical schematic number: ES0141  
Machine unladen weight: 2,714 lb / 1,231 N

Rated work load (including occupants): 500 lb / 227 kg  
Maximum allowable inclination of the chassis:  
N/A

Gradeability: N/A

Maximum allowable side force : 100 lb / 445 N  
Maximum number of platform occupants:2

Country of manufacture: USA  
This machine complies with:  
ANSI A92.6-  
B354.2-



## Table of Contents

This manual is updated frequently. For the most up-to-date parts information, visit [www.discount-equipment.com](http://www.discount-equipment.com)

How to Read Your Serial Number.....	3
Parts Stocking List.....	7

**Electronic Version**

Click on any page number to view the figure.

**100 Decals and Paint**

101.1 Decals with Words (to SN 51682).....	10
101.2 Decals with Words (from SN 51683).....	14
102.1 Decals with Symbols (from SN 51683).....	16
103.1 Platform Control Box Decals.....	18

**200 Drive Chassis Components**

201.1 Steer Axle Linkage and Wheels (to SN 43386).....	20
201.2 Steer Axle Linkage and Wheels (from SN 43387).....	22
202.1 Ground Controls and Level Sensor Installation (to SN 1999).....	24
202.2 Ground Controls and Level Sensor Installation (from SN 2000 to 18703).....	26
202.3 Ground Controls and Level Sensor Installation (from SN 18704).....	28
203.1 Battery Charger.....	30
204.1 Battery Charger, 110V AC, Asia.....	32
205.1 Battery Charger, 220V AC, European.....	34
206.1 Battery Charger, Worldwide.....	36
207.1 Battery Pack Module Tray Installation (to SN 36044).....	38
207.2 Battery Pack Module Tray Installation (from SN 36045).....	40
208.1 Battery Pack Module, GS-2032.....	42
209.1 Battery Pack Module, GS-2632.....	44
210.1 Non-steer Axle and Brake Release (to SN 50764).....	46
210.2 Non-steer Axle and Brake Release (from SN 50765).....	48
211.1 Pothole Protection Assembly and Counterweights.....	50
212.1 Power Unit Module Installation (to SN 36044).....	54
212.2 Power Unit Module Installation (from SN 36045).....	56

213.1 Power Unit Module, GS-2032.....	58
214.1 Power Unit Module, GS-2632.....	62
215.1 Hydraulic Power Unit.....	64
216.1 Ground Controls (to SN 28695).....	66
216.2 Ground Controls (from SN 28696 to 45894).....	68
216.3 Ground Controls (from SN 45895).....	70
217.1 Function Manifold (to SN 36044).....	72
217.2 Function Manifold (from SN 36045 to 49245).....	74
217.3 Function Manifold (from SN 49246).....	76
218.1 Function Manifold - Models with Traction Control.....	78
219.1 Hydraulic Hoses and Fittings, GS-2032 (to SN 36059).....	80
219.2 Hydraulic Hoses and Fittings, GS-2032 (from SN 36060 to 50764).....	82
219.3 Hydraulic Hoses and Fittings, GS-2032 (from SN 50765 to 52788).....	84
219.4 Hydraulic Hoses and Fittings, GS-2032 (from SN 52789).....	86
220.1 Hydraulic Hoses and Fittings, GS-2632 (to SN 50764).....	88
220.2 Hydraulic Hoses and Fittings, GS-2632 (from SN 50765 to 52788).....	90
220.3 Hydraulic Hoses and Fittings, GS-2632 (from SN 52789).....	92
221.1 Power Cables - Drive Chassis, GS-2032 (models without contactor).....	94
221.2 Power Cables - Drive Chassis, GS-2032 (models with contactor).....	96
222.1 Power Cables - Drive Chassis, GS-2632 (models without contactor).....	98
222.2 Power Cables - Drive Chassis, GS-2632 (models with contactor).....	100

**300 Scissor Components**

301.1 Scissor Assembly, GS-2032, View 1.....	102
302.1 Scissor Assembly, GS-2032, View 2.....	104
303.1 Scissor Assembly, GS-2632, View 1.....	106
304.1 Scissor Assembly, GS-2632, View 2.....	108
305.1 Lift Cylinder Assembly (to SN 23567).....	110
305.2 Lift Cylinder Assembly (from SN 23568).....	112

**400 Platform Components**

401.1 Platform Installation.....	114
402.1 Main Platform and Railings with Entry Chain, Round Tube, GS-2032.....	116
403.1 Main Platform and Railings with Entry Gate, Round Tube, GS-2032.....	118
404.1 Platform Extension and Railings, Round Tube, GS-2032.....	120

405.1 Platform, Railings and Entry, Square Tube, Rigid Rails, GS-32.....	122
406.1 Main Platform, Railings and Entry Gate, Square Tube, Fold-down, GS-32.....	124
407.1 Platform Extension, Square Tube, Fold-down Rails, GS-32.....	126
408.1 Power to Platform.....	128
409.1 Control Cable - Chassis to Platform.....	130
410.1 Platform Controls (to SN 17407).....	132
410.2 Platform Controls (from SN 17408 to 42999).....	134
410.3 Platform Controls (from SN 43000 to 48103).....	136
410.4 Platform Controls (from SN 48104).....	138
411.1 Joystick Controller (to SN 17407).....	140
411.2 Joystick Controller (from SN 17408 to 48103).....	142
411.3 Joystick Controller (from SN 48104).....	144
<b>500 Accessories</b>	
501.1 Alarm, Horn and Flashing Beacon.....	146
502.1 Platform Overload Protection.....	148
503.1 Air Line to Platform.....	150
504.1 Voltage Inverter.....	152
505.1 Work Light.....	154
506.1 Battery - Maintenance Free.....	156
<b>Indices</b>	
Part Number Index.....	158
Part Description Index.....	162
<b>Cross References</b>	
Fittings Cross Reference.....	168

## Required Parts

The following parts are required to perform maintenance procedures as outlined in the *Genie GS-32 Service Manual*.

Description	Part No.
Filter Element, 10 Micron.....	44788
Dielectric Grease.....	66399
Chevron Ultra-duty Grease (Lithium) or equivalent, EP NLGI 1.....(source locally)	
Breather Cap, Hydraulic Tank.....	78546
Cotter Pin, Castle Nut, Steer-end Wheels, GS-32, GS-46.....	13635-10
Cotter Pin, Castle Nut, Steer-end Wheels, GS-30 and Non-steer end Wheels, All Models .....	42079

## Recommended Parts

Description	Part No.
Genie Blue Paint, 1 Gallon .....	32150
Genie Blue Paint, 12 Ounce Aerosol.....	1484
Genie Gray Paint, 1 Gallon .....	32151
Genie Gray Paint, 12 Ounce Aerosol .....	1268

Genie also offers the following support documents:

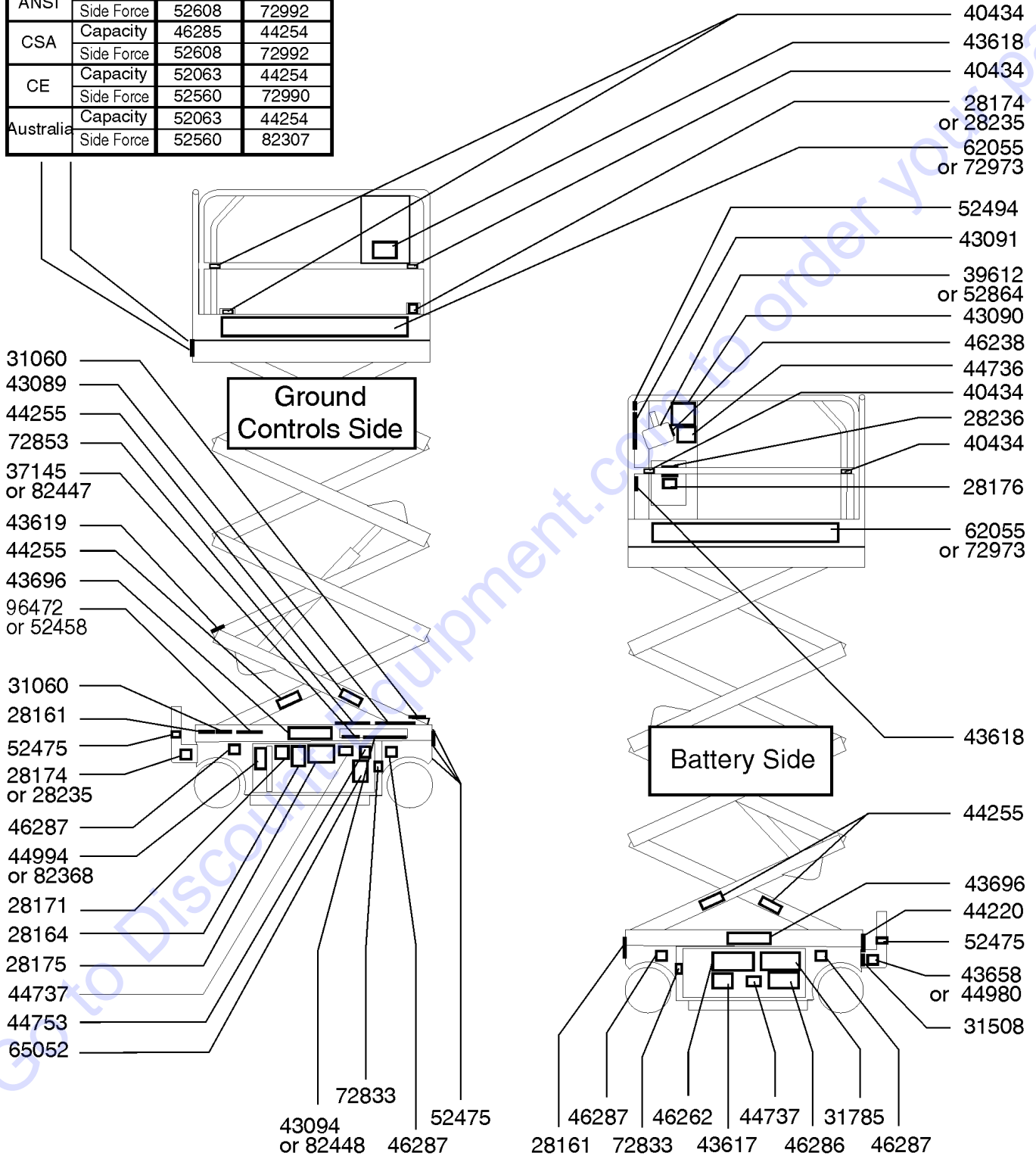
EMI Safety Manual .....	27581
Manual of Responsibilities ANSI A92.5.....	44163

Go to Discount-Equipment.com to order your parts

101.1 Decals with Words (to SN 51682)

Decal Part Numbers			
each model requires 1 Capacity decal and 1 Side Force decal			
		GS-2032	GS-2632
ANSI	Capacity	46285	44254
	Side Force	52608	72992
CSA	Capacity	46285	44254
	Side Force	52608	72992
CE	Capacity	52063	44254
	Side Force	52560	72990
Australia	Capacity	52063	44254
	Side Force	52560	82307

☐ Shading indicates decal is hidden from view, i.e. under covers.



## 101.1 Decals with Words (to SN 51682)

Item	Part No.	Description	Qty.	Item	Part No.	Description	Qty.
--	46328GT	DECAL KIT-SFTY/INST,2032/2632/2046/2646/3246 (to SN 17407) kit includes item 1-3, 5-6, 8-20, 22-23, 25-28, 30-32, 34, 35, 38, 45-47, 55		24	44254GT	DECAL,NOTICE,MAX CAP 500 ANSI*....1 GS-2632 (500 lbs, 227 kg)	1
--	62759GT	DECAL KIT,32/46,SERVICE PART (from SN 17408) kit includes item 1-3, 5-6, 8-20, 22-23, 25-28, 30-32, 34-35, 38, 42, 44-47		25	44255GT	DECAL,DANGER,CRUSHING HAZARD.....4	4
1	28161GT	DECAL,WARN,CRUSH HAZARD HAND.....2	2	26	44736GT	DECAL,DANGER,TIP-OVER,TILT.....1	1
2	28164GT	DECAL,NOTICE,HAZARDOUS MAT'LS*.....1	1	27	44737GT	DECAL DANGER TIP OVER TRAYS.....2	2
3	28171GT	DECAL,DANGER,NO SMOKING ***.....1	1	28	44753GT	DECAL, LABEL, LED READOUT.....1	1
4	28174GT	DECAL, POWER TO PLATFORM 230V**.....2	2	29	44980GT	DECAL,LABEL,PWR TO CHARGR 115V.....1	1
5	28175GT	DECAL,WARNING-COMPART ACCESS.....1	1	30	44994GT	DECAL,LABEL,DEXRON/FLUID LEVEL.....1 (to SN 48926)	1
6	28176GT	DECAL,LABEL,MANUAL NOT HERE....1 (located inside manual storage box)	1	31	46238GT	DECAL,NOTICE,ERROR LIGHT.....1	1
7	28235GT	DECAL,POWER TO PLATFORM 115V...2	2	32	46262GT	DECAL,DANGER,BATTERY SAFETY....1	1
8	28236GT	DECAL,WARN,IMPROPER OPERATION.....1	1	33	46285GT	DECAL,NOTICE,MAX CAP 800 ANSI*....1 GS-2032, ANSI and CSA models (800 lbs/363 kg)	1
9	31060GT	DECAL,DANGER DO NOT ALTER SWTC.....2	2	34	46286GT	DECAL,NOTICE,BATTERY CONNECT.....1	1
10	31508GT	DECAL,DANGER,ELECT HAZARD,PLUG.....1	1	35	46287GT	DECAL,LABEL-TIRE SPECS.....4	4
11	31785GT	DECAL,NOTICE,CHARGER INSTRUC...1	1	36	52063GT	DECAL,NOTICE,MAX CAP 800 CE.....1 GS-2032, CE models (800 lbs / 363 kg)	1
11	31785JAGT	DECAL,NOTICE,CHARGER INSTRUC (japanese)		37	96472GT	SERIAL # LABEL,SCISSORS*****.....1 CE models	1
12	37145GT	DECAL, MANUAL LOWERING VALVE....1	1	38	52475GT	DECAL,LABEL,TRANSPORT TIEDOWN*.....5	5
13	40434GT	DECAL,LANYARD ANCHORAGE POINT.....5	5	39	52494GT	DECAL,CAUTION,CRUSH HAZ, RAILS.....1	1
14	43089GT	DECAL,INSTRUCTIONS-OPER,GCP....1 (ground)	1	40	52560GT	DECAL,NOTICE,SIDE FRC,2032AUS....1 GS-2032, AUS models (indoor, 120 lbs/534 N) (outdoor, 45 lbs/200 N)	1
15	43090GT	DECAL,NOTICE, OPER INST, PCP.....1 (platform)	1	41	52608GT	DECAL,NOTICE,SIDE FRC,2032ANSI...1 GS-2032, ANSI and CSA models (120 lbs/534 N)	1
16	43091GT	DECAL,DANGER,GENERAL SAFETY....1	1	42	52864GT	DECAL,JOYSTICK CONTROLLER.....1 Gen 1 (from SN 17408)	1
17	43094GT	DECAL, GROUND CONTROL PANEL***.....1	1	43	62055GT	DECAL,COSMETIC,GENIE GS-2032....2 GS-2032	2
18	43617GT	DECAL,DANGER,TIP-OVER,BATTERY..1 (batteries)	1	44	65052GT	DECAL,LABEL,FAULT CODES.....1 (from SN 17408)	1
19	43618GT	DECAL, LABEL - DIRECTION ARROWS.....2	2	45	65058GT	DECAL, LABEL, GS32/46.....1	1
20	43619GT	DECAL,LABEL,SAFETY ARM.....1	1	46	72833GT	DECAL,LABEL,OPEN,LATCH.....2	2
21	43658GT	DECAL,LABEL,PWR TO CHARGR 230V.....1	1	47	72853GT	DECAL,DANGER,IMPROPER USE HAZ.....1	1
22	43696GT	DECAL,DANGER,ELEC HAZARD,GS....2	2	48	72973GT	DECAL,COSMETIC,GENIE GS-2632**...2 GS-2632	2
23	44220GT	DECAL,DANGER,BRAKE REL SAFETY*.....1	1	49	72990GT	DECAL,NOTICE,SIDE FRC,2632CE.....1 GS-2632, CE models (indoor, 100 lbs/445 N)	1



101.1 Decals with Words (to SN 51682)  
(continued)

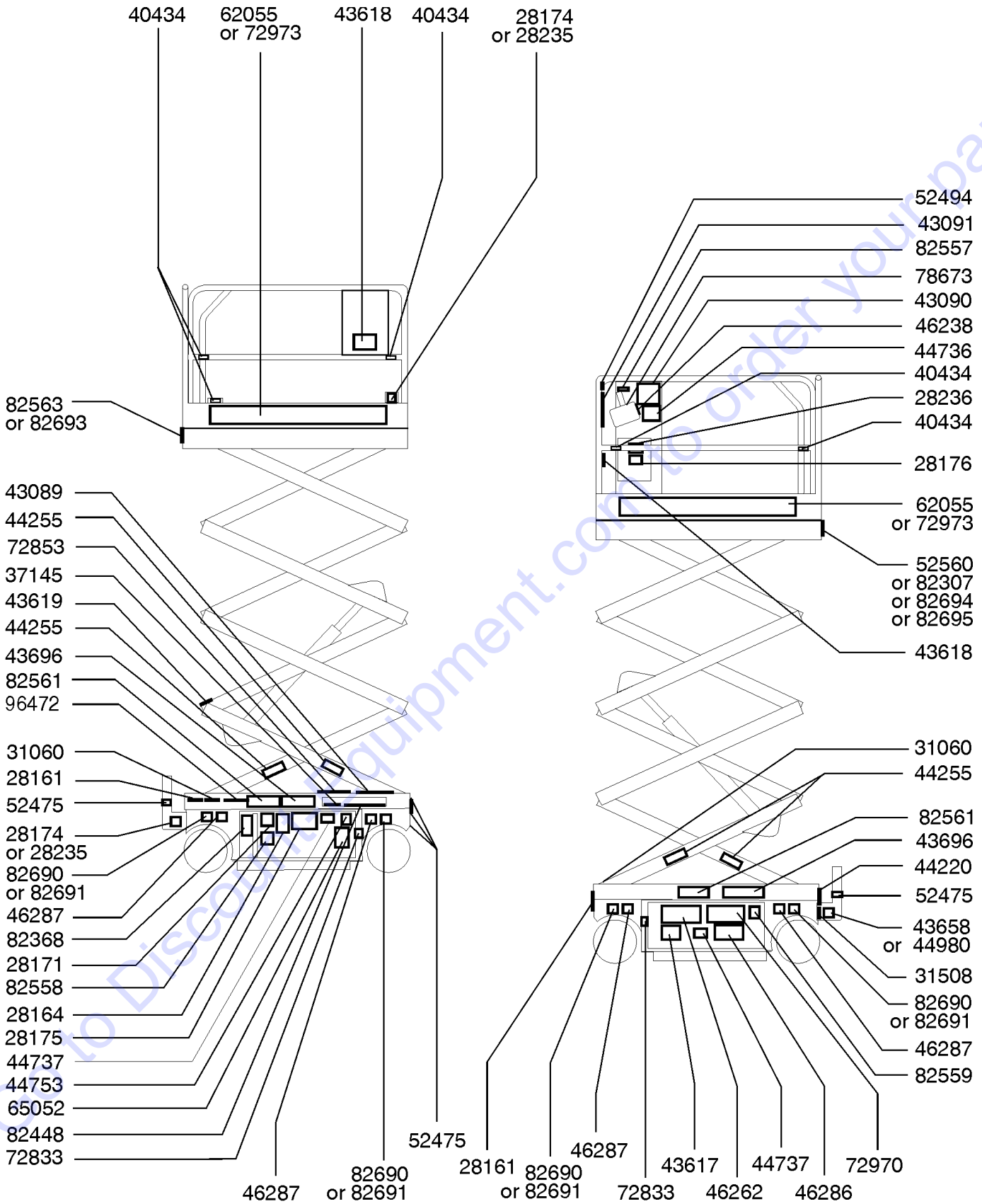
Item	Part No.	Description	Qty.
50	72992GT	DECAL,NOTICE,SIDE FRC,2632ANSI...1 <i>GS-2632, ANSI and CSA models (100 lbs/445 N)</i>	
51	82307GT	DECAL,INSTR,INDOOR,AUS-26/3232 <i>GS-2632, AUS models (indoor, 90 lbs / 400 N)</i>	
52	82368GT	DECAL,LABEL,RYKON/FLUID LEVEL....1 <i>(from SN 48926)</i>	
53	82448GT	DECAL, GROUND CONTROL PANEL....1	
54	96472GT	SERIAL # LABEL,SCISSORS***** .....1 <i>ANSI and CSA models</i>	
55	39612GT	DECAL,JOYSTICK**.....1 <i>Gen II (to SN 17407)</i>	

Go to Discount-Equipment.com to order your parts

***This Page Intentionally Left Blank***

Go to [Discount-Equipment.com](http://Discount-Equipment.com) to order your parts


101.2 Decals with Words (from SN 51683)

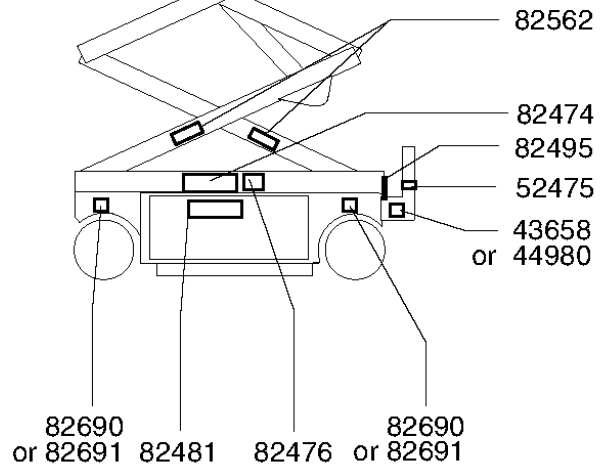
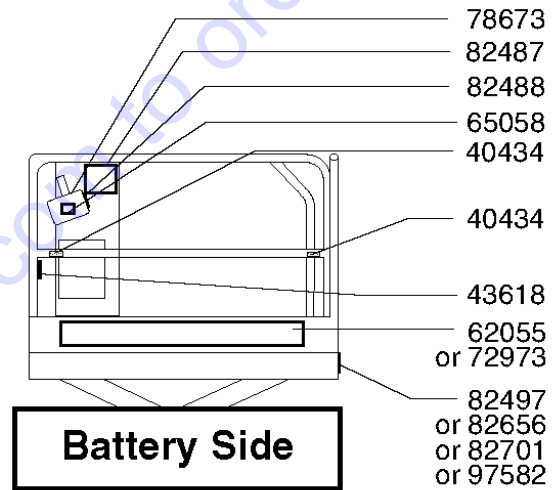
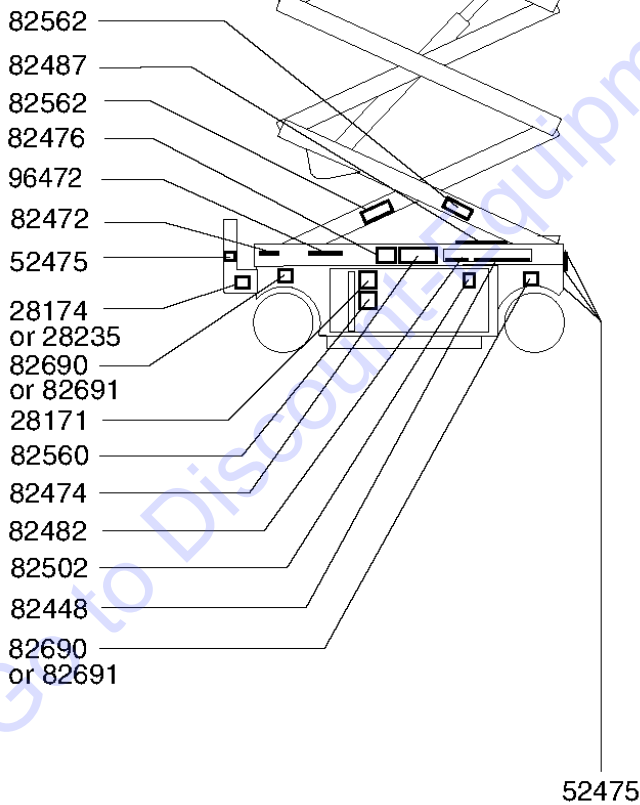
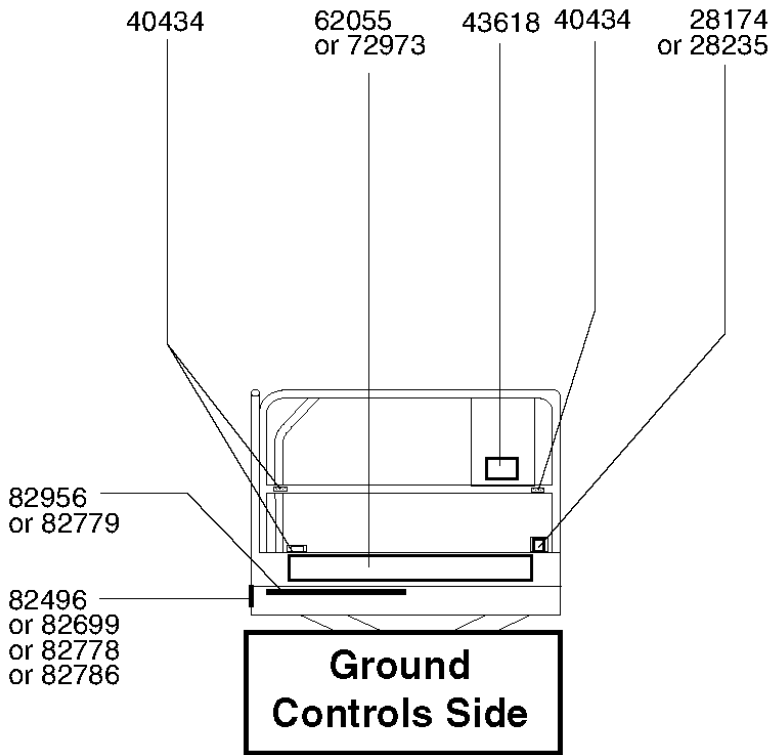


## 101.2 Decals with Words (from SN 51683)

Item	Part No.	Description	Qty.	Item	Part No.	Description	Qty.
--	82707GT	DECAL KIT,SAFETY,GS2032&2632 <i>includes items 1-4, 9, 10, 12, 13, 17, 19, 21-23, 25, 26, 30-33, 36, 38-40, 44 and 45</i>		27	44980GT	DECAL,LABEL,PWR TO CHARGR 115V.....	1
--	82708GT	DECAL KIT,SAFETY,GS-32&46 PLAT <i>includes items 6, 8, 14, 15, 18, 24, 28 and 37</i>		28	46238GT	DECAL,NOTICE,ERROR LIGHT.....	1
1	28161GT	DECAL,WARN,CRUSH HAZARD HAND.....	2	29	46262GT	DECAL,DANGER,BATTERY SAFETY.....	1
2	28164GT	DECAL,NOTICE,HAZARDOUS MAT'LS*.....	1	30	46286GT	DECAL,NOTICE,BATTERY CONNECT.....	1
3	28171GT	DECAL,DANGER,NO SMOKING ***.....	1	31	46287GT	DECAL,LABEL-TIRE SPECS.....	4
4	28174GT	DECAL, POWER TO PLATFORM 230V**.....	2	32	52475GT	DECAL,LABEL, TRANSPORT TIEDOWN*.....	5
5	28175GT	DECAL,WARNING-COMPART ACCESS.....	1	33	52494GT	DECAL,CAUTION,CRUSH HAZ, RAILS.....	1
6	28176GT	DECAL,LABEL,MANUAL NOT HERE..... <i>(located inside manual storage box)</i>	1	34	52560GT	DECAL,NOTICE,SIDE FRC,2032AUS..... <i>120 lbs (534N), Outdoor 45 lbs (200N)</i>	1
7	28235GT	DECAL,POWER TO PLATFORM 115V...2		35	62055GT	DECAL,COSMETIC,GENIE GS-2032....2	
8	28236GT	DECAL,WARN,IMPROPER OPERATION.....	1	36	65052GT	DECAL,LABEL,FAULT CODES..... <i>(from SN 17408)</i>	1
9	31060GT	DECAL,DANGER DO NOT ALTER SWTC.....	2	37	65058GT	DECAL, LABEL, GS32/46.....	1
10	31508GT	DECAL,DANGER,ELECT HAZARD,PLUG.....	1	38	72833GT	DECAL,LABEL,OPEN,LATCH.....	2
11	37145GT	DECAL, MANUAL LOWERING VALVE.....	1	39	72853GT	DECAL,DANGER,IMPROPER USE HAZ.....	1
12	40434GT	DECAL,LANYARD ANCHORAGE POINT.....	5	40	72970GT	DECAL,INSTRUCTIONS-CHARGER OP.....	1
13	43089GT	DECAL,INSTRUCTIONS-OPER,GCP..... <i>(ground)</i>	1	41	72973GT	DECAL,COSMETIC,GENIE GS-2632**...2	
14	43090GT	DECAL,NOTICE, OPER INST, PCP..... <i>(platform)</i>	1	42	78673GT	OVERLAY, PLAT CONTRL BOX,GEN4~.....	1
15	43091GT	DECAL,DANGER,GENERAL SAFETY.....	1	43	82307GT	DECAL,INSTR,INDOOR,AUS-26/3232...1	
16	43094GT	DECAL, GROUND CONTROL PANEL***.....	1	44	82368GT	DECAL,LABEL,RYKON/FLUID LEVEL....1 <i>(from SN 48927)</i>	
17	43617GT	DECAL,DANGER,TIP-OVER,BATTERY...1 <i>(batteries)</i>		45	82448GT	DECAL, GROUND CONTROL PANEL....1	
18	43618GT	DECAL, LABEL - DIRECTION ARROWS.....	2	46	82557GT	DECAL,LABEL,PLAT CONT LOCATION.....	1
19	43619GT	DECAL,LABEL,SAFETY ARM.....	1	47	82558GT	DECAL,WARN,SKIN INJECTION HAZ*.....	1
20	43658GT	DECAL,LABEL,PWR TO CHARGR 230V.....	1	48	82559GT	DECAL,INSTRUCT-ANNUAL INSP REQ.....	1
21	43696GT	DECAL,DANGER,ELEC HAZARD,GS....2		49	82561GT	DECAL,DANGER-USE SAFETY ARM....2	
22	44220GT	DECAL,DANGER,BRAKE REL SAFETY*.....	1	50	82563GT	DECAL,INSTR-MAX CAP 500 LBS.....1 <i>GS-2632 (227 kg)</i>	
23	44255GT	DECAL,DANGER,CRUSHING HAZARD.....	4	51	82690GT	DECAL,LABEL,WHEEL LOAD 2032....4	
24	44736GT	DECAL,DANGER,TIP-OVER,TILT.....	1	52	82691GT	DECAL,LABEL,WHEEL LOAD 2632....4	
25	44737GT	DECAL DANGER TIP OVER TRAYS....2		53	82693GT	DECAL,INSTR-MAX CAP 800 LBS.....1 <i>GS-2032 (363 kg)</i>	
26	44753GT	DECAL, LABEL, LED READOUT.....	1	54	82694GT	DECAL,INSTR-SIDE FRC,ANSI 2032....1 <i>(ANSI, CSA)</i>	
				55	82695GT	DECAL,INSTR-SIDE FRC,ANSI.....1 <i>GS-2632 (ANSI, CSA)</i>	

102.1 Decals with Symbols (from SN 51683)

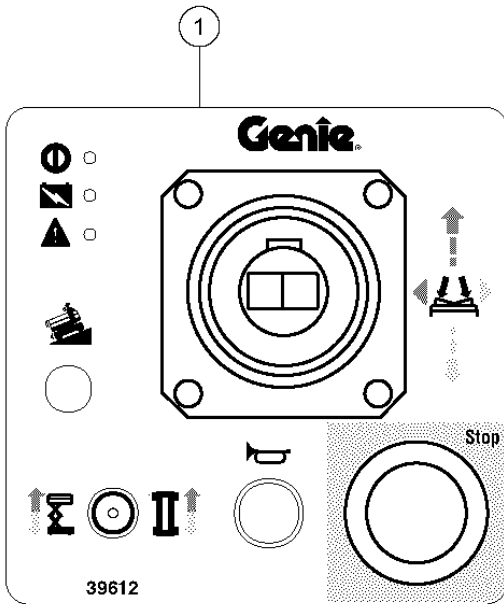
 Shading indicates decal is hidden from view, i.e. under covers



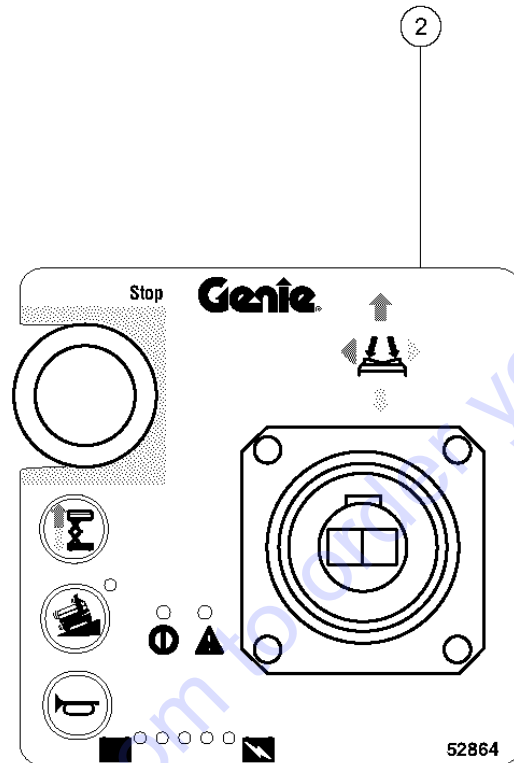
## 102.1 Decals with Symbols (from SN 51683)

Item	Part No.	Description	Qty.	Item	Part No.	Description	Qty.
--	82709GT	DECAL KIT,SYMBOL,GS-2032&2632 <i>includes items 3, 7, 9, 12, 13, 14, 15, 16, 17, 18, 19, 20, 23, 24, and 25</i>		31	82778GT	DECAL,DANGER,MAXCAP CE GS2032.....	1
1	28174GT	DECAL, POWER TO PLATFORM 230V**.....	2	32	82779GT	DECAL,LABEL,CAP IND CE GS2032.....	1
2	28235GT	DECAL,POWER TO PLATFORM 115V.....	2	33	82786GT	DECAL,DANGER,MAXCAP CE GS2632.....	1
3	40434GT	DECAL,LANYARD ANCHORAGE POINT.....	3	34	82956GT	DECAL,LABEL,CAP IND CE2632.....	1
4	43618GT	DECAL, LABEL - DIRECTION ARROWS.....	2	35	97582GT	DECAL,SYM-SIDEFORCE 400N ID..... GS-2632 (CE)	1
5	43658GT	DECAL,LABEL,PWR TO CHARGR 230V.....	1				
6	44980GT	DECAL,LABEL,PWR TO CHARGR 115V.....	1				
7	52475GT	DECAL,LABEL,TRANSPORT TIEDOWN*.....	5				
8	62055GT	DECAL,COSMETIC,GENIE GS-2032.....	2				
9	65058GT	DECAL, LABEL, GS32/46.....	1				
10	72973GT	DECAL,COSMETIC,GENIE GS-2632**.....	2				
11	78673GT	OVERLAY, PLAT CONTRL BOX,GEN4~.....	1				
12	82448GT	DECAL, GROUND CONTROL PANEL.....	1				
13	82472GT	DECAL,WARNING,CRUSHING HAZARD.....	1				
14	82474GT	DECAL,SYMBOL-USE SAFETY ARM.....	2				
15	82476GT	DECAL,SYMBOL-ELEC HAZARD,GS.....	2				
16	82481GT	DECAL,SYMBOL-BATTERY SAFETY.....	1				
17	82482GT	DECAL,LABEL,AUX LOWERING.....	1				
18	82487GT	DECAL, SYMBOL - READ THE MANUAL.....	2				
19	82488GT	DECAL,LABEL,ERROR LIGHT.....	1				
20	82495GT	DECAL,SYMBOL-BRAKE REL SAFETY.....	1				
21	82496GT	DECAL,SYM-MAXCAP 500..... (CE) (227 kg)	1				
22	82497GT	DECAL,SYM-SIDEFORCE 200400..... (CE) (200 N / 400 N)	1				
23	82502GT	DECAL,LABEL,LED READOUT.....	1				
24	82560GT	DECAL,SYMBOL-SKIN INJECT HAZRD.....	1				
25	82562GT	DECAL,SYMBOL-CRUSHING HAZARD.....	4				
26	82656GT	DECAL,SYM-SIDE FORCE 445N.....	1				
27	82690GT	DECAL,LABEL,WHEEL LOAD 2032.....	4				
28	82691GT	DECAL,LABEL,WHEEL LOAD 2632.....	4				
29	82699GT	DECAL,SYM-MAXCAP 800..... (CE) (363 kg)	1				
30	82701GT	DECAL,SYM-SIDE FORCE 534N.....	1				

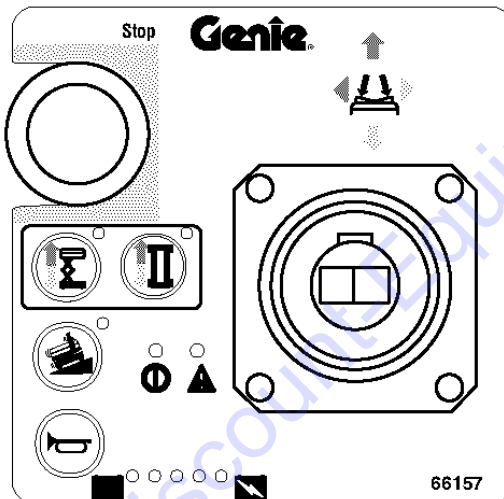
103.1 Platform Control Box Decals



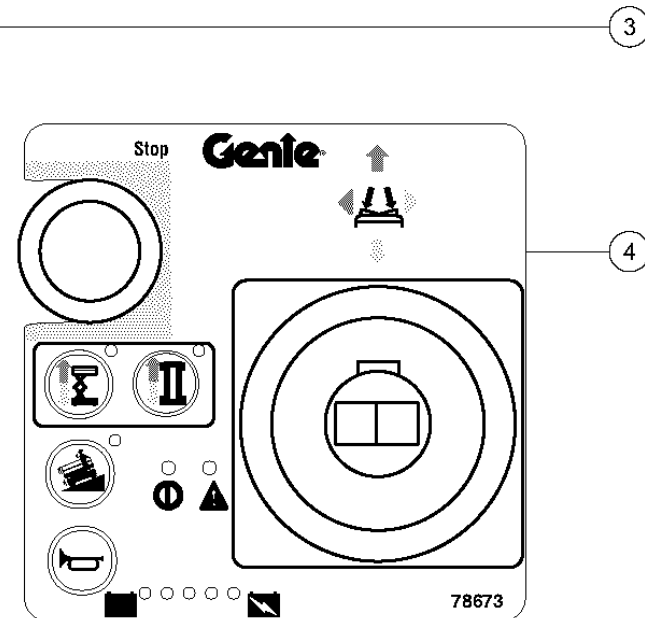
**Gen I**  
Emergency Stop button in lower right corner



**Gen II**  
One function select button (lift) AND  
Emergency Stop button in upper left corner



**Gen III**  
Two function select buttons (lift and drive) AND  
Emergency Stop button in upper left corner AND  
joystick secured from outside box



**Gen IV**  
Two function select buttons (lift and drive) AND  
Emergency Stop button in upper left corner AND  
large joystick base secured from inside box

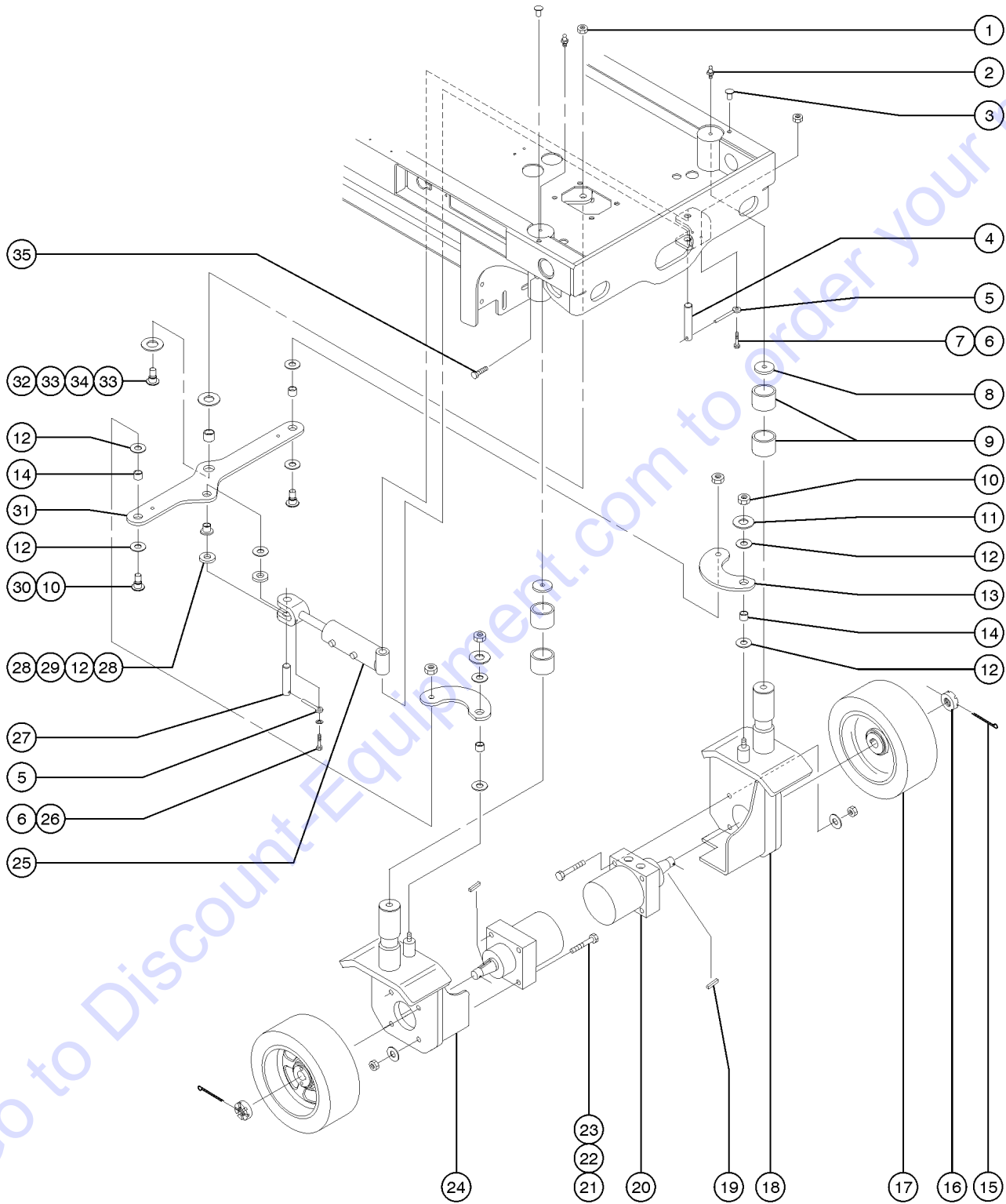
## 103.1 Platform Control Box Decals

Item	Part No.	Description	Qty.
1	39612GT	DECAL,JOYSTICK**.....1 (gen I)	1
2	52864GT	DECAL,JOYSTICK CONTROLLER.....1 (gen II)	1
3	66157GT	OVERLAY,PLAT CONTROLLER SLAB....1 (gen III)	1
4	78673GT	OVERLAY, PLAT CONTRL BOX,GEN4~.....1 (gen IV)	1

Go to Discount-Equipment.com to order your parts



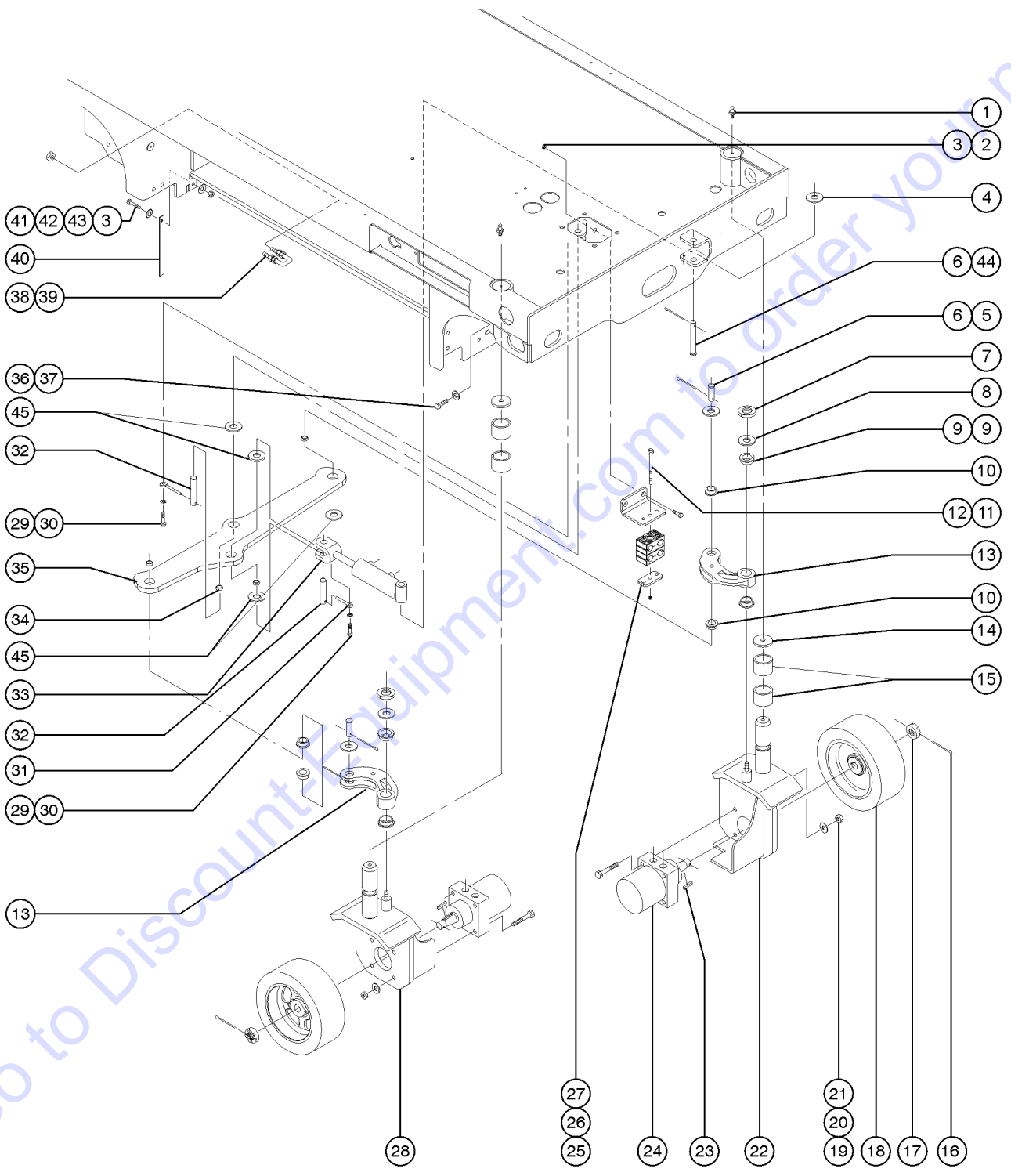
201.1 Steer Axle Linkage and Wheels (to SN 43386)



## 201.1 Steer Axle Linkage and Wheels (to SN 43386)

Item	Part No.	Description	Qty.	Item	Part No.	Description	Qty.
--	78069GT	STEERING,SRV KIT,GS2032/2632 * (to SN 42999) (includes heavy-duty bellcrank and steer links, and all pins and fasteners)		--	44783GT	BEARING,DRIVE MOTOR GS15/19.....2 (to SN 45213) (for 40840 only)	2
1	8538GT	NUT,LP NYLOCK,3/4-10.....1	1	--	96417GT	DRIVE MOTOR,18.3 CU. IN/REV (for use after 1st time replacement)	
2	55953GT	ZERK-GREASE,1/4-28, STRAIGHT.....2	2	20A	96417GT	DRIVE MOTOR,18.3 CU. IN/REV.....2 (from SN 43000 to 50237) (includes items 16 and 19)	2
3	47479GT	BUMPER,PLASTIC, .625 OD.....2	2	--	96419GT	SEAL KIT,RC SERIES DR MOTOR***.....2 (for 96417 only)	2
4	39250GT	PIN,0.75DIA X 4.28LG,CHAMFER.....1	1	21	8357GT	SCREW,HHC,1/2-13 X 3.5.....8	8
5	45748GT	ROD END,.250 X 2.75 LG.....2	2	22	6198GT	NUT,NYLOCK,1/2-13.....8	8
6	6090GT	SCREW,HHC,1/4-20 X .75.....2	2	23	6095GT	WASHER,FLAT,USS,1/2",Y.....8	8
7	6889GT	NUT,LP NYLOCK,1/4-20.....2	2	24	55992-SGT	WELDMENT STEERYOKE RH 32/46***.....1 (to SN 42999) (ground controls side)	1
8	39240GT	WASHER,THRUST,.5 X 2.438 X .25.....2	2	24A	78045GT	WELDMENT,RH STEERYOKE,32/46*....1 (from SN 43000 to 43634) (ground controls side)	1
9	18722GT	BEARING,2.25IDX2.50ODX1.50L***.....4	4	25	39038GT	CYLINDER,GS STEER.....1	1
10	38028GT	NUT,LP NYLOCK,5/8-11.....4 used on later generation steer yokes (shown)	4	--	44250GT	SEAL KIT-FOR P.N.39038(SCISRS).....1	1
10A	47255GT	BOLT,SHORT SHOULDER used on early generation steer yokes		26	6356GT	WASHER,LOCK,.25.....1	1
11	6035GT	WASHER,FLAT,USS,5/8",Y.....2	2	27	39586GT	PIN,0.75DIA X 2.75LG,CHAMFER.....1	1
12	47520GT	WASHER,THRUST .75 X 1.25 X .06.....9	9	28	55355GT	SPACER,.75ID X 1.5OD X 1/4THK.....2	2
13	46343GT	STEER LINK ASSY W/BRGS.GS2032....2 right and left sides (to SN 42999); includes 1 each index number 14	2	29	47548GT	BEARING,FL,0.75ID X 1 OD X .49.....2 (0.75 x 1 x 0.375 inch)	2
13A	78075GT	SRV KIT,32/46 STR. LINK ASSY,R.....1 right (to SN 42999) for use ONLY after installation of 78069 steering service kit, above	1	30	47255GT	BOLT,SHORT SHOULDER.....2	2
13A	78076GT	SRV KIT,32/46 STR. LINK ASSY,L.....1 left (to SN 42999) for use ONLY after installation of 78069 steering service kit, above	1	31	46344GT	BELLCRANK,STEER W/BEARING,2032.....1 (to SN 42999) (includes items 33, and 2 each items 14 and 29)	1
13B	78075GT	SRV KIT,32/46 STR. LINK ASSY,R.....1 right (from SN 43000 to 43634)	1	31A	78074GT	BELLCRANK ASSY, GS32.....1 (to SN 42999) for use ONLY after installation of 78069 steering service kit, above	1
13B	78076GT	SRV KIT,32/46 STR. LINK ASSY,L.....1 left (from SN 43000 to 43634)	1	31B	97058GT	SERV, BELLCRANK ASSY, GS32.....1 (from 43000 to 43634) (includes items 33, and 2 each items 14 and 29)	1
14	39581GT	BEARING,0.75IDX1.00ODX0.50L.....4	4	32	47464GT	BOLT, WIDE SHOULDER.....2	2
15	42079GT	PIN,COTTER,.156 X 2.5.....2	2	33	47521GT	WASHER,THRUST 1 X 1.75 X .058.....2	2
16	44780GT	NUT,CASTLE,1.125-18 UNEF.....2	2	34	47462GT	BEARING,1.0ID X 1.25OD X .38LG.....1	1
17	105454GT	WHEEL & TIRE ASSY LP,15".....2	2	35	55917GT	SCREW, YOKE LOCK ALL SLABS.....2 allen head	2
18	55991-SGT	WELDMENT STEERYOKE LH 32/46**....1 (to SN 42999) (battery side)	1				
18A	78044GT	WELDMENT,LH STEER YOKE, 32/46*....1 (from SN 43000) (battery side)	1				
19	44781GT	KEY,RECTANGULAR,.31X.28X1.25**.....2	2				
20	78222GT	SRV KIT, DRIVE MOTOR, GS32/46.....2 (to SN 45213) (replaced 40840 and contains 96417) (includes items 16 and 19)	2				
--	44782GT	SEAL KIT,DR MTR.GS15/19,Z20***.....2 (to 50165) (for 40840 only)	2				

201.2 Steer Axle Linkage and Wheels (from SN 43387)

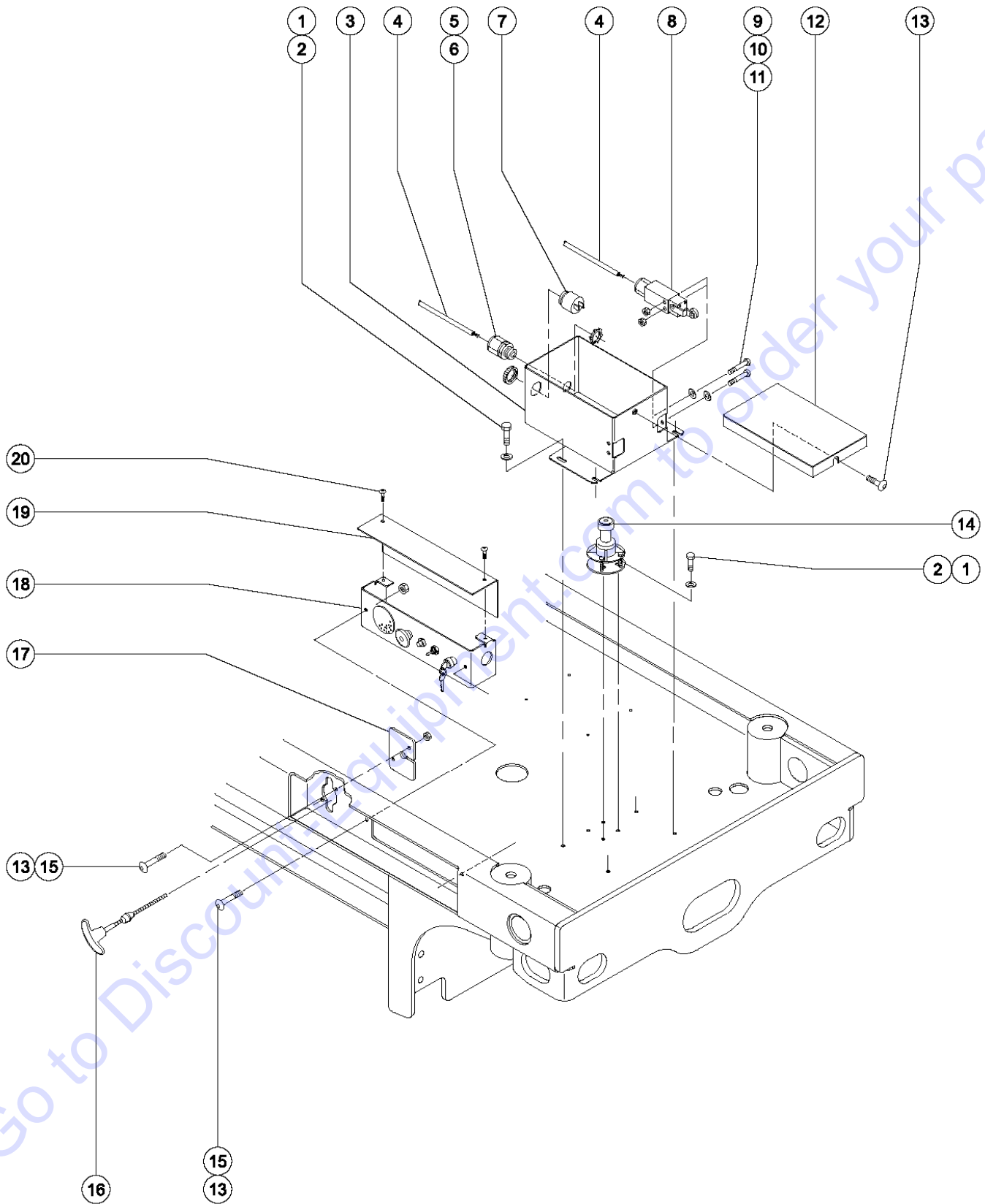


Go to DiscountEquipment.com to order your parts

## 201.2 Steer Axle Linkage and Wheels (from SN 43387)

Item	Part No.	Description	Qty.	Item	Part No.	Description	Qty.
1	55953GT	ZERK-GREASE,1/4-28, STRAIGHT.....	2	25A	58592GT	PLATE,HOSE ROUTG,BULKHEAD(PTD).....	1 <i>(from SN 49300)</i>
2	6019GT	SCREW,HHC,3/8-16 X 1.25 GRD 5.....	2	26	66829GT	TUBE, CLAMP, 3/8 (PAIR).....	8 <i>(to SN 49299)</i>
3	4828GT	NUT,NYLOCK,3/8-16.....	4	26A	78736GT	CLAMP2 HOSE,PLASTIC,5/8.....	4 <i>(from SN 49300)</i>
4	55355GT	SPACER,.75ID X 1.5OD X 1/4THK.....	1	27	66986GT	FORMING,HOSE ROUTING.....	1 <i>(to SN 49299)</i>
5	6545GT	PIN,CLEVIS,.75 X 2.....	2	27A	96197GT	FORMING,HOSE ROUTING,BULKHEAD.....	1 <i>(from SN 49300)</i>
6	13635-10GT	PIN,COTTER,.156 X 1.75.....	3	28	78045GT	WELDMNT,RH STEERYOKE,32/46*....	1 <i>(ground controls side)</i>
7	38028GT	NUT,LP NYLOCK,5/8-11.....	2	28A	78312GT	WLDMT,R STEERYOKE,32/46,NIK <i>(Nikken)</i>	
8	6035GT	WASHER,FLAT,USS,5/8",Y.....	2	29	6356GT	WASHER,LOCK,.25.....	2
9	47946GT	BEARING,1.00IDX1.25ODX0.49L.....	4	30	6888GT	SCREW,HHC,1/4-20 X 1.....	2
10	47548GT	BEARING,FL,0.75ID X 1 OD X .49.....	6	31	45748GT	ROD END,.250 X 2.75 LG.....	2
11	6884GT	SCREW,HHC,1/4-20 X 2.5.....	4 <i>(to SN 49299)</i>	32	39586GT	PIN,0.75DIA X 2.75LG,CHAMFER.....	1
11A	12343GT	SCREW,HHC,1/4-20 X 3.....	1 <i>(from SN 49300)</i>	33	39038GT	CYLINDER,GS STEER.....	1
12	6091GT	NUT,NYLOCK,1/4-20.....	4 <i>(to SN 49299)</i>	--	44250GT	SEAL KIT-FOR P.N.39038(SCISRS).....	1
12A	6091GT	NUT,NYLOCK,1/4-20.....	1 <i>(from SN 49300)</i>	34	39581GT	BEARING,0.75IDX1.00ODX0.50L.....	2 <i>(0.75 x 1.25 x 0.5 inch)</i>
13	97016GT	STEER LINK ASSY GS46.....	2 <i>(includes 2 each items 9 and 10)</i>	35	97058GT	SERV, BELLCKRANK ASSY, GS32.....	1 <i>(includes 2 each items 10 and item 34)</i>
14	39240GT	WASHER,THRUST,.5 X 2.438 X .25.....	2	36	55917GT	SCREW, YOKE LOCK ALL SLABS.....	4
15	18722GT	BEARING,2.25IDX2.50ODX1.50L***.....	4	37	20912GT	WASHER,LOCK,.437,PLTD.....	4
16	42079GT	PIN,COTTER,.156 X 2.5.....	2	38	66778GT	U-BOLT,SQ BEND, 1/2-13.....	2
17	44780GT	NUT,CASTLE,1.125-18 UNEF.....	2	39	6198GT	NUT,NYLOCK,1/2-13.....	2
18	105454GT	WHEEL & TIRE ASSY LP,15".....	2	40	105060GT	GROUND STRAP, 8"LG.....	2
19	6198GT	NUT,NYLOCK,1/2-13.....	8	41	6175GT	SCREW,HHC,3/8-16 X 1.....	2
20	6095GT	WASHER,FLAT,USS,1/2",Y.....	8	42	6700GT	WASHER,STAR,EXTERNAL,.375.....	2
21	8357GT	SCREW,HHC,1/2-13 X 3.5.....	8	43	6097GT	WASHER,FLAT,USS,3/8",Y.....	2
22	78044GT	WELDMNT,LH STEER YOKE, 32/46*....	1 <i>(battery pack side)</i>	44	78060GT	PIN,CLEVIS,.75 DIA. X 4.00.....	1
22A	78311GT	WLDMT,L STEERYOKE,32/46,NIK <i>(Nikken)</i>		45	47520GT	WASHER,THRUST .75 X 1.25 X .06.....	4
23	44781GT	KEY,RECTANGULAR,.31X.28X1.25***.....	2				
24	78222GT	SRV KIT, DRIVE MOTOR, GS32/46.....	1 <i>(to SN 45213) (replaced 40840 and contains 96417) (includes items 17 and 23)</i>				
--	44782GT	SEAL KIT,DR MTR.GS15/19,Z20***.....	1 <i>(to SN 45213, for 40840 only)</i>				
--	44783GT	BEARING,DRIVE MOTOR GS15/19.....	1 <i>(to SN 45213, for 40840 only)</i>				
--	96417GT	DRIVE MOTOR,18.3 CU. IN/REV <i>(for use after 1st time replacement)</i>					
24A	96417GT	DRIVE MOTOR,18.3 CU. IN/REV.....	2 <i>(from SN 45214) (includes items 17 and 23)</i>				
--	96419GT	SEAL KIT,RC SERIES DR MOTOR***.....	2 <i>(for 96417 only)</i>				
25	66750GT	PLATE,HOSE ROUTING, BULKHEAD....	1 <i>(to SN 49299)</i>				

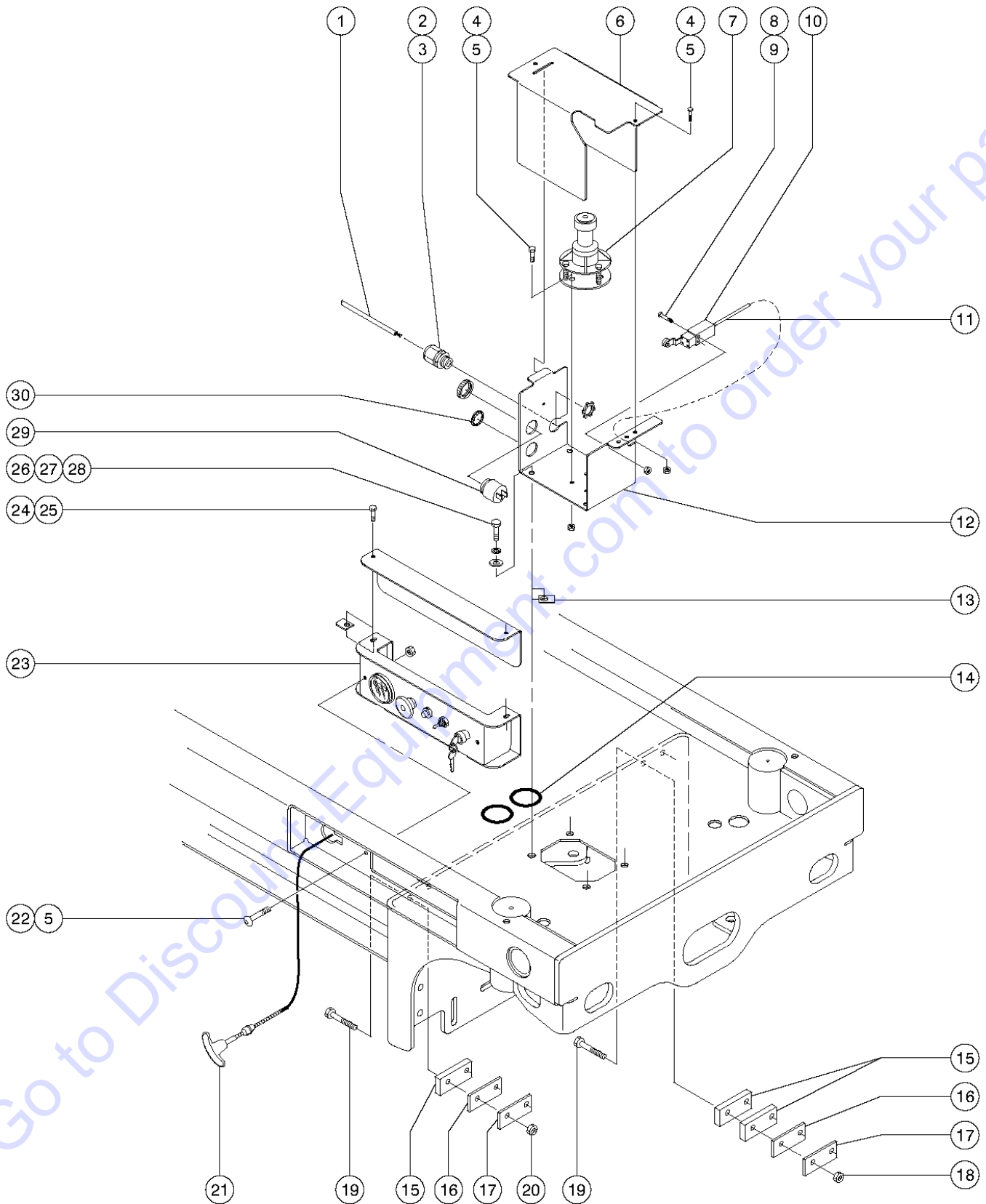
202.1 Ground Controls and Level Sensor Installation (to SN 1999)



## 202.1 Ground Controls and Level Sensor Installation (to SN 1999)

Item	Part No.	Description	Qty.
1	12011GT	SCREW,BHHS,1/4-20 X .5,Y/ZINC.....	7
2	6356GT	WASHER,LOCK,.25.....	7
3	39464PGT	WELDMENT,LEVEL SENSOR BOX,GS.....	1
4		Ref. Wire Harness (consult Discount- equipment)	
5	7056GT	CONN,SQUEEZE,1/2NPT .38-.50,SM....	1
6	6935GT	LOCKNUT,ELEC,1/2".....	1
7	39540GT	ALARM,STEADY TONE***.....	1
		<i>(Does not include 72326 nut)</i>	
--	72326GT	NUT - PLASTIC,RING FOR ALARMS.....	1
8	<del>88356-126R3GT</del>	SWITCH,LIMIT,W/RLR HEAD 180DG**....	1
--	19491GT	CONTACTOR,LIMIT SWITCH.....	1
8A	96948GT	SWITCH,LIMIT,W/ROLLER ARM***.....	1
8B	<del>88356-126R3GT</del>	SWITCH,LIMIT,W/RLR HEAD 180DG**....	1
9	16487GT	SCREW,RHM,10-32 X 1.5.....	2
10	22699GT	WASHER,FLAT,M10,ZINC PLTD.....	2
11	6178GT	NUT,NYLOCK,10-32.....	2
12	39467PGT	LEVEL SENSOR BOX CAP,PAINTED.....	1
13	11968GT	SCREW,BHHS,1/4-20 X 1.....	5
--	23083-SGT	FUSE HOLDER,WATERPROOF.....	1
--	27488GT	FUSE,1 AMP.....	1
14A	66428GT	LEVEL SENSOR,LS60 RED,1.5X4*.....	1
		<i>GS-2032 (ANSI, CSA)</i>	
14B	40836GT	LEVEL SENSOR,LS60,BLUE,2X4*.....	1
		<i>GS-2032 (CE, Australian)</i>	
15	6091GT	NUT,NYLOCK,1/4-20.....	4
16	39232GT	CABLE,EMERGENCY DOWN.....	1
17	47194GT	PLATE,HANDLE MOUNTING.....	1
18		Ref. Ground Controls.....	1
		<i>(refer to figure 216.1)</i>	
19	66458GT	COVER,LOWER CONTROL PANEL ***....	1
20	14297GT	SCREW,BHHS,1/4-20 X .75.....	2

202.2 Ground Controls and Level Sensor Installation (from SN 2000 to 18703)

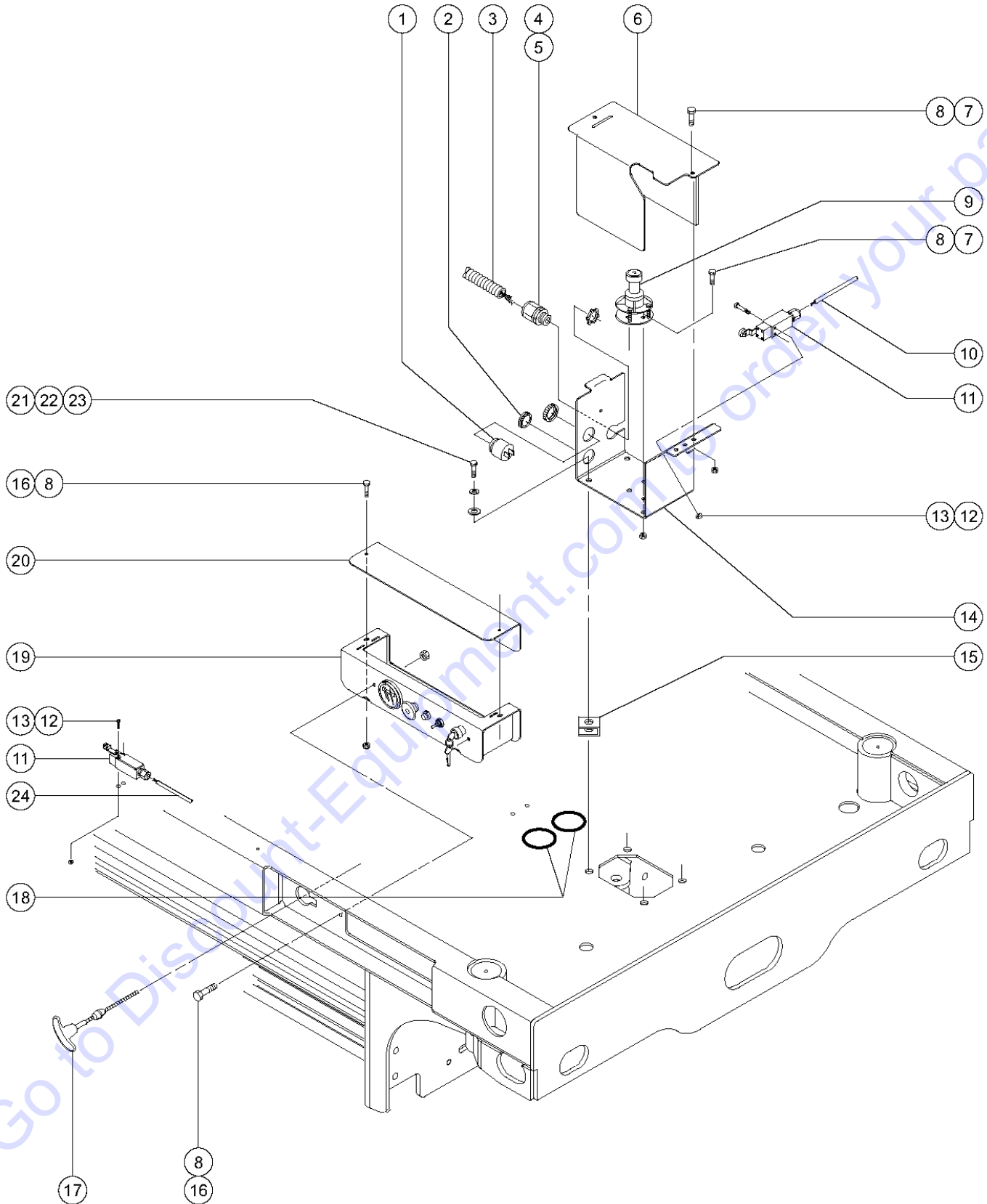


## 202.2 Ground Controls and Level Sensor Installation (from SN 2000 to 18703)

Item	Part No.	Description	Qty.	Item	Part No.	Description	Qty.
1	39907GT	WIRE CABLE,18/2 SJO,BULK...10-inches		29	39540GT	ALARM,STEADY TONE***.....1 <i>does not include 72326 nut</i>	1
2	12960GT	CABLE SQUEEZE CONN.,XTRA LRG...1		--	72326GT	NUT - PLASTIC,RING FOR ALARMS.....1	1
3	14041GT	LOCKNUT,ELECTRIC,3/4".....1	1	30	45385GT	PLUG,NYLON 1.12 BLACK DOMED.....1	1
4	8914GT	SCREW,HHC,1/4-20 X .625.....3	3				
5	6091GT	NUT,NYLOCK,1/4-20.....6	6				
6	47544GT	FORMING,LEVELSENSOR, ENCLS.LID.....1	1				
7	66428GT	LEVEL SENSOR,LS60 RED,1.5X4*					
--	23083-SGT	FUSE HOLDER,WATERPROOF.....1 GS-2032	1				
--	27488GT	FUSE,1 AMP.....1 GS-2032	1				
7A	66428GT	LEVEL SENSOR,LS60 RED,1.5X4*.....1 GS-2032 (ANSI, CSA)	1				
7B	40836GT	LEVEL SENSOR,LS60,BLUE,2X4**.....1 GS-2032 (CE, Australia)	1				
8	51063GT	SCREW,PHILLIPS,RHM,10-32 X 1.5....2	2				
9	6178GT	NUT,NYLOCK,10-32.....2	2				
10	96948GT	SWITCH,LIMIT,W/ROLLER ARM***.....1	1				
--	19491GT	CONTACTOR,LIMIT SWITCH.....1	1				
--	27643GT	ROLLER ARM-LIMIT SWITCH.....1	1				
--	97128GT	ROLLER ARM,LIMIT SWITCH***.....1	1				
11	39907GT	WIRE CABLE,18/2 SJO,BULK...10-inches					
12	47543PGT	FORMING,LEVEL SENSOR-PAINTED**.....1	1				
13	29868GT	SPRING CLIP,3/8-16,.05-.20X.73,ZAG...4	4				
14	47232GT	GROMMET,RUBBER 2 X 2.75.....2	2				
15	47514GT	PLATE,STEERING STOP MOUNT **.....3	3				
--	46342GT	STEERING STOP, KIT.....3 <i>complete</i>	3				
16	47513GT	PLATE,STEERING STOP.....2	2				
17	51145GT	WEAR PAD,3.5 X 1.88 X .25.....2	2				
18	7713GT	NUT, LP NYLOCK, 3/8-16.....4	4				
19	13918GT	SCREW,HHC,3/8-16 X 1.75,GRD.8.....2	2				
20	4828GT	NUT,NYLOCK,3/8-16.....4	4				
21	39232GT	CABLE,EMERGENCY DOWN.....1 <i>includes mounting fasteners</i>	1				
22	14297GT	SCREW,BHHS,1/4-20 X .75.....4	4				
23		Ref. Ground Control Panel.....4 <i>refer to Figure 216.1</i>	4				
24	6090GT	SCREW,HHC,1/4-20 X .75.....2	2				
25	56912GT	SPRING CLIP,1/4-20,.025-.15X.54,ZAG.....2	2				
26	6175GT	SCREW,HHC,3/8-16 X 1.....4	4				
27	6021GT	WASHER,LOCK,.375.....4	4				
28	6097GT	WASHER,FLAT,USS,3/8",Y.....4	4				



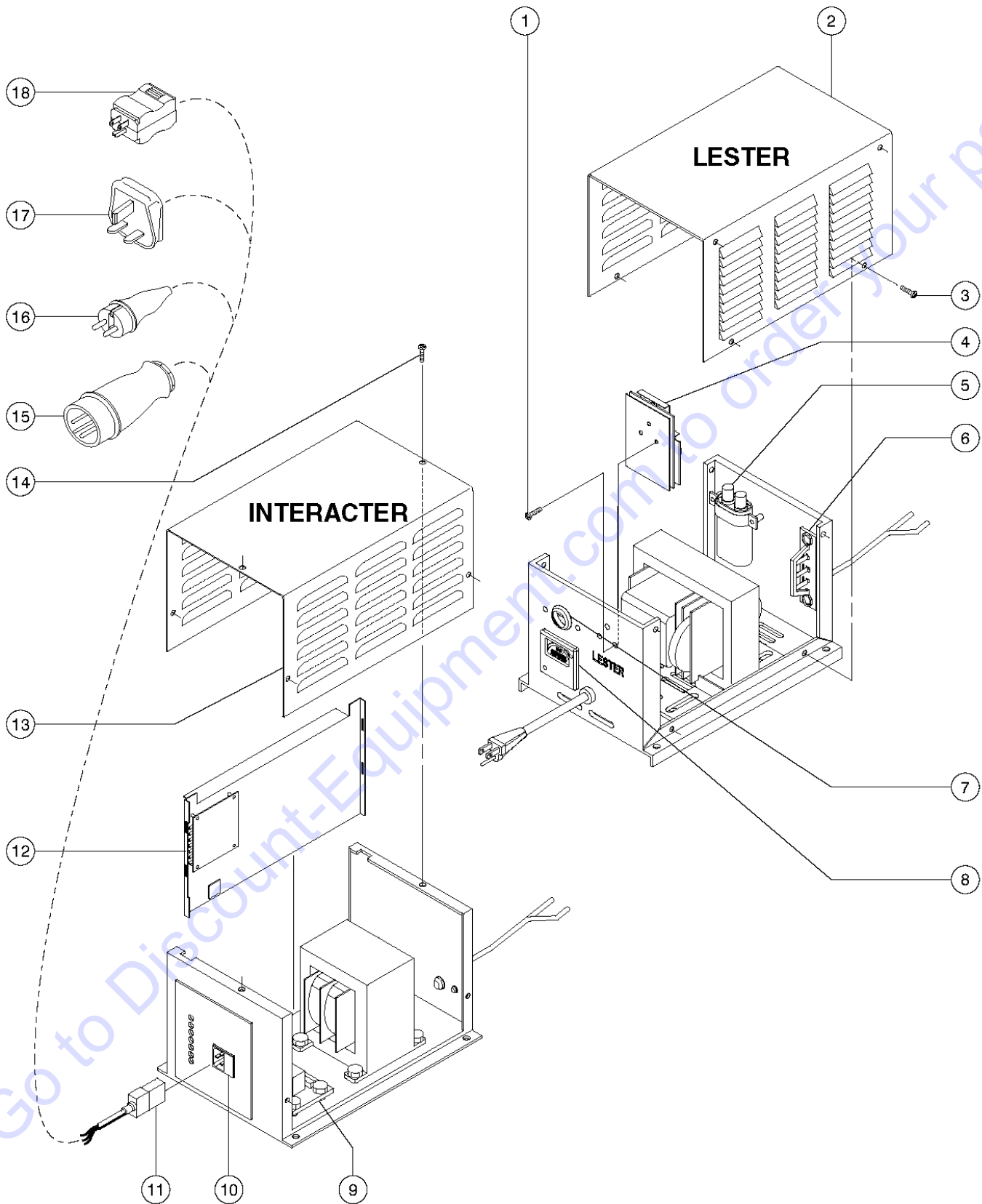
202.3 Ground Controls and Level Sensor Installation (from SN 18704)



## 202.3 Ground Controls and Level Sensor Installation (from SN 18704)

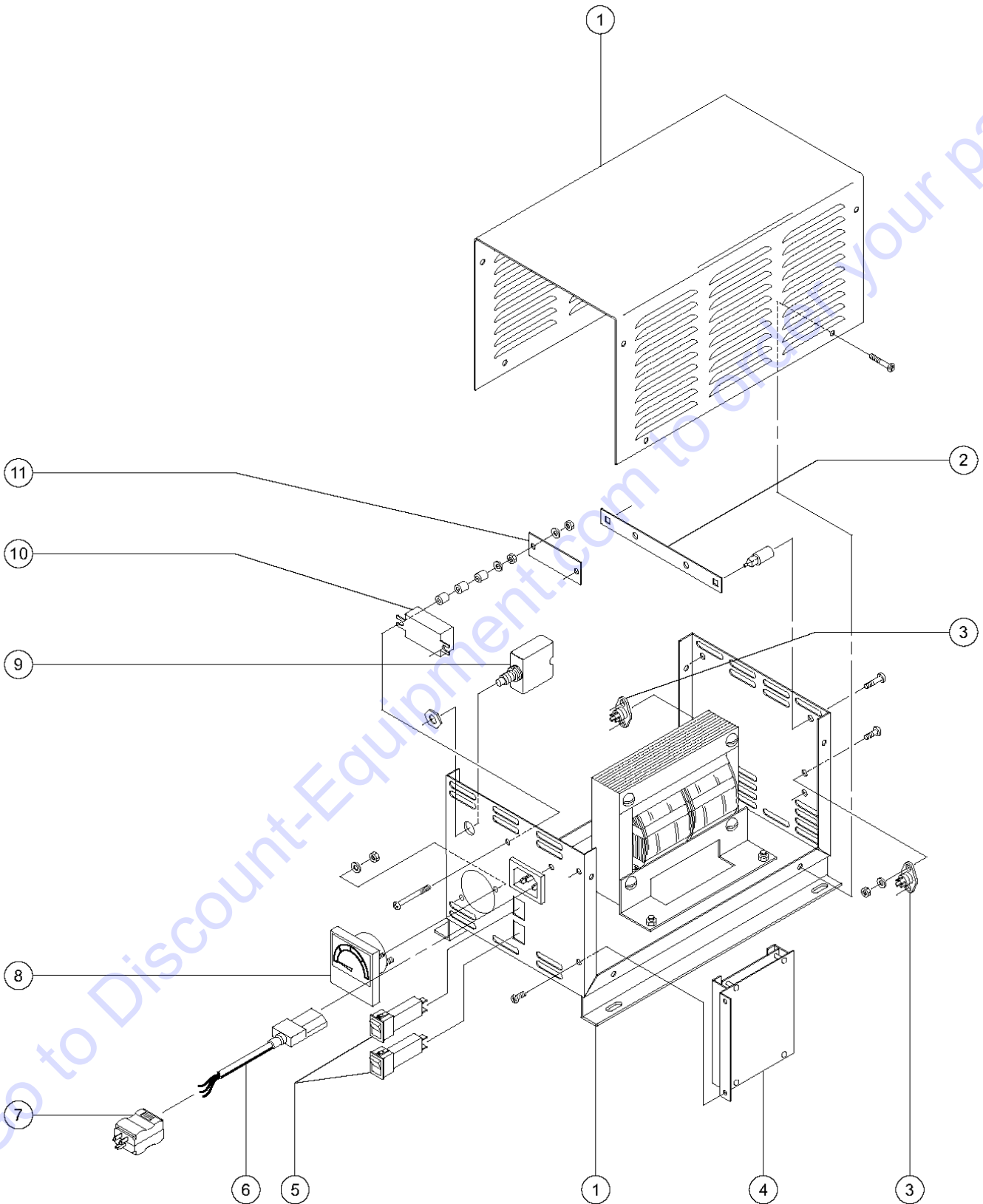
Item	Part No.	Description	Qty.	Item	Part No.	Description	Qty.
1	39540GT	ALARM,STEADY TONE***.....1 (Does not include plastic retainer nut)	1	--	39469GT	SPRING,COMPRESSION.485 X1.75** (replacement part for all model level sensors)	
--	72326GT	NUT - PLASTIC,RING FOR ALARMS.....1	1	--	56912GT	SPRING CLIP,1/4-20,.025-.15X.54,ZAG (replacement part for all model level sensors)	
2	45385GT	PLUG,NYLON 1.12 BLACK DOMED.....1	1	--	6637GT	SCREW,HHC,1/4-20 X 1.75 (replacement part for all model level sensors)	
3		Ref. Wire Harness (consult Discount-equipment)		10	39907GT	WIRE CABLE,18/2 SJO,BULK.....9-inches	
4	12960GT	CABLE SQUEEZE CONN.,XTRA LRG...1	1	11	96948GT	SWITCH,LIMIT,W/ROLLER ARM*** .....1 (ANSI, CSA, Australia)	
5	14041GT	LOCKNUT,ELECTRIC,3/4".....1	1	11A	96948GT	SWITCH,LIMIT,W/ROLLER ARM*** .....2 (CE)	
6	65299GT	ENCLOSURE-LVL SENSOR W/DECAL ** .....1 (from SN 18704 to 48142)	1	--	19491GT	CONTACTOR,LIMIT SWITCH.....2	
6A	78962GT	LEVEL SENSOR LID AND DECAL.....1 (from SN 48143)	1	--	27643GT	ROLLER ARM-LIMIT SWITCH.....2 (black limit switch)	
7	8914GT	SCREW,HHC,1/4-20 X .625.....1	1	--	97128GT	ROLLER ARM,LIMIT SWITCH*** .....2 (blue limit switch)	
8	6091GT	NUT,NYLOCK,1/4-20		12	6178GT	NUT,NYLOCK,10-32.....1	
9	66428GT	LEVEL SENSOR,LS60 RED,1.5X4* .....1 GS-2032 (ANSI, CSA) (to SN 47664)	1	13	51063GT	SCREW,PHILLIPS,RHM,10-32 X 1.5.....1	
--	78672GT	LEVEL SENSOR,LS60,RED,1.5X3* .....1 GS-2032 (ANSI, CSA) (from SN 47665 to 51095)	1	14	55725GT	FORMING,LEVEL SENSOR ENCLOSURE.....1 (from SN 18704 to 48142)	
--	96455GT	LEVEL SENSOR,LS60,RED,1.5X3.....1 GS-2032 (ANSI, CSA) (from SN 51066)	1	14A	78960GT	FORMING,LVL SENSOR ENCLOSURE.....1 (from SN 48143 to 51095)	
9A	40836GT	LEVEL SENSOR,LS60,BLUE,2X4** .....1 GS-2632 (ANSI, CSA) (to SN 47664)	1	14B	96454GT	FORMING,LVL SENSOR ENCLOSURE.....1 (from SN 51096)	
--	78674GT	LEVEL SENSOR,LS60,BLUE,2X3** .....1 GS-2632 (ANSI, CSA) (from SN 47665 to 51095)	1	15	29868GT	SPRING CLIP,3/8-16,.05-.20X.73,ZAG...4	
--	96456GT	LEVEL SENSOR,LS60,BLUE,2X3* .....1 GS-2632 (ANSI, CSA) (from SN 51066)	1	16	6090GT	SCREW,HHC,1/4-20 X .75.....4	
9B	40836GT	LEVEL SENSOR,LS60,BLUE,2X4** .....1 (CE) (to SN 47664)	1	17	39232GT	CABLE,EMERGENCY DOWN.....1 (includes mounting fasteners)	
--	78674GT	LEVEL SENSOR,LS60,BLUE,2X3** .....1 (CE) (from SN 47665 to 51095) (includes base)	1	18	47232GT	GROMMET,RUBBER 2 X 2.75.....2	
--	96455GT	LEVEL SENSOR,LS60,RED,1.5X3.....1 (CE) (from SN 51684)	1	19		Ref. Ground Control Panel.....2 (refer to Figure 216.1, 216.2 or 216.3)	
--	96456GT	LEVEL SENSOR,LS60,BLUE,2X3* .....1 (CE) (from SN 51096 to 51683) (does not include base)	1	20	66458GT	COVER,LOWER CONTROL PANEL ***...1 (to SN 28695)	
9C	40836GT	LEVEL SENSOR,LS60,BLUE,2X4** .....1 (Australia) (to SN 47664)	1	20A	66462GT	LWR CONTROL PANEL COVER,GS3246.....1 (from SN 28696)	
--	78674GT	LEVEL SENSOR,LS60,BLUE,2X3** .....1 (Australia) (from SN 47665 to 51095)	1	21	6175GT	SCREW,HHC,3/8-16 X 1.....4	
--	96456GT	LEVEL SENSOR,LS60,BLUE,2X3* .....1 (Australia) (from SN 51096)	1	22	6021GT	WASHER,LOCK,.375.....4	
9D	23083-SGT	FUSE HOLDER,WATERPROOF.....1 (replacement part for all model level sensors)	1	23	6097GT	WASHER,FLAT,USS,3/8",Y.....4	
--	27488GT	FUSE,1 AMP (replacement part for all model level sensors)		24	39907GT	WIRE CABLE,18/2 SJO,BULK...79-inches (CE)	

203.1 Battery Charger



Item	Part No.	Description	Qty.
--	105739GT	CHARGER,BAT,24VDC,H/LO GEN2 <i>power cord sold separately</i>	
--	66412GT	CHARGER,120VAC/60HZ,25A 24V*** <i>(Lester)</i>	
--	78464-SGT	KIT,ZERO CHARGER START SWITCH	
--	96214GT	BATTERY CHARGER,UPGRADE KIT*** <i>power cord sold separately (for use with maintenance-free batteries) (except Asia) (Interacter)</i>	
1	40536GT	SCREW,TIMER,#8 PHMS X.375.....	3
2	65432-SGT	CASE ASSY-BATTERY CHRGR**..... <i>(includes cover and base)</i>	1
3	40537GT	SCREW,CHARGER COVER,#10 X .5.....	8
4	62858-SGT	TIMER ASSY-ELECTRONIC, DMSTC*...1	
5	46335GT	CAPACITOR, 4 MFD,660VAC,39243.....1	
6	27262GT	HEATSINK ASSY W/DIODES (23442)....1	
7	13008-6GT	FUSE ASSY-BOOM CHARGER.....1	
8	46337GT	AMMETER, 39243/47906/66412.....1	
9	62237GT	CONTROL-AVS, BATT CHGR.....1	
10	62233GT	CONNECTOR-IEC, BATT CHGR.....1	
--	62234GT	FUSE,BATT CHGR.....1	
11	51288GT	IEC PIGTAIL ***.....1	
12	62231GT	HEATSINK-CNTRL ASSY,BATT CHGR.....1	
13	52294GT	COVER-BATT CHGR.....1	
14	12017GT	SCREW,RHM,6-32 X .25.....6	
15	144161GT	PLUG,PWR,UK,16AMP,3PIN,BLK.....1	
16	1280665GT	PLUG, TYPE F, 230A, 50HZ, 16A, IP44.....1	
17	25388GT	PLUG,FUSED,250V,13AMP,U.K.**.....1	
--		FUSE,13 AMP,220V PLUG.....1 <i>(component no longer available) refer to BS1362 BUSS TDC180-13A</i>	
18	6595GT	PLUG,ELECTRICAL,DOMESTIC.....1 <i>(3-pin)</i>	

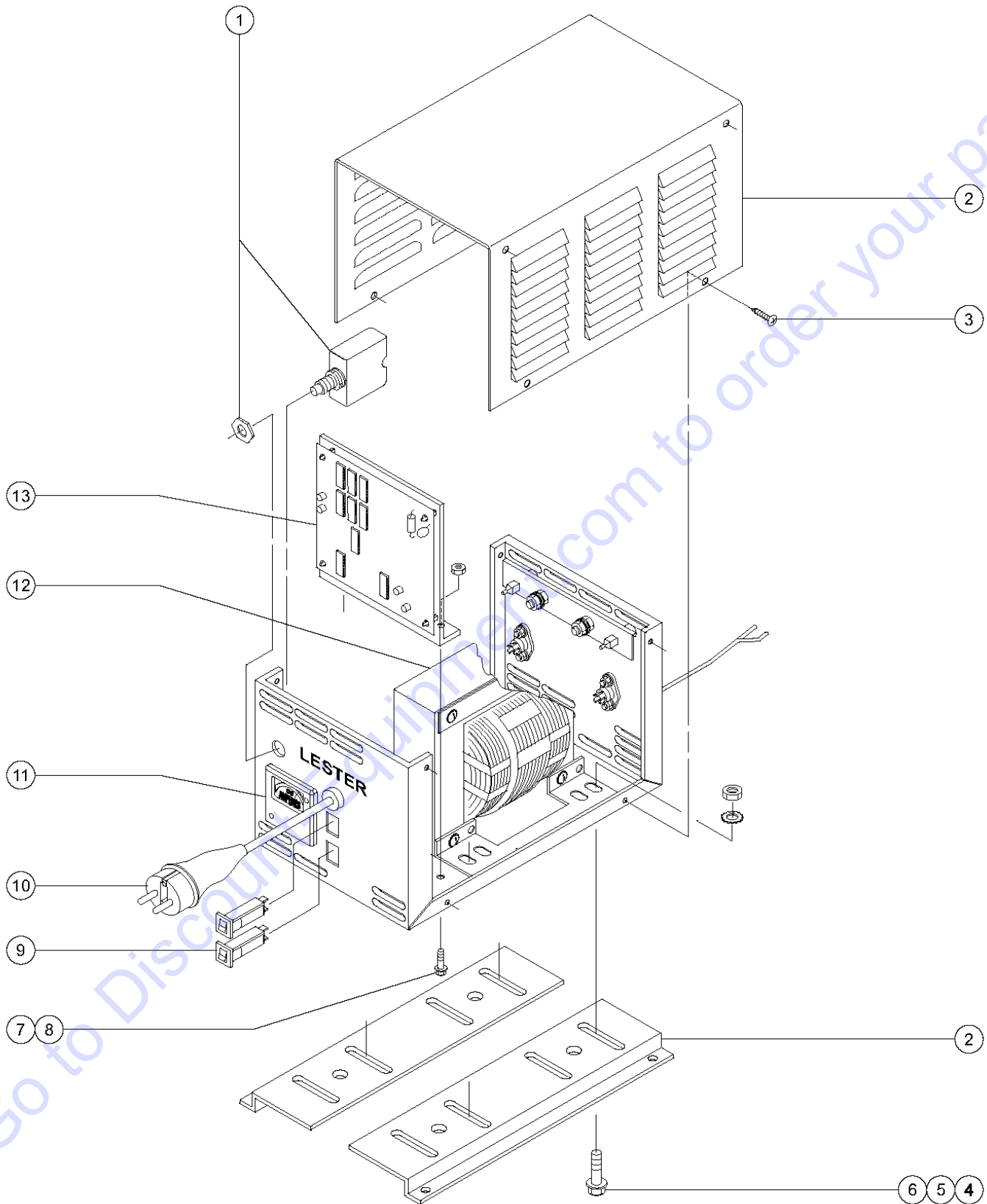
204.1 Battery Charger, 110V AC, Asia



## 204.1 Battery Charger, 110V AC, Asia

Item	Part No.	Description	Qty.
--	55620GT	CHARGER-BATT, DUAL VOLT** <i>Asia (does not include relay)</i>	
--	78109GT	KIT,RELAY INTERLOCK <i>(Nikken models only)</i>	
--	48282GT	POWER CORD, IEC 320 BLANK, 79"	
--	96214GT	BATTERY CHARGER,UPGRADE KIT*** <i>power cord sold separately (includes relay)</i>	
--	105739GT	CHARGER,BAT,24VDC,H/LO GEN2 <i>power cord sold separately</i>	
1	52168GT	CASE ASSEMBLY, 47671 CHARGER.....1 <i>includes cover and base</i>	1
2	52169GT	SHUNT,ELECTRONIC,47671 CHARGER.....1	1
3	52175GT	SCR ASSY,47671 LESTER CHARGER.....2	2
4	52170GT	TIMER ASSY,ELECTRONIC,47671.....1	1
5	52173GT	CIRCUIT BREAKER-CHARGER, 8 AMP.....2	2
6	51288GT	IEC PIGTAIL ***.....1	1
7	6595GT	PLUG,ELECTRICAL,DOMESTIC.....1	1
8	52172GT	AMMETER-47671 CHARGER,25 AMP...1	1
9	52174GT	CIRCUIT BREAKER-CHARGER,45 AMP.....1	1
10	52176GT	RELAY,CHARGR,47671,DPDT,110VDC.1	1
11	52171GT	PCB,RELAY DRIVER,CHARGER 47671.....1	1

205.1 Battery Charger, 220V AC, European

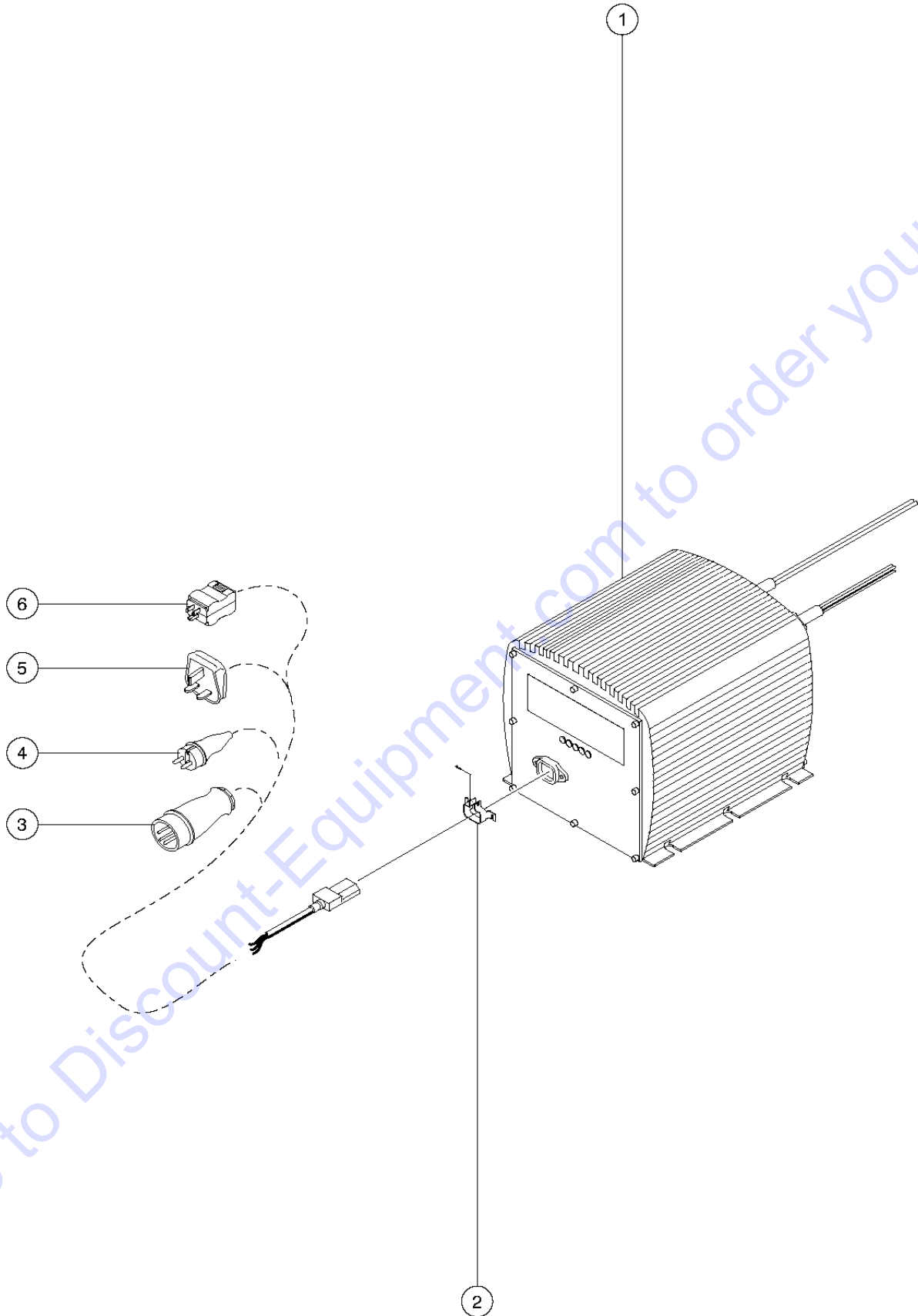


## 205.1 Battery Charger, 220V AC, European

Item	Part No.	Description	Qty.
--	105739GT	CHARGER,BAT,24VDC,H/LO GEN2 <i>power cord sold separately</i>	
--	66478GT	BATTERY CHARGER, CONT EUROPE	
--	96214GT	BATTERY CHARGER,UPGRADE KIT*** <i>power cord sold separately</i>	
1	69585GT	CIRCUIT BREAKER,50A,50VAC.....	1
2	69580GT	CASE ASSY,BATT CHARGER (66478)..... <i>includes cover and mounting brackets</i>	1
3	69581GT	TUBE, PLATFORM SPACER STD-12P...8	
4	69582GT	SCREW,HHC,WASH HEAD,1/4-20X.63.....	4
5	69586GT	WASHER,STAR,EXTERNAL,.25.....	4
6	6357GT	NUT,HEX,1/4-20.....	4
7	69583GT	SCREW,HEX INDENT,8-32 X 5/16.....	2
8	18542GT	NUT,HEX,8-32.....	2
9	52173GT	CIRCUIT BREAKER-CHARGER, 8 AMP.....	2
10	55019GT	POWER CORD,NOVON, 8"..... (2-pin)	1
--	1280665GT	PLUG, TYPE F, 230A, 50HZ, 16A, IP44.....	1
11	52172GT	AMMETER-47671 CHARGER,25 AMP...1	
12	69584GT	TRANSFORMER,CHARGER (66478)....	1
13	52170GT	TIMER ASSY,ELECTRONIC,47671.....	1



206.1 Battery Charger, Worldwide

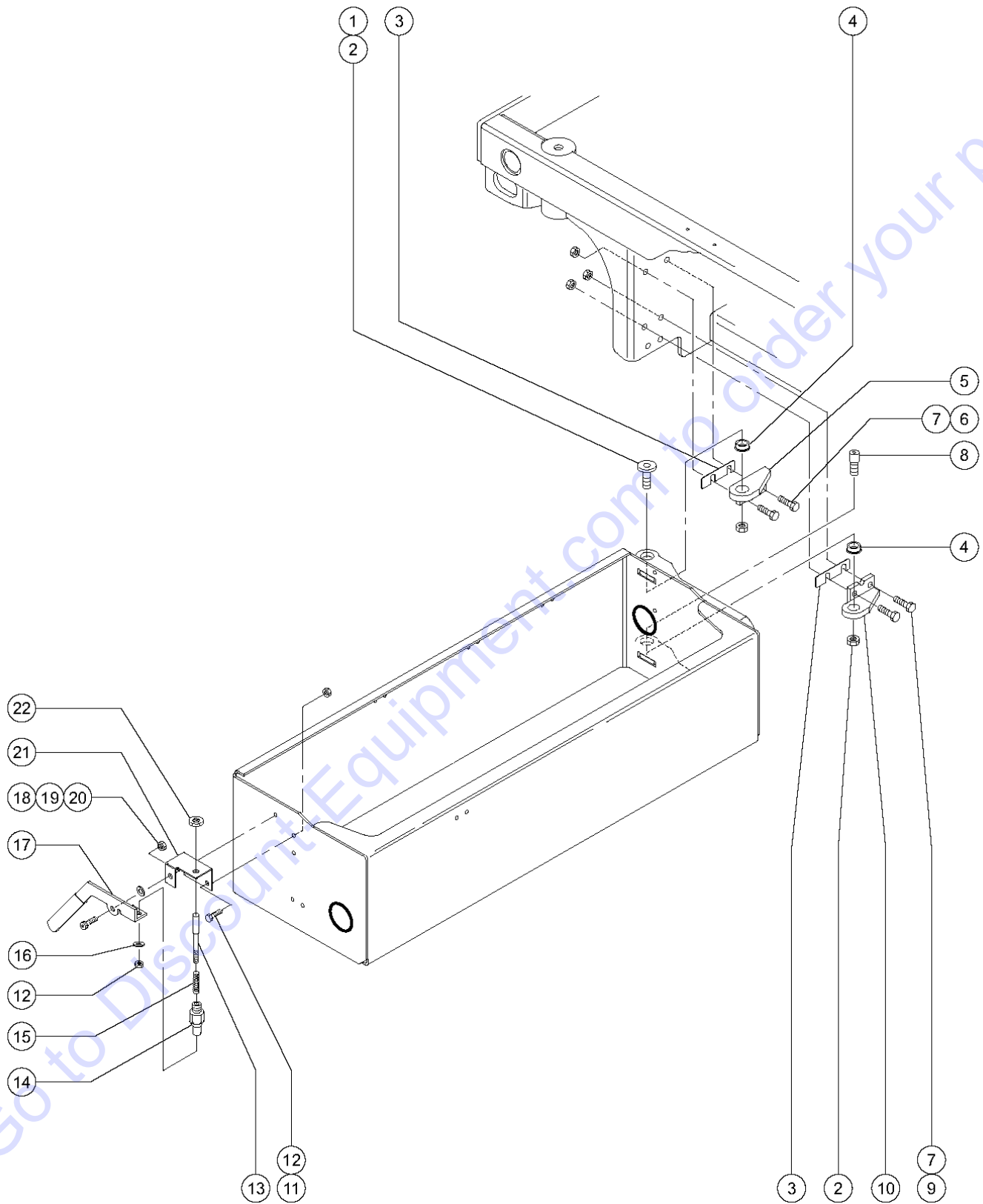


Go to Discount-Equipment.com to order your parts

## 206.1 Battery Charger, Worldwide

Item	Part No.	Description	Qty.
--	105334GT	CONNECTOR, IEC CHARGER CORD <i>for 5-LED battery charger</i>	
--	97059GT	FUSE,BATTERY CHARGER*** <i>for 5-LED battery charger</i>	
1A	105739GT	CHARGER,BAT,24VDC,H/LO GEN2.....1 <i>power cord sold separately</i>	
--	144180GT	MANUAL,OWNERS,CHARGER,105739.1	
1B	219480GT	KIT,BATTERY CHARGER,24V <i>(includes 105739 charger, fasteners, ring terminals and instructions for field installation)</i>	
2	55010GT	LOCK, CONNECTOR.....1 <i>(includes fasteners)</i>	
3	71706GT	POWER CORD, UK 110, 115".....1 <i>(UK) (3-pin)</i>	
4	55019GT	POWER CORD,NOVON, 8".....1 <i>(European) (2-pin)</i>	
5	55018GT	POWER CORD,UK-HIGH VOLTAGE, 8".....1 <i>(UK) (3-pin)</i>	
6	55021GT	POWER CORD,US 110, 8".....1 <i>(domestic) (3-pin)</i>	

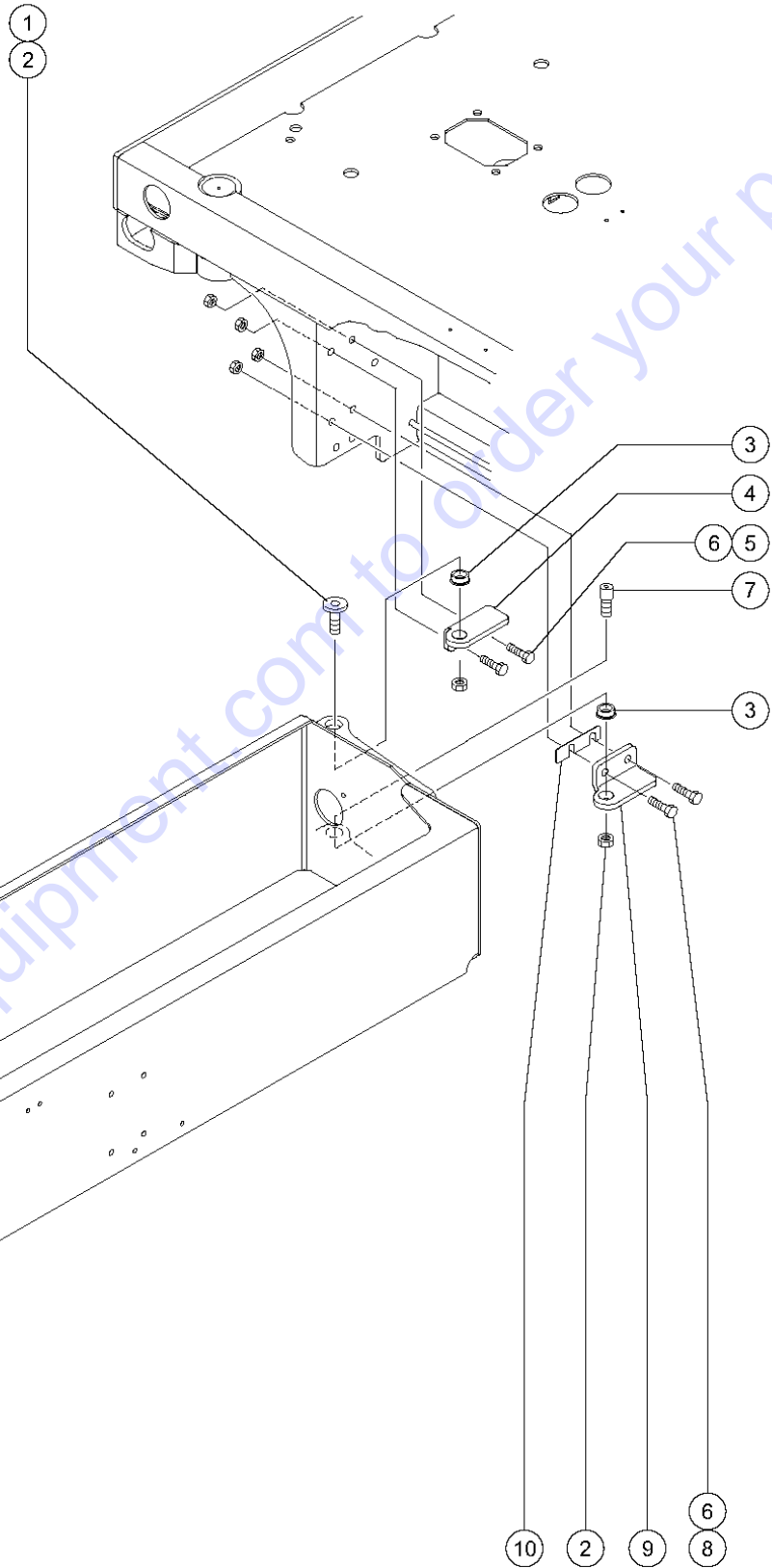
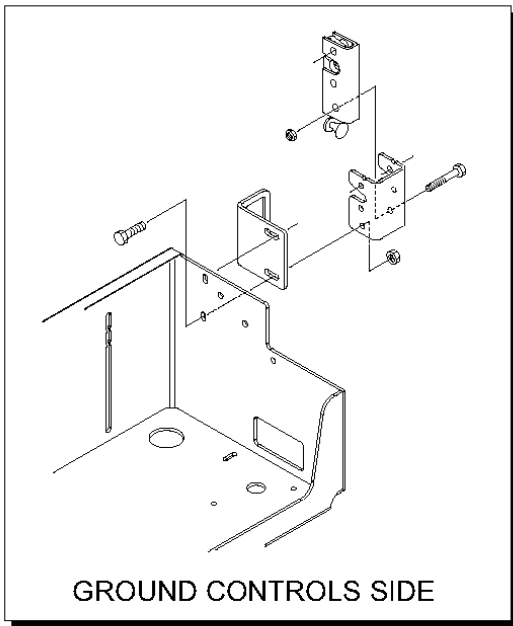
207.1 Battery Pack Module Tray Installation (to SN 36044)



## 207.1 Battery Pack Module Tray Installation (to SN 36044)

Item	Part No.	Description	Qty.
1	47255GT	BOLT,SHORT SHOULDER.....1	1
2	38028GT	NUT,LP NYLOCK,5/8-11.....2	2
3	47342GT	SPACER,MODULE TRAY,.030 THK.....2 <i>Quantity listed for this item is approximate. Actual quantity may vary to ensure proper fit.</i>	2
--	47455GT	SPACER,MODULE TRAY,.075 THK.....2 <i>Quantity listed for this item is approximate. Actual quantity may vary to ensure proper fit.</i>	2
4	47548GT	BEARING,FL,0.75ID X 1 OD X .49.....2 <i>(0.75 x 1.25 x 0.375 inch)</i>	2
5	47324PGT	BRACKET,BOX HINGE,LH/UP-RH-LO...1	1
6	10597GT	SCREW,HHC,1/2-13 X 1.25 GR5.....2	2
7	6086GT	NUT,LP NYLOCK,1/2-13.....4	4
8	55983GT	PIN-THREADED SHLDR OFFS,5/8-11...1	1
9	8177GT	SCREW,HHC,1/2-13 X 1.5.....2	2
10	47323PGT	BRACKET,BOX HINGE,RH/UP-LH/LO...1	1
11	33681GT	SCREW,HHC,3/8-16 X .625.....2	2
12	7713GT	NUT, LP NYLOCK, 3/8-16.....3	3
13	39470GT	PIN, LOCK.....1	1
14	41630GT	HOUSING, LOCK PIN.....1	1
15	39469GT	SPRING,COMPRESSION.485 X1.75**...1	1
16	6097GT	WASHER,FLAT,USS,3/8",Y.....1	1
17	46347GT	HANDLE-LOCK,BATT.MOD,LEFT SIDE.....1 <i>(battery side)</i>	1
17A	44733GT	HANDLE COVER,PLASTIC.....1	1
18	6782GT	NUT,NYLOCK,5/16-18.....1	1
19	47228GT	WASHER,NYLON,.406 X.750 X.032.....1	1
20	1259223GT	BOLT,SHS,3/8X.375X5/16-18,ZAG.....1	1
21	47325GT	BRACKET,LOCK PIN,LEFT.....1 <i>(battery side)</i>	1
22	8538GT	NUT,LP NYLOCK,3/4-10.....1	1

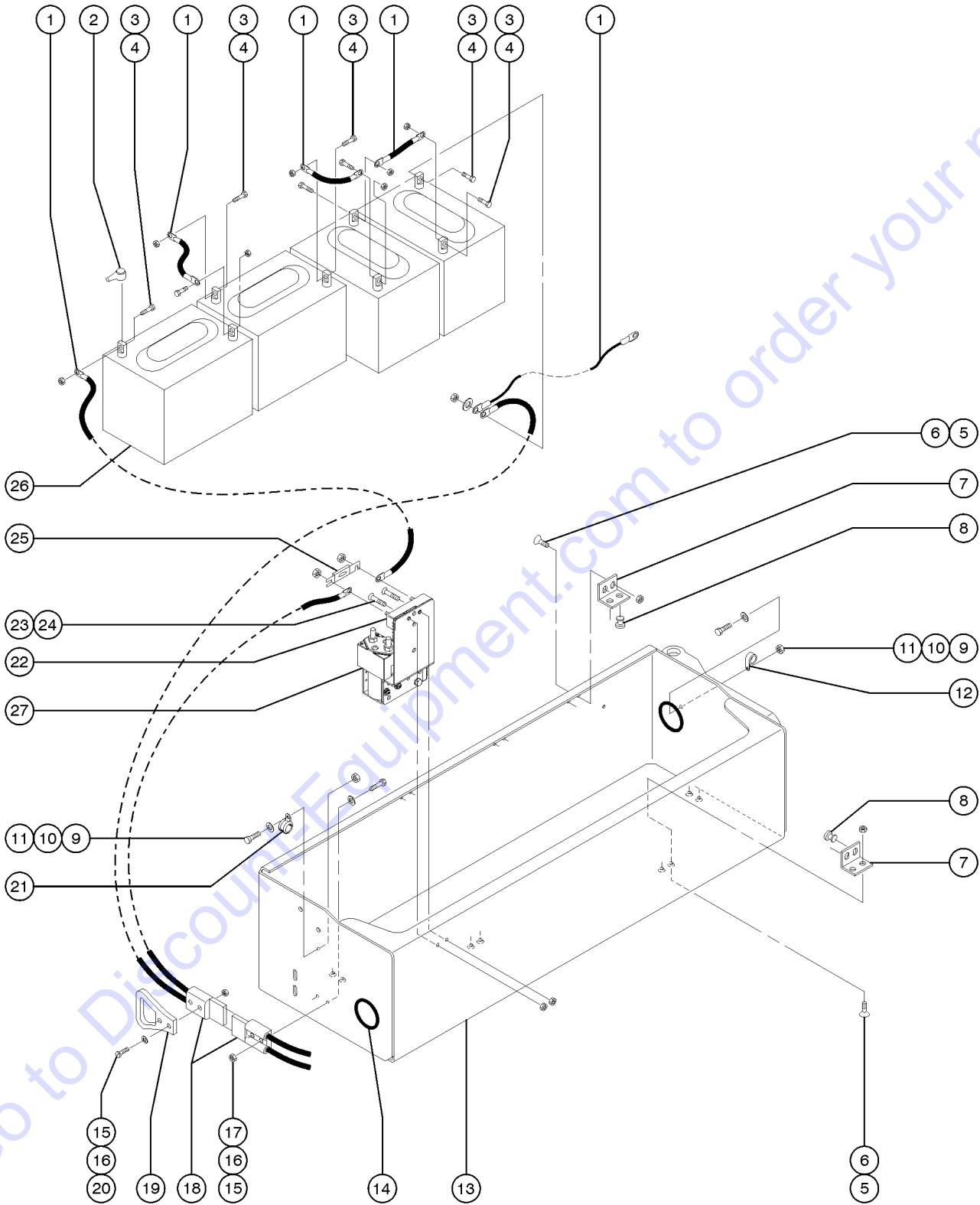
207.2 Battery Pack Module Tray Installation (from SN 36045)



## 207.2 Battery Pack Module Tray Installation (from SN 36045)

Item	Part No.	Description	Qty.
--	115427GT	BAT.TRAY ASSY W/DEC,2032 NIKN (Nikken)	
--	48334GT	BATT.MODULE ASSY W/DECAL-2032 (complete)	
--	65967-SGT	HANDLE-ROTATOR LATCH ASSY LS (complete) (battery side) (includes index numbers 11 through 17)	
1	47255GT	BOLT,SHORT SHOULDER.....	1
2	38028GT	NUT,LP NYLOCK,5/8-11.....	2
3	47548GT	BEARING,FL,0.75ID X 1 OD X .49..... (0.75 x 1 x 0.38 inch)	2
4	47324GT	BRACKET,BOX HINGE,LH-UP/RH-LO....	1
5	10597GT	SCREW,HHC,1/2-13 X 1.25 GR5.....	2
6	6086GT	NUT,LP NYLOCK,1/2-13.....	4
7	55983GT	PIN-THREADED SHLDR OFFS,5/8-11...1	
8	51496GT	SCREW,HHC,1/2-13 X 1.375.....	2
9	47323GT	BRACKET,BOX HINGE,RH-UP/LH-LO....	1
10	47342GT	SPACER,MODULE TRAY,.030 THK..... Quantity listed for this item is approximate. Actual quantity may vary to ensure proper fit.	2
--	47455GT	SPACER,MODULE TRAY,.075 THK.....	2
11	65982GT	BRACKET-LATCH MOUNT,BAT MOD.... (includes decal)	1
12	6782GT	NUT,NYLOCK,5/16-18.....	1
13	13002GT	SCREW,HHC,5/16-18 X 1 GR5.....	2
14	13000GT	SCREW,HHC,5/16-18 X 1.25.....	2
15	6002GT	NUT,LP NYLOCK,5/16-18.....	2
16	66871GT	FORMING, MOD TRAY HANDLE.....	1
17	66900GT	LATCH,ROTARY, W/KNOB,LEFT..... (battery side)	1
17A	66901GT	LATCH,ROTARY, W/KNOB,RIGHT..... (ground controls side)	1

208.1 Battery Pack Module, GS-2032

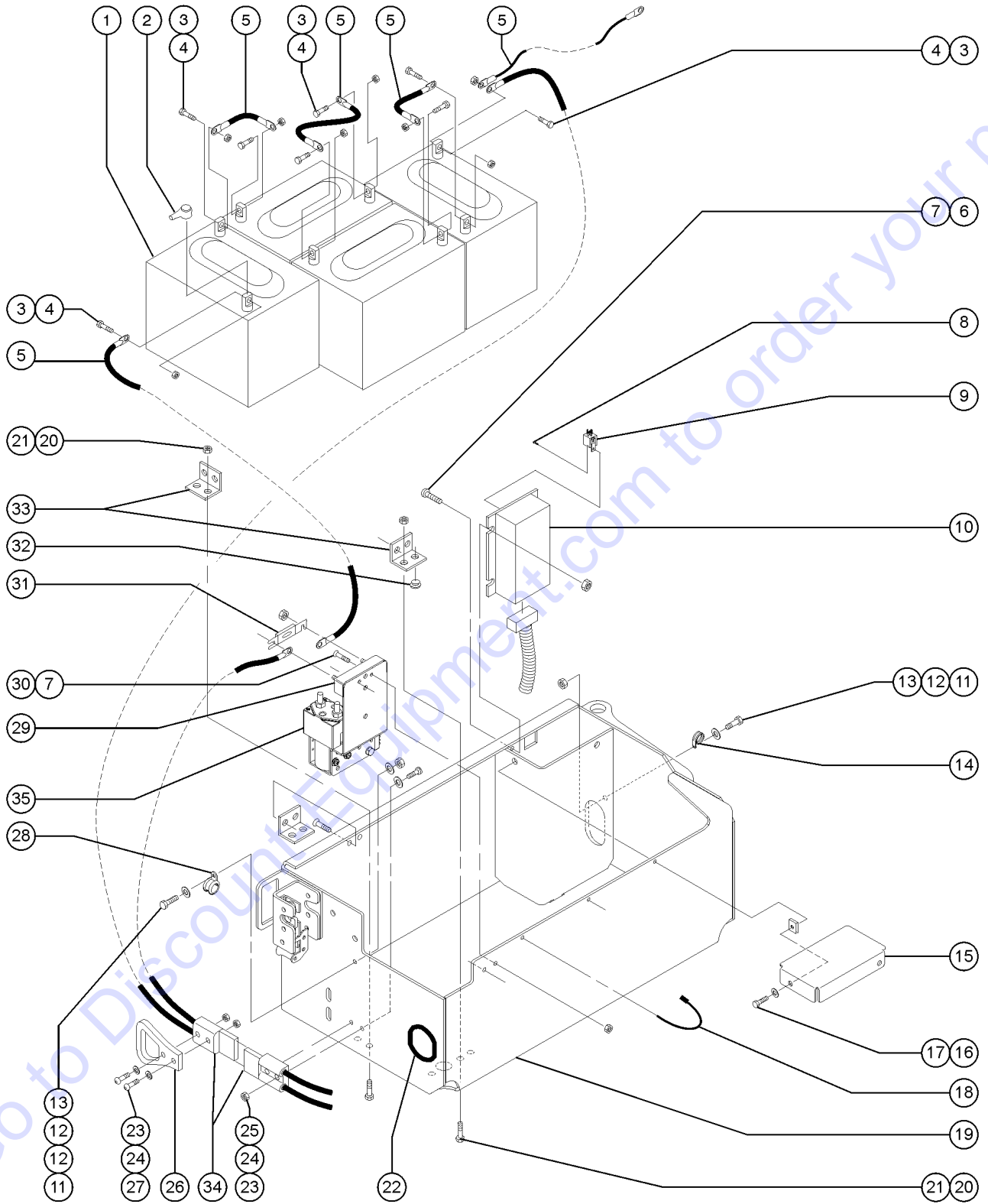


## 208.1 Battery Pack Module, GS-2032

Item	Part No.	Description	Qty.
1		Ref. Battery Cable Assembly (refer to Figure 221.1)	
2	96110GT	BOOT,CABLE TERMINAL COVER.....8	
3	13002GT	SCREW,HHC,5/16-18 X 1 GR5.....8	
4	18503GT	NUT,LOCKING-LG.FLANGE,5/16-18....8	
5	19284GT	SCREW,FHS,1/4-20 X .63.....6	
6	6889GT	NUT,LP NYLOCK,1/4-20.....12	
7	66427GT	SERVICE KIT, BATTERY STOP.....7 (replaced PN 47214)	
8	47478GT	BUMPER, RUBBER, 1"OD X .461H....12	
9	6091GT	NUT,NYLOCK,1/4-20.....2	
10	6638GT	WASHER,FLAT,USS,1/4"Y.....14	
11	6090GT	SCREW,HHC,1/4-20 X .75.....2	
12	18666GT	CLAMP,1.00,#16 X 1/4,RUB CUSH.....2 (1 inch)	
13	48334GT	BATT.MODULE ASSY W/DECAL-2032...1	
14	47232GT	GROMMET,RUBBER 2 X 2.75.....2	
15	66094GT	NUT-THIN HEAVY HEX, 1/4-20.....4	
16	6356GT	WASHER,LOCK,.25.....4	
17	8915GT	SCREW,HHC,1/4-20 X 1.25.....4	
18	66397GT	QUICK DISCONNECT CASING,BATT**.....2 (housing)	
--	19436GT	CONNECTOR,ANDERSON SB 175,1/0G.....2 (includes contacts with wire)	
19	44716GT	HANDLE,ANDERSON CONNECTOR SB.....1	
20	66081GT	SCREW,RHM,1/4-20 X 1.50.....2	
21	45454GT	CLAMP,RUB CUSH,0.75,#12 X 3/8*.....1 (3/4 inch)	
22	66717GT	FUSE BLOCK, ANN & ANL FUSE.....1	
23	6873GT	SCREW,FHM,10-32 X 1.....2	
24	6178GT	NUT,NYLOCK,10-32.....2	
25	40833GT	FUSE,275 AMP,VERY FAST ACTING....1	
26	76502GT	BATTERY,T105 W/LPT,3 CAP,DRY**....4 (225AH, 10 3/8 x 7 x 10 1/2 inches)	
27	219492GT	ASSM,CONTACTOR KIT,GS.....1	
--	219493GT	BRACKET,CONTACTOR,GS.....1	
--	219494GT	HARNES,CONTACTOR,GS.....1	



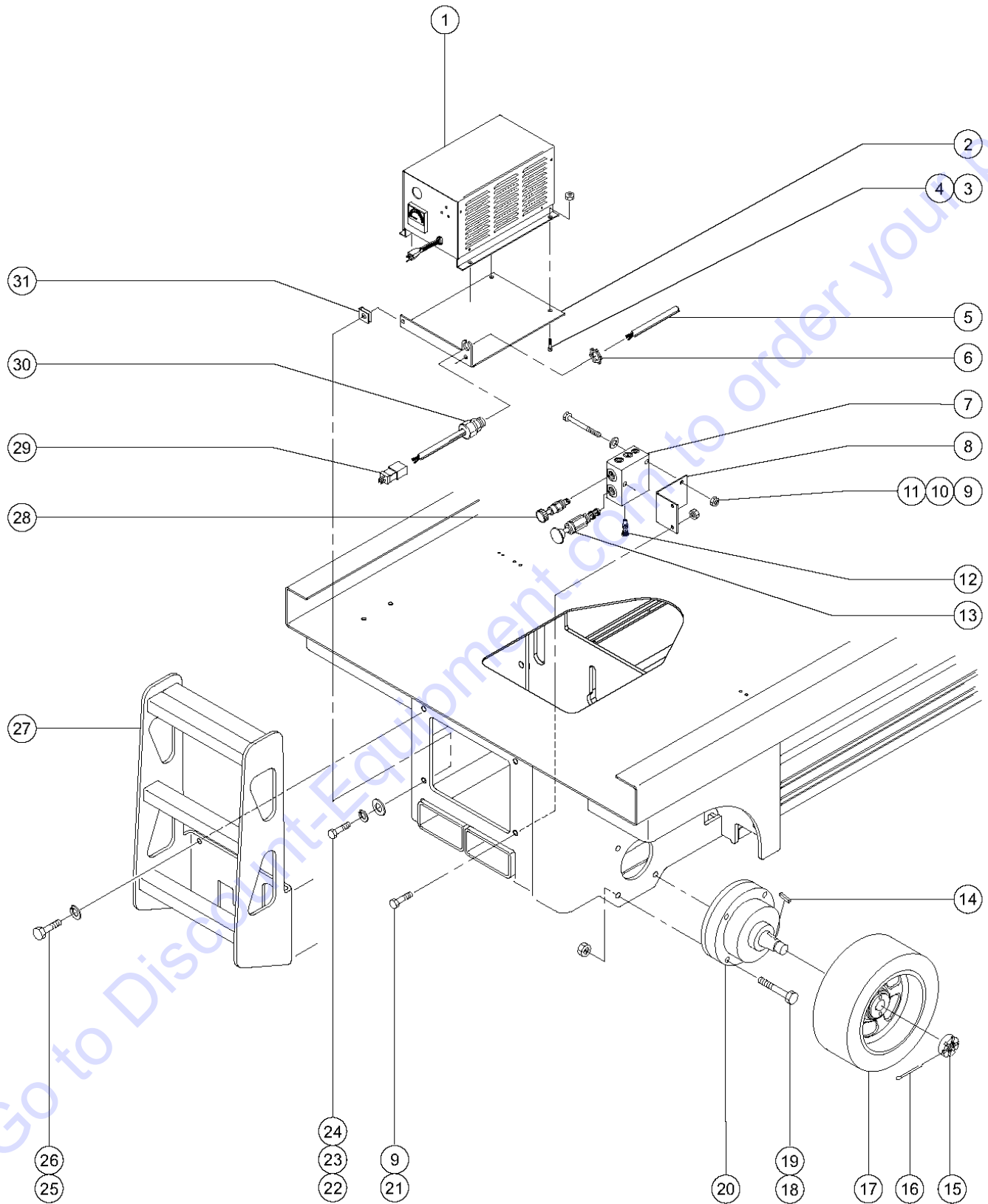
209.1 Battery Pack Module, GS-2632



## 209.1 Battery Pack Module, GS-2632

Item	Part No.	Description	Qty.	Item	Part No.	Description	Qty.
1	76502GT	BATTERY,T105 W/LPT,3 CAP,DRY**.....	4	24	6356GT	WASHER,LOCK,.25.....	4
2	96110GT	BOOT,CABLE TERMINAL COVER.....	8			(EE models)	
3	13002GT	SCREW,HHC,5/16-18 X 1 GR5.....	8	25	6145GT	SCREW,HHC,1/4-20 X 1.5.....	2
4	6037GT	NUT,HEX,5/16-18,GR5.....	8	26	44716GT	HANDLE,ANDERSON CONNECTOR SB.....	1
5		Ref. Battery Cable.....	2	27	11966GT	SCREW,BHHS,1/4-20 X 1.5.....	2
		(refer to 222.1 or 222.2)		28	45454GT	CLAMP,RUB CUSH,0.75,#12 X 3/8*.....	1
6	6147GT	SCREW,RHM,10-32 X 1.....	2	29	66717GT	FUSE BLOCK, ANN & ANL FUSE.....	1
7	6178GT	NUT,NYLOCK,10-32.....	4			(includes mounting fasteners)	
8	47363GT	SCREW,RHM,8-32 X .50.....	1	30	6873GT	SCREW,FHM,10-32 X 1.....	2
		ANSI, CSA and Australia models		31	40833GT	FUSE,275 AMP,VERY FAST ACTING.....	1
9	56302GT	RELAY,24VDC,40/30A,SEALED***.....	1	32	47478GT	BUMPER, RUBBER, 1"OD X .461H.....	6
		(ANSI, CSA, Australia) (from SN 25142)				(1 inch)	
10A	105295GT	KIT,GEN1 TO GEN5 CONTRL SYS***.....	1	33	66427GT	SERVICE KIT, BATTERY STOP.....	3
		(models with platform PCB Rev A or Rev B) (to SN 17407)				(replaced PN 47214)	
--	39520GT	RECEPTACLE,FEMALE,36 CONTACT		34	66397GT	QUICK DISCONNECT CASING,BATT**.....	2
--	39521GT	RECEPTACLE,ANTI-BACKOUT		--	19436GT	CONNECTOR,ANDERSON SB 175,1/0G.....	2
--	39673GT	CONTACT,14-20GA.				(includes contacts with wire)	
10B		ECM,SLAB,SERVICE*** (97055).....	1	35	219492GT	ASSM,CONTACTOR KIT,GS	
		(component no longer available) to SN 17407		--	219493GT	BRACKET,CONTACTOR,GS	
--	39520GT	RECEPTACLE,FEMALE,36 CONTACT		--	219494GT	HARNESS,CONTACTOR,GS	
--	39521GT	RECEPTACLE,ANTI-BACKOUT					
--	39673GT	CONTACT,14-20GA.					
10C	78725GT	ECU,SLAB,GEN4***.....	1				
		(from SN 17408 to 59999)					
--	39520GT	RECEPTACLE,FEMALE,36 CONTACT.....	1				
--	39521GT	RECEPTACLE,ANTI-BACKOUT.....	1				
--	39673GT	CONTACT,14-20GA.....	1				
11	6090GT	SCREW,HHC,1/4-20 X .75.....	4				
12	6638GT	WASHER,FLAT,USS,1/4"Y.....	4				
13	6091GT	NUT,NYLOCK,1/4-20.....	4				
14	18666GT	CLAMP,1.00,#16 X 1/4,RUB CUSH.....	1				
		(1 inch)					
15	47923GT	FORMING,ECM LID.....	1				
15A	78321GT	FORMING,ECM COVER,NIKKEN					
16	11968GT	SCREW,BHHS,1/4-20 X 1.....	1				
17	56912GT	SPRING CLIP,1/4-20,.025-.15X.54,ZAG.....	1				
18	6578GT	CABLE TIE,7 3/8".....	1				
19	65966GT	MODULE TRAY ASSY-POWER.....	1				
		(includes index number 21)					
19A	115428GT	BAT. TRAY ASSY W/DEC,2632 NIKN					
20	19284GT	SCREW,FHS,1/4-20 X .63.....	7				
21	6889GT	NUT,LP NYLOCK,1/4-20.....	7				
22	47232GT	GROMMET,RUBBER 2 X 2.75.....	2				
23	6357GT	NUT,HEX,1/4-20.....	4				
		(EE models)					

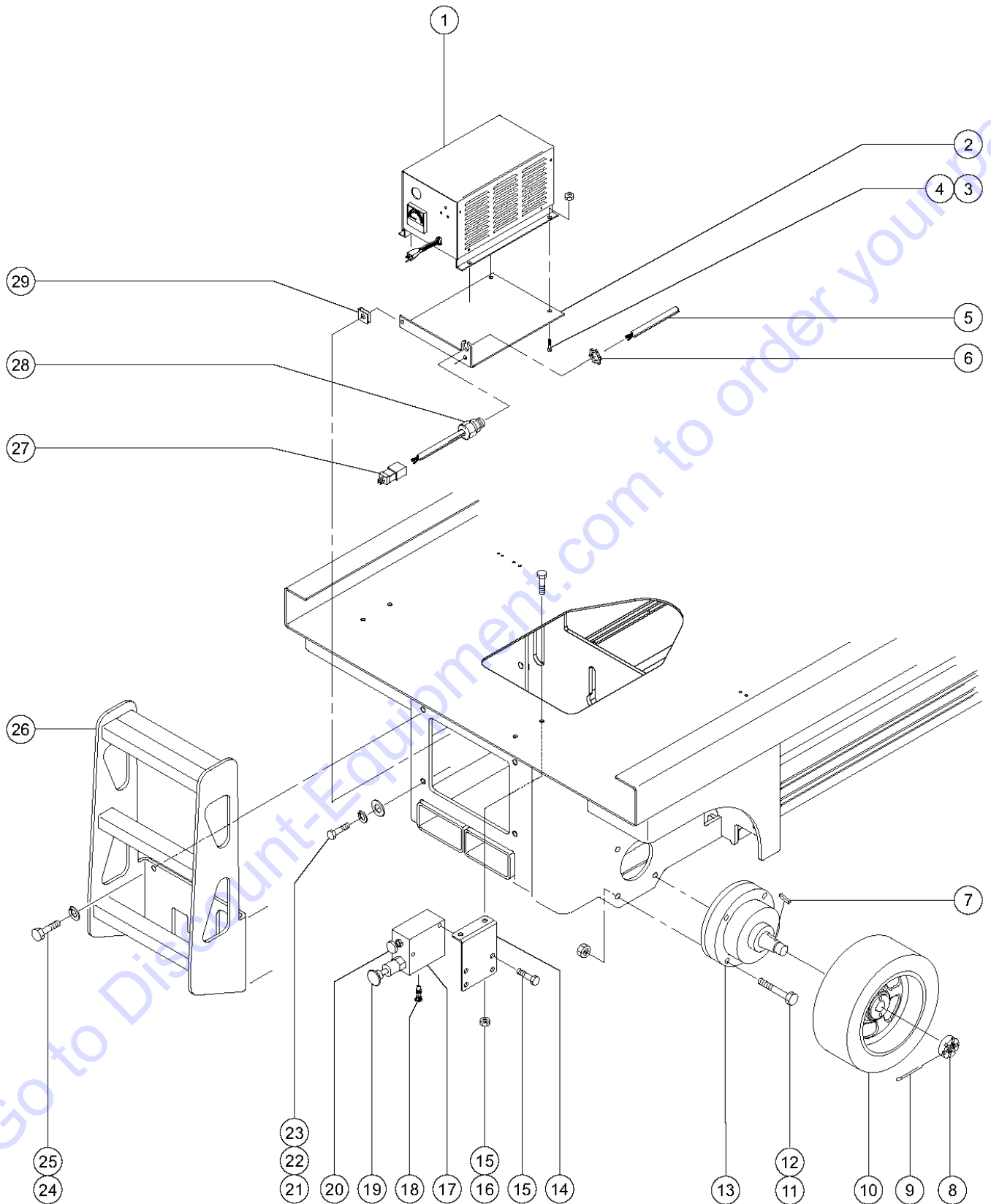
210.1 Non-steer Axle and Brake Release (to SN 50764)



## 210.1 Non-steer Axle and Brake Release (to SN 50764)

Item	Part No.	Description	Qty.	Item	Part No.	Description	Qty.
1		Ref. Charger - Battery (refer to Figure 203.1, 204.1, 205.1 or 206.1)		27A	48355GT	LADDER ASSY W/DECALS GS32/46*.....1 GS-2632 (shown)	1
2	39271GT	CHARGER MOUNT PLATE.....1	1	28	44217GT	VALVE,CHECK,PILOT OPERATED***.....1	1
3	6090GT	SCREW,HHC,1/4-20 X .75.....4	4	--	44233GT	SEAL KIT-FOR PN. 44217.....1	1
4	6091GT	NUT,NYLOCK,1/4-20.....4	4	--	65763GT	KNOB,BLACK(44217)CHECK VALVE.....1	1
5		Ref. Electrical Cord.....4 (refer to Figure 408.1)	4	29		Ref. Electrical Plug.....1 (refer to Figure 203.1)	1
6	6935GT	LOCKNUT,ELEC,1/2".....1	1	30	7056GT	CONN,SQUEEZE,1/2NPT .38-.50,SM....1	1
7	96461GT	SERVICE KIT,BRAKE RELEASE MAN*.....1	1	31	56912GT	SPRING CLIP,1/4-20,.025-.15X.54,ZAG.....2	2
8	66825GT	FORMING, HAND PUMP BRACKET.....1	1				
9	4828GT	NUT,NYLOCK,3/8-16.....6	6				
10	6097GT	WASHER,FLAT,USS,3/8",Y.....2	2				
11	14033GT	SCREW,HHC,3/8-16 X 2.75.....2	2				
12	44216GT	VALVE,SHUTTLE.....1	1				
--	44235GT	SEAL KIT-FOR PN.44216 & 826779.....1	1				
13	44218GT	VALVE,HAND PUMP**.....1	1				
--	44224GT	SEAL KIT, VALVE.....1	1				
--	58992GT	KNOB,RED(44218)HP VALVE.....1	1				
14	44781GT	KEY,RECTANGULAR,.31X.28X1.25**.....2	2				
15	44780GT	NUT,CASTLE,1.125-18 UNEF.....2	2				
16	42079GT	PIN,COTTER,.156 X 2.5.....2	2				
17	105454GT	WHEEL & TIRE ASSY LP,15".....2	2				
18	8357GT	SCREW,HHC,1/2-13 X 3.5.....8	8				
19	66777GT	NUT,TOP LOCK,1/2-13.....8	8				
20	66419GT	BRAKE,WHEEL MOUNTED,GS32/46....2 (to SN 50237) (Ausco brake)	2				
--	58242GT	STACK KIT*** (to SN 50237) (Ausco brake)					
--	58286GT	KEY,WOODRUFF,AUSCO BRAKE*** (to SN 50237) (Ausco brake)					
--	88000GT	SEAL KIT (66419, 66416, 74297).....2 (to SN 50237) (Ausco brake)	2				
20A	96416GT	SERVICE KIT,BRAKE,14.2 IN 3*** (to SN 50237) (Mico brake, includes two brakes)					
20B	96257GT	BRAKE, HYDRAULIC***.....2 (from SN 50238) (Mico brake)	2				
21	6175GT	SCREW,HHC,3/8-16 X 1.....2	2				
22	6888GT	SCREW,HHC,1/4-20 X 1.....2	2				
23	6356GT	WASHER,LOCK,.25.....2	2				
24	6638GT	WASHER,FLAT,USS,1/4"Y.....2	2				
25	10597GT	SCREW,HHC,1/2-13 X 1.25 GR5.....4	4				
26	6033GT	WASHER,LOCK,0.5".....4	4				
27	44742GT	LADDER WELD W/DECALS GS30MINI.....1 GS-2032	1				

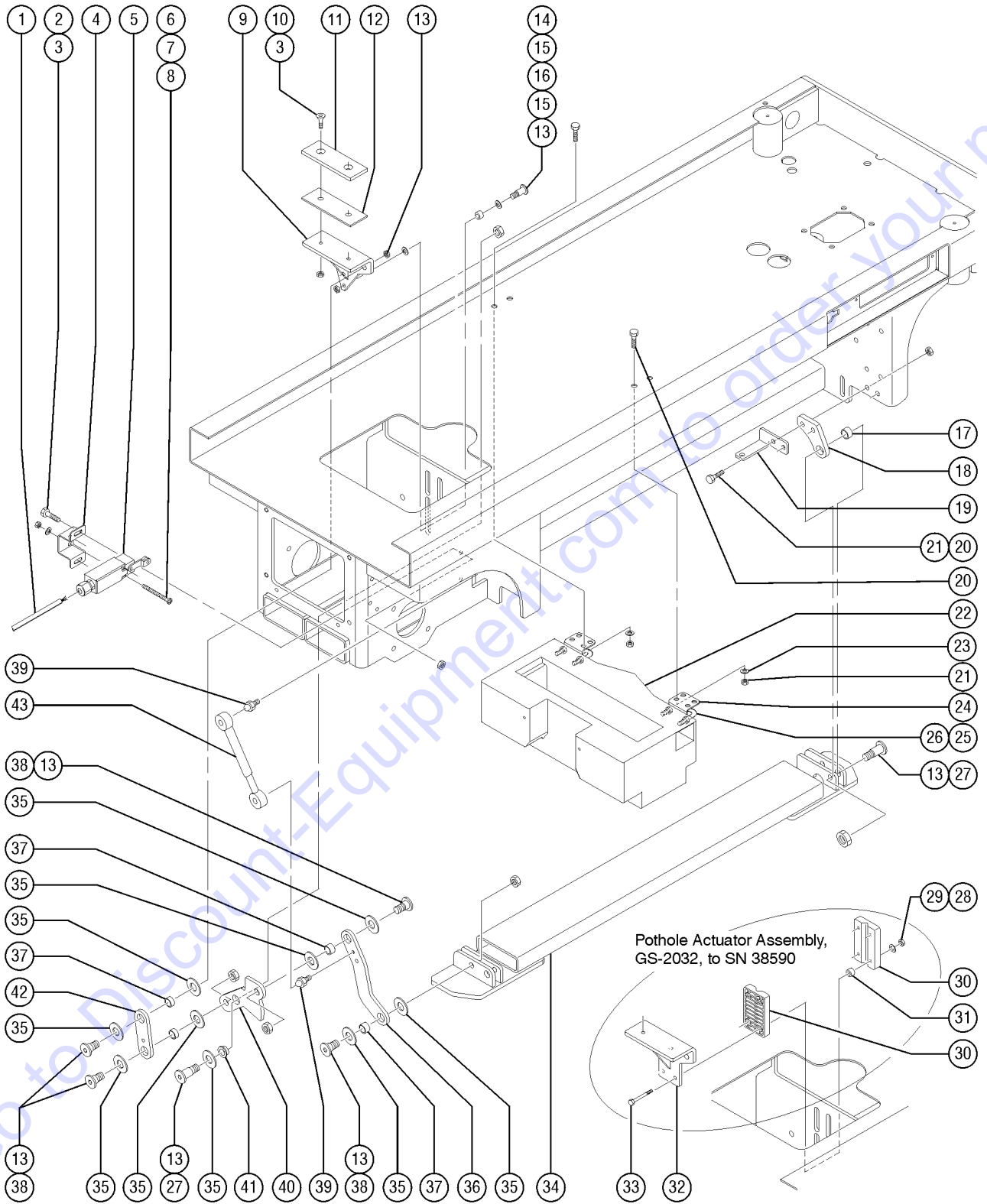
210.2 Non-steer Axle and Brake Release (from SN 50765)



## 210.2 Non-steer Axle and Brake Release (from SN 50765)

Item	Part No.	Description	Qty.	Item	Part No.	Description	Qty.
1		Ref. Charger - Battery (refer to Figure 203.1, 204.1, 205.1 or 206.1)		--	84740GT	SEAL KIT,HAND PUMP*** (from SN 52789)	1
2	39271GT	CHARGER MOUNT PLATE.....	1	--	84746GT	KNOB,PILOT OP VALVE (BLACK)*** (from SN 52789)	1
3	6090GT	SCREW,HHC,1/4-20 X .75.....	4	21	6888GT	SCREW,HHC,1/4-20 X 1.....	2
4	6091GT	NUT,NYLOCK,1/4-20.....	4	22	6356GT	WASHER,LOCK,.25.....	2
5		Ref. Electrical Cord..... (refer to Figure 408.1)	4	23	6638GT	WASHER,FLAT,USS,1/4"Y.....	2
6	6935GT	LOCKNUT,ELEC,1/2".....	1	24	10597GT	SCREW,HHC,1/2-13 X 1.25 GR5.....	4
7	44781GT	KEY,RECTANGULAR,.31X.28X1.25**.....	2	25	6033GT	WASHER,LOCK,0.5".....	4
8	44780GT	NUT,CASTLE,1.125-18 UNEF.....	2	26	44742GT	LADDER WELD W/DECALS GS30MINI.....	1
9	42079GT	PIN,COTTER,.156 X 2.5.....	2			GS-2032	
10	105454GT	WHEEL & TIRE ASSY LP,15" (non-marking)	2	26A	48355GT	LADDER ASSY W/DECALS GS32/46**.....	1
11	8357GT	SCREW,HHC,1/2-13 X 3.5.....	8			GS-2632 (shown)	
12	66777GT	NUT,TOP LOCK,1/2-13.....	8	27		Ref. Electrical Plug..... (refer to Figure 203.1)	1
13	96257GT	BRAKE, HYDRAULIC*** (no seal kits available)	2	28	7056GT	CONN,SQUEEZE,1/2NPT .38-.50,SM....	1
14	66825GT	FORMING, HAND PUMP BRACKET.....	1	29	56912GT	SPRING CLIP,1/4-20,.025-.15X.54,ZAG.....	2
15	6175GT	SCREW,HHC,3/8-16 X 1.....	4				
16	4828GT	NUT,NYLOCK,3/8-16.....	4				
17	96461GT	SERVICE KIT,BRAKE RELEASE MAN*..... (includes index numbers 18, 19, 20 and 30)	1				
17A	105067GT	MANIFOLD,BRAKE RELEASE..... (includes index numbers 19, 20 and fittings)	1				
18	84391GT	VALVE-CHECK,PILOT OPER,2003MIN..... (to SN 52788)	1				
--	84394GT	SEAL KIT,PO CHECK VALVE(84391).... (to SN 52788)	1				
19	84392GT	VALVE,HAND PUMP, 2003 MINI..... (to SN 52788)	1				
--	84395GT	SEAL KIT, HAND PUMP,2003 MINI..... (to SN 52788)	1				
19A	84739GT	VALVE,HAND PUMP ASSEMBLY***..... (from SN 52789)	1				
--	84740GT	SEAL KIT,HAND PUMP***..... (from SN 52789)	1				
--	84742GT	KNOB,HAND PUMP (RED)***..... (from SN 52789)	1				
20	84539GT	NEEDLE/HOUSING ASSY W/KNOB***... (to SN 52788)	1				
--	84536GT	SEAL (84535/84539)..... (to SN 52788)	1				
20A	84743GT	VALVE,PILOT OPERATED ASSEMBLY*..... (from SN 52789)	1				

211.1 Pothole Protection Assembly and Counterweights



## 211.1 Pothole Protection Assembly and Counterweights

Item	Part No.	Description	Qty.	Item	Part No.	Description	Qty.
--	72877GT	INSTRUCTIONS POTHOLE SRV KIT		22A	66429GT	COUNTERWEIGHT, SMALL, GS32.....1 GS-2032 ANSI (inside chassis above hydraulic tray) (from SN 51863 to 59999)	1
--	78092GT	SRV KIT,POTHOLE ACTUATOR, GS32		22B	66430GT	COUNTERWEIGHT, LARGE, GS32.....2 GS-2032 ANSI & CE (inside chassis above hydraulic tray) (to SN 51862)	2
1	39907GT	WIRE CABLE,18/2 SJO,BULK...72-inches		22C	66430GT	COUNTERWEIGHT, LARGE, GS32.....2 GS-2032 ANSI (inside chassis above hydraulic tray) (from SN 51863 to 59999)	2
2	6175GT	SCREW,HHC,3/8-16 X 1.....2	2	22D	66692GT	COUNTERWEIGHT,REAR GS***.....2 GS-2032 ANSI & CE (under chassis above rear wheels) (to SN 51862)	2
3	4828GT	NUT,NYLOCK,3/8-16.....4	4	22E	66692GT	COUNTERWEIGHT,REAR GS***.....2 GS-2032 ANSI (under chassis above rear wheels) (from SN 51863 to 59999)	2
4	47274GT	BRACKET,POTHOLE SWITCH.....2	2	22F	78284GT	CASTING,COUNTERWEIGHT,1220 LBS.....1 GS-2032 AUSTRALIA (inside chassis between rear bulkhead boxes) (to SN 51862)	1
5	96948GT	SWITCH,LIMIT,W/ROLLER ARM***.....1	1	22G	78284GT	CASTING,COUNTERWEIGHT,1220 LBS.....1 GS-2032 CE & AUSTRALIA (inside chassis between rear bulkhead boxes) (from SN 51863 to 59999)	1
--	19491GT	CONTACTOR,LIMIT SWITCH.....1	1	22H	66692GT	COUNTERWEIGHT,REAR GS***.....2 GS-2632	2
--	27643GT	ROLLER ARM-LIMIT SWITCH.....1 (black limit switch)	1	22J	78283GT	CASTING,COUNTERWEIGHT, 850 LBS.....1 GS-2632 ANSI (inside chassis between rear bulkhead boxes)	1
--	97128GT	ROLLER ARM,LIMIT SWITCH***.....1 (blue limit switch)	1	22K	78284GT	CASTING,COUNTERWEIGHT,1220 LBS.....1 GS-2632 CE & AUSTRALIA (inside chassis between rear bulkhead boxes)	1
6	51063GT	SCREW,PHILLIPS,RHM,10-32 X 1.5.....2	2	23	13066GT	WASHER,FLAT,5 HARDENED.....2	2
7	6146GT	WASHER,FLAT,MS,#10,Y.....2	2	24	78297GT	FORMING, C/W GS32AUS/2632.....2 Australia, CE Models	2
8	6178GT	NUT,NYLOCK,10-32.....2	2	25	66778GT	U-BOLT,SQ BEND, 1/2-13.....2	2
9	47340GT	WELDMENT,POTHOLE ACTUATOR**.....1 (from SN 2000 to 36044)	1	26	6034GT	NUT,HEX,JAM,1/2-13.....8	8
9	66982GT	WLDMNT,POTHOLE ACTUATOR, GS32* (from SN 38591 to 59999)		27	71912GT	BOLT,SHOULDER,5/8-11 X 1.19 LT.....6	6
9A	66837GT	WLDMNT, POTHOLE ACTUATOR,GS32* (from SN 36045 to 38590)		28	7713GT	NUT, LP NYLOCK, 3/8-16.....4 GS-2032 (to SN 38590)	4
9B	66982GT	WLDMNT,POTHOLE ACTUATOR, GS32* (from SN 38591 to 59999)		29	6097GT	WASHER,FLAT,USS,3/8",Y.....4 GS-2032 (to SN 38590)	4
10	35463GT	SCREW,FHS,3/8-16 X 1.5.....2	2	30	51105GT	POTHOLE ACTUATOR.....1 GS-2032 (to SN 38590)	1
11	47322GT	WEAR PAD,POTHOLE.....1	1	31	47273GT	POTHOLE SLIDER,32.....4 GS-2032 (to SN 38590)	4
12	47414GT	PLATE,POTHOLE PAD SPACER, 32.....2 (quantity listed for this item is approximate. Actual quantity may vary to ensure proper fit)	2	32	47340GT	WELDMENT,POTHOLE ACTUATOR**.....1 GS-2032 (from SN 2000 to 36044)	1
13	38028GT	NUT,LP NYLOCK,5/8-11.....10	10	32A	66837GT	WLDMNT, POTHOLE ACTUATOR,GS32* GS-2032 (from SN 36045 to 38590)	
14	66990GT	BOLT, SHOULDER, LARGE FLANGE.....2	2				
15	78055GT	SPACER, POTHOLE ACTUATOR.....4	4				
16	51146GT	SPACER,.75IDX.875ODX.375.....2	2				
17	39581GT	BEARING,0.75IDX1.00ODX0.50L.....4	4				
18	48324GT	PLATE,POTHOLE PIVOT W/BEARING.....4 (includes item 17)	4				
19	47656GT	BRACKET,POTHOLE STOPPER,LEFT.....1 (battery side)	1				
--	47230GT	BUMPER,RUBBER					
19A	47657GT	BRACKET,POTHOLE STOPPER,RIGHT.....1 (shown)	1				
20	10597GT	SCREW,HHC,1/2-13 X 1.25 GR5.....10	10				
21	6086GT	NUT,LP NYLOCK,1/2-13.....10	10				
22	66429GT	COUNTERWEIGHT, SMALL, GS32.....1 GS-2032 ANSI & CE (inside chassis above hydraulic tray) (to SN 51862)	1				



## 211.1 Pothole Protection Assembly and Counterweights (continued)

Item	Part No.	Description	Qty.
33	14033GT	SCREW,HHC,3/8-16 X 2.75.....4 GS-2032 (to SN 38590)	4
34	47244GT	POTHOLE WELDMENT,RIGHT,32.....1 (shown)	1
34A	47243GT	POTHOLE WELDMENT,LEFT,32/46.....1	1
35	47520GT	WASHER,THRUST .75 X 1.25 X .06.....9	9
36	48325GT	PLATE,POTHOLE LINK,LWR.W/BUSH.....2 (includes item 28)	2
37	39580GT	BEARING,0.75IDX1.00ODX0.38L.....10	10
38	47255GT	BOLT,SHORT SHOULDER.....8	8
39	40265GT	BALL STUD,GAS STRUT (38593)***.....4	4
40	48326GT	ARM, POTHOLE CRANK, GS32/46.....1 (shown) (ground controls side) (includes item 41)	1
40A	48359GT	ARM,L POTHOLE CRANK, GS32/46.....1 (battery side) (includes item 41)	1
41	47548GT	BEARING,FL,0.75ID X 1 OD X .49.....1	1
42	48327GT	PLATE,POTHOLE LINK,UPR.W/BEARI.....2 (includes item 37)	2
43	39542GT	GAS SHOCK,SCISSORS*** .....2	2

211.1 Pothole Protection Assembly and Counterweights  
(continued)

***This Page Intentionally Left Blank***

Go to [Discount-Equipment.com](http://Discount-Equipment.com) to order your parts

# PARTS FINDER

**Search Website  
by Part Number**



**Search Manual  
Library For Parts  
Manual & Lookup Part  
Numbers – Purchase  
or Request Quote**

**Can't Find Part or  
Manual? Request Help  
by Manufacturer,  
Model & Description**

Discount-Equipment.com is your online resource for quality parts & equipment.

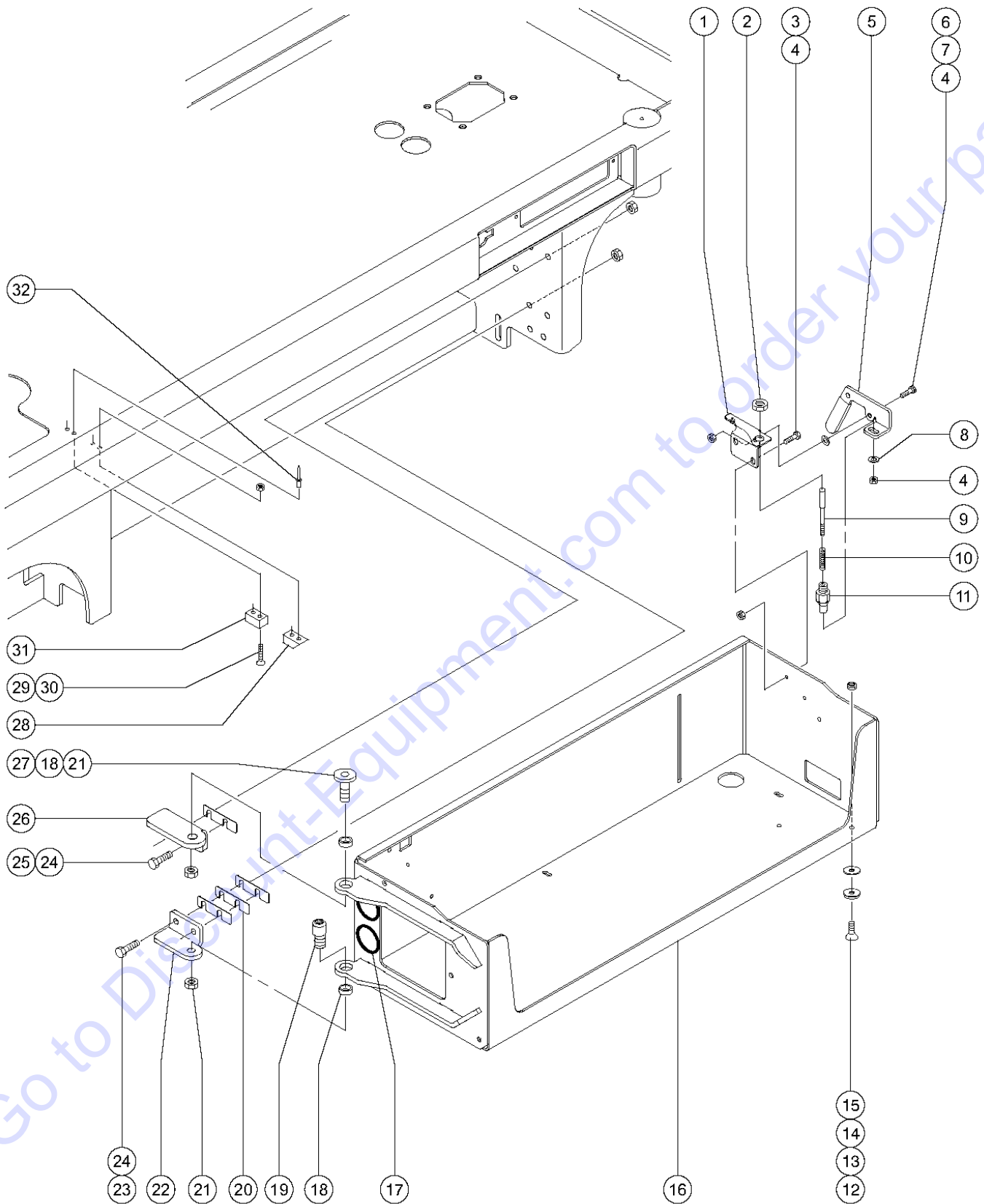
Florida: **561-964-4949** Outside Florida TOLL FREE: **877-690-3101**

**Need parts?**

Click on this link: <http://www.discount-equipment.com/category/5443-parts/> and choose one of the options to help get the right parts and equipment you are looking for. Please have the machine model and serial number available in order to help us get you the correct parts. If you don't find the part on the website or on one of the online manuals, please fill out the request form and one of our experienced staff members will get back to you with a quote for the right part that your machine needs.

We sell worldwide for the brands: Genie, Terex, JLG, MultiQuip, Mikasa, Essick, Whiteman, Mayco, Toro Stone, Diamond Products, Generac Magnum, Airman, Haulotte, Barreto, Power Blanket, Nifty Lift, Atlas Copco, Chicago Pneumatic, Allmand, Miller Curber, Skyjack, Lull, Skytrak, Tsurumi, Husquvarna Target, Stow, Wacker, Sakai, Mi-T-M, Sullair, Basic, Dynapac, MBW, Weber, Bartell, Bennar Newman, Haulotte, Ditch Runner, Menegotti, Morrison, Contec, Buddy, Crown, Edco, Wyco, Bomag, Laymor, EZ Trench, Bil-Jax, F.S. Curtis, Gehl Pavers, Heli, Honda, ICS/PowerGrit, IHI, Partner, Imer, Clipper, MMD, Koshin, Rice, CH&E, General Equipment, Amida, Coleman, NAC, Gradall, Square Shooter, Kent, Stanley, Tamco, Toku, Hatz, Kohler, Robin, Wisconsin, Northrock, Oztec, Toker TK, Rol-Air, APT, Wylie, Ingersoll Rand / Doosan, Innovatech, Con X, Ammann, Mecalac, Makinex, Smith Surface Prep, Small Line, Wanco, Yanmar

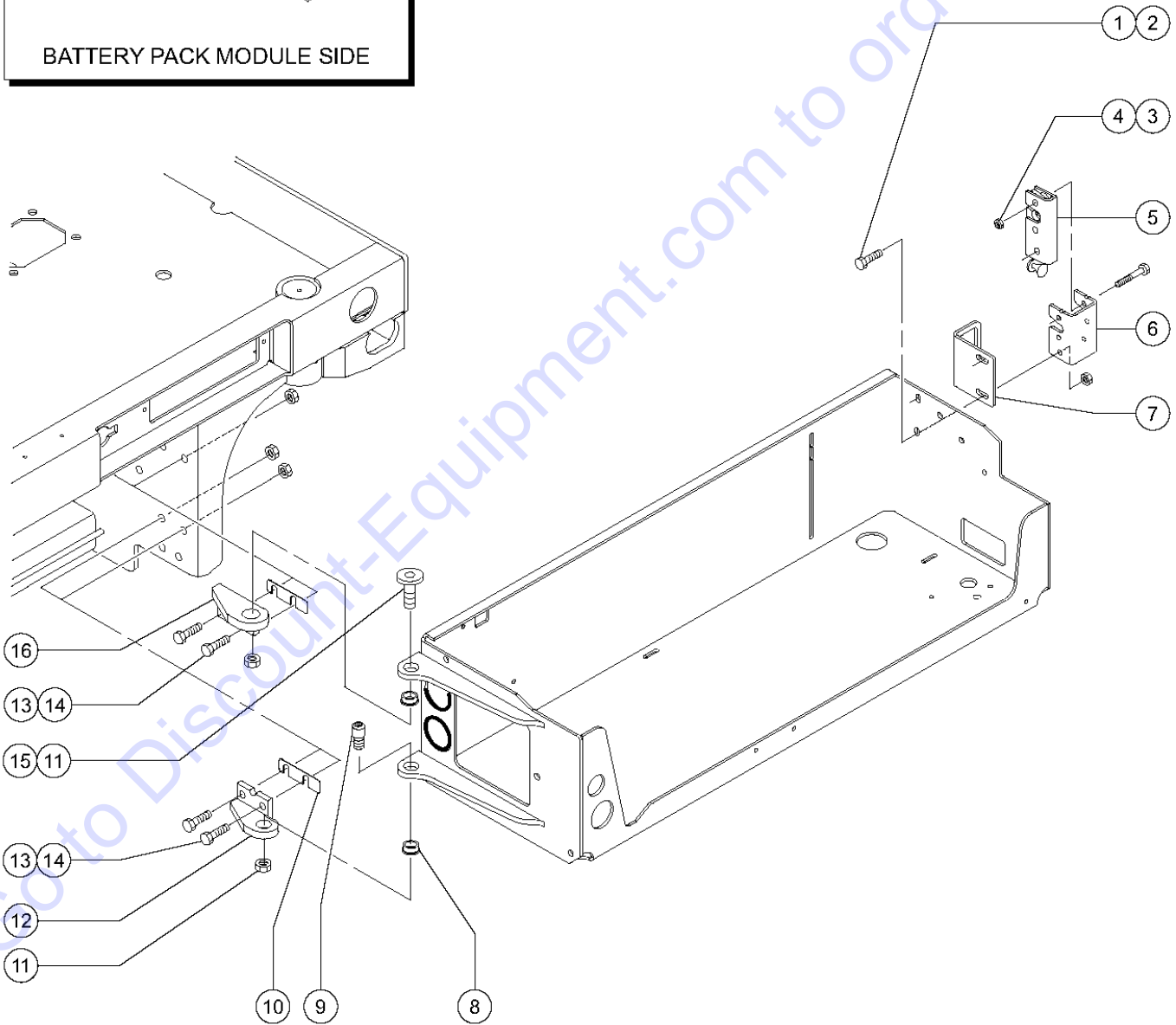
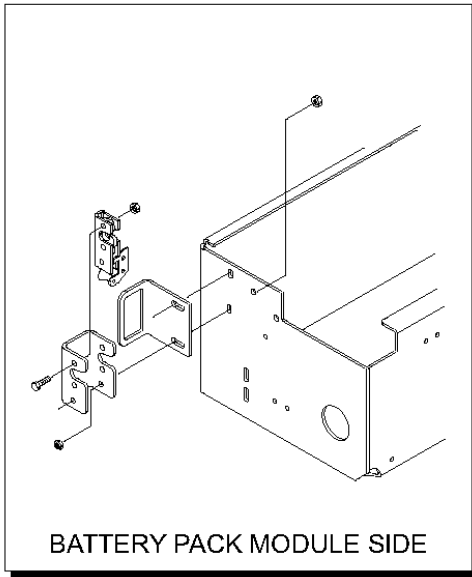
212.1 Power Unit Module Installation (to SN 36044)



## 212.1 Power Unit Module Installation (to SN 36044)

Item	Part No.	Description	Qty.
1	47331GT	BRACKET,LOCK PIN,RIGHT.....1 (ground controls side)	1
2	8538GT	NUT,LP NYLOCK,3/4-10.....1	1
3	33681GT	SCREW,HHC,3/8-16 X .625.....2	2
4	7713GT	NUT, LP NYLOCK, 3/8-16.....4	4
5	46348GT	HANDLE-LOCK,PWR MOD.RIGHT SIDE.....1 (ground controls side)	1
--	44733GT	HANDLE COVER,PLASTIC.....1	1
6	1259223GT	BOLT,SHS,3/8X.375X5/16-18,ZAG.....1	1
7	47228GT	WASHER,NYLON,.406 X.750 X.032.....1	1
8	6097GT	WASHER,FLAT,USS,3/8",Y.....1	1
9	39470GT	PIN, LOCK.....1	1
10	39469GT	SPRING,COMPRESSION.485 X1.75**...1	1
11	41630GT	HOUSING, LOCK PIN.....1	1
12	8514GT	SCREW,FHS,1/4-20 X .75.....1	1
13	47793GT	BUMPER, MODULE TRAY.....1	1
14	12906GT	WASHER,FENDER,.25 X 1.25 X.062....1	1
15	6889GT	NUT,LP NYLOCK,1/4-20.....1	1
16	46332GT	MODULE TRAY ASSY-HYD PWR UNIT.....1 (includes index numbers 12, 13, 14, 15, 17 and 18)	1
17	47232GT	GROMMET,RUBBER 2 X 2.75.....2	2
18	47548GT	BEARING,FL,0.75ID X 1 OD X .49.....2	2
19	55983GT	PIN-THREADED SHLDR OFFS,5/8-11...1	1
20	47342GT	SPACER,MODULE TRAY,.030 THK.....2 Quantity listed for this item is approximate. Actual quantity may vary to ensure proper fit.	2
20A	47455GT	SPACER,MODULE TRAY,.075 THK.....2	2
21	38028GT	NUT,LP NYLOCK,5/8-11.....2	2
22	47324GT	BRACKET,BOX HINGE,LH-UP/RH-LO...1	1
23	8177GT	SCREW,HHC,1/2-13 X 1.5.....2	2
24	6086GT	NUT,LP NYLOCK,1/2-13.....4	4
25	51496GT	SCREW,HHC,1/2-13 X 1.375.....2	2
26	47323GT	BRACKET,BOX HINGE,RH-UP/LH-LO...1	1
27	47255GT	BOLT,SHORT SHOULDER.....1	1
28	39317GT	STOP PLATFORM ROLLER.....2	2
29	40594GT	SCREW,FHS,1/4-20 X 1.25.....4	4
30	6091GT	NUT,NYLOCK,1/4-20.....4	4
31	47907GT	BLOCK,MODULE TRAY STOP.....4	4
32	41695GT	RIVET,STL,STL,.188 X .50.....4	4

212.2 Power Unit Module Installation (from SN 36045)



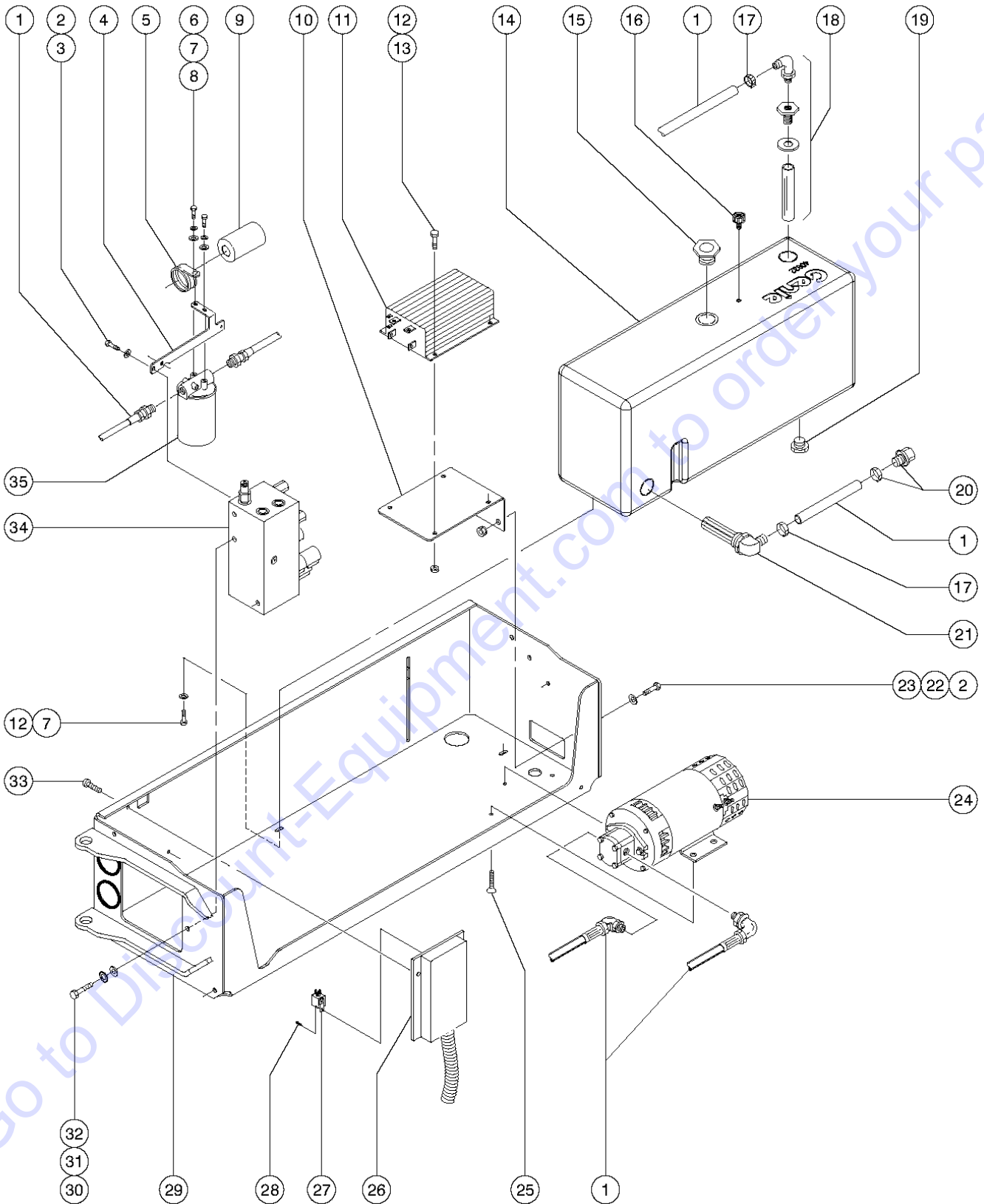
## 212.2 Power Unit Module Installation (from SN 36045)

Item	Part No.	Description	Qty.
--	65972-SGT	HANDLE-ROTATOR LATCH ASSY RS** <i>(includes index numbers 5 through 16)</i>	
1	13002GT	SCREW,HHC,5/16-18 X 1 GR5.....	2
2	6782GT	NUT,NYLOCK,5/16-18.....	2
3	13000GT	SCREW,HHC,5/16-18 X 1.25.....	2
4	6002GT	NUT,LP NYLOCK,5/16-18.....	2
5	66901GT	LATCH,ROTARY, W/KNOB,RIGHT..... <i>(ground controls side)</i>	1
5A	66900GT	LATCH,ROTARY, W/KNOB,LEFT..... <i>(battery side)</i>	1
6	65981GT	BRACKET-LATCHMNT,PWR MOD W/DEC.....	1
7	66871GT	FORMING, MOD TRAY HANDLE.....	1
8	39580GT	BEARING,0.75IDX1.00ODX0.38L.....	2
9	55983GT	PIN-THREADED SHLDR OFFS,5/8-11...1	
10	47455GT	SPACER,MODULE TRAY,.075 THK..... 1	2
10A	47342GT	SPACER,MODULE TRAY,.030 THK..... 1	2
11	38028GT	NUT,LP NYLOCK,5/8-11.....	2
12	47324GT	BRACKET,BOX HINGE,LH-UP/RH-LO...1	
13	8177GT	SCREW,HHC,1/2-13 X 1.5.....	2
14	6086GT	NUT,LP NYLOCK,1/2-13.....	4
15	47255GT	BOLT,SHORT SHOULDER.....	1
16	47323GT	BRACKET,BOX HINGE,RH-UP/LH-LO...1	

**Footnotes**

**1:** Quantity listed for this item is approximate. Actual quantity may vary to ensure proper fit.

213.1 Power Unit Module, GS-2032





## 213.1 Power Unit Module, GS-2032

Item	Part No.	Description	Qty.	Item	Part No.	Description	Qty.
1		Ref. Hydraulic Hoses and Fittings (refer to Figure 219.1)		17	42280GT	CLAMP,HOSE,.50.....	2
2	10107GT	SCREW,HHC,5/16-18 X .75.....	4	18	65318GT	FITTING KIT-HYDRAULIC TANK.....	1
3	6886GT	WASHER,LOCK,.313.....	2	--	39223GT	BULKHEAD FITTING,PLASTIC X 8**.....	1
4	55941GT	BRACKET, FILTER MOUNT GS32&46.... (to SN 40918)	1	--	39225GT	ELBOW,90ø,.5 MPT X.5BRB PLST.....	1
4A	39438PGT	BRACKET,FILTER MOUNT..... (from SN 40919)	1	--	39226GT	NIPPLE,PLASTIC .5 NPT X 6".....	1
5	32339GT	CLAMP,1.75,#28 X 3/8,RUB CUSH*..... (to SN 46036)	1	19	39227GT	PLUG,HEX HEAD-8 PLASTIC.....	1
5A	39518GT	CLAMP,2.00,#32 X 3/8,RUB CUSH..... (from SN 46037)	1	20	39895GT	HOSE END,BARBED,SWIV,JIC,10-12....	1
6	6888GT	SCREW,HHC,1/4-20 X 1.....	2	21	55616GT	STRAINER ASSEMBLY.....	1
7	6356GT	WASHER,LOCK,.25.....	2	22	5397GT	WASHER,FLAT,USS,5/16",Y.....	2
8	6638GT	WASHER,FLAT,USS,1/4"Y.....	2	23	6782GT	NUT,NYLOCK,5/16-18.....	2
9	78585GT	KIT,ACCUM 180 PSI PRECHARGE***..... (to SN 46036) (includes item 5)	1	24		Ref. Hydraulic Power Unit..... (refer to Figure 215.1)	2
9A	78422GT	ACCUMULATOR,180 PSI PRECHARGE*..... (from SN 46037)	1	25	47522GT	SCREW,FHS,1/4-20 X .25 NYLOCK..... (with self-locking patch)	2
10A	55789GT	BRACKET, CONTROLLER MOUNT..... (to SN 46091)	1	--	39520GT	RECEPTACLE,FEMALE,36 CONTACT... (to SN 17407)	1
10B	78136GT	FORMING,MOTOR CONTROLLER..... (from SN 46092)	1	--	39521GT	RECEPTACLE,ANTI-BACKOUT..... (to SN 17407)	1
11A	1263634GT	KIT, GS MOTOR CONTROLLER REPL.....	1	--	39673GT	CONTACT,14-20GA..... (to SN 17407)	1
--	823408GT	MOTOR CONTROLLER, DC,24V,300A motor controllers sold separately only in cases where upgrade kits are N/A or an upgrade kit has been previously installed		26A	105295GT	KIT,GEN1 TO GEN5 CONTRL SYS***..... (models with platform PCB Rev A or Rev B) (to SN 17407)	1
11B	219497GT	KIT,CONTACTOR,GS,ALT (if machine does not have a contactor previously installed, 219497 kit is required)		26B		ECM,SLAB,SERVICE*** (97055)..... (component no longer available) to SN 17407	1
11C	233379GT	KIT, INVERTER JUMPER, GS (if machine has an inverter, 233379 is required in addition to the installation of 219497)		26C	78725GT	ECU,SLAB,GEN4***..... (from SN 17408 to 59999)	1
12	8914GT	SCREW,HHC,1/4-20 X .625.....	2	--	39520GT	RECEPTACLE,FEMALE,36 CONTACT... (from SN 17408 to 59999)	1
13	6091GT	NUT,NYLOCK,1/4-20.....	6	--	39521GT	RECEPTACLE,ANTI-BACKOUT..... (from SN 17408 to 59999)	1
14	40832GT	TANK ONLY,HYDRAULIC GS30/32***.....	1	--	39673GT	CONTACT,14-20GA..... (from SN 17408 to 59999)	1
14A	65736GT	KIT,5 GALLON HYDRAULIC TANK*** includes index numbers 15-16, 18 and 21		27	56302GT	RELAY,24VDC,40/30A,SEALED***..... (ANSI, CSA, Australia) (from SN 25142)	1
15	42019GT	TANK BREATHER,NYLON **..... (to SN 29334)	1	27A	56302GT	RELAY,24VDC,40/30A,SEALED***..... (CE) (to SN 51682)	1
15A	66204GT	FILTER CAP (PLUG 1-1/2" NPT HEX.... (from SN 29334)	1	27B	56302GT	RELAY,24VDC,40/30A,SEALED***..... (CE) (from SN 51683)	5
16	42019GT	TANK BREATHER,NYLON **..... (to SN 28894)	1	28	47363GT	SCREW,RHM,8-32 X .50.....	1
16A	78546GT	BREATHER CAP,HYD. TANK,1/4 NPT.... (from SN 28895)	1	28A	47363GT	SCREW,RHM,8-32 X .50..... (CE) (to SN 51682)	1
				28B	47363GT	SCREW,RHM,8-32 X .50..... (CE) (from SN 51683)	5
				29	46332GT	MODULE TRAY ASSY-HYD PWR UNIT.....	1
				30	6175GT	SCREW,HHC,3/8-16 X 1.....	2

213.1 Power Unit Module, GS-2032  
(continued)

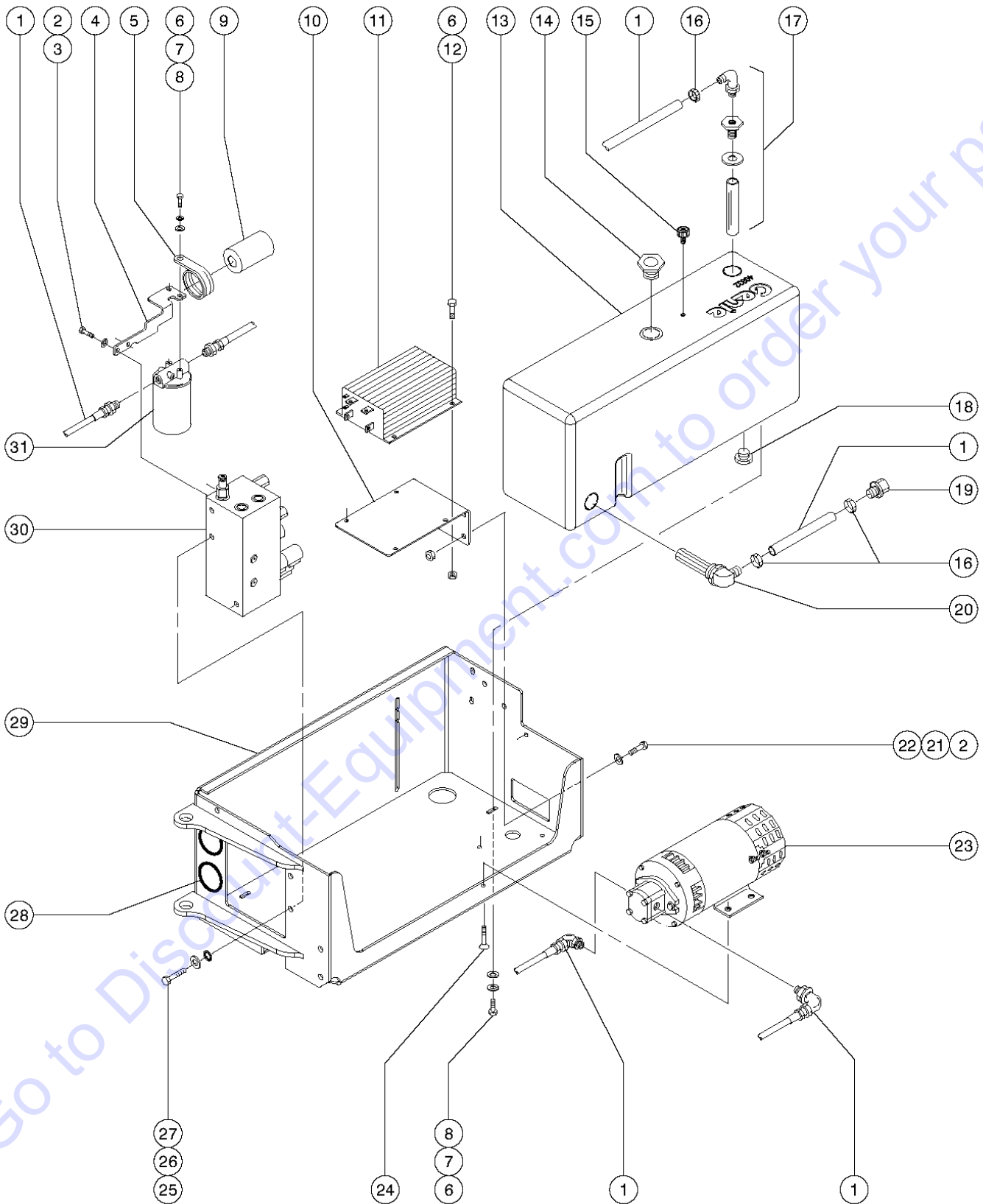
Item	Part No.	Description	Qty.
31	6700GT	WASHER,STAR,EXTERNAL,.375.....	2
32	6097GT	WASHER,FLAT,USS,3/8",Y.....	2
33	6147GT	SCREW,RHM,10-32 X 1.....	2
34		Ref. Function Manifold..... <i>(refer to Figure 217.1, 217.2 or 218.1)</i>	2
35	78622GT	FILTER ASSY,SAE8,10 MIC,PAPR**.....	1
--	44207GT	FILTER ELEMENT,BETA(10)=200 <i>(fiberglass, optional)</i>	
--	44788GT	FILTER ELEMENT,10MICRON,PAPER*..... <i>(paper, standard)</i>	1

Go to Discount-Equipment.com to order your parts

***This Page Intentionally Left Blank***

Go to [Discount-Equipment.com](http://Discount-Equipment.com) to order your parts

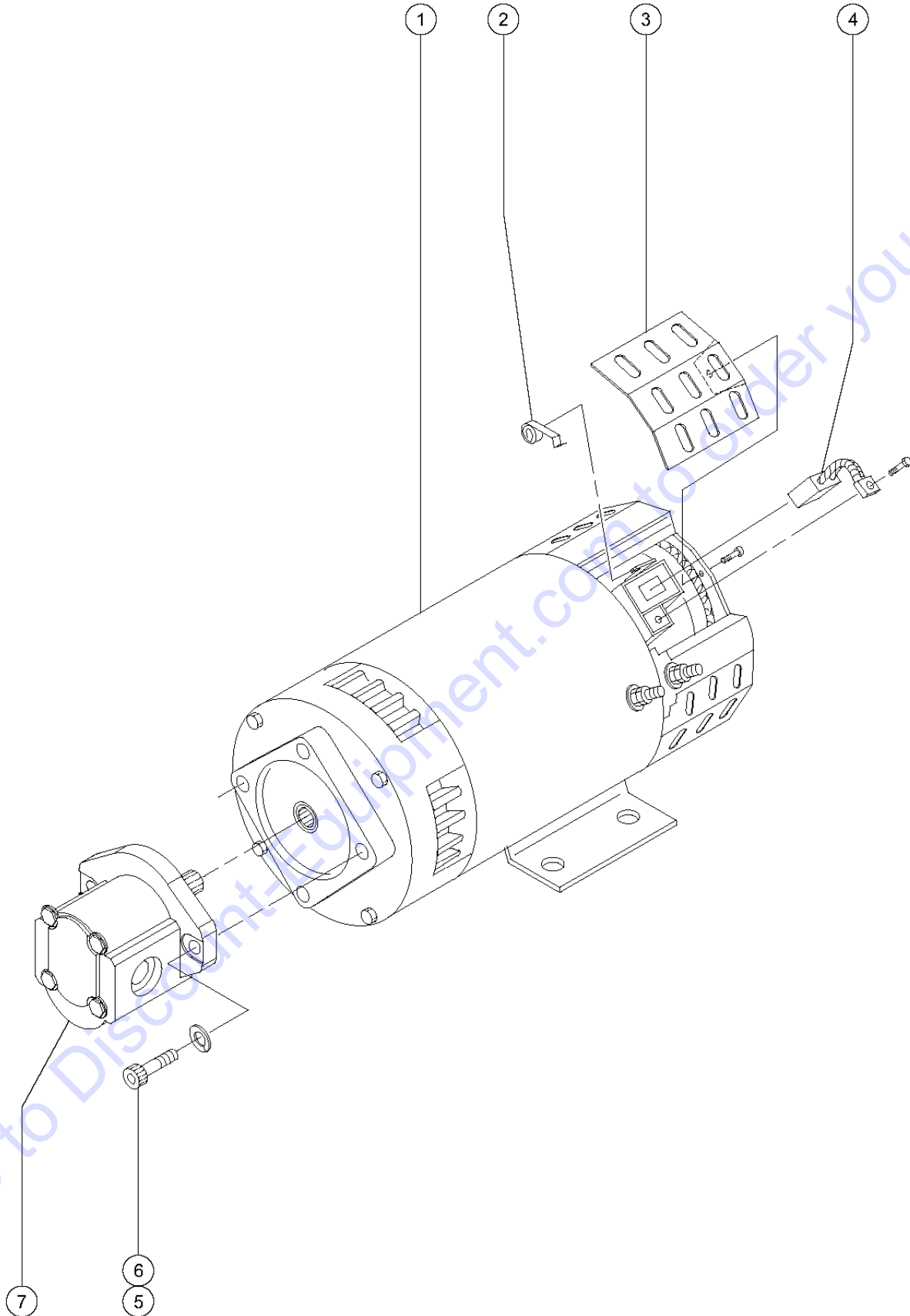
214.1 Power Unit Module, GS-2632



## 214.1 Power Unit Module, GS-2632

Item	Part No.	Description	Qty.	Item	Part No.	Description	Qty.
1		Ref. Hydraulic Hoses and Fittings (refer to Figure 220.1)		16	19273GT	CLAMP,HOSE,.75 **.....	3
2	10107GT	SCREW,HHC,5/16-18 X .75.....	4	17	65318GT	FITTING KIT-HYDRAULIC TANK.....	1
3	6886GT	WASHER,LOCK,.313.....	2	--	39223GT	BULKHEAD FITTING,PLASTIC X 8**.....	1
4	55941GT	BRACKET, FILTER MOUNT GS32&46.... (to SN 40918)	1	--	39225GT	ELBOW,90ø,.5 MPT X.5BRB PLST.....	1
4A	39438PGT	BRACKET,FILTER MOUNT..... (from SN 40619)	1	--	39226GT	NIPPLE,PLASTIC .5 NPT X 6".....	1
5	32339GT	CLAMP,1.75,#28 X 3/8,RUB CUSH*..... (to SN 46036)	1	18	39227GT	PLUG,HEX HEAD-8 PLASTIC.....	1
5A	39518GT	CLAMP,2.00,#32 X 3/8,RUB CUSH..... (from SN 46037)	1	19	39895GT	HOSE END,BARBED,SWIV,JIC,10-12....	1
6	8914GT	SCREW,HHC,1/4-20 X .625.....	10	20	55616GT	STRAINER ASSEMBLY.....	1
7	6356GT	WASHER,LOCK,.25.....	4	21	5397GT	WASHER,FLAT,USS,5/16",Y.....	2
8	6638GT	WASHER,FLAT,USS,1/4"Y.....	4	22	6782GT	NUT,NYLOCK,5/16-18.....	2
9	78585GT	KIT,ACCUM 180 PSI PRECHARGE***..... (to SN 46036) (includes index number 5)	1	23		Ref. Hydraulic Power Unit..... (refer to Figure 215.1)	2
9A	78422GT	ACCUMULATOR,180 PSI PRECHARGE*..... (from SN 46037)	1	24	47522GT	SCREW,FHS,1/4-20 X .25 NYLOCK.....	2
10A	55789GT	BRACKET, CONTROLLER MOUNT..... (to SN 46091)	1	25	6175GT	SCREW,HHC,3/8-16 X 1.....	2
10B	78136GT	FORMING,MOTOR CONTROLLER..... (from SN 46092)	1	26	6097GT	WASHER,FLAT,USS,3/8",Y.....	2
11A	1263634GT	KIT, GS MOTOR CONTROLLER REPL..... (replaces 218236)	1	27	6700GT	WASHER,STAR,EXTERNAL,.375.....	2
11B	823408GT	MOTOR CONTROLLER, DC,24V,300A motor controllers sold separately only in cases where upgrade kits are N/A or an upgrade kit has been previously installed		28	47232GT	GROMMET,RUBBER 2 X 2.75.....	2
11C	219497GT	KIT,CONTACTOR,GS,ALT (if machine does not have a contactor previously installed, 219497 kit is required)		29	48709GT	PWR UNIT MOD ASSY GS30..... (with bearings and decals)	1
11D	233379GT	KIT, INVERTER JUMPER, GS (if machine has an inverter, 233379 is required in addition to the installation of 219497)		30		Ref. Function Manifold..... (refer to Figure 217.1, 217.2 or 218.1)	1
12	6091GT	NUT,NYLOCK,1/4-20.....	4	31	78622GT	FILTER ASSY,SAE8,10 MIC,PAPR**.....	1
13	40832GT	TANK ONLY,HYDRAULIC GS30/32***..... (5 gallon)	1	--	44207GT	FILTER ELEMENT,BETA(10)=200..... (fiberglass, optional)	1
13A	65736GT	KIT,5 GALLON HYDRAULIC TANK***..... (5 gallon) (includes index numbers 14, 15, 17 and 20)	1	--	44788GT	FILTER ELEMENT,10MICRON,PAPER*..... (paper, standard)	1
14	42019GT	TANK BREATHER,NYLON **..... (to SN 29333)	1				
14A	66204GT	FILTER CAP (PLUG 1-1/2" NPT HEX.... (from SN 29334)	1				
15	42019GT	TANK BREATHER,NYLON **..... (to SN 28894)	1				
15A	78546GT	BREATHER CAP,HYD.TANK,1/4 NPT..... (from SN 28895)	1				

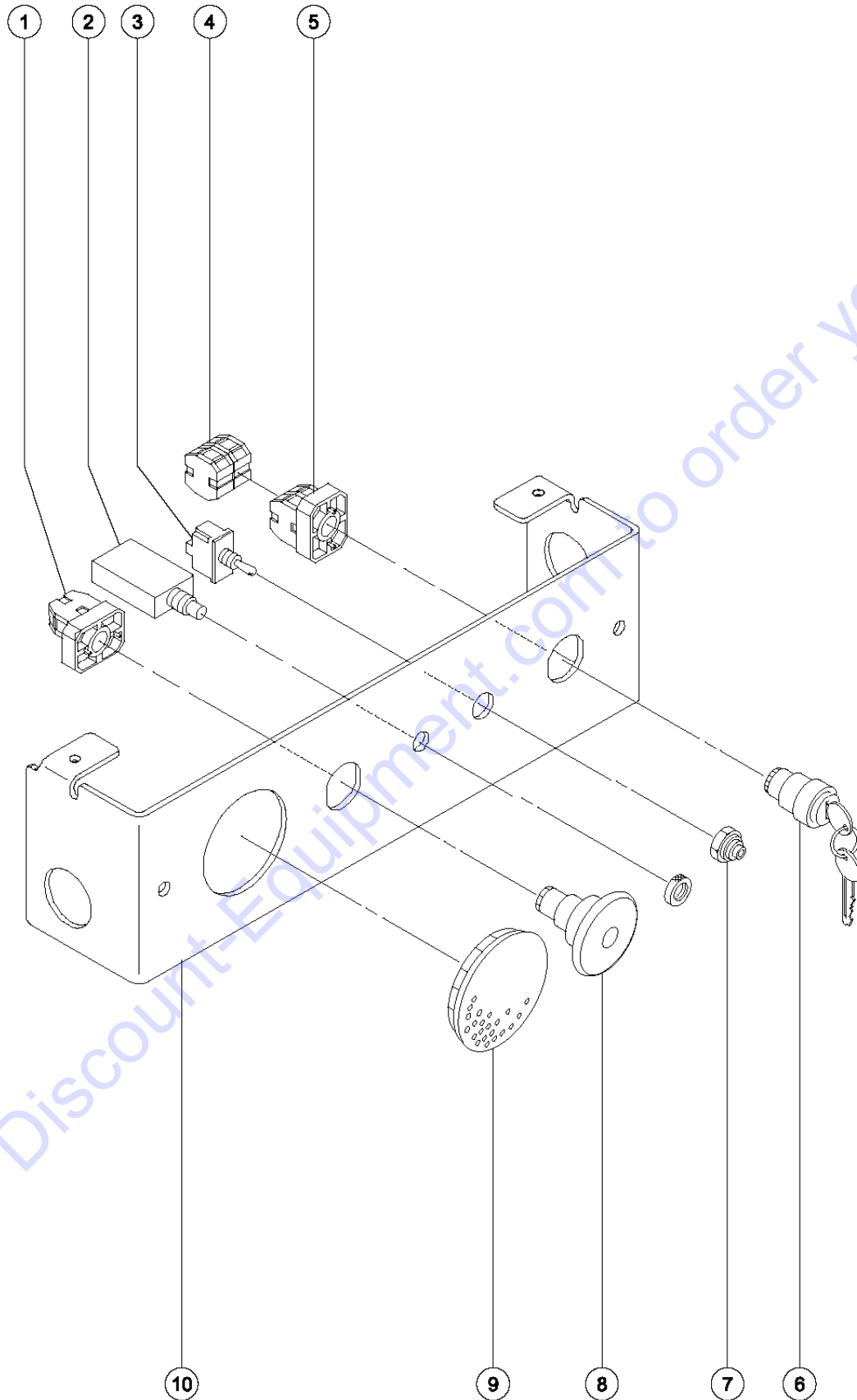
215.1 Hydraulic Power Unit



## 215.1 Hydraulic Power Unit

Item	Part No.	Description	Qty.
--	65335-SGT	POWER UNIT ASSY-HYDR MOD.*****	
1	40844GT	MOTOR,ELECTRIC,24VDC 4.5HP.....1	1
--	43685GT	SEAL KIT,LIFT PUMP,BARNES** .....1	1
--	44777GT	BEARING,MOTOR.....1	1
--	44778GT	BEARING,MOTOR,36843,BRUSH END*.....1	1
2	44750GT	SPRING-BRUSH,40844, SCISSORS....4	4
3	44752GT	COVER-BRUSH INSPEC.40844,SCISS.....4	4
4	44751GT	BRUSH,PWR UNIT (40844)**.....4	4
5	55921GT	SCREW,SHC,3/8-24 X 1.25".....2	2
6	6021GT	WASHER,LOCK,.375.....2	2
7	66206GT	PUMP KIT,BOSCH,GS30*** .....1 (to SN 16988)	1
--	43685GT	SEAL KIT,LIFT PUMP,BARNES** .....1 (to SN 16988)	1
7A	96193GT	PUMP,4CC GEAR,CCW*** .....1 (from SN 16989)	1
--	85197GT	SEAL KIT,BOSCH PUMP*** .....1 (from SN 16989)	1

216.1 Ground Controls (to SN 28695)

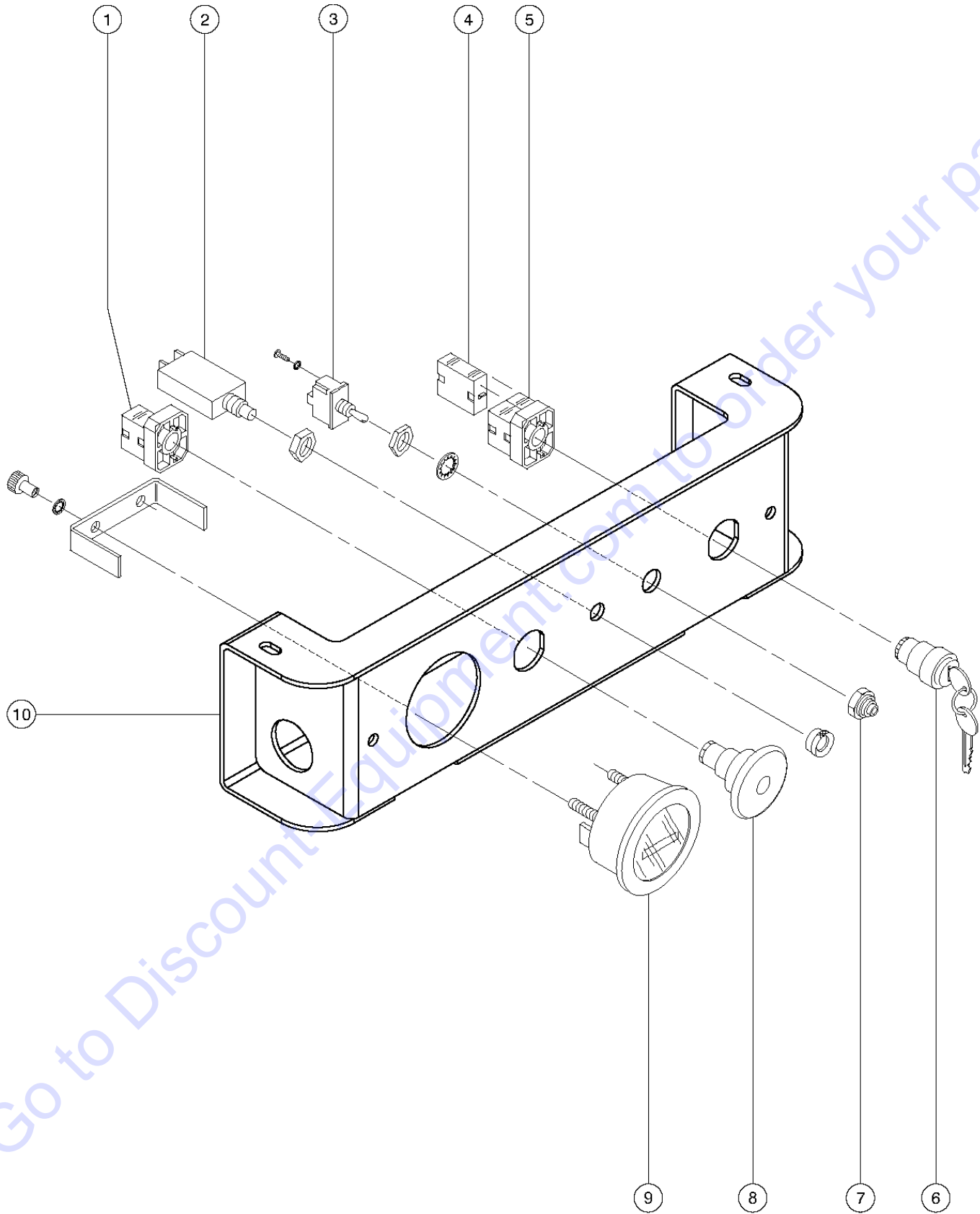




## 216.1 Ground Controls (to SN 28695)

Item	Part No.	Description	Qty.
1		Ref. E-stop.....1 (refer to item 8)	1
2	147093GT	ASSY, CIRCUIT BREAKER 10A.....1 (includes mounting fasteners)	1
3	T114691GT	ASSY, SWITCH, TOGGLE, SPDT***** .....1 (direct replacement for 13037-S and 96418)	1
4		Ref. Contact.....2 (refer to item 6)	2
5		Ref. Base, Push Button.....1 (refer to item 6)	1
6	96011GT	KIT, KEYSWITCH*** .....1 (this is an update kit; the original key switch is no longer available from the supplier. Please note, if this kit has already been installed on the unit, refer to the part numbers listed below)	1
--	21982GT	KEY, SINGLE***	
--	37947GT	KEYS, 10 PACK***	
--	66816GT	CONTACT, N.O.***	
--	96008-SGT	KEYSWITCH, 3 POS. W/KEYS***	
--	96009GT	WASHER, NITRILE	
--	96010GT	SCREW, PHILLIPS, PHM, 8-32 X.25**	
7	27246GT	BOOT, TOGGLE SWITCH, SHORT*	
8	66761GT	SERVICE KIT, E-STOP.....1 (this is an update kit; the original E-stop button is no longer available from the supplier. Please note, if this kit has already been installed on the unit, refer to the part numbers listed below)	1
--	66812GT	BUTTON, PUSH, RED MUSHROOM HEAD	
--	66817GT	BASE WITH 1 NC CONTACT, E-STOP	
--	66818GT	CONTACT, N.C.	
9	45840GT	PLUG, NYLON 2.00 BLACK DOMED.....1	1
10	47193GT	LOWER CONTROL PANEL.....1	1

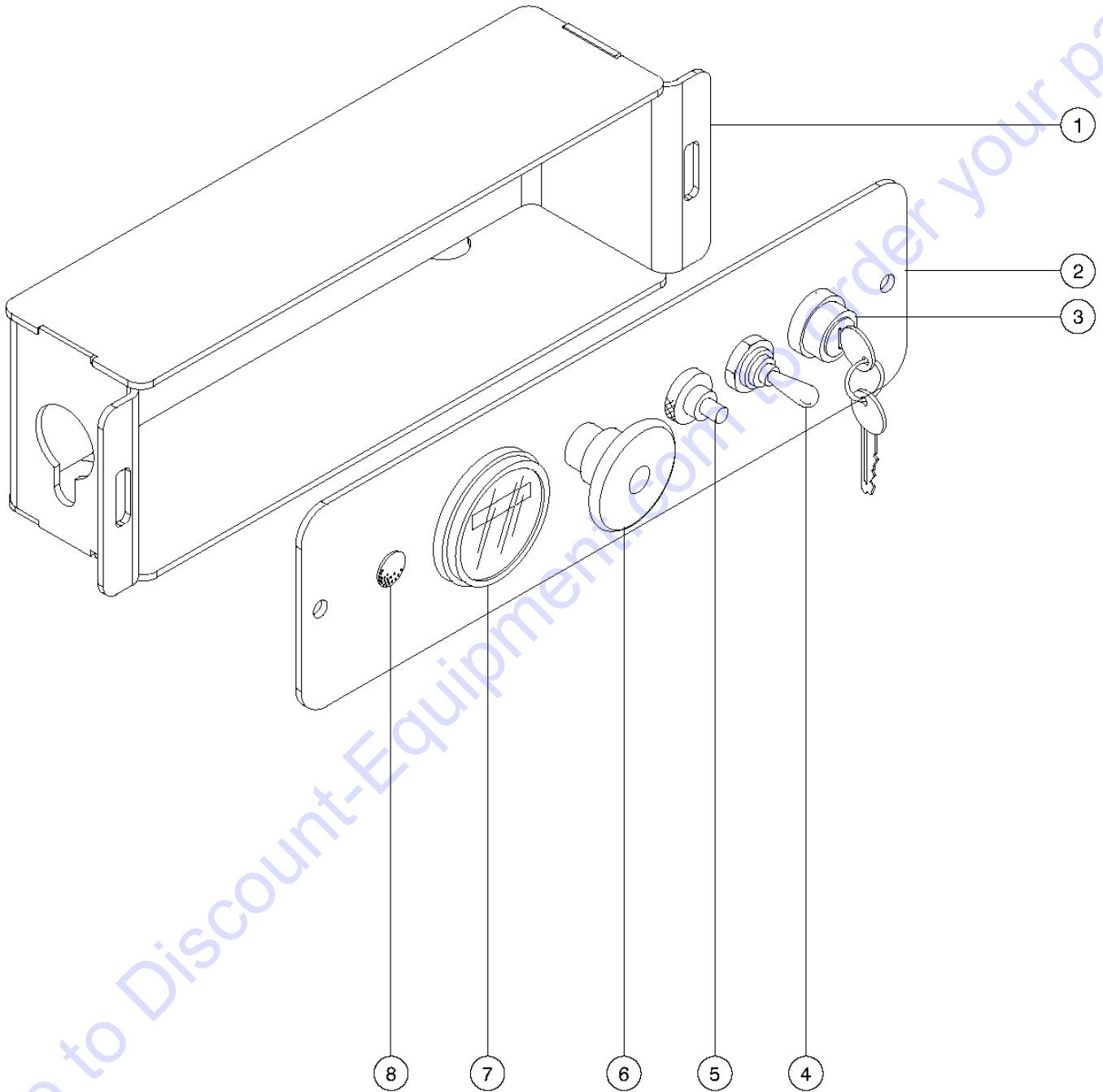
216.2 Ground Controls (from SN 28696 to 45894)



## 216.2 Ground Controls (from SN 28696 to 45894)

Item	Part No.	Description	Qty.
1		Ref. Base, Push Button.....1 (refer to item 8)	1
2	96452GT	CIRCUIT BREAKER,7.0 AMP***.....1 (includes mounting fasteners)	1
3	T114691GT	ASSY,SWITCH,TOGGLE,SPDT***** .....1 (direct replacement for 13037-S and 96418)	1
4		Ref. Contact.....2 (refer to item 6)	2
5		Ref. Base, Push Button.....1 (refer to item 6)	1
6	96011GT	KIT, KEYSWITCH*** .....1 (this is an update kit; the original key switch is no longer available from the supplier. Please note, if this kit has already been installed on the unit, refer to the part numbers listed below)	1
--	21982GT	KEY,SINGLE*** .....1	1
--	37947GT	KEYS,10 PACK*** .....1	1
--	96008-SGT	KEYSWITCH,3 POS. W/KEYS***	
--	96009GT	WASHER,NITRILE	
--	96010GT	SCREW,PHILLIPS,PHM,8-32 X.25**	
7	27246GT	BOOT,TOGGLE SWITCH,SHORT*.....1	1
8	66761GT	SERVICE KIT,E-STOP.....1 (this is an update kit; the original E-stop button is no longer available from the supplier. Please note, if this kit has already been installed on the unit, refer to the part numbers listed below)	1
--	66812GT	BUTTON,PUSH,RED MUSHROOM HEAD	
--	66817GT	BASE WITH 1 NC CONTACT, E-STOP	
--	66818GT	CONTACT, N.C.	
9	56100GT	HOUR METER,LCD,9-60 VDC***.....1 (from SN 21065) (includes mounting bracket and fasteners)	1
10	65734GT	CONTROL PANEL-LOWER.....1 (includes bracket and mounting fasteners)	1

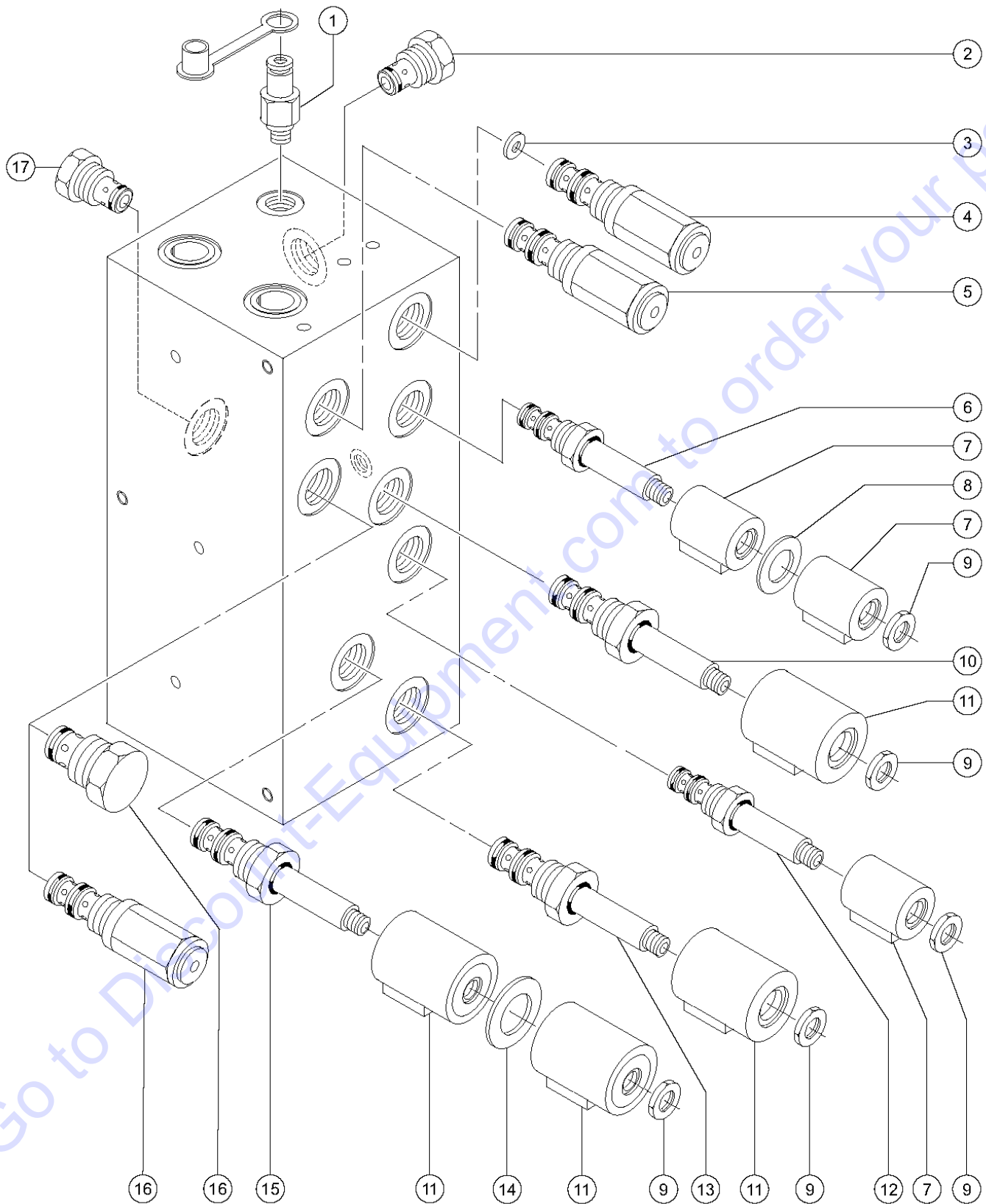
216.3 Ground Controls (from SN 45895)



## 216.3 Ground Controls (from SN 45895)

Item	Part No.	Description	Qty.
--	66761GT	SERVICE KIT,E-STOP <i>Complete</i>	
1	78144GT	WELDMENT, LOWER CONTROL PANEL.....	1
2	78140GT	PLATE, LCP, FRONT.....	1
3	96011GT	KIT, KEYSWITCH*** <i>(to SN GS32-49011)</i>	1
3A	96008-SGT	KEYSWITCH,3 POS. W/KEYS*** <i>(from SN 49012) includes 1 pair of keys</i>	1
--	83093GT	KEY SINGLE*** <i>for 96011 and 96008</i>	1
--	96009GT	WASHER,NITRILE..... <i>for 96011 and 96008</i>	1
3B	83131GT	KEYSWITCH,3 POS W/KEYS,LOCKING <i>(Nikken models)</i>	
4	27246GT	BOOT,TOGGLE SWITCH,SHORT*.....	1
4	T114691GT	ASSY,SWITCH,TOGGLE,SPDT***** <i>(direct replacement for 13037-S and 96418)</i>	1
5	96452GT	CIRCUIT BREAKER,7.0 AMP*** <i>includes mounting fasteners</i>	1
6	66812GT	BUTTON,PUSH,RED MUSHROOM HEAD.....	1
--	66817GT	BASE WITH 1 NC CONTACT, E-STOP... <i>includes 1 each N.C. contact</i>	1
--	68818GT	Contact - N.C.....	1
7	19506GT	HOUR METER,10-80 VOLTS*** <i>(analog) (includes mounting bracket)</i>	1
--	56100GT	HOUR METER,LCD,9-60 VDC*** <i>(digital)</i>	
8	47478GT	BUMPER, RUBBER, 1"OD X .461H.....	1

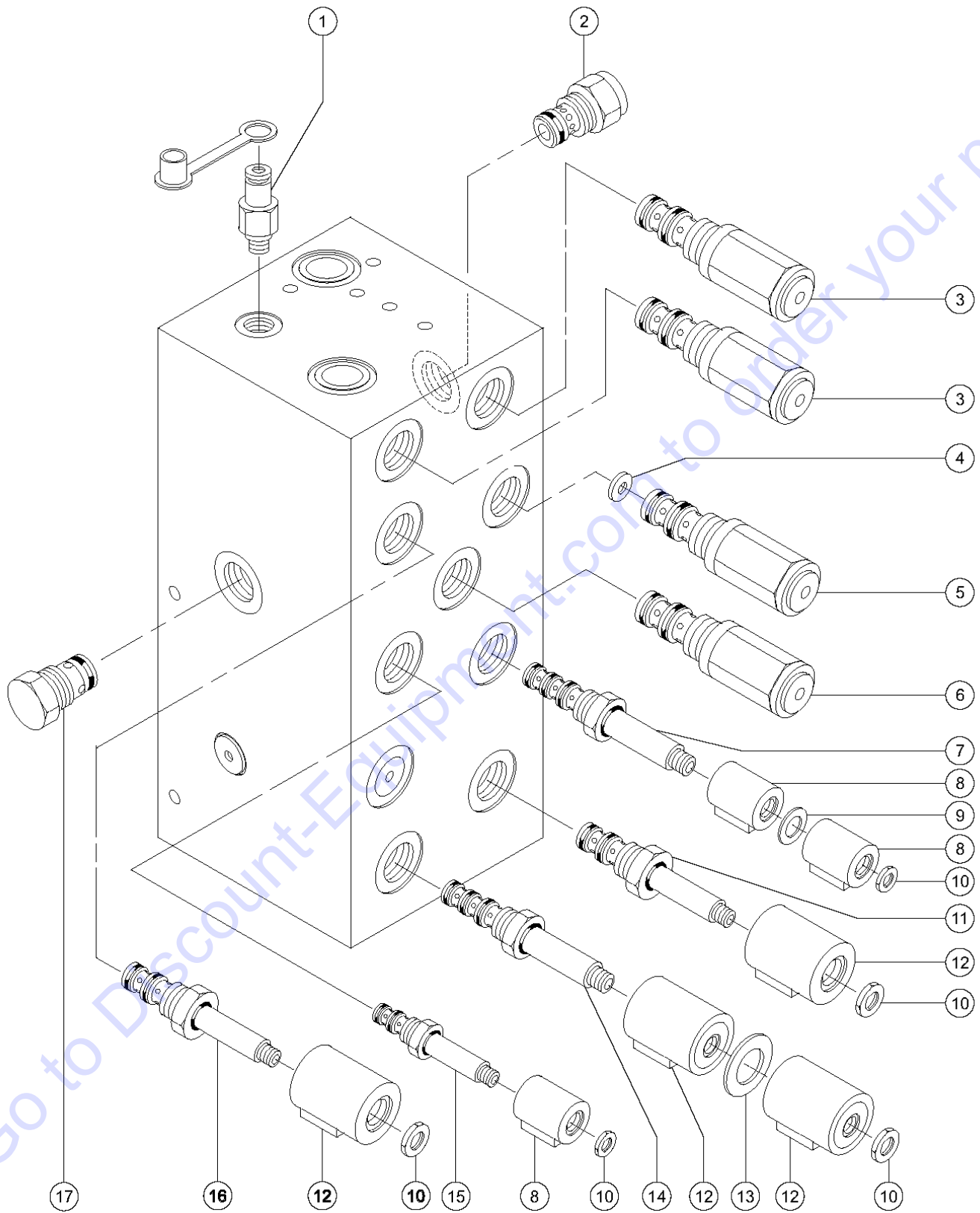
217.1 Function Manifold (to SN 36044)



## 217.1 Function Manifold (to SN 36044)

Item	Part No.	Description	Qty.	Item	Part No.	Description	Qty.
--	51679GT	MANIFOLD MAIN VALVE,W/20 VDC* (complete) (does not include item 17)		--	44227GT	SEAL KIT, VALVE.....	1
1	48997GT	NIPPLE,DIAGNOSTIC,#4.....	1				
--	20224GT	DIAGNOSTIC FEMALE Q-DSCNT.....	1				
--	48880GT	CAP,DIAGNOSTIC NIPPLE.....	1				
2	62082GT	VALVE-FLOW REGULATOR 0.75 GPM..... (2.8 L/min)	1				
--	44225GT	SEAL KIT, VALVE.....	1				
3	46288GT	ORIFICE DISC,.040"..... (1.02 mm)	1				
4	44166GT	VALVE,RELIEF,1000PSI(SCISSORS).... (69 bar)	1				
--	44227GT	SEAL KIT, VALVE.....	1				
5	44167GT	VALVE,RELIEF,3500PSI(SCISRS)**..... (241.3 bar)	1				
--	44226GT	SEAL KIT-FOR P.N.44167.....	1				
6	44168GT	VALVE,SOLENOID,3POS 4WAY.....	1				
--	44229GT	SEAL KIT, VALVE.....	1				
7	39347GT	COIL,20V W/DIODE,#8 (SCI)***..... (to SN 6843)	3				
--	52594GT	COIL,20V DS W/DIODE..... (from SN 6844)	3				
8	44236GT	SPACER-DUAL COIL,#8***.....	1				
9	44174GT	NUT-COIL SHORT.....	5				
10	44169GT	VALVE-SOLENOID, 2POS 4 WAY.....	1				
--	44230GT	SEAL KIT-P.N.44169,44172,44171.....	1				
11	44176GT	COIL,20V W/DIODE,#10 (SCI)..... (to SN 6843)	4				
--	52595GT	COIL,20V DS W/DIODE,#10 SCISR..... (from SN 6844)	4				
12	44170GT	VALVE-SOLENOID N.O.(SCISSORS)*.....	1				
--	44228GT	SEAL KIT, VALVE.....	1				
13	44171GT	VALVE-SOLENOID,2POS 4WAY**.....	1				
--	44230GT	SEAL KIT-P.N.44169,44172,44171.....	1				
14	44175GT	SPACER-DUAL COIL,#10, SCISSORS...1					
15	105457GT	KIT,DYN BRAKING VALVE,MINI.....	1				
--	44230GT	SEAL KIT-P.N.44169,44172,44171.....	1				
16	44178GT	VALVE,CHECK,5 PSI**..... (to SN 17481) (0.3 bar)	1				
--	44224GT	SEAL KIT, VALVE..... (to SN 17481)	1				
16A	58998GT	VALVE-RELIEF,130 PSI..... (from SN 17482) (9 bar)	1				
--	44227GT	SEAL KIT, VALVE..... (from SN 17482)	1				
17	48659GT	VALVE,CHECK***.....	1				

217.2 Function Manifold (from SN 36045 to 49245)

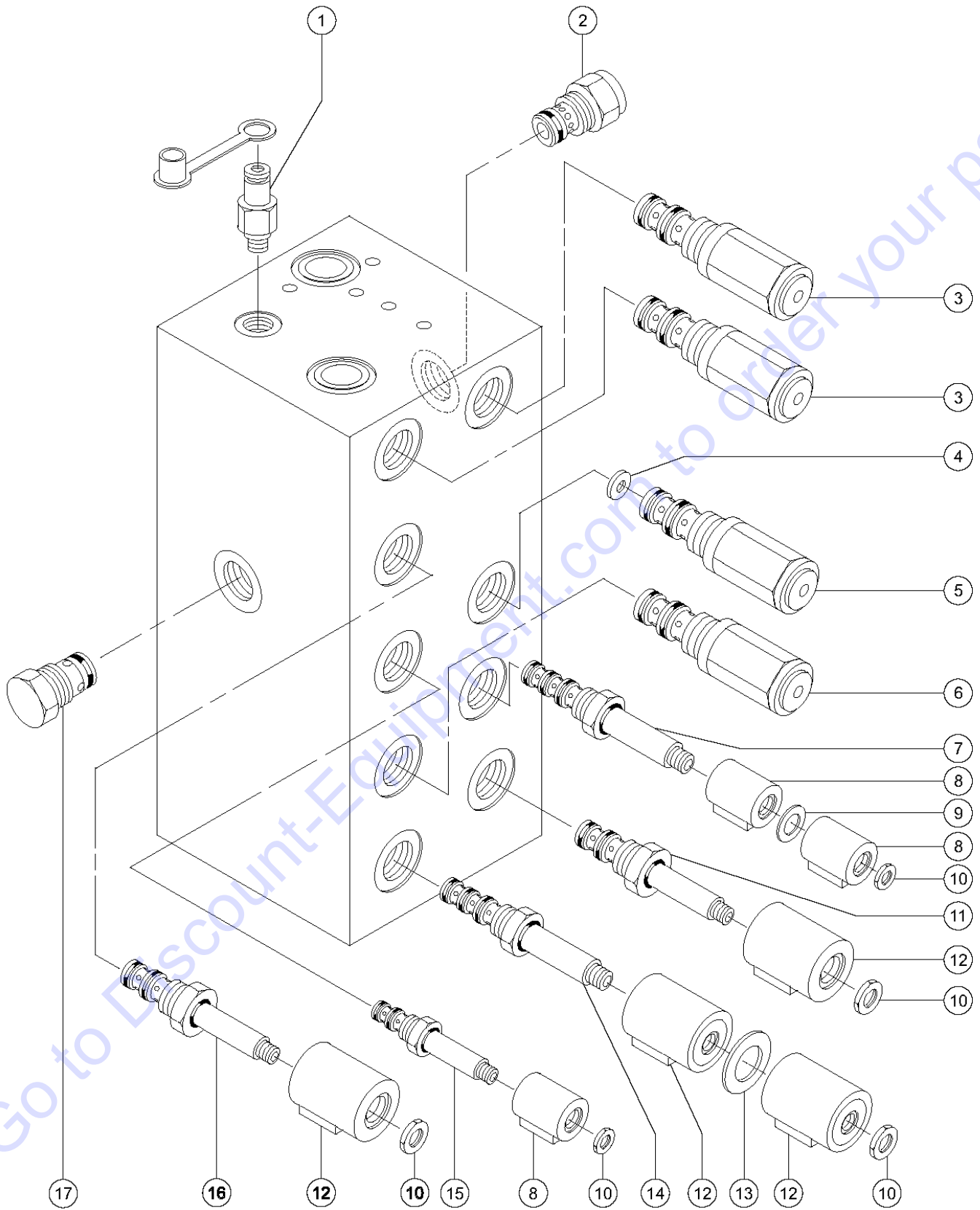




## 217.2 Function Manifold (from SN 36045 to 49245)

Item	Part No.	Description	Qty.
--	66772GT	STD MANIFOLD MAIN,GS32/46 (does not include item 1)	
1	48997GT	NIPPLE,DIAGNOSTIC,#4.....	1
--	20224GT	DIAGNOSTIC FEMALE Q-DSCNT.....	1
--	48880GT	CAP,DIAGNOSTIC NIPPLE.....	1
2	62082GT	VALVE-FLOW REGULATOR 0.75 GPM..... (2.8 L/min)	1
--	44225GT	SEAL KIT, VALVE.....	1
3	65962GT	VALVE-RELIEF, 3700 PSI #8**..... (241.3 bar)	2
--	44226GT	SEAL KIT-FOR P.N.44167.....	2
4	46288GT	ORIFICE DISC,.040"..... (1 mm)	1
5	65184GT	VALVE-RELIEF,1500 PSI, RV2..... (103.4 bar)	1
--	44227GT	SEAL KIT, VALVE.....	1
6	58998GT	VALVE-RELIEF,130 PSI..... (9 bar)	1
--	44227GT	SEAL KIT, VALVE.....	1
7	44168GT	VALVE,SOLENOID,3POS 4WAY.....	1
--	44229GT	SEAL KIT, VALVE.....	1
8	52594GT	COIL,20V DS W/DIODE.....	3
9	44236GT	SPACER-DUAL COIL,#8***.....	1
10	44174GT	NUT-COIL SHORT.....	2
11	44171GT	VALVE-SOLENOID,2POS 4WAY**.....	1
--	44230GT	SEAL KIT-P.N.44169,44172,44171.....	1
12	52595GT	COIL,20V DS W/DIODE,#10 SCISR.....	4
13	44175GT	SPACER-DUAL COIL,#10, SCISSORS...1	
14	105457GT	KIT,DYN BRAKING VALVE,MINI.....	1
--	44230GT	SEAL KIT-P.N.44169,44172,44171.....	1
15	44170GT	VALVE-SOLENOID N.O.(SCISSORS)*...1	
--	44228GT	SEAL KIT, VALVE.....	1
16	44169GT	VALVE-SOLENOID, 2POS 4 WAY.....	1
--	44230GT	SEAL KIT-P.N.44169,44172,44171.....	1
17	46216GT	VALVE,CHECK,IWP-S/CWP PWR ASSI..... (0.3 bar)	1
--	44227GT	SEAL KIT, VALVE.....	1

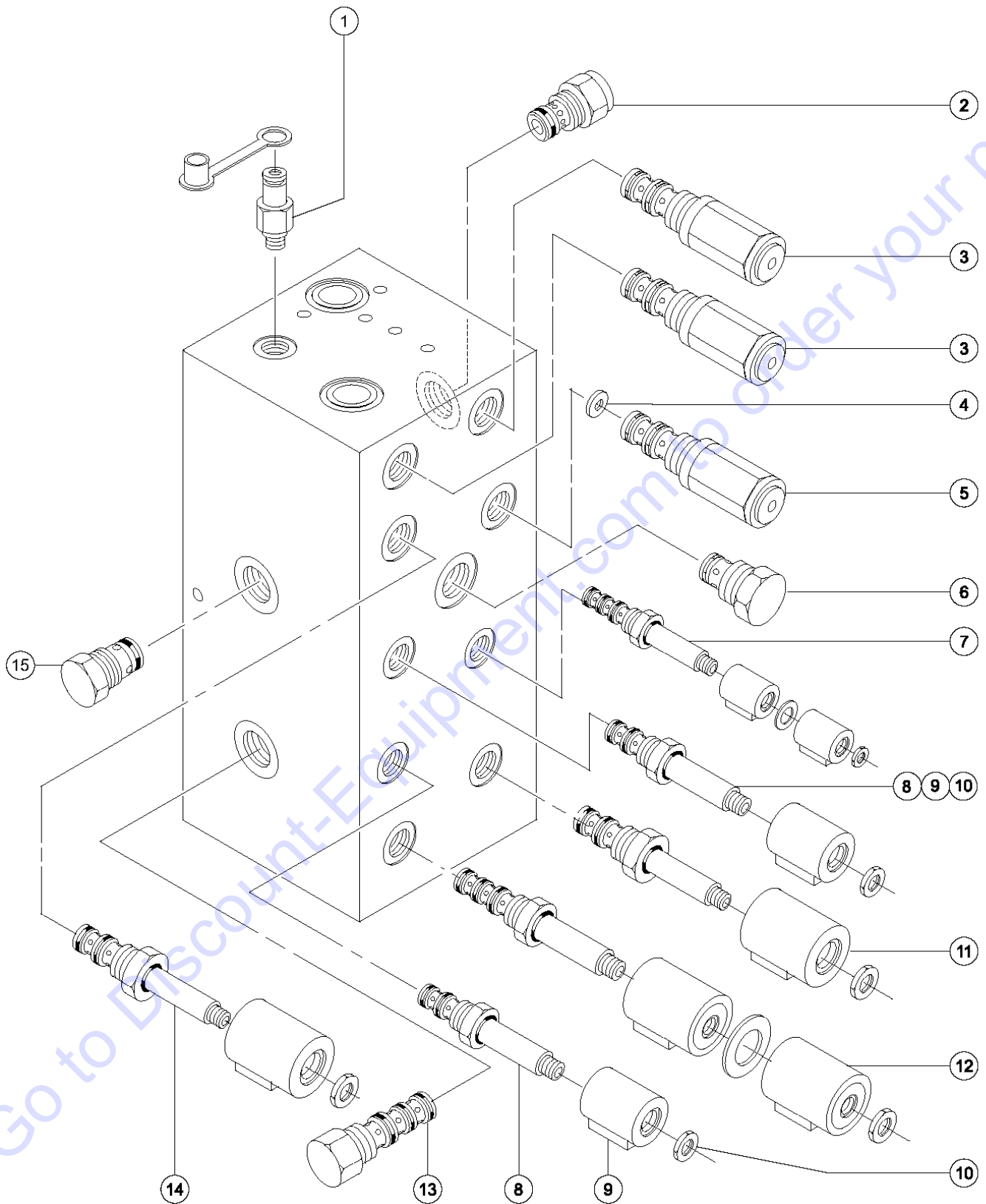
217.3 Function Manifold (from SN 49246)



## 217.3 Function Manifold (from SN 49246)

Item	Part No.	Description	Qty.
--	66772GT	STD MANIFOLD MAIN,GS32/46	
1	48997GT	NIPPLE,DIAGNOSTIC,#4.....	1
--	20224GT	DIAGNOSTIC FEMALE Q-DSCNT.....	1
--	48880GT	CAP,DIAGNOSTIC NIPPLE.....	1
2	62082GT	VALVE-FLOW REGULATOR 0.75 GPM.....	1
		(2.8 L/min)	
--	44225GT	SEAL KIT, VALVE.....	1
3	65962GT	VALVE-RELIEF, 3700 PSI #8**.....	2
		(241.3 bar)	
--	44226GT	SEAL KIT-FOR P.N.44167.....	2
4	46288GT	ORIFICE DISC,.040".....	1
		(1 mm)	
5	65184GT	VALVE-RELIEF,1500 PSI, RV2.....	1
		(103.4 bar)	
--	44227GT	SEAL KIT, VALVE.....	1
6	58998GT	VALVE-RELIEF,130 PSI.....	1
		(9 bar)	
--	44227GT	SEAL KIT, VALVE.....	1
7	44168GT	VALVE,SOLENOID,3POS 4WAY.....	1
--	44229GT	SEAL KIT, VALVE.....	1
8	52594GT	COIL,20V DS W/DIODE.....	3
9	44236GT	SPACER-DUAL COIL,#8***.....	1
10	44174GT	NUT-COIL SHORT.....	2
11	44171GT	VALVE-SOLENOID,2POS 4WAY**.....	1
--	44230GT	SEAL KIT-P.N.44169,44172,44171.....	1
12	52595GT	COIL,20V DS W/DIODE,#10 SCISR.....	4
13	44175GT	SPACER-DUAL COIL,#10, SCISSORS...1	
14	105457GT	KIT,DYN BRAKING VALVE,MINI.....	1
--	44230GT	SEAL KIT-P.N.44169,44172,44171.....	1
15	44170GT	VALVE-SOLENOID N.O.(SCISSORS)*...1	
--	44228GT	SEAL KIT, VALVE.....	1
16	44169GT	VALVE-SOLENOID, 2POS 4 WAY.....	1
--	44230GT	SEAL KIT-P.N.44169,44172,44171.....	1
17	46216GT	VALVE,CHECK,IWP-S/CWP PWR ASSI.....	1
		(0.3 bar)	
--	44227GT	SEAL KIT, VALVE.....	1

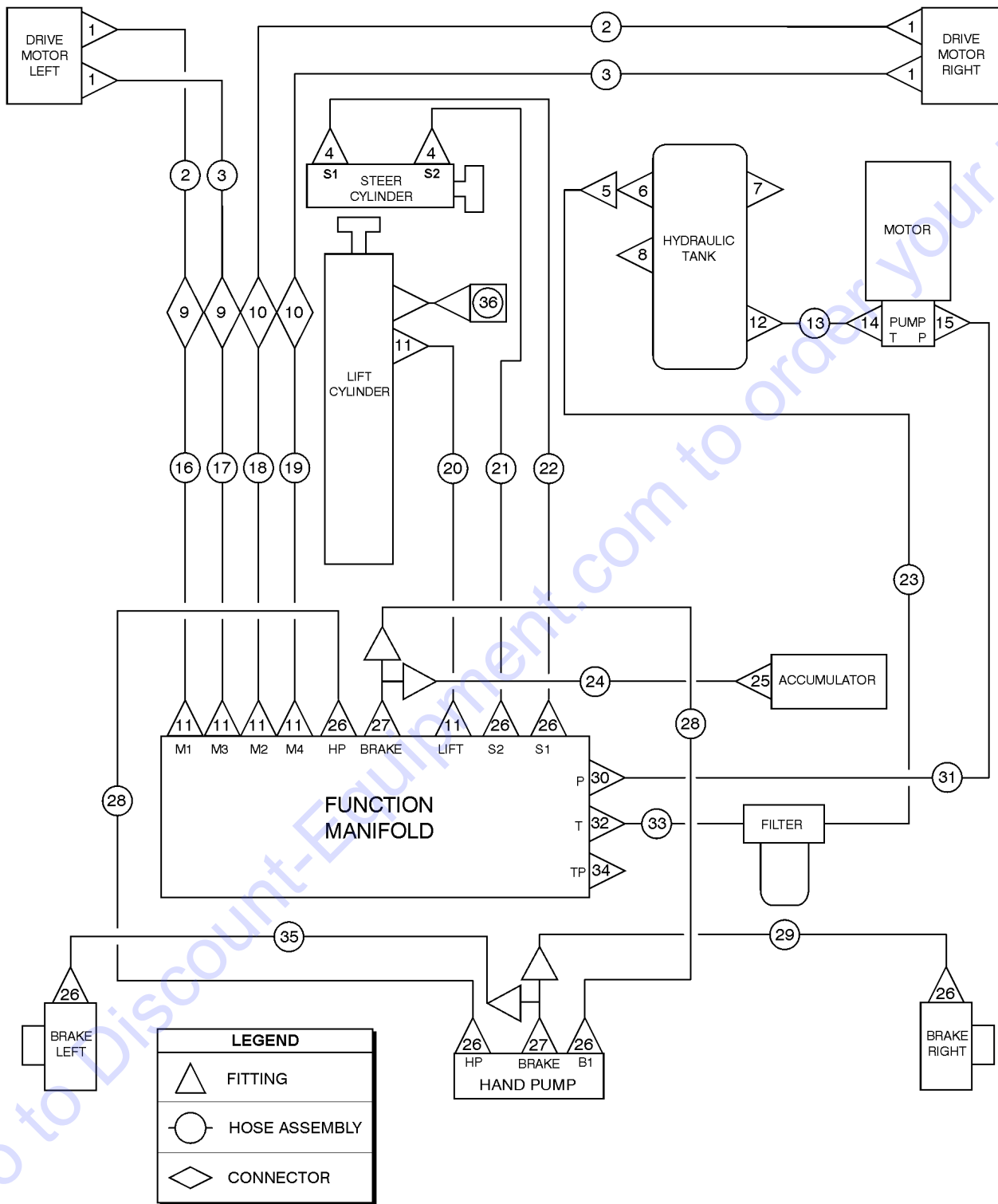
218.1 Function Manifold - Models with Traction Control



## 218.1 Function Manifold - Models with Traction Control

Item	Part No.	Description	Qty.
--	66773GT	MANIFOLD MAIN,GS32/46,TRACTION (Models with Traction Control; does not include item 1)	
1	48997GT	NIPPLE,DIAGNOSTIC,#4.....	1
--	20224GT	DIAGNOSTIC FEMALE Q-DSCNT.....	1
--	48880GT	CAP,DIAGNOSTIC NIPPLE.....	1
2	62082GT	VALVE-FLOW REGULATOR 0.75 GPM..... (2.8 L/min)	1
--	44225GT	SEAL KIT, VALVE.....	1
3	65962GT	VALVE-RELIEF, 3700 PSI #8**..... (255.1 bar)	2
--	44226GT	SEAL KIT-FOR P.N.44167.....	2
4	46288GT	ORIFICE DISC,.040"..... (1 mm)	1
5	65184GT	VALVE-RELIEF,1500 PSI, RV2..... (103.4 bar)	1
--	44227GT	SEAL KIT, VALVE.....	1
6	48659GT	VALVE,CHECK***..... (30 psi, 2 bar)	1
--	44227GT	SEAL KIT, VALVE.....	1
7	44168GT	VALVE,SOLENOID,3POS 4WAY.....	1
--	44229GT	SEAL KIT, VALVE.....	1
8	44170GT	VALVE-SOLENOID N.O.(SCISSORS)*.....	2
--	44228GT	SEAL KIT, VALVE.....	2
9	52594GT	COIL,20V DS W/DIODE..... (size 8)	2
10	44174GT	NUT-COIL SHORT..... (size 8)	2
11	44171GT	VALVE-SOLENOID,2POS 4WAY**.....	1
--	44230GT	SEAL KIT-P.N.44169,44172,44171.....	1
12	105457GT	KIT,DYN BRAKING VALVE,MINI.....	1
--	44230GT	SEAL KIT-P.N.44169,44172,44171.....	1
13	78112GT	VALVE,FLOW DIVIDER/COMBINER.....	1
--	44227GT	SEAL KIT, VALVE.....	1
14	44169GT	VALVE-SOLENOID, 2POS 4 WAY.....	1
--	44230GT	SEAL KIT-P.N.44169,44172,44171.....	1
15	46216GT	VALVE,CHECK,IWP-S/CWP PWR ASSI..... (10 psi, 0.7 bar)	1
--	44228GT	SEAL KIT, VALVE.....	1

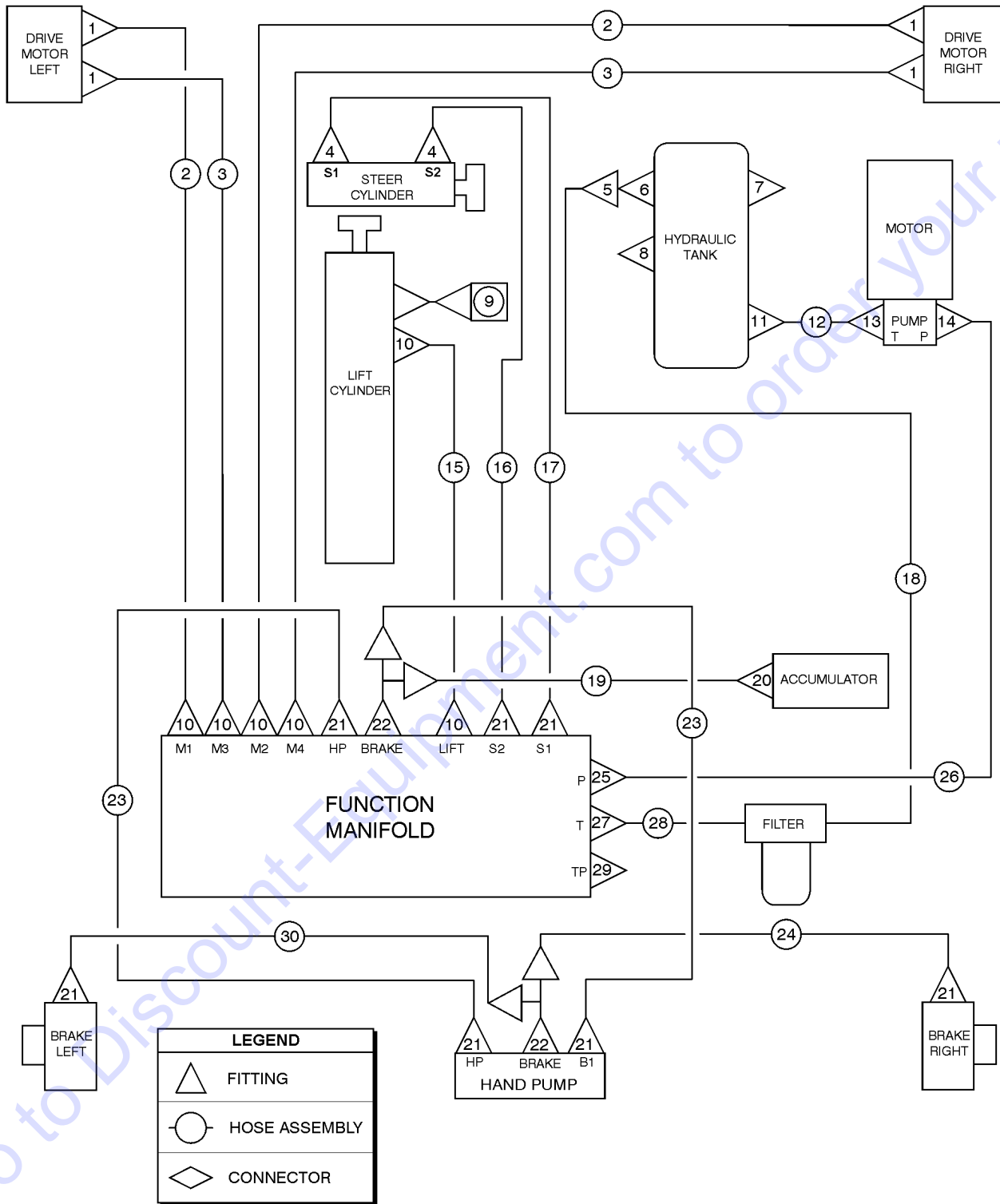
219.1 Hydraulic Hoses and Fittings, GS-2032 (to SN 36059)



## 219.1 Hydraulic Hoses and Fittings, GS-2032 (to SN 36059)

Item	Part No.	Description	Qty.	Item	Part No.	Description	Qty.
--		<i>The hose lengths below reflect the length of the hose only. Refer to the 'Fittings Cross Reference' to match Genie part numbers to Parker part numbers.</i>		22	78869GT	HOSE ASSY, MAN S1/STEER CYL,32...1 (components: 78855, 78855, and 78852 @ 40.5 inches)	1
1	39880GT	CONNECTOR,070120-6-10.....	4	23	47442GT	HOSE ASSY,FILTER/TANK GS32&46.....1 (components: 55697 and 39888 @ 29 inches)	1
2	47425GT	HOSE ASSY,BULKHEAD/DRIVE MOTOR.....2 (components: 39890, 39892, and 56776 @ 23.25 inches)	2	24	78864GT	HOSE ASSY, MAN/ACCUM, MINI.....1 (components: 78855, 78855, and 78852 @ 20 inches)	1
3	47426GT	HOSE ASSY,BULKHEAD/DRIVE MOTOR.....2 (components: 39890, 39892, and 56776 @ 25.25 inches)	2	25	39879GT	CONNECTOR,070120-4-8.....	1
4	39875GT	ELBOW,070220-4-6.....	2	26	39877GT	CONNECTOR,070120-4-4.....	7
5		Ref. Clamp - Hose, 1/2 inch.....2 (refer to 213.1)	2	27	39872GT	TEE,RUN,070428-4.....	2
6		Ref. Fitting.....2 (refer to 213.1)	2	28	78871GT	HOSE ASSY, MAN/HANDPUMP, 32.....2 (components: 78855, 78855, and 78852 @ 93 inches)	2
7		Ref. Plug.....2 (refer to 213.1)	2	29	78873GT	HOSE ASSY, HANDPUMP/L BRAKE,32.....1 (components: 78855, 78855, and 78852 @ 11.15 inches)	1
8		Ref. Cap.....2 (refer to 213.1)	2	30	39873GT	ELBOW,070220-6-6.....	1
9	39870GT	BULKHEAD,UNION,070601-6.....	2	31	47441GT	HOSE ASSY,PUMP TO MANIFOLD.....1 (components: 39890, 39890, and 56776 @ 27 inches)	1
10	66155GT	BULKHEAD,UNION ELBOW,070701-6...2	2	32	39874GT	ELBOW,070220-8-6.....	1
11	39878GT	CONNECTOR,070120-6-6.....	6	33	47440GT	HOSE ASSY,MANIFOLD/FILTER.....1 (components: 49213, 49213, and 39888 @ 5.1 inches)	1
12		Ref. Strainer Assembly.....6 (refer to 213.1)	6	34		Ref. Diagnostic Nipple.....1 (refer to 217.1, 217.2 or 218.1)	1
13	47431GT	HOSE ASSY,HYD.TANK/PUMP.....1 (components: 39895, 39889 @ 5.75 inches)	1	35	78872GT	HOSE ASSY, HANDPUMP/R BRAKE,32.....1 (components: 78855, 78855, and 78852 @ 19.5 inches)	1
14	55968GT	ELBOW,070220-10.....	1	36		Ref. Adjustable Presssure Switch Assembly.....1 (CE) (refer to 305.2)	1
--	53503GT	O-RING-10.....	1				
15	39876GT	ELBOW,070220-6-8.....	1				
--	53502GT	O-RING-8.....	1				
16	47432GT	HOSE ASSY,MANIFOLD/BULKHEAD.....1 (components: 39890, 39891, and 56776 @ 23.9 inches)	1				
17	47434GT	HOSE ASSY,MANIFOLD/BULKHEAD.....1 (components: 39890, 39891, and 56776 @ 24.3 inches)	1				
18	47433GT	HOSE ASSY,MANIFOLD/BULKHEAD.....1 (components: 39890, 39890, and 56776 @ 23 inches)	1				
19	47435GT	HOSE ASSY,MANIFOLD/BULKHEAD.....1 (components: 39890, 39890, and 56776 @ 22.5 inches)	1				
20	47436GT	HOSE ASSY,MNFLD TO LIFT CYL.....1 (components: 39890, 39890, and 56776 @ 121 inches)	1				
21	78870GT	HOSE ASSY, MAN S2/STEER CYL,32...1 (components: 78855, 78855, and 78852 @ 37.5 inches)	1				

219.2 Hydraulic Hoses and Fittings, GS-2032 (from SN 36060 to 50764)

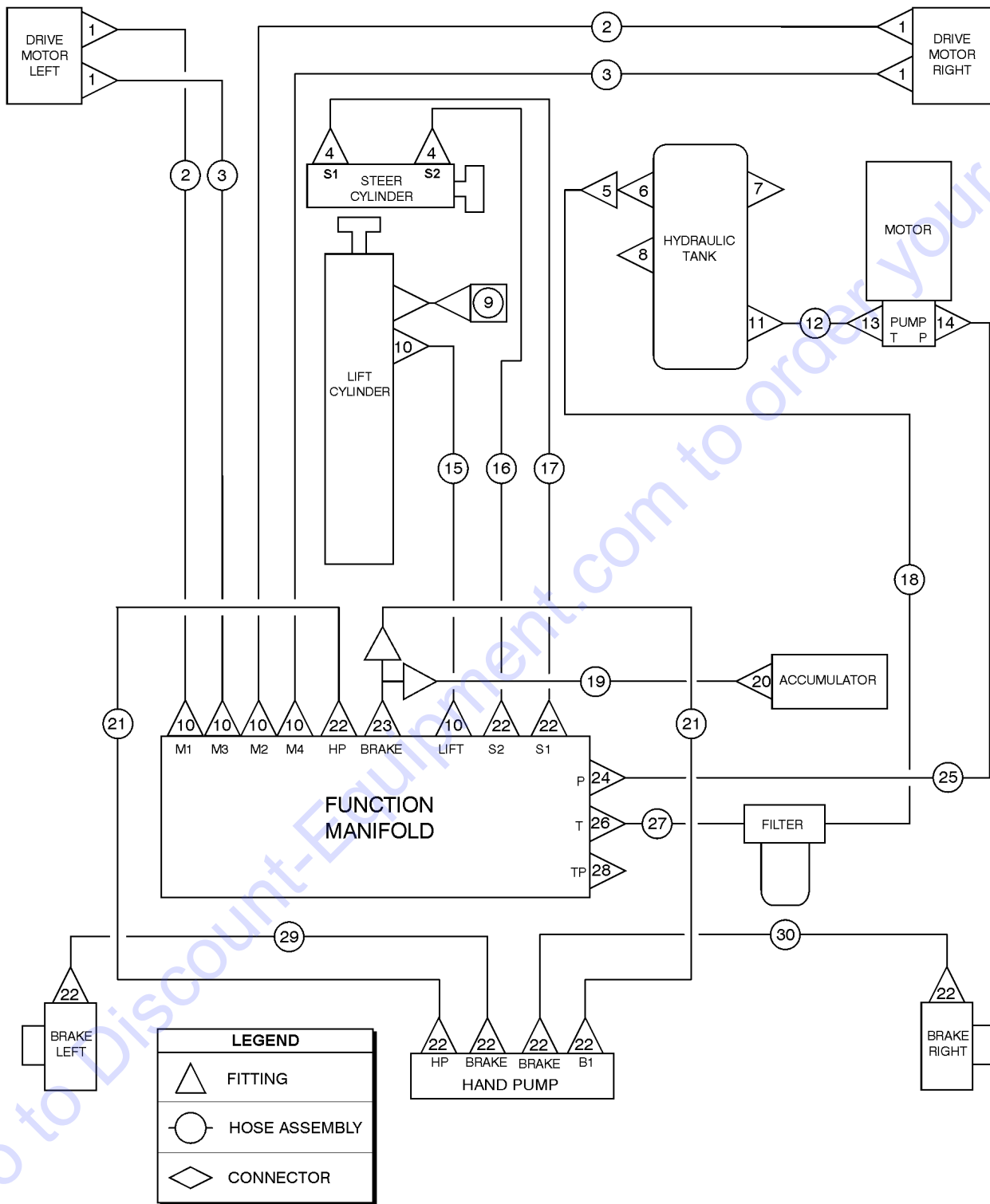




## 219.2 Hydraulic Hoses and Fittings, GS-2032 (from SN 36060 to 50764)

Item	Part No.	Description	Qty.	Item	Part No.	Description	Qty.
--		<i>The hose lengths below reflect the length of the hose only. Refer to the 'Fittings Cross Reference' to match Genie part numbers to Parker part numbers.</i>		23	78871GT	HOSE ASSY, MAN/HANDPUMP, 32.....2 (components: 78855, 78855, 78852 @ 93 inches)	2
1	39880GT	CONNECTOR,070120-6-10.....	4	24	78873GT	HOSE ASSY, HANDPUMP/L BRAKE,32.....1 (components: 78855, 78855, 78852 @ 11.15 inches)	1
2	105579GT	HOSE ASSY,DRIVE MOTORS,GS32....2 (components: 39890, 39890, 56776 @ 54 inches) (outside fitting) (54 inches)	2	25	39873GT	ELBOW,070220-6-6.....	1
3	105802GT	HOSE ASSY,DRIVE MOTORS,GS32....2 (components: 39890, 39890, 56776 @ 50 inches) (inside fitting) (50 inches)	2	26	47441GT	HOSE ASSY,PUMP TO MANIFOLD.....1 (components: 39890, 39890, 56776 @ 27 inches)	1
4	39875GT	ELBOW,070220-4-6.....	2	27	39874GT	ELBOW,070220-8-6.....	1
5		Ref. Clamp - Hose, 1/2 inch.....2 (refer to 213.1)	2	28	47440GT	HOSE ASSY,MANIFOLD/FILTER.....1 (components: 49213, 49213, 39888 @ 5.10 inches)	1
6		Ref. Fitting.....2 (refer to 213.1)	2	29		Ref. Diagnostic Nipple.....1 (refer to 217.1, 217.2 or 218.1)	1
7		Ref. Plug.....2 (refer to 213.1)	2	30	78872GT	HOSE ASSY, HANDPUMP/R BRAKE,32.....1 (components: 78855, 78855, 78852 @ 19.5 inches)	1
8		Ref. Cap.....2 (refer to 213.1)	2				
9		Ref. Adustable Pressure Switch Assembly.....2 CE Models (refer to 305.2)	2				
10	39878GT	CONNECTOR,070120-6-6.....	6				
11		Ref. Strainer Assembly.....6 (refer to 213.1)	6				
12	47431GT	HOSE ASSY,HYD.TANK/PUMP.....1 (components: 39895, 39889 @ 5.75 inches)	1				
13	55968GT	ELBOW,070220-10.....	1				
--	53503GT	O-RING-10.....	1				
14	39876GT	ELBOW,070220-6-8.....	1				
--	53502GT	O-RING-8.....	1				
15	47436GT	HOSE ASSY,MNFLD TO LIFT CYL.....1 (components: 39890, 39890, 56776 @ 121 inches)	1				
16	78870GT	HOSE ASSY, MAN S2/STEER CYL,32...1 (components: 78855, 78855, 78852 @ 37.5 inches)	1				
17	78869GT	HOSE ASSY, MAN S1/STEER CYL,32...1 (components: 78855, 78855, 78852 @ 40.5 inches)	1				
18	47442GT	HOSE ASSY,FILTER/TANK GS32&46....1 (components: 55967, 39888 @ 29 inches)	1				
19	78864GT	HOSE ASSY, MAN/ACCUM, MINI.....1 (components: 78855, 78855, 78852 @ 20 inches)	1				
20	39879GT	CONNECTOR,070120-4-8.....	1				
21	39877GT	CONNECTOR,070120-4-4.....	7				
22	39872GT	TEE,RUN,070428-4.....	2				

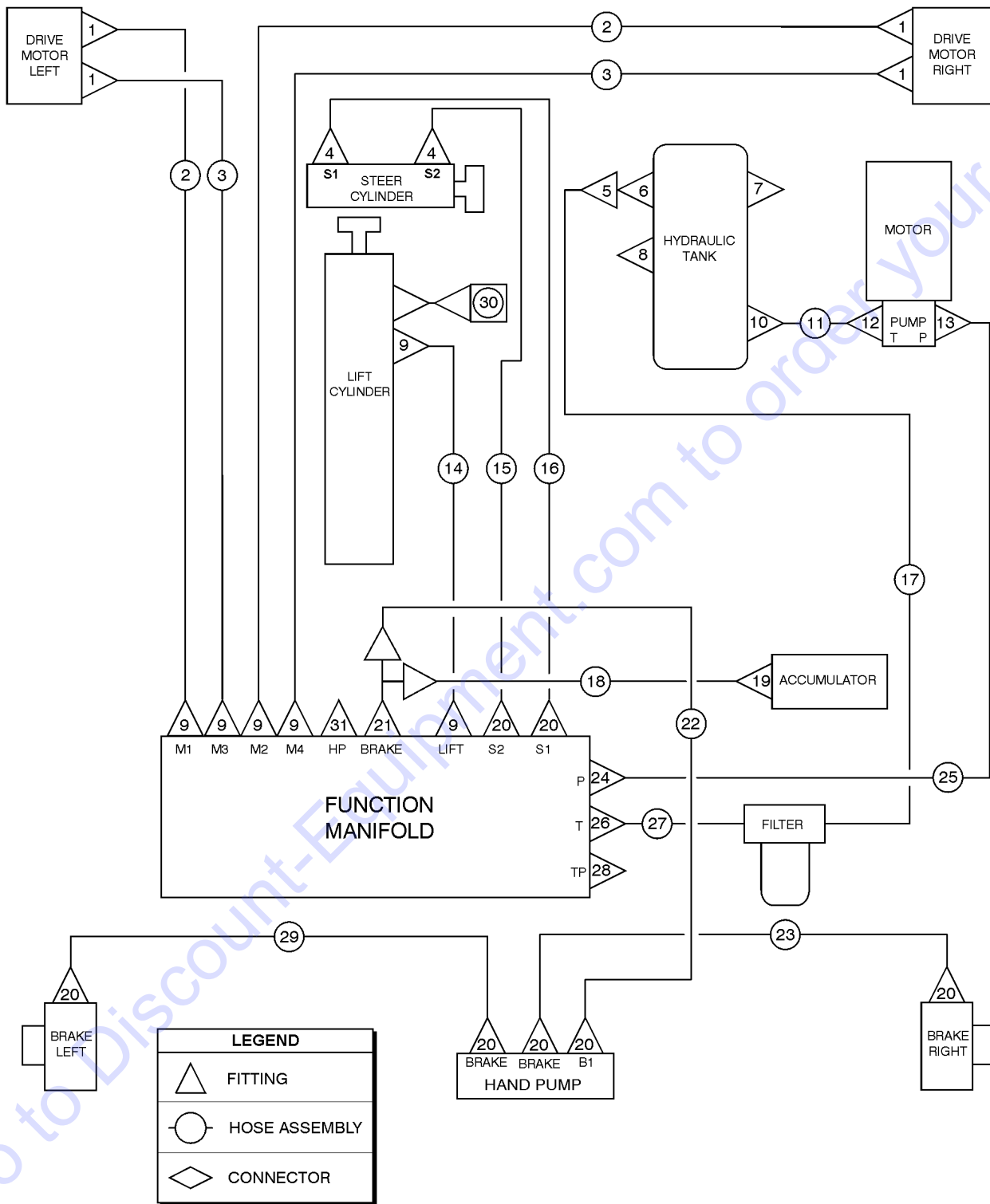
219.3 Hydraulic Hoses and Fittings, GS-2032 (from SN 50765 to 52788)



## 219.3 Hydraulic Hoses and Fittings, GS-2032 (from SN 50765 to 52788)

Item	Part No.	Description	Qty.	Item	Part No.	Description	Qty.
--		<i>The hose lengths below reflect the length of the hose only. Refer to the 'Fittings Cross Reference' to match Genie part numbers to Parker part numbers.</i>		20	39879GT	CONNECTOR,070120-4-8.....	1
1	39880GT	CONNECTOR,070120-6-10.....	4	21	78871GT	HOSE ASSY, MAN/HANDPUMP, 32..... (components: 78855, 78855, 78852 @ 93 inches)	2
2A	105579GT	HOSE ASSY,DRIVE MOTORS,GS32..... (components: 39890, 39890, 56776 @ 54 inches) (outside fitting) (straight)	2	22	39877GT	CONNECTOR,070120-4-4.....	9
2B	66830GT	HOSE ASSY, MAN/R MOTOR1, GS32..... (components: 39890, 39892, 56776 @ 53 inches) (outside fitting) (45 deg)	2	23	39872GT	TEE,RUN,070428-4.....	1
3A	105802GT	HOSE ASSY,DRIVE MOTORS,GS32..... (components: 39890, 39890, 56776 @ 50 inches) (inside fitting) (straight)	2	24	39873GT	ELBOW,070220-6-6.....	1
3B	66830GT	HOSE ASSY, MAN/R MOTOR1, GS32..... (components: 39890, 39892, 56776 @ 53 inches) (inside fitting) (45 deg)	2	25	47441GT	HOSE ASSY,PUMP TO MANIFOLD..... (components: 39890, 39890, 56776 @ 27 inches)	1
4	39875GT	ELBOW,070220-4-6.....	2	26	39874GT	ELBOW,070220-8-6.....	1
5		Ref. Clamp - Hose, 1/2 inch..... (refer to 213.1)	2	27	47440GT	HOSE ASSY,MANIFOLD/FILTER..... (components: 49213, 49213, 39888 @ 5.10 inches)	1
6		Ref. Fitting..... (refer to 213.1)	2	28		Ref. Diagnostic Nipple.....	1
7		Ref. Plug..... (refer to 213.1)	2	29	78872GT	HOSE ASSY, HANDPUMP/R BRAKE,32..... (components: 78855, 78855, 78852 @ 19.5 inches)	1
8		Ref. Cap..... (refer to 213.1)	2	30	78873GT	HOSE ASSY, HANDPUMP/L BRAKE,32..... (components: 78855, 78855, 78852 @ 11.15 inches)	1
9		Ref. Adustable Pressure Switch Assembly..... CE Models (refer to 305.2)	2				
10	39878GT	CONNECTOR,070120-6-6.....	6				
11		Ref. Strainer Assembly..... (refer to 213.1)	6				
12	47431GT	HOSE ASSY,HYD.TANK/PUMP..... (components: 39895, 39889 @ 5.75 inches)	1				
13	55968GT	ELBOW,070220-10.....	1				
--	53503GT	O-RING-10.....	1				
14	39876GT	ELBOW,070220-6-8.....	1				
--	53502GT	O-RING-8.....	1				
15	47436GT	HOSE ASSY,MNFLD TO LIFT CYL..... (components: 39890, 39890, 56776 @ 121 inches)	1				
16	78870GT	HOSE ASSY, MAN S2/STEER CYL,32... (components: 78855, 78855, 78852 @ 37.5 inches)	1				
17	78869GT	HOSE ASSY, MAN S1/STEER CYL,32... (components: 78855, 78855, 78852 @ 40.5 inches)	1				
18	47442GT	HOSE ASSY,FILTER/TANK GS32&46..... (components: 55967, 39888 @ 29 inches)	1				
19	78864GT	HOSE ASSY, MAN/ACCUM, MINI..... (components: 78855, 78855, 78852 @ 20 inches)	1				

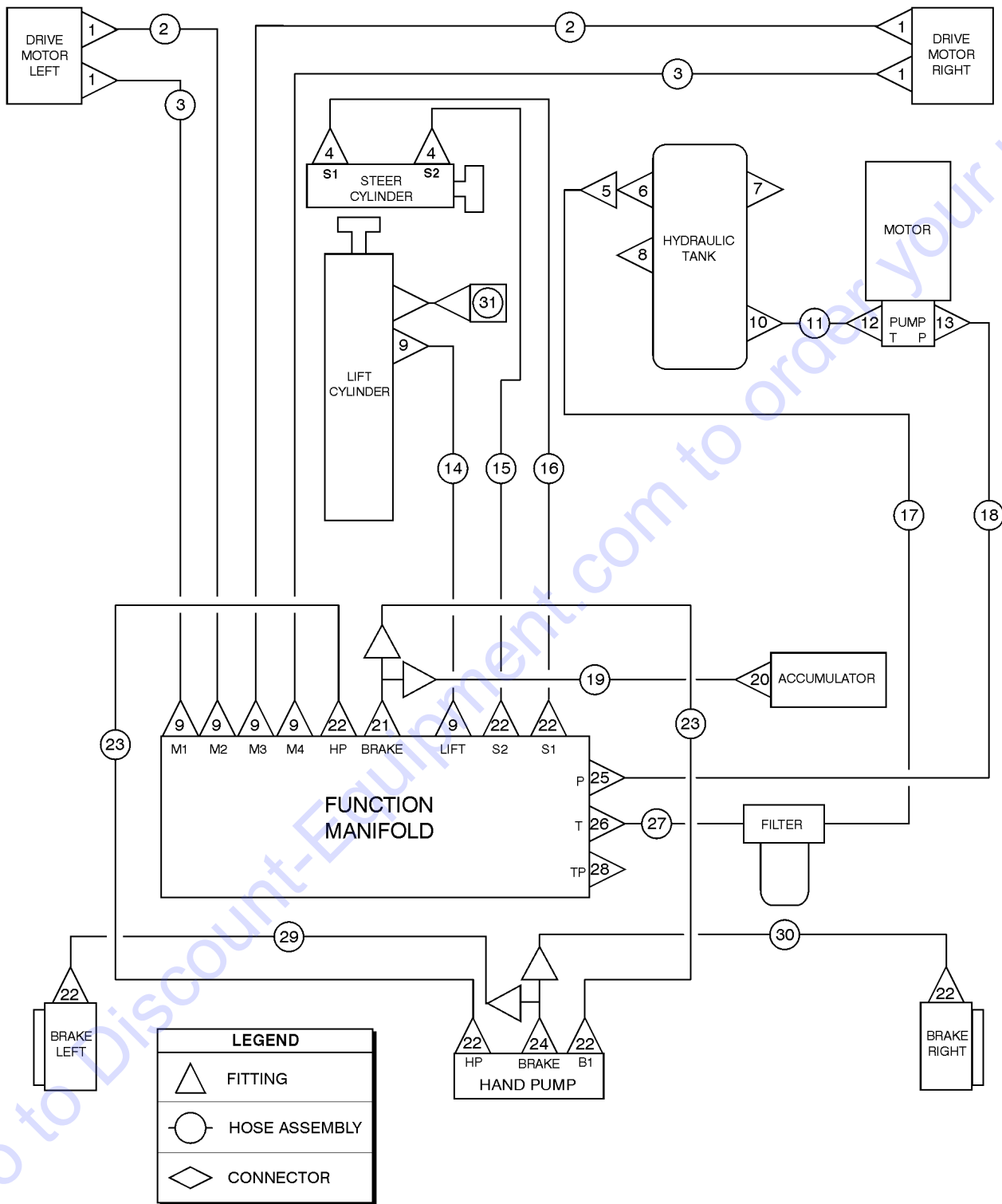
219.4 Hydraulic Hoses and Fittings, GS-2032 (from SN 52789)



## 219.4 Hydraulic Hoses and Fittings, GS-2032 (from SN 52789)

Item	Part No.	Description	Qty.	Item	Part No.	Description	Qty.
--		<i>The hose lengths below reflect the length of the hose only. Refer to the 'Fittings Cross Reference' to match Genie part numbers to Parker part numbers.</i>		23	78873GT	HOSE ASSY, HANDPUMP/L BRAKE,32.....1 (components: 78855, 78855, 78852 @ 11.15 inches)	1
1	39880GT	CONNECTOR,070120-6-10.....4	4	24	39873GT	ELBOW,070220-6-6.....1	1
2	105579GT	HOSE ASSY,DRIVE MOTORS,GS32....2 (components: 39890, 39890, 56776 @ 54 inches) (outside fitting)	2	25	47441GT	HOSE ASSY,PUMP TO MANIFOLD.....1 (components: 39890, 39890, 56776 @ 27 inches)	1
3	105802GT	HOSE ASSY,DRIVE MOTORS,GS32....2 (components: 39890, 39890, 56776 @ 50 inches) (inside fitting)	2	26	39874GT	ELBOW,070220-8-6.....1	1
4	39875GT	ELBOW,070220-4-6.....2	2	27	47440GT	HOSE ASSY,MANIFOLD/FILTER.....1 (components: 49213, 49213, 39888 @ 5.10 inches)	1
5		Ref. Clamp - Hose, 1/2 inch.....2 (refer to figure 213.1)	2	28		Ref. Diagnostic Nipple.....1 (refer to 217.1, 217.2 or 218.1)	1
6		Ref. Fitting.....2 (refer to figure 213.1)	2	29	78872GT	HOSE ASSY, HANDPUMP/R BRAKE,32.....1 (components: 78855, 78855, 78852 @ 19.5 inches)	1
7		Ref. Plug.....2 (refer to figure 213.1)	2	30		Ref. Adjustable Presssure Switch Assembly.....1 CE Models (refer to 305.2)	1
8		Ref. Cap.....2 (refer to figure 213.1)	2	31	39882GT	PLUG,HEX SOCKET,090109B-4.....1 CE Models (refer to 305.2)	1
9	39878GT	CONNECTOR,070120-6-6.....6	6				
10		Ref. Strainer Assembly.....6 (refer to figure 213.1)	6				
11	47431GT	HOSE ASSY,HYD.TANK/PUMP.....1 (components: 39895, 39889 @ 5.75 inches)	1				
12	55968GT	ELBOW,070220-10.....1	1				
--	53503GT	O-RING-10.....1	1				
13	39876GT	ELBOW,070220-6-8.....1	1				
--	53502GT	O-RING-8.....1	1				
14	47436GT	HOSE ASSY,MNFLD TO LIFT CYL.....1 (components: 39890, 39890, 56776 @ 121 inches)	1				
15	78870GT	HOSE ASSY, MAN S2/STEER CYL,32...1 (components: 78855, 78855, 78852 @ 37.5 inches)	1				
16	78869GT	HOSE ASSY, MAN S1/STEER CYL,32...1 (components: 78855, 78855, 78852 @ 40.5 inches)	1				
17	47442GT	HOSE ASSY,FILTER/TANK GS32&46....1 (components: 55967, 39888 @ 29 inches)	1				
18	78864GT	HOSE ASSY, MAN/ACCUM, MINI.....1 (components: 78855, 78855, 78852 @ 20 inches)	1				
19	39879GT	CONNECTOR,070120-4-8.....1	1				
20	39877GT	CONNECTOR,070120-4-4.....7	7				
21	39872GT	TEE,RUN,070428-4.....1	1				
22	78871GT	HOSE ASSY, MAN/HANDPUMP, 32.....1 (components: 78855, 78855, 78852 @ 93 inches)	1				

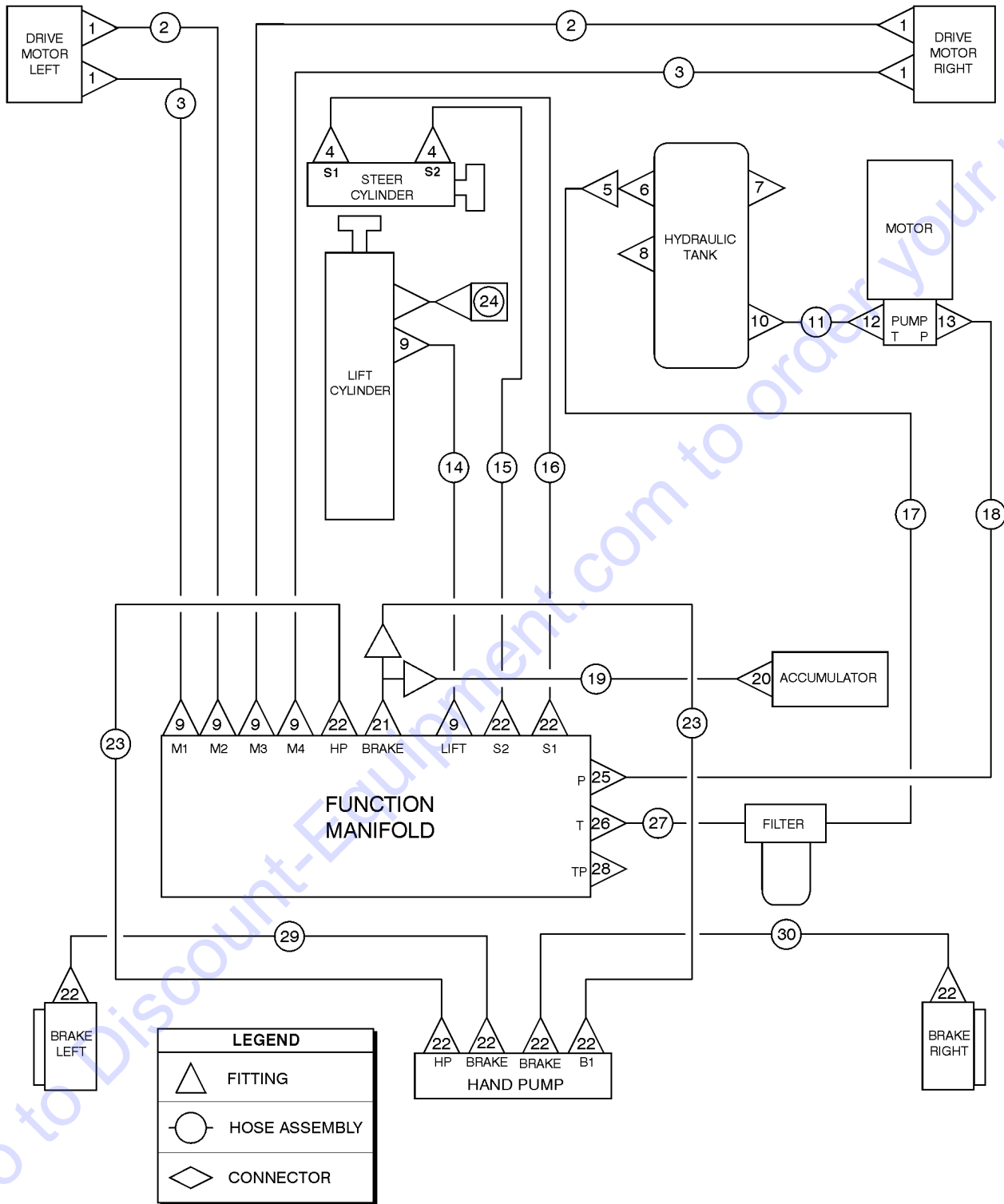
220.1 Hydraulic Hoses and Fittings, GS-2632 (to SN 50764)



## 220.1 Hydraulic Hoses and Fittings, GS-2632 (to SN 50764)

Item	Part No.	Description	Qty.	Item	Part No.	Description	Qty.
--		<i>The hose lengths below reflect the length of the hose only. Refer to the 'Fittings Cross Reference' to match Genie part numbers to Parker part numbers.</i>		21A	39872GT	TEE,RUN,070428-4.....1 (from SN 49246)	1
1	39880GT	CONNECTOR,070120-6-10.....4 (to SN 45340)	4	22	39877GT	CONNECTOR,070120-4-4.....8	8
1A	39878GT	CONNECTOR,070120-6-6.....4 (from SN 45341)	4	23	78861GT	HOSE ASSY,MAN/HANDPUMP,GS30...2 (components: 78855, 78855, 78852 @ 65 inches)	2
2	66830GT	HOSE ASSY,MAN/R MOTOR1, GS32...2 (components: 39890, 39892, 56776 @ 53 inches)	2	24	39872GT	TEE,RUN,070428-4.....2	2
3	66830GT	HOSE ASSY,MAN/R MOTOR1, GS32...2 (components: 39890, 39892, 56776 @ 53 inches)	2	25	39873GT	ELBOW,070220-6-6.....1	1
4	39875GT	ELBOW,070220-4-6.....2	2	26	39874GT	ELBOW,070220-8-6.....1	1
5	39225GT	ELBOW,90ø,5 MPT X.5BRB PLST.....2	2	27	78683GT	HOSE,ASSY,MNFLD,FILTER.....1 (components: 78684, 39894, 39888 @ 5.5 inches)	1
6	39223GT	BULKHEAD FITTING,PLASTIC X 8**.....1	1	28		Ref. Diagnostic Nipple.....1 (refer to Figure 217.1, 217.2 or 218.1)	1
7		Ref. Drain Plug.....1 (refer to Figure 214.1)	1	29	78873GT	HOSE ASSY, HANDPUMP/L BRAKE,32.....1 (components: 78855, 78855, 78852 @ 11.15 inches)	1
8		Ref. Cap.....1 (refer to Figure 214.1)	1	30	78862GT	HOSE ASSY, HANDPUMP/R BRAKE 30.....1 (components: 78855, 78855, 78852 @ 17 inches)	1
9	39878GT	CONNECTOR,070120-6-6.....4	4	31		Ref. Adjustable Presssure Switch Assembly.....1 (CE) (refer to 305.2)	1
10		Ref. Strainer.....4 (refer to Figure 214.1)	4				
11	65974GT	HOSE ASSEMBLY,TANK/PUMP,GS30...1 (components: 39895, 39889 @ 14 inches)	1				
12	55968GT	ELBOW,070220-10.....1	1				
13	39876GT	ELBOW,070220-6-8.....1	1				
14	66159GT	HOSE ASSY,MAN TO LIFT, GS30.....1 (components: 39890, 39890, 56776 @ 129 inches)	1				
15	78860GT	HOSE ASSY,MAN S1/STEER CYL,30*...1 (components: 78855, 78855, 78852 @ 34.25 inches)	1				
16	78859GT	HOSE ASSY,MAN S1/STEER CYL,30*...1 (components: 78855, 78855, 78852 @ 37.75 inches)	1				
17	51286GT	HOSE ASSY,FILTER/TANK, GS30.....1 (to SN 49599) (components: 39894, 39888 @ 15 inches)	1				
17A	78696GT	HOSE ASSY,FILTER TANK,30/2632.....1 (from SN 49600) (components: 78684, 39888 @ 30 inches)	1				
18	39497GT	HOSE ASSY,PUMP TO MANIFOLD.....1 (components: 39890, 39890, 56776 @ 11.75 inches)	1				
19	78864GT	HOSE ASSY,MAN/ACCUM, MINI.....1 (components: 78855, 78855, 78852 @ 20 inches)	1				
20	39879GT	CONNECTOR,070120-4-8.....1	1				
21	13757GT	TEE,RUN,070432-4.....1 (to SN 49245)	1				

220.2 Hydraulic Hoses and Fittings, GS-2632 (from SN 50765 to 52788)

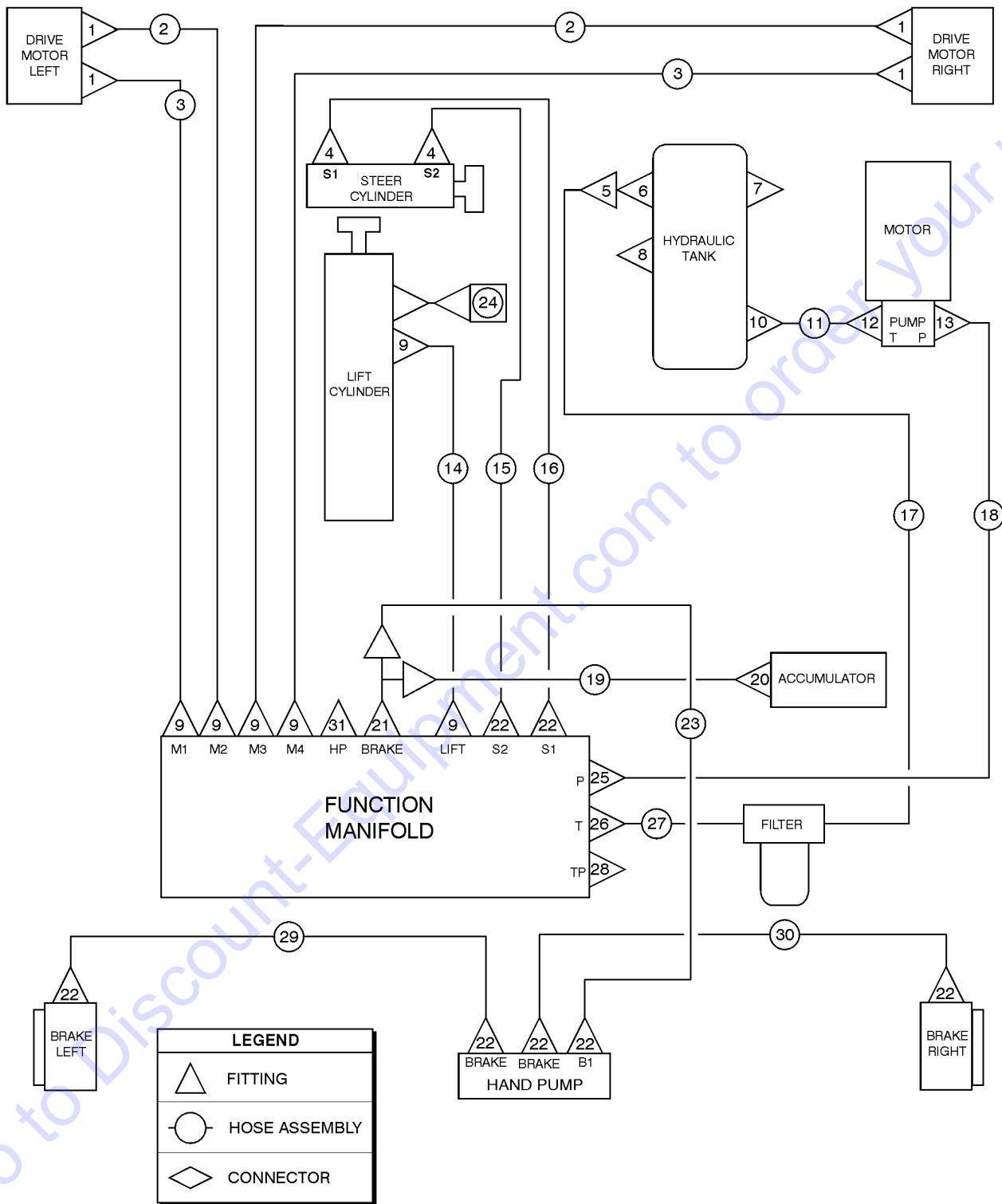




## 220.2 Hydraulic Hoses and Fittings, GS-2632 (from SN 50765 to 52788)

Item	Part No.	Description	Qty.	Item	Part No.	Description	Qty.
--		<i>The hose lengths below reflect the length of the hose only. Refer to the 'Fittings Cross Reference' to match Genie part numbers to Parker part numbers.</i>		26	39874GT	ELBOW,070220-8-6.....	1
1	39878GT	CONNECTOR,070120-6-6.....	4	27	78683GT	HOSE ASSY,MNFLD,FILTER..... (components: 39894, 78684, 39888 @ 5.5 inches)	1
2	105579GT	HOSE ASSY,DRIVE MOTORS,GS32..... (components: 39890, 39890, 56776 @ 54 inches) (outside fitting)	2	28		Ref. Diagnostic Nipple..... (refer to Figure 217.1, 217.2 or 218.1)	1
3	105802GT	HOSE ASSY,DRIVE MOTORS,GS32..... (components: 39890, 39890, 56776 @ 50 inches) (inside fitting)	2	29	78873GT	HOSE ASSY, HANDPUMP/L BRAKE,32..... (components: 78855, 78855, 78852 @ 11.15 inches)	1
4	39875GT	ELBOW,070220-4-6.....	2	30	78862GT	HOSE ASSY, HANDPUMP/R BRAKE 30..... (components: 78855, 78855, 78852 @ 17 inches)	1
5	39225GT	ELBOW,90ø,.5 MPT X.5BRB PLST.....	2				
6	39223GT	BULKHEAD FITTING,PLASTIC X 8**.....	1				
7		Ref. Drain Plug..... (refer to Figure 214.1)	1				
8		Ref. Breather..... (refer to Figure 214.1)	1				
9	39878GT	CONNECTOR,070120-6-6.....	4				
10		Ref. Strainer..... (refer to Figure 214.1)	4				
11	65974GT	HOSE ASSEMBLY,TANK/PUMP,GS30.... (components: 39895, 39889 @ 14 inches)	1				
12	55968GT	ELBOW,070220-10.....	1				
13	39876GT	ELBOW,070220-6-8.....	1				
14	66165GT	HOSE ASSY, MAN TO LIFT, GS46..... (components: 39890, 56776 @ 129 inches)	1				
15	78860GT	HOSE ASSY,MAN S1/STEER CYL,30*... (components: 78855, 78855, 78852 @ 34.25 inches)	1				
16	78859GT	HOSE ASSY,MAN S1/STEER CYL,30*... (components: 78855, 78855, 78852 @ 37.75 inches)	1				
17	78696GT	HOSE ASSY,FILTER TANK,30/2632..... (components: 78684, 39888 @ 30 inches)	1				
18	39497GT	HOSE ASSY,PUMP TO MANIFOLD..... (components: 39890, 39890, 56779 @ 11.75 inches)	1				
19	78864GT	HOSE ASSY, MAN/ACCUM, MINI..... (components: 78855, 78855, 78852 @ 20 inches)	1				
20	39879GT	CONNECTOR,070120-4-8.....	1				
21	39872GT	TEE,RUN,070428-4.....	1				
22	39877GT	CONNECTOR,070120-4-4.....	9				
23	78861GT	HOSE ASSY, MAN/HANDPUMP,GS30.... (components: 78855, 78855, 78852 @ 65 inches)	2				
24		Ref. Adjustable Presssure Switch Assembly..... CE Models; (refer to Figure 305.2)	1				
25	39873GT	ELBOW,070220-6-6.....	1				

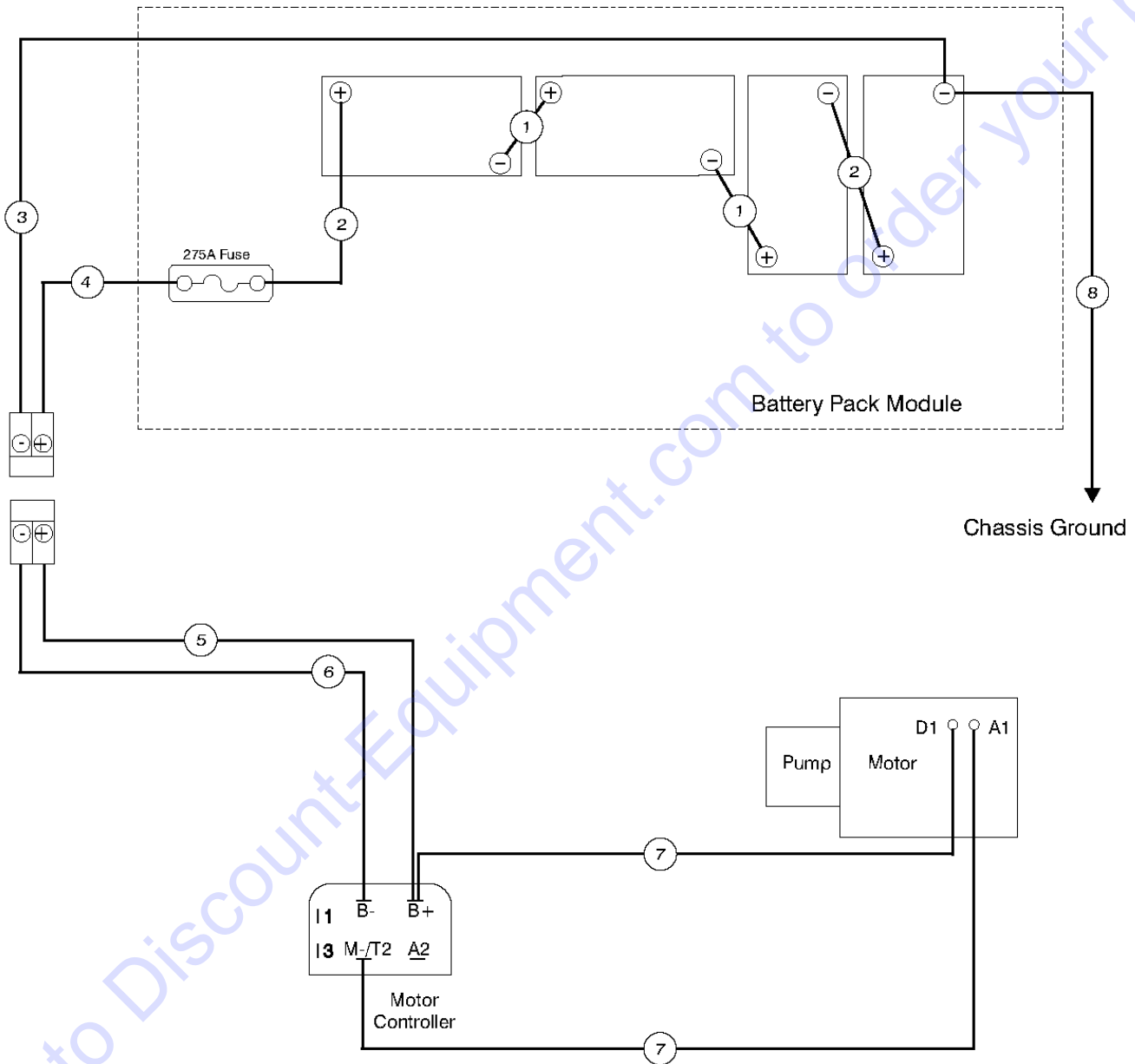
220.3 Hydraulic Hoses and Fittings, GS-2632 (from SN 52789)



## 220.3 Hydraulic Hoses and Fittings, GS-2632 (from SN 52789)

Item	Part No.	Description	Qty.	Item	Part No.	Description	Qty.
--		<i>The hose lengths below reflect the length of the hose only. Refer to the 'Fittings Cross Reference' to match Genie part numbers to Parker part numbers.</i>		26	39874GT	ELBOW,070220-8-6.....	1
1	39878GT	CONNECTOR,070120-6-6.....	4	27	78683GT	HOSE,ASSY,MNFLD,FILTER..... (components: 39894, 78684, 39888 @ 5.5 inches)	1
2	105579GT	HOSE ASSY,DRIVE MOTORS,GS32..... (components: 39890, 39890, 56776 @ 54 inches) (outside fitting)	2	28		Ref. Diagnostic Nipple..... (refer to 217.1, 217.2 or 218.1)	1
3	105802GT	HOSE ASSY,DRIVE MOTORS,GS32..... (components: 39890, 39890, 56776 @ 50 inches) (inside fitting)	2	29	78873GT	HOSE ASSY, HANDPUMP/L BRAKE,32..... (components: 78855, 78855, 78852 @ 11.15 inches)	1
4	39875GT	ELBOW,070220-4-6.....	2	30	78862GT	HOSE ASSY, HANDPUMP/R BRAKE 30..... (components: 78855, 78855, 78852 @ 17 inches)	1
5	39225GT	ELBOW,90ø,.5 MPT X.5BRB PLST.....	2	31	39882GT	PLUG,HEX SOCKET,090109B-4.....	1
6	39223GT	BULKHEAD FITTING,PLASTIC X 8**.....	1				
7		Ref. Drain Plug..... (refer to 214.1)	1				
8		Ref. Breather..... (refer to 214.1)	1				
9	39878GT	CONNECTOR,070120-6-6.....	4				
10		Ref. Strainer..... (refer to 214.1)	4				
11	65974GT	HOSE ASSEMBLY,TANK/PUMP,GS30.... (components: 39895, 39889 @ 14 inches)	1				
12	55968GT	ELBOW,070220-10.....	1				
13	39876GT	ELBOW,070220-6-8.....	1				
14	66159GT	HOSE ASSY, MAN TO LIFT, GS30..... (components: 39890, 56776 @ 129 inches)	1				
15	78860GT	HOSE ASSY,MAN S1/STEER CYL,30*... (components: 78855, 78855, 78852 @ 34.25 inches)	1				
16	78859GT	HOSE ASSY,MAN S1/STEER CYL,30*... (components: 78855, 78855, 78852 @ 37.75 inches)	1				
17	78696GT	HOSE ASSY,FILTER TANK,30/2632..... (components: 78684, 39888 @ 30 inches)	1				
18	39497GT	HOSE ASSY,PUMP TO MANIFOLD..... (components: 39890, 39890, 56779 @ 11.75 inches)	1				
19	78864GT	HOSE ASSY, MAN/ACCUM, MINI..... (components: 78855, 78855, 78852 @ 20 inches)	1				
20	39879GT	CONNECTOR,070120-4-8.....	1				
21	39872GT	TEE,RUN,070428-4.....	1				
22	39877GT	CONNECTOR,070120-4-4.....	7				
23	78861GT	HOSE ASSY, MAN/HANDPUMP,GS30.... (components: 78855, 78855, 78852 @ 65 inches)	1				
24		Ref. Adjustable Presssure Switch Assembly..... CE Models; (refer to 305.2)	1				
25	39873GT	ELBOW,070220-6-6.....	1				

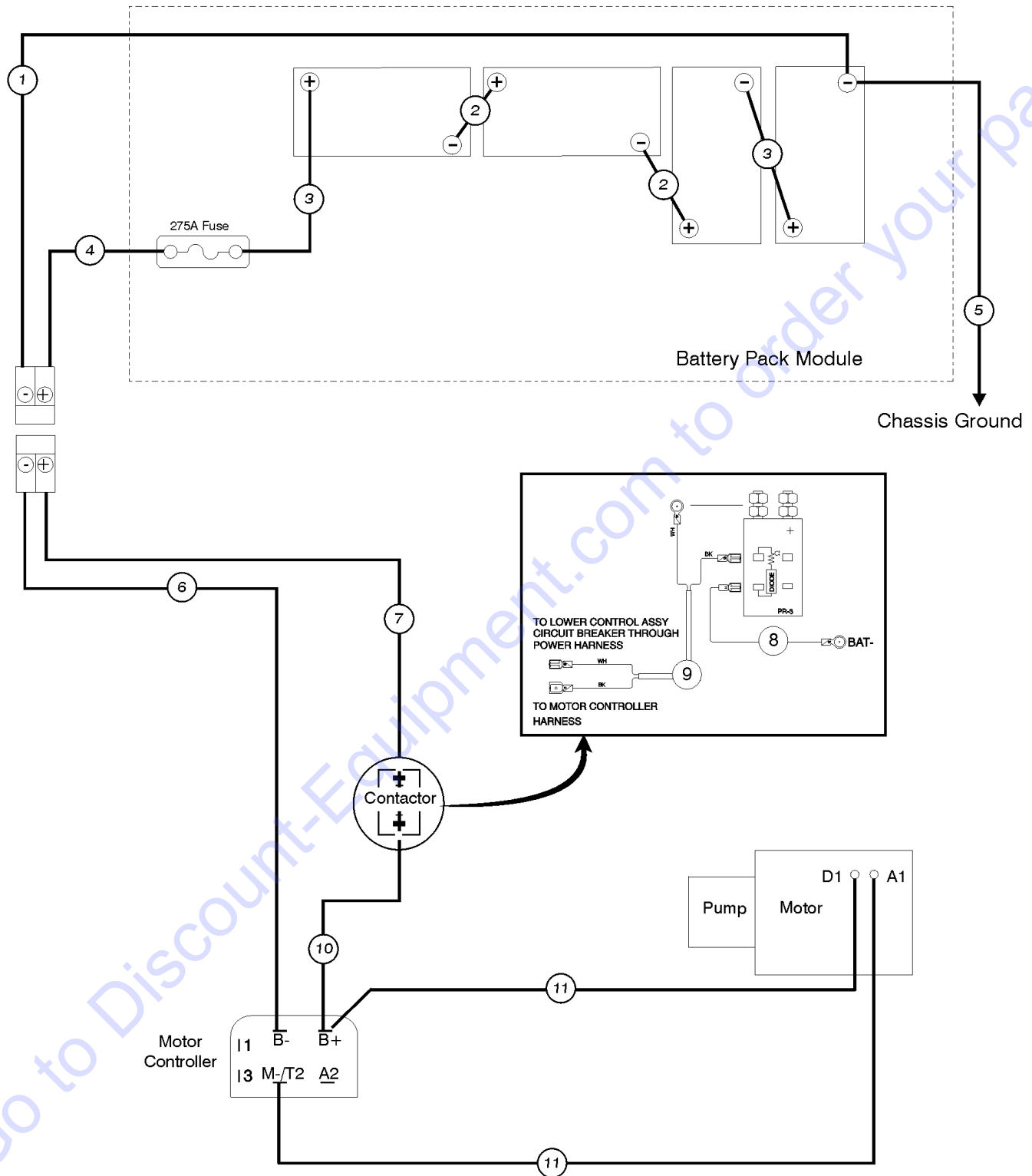
221.1 Power Cables - Drive Chassis, GS-2032 (models without contactor)



## 221.1 Power Cables - Drive Chassis, GS-2032 (models without contactor)

Item	Part No.	Description	Qty.
--	105899GT	HARNESS, GS2032 from SN 1 to 12084; chassis wire harness, GS-2032 ANSI/CE	
--	105900GT	HARNESS,GSXX32 from SN 12085 to 21064; chassis wire harness, GS-2032 ANSI/CE	
--	105901GT	HARNESS,XX32 from SN 21065 to 25110; chassis wire ahrness, GS-2032 ANSI/CE	
--	105909GT	HARNESS,GS32/46 from SN 25111 to 49011; chassis wire harness, GS-2032 ANSI/CE	
--	105910GT	HARNESS,GS32/46 from SN 49012 to 59999; chassis wire harness, GS-2032 ANSI/CE	
--	105904GT	HARNESS,GS30/2632/AUS32 from SN 21065 to 48877; chassis wire harness, GS-2032 Australia	
--	105905GT	HARNESS,GS30/2632/AUS32 from SN 48878 to 49299; chassis wire harness, GS-2032 Australia	
--	105906GT	HARNESS,GS30/2632/AUS32 from SN 49300 to 59999; chassis wire harness, GS-2032 Australia	
--	51590GT	RESISTOR, 75 OHM,DALE RS-10-38	
--	105911GT	E-DOWN HARNESS from SN 1 to 59999; e-down wire harness, GS-2032	
1	78716GT	BATTERY CABLE ASSY,RED.....2 (5.5 inches) (2 gauge)	
2	49904GT	CABLE ASSEMBLY,13" RED.....1 (2 gauge)	
3	66961GT	BATTERY CABLE ASSY 75" BLK QD....1 (2 gauge)	
--	66398GT	TERM CONTACT,#1/0 GA,SB175.....1	
4	66960GT	BATTERY CABLE ASSY 25" RED QD....1 (2 gauge)	
--	32146GT	TERMINAL,3/8 RING,#2 CABLE.....1	
--	66398GT	TERM CONTACT,#1/0 GA,SB175.....1	
5	66962GT	BATTERY CABLE ASSY 153" RED QD.....1	
--	32146GT	TERMINAL,3/8 RING,#2 CABLE.....1	
--	66398GT	TERM CONTACT,#1/0 GA,SB175.....1	
6	66963GT	BATTERY CABLE ASSY 156" BLK QD...1	
7	49906GT	CABLE ASSEMBLY,13" BLACK.....1	
8	96949GT	ASSY,CHASSIS GROUND WIRE.....1 (from SN 51557) (excludes EE models) (96 inches)	

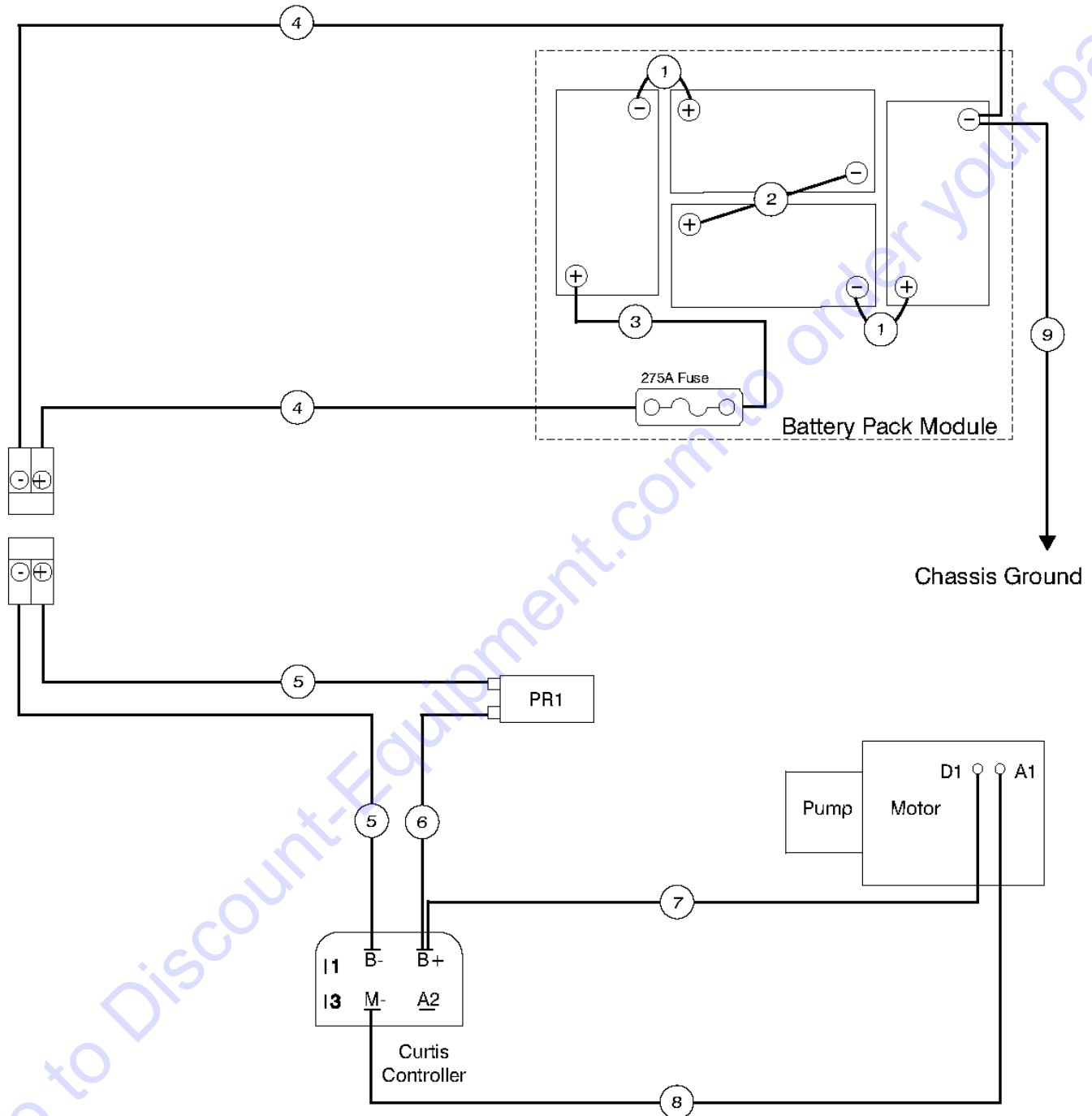
221.2 Power Cables - Drive Chassis, GS-2032 (models with contactor)



## 221.2 Power Cables - Drive Chassis, GS-2032 (models with contactor)

Item	Part No.	Description	Qty.
--	105899GT	HARNESS, GS2032 from SN 1 to 12084; chassis wire harness, GS-2032 ANSI/CE	
--	105900GT	HARNESS,GSXX32 from SN 12085 to 21064; chassis wire harness, GS-2032 ANSI/CE	
--	105901GT	HARNESS,XX32 from SN 21065 to 25110; chassis wire ahrness, GS-2032 ANSI/CE	
--	105909GT	HARNESS,GS32/46 from SN 25111 to 49011; chassis wire harness, GS-2032 ANSI/CE	
--	105910GT	HARNESS,GS32/46 from SN 49012 to 59999; chassis wire harness, GS-2032 ANSI/CE	
--	105904GT	HARNESS,GS30/2632/AUS32 from SN 21065 to 48877; chassis wire harness, GS-2032 Australia	
--	105905GT	HARNESS,GS30/2632/AUS32 from SN 48878 to 49299; chassis wire harness, GS-2032 Australia	
--	105906GT	HARNESS,GS30/2632/AUS32 from SN 49300 to 59999; chassis wire harness, GS-2032 Australia	
--	105911GT	E-DOWN HARNESS from SN 1 to 59999; e-down wire harness, GS-2032	
1	66961GT	BATTERY CABLE ASSY 75" BLK QD.....1 (2 gauge)	
--	66398GT	TERM CONTACT,#1/0 GA,SB175.....1	
2	78716GT	BATTERY CABLE ASSY,RED.....2 (5.5 inches) (2 gauge)	
3	49904GT	CABLE ASSEMBLY,13" RED.....1 (2 gauge)	
4	66960GT	BATTERY CABLE ASSY 25" RED QD....1 (2 gauge)	
--	32146GT	TERMINAL,3/8 RING,#2 CABLE.....1	
--	66398GT	TERM CONTACT,#1/0 GA,SB175.....1	
5	96949GT	ASSY,CHASSIS GROUND WIRE.....1 (from SN 51557) (excludes EE models) (96 inches)	
6	66963GT	BATTERY CABLE ASSY 156" BLK QD...1	
7	233371GT	CABLE ASSY,BATT,23"RED	
8	232582GT	GROUND WIRE ASSY,GS	
9	233431GT	HRNS,CONTACTOR SIGNL,GS30/32	
10	233368GT	CABLE ASSY, BATT,69" RED	
11	49906GT	CABLE ASSEMBLY,13" BLACK.....1	

222.1 Power Cables - Drive Chassis, GS-2632 (models without contactor)

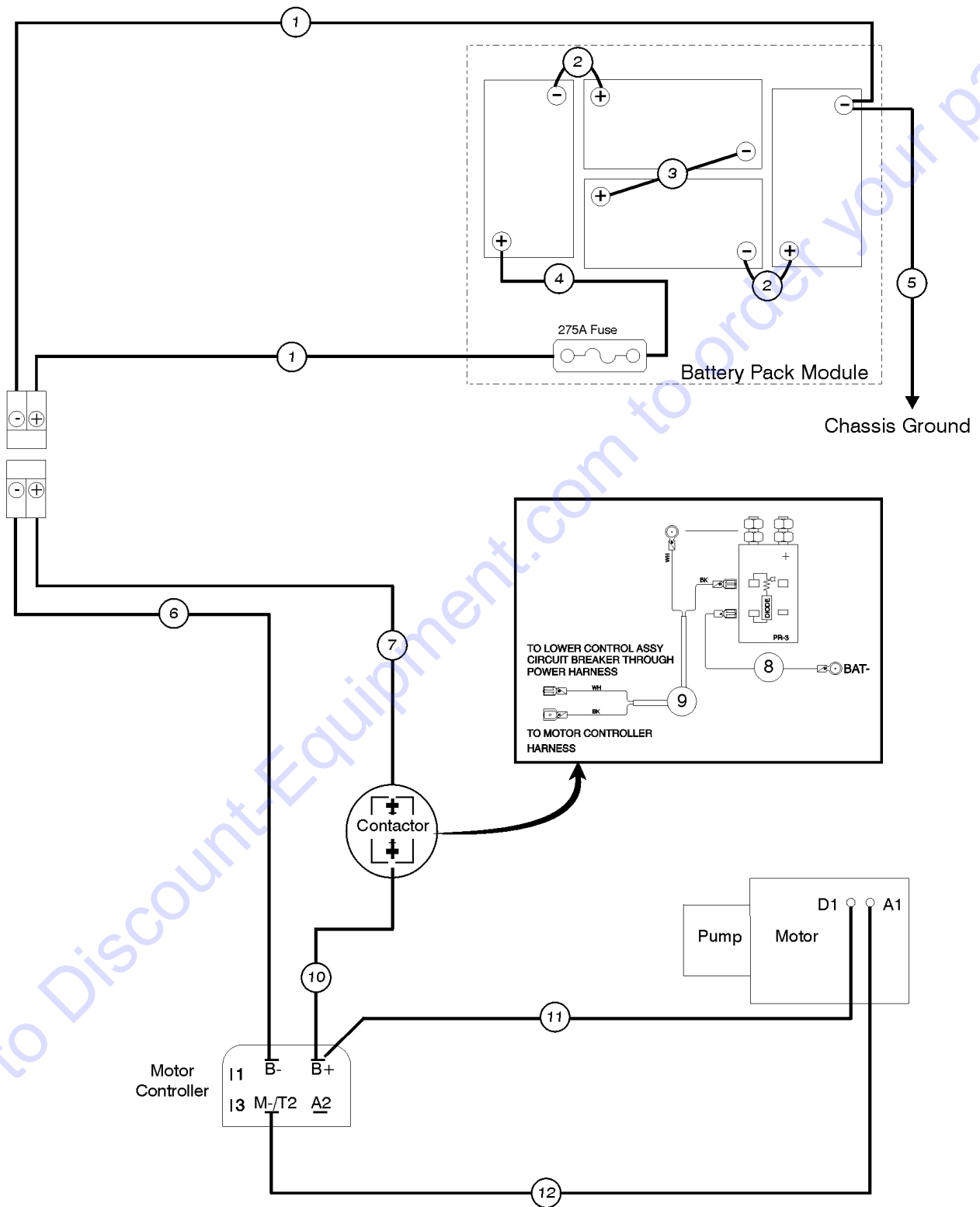




## 222.1 Power Cables - Drive Chassis, GS-2632 (models without contactor)

Item	Part No.	Description	Qty.
--	105904GT	HARNESS,GS30/2632/AUS32 from SN 21065 to 48877; chassis wire harness, GS-2632 ANSI/CE	
--	105905GT	HARNESS,GS30/2632/AUS32 from SN 48878 to 49299; chassis wire harness, GS-2632 ANSI/CE	
--	105906GT	HARNESS,GS30/2632/AUS32 from SN 49300 to 59999; chassis wire harness, GS-2632 ANSI/CE	
--	105912GT	E-DOWN HARNESS from SN 1 to 59999; e-down wire harness, GS-2632	
1	49907GT	BATTERY CABLE ASSY, 2.5"SCISS.....3 (red) (to SN 48877) (3 inches)	
1A	78716GT	BATTERY CABLE ASSY,RED.....3 (from SN 48878) (5.5 inches)	
2	49908GT	BATTERY CABLE ASSY.5.75"SCISS.....1 (red)	
3	40552GT	CABLE ASSEMBLY,13"(SCISSORS).....1 (red)	
4	49902GT	BATTERY CABLE ASSY.BAT.MOD.GS.....1	
--	32148GT	WELDING CABLE #2 BLACK.....1 (black, 58 inches)	
--	32149GT	WELDING CABLE #2 RED.....1 (red 26 inches)	
--	66398GT	TERM CONTACT,#1/0 GA,SB175.....1	
5	46263GT	BATT. CABLE ASSY-CHASSIS, GS.....1	
--	19436GT	CONNECTOR,ANDERSON SB 175,1/0G.....1	
--	32148GT	WELDING CABLE #2 BLACK.....1 (102 inches)	
--	32149GT	WELDING CABLE #2 RED.....1 (113 inches)	
--	66398GT	TERM CONTACT,#1/0 GA,SB175.....1	
6	47476GT	HARNESS,CHARGING-GS30.....1 (from SN 27544)	
--	66411GT	CONNECTOR, SB 50 AMP HOUSING....1 (from SN 27544)	
--	94340GT	WIRE,10 GA,RED,GXL*** .....108-inches (from SN 27544)	
--	94341GT	WIRE,10 GA,BLACK,GXL*** .....84-inches (from SN 27544)	
7	49906GT	CABLE ASSEMBLY,13" BLACK.....1	
8	49904GT	CABLE ASSEMBLY,13" RED.....1	
9	96949GT	ASSY,CHASSIS GROUND WIRE.....1 (from SN 51557) (96 inches) (excludes EE models)	

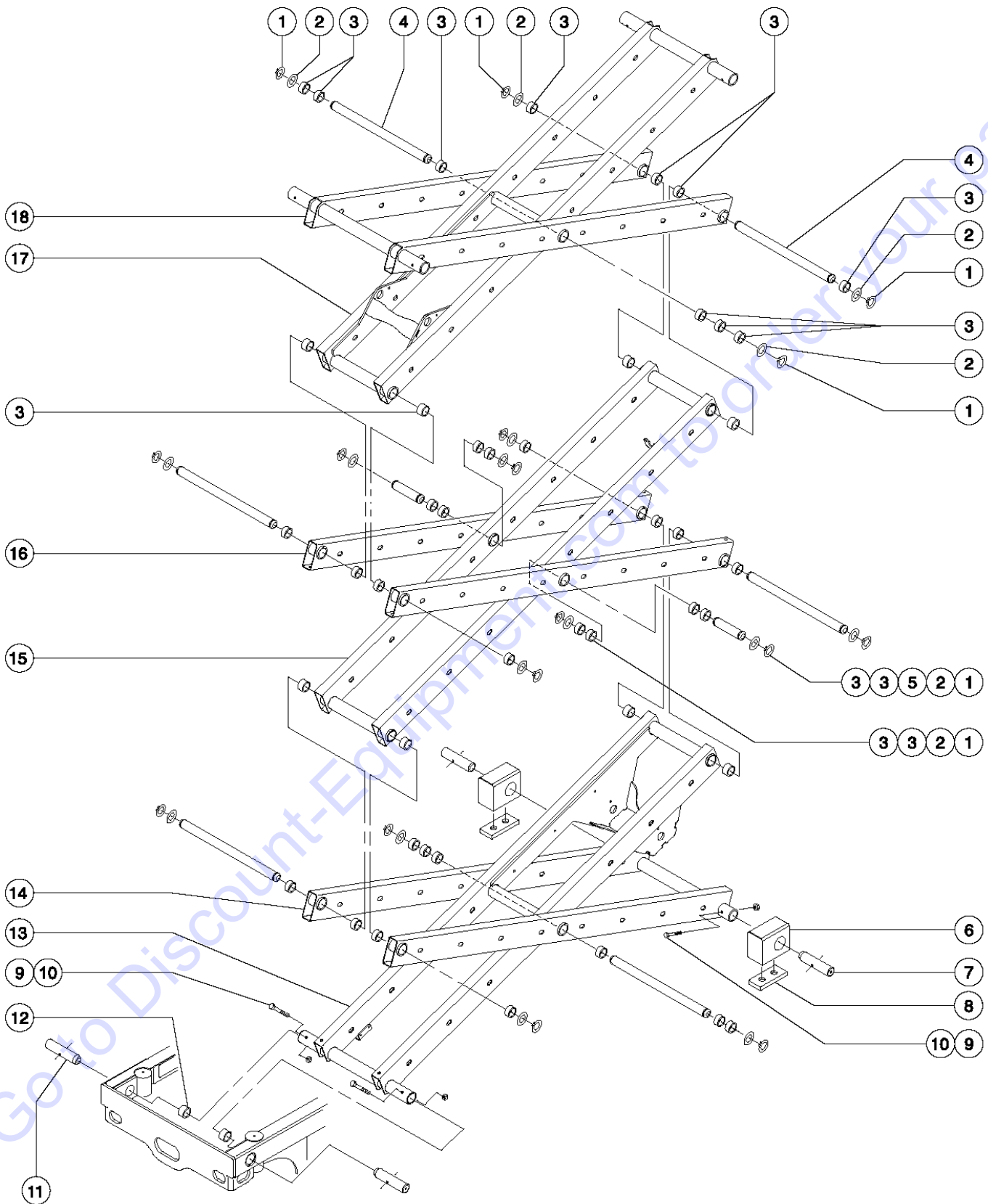
222.2 Power Cables - Drive Chassis, GS-2632 (models with contactor)



## 222.2 Power Cables - Drive Chassis, GS-2632 (models with contactor)

Item	Part No.	Description	Qty.
--	105904GT	HARNESS,GS30/2632/AUS32 from SN 21065 to 48877; chassis wire harness, GS-2632 ANSI/CE	
--	105905GT	HARNESS,GS30/2632/AUS32 from SN 48878 to 49299; chassis wire harness, GS-2632 ANSI/CE	
--	105906GT	HARNESS,GS30/2632/AUS32 from SN 49300 to 59999; chassis wire harness, GS-2632 ANSI/CE	
--	105912GT	E-DOWN HARNESS from SN 1 to 59999; e-down wire harness, GS-2632	
1	49902GT	BATTERY CABLE ASSY.BAT.MOD.GS.....1	1
--	32148GT	WELDING CABLE #2 BLACK.....1 (black, 58 inches)	1
--	32149GT	WELDING CABLE #2 RED.....1 (red 26 inches)	1
--	66398GT	TERM CONTACT,#1/0 GA,SB175.....1	1
2A	49907GT	BATTERY CABLE ASSY, 2.5"SCISS.....3 (red) (to SN 48877) (3 inches)	3
2B	78716GT	BATTERY CABLE ASSY,RED.....3 (from SN 48878) (5.5 inches)	3
3	49908GT	BATTERY CABLE ASSY.5.75"SCISS.....1 (red)	1
4	40552GT	CABLE ASSEMBLY,13"(SCISSORS).....1 (red)	1
5	96949GT	ASSY,CHASSIS GROUND WIRE.....1 (from SN 51557) (96 inches) (excludes EE models)	1
6	46263GT	BATT. CABLE ASSY-CHASSIS, GS.....1	1
--	19436GT	CONNECTOR,ANDERSON SB 175,1/0G.....1	1
--	32148GT	WELDING CABLE #2 BLACK.....1 (102 inches)	1
--	32149GT	WELDING CABLE #2 RED.....1 (113 inches)	1
--	66398GT	TERM CONTACT,#1/0 GA,SB175.....1	1
7	233371GT	CABLE ASSY,BATT,23"RED.....1	1
8	232582GT	GROUND WIRE ASSY,GS.....1	1
9	233431GT	HRNS,CONTACTOR SIGNL,GS30/32.....1	1
10	233368GT	CABLE ASSY, BATT,69" RED.....1	1
11	49906GT	CABLE ASSEMBLY,13" BLACK.....1	1
12	49904GT	CABLE ASSEMBLY,13" RED.....1	1

301.1 Scissor Assembly, GS-2032, View 1



# PARTS FINDER

**Search Website  
by Part Number**



**Search Manual  
Library For Parts  
Manual & Lookup Part  
Numbers – Purchase  
or Request Quote**

**Search Manuals**

Enter your information to help us find the right parts manual for your machine.

\* Brand:

\* Model:

\* Serial:

\* Part Number:

SEARCH

**Can't Find Part or  
Manual? Request Help  
by Manufacturer,  
Model & Description**

**Parts Order Form**

Please fill in the following information to help us find the right part for your machine.

Manufacturer:	<input type="text"/>
Model:	<input type="text"/>
Description:	<input type="text"/>
Part Number:	<input type="text"/>
Quantity:	<input type="text"/>
Notes:	<input type="text"/>

Submit

Discount-Equipment.com is your online resource for quality parts & equipment.

Florida: **561-964-4949** Outside Florida TOLL FREE: **877-690-3101**

**Need parts?**

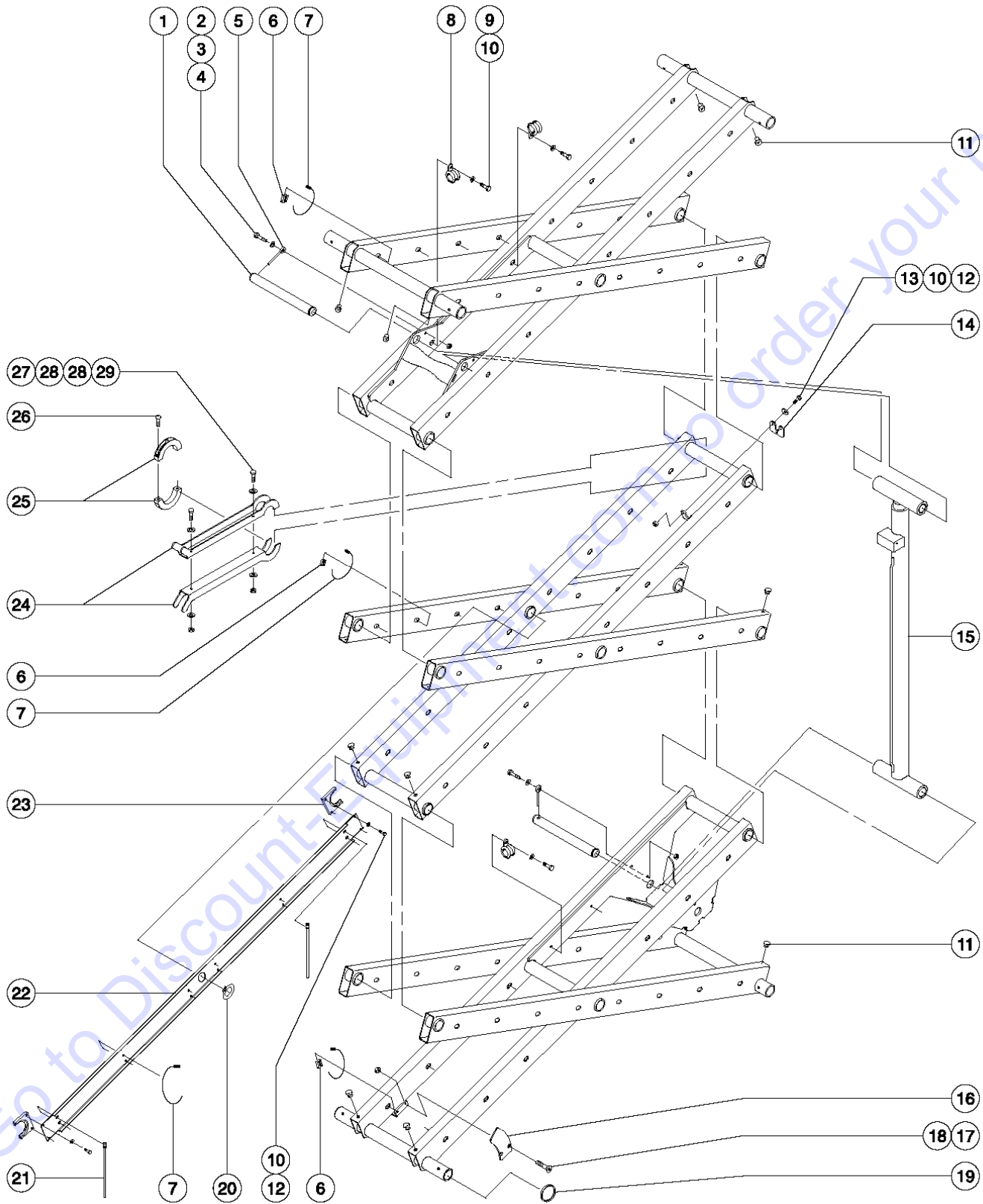
Click on this link: <http://www.discount-equipment.com/category/5443-parts/> and choose one of the options to help get the right parts and equipment you are looking for. Please have the machine model and serial number available in order to help us get you the correct parts. If you don't find the part on the website or on one of the online manuals, please fill out the request form and one of our experienced staff members will get back to you with a quote for the right part that your machine needs.

We sell worldwide for the brands: Genie, Terex, JLG, MultiQuip, Mikasa, Essick, Whiteman, Mayco, Toro Stone, Diamond Products, Generac Magnum, Airman, Haulotte, Barreto, Power Blanket, Nifty Lift, Atlas Copco, Chicago Pneumatic, Allmand, Miller Curber, Skyjack, Lull, Skytrak, Tsurumi, Husquvarna Target, Stow, Wacker, Sakai, Mi-T-M, Sullair, Basic, Dynapac, MBW, Weber, Bartell, Bennar Newman, Haulotte, Ditch Runner, Menegotti, Morrison, Contec, Buddy, Crown, Edco, Wyco, Bomag, Laymor, EZ Trench, Bil-Jax, F.S. Curtis, Gehl Pavers, Heli, Honda, ICS/PowerGrit, IHI, Partner, Imer, Clipper, MMD, Koshin, Rice, CH&E, General Equipment, Amida, Coleman, NAC, Gradall, Square Shooter, Kent, Stanley, Tamco, Toku, Hatz, Kohler, Robin, Wisconsin, Northrock, Oztec, Toker TK, Rol-Air, APT, Wylie, Ingersoll Rand / Doosan, Innovatech, Con X, Ammann, Mecalac, Makinex, Smith Surface Prep, Small Line, Wanco, Yanmar

## 301.1 Scissor Assembly, GS-2032, View 1

Item	Part No.	Description	Qty.
--	97068GT	LINK SET ASSY W/DECAL GS2032	
1	18383GT	SNAP RING,EXTERNAL,1.5 DIA***.....	16
2	1260941GT	WASHER,SHIM,1.54X2.00X.125,ZAG..	16
3	66055GT	BEARING,1.50IDX1.77ODX1.25L.....	38
4	47179GT	PIN,1.50DIAX23.00LG,2RING.....	6
5	47180GT	PIN,1.50DIAX6.42LG,2RING.....	2
6	47158GT	SLIDER BLOCK.....	2
7	39095GT	PIN,1.75DIAX7.35LG,CHAMFER.....	4
8	47599GT	WEAR PAD, SLIDER.....	2
9	6326GT	SCREW,HHC,3/8-16 X 3.....	4
10	4828GT	NUT,NYLOCK,3/8-16.....	4
11	47102GT	PIN,1.75DIA.X7.94LG, 1HOLE..... (1.75 x 7.938 inches)	2
12	51763GT	BEARING,FL,1.75IDX2.25ODX.85L..... (1.75 x 2 x 2.5 inches)	2
13	65300GT	ARM-#1 INNER W/DECALS, 2032..... (includes 4 each item 3)	1
14	46351GT	ARM-#1 OUTER W/DECALS, 2032..... (includes 8 each item 3)	1
15	48320GT	ARM-#2 INNER W/BEARINGS..... (includes 8 each item 3)	1
16	48321GT	ARM-#2 OUTER W/BEARINGS..... (includes 6 each item 3)	2
17	48322GT	ARM-#3 INNER W/BEARINGS,GS2032..... (includes 4 each item 3)	1
18	48323GT	ARM-#3 OUTER, 2032..... (includes 4 each item 3)	1

302.1 Scissor Assembly, GS-2032, View 2

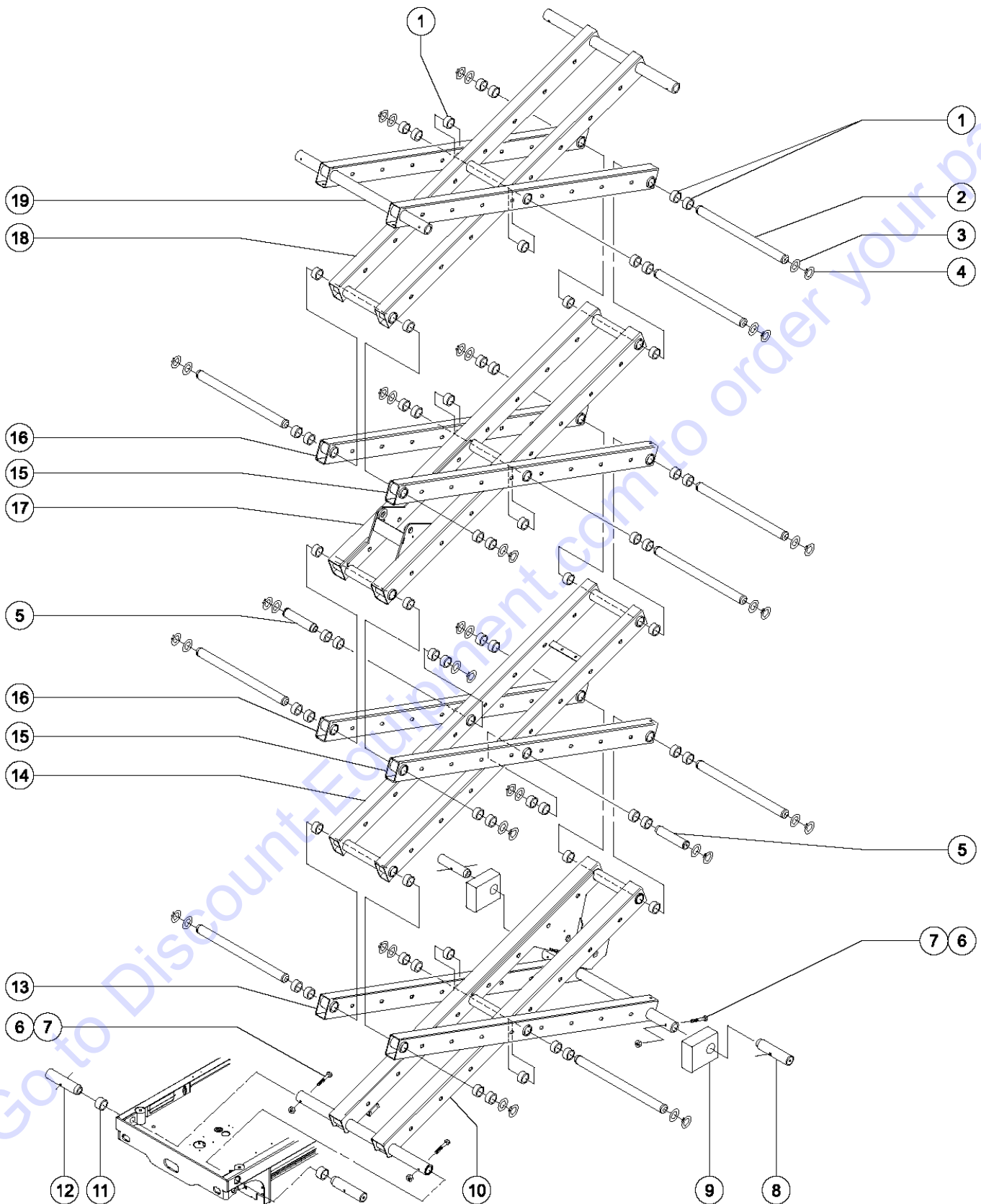


## 302.1 Scissor Assembly, GS-2032, View 2

Item	Part No.	Description	Qty.
1	47184GT	PIN,1.50DIA X 12.96LG,1HOLE.....	2
2	8516GT	SCREW, HCC, 3/8-16 X 1.50.....	2
3	5397GT	WASHER,FLAT,USS,5/16",Y.....	1
4	4828GT	NUT,NYLOCK,3/8-16.....	4
5	825019GT	ROD END,.375X3.69,ZAG.....	2
6	39560GT	CLIP,CABLE TIE MOUNT..... <i>(Quantity listed for this Item is approximate. Actual Quantity may vary to insure proper fit)</i>	13
7	28443GT	CABLE TIE,11.5" BLACK.....	14
8	45454GT	CLAMP,RUB CUSH,0.75,#12 X 3/8*.....	8
9	6090GT	SCREW,HHC,1/4-20 X .75.....	7
10	6638GT	WASHER,FLAT,USS,1/4"Y.....	10
11A	47502GT	BUMPER,1.25 INCH O.D.,SCISSORS..... <i>(to SN 42999)</i>	12
11B	71349GT	BUMPER, LINK..... <i>(from SN 43000)</i>	12
12	6888GT	SCREW,HHC,1/4-20 X 1.....	11
13	6091GT	NUT,NYLOCK,1/4-20.....	3
14	55336GT	CHOCK STOP CUSHION.....	1
15		Ref. Lift Cylinder Assembly..... <i>(refer to Figure 305.1 or 305.2)</i>	1
16	47566GT	PLATE,LIFT ARM CAM 1930,32,46.....	1
17	8514GT	SCREW,FHS,1/4-20 X .75.....	2
18	6889GT	NUT,LP NYLOCK,1/4-20.....	2
19	39127GT	WASHER,SCIS ARM,1.79X2.25X.120....	1
20	18383GT	SNAP RING,EXTERNAL,1.5 DIA***..... <i>(to SN 47673)</i>	1
21	66098GT	CABLE TIE,9" X .5.....	2
22	78686GT	FORMING,CABLE BRIDGE,MAIN***..... <i>(replaced PN 39595)</i>	1
23	47164GT	SPACER,CABLE BRIDGE..... <i>(to SN 47673)</i>	2
24	58000GT	SAFETY CHOCK,SCISSOR..... <i>(includes 2 each items 27, 28 and 29)</i>	1
25	55487GT	CROSS TUBE COLAR, GS30\32.....	1
26	11966GT	SCREW,BHHS,1/4-20 X 1.5.....	2
27	6175GT	SCREW,HHC,3/8-16 X 1.....	4
28	6097GT	WASHER,FLAT,USS,3/8",Y.....	4
29	4828GT	NUT,NYLOCK,3/8-16.....	4



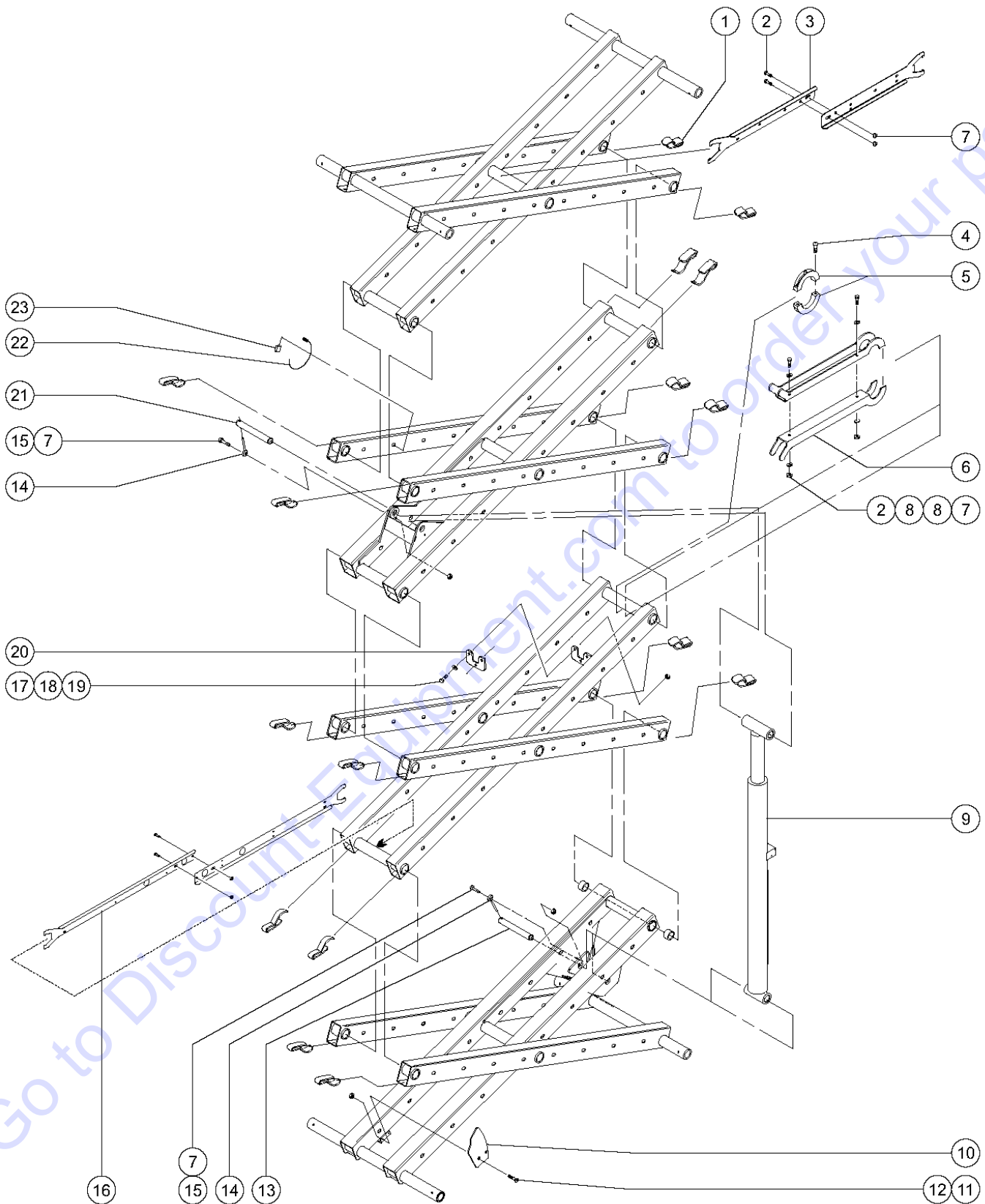
303.1 Scissor Assembly, GS-2632, View 1



## 303.1 Scissor Assembly, GS-2632, View 1

Item	Part No.	Description	Qty.
--	97069GT	LINK SET ASSY W/DECAL GS2632	
1	51144GT	BEARING,1.75IDX2.00ODX1.25L.....	62
2	47301GT	PIN,1.75DIA X 26.71LG,2RING..... <i>(26.88 x 1.75 inches)</i>	9
3	39127GT	WASHER,SCIS ARM,1.79X2.25X.120.....	22
4	18384GT	SNAP RING,EXTERNAL,1.75 DIA.....	22
5	47302GT	PIN,1.75DIA X 8.51LG,2RING.....	2
6	4828GT	NUT,NYLOCK,3/8-16.....	4
7	14033GT	SCREW,HHC,3/8-16 X 2.75.....	4
8	39095GT	PIN,1.75DIA X 7.35LG,CHAMFER.....	2
9	47510GT	SLIDER,BASE CHASSIS,46.....	2
10		INNER ARM ASSY #1 GS2632..... <i>(no longer available) (includes 4 each item 1)</i>	1
11	51763GT	BEARING,FL,1.75IDX2.25ODX.85L.....	2
12	47102GT	PIN,1.75DIA X 7.94LG, 1HOLE.....	4
13	97061GT	OUTER ARM ASSY #1 GS2632..... <i>(includes 8 each item 1)</i>	1
14		INNER ARM ASSY #2 GS2632..... <i>(no longer available) (includes 8 each item 1)</i>	1
15	97063GT	OUTER ARM ASSY #2 GS2632..... <i>(includes 6 each item 1)</i>	2
16	97064GT	OUTER ARM ASSY #3 GS2632..... <i>(includes 6 each item 1)</i>	2
17		INNER ARM ASSY #3 GS2632..... <i>(no longer available) (includes 6 each item 1)</i>	1
18	97066GT	INNER ARM ASSY #4 GS2632..... <i>(includes 4 each item 1)</i>	1
19	97067GT	OUTER ARM ASSY #4 GS2632..... <i>(includes 8 each item 1)</i>	1

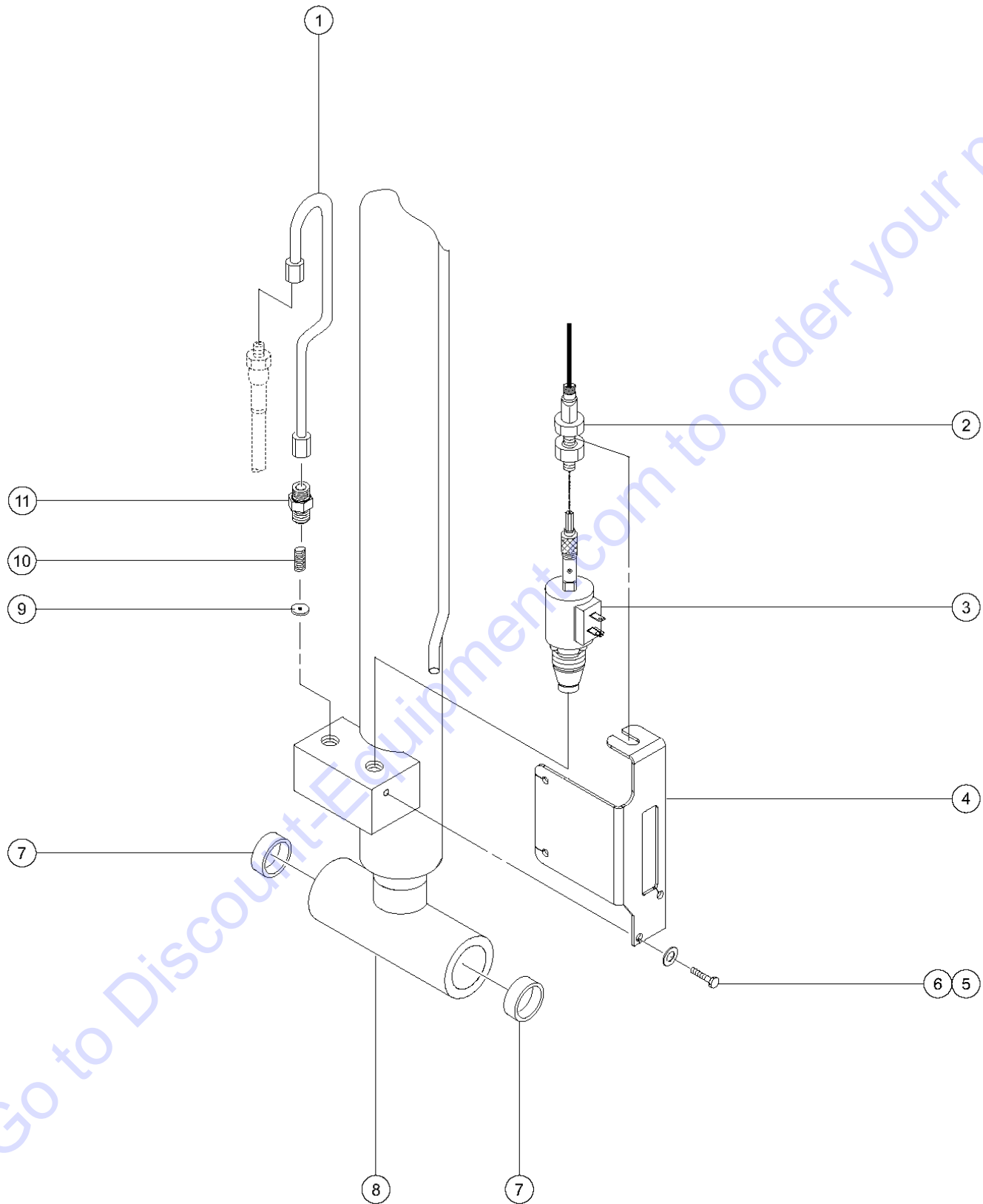
304.1 Scissor Assembly, GS-2632, View 2



## 304.1 Scissor Assembly, GS-2632, View 2

Item	Part No.	Description	Qty.
1A	47502GT	BUMPER,1.25 INCH O.D.,SCISSORS.....16 <i>(to SN 42999)</i>	16
1B	71349GT	BUMPER, LINK.....16 <i>(from SN 43000)</i>	16
2	6175GT	SCREW,HHC,3/8-16 X 1.....4	4
3	78687GT	FORMING, CABLE BRIDGE, UPPER.....1	1
4	11966GT	SCREW,BHHS,1/4-20 X 1.5.....1	1
5	55488GT	CROSS TUBE COLAR, GS46\68.....2 <i>(includes nutserts)</i>	2
6	58000GT	SAFETY CHOCK,SCISSOR.....1 <i>(includes 2 each items 2 and 8)</i>	1
7	4828GT	NUT,NYLOCK,3/8-16.....4	4
8	6097GT	WASHER,FLAT,USS,3/8",Y.....4	4
9		Ref. Lift Cylinder Assembly.....4 <i>(refer to Figure 305.2)</i>	4
10	51596GT	PLATE,LIFT ARM CAM,GS-3246.....1	1
11	8914GT	SCREW,HHC,1/4-20 X .625.....2	2
12	6889GT	NUT,LP NYLOCK,1/4-20.....18	18
13	47458GT	PIN,1.50DIAX8.45LG,1HOLE.....1	1
14	825019GT	ROD END,.375X3.69,ZAG.....2	2
15	8516GT	SCREW, HCC, 3/8-16 X 1.50.....2	2
16	78686GT	FORMING,CABLE BRIDGE,MAIN***.....1 <i>(replaced PN 39595)</i>	1
17	6091GT	NUT,NYLOCK,1/4-20.....3	3
18	6638GT	WASHER,FLAT,USS,1/4"Y.....19	19
19	6888GT	SCREW,HHC,1/4-20 X 1.....19	19
20	55336GT	CHOCK STOP CUSHION.....1	1
21	47955GT	PIN,1.50DIAX10.45LG,1HOLE.....1	1
22	66098GT	CABLE TIE,9" X .5.....4	4
23	39560GT	CLIP,CABLE TIE MOUNT.....26 <i>(Quantity listed for this item is approximate. Actual quantity may vary to ensure proper fit)</i>	26

305.1 Lift Cylinder Assembly (to SN 23567)

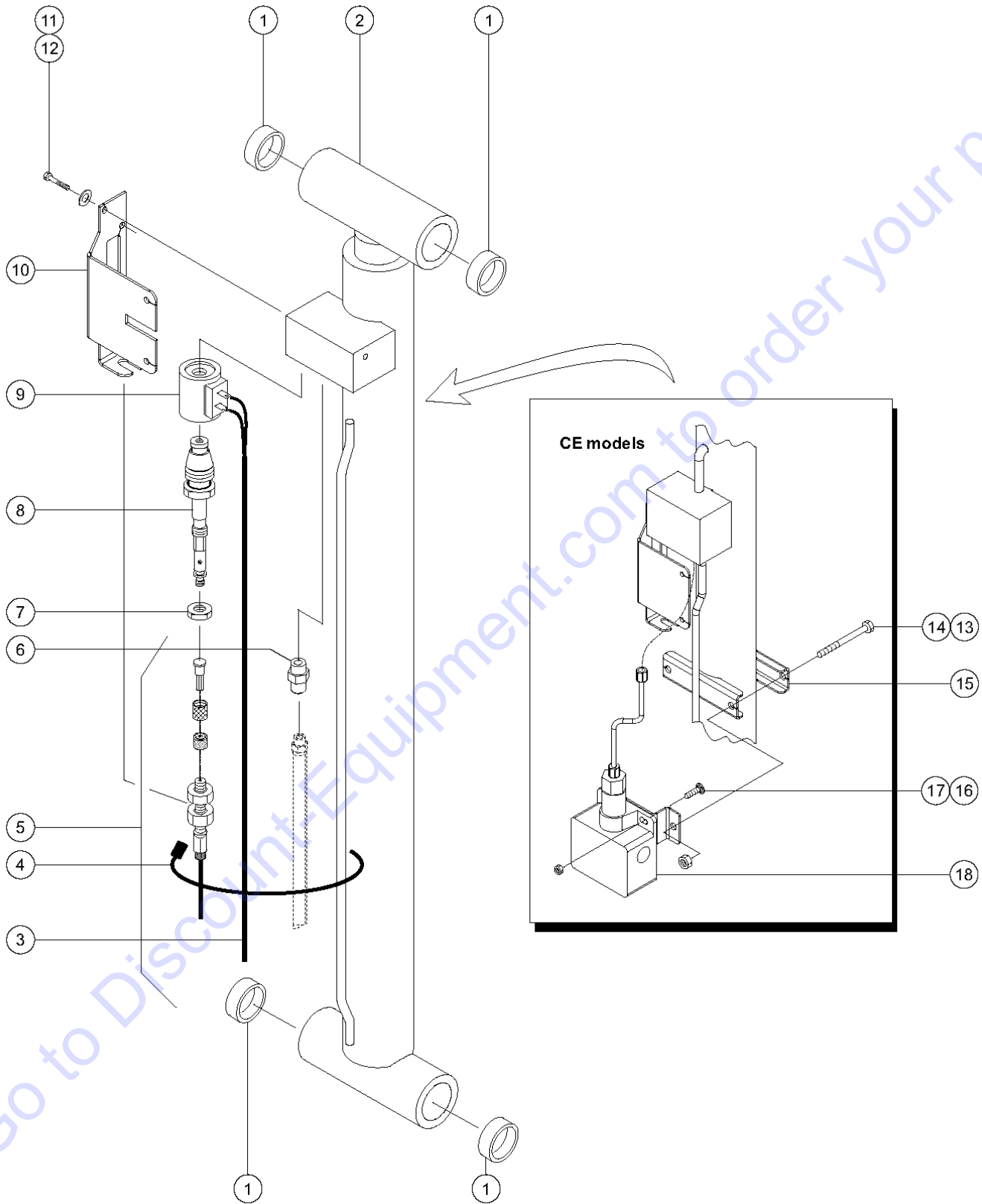


Go to Discount-Equipment.com to order your parts

## 305.1 Lift Cylinder Assembly (to SN 23567)

Item	Part No.	Description	Qty.
1	47012GT	FLARE TUBE ASSY,LIFT CYLINDER.....1	
2		Ref. Cable - Manual Platform Lowering...1 (refer to Figure 202.1 or 202.2)	
3	66465GT	VALVE,W/20V NC SOLENOID,MANUAL.....1	
--	44973GT	NUT,COIL (39909).....1	
--	44979GT	SEAL KIT,39909,PLAT LWR VALVE*.....1	
--	84422GT	COIL-SOLENOID VALVE,20V DC***.....1	
4	41557-SGT	CABLE BRACKET,PAINTED.....1	
5	12011GT	SCREW,BHHS,1/4-20 X .5,Y/ZINC.....2	
6	6356GT	WASHER,LOCK,.25.....2	
7	45071GT	BEARING,1.5IDX1.75ODX1.5L.....4	
8	58126GT	CYLINDER UPDATE GS-2032***.....1 <i>Complete</i>	
--	55716GT	CYLINDER,LIFT,2032.....1 <i>includes bearings and orifice</i>	
--	72038GT	SEAL KIT,LIFT CYL,(67731)***.....1 <i>Texas Hydraulic</i>	
--	78911GT	SEAL KIT,55716 DY LIFTCYL.....1 <i>Dong Yang</i>	
9	55559GT	ORIFICE,LONG, .046.....1 (1.16 mm) (no spring required)	
11	39878GT	CONNECTOR,070120-6-6.....1	

305.2 Lift Cylinder Assembly (from SN 23568)

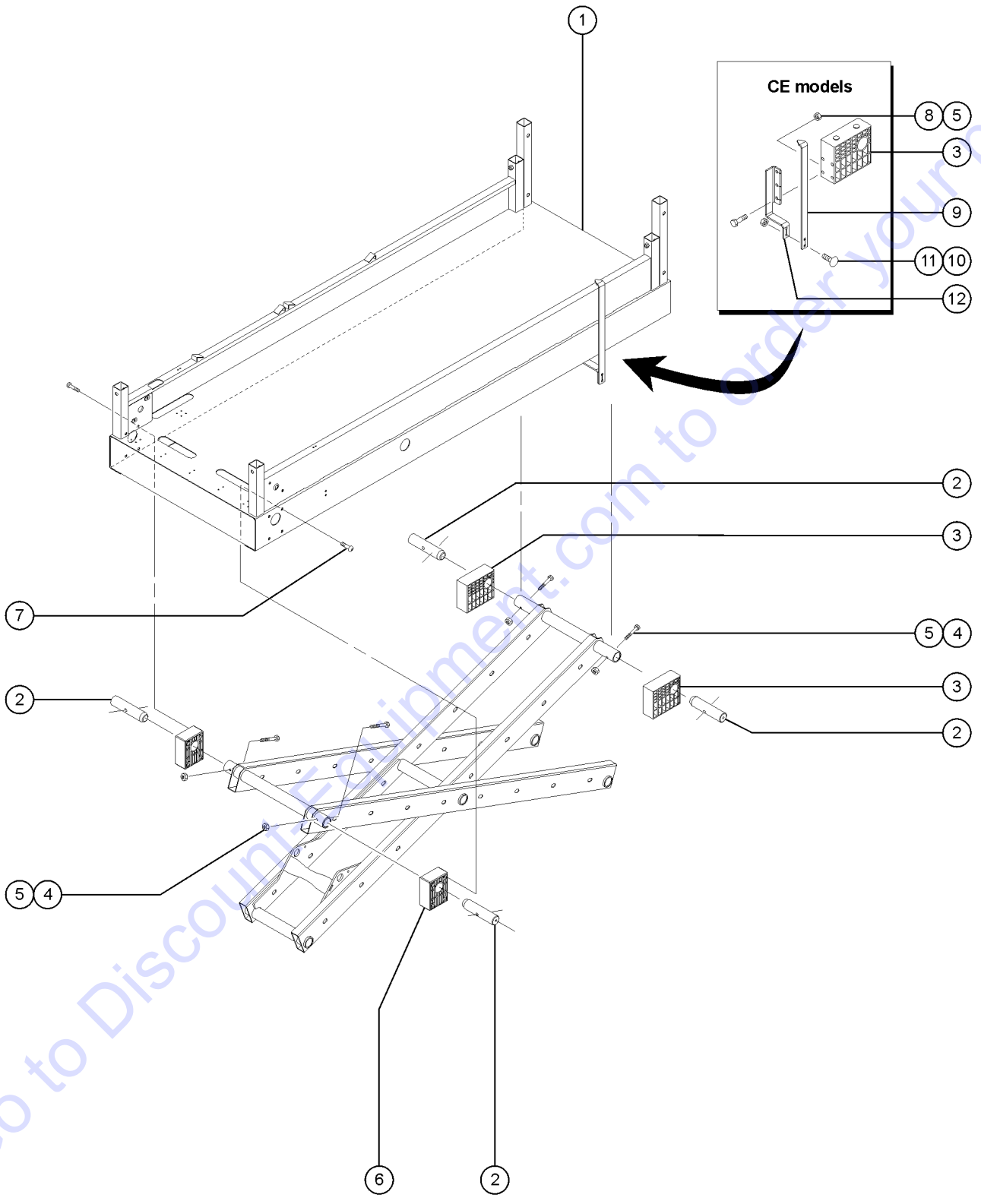


## 305.2 Lift Cylinder Assembly (from SN 23568)

Item	Part No.	Description	Qty.
1	45071GT	BEARING,1.5IDX1.75ODX1.5L.....	4
2	55716GT	CYLINDER,LIFT,2032..... (includes bearings and orifice)	1
--	55559GT	ORIFICE,LONG, .046.....	1
--	72038GT	SEAL KIT,LIFT CYL,(67731)***..... (Texas Hydraulic)	1
--	78911GT	SEAL KIT,55716 DY LIFTCYL..... (Dong Yang)	1
2A	55717GT	CYLINDER, GS2632/46/68***..... (includes bearings and orifice)	1
--	55560GT	ORIFICE,LONG, .059".....	1
--	66470GT	SEAL KIT (55717) TEXAS HYD VER.... (Texas Hydraulic)	1
--	78912GT	SEAL KIT, 55717 DY LIFTCYL..... (Dong Yang)	1
3		Ref. Wire Harness..... (consult Discount-equipment)	1
4	28443GT	CABLE TIE,11.5" BLACK.....	3
5		Ref. Cable - Manual Lowering..... (refer to Figure 202.2)	3
6	39878GT	CONNECTOR,070120-6-6.....	1
7	44973GT	NUT,COIL (39909)..... (includes items 7 and 9)	1
8	66465GT	VALVE,W/20V NC SOLENOID,MANUAL.....	1
--	44979GT	SEAL KIT,39909,PLAT LWR VALVE*.....	1
9	84422GT	COIL-SOLENOID VALVE,20V DC***..... (direct replacement for 44787 and 66467)	1
10	41557-SGT	CABLE BRACKET,PAINTED.....	1
11	12011GT	SCREW,BHHS,1/4-20 X .5,Y/ZINC.....	2
12	6356GT	WASHER,LOCK,.25.....	2
13	6019GT	SCREW,HHC,3/8-16 X 1.25 GRD 5..... (CE)	2
14	4828GT	NUT,NYLOCK,3/8-16..... (CE)	2
15	96962GT	FORMING,PRES.SWITCH MOUNT,2032..... (CE)	2
16	6878GT	BOLT,CARRIAGE,1/4-20 X .75,G2..... (CE)	2
17	6091GT	NUT,NYLOCK,1/4-20..... (CE)	2
18	104571GT	HARNES,PRESS.SWITCH..... (CE)	1
--	39877GT	CONNECTOR,070120-4-4.....	2
--	96957GT	TUBE ASSY,PRESS SWITCH.....	1

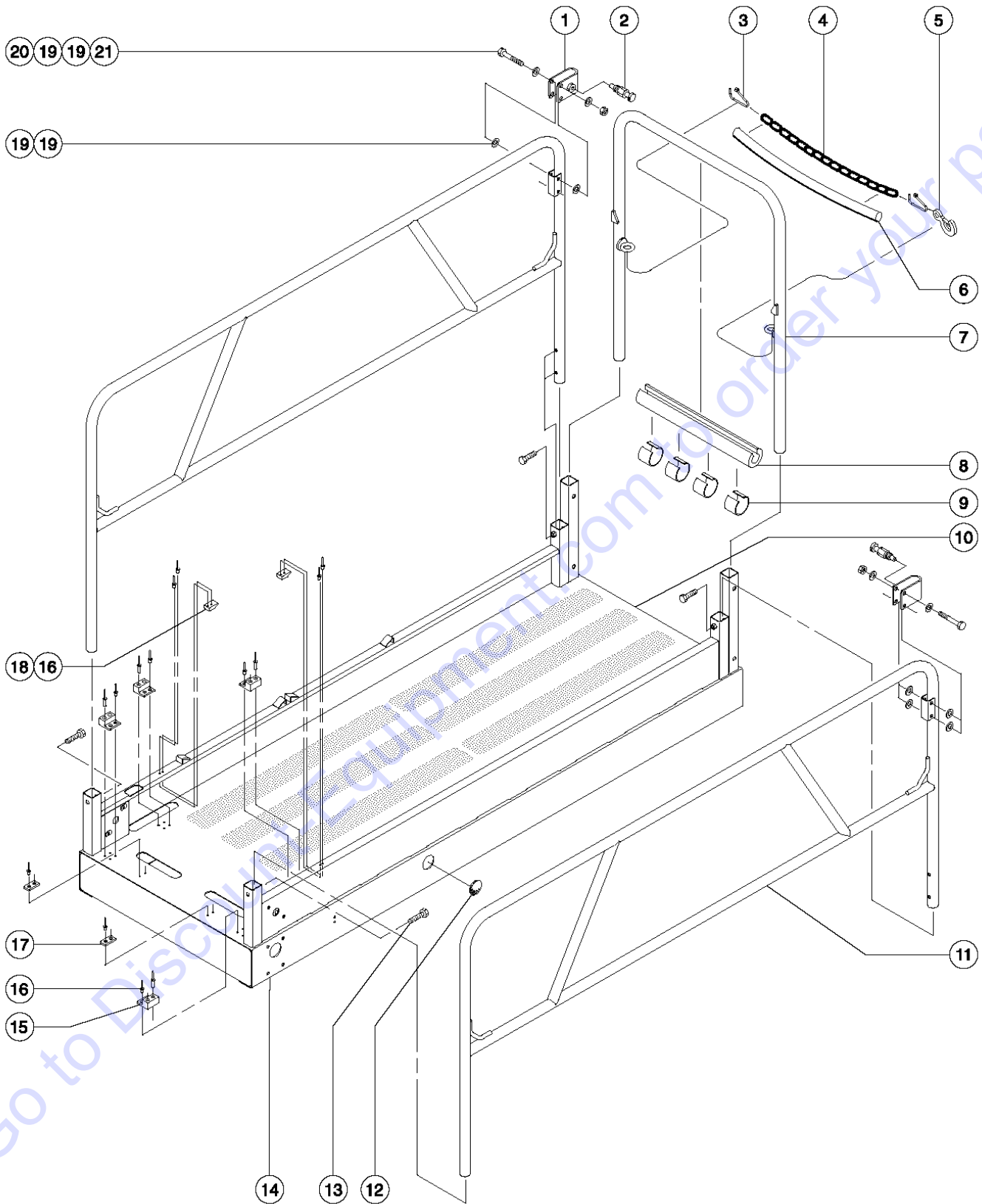


401.1 Platform Installation



Item	Part No.	Description	Qty.
1		Ref. Platform Assembly (refer to 402.1, 403.1, 404.1, 405.1, 406.1 or 407.1)	
2	39095GT	PIN,1.75DIA X 7.35LG,CHAMFER.....	4
3	131426GT	SLIDER BLOCK,PLATFORM..... (ANSI, CSA , Australia)	2
3A	96641GT	SLIDER,PLATFORM,LS RETRO..... (CE)	1
4	14033GT	SCREW,HHC,3/8-16 X 2.75.....	4
5	4828GT	NUT,NYLOCK,3/8-16..... (ANSI, CSA , Australia)	4
5A	4828GT	NUT,NYLOCK,3/8-16..... (CE)	6
6	47160GT	BLOCK, PLATFORM ANCHOR.....	2
7	26810GT	SCREW,BHHS,3/8-16 X 2.75.....	8
8	6019GT	SCREW,HHC,3/8-16 X 1.25 GRD 5..... (CE)	2
9	96975GT	FORMING, POINTER..... (CE)	1
10	6091GT	NUT,NYLOCK,1/4-20..... (CE)	2
11	6878GT	BOLT,CARRIAGE,1/4-20 X .75,G2..... (CE)	2
12	96974GT	FORMING, POINTER BRACKET..... (CE)	1

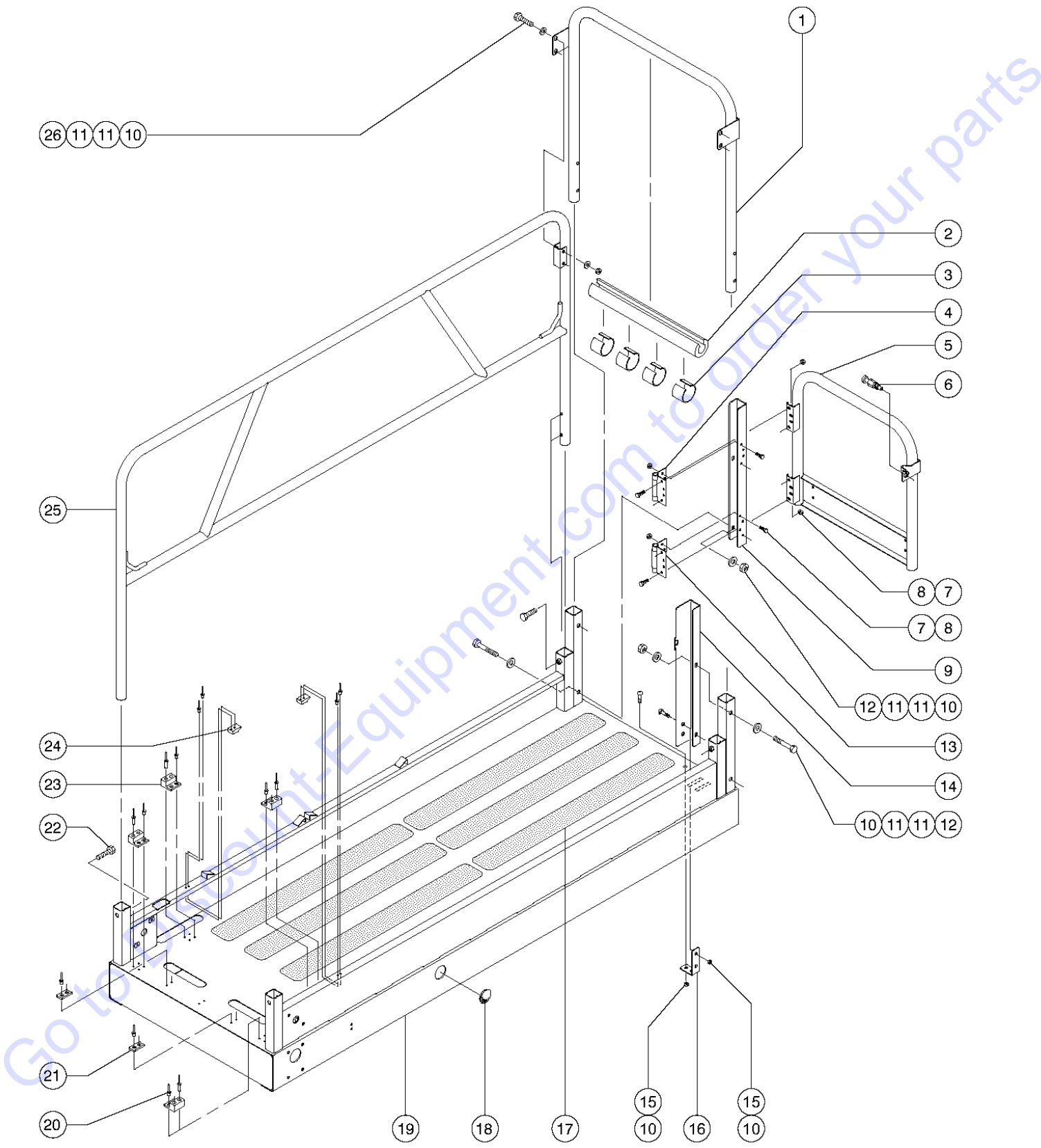
402.1 Main Platform and Railings with Entry Chain, Round Tube, GS-2032



## 402.1 Main Platform and Railings with Entry Chain, Round Tube, GS-2032

Item	Part No.	Description	Qty.
1	39341GT	PLATFORM RAIL SNAP PIN BRCKT.....	2
2	47138GT	PIN,SNAP,ENTRY RAIL.....	2
3	96163GT	LINK,(SPLIT) OPEN-END.....	2
4	39645GT	CHAIN,3/16,OPEN LINK 23.5".....	1
5	39510GT	RIGID EYE SNAP.....	1
6	47224GT	TUBING,PVC,1",BLACK***.....	16-inches
7	39412GT	PLATFORM GATE WDLMENT GS2032.....	1
8	47188GT	FOAM,CLOSED CELL 1.75X.250X18"....	1
9	33550GT	TAPE,WARNING,BLK/YEL, 50***..... (1 roll)	1
10	47374GT	TAPE,NON-SKID,DIE CUT,4"X 32".....	6
11	65174GT	SIDE RAIL-PLTFRM, W/DECALS***.....	2
12	45840GT	PLUG,NYLON 2.00 BLACK DOMED.....	2
13	6019GT	SCREW,HHC,3/8-16 X 1.25 GRD 5.....	4
14	46330GT	PLAT ASSY W/DECALS 2032 ANSI..... (includes items 9, 11 and 15-18)	1
14A	46331GT	PLAT ASSY W/DECALS 2032 CE..... (includes items 9, 11 and 15-18)	1
15	39310GT	WEAR/GUIDE PAD MAIN PLATFORM....	4
16	T113787GT	RIVET,ALUM,STL,.188 X .250.....	20
17	39474GT	WEAR PAD,PLATFORM..... (2 x 1 x 0.25 inch)	2
18	39317GT	STOP PLATFORM ROLLER.....	2
19	6097GT	WASHER,FLAT,USS,3/8",Y.....	8
20	6708GT	SCREW,HHC,3/8-16 X 2.25.....	4
21	4828GT	NUT,NYLOCK,3/8-16.....	4

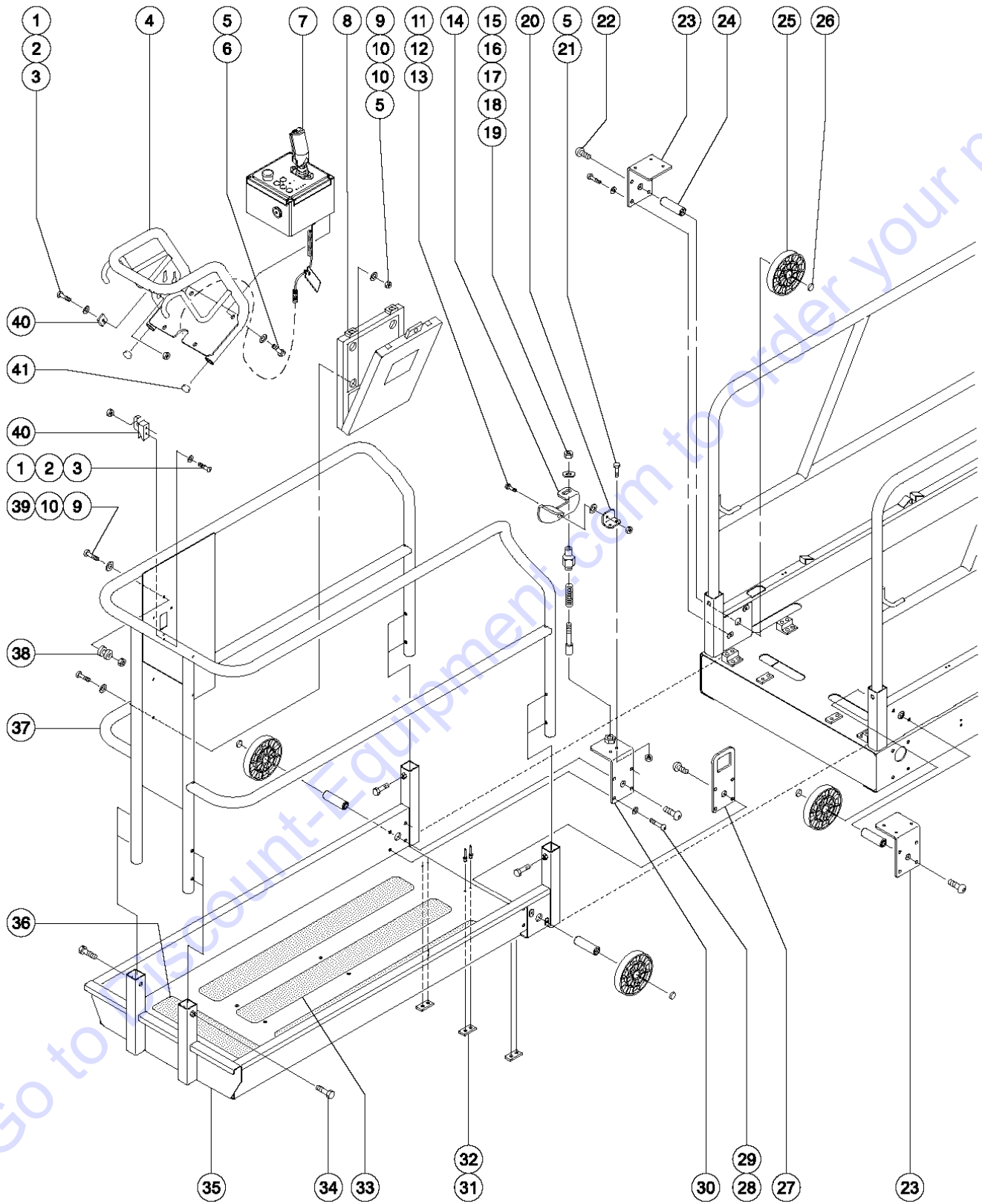
403.1 Main Platform and Railings with Entry Gate, Round Tube, GS-2032



## 403.1 Main Platform and Railings with Entry Gate, Round Tube, GS-2032

Item	Part No.	Description	Qty.
1	47350GT	WELDMENT,ENTRY RAIL 2032.....1 (ANSI, CSA)	1
2	47188GT	FOAM,CLOSED CELL 1.75X.250X18"....1	1
3	33550GT	TAPE,WARNING,BLK/YEL, 50**** (1 roll)	1
4	47524GT	HINGE,CLOSING (SPRING) 4 X 4.....1	1
5	47395GT	WELDMENT,ENTRY GATE 32 **.....1 (ANSI, CSA) (half height)	1
5A	51314GT	WELDMENT,FULL SWING GATE ANSI.....1 (ANSI, CSA)	1
5B	51400GT	WELDMENT,FULL GATE CE.....1 (CE)	1
6	47138GT	PIN,SNAP,ENTRY RAIL.....1	1
7	6091GT	NUT,NYLOCK,1/4-20.....8	8
8	6090GT	SCREW,HHC,1/4-20 X .75.....8	8
9	47148-SGT	BRACKET,HINGE MOUNTING,PAINTED.....1 (ANSI, CSA) (half height)	1
9A	51320-SGT	FORMING,FULL SWING HINGE ANSI...1 (ANSI, CSA)	1
9B	51325GT	FORMING,FULL SWING HINGE CE.....1 (CE)	1
10	4828GT	NUT,NYLOCK,3/8-16.....8	8
11	6097GT	WASHER,FLAT,USS,3/8",Y.....12	12
12	14033GT	SCREW,HHC,3/8-16 X 2.75.....4	4
13	47523GT	HINGE,4 X 4.....1	1
14	39608GT	BRACKET,LATCH SUPPORT.....1 (ANSI, CSA) (half height)	1
14A	51319-SGT	FORMING FULL SWING CATCH ANSI...1 (ANSI, CSA)	1
14B	51324GT	FORMING,FULL SWING CATCH CE.....1 (CE)	1
15	28487GT	SCREW,BHHS,3/8-16 X 1.....4	4
16	66375-SGT	BRACKET, FULL HT SWING GATE.....2 (CE)	2
17	47374GT	TAPE,NON-SKID,DIE CUT,4"X 32".....8	8
18	45840GT	PLUG,NYLON 2.00 BLACK DOMED.....1	1
19		Ref. Platform Assembly.....1 GS-2032 (refer to Figure 402.1)	1
20	T113787GT	RIVET,ALUM,STL,.188 X .250.....20	20
21	39474GT	WEAR PAD,PLATFORM.....3	3
22	6019GT	SCREW,HHC,3/8-16 X 1.25 GRD 5.....4	4
23	39310GT	WEAR/GUIDE PAD MAIN PLATFORM....4 (2 x 1.98 x 1 inch)	4
24	39317GT	STOP PLATFORM ROLLER.....2	2
25	65174GT	SIDE RAIL-PLTFRM, W/DECALS*** .....2	2
26	8178GT	SCREW,HHC,3/8-16 X 2.5.....4	4

404.1 Platform Extension and Railings, Round Tube, GS-2032



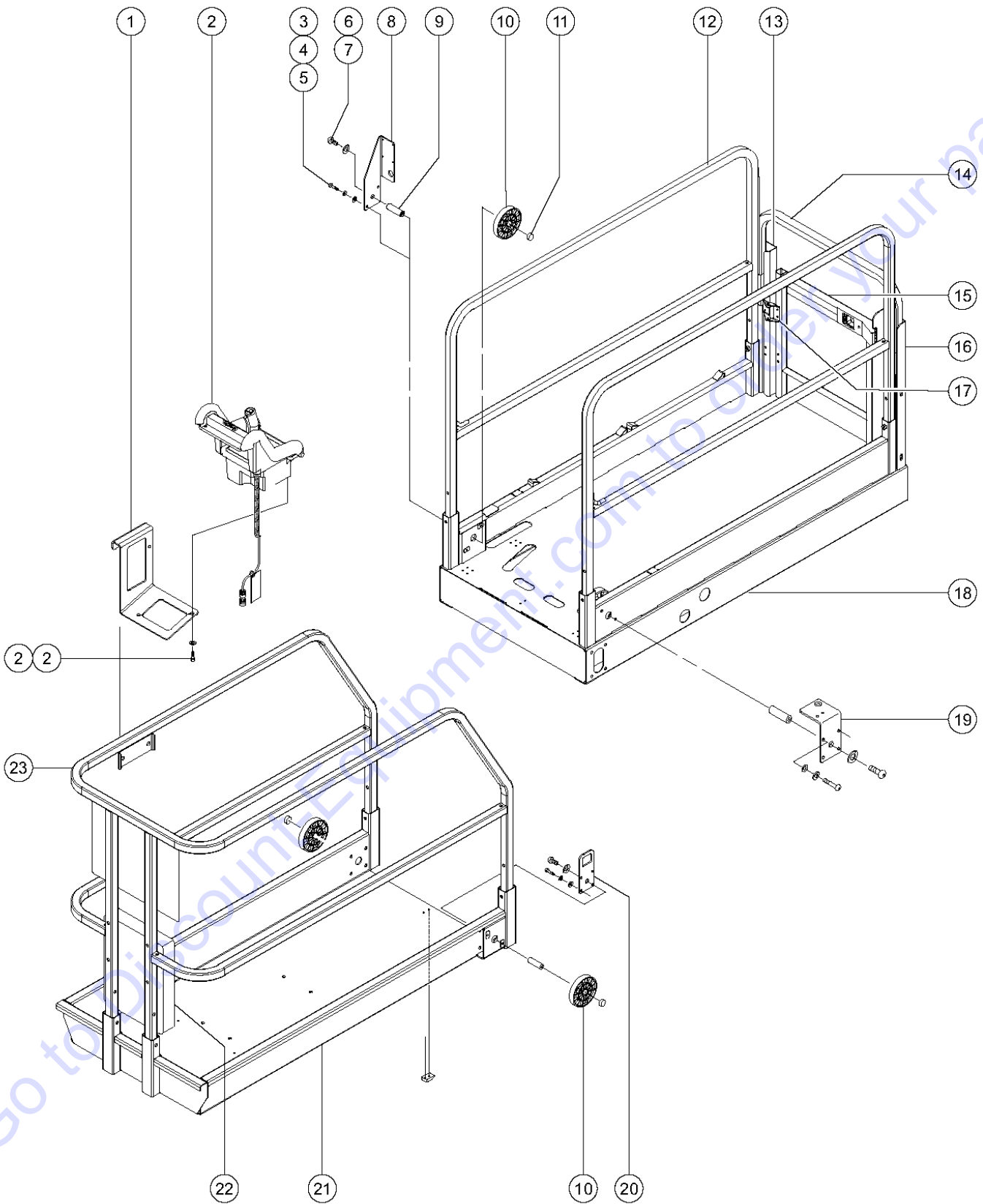
GS-2032, GS-2632

## 404.1 Platform Extension and Railings, Round Tube, GS-2032

Item	Part No.	Description	Qty.	Item	Part No.	Description	Qty.
1	47363GT	SCREW,RHM,8-32 X .50.....	3	37	46333GT	RAILING-PLAT EXT.W/DECALS-2032...1 <i>(includes 4 each items 5 and 9, and 8 each item 10)</i>	1
2	35461GT	WASHER,FLAT,MS,#8,Y.....	6	38	66866GT	BUTTON,JOYSTICK MOUNT,BRASS***.....	3
3	18605GT	NUT,NYLOCK,8-32.....	3	39	11968GT	SCREW,BHHS,1/4-20 X 1.....	1
4	39796GT	WELDMNT, ALUM,JOYSTICK GUARD.....	1	40	47218GT	DRAW LATCH,OVER-CENTER***.....	1
5	6090GT	SCREW,HHC,1/4-20 X .75.....	10	41	47389GT	PLUG,ROUND TUBING,1".....	2
6	6886GT	WASHER,LOCK,.313.....	4				
7		Ref. Platform Controls.....4 <i>(refer to 410.1, 410.2, 410.3 or 410.4)</i>	4				
8	44743GT	MANUAL BOX W/DECALS***.....	1				
9	6091GT	NUT,NYLOCK,1/4-20.....	7				
10	6638GT	WASHER,FLAT,USS,1/4"Y.....	11				
11	1259223GT	BOLT,SHS,3/8X.375X5/16-18,ZAG.....	1				
12	47222GT	WASHER,SHOULDER,NYLON.....	1				
13	6002GT	NUT,LP NYLOCK,5/16-18.....	1				
14	46260GT	FOOTPEDAL W/NON-SKID TAPE,GS**.....	1				
--	47225GT	TAPE,NON-SKID,DIE CUT,1.38X1.5.....	1				
15	7713GT	NUT, LP NYLOCK, 3/8-16.....	1				
16	6097GT	WASHER,FLAT,USS,3/8",Y.....	1				
17	41630GT	HOUSING, LOCK PIN.....	1				
18	39469GT	SPRING,COMPRESSION.485 X1.75**.....	1				
19	39470GT	PIN, LOCK.....	1				
20	47167PGT	BRACKET,FOOT PEDAL SUPPORT.....	1				
21	6889GT	NUT,LP NYLOCK,1/4-20.....	2				
22	51692GT	SCREW,BHSC,5/8-11 X 1.....	4				
23	65167GT	BRACKET ASSY-ROLLER, PLTFRM***..... <i>(includes 1 each items 22, 24 and 26)</i>	2				
24	51367GT	PIN, THREADED ROLLER.....	4				
25	47163GT	ROLLER,PLATFORM EXTENSION.....	4				
26	21279GT	BUTTON, .800 O.D. X .281.....	4				
27	84586GT	LANYARD ROLLER BRKT ASSY W/DEC..... <i>(includes 1 each items 26)</i>	1				
28	39429GT	SCREW,BHHS,3/8-16 X 1.75.....	8				
29	6021GT	WASHER,LOCK,.375.....	8				
30	96413GT	WLDMT,LOCKING ROLLER SUPPORT.....	1				
31	39474GT	WEAR PAD,PLATFORM.....	3				
32	T113787GT	RIVET,ALUM,STL,.188 X .250.....	6				
33	47374GT	TAPE,NON-SKID,DIE CUT,4"X 32".....	3				
34	6019GT	SCREW,HHC,3/8-16 X 1.25 GRD 5.....	2				
35	46334GT	PLAT.EXT.ASSY GS-2032..... <i>(includes items 31-33 and 36)</i>	1				
36	47231GT	TAPE,NON-SKID,DIE CUT,4"X 16".....	1				



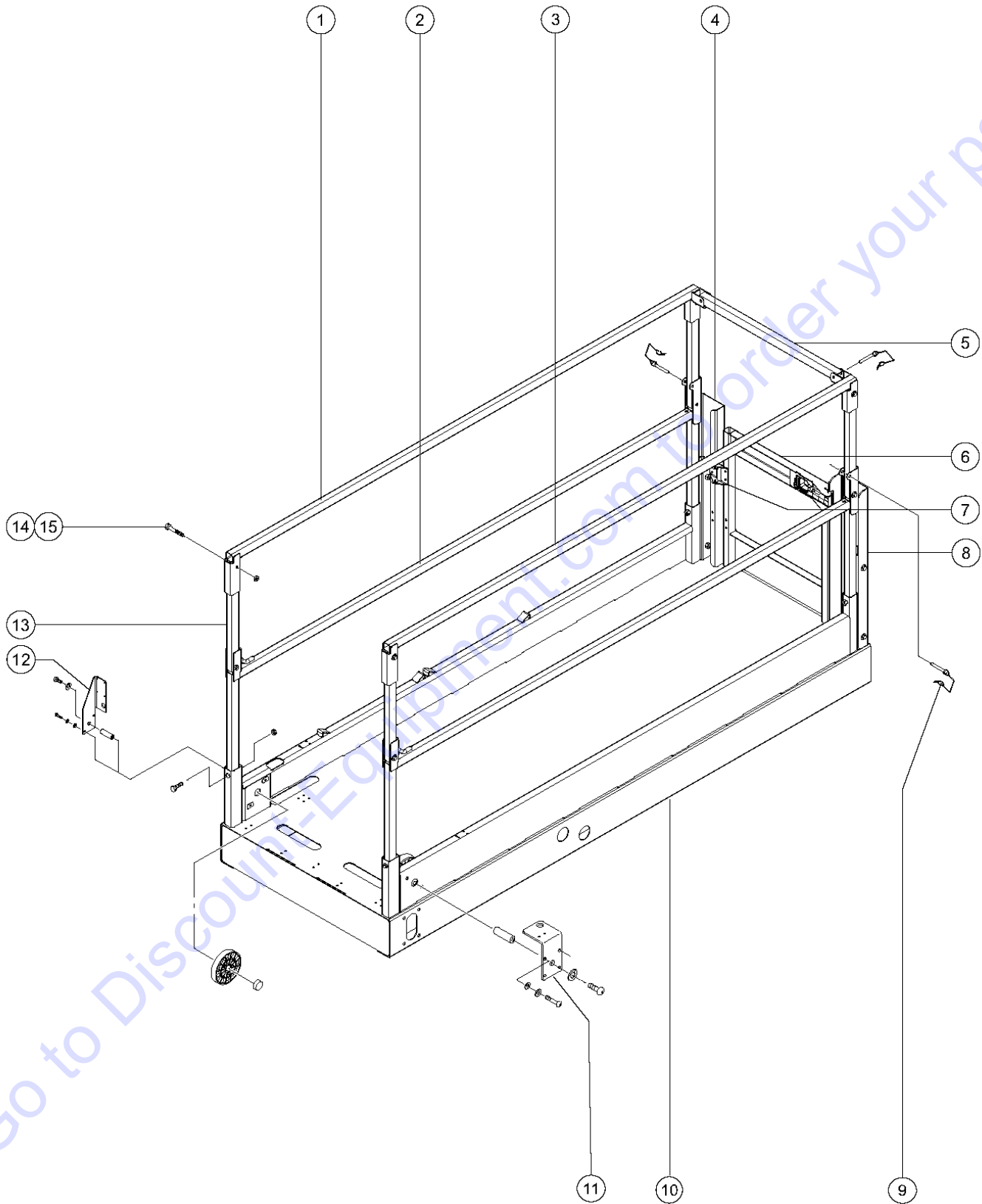
405.1 Platform, Railings and Entry, Square Tube, Rigid Rails, GS-32



## 405.1 Platform, Railings and Entry, Square Tube, Rigid Rails, GS-32

Item	Part No.	Description	Qty.	Item	Part No.	Description	Qty.
1	66685GT	BRACKET,PLAT CONTROL BOX SLAB.....1 (to SN 51818)	1	--	47374GT	TAPE, NON-SKID, DIE CUT, 4" X 32".....1	1
1A	96668GT	FORMING, PLAT CONTR MOUNT.....1 (from SN 51819)	1	--	97048GT	MAIN DECK ASSY, CE GS2032.....1 (CE)	1
2		Ref. Platform Controls.....1 (refer to 410.1, 410.2, 410.3, or 410.4)	1	18A	97049GT	MAIN DECK ASSY, ANSI 2632.....1 (ANSI, CSA)	1
3	5224GT	SCREW, HHC, 3/8-16 X 2.....8	8	--	47374GT	TAPE, NON-SKID, DIE CUT, 4" X 32".....1	1
4	6021GT	WASHER, LOCK, .375.....8	8	--	97050GT	MAIN DECK ASSY, CE 2632.....1 (CE)	1
5	5397GT	WASHER, FLAT, USS, 5/16", Y.....8	8	19	96246GT	WELDMENT, ROLLER BRACKET, LT***.....1 (to SN 49764)	1
6	51692GT	SCREW, BHSC, 5/8-11 X 1.....4	4	19A	96246GT	WELDMENT, ROLLER BRACKET, LT***.....1 (from SN 49765)	1
7	6036GT	WASHER, LOCK, .625 PLTD.....4	4	20	84586GT	LANYARD ROLLER BRKT ASSY W/DEC.....2	2
8	96247GT	WELDMENT, ROLLER BRACKET, RT***.....1 (to SN 49764)	1	21	97046GT	EXT DECK, ASSY GS32 PLATFORM.....1	1
8A	97124GT	ROLLER BRKT ASSY W/DECAL.....1 (from SN 49765)	1	--	39474GT	WEAR PAD, PLATFORM.....1	1
9	51367GT	PIN, THREADED ROLLER.....4 (to SN 49764)	4	--	39579GT	RIVET, STL, STL, .188 X .45.....1	1
10	47163GT	ROLLER, PLATFORM EXTENSION.....4	4	--	47231GT	TAPE, NON-SKID, DIE CUT, 4" X 16".....1	1
11	21279GT	BUTTON, .800 O.D. X .281.....4	4	--	47234GT	Tape, Non- skid, 4 x 32 inches.....1	1
12	97044GT	MAIN RAIL RIGID, SQ GS32.....2	2	--	66537GT	WELDMENT, EXTENSION, PLATFORM.....1	1
13	66999GT	FORMING, HALF GATE, HINGE.....1	1	22	44743GT	MANUAL BOX W/DECALS***.....1	1
14	78030GT	TUBE, HALF GATE ENDRAIL.....1 (models with swing gate) (shown)	1	--	6090GT	SCREW, HHC, 1/4-20 X .75.....1	1
14A	97054GT	CHAIN GATE ASSY SQ, GS32.....1 (models with chain gate)	1	--	6091GT	NUT, NYLOCK, 1/4-20.....1	1
--	39509GT	CHAIN, 3/16, OPEN LINK 22.5".....1	1	--	6638GT	WASHER, FLAT, USS, 1/4" Y.....1	1
--	39510GT	RIGID EYE SNAP.....1	1	23	97045GT	EXT. RAIL SQ RIGID GS32.....1 (to SN 51818)	1
--	47188GT	FOAM, CLOSED CELL 1.75X.250X18".....1	1	23A	96845GT	FIXED RAILS W/DECALS, GS32.....1 (from SN 51819)	1
--	47224GT	TUBING, PVC, 1", BLACK***.....1	1				
--	7713GT	NUT, LP NYLOCK, 3/8-16.....1	1				
--	96163GT	LINK, (SPLIT) OPEN-END.....1	1				
15	97110GT	SWING GATE ASSY, GS30/32**.....1	1				
--	22446GT	SPRING, COMPRESSION .835 X 2.....1	1				
--	4828GT	NUT, NYLOCK, 3/8-16.....1	1				
--	5224GT	SCREW, HHC, 3/8-16 X 2.....1	1				
--	66544GT	LATCH HANDLE.....1	1				
16	66903-SGT	WLDMT, FORMING, HALFGATE CATCH.....1	1				
17	104804GT	HINGE, SPRING, LONG LEG.....2 (includes mounting fasteners)	2				
--	6091GT	NUT, NYLOCK, 1/4-20.....2	2				
--	6637GT	SCREW, HHC, 1/4-20 X 1.75.....2	2				
--	6638GT	WASHER, FLAT, USS, 1/4" Y.....2	2				
18	97047GT	MAIN DECK ASSY, ANSI GS2032.....1 (ANSI, CSA)	1				

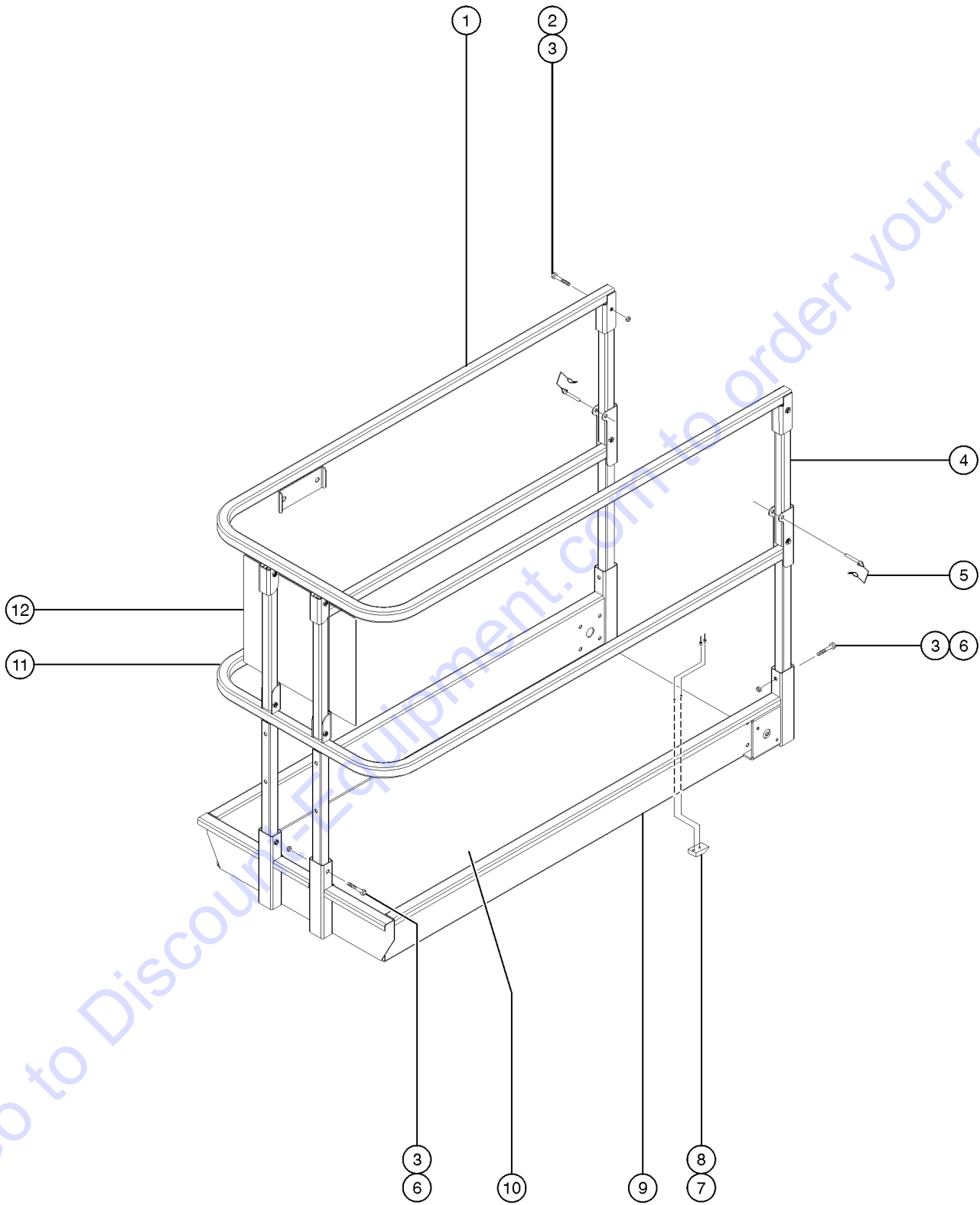
406.1 Main Platform, Railings and Entry Gate, Square Tube, Fold-down, GS-32



## 406.1 Main Platform, Railings and Entry Gate, Square Tube, Fold-down, GS-32

Item	Part No.	Description	Qty.
--	78005-SGT	PLTFRM, SQ FOLD W/SWING, GS32	
--	96137GT	PLTFRM, SQ/FOLD/HALF/CHAIN,S32	
1	84685GT	MAIN FLDG RAIL ASSY,UPR RT,32.....1 (ground controls side)	
2	84683GT	MAIN FLDG RAIL ASSY, LWR, GS32....2	
3	84684GT	MAIN FLDG RAIL ASSY,UPR L,GS32....1 (battery side)	
4	66999GT	FORMING, HALF GATE, HINGE.....1	
5	66985GT	TUBE, ENTRY SWING.....1	
6	97110GT	SWING GATE ASSY,GS30/32**.....1	
--	22446GT	SPRING,COMPRESSION .835 X 2.....1	
--	4828GT	NUT,NYLOCK,3/8-16.....1	
--	5224GT	SCREW,HHC,3/8-16 X 2.....1	
--	66544GT	LATCH HANDLE.....1	
7	104804GT	HINGE, SPRING, LONG LEG.....2 (includes mounting fasteners)	
--	6091GT	NUT,NYLOCK,1/4-20.....2	
--	6637GT	SCREW,HHC,1/4-20 X 1.75.....2	
--	6638GT	WASHER,FLAT,USS,1/4"Y.....2	
8	66903-SGT	WLDMT, FORMING, HALFGATE CATCH.....1	
9	66030GT	PIN, WIRE LOCK 3/8 X 2 -1/2.....3	
10	97047GT	MAIN DECK ASSY, ANSI GS2032.....1 (ANSI, CSA)	
--	47374GT	TAPE,NON-SKID,DIE CUT,4"X 32".....1	
--	97048GT	MAIN DECK ASSY, CE GS2032.....1 (CE)	
10A	97049GT	MAIN DECK ASSY, ANSI 2632.....1 (ANSI, CSA)	
--	47374GT	TAPE,NON-SKID,DIE CUT,4"X 32".....1	
--	97050GT	MAIN DECK ASSY, CE 2632.....1 (CE)	
11	96246GT	WELDMNT,ROLLER BRACKET,LT***.....1 (battery side)	
12	96247GT	WELDMNT,ROLLER BRACKET,RT***.....1 (ground controls side)	
13	66485GT	TUBE, VERT, FOLDING.....4	
14	14033GT	SCREW,HHC,3/8-16 X 2.75.....14	
15	4828GT	NUT,NYLOCK,3/8-16.....14	

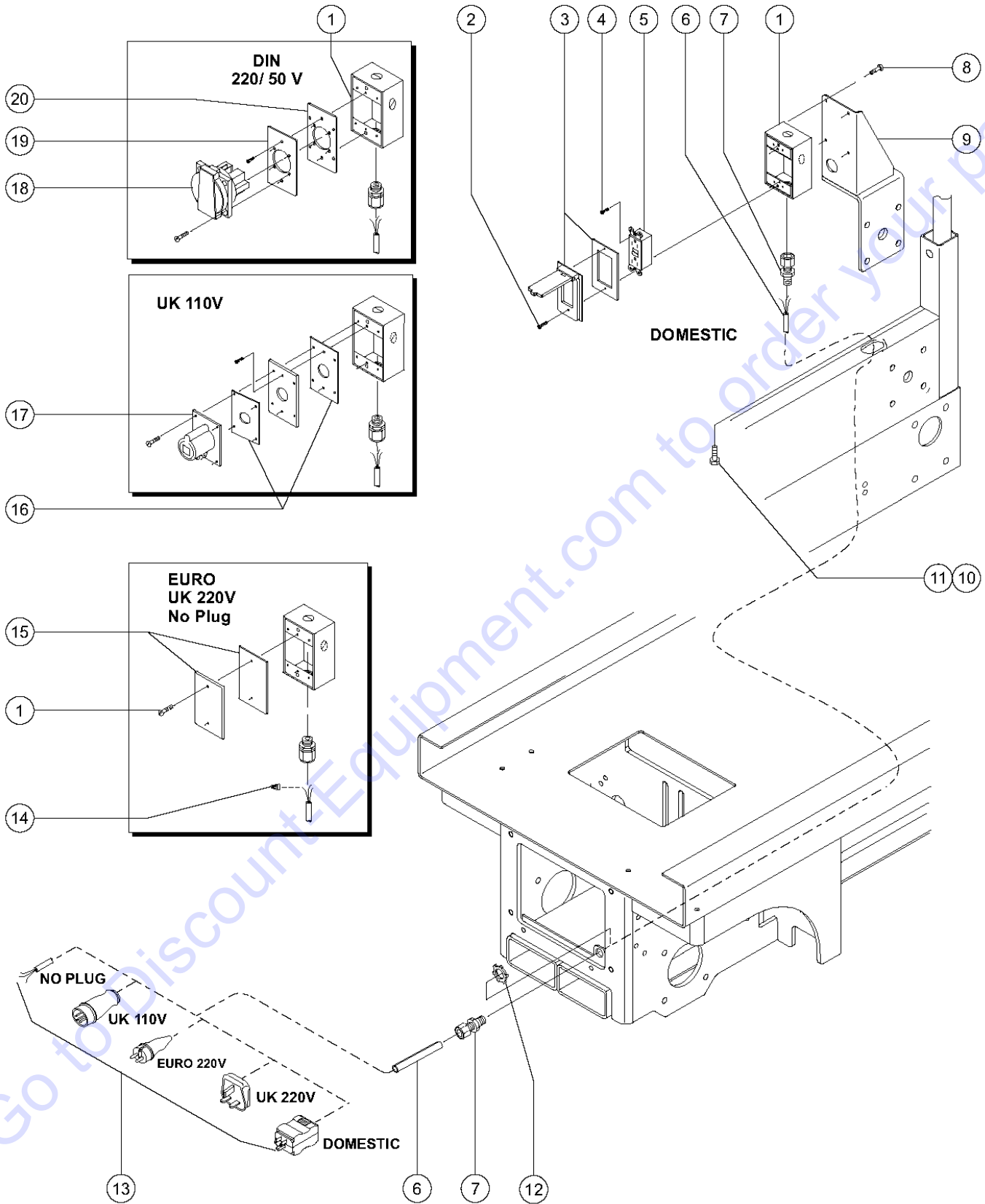
407.1 Platform Extension, Square Tube, Fold-down Rails, GS-32



## 407.1 Platform Extension, Square Tube, Fold-down Rails, GS-32

Item	Part No.	Description	Qty.
--	97070GT	PLATFORM EXT. COMPLETE GS32	
1A	97052GT	UPPER EXT.RAIL ASSY, GS32.....1 <i>(to SN 51818)</i>	
1B	96846GT	EXT RAIL ASSY, UPPER, GS32.....1 <i>(from SN 51819)</i>	
2	1252978GT	SCREW,HHC,3/8-16X2.25,8,ZAG.....8	
3	1274322GT	NUT,NYLOCK FLG,3/8-16,F,ZAG.....12	
4	66485GT	TUBE, VERT, FOLDING.....2	
5	1259182GT	PIN,WIRE LOCK 3/8 X 2.5,ZAG.....2	
6	1256848GT	SCREW,HHC,3/8-16X2.75,8,ZAG.....4	
7	39474GT	WEAR PAD,PLATFORM.....2 <i>(2 x 1 x 0.25 inch)</i>	
8	39579GT	RIVET,STL,STL,,188 X .45.....4	
9	97046GT	EXT DECK, ASSY GS32 PLATFORM.....1 <i>(includes items 7, 8 and 10)</i>	
10A	47374GT	TAPE,NON-SKID,DIE CUT,4"X 32".....3	
10B	47231GT	TAPE,NON-SKID,DIE CUT,4"X 16".....1	
11	97051GT	LOWER MAIN EXT RAIL,GS32.....1	
12A	97043GT	DECAL PLATE ASSY,GS30/32 FOLD.....1 <i>(to SN 51818)</i>	
12B	144206GT	ASSY,DECAL PLATE,ANSI/CSA,GS32.....1 <i>(from SN 51819)</i>	

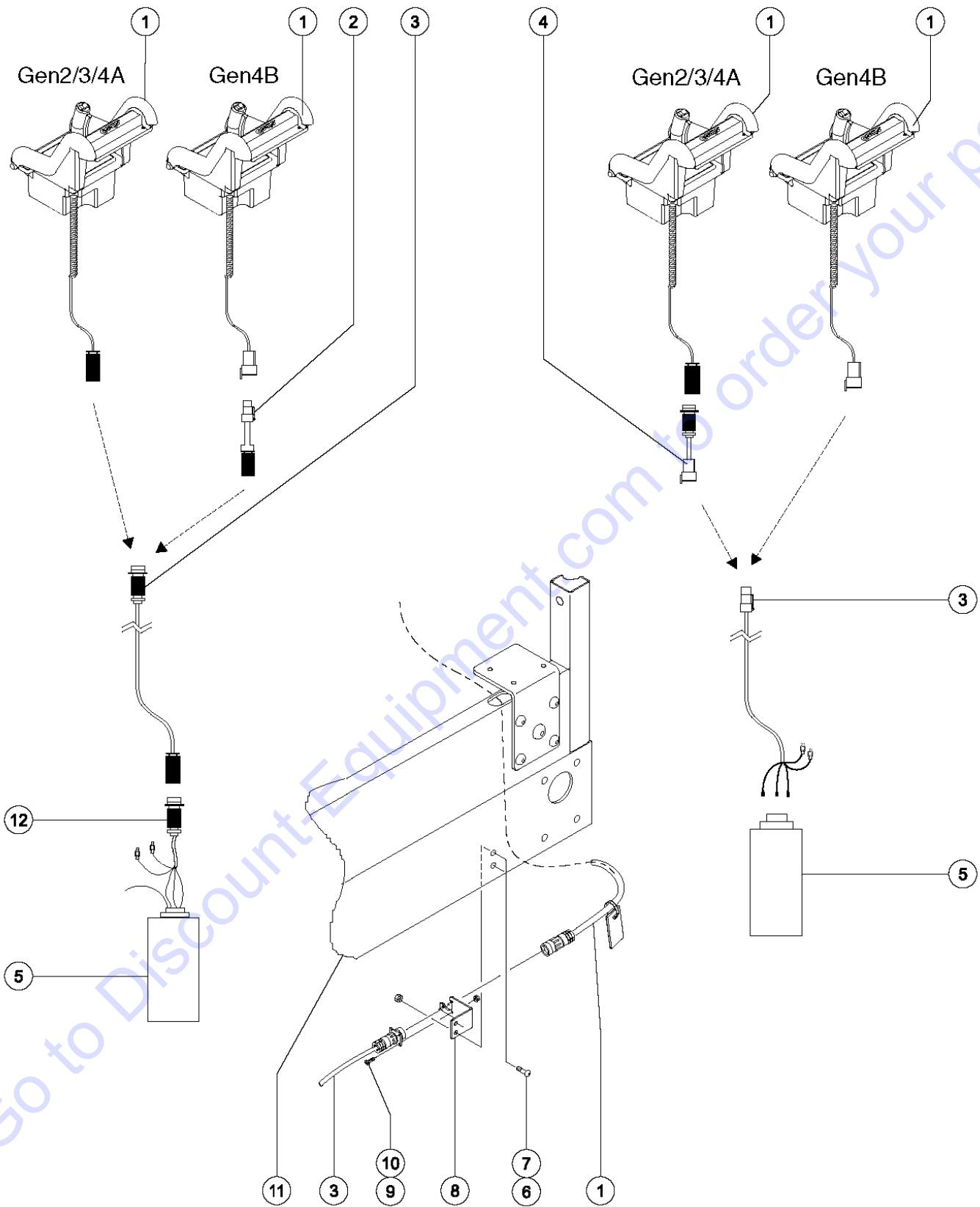
408.1 Power to Platform



Item	Part No.	Description	Qty.
1	10775GT	T-BOX,2.75 X 4.5 X 2.0.....	1
2	7127GT	SCREW,PHILLIPS,PHM,6-32 X .75.....	2
3	45437GT	COVER,GFCI,WEATHERPROOF..... <i>(North America) (includes gasket and mounting fasteners)</i>	1
4	45546GT	SCREW,RHM,6-32 X .5.....	4
5	13585GT	OUTLET, 110V..... <i>(North America)</i>	1
6	43956GT	WIRE CABLE,14/3 CON.TPE JKT*.....420-inches GS-2032	1
6A	43956GT	WIRE CABLE,14/3 CON.TPE JKT*.....516-inches GS-2632	1
7	7056GT	CONN,SQUEEZE,1/2NPT .38-.50,SM....	2
8	33759GT	SCREW,PHILLIPS,PHM,8-32 X.375.....	4
9		Ref. Bracket - Outlet Mounting..... <i>(refer to 404.1 or 405.1)</i>	4
10	6090GT	SCREW,HHC,1/4-20 X .75.....	3
11	6091GT	NUT,NYLOCK,1/4-20.....	3
12	6935GT	LOCKNUT,ELEC,1/2".....	1
13	6595GT	PLUG,ELECTRICAL,DOMESTIC.....	1
--		FUSE,13 AMP,220V PLUG..... <i>(component no longer available) refer to BS1362 BUSS TDC180-13A</i>	1
--	1280665GT	PLUG, TYPE F, 230A, 50HZ, 16A, IP44.....	1
--	144161GT	PLUG,PWR,UK,16AMP,3PIN,BLK.....	1
--	25388GT	PLUG,FUSED,250V,13AMP,U.K.**.....	1
14	6626GT	WIRE CAP,ORANGE.....	3
15	10777GT	COVER,BLANK.....	1
16	33724GT	KIT,GASKET,UK POWER TO PLAT..... <i>(includes one each p/n 66355 and 66356)</i>	1
--	66355GT	GASKET, UK & DIN PWR. TO PLAT. <i>4.6 x 2.9 inches</i>	
--	66356GT	GASKET, UK RECEPTACLE <i>2.9 x 2.9 inches</i>	
17	T112563GT	SVC KIT,UK RECEPT.REPLACEMENT.....	1
18	66353GT	RECEPTACLE, DIN, 220V 50A.....	1
19	96236GT	PLATE,AC ADAPTER,DIN/UK***.....	1
20	33724GT	KIT,GASKET,UK POWER TO PLAT..... <i>(includes one each p/n 66355 and 66356)</i>	1



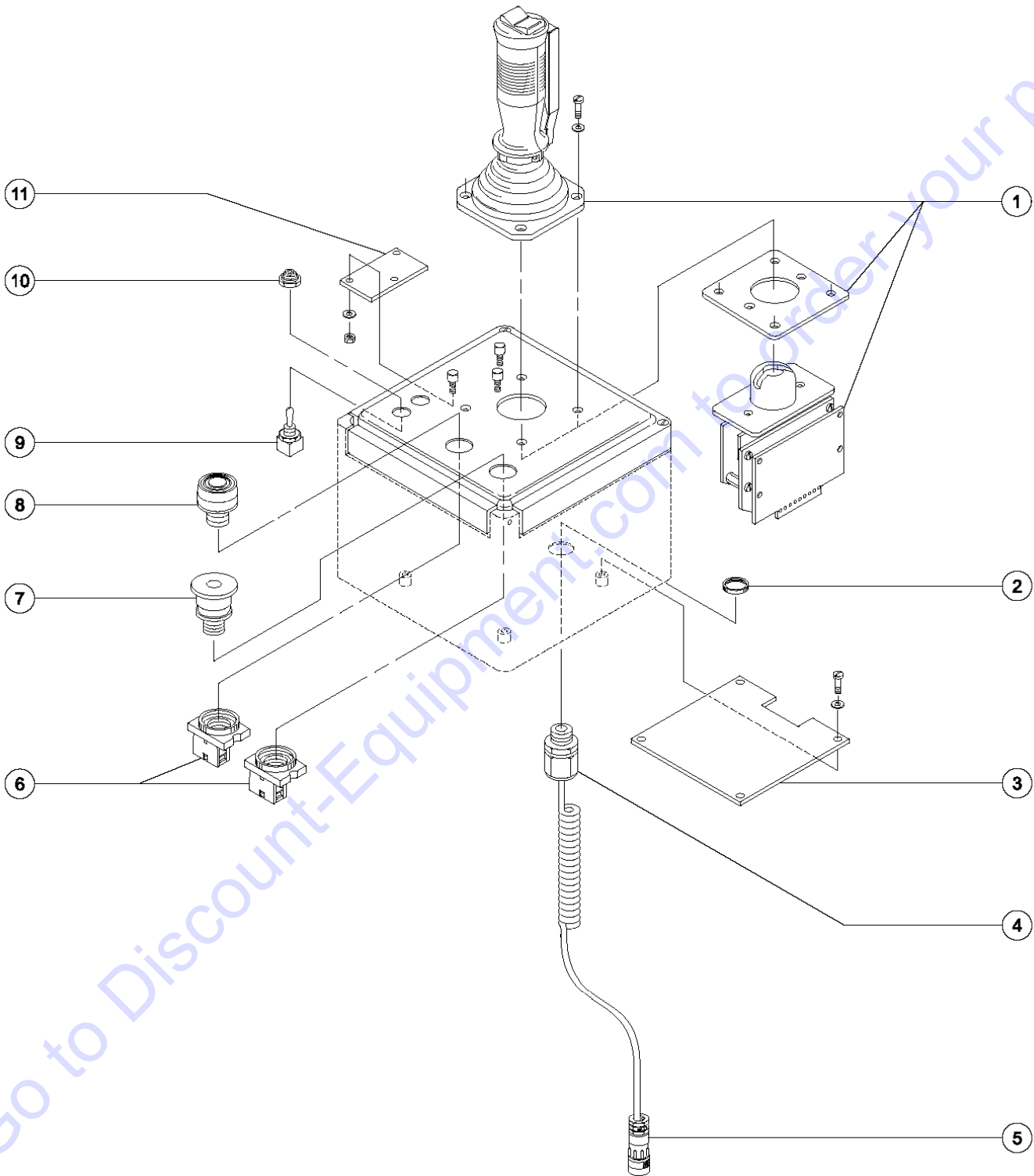
409.1 Control Cable - Chassis to Platform



## 409.1 Control Cable - Chassis to Platform

Item	Part No.	Description	Qty.
1		Ref. Platform Control Box - Complete (refer to 410.1, 410.2, 410.3 or 410.4)	
2	96019GT	ADAPTER, HARNESS*** (to SN 49199) (connects Gen 4 platform controls with Deutsch connector to machine harness with round connector)	
3	46329GT	CONTROL CABLE ASSY., GS-2032**....1 (to SN 6843) (female to female connector)	
--	51689GT	CABLE ASSY,GS2032 CONTROL.....1 (from SN 6844 to 53999)	
--	78314GT	CONNECTOR KIT,ITT CABLE/WIRE....1	
--	96013GT	WIRE ASSEMBLY,GS1930/1932/2032....1 (from SN 54000)	
3A	51743GT	WIRE ASSY,GS2646.....1 (GS-2632 from SN 6844 to 49299)	
--	78314GT	CONNECTOR KIT,ITT CABLE/WIRE....1	
--	96015GT	WIRE ASSEMBLY,GS2646/2632.....1 (from SN 49300)	
4	96020GT	ADAPTER, HARNESS.....1 (from SN 49300)	
5		Ref. Electronic Control Module.....1 (refer to 209.1 or 213.1)	
6	14297GT	SCREW,BHHS,1/4-20 X .75.....2 (to SN 49299)	
7	6091GT	NUT,NYLOCK,1/4-20.....2 (to SN 49299)	
8	47867GT	BRACKET,JOYSTICK QUICK DISCNT...1 (to SN 49299)	
9	65430GT	SCREW,PHS,6-32 X 0.25.....3 (to SN 49299)	
10	12344GT	NUT,NYLOCK,6-32.....3 (to SN 49299)	
11		Ref. Platform.....3 (refer to 402.1, 403.1, 404.1, 405.1, 406.1 or 407.1)	
12	64258GT	WIRE ASSY,CHASSIS CONTROL PIGT.....1 (to SN 49299)	

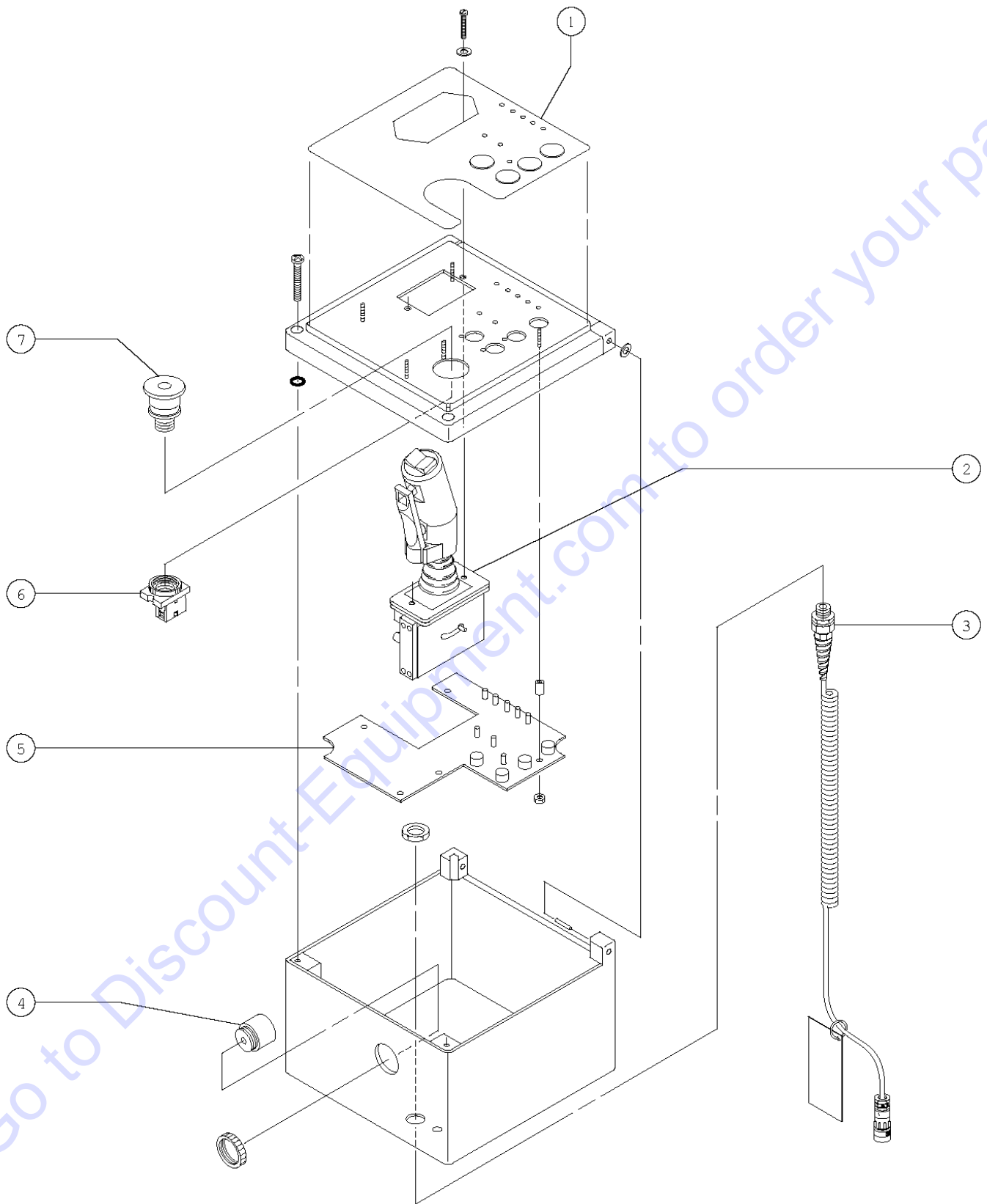
410.1 Platform Controls (to SN 17407)



## 410.1 Platform Controls (to SN 17407)

Item	Part No.	Description	Qty.
--	105295GT	KIT,GEN1 TO GEN5 CONTRL SYS***	
--	46253GT	PCB,ASSY,LED,GS JOYSTICK	
--	58914GT	BOX, GRAY SCISSOR CONTROLLERS	
--	65297GT	PLATFRM CNTRLS W/DCLS 32/GS46	
--	83126GT	KIT,CONTROL BOX UPDATE,32/46	
1		Ref. Joystick Controller <i>(refer to Figure 411.1)</i>	
2	46267GT	NUT-STRAIN RELIEF-GS JOYSTICK~...1	
3	105295GT	KIT,GEN1 TO GEN5 CONTRL SYS*** .....1	
4	46266GT	STRAIN RELIEF-GS JOYSTICK**~.....1	
5	46254GT	COIL CORD ASSY,GS JOYSTICK***.....1 <i>(includes connector)</i>	
6		Ref. Base, Switch.....2 <i>(refer to items 7 or 8)</i>	
7	66761GT	SERVICE KITE,STOP.....1 <i>(to SN 36365) (this is an update kit; the original E-stop button is no longer available from the supplier. Please note, if this kit has already been installed on the unit, refer to the part numbers listed below)</i>	
--	66812GT	BUTTON,PUSH,RED MUSHROOM HEAD	
--	66817GT	BASE WITH 1 NC CONTACT, E-STOP	
--	66818GT	CONTACT, N.C.	
8	66762GT	SERVICE KITE,DOWN 3246.....1 <i>(to SN 36365) (this is an update kit; the original black push button is no longer available from the supplier. Please note, if this kit has already been installed on the unit, refer to the part numbers listed below)</i>	
--	66813GT	BUTTON,PUSH,BLACK W/SEAL***	
--	66815GT	BASE, W/1 N.O. CONTACTS***	
--	66816GT	CONTACT,N.O.***	
9	66410GT	TOGGLE SWITCH, PREWIRED*** .....1	
10	27246GT	BOOT,TOGGLE SWITCH,SHORT* .....1	
11	46253GT	PCB,ASSY,LED,GS JOYSTICK.....1	

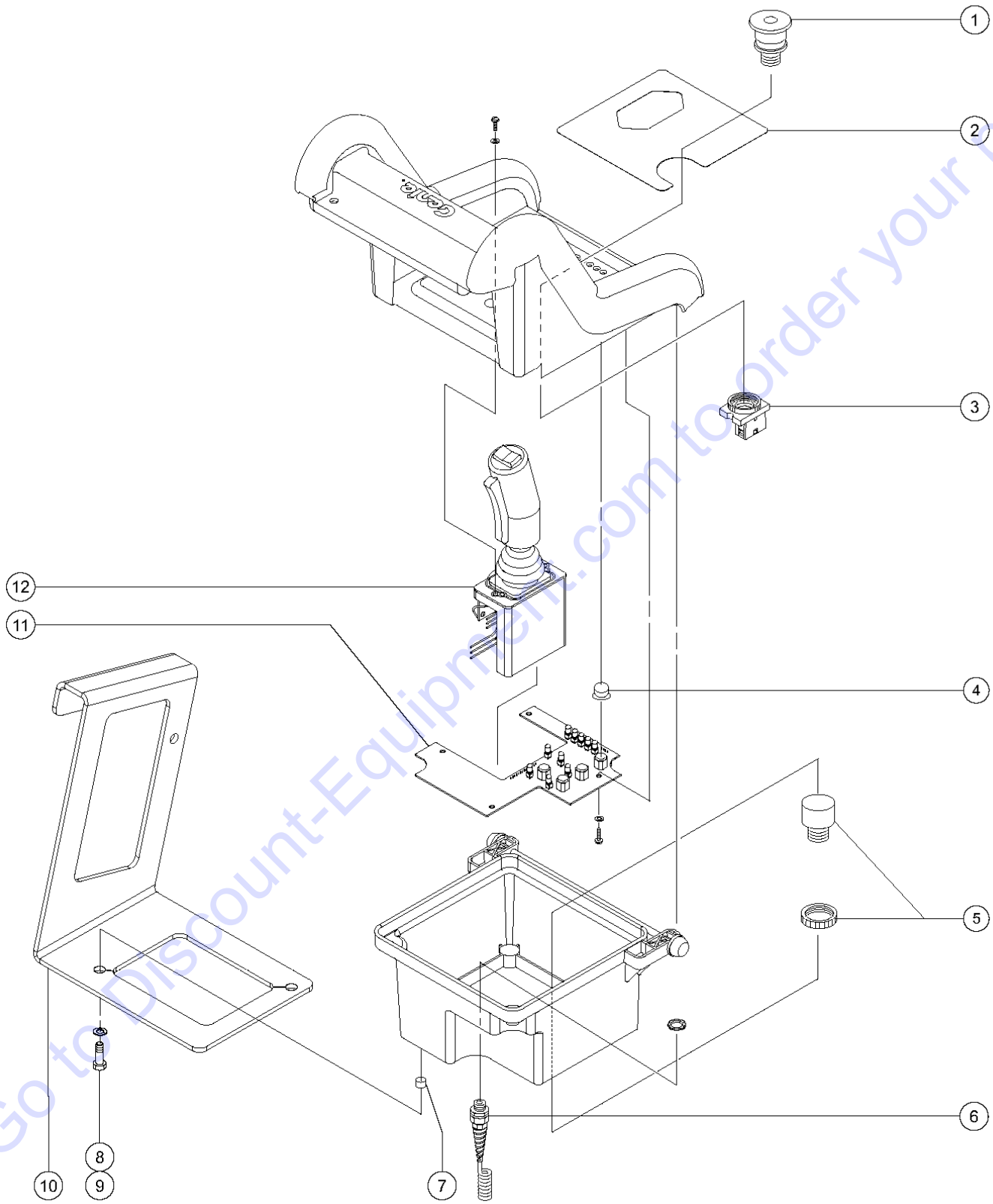
410.2 Platform Controls (from SN 17408 to 42999)



## 410.2 Platform Controls (from SN 17408 to 42999)

Item	Part No.	Description	Qty.
--	105295GT	KIT,GEN1 TO GEN5 CONTRL SYS*** (convert Gen 4 to Gen 5)	
--	65297GT	PLATFRM CNTRLS W/DCLS 32/GS46	
--	83126GT	KIT,CONTROL BOX UPDATE,32/46 (convert Gen 1-3 to Gen 4)	
1		Ref. Decal - Overlay (refer to Figure 102.1)	
2		Ref. Joystick Controller (refer to Figure 411.2)	
3	62223GT	COIL CORD-JOYSTICK, SLABS.....1 <i>includes connector</i>	
--	78314GT	CONNECTOR KIT,ITT CABLE/WIRE (from SN 17407 to 59999)	
4	51860GT	ALARM ASSY.12VDC,ITT.....1 <i>Does not include 72326 nut</i>	
--	39540GT	ALARM,STEADY TONE***.....1 <i>order 72326 mounting ring separately</i>	
--	72326GT	NUT - PLASTIC,RING FOR ALARMS <i>for 39540</i>	
--	83140GT	ALARM WIRE HARNESS(66151).....1	
5	66158GT	PC BOARD,PLAT CNTRL,SLAB.....1	
6		Ref. Base, Push Button.....1 (refer to item 7)	
7	66761GT	SERVICE KIT,E-STOP.....1 (to SN 36365) (this is an update kit; the original E-stop button is no longer available from the supplier. Please note, if this kit has already been installed on the unit, refer to the part numbers listed below)	
7A	66812GT	BUTTON,PUSH,RED MUSHROOM HEAD	
--	66817GT	BASE WITH 1 NC CONTACT, E-STOP	
--	66818GT	CONTACT, N.C.	

410.3 Platform Controls (from SN 43000 to 48103)



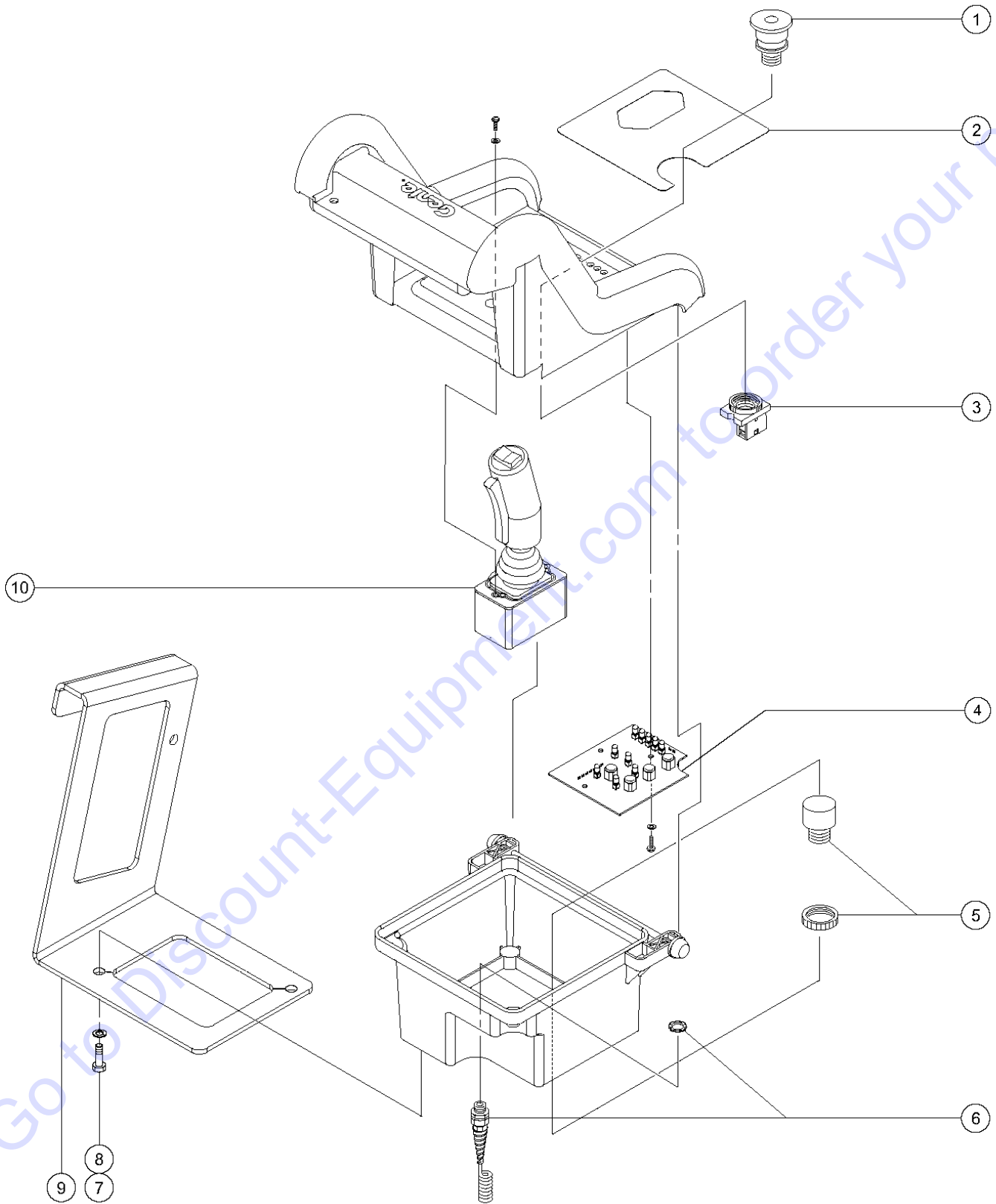
GS-2032, GS-2632

## 410.3 Platform Controls (from SN 43000 to 48103)

Item	Part No.	Description	Qty.
--	78805GT	BOX,MOLDED UPPER CONTROL	
--	96421GT	PLAT CONTRL,G4,DEC,IPCB,32/46	
1	66812GT	BUTTON,PUSH,RED MUSHROOM HEAD.....1	1
2		Ref. Decal - Overlay, Platform Controls...1 <i>(refer to Figure 102.1)</i>	1
3	66817GT	BASE WITH 1 NC CONTACT, E-STOP...1	1
--	66818GT	CONTACT, N.C.....1	1
4	72254GT	ACTUATR,SWITCH,UNDER OVERLAY*~.....1	1
5	51860GT	ALARM ASSY.12VDC,ITT.....1 <i>Does not include 72326 nut</i>	1
--	39540GT	ALARM,STEADY TONE***.....1 <i>order 72326 mounting ring separately</i>	1
--	72326GT	NUT - PLASTIC,RING FOR ALARMS <i>for 39540</i>	
--	83140GT	ALARM WIRE HARNESS(66151).....1	1
6	62223GT	COIL CORD-JOYSTICK, SLABS.....1 <i>(includes connector)</i>	1
--	78314GT	CONNECTOR KIT,ITT CABLE/WIRE	
7	66843GT	INSERT, 3/8-16 X .5.....1	1
8	8255GT	SCREW,HHC,3/8-16 X .75.....4	4
9	6021GT	WASHER,LOCK,.375.....4	4
10		Ref. Bracket - Control Box Mount.....4 <i>(refer to Figure 405.1)</i>	4
11	66158GT	PC BOARD,PLAT CNTRL,SLAB.....1	1
12		Ref. Joystick Controller.....1 <i>(refer to Figure 411.2)</i>	1



410.4 Platform Controls (from SN 48104)

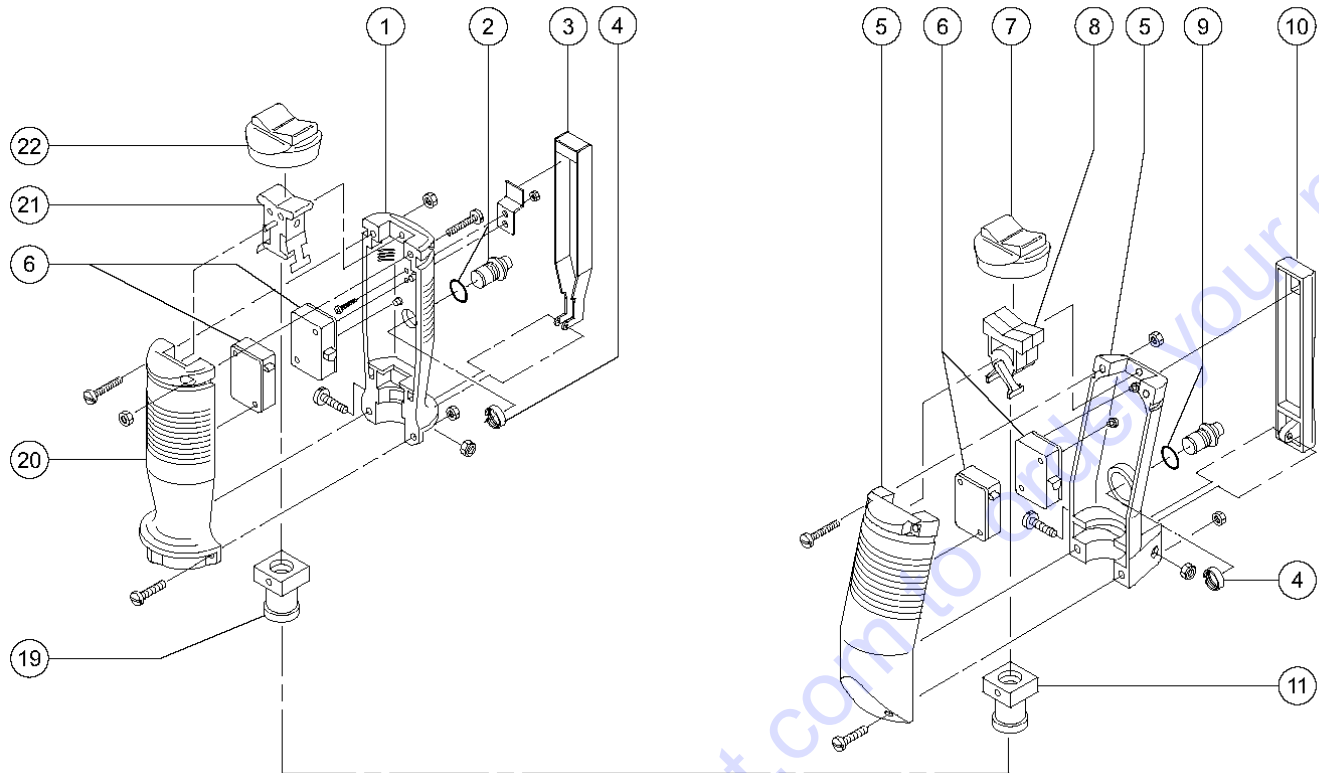


GS-2032, GS-2632

## 410.4 Platform Controls (from SN 48104)

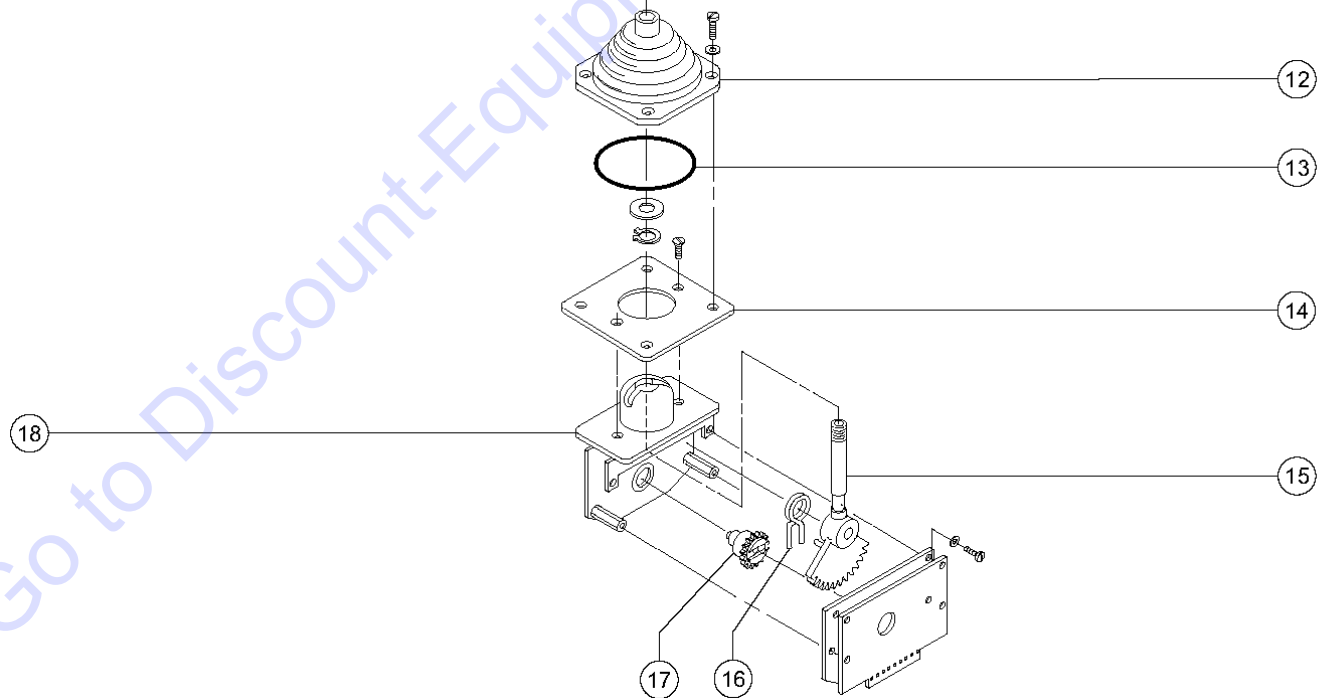
Item	Part No.	Description	Qty.
--	78892GT	BOX,MOLDED UPPER CONTROL	
--	96020GT	ADAPTER, HARNESS <i>(connects Gen 4 platform controls with deutsch connector to machines from SN 17408 to 51015)</i>	
--	96421GT	PLAT CONTRL,G4,DEC,IPCB,32/46	
1	66812GT	BUTTON,PUSH,RED MUSHROOM HEAD.....	1
2		Ref. Decal - Overlay, Platform Controls.... <i>(refer to Figure 102.1)</i>	1
3	66817GT	BASE WITH 1 NC CONTACT, E-STOP...1	
--	66818GT	CONTACT, N.C.....	1
4	78904GT	PC BOARD,SLAB,GEN 4.....	1
5	51860GT	ALARM ASSY.12VDC,ITT..... <i>Does not include 72326 nut</i>	1
--	39540GT	ALARM,STEADY TONE***..... <i>order 72326 mounting ring separately</i>	1
--	72326GT	NUT - PLASTIC,RING FOR ALARMS <i>for 39540</i>	
--	83140GT	ALARM WIRE HARNESS(66151).....	1
6A	62223GT	COIL CORD-JOYSTICK, SLABS..... <i>(to SN 49299) (includes connector)</i>	1
6B	144065GT	KIT,GEN 5 COIL CORD..... <i>(from SN 49300) (kit, includes connector, coil cord, instructions, dielectric grease and cable tie; see below)</i>	1
7	8255GT	SCREW,HHC,3/8-16 X .75.....	4
8	6021GT	WASHER,LOCK,.375.....	4
9		Ref. Bracket - Control Box Mount..... <i>(refer to Figure 405.1)</i>	4
10		Ref. Joystick Controller..... <i>(refer to Figure 411.3)</i>	4

411.1 Joystick Controller (to SN 17407)



Control handle with metal function enable switch lever

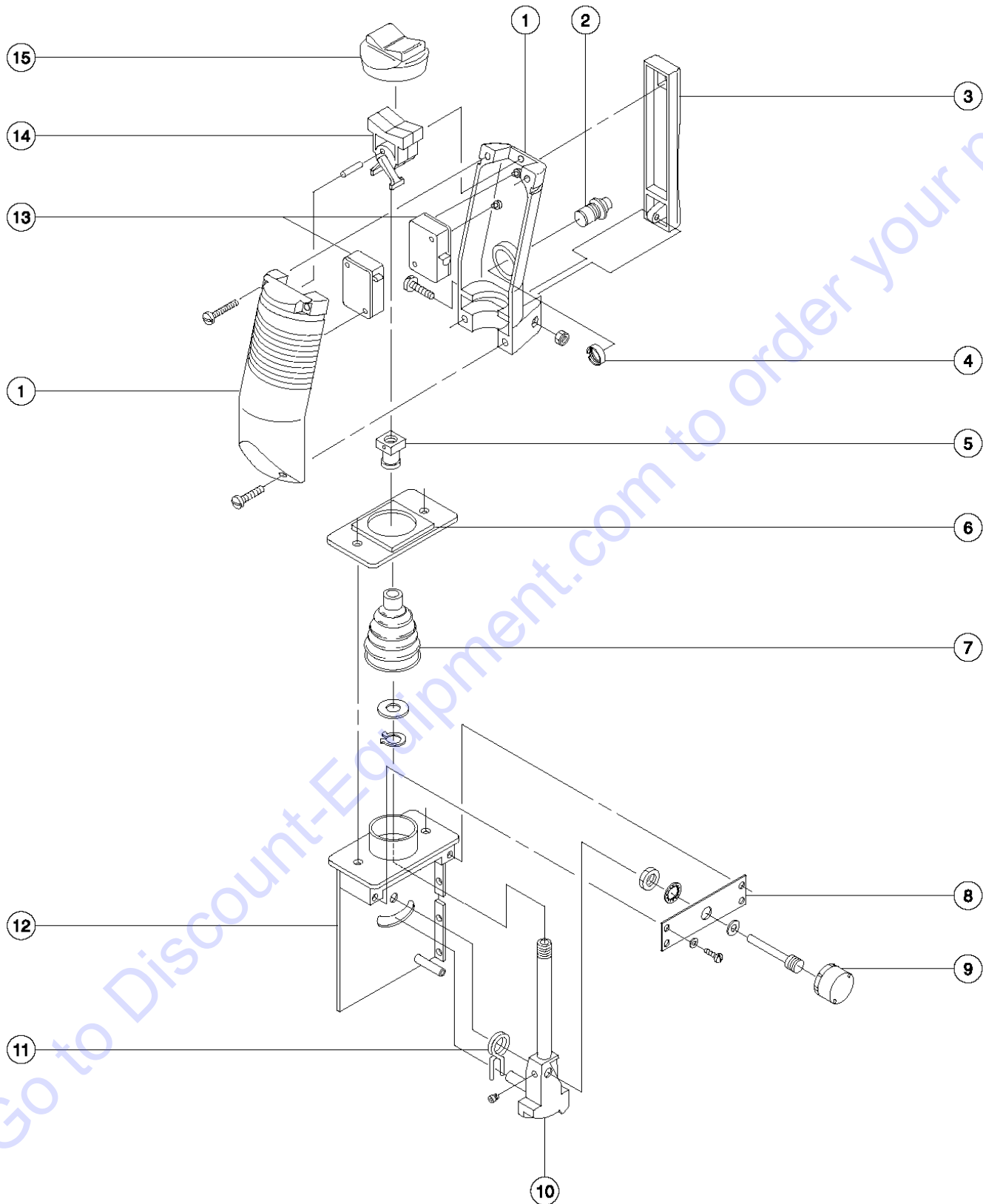
Control handle with plastic function enable switch lever



## 411.1 Joystick Controller (to SN 17407)

Item	Part No.	Description	Qty.	Item	Part No.	Description	Qty.
--		Genie GS-2646 models were produced using one of two different styles of control handles: one with a metal function enable switch lever, the other with a plastic function enable switch lever. <i>A serial number break is not available. Refer to the specific machine to determine the style required. The GS-2046 and GS-3246 models were only produced with the plastic function enable switch lever.</i>		13	31526GT	O-RING,BOOT,CONTROLLER.....	1
				14		FLANGE-JOYSTICK MOUNTING..... <i>component no longer available</i>	1
				15	46227GT	SHAFT ASSY, JOYSTICK***.....	1
				--	65526GT	SHAFT-JOYSTICK (56579).....	1
				--	69537GT	BEARING,JOYSTICK (57890).....	1
				16	21434GT	SPRING & BUSHING KIT,RETURN***.....	1
				17	19731GT	GEAR, SLAVE, MS4,45048.....	1
				18	19720GT	CASTING,45049, 40612.....	1
				19	43040GT	NUT,JS,36867/42032/44988/40612..... <i>for models with metal function enable switch</i>	1
--	44792GT	HANDLE HALF SET-FOR 44988 <i>includes index number 1 through 4 and 21; for models with metal function enable switch</i>		20	46275GT	HANDLE HALF-BACKSIDE,GS JYSTK... <i>for models with metal function enable switch</i>	1
--	44988GT	JOYSTICK W/ENCODER CARD-GS <i>Complete</i>		21		ROCKER ASSEMBLY,45049..... <i>for models with metal function enable switch (Part No Longer Available)</i>	1
--	65805GT	ENCODER W/PIGTAIL, 44988		22	46268GT	BOOT-THUMB ROCKER, 44988 RED**..... <i>for models with metal function enable switch</i>	1
--	69537GT	BEARING,JOYSTICK (57890)					
1	46274GT	HANDLE HALF,ENABLE SW.SIDE-GS... <i>for models with metal function enable switch</i>	1				
2	46270GT	PUSHBUTTON-FUNC.ENABL.W/ORING.1 <i>for models with metal function enable switch</i>	1				
3	46269GT	LEVER,FUNC.ENABL.SWITCH,METAL... <i>for models with metal function enable switch</i>	1				
4	46271GT	NUT-MOUNTING,PUSH BUTTON-44988..... <i>for either model</i>	1				
5	58293GT	HANDLE KIT,GS JYSTK,BOTH HALVE.....	1				
6	19722GT	MICROSWITCH-V319M***..... <i>for either model</i>	2				
7	43038GT	BOOT-THUMB ROCKER** BLACK..... <i>for models with plastic function enable switch</i>	1				
8	65178GT	ROCKER ASSY W/ROLLPIN***..... <i>for models with plastic function enable switch</i>	1				
9	52050GT	PUSHBUTTON-FUNC.ENABL.W/ORING.1 <i>for models with plastic function enable switch</i>	1				
10	52042GT	LEVER,FUNC ENABLE SWITCH,RGE**..... <i>for models with plastic function enable switch</i>	1				
11	52043GT	NUT,JOYSTICK,44988, RGE..... <i>for models with plastic function enable switch</i>	1				
12	27134GT	BOOT,CONTROLLER..... <i>includes 46272</i>	1				
--	46272GT	FLANGE-JOYSTICK MOUNTING,44988.....	1				

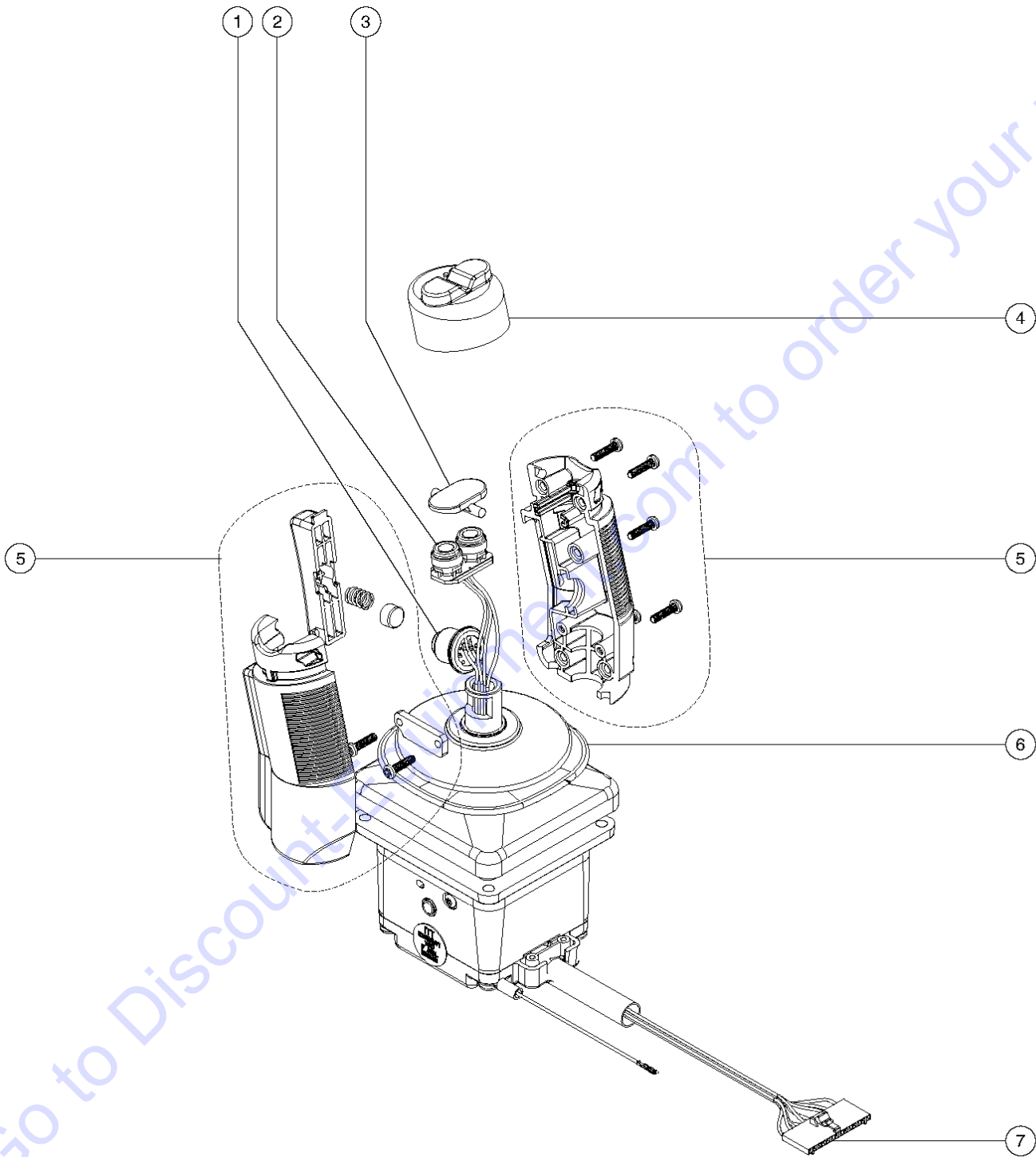
411.2 Joystick Controller (from SN 17408 to 48103)



## 411.2 Joystick Controller (from SN 17408 to 48103)

Item	Part No.	Description	Qty.
--	62161GT	JOYSTICK CONTROLLER <i>(complete) (verify OEM P/N prior to ordering, label located on bottom of joystick)</i>	
--	62161HGT	JOYSTICK CONTROLLER <i>aftermarket joystick replacement</i>	
1	58293GT	HANDLE KIT,GS JYSTK,BOTH HALVE.....1 <i>Complete</i>	
2	52050GT	PUSHBUTTON-FUNC.ENABL.W/ORING.1 <i>includes mounting hardware</i>	
3	52042GT	LEVER,FUNC ENABLE SWITCH,RGE**.....1	
4	46271GT	NUT-MOUNTING,PUSH BUTTON-44988.....1	
5	52043GT	NUT,JOYSTICK,44988, RGE.....1	
6	52529GT	GASKET-JOYSTICK.....1	
7	21427GT	BOOT,CONTROLLER**.....1	
8	52527GT	POTENTIOMETER MOUNT PLATE.....1	
9	65179GT	POTENTIOMETER (62161)**.....1	
10	52525GT	SHAFT ASSY,JOYSTICK.....1	
11	21434GT	SPRING & BUSHING KIT,RETURN***.....1	
12	65180GT	CASTING-JOYSTICK, GS2032.....1	
13	19722GT	MICROSWITCH-V319M***.....2	
14	65178GT	ROCKER ASSY W/ROLLPIN***.....1	
15	19710GT	BOOT, PROTECTIVE, 45049 BLACK.....1	

411.3 Joystick Controller (from SN 48104)

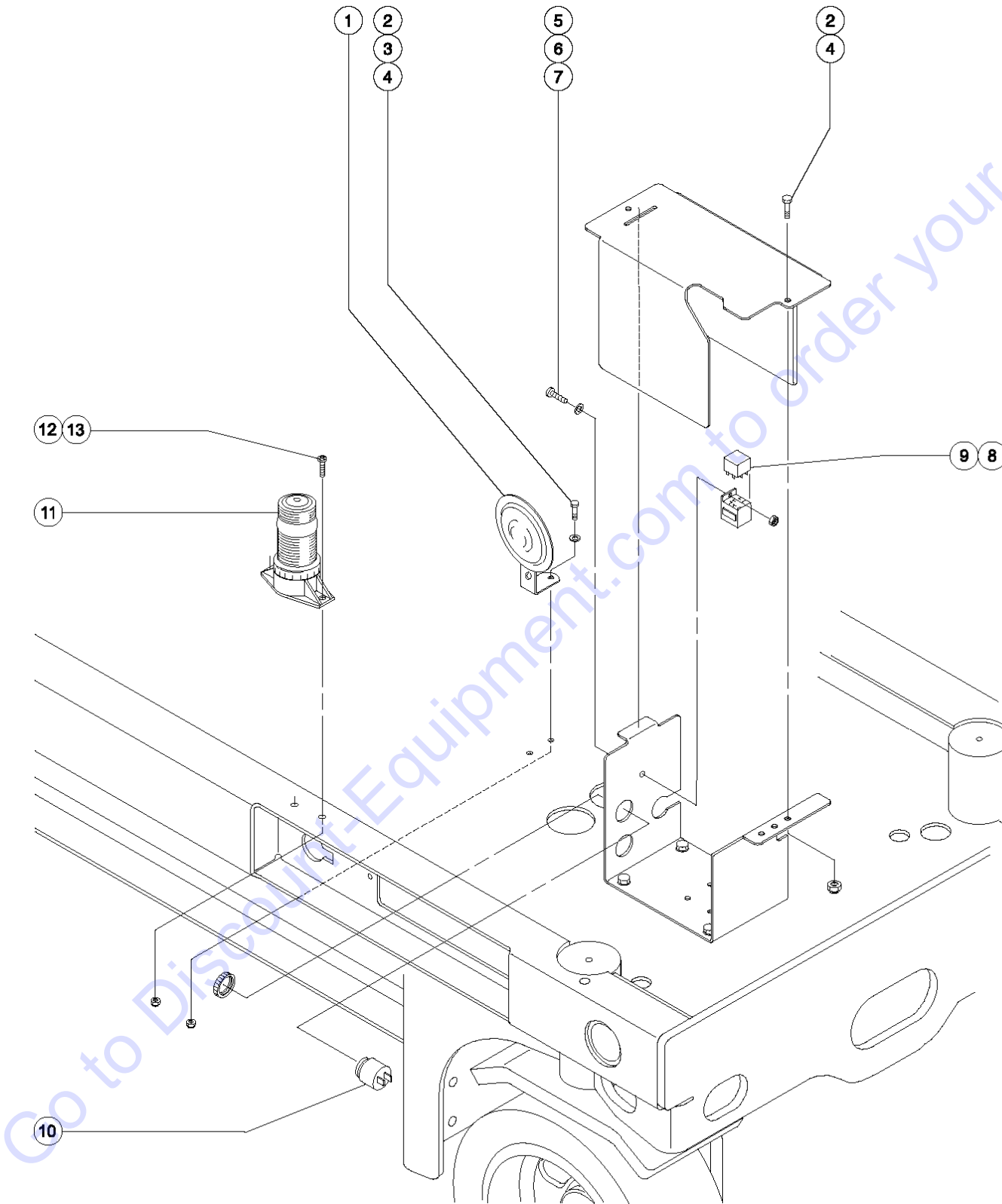


## 411.3 Joystick Controller (from SN 48104)

Item	Part No.	Description	Qty.
--	78903GT	JOYSTICK,SINGL AXIS,HALL,SLAB* <i>OEM joystick (must verify OEM P/N prior to ordering, label located on bottom of joystick)</i>	
--	78903HGT	JOYSTICK,SINGL AXIS,POT,SLAB <i>aftermarket joystick</i>	
1	105171GT	KIT,JOYSTICK ENABLE SWITCH.....	1
2	105115GT	KIT,JOYSTICK STEER SWITCH.....	1
3	150157GT	JOYSTIC HANDLE/SWITCH KIT..... <i>(for joysticks assembly 604038P) (inspect decal on joystick housing)</i>	1
--	105109GT	TURN SWITCH ACTUATOR,JOYSTICK**..... <i>(for all joysticks except 604038P)</i>	1
4	97015GT	BOOT,THUMB ROCKER***.....	1
5	97014GT	JOYSTICK HANDLE SET, COMPLETE..... <i>(for all joysticks except 604038P)</i>	1
6	97013GT	BOOT, JOYSTICK~.....	1
7	105172GT	KIT, PLATFORM PC RECEIPT/SOC.....	1



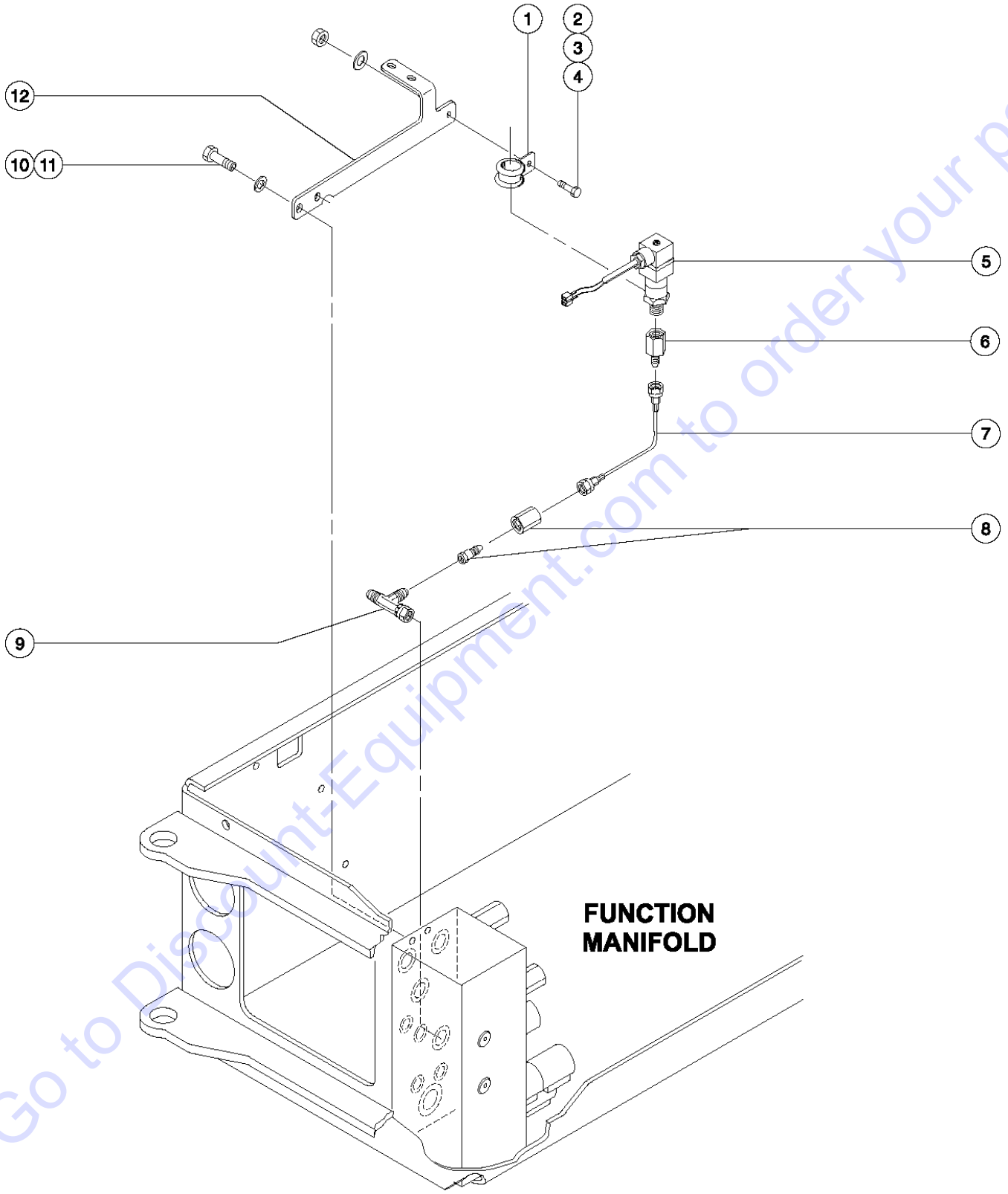
501.1 Alarm, Horn and Flashing Beacon



## 501.1 Alarm, Horn and Flashing Beacon

Item	Part No.	Description	Qty.
A	47676GT	GS SLAB AC BEACON <i>includes wiring harness and installation instructions</i>	
--	47663GT	HARNESS,BEACON ACCESSORY, SLAB	
--	48371GT	INSTALLATION INSTRC.BEACON	
B	47892GT	GS SLAB AC MOTION ALARM <i>includes wiring harness and installation instructions</i>	
--	47662GT	HARNESS,ALARM ACCESSORY	
--	47679GT	INSTALLATION INSTRUCT.,ALARM	
C	105992GT	HORN HARNESS	
C	47680GT	INSTALLATION INSTRC.HORN	
1	81579GT	HORN,24VDC,SPADE TERMINALS***.....1	1
2	8914GT	SCREW,HHC,1/4-20 X .625.....3	3
3	6638GT	WASHER,FLAT,USS,1/4"Y.....1	1
4	6091GT	NUT,NYLOCK,1/4-20.....3	3
5	47363GT	SCREW,RHM,8-32 X .50.....1	1
6	35461GT	WASHER,FLAT,MS,#8,Y.....1	1
7	18605GT	NUT,NYLOCK,8-32.....1	1
8	56302GT	RELAY,24VDC,40/30A,SEALED***.....1 <i>(to SN 49613)</i>	1
8A	78098GT	RELAY,24VDC,40/30A,SLD W/BRKT*.....1 <i>(from SN 49614)</i>	1
9	34053GT	ASSY,RELAY SOCKET, AUTO.....1	1
10	18963GT	ALARM,INTERMITTENT TONE 6-30V*...1 <i>Does not include 72326 nut</i>	1
--	72326GT	NUT - PLASTIC,RING FOR ALARMS....1	1
11	66909GT	STROBE,BEACON,W/OUT HARDWARE**.....2	2
--	58973GT	LIGHT,REPLACEMENT BULB (39676)...2	2
12	6606GT	SCREW,RHM,10-32 X .75.....2	2
13	6178GT	NUT,NYLOCK,10-32.....2	2

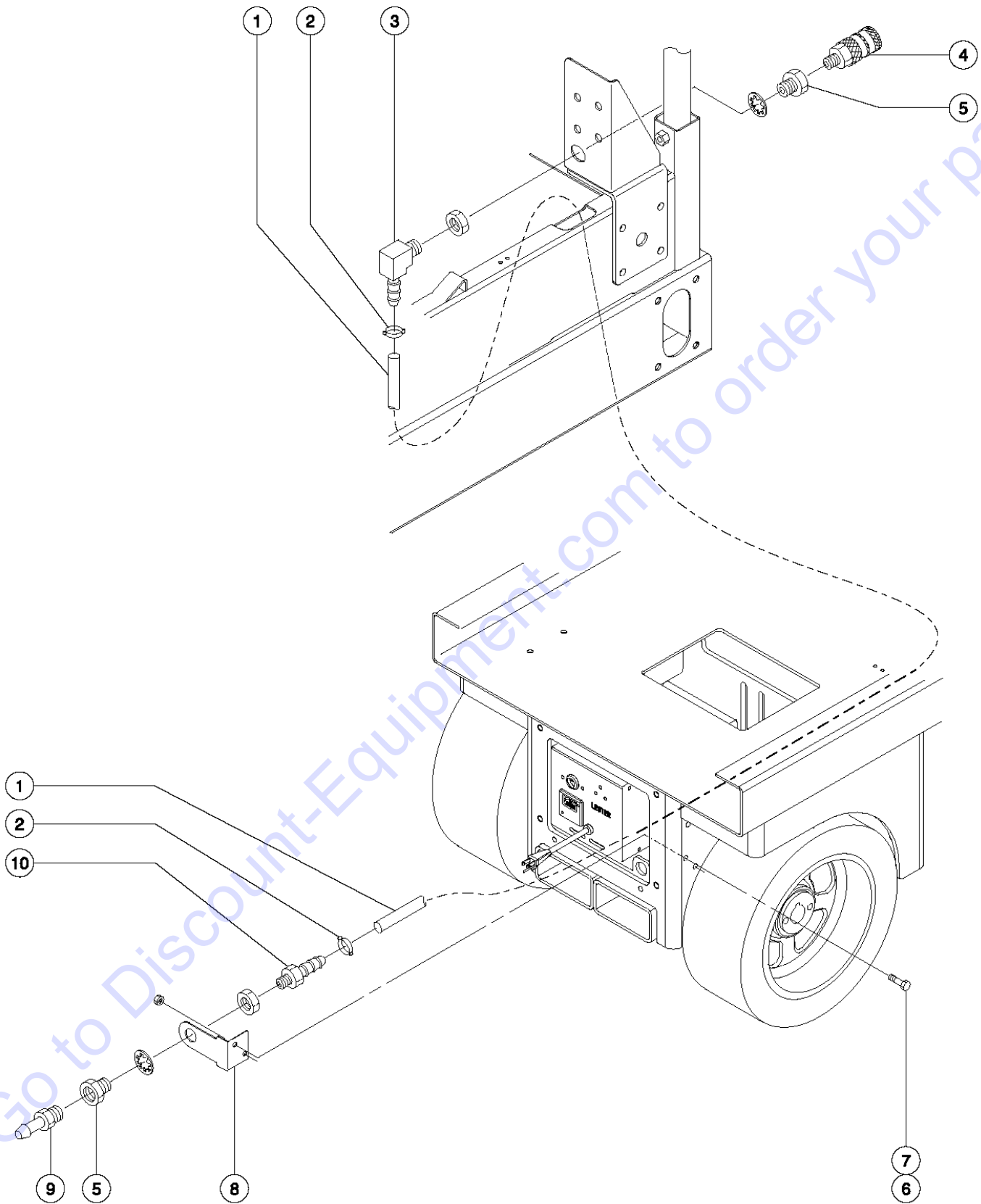
502.1 Platform Overload Protection



## 502.1 Platform Overload Protection

Item	Part No.	Description	Qty.
1	21618GT	CLAMP,1.13,#18 X 1/4,RUB CUSH.....1	1
2	8914GT	SCREW,HHC,1/4-20 X .625.....1	1
3	6638GT	WASHER,FLAT,USS,1/4"Y.....1	1
4	6091GT	NUT,NYLOCK,1/4-20.....1	1
5	51151GT	SWITCH,PRESS 2500-6000 PSI ADJ.....1 (172.4 - 413.7 bar)	1
6	51154GT	CONNECTOR,070103-4-4.....1	1
7	78873GT	HOSE ASSY, HANDPUMP/L BRAKE,32.....1 (components: 78855, 78855, 78852 @ 11.15 inches)	1
8	51153GT	REDUCER,070123-6-4.....1	1
8	51508GT	NUT,070110-6.....1	1
9	51152GT	TEE,RUN 070432-6***** .....1 (connects to Lift Port)	1
10	10107GT	SCREW,HHC,5/16-18 X .75.....2	2
11	6886GT	WASHER,LOCK,.313.....2	2
12		Ref. Bracket - Return Filter.....2 (refer to Figure 213.1 or 214.1)	2

503.1 Air Line to Platform



## 503.1 Air Line to Platform

Item	Part No.	Description	Qty.
--	47684GT	GS SLAB AC 2032 AIR TO PLAT	
--	78788GT	GS SLAB OP 2632 AIR TO PLAT	
1	27903GT	HOSE,LOW PRESSURE,.375 ID,BLK.....390-inches GS-2032	
1A	27903GT	HOSE,LOW PRESSURE,.375 ID,BLK.....490-inches GS-2632	
2	27902GT	CLAMP,HOSE,2 EAR, 5/8.....2	
3	27904GT	HOSE END,BARBED,RIGID,90DEG6-6.....1	
4	27895GT	COUPLER,1/4"SERIES 3/8 MPT.....1	
5	27900GT	BULKHEAD,FEMALE X 6 X 6.....2 (includes mounting fasteners)	
6	6175GT	SCREW,HHC,3/8-16 X 1.....2	
7	4828GT	NUT,NYLOCK,3/8-16.....2	
8	47077GT	BRACKET,AIRLINE MOUNTING.....1	
9	27894GT	PLUG,1/4"SERIES,3/8 MPT.....1	
10	27901GT	HOSE END,BARBED,RIGID,-6-6.....1	

# PARTS FINDER

**Search Website  
by Part Number**



**Search Manual  
Library For Parts  
Manual & Lookup Part  
Numbers – Purchase  
or Request Quote**

**Search Manuals**

Enter your information to help us find the right parts manual for your machine.

\* Brand:

\* Model:

\* Serial:

\* Part Number:

SEARCH

**Can't Find Part or  
Manual? Request Help  
by Manufacturer,  
Model & Description**

**Parts Order Form**

Please fill in the following information to help us find the right part for your machine.

Manufacturer:	<input type="text"/>
Model:	<input type="text"/>
Description:	<input type="text"/>
Part Number:	<input type="text"/>
Quantity:	<input type="text"/>
Notes:	<input type="text"/>

Submit

Discount-Equipment.com is your online resource for quality parts & equipment.

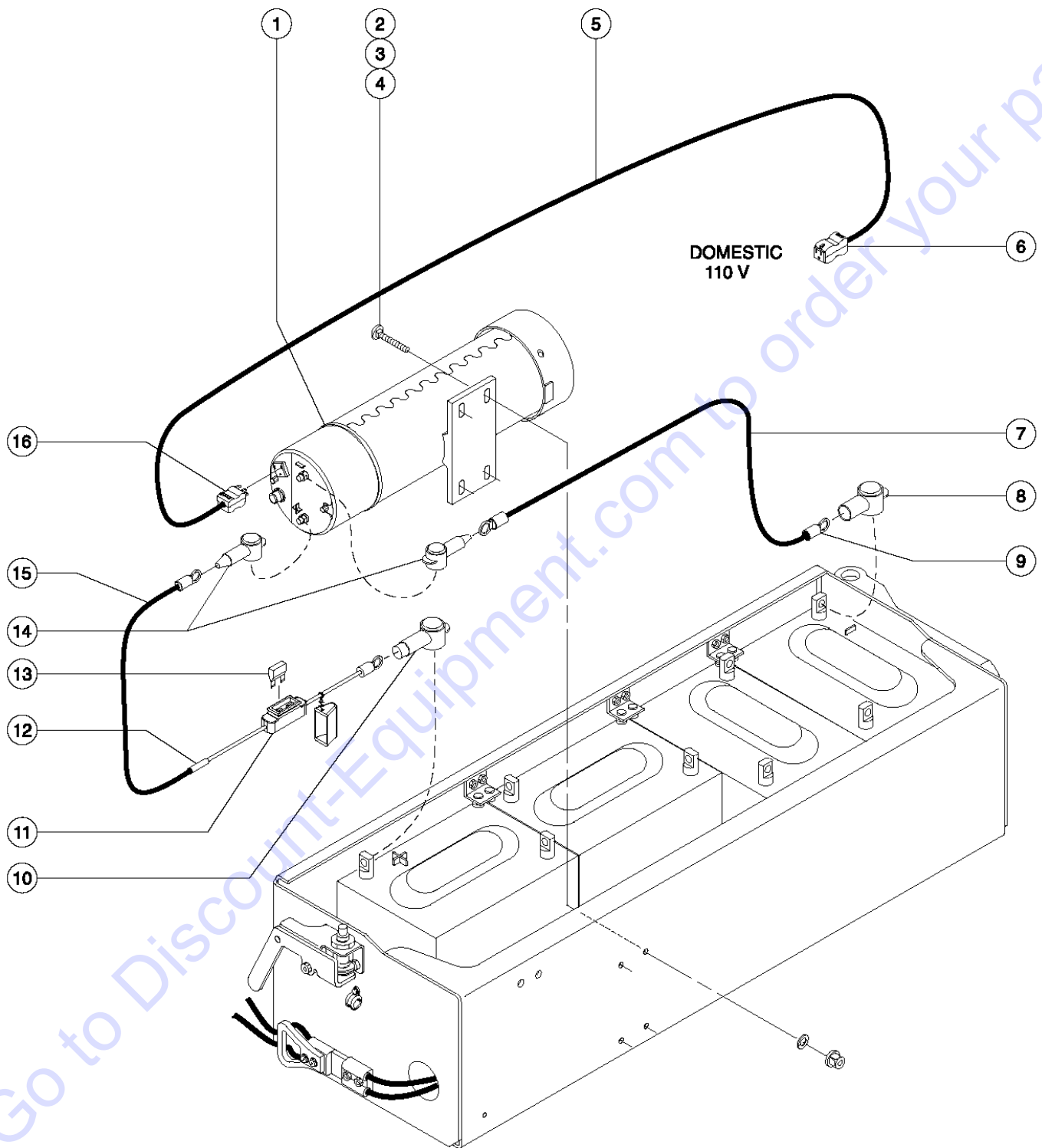
Florida: **561-964-4949** Outside Florida TOLL FREE: **877-690-3101**

**Need parts?**

Click on this link: <http://www.discount-equipment.com/category/5443-parts/> and choose one of the options to help get the right parts and equipment you are looking for. Please have the machine model and serial number available in order to help us get you the correct parts. If you don't find the part on the website or on one of the online manuals, please fill out the request form and one of our experienced staff members will get back to you with a quote for the right part that your machine needs.

We sell worldwide for the brands: Genie, Terex, JLG, MultiQuip, Mikasa, Essick, Whiteman, Mayco, Toro Stone, Diamond Products, Generac Magnum, Airman, Haulotte, Barreto, Power Blanket, Nifty Lift, Atlas Copco, Chicago Pneumatic, Allmand, Miller Curber, Skyjack, Lull, Skytrak, Tsurumi, Husquvarna Target, Stow, Wacker, Sakai, Mi-T-M, Sullair, Basic, Dynapac, MBW, Weber, Bartell, Bennar Newman, Haulotte, Ditch Runner, Menegotti, Morrison, Contec, Buddy, Crown, Edco, Wyco, Bomag, Laymor, EZ Trench, Bil-Jax, F.S. Curtis, Gehl Pavers, Heli, Honda, ICS/PowerGrit, IHI, Partner, Imer, Clipper, MMD, Koshin, Rice, CH&E, General Equipment, Amida, Coleman, NAC, Gradall, Square Shooter, Kent, Stanley, Tamco, Toku, Hatz, Kohler, Robin, Wisconsin, Northrock, Oztec, Toker TK, Rol-Air, APT, Wylie, Ingersoll Rand / Doosan, Innovatech, Con X, Ammann, Mecalac, Makinex, Smith Surface Prep, Small Line, Wanco, Yanmar

504.1 Voltage Inverter

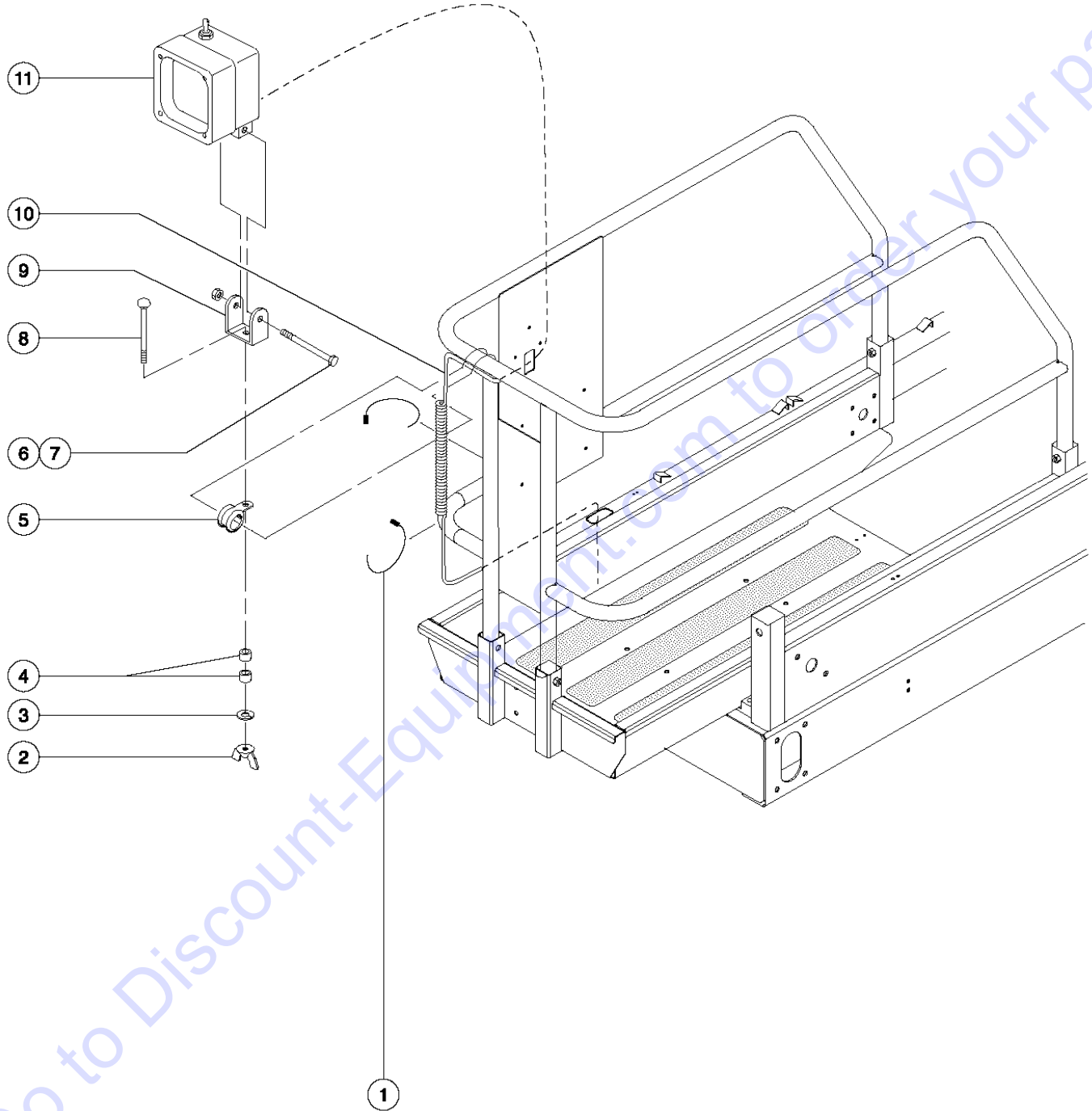




## 504.1 Voltage Inverter

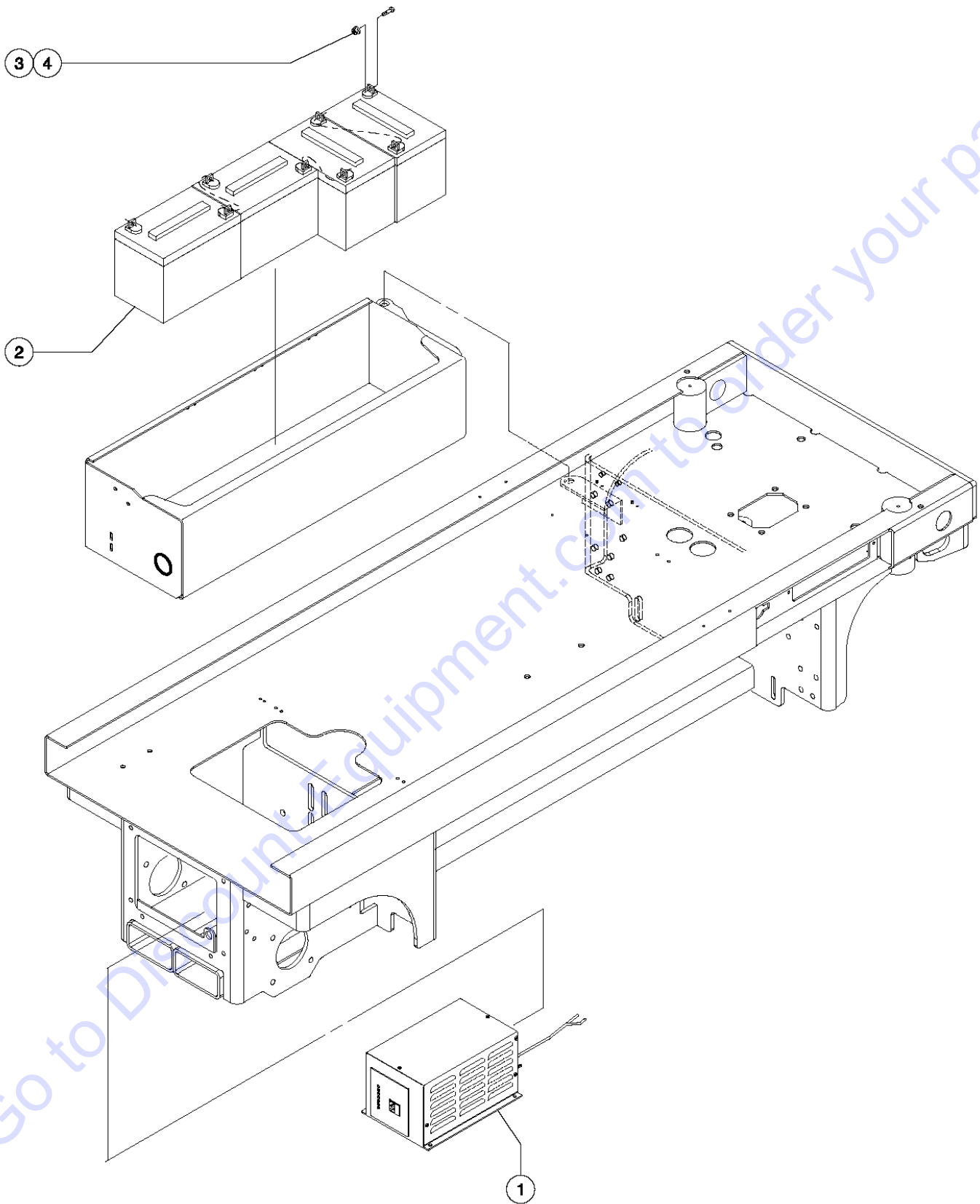
Item	Part No.	Description	Qty.
--	51306GT	HARNESS,INVERTER GS32/GS46	
1		INVERTER <i>component no longer available</i>	
2	66218GT	BOLT,CARRIAGE,5/16-18 X 1.0,G2.....4	
3	6886GT	WASHER,LOCK,.313.....4	
4	6782GT	NUT,NYLOCK,5/16-18.....4	
5	43956GT	WIRE CABLE,14/3 CON.TPE JKT* .....144-inches	
6	119404GT	CONN,RECEP 120AC/15A DOMESTIC.....1	
7	106208GT	WIRE,6 GA,BLACK,GXL.....35-inches	
8	51147GT	BOOT,CABLE TERMINAL,LG,RED,2/0...1	
9	55709GT	TERMINAL, 3/8" RING, #6GA.....4	
10	96110GT	BOOT,CABLE TERMINAL COVER.....1	
11	66808GT	FUSE/WIRE ASSY, GS46/GS2032.....1 <i>(includes items 12, 13, and 2 each item 9)</i>	
--	55747GT	FUSE HOLDER,INLINE,GS.....1	
12	66466GT	BUTT SPLICE, 6-GA.....1	
13	55726GT	FUSE,50 AMP.....1	
14	55748GT	BOOT,CABLE TERMINAL,SMALL.....2	
15	106208GT	WIRE,6 GA,BLACK,GXL.....35-inches	
16	6595GT	PLUG,ELECTRICAL,DOMESTIC.....1	

505.1 Work Light



Item	Part No.	Description	Qty.
A	55692GT	GS SLAB AC 2032 WORK LIGHT	
--	105971GT	WORKLIGHT PIGTAIL ASSY (chassis)	
--	105973GT	WORKLIGHT CABLE,GS19/20XX (linkset) GS-2032	
B	105921GT	WORKLIGHT ACCES,GS2632/2646	
--	105971GT	WORKLIGHT PIGTAIL ASSY (chassis)	
--	105974GT	WORKLIGHT CABLE,GS26XX (linkset) GS-2632, GS-2646	
1	28443GT	CABLE TIE,11.5" BLACK.....	2
2	69229GT	NUT,WING 5/16-18.....	1
3	6886GT	WASHER,LOCK,.313.....	1
4	5397GT	WASHER,FLAT,USS,5/16",Y..... <i>add sufficient washers to equal aproximately 0.435 inch thickness of each spacer</i>	2
5	33784GT	CLAMP,1.31,#21 X 1/4,RUB CUSH.....	1
6	50793GT	SCREW,HHC,5/16-18 X 2.....	1
7	6782GT	NUT,NYLOCK,5/16-18.....	1
8	65439GT	BOLT,CARRIAGE,5/16-18 X 2.0,G2.....	1
9	144011GT	WORKLIGHT,24V,COIL CORD.....	1
10	65721GT	COIL CORD,WORKLIGHT(144011).....	1
11	144011GT	WORKLIGHT,24V,COIL CORD.....	1

506.1 Battery - Maintenance Free



## 506.1 Battery - Maintenance Free

Item	Part No.	Description	Qty.
--	66380GT	CHARGER,MAINT. FREE-GS (complete)	
1		Ref. Battery Charger (refer to Figure 203.1 or 206.1)	
2	105150GT	BATTERY, AGM, 6V, (TROJAN) ***	4
3	18503GT	NUT,LOCKING-LG.FLANGE,5/16-18	8
4	10107GT	SCREW,HHC,5/16-18 X .75	8

Go to Discount-Equipment.com to order your parts

## Part Number Index

The Part Number Index is a numeric index of all part numbers included in this manual. The index shows what page(s) the part is used on.

Part Number	Page	Part Number	Page	Part Number	Page	Part Number	Page
10107GT	59-60, 63, 149, 157	144206GT	127	33550GT	117, 119	39880GT	81, 83, 85, 87, 89
104571GT	113	147093GT	67	33681GT	39, 55	39882GT	87, 93
104804GT	123, 125	150157GT	145	33724GT	129	39895GT	59-60, 63
105060GT	23	16487GT	25	33759GT	129	39907GT	27, 29, 51-52
105067GT	49	18383GT	103, 105	33784GT	155	40265GT	52
105109GT	145	18384GT	107	34053GT	147	40434GT	11-12, 15, 17
105115GT	145	18503GT	43, 157	35461GT	121, 147	40536GT	31
105150GT	157	18542GT	35	35463GT	51-52	40537GT	31
105171GT	145	18605GT	121, 147	37145GT	11-12, 15	40552GT	99, 101
105172GT	145	18666GT	43, 45	37947GT	67, 69	40594GT	55
105295GT	45, 59-60, 133, 135	18722GT	21, 23	38028GT	21, 23, 39, 41, 51-52, 55, 57	40832GT	59-60, 63
105334GT	37	18963GT	147	39038GT	21, 23	40833GT	43, 45
105454GT	21, 23, 47, 49	19273GT	63	39095GT	103, 107, 115	40836GT	25, 27, 29
105457GT	73, 75, 77, 79	19284GT	43, 45	39127GT	105, 107	40844GT	65
105579GT	83, 85, 87, 91, 93	19436GT	43, 45, 99, 101	39223GT	59-60, 63, 89, 91, 93	41557-SGT	111, 113
105739GT	31, 33, 35, 37	19491GT	25, 27, 29, 51-52	39225GT	59-60, 63, 89, 91, 93	41630GT	39, 55, 121
105802GT	83, 85, 87, 91, 93	19506GT	71	39226GT	59-60, 63	41695GT	55
105899GT	95, 97	19710GT	143	39227GT	59-60, 63	42019GT	59-60, 63
105900GT	95, 97	19720GT	141	39228GT	59-60, 63	42079GT	21, 23, 47, 49
105901GT	95, 97	19722GT	141, 143	39229GT	25, 27, 29	42280GT	59-60
105904GT	95, 97, 99, 101	19731GT	141	39232GT	25, 27, 29	43038GT	141
105905GT	95, 97, 99, 101	20224GT	73, 75, 77, 79	39240GT	21, 23	43040GT	141
105906GT	95, 97, 99, 101	20912GT	23	39250GT	21	43089GT	11-12, 15
105909GT	95, 97	21279GT	121, 123	39271GT	47, 49	43090GT	11-12, 15
105910GT	95, 97	21427GT	143	39310GT	117, 119	43091GT	11-12, 15
105911GT	95, 97	21434GT	141, 143	39317GT	55, 117, 119	43094GT	11-12, 15
105912GT	99, 101	21618GT	149	39341GT	117	43617GT	11-12, 15
105921GT	155	219480GT	37	39347GT	73	43618GT	11-12, 15, 17
105971GT	155	219492GT	43, 45	39412GT	117	43619GT	11-12, 15
105973GT	155	219493GT	43, 45	39429GT	121	43658GT	11-12, 15, 17
105974GT	155	219494GT	43, 45	39438PGT	59-60, 63	43685GT	65
10597GT	39, 41, 47, 49, 51-52	219497GT	59-60, 63	39464PGT	25	43696GT	11-12, 15
105992GT	147	21982GT	67, 69	39467PGT	25	43956GT	129, 153
106208GT	153	22446GT	123, 125	39469GT	29, 39, 55, 121	44166GT	73
10775GT	129	22699GT	25	39470GT	39, 55, 121	44167GT	73
10777GT	129	23083-SGT	25, 27, 29	39474GT	117, 119, 121, 123, 127	44168GT	73, 75, 77, 79
115427GT	41	232582GT	97, 101	39497GT	89, 91, 93	44169GT	73, 75, 77, 79
115428GT	45	233368GT	97, 101	39509GT	123	44170GT	73, 75, 77, 79
119404GT	153	233371GT	97, 101	39510GT	117, 123	44171GT	73, 75, 77, 79
11966GT	45, 105, 109	233379GT	59-60, 63	39518GT	59-60, 63	44174GT	73, 75, 77, 79
11968GT	25, 45, 121	233431GT	97, 101	39520GT	45, 59-60	44175GT	73, 75, 77
12011GT	25, 111, 113	25388GT	31, 129	39521GT	45, 59-60	44176GT	73
12017GT	31	26810GT	115	39540GT	25, 27, 29, 135, 137, 139	44178GT	73
12343GT	23	27134GT	141	39542GT	52	44207GT	60, 63
12344GT	131	27246GT	67, 69, 71, 133	39560GT	105, 109	44216GT	47
1252978GT	127	27262GT	31	39579GT	123, 127	44217GT	47
1256848GT	127	27488GT	25, 27, 29	39580GT	52, 57	44218GT	47
1259182GT	127	27643GT	27, 29, 51-52	39581GT	21, 23, 51-52	44220GT	11-12, 15
1259223GT	39, 55, 121	27894GT	151	39586GT	21, 23	44224GT	47, 73
1260941GT	103	27895GT	151	39608GT	119	44225GT	73, 75, 77, 79
1263634GT	59-60, 63	27900GT	151	39612GT	12, 19	44226GT	73, 75, 77, 79
1274322GT	127	27901GT	151	39645GT	117	44227GT	73, 75, 77, 79
1280665GT	31, 35, 129	27902GT	151	39673GT	45, 59-60	44228GT	73, 75, 77, 79
12906GT	55	28161GT	11-12, 15	39796GT	121	44229GT	73, 75, 77, 79
12960GT	27, 29	28164GT	11-12, 15	39870GT	81	44230GT	73, 75, 77, 79
13000GT	41, 57	28171GT	11-12, 15	39872GT	81, 83, 85, 87, 89, 91, 93	44233GT	47
13002GT	41, 43, 45, 57	28174GT	11-12, 15, 17	39873GT	81, 83, 85, 87, 89, 91, 93	44235GT	47
13008-6GT	31	28175GT	11-12, 15	39874GT	81, 83, 85, 87, 89, 91, 93	44236GT	73, 75, 77
13066GT	51-52	28176GT	11-12, 15	39875GT	81, 83, 85, 87, 89, 91, 93	44250GT	21, 23
131426GT	115	28235GT	11-12, 15, 17	39876GT	81, 83, 85, 87, 89, 91, 93	44254GT	11-12
13585GT	129	28236GT	11-12, 15	39877GT	81, 83, 85, 87, 89, 91, 93	44255GT	11-12, 15
13635-10GT	23	28443GT	105, 113, 155	39878GT	81, 83, 85, 87, 89, 91, 93, 111, 113	44716GT	43, 45
13757GT	89	28487GT	119	39879GT	81, 83, 85, 87, 89, 91, 93	44733GT	39, 55
13918GT	27	28487GT	119	39879GT	81, 83, 85, 87, 89, 91, 93	44736GT	11-12, 15
14033GT	47, 52, 107, 115, 119, 125	29868GT	27, 29	39879GT	81, 83, 85, 87, 89, 91, 93	44737GT	11-12, 15
14041GT	27, 29	31060GT	11-12, 15	39879GT	81, 83, 85, 87, 89, 91, 93	44742GT	47, 49
14297GT	25, 27, 131	31508GT	11-12, 15	39879GT	81, 83, 85, 87, 89, 91, 93	44743GT	121, 123
144011GT	155	31526GT	141	39879GT	81, 83, 85, 87, 89, 91, 93	44750GT	65
144065GT	139	31785GT	11-12	39879GT	81, 83, 85, 87, 89, 91, 93	44751GT	65
144161GT	31, 129	31785JAGT	11-12	39879GT	81, 83, 85, 87, 89, 91, 93	44752GT	65
144180GT	37	32146GT	95, 97	39879GT	81, 83, 85, 87, 89, 91, 93	44753GT	11-12, 15
		32148GT	99, 101	39879GT	81, 83, 85, 87, 89, 91, 93	44777GT	65
		32149GT	99, 101	39879GT	81, 83, 85, 87, 89, 91, 93	44778GT	65
		32339GT	59-60, 63	39879GT	81, 83, 85, 87, 89, 91, 93	44780GT	21, 23, 47, 49
				39879GT	81, 83, 85, 87, 89, 91, 93	44781GT	21, 23, 47, 49

Part Number	Page	Part Number	Page	Part Number	Page	Part Number	Page
44782GT	21, 23	47232GT	27, 29, 43, 45,	48282GT	33	52527GT	143
44783GT	21, 23		55, 63	4828GT	23, 27, 47, 49,	52529GT	143
44788GT	60, 63	47234GT	123		51-52, 103, 105,	52560GT	11-12, 15
44792GT	141	47243GT	52		107, 109, 113,	52594GT	73, 75, 77, 79
44973GT	111, 113	47244GT	52		115, 117, 119,	52595GT	73, 75, 77
44979GT	111, 113	47255GT	21, 39, 41, 52,		123, 125, 151	52608GT	11-12
44980GT	11-12, 15, 17		55, 57	48320GT	103	52864GT	11-12, 19
44988GT	141	47273GT	51-52	48321GT	103	53502GT	81, 83, 85, 87
44994GT	11-12	47274GT	51-52	48322GT	103	53503GT	81, 83, 85, 87
45071GT	111, 113	47301GT	107	48323GT	103	5397GT	59-60, 63, 105,
45385GT	27, 29	47302GT	107	48324GT	51-52		123, 155
45437GT	129	47322GT	51-52	48325GT	52	55010GT	37
45454GT	43, 45, 105	47323GT	41, 55, 57	48326GT	52	55018GT	37
45546GT	129	47323PGT	39	48327GT	52	55019GT	35, 37
45748GT	21, 23	47324GT	41, 55, 57	48334GT	41, 43	55021GT	37
45840GT	67, 117, 119	47324PGT	39	48355GT	47, 49	55336GT	105, 109
46216GT	75, 77, 79	47325GT	39	48359GT	52	55355GT	21, 23
46227GT	141	47331GT	55	48371GT	147	55487GT	105
46238GT	11-12, 15	47340GT	51-52	48659GT	73, 79	55488GT	109
46253GT	133	47342GT	39, 41, 55, 57	48709GT	63	55559GT	111, 113
46254GT	133	47350GT	119	48880GT	73, 75, 77, 79	55560GT	113
46260GT	121	47363GT	45, 59-60, 121,	48997GT	73, 75, 77, 79	55616GT	59-60, 63
46262GT	11-12, 15		147	49902GT	99, 101	55620GT	33
46263GT	99, 101	47374GT	117, 119, 121,	49904GT	95, 97, 99, 101	55692GT	155
46266GT	133		123, 125, 127	49906GT	95, 97, 99, 101	55709GT	153
46267GT	133	47389GT	121	49907GT	99, 101	55716GT	111, 113
46268GT	141	47395GT	119	49908GT	99, 101	55717GT	113
46269GT	141	47414GT	51-52	50793GT	155	55725GT	29
46270GT	141	47425GT	81	51063GT	27, 29, 51-52	55726GT	153
46271GT	141, 143	47426GT	81	51105GT	51-52	55747GT	153
46272GT	141	47431GT	81, 83, 85, 87	51144GT	107	55748GT	153
46274GT	141	47432GT	81	51145GT	27	55789GT	59-60, 63
46275GT	141	47433GT	81	51146GT	51-52	55917GT	21, 23
46285GT	11-12	47434GT	81	51147GT	153	55921GT	65
46286GT	11-12, 15	47435GT	81	51151GT	149	55941GT	59-60, 63
46287GT	11-12, 15	47436GT	81, 83, 85, 87	51152GT	149	55953GT	21, 23
46288GT	73, 75, 77, 79	47440GT	81, 83, 85, 87	51153GT	149	55968GT	81, 83, 85, 87,
46328GT	11-12	47441GT	81, 83, 85, 87	51154GT	149		89, 91, 93
46329GT	131	47442GT	81, 83, 85, 87	51286GT	89	55983GT	39, 41, 55, 57
46330GT	117	47455GT	39, 41, 55, 57	51288GT	31, 33	55991-SGT	21
46331GT	117	47458GT	109	51306GT	153	55992-SGT	21
46332GT	55, 59-60	47462GT	21	51314GT	119	56100GT	69, 71
46333GT	121	47464GT	21	51319-SGT	119	56302GT	45, 59-60, 147
46334GT	121	47476GT	99	51320-SGT	119	56912GT	27, 29, 45, 47, 49
46335GT	31	47478GT	43, 45, 71	51324GT	119	58000GT	105, 109
46337GT	31	47479GT	21	51325GT	119	58126GT	111
46342GT	27	47502GT	105, 109	51367GT	121, 123	58242GT	47
46343GT	21	47510GT	107	51400GT	119	58286GT	47
46344GT	21	47513GT	27	51496GT	41, 55	58293GT	141, 143
46347GT	39	47514GT	27	51508GT	149	58592GT	23
46348GT	55	47520GT	21, 23, 52	51590GT	95	58914GT	133
46351GT	103	47521GT	21	51596GT	109	58973GT	147
47012GT	111	47522GT	59-60, 63	51679GT	73	58992GT	47
47077GT	151	47523GT	119	51689GT	131	58998GT	73, 75, 77
47102GT	103, 107	47524GT	119	51692GT	121, 123	6002GT	41, 57, 121
47138GT	117, 119	47543PGT	27	51743GT	131	6019GT	23, 113, 115,
47148-SGT	119	47544GT	27	51763GT	103, 107		117, 119, 121
47158GT	103	47548GT	21, 23, 39, 41,	51860GT	135, 137, 139	6021GT	27, 29, 65, 121,
47160GT	115		52, 55	52042GT	141, 143		123, 137, 139
47163GT	121, 123	47566GT	105	52043GT	141, 143	6033GT	47, 49
47164GT	105	47599GT	103	52050GT	141, 143	6034GT	51-52
47167PGT	121	47656GT	51-52	52063GT	11-12	6035GT	21, 23
47179GT	103	47657GT	51-52	52168GT	33	6036GT	123
47180GT	103	47662GT	147	52169GT	33	6037GT	45
47184GT	105	47663GT	147	52170GT	33, 35	6086GT	39, 41, 51-52,
47188GT	117, 119, 123	47676GT	147	52171GT	33		55, 57
47193GT	67	47679GT	147	52172GT	33, 35	6090GT	21, 27, 29, 43,
47194GT	25	47680GT	147	52173GT	33, 35		45, 47, 49, 105,
47218GT	121	47684GT	151	52174GT	33		119, 121, 123,
47222GT	121	47793GT	55	52175GT	33		129
47224GT	117, 123	47867GT	131	52176GT	33	6091GT	23, 25, 27, 29,
47225GT	121	47892GT	147	5224GT	123, 125		43, 45, 47, 49,
47228GT	39, 55	47907GT	55	52294GT	31		55, 59-60, 63,
47230GT	51-52	47923GT	45	52475GT	11-12, 15, 17		105, 109, 113,
47231GT	121, 123, 127	47946GT	23	52494GT	11-12, 15		115, 119, 121,
		47955GT	109	52525GT	143		

## Part Number Index (continued)

Part Number	Page	Part Number	Page	Part Number	Page	Part Number	Page
	123, 125, 129, 131, 147, 149	66165GT	91	6708GT	117	78686GT	105, 109
6095GT	21, 23	66204GT	59-60, 63	6782GT	39, 41, 57, 59-	78687GT	109
6097GT	23, 27, 29, 39, 47, 51-52, 55, 60, 63, 105, 109, 117, 119, 121	66206GT	65		60, 63, 153, 155	78696GT	89, 91, 93
6145GT	45	66218GT	153	6873GT	43, 45	78716GT	95, 97, 99, 101
6146GT	51-52	6626GT	129	6878GT	113, 115	78725GT	45, 59-60
6147GT	45, 60	66353GT	129	68818GT	71	78736GT	23
6175GT	23, 27, 29, 47, 49, 51-52, 59- 60, 63, 105, 109, 151	66355GT	129	6884GT	23	78788GT	151
	25, 27, 29, 43, 45, 51-52, 147	66356GT	129	6886GT	59-60, 63, 121, 149, 153, 155	78805GT	137
6178GT	25, 27, 29, 43, 45, 51-52, 147	66375-SGT	119		23, 47, 49, 59-	78859GT	89, 91, 93
6198GT	21, 23	6637GT	29, 123, 125	6888GT	60, 105, 109	78860GT	89, 91, 93
62055GT	11-12, 15, 17	66380GT	157		21, 43, 45, 55, 105, 109, 121	78861GT	89, 91, 93
62082GT	73, 75, 77, 79	6638GT	43, 45, 47, 49, 59-60, 63, 105, 109, 121, 123, 125, 147, 149	6889GT	155	78862GT	89, 91, 93
62161GT	143	66397GT	43, 45	69229GT	155	78864GT	81, 83, 85, 87, 89, 91, 93
62161HGT	143	66398GT	95, 97, 99, 101	6935GT	25, 47, 49, 129	78869GT	81, 83, 85, 87
62223GT	135, 137, 139	66410GT	133	69537GT	141	78870GT	81, 83, 85, 87
62231GT	31	66411GT	99	69580GT	35	78871GT	81, 83, 85, 87
62233GT	31	66412GT	31	69581GT	35	78872GT	81, 83, 85, 87
62234GT	31	66419GT	47	69582GT	35	78873GT	81, 83, 85, 87, 89, 91, 93, 149
62237GT	31	66427GT	43, 45	69583GT	35	78892GT	139
62759GT	11-12	66428GT	25, 27, 29	69585GT	35	78903GT	145
62858-SGT	31	66429GT	51-52	69586GT	35	78903HGT	145
6326GT	103	66430GT	51-52	7056GT	25, 47, 49, 129	78904GT	139
6356GT	21, 23, 25, 43, 45, 47, 49, 59- 60, 63, 111, 113	66449GT	51-52	7127GT	129	78911GT	111, 113
	35, 45	66458GT	25, 29	71349GT	105, 109	78912GT	113
64258GT	131	66462GT	29	71706GT	37	78960GT	29
65052GT	11-12, 15	66465GT	111, 113	71912GT	51-52	78962GT	29
65058GT	11-12, 15, 17	66466GT	153	72038GT	111, 113	81579GT	147
65167GT	121	66470GT	113	72254GT	137	8177GT	39, 55, 57
65174GT	117, 119	66478GT	35	72326GT	25, 27, 29, 135, 137, 139, 147	8178GT	119
65178GT	141, 143	66485GT	125, 127		11-12, 15	82307GT	12, 15
65179GT	143	66537GT	123	72833GT	11-12, 15	823408GT	59-60, 63
65180GT	143	66544GT	123, 125	72853GT	11-12, 15	82368GT	12, 15
65184GT	75, 77, 79	66685GT	123	72877GT	51-52	82448GT	12, 15, 17
65297GT	133, 135	66692GT	51-52	72970GT	15	82472GT	17
65299GT	29	66717GT	43, 45	72973GT	11-12, 15, 17	82474GT	17
65300GT	103	66750GT	23	72990GT	11-12	82476GT	17
65318GT	59-60, 63	66761GT	67, 69, 71, 133, 135	72992GT	12	82481GT	17
65335-SGT	65		135	76502GT	43, 45	82482GT	17
65430GT	131	66762GT	133	7713GT	27, 39, 51-52, 55, 121, 123	82487GT	17
65432-SGT	31	66772GT	75, 77		125	82488GT	17
65439GT	155	66773GT	79	78005-SGT	125	82495GT	17
6545GT	23	66777GT	47, 49	78030GT	123	82496GT	17
65526GT	141	66778GT	23, 51-52	78044GT	21, 23	82497GT	17
65721GT	155	66808GT	153	78045GT	21, 23	825019GT	105, 109
65734GT	69	66812GT	67, 69, 71, 133, 135, 137, 139	78055GT	51-52	82502GT	17
65736GT	59-60, 63	66813GT	133	78060GT	23	82557GT	15
65763GT	47	66815GT	133	78069GT	21	82558GT	15
6578GT	45	66816GT	67, 133	78074GT	21	82559GT	15
65805GT	141	66817GT	67, 69, 71, 133, 135, 137, 139	78075GT	21	8255GT	137, 139
6595GT	31, 33, 129, 153		135, 137, 139	78076GT	21	82560GT	17
65962GT	75, 77, 79	66825GT	47, 49	78092GT	51-52	82561GT	15
65966GT	45	66829GT	23	78098GT	147	82562GT	17
65967-SGT	41	66830GT	85, 89	78109GT	33	82563GT	15
65972-SGT	57	66837GT	51-52	78112GT	79	82656GT	17
65974GT	89, 91, 93	66843GT	137	78136GT	59-60, 63	82690GT	15, 17
65981GT	57	66866GT	121	78140GT	71	82691GT	15, 17
65982GT	41	66871GT	41, 57	78144GT	71	82693GT	15
66030GT	125	66900GT	41, 57	78222GT	21, 23	82694GT	15
66055GT	103	66901GT	41, 57	78283GT	51-52	82695GT	15
6606GT	147	66903-SGT	123, 125	78284GT	51-52	82699GT	17
66081GT	43	66909GT	147	78297GT	51-52	82701GT	17
66094GT	43	66960GT	95, 97	78311GT	23	82707GT	15
66098GT	105, 109	66961GT	95, 97	78312GT	23	82708GT	15
66155GT	81	66962GT	95	78314GT	131, 135, 137	82709GT	17
66157GT	19	66963GT	95, 97	78321GT	45	82778GT	17
66158GT	135, 137	66982GT	51-52	78422GT	59-60, 63	82779GT	17
66159GT	89, 93	66985GT	125	78464-SGT	31	82786GT	17
		66986GT	23	78546GT	59-60, 63	82956GT	17
		66990GT	51-52	78585GT	59-60, 63	83093GT	71
		66999GT	123, 125	78622GT	60, 63	83126GT	133, 135
		6700GT	23, 60, 63	78672GT	29	83131GT	71
				78673GT	15, 17, 19	83140GT	135, 137, 139
				78674GT	29	8357GT	21, 23, 47, 49
				78683GT	89, 91, 93	84391GT	49



Part Number	Page	Part Number	Page
84392GT	49	97050GT	123, 125
84394GT	49	97051GT	127
84395GT	49	97052GT	127
84422GT	111, 113	97054GT	123
84536GT	49	97058GT	21, 23
84539GT	49	97059GT	37
84586GT	121, 123	97061GT	107
84683GT	125	97063GT	107
84684GT	125	97064GT	107
84685GT	125	97066GT	107
84739GT	49	97067GT	107
84740GT	49	97068GT	103
84742GT	49	97069GT	107
84743GT	49	97070GT	127
84746GT	49	97110GT	123, 125
8514GT	55, 105	97124GT	123
8516GT	105, 109	97128GT	27, 29, 51-52
85197GT	65	97582GT	17
8538GT	21, 39, 55	T112563GT	129
88000GT	47	T113787GT	117, 119, 121
88356-126R3GT	25	T114691GT	67, 69, 71
8914GT	27, 29, 59-60, 63, 109, 147, 149		
8915GT	43		
94340GT	99		
94341GT	99		
96008-SGT	67, 69, 71		
96009GT	67, 69, 71		
96010GT	67, 69		
96011GT	67, 69, 71		
96013GT	131		
96015GT	131		
96019GT	131		
96020GT	131, 139		
96110GT	43, 45, 153		
96137GT	125		
96163GT	117, 123		
96193GT	65		
96197GT	23		
96214GT	31, 33, 35		
96236GT	129		
96246GT	123, 125		
96247GT	123, 125		
96257GT	47, 49		
96413GT	121		
96416GT	47		
96417GT	21, 23		
96419GT	21, 23		
96421GT	137, 139		
96452GT	69, 71		
96454GT	29		
96455GT	29		
96456GT	29		
96461GT	47, 49		
96472GT	11-12		
96641GT	115		
96668GT	123		
96845GT	123		
96846GT	127		
96948GT	25, 27, 29, 51-52		
96949GT	95, 97, 99, 101		
96957GT	113		
96962GT	113		
96974GT	115		
96975GT	115		
97013GT	145		
97014GT	145		
97015GT	145		
97016GT	23		
97043GT	127		
97044GT	123		
97045GT	123		
97046GT	123, 127		
97047GT	123, 125		
97048GT	123, 125		
97049GT	123, 125		

## Part Description Index

The Part Description Index is an alphabetical index of all part descriptions included in this manual. The index shows what page(s) the part is used on.

**A**

ACCUMULATOR,180 PSI PRECHARGE\*...59-60, 63  
 ACTUATOR, SWITCH, UNDER OVERLAY\*~.....137  
 ADAPTER, HARNESS.....131, 139  
 ADAPTER, HARNESS\*\*\*.....131  
 ALARM ASSY.12VDC,ITT.....135, 137, 139  
 ALARM WIRE HARNESS(66151).....135, 137, 139  
 ALARM,INTERMITTENT TONE 6-30V\*.....147  
 ALARM,STEADY TONE\*\*\*.....25, 27, 29, 135, 137, 139  
 AMMETER, 39243/47906/66412.....31  
 AMMETER-47671 CHARGER,25 AMP.....33, 35  
 ARM, POTHOLE CRANK, GS32/46.....52  
 ARM,L POTHOLE CRANK, GS32/46.....52  
 ARM-#1 INNER W/DECALS, 2032.....103  
 ARM-#1 OUTER W/DECALS, 2032.....103  
 ARM-#2 INNER W/BEARINGS.....103  
 ARM-#2 OUTER W/BEARINGS.....103  
 ARM-#3 INNER W/BEARINGS,GS2032.....103  
 ARM-#3 OUTER, 2032.....103  
 ASSM,CONTACTOR KIT,GS.....43, 45  
 ASSY,CIRCUIT BREAKER 10A.....67  
 ASSY,CHASSIS GROUND WIRE.....95, 97, 99, 101  
 ASSY,DECAL PLATE,ANSI/CSA,GS32.....127  
 ASSY,RELAY SOCKET, AUTO.....147  
 ASSY,SWITCH,TOGGLE,SPDT\*\*\*\*\*.....67, 69, 71

**B**

BALL STUD,GAS STRUT (38593)\*\*\*.....52  
 BASE WITH 1 NC CONTACT, E-STOP.....67, 69, 71, 133, 135, 137, 139  
 BASE, W/1 N.O. CONTACTS\*\*\*.....133  
 BAT. TRAY ASSY W/DEC,2632 NIKN.....45  
 BAT.TRAY ASSY W/DEC,2032 NIKN.....41  
 BATT. CABLE ASSY-CHASSIS, GS.....99, 101  
 BATT.MODULE ASSY W/DECAL-2032.....41, 43  
 BATTERY CABLE ASSY 153" RED QD.....95  
 BATTERY CABLE ASSY 156" BLK QD.....95, 97  
 BATTERY CABLE ASSY 25" RED QD.....95, 97  
 BATTERY CABLE ASSY 75" BLK QD.....95, 97  
 BATTERY CABLE ASSY, 2.5"SCISS.....99, 101  
 BATTERY CABLE ASSY,RED.....95, 97, 99, 101  
 BATTERY CABLE ASSY.5.75"SCISS.....99, 101  
 BATTERY CABLE ASSY.BAT.MOD.GS.....99, 101  
 BATTERY CHARGER, CONT EUROPE.....35  
 BATTERY CHARGER,UPGRADE KIT\*\*\*.....31, 33, 35  
 BATTERY, AGM, 6V, (TROJAN) \*\*\*.....157  
 BATTERY,T105 W/LPT,3 CAP,DRY\*\*.....43, 45  
 BEARING,0.75IDX1.00ODX0.38L.....52, 57  
 BEARING,0.75IDX1.00ODX0.50L.....21, 23, 51-52  
 BEARING,1.00IDX1.25ODX0.49L.....23  
 BEARING,1.0ID X 1.25OD X .38LG.....21  
 BEARING,1.50IDX1.77ODX1.25L.....103

BEARING,1.5IDX1.75ODX1.5L.....111, 113  
 BEARING,1.75IDX2.00ODX1.25L.....107  
 BEARING,2.25IDX2.50ODX1.50L\*\*\*.....21, 23  
 BEARING,DRIVE MOTOR GS15/19.....21, 23  
 BEARING,FL,0.75ID X 1 OD X .49.....21, 23, 39, 41, 52, 55  
 BEARING,FL,1.75IDX2.25ODX.85L.....103, 107  
 BEARING,JOYSTICK (57890).....141  
 BEARING,MOTOR.....65  
 BEARING,MOTOR,36843,BRUSH END\*.....65  
 BELLCRANK ASSY, GS32.....21  
 BELLCRANK,STEER W/BEARING,2032.....21  
 BLOCK, PLATFORM ANCHOR.....115  
 BLOCK,MODULE TRAY STOP.....55  
 BOLT, SHOULDER, LARGE FLANGE.....51-52  
 BOLT, WIDE SHOULDER.....21  
 BOLT,CARRIAGE,1/4-20 X .75,G2.....113, 115  
 BOLT,CARRIAGE,5/16-18 X 1.0,G2.....153  
 BOLT,CARRIAGE,5/16-18 X 2.0,G2.....155  
 BOLT,SHORT SHOULDER.....21, 39, 41, 52, 55, 57  
 BOLT,SHOULDER,5/8-11 X 1.19 LT.....51-52  
 BOLT,SHS,3/8X.375X5/16-18,ZAG.....39, 55, 121  
 BOOT, JOYSTICK~.....145  
 BOOT, PROTECTIVE, 45049 BLACK.....143  
 BOOT,CABLE TERMINAL COVER.....43, 45, 153  
 BOOT,CABLE TERMINAL,LG,RED,2/0.....153  
 BOOT,CABLE TERMINAL,SMALL.....153  
 BOOT,CONTROLLER.....141  
 BOOT,CONTROLLER\*\*.....143  
 BOOT,THUMB ROCKER\*\*\*.....145  
 BOOT,TOGGLE SWITCH,SHORT\*.....67, 69, 71, 133  
 BOOT-THUMB ROCKER\*\* BLACK.....141  
 BOOT-THUMB ROCKER, 44988 RED\*\*.....141  
 BOX, GRAY SCISSOR CONTROLLERS.....133  
 BOX,MOLDED UPPER CONTROL.....137, 139  
 BRACKET ASSY-ROLLER, PLTFRM\*\*\*.....121  
 BRACKET, CONTROLLER MOUNT.....59-60, 63  
 BRACKET, FILTER MOUNT GS32&46.....59-60, 63  
 BRACKET, FULL HT SWING GATE.....119  
 BRACKET,AIRLINE MOUNTING.....151  
 BRACKET,BOX HINGE,LH-UP/RH-LO.....41, 55, 57  
 BRACKET,BOX HINGE,LH/UP-RH-LO.....39  
 BRACKET,BOX HINGE,RH-UP/LH-LO.....41, 55, 57  
 BRACKET,BOX HINGE,RH/UP-LH/LO.....39  
 BRACKET,CONTACTOR,GS.....43, 45  
 BRACKET,FILTER MOUNT.....59-60, 63  
 BRACKET,FOOT PEDAL SUPPORT.....121  
 BRACKET,HINGE MOUNTING,PAINTED...119  
 BRACKET,JOYSTICK QUICK DISCNT.....131  
 BRACKET,LATCH SUPPORT.....119  
 BRACKET,LOCK PIN,LEFT.....39  
 BRACKET,LOCK PIN,RIGHT.....55  
 BRACKET,PLAT CONTROL BOX SLAB.....123  
 BRACKET,POTHOLE STOPPER,LEFT.....51-52  
 BRACKET,POTHOLE STOPPER,RIGHT.....51-52  
 BRACKET,POTHOLE SWITCH.....51-52  
 BRACKET-LATCH MOUNT,BAT MOD.....41

BRACKET-LATCHMNT,PWR MOD W/DEC.....57  
 BRAKE, HYDRAULIC\*\*\*.....47, 49  
 BRAKE,WHEEL MOUNTED,GS32/46.....47  
 BREATHER CAP,HYD. TANK,1/4 NPT.....59-60, 63  
 BRUSH,PWR UNIT (40844)\*\*.....65  
 BULKHEAD FITTING,PLASTIC X 8\*\*.....59-60, 63, 89, 91, 93  
 BULKHEAD,FEMALE X 6 X 6.....151  
 BULKHEAD,UNION ELBOW,070701-6.....81  
 BULKHEAD,UNION,070601-6.....81  
 BUMPER, LINK.....105, 109  
 BUMPER, MODULE TRAY.....55  
 BUMPER, RUBBER, 1"OD X .461H.....43, 45, 71  
 BUMPER,1.25 INCH O.D.,SCISSORS.....105, 109  
 BUMPER,PLASTIC, .625 OD.....21  
 BUMPER,RUBBER.....51-52  
 BUTT SPLICE, 6-GA.....153  
 BUTTON, .800 O.D. X .281.....121, 123  
 BUTTON,JOYSTICK MOUNT,BRASS\*\*\*.....121  
 BUTTON,PUSH,BLACK W/SEAL \*\*\*.....133  
 BUTTON,PUSH,RED MUSHROOM HEAD.....67, 69, 71, 133, 135, 137, 139

**C**

CABLE ASSEMBLY,13" BLACK.....95, 97, 99, 101  
 CABLE ASSEMBLY,13" RED.....95, 97, 99, 101  
 CABLE ASSEMBLY,13"(SCISSORS).....99, 101  
 CABLE ASSY, BATT,69" RED.....97, 101  
 CABLE ASSY,BATT,23"RED.....97, 101  
 CABLE ASSY,GS2032 CONTROL.....131  
 CABLE BRACKET,PAINTED.....111, 113  
 CABLE SQUEEZE CONN.,XTRA LRG.....27, 29  
 CABLE TIE,11.5" BLACK.....105, 113, 155  
 CABLE TIE,7 3/8".....45  
 CABLE TIE,9" X .5.....105, 109  
 CABLE,EMERGENCY DOWN.....25, 27, 29  
 CAP,DIAGNOSTIC NIPPLE.....73, 75, 77, 79  
 CAPACITOR, 4 MFD,660VAC,39243.....31  
 CASE ASSEMBLY, 47671 CHARGER.....33  
 CASE ASSY,BATT CHARGER (66478).....35  
 CASE ASSY-BATTERY CHRGR\*\*.....31  
 CASTING,45049, 40612.....141  
 CASTING,COUNTERWEIGHT, 850 LBS.....51-52  
 CASTING,COUNTERWEIGHT,1220 LBS...51-52  
 CASTING-JOYSTICK, GS2032.....143  
 CHAIN GATE ASSY SQ, GS32.....123  
 CHAIN,3/16, OPEN LINK 22.5".....123  
 CHAIN,3/16, OPEN LINK 23.5".....117  
 CHARGER MOUNT PLATE.....47, 49  
 CHARGER,120VAC/60HZ,25A 24V\*\*\*.....31  
 CHARGER,BAT,24VDC,H/LO GEN2.....31, 33, 35, 37  
 CHARGER,MAINT. FREE-GS.....157  
 CHARGER-BATT, DUAL VOLT\*\*.....33  
 CHOCK STOP CUSHION.....105, 109  
 CIRCUIT BREAKER,50A,50VAC.....35  
 CIRCUIT BREAKER,7.0 AMP\*\*\*.....69, 71

CIRCUIT BREAKER-CHARGER, 8 AMP.....33, 35	CYLINDER, GS2632/46/68***.....113	DECAL,JOYSTICK CONTROLLER.....11-12, 19
CIRCUIT BREAKER-CHARGER,45 AMP.....33	CYLINDER,GS STEER.....21, 23	DECAL,JOYSTICK**.....12, 19
CLAMP,1.00,#16 X 1/4,RUB CUSH.....43, 45	CYLINDER,LIFT,2032.....111, 113	DECAL,LABEL,AUX LOWERING.....17
CLAMP,1.13,#18 X 1/4,RUB CUSH.....149		DECAL,LABEL,CAP IND CE GS2032.....17
CLAMP,1.31,#21 X 1/4,RUB CUSH.....155		DECAL,LABEL,CAP IND CE2632.....17
CLAMP,1.75,#28 X 3/8,RUB CUSH*.....59-60, 63		DECAL,LABEL,DEXRON/FLUID LEVEL.....11-12
CLAMP,2 HOSE,PLASTIC,5/8.....23		DECAL,LABEL,ERROR LIGHT.....17
CLAMP,2.00,#32 X 3/8,RUB CUSH.....59-60, 63		DECAL,LABEL,FAULT CODES.....11-12, 15
CLAMP,HOSE,.50.....59-60		DECAL,LABEL,LED READOUT.....17
CLAMP,HOSE,.75 **.....63		DECAL,LABEL,MANUAL NOT HERE...11-12, 15
CLAMP,HOSE,2 EAR, 5/8.....151		DECAL,LABEL,OPEN,LATCH.....11-12, 15
CLAMP,RUB CUSH,0.75,#12 X 3/8*.....43, 45, 105		DECAL,LABEL,PLAT CONT LOCATION.....15
CLIP,CABLE TIE MOUNT.....105, 109		DECAL,LABEL,PWR TO CHARGR 115V....11-12, 15, 17
COIL CORD ASSY,GS JOYSTICK***.....133		DECAL,LABEL,PWR TO CHARGR 230V....11-12, 15, 17
COIL CORD,WORKLIGHT(144011).....155		DECAL,LABEL,RYKON/FLUID LEVEL.....12, 15
COIL CORD-JOYSTICK, SLABS.....135, 137, 139		DECAL,LABEL,SAFETY ARM.....11-12, 15
COIL,20V DS W/DIODE.....73, 75, 77, 79		DECAL,LABEL,TRANSPORT TIEDOWN*..11-12, 15, 17
COIL,20V DS W/DIODE,#10 SCISR.....73, 75, 77		DECAL,LABEL,WHEEL LOAD 2032.....15, 17
COIL,20V W/DIODE,#10 (SCI).....73		DECAL,LABEL,WHEEL LOAD 2632.....15, 17
COIL,20V W/DIODE,#8 (SCI)***.....73		DECAL,LABEL-TIRE SPECS.....11-12, 15
COIL-SOLENOID VALVE,20V DC***.....111, 113		DECAL,LANYARD ANCHORAGE POINT...11-12, 15, 17
CONN,RECEP 120AC/15A DOMESTIC.....153		DECAL,NOTICE, OPER INST, PCP.....11-12, 15
CONN,SQUEEZE,1/2NPT .38-.50,SM.....25, 47, 49, 129		DECAL,NOTICE,BATTERY CONNECT.....11-12, 15
CONNECTOR KIT,ITT CABLE/WIRE.....131, 135, 137		DECAL,NOTICE,CHARGER INSTRUC.....11-12
CONNECTOR, IEC CHARGER CORD.....37		DECAL,NOTICE,ERROR LIGHT.....11-12, 15
CONNECTOR, SB 50 AMP HOUSING.....99		DECAL,NOTICE,HAZARDOUS MAT'LS*.....11-12, 15
CONNECTOR,070103-4-4.....149		DECAL,NOTICE,MAX CAP 500 ANSI*.....11-12
CONNECTOR,070120-4-4.....81, 83, 85, 87, 89, 91, 93, 113		DECAL,NOTICE,MAX CAP 800 ANSI*.....11-12
CONNECTOR,070120-4-8.....81, 83, 85, 87, 89, 91, 93		DECAL,NOTICE,MAX CAP 800 CE.....11-12
CONNECTOR,070120-6-10.....81, 83, 85, 87, 89		DECAL,NOTICE,SIDE FRC,2032ANSI.....11-12
CONNECTOR,070120-6-6.....81, 83, 85, 87, 89, 91, 93, 111, 113		DECAL,NOTICE,SIDE FRC,2032AUS.....11-12, 15
CONNECTOR,ANDERSON SB 175,1/0G...43, 45, 99, 101		DECAL,NOTICE,SIDE FRC,2632ANSI.....12
CONNECTOR-IEC, BATT CHGR.....31		DECAL,NOTICE,SIDE FRC,2632CE.....11-12
Contact - N.C.....71		DECAL,POWER TO PLATFORM 115V.....11-12, 15, 17
CONTACT,N.C.....67, 69, 133, 135, 137, 139		DECAL,SYM-MAXCAP 500.....17
CONTACT,14-20GA.....45, 59-60		DECAL,SYM-MAXCAP 800.....17
CONTACT,N.O.***.....67, 133		DECAL,SYM-SIDE FORCE 445N.....17
CONTACTOR,LIMIT SWITCH...25, 27, 29, 51-52		DECAL,SYM-SIDE FORCE 534N.....17
CONTROL CABLE ASSY., GS-2032**.....131		DECAL,SYM-SIDEFORCE 200400.....17
CONTROL PANEL-LOWER.....69		DECAL,SYM-SIDEFORCE 400N ID.....17
CONTROL-AVS, BATT CHGR.....31		DECAL,SYMBOL-BATTERY SAFETY.....17
COUNTERWEIGHT, LARGE, GS32.....51-52		DECAL,SYMBOL-BRAKE REL SAFETY.....17
COUNTERWEIGHT, SMALL, GS32.....51-52		DECAL,SYMBOL-CRUSHING HAZARD.....17
COUNTERWEIGHT,REAR GS***.....51-52		DECAL,SYMBOL-ELEC HAZARD,GS.....17
COUPLER,1/4"SERIES 3/8 MPT.....151		DECAL,SYMBOL-SKIN INJECT HAZRD.....17
COVER,BLANK.....129		DECAL,SYMBOL-USE SAFETY ARM.....17
COVER,GFCI,WEATHERPROOF.....129		DECAL,WARN,CRUSH HAZARD HAND....11-12, 15
COVER,LOWER CONTROL PANEL***.....25, 29		DECAL,WARN,IMPROPER OPERATION...11-12, 15
COVER-BATT CHGR.....31		DECAL,WARN,SKIN INJECTION HAZ*.....15
COVER-BRUSH INSPEC.40844,SCISS.....65		DECAL,WARNING,CRUSHING HAZARD.....17
CROSS TUBE COLAR, GS30/32.....105		
CROSS TUBE COLAR, GS46/68.....109		
CYLINDER UPDATE GS-2032***.....111		

## D

DECAL DANGER TIP OVER TRAYS.....11-12, 15
DECAL KIT,32/46,SERVICE PART.....11-12
DECAL KIT,SAFETY,GS-32&46 PLAT.....15
DECAL KIT,SAFETY,GS2032&2632.....15
DECAL KIT,SYMBOL,GS-2032&2632.....17
D E C A L , D A N G E R , E L E C T KIT-SFTY/INST,2032/2632/2046/2646/3246.11-12
DECAL PLATE ASSY,GS30/32 FOLD.....127
DECAL, GROUND CONTROL PANEL.....12, 15, 17
DECAL, GROUND CONTROL PANEL***.....11-12, 15
DECAL, LABEL - DIRECTION ARROWS....11-12, 15, 17
DECAL, LABEL, GS32/46.....11-12, 15, 17
DECAL, LABEL, LED READOUT.....11-12, 15
DECAL, MANUAL LOWERING VALVE.....11-12, 15
DECAL, POWER TO PLATFORM 230V**.....11-12, 15, 17
DECAL, SYMBOL - READ THE MANUAL.....17
DECAL,CAUTION,CRUSH HAZ, RAILS.....11-12, 15
DECAL,COSMETIC,GENIE GS-2032...11-12, 15, 17
DECAL,COSMETIC,GENIE GS-2632**.....11-12, 15, 17
DECAL,DANGER DO NOT ALTER SWTC.....11-12, 15
DECAL,DANGER,BATTERY SAFETY.....11-12, 15
DECAL,DANGER,BRAKE REL SAFETY*.....11-12, 15
DECAL,DANGER,CRUSHING HAZARD.....11-12, 15
DECAL,DANGER,ELEC HAZARD,GS.....11-12, 15
D E C A L , D A N G E R , E L E C T HAZARD,PLUG.....11-12, 15
DECAL,DANGER,GENERAL SAFETY.....11-12, 15
DECAL,DANGER,IMPROPER USE HAZ.....11-12, 15
DECAL,DANGER,MAXCAP CE GS2032.....17
DECAL,DANGER,MAXCAP CE GS2632.....17
DECAL,DANGER,NO SMOKING ***.....11-12, 15
DECAL,DANGER,TIP-OVER,BATTERY.....11-12, 15
DECAL,DANGER,TIP-OVER,TILT.....11-12, 15
DECAL,DANGER-USE SAFETY ARM.....15
DECAL,INSTR,INDOOR,AUS-26/3232.....12, 15
DECAL,INSTR-MAX CAP 500 LBS.....15
DECAL,INSTR-MAX CAP 800 LBS.....15
DECAL,INSTR-SIDE FRC,ANSI.....15
DECAL,INSTR-SIDE FRC,ANSI 2032.....15
DECAL,INSTRUCT-ANNUAL INSP REQ.....15
DECAL,INSTRUCTIONS-CHARGER OP.....15
DECAL,INSTRUCTIONS-OPER,GCP...11-12, 15

## Part Description Index (continued)

DECAL,WARNING-COMPART ACCESS....11-12, 15  
 DIAGNOSTIC FEMALE Q-DSCNT.....73, 75, 77, 79  
 DRAW LATCH,OVER-CENTER\*\*\*.....121  
 DRIVE MOTOR,18.3 CU. IN/REV.....21, 23

**E**

E-DOWN HARNESS.....95, 97, 99, 101  
 ECM,SLAB,SERVICE\*\*\* (97055).....45, 59-60  
 ECU,SLAB,GEN4\*\*\*.....45, 59-60  
 ELBOW,070220-10.....81, 83, 85, 87, 89, 91, 93  
 ELBOW,070220-4-6.....81, 83, 85, 87, 89, 91, 93  
 ELBOW,070220-6-6.....81, 83, 85, 87, 89, 91, 93  
 ELBOW,070220-6-8.....81, 83, 85, 87, 89, 91, 93  
 ELBOW,070220-8-6.....81, 83, 85, 87, 89, 91, 93  
 ELBOW,90ø, 5 MPT X.5BRB PLST.....59-60, 63, 89, 91, 93  
 ENCLOSURE-LVL SENSOR W/DECAL\*\*.....29  
 ENCODER W/PIGTAIL, 44988.....141  
 EXT DECK, ASSY GS32 PLATFORM.....123, 127  
 EXT RAIL ASSY, UPPER, GS32.....127  
 EXT. RAIL SQ RIGID GS32.....123

**F**

FILTER ASSY,SAE8,10 MIC,PAPR\*\*.....60, 63  
 FILTER CAP (PLUG 1-1/2" NPT HEX...59-60, 63  
 FILTER ELEMENT,10MICRON,PAPER\*.....60, 63  
 FILTER ELEMENT,BETA(10)=200.....60, 63  
 FITTING KIT-HYDRAULIC TANK.....59-60, 63  
 FIXED RAILS W/DECALS,GS32.....123  
 FLANGE-JOYSTICK MOUNTING.....141  
 FLANGE-JOYSTICK MOUNTING,44988.....141  
 FLARE TUBE ASSY,LIFT CYLINDER.....111  
 FOAM,CLOSED CELL 1.75X.250X18".....117, 119, 123  
 FOOTPEDAL W/NON-SKID TAPE,GS\*\*.....121  
 FORMING FULL SWING CATCH ANSI.....119  
 FORMING, C/W GS32AUS/2632.....51-52  
 FORMING, CABLE BRIDGE, UPPER.....109  
 FORMING, HALF GATE, HINGE.....123, 125  
 FORMING, HAND PUMP BRACKET.....47, 49  
 FORMING, MOD TRAY HANDLE.....41, 57  
 FORMING,CABLE BRIDGE,MAIN\*\*\*.....105, 109  
 FORMING,ECM COVER,NIKKEN.....45  
 FORMING,ECM LID.....45  
 FORMING,FULL SWING CATCH CE.....119  
 FORMING,FULL SWING HINGE ANSI.....119  
 FORMING,FULL SWING HINGE CE.....119  
 FORMING,HOSE ROUTING.....23  
 FORMING,HOSE ROUTING,BULKHEAD.....23  
 FORMING,LEVEL SENSOR ENCLOSURE..29  
 FORMING,LEVEL SENSOR-PAINTED\*\*.....27  
 FORMING,LEVELSENSOR, ENCLS.LID.....27  
 FORMING,LVL SENSOR ENCLOSURE.....29  
 FORMING,MOTOR CONTROLLER.....59-60, 63  
 FORMING,PLAT CONTR MOUNT.....123  
 FORMING,POINTER.....115  
 FORMING,POINTER BRACKET.....115

FORMING,PRES.SWITCH MOUNT,2032...113  
 FUSE ASSY-BOOM CHARGER.....31  
 FUSE BLOCK, ANN & ANL FUSE.....43, 45  
 FUSE HOLDER,INLINE,GS.....153  
 FUSE HOLDER,WATERPROOF.....25, 27, 29  
 FUSE,1 AMP.....25, 27, 29  
 FUSE,13 AMP,220V PLUG.....31, 129  
 FUSE,275 AMP,VERY FAST ACTING.....43, 45  
 FUSE,50 AMP.....153  
 FUSE,BATT CHGR.....31  
 FUSE,BATTERY CHARGER\*\*\*.....37  
 FUSE/WIRE ASSY, GS46/GS2032.....153

**G**

GAS SHOCK,SCISSORS\*\*\*.....52  
 GASKET, UK & DIN PWR. TO PLAT.....129  
 GASKET, UK RECEPTACLE.....129  
 GASKET-JOYSTICK.....143  
 GEAR, SLAVE, MS4,45048.....141  
 Genie GS-2646 models were produced using one of two different styles of control handles: one with a metal function enable switch lever, the other with a plastic function enable switch lever.....141  
 GROMMET,RUBBER 2 X 2.75.....27, 29, 43, 45, 55, 63  
 GROUND STRAP, 8"LG.....23  
 GROUND WIRE ASSY,GS.....97, 101  
 GS SLAB AC 2032 AIR TO PLAT.....151  
 GS SLAB AC 2032 WORK LIGHT.....155  
 GS SLAB AC BEACON.....147  
 GS SLAB AC MOTION ALARM.....147  
 GS SLAB OP 2632 AIR TO PLAT.....151

**H**

HANDLE COVER,PLASTIC.....39, 55  
 HANDLE HALF SET-FOR 44988.....141  
 HANDLE HALF,ENABLE SW.SIDE-GS.....141  
 HANDLE HALF-BACKSIDE,GS JYSTK.....141  
 HANDLE KIT,GS JYSTK,BOTH HALVE.....141, 143  
 HANDLE,ANDERSON CONNECTOR SB...43, 45  
 HANDLE-LOCK,BATT.MOD,LEFT SIDE.....39  
 HANDLE-LOCK,PWR MOD.RIGHT SIDE.....55  
 HANDLE-ROTATOR LATCH ASSY LS.....41  
 HANDLE-ROTATOR LATCH ASSY RS\*\*.....57  
 HARNESS, GS2032.....95, 97  
 HARNESS,ALARM ACCESSORY.....147  
 HARNESS,BEACON ACCESSORY, SLAB.....147  
 HARNESS,CHARGING-GS30.....99  
 HARNESS,CONTACTOR,GS.....43, 45  
 HARNESS,GS30/2632/AUS32.....95, 97, 99, 101  
 HARNESS,GS32/46.....95, 97  
 HARNESS,GSXX32.....95, 97  
 HARNESS,INVERTER GS32/GS46.....153  
 HARNESS,PRESS.SWITCH.....113  
 HARNESS,XX32.....95, 97  
 HEATSINK ASSY W/DIODES (23442).....31  
 HEATSINK-CNTRL ASSY,BATT CHGR.....31  
 HINGE, SPRING, LONG LEG.....123, 125  
 HINGE,4 X 4.....119  
 HINGE,CLOSING (SPRING) 4 X 4.....119  
 HORN HARNESS.....147  
 HORN,24VDC,SPADE TERMINALS\*\*\*.....147

HOSE ASSEMBLY,TANK/PUMP,GS30.....89, 91, 93  
 HOSE ASSY, HANDPUMP/L BRAKE,32.....81, 83, 85, 87, 89, 91, 93, 149  
 HOSE ASSY, HANDPUMP/R BRAKE 30....89, 91, 93  
 HOSE ASSY, HANDPUMP/R BRAKE,32.....81, 83, 85, 87  
 HOSE ASSY, MAN S1/STEER CYL,32.....81, 83, 85, 87  
 HOSE ASSY, MAN S2/STEER CYL,32.....81, 83, 85, 87  
 HOSE ASSY, MAN TO LIFT, GS30.....89, 93  
 HOSE ASSY, MAN TO LIFT, GS46.....91  
 HOSE ASSY, MAN/ACCUM, MINI.....81, 83, 85, 87, 89, 91, 93  
 HOSE ASSY, MAN/HANDPUMP, 32.....81, 83, 85, 87  
 HOSE ASSY, MAN/HANDPUMP,GS30.....89, 91, 93  
 HOSE ASSY,BULKHEAD/DRIVE MOTOR...81  
 HOSE ASSY,DRIVE MOTORS,GS32...83, 85, 87, 91, 93  
 HOSE ASSY,FILTER TANK,30/2632.....89, 91, 93  
 HOSE ASSY,FILTER/TANK GS32&46.....81, 83, 85, 87  
 HOSE ASSY,FILTER/TANK, GS30.....89  
 HOSE ASSY,HYD.TANK/PUMP.....81, 83, 85, 87  
 HOSE ASSY,MAN S1/STEER CYL,30\*.....89, 91, 93  
 HOSE ASSY,MANIFOLD/BULKHEAD.....81  
 HOSE ASSY,MANIFOLD/FILTER...81, 83, 85, 87  
 HOSE ASSY,MNFLD TO LIFT CYL.....81, 83, 85, 87  
 HOSE ASSY,PUMP TO MANIFOLD.....81, 83, 85, 87, 89, 91, 93  
 HOSE ASSY. MAN/R MOTOR1, GS32.....85, 89  
 HOSE END,BARBED,RIGID,-6-6.....151  
 HOSE END,BARBED,RIGID,90DEG-6.....151  
 HOSE END,BARBED,SWIV,JIC,10-12.....59-60, 63  
 HOSE,ASSY,MNFLD,FILTER.....89, 91, 93  
 HOSE,LOW PRESSURE,.375 ID,BLK.....151  
 HOUR METER,10-80 VOLTS\*\*\*.....71  
 HOUR METER,LCD,9-60 VDC\*\*\*.....69, 71  
 HOUSING, LOCK PIN.....39, 55, 121  
 HRNS,CONTACTOR SIGNL,GS30/32.....97, 101

**I**

IEC PIGTAIL\*\*\*.....31, 33  
 INNER ARM ASSY #1 GS2632.....107  
 INNER ARM ASSY #2 GS2632.....107  
 INNER ARM ASSY #3 GS2632.....107  
 INNER ARM ASSY #4 GS2632.....107  
 INSERT, 3/8-16 X .5.....137  
 INSTALLATION INSTRC.BEACON.....147  
 INSTALLATION INSTRC.HORN.....147  
 INSTALLATION INSTRUCT.,ALARM.....147  
 INSTRUCTIONS POTHOLE SRV KIT.....51-52  
 INVERTER.....153

**J**

JOYSTIC HANDLE/SWITCH KIT.....145

JOYSTICK CONTROLLER.....143  
 JOYSTICK HANDLE SET, COMPLETE.....145  
 JOYSTICK W/ENCODER CARD-GS.....141  
 JOYSTICK,SINGL AXIS,HALL,SLAB\*.....145  
 JOYSTICK,SINGL AXIS,POT,SLAB.....145

**K**

KEY SINGLE\*\*\*.....71  
 KEY,RECTANGULAR,.31X.28X1.25\*\*.....21,  
 23, 47, 49  
 KEY,SINGLE\*\*\*.....67, 69  
 KEY,WOODRUFF,AUSCO BRAKE\*\*\*.....47  
 KEYS,10 PACK\*\*\*.....67, 69  
 KEYSWITCH,3 POS W/KEYS,LOCKING.....71  
 KEYSWITCH,3 POS. W/KEYS\*\*\*.....67, 69, 71  
 KIT, GS MOTOR CONTROLLER REPL.....59-  
 60, 63  
 KIT, INVERTER JUMPER, GS.....59-60, 63  
 KIT, KEYSWITCH\*\*\*.....67, 69, 71  
 KIT, PLATFORM PC RECEIPT/SOC.....145  
 KIT,5 GALLON HYDRAULIC TANK\*\*\*.....59-  
 60, 63  
 KIT,ACCUM 180 PSI PRECHARGE\*\*\*.....59-  
 60, 63  
 KIT,BATTERY CHARGER,24V.....37  
 KIT,CONTACTOR,GS,ALT.....59-60, 63  
 KIT,CONTROL BOX UPDATE,32/46.....133,  
 135  
 KIT,DYN BRAKING VALVE,MINI.....73, 75, 77,  
 79  
 KIT,GASKET,UK POWER TO PLAT.....129  
 KIT,GEN 5 COIL CORD.....139  
 KIT,GEN1 TO GEN5 CONTRL SYS\*\*\*.....45,  
 59-60, 133, 135  
 KIT,JOYSTICK ENABLE SWITCH.....145  
 KIT,JOYSTICK STEER SWITCH.....145  
 KIT,RELAY INTERLOCK.....33  
 KIT,ZERO CHARGER START SWITCH.....31  
 KNOB,BLACK(44217)CHECK VALVE.....47  
 KNOB,HAND PUMP (RED)\*\*\*.....49  
 KNOB,PILOT OP VALVE (BLACK)\*\*\*.....49  
 KNOB,RED(44218)HP VALVE.....47

**L**

LADDER ASSY W/DECALS GS32/46\*\*.....47,  
 49  
 LADDER WELD W/DECALS GS30MINI.....47,  
 49  
 LANYARD ROLLER BRKT ASSY  
 W/DEC.....121, 123  
 LATCH HANDLE.....123, 125  
 LATCH,ROTARY, W/KNOB,LEFT.....41, 57  
 LATCH,ROTARY, W/KNOB,RIGHT.....41, 57  
 LEVEL SENSOR BOX CAP,PAINTED.....25  
 LEVEL SENSOR LID AND DECAL.....29  
 LEVEL SENSOR,LS60 RED,1.5X4\*.....25, 27,  
 29  
 LEVEL SENSOR,LS60,BLUE,2X3\*.....29  
 LEVEL SENSOR,LS60,BLUE,2X3\*\*.....29  
 LEVEL SENSOR,LS60,BLUE,2X4\*.....25, 27,  
 29  
 LEVEL SENSOR,LS60,RED,1.5X3.....29  
 LEVEL SENSOR,LS60,RED,1.5X3\*.....29  
 LEVER,FUNC ENABLE SWITCH,RGE\*\*..141,  
 143  
 LEVER,FUNC.ENABL.SWITCH,METAL.....141  
 LIGHT,REPLACEMENT BULB (39676).....147  
 LINK SET ASSY W/DECAL GS2032.....103

LINK SET ASSY W/DECAL GS2632.....107  
 LINK,(SPLIT) OPEN-END.....117, 123  
 LOCK, CONNECTOR.....37  
 LOCKNUT,ELEC,1/2".....25, 47, 49, 129  
 LOCKNUT,ELECTRIC,3/4".....27, 29  
 LOWER CONTROL PANEL.....67  
 LOWER MAIN EXT RAIL,GS32.....127  
 LWR CONTROL PANEL COVER,GS3246.....29

**M**

MAIN DECK ASSY, ANSI 2632.....123, 125  
 MAIN DECK ASSY, ANSI GS2032.....123, 125  
 MAIN DECK ASSY, CE 2632.....123, 125  
 MAIN DECK ASSY, CE GS2032.....123, 125  
 MAIN FLDG RAIL ASSY, LWR, GS32.....125  
 MAIN FLDG RAIL ASSY,UPR L,GS32.....125  
 MAIN FLDG RAIL ASSY,UPR RT,32.....125  
 MAIN RAIL RIGID, SQ GS32.....123  
 MANIFOLD MAIN VALVE,W/20 VDC\*.....73  
 MANIFOLD MAIN,GS32/46,TRACTION.....79  
 MANIFOLD,BRAKE RELEASE.....49  
 MANUAL BOX W/DECALS\*\*\*.....121, 123  
 MANUAL,OWNERS,CHARGER,105739.....37  
 MICROSWITCH-V319M\*\*\*.....141, 143  
 MODULE TRAY ASSY-HYD PWR UNIT.....55,  
 59-60  
 MODULE TRAY ASSY-POWER.....45  
 MOTOR CONTROLLER, DC,24V,300A.....59-  
 60, 63  
 MOTOR,ELECTRIC,24VDC 4.5HP.....65

**N**

NEEDLE/HOUSING ASSY W/KNOB\*\*\*.....49  
 NIPPLE,DIAGNOSTIC,#4.....73, 75, 77, 79  
 NIPPLE,PLASTIC .5 NPT X 6".....59-60, 63  
 NUT - PLASTIC,RING FOR ALARMS...25, 27,  
 29, 135, 137, 139, 147  
 NUT, LP NYLOCK, 3/8-16...27, 39, 51-52, 55,  
 121, 123  
 NUT,070110-6.....149  
 NUT,CASTLE,1.125-18 UNEF.....21, 23, 47, 49  
 NUT,COIL (39909).....111, 113  
 NUT,HEX,1/4-20.....35, 45  
 NUT,HEX,5/16-18,GR5.....45  
 NUT,HEX,8-32.....35  
 NUT,HEX,JAM,1/2-13.....51-52  
 NUT,JOYSTICK,44988, RGE.....141, 143  
 NUT,JS,36867/42032/44988/40612.....141  
 NUT,LOCKING-LG.FLANGE,5/16-18.....43, 157  
 NUT,LP NYLOCK,1/2-13.....39, 41, 51-52, 55,  
 57  
 NUT,LP NYLOCK,1/4-20...21, 43, 45, 55, 105,  
 109, 121  
 NUT,LP NYLOCK,3/4-10.....21, 39, 55  
 NUT,LP NYLOCK,5/16-18.....41, 57, 121  
 NUT,LP NYLOCK,5/8-11.....21, 23, 39, 41, 51-  
 52, 55, 57  
 NUT,NYLOCK FLG,3/8-16,F,ZAG.....127  
 NUT,NYLOCK,1/2-13.....21, 23  
 NUT,NYLOCK,1/4-20.....23, 25, 27, 29, 43, 45,  
 47, 49, 55, 59-60, 63, 105, 109, 113, 115, 119,  
 121, 123, 125, 129, 131, 147, 149  
 NUT,NYLOCK,10-32.....25, 27, 29, 43, 45, 51-  
 52, 147  
 NUT,NYLOCK,3/8-16.....23, 27, 47, 49, 51-52,  
 103, 105, 107, 109, 113, 115, 117, 119, 123,  
 125, 151

NUT,NYLOCK,5/16-18.....39, 41, 57, 59-60,  
 63, 153, 155  
 NUT,NYLOCK,6-32.....131  
 NUT,NYLOCK,8-32.....121, 147  
 NUT,TOP LOCK,1/2-13.....47, 49  
 NUT,WING 5/16-18.....155  
 NUT-COIL SHORT.....73, 75, 77, 79  
 N U T - M O U N T I N G , P U S H  
 BUTTON-44988.....141, 143  
 NUT-STRAIN RELIEF-GS JOYSTICK~.....133  
 NUT-THIN HEAVY HEX, 1/4-20.....43

**O**

O-RING,BOOT,CONTROLLER.....141  
 O-RING-10.....81, 83, 85, 87  
 O-RING-8.....81, 83, 85, 87  
 ORIFICE DISC,.040".....73, 75, 77, 79  
 ORIFICE,LONG,.046".....111, 113  
 ORIFICE,LONG,.059".....113  
 OUTER ARM ASSY #1 GS2632.....107  
 OUTER ARM ASSY #2 GS2632.....107  
 OUTER ARM ASSY #3 GS2632.....107  
 OUTER ARM ASSY #4 GS2632.....107  
 OUTLET, 110V.....129  
 OVERLAY, PLAT CONTRL BOX,GEN4~.....15,  
 17, 19  
 OVERLAY,PLAT CONTROLLER SLAB.....19

**P**

PC BOARD,PLAT CNTRL,SLAB.....135, 137  
 PC BOARD,SLAB,GEN 4.....139  
 PCB,ASSY,LED,GS JOYSTICK.....133  
 PCB,RELAY DRIVER,CHARGER 47671.....33  
 PIN,LOCK.....39, 55, 121  
 PIN, THREADED ROLLER.....121, 123  
 PIN, WIRE LOCK 3/8 X 2 -1/2.....125  
 PIN,0.75DIA X 2.75LG,CHAMFER.....21, 23  
 PIN,0.75DIA X 4.28LG,CHAMFER.....21  
 PIN,1.50DIA X 10.45LG,1HOLE.....109  
 PIN,1.50DIA X 12.96LG,1HOLE.....105  
 PIN,1.50DIA X 23.00LG,2RING.....103  
 PIN,1.50DIA X 6.42LG,2RING.....103  
 PIN,1.50DIA X 8.45LG,1HOLE.....109  
 PIN,1.75DIA X 7.94LG, 1HOLE.....103, 107  
 PIN,1.75DIA X 26.71LG,2RING.....107  
 PIN,1.75DIA X 7.35LG,CHAMFER.....103, 107,  
 115  
 PIN,1.75DIA X 8.51LG,2RING.....107  
 PIN,CLEVIS,.75 DIA. X 4.00.....23  
 PIN,CLEVIS,.75 X 2.....23  
 PIN,COTTER,.156 X 1.75.....23  
 PIN,COTTER,.156 X 2.5.....21, 23, 47, 49  
 PIN,SNAP,ENTRY RAIL.....117, 119  
 PIN,WIRE LOCK 3/8 X 2.5,ZAG.....127  
 PIN-THREADED SHLDR OFFS,5/8-11.....39,  
 41, 55, 57  
 PLAT ASSY W/DECALS 2032 ANSI.....117  
 PLAT ASSY W/DECALS 2032 CE.....117  
 PLAT CONTRL,G4,DEC,IPCB,32/46.....137,  
 139  
 PLAT.EXT.ASSY GS-2032.....121  
 PLATE, LCP, FRONT.....71  
 PLATE,AC ADAPTER,DIN/UK\*\*\*.....129  
 PLATE,HANDLE MOUNTING.....25  
 PLATE,HOSE ROUTG,BULKHEAD(PTD).....23  
 PLATE,HOSE ROUTING, BULKHEAD.....23  
 PLATE,LIFT ARM CAM 1930,32,46.....105  
 PLATE,LIFT ARM CAM,GS-3246.....109

## Part Description Index (continued)

PLATE,POTHOLE LINK,LWR.W/BUSH.....52	ROD END,.375X3.69,ZAG.....105, 109	SCREW,PHILLIPS,PHM,8-32 X.25**.....67, 69
PLATE,POTHOLE LINK,UPR.W/BEARI.....52	ROLLER ARM,LIMIT SWITCH***.....27, 29, 51-52	SCREW,PHILLIPS,PHM,8-32 X.375.....129
PLATE,POTHOLE PAD SPACER, 32.....51-52	ROLLER ARM-LIMIT SWITCH.....27, 29, 51-52	SCREW,PHILLIPS,RHM,10-32 X 1.5.....27, 29, 51-52
PLATE,POTHOLE PIVOT W/BEARING.....51-52	ROLLER BRKT ASSY W/DECAL.....123	SCREW,PHS,6-32 X 0.25.....131
PLATE,STEERING STOP.....27	ROLLER,PLATFORM EXTENSION.....121, 123	SCREW,RHM,1/4-20 X 1.50.....43
PLATE,STEERING STOP MOUNT **.....27		SCREW,RHM,10-32 X .75.....147
PLATFORM EXT. COMPLETE GS32.....127	<b>S</b>	SCREW,RHM,10-32 X 1.....45, 60
PLATFORM GATE WDLMENT GS2032.....117	SAFETY CHOCK,SCISSOR.....105, 109	SCREW,RHM,10-32 X 1.5.....25
PLATFORM RAIL SNAP PIN BRCKT.....117	SCR ASSY,47671 LESTER CHARGER.....33	SCREW,RHM,6-32 X .5.....129
PLATFRM CNTRLS W/DCLS 32/GS46.....133, 135	SCREW, HCC, 3/8-16 X 1.50.....105, 109	SCREW,RHM,8-32 X .50.....45, 59-60, 121, 147
PLTFRM, SQ FOLD W/SWING, GS32.....125	SCREW, YOKE LOCK ALL SLABS.....21, 23	SCREW,SHC,3/8-24 X 1.25".....65
PLTFRM, SQ/FOLD/HALF/CHAIN,S32.....125	SCREW,BHHS,1/4-20 X .5,Y/ZINC.....25, 111, 113	SCREW,TIMER,#8 PHMS X.375.....31
PLUG, TYPE F, 230A, 50HZ, 16A, IP44.....31, 35, 129	SCREW,BHHS,1/4-20 X .75.....25, 27, 131	SEAL (84535/84539).....49
PLUG,1/4"SERIES,3/8 MPT.....151	SCREW,BHHS,1/4-20 X 1.....25, 45, 121	SEAL KIT (55717) TEXAS HYD VER.....113
PLUG,ELECTRICAL,DOMESTIC..31, 33, 129, 153	SCREW,BHHS,1/4-20 X 1.5.....45, 105, 109	SEAL KIT (66419, 66416, 74297).....47
PLUG,FUSED,250V,13AMP,U.K.**.....31, 129	SCREW,BHHS,3/8-16 X 1.....119	SEAL KIT, 55717 DY LIFTCYL.....113
PLUG,HEX HEAD-8 PLASTIC.....59-60, 63	SCREW,BHHS,3/8-16 X 1.75.....121	SEAL KIT, HAND PUMP,2003 MINI.....49
PLUG,HEX SOCKET,090109B-4.....87, 93	SCREW,BHHS,3/8-16 X 2.75.....115	SEAL KIT, VALVE.....47, 73, 75, 77, 79
PLUG,NYLON 1.12 BLACK DOMED.....27, 29	SCREW,BHSC,5/8-11 X 1.....121, 123	SEAL KIT,39909,PLAT LWR VALVE*.....111, 113
PLUG,NYLON 2.00 BLACK DOMED...67, 117, 119	SCREW,CHARGER COVER,#10 X .5.....31	SEAL KIT,55716 DY LIFTCYL.....111, 113
PLUG,PWR,UK,16AMP,3PIN,BLK.....31, 129	SCREW,FHM,10-32 X 1.....43, 45	SEAL KIT,BOSCH PUMP***.....65
PLUG,ROUND TUBING,1".....121	SCREW,FHS,1/4-20 X .25 NYLOCK.....59-60, 63	SEAL KIT,DR MTR.GS15/19,Z20***.....21, 23
POTENTIOMETER (62161)***.....143	SCREW,FHS,1/4-20 X .63.....43, 45	SEAL KIT,HAND PUMP***.....49
POTENTIOMETER MOUNT PLATE.....143	SCREW,FHS,1/4-20 X .75.....55, 105	SEAL KIT,LIFT CYL,(67731)***.....111, 113
POTHOLE ACTUATOR.....51-52	SCREW,FHS,1/4-20 X 1.25.....55	SEAL KIT,LIFT PUMP,BARNES**.....65
POTHOLE SLIDER,32.....51-52	SCREW,FHS,3/8-16 X 1.5.....51-52	SEAL KIT,PO CHECK VALVE(84391).....49
POTHOLE WELDMENT,LEFT,32/46.....52	SCREW,HEX INDENT,8-32 X 5/16.....35	SEAL KIT,RC SERIES DR MOTOR***.....21, 23
POTHOLE WELDMENT,RIGHT,32.....52	SCREW,HHC,1/2-13 X 1.25 GR5.....39, 41, 47, 49, 51-52	SEAL KIT-FOR P.N.39038(SCISRS).....21, 23
POWER CORD, IEC 320 BLANK, 79".....33	SCREW,HHC,1/2-13 X 1.375.....41, 55	SEAL KIT-FOR P.N.44167.....73, 75, 77, 79
POWER CORD, UK 110, 115".....37	SCREW,HHC,1/2-13 X 1.5.....39, 55, 57	SEAL KIT-FOR PN.44217.....47
POWER CORD,NOVON, 8".....35, 37	SCREW,HHC,1/2-13 X 3.5.....21, 23, 47, 49	SEAL KIT-FOR PN.44216 & 826779.....47
POWER CORD,UK-HIGH VOLTAGE, 8".....37	SCREW,HHC,1/4-20 X .625.....27, 29, 59-60, 63, 109, 147, 149	SEAL KIT-P.N.44169,44172,44171.....73, 75, 77, 79
POWER CORD,US 110, 8".....37	SCREW,HHC,1/4-20 X .75.....21, 27, 29, 43, 45, 47, 49, 105, 119, 121, 123, 129	SERIAL # LABEL,SCISSORS****.....11-12
POWER UNIT ASSY-HYDR MOD.*****.....65	SCREW,HHC,1/4-20 X 1.....23, 47, 49, 59-60, 105, 109	SERV, BELLCKRANK ASSY, GS32.....21, 23
PUMP KIT,BOSCH,GS30***.....65	SCREW,HHC,1/4-20 X 1.25.....43	SERVICE KIT, BATTERY STOP.....43, 45
PUMP,4CC GEAR,CCW***.....65	SCREW,HHC,1/4-20 X 1.5.....45	SERVICE KIT,BRAKE RELEASE MAN*.....47, 49
PUSHBUTTON-FUNC.ENABL.W/ORING.141, 143	SCREW,HHC,1/4-20 X 1.75.....29, 123, 125	SERVICE KIT,BRAKE,14.2 IN 3***.....47
PWR UNIT MOD ASSY GS30.....63	SCREW,HHC,1/4-20 X 2.5.....23	SERVICE KIT,E-DOWN 3246.....133
	SCREW,HHC,1/4-20 X 3.....23	SERVICE KIT,E-STOP.....67, 69, 71, 133, 135
<b>Q</b>	SCREW,HHC,1/4-20 X 3.5.....23	SHAFT ASSY, JOYSTICK***.....141
QUICK DISCONNECT CASING,BATT**.....43, 45	SCREW,HHC,3/8-16 X .625.....39, 55	SHAFT ASSY,JOYSTICK.....143
	SCREW,HHC,3/8-16 X .75.....137, 139	SHAFT-JOYSTICK (56579).....141
<b>R</b>	SCREW,HHC,3/8-16 X 1.....23, 27, 29, 47, 49, 51-52, 59-60, 63, 105, 109, 151	SHUNT,ELECTRONIC,47671 CHARGER.....33
RAILING-PLAT EXT.W/DECALS-2032.....121	SCREW,HHC,3/8-16 X 1.25 GRD 5.....23, 113, 115, 117, 119, 121	SIDE RAIL-PLTFRM, W/DECALS***.....117, 119
RECEPTACLE, DIN, 220V 50A.....129	SCREW,HHC,3/8-16 X 1.75,GRD.8.....27	SLIDER BLOCK.....103
RECEPTACLE,ANTI-BACKOUT.....45, 59-60	SCREW,HHC,3/8-16 X 2.....123, 125	SLIDER BLOCK,PLATFORM.....115
RECEPTACLE,FEMALE,36 CONTACT.....45, 59-60	SCREW,HHC,3/8-16 X 2.25.....117	SLIDER,BASE CHASSIS,46.....107
REDUCER,070123-6-4.....149	SCREW,HHC,3/8-16 X 2.5.....119	SLIDER,PLATFORM,LS RETRO.....115
RELAY,24VDC,40/30A,SEALED***.....45, 59-60, 147	SCREW,HHC,3/8-16 X 2.75..47, 52, 107, 115, 119, 125	SNAP RING,EXTERNAL,1.5 DIA***.....103, 105
RELAY,24VDC,40/30A,SLD W/BRKT*.....147	SCREW,HHC,3/8-16 X 3.....103	SNAP RING,EXTERNAL,1.75 DIA.....107
RELAY,CHARGR,47671,DPDT,110VDC.....33	SCREW,HHC,3/8-16X2.25,8,ZAG.....127	SPACER, POTHOLE ACTUATOR.....51-52
RESISTOR, 75 OHM,DALE RS-10-38.....95	SCREW,HHC,3/8-16 X 2.5.....117	SPACER,.75ID X 1.5OD X 1/4THK.....21, 23
RIGID EYE SNAP.....117, 123	SCREW,HHC,3/8-16 X 2.5.....119	SPACER,.75IDX.875ODX.375.....51-52
RIVET,ALUM,STL.,188 X .250.....117, 119, 121	SCREW,HHC,3/8-16 X 2.75..47, 52, 107, 115, 119, 125	SPACER,CABLE BRIDGE.....105
RIVET,STL,STL.,188 X .45.....123, 127	SCREW,HHC,3/8-16 X 3.....103	SPACER,MODULE TRAY,.030 THK.....39, 41, 55, 57
RIVET,STL,STL.,188 X .50.....55	SCREW,HHC,3/8-16X2.75,8,ZAG.....127	SPACER,MODULE TRAY,.075 THK.....39, 41, 55, 57
ROCKER ASSEMBLY,45049.....141	SCREW,HHC,5/16-18 X .75.....59-60, 63, 149, 157	SPACER-DUAL COIL,#10, SCISSORS.....73, 75, 77
ROCKER ASSY W/ROLLPIN***.....141, 143	SCREW,HHC,5/16-18 X 1 GR5.....41, 43, 45, 57	SPACER-DUAL COIL,#8***.....73, 75, 77
ROD END,.250 X 2.75 LG.....21, 23	SCREW,HHC,5/16-18 X 1.25.....41, 57	SPRING & BUSHING KIT,RETURN***.....141, 143
	SCREW,HHC,5/16-18 X 2.....155	
	SCREW,HHC,WASH HEAD,1/4-20X.63.....35	
	SCREW,PHILLIPS,PHM,6-32 X .75.....129	

SPRING CLIP,1/4-20,.025-.15X.54,ZAG.....27,  
29, 45, 47, 49  
SPRING CLIP,3/8-16,.05-.20X.73,ZAG.....27,  
29  
SPRING, COMPRESSION .835 X 2.....123, 125  
SPRING, COMPRESSION.485 X1.75\*\*.....29,  
39, 55, 121  
SPRING-BRUSH,40844, SCISSORS.....65  
SRV KIT, DRIVE MOTOR, GS32/46.....21, 23  
SRV KIT,32/46 STR. LINK ASSY,L.....21  
SRV KIT,32/46 STR. LINK ASSY,R.....21  
SRV KIT,POTHOLE ACTUATOR, GS32.....51-  
52  
STACK KIT\*\*.....47  
STD MANIFOLD MAIN,GS32/46.....75, 77  
STEER LINK ASSY GS46.....23  
STEER LINK ASSY W/BRGS.GS2032.....21  
STEERING STOP, KIT.....27  
STEERING,SRV KIT,GS2032/2632 \*.....21  
STOP PLATFORM ROLLER.....55, 117, 119  
STRAIN RELIEF-GS JOYSTICK\*\*~.....133  
STRAINER ASSEMBLY.....59-60, 63  
S T R O B E , B E A C O N , W / O U T  
H A R D W A R E \*\*.....147  
SVC KIT,UK RECEPT.REPLACEMENT.....129  
SWING GATE ASSY,GS30/32\*\*.....123, 125  
SWITCH,LIMIT,W/ROLLER ARM\*\*.....25, 27,  
29, 51-52  
SWITCH,LIMIT,W/RLR HEAD 180DG\*\*.....25  
SWITCH,PRESS 2500-6000 PSI ADJ.....149

**T**

T-BOX,2.75 X 4.5 X 2.0.....129  
TANK BREATHER,NYLON \*\*.....59-60, 63  
TANK ONLY,HYDRAULIC GS30/32\*\*\*.....59-  
60, 63  
Tape, Non- skid, 4 x 32 inches.....123  
TAPE, NON-SKID, DIE CUT, 1.38X1.5.....121  
TAPE, NON-SKID, DIE CUT, 4"X 16".....121, 123,  
127  
TAPE, NON-SKID, DIE CUT, 4"X 32".....117, 119,  
121, 123, 125, 127  
TAPE, WARNING, BLK/YEL, 50\*\*\*.....117, 119  
TEE, RUN 070432-6\*\*\*\*\*.....149  
TEE, RUN, 070428-4.....81, 83, 85, 87, 89, 91,  
93  
TEE, RUN, 070432-4.....89  
TERM CONTACT,#1/0 GA,SB175.....95, 97,  
99, 101  
TERMINAL, 3/8" RING, #6GA.....153  
TERMINAL,3/8 RING,#2 CABLE.....95, 97  
TIMER ASSY,ELECTRONIC,47671.....33, 35  
TIMER ASSY-ELECTRONIC, DMSTC\*.....31  
TOGGLE SWITCH, PREWIRED\*\*.....133  
TRANSFORMER, CHARGER (66478).....35  
TUBE ASSY,PRESS SWITCH.....113  
TUBE, CLAMP, 3/8 (PAIR).....23  
TUBE, ENTRY SWING.....125  
TUBE, HALF GATE ENDRAIL.....123  
TUBE, PLATFORM SPACER STD-12P.....35  
TUBE, VERT, FOLDING.....125, 127  
TUBING,PVC,1",BLACK\*\*.....117, 123  
TURN SWITCH ACTUATOR,JOYSTICK\*\*.....145

**U**

U-BOLT,SQ BEND, 1/2-13.....23, 51-52  
UPPER EXT.RAIL ASSY, GS32.....127

**V**

VALVE,CHECK\*\*\*.....73, 79  
VALVE,CHECK,5 PSI\*\*.....73  
VALVE,CHECK,IWP-S/CWP PWR ASSI.....75,  
77, 79  
VALVE,CHECK,PILOT OPERATED\*\*\*.....47  
VALVE,FLOW DIVIDER/COMBINER.....79  
VALVE,HAND PUMP ASSEMBLY\*\*\*.....49  
VALVE,HAND PUMP\*\*.....47  
VALVE,HAND PUMP, 2003 MINI.....49  
VALVE,PILOT OPERATED ASSEMBLY\*.....49  
VALVE,RELIEF,1000PSI(SCISSORS).....73  
VALVE,RELIEF,3500PSI(SCISRS)\*\*.....73  
VALVE,SHUTTLE.....47  
VALVE,SOLENOID,3POS 4WAY.....73, 75, 77,  
79  
V A L V E , W / 2 O V N C  
SOLENOID,MANUAL.....111, 113  
VALVE-CHECK,PILOT OPER,2003MIN.....49  
VALVE-FLOW REGULATOR 0.75 GPM.....73,  
75, 77, 79  
VALVE-RELIEF, 3700 PSI #8\*\*.....75, 77, 79  
VALVE-RELIEF,130 PSI.....73, 75, 77  
VALVE-RELIEF,1500 PSI, RV2.....75, 77, 79  
VALVE-SOLENOID N.O.(SCISSORS)\*.....73,  
75, 77, 79  
VALVE-SOLENOID, 2POS 4 WAY.....73, 75,  
77, 79  
VALVE-SOLENOID,2POS 4WAY\*\*.....73, 75,  
77, 79

**W**

WASHER,FENDER, .25 X 1.25 X.062.....55  
WASHER,FLAT,.5 HARDENED.....51-52  
WASHER,FLAT,M10,ZINC PLTD.....25  
WASHER,FLAT,MS,#10,Y.....51-52  
WASHER,FLAT,MS,#8,Y.....121, 147  
WASHER,FLAT,USS,1/2",Y.....21, 23  
WASHER,FLAT,USS,1/4"Y.....43, 45, 47, 49,  
59-60, 63, 105, 109, 121, 123, 125, 147, 149  
WASHER,FLAT,USS,3/8",Y.....23, 27, 29, 39,  
47, 51-52, 55, 60, 63, 105, 109, 117, 119, 121  
WASHER,FLAT,USS,5/16",Y.....59-60, 63, 105,  
123, 155  
WASHER,FLAT,USS,5/8",Y.....21, 23  
WASHER,LOCK,.25.....21, 23, 25, 43, 45, 47,  
49, 59-60, 63, 111, 113  
WASHER,LOCK,.313.....59-60, 63, 121, 149,  
153, 155  
WASHER,LOCK,.375.....27, 29, 65, 121, 123,  
137, 139  
WASHER,LOCK,.437,PLTD.....23  
WASHER,LOCK,.625 PLTD.....123  
WASHER,LOCK,0.5".....47, 49  
WASHER,NITRILE.....67, 69, 71  
WASHER,NYLON,406 X.750 X.032.....39, 55  
WASHER,SCIS ARM,1.79X2.25X.120.....105,  
107  
WASHER,SHIM,1.54X2.00X.125,ZAG.....103  
WASHER,SHOULDER,NYLON.....121  
WASHER,STAR,EXTERNAL,.25.....35  
WASHER,STAR,EXTERNAL,.375.....23, 60, 63  
WASHER,THRUST .75 X 1.25 X .06.....21, 23,  
52  
WASHER,THRUST 1 X 1.75 X .058.....21  
WASHER,THRUST,.5 X 2.438 X .25.....21, 23  
WEAR PAD, SLIDER.....103  
WEAR PAD,3.5 X 1.88 X .25.....27

WEAR PAD,PLATFORM.....117, 119, 121, 123,  
127  
WEAR PAD,POTHOLE.....51-52  
WEAR/GUIDE PAD MAIN PLATFORM.....117,  
119  
WELDING CABLE #2 BLACK.....99, 101  
WELDING CABLE #2 RED.....99, 101  
WELDMENT STEERYOKE LH 32/46\*\*.....21  
WELDMENT STEERYOKE RH 32/46\*\*.....21  
WELDMENT, ALUM,JOYSTICK GUARD.....121  
WELDMENT, EXTENSION,PLATFORM.....123  
WELDMENT, LOWER CONTROL PANEL.....71  
WELDMENT,ENTRY GATE 32 \*\*.....119  
WELDMENT,ENTRY RAIL 2032.....119  
WELDMENT,FULL GATE CE.....119  
WELDMENT,FULL SWING GATE ANSI.....119  
WELDMENT,LEVEL SENSOR BOX,GS.....25  
WELDMENT,LH STEER YOKE, 32/46\*.....21,  
23  
WELDMENT,POTHOLE ACTUATOR\*\*.....51-  
52  
WELDMENT,RH STEER YOKE,32/46\*.....21,  
23  
WELDMENT,ROLLER BRACKET,LT\*\*\*.....123,  
125  
WELDMENT,ROLLER BRACKET,RT\*\*\*.....123,  
125  
WHEEL & TIRE ASSY LP,15".....21, 23, 47, 49  
WIRE ASSEMBLY,GS1930/1932/2032.....131  
WIRE ASSEMBLY,GS2646/2632.....131  
WIRE ASSY,CHASSIS CONTROL PIGT.....131  
WIRE ASSY,GS2646.....131  
WIRE CABLE,14/3 CON.TPE JKT\*.....129, 153  
WIRE CABLE,18/2 SJO,BULK.....27, 29, 51-52  
WIRE CAP,ORANGE.....129  
WIRE,10 GA,BLACK,GXL\*\*\*.....99  
WIRE,10 GA,RED,GXL\*\*\*.....99  
WIRE,6 GA,BLACK,GXL.....153  
W L D M N T , P O T H O L E  
ACTUATOR,GS32\*.....51-52  
WLDMNT,POTHOLE ACTUATOR,  
GS32\*.....51-52  
WLDMT, FORMING, HALFGATE  
CATCH.....123, 125  
WLDMT,L STEERYOKE,32/46,NIK.....23  
WLDMT,LOCKING ROLLER SUPPORT.....121  
WLDMT,R STEERYOKE,32/46,NIK.....23  
WORKLIGHT ACCES,GS2632/2646.....155  
WORKLIGHT CABLE,GS19/20XX.....155  
WORKLIGHT CABLE,GS26XX.....155  
WORKLIGHT PIGTAIL ASSY.....155  
WORKLIGHT,24V,COIL CORD.....155

**Z**

ZERK-GREASE,1/4-28, STRAIGHT.....21, 23

## Fitting Cross References

Genie PN	Parker PN	Description	Genie PN	Parker PN	Description
12342	6-4 F5OX-S	CONNECTOR,STRAIGHT THREAD TO FLARE TUBE	42794	1 CR-S	ELBOW,90°,MALE PIPE
13757	4 R6X-S	RUN TEE,SWIVEL NUT,ORFS	42795	BV-0839	BALL VALVE
19685	12-10 C5OX-S	ELBOW,90°,STRAIGHT THREAD TO FLARE TUBE	42796	BV-0838	BALL VALVE
22664	12-10 C5OX	ELBOW,90°,STRAIGHT THREAD TO FLARE TUBE	42874	6-8 CLO-S	ELBOW,90°,MALE PIPE TO ORFS
27431	8-12 F5OX-S	CONNECTOR,STRAIGHT THREAD TO FLARE TUBE	42912	13943-6-4	HOSE END,90° FEMALE SWIVEL,JIC
28678	AS-B-33	SLEEVE,NYLON,1.81" ID	42920	BV-0840	BALL VALVE,90°
39871	6 WETX-WLN-S	UNION,90° BULKHEAD W/NUT,FLARE TUBE	42932	AS-B-17	SLEEVE,NYLON,1.22" ID
39872	4 R5OX-S	RUN TEE,STRAIGHT THREAD	42936	10243-2-4	HOSE END,FEMALE PIPE
39873	6 C5OX-S	ELBOW,90°,STRAIGHT THREAD TO FLARE TUBE	42953	1/2 DD-S	ELBOW,90°,FEMALE PIPE
39874	8-6 C5OX-S	ELBOW,90°,STRAIGHT THREAD TO FLARE TUBE	42956	6 WELO-WLNL-S	UNION,90° BULKHEAD W/NUT,ORFS
39875	4-6 C5OX-S	ELBOW,90°,STRAIGHT THREAD TO FLARE TUBE	45349	8 V5OX-S	ELBOW,45°,STRAIGHT THREAD TO FLARE TUBE
39876	6-8 C5OX-S	ELBOW,90°,STRAIGHT THREAD TO FLARE TUBE	45351	4 V5OX-S	ELBOW,45°,STRAIGHT THREAD TO FLARE TUBE
39877	4 F5OX-S	CONNECTOR,STRAIGHT THREAD TO FLARE TUBE	47223	10343-6-6	HOSE END,MALE,JIC
39878	6 F5OX-S	CONNECTOR,STRAIGHT THREAD TO FLARE TUBE	47419	PS690503-6-6	SWIVEL,90°,STRAIGHT THREAD TO 37° FLARE
39879	4-8 F5OX-S	CONNECTOR,STRAIGHT THREAD TO FLARE TUBE	48750	421-4	HOSE,1/4 INCH ID
39880	6-10 F5OX-S	CONNECTOR,STRAIGHT THREAD TO FLARE TUBE	48751	481TC-4	HOSE,1/4 INCH ID
39881	4-6 F5OX-S	CONNECTOR,STRAIGHT THREAD TO FLARE TUBE	48752	482TC-4	HOSE,1/4 INCH ID
39882	4-HP5ON-S	PLUG,STRAIGHT THREAD	48753	451TC-6	HOSE,3/8 INCH ID
39883	8-8 FTX-S	CONNECTOR,MALE PIPE TO FLARE TUBE	48754	482TC-6	HOSE,3/8 INCH ID
39885	269HB 12-12	ELBOW,90°,BEADED HOSE BARB TO MALE PIPE	48755	381-6	HOSE,3/8 INCH ID
39886	431-6	HOSE,3/8 INCH ID	48756	451TC-8	HOSE,1/2 INCH ID
39887	540N-2	HOSE,1/8 INCH ID	48757	482TC-8	HOSE,1/2 INCH ID
39888	801-8	HOSE,1/2 INCH ID	48758	381-8	HOSE,1/2 INCH ID
39889	801-12	HOSE,3/4 INCH ID	48759	381-10	HOSE,5/8 INCH ID
39890	10643-6-6	HOSE END,FEMALE SWIVEL,JIC	48760	451TC-10	HOSE,5/8 INCH ID
39891	13943-6-6	HOSE END,90° FEMALE SWIVEL,JIC	48761	482TC-12	HOSE,3/4 INCH ID
39892	13743-6-6	HOSE END,45° FEMALE SWIVEL,JIC	48762	451TC-12	HOSE,3/4 INCH ID
39894	30682-8-8	HOSE END,FEMALE SWIVEL,JIC	48763	772-12	HOSE,3/4 INCH ID
39895	30682-10-12	HOSE END,FEMALE SWIVEL,JIC	48764	881-16	HOSE,1 INCH ID
42286	8-8 CTX-S	ELBOW,90°,MALE PIPE TO FLARE TUBE	48765	772-16	HOSE,1 INCH ID
42756	8-12 CLO-S	ELBOW,90,MALE PIPE TO ORFS	48766	AS-B-15	SLEEVE,NYLON,1.06" ID
42757	8-12 FLO-S	CONNECTOR,MALE PIPE TO ORFS	48767	AS-B-22	SLEEVE,NYLON,1.42" ID
42758	4 JLO-S	UNION TEE,ORFS	48770	881-8	HOSE,1/2 INCH ID
42759	4-4 FLO-S	CONNECTOR,MALE PIPE TO ORFS			
42760	6-8 FLO-S	CONNECTOR,MALE PIPE TO ORFS			
42761	1J143-6-4	HOSE END,90° FEMALE SWIVEL,SEAL LOK			
42762	1J743-6-4	HOSE END,45° FEMALE SWIVEL,SEAL LOK			
42768	1JO43-4-4	HOSE END,MALE,SEAL LOK			
42776	801-8	HOSE,1/2 INCH ID			
42777	1J743-16-16	HOSE END,45° FEMALE SWIVEL,SEAL LOK			
42786	16 CLO-S	ELBOW,90°,MALE PIPE TO ORFS			
42787	16 R6LO-S	RUN TEE,SWIVEL NUT,ORFS			
42788	16-8 TRLO-BL-S	REDUCER,TUBE END TO SWIVEL,ORFS			
42789	6-6 CLO-S	ELBOW,90°,MALE PIPE TO ORFS			
42790	8-10 V5OLO-S	ELBOW,45°,STRAIGHT THREAD TO ORFS			
42791	3/4 CD-S	ELBOW,90°,MALE TO FEMALE PIPE			
42792	3/4 X 1/2 PTR-S	REDUCER,MALE TO FEMALE PIPE			
42793	1/2 CR-S	ELBOW,90°,MALE PIPE			



## Fitting Cross References (Continued)

Genie PN	Parker PN	Description	Genie PN	Parker PN	Description
48771	881-10	HOSE,5/8 INCH ID	48847	13943-12-12	HOSE END,90° FEMALE SWIVEL,JIC
48772	381-4	HOSE,1/4 INCH ID	48848	10543-12-12	HOSE END,MALE,STRAIGHT THREAD
48773	AS-B-13	SLEEVE,NYLON,.86" ID	48849	1JC71-12-12	HOSE END,FEMALE SWIVEL,SEAL LOK
48800	1JC43-4-4	HOSE END,FEMALE SWIVEL,SEAL LOK	48850	1JS71-12-12	HOSE END,FEMALE SWIVEL,SEAL LOK
48801	1J743-4-4	HOSE END,45° FEMALE SWIVEL,SEAL LOK	48851	1J171-12-12	HOSE END,90° FEMALE SWIVEL,SEAL LOK
48802	1J943-4-4	HOSE END,90° FEMALE SWIVEL,SEAL LOK	48852	1J771-12-12	HOSE END,45° FEMALE SWIVEL,SEAL LOK
48804	1JM43-4-4	HOSE END,MALE,SEAL LOK, NO O-RING	48853	1J971-12-12	HOSE END,90° FEMALE SWIVEL,SEAL LOK
48805	10643-4-4	HOSE END,FEMALE SWIVEL,JIC	48854	1JC43-16-16	HOSE END,FEMALE SWIVEL,SEAL LOK
48806	13943-4-4	HOSE END,90° FEMALE SWIVEL,JIC	48855	1J943-16-16	HOSE END,90° FEMALE SWIVEL,SEAL LOK
48807	1JS43-4-4	HOSE END,FEMALE SWIVEL,SEAL LOK	48856	1J171-16-16	HOSE END,90° FEMALE SWIVEL,SEAL LOK
48808	3JC82-8-8	HOSE END,FEMALE SWIVEL,SEAL LOK	48857	1J971-16-16	HOSE END,90° FEMALE SWIVEL,SEAL LOK
48809	3JC82-12-12	HOSE END,FEMALE SWIVEL,SEAL LOK	48859	1JS43-8-4	HOSE END,FEMALE SWIVEL,SEAL LOK
48810	1JC43-6-4	HOSE END,FEMALE SWIVEL,SEAL LOK	48867	PD36BTL	DIAGNOSTIC NIPPLE,SEAL-LOK SWIVEL
48811	1J943-6-4	HOSE END,90° FEMALE SWIVEL,SEAL LOK	48873	6 PNLO-S	PLUG,TUBE END,ORFS
48812	1JC43-6-6	HOSE END,FEMALE SWIVEL,SEAL LOK	48874	6 PNTX-S	PLUG,FLARE TUBE
48813	1J143-6-6	HOSE END,90° FEMALE SWIVEL,SEAL LOK	48875	6 R6LO-S	RUN TEE,SWIVEL NUT,ORFS
48814	1J543-6-6	HOSE END,90° FEMALE SWIVEL,SEAL LOK	48877	4 F5OLO-SW/.025	CONNECTOR,STRAIGHT THREAD TO ORFS, W/.025 ORI
48815	1J743-6-6	HOSE END,45° FEMALE SWIVEL,SEAL LOK	48878	16-12 C5OLO-S	ELBOW,90°,STRAIGHT THREAD TO ORFS
48816	1J943-6-6	HOSE END,90° FEMALE SWIVEL,SEAL LOK	48879	8 C6LO-S	ELBOW,90°,SWIVEL NUT ORFS
48817	1JS43-6-8	HOSE END,FEMALE SWIVEL,SEAL LOK	48880	PD6-285	CAP,DIAGNOSTIC NIPPLE
48818	1J943-8-4	HOSE END,90° FEMALE SWIVEL,SEAL LOK	48881	6 HLO-S	UNION,ORFS
48819	1JC43-8-6	HOSE END,FEMALE SWIVEL,SEAL LOK	48883	8 P5ON-S	PLUG,STRAIGHT THREAD
48820	1J743-8-6	HOSE END,45° FEMALE SWIVEL,SEAL LOK	48884	8M18F87OMLO-S	CONNECTOR,METRIC,STRAIGHT THREAD TO ORFS
48821	1J943-8-6	HOSE END,90° FEMALE SWIVEL,SEAL LOK	48885	4 WGTX-WLN-S	CONNECTOR,BULKHEAD,FEMALE PIPE TO FLARE TUBE
48822	1JC43-8-8	HOSE END,FEMALE SWIVEL,SEAL LOK	48886	4 F5OLO-SW/2MM	CONNECTOR,MACHINED STRAIGHT THREAD TO ORFS
48823	1JS43-8-8	HOSE END,FEMALE SWIVEL,SEAL LOK	48887	4 CTX-S	ELBOW,90°,MALE PIPE TO FLARE TUBE
48824	1J143-8-8	HOSE END,90° FEMALE SWIVEL,SEAL LOK	48888	10-12 V5OLO-S	ELBOW,45°,STRAIGHT THREAD TO ORFS
48825	1J543-8-8	HOSE END,90° FEMALE SWIVEL,SEAL LOK	48890	4 S5OLO-S	BRANCH TEE,STRAIGHT THREAD TO ORFS
48826	1J743-8-8	HOSE END,45° FEMALE SWIVEL,SEAL LOK	48891	4 S6LO-S	BRANCH TEE,SWIVEL NUT TO ORFS
48827	1J943-8-8	HOSE END,90° FEMALE SWIVEL,SEAL LOK			
48828	1JC43-10-8	HOSE END,FEMALE SWIVEL,SEAL LOK			
48829	1JS43-10-8	HOSE END,FEMALE SWIVEL,SEAL LOK			
48830	1J743-10-8	HOSE END,45° FEMALE SWIVEL,SEAL LOK			
48831	1J943-10-8	HOSE END,90° FEMALE SWIVEL,SEAL LOK			
48833	1JC43-10-10	HOSE END,FEMALE SWIVEL,SEAL LOK			
48834	1J943-10-10	HOSE END,90° FEMALE SWIVEL,SEAL LOK			
48835	1JS43-10-12	HOSE END,FEMALE SWIVEL,SEAL LOK			
48836	1JC43-12-8	HOSE END,FEMALE SWIVEL,SEAL LOK			
48837	1JS43-12-8	HOSE END,FEMALE SWIVEL,SEAL LOK			
48838	1J743-12-8	HOSE END,45° FEMALE SWIVEL,SEAL LOK			
48839	1J943-12-8	HOSE END,90° FEMALE SWIVEL,SEAL LOK			
48840	1J943-12-10	HOSE END,90° FEMALE SWIVEL,SEAL LOK			
48841	1JC43-12-12	HOSE END,FEMALE SWIVEL,SEAL LOK			
48842	1JO43-12-12	HOSE END,MALE,SEAL LOK			
48843	1J143-12-12	HOSE END,90° FEMALE SWIVEL,SEAL LOK			
48844	1J543-12-12	HOSE END,90° FEMALE SWIVEL,SEAL LOK			
48845	1J743-12-12	HOSE END,45° FEMALE SWIVEL,SEAL LOK			
48846	1J943-12-12	HOSE END,90° FEMALE SWIVEL,SEAL LOK			

## Fitting Cross References (Continued)

Genie PN	Parker PN	Description	Genie PN	Parker PN	Description
48892	6 C6LO-S	ELBOW,90°,SWIVEL NUT ORFS	48938	8 R6LO-S	RUN TEE,SWIVEL NUT,ORFS
48893	6 F5OHAO-S	UNION,STRAIGHT THREAD	48939	8 S6LO-S	BRANCH TEE,SWIVEL NUT TO ORFS
48894	8 WLO-WLNL-S	UNION,BULKHEAD,ORFS	48940	8 WJLO-WLNL-S	RUN TEE, BULKHEAD,ORFS
48895	DT-370-MSMO-5	VALVE,CHECK	48941	8-4 TRLO-S	REDUCER,TUBE END TO SWIVEL,ORFS
48896	6 JLO-S	UNION,TEE,ORFS	48942	8-6 C5OLO-S	ELBOW,90°,STRAIGHT THREAD TO ORFS
48897	DT-750-MSMS-5	VALVE,CHECK	48943	8-6 F5OLO-S	CONNECTOR,STRAIGHT THREAD TO ORFS
48898	DT-750-MOMS-5	VALVE,CHECK	48944	8-8 FLO-S	CONNECTOR,MALE PIPE TO ORFS
48899	DT-620-MOMS-5	VALVE,CHECK	48945	8 FTX-S	CONNECTOR,MALE PIPE TO FLARE TUBE
48900	4-6 F5OLO-SW/.035	CONNECTOR,STRAIGHT THREAD TO ORFS, W/.035 ORI	48946	8-10 F5OLO-S	CONNECTOR,STRAIGHT THREAD TO ORFS
48902	16-1 AOE4G-S	ELBOW,90° LONG,FEMALE PIPE TO STRAIGHT THREAD	48947	8-12 C5OLO-S	ELBOW,90°,STRAIGHT THREAD TO ORFS
48903	1 FF-S	NIPPLE,PIPE	48948	8-12 F5OLO-S	CONNECTOR,STRAIGHT THREAD TO ORFS
48904	4 C5OLO-S	ELBOW,90°,STRAIGHT THREAD TO ORFS	48949	8-16 F5OLO-S	CONNECTOR,STRAIGHT THREAD TO ORFS
48905	4 F5OLO-S	CONNECTOR,STRAIGHT THREAD TO ORFS	48950	10 C5OLO-S	ELBOW,90°,STRAIGHT THREAD TO ORFS
48906	4 R5OLO-S	RUN TEE,STRAIGHT THREAD	48951	10 CC5OLO-S	ELBOW,90° LONG,STRAIGHT THREAD TO ORFS
48907	4 V5OLO-S	ELBOW,45°,STRAIGHT THREAD TO ORFS	48952	10 F5OLO-S	CONNECTOR,STRAIGHT THREAD TO ORFS
48908	4 R6LO-S	RUN TEE,SWIVEL NUT,ORFS	48953	10 R5OLO-S	RUN TEE,STRAIGHT THREAD
48909	4 WJLO-WLNL-S	RUN TEE, BULKHEAD,ORFS	48954	10 S5OLO-S	BRANCH TEE,STRAIGHT THREAD TO ORFS
48910	4 GTX-S W/.030	CONNECTOR,FEMALE PIPE TO FLARE TUBE	48955	10 R6LO-S	RUN TEE,SWIVEL NUT,ORFS
48911	4-6 C5OLO-S	ELBOW,90°,STRAIGHT THREAD TO ORFS	48956	10-4 TRLO-BL-S	REDUCER,TUBE END TO SWIVEL,ORFS
48912	4-6 F5OLO-S	CONNECTOR,STRAIGHT THREAD TO ORFS	48957	10-6 TRLO-BL-S	REDUCER,TUBE END TO SWIVEL,ORFS
48913	4-6 F5OLO-SW/.030	CONNECTOR,STRAIGHT THREAD TO ORFS, W/.030 ORI	48958	10-12 F5OLO-S	CONNECTOR,STRAIGHT THREAD TO ORFS
48914	4-8 F5OLO-S	CONNECTOR,STRAIGHT THREAD TO ORFS	48959	12 C5OLO-S	ELBOW,90°,STRAIGHT THREAD TO ORFS
48915	6 C5OLO-S	ELBOW,90°,STRAIGHT THREAD TO ORFS	48960	12 F5OLO-S	CONNECTOR,STRAIGHT THREAD TO ORFS
48916	6 F5OLO-S	CONNECTOR,STRAIGHT THREAD TO ORFS	48961	12 R5OLO-S	RUN TEE,STRAIGHT THREAD
48917	6 FF5OLO-S	CONNECTOR,LONG,STRAIGHT THREAD TO ORFS	48962	12 S5OLO-S	BRANCH TEE,STRAIGHT THREAD TO ORFS
48918	6 R5OLO-S	RUN TEE,STRAIGHT THREAD	48963	12 V5OLO-S	ELBOW,45°,STRAIGHT THREAD TO ORFS
48919	6 S5OLO-S	BRANCH TEE,STRAIGHT THREAD TO ORFS	48964	12 R6LO-S	RUN TEE,SWIVEL NUT,ORFS
48920	6 V5OLO-S	ELBOW,45°,STRAIGHT THREAD TO ORFS	48965	12 CLO-S	ELBOW,90°,MALE PIPE TO ORFS
48921	6 FLO-S	CONNECTOR,MALE PIPE TO ORFS	48966	12 FLO-S	CONNECTOR,MALE PIPE TO ORFS
48922	6-6 FLO-S	CONNECTOR,MALE PIPE TO ORFS	48967	12 JLO-S	UNION TEE,ORFS
48923	6 P5ON-S	PLUG,STRAIGHT THREAD	48968	12 WLO-WLNL-S	UNION,BULKHEAD,ORFS
48925	6 WELO-S	UNION,90° BULKHEAD,ORFS	48969	12 WJLO-WLNL-S	RUN TEE, BULKHEAD,ORFS
48926	6-4 C5OLO-S	ELBOW,90°,STRAIGHT THREAD TO ORFS	48970	12 WELO-WLNL-S	UNION,90° BULKHEAD W/NUT,ORFS
48927	6-4 F5OLO-S	CONNECTOR,STRAIGHT THREAD TO ORFS			
48928	6-4 V5OLO-S	ELBOW,45°,STRAIGHT THREAD TO ORFS			
48929	6-8 C5OLO-S	ELBOW,90°,STRAIGHT THREAD TO ORFS			
48930	6-8 F5OLO-S	CONNECTOR,STRAIGHT THREAD TO ORFS			
48931	6-10 F5OLO-S	CONNECTOR,STRAIGHT THREAD TO ORFS			
48932	8 C5OLO-S	ELBOW,90°,STRAIGHT THREAD TO ORFS			
48933	8 F5OLO-S	CONNECTOR,STRAIGHT THREAD TO ORFS			
48934	8 FF5OLO-S	CONNECTOR,LONG,STRAIGHT THREAD TO ORFS			
48935	8 R5OLO-S	RUN TEE,STRAIGHT THREAD			
48936	8 S5OLO-S	BRANCH TEE,STRAIGHT THREAD TO ORFS			
48937	8 V5OLO-S	ELBOW,45°,STRAIGHT THREAD TO ORFS			

## Fitting Cross References (Continued)

Genie PN	Parker PN	Description	Genie PN	Parker PN	Description
48971	12 G5G5JG5-S	TEE,FEMALE STRAIGHT THREAD	49612	PKT02586	O-RING KIT (ORFS FITTINGS)
48972	12 XHL6-S	ADAPTER, 37° MALE TO SWIVEL ORFS	49613	PKT06276	PLUG AND CAP KIT-SERVICE,ORFS
48973	12-1/2 F5OG-S	ADAPTER,FEMALE PIPE TO STRAIGHT THREAD	49728	10143-12-12	HOSE END, MALE PIPE
48974	12-10 C5OLO-S	ELBOW,90°,STRAIGHT THREAD TO ORFS	49729	16-1 F5OG-S	ADAPTER,FEMALE PIPE TO STRAIGHT THREAD
48975	12-10 F5OLO-S	CONNECTOR,STRAIGHT THREAD TO ORFS	49814	12-8 FLO-S	CONNECTOR,MALE PIPE TO ORFS
48976	12-16 C5OLO-S	ELBOW,90°,STRAIGHT THREAD TO ORFS	49829	DT-500-MOMF-5	VALVE,CHECK
48977	12-16 F5OLO-S	CONNECTOR,STRAIGHT THREAD TO ORFS	49831	881-12	HOSE,3/4 INCH ID
48978	12-16 V5OLO-S	ELBOW,45°,STRAIGHT THREAD TO ORFS	49834	16 JLO-S	UNION TEE,ORFS
48980	12-16 FLO-S	CONNECTOR,MALE PIPE TO ORFS	49838	12-8 TRLO-BL-S	REDUCER,TUBE END TO SWIVEL,ORFS
48983	16 C5OLO-S	ELBOW,90°,STRAIGHT THREAD TO ORFS	49840	8 JLO-S	UNION TEE,ORFS
48984	16 F5OLO-S	CONNECTOR,STRAIGHT THREAD TO ORFS	49844	10-8 TRLO-BL-S	REDUCER,TUBE END TO SWIVEL,ORFS
48985	16 V5OLO-S	ELBOW,45°,STRAIGHT THREAD TO ORFS	49854	8 P5ON-S	PLUG,STRAIGHT THREAD
48986	16 FLO-S	CONNECTOR,MALE PIPE TO ORFS	49855	1JC43-16-12	HOSE END,FEMALE SWIVEL,SEAL LOK
48988	16 CD45-S	ELBOW,45°,MALE TO FEMALE PIPE	49859	4 P5ON-S	PLUG,STRAIGHT THREAD
48989	12 CD45-S	ELBOW,45°,MALE TO FEMALE PIPE	49861	4 FF5OLO-S	CONNECTOR, LONG, STRAIGHT THREAD TO ORFS
48990	8 CD45-S	ELBOW,45°,MALE TO FEMALE PIPE	49867	12-3/4 F5OG-S	ADAPTER,FEMALE PIPE TO STRAIGHT THREAD
48991	16-12 FLO-S	CONNECTOR,MALE PIPE TO ORFS	51152	6 R6X-S	RUN TEE,SWIVEL NUT,ORFS
48992	16-12 V5OLO-S	ELBOW,45°,STRAIGHT THREAD TO ORFS	51153	6-4 TRTX-S	REDUCER,TUBE END TO SWIVEL,ORFS
48993	XV501-12	BALL VALVE	51154	4-4 GTX	CONNECTOR,FEMALE PIPE TO FLARE TUBE
48994	XV501-16	BALL VALVE	51264	881-12	HOSE,3/4 INCH ID
48995	XV510P-12	BALL VALVE	51265	8 JLO-S	UNION TEE,ORFS
48996	XV510P-16	BALL VALVE	51508	6 BTX-S	NUT,FLARE TUBE
48997	PD341	DIAGNOSTIC NIPPLE, STRAIGHT THREAD	51580	12-8 TRLO-BL-S	TUBE END REDUCER,ORFS
48998	PD 361	DIAGNOSTIC NIPPLE, STRAIGHT THREAD	51628	6 R6X-S	RUN TEE,SWIVEL NUT,ORFS
48999	DT-500-MOMS-5	VALVE,CHECK	51735	3/8 HHP	PLUG,PIPE THREAD
49201	10 V5OLO-S	ELBOW,45°,STRAIGHT THREAD TO ORFS	51803	1J943-6-8	HOSE END,90° FEMALE SWIVEL,SEAL LOK
49202	1JC43-12-10	HOSE END,FEMALE SWIVEL,SEAL LOK	53023	125HBL-5-4	FITTING,HOSE BARB TO MALE PIPE
49203	10-8 V5OLO-S	ELBOW,45°,STRAIGHT THREAD TO ORFS	53497	PKT02585	O-RING KIT
49205	6 F5OHAO-S	UNION,STRAIGHT THREAD	53499	1JC71-16-16	HOSE END,FEMALE SWIVEL,SEAL LOK
49207	PD34BTL	DIAGNOSTIC NIPPLE,SEAL-LOK SWIVEL	53500	3-904	O-RING,STRAIGHT THREAD,-4
49209	8M18F870MX-S	CONNECTOR,METRIC,STRAIGHT THREAD TO FLARE TUBE	53501	3-906	O-RING,STRAIGHT THREAD,-6
49212	8 WGTX-WLN-S	CONNECTOR,BULKHEAD,FEMALE PIPE TO FLARE TUBE	53502	3-908	O-RING,STRAIGHT THREAD,-8
49213	30682-8-8	HOSE END,FEMALE SWIVEL,JIC	53503	3-910	O-RING,STRAIGHT THREAD,-10
49216	831-8	HOSE,1/2 INCH ID			
49217	33982-8-8	HOSE END,90° FEMALE SWIVEL,JIC			
49219	PS-B-35	SLEEVE,NYLON,2.19" ID			
49418	4-6 V5OLO-S	ELBOW,45°,STRAIGHT THREAD TO ORFS			
49511	DT370-MOMS-5	VALVE,CHECK			
49512	1 DD-S	ELBOW,90°,FEMALE PIPE			
49513	1 FF-S	NIPPLE,PIPE			
49514	10 HP5ON-S	PLUG,STRAIGHT THREAD			
49515	12-16 CLO-S	ELBOW,90°,MALE PIPE TO ORFS			
49517	6 HP5ON-S	PLUG,STRAIGHT THREAD			
49519	16-12 F5OLO-S	CONNECTOR,STRAIGHT THREAD TO ORFS			
49520	4 VTX-S	ELBOW,45°,MALE PIPE TO FLARE TUBE			
49530	16 C6LO-S	ELBOW,90°,SWIVEL NUT ORFS			

## Fitting Cross References (Continued)

Genie PN	Parker PN	Description	Genie PN	Parker PN	Description
53535	3-912	O-RING,STRAIGHT THREAD,-12	61083	24 F5OLO-S	CONNECTOR,STRAIGHT THREAD TO ORFS
53536	4-PNLO-S	PLUG,TUBE END,ORFS	61086	20 R5OLO-S	RUN TEE,STRAIGHT THREAD
53537	6 PNLO-S	PLUG,TUBE END,ORFS	61090	24-20 F5OLO-S	CONNECTOR,STRAIGHT THREAD TO ORFS
53538	8 PNLO-S	PLUG,TUBE END,ORFS	61091	1J943 24-24	HOSE END,90° FEMALE SWIVEL,SEAL LOK
53539	10 PNLO-S	PLUG,TUBE END,ORFS	61093	1J978-12-12	HOSE END,90° FEMALE SWIVEL,JIC
53540	12 PNLO-S	PLUG,TUBE END,ORFS	61095	1JS43-20-16	HOSE END,FEMALE SWIVEL,SEAL LOK
53946	129HB-5-4	FITTING,90° HOSE BARB TO MALE PIPE	61100	811-24	HOSE,11/2 INCH ID
53951	8-1/4F5OG-S	ADAPTER,FEMALE PIPE TO STRAIGHT THREAD	61130	1JS43-24-24	HOSE END,FEMALE SWIVEL,SEAL LOK
53980	6 S6LO-S	BRANCH TEE,SWIVEL NUT TO ORFS	61131	1JS78 12-12	HOSE END,FEMALE SWIVEL,SEAL LOK
54132	4 C6LO-S	ELBOW,90°,SWIVEL NUT ORFS	61132	1J778-12-12	HOSE END,45° FEMALE SWIVEL,JIC
54135	11343-16-16	HOSE END,MALE SWIVEL,PIPE	61152	139HB-6-4	ELBOW,45°,BARB TO MALE PIPE
54283	8-10 C5OLO-S	ELBOW,90°,STRAIGHT THREAD TO ORFS	61251	BV-0750	BALL VALVE
54428	8M18C870MLO-S	ELBOW, 90° METRIC, STRAIGHT THREAD TO ORFS	61259	4 CC5OLO-S	ELBOW,90° LONG,STRAIGHT THREAD TO ORFS
54803	FS-F-16-10	SLEEVE,FIRE,.96" ID	61260	20-12 TRLO-BL	REDUCER,TUBE END TO SWIVEL,ORFS
54954	10143-2-4	HOSE END, MALE PIPE	61262	12 C6LO-S	ELBOW,90°,SWIVEL NUT ORFS
55190	3/8 HP-S	PLUG,PIPE THREAD	61263	20 F5OHAO-S	UNION,STRAIGHT THREAD
55448	8 HLO-S	UNION,ORFS	61264	6-10 C5OLO-S	ELBOW,90°,STRAIGHT THREAD TO ORFS
55839	6 F65OX-S	CONNECTOR,STRAIGHT THREAD TO 37° SWIVEL	61265	6 WNLO-WLNL-S	UNION,BULKHEAD 45°,ORFS
55968	10 C5OX-S	ELBOW,90°,STRAIGHT THREAD TO FLARE TUBE	61268	4 WNLO-WLNL-S	UNION,BULKHEAD 45°,ORFS
56003	6 CC5OLO-S	ELBOW,90° LONG,STRAIGHT THREAD TO ORFS	61269	4 WLO-WLNL-S	UNION,BULKHEAD,ORFS
56166	BV-0837	BALL VALVE,90°	61272	12 AOEL6	ELBOW,90°,STRAIGHT THREAD TO ORFS SWIVEL
56188	10143-8-6	HOSE END, MALE PIPE	61316	482TC-16	HOSE,1 INCH ID
56233	2-011	O-RING,ORFS,-4	61321	6 JLO-S	UNION TEE,ORFS
56234	2-012	O-RING,ORFS,-6	61327	782-12	HOSE,3/4 INCH ID
56235	2-014	O-RING,ORFS,-8	61328	881-24	HOSE,11/2 INCH ID
56236	2-016	O-RING,ORFS,-10	61336	11943-20-24	HOSE END,90° FLANGE HEAD
56237	2-018	O-RING,ORFS,-12	61345	12 WJLO-WLNL-S	RUN TEE, BULKHEAD,ORFS
56238	2-021	O-RING,ORFS,-16	61346	8 WNLO-WLNL-S 4	UNION,BULKHEAD 45°,ORFS
56352	6 WLNL-S	LOCKNUT,BULKHEAD	61569	33782-8-8	HOSE END,45° FEMALE SWIVEL,JIC
56353	3J782-12-12	HOSE END,45° FEMALE SWIVEL,SEAL LOK	61610	12 FF5OLO-S	CONNECTOR,LONG,STRAIGHT THREAD TO ORFS
56354	3J982-12-12	HOSE END,90° FEMALE SWIVEL,SEAL LOK	61742	1/8 X 1.5 FFF	NIPPLE,PIPE
56604	10-8 F5OLO-S	CONNECTOR,STRAIGHT THREAD TO ORFS	63426	8 PNTX-S	PLUG,FLARE TUBE
56639	3JC82-10-10	HOSE END,FEMALE SWIVEL,SEAL LOK			
56640	3J982-10-10	HOSE END,90° FEMALE SWIVEL,SEAL LOK			
56655	3JC82-8-10	HOSE END,FEMALE SWIVEL,SEAL LOK			
56676	10-8 C5OLO-S	ELBOW,90°,STRAIGHT THREAD TO ORFS			
56776	471TC-6	HOSE,3/8 INCH ID			
56777	471TC-8	HOSE,1/2 INCH ID			
56789	811-16	HOSE,1 INCH ID			
57884	3/8 FF	NIPPLE,PIPE			
59335	6 FNL-S	CAP,TUBE END			
59342	4 FNL-S	CAP,TUBE END			
59371	8 HP5ON-S	PLUG,STRAIGHT THREAD			
60653	BV-0751	BALL VALVE			
60806	125HB-3-4	FITTING,HOSE BARB TO MALE PIPE			
61064	5-1/4 F5OG-S	ADAPTER,FEMALE PIPE TO STRAIGHT THREAD			
61079	4 WELO-WLNL-S	UNION,90° BULKHEAD W/NUT,ORFS			
61080	6 WLO-WLNL-S	UNION,BULKHEAD,ORFS			

## Fitting Cross References (Continued)

Genie PN	Parker PN	Description	Genie PN	Parker PN	Description
64271	4 WLO-WLNL-S	UNION,BULKHEAD,ORFS	75631	801-6	HOSE,3/8 INCH ID
64272	6 WLO-WLNL-S	UNION,BULKHEAD,ORFS	75654	20 F5OLO-S	CONNECTOR,STRAIGHT THREAD TO ORFS
65776	8 F65OL-S	CONNECTOR,STRAIGHT THREAD TO ORFS SWIVEL	75655	1J943-20-20	HOSE END,90° FEMALE SWIVEL,SEAL LOK
65880	6001012	O-RING KIT	75656	881-20	HOSE,1-1/4 INCH ID
66154	6 WTX-WLNS	UNION,BULKHEAD,FLARE TUBE	75971	8 F5OHAO-S	UNION,STRAIGHT THREAD
66155	6 WETX-S	UNION,BULKHEAD 90°,FLARE TUBE	77307	1JB43-8-8	HOSE END,BULKHEAD,SEAL LOK
66156	6 WLN-S	BULKHEAD LOCKNUT	77309	8 WLNL-S	BULKHEAD LOCKNUT
66389	6-8 F5OX-S	CONNECTOR,STRAIGHT THREAD TO FLARE TUBE	77379	8M18C87OMX-S	ELBOW,90° METRIC,STRAIGHT THREAD TO FLARE TUBE
66392	6 R5OX-S	RUN TEE,STRAIGHT THREAD	77703	3J982-8-8	HOSE END,90° FEMALE SWIVEL,SEAL LOK
66396	811-12	HOSE,3/4 INCH ID	77711	801-10	HOSE,5/8 INCH ID
66829	H3174PP	CLAMP,TUBE	77758	12 WNLO-WLNL-S	UNION,BULKHEAD 45°,ORFS
67217	4 KLO-S	UNION,CROSS,ORFS	78091	6 C6X-S	ELBOW,90°,SWIVEL NUT TO FLARE TUBE
67339	10-6 F5OX-S	CONNECTOR,STRAIGHT THREAD TO FLARE TUBE	78684	30582-8-8B	HOSE END,PUSH LOK,MALE
67357	13943-8-6	HOSE END,90° FEMALE SWIVEL,JIC	78852	549-2	HOSE,1/8 INCH ID
67358	10 HP5ON-S	PLUG,STRAIGHT THREAD	78855	10657-4-2	HOSE END,FEMALE SWIVEL,JIC
67371	12 S6LO-S	BRANCH TEE,SWIVEL NUT TO ORFS	79138	PS-B-37	SLEEVE,NYLON,2.38" ID
67498	4 FNL-S	CAP, TUBE END	79476	1JS43-6-8	HOSE END,FEMALE SWIVEL,SEAL LOK
67906	DC-370-F0F0-5	VALVE,CHECK	79847	12-3/4 A0EG-S	ELBOW,90°,STRAIGHT THREAD TO FEMALE PIPE
69316	8 FLO-S	CONNECTOR,MALE PIPE TO ORFS	80044	8 CLO-S	ELBOW,90°,MALE PIPE TO ORFS
69333	H3174PP	CLAMP,HYDRAULIC HOSE	80502	8 F5OX-S	CONNECTOR,STRAIGHT THREAD TO FLARE TUBE
69503	4 F65OX-S	CONNECTOR,STRAIGHT THREAD TO 37° SWIVEL	80503	8 C5OX-S	ELBOW,90°,STRAIGHT THREAD TO FLARE TUBE
69775	8 FNL-S	CAP, TUBE END	81010	AS-B-27	SLEEVE,NYLON,1.63" ID
71038	1/4X1/4F3HG-S	ADAPTER,CONVERSION	83052	821-6	HOSE,3/8 INCH ID
71196	12-8 F5OLO-S	CONNECTOR,STRAIGHT THREAD TO ORFS	83053	821-8	HOSE,1/2 INCH ID
71383	1/4 CD45-S	ELBOW,45°,MALE TO FEMALE PIPE	83054	821-12	HOSE,3/4 INCH ID
72270	12FNL-S	CAP, TUBE END	83055	30682-6-6	HOSE END,FEMALE SWIVEL,JIC
73436	60C-4	SLEEVE,COMPRESSION	83056	30682-12-12	HOSE END,FEMALE SWIVEL,JIC
73437	61C-4	NUT,COMPRESSION	83057	33782-6-6	HOSE END,45° FEMALE SWIVEL,JIC
73438	33482-4-4B	HOSE END,PUSH LOK,MALE	83058	33982-6-6	HOSE END,90° FEMALE SWIVEL,JIC
73767	1CD-S	ELBOW,90°,MALE TO FEMALE PIPE	83060	33982-12-12	HOSE END,90° FEMALE SWIVEL,JIC
73768	20-16-F5OG5-S	ADAPTER,FEMALE PIPE TO STRAIGHT THREAD	83063	13743-4-4	HOSE END,45° FEMALE SWIVEL,JIC
73769	16-20 F5OLO-S	CONNECTOR,STRAIGHT THREAD TO ORFS			
74660	6-8 F42EDMLO-S	CONNECTOR,MALE BSPP TO ORFS			
74661	8-8 F42EDMLO-S	CONNECTOR,MALE BSPP TO ORFS			
75007	4 FLO-S	CONNECTOR,MALE PIPE TO ORFS			
75008	1/8 HP-S	PLUG,PIPE THREAD			
75014	1/2 HP-S	PLUG,PIPE THREAD			
75042	8 WELO-WLNL-S	UNION,90° BULKHEAD W/NUT,ORFS			
75043	3/4 FF-S	NIPPLE,PIPE			
75254	24 F5OHAO-S	UNION,STRAIGHT THREAD			
75255	12 F5OHAO-S	UNION,STRAIGHT THREAD			
75256	XV506P-24	BALL VALVE			
75574	4 WLNL-S	BULKHEAD LOCKNUT			
75612	8 WJLO-WLNL-S	RUN TEE, BULKHEAD,ORFS			
75613	12-8 F5OG5-S	ADAPTER,FEMALE PIPE TO STRAIGHT THREAD			
75614	8 CC5OLO-S	ELBOW,90° LONG,STRAIGHT THREAD TO ORFS			
75628	1JB43-4-4	HOSE END,BULKHEAD,SEAL LOK			

## Fitting Cross References (Continued)

Genie PN	Parker PN	Description	Genie PN	Parker PN	Description
83064	13743-8-8	HOSE END,45° FEMALE SWIVEL,JIC	89449	6 WJLO-WLNL-S	RUN TEE, BULKHEAD,ORFS
83065	13743-12-12	HOSE END,45° FEMALE SWIVEL,JIC	89489	4 WJMLO-S	BRANCH TEE,BULKHEAD,ORFS
83066	13943-8-8	HOSE END,90° FEMALE SWIVEL,JIC	89551	1JB43-6-6	HOSE END,BULKHEAD,SEAL LOK
83067	14143-6-6	HOSE END,90° FEMALE SWIVEL,JIC	89552	1JB43-8-8	HOSE END,BULKHEAD,SEAL LOK
83068	14143-8-8	HOSE END,90° FEMALE SWIVEL,JIC	89593	20 C5OLO-S	ELBOW,90°,STRAIGHT THREAD TO ORFS
83069	14143-12-12	HOSE END,90° FEMALE SWIVEL,JIC	94161	8-8 CLO-S	ELBOW,90°,MALE PIPE TO ORFS
83070	772-8	HOSE,1/2 INCH ID	94358	351TC-12	HOSE,3/4 INCH ID
83071	10671-8-8	HOSE END,FEMALE SWIVEL,JIC	94418	20 FLO-S	CONNECTOR,MALE PIPE TO ORFS
83072	10671-12-12	HOSE END,FEMALE SWIVEL,JIC	96358	12 TX-S	SLEEVE,FLARE TUBE
83073	13771-8-8	HOSE END,45° FEMALE SWIVEL,JIC	96359	12 BTX-S	NUT,FLARE TUBE
83074	13771-12-12	HOSE END,45° FEMALE SWIVEL,JIC	96397	8 F5OX-S	CONNECTOR,STRAIGHT THREAD TO FLARE TUBE
83075	13971-8-8	HOSE END,90° FEMALE SWIVEL,JIC	96398	12-8 F5OX-S	CONNECTOR,STRAIGHT THREAD TO FLARE TUBE
83076	13971-12-12	HOSE END,90° FEMALE SWIVEL,JIC	96402	10343-6-6	HOSE END,MALE,JIC
83077	14171-8-8	HOSE END,90° FEMALE SWIVEL,JIC	96407	30382-6-6B	HOSE END,MALE,JIC
83078	14171-12-12	HOSE END,90° FEMALE SWIVEL,JIC			
83080	13943-16-16	HOSE END,90° FEMALE SWIVEL,JIC			
83103	10671-16-12	HOSE END,FEMALE SWIVEL,JIC			
83104	10671-10-12	HOSE END,FEMALE SWIVEL,JIC			
83112	1JC71-8-8	HOSE END,FEMALE SWIVEL,SEAL LOK			
83113	1JS71-16-12	HOSE END,FEMALE SWIVEL,SEAL LOK			
83114	1JS71-10-12	HOSE END,FEMALE SWIVEL,SEAL LOK			
83115	1J971-8-8	HOSE END,90° FEMALE SWIVEL,SEAL LOK			
83116	1J171-8-8	HOSE END,90° FEMALE SWIVEL,SEAL LOK			
83117	1J771-8-8	HOSE END,45° FEMALE SWIVEL,SEAL LOK			
83127	1J543-6-8	HOSE END,90° FEMALE SWIVEL,JIC			
83128	1JC43-6-8	HOSE END,FEMALE SWIVEL,SEAL LOK			
87033	12-6 TRLO-S	REDUCER,TUBE END TO SWIVEL,ORFS			
87034	3J782-8-8	HOSE END,45° FEMALE SWIVEL,SEAL LOK			
87172	12 HP5ON-S	PLUG,STRAIGHT THREAD			
87185	8 WNLO-WLNL-S	UNION,BULKHEAD 45°,ORFS			
87246	4 C6X-S	ELBOW,90°,SWIVEL NUT TO FLARE TUBE			
87679	6 LHP-S	FLANGE SEAL FITTING, MALE			
87681	6PLS N0702	BONDED SEAL			
88100	SR88100	ADAPTER,OIL DRAIN,GM 3.0L			
88311	1JS43-20-20	HOSE END,FEMALE SWIVEL,SEAL LOK			
88353	20 V5OLO-S	ELBOW,45°,STRAIGHT THREAD TO ORFS			
88474	10081-20	Crimp Shell, 1.25"			
88475	1988-20-24	HOSE END,90° FLANGE HEAD			
88476	JS88-24-24	HOSE END,FEMALE SWIVEL,SEAL LOK			
88477	1JC88-20-20	HOSE END,FEMALE SWIVEL,SEAL LOK			
88478	811-20	HOSE,11/4 INCH ID			
88936	20-16 F5OLO-S	CONNECTOR,STRAIGHT THREAD TO ORFS			
88937	20-16 FLO-S	CONNECTOR,MALE PIPE TO ORFS			
88938	1JC88-16-16	HOSE END,FEMALE SWIVEL,SEAL LOK			
88939	1J988-16-16	HOSE END,90° FEMALE SWIVEL,ORFS			
88940	811-16	HOSE,1 INCH ID			
88944	1J988-20-20	HOSE END,90° FEMALE SWIVEL,ORFS			
89403	16 VLO-S	ELBOW,45°,MALE PIPE TO ORFS			

California Proposition 65



Operating, servicing and maintaining this equipment can expose you to chemicals including engine exhaust, carbon monoxide, phthalates, and lead, which are known to the State of California to cause cancer and birth defects or other reproductive harm. These chemicals can be emitted from or contained in other various parts and systems, fluids and some component wear by-products. To minimize exposure, avoid breathing exhaust, do not idle the engine except as necessary, service your equipment and vehicle in a well-ventilated area and wear gloves or wash your hands frequently when servicing your equipment or vehicle and after operation. For more information go to [www.P65Warnings.ca.gov/passenger-vehicle](http://www.P65Warnings.ca.gov/passenger-vehicle).

Distributed By:

Go to [Discount-Equipment.com](http://Discount-Equipment.com) to order your parts

# PARTS FINDER

**Search Website  
by Part Number**



**Search Manual  
Library For Parts  
Manual & Lookup Part  
Numbers – Purchase  
or Request Quote**

**Search Manuals**

Enter your information to help us find the right parts manual for your machine.

\* Brand:

\* Model:

\* Serial:

\* Part Number:

SEARCH

**Can't Find Part or  
Manual? Request Help  
by Manufacturer,  
Model & Description**

**Parts Order Form**

Please fill in the following information to help us find the right part for your machine.

Manufacturer:	<input type="text"/>
Model:	<input type="text"/>
Description:	<input type="text"/>
Part Number:	<input type="text"/>
Quantity:	<input type="text"/>
Notes:	<input type="text"/>

Discount-Equipment.com is your online resource for quality parts & equipment.

Florida: **561-964-4949** Outside Florida TOLL FREE: **877-690-3101**

**Need parts?**

Click on this link: <http://www.discount-equipment.com/category/5443-parts/> and choose one of the options to help get the right parts and equipment you are looking for. Please have the machine model and serial number available in order to help us get you the correct parts. If you don't find the part on the website or on one of the online manuals, please fill out the request form and one of our experienced staff members will get back to you with a quote for the right part that your machine needs.

We sell worldwide for the brands: Genie, Terex, JLG, MultiQuip, Mikasa, Essick, Whiteman, Mayco, Toro Stone, Diamond Products, Generac Magnum, Airman, Haulotte, Barreto, Power Blanket, Nifty Lift, Atlas Copco, Chicago Pneumatic, Allmand, Miller Curber, Skyjack, Lull, Skytrak, Tsurumi, Husquvarna Target, Stow, Wacker, Sakai, Mi-T-M, Sullair, Basic, Dynapac, MBW, Weber, Bartell, Bennar Newman, Haulotte, Ditch Runner, Menegotti, Morrison, Contec, Buddy, Crown, Edco, Wyco, Bomag, Laymor, EZ Trench, Bil-Jax, F.S. Curtis, Gehl Pavers, Heli, Honda, ICS/PowerGrit, IHI, Partner, Imer, Clipper, MMD, Koshin, Rice, CH&E, General Equipment, Amida, Coleman, NAC, Gradall, Square Shooter, Kent, Stanley, Tamco, Toku, Hatz, Kohler, Robin, Wisconsin, Northrock, Oztec, Toker TK, Rol-Air, APT, Wylie, Ingersoll Rand / Doosan, Innovatech, Con X, Ammann, Mecalac, Makinex, Smith Surface Prep, Small Line, Wanco, Yanmar