



A TEREX BRAND



Parts Manual

Serial Number Range

GS-1530

from SN GS3010A-110000 to
GS3015A-141945

GS-1532

from SN GS-3011C-10000 to
GS3016C-23999

GS-1930

from SN GS30C-24000 to
GS30C-24457

GS-1932

Part No. 229145GT

Rev D10

December 2018

Go to Discount-Equipment.com to order your parts

PARTS FINDER

**Search Website
by Part Number**



**Search Manual
Library For Parts
Manual & Lookup Part
Numbers – Purchase
or Request Quote**

Search Manuals

Enter your information to help us find the right parts manual for your machine.

* Brand:

* Model:

* Serial:

* Part Number:

SEARCH

**Can't Find Part or
Manual? Request Help
by Manufacturer,
Model & Description**

Parts Order Form

Please fill in the following information to help us find the right part for your machine.

Manufacturer:	<input type="text"/>
Model:	<input type="text"/>
Description:	<input type="text"/>
Part Number:	<input type="text"/>
Quantity:	<input type="text"/>
Notes:	<input type="text"/>

Submit

Discount-Equipment.com is your online resource for quality parts & equipment.

Florida: **561-964-4949** Outside Florida TOLL FREE: **877-690-3101**

Need parts?

Click on this link: <http://www.discount-equipment.com/category/5443-parts/> and choose one of the options to help get the right parts and equipment you are looking for. Please have the machine model and serial number available in order to help us get you the correct parts. If you don't find the part on the website or on one of the online manuals, please fill out the request form and one of our experienced staff members will get back to you with a quote for the right part that your machine needs.

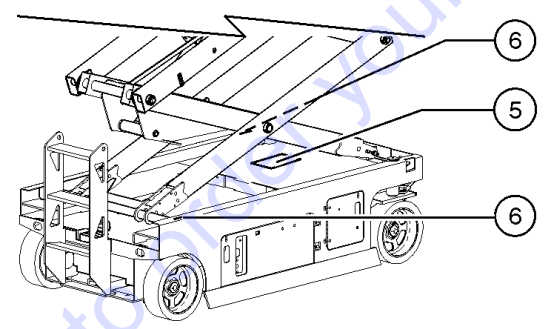
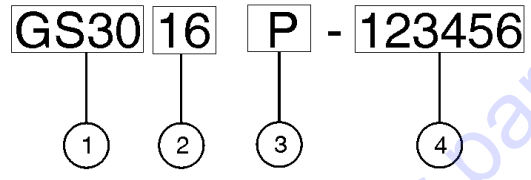
We sell worldwide for the brands: Genie, Terex, JLG, MultiQuip, Mikasa, Essick, Whiteman, Mayco, Toro Stone, Diamond Products, Generac Magnum, Airman, Haulotte, Barreto, Power Blanket, Nifty Lift, Atlas Copco, Chicago Pneumatic, Allmand, Miller Curber, Skyjack, Lull, Skytrak, Tsurumi, Husquvarna Target, Stow, Wacker, Sakai, Mi-T-M, Sullair, Basic, Dynapac, MBW, Weber, Bartell, Bennar Newman, Haulotte, Ditch Runner, Menegotti, Morrison, Contec, Buddy, Crown, Edco, Wyco, Bomag, Laymor, EZ Trench, Bil-Jax, F.S. Curtis, Gehl Pavers, Heli, Honda, ICS/PowerGrit, IHI, Partner, Imer, Clipper, MMD, Koshin, Rice, CH&E, General Equipment, Amida, Coleman, NAC, Gradall, Square Shooter, Kent, Stanley, Tamco, Toku, Hatz, Kohler, Robin, Wisconsin, Northrock, Oztec, Toker TK, Rol-Air, APT, Wylie, Ingersoll Rand / Doosan, Innovatech, Con X, Ammann, Mecalac, Makinex, Smith Surface Prep, Small Line, Wanco, Yanmar

How to Read Your Serial Number

To August 31, 2016

Genie
A TEREX BRAND

Model:
Serial number: GS3016P-123456
Manufacture date: 1/2/16 **Model year:** 2016
Electrical schematic number:
Machine unladen weight:
Rated work load (including occupants):
Maximum number of platform occupants:
Maximum allowable inclination of the chassis:
Outrigger retracted:
Outrigger deployed:



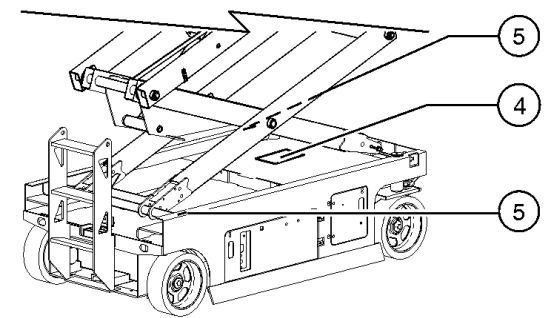
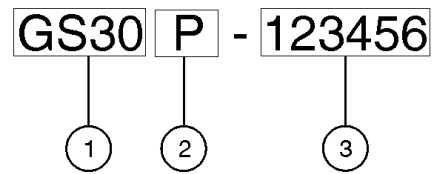
- 1 Model
- 2 Model year
- 3 Facility code

- 4 Sequence number
- 5 Serial label (located on chassis)
- 6 Serial number (stamped on chassis)

From September 1, 2016

Genie
A TEREX BRAND

Model:
Serial number: GS30P-123456
Year of manufacture: 2016
Electrical schematic number:
Machine unladen weight:
Rated work load (including occupants):
Maximum number of platform occupants:
Maximum allowable inclination of the chassis:
Outrigger retracted:
Outrigger deployed:



- 1 Model
- 2 Facility code
- 3 Sequence number

- 4 Serial label (located on chassis)
- 5 Serial number (stamped on chassis)

Table of Contents

This manual is updated frequently. For the most up-to-date parts information, visit www.discount-equipment.com

How to Read Your Serial Number.....	3
Parts Stocking List.....	7

Electronic Version

Click on any page number to view the figure.

001 Parts Stocking List

001.1 Parts Stocking List.....	10
--------------------------------	----

100 Decals

101.1 Decals with Words, GS-1530, Battery Side, ANSI & Australia.....	12
102.1 Decals with Words, GS-1530, Ground Controls Side, ANSI & Australia.....	14
103.1 Decals with Words, GS-1530, Platform, ANSI.....	16
104.1 Decals with Words, GS-1530, Platform, Australia.....	18
105.1 Decals with Symbols, GS-1530 Battery Side, ANSI & CE.....	20
106.1 Decals with Symbols, GS-1530 Ground Control Side, ANSI & CE.....	22
107.1 Decals with Symbols, GS-1530 Platform, ANSI.....	24
108.1 Decals with Symbols, GS-1530 Platform, CE.....	26
109.1 Decals with Words, GS-1532, Battery Side, Australia.....	28
110.1 Decals with Words, GS-1532 Ground Controls Side, Australia.....	30
111.1 Decals with Words, GS-1532 Platform, Australia.....	32
112.1 Decals with Symbols, GS-1532 Battery Side, CE.....	34
113.1 Decals with Symbols, GS-1532 Ground Control Side, CE.....	36
114.1 Decals with Symbols, GS-1532 Platform, CE.....	38
115.1 Decals with Words, GS-1930 Battery Side, ANSI & Australia.....	40
116.1 Decals with Words, GS-1930 Ground Controls Side, ANSI & Australia.....	42
117.1 Decals with Words, GS-1930 Platform, ANSI.....	44
118.1 Decals with Words, GS-1930 Platform, Australia.....	46

119.1 Decals with Symbols, GS-1930 Battery Side, ANSI & CE.....	48
120.1 Decals with Symbols, GS-1930 Ground Control Side, ANSI & CE.....	50
121.1 Decals with Symbols, GS-1930 Platform ANSI.....	52
122.1 Decals with Symbols, GS-1930 Platform CE.....	54
123.1 Decals with Words, GS-1932 Battery Side, Australia.....	56
124.1 Decals with Words, GS-1932 Ground Controls Side, Australia.....	58
125.1 Decals with Words, GS-1932 Platform, Australia.....	60
126.1 Decals with Symbols, GS-1932 Battery Side, CE.....	62
127.1 Decals with Symbols, GS-1932 Ground Control Side, CE.....	64
128.1 Decals with Symbols, GS-1932 Platform CE.....	66

200 Drive Chassis Components

201.1 Steer Linkage and Wheels.....	68
202.1 Non-steer Axle Installation, All Models.....	70
203.1 Level Sensor Installation, All Models.....	72
204.1 Pothole Protection Assembly.....	74
205.1 Battery Pack Module.....	76
206.1 Battery Charger.....	78
207.1 Power Unit Module.....	80
208.1 Ground Controls, All Models.....	82
209.1 Electrical Wiring.....	84
210.1 Power Cables (models without contactor).....	86
210.2 Power Cables (models with contactor to SN GS3014A-136972 and to GS3015C-18038).....	88
210.3 Power Cables (from SN GS3014A-136973 and from GS3015C-18039).....	90
211.1 Function Manifold and Accumulator Components.....	92

300 Scissor Components

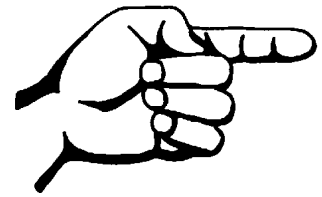
301.1 Scissor Assembly Installation.....	94
302.1 Scissor Assembly, GS-1530/1532.....	96
303.1 Scissor Assembly, GS-1930/1932.....	98

400 Platform Components

401.1 Platform Components, GS-1530.....	100
402.1 Platform Components, GS-1532 (to SN GS3016C-22616, GS3015A-141945).....	104
402.2 Platform Components, GS-1532 (from SN GS3016C-22617).....	108
403.1 Platform Components, GS-1930.....	112
404.1 Platform Components, GS-1932 (to SN GS3016C-22616, GS3015A-141945).....	116
404.2 Platform Components, GS-1932 (from SN GS3016C-22617).....	120
405.1 Platform Gates.....	124

406.1 Power to Platform.....	126
407.1 Platform Controls, 6 Button (2 Speed Lift).....	128
408.1 Platform Controls, 4 Button (Proportional Lift).....	130
409.1 Joystick Controller.....	132
500 Hydraulic Components	
501.1 Hydraulic Components.....	134
502.1 Function Manifold.....	136
503.1 Check Valve Manifold.....	138
504.1 Brake Release Hand Pump Manifold.....	140
505.1 Hydraulic Power Unit, All Models.....	142
506.1 Lift Cylinder Assembly, All Models.....	144
507.1 Hydraulic Hoses and Fittings.....	146
600 Accessories	
601.1 Alarm, Horn and Flashing Beacons.....	148
602.1 Air Line to Platform.....	150
603.1 Platform Work Light.....	152
604.1 Voltage Inverter.....	154
605.1 Padded Auxiliary Rail, GS-1930.....	156
700 Platform Overload Components	
701.1 Platform Overload.....	158
Indices	
Part Number Index.....	160
Part Description Index.....	164
Cross References	
Fittings Cross Reference.....	170

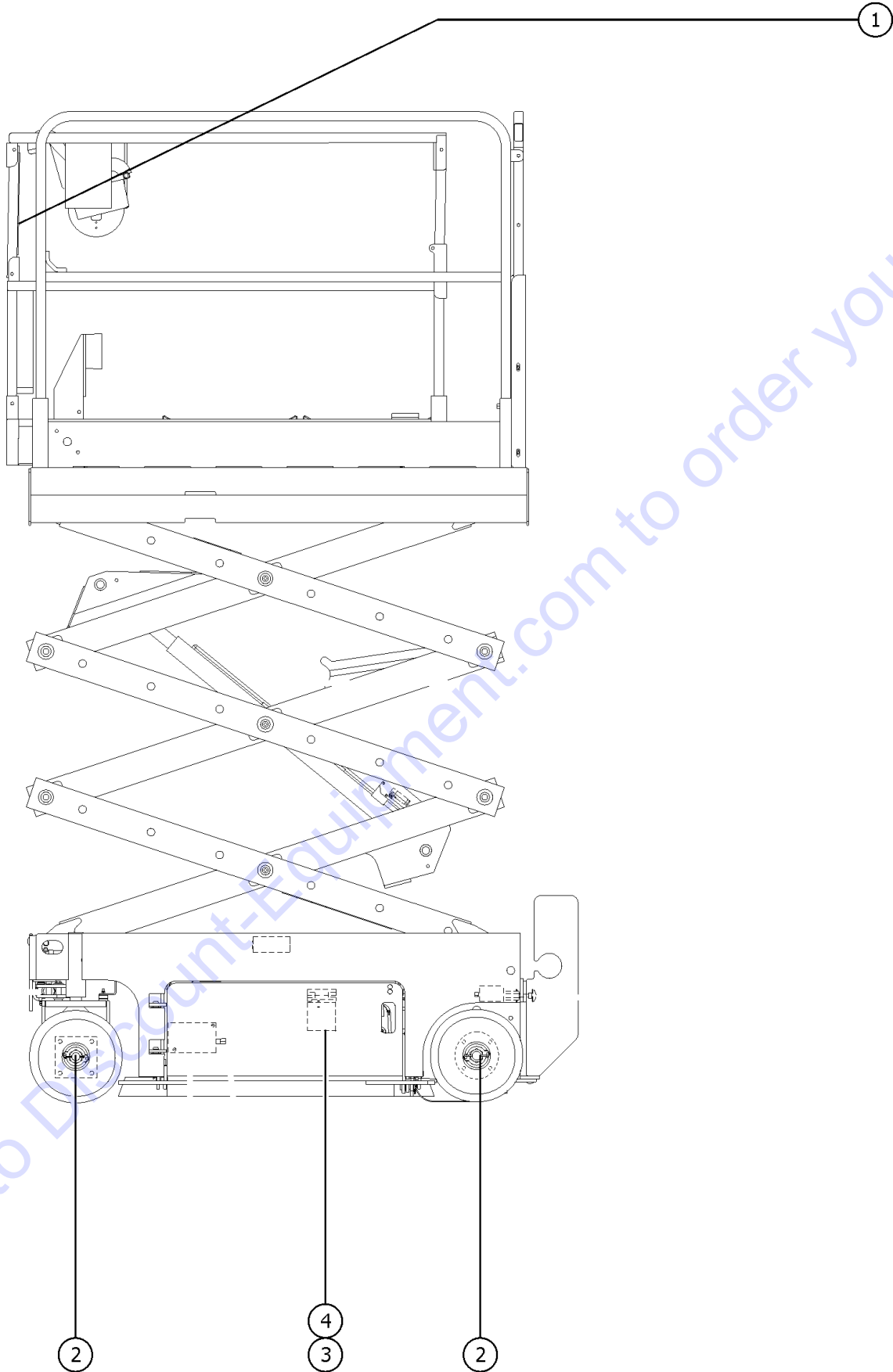
Please refer to section 001 for the Recommended Spare Parts List.



This page intentionally left blank.

Go to Discount-Equipment.com to order your parts

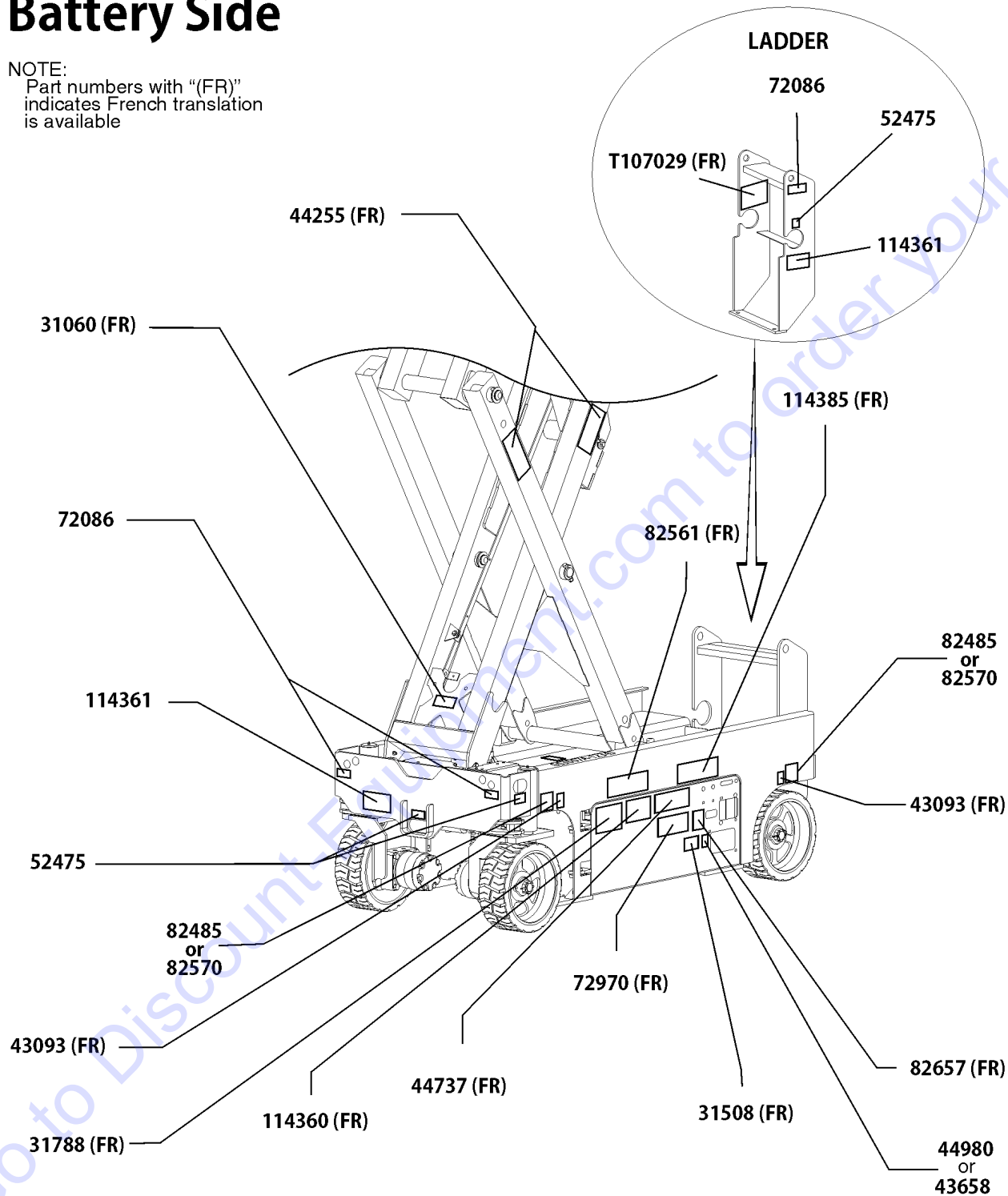
001.1 Parts Stocking List



Item	Part No.	Description	Qty.
--	66399GT	GREASE,DIELECTRIC 4 OZ**	
--		Ref. CHEVRON ULTRA-DUTY GREASE (LITHIUM), OR EQUIVALENT, EP NLGI 1 <i>(source locally)</i>	
--	1258567GT	PAINT, AEROSOL, TRAFFIC BLACK <i>12-ounce spray paint</i>	
--	1268GT	PAINT,AEROSOL,GENIE GRAY*** <i>12-ounce spray paint</i>	
--	1484GT	PAINT,AEROSOL,BRIGHT BLUE*** <i>12-ounce spray paint</i>	
--	1257733GT	PAINT,WET,TRAFFIC BLACK (1 GL)** <i>1-gallon</i>	
--	32150GT	PAINT,WET,GENIE BLUE (1 GL)** <i>1-gallon</i>	
--	32151GT	PAINT,WET,GENIE GRAY (1 GL)** <i>1-gallon</i>	
--	49613GT	PLUG AND CAP KIT-SERVICE,ORFS*	
1A	27581GT	MANUAL,AEM SAFETY	
1B	44163GT	MANUAL,RESPON,A92.6 SCISSOR	
2	42079GT	PIN,COTTER,.156 X 2.5	
3	44788GT	FILTER ELEMENT,10MICRON,PAPER*	
4	78546GT	BREATHER CAP,HYD. TANK,1/4 NPT	

Battery Side

NOTE:
Part numbers with "(FR)" indicates French translation is available



101.1 Decals with Words, GS-1530, Battery Side, ANSI & Australia

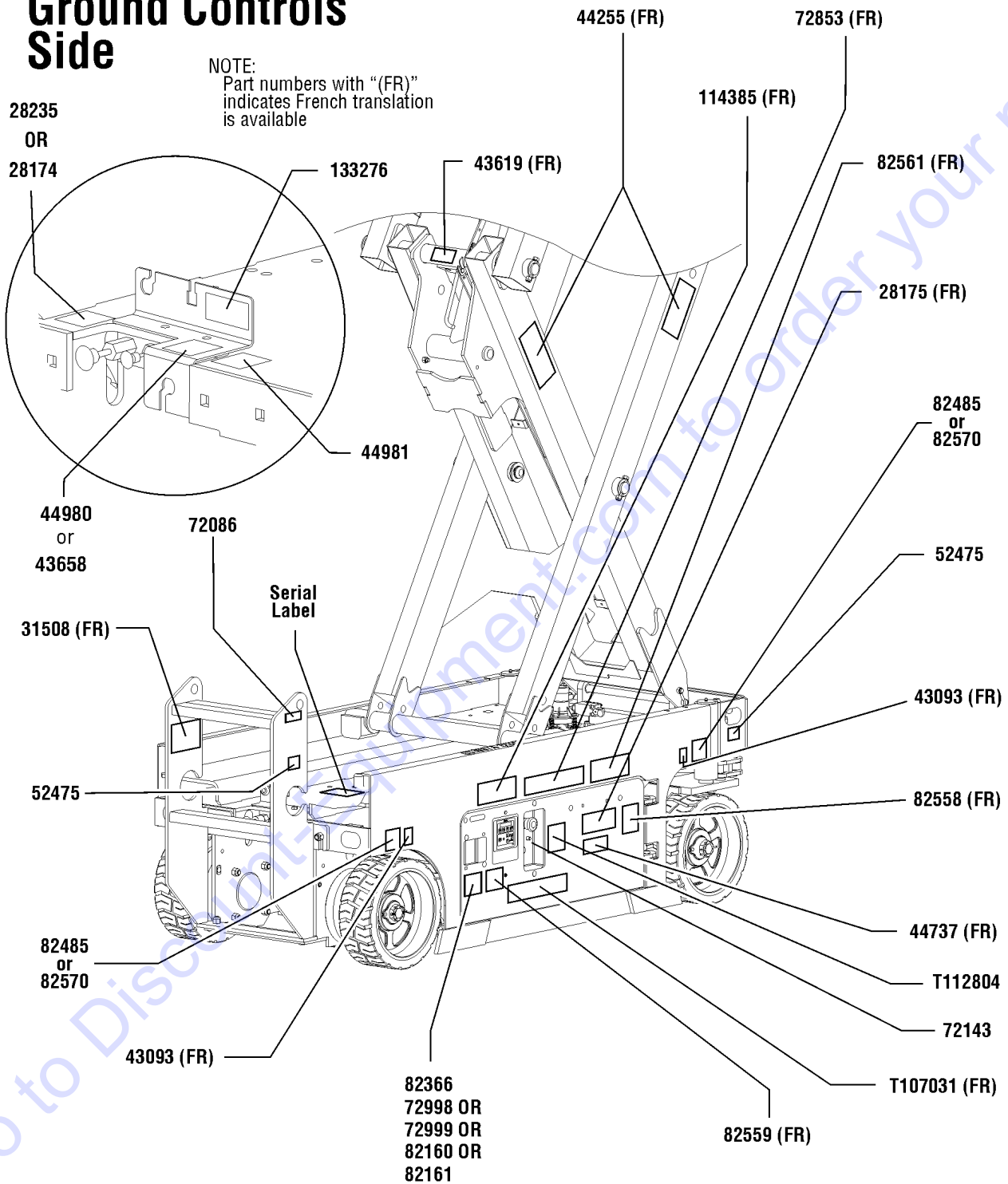
Item	Part No.	Description	Qty.	Item	Part No.	Description	Qty.
--	232052GT	DECAL KIT,1530 PLAT.,WRD,ANSI (ANSI models with 2 speed controller) to SN GS3014A-134999 and to SN GS3014C-16999		19	T107029GT	DECAL,DANGER,BRAKE REL SAFETY.....	1
--	232053GT	DECAL KIT,1530 COMP.,WRD,ANSI (ANSI models with 2 speed controller) to SN GS3014A-134999 and to SN GS3014C-16999 (order platform controls decal separately)					
--	232060GT	DECAL KIT,1530 PLAT.,WRD,AUST (Australia models with 2 speed controller) to SN GS3014A-134999 and to SN GS3014C-16999					
--	232061GT	DECAL KIT,1530 COMP.,WRD,AUST (Australia models with 2 speed controller) to SN GS3014A-134999 and to SN GS3014C-16999					
1	44255GT	DECAL,DANGER,CRUSHING HAZARD.....	2				
2	31060GT	DECAL,DANGER DO NOT ALTER SWTC.....	1				
3	31508GT	DECAL,DANGER,ELECT HAZARD,PLUG..... (Australia models)	1				
4	31788GT	DECAL,DANGER,BATTERY SAFETY***.....	1				
5	43093GT	DECAL,LABEL,TIRE SPECS.....	2				
6	43658GT	DECAL,LABEL,PWR TO CHARGR 230V..... (Australia models)	1				
7	44737GT	DECAL DANGER TIP OVER TRAYS.....	1				
8	44980GT	DECAL,LABEL,PWR TO CHARGR 115V..... (Australia models)	1				
9	52475GT	DECAL,LABEL,TRANSPORT TIEDOWN*.....	3				
10	72086GT	DECAL,LABEL,LIFTING EYE.....	3				
11	72970GT	DECAL,INSTRUCTIONS-CHARGER OP.....	1				
12	82485GT	DECAL,LABEL,WHEEL LOAD 1530..... (ANSI models)	2				
13	82561GT	DECAL,DANGER-USE SAFETY ARM....	1				
14	82570GT	DECAL,LABEL-WHEEL LOAD 1530/32..... (Australia models)	2				
15	82657GT	DECAL,INSTRUCT,BATTERY CONNECT.....	1				
16	114360GT	DECAL,DANGER-TIP-OVER,BATT.....	1				
17	114361GT	DECAL,LABEL-TRANSPORT DIGRAM.....	2				
18	114385GT	DECAL,DANGER,ELEC HAZARD,GS.....	1				



102.1 Decals with Words, GS-1530, Ground Controls Side, ANSI & Australia

Ground Controls Side

NOTE:
Part numbers with "(FR)" indicates French translation is available

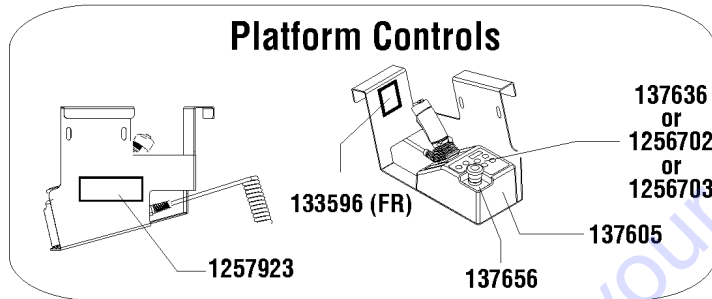
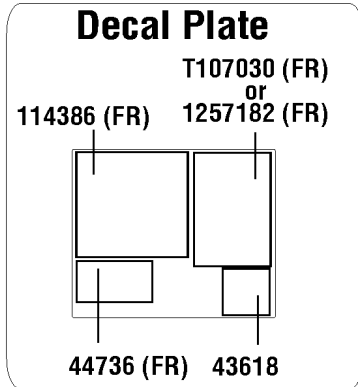


102.1 Decals with Words, GS-1530, Ground Controls Side, ANSI & Australia

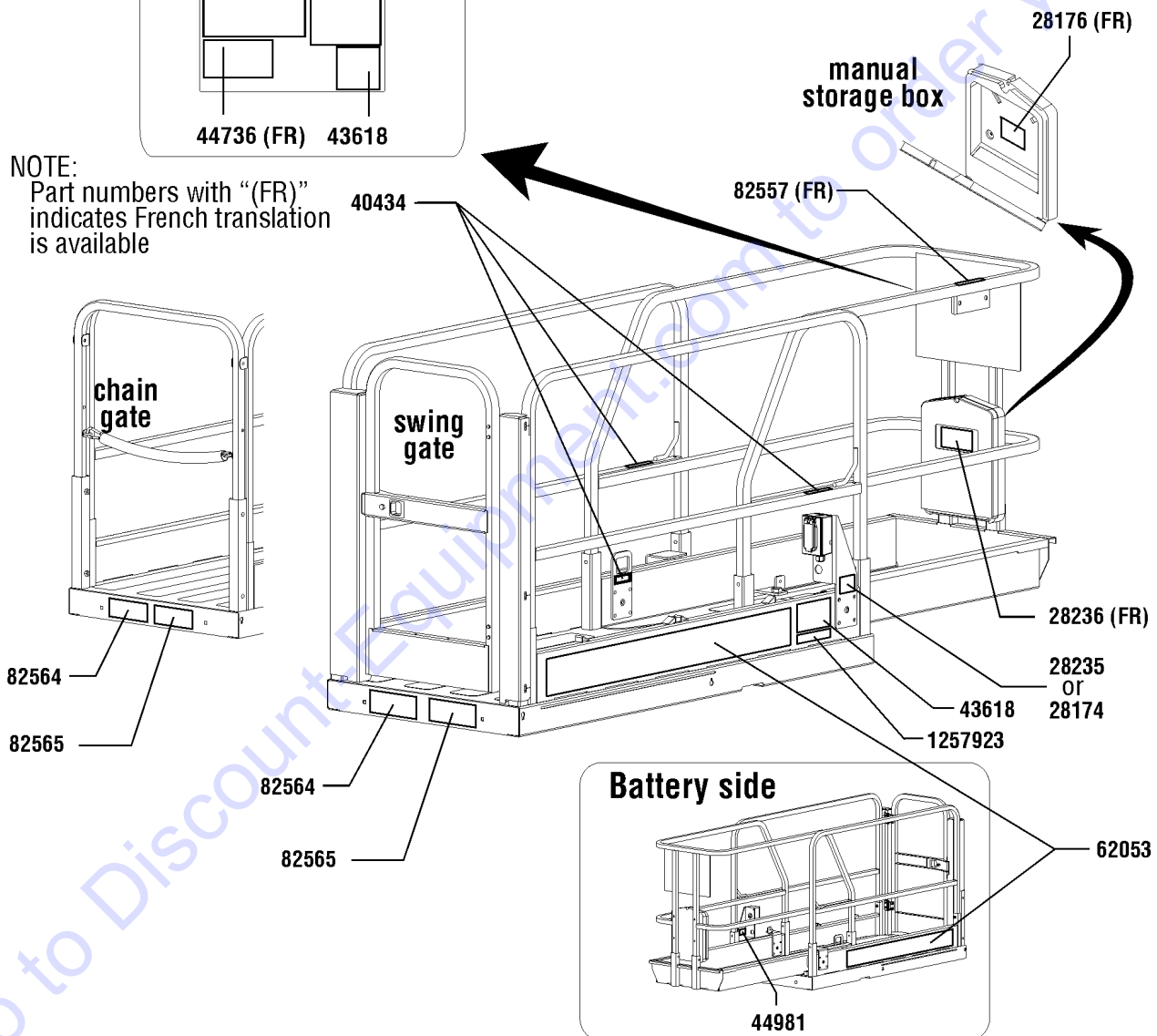
Item	Part No.	Description	Qty.	Item	Part No.	Description	Qty.
1	28174GT	DECAL, POWER TO PLATFORM 230V**.....	1	27	133276GT	DECAL,EMERGENCY LOWERING.....	1
2	28175GT	DECAL,WARNING-COMPART ACCESS.....	1	28	T107031GT	DECAL,OP INST,GCON.....	1
3	28235GT	DECAL,POWER TO PLATFORM 115V...1		29	T112804GT	DECAL,GCON PANEL,GS.....	1
4	31508GT	DECAL,DANGER,ELECT HAZARD,PLUG.....	1				
		(ANSI models)					
5	43093GT	DECAL,LABEL,TIRE SPECS.....	2				
6	43619GT	DECAL,LABEL,SAFETY ARM.....	1				
7	43658GT	DECAL,LABEL,PWR TO CHARGR 230V.....	1				
		(ANSI models)					
8	44255GT	DECAL,DANGER,CRUSHING HAZARD.....	2				
9	44737GT	DECAL DANGER TIP OVER TRAYS.....	1				
10	44980GT	DECAL,LABEL,PWR TO CHARGR 115V.....	1				
		(ANSI models)					
11	44981GT	DECAL,LABEL, AIR LINE 110 PSI.....	1				
		(option)					
12	52475GT	DECAL,LABEL,TRANSPORT TIEDOWN*.....	2				
13	72086GT	DECAL,LABEL,LIFTING EYE.....	1				
14	72143GT	DECAL,EMERGENCY STOP,GR.....	1				
15	72853GT	DECAL,DANGER,IMPROPER USE HAZ.....	1				
16	72998GT	DECAL,LABEL,QUINTOLUBRIK.....	1				
		(models with Quintolub hydraulic oil)					
17	72999GT	DECAL,LABEL,PETRO CANADA***.....	1				
		(models with Petro Canada hydraulic oil)					
18	82160GT	DECAL,LABEL,STATOIL HYDRA WAY.....	1				
		(models with Statoil hydraulic oil)					
19	82161GT	DECAL,LABEL,UCON HYDROLUBE.....	1				
		(models with UConn Hydrolube hydraulic oil)					
20	82366GT	DECAL,CHEVRON RANDO HD.....	1				
		(models with Chevron Random hydraulic oil)					
21	82485GT	DECAL,LABEL,WHEEL LOAD 1530.....	2				
		(ANSI models)					
22	82558GT	DECAL,WARN,SKIN INJECTION HAZ*.....	1				
23	82559GT	DECAL,INSTRUCT-ANNUAL INSP REQ.....	1				
24	82561GT	DECAL,DANGER-USE SAFETY ARM...1					
25	82570GT	DECAL,LABEL-WHEEL LOAD 1530/32.....	2				
		(Australia models)					
26	114385GT	DECAL,DANGER,ELEC HAZARD,GS.....	1				

103.1 Decals with Words, GS-1530, Platform, ANSI

Platform, ANSI models



NOTE:
 Part numbers with "(FR)" indicates French translation is available

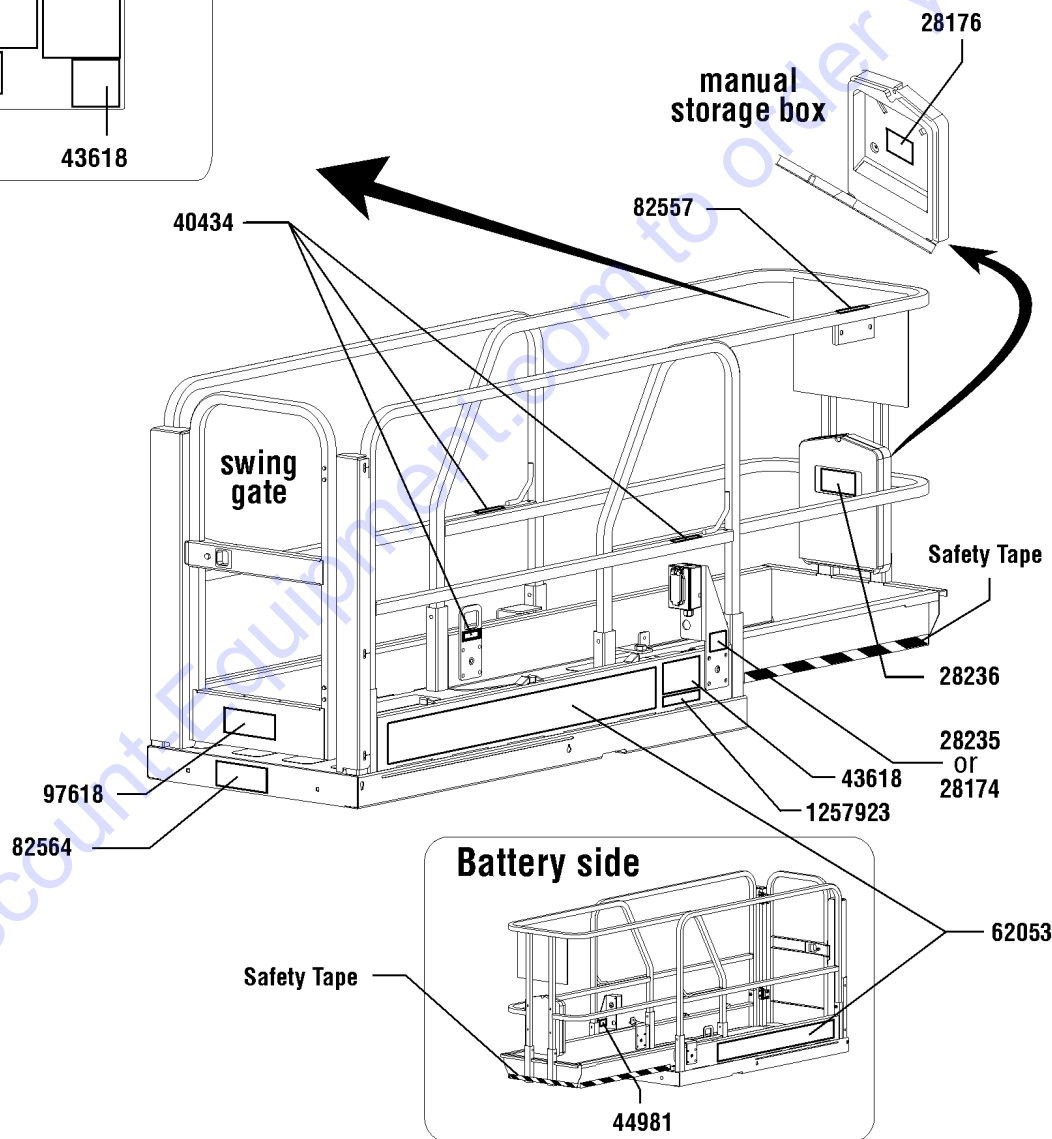
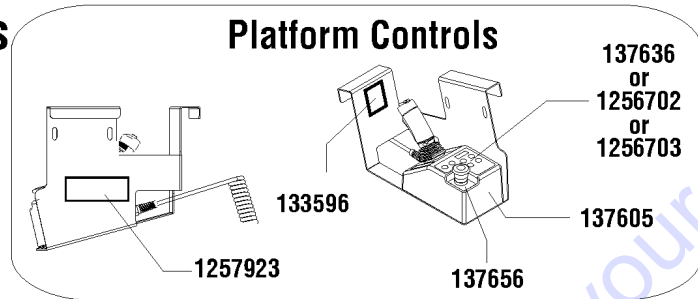
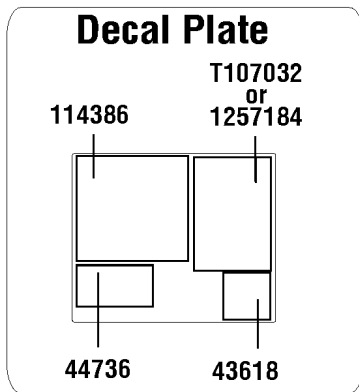


103.1 Decals with Words, GS-1530, Platform, ANSI

Item	Part No.	Description	Qty.
1	28174GT	DECAL, POWER TO PLATFORM 230V**.....	1
2	28176GT	DECAL,LABEL,MANUAL NOT HERE.....	1
3	28235GT	DECAL,POWER TO PLATFORM 115V...1	1
4	28236GT	DECAL,WARN,IMPROPER OPERATION.....	1
5	40434GT	DECAL,LANYARD ANCHORAGE POINT.....	3
6	43618GT	DECAL, LABEL - DIRECTION ARROWS.....	2
7	44736GT	DECAL,DANGER,TIP-OVER,TILT.....	1
8	44981GT	DECAL,LABEL, AIR LINE 110 PSI.....	1
9	62053GT	DECAL,COSMETIC,GENIE GS-1530**...2	2
10	82557GT	DECAL,LABEL,PLAT CONT LOCATION.....	1
11	82564GT	DECAL,INSTR-MAX CAP 600LBS.....	1
12	82565GT	DECAL,INSTR-SIDE FRC,ANSI.....	1
13	114386GT	DECAL,DANGER-GEN SAFETY.....	1
14	133596GT	DECAL,LABEL,FAULT CODES.....	1
15	137605GT	DECAL,E-STOP,GR/GRC/GS PCON.....	1
16	137636GT	DECAL, UI, GR/GRC/GS PCON..... <i>(models with 6 button, 2 speed controller) to SN GS3014A-134999 and to SN GS3014C-16999</i>	1
17	137656GT	DECAL,PROPEL,GR/GRC/GS,PCON.....	1
18	T107030GT	DECAL,OP INST,PCON,GS-30,ANSI..... <i>(models with 6 button, 2 speed controller) to SN GS3014A-134999 and to SN GS3014C-16999</i>	1
19	1256702GT	DECAL, UI, GS/GR, PROP LIFT..... <i>(models with 4 button, proportional controller)</i>	1
20	1256703GT	DECAL, STD, PROP LIFT, UI, SVC..... <i>(units converted from 6 button, 2 speed lift to 4 button, proportional controller)</i>	1
21	1257182GT	DECAL, OP INST, PLAT, GS30, ANSI..... <i>(models with proportional controller)</i>	1
22	1257923GT	DECAL, SMARTLINK PROPORTIONAL..... <i>(models with 4 button, proportional controller, and units converted from 6 button, 2 speed lift to 4 button, proportional controller)</i>	2

104.1 Decals with Words, GS-1530, Platform, Australia

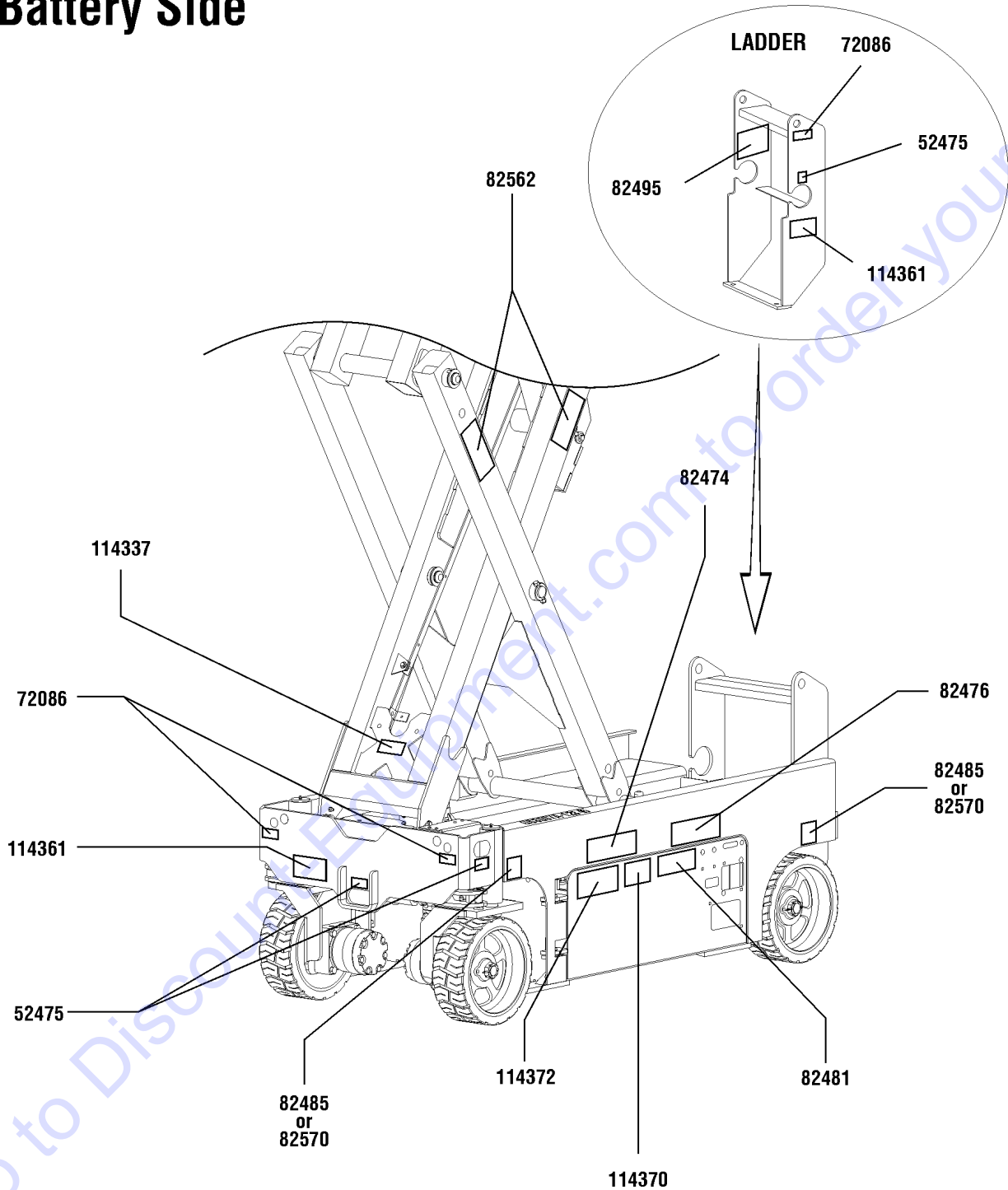
Platform, Australia Models



104.1 Decals with Words, GS-1530, Platform, Australia

Item	Part No.	Description	Qty.
1	28174GT	DECAL, POWER TO PLATFORM 230V**.....	1
2	28176GT	DECAL,LABEL,MANUAL NOT HERE.....	1
3	28235GT	DECAL,POWER TO PLATFORM 115V...1	1
4	28236GT	DECAL,WARN,IMPROPER OPERATION.....	1
5	40434GT	DECAL,LANYARD ANCHORAGE POINT.....	3
6	43618GT	DECAL, LABEL - DIRECTION ARROWS.....	2
7	44736GT	DECAL,DANGER,TIP-OVER,TILT.....	1
8	44981GT	DECAL,LABEL, AIR LINE 110 PSI.....	1
9	62053GT	DECAL,COSMETIC,GENIE GS-1530**...2	2
10	82557GT	DECAL,LABEL,PLAT CONT LOCATION.....	1
11	97618GT	DECAL,INSTR-INDOOR USE,AUS.....	1
12	114386GT	DECAL,DANGER-GEN SAFETY.....	1
13	133596GT	DECAL,LABEL,FAULT CODES.....	1
14	137605GT	DECAL,E-STOP,GR/GRC/GS PCON.....	1
15	137636GT	DECAL, UI, GR/GRC/GS PCON..... <i>(models with 6 button, 2 speed controller) to SN GS3014A-134999 and to SN GS3014C-16999</i>	1
16	137656GT	DECAL,PROPEL,GR/GRC/GS,PCON.....	1
17	T107032GT	DECAL,OP INST,PCON,GS-30,AUS..... <i>(models with 6 button, 2 speed controller) to SN GS3014A-134999 and to SN GS3014C-16999</i>	1
18	82564GT	DECAL,INSTR-MAX CAP 600LBS.....	1
19	1256702GT	DECAL, UI, GS/GR, PROP LIFT..... <i>(models with 4 button, proportional controller)</i>	1
20	1256703GT	DECAL, STD, PROP LIFT, UI, SVC..... <i>(units converted from 6 button, 2 speed lift to 4 button, proportional controller)</i>	1
21	1257184GT	DECAL, OP INST, PLAT, GS30, AUS..... <i>(models with proportional controller)</i>	1
22	1257923GT	DECAL, SMARTLINK PROPORTIONAL..... <i>(models with 4 button, proportional controller, and units converted from 6 button, 2 speed lift to 4 button, proportional controller)</i>	2

Battery Side

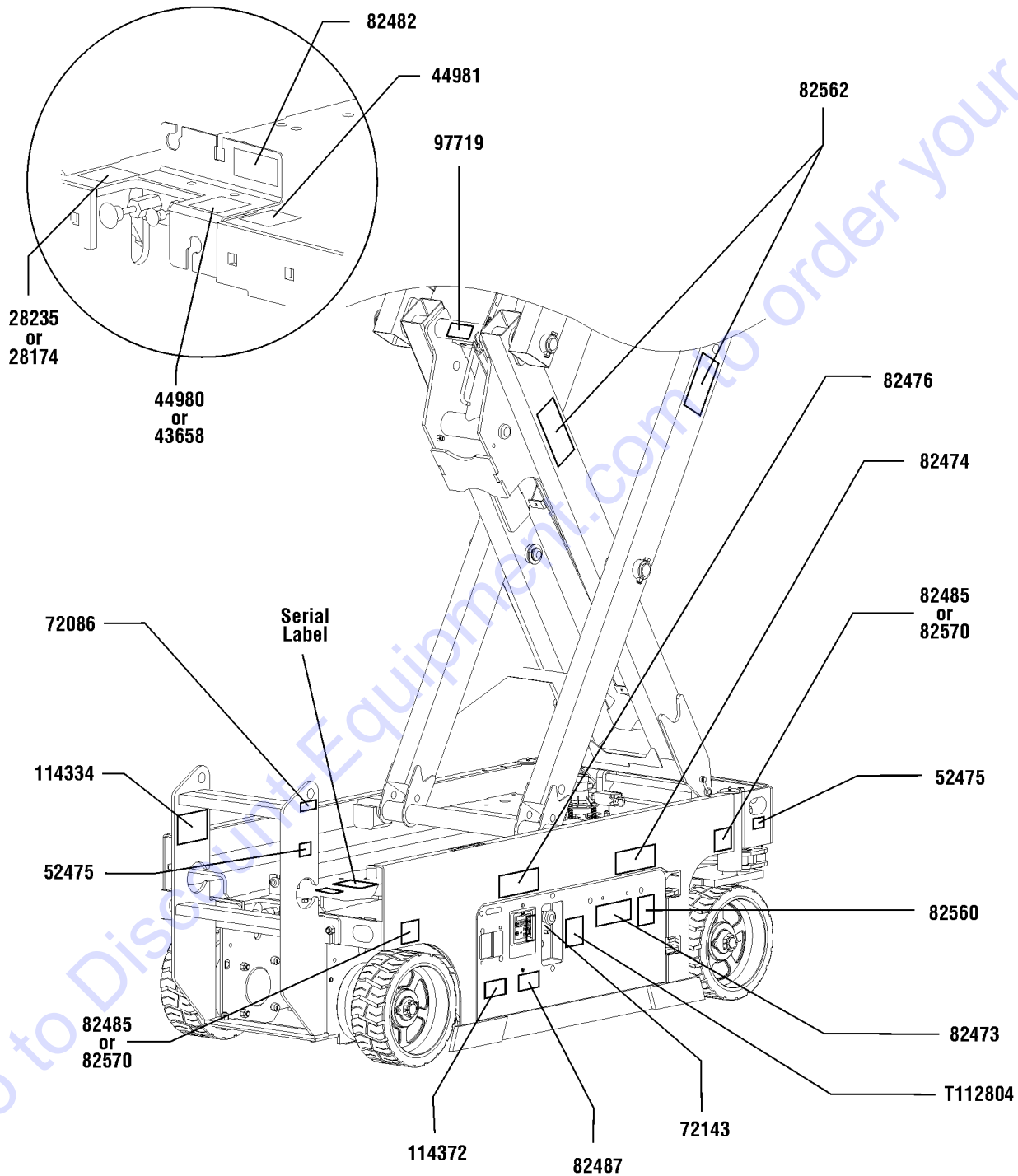


105.1 Decals with Symbols, GS-1530 Battery Side, ANSI & CE

Item	Part No.	Description	Qty.
--	232056GT	DECAL KIT,1530 PLAT.,SYM,ANSI (ANSI models with 2 speed controller) to SN GS3014A-134999 and to SN GS3014C-16999 (order platform controls decal separately)	
--	232057GT	DECAL KIT,1530 COMP.,SYM,ANSI (ANSI models with 2 speed controller) to SN GS3014A-134999 and to SN GS3014C-16999	
--	232068GT	DECAL KIT,1530 PLAT.,SYM,CE (CE models with 2 speed controller) to SN GS3014A-134999 and to SN GS3014C-16999	
--	232069GT	DECAL KIT,1530 COMP.,SYM,CE (CE models with 2 speed controller) to SN GS3014A-134999 and to SN GS3014C-16999 (order platform controls decal separately)	
1	52475GT	DECAL,LABEL,TRANSPORT TIEDOWN*.....	3
2	72086GT	DECAL,LABEL,LIFTING EYE.....	3
3	82474GT	DECAL,SYMBOL-USE SAFETY ARM....	1
4	82476GT	DECAL,SYMBOL-ELEC HAZARD,GS....	1
5	82481GT	DECAL,SYMBOL-BATTERY SAFETY....	1
6	82485GT	DECAL,LABEL,WHEEL LOAD 1530..... (ANSI models)	2
7	82495GT	DECAL,SYMBOL-BRAKE REL SAFETY.....	1
8	82562GT	DECAL,SYMBOL-CRUSHING HAZARD.....	2
9	82570GT	DECAL,LABEL-WHEEL LOAD 1530/32..... (CE models)	2
10	114337GT	DECAL,SYM-TIP-OVER,LIM SWITCH....	1
11	114361GT	DECAL,LABEL-TRANSPORT DIGRAM.....	2
12	114370GT	DECAL-SYM-TIP-OVR,BATTRIES.....	1
13	114372GT	DECAL SYMBOL TIP OVER TRAYS.....	1

106.1 Decals with Symbols, GS-1530 Ground Control Side, ANSI & CE

Ground Controls Side

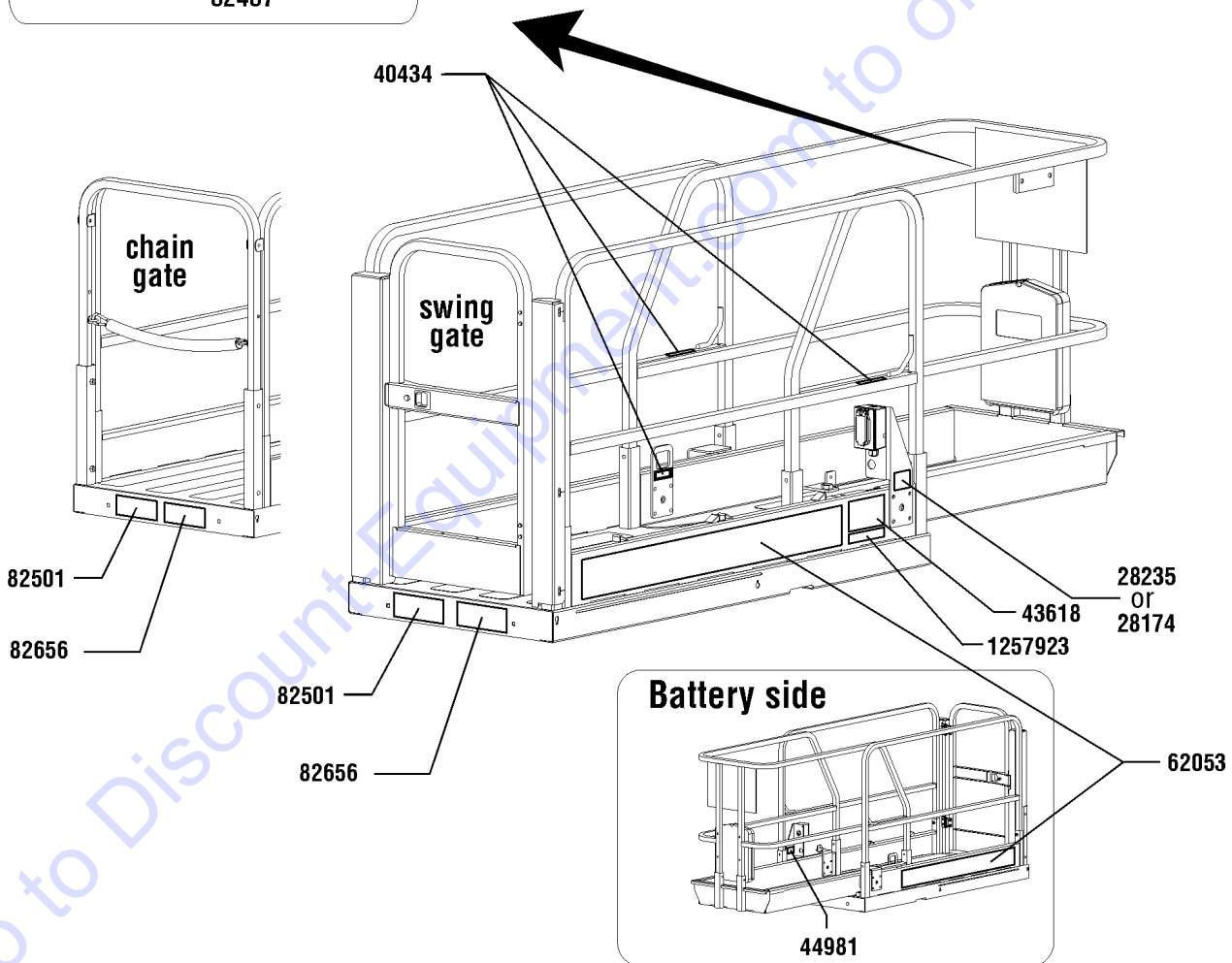
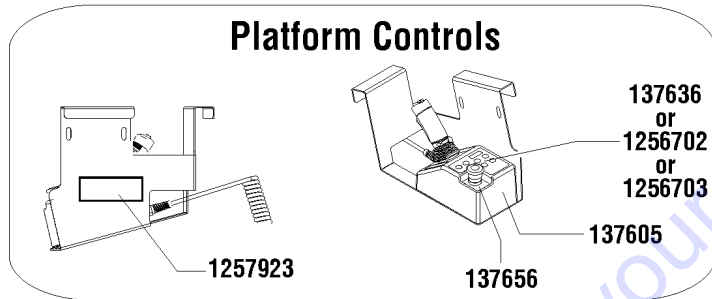
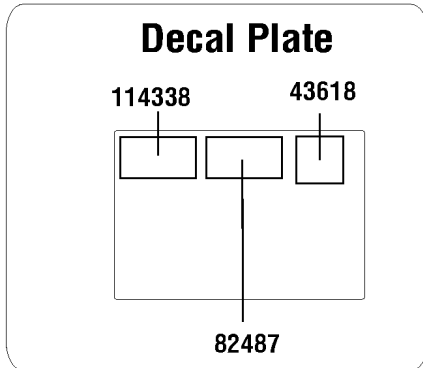


106.1 Decals with Symbols, GS-1530 Ground Control Side, ANSI & CE

Item	Part No.	Description	Qty.
1	28174GT	DECAL, POWER TO PLATFORM 230V**.....	1
2	28235GT	DECAL,POWER TO PLATFORM 115V....	1
3	43658GT	DECAL,LABEL,PWR TO CHARGR 230V.....	1
4	44980GT	DECAL,LABEL,PWR TO CHARGR 115V.....	1
5	44981GT	DECAL,LABEL, AIR LINE 110 PSI.....	1
6	52475GT	DECAL,LABEL,TRANSPORT TIEDOWN*.....	2
7	72086GT	DECAL,LABEL,LIFTING EYE.....	1
8	72143GT	DECAL,EMERGENCY STOP,GR.....	1
9	82473GT	DECAL,SYMBOL-COMP ACCESS.....	1
10	82474GT	DECAL,SYMBOL-USE SAFETY ARM....	1
11	82476GT	DECAL,SYMBOL-ELEC HAZARD,GS....	1
12	82482GT	DECAL,LABEL,AUX LOWERING.....	1
13	82485GT	DECAL,LABEL,WHEEL LOAD 1530.... (ANSI models)	2
14	82487GT	DECAL, SYMBOL - READ THE MANUAL.....	1
15	82560GT	DECAL,SYMBOL-SKIN INJECT HAZRD.....	1
16	82562GT	DECAL,SYMBOL-CRUSHING HAZARD.....	2
17	82570GT	DECAL,LABEL-WHEEL LOAD 1530/32..... (CE models)	2
18	97719GT	DECAL, LABEL, SAFETY ARM SYMB....	1
19	114334GT	DECAL,SYM-ELEC HAZARD,PLUG.....	1
20	114372GT	DECAL SYMBOL TIP OVER TRAYS.....	1
21	T112804GT	DECAL,GCON PANEL,GS.....	1

107.1 Decals with Symbols, GS-1530 Platform, ANSI

Platform, ANSI models

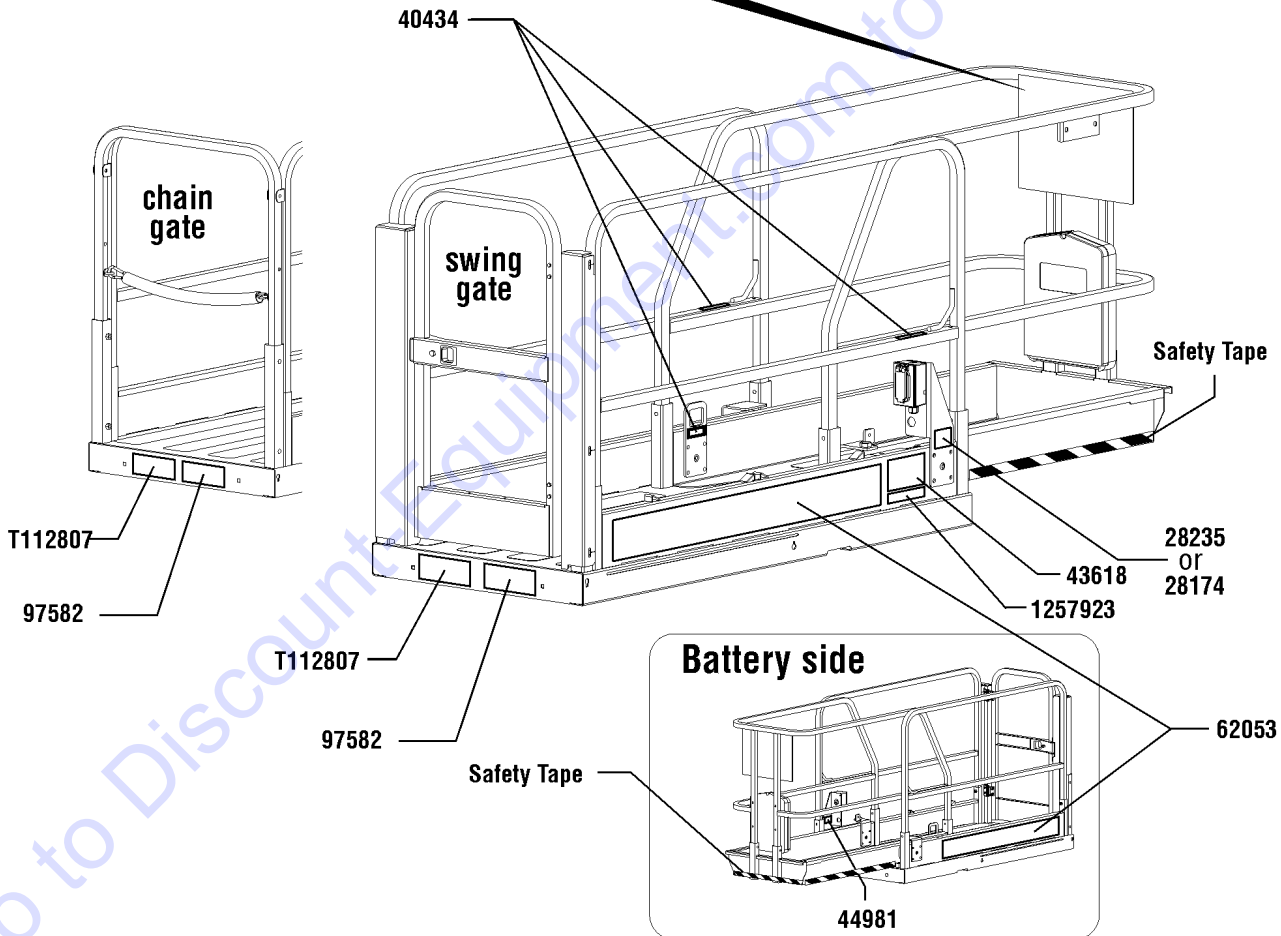
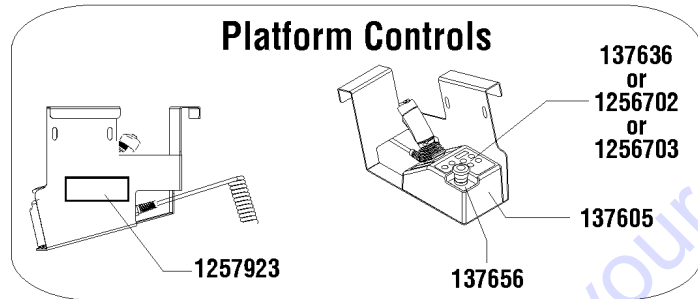
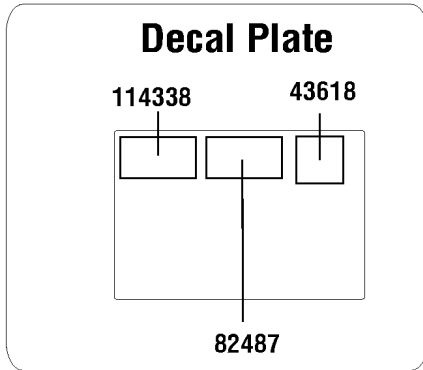


107.1 Decals with Symbols, GS-1530 Platform, ANSI

Item	Part No.	Description	Qty.
1	28174GT	DECAL, POWER TO PLATFORM 230V**.....	1
2	28235GT	DECAL,POWER TO PLATFORM 115V...1	1
3	40434GT	DECAL,LANYARD ANCHORAGE POINT.....	3
4	43618GT	DECAL, LABEL - DIRECTION ARROWS.....	2
5	44981GT	DECAL,LABEL, AIR LINE 110 PSI.....	1
6	62053GT	DECAL,COSMETIC,GENIE GS-1530**...2	2
7	82487GT	DECAL, SYMBOL - READ THE MANUAL.....	1
8	82501GT	DECAL,SYM-MAXCAP 600.....	1
9	82656GT	DECAL,SYM-SIDE FORCE 445N.....	1
10	114338GT	DECAL,SYM-TIP-OVER,TILT ALARM.....	1
11	137605GT	DECAL,E-STOP,GR/GRC/GS PCON.....	1
12	137636GT	DECAL, UI, GR/GRC/GS PCON..... <i>(models with 6 button, 2 speed controller) to SN GS3014A-134999 and to SN GS3014C-16999</i>	1
13	137656GT	DECAL,PROPEL,GR/GRC/GS,PCON.....	1
14	1256702GT	DECAL, UI, GS/GR, PROP LIFT..... <i>(models with 4 button, proportional controller)</i>	1
15	1256703GT	DECAL, STD, PROP LIFT, UI, SVC..... <i>(units converted from 6 button, 2 speed lift to 4 button, proportional controller)</i>	1
16	1257923GT	DECAL, SMARTLINK PROPORTIONAL..... <i>(models with 4 button, proportional controller, and units converted from 6 button, 2 speed lift to 4 button, proportional controller)</i>	2

108.1 Decals with Symbols, GS-1530 Platform, CE

Platform, CE models



108.1 Decals with Symbols, GS-1530 Platform, CE

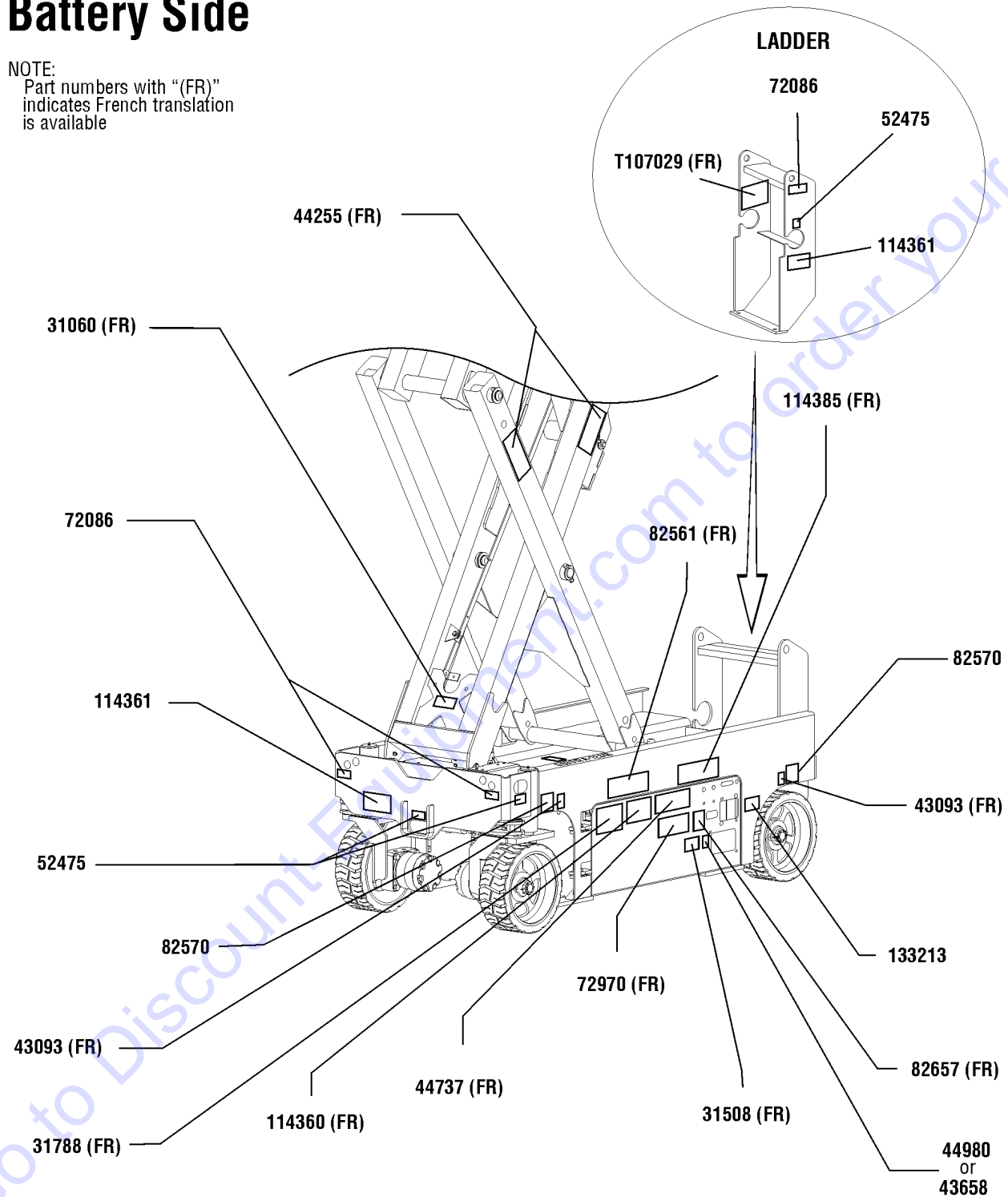
Item	Part No.	Description	Qty.
1	28174GT	DECAL, POWER TO PLATFORM 230V**.....	1
2	28235GT	DECAL,POWER TO PLATFORM 115V.....	1
3	40434GT	DECAL,LANYARD ANCHORAGE POINT.....	3
4	43618GT	DECAL, LABEL - DIRECTION ARROWS.....	2
5	44981GT	DECAL,LABEL, AIR LINE 110 PSI.....	1
6	62053GT	DECAL,COSMETIC,GENIE GS-1530**.....	2
7	82487GT	DECAL, SYMBOL - READ THE MANUAL.....	1
8	97582GT	DECAL,SYM-SIDEFORCE 400N ID.....	1
9	114338GT	DECAL,SYM-TIP-OVER,TILT ALARM.....	1
10	137605GT	DECAL,E-STOP,GR/GRC/GS PCON.....	1
11	137636GT	DECAL, UI, GR/GRC/GS PCON..... <i>(models with 6 button, 2 speed controller) to SN GS3014A-134999 and to SN GS3014C-16999</i>	1
12	137656GT	DECAL,PROPEL,GR/GRC/GS,PCON.....	1
13	T112807GT	DECAL,SYM MAX CAP 272 KG,CE.....	1
14	1256702GT	DECAL, UI, GS/GR, PROP LIFT <i>(models with 4 button, proportional controller)</i>	1
15	1256703GT	DECAL, STD, PROP LIFT, UI, SVC..... <i>(units converted from 6 button, 2 speed lift to 4 button, proportional controller)</i>	1
16	1257923GT	DECAL, SMARTLINK PROPORTIONAL..... <i>(models with 4 button, proportional controller, and units converted from 6 button, 2 speed lift to 4 button, proportional controller)</i>	2

Go to Discount-Equipment.com to order your parts

109.1 Decals with Words, GS-1532, Battery Side, Australia

Battery Side

NOTE:
Part numbers with "(FR)"
indicates French translation
is available



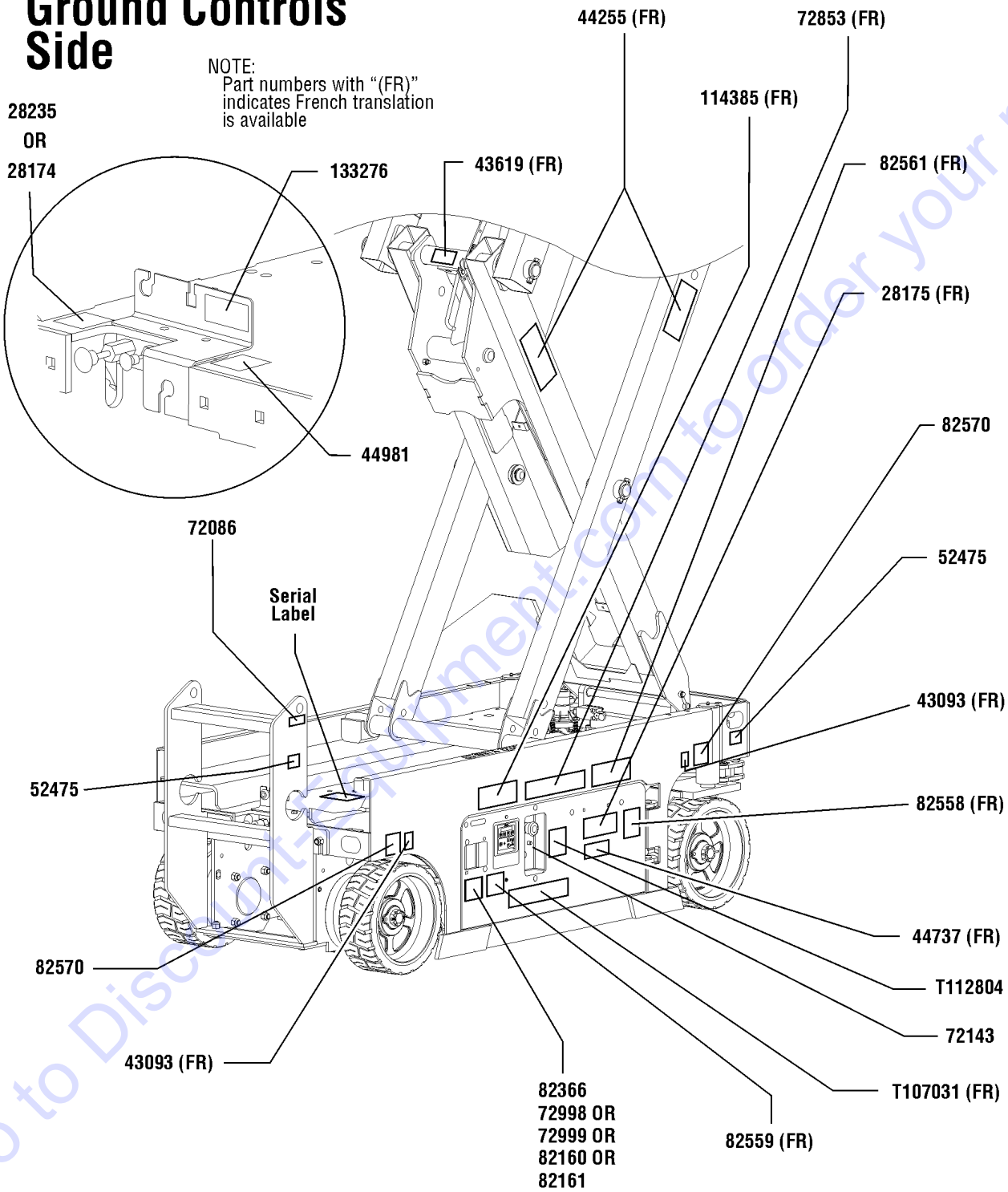
109.1 Decals with Words, GS-1532, Battery Side, Australia

Item	Part No.	Description	Qty.
--	232062GT	DECAL KIT,1532 PLAT.,WRD,AUST (Australia models with 2 speed controller) to SN GS3014A-134999 and to SN GS3014C-16999	
--	232063GT	DECAL KIT,1532 COMP.,WRD,AUST (Australia models with 2 speed controller) to SN GS3014A-134999 and to SN GS3014C-16999	
1	44255GT	DECAL,DANGER,CRUSHING HAZARD.....	2
2	31060GT	DECAL,DANGER DO NOT ALTER SWTC.....	1
3	31508GT	DECAL,DANGER,ELECT HAZARD,PLUG..... (Australia models)	1
4	31788GT	DECAL,DANGER,BATTERY SAFETY***.....	1
5	43093GT	DECAL,LABEL,TIRE SPECS.....	2
6	43658GT	DECAL,LABEL,PWR TO CHARGR 230V..... (Australia models)	1
7	44737GT	DECAL DANGER TIP OVER TRAYS.....	1
8	44980GT	DECAL,LABEL,PWR TO CHARGR 115V..... (Australia models)	1
9	52475GT	DECAL,LABEL,TRANSPORT TIEDOWN*.....	3
10	72086GT	DECAL,LABEL,LIFTING EYE.....	3
11	72970GT	DECAL,INSTRUCTIONS-CHARGER OP.....	1
12	82561GT	DECAL,DANGER-USE SAFETY ARM....	1
13	82570GT	DECAL,LABEL-WHEEL LOAD 1530/32..... (Australia models)	2
14	82657GT	DECAL,INSTRUCT,BATTERY CONNECT.....	1
15	114360GT	DECAL,DANGER-TIP-OVER,BATT.....	1
16	114361GT	DECAL,LABEL-TRANSPORT DIGRAM.....	2
17	114385GT	DECAL,DANGER,ELEC HAZARD,GS....	1
18	133213GT	DECAL,NOTICE-DO NOT OPEN DOOR.....	1
19	T107029GT	DECAL,DANGER,BRAKE REL SAFETY.....	1

110.1 Decals with Words, GS-1532 Ground Controls Side, Australia

Ground Controls Side

NOTE:
Part numbers with "(FR)" indicates French translation is available

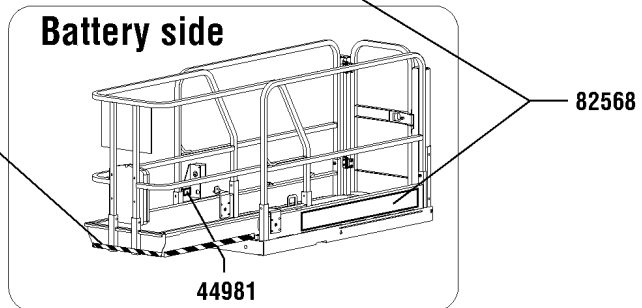
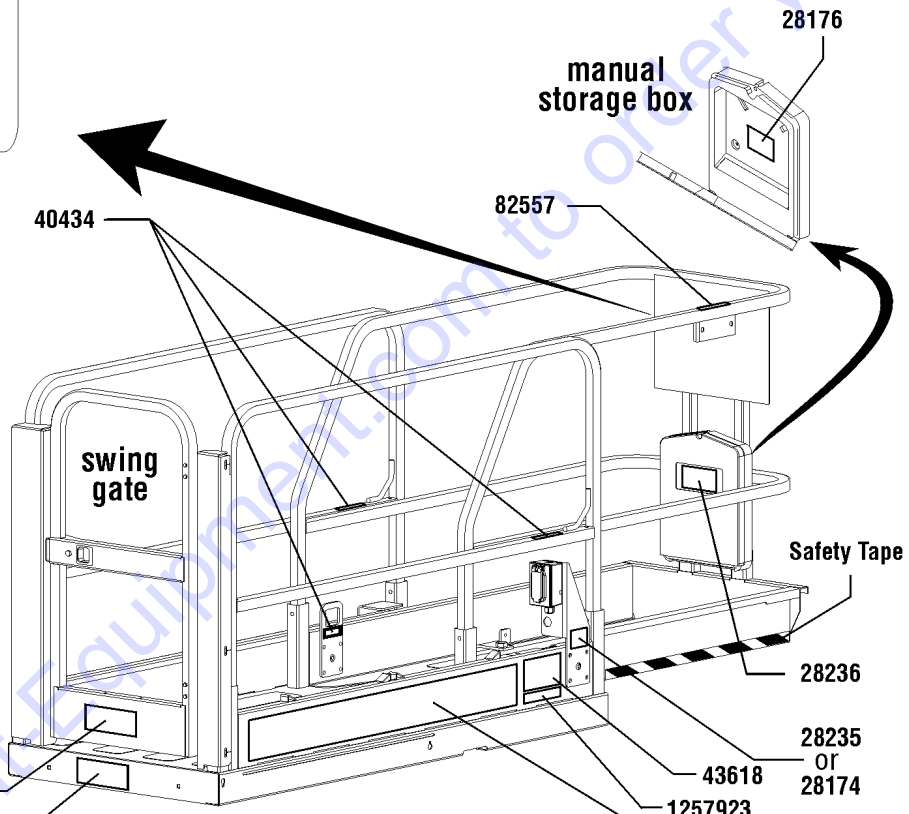
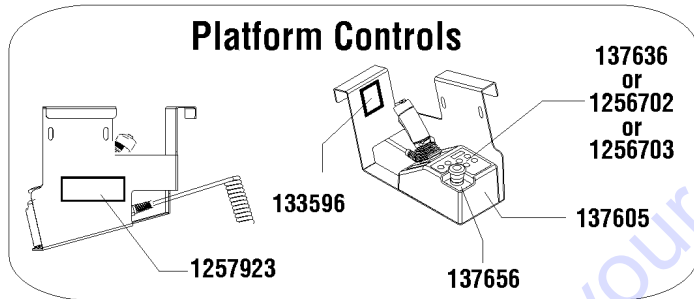
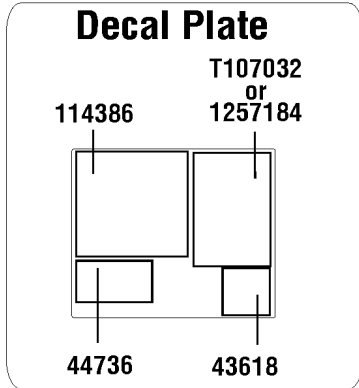


110.1 Decals with Words, GS-1532 Ground Controls Side, Australia

Item	Part No.	Description	Qty.
1	28174GT	DECAL, POWER TO PLATFORM 230V**.....	1
2	28175GT	DECAL,WARNING-COMPART ACCESS.....	1
3	28235GT	DECAL,POWER TO PLATFORM 115V...1	1
4	43093GT	DECAL,LABEL,TIRE SPECS.....	2
5	43619GT	DECAL,LABEL,SAFETY ARM.....	1
7	44255GT	DECAL,DANGER,CRUSHING HAZARD.....	2
8	44737GT	DECAL DANGER TIP OVER TRAYS.....	1
9	44981GT	DECAL,LABEL, AIR LINE 110 PSI..... (option)	1
10	52475GT	DECAL,LABEL,TRANSPORT TIEDOWN*.....	2
11	72086GT	DECAL,LABEL,LIFTING EYE.....	1
12	72143GT	DECAL,EMERGENCY STOP,GR.....	1
13	72853GT	DECAL,DANGER,IMPROPER USE HAZ.....	1
14	72998GT	DECAL,LABEL,QUINTOLUBRIK..... (models with Quintolub hydraulic oil)	1
15	72999GT	DECAL,LABEL,PETRO CANADA***..... (models with Petro Canada hydraulic oil)	1
16	82160GT	DECAL,LABEL,STATOIL HYDRA WAY (models with Statoil hydraulic oil)	1
17	82161GT	DECAL,LABEL,UCON HYDROLUBE..... (models with Ucon Hydrolube hydraulic oil)	1
18	82366GT	DECAL,CHEVRON RANDO HD..... (models with Chevron Random hydraulic oil)	1
19	82558GT	DECAL,WARN,SKIN INJECTION HAZ*.....	1
20	82559GT	DECAL,INSTRUCT-ANNUAL INSP REQ.....	1
21	82561GT	DECAL,DANGER-USE SAFETY ARM...1	1
22	82570GT	DECAL,LABEL-WHEEL LOAD 1530/32..... (Australia models)	2
23	114385GT	DECAL,DANGER,ELEC HAZARD,GS....1	1
24	133276GT	DECAL,EMERGENCY LOWERING.....1	1
25	T107031GT	DECAL,OP INST,GCON.....	1
26	T112804GT	DECAL,GCON PANEL,GS.....	1

111.1 Decals with Words, GS-1532 Platform, Australia

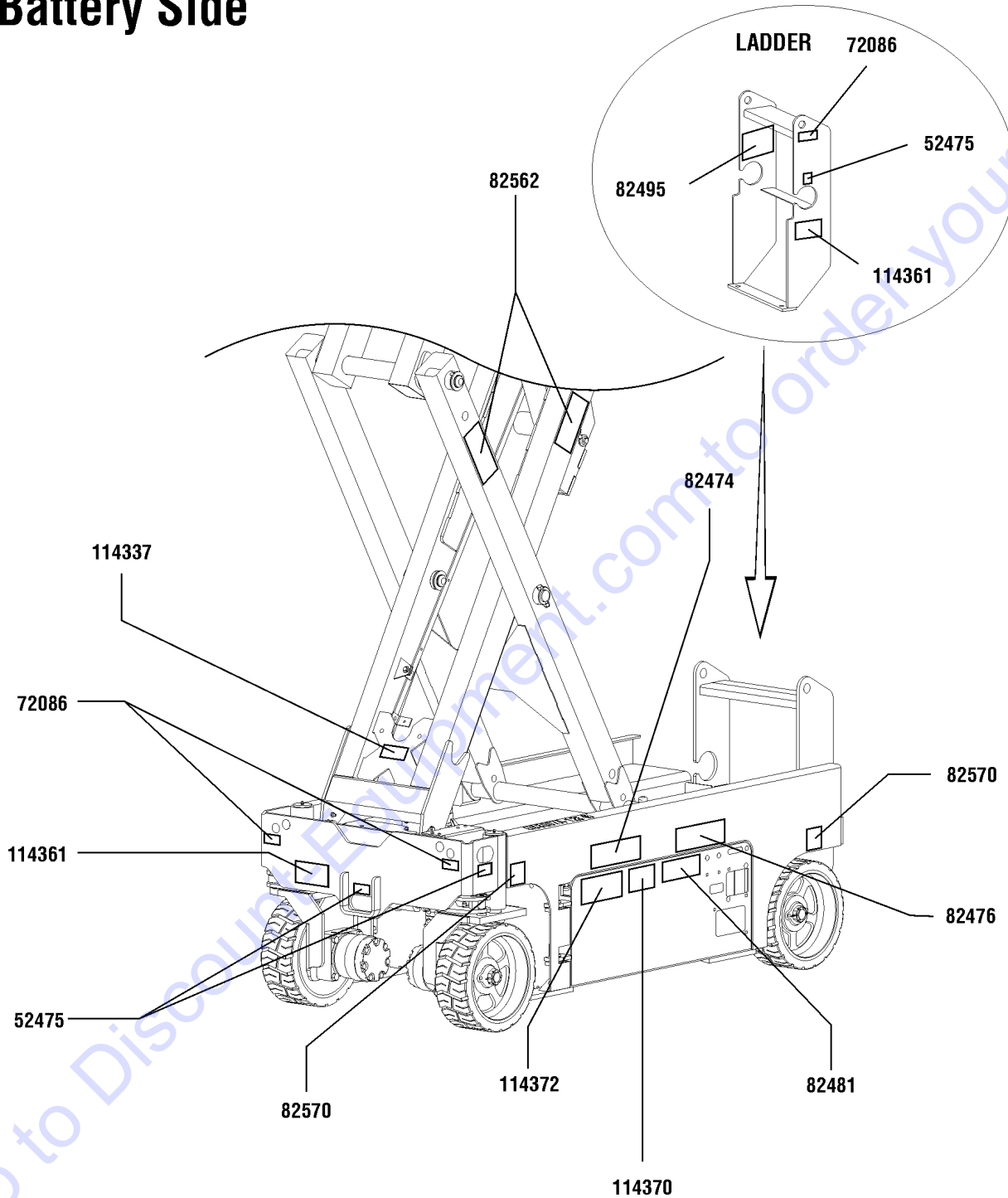
Platform, Australia Models



111.1 Decals with Words, GS-1532 Platform, Australia

Item	Part No.	Description	Qty.
1	28174GT	DECAL, POWER TO PLATFORM 230V**.....	1
2	28176GT	DECAL,LABEL,MANUAL NOT HERE.....	1
3	28235GT	DECAL,POWER TO PLATFORM 115V...1	1
4	28236GT	DECAL,WARN,IMPROPER OPERATION.....	1
5	40434GT	DECAL,LANYARD ANCHORAGE POINT.....	3
6	43618GT	DECAL, LABEL - DIRECTION ARROWS.....	2
7	44736GT	DECAL,DANGER,TIP-OVER,TILT.....	1
8	44981GT	DECAL,LABEL, AIR LINE 110 PSI.....	1
9	82568GT	DECAL,COSMETIC,GENIE GS-1532....	2
10	82557GT	DECAL,LABEL,PLAT CONT LOCATION.....	1
11	82566GT	DECAL,INSTR-MANUAL FRC,AUS.....	1
12	114386GT	DECAL,DANGER-GEN SAFETY.....	1
13	133596GT	DECAL,LABEL,FAULT CODES.....	1
14	137605GT	DECAL,E-STOP,GR/GRC/GS PCON....	1
15	137636GT	DECAL, UI, GR/GRC/GS PCON..... <i>(models with 6 button, 2 speed controller) to SN GS3014A-134999 and to SN GS3014C-16999</i>	1
16	137656GT	DECAL,PROPEL,GR/GRC/GS,PCON....	1
17	T107032GT	DECAL,OP INST,PCON,GS-30,AUS.... <i>(models with 6 button, 2 speed controller) to SN GS3014A-134999 and to SN GS3014C-16999</i>	1
18	82564GT	DECAL,INSTR-MAX CAP 600LBS.....	1
19	1256702GT	DECAL, UI, GS/GR, PROP LIFT..... <i>(models with 4 button, proportional controller)</i>	1
20	1256703GT	DECAL, STD, PROP LIFT, UI, SVC..... <i>(units converted from 6 button, 2 speed lift to 4 button, proportional controller)</i>	1
21	1257184GT	DECAL, OP INST, PLAT, GS30, AUS.... <i>(models with proportional controller)</i>	1
22	1257923GT	DECAL, SMARTLINK PROPORTIONAL..... <i>(models with 4 button, proportional controller, and units converted from 6 button, 2 speed lift to 4 button, proportional controller)</i>	2

Battery Side



112.1 Decals with Symbols, GS-1532 Battery Side, CE

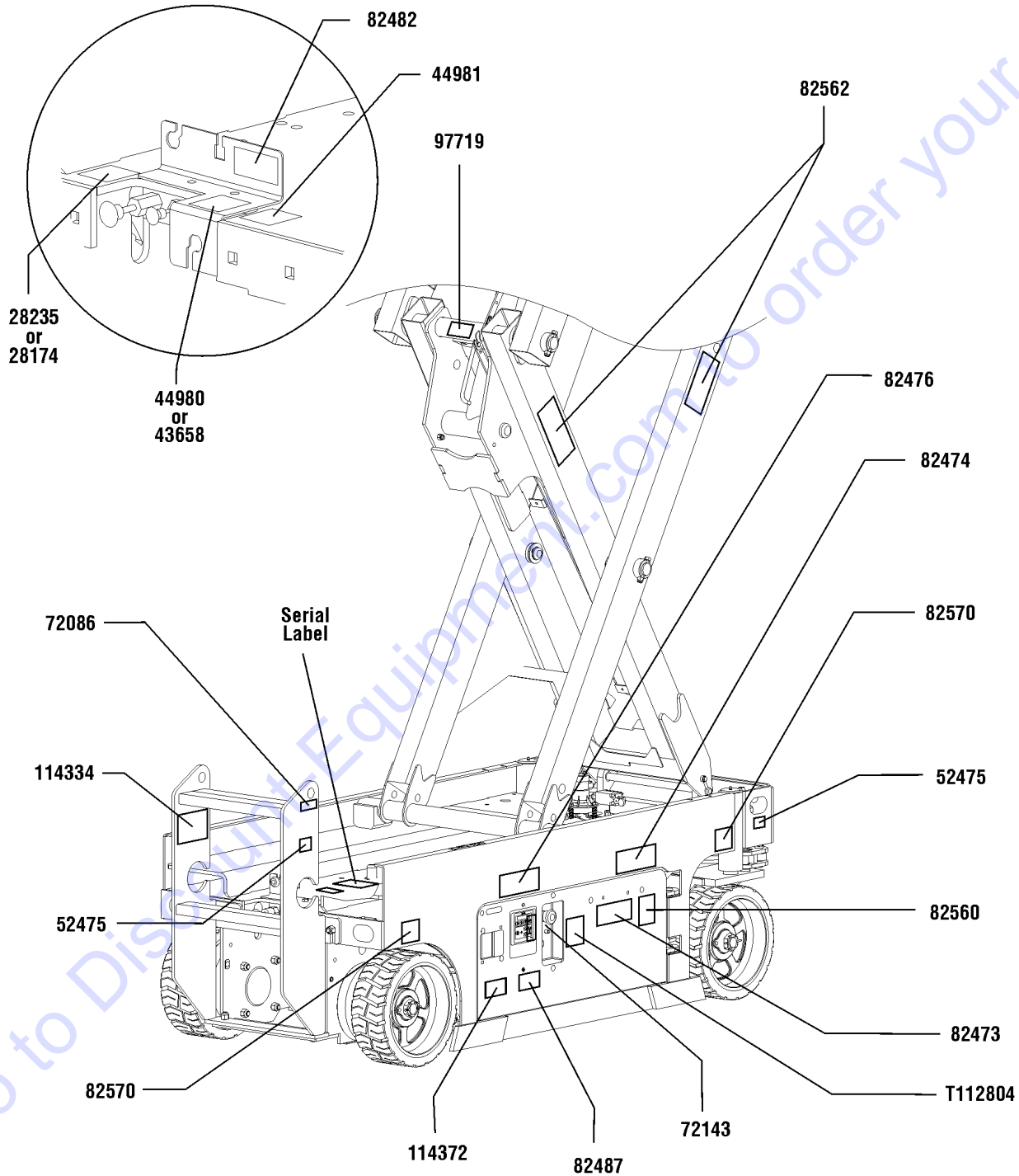
Item	Part No.	Description	Qty.
--	232070GT	DECAL KIT,1532 PLAT.,SYM,CE (CE models with 2 speed controller) to SN GS3014A-134999 and to SN GS3014C-16999	
--	232071GT	DECAL KIT,1532 COMP.,SYM,CE (CE models with 2 speed controller) to SN GS3014A-134999 and to SN GS3014C-16999	
1	52475GT	DECAL,LABEL,TRANSPORT TIEDOWN*.....	3
2	72086GT	DECAL,LABEL,LIFTING EYE.....	3
3	82474GT	DECAL,SYMBOL-USE SAFETY ARM....	1
4	82476GT	DECAL,SYMBOL-ELEC HAZARD,GS....	1
5	82481GT	DECAL,SYMBOL-BATTERY SAFETY.....	1
6	82495GT	DECAL,SYMBOL-BRAKE REL SAFETY.....	1
7	82562GT	DECAL,SYMBOL-CRUSHING HAZARD.....	2
8	82570GT	DECAL,LABEL-WHEEL LOAD 1530/32..... (CE models)	2
9	114337GT	DECAL,SYM-TIP-OVER,LIM SWITCH....	1
10	114361GT	DECAL,LABEL-TRANSPORT DIGRAM.....	2
11	114370GT	DECAL-SYM-TIP-OVR,BATTRIES.....	1
12	114372GT	DECAL SYMBOL TIP OVER TRAYS.....	1

Go to Discount-Equipment.com to order your parts



113.1 Decals with Symbols, GS-1532 Ground Control Side, CE

Ground Controls Side

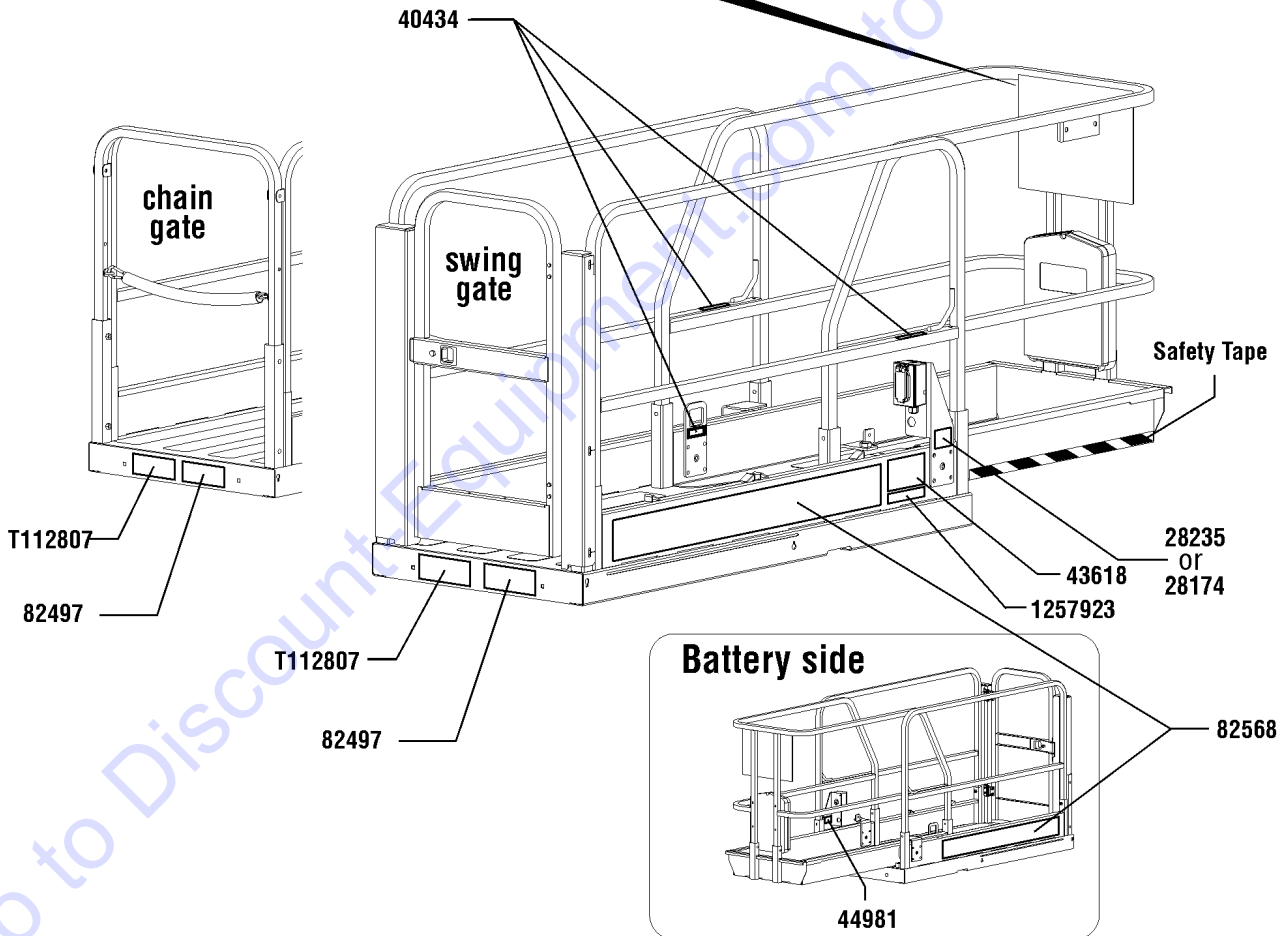
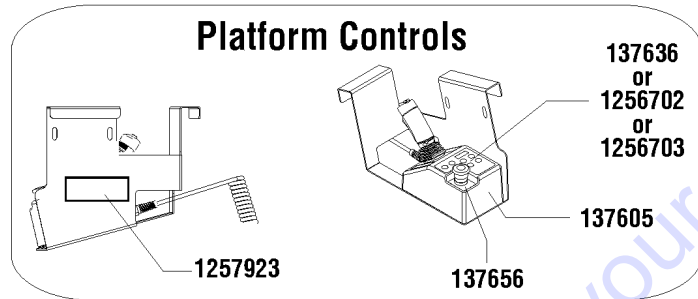
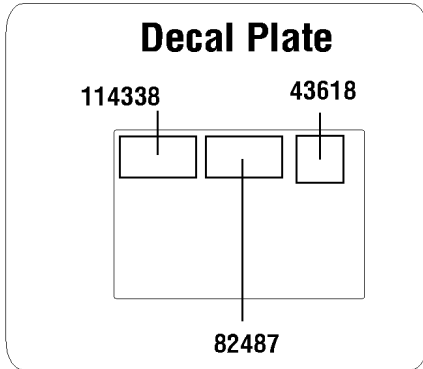


113.1 Decals with Symbols, GS-1532 Ground Control Side, CE

Item	Part No.	Description	Qty.
1	28174GT	DECAL, POWER TO PLATFORM 230V**.....	1
2	28235GT	DECAL,POWER TO PLATFORM 115V...1	1
3	43658GT	DECAL,LABEL,PWR TO CHARGR 230V.....	1
4	44980GT	DECAL,LABEL,PWR TO CHARGR 115V.....	1
5	44981GT	DECAL,LABEL, AIR LINE 110 PSI.....1	1
6	52475GT	DECAL,LABEL,TRANSPORT TIEDOWN*.....	2
7	72086GT	DECAL,LABEL,LIFTING EYE.....1	1
8	72143GT	DECAL,EMERGENCY STOP,GR.....1	1
9	82473GT	DECAL,SYMBOL-COMP ACCESS.....1	1
10	82474GT	DECAL,SYMBOL-USE SAFETY ARM...1	1
11	82476GT	DECAL,SYMBOL-ELEC HAZARD,GS....1	1
12	82482GT	DECAL,LABEL,AUX LOWERING.....1	1
13	82487GT	DECAL, SYMBOL - READ THE MANUAL.....	1
14	82560GT	DECAL,SYMBOL-SKIN INJECT HAZRD.....	1
15	82562GT	DECAL,SYMBOL-CRUSHING HAZARD.....	2
16	82570GT	DECAL,LABEL-WHEEL LOAD 1530/32..... (CE models)	2
17	97719GT	DECAL, LABEL, SAFETY ARM SYMB...1	1
18	114334GT	DECAL,SYM-ELEC HAZARD,PLUG.....1	1
19	114372GT	DECAL SYMBOL TIP OVER TRAYS.....1	1
20	T112804GT	DECAL,GCON PANEL,GS.....	1

114.1 Decals with Symbols, GS-1532 Platform, CE

Platform, CE models



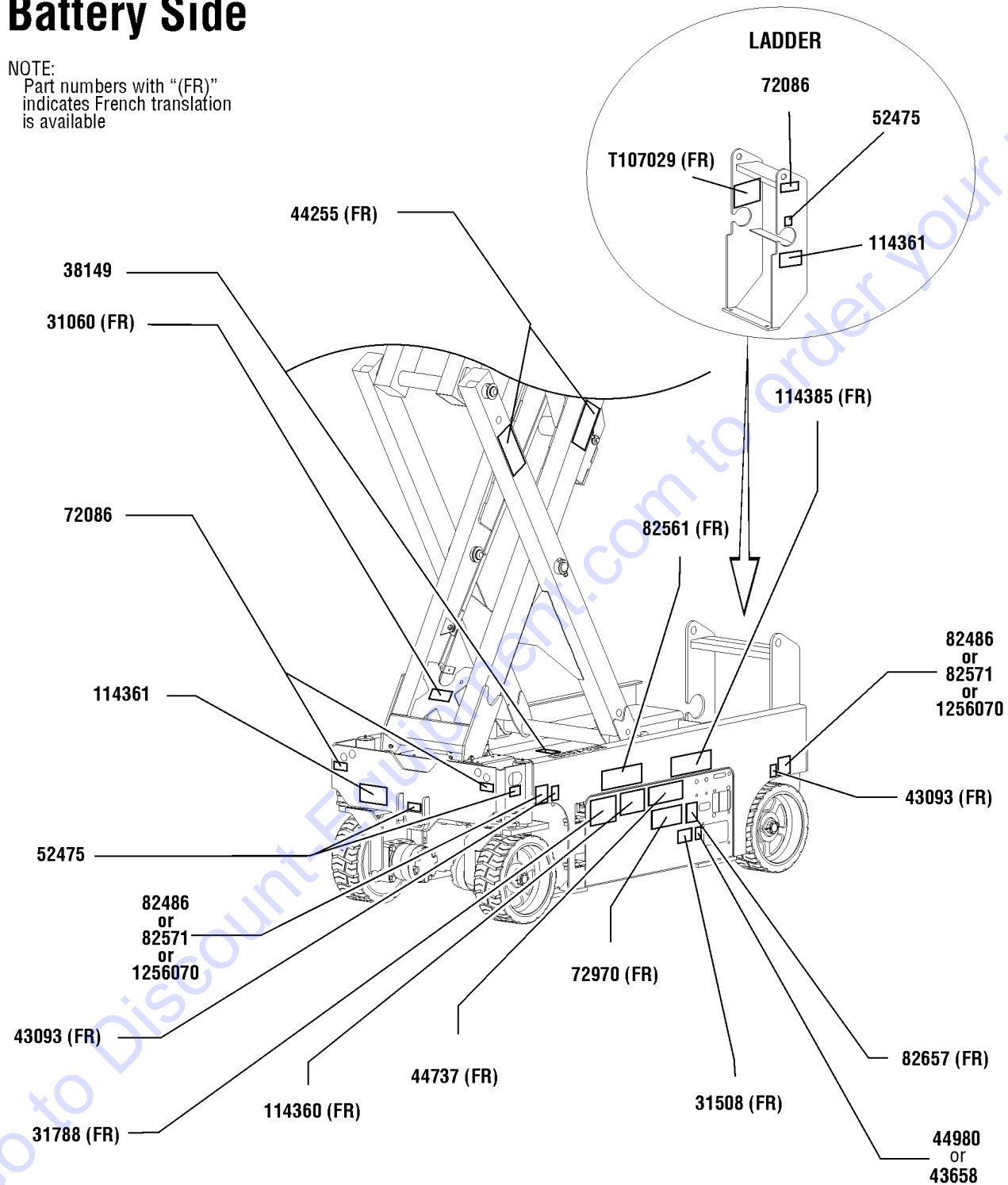
114.1 Decals with Symbols, GS-1532 Platform, CE

Item	Part No.	Description	Qty.
1	28174GT	DECAL, POWER TO PLATFORM 230V**.....	1
2	28235GT	DECAL,POWER TO PLATFORM 115V....	1
3	40434GT	DECAL,LANYARD ANCHORAGE POINT.....	3
4	43618GT	DECAL, LABEL - DIRECTION ARROWS.....	2
5	44981GT	DECAL,LABEL, AIR LINE 110 PSI.....	1
6	82487GT	DECAL, SYMBOL - READ THE MANUAL.....	1
7	82497GT	DECAL,SYM-SIDEFORCE 200400.....	1
8	82568GT	DECAL,COSMETIC,GENIE GS-1532....	2
9	114338GT	DECAL,SYM-TIP-OVER,TILT ALARM....	1
10	137605GT	DECAL,E-STOP,GR/GRC/GS PCON.....	1
11	137636GT	DECAL, UI, GR/GRC/GS PCON..... <i>(models with 6 button, 2 speed controller) to SN GS3014A-134999 and to SN GS3014C-16999</i>	1
12	137656GT	DECAL,PROPEL,GR/GRC/GS,PCON....	1
13	T112807GT	DECAL,SYM MAX CAP 272 KG,CE.....	1
14	1256702GT	DECAL, UI, GS/GR, PROP LIFT <i>(models with 4 button, proportional controller)</i>	1
15	1256703GT	DECAL, STD, PROP LIFT, UI, SVC..... <i>(units converted from 6 button, 2 speed lift to 4 button, proportional controller)</i>	1
16	1257923GT	DECAL, SMARTLINK PROPORTIONAL..... <i>(models with 4 button, proportional controller, and units converted from 6 button, 2 speed lift to 4 button, proportional controller)</i>	2

115.1 Decals with Words, GS-1930 Battery Side, ANSI & Australia

Battery Side

NOTE:
Part numbers with "(FR)" indicates French translation is available



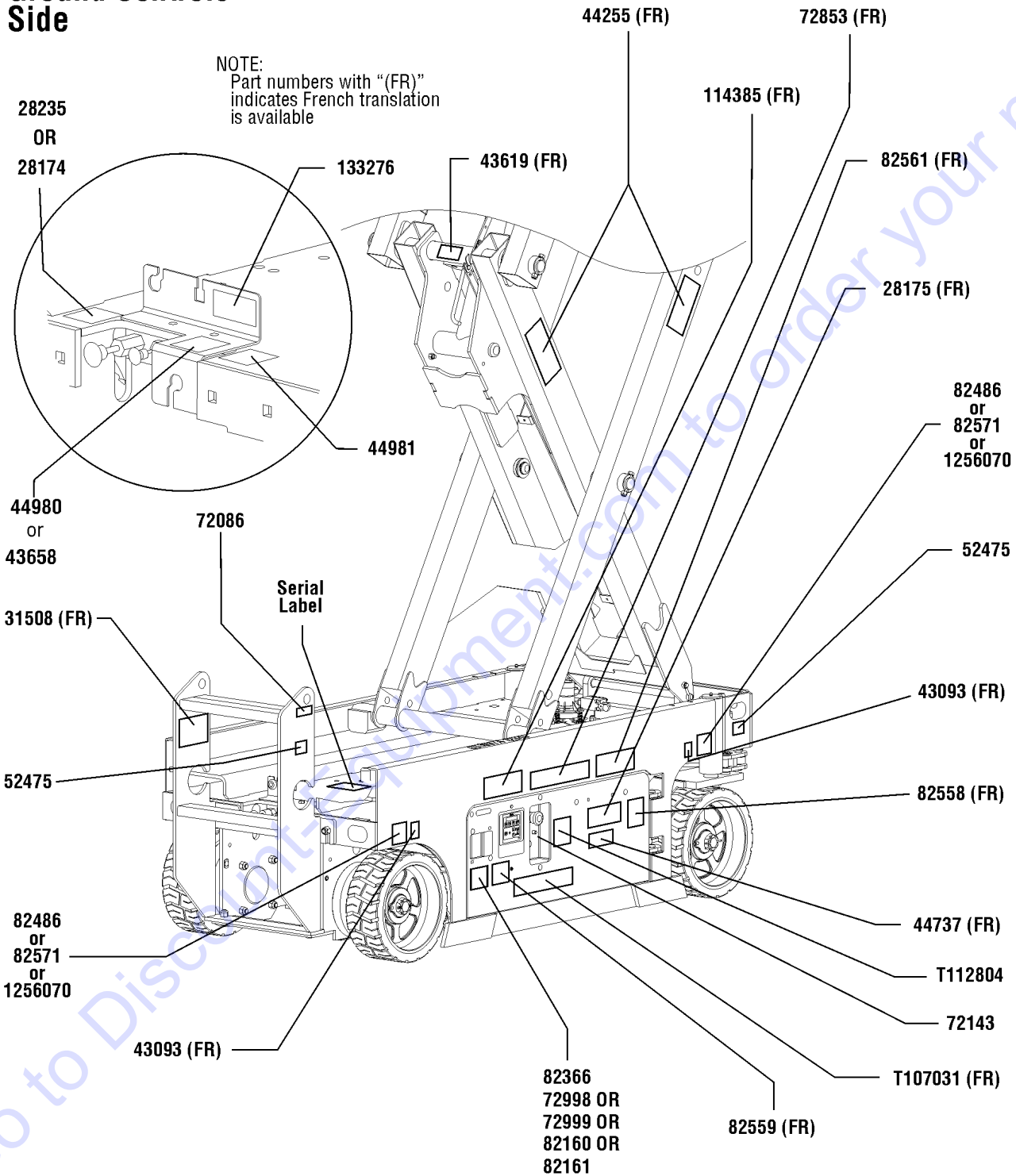
115.1 Decals with Words, GS-1930 Battery Side, ANSI & Australia

Item	Part No.	Description	Qty.	Item	Part No.	Description	Qty.
--	232054GT	DECAL KIT,1930 PLAT.,WRD,ANSI (ANSI models with 2 speed controller) to SN GS3014A-134999 and to SN GS3014C-16999		19	1256070GT	DECAL,LABEL,WHEEL LOAD,1930PAR.....2 (ANSI models with padded auxiliary rail only)	2
--	232055GT	DECAL KIT,1930 COMP.,WRD,ANSI (ANSI models with 2 speed controller) to SN GS3014A-134999 and to SN GS3014C-16999 (order platform controls decal separately)		20	T107029GT	DECAL,DANGER,BRAKE REL SAFETY.....1	1
--	232064GT	DECAL KIT,1930 PLAT.,WRD,AUST (CE models with 2 speed controller) to SN GS3014A-134999 and to SN GS3014C-16999					
--	232065GT	DECAL KIT,1930 COMP.,WRD,AUST (CE models with 2 speed controller) to SN GS3014A-134999 and to SN GS3014C-16999					
1	44255GT	DECAL,DANGER,CRUSHING HAZARD.....2	2				
2	31060GT	DECAL,DANGER DO NOT ALTER SWTC.....1	1				
3	31508GT	DECAL,DANGER,ELECT HAZARD,PLUG.....1 (Australia models)	1				
4	31788GT	DECAL,DANGER,BATTERY SAFETY***.....1	1				
5	43093GT	DECAL,LABEL,TIRE SPECS.....2	2				
6	43658GT	DECAL,LABEL,PWR TO CHARGR 230V.....1 (Australia models)	1				
7	44737GT	DECAL DANGER TIP OVER TRAYS.....1	1				
8	44980GT	DECAL,LABEL,PWR TO CHARGR 115V.....1 (Australia models)	1				
9	52475GT	DECAL,LABEL,TRANSPORT TIEDOWN*.....3	3				
10	72086GT	DECAL,LABEL,LIFTING EYE.....3	3				
11	72970GT	DECAL,INSTRUCTIONS-CHARGER OP.....1	1				
12	82486GT	DECAL,LABEL,WHEEL LOAD 1930.....2 (ANSI models)	2				
13	82561GT	DECAL,DANGER-USE SAFETY ARM....1	1				
14	82571GT	DECAL,LABEL,WHEEL LOAD 19XX....2 (Australia models)	2				
15	82657GT	DECAL,INSTRUCT,BATTERY CONNECT.....1	1				
16	114360GT	DECAL,DANGER-TIP-OVER,BATT.....1	1				
17	114361GT	DECAL,LABEL-TRANSPORT DIGRAM.....2	2				
18	114385GT	DECAL,DANGER,ELEC HAZARD,GS.....1	1				

116.1 Decals with Words, GS-1930 Ground Controls Side, ANSI & Australia

Ground Controls Side

NOTE:
Part numbers with "(FR)" indicates French translation is available

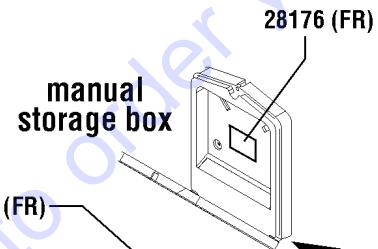
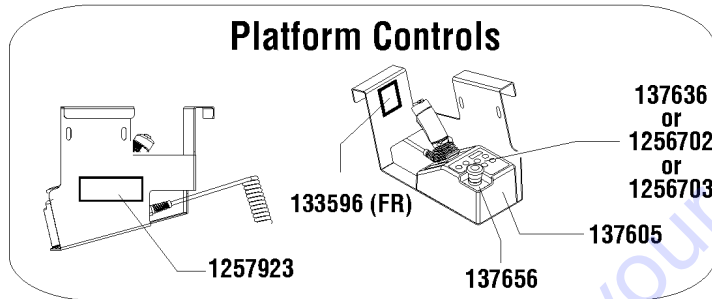
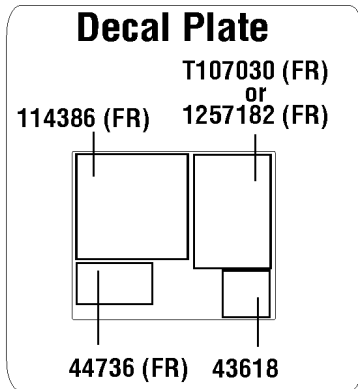


116.1 Decals with Words, GS-1930 Ground Controls Side, ANSI & Australia

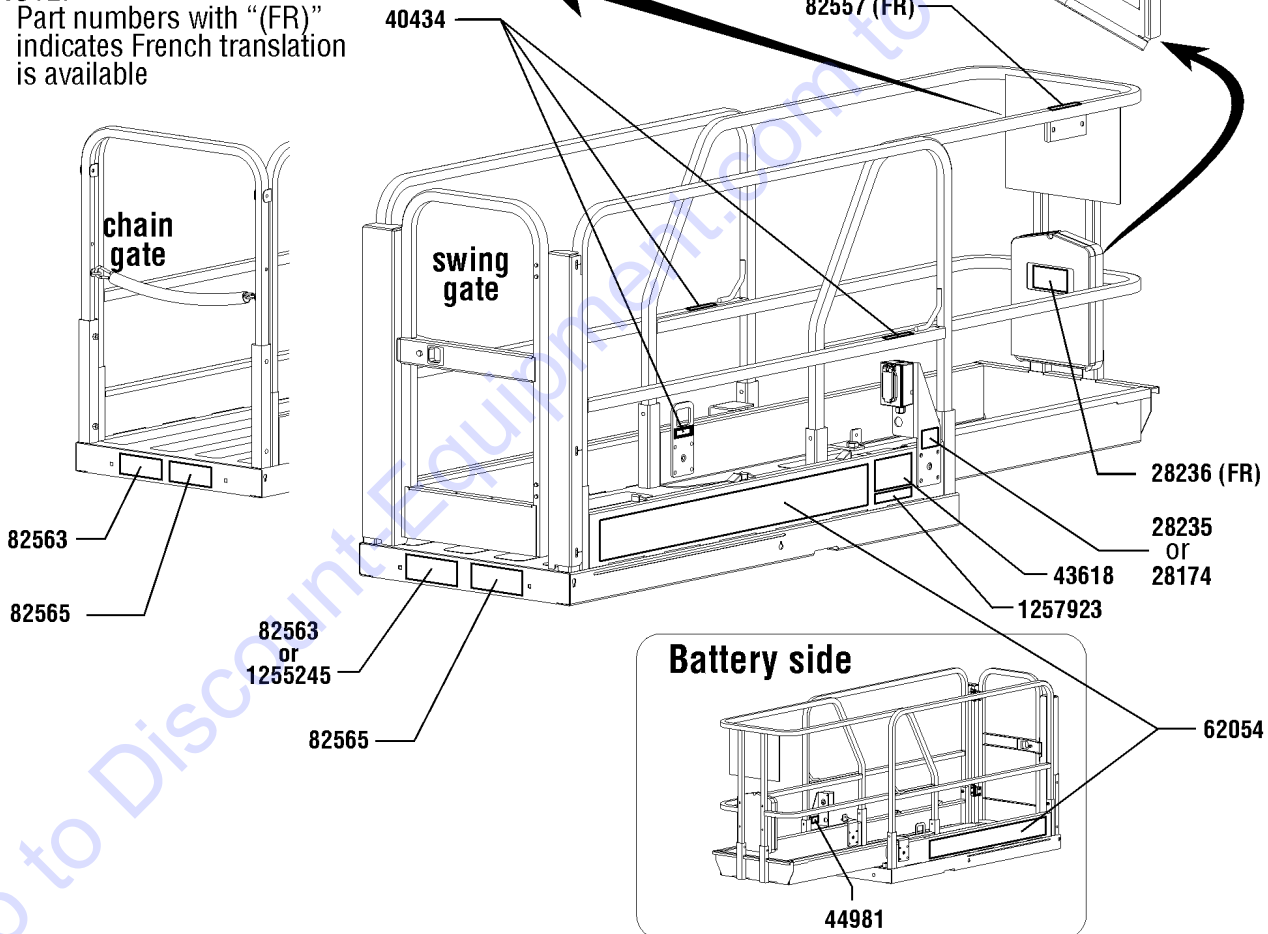
Item	Part No.	Description	Qty.	Item	Part No.	Description	Qty.
1	28174GT	DECAL, POWER TO PLATFORM 230V**	1	27	133276GT	DECAL,EMERGENCY LOWERING	1
2	28175GT	DECAL,WARNING-COMPART ACCESS	1	28	1256070GT	DECAL,LABEL,WHEEL LOAD,1930PAR <i>(ANSI models with padded auxiliary rail only)</i>	2
3	28235GT	DECAL,POWER TO PLATFORM 115V	1	29	T107031GT	DECAL,OP INST,GCON	1
4	31508GT	DECAL,DANGER,ELECT HAZARD,PLUG <i>(ANSI models)</i>	1	30	T112804GT	DECAL,GCON PANEL,GS	1
5	43093GT	DECAL,LABEL,TIRE SPECS	2				
6	43619GT	DECAL,LABEL,SAFETY ARM	1				
7	43658GT	DECAL,LABEL,PWR TO CHARGR 230V <i>(ANSI models)</i>	1				
8	44255GT	DECAL,DANGER,CRUSHING HAZARD	2				
9	44737GT	DECAL DANGER TIP OVER TRAYS	1				
10	44980GT	DECAL,LABEL,PWR TO CHARGR 115V <i>(ANSI models)</i>	1				
11	44981GT	DECAL,LABEL, AIR LINE 110 PSI <i>(option)</i>	1				
12	52475GT	DECAL,LABEL,TRANSPORT TIEDOWN*	2				
13	72086GT	DECAL,LABEL,LIFTING EYE	1				
14	72143GT	DECAL,EMERGENCY STOP,GR	1				
15	72853GT	DECAL,DANGER,IMPROPER USE HAZ	1				
16	72998GT	DECAL,LABEL,QUINTOLUBRIK <i>(models with Quintolub hydraulic oil)</i>	1				
17	72999GT	DECAL,LABEL,PETRO CANADA*** <i>(models with Petro Canada hydraulic oil)</i>	1				
18	82160GT	DECAL,LABEL,STATOIL HYDRA WAY <i>(models with Statoil hydraulic oil)</i>	1				
19	82161GT	DECAL,LABEL,UCON HYDROLUBE <i>(models with UConn Hydrolube hydraulic oil)</i>	1				
20	82366GT	DECAL,CHEVRON RANDO HD <i>(models with Chevron Random hydraulic oil)</i>	1				
21	82486GT	DECAL,LABEL,WHEEL LOAD 1930 <i>(ANSI models)</i>	2				
22	82558GT	DECAL,WARN,SKIN INJECTION HAZ*	1				
23	82559GT	DECAL,INSTRUCT-ANNUAL INSP REQ	1				
24	82561GT	DECAL,DANGER-USE SAFETY ARM	1				
25	82571GT	DECAL,LABEL,WHEEL LOAD 19XX <i>(Australia models)</i>	2				
26	114385GT	DECAL,DANGER,ELEC HAZARD,GS	1				

117.1 Decals with Words, GS-1930 Platform, ANSI

Platform, ANSI models



NOTE:
 Part numbers with "(FR)" indicates French translation is available

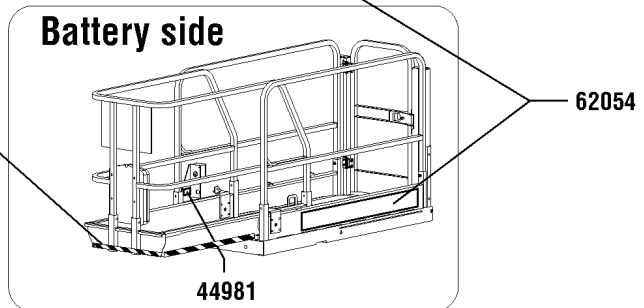
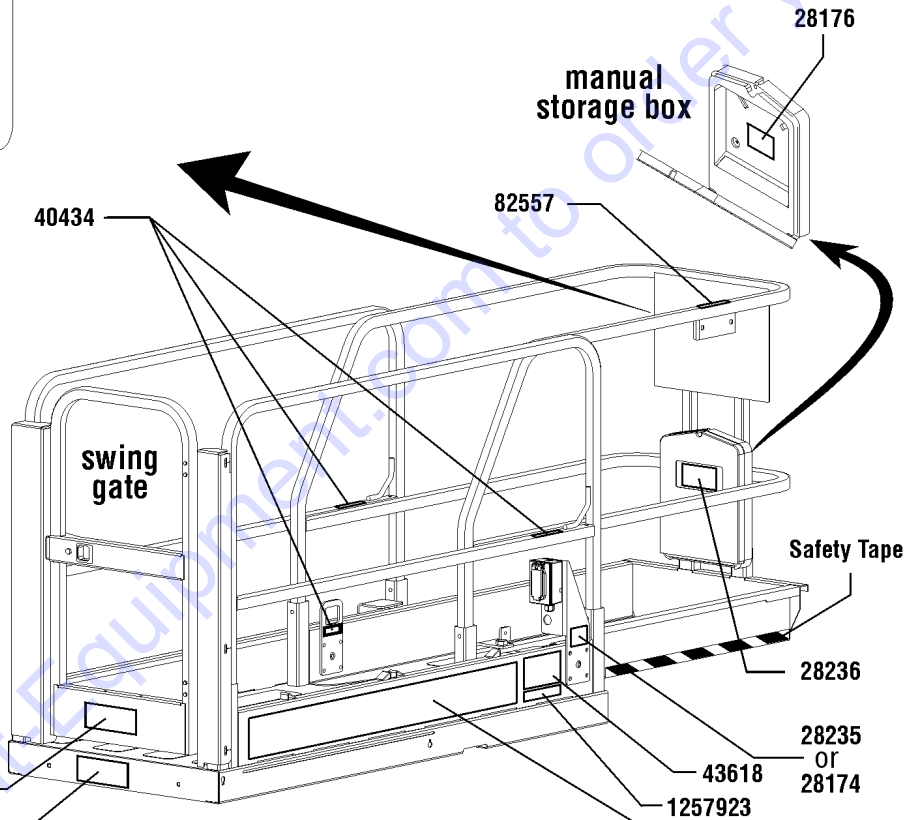
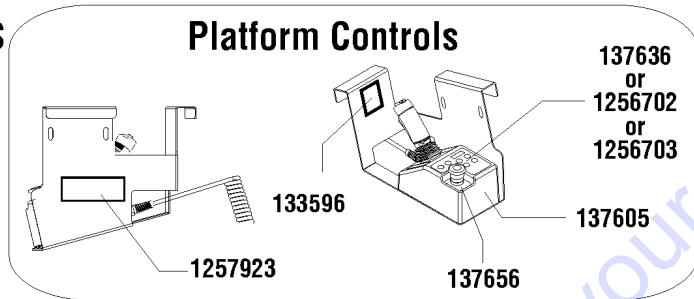
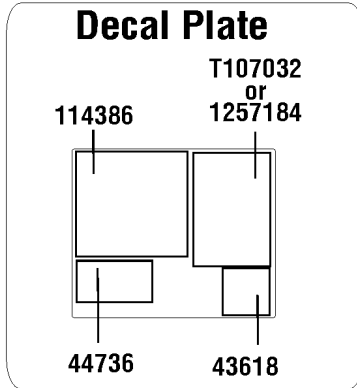


117.1 Decals with Words, GS-1930 Platform, ANSI

Item	Part No.	Description	Qty.
1	28174GT	DECAL, POWER TO PLATFORM 230V**.....	1
2	28176GT	DECAL,LABEL,MANUAL NOT HERE.....	1
3	28235GT	DECAL,POWER TO PLATFORM 115V...1	1
4	28236GT	DECAL,WARN,IMPROPER OPERATION.....	1
5	40434GT	DECAL,LANYARD ANCHORAGE POINT.....	3
6	43618GT	DECAL, LABEL - DIRECTION ARROWS.....	2
7	44736GT	DECAL,DANGER,TIP-OVER,TILT.....	1
8	44981GT	DECAL,LABEL, AIR LINE 110 PSI.....	1
9	62054GT	DECAL,COSMETIC,GENIE GS-1930**...2	2
10	82557GT	DECAL,LABEL,PLAT CONT LOCATION.....	1
11	82563GT	DECAL,INSTR-MAX CAP 500 LBS.....1 (GS1930 and GS1932 models)	1
12	82565GT	DECAL,INSTR-SIDE FRC,ANSI.....	1
13	114386GT	DECAL,DANGER-GEN SAFETY.....	1
14	133596GT	DECAL,LABEL,FAULT CODES.....	1
15	137605GT	DECAL,E-STOP,GR/GRC/GS PCON.....	1
16	137636GT	DECAL, UI, GR/GRC/GS PCON.....1 (models with 6 button, 2 speed controller) to SN GS3014A-134999 and to SN GS3014C-16999	1
17	137656GT	DECAL,PROPEL,GR/GRC/GS,PCON.....	1
18	1255245GT	DECAL,INSTR-MAX CAP 400 LBS.....1 (models with padded auxiliary rail only)	1
19	1256702GT	DECAL, UI, GS/GR, PROP LIFT.....1 (models with 4 button, proportional controller)	1
20	1256703GT	DECAL, STD, PROP LIFT, UI, SVC.....1 (units converted from 6 button, 2 speed lift to 4 button, proportional controller)	1
21	1257182GT	DECAL, OP INST, PLAT, GS30, ANSI.....1 (models with proportional controller)	1
22	1257923GT	DECAL, SMARTLINK PROPORTIONAL.....2 (models with 4 button, proportional controller, and units converted from 6 button, 2 speed lift to 4 button, proportional controller)	2
23	T107030GT	DECAL,OP INST,PCON,GS-30,ANSI.....1 (models with 6 button, 2 speed controller) to SN GS3014A-134999 and to SN GS3014C-16999	1

118.1 Decals with Words, GS-1930 Platform, Australia

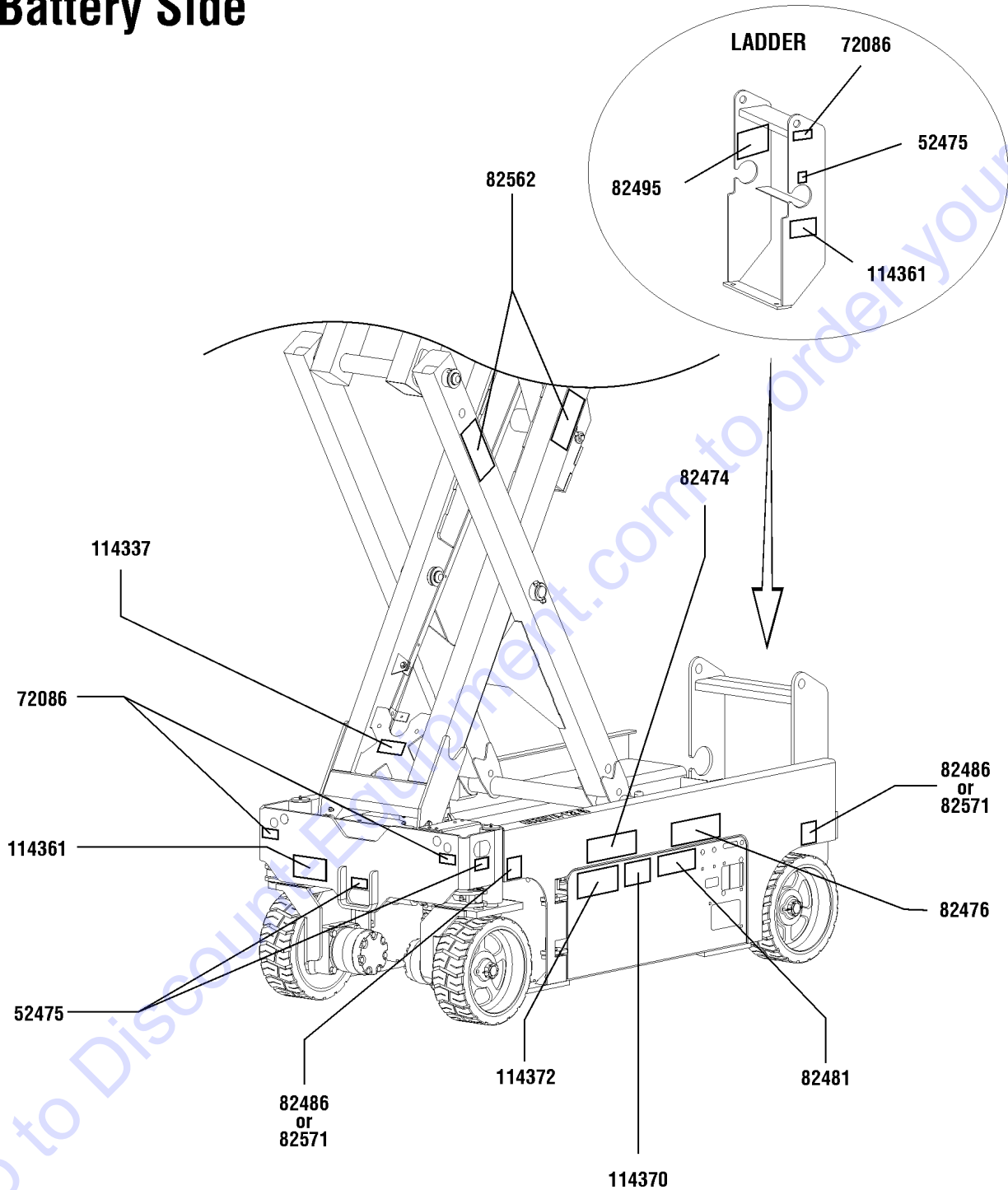
Platform, Australia Models



118.1 Decals with Words, GS-1930 Platform, Australia

Item	Part No.	Description	Qty.
1	28174GT	DECAL, POWER TO PLATFORM 230V**.....	1
2	28176GT	DECAL,LABEL,MANUAL NOT HERE.....	1
3	28235GT	DECAL,POWER TO PLATFORM 115V...1	1
4	28236GT	DECAL,WARN,IMPROPER OPERATION.....	1
5	40434GT	DECAL,LANYARD ANCHORAGE POINT.....	3
6	43618GT	DECAL, LABEL - DIRECTION ARROWS.....	2
7	44736GT	DECAL,DANGER,TIP-OVER,TILT.....	1
8	44981GT	DECAL,LABEL, AIR LINE 110 PSI.....	1
9	62054GT	DECAL,COSMETIC,GENIE GS-1930**...2	2
10	82557GT	DECAL,LABEL,PLAT CONT LOCATION.....	1
11	97618GT	DECAL,INSTR-INDOOR USE,AUS.....	1
12	114386GT	DECAL,DANGER-GEN SAFETY.....	1
13	133596GT	DECAL,LABEL,FAULT CODES.....	1
14	137605GT	DECAL,E-STOP,GR/GRC/GS PCON.....	1
15	137636GT	DECAL, UI, GR/GRC/GS PCON..... <i>(models with 6 button, 2 speed controller) to SN GS3014A-134999 and to SN GS3014C-16999</i>	1
16	137656GT	DECAL,PROPEL,GR/GRC/GS,PCON.....	1
17	T107032GT	DECAL,OP INST,PCON,GS-30,AUS..... <i>(models with 6 button, 2 speed controller) to SN GS3014A-134999 and to SN GS3014C-16999</i>	1
18	82563GT	DECAL,INSTR-MAX CAP 500 LBS..... <i>(GS1930 and GS1932 models)</i>	1
19	1256702GT	DECAL, UI, GS/GR, PROP LIFT..... <i>(models with 4 button, proportional controller)</i>	1
20	1256703GT	DECAL, STD, PROP LIFT, UI, SVC..... <i>(units converted from 6 button, 2 speed lift to 4 button, proportional controller)</i>	1
21	1257184GT	DECAL, OP INST, PLAT, GS30, AUS..... <i>(models with proportional controller)</i>	1
22	1257923GT	DECAL, SMARTLINK PROPORTIONAL..... <i>(models with 4 button, proportional controller, and units converted from 6 button, 2 speed lift to 4 button, proportional controller)</i>	2

Battery Side

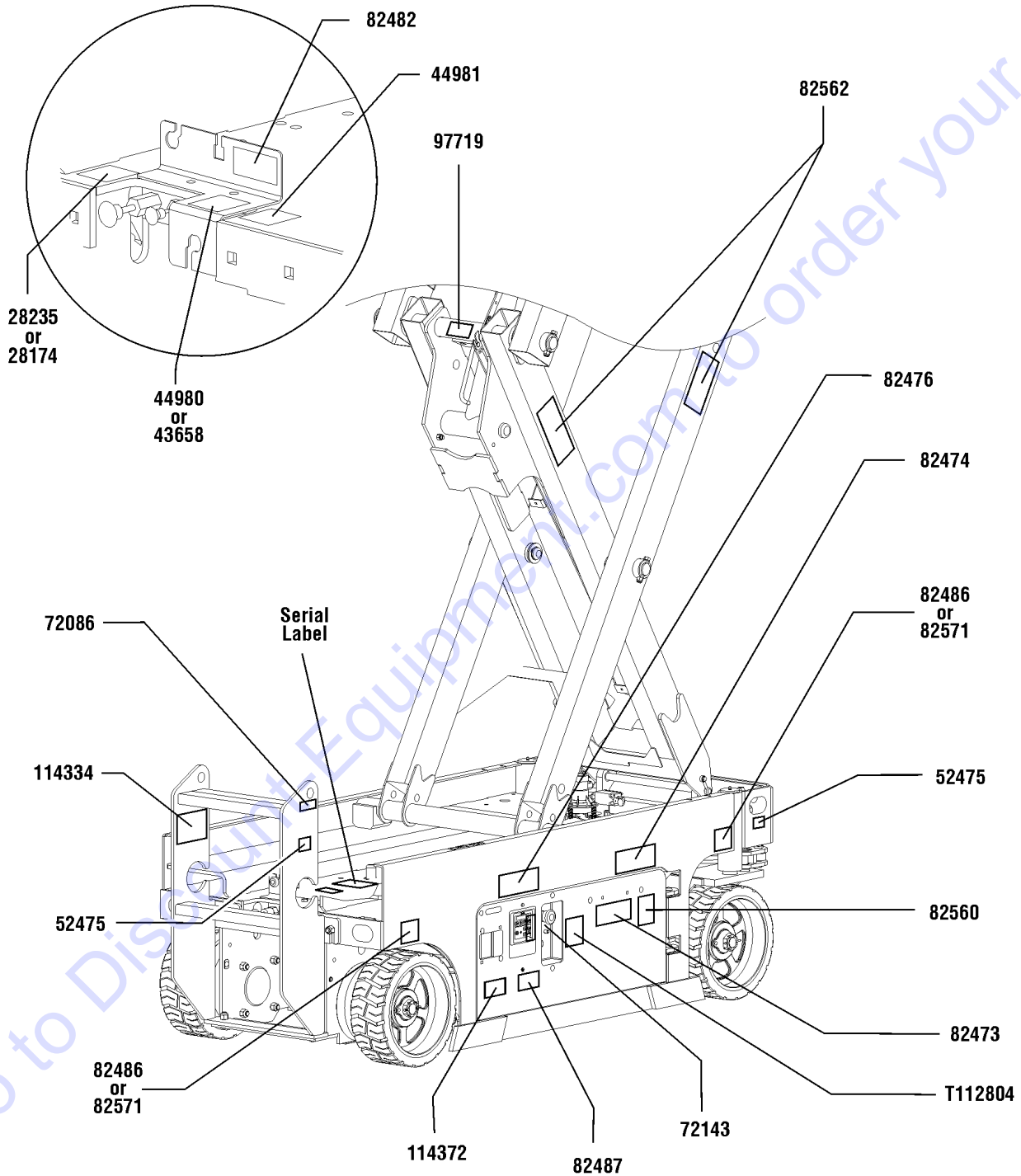


119.1 Decals with Symbols, GS-1930 Battery Side, ANSI & CE

Item	Part No.	Description	Qty.
--	232058GT	DECAL KIT,1930 PLAT.,SYM,ANSI (ANSI models with 2 speed controller) to SN GS3014A-134999 and to SN GS3014C-16999 (order platform controls decal separately)	
--	232059GT	DECAL KIT,1930 COMP.,SYM,ANSI (ANSI models with 2 speed controller) to SN GS3014A-134999 and to SN GS3014C-16999	
--	232072GT	DECAL KIT,1930 PLAT.,SYM,CE (CE models with 2 speed controller) to SN GS3014A-134999 and to SN GS3014C-16999	
--	232073GT	DECAL KIT,1930 COMP.,SYM,CE (CE models with 2 speed controller) to SN GS3014A-134999 and to SN GS3014C-16999 (order platform controls decal separately)	
1	52475GT	DECAL,LABEL,TRANSPORT TIEDOWN*.....	3
2	72086GT	DECAL,LABEL,LIFTING EYE.....	3
3	82474GT	DECAL,SYMBOL-USE SAFETY ARM....	1
4	82476GT	DECAL,SYMBOL-ELEC HAZARD,GS....	1
5	82481GT	DECAL,SYMBOL-BATTERY SAFETY....	1
6	82486GT	DECAL,LABEL,WHEEL LOAD 1930.... (ANSI models)	2
7	82495GT	DECAL,SYMBOL-BRAKE REL SAFETY.....	1
8	82562GT	DECAL,SYMBOL-CRUSHING HAZARD.....	2
9	82571GT	DECAL,LABEL,WHEEL LOAD 19XX.... (CE models)	2
10	114337GT	DECAL,SYM-TIP-OVER,LIM SWITCH....	1
11	114361GT	DECAL,LABEL-TRANSPORT DIGRAM.....	2
12	114370GT	DECAL-SYM-TIP-OVR,BATTRIES.....	1
13	114372GT	DECAL SYMBOL TIP OVER TRAYS.....	1

120.1 Decals with Symbols, GS-1930 Ground Control Side, ANSI & CE

Ground Controls Side

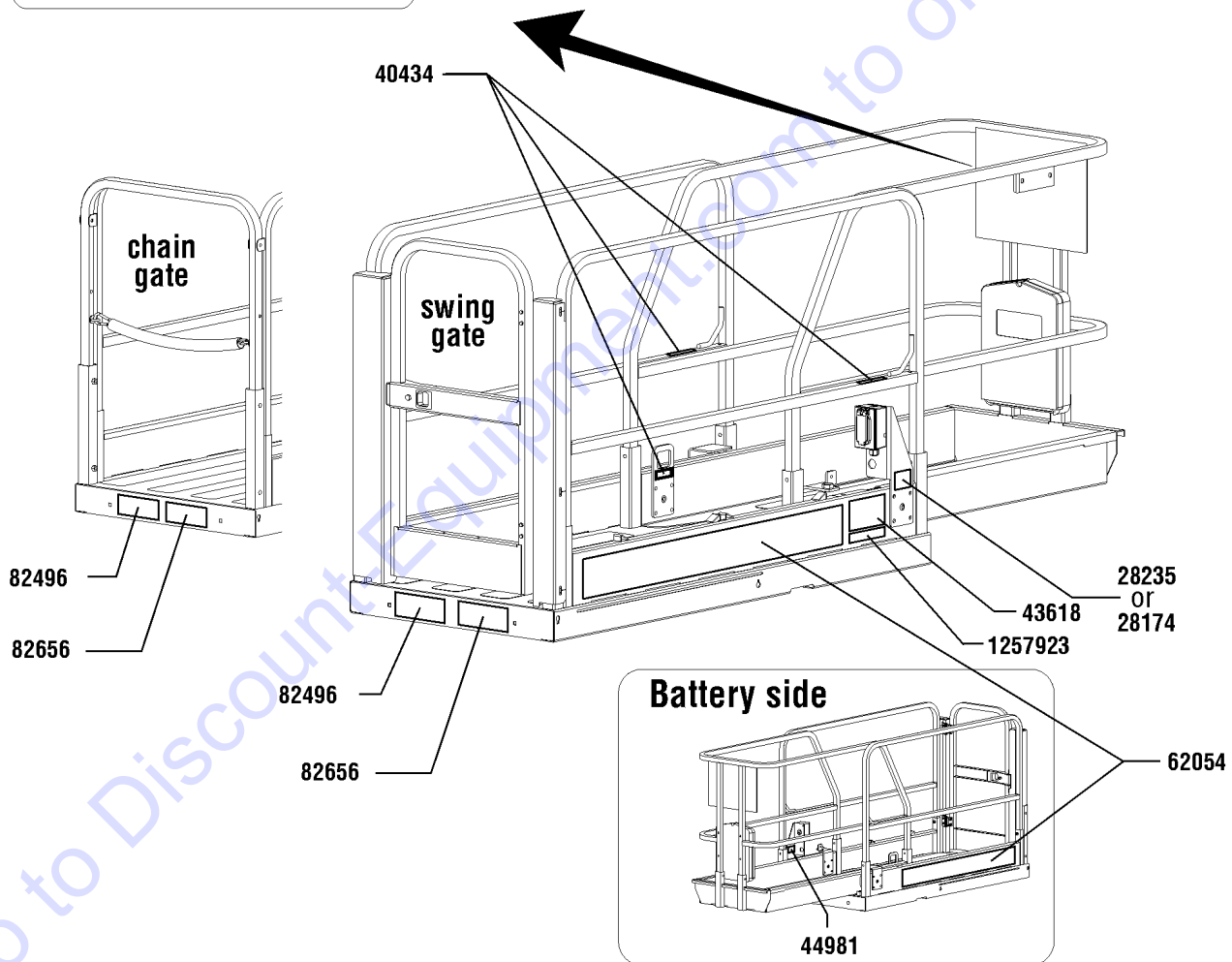
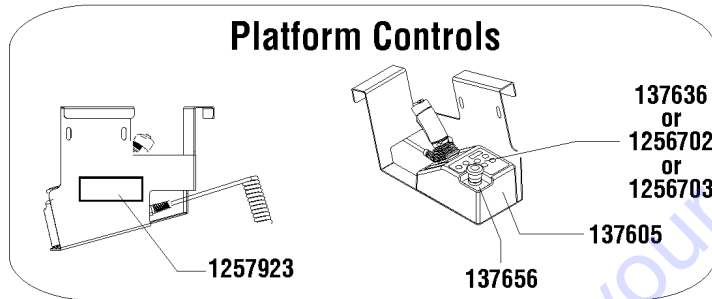
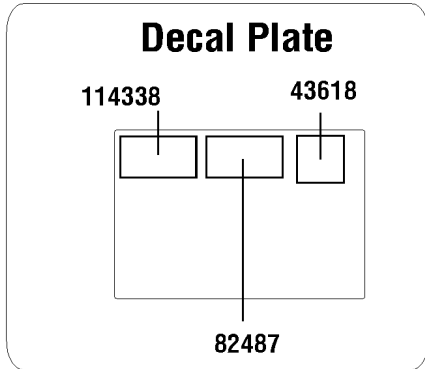


120.1 Decals with Symbols, GS-1930 Ground Control Side, ANSI & CE

Item	Part No.	Description	Qty.
1	28174GT	DECAL, POWER TO PLATFORM 230V**.....	1
2	28235GT	DECAL,POWER TO PLATFORM 115V...1	1
3	43658GT	DECAL,LABEL,PWR TO CHARGR 230V.....	1
4	44980GT	DECAL,LABEL,PWR TO CHARGR 115V.....	1
5	44981GT	DECAL,LABEL, AIR LINE 110 PSI.....1	1
6	52475GT	DECAL,LABEL,TRANSPORT TIEDOWN*.....	2
7	72086GT	DECAL,LABEL,LIFTING EYE.....1	1
8	72143GT	DECAL,EMERGENCY STOP,GR.....1	1
9	82473GT	DECAL,SYMBOL-COMP ACCESS.....1	1
10	82474GT	DECAL,SYMBOL-USE SAFETY ARM....1	1
11	82476GT	DECAL,SYMBOL-ELEC HAZARD,GS....1	1
12	82482GT	DECAL,LABEL,AUX LOWERING.....1	1
13	82486GT	DECAL,LABEL,WHEEL LOAD 1930....2 (ANSI Models)	2
14	82487GT	DECAL, SYMBOL - READ THE MANUAL.....	1
15	82560GT	DECAL,SYMBOL-SKIN INJECT HAZRD.....	1
16	82562GT	DECAL,SYMBOL-CRUSHING HAZARD.....	2
17	82571GT	DECAL,LABEL,WHEEL LOAD 19XX....2 (CE Models)	2
18	97719GT	DECAL, LABEL, SAFETY ARM SYMB....1	1
19	114334GT	DECAL,SYM-ELEC HAZARD,PLUG.....1	1
20	114372GT	DECAL SYMBOL TIP OVER TRAYS.....1	1
21	T112804GT	DECAL,GCON PANEL,GS.....	1

121.1 Decals with Symbols, GS-1930 Platform ANSI

Platform, ANSI models



121.1 Decals with Symbols, GS-1930 Platform ANSI

Item	Part No.	Description	Qty.
1	28174GT	DECAL, POWER TO PLATFORM 230V**.....	1
2	28235GT	DECAL,POWER TO PLATFORM 115V...1	1
3	40434GT	DECAL,LANYARD ANCHORAGE POINT.....	3
4	43618GT	DECAL, LABEL - DIRECTION ARROWS.....	2
5	44981GT	DECAL,LABEL, AIR LINE 110 PSI.....	1
6	62054GT	DECAL,COSMETIC,GENIE GS-1930**...2	2
7	82487GT	DECAL, SYMBOL - READ THE MANUAL.....	1
8	82496GT	DECAL,SYM-MAXCAP 500.....	1
9	82656GT	DECAL,SYM-SIDE FORCE 445N.....	1
10	114338GT	DECAL,SYM-TIP-OVER,TILT ALARM.....	1
11	137605GT	DECAL,E-STOP,GR/GRC/GS PCON.....	1
12	137636GT	DECAL, UI, GR/GRC/GS PCON..... <i>(models with 6 button, 2 speed controller) to SN GS3014A-134999 and to SN GS3014C-16999</i>	1
13	137656GT	DECAL,PROPEL,GR/GRC/GS,PCON.....	1
14	1256702GT	DECAL, UI, GS/GR, PROP LIFT..... <i>(models with 4 button, proportional controller)</i>	1
15	1256703GT	DECAL, STD, PROP LIFT, UI, SVC..... <i>(units converted from 6 button, 2 speed lift to 4 button, proportional controller)</i>	1
16	1257923GT	DECAL, SMARTLINK PROPORTIONAL..... <i>(models with 4 button, proportional controller, and units converted from 6 button, 2 speed lift to 4 button, proportional controller)</i>	2

Go to Discount-Equipment.com to order your parts

PARTS FINDER

**Search Website
by Part Number**



**Search Manual
Library For Parts
Manual & Lookup Part
Numbers – Purchase
or Request Quote**

Search Manuals

Enter your information to help us find the right parts manual for your machine.

* Brand:

* Model:

* Serial:

* Part Number:

SEARCH

**Can't Find Part or
Manual? Request Help
by Manufacturer,
Model & Description**

Parts Order Form

Please fill in the following information to help us find the right part for your machine.

Manufacturer:	<input type="text"/>
Model:	<input type="text"/>
Description:	<input type="text"/>
Part Number:	<input type="text"/>
Quantity:	<input type="text"/>
Notes:	<input type="text"/>

Submit

Discount-Equipment.com is your online resource for quality parts & equipment.

Florida: **561-964-4949** Outside Florida TOLL FREE: **877-690-3101**

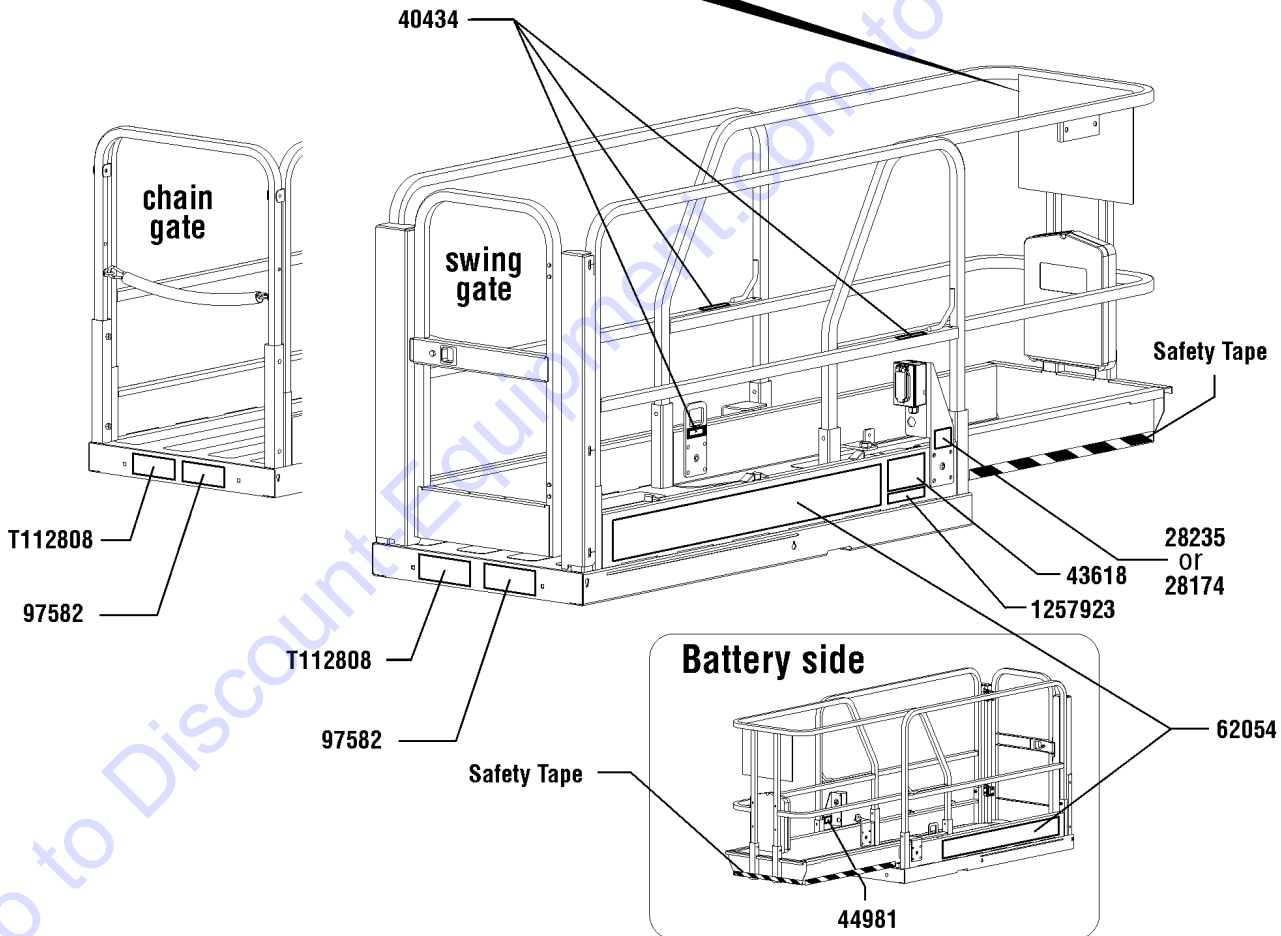
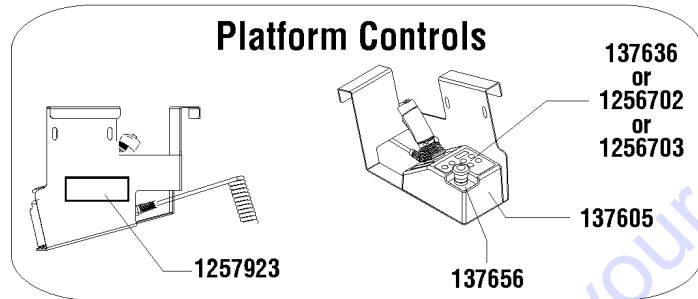
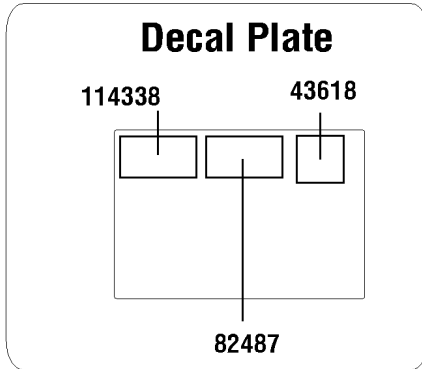
Need parts?

Click on this link: <http://www.discount-equipment.com/category/5443-parts/> and choose one of the options to help get the right parts and equipment you are looking for. Please have the machine model and serial number available in order to help us get you the correct parts. If you don't find the part on the website or on one of the online manuals, please fill out the request form and one of our experienced staff members will get back to you with a quote for the right part that your machine needs.

We sell worldwide for the brands: Genie, Terex, JLG, MultiQuip, Mikasa, Essick, Whiteman, Mayco, Toro Stone, Diamond Products, Generac Magnum, Airman, Haulotte, Barreto, Power Blanket, Nifty Lift, Atlas Copco, Chicago Pneumatic, Allmand, Miller Curber, Skyjack, Lull, Skytrak, Tsurumi, Husquvarna Target, Stow, Wacker, Sakai, Mi-T-M, Sullair, Basic, Dynapac, MBW, Weber, Bartell, Bennar Newman, Haulotte, Ditch Runner, Menegotti, Morrison, Contec, Buddy, Crown, Edco, Wyco, Bomag, Laymor, EZ Trench, Bil-Jax, F.S. Curtis, Gehl Pavers, Heli, Honda, ICS/PowerGrit, IHI, Partner, Imer, Clipper, MMD, Koshin, Rice, CH&E, General Equipment, Amida, Coleman, NAC, Gradall, Square Shooter, Kent, Stanley, Tamco, Toku, Hatz, Kohler, Robin, Wisconsin, Northrock, Oztec, Toker TK, Rol-Air, APT, Wylie, Ingersoll Rand / Doosan, Innovatech, Con X, Ammann, Mecalac, Makinex, Smith Surface Prep, Small Line, Wanco, Yanmar

122.1 Decals with Symbols, GS-1930 Platform CE

Platform, CE models



122.1 Decals with Symbols, GS-1930 Platform CE

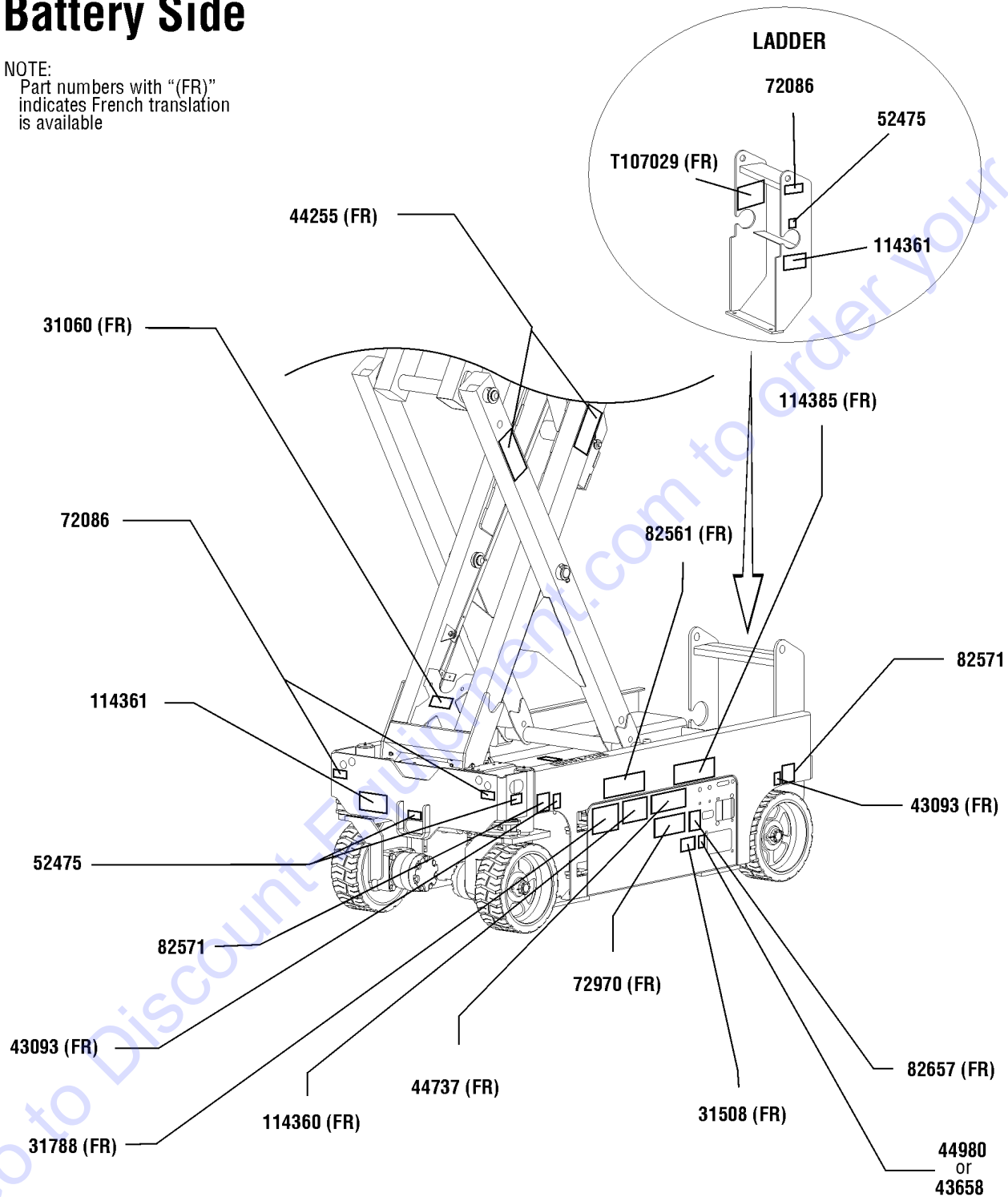
Item	Part No.	Description	Qty.
1	28174GT	DECAL, POWER TO PLATFORM 230V**.....	1
2	28235GT	DECAL,POWER TO PLATFORM 115V....	1
3	40434GT	DECAL,LANYARD ANCHORAGE POINT.....	3
4	43618GT	DECAL, LABEL - DIRECTION ARROWS.....	2
5	44981GT	DECAL,LABEL, AIR LINE 110 PSI.....	1
6	62054GT	DECAL,COSMETIC,GENIE GS-1930**..	2
7	82487GT	DECAL, SYMBOL - READ THE MANUAL.....	1
8	97582GT	DECAL,SYM-SIDEFORCE 400N ID.....	1
9	114338GT	DECAL,SYM-TIP-OVER,TILT ALARM....	1
10	137605GT	DECAL,E-STOP,GR/GRC/GS PCON.....	1
11	137636GT	DECAL, UI, GR/GRC/GS PCON..... <i>(models with 6 button, 2 speed controller) to SN GS3014A-134999 and to SN GS3014C-16999</i>	1
12	137656GT	DECAL,PROPEL,GR/GRC/GS,PCON....	1
13	T112808GT	DECAL,SYM MAX CAP 227 KG,CE.....	1
14	1256702GT	DECAL, UI, GS/GR, PROP LIFT <i>(models with 4 button, proportional controller)</i>	1
15	1256703GT	DECAL, STD, PROP LIFT, UI, SVC..... <i>(units converted from 6 button, 2 speed lift to 4 button, proportional controller)</i>	1
16	1257923GT	DECAL, SMARTLINK PROPORTIONAL..... <i>(models with 4 button, proportional controller, and units converted from 6 button, 2 speed lift to 4 button, proportional controller)</i>	2

Go to Discount-Equipment.com to order your parts

123.1 Decals with Words, GS-1932 Battery Side, Australia

Battery Side

NOTE:
Part numbers with "(FR)"
indicates French translation
is available



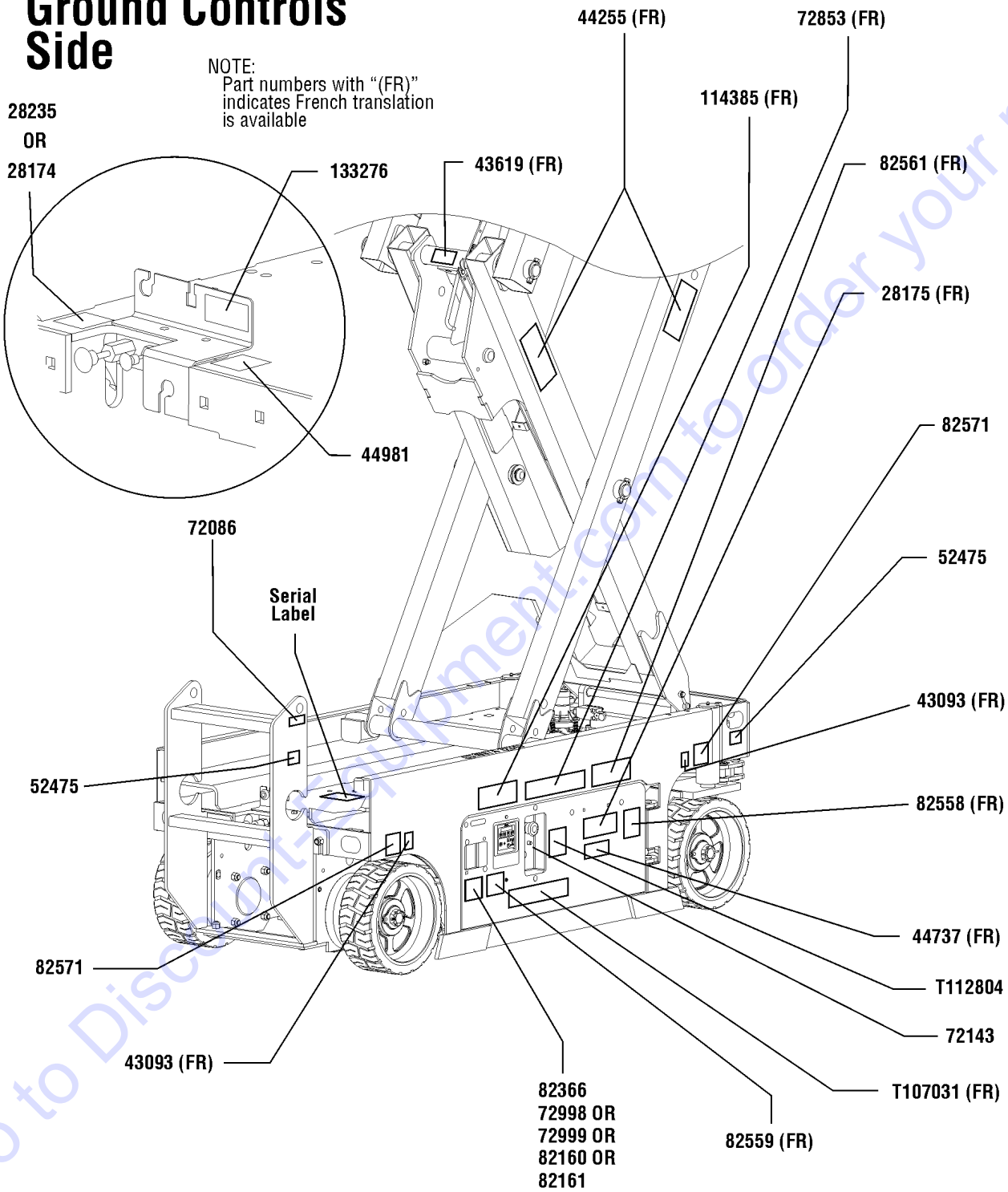
123.1 Decals with Words, GS-1932 Battery Side, Australia

Item	Part No.	Description	Qty.
--	232066GT	DECAL KIT,1932 PLAT.,WRD,AUST (Australia models with 2 speed controller) to SN GS3014A-134999 and to SN GS3014C-16999	
--	232067GT	DECAL KIT,1932 COMP.,WRD,AUST (Australia models with 2 speed controller) to SN GS3014A-134999 and to SN GS3014C-16999	
1	44255GT	DECAL,DANGER,CRUSHING HAZARD.....	2
2	31060GT	DECAL,DANGER DO NOT ALTER SWTC.....	1
3	31508GT	DECAL,DANGER,ELECT HAZARD,PLUG..... (Australia models)	1
4	31788GT	DECAL,DANGER,BATTERY SAFETY***.....	1
5	43093GT	DECAL,LABEL,TIRE SPECS.....	2
6	43658GT	DECAL,LABEL,PWR TO CHARGR 230V..... (Australia models)	1
7	44737GT	DECAL DANGER TIP OVER TRAYS.....	1
8	44980GT	DECAL,LABEL,PWR TO CHARGR 115V..... (Australia models)	1
9	52475GT	DECAL,LABEL,TRANSPORT TIEDOWN*.....	3
10	72086GT	DECAL,LABEL,LIFTING EYE.....	3
11	72970GT	DECAL,INSTRUCTIONS-CHARGER OP.....	1
12	82561GT	DECAL,DANGER-USE SAFETY ARM....	1
13	82571GT	DECAL,LABEL,WHEEL LOAD 19XX.... (Australia models)	2
14	82657GT	DECAL,INSTRUCT,BATTERY CONNECT.....	1
15	114360GT	DECAL,DANGER-TIP-OVER,BATT.....	1
16	114361GT	DECAL,LABEL-TRANSPORT DIGRAM.....	2
17	114385GT	DECAL,DANGER,ELEC HAZARD,GS....	1
18	T107029GT	DECAL,DANGER,BRAKE REL SAFETY.....	1

124.1 Decals with Words, GS-1932 Ground Controls Side, Australia

Ground Controls Side

NOTE:
Part numbers with "(FR)" indicates French translation is available

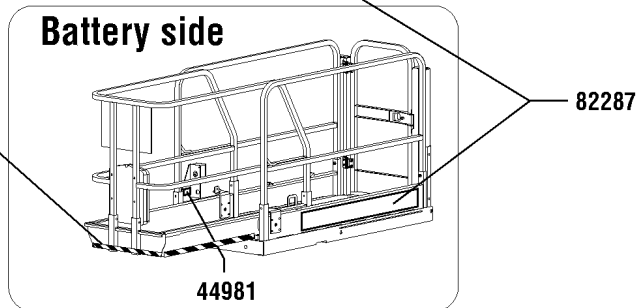
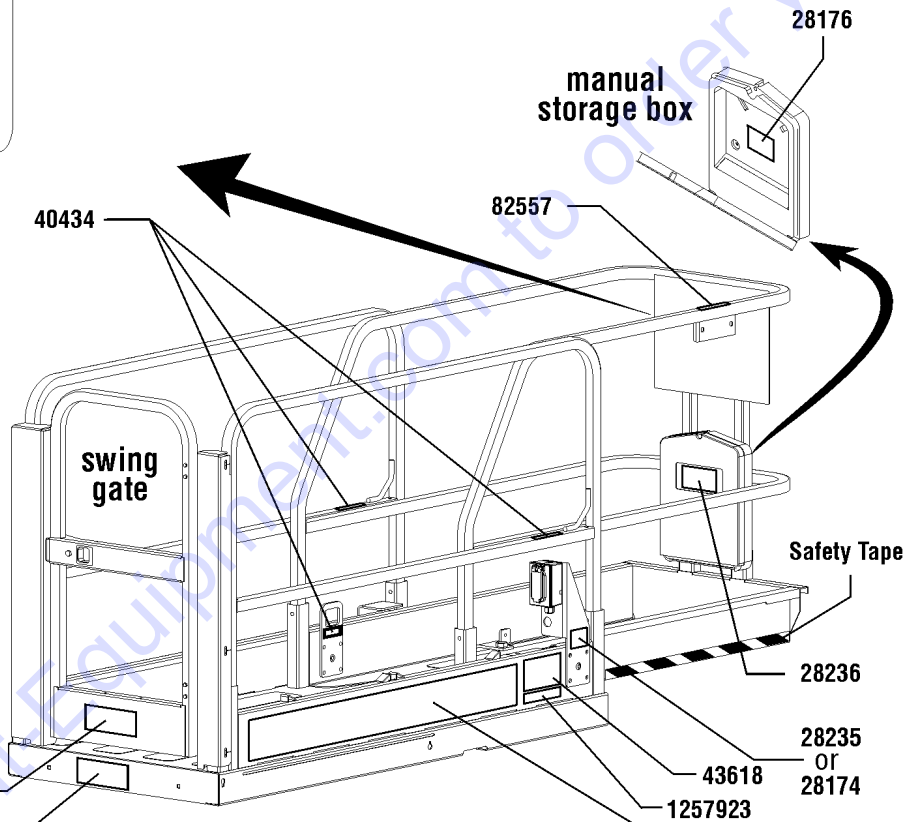
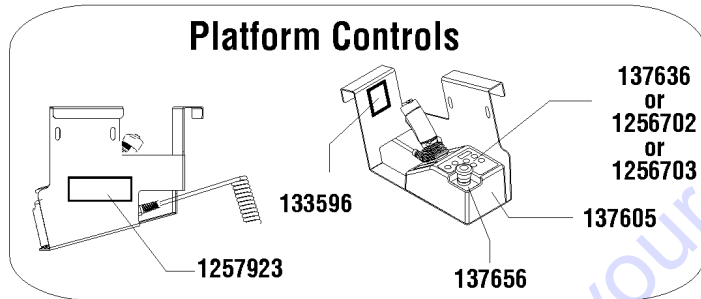
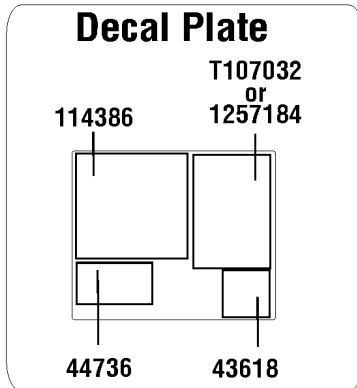


124.1 Decals with Words, GS-1932 Ground Controls Side, Australia

Item	Part No.	Description	Qty.
1	28174GT	DECAL, POWER TO PLATFORM 230V**.....	1
2	28175GT	DECAL,WARNING-COMPART ACCESS.....	1
3	28235GT	DECAL,POWER TO PLATFORM 115V...1	1
4	43093GT	DECAL,LABEL,TIRE SPECS.....	2
5	43619GT	DECAL,LABEL,SAFETY ARM.....	1
6	44255GT	DECAL,DANGER,CRUSHING HAZARD.....	2
7	44737GT	DECAL DANGER TIP OVER TRAYS.....	1
8	44981GT	DECAL,LABEL, AIR LINE 110 PSI..... (option)	1
9	52475GT	DECAL,LABEL,TRANSPORT TIEDOWN*.....	2
10	72086GT	DECAL,LABEL,LIFTING EYE.....	1
11	72143GT	DECAL,EMERGENCY STOP,GR.....	1
12	72853GT	DECAL,DANGER,IMPROPER USE HAZ.....	1
13	72998GT	DECAL,LABEL,QUINTOLUBRIK..... (models with Quintolub hydraulic oil)	1
14	72999GT	DECAL,LABEL,PETRO CANADA***..... (models with Petro Canada hydraulic oil)	1
15	82160GT	DECAL,LABEL,STATOIL HYDRA WAY (models with Statoil hydraulic oil)	1
16	82161GT	DECAL,LABEL,UCON HYDROLUBE..... (models with UConn Hydrolube hydraulic oil)	1
17	82366GT	DECAL,CHEVRON RANDO HD..... (models with Chevron Random hydraulic oil)	1
18	82558GT	DECAL,WARN,SKIN INJECTION HAZ*.....	1
19	82559GT	DECAL,INSTRUCT-ANNUAL INSP REQ.....	1
20	82561GT	DECAL,DANGER-USE SAFETY ARM....	1
21	82571GT	DECAL,LABEL,WHEEL LOAD 19XX.... (Australia models)	2
22	114385GT	DECAL,DANGER,ELEC HAZARD,GS....	1
23	133276GT	DECAL,EMERGENCY LOWERING.....	1
24	T107031GT	DECAL,OP INST,GCON.....	1
25	T112804GT	DECAL,GCON PANEL,GS.....	1

125.1 Decals with Words, GS-1932 Platform, Australia

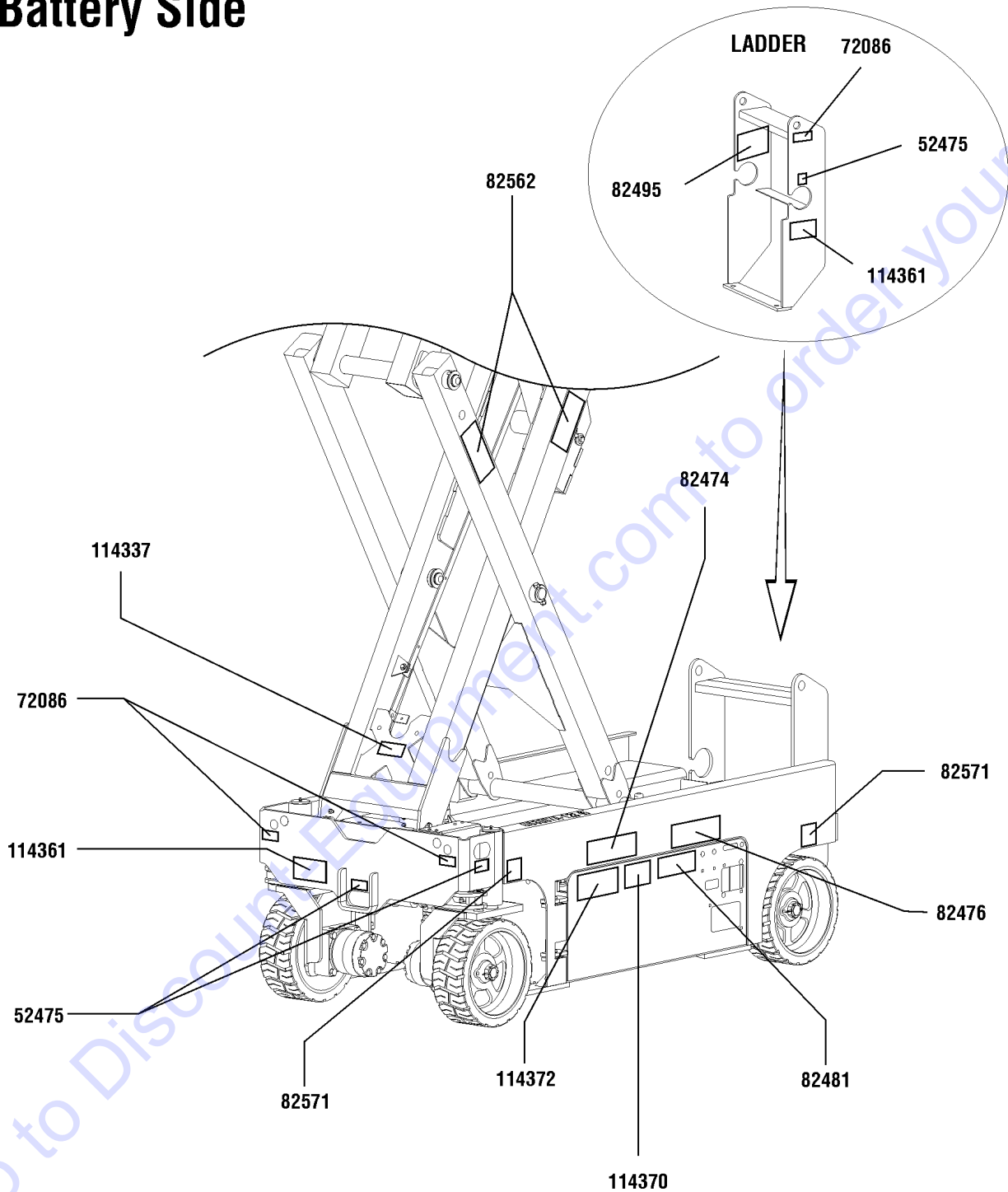
Platform, Australia Models



125.1 Decals with Words, GS-1932 Platform, Australia

Item	Part No.	Description	Qty.
1	28174GT	DECAL, POWER TO PLATFORM 230V**.....	1
2	28176GT	DECAL,LABEL,MANUAL NOT HERE.....	1
3	28235GT	DECAL,POWER TO PLATFORM 115V....	1
4	28236GT	DECAL,WARN,IMPROPER OPERATION.....	1
5	40434GT	DECAL,LANYARD ANCHORAGE POINT.....	3
6	43618GT	DECAL, LABEL - DIRECTION ARROWS.....	2
7	44736GT	DECAL,DANGER,TIP-OVER,TILT.....	1
8	44981GT	DECAL,LABEL, AIR LINE 110 PSI.....	1
9	82287GT	DECAL,COSMETIC,GENIE GS-1932....	2
10	82557GT	DECAL,LABEL,PLAT CONT LOCATION.....	1
11	82566GT	DECAL,INSTR-MANUAL FRC,AUS.....	1
12	114386GT	DECAL,DANGER-GEN SAFETY.....	1
13	133596GT	DECAL,LABEL,FAULT CODES.....	1
14	137605GT	DECAL,E-STOP,GR/GRC/GS PCON.....	1
15	137636GT	DECAL, UI, GR/GRC/GS PCON..... <i>(models with 6 button, 2 speed controller) to SN GS3014A-134999 and to SN GS3014C-16999</i>	1
16	137656GT	DECAL,PROPEL,GR/GRC/GS,PCON.....	1
17	T107032GT	DECAL,OP INST,PCON,GS-30,AUS..... <i>(models with 6 button, 2 speed controller) to SN GS3014A-134999 and to SN GS3014C-16999</i>	1
18	82563GT	DECAL,INSTR-MAX CAP 500 LBS.....	1
19	1256702GT	DECAL, UI, GS/GR, PROP LIFT..... <i>(models with 4 button, proportional controller)</i>	1
20	1256703GT	DECAL, STD, PROP LIFT, UI, SVC..... <i>(units converted from 6 button, 2 speed lift to 4 button, proportional controller)</i>	1
21	1257184GT	DECAL, OP INST, PLAT, GS30, AUS..... <i>(models with 4 button, proportional controller)</i>	1
22	1257923GT	DECAL, SMARTLINK PROPORTIONAL..... <i>(models with 4 button, proportional controller, and units converted from 6 button, 2 speed lift to 4 button, proportional controller)</i>	2

Battery Side



126.1 Decals with Symbols, GS-1932 Battery Side, CE

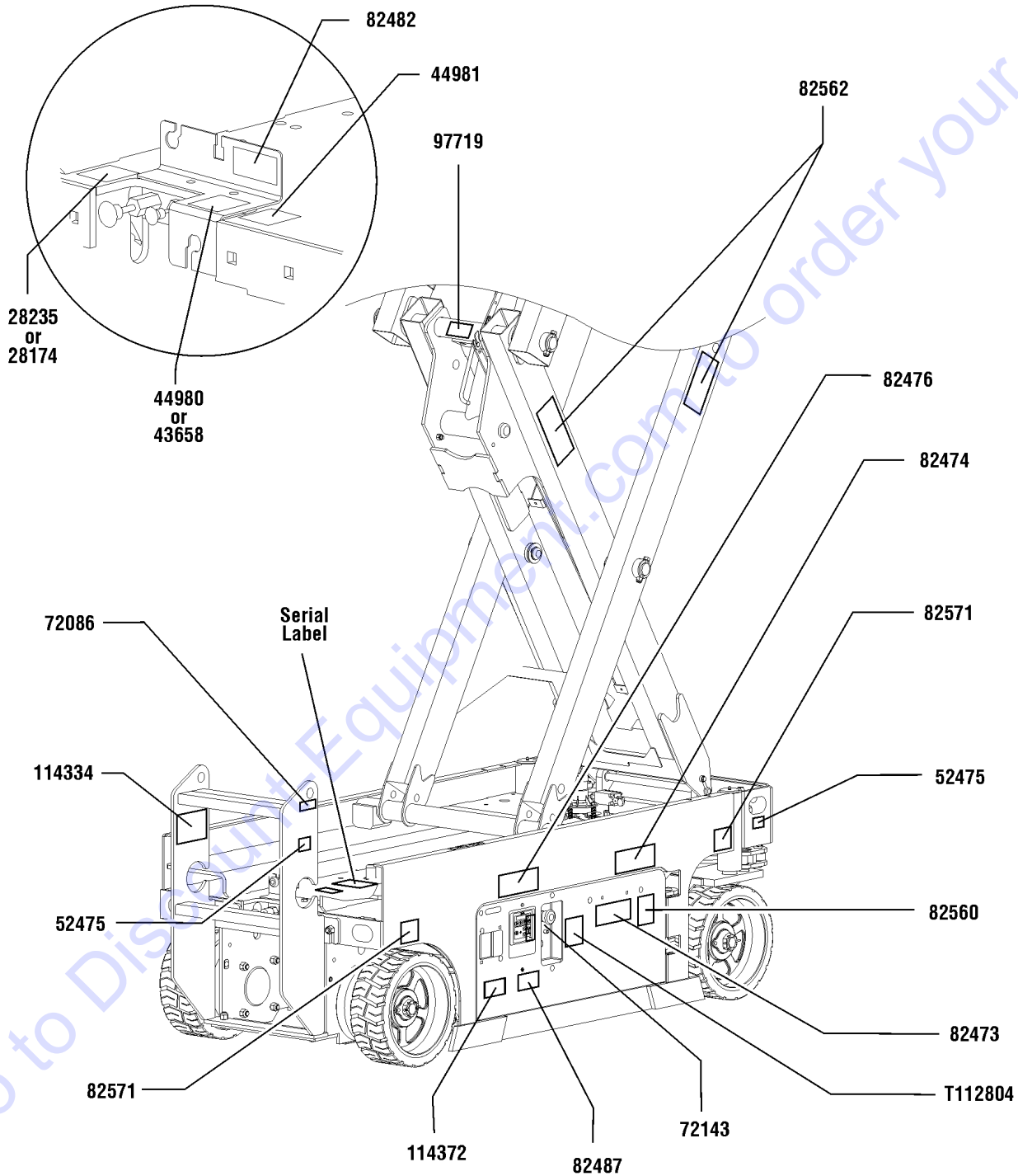
Item	Part No.	Description	Qty.
--	232074GT	DECAL KIT,1932 PLAT.,SYM,CE <i>(CE models with 2 speed controller) to SN GS3014A-134999 and to SN GS3014C-16999</i>	
--	232075GT	DECAL KIT,1932 COMP.,SYM,CE <i>(CE models with 2 speed controller) to SN GS3014A-134999 and to SN GS3014C-16999</i>	
1	52475GT	DECAL,LABEL,TRANSPORT TIEDOWN*.....	3
2	72086GT	DECAL,LABEL,LIFTING EYE.....	3
3	82474GT	DECAL,SYMBOL-USE SAFETY ARM....	1
4	82476GT	DECAL,SYMBOL-ELEC HAZARD,GS....	1
5	82481GT	DECAL,SYMBOL-BATTERY SAFETY.....	1
6	82495GT	DECAL,SYMBOL-BRAKE REL SAFETY.....	1
7	82562GT	DECAL,SYMBOL-CRUSHING HAZARD.....	2
8	82571GT	DECAL,LABEL,WHEEL LOAD 19XX.... <i>(CE models)</i>	2
9	114337GT	DECAL,SYM-TIP-OVER,LIM SWITCH....	1
10	114361GT	DECAL,LABEL-TRANSPORT DIGRAM.....	1
11	114370GT	DECAL-SYM-TIP-OVR,BATTRIES.....	1
12	114372GT	DECAL SYMBOL TIP OVER TRAYS.....	1

Go to Discount-Equipment.com to order your parts



127.1 Decals with Symbols, GS-1932 Ground Control Side, CE

Ground Controls Side

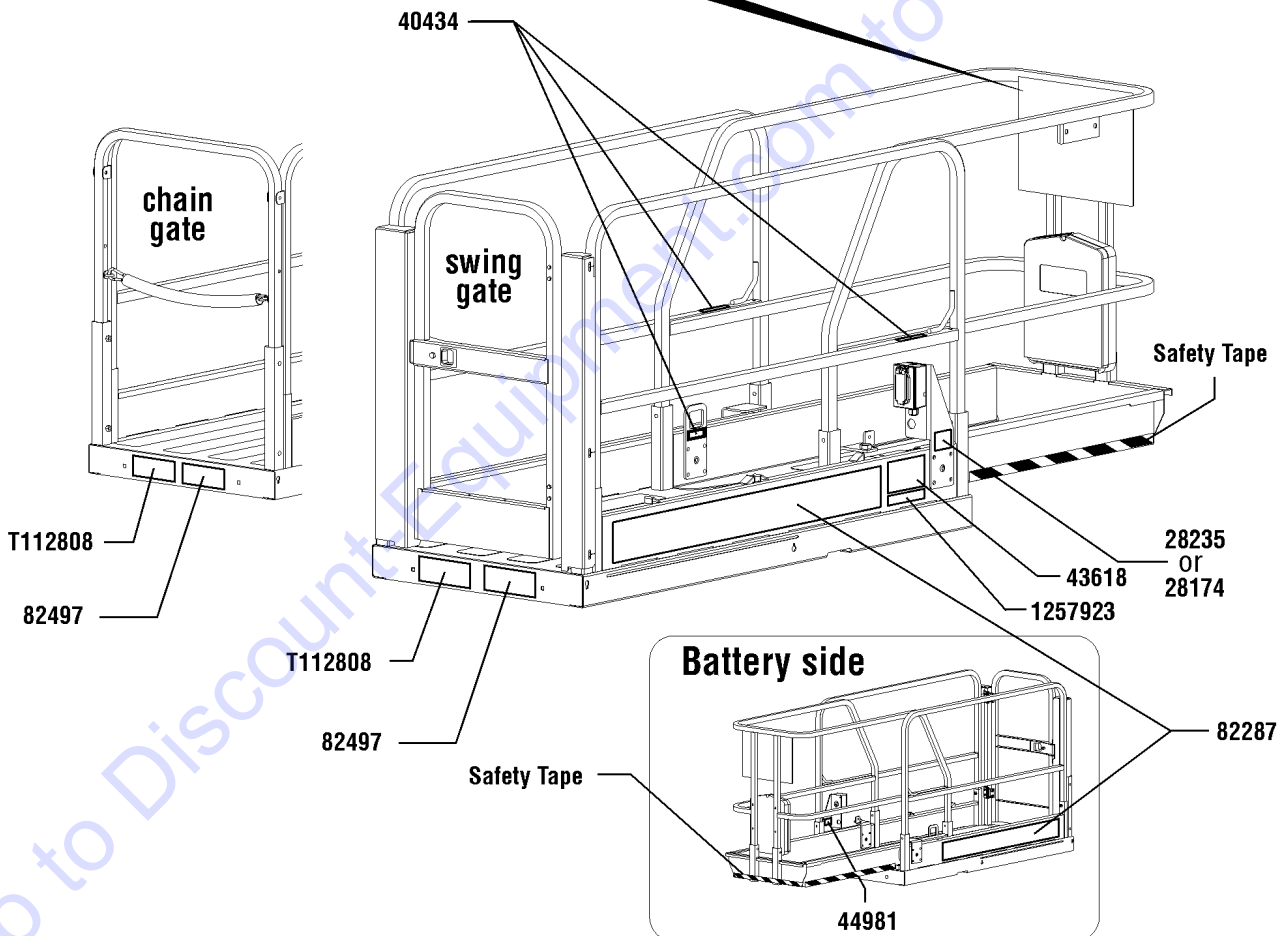
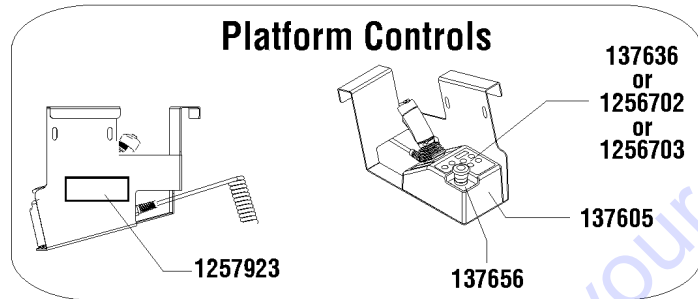
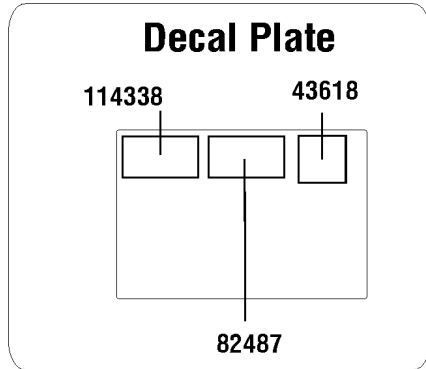


127.1 Decals with Symbols, GS-1932 Ground Control Side, CE

Item	Part No.	Description	Qty.
1	28174GT	DECAL, POWER TO PLATFORM 230V**.....	1
2	28235GT	DECAL,POWER TO PLATFORM 115V...1	1
3	43658GT	DECAL,LABEL,PWR TO CHARGR 230V.....	1
4	44980GT	DECAL,LABEL,PWR TO CHARGR 115V.....	1
5	44981GT	DECAL,LABEL, AIR LINE 110 PSI.....1	1
6	52475GT	DECAL,LABEL,TRANSPORT TIEDOWN*.....	2
7	72086GT	DECAL,LABEL,LIFTING EYE.....1	1
8	72143GT	DECAL,EMERGENCY STOP,GR.....1	1
9	82473GT	DECAL,SYMBOL-COMP ACCESS.....1	1
10	82474GT	DECAL,SYMBOL-USE SAFETY ARM....1	1
11	82476GT	DECAL,SYMBOL-ELEC HAZARD,GS....1	1
12	82482GT	DECAL,LABEL,AUX LOWERING.....1	1
13	82487GT	DECAL, SYMBOL - READ THE MANUAL.....	1
14	82560GT	DECAL,SYMBOL-SKIN INJECT HAZRD.....	1
15	82562GT	DECAL,SYMBOL-CRUSHING HAZARD.....	2
16	82571GT	DECAL,LABEL,WHEEL LOAD 19XX....2 (CE models)	2
17	97719GT	DECAL, LABEL, SAFETY ARM SYMB....1	1
18	114334GT	DECAL,SYM-ELEC HAZARD,PLUG.....1	1
19	114372GT	DECAL SYMBOL TIP OVER TRAYS.....1	1
20	T112804GT	DECAL,GCON PANEL,GS.....	1

128.1 Decals with Symbols, GS-1932 Platform CE

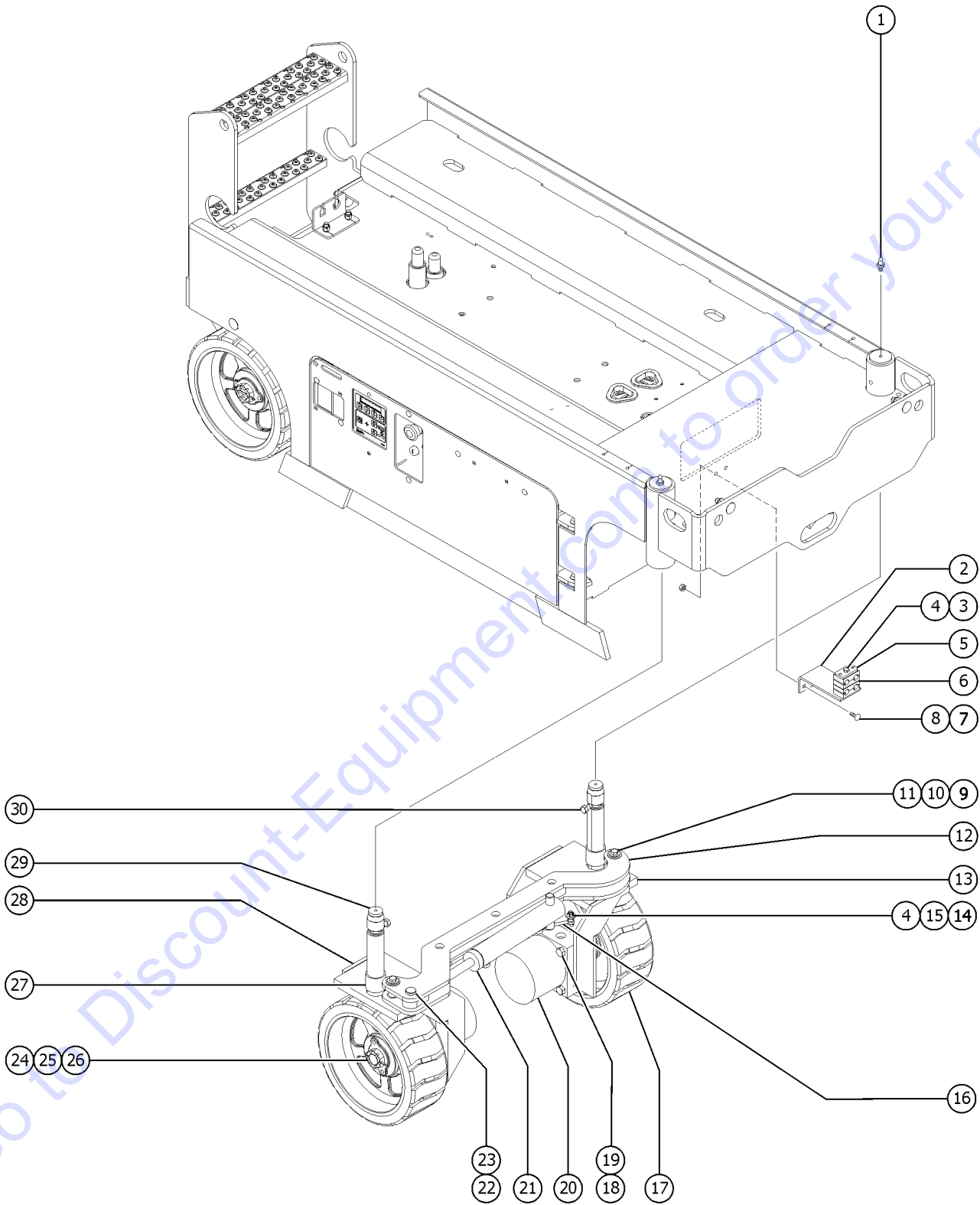
Platform, CE models



128.1 Decals with Symbols, GS-1932 Platform CE

Item	Part No.	Description	Qty.
1	28174GT	DECAL, POWER TO PLATFORM 230V**.....	1
2	28235GT	DECAL,POWER TO PLATFORM 115V....	1
3	40434GT	DECAL,LANYARD ANCHORAGE POINT.....	3
4	43618GT	DECAL, LABEL - DIRECTION ARROWS.....	2
5	44981GT	DECAL,LABEL, AIR LINE 110 PSI.....	1
6	82287GT	DECAL,COSMETIC,GENIE GS-1932....	2
7	82487GT	DECAL, SYMBOL - READ THE MANUAL.....	1
8	82497GT	DECAL,SYM-SIDEFORCE 200400.....	1
9	114338GT	DECAL,SYM-TIP-OVER,TILT ALARM....	1
10	137605GT	DECAL,E-STOP,GR/GRC/GS PCON.....	1
11	137636GT	DECAL, UI, GR/GRC/GS PCON..... <i>(models with 6 button, 2 speed controller) to SN GS3014A-134999 and to SN GS3014C-16999</i>	1
12	137656GT	DECAL,PROPEL,GR/GRC/GS,PCON....	1
13	T112808GT	DECAL,SYM MAX CAP 227 KG,CE.....	2
14	1256702GT	DECAL, UI, GS/GR, PROP LIFT <i>(models with 4 button, proportional controller)</i>	
15	1256703GT	DECAL, STD, PROP LIFT, UI, SVC..... <i>(units converted from 6 button, 2 speed lift to 4 button, proportional controller)</i>	1
16	1257923GT	DECAL, SMARTLINK PROPORTIONAL..... <i>(models with 4 button, proportional controller, and units converted from 6 button, 2 speed lift to 4 button, proportional controller)</i>	2

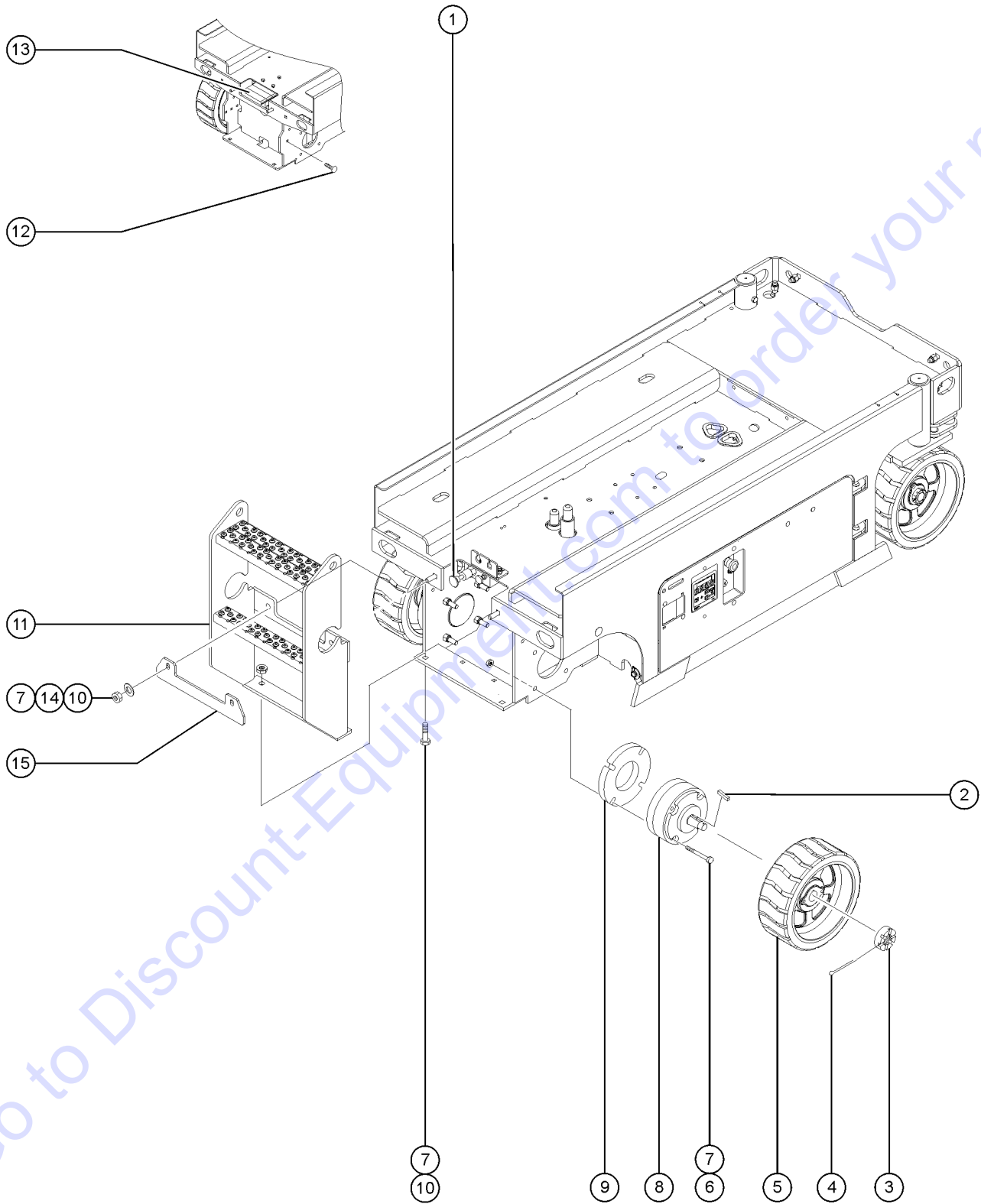
201.1 Steer Linkage and Wheels



201.1 Steer Linkage and Wheels

Item	Part No.	Description	Qty.	Item	Part No.	Description	Qty.
1	66770GT	FITTING,STRAIGHT DRIVE-IN ZERK....2		21		Ref. Steer Cylinder (refer to 501.1)	
2	105051GT	FORMING,HOSE CLAMP SUPPORT.....1		22	6545GT	PIN,CLEVIS,.75 X 2.....1	1
3	144374GT	SCREW,HHC,1/4-20X3.25,GR8		23	21253GT	CLIP,HAIR PIN .125 X 2.....1	1
3A	144374GT	SCREW,HHC,1/4-20X3.25,GR8		24	44780GT	NUT,CASTLE,1.125-18 UNEF.....2	2
3B	144374GT	SCREW,HHC,1/4-20X3.25,GR8 (from SN GS3010A-110000)		25	44781GT	KEY,RECTANGULAR,.31X.28X1.25**.....2	2
3C	144374GT	SCREW,HHC,1/4-20X3.25,GR8 (from SN GS3011C-10000 to 20354)		26	42079GT	PIN,COTTER,.156 X 2.5.....2	2
3D	50160GT	SCREW,HHC,1/4-20 X 3.75 (from SN GS3016C-20355)		27	119619GT	BEARING,1.5IDX1.75ODX1.5L,PTFE.....2	2
4	6091GT	NUT,NYLOCK,1/4-20		28A	96069GT	WELDMENT, STR YOKE, 30 MINI RT.....1 GS-1530, GS-1930 (ground control side)	1
5	58592GT	PLATE,HOSE ROUTG,BULKHEAD(PTD).....1	1	28B	96067GT	WELDMENT, STR YOKE, 32 MINI RT.....1 GS-1532, GS-1932 (ground control side)	1
5A	58592GT	PLATE,HOSE ROUTG,BULKHEAD(PTD).....1 (from SN GS3010A-110000)	1	29	105565GT	WASHER,THRUST, GS.....2	2
5B	58592GT	PLATE,HOSE ROUTG,BULKHEAD(PTD).....1 (from SN GS3011C-10000 to 20354)	1	30	55917GT	SCREW, YOKE LOCK ALL SLABS	
5C	58592GT	PLATE,HOSE ROUTG,BULKHEAD(PTD).....1 ANSI/CSA models (from SN 20355 to 23999)	1				
5C	96196GT	PLATE,HOSE ROUTING,BULKHEAD **.....1 CE models (from SN 20355 to 23999)	1				
6	78736GT	CLAMP,2 HOSE,PLASTIC,5/8.....4	4				
7	105092GT	BOLT,CARRIAGE,3/8-16X1.25,GR5					
8	4828GT	NUT,NYLOCK,3/8-16					
9	8255GT	SCREW,HHC,3/8-16 X .75					
10	6097GT	WASHER,FLAT,USS,3/8",Y					
11	47548GT	BEARING,FL,0.75ID X 1 OD X .49.....4	4				
12	84571GT	TIE ROD ASSEMBLY.....1	1				
--	47548GT	BEARING,FL,0.75ID X 1 OD X .49.....4	4				
--	96074GT	WELDMENT, TIE ROD, GS30.....1 (bearings not included)	1				
13A	96068GT	WELDMENT, STR YOKE, 30 MINI LT.....1 GS-1530, GS-1930 (battery side)	1				
13B	96066GT	WELDMENT, STR YOKE, 32 MINI LT.....1 GS-1532, GS-1932 (battery side)	1				
14	6888GT	SCREW,HHC,1/4-20 X 1					
15	96258GT	PIN,STEER CYLINDER.....1	1				
16	45748GT	ROD END,.250 X 2.75 LG.....1	1				
17	105122GT	WHEEL & TIRE ASSY,LP,12*****.....2	2				
18	8357GT	SCREW,HHC,1/2-13 X 3.5					
19	6198GT	NUT,NYLOCK,1/2-13					
20		Ref. Drive Motor (refer to 501.1)					

202.1 Non-steer Axle Installation, All Models

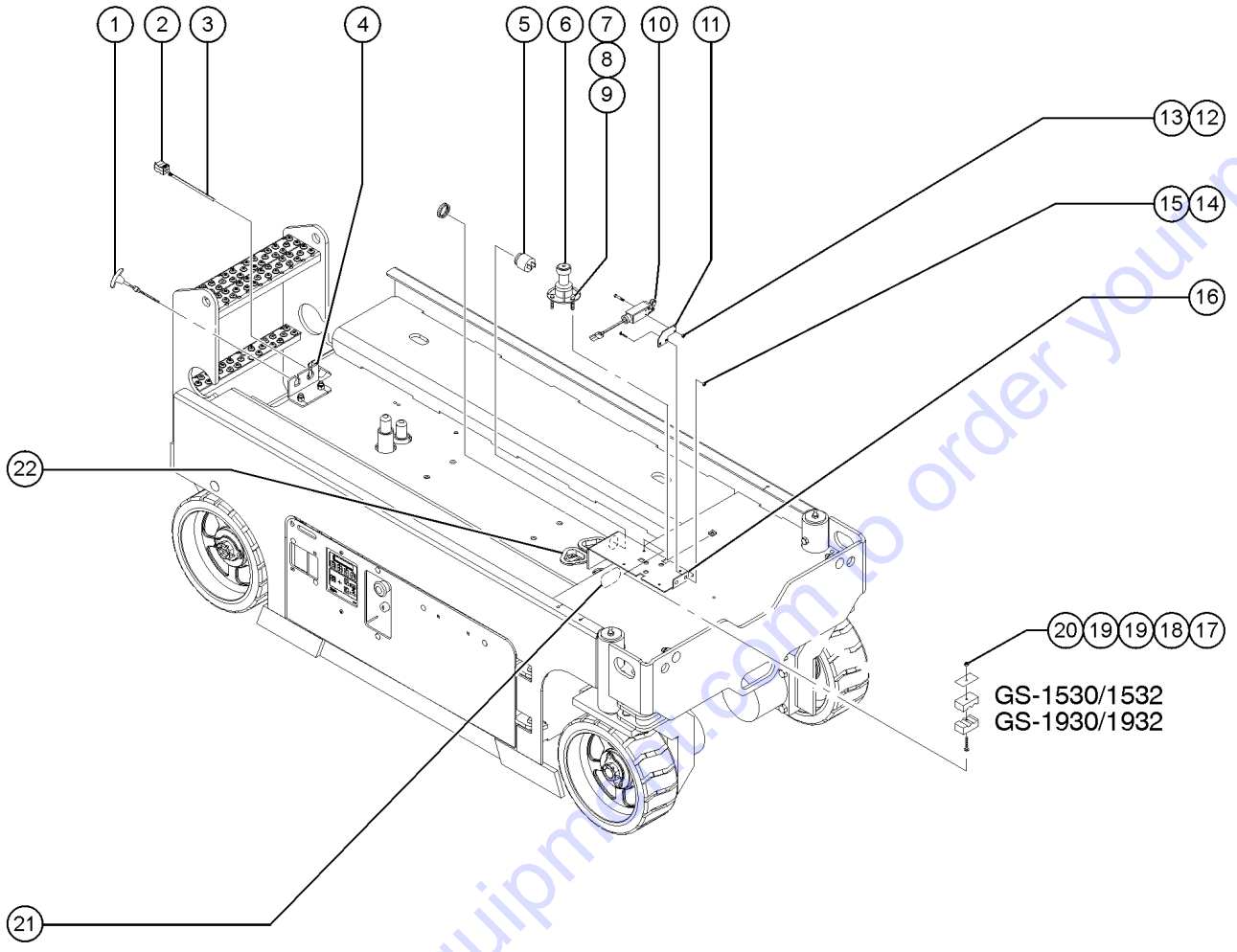


Go to Discount-Equipment.com to order your parts

202.1 Non-steer Axle Installation, All Models

Item	Part No.	Description	Qty.
1		REF. BRAKE RELEASE MANIFOLD (refer to 504.1)	
2	44781GT	KEY,RECTANGULAR,.31X.28X1.25**.....2	
3	44780GT	NUT,CASTLE,1.125-18 UNEF.....2	
4	42079GT	PIN,COTTER,.156 X 2.5.....2	
5	105122GT	WHEEL & TIRE ASSY,LP,12*****.....2	
6A	8357GT	SCREW,HHC,1/2-13 X 3.5 GS-1530 & GS1930 models only	
6B	78732GT	SCREW,HHC,1/2-13 X 5 GR5, PLT GS-1532 & GS1932 models only	
7	6086GT	NUT,LP NYLOCK,1/2-13	
8		REF. HYDRAULIC BRAKE (refer to 501.1)	
9	78680GT	PLATE,BRAKE SPACER.....2 GS-1532 & GS1932 models only	
10	96977GT	BOLT,CARRIAGE,1/2-13X1.50,GR5	
11A	144375GT	LADDER ASSY,GS30,WORD,ENG.....1 (USA, Canada and Australia)	
--	96102GT	WELDMENT,MINI LADDER (decals not included, refer to section one)	
11B	144379GT	LADDER ASSY,GS30,SYM.....1 (Europe, Asia and South America)	
--	96102GT	WELDMENT,MINI LADDER (decals not included, refer to section one)	
12A	105092GT	BOLT,CARRIAGE,3/8-16X1.25,GR5.....2 GS-1530 & GS-1532 CE and Australia Indoor	
--	4828GT	NUT,NYLOCK,3/8-16 GS-1530 & GS-1532 CE and Australia Indoor	
--	5397GT	WASHER,FLAT,USS,5/16",Y GS-1530 & GS-1532 CE and Australia Indoor	
12B	39429GT	SCREW,BHHS,3/8-16 X 1.75.....2 GS-1930 & GS-1932 CE and Australia	
13	96465GT	WELDMENT, 1532 COUNTERWT, CE....1 GS-1530 & GS-1532 CE and Australia Indoor	
13A	96465GT	WELDMENT, 1532 COUNTERWT, CE....1 GS-1530 & GS-1532 CE and Australia Indoor	
13B	96466GT	COUNTERWEIGHT,CAST,CE,1930/32...1 GS-1930 & GS-1932 CE, Australia and ANSI models with padded aircraft rail option	
14	13066GT	WASHER,FLAT,.5 HARDENED	
15	1258393GT	PLATE, COUNTERWEIGHT LOCK GS-1930 & GS-1932 CE and Australia	

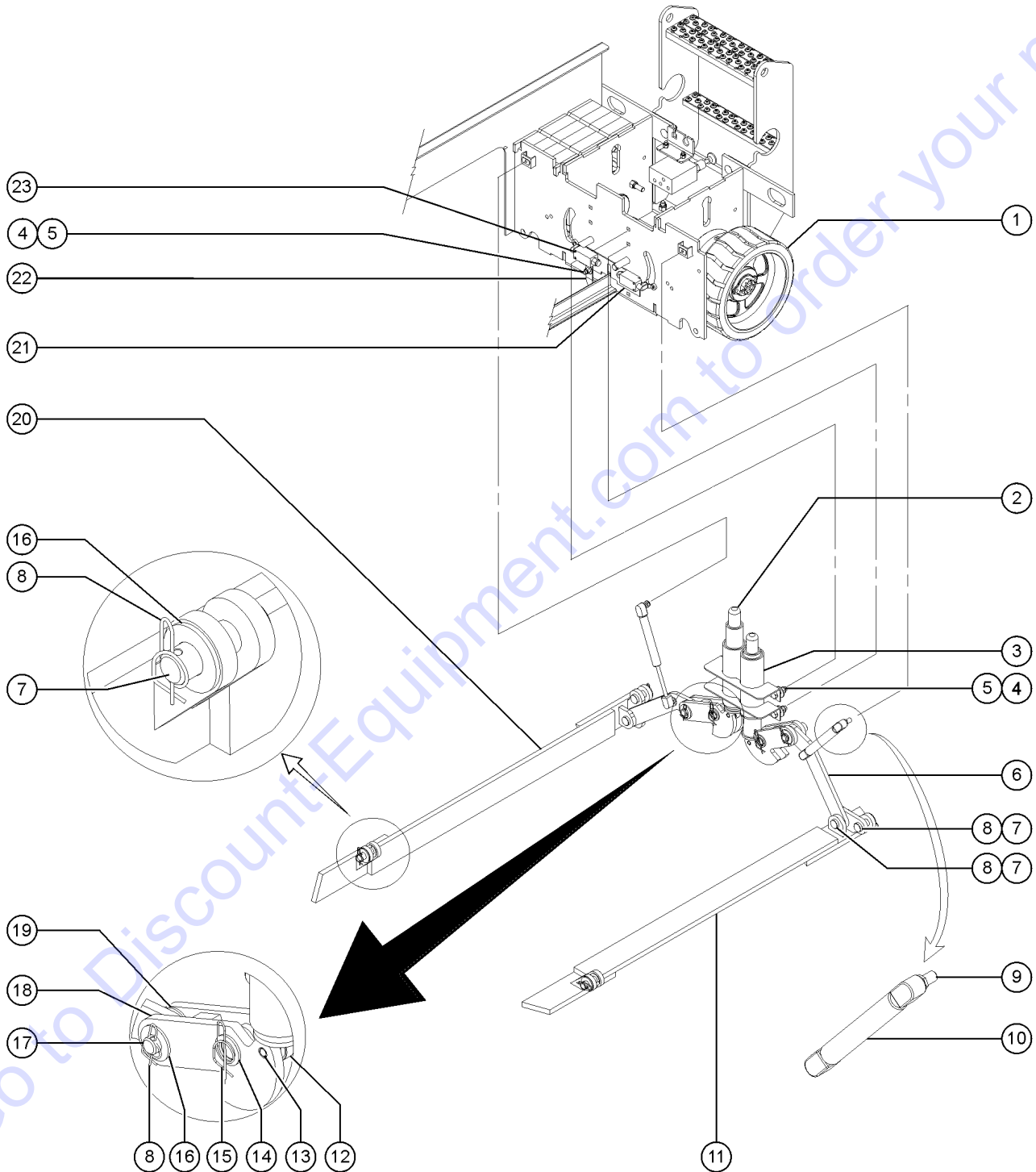
203.1 Level Sensor Installation, All Models



203.1 Level Sensor Installation, All Models

Item	Part No.	Description	Qty.
1	39232GT	CABLE,EMERGENCY DOWN.....	1
2		Ref. Electrical Plug (refer to 406.1)	
3		Ref. Electrical Cord (refer to 406.1)	
4	144226GT	FORMING,REC.PLG BRKT.....	1
5	39540GT	ALARM,STEADY TONE***..... order 72326 mounting ring separately	1
--	72326GT	NUT - PLASTIC,RING FOR ALARMS for 39540	
6	228406GT	ASSY,LVL SNSR W/ CONNECTOR.....	1
7	6637GT	SCREW,HHC,1/4-20 X 1.75	
8	39469GT	SPRING,COMPRESSION.485 X1.75**	
9	56912GT	SPRING CLIP,1/4-20,.025-.15X.54,ZAG.....	5
10	T112507GT	ASSEMBLY, DOWN LIMIT, GS..... (Includes plug)	1
--	19491GT	CONTACTOR,LIMIT SWITCH	
--	96948GT	SWITCH,LIMIT,W/ROLLER ARM***	
--	97128GT	ROLLER ARM,LIMIT SWITCH***	
11	96493GT	PLATE, LIMIT SWITCH MOUNT.....	1
12	6178GT	NUT,NYLOCK,10-32.....	2
13	16487GT	SCREW,RHM,10-32 X 1.5.....	2
14	6091GT	NUT,NYLOCK,1/4-20.....	2
15	6878GT	BOLT,CARRIAGE,1/4-20 X .75,G2.....	2
16	105310GT	FORMING, ALARM BRACKET,MINI.....	1
17	18504GT	NUT,LOCKING-LG.FLANGE,1/4-20.....	1
18	58592GT	PLATE,HOSE ROUTG,BULKHEAD(PTD).....	1
19	78736GT	CLAMP,2 HOSE,PLASTIC,5/8.....	2
20	1255797GT	BOLT,CARRIAGE,1/4-20X2,5,ZAG.....	1
21	131582GT	GROMMET,RUBBER,1.50IDX.375.....	1
22	105440GT	GROMMET,RUBBER 2.5 X 3.0.....	2

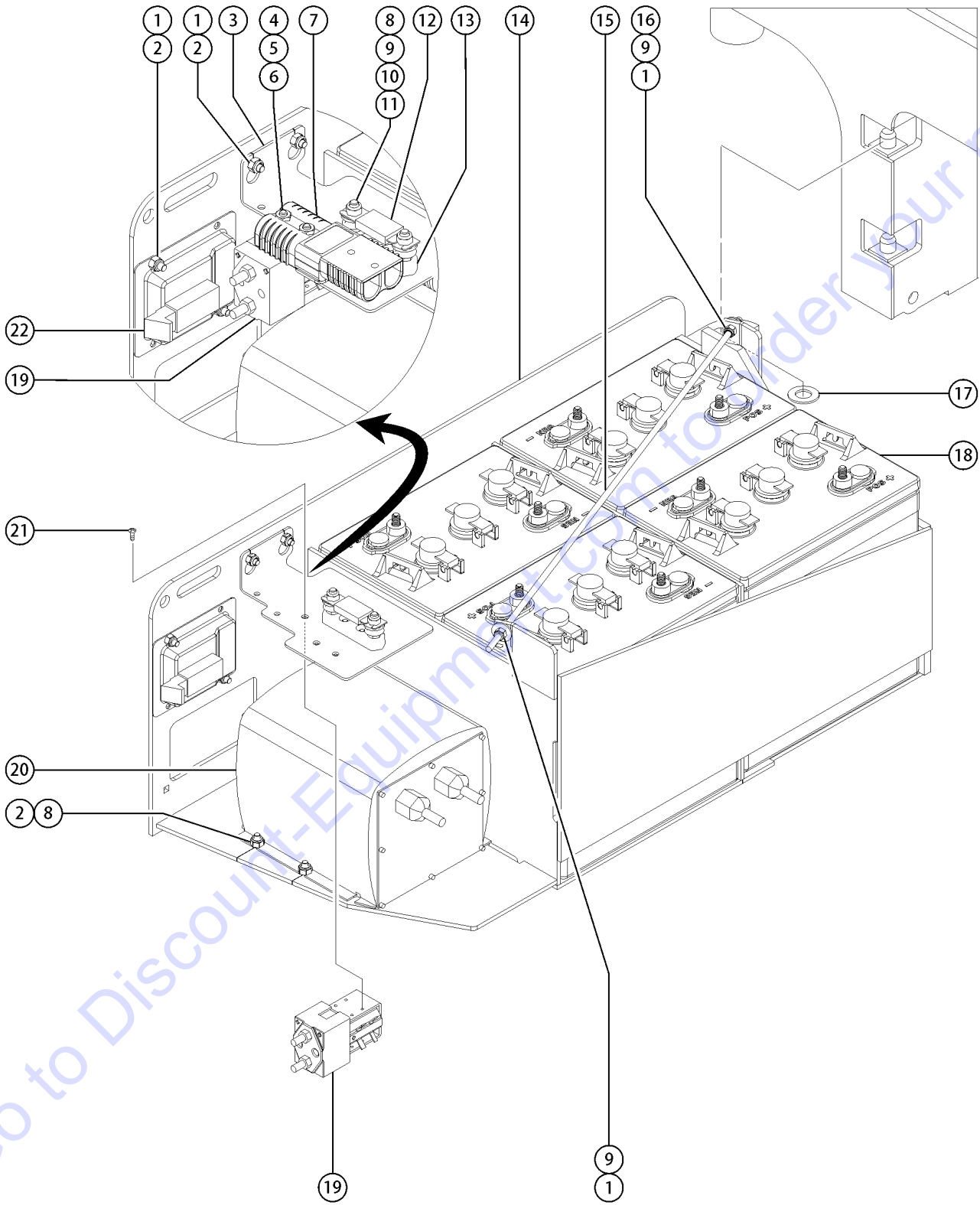
204.1 Pothole Protection Assembly



204.1 Pothole Protection Assembly

Item	Part No.	Description	Qty.
1		Ref. Wheel and Tire Assy (refer to 201.1)	
2	96839GT	ASSY,POT HOLE PUSHER,GS***.....2	
3	96524GT	WLDMT/ASSY, PH GUIDE,GS30/32.....1	
--	96408GT	BEARING,1.523IDX1.75ODX0.63L	
4	4828GT	NUT,NYLOCK,3/8-16	
5	105092GT	BOLT,CARRIAGE,3/8-16X1.25,GR5	
6	105055PGT	PLATE,POT HOLE LINK,GS30.....2	
7	96135GT	PIN,CLEVIS,.625 X 1.88,ZINC PL.....6	
--	105156GT	BUSHING,FLNGD,.63 X .77 X .38.....4	
8	96422GT	RUE RING,5/8 PIN.....8	
9	78086GT	BALL STUD, GAS STRUT, 3/8-16.....2	
10	39542GT	GAS SHOCK,SCISSORS***.....2	
11	96039GT	POT HOLE GUARD,LT,WLDMT.....1 (battery pack side)	
12	96541GT	CAM FOLLOWER,1.125X.375,DELRLN.2	
13	34742GT	PIN,CLEVIS,.375 X 1.75 LG.....2	
--	12016GT	PIN,COTTER,.125 X .75	
--	5397GT	WASHER,FLAT,USS,5/16",Y	
14	6564GT	WASHER, SHIM,.765 X 1.312 X .093.....2	
15	96423GT	RUE RING,3/4 PIN.....2	
16	6898GT	WASHER,SHIM,.625 X 1.188X.064.....2	
17	96134GT	PIN,CLEVIS,.625 X 1.56,ZINC PL.....2	
18	84574GT	POT HOLE BELL CRNK LINK ASSYGS30.....2	
--	96642GT	BEARING,.75ID X 1.00D X 1.38LG.....2	
19	96085GT	WASHER,THRUST,.63 X 1.13 X .06.....4	
20	96038GT	POT HOLE GUARD,RT,WLDMT.....1 (ground controls side)	
21	105275GT	BRACKET,LIMIT SWITCH MTG***	
22	96317GT	GROUND STRAP,12"LG***.....1	
23	96948GT	SWITCH,LIMIT,W/ROLLER ARM***.....2	
--	19491GT	CONTACTOR,LIMIT SWITCH	
--	97128GT	ROLLER ARM,LIMIT SWITCH***	

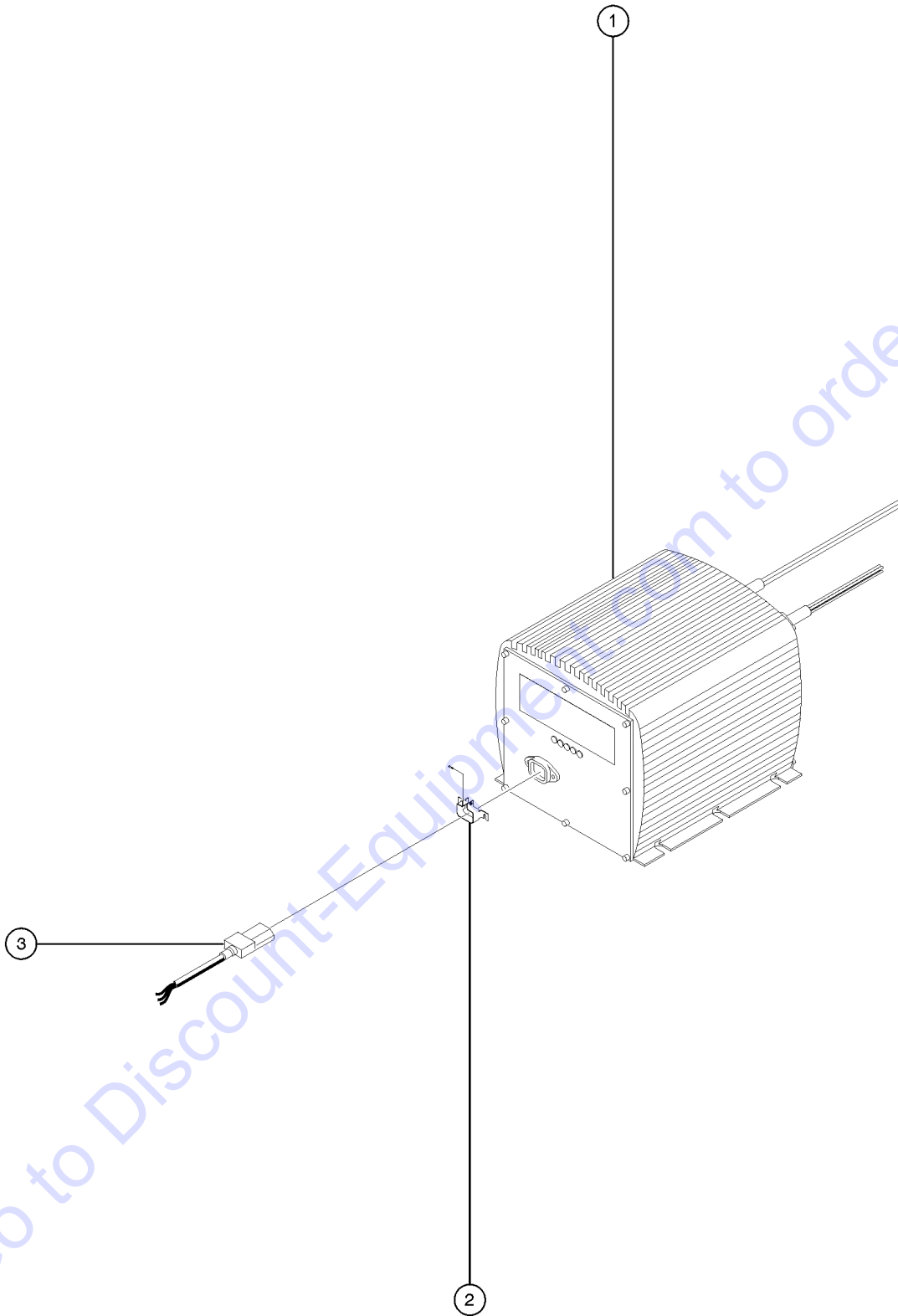
205.1 Battery Pack Module



205.1 Battery Pack Module

Item	Part No.	Description	Qty.	Item	Part No.	Description	Qty.
1	6091GT	NUT,NYLOCK,1/4-20.....	6	20		Ref. Battery Charger (refer to 206.1)	
2	6878GT	BOLT,CARRIAGE,1/4-20 X .75,G2.....	8	21	49818GT	SCREW,PHILLIPS,PHM,10-32 X .38.....	2
3A	232531GT	FORMING,CONTACTOR MOUNT,GS..... (from SN GS3011A-110828 and from GS3011C-10010)	1	22	55675GT	LATCH, LRG PADDLE HANDLE GS90...1	
3B	96078GT	FORMING,FUSE BRACKET..... (to SN GS3011A-110827 and to SN GS3011C-10009)	1				
4	66094GT	NUT-THIN HEAVY HEX, 1/4-20.....	4				
5	6356GT	WASHER,LOCK,.25.....	4				
6	8915GT	SCREW,HHC,1/4-20 X 1.25.....	4				
7	66397GT	QUICK DISCONNECT CASING,BATT**.....	2				
8	18504GT	NUT,LOCKING-LG.FLANGE,1/4-20.....	2				
9	5397GT	WASHER,FLAT,USS,5/16",Y.....	2				
10	18503GT	NUT,LOCKING-LG.FLANGE,5/16-18.....	2				
11	105273GT	SCREW,HEX HD,NO SLOT,#14X.50.....	2				
12	40833GT	FUSE,275 AMP,VERY FAST ACTING.....	1				
13	66717GT	FUSE BLOCK, ANN & ANL FUSE..... (includes mounting fasteners)	1				
14A	233366GT	ASSY,GS BATTERY TRAY (from SN GS3011A-110828 and from GS3011C-10010, does not include decals, please refer to section 1) (includes items 1, 2, 3A, 10, 15, and 22)					
14B	96060GT	ASSY, GS BATTERY TRAY..... (to SN GS3011A-110827 and to GS3011C-10009, does not include decals, please refer to section 1) (includes items 1, 2, 3B, 10, 15, and 22)	1				
15	30784-2550GT	THREADED ROD,(1/4-20),25.50.....	1				
16	6889GT	NUT,LP NYLOCK,1/4-20.....	1				
17	33278GT	WASHER,FLAT,.75 HARDENED					
18A	76502GT	BATTERY,T105 W/LPT,3 CAP,DRY**.....	4				
--	137769GT	BATTERY WATERING HAND PUMP					
--	137770GT	BATTERY WATERING KIT, 24V UNIV (to watch the installation video, copy and paste this link to your web browser) https://www.youtube.com/watch?v=13zTt-hWik					
--	18503GT	NUT,LOCKING-LG.FLANGE,5/16-18.....	8				
18B	105150GT	BATTERY, AGM, 6V, (TROJAN) ***.....	4				
--	137769GT	BATTERY WATERING HAND PUMP					
--	137770GT	BATTERY WATERING KIT, 24V UNIV (to watch the installation video, copy and paste this link to your web browser) https://www.youtube.com/watch?v=13zTt-hWik					
19A	74267GT	CONTACTOR,DRIVE,24V,180A***..... to SN GS3016C-22671, to GS3016P-154308	1				
19B	1270456GT	CONTACTOR,DRIVE,24V,180A from SN GS3016C-22672					

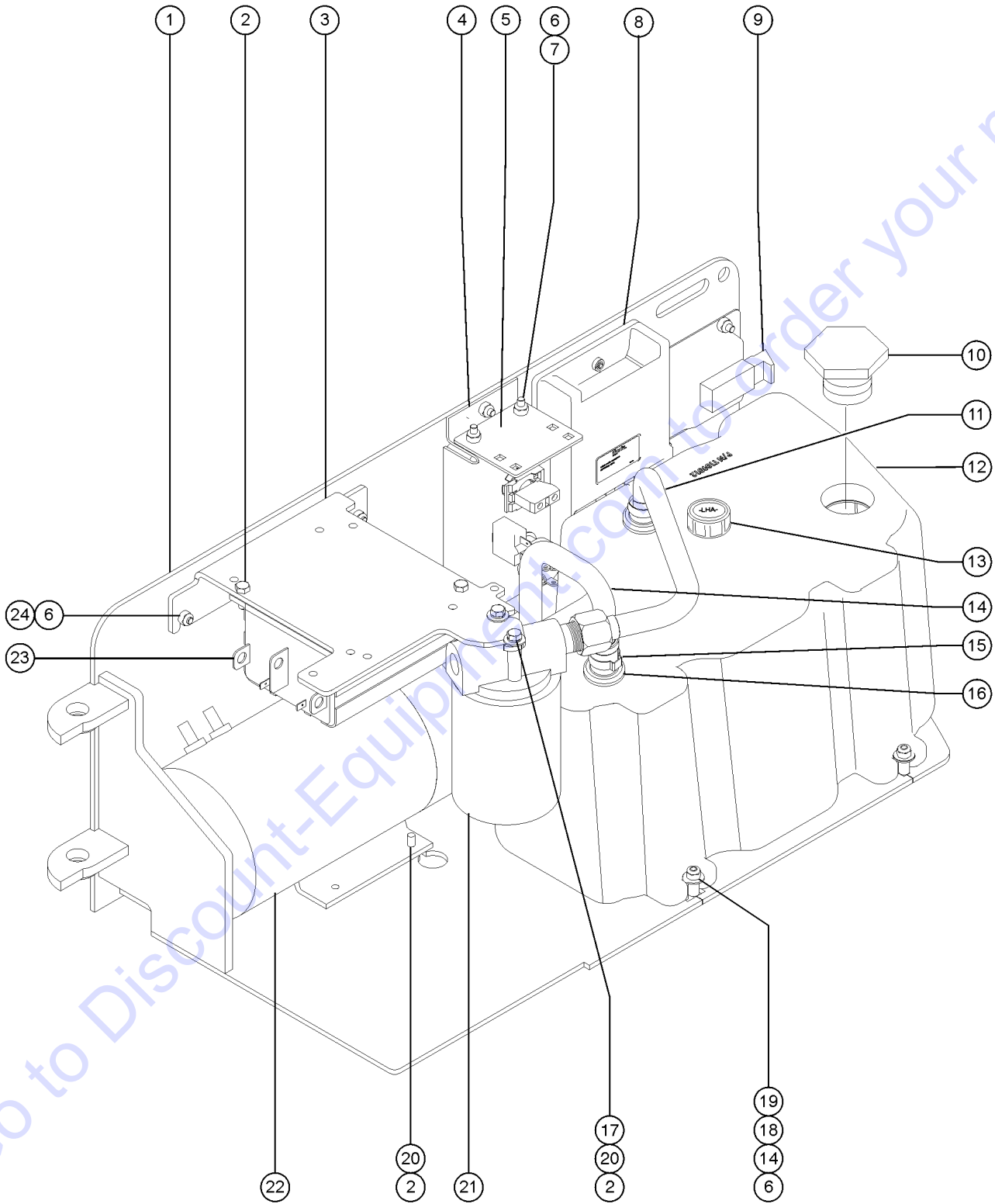
206.1 Battery Charger



206.1 Battery Charger

Item	Part No.	Description	Qty.
--	105334GT	CONNECTOR, IEC CHARGER CORD <i>for 5-LED battery charger</i>	
--	97059GT	FUSE,BATTERY CHARGER*** <i>for 5-LED battery charger</i>	
1A	105739GT	CHARGER,BAT,24VDC,H/LO GEN2.....1 <i>Signet battery charger. NOTE: Some machines are equipped with an alternative-brand battery charger. Inspect your machine before ordering OR contact Discount-equipment if needed.</i>	
--	144180GT	MANUAL,OWNERS,CHARGER,105739	
1B		Ref. Field Assembly Recessed Charger Plug <i>(refer to 406.1)</i>	
1C	219480GT	KIT,BATTERY CHARGER,24V <i>(includes 105739 charger, fasteners, ring terminals and instructions for field installation)</i>	
2	55010GT	LOCK, CONNECTOR.....1 <i>(includes fasteners)</i>	
3	144130GT	POWER CORD, IEC 320, 115".....1	

207.1 Power Unit Module

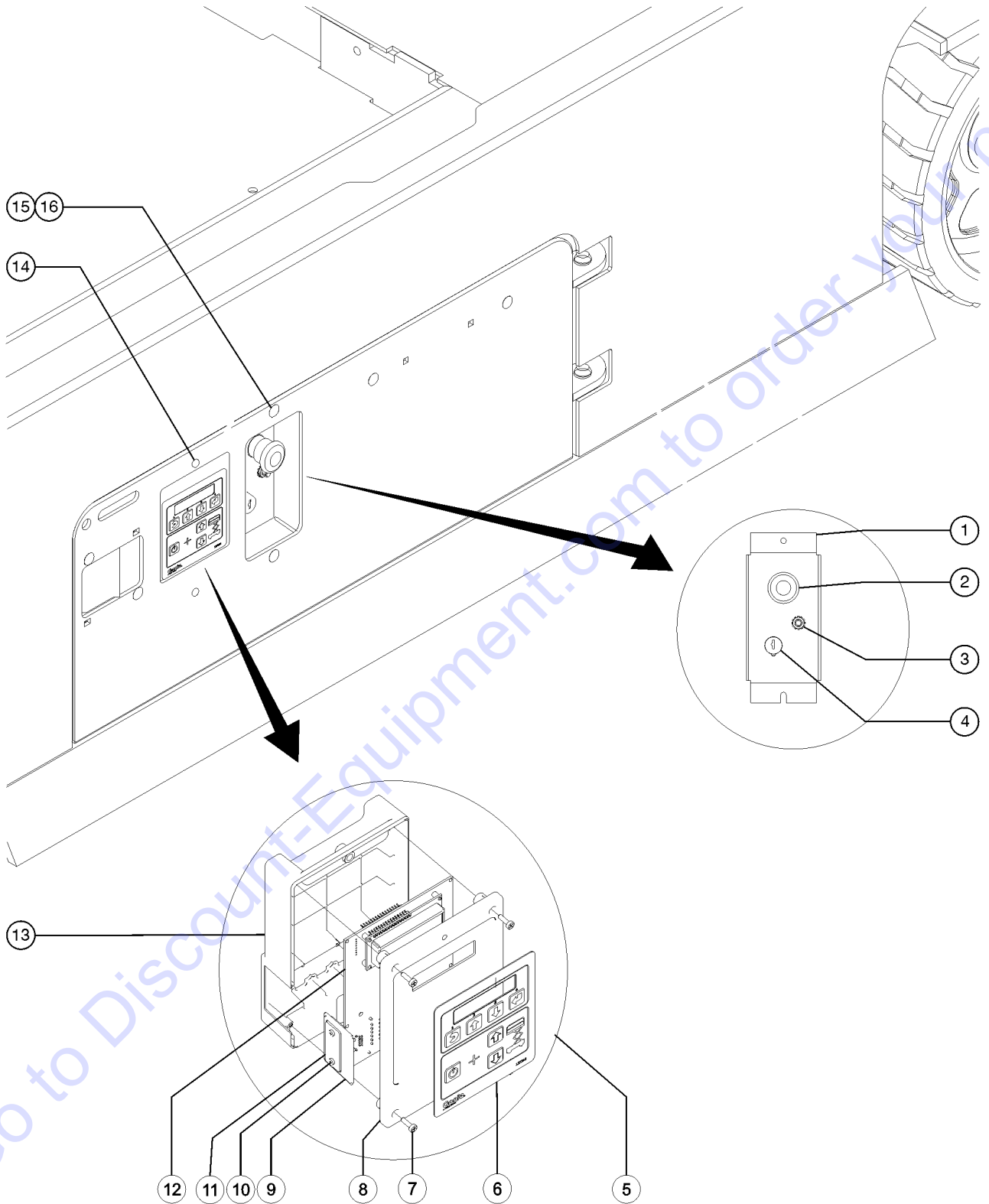


207.1 Power Unit Module

Item	Part No.	Description	Qty.	Item	Part No.	Description	Qty.
A	1257204GT	KIT,GS30/32 MOTOR CONTROLLER <i>before SN GS3014A-136973, GS3214A-135715</i>		23C	1261335GT	KIT,BATT. CABLE ASSY.,GS30/32 <i>All models with motor controller, 823408 installed</i>	
1A	231114GT	HYDR TRAY ASSY W/WORDS.....1		23D	233379GT	KIT, INVERTER JUMPER, GS	
--	T113296GT	WELDMENT,GS HYD TRAY <i>decals not included, refer to section one</i>					
1B	231167GT	HYDR TRAY ASSY,GS30 W/SYMBOLS.....1					
--	T113296GT	WELDMENT,GS HYD TRAY <i>decals not included, refer to section one</i>					
2	8915GT	SCREW,HHC,1/4-20 X 1.25					
3	105308GT	FORMING, FILTER-CNTRLR MOUNT....1					
4		REF. FORMING,CONTROL PANEL <i>refer to figure 208.1</i>					
5	T108326GT	PLATE,HARNESS MOUNT.....1					
6	6091GT	NUT,NYLOCK,1/4-20					
7	6878GT	BOLT,CARRIAGE,1/4-20 X .75,G2					
8		REF. GCON, GR/GRC/GS <i>refer to figure 208.1</i>					
9	55675GT	LATCH, LRG PADDLE HANDLE GS90...1					
10	66204GT	FILTER CAP (PLUG 1-1/2" NPT HEX....1					
11	96355GT	TUBE, ASSY, RETURN.....1					
12	226163GT	HYD. TANK KIT, GS30,32,46 <i>includes items 15 and 16</i>					
--	T109012GT	TANK,HYD, SLAB SCISSORS.....1					
13	78546GT	BREATHER CAP,HYD. TANK, 1/4 NPT....1					
14	96354GT	TUBE, ASSY, DRAW.....1					
15	96855GT	CLAMP,HOSE,1 EAR,1-1/16***.....2					
16	96709GT	GROMMET,SLAB HYD TANK***.....2					
17	6638GT	WASHER,FLAT,USS,1/4"Y					
18	96699GT	SLEEVE,TANK SUPPORT					
19	9116GT	BOLT,CARRIAGE,1/4-20x1.25,G2					
20	6356GT	WASHER,LOCK,.25					
21		REF. FILTER ASSY <i>refer to figure 501.1</i>					
22		REF. ELECTRIC MOTOR/PUMP <i>refer to figure 505.1</i>					
--	1257840GT	MOTOR CONTROLLER, DC,24V,360A.....1 <i>motor controllers sold separately only in cases where upgrade kits are N/A or an upgrade kit has been previously installed</i>					
23A	1257204GT	KIT,GS30/32 MOTOR CONTROLLER.....1 <i>from SN GS30A-60000 to 62710, GS32A-60000 to 135715, from GS30C-1 to 18038</i>					
23B	232534GT	KIT,CONTACTOR,GS <i>from SN GS30A-62711, SN GS32A-51481, GS46A-50781, and SN GSXXC-1</i>					



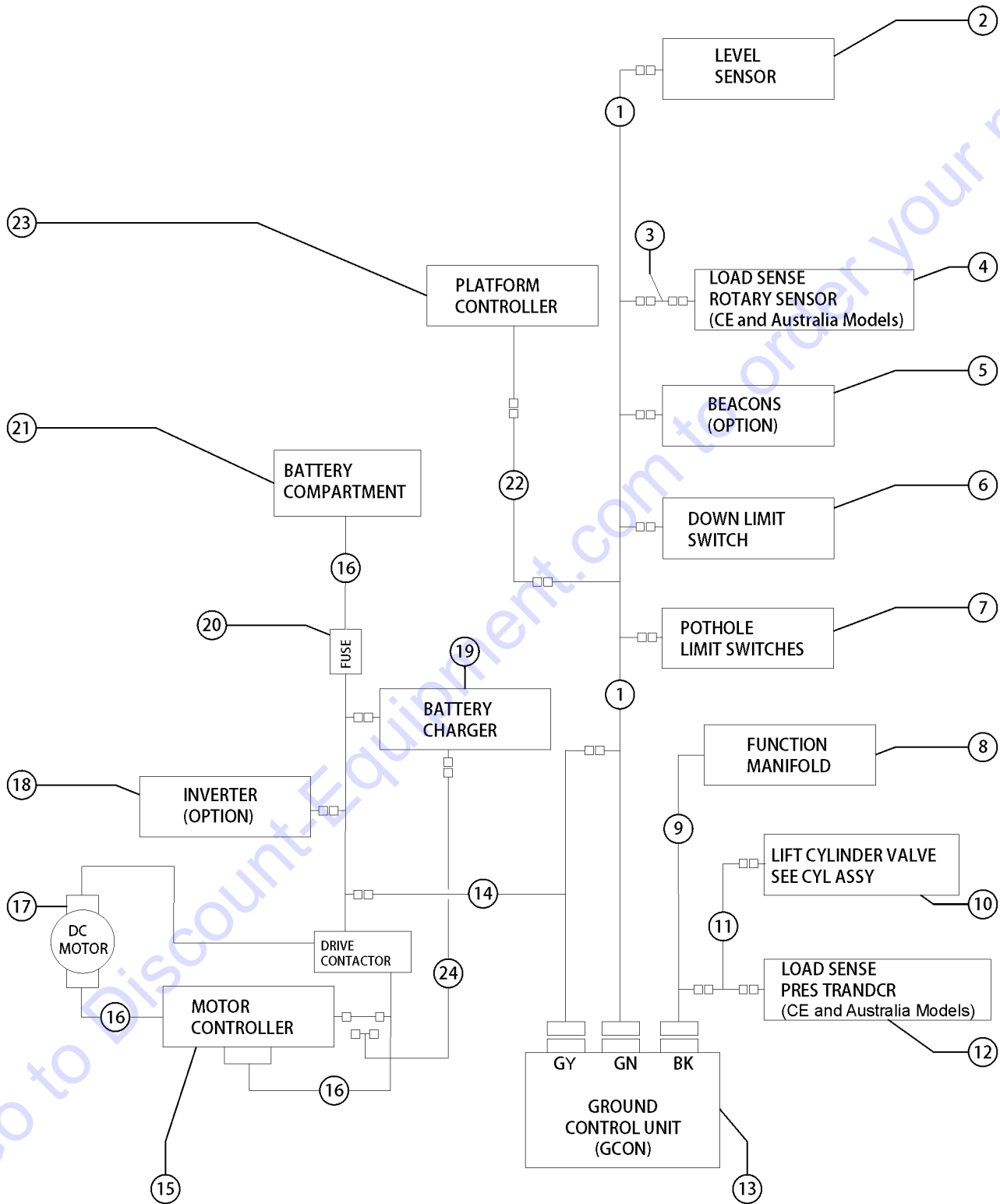
208.1 Ground Controls, All Models



208.1 Ground Controls, All Models

Item	Part No.	Description	Qty.	Item	Part No.	Description	Qty.
A	83093GT	KEY SINGLE*** <i>includes rubber boot</i>		12B	1256719GT	PCBA,GCON STD,PROP LIFT <i>(models with 4 button, proportional controller) from SN GS3014A-135000 and from SN GS3014C-17000</i>	
B	21982GT	KEY,SINGLE*** <i>without rubber boot</i>		13	T106372GT	ENCLOSURE, GC21-19, BK.....1	
C	37947GT	KEYS,10 PACK*** <i>without rubber boots</i>		14	75041GT	SCREW,PHILLIPS,PHM,10-32 X 1.....2	
D	1252764GT	SPACER, GROUND CONTROL ECU.....1		15	6878GT	BOLT,CARRIAGE,1/4-20 X .75,G2.....2	
E	824216GT	SCREW,PHPM,10-32X1.5,ZAG		16	6091GT	NUT,NYLOCK,1/4-20.....2	
1	T108327GT	FORMING,CONTROL PANEL.....1					
2	66812GT	BUTTON,PUSH,RED MUSHROOM HEAD.....1					
--	58627GT	NUT.....1					
--	66817GT	BASE WITH 1 NC CONTACT, E-STOP...1					
--	66818GT	CONTACT, N.C.....1					
3	96452GT	CIRCUIT BREAKER,7.0 AMP***1					
--	122994GT	NICKEL PLATED JAM NUT.....1					
--	6700GT	WASHER,STAR,EXTERNAL,,375.....1					
4A	96008-SGT	KEYSWITCH,3 POS. W/KEYS***1					
--	85239GT	NUT,RETAINER (96008)					
--	96009GT	WASHER,NITRILE <i>(sold seperately)</i>					
--	96010GT	SCREW,PHILLIPS,PHM,8-32 X.25** <i>(sold seperately)</i>					
4B	83131GT	KEYSWITCH,3 POS W/KEYS,LOCKING.....1 <i>Australia market only; not for CE market</i>					
--	85239GT	NUT,RETAINER (96008).....1					
5A	137692GT	GCON, GR/GRC/GS.....1 <i>(models with 6 button, 2 speed controller) to SN GS3014A-134999 and to SN GS3014C-16999</i>					
--	137673GT	LABEL, SERIAL, GC21-19.....1 <i>(for 137692)</i>					
5B	1256721GT	GCON,STD,PROP LIFT.....1 <i>(models with 4 button, proportional controller) from SN GS3014A-135000 and from SN GS3014C-17000</i>					
6	137562GT	DECAL,MEMBRANE, GR/GRC/GS GCON.....1					
7	137668GT	SCREW,PHM,6-19X.75, 48-2 TRI-L.....4					
8	T106366GT	ENCLOSURE,GC27-25/GC21-19,FRNT.1					
9	T106363GT	ADAPTER, RJ45, GC27-25/GC21-19....1					
10	137637GT	SCREW,PHM,4-20X.5, 48-2 TRI-L.....2 <i>(Not shown)</i>					
11	T106362GT	COVER, RJ45, GC27-25/GC21-19.....1					
12A	137604GT	PCBA, GC21-19.....1 <i>(models with 6 button, 2 speed controller) to SN GS3014A-134999 and to SN GS3014C-16999</i>					

209.1 Electrical Wiring

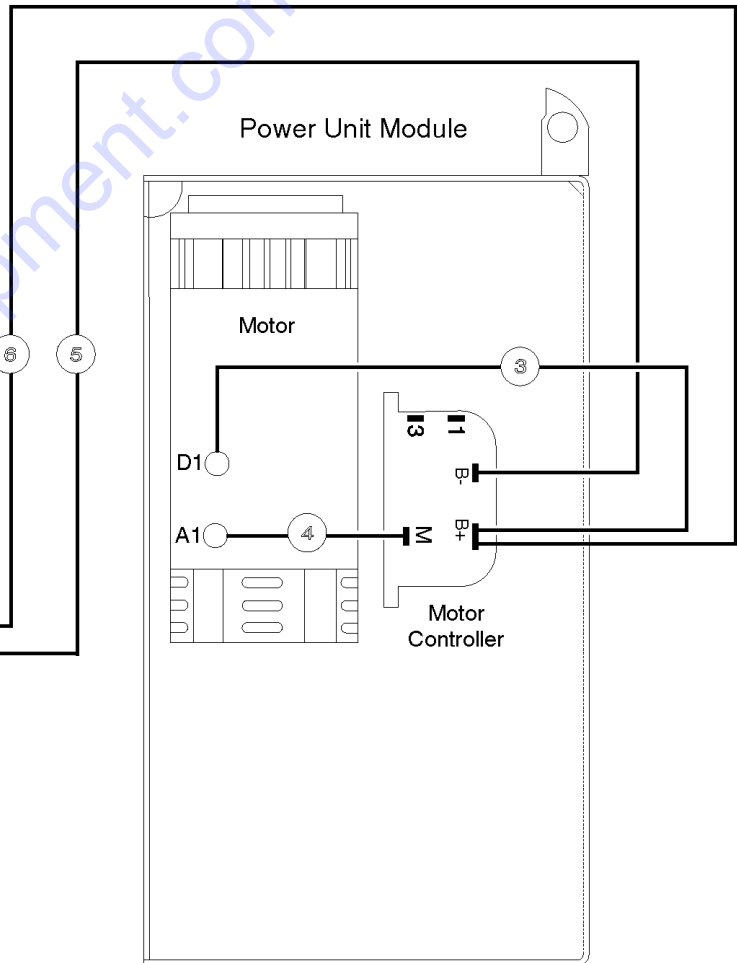
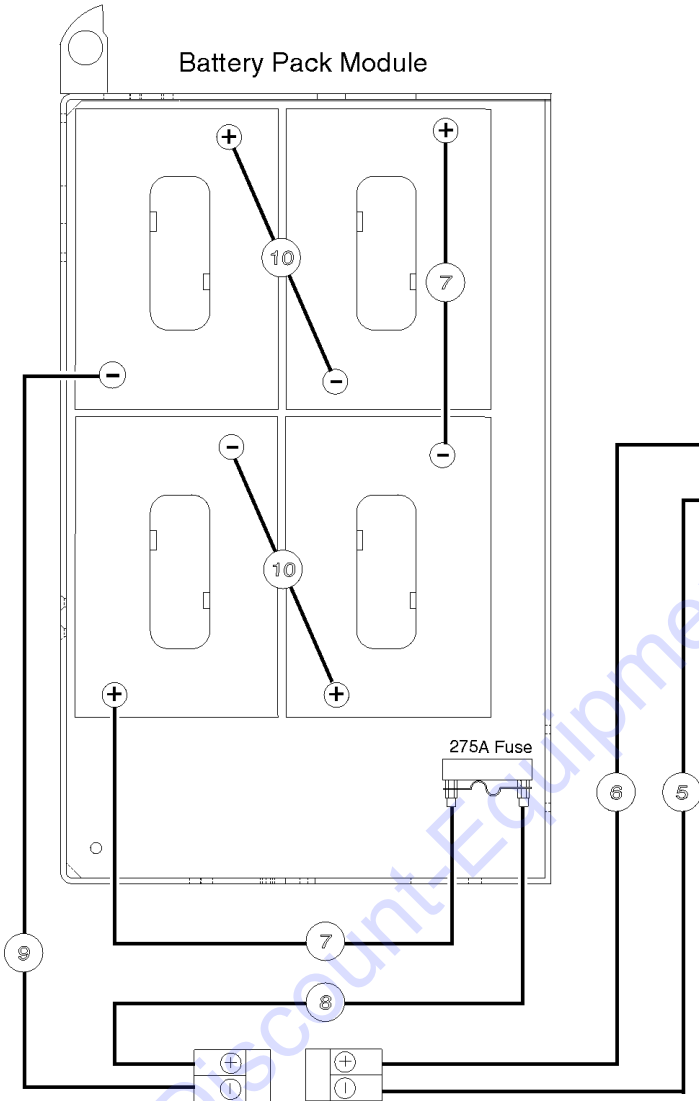
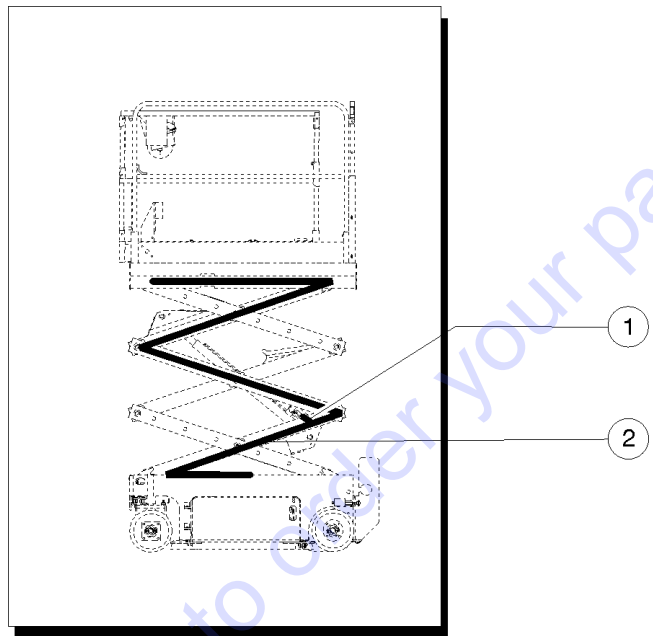


209.1 Electrical Wiring

Item	Part No.	Description	Qty.	Item	Part No.	Description	Qty.
--	105214GT	CABLE TIE MOUNT, WINGED <i>not shown</i>		16		REF. ELECTRICAL WIRING AND POWER CABLES <i>refer to 210.1</i>	
--	56926GT	CLIP,TIE HARNESS MOUNT*** <i>not shown</i>		17		REF. DC MOTOR <i>refer to 505.1</i>	
A	88335GT	PLUG,DTM SEAL 20-24GA		18	96459GT	HARNESS ASSEMBLY, INVERTER	
B	1264822GT	KIT, TRC RETROFIT, STNDRD <i>Telematics (includes 1264834)</i>		19		REF. BATTERY CHARGER <i>refer to 206.1</i>	
--	1264834GT	INSTRN, TRC RETROFIT, STNDRD		20		REF. FUSE <i>refer to 205.1</i>	
1A	228786GT	HARNESS, GS SENSORS, ANSI.....1 <i>ANSI, CSA, S. America (Green connector)</i>		21		REF. BATTERY COMPARTMENT <i>refer to 205.1</i>	
--	233644GT	RESISTOR,200 OHM 10W,CERAMIC		22A	T112510GT	CABLE, PLATFORM CONTROL, 15XX...1 <i>GS-1530 and GS-1532</i>	
--	233711GT	HRNS ASSY,RESISTOR DIODE <i>for 228786 and T110891</i>		--	218579GT	WIRE CABLE 18/5 - UNSHIELDED.....212-inches <i>GS-1530 and GS-1532</i>	
1B	T110891GT	HARNESS, GS SENSORS, CE.....1 <i>CE, AUS, Asia (Green connector)</i>		--	231921GT	KIT,CONN,RECEPT W/PIN AND LOCK	
--	233711GT	HRNS ASSY,RESISTOR DIODE <i>for 228786 and T110891</i>		--	231922GT	KIT,CONN,PLUG W/SCKT AND LOCK	
2		REF. LEVEL SENSOR <i>refer to 203.1</i>		22B	T112511GT	CABLE, PLATFORM CONTROL, 19XX...1 <i>GS-1930 and GS-1932</i>	
3	T114031GT	HARNESS, ROTARY ANGLE <i>CE and AUS</i>		--	218579GT	WIRE CABLE 18/5 - UNSHIELDED.....278-inches <i>GS-1930 and GS-1932</i>	
4	T113136GT	ASSY,ROT SENSR W/ HARNESS.....1 <i>CE and AUS</i>		--	231921GT	KIT,CONN,RECEPT W/PIN AND LOCK	
5		REF. BEACONS <i>refer to 601.1</i>		--	231922GT	KIT,CONN,PLUG W/SCKT AND LOCK	
6	T112507GT	ASSEMBLY, DOWN LIMIT, GS.....1		23		REF. Joystick Controller <i>refer to 407.1</i>	
7	96309GT	ASSY,POTHOLE HARNESS,GS.....1		24	144213GT	CHARGER INTERLOCK CBLE,GS30/32	
8		REF. FUNCTION MANIFOLD <i>refer to 502.1</i>					
9A	T110889GT	HARNESS, GS FUNC MANIFOLD.....1 <i>(to SN GS3014A-136972) (Black connector)</i>					
9B	1257824GT	HARNESS,FUNCTION MANIFOLD,GS...1 <i>(from SN GS3014A-136973) (Black connector)</i>					
10		REF. LIFT CYLIDER VALVE <i>refer to 506.1</i>					
11A	T112508GT	CABLE, LIFT CYL DOWN WO/LS.....1 <i>ANSI, CSA, Asia, S. America</i>					
11B	T112509GT	CABLE, LIFT CYL DOWN W/LS.....1 <i>CE and AUS</i>					
12	229750GT	HARNESS,PRESS,TRANSDUCER***....1 <i>CE and AUS</i>					
13		REF. GROUND CONTROLS <i>refer to 208.1</i>					
14A	T110890GT	HARNESS, GS POWER CONTRL.....1 <i>to SN 134999 (Grey connector)</i>					
14B	1258394GT	HARNESS,GS POWER CONTROL.....1 <i>from SN 135000 (Grey connector)</i>					
15		REF. MOTOR CONTROLLER <i>refer to 207.1</i>					



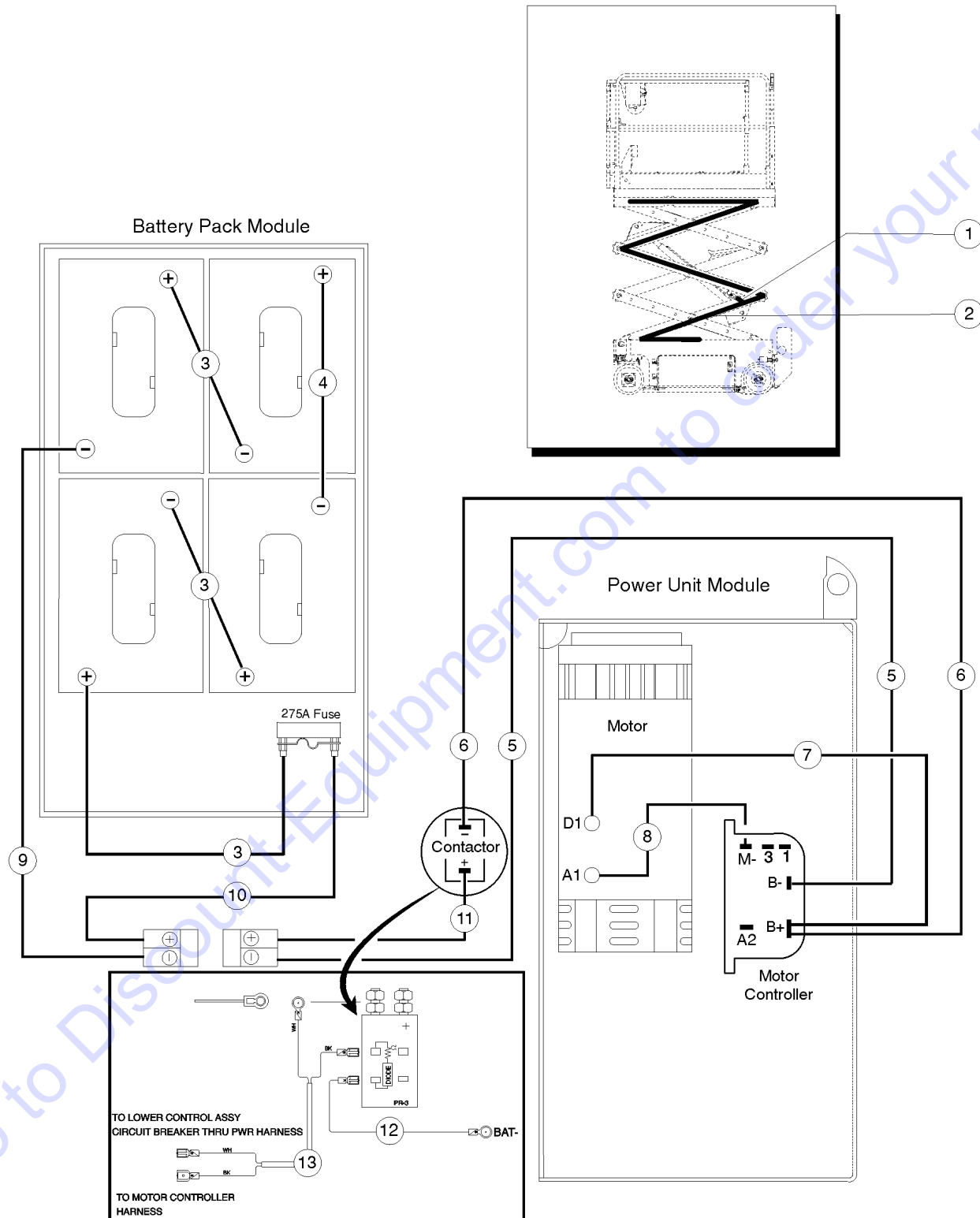
210.1 Power Cables (models without contactor)



210.1 Power Cables (models without contactor)

Item	Part No.	Description	Qty.
--	105953GT	BATTERY CABLE ASSY, GS30/32 (includes items 3-10 and fuse)	
--	96387GT	ASSY,MOTOR CONTROL HARNESS (ANSI, CSA and Australia models)	
--	96819GT	ASSY,MOTOR CONTRL HARN,CE (CE models)	
--	96522GT	STD CONTROL HARNESS, SLAB (ANSI, CSA and Australia models) (includes wire harnesses 96489, 96387, 96344 and 105321)	
--	96440GT	CE CONTROL HARNESS, SLAB (CE models) (includes wire harnesses 96489, 96819, 96520, 105320 and 47124)	
1		REF: Lift Cylinder Down Cable.....1 (refer to 209.1)	
2		REF: Platform Control Cable.....1 (refer to 209.1)	
3	96302GT	CABLE ASSY,BATT, 7.50" RED.....1	
4	96303GT	CABLE ASSY,BATT, 7.50" BLACK.....1	
5	96299GT	CABLE ASSY.BATT.75".AND.BLK.....1	
6	96298GT	CABLE ASSY.BATT.75",AND.RED.....1	
7	96306GT	CABLE ASSY,BATT,9.50"RED.....2	
8	96300GT	CABLE ASSY,BATT,7.50",AND. RED.....1	
9	105071GT	CABLE ASSY, BATT,19"AND.BLK.....1	
10	96304GT	CABLE ASSY,BATT,5.50"RED.....2	

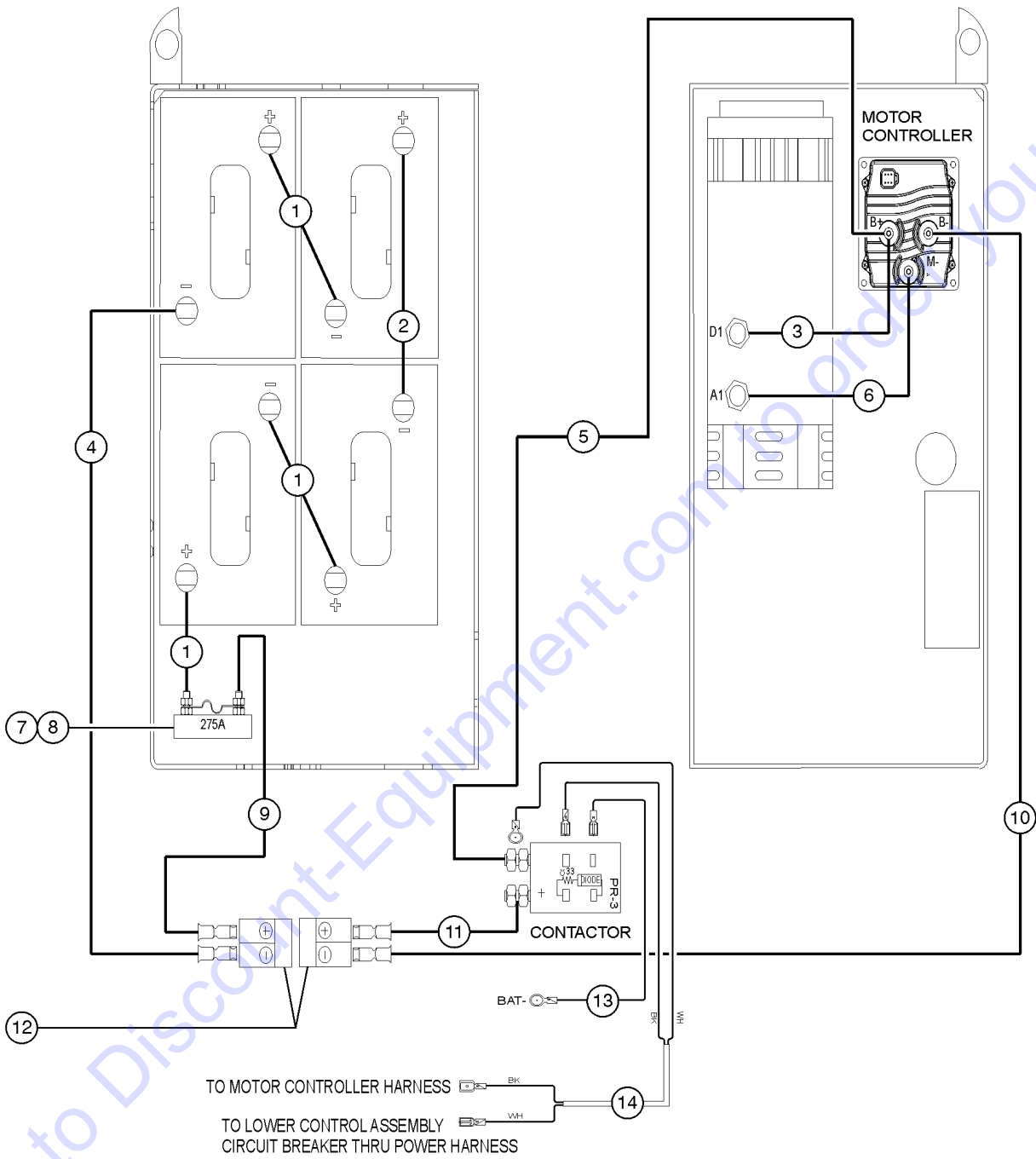
210.2 Power Cables (models with contactor to SN GS3014A-136972 and to GS3015C-18038)



210.2 Power Cables (models with contactor to SN GS3014A-136972 and to GS3015C-18038)

Item	Part No.	Description	Qty.
--	1257033GT	BATTERY CABLE ASSEMBLY, GS30/32 <i>includes items 3-13</i>	
--	233439GT	ASSY,MOTOR CONTROL HARNESS <i>ANSI, CSA and Australia models</i>	
--	233438GT	ASSY,MOTOR CONTROL HARNESS,CE <i>CE models</i>	
--	96522GT	STD CONTROL HARNESS, SLAB <i>(ANSI, CSA and Australia models)</i> <i>(includes wire harnesses 96489, 96387, 96344 and 105321)</i>	
--	96440GT	CE CONTROL HARNESS, SLAB <i>(CE models) (includes wire harnesses 96489, 96819, 96520, 105320 and 47124)</i>	
1		REF: Lift Cylinder Down Cable.....1 <i>refer to 209.1</i>	
2		REF: Platform Control Cable.....1 <i>refer to 209.1</i>	
3	96304GT	CABLE ASSY,BATT,5.50"RED.....3	
4	96306GT	CABLE ASSY,BATT,9.50"RED.....1	
5	1257058GT	CABLE ASSY., BATT. 79" BLACK.....1 <i>replaced 96299</i>	
6	1257059GT	CABLE ASSY., BATT. 75" RED.....1 <i>replaced 233368</i>	
7	1257054GT	CABLE ASSY., BATT. 14" RED.....1 <i>replaced 96302</i>	
8	1257055GT	CABLE ASSY., BATT. 12" BLACK.....1 <i>replaced 96303</i>	
9	232578GT	CABLE ASSY,BATT, 20" BLK.....1	
10	232576GT	CABLE ASSY,BATT, 12" RED.....1	
11	233371GT	CABLE ASSY,BATT,23"RED.....1	
12	232582GT	GROUND WIRE ASSY,GS.....1	
13	233431GT	HRNS,CONTACTOR SIGNL,GS30/32.....1	

210.3 Power Cables (from SN GS3014A-136973 and from GS3015C-18039)

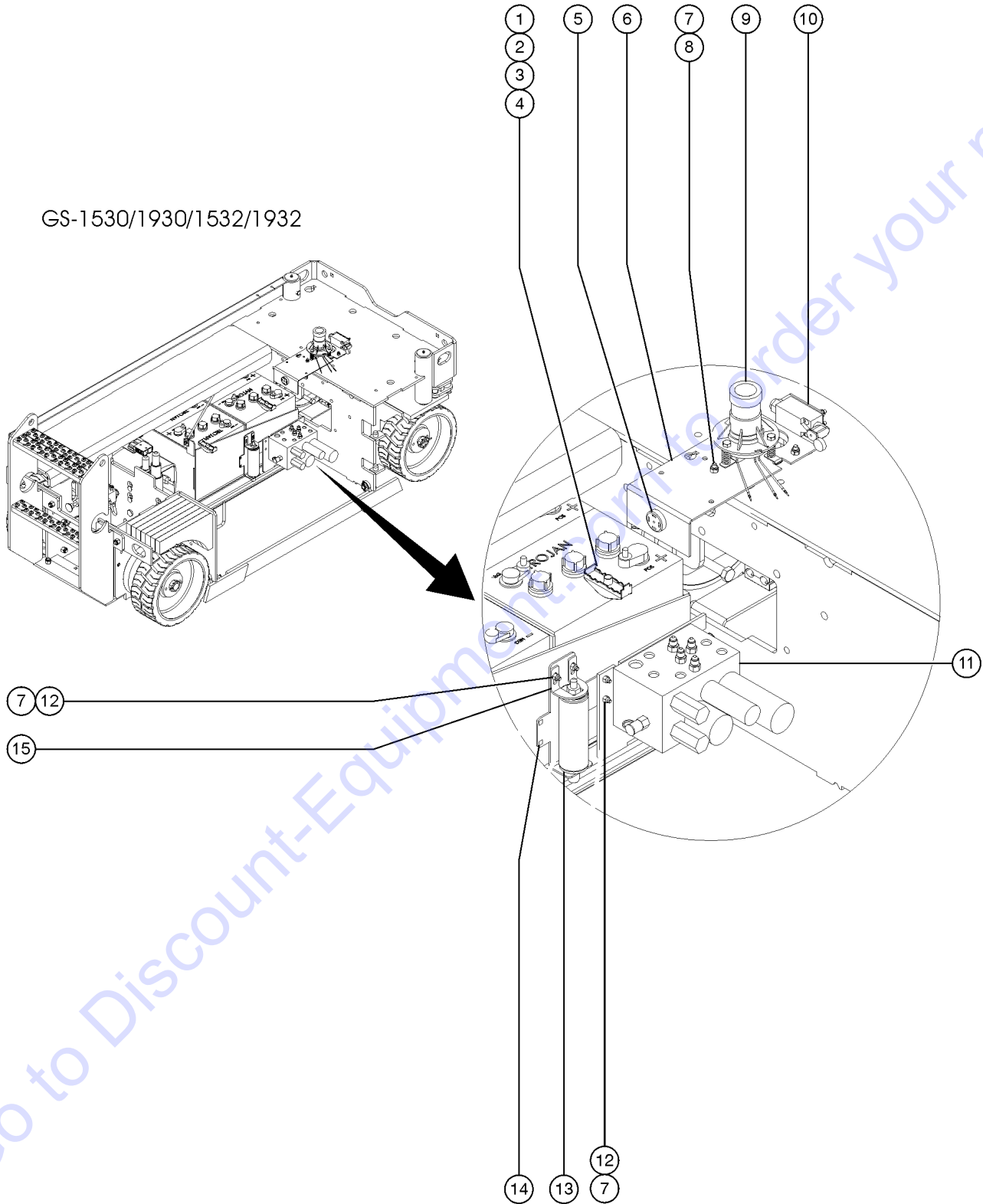


210.3 Power Cables (from SN GS3014A-136973 and from GS3015C-18039)

Item	Part No.	Description	Qty.
A	28131GT	WIRE LOOM,1.25 DIA.....16-inches	
B	96110GT	BOOT,CABLE TERMINAL COVER.....14	
C	79140GT	BOOT,CABLE TERMINAL,RED,XL.....2	
1	96304GT	CABLE ASSY,BATT,5.50"RED.....3	
2	96306GT	CABLE ASSY,BATT,9.50"RED.....1	
3	1257054GT	CABLE ASSY., BATT. 14" RED.....1	
4	232578GT	CABLE ASSY,BATT, 20" BLK.....1	
5	1257059GT	CABLE ASSY., BATT. 75" RED.....1	
6	1257055GT	CABLE ASSY., BATT. 12" BLACK.....1	
7	66717GT	FUSE BLOCK, ANN & ANL FUSE.....1	
8	40833GT	FUSE,275 AMP,VERY FAST ACTING.....1	
9	232576GT	CABLE ASSY,BATT, 12" RED.....1	
10	1257058GT	CABLE ASSY., BATT. 79" BLACK.....1	
11	233371GT	CABLE ASSY,BATT,23"RED.....1	
12	66397GT	QUICK DISCONNECT CASING,BATT**2	
13	232582GT	GROUND WIRE ASSY,GS.....1	
14	233431GT	HRNS,CONTACTOR SIGNL,GS30/32.....1	

211.1 Function Manifold and Accumulator Components

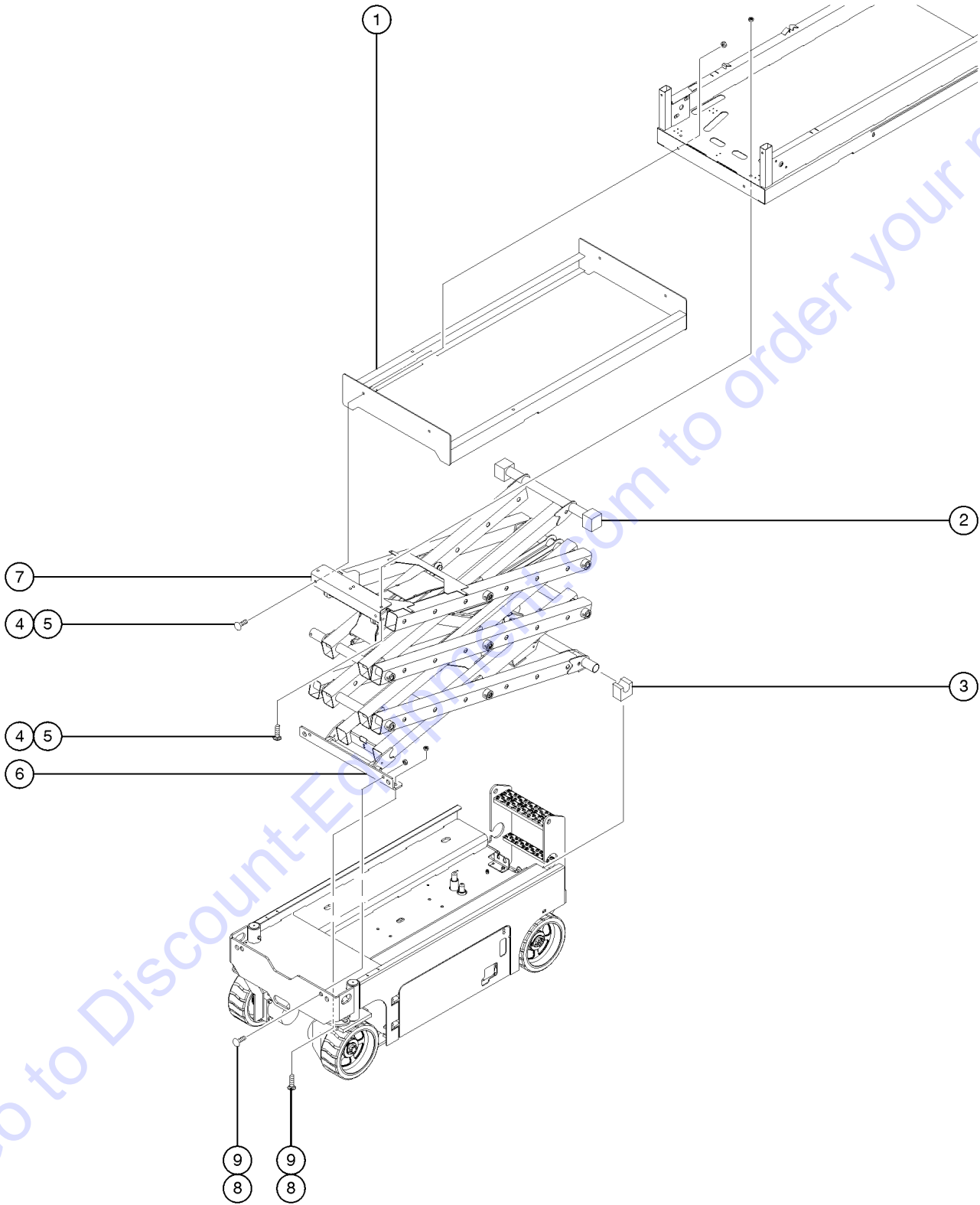
GS-1530/1930/1532/1932



211.1 Function Manifold and Accumulator Components

Item	Part No.	Description	Qty.
--		CLAMP,CABLE & HOSE	
1	105209GT	CLAMP,CABLE & HOSE.....	2
2	6145GT	SCREW,HHC,1/4-20 X 1.5	
3	6638GT	WASHER,FLAT,USS,1/4"Y	
4	18504GT	NUT,LOCKING-LG.FLANGE,1/4-20	
5		Ref. Alarm, Steady Tone (refer to 203.1)	
6		Ref. Alarm Bracket (refer to 203.1)	
7	6091GT	NUT,NYLOCK,1/4-20	
8	79456GT	BOLT,CARRIAGE,1/4-20 X 1.00,G2	
9		Ref. Level Sensor (refer to 203.1)	
10		Ref. Limit Switch with Roller (refer to 203.1)	
11		Ref. Function Manifold (refer to 502.1)	
12	9116GT	BOLT,CARRIAGE,1/4-20x1.25,G2	
13	78422GT	ACCUMULATOR,180 PSI PRECHARGE*	
14	105210GT	FORMING, ACCUMULATOR BRACKET.....	1
15	105211GT	FORMING, ACCUMULATOR CLAMP.....	1

301.1 Scissor Assembly Installation

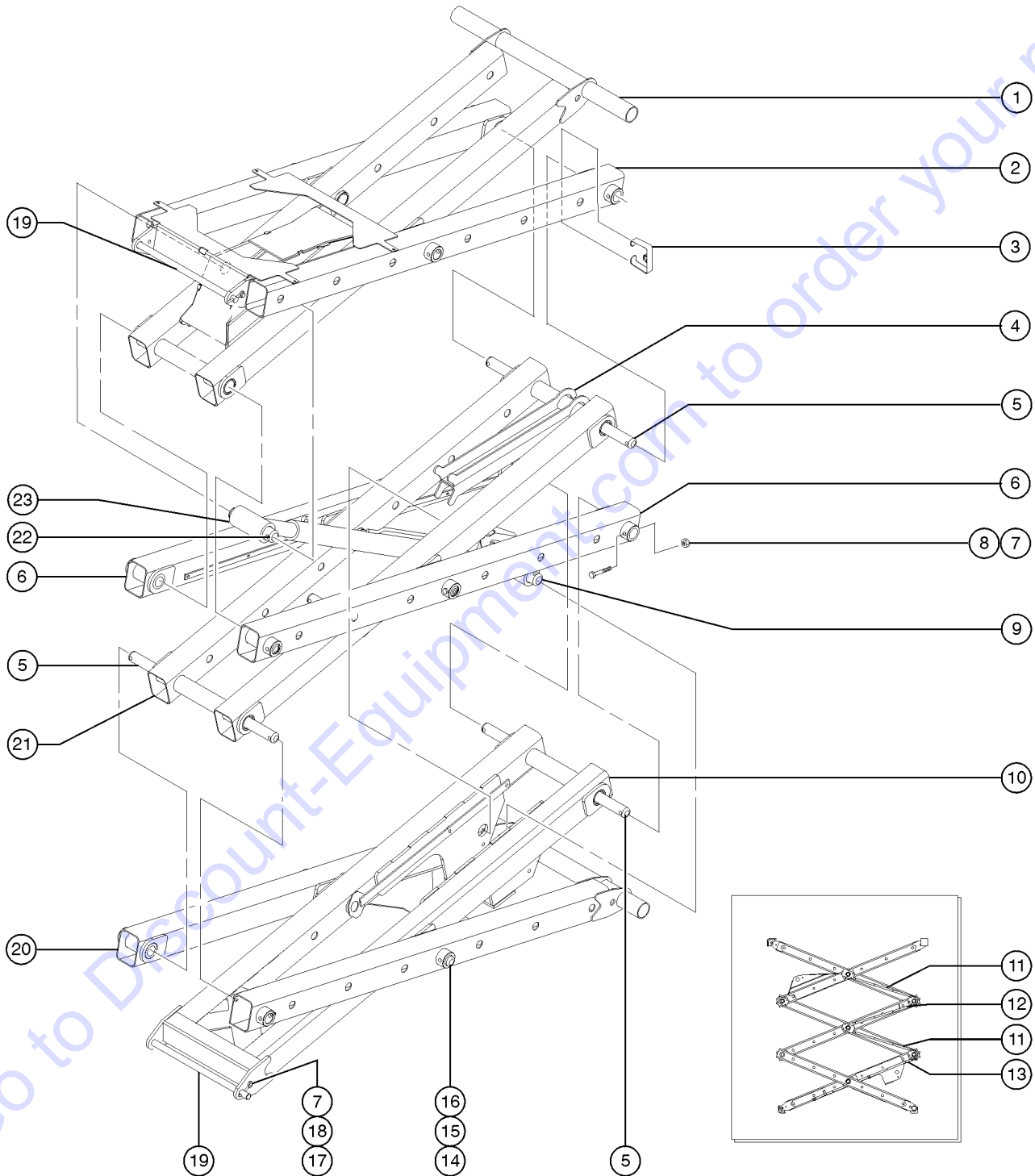


Go to Discount-Equipment.com to order your parts

301.1 Scissor Assembly Installation

Item	Part No.	Description	Qty.
1	96415GT	WLDMT,PLATFORM SLIDER.....1 <i>GS-1530 & GS-1532 Models Only</i>	1
2	96576GT	SLIDER,MINI PLATFORM,DRILLED**....2	2
3	96126GT	SLIDER, UHMW.....2	2
4	105092GT	BOLT,CARRIAGE,3/8-16X1.25,GR5	
5	4828GT	NUT,NYLOCK,3/8-16	
6	84693GT	CHASSIS MOUNT ASSY, GS30.....1	1
--	36369GT	BEARING,0.75IDX1.00ODX0.75L.....2	2
7A	84694GT	PLATFORM MOUNT ASSY, 15 FT.....1 <i>GS-1530, GS-1532</i>	1
--	36369GT	BEARING,0.75IDX1.00ODX0.75L.....2	2
7B	84695GT	PLATFORM MOUNT ASSY, 19 FT <i>GS-1930, GS-1932</i>	
--	36369GT	BEARING,0.75IDX1.00ODX0.75L.....2	2
8	96977GT	BOLT,CARRIAGE,1/2-13X1.50,GR5.....8	8
9	6198GT	NUT,NYLOCK,1/2-13.....8	8

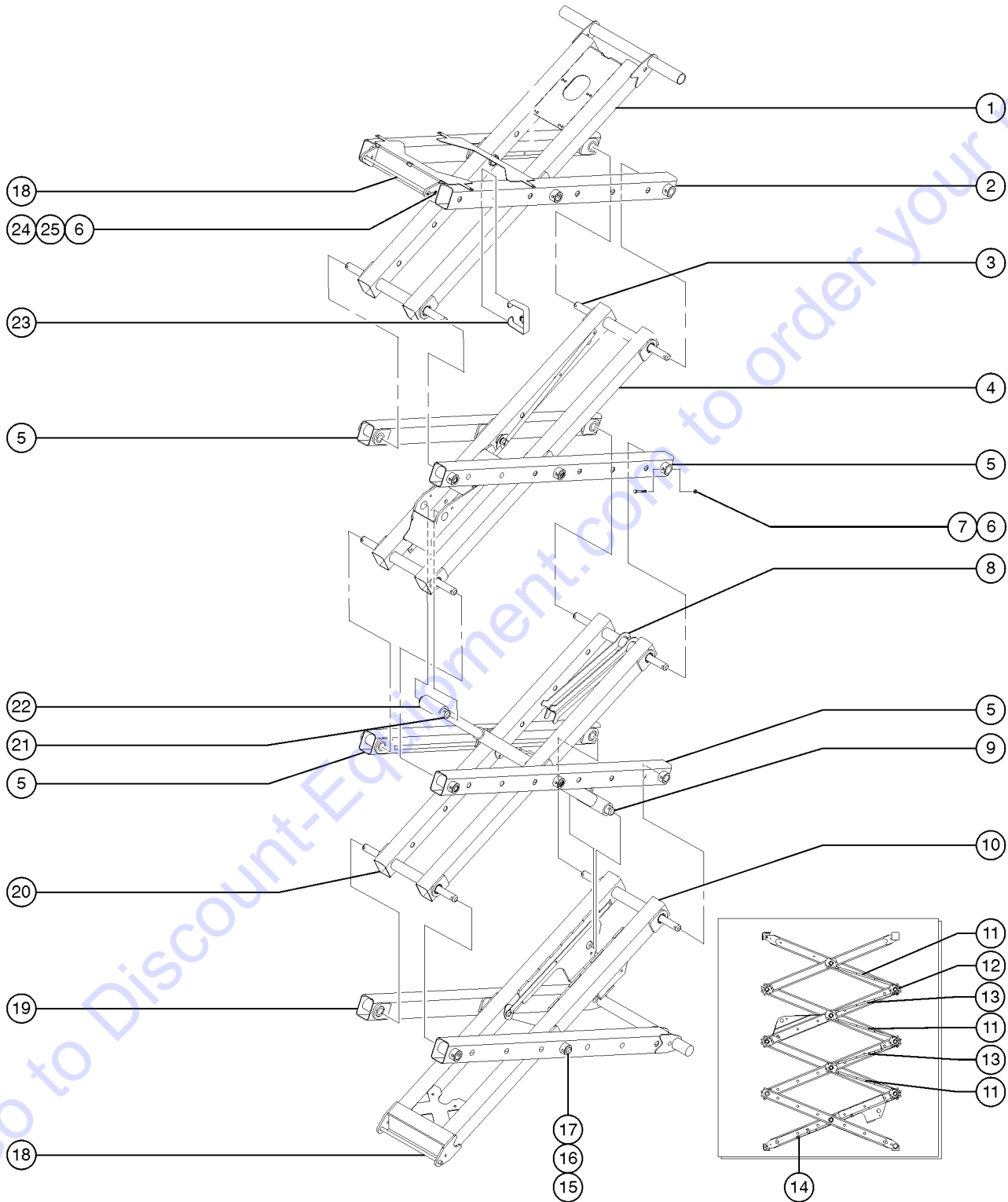
302.1 Scissor Assembly, GS-1530/1532



302.1 Scissor Assembly, GS-1530/1532

Item	Part No.	Description	Qty.
1	84578GT	INNER ARM ASSY,#3,15FT.....	1
--	96487GT	BEARING,1.26IDX1.53ODX1.25L.....	6
2	105280GT	WELDMENT,LINK PLATFORM MNT***.....	2
3	96331GT	LINK BUMPER.....	8
4	58000GT	SAFETY CHOCK,SCISSOR.....	1
5	105085GT	PIN,MINI END***.....	4
6	96121GT	WELDMENT, LINK, SINGLE.....	2
7	4828GT	NUT,NYLOCK,3/8-16	
8	14033GT	SCREW,HHC,3/8-16 X 2.75	
9	47666GT	PIN,1.50DIA X 9.13LG,1HOLE.....	1
10A	105997GT	INNER ARM ASSY#1,15&19FT,WORD.....	1
		<i>(USA, Canada, and Australia)</i>	
--	105818GT	WLDTMT,LINK,#1 INNER,15&19 FT.....	1
		<i>(decals not included, refer to section one)</i>	
--	96487GT	BEARING,1.26IDX1.53ODX1.25L.....	6
10B	105998GT	INNER ARM ASSY#1,15&19FT,SYMB....	1
		<i>(Europe, Asia, South America)</i>	
--	105818GT	WLDTMT,LINK,#1 INNER,15&19 FT.....	1
		<i>(decals not included, refer to section one)</i>	
--	96487GT	BEARING,1.26IDX1.53ODX1.25L.....	6
11	105183GT	WLDMT,CABLE BRIDGE,BOTTOM,MINI.....	2
12	105184GT	WELDMENT,CABLE BRIDGE, TOP,MINI.....	1
13	105182GT	WLDMT,CABLE BRIDGE,LOWER,MINI.....	1
14	30217GT	SNAP RING,EXTERNAL,1.25 DIA. **.....	6
15	96390GT	WASHER,FLAT, 1.27 X 2.13 X .13	
16	96130GT	PIN, MINI, CENTER.....	6
17	8516GT	SCREW, HCC, 3/8-16 X 1.50	
18	45748GT	ROD END,.250 X 2.75 LG.....	2
19	96131GT	PIN, CHASSIS PIVOT.....	2
20A	84581GT	OUTER ARM ASSY#1,15&19FT WORD.....	1
		<i>(USA, Canada, and Australia)</i>	
20B	84583GT	OUTER ARM ASSY,#1,15&19FT SYMB.....	1
		<i>(Europe, Asia, South America)</i>	
21	84582GT	INNER ARM ASSY,#2,15/19 FT,WRD....	1
		<i>(decals not included, refer to section one)</i>	
--	96487GT	BEARING,1.26IDX1.53ODX1.25L.....	8
22	96283GT	PIN, CYLINDER, SHORT.....	1
23		REF. LIFT CYLINDER <i>(refer to 506.1)</i>	

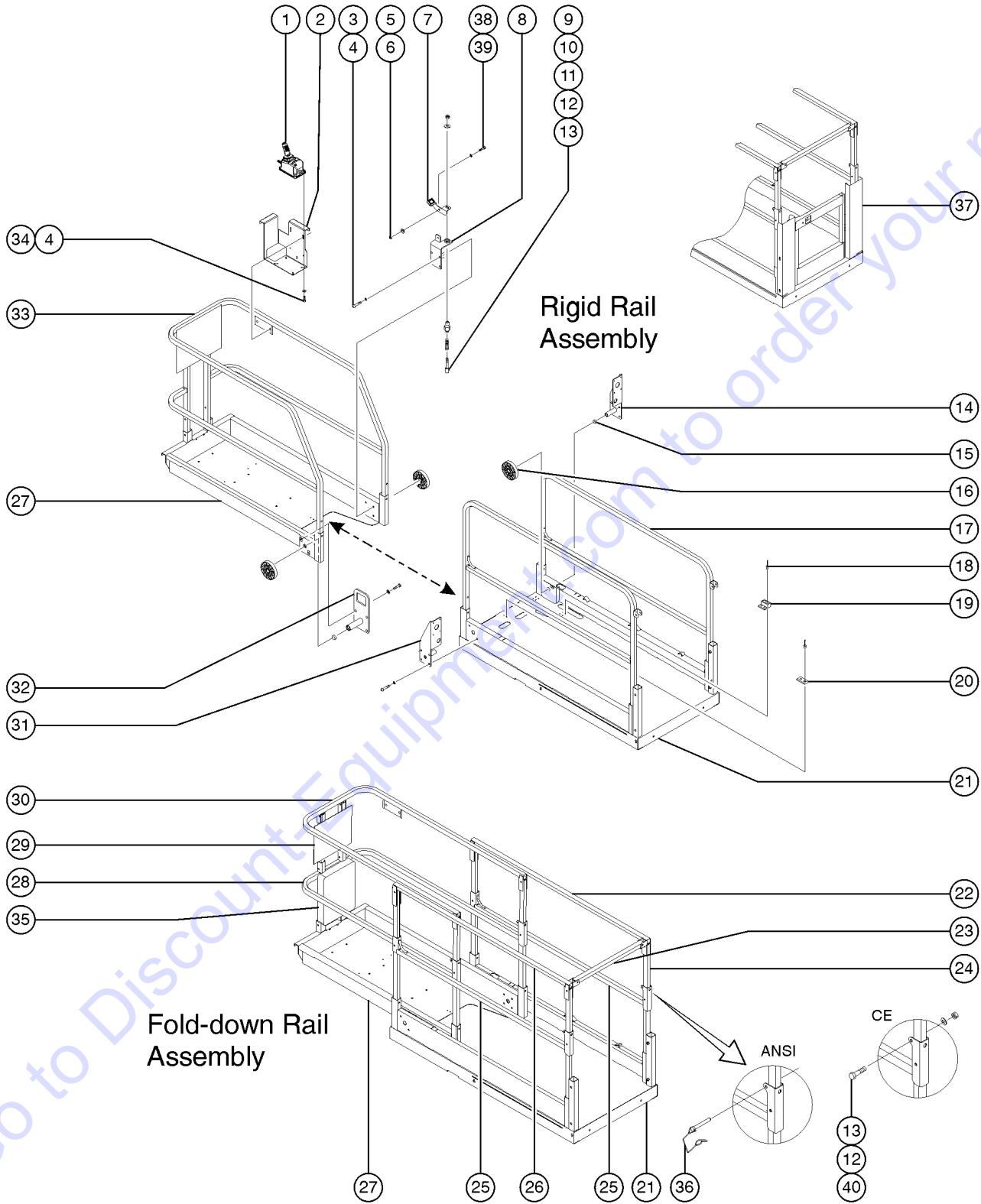
303.1 Scissor Assembly, GS-1930/1932



303.1 Scissor Assembly, GS-1930/1932

Item	Part No.	Description	Qty.	Item	Part No.	Description	Qty.
--	71349GT	BUMPER, LINK.....16 <i>(not shown)</i>		25	45748GT	ROD END,.250 X 2.75 LG.....2	
1	84579GT	INNER ARM ASSY,#4 19FT.....1					
--	96487GT	BEARING,1.26IDX1.53ODX1.25L.....6					
2	105280GT	WELDMENT,LINK PLATFORM MNT***.....2					
3	105085GT	PIN,MINI END***.....6					
4	84580GT	INNER ARM ASSY, #3, 19FT.....1					
--	96487GT	BEARING,1.26IDX1.53ODX1.25L.....8					
5	96121GT	WELDMENT, LINK, SINGLE.....4					
6	4828GT	NUT,NYLOCK,3/8-16					
7	8178GT	SCREW,HHC,3/8-16 X 2.5					
8	58000GT	SAFETY CHOCK,SCISSOR.....1					
9	47666GT	PIN,1.50DIA X 9.13LG,1HOLE.....1					
10A	105997GT	INNER ARM ASSY#1,15&19FT,WORD.....1 <i>(USA, Canada, Australia)</i>					
--	105818GT	WLDTMT,LINK,#1 INNER,15&19 FT.....1 <i>(decals not included, refer to section one)</i>					
--	96487GT	BEARING,1.26IDX1.53ODX1.25L.....6					
10B	105998GT	INNER ARM ASSY#1,15&19FT,SYMB...1 <i>(Europe, Asia, South America)</i>					
--	105818GT	WLDTMT,LINK,#1 INNER,15&19 FT.....1 <i>(decals not included, refer to section one)</i>					
--	96487GT	BEARING,1.26IDX1.53ODX1.25L.....6					
11	105183GT	WLDMT,CABLE BRIDGE,BOTTOM,MINI.....3					
12	105185GT	CLIP, CABLEBRIDGE, MINI.....3					
13	105184GT	WELDMENT,CABLE BRIDGE, TOP,MINI.....2					
14	105182GT	WLDMT,CABLE BRIDGE, LOWER,MINI.....1					
15	30217GT	SNAP RING,EXTERNAL,1.25 DIA.**.....8					
16	96390GT	WASHER,FLAT, 1.27 X 2.13 X .13					
17	96130GT	PIN, MINI, CENTER.....8					
18	96131GT	PIN, CHASSIS PIVOT.....2					
19A	84581GT	OUTER ARM ASSY#1,15&19FT WORD.....1 <i>(USA, Canada, Australia)</i>					
19B	84583GT	OUTER ARM ASSY,#1,15&19FT SYMB.....1 <i>(Europe, Asia, South America)</i>					
20	84582GT	INNER ARM ASSY,#2,15/19 FT,WRD....1					
21	96283GT	PIN, CYLINDER, SHORT.....1					
22		Ref. Lift Cylinder <i>(refer to 506.1)</i>					
23	96331GT	LINK BUMPER.....8					
24	8516GT	SCREW, HCC, 3/8-16 X 1.50					

401.1 Platform Components, GS-1530



401.1 Platform Components, GS-1530

Item	Part No.	Description	Qty.	Item	Part No.	Description	Qty.
1		Ref. Platform Control Box <i>(refer to 407.1 or 408.1)</i>		21D	231104GT	PLAT MAIN DECK ASSY,1530 CE.....1 GS-1530 (Europe) (includes items 18, 19 & 20)	1
2		Ref. Platform Control Box Mount Bracket <i>(refer to 407.1 or 408.1)</i>		--	47098GT	TAPE, NON-SKID, DIE CUT, 4" X 40"	
3	5224GT	SCREW, HHC, 3/8-16 X 2		--	47231GT	TAPE, NON-SKID, DIE CUT, 4" X 16"	
4	6021GT	WASHER, LOCK, .375		21E	1259719GT	WLDMNT, PLATFORM, MINI, GS30.....1 <i>replaced 96275 from SN 110000 (weldment only; decals not included, refer to section one)</i>	1
5	6002GT	NUT, LP NYLOCK, 5/16-18.....1	1	22	66890-SGT	WLDMT, MAIN SIDERAIL, UPP, RT **.....1	1
6	47222GT	WASHER, SHOULDER, NYLON.....1	1	--	78038GT	CAP, TUBE, SQ, 1.25 X .083	
7	46260GT	FOOTPEDAL W/NON-SKID TAPE, GS**.....1	1	23	66886GT	ENTRY SWING TUBE.....1	1
--	47166GT	BRACKET, FOOT PEDAL <i>(does not include non-skid tape)</i>		24	66485GT	TUBE, VERT, FOLDING.....6	6
--	47225GT	TAPE, NON-SKID, DIE CUT, 1.38X1.5		25	97041GT	MAIN RAIL, FOLDING, GS30.....2	2
8	96413GT	WLDMT, LOCKING ROLLER SUPPORT.....1	1	--	78038GT	CAP, TUBE, SQ, 1.25 X .083	
9	39470GT	PIN, LOCK.....1	1	26	66889-SGT	WLDMT, MAIN SIDERAIL, UPPER, LFT...1	1
10	39469GT	SPRING, COMPRESSION. 485 X 1.75**...1	1	--	78038GT	CAP, TUBE, SQ, 1.25 X .083	
11	41630GT	HOUSING, LOCK PIN.....1	1	--	39474GT	WEAR PAD, PLATFORM.....1	1
12	6097GT	WASHER, FLAT, USS, 3/8", Y		--	47374GT	TAPE, NON-SKID, DIE CUT, 4" X 32".....3	3
13	7713GT	NUT, LP NYLOCK, 3/8-16		--	T113787GT	RIVET, ALUM, STL, .188 X .250.....2 <i>for 39474</i>	2
14A	84587GT	ROLLER BRACKET ASSY, GRND CNTR.....1 <i>(ground controls side)</i>	1	27A	97123GT	PLAT EXT DECK ASSY, GS30.....1	1
14B	96247GT	WELDMENT, ROLLER BRACKET, RT***.....1 <i>(decals not included, refer to section one)</i>	1	27B	96335GT	WELDMENT, EXT PLATFORM.....1 <i>(decals not included, refer to section one)</i>	1
15	21279GT	BUTTON, .800 O.D. X .281.....3	3	28	96336GT	WLDMT, EXT DECK LWR RAIL.....1 <i>(fold down)</i>	1
16	47163GT	ROLLER, PLATFORM EXTENSION.....4	4	--	78038GT	CAP, TUBE, SQ, 1.25 X .083	
17	97034GT	GS30 RIDGID MAIN SIDE SQ RAIL.....2	2	29A	231111GT	DECAL PLATE ASSY, GS30, ANSI.....1 <i>(North America)</i>	1
18	39579GT	RIVET, STL, STL, .188 X .45.....20	20	29B	231610GT	DECAL PLATE ASSY, GS30, AUSTRAL...1 <i>(Australia)</i>	1
19	39310GT	WEAR/GUIDE PAD MAIN PLATFORM...4	4	29C	84590GT	DECAL PLATE ASSY W/SYM DECALS.....1 <i>(Asia, Europe and South America)</i>	1
20	39474GT	WEAR PAD, PLATFORM.....2	2	29D	96849GT	WELDMENT, DECAL PLATE.....1 <i>(decals not included, refer to section one)</i>	1
21A	97115GT	PLAT MAIN DECK ASSY, 1530 ANSI.....1 GS-1530 (North America) (includes items 18, 19 & 20)	1	--	78038GT	CAP, TUBE, SQ, 1.25 X .083	
--	47098GT	TAPE, NON-SKID, DIE CUT, 4" X 40"		30A	97213GT	EXT RAIL ASSY, UPPER, GS30.....1	1
--	47231GT	TAPE, NON-SKID, DIE CUT, 4" X 16"		30B	96848GT	WELDMENT, EXT RAIL, UPPER***.....1 <i>(decals not included, refer to section one)</i>	1
21B	231103GT	PLAT MAIN DECK ASSY, 1530 AU.....1 GS-1530 (Australia) (includes items 18, 19 & 20)	1	31	96246GT	WELDMENT, ROLLER BRACKET, LT***.....1	1
--	47098GT	TAPE, NON-SKID, DIE CUT, 4" X 40"		--	21279GT	BUTTON, .800 O.D. X .281	
--	47231GT	TAPE, NON-SKID, DIE CUT, 4" X 16"		32A	84586GT	LANYARD ROLLER BRKT ASSY W/DEC.....1	1
21C	97118GT	PLAT MAIN DECK ASSY, 1530 SMBL.....1 GS-1530 (Asia, and South America) <i>(includes items 18, 19 & 20)</i>	1	32B	96200GT	WLDMT, LANYARD ROLLER BRKT.....1 <i>(decals not included, refer to section one)</i>	1
--	47098GT	TAPE, NON-SKID, DIE CUT, 4" X 40"		33A	231112GT	FIXED RAILS ASSY, GS30, ANSI.....1 <i>(North America)</i>	1
--	47231GT	TAPE, NON-SKID, DIE CUT, 4" X 16"					

401.1 Platform Components, GS-1530
(continued)

Item	Part No.	Description	Qty.
33B	231611GT	FIXED RAILS ASSY,GS30,AUSTRAL.....1 <i>(Australia)</i>	
33C	97132GT	FIXED RAILS ASSY, GS30 SYMBOL.....1 <i>(Asia, Europe and South America)</i>	
33D	96847GT	WELDMENT,EXT SIDERAIL ***.....1 <i>(decals not included, refer to section one)</i>	
34	8255GT	SCREW,HHC,3/8-16 X .75	
35A	44743GT	MANUAL BOX W/DECALS***.....1 <i>USA/Canada/Australia</i>	
35B	24514GT	BOX,INSTRUCTION STORAGE <i>Europe/Asia/South America (decal required; refer to Section100)</i>	
36	66030GT	PIN, WIRE LOCK 3/8 X 2 -1/2.....4	
--	78022GT	LANYARD,BLACK NYLON,TYPE 1*** <i>(CE & Australia models)</i>	
37		Ref. SWING GATE ASSEMBLY <i>(refer to 405.1)</i>	
38	1259223GT	BOLT,SHS,3/8X.375X5/16-18,ZAG.....1	
39	12013GT	SHIM,.375 X .063.....1	
40	14033GT	SCREW,HHC,3/8-16 X 2.75.....5	

Go to Discount-Equipment.com to order your parts

PARTS FINDER

**Search Website
by Part Number**



**Search Manual
Library For Parts
Manual & Lookup Part
Numbers – Purchase
or Request Quote**

Search Manuals

Enter your information to help us find the right parts manual for your machine.

* Brand:

* Model:

* Serial:

* Part Number:

SEARCH

**Can't Find Part or
Manual? Request Help
by Manufacturer,
Model & Description**

Parts Order Form

Please fill in the following information to help us find the right part for your machine.

Manufacturer:	<input type="text"/>
Model:	<input type="text"/>
Description:	<input type="text"/>
Part Number:	<input type="text"/>
Quantity:	<input type="text"/>
Notes:	<input type="text"/>

Submit

Discount-Equipment.com is your online resource for quality parts & equipment.

Florida: **561-964-4949** Outside Florida TOLL FREE: **877-690-3101**

Need parts?

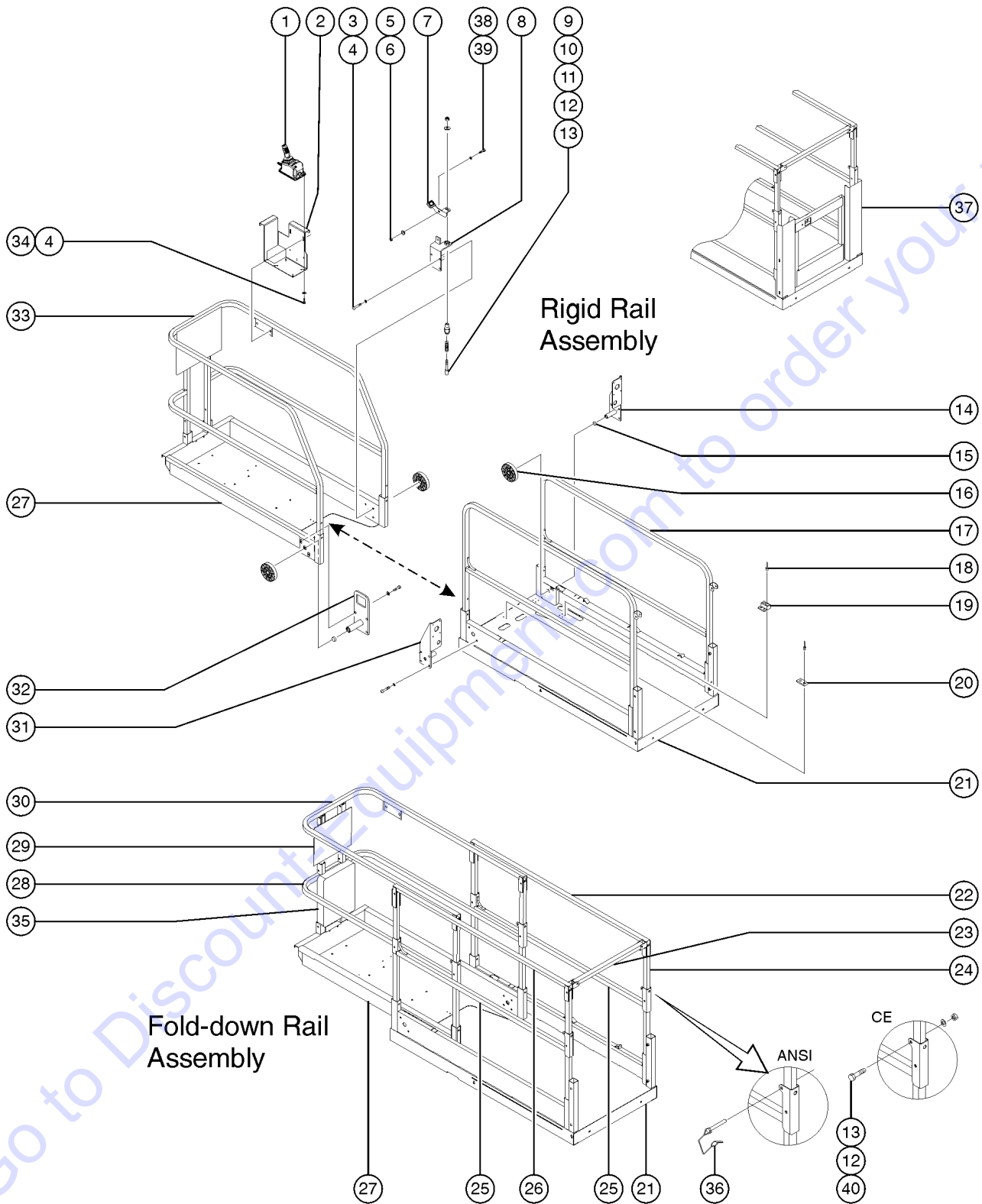
Click on this link: <http://www.discount-equipment.com/category/5443-parts/> and choose one of the options to help get the right parts and equipment you are looking for. Please have the machine model and serial number available in order to help us get you the correct parts. If you don't find the part on the website or on one of the online manuals, please fill out the request form and one of our experienced staff members will get back to you with a quote for the right part that your machine needs.

We sell worldwide for the brands: Genie, Terex, JLG, MultiQuip, Mikasa, Essick, Whiteman, Mayco, Toro Stone, Diamond Products, Generac Magnum, Airman, Haulotte, Barreto, Power Blanket, Nifty Lift, Atlas Copco, Chicago Pneumatic, Allmand, Miller Curber, Skyjack, Lull, Skytrak, Tsurumi, Husquvarna Target, Stow, Wacker, Sakai, Mi-T-M, Sullair, Basic, Dynapac, MBW, Weber, Bartell, Bennar Newman, Haulotte, Ditch Runner, Menegotti, Morrison, Contec, Buddy, Crown, Edco, Wyco, Bomag, Laymor, EZ Trench, Bil-Jax, F.S. Curtis, Gehl Pavers, Heli, Honda, ICS/PowerGrit, IHI, Partner, Imer, Clipper, MMD, Koshin, Rice, CH&E, General Equipment, Amida, Coleman, NAC, Gradall, Square Shooter, Kent, Stanley, Tamco, Toku, Hatz, Kohler, Robin, Wisconsin, Northrock, Oztec, Toker TK, Rol-Air, APT, Wylie, Ingersoll Rand / Doosan, Innovatech, Con X, Ammann, Mecalac, Makinex, Smith Surface Prep, Small Line, Wanco, Yanmar

This Page Intentionally Left Blank

Go to Discount-Equipment.com to order your parts

402.1 Platform Components, GS-1532 (to SN GS3016C-22616, GS3015A-141945)



402.1 Platform Components, GS-1532 (to SN GS3016C-22616, GS3015A-141945)

Item	Part No.	Description	Qty.	Item	Part No.	Description	Qty.
1		Ref. Platform Control Box (refer to 407.1 or 408.1)		23	66886GT	ENTRY SWING TUBE.....	1
2		Ref. Platform Control Box Mount Bracket (refer to 407.1 or 408.1)		24	66485GT	TUBE, VERT, FOLDING.....	6
3	5224GT	SCREW,HHC,3/8-16 X 2		25	1274596GT	MAIN RAIL, FOLDING, GS30.....	2
4	6021GT	WASHER,LOCK,.375		--	78038GT	CAP, TUBE, SQ,1.25 X .083	
5	6002GT	NUT,LP NYLOCK,5/16-18		26	66889-SGT	WLDMT, MAIN SIDERAIL,UPPER,LFT...1 (battery pack side)	
6	47222GT	WASHER,SHOULDER,NYLON.....	1	--	78038GT	CAP, TUBE, SQ,1.25 X .083	
7	46260GT	FOOTPEDAL W/NON-SKID TAPE,GS**.....	1	--	39474GT	WEAR PAD,PLATFORM.....	1
--	47166GT	BRACKET,FOOT PEDAL (does not include non-skid tape)		--	47374GT	TAPE,NON-SKID,DIE CUT,4"X 32".....	3
--	47225GT	TAPE,NON-SKID,DIE CUT,1.38X1.5		--	T113787GT	RIVET,ALUM,STL,.188 X .250.....	2
8	96413GT	WLDMT,LOCKING ROLLER SUPPORT.....	1	27A	97123GT	PLAT EXT DECK ASSY,GS30.....	1
9	39470GT	PIN, LOCK.....	1	27B	96335GT	WELDMENT, EXT PLATFORM.....	1
10	39469GT	SPRING,COMPRESSION.485 X1.75**.....	1			(decals not included, refer to section one)	
11	41630GT	HOUSING, LOCK PIN.....	1	28	96336GT	WLDMT, EXT DECK LWR RAIL.....	1
12	6097GT	WASHER,FLAT,USS,3/8",Y				(fold down)	
13	7713GT	NUT, LP NYLOCK, 3/8-16		--	78038GT	CAP, TUBE, SQ,1.25 X .083	
14A	84587GT	ROLLER BRACKET ASSY, GRND CNTR.....	1	29A	231111GT	DECAL PLATE ASSY,GS30,ANSI.....	1
		(ground controls side)				(North America)	
14B	96247GT	WELDMENT,ROLLER BRACKET,RT***.....	1	29B	231610GT	DECAL PLATE ASSY,GS30,AUSTRAL...1 (Australia)	
		(decals not included, refer to section one)		29C	84590GT	DECAL PLATE ASSY W/SYM DECALS.....	1
15	21279GT	BUTTON, .800 O.D. X .281.....	3			(Asia, Europe and South America)	
16	47163GT	ROLLER,PLATFORM EXTENSION.....	4	29D	96849GT	WELDMENT, DECAL PLATE.....	1
17	97034GT	GS30 RIDGID MAIN SIDE SQ RAIL.....	2			(decals not included, refer to section one)	
18	39579GT	RIVET,STL,STL,.188 X .45.....	20	--	78038GT	CAP, TUBE, SQ,1.25 X .083	
19	39310GT	WEAR/GUIDE PAD MAIN PLATFORM...4		30A	97213GT	EXT RAIL ASSY, UPPER, GS30.....	1
20	39474GT	WEAR PAD,PLATFORM.....	2	30B	96848GT	WELDMENT,EXT RAIL,UPPER***.....	1
21A	231105GT	PLAT MAIN DECK ASSY,1532 AU.....	1			(decals not included, refer to section one)	
		GS-1532 (Australia) (includes items 18, 19 & 20)		31	96246GT	WELDMENT,ROLLER BRACKET,LT***.....	1
--	47098GT	TAPE,NON-SKID,DIE CUT,4"X 40"					
--	47231GT	TAPE,NON-SKID,DIE CUT,4"X 16"		--	21279GT	BUTTON, .800 O.D. X .281	
21B	231106GT	PLAT MAIN DECK ASSY,1532 CE.....	1	32A	84586GT	LANYARD ROLLER BRKT ASSY W/DEC.....	1
		GS-1532 (Europe) (includes items 18, 19, & 20)		32B	96200GT	WLDMT, LANYARD ROLLER BRKT.....	1
--	47098GT	TAPE,NON-SKID,DIE CUT,4"X 40"				(decals not included, refer to section one)	
--	47231GT	TAPE,NON-SKID,DIE CUT,4"X 16"		33A	231112GT	FIXED RAILS ASSY,GS30,ANSI.....	1
21C	1259719GT	WLDMNT,PLATFORM, MINI, GS30.....	1			(North America)	
		(weldment only; decals not included, refer to section one)		33B	231611GT	FIXED RAILS ASSY,GS30,AUSTRAL...1 (Australia)	
22	66890-SGT	WLDMT, MAIN SIDERAIL,UPP,RT **.....	1	33C	97132GT	FIXED RAILS ASSY, GS30 SYMBOL (Asia, Europe and South America)	
		(ground controls side)		33D	96847GT	WELDMENT,EXT SIDERAIL ***.....	1
--	78038GT	CAP, TUBE, SQ,1.25 X .083				(decals not included, refer to section one)	
				34	8255GT	SCREW,HHC,3/8-16 X .75	
				35A	44743GT	MANUAL BOX W/DECALS***.....	1
						USA/Canada/Australia	

402.1 Platform Components, GS-1532 (to SN GS3016C-22616, GS3015A-141945)
(continued)

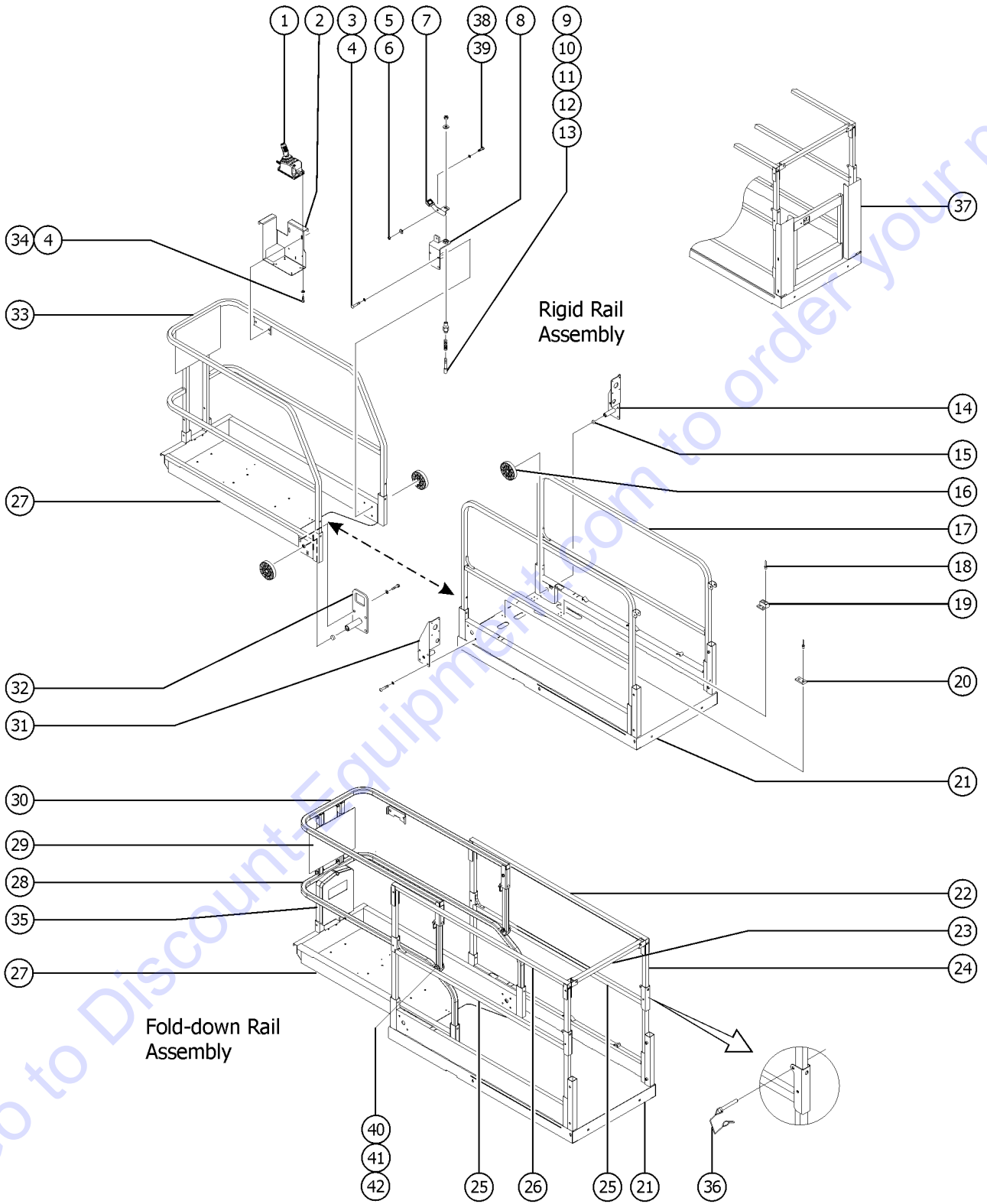
Item	Part No.	Description	Qty.
35B	24514GT	BOX,INSTRUCTION STORAGE <i>Europe/Asia/South America (decal required; refer to Section100)</i>	
36	66030GT	PIN, WIRE LOCK 3/8 X 2 -1/2.....4	
--	78022GT	LANYARD,BLACK NYLON,TYPE 1*** <i>(CE & Australia models)</i>	
37		Ref. SWING GATE ASSEMBLY <i>(refer to 405.1)</i>	
38	1259223GT	BOLT,SHS,3/8X.375X5/16-18,ZAG.....1	
39	12013GT	SHIM,.375 X .063.....1	
40	14033GT	SCREW,HHC,3/8-16 X 2.75.....5	

402.1 Platform Components, GS-1532 (to SN GS3016C-22616, GS3015A-141945)
(continued)

This Page Intentionally Left Blank

Go to Discount-Equipment.com to order your parts

402.2 Platform Components, GS-1532 (from SN GS3016C-22617)



402.2 Platform Components, GS-1532 (from SN GS3016C-22617)

Item	Part No.	Description	Qty.	Item	Part No.	Description	Qty.
1		Ref. Platform Control Box <i>(refer to 407.1 or 408.1)</i>		23	66886GT	ENTRY SWING TUBE.....	1
2		Ref. Platform Control Box Mount Bracket <i>(refer to 407.1 or 408.1)</i>		24	66485GT	TUBE, VERT, FOLDING.....	6
3	5224GT	SCREW,HHC,3/8-16 X 2		25	1274596GT	MAIN RAIL, FOLDING, GS30.....	2
4	6021GT	WASHER,LOCK,.375		--	78038GT	CAP, TUBE, SQ,1.25 X .083	
5	6002GT	NUT,LP NYLOCK,5/16-18		26	66889-SGT	WLDMT, MAIN SIDERAIL,UPPER,LFT...1 <i>(battery pack side)</i>	
6	47222GT	WASHER,SHOULDER,NYLON.....	1	--	78038GT	CAP, TUBE, SQ,1.25 X .083	
7	46260GT	FOOTPEDAL W/NON-SKID TAPE,GS**.....	1	--	39474GT	WEAR PAD,PLATFORM.....	1
--	47166GT	BRACKET,FOOT PEDAL <i>(does not include non-skid tape)</i>		--	47374GT	TAPE,NON-SKID,DIE CUT,4"X 32".....	3
--	47225GT	TAPE,NON-SKID,DIE CUT,1.38X1.5		--	T113787GT	RIVET,ALUM,STL,.188 X .250.....	2
8	96413GT	WLDMT,LOCKING ROLLER SUPPORT.....	1	27A	97123GT	PLAT EXT DECK ASSY,GS30.....	1
9	39470GT	PIN, LOCK.....	1	27B	96335GT	WELDMENT, EXT PLATFORM.....	1
10	39469GT	SPRING,COMPRESSION.485 X1.75**...1				<i>(decals not included, refer to section one)</i>	
11	41630GT	HOUSING, LOCK PIN.....	1	28	1274595GT	WELDMENT, EXTENSION DECK RAIL, LOWER.....	1
12	6097GT	WASHER,FLAT,USS,3/8",Y				<i>(fold down)</i>	
13	7713GT	NUT, LP NYLOCK, 3/8-16		--	78038GT	CAP, TUBE, SQ,1.25 X .083	
14A	84587GT	ROLLER BRACKET ASSY, GRND CNTR.....	1	29A	231111GT	DECAL PLATE ASSY,GS30,ANSI.....	1
		<i>(ground controls side)</i>				<i>(North America)</i>	
14B	96247GT	WELDMENT,ROLLER BRACKET,RT***.....	1	29B	231610GT	DECAL PLATE ASSY,GS30,AUSTRAL...1 <i>(Australia)</i>	
		<i>(decals not included, refer to section one)</i>		29C	84590GT	DECAL PLATE ASSY W/SYM DECALS.....	1
15	21279GT	BUTTON, .800 O.D. X .281.....	3			<i>(Asia, Europe and South America)</i>	
16	47163GT	ROLLER,PLATFORM EXTENSION.....	4	29D	96849GT	WELDMENT, DECAL PLATE.....	1
17	97034GT	GS30 RIDGID MAIN SIDE SQ RAIL.....	2			<i>(decals not included, refer to section one)</i>	
18	39579GT	RIVET,STL,STL,.188 X .45.....	20	30	1274594GT	WELDMENT, EXTENSION DECK RAIL, UPPER.....	1
19	39310GT	WEAR/GUIDE PAD MAIN PLATFORM...4		--	78038GT	CAP, TUBE, SQ,1.25 X .083	
20	39474GT	WEAR PAD,PLATFORM.....	2	31	96246GT	WELDMENT,ROLLER BRACKET,LT***.....	1
21A	231105GT	PLAT MAIN DECK ASSY,1532 AU.....	1	--	21279GT	BUTTON, .800 O.D. X .281	
		<i>GS-1532 (Australia) (includes items 18, 19 & 20)</i>		32A	84586GT	LANYARD ROLLER BRKT ASSY W/DEC.....	1
--	47098GT	TAPE,NON-SKID,DIE CUT,4"X 40"		32B	96200GT	WLDMT, LANYARD ROLLER BRKT.....	1
--	47231GT	TAPE,NON-SKID,DIE CUT,4"X 16"				<i>(decals not included, refer to section one)</i>	
21B	231106GT	PLAT MAIN DECK ASSY,1532 CE.....	1	33A	231112GT	FIXED RAILS ASSY,GS30,ANSI.....	1
		<i>GS-1532 (Europe) (includes items 18, 19, & 20)</i>				<i>(North America)</i>	
--	47098GT	TAPE,NON-SKID,DIE CUT,4"X 40"		33B	231611GT	FIXED RAILS ASSY,GS30,AUSTRAL....1 <i>(Australia)</i>	
--	47231GT	TAPE,NON-SKID,DIE CUT,4"X 16"		33C	97132GT	FIXED RAILS ASSY, GS30 SYMBOL <i>(Asia, Europe and South America)</i>	
21C	1259719GT	WLDMNT,PLATFORM, MINI, GS30.....	1	33D	96847GT	WELDMENT,EXT SIDERAIL***.....	1
		<i>(weldment only; decals not included, refer to section one)</i>				<i>(decals not included, refer to section one)</i>	
22	66890-SGT	WLDMT, MAIN SIDERAIL,UPP,RT **.....	1	34	8255GT	SCREW,HHC,3/8-16 X .75	
		<i>(ground controls side)</i>		35A	44743GT	MANUAL BOX W/DECALS***.....	1
--	78038GT	CAP, TUBE, SQ,1.25 X .083				<i>USA/Canada/Australia</i>	

402.2 Platform Components, GS-1532 (from SN GS3016C-22617)
 (continued)

Item	Part No.	Description	Qty.
35B	24514GT	BOX,INSTRUCTION STORAGE <i>Europe/Asia/South America (decal required; refer to Section100)</i>	
36	66030GT	PIN, WIRE LOCK 3/8 X 2 -1/2.....	5
--	78022GT	LANYARD,BLACK NYLON,TYPE 1*** <i>(CE & Australia models)</i>	
37		Ref. SWING GATE ASSEMBLY <i>(refer to 405.1)</i>	
38	1259223GT	BOLT,SHS,3/8X.375X5/16-18,ZAG.....	1
39	12013GT	SHIM,.375 X .063.....	1
40	824029GT	NUT,TL FLG,3/8-16,G,ZAG.....	2
41	1260926GT	BOLT,CARRIAGE,3/8-16X2.25,5,ZAG.....	2
42	1277860GT	GLIDE BUTTON, FOLDING RAILS.....	2

Go to Discount-Equipment.com to order your parts



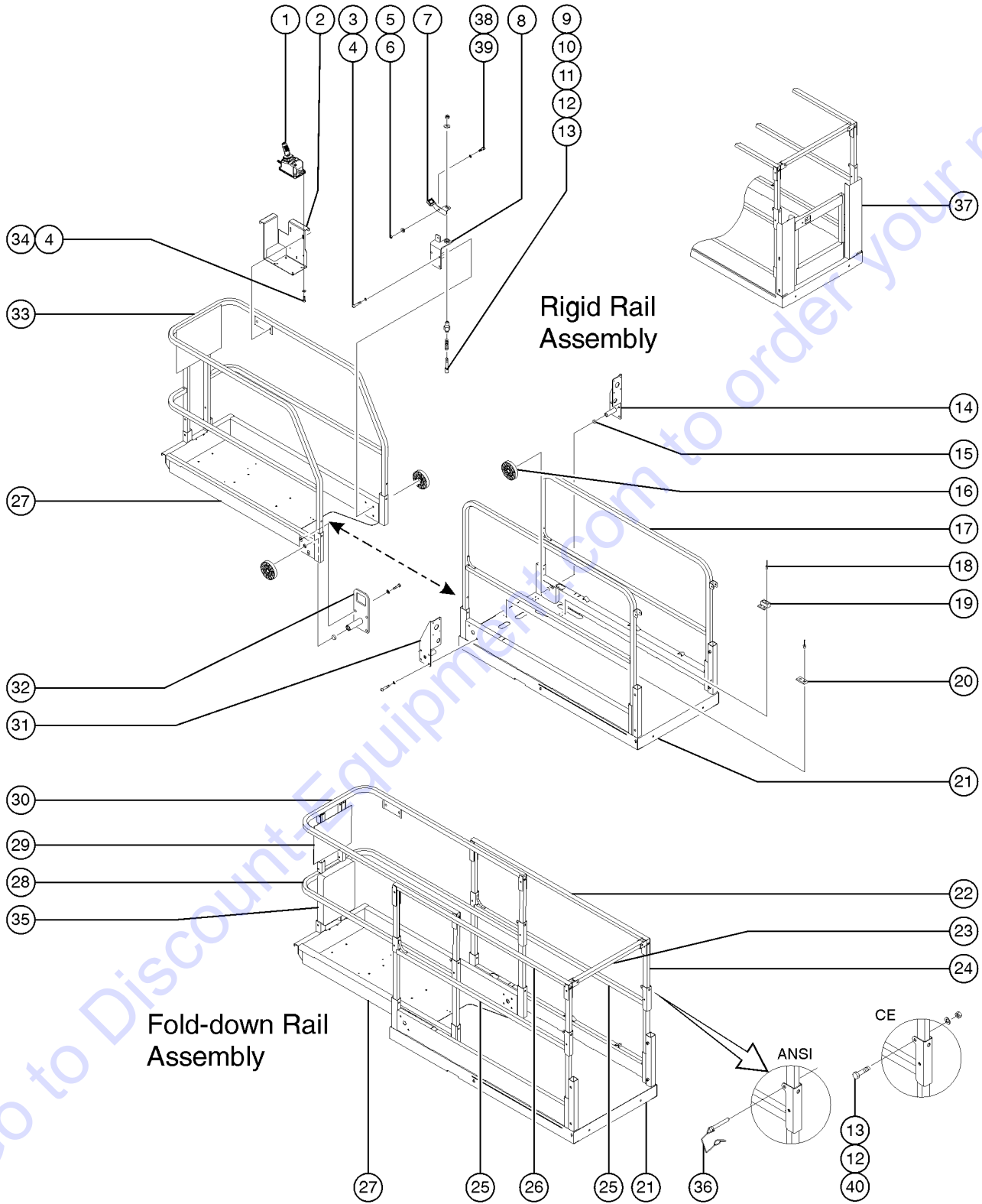
402.2 Platform Components, GS-1532 (from SN GS3016C-22617)
(continued)

This Page Intentionally Left Blank

Go to Discount-Equipment.com to order your parts



403.1 Platform Components, GS-1930



403.1 Platform Components, GS-1930

Item	Part No.	Description	Qty.	Item	Part No.	Description	Qty.
1		Ref. Platform Control Box <i>(refer to 407.1 or 408.1)</i>		21D	231108GT	PLAT MAIN DECK ASSY,1930 CE.....1 GS-1930 (Europe) <i>(includes items 18, 19, & 20)</i>	1
2		Ref. Platform Control Box Mount Bracket <i>(refer to 407.1 or 408.1)</i>		--	47098GT	TAPE, NON-SKID, DIE CUT, 4" X 40"	
3	5224GT	SCREW, HHC, 3/8-16 X 2		--	47231GT	TAPE, NON-SKID, DIE CUT, 4" X 16"	
4	6021GT	WASHER, LOCK, .375		21E	1259719GT	WLDMNT, PLATFORM, MINI, GS30.....1 <i>replaced 96275 from SN 110000 (weldment only; decals not included, refer to section one)</i>	1
5	6002GT	NUT, LP NYLOCK, 5/16-18		22	66890-SGT	WLDMT, MAIN SIDERAIL, UPP, RT **.....1 <i>(ground controls side)</i>	1
6	47222GT	WASHER, SHOULDER, NYLON.....1	1	--	78038GT	CAP, TUBE, SQ, 1.25 X .083	
7	46260GT	FOOTPEDAL W/NON-SKID TAPE, GS**.....1	1	23	66886GT	ENTRY SWING TUBE.....1	1
--	47166GT	BRACKET, FOOT PEDAL <i>(does not include non-skid tape)</i>		24	66485GT	TUBE, VERT, FOLDING.....6	6
--	47225GT	TAPE, NON-SKID, DIE CUT, 1.38X1.5		25	97041GT	MAIN RAIL, FOLDING, GS30.....2	2
8	96413GT	WLDMT, LOCKING ROLLER SUPPORT.....1	1	--	78038GT	CAP, TUBE, SQ, 1.25 X .083	
9	39470GT	PIN, LOCK.....1	1	26	66889-SGT	WLDMT, MAIN SIDERAIL, UPPER, LFT...1 <i>(battery pack side)</i>	1
10	39469GT	SPRING, COMPRESSION. 485 X 1.75**...1	1	--	78038GT	CAP, TUBE, SQ, 1.25 X .083	
11	41630GT	HOUSING, LOCK PIN.....1	1	--	39474GT	WEAR PAD, PLATFORM.....1	1
12	6097GT	WASHER, FLAT, USS, 3/8", Y		--	47374GT	TAPE, NON-SKID, DIE CUT, 4" X 32".....3	3
13	7713GT	NUT, LP NYLOCK, 3/8-16		--	T113787GT	RIVET, ALUM, STL, .188 X .250.....2 <i>for 39474</i>	2
14A	84587GT	ROLLER BRACKET ASSY, GRND CNTR.....1 <i>(ground controls side)</i>	1	27A	97123GT	PLAT EXT DECK ASSY, GS30.....1	1
14B	96247GT	WELDMENT, ROLLER BRACKET, RT***.....1 <i>(decals not included, refer to section one)</i>	1	27B	96335GT	WELDMENT, EXT PLATFORM.....1 <i>(decals not included, refer to section one)</i>	1
15	21279GT	BUTTON, .800 O.D. X .281.....3	3	28	96336GT	WLDMT, EXT DECK LWR RAIL.....1 <i>(fold down)</i>	1
16	47163GT	ROLLER, PLATFORM EXTENSION.....4	4	--	78038GT	CAP, TUBE, SQ, 1.25 X .083	
17	97034GT	GS30 RIDGID MAIN SIDE SQ RAIL.....2	2	29A	231111GT	DECAL PLATE ASSY, GS30, ANSI.....1 <i>(North America)</i>	1
18	39579GT	RIVET, STL, STL, .188 X .45.....20	20	29B	231610GT	DECAL PLATE ASSY, GS30, AUSTRAL...1	1
19	39310GT	WEAR/GUIDE PAD MAIN PLATFORM...4	4	29C	84590GT	DECAL PLATE ASSY W/SYM DECALS.....1	1
20	39474GT	WEAR PAD, PLATFORM.....2	2	29D	96849GT	WELDMENT, DECAL PLATE.....1 <i>(decals not included, refer to section one)</i>	1
21A	97119GT	PLAT MAIN DECK ASSY, 1930 ANSI.....1 GS-1930 (North America) <i>(includes items 18, 19 & 20)</i>	1	--	78038GT	CAP, TUBE, SQ, 1.25 X .083	
--	47098GT	TAPE, NON-SKID, DIE CUT, 4" X 40"		30A	97213GT	EXT RAIL ASSY, UPPER, GS30.....1	1
--	47231GT	TAPE, NON-SKID, DIE CUT, 4" X 16"		30B	96848GT	WELDMENT, EXT RAIL, UPPER***.....1 <i>(decals not included, refer to section one)</i>	1
21B	231107GT	PLAT MAIN DECK ASSY, 1930 AU.....1 GS-1930 (Australia) <i>(includes items 18, 19 & 20)</i>	1	31	96246GT	WELDMENT, ROLLER BRACKET, LT***.....1	1
--	47098GT	TAPE, NON-SKID, DIE CUT, 4" X 40"		--	21279GT	BUTTON, .800 O.D. X .281	
--	47231GT	TAPE, NON-SKID, DIE CUT, 4" X 16"		32A	84586GT	LANYARD ROLLER BRKT ASSY W/DEC.....1	1
21C	97122GT	PLAT MAIN DECK ASSY, 1930 SMBL.....1 GS-1930 (Asia and South America) <i>(includes items 18, 19 & 20)</i>	1	32B	96200GT	WLDMT, LANYARD ROLLER BRKT.....1 <i>(decals not included, refer to section one)</i>	1
--	47098GT	TAPE, NON-SKID, DIE CUT, 4" X 40"		33A	231112GT	FIXED RAILS ASSY, GS30, ANSI.....1 <i>(North America)</i>	1
--	47231GT	TAPE, NON-SKID, DIE CUT, 4" X 16"					

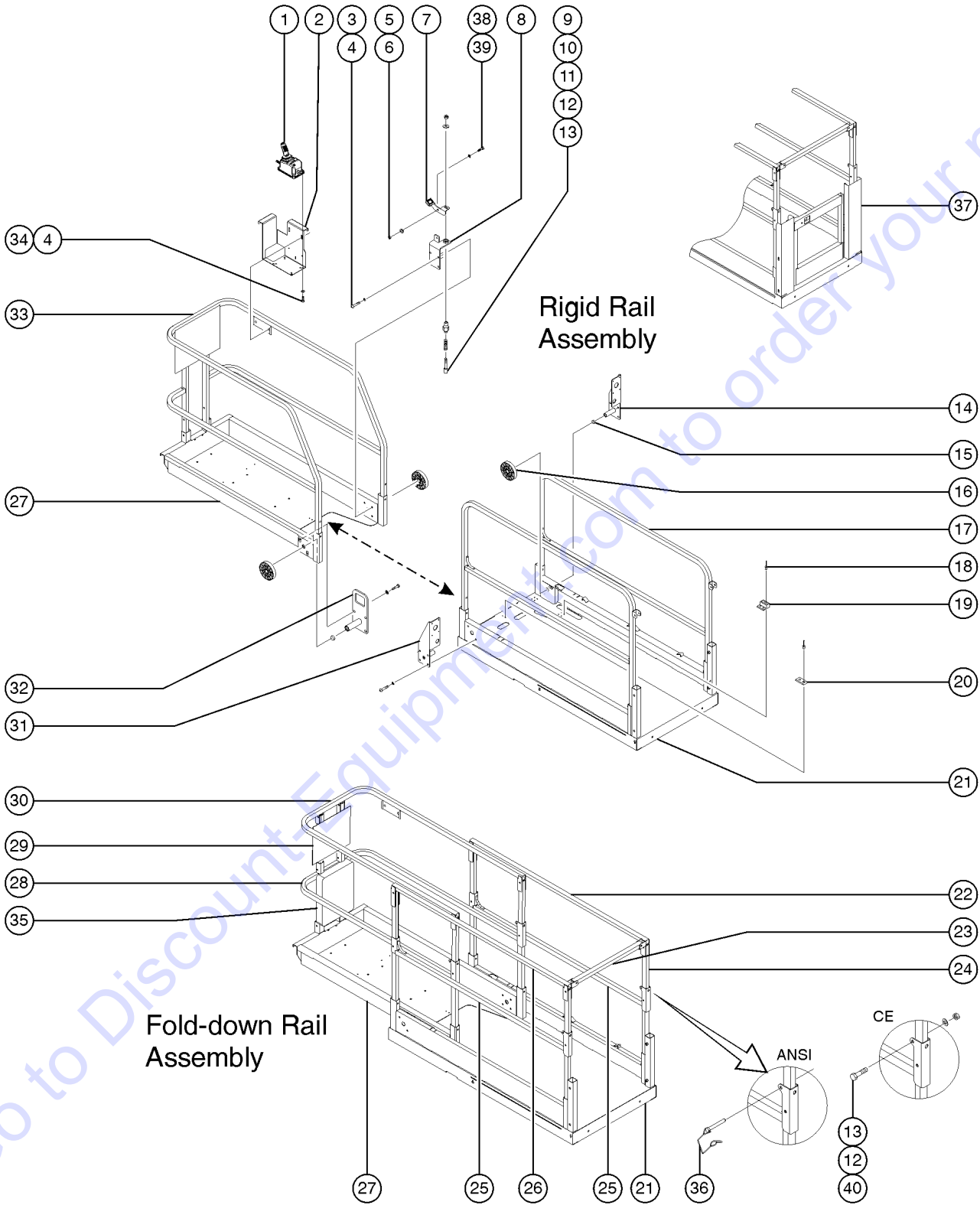
403.1 Platform Components, GS-1930
(continued)

Item	Part No.	Description	Qty.
33B	231611GT	FIXED RAILS ASSY,GS30,AUSTRAL.....1	
33C	97132GT	FIXED RAILS ASSY, GS30 SYMBOL.....1	
33D	96847GT	WELDMENT,EXT SIDERAIL ***.....1 (decals not included, refer to section one)	
34	8255GT	SCREW,HHC,3/8-16 X .75	
35A	44743GT	MANUAL BOX W/DECALS***.....1 USA/Canada/Australia	
35B	24514GT	BOX,INSTRUCTION STORAGE Europe/Asia/South America (decal required; refer to Section100)	
36	66030GT	PIN, WIRE LOCK 3/8 X 2 -1/2.....4	
--	78022GT	LANYARD,BLACK NYLON,TYPE 1*** (CE & Australia models)	
37		Ref. SWING GATE ASSEMBLY (refer to 405.1)	
38	1259223GT	BOLT,SHS,3/8X.375X5/16-18,ZAG.....1	
39	12013GT	SHIM,.375 X .063.....1	
40	14033GT	SCREW,HHC,3/8-16 X 2.75.....5	

This Page Intentionally Left Blank

Go to Discount-Equipment.com to order your parts

404.1 Platform Components, GS-1932 (to SN GS3016C-22616, GS3015A-141945)



404.1 Platform Components, GS-1932 (to SN GS3016C-22616, GS3015A-141945)

Item	Part No.	Description	Qty.	Item	Part No.	Description	Qty.
1		Ref. Platform Control Box (refer to 407.1 or 408.1)		22	66890-SGT	WLDMT, MAIN SIDERAIL,UPP,RT **.....1 (ground controls side)	1
2		Ref. Platform Control Box Mount Bracket (refer to 407.1 or 408.1)		--	78038GT	CAP, TUBE, SQ,1.25 X .083	
3	5224GT	SCREW,HHC,3/8-16 X 2		23	66886GT	ENTRY SWING TUBE.....1	1
4	6021GT	WASHER,LOCK,.375		24	66485GT	TUBE, VERT, FOLDING.....6	6
5	6002GT	NUT,LP NYLOCK,5/16-18		25	97041GT	MAIN RAIL, FOLDING, GS30.....2	2
6	47222GT	WASHER,SHOULDER,NYLON.....1	1	--	78038GT	CAP, TUBE, SQ,1.25 X .083	
7	46260GT	FOOTPEDAL W/NON-SKID TAPE,GS**.....1	1	26	66889-SGT	WLDMT, MAIN SIDERAIL,UPPER,LFT...1 (battery pack side)	1
--	47166GT	BRACKET,FOOT PEDAL (does not include non-skid tape)		--	78038GT	CAP, TUBE, SQ,1.25 X .083	
--	47225GT	TAPE,NON-SKID,DIE CUT,1.38X1.5		--	39474GT	WEAR PAD,PLATFORM.....1	1
8	96413GT	WLDMT,LOCKING ROLLER SUPPORT.....1	1	--	47374GT	TAPE,NON-SKID,DIE CUT,4"X 32".....3	3
9	39470GT	PIN, LOCK.....1	1	--	T113787GT	RIVET,ALUM,STL,.188 X .250.....2 for 39474	2
10	39469GT	SPRING,COMPRESSION.485 X1.75**.....1	1	27A	97123GT	PLAT EXT DECK ASSY,GS30.....1	1
11	41630GT	HOUSING, LOCK PIN.....1	1	27B	96335GT	WELDMENT, EXT PLATFORM.....1 (decals not included, refer to section one)	1
12	6097GT	WASHER,FLAT,USS,3/8",Y		28	96336GT	WLDMT, EXT DECK LWR RAIL.....1 (fold down)	1
13	7713GT	NUT, LP NYLOCK, 3/8-16		--	78038GT	CAP, TUBE, SQ,1.25 X .083	
14A	84587GT	ROLLER BRACKET ASSY, GRND CNTR.....1 (ground controls side)	1	29A	231111GT	DECAL PLATE ASSY,GS30,ANSI.....1 (North America)	1
14B	96247GT	WELDMENT,ROLLER BRACKET,RT***.....1 (decals not included, refer to section one)	1	29B	231610GT	DECAL PLATE ASSY,GS30,AUSTRAL...1 (Australia)	1
15	21279GT	BUTTON, .800 O.D. X .281.....3	3	29C	84590GT	DECAL PLATE ASSY W/SYM DECALS.....1 (Asia, Europe and South America)	1
16	47163GT	ROLLER,PLATFORM EXTENSION.....4	4	29D	96849GT	WELDMENT, DECAL PLATE.....1 (decals not included, refer to section one)	1
17	97034GT	GS30 RIDGID MAIN SIDE SQ RAIL.....2	2	--	78038GT	CAP, TUBE, SQ,1.25 X .083	
18	39579GT	RIVET,STL,STL,.188 X .45.....20	20	30A	97213GT	EXT RAIL ASSY, UPPER, GS30.....1	1
19	39310GT	WEAR/GUIDE PAD MAIN PLATFORM...4	4	30B	96848GT	WELDMENT,EXT RAIL,UPPER***.....1 (decals not included, refer to section one)	1
20	39474GT	WEAR PAD,PLATFORM.....2	2	31	96246GT	WELDMENT,ROLLER BRACKET,LT***.....1	1
21A	231109GT	PLAT MAIN DECK ASSY,1932 AU.....1 GS-1932 (Australia) (includes items 18, 19 & 20)	1	--	21279GT	BUTTON, .800 O.D. X .281	
--	47098GT	TAPE,NON-SKID,DIE CUT,4"X 40".....4	4	32A	84586GT	LANYARD ROLLER BRKT ASSY W/DEC.....1	1
--	47231GT	TAPE,NON-SKID,DIE CUT,4"X 16".....2	2	32B	96200GT	WLDMT, LANYARD ROLLER BRKT.....1 (decals not included, refer to section one)	1
21B	231110GT	PLAT MAIN DECK ASSY,1932 CE.....1 GS-1932 (Europe) (includes items 18, 19 & 20)	1	33A	231112GT	FIXED RAILS ASSY,GS30,ANSI.....1 (North America)	1
--	47098GT	TAPE,NON-SKID,DIE CUT,4"X 40".....4	4	33B	231611GT	FIXED RAILS ASSY,GS30,AUSTRAL....1 (Australia)	1
--	47231GT	TAPE,NON-SKID,DIE CUT,4"X 16".....2	2	33C	97132GT	FIXED RAILS ASSY, GS30 SYMBOL.....1 (Asia, Europe and South America)	1
21C	96275GT	WELDMENT, PLATFORM, MAIN to SN 109999 (weldment only, decals not included, refer to section one)		33D	96847GT	WELDMENT,EXT SIDERAIL***.....1 (decals not included, refer to section one)	1
21D	1259719GT	WLDMNT,PLATFORM, MINI, GS30 from SN 110000 (weldment only, decals not included, refer to section one)		34	8255GT	SCREW,HHC,3/8-16 X .75	

404.1 Platform Components, GS-1932 (to SN GS3016C-22616, GS3015A-141945)
(continued)

Item	Part No.	Description	Qty.
35A	44743GT	MANUAL BOX W/DECALS*** <i>USA/Canada/Australia</i>	1
35B	24514GT	BOX,INSTRUCTION STORAGE <i>Europe/Asia/South America (decal required; refer to Section100)</i>	
36	66030GT	PIN, WIRE LOCK 3/8 X 2 -1/2	4
--	78022GT	LANYARD,BLACK NYLON,TYPE 1*** <i>(CE & Australia models)</i>	
37		Ref. SWING GATE ASSEMBLY <i>(refer to 405.1)</i>	
38	1259223GT	BOLT,SHS,3/8X.375X5/16-18,ZAG	1
39	12013GT	SHIM,.375 X .063	1
40	14033GT	SCREW,HHC,3/8-16 X 2.75	5

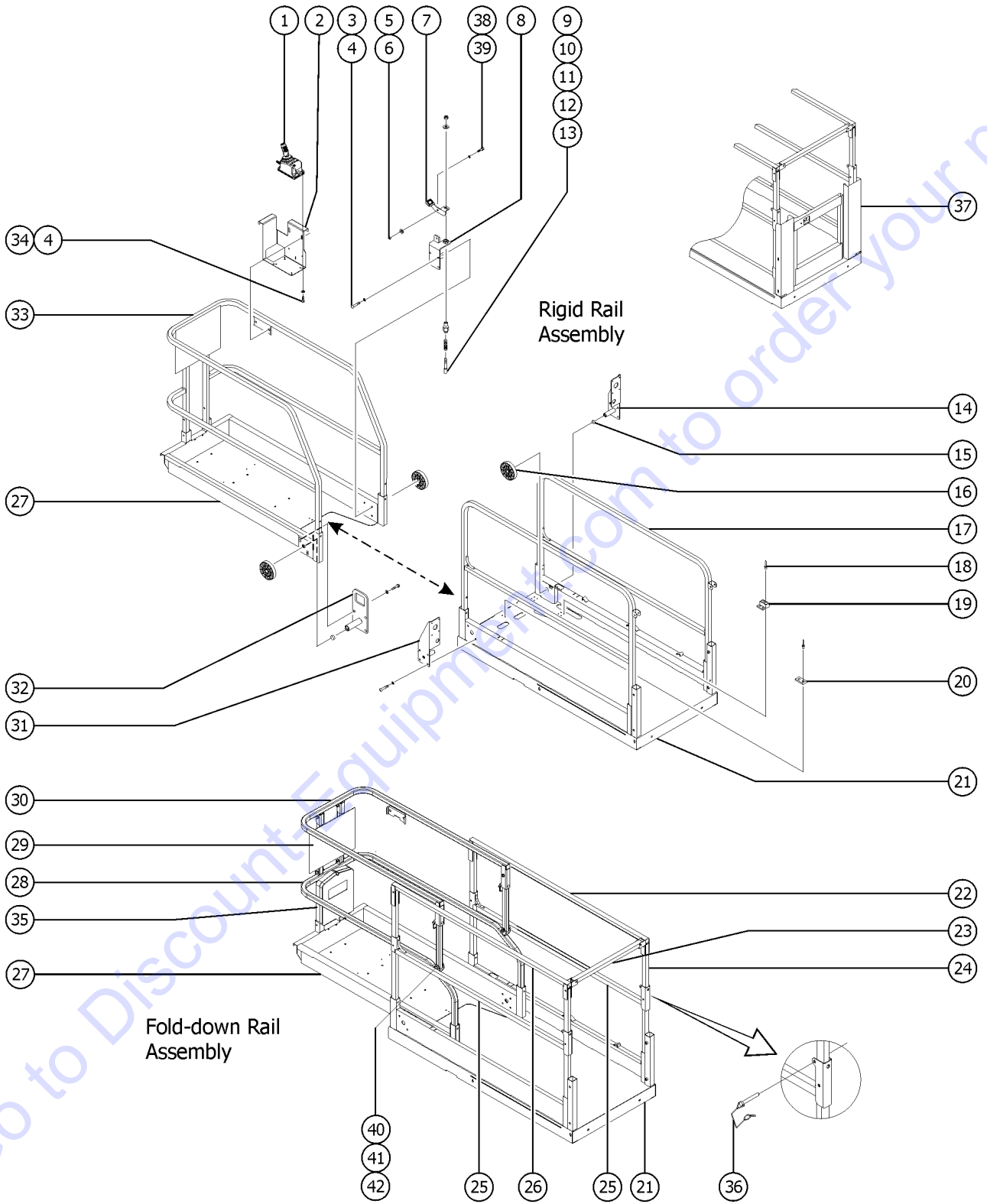
Go to Discount-Equipment.com to order your parts

404.1 Platform Components, GS-1932 (to SN GS3016C-22616, GS3015A-141945)
(continued)

This Page Intentionally Left Blank

Go to Discount-Equipment.com to order your parts

404.2 Platform Components, GS-1932 (from SN GS3016C-22617)



404.2 Platform Components, GS-1932 (from SN GS3016C-22617)

Item	Part No.	Description	Qty.	Item	Part No.	Description	Qty.
1		Ref. Platform Control Box (refer to 407.1 or 408.1)		23	66886GT	ENTRY SWING TUBE.....	1
2		Ref. Platform Control Box Mount Bracket (refer to 407.1 or 408.1)		24	66485GT	TUBE, VERT, FOLDING.....	6
3	5224GT	SCREW,HHC,3/8-16 X 2		25	1274596GT	MAIN RAIL, FOLDING, GS30.....	2
4	6021GT	WASHER,LOCK,.375		--	78038GT	CAP, TUBE, SQ,1.25 X .083	
5	6002GT	NUT,LP NYLOCK,5/16-18		26	66889-SGT	WLDMT, MAIN SIDERAIL,UPPER,LFT...1 (battery pack side)	
6	47222GT	WASHER,SHOULDER,NYLON.....	1	--	78038GT	CAP, TUBE, SQ,1.25 X .083	
7	46260GT	FOOTPEDAL W/NON-SKID TAPE,GS**.....	1	--	39474GT	WEAR PAD,PLATFORM.....	1
--	47166GT	BRACKET,FOOT PEDAL (does not include non-skid tape)		--	47374GT	TAPE,NON-SKID,DIE CUT,4"X 32".....	3
--	47225GT	TAPE,NON-SKID,DIE CUT,1.38X1.5		--	T113787GT	RIVET,ALUM,STL,.188 X .250.....	2
8	96413GT	WLDMT,LOCKING ROLLER SUPPORT.....	1	27A	97123GT	PLAT EXT DECK ASSY,GS30.....	1
9	39470GT	PIN, LOCK.....	1	27B	96335GT	WELDMENT, EXT PLATFORM.....	1
10	39469GT	SPRING,COMPRESSION.485 X1.75**...1				(decals not included, refer to section one)	
11	41630GT	HOUSING, LOCK PIN.....	1	28	1274595GT	WELDMENT, EXTENSION DECK RAIL, LOWER.....	1
12	6097GT	WASHER,FLAT,USS,3/8",Y				(fold down)	
13	7713GT	NUT, LP NYLOCK, 3/8-16		--	78038GT	CAP, TUBE, SQ,1.25 X .083	
14A	84587GT	ROLLER BRACKET ASSY, GRND CNTR.....	1	29A	231111GT	DECAL PLATE ASSY,GS30,ANSI.....	1
		(ground controls side)				(North America)	
14B	96247GT	WELDMENT,ROLLER BRACKET,RT***.....	1	29B	231610GT	DECAL PLATE ASSY,GS30,AUSTRAL...1 (Australia)	
		(decals not included, refer to section one)		29C	84590GT	DECAL PLATE ASSY W/SYM DECALS.....	1
15	21279GT	BUTTON, .800 O.D. X .281.....	3			(Asia, Europe and South America)	
16	47163GT	ROLLER,PLATFORM EXTENSION.....	4	29D	96849GT	WELDMENT, DECAL PLATE.....	1
17	97034GT	GS30 RIDGID MAIN SIDE SQ RAIL.....	2			(decals not included, refer to section one)	
18	39579GT	RIVET,STL,STL,.188 X .45.....	20	30	1274594GT	WELDMENT, EXTENSION DECK RAIL, UPPER.....	1
19	39310GT	WEAR/GUIDE PAD MAIN PLATFORM...4		--	78038GT	CAP, TUBE, SQ,1.25 X .083	
20	39474GT	WEAR PAD,PLATFORM.....	2	31	96246GT	WELDMENT,ROLLER BRACKET,LT***.....	1
21A	231105GT	PLAT MAIN DECK ASSY,1532 AU.....	1	--	21279GT	BUTTON, .800 O.D. X .281	
		GS-1532 (Australia) (includes items 18, 19 & 20)		32A	84586GT	LANYARD ROLLER BRKT ASSY W/DEC.....	1
--	47098GT	TAPE,NON-SKID,DIE CUT,4"X 40"		32B	96200GT	WLDMT, LANYARD ROLLER BRKT.....	1
--	47231GT	TAPE,NON-SKID,DIE CUT,4"X 16"				(decals not included, refer to section one)	
21B	231106GT	PLAT MAIN DECK ASSY,1532 CE.....	1	33A	231112GT	FIXED RAILS ASSY,GS30,ANSI.....	1
		GS-1532 (Europe) (includes items 18, 19, & 20)				(North America)	
--	47098GT	TAPE,NON-SKID,DIE CUT,4"X 40"		33B	231611GT	FIXED RAILS ASSY,GS30,AUSTRAL...1 (Australia)	
--	47231GT	TAPE,NON-SKID,DIE CUT,4"X 16"		33C	97132GT	FIXED RAILS ASSY, GS30 SYMBOL (Asia, Europe and South America)	
21C	1259719GT	WLDMNT,PLATFORM, MINI, GS30.....	1	33D	96847GT	WELDMENT,EXT SIDERAIL***.....	1
		(weldment only; decals not included, refer to section one)				(decals not included, refer to section one)	
22	66890-SGT	WLDMT, MAIN SIDERAIL,UPP,RT **.....	1	34	8255GT	SCREW,HHC,3/8-16 X .75	
		(ground controls side)		35A	44743GT	MANUAL BOX W/DECALS***.....	1
--	78038GT	CAP, TUBE, SQ,1.25 X .083				USA/Canada/Australia	

404.2 Platform Components, GS-1932 (from SN GS3016C-22617)
(continued)

Item	Part No.	Description	Qty.
35B	24514GT	BOX,INSTRUCTION STORAGE <i>Europe/Asia/South America (decal required; refer to Section100)</i>	
36	66030GT	PIN, WIRE LOCK 3/8 X 2 -1/2.....	5
--	78022GT	LANYARD,BLACK NYLON,TYPE 1*** <i>(CE & Australia models)</i>	
37		Ref. SWING GATE ASSEMBLY <i>(refer to 405.1)</i>	
38	1259223GT	BOLT,SHS,3/8X.375X5/16-18,ZAG.....	1
39	12013GT	SHIM,.375 X .063.....	1
40	824029GT	NUT,TL FLG,3/8-16,G,ZAG.....	2
41	1260926GT	BOLT,CARRIAGE,3/8-16X2.25,5,ZAG.....	2
42	1277860GT	GLIDE BUTTON, FOLDING RAILS.....	2

Go to Discount-Equipment.com to order your parts

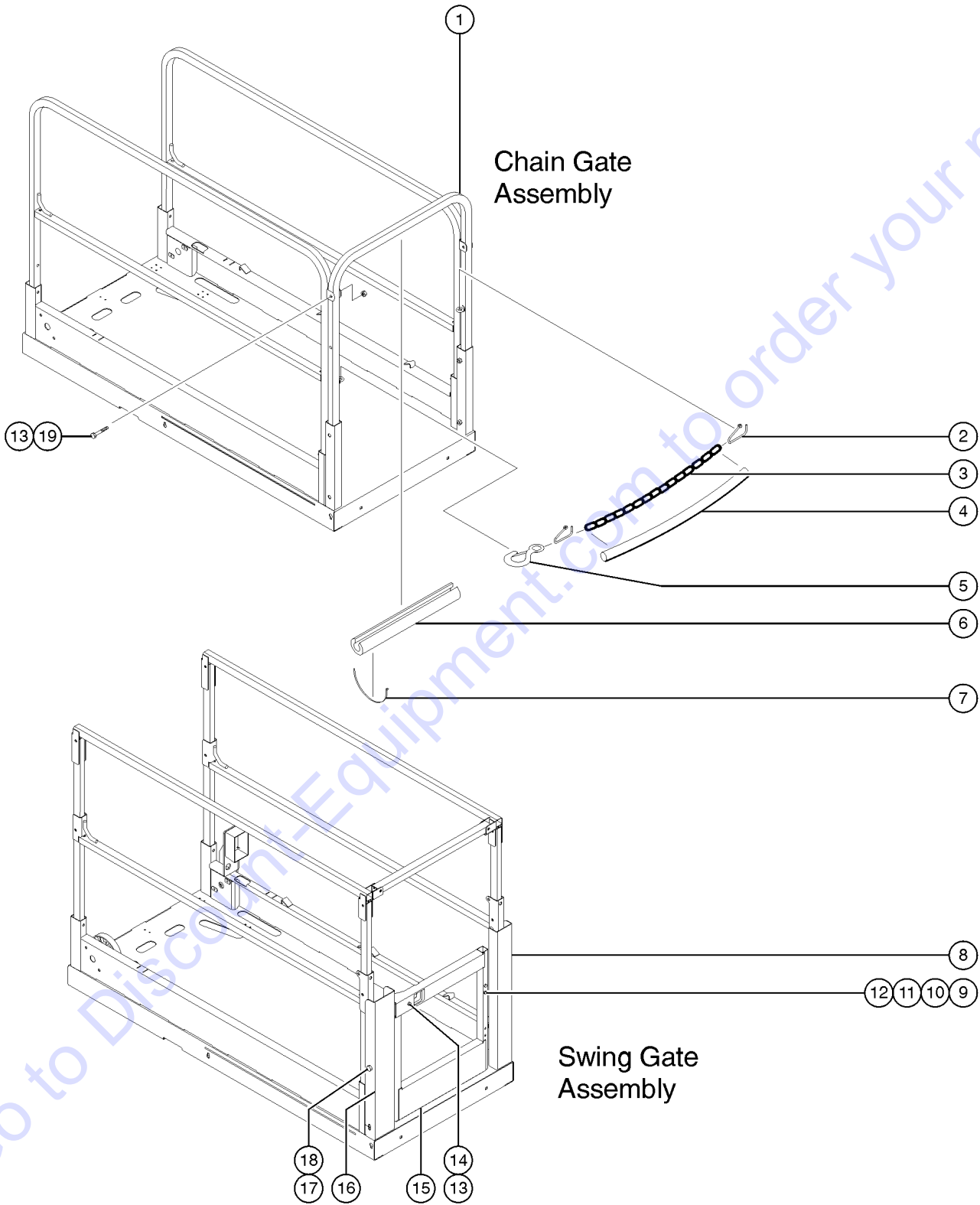


404.2 Platform Components, GS-1932 (from SN GS3016C-22617)
(continued)

This Page Intentionally Left Blank

Go to Discount-Equipment.com to order your parts

405.1 Platform Gates

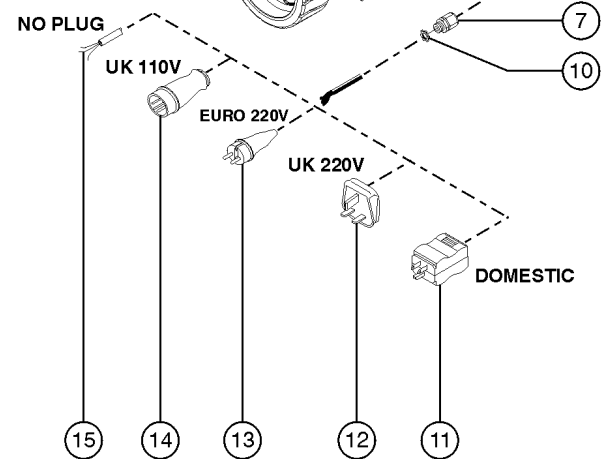
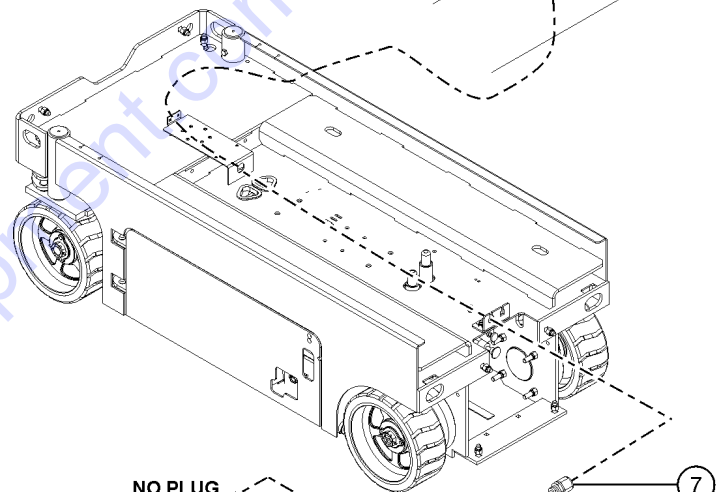
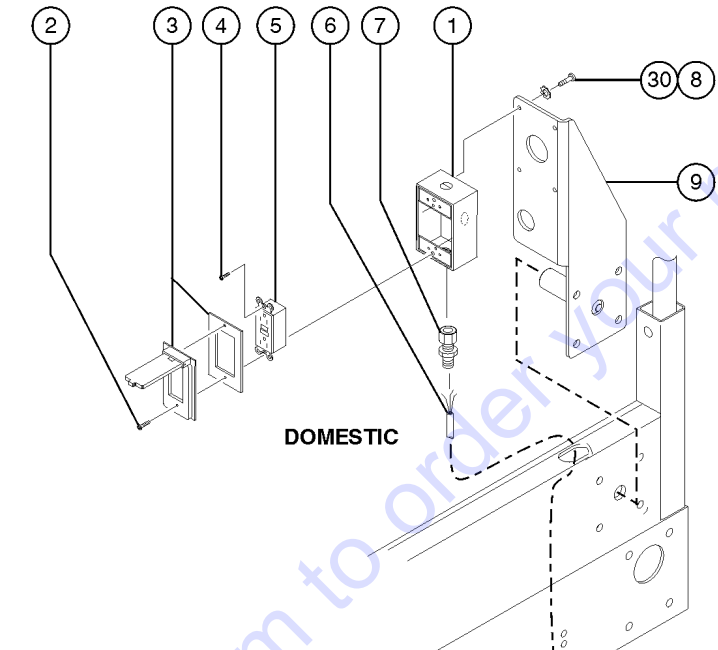
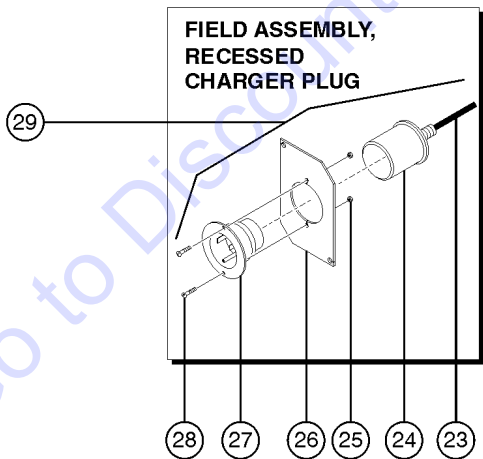
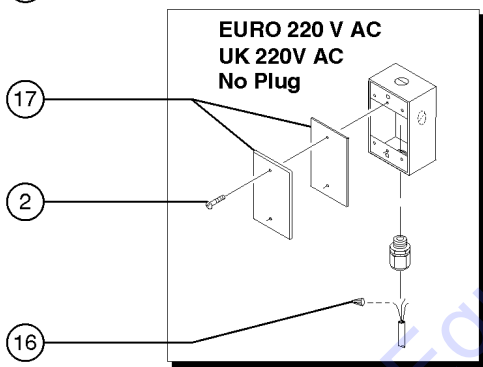
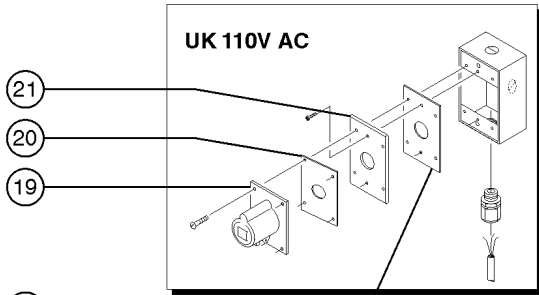
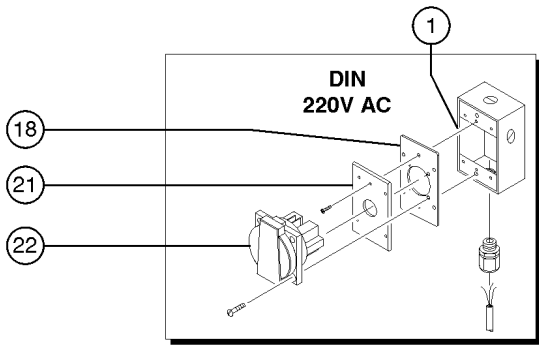


Go to DiscountEquipment.com to order your parts

405.1 Platform Gates

Item	Part No.	Description	Qty.	Item	Part No.	Description	Qty.
--	144175GT	KIT,MINI FULL HT,ANSI GATE (ANSI and CSA models) (includes instructions)		--	66551GT	WELDMENT, HALF GATE (decals not included, see section one) (for use with items 15A through 15G)	
1A	97280GT	CHAIN GATE KIT,GS30 (includes items 2 through 7)		15D	231177GT	SWING GATE ASSY,GS1530 CE.....1 (GS-1530 CE models)	1
1B	97053GT	WELDMENT,CHAIN GATE SQ, GS30 end rail for chain gate option		--	66551GT	WELDMENT, HALF GATE.....1 (decals not included, see section one) (for use with items 15A through 15G)	1
1C	97105GT	PLAT ENTRY ASSY,RIGID GS30.....1 (includes items 6 & 7)	1	15E	231178GT	SWING GATE ASSY,GS1532 CE (GS-1532 CE models)	
1D	78029GT	END RAIL,SWING GATE,RIGID		--	66551GT	WELDMENT, HALF GATE (decals not included, see section one) (for use with items 15A through 15G)	
2	96163GT	LINK,(SPLIT) OPEN-END.....2	2	15F	231179GT	SWING GATE ASSY,GS1930 CE (GS-1930 CE models)	
3	39509GT	CHAIN,3/16,OPEN LINK 22.5".....1	1	--	66551GT	WELDMENT, HALF GATE (decals not included, see section one) (for use with items 15A through 15G)	
4	47224GT	TUBING,PVC,1",BLACK***.....21	21	15G	231180GT	SWING GATE ASSY,GS1932 CE (GS-1932 CE models)	
5	39510GT	RIGID EYE SNAP.....1	1	--	66551GT	WELDMENT, HALF GATE (decals not included, see section one) (for use with items 15A through 15G)	
6	47188GT	FOAM,CLOSED CELL 1.75X.250X18"....1	1	15H	65990-SGT	KIT,GATE LATCH.....1 (includes items 13, 14, the spring, 22446, and the latch, 66544) (for use with items 15A through 15G)	1
7	28443GT	CABLE TIE,11.5" BLACK		--	22446GT	SPRING,COMPRESSION .835 X 2.....1 (for use with items 15A through 15G)	1
8	66883GT	FORMING, HALF GATE HINGE.....1	1	--	66544GT	LATCH HANDLE (for use with items 15A through 15G)	
8A	66883GT	FORMING, HALF GATE HINGE.....1 (to SN GS3016C-22616, GS3015A-141945)	1	16	66903-SGT	WLDMT, FORMING, HALFGATE CATCH.....1	1
8B	1274603GT	FORMING, HALF GATE, HINGE SIDE (from SN GS3016C-22617)		16A	66903-SGT	WLDMT, FORMING, HALFGATE CATCH.....1 (to SN GS3016C-22616, GS3015A-141945)	1
9	4266GT	SCREW,HHC,1/4-20 X 2		16B	1274597GT	WELDMENT, FORMING, HALF GATE, CATCH SIDE (from SN GS3016C-22617)	
10	6638GT	WASHER,FLAT,USS,1/4"Y		17	8178GT	SCREW,HHC,3/8-16 X 2.5	
11	6091GT	NUT,NYLOCK,1/4-20		18	5397GT	WASHER,FLAT,USS,5/16",Y	
12	104804GT	HINGE, SPRING, LONG LEG.....2	2	19	7713GT	NUT, LP NYLOCK, 3/8-16	
13	5224GT	SCREW,HHC,3/8-16 X 2					
14	4828GT	NUT,NYLOCK,3/8-16					
15A	97110GT	SWING GATE ASSY,GS30/32** (GS-1530 & GS 1930 ANSI and CSA models)					
--	47598GT	WEATHERSTRIP,SWING GATE.....18-inches (for use with items 15A through 15G)	18-inches				
--	66551GT	WELDMENT, HALF GATE.....1 (decals not included, see section one) (for use with items 15A through 15G)	1				
15B	231175GT	SWING GATE ASSY,1530/1930 AUS.....1 (GS-1530 & GS-1930 Australia models)	1				
--	47598GT	WEATHERSTRIP,SWING GATE.....18-inches (for use with items 15A through 15G)	18-inches				
--	66551GT	WELDMENT, HALF GATE.....1 (decals not included, see section one) (for use with items 15A through 15G)	1				
15C	231176GT	SWING GATE ASSY,1532/1932 AUS (GS-1532 & GS-1932 Australia models)					
--	47598GT	WEATHERSTRIP,SWING GATE.....18-inches (for use with items 15A through 15G)	18-inches				

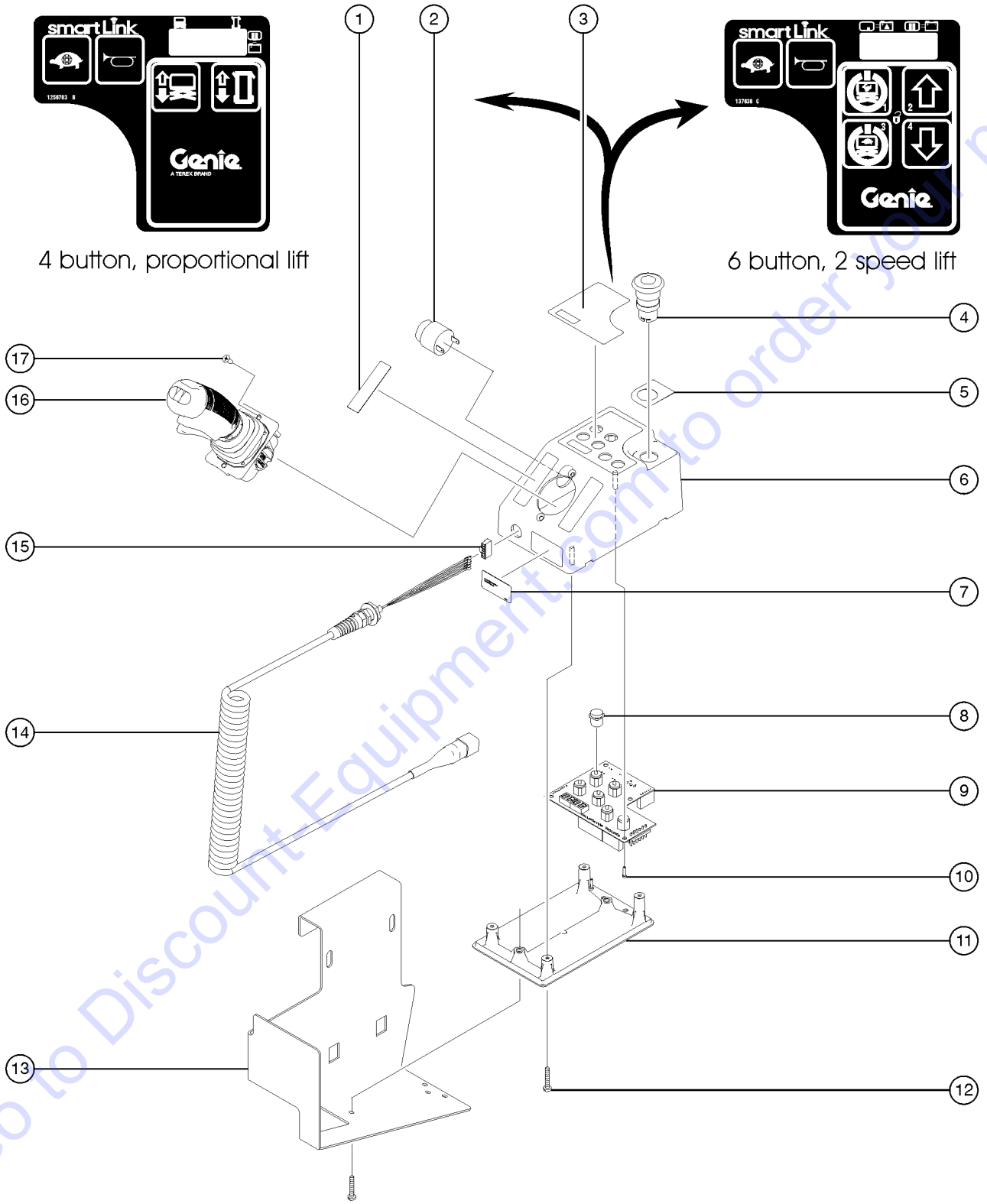
406.1 Power to Platform



406.1 Power to Platform

Item	Part No.	Description	Qty.	Item	Part No.	Description	Qty.
--	33724GT	KIT,GASKET,UK POWER TO PLAT. <i>(includes 1 each, items 18 and 20)</i>		--	6878GT	BOLT,CARRIAGE,1/4-20 X .75,G2.....2 <i>not included</i>	2
1	10775GT	T-BOX,2.75 X 4.5 X 2.0.....1	1	27	105117GT	PLUG,FLG INLET,15A/125V,2PWGD.....1	1
2	7127GT	SCREW,PHILLIPS,PHM,6-32 X .75		28	55906GT	SCREW,PHILLIPS,PHM,8-32 X .5.....2	2
3A	74006GT	COVER,GFCI,HORIZONTAL,WEATHER.1 <i>(ANSI and CSA models) (includes gasket and mounting fasteners)</i>	1	29	105448GT	FIELD ASSY,REC.CHARGER PLUG.....1 <i>(includes items 23-28)</i>	1
3B	105812GT	COVER,T-BOX LOCKABLE.....1 <i>EE rated (not shown)</i>	1	30	44936GT	WASHER,STAR,EXTERNAL,#8.....4	4
4	45546GT	SCREW,RHM,6-32 X .5					
5	13585GT	OUTLET, 110V.....1 <i>(ANSI and CSA models)</i>	1				
6A	43956GT	WIRE CABLE,14/3 CON.TPE JKT*.....264-inches GS-1530, GS-1532					
6B	43956GT	WIRE CABLE,14/3 CON.TPE JKT*.....364-inches GS-1930, GS-1932					
7	7056GT	CONN,SQUEEZE,1/2NPT .38-.50,SM....1	1				
8	57075GT	SCREW,PHIL,8-32X.50,SELF TAP					
9		Ref. ROLLER BRACKET <i>(refer to 401.1 through 404.1)</i>					
10	6935GT	LOCKNUT,ELEC,1/2".....1	1				
11	6595GT	PLUG,ELECTRICAL,DOMESTIC.....1	1				
12	25388GT	PLUG,FUSED,250V,13AMP,U.K.**					
13	1280665GT	PLUG, TYPE F, 230A, 50HZ, 16A, IP44					
14	144161GT	PLUG,PWR,UK,16AMP,3PIN,BLK					
15	105117GT	PLUG,FLG INLET,15A/125V,2PWGD					
--	105118GT	GASKET,(BOOT) FLANGE INLET PLG					
16	6626GT	WIRE CAP,ORANGE.....1	1				
17	10777GT	COVER,BLANK.....1	1				
18	66355GT	GASKET, UK & DIN PWR. TO PLAT.....1 <i>(2.9 x 2.9 inches)</i>	1				
19	T112563GT	SVC KIT,UK RECEPT.REPLACEMENT.....1	1				
20	66356GT	GASKET, UK RECEPTACLE.....1 <i>(2.9 x 2.9 inches)</i>	1				
21A	105483-SGT	PLATE,AC ADAPTER(ANSI/CSA) <i>(ANSI/CSA)</i>					
21B	96236GT	PLATE,AC ADAPTER,DIN/UK***					
21C	105090GT	PLATE, AC ADAPTER(AUS)					
22	66353GT	RECEPTACLE, DIN, 220V 50A.....1	1				
23	48282GT	POWER CORD, IEC 320 BLANK, 79".....1	1				
24	105118GT	GASKET,(BOOT) FLANGE INLET PLG.....1	1				
25	18605GT	NUT,NYLOCK,8-32.....2	2				
26	105483-SGT	PLATE,AC ADAPTER(ANSI/CSA).....1	1				
--	6091GT	NUT,NYLOCK,1/4-20.....2 <i>not included</i>	2				

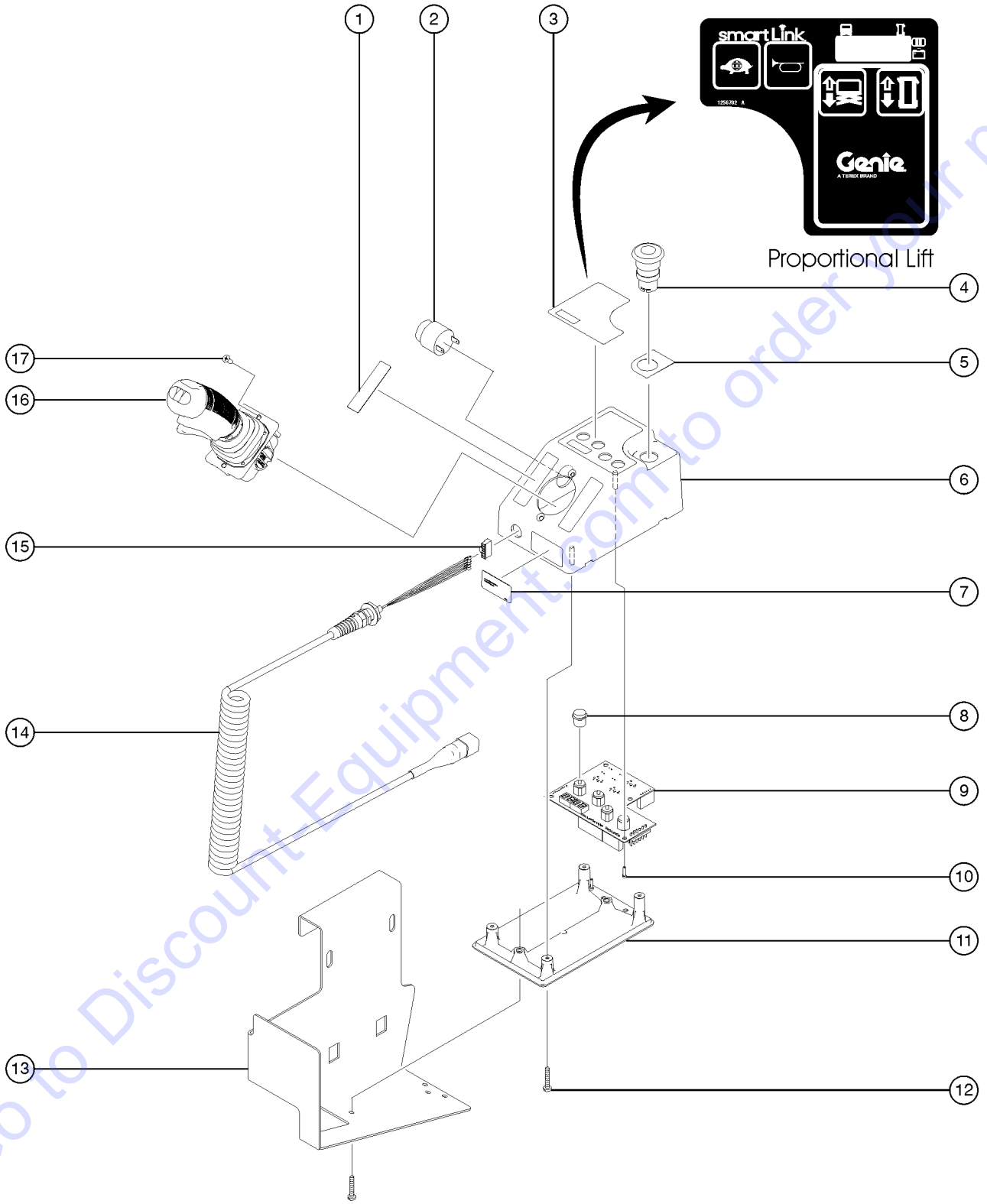
407.1 Platform Controls, 6 Button (2 Speed Lift)



407.1 Platform Controls, 6 Button (2 Speed Lift)

Item	Part No.	Description	Qty.	Item	Part No.	Description	Qty.
A	1258332GT	KIT, SL PROP UPGRD, ANSI, GS30 (For 2 speed to proportional lift conversion. Software upgrade is required and available on-line or refer to 408.1 for USB flash drive) to SN GS3014A-134999 and to SN GS3014C-16999		7	137642GT	LABEL, GR/GRC/GS PCON.....	1
B	1258333GT	KIT, SL PROP UPGRD, AUS, GS30 (For 2 speed to proportional lift conversion. Software upgrade is required and available on-line or refer to 408.1 for USB flash drive) to SN GS3014A-134999 and to SN GS3014C-16999		8	T106373GT	CAP,BUTTON,K12.....	6
C	1258334GT	KIT, SL PROP UPGRD, CE, GS (For 2 speed to proportional lift conversion. Software upgrade is required and available on-line or refer to 408.1 for USB flash drive) to SN GS3014A-134999 and to SN GS3014C-16999		9	137522GT	PCBA, GC14-1.....	1
D	1258515GT	KIT, SL PROP UPGRD, ANSI SYM, GS (For 2 speed to proportional lift conversion. Software upgrade is required and available on-line or refer to 408.1 for USB flash drive) to SN GS3014A-134999 and to SN GS3014C-16999		10	137637GT	SCREW,PHM,4-20X.5, 48-2 TRI-L	
E	137633GT	PCON, GR/GRC/GS (models with 6 button, 2 speed controller) (complete platform control box with coil cord, bracket not included) to SN GS3014A-134999 and to SN GS3014C-16999		11	T106370GT	ENCLOSURE,GC14-1/GC16-1, BOT.....	1
--	219205GT	FLASH DRIVE,SL1K1.0 SOFTWARE (models with 6 button, 2 speed controller) (complete platform control box with coil cord, bracket not included) to SN GS3014A-134999 and to SN GS3014C-16999		12	137640GT	SCREW,PHM,8-16X.75, 48-2 TRI-L	
F	137587GT	HARNESS, ESTOP, GR/GRC/GS PCON		13	231331GT	PLAT CONTROL BRKT ASSY,GS MINI.....	1
1	137656GT	DECAL,PROPEL,GR/GRC/GS,PCON.....	1	--	T114397GT	FORMING,PLAT CONTROL BOX Europe, Asia and S. America	
2A	39540GT	ALARM,STEADY TONE***.....	1	14	235464GT	KIT,COIL CORD,CONTRLR,SL1000.....	1
2B	72326GT	NUT - PLASTIC,RING FOR ALARMS for 39540		--	231921GT	KIT,CONN,RECEPT W/PIN AND LOCK	
3A	137636GT	DECAL, UI, GR/GRC/GS PCON.....	1	--	231922GT	KIT,CONN,PLUG W/SCKT AND LOCK	
3B	1256703GT	DECAL, STD, PROP LIFT, UI, SVC.....	1	15	137699GT	PLUG, 6POS ECO PWR.....	1
4	66812GT	BUTTON,PUSH,RED MUSHROOM HEAD.....	1	16		Ref., JOYSTICK.....	1
--	66817GT	BASE WITH 1 NC CONTACT, E-STOP		17	229845GT	SCREW,BHSCS,M5X10,SS apply Loctite 243 or equivalent before installation	
5	137605GT	DECAL,E-STOP,GR/GRC/GS PCON.....	1				
6	T106368GT	ENCLOSURE, GC14-1, TOP.....	1				

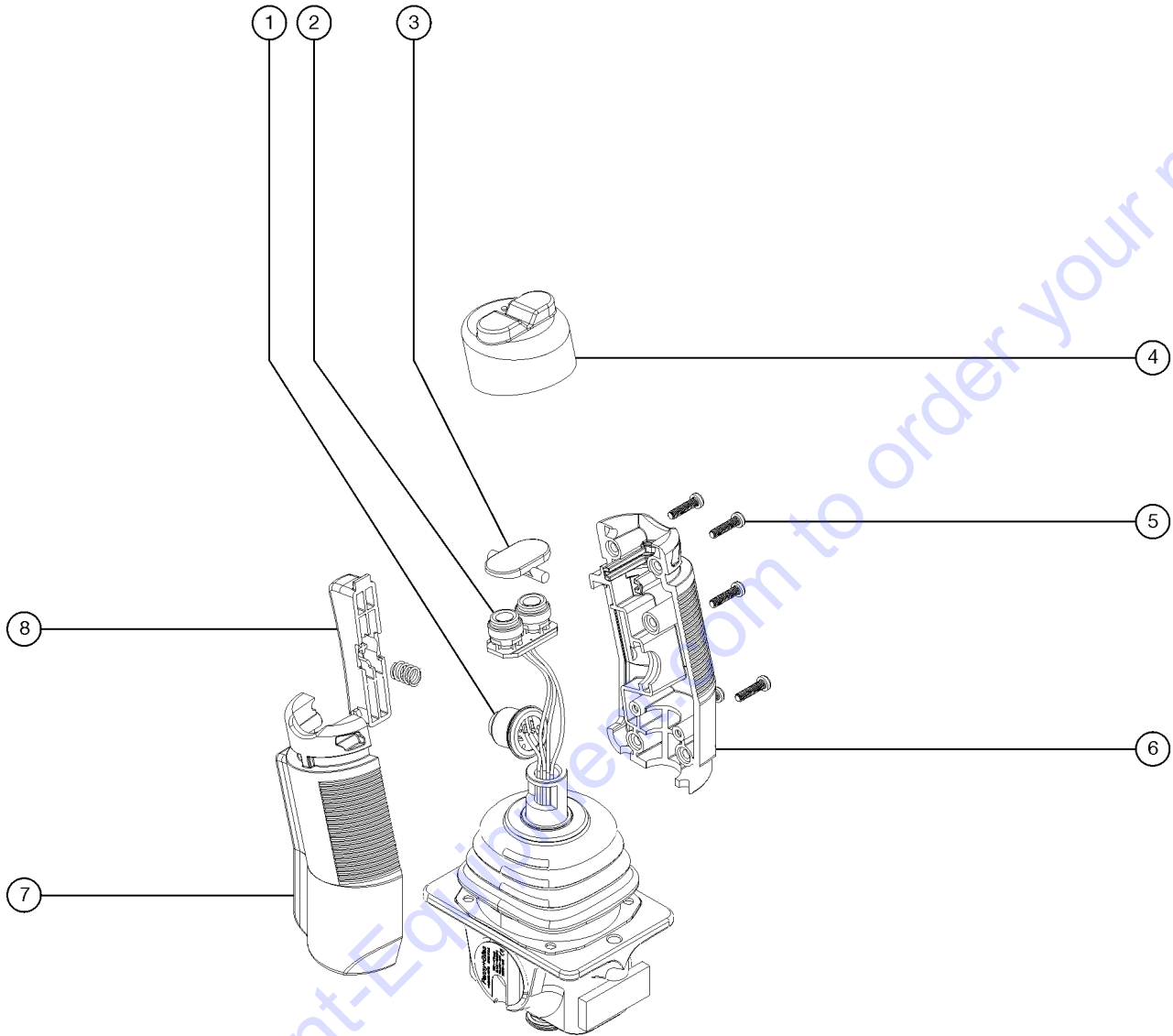
408.1 Platform Controls, 4 Button (Proportional Lift)



408.1 Platform Controls, 4 Button (Proportional Lift)

Item	Part No.	Description	Qty.
A	1256727GT	PCON,STD,PROP LIFT,GR/GS.....1 <i>(complete platform control box with coil cord, bracket not included) from SN GS3014A-135000 and from SN GS3014C-17000</i>	1
--	1258731GT	FLASH DRIVE,SL1K2.0 SOFTWARE <i>(For proportional lift or upgrade kits only. Software update available on-line. Flash drive sold separately.)</i>	
--	137587GT	HARNESS, ESTOP, GR/GRC/GS PCON	
1	137656GT	DECAL,PROPEL,GR/GRC/GS,PCON.....1	1
2A	39540GT	ALARM,STEADY TONE***.....1 <i>order 72326 mounting ring separately</i>	1
2B	72326GT	NUT - PLASTIC,RING FOR ALARMS <i>for 39540</i>	
3A	1256702GT	DECAL, UI, GS/GR, PROP LIFT.....1 <i>(models with 4 button, proportional controller)</i>	1
3B		REF:DECAL,STD,PROP LIFT,UI,SVC.....1 <i>(units converted from 6 button, 2 speed lift to 4 button, proportional controller, refer to 407.1)</i>	1
4	66812GT	BUTTON,PUSH,RED MUSHROOM HEAD.....1	1
--	66817GT	BASE WITH 1 NC CONTACT, E-STOP	
5	137605GT	DECAL,E-STOP,GR/GRC/GS PCON.....1	1
6	1256656GT	ENCLOSURE,STD 4-BUTTON,TOP	
7		<i>(component no longer available)</i>	
8	T106373GT	CAP,BUTTON,K12.....6	6
9	1256725GT	PCBA,PCON STD,PROP LIFT.....1	1
10	137637GT	SCREW,PHM,4-20X.5, 48-2 TRI-L	
11	T106370GT	ENCLOSURE,GC14-1/GC16-1, BOT.....1	1
12	137640GT	SCREW,PHM,8-16X.75, 48-2 TRI-L	
13	231331GT	PLAT CONTROL BRKT ASSY,GS MINI.....1 <i>USA, Canada, Australia</i>	1
--	T114397GT	FORMING,PLAT CONTROL BOX <i>Europe, Asia and S. America</i>	
14	235464GT	KIT,COIL CORD,CONTRLR,SL1000.....1 <i>includes item 15</i>	1
--	231921GT	KIT,CONN,RECEPT W/PIN AND LOCK	
--	231922GT	KIT,CONN,PLUG W/SCKT AND LOCK	
15	137699GT	PLUG, 6POS ECO PWR.....1	1
16		Ref., JOYSTICK.....1 <i>refer to 409.1</i>	1
17	229845GT	SCREW,BHSCS,M5X10,SS <i>apply Loctite 243 or equivalent before installation</i>	

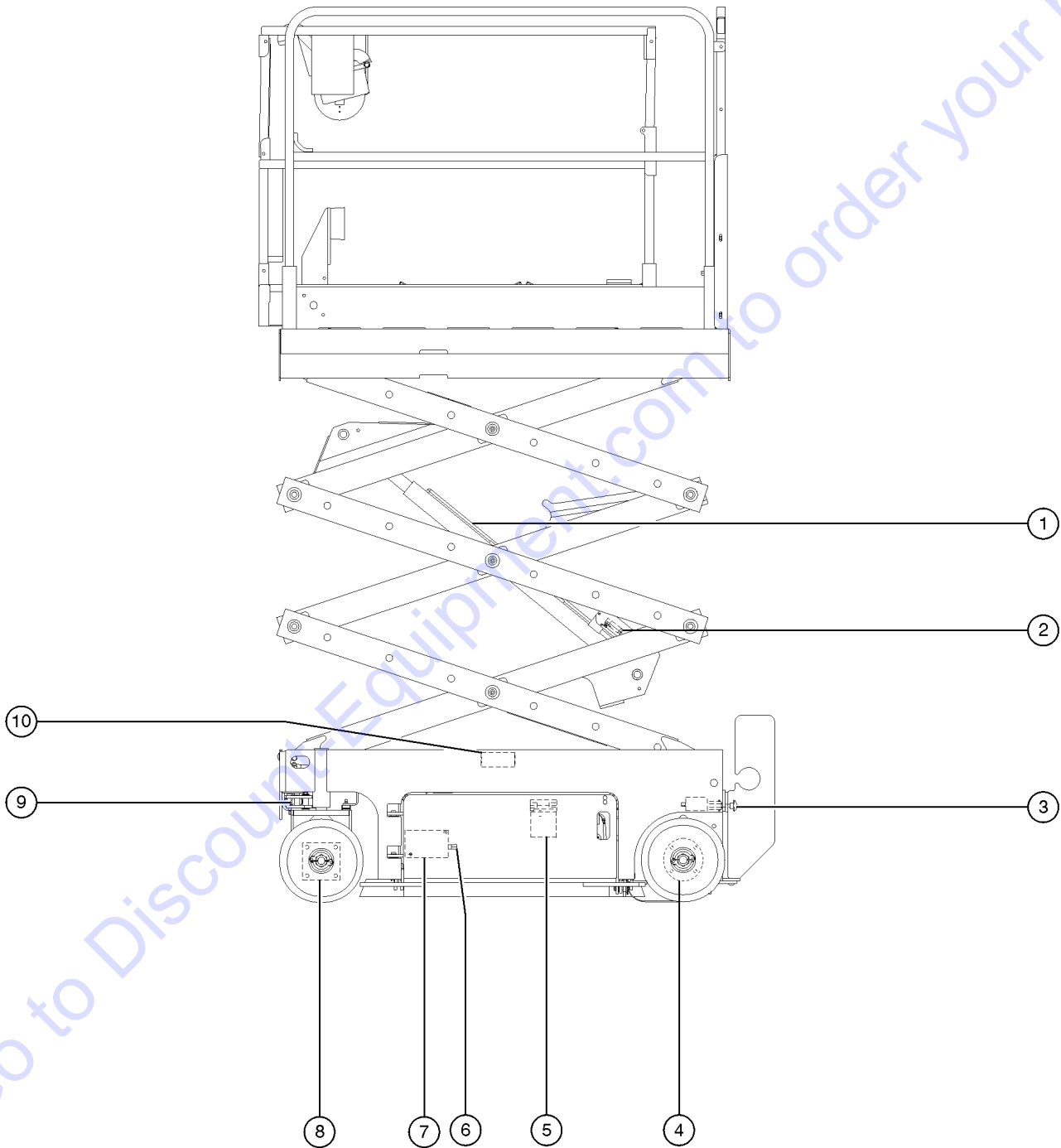
409.1 Joystick Controller



409.1 Joystick Controller

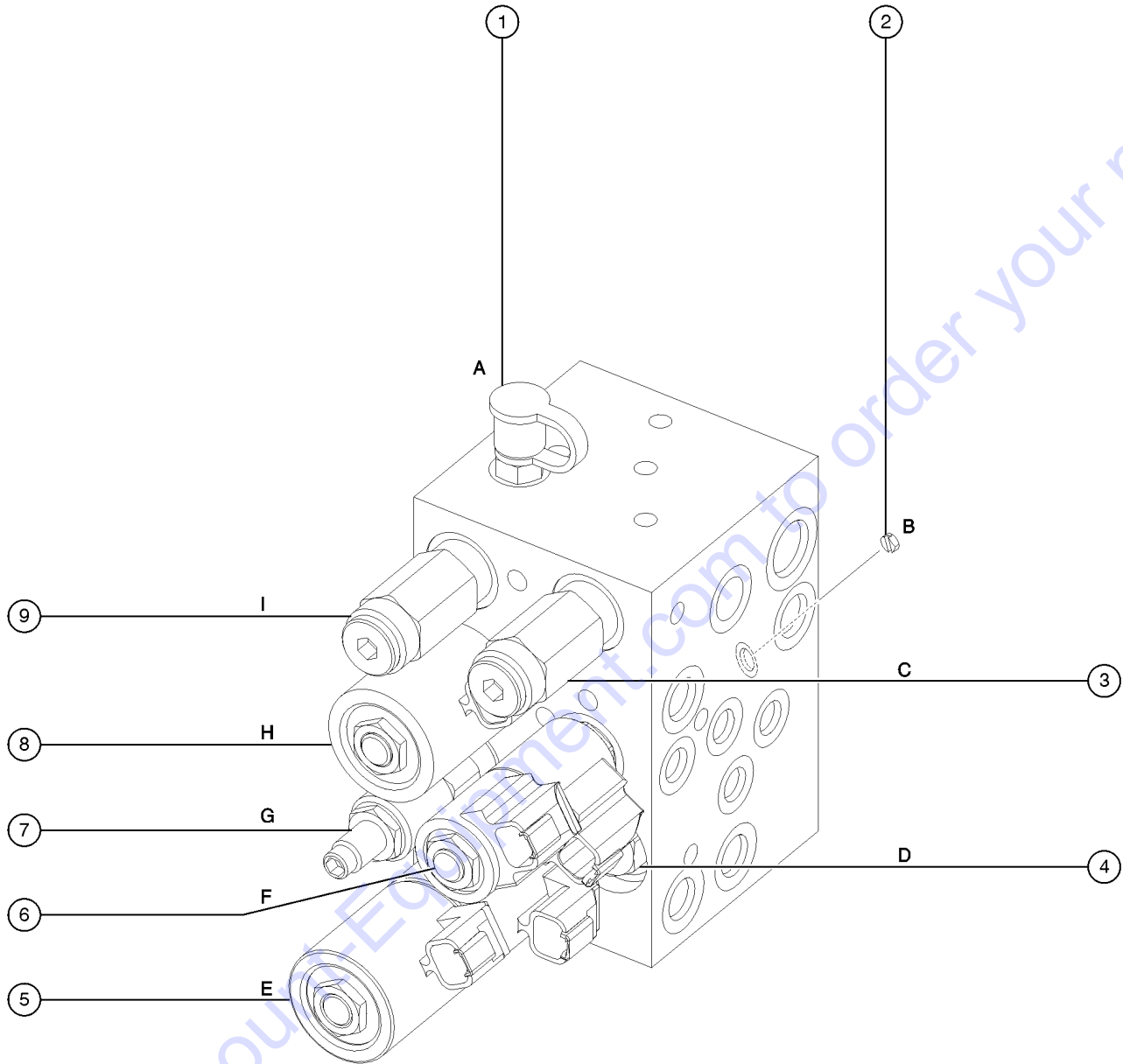
Item	Part No.	Description	Qty.
--	137634GT	JOYSTICK, HALL EFFECT, SINGLE	
--	214544GT	KIT,BOOT,JOYSTICK,SL1000 <i>joystick boot</i>	
1	235463GT	KIT,SWITCH,JYSTK,SL1000.....1 <i>function enable and steer switches</i>	
2	235463GT	KIT,SWITCH,JYSTK,SL1000.....1 <i>function enable and steer switches</i>	
3	229092GT	ROCKER,2 SWITCH.....1	
4	229093GT	BOOT, 2 SWITCH, SILICON.....1	
5	229086GT	SCREW, SELF TAP.....5	
6	229087GT	HANDLE HALF,RIGHT,W/TOP SWITCH.....1	
6A	229091GT	SCREW,GRUB,M5X8MM,HLF DOG,BZP <i>for 229087</i>	
7	229088GT	HANDLE HALF,LEFT,W/TOP SWITCH....1	
7A	229090GT	SCREW,GRUB,M5X8MM CUP(BLK) <i>for 229088</i>	
8	229089GT	TRIGGER, EXTENDED.....1 <i>squeeze handle</i>	
--	229094GT	SPRING, HANDLE TRIGGER.....1	

501.1 Hydraulic Components



Item	Part No.	Description	Qty.
1		Ref. Lift Cylinder Assembly (refer to 506.1)	
2		Ref. Pressure Transducer (refer to 701.1)	
3		Ref. Brake Release Hand Pump Manifold (refer to 504.1)	
4	96257GT	BRAKE, HYDRAULIC***2 (no seal kits available)	
5A	78622GT	FILTER ASSY,SAE8,10 MIC,PAPR**1 (paper, standard)	
--	44788GT	FILTER ELEMENT,10MICRON,PAPER* (paper, standard)	
5B	T114321GT	FILTER ASSY,FIBRGLS,#8-#81 (fiberglass, optional upgrade)	
--	44207GT	FILTER ELEMENT,BETA(10)=200 (fiberglass, optional upgrade)	
6		Ref. Check Valve Manifold (refer to 502.2)	
7		Ref. Function Manifold (refer to 502.1 or 503.1)	
8	96388GT	MOTOR,HYDRAULIC,530,14.0CU.IN*2 GS-30	
--	96419GT	SEAL KIT,RC SERIES DR MOTOR*** (for 96388 and 96417)	
9	105547GT	CYLINDER,GS/GR STEER***1	
--	105550GT	KIT,STEER CYL SEAL (from SN GS3007A-88642, GS3007B-83785, GS3008C-101, GS3207-84485, GS3208C-101, GS4607-83692, and GS4609C-101)	
--	105553GT	KIT,STEER CYL SEAL,040271P,HDM (for code H408147 and up)	
--	105554GT	KIT,STEER CYL SEAL,040499P,HDM (for code H41109 and up)	
--	105555GT	KIT,STEER CYL SEAL,040505P,HDM (for codes H41205, H41255, H51290, H501111, H505109, H509101, H60723 and H60870)	
10	78422GT	ACCUMULATOR,180 PSI PRECHARGE*1	

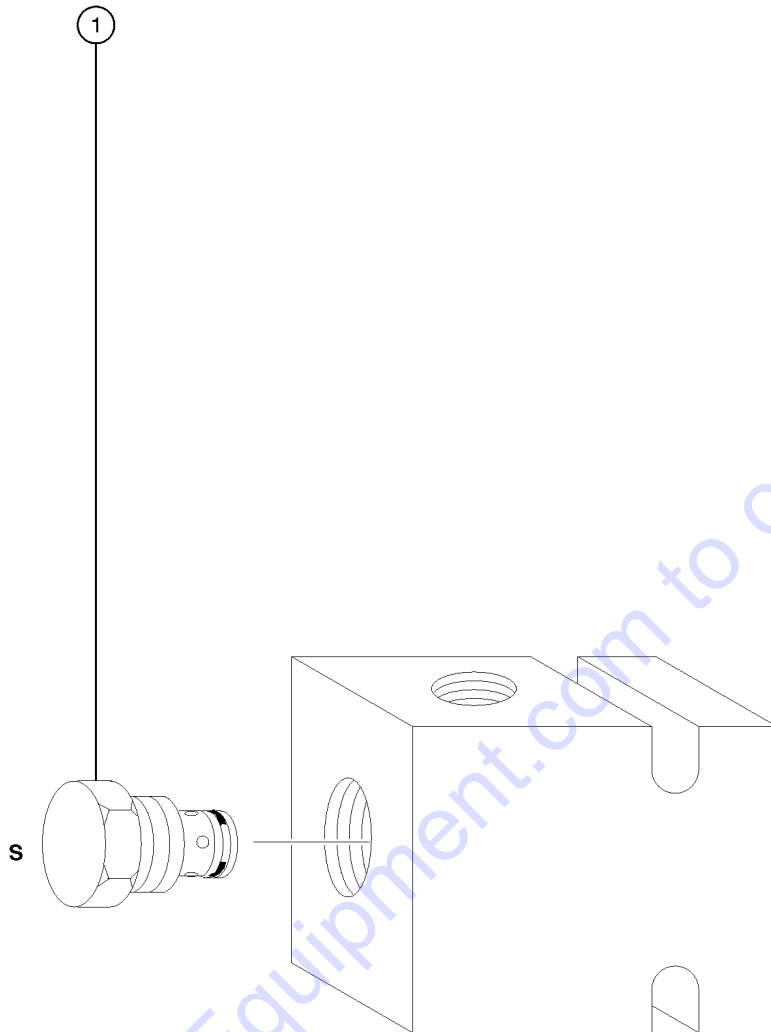
502.1 Function Manifold



Go to DiscountEquipment.com to order your parts

Item	Part No.	Description	Qty.
--	105304GT	MANIFOLD,FUNCTION*** (from SN GS3005A-76492, GS3005B-76085 and GS3008C-101) (manifold, complete)	
--	49612GT	O-RING KIT (ORFS FITTINGS)	
--	49613GT	PLUG AND CAP KIT-SERVICE,ORFS*	
1	48997GT	NIPPLE,DIAGNOSTIC,#4 (A, Testing)	
--	20224GT	DIAGNOSTIC FEMALE Q-DSCNT (pressure gauge not included)	
--	48880GT	CAP,DIAGNOSTIC NIPPLE	
2	84386GT	CHECK DISK, NO SPRING (B, Steer circuit)	
3	65962GT	VALVE-RELIEF, 3700 PSI #8** (C, Lift relief)	
--	44226GT	SEAL KIT-FOR P.N.44167	
4	46216GT	VALVE,CHECK,IWP-S/CWP PWR ASSI (D, Drive circuit)	
--	44227GT	SEAL KIT, VALVE	
5	105457GT	KIT,DYN BRAKING VALVE,MINI (to SN GS3005A-76491 and to GS3005B-76084) (E, Drive forward/reverse)	
--	105303GT	VALVE, DYN. BRAKING, GS30** (from SN GS3005A-76492, GS3005B-76085, and GS3008C-101) (E, Drive forward/reverse)	
--	44174GT	NUT-COIL SHORT	
--	44230GT	SEAL KIT-P.N.44169,44172,44171	
--	84385GT	COIL,20VDC DEUTCSH W/DIODE (sold separately)	
6	44168GT	VALVE,SOLENOID,3POS 4WAY (F, Steer left/right)	
--	44174GT	NUT-COIL SHORT	
--	44229GT	SEAL KIT, VALVE	
--	77709GT	COIL,#8 20VDC,DEUTSCH W/DIOD (sold separately)	
7	84384GT	PRTY,FLOW CNTRL VALVE,.75 GPM (G, Steer circuit)	
--	1261888GT	SEAL KIT (84384) for 84384	
8	44169GT	VALVE-SOLENOID, 2POS 4 WAY (H, Platform up)	
--	44174GT	NUT-COIL SHORT	
--	44230GT	SEAL KIT-P.N.44169,44172,44171	
--	84385GT	COIL,20VDC DEUTCSH W/DIODE (sold separately)	
9	65962GT	VALVE-RELIEF, 3700 PSI #8** (I, System relief)	
--	44226GT	SEAL KIT-FOR P.N.44167	

503.1 Check Valve Manifold

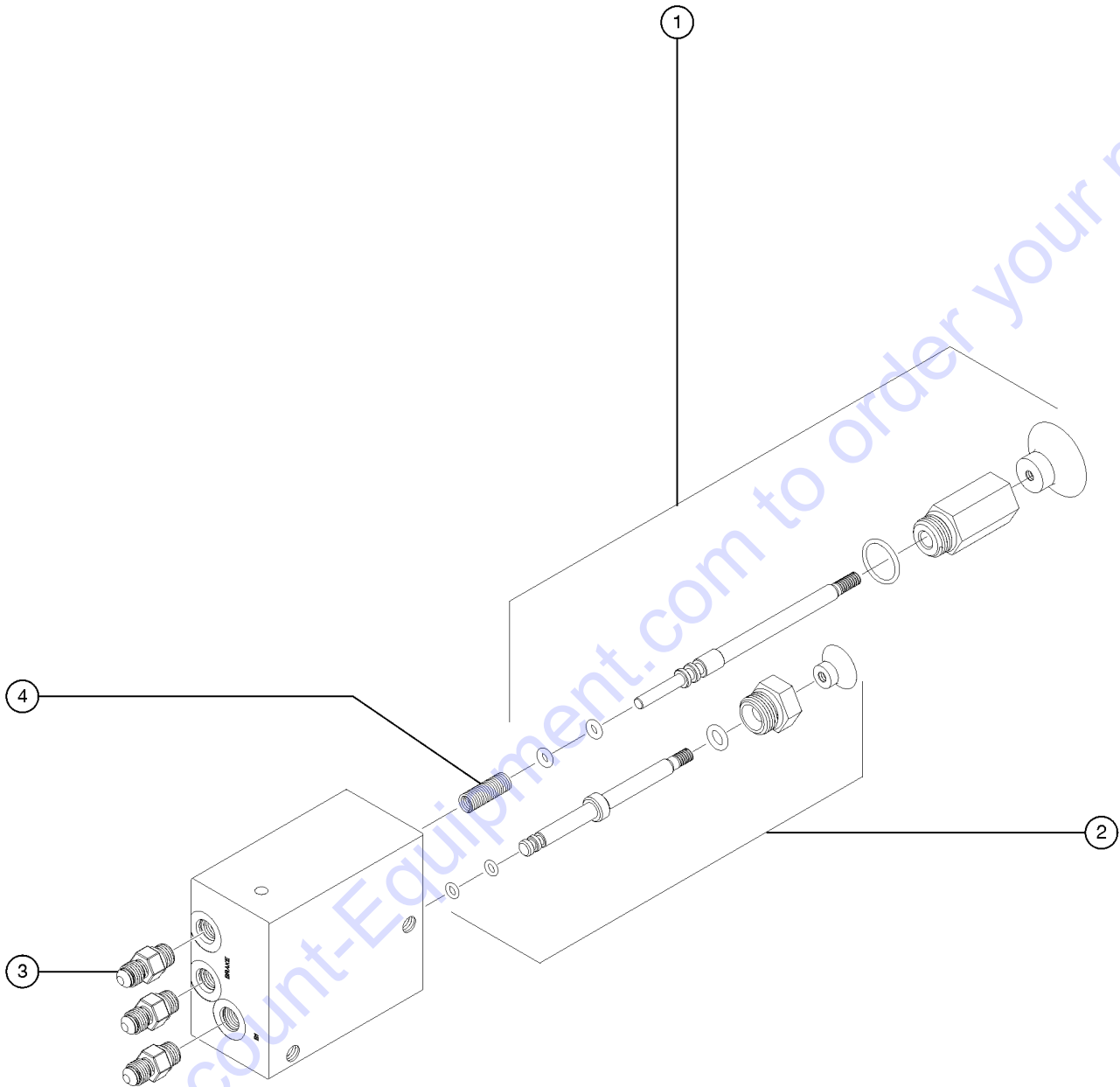


503.1 Check Valve Manifold

Item	Part No.	Description	Qty.
--	105164GT	KIT,MANIFOLD,200 PSI CV,MINI	
--	105167GT	ACCESSORY,MINI CHK VAL MANIF	
1	105165GT	MANIFOLD,200 PSI CHECK VALVE (S, Drive circuit)	

Go to Discount-Equipment.com to order your parts

504.1 Brake Release Hand Pump Manifold

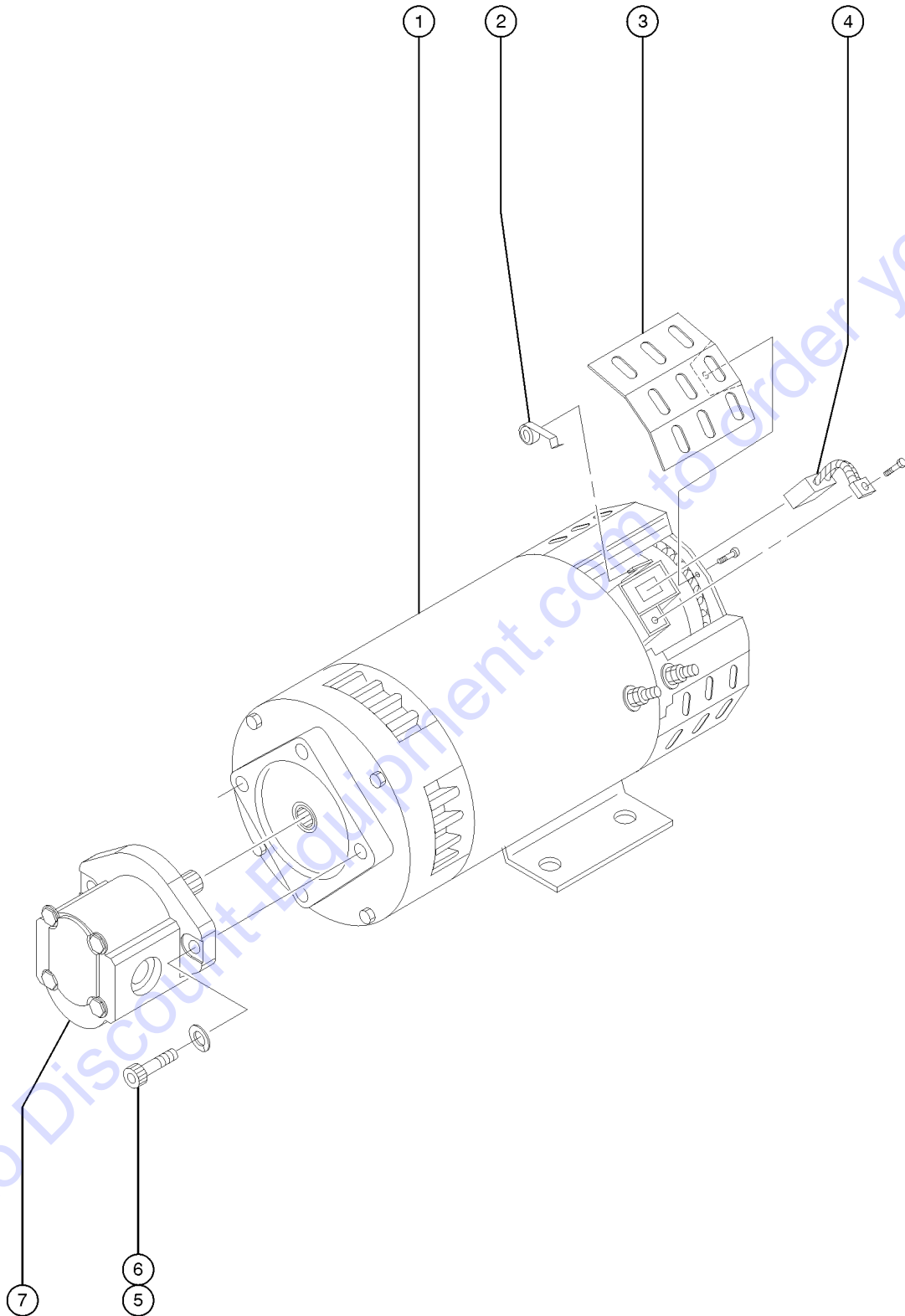


504.1 Brake Release Hand Pump Manifold

Item	Part No.	Description	Qty.
--	105067GT	MANIFOLD,BRAKE RELEASE (includes items 1, 2 and 4)	
1	84739GT	VALVE,HAND PUMP ASSEMBLY***.....1	1
--	84740GT	SEAL KIT,HAND PUMP***	
--	84742GT	KNOB,HAND PUMP (RED)***	
2	84743GT	VALVE,PILOT OPERATED ASSEMBLY*.....1	1
--	84740GT	SEAL KIT,HAND PUMP***	
--	84746GT	KNOB,PILOT OP VALVE (BLACK)***	
3	39877GT	CONNECTOR,070120-4-4.....3	3
4	84748GT	SPRING,HAND PUMP ROD.....1	1

Go to Discount-Equipment.com to order your parts

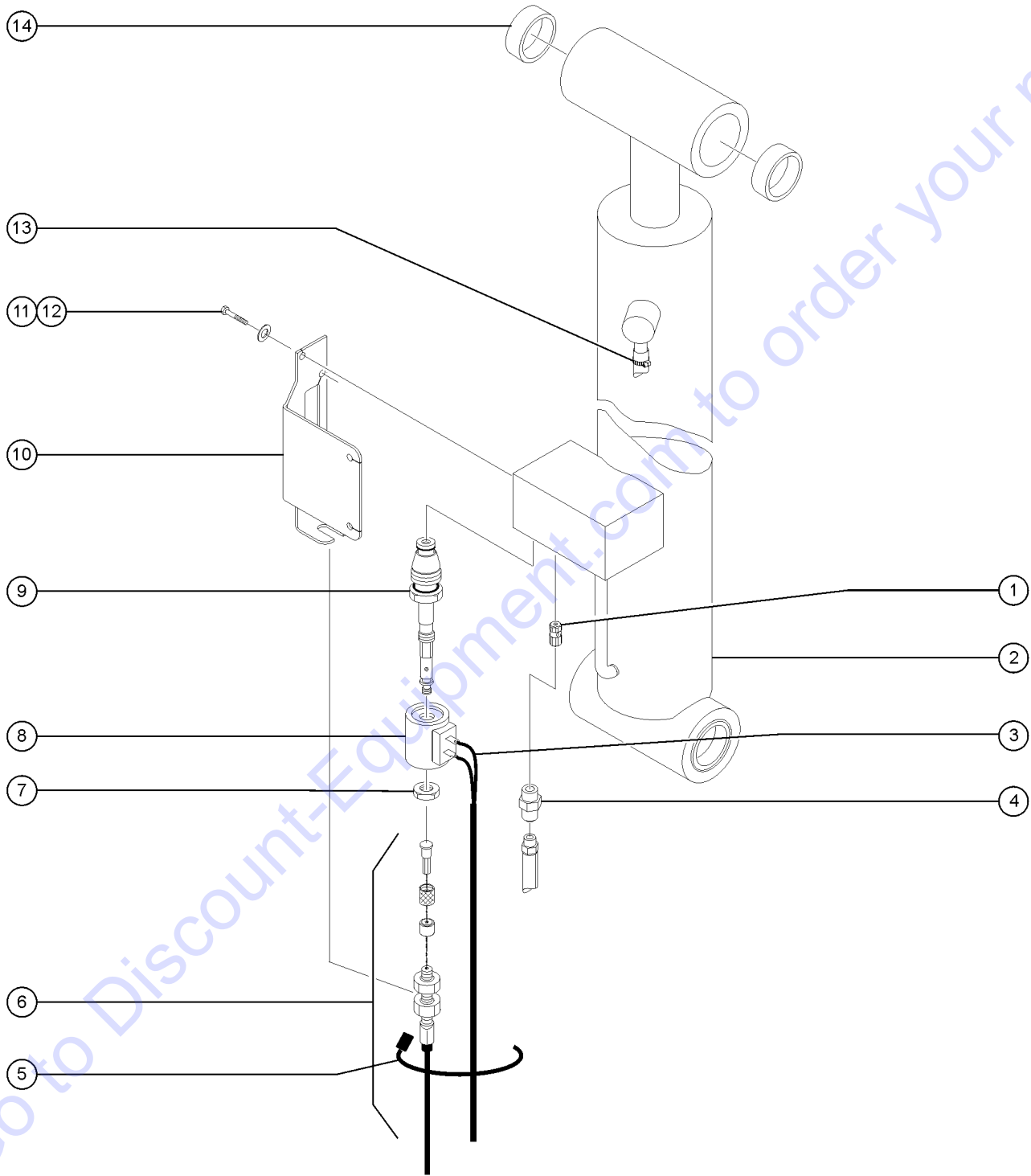
505.1 Hydraulic Power Unit, All Models



505.1 Hydraulic Power Unit, All Models

Item	Part No.	Description	Qty.
--	49812GT	ENCLOSING BAND KIT <i>Band Kit (EE models)</i>	
--	78006GT	FORMING,PADLOCK BRACKET	
--	44716GT	HANDLE,ANDERSON CONNECTOR SB	
1A	40844GT	MOTOR,ELECTRIC,24VDC 4.5HP.....1	
--	43685GT	SEAL KIT,LIFT PUMP,BARNES**	
--	44777GT	BEARING,MOTOR	
--	44778GT	BEARING,MOTOR,36843,BRUSH END*	
2	44750GT	SPRING-BRUSH,40844, SCISSORS....4	
3	44752GT	COVER-BRUSH INSPEC.40844,SCISS.....4	
4	44751GT	BRUSH,PWR UNIT (40844)**.....4	
5	55921GT	SCREW,SHC,3/8-24 X 1.25"	
6	6021GT	WASHER,LOCK, .375	
7A		PUMP,4CC GEAR,CCW 228192 <i>Parker (component no longer available)</i>	
--	229453GT	SEAL KIT,PUMP,PARKER (228192) <i>for Parker pump 228192</i>	
7B	96193GT	PUMP,4CC GEAR,CCW***.....1 <i>We must edit it to When replacing the 96193 pump, please refer to www.discount- equipment.com to confirm your machine has the most current software (check pump ID for correct seal kit)</i>	
--	233641GT	SEAL KIT,BOSCH PUMP <i>For 96193 w/Bosch PN 9510090001</i>	
--	85197GT	SEAL KIT,BOSCH PUMP*** <i>For 96193 w/Bosch PN 9510290001</i>	

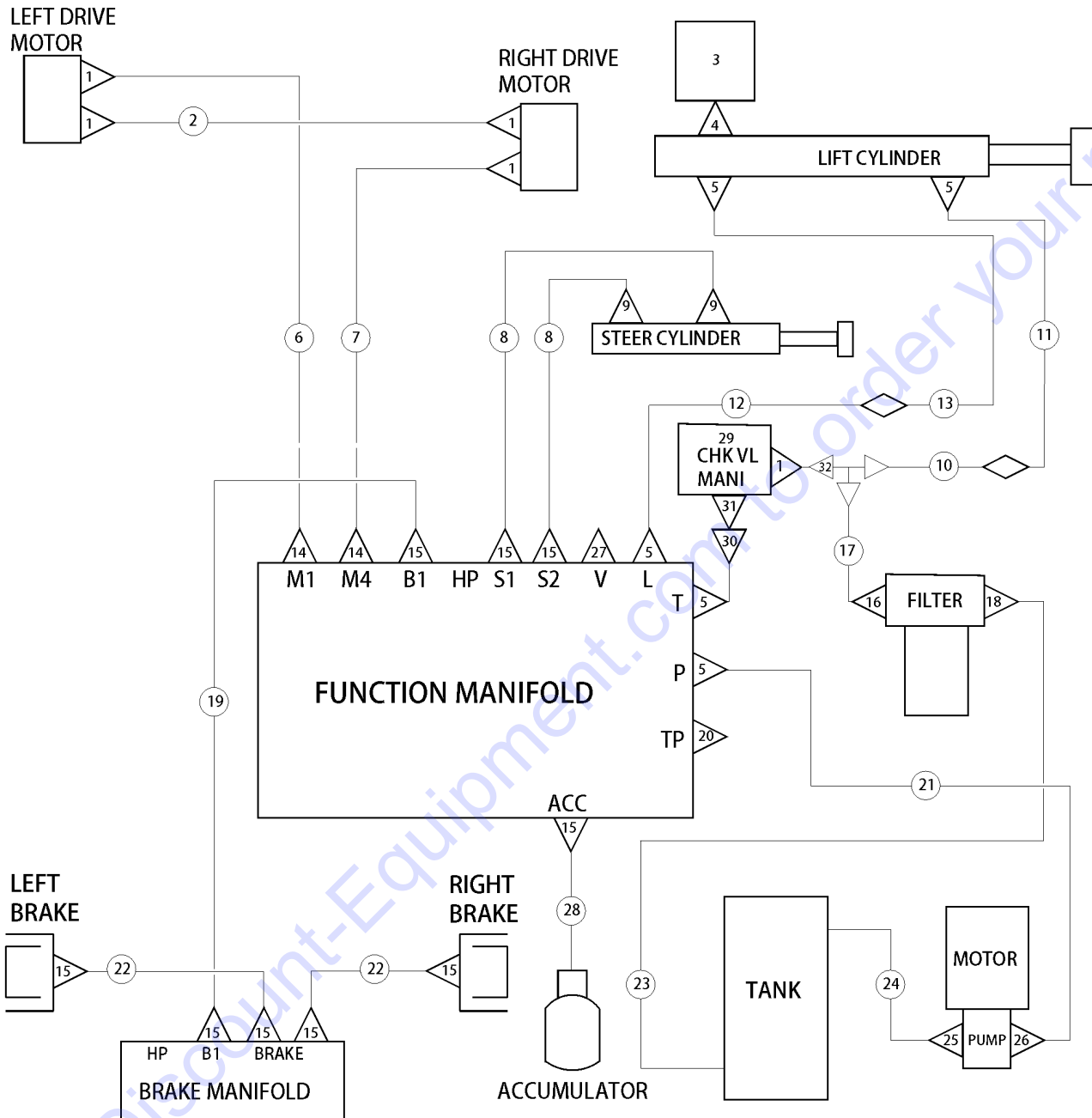
506.1 Lift Cylinder Assembly, All Models



506.1 Lift Cylinder Assembly, All Models

Item	Part No.	Description	Qty.
1	55558GT	ORIFICE, LONG, .037*** <i>(lift cylinder)</i>	1
2	105543GT	CYLINDER, MINI LIFT	1
--	105548GT	KIT, MINI LIFT CYL SEAL <i>(from SN GS3007A-88642, GS3007B-83785 and GS3008C-101)</i>	
3		Ref. Down Coil Wire Harness <i>(refer to 210.1)</i>	
4	39878GT	CONNECTOR, 070120-6-6	1
5	28443GT	CABLE TIE, 11.5" BLACK	3
6		Ref. Emergency Down Cable <i>(refer to 203.1)</i>	
7	44973GT	NUT, COIL (39909)	1
8	84422GT	COIL-SOLENOID VALVE, 20V DC***	1
9	66465GT	VALVE, W/20V NC SOLENOID, MANUAL <i>(includes items 7 and 8)</i>	1
--	40477GT	VALVE, CARTRIDGE***	
--	44979GT	SEAL KIT, 39909, PLAT LWR VALVE*	
10	41557-SGT	CABLE BRACKET, PAINTED	1
11	7339GT	SCREW, HHC, 1/4-20 X .5	
12	6356GT	WASHER, LOCK, .25	
13	96770GT	CLAMP, HOSE, 1 EAR, 11/16	1
14	105478GT	BEARING, 1.5025IDX1.5075ODX1.5L	4

507.1 Hydraulic Hoses and Fittings



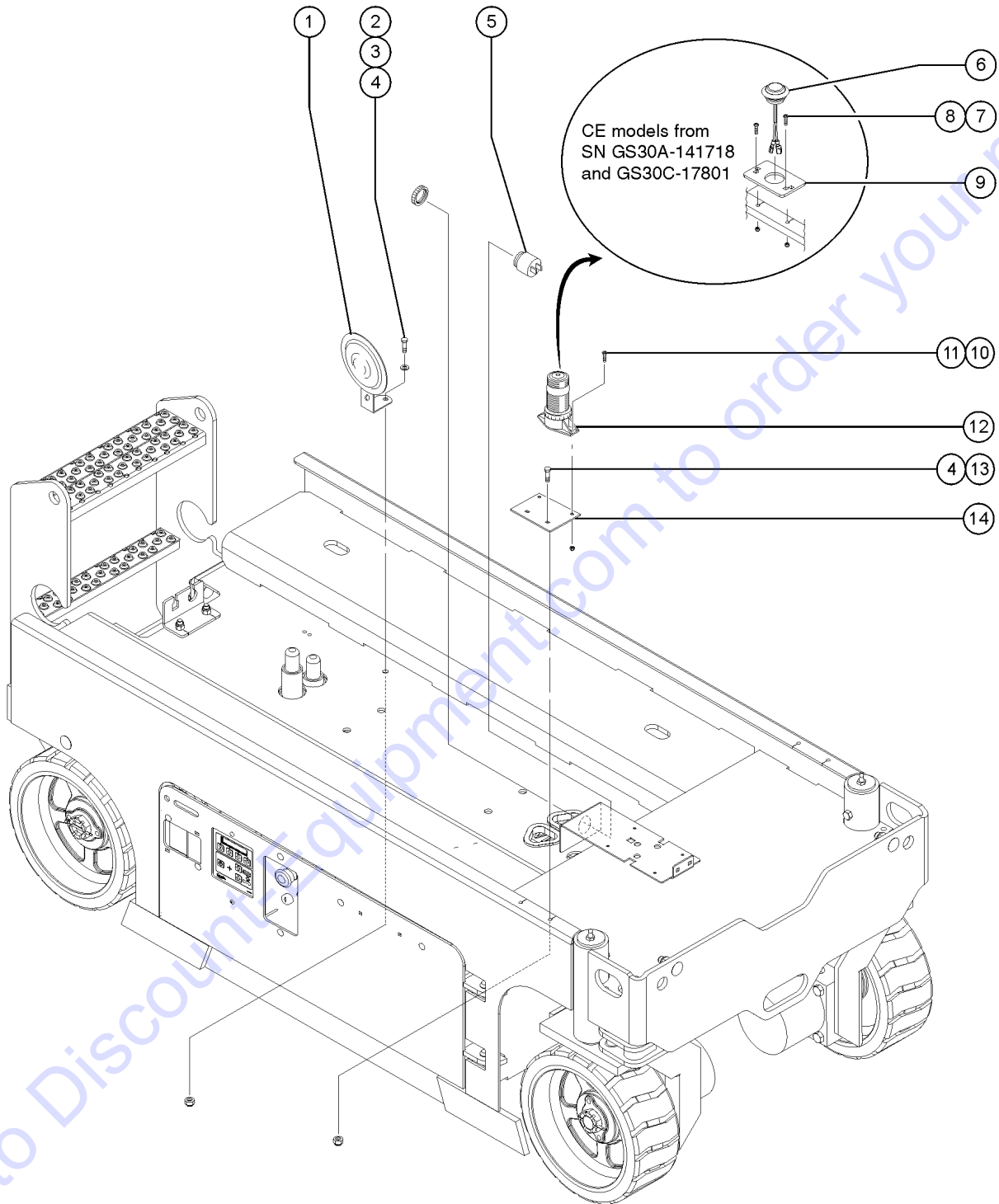
LEGEND	
	ADAPTER
	HOSE ASSEMBLY
	UNION

507.1 Hydraulic Hoses and Fittings

Item	Part No.	Description	Qty.	Item	Part No.	Description	Qty.
--		<i>The hose lengths below reflect the length of the hose only. Refer to the 'Fittings Cross Reference' to match Genie part numbers to Parker part numbers.</i>		23	96355GT	TUBE, ASSY, RETURN.....	1
1	39873GT	ELBOW,070220-6-6.....	5	24	96354GT	TUBE, ASSY, DRAW.....	1
2	96350GT	HOSE, ASSY, MOTOR CROSSOVER..... (Components: 39890, 39890, and 56776 @ 53.25 inches)	1	25	22664GT	ELBOW,070220-12-10.....	1
3		Ref. Pressure Transducer Harness (refer to 701.1)		26	39876GT	ELBOW,070220-6-8.....	1
4	39881GT	CONNECTOR,070120-4-6..... (CE models)	1	27	48923GT	PLUG,090109A-6.....	1
5	39878GT	CONNECTOR,070120-6-6.....	4	28	105283GT	HOSE ASSY, MAN/ACCUM, MINI..... (Components: 78855, 78855, and 78852 @ 14 inches)	1
6	115166GT	HOSE, ASSY, DRIVE MOTORS, MINI, L (Components: 39890, 39890, and 56776 @ 31 inches)		29		Check Valve Manifold..... (refer to 503.1)	2
7	105653GT	HOSE, ASSY, DRIVE MOTORS, MINI..... (Components: 39890, 39890, and 56776 @ 31 inches)	1	30	78091GT	ELBOW, SWIVEL NUT 90DEG, -6.....	1
8	96351GT	HOSE, ASSY, STEER..... (Components: 78855, 78855, and 78852 @ 22 inches)	2	31	55839GT	CONN, SWIVEL STR, THR, 6F650X.....	1
9	13921GT	ELBOW,070220-4-4.....	2	32	51152GT	TEE, RUN 070432-6****	1
10	105263GT	HOSE, ASSY, LOWER VENT (Components: 96406, 96406, and 75361 @ 12 inches)					
11	105261GT	HOSE, ASSY, UPPER VENT (Components: 96407, 96770 and 75631 @ 107 inches)					
12	105264GT	HOSE, ASSY, LOWER LIFT (Components: 39890, 47223, and 56776 @ 13 inches)					
13	105262GT	HOSE, ASSY, UPPER LIFT (Components: 39890, 39890, and 56776 @ 73 inches)					
14	42283GT	ELBOW,070320-6-6.....	2				
15	39877GT	CONNECTOR,070120-4-4.....	9				
16	20923GT	CONNECTOR,070120-8-6.....	1				
17	105285GT	HOSE, ASSY, MAN TO FILTER..... (Components: 96406, 96406, and 75631 @ 22 inches)	1				
18	96398GT	CONNECTOR, 070120-12-8.....	1				
19	105284GT	HOSE, ASSY, BRAKE..... (Components: 78855, 78855, and 78852 @ 46 inches)	1				
20		Ref. Diagnostic Nipple (refer to 502.1)					
21	96353GT	HOSE, ASSY, PRESSURE..... (Components: 39890, 39890, and 56776 @ 40 inches)	1				
22	96391GT	HOSE, ASSY..... (Components: 78855, 78855, and 78852 @ 17 inches)	2				



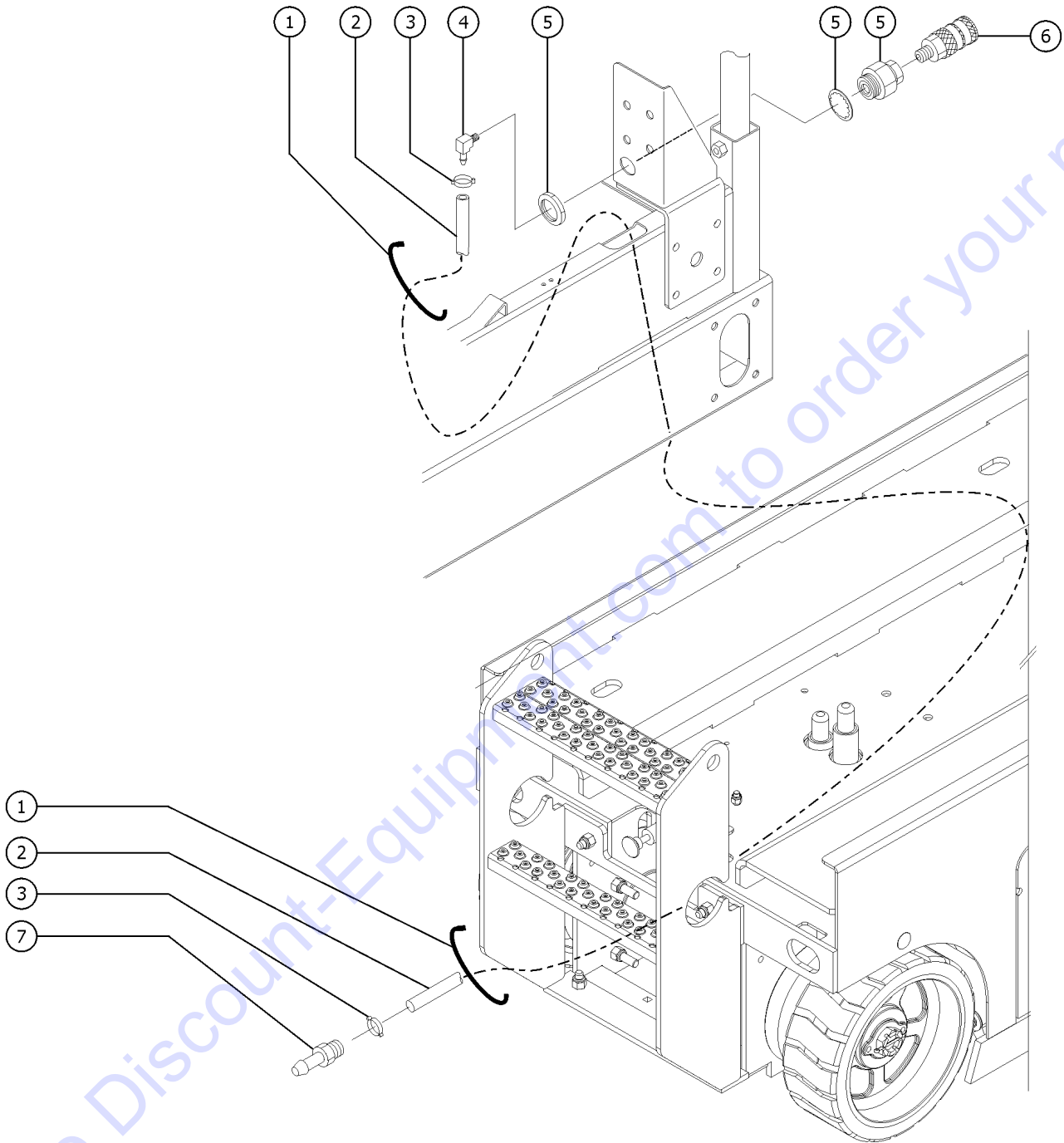
601.1 Alarm, Horn and Flashing Beacons



601.1 Alarm, Horn and Flashing Beacons

Item	Part No.	Description	Qty.
--	105797GT	KIT,BEACON,GS32/46	
--	1260386GT	VISUAL INDICATOR LIGHTS <i>CE Models, from SN GS3015A-141718 and SN GS3015C-17801</i>	
1	81579GT	HORN,24VDC,SPADE TERMINALS***1	
1A	96484GT	ASSY,DIODE <i>for GS-3232</i>	
2	8914GT	SCREW,HHC,1/4-20 X .625	
3	6638GT	WASHER,FLAT,USS,1/4"Y	
4	6091GT	NUT,NYLOCK,1/4-20	
5	39540GT	ALARM,STEADY TONE***1 <i>Does not include 72326 nut</i>	
--	72326GT	NUT - PLASTIC,RING FOR ALARMS	
6	1261183GT	ASSEMBLY, VISUAL IND LIGHT.....2 <i>CE Models, from SN GS3015A-141718 and SN GS3015C-17801</i>	
--	1254572GT	LIGHT,TURN SIGNAL,1.25" LED,AMB...2 <i>CE Models, from SN GS3015A-141718 and SN GS3015C-17801</i>	
--	1261526GT	HARNES,VISUAL IND LIGHTS,MINI....1 <i>CE Models, from SN GS3015A-141718 and SN GS3015C-17801</i>	
7	9116GT	BOLT,CARRIAGE,1/4-20x1.25,G2.....4 <i>CE Models, from SN GS3015A-141718 and SN GS3015C-17801</i>	
8	6889GT	NUT,LP NYLOCK,1/4-20.....4 <i>CE Models, from SN GS3015A-141718 and SN GS3015C-17801</i>	
9	1261143GT	PLATE,VISUAL IND LIGHT MOUNT.....2 <i>CE Models, from SN GS3015A-141718 and SN GS3015C-17801</i>	
10	49816GT	SCREW,PHILLIPS,PHM,10-32 X .75	
11	6178GT	NUT,NYLOCK,10-32	
12	231931GT	STROBE,BEACON, AC COMP 12-80V...2	
--	105556GT	LENS,FLASHING BEACON <i>for 231931</i>	
--	105557GT	BULB,FLASHING BEACON <i>for 231931</i>	
13	6878GT	BOLT,CARRIAGE,1/4-20 X .75,G2	
14	96363GT	PLATE,BEACON MOUNT.....2	

602.1 Air Line to Platform



602.1 Air Line to Platform

Item	Part No.	Description	Qty.
--	96515-SGT	AIR TO PLAT, GS15, ACC GS-1530, GS-1532	
--	96516-SGT	AIR TO PLAT, GS19, ACC GS-1930, GS-1932	
1	28443GT	CABLE TIE,11.5" BLACK	
2A	27903GT	HOSE,LOW PRESSURE,.375 ID,BLK.....275-inches GS-1530, GS-1532	
2B	27903GT	HOSE,LOW PRESSURE,.375 ID,BLK.....340-inches GS-1930, GS-1932	
3	27902GT	CLAMP,HOSE,2 EAR, 5/8.....2	
4	27904GT	HOSE END,BARBED,RIGID,90DEG6-6.....1	
5	27900GT	BULKHEAD,FEMALE X 6 X 6.....1	
6	27895GT	COUPLER,1/4"SERIES 3/8 MPT.....1	
7	96542GT	PLUG,1/4"SERIES,3/8 P-LOCK***.....1	

PARTS FINDER

**Search Website
by Part Number**



**Search Manual
Library For Parts
Manual & Lookup Part
Numbers – Purchase
or Request Quote**

Search Manuals

Enter your information to search for a manual or to purchase a manual or parts.

* Brand:

* Model:

* Serial:

* Part Number:

SEARCH

**Can't Find Part or
Manual? Request Help
by Manufacturer,
Model & Description**

Parts Order Form

Please fill in the following information to request help finding a part or manual.

Manufacturer:

Model:

Description:

Quantity:

Part Number:

Part Name:

Part Description:

Part Category:

Part Location:

Part Status:

Part Condition:

Part Material:

Part Color:

Part Weight:

Part Dimensions:

Part Price:

Part Availability:

Part Lead Time:

Part Notes:

Submit

Discount-Equipment.com is your online resource for quality parts & equipment.

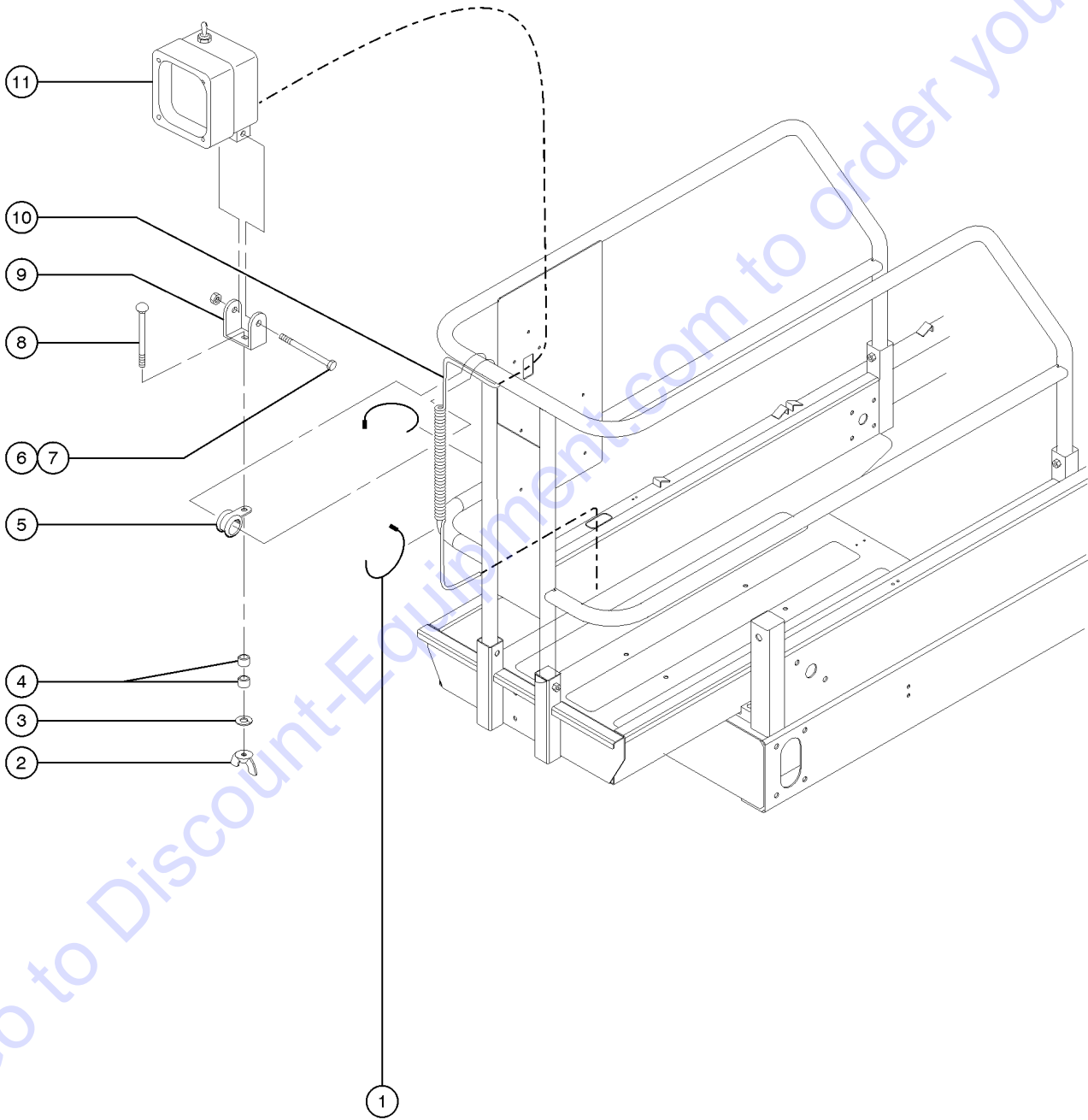
Florida: **561-964-4949** Outside Florida TOLL FREE: **877-690-3101**

Need parts?

Click on this link: <http://www.discount-equipment.com/category/5443-parts/> and choose one of the options to help get the right parts and equipment you are looking for. Please have the machine model and serial number available in order to help us get you the correct parts. If you don't find the part on the website or on one of the online manuals, please fill out the request form and one of our experienced staff members will get back to you with a quote for the right part that your machine needs.

We sell worldwide for the brands: Genie, Terex, JLG, MultiQuip, Mikasa, Essick, Whiteman, Mayco, Toro Stone, Diamond Products, Generac Magnum, Airman, Haulotte, Barreto, Power Blanket, Nifty Lift, Atlas Copco, Chicago Pneumatic, Allmand, Miller Curber, Skyjack, Lull, Skytrak, Tsurumi, Husquvarna Target, Stow, Wacker, Sakai, Mi-T-M, Sullair, Basic, Dynapac, MBW, Weber, Bartell, Bennar Newman, Haulotte, Ditch Runner, Menegotti, Morrison, Contec, Buddy, Crown, Edco, Wyco, Bomag, Laymor, EZ Trench, Bil-Jax, F.S. Curtis, Gehl Pavers, Heli, Honda, ICS/PowerGrit, IHI, Partner, Imer, Clipper, MMD, Koshin, Rice, CH&E, General Equipment, Amida, Coleman, NAC, Gradall, Square Shooter, Kent, Stanley, Tamco, Toku, Hatz, Kohler, Robin, Wisconsin, Northrock, Oztec, Toker TK, Rol-Air, APT, Wylie, Ingersoll Rand / Doosan, Innovatech, Con X, Ammann, Mecalac, Makinex, Smith Surface Prep, Small Line, Wanco, Yanmar

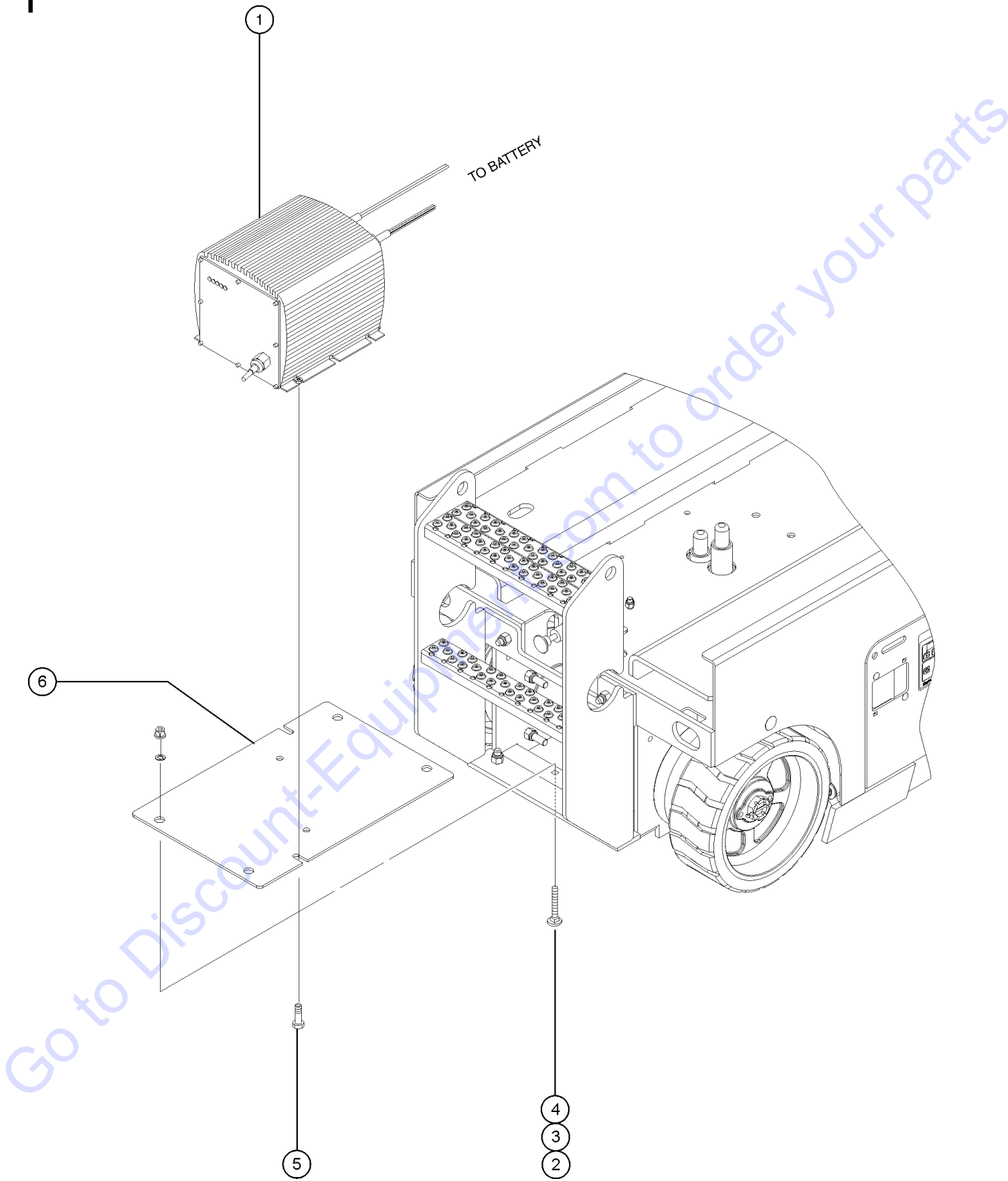
603.1 Platform Work Light



603.1 Platform Work Light

Item	Part No.	Description	Qty.
--	105971GT	WORKLIGHT PIGTAIL ASSY (chassis) GS-1530, GS-1532	
--	105972GT	WORKLIGHT CABLE,GS15XX (linkset) GS-1530, GS-1532	
--	105971GT	WORKLIGHT PIGTAIL ASSY (chassis) GS-1930, GS-1932	
--	105973GT	WORKLIGHT CABLE,GS19/20XX (linkset) GS-1930, GS-1932	
1	28443GT	CABLE TIE,11.5" BLACK.....	10
2	69229GT	NUT,WING 5/16-18.....	1
3	6886GT	WASHER,LOCK,.313	
4	5397GT	WASHER,FLAT,USS,5/16",Y..... <i>add sufficient washers to equal aproximately 0.435 inch thickness of each spacer</i>	2
5	33784GT	CLAMP,1.31,#21 X 1/4,RUB CUSH.....	1
6	50793GT	SCREW,HHC,5/16-18 X 2	
7	6782GT	NUT,NYLOCK,5/16-18	
8	65439GT	BOLT,CARRIAGE,5/16-18 X 2.0,G2	
9	144009GT	WORKLIGHT BRACKET.....	1
10	65721GT	COIL CORD,WORKLIGHT(144011).....	1
11	144011GT	WORKLIGHT,24V,COIL CORD.....	1

604.1 Voltage Inverter

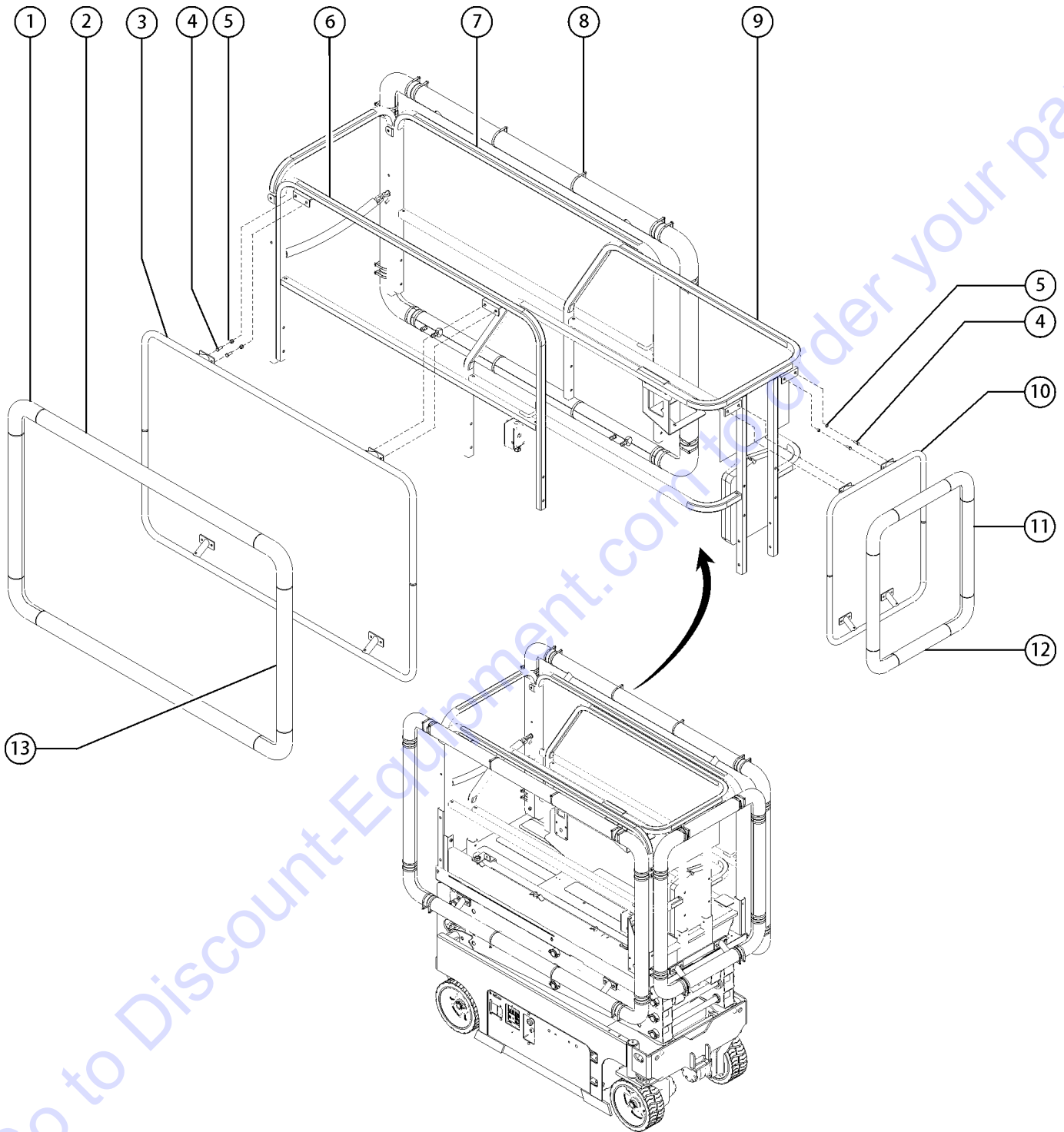


604.1 Voltage Inverter

Item	Part No.	Description	Qty.
--	105248GT	SERVICE KIT,INVERTER 800W***	
1	96950GT	INVERTER,24VDC,110/230 VAC***	1
2	105092GT	BOLT,CARRIAGE,3/8-16X1.25,GR5	
3	5397GT	WASHER,FLAT,USS,5/16",Y	
4	4828GT	NUT,NYLOCK,3/8-16	
5	6090GT	SCREW,HHC,1/4-20 X .75	
6	105129GT	PLATE, INVERTER MOUNT.....	1

Go to Discount-Equipment.com to order your parts

605.1 Padded Auxiliary Rail, GS-1930



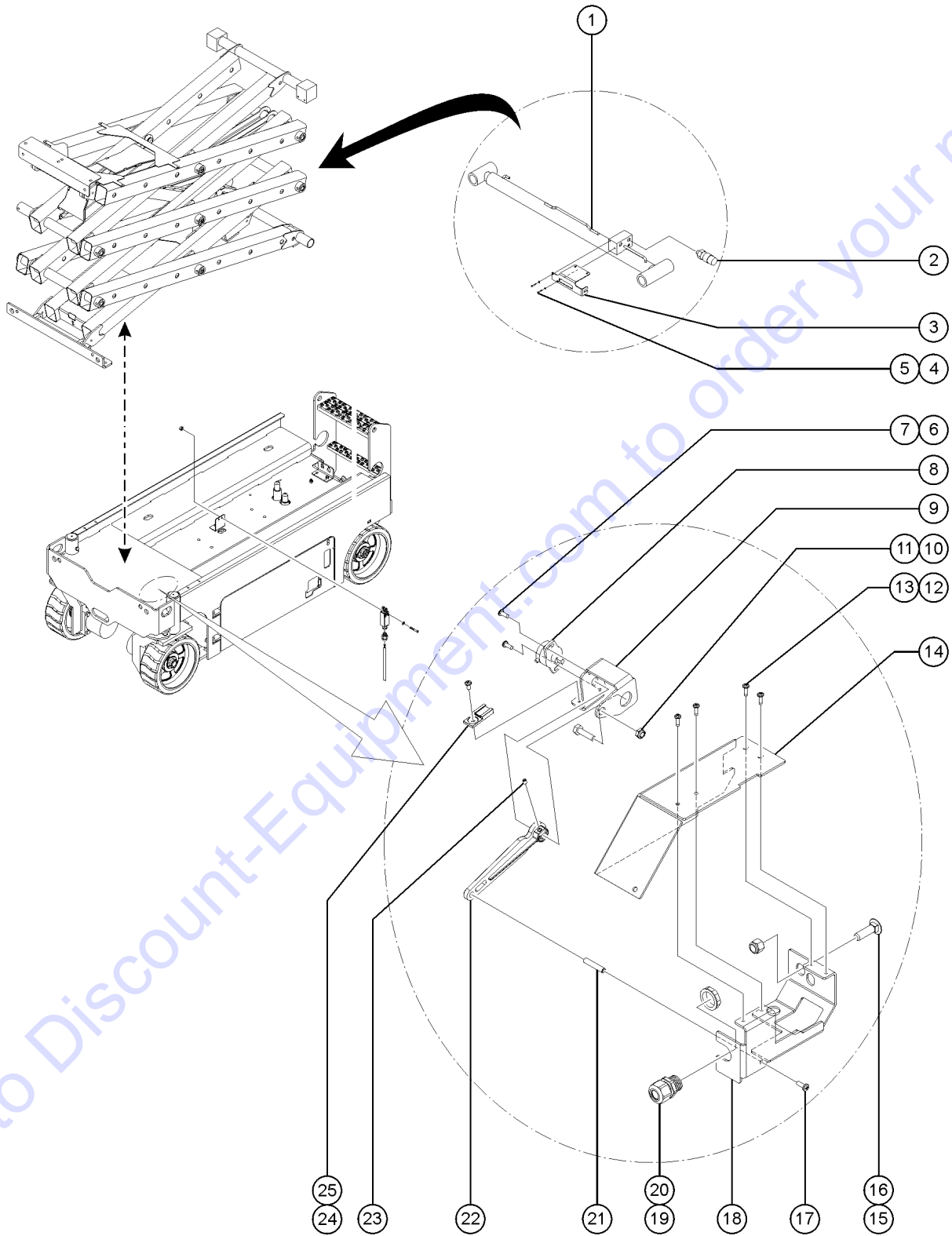
Factory installed option only. After-market kit not available.

605.1 Padded Auxiliary Rail, GS-1930

Item	Part No.	Description	Qty.
1	238268GT	BUMPER,FOAM,FRONT ELBOW.....	12
2	825304GT	BUMPER, PAR, SIDE, HORIZONTAL....	4
3	825302GT	WELDMENT, PAR, SIDE.....	2
4	6175GT	SCREW,HHC,3/8-16 X 1	
5	4828GT	NUT,NYLOCK,3/8-16	
6	825313GT	WLDT, MAIN SIDERAIL, PAR, LH.....	1
7	825312GT	WLDT, MAIN SIDERAIL, PAR, RH.....	1
8	229903GT	CABLE TIE, 14.5" YELLOW.....	56
9	825311GT	WLDT, EXT SIDERAIL, PAR.....	1
10	825307GT	WELDMENT, PAR, FRONT.....	1
11	825640GT	BUMPER, PAR, FRONT, VERTICAL.....	2
12	825309GT	BUMPER, PAR, FRONT, HORIZONTAL.....	2
13	825305GT	BUMPER, PAR, SIDE, VERTICAL.....	4

Go to Discount-Equipment.com to order your parts

701.1 Platform Overload



Go to Discount-Equipment.com to order your parts

Item	Part No.	Description	Qty.
1		Ref. Lift Cylinder.....1 (refer to 506.1)	1
2	229750GT	HARNESS,PRESS,TRANSDUCER***.....1	1
3	41557-SGT	CABLE BRACKET,PAINTED.....1	1
4	7339GT	SCREW,HHC,1/4-20 X .5.....1	1
5	6356GT	WASHER,LOCK,.25.....1	1
6A	229655GT	SCREW,PHM,8-32X.313,SELF TAP.....7	7
6B	55906GT	SCREW,PHILLIPS,PHM,8-32 X .5.....2 (used on 161979)	2
7	18605GT	NUT,NYLOCK,8-32.....2 (used on 161979)	2
8	T113136GT	ASSY,ROT SENSR W/ HARNESS.....1	1
9A	T113140GT	FRMNG,ARM SENSOR BRCKT,MINI.....1 (to SN GS3014A-137487)	1
9B	161979GT	FRMG,ARM SENSOR BRCKT,MINI.....1 (from SN GS3014A-137488)	1
10	6889GT	NUT,LP NYLOCK,1/4-20.....1	1
11	6888GT	SCREW,HHC,1/4-20 X 1.....1	1
12	8914GT	SCREW,HHC,1/4-20 X .625.....2 (used on 161977)	2
13	56912GT	SPRING CLIP,1/4-20,.025-.15X.54,ZAG.....2 (used on 161977)	2
14A	227188GT	FRMNG,SENSOR COVER,MINI.....1 (to SN GS3014A-137487 and SN GS3214A-136070)	1
14B	161977GT	FRMG,SENSOR COVERING.....1 (from SN GS3014A-137488 and SN GS3214A-136071)	1
15	96203GT	BOLT,CARRIAGE,1/2-13X1.75, G5.....1	1
16	6198GT	NUT,NYLOCK,1/2-13.....1	1
17	49819GT	SCREW,PHILLIPS,PHM,10-32 X .5.....1	1
18A	T113141GT	FRMG,CHASSIS BRKT.....1 (to SN GS3014A-137487)	1
18B	161975GT	FRMG,CHASSIS BRKTING.....1 (from SN GS3014A-137488)	1
19	33576GT	CONN,SQZ,BLK,1/2NPT,.38-.50,SM.....1	1
20	T115429GT	NUT,CORDGRIP,1/2 NPT.....1	1
21	T113142GT	OFFSET, RDN, 1/4-1.25,10-32.....1	1
22	T114082GT	LEVER ARM,ANGLE SENSR ACTUATOR.....1	1
23	229146GT	SCREW,SET,8-32X.25.....1	1
24	T113139GT	CLIP,DTM,RECEPTACLE.....1	1
25	39579GT	RIVET,STL,STL,.188 X .45.....1	1

Part Number Index (continued)

Part Number	Page	Part Number	Page	Part Number	Page	Part Number	Page
66883GT	125	82474GT	21, 23, 35, 37, 49, 51, 63, 65	84694GT	95	96353GT	147
66886GT	101-102, 105-106, 109-110, 113-114, 117-118, 121-122	82476GT	21, 23, 35, 37, 49, 51, 63, 65	84695GT	95	96354GT	81, 147
66889-SGT	101-102, 105-106, 109-110, 113-114, 117-118, 121-122	82481GT	21, 35, 49, 63	84739GT	141	96355GT	81, 147
66890-SGT	101-102, 105-106, 109-110, 113-114, 117-118, 121-122	82482GT	23, 37, 51, 65	84740GT	141	96363GT	149
66903-SGT	125	82485GT	13, 15, 21, 23	84742GT	141	96387GT	87
6700GT	83	82486GT	41, 43, 49, 51	84743GT	141	96388GT	135
6782GT	153	82487GT	23, 25, 27, 37, 39, 51, 53, 55, 65, 67	84746GT	141	96390GT	97, 99
6878GT	73, 77, 81, 83, 127, 149	82495GT	21, 35, 49, 63	84748GT	141	96391GT	147
6886GT	153	82496GT	53	8516GT	97, 99	96398GT	147
6888GT	69, 159	82497GT	39, 67	85197GT	143	96408GT	75
6889GT	77, 149, 159	82501GT	25	85239GT	83	96413GT	101-102, 105-106, 109-110, 113-114, 117-118, 121-122
6898GT	75	825302GT	157	88335GT	85	96415GT	95
69229GT	153	825304GT	157	8914GT	149, 159	96419GT	135
6935GT	127	825305GT	157	8915GT	77, 81	96422GT	75
7056GT	127	825307GT	157	9116GT	81, 93, 149	96423GT	75
7127GT	127	825309GT	157	96008-SGT	83	96440GT	87, 89
71349GT	99	825311GT	157	96009GT	83	96452GT	83
72086GT	13, 15, 21, 23, 29, 31, 35, 37, 41, 43, 49, 51, 57, 59, 63, 65	825312GT	157	96010GT	83	96459GT	85
72143GT	15, 23, 31, 37, 43, 51, 59, 65	825313GT	157	96038GT	75	96465GT	71
72326GT	73, 129, 131, 149	82557GT	17, 19, 33, 45, 47, 61	96066GT	69	96466GT	71
72853GT	15, 31, 43, 59	82558GT	15, 31, 43, 59	96067GT	69	96484GT	149
72970GT	13, 29, 41, 57	82559GT	15, 31, 43, 59	96068GT	69	96487GT	97, 99
72998GT	15, 31, 43, 59	82562GT	21, 23, 35, 37, 49, 51, 63, 65	96069GT	69	96493GT	73
72999GT	15, 31, 43, 59	82563GT	45, 47, 61	96074GT	69	96515-SGT	151
7339GT	145, 159	82564GT	17, 19, 33	96078GT	77	96516-SGT	151
74006GT	127	82566GT	33, 61	96085GT	75	96522GT	87, 89
74267GT	77	82568GT	33, 39	96102GT	71	96524GT	75
75041GT	83	82570GT	13, 15, 21, 23, 29, 31, 35, 37	96110GT	91	96541GT	75
76502GT	77	82656GT	25, 53	96121GT	97, 99	96542GT	151
7713GT	101-102, 105-106, 109-110, 113-114, 117-118, 121-122, 125	82657GT	13, 29, 41, 57	96126GT	95	96576GT	95
77709GT	137	83093GT	83	96130GT	97, 99	96642GT	75
78006GT	143	83131GT	83	96131GT	97, 99	96699GT	81
78022GT	102, 106, 110, 114, 118, 122	8357GT	69, 71	96134GT	75	96709GT	81
78029GT	125	84384GT	137	96135GT	75	96770GT	145
78038GT	101-102, 105-106, 109-110, 113-114, 117-118, 121-122	84385GT	137	96163GT	125	96819GT	87
78086GT	75	84386GT	137	96193GT	143	96839GT	75
78091GT	147	84422GT	145	96196GT	69	96847GT	102, 105-106, 109-110, 114, 117-118, 121-122
78422GT	93, 135	84571GT	69	96200GT	101-102, 105-106, 109-110, 113-114, 117-118, 121-122	96848GT	101-102, 105-106, 113-114, 117-118
78546GT	11, 81	84574GT	75	96203GT	159	96849GT	101-102, 105-106, 109-110, 113-114, 117-118, 121-122
78622GT	135	84578GT	97	96236GT	127	96855GT	81
78680GT	71	84579GT	99	96246GT	101-102, 105-106, 109-110, 113-114, 117-118	96948GT	73, 75
78732GT	71	84580GT	99	96247GT	101-102, 105-106, 109-110, 113-114, 117-118, 121-122	96950GT	155
78736GT	69, 73	84581GT	97, 99	96257GT	135	96977GT	71, 95
79140GT	91	84582GT	97, 99	96258GT	69	97034GT	101-102, 105-106, 109-110, 113-114, 117-118, 121-122
79456GT	93	84583GT	97, 99	96275GT	117-118	97053GT	125
81579GT	149	84586GT	101-102, 105-106, 109-110, 113-114, 117-118, 121-122	96283GT	97, 99	97059GT	79
8178GT	99, 125	84587GT	101-102, 105-106, 109-110, 113-114, 117-118, 121-122	96298GT	87	97105GT	125
82160GT	15, 31, 43, 59	84590GT	101-102, 105-106, 109-110, 113-114, 117-118, 121-122	96299GT	87	97110GT	125
82161GT	15, 31, 43, 59	84590GT	101-102, 105-106, 109-110, 113-114, 117-118, 121-122	96300GT	87	97115GT	101-102
82287GT	61, 67	84693GT	95	96302GT	87	97118GT	101-102
82366GT	15, 31, 43, 59			96303GT	87	97119GT	113-114
824029GT	110, 122			96304GT	87, 89, 91	97122GT	113-114
824216GT	83			96306GT	87, 89, 91	97123GT	101-102, 105-106, 109-110, 113-114, 117-118, 121-122
82473GT	23, 37, 51, 65			96309GT	85	97128GT	73, 75
				96317GT	75		
				96331GT	97, 99		
				96335GT	101-102, 105-106, 109-110, 113-114, 117-118		
				96336GT	101-102, 105-106, 113-114, 117-118		
				96350GT	147		
				96351GT	147		

Part Number	Page
97132GT	102, 105-106, 109-110, 114, 117-118, 121- 122
97213GT	101-102, 105- 106, 113-114, 117-118
97280GT	125
97582GT	27, 55
97618GT	19, 47
97719GT	23, 37, 51, 65
T106362GT	83
T106363GT	83
T106366GT	83
T106368GT	129
T106370GT	129, 131
T106372GT	83
T106373GT	129, 131
T107029GT	13, 29, 41, 57
T107030GT	17, 45
T107031GT	15, 31, 43, 59
T107032GT	19, 33, 47, 61
T108326GT	81
T108327GT	83
T109012GT	81
T110889GT	85
T110890GT	85
T110891GT	85
T112507GT	73, 85
T112508GT	85
T112509GT	85
T112510GT	85
T112511GT	85
T112563GT	127
T112804GT	15, 23, 31, 37, 43, 51, 59, 65
T112807GT	27, 39
T112808GT	55, 67
T113136GT	85, 159
T113139GT	159
T113140GT	159
T113141GT	159
T113142GT	159
T113296GT	81
T113787GT	101-102, 105- 106, 109-110, 113-114, 117- 118, 121-122
T114031GT	85
T114082GT	159
T114321GT	135
T114397GT	129, 131
T115429GT	159

Go to Discount-Equipment.com to order your parts

Part Description Index

The Part Description Index is an alphabetical index of all part descriptions included in this manual. The index shows what page(s) the part is used on.

(component no longer available).....131

A

ACCESSORY,MINI CHK VAL MANIF.....139
 ACCUMULATOR,180 PSI PRECHARGE*.....93,
 135
 ADAPTER, RJ45, GC27-25/GC21-19.....83
 AIR TO PLAT, GS15, ACC.....151
 AIR TO PLAT, GS19, ACC.....151
 ALARM,STEADY TONE***.....73, 129, 131, 149
 ASSEMBLY, DOWN LIMIT, GS.....73, 85
 ASSEMBLY, VISUAL IND LIGHT.....149
 ASSY, GS BATTERY TRAY.....77
 ASSY,DIODE.....149
 ASSY,GS BATTERY TRAY.....77
 ASSY,LVL SNRS W/ CONNECTOR.....73
 ASSY,MOTOR CONTRL HARN,CE.....87
 ASSY,MOTOR CONTROL HARNESS.....87, 89
 ASSY,MOTOR CONTROL HARNESS,CE.....89
 ASSY,POT HOLE PUSHER,GS***.....75
 ASSY,POTHOLE HARNESS,GS.....85
 ASSY,ROT SENSR W/ HARNESS.....85, 159

B

BALL STUD, GAS STRUT, 3/8-16.....75
 BASE WITH 1 NC CONTACT, E-STOP.....83,
 129, 131
 BATTERY CABLE ASSEMBLY, GS30/32.....89
 BATTERY CABLE ASSY, GS30/32.....87
 BATTERY WATERING HAND PUMP.....77
 BATTERY WATERING KIT, 24V UNIV.....77
 BATTERY, AGM, 6V, (TROJAN) ***.....77
 BATTERY,T105 W/LPT,3 CAP,DRY**.....77
 BEARING,.75ID X 1.00D X 1.38LG.....75
 BEARING,0.75IDX1.00ODX0.75L.....95
 BEARING,1.26IDX1.53ODX1.25L.....97, 99
 BEARING,1.5025IDX1.5075ODX1.5L.....145
 BEARING,1.523IDX1.75ODX0.63L.....75
 BEARING,1.5IDX1.75ODX1.5L,PTFE.....69
 BEARING,FL,0.75ID X 1 OD X .49.....69
 BEARING,MOTOR.....143
 BEARING,MOTOR,36843,BRUSH END*.....143
 BOLT,CARRIAGE,1/2-13X1.50,GR5.....71, 95
 BOLT,CARRIAGE,1/2-13X1.75, G5.....159
 BOLT,CARRIAGE,1/4-20 X .75,G2.....73, 77,
 81, 83, 127, 149
 BOLT,CARRIAGE,1/4-20 X 1.00,G2.....93
 BOLT,CARRIAGE,1/4-20X1.25,G2.....81, 93,
 149
 BOLT,CARRIAGE,1/4-20X2.5,ZAG.....73
 BOLT,CARRIAGE,3/8-16X1.25,GR5.....69, 71,
 75, 95, 155
 BOLT,CARRIAGE,3/8-16X2.25,5,ZAG.....110,
 122
 BOLT,CARRIAGE,5/16-18 X 2.0,G2.....153
 BOLT,SHS,3/8X.375X5/16-18,ZAG.....102, 106,
 110, 114, 118, 122
 BOOT, 2 SWITCH, SILICON.....133
 BOOT,CABLE TERMINAL COVER.....91
 BOOT,CABLE TERMINAL,RED,XL.....91
 BOX,INSTRUCTION STORAGE.....102, 106,
 110, 114, 118, 122

BRACKET,FOOT PEDAL....101-102, 105-106,
 109-110, 113-114, 117-118, 121-122
 BRACKET,LIMIT SWITCH MTG***.....75
 BRAKE, HYDRAULIC***.....135
 BREATHER CAP,HYD. TANK,1/4 NPT.....11,
 81
 BRUSH,PWR UNIT (40844)**.....143
 BULB,FLASHING BEACON.....149
 BULKHEAD,FEMALE X 6 X 6.....151
 BUMPER, LINK.....99
 BUMPER, PAR, FRONT, HORIZONTAL.....157
 BUMPER, PAR, FRONT, VERTICAL.....157
 BUMPER, PAR, SIDE, HORIZONTAL.....157
 BUMPER, PAR, SIDE, VERTICAL.....157
 BUMPER,FOAM,FRONT ELBOW.....149
 BUSHING,FLNGD,.63 X .77 X .38.....75
 BUTTON, .800 O.D. X .281.....101-102, 105-
 106, 109-110, 113-114, 117-118, 121-122
 BUTTON,PUSH,RED MUSHROOM
 HEAD.....83, 129, 131

C

CABLE ASSY, BATT,19"AND.BLK.....87
 CABLE ASSY,BATT, 12" RED.....89, 91
 CABLE ASSY,BATT, 20" BLK.....89, 91
 CABLE ASSY,BATT, 7.50" BLACK.....87
 CABLE ASSY,BATT, 7.50" RED.....87
 CABLE ASSY,BATT,23"RED.....89, 91
 CABLE ASSY,BATT,5.50"RED.....87, 89, 91
 CABLE ASSY,BATT,7.50",AND. RED.....87
 CABLE ASSY,BATT,9.50"RED.....87, 89, 91
 CABLE ASSY., BATT. 12" BLACK.....89, 91
 CABLE ASSY., BATT. 14" RED.....89, 91
 CABLE ASSY., BATT. 75" RED.....89, 91
 CABLE ASSY., BATT. 79" BLACK.....89, 91
 CABLE ASSY,BATT.75",AND.RED.....87
 CABLE ASSY,BATT.75",AND.BLK.....87
 CABLE BRACKET,PAINTED.....145, 159
 CABLE TIE MOUNT, WINGED.....85
 CABLE TIE, 14.5" YELLOW.....157
 CABLE TIE,11.5" BLACK.....125, 145, 151, 153
 CABLE, LIFT CYL DOWN W/LS.....85
 CABLE, LIFT CYL DOWN WO/LS.....85
 CABLE, PLATFORM CONTROL, 15XX.....85
 CABLE, PLATFORM CONTROL, 19XX.....85
 CABLE,EMERGENCY DOWN.....73
 CAM FOLLOWER,1.125X.375,DELRLN.....75
 CAP, TUBE, SQ,1.25 X .083.....101-102, 105-
 106, 109-110, 113-114, 117-118, 121-122
 CAP,BUTTON,K12.....129, 131
 CAP,DIAGNOSTIC NIPPLE.....137
 CE CONTROL HARNESS, SLAB.....87, 89
 CHAIN GATE KIT,GS30.....125
 CHAIN,3/16,OPEN LINK 22.5".....125
 CHARGER INTERLOCK CBLE,GS30/32.....85
 CHARGER,BAT,24VDC,H/LO GEN2.....79
 CHASSIS MOUNT ASSY, GS30.....95
 CHECK DISK, NO SPRING.....137
 Check Valve Manifold.....147
 CIRCUIT BREAKER,7.0 AMP***.....83
 CLAMP, HOSE, 1 EAR, 11/16.....145
 CLAMP,1.31,#21 X 1/4,RUB CUSH.....153
 CLAMP,2 HOSE,PLASTIC,5/8.....69, 73
 CLAMP,CABLE & HOSE.....93
 CLAMP,HOSE,1 EAR,1-1/16***.....81
 CLAMP,HOSE,2 EAR, 5/8.....151

CLIP, CABLEBRIDGE, MINI.....99
 CLIP,DTM,RECEPTACLE.....159
 CLIP,HAIR PIN .125 X 2.....69
 CLIP,TIE HARNESS MOUNT***.....85
 COIL CORD,WORKLIGHT(144011).....153
 COIL,#8 20VDC,DEUTSCH W/DIOD.....137
 COIL,20VDC DEUTCSH W/DIODE.....137
 COIL-SOLENOID VALVE,20V DC***.....145
 CONN,SQUEEZE,1/2NPT .38-.50,SM.....127
 CONN,SQZ,BLK,1/2NPT,.38-.50,SM.....159
 CONN,SWIVEL STR, THR, 6F650X.....147
 CONNECTOR, 070120-12-8.....147
 CONNECTOR, IEC CHARGER CORD.....79
 CONNECTOR,070120-4-4.....141, 147
 CONNECTOR,070120-4-6.....147
 CONNECTOR,070120-6-6.....145, 147
 CONNECTOR,070120-8-6.....147
 CONTACT, N.C.....83
 CONTACTOR,DRIVE,24V,180A.....77
 CONTACTOR,DRIVE,24V,180A***.....77
 CONTACTOR,LIMIT SWITCH.....73, 75
 COUNTERWEIGHT,CAST,CE,1930/32.....71
 COUPLER,1/4"SERIES 3/8 MPT.....151
 COVER, RJ45, GC27-25/GC21-19.....83
 COVER,BLANK.....127
 COVER,GFCI,HORIZONTAL,WEATHER.....127
 COVER,T-BOX LOCKABLE.....127
 COVER-BRUSH INSPEC.40844,SCISS.....143
 CYLINDER, MINI LIFT.....145
 CYLINDER,GS/GR STEER***.....135

D

DECAL DANGER TIP OVER TRAYS.....13, 15,
 29, 31, 41, 43, 57, 59
 DECAL KIT,1530 COMP,SYM,ANSI.....21
 DECAL KIT,1530 COMP,SYM,CE.....21
 DECAL KIT,1530 COMP,WRD,ANSI.....13
 DECAL KIT,1530 COMP,WRD,AUST.....13
 DECAL KIT,1530 PLAT.,SYM,ANSI.....21
 DECAL KIT,1530 PLAT.,SYM,CE.....21
 DECAL KIT,1530 PLAT.,WRD,ANSI.....13
 DECAL KIT,1530 PLAT.,WRD,AUST.....13
 DECAL KIT,1532 COMP,SYM,CE.....35
 DECAL KIT,1532 COMP,WRD,AUST.....29
 DECAL KIT,1532 PLAT.,SYM,CE.....35
 DECAL KIT,1532 PLAT.,WRD,AUST.....29
 DECAL KIT,1930 COMP,SYM,ANSI.....49
 DECAL KIT,1930 COMP,SYM,CE.....49
 DECAL KIT,1930 COMP,WRD,ANSI.....41
 DECAL KIT,1930 COMP,WRD,AUST.....41
 DECAL KIT,1930 PLAT.,SYM,ANSI.....49
 DECAL KIT,1930 PLAT.,SYM,CE.....49
 DECAL KIT,1930 PLAT.,WRD,ANSI.....41
 DECAL KIT,1930 PLAT.,WRD,AUST.....41
 DECAL KIT,1932 COMP,SYM,CE.....63
 DECAL KIT,1932 COMP,WRD,AUST.....57
 DECAL KIT,1932 PLAT.,SYM,CE.....63
 DECAL KIT,1932 PLAT.,WRD,AUST.....57
 DECAL PLATE ASSY W/SYM DECALS.....101-
 102, 105-106, 109-110, 113-114, 117-118,
 121-122
 DECAL PLATE ASSY,GS30,ANSI.....101-102,
 105-106, 109-110, 113-114, 117-118, 121-
 122

- DECAL PLATE ASSY,GS30,AUSTRAL.....101-102, 105-106, 109-110, 113-114, 117-118, 121-122
- DECAL SYMBOL TIP OVER TRAYS.....21, 23, 35, 37, 49, 51, 63, 65
- DECAL, LABEL - DIRECTION ARROWS.....17, 19, 25, 27, 33, 39, 45, 47, 53, 55, 61, 67
- DECAL, LABEL, SAFETY ARM SYMB.....23, 37, 51, 65
- DECAL, OP INST, PLAT, GS30, ANSI.....17, 45
- DECAL, OP INST, PLAT, GS30, AUS.....19, 33, 47, 61
- DECAL, POWER TO PLATFORM 230V**...15, 17, 19, 23, 25, 27, 31, 33, 37, 39, 43, 45, 47, 51, 53, 55, 59, 61, 65, 67
- DECAL, SMARTLINK PROPORTIONAL.....17, 19, 25, 27, 33, 39, 45, 47, 53, 55, 61, 67
- DECAL, STD, PROP LIFT, UI, SVC.....17, 19, 25, 27, 33, 39, 45, 47, 53, 55, 61, 67, 129
- DECAL, SYMBOL - READ THE MANUAL...23, 25, 27, 37, 39, 51, 53, 55, 65, 67
- DECAL, UI, GR/GRC/GS PCON.....17, 19, 25, 27, 33, 39, 45, 47, 53, 55, 61, 67, 129
- DECAL, UI, GS/GR, PROP LIFT.....17, 19, 25, 27, 33, 39, 45, 47, 53, 55, 61, 67, 131
- DECAL,CHEVRON RANDO HD.....15, 31, 43, 59
- DECAL,COSMETIC,GENIE GS-1530*.....17, 19, 25, 27
- DECAL,COSMETIC,GENIE GS-1532.....33, 39
- DECAL,COSMETIC,GENIE GS-1930*.....45, 47, 53, 55
- DECAL,COSMETIC,GENIE GS-1932.....61, 67
- DECAL,DANGER DO NOT ALTER SWTC.....13, 29, 41, 57
- DECAL,DANGER,BATTERY SAFETY***.....13, 29, 41, 57
- DECAL,DANGER,BRAKE REL SAFETY.....13, 29, 41, 57
- DECAL,DANGER,CRUSHING HAZARD.....13, 15, 29, 31, 41, 43, 57, 59
- DECAL,DANGER,ELEC HAZARD,GS.....13, 15, 29, 31, 41, 43, 57, 59
- D E C A L , D A N G E R , E L E C T HAZARD,PLUG.....13, 15, 29, 41, 43, 57
- DECAL,DANGER,IMPROPER USE HAZ.....15, 31, 43, 59
- DECAL,DANGER,TIP-OVER,TILT.....17, 19, 33, 45, 47, 61
- DECAL,DANGER-GEN SAFETY.....17, 19, 33, 45, 47, 61
- DECAL,DANGER-TIP-OVER,BATT.....13, 29, 41, 57
- DECAL,DANGER-USE SAFETY ARM.....13, 15, 29, 31, 41, 43, 57, 59
- DECAL,E-STOP,GR/GRC/GS PCON.....17, 19, 25, 27, 33, 39, 45, 47, 53, 55, 61, 67, 129, 131
- DECAL,EMERGENCY LOWERING.....15, 31, 43, 59
- DECAL,EMERGENCY STOP,GR.....15, 23, 31, 37, 43, 51, 59, 65
- DECAL,GCON PANEL,GS.....15, 23, 31, 37, 43, 51, 59, 65
- DECAL,INSTR-INDOOR USE,AUS.....19, 47
- DECAL,INSTR-MANUAL FRC,AUS.....33, 61
- DECAL,INSTR-MAX CAP 400 LBS.....45
- DECAL,INSTR-MAX CAP 500 LBS.....45, 47, 61
- DECAL,INSTR-MAX CAP 600LBS.....17, 19, 33
- DECAL,INSTR-SIDE FRC,ANSI.....17, 45
- D E C A L , I N S T R U C T , B A T T E R Y CONNECT.....13, 29, 41, 57
- DECAL,INSTRUCT-ANNUAL INSP REQ.....15, 31, 43, 59
- DECAL,INSTRUCTIONS-CHARGER OP.....13, 29, 41, 57
- DECAL,LABEL, AIR LINE 110 PSI.....15, 17, 19, 23, 25, 27, 31, 33, 37, 39, 43, 45, 47, 51, 53, 55, 59, 61, 65, 67
- DECAL,LABEL,AUX LOWERING.....23, 37, 51, 65
- DECAL,LABEL,FAULT CODES.....17, 19, 33, 45, 47, 61
- DECAL,LABEL,LIFTING EYE.....13, 15, 21, 23, 29, 31, 35, 37, 41, 43, 49, 51, 57, 59, 63, 65
- DECAL,LABEL,MANUAL NOT HERE...17, 19, 33, 45, 47, 61
- DECAL,LABEL,PETRO CANADA***.....15, 31, 43, 59
- DECAL,LABEL,PLAT CONT LOCATION.....17, 19, 33, 45, 47, 61
- DECAL,LABEL,PWR TO CHARGR 115V....13, 15, 23, 29, 37, 41, 43, 51, 57, 65
- DECAL,LABEL,PWR TO CHARGR 230V....13, 15, 23, 29, 37, 41, 43, 51, 57, 65
- DECAL,LABEL,QUINTOLUBRIK.....15, 31, 43, 59
- DECAL,LABEL,SAFETY ARM.....15, 31, 43, 59
- DECAL,LABEL,STATOIL HYDRA WAY.....15, 31, 43, 59
- DECAL,LABEL,TIRE SPECS.....13, 15, 29, 31, 41, 43, 57, 59
- DECAL,LABEL,TRANSPORT TIEDOWN*..13, 15, 21, 23, 29, 31, 35, 37, 41, 43, 49, 51, 57, 59, 63, 65
- DECAL,LABEL,UCON HYDROLUBE.....15, 31, 43, 59
- DECAL,LABEL,WHEEL LOAD 1530.....13, 15, 21, 23
- DECAL,LABEL,WHEEL LOAD 1930.....41, 43, 49, 51
- DECAL,LABEL,WHEEL LOAD 19XX.....41, 43, 49, 51, 57, 59, 63, 65
- DECAL,LABEL,WHEEL LOAD,1930PAR....41, 43
- DECAL,LABEL-TRANSPORT DIGRAM.....13, 21, 29, 35, 41, 49, 57, 63
- DECAL,LABEL-WHEEL LOAD 1530/32.....13, 15, 21, 23, 29, 31, 35, 37
- DECAL,LANYARD ANCHORAGE POINT...17, 19, 25, 27, 33, 39, 45, 47, 53, 55, 61, 67
- DECAL,MEMBRANE, GR/GRC/GS GCON...83
- DECAL,NOTICE-DO NOT OPEN DOOR....29
- DECAL,OP INST,GCON.....15, 31, 43, 59
- DECAL,OP INST,PCON,GS-30,ANSI.....17, 45
- DECAL,OP INST,PCON,GS-30,AUS.....19, 33, 47, 61
- DECAL,POWER TO PLATFORM 115V.....15, 17, 19, 23, 25, 27, 31, 33, 37, 39, 43, 45, 47, 51, 53, 55, 59, 61, 65, 67
- DECAL,PROPEL,GR/GRC/GS,PCON.....17, 19, 25, 27, 33, 39, 45, 47, 53, 55, 61, 67, 129, 131
- DECAL,SYM MAX CAP 227 KG,CE.....55, 67
- DECAL,SYM MAX CAP 272 KG,CE.....27, 39
- DECAL,SYM-ELEC HAZARD,PLUG.....23, 37, 51, 65
- DECAL,SYM-MAXCAP 500.....53
- DECAL,SYM-MAXCAP 600.....25
- DECAL,SYM-SIDE FORCE 445N.....25, 53
- DECAL,SYM-SIDEFORCE 200400.....39, 67
- DECAL,SYM-SIDEFORCE 400N ID.....27, 55
- DECAL,SYM-TIP-OVER,LIM SWITCH.....21, 35, 49, 63
- DECAL,SYM-TIP-OVER,TILT ALARM.....25, 27, 39, 53, 55, 67
- DECAL,SYMBOL-BATTERY SAFETY.....21, 35, 49, 63
- DECAL,SYMBOL-BRAKE REL SAFETY....21, 35, 49, 63
- DECAL,SYMBOL-COMP ACCESS.....23, 37, 51, 65
- DECAL,SYMBOL-CRUSHING HAZARD.....21, 23, 35, 37, 49, 51, 63, 65
- DECAL,SYMBOL-ELEC HAZARD,GS.....21, 23, 35, 37, 49, 51, 63, 65
- DECAL,SYMBOL-SKIN INJECT HAZRD...23, 37, 51, 65
- DECAL,SYMBOL-USE SAFETY ARM.....21, 23, 35, 37, 49, 51, 63, 65
- DECAL,WARN,IMPROPER OPERATION...17, 19, 33, 45, 47, 61
- DECAL,WARN,SKIN INJECTION HAZ*.....15, 31, 43, 59
- DECAL,WARNING-COMPART ACCESS....15, 31, 43, 59
- DECAL-SYM-TIP-OVR,BATTRIES.....21, 35, 49, 63
- DIAGNOSTIC FEMALE Q-DSCNT.....137

E

- ELBOW,070220-12-10.....147
- ELBOW,070220-4-4.....147
- ELBOW,070220-6-6.....147
- ELBOW,070220-6-8.....147
- ELBOW,070320-6-6.....147
- ELBOW,SWIVEL NUT 90DEG, -6.....147
- ENCLOSING BAND KIT.....143
- ENCLOSURE, GC14-1, TOP.....129
- ENCLOSURE, GC21-19, BK.....83
- ENCLOSURE,GC14-1/GC16-1, BOT.....129, 131
- ENCLOSURE,GC27-25/GC21-19,FRNT.....83
- ENCLOSURE,STD 4-BUTTON,TOP.....131
- END RAIL,SWING GATE,RIGID.....125
- ENTRY SWING TUBE.....101-102, 105-106, 109-110, 113-114, 117-118, 121-122
- EXT RAIL ASSY, UPPER, GS30.....101-102, 105-106, 113-114, 117-118

F

- FIELD ASSY,REC.CHARGER PLUG.....127
- FILTER ASSY,FIBRGLS,#8-#8.....135
- FILTER ASSY,SAE8,10 MIC,PAPR**.....135
- FILTER CAP (PLUG 1-1/2" NPT HEX.....81
- FILTER ELEMENT,10MICRON,PAPER*.....11, 135
- FILTER ELEMENT,BETA(10)=200.....135
- FITTING,STRAIGHT DRIVE-IN ZERK.....69
- FIXED RAILS ASSY, GS30 SYMBOL.....102, 105-106, 109-110, 114, 117-118, 121-122
- FIXED RAILS ASSY,GS30,ANSI.....101-102, 105-106, 109-110, 113-114, 117-118, 121-122
- FIXED RAILS ASSY,GS30,AUSTRAL.....102, 105-106, 109-110, 114, 117-118, 121-122

Part Description Index (continued)

FLASH DRIVE,SL1K1.0 SOFTWARE.....129
 FLASH DRIVE,SL1K2.0 SOFTWARE.....131
 FOAM,CLOSED CELL 1.75X.250X18".....125
 FOOTPEDAL W/NON-SKID TAPE,GS**.....101-102, 105-106, 109-110, 113-114, 117-118, 121-122
 FORMING, ACCUMULATOR BRACKET.....93
 FORMING, ACCUMULATOR CLAMP.....93
 FORMING, ALARM BRACKET,MINI.....73
 FORMING, FILTER-CNTRLR MOUNT.....81
 FORMING, HALF GATE HINGE.....125
 FORMING, HALF GATE, HINGE SIDE.....125
 FORMING, CONTACTOR MOUNT,GS.....77
 FORMING, CONTROL PANEL.....83
 FORMING, FUSE BRACKET.....77
 FORMING, HOSE CLAMP SUPPORT.....69
 FORMING, PADLOCK BRACKET.....143
 FORMING, PLAT CONTROL BOX.....129, 131
 FORMING, REC. PLG BRKT.....73
 FRMG, ARM SENSOR BRCKT, MINI.....159
 FRMG, CHASSIS BRKT.....159
 FRMG, CHASSIS BRKTING.....159
 FRMG, SENSOR COVERING.....159
 FRMNG, ARM SENSOR BRCKT, MINI.....159
 FRMNG, SENSOR COVER, MINI.....159
 FUSE BLOCK, ANN & ANL FUSE.....77, 91
 FUSE, 275 AMP, VERY FAST ACTING.....77, 91
 FUSE, BATTERY CHARGER***.....79

G

GAS SHOCK, SCISSORS***.....75
 GASKET, UK & DIN PWR. TO PLAT.....127
 GASKET, UK RECEPTACLE.....127
 GASKET, (BOOT) FLANGE INLET PLG.....127
 GCON, GR/GRC/GS.....83
 GCON, STD, PROP LIFT.....83
 GLIDE BUTTON, FOLDING RAILS.....110, 122
 GREASE, DIELECTRIC 4 OZ**.....11
 GROMMET, RUBBER 2.5 X 3.0.....73
 GROMMET, RUBBER, 1.50IDX.375.....73
 GROMMET, SLAB HYD TANK***.....81
 GROUND STRAP, 12"LG***.....75
 GROUND WIRE ASSY, GS.....89, 91
 GS30 RIDGID MAIN SIDE SQ RAIL.....101-102, 105-106, 109-110, 113-114, 117-118, 121-122

H

HANDLE HALF, LEFT, W/TOP SWITCH.....133
 HANDLE HALF, RIGHT, W/TOP SWITCH.....133
 HANDLE, ANDERSON CONNECTOR SB...143
 HARNESS ASSEMBLY, INVERTER.....85
 HARNESS, ESTOP, GR/GRC/GS PCON.....129, 131
 HARNESS, GS FUNC MANIFOLD.....85
 HARNESS, GS POWER CONTRL.....85
 HARNESS, GS SENSORS, ANSI.....85
 HARNESS, GS SENSORS, CE.....85
 HARNESS, ROTARY ANGLE.....85
 HARNESS, FUNCTION MANIFOLD, GS.....85
 HARNESS, GS POWER CONTROL.....85
 HARNESS, PRESS, TRANSDUCER***.....85, 159
 HARNESS, VISUAL IND LIGHTS, MINI.....149
 HINGE, SPRING, LONG LEG.....125
 HORN, 24VDC, SPADE TERMINALS***.....149
 HOSE ASSY, MAN/ACCUM, MINI.....147
 HOSE END, BARBED, RIGID, 90DEG6-6.....151

HOSE, ASSY.....147
 HOSE, ASSY, BRAKE.....147
 HOSE, ASSY, LOWER LIFT.....147
 HOSE, ASSY, LOWER VENT.....147
 HOSE, ASSY, MAN TO FILTER.....147
 HOSE, ASSY, MOTOR CROSSOVER.....147
 HOSE, ASSY, PRESSURE.....147
 HOSE, ASSY, STEER.....147
 HOSE, ASSY, UPPER LIFT.....147
 HOSE, ASSY, UPPER VENT.....147
 HOSE, ASSY, DRIVE MOTORS, MINI.....147
 HOSE, ASSY, DRIVE MOTORS, MINI, L.....147
 HOSE, LOW PRESSURE, 375 ID, BLK.....151
 HOUSING, LOCK PIN.....101-102, 105-106, 109-110, 113-114, 117-118, 121-122
 HRNS ASSY, RESISTOR DIODE.....85
 HRNS, CONTACTOR SIGNL, GS30/32.....89, 91
 HYD. TANK KIT, GS30, 32, 46.....81
 HYDR TRAY ASSY W/WORDS.....81
 HYDR TRAY ASSY, GS30 W/SYMBOLS.....81

I

INNER ARM ASSY#1, 15&19FT, SYMB.....97, 99
 INNER ARM ASSY#1, 15&19FT, WORD.....97, 99
 INNER ARM ASSY, #3, 19FT.....99
 INNER ARM ASSY, #2, 15/19 FT, WRD.....97, 99
 INNER ARM ASSY, #3, 15FT.....97
 INNER ARM ASSY, #4 19FT.....99
 INSTRN, TRC RETROFIT, STNDRD.....85
 INVERTER, 24VDC, 110/230 VAC***.....155

J

JOYSTICK, HALL EFFECT, SINGLE.....133

K

KEY SINGLE***.....83
 KEY, RECTANGULAR, 31X.28X1.25**.....69, 71
 KEY, SINGLE***.....83
 KEYS, 10 PACK***.....83
 KEYSWITCH, 3 POS W/KEYS, LOCKING.....83
 KEYSWITCH, 3 POS. W/KEYS***.....83
 KIT, INVERTER JUMPER, GS.....81
 KIT, MINI LIFT CYL SEAL.....145
 KIT, SL PROP UPGRD, ANSI SYM, GS.....129
 KIT, SL PROP UPGRD, ANSI, GS30.....129
 KIT, SL PROP UPGRD, AUS, GS30.....129
 KIT, SL PROP UPGRD, CE, GS.....129
 KIT, TRC RETROFIT, STNDRD.....85
 KIT, BATT. CABLE ASSY, GS30/32.....81
 KIT, BATTERY CHARGER, 24V.....79
 KIT, BEACON, GS32/46.....149
 KIT, BOOT, JOYSTICK, SL1000.....133
 KIT, COIL CORD, CONTRLR, SL1000.....129, 131
 KIT, CONN, PLUG W/SCKT AND LOCK.....85, 129, 131
 KIT, CONN, RECEPT W/PIN AND LOCK.....85, 129, 131
 KIT, CONTACTOR, GS.....81
 KIT, DYN BRAKING VALVE, MINI.....137
 KIT, GASKET, UK POWER TO PLAT.....127
 KIT, GATE LATCH.....125
 KIT, GS30/32 MOTOR CONTROLLER.....81
 KIT, MANIFOLD, 200 PSI CV, MINI.....139
 KIT, MINI FULL HT, ANSI GATE.....125
 KIT, STEER CYL SEAL.....135

KIT, STEER CYL SEAL, 040271P, HDM.....135
 KIT, STEER CYL SEAL, 040499P, HDM.....135
 KIT, STEER CYL SEAL, 040505P, HDM.....135
 KIT, SWITCH, JYSTK, SL1000.....133
 KNOB, HAND PUMP (RED)***.....141
 KNOB, PILOT OP VALVE (BLACK)***.....141

L

LABEL, GR/GRC/GS PCON.....129
 LABEL, SERIAL, GC21-19.....83
 LADDER ASSY, GS30, SYM.....71
 LADDER ASSY, GS30, WORD, ENG.....71
 LANYARD ROLLER BRKT ASSY W/DEC.....101-102, 105-106, 109-110, 113-114, 117-118, 121-122
 LANYARD, BLACK NYLON, TYPE 1***.....102, 106, 110, 114, 118, 122
 LATCH HANDLE.....125
 LATCH, LRG PADDLE HANDLE GS90.....77, 81
 LENS, FLASHING BEACON.....149
 LEVER ARM, ANGLE SENSR ACTUATOR.....159
 LIGHT, TURN SIGNAL, 1.25" LED, AMB.....149
 LINK BUMPER.....97, 99
 LINK, (SPLIT) OPEN-END.....125
 LOCK, CONNECTOR.....79
 LOCKNUT, ELEC, 1/2".....127

M

MAIN RAIL, FOLDING, GS30.....101-102, 105-106, 109-110, 113-114, 117-118, 121-122
 MANIFOLD, 200 PSI CHECK VALVE.....139
 MANIFOLD, BRAKE RELEASE.....141
 MANIFOLD, FUNCTION***.....137
 MANUAL BOX W/DECALS***.....102, 105-106, 109-110, 114, 118, 121-122
 MANUAL, AEM SAFETY.....11
 MANUAL, OWNERS, CHARGER, 105739.....79
 MANUAL, RESPON, A92.6 SCISSOR.....11
 MOTOR CONTROLLER, DC, 24V, 360A.....81
 MOTOR, ELECTRIC, 24VDC 4.5HP.....143
 MOTOR, HYDRAULIC, 530, 14.0CU.IN*.....135

N

NICKEL PLATED JAM NUT.....83
 NIPPLE, DIAGNOSTIC, #4.....137
 NUT.....83
 NUT - PLASTIC, RING FOR ALARMS.....73, 129, 131, 149
 NUT, LP NYLOCK, 3/8-16.....101-102, 105-106, 109-110, 113-114, 117-118, 121-122, 125
 NUT, CASTLE, 1.125-18 UNEF.....69, 71
 NUT, COIL (39909).....145
 NUT, CORDGRIP, 1/2 NPT.....159
 NUT, LOCKING-LG. FLANGE, 1/4-20.....73, 77, 93
 NUT, LOCKING-LG. FLANGE, 5/16-18.....77
 NUT, LP NYLOCK, 1/2-13.....71
 NUT, LP NYLOCK, 1/4-20.....77, 149, 159
 NUT, LP NYLOCK, 5/16-18.....101-102, 105-106, 109-110, 113-114, 117-118, 121-122
 NUT, NYLOCK, 1/2-13.....69, 95, 159
 NUT, NYLOCK, 1/4-20.....69, 73, 77, 81, 83, 93, 125, 127, 149
 NUT, NYLOCK, 10-32.....73, 149

NUT,NYLOCK,3/8-16.....69, 71, 75, 95, 97, 99, 125, 155, 157	PLAT MAIN DECK ASSY,1930 SMBL.....113- 114	REF:DECAL,STD,PROP LIFT,UI,SVC.....131
NUT,NYLOCK,5/16-18.....153	PLAT MAIN DECK ASSY,1932 AU.....117-118	RESISTOR,200 OHM 10W,CERAMIC.....85
NUT,NYLOCK,8-32.....127, 159	PLAT MAIN DECK ASSY,1932 CE.....117-118	RIGID EYE SNAP.....125
NUT,RETAINER (96008).....83	PLATE, AC ADAPTER(AUS).....127	RIVET,ALUM,STL., 188 X .250...101-102, 105- 106, 109-110, 113-114, 117-118, 121-122
NUT,TL FLG,3/8-16,G,ZAG.....110, 122	PLATE, COUNTERWEIGHT LOCK.....71	RIVET,STL,STL., 188 X .45.....101-102, 105- 106, 109-110, 113-114, 117-118, 121-122, 159
NUT,WING 5/16-18.....153	PLATE, INVERTER MOUNT.....155	ROCKER,2 SWITCH.....133
NUT-COIL SHORT.....137	PLATE, LIMIT SWITCH MOUNT.....73	ROD END, 250 X 2.75 LG.....69, 97, 99
NUT-THIN HEAVY HEX, 1/4-20.....77	PLATE,AC ADAPTER(ANSI/CSA).....127	ROLLER ARM,LIMIT SWITCH***.....73, 75
	PLATE,AC ADAPTER,DIN/UK***.....127	ROLLER BRACKET ASSY, GRND CNTR.....101-102, 105-106, 109-110, 113- 114, 117-118, 121-122
O	PLATE,BEACON MOUNT.....149	ROLLER,PLATFORM EXTENSION...101-102, 105-106, 109-110, 113-114, 117-118, 121- 122
O-RING KIT (ORFS FITTINGS).....137	PLATE,BRAKE SPACER.....71	RUE RING,3/4 PIN.....75
OFFSET, RDN, 1/4-1.25,10-32.....159	PLATE,HARNESS MOUNT.....81	RUE RING,5/8 PIN.....75
ORIFICE,LONG, .037***.....145	PLATE,HOSE ROUTG,BULKHEAD(PTD)...69, 73	
OUTER ARM ASSY#1,15&19FT WORD.....97, 99	PLATE,HOSE ROUTING,BULKHEAD **.....69	S
OUTER ARM ASSY,#1,15&19FT SYMB.....97, 99	PLATE,POTHOLE LINK,GS30.....75	SAFETY CHOCK,SCISSOR.....97, 99
OUTLET, 110V.....127	PLATE,VISUAL IND LIGHT MOUNT.....149	SCREW, HCC, 3/8-16 X 1.50.....97, 99
	PLATFORM MOUNT ASSY, 15 FT.....95	SCREW, SELF TAP.....133
P	PLATFORM MOUNT ASSY, 19 FT.....95	SCREW, YOKE LOCK ALL SLABS.....69
PAINT, AEROSOL, TRAFFIC BLACK.....11	PLUG AND CAP KIT-SERVICE,ORFS*.....11, 137	SCREW,BHHS,3/8-16 X 1.75.....71
PAINT,AEROSOL,BRIGHT BLUE***.....11	PLUG, 6POS ECO PWR.....129, 131	SCREW,BHSCS,M5X10,SS.....129, 131
PAINT,AEROSOL,GENIE GRAY***.....11	PLUG, TYPE F, 230A, 50HZ, 16A, IP44.....127	SCREW,GRUB,M5X8MM CUP(BLK).....133
PAINT,WET,GENIE BLUE (1 GL)**.....11	PLUG,090109A-6.....147	SCREW,GRUB,M5X8MM,HLF DOG,BZP...133
PAINT,WET,GENIE GRAY (1 GL)**.....11	PLUG,1/4"SERIES,3/8 P-LOCK***.....151	SCREW,HEX HD,NO SLOT,#14X.50.....77
PAINT,WET,TRAFFIC BLACK (1 GL)**.....11	PLUG,DTM SEAL 20-24GA.....85	SCREW,HHC,1/2-13 X 3.5.....69, 71
PCBA, GC14-1.....129	PLUG,ELECTRICAL,DOMESTIC.....127	SCREW,HHC,1/2-13 X 5 GR5, PLT.....71
PCBA, GC21-19.....83	PLUG,FLG INLET,15A/125V,2PWGD.....127	SCREW,HHC,1/4-20 X .5.....145, 159
PCBA,GCON STD,PROP LIFT.....83	PLUG,FUSED,250V,13AMP,U.K.**.....127	SCREW,HHC,1/4-20 X .625.....149, 159
PCBA,PCON STD,PROP LIFT.....131	PLUG,PWR,UK,16AMP,3PIN,BLK.....127	SCREW,HHC,1/4-20 X .75.....155
PCON, GR/GRC/GS.....129	POT HOLE GUARD,LT,WLDMT.....75	SCREW,HHC,1/4-20 X 1.....69, 159
PCON,STD,PROP LIFT,GR/GS.....131	POT HOLE GUARD,RT,WLDMT.....75	SCREW,HHC,1/4-20 X 1.25.....77, 81
PIN, CHASSIS PIVOT.....97, 99	POT HLE BELL CRNK LINK ASSYGS30.....75	SCREW,HHC,1/4-20 X 1.5.....93
PIN, CYLINDER, SHORT.....97, 99	POWER CORD, IEC 320 BLANK, 79".....127	SCREW,HHC,1/4-20 X 1.75.....73
PIN, LOCK.....101-102, 105-106, 109-110, 113-114, 117-118, 121-122	POWER CORD, IEC 320, 115".....79	SCREW,HHC,1/4-20 X 2.....125
PIN, MINI, CENTER.....97, 99	PRTY,FLOW CNTRL VALVE,,75 GPM.....137	SCREW,HHC,1/4-20 X 3.75.....69
PIN, WIRE LOCK 3/8 X 2 -1/2...102, 106, 110, 114, 118, 122	PUMP,4CC GEAR,CCW 228192.....143	SCREW,HHC,1/4-20X3.25,GR8.....69
PIN,1.50DIAX9.13LG,1HOLE.....97, 99	PUMP,4CC GEAR,CCW***.....143	SCREW,HHC,3/8-16 X .75..69, 102, 105-106, 109-110, 114, 117-118, 121-122
PIN,CLEVIS,.375 X 1.75 LG.....75		SCREW,HHC,3/8-16 X 1.....157
PIN,CLEVIS,.625 X 1.56,ZINC PL.....75	Q	SCREW,HHC,3/8-16 X 2...101-102, 105-106, 109-110, 113-114, 117-118, 121-122, 125
PIN,CLEVIS,.625 X 1.88,ZINC PL.....75	QUICK DISCONNECT CASING,BATT**.....77, 91	SCREW,HHC,3/8-16 X 2.5.....99, 125
PIN,CLEVIS,.75 X 2.....69		SCREW,HHC,3/8-16 X 2.75.....97, 102, 106, 114, 118
PIN,COTTER,.125 X .75.....75	R	SCREW,HHC,5/16-18 X 2.....153
PIN,COTTER,.156 X 2.5.....11, 69, 71	RECEPTACLE, DIN, 220V 50A.....127	SCREW,PHIL,8-32X.50,SELF TAP.....127
PIN,MINI END***.....97, 99	REF. BATTERY CHARGER.....85	SCREW,PHILLIPS,PHM,10-32 X .38.....77
PIN,STEER CYLINDER.....69	REF. BATTERY COMPARTMENT.....85	SCREW,PHILLIPS,PHM,10-32 X .5.....159
PLAT CONTROL BRKT ASSY,GS MINI....129, 131	REF. BEACONS.....85	SCREW,PHILLIPS,PHM,10-32 X .75.....149
PLAT ENTRY ASSY,RIGID GS30.....125	REF. BRAKE RELEASE MANIFOLD.....71	SCREW,PHILLIPS,PHM,10-32 X 1.....83
PLAT EXT DECK ASSY,GS30...101-102, 105- 106, 109-110, 113-114, 117-118, 121-122	REF. DC MOTOR.....85	SCREW,PHILLIPS,PHM,6-32 X .75.....127
PLAT MAIN DECK ASSY,1530 ANSI.....101- 102	REF. ELECTRIC MOTOR/PUMP.....81	SCREW,PHILLIPS,PHM,8-32 X .5.....127, 159
PLAT MAIN DECK ASSY,1530 AU.....101-102	REF. ELECTRICAL WIRING AND POWER CABLES.....85	SCREW,PHILLIPS,PHM,8-32 X.25**.....83
PLAT MAIN DECK ASSY,1530 CE.....101-102	REF. FILTER ASSY.....81	SCREW,PHM,4-20X.5, 48-2 TRI-L.....83, 129, 131
PLAT MAIN DECK ASSY,1530 SMBL.....101- 102	REF. FORMING,CONTROL PANEL.....81	SCREW,PHM,6-19X.75, 48-2 TRI-L.....83
PLAT MAIN DECK ASSY,1532 AU....105-106, 109-110, 121-122	REF. FUNCTION MANIFOLD.....85	SCREW,PHM,8-16X.75, 48-2 TRI-L.....129, 131
PLAT MAIN DECK ASSY,1532 CE.....105-106, 109-110, 121-122	REF. FUSE.....85	SCREW,PHM,8-32X.313,SELF TAP.....159
PLAT MAIN DECK ASSY,1930 ANSI.....113- 114	REF. GCON, GR/GRC/GS.....81	SCREW,PHPM,10-32X1.5,ZAG.....83
PLAT MAIN DECK ASSY,1930 AU.....113-114	REF. GROUND CONTROLS.....85	SCREW,RHM,10-32 X 1.5.....73
PLAT MAIN DECK ASSY,1930 CE.....113-114	REF. HYDRAULIC BRAKE.....71	SCREW,RHM,6-32 X .5.....127
	REF. Joystick Controller.....85	SCREW,SET,8-32X.25.....159
	REF. LEVEL SENSOR.....85	SCREW,SHC,3/8-24 X 1.25".....143
	REF. LIFT CYLINDER VALVE.....85	
	REF. LIFT CYLINDER.....97	
	REF. MOTOR CONTROLLER.....85	
	REF: Lift Cylinder Down Cable.....87, 89	
	REF: Platform Control Cable.....87, 89	

Part Description Index (continued)

SEAL KIT (84384).....137
 SEAL KIT, VALVE.....137
 SEAL KIT,39909,PLAT LWR VALVE*.....145
 SEAL KIT,BOSCH PUMP.....143
 SEAL KIT,BOSCH PUMP***.....143
 SEAL KIT,HAND PUMP***.....141
 SEAL KIT,LIFT PUMP,BARNES**.....143
 SEAL KIT,PUMP,PARKER (228192).....143
 SEAL KIT,RC SERIES DR MOTOR***.....135
 SEAL KIT-FOR P.N.44167.....137
 SEAL KIT-P.N.44169,44172,44171.....137
 SERVICE KIT,INVERTER 800W***.....155
 SHIM,.375 X .063.....102, 106, 110, 114, 118, 122
 SLEEVE,TANK SUPPORT.....81
 SLIDER, UHMW.....95
 SLIDER,MINI PLATFORM,DRILLED**.....95
 SNAP RING,EXTERNAL,1.25 DIA.*.....97, 99
 SPACER, GROUND CONTROL ECU.....83
 SPRING CLIP,1/4-20,.025-.15X.54,ZAG.....73, 159
 SPRING, HANDLE TRIGGER.....133
 SPRING,COMPRESSION .835 X 2.....125
 SPRING,COMPRESSION.485 X 1.75**.....73, 101-102, 105-106, 109-110, 113-114, 117-118, 121-122
 SPRING,HAND PUMP ROD.....141
 SPRING-BRUSH,40844, SCISSORS.....143
 STD CONTROL HARNESS, SLAB.....87, 89
 STROBE,BEACON, AC COMP 12-80V.....149
 SVC KIT,UK RECEPT.REPLACEMENT.....127
 SWING GATE ASSY,1530/1930 AUS.....125
 SWING GATE ASSY,1532/1932 AUS.....125
 SWING GATE ASSY,GS1530 CE.....125
 SWING GATE ASSY,GS1532 CE.....125
 SWING GATE ASSY,GS1930 CE.....125
 SWING GATE ASSY,GS1932 CE.....125
 SWING GATE ASSY,GS30/32**.....125
 SWITCH,LIMIT,W/ROLLER ARM***.....73, 75

T

T-BOX,2.75 X 4.5 X 2.0.....127
 TANK,HYD, SLAB SCISSORS.....81
 TAPE,NON-SKID,DIE CUT,1.38X1.5.....101-102, 105-106, 109-110, 113-114, 117-118, 121-122
 TAPE,NON-SKID,DIE CUT,4"X 16".....101-102, 105-106, 109-110, 113-114, 117-118, 121-122
 TAPE,NON-SKID,DIE CUT,4"X 32".....101-102, 105-106, 109-110, 113-114, 117-118, 121-122
 TAPE,NON-SKID,DIE CUT,4"X 40".....101-102, 105-106, 109-110, 113-114, 117-118, 121-122
 TEE,RUN 070432-6*****.....147
 THREADED ROD,(1/4-20),25.50.....77
 TIE ROD ASSEMBLY.....69
 TRIGGER, EXTENDED.....133
 TUBE, ASSY, DRAW.....81, 147
 TUBE, ASSY, RETURN.....81, 147
 TUBE, VERT, FOLDING.....101-102, 105-106, 109-110, 113-114, 117-118, 121-122
 TUBING,PVC,1",BLACK***.....125

V

VALVE, DYN. BRAKING, GS30**.....137
 VALVE,CARTRIDGE***.....145

VALVE,CHECK,IWP-S/CWP PWR ASSI.....137
 VALVE,HAND PUMP ASSEMBLY***.....141
 VALVE,PILOT OPERATED ASSEMBLY*.....141
 VALVE,SOLENOID,3POS 4WAY.....137
 VALVE,W/20V NC SOLENOID,MANUAL.....145
 VALVE-RELIEF, 3700 PSI #8**.....137
 VALVE-SOLENOID, 2POS 4 WAY.....137
 VISUAL INDICATOR LIGHTS.....149

W

WASHER, SHIM,.765 X 1.312 X .093.....75
 WASHER,FLAT, 1.27 X 2.13 X .13.....97, 99
 WASHER,FLAT,.5 HARDENED.....71
 WASHER,FLAT,.75 HARDENED.....77
 WASHER,FLAT,USS,1/4"Y.....81, 93, 125, 149
 WASHER,FLAT,USS,3/8",Y.....69, 101-102, 105-106, 109-110, 113-114, 117-118, 121-122
 WASHER,FLAT,USS,5/16",Y.....71, 75, 77, 125, 153, 155
 WASHER,LOCK,.25.....77, 81, 145, 159
 WASHER,LOCK,.313.....153
 WASHER,LOCK,.375.....101-102, 105-106, 109-110, 113-114, 117-118, 121-122, 143
 WASHER,NITRILE.....83
 WASHER,SHIM,.625 X 1.188X.064.....75
 WASHER,SHOULDER,NYLON.....101-102, 105-106, 109-110, 113-114, 117-118, 121-122
 WASHER,STAR,EXTERNAL,#8.....127
 WASHER,STAR,EXTERNAL,.375.....83
 WASHER,THRUST, GS.....69
 WASHER,THRUST,.63 X 1.13 X .06.....75
 WEAR PAD,PLATFORM.....101-102, 105-106, 109-110, 113-114, 117-118, 121-122
 WEAR/GUIDE PAD MAIN PLATFORM.....101-102, 105-106, 109-110, 113-114, 117-118, 121-122
 WEATHERSTRIP,SWING GATE.....125
 WELDMENT, 1532 COUNTERWT, CE.....71
 WELDMENT, DECAL PLATE.....101-102, 105-106, 109-110, 113-114, 117-118, 121-122
 WELDMENT, EXT PLATFORM.....101-102, 105-106, 109-110, 113-114, 117-118, 121-122
 WELDMENT, EXTENSION DECK RAIL, LOWER.....109-110, 121-122
 WELDMENT, EXTENSION DECK RAIL, UPPER.....109-110, 121-122
 WELDMENT, FORMING, HALF GATE, CATCH SIDE.....125
 WELDMENT, HALF GATE.....125
 WELDMENT, LINK, SINGLE.....97, 99
 WELDMENT, PAR, FRONT.....157
 WELDMENT, PAR, SIDE.....157
 WELDMENT, PLATFORM, MAIN.....117-118
 WELDMENT, STR YOKE, 30 MINI LT.....69
 WELDMENT, STR YOKE, 30 MINI RT.....69
 WELDMENT, STR YOKE, 32 MINI LT.....69
 WELDMENT, STR YOKE, 32 MINI RT.....69
 WELDMENT, TIE ROD, GS30.....69
 WELDMENT,CABLE BRIDGE, TOP,MINI.....97, 99
 WELDMENT,CHAIN GATE SQ, GS30.....125
 WELDMENT,EXT RAIL,UPPER***.....101-102, 105-106, 113-114, 117-118
 WELDMENT,EXT SIDERAIL***.....102, 105-106, 109-110, 114, 117-118, 121-122
 WELDMENT,GS HYD TRAY.....81

WELDMENT,LINK PLATFORM MNT***.....97, 99
 WELDMENT,MINI LADDER.....71
 WELDMENT,ROLLER BRACKET,LT***.....101-102, 105-106, 109-110, 113-114, 117-118, 121-122
 WELDMENT,ROLLER BRACKET,RT***.....101-102, 105-106, 109-110, 113-114, 117-118, 121-122
 WHEEL & TIRE ASSY,LP,12*****.....69, 71
 WIRE CABLE 18/5 - UNSHIELDED.....85
 WIRE CABLE,14/3 CON.TPE JKT*.....127
 WIRE CAP,ORANGE.....127
 WIRE LOOM,1.25 DIA.....91
 WLDMNT,PLATFORM, MINI, GS30.....101-102, 105-106, 109-110, 113-114, 117-118, 121-122
 WLDMT, EXT DECK LWR RAIL.....101-102, 105-106, 113-114, 117-118
 WLDMT, FORMING, HALF GATE CATCH.....125
 WLDMT, LANYARD ROLLER BRKT.....101-102, 105-106, 109-110, 113-114, 117-118, 121-122
 WLDMT, MAIN SIDERAIL,UPP,RT **.....101-102, 105-106, 109-110, 113-114, 117-118, 121-122
 WLDMT, MAIN SIDERAIL, UPPER,LFT.....101-102, 105-106, 109-110, 113-114, 117-118, 121-122
 WLDMT,CABLE BRIDGE,BOTTOM,MINI.....97, 99
 WLDMT,CABLE BRIDGE,LOWER,MINI.....97, 99
 WLDMT,LOCKING ROLLER SUPPORT...101-102, 105-106, 109-110, 113-114, 117-118, 121-122
 WLDMT,PLATFORM SLIDER.....95
 WLDMT/ASSY, PH GUIDE,GS30/32.....75
 WLDT, EXT SIDERAIL, PAR.....157
 WLDT, MAIN SIDERAIL, PAR, LH.....157
 WLDT, MAIN SIDERAIL, PAR, RH.....157
 WLDTMT,LINK,#1 INNER,15&19 FT.....97, 99
 WORKLIGHT BRACKET.....153
 WORKLIGHT CABLE,GS15XX.....153
 WORKLIGHT CABLE,GS19/20XX.....153
 WORKLIGHT PIGTAIL ASSY.....153
 WORKLIGHT,24V,COIL CORD.....153

This Page Intentionally Left Blank

Go to Discount-Equipment.com to order your parts

Fitting Cross References

Genie PN	Parker PN	Description	Genie PN	Parker PN	Description
12342	6-4 F5OX-S	CONNECTOR,STRAIGHT THREAD TO FLARE TUBE	42794	1 CR-S	ELBOW,90°,MALE PIPE
13757	4 R6X-S	RUN TEE,SWIVEL NUT,ORFS	42795	BV-0839	BALL VALVE
19685	12-10 C5OX-S	ELBOW,90°,STRAIGHT THREAD TO FLARE TUBE	42796	BV-0838	BALL VALVE
22664	12-10 C5OX	ELBOW,90°,STRAIGHT THREAD TO FLARE TUBE	42874	6-8 CLO-S	ELBOW,90°,MALE PIPE TO ORFS
27431	8-12 F5OX-S	CONNECTOR,STRAIGHT THREAD TO FLARE TUBE	42912	13943-6-4	HOSE END,90° FEMALE SWIVEL,JIC
28678	AS-B-33	SLEEVE,NYLON,1.81" ID	42920	BV-0840	BALL VALVE,90°
39871	6 WETX-WLN-S	UNION,90° BULKHEAD W/NUT,FLARE TUBE	42932	AS-B-17	SLEEVE,NYLON,1.22" ID
39872	4 R5OX-S	RUN TEE,STRAIGHT THREAD	42936	10243-2-4	HOSE END,FEMALE PIPE
39873	6 C5OX-S	ELBOW,90°,STRAIGHT THREAD TO FLARE TUBE	42953	1/2 DD-S	ELBOW,90°,FEMALE PIPE
39874	8-6 C5OX-S	ELBOW,90°,STRAIGHT THREAD TO FLARE TUBE	42956	6 WELO-WLNL-S	UNION,90° BULKHEAD W/NUT,ORFS
39875	4-6 C5OX-S	ELBOW,90°,STRAIGHT THREAD TO FLARE TUBE	45349	8 V5OX-S	ELBOW,45°,STRAIGHT THREAD TO FLARE TUBE
39876	6-8 C5OX-S	ELBOW,90°,STRAIGHT THREAD TO FLARE TUBE	45351	4 V5OX-S	ELBOW,45°,STRAIGHT THREAD TO FLARE TUBE
39877	4 F5OX-S	CONNECTOR,STRAIGHT THREAD TO FLARE TUBE	47223	10343-6-6	HOSE END,MALE,JIC
39878	6 F5OX-S	CONNECTOR,STRAIGHT THREAD TO FLARE TUBE	47419	PS690503-6-6	SWIVEL,90°,STRAIGHT THREAD TO 37° FLARE
39879	4-8 F5OX-S	CONNECTOR,STRAIGHT THREAD TO FLARE TUBE	48750	421-4	HOSE,1/4 INCH ID
39880	6-10 F5OX-S	CONNECTOR,STRAIGHT THREAD TO FLARE TUBE	48751	481TC-4	HOSE,1/4 INCH ID
39881	4-6 F5OX-S	CONNECTOR,STRAIGHT THREAD TO FLARE TUBE	48752	482TC-4	HOSE,1/4 INCH ID
39882	4-HP5ON-S	PLUG,STRAIGHT THREAD	48753	451TC-6	HOSE,3/8 INCH ID
39883	8-8 FTX-S	CONNECTOR,MALE PIPE TO FLARE TUBE	48754	482TC-6	HOSE,3/8 INCH ID
39885	269HB 12-12	ELBOW,90°,BEADED HOSE BARB TO MALE PIPE	48755	381-6	HOSE,3/8 INCH ID
39886	431-6	HOSE,3/8 INCH ID	48756	451TC-8	HOSE,1/2 INCH ID
39887	540N-2	HOSE,1/8 INCH ID	48757	482TC-8	HOSE,1/2 INCH ID
39888	801-8	HOSE,1/2 INCH ID	48758	381-8	HOSE,1/2 INCH ID
39889	801-12	HOSE,3/4 INCH ID	48759	381-10	HOSE,5/8 INCH ID
39890	10643-6-6	HOSE END,FEMALE SWIVEL,JIC	48760	451TC-10	HOSE,5/8 INCH ID
39891	13943-6-6	HOSE END,90° FEMALE SWIVEL,JIC	48761	482TC-12	HOSE,3/4 INCH ID
39892	13743-6-6	HOSE END,45° FEMALE SWIVEL,JIC	48762	451TC-12	HOSE,3/4 INCH ID
39894	30682-8-8	HOSE END,FEMALE SWIVEL,JIC	48763	772-12	HOSE,3/4 INCH ID
39895	30682-10-12	HOSE END,FEMALE SWIVEL,JIC	48764	881-16	HOSE,1 INCH ID
42286	8-8 CTX-S	ELBOW,90°,MALE PIPE TO FLARE TUBE	48765	772-16	HOSE,1 INCH ID
42756	8-12 CLO-S	ELBOW,90,MALE PIPE TO ORFS	48766	AS-B-15	SLEEVE,NYLON,1.06" ID
42757	8-12 FLO-S	CONNECTOR,MALE PIPE TO ORFS	48767	AS-B-22	SLEEVE,NYLON,1.42" ID
42758	4 JLO-S	UNION TEE,ORFS	48770	881-8	HOSE,1/2 INCH ID
42759	4-4 FLO-S	CONNECTOR,MALE PIPE TO ORFS			
42760	6-8 FLO-S	CONNECTOR,MALE PIPE TO ORFS			
42761	1J143-6-4	HOSE END,90° FEMALE SWIVEL,SEAL LOK			
42762	1J743-6-4	HOSE END,45° FEMALE SWIVEL,SEAL LOK			
42768	1JO43-4-4	HOSE END,MALE,SEAL LOK			
42776	601-8	HOSE,1/2 INCH ID			
42777	1J743-16-16	HOSE END,45° FEMALE SWIVEL,SEAL LOK			
42786	16 CLO-S	ELBOW,90°,MALE PIPE TO ORFS			
42787	16 R6LO-S	RUN TEE,SWIVEL NUT,ORFS			
42788	16-8 TRLO-BL-S	REDUCER,TUBE END TO SWIVEL,ORFS			
42789	6-6 CLO-S	ELBOW,90°,MALE PIPE TO ORFS			
42790	8-10 V5OLO-S	ELBOW,45°,STRAIGHT THREAD TO ORFS			
42791	3/4 CD-S	ELBOW,90°,MALE TO FEMALE PIPE			
42792	3/4 X 1/2 PTR-S	REDUCER,MALE TO FEMALE PIPE			
42793	1/2 CR-S	ELBOW,90°,MALE PIPE			

Fitting Cross References (Continued)

Genie PN	Parker PN	Description	Genie PN	Parker PN	Description
48771	881-10	HOSE,5/8 INCH ID	48847	13943-12-12	HOSE END,90° FEMALE SWIVEL,JIC
48772	381-4	HOSE,1/4 INCH ID	48848	10543-12-12	HOSE END,MALE,STRAIGHT THREAD
48773	AS-B-13	SLEEVE,NYLON,.86" ID	48849	1JC71-12-12	HOSE END,FEMALE SWIVEL,SEAL LOK
48800	1JC43-4-4	HOSE END,FEMALE SWIVEL,SEAL LOK	48850	1JS71-12-12	HOSE END,FEMALE SWIVEL,SEAL LOK
48801	1J743-4-4	HOSE END,45° FEMALE SWIVEL,SEAL LOK	48851	1J171-12-12	HOSE END,90° FEMALE SWIVEL,SEAL LOK
48802	1J943-4-4	HOSE END,90° FEMALE SWIVEL,SEAL LOK	48852	1J771-12-12	HOSE END,45° FEMALE SWIVEL,SEAL LOK
48804	1JM43-4-4	HOSE END,MALE,SEAL LOK, NO O-RING	48853	1J971-12-12	HOSE END,90° FEMALE SWIVEL,SEAL LOK
48805	10643-4-4	HOSE END,FEMALE SWIVEL,JIC	48854	1JC43-16-16	HOSE END,FEMALE SWIVEL,SEAL LOK
48806	13943-4-4	HOSE END,90° FEMALE SWIVEL,JIC	48855	1J943-16-16	HOSE END,90° FEMALE SWIVEL,SEAL LOK
48807	1JS43-4-4	HOSE END,FEMALE SWIVEL,SEAL LOK	48856	1J171-16-16	HOSE END,90° FEMALE SWIVEL,SEAL LOK
48808	3JC82-8-8	HOSE END,FEMALE SWIVEL,SEAL LOK	48857	1J971-16-16	HOSE END,90° FEMALE SWIVEL,SEAL LOK
48809	3JC82-12-12	HOSE END,FEMALE SWIVEL,SEAL LOK	48859	1JS43-8-4	HOSE END,FEMALE SWIVEL,SEAL LOK
48810	1JC43-6-4	HOSE END,FEMALE SWIVEL,SEAL LOK	48867	PD36BTL	DIAGNOSTIC NIPPLE,SEAL-LOK SWIVEL
48811	1J943-6-4	HOSE END,90° FEMALE SWIVEL,SEAL LOK	48873	6 PNLO-S	PLUG,TUBE END,ORFS
48812	1JC43-6-6	HOSE END,FEMALE SWIVEL,SEAL LOK	48874	6 PNTX-S	PLUG,FLARE TUBE
48813	1J143-6-6	HOSE END,90° FEMALE SWIVEL,SEAL LOK	48875	6 R6LO-S	RUN TEE,SWIVEL NUT,ORFS
48814	1J543-6-6	HOSE END,90° FEMALE SWIVEL,SEAL LOK	48877	4 F5OLO-SW/.025	CONNECTOR,STRAIGHT THREAD TO ORFS, W/.025 ORI
48815	1J743-6-6	HOSE END,45° FEMALE SWIVEL,SEAL LOK	48878	16-12 C5OLO-S	ELBOW,90°,STRAIGHT THREAD TO ORFS
48816	1J943-6-6	HOSE END,90° FEMALE SWIVEL,SEAL LOK	48879	8 C6LO-S	ELBOW,90°,SWIVEL NUT ORFS
48817	1JS43-6-8	HOSE END,FEMALE SWIVEL,SEAL LOK	48880	PD6-285	CAP,DIAGNOSTIC NIPPLE
48818	1J943-8-4	HOSE END,90° FEMALE SWIVEL,SEAL LOK	48881	6 HLO-S	UNION,ORFS
48819	1JC43-8-6	HOSE END,FEMALE SWIVEL,SEAL LOK	48883	8 P5ON-S	PLUG,STRAIGHT THREAD
48820	1J743-8-6	HOSE END,45° FEMALE SWIVEL,SEAL LOK	48884	8M18F87OMLO-S	CONNECTOR,METRIC,STRAIGHT THREAD TO ORFS
48821	1J943-8-6	HOSE END,90° FEMALE SWIVEL,SEAL LOK	48885	4 WGTX-WLN-S	CONNECTOR,BULKHEAD,FEMALE PIPE TO FLARE TUBE
48822	1JC43-8-8	HOSE END,FEMALE SWIVEL,SEAL LOK	48886	4 F5OLO-SW/2MM	CONNECTOR,MACHINED STRAIGHT THREAD TO ORFS
48823	1JS43-8-8	HOSE END,FEMALE SWIVEL,SEAL LOK	48887	4 CTX-S	ELBOW,90°,MALE PIPE TO FLARE TUBE
48824	1J143-8-8	HOSE END,90° FEMALE SWIVEL,SEAL LOK	48888	10-12 V5OLO-S	ELBOW,45°,STRAIGHT THREAD TO ORFS
48825	1J543-8-8	HOSE END,90° FEMALE SWIVEL,SEAL LOK	48890	4 S5OLO-S	BRANCH TEE,STRAIGHT THREAD TO ORFS
48826	1J743-8-8	HOSE END,45° FEMALE SWIVEL,SEAL LOK	48891	4 S6LO-S	BRANCH TEE,SWIVEL NUT TO ORFS
48827	1J943-8-8	HOSE END,90° FEMALE SWIVEL,SEAL LOK			
48828	1JC43-10-8	HOSE END,FEMALE SWIVEL,SEAL LOK			
48829	1JS43-10-8	HOSE END,FEMALE SWIVEL,SEAL LOK			
48830	1J743-10-8	HOSE END,45° FEMALE SWIVEL,SEAL LOK			
48831	1J943-10-8	HOSE END,90° FEMALE SWIVEL,SEAL LOK			
48833	1JC43-10-10	HOSE END,FEMALE SWIVEL,SEAL LOK			
48834	1J943-10-10	HOSE END,90° FEMALE SWIVEL,SEAL LOK			
48835	1JS43-10-12	HOSE END,FEMALE SWIVEL,SEAL LOK			
48836	1JC43-12-8	HOSE END,FEMALE SWIVEL,SEAL LOK			
48837	1JS43-12-8	HOSE END,FEMALE SWIVEL,SEAL LOK			
48838	1J743-12-8	HOSE END,45° FEMALE SWIVEL,SEAL LOK			
48839	1J943-12-8	HOSE END,90° FEMALE SWIVEL,SEAL LOK			
48840	1J943-12-10	HOSE END,90° FEMALE SWIVEL,SEAL LOK			
48841	1JC43-12-12	HOSE END,FEMALE SWIVEL,SEAL LOK			
48842	1JO43-12-12	HOSE END,MALE,SEAL LOK			
48843	1J143-12-12	HOSE END,90° FEMALE SWIVEL,SEAL LOK			
48844	1J543-12-12	HOSE END,90° FEMALE SWIVEL,SEAL LOK			
48845	1J743-12-12	HOSE END,45° FEMALE SWIVEL,SEAL LOK			
48846	1J943-12-12	HOSE END,90° FEMALE SWIVEL,SEAL LOK			

Fitting Cross References (Continued)

Genie PN	Parker PN	Description	Genie PN	Parker PN	Description
48892	6 C6LO-S	ELBOW,90°,SWIVEL NUT ORFS	48938	8 R6LO-S	RUN TEE,SWIVEL NUT,ORFS
48893	6 F5OHAO-S	UNION,STRAIGHT THREAD	48939	8 S6LO-S	BRANCH TEE,SWIVEL NUT TO ORFS
48894	8 WLO-WLNL-S	UNION,BULKHEAD,ORFS	48940	8 WJLO-WLNL-S	RUN TEE, BULKHEAD,ORFS
48895	DT-370-MSMO-5	VALVE,CHECK	48941	8-4 TRLO-S	REDUCER,TUBE END TO SWIVEL,ORFS
48896	6 JLO-S	UNION,TEE,ORFS	48942	8-6 C5OLO-S	ELBOW,90°,STRAIGHT THREAD TO ORFS
48897	DT-750-MSMS-5	VALVE,CHECK	48943	8-6 F5OLO-S	CONNECTOR,STRAIGHT THREAD TO ORFS
48898	DT-750-MOMS-5	VALVE,CHECK	48944	8-8 FLO-S	CONNECTOR,MALE PIPE TO ORFS
48899	DT-620-MOMS-5	VALVE,CHECK	48945	8 FTX-S	CONNECTOR,MALE PIPE TO FLARE TUBE
48900	4-6 F5OLO-SW/.035	CONNECTOR,STRAIGHT THREAD TO ORFS, W/.035 ORI	48946	8-10 F5OLO-S	CONNECTOR,STRAIGHT THREAD TO ORFS
48902	16-1 AOE4G-S	ELBOW,90° LONG,FEMALE PIPE TO STRAIGHT THREAD	48947	8-12 C5OLO-S	ELBOW,90°,STRAIGHT THREAD TO ORFS
48903	1 FF-S	NIPPLE,PIPE	48948	8-12 F5OLO-S	CONNECTOR,STRAIGHT THREAD TO ORFS
48904	4 C5OLO-S	ELBOW,90°,STRAIGHT THREAD TO ORFS	48949	8-16 F5OLO-S	CONNECTOR,STRAIGHT THREAD TO ORFS
48905	4 F5OLO-S	CONNECTOR,STRAIGHT THREAD TO ORFS	48950	10 C5OLO-S	ELBOW,90°,STRAIGHT THREAD TO ORFS
48906	4 R5OLO-S	RUN TEE,STRAIGHT THREAD	48951	10 CC5OLO-S	ELBOW,90° LONG,STRAIGHT THREAD TO ORFS
48907	4 V5OLO-S	ELBOW,45°,STRAIGHT THREAD TO ORFS	48952	10 F5OLO-S	CONNECTOR,STRAIGHT THREAD TO ORFS
48908	4 R6LO-S	RUN TEE,SWIVEL NUT,ORFS	48953	10 R5OLO-S	RUN TEE,STRAIGHT THREAD
48909	4 WJLO-WLNL-S	RUN TEE, BULKHEAD,ORFS	48954	10 S5OLO-S	BRANCH TEE,STRAIGHT THREAD TO ORFS
48910	4 GTX-S W/.030	CONNECTOR,FEMALE PIPE TO FLARE TUBE	48955	10 R6LO-S	RUN TEE,SWIVEL NUT,ORFS
48911	4-6 C5OLO-S	ELBOW,90°,STRAIGHT THREAD TO ORFS	48956	10-4 TRLO-BL-S	REDUCER,TUBE END TO SWIVEL,ORFS
48912	4-6 F5OLO-S	CONNECTOR,STRAIGHT THREAD TO ORFS	48957	10-6 TRLO-BL-S	REDUCER,TUBE END TO SWIVEL,ORFS
48913	4-6 F5OLO-SW/.030	CONNECTOR,STRAIGHT THREAD TO ORFS, W/.030 ORI	48958	10-12 F5OLO-S	CONNECTOR,STRAIGHT THREAD TO ORFS
48914	4-8 F5OLO-S	CONNECTOR,STRAIGHT THREAD TO ORFS	48959	12 C5OLO-S	ELBOW,90°,STRAIGHT THREAD TO ORFS
48915	6 C5OLO-S	ELBOW,90°,STRAIGHT THREAD TO ORFS	48960	12 F5OLO-S	CONNECTOR,STRAIGHT THREAD TO ORFS
48916	6 F5OLO-S	CONNECTOR,STRAIGHT THREAD TO ORFS	48961	12 R5OLO-S	RUN TEE,STRAIGHT THREAD
48917	6 FF5OLO-S	CONNECTOR,LONG,STRAIGHT THREAD TO ORFS	48962	12 S5OLO-S	BRANCH TEE,STRAIGHT THREAD TO ORFS
48918	6 R5OLO-S	RUN TEE,STRAIGHT THREAD	48963	12 V5OLO-S	ELBOW,45°,STRAIGHT THREAD TO ORFS
48919	6 S5OLO-S	BRANCH TEE,STRAIGHT THREAD TO ORFS	48964	12 R6LO-S	RUN TEE,SWIVEL NUT,ORFS
48920	6 V5OLO-S	ELBOW,45°,STRAIGHT THREAD TO ORFS	48965	12 CLO-S	ELBOW,90°,MALE PIPE TO ORFS
48921	6 FLO-S	CONNECTOR,MALE PIPE TO ORFS	48966	12 FLO-S	CONNECTOR,MALE PIPE TO ORFS
48922	6-6 FLO-S	CONNECTOR,MALE PIPE TO ORFS	48967	12 JLO-S	UNION TEE,ORFS
48923	6 P5ON-S	PLUG,STRAIGHT THREAD	48968	12 WLO-WLNL-S	UNION,BULKHEAD,ORFS
48925	6 WELO-S	UNION,90° BULKHEAD,ORFS	48969	12 WJLO-WLNL-S	RUN TEE, BULKHEAD,ORFS
48926	6-4 C5OLO-S	ELBOW,90°,STRAIGHT THREAD TO ORFS	48970	12 WELO-WLNL-S	UNION,90° BULKHEAD W/NUT,ORFS
48927	6-4 F5OLO-S	CONNECTOR,STRAIGHT THREAD TO ORFS			
48928	6-4 V5OLO-S	ELBOW,45°,STRAIGHT THREAD TO ORFS			
48929	6-8 C5OLO-S	ELBOW,90°,STRAIGHT THREAD TO ORFS			
48930	6-8 F5OLO-S	CONNECTOR,STRAIGHT THREAD TO ORFS			
48931	6-10 F5OLO-S	CONNECTOR,STRAIGHT THREAD TO ORFS			
48932	8 C5OLO-S	ELBOW,90°,STRAIGHT THREAD TO ORFS			
48933	8 F5OLO-S	CONNECTOR,STRAIGHT THREAD TO ORFS			
48934	8 FF5OLO-S	CONNECTOR,LONG,STRAIGHT THREAD TO ORFS			
48935	8 R5OLO-S	RUN TEE,STRAIGHT THREAD			
48936	8 S5OLO-S	BRANCH TEE,STRAIGHT THREAD TO ORFS			
48937	8 V5OLO-S	ELBOW,45°,STRAIGHT THREAD TO ORFS			

Fitting Cross References (Continued)

Genie PN	Parker PN	Description	Genie PN	Parker PN	Description
48971	12 G5G5JG5-S	TEE,FEMALE STRAIGHT THREAD	49612	PKT02586	O-RING KIT (ORFS FITTINGS)
48972	12 XHL6-S	ADAPTER, 37° MALE TO SWIVEL ORFS	49613	PKT06276	PLUG AND CAP KIT-SERVICE,ORFS
48973	12-1/2 F5OG-S	ADAPTER,FEMALE PIPE TO STRAIGHT THREAD	49728	10143-12-12	HOSE END, MALE PIPE
48974	12-10 C5OLO-S	ELBOW,90°,STRAIGHT THREAD TO ORFS	49729	16-1 F5OG-S	ADAPTER,FEMALE PIPE TO STRAIGHT THREAD
48975	12-10 F5OLO-S	CONNECTOR,STRAIGHT THREAD TO ORFS	49814	12-8 FLO-S	CONNECTOR,MALE PIPE TO ORFS
48976	12-16 C5OLO-S	ELBOW,90°,STRAIGHT THREAD TO ORFS	49829	DT-500-MOMF-5	VALVE,CHECK
48977	12-16 F5OLO-S	CONNECTOR,STRAIGHT THREAD TO ORFS	49831	881-12	HOSE,3/4 INCH ID
48978	12-16 V5OLO-S	ELBOW,45°,STRAIGHT THREAD TO ORFS	49834	16 JLO-S	UNION TEE,ORFS
48980	12-16 FLO-S	CONNECTOR,MALE PIPE TO ORFS	49838	12-8 TRLO-BL-S	REDUCER,TUBE END TO SWIVEL,ORFS
48983	16 C5OLO-S	ELBOW,90°,STRAIGHT THREAD TO ORFS	49840	8 JLO-S	UNION TEE,ORFS
48984	16 F5OLO-S	CONNECTOR,STRAIGHT THREAD TO ORFS	49844	10-8 TRLO-BL-S	REDUCER,TUBE END TO SWIVEL,ORFS
48985	16 V5OLO-S	ELBOW,45°,STRAIGHT THREAD TO ORFS	49854	8 P5ON-S	PLUG,STRAIGHT THREAD
48986	16 FLO-S	CONNECTOR,MALE PIPE TO ORFS	49855	1JC43-16-12	HOSE END,FEMALE SWIVEL,SEAL LOK
48988	16 CD45-S	ELBOW,45°,MALE TO FEMALE PIPE	49859	4 P5ON-S	PLUG,STRAIGHT THREAD
48989	12 CD45-S	ELBOW,45°,MALE TO FEMALE PIPE	49861	4 FF5OLO-S	CONNECTOR, LONG, STRAIGHT THREAD TO ORFS
48990	8 CD45-S	ELBOW,45°,MALE TO FEMALE PIPE	49867	12-3/4 F5OG-S	ADAPTER,FEMALE PIPE TO STRAIGHT THREAD
48991	16-12 FLO-S	CONNECTOR,MALE PIPE TO ORFS	51152	6 R6X-S	RUN TEE,SWIVEL NUT,ORFS
48992	16-12 V5OLO-S	ELBOW,45°,STRAIGHT THREAD TO ORFS	51153	6-4 TRTX-S	REDUCER,TUBE END TO SWIVEL,ORFS
48993	XV501-12	BALL VALVE	51154	4-4 GTX	CONNECTOR,FEMALE PIPE TO FLARE TUBE
48994	XV501-16	BALL VALVE	51264	881-12	HOSE,3/4 INCH ID
48995	XV510P-12	BALL VALVE	51265	8 JLO-S	UNION TEE,ORFS
48996	XV510P-16	BALL VALVE	51508	6 BTX-S	NUT,FLARE TUBE
48997	PD341	DIAGNOSTIC NIPPLE, STRAIGHT THREAD	51580	12-8 TRLO-BL-S	TUBE END REDUCER,ORFS
48998	PD 361	DIAGNOSTIC NIPPLE, STRAIGHT THREAD	51628	6 R6X-S	RUN TEE,SWIVEL NUT,ORFS
48999	DT-500-MOMS-5	VALVE,CHECK	51735	3/8 HHP	PLUG,PIPE THREAD
49201	10 V5OLO-S	ELBOW,45°,STRAIGHT THREAD TO ORFS	51803	1J943-6-8	HOSE END,90° FEMALE SWIVEL,SEAL LOK
49202	1JC43-12-10	HOSE END,FEMALE SWIVEL,SEAL LOK	53023	125HBL-5-4	FITTING,HOSE BARB TO MALE PIPE
49203	10-8 V5OLO-S	ELBOW,45°,STRAIGHT THREAD TO ORFS	53497	PKT02585	O-RING KIT
49205	6 F5OHAO-S	UNION,STRAIGHT THREAD	53499	1JC71-16-16	HOSE END,FEMALE SWIVEL,SEAL LOK
49207	PD34BTL	DIAGNOSTIC NIPPLE,SEAL-LOK SWIVEL	53500	3-904	O-RING,STRAIGHT THREAD,-4
49209	8M18F870MX-S	CONNECTOR,METRIC,STRAIGHT THREAD TO FLARE TUBE	53501	3-906	O-RING,STRAIGHT THREAD,-6
49212	8 WGTX-WLN-S	CONNECTOR,BULKHEAD,FEMALE PIPE TO FLARE TUBE	53502	3-908	O-RING,STRAIGHT THREAD,-8
49213	30682-8-8	HOSE END,FEMALE SWIVEL,JIC	53503	3-910	O-RING,STRAIGHT THREAD,-10
49216	831-8	HOSE,1/2 INCH ID			
49217	33982-8-8	HOSE END,90° FEMALE SWIVEL,JIC			
49219	PS-B-35	SLEEVE,NYLON,2.19" ID			
49418	4-6 V5OLO-S	ELBOW,45°,STRAIGHT THREAD TO ORFS			
49511	DT370-MOMS-5	VALVE,CHECK			
49512	1 DD-S	ELBOW,90°,FEMALE PIPE			
49513	1 FF-S	NIPPLE,PIPE			
49514	10 HP5ON-S	PLUG,STRAIGHT THREAD			
49515	12-16 CLO-S	ELBOW,90°,MALE PIPE TO ORFS			
49517	6 HP5ON-S	PLUG,STRAIGHT THREAD			
49519	16-12 F5OLO-S	CONNECTOR,STRAIGHT THREAD TO ORFS			
49520	4 VTX-S	ELBOW,45°,MALE PIPE TO FLARE TUBE			
49530	16 C6LO-S	ELBOW,90°,SWIVEL NUT ORFS			

Fitting Cross References (Continued)

Genie PN	Parker PN	Description	Genie PN	Parker PN	Description
53535	3-912	O-RING,STRAIGHT THREAD,-12	61083	24 F5OLO-S	CONNECTOR,STRAIGHT THREAD TO ORFS
53536	4-PNLO-S	PLUG,TUBE END,ORFS	61086	20 R5OLO-S	RUN TEE,STRAIGHT THREAD
53537	6 PNLO-S	PLUG,TUBE END,ORFS	61090	24-20 F5OLO-S	CONNECTOR,STRAIGHT THREAD TO ORFS
53538	8 PNLO-S	PLUG,TUBE END,ORFS	61091	1J943 24-24	HOSE END,90° FEMALE SWIVEL,SEAL LOK
53539	10 PNLO-S	PLUG,TUBE END,ORFS	61093	1J978-12-12	HOSE END,90° FEMALE SWIVEL,JIC
53540	12 PNLO-S	PLUG,TUBE END,ORFS	61095	1JS43-20-16	HOSE END,FEMALE SWIVEL,SEAL LOK
53946	129HB-5-4	FITTING,90° HOSE BARB TO MALE PIPE	61100	811-24	HOSE,11/2 INCH ID
53951	8-1/4F50G-S	ADAPTER,FEMALE PIPE TO STRAIGHT THREAD	61130	1JS43-24-24	HOSE END,FEMALE SWIVEL,SEAL LOK
53980	6 S6LO-S	BRANCH TEE,SWIVEL NUT TO ORFS	61131	1JS78 12-12	HOSE END,FEMALE SWIVEL,SEAL LOK
54132	4 C6LO-S	ELBOW,90°,SWIVEL NUT ORFS	61132	1J778-12-12	HOSE END,45° FEMALE SWIVEL,JIC
54135	11343-16-16	HOSE END,MALE SWIVEL,PIPE	61152	139HB-6-4	ELBOW,45°,BARB TO MALE PIPE
54283	8-10 C5OLO-S	ELBOW,90°,STRAIGHT THREAD TO ORFS	61251	BV-0750	BALL VALVE
54428	8M18C870MLO-S	ELBOW, 90° METRIC, STRAIGHT THREAD TO ORFS	61259	4 CC5OLO-S	ELBOW,90° LONG,STRAIGHT THREAD TO ORFS
54803	FS-F-16-10	SLEEVE,FIRE,-96" ID	61260	20-12 TRLO-BL	REDUCER,TUBE END TO SWIVEL,ORFS
54954	10143-2-4	HOSE END, MALE PIPE	61262	12 C6LO-S	ELBOW,90°,SWIVEL NUT ORFS
55190	3/8 HP-S	PLUG,PIPE THREAD	61263	20 F5OHAO-S	UNION,STRAIGHT THREAD
55448	8 HLO-S	UNION,ORFS	61264	6-10 C5OLO-S	ELBOW,90°,STRAIGHT THREAD TO ORFS
55839	6 F65OX-S	CONNECTOR,STRAIGHT THREAD TO 37° SWIVEL	61265	6 WNLO-WLNL-S	UNION,BULKHEAD 45°,ORFS
55968	10 C5OX-S	ELBOW,90°,STRAIGHT THREAD TO FLARE TUBE	61268	4 WNLO-WLNL-S	UNION,BULKHEAD 45°,ORFS
56003	6 CC5OLO-S	ELBOW,90° LONG,STRAIGHT THREAD TO ORFS	61269	4 WLO-WLNL-S	UNION,BULKHEAD,ORFS
56166	BV-0837	BALL VALVE,90°	61272	12 AOEL6	ELBOW,90°,STRAIGHT THREAD TO ORFS SWIVEL
56188	10143-8-6	HOSE END, MALE PIPE	61316	482TC-16	HOSE,1 INCH ID
56233	2-011	O-RING,ORFS,-4	61321	6 JLO-S	UNION TEE,ORFS
56234	2-012	O-RING,ORFS,-6	61327	782-12	HOSE,3/4 INCH ID
56235	2-014	O-RING,ORFS,-8	61328	881-24	HOSE,11/2 INCH ID
56236	2-016	O-RING,ORFS,-10	61336	11943-20-24	HOSE END,90° FLANGE HEAD
56237	2-018	O-RING,ORFS,-12	61345	12 WJLO-WLNL-S	RUN TEE, BULKHEAD,ORFS
56238	2-021	O-RING,ORFS,-16	61346	8 WNLO-WLNL-S 4	UNION,BULKHEAD 45°,ORFS
56352	6 WLNL-S	LOCKNUT,BULKHEAD	61569	33782-8-8	HOSE END,45° FEMALE SWIVEL,JIC
56353	3J782-12-12	HOSE END,45° FEMALE SWIVEL,SEAL LOK	61610	12 FF5OLO-S	CONNECTOR,LONG,STRAIGHT THREAD TO ORFS
56354	3J982-12-12	HOSE END,90° FEMALE SWIVEL,SEAL LOK	61742	1/8 X 1.5 FFF	NIPPLE,PIPE
56604	10-8 F5OLO-S	CONNECTOR,STRAIGHT THREAD TO ORFS	63426	8 PNTX-S	PLUG,FLARE TUBE
56639	3JC82-10-10	HOSE END,FEMALE SWIVEL,SEAL LOK			
56640	3J982-10-10	HOSE END,90° FEMALE SWIVEL,SEAL LOK			
56655	3JC82-8-10	HOSE END,FEMALE SWIVEL,SEAL LOK			
56676	10-8 C5OLO-S	ELBOW,90°,STRAIGHT THREAD TO ORFS			
56776	471TC-6	HOSE,3/8 INCH ID			
56777	471TC-8	HOSE,1/2 INCH ID			
56789	811-16	HOSE,1 INCH ID			
57884	3/8 FF	NIPPLE,PIPE			
59335	6 FNL-S	CAP,TUBE END			
59342	4 FNL-S	CAP,TUBE END			
59371	8 HP5ON-S	PLUG,STRAIGHT THREAD			
60653	BV-0751	BALL VALVE			
60806	125HB-3-4	FITTING,HOSE BARB TO MALE PIPE			
61064	5-1/4 F50G-S	ADAPTER,FEMALE PIPE TO STRAIGHT THREAD			
61079	4 WELO-WLNL-S	UNION,90° BULKHEAD W/NUT,ORFS			
61080	6 WLO-WLNL-S	UNION,BULKHEAD,ORFS			

Fitting Cross References (Continued)

Genie PN	Parker PN	Description	Genie PN	Parker PN	Description
64271	4 WLO-WLNL-S	UNION,BULKHEAD,ORFS	75631	801-6	HOSE,3/8 INCH ID
64272	6 WLO-WLNL-S	UNION,BULKHEAD,ORFS	75654	20 F5OLO-S	CONNECTOR,STRAIGHT THREAD TO ORFS
65776	8 F65OL-S	CONNECTOR,STRAIGHT THREAD TO ORFS SWIVEL	75655	1J943-20-20	HOSE END,90° FEMALE SWIVEL,SEAL LOK
65880	6001012	O-RING KIT	75656	881-20	HOSE,1-1/4 INCH ID
66154	6 WTX-WLNS	UNION,BULKHEAD,FLARE TUBE	75971	8 F5OHAO-S	UNION,STRAIGHT THREAD
66155	6 WETX-S	UNION,BULKHEAD 90°,FLARE TUBE	77307	1JB43-8-8	HOSE END,BULKHEAD,SEAL LOK
66156	6 WLN-S	BULKHEAD LOCKNUT	77309	8 WLNL-S	BULKHEAD LOCKNUT
66389	6-8 F5OX-S	CONNECTOR,STRAIGHT THREAD TO FLARE TUBE	77379	8M18C87OMX-S	ELBOW,90° METRIC,STRAIGHT THREAD TO FLARE TUBE
66392	6 R5OX-S	RUN TEE,STRAIGHT THREAD	77703	3J982-8-8	HOSE END,90° FEMALE SWIVEL,SEAL LOK
66396	811-12	HOSE,3/4 INCH ID	77711	801-10	HOSE,5/8 INCH ID
66829	H3174PP	CLAMP,TUBE	77758	12 WNLO-WLNL-S	UNION,BULKHEAD 45°,ORFS
67217	4 KLO-S	UNION,CROSS,ORFS	78091	6 C6X-S	ELBOW,90°,SWIVEL NUT TO FLARE TUBE
67339	10-6 F5OX-S	CONNECTOR,STRAIGHT THREAD TO FLARE TUBE	78684	30582-8-8B	HOSE END,PUSH LOK,MALE
67357	13943-8-6	HOSE END,90° FEMALE SWIVEL,JIC	78852	549-2	HOSE,1/8 INCH ID
67358	10 HP5ON-S	PLUG,STRAIGHT THREAD	78855	10657-4-2	HOSE END,FEMALE SWIVEL,JIC
67371	12 S6LO-S	BRANCH TEE,SWIVEL NUT TO ORFS	79138	PS-B-37	SLEEVE,NYLON,2.38" ID
67498	4 FNL-S	CAP, TUBE END	79476	1JS43-6-8	HOSE END,FEMALE SWIVEL,SEAL LOK
67906	DC-370-F0F0-5	VALVE,CHECK	79847	12-3/4 A0EG-S	ELBOW,90°,STRAIGHT THREAD TO FEMALE PIPE
69316	8 FLO-S	CONNECTOR,MALE PIPE TO ORFS	80044	8 CLO-S	ELBOW,90°,MALE PIPE TO ORFS
69333	H3174PP	CLAMP,HYDRAULIC HOSE	80502	8 F5OX-S	CONNECTOR,STRAIGHT THREAD TO FLARE TUBE
69503	4 F65OX-S	CONNECTOR,STRAIGHT THREAD TO 37° SWIVEL	80503	8 C5OX-S	ELBOW,90°,STRAIGHT THREAD TO FLARE TUBE
69775	8 FNL-S	CAP, TUBE END	81010	AS-B-27	SLEEVE,NYLON,1.63" ID
71038	1/4X1/4F3HG-S	ADAPTER,CONVERSION	83052	821-6	HOSE,3/8 INCH ID
71196	12-8 F5OLO-S	CONNECTOR,STRAIGHT THREAD TO ORFS	83053	821-8	HOSE,1/2 INCH ID
71383	1/4 CD45-S	ELBOW,45°,MALE TO FEMALE PIPE	83054	821-12	HOSE,3/4 INCH ID
72270	12FNL-S	CAP, TUBE END	83055	30682-6-6	HOSE END,FEMALE SWIVEL,JIC
73436	60C-4	SLEEVE,COMPRESSION	83056	30682-12-12	HOSE END,FEMALE SWIVEL,JIC
73437	61C-4	NUT,COMPRESSION	83057	33782-6-6	HOSE END,45° FEMALE SWIVEL,JIC
73438	33482-4-4B	HOSE END,PUSH LOK,MALE	83058	33982-6-6	HOSE END,90° FEMALE SWIVEL,JIC
73767	1CD-S	ELBOW,90°,MALE TO FEMALE PIPE	83060	33982-12-12	HOSE END,90° FEMALE SWIVEL,JIC
73768	20-16-F5OG5-S	ADAPTER,FEMALE PIPE TO STRAIGHT THREAD	83063	13743-4-4	HOSE END,45° FEMALE SWIVEL,JIC
73769	16-20 F5OLO-S	CONNECTOR,STRAIGHT THREAD TO ORFS			
74660	6-8 F42EDMLO-S	CONNECTOR,MALE BSPP TO ORFS			
74661	8-8 F42EDMLO-S	CONNECTOR,MALE BSPP TO ORFS			
75007	4 FLO-S	CONNECTOR,MALE PIPE TO ORFS			
75008	1/8 HP-S	PLUG,PIPE THREAD			
75014	1/2 HP-S	PLUG,PIPE THREAD			
75042	8 WELO-WLNL-S	UNION,90° BULKHEAD W/NUT,ORFS			
75043	3/4 FF-S	NIPPLE,PIPE			
75254	24 F5OHAO-S	UNION,STRAIGHT THREAD			
75255	12 F5OHAO-S	UNION,STRAIGHT THREAD			
75256	XV506P-24	BALL VALVE			
75574	4 WLNL-S	BULKHEAD LOCKNUT			
75612	8 WJLO-WLNL-S	RUN TEE, BULKHEAD,ORFS			
75613	12-8 F5OG5-S	ADAPTER,FEMALE PIPE TO STRAIGHT THREAD			
75614	8 CC5OLO-S	ELBOW,90° LONG,STRAIGHT THREAD TO ORFS			
75628	1JB43-4-4	HOSE END,BULKHEAD,SEAL LOK			

Fitting Cross References (Continued)

Genie PN	Parker PN	Description	Genie PN	Parker PN	Description
83064	13743-8-8	HOSE END,45° FEMALE SWIVEL,JIC	89449	6 WJLO-WLNL-S	RUN TEE, BULKHEAD,ORFS
83065	13743-12-12	HOSE END,45° FEMALE SWIVEL,JIC	89489	4 WJMLO-S	BRANCH TEE,BULKHEAD,ORFS
83066	13943-8-8	HOSE END,90° FEMALE SWIVEL,JIC	89551	1JB43-6-6	HOSE END,BULKHEAD,SEAL LOK
83067	14143-6-6	HOSE END,90° FEMALE SWIVEL,JIC	89552	1JB43-8-8	HOSE END,BULKHEAD,SEAL LOK
83068	14143-8-8	HOSE END,90° FEMALE SWIVEL,JIC	89593	20 C5OLO-S	ELBOW,90°,STRAIGHT THREAD TO ORFS
83069	14143-12-12	HOSE END,90° FEMALE SWIVEL,JIC	94161	8-8 CLO-S	ELBOW,90°,MALE PIPE TO ORFS
83070	772-8	HOSE,1/2 INCH ID	94358	351TC-12	HOSE,3/4 INCH ID
83071	10671-8-8	HOSE END,FEMALE SWIVEL,JIC	94418	20 FLO-S	CONNECTOR,MALE PIPE TO ORFS
83072	10671-12-12	HOSE END,FEMALE SWIVEL,JIC	96358	12 TX-S	SLEEVE,FLARE TUBE
83073	13771-8-8	HOSE END,45° FEMALE SWIVEL,JIC	96359	12 BTX-S	NUT,FLARE TUBE
83074	13771-12-12	HOSE END,45° FEMALE SWIVEL,JIC	96397	8 F5OX-S	CONNECTOR,STRAIGHT THREAD TO FLARE TUBE
83075	13971-8-8	HOSE END,90° FEMALE SWIVEL,JIC	96398	12-8 F5OX-S	CONNECTOR,STRAIGHT THREAD TO FLARE TUBE
83076	13971-12-12	HOSE END,90° FEMALE SWIVEL,JIC	96402	10343-6-6	HOSE END,MALE,JIC
83077	14171-8-8	HOSE END,90° FEMALE SWIVEL,JIC	96407	30382-6-6B	HOSE END,MALE,JIC
83078	14171-12-12	HOSE END,90° FEMALE SWIVEL,JIC			
83080	13943-16-16	HOSE END,90° FEMALE SWIVEL,JIC			
83103	10671-16-12	HOSE END,FEMALE SWIVEL,JIC			
83104	10671-10-12	HOSE END,FEMALE SWIVEL,JIC			
83112	1JC71-8-8	HOSE END,FEMALE SWIVEL,SEAL LOK			
83113	1JS71-16-12	HOSE END,FEMALE SWIVEL,SEAL LOK			
83114	1JS71-10-12	HOSE END,FEMALE SWIVEL,SEAL LOK			
83115	1J971-8-8	HOSE END,90° FEMALE SWIVEL,SEAL LOK			
83116	1J171-8-8	HOSE END,90° FEMALE SWIVEL,SEAL LOK			
83117	1J771-8-8	HOSE END,45° FEMALE SWIVEL,SEAL LOK			
83127	1J543-6-8	HOSE END,90° FEMALE SWIVEL,JIC			
83128	1JC43-6-8	HOSE END,FEMALE SWIVEL,SEAL LOK			
87033	12-6 TRLO-S	REDUCER,TUBE END TO SWIVEL,ORFS			
87034	3J782-8-8	HOSE END,45° FEMALE SWIVEL,SEAL LOK			
87172	12 HP5ON-S	PLUG,STRAIGHT THREAD			
87185	8 WNLO-WLNL-S	UNION,BULKHEAD 45°,ORFS			
87246	4 C6X-S	ELBOW,90°,SWIVEL NUT TO FLARE TUBE			
87679	6 LHP-S	FLANGE SEAL FITTING, MALE			
87681	6PLS N0702	BONDED SEAL			
88100	SR88100	ADAPTER,OIL DRAIN,GM 3.0L			
88311	1JS43-20-20	HOSE END,FEMALE SWIVEL,SEAL LOK			
88353	20 V5OLO-S	ELBOW,45°,STRAIGHT THREAD TO ORFS			
88474	10081-20	Crimp Shell, 1.25"			
88475	1988-20-24	HOSE END,90° FLANGE HEAD			
88476	JS88-24-24	HOSE END,FEMALE SWIVEL,SEAL LOK			
88477	1JC88-20-20	HOSE END,FEMALE SWIVEL,SEAL LOK			
88478	811-20	HOSE,11/4 INCH ID			
88936	20-16 F5OLO-S	CONNECTOR,STRAIGHT THREAD TO ORFS			
88937	20-16 FLO-S	CONNECTOR,MALE PIPE TO ORFS			
88938	1JC88-16-16	HOSE END,FEMALE SWIVEL,SEAL LOK			
88939	1J988-16-16	HOSE END,90° FEMALE SWIVEL,ORFS			
88940	811-16	HOSE,1 INCH ID			
88944	1J988-20-20	HOSE END,90° FEMALE SWIVEL,ORFS			
89403	16 VLO-S	ELBOW,45°,MALE PIPE TO ORFS			

California Proposition 65



Operating, servicing and maintaining this equipment can expose you to chemicals including engine exhaust, carbon monoxide, phthalates, and lead, which are known to the State of California to cause cancer and birth defects or other reproductive harm. These chemicals can be emitted from or contained in other various parts and systems, fluids and some component wear by-products. To minimize exposure, avoid breathing exhaust, do not idle the engine except as necessary, service your equipment and vehicle in a well-ventilated area and wear gloves or wash your hands frequently when servicing your equipment or vehicle and after operation. For more information go to www.P65Warnings.ca.gov/passenger-vehicle.

Distributed By:

Go to Discount-Equipment.com to order your parts

PARTS FINDER

**Search Website
by Part Number**



**Search Manual
Library For Parts
Manual & Lookup Part
Numbers – Purchase
or Request Quote**

Search Manuals

Enter your information to help us find the right parts manual for your machine.

* Brand:

* Model:

* Serial:

* Part Number:

SEARCH

**Can't Find Part or
Manual? Request Help
by Manufacturer,
Model & Description**

Parts Order Form

Please fill in the following information to help us find the right part for your machine.

Manufacturer:

Model:

Description:

Part Number:

Quantity:

Price:

Submit

Discount-Equipment.com is your online resource for quality parts & equipment.

Florida: **561-964-4949** Outside Florida TOLL FREE: **877-690-3101**

Need parts?

Click on this link: <http://www.discount-equipment.com/category/5443-parts/> and choose one of the options to help get the right parts and equipment you are looking for. Please have the machine model and serial number available in order to help us get you the correct parts. If you don't find the part on the website or on one of the online manuals, please fill out the request form and one of our experienced staff members will get back to you with a quote for the right part that your machine needs.

We sell worldwide for the brands: Genie, Terex, JLG, MultiQuip, Mikasa, Essick, Whiteman, Mayco, Toro Stone, Diamond Products, Generac Magnum, Airman, Haulotte, Barreto, Power Blanket, Nifty Lift, Atlas Copco, Chicago Pneumatic, Allmand, Miller Curber, Skyjack, Lull, Skytrak, Tsurumi, Husquvarna Target, Stow, Wacker, Sakai, Mi-T-M, Sullair, Basic, Dynapac, MBW, Weber, Bartell, Bennar Newman, Haulotte, Ditch Runner, Menegotti, Morrison, Contec, Buddy, Crown, Edco, Wyco, Bomag, Laymor, EZ Trench, Bil-Jax, F.S. Curtis, Gehl Pavers, Heli, Honda, ICS/PowerGrit, IHI, Partner, Imer, Clipper, MMD, Koshin, Rice, CH&E, General Equipment, Amida, Coleman, NAC, Gradall, Square Shooter, Kent, Stanley, Tamco, Toku, Hatz, Kohler, Robin, Wisconsin, Northrock, Oztec, Toker TK, Rol-Air, APT, Wylie, Ingersoll Rand / Doosan, Innovatech, Con X, Ammann, Mecalac, Makinex, Smith Surface Prep, Small Line, Wanco, Yanmar