



# Parts Manual

Serial Number Range

**GS-2668 RT**

from SN GS68-41200

**GS-3268 RT**

Part No. 84121

Rev F3

November 2018

Go to [Discount-Equipment.com](http://Discount-Equipment.com) to order your parts

# PARTS FINDER

**Search Website  
by Part Number**



**Search Manual  
Library For Parts  
Manual & Lookup Part  
Numbers – Purchase  
or Request Quote**

**Search Manuals**

Enter your information to help us find the right parts manual for your machine.

\* Brand:

\* Model:

\* Serial:

\* Part Number:

SEARCH

**Can't Find Part or  
Manual? Request Help  
by Manufacturer,  
Model & Description**

**Parts Order Form**

Please fill in the following information to help us find the right part for your machine.

Manufacturer:	<input type="text"/>
Model:	<input type="text"/>
Description:	<input type="text"/>
Part Number:	<input type="text"/>
Quantity:	<input type="text"/>
Notes:	<input type="text"/>

Discount-Equipment.com is your online resource for quality parts & equipment.

Florida: **561-964-4949** Outside Florida TOLL FREE: **877-690-3101**

**Need parts?**

Click on this link: <http://www.discount-equipment.com/category/5443-parts/> and choose one of the options to help get the right parts and equipment you are looking for. Please have the machine model and serial number available in order to help us get you the correct parts. If you don't find the part on the website or on one of the online manuals, please fill out the request form and one of our experienced staff members will get back to you with a quote for the right part that your machine needs.

We sell worldwide for the brands: Genie, Terex, JLG, MultiQuip, Mikasa, Essick, Whiteman, Mayco, Toro Stone, Diamond Products, Generac Magnum, Airman, Haulotte, Barreto, Power Blanket, Nifty Lift, Atlas Copco, Chicago Pneumatic, Allmand, Miller Curber, Skyjack, Lull, Skytrak, Tsurumi, Husquvarna Target, Stow, Wacker, Sakai, Mi-T-M, Sullair, Basic, Dynapac, MBW, Weber, Bartell, Bennar Newman, Haulotte, Ditch Runner, Menegotti, Morrison, Contec, Buddy, Crown, Edco, Wyco, Bomag, Laymor, EZ Trench, Bil-Jax, F.S. Curtis, Gehl Pavers, Heli, Honda, ICS/PowerGrit, IHI, Partner, Imer, Clipper, MMD, Koshin, Rice, CH&E, General Equipment, Amida, Coleman, NAC, Gradall, Square Shooter, Kent, Stanley, Tamco, Toku, Hatz, Kohler, Robin, Wisconsin, Northrock, Oztec, Toker TK, Rol-Air, APT, Wylie, Ingersoll Rand / Doosan, Innovatech, Con X, Ammann, Mecalac, Makinex, Smith Surface Prep, Small Line, Wanco, Yanmar



## Table of Contents

This manual is updated frequently. For the most up-to-date parts information, visit [www.discount-equipment.com](http://www.discount-equipment.com)

How to Read Your Serial Number.....	3
Parts Stocking List.....	7

**Electronic Version**

Click on any page number to view the figure.

**100 Decals**

101.1 Decals with Words (to SN 42381).....	10
101.2 Decals with Words (from SN 42382 to 44988).....	12
101.3 Decals with Words (from SN 44989 to 52759).....	16
101.4 Decals with words (from SN 52760).....	20
102.1 Decals with Symbols (from SN 42382 to 52759).....	24
103.1 Decals with Symbols, ANSI (from SN 52760).....	26
104.1 Decals with Symbols, CE (from SN 52760).....	28

**200 Drive Chassis Components**

201.1 Steer Axle Linkage, Wheels and Drive Motors.....	30
202.1 Non-steer Axle and Drive Motors.....	32
203.1 Drive Chassis, Safety Components.....	34

**300 Engine Components**

301.1 Kubota DF-752 Engine, View 1.....	36
302.1 Kubota DF-752 Engine, View 2.....	38
303.1 Kubota DF-752 Engine, View 3.....	40
304.1 Kubota DF-752 Engine, View 4.....	42
305.1 Kubota D-905 Engine, View 1 (to SN 52256).....	44
305.2 Kubota D-1105 Engine, View 1 (from SN 52257).....	46
306.1 Kubota D-905 Engine, View 2 (to SN 52256).....	48
306.2 Kubota D-1105 Engine, View 2 (from SN 52257).....	50
307.1 Kubota D-905 Engine, View 3 (to SN 52256).....	52
307.2 Kubota D-1105 Engine, View 3 (from SN 52257).....	54
308.1 Kubota D-905 Engine, View 4 (to SN 52256).....	56
308.2 Kubota D-1105 Engine, View 4 (from SN 52257).....	58
309.1 Perkins 403C-11 Engine, View 1 (to SN 52394).....	60
309.2 Perkins 403D-11 Engine, View 1 (from SN 52395).....	62
310.1 Perkins 403C-11 Engine, View 2 (to SN 52394).....	64

310.2 Perkins 403D-11 Engine, View 2 (from SN 52395).....	66
---	----

**400 Chassis Tray Components**

401.1 Engine Tray Components.....	68
402.1 Hydraulic Tank and Ground Controls Installation.....	72
403.1 Hydraulic Tray Components, View 1 (to SN 44770).....	74
403.2 Hydraulic Tray Components, View 1 (from SN 44771).....	76
404.1 Hydraulic Tray Components, View 2 (to SN 43183).....	78
404.2 Hydraulic Tray Components, View 2 (from SN 43184).....	80
405.1 Ground Controls (to SN 42381).....	82
405.2 Ground Controls (from SN 42382).....	84
406.1 LPG Tank Installation.....	86
407.1 Function Manifold (to SN 43621).....	88
407.2 Function Manifold (from SN 43622 to 44770).....	90
407.3 Function Manifold (from SN 44771).....	92
408.1 Chassis Cover Installation.....	96
409.1 Hydraulic Hoses and Fittings (to SN 41750).....	98
409.2 Hydraulic Hoses and Fittings (from SN 41751 to 42120).....	100
409.3 Hydraulic Hoses and Fittings (from SN 42121 to 43183).....	102
409.4 Hydraulic Hoses and Fittings (from SN 43184).....	104
410.1 Electrical Wiring and Power Cables.....	108

**500 Scissor Components**

501.1 Scissor Components, View 1 - GS2668.....	112
502.1 Scissor Components, View 2 - GS-2668 (to SN 41750).....	114
502.2 Scissor Components, View 2 - GS-2668 (from SN 41751).....	116
503.1 Scissor Components, View 1 - GS-3268.....	118
504.1 Scissor Components, View 2 - GS-3268 (to SN 41750).....	120
504.2 Scissor Components, View 2 - GS-3268 (from SN 41751).....	122

**600 Platform Components**

601.1 Platform Installation (to SN 41737).....	124
601.2 Platform Installation (from SN 41738).....	126
602.1 Platform Railing Installation (to SN 41737).....	128
602.2 Platform Railing Installation (from SN 41738).....	130
603.1 Platform Entry Gate (to SN 41737).....	132
603.2 Platform Entry Gate (from SN 41738).....	134
604.1 Platform Extension (to SN 41737).....	136
604.2 Platform Extension (from SN 41738).....	138
605.1 Platform Extension Deck Lock (to SN 41737).....	140
605.2 Platform Extension Deck Lock (from SN 41738).....	142

606.1 Power to Platform.....	144
607.1 Platform Controls (to SN 42381).....	146
607.2 Platform Controls (from SN 42382).....	148
608.1 Platform Controls Joystick (to SN 42381).....	150
608.2 Platform Controls Joystick (from SN 42382).....	152

### 700 Link Guard Components

701.1 Wire Mesh Link Guard Assembly, View 1.....	154
702.1 Wire Mesh Link Guard Assembly, View 2.....	156
703.1 Wire Mesh Link Guard Assembly, View 3.....	158
704.1 Wire Mesh Link Guard Assembly, View 4.....	160
705.1 Wire Mesh Link Guard Assembly, View 5.....	162
706.1 Rigid Link Guard Assembly, View 1.....	164
707.1 Rigid Link Guard Assembly, View 2.....	166
708.1 Rigid Link Guard Assembly, View 3.....	168
709.1 Steel Panel Link Guard Assembly.....	170

### 800 Accessories

801.1 Flashing Beacon.....	172
802.1 Generator, 2KW.....	174
802.2 Generator, 3KW.....	176
803.1 Hydraulic Hoses and Fittings, 2KW Generator,.....	178
803.2 Hydraulic Hoses and Fittings, 3KW Generator,.....	180
804.1 Spare LPG Tank.....	182
805.1 Outrigger Installation (to SN 41645).....	184
805.2 Outrigger Installation (from SN 41646).....	186
806.1 Outrigger Cylinder and Footpad Installation.....	188
807.1 Outrigger Manifold.....	190
808.1 Hydraulic Hoses and Fittings, Outrigger.....	192
809.1 Platform Work Light.....	194
810.1 Pipe Cradle Assembly (to SN 52633).....	196
810.2 Pipe Cradle Assembly (from SN 52634).....	198
811.1 Platform Overload Sensor (to SN 41638).....	200
811.2 Platform Overload Sensor (from SN 41639 to 42381).....	202
811.3 Platform Overload Sensor (from SN 42382 to 44168).....	204
811.4 Platform Overload Sensor (from SN 44169).....	206
812.1 Oil Cooler Installation (from SN 41206).....	208
813.1 Hydraulic Hoses and Fittings, Oil Cooler.....	210
814.1 Cold Start Installation.....	212

### Indices

Part Number Index.....	214
Part Description Index.....	220

### Cross References

Fittings Cross Reference.....	230
-------------------------------	-----

## Required Parts

The following parts are required to perform maintenance procedures as outlined in the *Genie GS-2668 RT and GS-3268 RT Service Manual*.

Description	Part No.
Dielectric Grease .....	66399
Filter Element, 10 Micron.....	131323
O-ring Kit (for O-ring Face Seal Fitting) .....	49612
Plug and Cap Kit (for O-ring Face Seal Seainting .....	49613
Air Cleaner Element (Kubota DF-752).....	104710
Distributor Cap (Kubota DF-752) .....	23465
Distributor Rotor (Kubota DF-752).....	52499
Engine Oil Filter (Kubota DF-752) .....	22106
Fan Belt (Kubota DF-752).....	52816
Fuel Filter (Kubota DF-752).....	23168
Spark Plug (Kubota DF-752) .....	23458
Air Cleaner Element (Kubota D-905).....	31745
Engine Oil Filter (Kubota D-905) .....	31744
Fuel/Water Separator Element (Kubota D-905 and Perkins 403C-11) .....	65853
V-Belt (Kubota D-905).....	32196
Air Cleaner Element (Perkins 403C-11) .....	52867
Engine Oil Filter (Perkins 403C-11).....	94762
Fuel Filter (Perkins 403C-11) .....	62421
V-Belt (Perkins 403C-11).....	101328
Workshop Manual (Kubota DF-752).....	84249
Workshop Manual (Kubota DF-750) .....	52492
Workshop Manual (Kubota D-905) .....	31742
Workshop Manual (Perkins 403C-11) (to SN GS6808-52394).....	84817
Workshop Manual (Perkins 403D-11) (from SN GS6808-52395).....	131662

## Recommended Parts

Description	Part No.
Genie Blue Paint, 1 Gallon .....	32150
Genie Blue Paint, 12 Ounce Aerosol.....	1484
Genie Gray Paint, 1 Gallon.....	32151
Genie Gray Paint, 12 Ounce Aerosol .....	1268

Genie also offers the following support documents:

EMI Safety Manual .....	27581
Manual of Responsibilities ANSI A92.5 .....	44163

101.1 Decals with Words (to SN 42381)

Shading indicates decal hidden from view, i.e. under covers

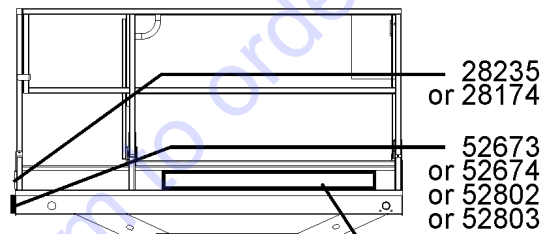
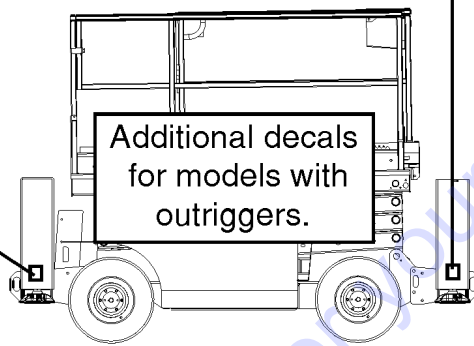
48694 or 48695 or 71245 or 71246

52324

72186

72186

- 52073
- 43091
- 52494
- 28176
- 28236
- 44736
- 43618
- 72197
- 40434



- 62059 or 62060
- 31060
- 49911 or 52682

Ground Controls Side

- 44255
- 52431
- 43091
- 25994
- 31060

- 28160
- 52475
- 52070
- 52967
- 43696
- 28157 or 82366
- 82239

38149 or 28235 or 28174

65053

82236

52070

52475

44220

52070

- 28235 or 28174
- 52673 or 52674 or 52802 or 52803
- 62059 or 62060

- 43619
- 44255
- 28158 or 28159
- 44255
- 43696
- 28175
- 28164
- 28171
- 52967
- 28160
- 52070
- 52475

- 82239
- 52071 or 52072
- 82754 or 82755
- 82561

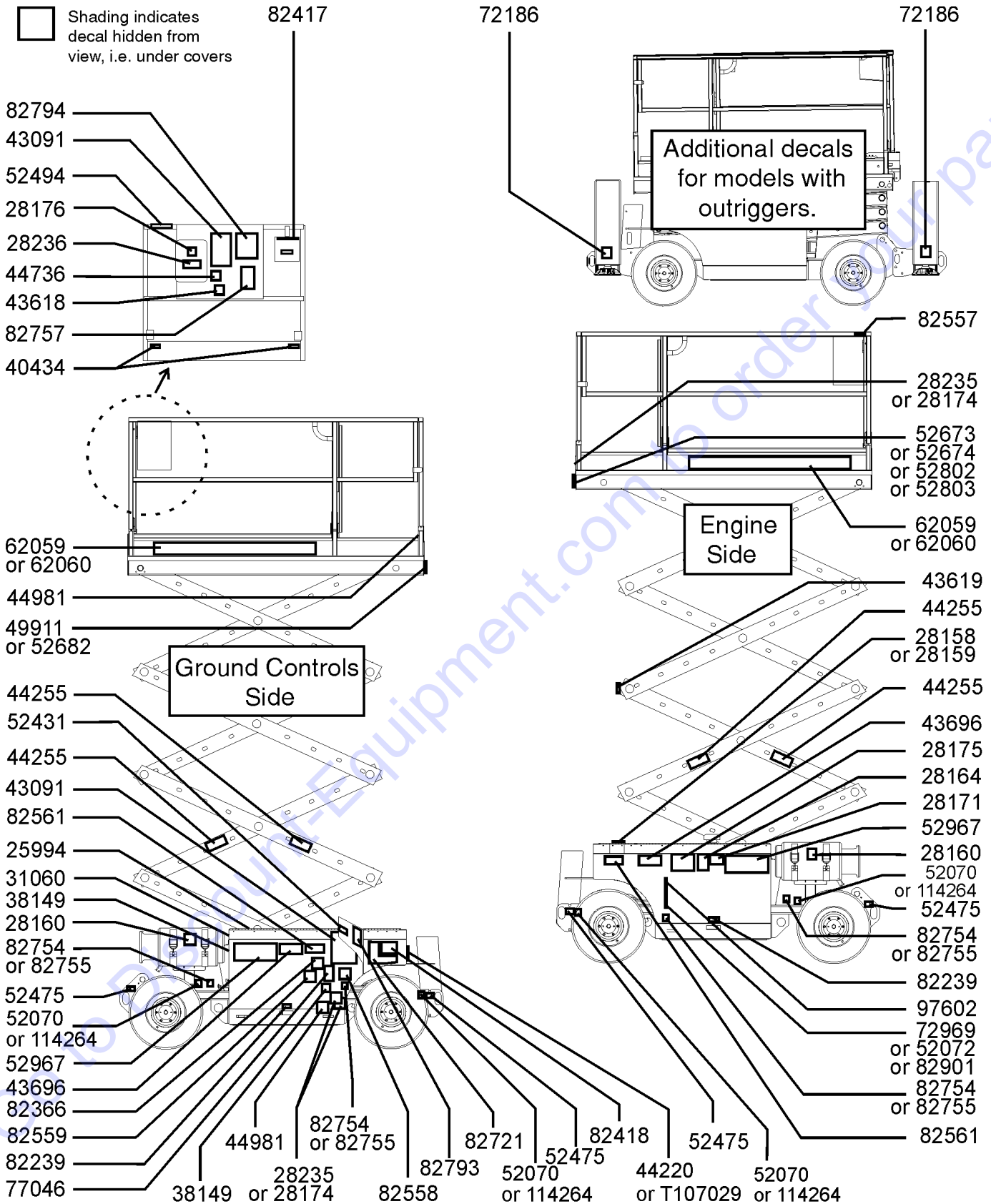
## 101.1 Decals with Words (to SN 42381)

Item	Part No.	Description	Qty.	Item	Part No.	Description	Qty.
--	84405GT	DECAL KIT,SFTY/INSTR.GAS,GS68 (does not include items 2, 4, 8, 11, 14, 23, 24, 25, 27, 28, 34, 35, 36, 37, 38, 39, 40, 41, 43, 44, 45, 46, 48 and 49)		25	49911GT	DECAL,NOTICE,MAX CAP 1250.....	1
--	84406GT	DECAL KIT,SFTY/INSTR.DIES,GS68 (does not include items 1, 2, 3, 5, 8, 11, 14, 23, 24, 25, 27, 28, 34, 35, 36, 37, 38, 39, 40, 41, 43, 44, 45, 46, 48 and 49)		26	52070GT	DECAL,NOTICE,TIRE SPECS.....	4
1	25994GT	DECAL,NOTICE,SHUTOFF VALVES.....	1	27	52071GT	DECAL,NOTICE,KUBOTA GAS SPECS.....	1
2	28157GT	DECAL,USE DEXRON***..... (to SN 41708)	1	28	52072GT	DECAL,NOTICE,KUBOTA DIESEL SPEC.....	1
3	28158GT	DECAL,LABEL,UNLEADED GAS ONLY..... (gasoline/LPG models)	1	29	52073GT	DECAL,NOTICE,OPER INST, PLAT.....	1
4	28159GT	DECAL,DIESEL..... (diesel models)	1	30	52324GT	DECAL,LABEL,UP/DOWN & FNCTN EN.....	1
5	28160GT	DECAL,LABEL,LIQUID PROPANE..... (gasoline/LPG models, 1 additional with extra LPG tank option)	1	31	52431GT	DECAL,LABEL,GROUND CONTROL PNL.....	1
6	28164GT	DECAL,NOTICE,HAZARDOUS MAT'LS*.....	1	32	52475GT	DECAL,LABEL,TRANSPORT TIEDOWN*.....	4
7	28171GT	DECAL,DANGER,NO SMOKING ***.....	1	33	52494GT	DECAL,CAUTION,CRUSH HAZ, RAILS.....	1
8	28174GT	DECAL, POWER TO PLATFORM 230V**.....	3	34	52673GT	DECAL,NOTICE,SIDE FRC,2668ANSI... (ANSI and CSA) (890 N)	1
9	28175GT	DECAL,WARNING-COMPART ACCESS.....	1	35	52674GT	DECAL,NOTICE,SIDE FRC,2668,AUS... (Australia) (400 N)	1
10	28176GT	DECAL,LABEL,MANUAL NOT HERE.....	1	36	52682GT	DECAL,NOTICE,MAX CAP 1000/300..... GS-3268 (454 kg)	1
11	28235GT	DECAL,POWER TO PLATFORM 115V...3		37	52802GT	DECAL,NOTICE,SIDE FRC,3268ANSI... (ANSI and CSA) (890 N)	1
12	28236GT	DECAL,WARN,IMPROPER OPERATION.....	1	38	52803GT	DECAL,NOTICE,SIDE FRC,3268,AUS... (90 lbs, 400 N)	1
13	31060GT	DECAL,DANGER DO NOT ALTER SWTC.....	2	39	52967GT	DECAL,COSMETIC,4 X 4.....	2
14	38149GT	DECAL,LABEL,PATENTS..... (ANSI)	1	40	62059GT	DECAL,COSMETIC,GENIE GS-2668RT.....	2
15	40434GT	DECAL,LANYARD ANCHORAGE POINT.....	2	41	62060GT	DECAL,COSMETIC,GENIE GS-3268RT.....	2
16	43091GT	DECAL,DANGER,GENERAL SAFETY...2		42	65053GT	DECAL,LABEL,FAULT CODES.....	1
17	43618GT	DECAL, LABEL - DIRECTION ARROWS.....	1	43	71245GT	DECAL,PLAT CTRLS,G/LPG W OUTRG..... (gasoline/LPG models with outriggers)	1
18	43619GT	DECAL,LABEL,SAFETY ARM.....	1	44	71246GT	DECAL,PLAT CTRLS,DSL W OUTRG... (diesel models with outriggers)	1
19	43696GT	DECAL,DANGER,ELEC HAZARD,GS....2		45	72186GT	DECAL,WARNING,CRUSHING HAZARD.....	4
20	44220GT	DECAL,DANGER,BRAKE REL SAFETY*.....	1	46	72197GT	DECAL,DANGER,OUTRIGGER SAFETY.....	1
21	44255GT	DECAL,DANGER,CRUSHING HAZARD.....	4	47	72853GT	DECAL,DANGER,IMPROPER USE HAZ.....	1
22	44736GT	DECAL,DANGER,TIP-OVER,TILT.....	1	48	72989GT	DECAL,GRND CTRL PANEL.....	1
23	48694GT	DECAL,PLAT CTRLS,G/LPG NO OUTR..... (gasoline/LPG models without outriggers)	1	49	77046GT	SERIAL # LABEL,MYLAR 4X8***.....	1
24	48695GT	DECAL,PLAT CTRLS,DSL NO OUTRGR..... (diesel models without outriggers)	1	50	82236GT	DECAL,NOTICE,OPER INST, GRND....	1
				51	82239GT	DECAL,LABEL,LATCH.....	2
				52	82366GT	DECAL,CHEVRON RANDO HD..... (from SN 41709)	1



101.2 Decals with Words (from SN 42382 to 44988)

☐ Shading indicates decal hidden from view, i.e. under covers



## 101.2 Decals with Words (from SN 42382 to 44988)

Item	Part No.	Description	Qty.	Item	Part No.	Description	Qty.
--	84749GT	DECAL KIT,SFTY/INST. WRD. GS68 (includes items 5, 6, 8, 9, 11, 12, 14-21, 26-28, 40, 41, 44-48, 52, and 53) (from SN 42382 to 43183)		25	52072GT	DECAL,NOTICE,KUBOTA DIESEL SPEC.....	1
--	97364GT	DECAL KIT,SAFETY/INST,WRD,GS68 (includes items 5, 6, 8, 9, 11, 12, 14-18, 20, 21, 24, 26-28, 40, 41, 44, 45, 46, 47, 52, 53 and 56) (from SN 43184)		26	52431GT	DECAL,LABEL,GROUND CONTROL PNL.....	1
1	25994GT	DECAL,NOTICE,SHUTOFF VALVES.....1 (to SN 43317)	1	27	52475GT	DECAL,LABEL,TRANSPORT TIEDOWN*.....	4
2	28158GT	DECAL,LABEL,UNLEADED GAS ONLY.....1 (gasoline/LPG models)	1	28	52494GT	DECAL,CAUTION,CRUSH HAZ, RAILS.....	1
3	28159GT	DECAL,DIESEL.....1 (diesel models)	1	29	52673GT	DECAL,NOTICE,SIDE FRC,2668ANSI...1 (ANSI and CSA) (890 N)	1
4	28160GT	DECAL,LABEL,LIQUID PROPANE.....1 (gasoline/LPG models) (1 additional with extra LPG tank option)	1	30	52674GT	DECAL,NOTICE,SIDE FRC,2668,AUS...1 (Australia) (90 lbs, 400 N)	1
5	28164GT	DECAL,NOTICE,HAZARDOUS MAT'LS*.....	1	31	52682GT	DECAL,NOTICE,MAX CAP 1000/300....1 GS-3268 (454 kg)	1
6	28171GT	DECAL,DANGER,NO SMOKING ***.....1	1	32	52802GT	DECAL,NOTICE,SIDE FRC,3268ANSI...1 (ANSI and CSA) (890 N)	1
7	28174GT	DECAL, POWER TO PLATFORM 230V**.....	3	33	52803GT	DECAL,NOTICE,SIDE FRC,3268,AUS...1 (Australia) (400 N)	1
8	28175GT	DECAL,WARNING-COMPART ACCESS.....	1	34	52967GT	DECAL,COSMETIC,4 X 4.....2 GS-2668	2
9	28176GT	DECAL,LABEL,MANUAL NOT HERE.....1	1	35	62059GT	DECAL,COSMETIC,GENIE GS-2668RT.....	2
10	28235GT	DECAL,POWER TO PLATFORM 115V...3	3	36	62060GT	DECAL,COSMETIC,GENIE GS-3268RT.....	2
11	28236GT	DECAL,WARN,IMPROPER OPERATION.....	1	37	72186GT	DECAL,WARNING,CRUSHING HAZARD.....	4
12	31060GT	DECAL,DANGER DO NOT ALTER SWTC.....	2	38	72969GT	DECAL,NOTICE,KUBOTA GAS SPECS.....	1
13	38149GT	DECAL,LABEL,PATENTS.....	1	39	77046GT	SERIAL # LABEL,MYLAR 4X8***.....	1
14	40434GT	DECAL,LANYARD ANCHORAGE POINT.....	2	40	82239GT	DECAL,LABEL,LATCH.....	2
15	43091GT	DECAL,DANGER,GENERAL SAFETY...2	2	41	82366GT	DECAL,CHEVRON RANDO HD.....	1
16	43618GT	DECAL, LABEL - DIRECTION ARROWS.....	1	42	82417GT	DECAL,PLATFORM CONTROL PANEL.....	1
17	43619GT	DECAL,LABEL,SAFETY ARM.....	1	43	82418GT	DECAL,GROUND CONTROL PANEL.....	1
18	43696GT	DECAL,DANGER,ELEC HAZARD,GS....2	2	44	82557GT	DECAL,LABEL,PLAT CONT LOCATION.....	1
19	44220GT	DECAL,DANGER,BRAKE REL SAFETY*.....1 (to SN 43183)	1	45	82558GT	DECAL,WARN,SKIN INJECTION HAZ*.....	1
20	44255GT	DECAL,DANGER,CRUSHING HAZARD.....	4	46	82559GT	DECAL,INSTRUCT-ANNUAL INSP REQ.....	1
21	44736GT	DECAL,DANGER,TIP-OVER,TILT.....	1	47	82561GT	DECAL,DANGER-USE SAFETY ARM...2	2
22	44981GT	DECAL,LABEL, AIR LINE 110 PSI.....2 (7.6 bar)	2	48	82721GT	DECAL,GROUND CONTROL PANEL.....	1
23	49911GT	DECAL,NOTICE,MAX CAP 1250.....1 GS-2668	1	49	82754GT	DECAL,LABEL,WHEEL LD,GS2668RT...4	4
24	52070GT	DECAL,NOTICE,TIRE SPECS.....4 GS-3268	4	50	82755GT	DECAL,LABEL,WHEEL LOAD,GS-3268.....	4
				51	82757GT	DECAL,DANGER,OUTRIGGER SAFETY.....	1
				52	82793GT	DECAL,NOTICE,OP INST,GROUND.....	1
				53	82794GT	DECAL,NOTICE,OP INST,PLATFORM...1	1

101.2 Decals with Words (from SN 42382 to 44988)  
 (continued)

Item	Part No.	Description	Qty.
54	82901GT	DECAL,NOTICE PERKINS ENGINE SP.....	1
55	97602GT	DECAL,EXPLOSION HAZARD.....	1
56	T107029GT	DECAL,DANGER,BRAKE REL SAFETY..... <i>(from SN 43184)</i>	1
57	114264GT	DECAL,NOTICE,TIRE SPECS..... GS-2668	4

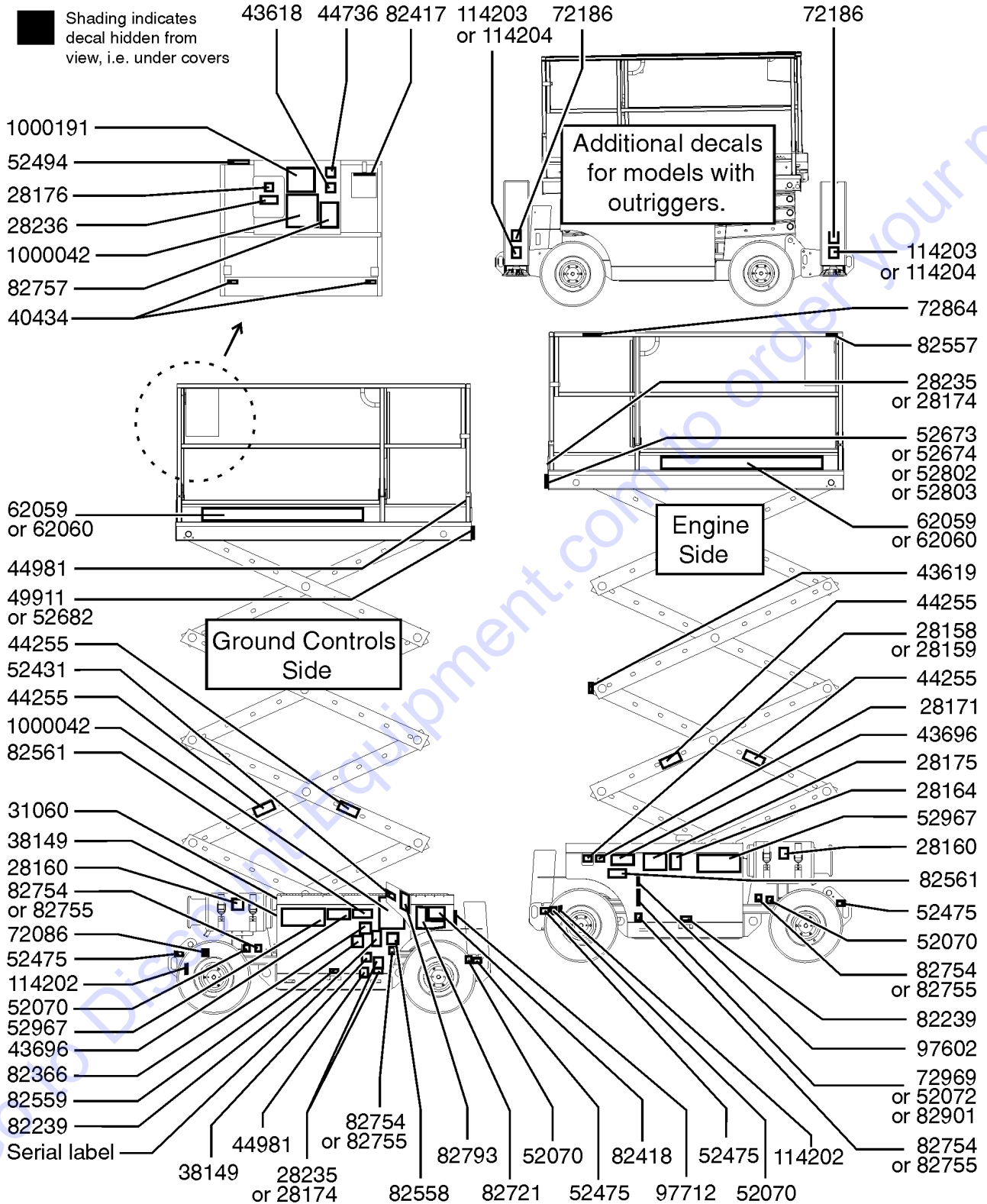
Go to Discount-Equipment.com to order your parts

***This Page Intentionally Left Blank***

Go to [Discount-Equipment.com](http://Discount-Equipment.com) to order your parts

101.3 Decals with Words (from SN 44989 to 52759)

Shading indicates decal hidden from view, i.e. under covers



## 101.3 Decals with Words (from SN 44989 to 52759)

Item	Part No.	Description	Qty.	Item	Part No.	Description	Qty.
--	131339GT	DECAL KIT,SAFETY/INSTR,GS68 (includes items 4, 5, 7, 8, 10, 11, 13-17, 18, 19, 22, 24-26, 39, 40, 43, 44-47, 51, 52, and 55)		28	52674GT	DECAL,NOTICE,SIDE FRC,2668,AUS...1 (90 lbs, 400 N)	1
1	28158GT	DECAL,LABEL,UNLEADED GAS ONLY.....1 (gasoline/LPG models)	1	29	52682GT	DECAL,NOTICE,MAX CAP 1000/300...1 GS-3268 (454 kg)	1
2	28159GT	DECAL,DIESEL.....1 (diesel models)	1	30	52802GT	DECAL,NOTICE,SIDE FRC,3268ANSI...1 (ANSI and CSA) (890 N)	1
3	28160GT	DECAL,LABEL,LIQUID PROPANE.....1 (gasoline/LPG models) (1 additional with extra LPG tank option)	1	31	52803GT	DECAL,NOTICE,SIDE FRC,3268,AUS...1 (Australia) (400 N)	1
4	28164GT	DECAL,NOTICE,HAZARDOUS MAT'LS*.....1	1	32	52967GT	DECAL,COSMETIC,4 X 4.....2	2
5	28171GT	DECAL,DANGER,NO SMOKING ***.....1	1	33	62059GT	DECAL,COSMETIC,GENIE GS-2668RT.....2	2
6	28174GT	DECAL, POWER TO PLATFORM 230V**.....3	3	34	62060GT	DECAL,COSMETIC,GENIE GS-3268RT.....2	2
7	28175GT	DECAL,WARNING-COMPART ACCESS.....1	1	35	72086GT	DECAL,LABEL,LIFTING EYE	
8	28176GT	DECAL,LABEL,MANUAL NOT HERE.....1	1	36	72186GT	DECAL,WARNING,CRUSHING HAZARD.....4	4
9	28235GT	DECAL,POWER TO PLATFORM 115V...3	3	37	72969GT	DECAL,NOTICE,KUBOTA GAS SPECS.....1	1
10	28236GT	DECAL,WARN,IMPROPER OPERATION.....1	1	38	77046GT	SERIAL # LABEL,MYLAR 4X8***.....1	1
11	31060GT	DECAL,DANGER DO NOT ALTER SWTC.....2	2	39	82239GT	DECAL,LABEL,LATCH.....2	2
12	38149GT	DECAL,LABEL,PATENTS.....1	1	40	82366GT	DECAL,CHEVRON RANDO HD.....1	1
13	40434GT	DECAL,LANYARD ANCHORAGE POINT.....2	2	41	82417GT	DECAL,PLATFORM CONTROL PANEL.....1	1
14	1000042GT	DECAL,DANGER,GENERAL SAFETY...2	2	42	82418GT	DECAL,GROUND CONTROL PANEL....1	1
15	43618GT	DECAL, LABEL - DIRECTION ARROWS.....1	1	43	82557GT	DECAL,LABEL,PLAT CONT LOCATION.....1	1
16	43619GT	DECAL,LABEL,SAFETY ARM.....1	1	44	82558GT	DECAL,WARN,SKIN INJECTION HAZ*.....1	1
17	43696GT	DECAL,DANGER,ELEC HAZARD,GS...2	2	45	82559GT	DECAL,INSTRUCT-ANNUAL INSP REQ.....1	1
18	44255GT	DECAL,DANGER,CRUSHING HAZARD.....4	4	46	82561GT	DECAL,DANGER-USE SAFETY ARM...2	2
19	44736GT	DECAL,DANGER,TIP-OVER,TILT.....1	1	47	82721GT	DECAL,GROUND CONTROL PANEL....1	1
20	44981GT	DECAL,LABEL, AIR LINE 110 PSI.....2 (7.6 bar)	2	48A	82754GT	DECAL,LABEL,WHEEL LD,GS2668RT...4	4
21	49911GT	DECAL,NOTICE,MAX CAP 1250.....1 GS-2668	1	48B	82755GT	DECAL,LABEL,WHEEL LOAD,GS-3268.....4	4
22	52070GT	DECAL,NOTICE,TIRE SPECS.....4	4	49	82757GT	DECAL,DANGER,OUTRIGGER SAFETY.....1	1
23	52072GT	DECAL,NOTICE,KUBOTA DIESEL SPEC.....1	1	50	82793GT	DECAL,NOTICE,OP INST,GROUND....1	1
24	52431GT	DECAL,LABEL,GROUND CONTROL PNL.....1	1	51	1000191GT	DECAL,NOTICE,INST,PLAT-GS68RT....1	1
25	52475GT	DECAL,LABEL,TRANSPORT TIEDOWN*.....4	4	52	82901GT	DECAL,NOTICE PERKINS ENGINE SP.....1	1
26	52494GT	DECAL,CAUTION,CRUSH HAZ, RAILS.....1	1	53	97602GT	DECAL,EXPLOSION HAZARD.....1	1
27	52673GT	DECAL,NOTICE,SIDE FRC,2668ANSI...1 (ANSI and CSA) (200 lbs, 890 N)	1	54	97712GT	DECAL,DANGER,BRAKE REL SAFETY*.....1	1
				55	72864GT	DECAL,WARNING,PIPE CRADLE,SCIS.....2	2
				56	114202GT	DECAL,LABEL,TRANSPORT TIE 68....2	2
				57	114203GT	DECAL,LABEL,OUTRIGGER LD 2668...4	4

101.3 Decals with Words (from SN 44989 to 52759)  
(continued)

Item	Part No.	Description	Qty.
58	114204GT	DECAL,LABEL,OUTRIGGER LD 3268...4	

Go to Discount-Equipment.com to order your parts

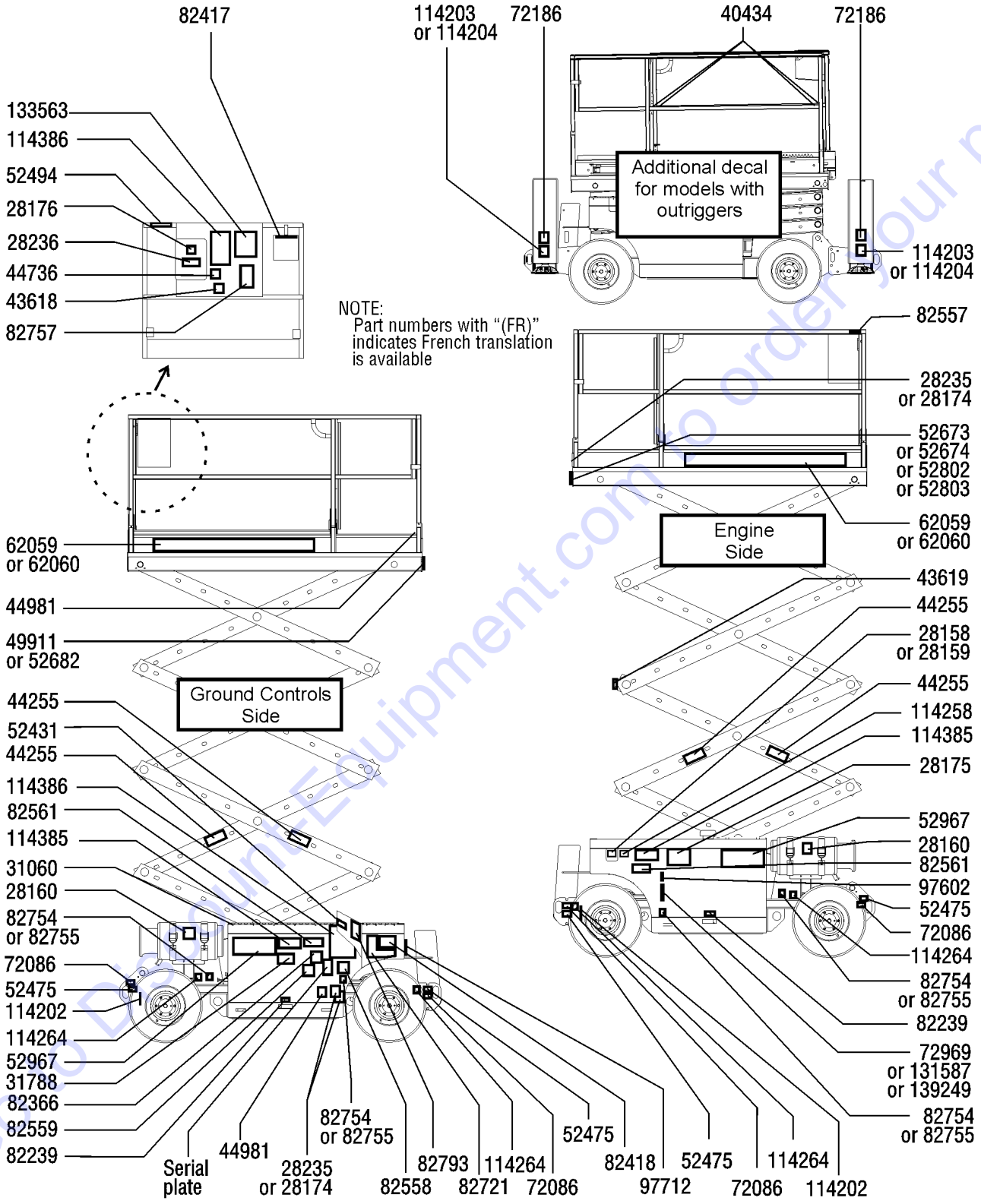


***This Page Intentionally Left Blank***

Go to [Discount-Equipment.com](http://Discount-Equipment.com) to order your parts



101.4 Decals with words (from SN 52760)



## 101.4 Decals with words (from SN 52760)

Item	Part No.	Description	Qty.	Item	Part No.	Description	Qty.
1	28158GT	DECAL,LABEL,UNLEADED GAS ONLY.....1 (gasoline/LPG models)	1	27	52967GT	DECAL,COSMETIC,4 X 4.....2	2
2	28159GT	DECAL,DIESEL.....1 (diesel models)	1	28	62059GT	DECAL,COSMETIC,GENIE GS-2668RT.....2 GS-2668RT	2
3	28160GT	DECAL,LABEL,LIQUID PROPANE.....1 (gasoline/LPG models, 1 additional with extra LPG tank option)	1	29	62060GT	DECAL,COSMETIC,GENIE GS-3268RT.....2 GS-3268RT	2
4	28174GT	DECAL, POWER TO PLATFORM 230V**.....2	2	30	72086GT	DECAL,LABEL,LIFTING EYE.....4	4
5	28175GT	DECAL,WARNING-COMPART ACCESS.....1	1	31	72186GT	DECAL,WARNING,CRUSHING HAZARD.....4	4
6	28176GT	DECAL,LABEL,MANUAL NOT HERE.....1	1	32	72969GT	DECAL,NOTICE,KUBOTA GAS SPECS.....1	1
7	28235GT	DECAL,POWER TO PLATFORM 115V...2	2	33	82239GT	DECAL,LABEL,LATCH.....2	2
8	28236GT	DECAL,WARN,IMPROPER OPERATION.....1	1	34	82366GT	DECAL,CHEVRON RANDO HD.....1	1
9	31060GT	DECAL,DANGER DO NOT ALTER SWTC.....1	1	35	82417GT	DECAL,PLATFORM CONTROL PANEL.....1	1
10	31788GT	DECAL,DANGER,BATTERY SAFETY***.....1	1	36	82418GT	DECAL,GROUND CONTROL PANEL...1	1
11	38149GT	DECAL,LABEL,PATENTS.....1 (ANSI)	1	37	82557GT	DECAL,LABEL,PLAT CONT LOCATION.....1	1
12	40434GT	DECAL,LANYARD ANCHORAGE POINT.....4	4	38	82558GT	DECAL,WARN,SKIN INJECTION HAZ*.....1	1
13	43618GT	DECAL, LABEL - DIRECTION ARROWS.....1	1	39	82559GT	DECAL,INSTRUCT-ANNUAL INSP REQ.....1	1
14	43619GT	DECAL,LABEL,SAFETY ARM.....1	1	40	82561GT	DECAL,DANGER-USE SAFETY ARM...2	2
15	44255GT	DECAL,DANGER,CRUSHING HAZARD.....4	4	41	82721GT	DECAL,GROUND CONTROL PANEL...1	1
16	44736GT	DECAL,DANGER,TIP-OVER,TILT.....1	1	42	82754GT	DECAL,LABEL,WHEEL LD,GS2668RT...4 GS-2668RT	4
17	44981GT	DECAL,LABEL, AIR LINE 110 PSI.....2 (7.6 bar) (option)	2	43	82755GT	DECAL,LABEL,WHEEL LOAD,GS-3268.....4 GS-3268RT	4
18	49911GT	DECAL,NOTICE,MAX CAP 1250.....1 GS-2668RT (ANSI & AUS)	1	44	82757GT	DECAL,DANGER,OUTRIGGER SAFETY.....1 (option)	1
19	52431GT	DECAL,LABEL,GROUND CONTROL PNL.....1	1	45	82793GT	DECAL,NOTICE,OP INST,GROUND.....1	1
20	52475GT	DECAL,LABEL,TRANSPORT TIEDOWN*.....4	4	46	97602GT	DECAL,EXPLOSION HAZARD.....1	1
21	52494GT	DECAL,CAUTION,CRUSH HAZ, RAILS.....1	1	47	97712GT	DECAL,DANGER,BRAKE REL SAFETY*.....1	1
22	52673GT	DECAL,NOTICE,SIDE FRC,2668ANSI...1 GS-2668RT (ANSI) (200 lbs / 890 N)	1	48	114202GT	DECAL,LABEL,TRANSPORT TIE 68....2	2
23	52674GT	DECAL,NOTICE,SIDE FRC,2668,AUS....1 GS-2668RT (AUS) (90 lbs / 400 N)	1	49	114203GT	DECAL,LABEL,OUTRIGGER LD 2668...4 (option)	4
24	52682GT	DECAL,NOTICE,MAX CAP 1000/300....1 GS-3268RT (ANSI & AUS) (1000 lbs / 454 kg)	1	50	114204GT	DECAL,LABEL,OUTRIGGER LD 3268...4 GS-3268RT (option)	4
25	52802GT	DECAL,NOTICE,SIDE FRC,3268ANSI...1 GS-3268RT (ANSI) (200 lbs / 890 N)	1	51	114258GT	DECAL,DANGER,NO SMOKING.....1	1
26	52803GT	DECAL,NOTICE,SIDE FRC,3268,AUS....1 GS-3268RT (AUS) (90 lbs / 400 N)	1	52	114264GT	DECAL,NOTICE,TIRE SPECS.....4	4
				53	114385GT	DECAL,DANGER,ELEC HAZARD,GS....2	2
				54	114386GT	DECAL,DANGER-GEN SAFETY.....2	2
				55	131587GT	DECAL,NOTICE,KUB,D1105,T4.....1	1
				56	133563GT	DECAL,NOTICE,INST,PLAT-GS68RT....1	1

101.4 Decals with words (from SN 52760)  
(continued)

Item	Part No.	Description	Qty.
57	139249GT	DECAL,NOTICE,PERKINS 403D SPEC.....	1

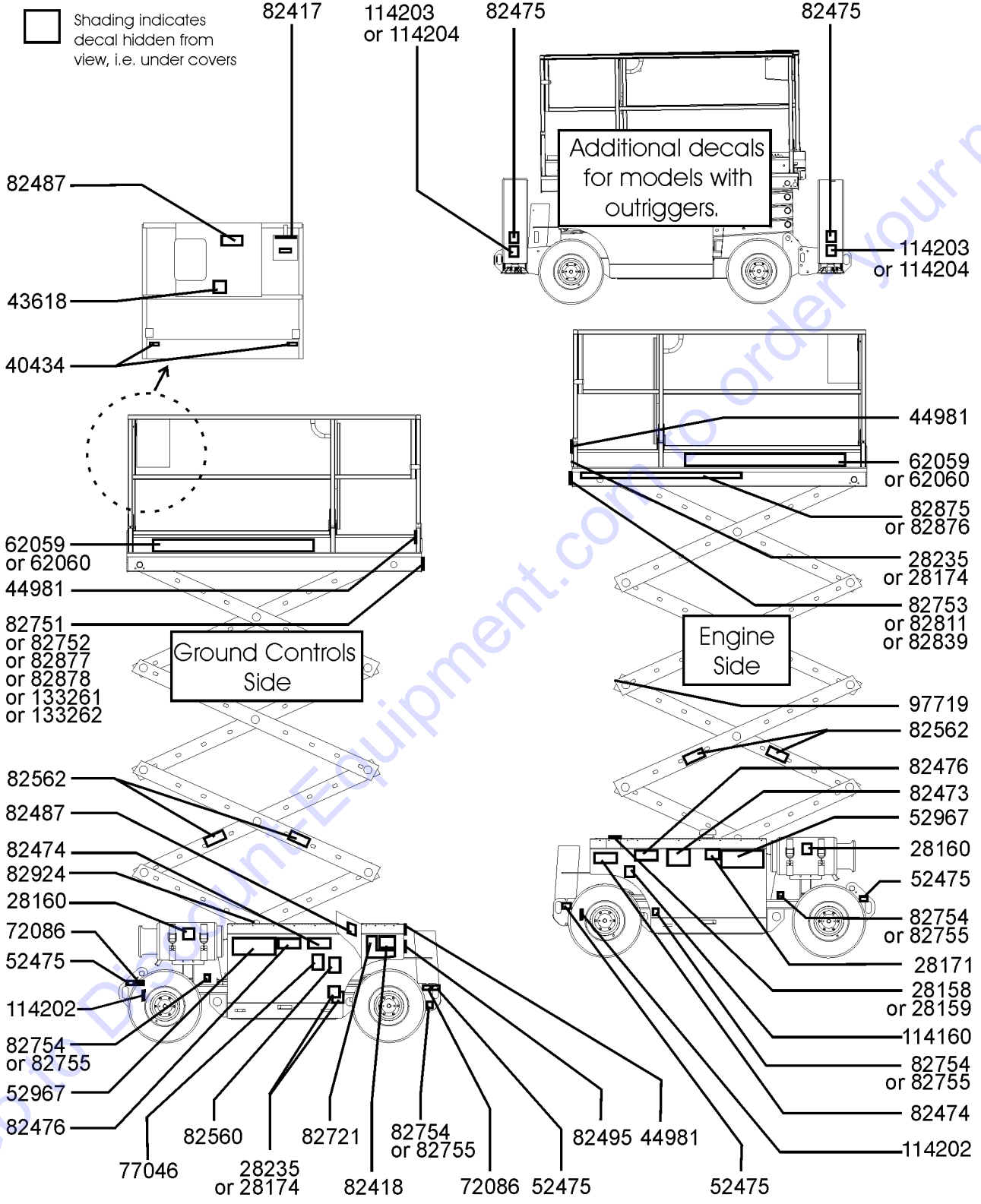
Go to Discount-Equipment.com to order your parts



***This Page Intentionally Left Blank***

Go to [Discount-Equipment.com](http://Discount-Equipment.com) to order your parts

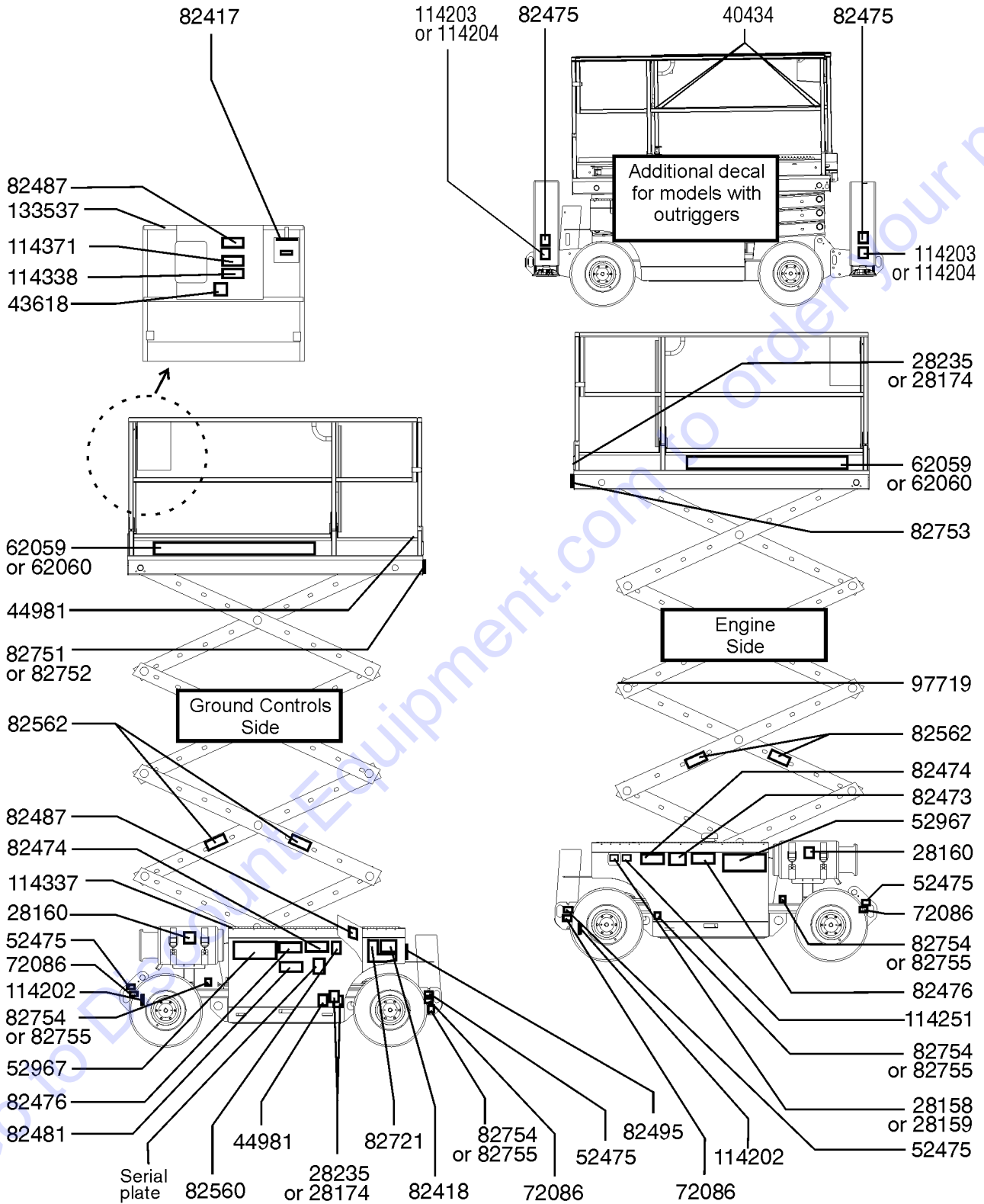
102.1 Decals with Symbols (from SN 42382 to 52759)



## 102.1 Decals with Symbols (from SN 42382 to 52759)

Item	Part No.	Description	Qty.	Item	Part No.	Description	Qty.
--	97365GT	DECAL KIT,SAFETY/INST,SYM,GS68 (includes items 7, 8, 10, 18, 19, 21-26 and 39)		27B	82752GT	DECAL,DANGER,MAX CAP,3268 ANSI.....	1 (454 kg)
1	28158GT	DECAL,LABEL,UNLEADED GAS ONLY.....	1 (gasoline/LPG models)	28	82753GT	DECAL,DANGER,SIDE FRC,GS68ANSI.....	1 (890 N)
2	28159GT	DECAL,DIESEL.....	1 (diesel models)	29A	82754GT	DECAL,LABEL,WHEEL LD,GS2668RT...	4
3	28160GT	DECAL,LABEL,LIQUID PROPANE.....	1 (gasoline/LPG models) (1 additional with extra LPG tank option)	29B	82755GT	DECAL,LABEL,WHEEL LOAD,GS-3268.....	4
4	28171GT	DECAL,DANGER,NO SMOKING ***.....	1	30A	82811GT	DECAL,DANGER,MANUAL FORCE,400N.....	1 (CE) (90 lbs)
5	28174GT	DECAL, POWER TO PLATFORM 230V**.....	3	30B	82839GT	DECAL,DANGER,MAN FRC,GS3268,CE.....	1 (CE) (90 lbs, 400 N)
6	28235GT	DECAL,POWER TO PLATFORM 115V...	3	31A	82875GT	DECAL,LABEL,CAP INDICATOR,2668...	1 (CE)
7	40434GT	DECAL,LANYARD ANCHORAGE POINT.....	2	31B	82876GT	DECAL,LABEL,CAP INDICATOR,3268...	1 (CE)
8	43618GT	DECAL, LABEL - DIRECTION ARROWS.....	1	32A	82877GT	DECAL,LABEL,MAXCAP CE GS2668....	1 (CE) (567 kg)
9	44981GT	DECAL,LABEL, AIR LINE 110 PSI.....	2 (7.6 bar)	32B	82878GT	DECAL,DANGER,MAXCAP CE GS3268.....	1 (CE) (1000 lbs, 454 kg)
10	52475GT	DECAL,LABEL,TRANSPORT TIEDOWN*.....	4	33	82924GT	DECAL,CAUTION,SHUTOFF VALVES**.....	1
11	52967GT	DECAL,COSMETIC,4 X 4.....	2	34	97719GT	DECAL, LABEL, SAFETY ARM SYMB....	1
12	62059GT	DECAL,COSMETIC,GENIE GS-2668RT.....	2	35	114160GT	DECAL,LABEL,DECIBEL 102***.....	1 from SN 52719
13	62060GT	DECAL,COSMETIC,GENIE GS-3268RT.....	2	36A	133261GT	DECAL,DANGER,MAXCAP CE GS2668	
14	72086GT	DECAL,LABEL,LIFTING EYE.....	4	36B	133262GT	DECAL,DANGER,MAXCAP CE GS3268	
15	77046GT	SERIAL # LABEL,MYLAR 4X8***.....	1	37	114202GT	DECAL,LABEL,TRANSPORT TIE 68.....	2
16	82417GT	DECAL,PLATFORM CONTROL PANEL.....	1	38	114203GT	DECAL,LABEL,OUTRIGGER LD 2668...	4
17	82418GT	DECAL,GROUND CONTROL PANEL....	1	39	114204GT	DECAL,LABEL,OUTRIGGER LD 3268...	4
18	82473GT	DECAL,SYMBOL-COMP ACCESS.....	2				
19	82474GT	DECAL,SYMBOL-USE SAFETY ARM...	2				
20	82475GT	DECAL,SYMBOL-FOOT CRUSHING....	4				
21	82476GT	DECAL,SYMBOL-ELEC HAZARD,GS....	2				
22	82487GT	DECAL, SYMBOL - READ THE MANUAL.....	2				
23	82495GT	DECAL,SYMBOL-BRAKE REL SAFETY.....	1				
24	82560GT	DECAL,SYMBOL-SKIN INJECT HAZRD.....	1				
25	82562GT	DECAL,SYMBOL-CRUSHING HAZARD.....	4				
26	82721GT	DECAL,GROUND CONTROL PANEL....	1				
27A	82751GT	DECAL,DANGER,MAX CAP,2668 ANSI.....	1 (567 kg)				

103.1 Decals with Symbols, ANSI (from SN 52760)



## 103.1 Decals with Symbols, ANSI (from SN 52760)

Item	Part No.	Description	Qty.	Item	Part No.	Description	Qty.
1	28158GT	DECAL,LABEL,UNLEADED GAS ONLY.....1 (gasoline/LPG models)	1	28	82753GT	DECAL,DANGER,SIDE FRC,GS68ANSI.....1 (ANSI) (890 N)	1
2	28159GT	DECAL,DIESEL.....1 (diesel models)	1	29	82754GT	DECAL,LABEL,WHEEL LD,GS2668RT...4 GS-2668RT	4
3	28160GT	DECAL,LABEL,LIQUID PROPANE.....2 (gasoline/LPG models, 1 additional with extra LPG tank option)	2	30	82755GT	DECAL,LABEL,WHEEL LOAD,GS-3268.....4 GS-3268RT	4
4	28174GT	DECAL, POWER TO PLATFORM 230V**.....2	2	31	97719GT	DECAL, LABEL, SAFETY ARM SYMB....1	1
5	28235GT	DECAL,POWER TO PLATFORM 115V...2	2	32	114203GT	DECAL,LABEL,OUTRIGGER LD 2668...4 GS-2668RT (option)	4
6	40434GT	DECAL,LANYARD ANCHORAGE POINT.....4	4	33	114204GT	DECAL,LABEL,OUTRIGGER LD 3268...4 GS-3268RT (option)	4
7	43618GT	DECAL, LABEL - DIRECTION ARROWS.....1	1	34	114251GT	DECAL,LABEL,NO SMOKING,SYMB.....1	1
8	44981GT	DECAL,LABEL, AIR LINE 110 PSI.....2 (7.6 bar) (option)	2	35	114371GT	DECAL,SYM-TIP-OVER,OUTRGR.....1 (option)	1
9	52475GT	DECAL,LABEL,TRANSPORT TIEDOWN*.....4	4	36	114337GT	DECAL,SYM-TIP-OVER,LIM SWITCH....1	1
10	52967GT	DECAL,COSMETIC,4 X 4.....2	2	37	114338GT	DECAL,SYM-TIP-OVER,TILT ALARM....1	1
11	62059GT	DECAL,COSMETIC,GENIE GS-2668RT.....2 GS-2668RT	2	38	133537GT	DECAL,CRUSH HAZ RAILS SYMB.....1	1
12	62060GT	DECAL,COSMETIC,GENIE GS-3268RT.....2 GS-3268RT	2	39	114202GT	DECAL,LABEL,TRANSPORT TIE 68.....2	2
13	72086GT	DECAL,LABEL,LIFTING EYE.....4	4				
14	82417GT	DECAL,PLATFORM CONTROL PANEL.....1	1				
15	82418GT	DECAL,GROUND CONTROL PANEL....1	1				
16	82473GT	DECAL,SYMBOL-COMP ACCESS.....1	1				
17	82474GT	DECAL,SYMBOL-USE SAFETY ARM...2	2				
18	82475GT	DECAL,SYMBOL-FOOT CRUSHING....4	4				
19	82476GT	DECAL,SYMBOL-ELEC HAZARD,GS....2	2				
20	82481GT	DECAL,SYMBOL-BATTERY SAFETY....1	1				
21	82487GT	DECAL, SYMBOL - READ THE MANUAL.....2	2				
22	82495GT	DECAL,SYMBOL-BRAKE REL SAFETY.....1	1				
23	82560GT	DECAL,SYMBOL-SKIN INJECT HAZRD.....1	1				
24	82562GT	DECAL,SYMBOL-CRUSHING HAZARD.....4	4				
25	82721GT	DECAL,GROUND CONTROL PANEL....1	1				
26	82751GT	DECAL,DANGER,MAX CAP,2668 ANSI.....1 GS-2668RT (567 kg)	1				
27	82752GT	DECAL,DANGER,MAX CAP,3268 ANSI.....1 GS-3268RT (454 kg)	1				

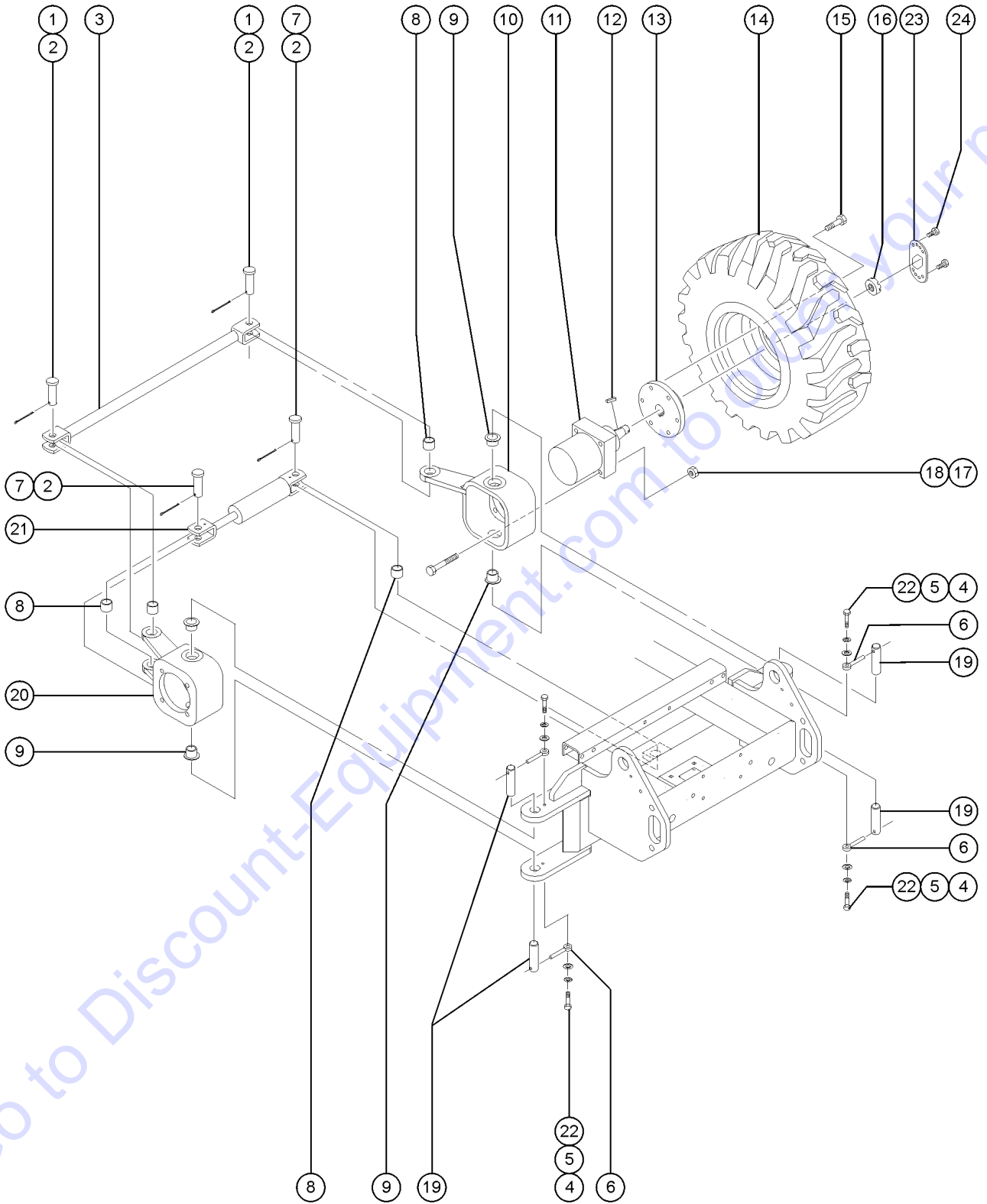




## 104.1 Decals with Symbols, CE (from SN 52760)

Item	Part No.	Description	Qty.	Item	Part No.	Description	Qty.
1	28158GT	DECAL,LABEL,UNLEADED GAS ONLY.....1 (gasoline/LPG models)	1	28	82811GT	DECAL,DANGER,MANUAL FORCE,400N.....1 GS-2668RT (CE) (400 N)	1
2	28159GT	DECAL,DIESEL.....1 (diesel models)	1	29	82839GT	DECAL,DANGER,MAN FRC,GS3268,CE.....1 GS-3268RT (CE) (400 N)	1
3	28160GT	DECAL,LABEL,LIQUID PROPANE.....2 (gasoline/LPG models, 1 additional with extra LPG tank option)	2	30	82875GT	DECAL,LABEL,CAP INDICATOR,2668...1 GS-2668RT (CE) (option)	1
4	28174GT	DECAL, POWER TO PLATFORM 230V**.....2	2	31	82876GT	DECAL,LABEL,CAP INDICATOR,3268...1 GS-3268RT (CE) (option)	1
5	28235GT	DECAL,POWER TO PLATFORM 115V...2	2	32	82877GT	DECAL,LABEL,MAXCAP CE GS2668...1 GS-2668RT (CE) (567 kg)	1
6	40434GT	DECAL,LANYARD ANCHORAGE POINT.....4	4	33	82878GT	DECAL,DANGER,MAXCAP CE GS3268.....1 GS-3268RT (CE) (454 kg)	1
7	43618GT	DECAL, LABEL - DIRECTION ARROWS.....1	1	34	97719GT	DECAL, LABEL, SAFETY ARM SYMB...1	1
8	44981GT	DECAL,LABEL, AIR LINE 110 PSI.....2 (7.6 bar) (option)	2	35	114160GT	DECAL,LABEL,DECIBEL 102***.....1 (CE)	1
9	52475GT	DECAL,LABEL,TRANSPORT TIEDOWN*.....4	4	36	114203GT	DECAL,LABEL,OUTRIGGER LD 2668...4 GS-2668RT (option)	4
10	52967GT	DECAL,COSMETIC,4 X 4.....2	2	37	114204GT	DECAL,LABEL,OUTRIGGER LD 3268...4 GS-3268RT (option)	4
11	62059GT	DECAL,COSMETIC,GENIE GS-2668RT.....2 GS-2668RT	2	38	114251GT	DECAL,LABEL,NO SMOKING,SYMB.....1	1
12	62060GT	DECAL,COSMETIC,GENIE GS-3268RT.....2 GS-3268RT	2	39	114371GT	DECAL,SYM-TIP-OVER,OUTRGR.....1 (option)	1
13	72086GT	DECAL,LABEL,LIFTING EYE.....4	4	40	114337GT	DECAL,SYM-TIP-OVER,LIM SWITCH...1	1
14	82417GT	DECAL,PLATFORM CONTROL PANEL.....1	1	41	114338GT	DECAL,SYM-TIP-OVER,TILT ALARM....1	1
15	82418GT	DECAL,GROUND CONTROL PANEL....1	1	42	133537GT	DECAL,CRUSH HAZ RAILS SYMB.....1	1
16	82473GT	DECAL,SYMBOL-COMP ACCESS.....1	1	43	114202GT	DECAL,LABEL,TRANSPORT TIE 68....2	2
17	82474GT	DECAL,SYMBOL-USE SAFETY ARM...2	2				
18	82475GT	DECAL,SYMBOL-FOOT CRUSHING....4	4				
19	82476GT	DECAL,SYMBOL-ELEC HAZARD,GS....2	2				
20	82481GT	DECAL,SYMBOL-BATTERY SAFETY....1	1				
21	82487GT	DECAL, SYMBOL - READ THE MANUAL.....2	2				
22	82495GT	DECAL,SYMBOL-BRAKE REL SAFETY.....1	1				
23	82560GT	DECAL,SYMBOL-SKIN INJECT HAZRD.....1	1				
24	82562GT	DECAL,SYMBOL-CRUSHING HAZARD.....4	4				
25	82721GT	DECAL,GROUND CONTROL PANEL....1	1				
26	82754GT	DECAL,LABEL,WHEEL LD,GS2668RT...4 GS-2668RT	4				
27	82755GT	DECAL,LABEL,WHEEL LOAD,GS-3268.....4 GS-3268RT	4				

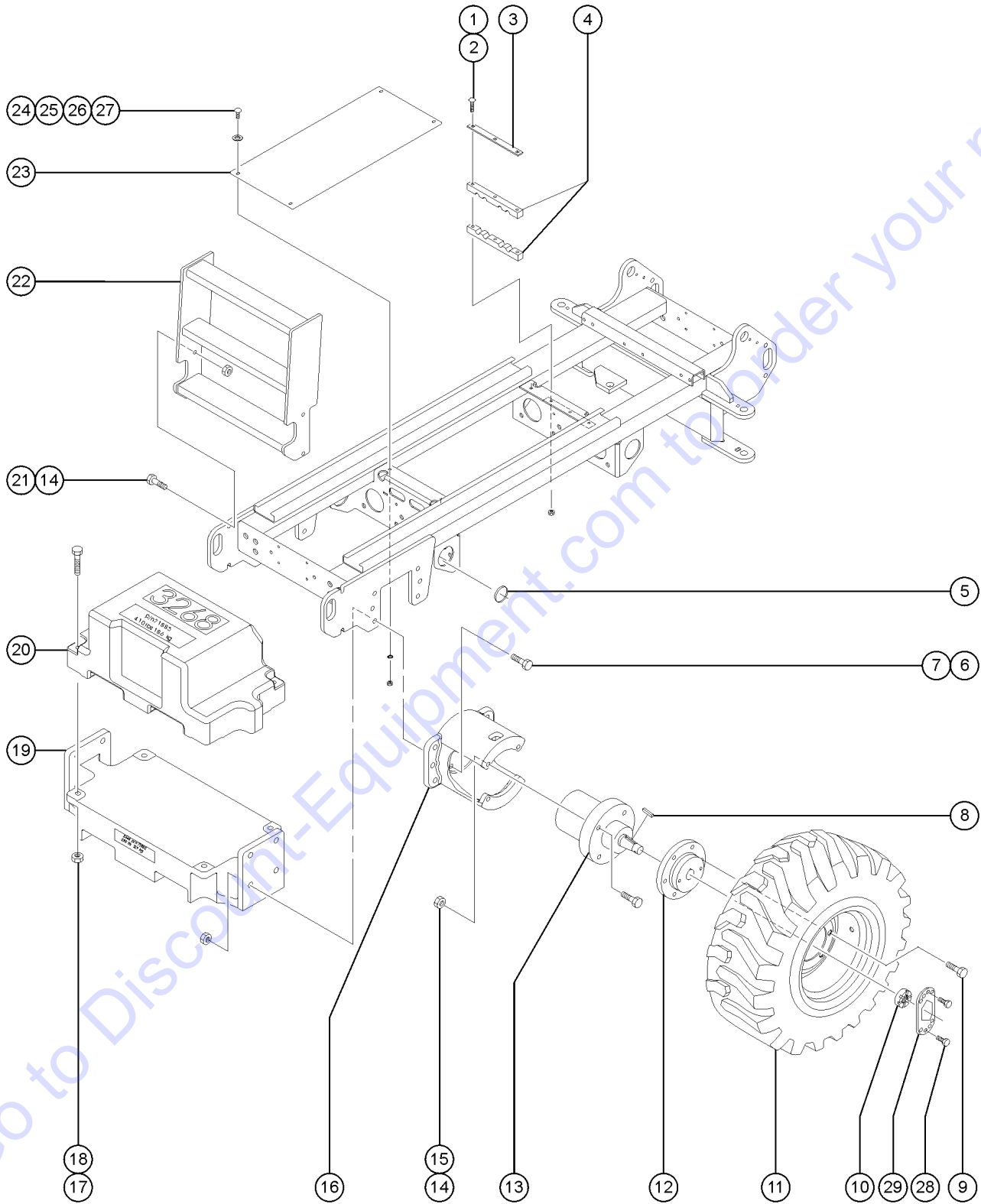
201.1 Steer Axle Linkage, Wheels and Drive Motors



## 201.1 Steer Axle Linkage, Wheels and Drive Motors

Item	Part No.	Description	Qty.	Item	Part No.	Description	Qty.
1	19440GT	PIN,CLEVIS,1 X 2.5 LG.....	2	14B	1258630GT	WHEEL ASSY,FOAM,12X26,NM,LF RT, Foam-filled, Non-marking, left (ground controls side) (water-based foam)	
2	5361GT	PIN,COTTER,.125 X 1.5 (to SN 41413)		14B	1258631GT	WHEEL ASSY,FOAM,12X26,NM,RF RT, Foam-filled, Non-marking, right (engine side) (water-based foam)	
2A	74389GT	RUE RING,1.00 (from SN 41414)		14C	1258755GT	WHEEL ASSY,FOAM,12X26,NM,LF RT, Foam-filled, Non-marking, left (ground controls side) (petroleum-based foam)	
3	47282GT	WELDMENT,TIEROD.....	1	14C	1258756GT	WHEEL ASSY,FOAM,12X26,NM,RF RT, Foam-filled, Non-marking, right (engine side) (petroleum-based foam)	
4	6019GT	SCREW,HHC,3/8-16 X 1.25 GRD 5		14D	71547GT	TIRE & WHEEL ASSY,NON-MARKING Solid, Non-marking, with wheel	
5	6021GT	WASHER,LOCK,.375		15	148426GT	LUG BOLT,45 DEG,1/2-20 UNF.....	12
6	1255452GT	ROD END,.375 X 2.25,ZAG.....	6	16	44780GT	NUT,CASTLE,1.125-18 UNEF	
--	97395GT	KIT,PIVOT PIN BRACKET,GS68***		17	6198GT	NUT,NYLOCK,1/2-13	
7	55745GT	PIN,1.00DIA X 3.25LG,1HOLE.....	2	18	8220GT	SCREW,HHC,1/2-13 X 4	
		(to SN 41413)		19	47376GT	PIN,1.25DIA X 2.75LG,1HOLE.....	4
7A	826379GT	PIN,CLEVIS,1X2.250,ZAG (from SN 41414)		20	52391GT	YOKE ASSY,ENGINE/BAT SIDE,GS68.....	1
8	51474GT	BEARING,1.00IDX1.25ODX0.75L.....	4			(engine side) (includes items 8 and 9)	
9	148337GT	BEARING,BRZ,FL,1.25IDX1.5OD.....	4	21	89065GT	CYLINDER,STEER***.....	1
10	52390GT	YOKE ASSY,GRD CTRL SIDE, GS68.....	1	--	89066GT	SEAL KIT,STEER CYL (89065)	
		(ground controls side) (includes items 8 and 9)		22	5397GT	WASHER,FLAT,USS,5/16",Y	
11	55193GT	MOTOR,HYD-DRIVE,28.3 CU.IN.....	2	23	T109085GT	PLATE, CASTLE NUT LOCK.....	2
		(includes 12 and 16) (to SN 44770)		24	8255GT	SCREW,HHC,3/8-16 X .75.....	4
--	227782GT	SNAP RING (55193) for 55193					
--	44782GT	SEAL KIT,DR MTR.GS15/19,Z20*** for 55193					
--	44783GT	BEARING,DRIVE MOTOR GS15/19 for 55193					
--	72281GT	SHAFT,MOTOR (51410)*** for 55193					
11A	104781GT	MOTOR,HYD-DRIVE,32.7 CU.IN.....	2				
		(includes 12 and 16) (from SN 44771)					
--	44782GT	SEAL KIT,DR MTR.GS15/19,Z20*** for 104781					
--	44783GT	BEARING,DRIVE MOTOR GS15/19 for 104781					
12	44781GT	KEY,RECTANGULAR,.31X.28X1.25***.....	2				
13	47312GT	ADAPTER,WHEEL,GS68/GS69.....	2				
14	1258626GT	WHEEL ASSY,FOAM,12X26,BLK,LF.....	2				
		RT, Foam-filled, left (ground controls side) (water-based foam)					
14	1258627GT	WHEEL ASSY,FOAM,12X26,BLK,RF.....	2				
		RT, Foam-filled, right (engine side) (water-based foam)					
14A	1258751GT	WHEEL ASSY,FOAM,12X26,BLK,LF RT, Foam-filled, left (ground controls side) (petroleum-based foam)					
14A	1258752GT	WHEEL ASSY,FOAM,12X26,BLK,RF RT, Foam-filled, right (engine side) (petroleum-based foam)					

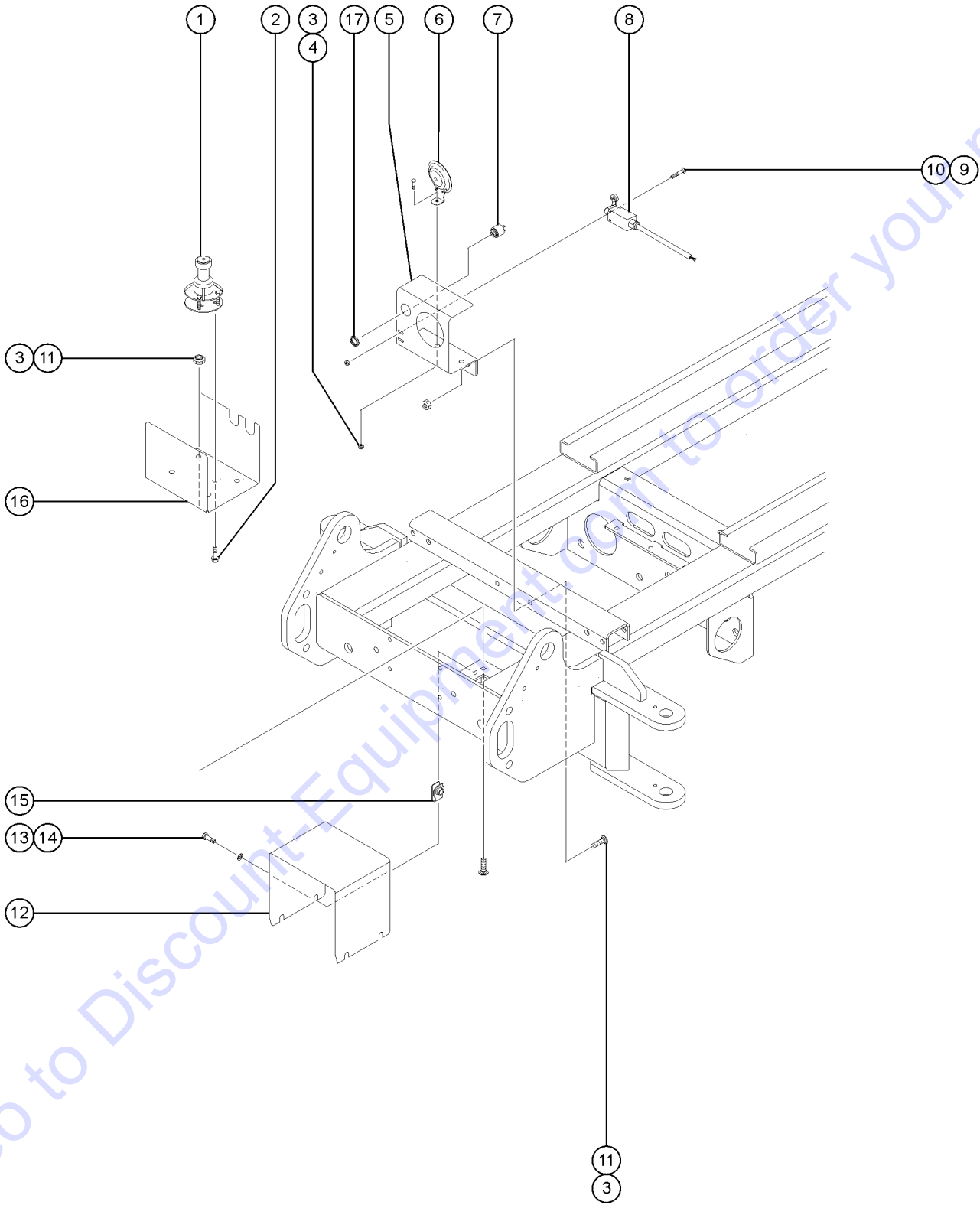
202.1 Non-steer Axle and Drive Motors



## 202.1 Non-steer Axle and Drive Motors

Item	Part No.	Description	Qty.	Item	Part No.	Description	Qty.
1	87059GT	BOLT,CARRIAGE,3/8-16 X 3.00,G2		20A	71883GT	CASTING, 3268 AXLE CTRWEIGHT GS-3268 (from SN 41973)	
2	4828GT	NUT,NYLOCK,3/8-16		21	51131GT	SCREW,HHC,5/8-11 X 2.5	
3	79128GT	PLATE,HOSE BLK SUPPORT,UPPER....1		21A	13003GT	SCREW,HHC,5/8-11 X 3.5 GRD.8.....2 (models with outriggers only) (on ladder assembly only)	
4	79129GT	HOSE BLOCK, STEERING.....2		22	47310PGT	WELDMENT,LADDER,PAINTED,GS68...1 GS-2668RT (shown) (three step ladder)	
5	55067GT	GROMMET,RUBBER 3 X .19 X 3.5.....2		22A	55393-SGT	WELDMENT,LADDER, GS3268 GS-3268 (four step ladder)	
5	87073GT	GROMMET,RUBBER 3 X .25 X 3.5.....8		23	51297GT	PLATE,HOSE COVER.....1	
6	51428GT	SCREW,HHC,3/4-10 X 2.75 (to SN 41972)		24	8255GT	SCREW,HHC,3/8-16 X .75 (to SN 41738)	
6A	51131GT	SCREW,HHC,5/8-11 X 2.5 (from SN 41973)		24A	4828GT	NUT,NYLOCK,3/8-16 (from SN 41739)	
7	10258GT	NUT,NYLOCK,3/4-10,GRD.2 (to SN 41972)		25	6021GT	WASHER,LOCK, .375 (to SN 41738)	
7A	6024GT	NUT,NYLOCK,5/8-11 (from SN 41973)		25A	5397GT	WASHER,FLAT,USS,5/16",Y (from SN 41739)	
8	44781GT	KEY,RECTANGULAR,.31X.28X1.25***.....1		26	87684GT	PUSH RETAINER, 3/8" SCREW (to SN 41738)	
9	148426GT	LUG BOLT,45 DEG,1/2-20 UNF.....6		27	64154GT	BOLT,CARRIAGE,3/8-16 X1.00,G5 (from SN 41739)	
10	44780GT	NUT,CASTLE,1.125-18 UNEF.....1		28	8255GT	SCREW,HHC,3/8-16 X .75.....4	
11		Ref. Tire and Wheel Assembly (refer to 201.1)		29	T109085GT	PLATE, CASTLE NUT LOCK.....2	
12	47312GT	ADAPTER,WHEEL,GS68/GS69.....1					
13	55194GT	MOTOR/BRAKE 28.3 CU.IN./REV.....1 (includes items 8 and 10) (to SN 44770)					
--	52395GT	SEAL KIT,DRIVE/BRAKE MTR.2668 (to SN 44770)					
--	58411GT	BRAKE DISC KIT (55194) (to SN 44770)					
13A	104782GT	MOTOR/BRAKE,HD,32.7 CU.IN./REV.....1 (includes items 8 and 10) (from SN 44771)					
--	52395GT	SEAL KIT,DRIVE/BRAKE MTR.2668 (from SN 44771)					
--	58313GT	SERVICE KIT,BRAKE DISC (from SN 44771)					
14	6024GT	NUT,NYLOCK,5/8-11.....8					
15	87585GT	SCREW,HHC,5/8-11 X 3.00,GR 5.....4 (from SN 41700)					
16	55847GT	CASTING, REAR DRIVE HOUSING.....1 (to SN 41699)					
16A	71881GT	CASTING, REAR MOTOR HOUSING (from SN 41700)					
17	6198GT	NUT,NYLOCK,1/2-13 (from SN 41973)					
18	8220GT	SCREW,HHC,1/2-13 X 4 (from SN 41973)					
19	79953GT	79954ENT,2668 AXLE CW.....1 GS-2668 (to SN 41972)					
19A	71882GT	CASTING, 2668 AXLE CTRWEIGHT GS-2668 (from SN 41973)					
20	79956GT	WELDMENT,3268 AXLE CW.....1 GS-3268 (to SN 41972)					

203.1 Drive Chassis, Safety Components

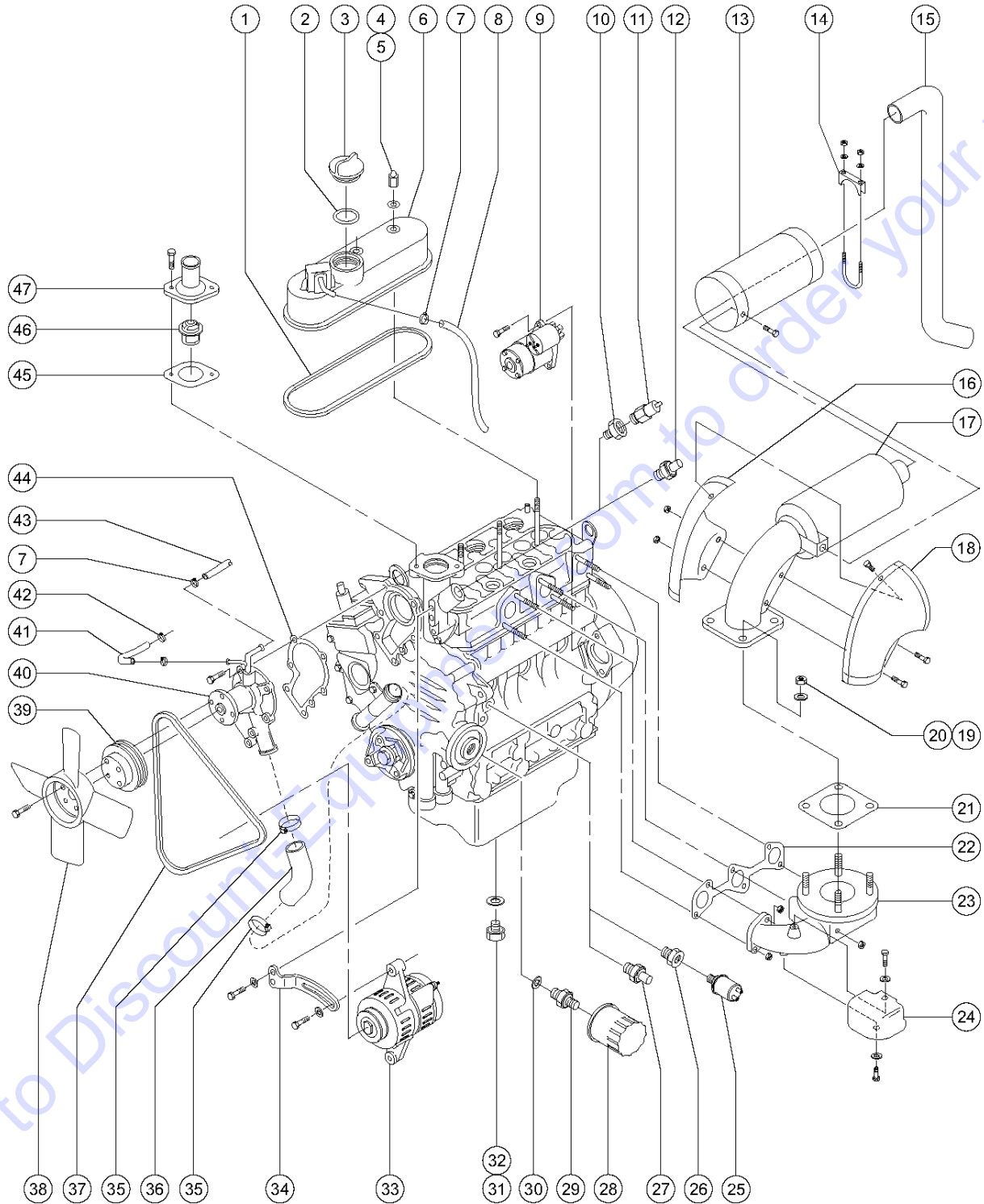


## 203.1 Drive Chassis, Safety Components

Item	Part No.	Description	Qty.
1	40836GT	LEVEL SENSOR,LS60,BLUE,2X4**.....1 (models without outriggers) (to SN 41753)	
--	78674GT	LEVEL SENSOR,LS60,BLUE,2X3** (models without outriggers) (from SN 41754)	
1A	71484GT	SENSOR,LEVEL, ANALOG.....1 (models with outriggers)	
2	66875GT	SCREW,SH.METAL, HHC,5/16 X 1/2	
3	4828GT	NUT,NYLOCK,3/8-16	
4	8255GT	SCREW,HHC,3/8-16 X .75	
5	79091GT	FORMING,LIMIT SW.MOUNT.....1	
6	81578GT	HORN,12VDC,SPADE TERMINALS***.....1	
7	39540GT	ALARM,STEADY TONE***.....1 (108 dB, 6-28V DC)	
8	<del>88356</del> 11103GT	SWITCH,LIMIT,W/RLR ARM,NO/NC**.....1	
--	19491GT	CONTACTOR,LIMIT SWITCH	
--	97128GT	ROLLER ARM,LIMIT SWITCH***	
--	89756GT	NECK/HEAD-LIMIT SWITCH (88356)	
--	110650GT	CONN. SQZ PG11 .30-.40 W/ORING Ref. Down Limit Switch Wire Harness Assembly (refer to 410.1)	
9	51063GT	SCREW,PHILLIPS,RHM,10-32 X 1.5	
10	6178GT	NUT,NYLOCK,10-32	
11	64154GT	BOLT,CARRIAGE,3/8-16 X1.00,G5	
12	87084GT	FORMING,LEVEL SENSOR COVER.....1	
13	6175GT	SCREW,HHC,3/8-16 X 1	
14	6021GT	WASHER,LOCK,.375 (from SN 41683)	
15	29868GT	SPRING CLIP,3/8-16,.05-.20X.73,ZAG (from SN 41683)	
16	87083GT	FORMING,LEVEL SENSOR MOUNT.....1	
17	72326GT	NUT - PLASTIC,RING FOR ALARMS.....1	



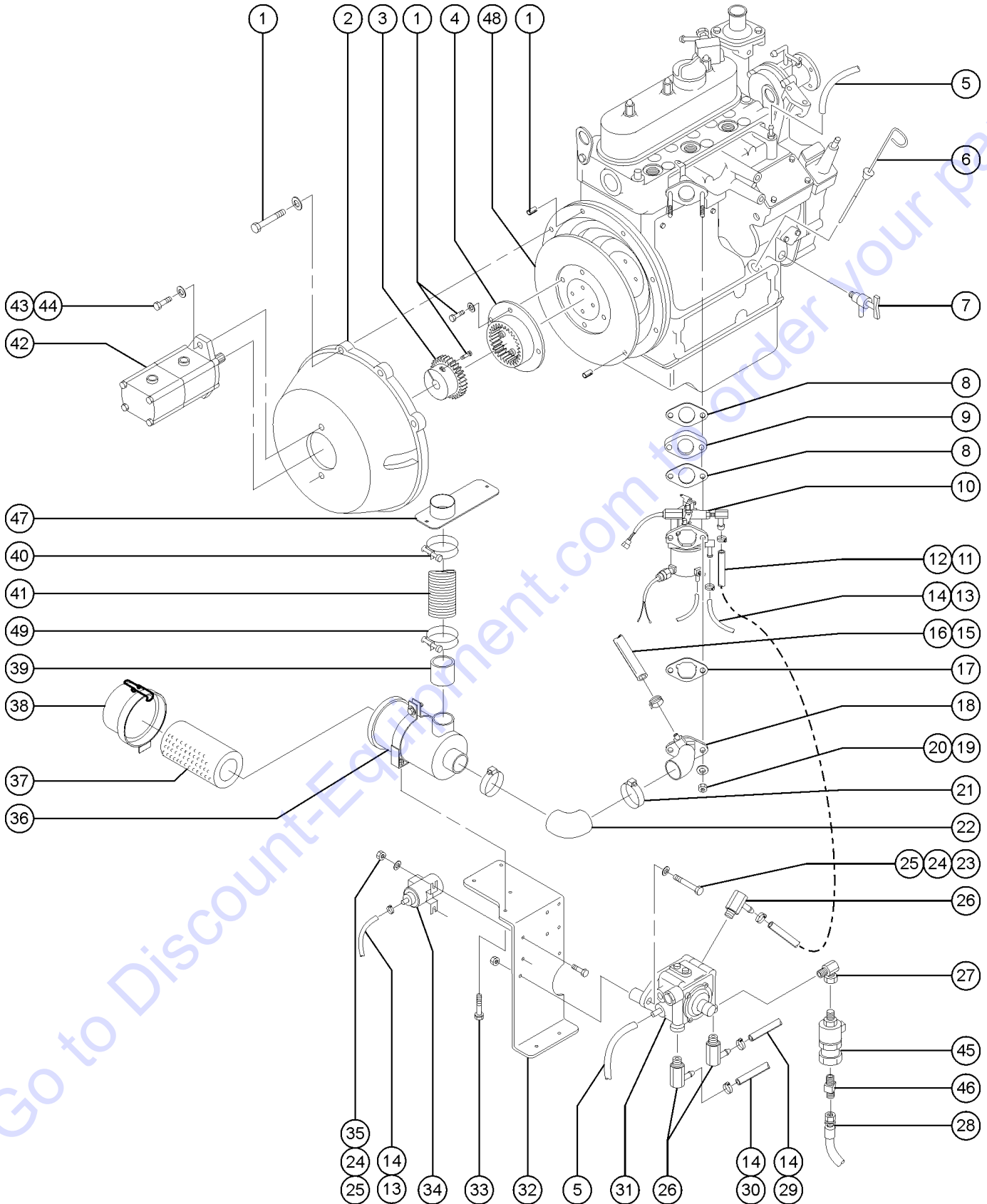
301.1 Kubota DF-752 Engine, View 1



## 301.1 Kubota DF-752 Engine, View 1

Item	Part No.	Description	Qty.	Item	Part No.	Description	Qty.
--		<i>for internal engine components, contact engine dealer</i>		31	22932GT	PLUG,OIL DRAIN,DF750**.....	1
1	23453GT	GASKET,VALVE COVER,DF750.....	1	32	84042GT	GASKET-DRAIN PLUG,ENG OIL PAN....	1
2	22903GT	O-RING,OIL FILLER PLUG,KUBOTA*.....	1	33	101203GT	ALTERNATOR,40 AMP,INT REG.....	1
3	52808GT	PLUG,OIL FILLER Z482,Z34/22BE*.....	1	34	84044GT	STAY,ALTERNATOR***.....	1
4	44182GT	NUT,VALVE COVER CAP, WG750.....	3	35	32066GT	CLAMP,HOSE,KUBOTA WG750.....	2
5	44181GT	GASKET,VALVE COVER CAP, WG750.....	3	36	32067GT	HOSE,WATER PUMP,KUBOTA**.....	1
6	52500GT	VALVE COVER,DF750***.....	1	37	52816GT	BELT,FAN,KUBOTA DF972/Z482-E.....	1
7	32069GT	CLAMP,HOSE,KUBOTA WG750.....	4	38	23479GT	FAN,COOLING DF750..... <i>(to SN 45191)</i>	1
8	52501GT	PIPE,BREATHING JOINT,DF-750.....	1	38A	79425GT	FAN, REVERSE BLADE DF752 <i>(from SN 45192)</i>	
9	23456GT	STARTER ASSY,KUBOTA DUAL FUEL.....	1	39	23469GT	PULLEY,FAN,WG750B***.....	1
--	23457GT	SOLENOID,STARTER,WG750B		40	84034GT	PUMP-WATER.....	1
--	72295GT	RING GEAR (51108)-DF750,DF752		41	27903GT	HOSE,LOW PRESSURE,.375 ID,BLK.....	28-inches
10	28607GT	ADAPTER,140139-8-6..... <i>(for models with gauge option)</i>	1	42	46131GT	CLAMP,HOSE,.63" - 1.0" X .5".....	2
11	34058GT	SENDING UNIT,TMP,FRD,GM,PRK704..... <i>(for models with gauge option)</i>	1	43	32068GT	HOSE,WATER PUMP RETURN,WG750**.....	1
12	54332GT	SWITCH,WATER TEMP.....	1	44	23472GT	GASKET,WATER PUMPWG750B/Z482-E.....	1
13	62041GT	MUFFLER COVER (62040)***.....	1	45	866397GT	KUBOTA GASKET,THERMOSTAT.....	1
14	62160GT	CLAMP,TAILPIPE, 1 1/2***..... <i>(includes hardware)</i>	1	46	22918GT	THERMOSTAT ASSY,D850B,DF750.....	1
15	47585GT	TAILPIPE,EXHAUST,KUBOTA GAS.....	1	47	27367GT	THERMOSTAT COVER,KUBOTA GAS.....	1
16	866830GT	KUBOTA MUFFLER COVER LH..... <i>(LH muffler cover)</i>	1				
17	52407GT	MUFFLER,KUBOTA,GS68,DF750,D905.1					
18	866833GT	KUBOTA COVER RH..... <i>(muffler cover)</i>	1				
19	6037GT	NUT,HEX,5/16-18,GR5					
20	6886GT	WASHER,LOCK,.313.....	4				
21	832128GT	GASKET,MUFFLER,KUBOTA D905/11.....	1				
22	23455GT	GASKET,EXHAUST MANIFOLD,WG750B.....	1				
23	32065GT	MANIFOLD,EXHAUST,KUBOTA WG750*.....	1				
24	32215GT	HEAT SHIELD.....	1				
25	30810GT	SENDING UNIT,OIL PRESSURE***..... <i>dual-terminal sender (for models with gauge option)</i>	1				
26	42248GT	ADAPTER,140139-4-2..... <i>(for models with gauge option)</i>	1				
27	22934GT	SWITCH,OIL,PRESSURE,KUBOTA.....	1				
28	866400GT	KUBOTA OIL FILTER.....	1				
29	84039GT	JOINT-PIPE.....	1				
30	84040GT	WASHER-PLAIN.....	1				

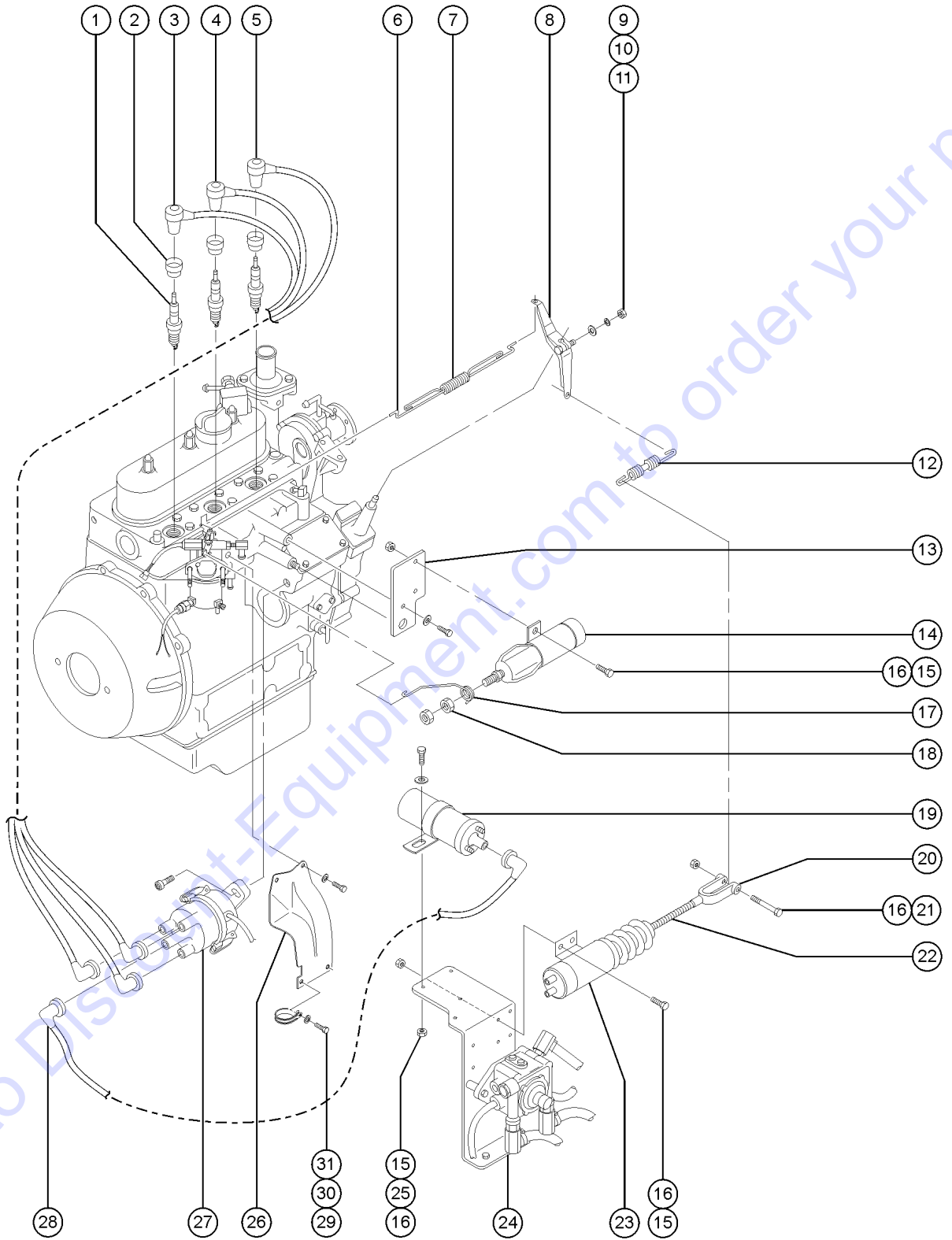
302.1 Kubota DF-752 Engine, View 2



## 302.1 Kubota DF-752 Engine, View 2

Item	Part No.	Description	Qty.	Item	Part No.	Description	Qty.
--	84808GT	AIR CLEANER ASSEMBLY, DF-752 (includes items 33, 36 and 37)		30	27903GT	HOSE,LOW PRESSURE,.375 ID,BLK.....32-inches	
--	99847GT	SERVICE KIT,LP LOCKOUT (to SN 42407)		31	97482GT	REGULATOR,LPG,KUBOTA,DF-752***	1
--		for internal engine components, contact engine dealer		32		Ref. LPG Regulator and Solenoid Mount Bracket (refer to 304.1)	
1	104371GT	HARDWARE KIT,BELLHSING K-DF752.....1	1	33	52530GT	SCREW,AIR CLEANER MOUNT,KUBOTA	
2	104369GT	BELL HOUSING,K-DF752,A PLT.....1	1	34	23167GT	PUMP,FUEL,KUBOTA GAS,INLINE.....1	1
3	1268809GT	COUPLER, SPLINED,9 TOOTH, 30MM.....1	1	35	6090GT	SCREW,HHC,1/4-20 X .75	
4	161193GT	ADAPTER,FLANGE,FLYWHEEL.....1	1	36	84808GT	AIR CLEANER ASSEMBLY, DF-752.....1 (includes items 33 and 37)	1
5	51495GT	HOSE,1/8" VACUUM.....36-inches		37	866127GT	ELEMENT,AIR CLEANER,KUBOTA.....1	1
6	32219GT	DIPSTICK,KUBOTA DF750.....1	1	38	84810GT	AIR CLEANER COVER, DF-752.....1	1
7	32077GT	PETCOCK,DRAIN,KUBOTA WG750B.....1	1	39	51737GT	ADAPTER,HOSE INTAKE 2.5-1.75.....1 (to SN 51525)	1
8	52425GT	GASKET,CARBURETOR,KUBOTA DF750.....2	2	40	45435GT	CLAMP,HOSE,2.50****.....1	1
9	23467GT	FLANGE,CARBURETOR,WG750B***.....1	1	41	131372GT	HOSE,1.75ID,2.50IDX12.0".....1	1
10	84118GT	CARBURETOR,DF-752 ENGINE***.....1	1	42	87914GT	PUMP,GEAR,DUAL***.....1 (to SN 41882)	1
--	58244GT	SOLENOID,FUEL SHUT OFF***		--	62857GT	SEAL KIT,REXROTH (67335,55920)	
--	58245GT	SOLENOID,LP SHUT OFF***		42A	87914GT	PUMP,GEAR,DUAL***.....1 (from SN 41883)	1
--	83152GT	HARNESS,SOLENOID,FUEL SHUT OFF		--	85197GT	SEAL KIT,BOSCH PUMP***.....2	2
11	42942GT	HOSE,LPG 1/2" 18" PRECUT....14-inches		43	6019GT	SCREW,HHC,3/8-16 X 1.25 GRD 5	
12	19273GT	CLAMP,HOSE,.75 **.....2	2	44	6021GT	WASHER,LOCK,.375	
13		Ref. FUEL LINE (refer to 401.1)		45	81633GT	VALVE,LP LOCKOUT W/O CONNECTOR.....1 (from SN 42408)	1
14	46131GT	CLAMP,HOSE,.63" - 1.0" X .5".....4	4	46	19358GT	CONNECTOR,010102-6-4.....1 (from SN 42408)	1
15	52501GT	PIPE,BREATHING JOINT,DF-750.....1	1	47		Ref. Rain Cap Mount (refer to 401.1)	
16	32069GT	CLAMP,HOSE,KUBOTA WG750.....2	2	48	99875GT	FLYWHEEL,KUBOTA DF752.....1	1
17	52427GT	GASKET,AIR CLEANER, DF-750.....1	1	--	99876GT	BOLT,FLYWHEEL,KUBOTA DF752	
18	52428GT	FLANGE,AIR CLEANER, DF-750.....1	1	49	45435GT	CLAMP,HOSE,2.50****.....1 (to SN 51525)	1
19	52850GT	NUT-SELF LOCKING, M8X1.25MM		49A	22672GT	CLAMP,HOSE,1.75.....1 (from SN 51526)	1
20	52535GT	WASHER,LOCK,GOV.LEVER,DF750***					
21	22672GT	CLAMP,HOSE,1.75.....2	2				
22	51736GT	HOSE,1.75 ID,75WIDE.....1	1				
23	4266GT	SCREW,HHC,1/4-20 X 2					
24	6638GT	WASHER,FLAT,USS,1/4"Y					
25	6091GT	NUT,NYLOCK,1/4-20					
26	84408GT	FITTING,90DEG ELBOW.....3	3				
27	19859GT	ELBOW,010202-6-4.....1 (to SN 42407)	1				
27A	31823GT	ELBOW,90DEG.SW.1/4FPT-1/4MPT (from SN 42408)					
28	104086GT	HOSE ASSEMBLY,LP GAS-86" LONG....1	1				
29	27903GT	HOSE,LOW PRESSURE,.375 ID,BLK.....28-inches					

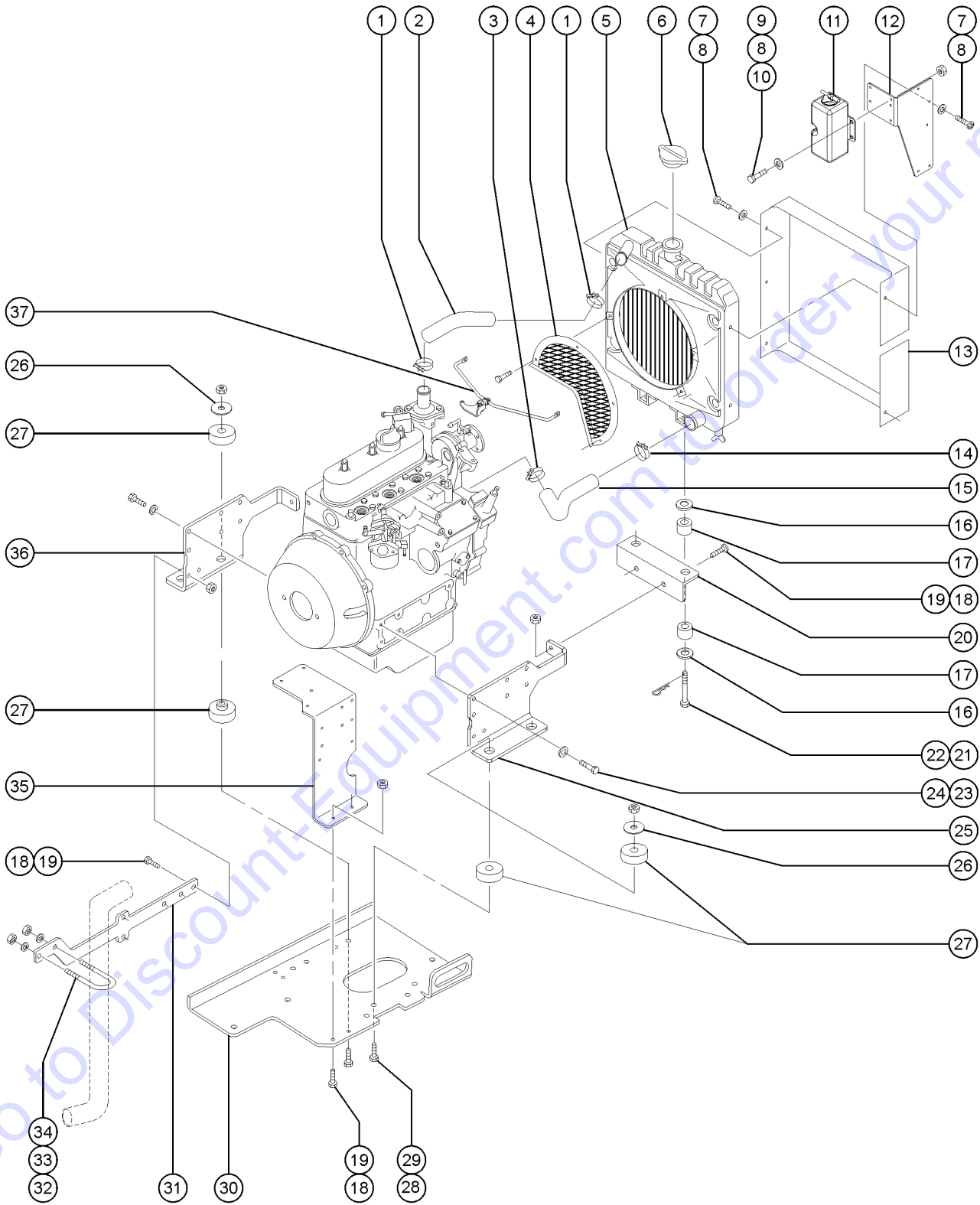
303.1 Kubota DF-752 Engine, View 3



## 303.1 Kubota DF-752 Engine, View 3

Item	Part No.	Description	Qty.
--	148316GT	SPARK PLUG WIRE KIT,DF-752 (includes items 3-5)	
--		for internal engine components, contact engine dealer	
1	23458GT	SPARK PLUG,WG750B***.....	3
2	23463GT	CAP,SPARK PLUG,WG750B.....	3
3	148313GT	SPARK PLUG WIRE,#1,DF-752.....	1
4	148314GT	SPARK PLUG WIRE,#2,DF-752.....	1
5	148315GT	SPARK PLUG WIRE,#3,DF-752.....	1
6	44187GT	ROD,GOVERNOR, WG750.....	1
7	44188GT	SPRING,GOVERNOR,UPPER, WG750.....	1
8	84053GT	LEVER,GOVERNOR,DF***.....	1
9	52521GT	NUT,TAILPIPE,KUBOTA, 2668.....	1
10	52535GT	WASHER,LOCK,GOV.LEVER,DF750***.1	
11	52536GT	WASHER,FLAT,GOV.LEVER, DF750.....1	
12	44190GT	SPRING,GOVERNOR,LOWER, WG750**.....	1
13	51301GT	BRACKET,CHOKE SOLENOID MOUNT.....	1
14	51745GT	SOLENOID,1"STRKE,12V,SYNCR***.....1	
--	52514GT	BOOT,THROTTLE SOLENOID	
15	6090GT	SCREW,HHC,1/4-20 X .75	
16	6091GT	NUT,NYLOCK,1/4-20	
17	51510GT	CHOKE LINKAGE GS68.....	1
18	21496GT	NUT,HEX,1/4-28.....	2
19	32076GT	COIL,IGNITION,KUBOTA WG750B.....1	
20	21130GT	CLEVIS YOKE-1/4-28,PLTD W/PIN.....1	
21	6888GT	SCREW,HHC,1/4-20 X 1.....	1
22	30785-550GT	THREADED ROD,1/4-28 X 5.5 IN**.....1	
23	29073GT	SOLENOID,THROTTLE.....	1
--	52537GT	BOOT,SOLENOID,29073	
24		Ref. LPG Regulator (refer to 302.1)	
25	6638GT	WASHER,FLAT,USS,1/4"Y.....	2
26	52538GT	HEAT SHIELD,DISTRIBUTOR,DF750.....1	
27	52486GT	DISTRIBUTOR ASSY,DF-750.....	1
--	23465GT	CAP,DISTRIBUTOR, WG750B	
--	52499GT	ROTOR,DISTRIBUTOR,DF-750	
28	23459GT	PLUG WIRE,DIS/COIL,WG750B.....	1
29	48916GT	CONN, 520120-6 (from SN 51580)	
30	6607GT	WASHER,LOCK,#10 PLTD (from SN 51580)	
31	131324GT	CLAMP,RUBBER CUSHIONED,1 5/16....1 (from SN 51580)	

304.1 Kubota DF-752 Engine, View 4

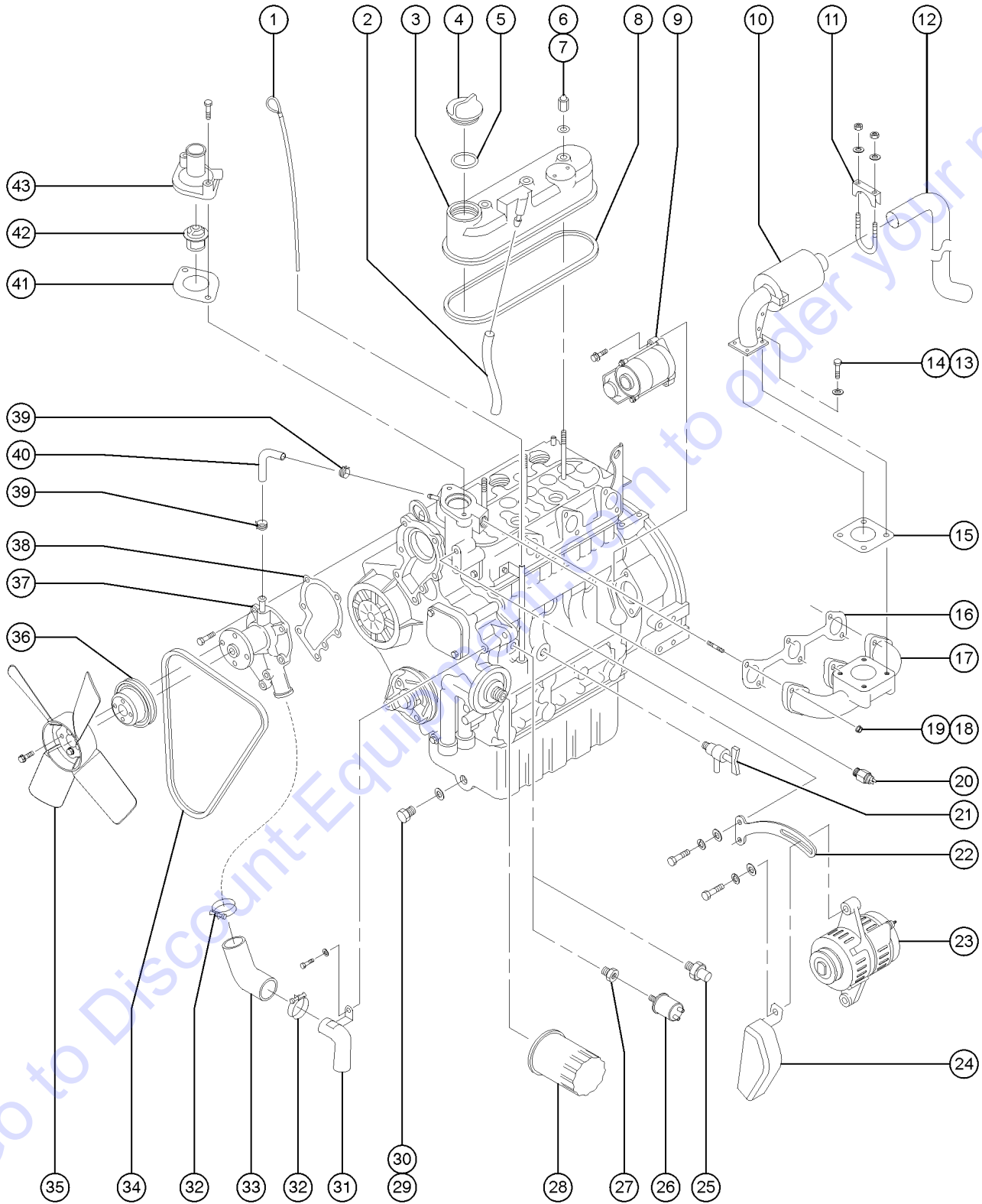


## 304.1 Kubota DF-752 Engine, View 4

Item	Part No.	Description	Qty.	Item	Part No.	Description	Qty.
--		<i>for internal engine components, contact engine dealer</i>		27	24037GT	SHOCK MOUNT,LARGE**.....	8
1	32087GT	CLAMP,HOSE,KUBOTA WG750.....	2	28	6732GT	SCREW,HHC,1/2-13 X 3.25	
2	32088GT	HOSE,UPR RADIATOR,KUBOTA WG750.....	1	29	6198GT	NUT,NYLOCK,1/2-13	
3	32066GT	CLAMP,HOSE,KUBOTA WG750.....	1	30	47664GT	FORMING,SLIDING ENGINE TRAY.....	1
4	84077GT	GUARD-FAN,905,752 KUBOTA ENG.....	1	31	71779GT	FORMING,TAIPIPE BRKT, GS68.....	1
5	110522GT	RADIATOR ASSY,KUBOTA..... <i>(to SN 44844)</i>	1	32	51733GT	U-BOLT,1/4-20 X 1.75 X 3.00	
5A	110446GT	RADIATOR ASSY,AL,KUBOTA..... <i>(from SN 44845)</i>	1	33	6356GT	WASHER,LOCK,.25	
--	112483GT	KIT,DF-752 RADIATOR SUPPORT		34	6357GT	NUT,HEX,1/4-20	
--	112486GT	ISOLATOR,RUBBER(KIT 112483) <i>(sold separately) (from SN 44845)</i>		35	51641GT	FORMING,DUAL FUEL ENGINE BRCKT.....	1
6	23061GT	CAP,RADIATOR,13 PSI..... <i>(to SN 44844)</i>	1	36	71782GT	FORMING,LEFT ENGINE MOUNT, DF... <i>(ground controls side)</i>	1
6A	110523GT	CAP,RADIATOR,AL,KUBOTA DF-752..... <i>(from SN 44845)</i>	1	37	112483GT	KIT,DF-752 RADIATOR SUPPORT.....	1
7	49375GT	SCREW,HHC,M6 X 16					
8	6638GT	WASHER,FLAT,USS,1/4"Y					
9	6090GT	SCREW,HHC,1/4-20 X .75					
10	6091GT	NUT,NYLOCK,1/4-20					
11	94532GT	BOTTLE,COOLANT RECOVERY,1.4***.....	1				
--	115431GT	CAP ASSY, COOLANT BOTTLE					
11A	131581GT	HOSE,RAD.OVERFLOW,KD-1105,50"					
12	55829GT	GS68 FORMING, DIESEL OVERFLOW.....	1				
13	51609GT	RADIATOR,SEAL DUAL FUEL.....	1				
14	32092GT	CLAMP,HOSE,KUBOTA WG750.....	1				
15	32090GT	HOSE,LWR RADIATOR,KUBOTA WG750.....	1				
16	52539GT	WASHER,RADIATOR CUSHION,KUBOTA.....	4				
17	28156GT	CUSHION,RADIATOR,KUBOTA 1702**.....	4				
18	6019GT	SCREW,HHC,3/8-16 X 1.25 GRD 5					
19	4828GT	NUT,NYLOCK,3/8-16					
20	71784GT	FORMING,RAD. MOUNT, DUAL FUEL...1					
21	52540GT	SCREW,RADIATOR MOUNT, KUBOTA.....	2				
22	52541GT	CLIP,RADIATOR MOUNT, KUBOTA.....	2				
23	22676GT	SCREW,HHC,M10 X 1.25 X 30MM**					
24	22700GT	WASHER,LOCK,M10					
25	71783GT	FORMING,RIGHT ENG. MOUNT, DF..... <i>(engine side)</i>	1				
26	24040GT	WASHER, 1/2 PLATE (1/2 X 2.25 X 3/16)					



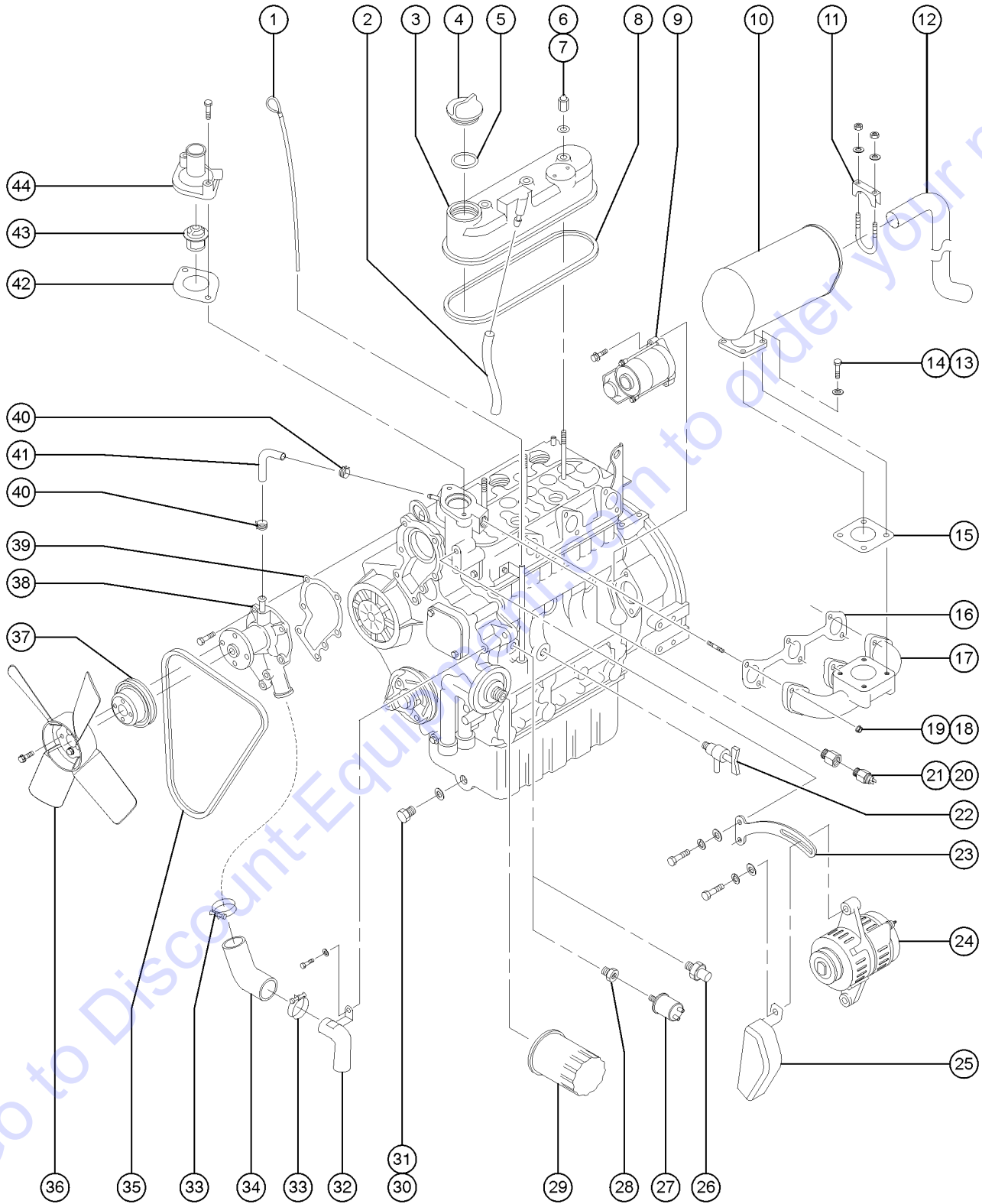
305.1 Kubota D-905 Engine, View 1 (to SN 52256)



## 305.1 Kubota D-905 Engine, View 1 (to SN 52256)

Item	Part No.	Description	Qty.	Item	Part No.	Description	Qty.
--		<i>for internal engine components, contact engine dealer</i>		35	32197GT	FAN,KUBOTA D905.....	1
1	32188GT	DIPSTICK,KUBOTA D905***.....	1	36	52531GT	PULLEY,FAN,KUBOTA, D-905,GS68.....	1
2	44194GT	PIPE,BREATHER JOINT, D905.....	1	37	32198GT	PUMP, WATER, KUBOTA D905.....	1
3	44191GT	VALVE COVER, D905.....	1	38	32199GT	GASKET,WATER PUMP.....	1
4	32190GT	PLUG,OIL FILLER,KUBOTA D905***.....	1	39	32069GT	CLAMP,HOSE,KUBOTA WG750.....	2
5	22903GT	O-RING,OIL FILLER PLUG,KUBOTA*.....	1	40	32200GT	HOSE,WATER PUMP RETURN,D905....	1
6	44193GT	NUT,VALVE COVER CAP, D905.....	1	41	866397GT	KUBOTA GASKET,THERMOSTAT.....	1
7	44192GT	GASKET,VALVE COVER CAP, D905.....	1	42	139278GT	THERMOSTAT.....	1
8	32189GT	GASKET,VALVE COVER,KUBOTA D905.....	1	43	32201GT	THERMOSTAT, HOUSING, KUBO D905.....	1
9	65837GT	STARTER,KUBOTA D905 VERS 2***.....	1				
--	32194GT	SOLENOID,32193 STARTER,D905					
10	52407GT	MUFFLER,KUBOTA,GS68,DF750,D905.1					
11	62160GT	CLAMP,TAIPIPE, 1 1/2***..... <i>(includes mounting bolts)</i>	1				
12	47560GT	TAIPIPE,EXHAUST,KUBOTA DIESEL.....	1				
13	25929GT	SCREW,HHC,M8 X 30MM,GRD 8.8.....	4				
14	6886GT	WASHER,LOCK,,313.....	4				
15	832128GT	GASKET,MUFFLER,KUBOTA D905/11.....	1				
16	32191GT	GASKET,EXHAUST MANIFOLD,D905....	1				
17	32192GT	MANIFOLD, EXHAUST, KUBOTA.....	1				
18	101209GT	NUT,EXHAUST MANIFOLD.....	6				
19	101208GT	STUD,EXHAUST MANIFOLD.....	6				
20	34058GT	SENDING UNIT,TMP,FRD,GM,PRK704..... <i>(for models with gauge option)</i>	1				
--	28607GT	ADAPTER,140139-8-6					
21	32077GT	PETCOCK,DRAIN,KUBOTA WG750B....	1				
22	44195GT	ALTERNATOR STAY, D905.....	1				
23	866090GT	ALTERNATOR,KUBOTA*.....	1				
24	148099GT	COVER,V-BELT,D1105,KUBOTA.....	1				
25	22934GT	SWITCH,OIL,PRESSURE,KUBOTA.....	1				
26	30810GT	SENDING UNIT,OIL PRESSURE***..... <i>dual-terminal sender (for models with gauge option)</i>	1				
27	42248GT	ADAPTER,140139-4-2.....	1				
28	866050GT	FILTER,OIL,KUBOTA.....	1				
29	52532GT	PLUG,ENGINE OIL DRAIN,D-905***.....	1				
30	52533GT	GASKET (52532) OIL DRAIN, D905.....	1				
31	32195GT	HOSE,LOWER RADIATOR,DF752.....	1				
32	32185GT	CLAMP,HOSE.....	2				
33	32067GT	HOSE,WATER PUMP,KUBOTA**.....	1				
34	32196GT	BELT,V, KUBOTA D905.....	1				

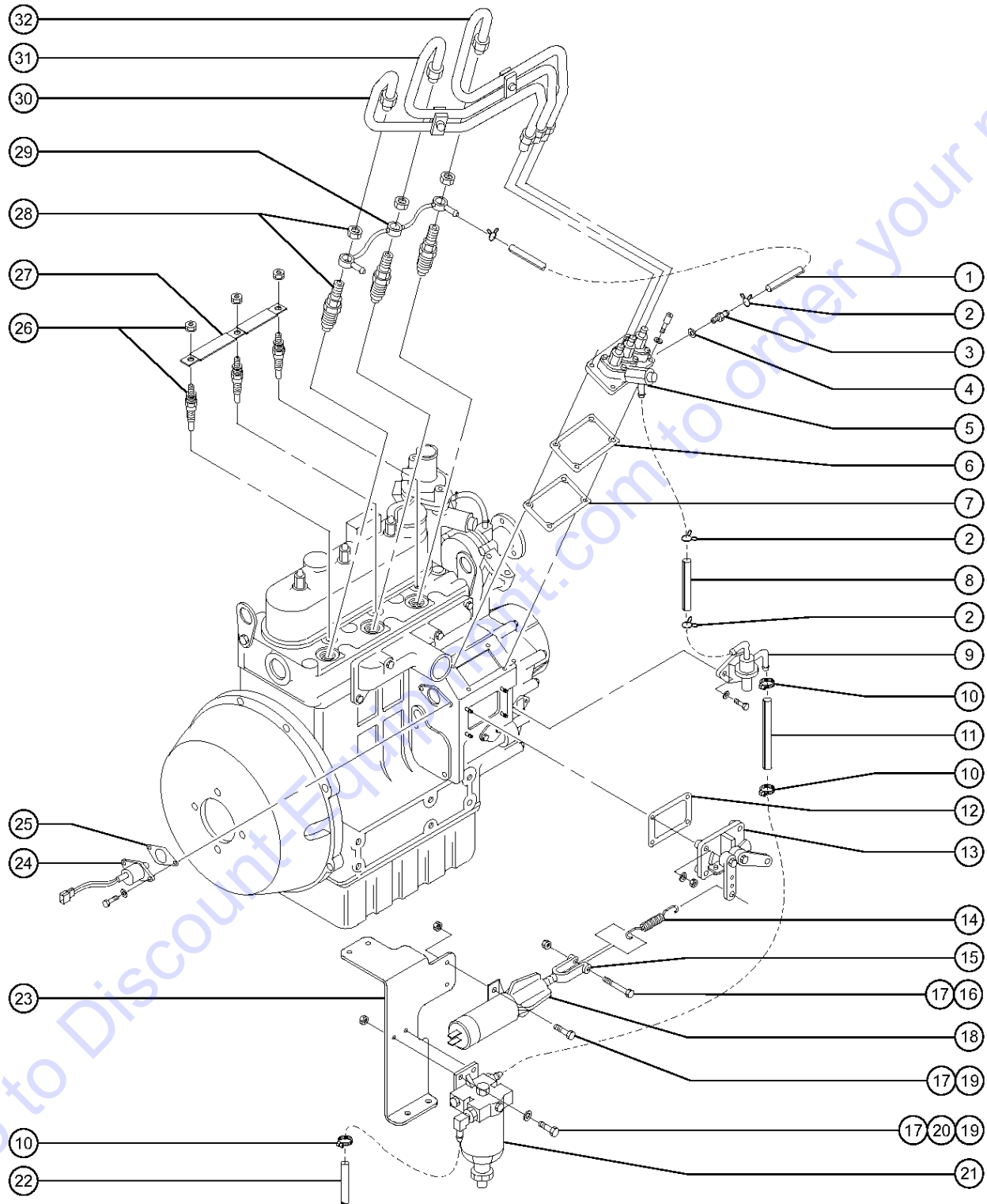
305.2 Kubota D-1105 Engine, View 1 (from SN 52257)



## 305.2 Kubota D-1105 Engine, View 1 (from SN 52257)

Item	Part No.	Description	Qty.	Item	Part No.	Description	Qty.
--		<i>for internal engine components, contact engine dealer</i>		37	52531GT	PULLEY,FAN,KUBOTA, D-905,GS68.....	1
1	32188GT	DIPSTICK,KUBOTA D905***.....	1	38	101201GT	WATER PUMP ASSY,KUBOTA.....	1
2	44194GT	PIPE,BREATHER JOINT, D905.....	1	39	32199GT	GASKET,WATER PUMP.....	1
3	44191GT	VALVE COVER, D905.....	1	40	32069GT	CLAMP,HOSE,KUBOTA WG750.....	2
4	32190GT	PLUG,OIL FILLER,KUBOTA D905***.....	1	41	32200GT	HOSE,WATER PUMP RETURN,D905....	1
5	22903GT	O-RING,OIL FILLER PLUG,KUBOTA*.....	1	42	866397GT	KUBOTA GASKET,THERMOSTAT.....	1
6	44193GT	NUT,VALVE COVER CAP, D905.....	1	43	139278GT	THERMOSTAT.....	1
7	44192GT	GASKET,VALVE COVER CAP, D905.....	1	44	139279GT	THERMOSTAT COVER.....	1
8	32189GT	GASKET,VALVE COVER,KUBOTA D905.....	1				
9	65837GT	STARTER,KUBOTA D905 VERS 2***.....	1				
9A	32194GT	SOLENOID,32193 STARTER,D905					
10	131378GT	MUFFLER ASSEMBLY.....	1				
11	32064GT	CLAMP,MUFFLER,1.75 INCH..... <i>(includes mounting fasteners)</i>	1				
12	112947GT	TAILPIPE, D1105, GS68.....	1				
13	25929GT	SCREW,HHC,M8 X 30MM,GRD 8.8					
14	6886GT	WASHER,LOCK,.313					
15	832128GT	GASKET,MUFFLER,KUBOTA D905/11.....	1				
16	32191GT	GASKET,EXHAUST MANIFOLD,D905....	1				
17	32192GT	MANIFOLD, EXHAUST, KUBOTA.....	1				
18	101209GT	NUT,EXHAUST MANIFOLD.....	6				
19	101208GT	STUD,EXHAUST MANIFOLD.....	6				
20	34058GT	SENDING UNIT,TMP,FRD,GM,PRK704..... <i>(for models with gauge option)</i>	1				
21	28607GT	ADAPTER,140139-8-6.....	1				
22	32077GT	PETCOCK,DRAIN,KUBOTA WG750B....	1				
23	44195GT	ALTERNATOR STAY, D905.....	1				
24	101203GT	ALTERNATOR,40 AMP,INT REG.....	1				
25	148099GT	COVER,V-BELT,D1105,KUBOTA.....	1				
26	22934GT	SWITCH,OIL,PRESSURE,KUBOTA.....	1				
27	30810GT	SENDING UNIT,OIL PRESSURE***..... <i>dual-terminal sender (for models with gauge option)</i>	1				
28	42248GT	ADAPTER,140139-4-2.....	1				
29	866050GT	FILTER,OIL,KUBOTA.....	1				
30	52532GT	PLUG,ENGINE OIL DRAIN,D-905***.....	1				
31	52533GT	GASKET (52532) OIL DRAIN, D905.....	1				
32	32195GT	HOSE,LOWER RADIATOR,DF752.....	1				
33	32185GT	CLAMP,HOSE.....	2				
34	32067GT	HOSE,WATER PUMP,KUBOTA**.....	1				
35	32196GT	BELT,V, KUBOTA D905.....	1				
36	32197GT	FAN,KUBOTA D905.....	1				

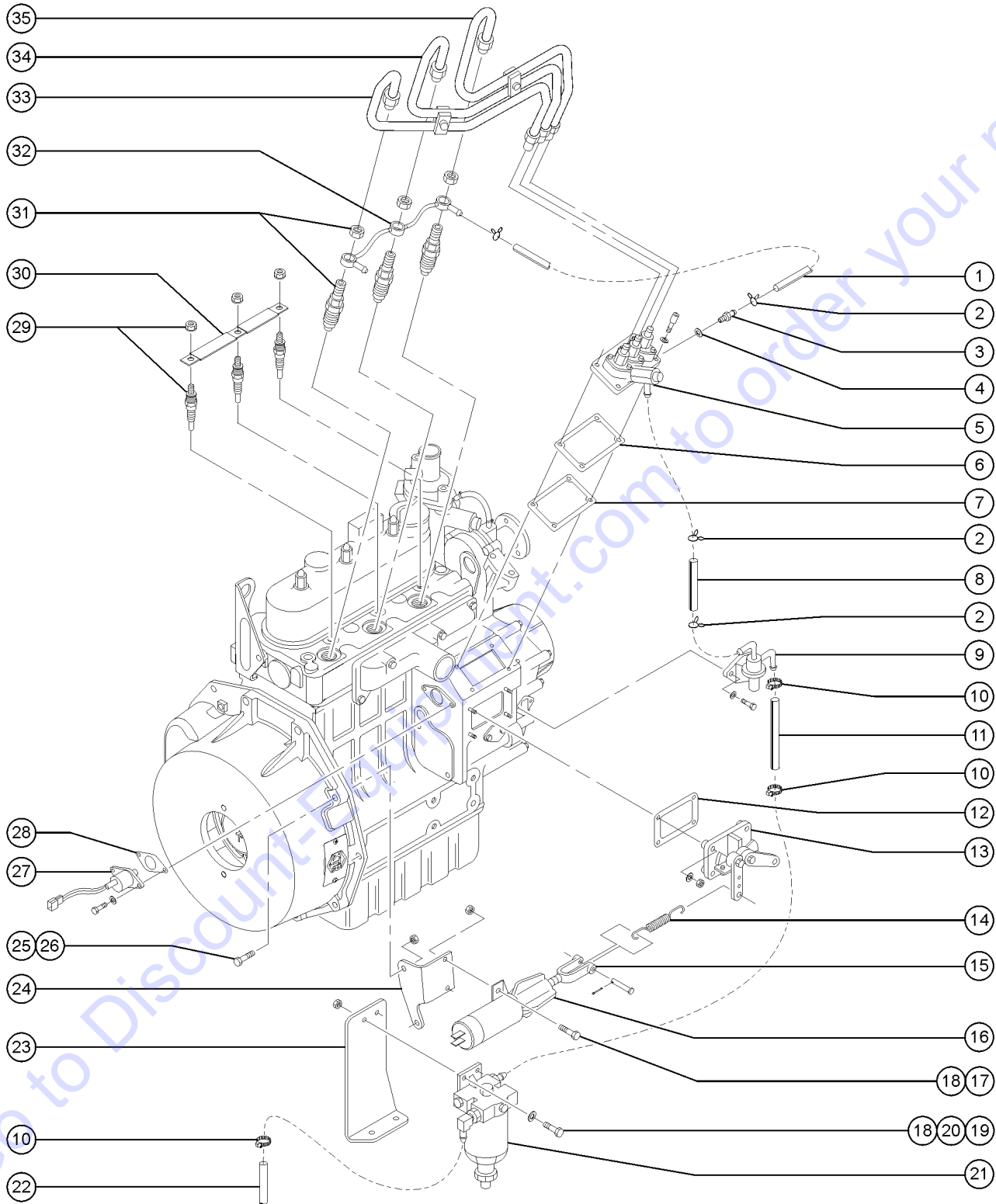
306.1 Kubota D-905 Engine, View 2 (to SN 52256)



## 306.1 Kubota D-905 Engine, View 2 (to SN 52256)

Item	Part No.	Description	Qty.	Item	Part No.	Description	Qty.
--		<i>for internal engine components, contact engine dealer</i>		30	44196GT	PIPE,INJECTOR 1,D905,D1105.....	1
1	35418GT	HOSE,FUEL,3/16,SAE 30R7.....	5-inches	31	44197GT	PIPE,INJECTOR 2,D905,D1105.....	1
2	52834GT	CLAMP-HOSE, .375, FUEL PUMP.....	3	32	44198GT	PIPE,INJECTOR 3,D905,D1105.....	1
3	62119GT	SCREW-AIR BREATHER, D905.....	1				
4	44181GT	GASKET,VALVE COVER CAP, WG750.....	1				
5	839149GT	KUBOTA INJECTOR PUMP, D1105.....	1				
6	32103GT	GASKET,INJECTION PUMP.....	1				
7	32182GT	GASKET,INJECTION PUMP.....	1				
8	27089GT	HOSE,5/16 FUEL,SAE 30R7.....	3-inches				
9	866070GT	FUEL PUMP, MECHANICAL.....	1				
--	839233GT	KUBOTA FUEL PUMP GASKET.....	1				
10	44909GT	CLAMP,HOSE,.35"-.86" X .3125".....	3				
11	27089GT	HOSE,5/16 FUEL,SAE 30R7.....	14-inches				
12	44202GT	GASKET,SPEED CONTROL ASSY,D905.....	1				
13	44200GT	SPEED CONTROL ASSY, D905..... <i>(includes mounting fasteners)</i>	1				
--	44201GT	SPRING,RETURN,SPEED CONTR,D905					
14	31379GT	SPRING,TENSION-1.25 X.438 DIA.....	1				
15	21130GT	CLEVIS YOKE-1/4-28,PLTD W/PIN.....	1				
16	6888GT	SCREW,HHC,1/4-20 X 1					
17	6091GT	NUT,NYLOCK,1/4-20					
18	51745GT	SOLENOID,1"STRKE,12V,SYNCR***.....	1				
--	52514GT	BOOT,THROTTLE SOLENOID					
19	6090GT	SCREW,HHC,1/4-20 X .75					
20	6638GT	WASHER,FLAT,USS,1/4"Y					
21	42766GT	SEPARATOR/FILTER,FUEL DIESEL**..... <i>(to SN 43089)</i>	1				
--	42767GT	SEPARATOR/FILTER ELEMENT,FUEL*					
21A	56949GT	FILTER/SEPARATOR,FUEL DIESEL**..... <i>(from SN 43099)</i>	1				
--	65853GT	FILTER,FUEL/WATER SEPARATOR***					
22	27089GT	HOSE,5/16 FUEL,SAE 30R7.....	37-inches				
23	51675GT	FORMING, DIESEL ENG. BRKT,GS68...	1				
24	94675GT	KIT,KUBOTA SOLENOID REPLACE***..... <i>(to SN 42078)</i>	1				
--	99199GT	SOLENOID,KUBOTA D9/1105 SHTDWN <i>(from SN 42079)</i>					
25	866040GT	GASKET,SOLENOID,KUBOTA.....	1				
26	839119GT	KUBOTA GLOW PLUG.....	3				
27	62118GT	JUMPER-GLOW PLUG.....	1				
28	62116GT	INJECTOR,FUEL,D905**.....	3				
29	62117GT	PIPE ASSY-OVERFLOW-D905.....	1				

306.2 Kubota D-1105 Engine, View 2 (from SN 52257)

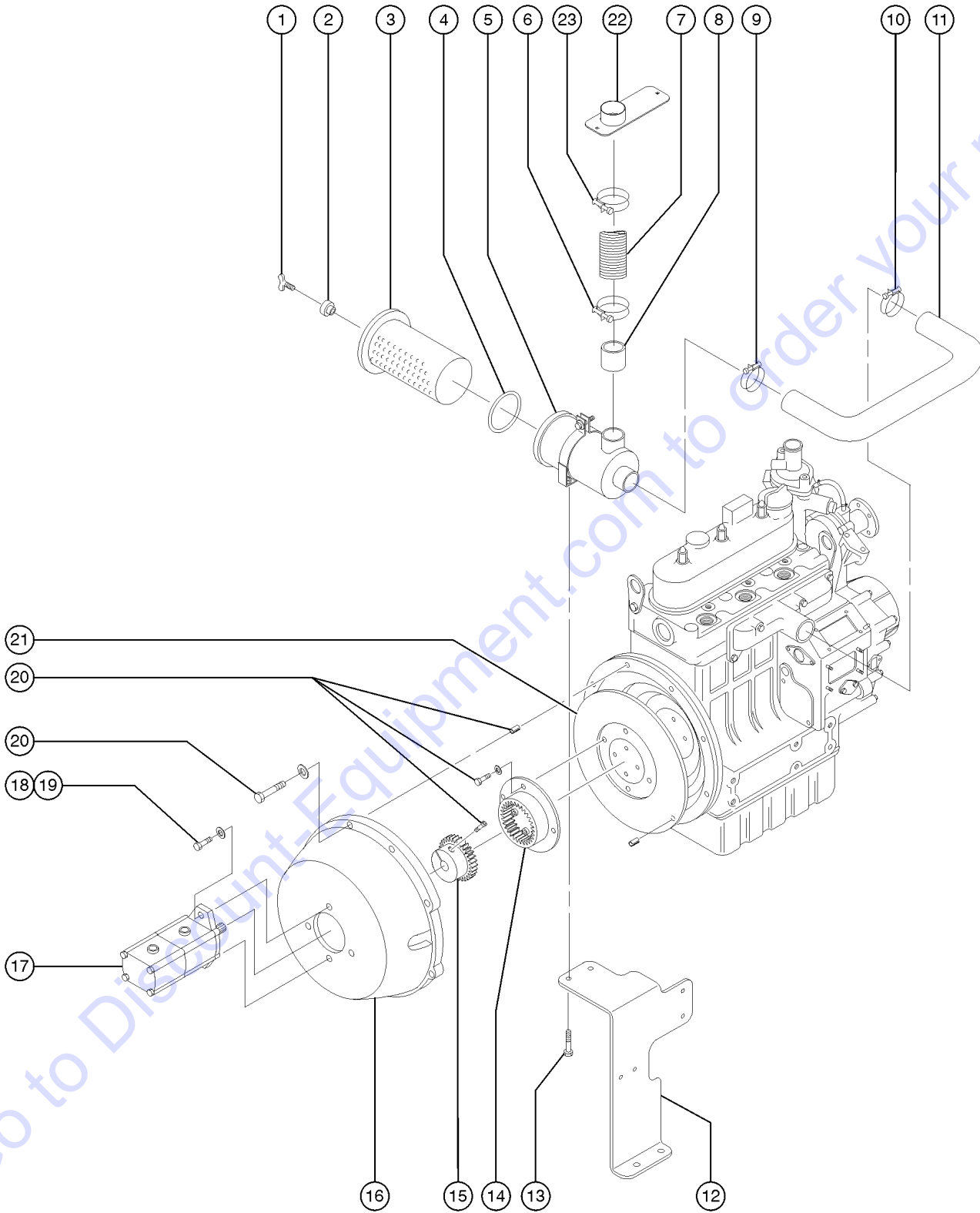


## 306.2 Kubota D-1105 Engine, View 2 (from SN 52257)

Item	Part No.	Description	Qty.	Item	Part No.	Description	Qty.
--		<i>for internal engine components, contact engine dealer</i>		35	44198GT	PIPE,INJECTOR 3,D905,D1105.....	1
1	35418GT	HOSE,FUEL,3/16,SAE 30R7.....	5-inches				
2	52834GT	CLAMP-HOSE, .375, FUEL PUMP.....	3				
3	62119GT	SCREW-AIR BREATHER, D905.....	1				
4	44181GT	GASKET,VALVE COVER CAP, WG750.....	1				
5	839149GT	KUBOTA INJECTOR PUMP, D1105.....	1				
6	32103GT	GASKET,INJECTION PUMP.....	1				
7	32182GT	GASKET,INJECTION PUMP.....	1				
8	27089GT	HOSE,5/16 FUEL,SAE 30R7.....	3-inches				
9	866070GT	FUEL PUMP, MECHANICAL.....	1				
--	839233GT	KUBOTA FUEL PUMP GASKET.....	1				
10	44909GT	CLAMP,HOSE,.35"-.86" X .3125".....	3				
11	27089GT	HOSE,5/16 FUEL,SAE 30R7.....	14-inches				
12	44202GT	GASKET,SPEED CONTROL ASSY,D905.....	1				
13	44200GT	SPEED CONTROL ASSY, D905..... <i>(includes mounting fasteners)</i>	1				
--	44201GT	SPRING,RETURN,SPEED CONTR,D905					
14	31379GT	SPRING,TENSION-1.25 X.438 DIA.....	1				
15	21130GT	CLEVIS YOKE-1/4-28,PLTD W/PIN..... <i>(includes mounting fasteners)</i>	1				
16	51745GT	SOLENOID,1"STRKE,12V,SYNCR***.....	1				
--	52514GT	BOOT,THROTTLE SOLENOID					
17	6090GT	SCREW,HHC,1/4-20 X .75					
18	6091GT	NUT,NYLOCK,1/4-20					
19	8915GT	SCREW,HHC,1/4-20 X 1.25					
20	6638GT	WASHER,FLAT,USS,1/4"Y					
21	56949GT	FILTER/SEPARATOR,FUEL DIESEL**.....	1				
--	65853GT	FILTER,FUEL/WATER SEPARATOR***					
22	27089GT	HOSE,5/16 FUEL,SAE 30R7.....	37-inches				
23	150133GT	FORMING,FUEL FILTER MOUNT.....	1				
24	150132GT	FORMING,SOLENOID MOUNT.....	1				
25	49386GT	SCREW,HHC,M8 X 40					
26	25368GT	NUT,NYLOCK,M8X1.25					
27	99199GT	SOLENOID,KUBOTA D9/1105 SHTDWN.....	1				
28	866040GT	GASKET,SOLENOID,KUBOTA.....	1				
29	839119GT	KUBOTA GLOW PLUG.....	3				
30	62118GT	JUMPER-GLOW PLUG.....	1				
31	62116GT	INJECTOR,FUEL,D905**.....	3				
32	62117GT	PIPE ASSY-OVERFLOW-D905.....	1				
33	44196GT	PIPE,INJECTOR 1,D905,D1105.....	1				
34	44197GT	PIPE,INJECTOR 2,D905,D1105.....	1				



307.1 Kubota D-905 Engine, View 3 (to SN 52256)



## 307.1 Kubota D-905 Engine, View 3 (to SN 52256)

Item	Part No.	Description	Qty.
--	101202GT	AIR CLEANER ASSY <i>(includes items 1-5 and 13)</i>	
--		<i>for internal engine components, contact engine dealer</i>	
1	44203GT	BOLT,WING,FILTER ELEMENT, D905....1	
2	44204GT	WASHER ASSY,FILTER ELEMNT,D905.....1	
3	31745GT	FILTER,AIR,D905.....1	
4	839081GT	KUBOTA 15221-11170 GASKET A/C....1	
5	32184GT	AIR CLEANER KIT,KUBOTA D905.....1	
--	52504GT	BAND,AIR CLEANER,GS68	
6	45435GT	CLAMP,HOSE,2.50"*** .....2	
7	131372GT	HOSE,1.75ID,2.50IDX12.0".....1	
8	51852GT	HOSE, 2.44 OD X 2.00 ID X 1.25.....1 <i>(to SN 51525)</i>	
9	62114GT	CLAMP-HOSE, AIR CLEANER.....1	
10	32084GT	CLAMP,AIR CLEANER HOSE,WG750**.....1	
11	43700GT	PIPE,INLET, D905.....1	
12		Ref. Filter/Separator and Solenoid Mount Bracket <i>(refer to 308.1)</i>	
13	52530GT	SCREW,AIR CLEANER MOUNT,KUBOTA.....2	
14	94688GT	ADAPTER, FLANGE GEAR, 3 HOLE....1 <i>three mounting holes</i>	
--	161193GT	ADAPTER,FLANGE,FLYWHEEL.....1 <i>five mounting holes</i>	
15	1268809GT	COUPLER, SPLINED,9 TOOTH, 30MM.....1	
16	104364GT	BELL HOUSING,K-D905K,A PLT.....1	
17	87914GT	PUMP,GEAR,DUAL*** .....1 <i>(to SN 41882)</i>	
--	62857GT	SEAL KIT,REXROTH (67335,55920)	
17A	87914GT	PUMP,GEAR,DUAL*** .....1 <i>(from SN 41883)</i>	
--	85197GT	SEAL KIT,BOSCH PUMP***.....2	
18	6019GT	SCREW,HHC,3/8-16 X 1.25 GRD 5	
19	6021GT	WASHER,LOCK,.375	
20	104367GT	HARDWARE KIT, BELLHSING KUBOTA.....1	
21	99881GT	FLYWHEEL,KUBOTA D905.....1	
--	99882GT	BOLT,FLYWHEEL,KUBOTA D905	
22		Ref. Rain Cap Mount <i>(refer to 401.1)</i>	
23	45435GT	CLAMP,HOSE,2.50"*** .....1 <i>(to SN 51525)</i>	
--	22672GT	CLAMP,HOSE,1.75.....1 <i>(from SN 51526)</i>	

# PARTS FINDER

**Search Website  
by Part Number**



**Search Manual  
Library For Parts  
Manual & Lookup Part  
Numbers – Purchase  
or Request Quote**

**Search Manuals**

Enter your information to help us find the right parts manual for your machine.

\* Brand:

\* Model:

\* Serial:

\* Part Number:

SEARCH

**Can't Find Part or  
Manual? Request Help  
by Manufacturer,  
Model & Description**

**Parts Order Form**

Please fill in the following information to help us find the right part for your machine.

Manufacturer:	<input type="text"/>
Model:	<input type="text"/>
Description:	<input type="text"/>
Part Number:	<input type="text"/>
Quantity:	<input type="text"/>
Notes:	<input type="text"/>

Submit

Discount-Equipment.com is your online resource for quality parts & equipment.

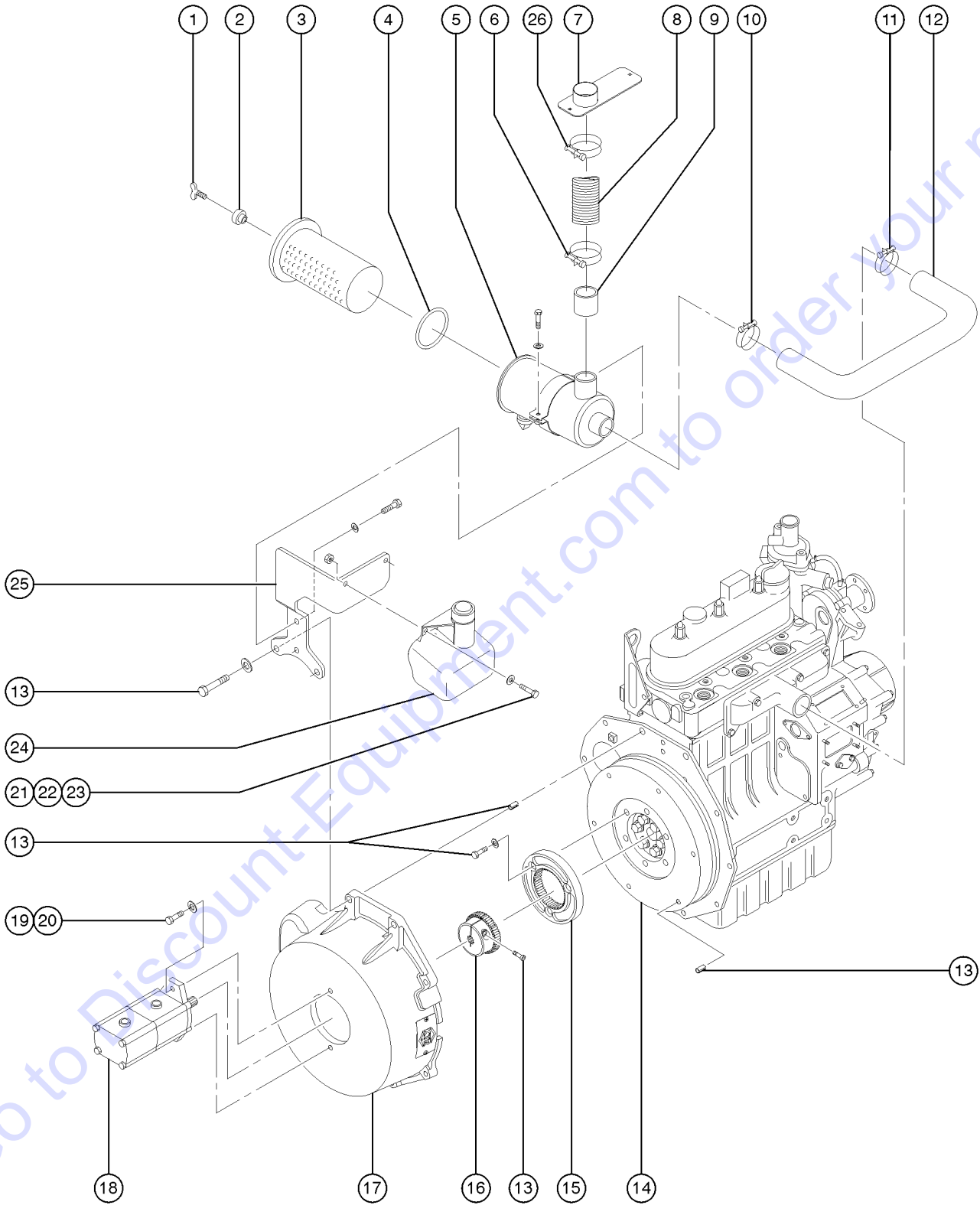
Florida: **561-964-4949** Outside Florida TOLL FREE: **877-690-3101**

**Need parts?**

Click on this link: <http://www.discount-equipment.com/category/5443-parts/> and choose one of the options to help get the right parts and equipment you are looking for. Please have the machine model and serial number available in order to help us get you the correct parts. If you don't find the part on the website or on one of the online manuals, please fill out the request form and one of our experienced staff members will get back to you with a quote for the right part that your machine needs.

We sell worldwide for the brands: Genie, Terex, JLG, MultiQuip, Mikasa, Essick, Whiteman, Mayco, Toro Stone, Diamond Products, Generac Magnum, Airman, Haulotte, Barreto, Power Blanket, Nifty Lift, Atlas Copco, Chicago Pneumatic, Allmand, Miller Curber, Skyjack, Lull, Skytrak, Tsurumi, Husquvarna Target, Stow, Wacker, Sakai, Mi-T-M, Sullair, Basic, Dynapac, MBW, Weber, Bartell, Bennar Newman, Haulotte, Ditch Runner, Menegotti, Morrison, Contec, Buddy, Crown, Edco, Wyco, Bomag, Laymor, EZ Trench, Bil-Jax, F.S. Curtis, Gehl Pavers, Heli, Honda, ICS/PowerGrit, IHI, Partner, Imer, Clipper, MMD, Koshin, Rice, CH&E, General Equipment, Amida, Coleman, NAC, Gradall, Square Shooter, Kent, Stanley, Tamco, Toku, Hatz, Kohler, Robin, Wisconsin, Northrock, Oztec, Toker TK, Rol-Air, APT, Wylie, Ingersoll Rand / Doosan, Innovatech, Con X, Ammann, Mecalac, Makinex, Smith Surface Prep, Small Line, Wanco, Yanmar

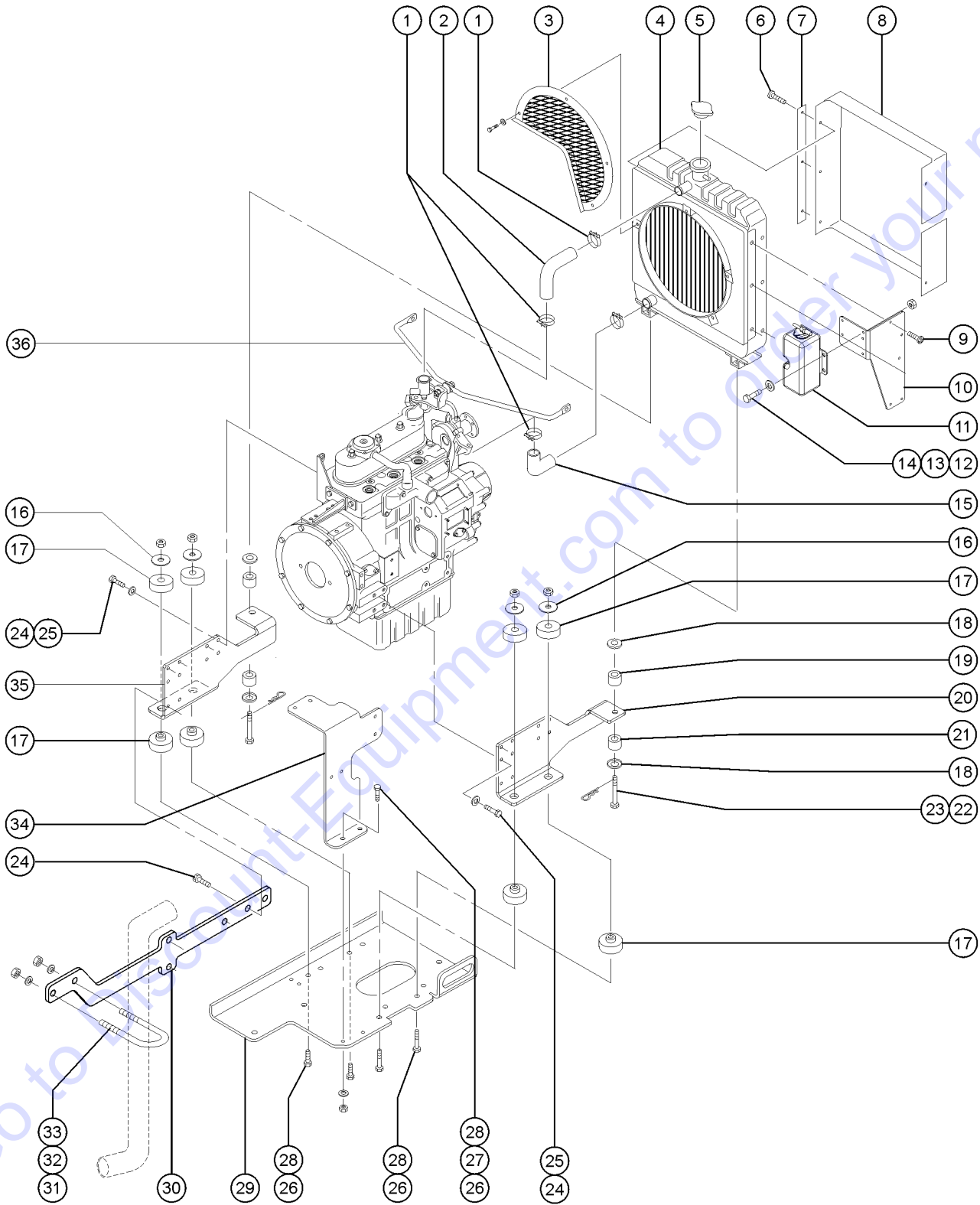
307.2 Kubota D-1105 Engine, View 3 (from SN 52257)



## 307.2 Kubota D-1105 Engine, View 3 (from SN 52257)

Item	Part No.	Description	Qty.
--	101202GT	AIR CLEANER ASSY <i>(includes items 1-5)</i>	
--		<i>for internal engine components, contact engine dealer</i>	
1	44203GT	BOLT,WING,FILTER ELEMENT, D905....1	
2	44204GT	WASHER ASSY,FILTER ELEMNT,D905.....1	
3	31745GT	FILTER,AIR,D905.....1	
4	839081GT	KUBOTA 15221-11170 GASKET A/C....1	
5	32184GT	AIR CLEANER KIT,KUBOTA D905.....1	
--	101204GT	AIR CLEANER STAY <i>(includes mounting fasteners)</i>	
6	45435GT	CLAMP,HOSE,2.50"***.....1	
7		Ref. Rain Cap Mount <i>(refer to 401.1)</i>	
8	131372GT	HOSE,1.75ID,2.50IDX12.0".....1	
9	51852GT	HOSE, 2.44 OD X 2.00 ID X 1.25.....1	
10	62114GT	CLAMP-HOSE, AIR CLEANER.....1	
11	32084GT	CLAMP,AIR CLEANER HOSE,WG750**.....1	
12	43700GT	PIPE,INLET, D905.....1	
13	104367GT	HARDWARE KIT, BELLHSING KUBOTA.....1	
14	99881GT	FLYWHEEL,KUBOTA D905.....1	
--	99882GT	BOLT,FLYWHEEL,KUBOTA D905	
15	161193GT	ADAPTER,FLANGE,FLYWHEEL.....1 <i>five mounting holes</i>	
15	94688GT	ADAPTER, FLANGE GEAR, 3 HOLE.....1 <i>three mounting holes</i>	
16	1268809GT	COUPLER, SPLINED,9 TOOTH, 30MM.....1	
17	131484GT	BELLHOUSING, KD-1105, A-PILOT.....1	
18	87914GT	PUMP,GEAR,DUAL ***.....1	
--	85197GT	SEAL KIT,BOSCH PUMP***.....2	
19	6019GT	SCREW,HHC,3/8-16 X 1.25 GRD 5	
20	6021GT	WASHER,LOCK,.375	
21	6090GT	SCREW,HHC,1/4-20 X .75	
22	6638GT	WASHER,FLAT,USS,1/4"Y	
23	6091GT	NUT,NYLOCK,1/4-20	
24	42662GT	COOLANT RECOVERY BOTTLE1.5 QT*.....1	
25	150131GT	PLATE,AIR CLEANER MOUNT.....1	
26	22672GT	CLAMP,HOSE,1.75.....1	

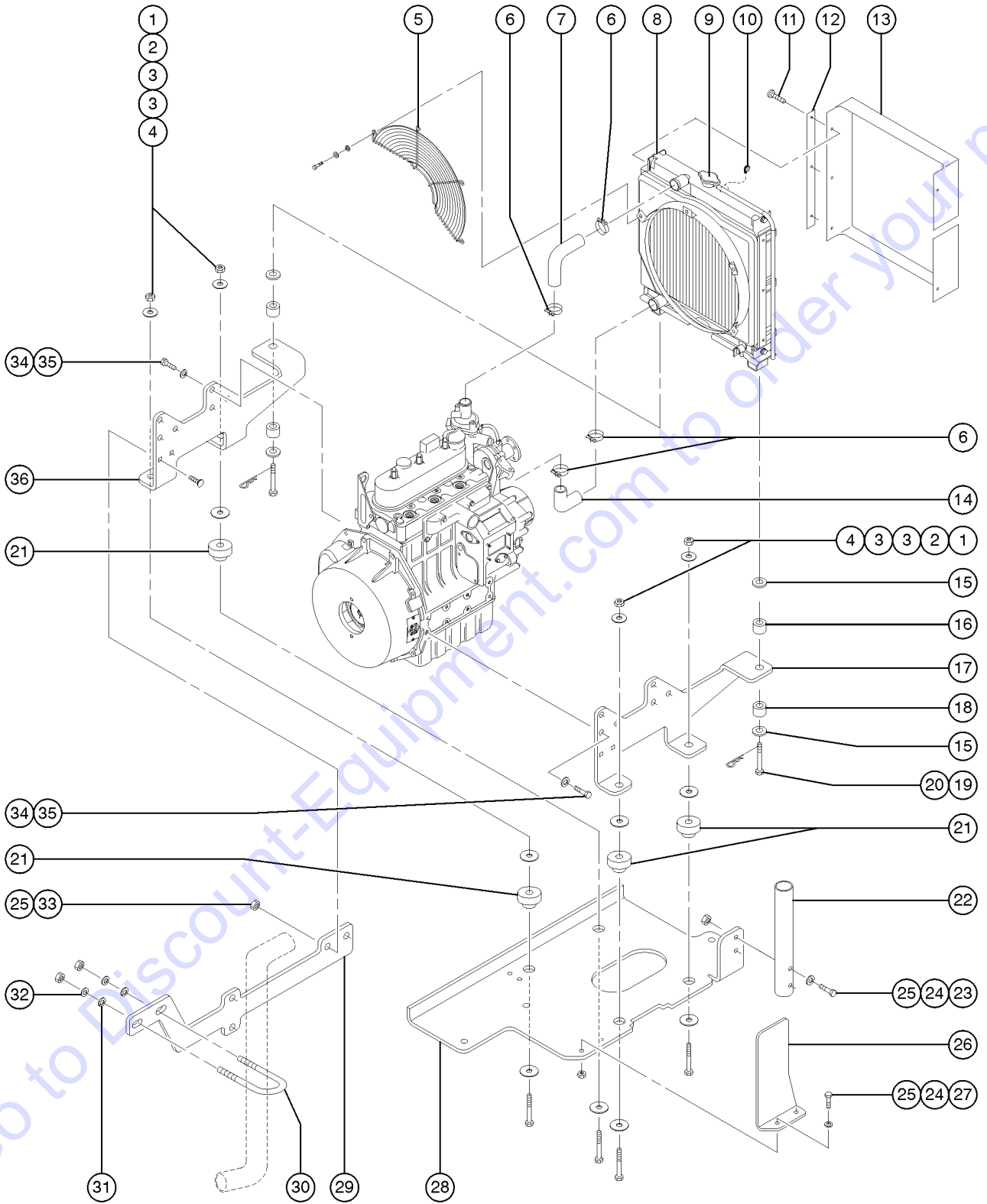
308.1 Kubota D-905 Engine, View 4 (to SN 52256)



## 308.1 Kubota D-905 Engine, View 4 (to SN 52256)

Item	Part No.	Description	Qty.	Item	Part No.	Description	Qty.
--		<i>for internal engine components, contact engine dealer</i>		35	71780GT	FORMING,LEFT ENG. MOUNT,DIESEL.....1 (ground control side)	1
1	32185GT	CLAMP,HOSE.....	4	36	112500GT	KIT,D-905 RADIATOR SUPPORT.....	1
2	32205GT	HOSE,UPPR RADIATOR,KUBOTA D905.....	1				
3	32206GT	GUARD,FAN,KUBOTA D905.....	1				
4	112531GT	RADIATOR ASSY,ALUM.D-905.....	1				
5	110523GT	CAP,RADIATOR,AL,KUBOTA DF-752....	1				
6	51738GT	SCREW,RHM,M6 X 12MM					
7	51850GT	PLATE, RADIATOR SEAL,GS68.....	1				
8	51849GT	SEAL, DIESEL ENGINE.....	1				
9	49375GT	SCREW,HHC,M6 X 16					
10	55829GT	GS68 FORMING, DIESEL OVERFLOW.....	1				
11	94532GT	BOTTLE,COOLANT RECOVERY,1.4***.....	1				
--	115431GT	CAP ASSY, COOLANT BOTTLE					
11A	131581GT	HOSE,RAD.OVERFLOW,KD-1105,50"					
12	6090GT	SCREW,HHC,1/4-20 X .75					
13	6638GT	WASHER,FLAT,USS,1/4"Y					
14	6091GT	NUT,NYLOCK,1/4-20					
15	131427GT	HOSE,RADIATOR,LOWER,D905.....	1				
16	24040GT	WASHER, 1/2 PLATE (1/2 X 2.25 X 3/16)					
17	24037GT	SHOCK MOUNT,LARGE**.....	8				
18	52539GT	WASHER,RADIATOR CUSHION,KUBOTA.....	4				
19	28156GT	CUSHION,RADIATOR,KUBOTA 1702**.....	2				
20	71781GT	FORMING,RT ENG. MOUNT, DIESEL....1 (engine side)	1				
21	865260GT	KUBOTA 15263-12370CUSHION.....	2				
22	52540GT	SCREW,RADIATOR MOUNT, KUBOTA.....	2				
23	52541GT	CLIP,RADIATOR MOUNT, KUBOTA.....	2				
24	22676GT	SCREW,HHC,M10 X 1.25 X 30MM**					
25	22700GT	WASHER,LOCK,M10					
26	6175GT	SCREW,HHC,3/8-16 X 1					
27	6097GT	WASHER,FLAT,USS,3/8",Y					
28	4828GT	NUT,NYLOCK,3/8-16.....	6				
29	47664GT	FORMING,SLIDING ENGINE TRAY.....	1				
30	71779GT	FORMING,TAILPIPE BRKT, GS68.....	1				
31	51733GT	U-BOLT,1/4-20 X 1.75 X 3.00					
32	6356GT	WASHER,LOCK,.25					
33	6357GT	NUT,HEX,1/4-20					
34	51675GT	FORMING, DIESEL ENG. BRKT,GS68...1					

308.2 Kubota D-1105 Engine, View 4 (from SN 52257)

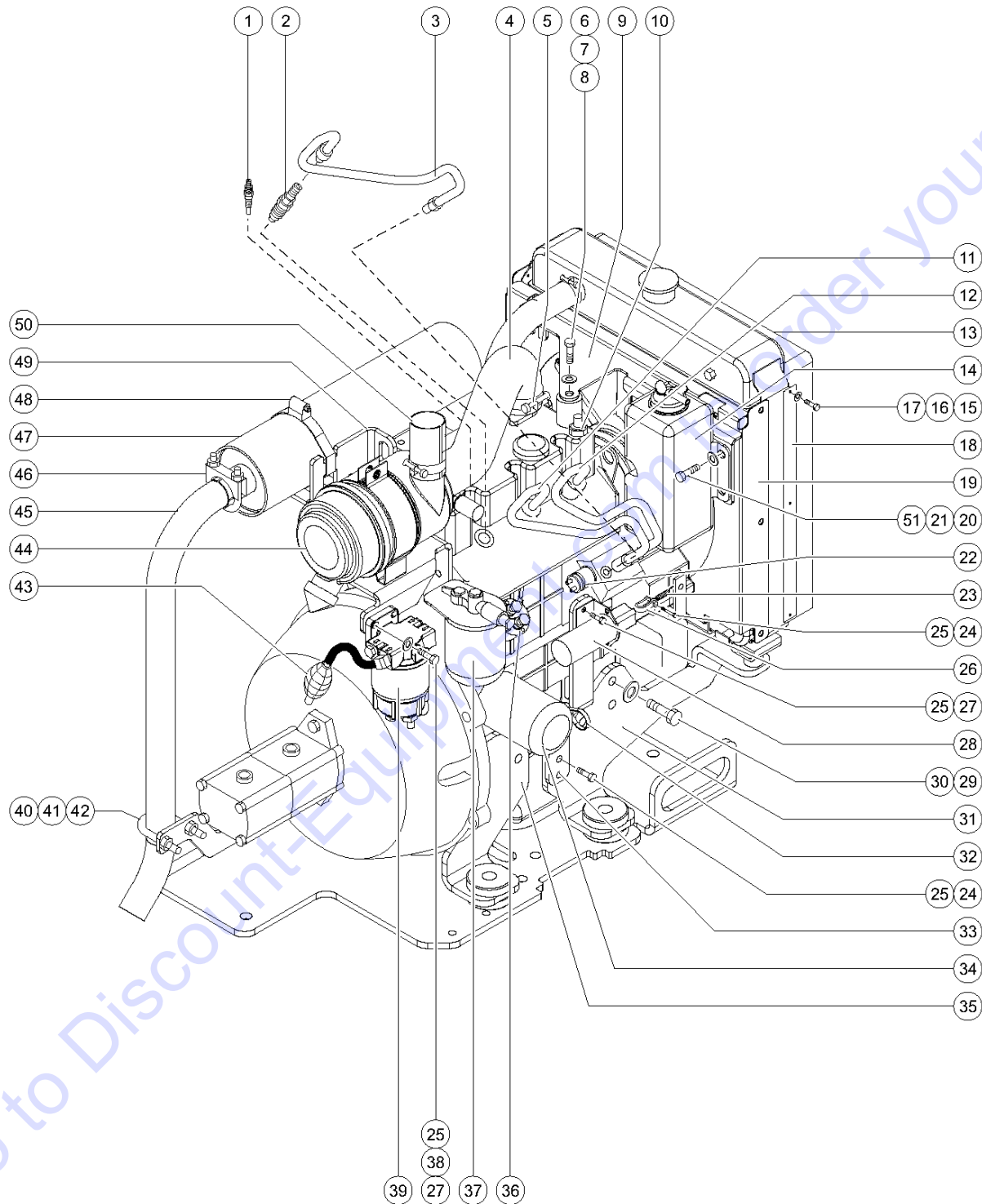




## 308.2 Kubota D-1105 Engine, View 4 (from SN 52257)

Item	Part No.	Description	Qty.	Item	Part No.	Description	Qty.
--		<i>for internal engine components, contact engine dealer</i>		36	131105GT	FORMING,ENGINE MNT,LT,D1105.....1 (ground control side)	1
1	6198GT	NUT,NYLOCK,1/2-13					
2	6095GT	WASHER,FLAT,USS,1/2",Y					
3	112946GT	WASHER,FENDER,.5X2.125					
4	39479GT	SCREW,HHC,1/2-13 X 2.75					
5	131373GT	COVER, FAN.....	1				
6	32185GT	CLAMP,HOSE.....	4				
7	32205GT	HOSE,UPPR RADIATOR,KUBOTA D905.....	1				
8	112531GT	RADIATOR ASSY,ALUM.D-905.....	1				
9	110523GT	CAP,RADIATOR,AL,KUBOTA DF-752.....	1				
10	45454GT	CLAMP,RUB CUSH,0.75,#12 X 3/8*.....	2				
11	51738GT	SCREW,RHM,M6 X 12MM					
12	51850GT	PLATE, RADIATOR SEAL,GS68.....	2				
13	51849GT	SEAL, DIESEL ENGINE.....	1				
14	131427GT	HOSE,RADIATOR,LOWER,D905.....	1				
15	52539GT	WASHER,RADIATOR CUSHION,KUBOTA.....	4				
16	28156GT	CUSHION,RADIATOR,KUBOTA 1702**..... (upper)	2				
17	131104GT	FORMING,ENGINE MNT RT,D1105..... (engine side)	1				
18	865260GT	KUBOTA 15263-12370CUSHION..... (lower)	2				
19	52540GT	SCREW,RADIATOR MOUNT, KUBOTA.....	2				
20	52541GT	CLIP,RADIATOR MOUNT, KUBOTA.....	2				
21	112929GT	ISOLATOR,ENGINE,CNTR-BOND,50D...4					
22	131571GT	TUBE,ENGINE PULL,GS68.....	1				
23	8178GT	SCREW,HHC,3/8-16 X 2.5					
24	6097GT	WASHER,FLAT,USS,3/8",Y					
25	4828GT	NUT,NYLOCK,3/8-16					
26		Ref. Filter Separator Mount Bracket (refer to 306.2)					
27	6175GT	SCREW,HHC,3/8-16 X 1					
28	131103GT	FORMING,SLIDING ENG TRAY,D1105.....	1				
29	131469GT	PLATE,D1105 TAILPIPE MNT,GS68.....	1				
30	51733GT	U-BOLT,1/4-20 X 1.75 X 3.00 (includes nuts)					
31	6356GT	WASHER,LOCK,.25					
32	6638GT	WASHER,FLAT,USS,1/4"Y					
33	60790GT	BOLT, CARRIAGE, 3/8-16 X 1.50, G5					
34	22676GT	SCREW,HHC,M10 X 1.25 X 30MM**					
35	22700GT	WASHER,LOCK,M10					

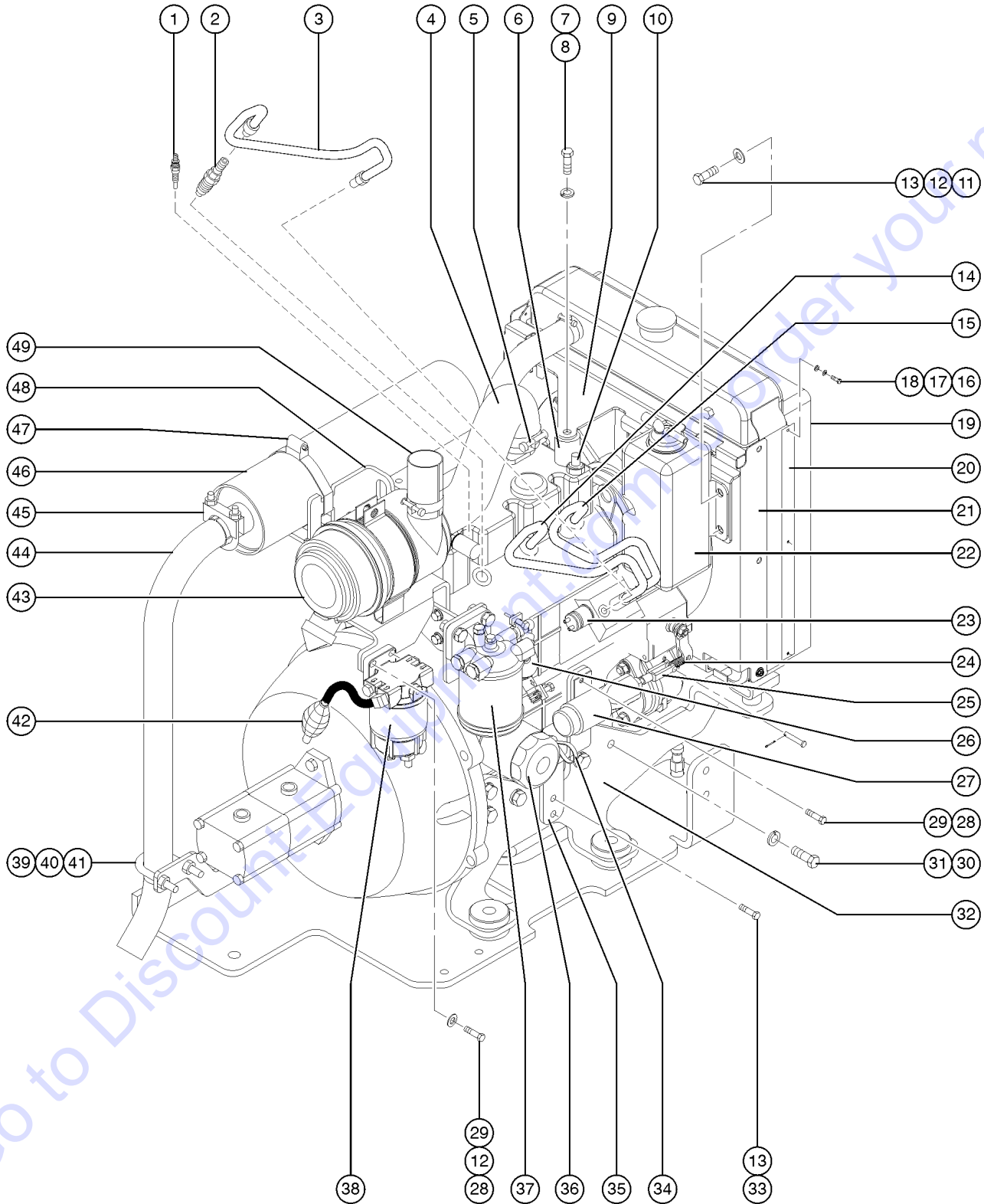
309.1 Perkins 403C-11 Engine, View 1 (to SN 52394)



## 309.1 Perkins 403C-11 Engine, View 1 (to SN 52394)

Item	Part No.	Description	Qty.	Item	Part No.	Description	Qty.
--		<i>for internal engine components, contact engine dealer</i>		36	72348GT	PUMP,LIFT(FUEL) PERKINS(54555).....1	1
1	84815GT	GLOW PLUG, 403C-11.....	3	--	89761GT	O-RING, LIFT PUMP,(PERKINS 404	
2	84811GT	INJECTOR,FUEL 403C-11.....	3	37	94889GT	FUEL FILTER ASSEMBLY.....	1
3	84814GT	PIPE,INJECTOR 3, 403C-11.....	1	--	62421GT	FILTER,FUEL,PERKINS	
4	94244GT	HOSE,AIR INTAKE,PERKINS.....	1	38	6638GT	WASHER,FLAT,USS,1/4"Y	
5	35434GT	CLAMP,HOSE,2.00***.....	3	39	42766GT	SEPARATOR/FILTER,FUEL DIESEL**.....1 (to SN 43089)	1
6	49379GT	SCREW,HHC,M8 X 1.25 X 25		--	42767GT	SEPARATOR/FILTER ELEMENT,FUEL*	
7	6886GT	WASHER,LOCK,.313		39A	104545GT	KIT,FUEL/WATER SEP,30 MICRON.....1 (from SN 43090)	1
8	60585GT	ISOLATOR,VIBRATION,M8 MALE/FEM.....	1	--	65853GT	FILTER,FUEL/WATER SEPARATOR***	
9	112640GT	FORMING,UPPER RAD.SUPPORT.....	1	40	51733GT	U-BOLT,1/4-20 X 1.75 X 3.00	
10	72337GT	SWITCH,OIL PRESS-PERKINS(54555...1 403C-11	1	41	6356GT	WASHER,LOCK,.25	
11	84813GT	PIPE,INJECTOR 2, 403C-11.....	1	42	6357GT	NUT,HEX,1/4-20	
12	84812GT	PIPE,INJECTOR 1, 403C-11.....	1	43	85155GT	PUMP,PRIMER,PERKINS***.....	1
13	99108GT	SEAL, RADIATOR (94232).....	1	44	119684GT	AIRCLEANER ASSEMBLY.....	1
14	94532GT	BOTTLE,COOLANT RECOVERY,1.4***.....	1	--	119685GT	BRACKET, AIRCLEANER MT.	
--	115431GT	CAP ASSY, COOLANT BOTTLE		--	52867GT	FILTER,AIR***	
14A	131581GT	HOSE,RAD.OVERFLOW,KD-1105,50"		45	99102GT	TAILPIPE, PERKINS 403C, GS68.....	1
15	69868GT	SCREW,HEX HD FLANGE, 10-24X.50		46	866803GT	KUBOTA BAND, MUFFLER.....2 (clamp)	2
16	39594GT	WASHER,FENDER,.19 X .522 X.06		47	94239GT	MUFFLER,RND,TYPE 5,4.57 DIA.....	1
17	6607GT	WASHER,LOCK,#10 PLTD		48	34955GT	CLAMP,HOSE,5.00.....	1
18	99910GT	STRIP,RADIATOR SEAL MOUNT.....	2	49	99932GT	FORMING,FILTER MNT,PERKINS,68.....	1
19	112639GT	FORMING,RAD.SHROUD,PERKINS.....	1	50	99853GT	SEAL,INTAKE,GS68,PRK 403C-11.....	1
20	13002GT	SCREW,HHC,5/16-18 X 1 GR5		51	6782GT	NUT,NYLOCK,5/16-18	
21	6638GT	WASHER,FLAT,USS,1/4"Y					
22	72350GT	SOLENOID,SHUT DN,PERKINS(54555).....	1				
23	31379GT	SPRING,TENSION-1.25 X.438 DIA.....	1				
24	8915GT	SCREW,HHC,1/4-20 X 1.25					
25	6091GT	NUT,NYLOCK,1/4-20					
26	21130GT	CLEVIS YOKE-1/4-28,PLTD W/PIN.....	1				
27	6090GT	SCREW,HHC,1/4-20 X .75					
28	77402GT	SOLENOID,THROTTLE ACTUATOR DSL.....	1				
29	94784GT	SCREW,HHC,M12X1.25X25,GR 8.8					
30	49409GT	WASHER,LOCK,M12					
31	99107GT	FORMING,ENG MNT,LF,PRK 403.....1 (Left Front)	1				
32	101320GT	DIPSTICK,STRAIGHT SHORT.....	1				
33	99931PGT	FORMING,SOLENOID MNT,PRK PTD...1	1				
34	94762GT	OIL FILTER - PERKINS.....	1				
35	99100GT	FORMING,ENG MNT,LR,PRK 403.....1 (Left Rear)	1				

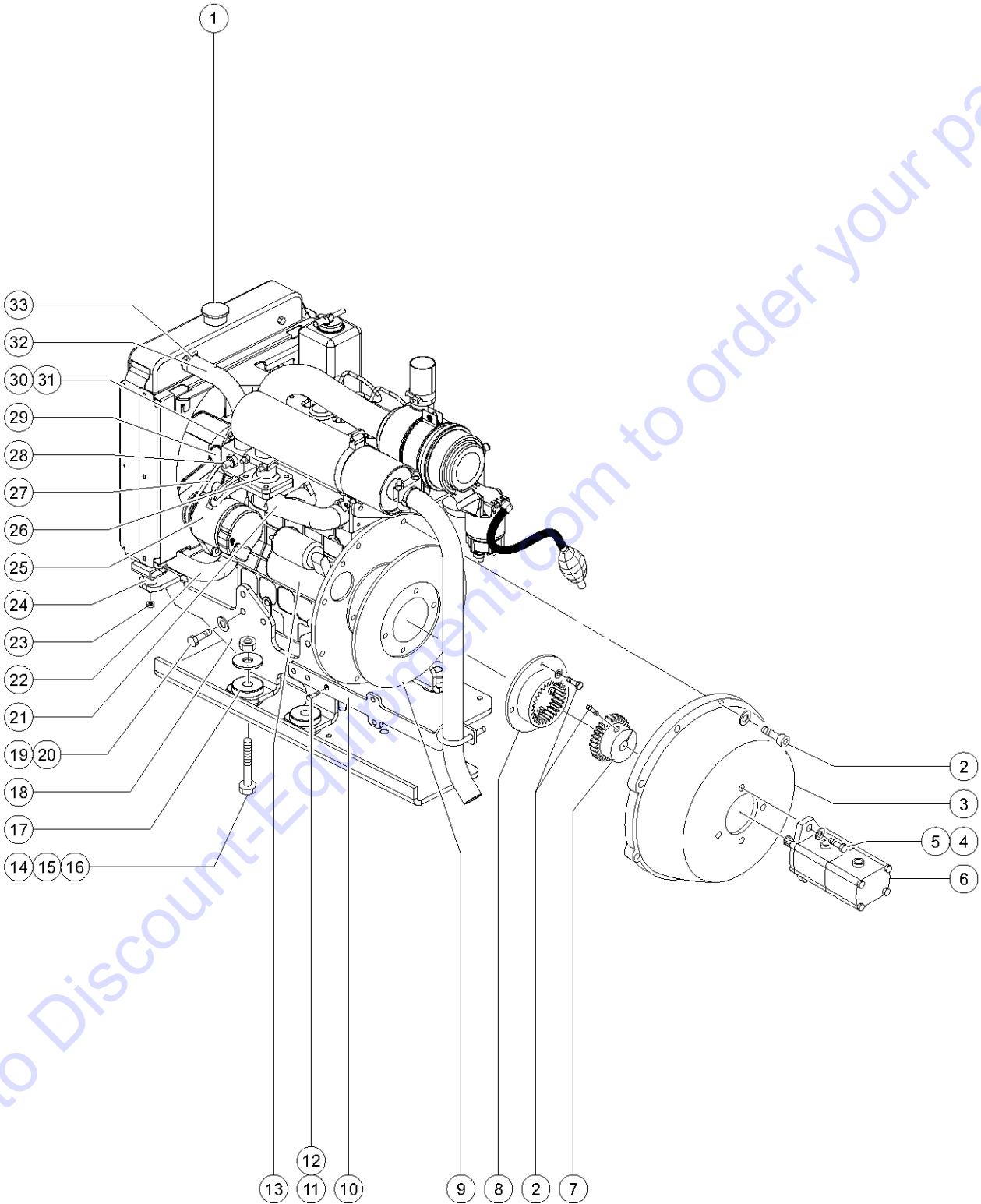
309.2 Perkins 403D-11 Engine, View 1 (from SN 52395)



## 309.2 Perkins 403D-11 Engine, View 1 (from SN 52395)

Item	Part No.	Description	Qty.	Item	Part No.	Description	Qty.
--		<i>for internal engine components, contact engine dealer</i>		35	131656GT	FORMING,SOLENOID MNT,PRK,403D.....	1
1	139270GT	GLOW PLUGS.....	3	36	94762GT	OIL FILTER - PERKINS.....	1
2	139272GT	FUEL INJECTOR.....	3	37	94889GT	FUEL FILTER ASSEMBLY.....	1
3	84814GT	PIPE,INJECTOR 3, 403C-11.....	1	--	62421GT	FILTER,FUEL,PERKINS	
4	94244GT	HOSE,AIR INTAKE,PERKINS.....	1	38	104545GT	KIT,FUEL/WATER SEP,30 MICRON.....	1
5	35434GT	CLAMP,HOSE,2.00***.....	3	--	65853GT	FILTER,FUEL/WATER SEPARATOR***	
6	60585GT	ISOLATOR,VIBRATION,M8 MALE/FEM.....	1	39	51733GT	U-BOLT,1/4-20 X 1.75 X 3.00	
7	49379GT	SCREW,HHC,M8 X 1.25 X 25		40	6356GT	WASHER,LOCK,.25	
8	6886GT	WASHER,LOCK,.313		41	6357GT	NUT,HEX,1/4-20	
9	112640GT	FORMING,UPPER RAD.SUPPORT.....	1	42	85155GT	PUMP,PRIMER,PERKINS***.....	1
10	237776GT	SWITCH,OIL PRES,PERK 403D-11G.....	1	43	119684GT	AIRCLEANER ASSEMBLY.....	1
11	13002GT	SCREW,HHC,5/16-18 X 1 GR5		--	119685GT	BRACKET, AIRCLEANER MT.	
12	6638GT	WASHER,FLAT,USS,1/4"Y		--	52867GT	FILTER,AIR***	
13	6782GT	NUT,NYLOCK,5/16-18		44	99102GT	TAILPIPE, PERKINS 403C, GS68.....	1
14	84813GT	PIPE,INJECTOR 2, 403C-11.....	1	45	866803GT	KUBOTA BAND, MUFFLER.....	2
15	84812GT	PIPE,INJECTOR 1, 403C-11.....	1			<i>(clamp)</i>	
16	69868GT	SCREW,HEX HD FLANGE, 10-24X.50		46	94239GT	MUFFLER,RND,TYPE 5,4.57 DIA.....	1
17	39594GT	WASHER,FENDER,.19 X .522 X.06		47	34955GT	CLAMP,HOSE,5.00.....	1
18	6607GT	WASHER,LOCK,#10 PLTD		48	131655GT	FORMING,AIR CLNR MNT,PRK,403D....	1
19	99108GT	SEAL, RADIATOR (94232).....	1	49	99853GT	SEAL,INTAKE,GS68,PRK 403C-11.....	1
20	99910GT	STRIP,RADIATOR SEAL MOUNT.....	2				
21	112639GT	FORMING,RAD.SHROUD,PERKINS.....	1				
22	94532GT	BOTTLE,COOLANT RECOVERY,1.4***.....	1				
--	115431GT	CAP ASSY, COOLANT BOTTLE					
22B	131581GT	HOSE,RAD.OVERFLOW,KD-1105,50"					
23	72350GT	SOLENOID,SHUT DN,PERKINS(54555.....	1				
24	31379GT	SPRING,TENSION-1.25 X.438 DIA.....	1				
25	21130GT	CLEVIS YOKE-1/4-28,PLTD W/PIN.....	1				
26	139267GT	LIFT PUMP (FUEL).....	1				
27	77402GT	SOLENOID,THROTTLE ACTUATOR DSL.....	1				
28	6090GT	SCREW,HHC,1/4-20 X .75					
29	6091GT	NUT,NYLOCK,1/4-20					
30	94784GT	SCREW,HHC,M12X1.25X25,GR 8.8					
31	6033GT	WASHER,LOCK,0.5"					
32	131653GT	FORMING,ENG MNT,LF,PRK,403D.....	1				
		<i>(Left Front)</i>					
32A	131654GT	FORMING,ENG MNT,LR,PRK,403D.....	1				
		<i>(Left Rear)</i>					
33	13000GT	SCREW,HHC,5/16-18 X 1.25					
34	101320GT	DIPSTICK,STRAIGHT SHORT.....	1				

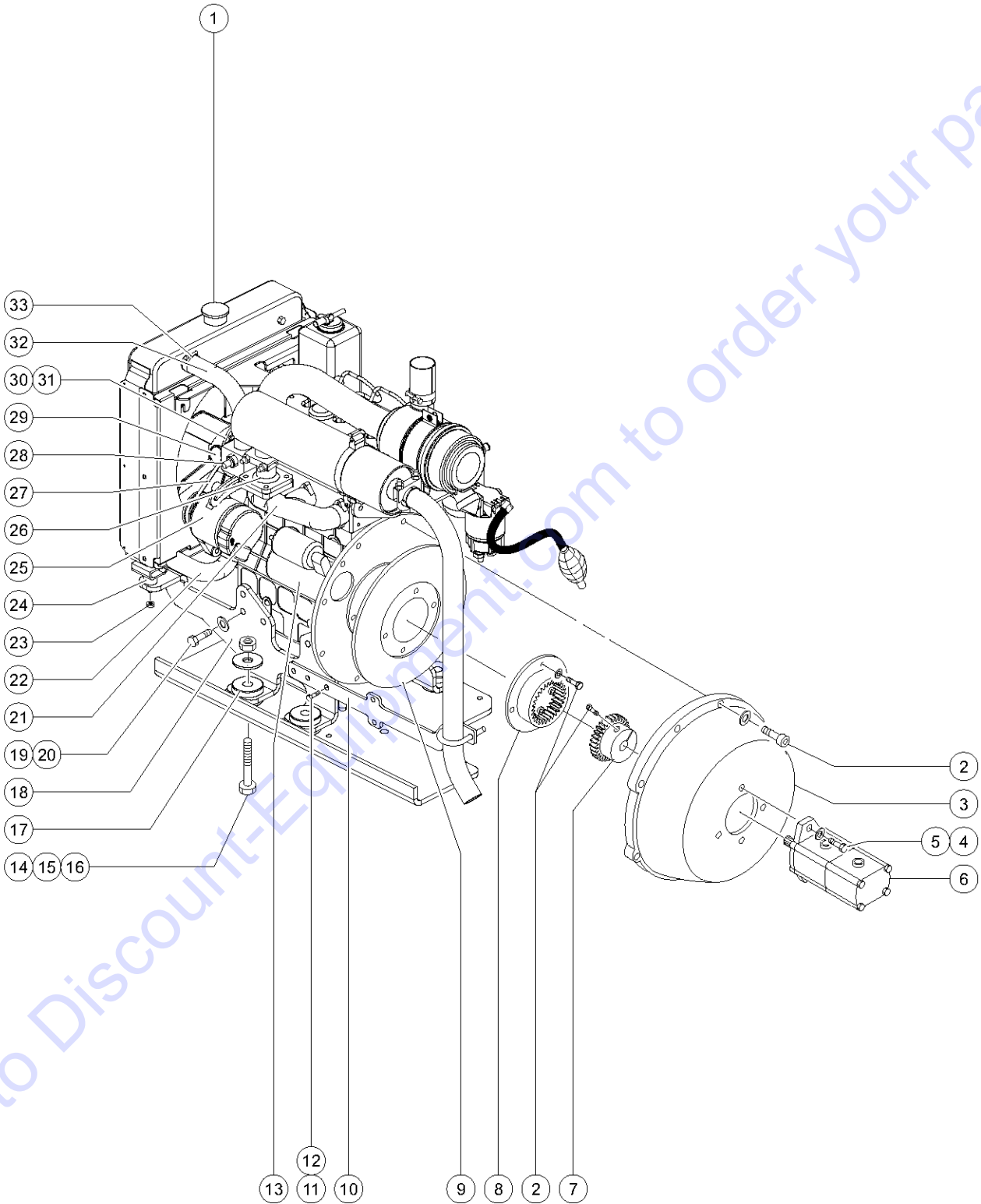
310.1 Perkins 403C-11 Engine, View 2 (to SN 52394)



## 310.1 Perkins 403C-11 Engine, View 2 (to SN 52394)

Item	Part No.	Description	Qty.
--		<i>for internal engine components, contact engine dealer</i>	
1	94232GT	RADIATOR.....	1
--	1254823GT	CAP,RADIATOR,PERKINS(94232).....	1
2	84816GT	HARDWARE KIT,BELLHSNG 403C-11...1	
3	99851GT	HOUSING,COUPLER,A PILOT,PERKIN.....	1
4	6019GT	SCREW,HHC,3/8-16 X 1.25 GRD 5	
5	6021GT	WASHER,LOCK,.375	
6	87914GT	PUMP,GEAR,DUAL***.....	1
--	85197GT	SEAL KIT,BOSCH PUMP***.....	2
7	99852GT	COUPLER,HUB,9T A-A SPLN PERKIN.....	1
8	94688GT	ADAPTER, FLANGE GEAR, 3 HOLE....	1
9	101318GT	FLYWHEEL.....	1
10	71779GT	FORMING,TAIPIPE BRKT, GS68.....	1
11	6019GT	SCREW,HHC,3/8-16 X 1.25 GRD 5	
12	4828GT	NUT,NYLOCK,3/8-16	
13	228458GT	STARTER, PERKINS, 403D.....	1
14	6732GT	SCREW,HHC,1/2-13 X 3.25	
15	24040GT	WASHER, 1/2 PLATE (1/2 X 2.25 X 3/16)	
16	6198GT	NUT,NYLOCK,1/2-13	
17	24037GT	SHOCK MOUNT,LARGE**.....	8
18	99101GT	FORMING,ENG MNT,RT,PRK 403.....	1
19	94784GT	SCREW,HHC,M12X1.25X25,GR 8.8	
20	49409GT	WASHER,LOCK,M12	
21		MANIFOLD,EXHAUST (101325)..... <i>component no longer available</i>	1
--	101326GT	STUDS,EXHAUST	
--	101327GT	NUTS,EXHAUST	
--	72343GT	GASKET,EXH FLANGE-FORD/PERKINS	
--	85143GT	GASKET-EXHAUST MANIFOLD/PERKIN	
22	94243GT	HOSE,RADIATOR,LOWER,PERKINS.....	1
23	6782GT	NUT,NYLOCK,5/16-18	
24	219437GT	ISOLATOR, VIBRATION.....	2
25	101324GT	ALTERNATOR,40 AMP,INT REGULATE.....	1
26	94240GT	WELDMENT,HEAD PIPE,PERKINS.....	1
27	85071GT	BELT-FAN, PERKINS (103.10).....	1
28	97473GT	SENSOR,WATER TEMPERATURE.....	1
29	101322GT	PUMP,WATER.....	1
30	101341GT	FAN.....	1
31	101319GT	FAN PULLEY.....	1
32	94242GT	HOSE,RADIATOR,UPPER PERKINS.....	1
33	30348GT	CLAMP,HOSE,1.00.....	4

310.2 Perkins 403D-11 Engine, View 2 (from SN 52395)

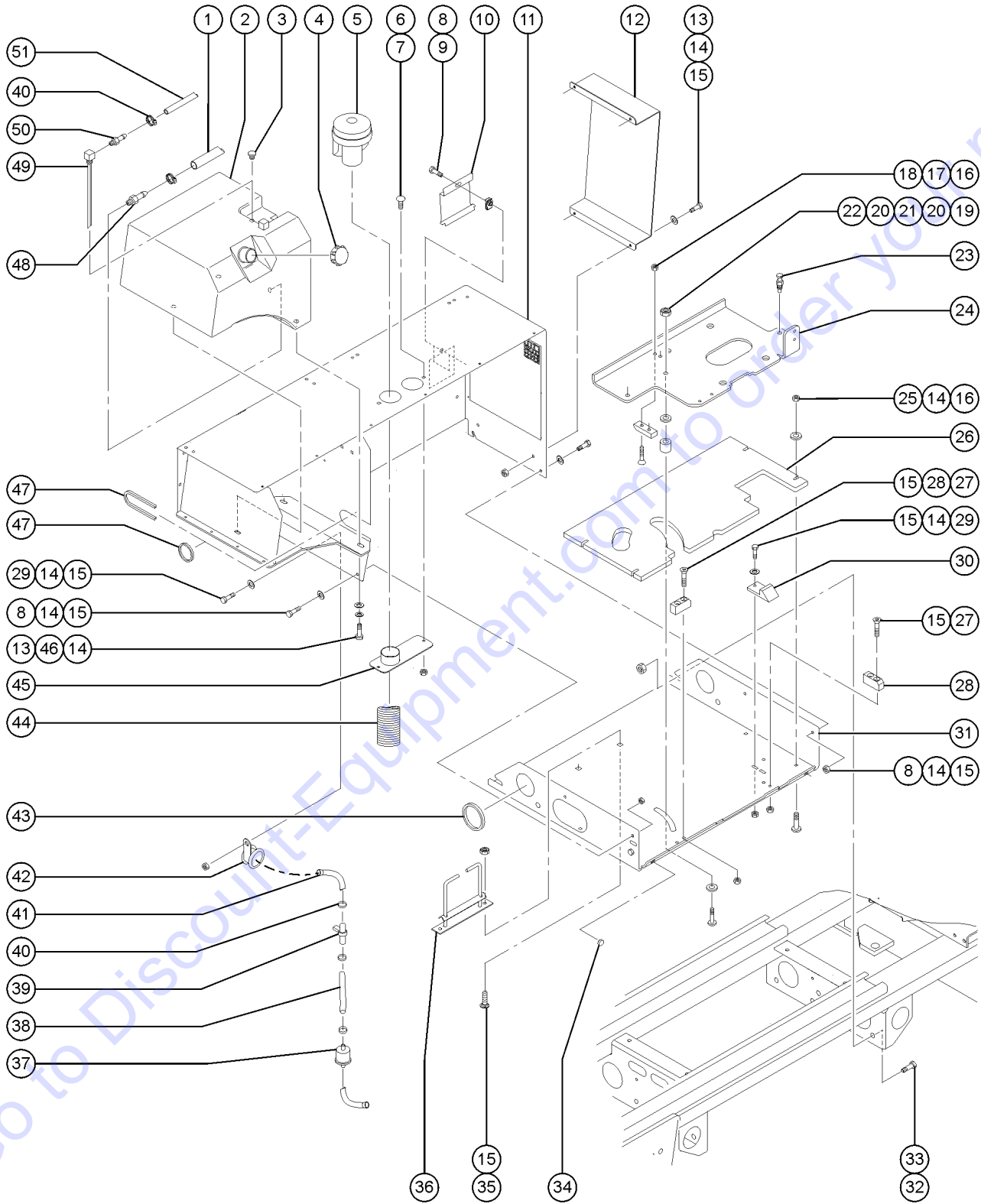




## 310.2 Perkins 403D-11 Engine, View 2 (from SN 52395)

Item	Part No.	Description	Qty.
--		<i>for internal engine components, contact engine dealer</i>	
1	94232GT	RADIATOR.....	1
--	1254823GT	CAP,RADIATOR,PERKINS(94232).....	1
2	84816GT	HARDWARE KIT,BELLHSNG 403C-11....	1
3	99851GT	HOUSING,COUPLER,A PILOT,PERKIN.....	1
4	6019GT	SCREW,HHC,3/8-16 X 1.25 GRD 5	
5	6021GT	WASHER,LOCK,.375	
6	87914GT	PUMP,GEAR,DUAL*** .....	1
--	85197GT	SEAL KIT,BOSCH PUMP*** .....	2
7	99852GT	COUPLER,HUB,9T A-A SPLN PERKIN.....	1
8	94688GT	ADAPTER, FLANGE GEAR, 3 HOLE....	1
9	101318GT	FLYWHEEL.....	1
10	71779GT	FORMING,TAILPIPE BRKT, GS68.....	1
11	6019GT	SCREW,HHC,3/8-16 X 1.25 GRD 5	
12	4828GT	NUT,NYLOCK,3/8-16	
13	228458GT	STARTER, PERKINS, 403D.....	1
14	6732GT	SCREW,HHC,1/2-13 X 3.25	
15	24040GT	WASHER, 1/2 PLATE (1/2 X 2.25 X 3/16)	
16	6198GT	NUT,NYLOCK,1/2-13	
17	24037GT	SHOCK MOUNT,LARGE**.....	8
18	131652GT	FORMING,ENG MNT,RT,PRK 403D.....	1
19	94784GT	SCREW,HHC,M12X1.25X25,GR 8.8	
20	49409GT	WASHER,LOCK,M12	
21		MANIFOLD,EXHAUST (101325)..... <i>component no longer available</i>	1
--	131664GT	NUTS,EXHAUST	
--	131665GT	STUDS,EXHAUST	
--	72343GT	GASKET,EXH FLANGE-FORD/PERKINS	
--	85143GT	GASKET-EXHAUST MANIFOLD/PERKIN	
22	94243GT	HOSE,RADIATOR,LOWER,PERKINS.....	1
23	6782GT	NUT,NYLOCK,5/16-18	
24	219437GT	ISOLATOR, VIBRATION.....	2
25	101324GT	ALTERNATOR,40 AMP,INT REGULATE.....	1
26	94240GT	WELDMENT,HEAD PIPE,PERKINS.....	1
27	85071GT	BELT-FAN, PERKINS (103.10).....	1
28	97473GT	SENSOR,WATER TEMPERATURE.....	1
29	101322GT	PUMP,WATER.....	1
30	101341GT	FAN.....	1
31	101319GT	FAN PULLEY.....	1
32	94242GT	HOSE,RADIATOR,UPPER PERKINS.....	1
33	30348GT	CLAMP,HOSE,1.00.....	4

401.1 Engine Tray Components



## 401.1 Engine Tray Components

Item	Part No.	Description	Qty.	Item	Part No.	Description	Qty.
--				12	47874GT	FORMING,RADIATOR GUARD	
1A	147566-1500GT	HOSE,FUEL,5/16",SAE30R9.....15-inches (gasoline/LPG models)		13	8255GT	SCREW,HHC,3/8-16 X .75	
1A	147566-1800GT	HOSE,FUEL,5/16",SAE30R9.....18-inches (gasoline/LPG models)		14	6097GT	WASHER,FLAT,USS,3/8",Y	
1A	147566-2500GT	HOSE,FUEL,5/16",SAE30R9.....25-inches (gasoline/LPG models)		15	4828GT	NUT,NYLOCK,3/8-16	
1B	27089GT	HOSE,5/16 FUEL,SAE 30R7.....37-inches (diesel models)		16	7713GT	NUT, LP NYLOCK, 3/8-16	
2	T106506GT	KIT,FUEL TANK,RT68.....1 to SN 52984 (gasoline/LPG models)		17	87047GT	WEAR PAD,ENGINE SHORT FRONT.....1 GS-3268 RT (to SN 52256) (non-steer end)	
--	52954GT	FUEL TANK ASSY-14.5 GAL DF750* to SN 52984 (for use only after kit T106506 is installed)		--	131586GT	WEAR PAD,ENGINE SHORT FRONT GS-3268 RT (from SN 52257) (non-steer end)	
2A	52954GT	FUEL TANK ASSY-14.5 GAL DF750* from SN 52985 (gasoline/LPG models) (includes items 3)		18	69843GT	SCREW,FHS,3/8-16 X 1.25, ZN	
--				19	38028GT	NUT,LP NYLOCK,5/8-11	
2B	T106506GT	KIT,FUEL TANK,RT68 to SN 52984 (diesel models)		20	47775GT	SPACER,ROUND ENGINE TRAY.....2 (to SN 52256)	
--	52594GT	COIL,20V DS W/DIODE to SN 52984 (for use only after kit T106506 is installed)		--	131578GT	SPACER,RND,ENGINE TRAY,1.475"L (from SN 52257)	
2C	52419GT	FUEL TANK ASSY,DIESEL,GS26 (diesel models) (includes item 49)		21	47520GT	WASHER,THRUST .75 X 1.25 X .06.....2	
3	55190GT	PLUG,PIPE HEXHEAD 130109E-3/8.....1		22	47792GT	BOLT,SHOULDER 3/4-16 X 1.688LG (to SN 52256)	
4	101727GT	CAP,FUEL,GAS,1/8"VENT(RED).....1 (gasoline/LPG models)		--	131585GT	BOLT,SHOULDER,5/8-11X1.760LG (from SN 52257)	
--	101726GT	CAP,FUEL,DIESEL,1/8"VENT(GRN).....1 (diesel models)		23	32375GT	PIN,LOCK,LONG***.....1	
4A	101726GT	CAP,FUEL,DIESEL,1/8"VENT(GRN) (diesel models)		24		Ref. Engine Pivot Mount Plate (refer to 308.1 or 308.2)	
5	52420GT	CAP,RAIN,AIR CLEANER, GS68RT**.....1		25	60790GT	BOLT, CARRIAGE, 3/8-16 X 1.50, G5	
6	6878GT	BOLT,CARRIAGE,1/4-20 X .75,G2		26	87046GT	PLATE,ENGINE CW,3268.....1 GS-3268 RT (to SN 52256)	
7	6091GT	NUT,NYLOCK,1/4-20		--	131107GT	PLATE,ENGINE CW,3268,D1105 GS-3268 RT (from SN 52257)	
8	6175GT	SCREW,HHC,3/8-16 X 1		27	64213GT	SCREW,FHS,3/8-16 X 2.25 ZN	
9	29868GT	SPRING CLIP,3/8-16,.05-.20X.73,ZAG		28	47776GT	WEAR PAD,ENGINE TRAY FRONT.....3 (to SN 52256)	
10	112740GT	FORMING,ALTERNATOR COVER.....1 (from SN 50292)		--	131579GT	WEAR PAD,ENGINE TRAY FRONT (from SN 52257)	
11	84862GT	ENGINE TRAY COVER ASSY,GAS,WRD (gasoline/LPG models) (to SN 42381)		29	6019GT	SCREW,HHC,3/8-16 X 1.25 GRD 5	
--	84863GT	ENGINE TRAY COVER ASSY,DSL,WRD (diesel models) (to SN 42381)		30	51534GT	ENGINE TRAY RAMP.....1 (to SN 52256)	
11B	84850GT	ENGINE TRAY COVER ASSY,GAS,WRD.....1 (gasoline/LPG models) (from SN 42382)		--	131580GT	CATCH,ENGINE TRAY (from SN 52257)	
--	84851GT	ENGINE TRAY COVER ASSY,DSL,WRD (diesel models) (from SN 42382)		30A	131580GT	CATCH,ENGINE TRAY (from SN 52257)	
--	84852GT	ENGINE TRAY COVER ASSY,PER,WRD (Perkins models) (from SN 42382)		31	79098GT	FORMING,ENGINE TRAY.....1	
				32	34346GT	SCREW,HHC,3/4-10 X 1.75	
				33	10258GT	NUT,NYLOCK,3/4-10,GRD.2	
				34	43392GT	BUMPER,BATTERY BOX & RAILS.....2	
				35	64154GT	BOLT,CARRIAGE,3/8-16 X1.00,G5	
				36	104702GT	WELDMENT,HOSE GUIDE,ELEVATED.....1 (engine side) (from SN 43603)	

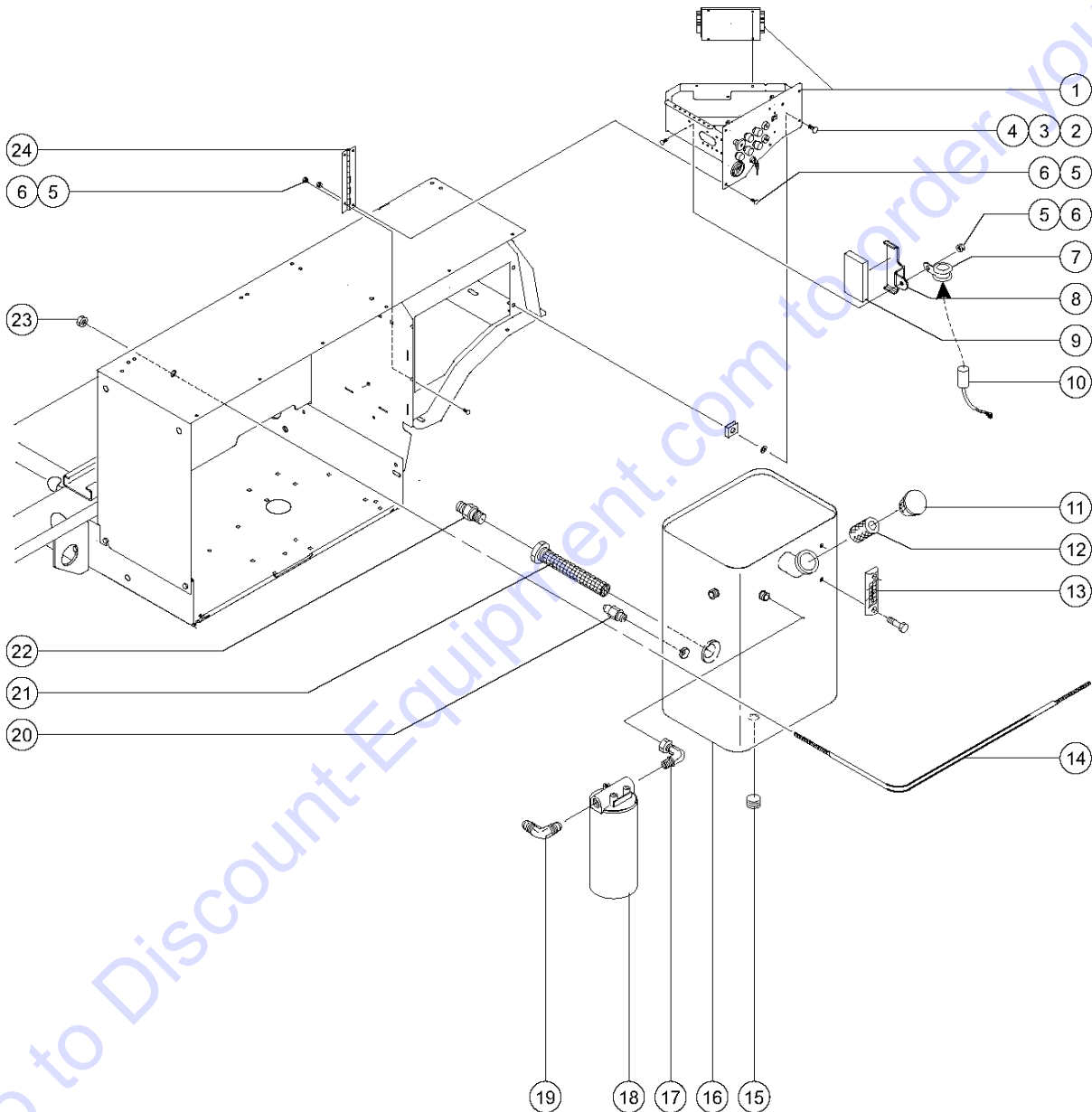
401.1 Engine Tray Components  
(continued)

Item	Part No.	Description	Qty.
37	23168GT	FILTER,FUEL,IN-LINE**.....1 <i>(gasoline/LPG models)</i>	1
38	27089GT	HOSE,5/16 FUEL,SAE 30R7.....4-inches <i>(gasoline/LPG models) (to SN 41750)</i>	
--	27089GT	HOSE,5/16 FUEL,SAE 30R7.....17-inches <i>(diesel models) (to SN 41750)</i>	
39	64159GT	VALVE, FUEL SHUT-OFF.....1 <i>(to SN 41750)</i>	1
40	44909GT	CLAMP,HOSE,.35"-.86" X .3125".....1 <i>(gasoline/LPG models)</i>	1
--	44909GT	CLAMP,HOSE,.35"-.86" X .3125".....2 <i>(diesel models)</i>	2
41	27089GT	HOSE,5/16 FUEL,SAE 30R7.....20-inches <i>(to SN 41750)</i>	
--	27089GT	HOSE,5/16 FUEL,SAE 30R7.....25-inches <i>(gasoline/LPG models) (from SN 41751)</i>	
--	27089GT	HOSE,5/16 FUEL,SAE 30R7.....38-inches <i>(diesel models) (from SN 41751)</i>	
42	16073GT	CLAMP,0.63,#10 X 1/4,RUB CUSH.....1	1
43	87073GT	GROMMET,RUBBER 3 X .25 X 3.5.....2	2
44		Ref. Intake Hose <i>(refer to 302.1, 307.1 or 307.2)</i>	
45	87062GT	WELDMENT,RAIN CAP MOUNT***.....1 <i>(to SN 42678)</i>	1
--	99095GT	WELDMENT,RAIN CAP MNT,PERKINS <i>(Perkins diesel models) (from SN 42679)</i>	
--	99097GT	WELDMENT,RAIN CAP MNT, KUBOTA <i>(Kubota gasoline/LPG and diesel models) (from SN 42679)</i>	
46	6021GT	WASHER,LOCK,.375	
47	47232GT	GROMMET,RUBBER 2 X 2.75.....1 <i>for 2 inch round hole</i>	1
47A	1698GT	TRIMLOCK,BLACK,3/8.....13.5-inches <i>for 2.4 x 5.8 inch cutout</i>	
48	53023GT	FITTING,1/4 MPT 5/16 BARB.....1	1
49	51866GT	TUBE ASSY,FUEL TANK,13.5" LG.....2 <i>(diesel models)</i>	2
50	42338GT	ADAPTER, 1/4NPT-M TO 3/16 BARB.....1 <i>(diesel models)</i>	1
51	35418GT	HOSE,FUEL,3/16,SAE 30R7.....47-inches <i>(diesel models)</i>	

***This Page Intentionally Left Blank***

Go to [Discount-Equipment.com](http://Discount-Equipment.com) to order your parts

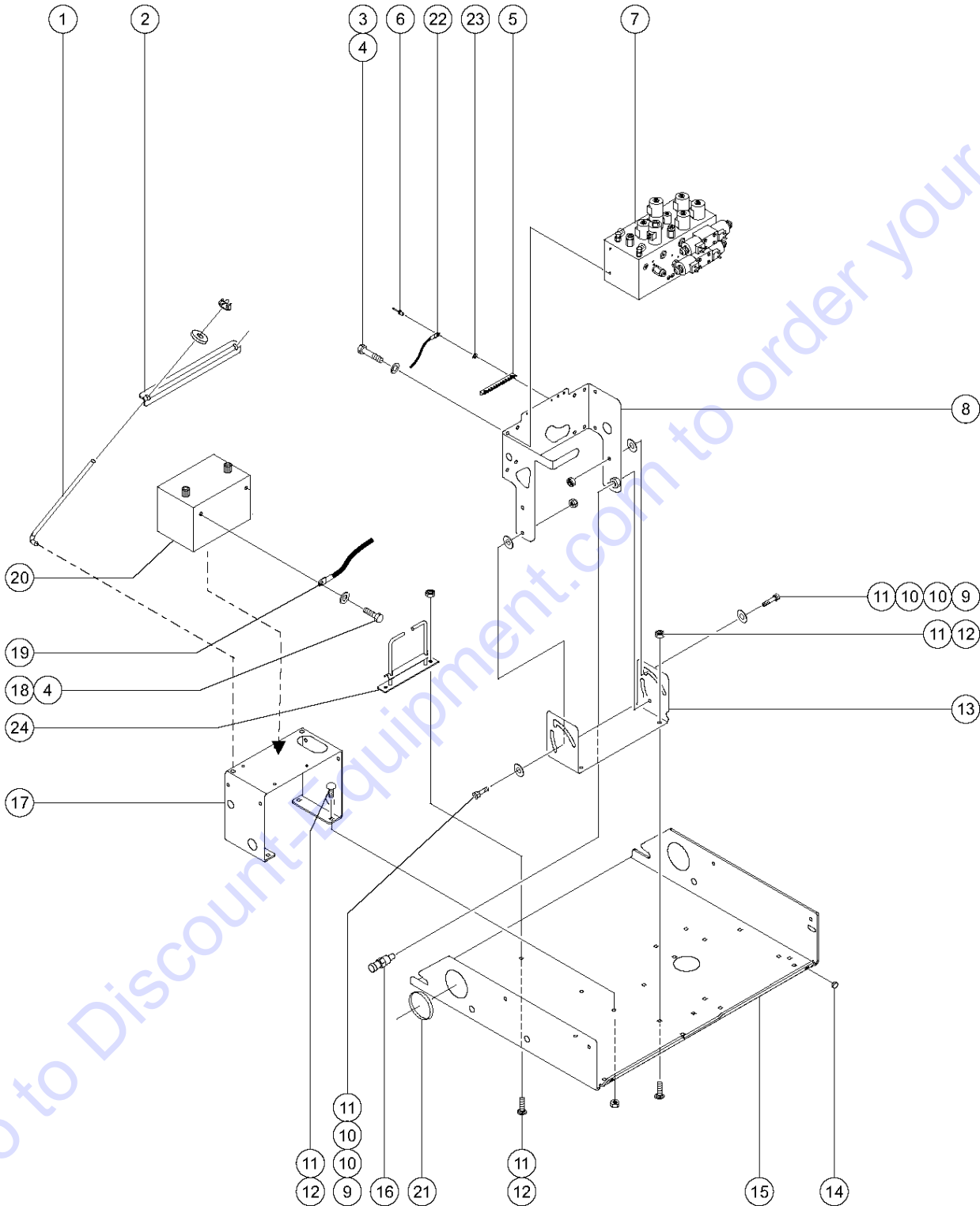
402.1 Hydraulic Tank and Ground Controls Installation



## 402.1 Hydraulic Tank and Ground Controls Installation

Item	Part No.	Description	Qty.
--	115423GT	KIT, HYDRAULIC TANK, GS68RT <i>(includes items 11-16)</i>	
1		Ref. Ground Controls Panel Assembly <i>(refer to 405.1 or 405.2)</i>	
2	71876GT	STUD, 1/4 TURN, .35 LONG.....	2
3	71877GT	KEEPER, 1/4 TURN FASTENER.....	2
4	71875GT	SPRING CLIP, 1/4 TURN, .188 PANEL.....	2
5	6878GT	BOLT, CARRIAGE, 1/4-20 X .75, G2	
6	6091GT	NUT, NYLOCK, 1/4-20	
7	21618GT	CLAMP, 1.13, #18 X 1/4, RUB CUSH.....	1
8	79370GT	FORMING, E BATTERY BRACKET..... <i>(to SN 41823)</i>	1
9	55396GT	12V, SYSTEM, E-DOWN GS68..... <i>(to SN 41823)</i>	1
9A	79895GT	E-DOWN BATTERY ASSY <i>(from SN 41824)</i>	
10	55736GT	CAPACITOR, 33,000 MF, 16V..... <i>(diesel models)</i>	1
11	131658GT	CAP, HYDRAULIC TANK, GS68/84/90.....	1
12	31506GT	STRAINER, FILLER NECK.....	1
13	21141GT	GAUGE-SIGHT, LHA-LGTB***..... <i>(includes mounting fasteners and O-ring)</i>	1
14	79351GT	TANK STRAP, BOLT STYLE, GS68..... <i>(29.37 inches)</i>	1
--	31658-SGT	EXTRUSION, RUBBER BUMPER STRIP.....	18-inches
15	14262GT	PLUG, HEX SOCKET, 3/8 MPT.....	1
16	79181GT	TANK, HYDRAULIC, 15GL.....	1
17	79847GT	ELBOW, 12-3/4 AOE G-S.....	1
18	87070GT	FILTER ASSY, SAE 12 NO INDICAT*..... <i>(for units with Rykon, MV oil)</i>	1
--	131323GT	FILTER ELEMENT, 10 MICRON..... <i>Genie genuine part</i>	1
--	1259055GT	FILTER ELEMENT, 10 MICRON <i>Genie aftermarket part</i>	
18C	112011GT	FILTER ASSY, FIBERGLASS, GS68***..... <i>(for units with biodegradable, fire resistant, or arctic oil)</i>	1
--	52756GT	FILTER, ELEMENT, F'GLASS, 6 MICRN <i>(for units with biodegradable, fire resistant, or arctic oil)</i>	
19	48954GT	TEE, BRANCH, 520429-10.....	1
20	48922GT	CONN, 520102-6-6.....	1
21	45161GT	STRAINER ASSEMBLY, 1.5" NPT.....	1
22	48980GT	CONN, 520102-12-16.....	1
23	4828GT	NUT, NYLOCK, 3/8-16	
24	79137GT	HINGE, CONTROL DOOR% % % %.....	1

403.1 Hydraulic Tray Components, View 1 (to SN 44770)

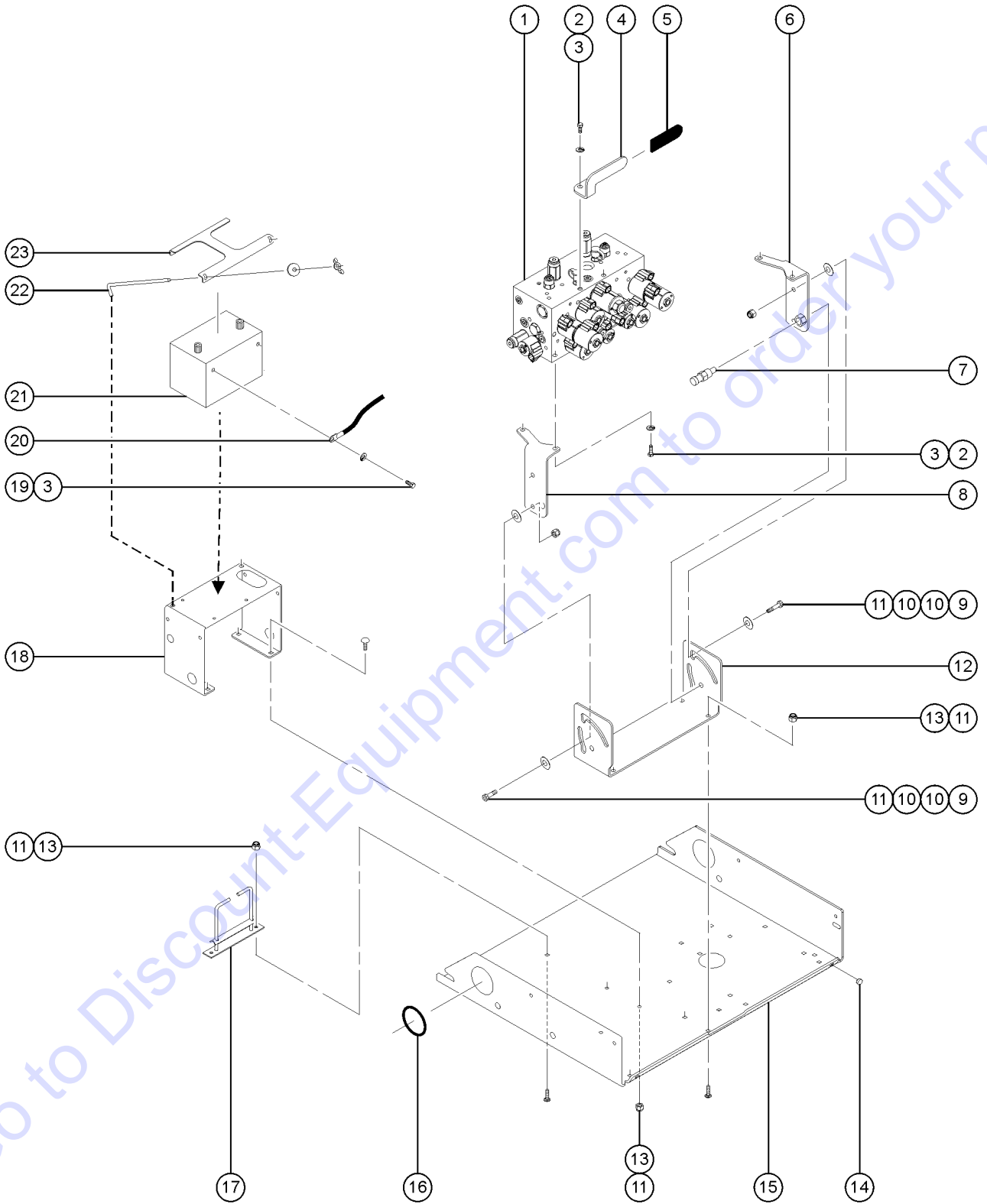




## 403.1 Hydraulic Tray Components, View 1 (to SN 44770)

Item	Part No.	Description	Qty.
1	45708GT	HOOK,BATT HOLD DOWN,10".....2 <i>(includes fasteners)</i>	
2	71721PGT	BATTERY HOLDDOWN 4390.....1	
--	79391GT	FORMING,BATTERY KEEPER	
3	8255GT	SCREW,HHC,3/8-16 X .75	
4	6021GT	WASHER,LOCK,.375	
5	79386GT	FORMING,TERMINAL STRIP 14 P.....1 <i>(to SN 43621)</i>	
5A	8255GT	SCREW,HHC,3/8-16 X .75 <i>(from SN 43622)</i>	
6	87085GT	RIVET,ALUM,P,.188 X .25 <i>(to SN 43621)</i>	
6A	4828GT	NUT,NYLOCK,3/8-16 <i>(from SN 43622)</i>	
7		Ref. Function Manifold <i>(refer to 407.1)</i>	
8	79474GT	WELDMENT,MANIFOLD MOUNT.....1	
--	44733GT	HANDLE COVER,PLASTIC	
9	11335GT	SCREW,SHS,3/8-16 X .5	
10	87075GT	WASHER,NYLON .50 X 1.25 X .063	
11	7713GT	NUT, LP NYLOCK, 3/8-16	
12	64154GT	BOLT,CARRIAGE,3/8-16 X1.00,G5	
13	79094GT	FORMING,MANIFOLD BASE.....1	
14	43392GT	BUMPER,BATTERY BOX & RAILS.....2	
15	79097GT	FORMING,HYDRAULIC TRAY.....1	
16	47138GT	PIN,SNAP,ENTRY RAIL.....1	
17	79117GT	FORMING,BATTERY TRAY.....1	
18	71508GT	SCREW,HHC,3/8-16 X .50 GR.5	
19	79886GT	HARNESS,BATTERY CABLES.....1	
--	32148GT	WELDING CABLE #2 BLACK....78-inches	
--	32149GT	WELDING CABLE #2 RED.....83-inches	
20	36872GT	BATTERY, 12V,900 CCA.....1	
21	87073GT	GROMMET,RUBBER 3 X .25 X 3.5.....2	
22	104603GT	WIRE ASSY,MANIFOLD GND,GS68.....1 <i>(from SN 43079 to SN 43621)</i>	
23	99207GT	WASHER,STAR,INTERNAL,#10 <i>(from SN 43079 to SN 43621)</i>	
24	104702GT	WELDMENT,HOSE GUIDE,ELEVATED.....1 <i>(from SN 43603)</i>	

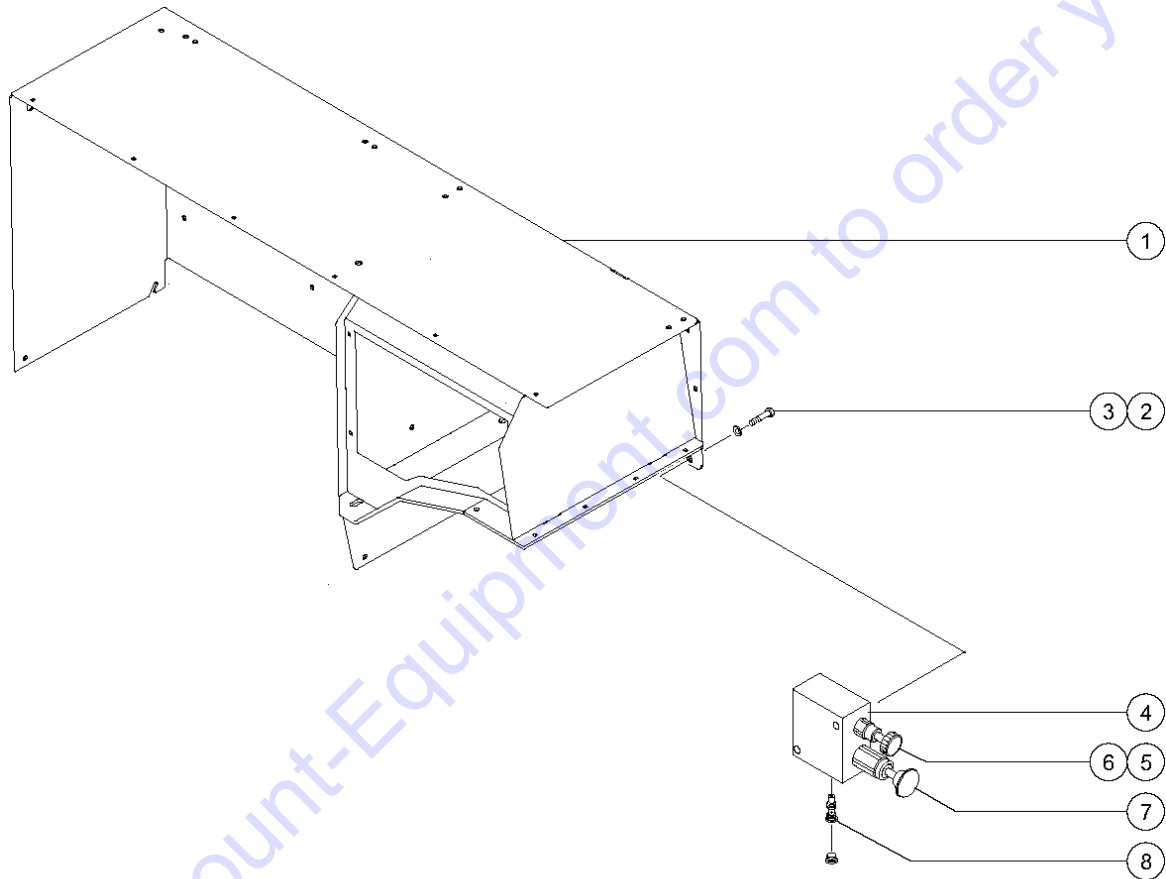
403.2 Hydraulic Tray Components, View 1 (from SN 44771)



## 403.2 Hydraulic Tray Components, View 1 (from SN 44771)

Item	Part No.	Description	Qty.
1		Ref. FUNCTION MANIFOLD <i>(refer to 407.1, 407.2, and 407.3)</i>	
2	6175GT	SCREW,HHC,3/8-16 X 1	
3	6021GT	WASHER,LOCK, .375	
4	104818GT	FORMING, MANIFOLD HANDLE.....1	
5	44733GT	HANDLE COVER,PLASTIC.....1	
6	110132GT	WELDMENT,MANIFOLD MOUNT, RIGHT.....1 <i>(right)</i>	
7	47138GT	PIN,SNAP,ENTRY RAIL.....1	
8	104817GT	FORMING, MANIFOLD MOUNT, LEFT...1 <i>(left)</i>	
9	11335GT	SCREW,SHS,3/8-16 X .5	
10	87075GT	WASHER,NYLON .50 X 1.25 X .063	
11	7713GT	NUT, LP NYLOCK, 3/8-16	
12	79094GT	FORMING,MANIFOLD BASE.....1	
13	64154GT	BOLT,CARRIAGE,3/8-16 X1.00,G5	
14	43392GT	BUMPER,BATTERY BOX & RAILS.....2	
15	79097GT	FORMING,HYDRAULIC TRAY.....1	
--	148057GT	FORMING,HYDRAULIC TRAY	
16	87073GT	GROMMET,RUBBER 3 X .25 X 3.5.....2	
17	104702GT	WELDMENT,HOSE GUIDE,ELEVATED.....1 <i>(ground controls side)</i>	
18	79117GT	FORMING,BATTERY TRAY.....1	
19	71508GT	SCREW,HHC,3/8-16 X .50 GR.5	
20	79886GT	HARNESS,BATTERY CABLES.....1	
--	32148GT	WELDING CABLE #2 BLACK...78-inches	
--	32149GT	WELDING CABLE #2 RED.....83-inches	
21	36872GT	BATTERY, 12V,900 CCA.....1	
22	45708GT	HOOK,BATT HOLD DOWN,10".....2 <i>(includes fasteners)</i>	
23	71721PGT	BATTERY HOLDDOWN 4390.....1	
--	79391GT	FORMING,BATTERY KEEPER	

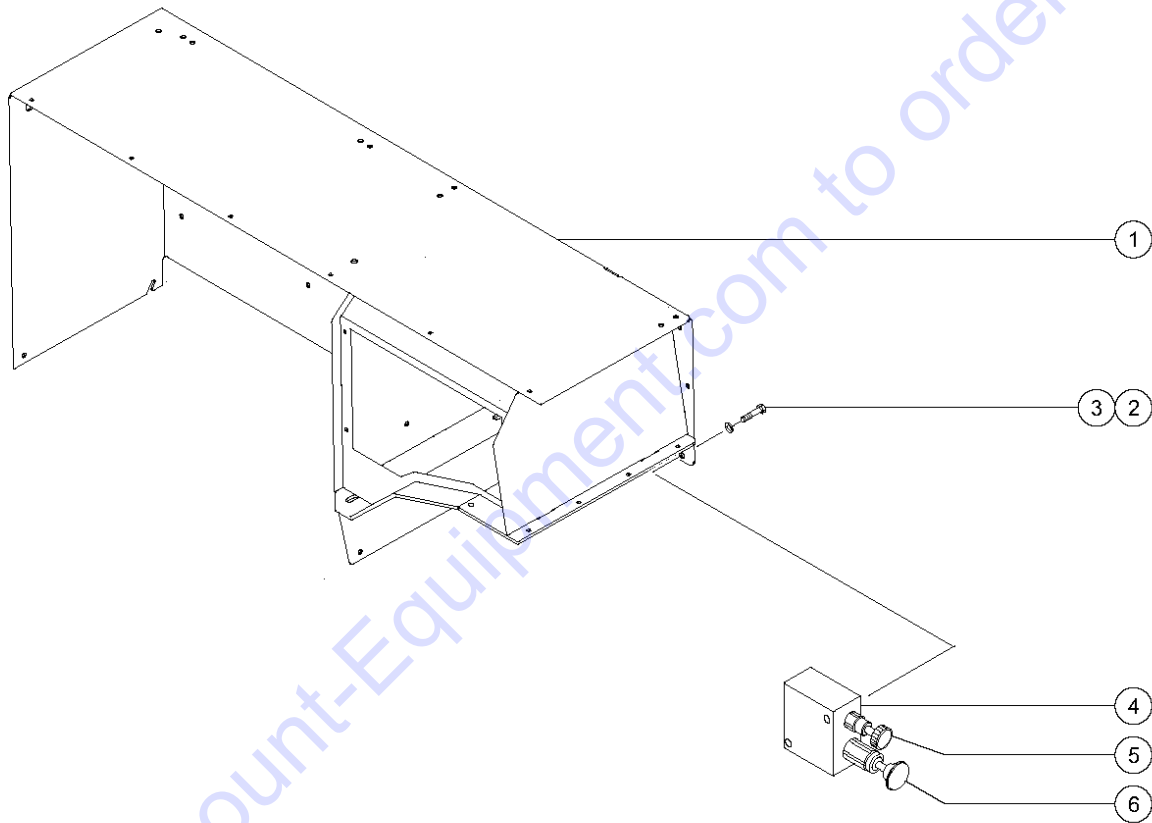
404.1 Hydraulic Tray Components, View 2 (to SN 43183)



## 404.1 Hydraulic Tray Components, View 2 (to SN 43183)

Item	Part No.	Description	Qty.
1	84397GT	HYDRAULIC TRAY COVER ASSY.....	1
2	4828GT	NUT,NYLOCK,3/8-16 (to SN 42120)	
2A	6175GT	SCREW,HHC,3/8-16 X 1 (from SN 42121 to 43183)	
3	14033GT	SCREW,HHC,3/8-16 X 2.75 (to SN 42120)	
3A	6021GT	WASHER,LOCK,.375 (from SN 42121 to 43183)	
4	96461GT	SERVICE KIT,BRAKE RELEASE MAN*.....	1
5	84539GT	NEEDLE/HOUSING ASSY W/KNOB***	1
--	84536GT	SEAL (84535/84539)	
--	84539GT	NEEDLE/HOUSING ASSY W/KNOB***	
6	84391GT	VALVE-CHECK,PILOT OPER,2003MIN.....	1
--	84394GT	SEAL KIT,PO CHECK VALVE(84391)	
7	84392GT	VALVE,HAND PUMP, 2003 MINI.....	1
--	84395GT	SEAL KIT, HAND PUMP,2003 MINI	
8	84391GT	VALVE-CHECK,PILOT OPER,2003MIN.....	1

404.2 Hydraulic Tray Components, View 2 (from SN 43184)

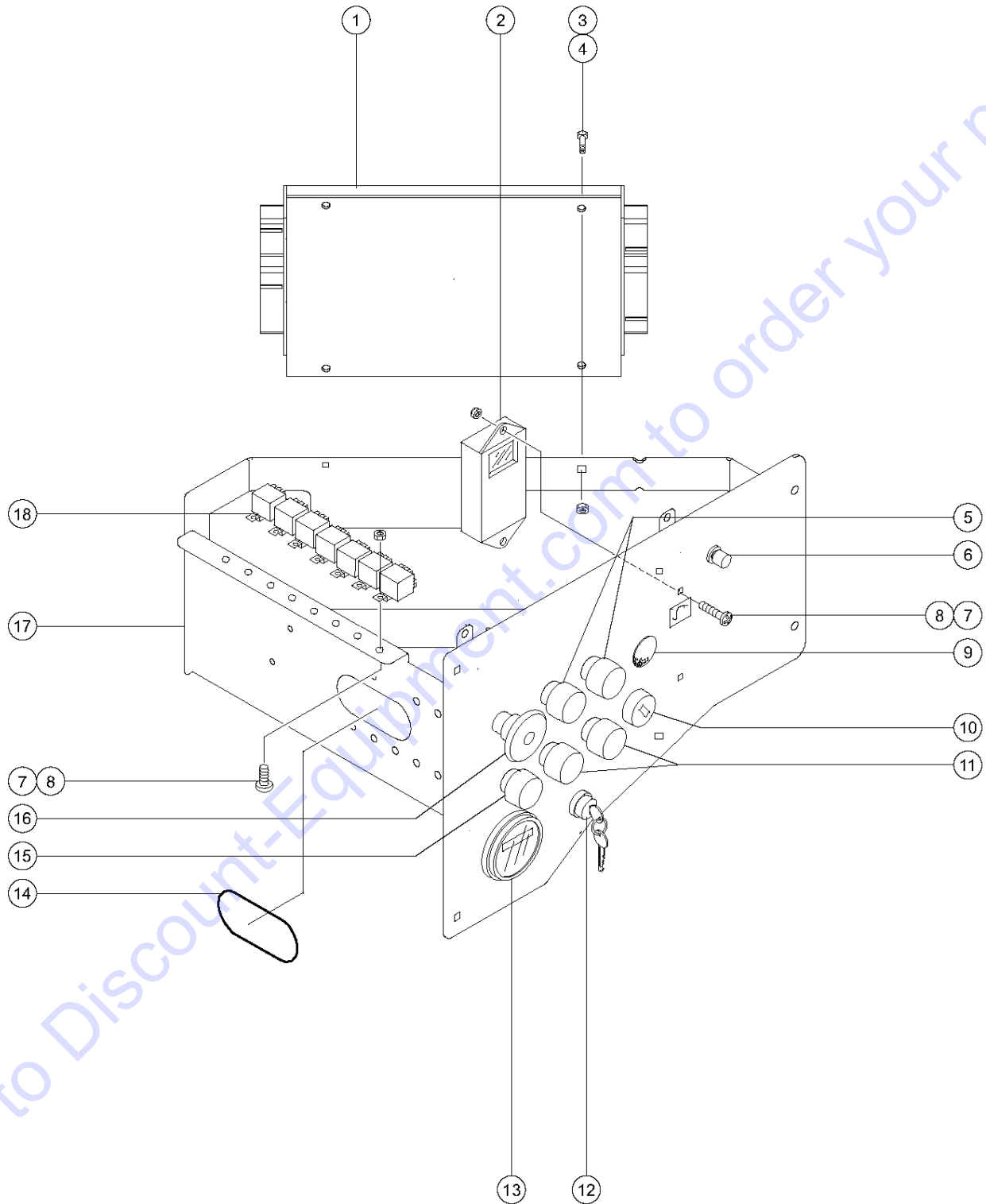


Go to Discount-Equipment.com to order your parts

## 404.2 Hydraulic Tray Components, View 2 (from SN 43184)

Item	Part No.	Description	Qty.
1	84856GT	HYD TRAY COVER ASSY,GS68,WRDS.....1 <i>(USA, Canada, Australia)</i>	1
1A	84858GT	HYD TRAY COVER ASSY,GS68,SYM <i>(Europe, Asia, South America)</i>	
2	6175GT	SCREW,HHC,3/8-16 X 1	
3	6021GT	WASHER,LOCK,.375	
4	105067GT	MANIFOLD,BRAKE RELEASE.....1	1
5	84743GT	VALVE,PILOT OPERATED ASSEMBLY*.....1	1
--	84740GT	SEAL KIT,HAND PUMP***	
--	84743GT	VALVE,PILOT OPERATED ASSEMBLY*	
--	84746GT	KNOB,PILOT OP VALVE (BLACK)***	
6	84739GT	VALVE,HAND PUMP ASSEMBLY***.....1	1
--	84739GT	VALVE,HAND PUMP ASSEMBLY***	
--	84740GT	SEAL KIT,HAND PUMP***	
--	84742GT	KNOB,HAND PUMP (RED)***	

405.1 Ground Controls (to SN 42381)

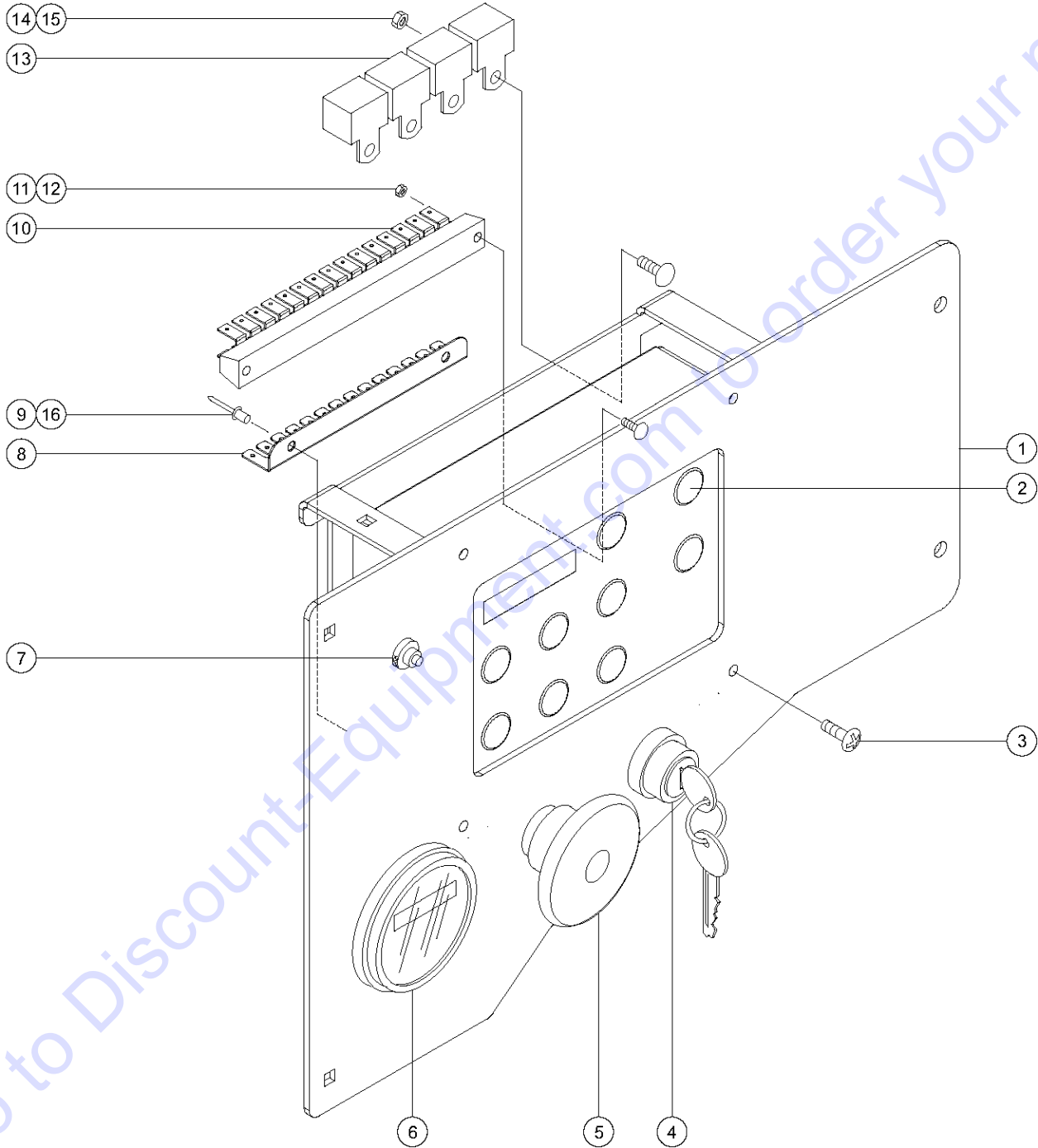




## 405.1 Ground Controls (to SN 42381)

Item	Part No.	Description	Qty.
1	1255783GT	ELECTRONIC CONTRL UNIT GS/RT G1.....	1
2		DIAGNOSTIC DISPLAY..... <i>(component no longer available)</i>	1
--	64236GT	DISPLAY CABLE ASSEMBLY <i>(sold seperately)</i>	
3	6878GT	BOLT,CARRIAGE,1/4-20 X .75,G2	
4	6091GT	NUT,NYLOCK,1/4-20	
5	66813GT	BUTTON,PUSH,BLACK W/SEAL***.....	2
--	66814GT	BASE,WITH 2 N.O. CONTACTS***	
--	66815GT	BASE, W/1 N.O. CONTACTS***	
--	66816GT	CONTACT,N.O.***	
6	147095GT	ASSY, CIRCUIT BREAKER 20A.....	1
7	1283121GT	BOLT,CARRIAGE,#10-24X 5/8",G2	
8	5365GT	NUT,NYLOCK,10-24	
9	15243GT	PLUG,NYLON .875 BLACK DOMED..... <i>(diesel models) (shown)</i>	1
9A	87173GT	SWITCH, TURN, BLACK W/SEAL <i>(gasoline/LPG models)</i>	
10	87173GT	SWITCH, TURN, BLACK W/SEAL.....	1
11	66813GT	BUTTON,PUSH,BLACK W/SEAL***.....	2
--	66814GT	BASE,WITH 2 N.O. CONTACTS***	
--	66816GT	CONTACT,N.O.***	
12	66811GT	KEYSWITCH,3POS.MNTND.DR WKEY**..... <i>(from 41200 to 41823) includes keyswitch and one set of keys, not included: base and contacts.</i>	1
12A	96008-SGT	KEYSWITCH,3 POS. W/KEYS*** <i>(from SN 41824)</i>	
--	37947GT	KEYS,10 PACK***	
--	83093GT	KEY SINGLE***	
13	56100GT	HOUR METER,LCD,9-60 VDC***..... <i>(to SN 41823)</i>	1
13A	19506GT	HOUR METER,10-80 VOLTS*** <i>(from SN 41824)</i>	
14	46436GT	GROMMET,RUBBER 2.5 X .25 X2.75.....	1
15	66813GT	BUTTON,PUSH,BLACK W/SEAL***.....	1
--	66815GT	BASE, W/1 N.O. CONTACTS***	
--	66816GT	CONTACT,N.O.***	
16	66812GT	BUTTON,PUSH,RED MUSHROOM HEAD.....	1
--	66817GT	BASE WITH 1 NC CONTACT, E-STOP	
--	66818GT	CONTACT, N.C.	
17	84154GT	ECU/LCP TRAY ASSY W/DECAL,RT.....	1
18	19274GT	RELAY,SPDT,12V(AUTO)**.....	7

405.2 Ground Controls (from SN 42382)

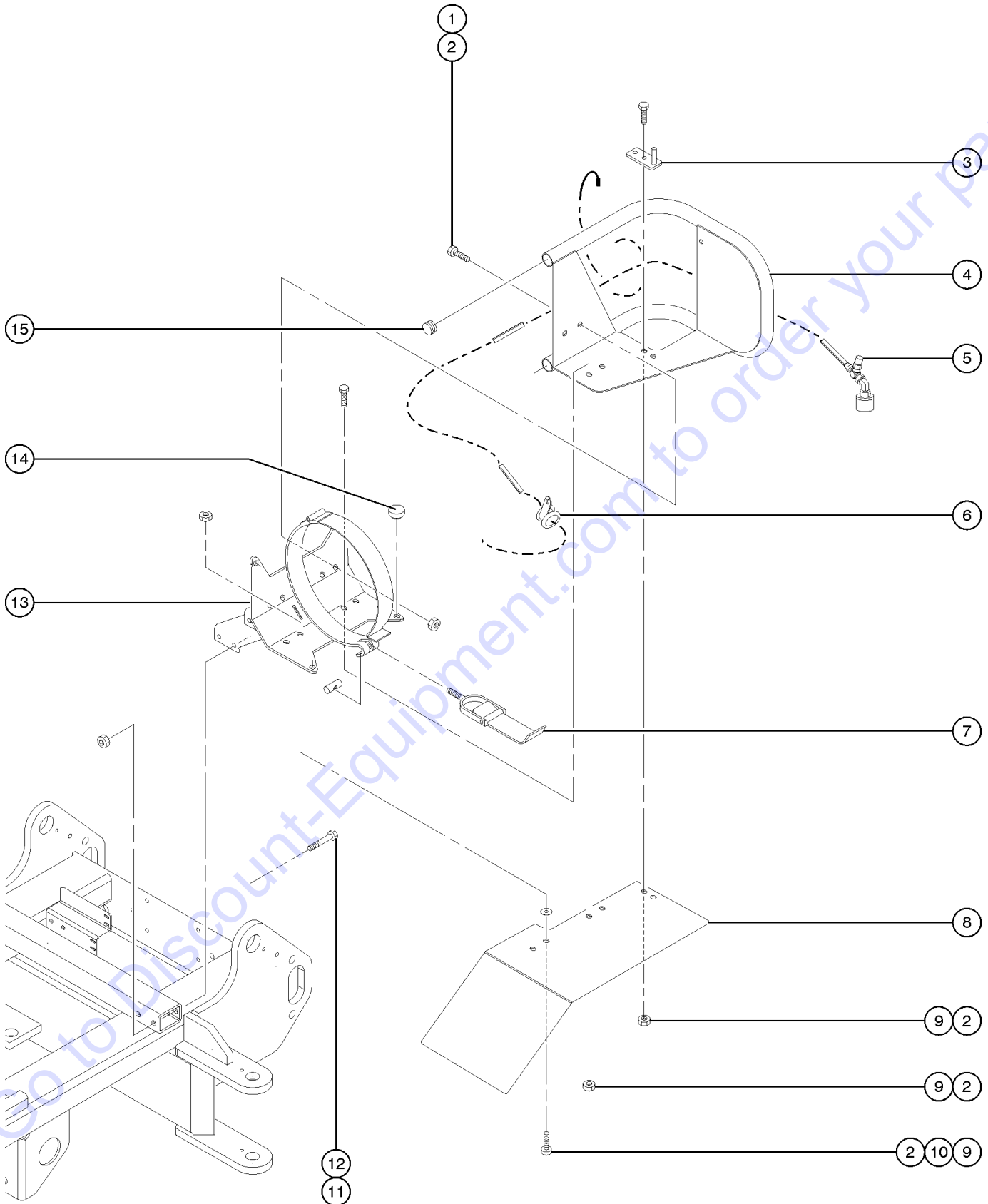


Go to Discount-Equipment.com to order your parts

## 405.2 Ground Controls (from SN 42382)

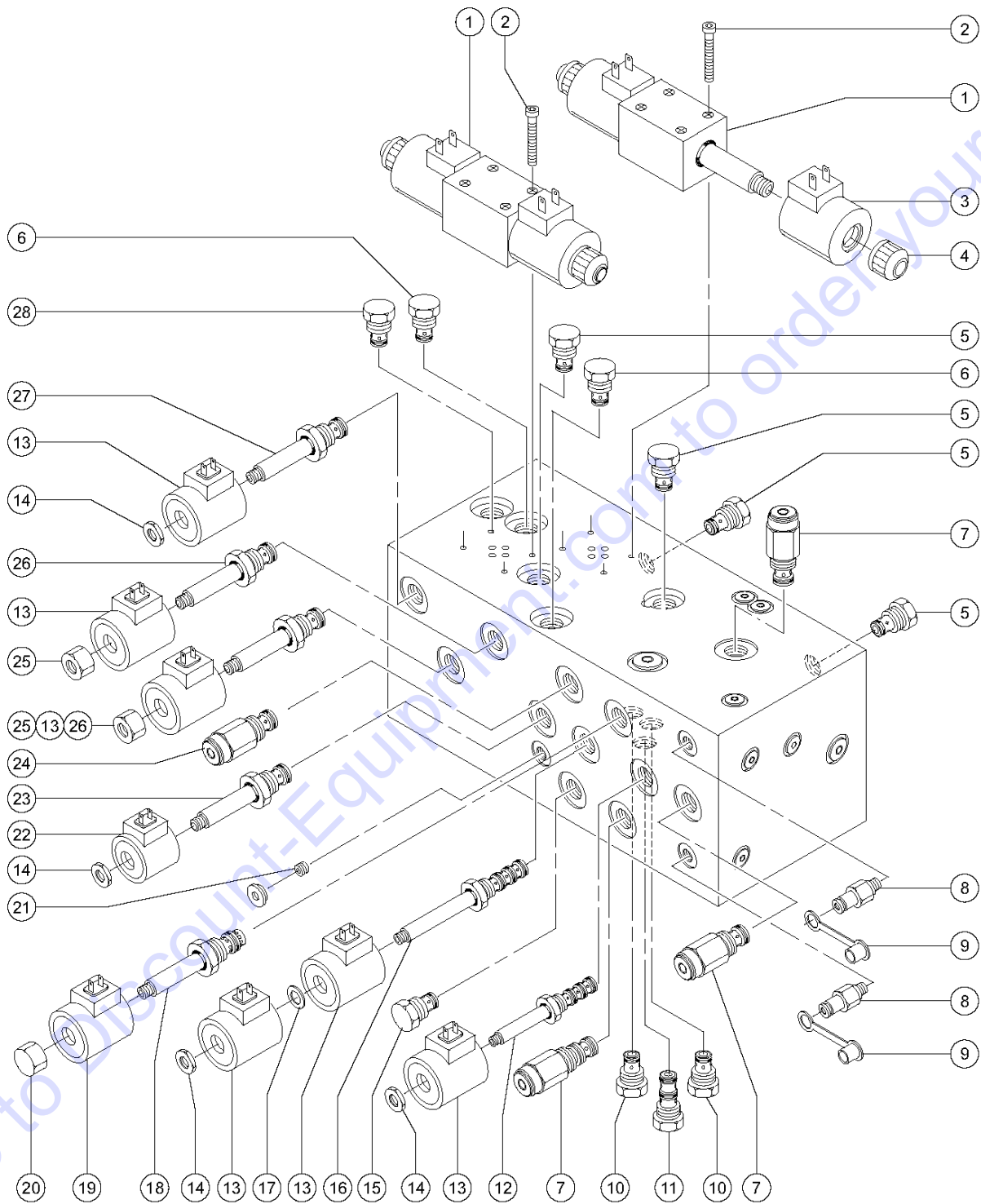
Item	Part No.	Description	Qty.
1	84752GT	GROUND CONTROL PANEL W/DECAL.....	1
2	84738GT	SERVICE KIT,ECM-68RT,84,90*** <i>(includes instructions)</i> .....	1
3	49816GT	SCREW,PHILLIPS,PHM,10-32 X .75	
4	96008-SGT	KEYSWITCH,3 POS. W/KEYS*** <i>standard key switch</i>	
--	37947GT	KEYS,10 PACK***	
--	83093GT	KEY SINGLE***	
--	83131GT	KEYSWITCH,3 POS W/KEYS,LOCKING <i>lockable key switch</i>	
5	66812GT	BUTTON,PUSH,RED MUSHROOM HEAD.....	1
--	66817GT	BASE WITH 1 NC CONTACT, E-STOP	
--	66818GT	CONTACT, N.C.	
6	19506GT	HOUR METER,10-80 VOLTS***.....	1
7	147095GT	ASSY, CIRCUIT BREAKER 20A.....	1
8		Ref. Terminal Strip, 14 Pole <i>(refer to 403.1)</i>	
9	87085GT	RIVET,ALUM,P,.188 X .25.....	4
10	79902GT	TERMINAL STRIP,30POS.,SPADE..... <i>(to SN 42381)</i>	2
10A	87314GT	TERMINAL STRIP,15POS.,SPADE*** <i>(from SN 42382)</i>	
11	12344GT	NUT,NYLOCK,6-32	
12	48920GT	ELBOW,45D,520320-6	
13	19274GT	RELAY,SPDT,12V(AUTO)**.....	8
14	5365GT	NUT,NYLOCK,10-24	
15	71874GT	BOLT,CARRIAGE,#10-24X.50,G2	
16	4828GT	NUT,NYLOCK,3/8-16	

406.1 LPG Tank Installation



Item	Part No.	Description	Qty.
1	8255GT	SCREW,HHC,3/8-16 X .75	
2	7713GT	NUT, LP NYLOCK, 3/8-16	
3	51451PGT	WELDMENT,LP ALIGNMENT PIN,GS68.....	1
4	52482GT	GUARD, LP TANK GS68..... <i>engine side</i>	1
4	52558GT	GUARD, LP TANK GS68..... <i>left</i>	1
5	104086GT	HOSE ASSEMBLY,LP GAS-86" LONG....	1
6	45454GT	CLAMP,RUB CUSH,0.75,#12 X 3/8*.....	1
7	49000GT	L.P.TANK LATCH.....	2
8	112046GT	FENDER,DF-752..... <i>(from SN 45192)</i>	1
9	6175GT	SCREW,HHC,3/8-16 X 1	
10	6097GT	WASHER,FLAT,USS,3/8",Y	
11	13854GT	SCREW,HHC,1/2-13 X 4.5,GRD.8.....	2
12	6198GT	NUT,NYLOCK,1/2-13	
13	47410PGT	WELDMENT,L.P. TANK MOUNT,GS68.....	1
14	43392GT	BUMPER,BATTERY BOX & RAILS.....	4
15	55753GT	BUMPER, PLASTIC, 1.25 O.D.....	2

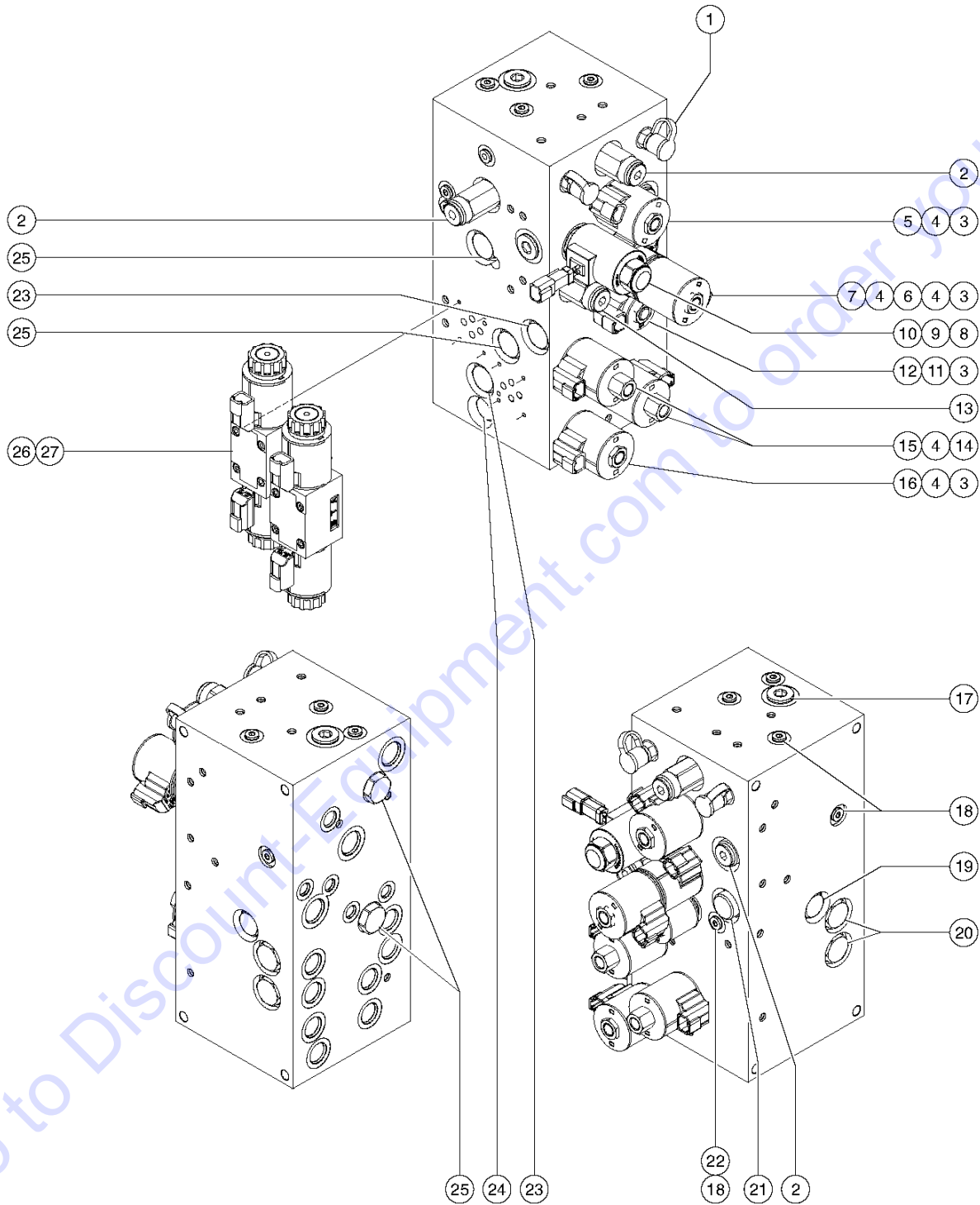
407.1 Function Manifold (to SN 43621)



## 407.1 Function Manifold (to SN 43621)

Item	Part No.	Description	Qty.	Item	Part No.	Description	Qty.
--	97414GT	MANIFOLD,MAIN,GS68 IC,SERV		--	44228GT	SEAL KIT, VALVE	
--	104751GT	HARNES,COIL JUMPER		24	62113GT	VALVE,RELIEF,1500PSI*** .....1 (103.4 bar)	1
--	49612GT	O-RING KIT (ORFS FITTINGS) (services O-ring face seal fittings)		--	44227GT	SEAL KIT, VALVE	
--	49613GT	PLUG AND CAP KIT-SERVICE,ORFS* (for O-ring face seal fittings)		25	52484GT	NUT-COIL(SCISSORS) TALL.....2	2
1	97387GT	VALVE ASSY,D03,REX,3POS 4WAY.....2 (includes items 3 and 4)	2	26	52379GT	VALVE,SOLENOID N/O POPPT,GS68....2	2
--	52385GT	SEAL KIT,52381,BOSCH DO3,GS68		--	44224GT	SEAL KIT, VALVE	
2	43255GT	SCREW,SHC,10-24 X 2		27	52377GT	VALVE,SOLENOID,2POS2WY,NCGS68*.1	1
3	97387GT	VALVE ASSY,D03,REX,3POS 4WAY.....4	4	--	52378GT	SEAL KIT,SOLENOID(52377)	
4	52483GT	NUT,COIL,DO3,52381,BOSCH,GS68.....4	4	28	52368GT	VALVE,CHECK,GS68 (SIZE8 8).....1	1
5	44178GT	VALVE,CHECK,5 PSI** .....4	4	--	44227GT	SEAL KIT, VALVE	
--	44224GT	SEAL KIT, VALVE					
6	79833GT	VALVE-CHECK, 200 PSI.....2 (13.8 bar)	2				
--	44224GT	SEAL KIT, VALVE					
7	52376GT	VALVE,RELIEF,3500PSI*** .....3 (241.3 bar)	3				
--	44227GT	SEAL KIT, VALVE					
8	48997GT	NIPPLE,DIAGNOSTIC,#4.....2	2				
--	20224GT	DIAGNOSTIC FEMALE Q-DSCNT					
9	48880GT	CAP,DIAGNOSTIC NIPPLE.....2	2				
10	62112GT	VALVE,CHECK(SCISSORS) GS68.....2	2				
--	44224GT	SEAL KIT, VALVE					
11	52370GT	VALVE,SHUTTLE,GS68.....1	1				
--	52371GT	SEAL KIT, VALVE					
12	44169GT	VALVE-SOLENOID, 2POS 4 WAY.....1	1				
--	44230GT	SEAL KIT-P.N.44169,44172,44171					
13	84144GT	COIL-10,12V DUAL LEAD DIODE.....6	6				
14	44174GT	NUT-COIL SHORT.....4	4				
15	52369GT	VALVE,FLOW REG., 2.0 GPM,GS68.....1 (7.57 L/min)	1				
--	44225GT	SEAL KIT, VALVE					
16	52380GT	VALVE,SOLENOID,3POS4WAY,GS68.....1	1				
--	44230GT	SEAL KIT-P.N.44169,44172,44171					
17	44175GT	SPACER-DUAL COIL,#10, SCISSORS...1	1				
18	52372GT	VALVE,SOLENOID,PROPORTNL,GS68.1	1				
--	52373GT	SEAL KIT,52372,SOLENOID VALVE					
19	84145GT	COIL-10/12,12V DUAL LEAD.....1	1				
20	52466GT	NUT,PROPORTNL. COIL,52372,GS68...1	1				
21	62207GT	ORIFICE PLUG, 0.035.....1 (0.9 mm)	1				
22	84141GT	COIL-8,12V DUAL LEAD DIODE.....1	1				
23	44170GT	VALVE-SOLENOID N.O.(SCISSORS)*....1	1				

407.2 Function Manifold (from SN 43622 to 44770)

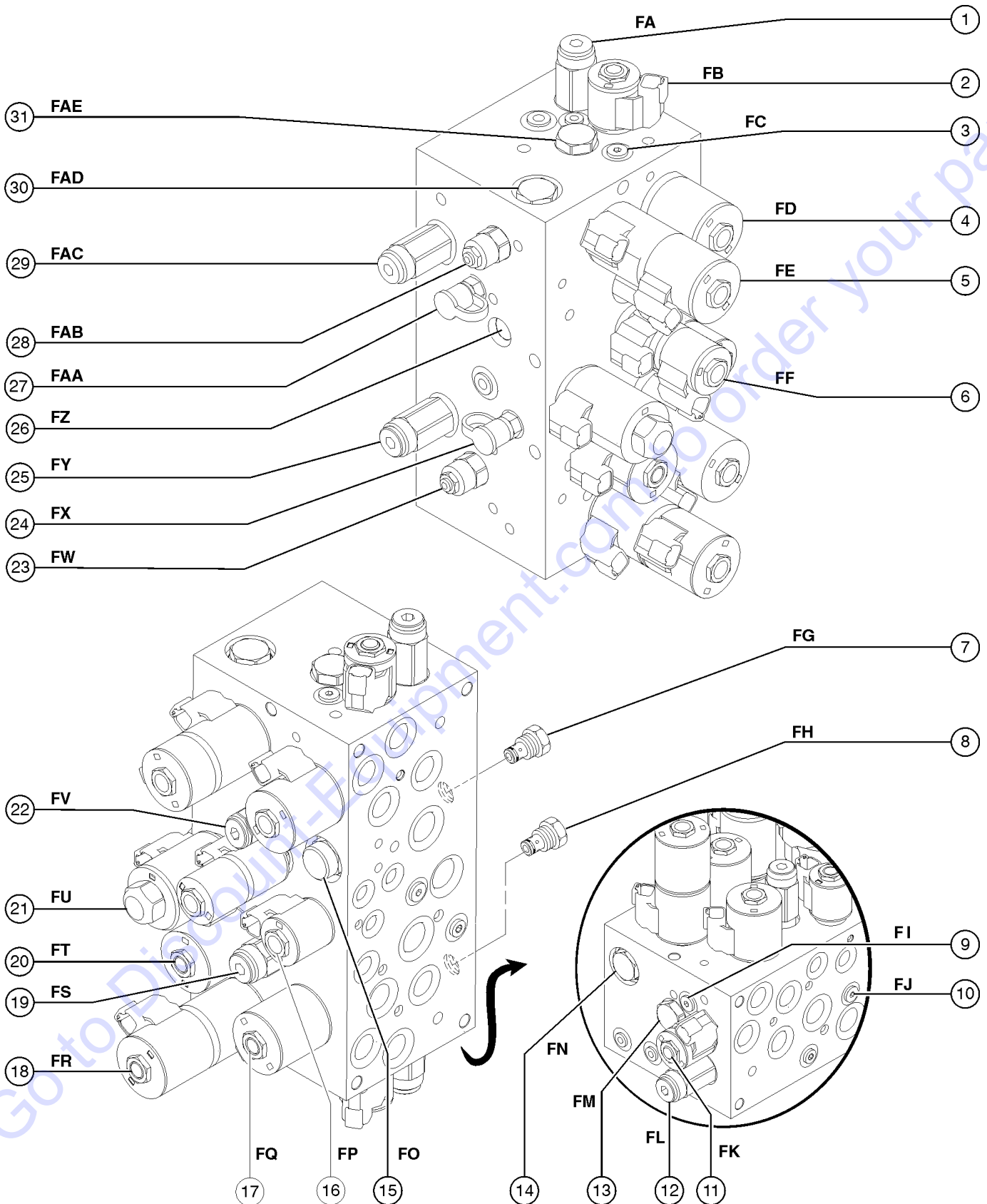




## 407.2 Function Manifold (from SN 43622 to 44770)

Item	Part No.	Description	Qty.	Item	Part No.	Description	Qty.
--	104898GT	MANIFOLD,DRIVE/FUNC,GS68RT		--	44227GT	SEAL KIT, VALVE	
--	49612GT	O-RING KIT (ORFS FITTINGS) (services O-ring face seal fittings)		25	44178GT	VALVE,CHECK,5 PSI**.....4	4
--	49613GT	PLUG AND CAP KIT-SERVICE,ORFS* (for O-ring face seal fittings)		--	44224GT	SEAL KIT, VALVE	
1	48997GT	NIPPLE,DIAGNOSTIC,#4.....2	2	26	102396GT	NUT-COIL,REXROTH DO3 VALVE	
--	20224GT	DIAGNOSTIC FEMALE Q-DSCNT		26	104764GT	COIL,12V D03 ZENER DIODE.....4	4
--	48880GT	CAP,DIAGNOSTIC NIPPLE		27	104767GT	VALVE,D03 REXROTH 3POS 4WAY***.....2	2
2	52376GT	VALVE,RELIEF,3500PSI*** (241.3 bar).....3	3	--	102395GT	SEAL KIT,REXROTH DO3 VALVE	
--	44227GT	SEAL KIT, VALVE					
3	44174GT	NUT-COIL SHORT.....4	4				
4	104760GT	COIL,12VDC #10DTSCH IP69 ECOIL....6	6				
5	44169GT	VALVE-SOLENOID, 2POS 4 WAY.....1	1				
--	44230GT	SEAL KIT-P.N.44169,44172,44171					
6	44175GT	SPACER-DUAL COIL,#10, SCISSORS...1	1				
7	52380GT	VALVE,SOLENOID,3POS4WAY,GS68....1	1				
--	44230GT	SEAL KIT-P.N.44169,44172,44171					
8	52466GT	NUT,PROPORTNL. COIL,52372,GS68...1	1				
9	104761GT	COIL,PROP,12VDC,#10 IP69,DTSCH....1	1				
10	52372GT	VALVE,SOLENOID,PROPORTNL,GS68.1	1				
--	52373GT	SEAL KIT,52372,SOLENOID VALVE					
11	104759GT	COIL,12VDC #8 DTSCH IP69 ECOIL.....1	1				
12	44170GT	VALVE-SOLENOID N.O.(SCISSORS)*....1	1				
--	44228GT	SEAL KIT, VALVE					
13	62113GT	VALVE,RELIEF,1500PSI***.....1	1				
--	44227GT	SEAL KIT, VALVE					
14	52484GT	NUT-COIL(SCISSORS) TALL.....2	2				
15	52379GT	VALVE,SOLENOID N/O POPPT,GS68....2	2				
--	44224GT	SEAL KIT, VALVE					
16	52377GT	VALVE,SOLENOID,2POS2WY,NCGS68*.1	1				
--	52378GT	SEAL KIT,SOLENOID(52377)					
17	97367GT	PLUG.....3	3				
18	97186GT	PLUG.....8	8				
19	52370GT	VALVE,SHUTTLE,GS68.....1	1				
--	52371GT	SEAL KIT, VALVE					
20	62112GT	VALVE,CHECK(SCISSORS) GS68.....2	2				
--	44224GT	SEAL KIT, VALVE					
21	52369GT	VALVE,FLOW REG., 2.0 GPM,GS68.....1	1				
--	44225GT	SEAL KIT, VALVE					
22	62207GT	ORIFICE PLUG, 0.035.....1	1				
23	79833GT	VALVE-CHECK, 200 PSI.....2	2				
--	44224GT	SEAL KIT, VALVE					
24	52368GT	VALVE,CHECK,GS68 (SIZE8 8).....1	1				

407.3 Function Manifold (from SN 44771)



## 407.3 Function Manifold (from SN 44771)

Item	Part No.	Description	Qty.	Item	Part No.	Description	Qty.
--		Use the letter callouts to cross-reference with the Service Manual.		10	62207GT	ORIFICE PLUG, 0.035 FJ.....Controls brake release speed	
--	104755GT	MANIFOLD,MAIN GS68		11	52902GT	VALVE-SOLENOID,2POS/2WAY FK.....Drive speed select circuit at the steer end of the machine	
--	49612GT	O-RING KIT (ORFS FITTINGS) (services O-ring face seal fittings)		--	104759GT	COIL, 12VDC #8 DTSCH IP69 ECOIL	
--	49613GT	PLUG AND CAP KIT-SERVICE,ORFS* (for O-ring face seal fittings)		--	44174GT	NUT-COIL SHORT	
1	44167GT	VALVE,RELIEF,3500PSI(SCISRS)** FA.....Anti-cavitation for rear drive circuit		--	44228GT	SEAL KIT, VALVE	
--	44226GT	SEAL KIT-FOR P.N.44167		12	44167GT	VALVE,RELIEF,3500PSI(SCISRS)** FL.....Anti-cavitation for front drive circuit	
2	52902GT	VALVE-SOLENOID,2POS/2WAY FB.....Drive speed select circuit at the non-steer end of the machine		--	44226GT	SEAL KIT-FOR P.N.44167	
--	104759GT	COIL, 12VDC #8 DTSCH IP69 ECOIL		13	77988GT	FLOW DIVIDER/COMBINER,#10** FM.....Controls flow to the steer end drive motors in forward/reverse	
--	44174GT	NUT-COIL SHORT		--	65965GT	SEAL KIT-FLOW, DIV/COM(65964)	
--	44228GT	SEAL KIT, VALVE		14	44178GT	VALVE,CHECK,5 PSI** FN.....Steer end drive circuit	
3	101067GT	ORIFICE PLUG,030,1/16-27 NPT FC.....Balances flow from flow divider/combiner (item FAE) to non-steer end drive motors		--	44224GT	SEAL KIT, VALVE	
4	97468GT	VALVE-SOLENOID, 2POS 4WAY FD.....Drive speed select circuit at the non-steer end of the machine		15	52369GT	VALVE,FLOW REG., 2.0 GPM,GS68 FO.....Steer circuit	
--	44174GT	NUT-COIL SHORT		--	44225GT	SEAL KIT, VALVE	
--	44230GT	SEAL KIT-P.N.44169,44172,44171		16	97467GT	VALVE-SOLENOID, 2POS 3WAY FP.....Brake circuit	
--	97469GT	COIL#10 E-COIL, 10V ZENER DIODE (sold separately)		--	104759GT	COIL, 12VDC #8 DTSCH IP69 ECOIL	
5	44172GT	VALVE,SOLENOID,3POS 4WAY*** FE.....Controls flow to the non-steer end drive motors in forward/reverse		--	44174GT	NUT-COIL SHORT	
--	44174GT	NUT-COIL SHORT		--	89864GT	SEAL KIT,SOLENOID VALVE, SV07	
--	44230GT	SEAL KIT-P.N.44169,44172,44171		17	97468GT	VALVE-SOLENOID, 2POS 4WAY	
--	97469GT	COIL#10 E-COIL, 10V ZENER DIODE		--	44174GT	NUT-COIL SHORT	
6	44168GT	VALVE,SOLENOID,3POS 4WAY FF.....Steer left/right		--	44230GT	SEAL KIT-P.N.44169,44172,44171	
--	104759GT	COIL, 12VDC #8 DTSCH IP69 ECOIL (sold separately)		--	97469GT	COIL#10 E-COIL, 10V ZENER DIODE FQ.....Drive speed select circuit at the steer end of the machine (sold separately)	
--	44174GT	NUT-COIL SHORT		18	44172GT	VALVE,SOLENOID,3POS 4WAY*** FR.....Controls flow to the steer end drive motors in forward/reverse	
--	44229GT	SEAL KIT, VALVE		--	44174GT	NUT-COIL SHORT	
7	79833GT	VALVE-CHECK, 200 PSI FG.....Proportional circuit		--	44230GT	SEAL KIT-P.N.44169,44172,44171	
--	44224GT	SEAL KIT, VALVE		--	97469GT	COIL#10 E-COIL, 10V ZENER DIODE	
8	44178GT	VALVE,CHECK,5 PSI** FH.....Proportional circuit		19	52376GT	VALVE,RELIEF,3500PSI*** FS.....Lift circuit	
--	44224GT	SEAL KIT, VALVE		--	44227GT	SEAL KIT, VALVE	
9	101067GT	ORIFICE PLUG,030,1/16-27 NPT FI.....Balances flow from flow divider/combiner (item FM) to steer end drive motors		20	44169GT	VALVE-SOLENOID, 2POS 4 WAY FT.....Platform up	
				--	44174GT	NUT-COIL SHORT	
				--	44230GT	SEAL KIT-P.N.44169,44172,44171	
				--	97469GT	COIL#10 E-COIL, 10V ZENER DIODE	
				21A	52372GT	VALVE,SOLENOID,PROPORN,GS68 FU.....Drive/lift circuit (coil and nut sold separately)	

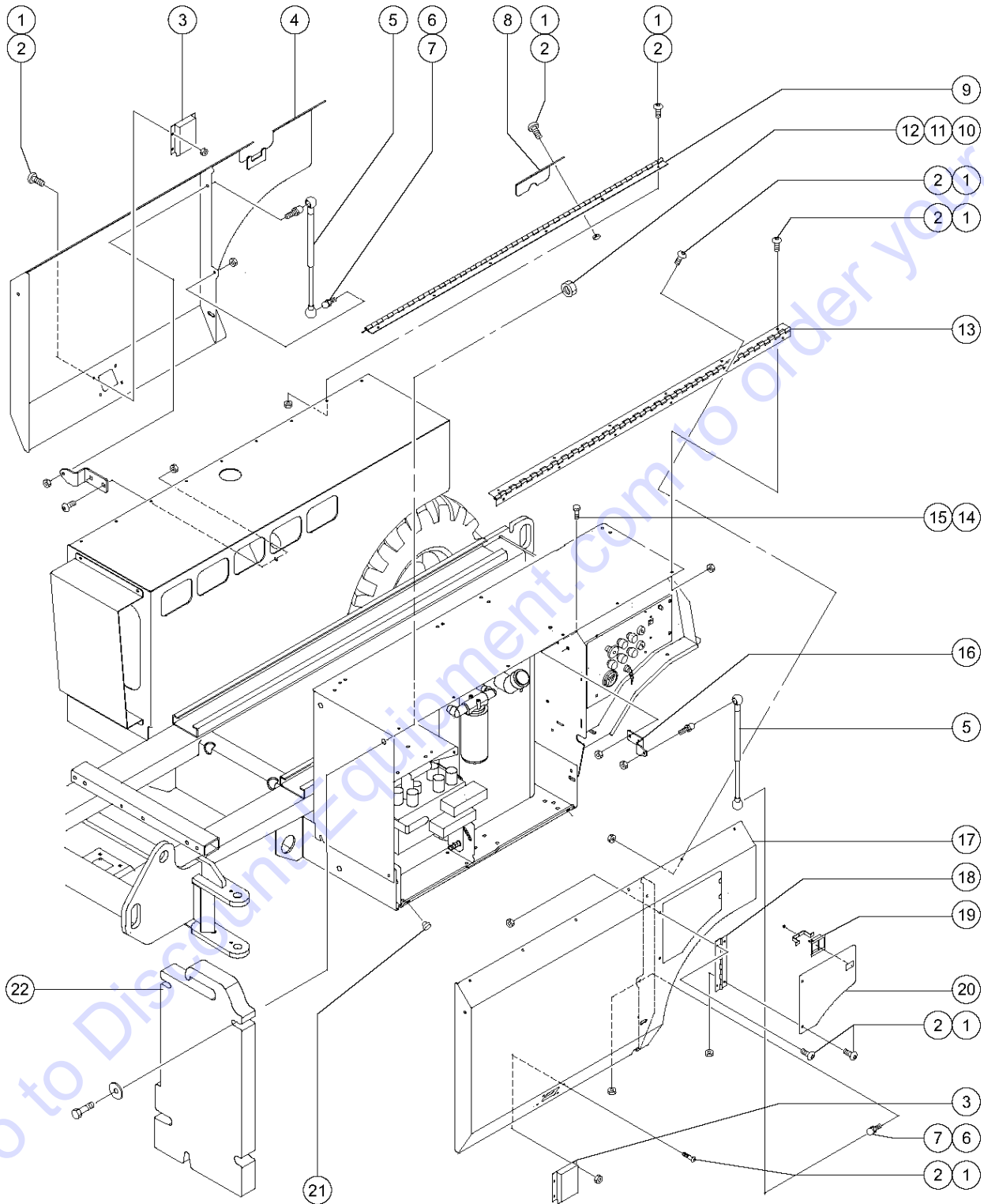
407.3 Function Manifold (from SN 44771)  
(continued)

Item	Part No.	Description	Qty.
--	52373GT	SEAL KIT,52372,SOLENOID VALVE	
21B	104761GT	COIL,PROP,12VDC,#10 IP69,DTSCH	
21C	52466GT	NUT,PROPORTNL. COIL,52372,GS68	
22	115041GT	VALVE,RELIEF,2800PSI*** <i>FV.....Steer left/right</i>	
--	44227GT	SEAL KIT, VALVE	
23	110136GT	VALVE,CB,CBCH-LDN@1000 <i>FW.....Improves braking performance</i>	
24	48997GT	NIPPLE,DIAGNOSTIC,#4 <i>FX.....Testing</i>	
--	48880GT	CAP,DIAGNOSTIC NIPPLE	
25	52374GT	VALVE,RELIEF,3000PSI,GS68PUMP1 <i>FY..... Relief valve for number two section of pump</i>	
--	44227GT	SEAL KIT, VALVE	
26	46216GT	VALVE,CHECK,IWP-S/CWP PWR ASSI <i>FZ ..... Steer circuit</i>	
--	44227GT	SEAL KIT, VALVE	
27	48997GT	NIPPLE,DIAGNOSTIC,#4 <i>FAA ..... Testing</i>	
--	48880GT	CAP,DIAGNOSTIC NIPPLE	
28	110135GT	VALVE,CB,CBCA-LHN@2500 <i>FAB ..... Improves braking performance</i>	
29	52376GT	VALVE,RELIEF,3500PSI*** <i>FAC ..... Relief valve for number one section of pump</i>	
--	44227GT	SEAL KIT, VALVE	
30	44178GT	VALVE,CHECK,5 PSI** <i>FAD ..... Non-steer end drive circuit</i>	
--	44224GT	SEAL KIT, VALVE	
31	77988GT	FLOW DIVIDER/COMBINER,#10** <i>FAE ..... Controls flow to the non-steer end drive motors in forward/reverse</i>	
--	65965GT	SEAL KIT-FLOW, DIV/COM(65964)	

***This Page Intentionally Left Blank***

Go to [Discount-Equipment.com](http://Discount-Equipment.com) to order your parts

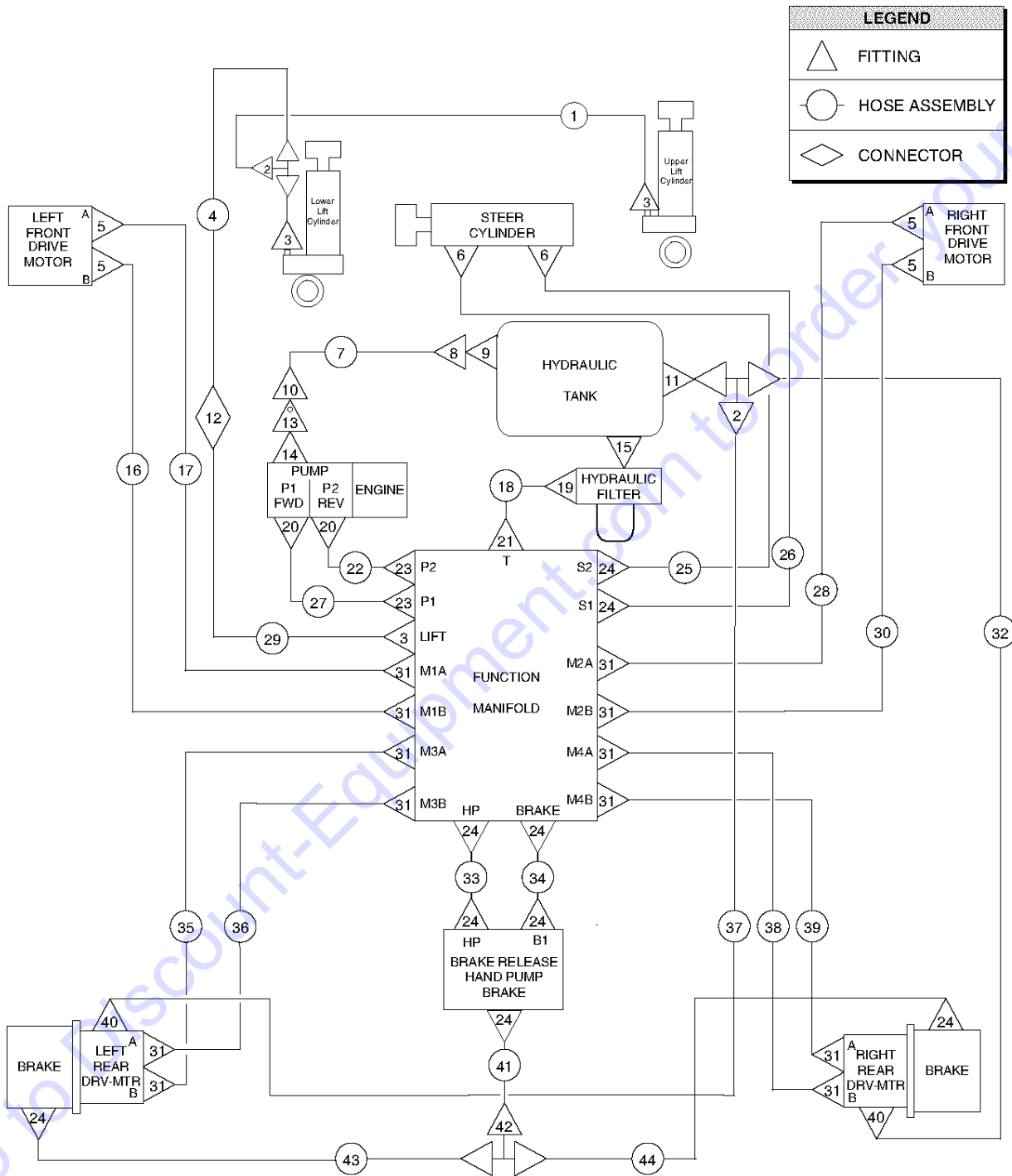
408.1 Chassis Cover Installation



## 408.1 Chassis Cover Installation

Item	Part No.	Description	Qty.	Item	Part No.	Description	Qty.
1	79456GT	BOLT,CARRIAGE,1/4-20 X 1.00,G2		19	87069GT	LATCH, SMALL PADDLE HANDLE.....1 (includes mounting fasteners)	1
2	6091GT	NUT,NYLOCK,1/4-20		20	84122GT	CNTRL PANEL DOOR ASSY W/DECALS.....1 (with decals) (all models) (to SN 42381)	1
3	51702GT	LATCH,FLUSH GS68.....2	2	20A	84864GT	CNTRL PANEL DOOR ASSY,WRDS,68.....1 (with word decals) (USA, Canada, Australia) (from SN 42382)	1
4	84119GT	ENGINE DOOR ASSEMBLY W/DECALS.....1 (all models) (to SN 42381)	1	--	84865GT	CNTRL PANEL DOOR ASSY,SYMB,68 (with symbol decals) (Europe, Asia, South America) (from SN 42382)	
--	87650GT	VENTED ENGINE DOOR ,GS68 (Vented) (all models) (to SN 42381)		21	43392GT	BUMPER,BATTERY BOX & RAILS.....2	2
4A	84861GT	ENGINE DOOR ASSY,WRDS,68 (with word decals) (USA, Canada, Australia) (from SN 42382)		22	71807GT	PLATE, 3268 COUNTERWEIGHT.....1 GS-3268	1
--	84853GT	ENGINE DOOR ASSY,SYM,68 (with symbol decals) (Europe, Asia, South America) (from SN 42382)					
4B	84866GT	ENG DOOR ASSY,WRDS,GS68,VENT (Vented) (with word decals) (USA, Canada, Australia) (from SN 42382)					
--	84867GT	ENG DOOR ASSY,SYMB,GS68,VENT (Vented) (with symbol decals) (Europe, Asia, South America) (from SN 42382)					
5	28301GT	GAS STRUT,250 LBS FORCE***.....2	2				
--	27377GT	RETAINER,GAS SPRING***					
--	72256GT	GAS STRUT,CONNECTOR (28301)					
6	33555GT	BALL STUD**.....4	4				
7	18503GT	NUT,LOCKING-LG.FLANGE,5/16-18					
8	84854GT	GAS DOOR COVER ASSY,GAS,GS68...1 (gasoline/LPG models)	1				
8A	84855GT	GAS DOOR COVER ASSY,DSL,GS68 (diesel models)					
9	79106GT	HINGE, IC DOOR.....1	1				
10	10258GT	NUT,NYLOCK,3/4-10,GRD.2 GS-3268					
11	74323GT	WASHER,FLAT,.812X2X.14 HARDEN GS-3268					
12	55859GT	SCREW,HHC,3/4-10 X 4 GS-3268					
13	79301GT	HINGE, HYD. DOOR GS68.....1	1				
14	64154GT	BOLT,CARRIAGE,3/8-16 X1.00,G5					
15	4828GT	NUT,NYLOCK,3/8-16					
16	79382GT	FORMING,GAS STRUT MOUNT.....1	1				
17	84404GT	HYDRAULIC TRAY DOOR ASSY,68RT.....1 (with decals) (all models) (to SN 42381)	1				
17A	84857GT	HYD TRAY DOOR ASSY,GS68,WRDS...1 (with word decals) (USA, Canada, Australia) (from SN 42382)	1				
--	84859GT	HYD TRAY DOOR ASSY,GS68,SYM (with symbol decals) (Europe, Asia, South America) (from SN 42382)					
18	79136GT	HINGE, ACCESS DOOR GS68.....1	1				

409.1 Hydraulic Hoses and Fittings (to SN 41750)

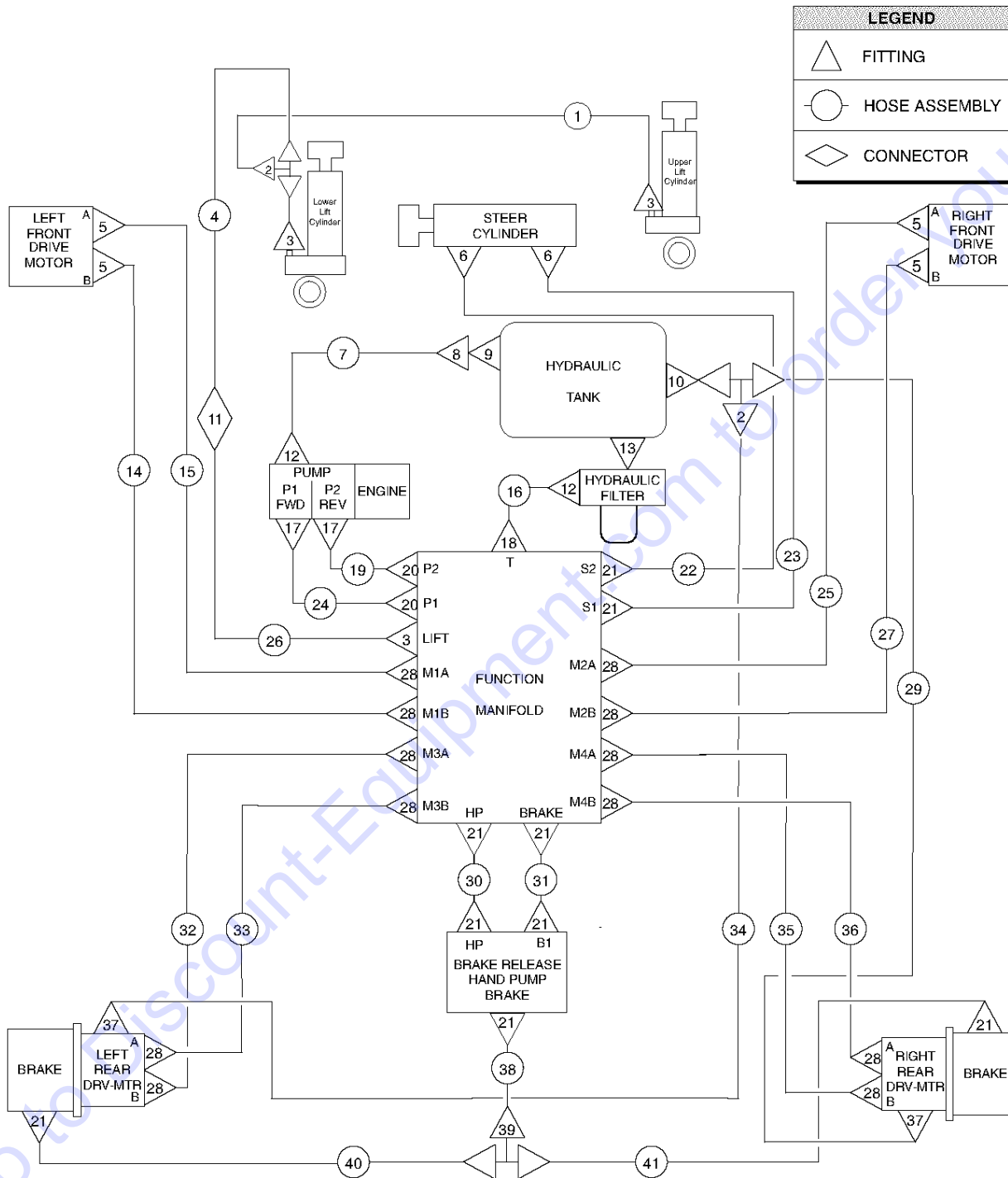




## 409.1 Hydraulic Hoses and Fittings (to SN 41750)

Item	Part No.	Description	Qty.	Item	Part No.	Description	Qty.
--		<i>The hose lengths below reflect the length of the hose only. Refer to the 'Fittings Cross Reference' to match Genie part numbers to Parker part numbers.</i>		27	79758GT	HOSE ASSY,P1-PUMP OUTER.....1 (components: 48822, 48822, 56777 @ 60 inches)	1
1	79845GT	HOSE ASSY,LWR CYL-UPR CYL.....1 GS-3268 (components: 48812, 48812, 56776 @ 272 inches)	1	28	79768GT	HOSE ASSY,M2A-RT FRONT MTR.....1 (components: 48822, 48827, 48758 @ 73 inches)	1
2	48875GT	TEE,RUN,SWIVEL,520432-6.....2	2	29	79760GT	HOSE ASSY,LIFT-BULKHEAD.....1 (components: 48812, 48812, 56776 @ 34 inches)	1
3	48916GT	CONN, 520120-6.....3	3	30	87064GT	HOSE ASSY,M2B-RT FRONT MTR.....1 (components: 48800, 48810, 48751 @ 53 inches)	1
4	79844GT	HOSE ASSY,BULKHEAD-LWR CYL.....1 (components: 48812, 48812, 56776 @ 152 inches)	1	31	48933GT	CONN,520120-8***.....12	12
5	56003GT	ELBOW,90D,LONG,521520-6.....4 (to SN 41538)	4	32	79773GT	HOSE ASSY,RT CASE DRAIN-TANK.....1 (components: 48800, 48810, 48751 @ 53 inches)	1
5A	48943GT	CONN, 520120-8-6 (from SN 41539)		33	79761GT	HOSE ASSY,HP-HAND PUMP HP.....1 (components: 48800, 48800, 48751 @ 65 inches)	1
6	48912GT	CONN,520120-4-6***.....2	2	34	79762GT	HOSE ASSY,BRAKE-HAND PUMP.....1 (components: 48800, 48800, 48751 @ 65 inches)	1
7	79754GT	HOSE ASSY,TANK-PUMP BTM.....1 (components: 48841, 48845, 48761 @ 42 inches)	1	35	79764GT	HOSE ASSY,M3A-LT REAR MTR.....1 (components: 48822, 48822, 48758 @ 72 inches)	1
8	48980GT	CONN,520102-12-16.....1	1	36	79765GT	HOSE ASSY,M3B-LT REAR MTR.....1 (components: 48822, 48822, 48758 @ 70 inches)	1
9	45161GT	STRAINER ASSEMBLY,1.5" NPT.....1	1	37	79774GT	HOSE ASSY,LT CASE DRAIN-TANK.....1 (components: 48800, 48810, 48751 @ 31 inches)	1
10	48963GT	FITTING,ELBOW,45D,520320-12***.....1	1	38	79763GT	HOSE ASSY,M4A-RT REAR MTR.....1 (components: 48822, 48822, 48758 @ 73 inches)	1
11	48922GT	CONN,520102-6-6.....1	1	39	87063GT	HOSE ASSY,M4B-RT REAR TOP.....1 (components: 48822, 48822, 48758 @ 73 inches)	1
12	61080GT	FITTING,6-6BLKHEADUNION 520601...1	1	40	48904GT	ELBOW,90D,520220-4-4.....2	2
13	48995GT	VALVE,BALL,12 MSAE-12 FSAE.....1	1	41	79772GT	HOSE ASSY,HAND PUMP-BRAKE TEE.....1 (components: 48800, 48800, 48751 @ 33 inches)	1
14	79846GT	ELBOW, MSAE, FSAE-12-12.....1	1	42	42758GT	TEE,UNION,520401-4.....1	1
15	79847GT	ELBOW, 12-3/4AOEG-S.....1	1	43	79770GT	HOSE ASSY,LT BRAKE-BRAKE TEE.....1 (components: 48800, 48802, 48751 @ 34 inches)	1
16	79767GT	HOSE ASSY,M1B-LT FRONT MTR.....1 (components: 48822, 48827, 56777 @ 72 inches)	1	44	79771GT	HOSE ASSY,RT BRAKE-BRAKE TEE.....1 (components: 48800, 48802, 48751 @ 66 inches)	1
17	79766GT	HOSE ASSY,M1A-LT FRONT MTR.....1 (components: 48822, 48827, 56777 @ 70 inches)	1				
18	79755GT	HOSE ASSY,T-TANK FILTER.....1 (components: 48841, 48841, 48761 @ 54 inches)	1				
19	48959GT	FITTING,ELBOW,90D,520220-12.....1	1				
20	48932GT	FITTING,ELBOW,90D,520220-8***.....2	2				
21	48975GT	CONN,520120-12-10.....1	1				
22	79759GT	HOSE ASSY,P2-PUMP INNER.....1	1				
23	48946GT	CONN,520120-8-10.....2	2				
24	48905GT	CONN,520120-4***.....9	9				
25	79756GT	HOSE ASSY,S1-LT STEER.....1 (components: 48800, 48800, 48751 @ 52 inches)	1				
26	79757GT	HOSE ASSY,S2-RT STEER.....1 (components: 48800, 48800, 48751 @ 54 inches)	1				

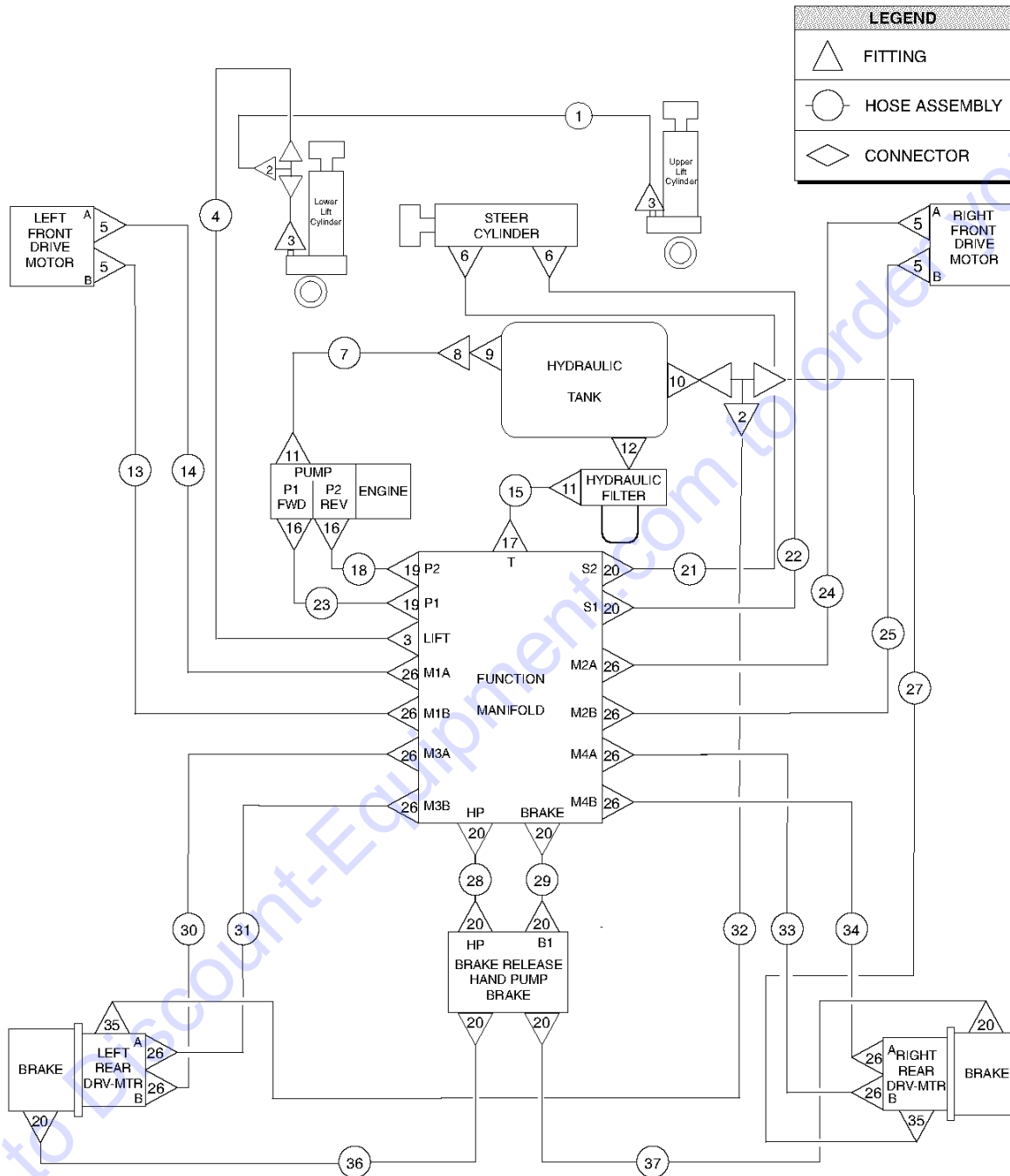
409.2 Hydraulic Hoses and Fittings (from SN 41751 to 42120)



## 409.2 Hydraulic Hoses and Fittings (from SN 41751 to 42120)

Item	Part No.	Description	Qty.	Item	Part No.	Description	Qty.
--		<i>The hose lengths below reflect the length of the hose only. Refer to the 'Fittings Cross Reference' to match Genie part numbers to Parker part numbers.</i>		25	79768GT	HOSE ASSY,M2A-RT FRONT MTR.....1 (components: 48822, 488027, 48758 @ 73 inches)	1
1	79845GT	HOSE ASSY,LWR CYL-UPR CYL.....1 GS-3268 (components: 48812, 48812, 56776 @ 272 inches)	1	26	79760GT	HOSE ASSY,LIFT-BULKHEAD.....1 (to SN 42076) (components: 48812, 48812, 56776 @ 34 inches)	1
2	48875GT	TEE,RUN,SWIVEL,520432-6.....2	2	27	87064GT	HOSE ASSY,M2B-RT FRONT MTR.....1 (components: 48822, 48827, 48758 @ 73 inches)	1
3	48916GT	CONN, 520120-6.....3	3	28	48933GT	CONN,520120-8***.....12	12
4	79844GT	HOSE ASSY,BULKHEAD-LWR CYL.....1 (to SN 42076) (components: 48812, 48812, 56776 @ 152 inches)	1	29	79773GT	HOSE ASSY,RT CASE DRAIN-TANK.....1 (components: 48800, 48810, 48751 @ 53 inches)	1
4A	99175GT	HOSE,MANIF-CYL,2668 (from SN 42077) (components: 48812, 48812, 56776 @ 200 inches)	1	30	79761GT	HOSE ASSY,HP-HAND PUMP HP.....1 (components: 48800, 48800, 48751 @ 65 inches)	1
5	48943GT	CONN, 520120-8-6.....4	4	31	79762GT	HOSE ASSY,BRAKE-HAND PUMP.....1 (components: 48800, 48800, 48751 @ 65 inches)	1
6	48912GT	CONN,520120-4-6***.....2	2	32	79764GT	HOSE ASSY,M3A-LT REAR MTR.....1 (components: 48822, 48822, 48758 @ 72 inches)	1
7	79754GT	HOSE ASSY,TANK-PUMP BTM.....1 (components: 48841, 48845, 48761 @ 42 inches)	1	33	79765GT	HOSE ASSY,M3B-LT REAR MTR.....1 (components: 48822, 48822, 48758 @ 70 inches)	1
8	48980GT	CONN,520102-12-16.....1	1	34	79774GT	HOSE ASSY,LT CASE DRAIN-TANK.....1 (components: 48800, 48810, 48751 @ 31 inches)	1
9	45161GT	STRAINER ASSEMBLY,1.5" NPT.....1	1	35	79763GT	HOSE ASSY,M4A-RT REAR MTR.....1 (components: 48822, 48822, 48758 @ 73 inches)	1
10	48922GT	CONN,520102-6-6.....1	1	36	87063GT	HOSE ASSY,M4B-RT REAR TOP.....1 (components: 48822, 48822, 48758 @ 73 inches)	1
11	61080GT	FITTING,6-6BLKHEADUNION 520601...1 (to SN 42076)	1	37	48904GT	ELBOW,90D,520220-4-4.....2	2
12	48959GT	FITTING,ELBOW,90D,520220-12.....2	2	38	79772GT	HOSE ASSY,HAND PUMP-BRAKE TEE.....1 (components: 48800, 48800, 48751 @ 33 inches)	1
13	79847GT	ELBOW, 12-3/4AOEG-S.....1	1	39	42758GT	TEE,UNION,520401-4.....1	1
14	79767GT	HOSE ASSY,M1B-LT FRONT MTR.....1 (components: 48822, 48827, 56777 @ 72 inches)	1	40	79770GT	HOSE ASSY,LT BRAKE-BRAKE TEE.....1 (components: 48800, 48802, 48751 @ 34 inches)	1
15	79766GT	HOSE ASSY,M1A-LT FRONT MTR.....1 (components: 48822, 48827, 56777 @ 70 inches)	1	41	79771GT	HOSE ASSY,RT BRAKE-BRAKE TEE.....1 (components: 48800, 48802, 48751 @ 66 inches)	1
16	79755GT	HOSE ASSY,T-TANK FILTER.....1 (components: 48841, 48841, 48761 @ 54 inches)	1				
17	48932GT	FITTING,ELBOW,90D,520220-8***.....2	2				
18	48975GT	CONN,520120-12-10.....1	1				
19	79759GT	HOSE ASSY,P2-PUMP INNER.....1	1				
20	48946GT	CONN,520120-8-10.....2	2				
21	48905GT	CONN,520120-4***.....9	9				
22	79756GT	HOSE ASSY,S1-LT STEER.....1 (components: 48800, 48800, 48751 @ 52 inches)	1				
23	79757GT	HOSE ASSY,S2-RT STEER.....1 (components: 48800, 48800, 48751 @ 54 inches)	1				
24	79758GT	HOSE ASSY,P1-PUMP OUTER.....1 (components: 48822, 48822, 56777 @ 60 inches)	1				

409.3 Hydraulic Hoses and Fittings (from SN 42121 to 43183)



# PARTS FINDER

**Search Website  
by Part Number**



**Search Manual  
Library For Parts  
Manual & Lookup Part  
Numbers – Purchase  
or Request Quote**

**Search Manuals**

Enter your information to help us find the right parts manual for your machine.

\* Brand:

\* Model:

\* Serial:

\* Part Number:

SEARCH

**Can't Find Part or  
Manual? Request Help  
by Manufacturer,  
Model & Description**

**Parts Order Form**

Please fill in the following information to help us find the right part for your machine.

Manufacturer:	<input type="text"/>
Model:	<input type="text"/>
Description:	<input type="text"/>
Part Number:	<input type="text"/>
Quantity:	<input type="text"/>
Notes:	<input type="text"/>

Discount-Equipment.com is your online resource for quality parts & equipment.

Florida: **561-964-4949** Outside Florida TOLL FREE: **877-690-3101**

**Need parts?**

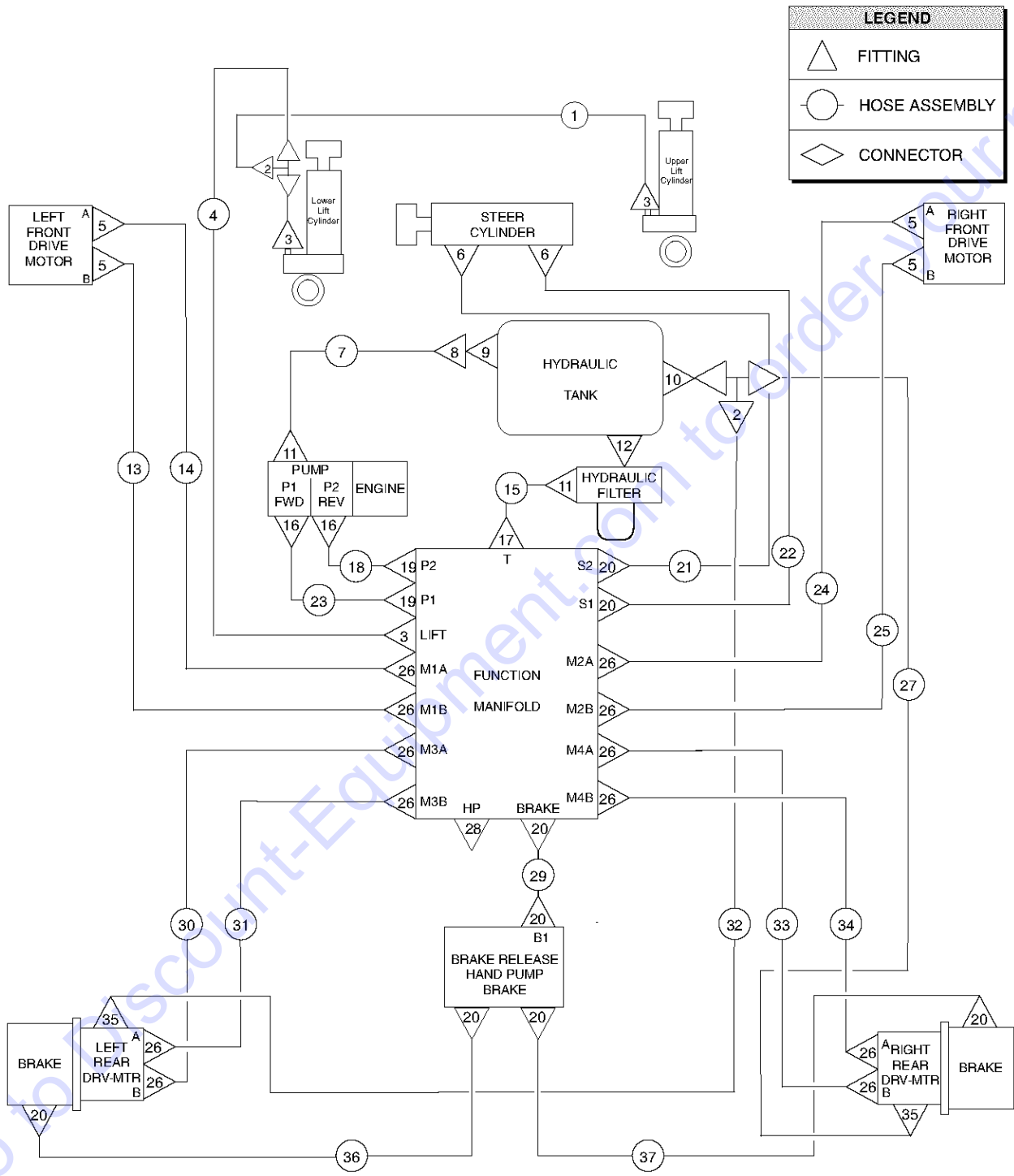
Click on this link: <http://www.discount-equipment.com/category/5443-parts/> and choose one of the options to help get the right parts and equipment you are looking for. Please have the machine model and serial number available in order to help us get you the correct parts. If you don't find the part on the website or on one of the online manuals, please fill out the request form and one of our experienced staff members will get back to you with a quote for the right part that your machine needs.

We sell worldwide for the brands: Genie, Terex, JLG, MultiQuip, Mikasa, Essick, Whiteman, Mayco, Toro Stone, Diamond Products, Generac Magnum, Airman, Haulotte, Barreto, Power Blanket, Nifty Lift, Atlas Copco, Chicago Pneumatic, Allmand, Miller Curber, Skyjack, Lull, Skytrak, Tsurumi, Husquvarna Target, Stow, Wacker, Sakai, Mi-T-M, Sullair, Basic, Dynapac, MBW, Weber, Bartell, Bennar Newman, Haulotte, Ditch Runner, Menegotti, Morrison, Contec, Buddy, Crown, Edco, Wyco, Bomag, Laymor, EZ Trench, Bil-Jax, F.S. Curtis, Gehl Pavers, Heli, Honda, ICS/PowerGrit, IHI, Partner, Imer, Clipper, MMD, Koshin, Rice, CH&E, General Equipment, Amida, Coleman, NAC, Gradall, Square Shooter, Kent, Stanley, Tamco, Toku, Hatz, Kohler, Robin, Wisconsin, Northrock, Oztec, Toker TK, Rol-Air, APT, Wylie, Ingersoll Rand / Doosan, Innovatech, Con X, Ammann, Mecalac, Makinex, Smith Surface Prep, Small Line, Wanco, Yanmar

## 409.3 Hydraulic Hoses and Fittings (from SN 42121 to 43183)

Item	Part No.	Description	Qty.	Item	Part No.	Description	Qty.
--		<i>The hose lengths below reflect the length of the hose only. Refer to the 'Fittings Cross Reference' to match Genie part numbers to Parker part numbers.</i>		25	87064GT	HOSE ASSY,M2B-RT FRONT MTR.....1 (components: 48827, 48822, 48758 @ 73 inches)	1
1	79845GT	HOSE ASSY,LWR CYL-UPR CYL.....1 GS-3268 (components: 48812, 48812, 56776 @ 272 inches)	1	26	48933GT	CONN,520120-8***.....12	12
2	48875GT	TEE,RUN,SWIVEL,520432-6.....2	2	27	79773GT	HOSE ASSY,RT CASE DRAIN-TANK.....1 (components: 48800, 48810, 48751 @ 53 inches)	1
3	48916GT	CONN, 520120-6.....3	3	28	79761GT	HOSE ASSY,HP-HAND PUMP HP.....1 (components: 48800, 48800, 48751 @ 65 inches)	1
4	99175GT	HOSE,MANIF-CYL,2668.....1 (components: 48812, 48812, 56776 @ 200 inches)	1	29	79762GT	HOSE ASSY,BRAKE-HAND PUMP.....1 (components: 48800, 48800, 48751 @ 65 inches)	1
5	48943GT	CONN, 520120-8-6.....4	4	30	79764GT	HOSE ASSY,M3A-LT REAR MTR.....1 (components: 48822, 48822, 48758 @ 72 inches)	1
6	48912GT	CONN,520120-4-6***.....2	2	31	79765GT	HOSE ASSY,M3B-LT REAR MTR.....1 (components: 48822, 48822, 48758 @ 70 inches)	1
7	79754GT	HOSE ASSY,TANK-PUMP BTM.....1 (components: 48841, 48845, 48761 @ 42 inches)	1	32	79774GT	HOSE ASSY,LT CASE DRAIN-TANK.....1 (components: 48822, 48822, 48758 @ 72 inches)	1
8	48980GT	CONN,520102-12-16.....1	1	33	79763GT	HOSE ASSY,M4A-RT REAR MTR.....1 (components: 48800, 48810, 48751 @ 31 inches)	1
9	45161GT	STRAINER ASSEMBLY,1.5" NPT.....1	1	34	87063GT	HOSE ASSY,M4B-RT REAR TOP.....1 (components: 48822, 48822, 48758 @ 73 inches)	1
10	48922GT	CONN,520102-6-6.....1	1	35	48904GT	ELBOW,90D,520220-4-4.....2	2
11	48959GT	FITTING,ELBOW,90D,520220-12.....2	2	36	99202GT	HOSE ASSY,LT BRAKE-HAND PUMP....1 (components: 48802, 48800, 48751 @ 57 inches)	1
12	79847GT	ELBOW, 12-3/4AOEG-S.....1	1	37	99203GT	HOSE ASSY,RT BRAKE-HAND PUMP...1 (components: 48800, 48802, 48751 @ 66 inches)	1
13	79767GT	HOSE ASSY,M1B-LT FRONT MTR.....1 (components: 48822, 48827, 56777 @ 72 inches)	1				
14	79766GT	HOSE ASSY,M1A-LT FRONT MTR.....1 (components: 48822, 48827, 56777 @ 72 inches)	1				
15	79755GT	HOSE ASSY,T-TANK FILTER.....1 (components: 48841, 48841, 48761 @ 54 inches)	1				
16	48932GT	FITTING,ELBOW,90D,520220-8***.....2	2				
17	48975GT	CONN,520120-12-10.....1	1				
18	79759GT	HOSE ASSY,P2-PUMP INNER.....1 (components: 48822, 48822, 48758 @ 65 inches)	1				
19	48946GT	CONN,520120-8-10.....2	2				
20	48905GT	CONN,520120-4***.....10	10				
21	79756GT	HOSE ASSY,S1-LT STEER.....1 (components: 48800, 48800, 48751 @ 52 inches)	1				
22	79757GT	HOSE ASSY,S2-RT STEER.....1 (components: 48800, 48800, 48751 @ 54 inches)	1				
23	79758GT	HOSE ASSY,P1-PUMP OUTER.....1 (components: 48822, 48822, 56777 @ 60 inches)	1				
24	79768GT	HOSE ASSY,M2A-RT FRONT MTR.....1 (components: 48822, 48827, 48758 @ 73 inches)	1				

409.4 Hydraulic Hoses and Fittings (from SN 43184)



## 409.4 Hydraulic Hoses and Fittings (from SN 43184)

Item	Part No.	Description	Qty.	Item	Part No.	Description	Qty.
--		<i>The hose lengths below reflect the length of the hose only. Refer to the 'Fittings Cross Reference' to match Genie part numbers to Parker part numbers.</i>		16	48932GT	FITTING,ELBOW,90D,520220-8***	2
1	79845GT	HOSE ASSY,LWR CYL-UPR CYL.....1 GS-3268 (components: 48812, 48812, 56776 @ 272 inches)	1	17	48975GT	CONN,520120-12-10.....	1
1A	131092GT	HOSE,LWR TO UPR CYL,LO-TEMP.....1 GS-3268 (components: 48812, 48812, 101698 @ 263 inches) (replaces 79845 on arctic option only)	1	18	79759GT	HOSE ASSY,P2-PUMP INNER.....1 (components: 48822, 48822, 48758 @ 65 inches)	1
2	48875GT	TEE,RUN,SWIVEL,520432-6.....	2	19	48946GT	CONN,520120-8-10.....	2
3	48916GT	CONN, 520120-6.....	3	20	48905GT	CONN,520120-4***.....	8
4	99175GT	HOSE,MANIF-CYL,2668.....1 (components: 48812, 48812, 56776 @ 200 inches)	1	21	79756GT	HOSE ASSY,S1-LT STEER.....1 (components: 48800, 48800, 48751 @ 52 inches)	1
4A	131063GT	HOSE ASSY,MAN-CYL,2668,LO-TEMP.....1 (components: 48812, 48812, 101698 @ 195 inches) (replaces 99175 on arctic option only)	1	21A	131061GT	HOSE ASSY,S2STEER,LO-TEMP,GS68.....1 (components: 48800, 48800, 101697 @ 52 inches) (replaces 79756 on arctic option only)	1
4B	112709GT	HOSE,MNFLD-LIFT CYL,3268.....1 (components: 48812, 48816, 56776 @ 200 inches)	1	22	79757GT	HOSE ASSY,S2-RT STEER.....1 (components: 48800, 48800, 48751 @ 54 inches)	1
5	48943GT	CONN, 520120-8-6.....	4	22A	131062GT	HOSE ASSY,S2STEER,LO-TEMP,GS68.....1 (components: 48800, 48800, 101697 @ 48 inches) (replaces 79757 on arctic option only)	1
6	48912GT	CONN,520120-4-6***.....	2	23	79758GT	HOSE ASSY,P1-PUMP OUTER.....1 (components: 48822, 48822, 56777 @ 60 inches)	1
7	79754GT	HOSE ASSY,TANK-PUMP BTM.....1 (components: 48841, 48845, 48761 @ 42 inches)	1	24	79768GT	HOSE ASSY,M2A-RT FRONT MTR.....1 (components: 48822, 48827, 48758 @ 73 inches)	1
8	48980GT	CONN,520102-12-16.....	1	24A	131066GT	HOSE ASSY,M2B-RT FR MTR,LO-TMP.....1 (components: 48822, 48827, 101699 @ 73 inches) (replaces 79768 on arctic option only)	1
9	45161GT	STRAINER ASSEMBLY,1.5" NPT.....	1	25	87064GT	HOSE ASSY,M2B-RT FRONT MTR.....1 (components: 48822, 48827, 48758 @ 73 inches)	1
10	48922GT	CONN,520102-6-6.....	1	25A	131067GT	HOSE ASSY,M2A-RT FR MTR,LO-TMP (components: 48822, 48827, 101699 @ 73 inches) (replaces 87064 on arctic option only)	1
11	48959GT	FITTING,ELBOW,90D,520220-12.....	2	26	48933GT	CONN,520120-8***.....	12
12	79847GT	ELBOW, 12-3/4AOEG-S.....	1	27	79773GT	HOSE ASSY,RT CASE DRAIN-TANK....1 (components: 48800, 48810, 48751 @ 53 inches)	1
13	79767GT	HOSE ASSY,M1B-LT FRONT MTR.....1 (components: 48822, 48827, 56777 @ 72 inches)	1	28	39882GT	PLUG,HEX SOCKET,090109B-4.....	1
13A	131065GT	HOSE ASSY,M1B-LT FR MTR,LO-TMP.....1 (components: 48822, 48827, 101699 @ 70 inches) (replaces 79767 on arctic option only)	1	29	79762GT	HOSE ASSY,BRAKE-HAND PUMP.....1 (components: 48800, 48800, 48751 @ 65 inches)	1
14	79766GT	HOSE ASSY,M1A-LT FRONT MTR.....1 (components: 48822, 48827, 56777 @ 70 inches)	1	30	79764GT	HOSE ASSY,M3A-LT REAR MTR.....1 (components: 48822, 48822, 48758 @ 72 inches)	1
14A	131064GT	HOSE ASSY,M1A-LT FR MTR,LO-TMP.....1 (components: 48822, 48827, 101699 @ 72 inches) (replaces 79766 on arctic option only)	1				
15	79755GT	HOSE ASSY,T-TANK FILTER.....1 (components: 48841, 48841, 48761 @ 54 inches)	1				



409.4 Hydraulic Hoses and Fittings (from SN 43184)  
(continued)

Item	Part No.	Description	Qty.
31	79765GT	HOSE ASSY,M3B-LT REAR MTR.....1 <i>(components: 48822, 48822, 48758 @ 70 inches)</i>	
32	79774GT	HOSE ASSY,LT CASE DRAIN-TANK.....1 <i>(components: 48800, 48810, 48751 @ 31 inches)</i>	
33	79763GT	HOSE ASSY,M4A-RT REAR MTR.....1 <i>(components: 48822, 48822, 48758 @ 73 inches)</i>	
34	87063GT	HOSE ASSY,M4B-RT REAR TOP.....1 <i>(components: 48822, 48822, 48758 @ 73 inches)</i>	
35	48904GT	ELBOW,90D,520220-4-4.....2	
36	99202GT	HOSE ASSY,LT BRAKE-HAND PUMP....1 <i>(components: 48800, 48802, 48751 @ 57 inches)</i>	
37	99203GT	HOSE ASSY,RT BRAKE-HAND PUMP...1 <i>(components: 48800, 48802, 48751 @ 66 inches)</i>	

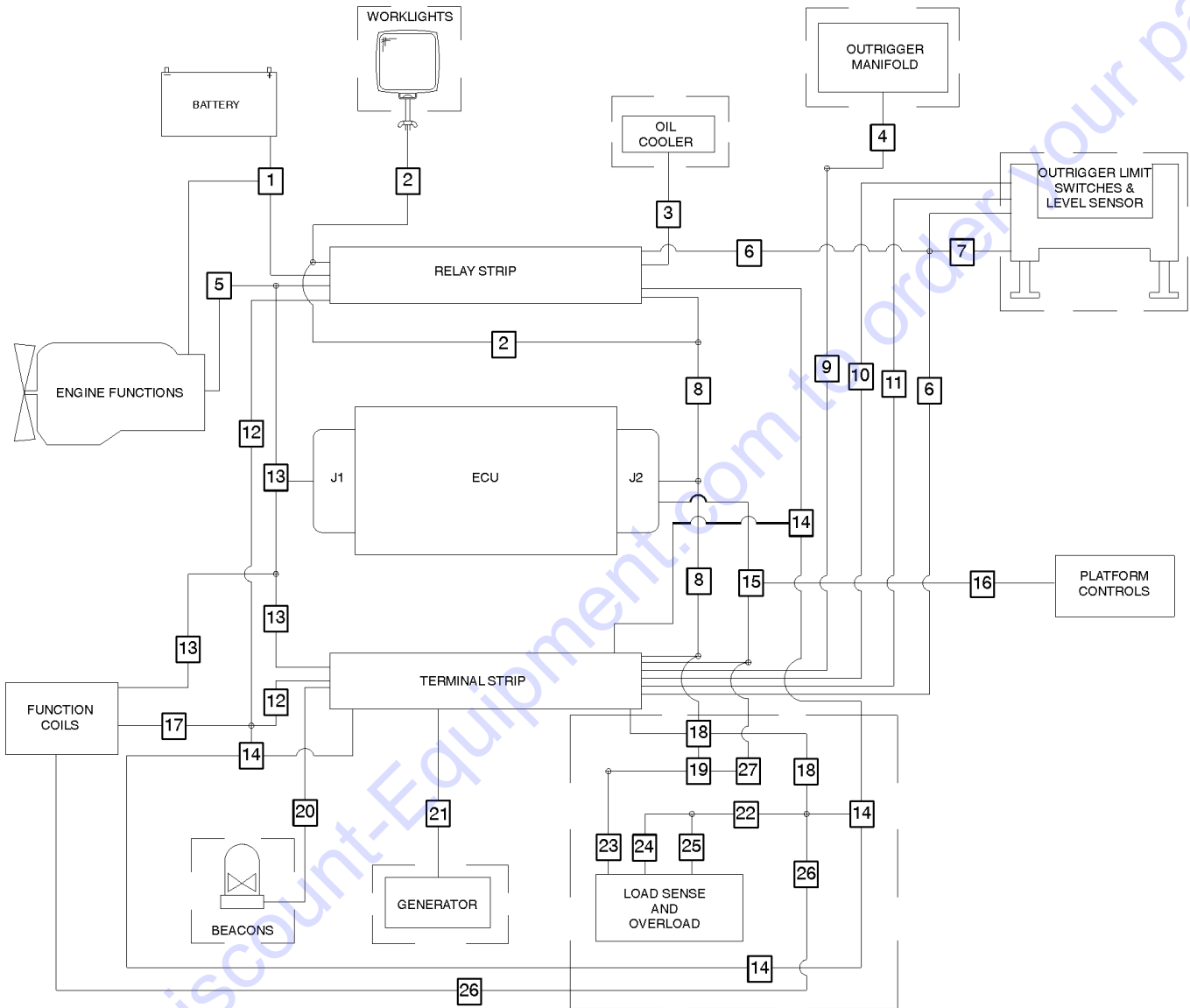
Go to Discount-Equipment.com to order your parts

409.4 Hydraulic Hoses and Fittings (from SN 43184)  
(continued)

***This Page Intentionally Left Blank***

Go to Discount-Equipment.com to order your parts

410.1 Electrical Wiring and Power Cables



## 410.1 Electrical Wiring and Power Cables

Item	Part No.	Description	Qty.	Item	Part No.	Description	Qty.
--	79878GT	HARNESS,DUAL FUEL,J4 (to SN 42381)		9B	104717GT	HARNESS,OUTRIGGER MNFLD,GS68 (from SN 43619)	
--	79879GT	HARNESS,DIESEL,J4 (to SN 42381)		10	71532GT	HARNESS,OUTRGR,PROD FRT GS68.....1 (steer end) (to SN 42381)	1
--	79877GT	HARNESS,LCP,J3 (to SN 42381)		10A	99440GT	HARNESS,OUTRIGGER,FRONT (steer end) (from SN 42382)	
--	87269GT	HARNESS,BOSCH DIODE SUPPR. (from SN 42382 to 43621)		11	71531GT	HARNESS,OUTRIGGER,PROD,REAR...1 (non-steer end) (to SN 42381)	1
--	79874GT	HARNESS,MANIFOLD,J1 (from SN 42382 to 43621)		11A	99441GT	HARNESS,OUTRIGGER,REAR (non-steer end) (from SN 42382)	
--	104603GT	WIRE ASSY,MANIFOLD GND,GS68 (from SN 42382 to 43621)		12	79883GT	HARNESS,DOWN PIGTAIL.....1 (to SN 42381)	1
--	104894GT	HARNESS,OR MNFLD JMPER,GS2668* (from SN 42382 to 43621)		12A	99437GT	HARNESS,DOWN PIGTAIL (from SN 42382)	
1	79886GT	HARNESS,BATTERY CABLES.....1	1	13	79875GT	HARNESS,LCP,J1.....1 (Dual Fuel and Diesel) (to SN 42381)	1
2	71576GT	GS90 OP BEACONS, STANDARD.....1 GS-2668 (option) (to SN 42381)	1	13A	99434GT	HARNESS,LCP-DF,J1 (Dual Fuel) (from SN 42382 to 43618)	
--	71791GT	HARNESS,WIRE,WORK LIGHT,3268 GS-3268 (option) (to SN 42381)		--	104715GT	HARNESS,LCP-DF,J1,GS68 (Dual Fuel) (from SN 43619 to 44770)	
2A	99444GT	HARNESS,WORK LIGHT OPT.....1 GS-2668 (option) (from SN 42382)	1	--	150024GT	HARNESS,LCP-DF,J1,GS68 (Dual Fuel) (from SN 44771 to 47220)	
--	97344GT	HARNESS,WORKLIGHT OPT,GS3268 GS-3268 (option) (from SN 42382)		--	112416GT	HARNESS,LCP-DF,J1,GS68 (Dual Fuel) (from SN 47221 to 50986)	
3	79903GT	HARNESS,OIL COOLER,GS68.....1 (option) (to SN 42381)	1	--	131035GT	HARNESS,LCP-DF,J1,GS68*** (Dual Fuel) (from SN 50987)	
3A	99445GT	HARNESS,OIL COOLER OPT (option) (from SN 42382)		13E	99435GT	HARNESS,LCP-DIESEL,J1 (Diesel) (from SN 42382 to 43618)	
4A	104894GT	HARNESS,OR MNFLD JMPER,GS2668*.....1 (from SN 41200 to 43617)	1	--	104716GT	HARNESS,LCP-DIESEL,J1,GS68 (Diesel) (from SN 43619 to 44770)	
4B		"REF. HARNESS,OUTRIGGER MNFLD,GS68**" (refer to section 410.1 item 9B) (from SN 43618)		--	150025GT	HARNESS,LCP-DIESEL,J1,GS68.....1 (Diesel) (from SN 44771 to 47220)	1
5	79880GT	HARNESS,DUAL FUEL,ENG.....1	1	--	112417GT	HARNES,LCP-DIESEL,J1,GS68.....1 (Diesel) (from SN 47221 to 50986)	1
5A	99198GT	HARNESS,DIESEL,KUBOTA D905***		--	131034GT	HARNESS,LCP-DIESEL,J1,GS68**.....1 (Diesel) (from SN 50987)	1
5B	99119GT	HARNESS,PRK 403C-11,GS68		14	99843GT	HARNESS,DOWN RELAY,LOAD SENSE.....1 (CE models)	1
6	79882GT	HARNESS,LEVEL SENSOR.....1 (to SN 42381)	1	15	79890GT	JOYSTICK CABLE,PIGTAIL.....1 (to SN 42381)	1
6A	99438GT	HARNESS,LEVEL SENSOR (from SN 42382)		15A	99301GT	CONTROL CABLE,PIGTAIL (from SN 42382)	
7	79896GT	WIRE ASSY,DOWN LIMIT SWITCH.....1	1	16	79891GT	CONTROL CABLE,2668.....1 GS-2668 (to SN 42381)	1
8	79876GT	HARNESS,LCP,J2.....1 (to SN 42381)	1	16A	99296GT	CNTRL CABLE,CHAS.TO PLAT,2668.....1 GS-2668 (from SN 42382)	1
8A	99436GT	HARNESS,LCP,J2 (from SN 42382)		16B	79892GT	JOYSTICK CABLE,3268.....1 GS-3268 (to SN 42381)	1
9	87262GT	HARNESS,OUTRIGGER MANIFOLD.....1 (to SN 42381)	1	16C	99297GT	CNTRL CABLE,CHAS.TO PLAT,3268 GS-3268 (from SN 42382)	
9A	99439GT	HARNESS,OUTRIGGER MANIFOLD from SN 42382 to SN 43617					

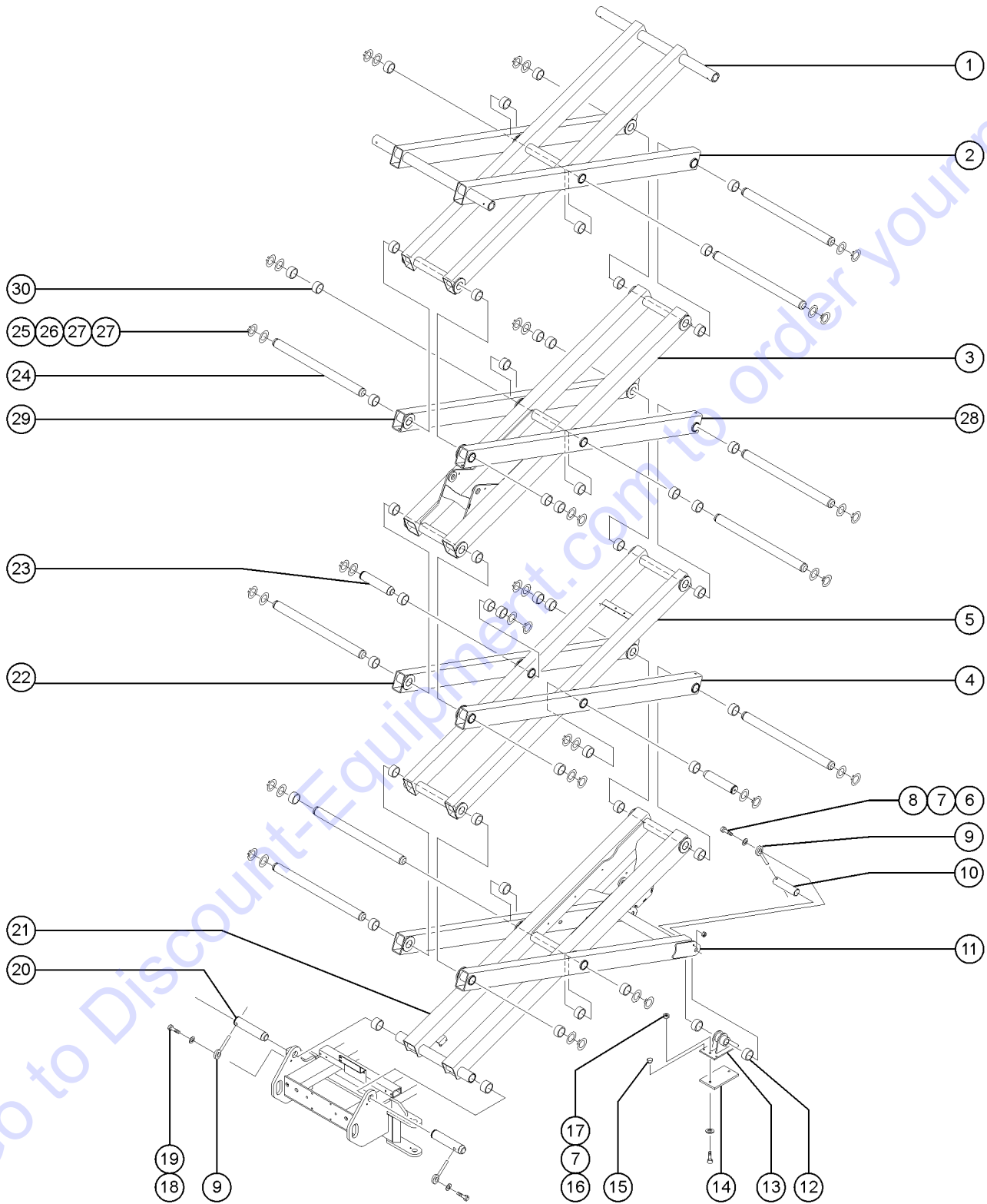
### 410.1 Electrical Wiring and Power Cables (continued)

Item	Part No.	Description	Qty.
--	105328GT	KIT,FEMALE PLUG, DTM	
17	79884GT	HARNESS,DOWN,GS2668.....1 GS-2668	
17A	79885GT	HARNESS,DOWN,GS3268 GS-3268	
18	99844GT	HARNESS,TERM STRIP,LOAD SENSE.....1 CE	
19	99842GT	HARNESS,PS CABLE,LOAD SENSE....1 (Pressure Switch Cable Assembly, CE) (to SN 44168)	
19A	110125GT	HARNESS,LOAD SENSE,CTRL-PSWCH (Pressure Switch Cable Assembly, CE) (from SN 44169)	
20	87266GT	HARNESS,BEACON.....1 (option) (to SN 42381)	
20A	99442GT	HARNESS,BEACON OPT (option) (from SN 42382)	
21	87260GT	HARNESS,GENERATOR.....1 (option) (to SN 42381)	
21A	99446GT	HARNESS,GENERATOR OPT (option) (from SN 42382)	
22	99840GT	HARNESS,LS CABLE,LOAD SENSE....1 (Limit Switch Cable Assembly, CE)	
23	104571GT	HARNESS,PRESS.SWITCH.....1 CE	
24	99838GT	HARNESS,LS,UP SW,LOAD SENSE....1 CE	
25	99839GT	HARNESS,LS,DN DELAY,LOAD SENSE.....1 CE	
26	99845GT	HARNESS,UP COIL,LOAD SENSE.....1 CE	
27	104972GT	HARNESS,RESISTOR,5 OHM,10W***...1	

***This Page Intentionally Left Blank***

Go to [Discount-Equipment.com](http://Discount-Equipment.com) to order your parts

501.1 Scissor Components, View 1 - GS2668

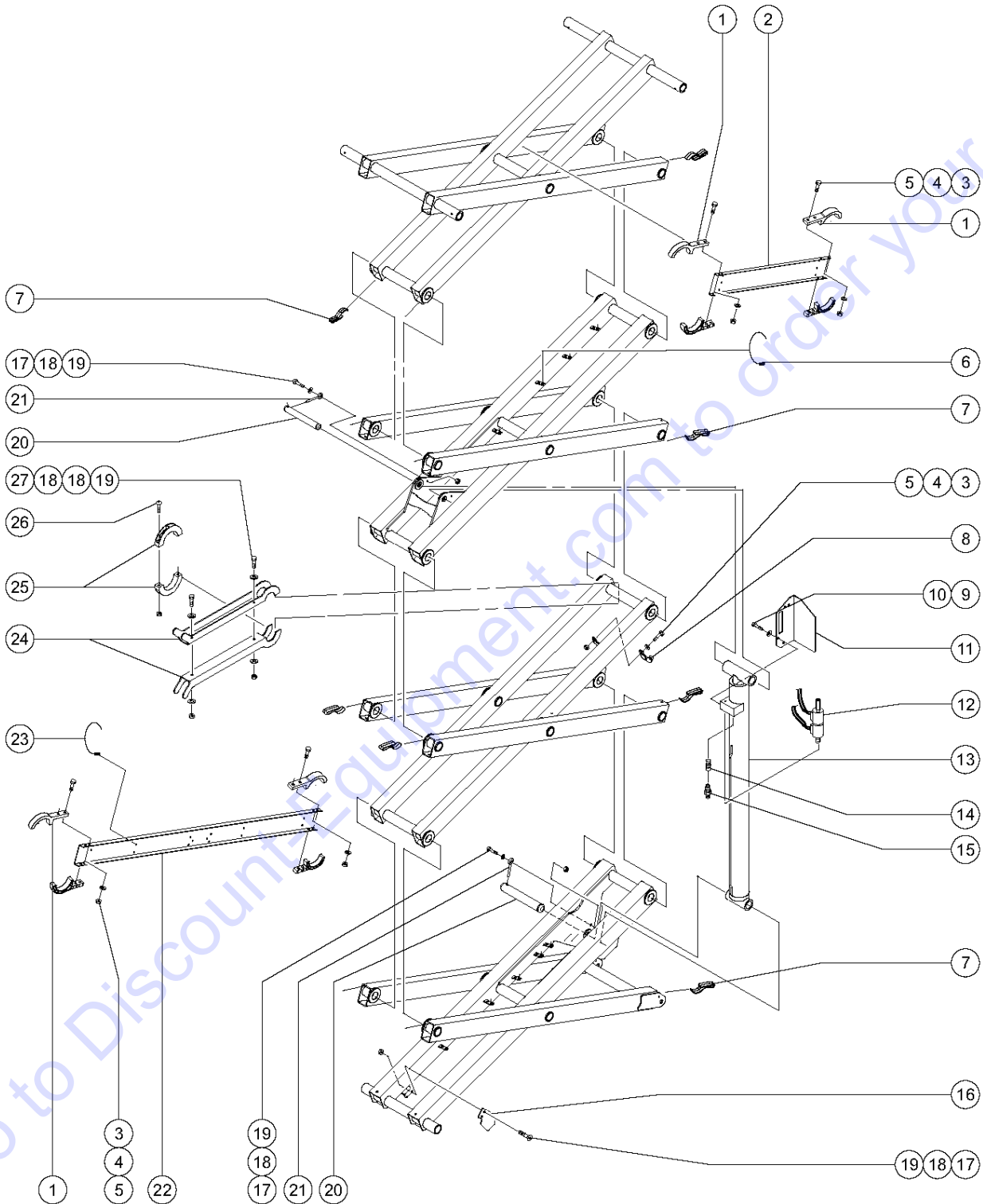


## 501.1 Scissor Components, View 1 - GS2668

Item	Part No.	Description	Qty.	Item	Part No.	Description	Qty.
1	84235GT	INNER ARM#4 W/BEARINGS GS68.....1 (number 4) (includes item 27)	1	--	84991GT	OUTER ARM ASSY #2,W/SY DECALS* (number 2 and 3) (with symbol decals) (engine side) (includes item 27) (Europe, Asia, South America)	
2	84236GT	OUTER ARM #4 W/BEARINGS GS2668.....1 (number 4) (includes item 27)	1	23	47302GT	PIN,1.75DIAX8.51LG,2RING.....2	
3	84237GT	INNER ARM #3 W/BEARINGS GS2668.....1 (number 3) (includes item 27)	1	24	47301GT	PIN,1.75DIAX26.71LG,2RING.....9	
4	84238GT	OUTER ARM ASSY, W/DECALS*.....1 (number 2) (with word decals) (ground controls side) (includes item 27) (USA, Canada, Australia)	1	25	18384GT	SNAP RING,EXTERNAL,1.75 DIA.	
--	94990GT	OUTER ARM ASSY #2,W/SY DECALS* (number 2) (with symbol decals) (ground controls side) (includes item 27) (Europe, Asia, South America)		26	39127GT	WASHER,SCIS ARM,1.79X2.25X.120	
5	84239GT	INNER ARM ASSY, W/DECALS.....1 (number 2) (with word decals) (includes item 27) (USA, Canada, Australia)	1	27	51144GT	BEARING,1.75IDX2.00ODX1.25L.....64	
--	84992GT	INNER ARM ASSY #4,W/SY DECALS* (number 2) (with symbol decals) (includes item 27) (Europe, Asia, South America)		28	84821GT	OUTER ARM ASSY, W/BEARINGS.....1 (number 3) (ground controls side) (includes item 27 and 30)	
6	8516GT	SCREW, HCC, 3/8-16 X 1.50		29	84822GT	OUTER ARM ASSY, W/BEARINGS.....1 (number 3) (engine side) (includes item 27 and 30)	
7	5397GT	WASHER,FLAT,USS,5/16",Y		30	1579-103GT	TUBE,RD,ALUM 2 X .095.....2	
8	4828GT	NUT,NYLOCK,3/8-16					
9	825019GT	ROD END,.375X3.69,ZAG.....3	3				
10	47530GT	PIN,1.00DIAX4.6 LG,1HOLE.....2	2				
11	84243GT	OUTER ARM #1 W/BEARINGS GS2668.....1 (number 1) (includes item 27)	1				
12	25817GT	BEARING,1.00IDX1.25ODX1.00L.....4	4				
13	47360GT	WELDMENT,SLIDER BLOCK.....2	2				
14	47373GT	WEAR PAD 2668.....2	2				
15	11890GT	GLIDE BUTTON,SIDE,GLL,.100 TK.....8	8				
16	7713GT	NUT, LP NYLOCK, 3/8-16					
17	6175GT	SCREW,HHC,3/8-16 X 1					
18	6019GT	SCREW,HHC,3/8-16 X 1.25 GRD 5 (to SN 41712)					
--	13918GT	SCREW,HHC,3/8-16 X 1.75,GRD.8 (from SN 41713)					
19	6021GT	WASHER,LOCK,.375 (to SN 41712)					
--	4828GT	NUT,NYLOCK,3/8-16 (from SN 41713)					
20	71414GT	PIN,1.75DIAX5.87LG,CHAMFER.....1	1				
21	84241GT	INNER ARM ASSY,#1W/BRNGS,2668....1 (number 1) (includes item 27)	1				
22	84242GT	OUTER ARM ASSY, W/DECALS*.....1 (number 2 and 3) (with word decals) (engine side) (includes item 27) (USA, Canada, Australia)	1				



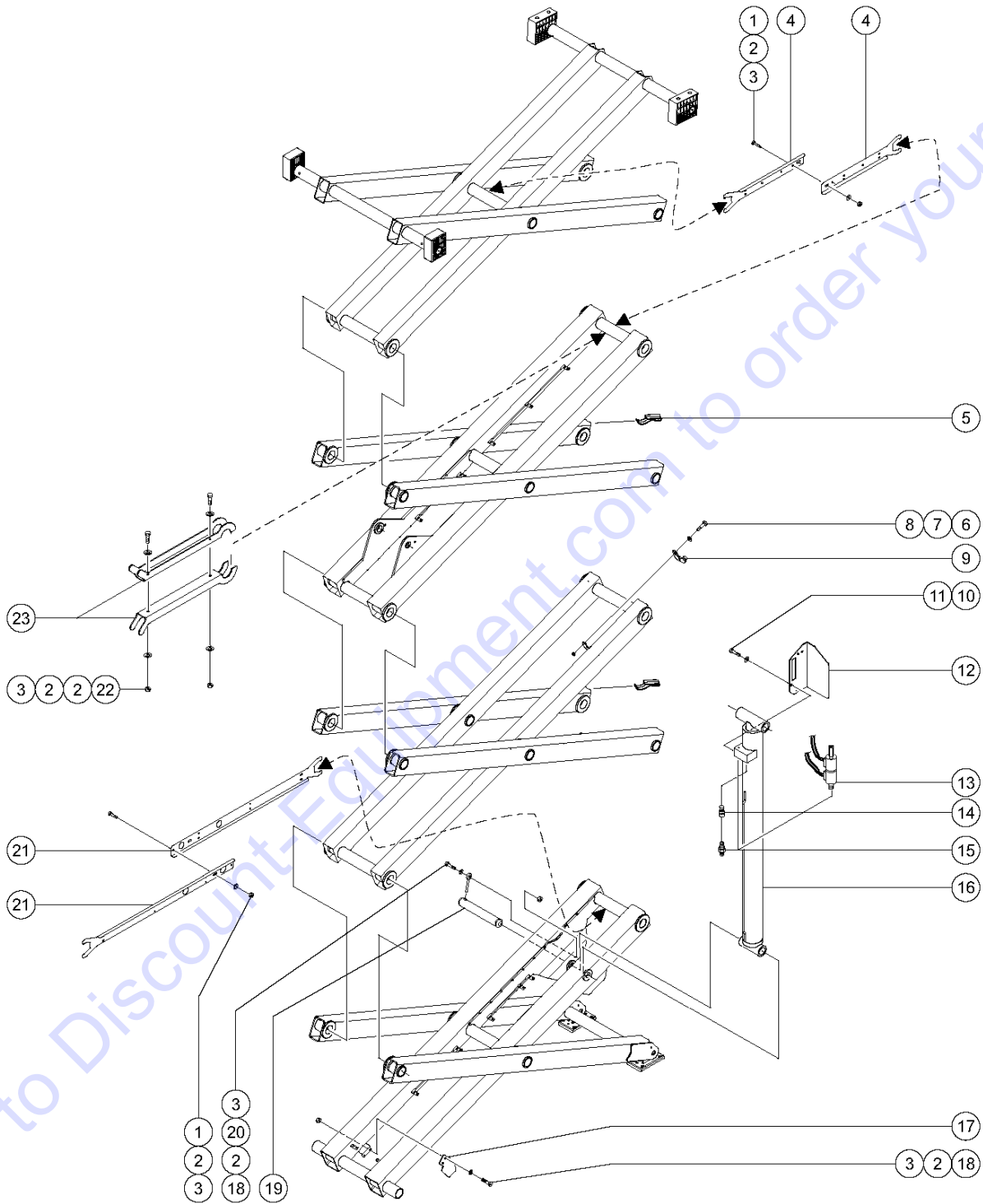
502.1 Scissor Components, View 2 - GS-2668 (to SN 41750)



## 502.1 Scissor Components, View 2 - GS-2668 (to SN 41750)

Item	Part No.	Description	Qty.
1	55351GT	CLAMP, CABLEBRIDGE,HALF.....	8
2	78687GT	FORMING, CABLE BRIDGE, UPPER.....	1
3	6888GT	SCREW,HHC, 1/4-20 X 1	
4	6638GT	WASHER,FLAT,USS,1/4"Y	
5	6889GT	NUT,LP NYLOCK,1/4-20	
6	28443GT	CABLE TIE,11.5" BLACK (quantities vary)	
7	71349GT	BUMPER, LINK.....	16
8	55336GT	CHOCK STOP CUSHION.....	1
9	7339GT	SCREW,HHC,1/4-20 X .5	
10	6356GT	WASHER,LOCK,.25	
11	79494GT	FORMING,DOWN COIL COVER.....	1
12	87190GT	VALVE,DOUBLE PULL SOL SQ 12V.....	1
--	44973GT	NUT,COIL (39909)	
--	84421GT	WASHER-SOLENOID VALVE (66683)*	
--	84423GT	VALVE,2 POSITION 2 WAY***	
--	87191GT	COIL,SQUARE,12VDC***	
13	55717GT	CYLINDER, GS2632/46/68*** ..... (includes bearings)	1
--	66470GT	SEAL KIT (55717) TEXAS HYD VER (Texas Hydraulic)	
--	78912GT	SEAL KIT, 55717 DY LIFTCYL (Dongyang)	
14	55560GT	ORIFICE,LONG, .059".....	1
15		Ref. Fitting (refer to 409.1, 409.2, 409.3 and 409.4)	
16	47574GT	PLATE,LIFT ARM CAM GS68.....	1
17	8516GT	SCREW, HCC, 3/8-16 X 1.50	
18	5397GT	WASHER,FLAT,USS,5/16",Y	
19	4828GT	NUT,NYLOCK,3/8-16	
20	47458GT	PIN,1.50DIAX8.45LG,1HOLE.....	1
21	825019GT	ROD END,.375X3.69,ZAG.....	2
22	78686GT	FORMING,CABLE BRIDGE,MAIN*** ..... .....	1
23	66098GT	CABLE TIE,9" X .5 (quantities vary)	
24	58001GT	SAFETY CHOCK-SCISSOR..... (includes items 18, 19 and 27)	1
25	55488GT	CROSS TUBE COLAR, GS46\68.....	2
--	6091GT	NUT,NYLOCK,1/4-20	
26	11966GT	SCREW,BHHS,1/4-20 X 1.5	
27	6019GT	SCREW,HHC,3/8-16 X 1.25 GRD 5	

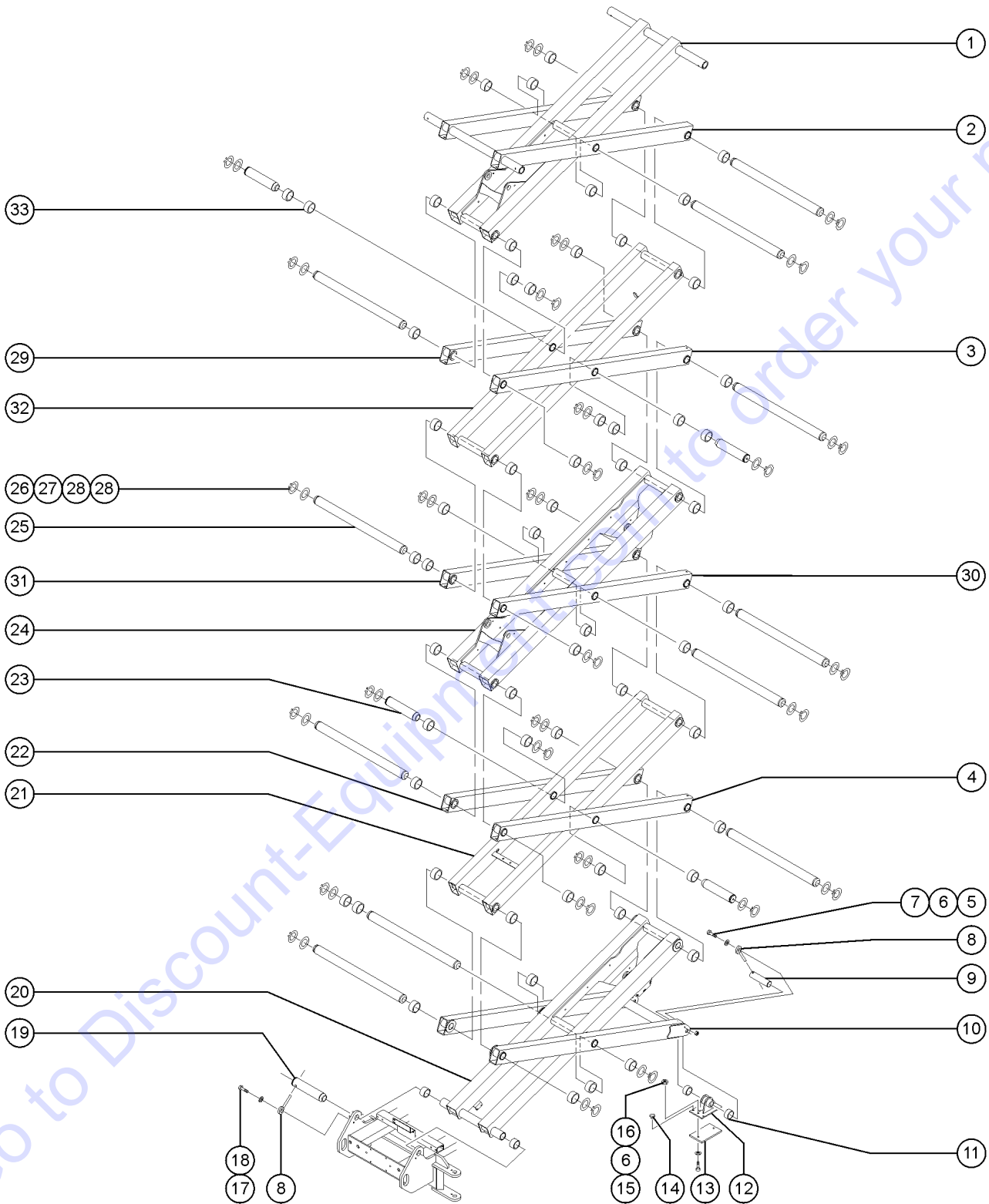
502.2 Scissor Components, View 2 - GS-2668 (from SN 41751)



## 502.2 Scissor Components, View 2 - GS-2668 (from SN 41751)

Item	Part No.	Description	Qty.	Item	Part No.	Description	Qty.
1	6175GT	SCREW,HHC,3/8-16 X 1		--	131381GT	SUPPORT, CABLE BRIDGE MOUNTING (from SN 52076)	
2	5397GT	WASHER,FLAT,USS,5/16",Y		--	131382GT	FORMING,CABLE BRIDGE,GS68 (from SN 52076)	
3	4828GT	NUT,NYLOCK,3/8-16		--	14182GT	SCREW,FHS,1/4-20 X 1 (from SN 52076)	
4	78687GT	FORMING, CABLE BRIDGE, UPPER.....2 (from SN 41751 to 52075)		--	6091GT	NUT,NYLOCK,1/4-20 (from SN 52076)	
--	78900GT	TRIM LOCK, 1/8 X .75.....2.25-inches (from SN 41751 to 52075)		22	6019GT	SCREW,HHC,3/8-16 X 1.25 GRD 5	
4B	131396GT	ASSY, CABLE BRIDGE, UPPER.....2 (from SN 52076)		23	58001GT	SAFETY CHOCK-SCISSOR.....1 (includes items 2, 3 and 22)	
--	131381GT	SUPPORT, CABLE BRIDGE MOUNTING (from SN 52076)					
--	131382GT	FORMING,CABLE BRIDGE,GS68 (from SN 52076)					
--	14182GT	SCREW,FHS,1/4-20 X 1 (from SN 52076)					
--	6091GT	NUT,NYLOCK,1/4-20 (from SN 52076)					
5	71349GT	BUMPER, LINK.....16					
6	6888GT	SCREW,HHC,1/4-20 X 1					
7	6638GT	WASHER,FLAT,USS,1/4"Y					
8	6889GT	NUT,LP NYLOCK,1/4-20					
9	55336GT	CHOCK STOP CUSHION.....1					
10	7339GT	SCREW,HHC,1/4-20 X .5					
11	6356GT	WASHER,LOCK,.25					
12	79494GT	FORMING,DOWN COIL COVER.....1					
13	87190GT	VALVE,DOUBLE PULL SOL SQ 12V.....1					
--	44973GT	NUT,COIL (39909)					
--	84421GT	WASHER-SOLENOID VALVE (66683)*					
--	84423GT	VALVE,2 POSITION 2 WAY***					
--	87191GT	COIL,SQUARE,12VDC***					
14	55560GT	ORIFICE,LONG, .059".....1					
15		Ref. Fitting (refer to 409.1, 409.2, 409.3 and 409.4)					
16	55717GT	CYLINDER, GS2632/46/68*** .....1 (includes bearings)					
--	66470GT	SEAL KIT (55717) TEXAS HYD VER (Texas Hydraulic)					
--	78912GT	SEAL KIT, 55717 DY LIFTCYL (Dongyang)					
17	47574GT	PLATE,LIFT ARM CAM GS68.....1					
18	8516GT	SCREW, HCC, 3/8-16 X 1.50					
19	47458GT	PIN,1.50DIA X 8.45LG,1HOLE.....2					
20	825019GT	ROD END,.375X3.69,ZAG.....2					
21	78686GT	FORMING,CABLE BRIDGE,MAIN*** .....2 (from SN 41751 to 52075)					
21A	131395GT	ASSY,CABLE BRIDGE,GS68.....2 (from SN 52076)					

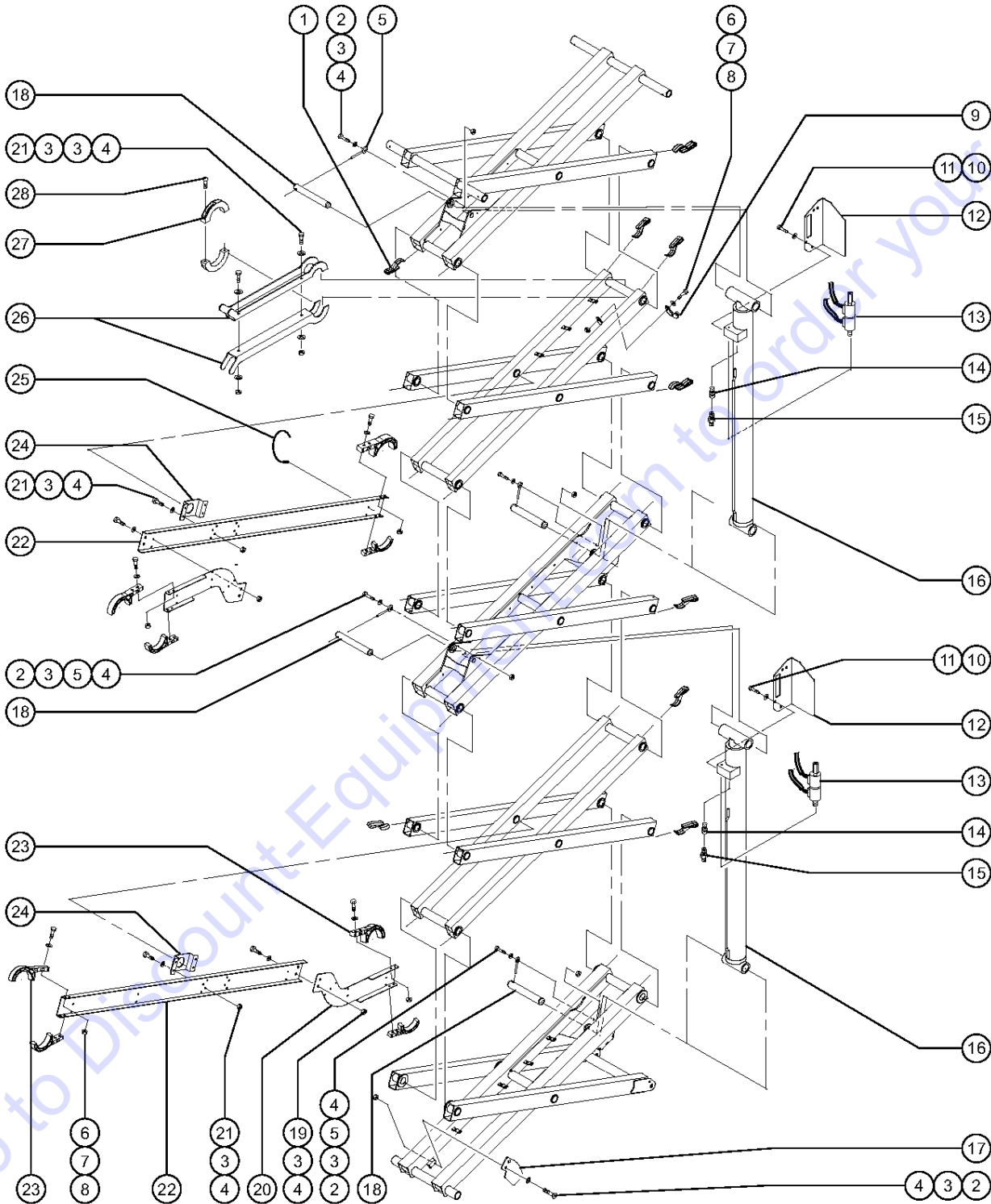
503.1 Scissor Components, View 1 - GS-3268



## 503.1 Scissor Components, View 1 - GS-3268

Item	Part No.	Description	Qty.	Item	Part No.	Description	Qty.
1	84244GT	INNER ARM #5 W/BEARINGS GS3268.....1 (number 5) (includes item 28)	1	22	84242GT	OUTER ARM ASSY, W/DECALS*.....1 (number 2 and 3) (with word decals) (engine side) (includes item 28) (USA, Canada, Australia)	1
2	84245GT	OUTER ARM #5 W/BEARINGS GS3268.....1 (number 5) (includes item 28)	1	22A	84991GT	OUTER ARM ASSY #2, W/SY DECALS* (number 2 and 3) (with symbol decals) (engine side) (includes item 28) (Europe, Asia, South America)	1
3	84246GT	OUTER ARM #4 W/BEARINGS, GS3268.....1 (number 4) (ground controls side) (includes item 28)	1	23	47302GT	PIN, 1.75DIA X 8.51LG, 2RING.....4	4
4	84238GT	OUTER ARM ASSY, W/DECALS*.....1 (number 2) (with word decals) (ground controls side) (includes item 28) (USA, Canada, Australia)	1	24	84247GT	INNER ARM #3 W/BEARINGS GS3268.....1 (includes item 28)	1
4A	84990GT	OUTER ARM ASSY #2, W/SY DECALS* (number 2) (with symbol decals) (ground controls side) (includes item 28) (Europe, Asia, South America)	1	25	47301GT	PIN, 1.75DIA X 26.71LG, 2RING.....11	11
5	8516GT	SCREW, HCC, 3/8-16 X 1.50		26	18384GT	SNAP RING, EXTERNAL, 1.75 DIA.	
6	5397GT	WASHER, FLAT, USS, 5/16", Y		27	39127GT	WASHER, SCIS ARM, 1.79X2.25X.120	
7	4828GT	NUT, NYLOCK, 3/8-16		28	51144GT	BEARING, 1.75ID X 2.00OD X 1.25L.....82	82
8	825019GT	ROD END, .375X3.69, ZAG.....3	3	29	84248GT	OUTER ARM #4 W/BEARINGS GS3268.....1 (number 4) (engine side) (includes item 28 and 33)	1
9	47530GT	PIN, 1.00DIA X 4.6 LG, 1HOLE.....2	2	30	84821GT	OUTER ARM ASSY, W/BEARINGS.....1 (number 3) (ground controls side) (includes item 28 and 33)	1
10	84243GT	OUTER ARM #1 W/BEARINGS GS2668.....1 (includes item 28)	1	31	84822GT	OUTER ARM ASSY, W/BEARINGS.....1 (number 3) (engine side) (includes item 28 and 33)	1
11	25817GT	BEARING, 1.00ID X 1.25OD X 1.00L.....4	4	32	84823GT	INNER ARM ASSY, W/BEARINGS.....1 (number 4) (includes item 28)	1
12	58189GT	CASTING -SLIDE BLOCK W/BEARING.....2	2	33	1579-103GT	TUBE, RD, ALUM 2 X .095.....6	6
13	47373GT	WEAR PAD 2668.....2	2				
14	11890GT	GLIDE BUTTON, SIDE, GLL, .100 TK.....8	8				
15	7713GT	NUT, LP NYLOCK, 3/8-16					
16	6175GT	SCREW, HHC, 3/8-16 X 1					
17	6019GT	SCREW, HHC, 3/8-16 X 1.25 GRD 5 (to SN 41712)					
17A	13918GT	SCREW, HHC, 3/8-16 X 1.75, GRD.8.....2 (from SN 41713)	2				
18	6021GT	WASHER, LOCK, .375 (to SN 41712)					
18A	4828GT	NUT, NYLOCK, 3/8-16 (from SN 41713)					
19	71414GT	PIN, 1.75DIA X 5.87LG, CHAMFER.....2	2				
20	84241GT	INNER ARM ASSY, #1 W/BRNGS, 2668....1 (includes item 28)	1				
21	84239GT	INNER ARM ASSY, W/DECALS.....1 (number 2) (with word decals) (includes item 28) (USA, Canada, Australia)	1				
21A	84992GT	INNER ARM ASSY #4, W/SY DECALS* (number 2) (with symbol decals) (includes item 28) (Europe, Asia, South America)	1				

504.1 Scissor Components, View 2 - GS-3268 (to SN 41750)

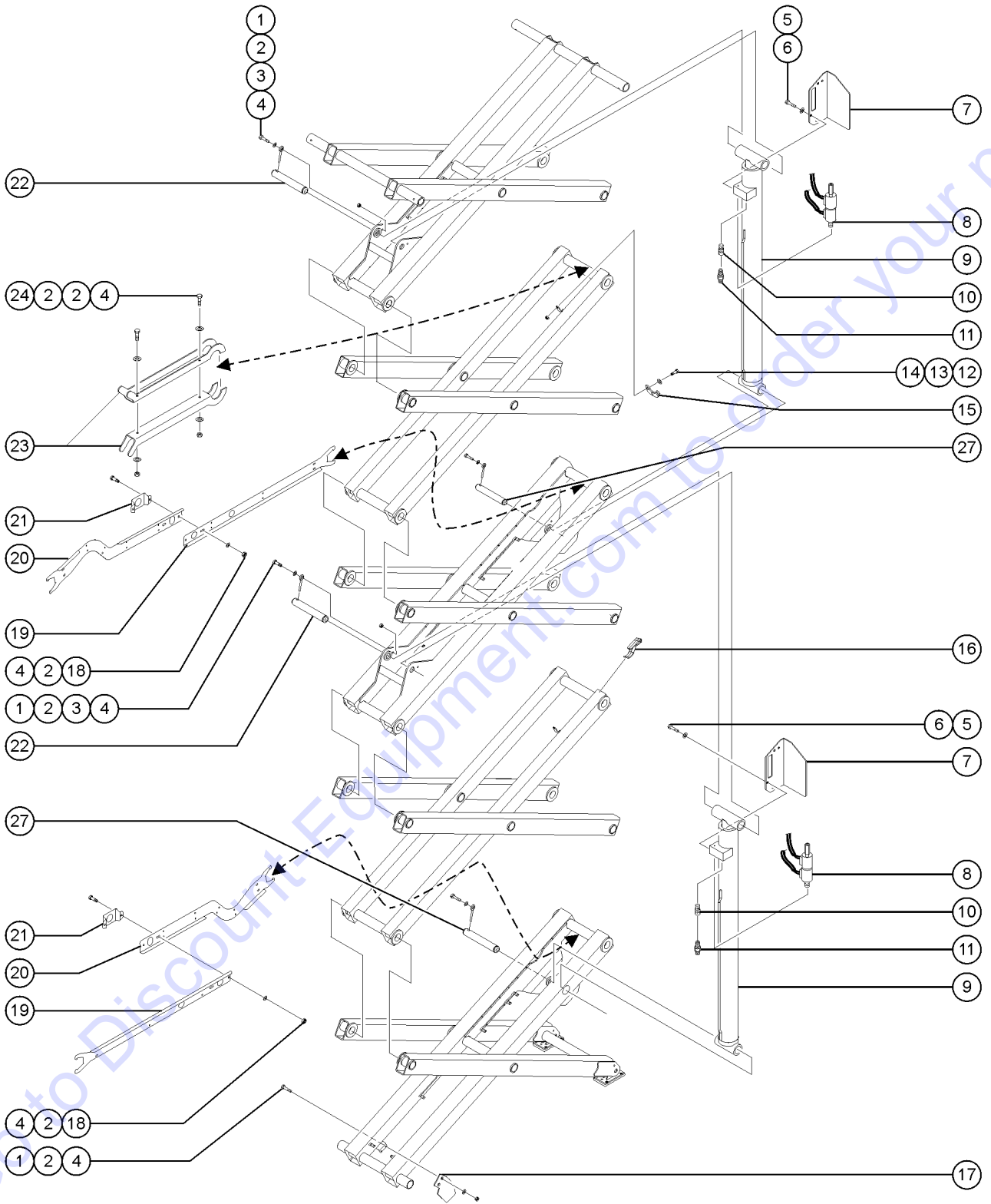


## 504.1 Scissor Components, View 2 - GS-3268 (to SN 41750)

Item	Part No.	Description	Qty.
1	71349GT	BUMPER, LINK.....	16
2	8516GT	SCREW, HCC, 3/8-16 X 1.50	
3	5397GT	WASHER, FLAT, USS, 5/16", Y	
4	4828GT	NUT, NYLOCK, 3/8-16	
5	825019GT	ROD END, .375X3.69, ZAG.....	4
6	6888GT	SCREW, HHC, 1/4-20 X 1	
7	6638GT	WASHER, FLAT, USS, 1/4" Y	
8	6889GT	NUT, LP NYLOCK, 1/4-20	
9	55336GT	CHOCK STOP CUSHION.....	1
10	7339GT	SCREW, HHC, 1/4-20 X .5	
11	6356GT	WASHER, LOCK, .25	
12	79494GT	FORMING, DOWN COIL COVER.....	2
13	87190GT	VALVE, DOUBLE PULL SOL SQ 12V....	2
--	44973GT	NUT, COIL (39909)	
--	84421GT	WASHER-SOLENOID VALVE (66683)*	
--	84423GT	VALVE, 2 POSITION 2 WAY***	
--	87191GT	COIL, SQUARE, 12VDC***	
14	55560GT	ORIFICE, LONG, .059".....	2
15		Ref. Fitting (refer to 409.1, 409.2, 409.3 and 409.4)	
16	55717GT	CYLINDER, GS2632/46/68*** .....	2
--	66470GT	SEAL KIT (55717) TEXAS HYD VER (Texas Hydraulic)	
--	78912GT	SEAL KIT, 55717 DY LIFTCYL (Dongyang)	
17	47574GT	PLATE, LIFT ARM CAM GS68.....	1
18	47458GT	PIN, 1.50 DIA X 8.45 LG, 1 HOLE.....	4
19	6175GT	SCREW, HHC, 3/8-16 X 1	
20	51542GT	BRACKET, CABLE BRIDGE, GS3246.....	2
21	6019GT	SCREW, HHC, 3/8-16 X 1.25 GRD 5	
22	51505GT	BRACKET, MAIN CABLE BRIDGE.....	2
23	55351GT	CLAMP, CABLE BRIDGE, HALF.....	8
24	47625GT	BRACKET CABLE BRIDGE.....	2
25	66098GT	CABLE TIE, 9" X .5.....	as-needed
26	58001GT	SAFETY CHOCK-SCISSOR.....	1
		(includes items 3, 4 and 21)	
27	55488GT	CROSS TUBE COLAR, GS46/68.....	2
--	6091GT	NUT, NYLOCK, 1/4-20	
28	11966GT	SCREW, BHHS, 1/4-20 X 1.5	



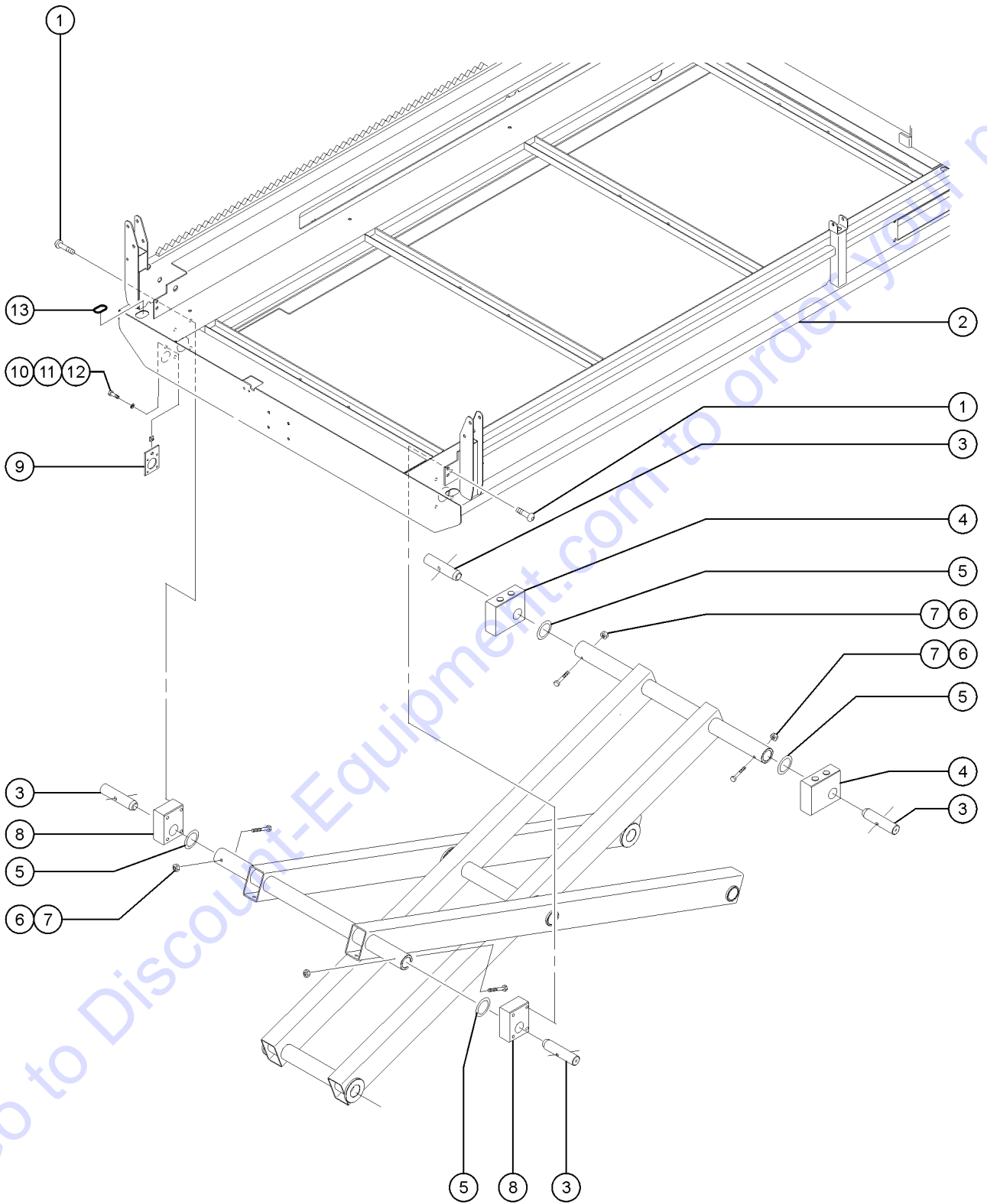
504.2 Scissor Components, View 2 - GS-3268 (from SN 41751)



## 504.2 Scissor Components, View 2 - GS-3268 (from SN 41751)

Item	Part No.	Description	Qty.	Item	Part No.	Description	Qty.
--				20	78688GT	FORMING,CABLE BRIDGE,GS3246/68.....2 (from SN 41751 to 52075)	
1	8516GT	SCREW, HCC, 3/8-16 X 1.50		--	78900GT	TRIM LOCK, 1/8 X .75.....2.25-inches (from SN 41751 to 52075)	
2	5397GT	WASHER,FLAT,USS,5/16",Y		20A	131397GT	ASSY, CABLE BRIDGE.....2 (from SN 52076)	
3	825019GT	ROD END,.375X3.69,ZAG.....4		--	131380GT	FORMING, CABLE BRIDGE (from SN 52076)	
4	4828GT	NUT,NYLOCK,3/8-16.....16		--	131381GT	SUPPORT, CABLE BRIDGE MOUNTING (from SN 52076)	
5	7339GT	SCREW,HHC,1/4-20 X .5		--	14182GT	SCREW,FHS,1/4-20 X 1 (from SN 52076)	
6	6356GT	WASHER,LOCK,.25		--	6091GT	NUT,NYLOCK,1/4-20 (from SN 52076)	
7	79494GT	FORMING,DOWN COIL COVER.....2 (from SN 41751 to 42381)		21	78897GT	FORMING, CABLE BRIDGE, CENTER...2	
--	79494GT	FORMING,DOWN COIL COVER.....1 (from SN 42382)		22	47955GT	PIN,1.50DIAX10.45LG,1HOLE.....2	
8	87190GT	VALVE,DOUBLE PULL SOL SQ 12V....2		23	58001GT	SAFETY CHOCK-SCISSOR.....1 (includes items 2, 4 and 24)	
--	44973GT	NUT,COIL (39909)		24	6019GT	SCREW,HHC,3/8-16 X 1.25 GRD 5	
--	84421GT	WASHER-SOLENOID VALVE (66683)*		25	55488GT	CROSS TUBE COLAR, GS46\68.....10 (from SN 52320)	
--	84423GT	VALVE,2 POSITION 2 WAY***		26	11966GT	SCREW,BHHS,1/4-20 X 1.5.....10 (from SN 52320)	
--	87191GT	COIL,SQUARE,12VDC***		27	47458GT	PIN,1.50DIAX8.45LG,1HOLE.....2	
9	55717GT	CYLINDER, GS2632/46/68***.....2 (includes bearings)					
--	66470GT	SEAL KIT (55717) TEXAS HYD VER (Texas Hydraulic)					
--	78912GT	SEAL KIT, 55717 DY LIFTCYL (Dongyang)					
10	55560GT	ORIFICE,LONG, .059".....2					
11		Ref. Fitting (refer to 409.1, 409.2, 409.3 and 409.4)					
12	6888GT	SCREW,HHC,1/4-20 X 1					
13	6638GT	WASHER,FLAT,USS,1/4"Y					
14	6889GT	NUT,LP NYLOCK,1/4-20					
15	55336GT	CHOCK STOP CUSHION.....1					
16	71349GT	BUMPER, LINK.....16					
17	47574GT	PLATE,LIFT ARM CAM GS68.....1					
18	6175GT	SCREW,HHC,3/8-16 X 1					
19	78686GT	FORMING,CABLE BRIDGE,MAIN***.....2 (from SN 41751 to 52075)					
--	78900GT	TRIM LOCK, 1/8 X .75.....2.25-inches (from SN 41751 to 52075)					
19A	131395GT	ASSY,CABLE BRIDGE,GS68.....2 (from SN 52076)					
--	131381GT	SUPPORT, CABLE BRIDGE MOUNTING (from SN 52076)					
--	131382GT	FORMING,CABLE BRIDGE,GS68 (from SN 52076)					
--	14182GT	SCREW,FHS,1/4-20 X 1 (from SN 52076)					
--	6091GT	NUT,NYLOCK,1/4-20 (from SN 52076)					

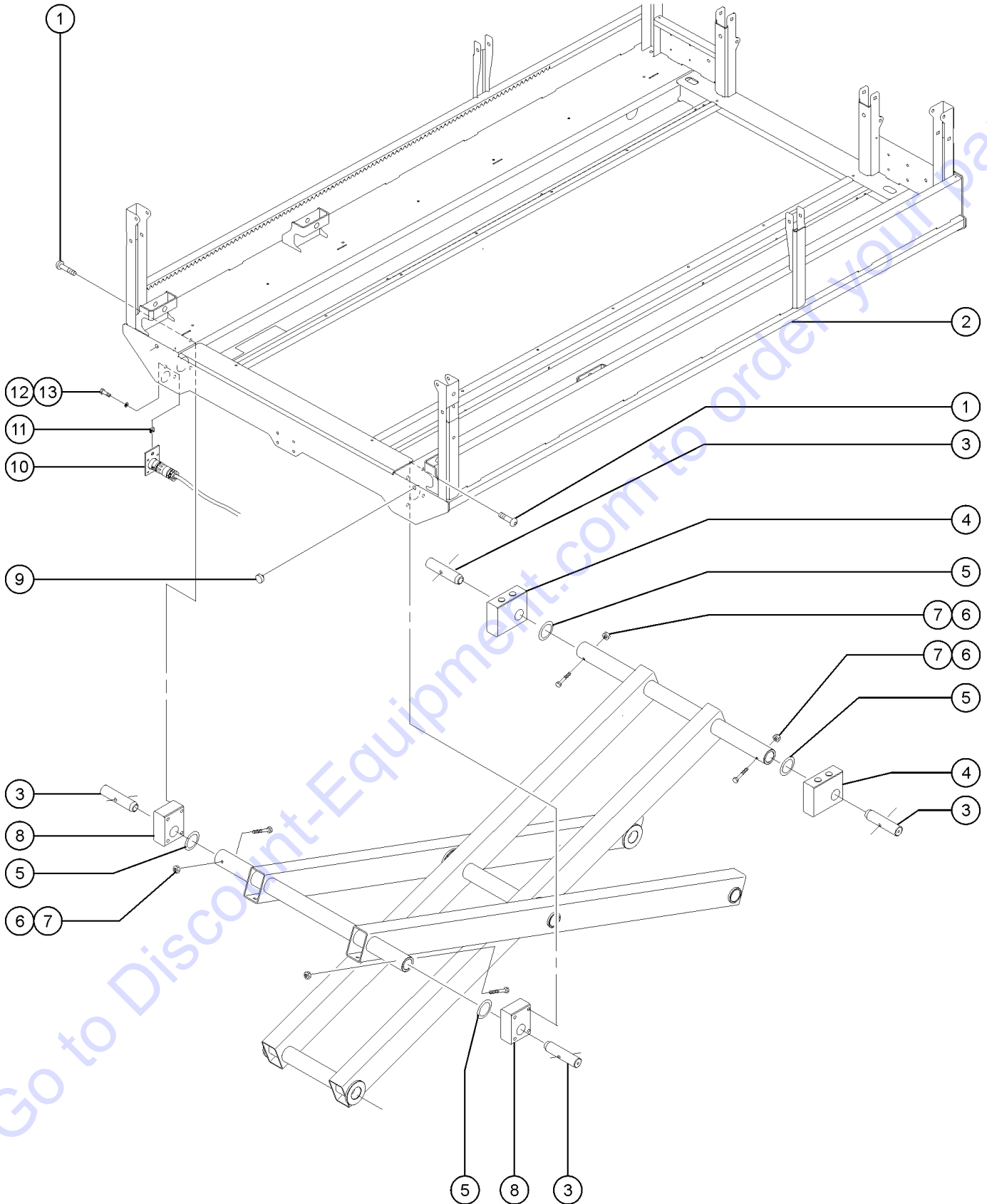
601.1 Platform Installation (to SN 41737)



## 601.1 Platform Installation (to SN 41737)

Item	Part No.	Description	Qty.	Item	Part No.	Description	Qty.
A	112601GT	PLAT ASSY,2668RT,ANSI,115V,DSL GS-2668 (Assemblies with Word Decals; USA and Canada)		2A	99806GT	PLATFORM ASSY,ANSI,GS3268.....1 GS-3268 (USA and Canada)	1
--	112602GT	PLAT ASSY,2668RT,ANSI,230V,DSL GS-2668 (Assemblies with Word Decals; USA and Canada)		--	99805GT	PLATFORM ASSY,CE GS3268 GS-3268 (Europe)	
--	112603GT	PLAT ASSY,2668RT,DF,ANSI,115V GS-2668 (Assemblies with Word Decals; USA and Canada)		3	39095GT	PIN,1.75DIA X 7.35LG,CHAMFER.....4	4
--	112604GT	PLAT ASSY,2668RT,DF,ANSI,230V GS-2668 (Assemblies with Word Decals; USA and Canada)		4	131426GT	SLIDER BLOCK,PLATFORM.....2	2
E	112605GT	PLAT ASSY,3268RT,ANSI,115V,DSL GS-3268 (Assemblies with Word Decals; USA and Canada)		5	39127GT	WASHER,SCIS ARM,1.79X2.25X.120	
--	112606GT	PLAT ASSY,3268RT,ANSI,230V,DSL GS-3268 (Assemblies with Word Decals; USA and Canada)		6	4828GT	NUT,NYLOCK,3/8-16	
--	112607GT	PLAT ASSY,3268RT,DF,ANSI,115V GS-3268 (Assemblies with Word Decals; USA and Canada)		7	21604GT	SCREW,HHC,3/8-16 X 3.25	
--	112608GT	PLAT ASSY,3268RT,DF,ANSI,230V GS-3268 (Assemblies with Word Decals; USA and Canada)		8	47160GT	BLOCK, PLATFORM ANCHOR.....2	2
I	112609GT	PLAT ASSY,2668RT,CE,115V,DIESL GS-2668 (Assemblies with Symbol Decals; Europe)		9	55663GT	BRACKET,JOYSTICK Q.D. BULKHEAD.....1	1
J	112613GT	PLAT ASSY,3268RT,CE,115V,DIESL GS-3268 (Assemblies with Symbol Decals; Europe)		10	6888GT	SCREW,HHC,1/4-20 X 1	
--	112610GT	PLAT ASSY,2668RT,CE,230V,DIESL GS-2668 (Assemblies with Symbol Decals; Europe)		11	6638GT	WASHER,FLAT,USS,1/4"Y	
--	112611GT	PLAT ASSY,2668RT,CE,DF,115V GS-2668 (Assemblies with Symbol Decals; Europe)		12	56912GT	SPRING CLIP,1/4-20,.025-.15X.54,ZAG	
--	112614GT	PLAT ASSY,3268RT,CE,230V,DIESL GS-3268 (Assemblies with Symbol Decals; Europe)		13	24649GT	GROMMET,RUBBER 1.5 X .25 X 2.....1	1
--	112612GT	PLAT ASSY,2668RT,CE,DF,230V GS-2668 (Assemblies with Symbol Decals; Europe)					
--	112615GT	PLAT ASSY,3268RT,CE,DF,115V GS-3268 (Assemblies with Symbol Decals; Europe)					
--	112616GT	PLAT ASSY,3268RT,CE,DF,230V GS-3268 (Assemblies with Symbol Decals; Europe)					
1	26810GT	SCREW,BHHS,3/8-16 X 2.75					
2	99804GT	PLATFORM ASSY, ANSI,GS2668.....1 GS-2668 (USA and Canada)	1				
--	99803GT	PLATFORM ASSY,CE GS2668 GS-2668 (Europe)					

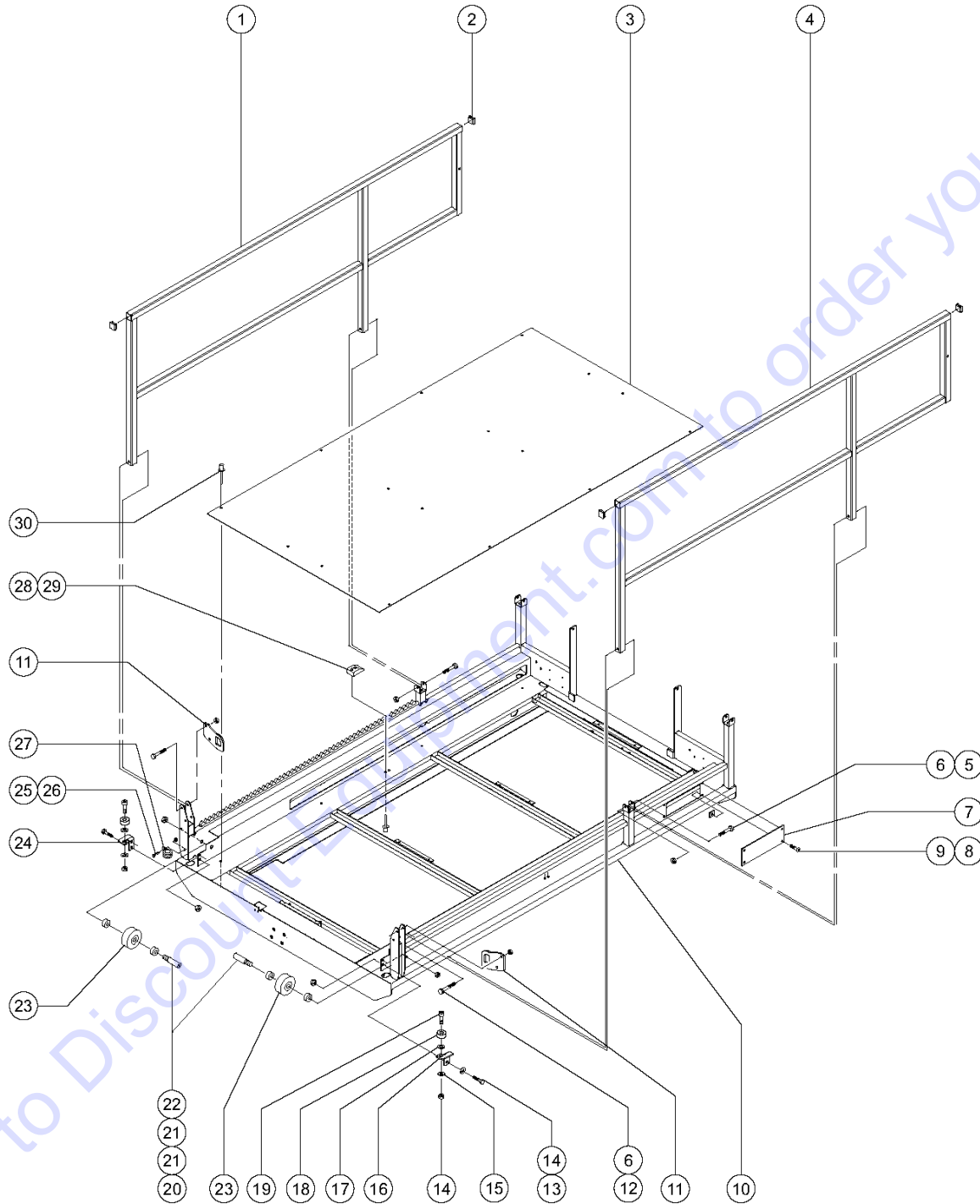
601.2 Platform Installation (from SN 41738)



## 601.2 Platform Installation (from SN 41738)

Item	Part No.	Description	Qty.	Item	Part No.	Description	Qty.
A	84467GT	PLAT ASSY,W/W DECAL,GS2668 AN GS-2668 (Complete) (Assemblies with Word Decals; USA and Canada) (from SN 43483)		2D	84230GT	PLATFORM ASSY, CE GS2668.....1 GS-2668 (Assemblies with Symbol Decals; Europe) (from SN 41738 to 42381)	1
--	84468GT	PLAT ASSY,W/W DECAL,GS3268 AN GS-3268 (Complete) (Assemblies with Word Decals; USA and Canada) (from SN 43482)		--	84840GT	PLAT MAIN DECK ASSY,CE,2668 GS-2668 (Assemblies with Symbol Decals; Europe) (from SN 42382)	
B	84469GT	PLAT ASSY,W/W DECAL,GS2668 AUS GS-2668 (Complete) (Assemblies with Word Decals; Australia) (from SN 43483)		2E	84232GT	PLATFORM ASSY,CE,GS3268 GS-3268 (Assemblies with Symbol Decals; Europe) (from SN 41738 to 42381)	
--	84470GT	PLAT ASSY,W/W DECAL,GS3268 AUS GS-3268 (Complete) (Assemblies with Word Decals; Australia) (from SN 43482)		--	84841GT	PLAT MAIN DECK ASSY,CE,3268 GS-3268 (Assemblies with Symbol Decals; Europe) (from SN 42382)	
C	84471GT	PLAT ASSY,W/SYM DECAL,GS2668 GS-2668 (Complete) (Assemblies with Symbol Decals; Asia and South America) (from SN 43483)		2F	84848GT	PLAT MAIN DK ASSY,ASIA/SA,2668.....1 GS-2668 (Assemblies with Symbol Decals; Asia and South America) (from SN 42382)	1
--	84472GT	PLAT ASSY,W/SYM DECAL,GS3268 GS-3268 (Complete) (Assemblies with Symbol Decals; Asia and South America) (from SN 43482)		2G	84849GT	PLAT MAIN DK ASSY,ASIA/SA,3268 GS-3268 (Assemblies with Symbol Decals; Asia and South America) (from SN 42382)	
D	84473GT	PLAT ASSY,W/CE SYM DECAL,2668 GS-2668 (Complete) (Assemblies with Symbol Decals; Europe) (from SN 43483)		3	39095GT	PIN,1.75DIAX7.35LG,CHAMFER.....4	4
--	84474GT	PLAT ASSY,W/CE SYM DECAL,3268 GS-3268 (Complete) (Assemblies with Symbol Decals; Europe) (from SN 43482)		4	131426GT	SLIDER BLOCK,PLATFORM.....2	2
1	26810GT	SCREW,BHHS,3/8-16 X 2.75		5	39127GT	WASHER,SCIS ARM,1.79X2.25X.120	
2	84231GT	PLATFORM ASSY,ANSI,GS2668.....1 GS-2668 (Assemblies with Word Decals; USA and Canada) (from SN 41738 to 42381)	1	6	4828GT	NUT,NYLOCK,3/8-16	
--	84844GT	PLAT MAIN DECK ASSY,ANSI,2668 GS-2668 (Assemblies with Word Decals; USA and Canada) (from SN 42382)		7	21604GT	SCREW,HHC,3/8-16 X 3.25	
2A	84233GT	PLATFORM ASSY,ANSI,GS3268 GS-3268 (Assemblies with Word Decals; USA and Canada) (from SN 41738 to 42381)		8	47160GT	BLOCK, PLATFORM ANCHOR.....2	2
--	84846GT	PLAT MAIN DECK ASSY,ANSI,3268 GS-3268 (Assemblies with Word Decals; USA and Canada) (from SN 42382)		9	47230GT	BUMPER,RUBBER.....2	2
2B	84842GT	PLAT MAIN DECK ASSY,AUS,2668.....1 GS-2668 (Assemblies with Word Decals; Australia) (from SN 41738 to 42381)	1	10		Ref. Joystick Cable (refer to 410.1)	
--	84845GT	PLAT MAIN DECK ASSY,AUS,2668 GS-2668 (Assemblies with Word Decals; Australia) (from SN 42382)		11	56912GT	SPRING CLIP,1/4-20,.025-.15X.54,ZAG	
2C	84843GT	PLAT MAIN DECK ASSY,AUS,3268 GS-3268 (Assemblies with Word Decals; Australia) (from SN 41738 to 42381)		12	6888GT	SCREW,HHC,1/4-20 X 1	
--	84847GT	PLAT MAIN DECK ASSY,AUS,3268 GS-3268 (Assemblies with Word Decals; Australia) (from SN 42382)		13	6638GT	WASHER,FLAT,USS,1/4"Y	

602.1 Platform Railing Installation (to SN 41737)

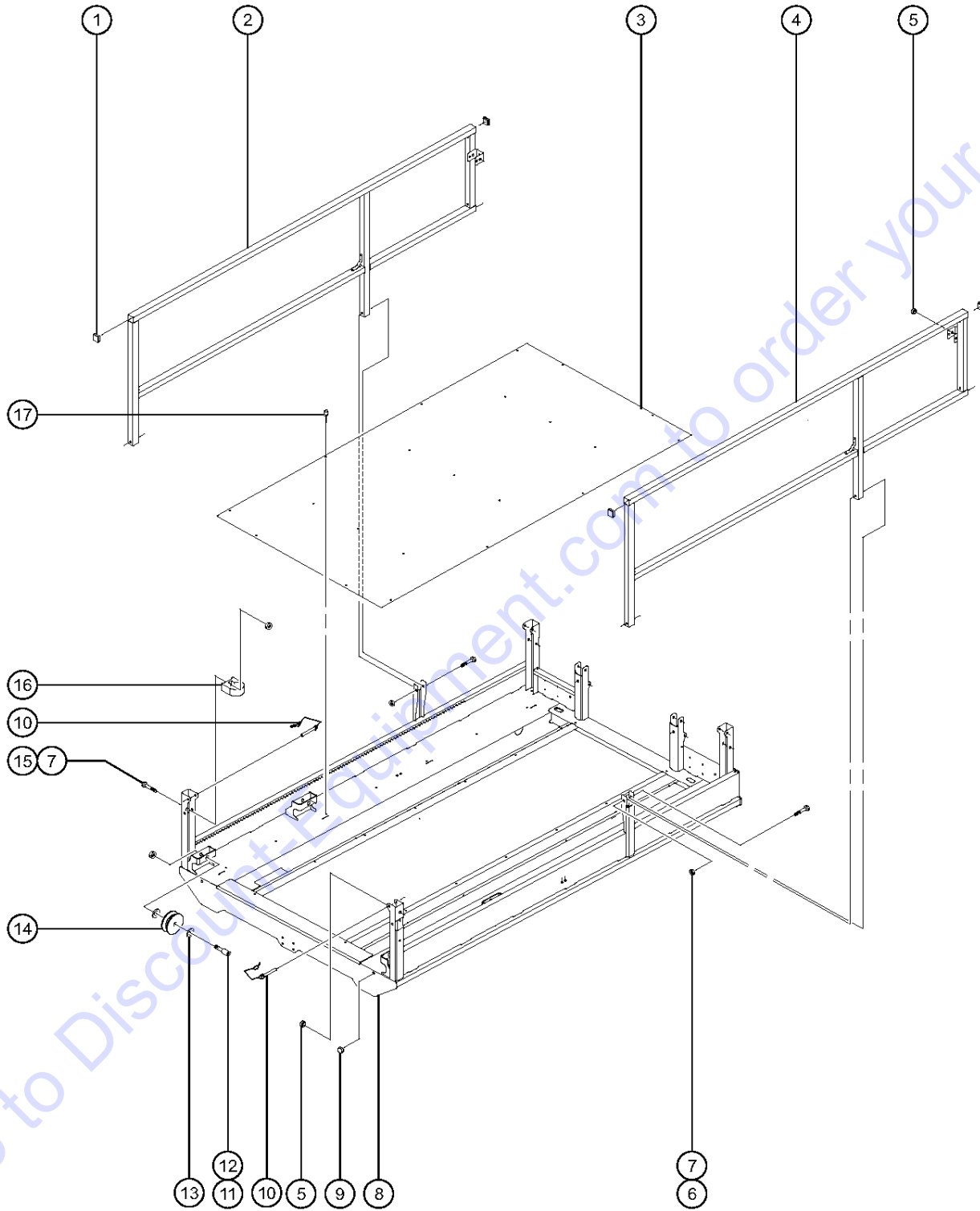


## 602.1 Platform Railing Installation (to SN 41737)

Item	Part No.	Description	Qty.
1	51379PGT	WELDMENT,SIDERAIL,GS68.....1 (engine side)	1
2	79355GT	PLUG,TUBE,SQ 1.50X.065.....6	6
3	51435GT	DECK PLATE,MAIN,GS68.....1	1
4	51379PGT	WELDMENT,SIDERAIL,GS68.....1 (ground controls side)	1
5	8178GT	SCREW,HHC,3/8-16 X 2.5	
6	4828GT	NUT,NYLOCK,3/8-16	
7	51073GT	ACCESS PANEL.....2	2
8	14297GT	SCREW,BHHS,1/4-20 X .75	
9	56912GT	SPRING CLIP,1/4-20,.025-.15X.54,ZAG	
10		Ref. Platform Assembly (refer to 601.1 and 601.2)	
11	51166GT	GUARD,PLATFORM EXTENSION,GS68.....2	2
12	14033GT	SCREW,HHC,3/8-16 X 2.75	
13	8255GT	SCREW,HHC,3/8-16 X .75	
14	7713GT	NUT, LP NYLOCK, 3/8-16	
15	6052GT	WASHER,SHIM,.5 X .875 X .063	
16	51409GT	BRACKET,FRONT LEFT SIDE ROLLER.....1 (ground controls side)	1
17	47520GT	WASHER,THRUST .75 X 1.25 X .06.....2	2
18	38016GT	ROLLER,PLASTIC,AWP96**.....2	2
19	35706GT	BOLT,ROLLER,.470"(SHORT).....2	2
20	51139GT	PIN,EXTENSION ROLLER.....2	2
21	55355GT	SPACER,.75ID X 1.5OD X 1/4THK.....4	4
22	6024GT	NUT,NYLOCK,5/8-11	
23	51437GT	WHEEL,4 X 1.5.....2	2
24	51408GT	BRACKET,FRNT RIGHT SIDE ROLLER.....1 (engine side)	1
25	6090GT	SCREW,HHC,1/4-20 X .75	
26	6091GT	NUT,NYLOCK,1/4-20	
27	21618GT	CLAMP,1.13,#18 X 1/4,RUB CUSH.....1	1
28	39317GT	STOP PLATFORM ROLLER.....2	2
29	33776GT	RIVET,STL,STL,P,.188 X .375	
30	71315GT	RIVET,DRIVE,.25 X .25	



602.2 Platform Railing Installation (from SN 41738)

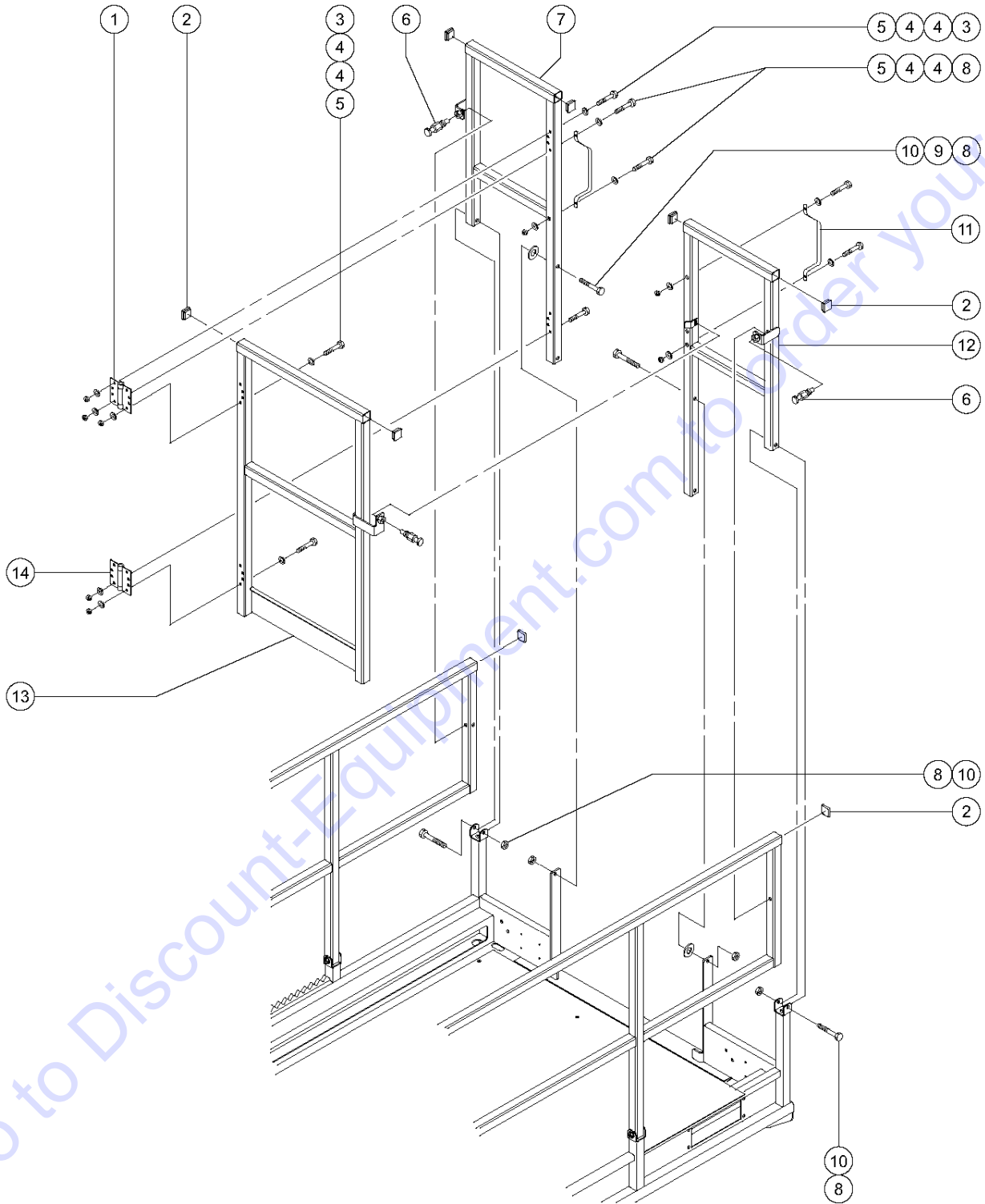


Go to [DiscountEquipment.com](http://DiscountEquipment.com) to order your parts

## 602.2 Platform Railing Installation (from SN 41738)

Item	Part No.	Description	Qty.
1	79355GT	PLUG,TUBE,SQ 1.50X.065.....6	6
2	79798-SGT	WELDMENT,MAIN RAIL,RIGHT.....1 (engine side)	1
3	79997GT	MAIN PLAT DECK DIAMOND PLATE.....1	1
4	79781-SGT	GS68 WELDMENT,MAIN RAIL,LEFT.....1 (ground controls side)	1
5	47478GT	BUMPER, RUBBER, 1"OD X .461H.....10	10
6	87648GT	BOLT,CARRIAGE,3/8-16 X 2.75,G2	
7	4828GT	NUT,NYLOCK,3/8-16	
8		Ref. Platform Assembly (refer to 601.2)	
9	47230GT	BUMPER,RUBBER.....2	2
10	66030GT	PIN, WIRE LOCK 3/8 X 2 -1/2.....2	2
10	78022GT	LANYARD,BLACK NYLON,TYPE 1*** .....2 CE	2
11	87568GT	PIN, SHOULDER, 5/8-11 X 1.77.....4	4
12	38028GT	NUT,LP NYLOCK,5/8-11	
13	47520GT	WASHER,THRUST .75 X 1.25 X .06.....4	4
14	131416GT	V-ROLLER,NARROW,EXT DECK.....2 right side	2
14	55665GT	V-ROLLER, EXT PLAT, GS90.....2 left side	2
15	6175GT	SCREW,HHC,3/8-16 X 1	
16	87523GT	COIL CORD CLIP.....1	1
17	71315GT	RIVET,DRIVE, .25 X .25	

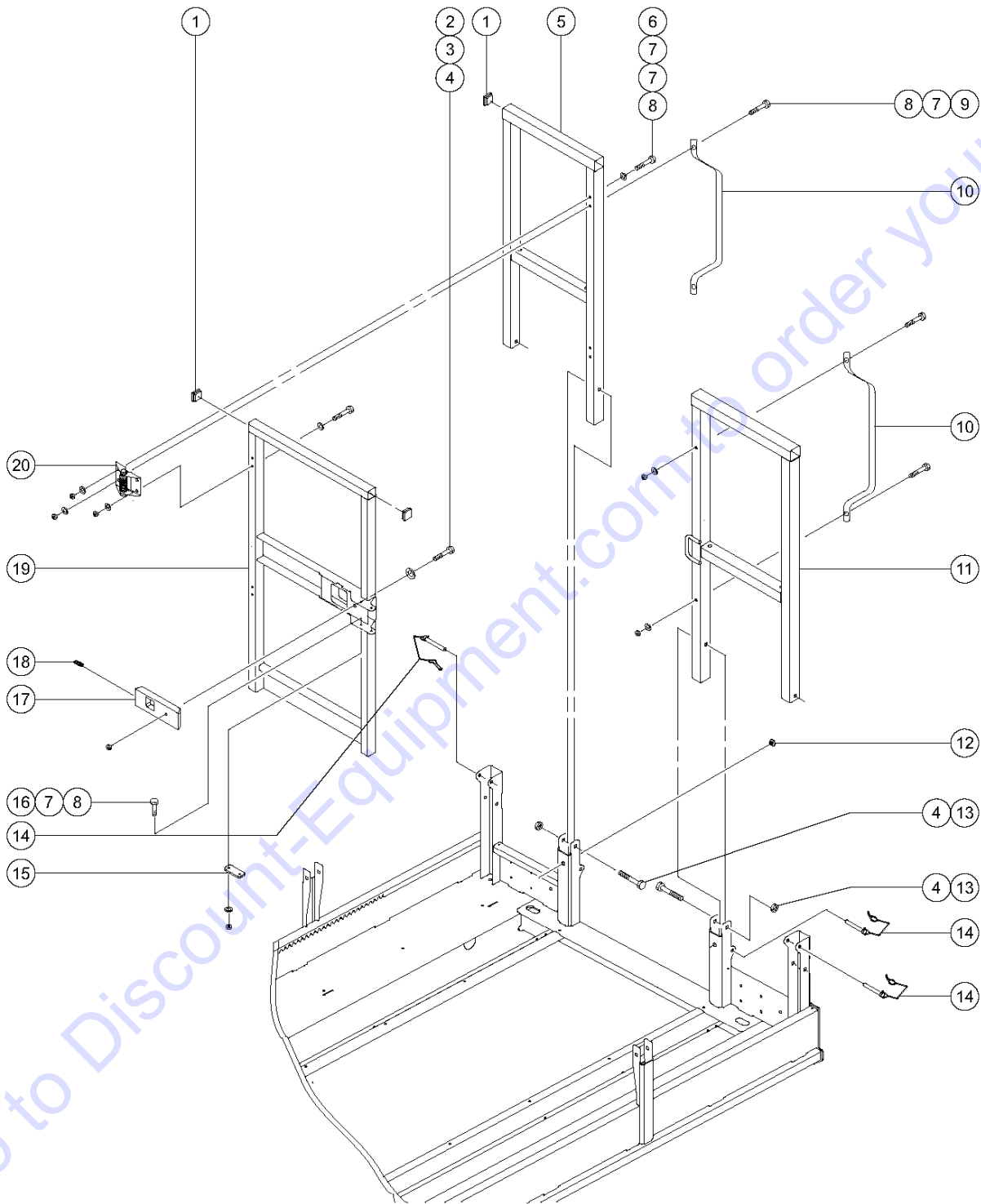
603.1 Platform Entry Gate (to SN 41737)



## 603.1 Platform Entry Gate (to SN 41737)

Item	Part No.	Description	Qty.
1	47524GT	HINGE,CLOSING (SPRING) 4 X 4.....1	1
2	79355GT	PLUG,TUBE,SQ 1.50X.065.....8	8
3	4266GT	SCREW,HHC,1/4-20 X 2	
4	6638GT	WASHER,FLAT,USS,1/4"Y	
5	6889GT	NUT,LP NYLOCK,1/4-20	
6	47138GT	PIN,SNAP,ENTRY RAIL.....3	3
7	51071GT	WLDMT,RT END RAIL MAIN PLAT.....1 (engine side)	1
8	8178GT	SCREW,HHC,3/8-16 X 2.5	
9	47520GT	WASHER,THRUST .75 X 1.25 X .06.....2	2
10	4828GT	NUT,NYLOCK,3/8-16	
11	51416GT	HANDLE,GRAB.....2	2
12	51039GT	WLDMT,LEFT END RAIL MAIN PLAT.....1 (ground controls side)	1
13	51036PGT	WELDMENT,ENTRY GATE 68.....1	1
14	47523GT	HINGE,4 X 4.....1	1

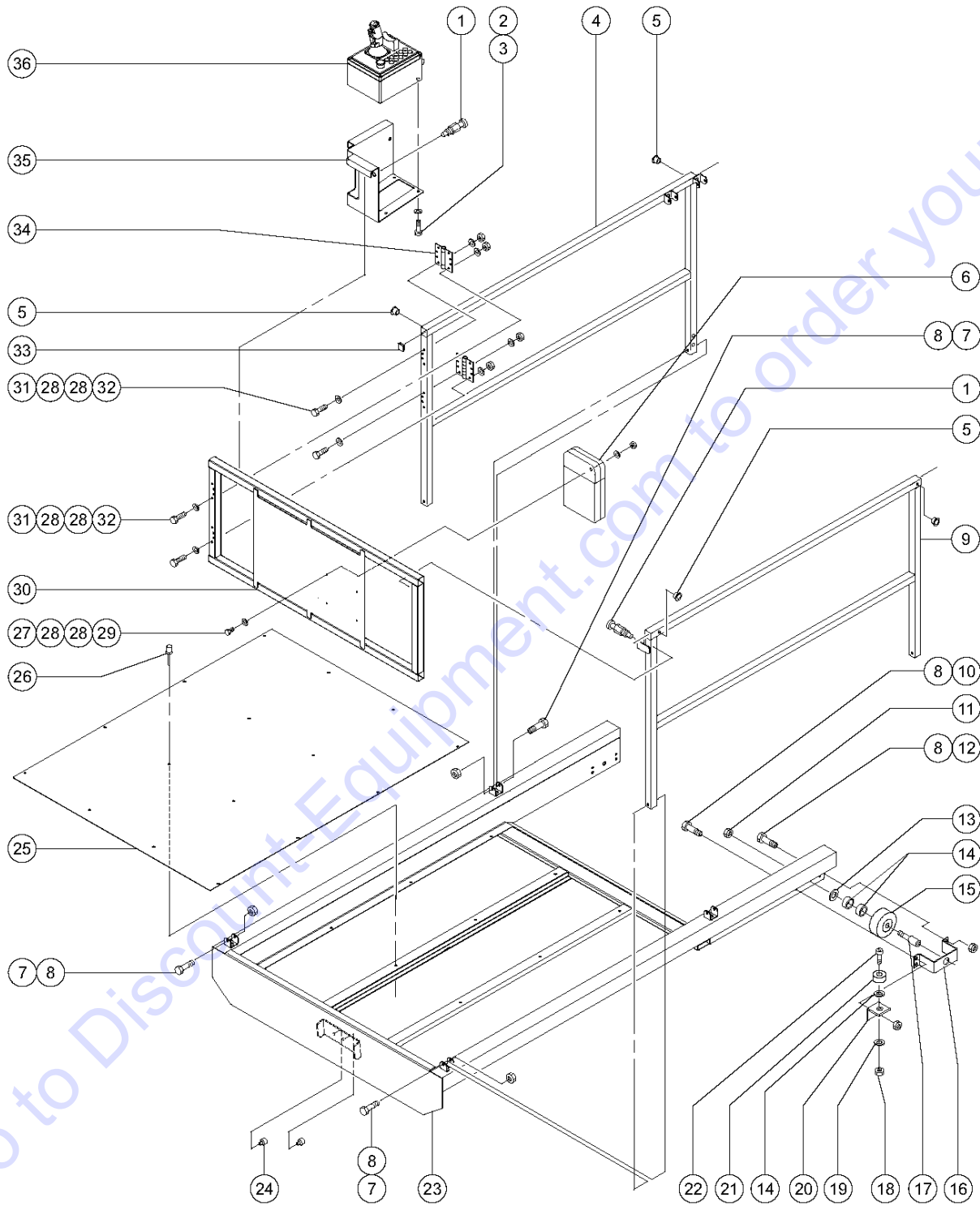
603.2 Platform Entry Gate (from SN 41738)



## 603.2 Platform Entry Gate (from SN 41738)

Item	Part No.	Description	Qty.
1	79355GT	PLUG,TUBE,SQ 1.50X.065.....	8
2	6708GT	SCREW,HHC,3/8-16 X 2.25	
3	6097GT	WASHER,FLAT,USS,3/8",Y	
4	4828GT	NUT,NYLOCK,3/8-16	
5	79786-SGT	WELDMENT,MAIN,A-RAIL,RIGHT..... <i>(engine side)</i>	1
6	4266GT	SCREW,HHC,1/4-20 X 2	
7	6638GT	WASHER,FLAT,USS,1/4"Y	
8	6091GT	NUT,NYLOCK,1/4-20	
9	8179GT	SCREW,HHC,1/4-20 X 2.25	
10	87014GT	GRAB HANDLE,STEEL,COATED.....	2
11	79785GT	WELDMENT,MAIN,A-RAIL,LEFT..... <i>(ground controls side)</i>	1
12	47502GT	BUMPER,1.25 INCH O.D.,SCISSORS...4	
13	87648GT	BOLT,CARRIAGE,3/8-16 X 2.75,G2	
14	66030GT	PIN, WIRE LOCK 3/8 X 2 -1/2.....	4
14	78022GT	LANYARD,BLACK NYLON,TYPE 1***...4 CE	
15	79806GT	BUMPER,GATE LATCH,HDPE..... <i>(from SN 41738 to 41911)</i>	1
15A	47793GT	BUMPER, MODULE TRAY <i>(from SN 41912)</i>	
16	6878GT	BOLT,CARRIAGE,1/4-20 X .75,G2 <i>(from SN 41738 to 41911)</i>	
16A	87085GT	RIVET,ALUM,P.188 X .25 <i>(from SN 41912)</i>	
17	112543GT	SLIDER, GATE CATCH.....	1
18	22446GT	SPRING,COMPRESSION .835 X 2.....	1
19	87320-SGT	WELDMENT,ENTRY GATE.....	1
20	104804GT	HINGE, SPRING, LONG LEG.....	2

604.1 Platform Extension (to SN 41737)

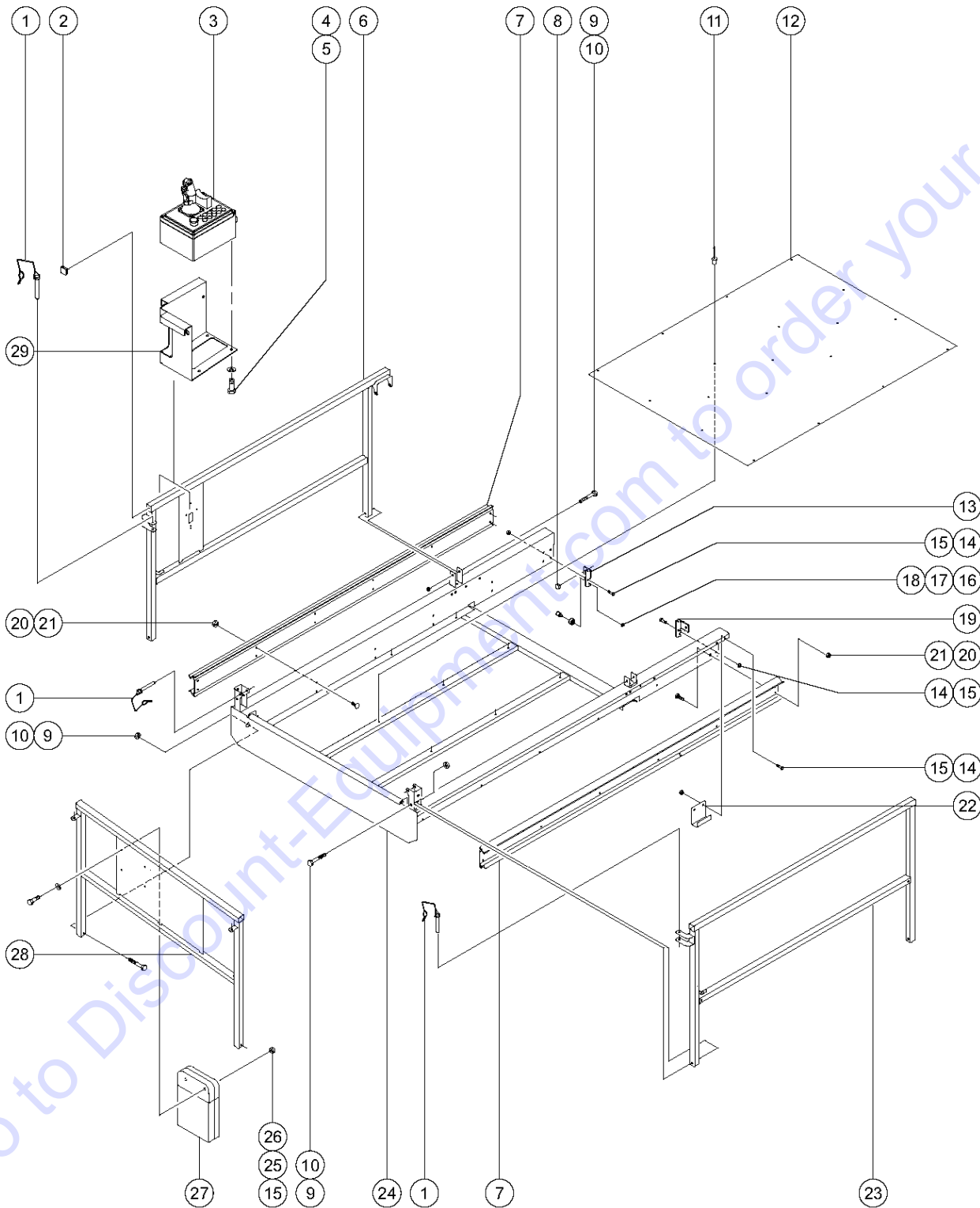


## 604.1 Platform Extension (to SN 41737)

Item	Part No.	Description	Qty.
1	47138GT	PIN,SNAP,ENTRY RAIL.....2 (to SN 41741)	
2	10107GT	SCREW,HHC,5/16-18 X .75	
3	6886GT	WASHER,LOCK,.313	
4	51092PGT	RAILING,EXT DECK,ENGINE SIDE.....1 (engine side)	
5	47502GT	BUMPER,1.25 INCH O.D.,SCISSORS....4	
6	44743GT	MANUAL BOX W/DECALS***.....1	
7	8178GT	SCREW,HHC,3/8-16 X 2.5	
8	4828GT	NUT,NYLOCK,3/8-16	
9	51034GT	WELDMENT,EXTENSION DECK SIDE...1 (ground controls side)	
10	8255GT	SCREW,HHC,3/8-16 X .75	
11	6024GT	NUT,NYLOCK,5/8-11	
12	6175GT	SCREW,HHC,3/8-16 X 1	
13	47520GT	WASHER,THRUST .75 X 1.25 X .06.....4	
14	39580GT	BEARING,0.75IDX1.00ODX0.38L.....4	
15	51437GT	WHEEL,4 X 1.5.....2	
16	51055GT	FORMING,ROLLER BRACK EXT.PLAT.....2	
17	51139GT	PIN,EXTENSION ROLLER.....2	
18	7713GT	NUT, LP NYLOCK, 3/8-16	
19	5397GT	WASHER,FLAT,USS,5/16",Y	
20	51478GT	BRACKET, SIDE ROLLER, REAR FT.....1 (ground controls side) (shown)	
20A	51407GT	BRACKET, SIDE ROLLER,REAR RIGH (engine side)	
21	38016GT	ROLLER,PLASTIC,AWP96**.....2	
22	35706GT	BOLT,ROLLER,.470"(SHORT).....2	
23	47424-SGT	GS68 PLAT W/ EXTN DECK.....1	
24	47230GT	BUMPER,RUBBER.....4	
25	51436-SGT	DECK PLATE,EXTENSION,GS68.....1	
26	71315GT	RIVET,DRIVE, .25 X .25	
27	6090GT	SCREW,HHC,1/4-20 X .75	
28	6638GT	WASHER,FLAT,USS,1/4"Y	
29	6091GT	NUT,NYLOCK,1/4-20	
30	62710GT	ENDRAIL ASSY. EXT. DECK GS68.....1 (with decals) (includes items 6 and 27-29)	
31	4266GT	SCREW,HHC,1/4-20 X 2	
32	6086GT	NUT,LP NYLOCK,1/2-13	
33	79355GT	PLUG,TUBE,SQ 1.50X.065.....8	
34	47523GT	HINGE,4 X 4.....2	
35	51143GT	JOYSTICK CARRIER.....1	
36		Ref. Platform Controls (refer to 607.1)	



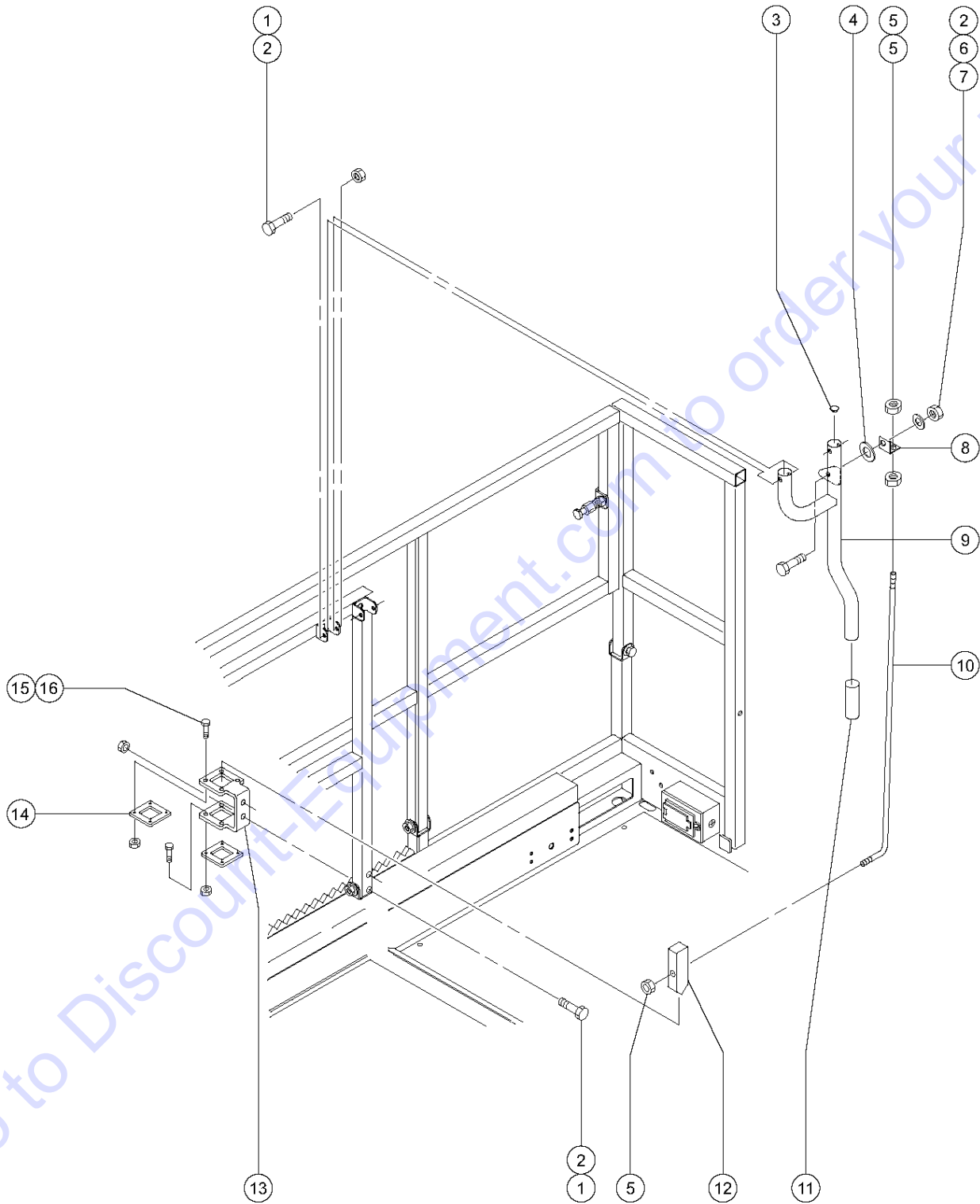
604.2 Platform Extension (from SN 41738)



## 604.2 Platform Extension (from SN 41738)

Item	Part No.	Description	Qty.
1	66030GT	PIN, WIRE LOCK 3/8 X 2 -1/2.....	4
1	78022GT	LANYARD,BLACK NYLON,TYPE 1***.....	4
		CE	
2	79355GT	PLUG,TUBE,SQ 1.50X.065.....	6
3		Ref. Platform Controls (refer to 607.1)	
4	10107GT	SCREW,HHC,5/16-18 X .75	
5	6886GT	WASHER,LOCK,.313	
6	79782-SGT	WELDMENT,SIDE EXT RAIL,RIGHT.....	1
		(engine side)	
7	87586GT	EXTRUSION,ALUM,V-ROLLER TRK.....	2
8	47230GT	BUMPER,RUBBER.....	2
9	87648GT	BOLT,CARRIAGE,3/8-16 X 2.75,G2	
10	4828GT	NUT,NYLOCK,3/8-16	
11	71315GT	RIVET,DRIVE, .25 X .25	
12	51436-SGT	DECK PLATE,EXTENSION,GS68.....	1
13	87570GT	FORMING,EXT DECK STOP,RIGHT.....	1
		(engine side)	
14	6888GT	SCREW,HHC,1/4-20 X 1	
15	6091GT	NUT,NYLOCK,1/4-20	
16	7713GT	NUT, LP NYLOCK, 3/8-16	
17	38016GT	ROLLER,PLASTIC,AWP96**.....	2
18	35706GT	BOLT,ROLLER,.470"(SHORT).....	2
19	87571GT	FORMING,EXT DECK STOP,LEFT.....	1
		(ground controls side)	
20	6889GT	NUT,LP NYLOCK,1/4-20	
21	87645GT	BOLT,CARRIAGE,1/4-20 X .63,G2	
22	87675GT	FORMING,EXT DECK CATCH.....	2
23	79783GT	WELDMENT,SIDE EXT RAIL,LEFT.....	1
		(ground controls side)	
24	79791GT	WELDMENT,EXTENSION DECK.....	1
25	6638GT	WASHER,FLAT,USS,1/4"Y	
26	6090GT	SCREW,HHC,1/4-20 X .75	
27	44743GT	MANUAL BOX W/DECALS***.....	1
28	84234GT	ENDRAIL ASSY. EXT. DECK GS68.....	1
		(includes items 15, 25 and 26) (to SN 42381)	
28A	131398GT	EXTENSION DECK END RAIL ASSEMBLY (includes items 15, 25 and 26) (from SN 42382 to 44988)	
28B	131399GT	EXTENSION DECK END RAIL ASSEMBLY (includes items 15, 25 and 26) (from SN 44989)	
29	51143GT	JOYSTICK CARRIER.....	1

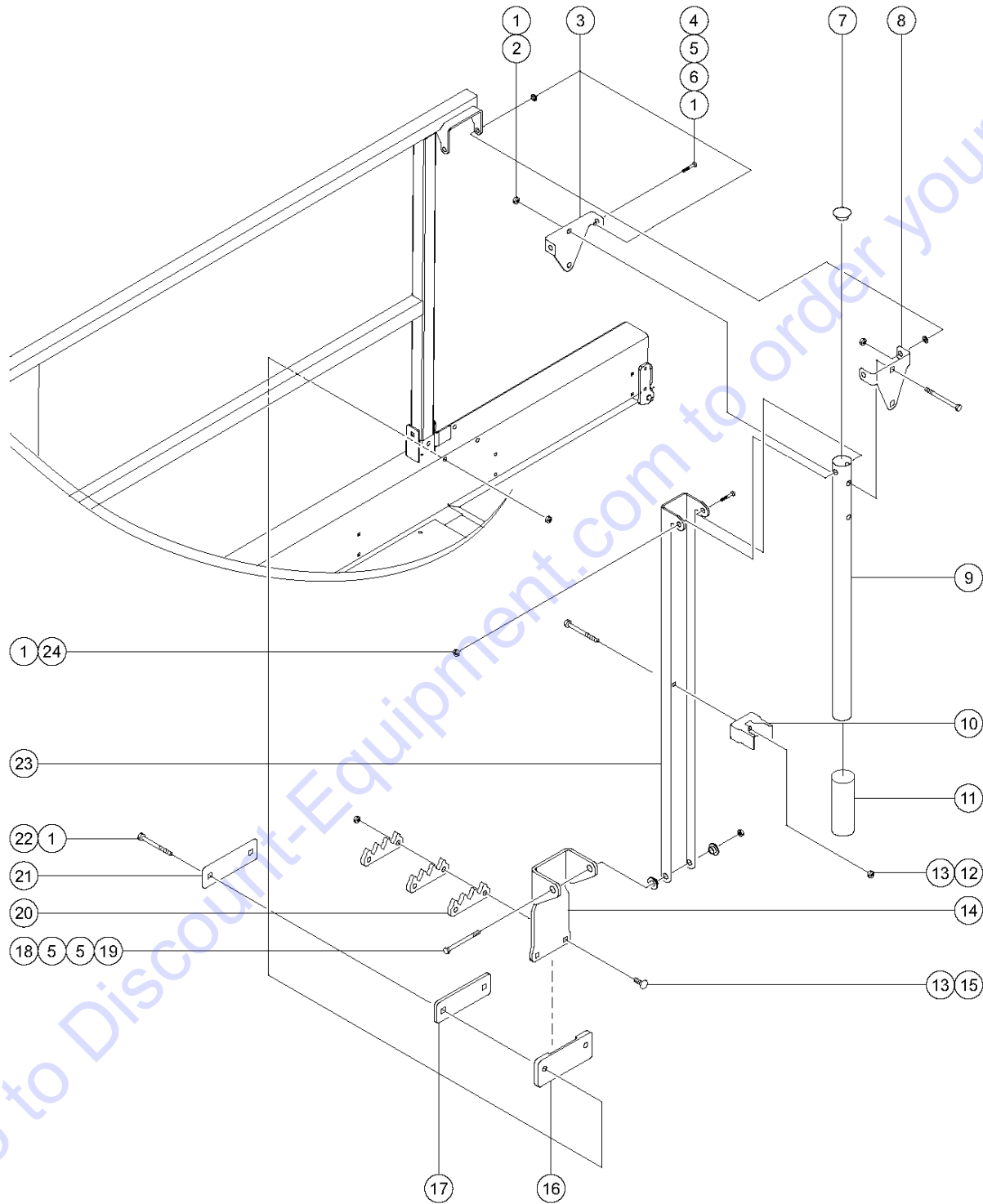
605.1 Platform Extension Deck Lock (to SN 41737)



## 605.1 Platform Extension Deck Lock (to SN 41737)

Item	Part No.	Description	Qty.
1	8178GT	SCREW,HHC,3/8-16 X 2.5	
2	4828GT	NUT,NYLOCK,3/8-16	
3	55753GT	BUMPER, PLASTIC, 1.25 O.D.....	2
4	47520GT	WASHER,THRUST .75 X 1.25 X .06.....	1
5	6086GT	NUT,LP NYLOCK,1/2-13	
6	6097GT	WASHER,FLAT,USS,3/8",Y	
7	6019GT	SCREW,HHC,3/8-16 X 1.25 GRD 5	
8	51846GT	FORMING,ROD MOUNT BRACKT,68,90.....	1
9	47927GT	WELDMENT,LATCH HANDLE.....	1
10	51847GT	ROD, EXTENSION LOCK,GS68,GS90...	1
11	51415GT	GRIP,HANDLE EXT PLATFORM LOCK.....	1
12	47926GT	LATCH PIN.....	1
13	51823GT	GUIDE, LOCK, GS68,GS90.....	1
14	51844GT	GUIDE PAD, GS68, GS90.....	2
15	6090GT	SCREW,HHC,1/4-20 X .75	
16	6091GT	NUT,NYLOCK,1/4-20	

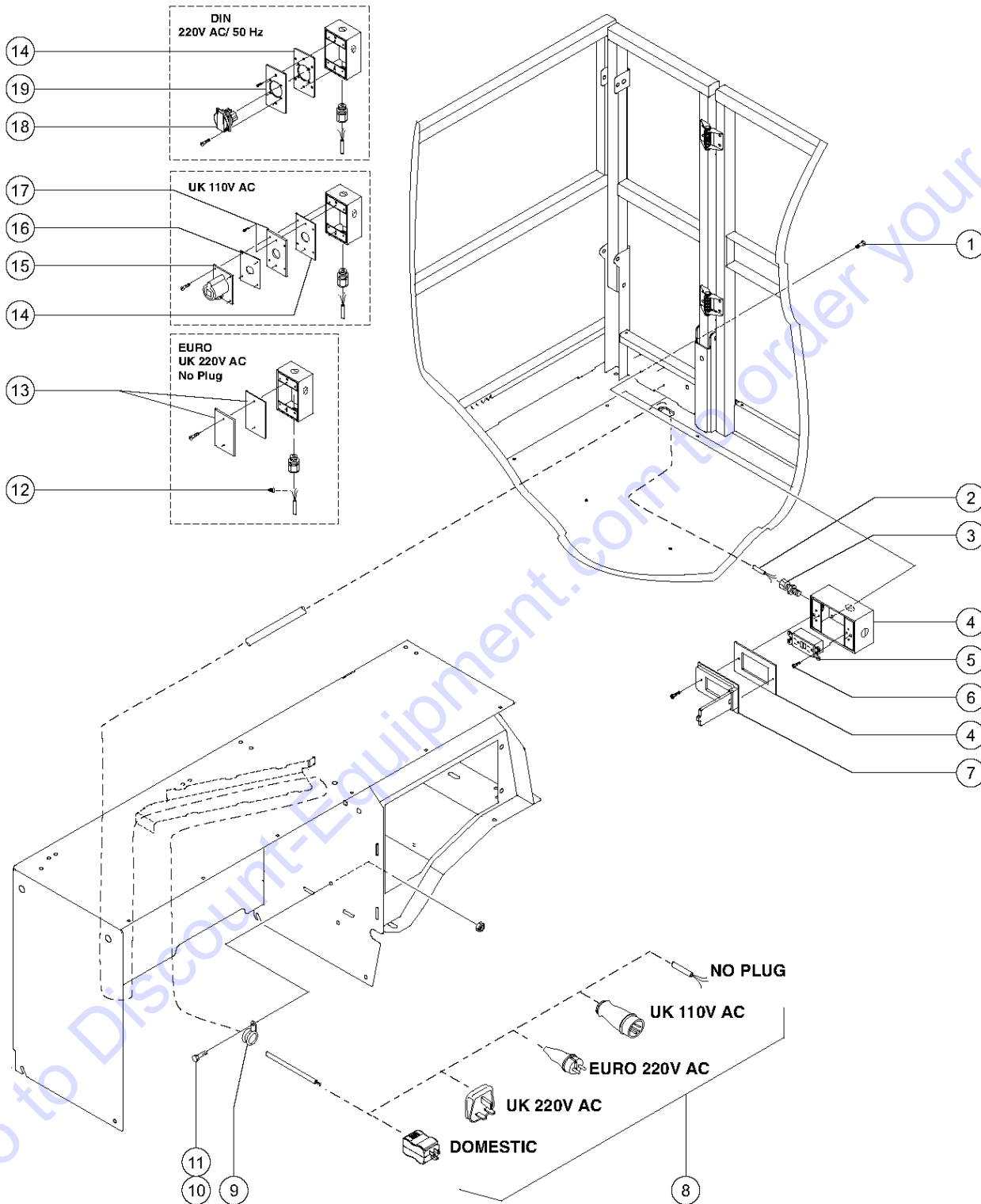
605.2 Platform Extension Deck Lock (from SN 41738)



## 605.2 Platform Extension Deck Lock (from SN 41738)

Item	Part No.	Description	Qty.
1	7713GT	NUT, LP NYLOCK, 3/8-16	
2	87564GT	BOLT,CARRIAGE,3/8-16 X 2.00,G2	
3	87543-SGT	FORMING,EXT ARM OUTER CLEVIS....1	
4	6175GT	SCREW,HHC,3/8-16 X 1	
5	47222GT	WASHER,SHOULDER,NYLON	
6	47228GT	WASHER,NYLON,.406 X.750 X.032	
7	55753GT	BUMPER, PLASTIC, 1.25 O.D.....1	
8	87542GT	FORMING,EXT ARM INNER CLEVIS....1	
9	87550GT	TUBE,EXT ARM.....1	
10	87546GT	CATCH,EXT LATCH ARM.....1	
11	51415GT	GRIP,HANDLE EXT PLATFORM LOCK.....1	
12	79456GT	BOLT,CARRIAGE,1/4-20 X 1.00,G2	
13	6091GT	NUT,NYLOCK,1/4-20	
14	87544-SGT	FORMING,EXT LOCK BRACKET.....1	
15	9116GT	BOLT,CARRIAGE,1/4-20x1.25,G2	
16	87651GT	LATCH GUIDE,INNER GS68.....1	
17	87015GT	LATCH GUIDE,OUTER GS68.....1	
18	8352GT	SCREW,HHC,3/8-16 X 3.75 GD 5	
19	4828GT	NUT,NYLOCK,3/8-16	
20	87545-SGT	PLATE,EXT LATCH TEETH GS68.....3	
21	87017GT	PLATE,LATCH GUIDE GS68.....1	
22	87530GT	BOLT,CARRIAGE,3/8-16 X 4.00,G2	
23	87549GT	FORMING,EXT LATCH LINK.....1	
24	6326GT	SCREW,HHC,3/8-16 X 3	

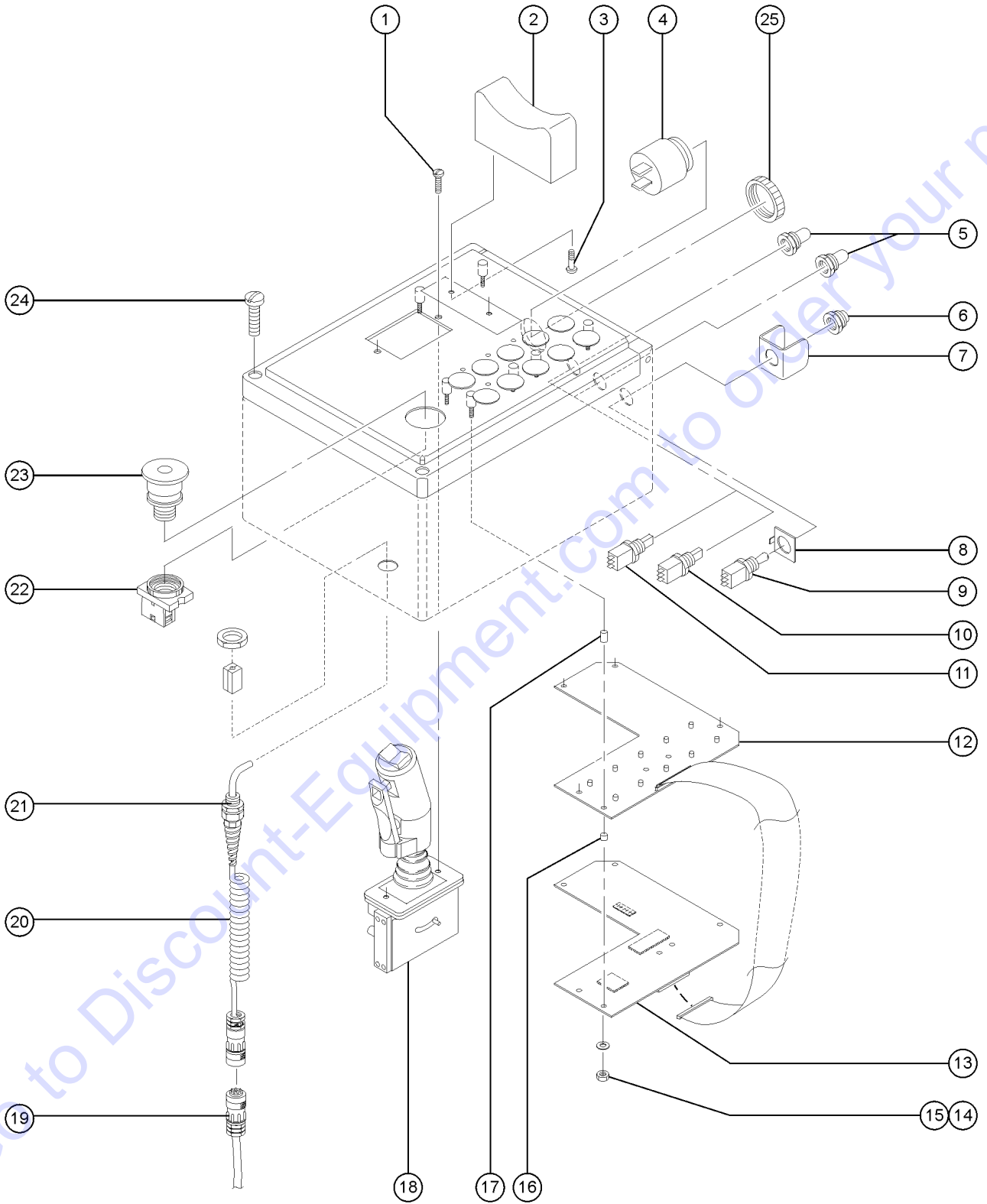
606.1 Power to Platform



Item	Part No.	Description	Qty.
--	33724GT	KIT,GASKET,UK POWER TO PLAT. <i>(includes items 14 and 16)</i>	
1	35460GT	SCREW,PHM,8-32X.38,SELF TAP.	
2	43956GT	WIRE CABLE,14/3 CON.TPE JKT*.....600-inches GS-2668	
2A	43956GT	WIRE CABLE,14/3 CON.TPE JKT*.....684-inches GS-3268	
3	7056GT	CONN,SQUEEZE,1/2NPT .38-.50,SM....1	
4	10775GT	T-BOX,2.75 X 4.5 X 2.0.....1	
5	13585GT	OUTLET, 110V.....1 <i>(North America)</i>	
6	7127GT	SCREW,PHILLIPS,PHM,6-32 X .75	
7	45437GT	COVER,GFCI,WEATHERPROOF.....1 <i>(North America; includes gasket and mounting fasteners)</i>	
8	6595GT	PLUG,ELECTRICAL,DOMESTIC.....1	
8A	1280665GT	PLUG, TYPE F, 230A, 50HZ, 16A, IP44	
8B	87193GT	PLUG, AUSTRALIAN	
8C	144161GT	PLUG,PWR,UK,16AMP,3PIN,BLK	
8D	25388GT	PLUG,FUSED,250V,13AMP,U.K.**	
8E		FUSE,13 AMP,220V PLUG <i>(component no longer available) refer to BS1362 BUSS TDC180-13A</i>	
8E	65737GT	FUSE,13 AMP,220V PLUG*** <i>(component no longer available) refer to BS1362 BUSS TDC180-13A</i>	
8F		Ref. No Plug - Consult Discount-equipment	
9	45470GT	CLAMP,0.31,#5 X 1/4,RUB CUSH.....1	
10	6878GT	BOLT,CARRIAGE,1/4-20 X .75,G2	
11	6091GT	NUT,NYLOCK,1/4-20	
12	6626GT	WIRE CAP,ORANGE.....3	
13	10777GT	COVER,BLANK.....1 <i>(includes mounting fasteners)</i>	
14	66355GT	GASKET, UK & DIN PWR. TO PLAT.....1 <i>4.6 x 2.9 inches</i>	
15	T112563GT	SVC KIT,UK RECEPT.REPLACEMENT.....1	
16	66356GT	GASKET, UK RECEPTACLE.....1 <i>2.9 x 2.9 inches</i>	
17	33629GT	PLATE,UK POWER TO PLATFORM.....1	
18	66353GT	RECEPTACLE, DIN, 220V 50A.....1	
19	96236GT	PLATE,AC ADAPTER,DIN/UK***.....1	



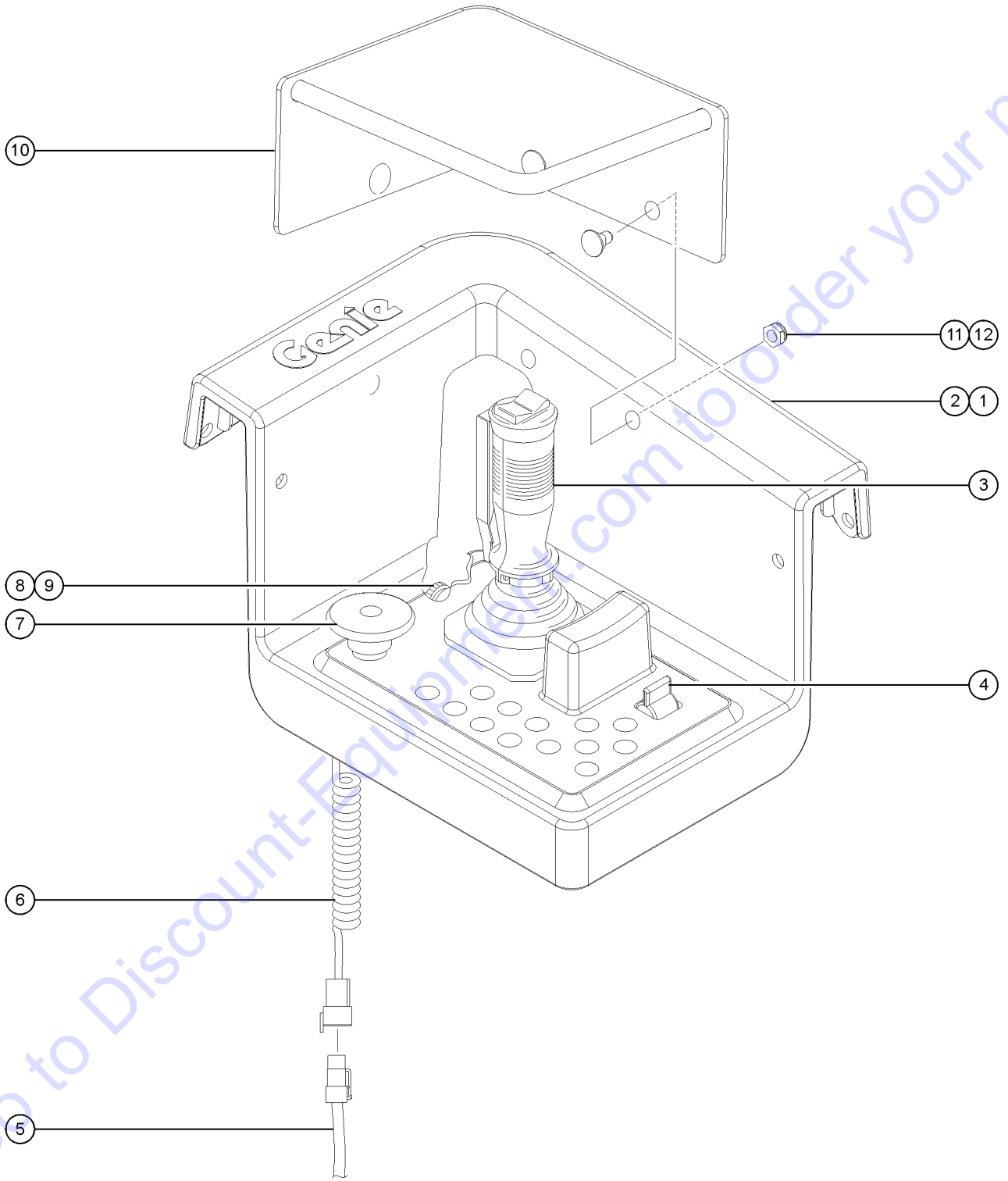
607.1 Platform Controls (to SN 42381)



## 607.1 Platform Controls (to SN 42381)

Item	Part No.	Description	Qty.
--	62180GT	PLATFORM CONTROL BOX W/DECALS* <i>(gasoline/LPG models without outriggers; Complete)</i>	
--	62181GT	PLATFORM CONTROL BOX W/DECALS* <i>(gasoline/LPG models with outriggers; Complete)</i>	
--	62211GT	PLATFORM CONTROL BOX W/DEC*** <i>(diesel models without outriggers; Complete)</i>	
--	62212GT	PLATFORM CONTROL BOX W/DECAL** <i>(diesel models with outriggers; Complete)</i>	
1	5094GT	SCREW,RHM,10-32 X .5	
2	52502GT	PAD,WREST,WRIST,GS68PLAT.CONT~.1	
3	58912GT	FLANGE HEX SCREW,GRADE 8	
4	62164GT	ALARM ASSY,12VDC,ITT,4 PIN****.....1	
5	52503GT	BOOT,PUSHBUTTON,RUBBER,GS68~.2	
6	27246GT	BOOT,TOGGLE SWITCH,SHORT*.....1	
7	45105GT	GUARD,TOGGLE SWITCH.....1	
8	52505GT	PLATE,GROUND,TOGGLE,GS68~.....1	
9	62165GT	SWITCH-TOGGLE,SPDT,3POS, MOM*~.....1 <i>(includes mounting fasteners)</i>	
10	62166GT	SWITCH-PUSH BTN, LOW, GS68**~.....1	
11	62167GT	SWITCH-PUSH BTN, HIGH, GS68.....1	
12	51856GT	P.C.BOARD,SWITCH ASSY,GS68 RT.....1	
13	62163GT	PC BOARD-PLATCNTRL,ITT GS68**~...1	
14	11804GT	NUT,HEX,6-32	
15	11805GT	WASHER,FLAT,MS,#6,Y	
16	52509GT	SPACER,,188 PLAT.CONTROL,GS68~.....7	
17	148174GT	STUD ASSY,RTSC CONTROL BOX.....7	
17	52510GT	SPACER,,5" GS PLAT PC BOARD.....7	
18		Ref. Joystick Controller <i>(refer to 608.1)</i>	
19		Ref. Control Cable Assembly <i>(refer to 410.1)</i>	
20	62162GT	COIL CORD.....1 <i>(includes ferrite suppressor)</i>	
21	46266GT	STRAIN RELIEF-GS JOYSTICK**~.....1	
22	66817GT	BASE WITH 1 NC CONTACT, E-STOP...1	
--	66818GT	CONTACT, N.C.	
23	66812GT	BUTTON,PUSH,RED MUSHROOM HEAD.....1	
24	21085GT	SCREW,RHM,10-24 X .75	
25	72326GT	NUT - PLASTIC,RING FOR ALARMS.....1	

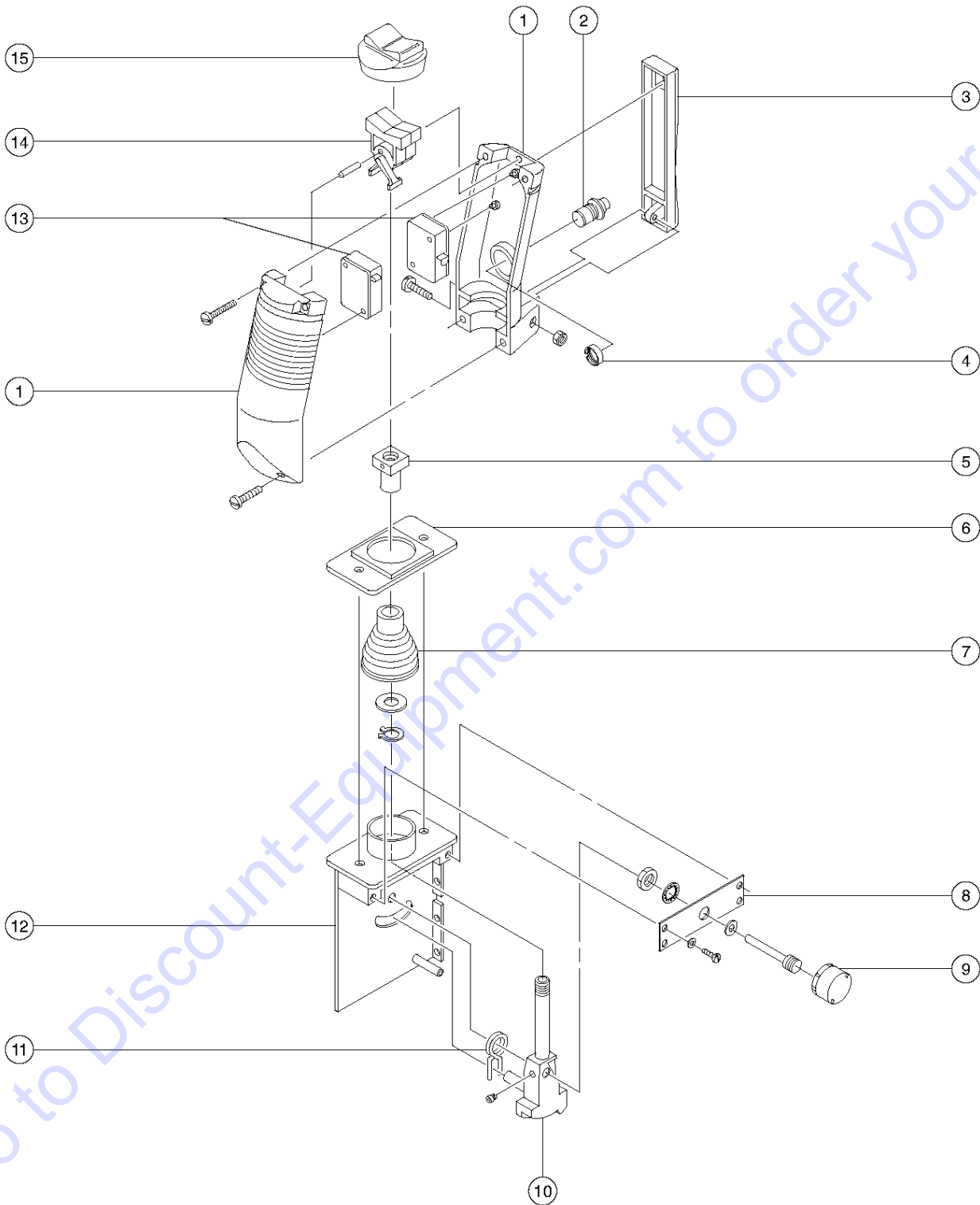
607.2 Platform Controls (from SN 42382)



## 607.2 Platform Controls (from SN 42382)

Item	Part No.	Description	Qty.
--	99161GT	PLAT CONTROL BOX,RT GEN 2*** (Complete)	
--	82417GT	DECAL,PLATFORM CONTROL PANEL	
--	99163GT	PCB,RT PLATFORM CONTROLS***	
--	105662GT	CLEAR SWITCH ACTUATOR	
--	T108044GT	CLEAR SWITCH ACTUATOR(QTY 10)	
1	87566GT	HOUSING,RT PLATFORM CONTROLS**.....1 (top)	
2	87567GT	COVER,RT PLATFORM CONTROLS***.....1 (bottom)	
3		Ref. Joystick Controller (refer to 608.2)	
4	99164GT	ANALOG ROCKER ASSEMBLY***.....1	
5		Ref. Control Cable Assembly (refer to 410.1)	
6	144065GT	KIT,GEN 5 COIL CORD.....1 (kit, includes connector, coil cord, instructions, dielectric grease and cable tie; see below)	
7	66812GT	BUTTON,PUSH,RED MUSHROOM HEAD.....1	
--	66817GT	BASE WITH 1 NC CONTACT, E-STOP	
--	66818GT	CONTACT, N.C.	
8	62164GT	ALARM ASSY,12VDC,ITT,4 PIN****.....1 includes retainer nut 72326	
9	72326GT	NUT - PLASTIC,RING FOR ALARMS.....1	
10	823341GT	KIT, PLAT CTRL GUARD RT.....1 includes items 11 and 12	
--	825187GT	WELDMENT, PLT CTRL GUARD.....1	
11	80149GT	BOLT,CARRIAGE,1/4-20 X .5,G2.....3	
12	6889GT	NUT,LP NYLOCK,1/4-20.....3	

608.1 Platform Controls Joystick (to SN 42381)



## 608.1 Platform Controls Joystick (to SN 42381)

Item	Part No.	Description	Qty.
--	62161GT	JOYSTICK CONTROLLER <i>OEM joystick, contains all shown service parts</i>	
--	62161HGT	JOYSTICK CONTROLLER <i>aftermarket joystick replacement</i>	
1	58293GT	HANDLE KIT,GS JYSTK,BOTH HALVE.....	1
--	58653GT	KIT,HANDLE,JOYSTICK W/SCREWS	
2	52050GT	PUSHBUTTON-FUNC.ENABL.W/ORING.1 <i>(includes mounting hardware)</i>	1
3	52042GT	LEVER,FUNC ENABLE SWITCH,RGE**.....	1
4	46271GT	NUT-MOUNTING,PUSH BUTTON-44988.....	1
5	52043GT	NUT,JOYSTICK,44988, RGE.....	1
6	52529GT	GASKET-JOYSTICK.....	1
7	21427GT	BOOT,CONTROLLER**.....	1
8	52527GT	POTENTIOMETER MOUNT PLATE.....	1
9	65179GT	POTENTIOMETER (62161)***.....	1
10	52525GT	SHAFT ASSY,JOYSTICK.....	1
11	21434GT	SPRING & BUSHING KIT,RETURN***.....	1
12	65180GT	CASTING-JOYSTICK, GS2032.....	1
13	19722GT	MICROSWITCH-V319M***.....	2
14	65178GT	ROCKER ASSY W/ROLLPIN***.....	1
15	19710GT	BOOT, PROTECTIVE, 45049 BLACK.....	1

# PARTS FINDER

**Search Website  
by Part Number**



**Search Manual  
Library For Parts  
Manual & Lookup Part  
Numbers – Purchase  
or Request Quote**

**Search Manuals**

Enter your information to help us find the right parts manual for your machine.

\* Brand:

\* Model:

\* Serial:

\* Part Number:

SEARCH

**Can't Find Part or  
Manual? Request Help  
by Manufacturer,  
Model & Description**

**Parts Order Form**

Please fill in the following information to help us find the right part for your machine.

Manufacturer:	<input type="text"/>
Model:	<input type="text"/>
Description:	<input type="text"/>
Part Number:	<input type="text"/>
Quantity:	<input type="text"/>
Notes:	<input type="text"/>

Submit

Discount-Equipment.com is your online resource for quality parts & equipment.

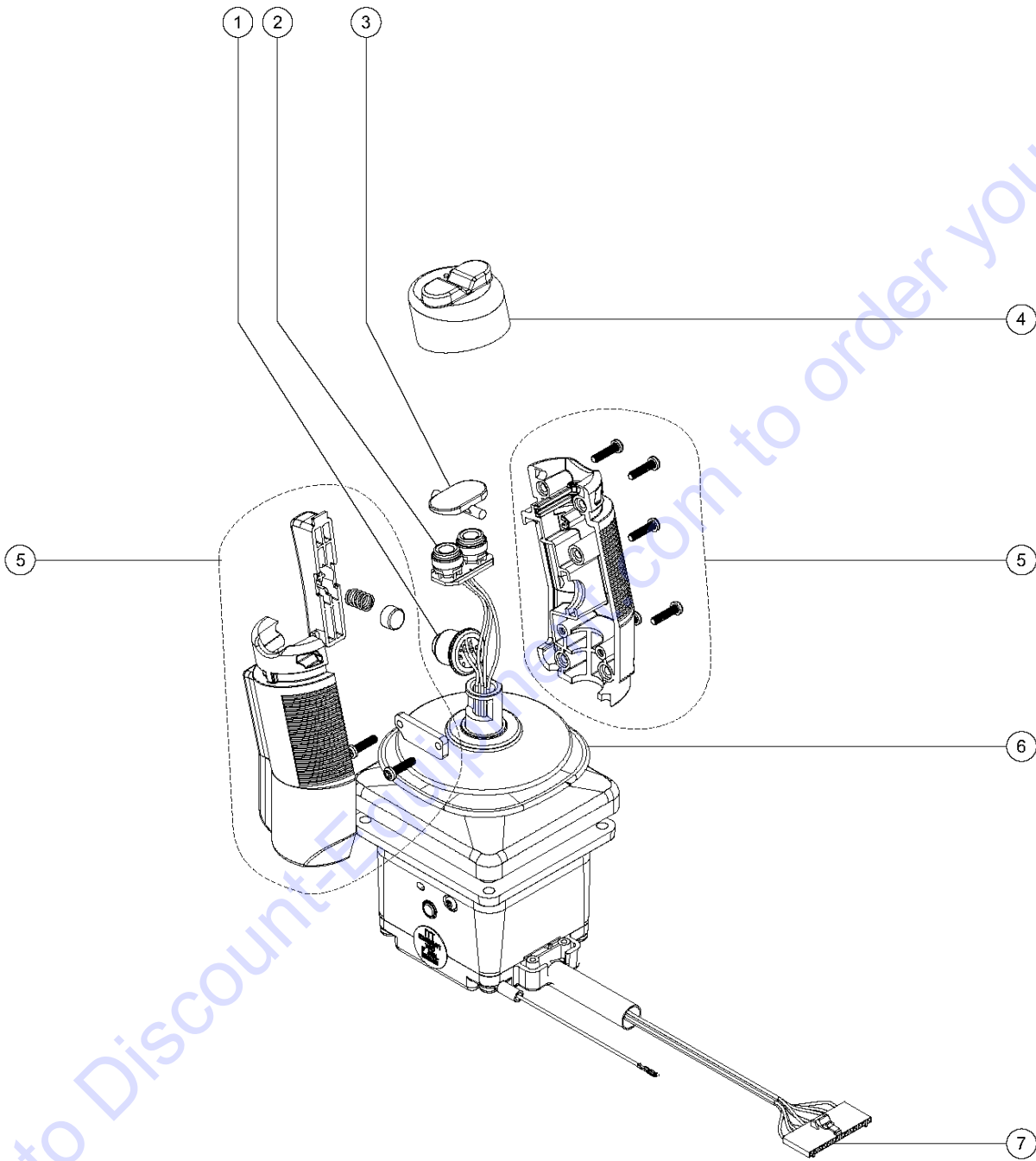
Florida: **561-964-4949** Outside Florida TOLL FREE: **877-690-3101**

**Need parts?**

Click on this link: <http://www.discount-equipment.com/category/5443-parts/> and choose one of the options to help get the right parts and equipment you are looking for. Please have the machine model and serial number available in order to help us get you the correct parts. If you don't find the part on the website or on one of the online manuals, please fill out the request form and one of our experienced staff members will get back to you with a quote for the right part that your machine needs.

We sell worldwide for the brands: Genie, Terex, JLG, MultiQuip, Mikasa, Essick, Whiteman, Mayco, Toro Stone, Diamond Products, Generac Magnum, Airman, Haulotte, Barreto, Power Blanket, Nifty Lift, Atlas Copco, Chicago Pneumatic, Allmand, Miller Curber, Skyjack, Lull, Skytrak, Tsurumi, Husquvarna Target, Stow, Wacker, Sakai, Mi-T-M, Sullair, Basic, Dynapac, MBW, Weber, Bartell, Bennar Newman, Haulotte, Ditch Runner, Menegotti, Morrison, Contec, Buddy, Crown, Edco, Wyco, Bomag, Laymor, EZ Trench, Bil-Jax, F.S. Curtis, Gehl Pavers, Heli, Honda, ICS/PowerGrit, IHI, Partner, Imer, Clipper, MMD, Koshin, Rice, CH&E, General Equipment, Amida, Coleman, NAC, Gradall, Square Shooter, Kent, Stanley, Tamco, Toku, Hatz, Kohler, Robin, Wisconsin, Northrock, Oztec, Toker TK, Rol-Air, APT, Wylie, Ingersoll Rand / Doosan, Innovatech, Con X, Ammann, Mecalac, Makinex, Smith Surface Prep, Small Line, Wanco, Yanmar

608.2 Platform Controls Joystick (from SN 42382)



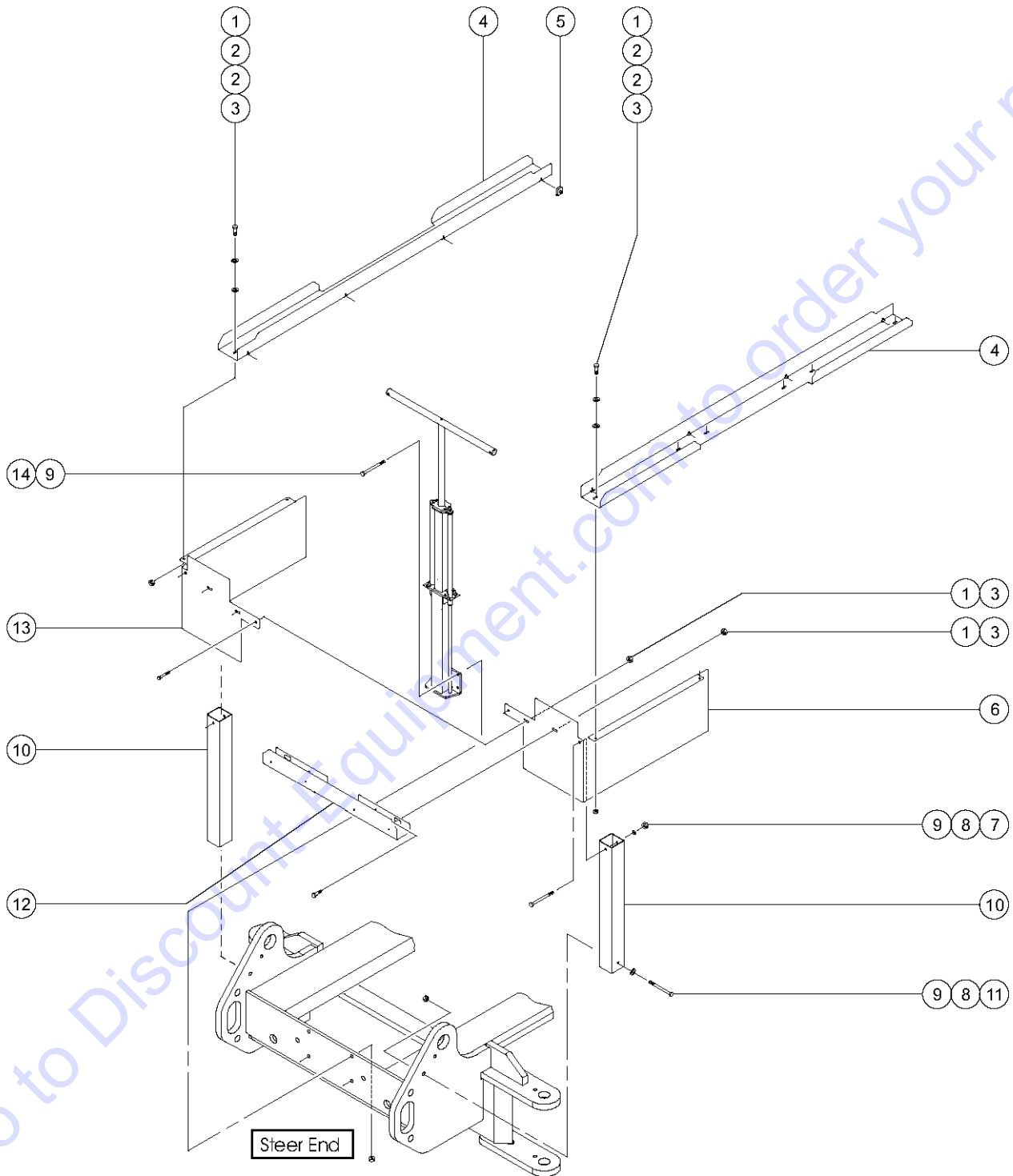


## 608.2 Platform Controls Joystick (from SN 42382)

Item	Part No.	Description	Qty.
--	78903GT	JOYSTICK,SINGL AXIS,HALL,SLAB* <i>OEM joystick</i>	
--	78903HGT	JOYSTICK,SINGL AXIS,POT,SLAB <i>aftermarket joystick</i>	
1	105171GT	KIT,JOYSTICK ENABLE SWITCH.....	1
2	105108GT	STEER SWITCH REPAIR KIT***.....	1
3	105109GT	TURN SWITCH ACTUATOR,JOYSTICK**.....	1
4	97015GT	BOOT,THUMB ROCKER***.....	1
5	97014GT	JOYSTICK HANDLE SET, COMPLETE.....	1
6	97013GT	BOOT, JOYSTICK~.....	1
7	105172GT	KIT, PLATFORM PC RECEIPT/SOC.....	1

Go to Discount-Equipment.com to order your parts

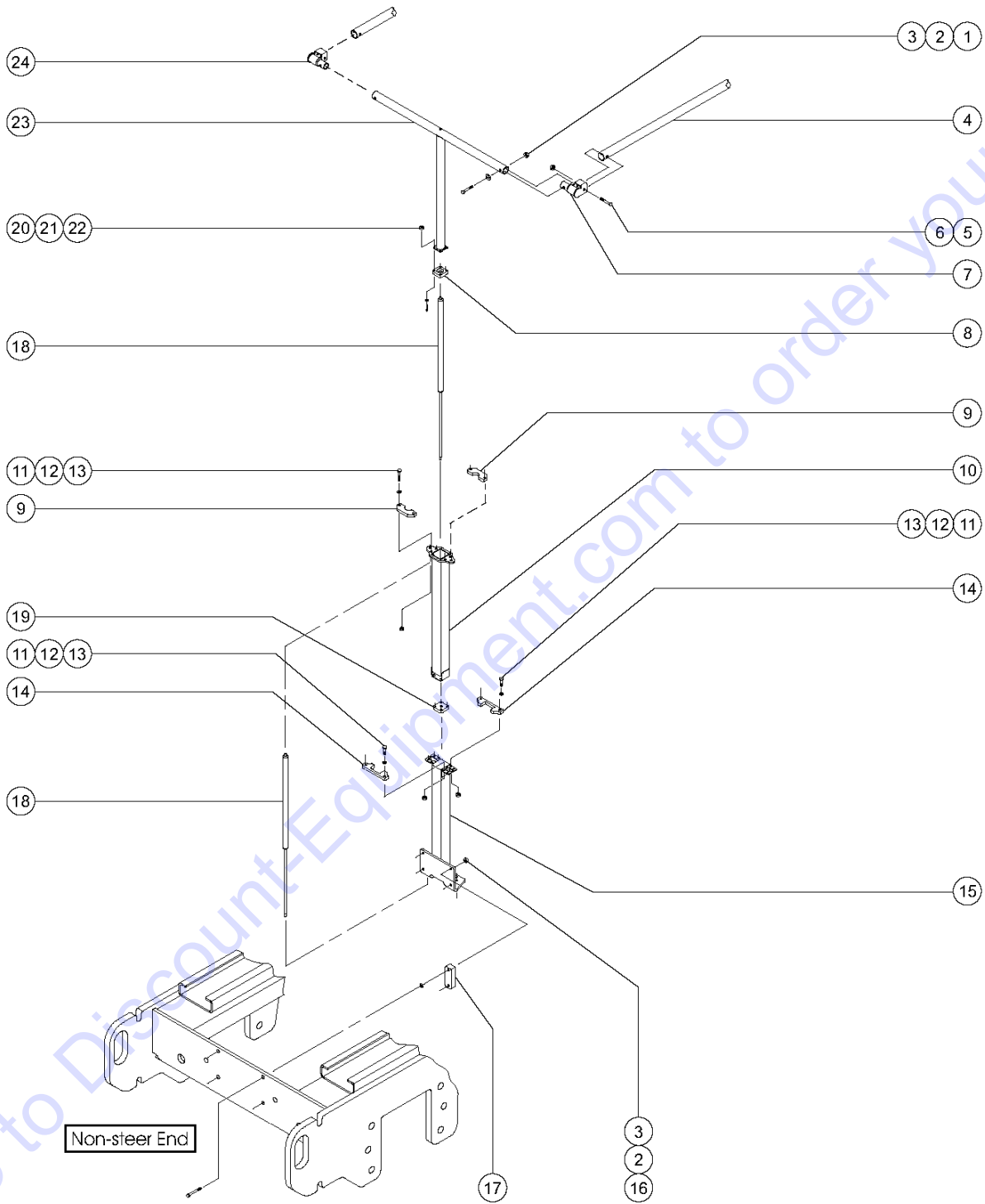
701.1 Wire Mesh Link Guard Assembly, View 1



## 701.1 Wire Mesh Link Guard Assembly, View 1

Item	Part No.	Description	Qty.
--		Ref., Link Guard Kit <i>refer to 709.1</i>	
1	10107GT	SCREW,HHC,5/16-18 X .75	
2	5397GT	WASHER,FLAT,USS,5/16",Y	
3	6782GT	NUT,NYLOCK,5/16-18	
4	79945GT	FORMING,MESH TRAY,SIDE.....	2
5	73575GT	SPRING CLIP,10-24,.025-.125X.468,ZAG	
6	79948GT	FORMING,LOWER FRONT GUARD LT.....	1
		<i>(ground controls side) (to SN 52399)</i>	
6A	112222GT	FORMING,LOWER FRONT GUARD,LT.....	1
		<i>(ground controls side) (from SN 52400)</i>	
7	4828GT	NUT,NYLOCK,3/8-16	
8	6097GT	WASHER,FLAT,USS,3/8",Y	
9	6708GT	SCREW,HHC,3/8-16 X 2.25	
10	71828GT	TUBE MESH TRAY SUPPORT, GS68.....	2
11	21604GT	SCREW,HHC,3/8-16 X 3.25	
12	79946GT	FORMING,MESH TRAY,END.....	1
13	79949GT	FORMING,LOWER FRONT GUARD RT.....	1
		<i>(engine side) (to SN 52399)</i>	
13A	112223GT	FORMING,LOWER FRONT GUARD,RT.....	1
		<i>(engine side) (from SN 52400)</i>	
14	8516GT	SCREW, HCC, 3/8-16 X 1.50	

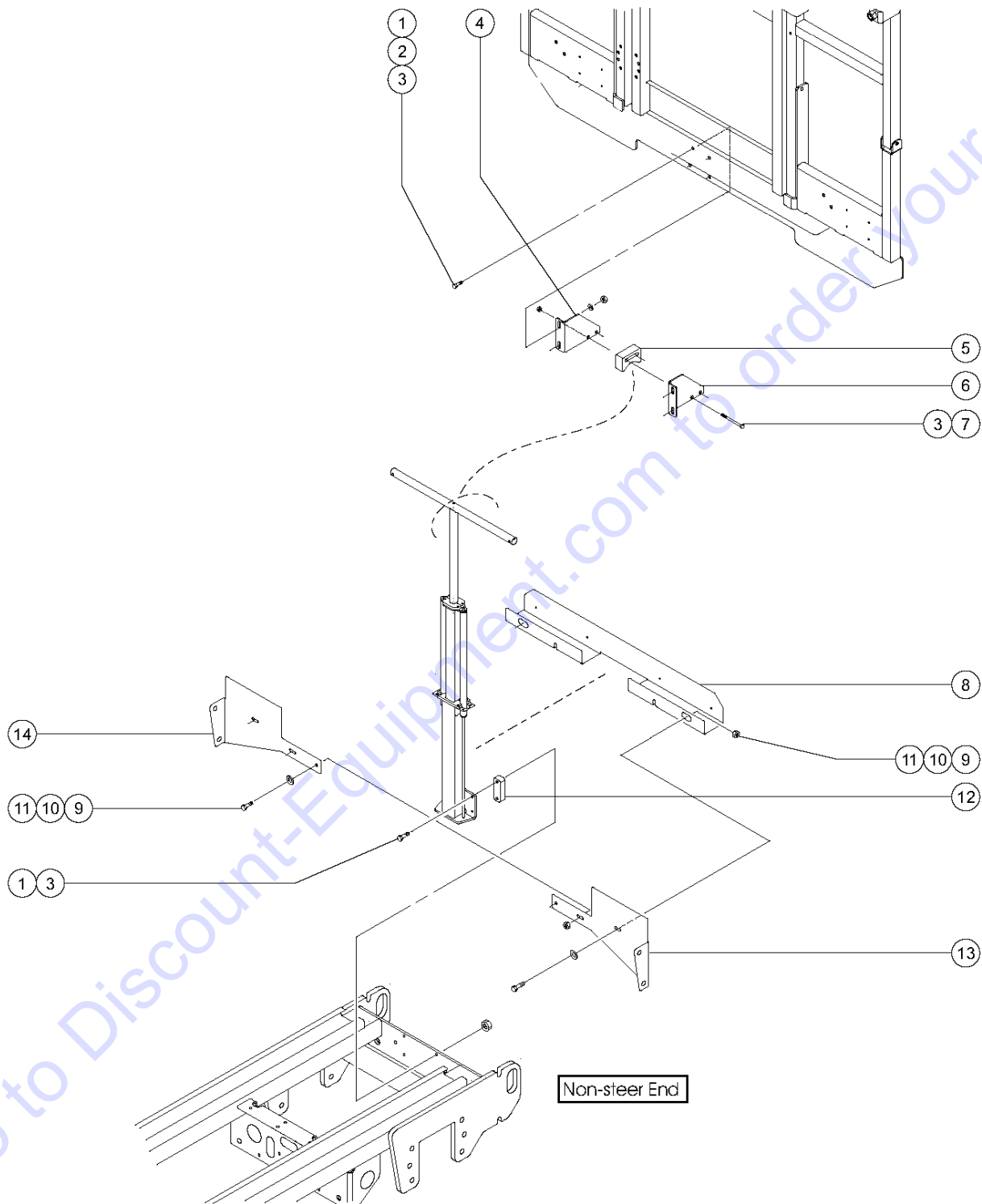
702.1 Wire Mesh Link Guard Assembly, View 2



## 702.1 Wire Mesh Link Guard Assembly, View 2

Item	Part No.	Description	Qty.
1	6708GT	SCREW,HHC,3/8-16 X 2.25	
2	6097GT	WASHER,FLAT,USS,3/8",Y	
3	4828GT	NUT,NYLOCK,3/8-16	
4	71850GT	TUBE, MESH REAIL, SIDE, GS68.....2 (engine side) (to SN 52399)	
4A	131371GT	TUBE,LINK GUARD SIDE RAIL,GS68....2 (engine side) (from SN 52400)	
5	10107GT	SCREW,HHC,5/16-18 X .75	
6	6091GT	NUT,NYLOCK,1/4-20	
7	71855GT	WELDMENT,MESH RAIL JOINT, LEFT.....1 (ground controls side) (to SN 52399)	
7A	131368GT	WELDMENT,LINKGUARD JOINT,LEFT.....1 (ground controls side) (from SN 52400)	
8	71841GT	WEAR PAD, UPPER EXT INNER,GS68.....2	
9	71839GT	WEAR PAD, UPPER GUIDE, GS68.....2	
10	71832GT	WELDMENT, LOWER EXT SECTION,68.....1	
11	13000GT	SCREW,HHC,5/16-18 X 1.25	
12	5397GT	WASHER,FLAT,USS,5/16",Y	
13	6782GT	NUT,NYLOCK,5/16-18	
14	71838GT	WEAR PAD, LOWER GUIDE, GS68.....2	
15	71829GT	WELDMENT, EXTENSION BASE, GS68.....1	
16	21604GT	SCREW,HHC,3/8-16 X 3.25	
17	71858GT	WEAR PAD,4.25 X 1.5 X 1.....2 (non-steer end)	
18	71842GT	GAS STRUT,250N, 55CM STROKE.....3	
19	71840GT	WEAR PAD, LOWER EXT INNER, 68....1	
20	6178GT	NUT,NYLOCK,10-32.....4 (to SN 41932)	
21	6146GT	WASHER,FLAT,MS,#10,Y.....4 (to SN 41932)	
22	8915GT	SCREW,HHC,1/4-20 X 1.25 (to SN 41932)	
22A	79084GT	RIVET,ALUM,ALUM,P, .188 X .75 (from SN 41933)	
23	71835GT	WELDMENT, UPPER EXT SECTION,68.....1	
24	71848GT	WELDMENT,MESH RAIL JOINT,RIGHT.....1 (engine side) (to SN 52399)	
24A	131367GT	WELDMENT,LINKGUARD JOINT,RIGHT.....1 (engine side) (from SN 52400)	

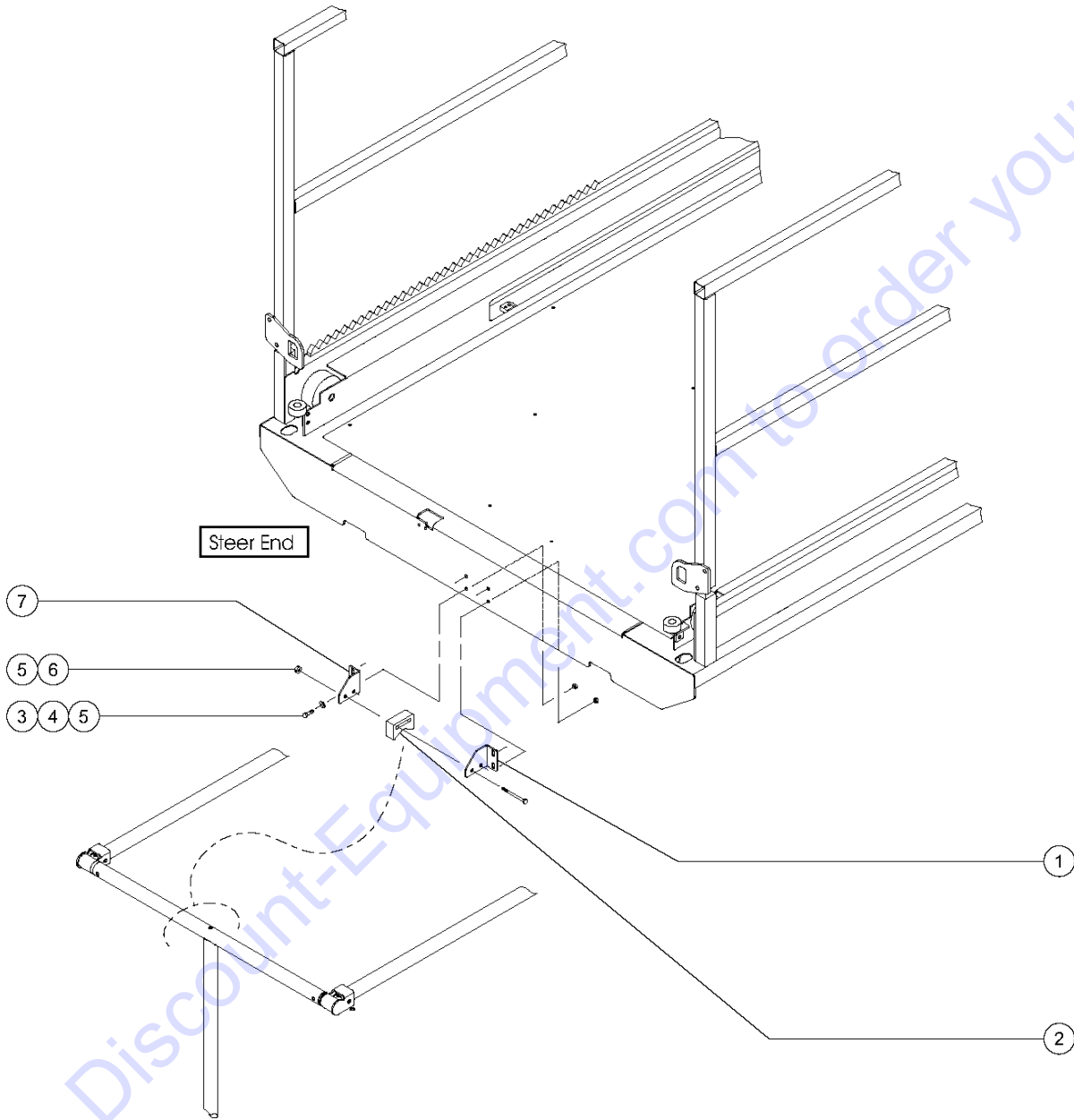
703.1 Wire Mesh Link Guard Assembly, View 3



## 703.1 Wire Mesh Link Guard Assembly, View 3

Item	Part No.	Description	Qty.
1	6019GT	SCREW,HHC,3/8-16 X 1.25 GRD 5	
2	6097GT	WASHER,FLAT,USS,3/8",Y	
3	4828GT	NUT,NYLOCK,3/8-16	
4	71865GT	FORMING, GUARD CONTACT REAR RT.....1 (non-steer end) (engine side)	
5	71862GT	WEAR PAD, GUARD CONTACT, GS68.....1	
6	71866GT	FORMING, GUARD CONTACT REAR LT.....1 (non-steer end) (ground controls side)	
7	6326GT	SCREW,HHC,3/8-16 X 3	
8		Ref. Mesh Tray (refer to 701.1)	
9	6091GT	NUT,NYLOCK,1/4-20	
10	6638GT	WASHER,FLAT,USS,1/4"Y	
11	10107GT	SCREW,HHC,5/16-18 X .75	
12	71858GT	WEAR PAD,4.25 X 1.5 X 1.....2 (non-steer end)	
13	79950GT	FORMING,LOWER REAR GUARD LT....1 (non-steer end) (ground controls side) (to SN 52399)	
13A	112224GT	FORMING,LOWER REAR GUARD,LT.....1 (non-steer end) (ground controls side) (from SN 52400)	
14	79951GT	FORMING,LOWER REAR GUARD RT...1 (non-steer end) (engine side) (to SN 52399)	
14A	131544GT	FORMING,LOWER REAR GUARD,RT....1 (non-steer end) (engine side) (from SN 52400)	

704.1 Wire Mesh Link Guard Assembly, View 4

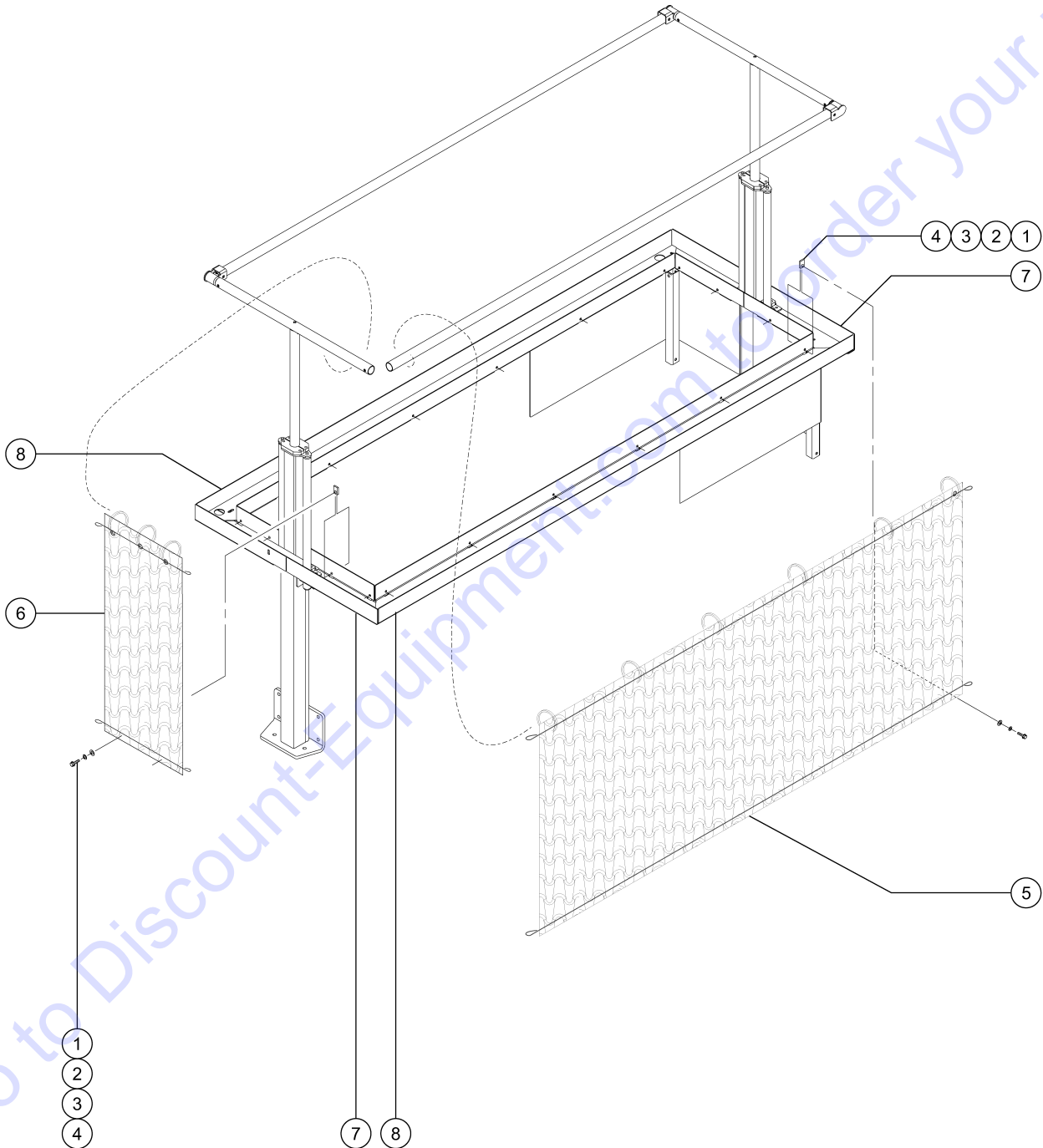




## 704.1 Wire Mesh Link Guard Assembly, View 4

Item	Part No.	Description	Qty.
1	71861GT	FORMING, GUARD CONTACT FRNT LT.....1 <i>(steer end) (ground controls side)</i>	1
2	71862GT	WEAR PAD, GUARD CONTACT, GS68.....1	1
3	6019GT	SCREW,HHC,3/8-16 X 1.25 GRD 5	
4	6097GT	WASHER,FLAT,USS,3/8",Y	
5	4828GT	NUT,NYLOCK,3/8-16	
6	6326GT	SCREW,HHC,3/8-16 X 3	
7	71860GT	FORMING, GUARD CONTACT FRNT RT.....1 <i>(steer end) (engine side)</i>	1

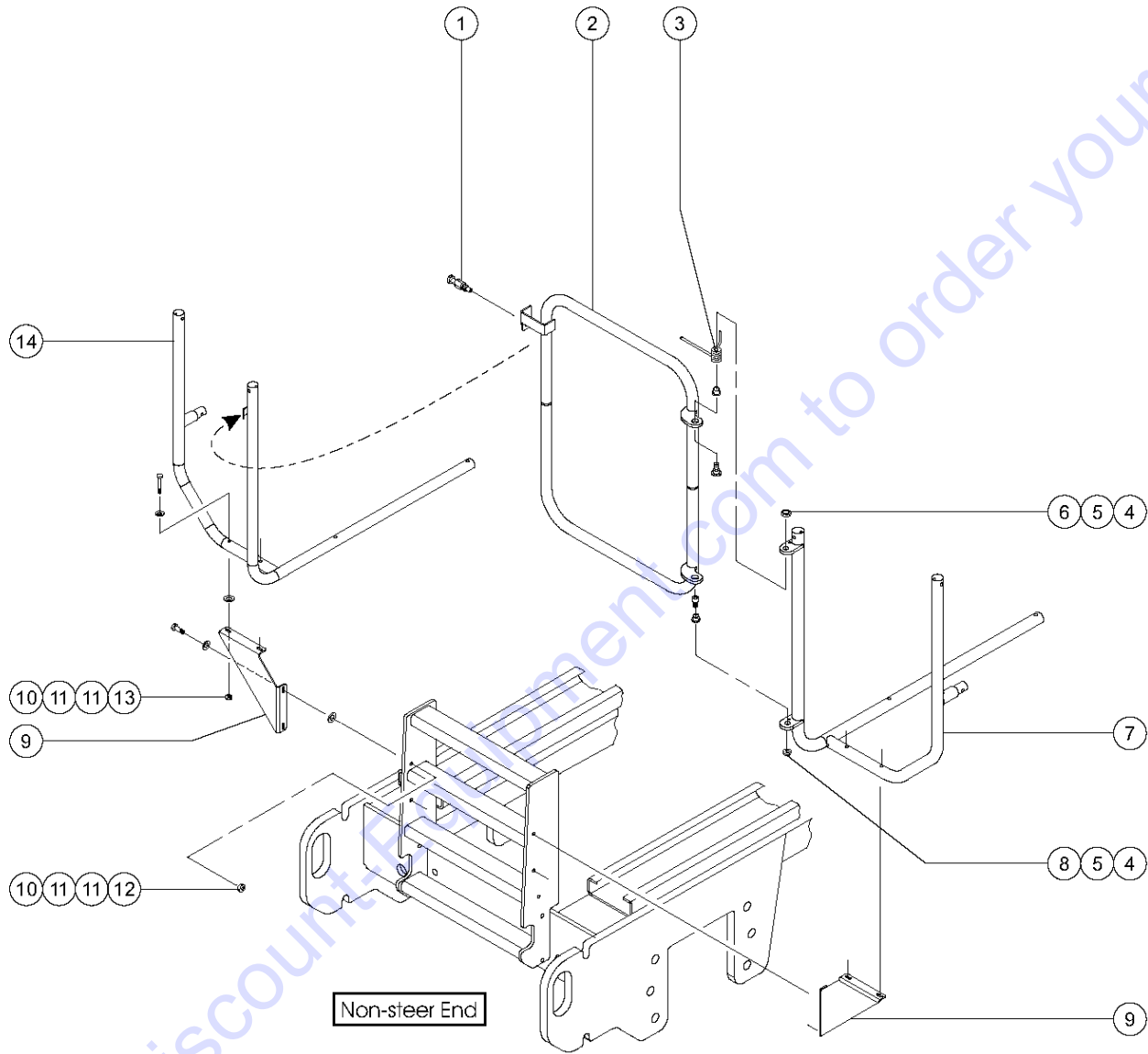
705.1 Wire Mesh Link Guard Assembly, View 5



## 705.1 Wire Mesh Link Guard Assembly, View 5

Item	Part No.	Description	Qty.
1	73575GT	SPRING CLIP,10-24,.025-.125X.468,ZAG	
2	6146GT	WASHER,FLAT,MS,#10,Y	
3	6607GT	WASHER,LOCK,#10 PLTD	
4	71979GT	SCREW,INDENTED HEX,10-24 X .75	
5	71844GT	WIRE MESH ASSY,SIDE,18 GA 1/4".....2 <i>(side)</i>	
6	71843GT	WIRE MESH ASSY,END, 18 GA 1/4".....4 <i>(end)</i>	
7		Ref. Mesh Tray <i>component no longer available; refer to 709.1</i>	
8		Ref. Mesh Tray, Side <i>component no longer available; refer to 709.1</i>	

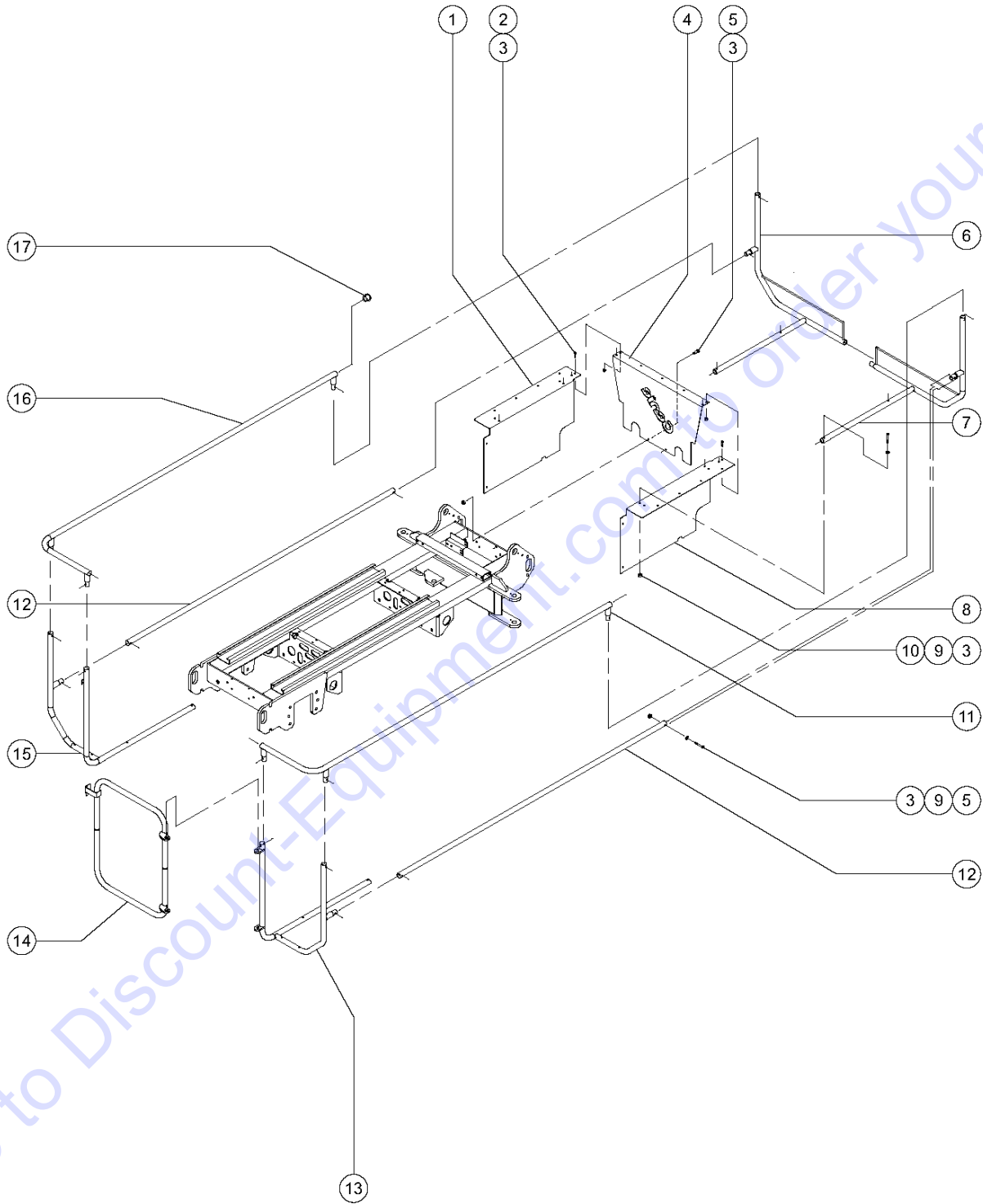
706.1 Rigid Link Guard Assembly, View 1



## 706.1 Rigid Link Guard Assembly, View 1

Item	Part No.	Description	Qty.
--		Ref., Link Guard Kit <i>refer to 709.1</i>	
1	47138GT	PIN,SNAP,ENTRY RAIL.....1	1
2	64278GT	WELDMENT, GUARD, GATE.....1	1
3	55739GT	SPRING, TORSION, ENTRY GATE.....1	1
4	38028GT	NUT,LP NYLOCK,5/8-11	
5	64245GT	BUSHING,FLANGE, .75 X .875 X.5.....2	2
6	71912GT	BOLT,SHOULDER,5/8-11 X 1.19 LT	
7	64275GT	WELDMENT, GUARD, REAR, RIGHT.....1 <i>(non-steer end) (engine side)</i>	1
8	55983GT	PIN-THREADED SHLDR OFFS,5/8-11	
9	71120GT	GUSSET, GUARD, REAR.....2 <i>(non-steer end)</i>	2
10	4828GT	NUT,NYLOCK,3/8-16	
11	6097GT	WASHER,FLAT,USS,3/8",Y	
12	6019GT	SCREW,HHC,3/8-16 X 1.25 GRD 5	
13	6708GT	SCREW,HHC,3/8-16 X 2.25	
14	64276GT	WELDMENT, GUARD, REAR, LEFT.....1 <i>(non-steer end) (ground controls side)</i>	1

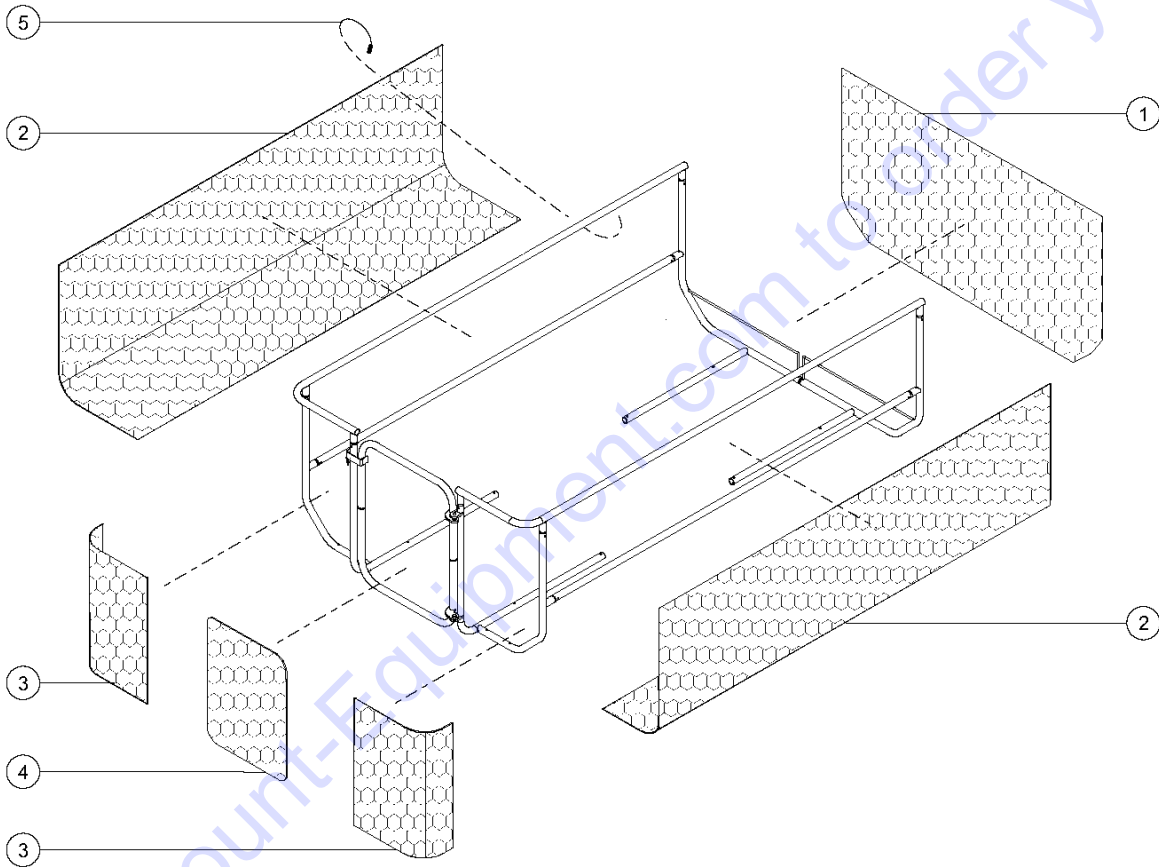
707.1 Rigid Link Guard Assembly, View 2



## 707.1 Rigid Link Guard Assembly, View 2

Item	Part No.	Description	Qty.
1	51397GT	FORMING, NOSE GUARD, LEFT GS68.....1 <i>(ground controls side)</i>	1
2	6175GT	SCREW,HHC,3/8-16 X 1	
3	4828GT	NUT,NYLOCK,3/8-16	
4	51395GT	FORMING,NOSE GUARD,REAR GS68.....1 <i>(steer end)</i>	1
5	6019GT	SCREW,HHC,3/8-16 X 1.25 GRD 5	
6	79489GT	WELDMENT,FRONT LEFT GUARD.....1 <i>(steer end) (ground controls side)</i>	1
7	79490GT	WELDMENT,FRONT RIGHT GUARD.....1 <i>(steer end) (engine side)</i>	1
8	55284GT	FORMING, NOSE GUARD, RIGHT.....1 <i>(engine side)</i>	1
9	6097GT	WASHER,FLAT,USS,3/8",Y	
10	6708GT	SCREW,HHC,3/8-16 X 2.25	
11	71098GT	WELDMENT, GUARD, TOP, RIGHT.....1 <i>(Top) (engine side)</i>	1
12	71094GT	TUBE, GUARD, SIDE.....2 <i>(Lower side)</i>	2
13	64275GT	WELDMENT, GUARD, REAR, RIGHT.....1 <i>(non-steer end) (engine side)</i>	1
14	64278GT	WELDMENT, GUARD, GATE.....1	1
15	64276GT	WELDMENT, GUARD, REAR, LEFT.....1 <i>(non-steer end) (ground controls side)</i>	1
16	71097GT	WELDMENT, GUARD, TOP, LEFT.....1 <i>(Top) (ground controls side)</i>	1
17	55753GT	BUMPER, PLASTIC, 1.25 O.D.....2	2

708.1 Rigid Link Guard Assembly, View 3

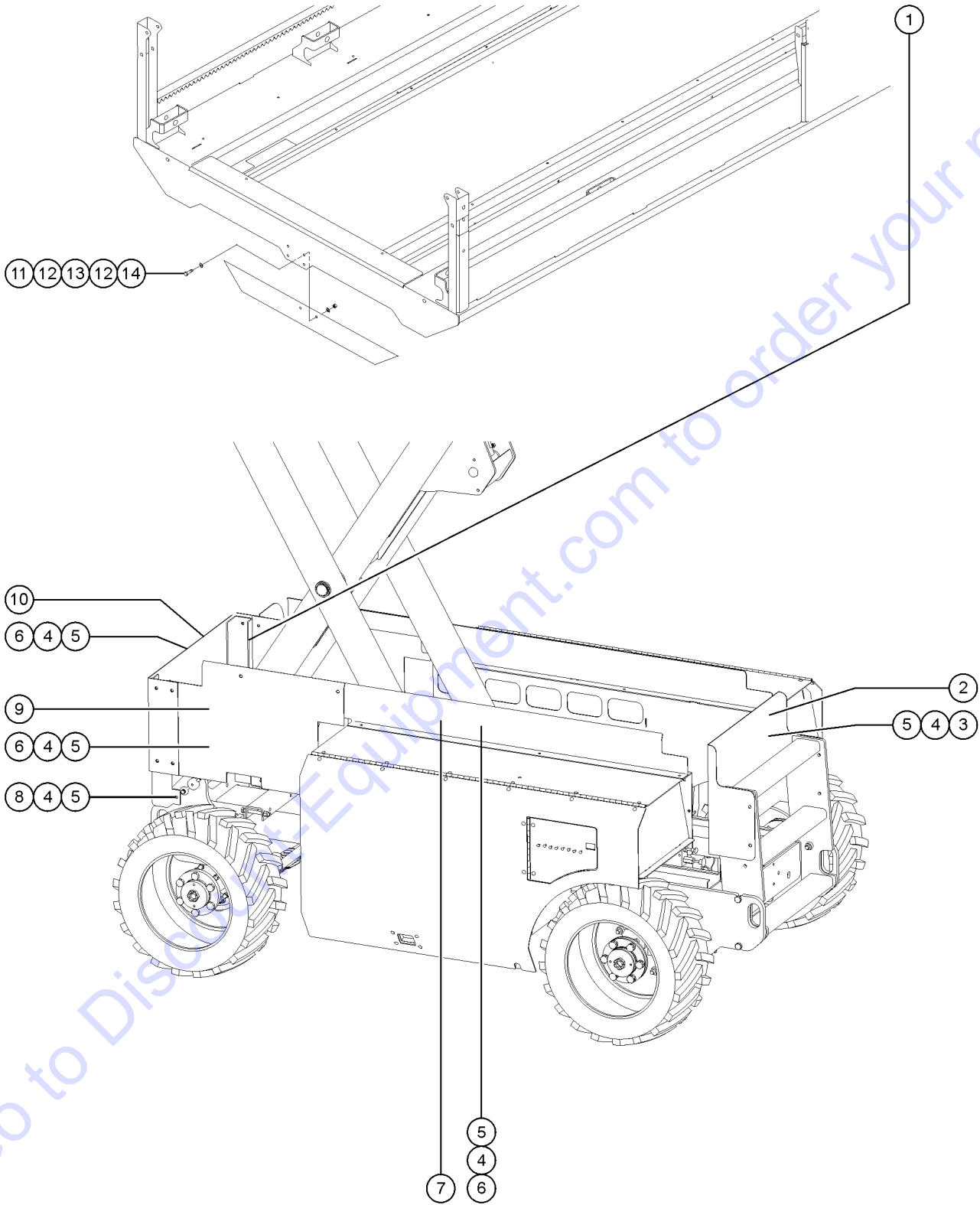




## 708.1 Rigid Link Guard Assembly, View 3

Item	Part No.	Description	Qty.
1		Ref., MESH, LINK GUARD, FRONT.....1 <i>component no longer available; refer to 709.1</i>	1
2		Ref., MESH, LINK GUARD, SIDE, GS68.....2 <i>component no longer available; refer to 709.1</i>	2
3		Ref., MESH, LINK GUARD, REAR, GS68.....2 <i>component no longer available; refer to 709.1</i>	2
4		Ref., MESH, LINK GUARD, GATE.....1 <i>component no longer available; refer to 709.1</i>	1
5	28443GT	CABLE TIE,11.5" BLACK <i>(quantities vary)</i>	

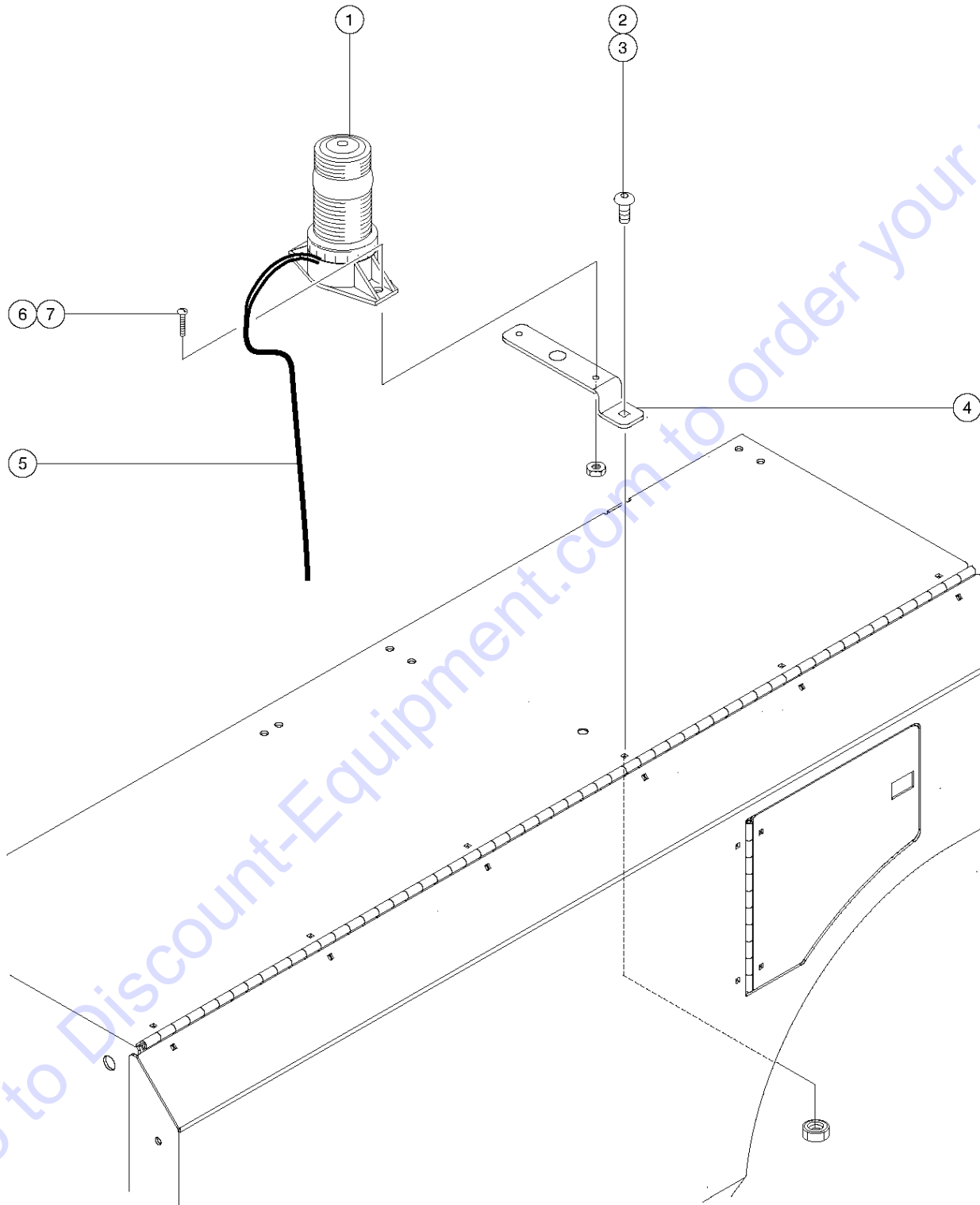
709.1 Steel Panel Link Guard Assembly



## 709.1 Steel Panel Link Guard Assembly

Item	Part No.	Description	Qty.
--	T109074GT	KIT, LINKGUARDS 2668	
--	T109075GT	KIT, LINKGUARDS 3268	
1A	148187GT	FORMING, LINKGUARD MOUNT, R, 2668.....1 GS-2668 (Right)	
--	148186GT	FORMING, LINKGUARD MOUNT, L, 2668.....1 GS-2668 (Left)	
1B	148286GT	FORMING, LINKGUARD MOUNT, R, 3268 GS-3268 (Right)	
--	T107013GT	FORMING, LINKGUARD MOUNT, L, 3268 GS-3268 (Left)	
2A	T108330GT	FORMING, LINKGUARD LADDER, 2668.....1 GS-2668	
2B	T108213GT	FORMING, LINKGUARD LADDER, 3268.....1 GS-3268	
3	6175GT	SCREW, HHC, 3/8-16 X 1.....4	
4	6097GT	WASHER, FLAT, USS, 3/8", Y.....24	
5	4828GT	NUT, NYLOCK, 3/8-16.....24	
6	8255GT	SCREW, HHC, 3/8-16 X .75.....18	
7A	148176GT	FORMING, LINKGUARD, SIDE, L, 2668....1 GS-2668 (Left)	
--	148177GT	FORMING, LINKGUARD, SIDE, R, 2668....1 GS-2668 (Right)	
7B	148282GT	FORMING, LINKGUARD, SIDE L, 3268 GS-3268 (Left)	
--	148283GT	FORMING, LINKGUARD, SIDE R, 3268 GS-3268 (Right)	
8	6019GT	SCREW, HHC, 3/8-16 X 1.25 GRD 5.....2	
9A	148182GT	FORMING, LINKGUARD CORNER R, 2668.....1 GS-2668 (Left)	
--	148181GT	FORMING, LINKGUARD CORNER L, 2668.....1 GS-2668 (Right)	
9B	148284GT	FORMING, LINKGUARD CORNER L, 3268 GS-3268 (Left)	
--	148285GT	FORMING, LINKGUARD CORNER R, 3268 GS-3268 (Right)	
10A	T107925GT	FORMING, LINKGUARD FRONT, 2668....1 GS-2668	
10B	T108212GT	FORMING, LINKGUARD FRONT, 3268 GS-3268	
11	13002GT	SCREW, HHC, 5/16-18 X 1 GR5.....2	
12	5397GT	WASHER, FLAT, USS, 5/16", Y.....4	
13	229099GT	PLATE, PLATFORM END GUARD.....1	
14	6782GT	NUT, NYLOCK, 5/16-18.....4	

801.1 Flashing Beacon

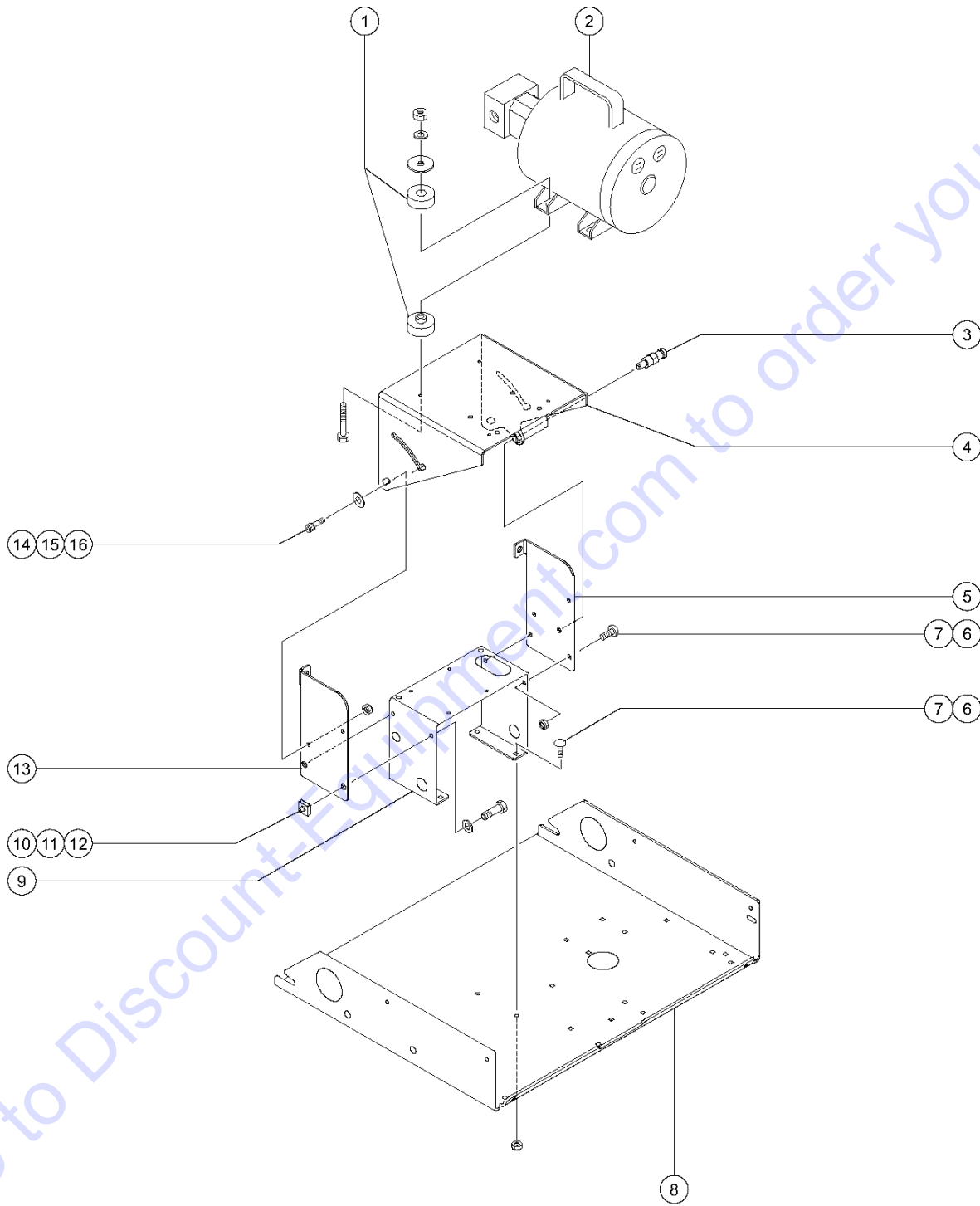


## 801.1 Flashing Beacon

Item	Part No.	Description	Qty.
1	87265GT	BEACON LIGHT ASSY.....	2
--	105556GT	LENS,FLASHING BEACON for 87265	
--	105557GT	BULB,FLASHING BEACON for 87265	
2	6878GT	BOLT,CARRIAGE,1/4-20 X .75,G2	
3	6091GT	NUT,NYLOCK,1/4-20	
4	79374GT	FORMING,BEACON MOUNT.....	1
5		Ref. Flashing Beacon Wire Harness (refer to 410.1)	
6	49816GT	SCREW,PHILLIPS,PHM,10-32 X .75	
7	6178GT	NUT,NYLOCK,10-32	

Go to Discount-Equipment.com to order your parts

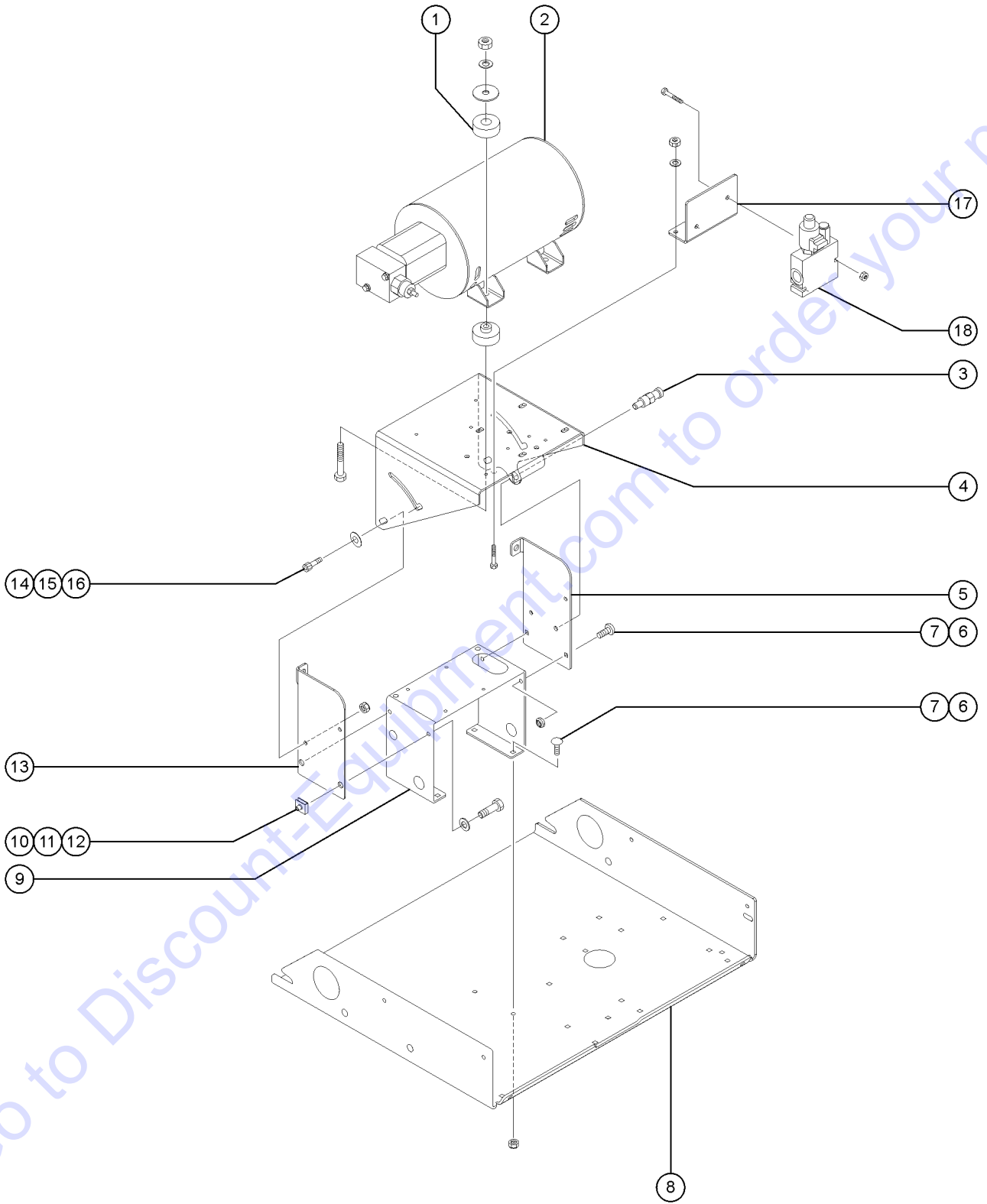
802.1 Generator, 2KW



## 802.1 Generator, 2KW

Item	Part No.	Description	Qty.
--	51221GT	GS68 AC GENERATOR***	
--		Ref. Generator Wire Harness Assembly (refer to 410.1)	
1	84080GT	ISOLATR KIT,RUBBR,2KW GENERATR.....	4
2	112045GT	GEN,KIT,2KW,HYD,W/MNFLD*** (includes fasteners)	1
--	112044GT	GENERATOR,2KW,HYD,NO VALVE***	
--	79122GT	MANIFOLD, 2KW GENERATOR	
3	47138GT	PIN,SNAP,ENTRY RAIL.....	1
4	79475GT	WELDMENT,GENERATOR TRAY.....	1
5	79118GT	FORMING,GEN. SUPPORT,RIGHT..... (engine side)	1
6	64154GT	BOLT,CARRIAGE,3/8-16 X1.00,G5	
7	4828GT	NUT,NYLOCK,3/8-16	
8		Ref. Hydraulic Tray (refer to 403.1)	
9		Ref. Battery Tray Bracket (refer to 403.1)	
10	29868GT	SPRING CLIP,3/8-16,.05-.20X.73,ZAG	
11	6021GT	WASHER,LOCK,.375	
12	6175GT	SCREW,HHC,3/8-16 X 1	
13	79119GT	FORMING,GEN. SUPPORT,LEFT..... (ground controls side)	1
14	11335GT	SCREW,SHS,3/8-16 X .5	
15	87075GT	WASHER,NYLON .50 X 1.25 X .063	
16	7713GT	NUT, LP NYLOCK, 3/8-16	

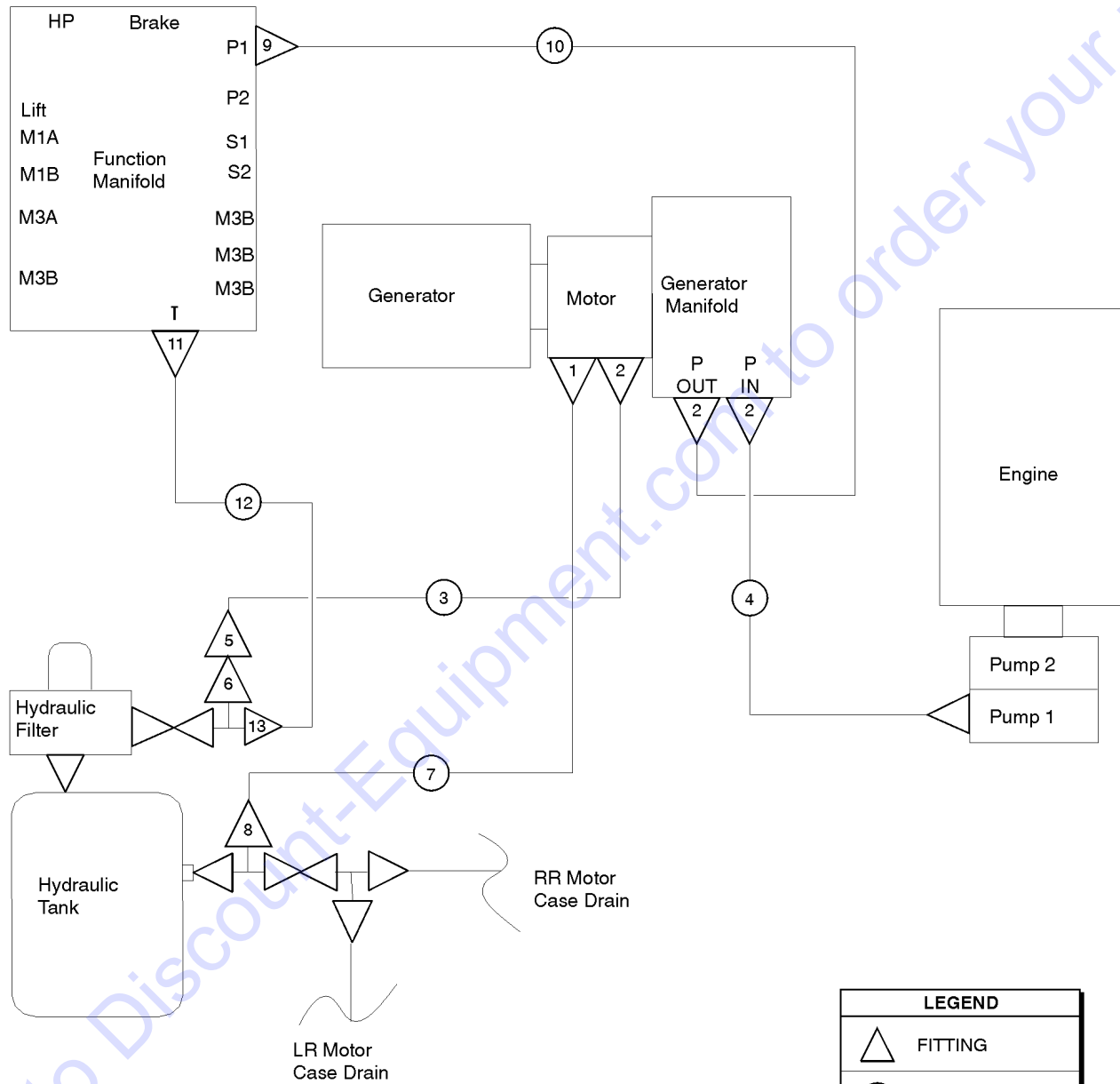
802.2 Generator, 3KW





Item	Part No.	Description	Qty.
--	T106509GT	HARNES,3KW GENERATOR,GS68	
--	87497-SGT	GS68 AC OIL COOLER	
1	84080GT	ISOLATR KIT,RUBBR,2KW GENERATR.....	4
2	111381GT	GEN,HYD,3000W,110V,60HZ.....	1
--	T111608GT	SEAL,RETAINING RING	
--	T111609GT	SEAL,SHAFT	
--	T111610GT	SPACER	
--	T111611GT	BEARING,MOTOR	
--	T111612GT	RETAINING RING	
--	T111613GT	SHAFT,MOTOR	
3	47138GT	PIN,SNAP,ENTRY RAIL.....	1
4	79475GT	WELDMENT,GENERATOR TRAY.....	1
5	112521GT	FORMING,GEN.SUPPORT,RIGHT.....	1
6	64154GT	BOLT,CARRIAGE,3/8-16 X1.00,G5	
7	4828GT	NUT,NYLOCK,3/8-16	
8		Ref. Hydraulic Tray (refer to 403.1)	
9		Ref. Battery Tray Bracket (refer to 403.1)	
10	29868GT	SPRING CLIP,3/8-16,.05-.20X.73,ZAG	
11	6021GT	WASHER,LOCK,.375	
12	6175GT	SCREW,HHC,3/8-16 X 1	
13	79119GT	FORMING,GEN. SUPPORT,LEFT.....	1
14	11335GT	SCREW,SHS,3/8-16 X .5	
15	87075GT	WASHER,NYLON .50 X 1.25 X .063	
16	7713GT	NUT, LP NYLOCK, 3/8-16	
17	148458GT	FORMING,GEN. MANIFOLD MOUNT.....	1
18	53976GT	MANIFOLD,GENERATOR.....	1

803.1 Hydraulic Hoses and Fittings, 2KW Generator,

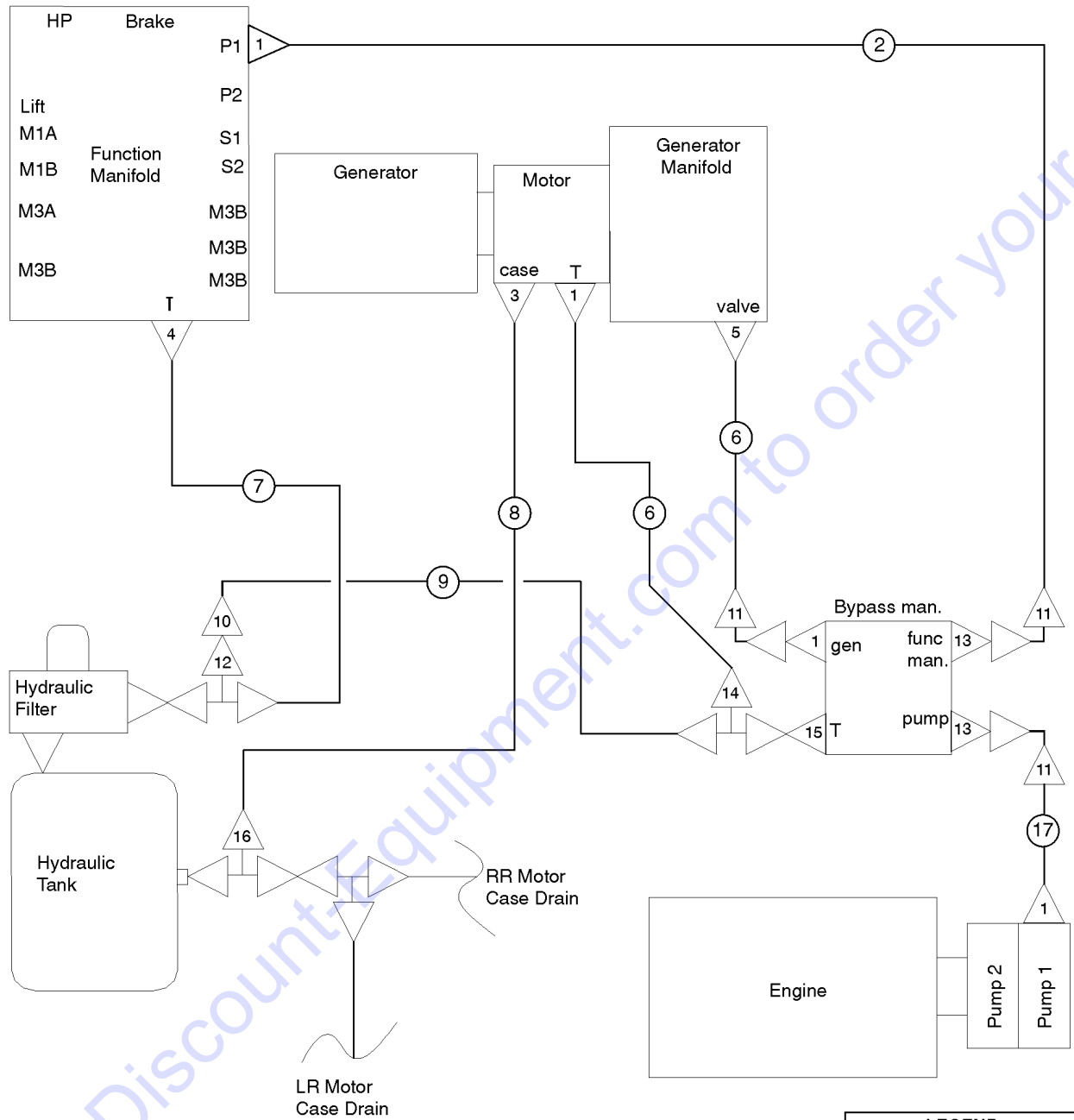


LEGEND	
	FITTING
	HOSE ASSEMBLY
	CONNECTOR

## 803.1 Hydraulic Hoses and Fittings, 2KW Generator,

Item	Part No.	Description	Qty.
--		<i>The hose lengths below reflect the length of the hose only. Refer to the 'Fittings Cross Reference' to match Genie part numbers to Parker part numbers.</i>	
1	48905GT	CONN,520120-4***.....	1
2	48933GT	CONN,520120-8***.....	3
3	79854GT	HOSE ASSY,GEN.MOTOR TO TANK..... (components: 48822, 48827, 48758 @ 21 inches)	1
4	79856GT	HOSE ASSY,GEN.MOTOR TO TANK..... (components: 48822, 48822, 56777 @ 70 inches)	1
5	51580GT	FITTING,REDUCER,520123-12-8***.....	1
6	48964GT	FITTING,TEE,RUN,SWIVEL52043212....	1
7	79855GT	HOSE ASSY,GEN.CASE DRAIN-TANK..... (components: 48802, 48810, 48751 @ 33 inches)	1
8	48875GT	TEE,RUN,SWIVEL,520432-6.....	1
9	48946GT	CONN,520120-8-10.....	1
10	79758GT	HOSE ASSY,P1-PUMP OUTER..... (components: 48822, 48822, 56777 @ 60 inches)	1
11	48975GT	CONN,520120-12-10.....	1
12	79755GT	HOSE ASSY,T-TANK FILTER..... (components: 48841, 48841, 48761 @ 54 inches)	1
13	48959GT	FITTING,ELBOW,90D,520220-12	

803.2 Hydraulic Hoses and Fittings, 3KW Generator,

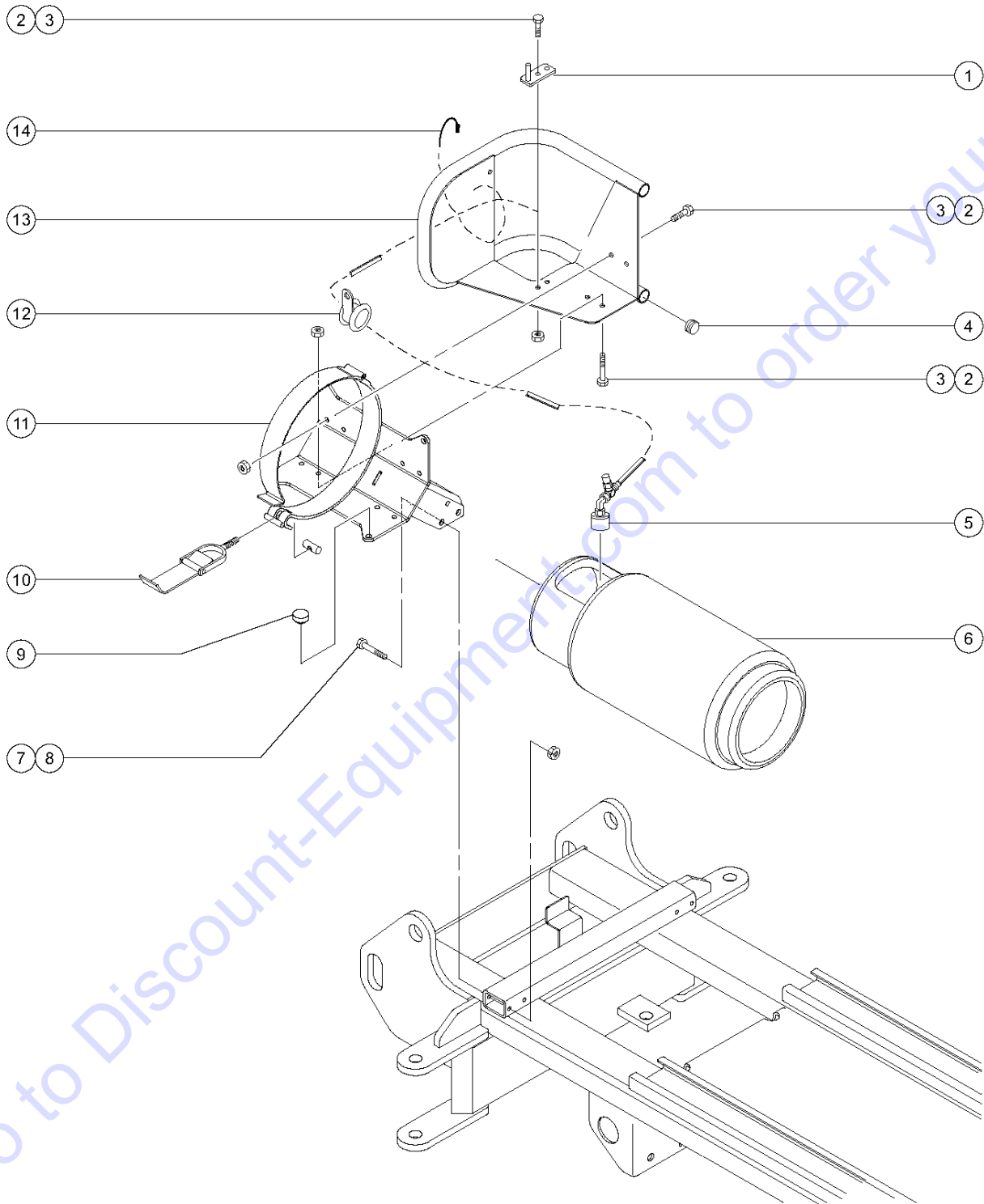


LEGEND	
	FITTING
	HOSE ASSEMBLY
	CONNECTOR

## 803.2 Hydraulic Hoses and Fittings, 3KW Generator,

Item	Part No.	Description	Qty.
--		The hose lengths below reflect the length of the hose only. Refer to the 'Fittings Cross Reference' to match Genie part numbers to Parker part numbers.	
1	48933GT	CONN,520120-8***.....	4
2	79758GT	HOSE ASSY,P1-PUMP OUTER..... (Components: 48822, 48822, 56777 @ 60 inches)	1
3	48905GT	CONN,520120-4***.....	1
4	48975GT	CONN,520120-12-10.....	1
5	48937GT	ELBOW,45D,520320-8.....	1
6	T106272GT	HOSE ASMBLY GEN. MOTOR TO TANK..... (Components: 48822, 48826, 48758 @ 1 ea (22 inches)	2
7	79755GT	HOSE ASSY,T-TANK FILTER..... (Components: 48841, 48841, 48761 @ 54 inches)	1
8	79855GT	HOSE ASSY,GEN.CASE DRAIN-TANK..... (Components: 48802, 48810, 48751 @ 33 inches)	1
9	79854GT	HOSE ASSY,GEN.MOTOR TO TANK..... (Components: 48822, 48827, 48758 @ 21 inches)	1
10	51580GT	FITTING,REDUCER,520123-12-8***.....	1
11	48879GT	ELBOW,SWIVEL 90D, 520221-8.....	3
12	48964GT	FITTING,TEE,RUN,SWIVEL52043212....	1
13	48948GT	CONN,520120-8-12.....	2
14	48938GT	FITTING,TEE,RUN,SWIVEL520432-8.....	1
15	48934GT	CONN,LONG,520122-8.....	1
16	48875GT	TEE,RUN,SWIVEL,520432-6.....	1
17	79856GT	HOSE ASSY,GEN.MOTOR TO TANK..... (Components: 48822, 48822, 56777 @ 70 inches)	1

804.1 Spare LPG Tank

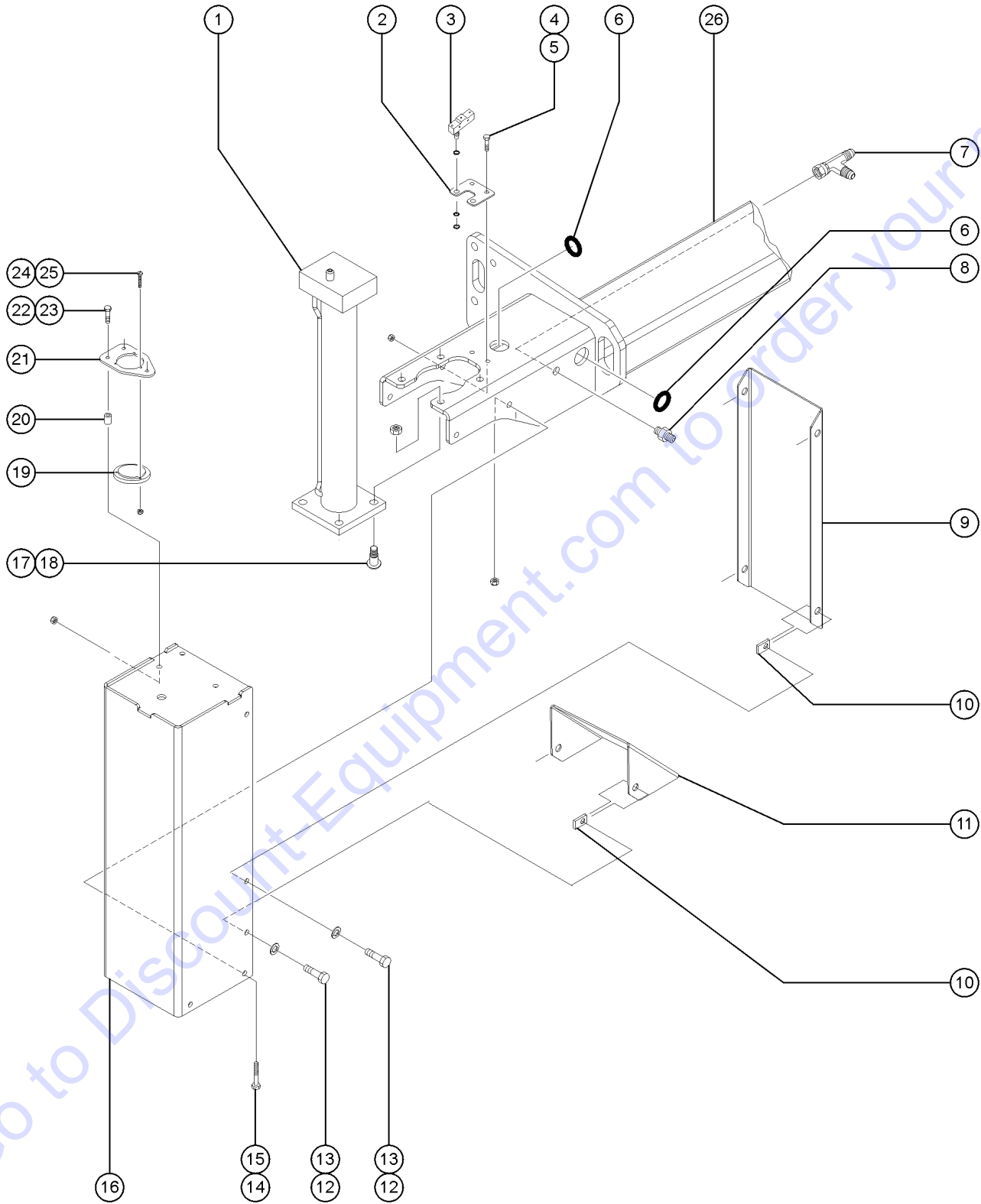


Go to Discount-Equipment.com to order your parts

## 804.1 Spare LPG Tank

Item	Part No.	Description	Qty.
1	51451PGT	WELDMENT,LP ALIGNMENT PIN,GS68.....	1
2	8255GT	SCREW,HHC,3/8-16 X .75	
3	7713GT	NUT, LP NYLOCK, 3/8-16	
4	55753GT	BUMPER, PLASTIC, 1.25 O.D.....	2
5	104483GT	HOSE ASSY,LP GAS-72" LONG.....	1
6	53605GT	TANK, 7 GAL/33.5 POUND, LP.....	1
7	13854GT	SCREW,HHC,1/2-13 X 4.5,GRD.8.....	2
8	6198GT	NUT,NYLOCK,1/2-13	
9	43392GT	BUMPER,BATTERY BOX & RAILS.....	4
10	49000GT	L.P.TANK LATCH.....	2
11	47410PGT	WELDMENT,L.P. TANK MOUNT,GS68.....	1
12	45454GT	CLAMP,RUB CUSH,0.75,#12 X 3/8*.....	1
13	52558GT	GUARD, LP TANK GS68.....	1
14	28443GT	CABLE TIE,11.5" BLACK (quantities vary)	

805.1 Outrigger Installation (to SN 41645)

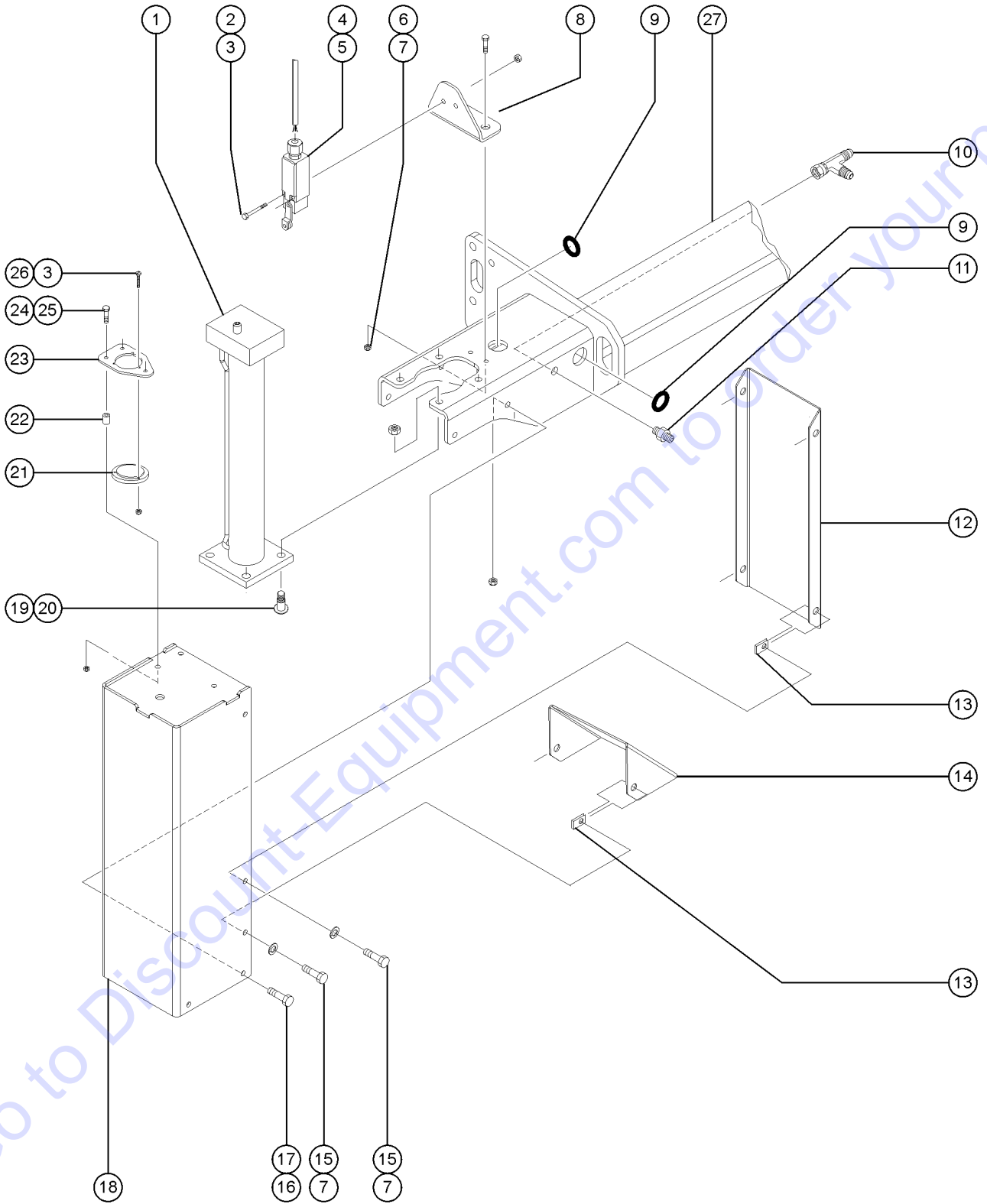




## 805.1 Outrigger Installation (to SN 41645)

Item	Part No.	Description	Qty.
1		Ref. Outrigger Cylinder (refer to 806.1)	
2	55871GT	PLATE,OUTRIG SWITCH BRKT.....1	1
3	37761GT	SWITCH,PUSHBUTTON,BORE MOUNT.....1	1
4	6175GT	SCREW,HHC,3/8-16 X 1	
5	7713GT	NUT, LP NYLOCK, 3/8-16	
6	131582GT	GROMMET,RUBBER,1.50IDX.375.....4	4
7	48875GT	TEE,RUN,SWIVEL,520432-6.....2	2
8	61080GT	FITTING,6-6BLKHEADUNION 520601...1	1
9	71416GT	FORMING,OUTRIG CYL COVER.....1	1
10	29868GT	SPRING CLIP,3/8-16,.05-.20X.73,ZAG	
11	71417GT	FORMING, LOWER CYL COVER.....1	1
12	6019GT	SCREW,HHC,3/8-16 X 1.25 GRD 5	
13	6033GT	WASHER,LOCK,0.5"	
14	8177GT	SCREW,HHC,1/2-13 X 1.5	
15	6198GT	NUT,NYLOCK,1/2-13	
16	84869GT	OUTRIGGER HOUSING ASSY,GS68,W.....1	1
17	71912GT	BOLT,SHOULDER,5/8-11 X 1.19 LT	
18	38028GT	NUT,LP NYLOCK,5/8-11	
19	6714GT	LEVEL,BUBBLE.....1 (ANSI and CSA models) (engine side)	1
19A	77026GT	LEVEL,BUBBLE,2 DEGREE * (CE and Australia models) (shown)	
20	59568GT	RUBBER, VIBRATION MOUNT.....3	3
21	87002GT	PLATE,BUBBLE LEVEL MOUNT.....1	1
22	5224GT	SCREW,HHC,3/8-16 X 2	
23	4828GT	NUT,NYLOCK,3/8-16	
24	49816GT	SCREW,PHILLIPS,PHM,10-32 X .75	
25	6178GT	NUT,NYLOCK,10-32	
26	71346GT	WELDMENT, OUTRIGGER.....2	2
26A	10258GT	NUT,NYLOCK,3/4-10,GRD.2.....4 steer end	4
26A	51428GT	SCREW,HHC,3/4-10 X 2.75.....4 steer end	4
26B	13003GT	SCREW,HHC,5/8-11 X 3.5 GRD.8.....4 non-steer end	4
26B	6024GT	NUT,NYLOCK,5/8-11.....4 non-steer end	4

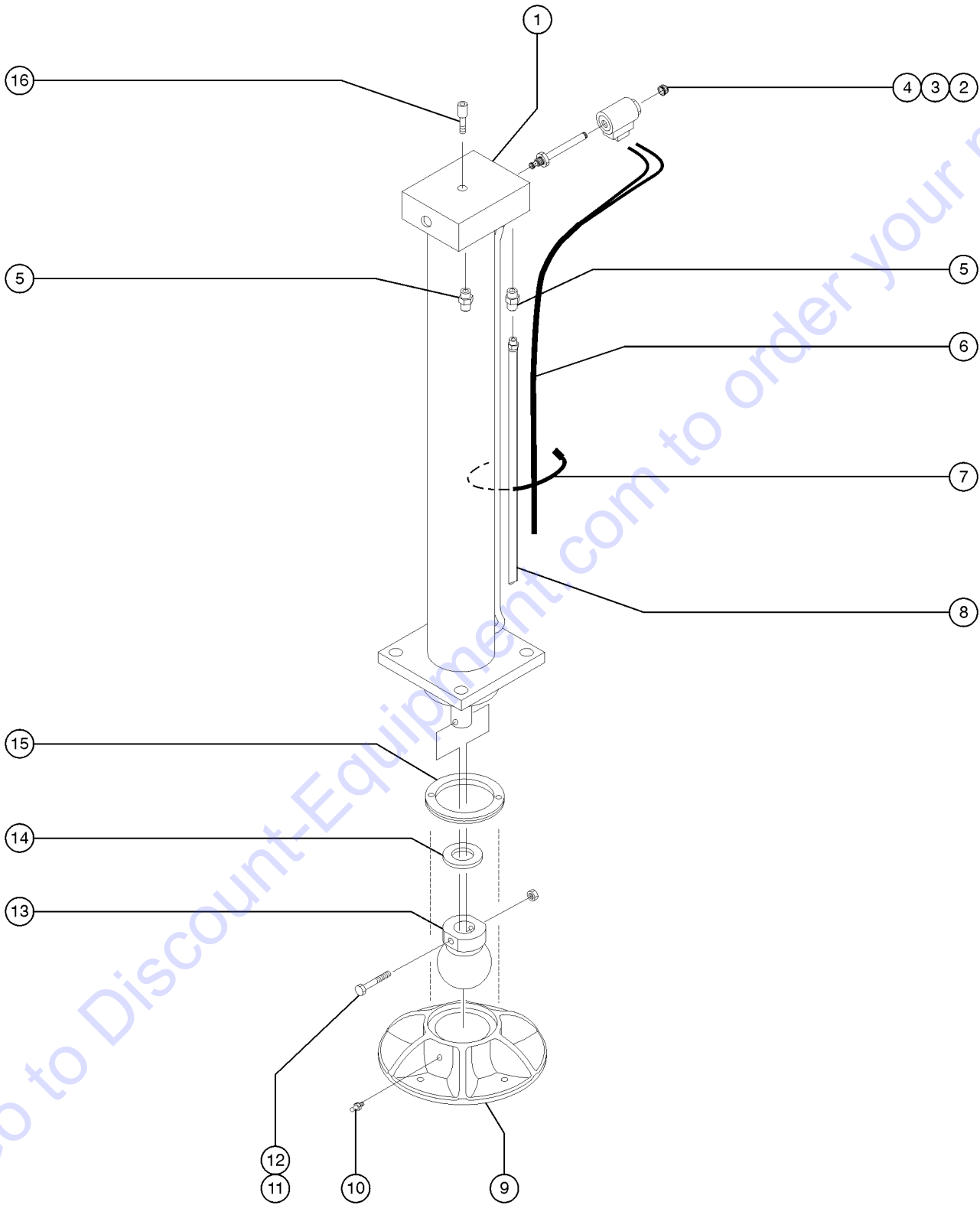
805.2 Outrigger Installation (from SN 41646)



## 805.2 Outrigger Installation (from SN 41646)

Item	Part No.	Description	Qty.
1		Ref. Outrigger Cylinder (refer to 806.1)	
2	22541GT	SCREW,RHM,10-32 X 1.5	
3	6178GT	NUT,NYLOCK,10-32	
4	<del>88356</del> 11103GT	SWITCH,LIMIT,W/RLR ARM,NO/NC**....1	
--	76450GT	CONN.SQZ,PG 11,,23-.30,W/ORING	
5		Ref. Outrigger Limit Switch Wire Harness (refer to 410.1)	
6	4828GT	NUT,NYLOCK,3/8-16	
7	6019GT	SCREW,HHC,3/8-16 X 1.25 GRD 5	
8	87559GT	FORMING,OUTRIGGER LIM.SWITCH...1	
9	131582GT	GROMMET,RUBBER,1.50IDX.375.....4	
10	48875GT	TEE,RUN,SWIVEL,520432-6.....2	
11	61080GT	FITTING,6-6BLKHEADUNION 520601...2	
12	71416GT	FORMING,OUTRIG CYL COVER.....1	
13	29868GT	SPRING CLIP,3/8-16,.05-.20X.73,ZAG	
14	71417GT	FORMING, LOWER CYL COVER.....1	
15	6021GT	WASHER,LOCK,.375	
16	8177GT	SCREW,HHC,1/2-13 X 1.5	
17	6033GT	WASHER,LOCK,0.5"	
18	84869GT	OUTRIGGER HOUSING ASSY,GS68,W.....1 (USA, Canada, Australia)	
18A	84870GT	OUTRIGGER HOUSING ASSY,GS68,S (Europe, Asia, South America) (from SN 42382)	
19	71912GT	BOLT,SHOULDER,5/8-11 X 1.19 LT	
20	38028GT	NUT,LP NYLOCK,5/8-11	
21	6714GT	LEVEL,BUBBLE.....1 (ANSI and CSA) (engine side)	
21A	77026GT	LEVEL,BUBBLE,2 DEGREE * CE (shown)	
22	59568GT	RUBBER, VIBRATION MOUNT.....3	
23	87002GT	PLATE,BUBBLE LEVEL MOUNT.....1	
24	5224GT	SCREW,HHC,3/8-16 X 2	
25	4828GT	NUT,NYLOCK,3/8-16	
26	49816GT	SCREW,PHILLIPS,PHM,10-32 X .75	
27	71346GT	WELDMENT, OUTRIGGER.....2	
27A	10258GT	NUT,NYLOCK,3/4-10,GRD.2.....4 steer end	
27A	51428GT	SCREW,HHC,3/4-10 X 2.75.....4 steer end	
27B	13003GT	SCREW,HHC,5/8-11 X 3.5 GRD.8.....4 non-steer end	
27B	6024GT	NUT,NYLOCK,5/8-11.....4 non-steer end	

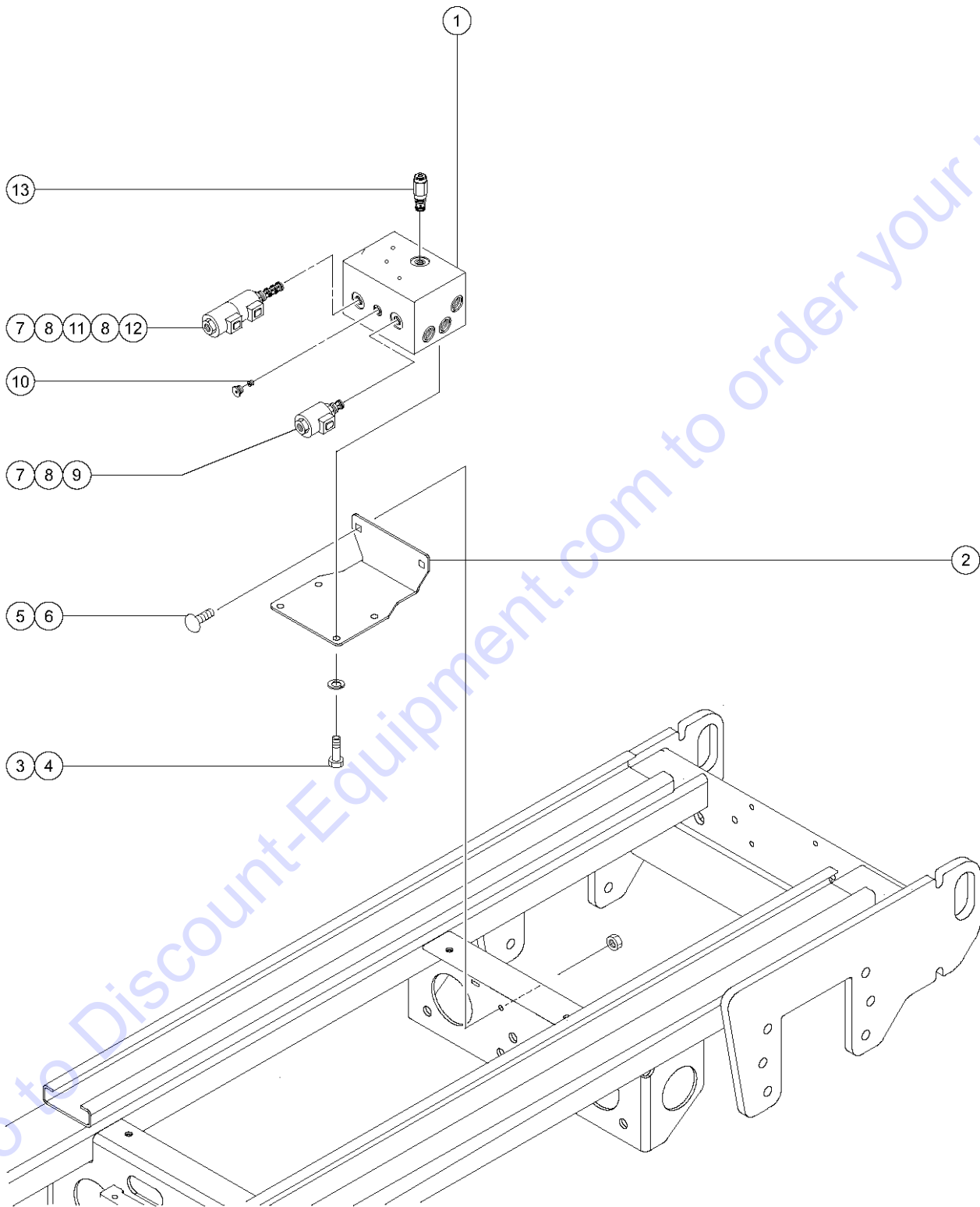
806.1 Outrigger Cylinder and Footpad Installation



## 806.1 Outrigger Cylinder and Footpad Installation

Item	Part No.	Description	Qty.
--	112537GT	FOOTPAD ASSY,RTSC OUTRIGGER <i>(includes items 9, 13, and 15)</i>	
--	84100GT	OUTRIGGER CYLINDER ASSY GS68 <i>(includes items 1-6 and 9-16)</i>	
1	104900GT	CYLINDER,OUTRIGGER,GS68***.....1	
--	104901GT	SEAL KIT,CYL,GS68 <i>(Dongyang)</i>	
--	84101GT	SEAL KIT, GS68 OUTRIGGER CYL <i>(Texas Hydraulic)</i>	
2	72097GT	NUT,SOLENOID VALVE,OUTRIGGERS.....1	
3	71403GT	COIL, 10VDC.....1 <i>(to SN 42381)</i>	
3A	79831GT	COIL, 12VDC,DIODE,DEUTSCH <i>(from SN 42382)</i>	
4	67933GT	VALVE,NC,BI-DI,CART***.....1	
5	48912GT	CONN,520120-4-6***.....2	
6		Ref. Outrigger Wire Harness <i>(refer to 410.1)</i>	
7	28443GT	CABLE TIE,11.5" BLACK <i>(quantities vary)</i>	
8		Ref. Hydraulic Hoses and Fittings <i>(refer to 808.1)</i>	
9	51814GT	CASTING,OUTRIGGER FOOTPAD ***...1	
10	28646GT	ZERK,GREASE,1/8 NPT.....1	
11	14033GT	SCREW,HHC,3/8-16 X 2.75	
12	4828GT	NUT,NYLOCK,3/8-16	
13	55485GT	CASTING, BALL, GS OUTRIGGER.....1	
14	55682GT	PLATE, CYL UP LIMIT.....1	
15	55484GT	RETAINER, GS68 O/R FOOTPAD***.....1	
16	71494GT	PIN,SHOULDER,5/8-11 X 1.0 PLTD.....1	

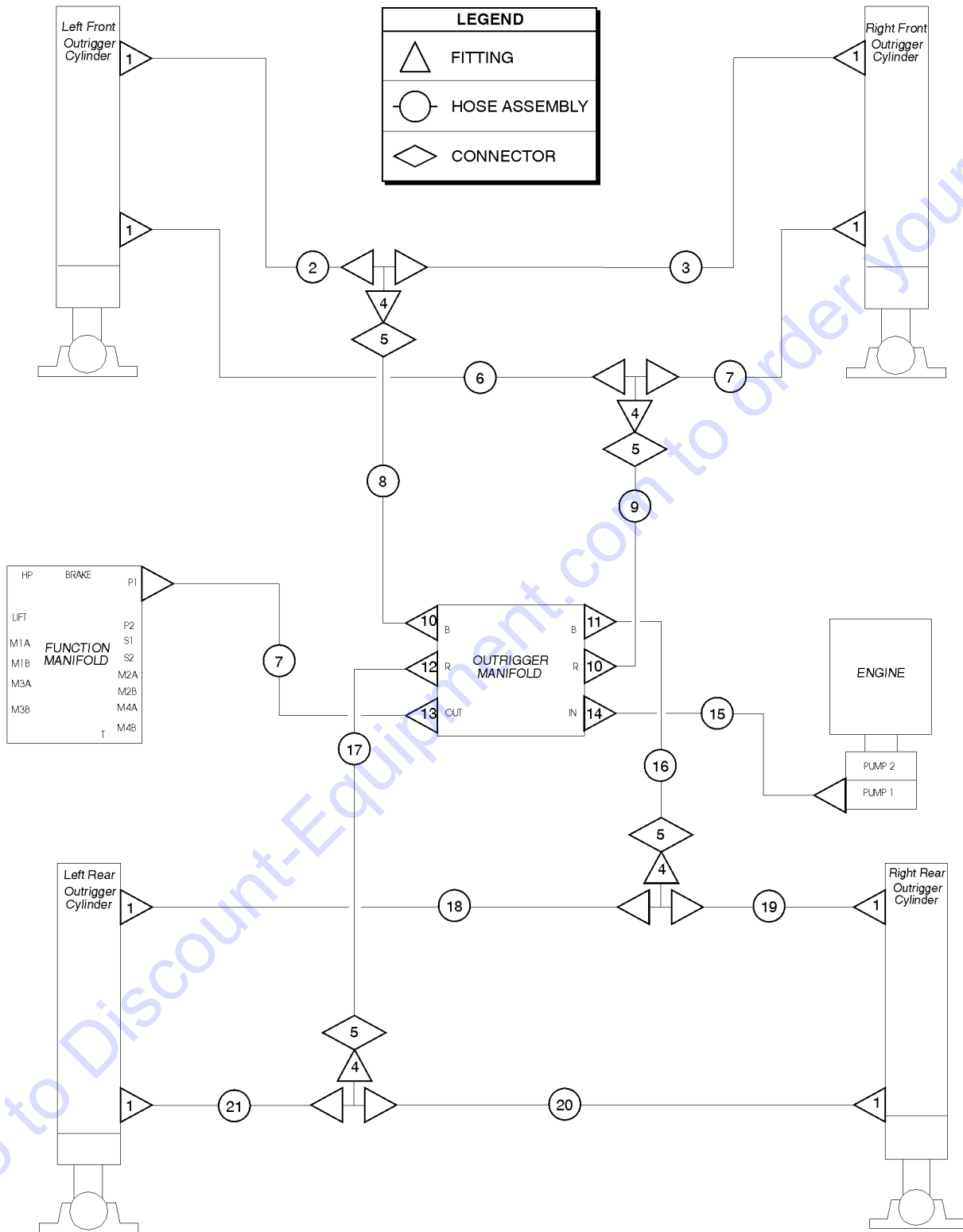
807.1 Outrigger Manifold



## 807.1 Outrigger Manifold

Item	Part No.	Description	Qty.
--		Ref. Outrigger Manifold Wire Harness (refer to 410.1)	
1	84868GT	OUTRIG MANIFOLD ASSY,GS68 (from SN 40485 to 43617) (includes item 1)	
1A	104895GT	MANIFOLD,OUTRIGGER,GS68.....1 (from SN 43618)	
2	79116GT	FORMING,OUTR.MANIFOLD TRAY.....1	
3	6175GT	SCREW,HHC,3/8-16 X 1	
4	6021GT	WASHER,LOCK,.375	
5	64154GT	BOLT,CARRIAGE,3/8-16 X1.00,G5	
6	4828GT	NUT,NYLOCK,3/8-16	
7	44174GT	NUT-COIL SHORT.....2	
8	84144GT	COIL-10,12V DUAL LEAD DIODE.....3 (to SN 43617)	
8A	104760GT	COIL,12VDC #10DTSCH IP69 ECOIL (from SN 43618)	
9	84160GT	VALVE-SOLENOID 2-POS 2-WAY,NO.....1 (to SN 43617)	
--	52378GT	SEAL KIT,SOLENOID(52377) (to SN 43617)	
9A	44170GT	VALVE-SOLENOID N.O.(SCISSORS)*.....1 (from SN 43618)	
--	44228GT	SEAL KIT, VALVE (from SN 43618)	
10	84407GT	ORIFICE PLUG 0.063 IN / 1.6MM.....1	
11	44175GT	SPACER-DUAL COIL,#10, SCISSORS...1	
12	52380GT	VALVE,SOLENOID,3POS4WAY,GS68	
--	44230GT	SEAL KIT-P.N.44169,44172,44171	
13	65754GT	VALVE,RELIEF,2000 PSI.....1	
--	84186GT	SEAL KIT,RELIEF VALVE(65754)	

808.1 Hydraulic Hoses and Fittings, Outrigger

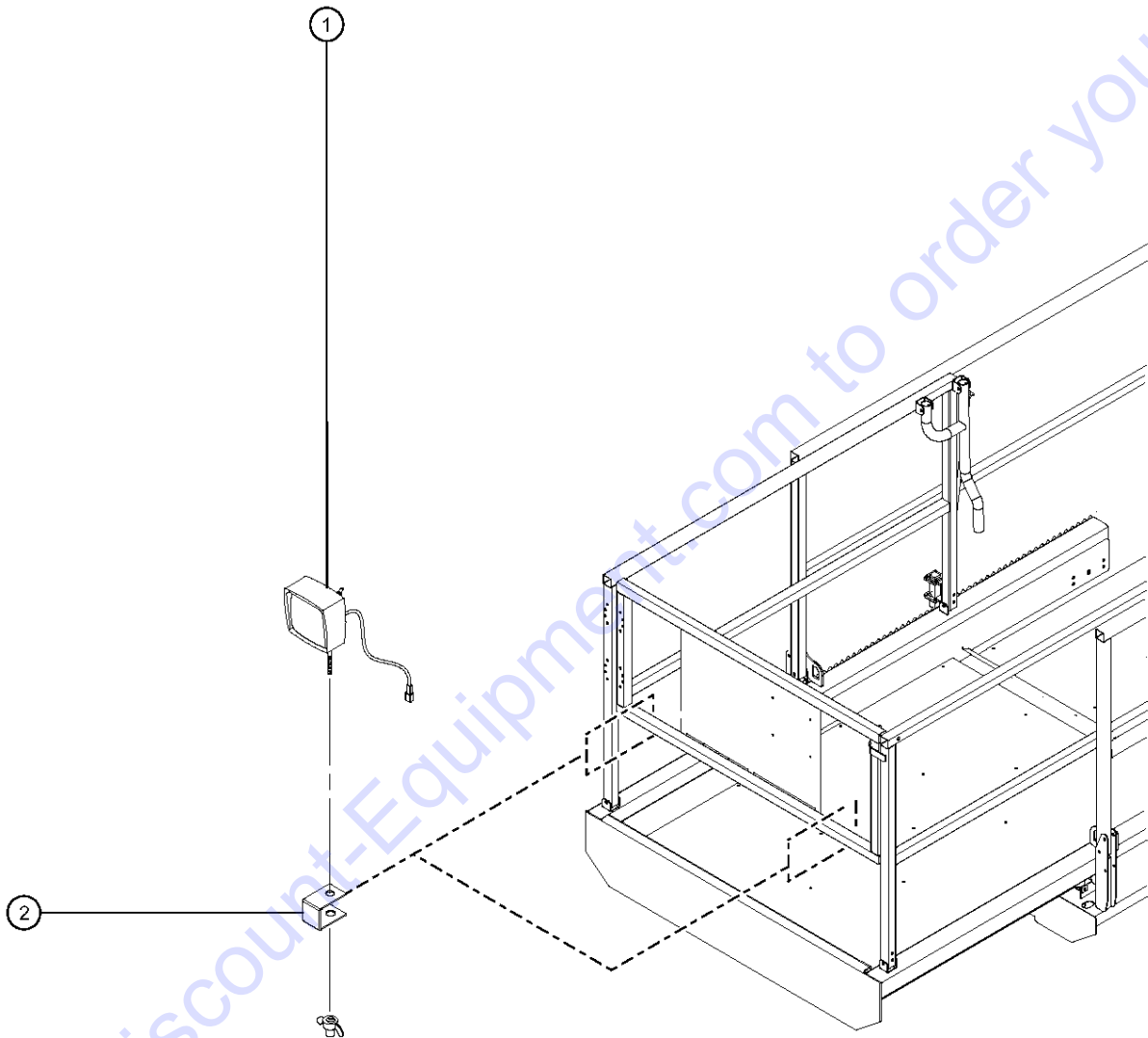




## 808.1 Hydraulic Hoses and Fittings, Outrigger

Item	Part No.	Description	Qty.
1	48911GT	ELBOW,90D,520220-4-6***.....	8
2	71908GT	HOSE ASSY,FL -TEE TO BAR-L..... (components: 48811, 48810, 48751 @ 27 inches)	1
3	71907GT	HOSE ASSY,RR-TEE TO BAR-L..... (components: 48800, 48810, 48751 @ 80 inches)	1
4	48875GT	TEE,RUN,SWIVEL,520432-6.....	4
5	61080GT	FITTING,6-6BLKHEADUNION 520601...	4
6	71886GT	HOSE ASSY,F-TEE TO ROD-L..... (components: 48800, 48810, 48751 @ 80 inches)	1
7	71948GT	HOSE ASSY, OUT TO MAIN MNFLDD2..... (components: 48822, 48822, 56777 @ 50 inches)	1
8	87080GT	HOSE ASSY,LT B TO LT FRONT TEE.... (components: 48812, 48815, 56776 @ 76 inches)	1
9	87078GT	HOSE ASSY,RT R TO RT FRONT TEE..... (components: 48812, 48815, 56776 @ 80 inches)	1
10	48915GT	ELBOW,90D,520220-6.....	2
11	48916GT	CONN, 520120-6.....	1
12	48920GT	ELBOW,45D,520320-6.....	1
13	48937GT	ELBOW,45D,520320-8.....	1
14	48933GT	CONN,520120-8***.....	1
15	87081GT	HOSE ASSY,O/R MANI.IN TO PUMP.... (components: 48822, 48822, 56777 @ 25 inches)	1
16	87077GT	HOSE ASSY,RT B TO RT REAR TEE.... (components: 48812, 48812, 56776 @ 47 inches)	1
17	87079GT	HOSE ASSY,LT R TO RT REAR TEE.... (components: 48812, 48812, 56776 @ 43 inches)	1
18	71907GT	HOSE ASSY,RR-TEE TO BAR-L..... (components: 48800, 48810, 48751 @ 80 inches)	1
19	71906GT	HOSE ASSY,RR-TEE TO BAR-R..... (components: 48800, 48811, 48751 @ 27 inches)	1
20	71888GT	HOSE ASSY,RL-TEE TO ROD-R..... (components: 48800, 48810, 48751 @ 80 inches)	1
21	71889GT	HOSE ASSY,RL-TEE TO ROD-L..... (components: 48800, 48811, 48751 @ 27 inches)	1

809.1 Platform Work Light

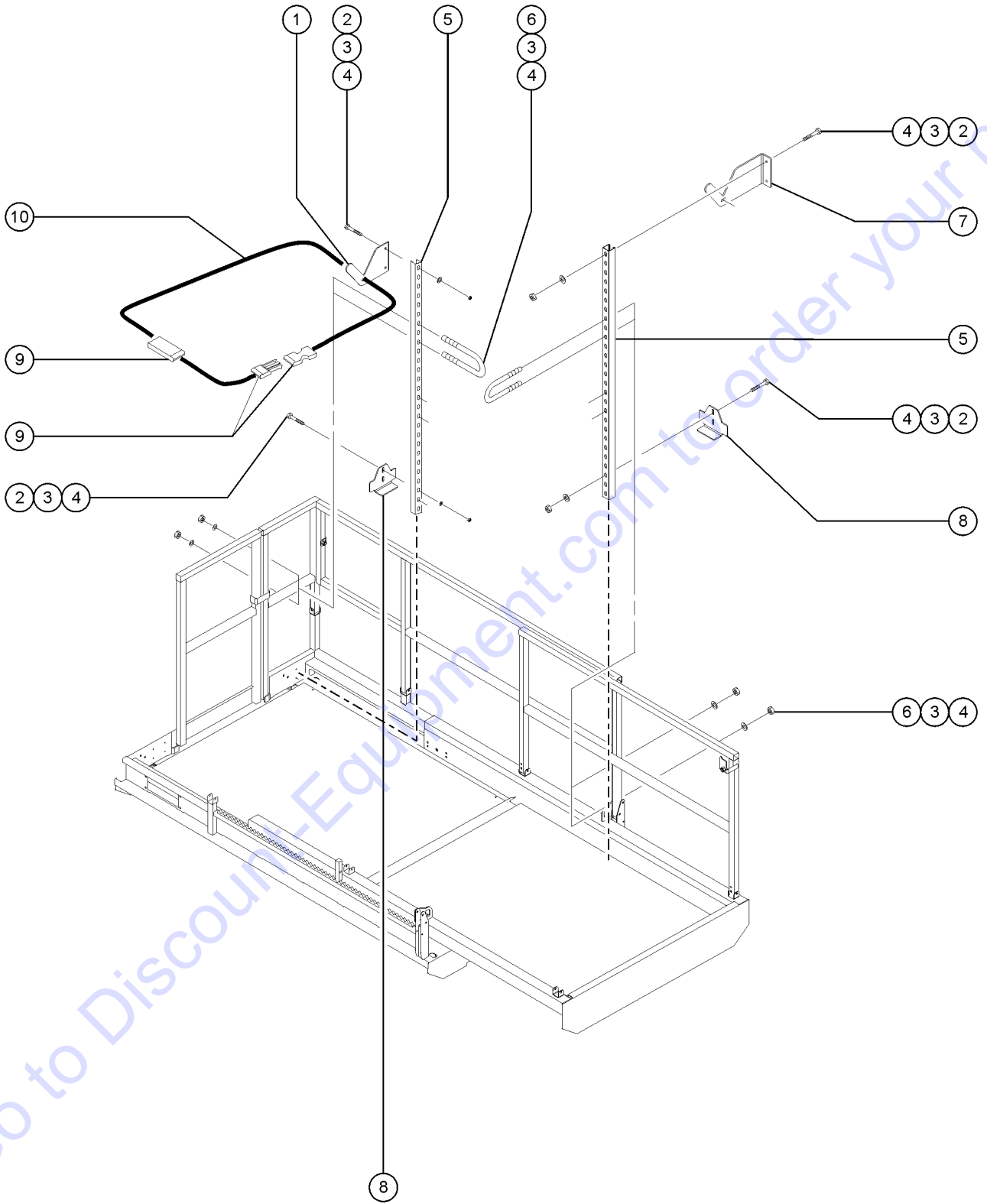


Go to Discount-Equipment.com to order your parts

## 809.1 Platform Work Light

Item	Part No.	Description	Qty.
--		Ref. Work Light Wire Harness <i>(refer to 410.1)</i>	
--	51216GT	GS68 AC 2668 WORK LIGHTS <i>GS-2668 (Complete) (to SN 42381)</i>	
--	51243GT	GS68 AC 3268 WORK LIGHTS <i>GS-3268 (Complete) (to SN 42381)</i>	
--	97353GT	GS68 AC 2668 WORKLIGHTS <i>GS-2668 (Complete) (from SN 42382)</i>	
--	97354GT	GS68 AC 3268 WORKLIGHTS <i>GS-3268 (Complete) (from SN 42382)</i>	
1	71498GT	WORKLIGHT, 12V, DEUTSCH RECEPT.....2 <i>(includes mounting fasteners)</i>	
2	71382GT	BRACKET, WORK LIGHTS, OPTION.....2	

810.1 Pipe Cradle Assembly (to SN 52633)



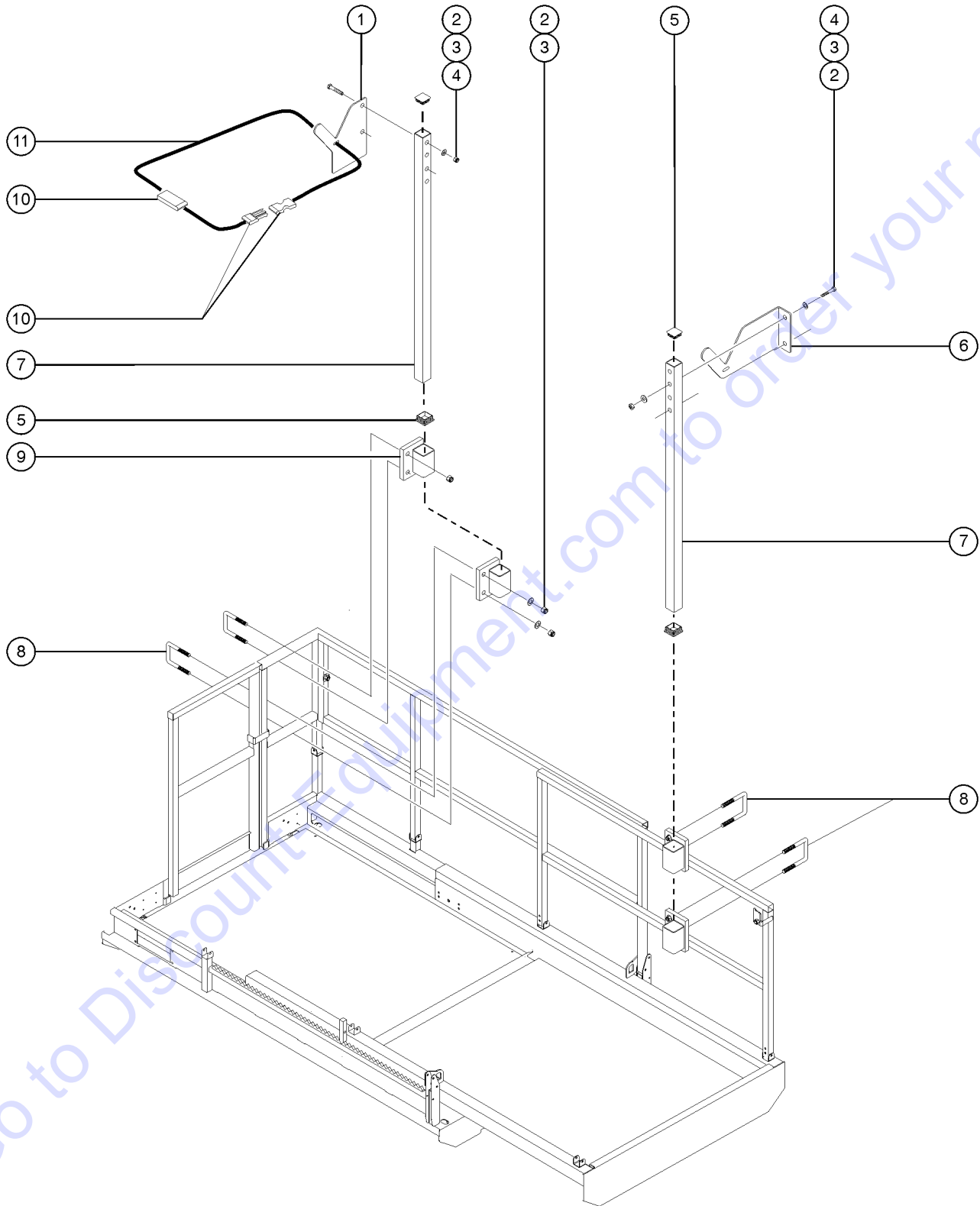
Go to Discount-Equipment.com to order your parts

## 810.1 Pipe Cradle Assembly (to SN 52633)

Item	Part No.	Description	Qty.
--	131626GT	PIPE CRADLE KIT,GS68 (direct replacement for 84438)	
1	79156GT	PLATE,PIPE HOLDER, GS68.....	1
2	14033GT	SCREW,HHC,3/8-16 X 2.75	
3	6097GT	WASHER,FLAT,USS,3/8",Y	
4	4828GT	NUT,NYLOCK,3/8-16	
5	66171GT	CHANNEL,PIPE RACK.....	2
6	66472GT	U-BOLT, SQR, 3/8-16X2X5, PLTD.....	4
7	66169GT	FORMING, PIPE HOLDER RACK.....	1
8	79158GT	FORMING,PIPE RACK BASE, GS68.....	2
9	100810GT	BUCKLE & SLIDE STRAP SET.....	2
10	35642GT	STRAP,NYLON,1.0 IN. BLACK.....	96-inches

Go to Discount-Equipment.com to order your parts

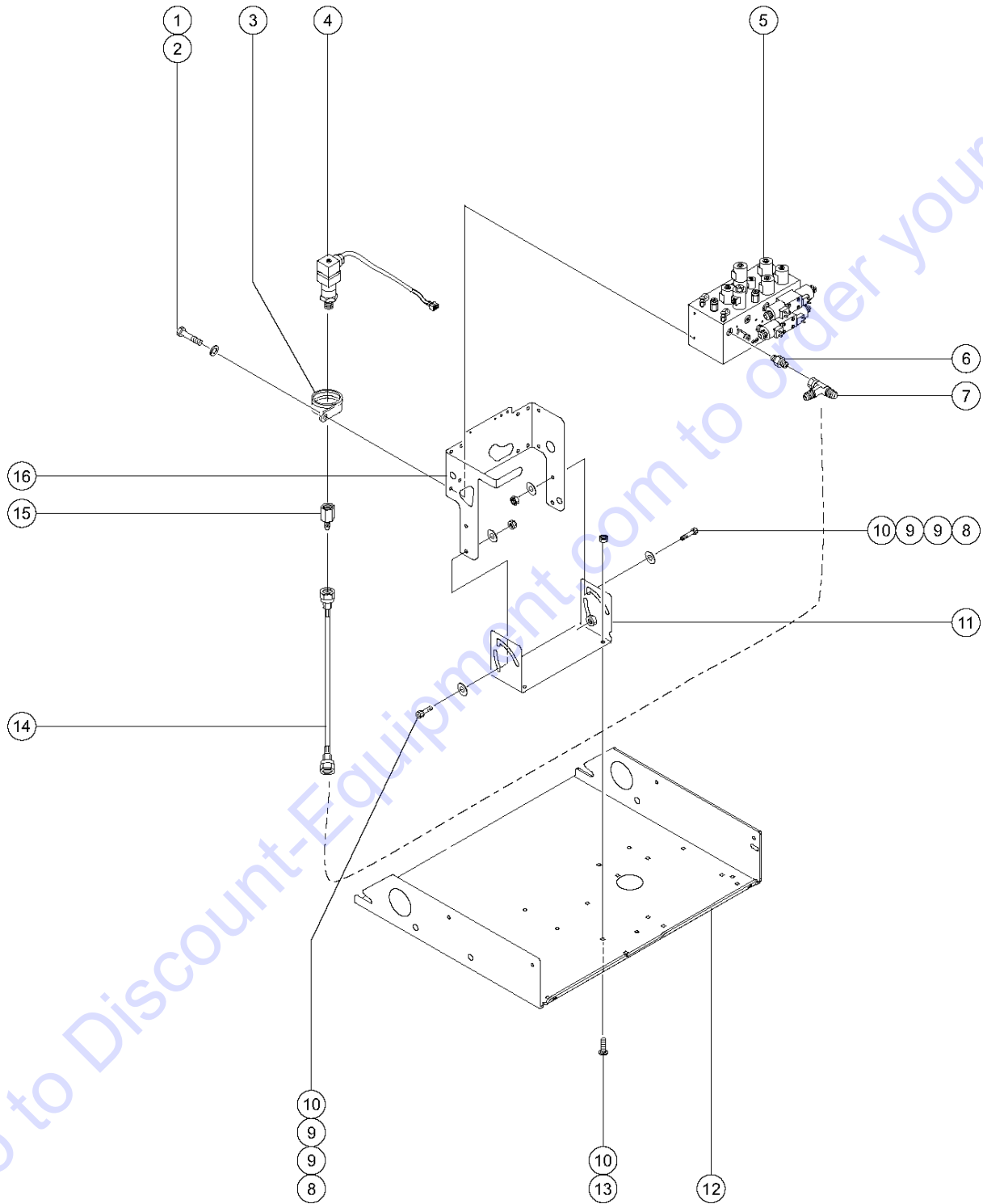
810.2 Pipe Cradle Assembly (from SN 52634)



## 810.2 Pipe Cradle Assembly (from SN 52634)

Item	Part No.	Description	Qty.
--	131626GT	PIPE CRADLE KIT,GS68 <i>(direct replacement for 84438)</i>	
1	79156GT	PLATE,PIPE HOLDER, GS68.....	1
2	4828GT	NUT,NYLOCK,3/8-16.....	12
3	6097GT	WASHER,FLAT,USS,3/8",Y.....	16
4	8178GT	SCREW,HHC,3/8-16 X 2.5.....	4
5	79355GT	PLUG,TUBE,SQ 1.50X.065.....	4
6	66169GT	FORMING, PIPE HOLDER RACK.....	1
7	131622GT	TUBE,SQ,PIPE CRADLE.....	2
8	131681GT	U-BOLT,SQR,3/8-16X2X3,PLTD.....	4
9	131625GT	WELDMENT,PC BRACKET.....	4
10	100810GT	BUCKLE & SLIDE STRAP SET..... <i>(includes all three pieces)</i>	1
11	35642GT	STRAP,NYLON,1.0 IN. BLACK	

811.1 Platform Overload Sensor (to SN 41638)





# PARTS FINDER

**Search Website  
by Part Number**



**Search Manual  
Library For Parts  
Manual & Lookup Part  
Numbers – Purchase  
or Request Quote**

**Search Manuals**

Enter your information to help us find the right parts manual for your machine.

\* Brand:

\* Model:

\* Serial:

\* Part Number:

SEARCH

**Can't Find Part or  
Manual? Request Help  
by Manufacturer,  
Model & Description**

**Parts Order Form**

Please fill in the following information to help us find the right part for your machine.

Manufacturer:	<input type="text"/>
Model:	<input type="text"/>
Description:	<input type="text"/>
Part Number:	<input type="text"/>
Quantity:	<input type="text"/>
Notes:	<input type="text"/>

Discount-Equipment.com is your online resource for quality parts & equipment.

Florida: **561-964-4949** Outside Florida TOLL FREE: **877-690-3101**

**Need parts?**

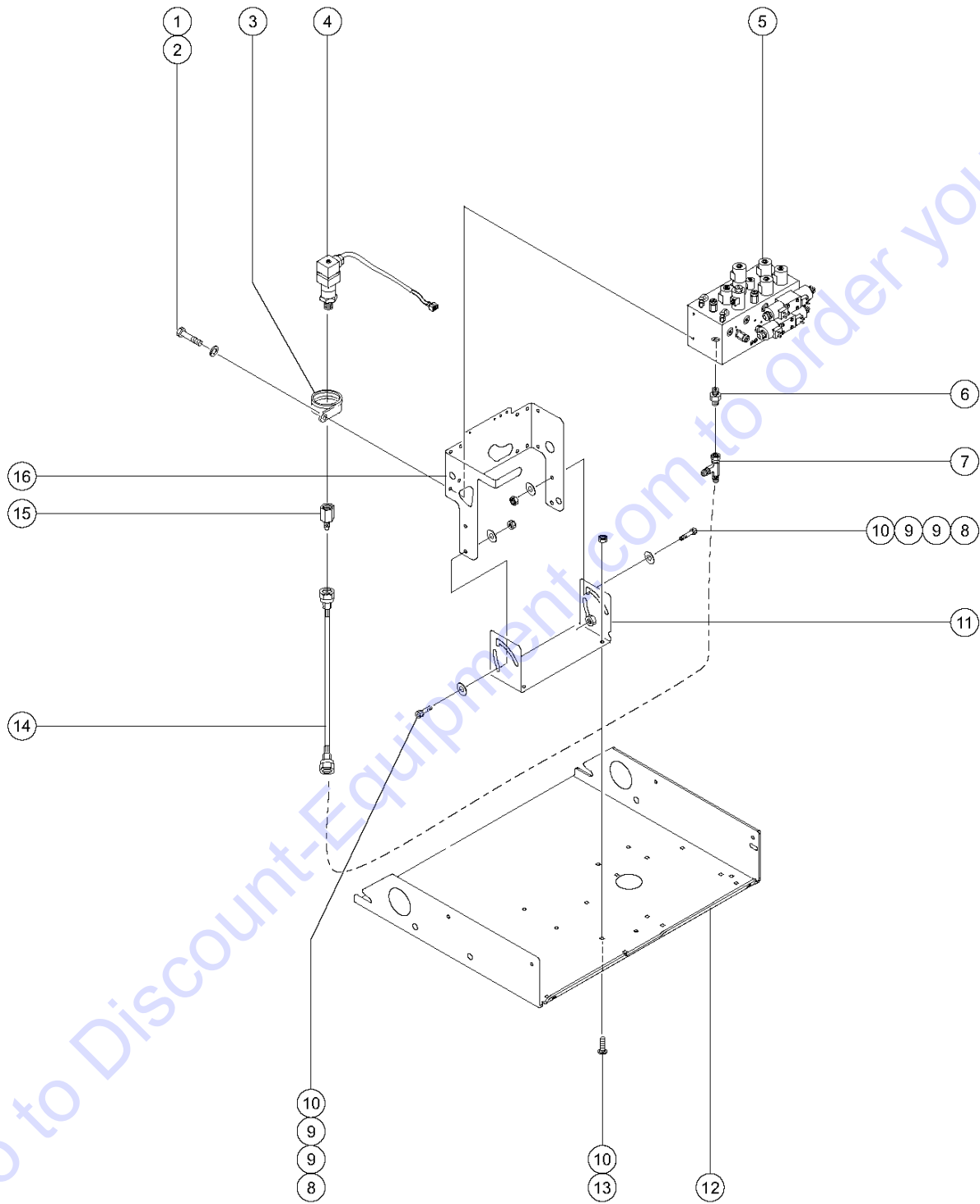
Click on this link: <http://www.discount-equipment.com/category/5443-parts/> and choose one of the options to help get the right parts and equipment you are looking for. Please have the machine model and serial number available in order to help us get you the correct parts. If you don't find the part on the website or on one of the online manuals, please fill out the request form and one of our experienced staff members will get back to you with a quote for the right part that your machine needs.

We sell worldwide for the brands: Genie, Terex, JLG, MultiQuip, Mikasa, Essick, Whiteman, Mayco, Toro Stone, Diamond Products, Generac Magnum, Airman, Haulotte, Barreto, Power Blanket, Nifty Lift, Atlas Copco, Chicago Pneumatic, Allmand, Miller Curber, Skyjack, Lull, Skytrak, Tsurumi, Husquvarna Target, Stow, Wacker, Sakai, Mi-T-M, Sullair, Basic, Dynapac, MBW, Weber, Bartell, Bennar Newman, Haulotte, Ditch Runner, Menegotti, Morrison, Contec, Buddy, Crown, Edco, Wyco, Bomag, Laymor, EZ Trench, Bil-Jax, F.S. Curtis, Gehl Pavers, Heli, Honda, ICS/PowerGrit, IHI, Partner, Imer, Clipper, MMD, Koshin, Rice, CH&E, General Equipment, Amida, Coleman, NAC, Gradall, Square Shooter, Kent, Stanley, Tamco, Toku, Hatz, Kohler, Robin, Wisconsin, Northrock, Oztec, Toker TK, Rol-Air, APT, Wylie, Ingersoll Rand / Doosan, Innovatech, Con X, Ammann, Mecalac, Makinex, Smith Surface Prep, Small Line, Wanco, Yanmar

## 811.1 Platform Overload Sensor (to SN 41638)

Item	Part No.	Description	Qty.
--		<i>The hose lengths below reflect the length of the hose only. Refer to the 'Fittings Cross Reference' to match Genie part numbers to Parker part numbers.</i>	
1	8255GT	SCREW,HHC,3/8-16 X .75	
2	6021GT	WASHER,LOCK,.375	
3	49863GT	CLAMP,1.13,#18 X 3/8,RUB CUSH*.....1	
4	51151GT	SWITCH,PRESS 2500-6000 PSI ADJ.....1 (172 - 413 bar)	
--	64255GT	HARNESS, OVERLOAD OPTION	
--	87261GT	HARNESS,OVERLOAD	
5		Ref. Function Manifold (refer to 407.1)	
6	39877GT	CONNECTOR,070120-4-4.....1	
7	48875GT	TEE,RUN,SWIVEL,520432-6.....1	
8	11335GT	SCREW,SHS,3/8-16 X .5	
9	87075GT	WASHER,NYLON .50 X 1.25 X .063	
10	4828GT	NUT,NYLOCK,3/8-16	
11		Ref. Manifold Base (refer to 403.1)	
12		Ref. Hydraulic Tray (refer to 403.1)	
13	64154GT	BOLT,CARRIAGE,3/8-16 X1.00,G5	
14	84110GT	HOSE ASSY,OVERLOAD SENSOR.....1 (components: 78855, 78855, 39887 @ 13 inches)	
15	51154GT	CONNECTOR,070103-4-4.....1	
16		Ref. Manifold Mount (refer to 403.1)	

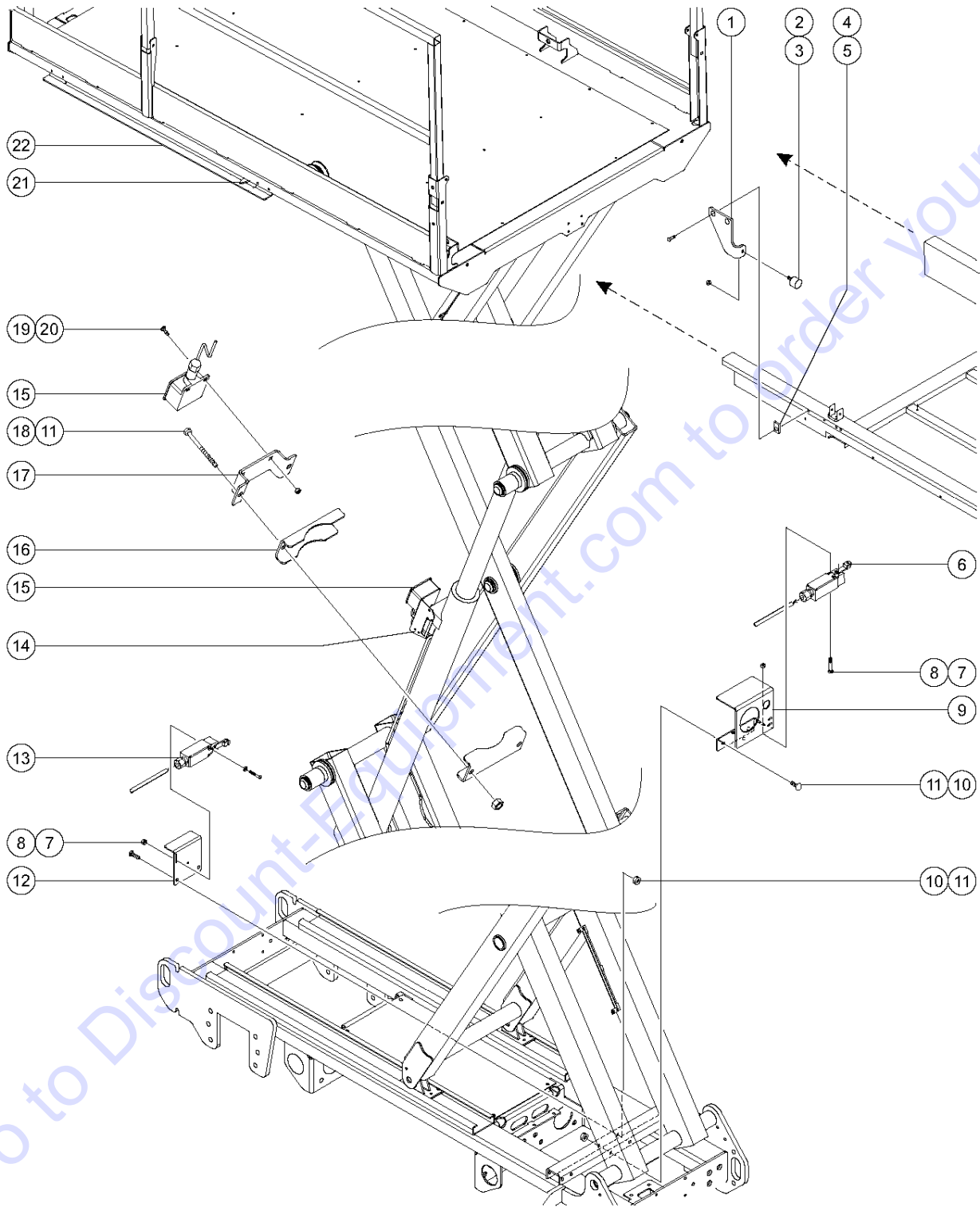
811.2 Platform Overload Sensor (from SN 41639 to 42381)



## 811.2 Platform Overload Sensor (from SN 41639 to 42381)

Item	Part No.	Description	Qty.
--		<i>The hose lengths below reflect the length of the hose only. Refer to the 'Fittings Cross Reference' to match Genie part numbers to Parker part numbers.</i>	
1	8255GT	SCREW,HHC,3/8-16 X .75	
2	6021GT	WASHER,LOCK,.375	
3	49863GT	CLAMP,1.13,#18 X 3/8,RUB CUSH*	
4	51151GT	SWITCH,PRESS 2500-6000 PSI ADJ.....1	
--	64255GT	HARNESS, OVERLOAD OPTION	
--	87261GT	HARNESS,OVERLOAD	
5		Ref. Function Manifold (refer to 407.1)	
6	48930GT	CONN,520120-6-8.....1	
7	48875GT	TEE,RUN,SWIVEL,520432-6.....1	
8	11335GT	SCREW,SHS,3/8-16 X .5	
9	87075GT	WASHER,NYLON .50 X 1.25 X .063	
10	4828GT	NUT,NYLOCK,3/8-16	
11		Ref. Manifold Base (refer to 403.1)	
12		Ref. Hydraulic Tray (refer to 403.1)	
13	64154GT	BOLT,CARRIAGE,3/8-16 X1.00,G5	
14	87351GT	HOSE ASSY,GS68 OVERLOAD.....1 (components: 48810, 48751 @ 6.5 inches)	
15	51154GT	CONNECTOR,070103-4-4.....1	
16		Ref. Manifold Mount (refer to 403.1)	

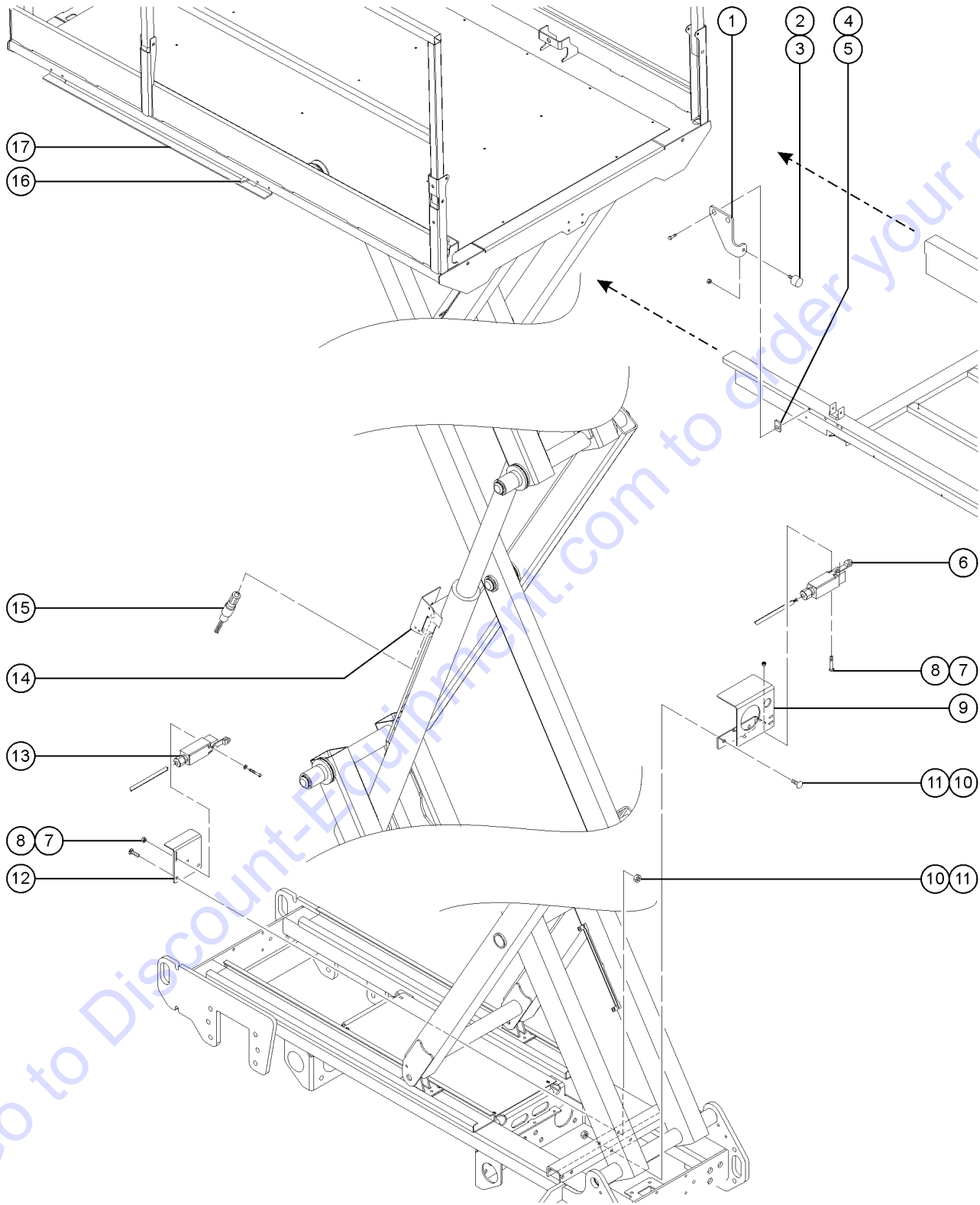
811.3 Platform Overload Sensor (from SN 42382 to 44168)



## 811.3 Platform Overload Sensor (from SN 42382 to 44168)

Item	Part No.	Description	Qty.	Item	Part No.	Description	Qty.
1	99267GT	FORMING,PLATFORM STOP,RIGHT.....1 (battery pack side) (shown)		17	99266GT	FORMING,PRES SWITCH OFFSET.....1 GS-3268	
1A	99268GT	FORMING,PLATFORM STOP,LEFT (ground controls side)		18	22832GT	SCREW,HHC,3/8-16 X 6	
2	79090GT	BUMPER, 1.00 X .375 X 5/16.....5		19	6878GT	BOLT,CARRIAGE,1/4-20 X .75,G2	
3	6782GT	NUT,NYLOCK,5/16-18		20	6889GT	NUT,LP NYLOCK,1/4-20	
4	29868GT	SPRING CLIP,3/8-16,.05-.20X.73,ZAG		21	99269GT	FORMING,OVERLOAD POINTER.....1	
5	6175GT	SCREW,HHC,3/8-16 X 1		22	84572GT	BRACKET ASSY,OVRLD SNSR,2668.....1 GS-2668	
6	99839GT	HARNESS,LS,DN DELAY,LOAD SENSE.....1		22A	84573GT	BRACKET ASSY,OVRLD SNSR,3268 GS-3268	
--		Ref. Wire Harness Assembly, Up Limit Switch (refer to 410.1)					
--	76450GT	CONN.SQZ,PG 11,.23-.30,W/ORING					
--	<del>88356</del> 12203GT	SWITCH,LIMIT,TABULATED BLUE***					
7	6178GT	NUT,NYLOCK,10-32					
8	51063GT	SCREW,PHILLIPS,RHM,10-32 X 1.5					
9		Ref. Limit Switch Mounting Bracket (refer to 203.1)					
10	64154GT	BOLT,CARRIAGE,3/8-16 X1.00,G5					
11	4828GT	NUT,NYLOCK,3/8-16					
12	99259GT	FORMING,DOWN DELAY BRKT.....1					
13	99838GT	HARNESS,LS,UP SW,LOAD SENSE.....1					
--		Ref. Wire Harness Assembly, Down Delay (refer to 410.1)					
--	119065GT	CONN,RECEP 2 WAY ENDCAP DT					
--	60439GT	LOCK,RECEP 2 WAY, 14-18GA					
--	73811GT	CONN,DSCH,BOOT,DT2P-BT					
--	76450GT	CONN.SQZ,PG 11,.23-.30,W/ORING					
--	<del>88356</del> 11103GT	SWITCH,LIMIT,W/RLR ARM,NO/NC**					
14	79494GT	FORMING,DOWN COIL COVER.....1					
15		Ref. Pressure Switch.....1 (refer to 811.4)					
15	112717GT	SVC KIT,PRESS SWITCH,GS3268IC.....1					
--		Ref. Wire Harness Assembly, Pressure Switch (refer to 410.1)					
--	12960GT	CABLE SQUEEZE CONN.,XTRA LRG					
--	85223GT	GASKET-PRESSURE SWITCH ENCLOS. for box-shaped pressure switch					
--	85224GT	COVER-PRESSURE SWITCH ENCLOS. for box-shaped pressure switch					
--	99282GT	TUBING, PRESSURE SWITCH,3268 for box-shaped pressure switch					
--	99283GT	TUBING, PRESSURE SWITCH,2668					
16	99265GT	FORMING,PRES SWITCH MOUNT.....2 GS-3268					

811.4 Platform Overload Sensor (from SN 44169)

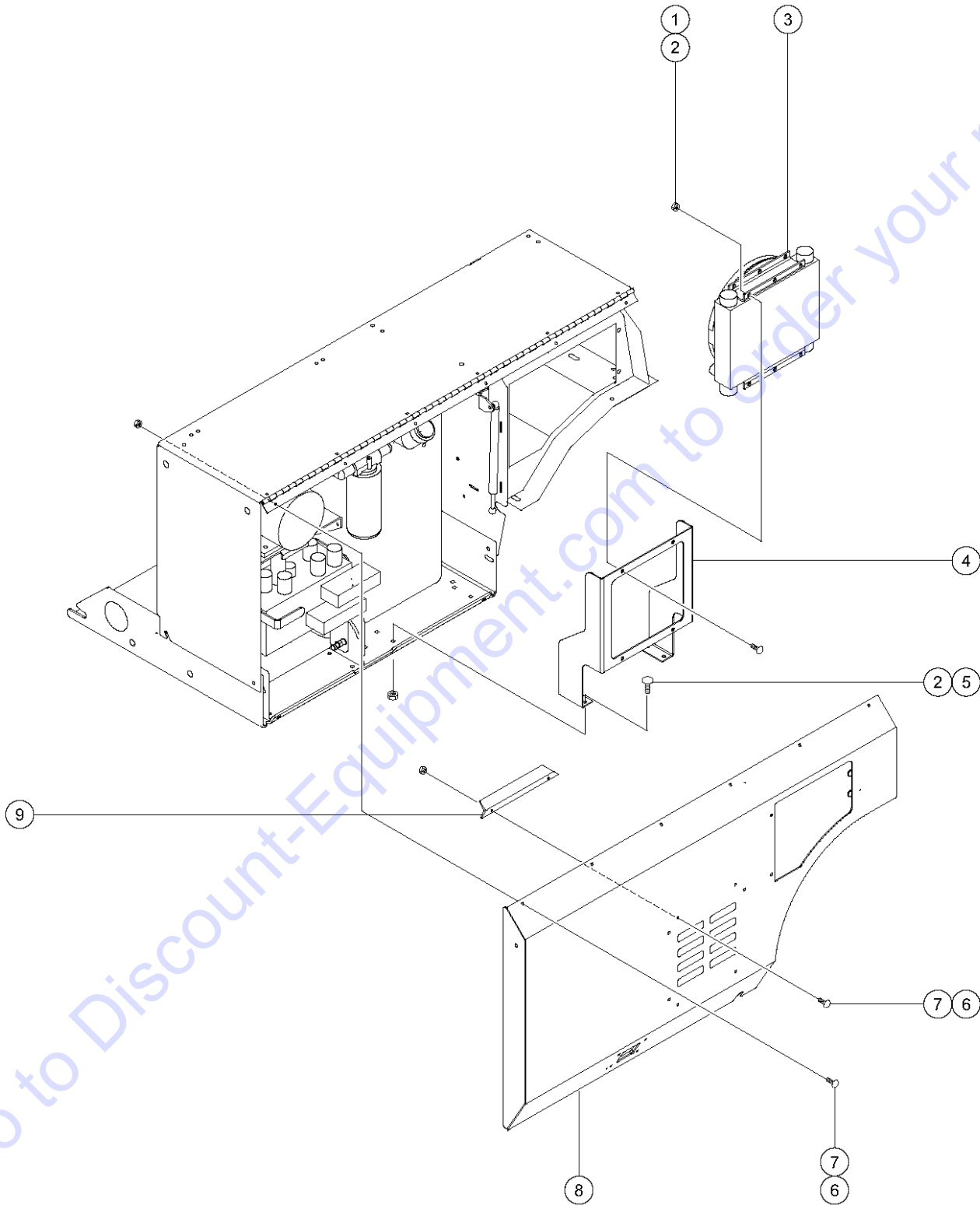


## 811.4 Platform Overload Sensor (from SN 44169)

Item	Part No.	Description	Qty.
1	99267GT	FORMING,PLATFORM STOP,RIGHT.....1 <i>(battery pack side) (shown)</i>	
1A	99268GT	FORMING,PLATFORM STOP,LEFT <i>(ground controls side)</i>	
2	79090GT	BUMPER, 1.00 X .375 X 5/16.....5	
3	6782GT	NUT,NYLOCK,5/16-18	
4	29868GT	SPRING CLIP,3/8-16,.05-.20X.73,ZAG	
5	6175GT	SCREW,HHC,3/8-16 X 1	
6	88356-12203GT	SWITCH,LIMIT,TABULATED BLUE***.....1	
--		Ref. Wire Harness Assembly <i>(refer to 410.1)</i>	
--	110650GT	CONN. SQZ PG11 .30-.40 W/ORING	
--	19491GT	CONTACTOR,LIMIT SWITCH	
--	97128GT	ROLLER ARM,LIMIT SWITCH***	
7	6178GT	NUT,NYLOCK,10-32	
8	51063GT	SCREW,PHILLIPS,RHM,10-32 X 1.5	
9		Ref. Limit Switch Mounting Bracket <i>(refer to 203.1)</i>	
10	64154GT	BOLT,CARRIAGE,3/8-16 X1.00,G5	
11	4828GT	NUT,NYLOCK,3/8-16	
12	99259GT	FORMING,DOWN DELAY BRKT.....1	
13	88356-11103GT	SWITCH,LIMIT,W/RLR ARM,NO/NC**.....1	
--		Ref. Wire Harness Assembly <i>(refer to 410.1)</i>	
--	110650GT	CONN. SQZ PG11 .30-.40 W/ORING	
--	19491GT	CONTACTOR,LIMIT SWITCH	
--	97128GT	ROLLER ARM,LIMIT SWITCH***	
14	79494GT	FORMING,DOWN COIL COVER.....1	
15	104571GT	HARNESS,PRESS.SWITCH.....1	
--		Ref. Wire Harness Assembly <i>(refer to 410.1)</i>	
15A	104571GT	HARNESS,PRESS.SWITCH.....1 GS-3268	
--		Ref. Wire Harness Assembly <i>(refer to 410.1)</i>	
16	99269GT	FORMING,OVERLOAD POINTER.....1	
17	84572GT	BRACKET ASSY,OVRLD SNSR,2668.....1 GS-2668	
17A	84573GT	BRACKET ASSY,OVRLD SNSR,3268.....1 GS-3268	





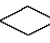
812.1 Oil Cooler Installation (from SN 41206)

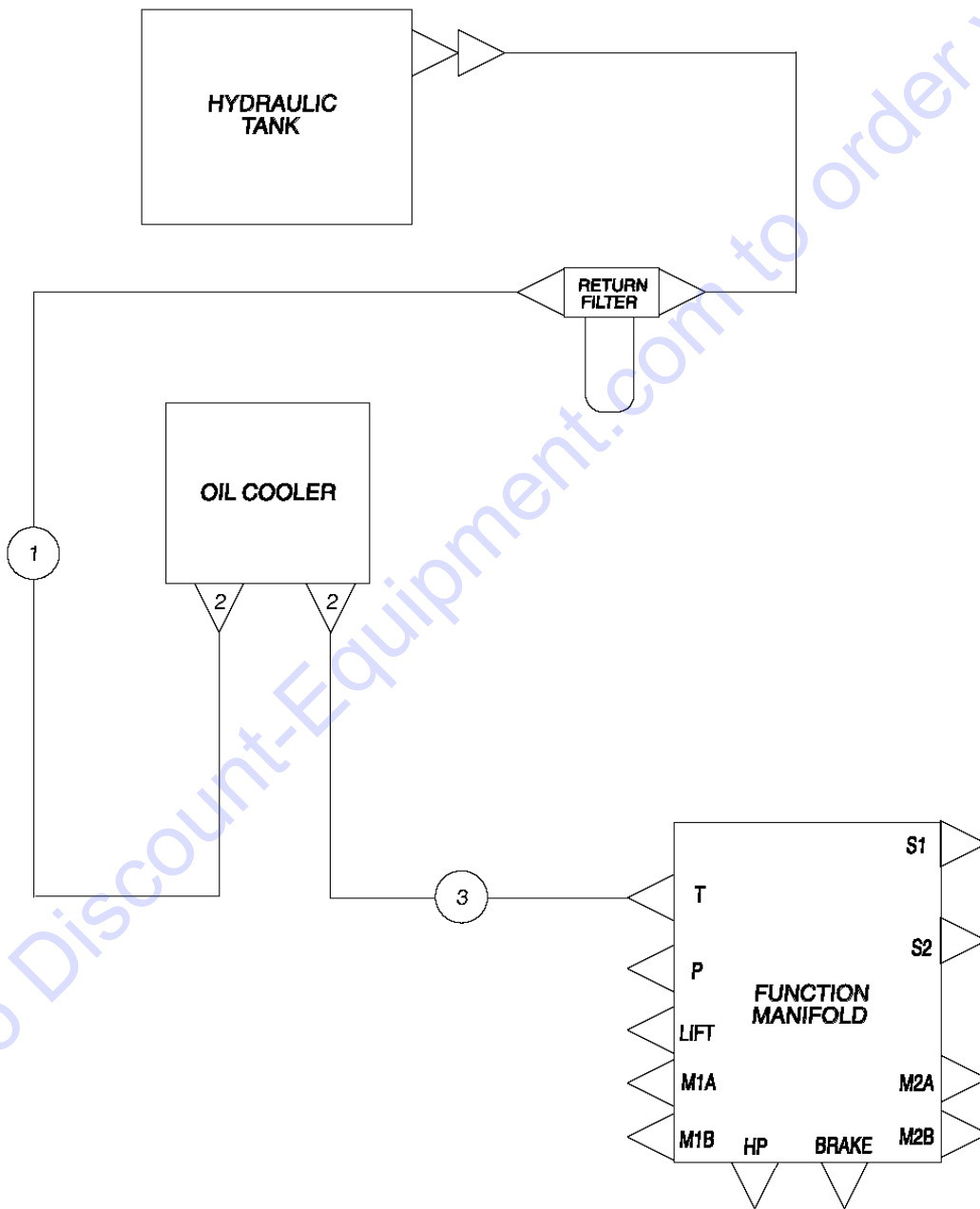


## 812.1 Oil Cooler Installation (from SN 41206)

Item	Part No.	Description	Qty.
--	87497-SGT	GS68 AC OIL COOLER <i>Complete (to SN 42381)</i>	
--	97355GT	GS68 AC OIL COOLER <i>Complete (from SN 42382)</i>	
--		Ref. Wire Harness <i>(refer to 410.1)</i>	
--	79015GT	FUSE,20 AMP,ATC	
--	19274GT	RELAY,SPDT,12V(AUTO)**	
1	6175GT	SCREW,HHC,3/8-16 X 1	
2	4828GT	NUT,NYLOCK,3/8-16	
3	71259GT	OIL COOLER W/FAN, 12VDC.....1	
--	75854GT	FAN - VENTED	
--	75855GT	THERMOSTAT -OIL COOLER (71259)	
4	79182GT	FORMING,OIL COOLER MOUNT.....1	
5	64154GT	BOLT,CARRIAGE,3/8-16 X1.00,G5	
6	6878GT	BOLT,CARRIAGE,1/4-20 X .75,G2	
7	6091GT	NUT,NYLOCK,1/4-20	
8	84402GT	OIL COOLER DOOR ASSY, GS68 RT....1	
9	87311GT	SEAL, AIR RADIATOR,GS84.....4	

813.1 Hydraulic Hoses and Fittings, Oil Cooler

LEGEND	
	FITTING
	HOSE ASSEMBLY
	CONNECTOR



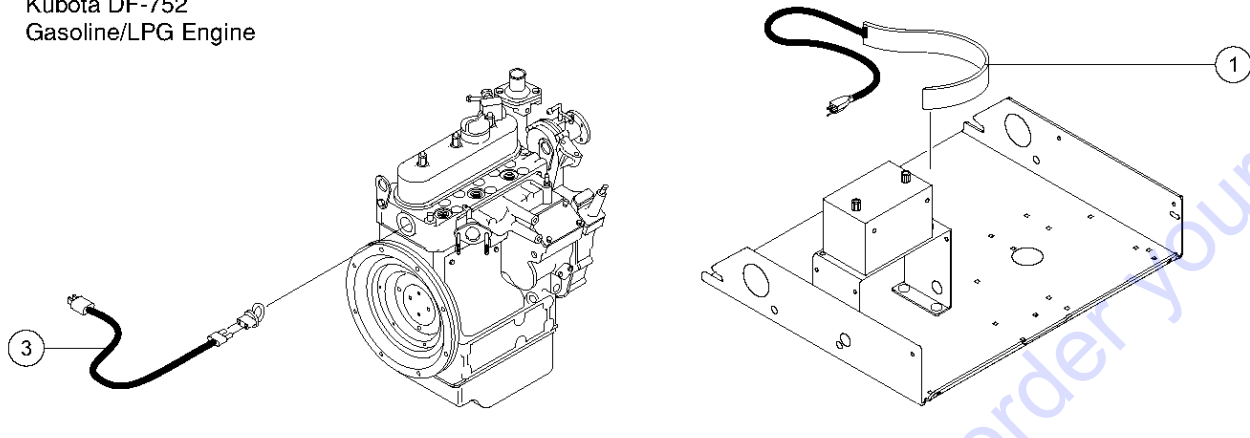
## 813.1 Hydraulic Hoses and Fittings, Oil Cooler

Item	Part No.	Description	Qty.
--		<i>The hose lengths below reflect the length of the hose only. Refer to the 'Fittings Cross Reference' to match Genie part numbers to Parker part numbers</i>	
1	79904GT	HOSE,OIL COOLER TO FILTER.....1 (components: 48841, 48846, 48761 @ 17 inches	
2	48959GT	FITTING,ELBOW,90D,520220-12.....2	
3	79755GT	HOSE ASSY,T-TANK FILTER.....1 (components: 48841, 48841, 48761 @ 54 inches	

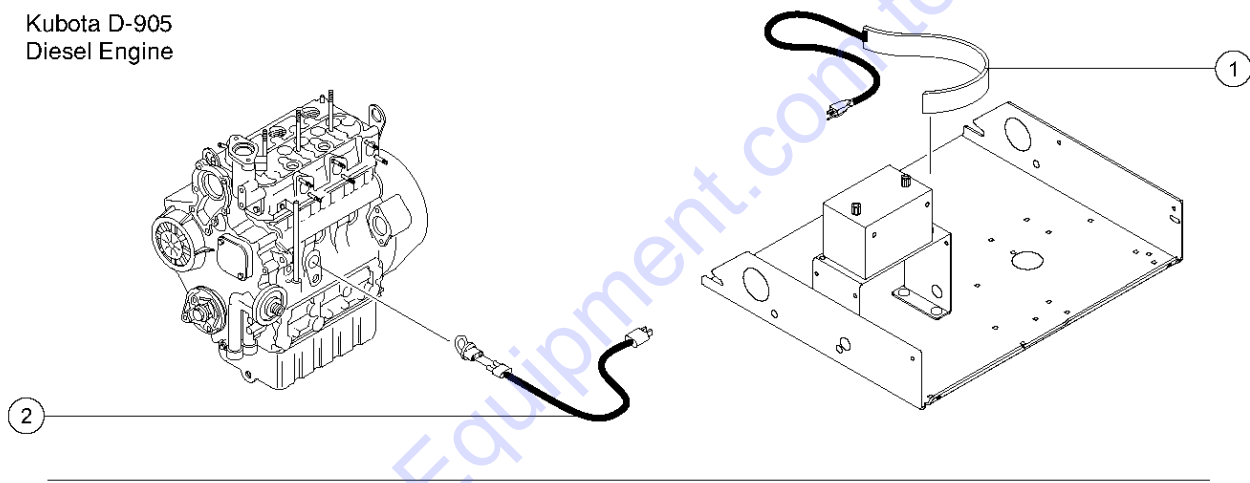
Go to Discount-Equipment.com to order your parts

814.1 Cold Start Installation

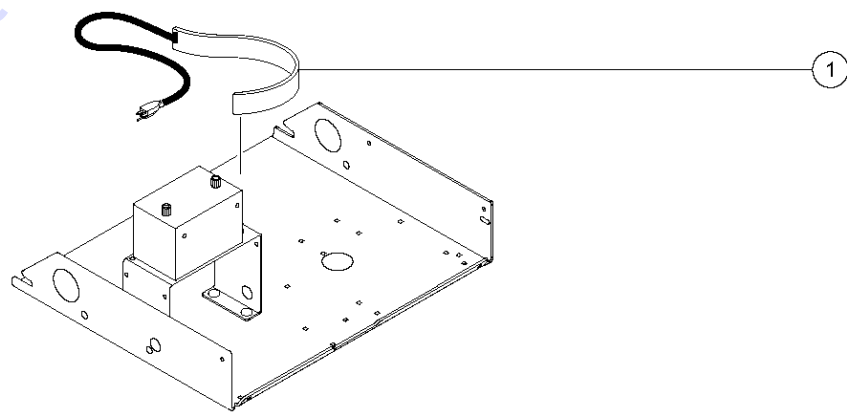
Kubota DF-752  
Gasoline/LPG Engine



Kubota D-905  
Diesel Engine



Perkins 403C-11  
Diesel Engine



## 814.1 Cold Start Installation

Item	Part No.	Description	Qty.
--	87481-SGT	GS68 AC D-905 COLD START KIT <i>Kubota D-905 Diesel models</i>	
--	87699-SGT	GS68 AC DF-752 COLD START KIT <i>Kubota DF-752 Gasoline/LPG models</i>	
--	94932-SGT	GS68 AC 403C-11 COLD START KIT <i>Perkins 403C-11 Diesel models</i>	
1	28853GT	BLANKET,BATTERY.....	1
2	42489GT	FREEZE PLUG HEATER,Z34IC/BE..... <i>Kubota D-905 Diesel models</i>	1
3	42537GT	FREEZE PLUG HEATER,WG750,Z34.... <i>Kubota DF-752 Gasoline/LPG models</i>	1

Go to Discount-Equipment.com to order your parts

## Part Number Index

The Part Number Index is a numeric index of all part numbers included in this manual. The index shows what page(s) the part is used on.

Part Number	Page	Part Number	Page	Part Number	Page	Part Number	Page
1000042GT	17-18	110650GT	35, 207	1258630GT	31	133563GT	21-22
1000191GT	17-18	111381GT	177	1258631GT	31	13585GT	145
100810GT	197, 199	112011GT	73	1258751GT	31	13854GT	87, 183
101067GT	93-94	112044GT	175	1258752GT	31	13918GT	113, 119
10107GT	137, 139, 155, 157, 159	112045GT	175	1258755GT	31	139249GT	22
101201GT	47	112046GT	87	1258756GT	31	139267GT	63
101202GT	53, 55	112222GT	155	1259055GT	73	139270GT	63
101203GT	37, 47	112223GT	155	1268809GT	39, 53, 55	139272GT	63
101204GT	55	112224GT	159	1280665GT	145	139278GT	45, 47
101208GT	45, 47	112416GT	109-110	1283121GT	83	139279GT	47
101209GT	45, 47	112417GT	109-110	12960GT	205	14033GT	79, 129, 189, 197
101318GT	65, 67	112483GT	43	13000GT	63, 157	14182GT	117, 123
101319GT	65, 67	112486GT	43	13002GT	61, 63, 171	14262GT	73
101320GT	61, 63	112500GT	57	13003GT	33, 185, 187	14297GT	129
101322GT	65, 67	112521GT	177	131034GT	109-110	144065GT	149
101324GT	65, 67	112531GT	57, 59	131035GT	109-110	144161GT	145
101326GT	65	112537GT	189	131061GT	105-106	147095GT	83, 85
101327GT	65	112543GT	135	131062GT	105-106	147566-1500GT	69-70
101341GT	65, 67	112601GT	125	131063GT	105-106	147566-1800GT	69-70
101726GT	69-70	112602GT	125	131064GT	105-106	147566-2500GT	69-70
101727GT	69-70	112603GT	125	131065GT	105-106	148057GT	77
102395GT	91	112604GT	125	131066GT	105-106	148099GT	45, 47
102396GT	91	112605GT	125	131067GT	105-106	148174GT	147
10258GT	33, 69-70, 97, 185, 187	112606GT	125	131092GT	105-106	148176GT	171
104086GT	39, 87	112607GT	125	131103GT	59	148177GT	171
104364GT	53	112608GT	125	131104GT	59	148181GT	171
104367GT	53, 55	112609GT	125	131105GT	59	148182GT	171
104369GT	39	112610GT	125	131107GT	69-70	148186GT	171
104371GT	39	112611GT	125	131323GT	73	148187GT	171
104483GT	183	112612GT	125	131324GT	41	148282GT	171
104545GT	61, 63	112613GT	125	131339GT	17-18	148283GT	171
104571GT	110, 207	112614GT	125	131367GT	157	148284GT	171
104603GT	75, 109-110	112615GT	125	131368GT	157	148285GT	171
104702GT	69-70, 75, 77	112616GT	125	131371GT	157	148286GT	171
104715GT	109-110	112639GT	61, 63	131372GT	39, 53, 55	148313GT	41
104716GT	109-110	112640GT	61, 63	131373GT	59	148314GT	41
104717GT	109-110	112709GT	105-106	131378GT	47	148315GT	41
104751GT	89	112717GT	205	131380GT	123	148316GT	41
104755GT	93-94	112740GT	69-70	131381GT	117, 123	148337GT	31
104759GT	91, 93-94	112929GT	59	131382GT	117, 123	148426GT	31, 33
104760GT	91, 191	112946GT	59	131395GT	117, 123	148458GT	177
104761GT	91, 94	112947GT	47	131396GT	117	150024GT	109-110
104764GT	91	11335GT	75, 77, 175, 177, 201, 203	131397GT	123	150025GT	109-110
104767GT	91	114160GT	25, 29	131398GT	139	150131GT	55
104781GT	31	114202GT	17-18, 21-22, 25, 27, 29	131399GT	139	150132GT	51
104782GT	33	114203GT	17-18, 21-22, 25, 27, 29	131416GT	131	150133GT	51
104804GT	135	114204GT	18, 21-22, 25, 27, 29	131426GT	125, 127	15243GT	83
104818GT	77	114251GT	27, 29	131427GT	57, 59	1579-103GT	113, 119
104894GT	109-110	114258GT	21-22	131469GT	59	16073GT	70
104895GT	191	114264GT	14, 21-22	131484GT	55	161193GT	39, 53, 55
104898GT	91	114337GT	27, 29	131544GT	159	1698GT	70
104900GT	189	114338GT	27, 29	131571GT	59	18384GT	113, 119
104901GT	189	114371GT	27, 29	131578GT	69-70	18503GT	97
104972GT	110	114385GT	21-22	131579GT	69-70	19273GT	39
105067GT	81	114386GT	21-22	131580GT	69-70	19274GT	83, 85, 209
105108GT	153	115041GT	94	131581GT	43, 57, 61, 63	19358GT	39
105109GT	153	115423GT	73	131582GT	185, 187	19440GT	31
105171GT	153	115431GT	43, 57, 61, 63	131585GT	69-70	19491GT	35, 207
105172GT	153	11804GT	147	131586GT	69-70	19506GT	83, 85
105328GT	110	11805GT	147	131587GT	21-22	19710GT	151
105556GT	173	11890GT	113, 119	131622GT	199	19722GT	151
105557GT	173	119065GT	205	131625GT	199	19859GT	39
105662GT	149	11966GT	115, 121, 123	131626GT	197, 199	20224GT	89, 91
10775GT	145	119684GT	61, 63	131652GT	67	21085GT	147
10777GT	145	119685GT	61, 63	131653GT	63	21130GT	41, 49, 51, 61, 63
110125GT	110	12344GT	85	131654GT	63	21141GT	73
110132GT	77	1254823GT	65, 67	131655GT	63	21427GT	151
110135GT	94	1255452GT	31	131656GT	63	21434GT	151
110136GT	94	1255783GT	83	131658GT	73	21496GT	41
110446GT	43	1258626GT	31	131664GT	67	21604GT	125, 127, 155, 157
110522GT	43	1258627GT	31	131665GT	67	21618GT	73, 129
110523GT	43, 57, 59			131681GT	199	219437GT	65, 67
				133261GT	25	22446GT	135
				133262GT	25	22541GT	187
				133537GT	27, 29		

## Part Number Index (continued)

Part Number	Page	Part Number	Page	Part Number	Page	Part Number	Page
22672GT	39, 53, 55	29868GT	35, 69–70, 175,	39540GT	35	44782GT	31
22676GT	43, 57, 59		177, 185, 187,	39580GT	137	44783GT	31
22700GT	43, 57, 59		205, 207	39594GT	61, 63	44909GT	49, 51, 70
227782GT	31	30348GT	65, 67	39877GT	201	44973GT	115, 117, 121,
22832GT	205	30785-550GT	41	39882GT	105–106		123
228458GT	65, 67	30810GT	37, 45, 47	40434GT	11, 13–14, 17–	44981GT	13–14, 17–18,
22903GT	37, 45, 47	31060GT	11, 13–14, 17–		18, 21–22, 25,		21–22, 25, 27, 29
229099GT	171		18, 21–22		27, 29	45105GT	147
22918GT	37	31379GT	49, 51, 61, 63	40836GT	35	45161GT	73, 99, 101, 103,
22932GT	37	31506GT	73	42248GT	37, 45, 47		105–106
22934GT	37, 45, 47	31658-SGT	73	42338GT	70	45435GT	39, 53, 55
23061GT	43	31745GT	53, 55	42489GT	213	45437GT	145
23167GT	39	31788GT	21–22	42537GT	213	45454GT	59, 87, 183
23168GT	70	31823GT	39	42662GT	55	45470GT	145
23453GT	37	32064GT	47	4266GT	39, 133, 135, 137	45708GT	75, 77
23455GT	37	32065GT	37	42758GT	99, 101	46131GT	37, 39
23456GT	37	32066GT	37, 43	42766GT	49, 61	46216GT	94
23457GT	37	32067GT	37, 45, 47	42767GT	49, 61	46266GT	147
23458GT	41	32068GT	37	42942GT	39	46271GT	151
23459GT	41	32069GT	37, 39, 45, 47	43091GT	11, 13–14	46436GT	83
23463GT	41	32076GT	41	43255GT	89	47138GT	75, 77, 133, 137,
23465GT	41	32077GT	39, 45, 47	43392GT	69–70, 75, 77,		165, 175, 177
23467GT	39	32084GT	53, 55		87, 97, 183	47160GT	125, 127
23469GT	37	32087GT	43	43618GT	11, 13–14, 17–	47222GT	143
23472GT	37	32088GT	43		18, 21–22, 25,	47228GT	143
23479GT	37	32090GT	43		27, 29	47230GT	127, 131, 137,
237776GT	63	32092GT	43	43619GT	11, 13–14, 17–		139
24037GT	43, 57, 65, 67	32103GT	49, 51		18, 21–22	47232GT	70
24040GT	43, 57, 65, 67	32148GT	75, 77	43696GT	11, 13–14, 17–18	47282GT	31
24649GT	125	32149GT	75, 77	43700GT	53, 55	47301GT	113, 119
25368GT	51	32182GT	49, 51	43956GT	145	47302GT	113, 119
25388GT	145	32184GT	53, 55	44167GT	93–94	47310PGT	33
25817GT	113, 119	32185GT	45, 47, 57, 59	44168GT	93–94	47312GT	31, 33
25929GT	45, 47	32188GT	45, 47	44169GT	89, 91, 93–94	47360GT	113
25994GT	11, 13–14	32189GT	45, 47	44170GT	89, 91, 191	47373GT	113, 119
26810GT	125, 127	32190GT	45, 47	44172GT	93–94	47376GT	31
27089GT	49, 51, 69–70	32191GT	45, 47	44174GT	89, 91, 93–94,	47410PGT	87, 183
27246GT	147	32192GT	45, 47		191	47424-SGT	137
27367GT	37	32194GT	45, 47	44175GT	89, 91, 191	47458GT	115, 117, 121,
27377GT	97	32195GT	45, 47	44178GT	89, 91, 93–94		123
27903GT	37, 39	32196GT	45, 47	44181GT	37, 49, 51	47478GT	131
28156GT	43, 57, 59	32197GT	45, 47	44182GT	37	47502GT	135, 137
28157GT	11	32198GT	45	44187GT	41	47520GT	69–70, 129, 131,
28158GT	11, 13–14, 17–	32199GT	45, 47	44188GT	41		133, 137, 141
	18, 21–22, 25,	32200GT	45, 47	44190GT	41	47523GT	133, 137
	27, 29	32201GT	45	44191GT	45, 47	47524GT	133
28159GT	11, 13–14, 17–	32205GT	57, 59	44192GT	45, 47	47530GT	113, 119
	18, 21–22, 25,	32206GT	57	44193GT	45, 47	47560GT	45
	27, 29	32215GT	37	44194GT	45, 47	47574GT	115, 117, 121,
28160GT	11, 13–14, 17–	32219GT	39	44195GT	45, 47		123
	18, 21–22, 25,	32375GT	69–70	44196GT	49, 51	47585GT	37
	27, 29	33555GT	97	44197GT	49, 51	47625GT	121
28164GT	11, 13–14, 17–18	33629GT	145	44198GT	49, 51	47664GT	43, 57
28171GT	11, 13–14, 17–	33724GT	145	44200GT	49, 51	47775GT	69–70
	18, 25	33776GT	129	44201GT	49, 51	47776GT	69–70
28174GT	11, 13–14, 17–	34058GT	37, 45, 47	44202GT	49, 51	47792GT	69–70
	18, 21–22, 25,	34346GT	69–70	44203GT	53, 55	47793GT	135
	27, 29	34955GT	61, 63	44204GT	53, 55	47874GT	69–70
28175GT	11, 13–14, 17–	35418GT	49, 51, 70	44220GT	11, 13–14	47926GT	141
	18, 21–22	35434GT	61, 63	44224GT	89, 91, 93–94	47927GT	141
28176GT	11, 13–14, 17–	35460GT	145	44225GT	89, 91, 93–94	47955GT	123
	18, 21–22	35642GT	197, 199	44226GT	93–94	4828GT	33, 35, 43, 57,
28235GT	11, 13–14, 17–	35706GT	129, 137, 139	44227GT	89, 91, 93–94		59, 65, 67, 69–
	18, 21–22, 25,	36872GT	75, 77	44228GT	89, 91, 93–94,		70, 73, 75, 79,
	27, 29	37761GT	185		191		85, 97, 113, 115,
28236GT	11, 13–14, 17–	37947GT	83, 85	44229GT	93–94		117, 119, 121,
	18, 21–22	38016GT	129, 137, 139	44230GT	89, 91, 93–94,		123, 125, 127,
28301GT	97	38028GT	69–70, 131, 165,		191		129, 131, 133,
28443GT	115, 169, 183,		185, 187	44255GT	11, 13–14, 17–		135, 137, 139,
	189	38149GT	11, 13–14, 17–		18, 21–22		141, 143, 155,
28607GT	37, 45, 47		18, 21–22	44733GT	75, 77		157, 159, 161,
28646GT	189	39095GT	125, 127	44736GT	11, 13–14, 17–		165, 167, 171,
28853GT	213	39127GT	113, 119, 125,		18, 21–22		175, 177, 185,
29073GT	41		127	44743GT	137, 139		187, 189, 191,
		39317GT	129	44780GT	31, 33		
		39479GT	59	44781GT	31, 33		



## Part Number Index (continued)

Part Number	Page	Part Number	Page	Part Number	Page	Part Number	Page
	197, 199, 201,	51154GT	201, 203	52427GT	39	55284GT	167
	203, 205, 207,	51166GT	129	52428GT	39	55336GT	115, 117, 121,
	209	51216GT	195	52431GT	11, 13-14, 17-		123
48694GT	11	51221GT	175		18, 21-22	55351GT	115, 121
48695GT	11	51243GT	195	52466GT	89, 91, 94	55355GT	129
48875GT	99, 101, 103,	51297GT	33	52475GT	11, 13-14, 17-	55393-SGT	33
	105-106, 179,	51301GT	41		18, 21-22, 25,	55396GT	73
	181, 185, 187,	51379PGT	129		27, 29	55484GT	189
	193, 201, 203	51395GT	167	52482GT	87	55485GT	189
48879GT	181	51397GT	167	52483GT	89	55488GT	115, 121, 123
48880GT	89, 91, 94	51407GT	137	52484GT	89, 91	55560GT	115, 117, 121,
48904GT	99, 101, 103, 106	51408GT	129	52486GT	41		123
48905GT	99, 101, 103,	51409GT	129	52494GT	11, 13-14, 17-	55663GT	125
	105-106, 179,	51415GT	141, 143		18, 21-22	55665GT	131
	181	51416GT	133	52499GT	41	55682GT	189
48911GT	193	51428GT	33, 185, 187	52500GT	37	55717GT	115, 117, 121,
48912GT	99, 101, 103,	51435GT	129	52501GT	37, 39		123
	105-106, 189	51436-SGT	137, 139	52502GT	147	55736GT	73
48915GT	193	51437GT	129, 137	52503GT	147	55739GT	165
48916GT	41, 99, 101, 103,	51451PGT	87, 183	52504GT	53	55745GT	31
	105-106, 193	51474GT	31	52505GT	147	55753GT	87, 141, 143,
48920GT	85, 193	51478GT	137	52509GT	147		167, 183
48922GT	73, 99, 101, 103,	51495GT	39	52510GT	147	55829GT	43, 57
	105-106	51505GT	121	52514GT	41, 49, 51	55847GT	33
48930GT	203	51510GT	41	52521GT	41	55859GT	97
48932GT	99, 101, 103,	51534GT	69-70	52525GT	151	55871GT	185
	105-106	51542GT	121	52527GT	151	55983GT	165
48933GT	99, 101, 103,	51580GT	179, 181	52529GT	151	56003GT	99
	105-106, 179,	51609GT	43	52530GT	39, 53	56100GT	83
	181, 193	51641GT	43	52531GT	45, 47	56912GT	125, 127, 129
48934GT	181	51675GT	49, 57	52532GT	45, 47	56949GT	49, 51
48937GT	181, 193	51702GT	97	52533GT	45, 47	58001GT	115, 117, 121,
48938GT	181	51733GT	43, 57, 59, 61, 63	52535GT	39, 41		123
48943GT	99, 101, 103,	51736GT	39	52536GT	41	58189GT	119
	105-106	51737GT	39	52537GT	41	58244GT	39
48946GT	99, 101, 103,	51738GT	57, 59	52538GT	41	58245GT	39
	105-106, 179	51745GT	41, 49, 51	52539GT	43, 57, 59	58293GT	151
48948GT	181	51814GT	189	52540GT	43, 57, 59	58313GT	33
48954GT	73	51823GT	141	52541GT	43, 57, 59	58411GT	33
48959GT	99, 101, 103,	51844GT	141	52558GT	87, 183	58653GT	151
	105-106, 179,	51846GT	141	52594GT	69-70	58912GT	147
	211	51847GT	141	52673GT	11, 13-14, 17-	59568GT	185, 187
48963GT	99	51849GT	57, 59		18, 21-22	6019GT	31, 39, 43, 53,
48964GT	179, 181	51850GT	57, 59	52674GT	11, 13-14, 17-		55, 65, 67, 69-
48975GT	99, 101, 103,	51852GT	53, 55		18, 21-22		70, 113, 115,
	105-106, 179,	51856GT	147	52682GT	11, 13-14, 17-		117, 119, 121,
	181	51866GT	70		18, 21-22		123, 141, 159,
48980GT	73, 99, 101, 103,	52042GT	151	52756GT	73		161, 165, 167,
	105-106	52043GT	151	52802GT	11, 13-14, 17-		171, 185, 187
48995GT	99	52050GT	151		18, 21-22	6021GT	31, 33, 35, 39,
48997GT	89, 91, 94	52070GT	11, 13-14, 17-18	52803GT	11, 13-14, 17-		53, 55, 65, 67,
49000GT	87, 183	52071GT	11		18, 21-22		70, 75, 77, 79,
49375GT	43, 57	52072GT	11, 13-14, 17-18	52808GT	37		81, 113, 119,
49379GT	61, 63	52073GT	11	52816GT	37		175, 177, 187,
49386GT	51	5224GT	185, 187	52834GT	49, 51		191, 201, 203
49409GT	61, 65, 67	52324GT	11	52850GT	39	6024GT	33, 129, 137,
49612GT	89, 91, 93-94	52368GT	89, 91	52867GT	61, 63		185, 187
49613GT	89, 91, 93-94	52369GT	89, 91, 93-94	52902GT	93-94	6033GT	63, 185, 187
49816GT	85, 173, 185, 187	52370GT	89, 91	52954GT	69-70	6037GT	37
49863GT	201, 203	52371GT	89, 91	52967GT	11, 13-14, 17-	60439GT	205
49911GT	11, 13-14, 17-	52372GT	89, 91, 93-94		18, 21-22, 25,	6052GT	129
	18, 21-22	52373GT	89, 91, 94		27, 29	60585GT	61, 63
5094GT	147	52374GT	94	53023GT	70	60790GT	59, 69-70
51034GT	137	52376GT	89, 91, 93-94	53605GT	183	6086GT	137, 141
51036PGT	133	52377GT	89, 91	5361GT	31	6090GT	39, 41, 43, 49,
51039GT	133	52378GT	89, 91, 191	5365GT	83, 85		51, 55, 57, 61,
51055GT	137	52379GT	89, 91	53976GT	177		63, 129, 137,
51063GT	35, 205, 207	52380GT	89, 91, 191	5397GT	31, 33, 113, 115,		139, 141
51071GT	133	52385GT	89		117, 119, 121,	6091GT	39, 41, 43, 49,
51073GT	129	52390GT	31		123, 137, 155,		51, 55, 57, 61,
51092PGT	137	52391GT	31		157, 171		63, 69-70, 73,
51131GT	33	52395GT	33	54332GT	37		83, 97, 115, 117,
51139GT	129, 137	52407GT	37, 45	55067GT	33		121, 123, 129,
51143GT	137, 139	52419GT	69-70	55190GT	69-70		135, 137, 139,
51144GT	113, 119	52420GT	69-70	55193GT	31		
51151GT	201, 203	52425GT	39	55194GT	33		

Part Number	Page	Part Number	Page	Part Number	Page	Part Number	Page
	141, 143, 145,	65178GT	151	71484GT	35	74323GT	97
	157, 159, 173,	65179GT	151	71494GT	189	74389GT	31
	209	65180GT	151	71498GT	195	75854GT	209
6095GT	59	65737GT	145	71508GT	75, 77	75855GT	209
6097GT	57, 59, 69-70,	65754GT	191	71531GT	109-110	76450GT	187, 205
	87, 135, 141,	65837GT	45, 47	71532GT	109-110	77026GT	185, 187
	155, 157, 159,	65853GT	49, 51, 61, 63	71547GT	31	77046GT	11, 13-14, 17-18, 25
	161, 165, 167,	6595GT	145	71576GT	109-110		
	171, 197, 199	65965GT	93-94	71721PGT	75, 77	7713GT	69-70, 75, 77,
61080GT	99, 101, 185,	66030GT	131, 135, 139	71779GT	43, 57, 65, 67		87, 113, 119,
	187, 193	6607GT	41, 61, 63, 163	71780GT	57		129, 137, 139,
6146GT	157, 163	66098GT	115, 121	71781GT	57		143, 175, 177,
6175GT	35, 57, 59, 69-	66169GT	197, 199	71782GT	43		183, 185
	70, 77, 79, 81,	66171GT	197	71783GT	43	77402GT	61, 63
	87, 113, 117,	6626GT	145	71784GT	43	77988GT	93-94
	119, 121, 123,	66353GT	145	71791GT	109-110	78022GT	131, 135, 139
	131, 137, 143,	66355GT	145	71807GT	97	78674GT	35
	167, 171, 175,	66356GT	145	71828GT	155	78686GT	115, 117, 123
	177, 185, 191,	6638GT	39, 41, 43, 49,	71829GT	157	78687GT	115, 117
	205, 207, 209		51, 55, 57, 59,	71832GT	157	78688GT	123
6178GT	35, 157, 173,		61, 63, 115, 117,	71835GT	157	78897GT	123
	185, 187, 205,		121, 123, 125,	71838GT	157	78900GT	117, 123
	207		127, 133, 135,	71839GT	157	78903GT	153
6198GT	31, 33, 43, 59,		137, 139, 159	71840GT	157	78903HGT	153
	65, 67, 87, 183,	66470GT	115, 117, 121,	71841GT	157	78912GT	115, 117, 121,
	185		123	71842GT	157		123
62041GT	37	66472GT	197	71843GT	163	79015GT	209
62059GT	11, 13-14, 17-	66811GT	83	71844GT	163	79084GT	157
	18, 21-22, 25,	66812GT	83, 85, 147, 149	71848GT	157	79090GT	205, 207
	27, 29	66813GT	83	71850GT	157	79091GT	35
62060GT	11, 13-14, 17-	66814GT	83	71855GT	157	79094GT	75, 77
	18, 21-22, 25,	66815GT	83	71858GT	157, 159	79097GT	75, 77
	27, 29	66816GT	83	71860GT	161	79098GT	69-70
62112GT	89, 91	66817GT	83, 85, 147, 149	71861GT	161	79106GT	97
62113GT	89, 91	66818GT	83, 85, 147, 149	71862GT	159, 161	79116GT	191
62114GT	53, 55	66875GT	35	71865GT	159	79117GT	75, 77
62116GT	49, 51	6708GT	135, 155, 157,	71866GT	159	79118GT	175
62117GT	49, 51		165, 167	71874GT	85	79119GT	175, 177
62118GT	49, 51	6714GT	185, 187	71875GT	73	79122GT	175
62119GT	49, 51	6732GT	43, 65, 67	71876GT	73	79128GT	33
62160GT	37, 45	6782GT	61, 63, 65, 67,	71877GT	73	79129GT	33
62161GT	151		155, 157, 171,	71881GT	33	79136GT	97
62161HGT	151		205, 207	71882GT	33	79137GT	73
62162GT	147	67933GT	189	71883GT	33	79156GT	197, 199
62163GT	147	6878GT	69-70, 73, 83,	71886GT	193	79158GT	197
62164GT	147, 149		135, 145, 173,	71888GT	193	79181GT	73
62165GT	147		205, 209	71889GT	193	79182GT	209
62166GT	147	6886GT	37, 45, 47, 61,	71906GT	193	79301GT	97
62167GT	147		63, 137, 139	71907GT	193	79351GT	73
62180GT	147	6888GT	41, 49, 115, 117,	71908GT	193	79355GT	129, 131, 133,
62181GT	147		121, 123, 125,	71912GT	165, 185, 187		135, 137, 139,
62207GT	89, 91, 93-94		127, 139	71948GT	193		199
62211GT	147	6889GT	115, 117, 121,	71979GT	163	79370GT	73
62212GT	147		123, 133, 139,	72086GT	17-18, 21-22,	79374GT	173
62421GT	61, 63		149, 205		25, 27, 29	79382GT	97
62710GT	137	69843GT	69-70	72097GT	189	79386GT	75
62857GT	39, 53	69868GT	61, 63	72186GT	11, 13-14, 17-18, 21-22	79391GT	75, 77
6326GT	143, 159, 161	7056GT	145			79425GT	37
6356GT	43, 57, 59, 61,	71094GT	167	72197GT	11	79456GT	97, 143
	63, 115, 117,	71097GT	167	72256GT	97	79474GT	75
	121, 123	71098GT	167	72281GT	31	79475GT	175, 177
6357GT	43, 57, 61, 63	71120GT	165	72295GT	37	79489GT	167
64154GT	33, 35, 69-70,	71245GT	11	72326GT	35, 147, 149	79490GT	167
	75, 77, 97, 175,	71246GT	11	72337GT	61	79494GT	115, 117, 121,
	177, 191, 201,	71259GT	209	72343GT	65, 67		123, 205, 207
	203, 205, 207,	7127GT	145	72348GT	61	79754GT	99, 101, 103,
	209	71315GT	129, 131, 137,	72350GT	61, 63		105-106
64159GT	70		139	72853GT	11	79755GT	99, 101, 103,
64213GT	69-70	71346GT	185, 187	72864GT	17-18		105-106, 179,
64236GT	83	71349GT	115, 117, 121,	72969GT	13-14, 17-18,		181, 211
64245GT	165		123		21-22	79756GT	99, 101, 103,
64255GT	201, 203	71382GT	195	72989GT	11		105-106
64275GT	165, 167	71403GT	189	7339GT	115, 117, 121,	79757GT	99, 101, 103,
64276GT	165, 167	71414GT	113, 119		123		105-106
64278GT	165, 167	71416GT	185, 187	73575GT	155, 163		
65053GT	11	71417GT	185, 187	73811GT	205		

## Part Number Index (continued)

Part Number	Page	Part Number	Page	Part Number	Page	Part Number	Page
79758GT	99, 101, 103, 105-106, 179, 181	8177GT	185, 187	84044GT	37	84816GT	65, 67
79759GT	99, 101, 103, 105-106	8178GT	59, 129, 133, 137, 141, 199	84053GT	41	84821GT	113, 119
79760GT	99, 101	8179GT	135	84077GT	43	84822GT	113, 119
79761GT	99, 101, 103	8220GT	31, 33	84080GT	175, 177	84823GT	119
79762GT	99, 101, 103, 105-106	82236GT	11	84100GT	189	84840GT	127
79763GT	99, 101, 103, 106	82239GT	11, 13-14, 17- 18, 21-22	84101GT	189	84841GT	127
79764GT	99, 101, 103, 105-106	823341GT	149	84110GT	201	84842GT	127
79765GT	99, 101, 103, 106	82366GT	11, 13-14, 17- 18, 21-22	84118GT	39	84843GT	127
79766GT	99, 101, 103, 105-106	82417GT	13-14, 17-18, 21-22, 25, 27, 29, 149	84119GT	97	84844GT	127
79767GT	99, 101, 103, 105-106	82418GT	13-14, 17-18, 21-22, 25, 27, 29	84122GT	97	84845GT	127
79768GT	99, 101, 103, 105-106	82473GT	25, 27, 29	84141GT	89	84846GT	127
79770GT	99, 101	82474GT	25, 27, 29	84144GT	89, 191	84847GT	127
79771GT	99, 101	82475GT	25, 27, 29	84145GT	89	84848GT	127
79772GT	99, 101	82476GT	25, 27, 29	84154GT	83	84849GT	127
79773GT	99, 101, 103, 105-106	82481GT	27, 29	84160GT	191	84850GT	69-70
79774GT	99, 101, 103, 106	82487GT	25, 27, 29	84186GT	191	84851GT	69-70
79781-SGT	131	82495GT	25, 27, 29	84230GT	127	84852GT	69-70
79782-SGT	139	825019GT	113, 115, 117, 119, 121, 123	84231GT	127	84853GT	97
79783GT	139	825187GT	149	84232GT	127	84854GT	97
79785GT	135	82557GT	13-14, 17-18, 21-22	84233GT	127	84855GT	97
79786-SGT	135	82558GT	13-14, 17-18, 21-22	84234GT	139	84856GT	81
79791GT	139	82559GT	13-14, 17-18, 21-22	84235GT	113	84857GT	97
79798-SGT	131	8255GT	31, 33, 35, 69- 70, 75, 87, 129, 137, 171, 183, 201, 203	84236GT	113	84858GT	81
79806GT	135	82560GT	25, 27, 29	84237GT	113	84859GT	97
79831GT	189	82561GT	13-14, 17-18, 21-22	84238GT	113, 119	84861GT	97
79833GT	89, 91, 93-94	82562GT	25, 27, 29	84239GT	113, 119	84862GT	69-70
79844GT	99, 101	826379GT	31	84241GT	113, 119	84863GT	69-70
79845GT	99, 101, 103, 105-106	82721GT	13-14, 17-18, 21-22, 25, 27, 29	84242GT	113, 119	84864GT	97
79846GT	99	82751GT	25, 27	84243GT	113, 119	84865GT	97
79847GT	73, 99, 101, 103, 105-106	82752GT	25, 27	84244GT	119	84866GT	97
79854GT	179, 181	82753GT	25, 27	84245GT	119	84867GT	97
79855GT	179, 181	82754GT	13-14, 17-18, 21-22, 25, 27, 29	84246GT	119	84868GT	191
79856GT	179, 181	82755GT	13-14, 17-18, 21-22, 25, 27, 29	84247GT	119	84869GT	185, 187
79874GT	109-110	82757GT	13-14, 17-18, 21-22, 25, 27, 29	84248GT	119	84870GT	187
79875GT	109-110	82793GT	13-14, 17-18, 21-22	84391GT	79	84990GT	119
79876GT	109-110	82794GT	13-14	84392GT	79	84991GT	113, 119
79877GT	109-110	82811GT	25, 29	84394GT	79	84992GT	113, 119
79878GT	109-110	82839GT	25, 29	84395GT	79	85071GT	65, 67
79879GT	109-110	82875GT	25, 29	84397GT	79	85143GT	65, 67
79880GT	109-110	82877GT	25, 29	84402GT	209	85155GT	61, 63
79882GT	109-110	82878GT	25, 29	84404GT	97	8516GT	113, 115, 117, 119, 121, 123, 155
79883GT	109-110	82901GT	14, 17-18	84405GT	11	85197GT	39, 53, 55, 65, 67
79884GT	110	82924GT	25	84406GT	11	85223GT	205
79885GT	110	83093GT	83, 85	84407GT	191	85224GT	205
79886GT	75, 77, 109-110	83131GT	85	84408GT	39	865260GT	57, 59
79890GT	109-110	83152GT	39	84421GT	115, 117, 121, 123	866040GT	49, 51
79891GT	109-110	832128GT	37, 45, 47	84423GT	115, 117, 121, 123	866050GT	45, 47
79892GT	109-110	8352GT	143	84467GT	127	866070GT	49, 51
79895GT	73	839081GT	53, 55	84468GT	127	866090GT	45
79896GT	109-110	839119GT	49, 51	84469GT	127	866127GT	39
79902GT	85	839149GT	49, 51	84470GT	127	866397GT	37, 45, 47
79903GT	109-110	839233GT	49, 51	84471GT	127	866400GT	37
79904GT	211	84034GT	37	84472GT	127	866803GT	61, 63
79945GT	155	84039GT	37	84473GT	127	866830GT	37
79946GT	155	84040GT	37	84474GT	127	866833GT	37
79948GT	155	84042GT	37	84536GT	79	87002GT	185, 187
79949GT	155			84539GT	79	87014GT	135
79950GT	159			84572GT	205, 207	87015GT	143
79951GT	159			84573GT	205, 207	87017GT	143
79953GT	33			84738GT	85	87046GT	69-70
79956GT	33			84739GT	81	87047GT	69-70
79997GT	131			84740GT	81	87059GT	33
80149GT	149			84742GT	81	87062GT	70
81578GT	35			84743GT	81	87063GT	99, 101, 103, 106
81633GT	39			84746GT	81	87064GT	99, 101, 103, 105-106
				84749GT	13-14	87069GT	97
				84752GT	85	87070GT	73
				84808GT	39	87073GT	33, 70, 75, 77
				84810GT	39	87075GT	75, 77, 175, 177, 201, 203
				84811GT	61	87077GT	193
				84812GT	61, 63	87078GT	193
				84813GT	61, 63	87079GT	193
				84814GT	61, 63		
				84815GT	61		

Part Number	Page	Part Number	Page	Part Number	Page
87080GT	193	97014GT	153	99852GT	65, 67
87081GT	193	97015GT	153	99853GT	61, 63
87083GT	35	97128GT	35, 207	99875GT	39
87084GT	35	97186GT	91	99876GT	39
87085GT	75, 85, 135	97344GT	109-110	99881GT	53, 55
87173GT	83	97353GT	195	99882GT	53, 55
87190GT	115, 117, 121, 123	97354GT	195	99910GT	61, 63
87191GT	115, 117, 121, 123	97355GT	209	99931PGT	61
87193GT	145	97364GT	13-14	99932GT	61
87260GT	110	97365GT	25	T106272GT	181
87261GT	201, 203	97367GT	91	T106506GT	69-70
87262GT	109-110	97387GT	89	T106509GT	177
87265GT	173	97395GT	31	T107013GT	171
87266GT	110	97414GT	89	T107029GT	14
87269GT	109-110	97467GT	93-94	T107925GT	171
87311GT	209	97468GT	93-94	T108044GT	149
87314GT	85	97469GT	93-94	T108212GT	171
87320-SGT	135	97473GT	65, 67	T108213GT	171
87351GT	203	97482GT	39	T108330GT	171
87481-SGT	213	97602GT	14, 17-18, 21-22	T109074GT	171
87497-SGT	177, 209	97712GT	17-18, 21-22	T109075GT	171
87523GT	131	97719GT	25, 27, 29	T109085GT	31, 33
87530GT	143	99095GT	70	T111608GT	177
87542GT	143	99097GT	70	T111609GT	177
87543-SGT	143	99100GT	61	T111610GT	177
87544-SGT	143	99101GT	65	T111611GT	177
87545-SGT	143	99102GT	61, 63	T111612GT	177
87546GT	143	99107GT	61	T111613GT	177
87549GT	143	99108GT	61, 63	T112563GT	145
87550GT	143	99119GT	109-110		
87559GT	187	99161GT	149		
87564GT	143	99163GT	149		
87566GT	149	99164GT	149		
87567GT	149	99175GT	101, 103, 105-106		
87568GT	131	99198GT	109-110		
87570GT	139	99199GT	49, 51		
87571GT	139	99202GT	103, 106		
87585GT	33	99203GT	103, 106		
87586GT	139	99207GT	75		
87645GT	139	99259GT	205, 207		
87648GT	131, 135, 139	99265GT	205		
87650GT	97	99266GT	205		
87651GT	143	99267GT	205, 207		
87675GT	139	99268GT	205, 207		
87684GT	33	99269GT	205, 207		
87699-SGT	213	99282GT	205		
87914GT	39, 53, 55, 65, 67	99283GT	205		
88356-11103GT	35, 187, 205, 207	99296GT	109-110		
88356-12203GT	205, 207	99297GT	109-110		
89065GT	31	99301GT	109-110		
89066GT	31	99434GT	109-110		
8915GT	51, 61, 157	99435GT	109-110		
89756GT	35	99436GT	109-110		
89761GT	61	99437GT	109-110		
89864GT	93-94	99438GT	109-110		
9116GT	143	99439GT	109-110		
94232GT	65, 67	99440GT	109-110		
94239GT	61, 63	99441GT	109-110		
94240GT	65, 67	99442GT	110		
94242GT	65, 67	99444GT	109-110		
94243GT	65, 67	99445GT	109-110		
94244GT	61, 63	99446GT	110		
94532GT	43, 57, 61, 63	99803GT	125		
94675GT	49	99804GT	125		
94688GT	53, 55, 65, 67	99805GT	125		
94762GT	61, 63	99806GT	125		
94784GT	61, 63, 65, 67	99838GT	110, 205		
94889GT	61, 63	99839GT	110, 205		
94932-SGT	213	99840GT	110		
94990GT	113	99842GT	110		
96008-SGT	83, 85	99843GT	109-110		
96236GT	145	99844GT	110		
96461GT	79	99845GT	110		
97013GT	153	99847GT	39		
		99851GT	65, 67		

## Part Description Index

The Part Description Index is an alphabetical index of all part descriptions included in this manual. The index shows what page(s) the part is used on.

- "
- "REF. HARNESS,OUTRIGGER MNFLD,GS68\*\*  
".....109-110
- 1**
- 12V,SYSTEM,E-DOWN GS68.....73
- 7**
- 79954ENT,2668 AXLE CW.....33
- A**
- ACCESS PANEL.....129  
ADAPTER, 1/4NPT-M TO 3/16 BARB.....70  
ADAPTER, FLANGE GEAR, 3 HOLE.....53, 55,  
65, 67  
ADAPTER,140139-4-2.....37, 45, 47  
ADAPTER,140139-8-6.....37, 45, 47  
ADAPTER,FLANGE,FLYWHEEL.....39, 53, 55  
ADAPTER,HOSE INTAKE 2.5-1.75.....39  
ADAPTER,WHEEL,GS68/GS69.....31, 33  
AIR CLEANER ASSEMBLY, DF-752.....39  
AIR CLEANER ASSY.....53, 55  
AIR CLEANER COVER, DF-752.....39  
AIR CLEANER KIT,KUBOTA D905.....53, 55  
AIR CLEANER STAY.....55  
AIRCLEANER ASSEMBLY.....61, 63  
ALARM ASSY,12VDC,ITT,4 PIN\*\*\*\* .....147, 149  
ALARM,STEADY TONE\*\*\*\*.....35  
ALTERNATOR STAY, D905.....45, 47  
ALTERNATOR,40 AMP,INT REG.....37, 47  
ALTERNATOR,40 AMP,INT REGULATE.....65,  
67  
ALTERNATOR,KUBOTA\*.....45  
ANALOG ROCKER ASSEMBLY\*\*\*.....149  
ASSY, CABLE BRIDGE.....123  
ASSY, CABLE BRIDGE, UPPER.....117  
ASSY, CIRCUIT BREAKER 20A.....83, 85  
ASSY,CABLE BRIDGE,GS68.....117, 123
- B**
- BALL STUD\*\*.....97  
BAND,AIR CLEANER,GS68.....53  
BASE WITH 1 NC CONTACT, E-STOP.....83,  
85, 147, 149  
BASE, W/1 N.O. CONTACTS\*\*\*.....83  
BASE,WITH 2 N.O. CONTACTS\*\*\*.....83  
BATTERY HOLDDOWN 4390.....75, 77  
BATTERY, 12V,900 CCA.....75, 77  
BEACON LIGHT ASSY.....173  
BEARING,0.75IDX1.00ODX0.38L.....137  
BEARING,1.00IDX1.25ODX0.75L.....31  
BEARING,1.00IDX1.25ODX1.00L.....113, 119  
BEARING,1.75IDX2.00ODX1.25L.....113, 119  
BEARING,BRZ,FL,1.25IDX1.50D.....31  
BEARING,DRIVE MOTOR GS15/19.....31  
BEARING,MOTOR.....177  
BELL HOUSING,K-D905K,A PLT.....53  
BELL HOUSING,K-DF752,A PLT.....39  
BELLHOUSING, KD-1105, A-PILOT.....55  
BELT,FAN,KUBOTA DF972/Z482-E.....37  
BELT,V, KUBOTA D905.....45, 47  
BELT-FAN, PERKINS (103.10).....65, 67  
BLANKET,BATTERY.....213
- BLOCK, PLATFORM ANCHOR.....125, 127  
BOLT, CARRIAGE, 3/8-16 X 1.50, G5.....59,  
69-70  
BOLT,CARRIAGE,#10-24X 5/8",G2.....83  
BOLT,CARRIAGE,#10-24X.50,G2.....85  
BOLT,CARRIAGE,1/4-20 X .5,G2.....149  
BOLT,CARRIAGE,1/4-20 X .63,G2.....139  
BOLT,CARRIAGE,1/4-20 X .75,G2.....69-70,  
73, 83, 135, 145, 173, 205, 209  
BOLT,CARRIAGE,1/4-20 X 1.00,G2.....97, 143  
BOLT,CARRIAGE,1/4-20x1.25,G2.....143  
BOLT,CARRIAGE,3/8-16 X 2.00,G2.....143  
BOLT,CARRIAGE,3/8-16 X 2.75,G2.....131,  
135, 139  
BOLT,CARRIAGE,3/8-16 X 3.00,G2.....33  
BOLT,CARRIAGE,3/8-16 X 4.00,G2.....143  
BOLT,CARRIAGE,3/8-16 X1.00,G5.....33, 35,  
69-70, 75, 77, 97, 175, 177, 191, 201, 203,  
205, 207, 209  
BOLT,FLYWHEEL,KUBOTA D905.....53, 55  
BOLT,FLYWHEEL,KUBOTA DF752.....39  
BOLT,ROLLER, 470"(SHORT).....129, 137, 139  
BOLT,SHOULDER 3/4-16 X 1.688LG.....69-70  
BOLT,SHOULDER,5/8-11 X 1.19 LT.....165,  
185, 187  
BOLT,SHOULDER,5/8-11X1.760LG.....69-70  
BOLT,WING,FILTER ELEMENT, D905.....53,  
55  
BOOT, JOYSTICK~.....153  
BOOT, PROTECTIVE, 45049 BLACK.....151  
BOOT,CONTROLLER\*\*.....151  
BOOT,PUSHBUTTON,RUBBER,GS68~.....147  
BOOT,SOLENOID,29073.....41  
BOOT,THROTTLE SOLENOID.....41, 49, 51  
BOOT,THUMB ROCKER\*\*\*.....153  
BOOT,TOGGLE SWITCH,SHORT\*.....147  
BOTTLE,COOLANT RECOVERY,1.4\*\*\*.....43,  
57, 61, 63  
BRACKET ASSY,OVRLD SNSR,2668.....205,  
207  
BRACKET ASSY,OVRLD SNSR,3268.....205,  
207  
BRACKET CABLE BRIDGE.....121  
BRACKET, AIRCLEANER MT.....61, 63  
BRACKET, SIDE ROLLER, REAR FT.....137  
BRACKET, SIDE ROLLER,REAR RIGH.....137  
BRACKET, WORK LIGHTS, OPTION.....195  
BRACKET,CABLE BRIDGE,GS3246.....121  
BRACKET,CHOKE SOLENOID MOUNT.....41  
BRACKET,FRNT RIGHT SIDE ROLLER.....129  
BRACKET,FRONT LEFT SIDE ROLLER.....129  
BRACKET,JOYSTICK Q.D. BULKHEAD.....125  
BRACKET,MAIN CABLE BRIDGE.....121  
BRAKE DISC KIT (55194).....33  
BUCKLE & SLIDE STRAP SET.....197, 199  
BULB,FLASHING BEACON.....173  
BUMPER, 1.00 X .375 X 5/16.....205, 207  
BUMPER, LINK.....115, 117, 121, 123  
BUMPER, MODULE TRAY.....135  
BUMPER, PLASTIC, 1.25 O.D.....87, 141, 143,  
167, 183  
BUMPER, RUBBER, 1"OD X .461H.....131  
BUMPER,1.25 INCH O.D.,SCISSORS.....135,  
137  
BUMPER,BATTERY BOX & RAILS.....69-70,  
75, 77, 87, 97, 183  
BUMPER,GATE LATCH,HDPE.....135
- BUMPER,RUBBER.....127, 131, 137, 139  
BUSHING,FLANGE, .75 X .875 X.5.....165  
BUTTON,PUSH,BLACK W/SEAL\*\*\*.....83  
BUTTON,PUSH,RED MUSHROOM  
HEAD.....83, 85, 147, 149
- C**
- CABLE SQUEEZE CONN.,XTRA LRG.....205  
CABLE TIE,11.5" BLACK.....115, 169, 183, 189  
CABLE TIE,9" X .5.....115, 121  
CAP ASSY, COOLANT BOTTLE.....43, 57, 61,  
63  
CAP,DIAGNOSTIC NIPPLE.....89, 91, 94  
CAP,DISTRIBUTOR, WG750B.....41  
CAP,FUEL,DIESEL,1/8"VENT(GRN).....69-70  
CAP,FUEL,GAS,1/8"VENT(RED).....69-70  
CAP,HYDRAULIC TANK,GS68/84/90.....73  
CAP,RADIATOR,13 PSI.....43  
CAP,RADIATOR,AL,KUBOTA DF-752.....43,  
57, 59  
CAP,RADIATOR,PERKINS(94232).....65, 67  
CAP,RAIN,AIR CLEANER, GS68RT\*\*.....69-70  
CAP,SPARK PLUG,WG750B.....41  
CAPACITOR, 33,000 MF, 16V.....73  
CARBURETOR,DF-752 ENGINE\*\*\*.....39  
CASTING -SLIDE BLOCK W/BEARING.....119  
CASTING, 2668 AXLE CTRWEIGHT.....33  
CASTING, 3268 AXLE CTRWEIGHT.....33  
CASTING, BALL, GS OUTRIGGER.....189  
CASTING, REAR DRIVE HOUSING.....33  
CASTING, REAR MOTOR HOUSING.....33  
CASTING,OUTRIGGER FOOTPAD \*\*\*.....189  
CASTING-JOYSTICK, GS2032.....151  
CATCH,ENGINE TRAY.....69-70  
CATCH,EXT LATCH ARM.....143  
CHANNEL,PIPE RACK.....197  
CHOCK STOP CUSHION.....115, 117, 121, 123  
CHOKE LINKAGE GS68.....41  
CLAMP, CABLEBRIDGE,HALF.....115, 121  
CLAMP,0.31,#5 X 1/4,RUB CUSH.....145  
CLAMP,0.63,#10 X 1/4,RUB CUSH.....70  
CLAMP,1.13,#18 X 1/4,RUB CUSH.....73, 129  
CLAMP,1.13,#18 X 3/8,RUB CUSH\*.....201, 203  
CLAMP,AIR CLEANER HOSE,WG750\*\*.....53,  
55  
CLAMP,HOSE.....45, 47, 57, 59  
CLAMP,HOSE,.35"- .86" X .3125".....49, 51, 70  
CLAMP,HOSE,.63" - 1.0" X .5".....37, 39  
CLAMP,HOSE,.75 \*.....39  
CLAMP,HOSE,1.00.....65, 67  
CLAMP,HOSE,1.75.....39, 53, 55  
CLAMP,HOSE,2.00\*\*\*.....61, 63  
CLAMP,HOSE,2.50\*\*\*.....39, 53, 55  
CLAMP,HOSE,5.00.....61, 63  
CLAMP,HOSE,KUBOTA WG750.....37, 39, 43,  
45, 47  
CLAMP,MUFFLER,1.75 INCH.....47  
CLAMP,RUB CUSH,0.75,#12 X 3/8\*.....59, 87,  
183  
CLAMP,RUBBER CUSHIONED,1 5/16.....41  
CLAMP,TAIPIPE, 1 1/2\*\*\*.....37, 45  
CLAMP-HOSE, .375, FUEL PUMP.....49, 51  
CLAMP-HOSE, AIR CLEANER.....53, 55  
CLEAR SWITCH ACTUATOR.....149  
CLEAR SWITCH ACTUATOR(QTY 10).....149

CLEVIS YOKE-1/4-28,PLTD W/PIN.....41, 49, 51, 61, 63	COVER,RT PLATFORM CONTROLS***.....149	DECAL,DANGER,OUTRIGGER SAFETY...11, 13-14, 17-18, 21-22
CLIP,RADIATOR MOUNT, KUBOTA.....43, 57, 59	COVER,V-BELT,D1105,KUBOTA.....45, 47	DECAL,DANGER,SIDE FRC,GS68ANSI.....25, 27
CNTRL CABLE,CHAS.TO PLAT,2668.....109-110	COVER-PRESSURE SWITCH ENCLOS.....205	DECAL,DANGER,TIP-OVER,TILT.....11, 13-14, 17-18, 21-22
CNTRL CABLE,CHAS.TO PLAT,3268.....109-110	CROSS TUBE COLAR, GS46168.....115, 121, 123	DECAL,DANGER-GEN SAFETY.....21-22
CNTRL PANEL DOOR ASSY W/DECALS.....97	CUSHION,RADIATOR,KUBOTA 1702**.....43, 57, 59	DECAL,DANGER-USE SAFETY ARM.....13-14, 17-18, 21-22
CNTRL PANEL DOOR ASSY,SYMB,68.....97	CYLINDER, GS2632/46/68***...115, 117, 121, 123	DECAL,DIESEL.....11, 13-14, 17-18, 21-22, 25, 27, 29
CNTRL PANEL DOOR ASSY,WRDS,68.....97	CYLINDER,OUTRIGGER,GS68***.....189	DECAL,EXPLOSION HAZARD.....14, 17-18, 21-22
COIL CORD.....147	CYLINDER,STEER***.....31	DECAL,GRND CTRL PANEL.....11
COIL CORD CLIP.....131		DECAL,GROUND CONTROL PANEL.....13-14, 17-18, 21-22, 25, 27, 29
COIL#10 E-COIL,10V ZENER DIODE.....93-94	<b>D</b>	DECAL,INSTRUCT-ANNUAL INSP REQ.....13-14, 17-18, 21-22
COIL, 10VDC.....189	DECAL KIT,SAFETY/INST,SYM,GS68.....25	DECAL,LABEL, AIR LINE 110 PSI.....13-14, 17-18, 21-22, 25, 27, 29
COIL, 12VDC,DIODE,DEUTSCH.....189	DECAL KIT,SAFETY/INST,WRD,GS68.....13-14	DECAL,LABEL,CAP INDICATOR,2668.....25, 29
COIL,12V D03 ZENER DIODE.....91	DECAL KIT,SAFETY/INSTR,GS68.....17-18	DECAL,LABEL,CAP INDICATOR,3268.....25, 29
COIL,12VDC #10DTSCH IP69 ECOIL.....91, 191	DECAL KIT,SFTY/INST. WRD. GS68.....13-14	DECAL,LABEL,DECIBEL 102***.....25, 29
COIL,12VDC #8 DTSCH IP69 ECOIL...91, 93-94	DECAL KIT,SFTY/INSTR.DIES,GS68.....11	DECAL,LABEL,FAULT CODES.....11
COIL,20V DS W/DIODE.....69-70	DECAL KIT,SFTY/INSTR.GAS,GS68.....11	DECAL,LABEL,GROUND CONTROL PNL.....11, 13-14, 17-18, 21-22
COIL,IGNITION,KUBOTA WG750B.....41	DECAL, LABEL - DIRECTION ARROWS.....11, 13-14, 17-18, 21-22, 25, 27, 29	DECAL,LABEL,LATCH.....11, 13-14, 17-18, 21-22
COIL,PROP,12VDC,#10 IP69,DTSCH.....91, 94	DECAL, LABEL, SAFETY ARM SYMB.....25, 27, 29	DECAL,LABEL,LIFTING EYE...17-18, 21-22, 25, 27, 29
COIL,SQUARE,12VDC***.....115, 117, 121, 123	DECAL, POWER TO PLATFORM 230V**...11, 13-14, 17-18, 21-22, 25, 27, 29	DECAL,LABEL,LIQUID PROPANE.....11, 13-14, 17-18, 21-22, 25, 27, 29
COIL-10,12V DUAL LEAD DIODE.....89, 191	DECAL, SYMBOL - READ THE MANUAL...25, 27, 29	DECAL,LABEL,MANUAL NOT HERE...11, 13-14, 17-18, 21-22
COIL-10/12,12V DUAL LEAD.....89	DECAL,CAUTION,CRUSH HAZ, RAILS.....11, 13-14, 17-18, 21-22	DECAL,LABEL,MAXCAP CE GS2668.....25, 29
COIL-8,12V DUAL LEAD DIODE.....89	DECAL,CAUTION,SHUTOFF VALVES**.....25	DECAL,LABEL,NO SMOKING,SYMB.....27, 29
CONN, 520120-6...41, 99, 101, 103, 105-106, 193	DECAL,CHEVRON RANDO HD.....11, 13-14, 17-18, 21-22	DECAL,LABEL,OUTRIGGER LD 2668.....17-18, 21-22, 25, 27, 29
CONN, 520120-8-6.....99, 101, 103, 105-106	DECAL,COSMETIC,4 X 4.....11, 13-14, 17-18, 21-22, 25, 27, 29	DECAL,LABEL,OUTRIGGER LD 3268.....18, 21-22, 25, 27, 29
CONN,520102-12-16.....73, 99, 101, 103, 105-106	DECAL,COSMETIC,GENIE GS-2668RT.....11, 13-14, 17-18, 21-22, 25, 27, 29	DECAL,LABEL,PATENTS.....11, 13-14, 17-18, 21-22
CONN,520102-6-6...73, 99, 101, 103, 105-106	DECAL,COSMETIC,GENIE GS-3268RT.....11, 13-14, 17-18, 21-22, 25, 27, 29	DECAL,LABEL,PLAT CONT LOCATION.....13-14, 17-18, 21-22
CONN,520120-12-10...99, 101, 103, 105-106, 179, 181	DECAL,CRUSH HAZ RAILS SYMB.....27, 29	DECAL,LABEL,SAFETY ARM...11, 13-14, 17-18, 21-22
CONN,520120-4***.....99, 101, 103, 105-106, 179, 181	DECAL,DANGER DO NOT ALTER SWTC.....11, 13-14, 17-18, 21-22	DECAL,LABEL,TRANSPORT TIE 68...17-18, 21-22, 25, 27, 29
CONN,520120-4-6***...99, 101, 103, 105-106, 189	DECAL,DANGER,BATTERY SAFETY***.....21-22	DECAL,LABEL,TRANSPORT TIEDOWN*..11, 13-14, 17-18, 21-22, 25, 27, 29
CONN,520120-6-8.....203	DECAL,DANGER,BRAKE REL SAFETY.....14	DECAL,LABEL,UNLEADED GAS ONLY.....11, 13-14, 17-18, 21-22, 25, 27, 29
CONN,520120-8***.....99, 101, 103, 105-106, 179, 181, 193	DECAL,DANGER,BRAKE REL SAFETY*...11, 13-14, 17-18, 21-22	DECAL,LABEL,UP/DOWN & FNCTN EN.....11
CONN,520120-8-10.....99, 101, 103, 105-106, 179	DECAL,DANGER,CRUSHING HAZARD.....11, 13-14, 17-18, 21-22	DECAL,LABEL,WHEEL LD,GS2668RT.....13-14, 17-18, 21-22, 25, 27, 29
CONN,520120-8-12.....181	DECAL,DANGER,ELEC HAZARD,GS.....11, 13-14, 17-18, 21-22	DECAL,LABEL,WHEEL LOAD,GS-3268.....13-14, 17-18, 21-22, 25, 27, 29
CONN,DSCH,BOOT,DT2P-BT.....205	DECAL,DANGER,GENERAL SAFETY.....11, 13-14, 17-18	DECAL,LABEL,WHEEL LD,GS2668RT.....13-14, 17-18, 21-22, 25, 27, 29
CONN,LONG,520122-8.....181	DECAL,DANGER,IMPROPER USE HAZ.....11	DECAL,LABEL,WHEEL LOAD,GS-3268.....13-14, 17-18, 21-22, 25, 27, 29
CONN,RECEP 2 WAY ENDCAP DT.....205	DECAL,DANGER,MAN FRC,GS3268,CE...25, 29	DECAL,LANYARD ANCHORAGE POINT...11, 13-14, 17-18, 21-22, 25, 27, 29
CONN,SQUEEZE,1/2NPT ,38-.50,SM.....145	DECAL,DANGER,MAX CAP,2668 ANSI.....25, 27	DECAL,NOTICE PERKINS ENGINE SP.....14, 17-18
CONN.SQZ PG11 .30-.40 W/ORING...35, 207	DECAL,DANGER,MAX CAP,3268 ANSI.....25, 27	DECAL,NOTICE,HAZARDOUS MAT'LS*....11, 13-14, 17-18
CONN.SQZ,PG 11,23-.30,W/ORING.....187, 205	DECAL,DANGER,MAXCAP CE GS2668.....25	DECAL,NOTICE,INST,PLAT-GS68RT.....17-18, 21-22
CONNECTOR,010102-6-4.....39	DECAL,DANGER,MAXCAP CE GS3268.....25, 29	DECAL,NOTICE,KUB,D1105,T4.....21-22
CONNECTOR,070103-4-4.....201, 203	DECAL,DANGER,NO SMOKING.....21-22	
CONNECTOR,070120-4-4.....201	DECAL,DANGER,NO SMOKING ***.....11, 13-14, 17-18, 25	
CONTACT,N.C.....83, 85, 147, 149		
CONTACT,N.O***.....83		
CONTACTOR,LIMIT SWITCH.....35, 207		
CONTROL CABLE,2668.....109-110		
CONTROL CABLE,PIGTAIL.....109-110		
COOLANT RECOVERY BOTTLE1.5 QT*.....55		
COUPLER, SPLINED,9 TOOTH, 30MM.....39, 53, 55		
COUPLER,HUB,9T A-A SPLN PERKIN.....65, 67		
COVER, FAN.....59		
COVER,BLANK.....145		
COVER,GFCI,WEATHERPROOF.....145		

## Part Description Index (continued)

- DECAL,NOTICE,KUBOTA DIESEL SPEC.....11, 13-14, 17-18  
 DECAL,NOTICE,KUBOTA GAS SPECS.....11, 13-14, 17-18, 21-22  
 DECAL,NOTICE,MAX CAP 1000/300...11, 13-14, 17-18, 21-22  
 DECAL,NOTICE,MAX CAP 1250....11, 13-14, 17-18, 21-22  
 DECAL,NOTICE,OP INST,GROUND.....13-14, 17-18, 21-22  
 DECAL,NOTICE,OP INST,PLATFORM.....13-14  
 DECAL,NOTICE,OPER INST, GRND.....11  
 DECAL,NOTICE,OPER INST, PLAT.....11  
 DECAL,NOTICE,PERKINS 403D SPEC.....22  
 DECAL,NOTICE,SHUTOFF VALVES.....11, 13-14  
 DECAL,NOTICE,SIDE FRC,2668,AUS.....11, 13-14, 17-18, 21-22  
 DECAL,NOTICE,SIDE FRC,2668ANSI.....11, 13-14, 17-18, 21-22  
 DECAL,NOTICE,SIDE FRC,3268,AUS.....11, 13-14, 17-18, 21-22  
 DECAL,NOTICE,SIDE FRC,3268ANSI.....11, 13-14, 17-18, 21-22  
 DECAL,NOTICE,TIRE SPECS.....11, 13-14, 17-18, 21-22  
 DECAL,PLAT CTRLS,DSL NO OUTRGR.....11  
 DECAL,PLAT CTRLS,DSL W OUTRG.....11  
 DECAL,PLAT CTRLS,G/LPG NO OUTR.....11  
 DECAL,PLAT CTRLS,G/LPG W OUTRG.....11  
 DECAL,PLATFORM CONTROL PANEL.....13-14, 17-18, 21-22, 25, 27, 29, 149  
 DECAL,POWER TO PLATFORM 115V.....11, 13-14, 17-18, 21-22, 25, 27, 29  
 DECAL,SYM-TIP-OVER,LIM SWITCH.....27, 29  
 DECAL,SYM-TIP-OVER,OUTRGR.....27, 29  
 DECAL,SYM-TIP-OVER,TILT ALARM.....27, 29  
 DECAL,SYMBOL-BATTERY SAFETY.....27, 29  
 DECAL,SYMBOL-BRAKE REL SAFETY.....25, 27, 29  
 DECAL,SYMBOL-COMP ACCESS.....25, 27, 29  
 DECAL,SYMBOL-CRUSHING HAZARD.....25, 27, 29  
 DECAL,SYMBOL-ELEC HAZARD,GS.....25, 27, 29  
 DECAL,SYMBOL-FOOT CRUSHING.....25, 27, 29  
 DECAL,SYMBOL-SKIN INJECT HAZRD.....25, 27, 29  
 DECAL,SYMBOL-USE SAFETY ARM.....25, 27, 29  
 DECAL,USE DEXRON\*\*\*.....11  
 DECAL,WARN,IMPROPER OPERATION...11, 13-14, 17-18, 21-22  
 DECAL,WARN,SKIN INJECTION HAZ\*.....13-14, 17-18, 21-22  
 DECAL,WARNING,CRUSHING HAZARD...11, 13-14, 17-18, 21-22  
 DECAL,WARNING,PIPE CRADLE,SCIS...17-18  
 DECAL,WARNING-COMPART ACCESS....11, 13-14, 17-18, 21-22  
 DECK PLATE,EXTENSION,GS68.....137, 139  
 DECK PLATE,MAIN,GS68.....129  
 DIAGNOSTIC DISPLAY.....83  
 DIAGNOSTIC FEMALE Q-DSCNT.....89, 91  
 DIPSTICK,KUBOTA D905\*\*\*.....45, 47  
 DIPSTICK,KUBOTA DF750.....39  
 DIPSTICK,STRAIGHT SHORT.....61, 63  
 DISPLAY CABLE ASSEMBLY.....83  
 DISTRIBUTOR ASSY,DF-750.....41
- E**
- E-DOWN BATTERY ASSY.....73  
 ECU/LCP TRAY ASSY W/DECAL,RT.....83  
 ELBOW, 12-3/4AOEG-S.....73, 99, 101, 103, 105-106  
 ELBOW, MSAE, FSAE-12-12.....99  
 ELBOW,010202-6-4.....39  
 ELBOW,45D,520320-6.....85, 193  
 ELBOW,45D,520320-8.....181, 193  
 ELBOW,90D,520220-4-4.....99, 101, 103, 106  
 ELBOW,90D,520220-4-6\*\*\*.....193  
 ELBOW,90D,520220-6.....193  
 ELBOW,90D,LONG,521520-6.....99  
 ELBOW,90DEG.SW.1/4FPT-1/4MPT.....39  
 ELBOW,SWIVEL 90D, 520221-8.....181  
 ELECTRONIC CONTRL UNIT GS/RT G1.....83  
 ELEMENT,AIR CLEANER,KUBOTA.....39  
 ENDRAIL ASSY.EXT.DECK GS68.....137, 139  
 ENG DOOR ASSY,SYMB,GS68,VENT.....97  
 ENG DOOR ASSY,WRDS,GS68,VENT.....97  
 ENGINE DOOR ASSEMBLY W/DECALS.....97  
 ENGINE DOOR ASSY,SYM,68.....97  
 ENGINE DOOR ASSY,WRDS,68.....97  
 ENGINE TRAY COVER ASSY,DSL,WRD.....69-70  
 ENGINE TRAY COVER ASSY,GAS,WRD.....69-70  
 ENGINE TRAY COVER ASSY,PER,WRD.....69-70  
 ENGINE TRAY RAMP.....69-70  
 EXTENSION DECK END RAIL ASSEMBLY.....139  
 EXTRUSION,ALUM,V-ROLLER TRK.....139  
 EXTRUSION,RUBBER BUMPER STRIP.....73
- F**
- FAN.....65, 67  
 FAN - VENTED.....209  
 FAN PULLEY.....65, 67  
 FAN, REVERSE BLADE DF752.....37  
 FAN,COOLING DF750.....37  
 FAN,KUBOTA D905.....45, 47  
 FENDER,DF-752.....87  
 FILTER ASSY,FIBERGLASS,GS68\*\*\*.....73  
 FILTER ASSY,SAE 12 NO INDICAT\*.....73  
 FILTER ELEMENT, 10 MICRON.....73  
 FILTER ELEMENT,10 MICRON.....73  
 FILTER,AIR\*\*\*.....61, 63  
 FILTER,AIR,D905.....53, 55  
 FILTER,ELEMENT,F'GLASS,6 MICRN.....73  
 FILTER,FUEL,IN-LINE\*\*.....70  
 FILTER,FUEL,PERKINS.....61, 63  
 FILTER,FUEL/WATER SEPARATOR\*\*\*.....49, 51, 61, 63  
 FILTER,OIL,KUBOTA.....45, 47  
 FILTER/SEPARATOR,FUEL DIESEL\*\*.....49, 51  
 FITTING,1/4 MPT 5/16 BARB.....70  
 FITTING,6-6BLKHEADUNION 520601.....99, 101, 185, 187, 193  
 FITTING,90DEG ELBOW.....39  
 FITTING,ELBOW,45D,520320-12\*\*\*.....99  
 FITTING,ELBOW,90D,520220-12.....99, 101, 103, 105-106, 179, 211  
 FITTING,ELBOW,90D,520220-8\*\*\*.....99, 101, 103, 105-106  
 FITTING,REDUCER,520123-12-8\*\*\*.....179, 181  
 FITTING,TEE,RUN,SWIVEL520432-8.....181  
 FITTING,TEE,RUN,SWIVEL52043212.....179, 181  
 FLANGE HEX SCREW,GRADE 8.....147  
 FLANGE,AIR CLEANER, DF-750.....39  
 FLANGE,CARBURETOR,WG750B\*\*\*.....39  
 FLOW DIVIDER/COMBINER,#10\*\*.....93-94  
 FLYWHEEL.....65, 67  
 FLYWHEEL,KUBOTA D905.....53, 55  
 FLYWHEEL,KUBOTA DF752.....39  
 FOOTPAD ASSY,RTSC OUTRIGGER.....189  
 FORMING, CABLE BRIDGE.....123  
 FORMING, CABLE BRIDGE, CENTER.....123  
 FORMING, CABLE BRIDGE, UPPER.....115, 117  
 FORMING, DIESEL ENG. BRKT,GS68.....49, 57  
 FORMING, GUARD CONTACT FRNT LT....161  
 FORMING, GUARD CONTACT FRNT RT...161  
 FORMING, GUARD CONTACT REAR LT...159  
 FORMING, GUARD CONTACT REAR RT....159  
 FORMING, LOWER CYL COVER.....185, 187  
 FORMING, MANIFOLD HANDLE.....77  
 FORMING, MANIFOLD MOUNT, LEFT.....77  
 FORMING, NOSE GUARD, LEFT GS68.....167  
 FORMING, NOSE GUARD, RIGHT.....167  
 FORMING, PIPE HOLDER RACK.....197, 199  
 FORMING,AIR CLNR MNT,PRK,403D.....63  
 FORMING,ALTERNATOR COVER.....69-70  
 FORMING,BATTERY KEEPER.....75, 77  
 FORMING,BATTERY TRAY.....75, 77  
 FORMING,BEACON MOUNT.....173  
 FORMING,CABLE BRIDGE,GS3246/68.....123  
 FORMING,CABLE BRIDGE,GS68.....117, 123  
 FORMING,CABLE BRIDGE,MAIN\*\*\*.....115, 117, 123  
 FORMING,DOWN COIL COVER.....115, 117, 121, 123, 205, 207  
 FORMING,DOWN DELAY BRKT.....205, 207  
 FORMING,DUAL FUEL ENGINE BRCKT....43  
 FORMING,E BATTERY BRACKET.....73  
 FORMING,ENG MNT,LF,PRK 403.....61  
 FORMING,ENG MNT,LF,PRK,403D.....63  
 FORMING,ENG MNT,LR,PRK 403.....61  
 FORMING,ENG MNT,LR,PRK,403D.....63  
 FORMING,ENG MNT,RT,PRK 403.....65  
 FORMING,ENG MNT,RT,PRK 403D.....67  
 FORMING,ENGINE MNT RT,D1105.....59  
 FORMING,ENGINE MNT,LT,D1105.....59  
 FORMING,ENGINE TRAY.....69-70  
 FORMING,EXT ARM INNER CLEVIS.....143  
 FORMING,EXT ARM OUTER CLEVIS.....143  
 FORMING,EXT DECK CATCH.....139  
 FORMING,EXT DECK STOP,LEFT.....139  
 FORMING,EXT DECK STOP,RIGHT.....139  
 FORMING,EXT LATCH LINK.....143  
 FORMING,EXT LOCK BRACKET.....143  
 FORMING,FILTER MNT,PERKINS,68.....61  
 FORMING,FUEL FILTER MOUNT.....51  
 FORMING,GAS STRUT MOUNT.....97  
 FORMING,GEN. MANIFOLD MOUNT.....177  
 FORMING,GEN. SUPPORT,LEFT.....175, 177

FORMING, GEN. SUPPORT, RIGHT.....175	FUEL FILTER ASSEMBLY.....61, 63	GS68 AC DF-752 COLD START KIT.....213
FORMING, GEN. SUPPORT, RIGHT.....177	FUEL INJECTOR.....63	GS68 AC GENERATOR***.....175
FORMING, HYDRAULIC TRAY.....75, 77	FUEL PUMP, MECHANICAL.....49, 51	GS68 AC OIL COOLER.....177, 209
FORMING, LEFT ENG. MOUNT, DIESEL.....57	FUEL TANK ASSY, DIESEL, GS26.....69-70	GS68 FORMING, DIESEL OVERFLOW.....43, 57
FORMING, LEFT ENGINE MOUNT, DF.....43	FUEL TANK ASSY-14.5 GAL DF750*.....69-70	GS68 PLAT W/ EXTN DECK.....137
FORMING, LEVEL SENSOR COVER.....35	FUSE, 13 AMP, 220V PLUG.....145	GS68 WELDMENT, MAIN RAIL, LEFT.....131
FORMING, LEVEL SENSOR MOUNT.....35	FUSE, 13 AMP, 220V PLUG***.....145	GS90 OP BEACONS, STANDARD.....109-110
FORMING, LIMIT SW. MOUNT.....35	FUSE, 20 AMP, ATC.....209	GUARD, LP TANK GS68.....87, 183
FORMING, LINKGUARD CORNER L, 2668.....171		GUARD, FAN, KUBOTA D905.....57
FORMING, LINKGUARD CORNER L, 3268.....171	<b>G</b>	GUARD, PLATFORM EXTENSION, GS68.....129
FORMING, LINKGUARD CORNER R, 2668.....171	GAS DOOR COVER ASSY, DSL, GS68.....97	GUARD, TOGGLE SWITCH.....147
FORMING, LINKGUARD CORNER R, 3268.....171	GAS DOOR COVER ASSY, GAS, GS68.....97	GUARD-FAN, 905, 752 KUBOTA ENG.....43
FORMING, LINKGUARD FRONT, 2668.....171	GAS STRUT, 250 LBS FORCE***.....97	GUIDE PAD, GS68, GS90.....141
FORMING, LINKGUARD FRONT, 3268.....171	GAS STRUT, 250N, 55CM STROKE.....157	GUIDE, LOCK, GS68, GS90.....141
FORMING, LINKGUARD LADDER, 2668.....171	GAS STRUT, CONNECTOR (28301).....97	GUSSET, GUARD, REAR.....165
FORMING, LINKGUARD LADDER, 3268.....171	GASKET (52532) OIL DRAIN, D905.....45, 47	
FORMING, LINKGUARD MOUNT, L, 2668.....171	GASKET, UK & DIN PWR. TO PLAT.....145	<b>H</b>
FORMING, LINKGUARD MOUNT, L, 3268.....171	GASKET, UK RECEPTACLE.....145	HANDLE COVER, PLASTIC.....75, 77
FORMING, LINKGUARD MOUNT, R, 2668.....171	GASKET, AIR CLEANER, DF-750.....39	HANDLE KIT, GS JYSTK, BOTH HALVE.....151
FORMING, LINKGUARD MOUNT, R, 3268.....171	GASKET, CARBURETOR, KUBOTA DF750.....39	HANDLE, GRAB.....133
FORMING, LINKGUARD MOUNT, R, 3268.....171	GASKET, EXH FLANGE-FORD/PERKINS.....65, 67	HARDWARE KIT, BELLHSING KUBOTA.....53, 55
FORMING, LINKGUARD, SIDE L, 3268.....171	GASKET, EXHAUST MANIFOLD, D905.....45, 47	HARDWARE KIT, BELLHSING K-DF752.....39
FORMING, LINKGUARD, SIDE R, 3268.....171	GASKET, EXHAUST MANIFOLD, WG750B.....37	HARDWARE KIT, BELLHSNG 403C-11.....65, 67
FORMING, LINKGUARD, SIDE, L, 2668.....171	GASKET, INJECTION PUMP.....49, 51	HARNES, LCP-DIESEL, J1, GS68.....109-110
FORMING, LINKGUARD, SIDE, R, 2668.....171	GASKET, MUFFLER, KUBOTA D905/11.....37, 45, 47	HARNES, OVERLOAD OPTION.....201, 203
FORMING, LOWER FRONT GUARD LT.....155	GASKET, SOLENOID, KUBOTA.....49, 51	HARNES, 3KW GENERATOR, GS68.....177
FORMING, LOWER FRONT GUARD RT.....155	GASKET, SPEED CONTROL ASSY, D905.....49, 51	HARNES, BATTERY CABLES.....75, 77, 109-110
FORMING, LOWER FRONT GUARD, LT.....155	GASKET, VALVE COVER CAP, D905.....45, 47	HARNES, BEACON.....110
FORMING, LOWER FRONT GUARD, RT.....155	GASKET, VALVE COVER CAP, WG750.....37, 49, 51	HARNES, BEACON OPT.....110
FORMING, LOWER REAR GUARD LT.....159	GASKET, VALVE COVER, DF750.....37	HARNES, BOSCH DIODE SUPPR.....109-110
FORMING, LOWER REAR GUARD RT.....159	GASKET, VALVE COVER, KUBOTA D905.....45, 47	HARNES, COIL JUMPER.....89
FORMING, LOWER REAR GUARD, LT.....159	GASKET, WATER PUMP.....45, 47	HARNES, DIESEL, J4.....109-110
FORMING, LOWER REAR GUARD, RT.....159	GASKET, WATER PUMPWG750B/Z482-E.....37	HARNES, DIESEL, KUBOTA D905***.....109-110
FORMING, MANIFOLD BASE.....75, 77	GASKET-DRAIN PLUG, ENG OIL PAN.....37	HARNES, DOWN PIGTAIL.....109-110
FORMING, MESH TRAY, END.....155	GASKET-EXHAUST MANIFOLD/PERKIN.....65, 67	HARNES, DOWN RELAY, LOAD SENSE.....109-110
FORMING, MESH TRAY, SIDE.....155	GASKET-JOYSTICK.....151	HARNES, DOWN, GS2668.....110
FORMING, NOSE GUARD, REAR GS68.....167	GASKET-PRESSURE SWITCH ENCLOS.....205	HARNES, DOWN, GS3268.....110
FORMING, OIL COOLER MOUNT.....209	GAUGE-SIGHT, LHA-LGTB***.....73	HARNES, DUAL FUEL, ENG.....109-110
FORMING, OTR. MANIFOLD TRAY.....191	GEN, HYD, 3000W, 110V, 60HZ.....177	HARNES, DUAL FUEL, J4.....109-110
FORMING, OUTRIG CYL COVER.....185, 187	GEN, KIT, 2KW, HYD, W/MNFLD***.....175	HARNES, GENERATOR.....110
FORMING, OUTRIGGER LIM. SWITCH.....187	GENERATOR, 2KW, HYD, NO VALVE***.....175	HARNES, GENERATOR OPT.....110
FORMING, OVERLOAD POINTER.....205, 207	GLIDE BUTTON, SIDE, GLL, 100 TK.....113, 119	HARNES, LCP, J1.....109-110
FORMING, PIPE RACK BASE, GS68.....197	GLOW PLUG, 403C-11.....61	HARNES, LCP, J2.....109-110
FORMING, PLATFORM STOP, RIGHT.....205, 207	GLOW PLUGS.....63	HARNES, LCP, J3.....109-110
FORMING, PLATFORM STOP, LEFT.....205, 207	GRAB HANDLE, STEEL, COATED.....135	HARNES, LCP-DF, J1.....109-110
FORMING, PRES SWITCH MOUNT.....205	GRIP, HANDLE EXT PLATFORM LOCK.....141, 143	HARNES, LCP-DF, J1, GS68.....109-110
FORMING, PRES SWITCH OFFSET.....205	GROMMET, RUBBER 1.5 X .25 X 2.....125	HARNES, LCP-DF, J1, GS68***.....109-110
FORMING, RAD. MOUNT, DUAL FUEL.....43	GROMMET, RUBBER 2 X 2.75.....70	HARNES, LCP-DIESEL, J1.....109-110
FORMING, RAD. SHROUD, PERKINS.....61, 63	GROMMET, RUBBER 2.5 X .25 X 2.75.....83	HARNES, LCP-DIESEL, J1, GS68.....109-110
FORMING, RADIATOR GUARD.....69-70	GROMMET, RUBBER 3 X .19 X 3.5.....33	HARNES, LEVEL SENSOR.....109-110
FORMING, RIGHT ENG. MOUNT, DF.....43	GROMMET, RUBBER 3 X .25 X 3.5.....33, 70, 75, 77	HARNES, LS CABLE, LOAD SENSE.....110
FORMING, ROD MOUNT BRACKT, 68, 90.....141	GROMMET, RUBBER, 1.50IDX.375.....185, 187	HARNES, LS, DN DELAY, LOAD SENSE.....110, 205
FORMING, ROLLER BRACK EXT. PLAT.....137	GROUND CONTROL PANEL W/DECAL.....85	HARNES, LS, UP SW, LOAD SENSE.....110, 205
FORMING, RT ENG. MOUNT, DIESEL.....57	GS68 AC 2668 WORK LIGHTS.....195	HARNES, MANIFOLD, J1.....109-110
FORMING, SLIDING ENG TRAY, D1105.....59	GS68 AC 2668 WORKLIGHTS.....195	HARNES, OIL COOLER OPT.....109-110
FORMING, SLIDING ENGINE TRAY.....43, 57	GS68 AC 3268 WORK LIGHTS.....195	HARNES, OIL COOLER, GS68.....109-110
FORMING, SOLENOID MNT, PRK PTD.....61	GS68 AC 3268 WORKLIGHTS.....195	HARNES, OR M N F L D J M P E R, GS2668*.....109-110
FORMING, SOLENOID MNT, PRK, 403D.....63	GS68 AC 403C-11 COLD START KIT.....213	
FORMING, SOLENOID MOUNT.....51	GS68 AC D-905 COLD START KIT.....213	
FORMING, TAILPIPE BRKT, GS68.....43, 57, 65, 67		
FORMING, TERMINAL STRIP 14 P.....75		
FORMING, UPPER RAD. SUPPORT.....61, 63		
FREEZE PLUG HEATER, WG750, Z34.....213		
FREEZE PLUG HEATER, Z34IC/BE.....213		





KIT,FUEL TANK,RT68.....69-70  
 KIT,FUEL/WATER SEP,30 MICRON.....61, 63  
 KIT,GASKET,UK POWER TO PLAT.....145  
 KIT,GEN 5 COIL CORD.....149  
 KIT,HANDLE,JOYSTICK W/SCREWS.....151  
 KIT,HYDRAULIC TANK,GS68RT.....73  
 KIT,JOYSTICK ENABLE SWITCH.....153  
 KIT,KUBOTA SOLENOID REPLACE\*\*\*.....49  
 KIT,LINKGUARDS 2668.....171  
 KIT,LINKGUARDS 3268.....171  
 KIT,PIVOT PIN BRACKET,GS68\*\*\*.....31  
 KNOB,HAND PUMP (RED)\*\*\*.....81  
 KNOB,PILOT OP VALVE (BLACK)\*\*\*.....81  
 KUBOTA 15221-11170 GASKET A/C.....53, 55  
 KUBOTA 15263-12370CUSHION.....57, 59  
 KUBOTA BAND, MUFFLER.....61, 63  
 KUBOTA COVER RH.....37  
 KUBOTA FUEL PUMP GASKET.....49, 51  
 KUBOTA GASKET,THERMOSTAT.....37, 45, 47  
 KUBOTA GLOW PLUG.....49, 51  
 KUBOTA INJECTOR PUMP, D1105.....49, 51  
 KUBOTA MUFFLER COVER LH.....37  
 KUBOTA OIL FILTER.....37

**L**

L.P.TANK LATCH.....87, 183  
 LANYARD,BLACK NYLON,TYPE 1\*\*\*.....131, 135, 139  
 LATCH GUIDE,INNER GS68.....143  
 LATCH GUIDE,OUTER GS68.....143  
 LATCH PIN.....141  
 LATCH, SMALL PADDLE HANDLE.....97  
 LATCH,FLUSH GS68.....97  
 LENS,FLASHING BEACON.....173  
 LEVEL SENSOR,LS60,BLUE,2X3\*\*.....35  
 LEVEL SENSOR,LS60,BLUE,2X4\*\*.....35  
 LEVEL,BUBBLE.....185, 187  
 LEVEL,BUBBLE,2 DEGREE \*.....185, 187  
 LEVER,FUNC ENABLE SWITCH,RGE\*\*.....151  
 LEVER,GOVERNOR,DF\*\*\*.....41  
 LIFT PUMP (FUEL).....63  
 LOCK,RECEP 2 WAY, 14-18GA.....205  
 LUG BOLT,45 DEG,1/2-20 UNF.....31, 33

**M**

MAIN PLAT DECK DIAMOND PLATE.....131  
 MANIFOLD, 2KW GENERATOR.....175  
 MANIFOLD, EXHAUST, KUBOTA.....45, 47  
 MANIFOLD,BRAKE RELEASE.....81  
 MANIFOLD,DRIVE/FUNC,GS68RT.....91  
 MANIFOLD,EXHAUST (101325).....65, 67  
 MANIFOLD,EXHAUST,KUBOTA WG750\*.....37  
 MANIFOLD,GENERATOR.....177  
 MANIFOLD,MAIN GS68.....93-94  
 MANIFOLD,MAIN,GS68 IC,SERV.....89  
 MANIFOLD,OUTRIGGER,GS68.....191  
 MANUAL BOX W/DECALS\*\*\*.....137, 139  
 MICROSWITCH-V319M\*\*\*.....151  
 MOTOR,HYD-DRIVE,28.3 CU.IN.....31  
 MOTOR,HYD-DRIVE,32.7 CU.IN.....31  
 MOTOR/BRAKE 28.3 CU.IN./REV.....33  
 MOTOR/BRAKE,HD,32.7 CU.IN./REV.....33  
 MUFFLER ASSEMBLY.....47  
 MUFFLER COVER (62040)\*\*\*.....37  
 MUFFLER,KUBOTA,GS68,DF750,D905.....37, 45  
 MUFFLER,RND,TYPE 5,4.57 DIAX.....61, 63

**N**

NECK/HEAD-LIMIT SWITCH (88356).....35  
 NEEDLE/HOUSING ASSY W/KNOB\*\*\*.....79  
 NIPPLE,DIAGNOSTIC,#4.....89, 91, 94  
 NUT - PLASTIC,RING FOR ALARMS.....35, 147, 149  
 NUT, LP NYLOCK, 3/8-16...69-70, 75, 77, 87, 113, 119, 129, 137, 139, 143, 175, 177, 183, 185  
 NUT,CASTLE,1.125-18 UNEF.....31, 33  
 NUT,COIL (39909).....115, 117, 121, 123  
 NUT,COIL,DO3,52381,BOSCH,GS68.....89  
 NUT,EXHAUST MANIFOLD.....45, 47  
 NUT,HEX,1/4-20.....43, 57, 61, 63  
 NUT,HEX,1/4-28.....41  
 NUT,HEX,5/16-18,GR5.....37  
 NUT,HEX,6-32.....147  
 NUT,JOYSTICK,44988, RGE.....151  
 NUT,LOCKING-LG.FLANGE,5/16-18.....97  
 NUT,LP NYLOCK,1/2-13.....137, 141  
 NUT,LP NYLOCK,1/4-20...115, 117, 121, 123, 133, 139, 149, 205  
 NUT,LP NYLOCK,5/8-11.....69-70, 131, 165, 185, 187  
 NUT,NYLOCK,1/2-13.....31, 33, 43, 59, 65, 67, 87, 183, 185  
 NUT,NYLOCK,1/4-20.....39, 41, 43, 49, 51, 55, 57, 61, 63, 69-70, 73, 83, 97, 115, 117, 121, 123, 129, 135, 137, 139, 141, 143, 145, 157, 159, 173, 209  
 NUT,NYLOCK,10-24.....83, 85  
 NUT,NYLOCK,10-32.....35, 157, 173, 185, 187, 205, 207  
 NUT,NYLOCK,3/4-10,GRD.2.....33, 69-70, 97, 185, 187  
 NUT,NYLOCK,3/8-16.....33, 35, 43, 57, 59, 65, 67, 69-70, 73, 75, 79, 85, 97, 113, 115, 117, 119, 121, 123, 125, 127, 129, 131, 133, 135, 137, 139, 141, 143, 155, 157, 159, 161, 165, 167, 171, 175, 177, 185, 187, 189, 191, 197, 199, 201, 203, 205, 207, 209  
 NUT,NYLOCK,5/16-18.....61, 63, 65, 67, 155, 157, 171, 205, 207  
 NUT,NYLOCK,5/8-11.....33, 129, 137, 185, 187  
 NUT,NYLOCK,6-32.....85  
 NUT,NYLOCK,M8X1.25.....51  
 NUT,PROPORTNL. COIL,52372,GS68.....89, 91, 94  
 NUT,SOLENOID VALVE,OUTRIGGERS.....189  
 NUT,TAIPIPE,KUBOTA, 2668.....41  
 NUT,VALVE COVER CAP, D905.....45, 47  
 NUT,VALVE COVER CAP, WG750.....37  
 NUT-COIL SHORT.....89, 91, 93-94, 191  
 NUT-COIL(SCISSORS) TALL.....89, 91  
 NUT-COIL,REXROTH DO3 VALVE.....91  
 NUT-MOUNTING,PUSH BUTTON-44988...151  
 NUT-SELF LOCKING, M8X1.25MM.....39  
 NUTS,EXHAUST.....65, 67

**O**

O-RING KIT (ORFS FITTINGS).....89, 91, 93-94  
 O-RING, LIFT PUMP,(PERKINS 404).....61  
 O-RING,OIL FILLER PLUG,KUBOTA\*.....37, 45, 47  
 OIL COOLER DOOR ASSY, GS68 RT.....209  
 OIL COOLER W/FAN, 12VDC.....209  
 OIL FILTER - PERKINS.....61, 63

ORIFICE PLUG 0.063 IN / 1.6MM.....191  
 ORIFICE PLUG, 0.035.....89, 91, 93-94  
 ORIFICE PLUG,030,1/16-27 NPT.....93-94  
 ORIFICE,LONG, .059".....115, 117, 121, 123  
 OUTER ARM #1 W/BEARINGS GS2668...113, 119  
 OUTER ARM #4 W/BEARINGS GS2668.....113  
 OUTER ARM #4 W/BEARINGS GS3268...119  
 OUTER ARM #4 W/BEARINGS,GS3268...119  
 OUTER ARM #5 W/BEARINGS GS3268...119  
 OUTER ARM ASSY #2,W/SY DECALS\*...113, 119  
 OUTER ARM ASSY, W/BEARINGS...113, 119  
 OUTER ARM ASSY, W/DECALS\*.....113, 119  
 OUTLET, 110V.....145  
 OUTRIG MANIFOLD ASSY,GS68.....191  
 OUTRIGGER CYLINDER ASSY GS68.....189  
 OUTRIGGER HOUSING ASSY,GS68,S.....187  
 OUTRIGGER HOUSING ASSY,GS68,W...185, 187

**P**

P.C.BOARD,SWITCH ASSY,GS68 RT.....147  
 PAD,WREST,WRIST,GS68PLAT.CONT~.....147  
 PC BOARD-PLATCNTRL,ITT GS68\*\*~.....147  
 PCB,RT PLATFORM CONTROLS\*\*\*.....149  
 PETCOCK,DRAIN,KUBOTA WG750B.....39, 45, 47  
 PIN, SHOULDER, 5/8-11 X 1.77.....131  
 PIN, WIRE LOCK 3/8 X 2 -1/2.....131, 135, 139  
 PIN,1.00DIAX3.25LG,1HOLE.....31  
 PIN,1.00DIAX4.6 LG,1HOLE.....113, 119  
 PIN,1.25DIAX2.75LG,1HOLE.....31  
 PIN,1.50DIAX10.45LG,1HOLE.....123  
 PIN,1.50DIAX8.45LG,1HOLE.....115, 117, 121, 123  
 PIN,1.75DIAX26.71LG,2RING.....113, 119  
 PIN,1.75DIAX5.87LG,CHAMFER.....113, 119  
 PIN,1.75DIAX7.35LG,CHAMFER.....125, 127  
 PIN,1.75DIAX8.51LG,2RING.....113, 119  
 PIN,CLEVIS,1 X 2.5 LG.....31  
 PIN,CLEVIS,1X2.250,ZAG.....31  
 PIN,COTTER,.125 X 1.5.....31  
 PIN,EXTENSION ROLLER.....129, 137  
 PIN,LOCK,LONG\*\*\*.....69-70  
 PIN,SHOULDER,5/8-11 X 1.0 PLTD.....189  
 PIN,SNAP,ENTRY RAIL.....75, 77, 133, 137, 165, 175, 177  
 PIN-THREADED SHLDR OFFS,5/8-11.....165  
 PIPE ASSY-OVERFLOW-D905.....49, 51  
 PIPE CRADLE KIT,GS68.....197, 199  
 PIPE,BREATHER JOINT, D905.....45, 47  
 PIPE,BREATHER JOINT,DF-750.....37, 39  
 PIPE,INJECTOR 1, 403C-11.....61, 63  
 PIPE,INJECTOR 1,D905,D1105.....49, 51  
 PIPE,INJECTOR 2, 403C-11.....61, 63  
 PIPE,INJECTOR 2,D905,D1105.....49, 51  
 PIPE,INJECTOR 3, 403C-11.....61, 63  
 PIPE,INJECTOR 3,D905,D1105.....49, 51  
 PIPE,INLET, D905.....53, 55  
 PLAT ASSY,2668RT,ANSI,115V,DSL.....125  
 PLAT ASSY,2668RT,ANSI,230V,DSL.....125  
 PLAT ASSY,2668RT,CE,115V,DIESL.....125  
 PLAT ASSY,2668RT,CE,230V,DIESL.....125  
 PLAT ASSY,2668RT,CE,DF,115V.....125  
 PLAT ASSY,2668RT,CE,DF,230V.....125  
 PLAT ASSY,2668RT,DF,ANSI,115V.....125  
 PLAT ASSY,2668RT,DF,ANSI,230V.....125  
 PLAT ASSY,3268RT,ANSI,115V,DSL.....125



- SCREW,SHS,3/8-16 X .5.....75, 77, 175, 177, 201, 203  
 SCREW-AIR BREATHER, D905.....49, 51  
 SEAL (84535/84539).....79  
 SEAL KIT (55717) TEXAS HYD VER.....115, 117, 121, 123  
 SEAL KIT, 55717 DY LIFTCYL.....115, 117, 121, 123  
 SEAL KIT, GS68 OUTRIGGER CYL.....189  
 SEAL KIT, HAND PUMP,2003 MINI.....79  
 SEAL KIT, VALVE.....89, 91, 93-94, 191  
 SEAL KIT,52372,SOLENOID VALVE.....89, 91, 94  
 SEAL KIT,52381,BOSCH DO3,GS68.....89  
 SEAL KIT,BOSCH PUMP\*\*\*.....39, 53, 55, 65, 67  
 SEAL KIT,CYL,GS68.....189  
 SEAL KIT,DR MTR.GS15/19,Z20\*\*\*.....31  
 SEAL KIT,DRIVE/BRAKE MTR.2668.....33  
 SEAL KIT,HAND PUMP\*\*\*.....81  
 SEAL KIT,PO CHECK VALVE(84391).....79  
 SEAL KIT,RELIEF VALVE(65754).....191  
 SEAL KIT,REXROTH (67335,55920).....39, 53  
 SEAL KIT,REXROTH DO3 VALVE.....91  
 SEAL KIT,SOLENOID VALVE, SV07.....93-94  
 SEAL KIT,SOLENOID(52377).....89, 91, 191  
 SEAL KIT,STEER CYL (89065).....31  
 SEAL KIT-FLOW, DIV/COM(65964).....93-94  
 SEAL KIT-FOR P.N.44167.....93-94  
 SEAL KIT-P.N.44169,44172,44171.....89, 91, 93-94, 191  
 SEAL, AIR RADIATOR,GS84.....209  
 SEAL, DIESEL ENGINE.....57, 59  
 SEAL, RADIATOR (94232).....61, 63  
 SEAL,INTAKE,GS68,PRK 403C-11.....61, 63  
 SEAL,RETAINING RING.....177  
 SEAL,SHAFT.....177  
 SENDING UNIT,OIL PRESSURE\*\*\*.....37, 45, 47  
 SENDING UNIT,TMP,FRD,GM,PRK704.....37, 45, 47  
 SENSOR,LEVEL, ANALOG.....35  
 SENSOR,WATER TEMPERATURE.....65, 67  
 SEPARATOR/FILTER ELEMENT,FUEL\*.....49, 61  
 SEPARATOR/FILTER,FUEL DIESEL\*\*.....49, 61  
 SERIAL # LABEL,MYLAR 4X8\*\*\*.....11, 13-14, 17-18, 25  
 SERVICE KIT,BRAKE DISC.....33  
 SERVICE KIT,BRAKE RELEASE MAN\*.....79  
 SERVICE KIT,ECM-68RT,84,90\*\*\*.....85  
 SERVICE KIT,LP LOCKOUT.....39  
 SHAFT ASSY,JOYSTICK.....151  
 SHAFT,MOTOR.....177  
 SHAFT,MOTOR (51410)\*\*\*.....31  
 SHOCK MOUNT,LARGE\*\*.....43, 57, 65, 67  
 SLIDER BLOCK,PLATFORM.....125, 127  
 SLIDER, GATE CATCH.....135  
 SNAP RING (55193).....31  
 SNAP RING,EXTERNAL,1.75 DIA.....113, 119  
 SOLENOID,1"STRKE,12V,SYNCR\*\*\*.....41, 49, 51  
 SOLENOID,32193 STARTER,D905.....45, 47  
 SOLENOID,FUEL SHUT OFF\*\*\*.....39  
 SOLENOID,KUBOTA D9/1105 SHTDWN....49, 51  
 SOLENOID,LP SHUT OFF\*\*\*.....39  
 SOLENOID,SHUT DN,PERKINS(54555.....61, 63  
 SOLENOID,STARTER,WG750B.....37  
 SOLENOID,THROTTLE ACTUATOR DSL.....61, 63  
 SOLENOID,THROTTLE.....41  
 SPACER.....177  
 SPACER,.188 PLAT.CONTROL,GS68~.....147  
 SPACER,.5" GS PLAT PC BOARD.....147  
 SPACER,.75ID X 1.5OD X 1/4THK.....129  
 SPACER,RND,ENGINE TRAY,1.475"L.....69-70  
 SPACER,ROUND ENGINE TRAY.....69-70  
 SPACER-DUAL COIL,#10, SCISSORS.....89, 91, 191  
 SPARK PLUG WIRE KIT,DF-752.....41  
 SPARK PLUG WIRE,#1,DF-752.....41  
 SPARK PLUG WIRE,#2,DF-752.....41  
 SPARK PLUG WIRE,#3,DF-752.....41  
 SPARK PLUG,WG750B\*\*\*.....41  
 SPEED CONTROL ASSY, D905.....49, 51  
 SPRING & BUSHING KIT,RETURN\*\*\*.....151  
 SPRING CLIP,1/4 TURN,.188PANEL.....73  
 SPRING CLIP,1/4-20,.025-.15X.54,ZAG....125, 127, 129  
 S P R I N G G  
 CLIP,10-24,.025-.125X.468,ZAG.....155, 163  
 SPRING CLIP,3/8-16,.05-.20X.73,ZAG.....35, 69-70, 175, 177, 185, 187, 205, 207  
 SPRING, TORSION, ENTRY GATE.....165  
 SPRING,COMPRESSION .835 X 2.....135  
 SPRING,GOVERNOR,LOWER, WG750\*\*.....41  
 SPRING,GOVERNOR,UPPER, WG750.....41  
 SPRING,RETURN,SPEED CONTR,D905..49, 51  
 SPRING,TENSION-1.25 X.438 DIA.....49, 51, 61, 63  
 STARTER ASSY,KUBOTA DUAL FUEL.....37  
 STARTER, PERKINS, 403D.....65, 67  
 STARTER,KUBOTA D905 VERS 2\*\*\*.....45, 47  
 STAY,ALTERNATOR\*\*\*.....37  
 STEER SWITCH REPAIR KIT\*\*\*.....153  
 STOP PLATFORM ROLLER.....129  
 STRAIN RELIEF-GS JOYSTICK\*\*~.....147  
 STRAINER ASSEMBLY,1.5" NPT.....73, 99, 101, 103, 105-106  
 STRAINER,FILLER NECK.....73  
 STRAP,NYLON,1.0 IN. BLACK.....197, 199  
 STRIP,RADIATOR SEAL MOUNT.....61, 63  
 STUD ASSY,RTSC CONTROL BOX.....147  
 STUD, 1/4 TURN, .35 LONG.....73  
 STUD,EXHAUST MANIFOLD.....45, 47  
 STUDS,EXHAUST.....65, 67  
 SUPPORT, CABLE BRIDGE MOUNTING.....117, 123  
 SVC KIT,PRESS SWITCH,GS3268IC.....205  
 SVC KIT,UK RECEPT.REPLACEMENT.....145  
 SWITCH, TURN, BLACK W/SEAL.....83  
 SWITCH,LIMIT,TABULATED BLUE\*\*\*.....205, 207  
 SWITCH,LIMIT,W/RLR ARM,NO/NC\*\*.....35, 187, 205, 207  
 SWITCH,OIL PRES,PERK 403D-11G.....63  
 SWITCH,OIL PRESS-PERKINS(54555.....61  
 SWITCH,OIL,PRESSURE,KUBOTA.....37, 45, 47  
 SWITCH,PRESS 2500-6000 PSI ADJ.....201, 203  
 SWITCH,PUSHBUTTON,BORE MOUNT....185  
 SWITCH,WATER TEMP.....37  
 SWITCH-PUSH BTN, HIGH, GS68.....147  
 SWITCH-PUSH BTN, LOW, GS68\*\*~.....147  
 SWITCH-TOGGLE,SPDT,3POS, MOM\*~.....147
- ## T
- T-BOX,2.75 X 4.5 X 2.0.....145  
 TAILPIPE, D1105, GS68.....47  
 TAILPIPE, PERKINS 403C, GS68.....61, 63  
 TAILPIPE,EXHAUST,KUBOTA DIESEL.....45  
 TAILPIPE,EXHAUST,KUBOTA GAS.....37  
 TANK STRAP, BOLT STYLE, GS68.....73  
 TANK, 7 GAL/33.5 POUND, LP.....183  
 TANK,HYDRAULIC,15GL.....73  
 TEE,BRANCH,520429-10.....73  
 TEE,RUN,SWIVEL,520432-6.....99, 101, 103, 105-106, 179, 181, 185, 187, 193, 201, 203  
 TEE,UNION,520401-4.....99, 101  
 TERMINAL STRIP,15POS.,SPADE\*\*\*.....85  
 TERMINAL STRIP,30POS.,SPADE.....85  
 The hose lengths below reflect the length of the hose only. Refer to the 'Fittings Cross Reference' to match Genie part numbers to Parker part numbers.....181  
 THERMOSTAT.....45, 47  
 THERMOSTAT -OIL COOLER (71259).....209  
 THERMOSTAT ASSY,D850B,DF750.....37  
 THERMOSTAT COVER.....47  
 THERMOSTAT COVER,KUBOTA GAS.....37  
 THERMOSTAT, HOUSING, KUBO D905.....45  
 THREADED ROD,1/4-28 X 5.5 IN\*\*.....41  
 TIRE & WHEEL ASSY,NON-MARKING.....31  
 TRIM LOCK, 1/8 X .75.....117, 123  
 TRIMLOCK,BLACK,3/8.....70  
 TUBE ASSY,FUEL TANK,13.5" LG.....70  
 TUBE MESH TRAY SUPPORT, GS68.....155  
 TUBE, GUARD, SIDE.....167  
 TUBE, MESH REAIL, SIDE, GS68.....157  
 TUBE,ENGINE PULL,GS68.....59  
 TUBE,EXT ARM.....143  
 TUBE,LINK GUARD SIDE RAIL,GS68.....157  
 TUBE,RD,ALUM 2 X .095.....113, 119  
 TUBE,SQ,PIPE CRADLE.....199  
 TUBING, PRESSURE SWITCH,2668.....205  
 TUBING, PRESSURE SWITCH,3268.....205  
 TURN SWITCH ACTUATOR,JOYSTICK\*\*.....153
- ## U
- U-BOLT, SQR, 3/8-16X2X5, PLTD.....197  
 U-BOLT,1/4-20 X 1.75 X 3.00.....43, 57, 59, 61, 63  
 U-BOLT,SQR,3/8-16X2X3,PLTD.....199
- ## V
- V-ROLLER, EXT PLAT,GS90.....131  
 V-ROLLER,NARROW,EXT DECK.....131  
 VALVE ASSY,D03,REX,3POS 4WAY.....89  
 VALVE COVER, D905.....45, 47  
 VALVE COVER,DF750\*\*\*.....37  
 VALVE, FUEL SHUT-OFF.....70  
 VALVE,2 POSITION 2 WAY\*\*\*.....115, 117, 121, 123  
 VALVE,BALL,12 MSAE-12 FSAE.....99  
 VALVE,CB,CBCA-LHN@2500.....94  
 VALVE,CB,CBCH-LDN@1000.....94  
 VALVE,CHECK(SCISSORS) GS68.....89, 91  
 VALVE,CHECK,5 PSI\*\*.....89, 91, 93-94  
 VALVE,CHECK,GS68 (SIZE8 8).....89, 91



***This Page Intentionally Left Blank***

Go to [Discount-Equipment.com](http://Discount-Equipment.com) to order your parts

## Fitting Cross References

Genie PN	Parker PN	Description	Genie PN	Parker PN	Description
12342	6-4 F5OX-S	CONNECTOR,STRAIGHT THREAD TO FLARE TUBE	42794	1 CR-S	ELBOW,90°,MALE PIPE
13757	4 R6X-S	RUN TEE,SWIVEL NUT,ORFS	42795	BV-0839	BALL VALVE
19685	12-10 C5OX-S	ELBOW,90°,STRAIGHT THREAD TO FLARE TUBE	42796	BV-0838	BALL VALVE
22664	12-10 C5OX	ELBOW,90°,STRAIGHT THREAD TO FLARE TUBE	42874	6-8 CLO-S	ELBOW,90°,MALE PIPE TO ORFS
27431	8-12 F5OX-S	CONNECTOR,STRAIGHT THREAD TO FLARE TUBE	42912	13943-6-4	HOSE END,90° FEMALE SWIVEL,JIC
28678	AS-B-33	SLEEVE,NYLON,1.81" ID	42920	BV-0840	BALL VALVE,90°
39871	6 WETX-WLN-S	UNION,90° BULKHEAD W/NUT,FLARE TUBE	42932	AS-B-17	SLEEVE,NYLON,1.22" ID
39872	4 R5OX-S	RUN TEE,STRAIGHT THREAD	42936	10243-2-4	HOSE END,FEMALE PIPE
39873	6 C5OX-S	ELBOW,90°,STRAIGHT THREAD TO FLARE TUBE	42953	1/2 DD-S	ELBOW,90°,FEMALE PIPE
39874	8-6 C5OX-S	ELBOW,90°,STRAIGHT THREAD TO FLARE TUBE	42956	6 WELO-WLNL-S	UNION,90° BULKHEAD W/NUT,ORFS
39875	4-6 C5OX-S	ELBOW,90°,STRAIGHT THREAD TO FLARE TUBE	45349	8 V5OX-S	ELBOW,45°,STRAIGHT THREAD TO FLARE TUBE
39876	6-8 C5OX-S	ELBOW,90°,STRAIGHT THREAD TO FLARE TUBE	45351	4 V5OX-S	ELBOW,45°,STRAIGHT THREAD TO FLARE TUBE
39877	4 F5OX-S	CONNECTOR,STRAIGHT THREAD TO FLARE TUBE	47223	10343-6-6	HOSE END,MALE,JIC
39878	6 F5OX-S	CONNECTOR,STRAIGHT THREAD TO FLARE TUBE	47419	PS690503-6-6	SWIVEL,90°,STRAIGHT THREAD TO 37° FLARE
39879	4-8 F5OX-S	CONNECTOR,STRAIGHT THREAD TO FLARE TUBE	48750	421-4	HOSE,1/4 INCH ID
39880	6-10 F5OX-S	CONNECTOR,STRAIGHT THREAD TO FLARE TUBE	48751	481TC-4	HOSE,1/4 INCH ID
39881	4-6 F5OX-S	CONNECTOR,STRAIGHT THREAD TO FLARE TUBE	48752	482TC-4	HOSE,1/4 INCH ID
39882	4-HP5ON-S	PLUG,STRAIGHT THREAD	48753	451TC-6	HOSE,3/8 INCH ID
39883	8-8 FTX-S	CONNECTOR,MALE PIPE TO FLARE TUBE	48754	482TC-6	HOSE,3/8 INCH ID
39885	269HB 12-12	ELBOW,90°,BEADED HOSE BARB TO MALE PIPE	48755	381-6	HOSE,3/8 INCH ID
39886	431-6	HOSE,3/8 INCH ID	48756	451TC-8	HOSE,1/2 INCH ID
39887	540N-2	HOSE,1/8 INCH ID	48757	482TC-8	HOSE,1/2 INCH ID
39888	801-8	HOSE,1/2 INCH ID	48758	381-8	HOSE,1/2 INCH ID
39889	801-12	HOSE,3/4 INCH ID	48759	381-10	HOSE,5/8 INCH ID
39890	10643-6-6	HOSE END,FEMALE SWIVEL,JIC	48760	451TC-10	HOSE,5/8 INCH ID
39891	13943-6-6	HOSE END,90° FEMALE SWIVEL,JIC	48761	482TC-12	HOSE,3/4 INCH ID
39892	13743-6-6	HOSE END,45° FEMALE SWIVEL,JIC	48762	451TC-12	HOSE,3/4 INCH ID
39894	30682-8-8	HOSE END,FEMALE SWIVEL,JIC	48763	772-12	HOSE,3/4 INCH ID
39895	30682-10-12	HOSE END,FEMALE SWIVEL,JIC	48764	881-16	HOSE,1 INCH ID
42286	8-8 CTX-S	ELBOW,90°,MALE PIPE TO FLARE TUBE	48765	772-16	HOSE,1 INCH ID
42756	8-12 CLO-S	ELBOW,90,MALE PIPE TO ORFS	48766	AS-B-15	SLEEVE,NYLON,1.06" ID
42757	8-12 FLO-S	CONNECTOR,MALE PIPE TO ORFS	48767	AS-B-22	SLEEVE,NYLON,1.42" ID
42758	4 JLO-S	UNION TEE,ORFS	48770	881-8	HOSE,1/2 INCH ID
42759	4-4 FLO-S	CONNECTOR,MALE PIPE TO ORFS			
42760	6-8 FLO-S	CONNECTOR,MALE PIPE TO ORFS			
42761	1J143-6-4	HOSE END,90° FEMALE SWIVEL,SEAL LOK			
42762	1J743-6-4	HOSE END,45° FEMALE SWIVEL,SEAL LOK			
42768	1JO43-4-4	HOSE END,MALE,SEAL LOK			
42776	601-8	HOSE,1/2 INCH ID			
42777	1J743-16-16	HOSE END,45° FEMALE SWIVEL,SEAL LOK			
42786	16 CLO-S	ELBOW,90°,MALE PIPE TO ORFS			
42787	16 R6LO-S	RUN TEE,SWIVEL NUT,ORFS			
42788	16-8 TRLO-BL-S	REDUCER,TUBE END TO SWIVEL,ORFS			
42789	6-6 CLO-S	ELBOW,90°,MALE PIPE TO ORFS			
42790	8-10 V5OLO-S	ELBOW,45°,STRAIGHT THREAD TO ORFS			
42791	3/4 CD-S	ELBOW,90°,MALE TO FEMALE PIPE			
42792	3/4 X 1/2 PTR-S	REDUCER,MALE TO FEMALE PIPE			
42793	1/2 CR-S	ELBOW,90°,MALE PIPE			

## Fitting Cross References (Continued)

Genie PN	Parker PN	Description	Genie PN	Parker PN	Description
48771	881-10	HOSE,5/8 INCH ID	48847	13943-12-12	HOSE END,90° FEMALE SWIVEL,JIC
48772	381-4	HOSE,1/4 INCH ID	48848	10543-12-12	HOSE END,MALE,STRAIGHT THREAD
48773	AS-B-13	SLEEVE,NYLON,.86" ID	48849	1JC71-12-12	HOSE END,FEMALE SWIVEL,SEAL LOK
48800	1JC43-4-4	HOSE END,FEMALE SWIVEL,SEAL LOK	48850	1JS71-12-12	HOSE END,FEMALE SWIVEL,SEAL LOK
48801	1J743-4-4	HOSE END,45° FEMALE SWIVEL,SEAL LOK	48851	1J171-12-12	HOSE END,90° FEMALE SWIVEL,SEAL LOK
48802	1J943-4-4	HOSE END,90° FEMALE SWIVEL,SEAL LOK	48852	1J771-12-12	HOSE END,45° FEMALE SWIVEL,SEAL LOK
48804	1JM43-4-4	HOSE END,MALE,SEAL LOK, NO O-RING	48853	1J971-12-12	HOSE END,90° FEMALE SWIVEL,SEAL LOK
48805	10643-4-4	HOSE END,FEMALE SWIVEL,JIC	48854	1JC43-16-16	HOSE END,FEMALE SWIVEL,SEAL LOK
48806	13943-4-4	HOSE END,90° FEMALE SWIVEL,JIC	48855	1J943-16-16	HOSE END,90° FEMALE SWIVEL,SEAL LOK
48807	1JS43-4-4	HOSE END,FEMALE SWIVEL,SEAL LOK	48856	1J171-16-16	HOSE END,90° FEMALE SWIVEL,SEAL LOK
48808	3JC82-8-8	HOSE END,FEMALE SWIVEL,SEAL LOK	48857	1J971-16-16	HOSE END,90° FEMALE SWIVEL,SEAL LOK
48809	3JC82-12-12	HOSE END,FEMALE SWIVEL,SEAL LOK	48859	1JS43-8-4	HOSE END,FEMALE SWIVEL,SEAL LOK
48810	1JC43-6-4	HOSE END,FEMALE SWIVEL,SEAL LOK	48867	PD36BTL	DIAGNOSTIC NIPPLE,SEAL-LOK SWIVEL
48811	1J943-6-4	HOSE END,90° FEMALE SWIVEL,SEAL LOK	48873	6 PNLO-S	PLUG,TUBE END,ORFS
48812	1JC43-6-6	HOSE END,FEMALE SWIVEL,SEAL LOK	48874	6 PNTX-S	PLUG,FLARE TUBE
48813	1J143-6-6	HOSE END,90° FEMALE SWIVEL,SEAL LOK	48875	6 R6LO-S	RUN TEE,SWIVEL NUT,ORFS
48814	1J543-6-6	HOSE END,90° FEMALE SWIVEL,SEAL LOK	48877	4 F5OLO-SW/.025	CONNECTOR,STRAIGHT THREAD TO ORFS, W/.025 ORI
48815	1J743-6-6	HOSE END,45° FEMALE SWIVEL,SEAL LOK	48878	16-12 C5OLO-S	ELBOW,90°,STRAIGHT THREAD TO ORFS
48816	1J943-6-6	HOSE END,90° FEMALE SWIVEL,SEAL LOK	48879	8 C6LO-S	ELBOW,90°,SWIVEL NUT ORFS
48817	1JS43-6-8	HOSE END,FEMALE SWIVEL,SEAL LOK	48880	PD6-285	CAP,DIAGNOSTIC NIPPLE
48818	1J943-8-4	HOSE END,90° FEMALE SWIVEL,SEAL LOK	48881	6 HLO-S	UNION,ORFS
48819	1JC43-8-6	HOSE END,FEMALE SWIVEL,SEAL LOK	48883	8 P5ON-S	PLUG,STRAIGHT THREAD
48820	1J743-8-6	HOSE END,45° FEMALE SWIVEL,SEAL LOK	48884	8M18F87OMLO-S	CONNECTOR,METRIC,STRAIGHT THREAD TO ORFS
48821	1J943-8-6	HOSE END,90° FEMALE SWIVEL,SEAL LOK	48885	4 WGTX-WLN-S	CONNECTOR,BULKHEAD,FEMALE PIPE TO FLARE TUBE
48822	1JC43-8-8	HOSE END,FEMALE SWIVEL,SEAL LOK	48886	4 F5OLO-SW/2MM	CONNECTOR,MACHINED STRAIGHT THREAD TO ORFS
48823	1JS43-8-8	HOSE END,FEMALE SWIVEL,SEAL LOK	48887	4 CTX-S	ELBOW,90°,MALE PIPE TO FLARE TUBE
48824	1J143-8-8	HOSE END,90° FEMALE SWIVEL,SEAL LOK	48888	10-12 V5OLO-S	ELBOW,45°,STRAIGHT THREAD TO ORFS
48825	1J543-8-8	HOSE END,90° FEMALE SWIVEL,SEAL LOK	48890	4 S5OLO-S	BRANCH TEE,STRAIGHT THREAD TO ORFS
48826	1J743-8-8	HOSE END,45° FEMALE SWIVEL,SEAL LOK	48891	4 S6LO-S	BRANCH TEE,SWIVEL NUT TO ORFS
48827	1J943-8-8	HOSE END,90° FEMALE SWIVEL,SEAL LOK			
48828	1JC43-10-8	HOSE END,FEMALE SWIVEL,SEAL LOK			
48829	1JS43-10-8	HOSE END,FEMALE SWIVEL,SEAL LOK			
48830	1J743-10-8	HOSE END,45° FEMALE SWIVEL,SEAL LOK			
48831	1J943-10-8	HOSE END,90° FEMALE SWIVEL,SEAL LOK			
48833	1JC43-10-10	HOSE END,FEMALE SWIVEL,SEAL LOK			
48834	1J943-10-10	HOSE END,90° FEMALE SWIVEL,SEAL LOK			
48835	1JS43-10-12	HOSE END,FEMALE SWIVEL,SEAL LOK			
48836	1JC43-12-8	HOSE END,FEMALE SWIVEL,SEAL LOK			
48837	1JS43-12-8	HOSE END,FEMALE SWIVEL,SEAL LOK			
48838	1J743-12-8	HOSE END,45° FEMALE SWIVEL,SEAL LOK			
48839	1J943-12-8	HOSE END,90° FEMALE SWIVEL,SEAL LOK			
48840	1J943-12-10	HOSE END,90° FEMALE SWIVEL,SEAL LOK			
48841	1JC43-12-12	HOSE END,FEMALE SWIVEL,SEAL LOK			
48842	1JO43-12-12	HOSE END,MALE,SEAL LOK			
48843	1J143-12-12	HOSE END,90° FEMALE SWIVEL,SEAL LOK			
48844	1J543-12-12	HOSE END,90° FEMALE SWIVEL,SEAL LOK			
48845	1J743-12-12	HOSE END,45° FEMALE SWIVEL,SEAL LOK			
48846	1J943-12-12	HOSE END,90° FEMALE SWIVEL,SEAL LOK			



## Fitting Cross References (Continued)

Genie PN	Parker PN	Description	Genie PN	Parker PN	Description
48892	6 C6LO-S	ELBOW,90°,SWIVEL NUT ORFS	48938	8 R6LO-S	RUN TEE,SWIVEL NUT,ORFS
48893	6 F5OHAO-S	UNION,STRAIGHT THREAD	48939	8 S6LO-S	BRANCH TEE,SWIVEL NUT TO ORFS
48894	8 WLO-WLNL-S	UNION,BULKHEAD,ORFS	48940	8 WJLO-WLNL-S	RUN TEE, BULKHEAD,ORFS
48895	DT-370-MSMO-5	VALVE,CHECK	48941	8-4 TRLO-S	REDUCER,TUBE END TO SWIVEL,ORFS
48896	6 JLO-S	UNION,TEE,ORFS	48942	8-6 C5OLO-S	ELBOW,90°,STRAIGHT THREAD TO ORFS
48897	DT-750-MSMS-5	VALVE,CHECK	48943	8-6 F5OLO-S	CONNECTOR,STRAIGHT THREAD TO ORFS
48898	DT-750-MOMS-5	VALVE,CHECK	48944	8-8 FLO-S	CONNECTOR,MALE PIPE TO ORFS
48899	DT-620-MOMS-5	VALVE,CHECK	48945	8 FTX-S	CONNECTOR,MALE PIPE TO FLARE TUBE
48900	4-6 F5OLO-SW/.035	CONNECTOR,STRAIGHT THREAD TO ORFS, W/.035 ORI	48946	8-10 F5OLO-S	CONNECTOR,STRAIGHT THREAD TO ORFS
48902	16-1 AOE4G-S	ELBOW,90° LONG,FEMALE PIPE TO STRAIGHT THREAD	48947	8-12 C5OLO-S	ELBOW,90°,STRAIGHT THREAD TO ORFS
48903	1 FF-S	NIPPLE,PIPE	48948	8-12 F5OLO-S	CONNECTOR,STRAIGHT THREAD TO ORFS
48904	4 C5OLO-S	ELBOW,90°,STRAIGHT THREAD TO ORFS	48949	8-16 F5OLO-S	CONNECTOR,STRAIGHT THREAD TO ORFS
48905	4 F5OLO-S	CONNECTOR,STRAIGHT THREAD TO ORFS	48950	10 C5OLO-S	ELBOW,90°,STRAIGHT THREAD TO ORFS
48906	4 R5OLO-S	RUN TEE,STRAIGHT THREAD	48951	10 CC5OLO-S	ELBOW,90° LONG,STRAIGHT THREAD TO ORFS
48907	4 V5OLO-S	ELBOW,45°,STRAIGHT THREAD TO ORFS	48952	10 F5OLO-S	CONNECTOR,STRAIGHT THREAD TO ORFS
48908	4 R6LO-S	RUN TEE,SWIVEL NUT,ORFS	48953	10 R5OLO-S	RUN TEE,STRAIGHT THREAD
48909	4 WJLO-WLNL-S	RUN TEE, BULKHEAD,ORFS	48954	10 S5OLO-S	BRANCH TEE,STRAIGHT THREAD TO ORFS
48910	4 GTX-S W/.030	CONNECTOR,FEMALE PIPE TO FLARE TUBE	48955	10 R6LO-S	RUN TEE,SWIVEL NUT,ORFS
48911	4-6 C5OLO-S	ELBOW,90°,STRAIGHT THREAD TO ORFS	48956	10-4 TRLO-BL-S	REDUCER,TUBE END TO SWIVEL,ORFS
48912	4-6 F5OLO-S	CONNECTOR,STRAIGHT THREAD TO ORFS	48957	10-6 TRLO-BL-S	REDUCER,TUBE END TO SWIVEL,ORFS
48913	4-6 F5OLO-SW/.030	CONNECTOR,STRAIGHT THREAD TO ORFS, W/.030 ORI	48958	10-12 F5OLO-S	CONNECTOR,STRAIGHT THREAD TO ORFS
48914	4-8 F5OLO-S	CONNECTOR,STRAIGHT THREAD TO ORFS	48959	12 C5OLO-S	ELBOW,90°,STRAIGHT THREAD TO ORFS
48915	6 C5OLO-S	ELBOW,90°,STRAIGHT THREAD TO ORFS	48960	12 F5OLO-S	CONNECTOR,STRAIGHT THREAD TO ORFS
48916	6 F5OLO-S	CONNECTOR,STRAIGHT THREAD TO ORFS	48961	12 R5OLO-S	RUN TEE,STRAIGHT THREAD
48917	6 FF5OLO-S	CONNECTOR,LONG,STRAIGHT THREAD TO ORFS	48962	12 S5OLO-S	BRANCH TEE,STRAIGHT THREAD TO ORFS
48918	6 R5OLO-S	RUN TEE,STRAIGHT THREAD	48963	12 V5OLO-S	ELBOW,45°,STRAIGHT THREAD TO ORFS
48919	6 S5OLO-S	BRANCH TEE,STRAIGHT THREAD TO ORFS	48964	12 R6LO-S	RUN TEE,SWIVEL NUT,ORFS
48920	6 V5OLO-S	ELBOW,45°,STRAIGHT THREAD TO ORFS	48965	12 CLO-S	ELBOW,90°,MALE PIPE TO ORFS
48921	6 FLO-S	CONNECTOR,MALE PIPE TO ORFS	48966	12 FLO-S	CONNECTOR,MALE PIPE TO ORFS
48922	6-6 FLO-S	CONNECTOR,MALE PIPE TO ORFS	48967	12 JLO-S	UNION TEE,ORFS
48923	6 P5ON-S	PLUG,STRAIGHT THREAD	48968	12 WLO-WLNL-S	UNION,BULKHEAD,ORFS
48925	6 WELO-S	UNION,90° BULKHEAD,ORFS	48969	12 WJLO-WLNL-S	RUN TEE, BULKHEAD,ORFS
48926	6-4 C5OLO-S	ELBOW,90°,STRAIGHT THREAD TO ORFS	48970	12 WELO-WLNL-S	UNION,90° BULKHEAD W/NUT,ORFS
48927	6-4 F5OLO-S	CONNECTOR,STRAIGHT THREAD TO ORFS			
48928	6-4 V5OLO-S	ELBOW,45°,STRAIGHT THREAD TO ORFS			
48929	6-8 C5OLO-S	ELBOW,90°,STRAIGHT THREAD TO ORFS			
48930	6-8 F5OLO-S	CONNECTOR,STRAIGHT THREAD TO ORFS			
48931	6-10 F5OLO-S	CONNECTOR,STRAIGHT THREAD TO ORFS			
48932	8 C5OLO-S	ELBOW,90°,STRAIGHT THREAD TO ORFS			
48933	8 F5OLO-S	CONNECTOR,STRAIGHT THREAD TO ORFS			
48934	8 FF5OLO-S	CONNECTOR,LONG,STRAIGHT THREAD TO ORFS			
48935	8 R5OLO-S	RUN TEE,STRAIGHT THREAD			
48936	8 S5OLO-S	BRANCH TEE,STRAIGHT THREAD TO ORFS			
48937	8 V5OLO-S	ELBOW,45°,STRAIGHT THREAD TO ORFS			

## Fitting Cross References (Continued)

Genie PN	Parker PN	Description	Genie PN	Parker PN	Description
48971	12 G5G5JG5-S	TEE,FEMALE STRAIGHT THREAD	49612	PKT02586	O-RING KIT (ORFS FITTINGS)
48972	12 XHL6-S	ADAPTER, 37° MALE TO SWIVEL ORFS	49613	PKT06276	PLUG AND CAP KIT-SERVICE,ORFS
48973	12-1/2 F5OG-S	ADAPTER,FEMALE PIPE TO STRAIGHT THREAD	49728	10143-12-12	HOSE END, MALE PIPE
48974	12-10 C5OLO-S	ELBOW,90°,STRAIGHT THREAD TO ORFS	49729	16-1 F5OG-S	ADAPTER,FEMALE PIPE TO STRAIGHT THREAD
48975	12-10 F5OLO-S	CONNECTOR,STRAIGHT THREAD TO ORFS	49814	12-8 FLO-S	CONNECTOR,MALE PIPE TO ORFS
48976	12-16 C5OLO-S	ELBOW,90°,STRAIGHT THREAD TO ORFS	49829	DT-500-MOMF-5	VALVE,CHECK
48977	12-16 F5OLO-S	CONNECTOR,STRAIGHT THREAD TO ORFS	49831	881-12	HOSE,3/4 INCH ID
48978	12-16 V5OLO-S	ELBOW,45°,STRAIGHT THREAD TO ORFS	49834	16 JLO-S	UNION TEE,ORFS
48980	12-16 FLO-S	CONNECTOR,MALE PIPE TO ORFS	49838	12-8 TRLO-BL-S	REDUCER,TUBE END TO SWIVEL,ORFS
48983	16 C5OLO-S	ELBOW,90°,STRAIGHT THREAD TO ORFS	49840	8 JLO-S	UNION TEE,ORFS
48984	16 F5OLO-S	CONNECTOR,STRAIGHT THREAD TO ORFS	49844	10-8 TRLO-BL-S	REDUCER,TUBE END TO SWIVEL,ORFS
48985	16 V5OLO-S	ELBOW,45°,STRAIGHT THREAD TO ORFS	49854	8 P5ON-S	PLUG,STRAIGHT THREAD
48986	16 FLO-S	CONNECTOR,MALE PIPE TO ORFS	49855	1JC43-16-12	HOSE END,FEMALE SWIVEL,SEAL LOK
48988	16 CD45-S	ELBOW,45°,MALE TO FEMALE PIPE	49859	4 P5ON-S	PLUG,STRAIGHT THREAD
48989	12 CD45-S	ELBOW,45°,MALE TO FEMALE PIPE	49861	4 FF5OLO-S	CONNECTOR, LONG, STRAIGHT THREAD TO ORFS
48990	8 CD45-S	ELBOW,45°,MALE TO FEMALE PIPE	49867	12-3/4 F5OG-S	ADAPTER,FEMALE PIPE TO STRAIGHT THREAD
48991	16-12 FLO-S	CONNECTOR,MALE PIPE TO ORFS	51152	6 R6X-S	RUN TEE,SWIVEL NUT,ORFS
48992	16-12 V5OLO-S	ELBOW,45°,STRAIGHT THREAD TO ORFS	51153	6-4 TRTX-S	REDUCER,TUBE END TO SWIVEL,ORFS
48993	XV501-12	BALL VALVE	51154	4-4 GTX	CONNECTOR,FEMALE PIPE TO FLARE TUBE
48994	XV501-16	BALL VALVE	51264	881-12	HOSE,3/4 INCH ID
48995	XV510P-12	BALL VALVE	51265	8 JLO-S	UNION TEE,ORFS
48996	XV510P-16	BALL VALVE	51508	6 BTX-S	NUT,FLARE TUBE
48997	PD341	DIAGNOSTIC NIPPLE, STRAIGHT THREAD	51580	12-8 TRLO-BL-S	TUBE END REDUCER,ORFS
48998	PD 361	DIAGNOSTIC NIPPLE, STRAIGHT THREAD	51628	6 R6X-S	RUN TEE,SWIVEL NUT,ORFS
48999	DT-500-MOMS-5	VALVE,CHECK	51735	3/8 HHP	PLUG,PIPE THREAD
49201	10 V5OLO-S	ELBOW,45°,STRAIGHT THREAD TO ORFS	51803	1J943-6-8	HOSE END,90° FEMALE SWIVEL,SEAL LOK
49202	1JC43-12-10	HOSE END,FEMALE SWIVEL,SEAL LOK	53023	125HBL-5-4	FITTING,HOSE BARB TO MALE PIPE
49203	10-8 V5OLO-S	ELBOW,45°,STRAIGHT THREAD TO ORFS	53497	PKT02585	O-RING KIT
49205	6 F5OHAO-S	UNION,STRAIGHT THREAD	53499	1JC71-16-16	HOSE END,FEMALE SWIVEL,SEAL LOK
49207	PD34BTL	DIAGNOSTIC NIPPLE,SEAL-LOK SWIVEL	53500	3-904	O-RING,STRAIGHT THREAD,-4
49209	8M18F870MX-S	CONNECTOR,METRIC,STRAIGHT THREAD TO FLARE TUBE	53501	3-906	O-RING,STRAIGHT THREAD,-6
49212	8 WGTX-WLN-S	CONNECTOR,BULKHEAD,FEMALE PIPE TO FLARE TUBE	53502	3-908	O-RING,STRAIGHT THREAD,-8
49213	30682-8-8	HOSE END,FEMALE SWIVEL,JIC	53503	3-910	O-RING,STRAIGHT THREAD,-10
49216	831-8	HOSE,1/2 INCH ID			
49217	33982-8-8	HOSE END,90° FEMALE SWIVEL,JIC			
49219	PS-B-35	SLEEVE,NYLON,2.19" ID			
49418	4-6 V5OLO-S	ELBOW,45°,STRAIGHT THREAD TO ORFS			
49511	DT370-MOMS-5	VALVE,CHECK			
49512	1 DD-S	ELBOW,90°,FEMALE PIPE			
49513	1 FF-S	NIPPLE,PIPE			
49514	10 HP5ON-S	PLUG,STRAIGHT THREAD			
49515	12-16 CLO-S	ELBOW,90°,MALE PIPE TO ORFS			
49517	6 HP5ON-S	PLUG,STRAIGHT THREAD			
49519	16-12 F5OLO-S	CONNECTOR,STRAIGHT THREAD TO ORFS			
49520	4 VTX-S	ELBOW,45°,MALE PIPE TO FLARE TUBE			
49530	16 C6LO-S	ELBOW,90°,SWIVEL NUT ORFS			

## Fitting Cross References (Continued)

Genie PN	Parker PN	Description	Genie PN	Parker PN	Description
53535	3-912	O-RING,STRAIGHT THREAD,-12	61083	24 F5OLO-S	CONNECTOR,STRAIGHT THREAD TO ORFS
53536	4-PNLO-S	PLUG,TUBE END,ORFS	61086	20 R5OLO-S	RUN TEE,STRAIGHT THREAD
53537	6 PNLO-S	PLUG,TUBE END,ORFS	61090	24-20 F5OLO-S	CONNECTOR,STRAIGHT THREAD TO ORFS
53538	8 PNLO-S	PLUG,TUBE END,ORFS	61091	1J943 24-24	HOSE END,90° FEMALE SWIVEL,SEAL LOK
53539	10 PNLO-S	PLUG,TUBE END,ORFS	61093	1J978-12-12	HOSE END,90° FEMALE SWIVEL,JIC
53540	12 PNLO-S	PLUG,TUBE END,ORFS	61095	1JS43-20-16	HOSE END,FEMALE SWIVEL,SEAL LOK
53946	129HB-5-4	FITTING,90° HOSE BARB TO MALE PIPE	61100	811-24	HOSE,11/2 INCH ID
53951	8-1/4F50G-S	ADAPTER,FEMALE PIPE TO STRAIGHT THREAD	61130	1JS43-24-24	HOSE END,FEMALE SWIVEL,SEAL LOK
53980	6 S6LO-S	BRANCH TEE,SWIVEL NUT TO ORFS	61131	1JS78 12-12	HOSE END,FEMALE SWIVEL,SEAL LOK
54132	4 C6LO-S	ELBOW,90°,SWIVEL NUT ORFS	61132	1J778-12-12	HOSE END,45° FEMALE SWIVEL,JIC
54135	11343-16-16	HOSE END,MALE SWIVEL,PIPE	61152	139HB-6-4	ELBOW,45°,BARB TO MALE PIPE
54283	8-10 C5OLO-S	ELBOW,90°,STRAIGHT THREAD TO ORFS	61251	BV-0750	BALL VALVE
54428	8M18C870MLO-S	ELBOW, 90° METRIC, STRAIGHT THREAD TO ORFS	61259	4 CC5OLO-S	ELBOW,90° LONG,STRAIGHT THREAD TO ORFS
54803	FS-F-16-10	SLEEVE,FIRE,.96" ID	61260	20-12 TRLO-BL	REDUCER,TUBE END TO SWIVEL,ORFS
54954	10143-2-4	HOSE END, MALE PIPE	61262	12 C6LO-S	ELBOW,90°,SWIVEL NUT ORFS
55190	3/8 HP-S	PLUG,PIPE THREAD	61263	20 F5OHAO-S	UNION,STRAIGHT THREAD
55448	8 HLO-S	UNION,ORFS	61264	6-10 C5OLO-S	ELBOW,90°,STRAIGHT THREAD TO ORFS
55839	6 F65OX-S	CONNECTOR,STRAIGHT THREAD TO 37° SWIVEL	61265	6 WNLO-WLNL-S	UNION,BULKHEAD 45°,ORFS
55968	10 C5OX-S	ELBOW,90°,STRAIGHT THREAD TO FLARE TUBE	61268	4 WNLO-WLNL-S	UNION,BULKHEAD 45°,ORFS
56003	6 CC5OLO-S	ELBOW,90° LONG,STRAIGHT THREAD TO ORFS	61269	4 WLO-WLNL-S	UNION,BULKHEAD,ORFS
56166	BV-0837	BALL VALVE,90°	61272	12 AOEL6	ELBOW,90°,STRAIGHT THREAD TO ORFS SWIVEL
56188	10143-8-6	HOSE END, MALE PIPE	61316	482TC-16	HOSE,1 INCH ID
56233	2-011	O-RING,ORFS,-4	61321	6 JLO-S	UNION TEE,ORFS
56234	2-012	O-RING,ORFS,-6	61327	782-12	HOSE,3/4 INCH ID
56235	2-014	O-RING,ORFS,-8	61328	881-24	HOSE,11/2 INCH ID
56236	2-016	O-RING,ORFS,-10	61336	11943-20-24	HOSE END,90° FLANGE HEAD
56237	2-018	O-RING,ORFS,-12	61345	12 WJLO-WLNL-S	RUN TEE, BULKHEAD,ORFS
56238	2-021	O-RING,ORFS,-16	61346	8 WNLO-WLNL-S 4	UNION,BULKHEAD 45°,ORFS
56352	6 WLNL-S	LOCKNUT,BULKHEAD	61569	33782-8-8	HOSE END,45° FEMALE SWIVEL,JIC
56353	3J782-12-12	HOSE END,45° FEMALE SWIVEL,SEAL LOK	61610	12 FF5OLO-S	CONNECTOR,LONG,STRAIGHT THREAD TO ORFS
56354	3J982-12-12	HOSE END,90° FEMALE SWIVEL,SEAL LOK	61742	1/8 X 1.5 FFF	NIPPLE,PIPE
56604	10-8 F5OLO-S	CONNECTOR,STRAIGHT THREAD TO ORFS	63426	8 PNTX-S	PLUG,FLARE TUBE
56639	3JC82-10-10	HOSE END,FEMALE SWIVEL,SEAL LOK			
56640	3J982-10-10	HOSE END,90° FEMALE SWIVEL,SEAL LOK			
56655	3JC82-8-10	HOSE END,FEMALE SWIVEL,SEAL LOK			
56676	10-8 C5OLO-S	ELBOW,90°,STRAIGHT THREAD TO ORFS			
56776	471TC-6	HOSE,3/8 INCH ID			
56777	471TC-8	HOSE,1/2 INCH ID			
56789	811-16	HOSE,1 INCH ID			
57884	3/8 FF	NIPPLE,PIPE			
59335	6 FNL-S	CAP,TUBE END			
59342	4 FNL-S	CAP,TUBE END			
59371	8 HP50N-S	PLUG,STRAIGHT THREAD			
60653	BV-0751	BALL VALVE			
60806	125HB-3-4	FITTING,HOSE BARB TO MALE PIPE			
61064	5-1/4 F50G-S	ADAPTER,FEMALE PIPE TO STRAIGHT THREAD			
61079	4 WELO-WLNL-S	UNION,90° BULKHEAD W/NUT,ORFS			
61080	6 WLO-WLNL-S	UNION,BULKHEAD,ORFS			

## Fitting Cross References (Continued)

Genie PN	Parker PN	Description	Genie PN	Parker PN	Description
64271	4 WLO-WLNL-S	UNION,BULKHEAD,ORFS	75631	801-6	HOSE,3/8 INCH ID
64272	6 WLO-WLNL-S	UNION,BULKHEAD,ORFS	75654	20 F5OLO-S	CONNECTOR,STRAIGHT THREAD TO ORFS
65776	8 F65OL-S	CONNECTOR,STRAIGHT THREAD TO ORFS SWIVEL	75655	1J943-20-20	HOSE END,90° FEMALE SWIVEL,SEAL LOK
65880	6001012	O-RING KIT	75656	881-20	HOSE,1-1/4 INCH ID
66154	6 WTX-WLNS	UNION,BULKHEAD,FLARE TUBE	75971	8 F5OHAO-S	UNION,STRAIGHT THREAD
66155	6 WETX-S	UNION,BULKHEAD 90°,FLARE TUBE	77307	1JB43-8-8	HOSE END,BULKHEAD,SEAL LOK
66156	6 WLN-S	BULKHEAD LOCKNUT	77309	8 WLNL-S	BULKHEAD LOCKNUT
66389	6-8 F5OX-S	CONNECTOR,STRAIGHT THREAD TO FLARE TUBE	77379	8M18C87OMX-S	ELBOW,90° METRIC,STRAIGHT THREAD TO FLARE TUBE
66392	6 R5OX-S	RUN TEE,STRAIGHT THREAD	77703	3J982-8-8	HOSE END,90° FEMALE SWIVEL,SEAL LOK
66396	811-12	HOSE,3/4 INCH ID	77711	801-10	HOSE,5/8 INCH ID
66829	H3174PP	CLAMP,TUBE	77758	12 WNLO-WLNL-S	UNION,BULKHEAD 45°,ORFS
67217	4 KLO-S	UNION,CROSS,ORFS	78091	6 C6X-S	ELBOW,90°,SWIVEL NUT TO FLARE TUBE
67339	10-6 F5OX-S	CONNECTOR,STRAIGHT THREAD TO FLARE TUBE	78684	30582-8-8B	HOSE END,PUSH LOK,MALE
67357	13943-8-6	HOSE END,90° FEMALE SWIVEL,JIC	78852	549-2	HOSE,1/8 INCH ID
67358	10 HP5ON-S	PLUG,STRAIGHT THREAD	78855	10657-4-2	HOSE END,FEMALE SWIVEL,JIC
67371	12 S6LO-S	BRANCH TEE,SWIVEL NUT TO ORFS	79138	PS-B-37	SLEEVE,NYLON,2.38" ID
67498	4 FNL-S	CAP, TUBE END	79476	1JS43-6-8	HOSE END,FEMALE SWIVEL,SEAL LOK
67906	DC-370-F0F0-5	VALVE,CHECK	79847	12-3/4 A0EG-S	ELBOW,90°,STRAIGHT THREAD TO FEMALE PIPE
69316	8 FLO-S	CONNECTOR,MALE PIPE TO ORFS	80044	8 CLO-S	ELBOW,90°,MALE PIPE TO ORFS
69333	H3174PP	CLAMP,HYDRAULIC HOSE	80502	8 F5OX-S	CONNECTOR,STRAIGHT THREAD TO FLARE TUBE
69503	4 F65OX-S	CONNECTOR,STRAIGHT THREAD TO 37° SWIVEL	80503	8 C5OX-S	ELBOW,90°,STRAIGHT THREAD TO FLARE TUBE
69775	8 FNL-S	CAP, TUBE END	81010	AS-B-27	SLEEVE,NYLON,1.63" ID
71038	1/4X1/4F3HG-S	ADAPTER,CONVERSION	83052	821-6	HOSE,3/8 INCH ID
71196	12-8 F5OLO-S	CONNECTOR,STRAIGHT THREAD TO ORFS	83053	821-8	HOSE,1/2 INCH ID
71383	1/4 CD45-S	ELBOW,45°,MALE TO FEMALE PIPE	83054	821-12	HOSE,3/4 INCH ID
72270	12FNL-S	CAP, TUBE END	83055	30682-6-6	HOSE END,FEMALE SWIVEL,JIC
73436	60C-4	SLEEVE,COMPRESSION	83056	30682-12-12	HOSE END,FEMALE SWIVEL,JIC
73437	61C-4	NUT,COMPRESSION	83057	33782-6-6	HOSE END,45° FEMALE SWIVEL,JIC
73438	33482-4-4B	HOSE END,PUSH LOK,MALE	83058	33982-6-6	HOSE END,90° FEMALE SWIVEL,JIC
73767	1CD-S	ELBOW,90°,MALE TO FEMALE PIPE	83060	33982-12-12	HOSE END,90° FEMALE SWIVEL,JIC
73768	20-16-F5OG5-S	ADAPTER,FEMALE PIPE TO STRAIGHT THREAD	83063	13743-4-4	HOSE END,45° FEMALE SWIVEL,JIC
73769	16-20 F5OLO-S	CONNECTOR,STRAIGHT THREAD TO ORFS			
74660	6-8 F42EDMLO-S	CONNECTOR,MALE BSPP TO ORFS			
74661	8-8 F42EDMLO-S	CONNECTOR,MALE BSPP TO ORFS			
75007	4 FLO-S	CONNECTOR,MALE PIPE TO ORFS			
75008	1/8 HP-S	PLUG,PIPE THREAD			
75014	1/2 HP-S	PLUG,PIPE THREAD			
75042	8 WELO-WLNL-S	UNION,90° BULKHEAD W/NUT,ORFS			
75043	3/4 FF-S	NIPPLE,PIPE			
75254	24 F5OHAO-S	UNION,STRAIGHT THREAD			
75255	12 F5OHAO-S	UNION,STRAIGHT THREAD			
75256	XV506P-24	BALL VALVE			
75574	4 WLNL-S	BULKHEAD LOCKNUT			
75612	8 WJLO-WLNL-S	RUN TEE, BULKHEAD,ORFS			
75613	12-8 F5OG5-S	ADAPTER,FEMALE PIPE TO STRAIGHT THREAD			
75614	8 CC5OLO-S	ELBOW,90° LONG,STRAIGHT THREAD TO ORFS			
75628	1JB43-4-4	HOSE END,BULKHEAD,SEAL LOK			

## Fitting Cross References (Continued)

Genie PN	Parker PN	Description	Genie PN	Parker PN	Description
83064	13743-8-8	HOSE END,45° FEMALE SWIVEL,JIC	89449	6 WJLO-WLNL-S	RUN TEE, BULKHEAD,ORFS
83065	13743-12-12	HOSE END,45° FEMALE SWIVEL,JIC	89489	4 WJMLO-S	BRANCH TEE,BULKHEAD,ORFS
83066	13943-8-8	HOSE END,90° FEMALE SWIVEL,JIC	89551	1JB43-6-6	HOSE END,BULKHEAD,SEAL LOK
83067	14143-6-6	HOSE END,90° FEMALE SWIVEL,JIC	89552	1JB43-8-8	HOSE END,BULKHEAD,SEAL LOK
83068	14143-8-8	HOSE END,90° FEMALE SWIVEL,JIC	89593	20 C5OLO-S	ELBOW,90°,STRAIGHT THREAD TO ORFS
83069	14143-12-12	HOSE END,90° FEMALE SWIVEL,JIC	94161	8-8 CLO-S	ELBOW,90°,MALE PIPE TO ORFS
83070	772-8	HOSE,1/2 INCH ID	94358	351TC-12	HOSE,3/4 INCH ID
83071	10671-8-8	HOSE END,FEMALE SWIVEL,JIC	94418	20 FLO-S	CONNECTOR,MALE PIPE TO ORFS
83072	10671-12-12	HOSE END,FEMALE SWIVEL,JIC	96358	12 TX-S	SLEEVE,FLARE TUBE
83073	13771-8-8	HOSE END,45° FEMALE SWIVEL,JIC	96359	12 BTX-S	NUT,FLARE TUBE
83074	13771-12-12	HOSE END,45° FEMALE SWIVEL,JIC	96397	8 F5OX-S	CONNECTOR,STRAIGHT THREAD TO FLARE TUBE
83075	13971-8-8	HOSE END,90° FEMALE SWIVEL,JIC	96398	12-8 F5OX-S	CONNECTOR,STRAIGHT THREAD TO FLARE TUBE
83076	13971-12-12	HOSE END,90° FEMALE SWIVEL,JIC	96402	10343-6-6	HOSE END,MALE,JIC
83077	14171-8-8	HOSE END,90° FEMALE SWIVEL,JIC	96407	30382-6-6B	HOSE END,MALE,JIC
83078	14171-12-12	HOSE END,90° FEMALE SWIVEL,JIC			
83080	13943-16-16	HOSE END,90° FEMALE SWIVEL,JIC			
83103	10671-16-12	HOSE END,FEMALE SWIVEL,JIC			
83104	10671-10-12	HOSE END,FEMALE SWIVEL,JIC			
83112	1JC71-8-8	HOSE END,FEMALE SWIVEL,SEAL LOK			
83113	1JS71-16-12	HOSE END,FEMALE SWIVEL,SEAL LOK			
83114	1JS71-10-12	HOSE END,FEMALE SWIVEL,SEAL LOK			
83115	1J971-8-8	HOSE END,90° FEMALE SWIVEL,SEAL LOK			
83116	1J171-8-8	HOSE END,90° FEMALE SWIVEL,SEAL LOK			
83117	1J771-8-8	HOSE END,45° FEMALE SWIVEL,SEAL LOK			
83127	1J543-6-8	HOSE END,90° FEMALE SWIVEL,JIC			
83128	1JC43-6-8	HOSE END,FEMALE SWIVEL,SEAL LOK			
87033	12-6 TRLO-S	REDUCER,TUBE END TO SWIVEL,ORFS			
87034	3J782-8-8	HOSE END,45° FEMALE SWIVEL,SEAL LOK			
87172	12 HP5ON-S	PLUG,STRAIGHT THREAD			
87185	8 WNLO-WLNL-S	UNION,BULKHEAD 45°,ORFS			
87246	4 C6X-S	ELBOW,90°,SWIVEL NUT TO FLARE TUBE			
87679	6 LHP-S	FLANGE SEAL FITTING, MALE			
87681	6PLS N0702	BONDED SEAL			
88100	SR88100	ADAPTER,OIL DRAIN,GM 3.0L			
88311	1JS43-20-20	HOSE END,FEMALE SWIVEL,SEAL LOK			
88353	20 V5OLO-S	ELBOW,45°,STRAIGHT THREAD TO ORFS			
88474	10081-20	Crimp Shell, 1.25"			
88475	1988-20-24	HOSE END,90° FLANGE HEAD			
88476	JS88-24-24	HOSE END,FEMALE SWIVEL,SEAL LOK			
88477	1JC88-20-20	HOSE END,FEMALE SWIVEL,SEAL LOK			
88478	811-20	HOSE,11/4 INCH ID			
88936	20-16 F5OLO-S	CONNECTOR,STRAIGHT THREAD TO ORFS			
88937	20-16 FLO-S	CONNECTOR,MALE PIPE TO ORFS			
88938	1JC88-16-16	HOSE END,FEMALE SWIVEL,SEAL LOK			
88939	1J988-16-16	HOSE END,90° FEMALE SWIVEL,ORFS			
88940	811-16	HOSE,1 INCH ID			
88944	1J988-20-20	HOSE END,90° FEMALE SWIVEL,ORFS			
89403	16 VLO-S	ELBOW,45°,MALE PIPE TO ORFS			

California Proposition 65



Operating, servicing and maintaining this equipment can expose you to chemicals including engine exhaust, carbon monoxide, phthalates, and lead, which are known to the State of California to cause cancer and birth defects or other reproductive harm. These chemicals can be emitted from or contained in other various parts and systems, fluids and some component wear by-products. To minimize exposure, avoid breathing exhaust, do not idle the engine except as necessary, service your equipment and vehicle in a well-ventilated area and wear gloves or wash your hands frequently when servicing your equipment or vehicle and after operation. For more information go to [www.P65Warnings.ca.gov/passenger-vehicle](http://www.P65Warnings.ca.gov/passenger-vehicle).

Breathing diesel engine exhaust exposes you to chemicals known to the State of California to cause cancer and birth defects or other reproductive harm.

- Always start and operate the engine in a well-ventilated area.
- If in an enclosed area, vent the exhaust to the outside.
- Do not modify or tamper with the exhaust system.
- Do not idle the engine except as necessary.

For more information go to

[www.P65warnings.ca.gov/diesel](http://www.P65warnings.ca.gov/diesel).

Distributed By:

to order your parts

# PARTS FINDER

**Search Website  
by Part Number**



**Search Manual  
Library For Parts  
Manual & Lookup Part  
Numbers – Purchase  
or Request Quote**

**Search Manuals**

Enter your information to help us find the right parts manual for your machine.

\* Brand:

\* Model:

\* Serial:

\* Part Number:

SEARCH

**Can't Find Part or  
Manual? Request Help  
by Manufacturer,  
Model & Description**

**Parts Order Form**

Please fill in the following information to help us find the right part for your machine.

Manufacturer:	<input type="text"/>
Model:	<input type="text"/>
Description:	<input type="text"/>
Part Number:	<input type="text"/>
Quantity:	<input type="text"/>
Notes:	<input type="text"/>

Submit

Discount-Equipment.com is your online resource for quality parts & equipment.

Florida: **561-964-4949** Outside Florida TOLL FREE: **877-690-3101**

**Need parts?**

Click on this link: <http://www.discount-equipment.com/category/5443-parts/> and choose one of the options to help get the right parts and equipment you are looking for. Please have the machine model and serial number available in order to help us get you the correct parts. If you don't find the part on the website or on one of the online manuals, please fill out the request form and one of our experienced staff members will get back to you with a quote for the right part that your machine needs.

We sell worldwide for the brands: Genie, Terex, JLG, MultiQuip, Mikasa, Essick, Whiteman, Mayco, Toro Stone, Diamond Products, Generac Magnum, Airman, Haulotte, Barreto, Power Blanket, Nifty Lift, Atlas Copco, Chicago Pneumatic, Allmand, Miller Curber, Skyjack, Lull, Skytrak, Tsurumi, Husquvarna Target, Stow, Wacker, Sakai, Mi-T-M, Sullair, Basic, Dynapac, MBW, Weber, Bartell, Bennar Newman, Haulotte, Ditch Runner, Menegotti, Morrison, Contec, Buddy, Crown, Edco, Wyco, Bomag, Laymor, EZ Trench, Bil-Jax, F.S. Curtis, Gehl Pavers, Heli, Honda, ICS/PowerGrit, IHI, Partner, Imer, Clipper, MMD, Koshin, Rice, CH&E, General Equipment, Amida, Coleman, NAC, Gradall, Square Shooter, Kent, Stanley, Tamco, Toku, Hatz, Kohler, Robin, Wisconsin, Northrock, Oztec, Toker TK, Rol-Air, APT, Wylie, Ingersoll Rand / Doosan, Innovatech, Con X, Ammann, Mecalac, Makinex, Smith Surface Prep, Small Line, Wanco, Yanmar