



A TEREX BRAND



# Parts Manual

Serial Number Range

**GS-2668 DC**

from SN GS68-41318 to  
GS68-41998

**GS-3268DC**

from SN GS6803-41999 to  
GS6811-53419

Part No. 84142

Rev J10

November 2018

Go to Discount-Equipment.com to order your parts

# PARTS FINDER

**Search Website  
by Part Number**



**Search Manual  
Library For Parts  
Manual & Lookup Part  
Numbers – Purchase  
or Request Quote**

**Search Manuals**

Enter your information to help us find the right parts manual for your machine.

\* Brand:

\* Model:

\* Serial:

\* Part Number:

SEARCH

**Can't Find Part or  
Manual? Request Help  
by Manufacturer,  
Model & Description**

**Parts Order Form**

Please fill in the following information to help us find the right part for your machine.

Manufacturer:	<input type="text"/>
Model:	<input type="text"/>
Description:	<input type="text"/>
Part Number:	<input type="text"/>
Quantity:	<input type="text"/>
Notes:	<input type="text"/>

Submit

Discount-Equipment.com is your online resource for quality parts & equipment.

Florida: **561-964-4949** Outside Florida TOLL FREE: **877-690-3101**

**Need parts?**

Click on this link: <http://www.discount-equipment.com/category/5443-parts/> and choose one of the options to help get the right parts and equipment you are looking for. Please have the machine model and serial number available in order to help us get you the correct parts. If you don't find the part on the website or on one of the online manuals, please fill out the request form and one of our experienced staff members will get back to you with a quote for the right part that your machine needs.

We sell worldwide for the brands: Genie, Terex, JLG, MultiQuip, Mikasa, Essick, Whiteman, Mayco, Toro Stone, Diamond Products, Generac Magnum, Airman, Haulotte, Barreto, Power Blanket, Nifty Lift, Atlas Copco, Chicago Pneumatic, Allmand, Miller Curber, Skyjack, Lull, Skytrak, Tsurumi, Husquvarna Target, Stow, Wacker, Sakai, Mi-T-M, Sullair, Basic, Dynapac, MBW, Weber, Bartell, Bennar Newman, Haulotte, Ditch Runner, Menegotti, Morrison, Contec, Buddy, Crown, Edco, Wyco, Bomag, Laymor, EZ Trench, Bil-Jax, F.S. Curtis, Gehl Pavers, Heli, Honda, ICS/PowerGrit, IHI, Partner, Imer, Clipper, MMD, Koshin, Rice, CH&E, General Equipment, Amida, Coleman, NAC, Gradall, Square Shooter, Kent, Stanley, Tamco, Toku, Hatz, Kohler, Robin, Wisconsin, Northrock, Oztec, Toker TK, Rol-Air, APT, Wylie, Ingersoll Rand / Doosan, Innovatech, Con X, Ammann, Mecalac, Makinex, Smith Surface Prep, Small Line, Wanco, Yanmar

# Genie

A TEREX BRAND

**Model:** GS-2668  
**Serial number:** GS6809-52599  
**Model year:** 2005 **Manufacture date:** 10/01/08  
**Electrical schematic number:** ES0141  
**Machine unladen weight:** 2,714 lb / 1,231 kg

**Rated work load (including occupants):** 500 lb / 227 kg

**Maximum allowable inclination of the chassis:**  
N/A

**Gradeability:** N/A

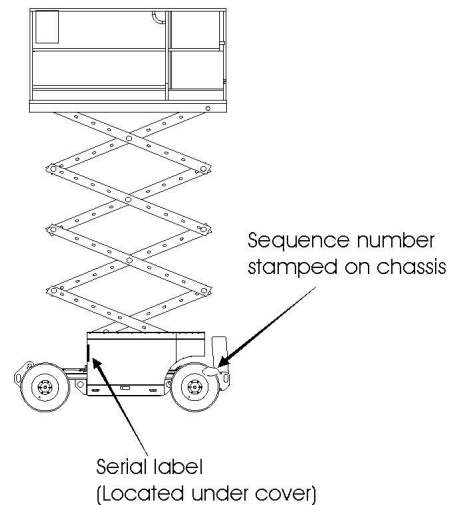
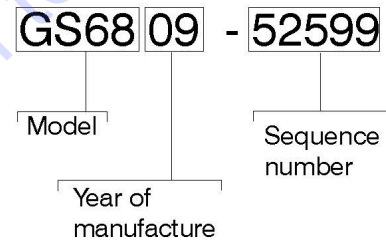
**Maximum allowable side force :** 100 lb / 445 N  
**Maximum number of platform occupants:** 2

**Country of manufacture:** USA  
**This machine complies with:**

ANSI A92.6  
B354.2



11111111



## Table of Contents

This manual is updated frequently. For the most up-to-date parts information, visit [www.discount-equipment.com](http://www.discount-equipment.com)

How to Read Your Serial Number.....	3
Parts Stocking List.....	7

**Electronic Version**

Click on any page number to view the figure.

**100 Decals**

101.1 Decals with Words (to SN 42450).....	10
101.2 Decals with Words (from SN 42451 to SN 52815).....	12
101.3 Decals with Words (from SN 52816).....	16
102.1 Decals with Symbols (to SN 52815).....	18
102.2 Decals with Symbols (from SN 52816).....	20

**200 Drive Chassis Components**

201.1 Steer Axle Linkage, Wheels and Drive Motors.....	22
202.1 Non-steer Axle and Brake Motors.....	24
203.1 Drive Chassis, Safety Components.....	26

**300 Chassis Components**

301.1 Hydraulic Module Components, View 1.....	28
302.1 Hydraulic Module Components, View 2.....	30
303.1 Hydraulic Module Components, View 3.....	32
304.1 Ground Controls.....	34
305.1 Function Manifold.....	36
306.1 Hydraulic Power Unit.....	40
307.1 Battery Charger (to SN 52682).....	42
307.2 Battery Charger (from SN 52683).....	44
308.1 Battery Pack Module Installation.....	46
309.1 Chassis Covers.....	48
310.1 Hydraulic Hoses and Fittings (to SN 43183).....	50
310.2 Hydraulic Hoses and Fittings (from SN 43184).....	52
311.1 Power Cables.....	54
312.1 Electrical Wiring.....	56

**400 Scissor Components**

401.1 Scissor Components, View 1, GS-2668.....	58
--	----

402.1 Scissor Components, View 2, GS-2668 (to SN 41751).....	60
402.2 Scissor Components, View 2, GS-2668 (from SN 41752).....	62
403.1 Scissor Components, View 1, GS-3268.....	64
404.1 Scissor Components, View 2, GS-3268 (to SN 41750).....	66
404.2 Scissor Components, View 2, GS-3268 (from SN 41751).....	68

**500 Platform Components**

501.1 Platform Installation (to SN 41737).....	70
501.2 Platform Installation (from SN 41738).....	72
502.1 Platform Railing Installation (to SN 41737).....	74
502.2 Platform Railing Installation (from SN 41738).....	76
503.1 Platform Entry Gate (to SN 41737).....	78
503.2 Platform Entry Gate (from SN 41738).....	80
504.1 Platform Extension (to SN 41737).....	82
504.2 Platform Extension (from SN 41738).....	84
505.1 Platform Extension Deck Lock (to SN 41737).....	86
505.2 Platform Extension Deck Lock (from SN 41738).....	88
506.1 Power to Platform.....	90
507.1 Platform Controls Box (to SN 44698).....	92
507.2 Platform Control Box (from SN 44699).....	94
508.1 Joystick Controls (to SN 41803).....	96
508.2 Joystick Controls (from SN 41804).....	98

**600 Link Guard Components**

601.1 Wire Mesh Link Guard Installation, View 1.....	100
602.1 Wire Mesh Link Guard Installation, View 2.....	102
603.1 Wire Mesh Link Guard Installation, View 3.....	104
604.1 Wire Mesh Link Guard Installation, View 4.....	106
605.1 Wire Mesh Link Guard Installation, View 5.....	108
606.1 Rigid Link Guard Installation, View 1.....	110
607.1 Rigid Link Guard Installation, View 2.....	112
608.1 Rigid Link Guard Installation, View 3.....	114
609.1 Steel Panel Link Guard Assembly.....	116

**700 Accessories**

701.1 Flashing Beacon.....	118
702.1 Platform Work Light.....	120
703.1 Pipe Cradle.....	122
704.1 Platform Overload Sensor (to SN 41529).....	124
704.2 Platform Overload Sensor (from SN 41530 to 42449).....	126
704.3 Platform Overload Sensor (from SN 42450 to 44168).....	128
704.4 Platform Overload Sensor (from SN 44169).....	130
705.1 Voltage Inverter Installation.....	132

706.1 Air Line to Platform.....134

**Indices**

Part Number Index.....136

Part Description Index.....140

**Cross References**

Fittings Cross Reference.....146

Go to [Discount-Equipment.com](http://Discount-Equipment.com) to order your parts

**Required Parts**

The following parts are required to perform maintenance procedures as outlined in the *Genie GS-2668 DC and GS-3268 DC Service Manual*.

Description	Part No.
Dielectric Grease .....	66399
Filter Element, 10 Micron.....	131323
O-ring Kit (for O-ring Face Seal Fitting) .....	49612
Plug and Cap Kit (for O-ring Face Seal Seainting) .....	49613

**Recommended Parts**

Description	Part No.
Genie Blue Paint, 1 Gallon .....	32150
Genie Blue Paint, 12 Ounce Aerosol.....	1484
Genie Gray Paint, 1 Gallon.....	32151
Genie Gray Paint, 12 Ounce Aerosol .....	1268

Genie also offers the following support documents:

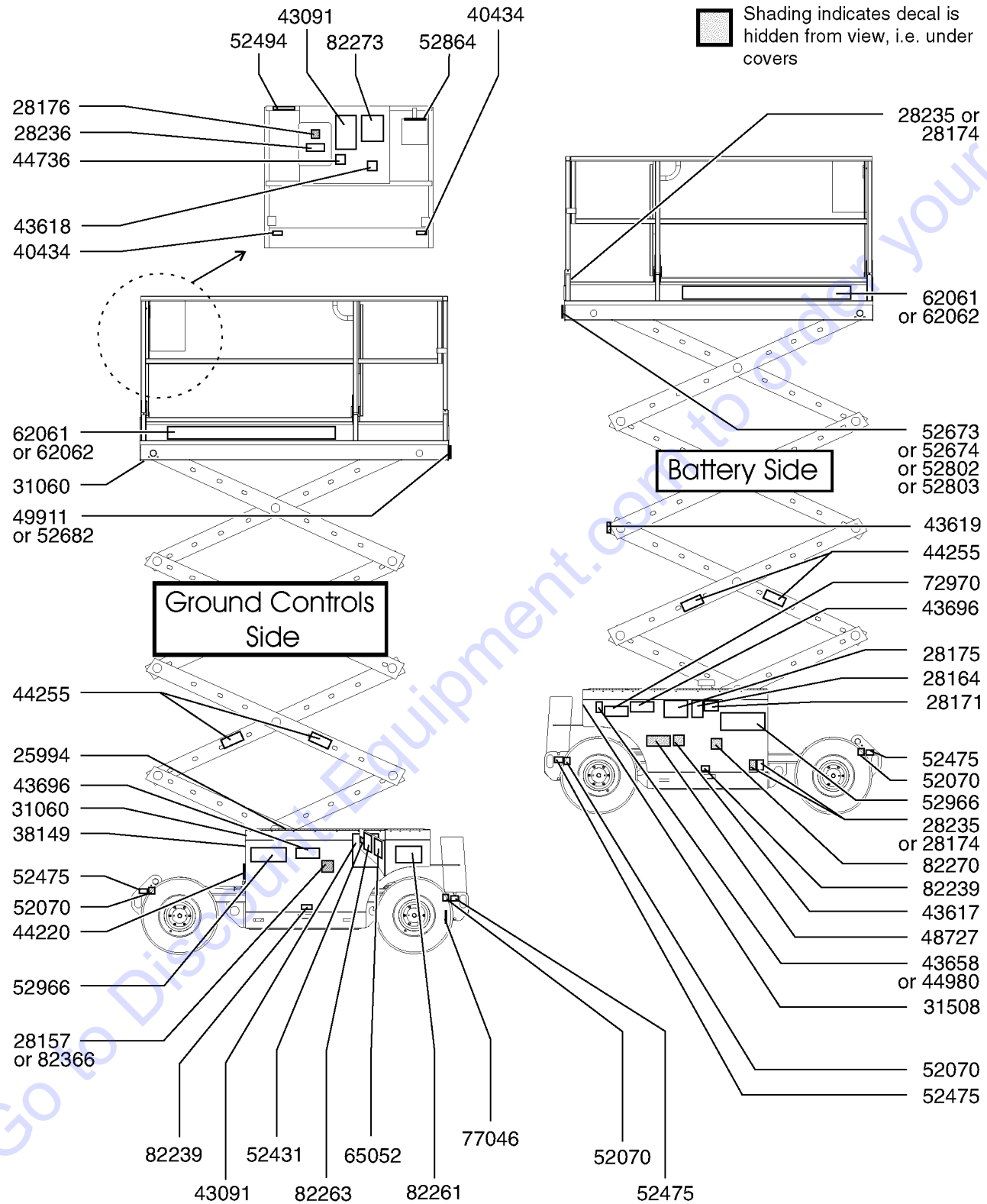
EMI Safety Manual .....	27581
Manual of Responsibilities ANSI A92.5 .....	44163

**Recommended Parts**

Description	Part No.
Genie Blue Paint, 1 Gallon .....	32150
Genie Blue Paint, 12 Ounce Aerosol.....	1484
Genie Gray Paint, 1 Gallon.....	32151
Genie Gray Paint, 12 Ounce Aerosol .....	1268

Go to Discount-Equipment.com to order your parts

101.1 Decals with Words (to SN 42450)

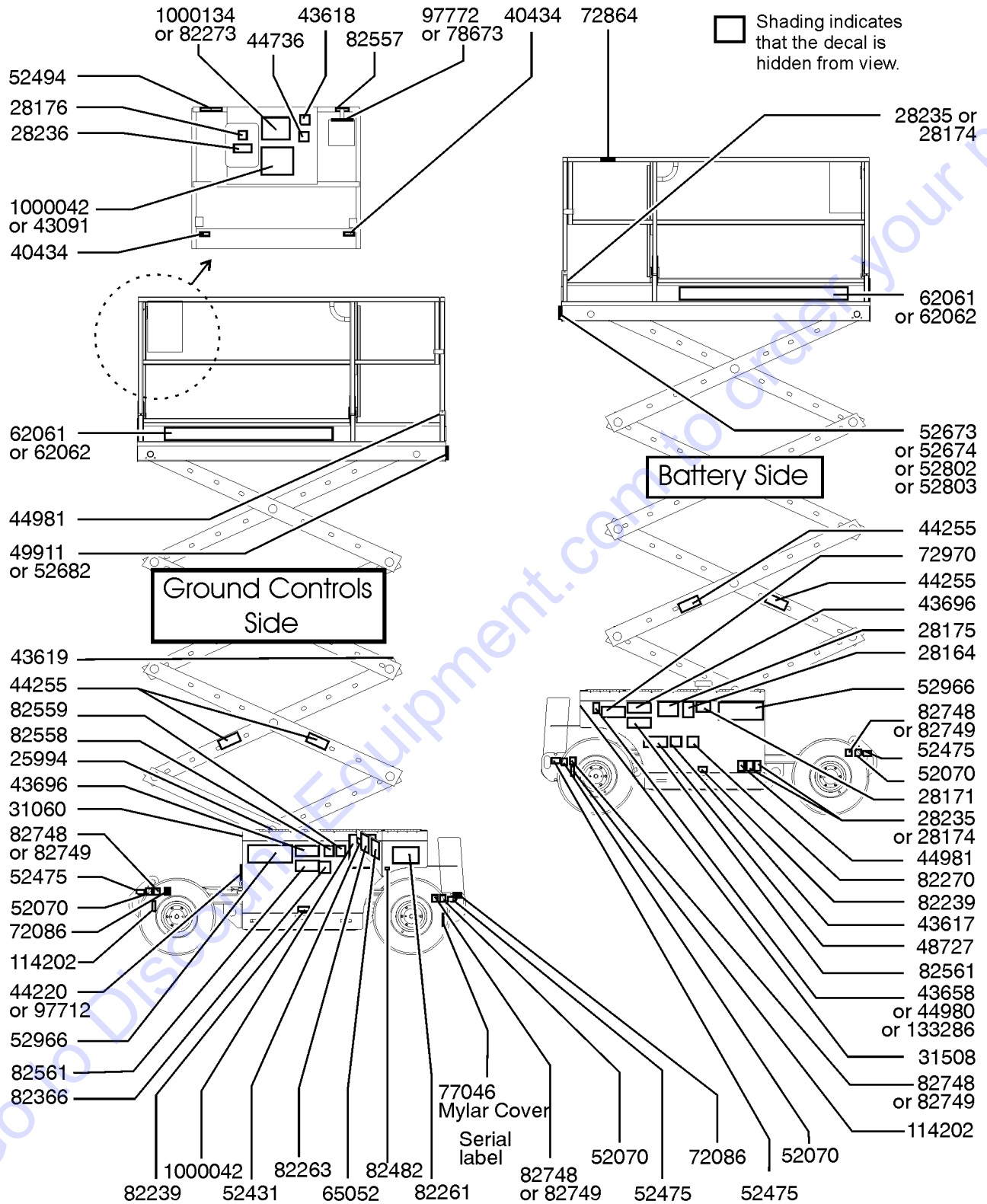


## 101.1 Decals with Words (to SN 42450)

Item	Part No.	Description	Qty.	Item	Part No.	Description	Qty.
--	84654GT	DECAL KIT,SFTY/INST. WRD. GS68 (includes items 3, 4, 6, 7, 9-11, 13-17, 19-22, 24, 26-29, 37, 40, 42 and 44-47)		29	52494GT	DECAL,CAUTION,CRUSH HAZ, RAILS.....	1
1	25994GT	DECAL,NOTICE,SHUTOFF VALVES.....	1	30	52673GT	DECAL,NOTICE,SIDE FRC,2668ANSI...1 GS-2668 (ANSI and CSA models) (200 lbs, 890 N.)	1
2	28157GT	DECAL,USE DEXRON*** .....1 (to SN 41708)	1	31	52674GT	DECAL,NOTICE,SIDE FRC,2668,AUS...1 GS-2668 (Australia models) (90 lbs, 400 N)	1
3	28164GT	DECAL,NOTICE,HAZARDOUS MAT'LS*.....	1	32	52682GT	DECAL,NOTICE,MAX CAP 1000/300.....1 GS-3268 (454 kg)	1
4	28171GT	DECAL,DANGER,NO SMOKING ***.....	1	33	52802GT	DECAL,NOTICE,SIDE FRC,3268ANSI...1 GS-3268 (ANSI and CSA models) (200 lbs, 890 N)	1
5	28174GT	DECAL, POWER TO PLATFORM 230V**.....	3	34	52803GT	DECAL,NOTICE,SIDE FRC,3268,AUS...1 GS-3268 (Australia models) (90 lbs, 400 N)	1
6	28175GT	DECAL,WARNING-COMPART ACCESS.....	1	35	52864GT	DECAL,JOYSTICK CONTROLLER.....	1
7	28176GT	DECAL,LABEL,MANUAL NOT HERE.....	1	36	52966GT	DECAL,COSMETIC,4 X 2.....	2
8	28235GT	DECAL,POWER TO PLATFORM 115V...3	3	37	65052GT	DECAL,LABEL,FAULT CODES.....	1
9	28236GT	DECAL,WARN,IMPROPER OPERATION.....	1	38	62061GT	DECAL,COSMETIC,GENIE GS-2668DC.....	2
10	31060GT	DECAL,DANGER DO NOT ALTER SWTC.....	2	39	62062GT	DECAL,COSMETIC,GENIE GS-3268DC.....	2
11	31508GT	DECAL,DANGER,ELECT HAZARD,PLUG.....	1	40	72970GT	DECAL,INSTRUCTIONS-CHARGER OP.....	1
12	38149GT	DECAL,LABEL,PATENTS.....1 (ANSI models)	1	41	77046GT	SERIAL # LABEL,MYLAR 4X8***.....	1
13	40434GT	DECAL,LANYARD ANCHORAGE POINT.....	2	42	82239GT	DECAL,LABEL,LATCH.....	2
14	43091GT	DECAL,DANGER,GENERAL SAFETY....2	2	43	82261GT	DECAL,GROUND CONTROL PANEL.....	1
15	43617GT	DECAL,DANGER,TIP-OVER,BATTERY..1	1	44	82263GT	DECAL,NOTICE, OPER INST, GCP.....	1
16	43618GT	DECAL, LABEL - DIRECTION ARROWS.....	1	45	82270GT	DECAL,NOTICE,BATT CONNECT DIAG.....	1
17	43619GT	DECAL,LABEL,SAFETY ARM.....	1	46	82273GT	DECAL,NOTICE,PLATFORM OPER INS.....	1
18	43658GT	DECAL,LABEL,PWR TO CHARGR 230V.....	1	47	82366GT	DECAL,CHEVRON RANDO HD.....1 (from SN 41709 to 42450)	1
19	43696GT	DECAL,DANGER,ELEC HAZARD,GS....2	2				
20	44220GT	DECAL,DANGER,BRAKE REL SAFETY*.....	1				
21	44255GT	DECAL,DANGER,CRUSHING HAZARD.....	4				
22	44736GT	DECAL,DANGER,TIP-OVER,TILT.....	1				
23	44980GT	DECAL,LABEL,PWR TO CHARGR 115V.....	1				
24	48727GT	DECAL, DNGER, BATTERY SAFETY.....	1				
25	49911GT	DECAL,NOTICE,MAX CAP 1250.....1 GS-2668 (567 kg.)	1				
26	52070GT	DECAL,NOTICE,TIRE SPECS.....	4				
27	52431GT	DECAL,LABEL,GROUND CONTROL PNL.....	1				
28	52475GT	DECAL,LABEL,TRANSPORT TIEDOWN*.....	4				



101.2 Decals with Words (from SN 42451 to SN 52815)



101.2 Decals with Words (from SN 42451 to SN 52815)

Item	Part No.	Description	Qty.	Item	Part No.	Description	Qty.
--	84199GT	DECAL KIT,SAFETY INSTR,GS68 <i>(includes items 1-2, 4-5, 7-9, 11-15, 17, 19-20, 23, 25-28, 37-38, 41, 43-51 and 54) (to SN 44698)</i>		26	52431GT	DECAL,LABEL,GROUND CONTROL PNL.....	1
--	115146GT	DECAL KIT,SAFETY/INSTR.GS68 <i>(includes items 1-2, 4-5, 7-9, 11-15, 17, 19-20, 23, 25-28, 37-38, 41, 43-51 and 54) (from SN 44699)</i>		27	52475GT	DECAL,LABEL,TRANSPORT TIEDOWN*.....	4
1	28164GT	DECAL,NOTICE,HAZARDOUS MAT'LS*.....	1	28	52494GT	DECAL,CAUTION,CRUSH HAZ, RAILS.....	1
2	28171GT	DECAL,DANGER,NO SMOKING ***.....	1	29	52673GT	DECAL,NOTICE,SIDE FRC,2668ANSI...1 GS-2668 (200 lbs, 890 N)	1
3	28174GT	DECAL, POWER TO PLATFORM 230V**.....	3	30	52674GT	DECAL,NOTICE,SIDE FRC,2668,AUS....1 GS-2668 (90 lbs, 400 N)	1
4	28175GT	DECAL,WARNING-COMPART ACCESS.....	1	31	52682GT	DECAL,NOTICE,MAX CAP 1000/300....1 GS-3268 (1000 lbs, 454 kg)	1
5	28176GT	DECAL,LABEL,MANUAL NOT HERE.....	1	32	52802GT	DECAL,NOTICE,SIDE FRC,3268ANSI...1 (200 lbs, 890 N)	1
6	28235GT	DECAL,POWER TO PLATFORM 115V...3		33	52803GT	DECAL,NOTICE,SIDE FRC,3268,AUS....1 90 lbs, 400 N)	1
7	28236GT	DECAL,WARN,IMPROPER OPERATION.....	1	34	52966GT	DECAL,COSMETIC,4 X 2.....	2
8	31060GT	DECAL,DANGER DO NOT ALTER SWTC.....	2	35	62061GT	DECAL,COSMETIC,GENIE GS-2668DC.....	2
9	31508GT	DECAL,DANGER,ELECT HAZARD,PLUG.....	1	36	62062GT	DECAL,COSMETIC,GENIE GS-3268DC.....	2
10	38149GT	DECAL,LABEL,PATENTS.....1 (ANSI)	1	37	65052GT	DECAL,LABEL,FAULT CODES.....	1
11	40434GT	DECAL,LANYARD ANCHORAGE POINT.....	2	38	72086GT	DECAL,LABEL,LIFTING EYE.....	4
12	43091GT	DECAL,DANGER,GENERAL SAFETY...2 (to SN 44698)	2	39	72970GT	DECAL,INSTRUCTIONS-CHARGER OP.....	1
12A	1000042GT	DECAL,DANGER,GENERAL SAFETY (from SN 44699)		40	77046GT	SERIAL # LABEL,MYLAR 4X8***.....	1
13	43617GT	DECAL,DANGER,TIP-OVER,BATTERY..1	1	41	78673GT	OVERLAY, PLAT CONTRL BOX,GEN4~.....	1
14	43618GT	DECAL, LABEL - DIRECTION ARROWS.....	1	41A	97772GT	DECAL,OVERLAY,PLAT CONTROLS*** (from SN 44699)	
15	43619GT	DECAL,LABEL,SAFETY ARM.....	1	42	82239GT	DECAL,LABEL,LATCH.....	2
16	43658GT	DECAL,LABEL,PWR TO CHARGR 230V.....	1	43	82261GT	DECAL,GROUND CONTROL PANEL.....	1
17	43696GT	DECAL,DANGER,ELEC HAZARD,GS....2	2	44	82263GT	DECAL,NOTICE, OPER INST, GCP.....	1
19	44255GT	DECAL,DANGER,CRUSHING HAZARD.....	4	45	82270GT	DECAL,NOTICE,BATT CONNECT DIAG.....	1
20	44736GT	DECAL,DANGER,TIP-OVER,TILT.....	1	46A	82273GT	DECAL,NOTICE,PLATFORM OPER INS.....	1
21	44980GT	DECAL,LABEL,PWR TO CHARGR 115V.....	1			(to SN 44698)	
22	44981GT	DECAL,LABEL, AIR LINE 110 PSI.....2 (option)	2	46B	1000134GT	DECAL,NOTICE,PLAT OP INS,68DC*....1 (from SN 44699)	1
23	48727GT	DECAL, DNGER, BATTERY SAFETY.....	1	47	82366GT	DECAL,CHEVRON RANDO HD.....	1
24	49911GT	DECAL,NOTICE,MAX CAP 1250.....1 GS-2668 (567 kg)	1	48	82482GT	DECAL,LABEL,AUX LOWERING (from SN 43530)	
25	52070GT	DECAL,NOTICE,TIRE SPECS.....	4	49	82557GT	DECAL,LABEL,PLAT CONT LOCATION.....	1
				50	82558GT	DECAL,WARN,SKIN INJECTION HAZ*.....	1



101.2 Decals with Words (from SN 42451 to SN 52815)  
 (continued)

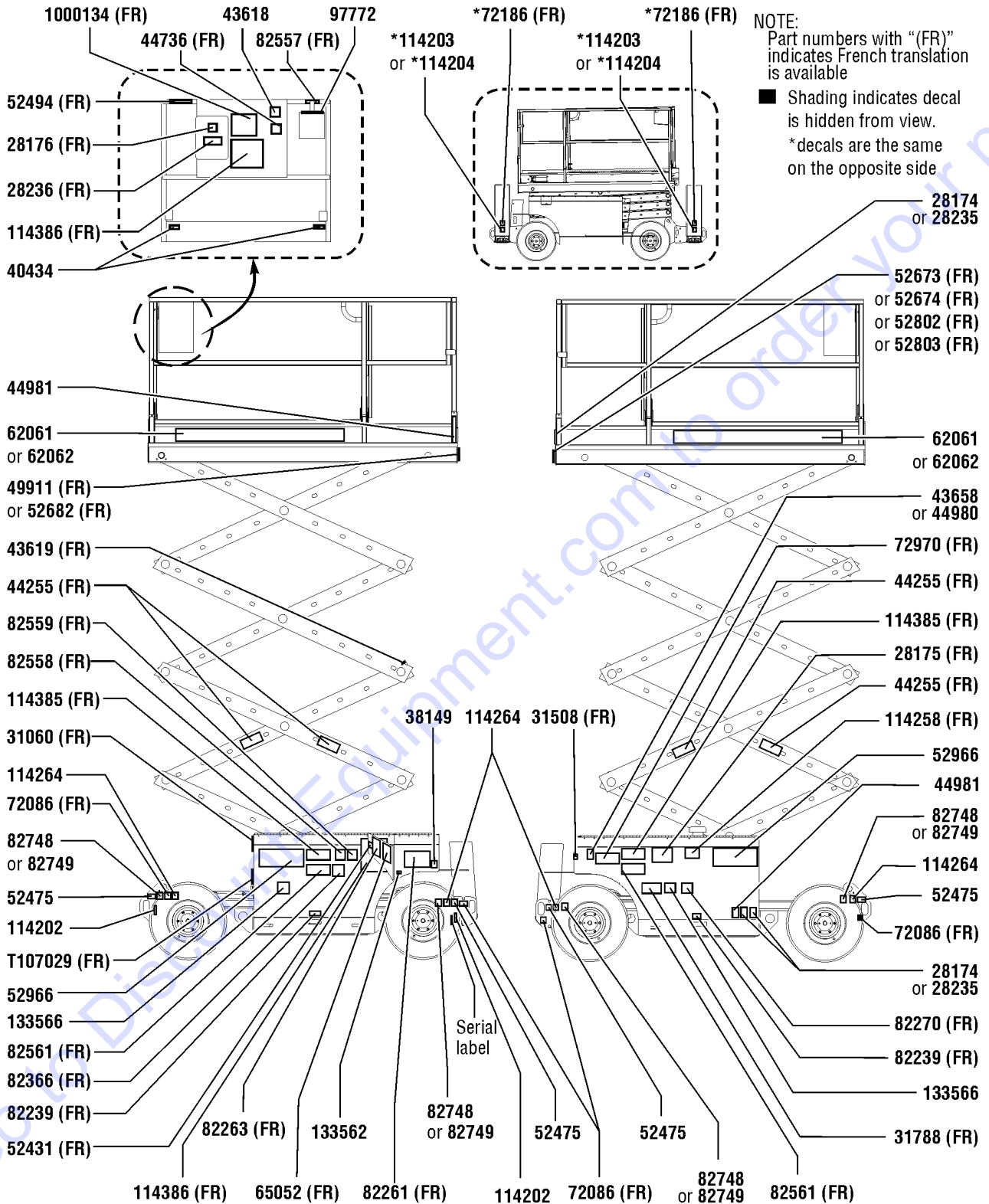
Item	Part No.	Description	Qty.
51	82559GT	DECAL,INSTRUCT-ANNUAL INSP REQ.....	1
52	82561GT	DECAL,DANGER-USE SAFETY ARM....	2
53A	82748GT	DECAL,LABEL,WHEEL LD,GS2668DC..... GS-2668	4
53B	82749GT	DECAL,LABEL,WHEEL LD,GS3268DC.....	4
54	97712GT	DECAL,DANGER,BRAKE REL SAFETY*..... (from SN 42450)	1
55	25994GT	DECAL,NOTICE,SHUTOFF VALVES (SN 43317)	
56	133286GT	DECAL, POWER TO CHARGER, UNIV.....	1
57	72864GT	DECAL,WARNING,PIPE CRADLE,SCIS.....	1
58	114202GT	DECAL,LABEL,TRANSPORT TIE 68....	2

Go to Discount-Equipment.com to order your parts

***This Page Intentionally Left Blank***

Go to [Discount-Equipment.com](http://Discount-Equipment.com) to order your parts

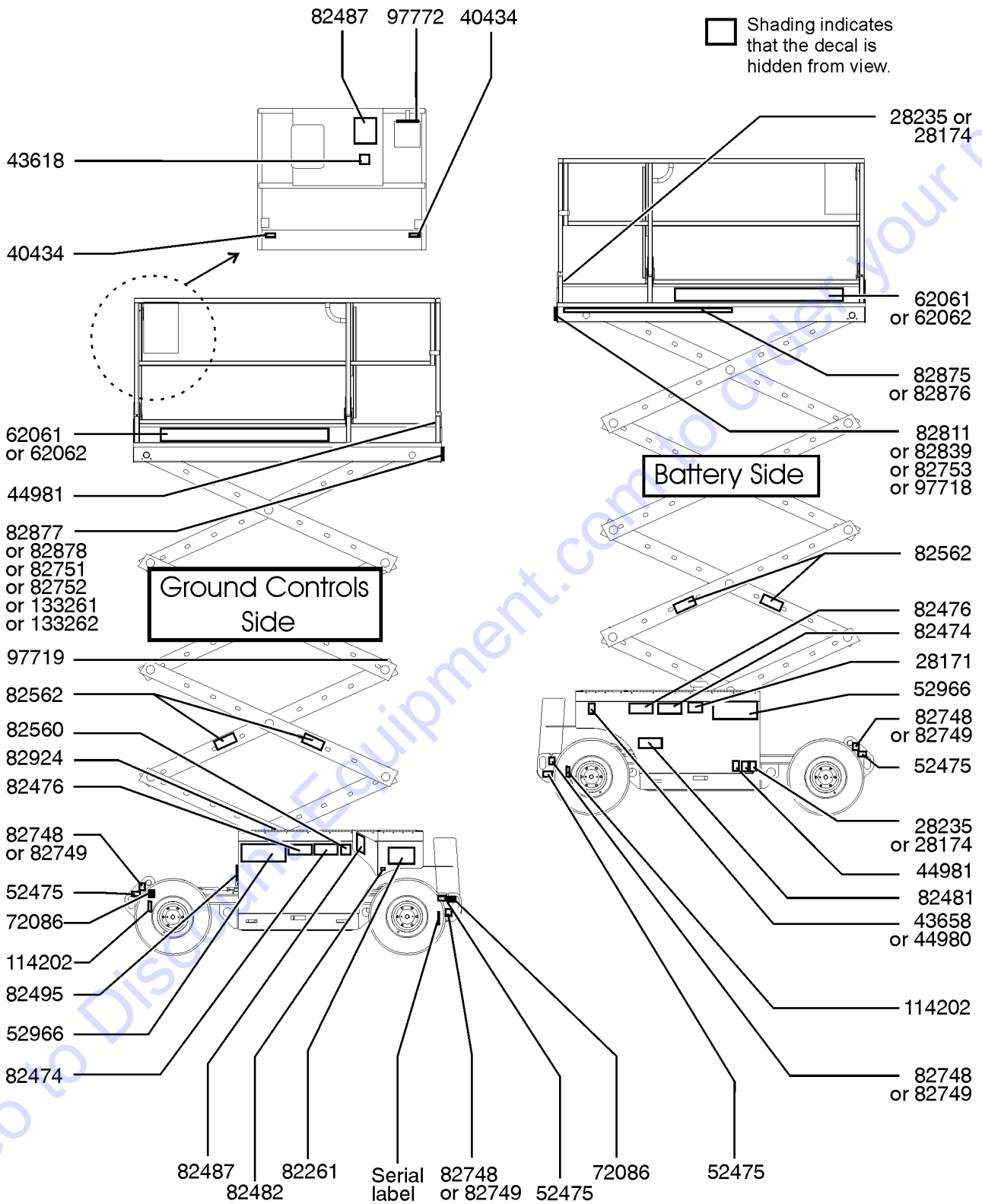
101.3 Decals with Words (from SN 52816)



## 101.3 Decals with Words (from SN 52816)

Item	Part No.	Description	Qty.	Item	Part No.	Description	Qty.
1	28174GT	DECAL, POWER TO PLATFORM 230V**.....	3	28	62061GT	DECAL, COSMETIC, GENIE GS-2668DC.....	2
2	28175GT	DECAL, WARNING-COMPART ACCESS.....	1			<i>GS-2668 DC models</i>	
3	28176GT	DECAL, LABEL, MANUAL NOT HERE.....	1	29	62062GT	DECAL, COSMETIC, GENIE GS-3268DC.....	2
4	28235GT	DECAL, POWER TO PLATFORM 115V.....	3			<i>GS-3268</i>	
5	28236GT	DECAL, WARN, IMPROPER OPERATION.....	1	30	65052GT	DECAL, LABEL, FAULT CODES.....	1
6	31060GT	DECAL, DANGER DO NOT ALTER SWTC.....	1	31	72086GT	DECAL, LABEL, LIFTING EYE.....	4
7	31508GT	DECAL, DANGER, ELECT HAZARD, PLUG.....	1	32	72186GT	DECAL, WARNING, CRUSHING HAZARD.....	4
8	31788GT	DECAL, DANGER, BATTERY SAFETY***.....	1	33	72970GT	DECAL, INSTRUCTIONS-CHARGER OP.....	1
9	38149GT	DECAL, LABEL, PATENTS.....	1			<i>OP</i>	
		<i>US Only</i>		34	82239GT	DECAL, LABEL, LATCH.....	2
10	40434GT	DECAL, LANYARD ANCHORAGE POINT.....	2	35	82261GT	DECAL, GROUND CONTROL PANEL.....	1
11	43618GT	DECAL, LABEL - DIRECTION ARROWS.....	1	36	82263GT	DECAL, NOTICE, OPER INST, GCP.....	1
12	43619GT	DECAL, LABEL, SAFETY ARM.....	1	37	82270GT	DECAL, NOTICE, BATT CONNECT DIAG.....	1
13	43658GT	DECAL, LABEL, PWR TO CHARGR 230V.....	1			<i>DIAG</i>	
14	44255GT	DECAL, DANGER, CRUSHING HAZARD.....	4	38	82366GT	DECAL, CHEVRON RANDO HD.....	1
15	44736GT	DECAL, DANGER, TIP-OVER, TILT.....	1			<i>(option), hydraulic Oil</i>	
16	44980GT	DECAL, LABEL, PWR TO CHARGR 115V.....	1	39	82557GT	DECAL, LABEL, PLAT CONT LOCATION.....	1
17	44981GT	DECAL, LABEL, AIR LINE 110 PSI.....	2			<i>LOCATION</i>	
		<i>(option), airline to platform</i>		40	82558GT	DECAL, WARN, SKIN INJECTION HAZ*.....	1
18	49911GT	DECAL, NOTICE, MAX CAP 1250.....	1			<i>HAZ*</i>	
		<i>GS-2668 DC models</i>		41	82559GT	DECAL, INSTRUCT-ANNUAL INSP REQ.....	1
19	52431GT	DECAL, LABEL, GROUND CONTROL PNL.....	1			<i>REQ</i>	
20	52475GT	DECAL, LABEL, TRANSPORT TIEDOWN*.....	4	42	82561GT	DECAL, DANGER-USE SAFETY ARM.....	2
21	52494GT	DECAL, CAUTION, CRUSH HAZ, RAILS.....	1	43	82748GT	DECAL, LABEL, WHEEL LD, GS2668DC.....	4
22	52673GT	DECAL, NOTICE, SIDE FRC, 2668 ANSI.....	1			<i>LD, GS2668DC</i>	
		<i>ANSI, GS-2668 DC models</i>		44	82749GT	DECAL, LABEL, WHEEL LD, GS3268DC.....	4
23	52674GT	DECAL, NOTICE, SIDE FRC, 2668, AUS.....	1			<i>LD, GS3268DC</i>	
		<i>AUS, GS-2668 DC models</i>				<i>GS-3268</i>	
24	52682GT	DECAL, NOTICE, MAX CAP 1000/300.....	1	45	97772GT	DECAL, OVERLAY, PLAT CONTROLS***.....	1
		<i>GS-3268 (1000 lbs, 454 kg)</i>				<i>CONTROLS***</i>	
25	52802GT	DECAL, NOTICE, SIDE FRC, 3268 ANSI.....	1	46	114202GT	DECAL, LABEL, TRANSPORT TIE 68.....	2
		<i>GS-3268 (200 lbs, 890 N)</i>		47	114203GT	DECAL, LABEL, OUTRIGGER LD 2668.....	4
26	52803GT	DECAL, NOTICE, SIDE FRC, 3268, AUS.....	1			<i>GS-2668 DC models</i>	
		<i>AUS, GS-3268 (90 lbs, 400 N)</i>		48	114204GT	DECAL, LABEL, OUTRIGGER LD 3268.....	4
						<i>GS-3268</i>	
27	52966GT	DECAL, COSMETIC, 4 X 2.....	2	49	114258GT	DECAL, DANGER, NO SMOKING.....	1
				50	114264GT	DECAL, NOTICE, TIRE SPECS.....	4
				51	114385GT	DECAL, DANGER, ELEC HAZARD, GS.....	2
				52	114386GT	DECAL, DANGER-GEN SAFETY.....	2
				53	133562GT	DECAL, EMERGENCY LOWER.....	1
				54	133566GT	DECAL, DANGER, TIP-OVER BATTERY.....	2
				55	1000134GT	DECAL, NOTICE, PLAT OP INS, 68DC*.....	1
				56	T107029GT	DECAL, DANGER, BRAKE REL SAFETY.....	1

102.1 Decals with Symbols (to SN 52815)



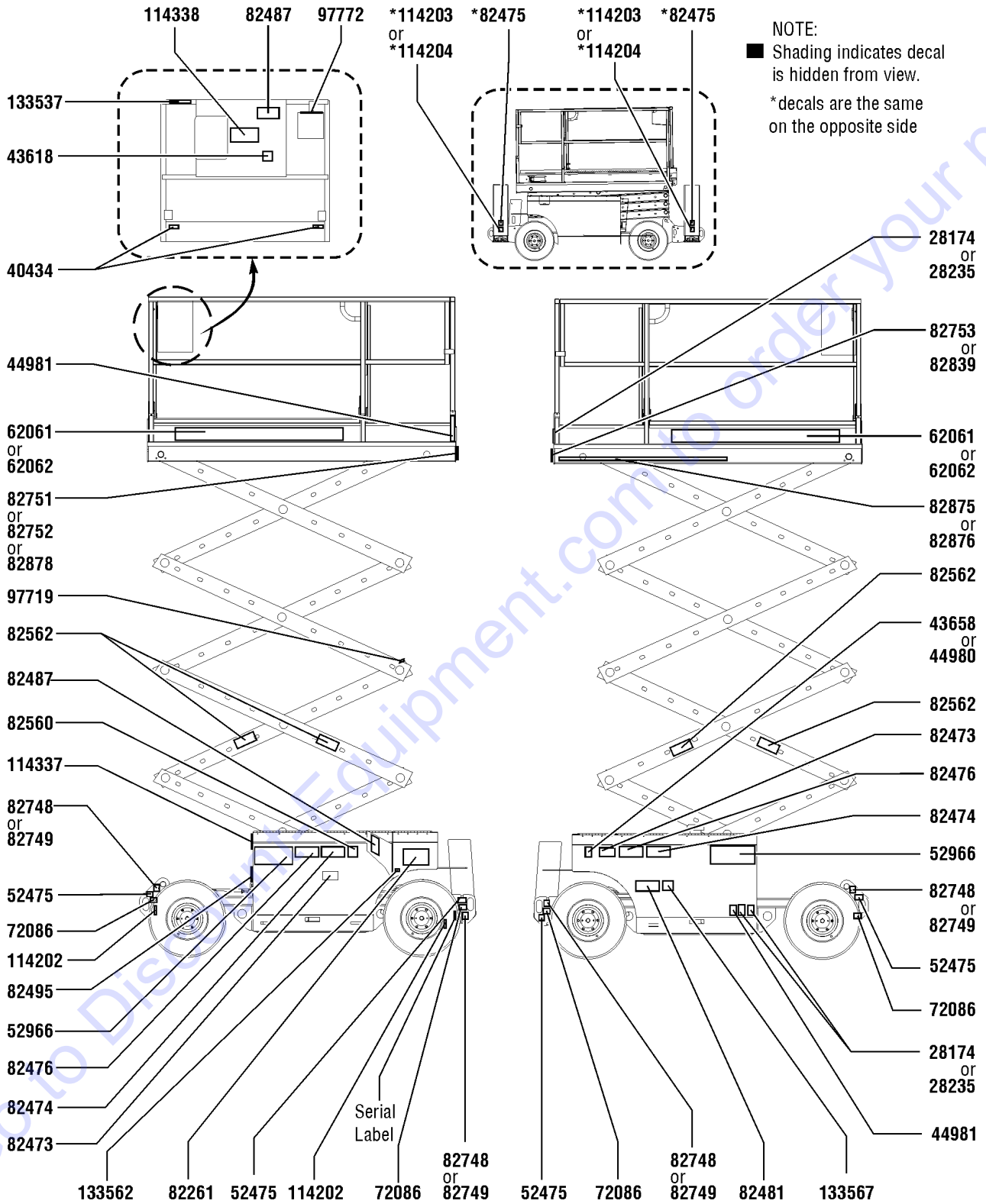


102.1 Decals with Symbols (to SN 52815)

Item	Part No.	Description	Qty.	Item	Part No.	Description	Qty.
--	97362GT	DECAL KIT,SAFETY/INSTR,68DC SY <i>(includes items 1, 4-5, 9, 16-23 and 35)</i>		26	82751GT	DECAL,DANGER,MAX CAP,2668 ANSI.....1 <i>(1250 lbs, 567 kg)</i>	1
1	28171GT	DECAL,DANGER,NO SMOKING ***.....1	1	26	82752GT	DECAL,DANGER,MAX CAP,3268 ANSI.....1 <i>(1000 lbs, 454 kg)</i>	1
2	28174GT	DECAL, POWER TO PLATFORM 230V**.....3	3	27	82753GT	DECAL,DANGER,SIDE FRC,GS68ANSI.....1 <i>(200 lbs, 890 N)</i>	1
3	28235GT	DECAL,POWER TO PLATFORM 115V...3	3	28	82811GT	DECAL,DANGER,MANUAL FORCE,400N.....1 <i>GS-2668 (CE) (90 lbs)</i>	1
4	40434GT	DECAL,LANYARD ANCHORAGE POINT.....2	2	28	82839GT	DECAL,DANGER,MAN FRC,GS3268,CE.....1 <i>(90 lbs, 400 N)</i>	1
5	43618GT	DECAL, LABEL - DIRECTION ARROWS.....1	1	29	82875GT	DECAL,LABEL,CAP INDICATOR,2668...1 <i>(CE)</i>	1
6	43658GT	DECAL,LABEL,PWR TO CHARGR 230V.....1	1	29	82876GT	DECAL,LABEL,CAP INDICATOR,3268...1 <i>(CE)</i>	1
7	44980GT	DECAL,LABEL,PWR TO CHARGR 115V.....1	1	30	82877GT	DECAL,LABEL,MAXCAP CE GS2668...1 <i>(567 kg)</i>	1
8	44981GT	DECAL,LABEL, AIR LINE 110 PSI.....2	2	30	82878GT	DECAL,DANGER,MAXCAP CE GS3268.....1 <i>(454 kg)</i>	1
9	52475GT	DECAL,LABEL, TRANSPORT TIEDOWN*.....4	4	31	82924GT	DECAL,CAUTION,SHUTOFF VALVES**.....1	1
10	52966GT	DECAL,COSMETIC,4 X 2.....2	2	31	97719GT	DECAL, LABEL, SAFETY ARM SYMB...1	1
11	62061GT	DECAL,COSMETIC,GENIE GS-2668DC.....2	2	32	82924GT	DECAL,CAUTION,SHUTOFF VALVES**.....1	1
12	62062GT	DECAL,COSMETIC,GENIE GS-3268DC.....2	2	32	97718GT	DECAL, HI WIND SPD,CE, 3268DC.....1 <i>(CE) (option)</i>	1
13	72086GT	DECAL,LABEL,LIFTING EYE		33	133261GT	DECAL,DANGER,MAXCAP CE GS2668.....1	1
13	77046GT	SERIAL # LABEL,MYLAR 4X8***.....1 <i>(serial label)</i>	1	33	97719GT	DECAL, LABEL, SAFETY ARM SYMB...1	1
14	72086GT	DECAL,LABEL,LIFTING EYE.....4	4	34	133262GT	DECAL,DANGER,MAXCAP CE GS3268.....1	1
14	77046GT	SERIAL # LABEL,MYLAR 4X8***.....1	1	34	133286GT	DECAL, POWER TO CHARGER, UNIV.....1	1
15	78673GT	OVERLAY, PLAT CONTRL BOX,GEN4~.....1 <i>(to SN 44698)</i>	1	35	114202GT	DECAL,LABEL,TRANSPORT TIE 68.....2	2
15A	97772GT	DECAL,OVERLAY,PLAT CONTROLS*** <i>(from SN 44699)</i>		35	133286GT	DECAL, POWER TO CHARGER, UNIV.....1	1
16	82261GT	DECAL,GROUND CONTROL PANEL.....1	1	36	114202GT	DECAL,LABEL,TRANSPORT TIE 68.....2	2
17	82474GT	DECAL,SYMBOL-USE SAFETY ARM...2	2				
18	82476GT	DECAL,SYMBOL-ELEC HAZARD,GS....2	2				
19	82481GT	DECAL,SYMBOL-BATTERY SAFETY.....1	1				
20	82482GT	DECAL,LABEL,AUX LOWERING.....1	1				
21	82487GT	DECAL, SYMBOL - READ THE MANUAL.....2	2				
22	82495GT	DECAL,SYMBOL-BRAKE REL SAFETY.....1	1				
23	82560GT	DECAL,SYMBOL-SKIN INJECT HAZRD.....1	1				
24	82562GT	DECAL,SYMBOL-CRUSHING HAZARD.....4	4				
25	82748GT	DECAL,LABEL,WHEEL LD,GS2668DC.....4	4				
25	82749GT	DECAL,LABEL,WHEEL LD,GS3268DC.....4	4				



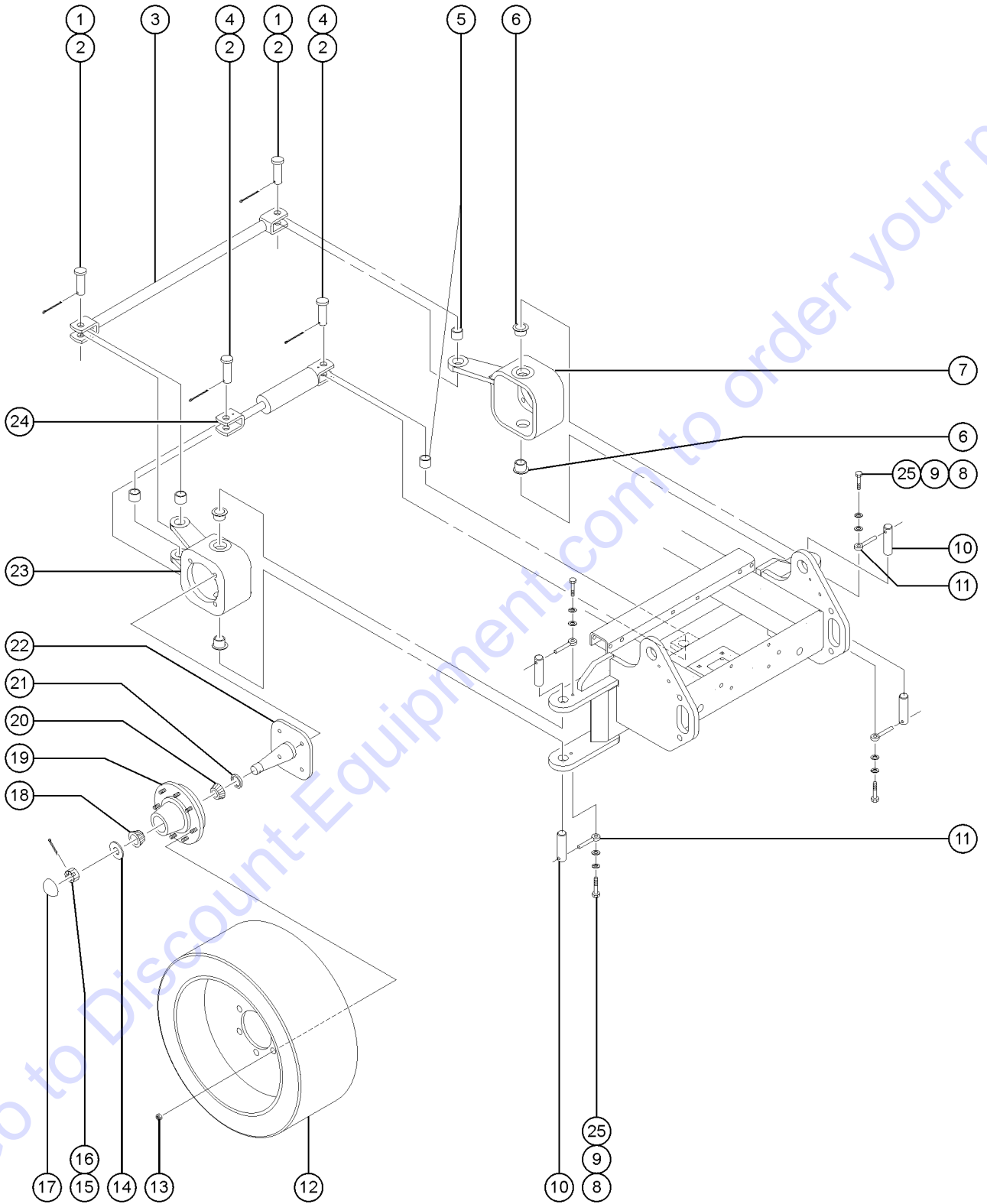
102.2 Decals with Symbols (from SN 52816)



## 102.2 Decals with Symbols (from SN 52816)

Item	Part No.	Description	Qty.	Item	Part No.	Description	Qty.
1	28174GT	DECAL, POWER TO PLATFORM 230V**.....	3	27	82753GT	DECAL,DANGER,SIDE FRC,GS68ANSI.....	1
2	28235GT	DECAL,POWER TO PLATFORM 115V...3				ANSI, GS-2668 & GS-3268	
3	40434GT	DECAL,LANYARD ANCHORAGE POINT.....	2	28	82839GT	DECAL,DANGER,MAN FRC,GS3268,CE.....	1
4	43618GT	DECAL, LABEL - DIRECTION ARROWS.....	1			CE, GS-3268	
5	43658GT	DECAL,LABEL,PWR TO CHARGR 230V.....	1	29	82875GT	DECAL,LABEL,CAP INDICATOR,2668...1 GS-2668	
6	44980GT	DECAL,LABEL,PWR TO CHARGR 115V.....	1	30	82876GT	DECAL,LABEL,CAP INDICATOR,3268...1 CE, GS-3268	
7	44981GT	DECAL,LABEL, AIR LINE 110 PSI.....2 (option), airline to platform		31	82878GT	DECAL,DANGER,MAXCAP CE GS3268.....	1
8	52475GT	DECAL,LABEL,TRANSPORT TIEDOWN*.....	4			CE, GS-3268	
9	52966GT	DECAL,COSMETIC,4 X 2.....	2	32	97719GT	DECAL, LABEL, SAFETY ARM SYMB...1	
10	62061GT	DECAL,COSMETIC,GENIE GS-2668DC.....	2	33	97722GT	DECAL,OVERLAY,PLAT CONTROLS***.....	1
11	62062GT	DECAL,COSMETIC,GENIE GS-3268DC.....	2	34	114202GT	DECAL,LABEL,TRANSPORT TIE 68....2	
		GS-3268		35	114203GT	DECAL,LABEL,OUTRIGGER LD 2668...4 GS-2668	
12	72086GT	DECAL,LABEL,LIFTING EYE.....	4	36	114204GT	DECAL,LABEL,OUTRIGGER LD 3268...4 GS-3268	
13	82261GT	DECAL,GROUND CONTROL PANEL.....	1	37	114337GT	DECAL,SYM-TIP-OVER,LIM SWITCH...1	
14	82473GT	DECAL,SYMBOL-COMP ACCESS.....	2	38	114338GT	DECAL,SYM-TIP-OVER,TILT ALARM....1	
15	82474GT	DECAL,SYMBOL-USE SAFETY ARM....2		39	133537GT	DECAL,CRUSH HAZ RAILS SYMB.....1	
16	82475GT	DECAL,SYMBOL-FOOT CRUSHING....4		40	133562GT	DECAL,EMERGENCY LOWER.....	1
17	82476GT	DECAL,SYMBOL-ELEC HAZARD,GS....2		41	133567GT	DECAL,TIP-OVER BATT SYMB.....	1
18	82481GT	DECAL,SYMBOL-BATTERY SAFETY....1		42	77046GT	SERIAL # LABEL,MYLAR 4X8***.....1 (serial label)	
19	82487GT	DECAL, SYMBOL - READ THE MANUAL.....	2				
20	82495GT	DECAL,SYMBOL-BRAKE REL SAFETY.....	1				
21	82560GT	DECAL,SYMBOL-SKIN INJECT HAZRD.....	1				
22	82562GT	DECAL,SYMBOL-CRUSHING HAZARD.....	4				
23	82748GT	DECAL,LABEL,WHEEL LD,GS2668DC.....	4				
		GS-2668					
24	82749GT	DECAL,LABEL,WHEEL LD,GS3268DC.....	4				
		GS-3268					
25	82751GT	DECAL,DANGER,MAX CAP,2668 ANSI.....	1				
		GS-2668					
26	82752GT	DECAL,DANGER,MAX CAP,3268 ANSI.....	1				
		ANSI, GS-3268					

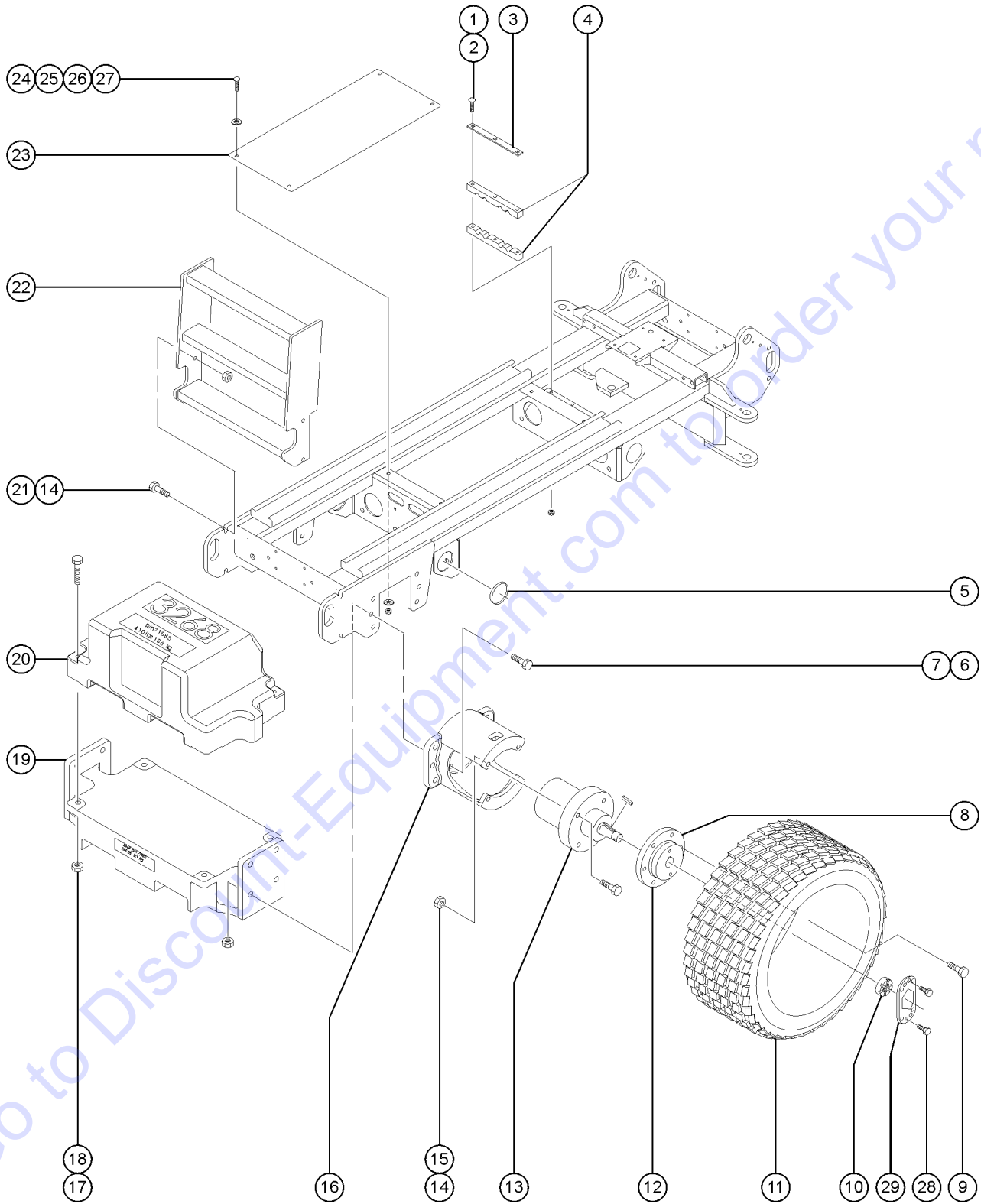
201.1 Steer Axle Linkage, Wheels and Drive Motors



## 201.1 Steer Axle Linkage, Wheels and Drive Motors

Item	Part No.	Description	Qty.
1	19440GT	PIN,CLEVIS,1 X 2.5 LG.....	2
2	5361GT	PIN,COTTER,.125 X 1.5..... (to SN 41413)	2
2A	74389GT	RUE RING,1.00 (from SN 41414)	
3	47282GT	WELDMENT,TIEROD.....	1
4	826379GT	PIN,CLEVIS,1X2.250,ZAG.....	2
5	51474GT	BEARING,1.00IDX1.25ODX0.75L.....	4
6	148337GT	BEARING,BRZ,FL,1.25IDX1.5OD.....	4
7	52390GT	YOKE ASSY,GRD CTRL SIDE, GS68..... (includes items 5 and 6) (to SN 42255)	1
7A	99225GT	YOKE ASSY,GRD CTRL SIDE,DC (includes items 5 and 6) (from SN 42256)	
8	6019GT	SCREW,HHC,3/8-16 X 1.25 GRD 5 (to SN 42116)	
8A	8516GT	SCREW, HCC, 3/8-16 X 1.50 (from SN 42117)	
9	6021GT	WASHER,LOCK,.375	
10	47376GT	PIN,1.25DIA X 2.75LG,1HOLE.....	4
11	1255452GT	ROD END,.375 X 2.25,ZAG.....	6
12A	71547GT	TIRE & WHEEL ASSY,NON-MARKING (solid rubber)	
13	87535GT	NUT, WHEEL 9/16 - 18.....	6
14	45112GT	WASHER,SPINDLE	
15	87537GT	NUT, SPINDLE 7/8 - 14	
16	87538GT	PIN, COTTER 5/32 1 1/2	
17	87533GT	HUB CAP.....	1
18	87532GT	OUTER CONE BEARING.....	1
19	79996GT	HUB ASSY 803201-6..... (includes items 17, 18, 20 and 21)	1
--	84207GT	HUB SEAL,BRING & RACE KIT,68DC (includes items 14-18, 20 and 21)	
20	87531GT	INNER CONE BEARING.....	1
21	87534GT	GREASE SEAL.....	1
22	79889GT	WELDMENT,FRONT STEER.....	1
23	52391GT	YOKE ASSY,ENGINE/BAT SIDE,GS68..... (includes items 5 and 6) (to SN 42255)	1
23A	99224GT	YOKE ASSY,ENGINE SIDE,DC (includes items 5 and 6) (from SN 42256)	
24	89065GT	CYLINDER,STEER***.....	1
--	89066GT	SEAL KIT,STEER CYL (89065)	
25	5397GT	WASHER,FLAT,USS,5/16",Y	

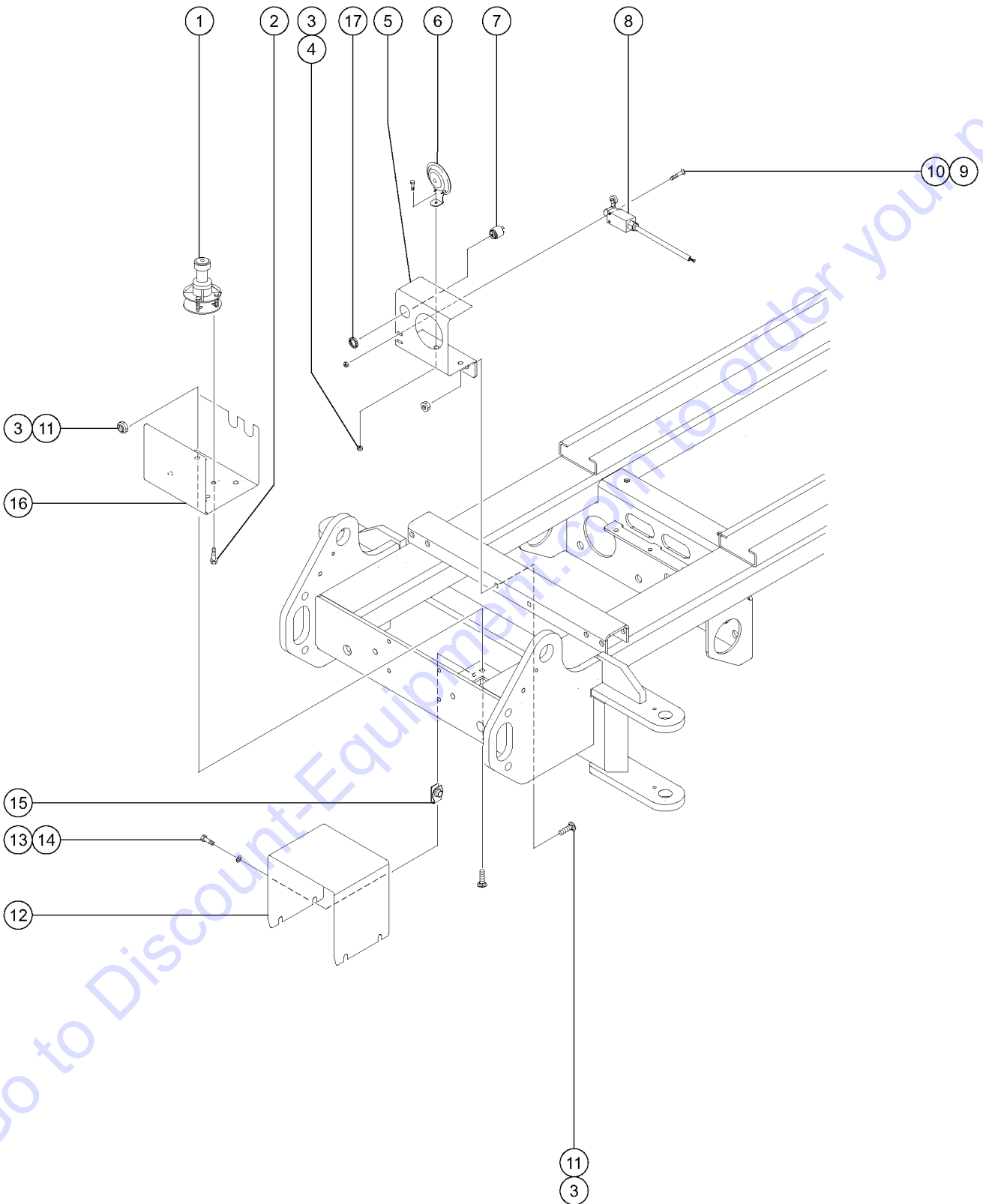
202.1 Non-steer Axle and Brake Motors



## 202.1 Non-steer Axle and Brake Motors

Item	Part No.	Description	Qty.	Item	Part No.	Description	Qty.
1	87059GT	BOLT,CARRIAGE,3/8-16 X 3.00,G2		22A	55393-SGT	WELDMENT,LADDER, GS3268	
2	4828GT	NUT,NYLOCK,3/8-16		23	51297GT	PLATE,HOSE COVER.....1	
3	79128GT	PLATE,HOSE BLK SUPPORT,UPPER....1		24	8255GT	SCREW,HHC,3/8-16 X .75 (to SN 41738)	
4	79129GT	HOSE BLOCK, STEERING.....2		24A	4828GT	NUT,NYLOCK,3/8-16 (from SN 41739)	
5	55067GT	GROMMET,RUBBER 3 X .19 X 3.5.....2		25	6021GT	WASHER,LOCK,.375 (to SN 41738)	
6	51428GT	SCREW,HHC,3/4-10 X 2.75 (to SN 41972)		25A	5397GT	WASHER,FLAT,USS,5/16",Y (from SN 41739)	
6A	51131GT	SCREW,HHC,5/8-11 X 2.5 (from SN 41973)		26	87684GT	PUSH RETAINER, 3/8" SCREW (from SN 41739)	
7	10258GT	NUT,NYLOCK,3/4-10,GRD.2 (to SN 41972)		27	64154GT	BOLT,CARRIAGE,3/8-16 X1.00,G5 (from SN 41739)	
7A	6024GT	NUT,NYLOCK,5/8-11 (from SN 41973)		28	8255GT	SCREW,HHC,3/8-16 X .75.....4	
8	44781GT	KEY,RECTANGULAR,.31X.28X1.25***.....1		29	T109085GT	PLATE, CASTLE NUT LOCK.....2	
9	148426GT	LUG BOLT,45 DEG,1/2-20 UNF.....6					
10	44780GT	NUT,CASTLE,1.125-18 UNEF.....1					
--		Ref. Cotter Pin, 5/32 inch (refer to 201.1)					
11		Ref. Tire and Wheel Assembly (refer to 201.1)					
12	47312GT	ADAPTER,WHEEL,GS68/GS69.....1					
13	55194GT	MOTOR/BRAKE 28.3 CU.IN./REV.....1 (includes items 8 and 10)					
--	52395GT	SEAL KIT,DRIVE/BRAKE MTR.2668					
--	79492GT	SERVICE KIT,BRAKE DISC,GS68***					
14	6024GT	NUT,NYLOCK,5/8-11					
15	87585GT	SCREW,HHC,5/8-11 X 3.00,GR 5 (from SN 41700)					
16	71881GT	CASTING, REAR MOTOR HOUSING.....1 (to SN 41699)					
16A	71881GT	CASTING, REAR MOTOR HOUSING (from SN 41700)					
17	6198GT	NUT,NYLOCK,1/2-13 (from SN 41973)					
18	8220GT	SCREW,HHC,1/2-13 X 4 (from SN 41973)					
19	79953GT	79954ENT,2668 AXLE CW.....1 GS-2668 (to SN 41972)					
19A	71882GT	CASTING, 2668 AXLE CTRWEIGHT GS-2668 (from SN 41973)					
20	79956GT	WELDMENT,3268 AXLE CW.....1 (to SN 41972)					
20A	71883GT	CASTING, 3268 AXLE CTRWEIGHT (from SN 41973)					
21	51131GT	SCREW,HHC,5/8-11 X 2.5					
21A	20654GT	SCREW,SHC,5/8-11 X 3.50,A574 (models with outriggers)					
22	47310PGT	WELDMENT,LADDER,PAINTED,GS68...1 GS-2668					

203.1 Drive Chassis, Safety Components

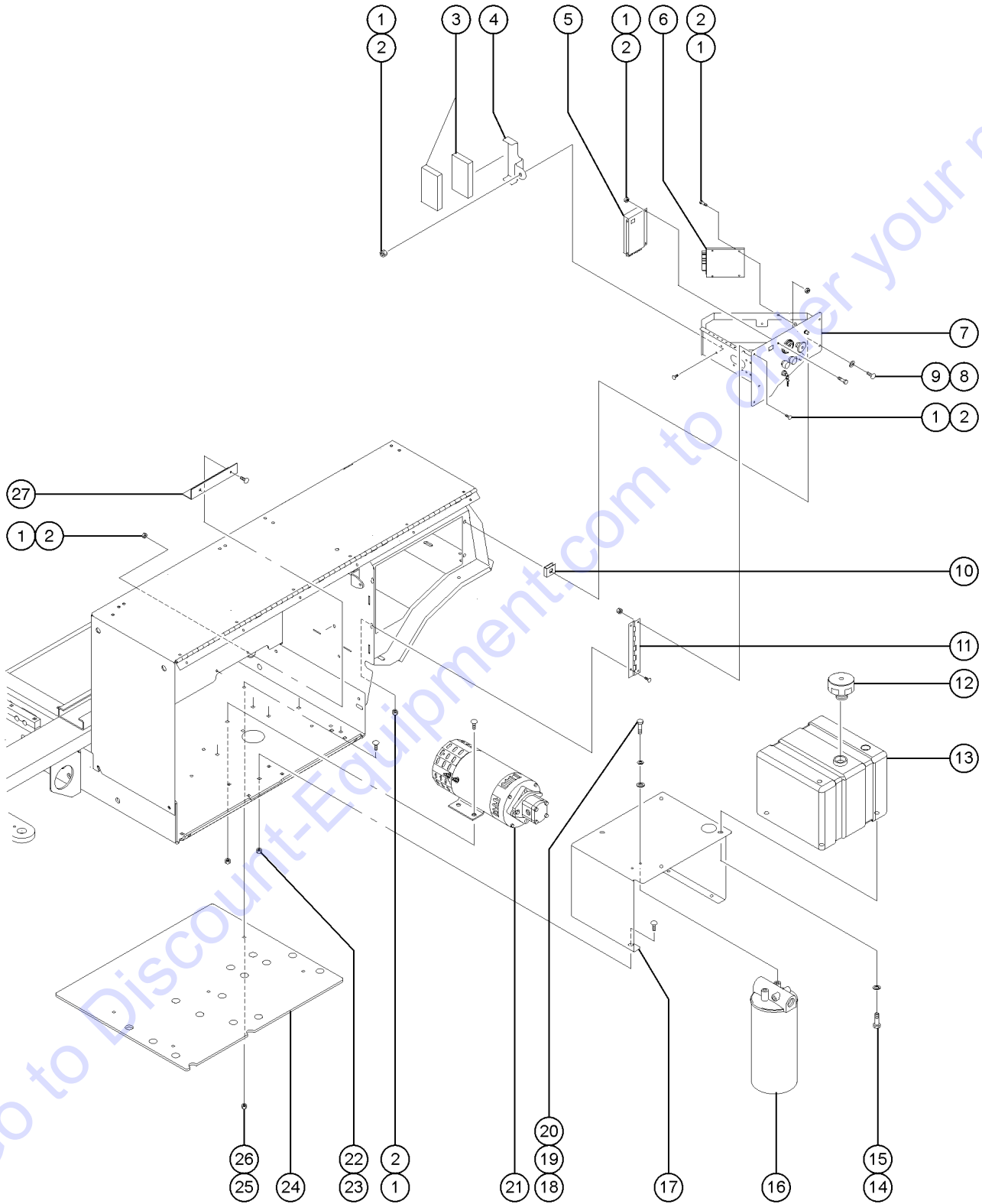


## 203.1 Drive Chassis, Safety Components

Item	Part No.	Description	Qty.
1	40836GT	LEVEL SENSOR,LS60,BLUE,2X4**.....1 (to SN 41753)	
1A	78674GT	LEVEL SENSOR,LS60,BLUE,2X3** (from SN 41754)	
2	66875GT	SCREW,SH.METAL, HHC,5/16 X 1/2	
3	4828GT	NUT,NYLOCK,3/8-16	
4	8255GT	SCREW,HHC,3/8-16 X .75	
5	79091GT	FORMING,LIMIT SW.MOUNT.....1	
6	81579GT	HORN,24VDC,SPADE TERMINALS*** ....1	
7	39540GT	ALARM,STEADY TONE***.....1 (108 dB, 6-28V DC) (Does not include 72326 nut)	
8	<del>88356-126R3GT</del> 88356-126R3GT	SWITCH,LIMIT,W/RLR HEAD 180DG**...1	
--	19491GT	CONTACTOR,LIMIT SWITCH	
--	27643GT	ROLLER ARM-LIMIT SWITCH	
--	79896GT	WIRE ASSY,DOWN LIMIT SWITCH	
9	51063GT	SCREW,PHILLIPS,RHM,10-32 X 1.5	
10	6178GT	NUT,NYLOCK,10-32	
11	64154GT	BOLT,CARRIAGE,3/8-16 X1.00,G5	
12	87084GT	FORMING,LEVEL SENSOR COVER.....1	
13	6175GT	SCREW,HHC,3/8-16 X 1	
14	6021GT	WASHER,LOCK,.375 (from SN 41683)	
15	29868GT	SPRING CLIP,3/8-16,.05-.20X.73,ZAG (from SN 41683)	
16	87083GT	FORMING,LEVEL SENSOR MOUNT.....1	
17	72326GT	NUT - PLASTIC,RING FOR ALARMS.....1	



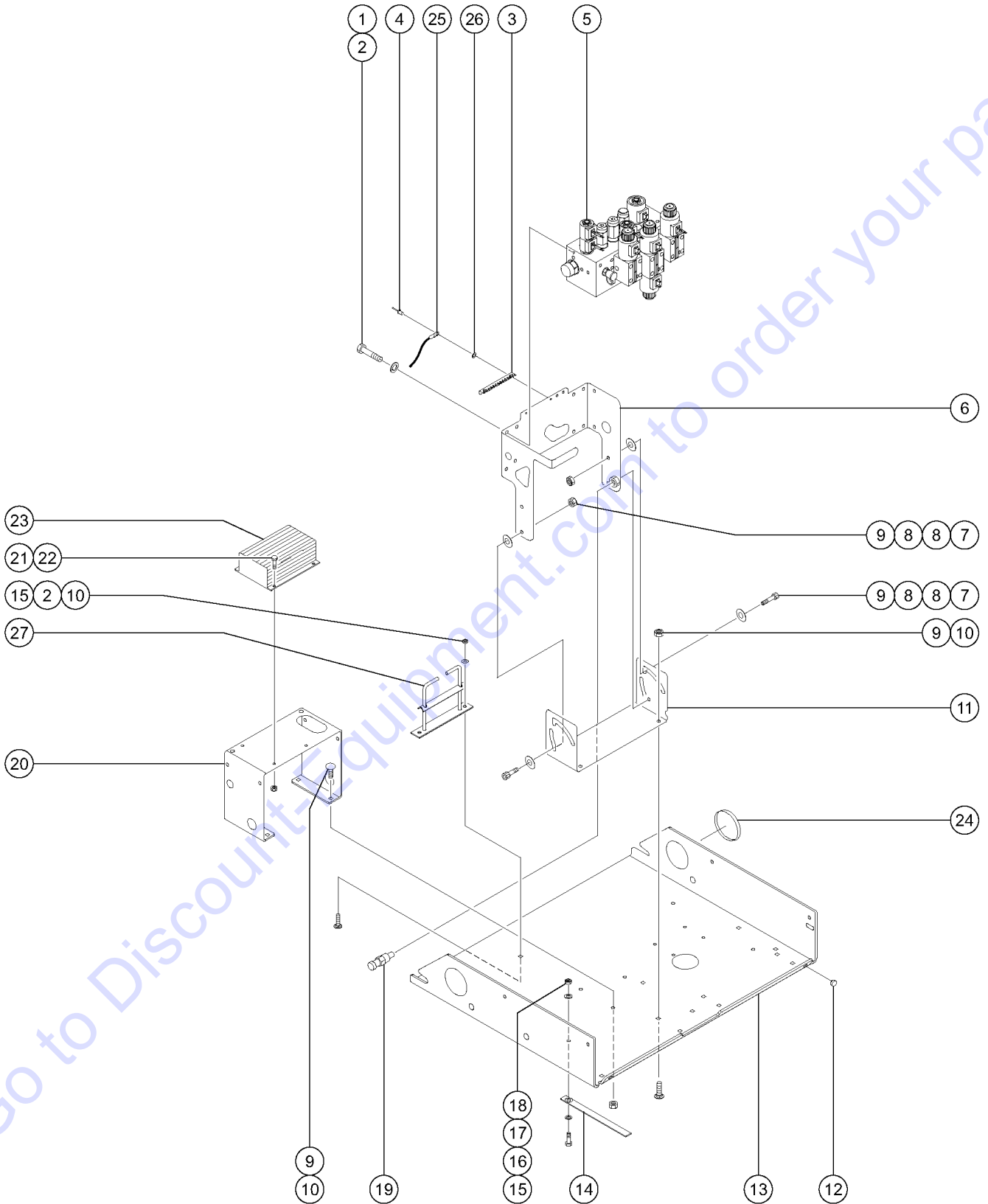
301.1 Hydraulic Module Components, View 1



## 301.1 Hydraulic Module Components, View 1

Item	Part No.	Description	Qty.	Item	Part No.	Description	Qty.
1	6091GT	NUT,NYLOCK,1/4-20		17	79444GT	FORMING,TANK SUPPORT.....1	1
2	6878GT	BOLT,CARRIAGE,1/4-20 X .75,G2		18	6090GT	SCREW,HHC,1/4-20 X .75	
3	79895GT	E-DOWN BATTERY ASSY.....2 (to SN 41829)	2	19	6356GT	WASHER,LOCK,.25	
4	87010GT	FORMING,BATTERY BRACKET.....1 (to SN 41829)	1	20	6638GT	WASHER,FLAT,USS,1/4"Y	
5A	87540GT	ECM,GS68 DC,GEN4*** (from SN 41318 to 44698)		21		Ref. Motor - 48V DC (refer to 306.1)	
--	110130GT	KIT,GEN5 ECU & MOUNTING,68DC (from SN 41318 to 44698)		22	64154GT	BOLT,CARRIAGE,3/8-16 X1.00,G5	
5B	100839GT	ECU,SLAB/GR GEN 5***.....1 (from SN 44699)	1	23	4828GT	NUT,NYLOCK,3/8-16	
6	71852GT	CONVERTER, DC-DC, 48-12 VOLT.....1 (to SN 41850)	1	24	87213GT	PLATE,COUNTERWEIGHT,LT,68DC.....1 GS-3268 (ground controls side) (Europe, Australia)	1
--	79452GT	CONVERTER, DC-DC, 48-26 VOLT** (from SN 41851)		--	148056GT	PLATE,COUNTERWEIGHT,GS68DC	
7		Ref. Ground Control Panel Assembly (refer to 304.1)		25	60790GT	BOLT, CARRIAGE, 3/8-16 X 1.50, G5	
8	71876GT	STUD, 1/4 TURN, .35 LONG.....2	2	26	7713GT	NUT, LP NYLOCK, 3/8-16	
9	71877GT	KEEPER, 1/4 TURN FASTENER.....2	2	27	131951GT	FORMING,MOTOR COVER,GS68DC	
10	71875GT	SPRING CLIP,1/4 TURN,.188PANEL.....2	2				
11	79137GT	HINGE, CONTROL DOOR%%%%.....1	1				
12	42019GT	TANK BREATHER,NYLON **.....1	1				
13	48235GT	TANK, HYDRAULIC,8 GAL TMZ50.....1	1				
14	23057GT	SCREW,HHC,M8 X 20MM					
15	5397GT	WASHER,FLAT,USS,5/16",Y					
16	71199GT	RETURN FILTER ASSY 10 MICRON.....1 (For units with Rykon, MV Oil) (to SN 43865)	1				
--	131323GT	FILTER ELEMENT,10 MICRON (For units with Rykon, MV Oil) (to SN 43865)					
--	52768GT	GAUGE,MED.PRESSUR FILTER,50530 (For units with Rykon, MV Oil) (to SN 43865)					
16A	87070GT	FILTER ASSY,SAE 12 NO INDICAT* (For units with Rykon, MV Oil) (from SN 43866)					
--	1259055GT	FILTER ELEMENT, 10 MICRON Genie aftermarket part (For units with Rykon, MV Oil) (from SN 43866)					
--	131323GT	FILTER ELEMENT,10 MICRON Genie genuine part (For units with Rykon, MV Oil) (from SN 43866)					
16B	112011GT	FILTER ASSY,FIBERGLASS,GS68*** .....1 (For units with Biodegradable, Fire resistant, or Arctic Oil)	1				
--	52756GT	FILTER,ELEMENT,F'GLASS,6 MICRN (For units with Biodegradable, Fire resistant, or Arctic Oil)					

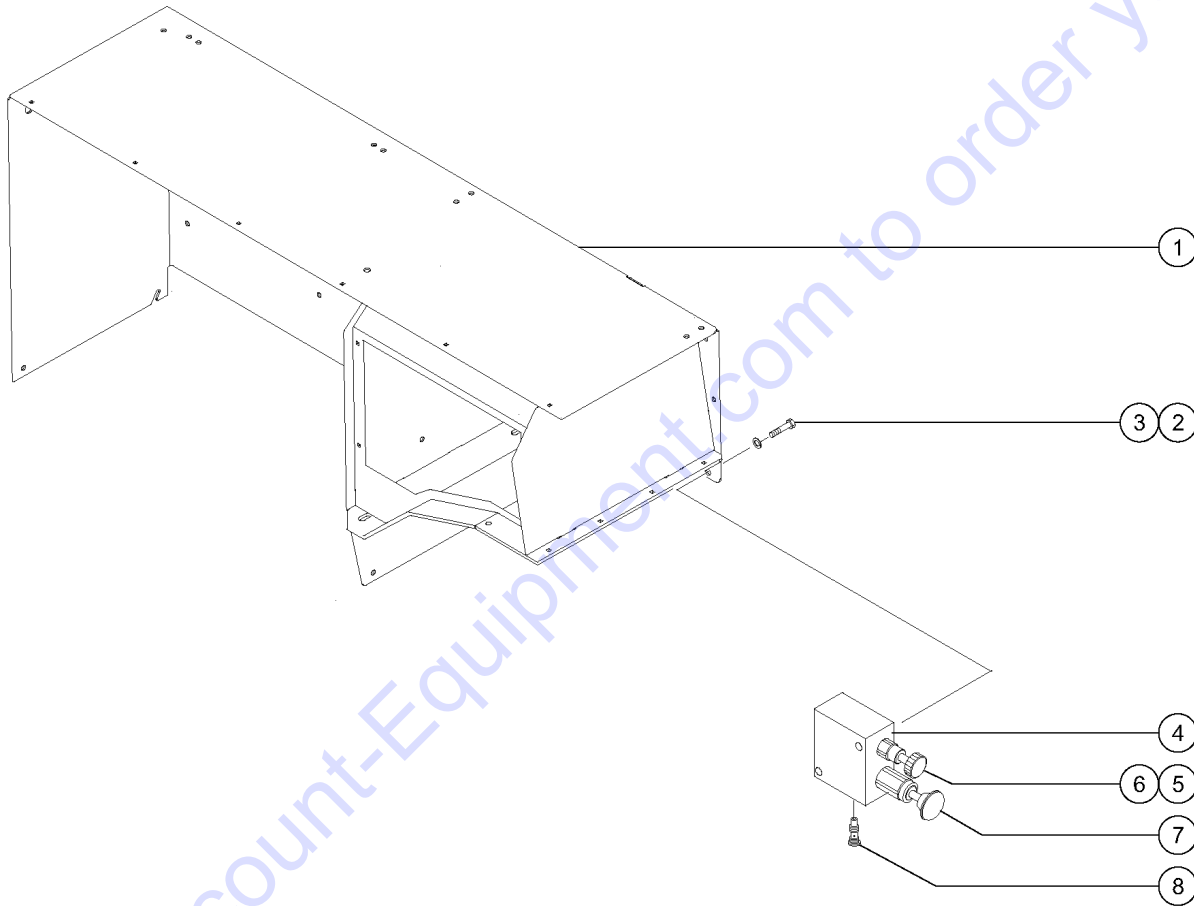
302.1 Hydraulic Module Components, View 2



## 302.1 Hydraulic Module Components, View 2

Item	Part No.	Description	Qty.
1	8255GT	SCREW,HHC,3/8-16 X .75	
2	6021GT	WASHER,LOCK,.375	
3	79386GT	FORMING,TERMINAL STRIP 14 P.....1	
4	87085GT	RIVET,ALUM,P,188 X .25	
5		Ref. Function Manifold (refer to 305.1)	
6	79474GT	WELDMENT,MANIFOLD MOUNT.....1	
--	44733GT	HANDLE COVER,PLASTIC	
7	11335GT	SCREW,SHS,3/8-16 X .5	
8	87075GT	WASHER,NYLON .50 X 1.25 X .063	
9	7713GT	NUT, LP NYLOCK, 3/8-16	
10	64154GT	BOLT,CARRIAGE,3/8-16 X1.00,G5	
11	79094GT	FORMING,MANIFOLD BASE.....1	
12	43392GT	BUMPER,BATTERY BOX & RAILS.....2	
13	79097GT	FORMING,HYDRAULIC TRAY.....1	
--	148057GT	FORMING,HYDRAULIC TRAY	
14	96317GT	GROUND STRAP,12"LG***.....2 (non-marking tires only)	
15	4828GT	NUT,NYLOCK,3/8-16	
16	6700GT	WASHER,STAR,EXTERNAL,.375	
17	5397GT	WASHER,FLAT,USS,5/16",Y	
18	6175GT	SCREW,HHC,3/8-16 X 1	
19	47138GT	PIN,SNAP,ENTRY RAIL.....1	
20	79117GT	FORMING,BATTERY TRAY.....1	
21	6090GT	SCREW,HHC,1/4-20 X .75	
22	6091GT	NUT,NYLOCK,1/4-20	
23	23314GT	CONTROLL.36V/48V,DC MTR.SPD.....1	
24	87073GT	GROMMET,RUBBER 3 X .25 X 3.5.....2	
25		Ref. Ground Wire Assembly (refer to 311.1)	
26	99207GT	WASHER,STAR,INTERNAL,#10 (from SN 43080)	

303.1 Hydraulic Module Components, View 3

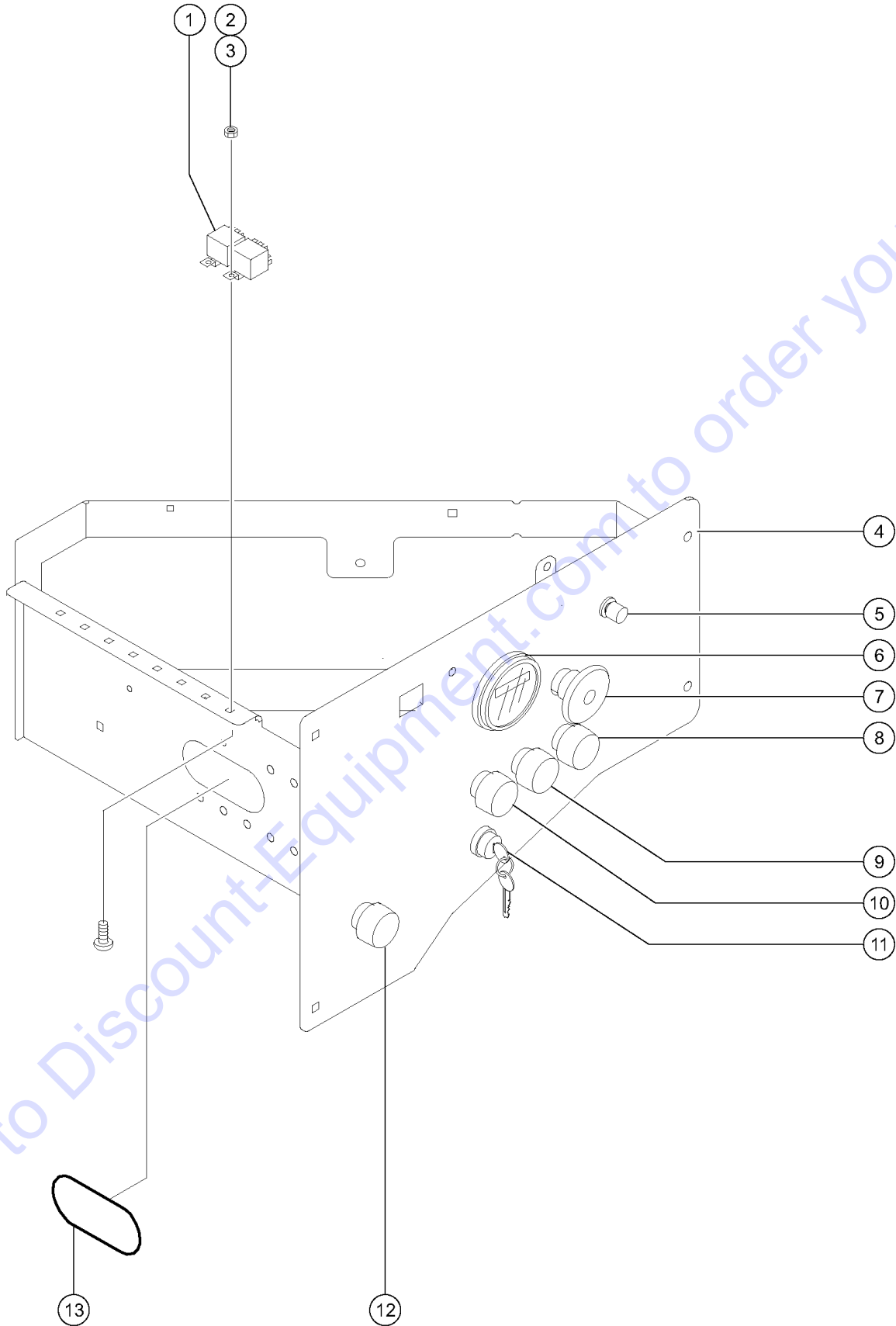


Go to Discount-Equipment.com to order your parts

## 303.1 Hydraulic Module Components, View 3

Item	Part No.	Description	Qty.	Item	Part No.	Description	Qty.
1	84168GT	HYDRAULIC TRAY COVER ASSY,DC....1 (to SN 42449)		--	84740GT	SEAL KIT,HAND PUMP*** (from SN 43184)	
1A	84974GT	HYDR TRAY COVER ASSY,DC,WORDS (USA, Canada) (from SN 42450 to 43183)		--	84742GT	KNOB,HAND PUMP (RED)*** (from SN 43184)	
--	84975GT	HYDR TRAY COVER ASSY,DC,WORD (USA, Canada) (from SN 43184)		--	84748GT	SPRING,HAND PUMP ROD (from SN 43184)	
1B	84976GT	HYDR TRAY COVER ASSY,DC,WORDS (Australia) (from SN 42450 to 43183)		8	84391GT	VALVE-CHECK,PILOT OPER,2003MIN.....1 (to SN 43183)	
--	84977GT	HYDR TRAY COVER ASSY,DC,WORD (Australia) (from SN 43184)					
1C	84978GT	HYDR TRAY COVER ASSY,DC,SYM (Europe, Asia, South America) (from SN 42450)					
2	4828GT	NUT,NYLOCK,3/8-16 (to SN 42120)					
2A	6175GT	SCREW,HHC,3/8-16 X 1 (from SN 42121)					
3	14033GT	SCREW,HHC,3/8-16 X 2.75 (to SN 42120)					
3A	6021GT	WASHER,LOCK,,375 (from SN 42121)					
4	96461GT	SERVICE KIT,BRAKE RELEASE MAN*.....1 (to SN 43183)					
4A	105067GT	MANIFOLD,BRAKE RELEASE (includes items 5, 6, 7 and fittings) (from SN 43184)					
5	84539GT	NEEDLE/HOUSING ASSY W/KNOB***...1 (to SN 43183)					
--	84536GT	SEAL (84535/84539) (to SN 43183)					
--	84539GT	NEEDLE/HOUSING ASSY W/KNOB*** (to SN 43183)					
5A	84743GT	VALVE,PILOT OPERATED ASSEMBLY*.....1 (from SN 43184)					
--	84740GT	SEAL KIT,HAND PUMP*** (from SN 43184)					
--	84746GT	KNOB,PILOT OP VALVE (BLACK)*** (from SN 43184)					
6	84391GT	VALVE-CHECK,PILOT OPER,2003MIN.....1 (to SN 43183)					
--	84394GT	SEAL KIT,PO CHECK VALVE(84391) (to SN 43183)					
7	84392GT	VALVE,HAND PUMP, 2003 MINI.....1 (to SN 43183)					
--	84395GT	SEAL KIT, HAND PUMP,2003 MINI (to SN 43183)					
7A	84739GT	VALVE,HAND PUMP ASSEMBLY***.....1 (from SN 43184)					
--	84739GT	VALVE,HAND PUMP ASSEMBLY*** (from SN 43184)					

304.1 Ground Controls

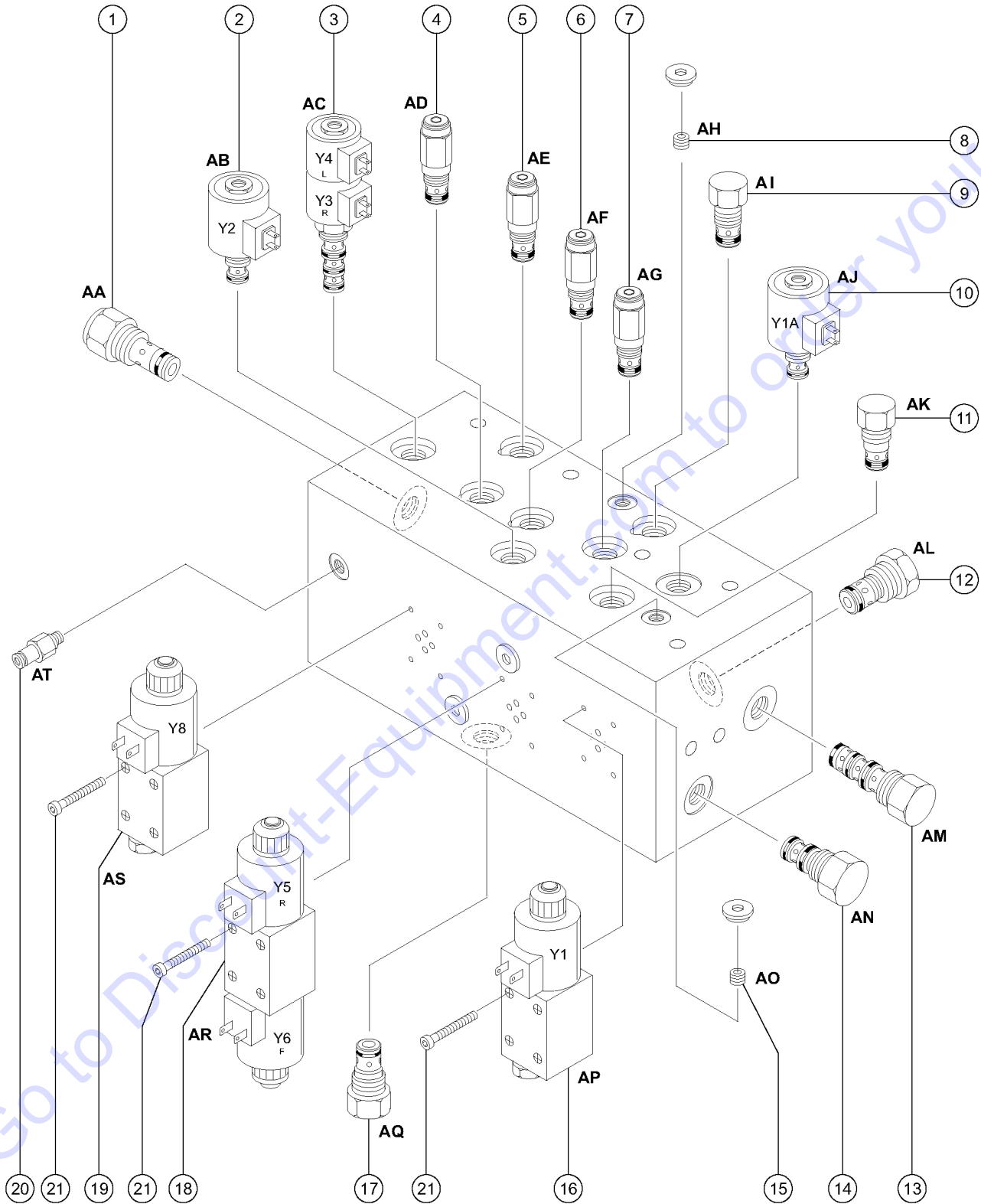


Go to Discount-Equipment.com to order your parts

Item	Part No.	Description	Qty.
1	78098GT	RELAY,24VDC,40/30A,SLD W/BRKT* (quantities vary)	
2	5365GT	NUT,NYLOCK,10-24	
3	1283121GT	BOLT,CARRIAGE,#10-24X 5/8",G2	
4	84159GT	ECU/LCP TRAY ASSY, W/DECAL,DC.....1	
5	96452GT	CIRCUIT BREAKER,7.0 AMP***.....1	
6	56100GT	HOUR METER,LCD,9-60 VDC***.....1 (to SN 41829)	
6A	19506GT	HOUR METER,10-80 VOLTS*** (includes mounting fasteners) (from SN 41830)	
7	66812GT	BUTTON,PUSH,RED MUSHROOM HEAD.....1	
--	66817GT	BASE WITH 1 NC CONTACT, E-STOP	
--	66818GT	CONTACT, N.C.	
8	66813GT	BUTTON,PUSH,BLACK W/SEAL*** (platform down button)	
--	66815GT	BASE, W/1 N.O. CONTACTS***	
--	66816GT	CONTACT,N.O.*** .....1	
9	66813GT	BUTTON,PUSH,BLACK W/SEAL*** (function enable button)	
--	66815GT	BASE, W/1 N.O. CONTACTS***	
--	66816GT	CONTACT,N.O.*** .....1	
10	66813GT	BUTTON,PUSH,BLACK W/SEAL*** (platform up button)	
--	66815GT	BASE, W/1 N.O. CONTACTS***	
--	66816GT	CONTACT,N.O.*** .....1	
11	66811GT	KEYSWITCH,3POS.MNTND.DR WKEY** .....1 includes keyswitch and one set of keys, not included: base and contacts.	
--	21982GT	KEY,SINGLE***	
--	37947GT	KEYS,10 PACK***	
--	66814GT	BASE,WITH 2 N.O. CONTACTS***	
--	66816GT	CONTACT,N.O.***	
11A	96011GT	KIT, KEYSWITCH***.....1	
--	37947GT	KEYS,10 PACK***	
--	83093GT	KEY SINGLE***	
--	83131GT	KEYSWITCH,3 POS W/KEYS,LOCKING lockable key switch	
--	96008-SGT	KEYSWITCH,3 POS. W/KEYS*** standard key switch	
12	66813GT	BUTTON,PUSH,BLACK W/SEAL*** .....1 auxiliary lowering button	
--	66815GT	BASE, W/1 N.O. CONTACTS***	
--	66816GT	CONTACT,N.O.***	
13	46436GT	GROMMET,RUBBER 2.5 X .25 X2.75.....1	



305.1 Function Manifold



## 305.1 Function Manifold

Item	Part No.	Description	Qty.	Item	Part No.	Description	Qty.
--	115023GT	HYDRAULIC MANIFOLD ASSY,GS68DC <i>to SN 44571</i>		--	44174GT	NUT-COIL SHORT	
--	104899GT	MANIFOLD,DRIVE/FUNC,GS68DC <i>Complete from SN 44572</i>		--	52378GT	SEAL KIT,SOLENOID(52377)	
--	97375GT	COIL ADAPTER KIT*** <i>to SN 44571</i>		--	84162GT	COIL-20VDC DUAL LEAD & DIODE	
--	28750GT	O-RING KIT,FIELD SVC,ALL PROD*		11	46216GT	VALVE,CHECK,IWP-S/CWP PWR ASSI <i>AK, Drive circuit</i>	
--	49612GT	O-RING KIT (ORFS FITTINGS)		--	44228GT	SEAL KIT, VALVE	
--	33994GT	PLUG AND CAP KIT-SERVICE,37 **		12	62112GT	VALVE,CHECK(SCISSORS) GS68 <i>AL, Anti cavitation</i>	
--	49613GT	PLUG AND CAP KIT-SERVICE,ORFS*		--	44224GT	SEAL KIT, VALVE	
--		<i>Bosch D03 valve components are no longer available as service parts. The Bosch to Rexroth conversion kits were developed to replace all previously used Bosch components. These kits include valves, coils, adapter harness and fasteners.</i>		13	77988GT	FLOW DIVIDER/COMBINER,#10** <i>AM, Controls flow to drive motors in forward and reverse</i>	
1	84156GT	VALVE-PRIORITY FLOW,3GPM <i>AA, Steer circuit</i>		14	62112GT	VALVE,CHECK(SCISSORS) GS68 <i>AN, Anti cavitation</i>	
--	44174GT	NUT-COIL SHORT		--	44224GT	SEAL KIT, VALVE	
--	62339GT	SEAL KIT,62329,SIZE 12, 3 WAY		15	97184GT	ORIFFICE,0.050 INCH <i>OR, Reduces tire scrub when driving and turning at the same time</i>	
--	84161GT	COIL-20VDC DUAL LEAD & DIODE		16	97383GT	VALVE ASSY,D03,REX,2POS 4WAY <i>AP, Drive speed select</i>	
2	44170GT	VALVE-SOLENOID N.O.(SCISSORS)* <i>AB, Brake circuit</i>		--	102395GT	SEAL KIT,REXROTH DO3 VALVE	
--	44174GT	NUT-COIL SHORT		--	102396GT	NUT-COIL,REXROTH DO3 VALVE	
--	44228GT	SEAL KIT, VALVE		--	104765GT	COIL,24V D03 ZENER DIODE	
--	84161GT	COIL-20VDC DUAL LEAD & DIODE		--	104768GT	VALVE,D03 REXROTH 2POS 4WAY	
3	44168GT	VALVE,SOLENOID,3POS 4WAY <i>AC, Steer left/right</i>		--	52385GT	SEAL KIT,52381,BOSCH DO3,GS68	
--	44229GT	SEAL KIT, VALVE		17	46216GT	VALVE,CHECK,IWP-S/CWP PWR ASSI <i>AQ, Steer circuit</i>	
4	84158GT	VALVE-RELIEF,3700 PSI,SIZE 10 <i>AD, System relief</i>		--	102397GT	BOLT , REXROTH DO3 VALVE	
--	44224GT	SEAL KIT, VALVE		--	44228GT	SEAL KIT, VALVE	
5	62113GT	VALVE,RELIEF,1500PSI*** <i>AE, Steer left/right</i>		18	97390GT	VALVE ASSY,D03,REX,3POS 4WAY** <i>AR, Drive forward/reverse</i>	
--	44227GT	SEAL KIT, VALVE		--	102395GT	SEAL KIT,REXROTH DO3 VALVE	
6	52376GT	VALVE,RELIEF,3500PSI*** <i>GS-2668 (AF, Platform up)</i>		--	102396GT	NUT-COIL,REXROTH DO3 VALVE	
--	44227GT	SEAL KIT, VALVE		--	102397GT	BOLT , REXROTH DO3 VALVE	
6A	52376GT	VALVE,RELIEF,3500PSI*** <i>GS-3268 (AF, Platform up)</i>		--	104765GT	COIL,24V D03 ZENER DIODE	
7	84183GT	VALVE-RELIEF,3700PSI,SIZE 10 <i>AG, Drive forward/reverse</i>		--	104767GT	VALVE,D03 REXROTH 3POS 4WAY*** <i>valve body only</i>	
--	44224GT	SEAL KIT, VALVE		--	52385GT	SEAL KIT,52381,BOSCH DO3,GS68	
8	62207GT	ORIFICE PLUG, 0.035 <i>AH, Brake circuit</i>		19	97389GT	VALVE ASSY,D03,REX,2POS 4WAY** <i>AS, Platform up</i>	
9	84155GT	VALVE-CHECK,100PSI,SIZE 10 <i>AI, Drive circuit</i>		--	102395GT	SEAL KIT,REXROTH DO3 VALVE	
--	44224GT	SEAL KIT, VALVE		--	102396GT	NUT-COIL,REXROTH DO3 VALVE	
10	84160GT	VALVE-SOLENOID 2-POS 2-WAY,NO <i>AJ, High speed bypass</i>		--	102397GT	BOLT , REXROTH DO3 VALVE	
				--	104765GT	COIL,24V D03 ZENER DIODE	
				--	104766GT	VALVE,D03 2POS 4WAY	
				--	52385GT	SEAL KIT,52381,BOSCH DO3,GS68	
				20	48997GT	NIPPLE,DIAGNOSTIC,#4 <i>AT, Testing</i>	

305.1 Function Manifold  
(continued)

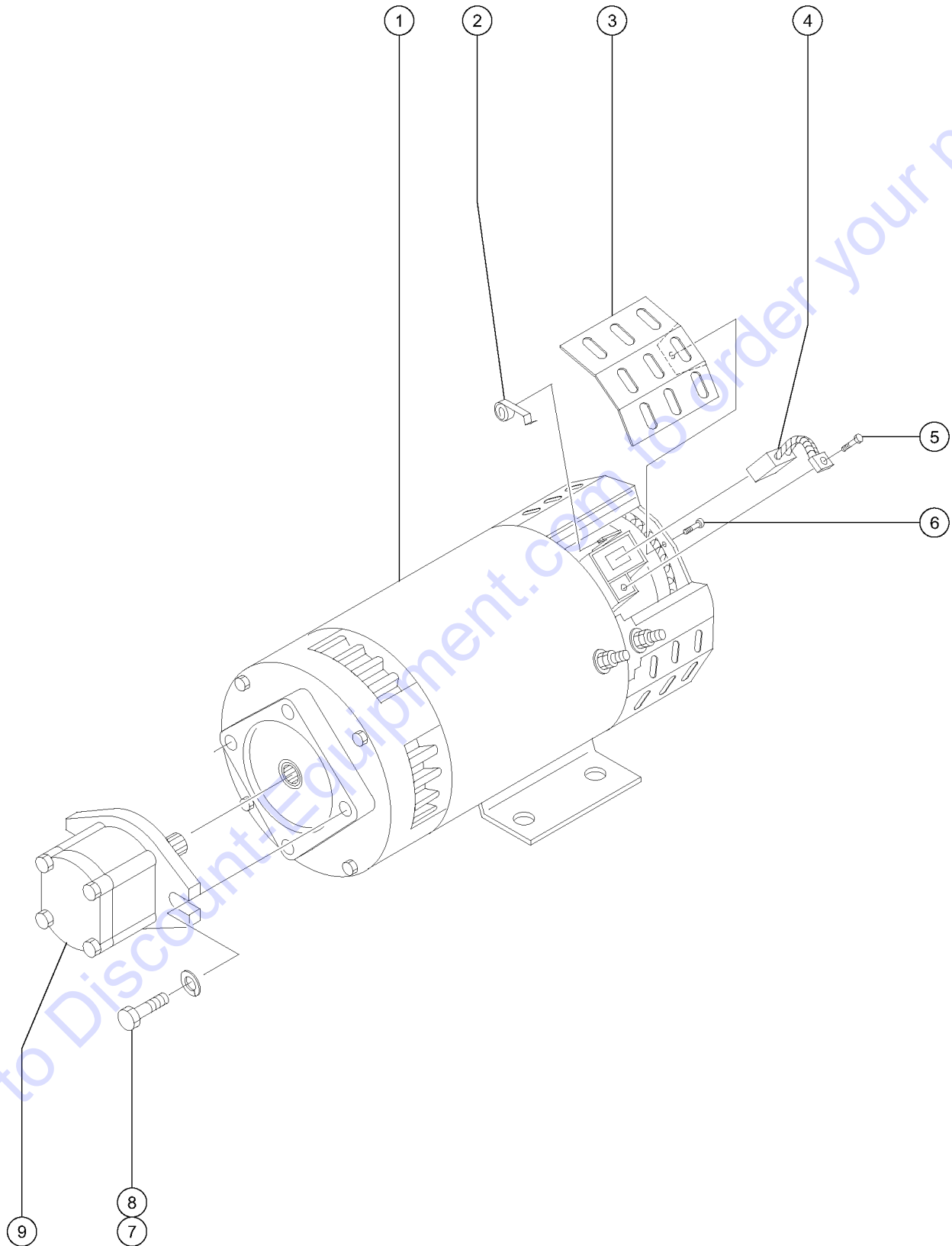
Item	Part No.	Description	Qty.
--	20224GT	DIAGNOSTIC FEMALE Q-DSCNT	
--	48880GT	CAP,DIAGNOSTIC NIPPLE	
21	45916GT	SCREW,SHC,10-24 X 1.250 (D01)	
--	43255GT	SCREW,SHC,10-24 X 2	

Go to Discount-Equipment.com to order your parts

*This Page Intentionally Left Blank*

Go to [Discount-Equipment.com](http://Discount-Equipment.com) to order your parts

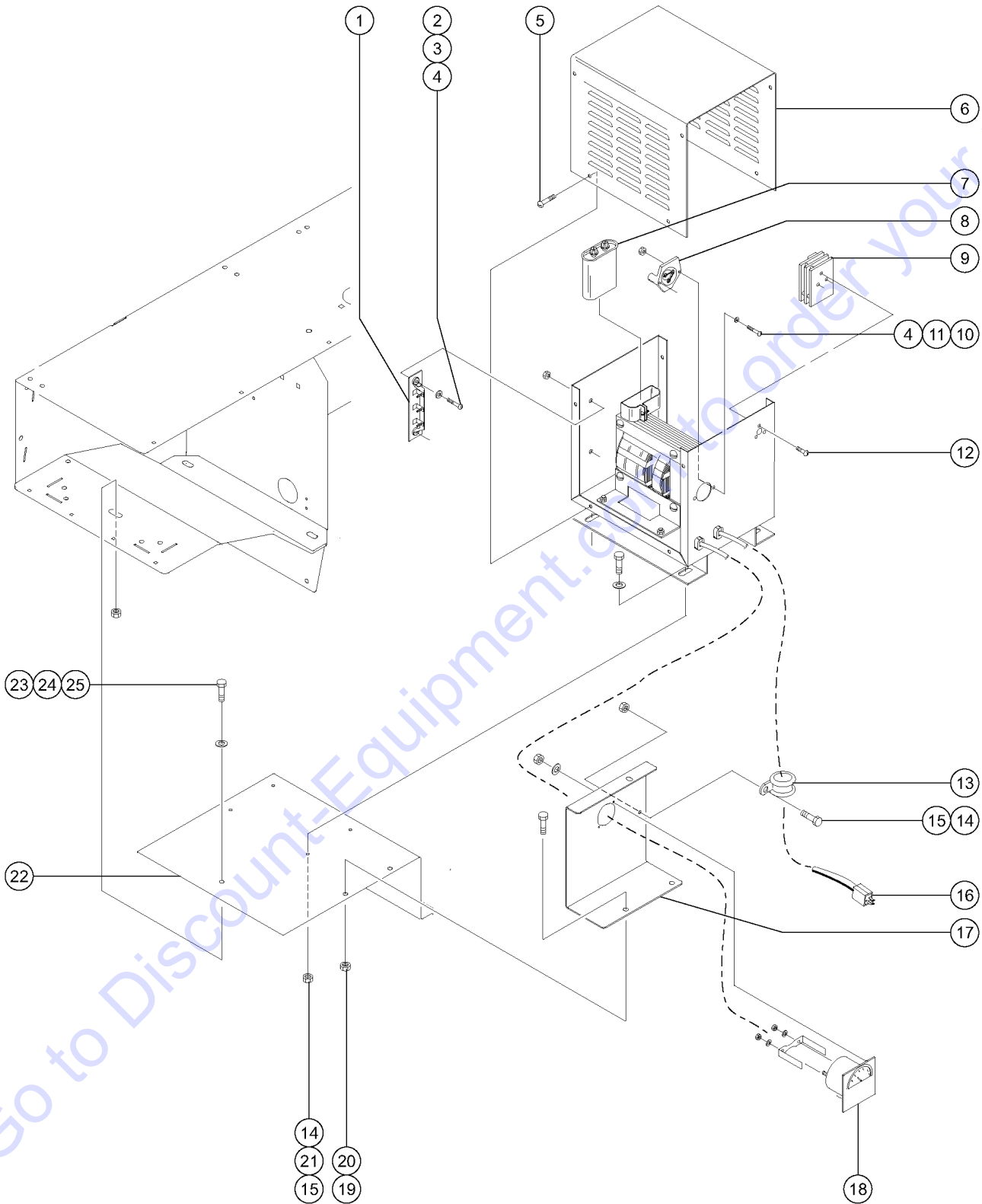
306.1 Hydraulic Power Unit



Item	Part No.	Description	Qty.
1	36843GT	MOTOR,48VDC.....1 <i>includes items 2-6</i>	1
--	44778GT	BEARING,MOTOR,36843,BRUSH END*	
--	44963GT	BEARING,MOTOR,36843, FAN END	
--	46261GT	MOTOR LEAD ASSY KIT, 36843	
2	37189GT	SPRING, BRUSH RETAINER, 36182* ....4	4
3	44962GT	MOTOR HEADBAND,36843.....1	1
4	44961GT	BRUSH,MOTOR,36843.....4	4
5	52913GT	SCREW,HH TAPETITE THRD8-32X.50	
6	52914GT	SCREW,HHTAPTITE THREAD8-32X.38	
7	44064GT	SCREW,HHC,M10 X 30MM,	
8	6021GT	WASHER,LOCK,.375	
9	87915GT	PUMP, GEAR, 11CC*** .....1	1
--	85197GT	SEAL KIT,BOSCH PUMP***	

Go to Discount-Equipment.com to order your parts

307.1 Battery Charger (to SN 52682)



## 307.1 Battery Charger (to SN 52682)

Item	Part No.	Description	Qty.
--		CHARGER,COMPLETE <i>refer to 307.2</i>	
1	27262GT	HEATSINK ASSY W/DIODES (23442)....1	
2	52918GT	SCREW,HH,10-32 X 3/4"(41896)	
3	6146GT	WASHER,FLAT,MS,#10,Y	
4	6178GT	NUT,NYLOCK,10-32	
5	52916GT	SCREW,10ABX.50",PNHD,ST(41896)	
6	40532GT	CASE COVER ONLY 18710/18720.....1	
7	13008-3GT	CAPACITOR,6 MFD,660VAC-CHARGR*.....1	
8	13008-6GT	FUSE ASSY-BOOM CHARGER.....1	
9	27830GT	TIMER(24059,41897,41898,41899).....1	
--	19533GT	RELAY,CHARGER .TIMER(19531/32)	
10	52919GT	SCREW,PHM, NO.7X0.625"(41896)	
11	40534GT	WASHER,LOCK,#10, CHARGER FUSE	
12	52917GT	SCREW,8ABX3/8",PNHD-S.T(41896)	
13	45470GT	CLAMP,0.31,#5 X 1/4,RUB CUSH.....1	
14	6090GT	SCREW,HHC,1/4-20 X .75	
15	6091GT	NUT,NYLOCK,1/4-20	
16	55019GT	POWER CORD,NOVON, 8".....1	
16A	55038GT	POWER CORD, AUSTRALIA, 8"	
16B	55021GT	POWER CORD,US 110, 8"	
16C	55018GT	POWER CORD,UK-HIGH VOLTAGE, 8"	
17	84979GT	CHARGER METER BRCKT ASSY,DC WO.....1 <i>(USA, Canada, Australia)</i>	
17A	84980GT	CHARGER METER BRCKT ASSY,DC SY <i>(Europe, Asia, South America)</i>	
18	46337GT	AMMETER, 39243/47906/66412.....1	
19	8255GT	SCREW,HHC,3/8-16 X .75	
20	7713GT	NUT, LP NYLOCK, 3/8-16	
21	6638GT	WASHER,FLAT,USS,1/4"Y	
22	79464GT	FORMING, CHARGER SHELF.....1	
23	6175GT	SCREW,HHC,3/8-16 X 1	
24	5397GT	WASHER,FLAT,USS,5/16",Y	
25	4828GT	NUT,NYLOCK,3/8-16	

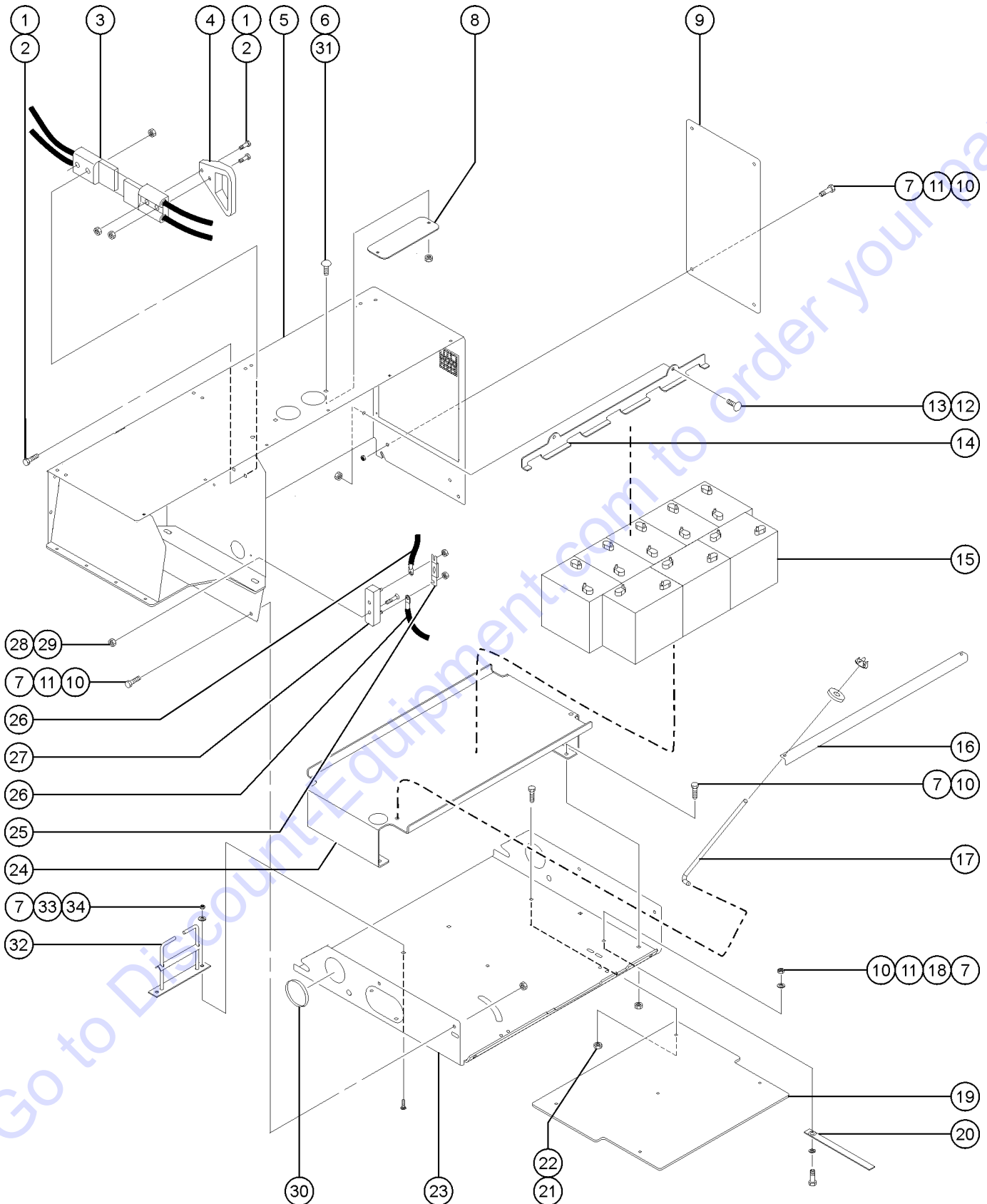




## 307.2 Battery Charger (from SN 52683)

Item	Part No.	Description	Qty.
--	131905GT	KIT, BAT CHARGER, RT68 CE <i>EURO models</i>	
--	131906GT	KIT, BAT CHARGER, RT68 DOM <i>ANSI, CSA models</i>	
--	131918GT	KIT, BAT CHARGER, RT68 UK 220 <i>UK 220V models</i>	
--	131919GT	KIT, BAT CHARGER, RT68 UK 110 <i>UK 110V models</i>	
1	128375GT	CHARGER 48V/30A AUTO AC X-LED <i>(order power cord separately)</i>	
--	228946GT	ASSY,LED,IES CHARGER	
--	228947GT	CLIP,RETAINING,IES CHARGER	
--	228973GT	KIT,ASSY,LED,IES CHARGER <i>LED replacement kit</i>	
2	128377GT	CORD AC IEC320-C19 TO 110US.....1 <i>ANSI, CSA models (plug included)</i>	
--	128376GT	CORD EURO AC IEC320-C19PIGTAIL <i>CE, UK models (plug not included; order separately)</i>	
--	128645GT	CORD AC IEC320-C19 TO 220EU <i>ANSI, CSA models (plug not included; order separately)</i>	
3	131907GT	ASSY, CHARGER DISP BKT, WORD.....1 <i>with word decal</i>	
--	131908GT	ASSY, CHARGER DISP BKT, SYMBOL <i>with symbol decal</i>	
4	128118GT	BUSHING,STRAIN RELIEF,.875/.40.....1 <i>ANSI, CSA models</i>	
--	139318GT	BUSHING,STRAIN RELIEF,.875/.30 <i>CE, UK models</i>	
5	6595GT	PLUG,ELECTRICAL,DOMESTIC.....1 <i>ANSI, CSA models</i>	
--	1280665GT	PLUG, TYPE F, 230A, 50HZ, 16A, IP44 <i>CE models</i>	
--	144161GT	PLUG,PWR,UK,16AMP,3PIN,BLK <i>UK 110V models</i>	
--	25388GT	PLUG,FUSED,250V,13AMP,U.K.** <i>UK 220V models</i>	
6	7713GT	NUT, LP NYLOCK, 3/8-16.....2	
7	8255GT	SCREW,HHC,3/8-16 X .75.....2	
8	6091GT	NUT,NYLOCK,1/4-20.....4	
9	6638GT	WASHER,FLAT,USS,1/4"Y.....4	
10	6090GT	SCREW,HHC,1/4-20 X .75.....4	
11	79464GT	FORMING, CHARGER SHELF.....1	
12	6175GT	SCREW,HHC,3/8-16 X 1.....1	
13	5397GT	WASHER,FLAT,USS,5/16",Y.....1	
14	4828GT	NUT,NYLOCK,3/8-16.....1	

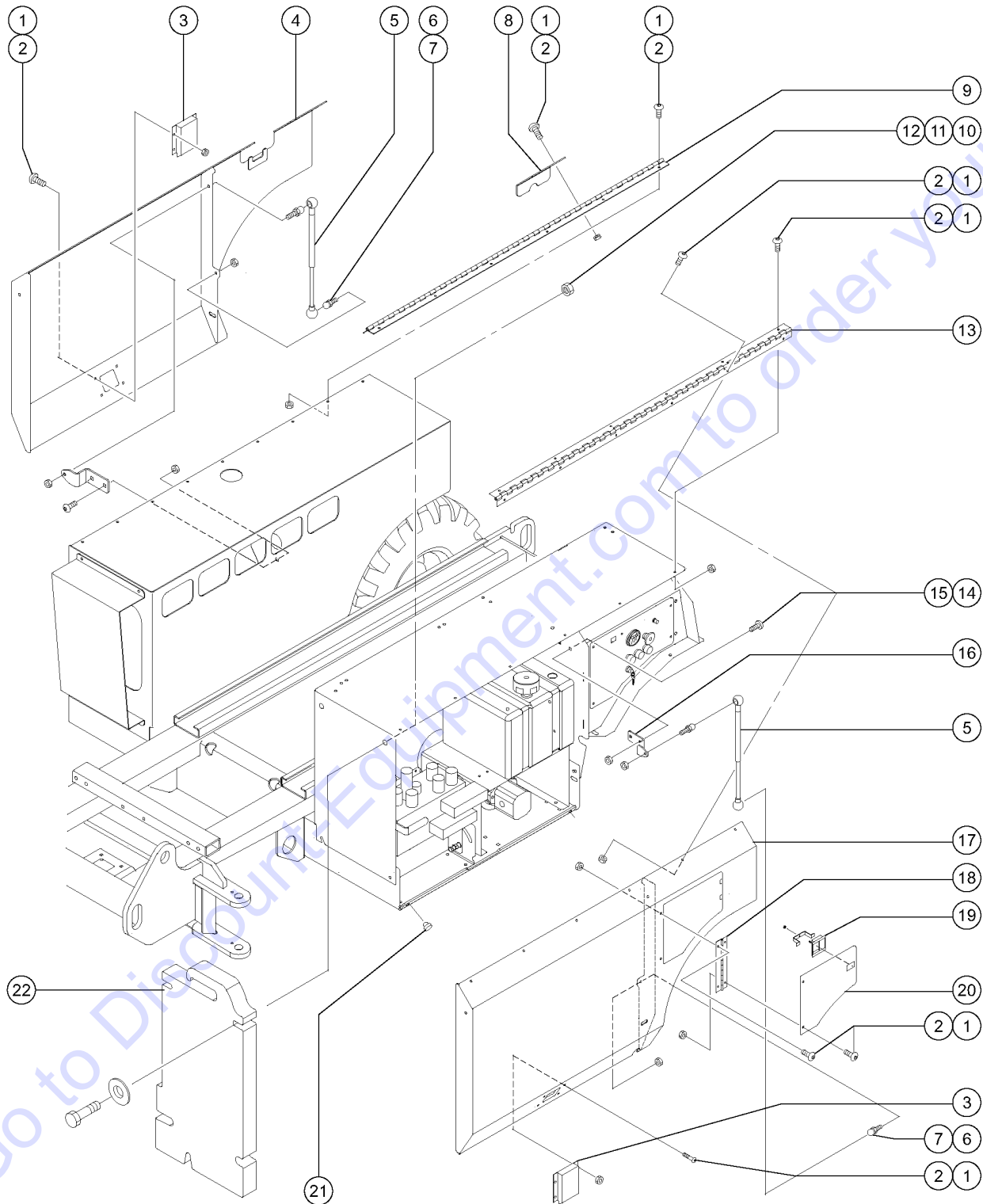
308.1 Battery Pack Module Installation



## 308.1 Battery Pack Module Installation

Item	Part No.	Description	Qty.	Item	Part No.	Description	Qty.
1	66081GT	SCREW,RHM,1/4-20 X 1.50		28	6178GT	NUT,NYLOCK,10-32	
2	66094GT	NUT-THIN HEAVY HEX, 1/4-20		29	79456GT	BOLT,CARRIAGE,1/4-20 X 1.00,G2	
3	66397GT	QUICK DISCONNECT CASING,BATT**.....2		30	55067GT	GROMMET,RUBBER 3 X .19 X 3.5.....2	
4	44716GT	HANDLE,ANDERSON CONNECTOR SB.....1		31	4828GT	NUT,NYLOCK,3/8-16 to SN 42678	
5	84163GT	BATT PACK TRAY COVER ASSY,DC.....1 to SN 42449		31A	6091GT	NUT,NYLOCK,1/4-20 from SN 42679	
5A	84981GT	BATT PACK TRAY COVER ASSY,DC W.....1 USA, Canada, Australia; from SN 42450		32	104702GT	WELDMENT,HOSE GUIDE,ELEVATED.....1 from SN 43603 (battery pack side)	
5B	84987GT	BATT PACK TRAY COVER ASSY,DC S Europe, Asia, South America; from SN 42450		33	6021GT	WASHER,LOCK,.375	
6	64154GT	BOLT,CARRIAGE,3/8-16 X1.00,G5 to SN 42678		34	64154GT	BOLT,CARRIAGE,3/8-16 X1.00,G5	
6A	6878GT	BOLT,CARRIAGE,1/4-20 X .75,G2 from SN 42679					
7	4828GT	NUT,NYLOCK,3/8-16					
8	79467GT	PLATE,AIR INTAKE COVER.....1 to SN 42678					
8A	99098GT	PLATE,RAIN CAP COVER,DC from SN 42679					
9	79466GT	PLATE,RADIATOR COVER.....1					
10	6175GT	SCREW,HHC,3/8-16 X 1					
11	5397GT	WASHER,FLAT,USS,5/16",Y					
12	6878GT	BOLT,CARRIAGE,1/4-20 X .75,G2					
13	6091GT	NUT,NYLOCK,1/4-20					
14	79470GT	FORMING,BATTERY HOLDER REAR...1					
15	76502GT	BATTERY,T105 W/LPT,3 CAP,DRY**.....8					
--	18503GT	NUT,LOCKING-LG.FLANGE,5/16-18...16					
16	79469GT	FORMING,BATTERY HOLDER FRONT.....1					
17	87312GT	HOOK-BATT HOLD DOWN 12"LG.....2 includes mounting fasteners					
18	6700GT	WASHER,STAR,EXTERNAL,.375					
19	87212GT	PLATE,COUNTERWEIGHT,RT,68DC.....1 (battery side)					
20	96317GT	GROUND STRAP,12"LG***.....2 (non-marking tires only)					
21	60790GT	BOLT, CARRIAGE, 3/8-16 X 1.50, G5					
22	7713GT	NUT, LP NYLOCK, 3/8-16					
23	79098GT	FORMING,ENGINE TRAY.....1					
24	79468GT	FORMING,BATTERY SHELF.....1					
25	40833GT	FUSE,275 AMP,VERY FAST ACTING.....1					
26		Ref. Battery Cable Assembly (refer to 311.1)					
27	66717GT	FUSE BLOCK, ANN & ANL FUSE.....1 includes mounting fasteners					

309.1 Chassis Covers



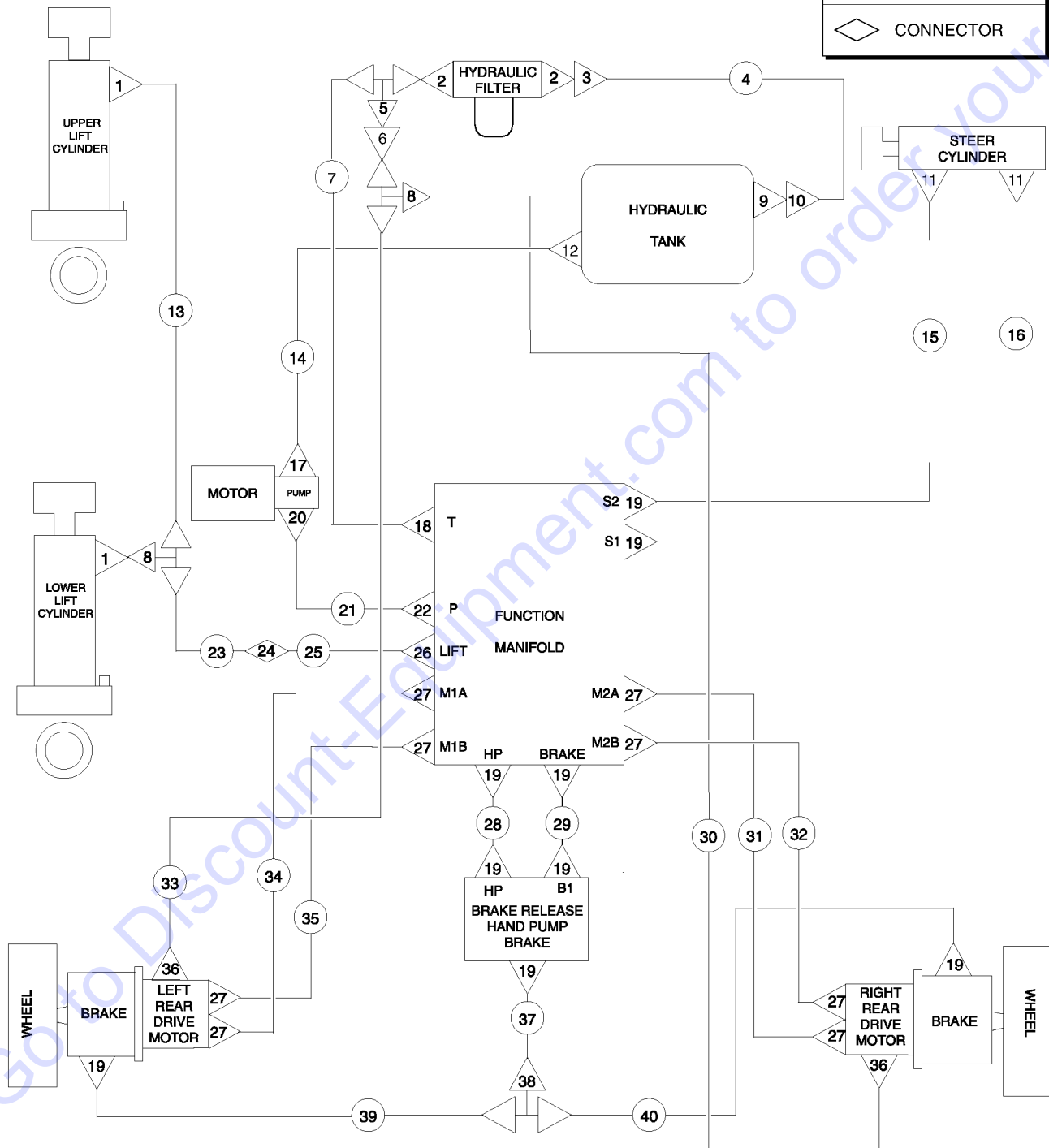
A TEREX BRAND

## 309.1 Chassis Covers

Item	Part No.	Description	Qty.	Item	Part No.	Description	Qty.
1	6878GT	BOLT,CARRIAGE,1/4-20 X .75,G2		22	71807GT	PLATE, 3268 COUNTERWEIGHT.....1	
2	6091GT	NUT,NYLOCK,1/4-20					
3	51702GT	LATCH,FLUSH GS68.....2					
4	84164GT	BATT PACK DOOR ASSY,DC.....1 <i>USA, Canada, Australia</i>					
--	84984GT	BATT PACK DOOR ASSY,DC SY <i>Europe, Asia, South America; from SN 42450</i>					
4A	84984GT	BATT PACK DOOR ASSY,DC SY <i>Europe, Asia, South America; from SN 42450</i>					
5	28301GT	GAS STRUT,250 LBS FORCE***.....2					
--	27377GT	RETAINER,GAS SPRING***					
--	72256GT	GAS STRUT,CONNECTOR (28301)					
6	33555GT	BALL STUD**.....4					
7	18503GT	NUT,LOCKING-LG.FLANGE,5/16-18					
8	79861GT	FORMING,GAS DOOR.....1					
9	79106GT	HINGE, IC DOOR.....1 <i>(battery pack side)</i>					
10	10258GT	NUT,NYLOCK,3/4-10,GRD.2					
11	74323GT	WASHER,FLAT,812X2X.14 HARDEN					
12	55859GT	SCREW,HHC,3/4-10 X 4					
13	79301GT	HINGE, HYD. DOOR GS68.....1 <i>(ground controls side)</i>					
14	64154GT	BOLT,CARRIAGE,3/8-16 X1.00,G5					
15	4828GT	NUT,NYLOCK,3/8-16					
16	79382GT	FORMING,GAS STRUT MOUNT.....2					
17	84166GT	HYDRAULIC DOOR ASSY,DC.....1 <i>to SN 42449</i>					
17A	84985GT	HYDRAULIC DOOR ASSY,DC,WORD...1 <i>USA, Canada, Australia; from SN 42450</i>					
17B	84986GT	HYDRAULIC DOOR ASSY,DC,SYMBOL <i>Europe, Asia, South America; from SN 42450</i>					
18	79136GT	HINGE, ACCESS DOOR GS68.....1					
19	87069GT	LATCH, SMALL PADDLE HANDLE.....1 <i>(includes mounting fasteners)</i>					
20A	84988GT	CONTROL PANEL DOOR ASSY,DC,W**.....1 <i>(USA from SN 41318) (includes item 19)</i>					
20B	84988GT	CONTROL PANEL DOOR ASSY,DC,W**.....1 <i>(Canada &amp; Australia from SN 42450) (includes item 19)</i>					
20C	84989GT	CONTROL PANEL DOOR ASSY,DC,SY.....1 <i>(Europe, Asia &amp; South America from SN 42450) (includes item 19)</i>					
21	43392GT	BUMPER,BATTERY BOX & RAILS.....4					

310.1 Hydraulic Hoses and Fittings (to SN 43183)

LEGEND	
	FITTING
	HOSE ASSEMBLY
	CONNECTOR



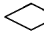


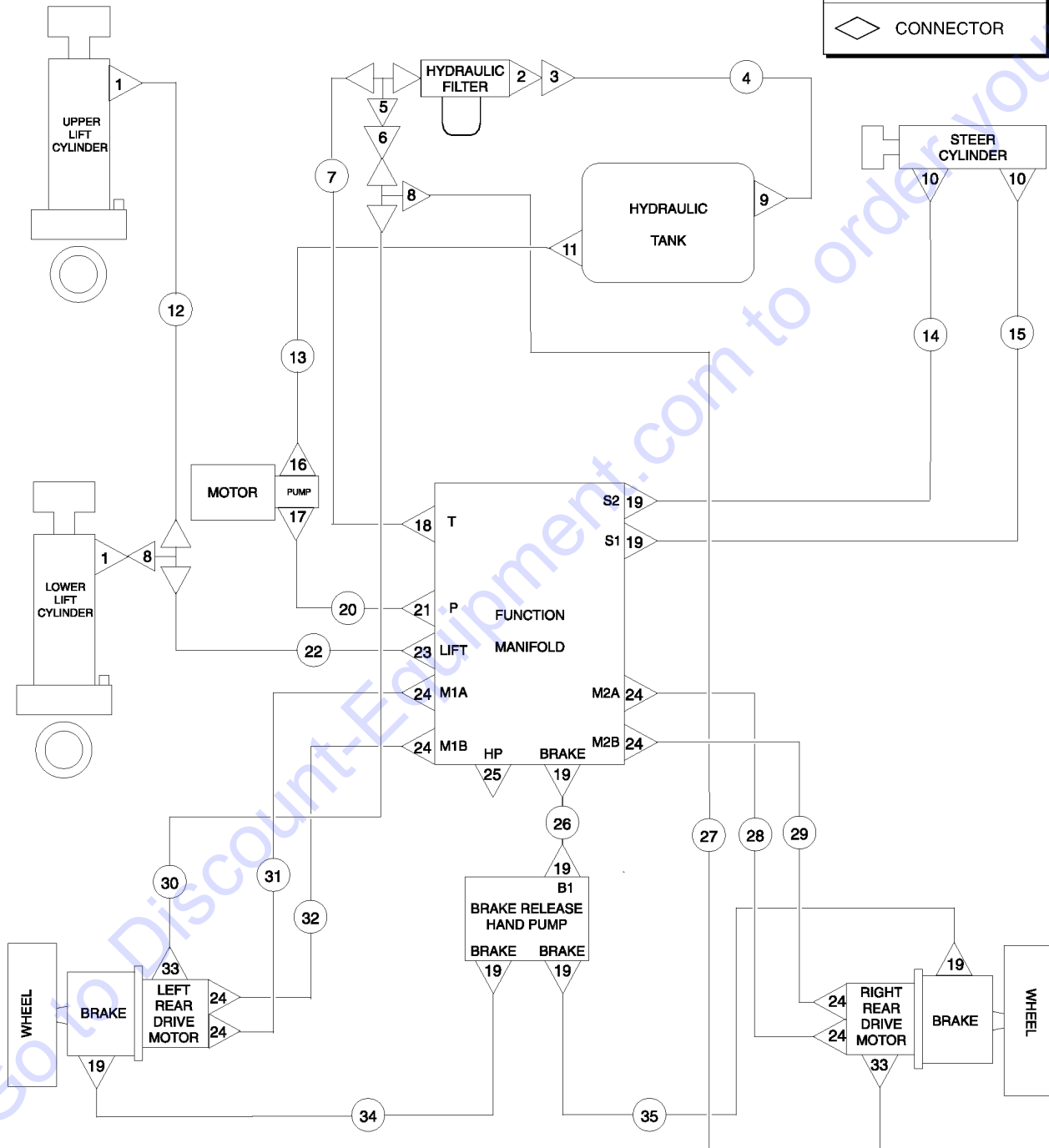
## 310.1 Hydraulic Hoses and Fittings (to SN 43183)

Item	Part No.	Description	Qty.	Item	Part No.	Description	Qty.
--		<i>The hose lengths below reflect the length of the hose only. Refer to the 'Fittings Cross Reference' to match Genie part numbers to Parker part numbers.</i>		25	79760GT	HOSE ASSY,LIFT-BULKHEAD.....1 (to SN 42076) (components: 48812, 48812, 56776 @ 34 inches)	
1	48916GT	CONN, 520120-6.....2		25A	99175GT	HOSE,MANIF-CYL,2668 (from SN 42077) (components: 48812, 48812, 56776 @ 200 inches)	
2	48959GT	FITTING,ELBOW,90D,520220-12.....2 (to SN 41514)		26	48930GT	CONN,520120-6-8.....1	
2A	48959GT	FITTING,ELBOW,90D,520220-12.....1 (from SN 41515)		27	48933GT	CONN,520120-8***.....8	
3	51580GT	FITTING,REDUCER,520123-12-8***.....1		28	79761GT	HOSE ASSY,HP-HAND PUMP HP.....1 (components: 48800, 48800, 48751 @ 65 inches)	
4	87195GT	HOSE ASSY,FILTER-TANK.....1 (components: 87034, 39888 @ 22 inches)		29	79762GT	HOSE ASSY,BRAKE-HAND PUMP.....1 (components: 48800, 48800, 48751 @ 65 inches)	
5	48964GT	FITTING,TEE,RUN,SWIVEL52043212....1 (to SN 41514)		30	87207GT	HOSE ASSY RT CASE DRAIN TO TEE.....1 (components: 48800, 48810, 48751 @ 60 inches)	
5A	48961GT	TEE,RUN,520428-12 (from SN 41515)		31	87208GT	HOSE ASSY M2A TO RT MTR TOP.....1 (components: 48822, 48826, 56777 @ 73 inches)	
6	87033GT	REDUCER,520123-12-6.....1		32	87209GT	HOSE ASSY M2B TO RT MTR BTM.....1 (components: 48822, 48826, 56777 @ 73 inches)	
7	87197GT	HOSE ASSY,MANIFOLD-FILTER.....1 (components: 48841, 48845, 48761 @ 42 inches)		33	87206GT	HOSE ASSY LT CASE DRAIN TO TEE.....1 (components: 48802, 48811, 48751 @ 50 inches)	
8	48875GT	TEE,RUN,SWIVEL,520432-6.....2		34	87204GT	HOSE ASSY M1A TO LT REAR MTR B.....1 (components: 48822, 48826, 56777 @ 72 inches)	
9	65318GT	FITTING KIT-HYDRAULIC TANK.....1		35	87205GT	HOSE ASSU M1B TO LT REAR MTR T.....1 (components: 48822, 48826, 56777 @ 65 inches)	
10	39225GT	ELBOW,90ø,.5 MPT X.5BRB PLST.....1 (to SN 41514)		36	48904GT	ELBOW,90D,520220-4-4.....2	
11	48912GT	CONN,520120-4-6***.....2		37	79772GT	HOSE ASSY,HAND PUMP-BRAKE TEE.....1 (to SN 42120) (components: 48800, 48800, 48751 @ 33 inches)	
12	55616GT	STRAINER ASSEMBLY.....1		38	42758GT	TEE,UNION,520401-4.....1 (to SN 42120)	
13	79845GT	HOSE ASSY,LWR CYL-UPR CYL.....1 (components: 48812, 48812, 56776 @ 272 inches)		39	79770GT	HOSE ASSY,LT BRAKE-BRAKE TEE.....1 (to SN 42120) (components: 48800, 48802, 48751 @ 34 inches)	
14	87194GT	HOSE ASSY,TANK-PUMP.....1 (components: 56354, 48761 @ 17 inches)		39A	99202GT	HOSE ASSY,LT BRAKE-HAND PUMP (from SN 42121) (components: 48802, 48800, 48751 @ 57 inches)	
15	79756GT	HOSE ASSY,S1-LT STEER.....1 (components: 48800, 48000, 48751 @ 52 inches)		40	79771GT	HOSE ASSY,RT BRAKE-BRAKE TEE.....1 (to SN 42120) (components: 48800, 48802, 48751 @ 66 inches)	
16	79757GT	HOSE ASSY,S2-RT STEER.....1 (components: 48800, 48800, 48751 @ 54 inches)		40A	99203GT	HOSE ASSY,RT BRAKE-HAND PUMP (from SN 42121) (components: 48800, 48802, 48751 @ 66 inches)	
17	48960GT	FITTING,CONN,520120-12***.....1					
18	48975GT	CONN,520120-12-10.....1					
19	48905GT	CONN,520120-4***.....9					
20	48946GT	CONN,520120-8-10.....1					
21	87196GT	HOSE ASSY,PUMP-MANIFOLD.....1					
22	48946GT	CONN,520120-8-10.....1					
23	79844GT	HOSE ASSY,BULKHEAD-LWR CYL.....1 (to SN 42076) (components: 48812, 48812, 56776 @ 152 inches)					
23A	99175GT	HOSE,MANIF-CYL,2668 (from SN 42077) (components: 48812, 48812, 56776 @ 200 inches)					
24	61080GT	FITTING,6-6BLKHEADUNION 520601...1 (to SN 42076)					



310.2 Hydraulic Hoses and Fittings (from SN 43184)

LEGEND	
	FITTING
	HOSE ASSEMBLY
	CONNECTOR



## 310.2 Hydraulic Hoses and Fittings (from SN 43184)

Item	Part No.	Description	Qty.	Item	Part No.	Description	Qty.
--		<i>The hose lengths below reflect the length of the hose only. Refer to the 'Fittings Cross Reference' to match Genie part numbers to Parker part numbers.</i>		28	87208GT	HOSE ASSY M2A TO RT MTR TOP.....1 (components: 48822, 48826, 56777 @ 73 inches)	1
1	48916GT	CONN, 520120-6.....	2	29	87209GT	HOSE ASSY M2B TO RT MTR BTM.....1 (components: 48822, 48826, 56777 @ 73 inches)	1
2	48959GT	FITTING, ELBOW, 90D, 520220-12.....	1	30	87206GT	HOSE ASSY LT CASE DRAIN TO TEE.....1 (components: 48802, 48811, 48751 @ 50 inches)	1
3	51580GT	FITTING, REDUCER, 520123-12-8***.....	1	31	87204GT	HOSE ASSY M1A TO LT REAR MTR B.....1 (components: 48822, 48826, 56777 @ 72 inches)	1
4	87195GT	HOSE ASSY, FILTER-TANK.....1 (components: 87034, 39888 @ 22 inches)	1	32	87205GT	HOSE ASSY M1B TO LT REAR MTR T.....1 (components: 48822, 48826, 56777 @ 70 inches)	1
5	48961GT	TEE, RUN, 520428-12.....	1	33	48904GT	ELBOW, 90D, 520220-4-4.....	2
6	87033GT	REDUCER, 520123-12-6.....	1	34	99202GT	HOSE ASSY, LT BRAKE-HAND PUMP...1 (components: 48802, 48800, 48751 @ 57 inches)	1
7	87197GT	HOSE ASSY, MANIFOLD-FILTER.....1 (components: 48841, 48845, 48761 @ 42 inches)	1	35	99203GT	HOSE ASSY, RT BRAKE-HAND PUMP...1 (components: 48800, 48802, 48751 @ 66 inches)	1
8	48875GT	TEE, RUN, SWIVEL, 520432-6.....	2				
9	65318GT	FITTING KIT-HYDRAULIC TANK.....	1				
10	48912GT	CONN, 520120-4-6***.....	2				
11	55616GT	STRAINER ASSEMBLY.....	1				
12	79845GT	HOSE ASSY, LWR CYL-UPR CYL.....1 (components: 48812, 48812, 56776 @ 272 inches)	1				
13	87194GT	HOSE ASSY, TANK-PUMP.....1 (components: 56354, 48761 @ 17 inches)	1				
14	79756GT	HOSE ASSY, S1-LT STEER.....1 (components: 48800, 48800, 48751 @ 52 inches)	1				
15	79757GT	HOSE ASSY, S2-RT STEER.....1 (components: 48800, 48800, 48751 @ 54 inches)	1				
16	48960GT	FITTING, CONN, 520120-12***.....	1				
17	48946GT	CONN, 520120-8-10.....	1				
18	48975GT	CONN, 520120-12-10.....	1				
19	48905GT	CONN, 520120-4***.....	8				
20	87196GT	HOSE ASSY, PUMP-MANIFOLD.....	1				
21	48946GT	CONN, 520120-8-10.....	1				
22	99175GT	HOSE, MANIF-CYL, 2668.....1 (components: 48812, 48812, 56776 @ 200 inches)	1				
22A	112709GT	HOSE, MNFLD-LIFT CYL, 3268 GS-3268					
23	48930GT	CONN, 520120-6-8.....	1				
24	48933GT	CONN, 520120-8***.....	8				
25	39882GT	PLUG, HEX SOCKET, 090109B-4.....	1				
26	79762GT	HOSE ASSY, BRAKE-HAND PUMP.....1 (components: 48800, 48800, 48751 @ 65 inches)	1				
27	87207GT	HOSE ASSY RT CASE DRAIN TO TEE.....1 (components: 48800, 48810, 48751 @ 60 inches)	1				

# PARTS FINDER

**Search Website  
by Part Number**



**Search Manual  
Library For Parts  
Manual & Lookup Part  
Numbers – Purchase  
or Request Quote**

**Search Manuals**

Enter your information to help us find the right parts manual for your machine.

\* Brand:

\* Model:

\* Serial:

\* Part Number:

SEARCH

**Can't Find Part or  
Manual? Request Help  
by Manufacturer,  
Model & Description**

**Parts Order Form**

Please fill in the following information to help us find the right part for your machine.

Manufacturer:	<input type="text"/>
Model:	<input type="text"/>
Description:	<input type="text"/>
Part Number:	<input type="text"/>
Quantity:	<input type="text"/>
Notes:	<input type="text"/>

Submit

Discount-Equipment.com is your online resource for quality parts & equipment.

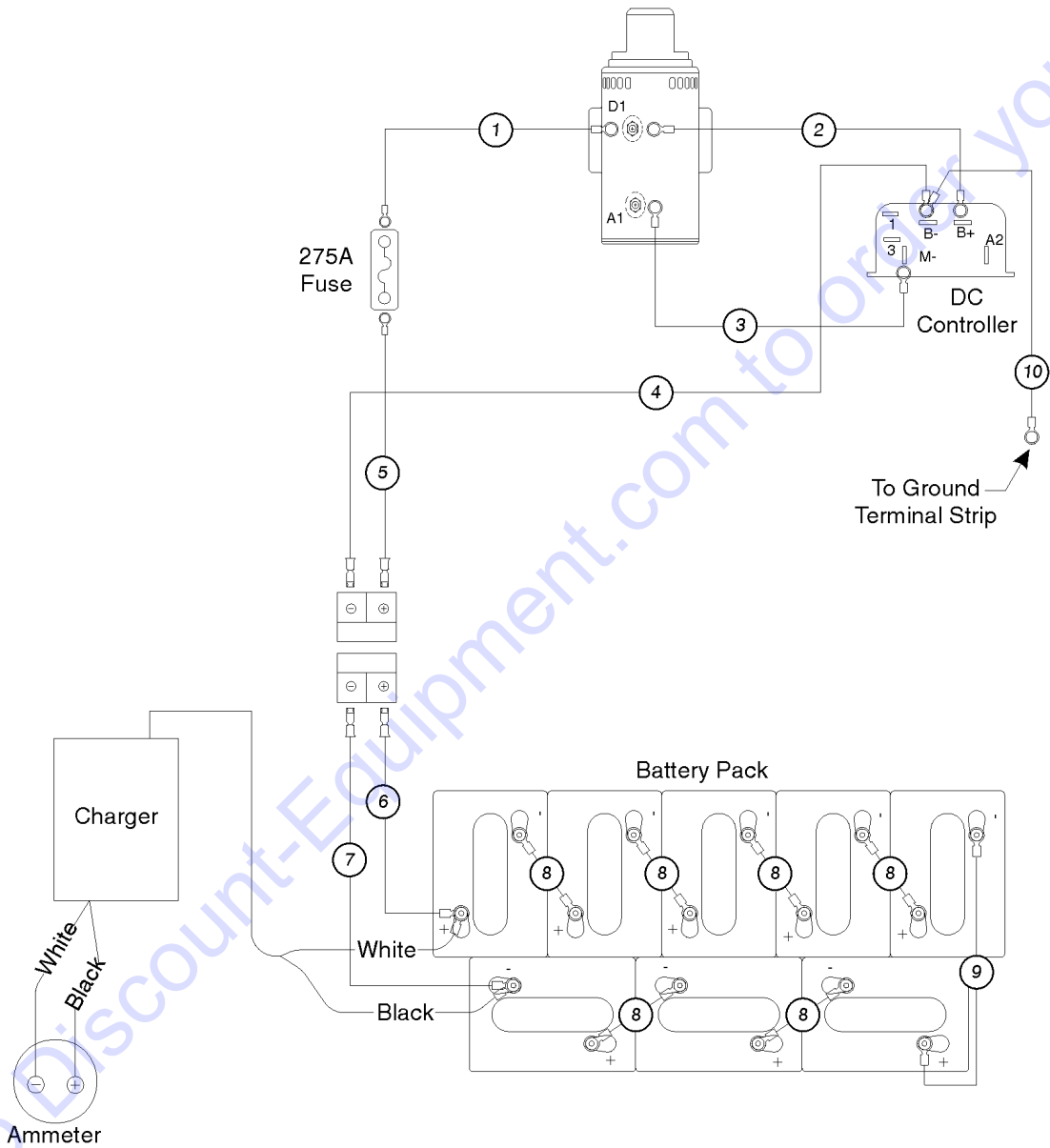
Florida: **561-964-4949** Outside Florida TOLL FREE: **877-690-3101**

**Need parts?**

Click on this link: <http://www.discount-equipment.com/category/5443-parts/> and choose one of the options to help get the right parts and equipment you are looking for. Please have the machine model and serial number available in order to help us get you the correct parts. If you don't find the part on the website or on one of the online manuals, please fill out the request form and one of our experienced staff members will get back to you with a quote for the right part that your machine needs.

We sell worldwide for the brands: Genie, Terex, JLG, MultiQuip, Mikasa, Essick, Whiteman, Mayco, Toro Stone, Diamond Products, Generac Magnum, Airman, Haulotte, Barreto, Power Blanket, Nifty Lift, Atlas Copco, Chicago Pneumatic, Allmand, Miller Curber, Skyjack, Lull, Skytrak, Tsurumi, Husquvarna Target, Stow, Wacker, Sakai, Mi-T-M, Sullair, Basic, Dynapac, MBW, Weber, Bartell, Bennar Newman, Haulotte, Ditch Runner, Menegotti, Morrison, Contec, Buddy, Crown, Edco, Wyco, Bomag, Laymor, EZ Trench, Bil-Jax, F.S. Curtis, Gehl Pavers, Heli, Honda, ICS/PowerGrit, IHI, Partner, Imer, Clipper, MMD, Koshin, Rice, CH&E, General Equipment, Amida, Coleman, NAC, Gradall, Square Shooter, Kent, Stanley, Tamco, Toku, Hatz, Kohler, Robin, Wisconsin, Northrock, Oztec, Toker TK, Rol-Air, APT, Wylie, Ingersoll Rand / Doosan, Innovatech, Con X, Ammann, Mecalac, Makinex, Smith Surface Prep, Small Line, Wanco, Yanmar

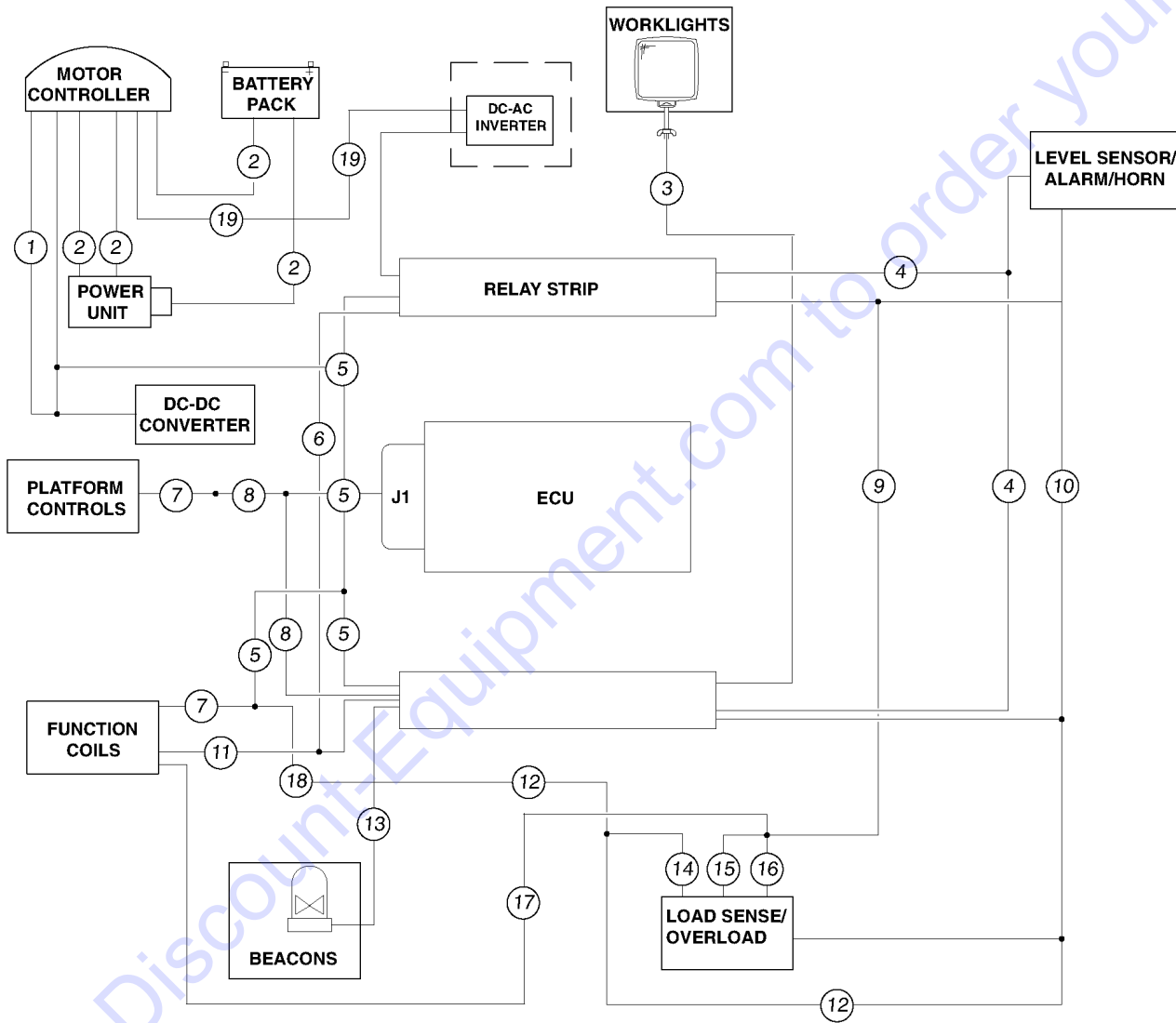
311.1 Power Cables



Item	Part No.	Description	Qty.
1	84171GT	BATTERY CABLE ASSY.64"RED.....1	
2	84169GT	BATTERY CABLE ASSY.52" RED.....1	
3	84170GT	BATTERY CABLE ASSY.42"BLACK.....1	
4	84172GT	BATTERY CABLE ASSY. 87" BLACK.....1	
5	84173GT	BATTERY CABLE ASSY. 11" RED.....1	
6	84174GT	BATTERY CABLE ASSY. 15" RED.....1	
7	84175GT	BATTERY CABLE ASSY. 17" BLACK.....1	
8	84176GT	BATTERY CABLE ASSY. 6" RED.....8	
9	84177GT	BATTERY CABLE ASSY. 13"RED.....1	
10	104603GT	WIRE ASSY,MANIFOLD GND,GS68.....1 (from SN 43080 to 44572)	

Go to Discount-Equipment.com to order your parts

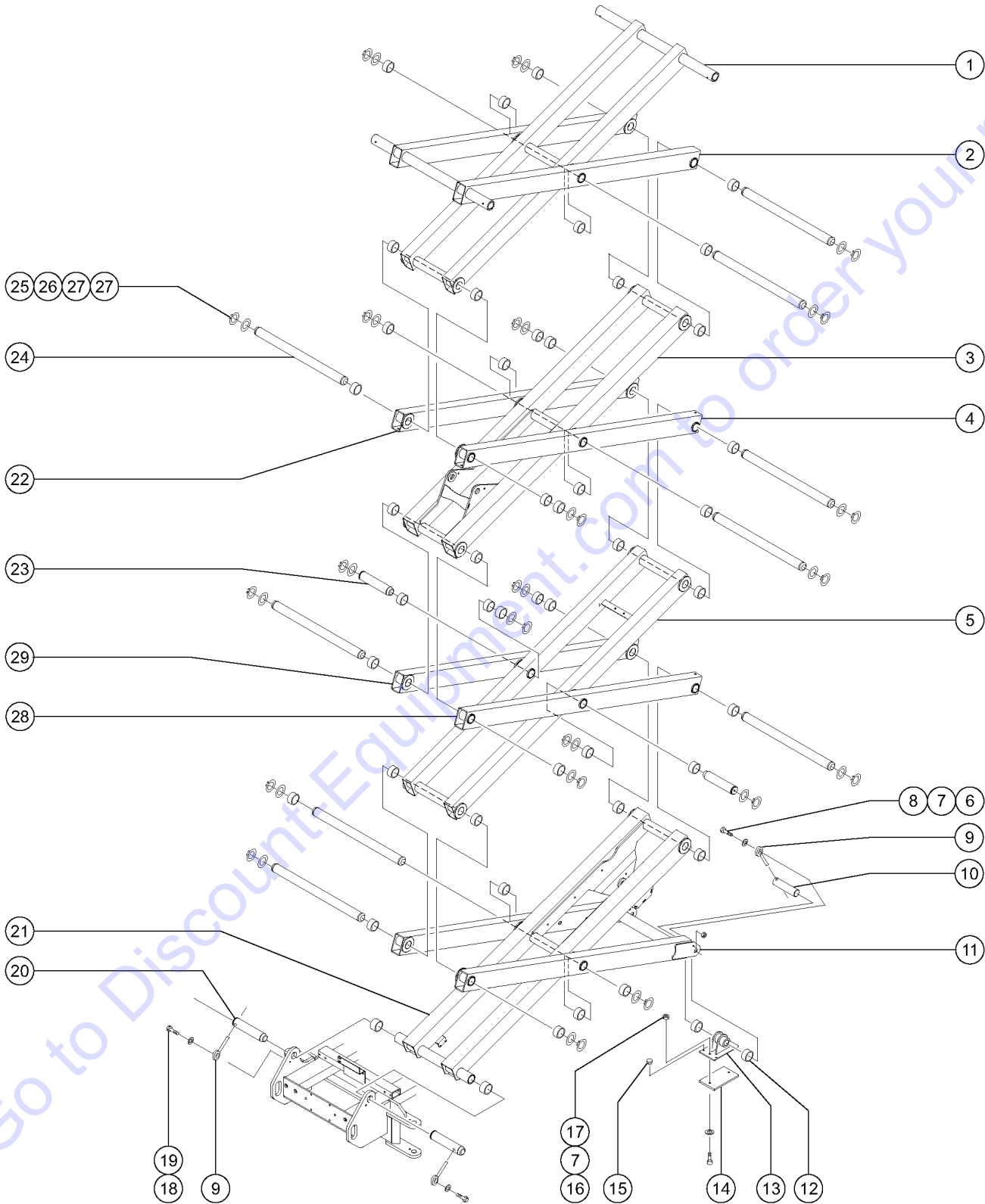
312.1 Electrical Wiring



## 312.1 Electrical Wiring

Item	Part No.	Description	Qty.	Item	Part No.	Description	Qty.
--	105214GT	CABLE TIE MOUNT, WINGED (not shown)		11	79884GT	HARNESS,DOWN,GS2668.....1	1
1	87199GT	HARNESS,CONVERTER,GS68 DC.....1 (from SN 41318)	1	11A	79885GT	HARNESS,DOWN,GS3268	
2		Ref. Power Cables (refer to 311.1) (refer to 311.1)		12	99903GT	HARNESS,DC PRESS SWITCH CABLE.....1 (to SN 44168)	1
3	71756GT	HARNESS, WIRE, WORK LIGHT 2668...1 (to SN 42449)	1	12A	110125GT	HARNESS,LOAD SENSE,CTRL-PSWCH (from SN 44169)	
--	99444GT	HARNESS,WORK LIGHT OPT GS-2668 (from SN 42450 to 44101)		13	87266GT	HARNESS,BEACON.....1 (to SN 42381)	1
--	112034GT	HARNESS ASSY,WORKLIGHT,2668DC (from SN 44102)		13A	99442GT	HARNESS,BEACON OPT (from SN 42382)	
3C	71791GT	HARNESS,WIRE,WORK LIGHT,3268.....1 (to SN 42449)	1	14	104571GT	HARNESS,PRESS.SWITCH.....1 (to SN 44168)	1
--	97344GT	HARNESS,WORKLIGHT OPT,GS3268 (from SN 42450 to 44101)		14A	104571GT	HARNESS,PRESS.SWITCH (from SN 44169)	
--	112035GT	HARNESS ASSY,WORKLIGHT,3268DC (from SN 44102)		15	99838GT	HARNESS,LS,UP SW,LOAD SENSE....1	1
4	79882GT	HARNESS,LEVEL SENSOR.....1 (to SN 42381)	1	16	99839GT	HARNESS,LS,DN DELAY,LOAD SENSE.....1	1
4A	99438GT	HARNESS,LEVEL SENSOR (from SN 42382)		17	99845GT	HARNESS,UP COIL,LOAD SENSE.....1	1
5	87201GT	HARNESS,LCP,J1,GS68 DC***.....1 (from SN 41318 to 41396)	1	18	110126GT	HARNESS,LOAD SENSE,RESISTOR,DC.....1 (from SN 44167)	1
5A	104718GT	HARNESS,LCP,J1,GS68 DC (from SN 41397 to 50733)		--	105244GT	RESISTOR, 25 OHM 10 WATT	
--	13083GT	DIODE, 3 AMP		19	87200GT	HARNESS,INVERTER OPT,GS68 DC....1 (to SN 44855)	1
5B	112949GT	HARNESS,LCP,J1,GS68DC (from SN 50734)		19A	112016GT	HARNESS,INVERTER OPTION (from SN 44856)	
--	13083GT	DIODE, 3 AMP		19B	112140GT	HARNESS,INVERTER OPTION,60HZ (from SN 44856)	
6	79883GT	HARNESS,DOWN PIGTAIL.....1 (to SN 42381)	1				
6A	99437GT	HARNESS,DOWN PIGTAIL (from SN 42382)					
7	79891GT	CONTROL CABLE,2668.....1 GS-2668 (to SN 42449)	1				
--	99296GT	CNTRL CABLE,CHAS.TO PLAT,2668 (from SN 42450)					
7B	79892GT	JOYSTICK CABLE,3268.....1 (to SN 42449)	1				
--	99297GT	CNTRL CABLE,CHAS.TO PLAT,3268 (from SN 42450)					
8	79890GT	JOYSTICK CABLE,PIGTAIL.....1 (to SN 42449)	1				
8A	99301GT	CONTROL CABLE,PIGTAIL (from SN 42450)					
9	99902GT	HARNESS,DC LIMIT SWITCH CABLE...1	1				
10	99901GT	HARNESS,LCP,LOAD SENSE.....1 (to SN 44168)	1				
10A	112015GT	HARNESS,LCP,LOADSENSE,GS68 (from SN 44169)					

401.1 Scissor Components, View 1, GS-2668

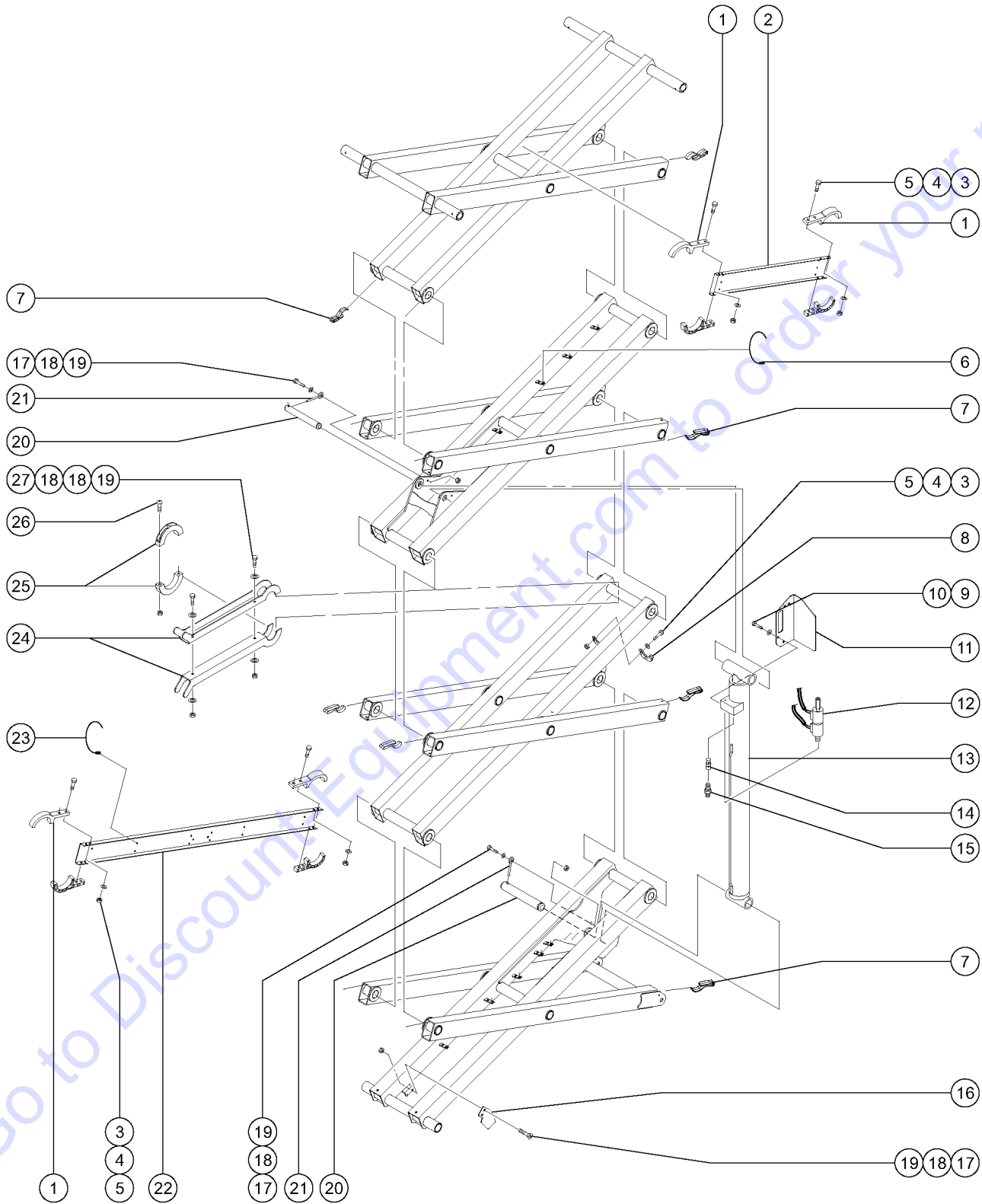




## 401.1 Scissor Components, View 1, GS-2668

Item	Part No.	Description	Qty.	Item	Part No.	Description	Qty.
1	84235GT	INNER ARM#4 W/BEARINGS GS68.....1 (includes item 27)	1	28A	84990GT	OUTER ARM ASSY #2,W/SY DECALS* (Europe, Asia, South America; includes item 4)	
2	84236GT	OUTER ARM #4 W/BEARINGS GS2668.....1 (includes item 27)	1	29	84242GT	OUTER ARM ASSY, W/DECALS*.....1 (USA, Canada, Australia; includes item 22)	1
3	84237GT	INNER ARM #3 W/BEARINGS GS2668.....1 (includes item 27)	1	29A	84991GT	OUTER ARM ASSY #2,W/SY DECALS* (Europe, Asia, South America; includes item 22)	
4	84821GT	OUTER ARM ASSY, W/BEARINGS.....1 (includes item 27)	1				
5	84239GT	INNER ARM ASSY, W/DECALS.....1 (USA, Canada, Australia; includes item 27)	1				
5A	84992GT	INNER ARM ASSY #4,W/SY DECALS* (includes item 27; Europe, Asia, South America)					
6	8516GT	SCREW, HCC, 3/8-16 X 1.50					
7	5397GT	WASHER,FLAT,USS,5/16",Y					
8	4828GT	NUT,NYLOCK,3/8-16					
9	825019GT	ROD END,.375X3.69,ZAG.....4	4				
10	47530GT	PIN,1.00DIAX4.6 LG,1HOLE.....2	2				
11	84243GT	OUTER ARM #1 W/BEARINGS GS2668.....1 (includes item 27)	1				
12	25817GT	BEARING,1.00IDX1.25ODX1.00L.....4	4				
13	47360GT	WELDMENT,SLIDER BLOCK.....2	2				
14	47373GT	WEAR PAD 2668.....2	2				
15	11890GT	GLIDE BUTTON,SIDE,GLL,.100 TK.....8	8				
16	7713GT	NUT, LP NYLOCK, 3/8-16					
17	6175GT	SCREW,HHC,3/8-16 X 1					
18	6019GT	SCREW,HHC,3/8-16 X 1.25 GRD 5 (to SN 41712)					
18A	13918GT	SCREW,HHC,3/8-16 X 1.75,GRD.8.....2 (from SN 41713)	2				
19	6021GT	WASHER,LOCK,.375 (shown) (to SN 41712)					
19A	4828GT	NUT,NYLOCK,3/8-16 (from SN 41713)					
20	71414GT	PIN,1.75DIAX5.87LG,CHAMFER.....2	2				
21	84241GT	INNER ARM ASSY,#1W/BRNGS,2668....1 (includes item 27)	1				
22	84822GT	OUTER ARM ASSY, W/BEARINGS.....1 (battery pack side) (includes item 27)	1				
23	47302GT	PIN,1.75DIAX8.51LG,2RING.....2	2				
24	47301GT	PIN,1.75DIAX26.71LG,2RING.....9	9				
25	18384GT	SNAP RING,EXTERNAL,1.75 DIA.....22	22				
26	39127GT	WASHER,SCIS ARM,1.79X2.25X.120					
27	51144GT	BEARING,1.75IDX2.00ODX1.25L.....64	64				
28	84238GT	OUTER ARM ASSY, W/DECALS*.....1 (USA, Canada, Australia; includes item 4)	1				

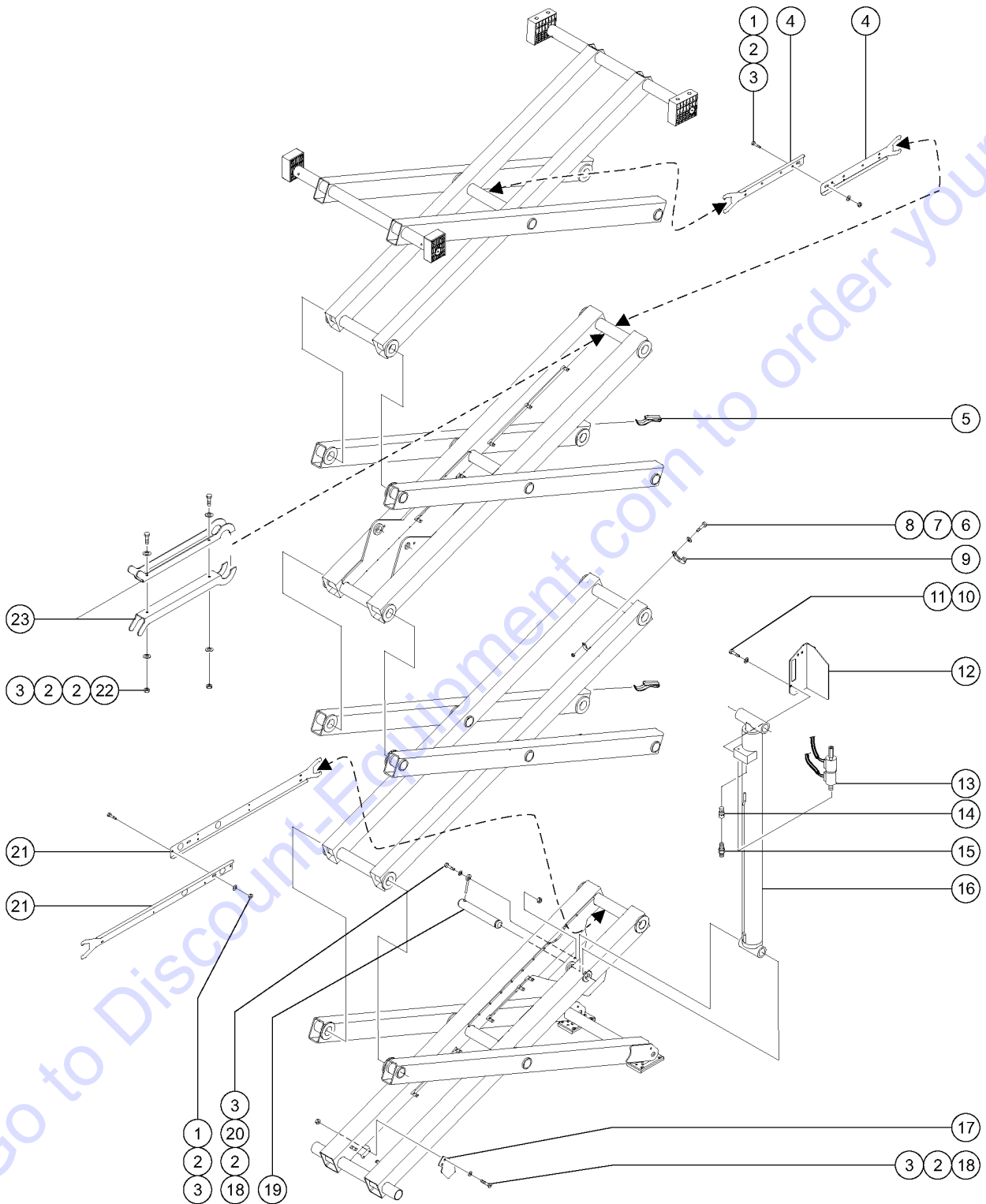
402.1 Scissor Components, View 2, GS-2668 (to SN 41751)



## 402.1 Scissor Components, View 2, GS-2668 (to SN 41751)

Item	Part No.	Description	Qty.
1	55351GT	CLAMP, CABLEBRIDGE,HALF.....	8
2	47622PGT	BRACKET,UPPER CABLE BRIDGE,46.....	1
3	6888GT	SCREW,HHC,1/4-20 X 1	
4	6638GT	WASHER,FLAT,USS,1/4"Y	
5	6889GT	NUT,LP NYLOCK,1/4-20	
6	28443GT	CABLE TIE,11.5" BLACK (quantity varies)	
7	71349GT	BUMPER, LINK.....	16
		GS-2668	
8	55336GT	CHOCK STOP CUSHION.....	1
9	7339GT	SCREW,HHC,1/4-20 X .5	
10	6356GT	WASHER,LOCK,.25	
11	79494GT	FORMING,DOWN COIL COVER.....	1
12	66683GT	VALVE,DBL PULL S-NOID 20V***	1
--	44973GT	NUT,COIL (39909)	
--	84421GT	WASHER-SOLENOID VALVE (66683)*	
--	84422GT	COIL-SOLENOID VALVE,20V DC***	
--	84423GT	VALVE,2 POSITION 2 WAY*** (cartridge only)	
13	55717GT	CYLINDER, GS2632/46/68***	1
		(includes bearings)	
--	66470GT	SEAL KIT (55717) TEXAS HYD VER	
--	78912GT	SEAL KIT, 55717 DY LIFTCYL	
14	55560GT	ORIFICE,LONG, .059".....	1
		(1.499 mm)	
15	48916GT	CONN, 520120-6.....	1
16	47574GT	PLATE,LIFT ARM CAM GS68.....	1
17	8516GT	SCREW, HCC, 3/8-16 X 1.50	
18	5397GT	WASHER,FLAT,USS,5/16",Y	
19	4828GT	NUT,NYLOCK,3/8-16	
20	47458GT	PIN,1.50DIA X 8.45LG,1HOLE.....	2
21	825019GT	ROD END,.375X3.69,ZAG.....	2
22	78686GT	FORMING,CABLE BRIDGE,MAIN***	1
23	66098GT	CABLE TIE,9" X .5.....	2
24	58001GT	SAFETY CHOCK-SCISSOR.....	1
		(includes items 18, 19 and 27)	
25	55488GT	CROSS TUBE COLAR, GS46\68.....	2
--	6091GT	NUT,NYLOCK,1/4-20	
26	11966GT	SCREW,BHHS,1/4-20 X 1.5	
27	6019GT	SCREW,HHC,3/8-16 X 1.25 GRD 5	

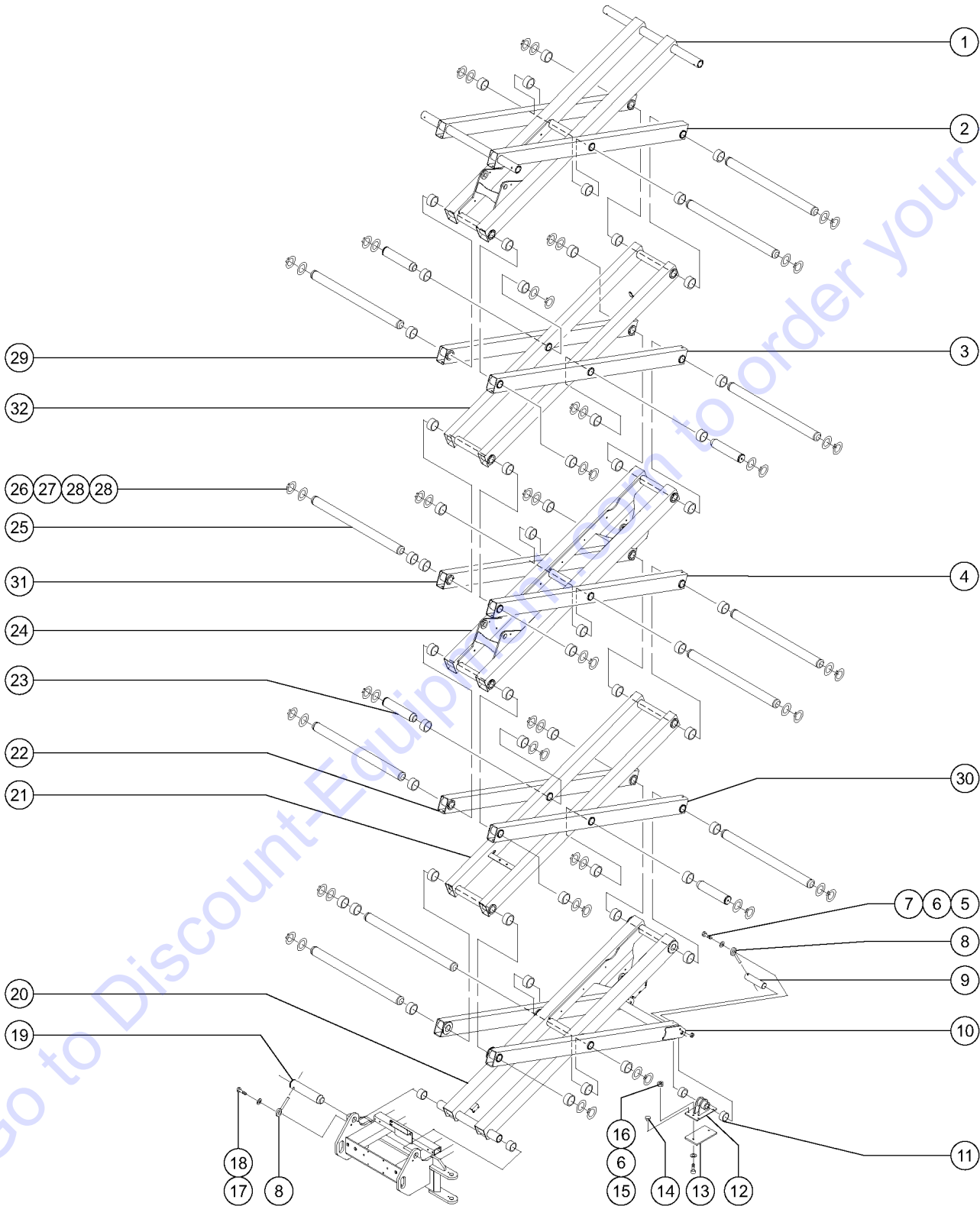
402.2 Scissor Components, View 2, GS-2668 (from SN 41752)



## 402.2 Scissor Components, View 2, GS-2668 (from SN 41752)

Item	Part No.	Description	Qty.	Item	Part No.	Description	Qty.
1	6175GT	SCREW,HHC,3/8-16 X 1		--	14182GT	SCREW,FHS,1/4-20 X 1 (from SN 52076)	
2	5397GT	WASHER,FLAT,USS,5/16",Y		--	6091GT	NUT,NYLOCK,1/4-20 (from SN 52076)	
3	4828GT	NUT,NYLOCK,3/8-16		22	6019GT	SCREW,HHC,3/8-16 X 1.25 GRD 5	
4	78687GT	FORMING, CABLE BRIDGE, UPPER.....2 (to SN 52075)		23		Ref. Safety Arm Assembly (refer to 402.1)	
--	78900GT	TRIM LOCK, 1/8 X .75 (to SN 52075)					
4A	131396GT	ASSY, CABLE BRIDGE, UPPER.....2 (from SN 52076)					
--	131381GT	SUPPORT, CABLE BRIDGE MOUNTING (from SN 52076)					
--	131382GT	FORMING,CABLE BRIDGE,GS68 (from SN 52076)					
--	14182GT	SCREW,FHS,1/4-20 X 1 (from SN 52076)					
--	6091GT	NUT,NYLOCK,1/4-20 (from SN 52076)					
5		Ref. Link Bumper (refer to 402.1)					
6	6888GT	SCREW,HHC,1/4-20 X 1					
7	6638GT	WASHER,FLAT,USS,1/4"Y					
8	6889GT	NUT,LP NYLOCK,1/4-20					
9	55336GT	CHOCK STOP CUSHION.....1					
10	7339GT	SCREW,HHC,1/4-20 X .5					
11	6356GT	WASHER,LOCK,.25					
12		Ref. Cable Mount Bracket (refer to 402.1)					
13		Ref. Solenoid Valve Assembly with Coil (refer to 402.1)					
14		Ref. Orifice (refer to 402.1)					
15		Ref. Fitting (refer to 402.1)					
16		Ref. Lift Cylinder Assembly (refer to 402.1)					
17		Ref. Limit Switch Cam (refer to 402.1)					
18	8516GT	SCREW, HCC, 3/8-16 X 1.50					
19		Ref. Cylinder Pin (refer to 402.1)					
20	825019GT	ROD END,.375X3.69,ZAG.....2					
21	78686GT	FORMING,CABLE BRIDGE,MAIN***.....2 (to SN 52075)					
--	131381GT	SUPPORT, CABLE BRIDGE MOUNTING (from SN 52076)					
--	131382GT	FORMING,CABLE BRIDGE,GS68 (from SN 52076)					
--	131395GT	ASSY,CABLE BRIDGE,GS68.....2 (from SN 52076)					

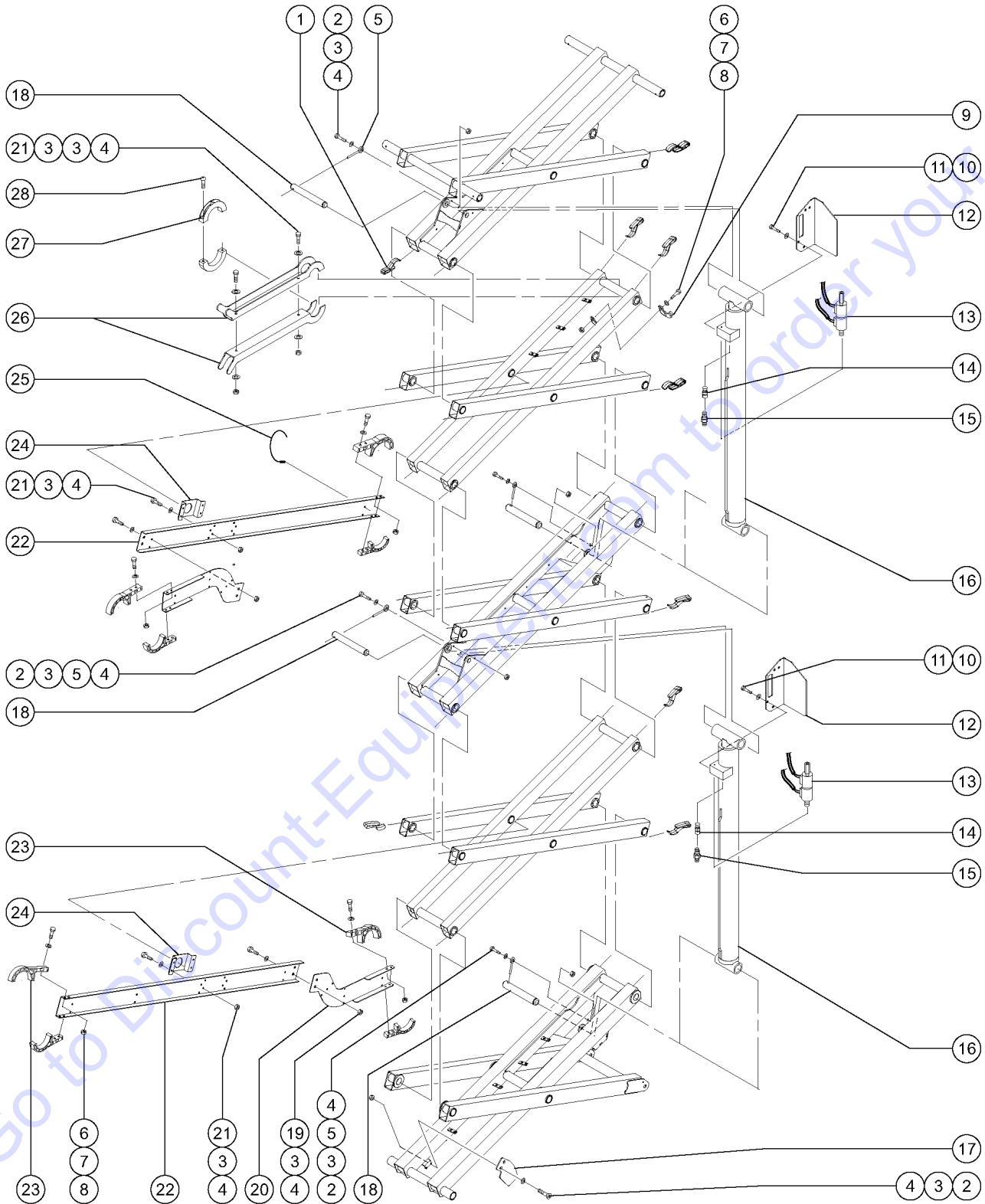
403.1 Scissor Components, View 1, GS-3268



## 403.1 Scissor Components, View 1, GS-3268

Item	Part No.	Description	Qty.	Item	Part No.	Description	Qty.
1	84244GT	INNER ARM #5 W/BEARINGS GS3268.....1 (includes item 28)	1	24	84247GT	INNER ARM #3 W/BEARINGS GS3268.....1 (includes item 28)	1
2	84245GT	OUTER ARM #5 W/BEARINGS GS3268.....1 (includes item 28)	1	25	47301GT	PIN,1.75DIA X 26.71LG,2RING.....11	11
3	84246GT	OUTER ARM #4 W/BEARINGS,GS3268.....1 (includes item 28)	1	26	18384GT	SNAP RING,EXTERNAL,1.75 DIA.....30	30
4	84821GT	OUTER ARM ASSY, W/BEARINGS.....1 (includes item 28)	1	27	39127GT	WASHER,SCIS ARM,1.79X2.25X.120	120
5	8516GT	SCREW, HCC, 3/8-16 X 1.50		28	51144GT	BEARING,1.75IDX2.00ODX1.25L.....82	82
6	5397GT	WASHER,FLAT,USS,5/16",Y		29	84248GT	OUTER ARM #4 W/BEARINGS GS3268.....1 (includes item 28)	1
7	4828GT	NUT,NYLOCK,3/8-16		30	84238GT	OUTER ARM ASSY, W/DECALS*.....1 (USA, Canada, Australia; includes item 4)	1
8	825019GT	ROD END,.375X3.69,ZAG.....3	3	30A	84990GT	OUTER ARM ASSY #2,W/SY DECALS* (Europe, Asia, South America includes item 4)	1
9	47530GT	PIN,1.00DIA X 4.6 LG,1HOLE.....2	2	31	82822GT	DECAL,DANGER,MAX CAP,5390 ANSI.....1 (includes item 28)	1
10	84243GT	OUTER ARM #1 W/BEARINGS GS2668.....1 (includes item 28)	1	32	84823GT	INNER ARM ASSY, W/BEARINGS.....1 (includes item 28)	1
11	25817GT	BEARING,1.00IDX1.25ODX1.00L.....4	4				
12	58189GT	CASTING -SLIDE BLOCK W/BEARING.....2	2				
13	47373GT	WEAR PAD 2668.....2 (7 x 4.38 x 0.75 inch)	2				
14	11890GT	GLIDE BUTTON,SIDE,GLL,.100 TK.....8	8				
15	7713GT	NUT, LP NYLOCK, 3/8-16					
16	6175GT	SCREW,HHC,3/8-16 X 1					
17	6019GT	SCREW,HHC,3/8-16 X 1.25 GRD 5 (to SN 41712)					
17A	13918GT	SCREW,HHC,3/8-16 X 1.75,GRD.8.....2 (from SN 41713)	2				
18	6021GT	WASHER,LOCK,.375 (to SN 41712)					
18A	4828GT	NUT,NYLOCK,3/8-16 (from SN 41713)					
19	71414GT	PIN,1.75DIA X 5.87LG,CHAMFER.....2	2				
20	84241GT	INNER ARM ASSY,#1W/BRNGS,2668....1 (includes item 28)	1				
21	84239GT	INNER ARM ASSY, W/DECALS.....1 (USA, Canada, Australia; includes item 32)	1				
21A	84992GT	INNER ARM ASSY #4,W/SY DECALS* (Europe, Asia, South America; includes item 32)	1				
22	84242GT	OUTER ARM ASSY, W/DECALS*.....1 (USA, Canada, Australia; includes item 31)	1				
22A	84991GT	OUTER ARM ASSY #2,W/SY DECALS* (Europe, Asia, South America; includes item 31)	1				
23	47302GT	PIN,1.75DIA X 8.51LG,2RING.....4	4				

404.1 Scissor Components, View 2, GS-3268 (to SN 41750)

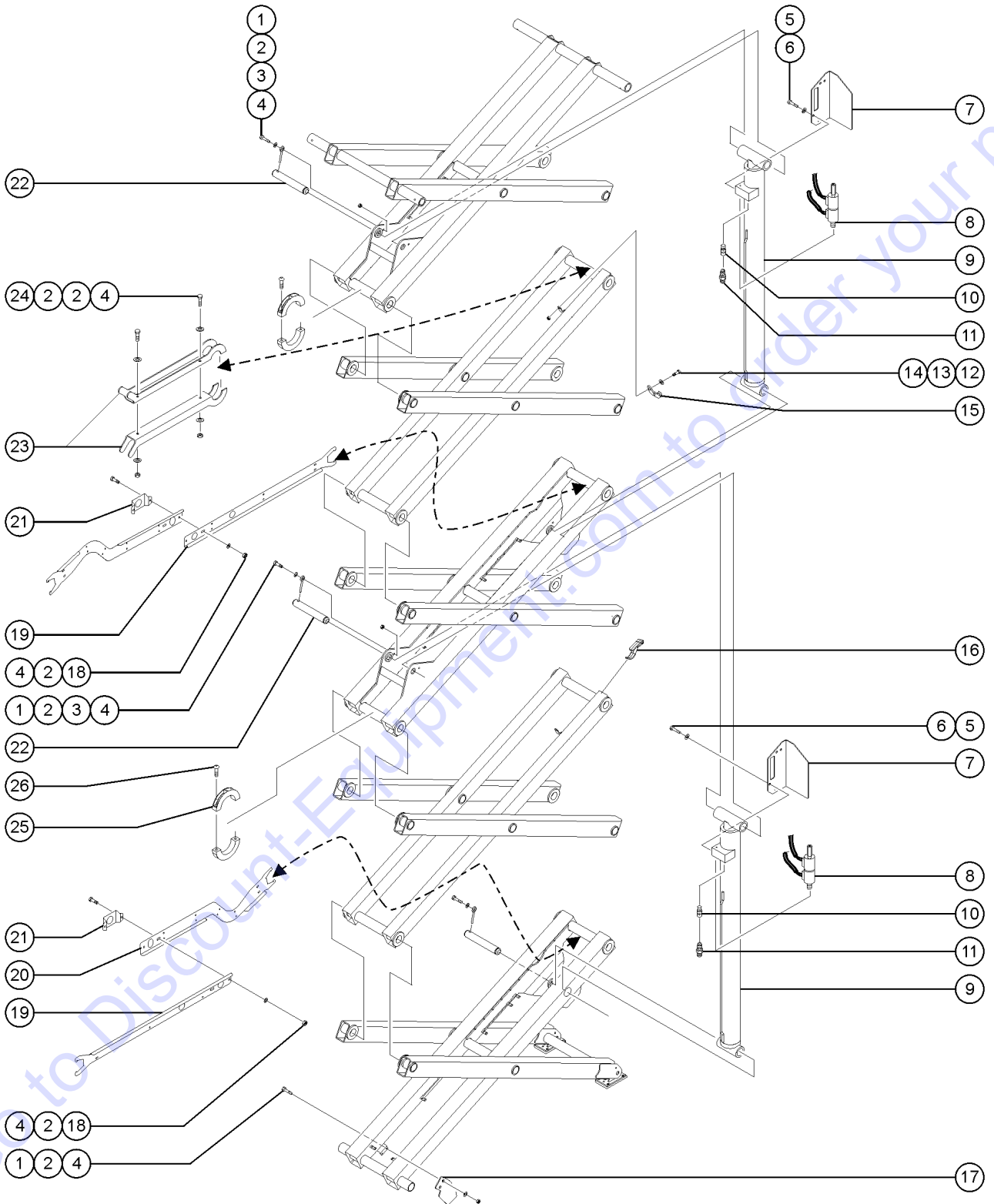




## 404.1 Scissor Components, View 2, GS-3268 (to SN 41750)

Item	Part No.	Description	Qty.
1	71349GT	BUMPER, LINK.....	20
2	8516GT	SCREW, HCC, 3/8-16 X 1.50	
3	5397GT	WASHER, FLAT, USS, 5/16", Y	
4	4828GT	NUT, NYLOCK, 3/8-16	
5	825019GT	ROD END, .375X3.69, ZAG.....	4
6	6888GT	SCREW, HHC, 1/4-20 X 1	
7	6638GT	WASHER, FLAT, USS, 1/4" Y	
8	6889GT	NUT, LP NYLOCK, 1/4-20	
9	55336GT	CHOCK STOP CUSHION.....	1
10	7339GT	SCREW, HHC, 1/4-20 X .5	
11	6356GT	WASHER, LOCK, .25	
12	79494GT	FORMING, DOWN COIL COVER.....	2
13	66683GT	VALVE, DBL PULL S-NOID 20V***.....	2
--	44973GT	NUT, COIL (39909)	
--	84421GT	WASHER-SOLENOID VALVE (66683)*	
--	84422GT	COIL-SOLENOID VALVE, 20V DC***	
--	84423GT	VALVE, 2 POSITION 2 WAY*** (cartridge only)	
14	55560GT	ORIFICE, LONG, .059".....	2
15	48916GT	CONN, 520120-6.....	2
16	55717GT	CYLINDER, GS2632/46/68***.....	1
--	66470GT	SEAL KIT (55717) TEXAS HYD VER (Texas Hydraulic)	
--	78912GT	SEAL KIT, 55717 DY LIFTCYL (Dongyang)	
17	47574GT	PLATE, LIFT ARM CAM GS68.....	1
18	47458GT	PIN, 1.50DIA X 8.45LG, 1HOLE.....	4
19	6175GT	SCREW, HHC, 3/8-16 X 1	
20	51542GT	BRACKET, CABLE BRIDGE, GS3246.....	2
21	6019GT	SCREW, HHC, 3/8-16 X 1.25 GRD 5	
22	51505GT	BRACKET, MAIN CABLE BRIDGE.....	2
23	55351GT	CLAMP, CABLE BRIDGE, HALF.....	8
24	47625GT	BRACKET CABLE BRIDGE.....	2
25	66098GT	CABLE TIE, 9" X .5 (quantity varies)	
26	58001GT	SAFETY CHOCK-SCISSOR.....	1
		(includes items 3, 4, and 21)	
27	55488GT	CROSS TUBE COLAR, GS46\68.....	2
--	6091GT	NUT, NYLOCK, 1/4-20	
28	11966GT	SCREW, BHHS, 1/4-20 X 1.5	

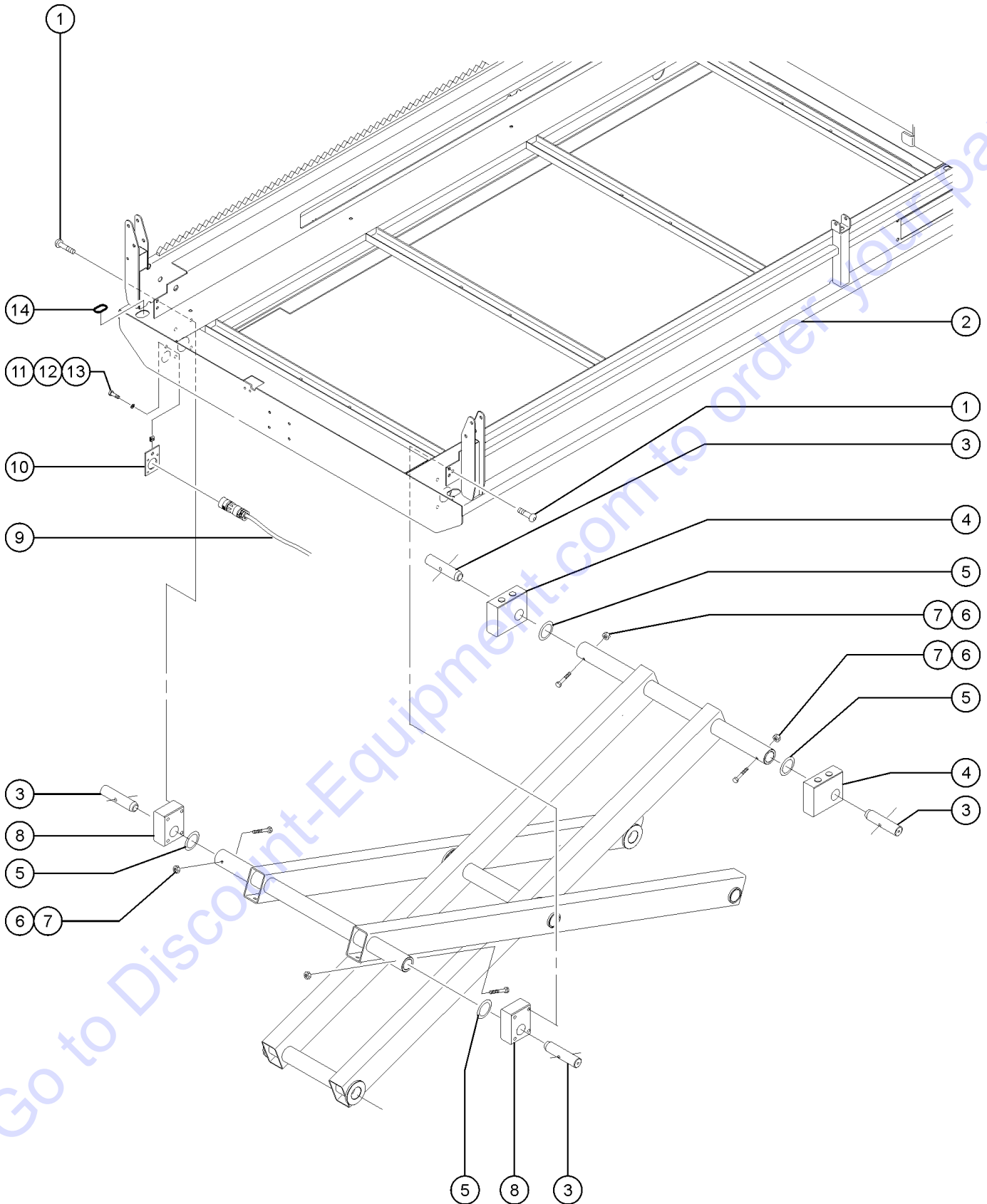
404.2 Scissor Components, View 2, GS-3268 (from SN 41751)



## 404.2 Scissor Components, View 2, GS-3268 (from SN 41751)

Item	Part No.	Description	Qty.	Item	Part No.	Description	Qty.
1	8516GT	SCREW, HCC, 3/8-16 X 1.50		--	14182GT	SCREW,FHS,1/4-20 X 1 (from SN 52076)	
2	5397GT	WASHER,FLAT,USS,5/16",Y		--	6091GT	NUT,NYLOCK,1/4-20 (from SN 52076)	
3	825019GT	ROD END,.375X3.69,ZAG.....	4	21	78897GT	FORMING, CABLE BRIDGE, CENTER...2	
4	4828GT	NUT,NYLOCK,3/8-16		22	47458GT	PIN,1.50DIAX8.45LG,1HOLE.....	4
5	7339GT	SCREW,HHC,1/4-20 X .5		23		Ref. Safety Arm Assembly (refer to 404.1)	
6	6356GT	WASHER,LOCK,.25		24	6019GT	SCREW,HHC,3/8-16 X 1.25 GRD 5	
7		Ref. Cable Mount Bracket (refer to 404.1)		25	55488GT	CROSS TUBE COLAR, GS46\68.....	10
8		Ref. Solenoid Valve Assembly with Coil (refer to 404.1)		26	11966GT	SCREW,BHHS,1/4-20 X 1.5.....	10
9		Ref. Lift Cylinder Assembly (refer to 404.1)				(from SN 52320)	
10		Ref. Orifice (refer to 404.1)				(from SN 52320)	
11	48916GT	CONN, 520120-6.....	2				
12	6888GT	SCREW,HHC,1/4-20 X 1					
13	6638GT	WASHER,FLAT,USS,1/4"Y					
14	6889GT	NUT,LP NYLOCK,1/4-20					
15		Ref. Safety Arm Rest (refer to 404.1)					
16	71349GT	BUMPER, LINK.....	20				
17		Ref. Limit Switch Cam (refer to 404.1)					
18	6175GT	SCREW,HHC,3/8-16 X 1					
19	78686GT	FORMING,CABLE BRIDGE,MAIN*** .....	2				
--	78900GT	TRIM LOCK, 1/8 X .75 (to SN 52075)					
19A	131395GT	ASSY,CABLE BRIDGE,GS68.....	2				
--	131381GT	SUPPORT, CABLE BRIDGE MOUNTING (from SN 52076)					
--	131382GT	FORMING,CABLE BRIDGE,GS68 (from SN 52076)					
--	14182GT	SCREW,FHS,1/4-20 X 1 (from SN 52076)					
--	6091GT	NUT,NYLOCK,1/4-20 (from SN 52076)					
20	78688GT	FORMING,CABLE BRIDGE,GS3246/68.....	2				
--	78900GT	TRIM LOCK, 1/8 X .75 (to SN 52075)					
20A	131397GT	ASSY, CABLE BRIDGE.....	2				
--	131380GT	FORMING, CABLE BRIDGE (from SN 52076)					
--	131381GT	SUPPORT, CABLE BRIDGE MOUNTING (from SN 52076)					

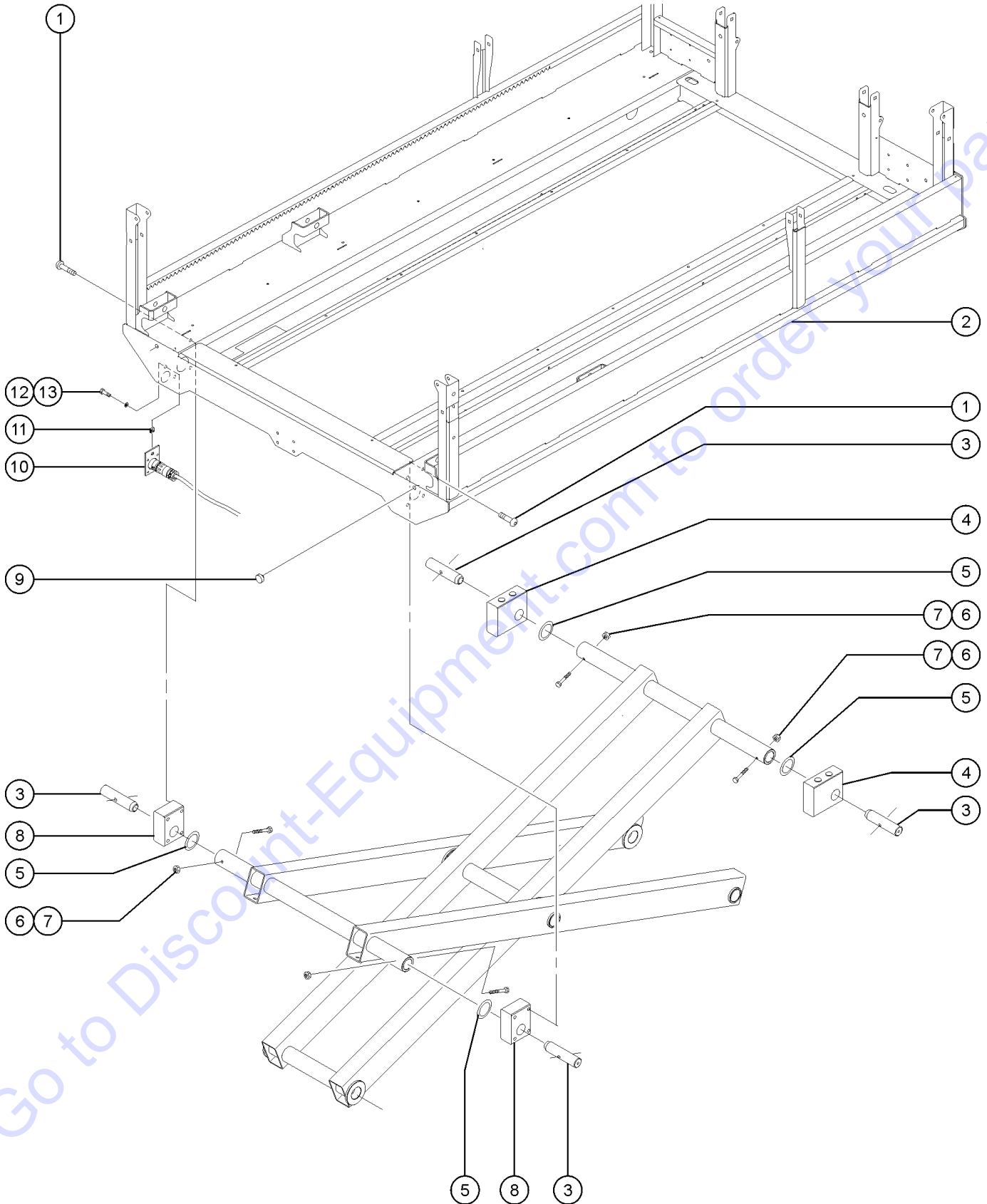
501.1 Platform Installation (to SN 41737)



## 501.1 Platform Installation (to SN 41737)

Item	Part No.	Description	Qty.
A	112593GT	PLAT ASSY,2668DC,ANSI,115V (Assemblies with Word Decals; USA and Canada)	
--	112594GT	PLAT ASSY,2668DC,ANSI,230V (Assemblies with Word Decals; USA and Canada)	
--	112597GT	PLAT ASSY,3268DC,ANSI,115V (Assemblies with Word Decals; USA and Canada)	
--	112598GT	PLAT ASSY,3268DC,ANSI,230V (Assemblies with Word Decals; USA and Canada)	
E	112595GT	PLAT ASSY,2668DC,CE,115V (Assemblies with Symbol Decals; Europe)	
--	112596GT	PLAT ASSY,2668DC,CE,230V (Assemblies with Symbol Decals; Europe)	
--	112599GT	PLAT ASSY,3268DC,CE,115V (Assemblies with Symbol Decals; Europe)	
--	112600GT	PLAT ASSY,3268DC,CE,230V (Assemblies with Symbol Decals; Europe)	
1	26810GT	SCREW,BHHS,3/8-16 X 2.75	
2	99808GT	PLATFORM ASSY,ANSI,GS2668DC (USA and Canada models)	
--	99807GT	PLATFORM ASSY,CE GS2668 DC (Europe model)	
--	99810GT	PLATFORM ASSY,ANSI,GS3268 DC (USA and Canada models)	
--	99809GT	PLATFORM ASSY,CE,GS3268 DC (Europe model)	
3	39095GT	PIN,1.75DIAX7.35LG,CHAMFER.....4	
4	131426GT	SLIDER BLOCK,PLATFORM.....1	
5	39127GT	WASHER,SCIS ARM,1.79X2.25X.120	
6	4828GT	NUT,NYLOCK,3/8-16	
7	21604GT	SCREW,HHC,3/8-16 X 3.25	
8	47160GT	BLOCK, PLATFORM ANCHOR.....2	
9		Ref. Control Cable Assembly (refer to 507.1)	
10	55663GT	BRACKET,JOYSTICK Q.D. BULKHEAD.....1	
11	6888GT	SCREW,HHC,1/4-20 X 1	
12	6638GT	WASHER,FLAT,USS,1/4"Y	
13	56912GT	SPRING CLIP,1/4-20,.025-.15X.54,ZAG	
14	24649GT	GROMMET,RUBBER 1.5 X .25 X 2.....1	

501.2 Platform Installation (from SN 41738)

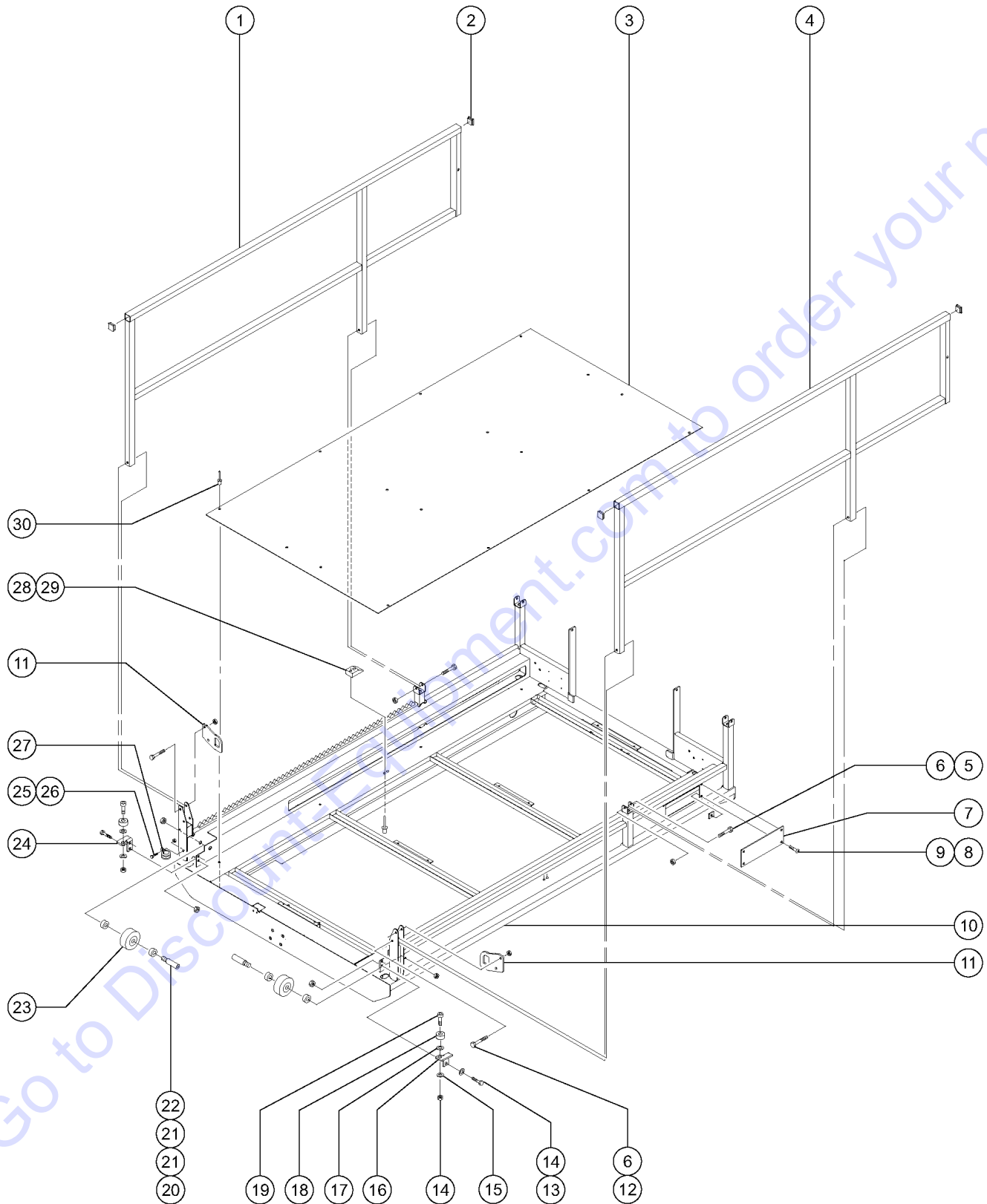


## 501.2 Platform Installation (from SN 41738)

Item	Part No.	Description	Qty.	Item	Part No.	Description	Qty.
A	97313GT	PLAT ASSY,COMP,ANSI,2668DC (Assemblies with Word Decals; USA and Canada; Complete) (from SN 42450)		--		(REF) PLAT ASSY W/CE SY DEC,43 2DECK (Platform Deck Assemblies; Europe) (from SN 42450)	
--	97314GT	PLAT ASSY,COMP,ANSI,3268DC (Assemblies with Word Decals; USA and Canada; Complete) (from SN 42450)		--	84203GT	PLAT ASSY,CE,GS3268 DC (Platform Deck Assemblies; Europe) (from SN 41738 to 42449)	
C	97315GT	PLAT ASSY,COMP,AUS,2668DC (Assemblies with Word Decals; Australia; Complete) (from SN 42450)		--	97310GT	PLAT DK ASSY,CE,2328DC (Platform Deck Assemblies; Europe) (from SN 42450)	
--	97316GT	PLAT ASSY,COMP,AUS,3268DC (Assemblies with Word Decals; Australia; Complete) (from SN 42450)		2M	84997GT	PLAT DK ASSY,ASIA/S.AME,2668DC.....1 (Platform Deck Assemblies; Asia and South America) (from SN 42450)	
E	97319GT	PLAT ASSY,COMP,CE,2668DC (Assemblies with Symbol Decals; Europe; Complete) (from SN 42450)		--	84998GT	PLAT DK ASSY,ASIA/S.AME,3268DC (Platform Deck Assemblies; Asia and South America) (from SN 42450)	
--	97320GT	PLAT ASSY,COMP,CE,3268DC (Assemblies with Symbol Decals; Europe; Complete) (from SN 42450)		3	39095GT	PIN,1.75DIA X 7.35LG,CHAMFER.....4	
G	97317GT	PLAT ASSY,COMP,ASIA/S.A,2668DC (Assemblies with Symbol Decals; Asia and South America; Complete) (from SN 42450)		4	131426GT	SLIDER BLOCK,PLATFORM.....1	
--	97318GT	PLAT ASSY,COMP,ASIA/S.A,3268DC (Assemblies with Symbol Decals; Asia and South America; Complete) (from SN 42450)		5	39127GT	WASHER,SCIS ARM,1.79X2.25X.120	
1	26810GT	SCREW,BHHS,3/8-16 X 2.75		6	4828GT	NUT,NYLOCK,3/8-16	
2	84200GT	PLAT ASSY,ANSI&CSA,GS2668DC.....1 (Platform Deck Assemblies; USA and Canada) (from SN 41738 to 42449)		7	21604GT	SCREW,HHC,3/8-16 X 3.25	
--	84993GT	PLAT DK ASSY,ANSI&CSA,2668DC (Platform Deck Assemblies; USA and Canada) (from SN 42450)		8	47160GT	BLOCK, PLATFORM ANCHOR.....2	
--	84202GT	PLAT ASSY,ANSI&CSA,GS3268 DC (Platform Deck Assemblies; USA and Canada) (from SN 41738 to 42449)		9	47230GT	BUMPER,RUBBER.....2	
--	84994GT	PLAT DK ASSY,ANSI&CSA,3268DC (Platform Deck Assemblies; USA and Canada) (from SN 42450)		10		Ref. Control Cable Assembly (refer to 507.1)	
2D	97311GT	PLAT DK ASSY,AUS,2668DC.....1 (Platform Deck Assemblies; Australia) (from SN 41738 to 42449)		11	56912GT	SPRING CLIP,1/4-20,.025-.15X.54,ZAG	
--	84995GT	PLAT DK ASSY,AUS,2668DC (Platform Deck Assemblies; Australia) (from SN 42450)		12	6888GT	SCREW,HHC,1/4-20 X 1	
--	97312GT	PLAT DK ASSY,AUS,3268DC (Platform Deck Assemblies; Australia) (from SN 41738 to 42449)		13	6638GT	WASHER,FLAT,USS,1/4"Y	
--	84996GT	PLAT DK ASSY,AUS,3268DC (Platform Deck Assemblies; Australia) (from SN 42450)					
2H	84201GT	PLAT ASSY,CE,GS2668 DC.....1 (Platform Deck Assemblies; Europe) (from SN 41738 to 42449)					



502.1 Platform Railing Installation (to SN 41737)

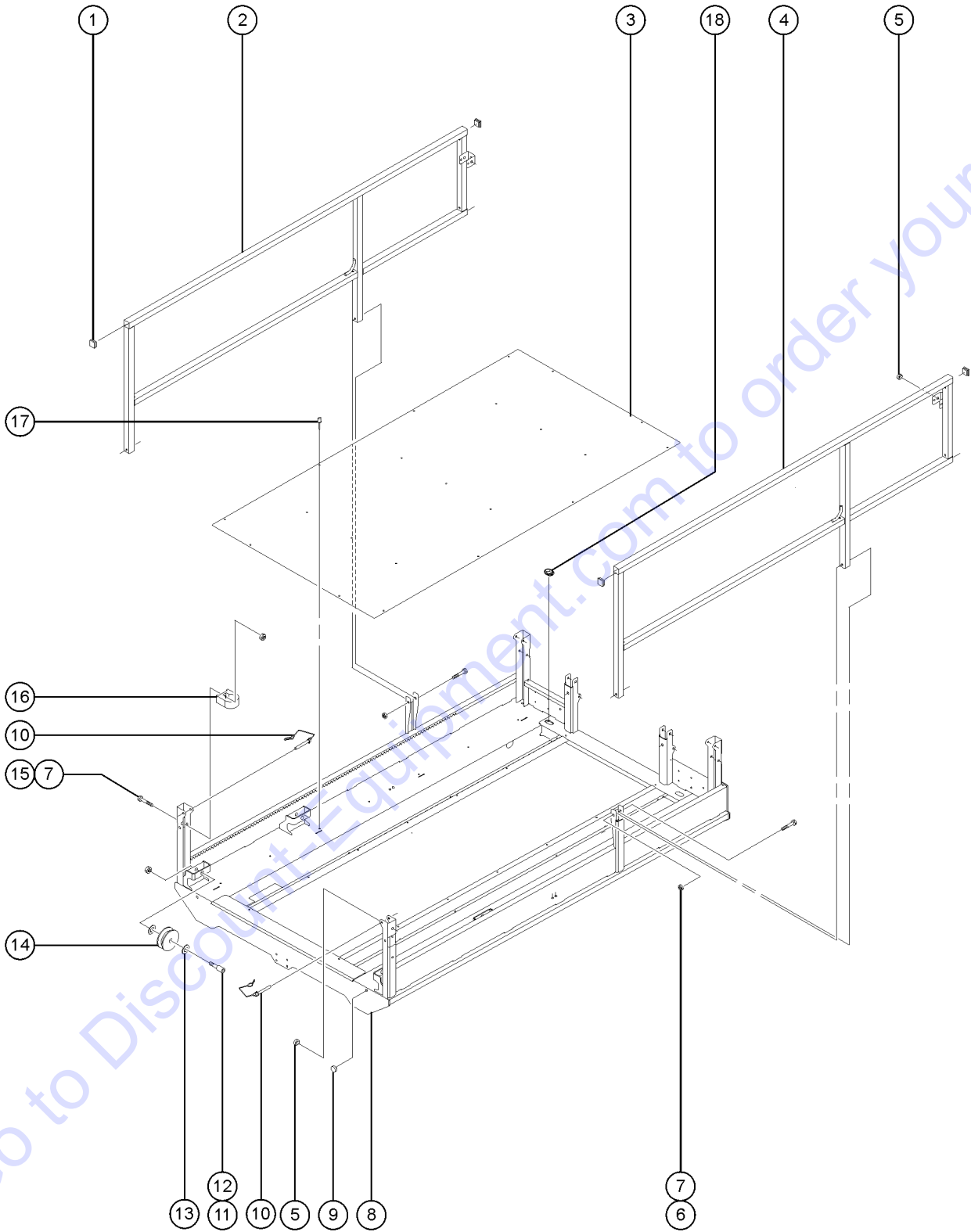




## 502.1 Platform Railing Installation (to SN 41737)

Item	Part No.	Description	Qty.
1	51379PGT	WELDMENT,SIDERAIL,GS68.....1 (battery pack side)	1
2	79355GT	PLUG,TUBE,SQ 1.50X.065.....6	6
3	51435GT	DECK PLATE,MAIN,GS68.....1	1
4	51379PGT	WELDMENT,SIDERAIL,GS68.....1 (ground controls side)	1
5	8178GT	SCREW,HHC,3/8-16 X 2.5	
6	4828GT	NUT,NYLOCK,3/8-16	
7	51073GT	ACCESS PANEL.....2	2
8	14297GT	SCREW,BHHS,1/4-20 X .75	
9	56912GT	SPRING CLIP,1/4-20,.025-.15X.54,ZAG	
10		Ref. Platform Assembly (refer to 501.1)	
11	51166GT	GUARD,PLATFORM EXTENSION,GS68.....2	2
12	14033GT	SCREW,HHC,3/8-16 X 2.75	
13	8255GT	SCREW,HHC,3/8-16 X .75	
14	7713GT	NUT, LP NYLOCK, 3/8-16	
15	6052GT	WASHER,SHIM,.5 X .875 X .063	
16	51409GT	BRACKET,FRONT LEFT SIDE ROLLER.....1 (ground controls side)	1
17	47520GT	WASHER,THRUST .75 X 1.25 X .06.....2	2
18	38016GT	ROLLER,PLASTIC,AWP96**.....2	2
19	35706GT	BOLT,ROLLER,.470"(SHORT)	
20	51139GT	PIN,EXTENSION ROLLER.....2 (3.93 inches)	2
21	55355GT	SPACER,.75ID X 1.5OD X 1/4THK.....4	4
22	6024GT	NUT,NYLOCK,5/8-11	
23	51437GT	WHEEL,4 X 1.5.....2 (includes end caps)	2
24	51408GT	BRACKET,FRNT RIGHT SIDE ROLLER.....1 (battery pack side)	1
25	6090GT	SCREW,HHC,1/4-20 X .75	
26	6091GT	NUT,NYLOCK,1/4-20	
27	21618GT	CLAMP,1.13,#18 X 1/4,RUB CUSH.....1	1
28	39317GT	STOP PLATFORM ROLLER.....2 (1.63 x 1 inch)	2
29	33776GT	RIVET,STL,STL,P.188 X .375	
30	71315GT	RIVET,DRIVE, .25 X .25	

502.2 Platform Railing Installation (from SN 41738)

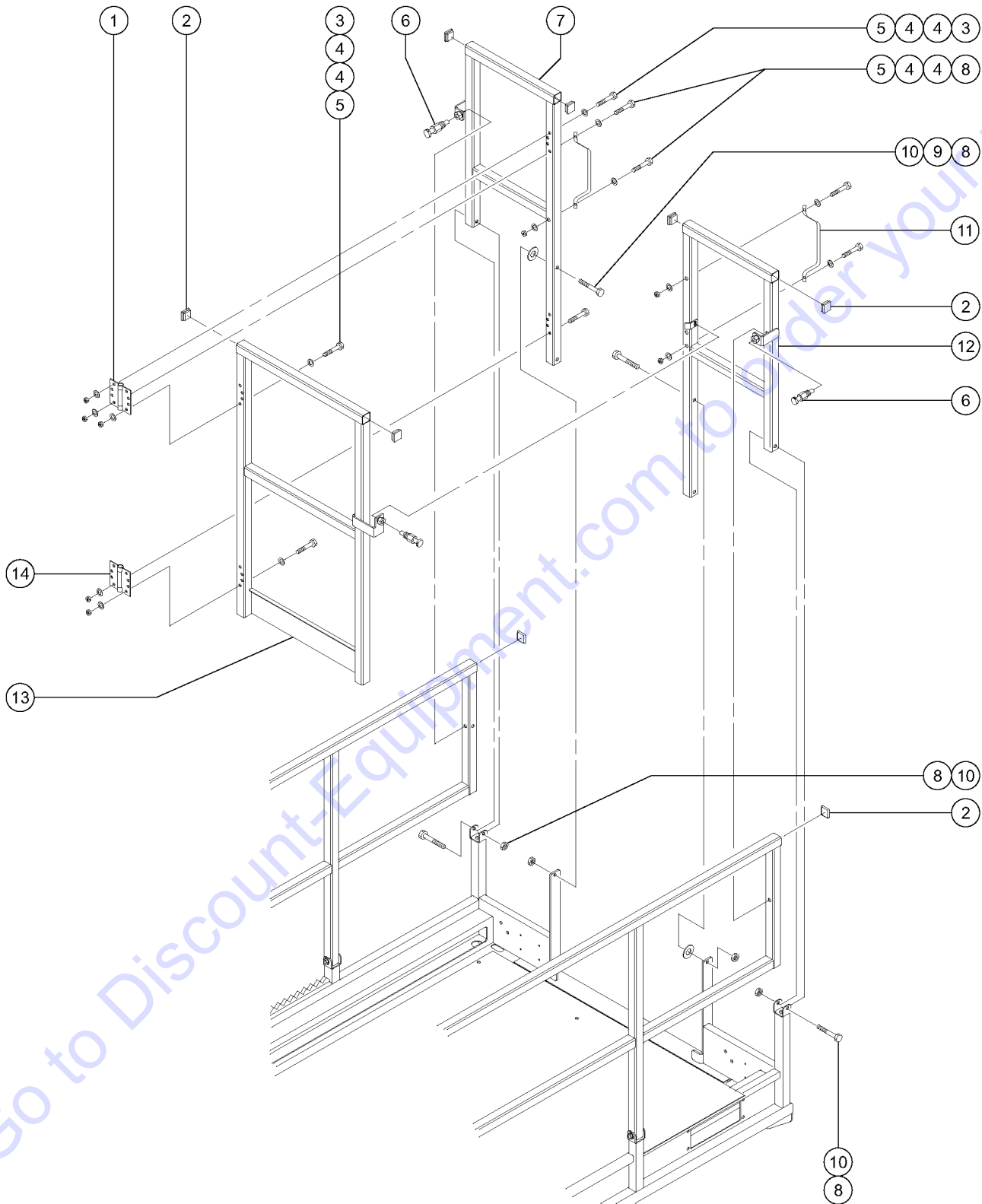


Go to DiscountEquipment.com to order your parts

## 502.2 Platform Railing Installation (from SN 41738)

Item	Part No.	Description	Qty.
1	79355GT	PLUG,TUBE,SQ 1.50X.065.....	6
2	79798-SGT	WELDMENT,MAIN RAIL,RIGHT.....1 (battery pack side)	1
3	79997GT	MAIN PLAT DECK DIAMOND PLATE.....	1
4	79781-SGT	GS68 WELDMENT,MAIN RAIL,LEFT.....1 (ground controls side)	1
5	47478GT	BUMPER, RUBBER, 1"OD X .461H.....	10
6	87648GT	BOLT,CARRIAGE,3/8-16 X 2.75,G2	
7	4828GT	NUT,NYLOCK,3/8-16	
8		Ref. Platform Assembly (refer to 501.2)	
9	47230GT	BUMPER,RUBBER.....	2
10	66030GT	PIN, WIRE LOCK 3/8 X 2 -1/2.....	2
10	78022GT	LANYARD,BLACK NYLON,TYPE 1*** .....2 CE	2
11	87568GT	PIN, SHOULDER, 5/8-11 X 1.77.....	4
12	38028GT	NUT,LP NYLOCK,5/8-11	
13	47520GT	WASHER,THRUST .75 X 1.25 X .06.....	4
14	131416GT	V-ROLLER,NARROW,EXT DECK.....2 right side	2
14	55665GT	V-ROLLER, EXT PLAT, GS90.....2 left side	2
15	6175GT	SCREW,HHC,3/8-16 X 1	
16	87523GT	COIL CORD CLIP.....	1
17	71315GT	RIVET,DRIVE, .25 X .25	
18	24649GT	GROMMET,RUBBER 1.5 X .25 X 2.....	3

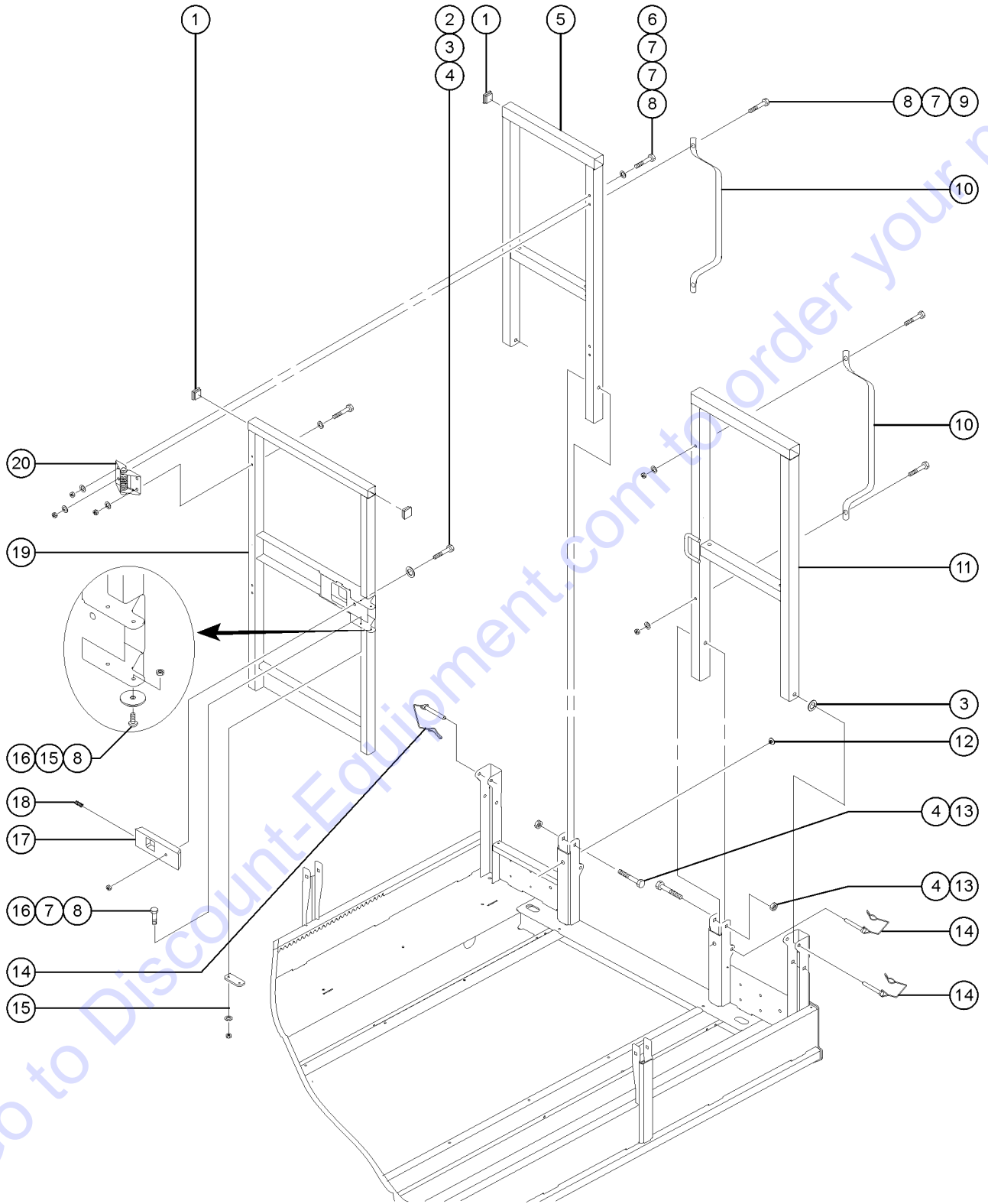
503.1 Platform Entry Gate (to SN 41737)



## 503.1 Platform Entry Gate (to SN 41737)

Item	Part No.	Description	Qty.
1	47524GT	HINGE,CLOSING (SPRING) 4 X 4.....1	1
2	79355GT	PLUG,TUBE,SQ 1.50X.065.....8	8
3	4266GT	SCREW,HHC,1/4-20 X 2	
4	6638GT	WASHER,FLAT,USS,1/4"Y	
5	6889GT	NUT,LP NYLOCK,1/4-20	
6	47138GT	PIN,SNAP,ENTRY RAIL.....3	3
7	51071GT	WLDMT,RT END RAIL MAIN PLAT.....1 (battery pack side)	1
8	8178GT	SCREW,HHC,3/8-16 X 2.5	
9	47520GT	WASHER,THRUST .75 X 1.25 X .06.....2	2
10	4828GT	NUT,NYLOCK,3/8-16	
11	51416GT	HANDLE,GRAB.....2	2
12	51039GT	WLDMT,LEFT END RAIL MAIN PLAT.....1 (ground controls side)	1
13	51036PGT	WELDMENT,ENTRY GATE 68.....1	1
14	47523GT	HINGE,4 X 4.....1	1

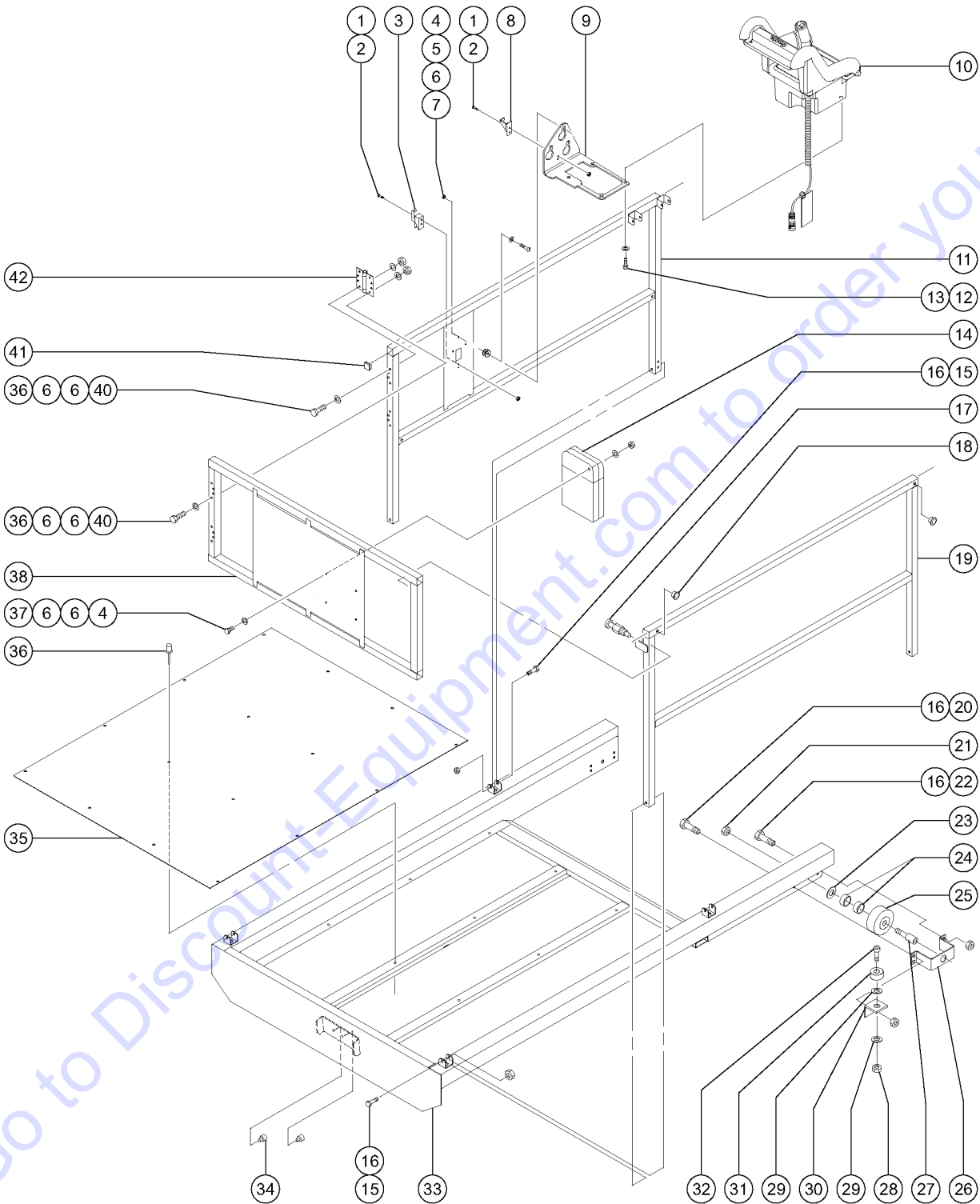
503.2 Platform Entry Gate (from SN 41738)



## 503.2 Platform Entry Gate (from SN 41738)

Item	Part No.	Description	Qty.
1	79355GT	PLUG,TUBE,SQ 1.50X.065.....	8
2	6708GT	SCREW,HHC,3/8-16 X 2.25	
3	6097GT	WASHER,FLAT,USS,3/8",Y	
4	4828GT	NUT,NYLOCK,3/8-16	
5	79786-SGT	WELDMENT,MAIN,A-RAIL,RIGHT..... <i>(battery pack side)</i>	1
6	4266GT	SCREW,HHC,1/4-20 X 2	
7	6638GT	WASHER,FLAT,USS,1/4"Y	
8	6091GT	NUT,NYLOCK,1/4-20	
9	8179GT	SCREW,HHC,1/4-20 X 2.25	
10	87014GT	GRAB HANDLE,STEEL,COATED.....	2
11	79785GT	WELDMENT,MAIN,A-RAIL,LEFT..... <i>(ground controls side)</i>	1
12	47502GT	BUMPER,1.25 INCH O.D.,SCISSORS...4	
13	87648GT	BOLT,CARRIAGE,3/8-16 X 2.75,G2	
14	66030GT	PIN, WIRE LOCK 3/8 X 2 -1/2.....	4
14	78022GT	LANYARD,BLACK NYLON,TYPE 1***..... CE	4
15A	79806GT	BUMPER,GATE LATCH,HDPE..... <i>(to SN 41911)</i>	1
15B	47793GT	BUMPER, MODULE TRAY <i>(from SN 41912)</i>	
16A	6878GT	BOLT,CARRIAGE,1/4-20 X .75,G2 <i>(to SN 41911)</i>	
16B	87085GT	RIVET,ALUM,P.188 X .25 <i>(from SN 41912)</i>	
17	112543GT	SLIDER, GATE CATCH.....	1
18	22446GT	SPRING,COMPRESSION .835 X 2.....	1
19	87320-SGT	WELDMENT,ENTRY GATE.....	1
20	104804GT	HINGE, SPRING, LONG LEG.....	2

504.1 Platform Extension (to SN 41737)

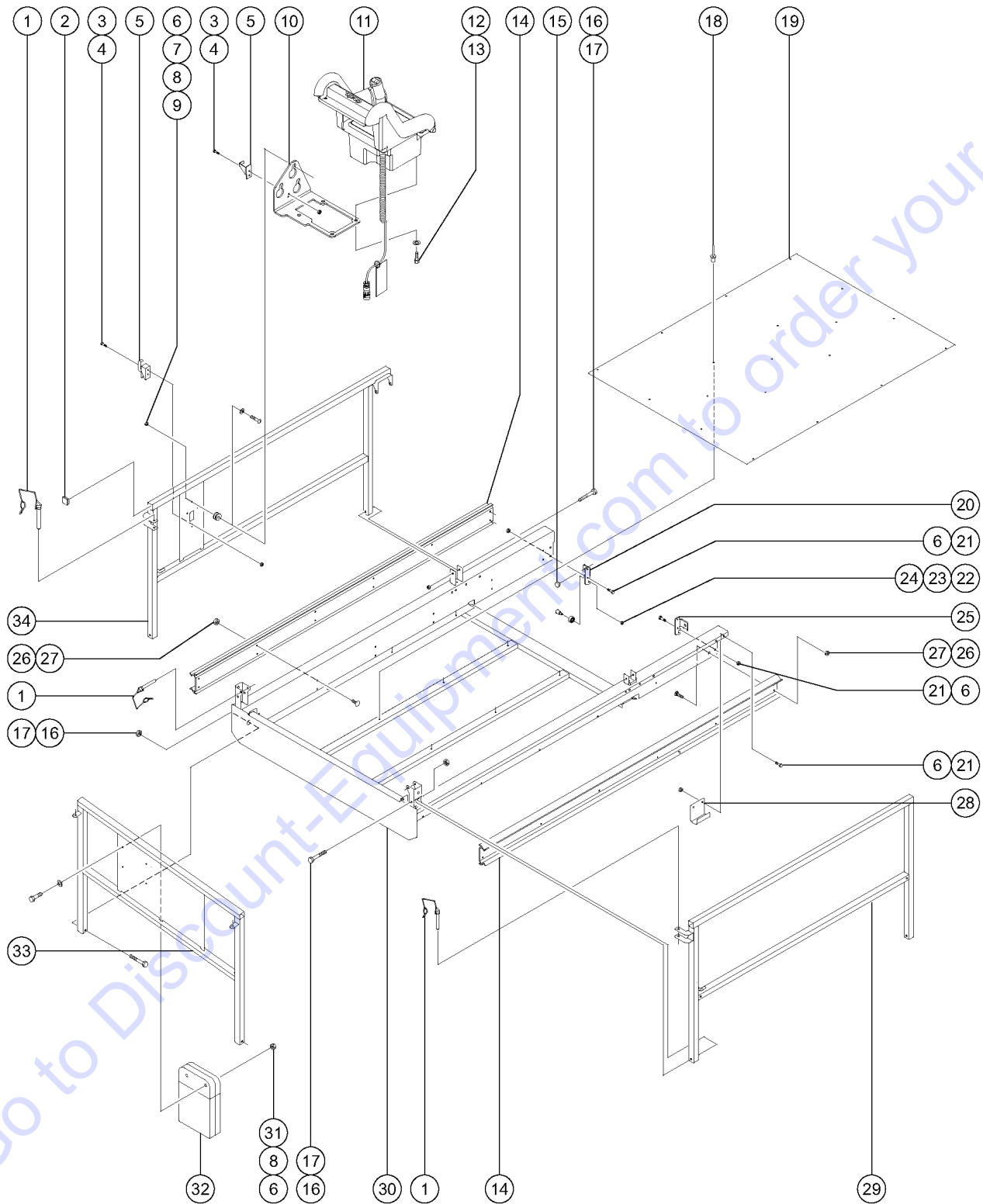




## 504.1 Platform Extension (to SN 41737)

Item	Part No.	Description	Qty.	Item	Part No.	Description	Qty.
1	18605GT	NUT,NYLOCK,8-32		32	35706GT	BOLT,ROLLER,.470"(SHORT)	
2	55906GT	SCREW,PHILLIPS,PHM,8-32 X .5		33A	112593GT	PLAT ASSY,2668DC,ANSI,115V.....1 GS-2668 ANSI/CSA models; 115V power to platform	1
3	65987GT	LATCH ASSEMBLY-CONTROL BOX.....1		33B	112594GT	PLAT ASSY,2668DC,ANSI,230V GS-2668 ANSI/CSA models; 230V power to platform	
4	6091GT	NUT,NYLOCK,1/4-20		33C	112595GT	PLAT ASSY,2668DC,CE,115V GS-2668 CE models; 115V power to platform	
5	66866GT	BUTTON,JOYSTICK MOUNT,BRASS***.....3	3	33D	112596GT	PLAT ASSY,2668DC,CE,230V GS-2668 CE models; 230V power to platform	
6	6638GT	WASHER,FLAT,USS,1/4"Y		33E	112597GT	PLAT ASSY,3268DC,ANSI,115V GS-3268 ANSI/CSA models; 115V power to platform	
7	11968GT	SCREW,BHHS,1/4-20 X 1		33F	112598GT	PLAT ASSY,3268DC,ANSI,230V GS-3268 ANSI/CSA models; 230V power to platform	
8	47218GT	DRAW LATCH,OVER-CENTER***.....1	1	33G	112599GT	PLAT ASSY,3268DC,CE,115V GS-3268 CE models; 115V power to platform	
9	66685GT	BRACKET,PLAT CONTROL BOX SLAB.....1	1	33H	112600GT	PLAT ASSY,3268DC,CE,230V GS-3268 CE models; 230V power to platform	
10		Ref. Platform Controls (refer to 507.1)		34	47230GT	BUMPER,RUBBER.....4	4
11	51092PGT	RAILING,EXT DECK,ENGINE SIDE.....1 (battery pack side)	1	35	51436-SGT	DECK PLATE,EXTENSION,GS68.....1	1
12	8255GT	SCREW,HHC,3/8-16 X .75		36	71315GT	RIVET,DRIVE, .25 X .25	
13	6021GT	WASHER,LOCK,.375		37	6090GT	SCREW,HHC,1/4-20 X .75	
14A	44743GT	MANUAL BOX W/DECALS***.....1 USA/Canada/Australia	1	38	62710GT	ENDRAIL ASSY. EXT. DECK GS68.....1 (includes items 4, 6, 14 and 37)	1
14B	24514GT	BOX,INSTRUCTION STORAGE Europe/Asia/South America (decal required; refer to Section100)		39	4266GT	SCREW,HHC,1/4-20 X 2	
15	8178GT	SCREW,HHC,3/8-16 X 2.5		40	6086GT	NUT,LP NYLOCK,1/2-13	
16	4828GT	NUT,NYLOCK,3/8-16		41	79355GT	PLUG,TUBE,SQ 1.50X.065.....8	8
17	47138GT	PIN,SNAP,ENTRY RAIL.....2	2	42	47523GT	HINGE,4 X 4.....2	2
18	47502GT	BUMPER,1.25 INCH O.D.,SCISSORS...4	4				
19	51034GT	WELDMENT,EXTENSION DECK SIDE...1 (ground controls side)	1				
20	8255GT	SCREW,HHC,3/8-16 X .75					
21	6024GT	NUT,NYLOCK,5/8-11					
22	6175GT	SCREW,HHC,3/8-16 X 1					
23	47520GT	WASHER,THRUST .75 X 1.25 X .06.....4	4				
24	39580GT	BEARING,0.75IDX1.00ODX0.38L.....4 0.75 x 1 x 0.38 inch	4				
25	51437GT	WHEEL,4 X 1.5.....2 (includes end caps)	2				
26	51055GT	FORMING,ROLLER BRACK EXT.PLAT.....2	2				
27	51139GT	PIN,EXTENSION ROLLER.....2 (3.93 inches)	2				
28	7713GT	NUT, LP NYLOCK, 3/8-16					
29	5397GT	WASHER,FLAT,USS,5/16",Y					
30	51478GT	BRACKET, SIDE ROLLER, REAR FT....1 (ground controls side) (shown)	1				
30A	51407GT	BRACKET, SIDE ROLLER,REAR RIGH (battery pack side)					
31	38016GT	ROLLER,PLASTIC,AWP96**.....2	2				

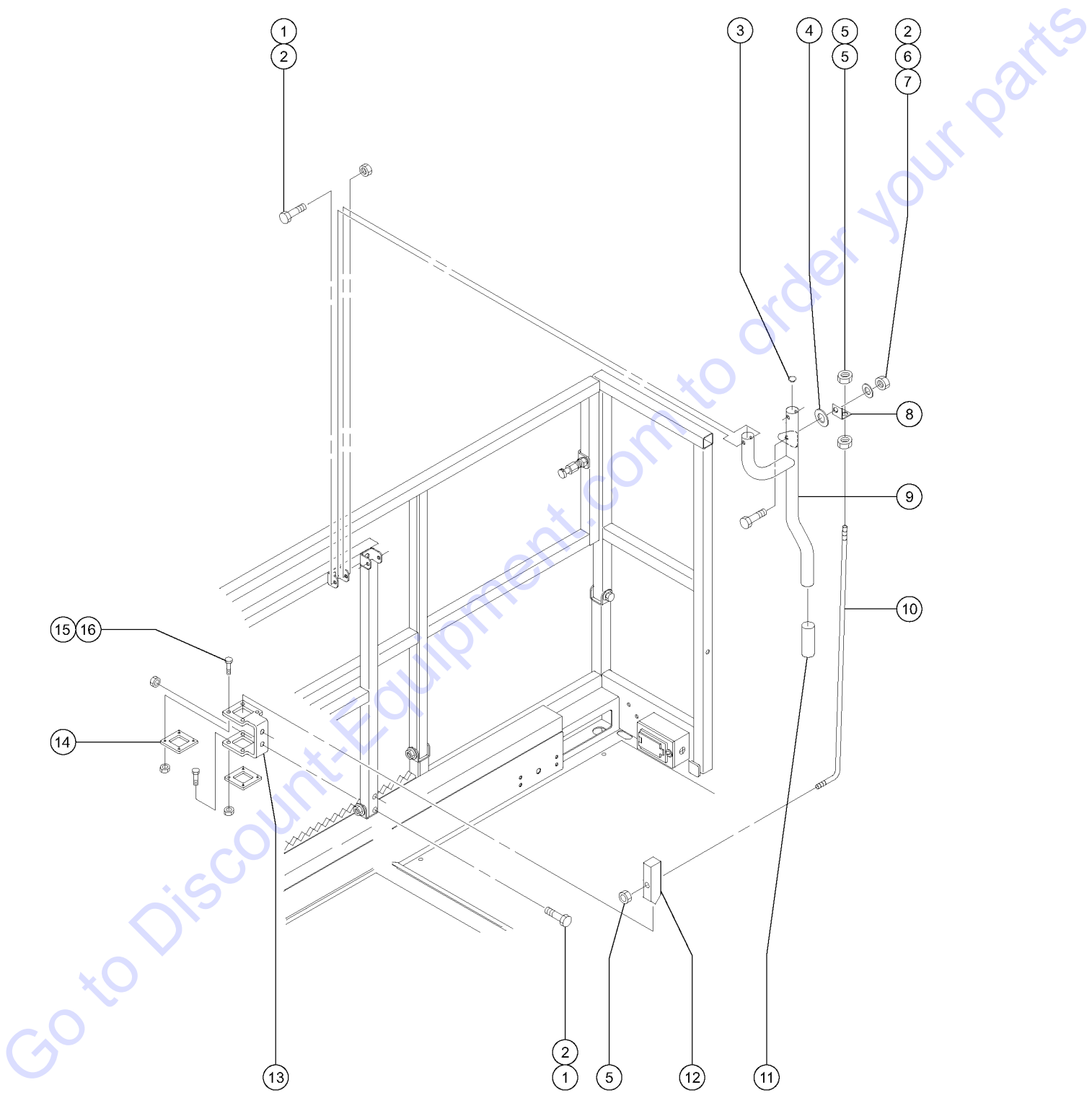
504.2 Platform Extension (from SN 41738)



## 504.2 Platform Extension (from SN 41738)

Item	Part No.	Description	Qty.
1	66030GT	PIN, WIRE LOCK 3/8 X 2 -1/2.....	4
1	78022GT	LANYARD,BLACK NYLON,TYPE 1*** CE.....	4
2	79355GT	PLUG,TUBE,SQ 1.50X.065.....	6
3	55906GT	SCREW,PHILLIPS,PHM,8-32 X .5	
4	18605GT	NUT,NYLOCK,8-32	
5	65987GT	LATCH ASSEMBLY-CONTROL BOX..... (includes items 3 and 4)	1
6	6091GT	NUT,NYLOCK,1/4-20	
7	66866GT	BUTTON,JOYSTICK MOUNT,BRASS***.....	1
8	6638GT	WASHER,FLAT,USS,1/4"Y	
9	11968GT	SCREW,BHHS,1/4-20 X 1	
10	66685GT	BRACKET,PLAT CONTROL BOX SLAB.....	1
11		Ref. Platform Controls (refer to 507.1 or 507.2)	
12	8255GT	SCREW,HHC,3/8-16 X .75	
13	6021GT	WASHER,LOCK,.375	
14	87586GT	EXTRUSION,ALUM,V-ROLLER TRK.....	2
15	47230GT	BUMPER,RUBBER.....	2
16	87648GT	BOLT,CARRIAGE,3/8-16 X 2.75,G2	
17	4828GT	NUT,NYLOCK,3/8-16	
18	71315GT	RIVET,DRIVE,.25 X .25	
19	51436-SGT	DECK PLATE,EXTENSION,GS68.....	1
20	87570GT	FORMING,EXT DECK STOP,RIGHT..... (battery pack side)	1
21	6888GT	SCREW,HHC,1/4-20 X 1	
22	7713GT	NUT, LP NYLOCK, 3/8-16	
23	38016GT	ROLLER,PLASTIC,AWP96**.....	2
24	35706GT	BOLT,ROLLER,.470"(SHORT)	
25	87571GT	FORMING,EXT DECK STOP,LEFT..... (ground controls side)	1
26	6889GT	NUT,LP NYLOCK,1/4-20	
27	87645GT	BOLT,CARRIAGE,1/4-20 X .63,G2	
28	87675GT	FORMING,EXT DECK CATCH.....	2
29	79783GT	WELDMENT,SIDE EXT RAIL,LEFT..... (ground controls side)	1
30	79791GT	WELDMENT,EXTENSION DECK.....	1
31	6090GT	SCREW,HHC,1/4-20 X .75	
32	44743GT	MANUAL BOX W/DECALS***.....	1
33	84234GT	ENDRAIL ASSY. EXT. DECK GS68..... (includes item 32)	1
34	79782-SGT	WELDMENT,SIDE EXT RAIL,RIGHT..... (battery side)	1

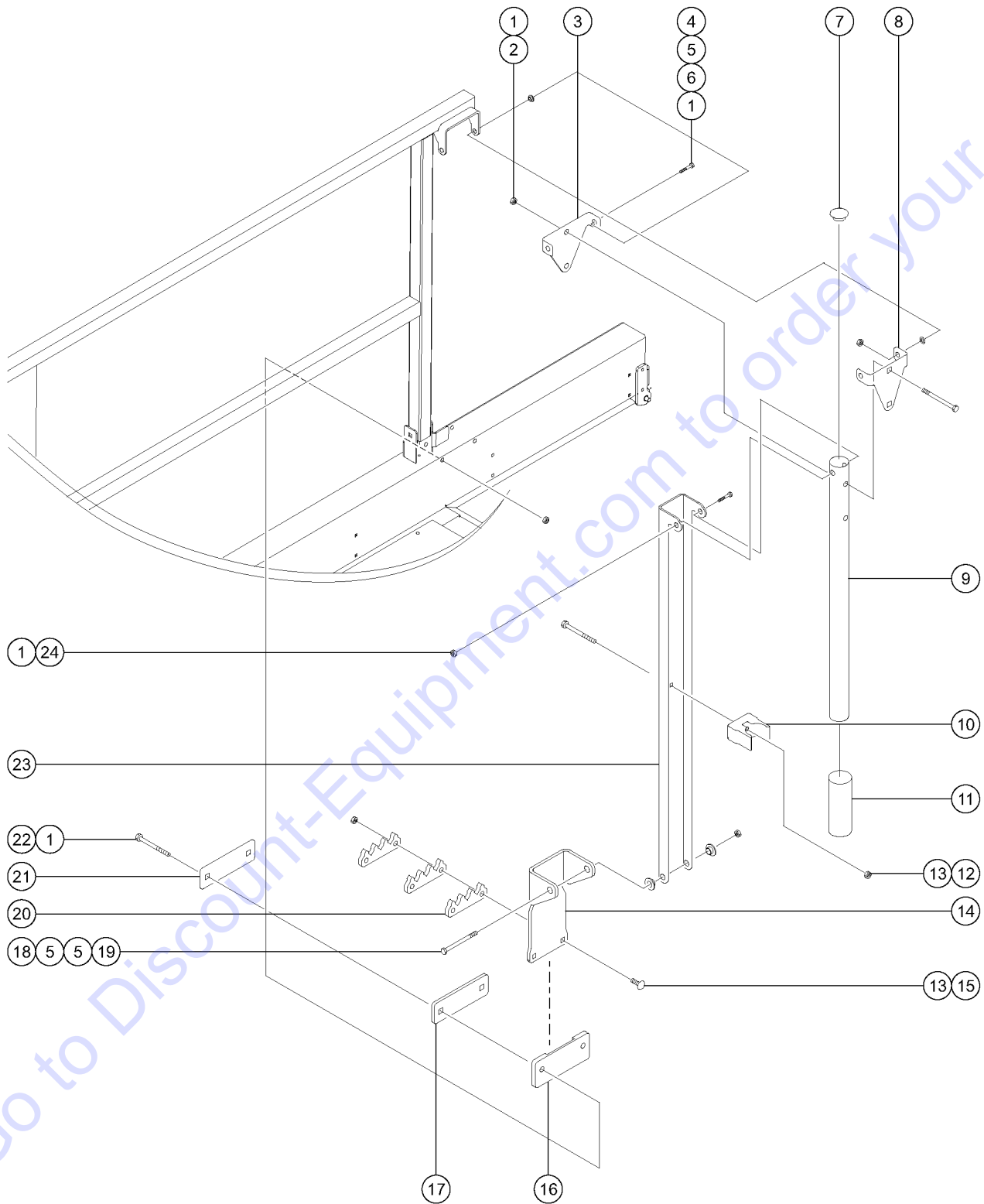
505.1 Platform Extension Deck Lock (to SN 41737)



## 505.1 Platform Extension Deck Lock (to SN 41737)

Item	Part No.	Description	Qty.
1	8178GT	SCREW,HHC,3/8-16 X 2.5	
2	4828GT	NUT,NYLOCK,3/8-16	
3	55753GT	BUMPER, PLASTIC, 1.25 O.D.....	2
4	47520GT	WASHER,THRUST .75 X 1.25 X .06.....	1
5	6086GT	NUT,LP NYLOCK,1/2-13	
6	6097GT	WASHER,FLAT,USS,3/8",Y	
7	6019GT	SCREW,HHC,3/8-16 X 1.25 GRD 5	
8	51846GT	FORMING,ROD MOUNT BRACKT,68,90.....	1
9	47927GT	WELDMENT,LATCH HANDLE.....	1
10	51847GT	ROD, EXTENSION LOCK,GS68,GS90...	1
11	51415GT	GRIP,HANDLE EXT PLATFORM LOCK.....	1
12	47926GT	LATCH PIN.....	1
13	51823GT	GUIDE, LOCK, GS68,GS90.....	1
14	51844GT	GUIDE PAD, GS68, GS90.....	2
15	6090GT	SCREW,HHC,1/4-20 X .75	
16	6091GT	NUT,NYLOCK,1/4-20	

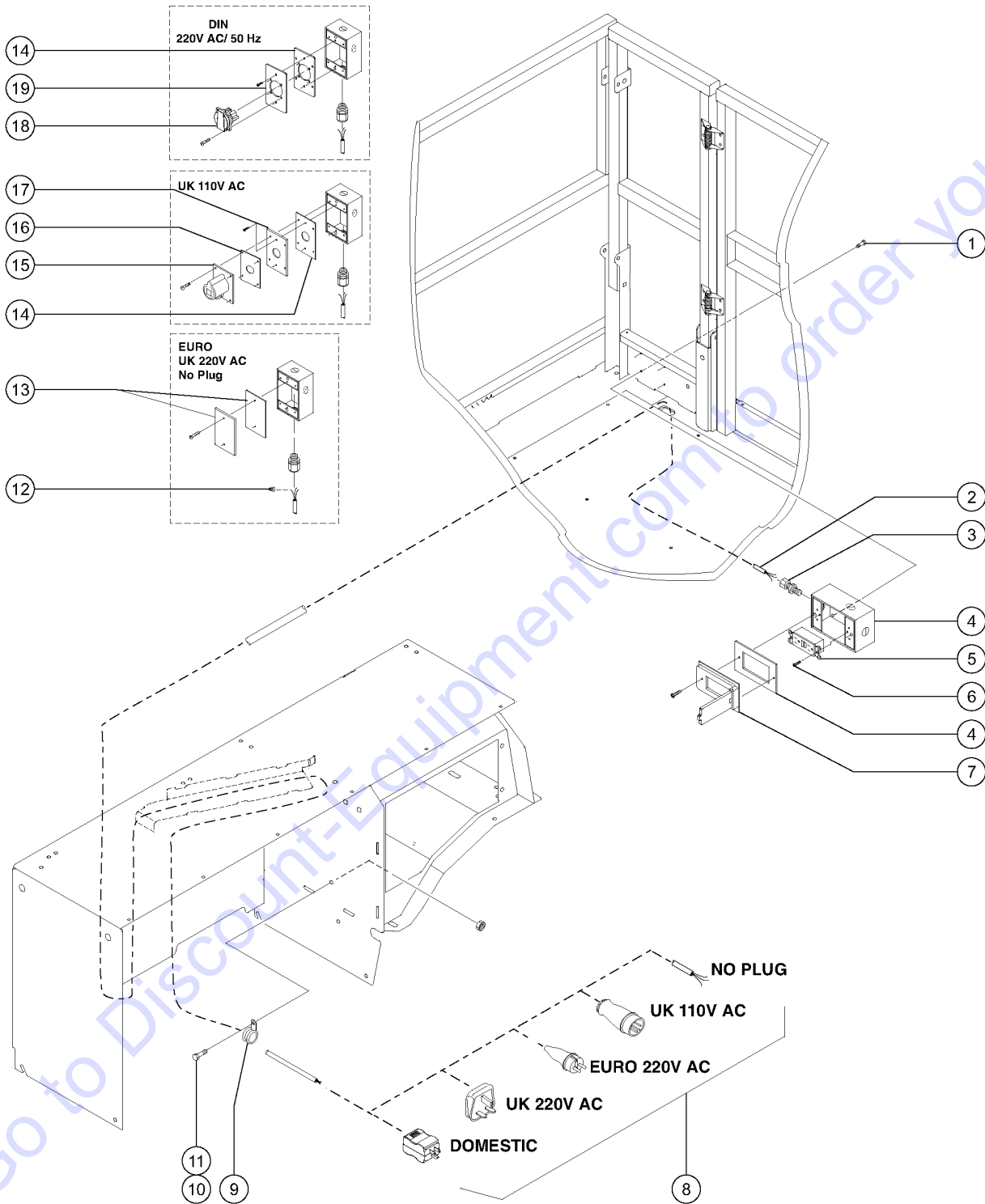
505.2 Platform Extension Deck Lock (from SN 41738)



## 505.2 Platform Extension Deck Lock (from SN 41738)

Item	Part No.	Description	Qty.
1	7713GT	NUT, LP NYLOCK, 3/8-16	
2	87564GT	BOLT,CARRIAGE,3/8-16 X 2.00,G2	
3	87543-SGT	FORMING,EXT ARM OUTER CLEVIS....1	
4	6175GT	SCREW,HHC,3/8-16 X 1	
5	47222GT	WASHER,SHOULDER,NYLON	
6	47228GT	WASHER,NYLON,.406 X.750 X.032	
7	55753GT	BUMPER, PLASTIC, 1.25 O.D.....1	
8	87542GT	FORMING,EXT ARM INNER CLEVIS.....1	
9	87550GT	TUBE,EXT ARM.....1	
10	87546GT	CATCH,EXT LATCH ARM.....1	
11	51415GT	GRIP,HANDLE EXT PLATFORM LOCK.....1	
12	79456GT	BOLT,CARRIAGE,1/4-20 X 1.00,G2	
13	6091GT	NUT,NYLOCK,1/4-20	
14	87544-SGT	FORMING,EXT LOCK BRACKT.....1	
15	9116GT	BOLT,CARRIAGE,1/4-20x1.25,G2	
16	87651GT	LATCH GUIDE,INNER GS68.....1	
17	87015GT	LATCH GUIDE,OUTER GS68.....1	
18	8352GT	SCREW,HHC,3/8-16 X 3.75 GD 5	
19	4828GT	NUT,NYLOCK,3/8-16	
20	87545-SGT	PLATE,EXT LATCH TEETH GS68.....2	
21	87017GT	PLATE,LATCH GUIDE GS68.....1	
22	87530GT	BOLT,CARRIAGE,3/8-16 X 4.00,G2	
23	87549GT	FORMING,EXT LATCH LINK.....1	
24	6326GT	SCREW,HHC,3/8-16 X 3	

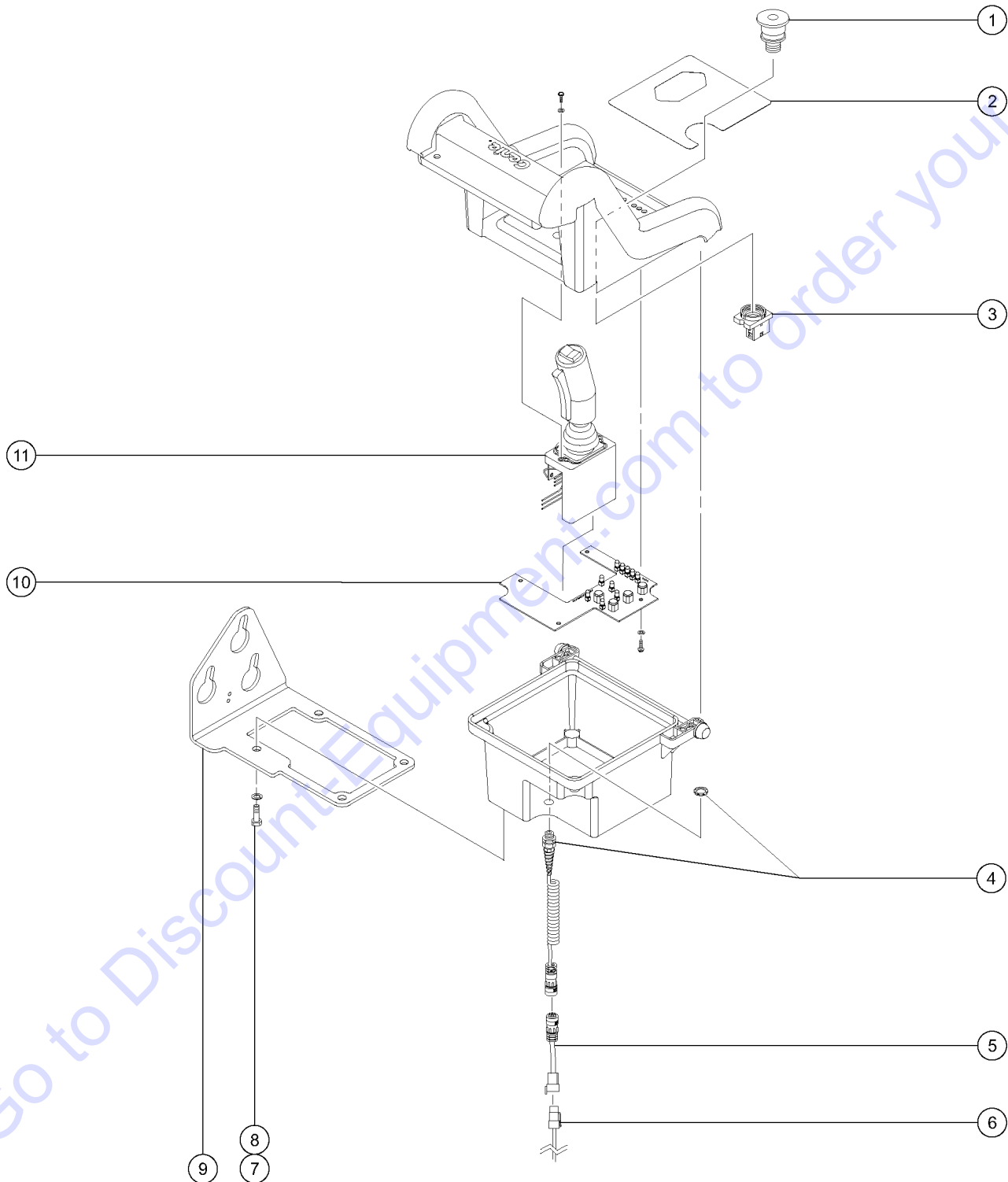
506.1 Power to Platform





Item	Part No.	Description	Qty.
--	33724GT	KIT,GASKET,UK POWER TO PLAT. <i>(includes items 14 and 16)</i>	
1	112772GT	SCREW,PHM,8-32X.438	
2	43956GT	WIRE CABLE,14/3 CON.TPE JKT*.....600-inches GS-2668	
2A	43956GT	WIRE CABLE,14/3 CON.TPE JKT*.....684-inches GS-3268	
3	7056GT	CONN,SQUEEZE,1/2NPT .38-.50,SM....1	
4	10775GT	T-BOX,2.75 X 4.5 X 2.0.....1	
5	13585GT	OUTLET, 110V.....1 <i>(North America)</i>	
6	7127GT	SCREW,PHILLIPS,PHM,6-32 X .75	
7	45437GT	COVER,GFCI,WEATHERPROOF.....1 <i>(North America) (includes gasket and mounting fasteners)</i>	
8	6595GT	PLUG,ELECTRICAL,DOMESTIC.....1	
8A	1280665GT	PLUG, TYPE F, 230A, 50HZ, 16A, IP44	
8B	87193GT	PLUG, AUSTRALIAN	
8C	144161GT	PLUG,PWR,UK,16AMP,3PIN,BLK	
8D	25388GT	PLUG,FUSED,250V,13AMP,U.K.**	
--		FUSE,13 AMP,220V PLUG <i>(component no longer available) refer to BS1362 BUSS TDC180-13A</i>	
8F		Ref. No Plug - Consult Discount-equipment	
9	45470GT	CLAMP,0.31,#5 X 1/4,RUB CUSH.....1	
10	6878GT	BOLT,CARRIAGE,1/4-20 X .75,G2	
11	6091GT	NUT,NYLOCK,1/4-20	
12	6626GT	WIRE CAP,ORANGE.....3	
13	10777GT	COVER,BLANK.....1 <i>(includes mounting fasteners)</i>	
14	66355GT	GASKET, UK & DIN PWR. TO PLAT.....1 <i>4.6 x 2.9 inches</i>	
15	T112563GT	SVC KIT,UK RECEPT.REPLACEMENT.....1	
16	66356GT	GASKET, UK RECEPTACLE.....1 <i>2.9 x 2.9 inches</i>	
17	33629GT	PLATE,UK POWER TO PLATFORM.....1	
18	66353GT	RECEPTACLE, DIN, 220V 50A.....1	
19	96236GT	PLATE,AC ADAPTER,DIN/UK***.....1	

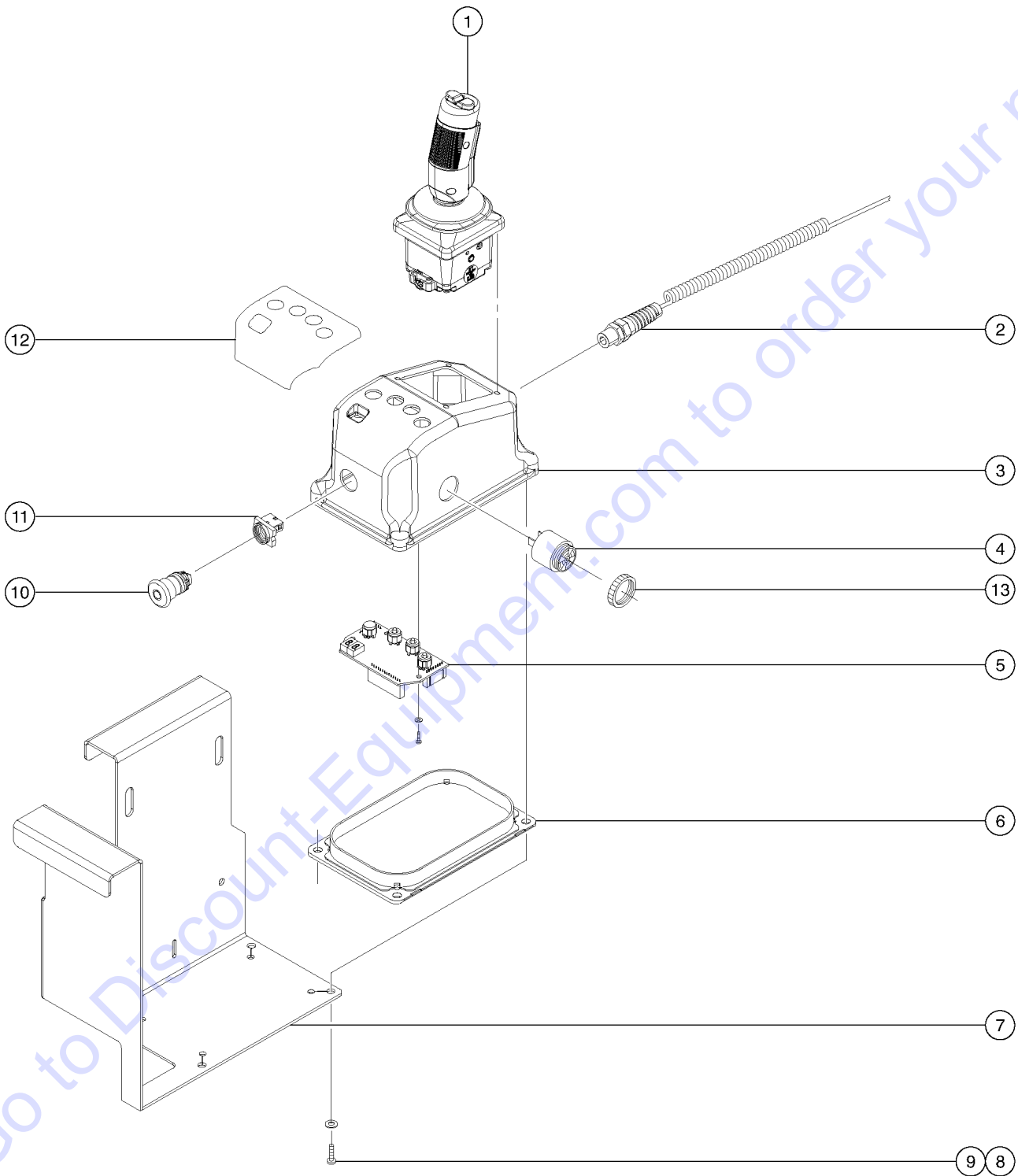
507.1 Platform Controls Box (to SN 44698)



## 507.1 Platform Controls Box (to SN 44698)

Item	Part No.	Description	Qty.
--	99907GT	PLAT CONT BOX,GEN 4 W/ADAPTER* (to SN 44698) (includes Gen 4 controller and adapter harness)	
--	110131GT	KIT,GEN5 PLAT CONTROLLER (to SN 44698) (upgrades machines to Gen 5 controls; includes brackets, fasteners, controller and installation instructions)	
1	66761GT	SERVICE KIT,E-STOP (this is an update kit which contains the components listed below; the original E-Stop is no longer available. If this kit has already been installed on unit, components may be ordered individually)	
--	66812GT	BUTTON,PUSH,RED MUSHROOM HEAD.....	1
--	66817GT	BASE WITH 1 NC CONTACT, E-STOP	
--	66818GT	CONTACT, N.C.	
2		Ref. Overlay Decal, Platform Controller (refer to 101.1, 101.2, 102.1)	
3		Ref. Base with Contact.....	1 (refer to item 1)
4A	62223GT	COIL CORD-JOYSTICK, SLABS.....	1 (includes connector and Identification Tag) (to SN 42449)
4B	144065GT	KIT,GEN 5 COIL CORD (from SN 42450 to 44698) (kit, includes connector, coil cord, instructions, dielectric grease and cable tie; see below)	
5	96020GT	ADAPTER, HARNESS.....	1 (shown)
--	96019GT	ADAPTER, HARNESS***	
6	79891GT	CONTROL CABLE,2668.....	1 GS-2668 (to SN 42448)
--	99297GT	CNTRL CABLE,CHAS.TO PLAT,3268 GS-2668 (from SN 42449 to 44698)	
6A	79892GT	JOYSTICK CABLE,3268.....	1 GS-3268 (to SN 42448)
--	99297GT	CNTRL CABLE,CHAS.TO PLAT,3268 GS-3268 (from SN 42449 to 44698)	
7	8255GT	SCREW,HHC,3/8-16 X .75	
8	6021GT	WASHER,LOCK, .375	
9	66685GT	BRACKET,PLAT CONTROL BOX SLAB.....	1
10	66158GT	PC BOARD,PLAT CNTRL,SLAB.....	1 (to SN 41803)
--	78904GT	PC BOARD,SLAB,GEN 4 (from SN 41804 to 44698)	
11		Ref. Joystick Controller (refer to 508.1 and 508.2)	

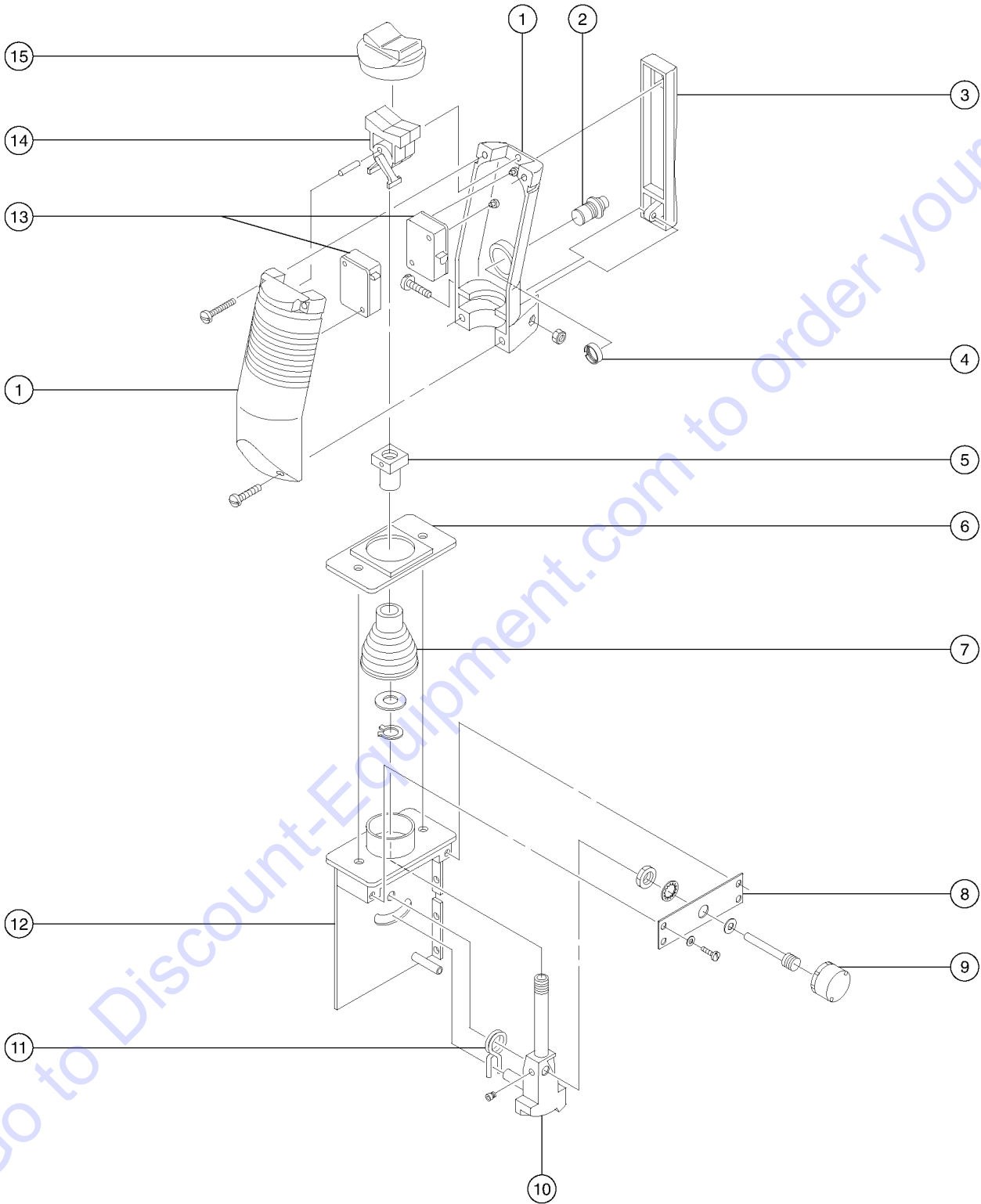
507.2 Platform Control Box (from SN 44699)



## 507.2 Platform Control Box (from SN 44699)

Item	Part No.	Description	Qty.
--	100840GT	PLATFORM CONTROL BOX GEN 5 <i>(does not include item 7)</i>	
--		Ref. Control Cable Assembly <i>(refer to 312.1)</i>	
1		Ref. Joystick Controller <i>(refer to 508.2)</i>	
2	144065GT	KIT,GEN 5 COIL CORD.....1 <i>(kit, includes connector, coil cord, instructions, dielectric grease and cable tie; see below)</i>	
3	100998GT	ENCLOSURE GEN 5.....1	
4	62164GT	ALARM ASSY,12VDC,ITT,4 PIN****.....1	
5	109503GT	PLAT CONTROL CIRCT BRD ASSY G5.....1	
--	105662GT	CLEAR SWITCH ACTUATOR	
--	T108044GT	CLEAR SWITCH ACTUATOR(QTY 10)	
6	100999GT	COVER BOTTOM GEN 5.....1	
7	105990GT	FORMING,PLATFORM CONTROL BOX.....1	
8	7339GT	SCREW,HHC,1/4-20 X .5	
9	6356GT	WASHER,LOCK,.25	
10	66761GT	SERVICE KIT,E-STOP.....1 <i>(this is an update kit which contains the components listed below; the original E-Stop is no longer available. If this kit has already been installed on unit, components may be ordered individually)</i>	
--	66812GT	BUTTON,PUSH,RED MUSHROOM HEAD	
--	66817GT	BASE WITH 1 NC CONTACT, E-STOP	
--	66818GT	CONTACT, N.C.	
11		Ref. Base with contact.....1 <i>(refer to item 10)</i>	
12		Ref. Platform Control Panel Decal <i>(refer to 101.1, 101.2, 102.1)</i>	
13	72326GT	NUT - PLASTIC,RING FOR ALARMS.....1	

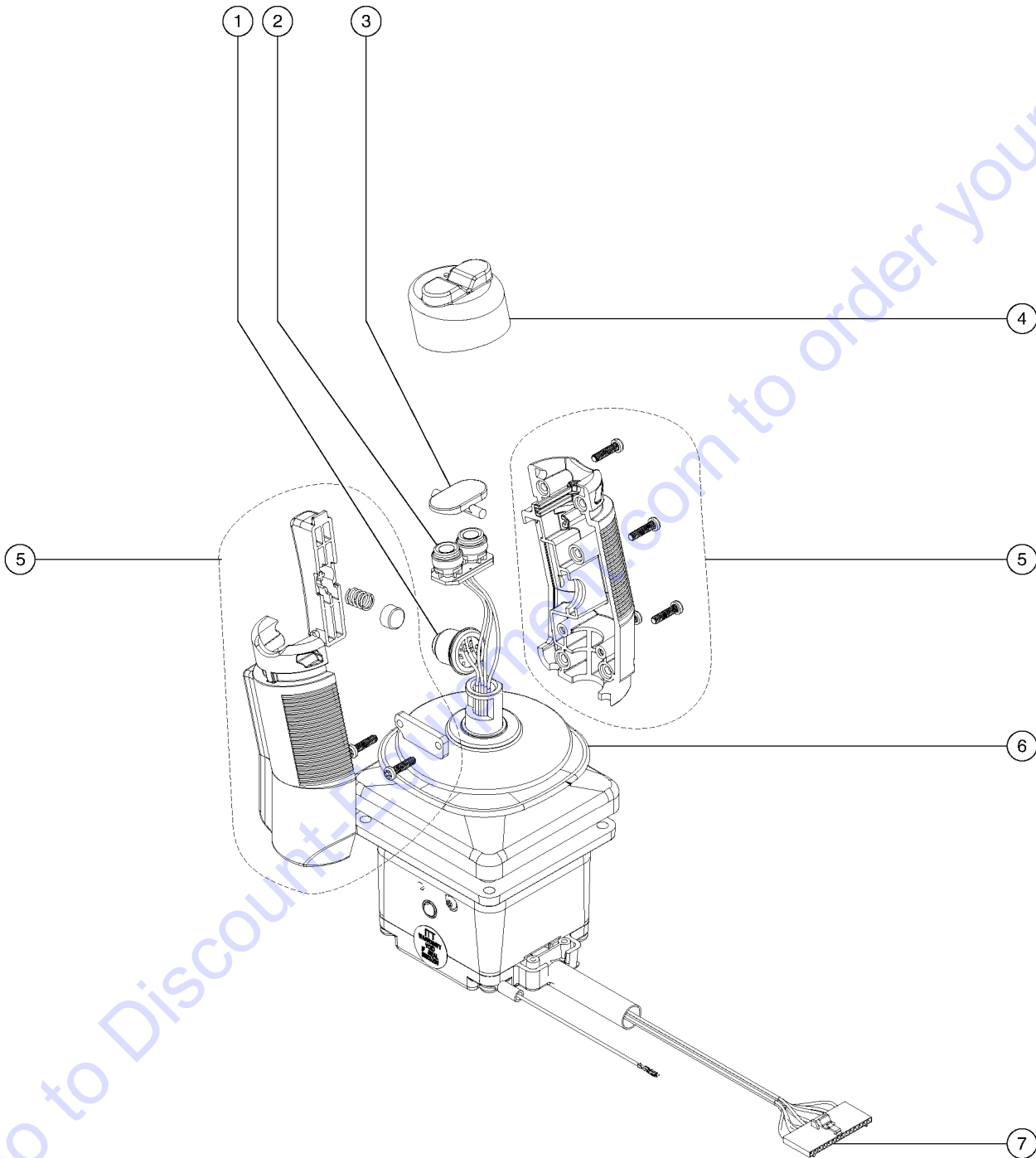
508.1 Joystick Controls (to SN 41803)



## 508.1 Joystick Controls (to SN 41803)

Item	Part No.	Description	Qty.
--	62161GT	JOYSTICK CONTROLLER <i>OEM joystick, contains all shown service parts</i>	
--	62161HGT	JOYSTICK CONTROLLER <i>aftermarket joystick replacement</i>	
1	58293GT	HANDLE KIT,GS JYSTK,BOTH HALVE.....	1
2	52050GT	PUSHBUTTON-FUNC.ENABL.W/ORING.2 <i>(includes mounting hardware)</i>	
3	52042GT	LEVER,FUNC ENABLE SWITCH,RGE**.....	1
4	46271GT	NUT-MOUNTING,PUSH BUTTON-44988.....	1
5	52043GT	NUT,JOYSTICK,44988, RGE.....	1
6	52529GT	GASKET-JOYSTICK.....	1
7	21427GT	BOOT,CONTROLLER**.....	1
8	52527GT	POTENTIOMETER MOUNT PLATE.....	1
9	65179GT	POTENTIOMETER (62161)***.....	1
10	52525GT	SHAFT ASSY,JOYSTICK.....	1
11	21434GT	SPRING & BUSHING KIT,RETURN***.....	1
12	65180GT	CASTING-JOYSTICK, GS2032.....	1
13	19722GT	MICROSWITCH-V319M***.....	2
14	65178GT	ROCKER ASSY W/ROLLPIN***.....	1
15	19710GT	BOOT, PROTECTIVE, 45049 BLACK.....	1

508.2 Joystick Controls (from SN 41804)

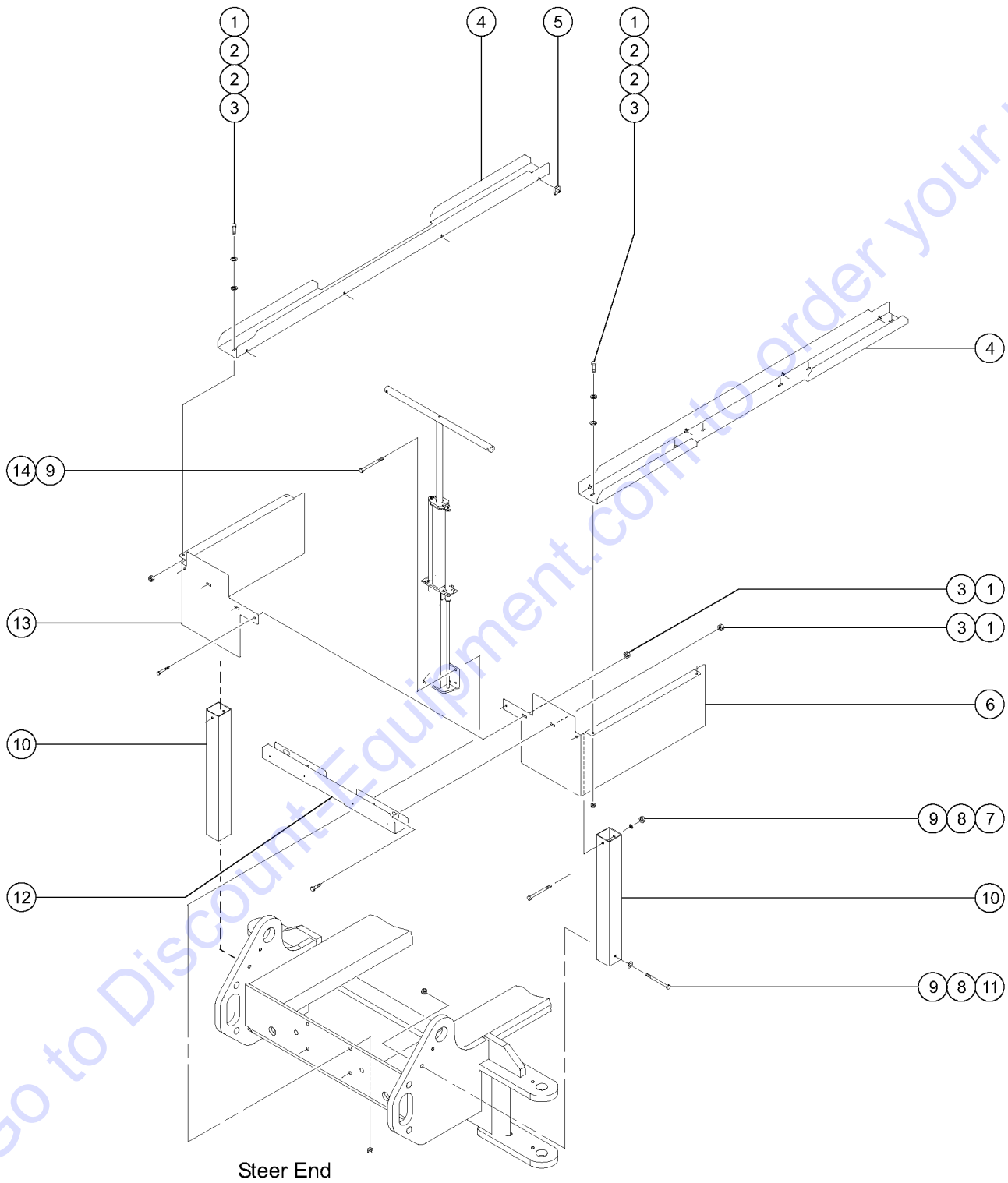




## 508.2 Joystick Controls (from SN 41804)

Item	Part No.	Description	Qty.
--	78903GT	JOYSTICK,SINGL AXIS,HALL,SLAB* <i>OEM joystick</i>	
--	787903HGT	JOYSTICK,SINGL AXIS,HALL,SLAB <i>aftermarket joystick</i>	
1	105171GT	KIT,JOYSTICK ENABLE SWITCH.....	1
2	105115GT	KIT,JOYSTICK STEER SWITCH.....	1
2A	105157GT	FIXED RAIL,CHAIN GATE,GS2032 <i>(for joystick assembly 604038P, inspect decals on joystick housing)</i>	
3	105109GT	TURN SWITCH ACTUATOR,JOYSTICK**.....	1 <i>(for all joysticks except 604038P)</i>
4	97015GT	BOOT,THUMB ROCKER***.....	1
5	97014GT	JOYSTICK HANDLE SET, COMPLETE.....	1
6	97013GT	BOOT, JOYSTICK~.....	1
7	105172GT	KIT, PLATFORM PC RECEIPT/SOC.....	1

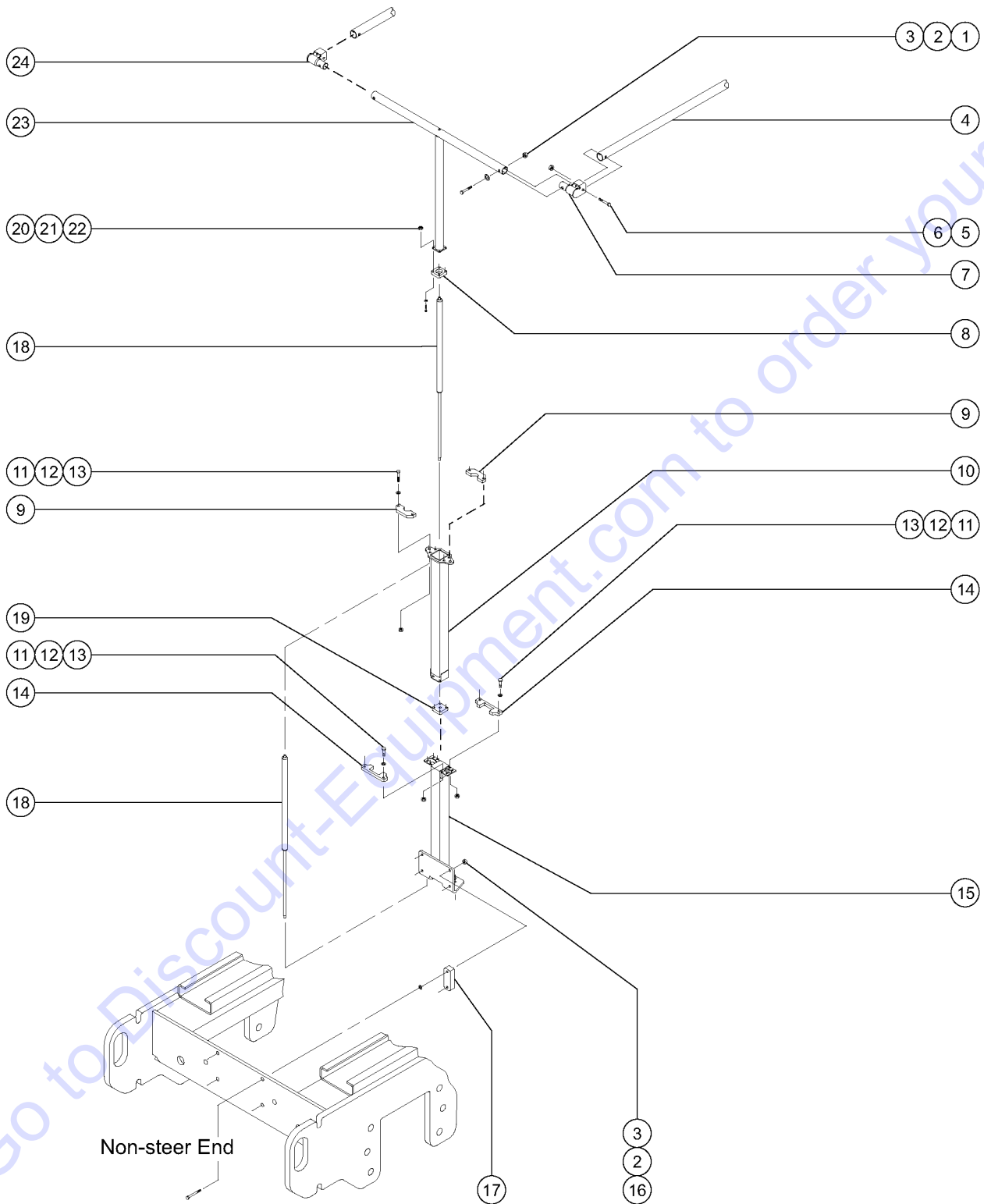
601.1 Wire Mesh Link Guard Installation, View 1



## 601.1 Wire Mesh Link Guard Installation, View 1

Item	Part No.	Description	Qty.
--		Ref., Link Guard Kit <i>refer to 609.1</i>	
1	10107GT	SCREW,HHC,5/16-18 X .75	
2	6638GT	WASHER,FLAT,USS,1/4"Y	
3	6091GT	NUT,NYLOCK,1/4-20	
4	79945GT	FORMING,MESH TRAY,SIDE.....	2
5	73575GT	SPRING CLIP,10-24,.025-.125X.468,ZAG	
6	79948GT	FORMING,LOWER FRONT GUARD LT.....	1
		<i>(ground controls side)</i>	
6A	112222GT	FORMING,LOWER FRONT GUARD,LT	
7	6708GT	SCREW,HHC,3/8-16 X 2.25	
8	5397GT	WASHER,FLAT,USS,5/16",Y	
9	4828GT	NUT,NYLOCK,3/8-16	
10	71828GT	TUBE MESH TRAY SUPPORT, GS68.....	2
11	8178GT	SCREW,HHC,3/8-16 X 2.5	
12	79946GT	FORMING,MESH TRAY,END.....	1
13	79949GT	FORMING,LOWER FRONT GUARD RT.....	1
		<i>(battery pack side)</i>	
13A	112223GT	FORMING,LOWER FRONT GUARD,RT	
14	6019GT	SCREW,HHC,3/8-16 X 1.25 GRD 5	

602.1 Wire Mesh Link Guard Installation, View 2



# PARTS FINDER

**Search Website  
by Part Number**



**Search Manual  
Library For Parts  
Manual & Lookup Part  
Numbers – Purchase  
or Request Quote**

**Search Manuals**

Enter your information to help us find the right parts manual for your machine.

\* Brand:

\* Model:

\* Serial:

\* Part Number:

SEARCH

**Can't Find Part or  
Manual? Request Help  
by Manufacturer,  
Model & Description**

**Parts Order Form**

Please fill in the following information to help us find the right part for your machine.

Manufacturer:	<input type="text"/>
Model:	<input type="text"/>
Description:	<input type="text"/>
Part Number:	<input type="text"/>
Quantity:	<input type="text"/>
Notes:	<input type="text"/>

Submit

Discount-Equipment.com is your online resource for quality parts & equipment.

Florida: **561-964-4949** Outside Florida TOLL FREE: **877-690-3101**

**Need parts?**

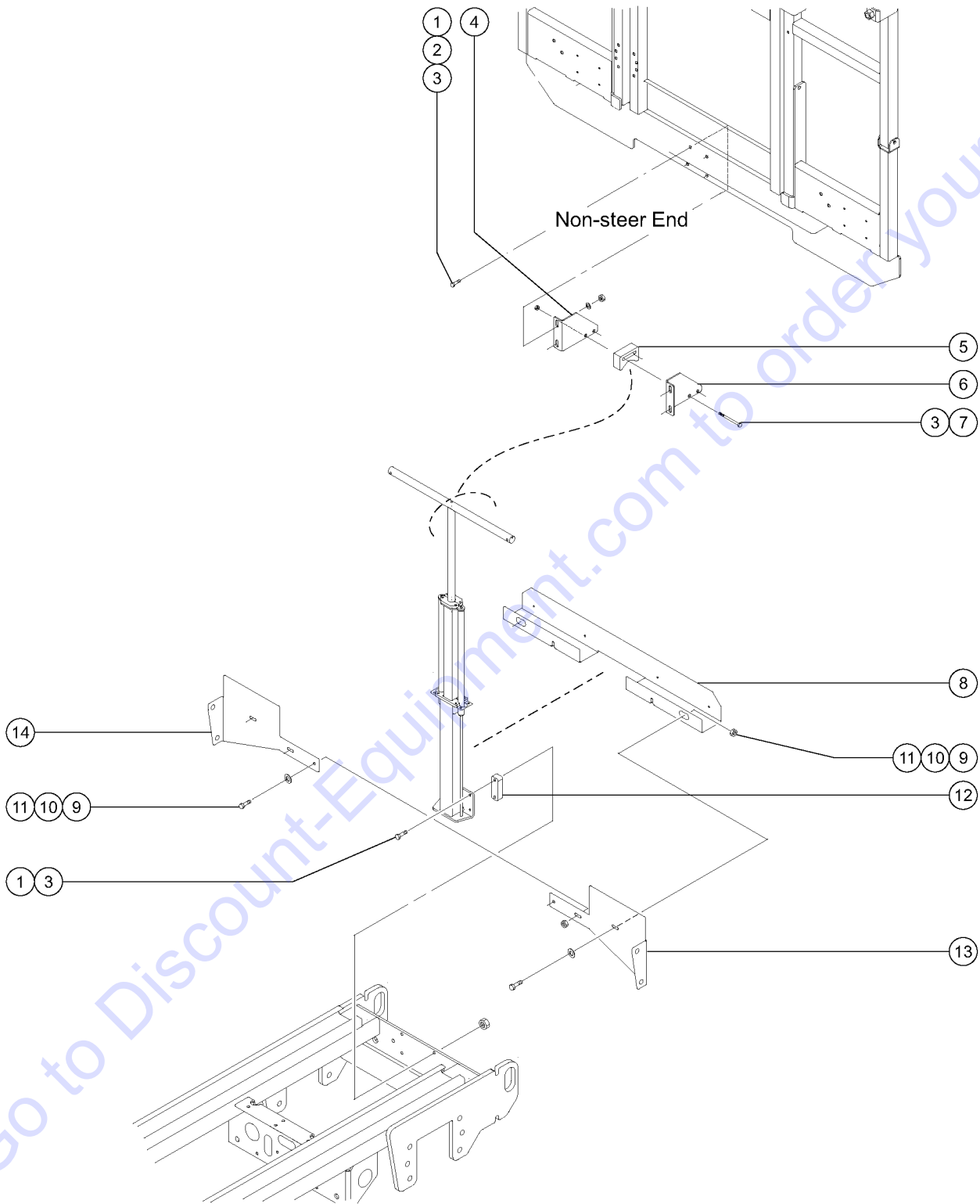
Click on this link: <http://www.discount-equipment.com/category/5443-parts/> and choose one of the options to help get the right parts and equipment you are looking for. Please have the machine model and serial number available in order to help us get you the correct parts. If you don't find the part on the website or on one of the online manuals, please fill out the request form and one of our experienced staff members will get back to you with a quote for the right part that your machine needs.

We sell worldwide for the brands: Genie, Terex, JLG, MultiQuip, Mikasa, Essick, Whiteman, Mayco, Toro Stone, Diamond Products, Generac Magnum, Airman, Haulotte, Barreto, Power Blanket, Nifty Lift, Atlas Copco, Chicago Pneumatic, Allmand, Miller Curber, Skyjack, Lull, Skytrak, Tsurumi, Husquvarna Target, Stow, Wacker, Sakai, Mi-T-M, Sullair, Basic, Dynapac, MBW, Weber, Bartell, Bennar Newman, Haulotte, Ditch Runner, Menegotti, Morrison, Contec, Buddy, Crown, Edco, Wyco, Bomag, Laymor, EZ Trench, Bil-Jax, F.S. Curtis, Gehl Pavers, Heli, Honda, ICS/PowerGrit, IHI, Partner, Imer, Clipper, MMD, Koshin, Rice, CH&E, General Equipment, Amida, Coleman, NAC, Gradall, Square Shooter, Kent, Stanley, Tamco, Toku, Hatz, Kohler, Robin, Wisconsin, Northrock, Oztec, Toker TK, Rol-Air, APT, Wylie, Ingersoll Rand / Doosan, Innovatech, Con X, Ammann, Mecalac, Makinex, Smith Surface Prep, Small Line, Wanco, Yanmar

## 602.1 Wire Mesh Link Guard Installation, View 2

Item	Part No.	Description	Qty.
1	6708GT	SCREW,HHC,3/8-16 X 2.25	
2	5397GT	WASHER,FLAT,USS,5/16",Y	
3	4828GT	NUT,NYLOCK,3/8-16	
4	71850GT	TUBE, MESH REAIL, SIDE, GS68.....	2
4A	131371GT	TUBE,LINK GUARD SIDE RAIL,GS68	
5	6091GT	NUT,NYLOCK,1/4-20	
6	10107GT	SCREW,HHC,5/16-18 X .75	
7	71855GT	WELDMENT,MESH RAIL JOINT, LEFT.....	1
		<i>(ground controls side)</i>	
7A	131368GT	WELDMENT,LINKGUARD JOINT,LEFT	
8	71841GT	WEAR PAD, UPPER EXT INNER,GS68.....	2
9	71839GT	WEAR PAD, UPPER GUIDE, GS68.....	2
10	71832GT	WELDMENT, LOWER EXT SECTION,68.....	1
11	13000GT	SCREW,HHC,5/16-18 X 1.25	
12	6638GT	WASHER,FLAT,USS,1/4"Y	
13	6782GT	NUT,NYLOCK,5/16-18	
14	71838GT	WEAR PAD, LOWER GUIDE, GS68.....	2
15	71829GT	WELDMENT, EXTENSION BASE, GS68.....	1
16	21604GT	SCREW,HHC,3/8-16 X 3.25	
17	71858GT	WEAR PAD,4.25 X 1.5 X 1.....	2
		<i>(extension mount spacer, non-steer end)</i>	
18	71842GT	GAS STRUT,250N, 55CM STROKE.....	3
19	71840GT	WEAR PAD, LOWER EXT INNER, 68.....	1
20	6178GT	NUT,NYLOCK,10-32 <i>(to SN 41932)</i>	
21	6146GT	WASHER,FLAT,MS,#10,Y <i>(to SN 41932)</i>	
22	8915GT	SCREW,HHC,1/4-20 X 1.25 <i>(to SN 41932)</i>	
22A	79084GT	RIVET,ALUM,ALUM,P, .188 X .75 <i>(from SN 41933)</i>	
23	71835GT	WELDMENT, UPPER EXT SECTION,68.....	1
24	71848GT	WELDMENT,MESH RAIL JOINT,RIGHT.....	1
		<i>(battery pack side)</i>	
24A	131367GT	WELDMENT,LINKGUARD JOINT,RIGHT	

603.1 Wire Mesh Link Guard Installation, View 3

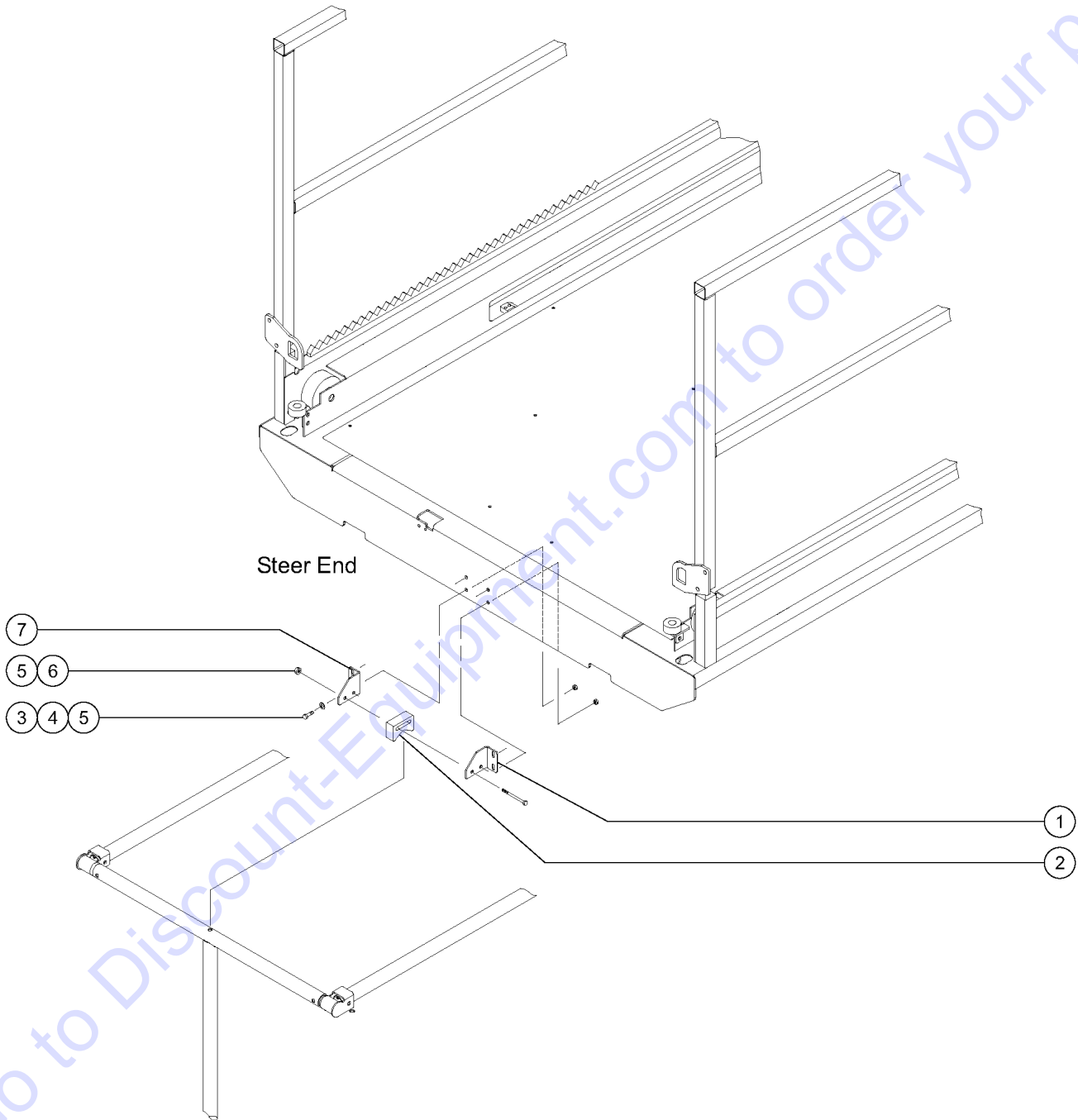


## 603.1 Wire Mesh Link Guard Installation, View 3

Item	Part No.	Description	Qty.
1	6019GT	SCREW,HHC,3/8-16 X 1.25 GRD 5	
2	6097GT	WASHER,FLAT,USS,3/8",Y	
3	4828GT	NUT,NYLOCK,3/8-16	
4	71865GT	FORMING, GUARD CONTACT REAR RT.....1 <i>(battery pack side) (non-steer end)</i>	
5	71862GT	WEAR PAD, GUARD CONTACT, GS68.....1	
6	71866GT	FORMING, GUARD CONTACT REAR LT.....1 <i>(ground controls side) (non-steer end)</i>	
7	6326GT	SCREW,HHC,3/8-16 X 3	
8	79946GT	FORMING,MESH TRAY,END.....1	
9	6091GT	NUT,NYLOCK,1/4-20	
10	6638GT	WASHER,FLAT,USS,1/4"Y	
11	10107GT	SCREW,HHC,5/16-18 X .75	
12	71858GT	WEAR PAD,4.25 X 1.5 X 1.....2	
13	79950GT	FORMING,LOWER REAR GUARD LT....1 <i>(ground controls side)</i>	
13A	112224GT	FORMING,LOWER REAR GUARD,LT	
14	79951GT	FORMING,LOWER REAR GUARD RT...1 <i>(battery pack side)</i>	
14A	131544GT	FORMING,LOWER REAR GUARD,RT	



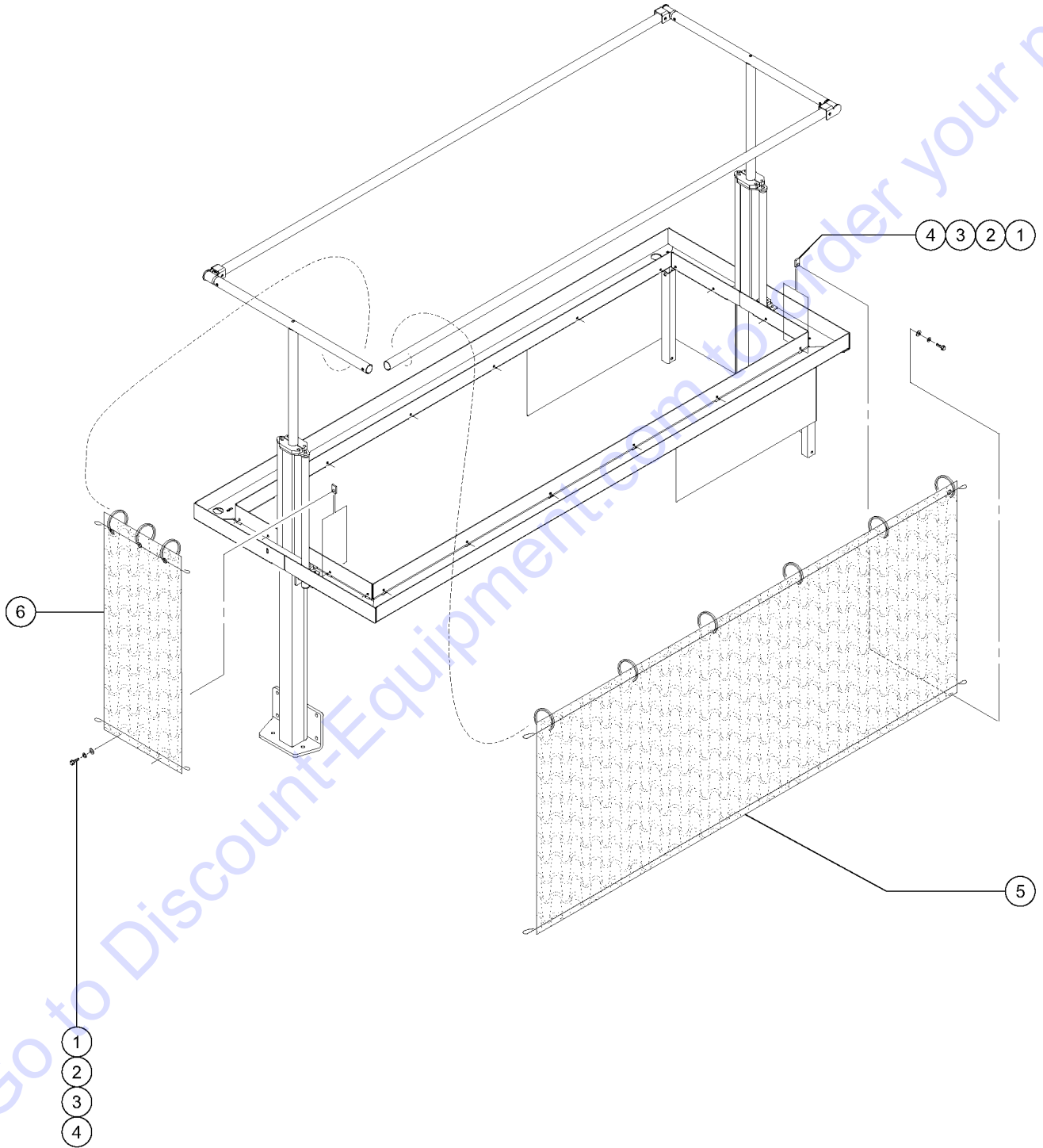
604.1 Wire Mesh Link Guard Installation, View 4



## 604.1 Wire Mesh Link Guard Installation, View 4

Item	Part No.	Description	Qty.
1	71861GT	FORMING, GUARD CONTACT FRNT LT.....1 <i>(ground controls side)</i>	1
2	71862GT	WEAR PAD, GUARD CONTACT, GS68.....1	1
3	6019GT	SCREW,HHC,3/8-16 X 1.25 GRD 5	
4	6097GT	WASHER,FLAT,USS,3/8",Y	
5	4828GT	NUT,NYLOCK,3/8-16	
6	6326GT	SCREW,HHC,3/8-16 X 3	
7	71860GT	FORMING, GUARD CONTACT FRNT RT.....1 <i>Steer End (battery pack side)</i>	1

605.1 Wire Mesh Link Guard Installation, View 5

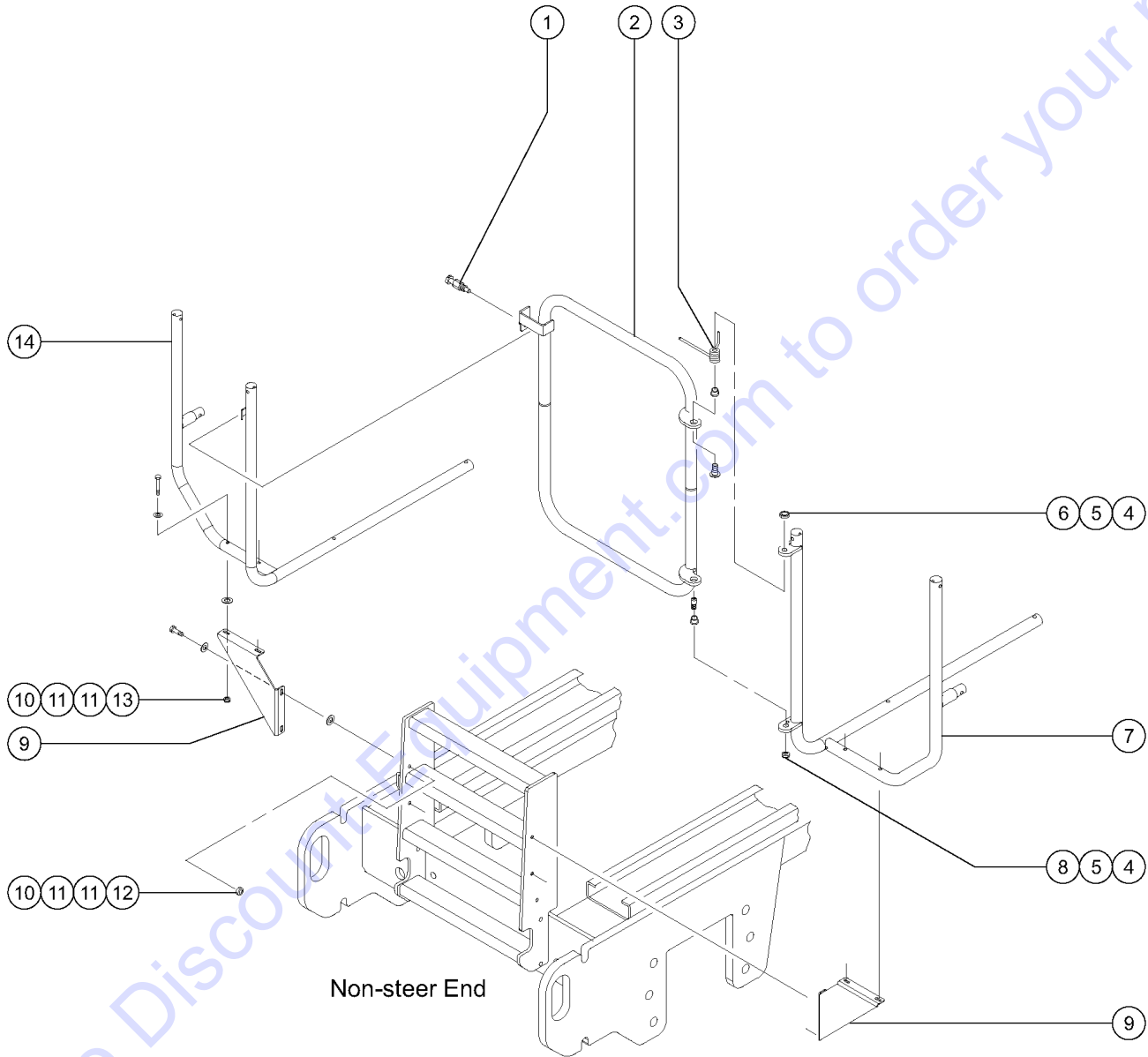


## 605.1 Wire Mesh Link Guard Installation, View 5

Item	Part No.	Description	Qty.
1	73575GT	SPRING CLIP,10-24,.025-.125X.468,ZAG	
2	6146GT	WASHER,FLAT,MS,#10,Y	
3	6607GT	WASHER,LOCK,#10 PLTD	
4	71979GT	SCREW,INDENTED HEX,10-24 X .75	
5		WIRE MESH ASSY,SIDE,18 GA 1/4".....2 <i>component no longer available; refer to 609.1</i>	
6		WIRE MESH ASSY,END, 18 GA 1/4".....4 <i>component no longer available; refer to 609.1</i>	

Go to Discount-Equipment.com to order your parts

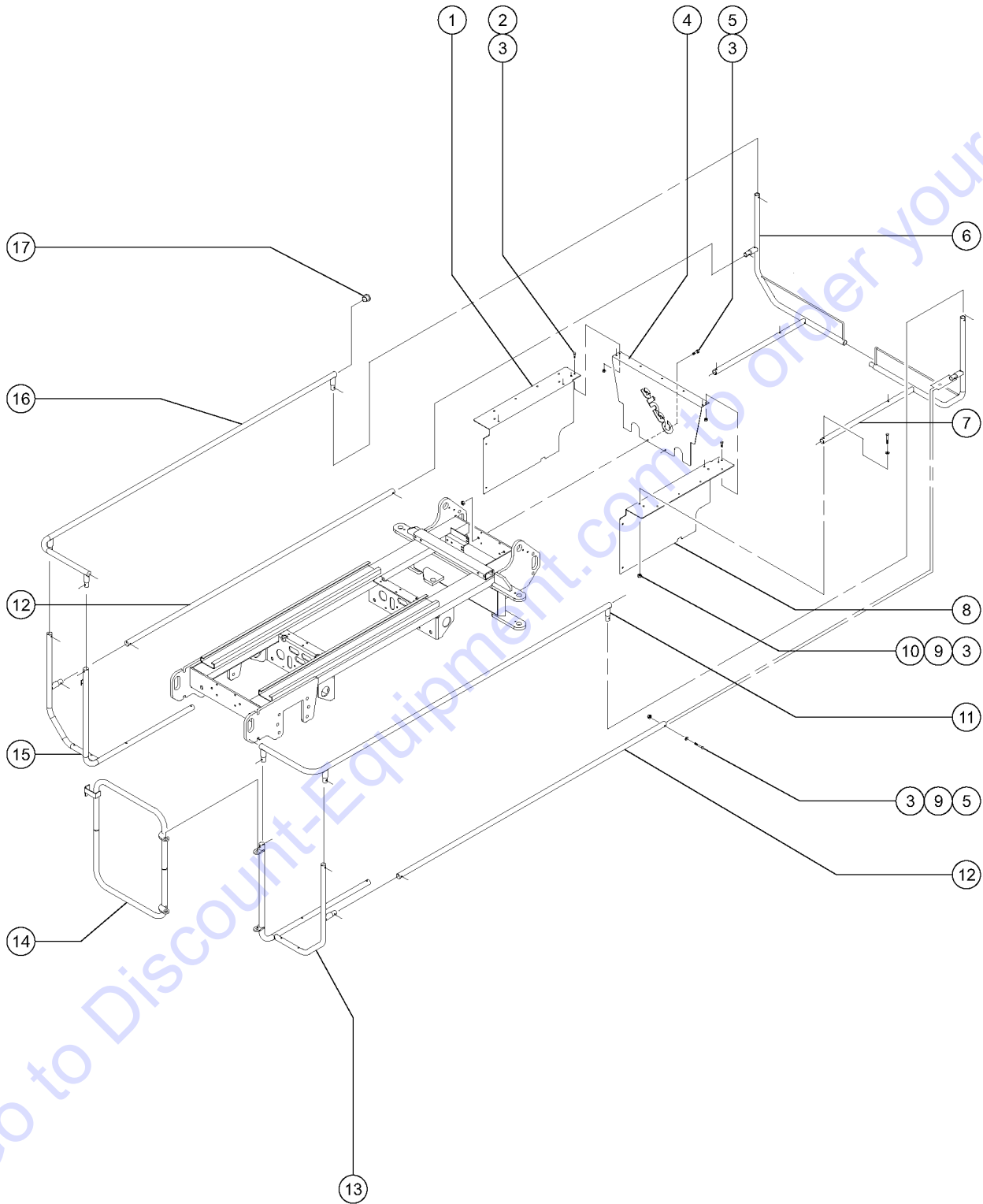
606.1 Rigid Link Guard Installation, View 1



## 606.1 Rigid Link Guard Installation, View 1

Item	Part No.	Description	Qty.
--		Ref., Link Guard Kit <i>refer to 709.1</i>	
1	47138GT	PIN,SNAP,ENTRY RAIL.....1	1
2	64278GT	WELDMENT, GUARD, GATE.....1	1
3	55739GT	SPRING, TORSION, ENTRY GATE.....1	1
4	38028GT	NUT,LP NYLOCK,5/8-11	
5	64245GT	BUSHING,FLANGE, .75 X .875 X.5.....2	2
6	71912GT	BOLT,SHOULDER,5/8-11 X 1.19 LT	
7	64275GT	WELDMENT, GUARD, REAR, RIGHT.....1 <i>(battery pack side)</i>	1
8	55983GT	PIN-THREADED SHLDR OFFS,5/8-11	
9	71120GT	GUSSET, GUARD, REAR.....2 <i>(Non-steer End)</i>	2
10	4828GT	NUT,NYLOCK,3/8-16	
11	6097GT	WASHER,FLAT,USS,3/8",Y	
12	6019GT	SCREW,HHC,3/8-16 X 1.25 GRD 5	
13	6708GT	SCREW,HHC,3/8-16 X 2.25	
14	64276GT	WELDMENT, GUARD, REAR, LEFT.....1 <i>(ground controls side)</i>	1

607.1 Rigid Link Guard Installation, View 2

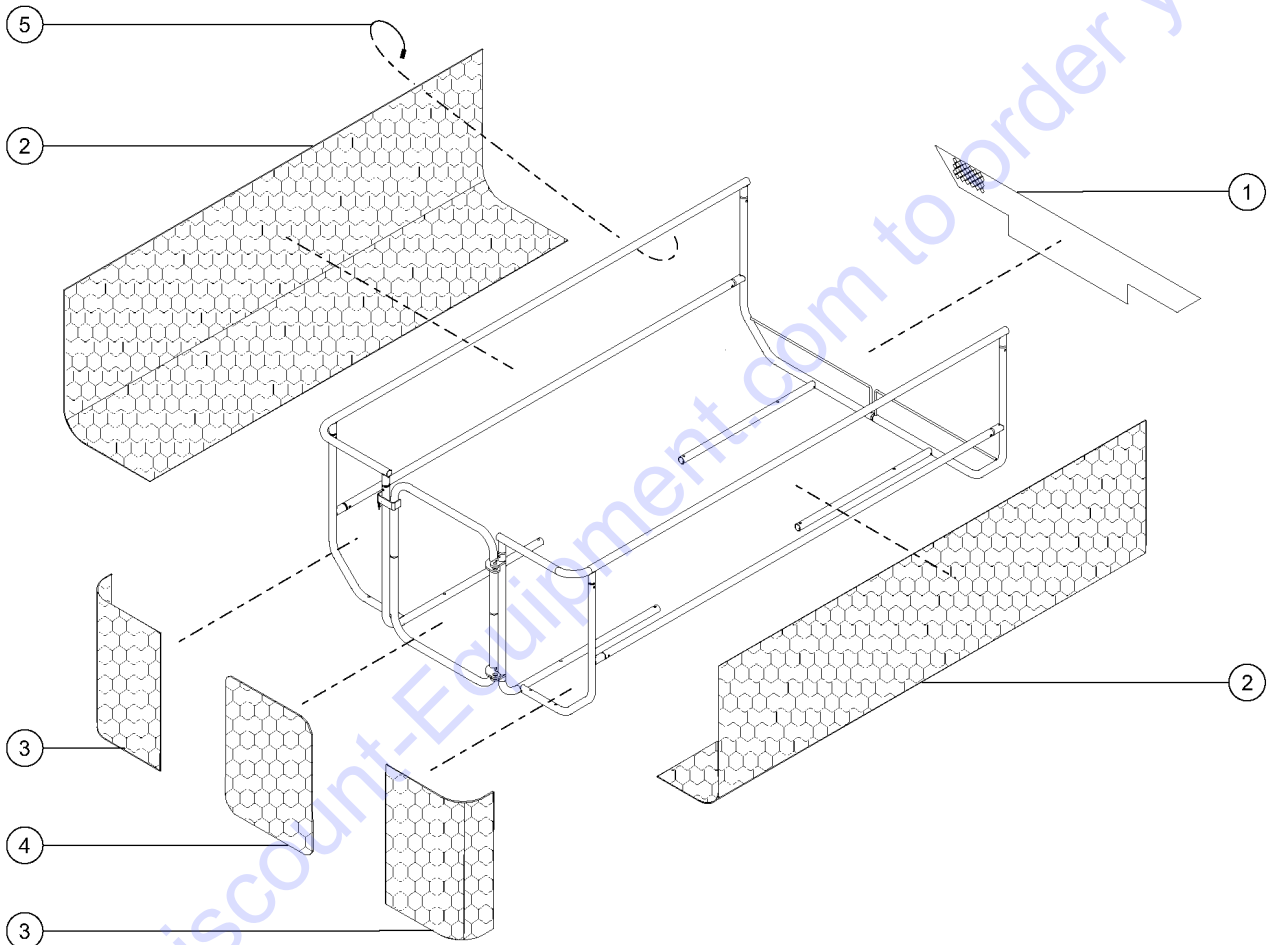


## 607.1 Rigid Link Guard Installation, View 2

Item	Part No.	Description	Qty.
1	51397GT	FORMING, NOSE GUARD, LEFT GS68.....1 <i>(ground controls side)</i>	1
2	6175GT	SCREW,HHC,3/8-16 X 1	
3	4828GT	NUT,NYLOCK,3/8-16	
4	51395GT	FORMING,NOSE GUARD,REAR GS68.....1	1
5	6019GT	SCREW,HHC,3/8-16 X 1.25 GRD 5	
6	79489GT	WELDMENT,FRONT LEFT GUARD.....1 <i>(ground controls side)</i>	1
7	79490GT	WELDMENT,FRONT RIGHT GUARD.....1 <i>(battery pack side)</i>	1
8	55284GT	FORMING, NOSE GUARD, RIGHT.....1 <i>(battery pack side)</i>	1
9	6097GT	WASHER,FLAT,USS,3/8",Y	
10	6708GT	SCREW,HHC,3/8-16 X 2.25	
11	71098GT	WELDMENT, GUARD, TOP, RIGHT.....1 <i>(battery pack side)</i>	1
12	71094GT	TUBE, GUARD, SIDE.....2	2
13		Ref. Guard, Non-steer End <i>(battery pack side) (refer to 606.1)</i>	
14		Ref. Link Guard Gate <i>(refer to 606.1)</i>	
15		Ref. Guard, Non-steer End <i>(ground controls side) (refer to 606.1)</i>	
16	71097GT	WELDMENT, GUARD, TOP, LEFT.....1 <i>(ground controls side)</i>	1
17	55753GT	BUMPER, PLASTIC, 1.25 O.D.....2	2



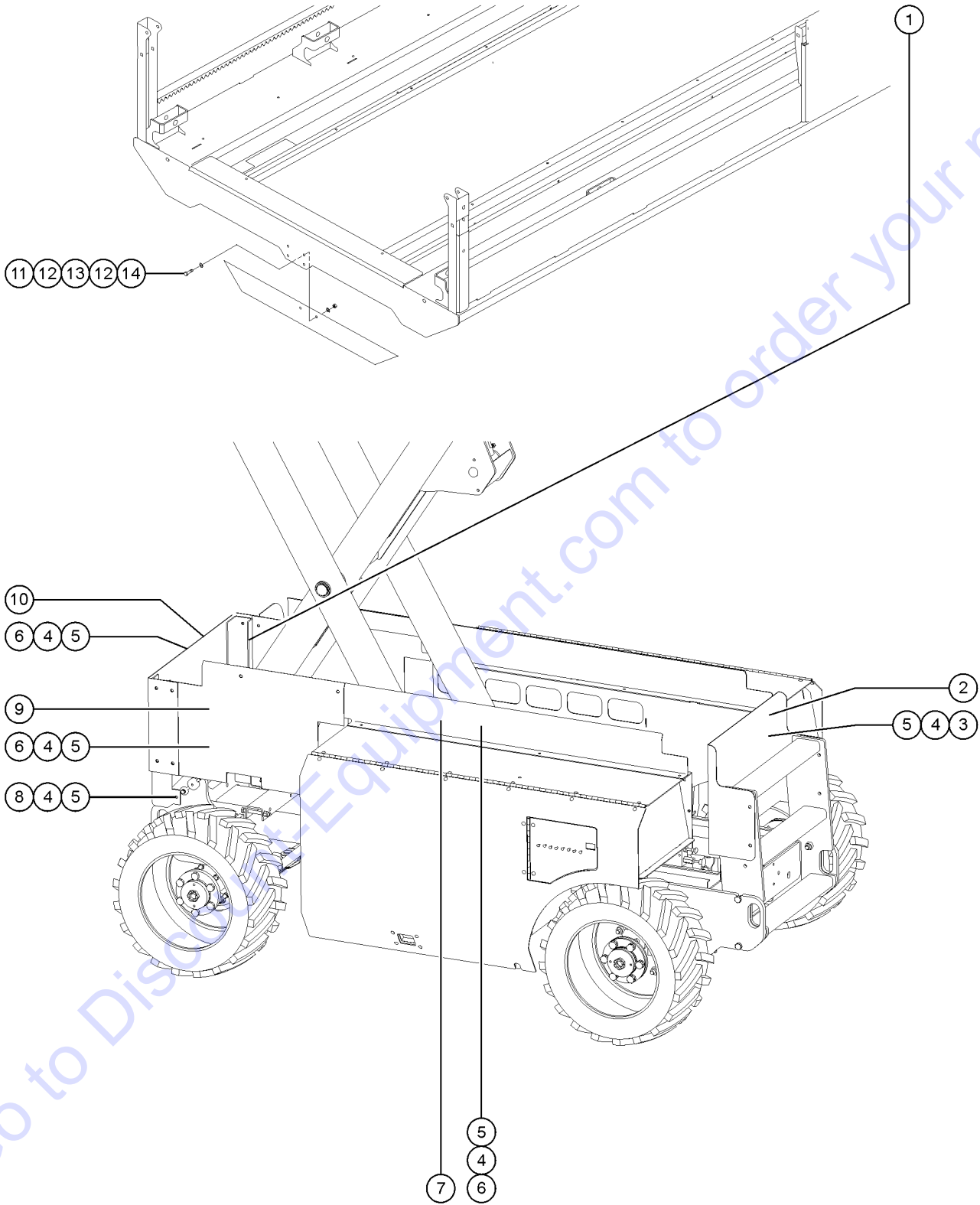
608.1 Rigid Link Guard Installation, View 3



## 608.1 Rigid Link Guard Installation, View 3

Item	Part No.	Description	Qty.
1		Ref., MESH, LINK GUARD, FRONT.....1 <i>component no longer available; refer to 609.1</i>	1
2		Ref., MESH, LINK GUARD, SIDE, GS68.....2 <i>component no longer available; refer to 609.1</i>	2
3		Ref., MESH, LINK GUARD, REAR, GS68.....2 <i>component no longer available; refer to 609.1</i>	2
4		Ref., MESH, LINK GUARD, GATE.....1 <i>component no longer available; refer to 609.1</i>	1
5	28443GT	CABLE TIE,11.5" BLACK <i>(quantities vary)</i>	

609.1 Steel Panel Link Guard Assembly

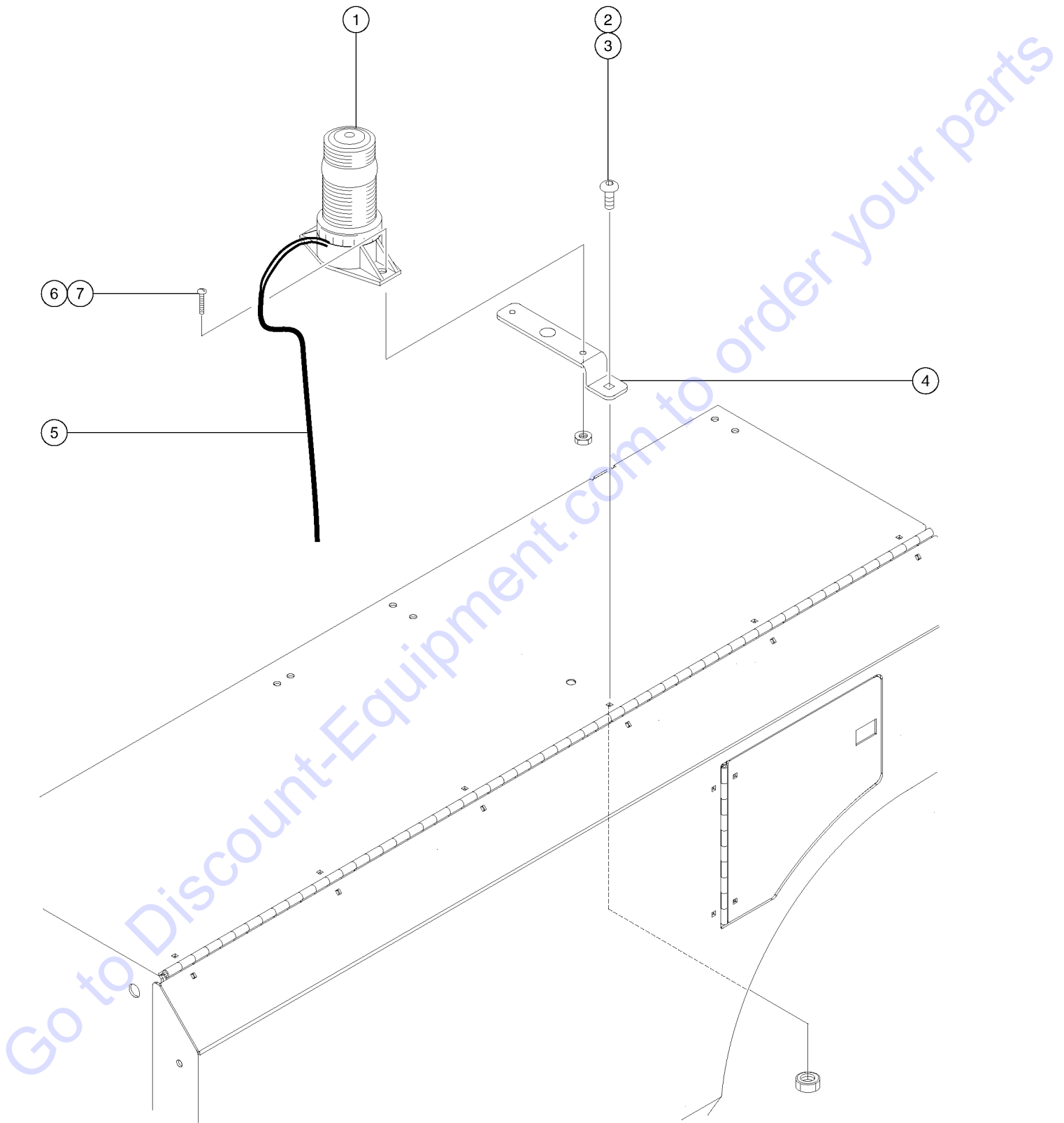


Go to [DiscountedEquipment.com](http://DiscountedEquipment.com) to order your parts

## 609.1 Steel Panel Link Guard Assembly

Item	Part No.	Description	Qty.
--	T109074GT	KIT, LINKGUARDS 2668	
--	T109075GT	KIT, LINKGUARDS 3268	
1A	148187GT	FORMING, LINKGUARD MOUNT, R, 2668.....1 GS-2668 (Right)	
--	148186GT	FORMING, LINKGUARD MOUNT, L, 2668.....1 GS-2668 (Left)	
1B	148286GT	FORMING, LINKGUARD MOUNT, R, 3268 GS-3268 (Right)	
--	T107013GT	FORMING, LINKGUARD MOUNT, L, 3268 GS-3268 (Left)	
2A	T108330GT	FORMING, LINKGUARD LADDER, 2668.....1 GS-2668	
2B	T108213GT	FORMING, LINKGUARD LADDER, 3268.....1 GS-3268	
3	6175GT	SCREW, HHC, 3/8-16 X 1.....4	
4	6097GT	WASHER, FLAT, USS, 3/8", Y.....24	
5	4828GT	NUT, NYLOCK, 3/8-16.....24	
6	8255GT	SCREW, HHC, 3/8-16 X .75.....18	
7A	148176GT	FORMING, LINKGUARD, SIDE, L, 2668....1 GS-2668 (Left)	
--	148177GT	FORMING, LINKGUARD, SIDE, R, 2668....1 GS-2668 (Right)	
7B	148282GT	FORMING, LINKGUARD, SIDE L, 3268 GS-3268 (Left)	
--	148283GT	FORMING, LINKGUARD, SIDE R, 3268 GS-3268 (Right)	
8	6019GT	SCREW, HHC, 3/8-16 X 1.25 GRD 5.....2	
9A	148182GT	FORMING, LINKGUARD CORNER R, 2668.....1 GS-2668 (Left)	
--	148181GT	FORMING, LINKGUARD CORNER L, 2668.....1 GS-2668 (Right)	
9B	148284GT	FORMING, LINKGUARD CORNER L, 3268 GS-3268 (Left)	
--	148285GT	FORMING, LINKGUARD CORNER R, 3268 GS-3268 (Right)	
10A	T107925GT	FORMING, LINKGUARD FRONT, 2668....1 GS-2668	
10B	T108212GT	FORMING, LINKGUARD FRONT, 3268 GS-3268	
11	13002GT	SCREW, HHC, 5/16-18 X 1 GR5.....2	
12	5397GT	WASHER, FLAT, USS, 5/16", Y.....4	
13	229099GT	PLATE, PLATFORM END GUARD.....1	
14	6782GT	NUT, NYLOCK, 5/16-18.....4	

701.1 Flashing Beacon

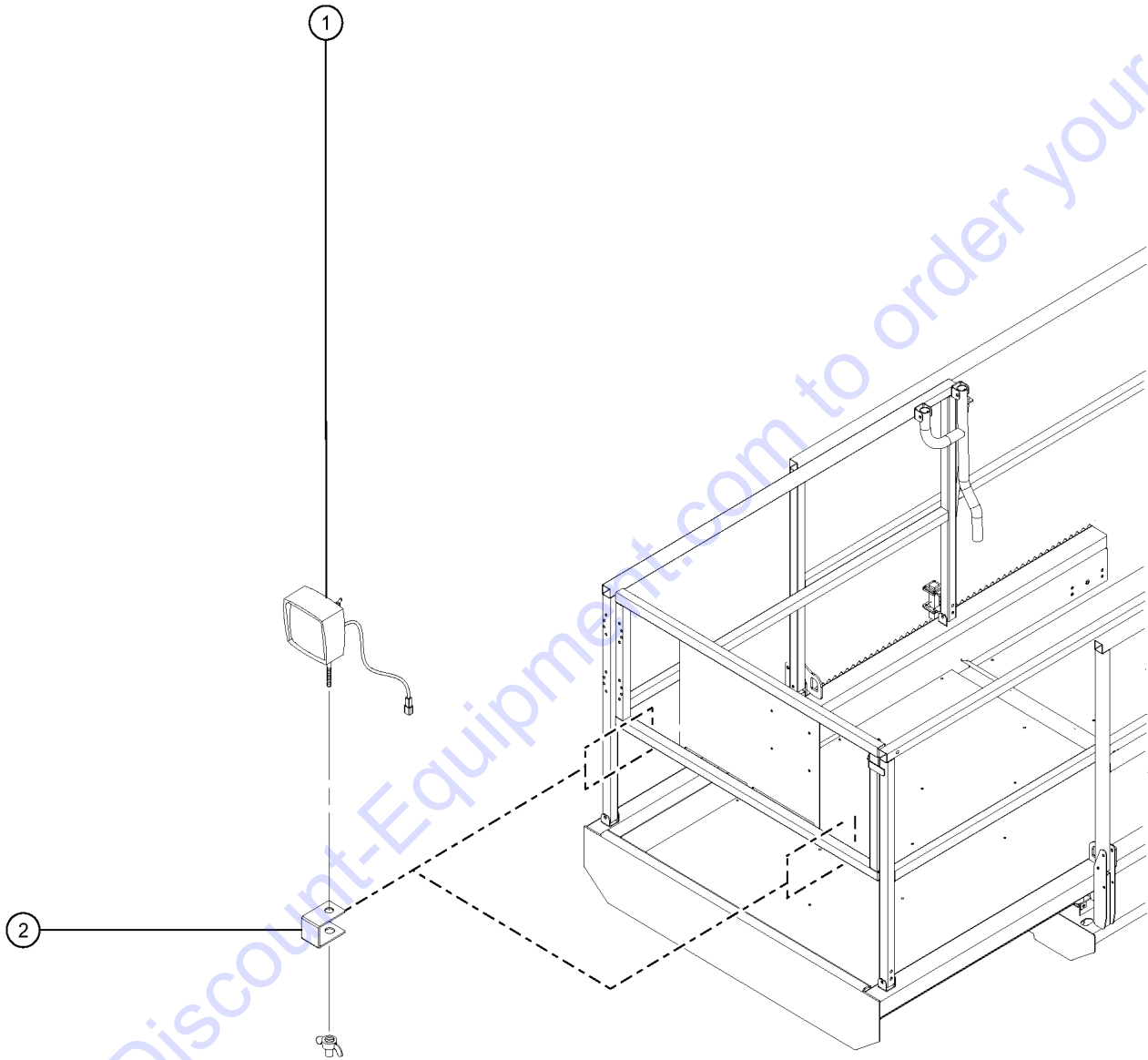


## 701.1 Flashing Beacon

Item	Part No.	Description	Qty.
1	87265GT	BEACON LIGHT ASSY.....	2
--	105556GT	LENS,FLASHING BEACON for 87265	
--	105557GT	BULB,FLASHING BEACON for 87265	
2	6878GT	BOLT,CARRIAGE,1/4-20 X .75,G2	
3	6091GT	NUT,NYLOCK,1/4-20	
4	79374GT	FORMING,BEACON MOUNT.....	2
5		Ref. Wire Harness Assembly, Beacons.... (refer to 312.1)	1
6	49816GT	SCREW,PHILLIPS,PHM,10-32 X .75	
7	6178GT	NUT,NYLOCK,10-32	

Go to Discount-Equipment.com to order your parts

702.1 Platform Work Light

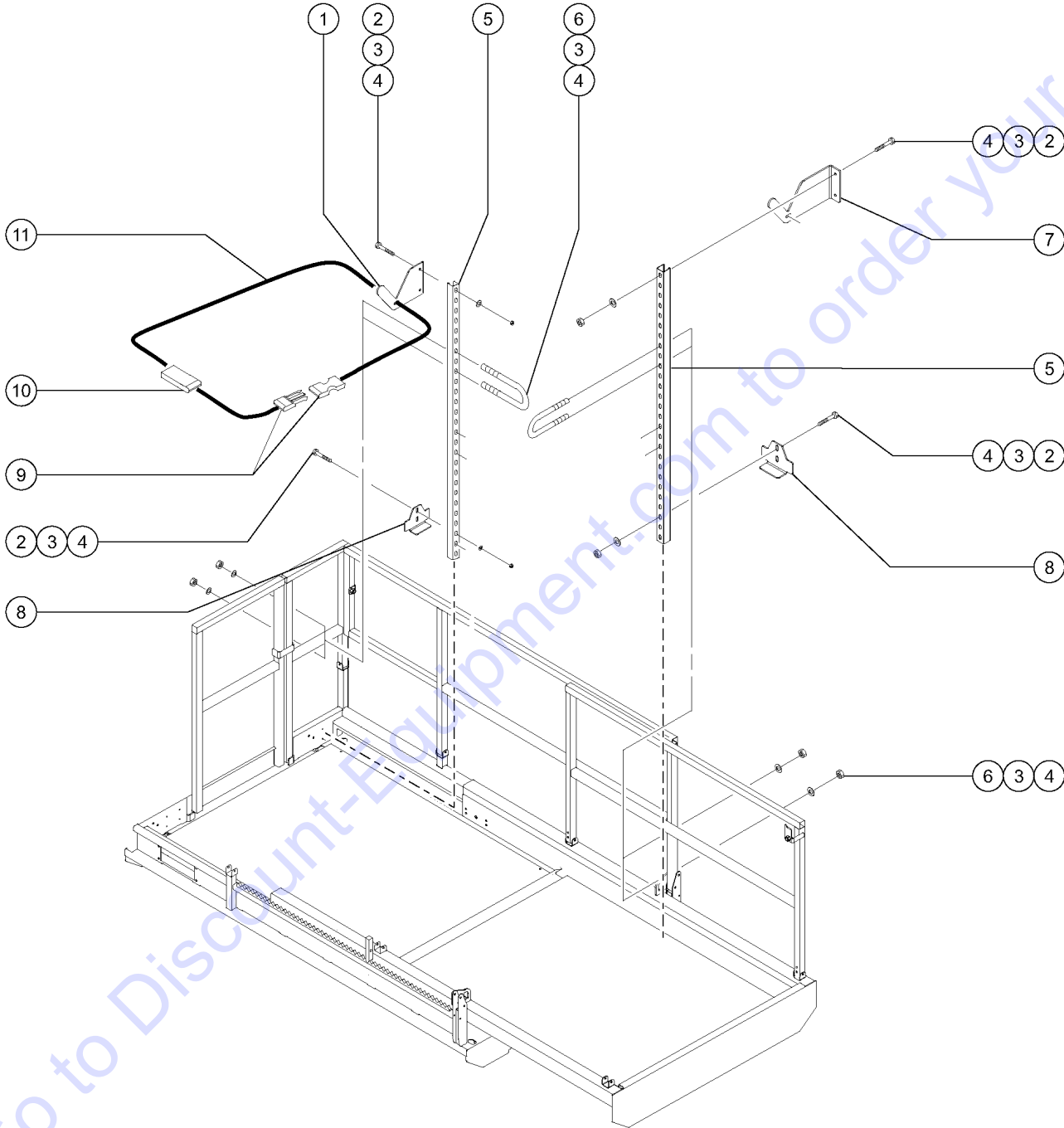


## 702.1 Platform Work Light

Item	Part No.	Description	Qty.
--	99061-SGT	PLATFORM WORK LIGHT GS2668DC GS-2668 (Complete) (to SN 42449)	
--	97353GT	GS68 AC 2668 WORKLIGHTS GS-2668 (Complete) (from SN 42450 to 44101)	
--	112032GT	GS68 ACC 2668 WORKLIGHT,DC GS-2668 (Complete) (from SN 44102)	
--		Ref. Wire Harness Assembly, Worklight (refer to 312.1)	
--	99062-SGT	PLATFORM WORK LIGHT GS3268DC GS-3268 (Complete) (to SN 42449)	
--	97354GT	GS68 AC 3268 WORKLIGHTS GS-3268 (Complete) (from SN 42450 to 44101)	
--	112033GT	GS68 ACC 3268 WORKLIGHT,DC GS-3268 (Complete) (from SN 44102)	
--		Ref. Wire Harness Assembly, Worklight (refer to 312.1)	
1	144011GT	WORKLIGHT,24V,COIL CORD.....2 (to SN 44100)	
1A	112025GT	WORKLIGHT,24V,DEUTSCH PLUG (from SN 44101)	
2	71382GT	BRACKET, WORK LIGHTS, OPTION.....2	



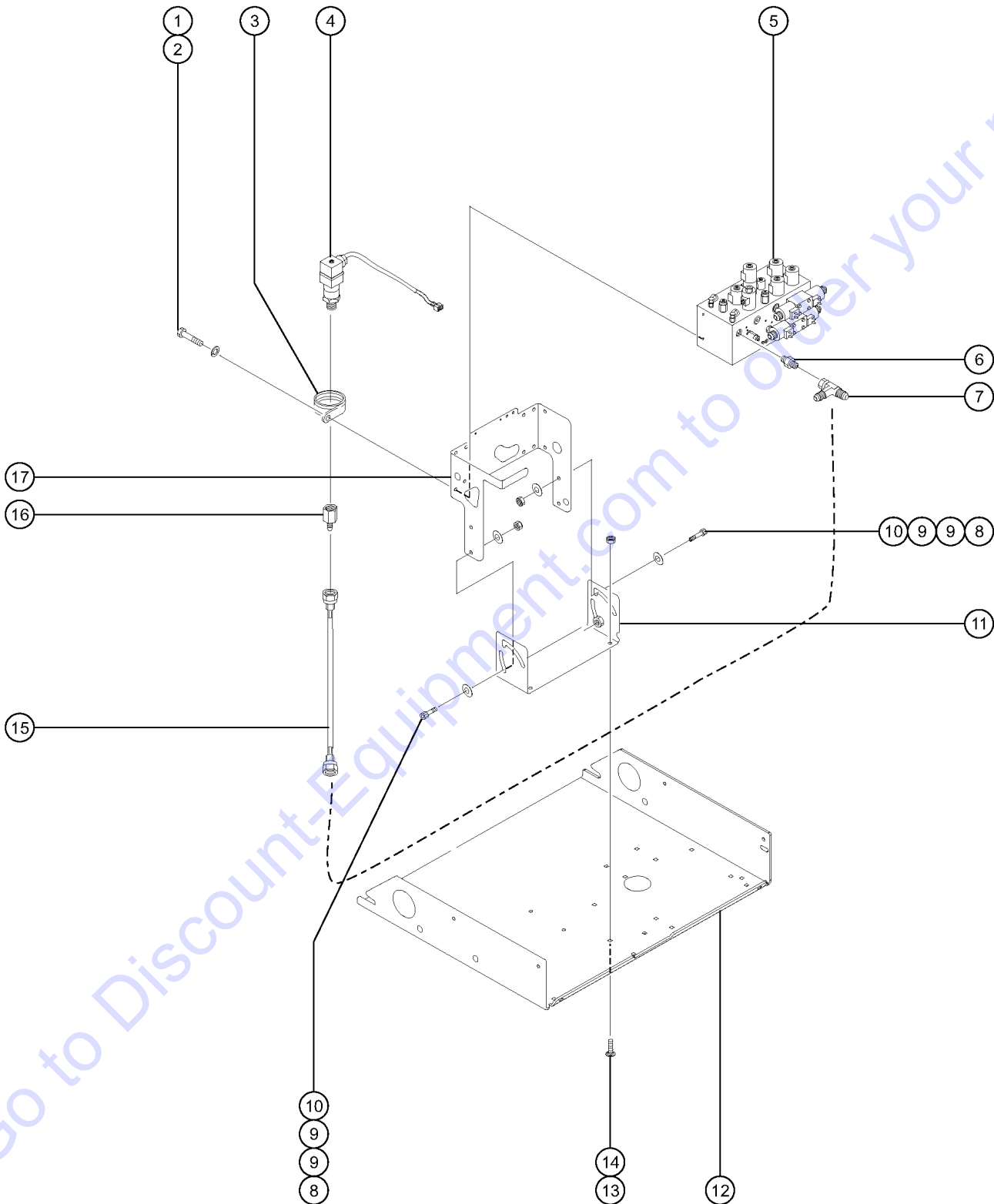
703.1 Pipe Cradle



Item	Part No.	Description	Qty.
--	131626GT	PIPE CRADLE KIT,GS68	
1	79156GT	PLATE,PIPE HOLDER, GS68.....1 (non-steer end)	
2	14033GT	SCREW,HHC,3/8-16 X 2.75	
3	6097GT	WASHER,FLAT,USS,3/8",Y	
4	4828GT	NUT,NYLOCK,3/8-16	
5	66171GT	CHANNEL,PIPE RACK.....2	
6	66472GT	U-BOLT, SQR, 3/8-16X2X5, PLTD.....4	
7	66169GT	FORMING, PIPE HOLDER RACK.....1	
8	79158GT	FORMING,PIPE RACK BASE, GS68.....2	
9	35643GT	BUCKLE,SIDE RELEASE.....2	
10	100810GT	BUCKLE & SLIDE STRAP SET.....2	
11	35642GT	STRAP,NYLON,1.0 IN. BLACK.....96-inches	

Go to Discount-Equipment.com to order your parts

704.1 Platform Overload Sensor (to SN 41529)

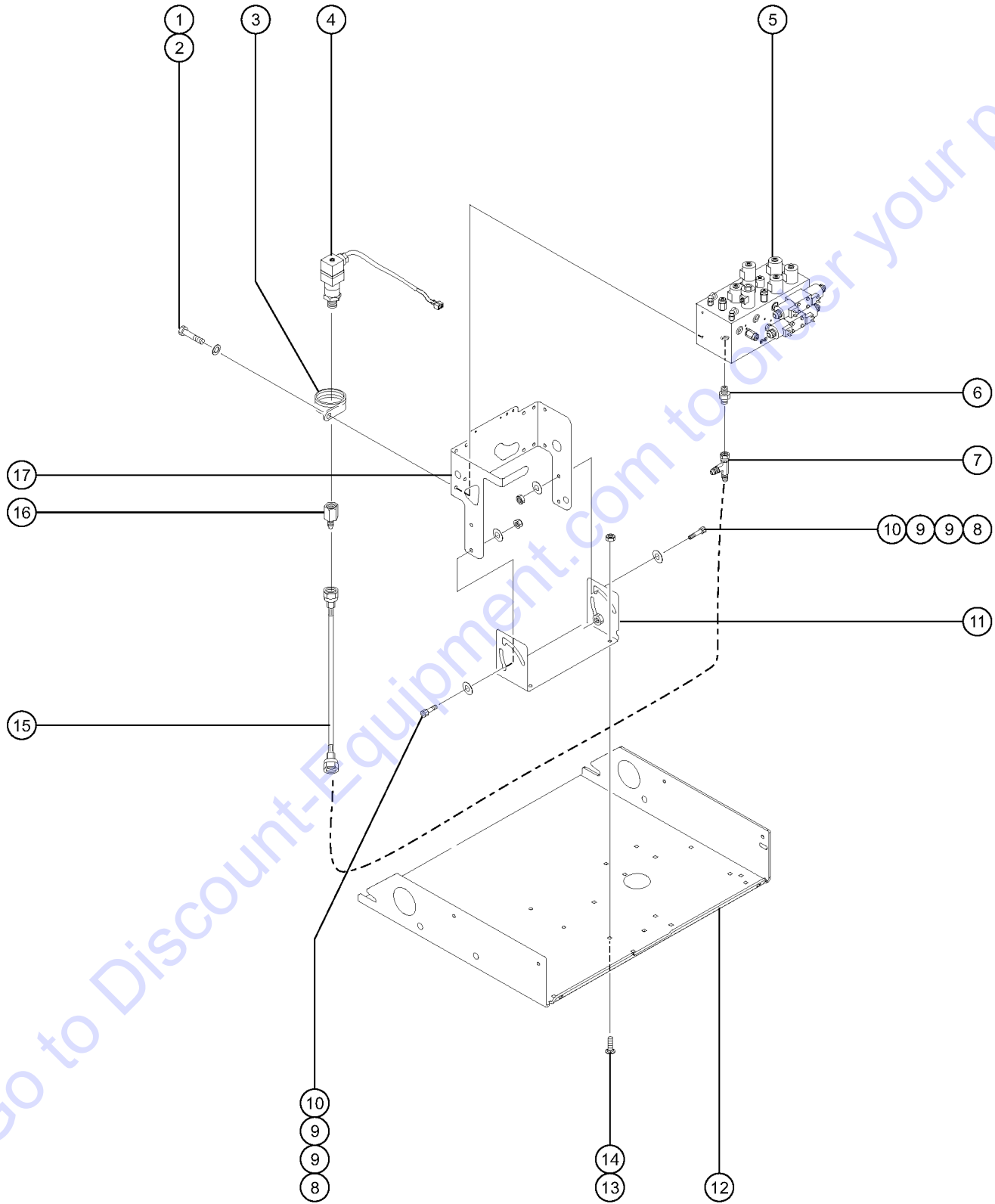


Go to Discount-Equipment.com to order your parts

## 704.1 Platform Overload Sensor (to SN 41529)

Item	Part No.	Description	Qty.
--		<i>The hose length below reflects the length of the hose only. Refer to the 'Fittings Cross Reference' to match Genie part numbers to Parker part numbers.</i>	
1	8255GT	SCREW,HHC,3/8-16 X .75	
2	6021GT	WASHER,LOCK,.375	
3	49863GT	CLAMP,1.13,#18 X 3/8,RUB CUSH*.....1	
4	51151GT	SWITCH,PRESS 2500-6000 PSI ADJ.....1 (172 - 413 bar)	
--	64255GT	HARNES, OVERLOAD OPTION	
5		Ref. Function Manifold (refer to 305.1)	
6	39877GT	CONNECTOR,070120-4-4.....1	
7	48875GT	TEE,RUN,SWIVEL,520432-6.....1	
8	11335GT	SCREW,SHS,3/8-16 X .5	
9	87075GT	WASHER,NYLON .50 X 1.25 X .063	
10	4828GT	NUT,NYLOCK,3/8-16	
11		Ref. Manifold Base (refer to 302.1)	
12		Ref. Hydraulic Tray (refer to 302.1)	
13	64154GT	BOLT,CARRIAGE,3/8-16 X1.00,G5	
14	4828GT	NUT,NYLOCK,3/8-16	
15	84110GT	HOSE ASSY,OVERLOAD SENSOR.....1 (components: 78855, 78855, 39887 @ 13 inches)	
16	51154GT	CONNECTOR,070103-4-4.....1	
17		Ref. Manifold Mount (refer to 302.1)	

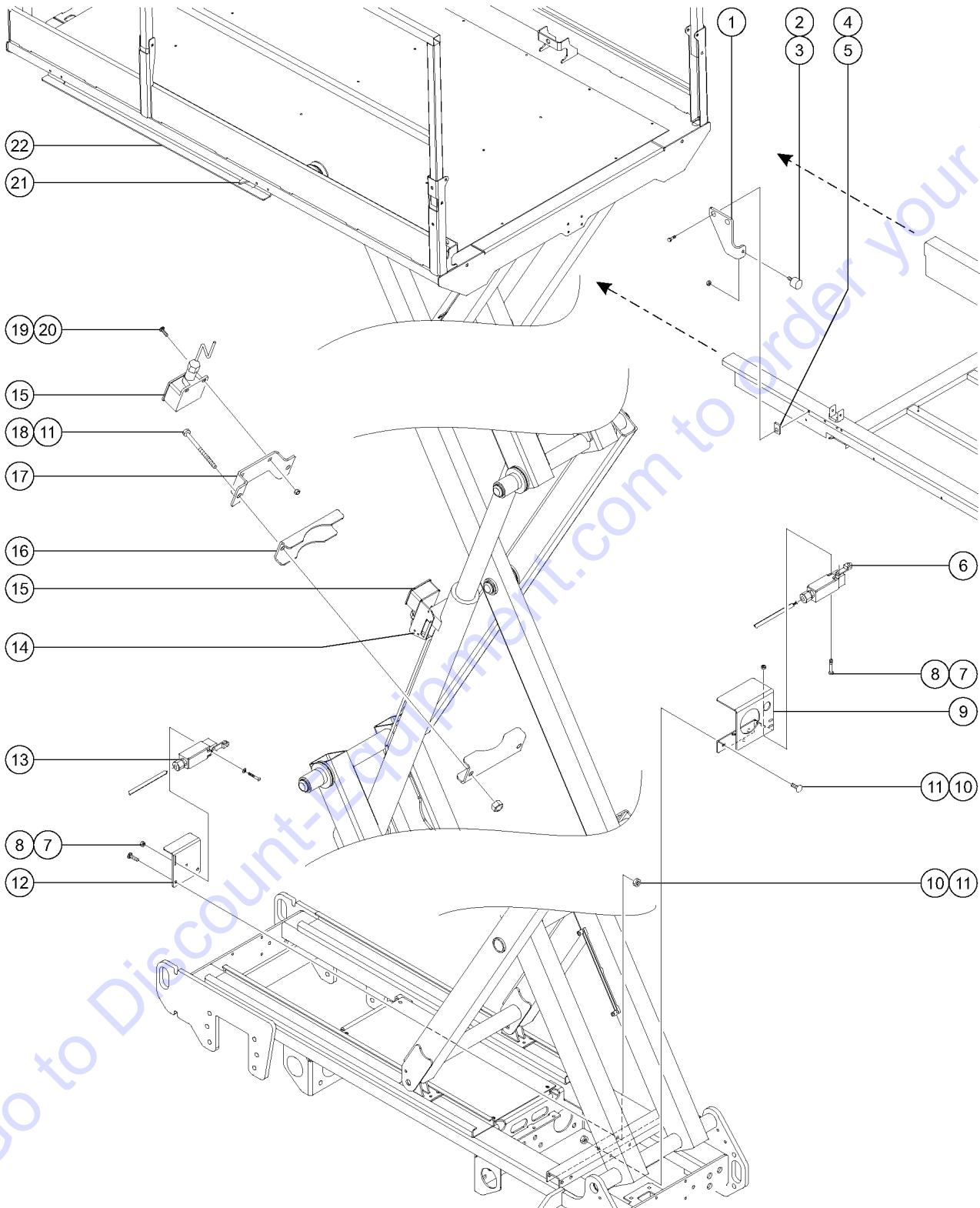
704.2 Platform Overload Sensor (from SN 41530 to 42449)



## 704.2 Platform Overload Sensor (from SN 41530 to 42449)

Item	Part No.	Description	Qty.
--		<i>The hose length below reflects the length of the hose only. Refer to the 'Fittings Cross Reference' to match Genie part numbers to Parker part numbers.</i>	
1	8255GT	SCREW,HHC,3/8-16 X .75	
2	6021GT	WASHER,LOCK,.375	
3	49863GT	CLAMP,1.13,#18 X 3/8,RUB CUSH*.....1	
4	51151GT	SWITCH,PRESS 2500-6000 PSI ADJ.....1 (172 - 413 bar)	
--	64255GT	HARNES, OVERLOAD OPTION	
5		Ref. Function Manifold (refer to 305.1)	
6	48930GT	CONN,520120-6-8.....1	
7	48875GT	TEE,RUN,SWIVEL,520432-6.....1	
8	11335GT	SCREW,SHS,3/8-16 X .5	
9	87075GT	WASHER,NYLON .50 X 1.25 X .063	
10	4828GT	NUT,NYLOCK,3/8-16	
11		Ref. Manifold Base (refer to 302.1)	
12		Ref. Hydraulic Tray (refer to 302.1)	
13	64154GT	BOLT,CARRIAGE,3/8-16 X1.00,G5	
14	4828GT	NUT,NYLOCK,3/8-16	
15	87351GT	HOSE ASSY,GS68 OVERLOAD.....1 (components: 48810, 48751 @ 6.5 inches)	
16	51154GT	CONNECTOR,070103-4-4.....1	
17		Ref. Manifold Mount (refer to 302.1)	

704.3 Platform Overload Sensor (from SN 42450 to 44168)

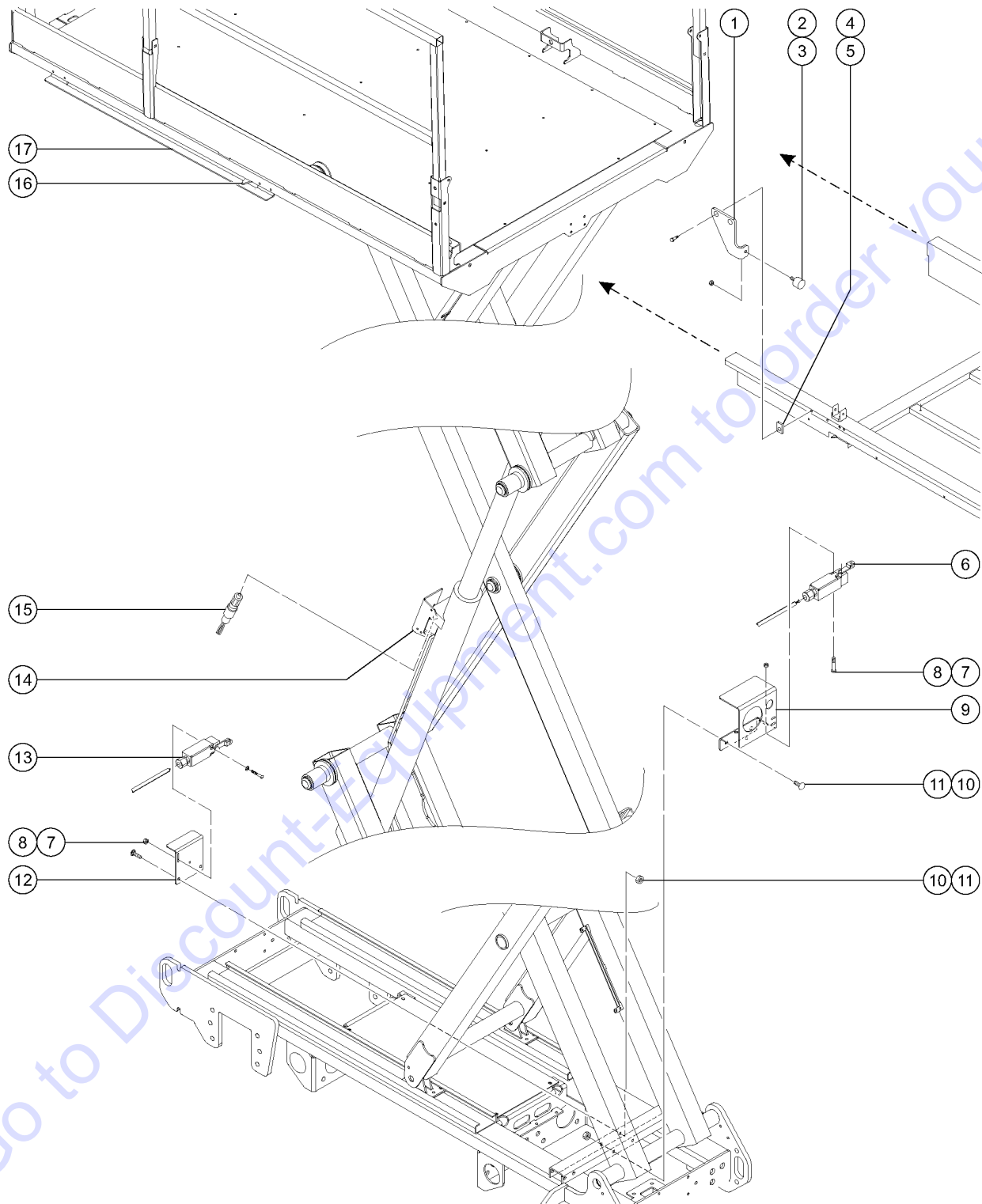


## 704.3 Platform Overload Sensor (from SN 42450 to 44168)

Item	Part No.	Description	Qty.	Item	Part No.	Description	Qty.
--	T114290GT	ASSY,PRESS.SWITCH COVER***		--	12960GT	CABLE SQUEEZE CONN.,XTRA LRG	
1	99267GT	FORMING,PLATFORM STOP,RIGHT.....1 (battery pack side) (shown)		--	85223GT	GASKET-PRESSURE SWITCH ENCLOS. for box-shaped pressure switch	
--	99268GT	FORMING,PLATFORM STOPLEFT (ground controls side)		--	85224GT	COVER-PRESSURE SWITCH ENCLOS. for box-shaped pressure switch	
1A	99268GT	FORMING,PLATFORM STOPLEFT (ground controls side)		--	99282GT	TUBING, PRESSURE SWITCH,3268 for box-shaped pressure switch	
2	79090GT	BUMPER, 1.00 X .375 X 5/16.....5		--	99283GT	TUBING, PRESSURE SWITCH,2668 GS-2668; for box-shaped pressure switch	
3	6782GT	NUT,NYLOCK,5/16-18		16	99265GT	FORMING,PRES SWITCH MOUNT.....2	
4	29868GT	SPRING CLIP,3/8-16,.05-.20X.73,ZAG		17	99266GT	FORMING,PRES SWITCH OFFSET.....1	
5	6175GT	SCREW,HHC,3/8-16 X 1		18	22832GT	SCREW,HHC,3/8-16 X 6	
6	88356-12203GT	SWITCH,LIMIT,TABULATED BLUE***.....1		19	6878GT	BOLT,CARRIAGE,1/4-20 X .75,G2	
6	99839GT	HARNESS,LS,DN DELAY,LOAD SENSE.....1		20	6889GT	NUT,LP NYLOCK,1/4-20	
--		Ref Wire Harness Assembly, Up Limit Switch, CE (refer to 312.1)		21	99269GT	FORMING,OVERLOAD POINTER.....1	
--	19491GT	CONTACTOR,LIMIT SWITCH		22	84572GT	BRACKET ASSY,OVRLD SNSR,2668.....1 GS-2668	
--	76450GT	CONN.SQZ,PG 11,.23-.30,W/ORING		22A	84573GT	BRACKET ASSY,OVRLD SNSR,3268 GS-3268	
--	88356-12203GT	SWITCH,LIMIT,TABULATED BLUE***					
--	97128GT	ROLLER ARM,LIMIT SWITCH***					
7	6178GT	NUT,NYLOCK,10-32					
8	51063GT	SCREW,PHILLIPS,RHM,10-32 X 1.5					
9		Ref. Limit Switch Mounting Bracket (refer to 203.1)					
10	64154GT	BOLT,CARRIAGE,3/8-16 X1.00,G5					
11	4828GT	NUT,NYLOCK,3/8-16					
12	99259GT	FORMING,DOWN DELAY BRKT.....1					
13	88356-12203GT	SWITCH,LIMIT,TABULATED BLUE***.....1					
13	99838GT	HARNESS,LS,UP SW,LOAD SENSE.....1					
--		Ref Wire Harness Assembly, Up Limit Switch, CE (refer to 312.1)					
--	19491GT	CONTACTOR,LIMIT SWITCH					
--	76450GT	CONN.SQZ,PG 11,.23-.30,W/ORING					
--	88356-11103GT	SWITCH,LIMIT,W/RLR ARM,NO/NC**					
--	97128GT	ROLLER ARM,LIMIT SWITCH***					
14	79494GT	FORMING,DOWN COIL COVER.....1					
15		Ref. Wire Harness Assembly, Pressure Switch, CE (refer to 312.1)					
15	112716GT	SVC KIT,PRESS SWITCH,GS2668DC for service parts, refer to 704.4					
15	112718GT	SVC KIT,PRESS SWITCH,GS3268DC....1					
--		Ref. Wire Harness Assembly, Pressure Switch, CE (refer to 312.1)					



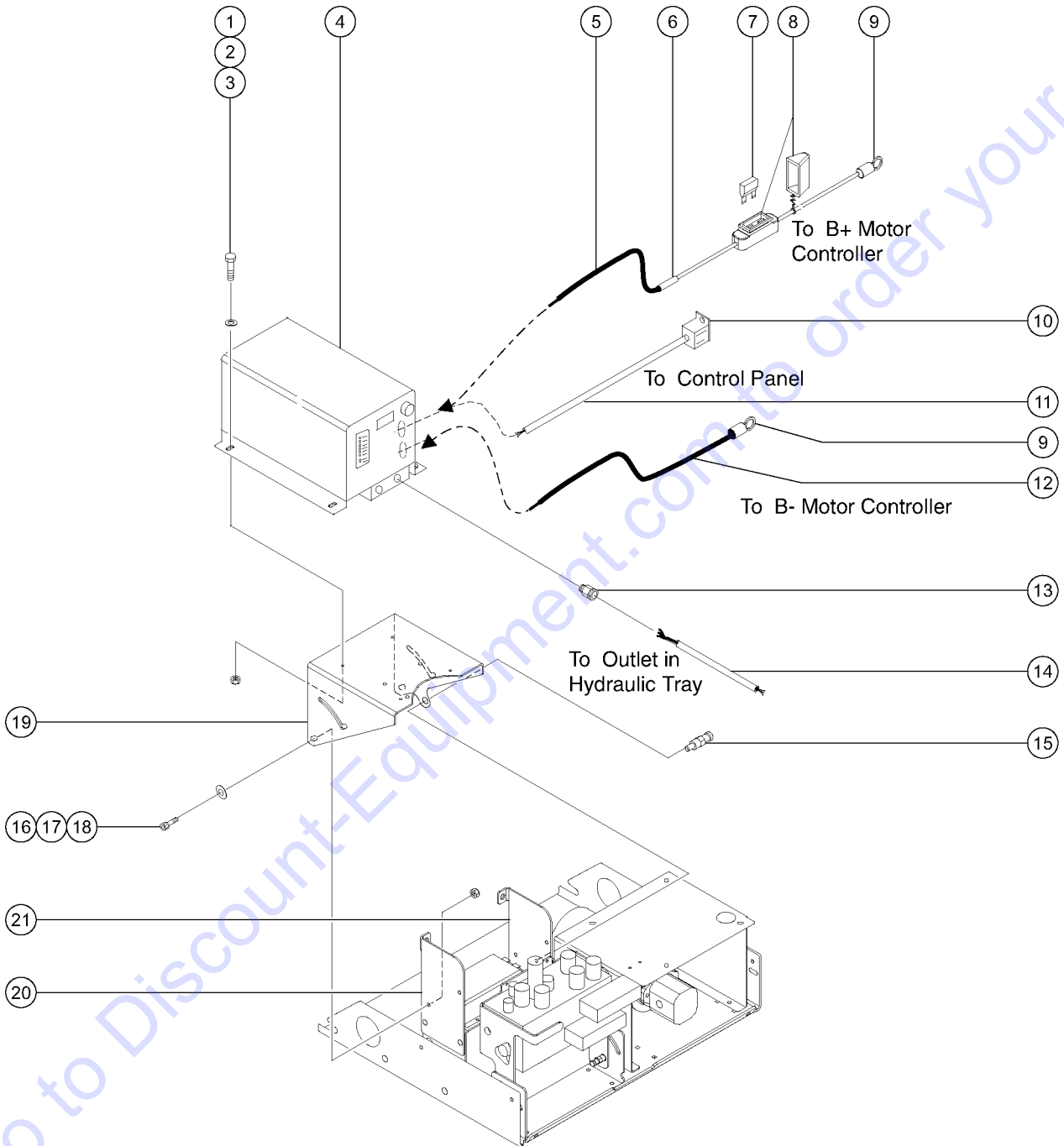
704.4 Platform Overload Sensor (from SN 44169)



## 704.4 Platform Overload Sensor (from SN 44169)

Item	Part No.	Description	Qty.
--	T114290GT	ASSY,PRESS.SWITCH COVER***	
1	99267GT	FORMING,PLATFORM STOP,RIGHT.....1 (battery pack side) (shown)	
1A	99268GT	FORMING,PLATFORM STOP LEFT (ground controls side)	
2	79090GT	BUMPER, 1.00 X .375 X 5/16.....5	
3	6782GT	NUT,NYLOCK,5/16-18	
4	29868GT	SPRING CLIP,3/8-16,.05-.20X.73,ZAG	
5	6175GT	SCREW,HHC,3/8-16 X 1	
6	99839GT	HARNESS,LS,DN DELAY,LOAD SENSE.....1	
--		Ref Wire Harness Assembly, Up Limit Switch, CE (refer to 312.1)	
--	19491GT	CONTACTOR,LIMIT SWITCH	
--	76450GT	CONN.SQZ,PG 11,.23-.30,W/ORING	
--	88356-12203GT	SWITCH,LIMIT,TABULATED BLUE***	
--	97128GT	ROLLER ARM,LIMIT SWITCH***	
7	6178GT	NUT,NYLOCK,10-32	
8	51063GT	SCREW,PHILLIPS,RHM,10-32 X 1.5	
9		Ref. Limit Switch Mounting Bracket (refer to 203.1)	
10	64154GT	BOLT,CARRIAGE,3/8-16 X1.00,G5	
11	4828GT	NUT,NYLOCK,3/8-16	
12	99259GT	FORMING,DOWN DELAY BRKT.....1	
13	99838GT	HARNESS,LS,UP SW,LOAD SENSE.....1	
--		Ref Wire Harness Assembly, Up Limit Switch, CE (refer to 312.1)	
--	19491GT	CONTACTOR,LIMIT SWITCH	
--	76450GT	CONN.SQZ,PG 11,.23-.30,W/ORING	
--	88356-11103GT	SWITCH,LIMIT,W/RLR ARM,NO/NC**	
--	88356-12203GT	SWITCH,LIMIT,TABULATED BLUE*** .....1	
--	97128GT	ROLLER ARM,LIMIT SWITCH***	
14	79494GT	FORMING,DOWN COIL COVER.....1	
15	104571GT	HARNESS,PRESS.SWITCH	
--		Ref. Wire Harness Assembly, Pressure Switch, CE (refer to 312.1)	
16	99269GT	FORMING,OVERLOAD POINTER.....1	
17	84572GT	BRACKET ASSY,OVRLD SNSR,2668.....1 GS-2668	
17A	84573GT	BRACKET ASSY,OVRLD SNSR,3268 GS-3268	

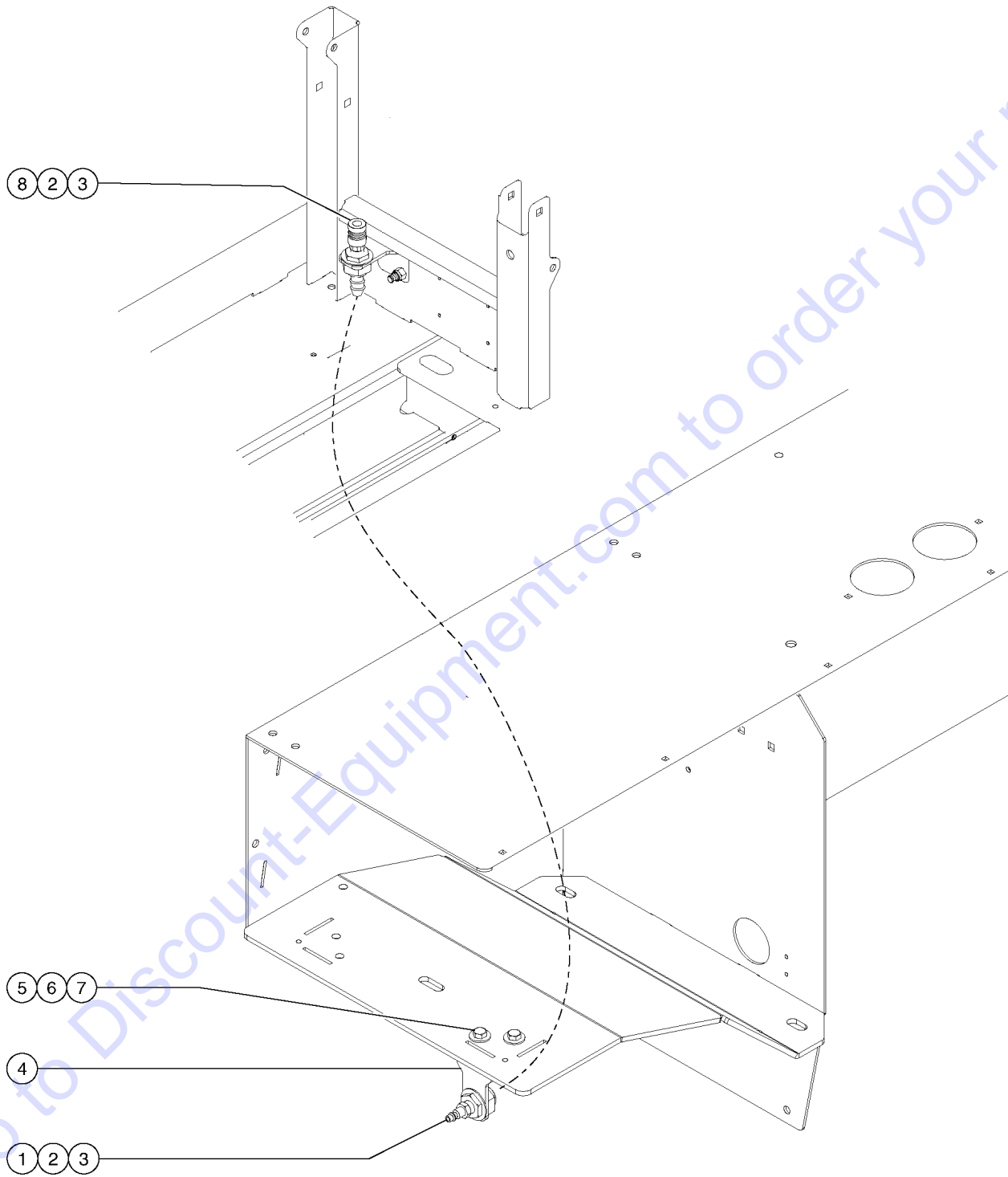
705.1 Voltage Inverter Installation



## 705.1 Voltage Inverter Installation

Item	Part No.	Description	Qty.
--		Ref Wire Harness Assembly, Inverter, 50Hz (refer to 312.1)	
1	8914GT	SCREW,HHC,1/4-20 X .625	
2	6356GT	WASHER,LOCK,.25	
3	6091GT	NUT,NYLOCK,1/4-20	
4	150031GT	SVC KIT,120V,INVERTER,GS68DC.....1 (Complete) (to SN 44855)	
--	150026GT	INVERTER,48VDC,120VAC/60HZ (from SN 44856)	
4B	150032GT	SVC KIT,220VINVERTERM,GS68DC.....1 (Complete) (to SN 44855)	
--	150027GT	INVERTER,48VDC,220VAC/50HZ (from SN 44856)	
5	106207GT	WIRE,6 GA,RED,GXL.....36-inches	
6	66466GT	BUTT SPLICE, 6-GA.....1	
7	71924GT	FUSE,80 AMP.....1	
7A	55726GT	FUSE,50 AMP	
8	55747GT	FUSE HOLDER,INLINE,GS.....1	
9	55709GT	TERMINAL, 3/8" RING, #6GA.....2	
10	19274GT	RELAY,SPDT,12V(AUTO)**.....1	
11	39907GT	WIRE CABLE,18/2 SJO,BULK...40-inches	
12	106208GT	WIRE,6 GA,BLACK,GXL.....50-inches	
13	6935GT	LOCKNUT,ELEC,1/2".....1	
14	43956GT	WIRE CABLE,14/3 CON.TPE JKT*.....60-inches	
15	47138GT	PIN,SNAP,ENTRY RAIL.....1	
16	11335GT	SCREW,SHS,3/8-16 X .5	
17	87075GT	WASHER,NYLON .50 X 1.25 X .063	
18	7713GT	NUT, LP NYLOCK, 3/8-16	
19	79475GT	WELDMENT,GENERATOR TRAY.....1	
20	79118GT	FORMING,GEN. SUPPORT,RIGHT.....1	
21	79119GT	FORMING,GEN. SUPPORT,LEFT.....1	

706.1 Air Line to Platform



## 706.1 Air Line to Platform

Item	Part No.	Description	Qty.
--	51218GT	GS68 AC 2668 AIR TO PLAT GS-2668	
--	51219GT	GS68 AC 3268 AIR TO PLAT GS-3268	
--	27903GT	HOSE,LOW PRESSURE,.375 ID,BLK.....570-inches GS-2668	
--	27903GT	HOSE,LOW PRESSURE,.375 ID,BLK.....660-inches GS-3268	
--	44909GT	CLAMP,HOSE,.35"-.86" X .3125".....2	
1	27894GT	PLUG,1/4"SERIES,3/8 MPT.....1	
2	27900GT	BULKHEAD,FEMALE X 6 X 6.....2 (includes mounting fasteners)	
3	27901GT	HOSE END,BARBED,RIGID,-6-6.....2	
4	47077GT	BRACKET,AIRLINE MOUNTING.....2	
5	6019GT	SCREW,HHC,3/8-16 X 1.25 GRD 5	
6	6097GT	WASHER,FLAT,USS,3/8",Y	
7	4828GT	NUT,NYLOCK,3/8-16	
8	27895GT	COUPLER,1/4"SERIES 3/8 MPT.....1	

## Part Number Index

The Part Number Index is a numeric index of all part numbers included in this manual. The index shows what page(s) the part is used on.

Part Number	Page	Part Number	Page	Part Number	Page	Part Number	Page
1000042GT	13-14	114337GT	21	148426GT	25	38149GT	11, 13-14, 17
1000134GT	13-14, 17	114338GT	21	150026GT	133	39095GT	71, 73
100810GT	123	114385GT	17	150027GT	133	39127GT	59, 65, 71, 73
100839GT	29	114386GT	17	150031GT	133	39225GT	51
100840GT	95	115023GT	37-38	150032GT	133	39317GT	75
100998GT	95	115146GT	13-14	18384GT	59, 65	39540GT	27
100999GT	95	11890GT	59, 65	18503GT	47, 49	39580GT	83
10107GT	101, 103, 105	11966GT	61, 67, 69	18605GT	83, 85	39877GT	125
102395GT	37-38	11968GT	83, 85	19274GT	133	39882GT	53
102396GT	37-38	1255452GT	23	19440GT	23	39907GT	133
102397GT	37-38	1259055GT	29	19491GT	27, 129, 131	40434GT	11, 13-14, 17, 19, 21
10258GT	25, 49	1280665GT	45, 91	19506GT	35	40532GT	43
104571GT	57, 131	128118GT	45	19533GT	43	40534GT	43
104603GT	55	1283121GT	35	19710GT	97	40833GT	47
104702GT	47	128375GT	45	19722GT	97	40836GT	27
104718GT	57	128376GT	45	20224GT	38	42019GT	29
104765GT	37-38	128377GT	45	20654GT	25	4266GT	79, 81, 83
104766GT	37-38	128645GT	45	21427GT	97	42758GT	51
104767GT	37-38	12960GT	129	21434GT	97	43091GT	11, 13-14
104768GT	37-38	13000GT	103	21604GT	71, 73, 103	43255GT	38
104804GT	81	13002GT	117	21618GT	75	43392GT	31, 49
104899GT	37-38	13008-3GT	43	21982GT	35	43617GT	11, 13-14
105067GT	33	13008-6GT	43	22446GT	81	43618GT	11, 13-14, 17, 19, 21
105109GT	99	13083GT	57	22832GT	129	43619GT	11, 13-14, 17
105115GT	99	131323GT	29	228946GT	45	43658GT	11, 13-14, 17, 19, 21
105157GT	99	131367GT	103	228947GT	45	43696GT	11, 13-14
105171GT	99	131368GT	103	228973GT	45	43956GT	91, 133
105172GT	99	131371GT	103	229099GT	117	44064GT	41
105214GT	57	131380GT	69	23057GT	29	44168GT	37-38
105244GT	57	131381GT	63, 69	23314GT	31	44170GT	37-38
105556GT	119	131382GT	63, 69	24514GT	83	44174GT	37-38
105557GT	119	131395GT	63, 69	24649GT	71, 77	44220GT	11
105662GT	95	131396GT	63	25388GT	45, 91	44224GT	37-38
105990GT	95	131397GT	69	25817GT	59, 65	44228GT	37-38
106207GT	133	131416GT	77	25994GT	11, 14	44229GT	37-38
106208GT	133	131426GT	71, 73	26810GT	71, 73	44255GT	11, 13-14, 17
10775GT	91	131544GT	105	27262GT	43	44716GT	47
10777GT	91	131626GT	123	27377GT	49	44733GT	31
109503GT	95	131905GT	45	27643GT	27	44736GT	11, 13-14, 17
110125GT	57	131906GT	45	27830GT	43	44743GT	83, 85
110126GT	57	131907GT	45	27894GT	135	44778GT	41
110130GT	29	131908GT	45	27895GT	135	44780GT	25
110131GT	93	131918GT	45	27900GT	135	44781GT	25
112011GT	29	131919GT	45	27901GT	135	44909GT	135
112015GT	57	131951GT	29	27903GT	135	44961GT	41
112016GT	57	133261GT	19	28157GT	11	44962GT	41
112025GT	121	133262GT	19	28164GT	11, 13-14	44963GT	41
112032GT	121	133286GT	14, 19	28171GT	11, 13-14, 19	44973GT	61, 67
112033GT	121	133537GT	21	28174GT	11, 13-14, 17, 19, 21	44980GT	11, 13-14, 17, 19, 21
112034GT	57	133562GT	17, 21	28175GT	11, 13-14, 17	44981GT	13-14, 17, 19, 21
112035GT	57	133566GT	17	28176GT	11, 13-14, 17	45112GT	23
112140GT	57	133567GT	21	28235GT	11, 13-14, 17, 19, 21	45437GT	91
112222GT	101	13585GT	91	28236GT	11, 13-14, 17	45470GT	43, 91
112223GT	101	13918GT	59, 65	28301GT	49	45916GT	38
112224GT	105	139318GT	45	28443GT	61, 115	46216GT	37-38
112543GT	81	14033GT	33, 75, 123	28750GT	37-38	46261GT	41
112593GT	71, 83	14182GT	63, 69	29868GT	27, 129, 131	46271GT	97
112594GT	71, 83	14297GT	75	31060GT	11, 13-14, 17	46337GT	43
112595GT	71, 83	144011GT	121	31508GT	11, 13-14, 17	46436GT	35
112596GT	71, 83	144065GT	93, 95	31788GT	17	47077GT	135
112597GT	71, 83	144161GT	45, 91	33555GT	49	47138GT	31, 79, 83, 111, 133
112598GT	71, 83	148056GT	29	33629GT	91	47160GT	71, 73
112599GT	71, 83	148057GT	31	33724GT	91	47218GT	83
112600GT	71, 83	148176GT	117	33776GT	75	47222GT	89
112709GT	53	148177GT	117	33994GT	37-38	47228GT	89
112716GT	129	148181GT	117	35642GT	123	47230GT	73, 77, 83, 85
112718GT	129	148182GT	117	35643GT	123	47282GT	23
112772GT	91	148186GT	117	35706GT	75, 83, 85	47301GT	59, 65
112949GT	57	148187GT	117	36843GT	41	47302GT	59, 65
11335GT	31, 125, 127, 133	148282GT	117	37189GT	41		
114202GT	14, 17, 19, 21	148283GT	117	37947GT	35		
114203GT	17, 21	148284GT	117	38016GT	75, 83, 85		
114204GT	17, 21	148285GT	117	38028GT	77, 111		
114258GT	17	148286GT	117				
114264GT	17	148337GT	23				

Part Number	Page	Part Number	Page	Part Number	Page	Part Number	Page
47310PGT	25	51428GT	25	55859GT	49	66094GT	47
47312GT	25	51435GT	75	55906GT	83, 85	66098GT	61, 67
47360GT	59	51436-SGT	83, 85	55983GT	111	66158GT	93
47373GT	59, 65	51437GT	75, 83	56100GT	35	66169GT	123
47376GT	23	51474GT	23	56912GT	71, 73, 75	66171GT	123
47458GT	61, 67, 69	51478GT	83	58001GT	61, 67	6626GT	91
47478GT	77	51505GT	67	58189GT	65	66353GT	91
47502GT	81, 83	51542GT	67	58293GT	97	66355GT	91
47520GT	75, 77, 79, 83, 87	51580GT	51, 53	6019GT	23, 59, 61, 63, 65, 67, 69, 87, 101, 105, 107, 111, 113, 117, 135	66356GT	91
47523GT	79, 83	51702GT	49			6638GT	29, 43, 45, 61, 63, 67, 69, 71, 73, 79, 81, 83, 85, 101, 103, 105
47524GT	79	51823GT	87	6021GT	23, 25, 27, 31, 33, 41, 47, 59, 65, 83, 85, 93, 125, 127	66397GT	47
47530GT	59, 65	51844GT	87	6024GT	25, 75, 83	66466GT	133
47574GT	61, 67	51846GT	87	6052GT	75	66470GT	61, 67
47622PGT	61	51847GT	87	60790GT	29, 47	66472GT	123
47625GT	67	52042GT	97	6086GT	83, 87	66683GT	61, 67
47793GT	81	52043GT	97	6090GT	29, 31, 43, 45, 75, 83, 85, 87	66685GT	83, 85, 93
47926GT	87	52050GT	97	6091GT	29, 31, 43, 45, 47, 49, 61, 63, 67, 69, 75, 81, 83, 85, 87, 89, 91, 101, 103, 105, 119, 133	66717GT	47
47927GT	87	52070GT	11, 13-14			66761GT	93, 95
48235GT	29	52376GT	37-38	6097GT	81, 87, 105, 107, 111, 113, 117, 123, 135	66811GT	35
4828GT	25, 27, 29, 31, 33, 43, 45, 47, 49, 59, 61, 63, 65, 67, 69, 71, 73, 75, 77, 79, 81, 83, 85, 87, 89, 101, 103, 105, 107, 111, 113, 117, 123, 125, 127, 129, 131, 135	52378GT	37-38	61080GT	51	66812GT	35, 93, 95
		52385GT	37-38	6146GT	43, 103, 109	66813GT	35
		52390GT	23	6175GT	27, 31, 33, 43, 45, 47, 59, 63, 65, 67, 69, 77, 83, 89, 113, 117, 129, 131	66814GT	35
		52391GT	23			66815GT	35
		52395GT	25	6178GT	27, 43, 47, 103, 119, 129, 131	66816GT	35
		52431GT	11, 13-14, 17	6198GT	25	66817GT	35, 93, 95
		52475GT	11, 13-14, 17, 19, 21	62061GT	11, 13-14, 17, 19, 21	66818GT	35, 93, 95
		52494GT	11, 13-14, 17	62062GT	11, 13-14, 17, 19, 21	66866GT	83, 85
		52525GT	97	62112GT	37-38	66875GT	27
		52527GT	97	62113GT	37-38	6700GT	31, 47
		52529GT	97	62161GT	97	6708GT	81, 101, 103, 111, 113
		52673GT	11, 13-14, 17	62161HGT	97	6782GT	103, 117, 129, 131
		52674GT	11, 13-14, 17	62164GT	95	6878GT	29, 47, 49, 81, 91, 119, 129
		52682GT	11, 13-14, 17	62207GT	37-38	6888GT	61, 63, 67, 69, 71, 73, 85
		52756GT	29	62223GT	93	6889GT	61, 63, 67, 69, 79, 85, 129
		52768GT	29	62339GT	37-38	6935GT	133
		52802GT	11, 13-14, 17	62710GT	83	7056GT	91
		52803GT	11, 13-14, 17	6326GT	89, 105, 107	71094GT	113
		52864GT	11	6356GT	29, 61, 63, 67, 69, 95, 133	71097GT	113
		52913GT	41	64154GT	25, 27, 29, 31, 47, 49, 125, 127, 129, 131	71098GT	113
		52914GT	41			71120GT	111
		52916GT	43	64245GT	111	71199GT	29
		52917GT	43	64255GT	125, 127	7127GT	91
		52918GT	43	64275GT	111	71315GT	75, 77, 83, 85
		52919GT	43	64276GT	111	71349GT	61, 67, 69
		52966GT	11, 13-14, 17, 19, 21	64278GT	111	71382GT	121
		5361GT	23	65052GT	11, 13-14, 17	71414GT	59, 65
		5365GT	35	65178GT	97	71547GT	23
		5397GT	23, 25, 29, 31, 43, 45, 47, 59, 61, 63, 65, 67, 69, 83, 101, 103, 117	65179GT	97	71756GT	57
		55018GT	43	65180GT	97	71791GT	57
		55019GT	43	65318GT	51, 53	71807GT	49
		55021GT	43	6595GT	45, 91	71828GT	101
		55038GT	43	65987GT	83, 85	71829GT	103
		55067GT	25, 47	66030GT	77, 81, 85	71832GT	103
		55194GT	25	6607GT	109	71835GT	103
		55284GT	113	66081GT	47	71838GT	103
		55336GT	61, 63, 67			71839GT	103
		55351GT	61, 67			71840GT	103
		55355GT	75			71841GT	103
		55393-SGT	25			71842GT	103
		55488GT	61, 67, 69			71848GT	103
		55560GT	61, 67			71850GT	103
		55616GT	51, 53			71852GT	29
		55663GT	71			71855GT	103
		55665GT	77			71858GT	103, 105
		55709GT	133			71860GT	107
		55717GT	61, 67			71861GT	107
		55726GT	133			71862GT	105, 107
		55739GT	111			71865GT	105
		55747GT	133				
		55753GT	87, 89, 113				



## Part Number Index (continued)

Part Number	Page	Part Number	Page	Part Number	Page	Part Number	Page
71866GT	105	79494GT	61, 67, 129, 131	82753GT	19, 21	84975GT	33
71875GT	29	79756GT	51, 53	82811GT	19	84976GT	33
71876GT	29	79757GT	51, 53	82822GT	65	84977GT	33
71877GT	29	79760GT	51	82839GT	19, 21	84978GT	33
71881GT	25	79761GT	51	82875GT	19, 21	84979GT	43
71882GT	25	79762GT	51, 53	82876GT	19, 21	84980GT	43
71883GT	25	79770GT	51	82877GT	19	84981GT	47
71912GT	111	79771GT	51	82878GT	19, 21	84984GT	49
71924GT	133	79772GT	51	82924GT	19	84985GT	49
71979GT	109	79781-SGT	77	83093GT	35	84986GT	49
72086GT	13-14, 17, 19, 21	79782-SGT	85	83131GT	35	84987GT	47
72186GT	17	79783GT	85	8352GT	89	84988GT	49
72256GT	49	79785GT	81	84110GT	125	84989GT	49
72326GT	27, 95	79786-SGT	81	84155GT	37-38	84990GT	59, 65
72864GT	14	79791GT	85	84156GT	37-38	84991GT	59, 65
72970GT	11, 13-14, 17	79798-SGT	77	84158GT	37-38	84992GT	59, 65
7339GT	61, 63, 67, 69, 95	79806GT	81	84159GT	35	84993GT	73
73575GT	101, 109	79844GT	51	84160GT	37-38	84994GT	73
74323GT	49	79845GT	51, 53	84161GT	37-38	84995GT	73
74389GT	23	79861GT	49	84162GT	37-38	84996GT	73
76450GT	129, 131	79882GT	57	84163GT	47	84997GT	73
76502GT	47	79883GT	57	84164GT	49	84998GT	73
77046GT	11, 13-14, 19, 21	79884GT	57	84166GT	49	8516GT	23, 59, 61, 63, 65, 67, 69
7713GT	29, 31, 43, 45, 47, 59, 65, 75, 83, 85, 89, 133	79885GT	57	84168GT	33		
		79889GT	23	84169GT	55	85197GT	41
77988GT	37-38	79890GT	57	84170GT	55	85223GT	129
78022GT	77, 81, 85	79891GT	57, 93	84171GT	55	85224GT	129
78098GT	35	79892GT	57, 93	84172GT	55	87010GT	29
78673GT	13-14, 19	79895GT	29	84173GT	55	87014GT	81
78674GT	27	79896GT	27	84174GT	55	87015GT	89
78686GT	61, 63, 69	79945GT	101	84175GT	55	87017GT	89
78687GT	63	79946GT	101, 105	84176GT	55	87033GT	51, 53
78688GT	69	79948GT	101	84177GT	55	87059GT	25
787903HGT	99	79949GT	101	84183GT	37-38	87069GT	49
78897GT	69	79950GT	105	84199GT	13-14	87070GT	29
78900GT	63, 69	79951GT	105	84200GT	73	87073GT	31
78903GT	99	79953GT	25	84201GT	73	87075GT	31, 125, 127, 133
78904GT	93	79956GT	25	84202GT	73	87083GT	27
78912GT	61, 67	79996GT	23	84203GT	73	87084GT	27
79084GT	103	79997GT	77	84207GT	23	87085GT	31, 81
79090GT	129, 131	81579GT	27	84234GT	85	87193GT	91
79091GT	27	8178GT	75, 79, 83, 87, 101	84235GT	59	87194GT	51, 53
79094GT	31	8179GT	81	84236GT	59	87195GT	51, 53
79097GT	31	8220GT	25	84237GT	59	87196GT	51, 53
79098GT	47	82239GT	11, 13-14, 17	84238GT	59, 65	87197GT	51, 53
79106GT	49	82261GT	11, 13-14, 17, 19, 21	84239GT	59, 65	87199GT	57
79117GT	31			84241GT	59, 65	87200GT	57
79118GT	133	82263GT	11, 13-14, 17	84242GT	59, 65	87201GT	57
79119GT	133	82270GT	11, 13-14, 17	84243GT	59, 65	87204GT	51, 53
79128GT	25	82273GT	11, 13-14, 17	84244GT	65	87205GT	51, 53
79129GT	25	82366GT	11, 13-14, 17	84245GT	65	87206GT	51, 53
79136GT	49	82473GT	21	84246GT	65	87207GT	51, 53
79137GT	29	82474GT	19, 21	84247GT	65	87208GT	51, 53
79156GT	123	82475GT	21	84248GT	65	87209GT	51, 53
79158GT	123	82476GT	19, 21	84391GT	33	87212GT	47
79301GT	49	82481GT	19, 21	84392GT	33	87213GT	29
79355GT	75, 77, 79, 81, 83, 85	82482GT	13-14, 19	84394GT	33	87265GT	119
		82487GT	19, 21	84395GT	33	87266GT	57
79374GT	119	82495GT	19, 21	84421GT	61, 67	87312GT	47
79382GT	49	825019GT	59, 61, 63, 65, 67, 69	84422GT	61, 67	87320-SGT	81
79386GT	31			84423GT	61, 67	87351GT	127
79444GT	29	82557GT	13-14, 17	84536GT	33	87523GT	77
79452GT	29	82558GT	13-14, 17	84539GT	33	87530GT	89
79456GT	47, 89	82559GT	14, 17	84572GT	129, 131	87531GT	23
79464GT	43, 45	8255GT	25, 27, 31, 43, 45, 75, 83, 85, 93, 117, 125, 127	84573GT	129, 131	87532GT	23
79466GT	47			84654GT	11	87533GT	23
79467GT	47	82560GT	19, 21	84739GT	33	87534GT	23
79468GT	47	82561GT	14, 17	84740GT	33	87535GT	23
79469GT	47	82562GT	19, 21	84742GT	33	87537GT	23
79470GT	47	826379GT	23	84743GT	33	87538GT	23
79474GT	31			84746GT	33	87540GT	29
79475GT	133	82748GT	14, 17, 19, 21	84748GT	33	87542GT	89
79489GT	113	82749GT	14, 17, 19, 21	84821GT	59, 65	87543-SGT	89
79490GT	113	82751GT	19, 21	84822GT	59	87544-SGT	89
79492GT	25	82752GT	19, 21	84823GT	65	87545-SGT	89
				84974GT	33	87546GT	89

Part Number	Page	Part Number	Page
87549GT	89	99297GT	57, 93
87550GT	89	99301GT	57
87564GT	89	99437GT	57
87568GT	77	99438GT	57
87570GT	85	99442GT	57
87571GT	85	99444GT	57
87585GT	25	99807GT	71
87586GT	85	99808GT	71
87645GT	85	99809GT	71
87648GT	77, 81, 85	99810GT	71
87651GT	89	99838GT	57, 129, 131
87675GT	85	99839GT	57, 129, 131
87684GT	25	99845GT	57
87915GT	41	99901GT	57
88356-11103GT	129, 131	99902GT	57
88356-12203GT	129, 131	99903GT	57
88356-126R3GT	27	99907GT	93
89065GT	23	T107013GT	117
89066GT	23	T107029GT	17
8914GT	133	T107925GT	117
8915GT	103	T108044GT	95
9116GT	89	T108212GT	117
96008-SGT	35	T108213GT	117
96011GT	35	T108330GT	117
96019GT	93	T109074GT	117
96020GT	93	T109075GT	117
96236GT	91	T109085GT	25
96317GT	31, 47	T112563GT	91
96452GT	35	T114290GT	129, 131
96461GT	33		
97013GT	99		
97014GT	99		
97015GT	99		
97128GT	129, 131		
97184GT	37-38		
97310GT	73		
97311GT	73		
97312GT	73		
97313GT	73		
97314GT	73		
97315GT	73		
97316GT	73		
97317GT	73		
97318GT	73		
97319GT	73		
97320GT	73		
97344GT	57		
97353GT	121		
97354GT	121		
97362GT	19		
97375GT	37-38		
97383GT	37-38		
97389GT	37-38		
97390GT	37-38		
97712GT	14		
97718GT	19		
97719GT	19, 21		
97772GT	13-14, 17, 19, 21		
99061-SGT	121		
99062-SGT	121		
99098GT	47		
99175GT	51, 53		
99202GT	51, 53		
99203GT	51, 53		
99207GT	31		
99224GT	23		
99225GT	23		
99259GT	129, 131		
99265GT	129		
99266GT	129		
99267GT	129, 131		
99268GT	129, 131		
99269GT	129, 131		
99282GT	129		
99283GT	129		
99296GT	57		

## Part Description Index

The Part Description Index is an alphabetical index of all part descriptions included in this manual. The index shows what page(s) the part is used on.

(  
 (REF) PLAT ASSY W/CE SY DEC,43  
 2DECK.....73

## 7

79954ENT,2668 AXLE CW.....25

## A

ACCESS PANEL.....75  
 ADAPTER, HARNESS.....93  
 ADAPTER, HARNESS\*\*\*.....93  
 ADAPTER,WHEEL,GS68/GS69.....25  
 ALARM ASSY,12VDC,ITT,4 PIN\*\*\*\*.....95  
 ALARM,STEADY TONE\*\*\*.....27  
 AMMETER, 39243/47906/66412.....43  
 ASSY, CABLE BRIDGE.....69  
 ASSY, CABLE BRIDGE, UPPER.....63  
 ASSY, CHARGER DISP BKT, SYMBOL.....45  
 ASSY, CHARGER DISP BKT, WORD.....45  
 ASSY,CABLE BRIDGE,GS68.....63, 69  
 ASSY,LED,IES CHARGER.....45  
 ASSY,PRESS.SWITCH COVER\*\*\*.....129, 131

## B

BALL STUD\*\*.....49  
 BASE WITH 1 NC CONTACT, E-STOP.....35,  
 93, 95  
 BASE, W/1 N.O. CONTACTS\*\*\*.....35  
 BASE,WITH 2 N.O. CONTACTS\*\*\*.....35  
 BATT PACK DOOR ASSY,DC.....49  
 BATT PACK DOOR ASSY,DC SY.....49  
 BATT PACK TRAY COVER ASSY,DC.....47  
 BATT PACK TRAY COVER ASSY,DC S.....47  
 BATT PACK TRAY COVER ASSY,DC W.....47  
 BATTERY CABLE ASSY. 11" RED.....55  
 BATTERY CABLE ASSY. 13"RED.....55  
 BATTERY CABLE ASSY. 15" RED.....55  
 BATTERY CABLE ASSY. 17" BLACK.....55  
 BATTERY CABLE ASSY. 6" RED.....55  
 BATTERY CABLE ASSY. 87" BLACK.....55  
 BATTERY CABLE ASSY.42"BLACK.....55  
 BATTERY CABLE ASSY.52" RED.....55  
 BATTERY CABLE ASSY.64"RED.....55  
 BATTERY,T105 W/LPT,3 CAP,DRY\*\*.....47  
 BEACON LIGHT ASSY.....119  
 BEARING,0.75IDX1.00ODX0.38L.....83  
 BEARING,1.00IDX1.25ODX0.75L.....23  
 BEARING,1.00IDX1.25ODX1.00L.....59, 65  
 BEARING,1.75IDX2.00ODX1.25L.....59, 65  
 BEARING,BRZ,FL,1.25IDX1.5OD.....23  
 BEARING,MOTOR,36843, FAN END.....41  
 BEARING,MOTOR,36843,BRUSH END\*.....41  
 BLOCK, PLATFORM ANCHOR.....71, 73  
 BOLT, REXROTH DO3 VALVE.....37-38  
 BOLT, CARRIAGE, 3/8-16 X 1.50, G5.....29, 47  
 BOLT,CARRIAGE,#10-24X 5/8",G2.....35  
 BOLT,CARRIAGE,1/4-20 X .63,G2.....85  
 BOLT,CARRIAGE,1/4-20 X .75,G2.....29, 47,  
 49, 81, 91, 119, 129  
 BOLT,CARRIAGE,1/4-20 X 1.00,G2.....47, 89  
 BOLT,CARRIAGE,1/4-20x1.25,G2.....89  
 BOLT,CARRIAGE,3/8-16 X 2.00,G2.....89  
 BOLT,CARRIAGE,3/8-16 X 2.75,G2.....77, 81,  
 85

BOLT,CARRIAGE,3/8-16 X 3.00,G2.....25  
 BOLT,CARRIAGE,3/8-16 X 4.00,G2.....89  
 BOLT,CARRIAGE,3/8-16 X1.00,G5.....25, 27,  
 29, 31, 47, 49, 125, 127, 129, 131  
 BOLT,ROLLER,.470"(SHORT).....75, 83, 85  
 BOLT,SHOULDER,5/8-11 X 1.19 LT.....111  
 BOOT, JOYSTICK~.....99  
 BOOT, PROTECTIVE, 45049 BLACK.....97  
 BOOT,CONTROLLER\*\*.....97  
 BOOT,THUMB ROCKER\*\*\*.....99  
 BOX,INSTRUCTION STORAGE.....83  
 BRACKET ASSY,OVRLD SNSR,2668.....129,  
 131  
 BRACKET ASSY,OVRLD SNSR,3268.....129,  
 131  
 BRACKET CABLE BRIDGE.....67  
 BRACKET, SIDE ROLLER, REAR FT.....83  
 BRACKET, SIDE ROLLER,REAR RIGH.....83  
 BRACKET, WORK LIGHTS, OPTION.....121  
 BRACKET,AIRLINE MOUNTING.....135  
 BRACKET,CABLE BRIDGE,GS3246.....67  
 BRACKET,FRNT RIGHT SIDE ROLLER.....75  
 BRACKET,FRONT LEFT SIDE ROLLER.....75  
 BRACKET,JOYSTICK Q.D. BULKHEAD.....71  
 BRACKET,MAIN CABLE BRIDGE.....67  
 BRACKET,PLAT CONTROL BOX SLAB.....83,  
 85, 93  
 BRACKET,UPPER CABLE BRIDGE,46.....61  
 BRUSH,MOTOR,36843.....41  
 BUCKLE & SLIDE STRAP SET.....123  
 BUCKLE,SIDE RELEASE.....123  
 BULB,FLASHING BEACON.....119  
 BULKHEAD,FEMALE X 6 X 6.....135  
 BUMPER, 1.00 X .375 X 5/16.....129, 131  
 BUMPER, LINK.....61, 67, 69  
 BUMPER, MODULE TRAY.....81  
 BUMPER, PLASTIC, 1.25 O.D.....87, 89, 113  
 BUMPER, RUBBER, 1"OD X .461H.....77  
 BUMPER,1.25 INCH O.D.,SCISSORS.....81, 83  
 BUMPER,BATTERY BOX & RAILS.....31, 49  
 BUMPER,GATE LATCH,HDPE.....81  
 BUMPER,RUBBER.....73, 77, 83, 85  
 BUSHING,FLANGE, .75 X .875 X.5.....111  
 BUSHING,STRAIN RELIEF,.875/.30.....45  
 BUSHING,STRAIN RELIEF,.875/.40.....45  
 BUTT SPLICE, 6-GA.....133  
 BUTTON,JOYSTICK MOUNT,BRASS\*\*\*.....83,  
 85  
 BUTTON,PUSH,BLACK W/SEAL \*\*\*.....35  
 BUTTON,PUSH,RED MUSHROOM  
 HEAD.....35, 93, 95

## C

CABLE SQUEEZE CONN.,XTRA LRG.....129  
 CABLE TIE MOUNT, WINGED.....57  
 CABLE TIE,11.5" BLACK.....61, 115  
 CABLE TIE,9" X 5.....61, 67  
 CAP,DIAGNOSTIC NIPPLE.....38  
 CAPACITOR,6 MFD,660VAC-CHARGR\*.....43  
 CASE COVER ONLY 18710/18720.....43  
 CASTING -SLIDE BLOCK W/BEARING.....65  
 CASTING, 2668 AXLE CTRWEIGHT.....25  
 CASTING, 3268 AXLE CTRWEIGHT.....25  
 CASTING, REAR MOTOR HOUSING.....25  
 CASTING-JOYSTICK, GS2032.....97  
 CATCH,EXT LATCH ARM.....89

CHANNEL,PIPE RACK.....123  
 CHARGER 48V/30A AUTO AC X-LED.....45  
 CHARGER METER BRCKT ASSY,DC SY.....43  
 CHARGER METER BRCKT ASSY,DC WO...43  
 CHARGER,COMPLETE.....43  
 CHOCK STOP CUSHION.....61, 63, 67  
 CIRCUIT BREAKER,7.0 AMP\*\*\*.....35  
 CLAMP, CABLEBRIDGE,HALF.....61, 67  
 CLAMP,0.31,#5 X 1/4,RUB CUSH.....43, 91  
 CLAMP,1.13,#18 X 1/4,RUB CUSH.....75  
 CLAMP,1.13,#18 X 3/8,RUB CUSH\*.....125, 127  
 CLAMP,HOSE,.35"- .86" X .3125".....135  
 CLEAR SWITCH ACTUATOR.....95  
 CLEAR SWITCH ACTUATOR(QTY 10).....95  
 CLIP,RETAINING,IES CHARGER.....45  
 CNTRL CABLE,CHAS.TO PLAT,2668.....57  
 CNTRL CABLE,CHAS.TO PLAT,3268.....57, 93  
 COIL ADAPTER KIT\*\*\*.....37-38  
 COIL CORD CLIP.....77  
 COIL CORD-JOYSTICK, SLABS.....93  
 COIL,24V D03 ZENER DIODE.....37-38  
 COIL-20VDC DUAL LEAD & DIODE.....37-38  
 COIL-SOLENOID VALVE,20V DC\*\*\*.....61, 67  
 CONN, 520120-6.....51, 53, 61, 67, 69  
 CONN,520120-12-10.....51, 53  
 CONN,520120-4\*\*\*.....51, 53  
 CONN,520120-4-6\*\*\*.....51, 53  
 CONN,520120-6-8.....51, 53, 127  
 CONN,520120-8\*\*\*.....51, 53  
 CONN,520120-8-10.....51, 53  
 CONN,SQUEEZE,1/2NPT .38-.50,SM.....91  
 CONN.SQZ,PG 11,.23-.30,WORING.....129,  
 131  
 CONNECTOR,070103-4-4.....125, 127  
 CONNECTOR,070120-4-4.....125  
 CONTACT, N.C.....35, 93, 95  
 CONTACT,N.O.\*\*\*.....35  
 CONTACTOR,LIMIT SWITCH.....27, 129, 131  
 CONTROL CABLE,2668.....57, 93  
 CONTROL CABLE,PIGTAIL.....57  
 CONTROL PANEL DOOR ASSY,DC,SY.....49  
 CONTROL PANEL DOOR ASSY,DC,W\*\*.....49  
 CONTROLL.36V/48V,DC MTR.SPD.....31  
 CONVERTER, DC-DC, 48-12 VOLT.....29  
 CONVERTER, DC-DC, 48-26 VOLT\*\*.....29  
 CORD AC IEC320-C19 TO 110US.....45  
 CORD AC IEC320-C19 TO 220EU.....45  
 CORD EURO AC IEC320-C19PIGTAIL.....45  
 COUPLER,1/4"SERIES 3/8 MPT.....135  
 COVER BOTTOM GEN 5.....95  
 COVER,BLANK.....91  
 COVER,GFCI,WEATHERPROOF.....91  
 COVER-PRESSURE SWITCH ENCLOS....129  
 CROSS TUBE COLAR, GS46\68.....61, 67, 69  
 CYLINDER, GS2632/46/68\*\*\*.....61, 67  
 CYLINDER,STEER\*\*\*.....23

## D

DECAL KIT,SAFETY INSTR,GS68.....13-14  
 DECAL KIT,SAFETY/INSTR,68DC SY.....19  
 DECAL KIT,SAFETY/INSTR,GS68.....13-14  
 DECAL KIT,SFTY/INST.WRD. GS68.....11  
 DECAL, DNGER, BATTERY SAFETY.....11,  
 13-14  
 DECAL, HI WIND SPD,CE, 3268DC.....19

DECAL, LABEL - DIRECTION ARROWS....11, 13-14, 17, 19, 21	DECAL,LABEL,AUX LOWERING.....13-14, 19	DECAL,SYMBOL-BRAKE REL SAFETY....19, 21
DECAL, LABEL, SAFETY ARM SYMB.....19, 21	DECAL,LABEL,CAP INDICATOR,2668.....19, 21	DECAL,SYMBOL-COMP ACCESS.....21
DECAL, POWER TO CHARGER, UNIV.....14, 19	DECAL,LABEL,CAP INDICATOR,3268.....19, 21	DECAL,SYMBOL-CRUSHING HAZARD.....19, 21
DECAL, POWER TO PLATFORM 230V**...11, 13-14, 17, 19, 21	DECAL,LABEL,FAULT CODES.....11, 13-14, 17	DECAL,SYMBOL-ELEC HAZARD,GS.....19, 21
DECAL, SYMBOL - READ THE MANUAL...19, 21	DECAL,LABEL,GROUND CONTROL PNL.....11, 13-14, 17	DECAL,SYMBOL-FOOT CRUSHING.....21
DECAL,CAUTION,CRUSH HAZ, RAILS.....11, 13-14, 17	DECAL,LABEL,LATCH.....11, 13-14, 17	DECAL,SYMBOL-SKIN INJECT HAZRD....19, 21
DECAL,CAUTION,SHUTOFF VALVES**.....19	DECAL,LABEL,LIFTING EYE....13-14, 17, 19, 21	DECAL,SYMBOL-USE SAFETY ARM.....19, 21
DECAL,CHEVRON RANDO HD.....11, 13-14, 17	DECAL,LABEL,MANUAL NOT HERE...11, 13-14, 17	DECAL,TIP-OVER BATT SYMB.....21
DECAL,COSMETIC,4 X 2....11, 13-14, 17, 19, 21	DECAL,LABEL,MAXCAP CE GS2668.....19	DECAL,USE DEXRON***.....11
DECAL,COSMETIC,GENIE GS-2668DC....11, 13-14, 17, 19, 21	DECAL,LABEL,OUTRIGGER LD 2668.....17, 21	DECAL,WARN,IMPROPER OPERATION...11, 13-14, 17
DECAL,COSMETIC,GENIE GS-3268DC....11, 13-14, 17, 19, 21	DECAL,LABEL,OUTRIGGER LD 3268.....17, 21	DECAL,WARN,SKIN INJECTION HAZ*.....13-14, 17
DECAL,CRUSH HAZ RAILS SYMB.....21	DECAL,LABEL,PATENTS.....11, 13-14, 17	DECAL,WARNING,CRUSHING HAZARD.....17
DECAL,DANGER DO NOT ALTER SWTC.....11, 13-14, 17	DECAL,LABEL,PLAT CONT LOCATION.....13-14, 17	DECAL,WARNING,PIPE CRADLE,SCIS.....14
DECAL,DANGER,BATTERY SAFETY***.....17	DECAL,LABEL,PWR TO CHARGR 115V....11, 13-14, 17, 19, 21	DECAL,WARNING-COMPART ACCESS...11, 13-14, 17
DECAL,DANGER,BRAKE REL SAFETY.....17	DECAL,LABEL,PWR TO CHARGR 230V....11, 13-14, 17, 19, 21	DECK PLATE,EXTENSION,GS68.....83, 85
DECAL,DANGER,BRAKE REL SAFETY*...11, 14	DECAL,LABEL,SAFETY ARM.....11, 13-14, 17	DECK PLATE,MAIN,GS68.....75
DECAL,DANGER,CRUSHING HAZARD.....11, 13-14, 17	DECAL,LABEL,TRANSPORT TIE 68....14, 17, 19, 21	DIAGNOSTIC FEMALE Q-DSCNT.....38
DECAL,DANGER,ELEC HAZARD,GS.....11, 13-14, 17	DECAL,LABEL,TRANSPORT TIEDOWN*..11, 13-14, 17, 19, 21	DIODE, 3 AMP.....57
DECAL,DANGER,ELEC HAZARD,GS.....11, 13-14, 17	DECAL,LABEL,WHEEL LD,GS2668DC....14, 17, 19, 21	DRAW LATCH,OVER-CENTER***.....83
D E C A L , D A N G E R , E L E C T HAZARD,PLUG.....11, 13-14, 17	DECAL,LABEL,WHEEL LD,GS3268DC....14, 17, 19, 21	
DECAL,DANGER,GENERAL SAFETY.....11, 13-14	DECAL,LANYARD ANCHORAGE POINT...11, 13-14, 17, 19, 21	
DECAL,DANGER,MAN FRC,GS3268,CE...19, 21	DECAL,NOTICE, OPER INST, GCP.....11, 13-14, 17	
DECAL,DANGER,MANUAL FORCE,400N....19	DECAL,NOTICE,BATT CONNECT DIAG....11, 13-14, 17	
DECAL,DANGER,MAX CAP,2668 ANSI.....19, 21	DECAL,NOTICE,HAZARDOUS MAT'LS*...11, 13-14	
DECAL,DANGER,MAX CAP,3268 ANSI.....19, 21	DECAL,NOTICE,MAX CAP 1000/300...11, 13-14, 17	
DECAL,DANGER,MAX CAP,5390 ANSI.....65	DECAL,NOTICE,MAX CAP 1250....11, 13-14, 17	
DECAL,DANGER,MAXCAP CE GS2668.....19	DECAL,NOTICE,PLAT OP INS,68DC*.....13-14, 17	
DECAL,DANGER,MAXCAP CE GS3268.....19, 21	DECAL,NOTICE,PLATFORM OPER INS....11, 13-14	
DECAL,DANGER,NO SMOKING.....17	DECAL,NOTICE,SHUTOFF VALVES.....11, 14	
DECAL,DANGER,NO SMOKING ***.....11, 13-14, 19	DECAL,NOTICE,SIDE FRC,2668,AUS.....11, 13-14, 17	
DECAL,DANGER,SIDE FRC,GS68ANSI....19, 21	DECAL,NOTICE,SIDE FRC,2668ANSI.....11, 13-14, 17	
DECAL,DANGER,TIP-OVER BATTERY.....17	DECAL,NOTICE,SIDE FRC,3268,AUS.....11, 13-14, 17	
DECAL,DANGER,TIP-OVER,BATTERY.....11, 13-14	DECAL,NOTICE,SIDE FRC,3268ANSI.....11, 13-14, 17	
DECAL,DANGER,TIP-OVER,TILT.....11, 13-14, 17	DECAL,NOTICE,TIRE SPECS....11, 13-14, 17	
DECAL,DANGER-GEN SAFETY.....17	DECAL,OVERLAY,PLAT CONTROLS***.....13-14, 17, 19, 21	
DECAL,DANGER-USE SAFETY ARM.....14, 17	DECAL,POWER TO PLATFORM 115V.....11, 13-14, 17, 19, 21	
DECAL,EMERGENCY LOWER.....17, 21	DECAL,SYM-TIP-OVER,LIM SWITCH.....21	
DECAL,GROUND CONTROL PANEL.....11, 13-14, 17, 19, 21	DECAL,SYM-TIP-OVER,TILT ALARM.....21	
DECAL,INSTRUCT-ANNUAL INSP REQ....14, 17	DECAL,SYMBOL-BATTERY SAFETY.....19, 21	
DECAL,INSTRUCTIONS-CHARGER OP....11, 13-14, 17		
DECAL,JOYSTICK CONTROLLER.....11		
DECAL,LABEL, AIR LINE 110 PSI.....13-14, 17, 19, 21		

**E**

E-DOWN BATTERY ASSY.....29  
 ECM,GS68 DC,GEN4\*\*\*.....29  
 ECU,SLAB/GR GEN 5\*\*\*.....29  
 ECU/LCP TRAY ASSY, W/DECAL,DC.....35  
 ELBOW,90D,520220-4-4.....51, 53  
 ELBOW,90ø,5 MPT X.5BRB PLST.....51  
 ENCLOSURE GEN 5.....95  
 ENDRAIL ASSY. EXT. DECK GS68.....83, 85  
 EXTRUSION,ALUM,V-ROLLER TRK.....85

**F**

FILTER ASSY,FIBERGLASS,GS68\*\*\*.....29  
 FILTER ASSY,SAE 12 NO INDICAT\*.....29  
 FILTER ELEMENT, 10 MICRON.....29  
 FILTER ELEMENT,10 MICRON.....29  
 FILTER,ELEMENT,F'GLASS,6 MICRN.....29  
 FITTING,KIT-HYDRAULIC TANK.....51, 53  
 FITTING,6-6BLKHEADUNION 520601.....51  
 FITTING,CONN,520120-12\*\*\*.....51, 53  
 FITTING,ELBOW,90D,520220-12.....51, 53  
 FITTING,REDUCER,520123-12-8\*\*\*.....51, 53  
 FITTING,TEE,RUN,SWIVEL52043212.....51  
 FIXED RAIL,CHAIN GATE,GS2032.....99  
 FLOW DIVIDER/COMBINER,#10\*\*.....37-38  
 FORMING, CABLE BRIDGE.....69  
 FORMING, CABLE BRIDGE, CENTER.....69  
 FORMING, CABLE BRIDGE, UPPER.....63  
 FORMING, CHARGER SHELF....43, 45  
 FORMING, GUARD CONTACT FRNT LT....107  
 FORMING, GUARD CONTACT FRNT RT...107  
 FORMING, GUARD CONTACT REAR LT...105  
 FORMING, GUARD CONTACT REAR RT....105  
 FORMING, NOSE GUARD, LEFT GS68.....113  
 FORMING, NOSE GUARD, RIGHT.....113  
 FORMING, PIPE HOLDER RACK.....123  
 FORMING,BATTERY BRACKET.....29  
 FORMING,BATTERY HOLDER FRONT....47  
 FORMING,BATTERY HOLDER REAR.....47  
 FORMING,BATTERY SHELF.....47  
 FORMING,BATTERY TRAY.....31





**I**

INNER ARM #3 W/BEARINGS GS2668.....59  
 INNER ARM #3 W/BEARINGS GS3268.....65  
 INNER ARM #5 W/BEARINGS GS3268.....65  
 INNER ARM ASSY #4,W/SY DECALS\*.....59, 65  
 INNER ARM ASSY, W/BEARINGS.....65  
 INNER ARM ASSY, W/DECALS.....59, 65  
 INNER ARM ASSY,#1W/BRNGS,2668.....59, 65  
 INNER ARM#4 W/BEARINGS GS68.....59  
 INNER CONE BEARING.....23  
 INVERTER,48VDC,120VAC/60HZ.....133  
 INVERTER,48VDC,220VAC/50HZ.....133

**J**

JOYSTICK CABLE,3268.....57, 93  
 JOYSTICK CABLE,PIGTAIL.....57  
 JOYSTICK CONTROLLER.....97  
 JOYSTICK HANDLE SET, COMPLETE.....99  
 JOYSTICK,SINGL AXIS,HALL,SLAB.....99  
 JOYSTICK,SINGL AXIS,HALL,SLAB\*.....99

**K**

KEEPER, 1/4 TURN FASTENER.....29  
 KEY SINGLE\*\*\*.....35  
 KEY,RECTANGULAR,,.31X.28X1.25\*\*.....25  
 KEY,SINGLE\*\*\*.....35  
 KEYS,10 PACK\*\*\*.....35  
 KEYSWITCH,3 POS W/KEYS,LOCKING.....35  
 KEYSWITCH,3 POS. W/KEYS\*\*\*.....35  
 KEYSWITCH,3POS.MNTND.DR WKEY\*\*.....35  
 KIT, BAT CHARGER, RT68 CE.....45  
 KIT, BAT CHARGER, RT68 DOM.....45  
 KIT, BAT CHARGER, RT68 UK 110.....45  
 KIT, BAT CHARGER, RT68 UK 220.....45  
 KIT, KEYSWITCH\*\*\*.....35  
 KIT, PLATFORM PC RECEPT/SOC.....99  
 KIT,ASSY,LED,IES CHARGER.....45  
 KIT,GASKET,UK POWER TO PLAT.....91  
 KIT,GEN 5 COIL CORD.....93, 95  
 KIT,GEN5 ECU & MOUNTING,68DC.....29  
 KIT,GEN5 PLAT CONTROLLER.....93  
 KIT,JOYSTICK ENABLE SWITCH.....99  
 KIT,JOYSTICK STEER SWITCH.....99  
 KIT,LINKGUARDS 2668.....117  
 KIT,LINKGUARDS 3268.....117  
 KNOB,HAND PUMP (RED)\*\*\*.....33  
 KNOB,PILOT OP VALVE (BLACK)\*\*\*.....33

**L**

LANYARD,BLACK NYLON,TYPE 1\*\*\*.....77, 81, 85  
 LATCH ASSEMBLY-CONTROL BOX.....83, 85  
 LATCH GUIDE,INNER GS68.....89  
 LATCH GUIDE,OUTER GS68.....89  
 LATCH PIN.....87  
 LATCH, SMALL PADDLE HANDLE.....49  
 LATCH,FLUSH GS68.....49  
 LENS,FLASHING BEACON.....119  
 LEVEL SENSOR,LS60,BLUE,2X3\*\*.....27  
 LEVEL SENSOR,LS60,BLUE,2X4\*\*.....27  
 LEVER,FUNC ENABLE SWITCH,RGE\*\*.....97  
 LOCKNUT,ELEC,1/2".....133  
 LUG BOLT,45 DEG,1/2-20 UNF.....25

**M**

MAIN PLAT DECK DIAMOND PLATE.....77  
 MANIFOLD,BRAKE RELEASE.....33  
 MANIFOLD,DRIVE/FUNC,GS68DC.....37-38  
 MANUAL BOX W/DECALS\*\*\*.....83, 85  
 MICROSWITCH-V319M\*\*\*.....97  
 MOTOR HEADBAND,36843.....41  
 MOTOR LEAD ASSY KIT, 36843.....41  
 MOTOR,48VDC.....41  
 MOTOR/BRAKE 28.3 CU.IN./REV.....25

**N**

NEEDLE/HOUSING ASSY W/KNOB\*\*\*.....33  
 NIPPLE,DIAGNOSTIC,#4.....37-38  
 NUT - PLASTIC,RING FOR ALARMS.....27, 95  
 NUT, LP NYLOCK, 3/8-16.....29, 31, 43, 45, 47, 59, 65, 75, 83, 85, 89, 133  
 NUT, SPINDLE 7/8 - 14.....23  
 NUT, WHEEL 9/16 - 18.....23  
 NUT,CASTLE,1.125-18 UNEF.....25  
 NUT,COIL (39909).....61, 67  
 NUT,JOYSTICK,44988, RGE.....97  
 NUT,LOCKING-LG.FLANGE,5/16-18.....47, 49  
 NUT,LP NYLOCK,1/2-13.....83, 87  
 NUT,LP NYLOCK,1/4-20.....61, 63, 67, 69, 79, 85, 129  
 NUT,LP NYLOCK,5/8-11.....77, 111  
 NUT,NYLOCK,1/2-13.....25  
 NUT,NYLOCK,1/4-20.....29, 31, 43, 45, 47, 49, 61, 63, 67, 69, 75, 81, 83, 85, 87, 89, 91, 101, 103, 105, 119, 133  
 NUT,NYLOCK,10-24.....35  
 NUT,NYLOCK,10-32.....27, 43, 47, 103, 119, 129, 131  
 NUT,NYLOCK,3/4-10,GRD.2.....25, 49  
 NUT,NYLOCK,3/8-16.....25, 27, 29, 31, 33, 43, 45, 47, 49, 59, 61, 63, 65, 67, 69, 71, 73, 75, 77, 79, 81, 83, 85, 87, 89, 101, 103, 105, 107, 111, 113, 117, 123, 125, 127, 129, 131, 135  
 NUT,NYLOCK,5/16-18.....103, 117, 129, 131  
 NUT,NYLOCK,5/8-11.....25, 75, 83  
 NUT,NYLOCK,8-32.....83, 85  
 NUT-COIL SHORT.....37-38  
 NUT-COIL,REXROTH DO3 VALVE.....37-38  
 NUT-MOUNTING,PUSH BUTTON-44988.....97  
 NUT-THIN HEAVY HEX, 1/4-20.....47

**O**

O-RING KIT (ORFS FITTINGS).....37-38  
 O-RING KIT,FIELD SVC,ALL PROD\*.....37-38  
 ORIFFICE,0.050 INCH.....37-38  
 ORIFFICE PLUG, 0.035.....37-38  
 ORIFFICE,LONG, .059".....61, 67  
 OUTER ARM #1 W/BEARINGS GS2668.....59, 65  
 OUTER ARM #4 W/BEARINGS GS2668.....59  
 OUTER ARM #4 W/BEARINGS GS3268.....65  
 OUTER ARM #4 W/BEARINGS,GS3268.....65  
 OUTER ARM #5 W/BEARINGS GS3268.....65  
 OUTER ARM ASSY #2,W/SY DECALS\*.....59, 65  
 OUTER ARM ASSY, W/BEARINGS.....59, 65  
 OUTER ARM ASSY, W/DECALS\*.....59, 65  
 OUTER CONE BEARING.....23  
 OUTLET, 110V.....91  
 OVERLAY, PLAT CNTRL BOX,GEN4~.....13-14, 19

**P**

PC BOARD,PLAT CNTRL,SLAB.....93  
 PC BOARD,SLAB,GEN 4.....93  
 PIN, COTTER 5/32 1 1/2.....23  
 PIN, SHOULDER, 5/8-11 X 1.77.....77  
 PIN, WIRE LOCK 3/8 X 2 -1/2.....77, 81, 85  
 PIN,1.00DIAX4.6 LG,1HOLE.....59, 65  
 PIN,1.25DIAX2.75LG,1HOLE.....23  
 PIN,1.50DIAX8.45LG,1HOLE.....61, 67, 69  
 PIN,1.75DIAX26.71LG,2RING.....59, 65  
 PIN,1.75DIAX5.87LG,CHAMFER.....59, 65  
 PIN,1.75DIAX7.35LG,CHAMFER.....71, 73  
 PIN,1.75DIAX8.51LG,2RING.....59, 65  
 PIN,CLEVIS,1 X 2.5 LG.....23  
 PIN,CLEVIS,1X2.250,ZAG.....23  
 PIN,COTTER,,125 X 1.5.....23  
 PIN,EXTENSION ROLLER.....75, 83  
 PIN,SNAP,ENTRY RAIL.....31, 79, 83, 111, 133  
 PIN-THREADED SHLDR OFFS,5/8-11.....111  
 PIPE CRADLE KIT,GS68.....123  
 PLAT ASSY,2668DC,ANSI,115V.....71, 83  
 PLAT ASSY,2668DC,ANSI,230V.....71, 83  
 PLAT ASSY,2668DC,CE,115V.....71, 83  
 PLAT ASSY,2668DC,CE,230V.....71, 83  
 PLAT ASSY,3268DC,ANSI,115V.....71, 83  
 PLAT ASSY,3268DC,ANSI,230V.....71, 83  
 PLAT ASSY,3268DC,CE,115V.....71, 83  
 PLAT ASSY,3268DC,CE,230V.....71, 83  
 PLAT ASSY,ANSI&CSA,GS2668DC.....73  
 PLAT ASSY,ANSI&CSA,GS3268 DC.....73  
 PLAT ASSY,CE,GS2668 DC.....73  
 PLAT ASSY,CE,GS3268 DC.....73  
 PLAT ASSY,COMP,ANSI,2668DC.....73  
 PLAT ASSY,COMP,ANSI,3268DC.....73  
 PLAT ASSY,COMP,ASIA/S.A,2668DC.....73  
 PLAT ASSY,COMP,ASIA/S.A,3268DC.....73  
 PLAT ASSY,COMP,AUS,2668DC.....73  
 PLAT ASSY,COMP,AUS,3268DC.....73  
 PLAT ASSY,COMP,CE,2668DC.....73  
 PLAT ASSY,COMP,CE,3268DC.....73  
 PLAT CONT BOX,GEN 4 W/ADAPTER\*.....93  
 PLAT CONTROL CIRCT BRD ASSY G5.....95  
 PLAT DK ASSY,ANSI&CSA,2668DC.....73  
 PLAT DK ASSY,ANSI&CSA,3268DC.....73  
 PLAT DK ASSY,ASIA/S.AME,2668DC.....73  
 PLAT DK ASSY,ASIA/S.AME,3268DC.....73  
 PLAT DK ASSY,AUS,2668DC.....73  
 PLAT DK ASSY,AUS,3268DC.....73  
 PLAT DK ASSY,CE,2328DC.....73  
 PLATE, 3268 COUNTERWEIGHT.....49  
 PLATE, CASTLE NUT LOCK.....25  
 PLATE,AC ADAPTER,DIN/UK\*\*\*.....91  
 PLATE,AIR INTAKE COVER.....47  
 PLATE,COUNTERWEIGHT,GS68DC.....29  
 PLATE,COUNTERWEIGHT,LT,68DC.....29  
 PLATE,COUNTERWEIGHT,RT,68DC.....47  
 PLATE,EXT LATCH TEETH GS68.....89  
 PLATE,HOSE BLK SUPPORT,UPPER.....25  
 PLATE,HOSE COVER.....25  
 PLATE,LATCH GUIDE GS68.....89  
 PLATE,LIFT ARM CAM GS68.....61, 67  
 PLATE,PIPE HOLDER, GS68.....123  
 PLATE,PLATFORM END GUARD.....117  
 PLATE,RADIATOR COVER.....47  
 PLATE,RAIN CAP COVER,DC.....47  
 PLATE,UK POWER TO PLATFORM.....91  
 PLATFORM ASSY,ANSI,GS2668DC.....71  
 PLATFORM ASSY,ANSI,GS3268 DC.....71  
 PLATFORM ASSY,CE GS2668 DC.....71





VALVE ASSY,D03,REX,2POS 4WAY.....37-38  
 VALVE ASSY,D03,REX,2POS 4WAY\*\*.....37-38  
 VALVE ASSY,D03,REX,3POS 4WAY\*\*.....37-38  
 VALVE,2 POSITION 2 WAY\*\*\*.....61, 67  
 VALVE,CHECK(SCISSORS) GS68.....37-38  
 VALVE,CHECK,IWP-S/CWP PWR ASSI.....37-38  
 VALVE,D03 2POS 4WAY.....37-38  
 VALVE,D03 REXROTH 2POS 4WAY.....37-38  
 VALVE,D03 REXROTH 3POS 4WAY\*\*\*.....37-38  
 VALVE,DBL PULL S-NOID 20V\*\*\*.....61, 67  
 VALVE,HAND PUMP ASSEMBLY\*\*\*.....33  
 VALVE,HAND PUMP, 2003 MINI.....33  
 VALVE,PILOT OPERATED ASSEMBLY\*.....33  
 VALVE,RELIEF,1500PSI\*\*\*.....37-38  
 VALVE,RELIEF,3500PSI\*\*\*.....37-38  
 VALVE,SOLENOID,3POS 4WAY.....37-38  
 VALVE-CHECK,100PSI,SIZE 10.....37-38  
 VALVE-CHECK,PILOT OPER,2003MIN.....33  
 VALVE-PRIORITY FLOW,3GPM.....37-38  
 VALVE-RELIEF,3700 PSI,SIZE 10.....37-38  
 VALVE-RELIEF,3700PSI,SIZE 10.....37-38  
 VALVE-SOLENOID 2-POS 2-WAY,NO.....37-38  
 VALVE-SOLENOID N.O.(SCISSORS)\*.....37-38

## W

WASHER,FLAT,812X2X.14 HARDEN.....49  
 WASHER,FLAT,MS,#10,Y.....43, 103, 109  
 WASHER,FLAT,USS,1/4"Y.....29, 43, 45, 61, 63, 67, 69, 71, 73, 79, 81, 83, 85, 101, 103, 105  
 WASHER,FLAT,USS,3/8",Y.....81, 87, 105, 107, 111, 113, 117, 123, 135  
 WASHER,FLAT,USS,5/16",Y.....23, 25, 29, 31, 43, 45, 47, 59, 61, 63, 65, 67, 69, 83, 101, 103, 117  
 WASHER,LOCK,#10 PLTD.....109  
 WASHER,LOCK,#10, CHARGER FUSE.....43  
 WASHER,LOCK,.25.....29, 61, 63, 67, 69, 95, 133  
 WASHER,LOCK,.375.....23, 25, 27, 31, 33, 41, 47, 59, 65, 83, 85, 93, 125, 127  
 WASHER,NYLON .50 X 1.25 X .063...31, 125, 127, 133  
 WASHER,NYLON,.406 X.750 X.032.....89  
 WASHER,SCIS ARM,1.79X2.25X.120.....59, 65, 71, 73  
 WASHER,SHIM,.5 X .875 X .063.....75  
 WASHER,SHOULDER,NYLON.....89  
 WASHER,SPINDLE.....23  
 WASHER,STAR,EXTERNAL,.375.....31, 47  
 WASHER,STAR,INTERNAL,#10.....31  
 WASHER,THRUST .75 X 1.25 X .06.....75, 77, 79, 83, 87  
 WASHER-SOLENOID VALVE (66683)\*.....61, 67  
 WEAR PAD 2668.....59, 65  
 WEAR PAD, GUARD CONTACT, GS68.....105, 107  
 WEAR PAD, LOWER EXT INNER, 68.....103  
 WEAR PAD, LOWER GUIDE, GS68.....103  
 WEAR PAD, UPPER EXT INNER,GS68.....103  
 WEAR PAD, UPPER GUIDE, GS68.....103  
 WEAR PAD,4.25 X 1.5 X 1.....103, 105

WELDMNT, EXTENSION BASE, GS68.....103  
 WELDMNT, GUARD, GATE.....111  
 WELDMNT, GUARD, REAR, LEFT.....111  
 WELDMNT, GUARD, REAR, RIGHT.....111  
 WELDMNT, GUARD, TOP, LEFT.....113  
 WELDMNT, GUARD, TOP, RIGHT.....113  
 WELDMNT, LOWER EXT SECTION,68.....103  
 WELDMNT, UPPER EXT SECTION,68.....103  
 WELDMNT,3268 AXLE CW.....25  
 WELDMNT,ENTRY GATE.....81  
 WELDMNT,ENTRY GATE 68.....79  
 WELDMNT,EXTENSION DECK.....85  
 WELDMNT,EXTENSION DECK SIDE.....83  
 WELDMNT,FRONT LEFT GUARD.....113  
 WELDMNT,FRONT RIGHT GUARD.....113  
 WELDMNT,FRONT STEER.....23  
 WELDMNT,GENERATOR TRAY.....133  
 WELDMNT,HOSE GUIDE,ELEVATED.....47  
 WELDMNT,LADDER, GS3268.....25  
 WELDMNT,LADDER,PAINTED,GS68.....25  
 WELDMNT,LATCH HANDLE.....87  
 WELDMNT,LINKGUARD JOINT,LEFT.....103  
 WELDMNT,LINKGUARD JOINT,RIGHT.....103  
 WELDMNT,MAIN RAIL,RIGHT.....77  
 WELDMNT,MAIN,A-RAIL,LEFT.....81  
 WELDMNT,MAIN,A-RAIL,RIGHT.....81  
 WELDMNT,MANIFOLD MOUNT.....31  
 WELDMNT,MESH RAIL JOINT, LEFT.....103  
 WELDMNT,MESH RAIL JOINT,RIGHT.....103  
 WELDMNT,SIDE EXT RAIL,LEFT.....85  
 WELDMNT,SIDE EXT RAIL,RIGHT.....85  
 WELDMNT,SIDERAIL,GS68.....75  
 WELDMNT,SLIDER BLOCK.....59  
 WELDMNT,TIEROD.....23  
 WHEEL,4 X 1.5.....75, 83  
 WIRE ASSY,DOWN LIMIT SWITCH.....27  
 WIRE ASSY,MANIFOLD GND,GS68.....55  
 WIRE CABLE,14/3 CON.TPE JKT\*.....91, 133  
 WIRE CABLE,18/2 SJO,BULK.....133  
 WIRE CAP,ORANGE.....91  
 WIRE MESH ASSY,END, 18 GA 1/4".....109  
 WIRE MESH ASSY,SIDE,18 GA 1/4".....109  
 WIRE,6 GA,BLACK,GXL.....133  
 WIRE,6 GA,RED,GXL.....133  
 WLDMT,LEFT END RAIL MAIN PLAT.....79  
 WLDMT,RT END RAIL MAIN PLAT.....79  
 WORKLIGHT,24V,COIL CORD.....121  
 WORKLIGHT,24V,DEUTSCH PLUG.....121

## Y

YOKE ASSY,ENGINE SIDE,DC.....23  
 YOKE ASSY,ENGINE/BAT SIDE,GS68.....23  
 YOKE ASSY,GRD CTRL SIDE, GS68.....23  
 YOKE ASSY,GRD CTRL SIDE,DC.....23



## Fitting Cross References

Genie PN	Parker PN	Description	Genie PN	Parker PN	Description
12342	6-4 F5OX-S	CONNECTOR,STRAIGHT THREAD TO FLARE TUBE	42794	1 CR-S	ELBOW,90°,MALE PIPE
13757	4 R6X-S	RUN TEE,SWIVEL NUT,ORFS	42795	BV-0839	BALL VALVE
19685	12-10 C5OX-S	ELBOW,90°,STRAIGHT THREAD TO FLARE TUBE	42796	BV-0838	BALL VALVE
22664	12-10 C5OX	ELBOW,90°,STRAIGHT THREAD TO FLARE TUBE	42874	6-8 CLO-S	ELBOW,90°,MALE PIPE TO ORFS
27431	8-12 F5OX-S	CONNECTOR,STRAIGHT THREAD TO FLARE TUBE	42912	13943-6-4	HOSE END,90° FEMALE SWIVEL,JIC
28678	AS-B-33	SLEEVE,NYLON,1.81" ID	42920	BV-0840	BALL VALVE,90°
39871	6 WETX-WLN-S	UNION,90° BULKHEAD W/NUT,FLARE TUBE	42932	AS-B-17	SLEEVE,NYLON,1.22" ID
39872	4 R5OX-S	RUN TEE,STRAIGHT THREAD	42936	10243-2-4	HOSE END,FEMALE PIPE
39873	6 C5OX-S	ELBOW,90°,STRAIGHT THREAD TO FLARE TUBE	42953	1/2 DD-S	ELBOW,90°,FEMALE PIPE
39874	8-6 C5OX-S	ELBOW,90°,STRAIGHT THREAD TO FLARE TUBE	42956	6 WELO-WLNL-S	UNION,90° BULKHEAD W/NUT,ORFS
39875	4-6 C5OX-S	ELBOW,90°,STRAIGHT THREAD TO FLARE TUBE	45349	8 V5OX-S	ELBOW,45°,STRAIGHT THREAD TO FLARE TUBE
39876	6-8 C5OX-S	ELBOW,90°,STRAIGHT THREAD TO FLARE TUBE	45351	4 V5OX-S	ELBOW,45°,STRAIGHT THREAD TO FLARE TUBE
39877	4 F5OX-S	CONNECTOR,STRAIGHT THREAD TO FLARE TUBE	47223	10343-6-6	HOSE END,MALE,JIC
39878	6 F5OX-S	CONNECTOR,STRAIGHT THREAD TO FLARE TUBE	47419	PS690503-6-6	SWIVEL,90°,STRAIGHT THREAD TO 37° FLARE
39879	4-8 F5OX-S	CONNECTOR,STRAIGHT THREAD TO FLARE TUBE	48750	421-4	HOSE,1/4 INCH ID
39880	6-10 F5OX-S	CONNECTOR,STRAIGHT THREAD TO FLARE TUBE	48751	481TC-4	HOSE,1/4 INCH ID
39881	4-6 F5OX-S	CONNECTOR,STRAIGHT THREAD TO FLARE TUBE	48752	482TC-4	HOSE,1/4 INCH ID
39882	4-HP5ON-S	PLUG,STRAIGHT THREAD	48753	451TC-6	HOSE,3/8 INCH ID
39883	8-8 FTX-S	CONNECTOR,MALE PIPE TO FLARE TUBE	48754	482TC-6	HOSE,3/8 INCH ID
39885	269HB 12-12	ELBOW,90°,BEADED HOSE BARB TO MALE PIPE	48755	381-6	HOSE,3/8 INCH ID
39886	431-6	HOSE,3/8 INCH ID	48756	451TC-8	HOSE,1/2 INCH ID
39887	540N-2	HOSE,1/8 INCH ID	48757	482TC-8	HOSE,1/2 INCH ID
39888	801-8	HOSE,1/2 INCH ID	48758	381-8	HOSE,1/2 INCH ID
39889	801-12	HOSE,3/4 INCH ID	48759	381-10	HOSE,5/8 INCH ID
39890	10643-6-6	HOSE END,FEMALE SWIVEL,JIC	48760	451TC-10	HOSE,5/8 INCH ID
39891	13943-6-6	HOSE END,90° FEMALE SWIVEL,JIC	48761	482TC-12	HOSE,3/4 INCH ID
39892	13743-6-6	HOSE END,45° FEMALE SWIVEL,JIC	48762	451TC-12	HOSE,3/4 INCH ID
39894	30682-8-8	HOSE END,FEMALE SWIVEL,JIC	48763	772-12	HOSE,3/4 INCH ID
39895	30682-10-12	HOSE END,FEMALE SWIVEL,JIC	48764	881-16	HOSE,1 INCH ID
42286	8-8 CTX-S	ELBOW,90°,MALE PIPE TO FLARE TUBE	48765	772-16	HOSE,1 INCH ID
42756	8-12 CLO-S	ELBOW,90,MALE PIPE TO ORFS	48766	AS-B-15	SLEEVE,NYLON,1.06" ID
42757	8-12 FLO-S	CONNECTOR,MALE PIPE TO ORFS	48767	AS-B-22	SLEEVE,NYLON,1.42" ID
42758	4 JLO-S	UNION TEE,ORFS	48770	881-8	HOSE,1/2 INCH ID
42759	4-4 FLO-S	CONNECTOR,MALE PIPE TO ORFS			
42760	6-8 FLO-S	CONNECTOR,MALE PIPE TO ORFS			
42761	1J143-6-4	HOSE END,90° FEMALE SWIVEL,SEAL LOK			
42762	1J743-6-4	HOSE END,45° FEMALE SWIVEL,SEAL LOK			
42768	1JO43-4-4	HOSE END,MALE,SEAL LOK			
42776	601-8	HOSE,1/2 INCH ID			
42777	1J743-16-16	HOSE END,45° FEMALE SWIVEL,SEAL LOK			
42786	16 CLO-S	ELBOW,90°,MALE PIPE TO ORFS			
42787	16 R6LO-S	RUN TEE,SWIVEL NUT,ORFS			
42788	16-8 TRLO-BL-S	REDUCER,TUBE END TO SWIVEL,ORFS			
42789	6-6 CLO-S	ELBOW,90°,MALE PIPE TO ORFS			
42790	8-10 V5OLO-S	ELBOW,45°,STRAIGHT THREAD TO ORFS			
42791	3/4 CD-S	ELBOW,90°,MALE TO FEMALE PIPE			
42792	3/4 X 1/2 PTR-S	REDUCER,MALE TO FEMALE PIPE			
42793	1/2 CR-S	ELBOW,90°,MALE PIPE			

## Fitting Cross References (Continued)

Genie PN	Parker PN	Description	Genie PN	Parker PN	Description
48771	881-10	HOSE,5/8 INCH ID	48847	13943-12-12	HOSE END,90° FEMALE SWIVEL,JIC
48772	381-4	HOSE,1/4 INCH ID	48848	10543-12-12	HOSE END,MALE,STRAIGHT THREAD
48773	AS-B-13	SLEEVE,NYLON,.86" ID	48849	1JC71-12-12	HOSE END,FEMALE SWIVEL,SEAL LOK
48800	1JC43-4-4	HOSE END,FEMALE SWIVEL,SEAL LOK	48850	1JS71-12-12	HOSE END,FEMALE SWIVEL,SEAL LOK
48801	1J743-4-4	HOSE END,45° FEMALE SWIVEL,SEAL LOK	48851	1J171-12-12	HOSE END,90° FEMALE SWIVEL,SEAL LOK
48802	1J943-4-4	HOSE END,90° FEMALE SWIVEL,SEAL LOK	48852	1J771-12-12	HOSE END,45° FEMALE SWIVEL,SEAL LOK
48804	1JM43-4-4	HOSE END,MALE,SEAL LOK, NO O-RING	48853	1J971-12-12	HOSE END,90° FEMALE SWIVEL,SEAL LOK
48805	10643-4-4	HOSE END,FEMALE SWIVEL,JIC	48854	1JC43-16-16	HOSE END,FEMALE SWIVEL,SEAL LOK
48806	13943-4-4	HOSE END,90° FEMALE SWIVEL,JIC	48855	1J943-16-16	HOSE END,90° FEMALE SWIVEL,SEAL LOK
48807	1JS43-4-4	HOSE END,FEMALE SWIVEL,SEAL LOK	48856	1J171-16-16	HOSE END,90° FEMALE SWIVEL,SEAL LOK
48808	3JC82-8-8	HOSE END,FEMALE SWIVEL,SEAL LOK	48857	1J971-16-16	HOSE END,90° FEMALE SWIVEL,SEAL LOK
48809	3JC82-12-12	HOSE END,FEMALE SWIVEL,SEAL LOK	48859	1JS43-8-4	HOSE END,FEMALE SWIVEL,SEAL LOK
48810	1JC43-6-4	HOSE END,FEMALE SWIVEL,SEAL LOK	48867	PD36BTL	DIAGNOSTIC NIPPLE,SEAL-LOK SWIVEL
48811	1J943-6-4	HOSE END,90° FEMALE SWIVEL,SEAL LOK	48873	6 PNLO-S	PLUG,TUBE END,ORFS
48812	1JC43-6-6	HOSE END,FEMALE SWIVEL,SEAL LOK	48874	6 PNTX-S	PLUG,FLARE TUBE
48813	1J143-6-6	HOSE END,90° FEMALE SWIVEL,SEAL LOK	48875	6 R6LO-S	RUN TEE,SWIVEL NUT,ORFS
48814	1J543-6-6	HOSE END,90° FEMALE SWIVEL,SEAL LOK	48877	4 F5OLO-SW/.025	CONNECTOR,STRAIGHT THREAD TO ORFS, W/.025 ORI
48815	1J743-6-6	HOSE END,45° FEMALE SWIVEL,SEAL LOK	48878	16-12 C5OLO-S	ELBOW,90°,STRAIGHT THREAD TO ORFS
48816	1J943-6-6	HOSE END,90° FEMALE SWIVEL,SEAL LOK	48879	8 C6LO-S	ELBOW,90°,SWIVEL NUT ORFS
48817	1JS43-6-8	HOSE END,FEMALE SWIVEL,SEAL LOK	48880	PD6-285	CAP,DIAGNOSTIC NIPPLE
48818	1J943-8-4	HOSE END,90° FEMALE SWIVEL,SEAL LOK	48881	6 HLO-S	UNION,ORFS
48819	1JC43-8-6	HOSE END,FEMALE SWIVEL,SEAL LOK	48883	8 P5ON-S	PLUG,STRAIGHT THREAD
48820	1J743-8-6	HOSE END,45° FEMALE SWIVEL,SEAL LOK	48884	8M18F87OMLO-S	CONNECTOR,METRIC,STRAIGHT THREAD TO ORFS
48821	1J943-8-6	HOSE END,90° FEMALE SWIVEL,SEAL LOK	48885	4 WGTX-WLN-S	CONNECTOR,BULKHEAD,FEMALE PIPE TO FLARE TUBE
48822	1JC43-8-8	HOSE END,FEMALE SWIVEL,SEAL LOK	48886	4 F5OLO-SW/2MM	CONNECTOR,MACHINED STRAIGHT THREAD TO ORFS
48823	1JS43-8-8	HOSE END,FEMALE SWIVEL,SEAL LOK	48887	4 CTX-S	ELBOW,90°,MALE PIPE TO FLARE TUBE
48824	1J143-8-8	HOSE END,90° FEMALE SWIVEL,SEAL LOK	48888	10-12 V5OLO-S	ELBOW,45°,STRAIGHT THREAD TO ORFS
48825	1J543-8-8	HOSE END,90° FEMALE SWIVEL,SEAL LOK	48890	4 S5OLO-S	BRANCH TEE,STRAIGHT THREAD TO ORFS
48826	1J743-8-8	HOSE END,45° FEMALE SWIVEL,SEAL LOK	48891	4 S6LO-S	BRANCH TEE,SWIVEL NUT TO ORFS
48827	1J943-8-8	HOSE END,90° FEMALE SWIVEL,SEAL LOK			
48828	1JC43-10-8	HOSE END,FEMALE SWIVEL,SEAL LOK			
48829	1JS43-10-8	HOSE END,FEMALE SWIVEL,SEAL LOK			
48830	1J743-10-8	HOSE END,45° FEMALE SWIVEL,SEAL LOK			
48831	1J943-10-8	HOSE END,90° FEMALE SWIVEL,SEAL LOK			
48833	1JC43-10-10	HOSE END,FEMALE SWIVEL,SEAL LOK			
48834	1J943-10-10	HOSE END,90° FEMALE SWIVEL,SEAL LOK			
48835	1JS43-10-12	HOSE END,FEMALE SWIVEL,SEAL LOK			
48836	1JC43-12-8	HOSE END,FEMALE SWIVEL,SEAL LOK			
48837	1JS43-12-8	HOSE END,FEMALE SWIVEL,SEAL LOK			
48838	1J743-12-8	HOSE END,45° FEMALE SWIVEL,SEAL LOK			
48839	1J943-12-8	HOSE END,90° FEMALE SWIVEL,SEAL LOK			
48840	1J943-12-10	HOSE END,90° FEMALE SWIVEL,SEAL LOK			
48841	1JC43-12-12	HOSE END,FEMALE SWIVEL,SEAL LOK			
48842	1JO43-12-12	HOSE END,MALE,SEAL LOK			
48843	1J143-12-12	HOSE END,90° FEMALE SWIVEL,SEAL LOK			
48844	1J543-12-12	HOSE END,90° FEMALE SWIVEL,SEAL LOK			
48845	1J743-12-12	HOSE END,45° FEMALE SWIVEL,SEAL LOK			
48846	1J943-12-12	HOSE END,90° FEMALE SWIVEL,SEAL LOK			

## Fitting Cross References (Continued)

Genie PN	Parker PN	Description	Genie PN	Parker PN	Description
48892	6 C6LO-S	ELBOW,90°,SWIVEL NUT ORFS	48938	8 R6LO-S	RUN TEE,SWIVEL NUT,ORFS
48893	6 F5OHAO-S	UNION,STRAIGHT THREAD	48939	8 S6LO-S	BRANCH TEE,SWIVEL NUT TO ORFS
48894	8 WLO-WLNL-S	UNION,BULKHEAD,ORFS	48940	8 WJLO-WLNL-S	RUN TEE, BULKHEAD,ORFS
48895	DT-370-MSMO-5	VALVE,CHECK	48941	8-4 TRLO-S	REDUCER,TUBE END TO SWIVEL,ORFS
48896	6 JLO-S	UNION,TEE,ORFS	48942	8-6 C5OLO-S	ELBOW,90°,STRAIGHT THREAD TO ORFS
48897	DT-750-MSMS-5	VALVE,CHECK	48943	8-6 F5OLO-S	CONNECTOR,STRAIGHT THREAD TO ORFS
48898	DT-750-MOMS-5	VALVE,CHECK	48944	8-8 FLO-S	CONNECTOR,MALE PIPE TO ORFS
48899	DT-620-MOMS-5	VALVE,CHECK	48945	8 FTX-S	CONNECTOR,MALE PIPE TO FLARE TUBE
48900	4-6 F5OLO-SW/.035	CONNECTOR,STRAIGHT THREAD TO ORFS, W/.035 ORI	48946	8-10 F5OLO-S	CONNECTOR,STRAIGHT THREAD TO ORFS
48902	16-1 AOE4G-S	ELBOW,90° LONG,FEMALE PIPE TO STRAIGHT THREAD	48947	8-12 C5OLO-S	ELBOW,90°,STRAIGHT THREAD TO ORFS
48903	1 FF-S	NIPPLE,PIPE	48948	8-12 F5OLO-S	CONNECTOR,STRAIGHT THREAD TO ORFS
48904	4 C5OLO-S	ELBOW,90°,STRAIGHT THREAD TO ORFS	48949	8-16 F5OLO-S	CONNECTOR,STRAIGHT THREAD TO ORFS
48905	4 F5OLO-S	CONNECTOR,STRAIGHT THREAD TO ORFS	48950	10 C5OLO-S	ELBOW,90°,STRAIGHT THREAD TO ORFS
48906	4 R5OLO-S	RUN TEE,STRAIGHT THREAD	48951	10 CC5OLO-S	ELBOW,90° LONG,STRAIGHT THREAD TO ORFS
48907	4 V5OLO-S	ELBOW,45°,STRAIGHT THREAD TO ORFS	48952	10 F5OLO-S	CONNECTOR,STRAIGHT THREAD TO ORFS
48908	4 R6LO-S	RUN TEE,SWIVEL NUT,ORFS	48953	10 R5OLO-S	RUN TEE,STRAIGHT THREAD
48909	4 WJLO-WLNL-S	RUN TEE, BULKHEAD,ORFS	48954	10 S5OLO-S	BRANCH TEE,STRAIGHT THREAD TO ORFS
48910	4 GTX-S W/.030	CONNECTOR,FEMALE PIPE TO FLARE TUBE	48955	10 R6LO-S	RUN TEE,SWIVEL NUT,ORFS
48911	4-6 C5OLO-S	ELBOW,90°,STRAIGHT THREAD TO ORFS	48956	10-4 TRLO-BL-S	REDUCER,TUBE END TO SWIVEL,ORFS
48912	4-6 F5OLO-S	CONNECTOR,STRAIGHT THREAD TO ORFS	48957	10-6 TRLO-BL-S	REDUCER,TUBE END TO SWIVEL,ORFS
48913	4-6 F5OLO-SW/.030	CONNECTOR,STRAIGHT THREAD TO ORFS, W/.030 ORI	48958	10-12 F5OLO-S	CONNECTOR,STRAIGHT THREAD TO ORFS
48914	4-8 F5OLO-S	CONNECTOR,STRAIGHT THREAD TO ORFS	48959	12 C5OLO-S	ELBOW,90°,STRAIGHT THREAD TO ORFS
48915	6 C5OLO-S	ELBOW,90°,STRAIGHT THREAD TO ORFS	48960	12 F5OLO-S	CONNECTOR,STRAIGHT THREAD TO ORFS
48916	6 F5OLO-S	CONNECTOR,STRAIGHT THREAD TO ORFS	48961	12 R5OLO-S	RUN TEE,STRAIGHT THREAD
48917	6 FF5OLO-S	CONNECTOR,LONG,STRAIGHT THREAD TO ORFS	48962	12 S5OLO-S	BRANCH TEE,STRAIGHT THREAD TO ORFS
48918	6 R5OLO-S	RUN TEE,STRAIGHT THREAD	48963	12 V5OLO-S	ELBOW,45°,STRAIGHT THREAD TO ORFS
48919	6 S5OLO-S	BRANCH TEE,STRAIGHT THREAD TO ORFS	48964	12 R6LO-S	RUN TEE,SWIVEL NUT,ORFS
48920	6 V5OLO-S	ELBOW,45°,STRAIGHT THREAD TO ORFS	48965	12 CLO-S	ELBOW,90°,MALE PIPE TO ORFS
48921	6 FLO-S	CONNECTOR,MALE PIPE TO ORFS	48966	12 FLO-S	CONNECTOR,MALE PIPE TO ORFS
48922	6-6 FLO-S	CONNECTOR,MALE PIPE TO ORFS	48967	12 JLO-S	UNION TEE,ORFS
48923	6 P5ON-S	PLUG,STRAIGHT THREAD	48968	12 WLO-WLNL-S	UNION,BULKHEAD,ORFS
48925	6 WELO-S	UNION,90° BULKHEAD,ORFS	48969	12 WJLO-WLNL-S	RUN TEE, BULKHEAD,ORFS
48926	6-4 C5OLO-S	ELBOW,90°,STRAIGHT THREAD TO ORFS	48970	12 WELO-WLNL-S	UNION,90° BULKHEAD W/NUT,ORFS
48927	6-4 F5OLO-S	CONNECTOR,STRAIGHT THREAD TO ORFS			
48928	6-4 V5OLO-S	ELBOW,45°,STRAIGHT THREAD TO ORFS			
48929	6-8 C5OLO-S	ELBOW,90°,STRAIGHT THREAD TO ORFS			
48930	6-8 F5OLO-S	CONNECTOR,STRAIGHT THREAD TO ORFS			
48931	6-10 F5OLO-S	CONNECTOR,STRAIGHT THREAD TO ORFS			
48932	8 C5OLO-S	ELBOW,90°,STRAIGHT THREAD TO ORFS			
48933	8 F5OLO-S	CONNECTOR,STRAIGHT THREAD TO ORFS			
48934	8 FF5OLO-S	CONNECTOR,LONG,STRAIGHT THREAD TO ORFS			
48935	8 R5OLO-S	RUN TEE,STRAIGHT THREAD			
48936	8 S5OLO-S	BRANCH TEE,STRAIGHT THREAD TO ORFS			
48937	8 V5OLO-S	ELBOW,45°,STRAIGHT THREAD TO ORFS			

## Fitting Cross References (Continued)

Genie PN	Parker PN	Description	Genie PN	Parker PN	Description
48971	12 G5G5JG5-S	TEE,FEMALE STRAIGHT THREAD	49612	PKT02586	O-RING KIT (ORFS FITTINGS)
48972	12 XHL6-S	ADAPTER, 37° MALE TO SWIVEL ORFS	49613	PKT06276	PLUG AND CAP KIT-SERVICE,ORFS
48973	12-1/2 F5OG-S	ADAPTER,FEMALE PIPE TO STRAIGHT THREAD	49728	10143-12-12	HOSE END, MALE PIPE
48974	12-10 C5OLO-S	ELBOW,90°,STRAIGHT THREAD TO ORFS	49729	16-1 F5OG-S	ADAPTER,FEMALE PIPE TO STRAIGHT THREAD
48975	12-10 F5OLO-S	CONNECTOR,STRAIGHT THREAD TO ORFS	49814	12-8 FLO-S	CONNECTOR,MALE PIPE TO ORFS
48976	12-16 C5OLO-S	ELBOW,90°,STRAIGHT THREAD TO ORFS	49829	DT-500-MOMF-5	VALVE,CHECK
48977	12-16 F5OLO-S	CONNECTOR,STRAIGHT THREAD TO ORFS	49831	881-12	HOSE,3/4 INCH ID
48978	12-16 V5OLO-S	ELBOW,45°,STRAIGHT THREAD TO ORFS	49834	16 JLO-S	UNION TEE,ORFS
48980	12-16 FLO-S	CONNECTOR,MALE PIPE TO ORFS	49838	12-8 TRLO-BL-S	REDUCER,TUBE END TO SWIVEL,ORFS
48983	16 C5OLO-S	ELBOW,90°,STRAIGHT THREAD TO ORFS	49840	8 JLO-S	UNION TEE,ORFS
48984	16 F5OLO-S	CONNECTOR,STRAIGHT THREAD TO ORFS	49844	10-8 TRLO-BL-S	REDUCER,TUBE END TO SWIVEL,ORFS
48985	16 V5OLO-S	ELBOW,45°,STRAIGHT THREAD TO ORFS	49854	8 P5ON-S	PLUG,STRAIGHT THREAD
48986	16 FLO-S	CONNECTOR,MALE PIPE TO ORFS	49855	1JC43-16-12	HOSE END,FEMALE SWIVEL,SEAL LOK
48988	16 CD45-S	ELBOW,45°,MALE TO FEMALE PIPE	49859	4 P5ON-S	PLUG,STRAIGHT THREAD
48989	12 CD45-S	ELBOW,45°,MALE TO FEMALE PIPE	49861	4 FF5OLO-S	CONNECTOR, LONG, STRAIGHT THREAD TO ORFS
48990	8 CD45-S	ELBOW,45°,MALE TO FEMALE PIPE	49867	12-3/4 F5OG-S	ADAPTER,FEMALE PIPE TO STRAIGHT THREAD
48991	16-12 FLO-S	CONNECTOR,MALE PIPE TO ORFS	51152	6 R6X-S	RUN TEE,SWIVEL NUT,ORFS
48992	16-12 V5OLO-S	ELBOW,45°,STRAIGHT THREAD TO ORFS	51153	6-4 TRTX-S	REDUCER,TUBE END TO SWIVEL,ORFS
48993	XV501-12	BALL VALVE	51154	4-4 GTX	CONNECTOR,FEMALE PIPE TO FLARE TUBE
48994	XV501-16	BALL VALVE	51264	881-12	HOSE,3/4 INCH ID
48995	XV510P-12	BALL VALVE	51265	8 JLO-S	UNION TEE,ORFS
48996	XV510P-16	BALL VALVE	51508	6 BTX-S	NUT,FLARE TUBE
48997	PD341	DIAGNOSTIC NIPPLE, STRAIGHT THREAD	51580	12-8 TRLO-BL-S	TUBE END REDUCER,ORFS
48998	PD 361	DIAGNOSTIC NIPPLE, STRAIGHT THREAD	51628	6 R6X-S	RUN TEE,SWIVEL NUT,ORFS
48999	DT-500-MOMS-5	VALVE,CHECK	51735	3/8 HHP	PLUG,PIPE THREAD
49201	10 V5OLO-S	ELBOW,45°,STRAIGHT THREAD TO ORFS	51803	1J943-6-8	HOSE END,90° FEMALE SWIVEL,SEAL LOK
49202	1JC43-12-10	HOSE END,FEMALE SWIVEL,SEAL LOK	53023	125HBL-5-4	FITTING,HOSE BARB TO MALE PIPE
49203	10-8 V5OLO-S	ELBOW,45°,STRAIGHT THREAD TO ORFS	53497	PKT02585	O-RING KIT
49205	6 F5OHAO-S	UNION,STRAIGHT THREAD	53499	1JC71-16-16	HOSE END,FEMALE SWIVEL,SEAL LOK
49207	PD34BTL	DIAGNOSTIC NIPPLE,SEAL-LOK SWIVEL	53500	3-904	O-RING,STRAIGHT THREAD,-4
49209	8M18F870MX-S	CONNECTOR,METRIC,STRAIGHT THREAD TO FLARE TUBE	53501	3-906	O-RING,STRAIGHT THREAD,-6
49212	8 WGTX-WLN-S	CONNECTOR,BULKHEAD,FEMALE PIPE TO FLARE TUBE	53502	3-908	O-RING,STRAIGHT THREAD,-8
49213	30682-8-8	HOSE END,FEMALE SWIVEL,JIC	53503	3-910	O-RING,STRAIGHT THREAD,-10
49216	831-8	HOSE,1/2 INCH ID			
49217	33982-8-8	HOSE END,90° FEMALE SWIVEL,JIC			
49219	PS-B-35	SLEEVE,NYLON,2.19" ID			
49418	4-6 V5OLO-S	ELBOW,45°,STRAIGHT THREAD TO ORFS			
49511	DT370-MOMS-5	VALVE,CHECK			
49512	1 DD-S	ELBOW,90°,FEMALE PIPE			
49513	1 FF-S	NIPPLE,PIPE			
49514	10 HP5ON-S	PLUG,STRAIGHT THREAD			
49515	12-16 CLO-S	ELBOW,90°,MALE PIPE TO ORFS			
49517	6 HP5ON-S	PLUG,STRAIGHT THREAD			
49519	16-12 F5OLO-S	CONNECTOR,STRAIGHT THREAD TO ORFS			
49520	4 VTX-S	ELBOW,45°,MALE PIPE TO FLARE TUBE			
49530	16 C6LO-S	ELBOW,90°,SWIVEL NUT ORFS			

## Fitting Cross References (Continued)

Genie PN	Parker PN	Description	Genie PN	Parker PN	Description
53535	3-912	O-RING,STRAIGHT THREAD,-12	61083	24 F5OLO-S	CONNECTOR,STRAIGHT THREAD TO ORFS
53536	4-PNLO-S	PLUG,TUBE END,ORFS	61086	20 R5OLO-S	RUN TEE,STRAIGHT THREAD
53537	6 PNLO-S	PLUG,TUBE END,ORFS	61090	24-20 F5OLO-S	CONNECTOR,STRAIGHT THREAD TO ORFS
53538	8 PNLO-S	PLUG,TUBE END,ORFS	61091	1J943 24-24	HOSE END,90° FEMALE SWIVEL,SEAL LOK
53539	10 PNLO-S	PLUG,TUBE END,ORFS	61093	1J978-12-12	HOSE END,90° FEMALE SWIVEL,JIC
53540	12 PNLO-S	PLUG,TUBE END,ORFS	61095	1JS43-20-16	HOSE END,FEMALE SWIVEL,SEAL LOK
53946	129HB-5-4	FITTING,90° HOSE BARB TO MALE PIPE	61100	811-24	HOSE,11/2 INCH ID
53951	8-1/4F50G-S	ADAPTER,FEMALE PIPE TO STRAIGHT THREAD	61130	1JS43-24-24	HOSE END,FEMALE SWIVEL,SEAL LOK
53980	6 S6LO-S	BRANCH TEE,SWIVEL NUT TO ORFS	61131	1JS78 12-12	HOSE END,FEMALE SWIVEL,SEAL LOK
54132	4 C6LO-S	ELBOW,90°,SWIVEL NUT ORFS	61132	1J778-12-12	HOSE END,45° FEMALE SWIVEL,JIC
54135	11343-16-16	HOSE END,MALE SWIVEL,PIPE	61152	139HB-6-4	ELBOW,45°,BARB TO MALE PIPE
54283	8-10 C5OLO-S	ELBOW,90°,STRAIGHT THREAD TO ORFS	61251	BV-0750	BALL VALVE
54428	8M18C870MLO-S	ELBOW, 90° METRIC, STRAIGHT THREAD TO ORFS	61259	4 CC5OLO-S	ELBOW,90° LONG,STRAIGHT THREAD TO ORFS
54803	FS-F-16-10	SLEEVE,FIRE,-.96" ID	61260	20-12 TRLO-BL	REDUCER,TUBE END TO SWIVEL,ORFS
54954	10143-2-4	HOSE END, MALE PIPE	61262	12 C6LO-S	ELBOW,90°,SWIVEL NUT ORFS
55190	3/8 HP-S	PLUG,PIPE THREAD	61263	20 F5OHAO-S	UNION,STRAIGHT THREAD
55448	8 HLO-S	UNION,ORFS	61264	6-10 C5OLO-S	ELBOW,90°,STRAIGHT THREAD TO ORFS
55839	6 F65OX-S	CONNECTOR,STRAIGHT THREAD TO 37° SWIVEL	61265	6 WNLO-WLNL-S	UNION,BULKHEAD 45°,ORFS
55968	10 C5OX-S	ELBOW,90°,STRAIGHT THREAD TO FLARE TUBE	61268	4 WNLO-WLNL-S	UNION,BULKHEAD 45°,ORFS
56003	6 CC5OLO-S	ELBOW,90° LONG,STRAIGHT THREAD TO ORFS	61269	4 WLO-WLNL-S	UNION,BULKHEAD,ORFS
56166	BV-0837	BALL VALVE,90°	61272	12 AOEL6	ELBOW,90°,STRAIGHT THREAD TO ORFS SWIVEL
56188	10143-8-6	HOSE END, MALE PIPE	61316	482TC-16	HOSE,1 INCH ID
56233	2-011	O-RING,ORFS,-4	61321	6 JLO-S	UNION TEE,ORFS
56234	2-012	O-RING,ORFS,-6	61327	782-12	HOSE,3/4 INCH ID
56235	2-014	O-RING,ORFS,-8	61328	881-24	HOSE,11/2 INCH ID
56236	2-016	O-RING,ORFS,-10	61336	11943-20-24	HOSE END,90° FLANGE HEAD
56237	2-018	O-RING,ORFS,-12	61345	12 WJLO-WLNL-S	RUN TEE, BULKHEAD,ORFS
56238	2-021	O-RING,ORFS,-16	61346	8 WNLO-WLNL-S 4	UNION,BULKHEAD 45°,ORFS
56352	6 WLNL-S	LOCKNUT,BULKHEAD	61569	33782-8-8	HOSE END,45° FEMALE SWIVEL,JIC
56353	3J782-12-12	HOSE END,45° FEMALE SWIVEL,SEAL LOK	61610	12 FF5OLO-S	CONNECTOR,LONG,STRAIGHT THREAD TO ORFS
56354	3J982-12-12	HOSE END,90° FEMALE SWIVEL,SEAL LOK	61742	1/8 X 1.5 FFF	NIPPLE,PIPE
56604	10-8 F5OLO-S	CONNECTOR,STRAIGHT THREAD TO ORFS	63426	8 PNTX-S	PLUG,FLARE TUBE
56639	3JC82-10-10	HOSE END,FEMALE SWIVEL,SEAL LOK			
56640	3J982-10-10	HOSE END,90° FEMALE SWIVEL,SEAL LOK			
56655	3JC82-8-10	HOSE END,FEMALE SWIVEL,SEAL LOK			
56676	10-8 C5OLO-S	ELBOW,90°,STRAIGHT THREAD TO ORFS			
56776	471TC-6	HOSE,3/8 INCH ID			
56777	471TC-8	HOSE,1/2 INCH ID			
56789	811-16	HOSE,1 INCH ID			
57884	3/8 FF	NIPPLE,PIPE			
59335	6 FNL-S	CAP,TUBE END			
59342	4 FNL-S	CAP,TUBE END			
59371	8 HP50N-S	PLUG,STRAIGHT THREAD			
60653	BV-0751	BALL VALVE			
60806	125HB-3-4	FITTING,HOSE BARB TO MALE PIPE			
61064	5-1/4 F50G-S	ADAPTER,FEMALE PIPE TO STRAIGHT THREAD			
61079	4 WELO-WLNL-S	UNION,90° BULKHEAD W/NUT,ORFS			
61080	6 WLO-WLNL-S	UNION,BULKHEAD,ORFS			

## Fitting Cross References (Continued)

Genie PN	Parker PN	Description	Genie PN	Parker PN	Description
64271	4 WLO-WLNL-S	UNION,BULKHEAD,ORFS	75631	801-6	HOSE,3/8 INCH ID
64272	6 WLO-WLNL-S	UNION,BULKHEAD,ORFS	75654	20 F5OLO-S	CONNECTOR,STRAIGHT THREAD TO ORFS
65776	8 F65OL-S	CONNECTOR,STRAIGHT THREAD TO ORFS SWIVEL	75655	1J943-20-20	HOSE END,90° FEMALE SWIVEL,SEAL LOK
65880	6001012	O-RING KIT	75656	881-20	HOSE,1-1/4 INCH ID
66154	6 WTX-WLNS	UNION,BULKHEAD,FLARE TUBE	75971	8 F5OHAO-S	UNION,STRAIGHT THREAD
66155	6 WETX-S	UNION,BULKHEAD 90°,FLARE TUBE	77307	1JB43-8-8	HOSE END,BULKHEAD,SEAL LOK
66156	6 WLN-S	BULKHEAD LOCKNUT	77309	8 WLNL-S	BULKHEAD LOCKNUT
66389	6-8 F5OX-S	CONNECTOR,STRAIGHT THREAD TO FLARE TUBE	77379	8M18C87OMX-S	ELBOW,90° METRIC,STRAIGHT THREAD TO FLARE TUBE
66392	6 R5OX-S	RUN TEE,STRAIGHT THREAD	77703	3J982-8-8	HOSE END,90° FEMALE SWIVEL,SEAL LOK
66396	811-12	HOSE,3/4 INCH ID	77711	801-10	HOSE,5/8 INCH ID
66829	H3174PP	CLAMP,TUBE	77758	12 WNLO-WLNL-S	UNION,BULKHEAD 45°,ORFS
67217	4 KLO-S	UNION,CROSS,ORFS	78091	6 C6X-S	ELBOW,90°,SWIVEL NUT TO FLARE TUBE
67339	10-6 F5OX-S	CONNECTOR,STRAIGHT THREAD TO FLARE TUBE	78684	30582-8-8B	HOSE END,PUSH LOK,MALE
67357	13943-8-6	HOSE END,90° FEMALE SWIVEL,JIC	78852	549-2	HOSE,1/8 INCH ID
67358	10 HP5ON-S	PLUG,STRAIGHT THREAD	78855	10657-4-2	HOSE END,FEMALE SWIVEL,JIC
67371	12 S6LO-S	BRANCH TEE,SWIVEL NUT TO ORFS	79138	PS-B-37	SLEEVE,NYLON,2.38" ID
67498	4 FNL-S	CAP, TUBE END	79476	1JS43-6-8	HOSE END,FEMALE SWIVEL,SEAL LOK
67906	DC-370-F0F0-5	VALVE,CHECK	79847	12-3/4 A0EG-S	ELBOW,90°,STRAIGHT THREAD TO FEMALE PIPE
69316	8 FLO-S	CONNECTOR,MALE PIPE TO ORFS	80044	8 CLO-S	ELBOW,90°,MALE PIPE TO ORFS
69333	H3174PP	CLAMP,HYDRAULIC HOSE	80502	8 F5OX-S	CONNECTOR,STRAIGHT THREAD TO FLARE TUBE
69503	4 F65OX-S	CONNECTOR,STRAIGHT THREAD TO 37° SWIVEL	80503	8 C5OX-S	ELBOW,90°,STRAIGHT THREAD TO FLARE TUBE
69775	8 FNL-S	CAP, TUBE END	81010	AS-B-27	SLEEVE,NYLON,1.63" ID
71038	1/4X1/4F3HG-S	ADAPTER,CONVERSION	83052	821-6	HOSE,3/8 INCH ID
71196	12-8 F5OLO-S	CONNECTOR,STRAIGHT THREAD TO ORFS	83053	821-8	HOSE,1/2 INCH ID
71383	1/4 CD45-S	ELBOW,45°,MALE TO FEMALE PIPE	83054	821-12	HOSE,3/4 INCH ID
72270	12FNL-S	CAP, TUBE END	83055	30682-6-6	HOSE END,FEMALE SWIVEL,JIC
73436	60C-4	SLEEVE,COMPRESSION	83056	30682-12-12	HOSE END,FEMALE SWIVEL,JIC
73437	61C-4	NUT,COMPRESSION	83057	33782-6-6	HOSE END,45° FEMALE SWIVEL,JIC
73438	33482-4-4B	HOSE END,PUSH LOK,MALE	83058	33982-6-6	HOSE END,90° FEMALE SWIVEL,JIC
73767	1CD-S	ELBOW,90°,MALE TO FEMALE PIPE	83060	33982-12-12	HOSE END,90° FEMALE SWIVEL,JIC
73768	20-16-F5OG5-S	ADAPTER,FEMALE PIPE TO STRAIGHT THREAD	83063	13743-4-4	HOSE END,45° FEMALE SWIVEL,JIC
73769	16-20 F5OLO-S	CONNECTOR,STRAIGHT THREAD TO ORFS			
74660	6-8 F42EDMLO-S	CONNECTOR,MALE BSPP TO ORFS			
74661	8-8 F42EDMLO-S	CONNECTOR,MALE BSPP TO ORFS			
75007	4 FLO-S	CONNECTOR,MALE PIPE TO ORFS			
75008	1/8 HP-S	PLUG,PIPE THREAD			
75014	1/2 HP-S	PLUG,PIPE THREAD			
75042	8 WELO-WLNL-S	UNION,90° BULKHEAD W/NUT,ORFS			
75043	3/4 FF-S	NIPPLE,PIPE			
75254	24 F5OHAO-S	UNION,STRAIGHT THREAD			
75255	12 F5OHAO-S	UNION,STRAIGHT THREAD			
75256	XV506P-24	BALL VALVE			
75574	4 WLNL-S	BULKHEAD LOCKNUT			
75612	8 WJLO-WLNL-S	RUN TEE, BULKHEAD,ORFS			
75613	12-8 F5OG5-S	ADAPTER,FEMALE PIPE TO STRAIGHT THREAD			
75614	8 CC5OLO-S	ELBOW,90° LONG,STRAIGHT THREAD TO ORFS			
75628	1JB43-4-4	HOSE END,BULKHEAD,SEAL LOK			

## Fitting Cross References (Continued)

Genie PN	Parker PN	Description	Genie PN	Parker PN	Description
83064	13743-8-8	HOSE END,45° FEMALE SWIVEL,JIC	89449	6 WJLO-WLNL-S	RUN TEE, BULKHEAD,ORFS
83065	13743-12-12	HOSE END,45° FEMALE SWIVEL,JIC	89489	4 WJMLO-S	BRANCH TEE,BULKHEAD,ORFS
83066	13943-8-8	HOSE END,90° FEMALE SWIVEL,JIC	89551	1JB43-6-6	HOSE END,BULKHEAD,SEAL LOK
83067	14143-6-6	HOSE END,90° FEMALE SWIVEL,JIC	89552	1JB43-8-8	HOSE END,BULKHEAD,SEAL LOK
83068	14143-8-8	HOSE END,90° FEMALE SWIVEL,JIC	89593	20 C5OLO-S	ELBOW,90°,STRAIGHT THREAD TO ORFS
83069	14143-12-12	HOSE END,90° FEMALE SWIVEL,JIC	94161	8-8 CLO-S	ELBOW,90°,MALE PIPE TO ORFS
83070	772-8	HOSE,1/2 INCH ID	94358	351TC-12	HOSE,3/4 INCH ID
83071	10671-8-8	HOSE END,FEMALE SWIVEL,JIC	94418	20 FLO-S	CONNECTOR,MALE PIPE TO ORFS
83072	10671-12-12	HOSE END,FEMALE SWIVEL,JIC	96358	12 TX-S	SLEEVE,FLARE TUBE
83073	13771-8-8	HOSE END,45° FEMALE SWIVEL,JIC	96359	12 BTX-S	NUT,FLARE TUBE
83074	13771-12-12	HOSE END,45° FEMALE SWIVEL,JIC	96397	8 F5OX-S	CONNECTOR,STRAIGHT THREAD TO FLARE TUBE
83075	13971-8-8	HOSE END,90° FEMALE SWIVEL,JIC	96398	12-8 F5OX-S	CONNECTOR,STRAIGHT THREAD TO FLARE TUBE
83076	13971-12-12	HOSE END,90° FEMALE SWIVEL,JIC	96402	10343-6-6	HOSE END,MALE,JIC
83077	14171-8-8	HOSE END,90° FEMALE SWIVEL,JIC	96407	30382-6-6B	HOSE END,MALE,JIC
83078	14171-12-12	HOSE END,90° FEMALE SWIVEL,JIC			
83080	13943-16-16	HOSE END,90° FEMALE SWIVEL,JIC			
83103	10671-16-12	HOSE END,FEMALE SWIVEL,JIC			
83104	10671-10-12	HOSE END,FEMALE SWIVEL,JIC			
83112	1JC71-8-8	HOSE END,FEMALE SWIVEL,SEAL LOK			
83113	1JS71-16-12	HOSE END,FEMALE SWIVEL,SEAL LOK			
83114	1JS71-10-12	HOSE END,FEMALE SWIVEL,SEAL LOK			
83115	1J971-8-8	HOSE END,90° FEMALE SWIVEL,SEAL LOK			
83116	1J171-8-8	HOSE END,90° FEMALE SWIVEL,SEAL LOK			
83117	1J771-8-8	HOSE END,45° FEMALE SWIVEL,SEAL LOK			
83127	1J543-6-8	HOSE END,90° FEMALE SWIVEL,JIC			
83128	1JC43-6-8	HOSE END,FEMALE SWIVEL,SEAL LOK			
87033	12-6 TRLO-S	REDUCER,TUBE END TO SWIVEL,ORFS			
87034	3J782-8-8	HOSE END,45° FEMALE SWIVEL,SEAL LOK			
87172	12 HP5ON-S	PLUG,STRAIGHT THREAD			
87185	8 WNLO-WLNL-S	UNION,BULKHEAD 45°,ORFS			
87246	4 C6X-S	ELBOW,90°,SWIVEL NUT TO FLARE TUBE			
87679	6 LHP-S	FLANGE SEAL FITTING, MALE			
87681	6PLS N0702	BONDED SEAL			
88100	SR88100	ADAPTER,OIL DRAIN,GM 3.0L			
88311	1JS43-20-20	HOSE END,FEMALE SWIVEL,SEAL LOK			
88353	20 V5OLO-S	ELBOW,45°,STRAIGHT THREAD TO ORFS			
88474	10081-20	Crimp Shell, 1.25"			
88475	1988-20-24	HOSE END,90° FLANGE HEAD			
88476	JS88-24-24	HOSE END,FEMALE SWIVEL,SEAL LOK			
88477	1JC88-20-20	HOSE END,FEMALE SWIVEL,SEAL LOK			
88478	811-20	HOSE,11/4 INCH ID			
88936	20-16 F5OLO-S	CONNECTOR,STRAIGHT THREAD TO ORFS			
88937	20-16 FLO-S	CONNECTOR,MALE PIPE TO ORFS			
88938	1JC88-16-16	HOSE END,FEMALE SWIVEL,SEAL LOK			
88939	1J988-16-16	HOSE END,90° FEMALE SWIVEL,ORFS			
88940	811-16	HOSE,1 INCH ID			
88944	1J988-20-20	HOSE END,90° FEMALE SWIVEL,ORFS			
89403	16 VLO-S	ELBOW,45°,MALE PIPE TO ORFS			



California Proposition 65



Operating, servicing and maintaining this equipment can expose you to chemicals including engine exhaust, carbon monoxide, phthalates, and lead, which are known to the State of California to cause cancer and birth defects or other reproductive harm. These chemicals can be emitted from or contained in other various parts and systems, fluids and some component wear by-products. To minimize exposure, avoid breathing exhaust, do not idle the engine except as necessary, service your equipment and vehicle in a well-ventilated area and wear gloves or wash your hands frequently when servicing your equipment or vehicle and after operation. For more information go to [www.P65Warnings.ca.gov/passenger-vehicle](http://www.P65Warnings.ca.gov/passenger-vehicle).

Distributed By:

Go to [Discount-Equipment.com](http://Discount-Equipment.com) to order your parts



# PARTS FINDER

**Search Website  
by Part Number**



**Search Manual  
Library For Parts  
Manual & Lookup Part  
Numbers – Purchase  
or Request Quote**

**Search Manuals**

Enter your information to help us find the right parts manual for your machine.

\* Brand:

\* Model:

\* Serial:

\* Part Number:

SEARCH

**Can't Find Part or  
Manual? Request Help  
by Manufacturer,  
Model & Description**

**Parts Order Form**

Please fill in the following information to help us find the right part for your machine.

Manufacturer:	<input type="text"/>
Model:	<input type="text"/>
Description:	<input type="text"/>
Part Number:	<input type="text"/>
Quantity:	<input type="text"/>
Notes:	<input type="text"/>

Discount-Equipment.com is your online resource for quality parts & equipment.

Florida: **561-964-4949** Outside Florida TOLL FREE: **877-690-3101**

**Need parts?**

Click on this link: <http://www.discount-equipment.com/category/5443-parts/> and choose one of the options to help get the right parts and equipment you are looking for. Please have the machine model and serial number available in order to help us get you the correct parts. If you don't find the part on the website or on one of the online manuals, please fill out the request form and one of our experienced staff members will get back to you with a quote for the right part that your machine needs.

We sell worldwide for the brands: Genie, Terex, JLG, MultiQuip, Mikasa, Essick, Whiteman, Mayco, Toro Stone, Diamond Products, Generac Magnum, Airman, Haulotte, Barreto, Power Blanket, Nifty Lift, Atlas Copco, Chicago Pneumatic, Allmand, Miller Curber, Skyjack, Lull, Skytrak, Tsurumi, Husquvarna Target, Stow, Wacker, Sakai, Mi-T-M, Sullair, Basic, Dynapac, MBW, Weber, Bartell, Bennar Newman, Haulotte, Ditch Runner, Menegotti, Morrison, Contec, Buddy, Crown, Edco, Wyco, Bomag, Laymor, EZ Trench, Bil-Jax, F.S. Curtis, Gehl Pavers, Heli, Honda, ICS/PowerGrit, IHI, Partner, Imer, Clipper, MMD, Koshin, Rice, CH&E, General Equipment, Amida, Coleman, NAC, Gradall, Square Shooter, Kent, Stanley, Tamco, Toku, Hatz, Kohler, Robin, Wisconsin, Northrock, Oztec, Toker TK, Rol-Air, APT, Wylie, Ingersoll Rand / Doosan, Innovatech, Con X, Ammann, Mecalac, Makinex, Smith Surface Prep, Small Line, Wanco, Yanmar