



[www.Discount-Equipment.com](http://www.Discount-Equipment.com)

# SPARE PARTS LIST

## DRIVE UNITS

AME 1600, 967933601, 967933301,  
967857801, 2019-09

*Go to [Discount-Equipment.com](http://Discount-Equipment.com) to order your parts*

# PARTS FINDER

**Search Website  
by Part Number**



**Search Manual  
Library For Parts  
Manual & Lookup Part  
Numbers – Purchase  
or Request Quote**

A screenshot of the "Search Manuals" form. It includes fields for "Brand", "Serial Number", "Model", "Part Number", and "Quantity". There are also radio buttons for "Purchase" and "Request Quote", and a "Search" button at the bottom.

**Can't Find Part or  
Manual? Request Help  
by Manufacturer,  
Model & Description**

A screenshot of the "Parts Order Form". It is a structured form with multiple rows for entering details such as "Manufacturer", "Model", "Part Number", "Quantity", and "Description".

Discount-Equipment.com is your online resource for quality parts & equipment.

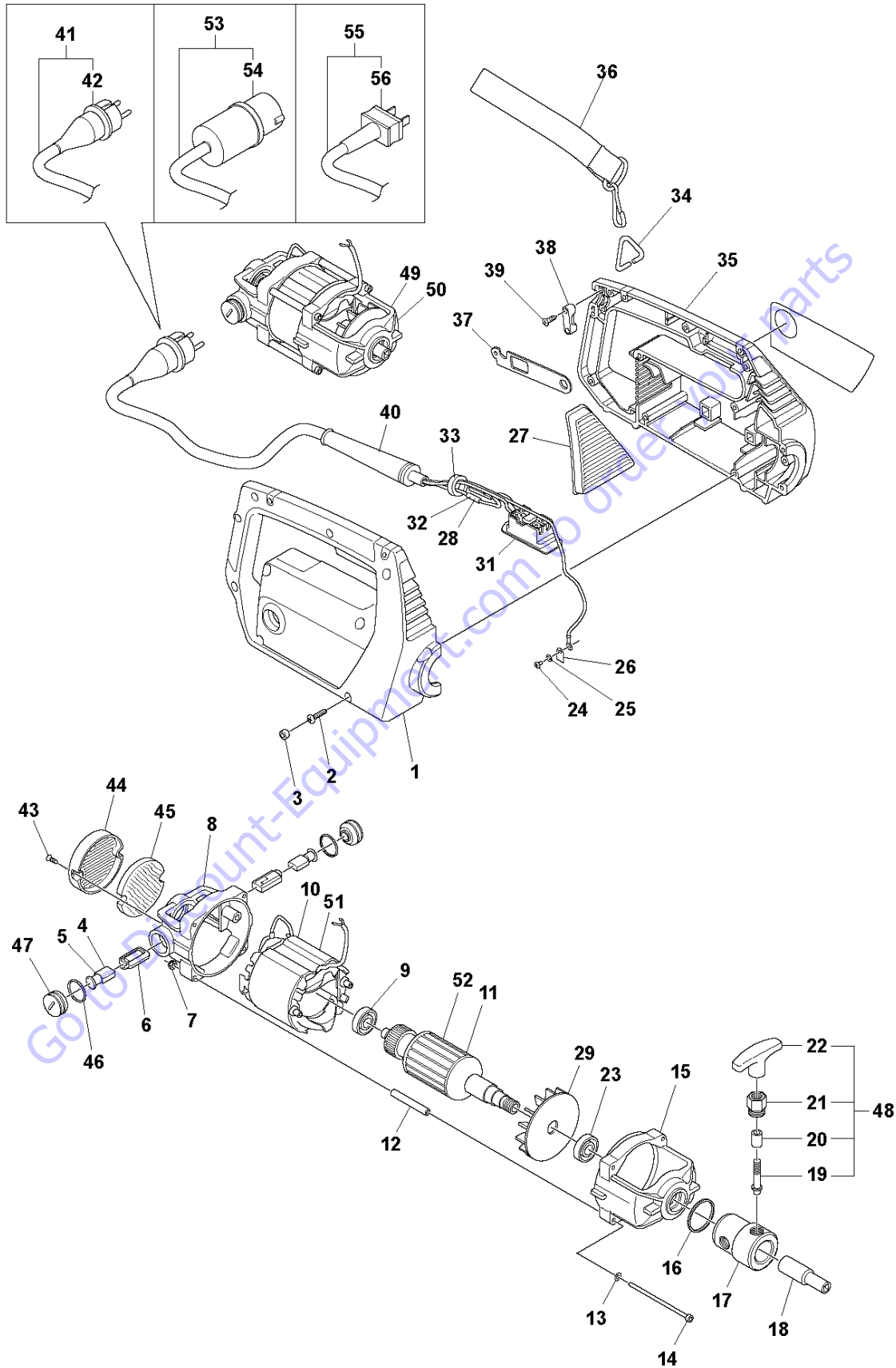
Florida: **561-964-4949** Outside Florida TOLL FREE: **877-690-3101**

**Need parts?**

Click on this link: <http://www.discount-equipment.com/category/5443-parts/> and choose one of the options to help get the right parts and equipment you are looking for. Please have the machine model and serial number available in order to help us get you the correct parts. If you don't find the part on the website or on one of the online manuals, please fill out the request form and one of our experienced staff members will get back to you with a quote for the right part that your machine needs.

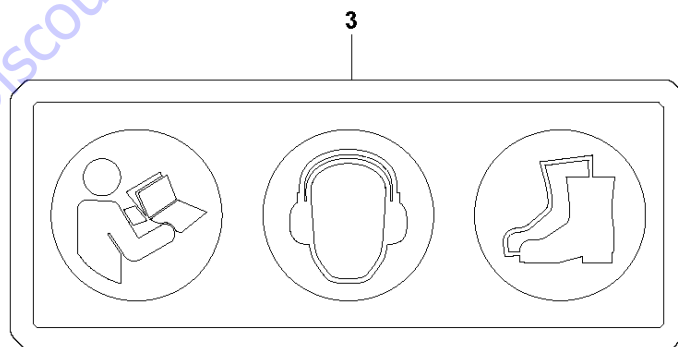
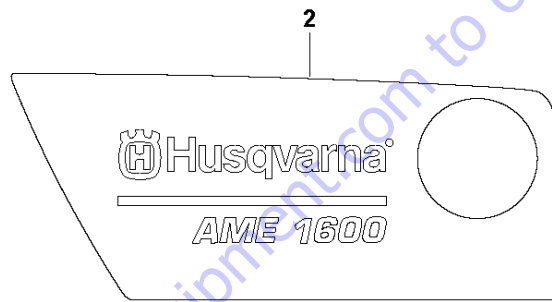
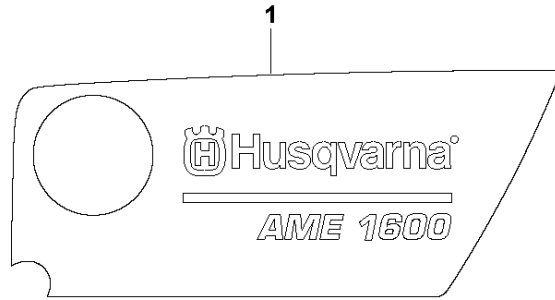
We sell worldwide for the brands: Genie, Terex, JLG, MultiQuip, Mikasa, Essick, Whiteman, Mayco, Toro Stone, Diamond Products, Generac Magnum, Airman, Haulotte, Barreto, Power Blanket, Nifty Lift, Atlas Copco, Chicago Pneumatic, Allmand, Miller Curber, Skyjack, Lull, Skytrak, Tsurumi, Husquvarna Target, , Stow, Wacker, Sakai, Mi-T- M, Sullair, Basic, Dynapac, MBW, Weber, Bartell, Bennar Newman, Haulotte, Ditch Runner, Menegotti, Morrison, Contec, Buddy, Crown, Edco, Wyco, Bomag, Laymor, Barreto, EZ Trench, Bil-Jax, F.S. Curtis, Gehl Pavers, Heli, Honda, ICS/PowerGrit, IHI, Partner, Imer, Clipper, MMD, Koshin, Rice, CH&E, General Equipment, ,AMida, Coleman, NAC, Gradall, Square Shooter, Kent, Stanley, Tamco, Toku, Hatz, Kohler, Robin, Wisconsin, Northrock, Oztec, Toker TK, Rol-Air, Small Line, Wanco, Yanmar

**A** AME 1600  
DRIVE UNIT



Ref	Part No	Description	Remark	QTY	KIT
1	595 93 31-01	HOUSING	Left + Right	1	
2	598 44 33-01	SCREW	4.8x22 DIN7981	11	
3	598 76 36-01	SEALING PLUG		11	
4	594 63 41-01	BRUSH	Brush, 230 V	2	49,50
5	594 63 42-01	BRUSH HOLDER	Brush, 115 V	2	49,50
6	594 63 43-01	BRUSH HOLDER		2	49,50
7	595 11 24-01	NUT	M5 DIN 985-8 zn	4	49,50
8	594 63 44-01	FRAME		1	49,50
9	594 86 28-01	BEARING	6201 2Z	1	49,50
10	594 63 45-01	STATOR	Stator, 230 V	1	49
11	594 63 46-01	ROTOR	Rotor, 230 V	1	49
12	595 49 17-01	FRAME		4	49,50
13	594 74 79-01	WASHER		4	49,50
14	598 44 35-01	BOLT	M5x100 ISO4762 8.8	4	49,50
15	595 49 18-01	FRAME		1	49,50
16	598 44 36-01	O-RING	36x2 NBR 70 Shore	1	49,50
17	595 49 19-01	CONNECTOR		1	
18	594 63 47-01	DRIVER		1	49,50
19	594 63 48-01	PLUG		1	48
20	595 49 20-01	SPRING		1	48
21	595 20 44-01	NUT		1	48
22	594 63 49-01	CONNECTION		1	48
23	595 49 21-01	BEARING	6003 2Z	1	
24	598 44 35-02	BOLT	M4x8 ISO1207	1	
25	594 74 79-02	WASHER	4.3 DIN6798A	1	
26	595 20 45-01	PLATE		1	
27	595 49 22-01	COVER		1	
28	594 63 51-01	PROTECTION	Thermal protector, 230 V	1	
29	595 49 38-01	FAN		1	49,50
31	594 63 50-01	SWITCH	Switch + capacitors	1	
32	598 44 50-01	HEAT PROTECTOR	Thermal protector, 115 V	1	
33	595 52 59-01	HOLDER		1	
34	595 20 47-01	RING		2	
35	598 44 36-03	O-RING		1	
36	595 20 48-01	BELT		1	
37	595 49 24-01	CABLE		1	
38	595 49 25-01	CABLE		1	
39	598 44 33-02	SCREW	3.9x22 DIN7982	2	
40	595 20 49-01	CABLE		1	
41	595 20 50-01	PLUG	Cable + plug, 230 V	1	
42	595 20 51-01	PLUG	SCHUKO TYPE 2P 16A	1	
43	598 44 33-03	SCREW	3.5x16 DIN 7981	2	49,50
44	595 49 28-01	COVER		1	49,50
45	594 63 52-01	AIR FILTER		1	49,50
46	598 44 36-02	O-RING	23x2 NBR 70 Shore	2	49,50
47	594 63 53-01	BRUSH		2	49,50
48	594 63 54-01	CONNECTION		1	
49	594 63 55-01	MOTOR	Motor set 230 V	1	
50	595 49 29-01	MOTOR	Motor set 230 V	1	
51	595 20 43-01	STATOR	Stator, 115 V	1	50
52	595 49 16-01	ROTOR	Rotor, 115 V	1	50
53	595 49 26-01	CABLE	Cable + plug, 115 V, UK	1	
54	595 49 27-01	PLUG	2P+T 100/130V 16A 115 V UK	1	
55	598 76 37-01	CABLE	Cable + plug, 115 V, US	1	
56	598 76 38-01	PLUG	125V 15A NEMA 5-15 115 V USA	1	

**B** AME 1600  
DECALS



Go to Discount-Equipment.com to order your parts

## DECALS

AME 1600, 967933601, 967933301, 967857801, 2019-09

Ref	Part No	Description	Remark	QTY KIT
1	598 44 47-03	STICKER	Husqvarna & Model decal - right side	1
2	598 44 47-04	STICKER	Husqvarna & Model decal - left side	1
3	598 44 47-02	STICKER	Safety	1

Go to [Discount-Equipment.com](http://Discount-Equipment.com) to order your parts



[www.Discount-Equipment.com](http://www.Discount-Equipment.com)

# PARTS FINDER

**Search Website  
by Part Number**



**Search Manual  
Library For Parts  
Manual & Lookup Part  
Numbers – Purchase  
or Request Quote**

**Search Manuals**

Enter your information to search for manuals and parts.

\* Brand:

\* Model:

\* Serial:

\* Part Number:

SEARCH

**Can't Find Part or  
Manual? Request Help  
by Manufacturer,  
Model & Description**

**Parts Order Form**

Please fill in the following information:

Manufacturer:

Model:

Description:

Quantity:

Part Number:

Part Name:

Part Description:

Part Location:

Part Condition:

Part Status:

Part Material:

Part Color:

Part Weight:

Part Dimensions:

Part Notes:

Submit

Discount-Equipment.com is your online resource for quality parts & equipment.

Florida: **561-964-4949** Outside Florida TOLL FREE: **877-690-3101**

**Need parts?**

Click on this link: <http://www.discount-equipment.com/category/5443-parts/> and choose one of the options to help get the right parts and equipment you are looking for. Please have the machine model and serial number available in order to help us get you the correct parts. If you don't find the part on the website or on one of the online manuals, please fill out the request form and one of our experienced staff members will get back to you with a quote for the right part that your machine needs.

We sell worldwide for the brands: Genie, Terex, JLG, MultiQuip, Mikasa, Essick, Whiteman, Mayco, Toro Stone, Diamond Products, Generac Magnum, Airman, Haulotte, Barreto, Power Blanket, Nifty Lift, Atlas Copco, Chicago Pneumatic, Allmand, Miller Curber, Skyjack, Lull, Skytrak, Tsurumi, Husquvarna Target, , Stow, Wacker, Sakai, Mi-T- M, Sullair, Basic, Dynapac, MBW, Weber, Bartell, Bennar Newman, Haulotte, Ditch Runner, Menegotti, Morrison, Contec, Buddy, Crown, Edco, Wyco, Bomag, Laymor, Barreto, EZ Trench, Bil-Jax, F.S. Curtis, Gehl Pavers, Heli, Honda, ICS/PowerGrit, IHI, Partner, Imer, Clipper, MMD, Koshin, Rice, CH&E, General Equipment, ,AMida, Coleman, NAC, Gradall, Square Shooter, Kent, Stanley, Tamco, Toku, Hatz, Kohler, Robin, Wisconsin, Northrock, Oztec, Toker TK, Rol-Air, Small Line, Wanco, Yanmar