



A TEREX BRAND



# Parts Manual

## Serial Number Range

**GS-30**

from GS3003-60000 to  
GS3005-75999

**GS-32**

from GS3204-60000 to  
GS3205-75406

**GS-46**

from GS4603-60000 to  
GS4605-75437

Part No. 96315

Rev E13

December 2018

Go to Discount-Equipment.com to order your parts

# PARTS FINDER

**Search Website  
by Part Number**



**Search Manual  
Library For Parts  
Manual & Lookup Part  
Numbers – Purchase  
or Request Quote**

**Search Manuals**

Enter your information to search for a manual or parts manual for your equipment.

\* Brand:

\* Model:

\* Serial:

\* Part Number:

SEARCH

**Can't Find Part or  
Manual? Request Help  
by Manufacturer,  
Model & Description**

**Parts Order Form**

Please fill in the following information to request help finding a part or manual.

Manufacturer:

Model:

Description:

Quantity:

Part Number:

Part Name:

Part Description:

Part Category:

Part Location:

Part Status:

Part Condition:

Part Material:

Part Color:

Part Weight:

Part Dimensions:

Part Notes:

Submit

Discount-Equipment.com is your online resource for quality parts & equipment.

Florida: **561-964-4949** Outside Florida TOLL FREE: **877-690-3101**

**Need parts?**

Click on this link: <http://www.discount-equipment.com/category/5443-parts/> and choose one of the options to help get the right parts and equipment you are looking for. Please have the machine model and serial number available in order to help us get you the correct parts. If you don't find the part on the website or on one of the online manuals, please fill out the request form and one of our experienced staff members will get back to you with a quote for the right part that your machine needs.

We sell worldwide for the brands: Genie, Terex, JLG, MultiQuip, Mikasa, Essick, Whiteman, Mayco, Toro Stone, Diamond Products, Generac Magnum, Airman, Haulotte, Barreto, Power Blanket, Nifty Lift, Atlas Copco, Chicago Pneumatic, Allmand, Miller Curber, Skyjack, Lull, Skytrak, Tsurumi, Husquvarna Target, Stow, Wacker, Sakai, Mi-T-M, Sullair, Basic, Dynapac, MBW, Weber, Bartell, Bennar Newman, Haulotte, Ditch Runner, Menegotti, Morrison, Contec, Buddy, Crown, Edco, Wyco, Bomag, Laymor, EZ Trench, Bil-Jax, F.S. Curtis, Gehl Pavers, Heli, Honda, ICS/PowerGrit, IHI, Partner, Imer, Clipper, MMD, Koshin, Rice, CH&E, General Equipment, Amida, Coleman, NAC, Gradall, Square Shooter, Kent, Stanley, Tamco, Toku, Hatz, Kohler, Robin, Wisconsin, Northrock, Oztec, Toker TK, Rol-Air, APT, Wylie, Ingersoll Rand / Doosan, Innovatech, Con X, Ammann, Mecalac, Makinex, Smith Surface Prep, Small Line, Wanco, Yanmar

**Genie**  
A TEREX BRAND

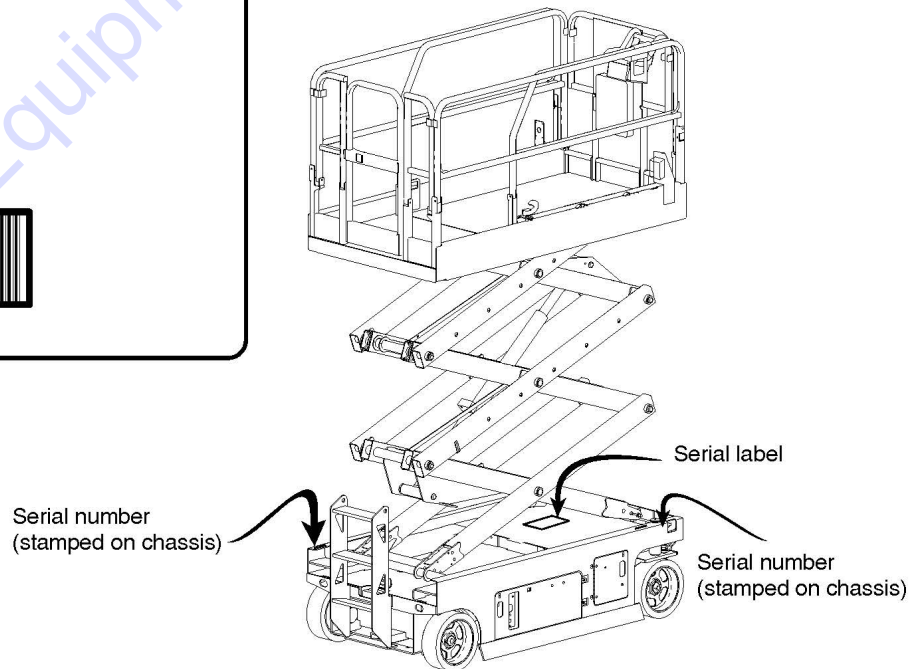
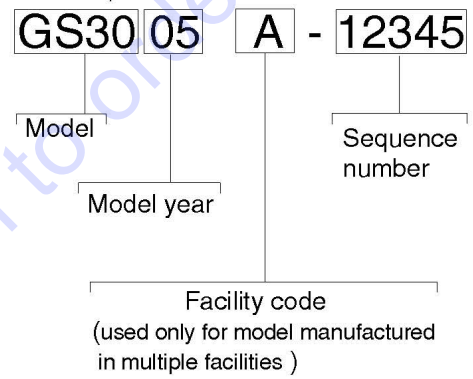

Model: GS-1930  
Serial number: GS3005A-12345  
Model year: 2005    Manufacture date: 04/12/05  
Electrical schematic number: ES0141  
Machine unladen weight: 2,714 lb / 1,231 N

Rated work load (including occupants): 500 lb / 227 kg  
Maximum allowable inclination of the chassis:  
N/A

Gradeability: N/A

Maximum allowable side force : 100 lb / 445 N  
Maximum number of platform occupants:2

Country of manufacture: USA  
This machine complies with:  
ANSI A92.6  
B354.2-



## Table of Contents

This manual is updated frequently. For the most up-to-date parts information, visit [www.discount-equipment.com](http://www.discount-equipment.com)

How to Read Your Serial Number.....	3
Parts Stocking List.....	7

**Electronic Version**

Click on any page number to view the figure.

**100 Decals**

101.1 Decals with Words, GS-30.....	10
102.1 Decals with Symbols, GS-30.....	14
103.1 Decals with Words, GS-32.....	16
104.1 Decals with Symbols, GS-32.....	18
105.1 Decals with Words, GS-46.....	20
106.1 Decals with Symbols, GS-46.....	22

**200 Drive Chassis Components**

201.1 Steer Linkage and Wheels, GS-30.....	24
202.1 Steer Linkage and Wheels, GS-32, GS-46.....	26
203.1 Non-steer Axle Installation.....	28
204.1 Ground Controls and Level Sensor Installation.....	32
205.1 Pothole Protection Assembly, GS-30.....	34
206.1 Pothole Protection Assembly, GS-32, GS-46.....	36
207.1 Battery Pack Module (without contactor).....	38
207.2 Battery Pack Module (with contactor).....	40
208.1 Battery Charger.....	42
209.1 Power Unit Module.....	44
210.1 Ground Controls.....	46
211.1 Electrical Wiring and Power Cables (models without contactor).....	48
211.2 Electrical Wiring and Power Cables (models with contactor).....	50

**300 Scissor Components**

301.1 Scissor Assembly Installation.....	54
302.1 Scissor Assembly, GS-1530, GS-1532.....	56
303.1 Scissor Assembly, GS-1930, GS-1932.....	58
303.2 Scissor Assembly, GS-1930, GS-1932 (from SNs GS3006A-84658, GS3006B-80109 and GS3008C-101).....	60

304.1 Scissor Assembly, GS-2032, GS-2046.....	62
305.1 Scissor Assembly, GS-2632, GS-2646.....	64

**400 Platform Components**

401.1 Platform Components, GS-30.....	66
402.1 Platform Components, GS-32.....	70
403.1 Platform Components, GS-46.....	74
404.1 Platform Gates, GS-30.....	78
405.1 Power to Platform.....	80
406.1 Platform Control Box, All Models (from SN 60000 to 74999).....	82
406.2 Platform Control Box, All Models (from SN 75000 to 75999).....	84
407.1 Joystick Controller.....	86

**500 Hydraulic Components**

501.1 Hydraulic Components.....	88
502.1 Function Manifold, GS-30.....	90
503.1 Function Manifold, GS-32, GS-46.....	92
504.1 Brake Release Hand Pump Manifold.....	94
505.1 Hydraulic Power Unit.....	96
506.1 Lift Cylinder Assembly.....	98
507.1 Hydraulic Hoses and Fittings, GS-30.....	100
508.1 Hydraulic Hoses and Fittings, GS-32, GS-46.....	102

**600 Accessories**

601.1 Alarm, Horn and Flashing Beacons, All Models.....	104
602.1 Air Line to Platform.....	106
603.1 Platform Work Light.....	108
604.1 Voltage Inverter, GS-30.....	110
605.1 Voltage Inverter, GS-32, GS-46 (from SN GS4603-60000 to GS4604-61131).....	112
605.2 Voltage Inverter, GS-32, GS-46 (from SN GS4604-61131).....	114
606.1 Pipe Cradle Assembly, GS-2046, GS-2646, GS-3246.....	116

**700 Platform Overload Components**

701.1 Platform Overload Components, GS-30.....	118
702.1 Platform Overload, GS-32, GS-46.....	120

**Indices**

Part Number Index.....	122
Part Description Index.....	126

**Cross References**

Fittings Cross Reference.....	132
-------------------------------	-----

### Required Parts

The following parts are required to perform maintenance procedures as outlined in the *Genie GS-30, GS-32 and GS-46 Service Manual*.

Description	Part No.
Filter Element, 10 Micron.....	44788
Dielectric Grease.....	66399
Chevron Ultra-duty Grease (Lithium) or equivalent, EP NLGI 1.....(source locally)	
Breather Cap, Hydraulic Tank.....	78546
Cotter Pin, Castle Nut, Steer-end Wheels, GS-32, GS-46.....	13635-10
Cotter Pin, Castle Nut, Steer-end Wheels, GS-30 and Non-steer end Wheels, All Models .....	42079

### Recommended Parts

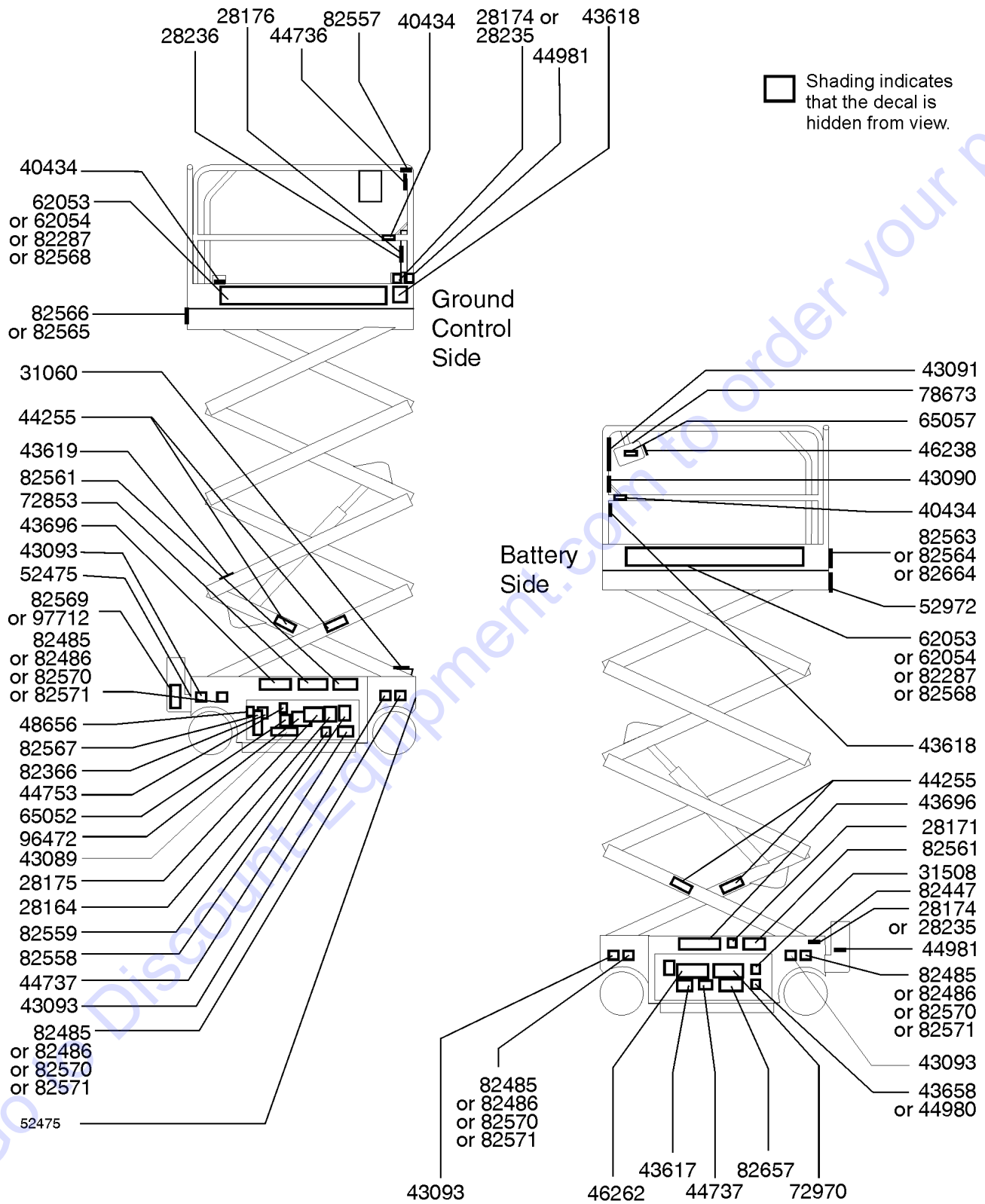
Description	Part No.
Genie Blue Paint, 1 Gallon .....	32150
Genie Blue Paint, 12 Ounce Aerosol.....	1484
Genie Gray Paint, 1 Gallon.....	32151
Genie Gray Paint, 12 Ounce Aerosol .....	1268

Genie also offers the following support documents:

EMI Safety Manual.....	27581
Manual of Responsibilities ANSI A92.6.....	44163

Go to Discount-Equipment.com to order your parts

101.1 Decals with Words, GS-30



101.1 Decals with Words, GS-30

Item	Part No.	Description	Qty.	Item	Part No.	Description	Qty.
A	214905GT	DECAL KIT,1530 COMP,WRD,ANSI <i>(North American models) (to SN 74999)</i>		2	28171GT	DECAL,DANGER,NO SMOKING ***.....	1
B	214906GT	DECAL KIT,1530 PLAT,WRD,ANSI <i>(North American models) (to SN 74999)</i>		3	28174GT	DECAL, POWER TO PLATFORM 230V**.....	2
C	214907GT	DECAL KIT,1930 COMP,WRD,ANSI <i>(North American models) (to SN 74999)</i>		4	28175GT	DECAL,WARNING-COMPART ACCESS.....	1
D	214908GT	DECAL KIT,1930 PLAT,WRD,ANSI <i>(North American models) (to SN 74999)</i>		5	28176GT	DECAL,LABEL,MANUAL NOT HERE.....	1
E	214909GT	DECAL KIT,1530 COMP,WRD,AUST <i>(Australia models) (to SN 74999)</i>		6	28235GT	DECAL,POWER TO PLATFORM 115V...2	
F	214910GT	DECAL KIT,1530 PLAT,WRD,AUST <i>(Australia models) (to SN 74999)</i>		7	28236GT	DECAL,WARN,IMPROPER OPERATION.....	1
G	214911GT	DECAL KIT,1532COMP,WRD,AUS <i>(Australia models) (to SN 74999)</i>		8	31060GT	DECAL,DANGER DO NOT ALTER SWTC.....	1
H	214912GT	DECAL KIT,1532 PLAT,WRD,AUS		9	31508GT	DECAL,DANGER,ELECT HAZARD,PLUG.....	1
I	214913GT	DECAL KIT,1930 COMP,WRD,AUS <i>(Australia models) (to SN 74999)</i>		10	40434GT	DECAL,LANYARD ANCHORAGE POINT.....	3
J	214914GT	DECAL KIT,1930 PLAT,WRD,AUS <i>(Australia models) (to SN 74999)</i>		11	43089GT	DECAL,INSTRUCTIONS-OPER,GCP.....	1
K	214916GT	DECAL KIT,1932 COMP,WRD,AUS <i>(Australia models) (to SN 74999)</i>		12	43090GT	DECAL,NOTICE, OPER INST, PCP.....	1
L	214917GT	DECAL KIT,1932 PLAT,WRD,AUS <i>(Australia models) (to SN 74999)</i>		13	43091GT	DECAL,DANGER,GENERAL SAFETY....	1
M	233221GT	DECAL KIT,1530 COMP,WRD,ANSI <i>(North American models) (from SN 75000)</i>		14	43093GT	DECAL,LABEL,TIRE SPECS.....	4
N	233220GT	DECAL KIT,1530 PLAT,WRD,ANSI <i>(North American models) (from SN 75000)</i> <i>(order platform controls decal separately)</i>		15	43617GT	DECAL,DANGER,TIP-OVER,BATTERY..	1
O	233223GT	DECAL KIT,1532 COMP,WRD,AUS <i>(Australia models) (from SN 75000)</i>		16	43618GT	DECAL, LABEL - DIRECTION ARROWS.....	2
P	233222GT	DECAL KIT,1532 PLAT,WRD,AUS <i>(Australia models) (from SN 75000)</i>		17	43619GT	DECAL,LABEL,SAFETY ARM.....	1
Q	233225GT	DECAL KIT,1930 COMP,WRD,ANSI <i>(North American models) (from SN 75000)</i>		18	43658GT	DECAL,LABEL,PWR TO CHARGR 230V.....	1
R	233224GT	DECAL KIT, 1930 PLAT,WRD,ANSI <i>(North American models) (from SN 75000)</i> <i>(order platform controls decal separately)</i>		19	43696GT	DECAL,DANGER,ELEC HAZARD,GS....	2
S	233227GT	DECAL KIT,1932 COMP,WRD,AUS <i>(Australia models) (from SN 75000)</i>		20	44255GT	DECAL,DANGER,CRUSHING HAZARD.....	4
T	233226GT	DECAL KIT,1932 PLAT,WRD,AUS <i>(Australia models) (from SN 75000)</i>		21	44736GT	DECAL,DANGER,TIP-OVER,TILT.....	1
U	234940GT	DECAL KIT,1530 COMP,WRD,AUST <i>(Australia models) (from SN 75000)</i>		22	44737GT	DECAL DANGER TIP OVER TRAYS.....	2
V	234939GT	DECAL KIT,1530 PLAT,WRD,AUST <i>(Australia models) (from SN 75000)</i>		23	44753GT	DECAL, LABEL, LED READOUT.....	1
W	234942GT	DECAL KIT,1930 COMP.WORD,AUSTR <i>(Australia models) (from SN 75000)</i>		24	44980GT	DECAL,LABEL,PWR TO CHARGR 115V.....	1
X	234941GT	DECAL KIT,1930 PLAT.WORD,AUSTR <i>(Australia models) (from SN 75000)</i>		25	44981GT	DECAL,LABEL, AIR LINE 110 PSI.....	2
1	28164GT	DECAL,NOTICE,HAZARDOUS MAT'LS*.....	1	26	46238GT	DECAL,NOTICE,ERROR LIGHT.....	1
				27	46262GT	DECAL,DANGER,BATTERY SAFETY.....	1
				28	48656GT	DECAL, LABEL, YELLOW E STOP.....	1
				29	52475GT	DECAL,LABEL,TRANSPORT TIEDOWN*.....	5
				30	52972GT	DECAL,CE MARK,3".....	1
				31	62053GT	DECAL,COSMETIC,GENIE GS-1530**...2	
				32	62054GT	DECAL,COSMETIC,GENIE GS-1930**...2	
				33	65052GT	DECAL,LABEL,FAULT CODES.....	1
				34	65057GT	DECAL, LABEL, GS30/32.....	1
				35	72853GT	DECAL,DANGER,IMPROPER USE HAZ.....	1



### 101.1 Decals with Words, GS-30 (continued)

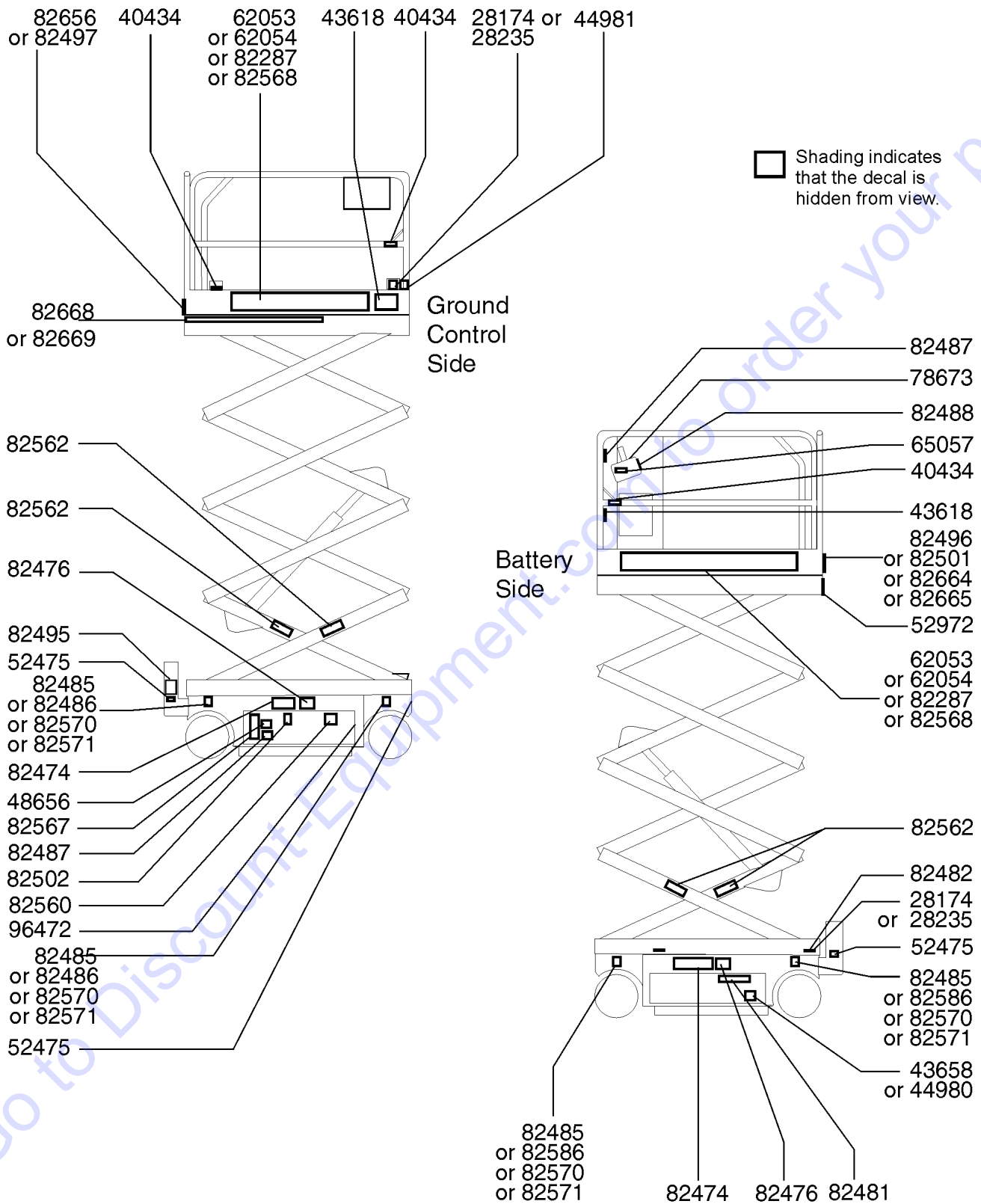
Item	Part No.	Description	Qty.
36	72970GT	DECAL,INSTRUCTIONS-CHARGER OP.....	1
37	78673GT	OVERLAY, PLAT CONTRL BOX,GEN4~.....	1
38	82287GT	DECAL,COSMETIC,GENIE GS-1932....	2
39	82366GT	DECAL,CHEVRON RANDO HD.....	1
40	82447GT	DECAL, LABEL,AUX LOWERING.....	1
41	82485GT	DECAL,LABEL,WHEEL LOAD 1530....	4
42	82486GT	DECAL,LABEL,WHEEL LOAD 1930....	4
43	82557GT	DECAL,LABEL,PLAT CONT LOCATION.....	1
44	82558GT	DECAL,WARN,SKIN INJECTION HAZ*.....	1
45	82559GT	DECAL,INSTRUCT-ANNUAL INSP REQ.....	1
46	82561GT	DECAL,DANGER-USE SAFETY ARM....	2
47	82563GT	DECAL,INSTR-MAX CAP 500 LBS..... <i>for GS1930 and GS1932 models</i>	1
48	82564GT	DECAL,INSTR-MAX CAP 600LBS..... <i>(ANSI and Australia models)</i>	1
49	82565GT	DECAL,INSTR-SIDE FRC,ANSI..... <i>(ANSI &amp; CSA models)</i>	1
50	82566GT	DECAL,INSTR-MANUAL FRC,AUS..... <i>(Australia models)</i>	1
51	82567GT	DECAL, GROUND CONTROL PANEL....	1
52	82568GT	DECAL,COSMETIC,GENIE GS-1532....	1
53	82569GT	DECAL,DANGER,BRAKE REL SAFETY..... <i>(to SN 65103)</i>	1
54	82570GT	DECAL,LABEL-WHEEL LOAD 1530/32.....	4
55	82571GT	DECAL,LABEL,WHEEL LOAD 19XX....	4
56	82657GT	DECAL,INSTRUCT,BATTERY CONNECT.....	1
57	82664GT	DECAL,SYM-MAXCAP CE GS15XX <i>(CE model)</i>	
58	82665GT	DECAL,SYM-MAXCAP CE GS19XX <i>symbol decals for GS1930 and GS1932 models</i>	
59	96472GT	SERIAL # LABEL,SCISSORS*****..... <i>please provide complete model and serial number when ordering</i>	1
60	97712GT	DECAL,DANGER,BRAKE REL SAFETY* <i>(from SN 65104)</i>	



***This Page Intentionally Left Blank***

Go to Discount-Equipment.com to order your parts

102.1 Decals with Symbols, GS-30




102.1 Decals with Symbols, GS-30

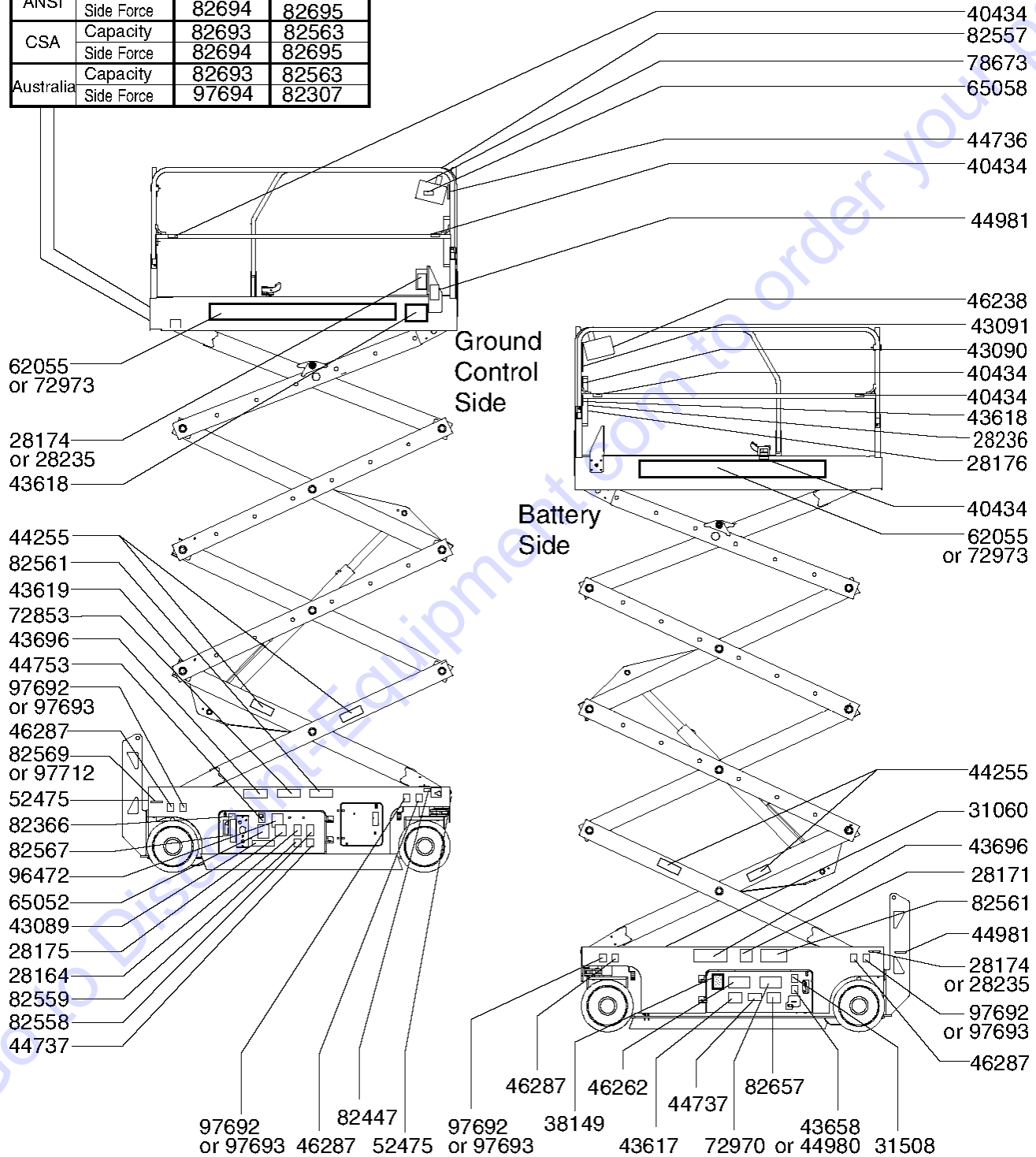
Item	Part No.	Description	Qty.	Item	Part No.	Description	Qty.
1	28174GT	DECAL, POWER TO PLATFORM 230V**.....	2	35	82656GT	DECAL,SYM-SIDE FORCE 445N.....	1
2	28235GT	DECAL,POWER TO PLATFORM 115V.....	2	36	82664GT	DECAL,SYM-MAXCAP CE GS15XX..... <i>CE models</i>	1
3	40434GT	DECAL,LANYARD ANCHORAGE POINT.....	3	37	82665GT	DECAL,SYM-MAXCAP CE GS19XX..... <i>CE models</i>	1
4	43618GT	DECAL, LABEL - DIRECTION ARROWS.....	2	38	82668GT	DECAL,LABEL,CAP IND CE GS15XX <i>CE models</i>	
5	43658GT	DECAL,LABEL,PWR TO CHARGR 230V.....	1	39	82669GT	DECAL,LABEL,CAP IND CE19XX..... <i>CE models</i>	1
6	44980GT	DECAL,LABEL,PWR TO CHARGR 115V.....	1	40	82668GT	DECAL,LABEL,CAP IND CE GS15XX..... <i>CE models</i>	1
7	44981GT	DECAL,LABEL, AIR LINE 110 PSI.....	2	40	96472GT	SERIAL # LABEL,SCISSORS*****.....	1
8	48656GT	DECAL, LABEL, YELLOW E STOP.....	1				
9	52475GT	DECAL,LABEL,TRANSPORT TIEDOWN*.....	5				
10	52972GT	DECAL,CE MARK,3".....	1				
11	62053GT	DECAL,COSMETIC,GENIE GS-1530**.....	2				
12	62054GT	DECAL,COSMETIC,GENIE GS-1930**.....	2				
13	65057GT	DECAL, LABEL, GS30/32.....	1				
14	78673GT	OVERLAY, PLAT CONTRL BOX,GEN4~.....	1				
15	82287GT	DECAL,COSMETIC,GENIE GS-1932.....	2				
16	82474GT	DECAL,SYMBOL-USE SAFETY ARM.....	2				
17	82476GT	DECAL,SYMBOL-ELEC HAZARD,GS.....	2				
18	82481GT	DECAL,SYMBOL-BATTERY SAFETY.....	1				
19	82482GT	DECAL,LABEL,AUX LOWERING.....	1				
20	82485GT	DECAL,LABEL,WHEEL LOAD 1530.....	4				
21	82486GT	DECAL,LABEL,WHEEL LOAD 1930.....	4				
22	82487GT	DECAL, SYMBOL - READ THE MANUAL.....	2				
23	82488GT	DECAL,LABEL,ERROR LIGHT.....	1				
24	82495GT	DECAL,SYMBOL-BRAKE REL SAFETY.....	1				
25	82496GT	DECAL,SYM-MAXCAP 500.....	1				
26	82497GT	DECAL,SYM-SIDEFORCE 200400..... <i>CE models</i>	1				
27	82501GT	DECAL,SYM-MAXCAP 600.....	1				
28	82502GT	DECAL,LABEL,LED READOUT.....	1				
29	82560GT	DECAL,SYMBOL-SKIN INJECT HAZRD.....	1				
30	82562GT	DECAL,SYMBOL-CRUSHING HAZARD.....	4				
31	82567GT	DECAL, GROUND CONTROL PANEL.....	1				
32	82568GT	DECAL,COSMETIC,GENIE GS-1532.....	2				
33	82570GT	DECAL,LABEL-WHEEL LOAD 1530/32.....	4				
34	82571GT	DECAL,LABEL,WHEEL LOAD 19XX.....	4				



103.1 Decals with Words, GS-32

Decal Part Numbers			
each model requires 1 Capacity decal and 1 Side Force decal			
		GS-2032	GS-2632
ANSI	Capacity	82693	82563
	Side Force	82694	82695
CSA	Capacity	82693	82563
	Side Force	82694	82695
Australia	Capacity	82693	82563
	Side Force	97694	82307

 Shading indicates that the decal is hidden from view.



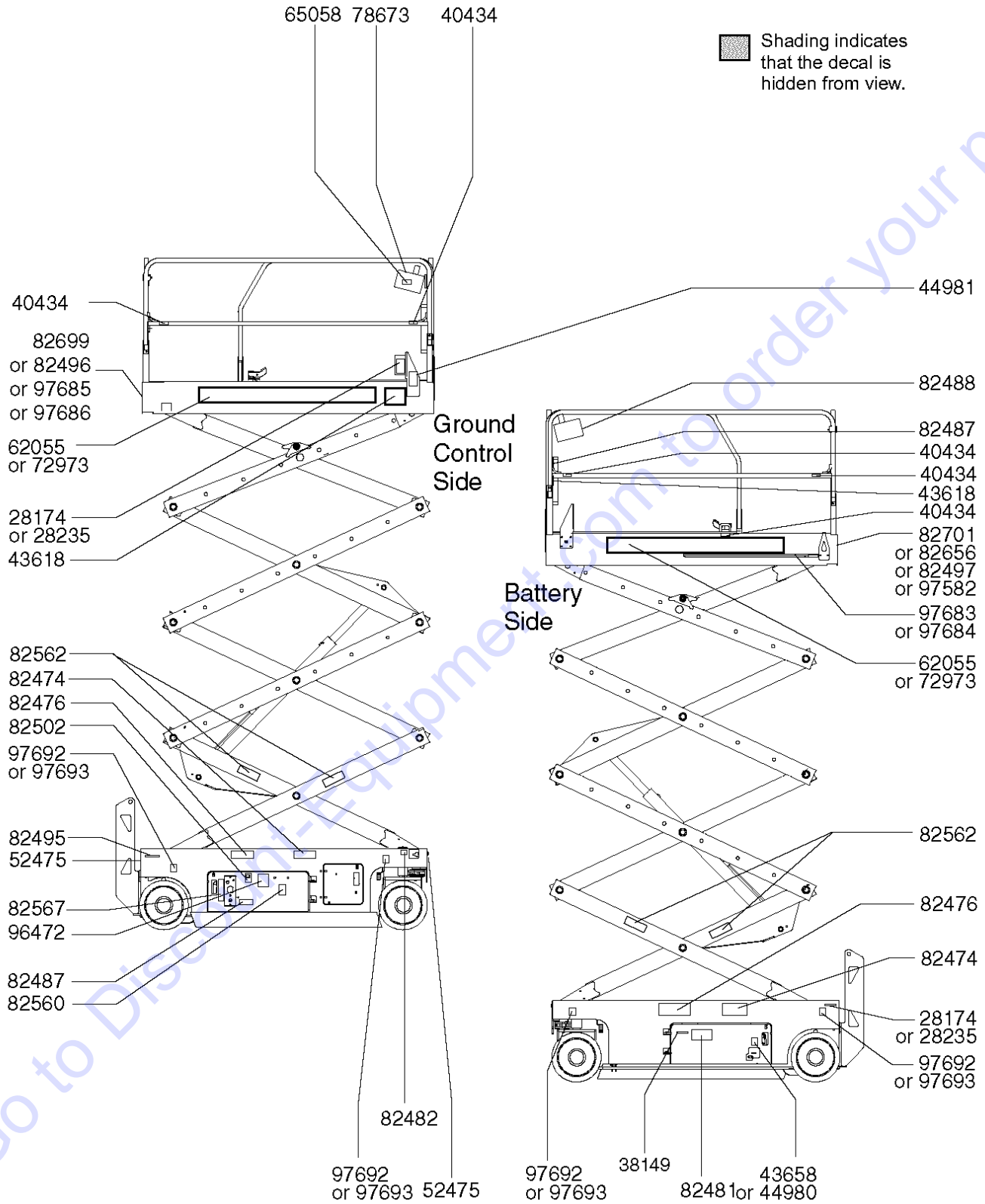
103.1 Decals with Words, GS-32

Item	Part No.	Description	Qty.	Item	Part No.	Description	Qty.
A	84564GT	DECAL KIT,SAFE/INST,GS32/46*** (to SN 74999) (does not include items 3, 6, 17, 23, 24, 30, 35, and 47-53)		21	44737GT	DECAL DANGER TIP OVER TRAYS.....	2
B	160854GT	DECAL KIT,2032,PLAT,WORD,ANSI ANSI models from SN 75000		22	44753GT	DECAL, LABEL, LED READOUT.....	1
C	160855GT	DECAL KIT,2032,COMP,WORD,ANSI ANSI models from SN 75000		23	44980GT	DECAL,LABEL,PWR TO CHARGR 115V.....	1
D	160856GT	DECAL KIT,2032,PLAT,WORD,AUS Australia models from SN 75000		24	44981GT	DECAL,LABEL, AIR LINE 110 PSI.....	2
E	160857GT	DECAL KIT,2032,COMP,WORD,AUS Australia models from SN 75000		25	46238GT	DECAL,NOTICE,ERROR LIGHT.....	1
F	160858GT	DECAL KIT,2632,PLAT,WORD,ANSI (ANSI models from SN 75000)		26	46262GT	DECAL,DANGER,BATTERY SAFETY.....	1
G	160859GT	DECAL KIT,2632,COMP,WORD,ANSI (ANSI models from SN 75000)		27	46287GT	DECAL,LABEL-TIRE SPECS.....	4
H	160860GT	DECAL KIT,2632,PLAT,WORD,AUS (Australia models from SN 75000)		28	52475GT	DECAL,LABEL,TRANSPORT TIEDOWN*.....	5
I	160861GT	DECAL KIT,2632,COMP,WORD,AUS (Australia models from SN 75000)		29	65052GT	DECAL,LABEL,FAULT CODES.....	1
1	28164GT	DECAL,NOTICE,HAZARDOUS MAT'LS*.....	1	30	62055GT	DECAL,COSMETIC,GENIE GS-2032.....	2
2	28171GT	DECAL,DANGER,NO SMOKING ***.....	1	31	65058GT	DECAL, LABEL, GS32/46.....	1
3	28174GT	DECAL, POWER TO PLATFORM 230V**.....	2	32	72853GT	DECAL,DANGER,IMPROPER USE HAZ.....	1
4	28175GT	DECAL,WARNING-COMPART ACCESS.....	1	33	72970GT	DECAL,INSTRUCTIONS-CHARGER OP.....	1
5	28176GT	DECAL,LABEL,MANUAL NOT HERE.....	1	34	72973GT	DECAL,COSMETIC,GENIE GS-2632**.....	2
6	28235GT	DECAL,POWER TO PLATFORM 115V.....	2	35	78673GT	OVERLAY, PLAT CONTRL BOX,GEN4~.....	1
7	28236GT	DECAL,WARN,IMPROPER OPERATION.....	1	36	82307GT	DECAL,INSTR,INDOOR,AUS-26/3232... Australia models	1
8	31060GT	DECAL,DANGER DO NOT ALTER SWTC.....	1	37	82366GT	DECAL,CHEVRON RANDO HD.....	1
9	31508GT	DECAL,DANGER,ELECT HAZARD,PLUG.....	1	38	82447GT	DECAL, LABEL,AUX LOWERING.....	1
10	40434GT	DECAL,LANYARD ANCHORAGE POINT.....	5	39	82557GT	DECAL,LABEL,PLAT CONT LOCATION.....	1
11	43089GT	DECAL,INSTRUCTIONS-OPER,GCP.....	1	40	82558GT	DECAL,WARN,SKIN INJECTION HAZ*.....	1
12	43090GT	DECAL,NOTICE, OPER INST, PCP.....	1	41	82559GT	DECAL,INSTRUCT-ANNUAL INSP REQ.....	1
13	43091GT	DECAL,DANGER,GENERAL SAFETY.....	1	42	82561GT	DECAL,DANGER-USE SAFETY ARM.....	2
14	43617GT	DECAL,DANGER,TIP-OVER,BATTERY..	1	43	82563GT	DECAL,INSTR-MAX CAP 500 LBS..... for GS2632 models	1
15	43618GT	DECAL, LABEL - DIRECTION ARROWS.....	2	44	82567GT	DECAL, GROUND CONTROL PANEL....	1
16	43619GT	DECAL,LABEL,SAFETY ARM.....	1	45	82657GT	DECAL,INSTRUCT,BATTERY CONNECT.....	1
17	43658GT	DECAL,LABEL,PWR TO CHARGR 230V.....	1	46	82693GT	DECAL,INSTR-MAX CAP 800 LBS.....	1
18	43696GT	DECAL,DANGER,ELEC HAZARD,GS.....	2	47	82694GT	DECAL,INSTR-SIDE FRC,ANSI 2032.... ANSI & CSA models	1
19	44255GT	DECAL,DANGER,CRUSHING HAZARD.....	4	48	82695GT	DECAL,INSTR-SIDE FRC,ANSI..... ANSI & CSA models	1
20	44736GT	DECAL,DANGER,TIP-OVER,TILT.....	1	49	96472GT	SERIAL # LABEL,SCISSORS*****.....	1
				50	97692GT	DECAL,LABEL,WHEEL LOAD 2032.....	4
				51	97693GT	DECAL,LABEL,WHEEL LOAD 2632.....	4
				52	97694GT	DECAL,INSTR-MANUALFRC,AUS 2032.....	1
				53	97712GT	DECAL,DANGER,BRAKE REL SAFETY* from SN 60000	



104.1 Decals with Symbols, GS-32

Shading indicates that the decal is hidden from view.



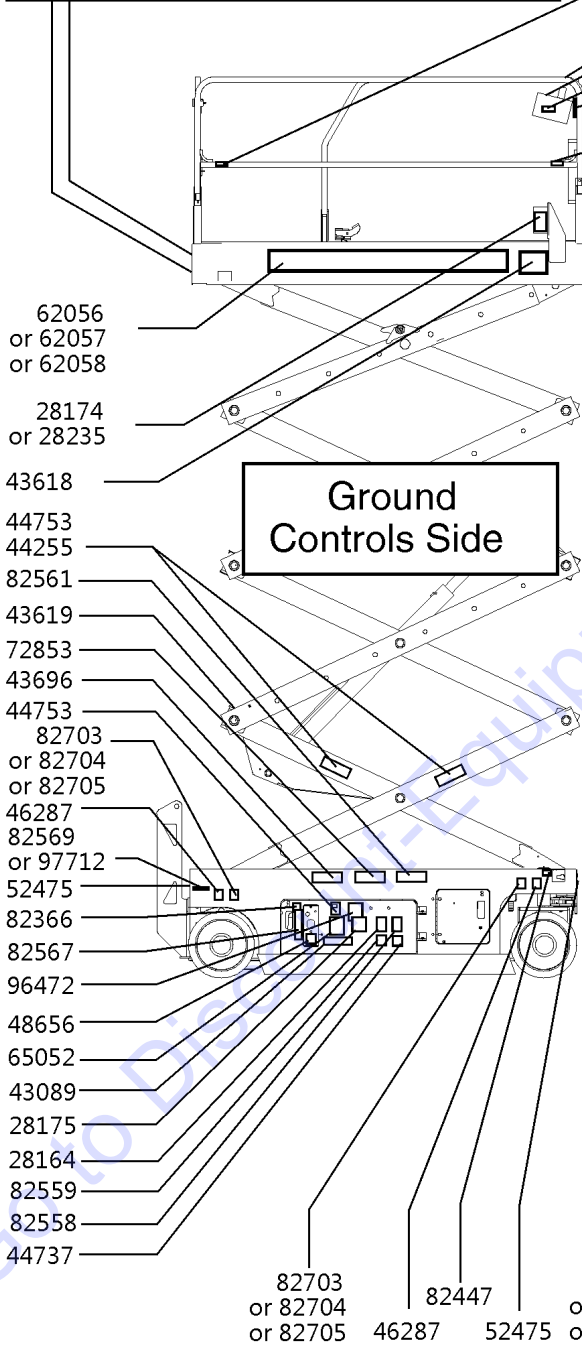
104.1 Decals with Symbols, GS-32

Item	Part No.	Description	Qty.	Item	Part No.	Description	Qty.
A	82995GT	DECAL KIT,SYMBOL,GS-32 & 46 (to SN 74999) (does not include items 1, 2, 5, 6, 7, 9, 10, 12, 13, 22, 27 through 35)		21	82496GT	DECAL,SYM-MAXCAP 500.....1 GS-2632	1
B	160863GT	DECAL KIT,2032,PLAT,SYM,ANSI ANSI models from SN 75000		22	82497GT	DECAL,SYM-SIDEFORCE 200400.....1 GS-2032 (CE models)	1
C	160864GT	DECAL KIT,2032,COMP,SYM,ANSI ANSI models from SN 75000		23	82502GT	DECAL,LABEL,LED READOUT.....1	1
D	160865GT	DECAL KIT,2032,PLAT,SYM,CE CE models from SN 75000		24	82562GT	DECAL,SYMBOL-CRUSHING HAZARD.....4	4
E	160866GT	DECAL KIT,2032,COMP,SYM,CE CE models from SN 75000		25	82567GT	DECAL, GROUND CONTROL PANEL....1	1
E	160867GT	DECAL KIT,2632,PLAT,SYM,ANSI ANSI models from SN 75000		26	82656GT	DECAL,SYM-SIDE FORCE 445N.....1 GS-2632	1
F	160868GT	DECAL KIT,2632,COMP,SYM,ANSI ANSI models from SN 75000		27	82699GT	DECAL,SYM-MAXCAP 800.....1 GS-2032	1
G	160869GT	DECAL KIT,2632,PLAT,SYM,CE CE models from SN 75000		28	82701GT	DECAL,SYM-SIDE FORCE 534N.....1	1
H	160870GT	DECAL KIT,2632,COMP,SYM,CE CE models from SN 75000		29	96472GT	SERIAL # LABEL,SCISSORS*****.....1	1
1	28174GT	DECAL, POWER TO PLATFORM 230V**.....2	2	30	97582GT	DECAL,SYM-SIDEFORCE 400N ID.....1 GS-2632 (CE models)	1
2	28235GT	DECAL,POWER TO PLATFORM 115V...2	2	31	97683GT	DECAL,LABEL,CAP IND CE GS2032....1 GS-2032 (CE models)	1
3	40434GT	DECAL,LANYARD ANCHORAGE POINT.....5	5	32	97684GT	DECAL,LABEL,CAP IND CE2632.....1 CE models	1
4	43618GT	DECAL, LABEL - DIRECTION ARROWS.....2	2	33	97685GT	DECAL,SYM-MAXCAP CE GS2032.....1 GS-2032 (CE models)	1
5	43658GT	DECAL,LABEL,PWR TO CHARGR 230V.....1	1	34	97686GT	DECAL,SYM-MAXCAP CE GS2632.....1 CE models	1
6	44980GT	DECAL,LABEL,PWR TO CHARGR 115V.....1	1	35	97692GT	DECAL,LABEL,WHEEL LOAD 2032.....4 GS-2032	4
7	44981GT	DECAL,LABEL, AIR LINE 110 PSI.....2	2	36	97693GT	DECAL,LABEL,WHEEL LOAD 2632.....4	4
8	52475GT	DECAL,LABEL,TRANSPORT TIEDOWN*.....5	5				
9	62055GT	DECAL,COSMETIC,GENIE GS-2032....2	2				
10	65058GT	DECAL, LABEL, GS32/46.....1	1				
11	72973GT	DECAL,COSMETIC,GENIE GS-2632**...2	2				
12	78673GT	OVERLAY, PLAT CONTRL BOX,GEN4~.....1	1				
13	82472GT	DECAL,WARNING,CRUSHING HAZARD.....1	1				
14	82474GT	DECAL,SYMBOL-USE SAFETY ARM....2	2				
15	82476GT	DECAL,SYMBOL-ELEC HAZARD,GS....2	2				
16	82481GT	DECAL,SYMBOL-BATTERY SAFETY....1	1				
17	82482GT	DECAL,LABEL,AUX LOWERING.....1	1				
18	82487GT	DECAL, SYMBOL - READ THE MANUAL.....2	2				
19	82488GT	DECAL,LABEL,ERROR LIGHT.....1	1				
20	82495GT	DECAL,SYMBOL-BRAKE REL SAFETY.....1	1				

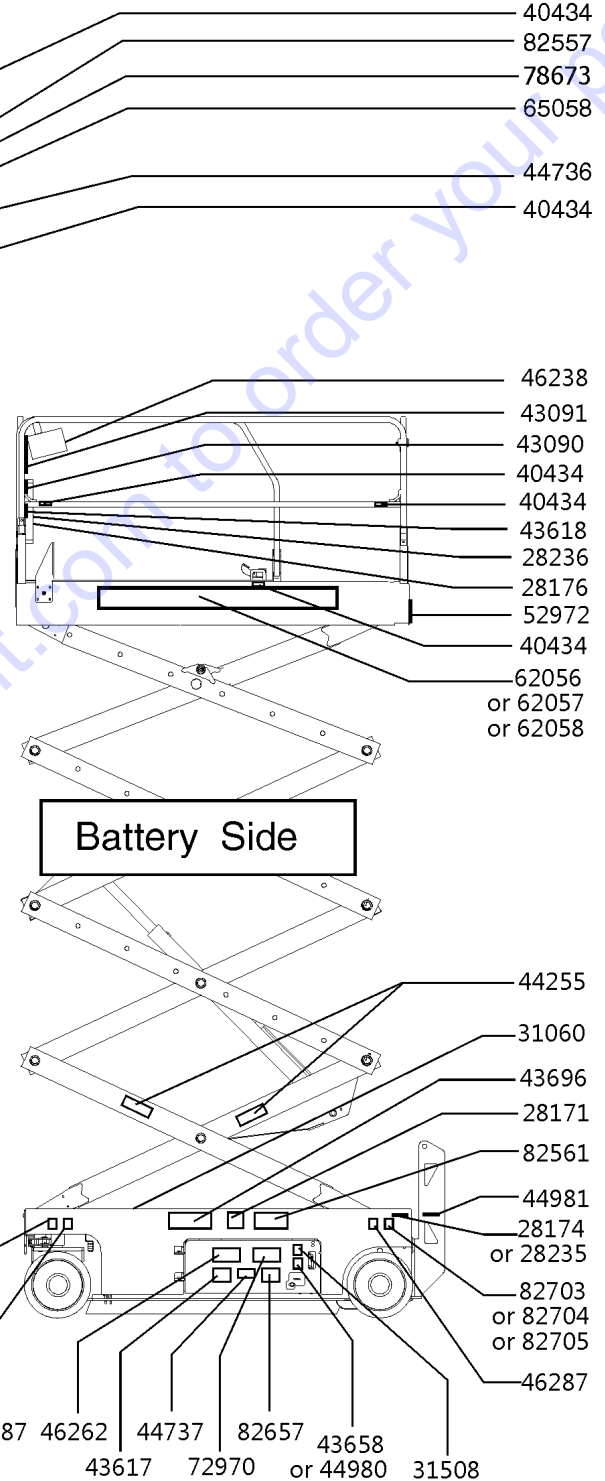
105.1 Decals with Words, GS-46

Decal Part Numbers				
each model requires 1 Capacity decal and 1 Side Force decal				
		GS-2046	GS-2646	GS-3246
ANSI	Capacity	82710	82726	82727
	Side Force	82728	82729	82730
CSA	Capacity	82710	82726	82727
	Side Force	82728	82729	82730
Australia	Capacity	82710	82726	82727
	Side Force	97663	97663	97662

☐ Shading indicates that the decal is hidden from view.



**Ground Controls Side**



**Battery Side**

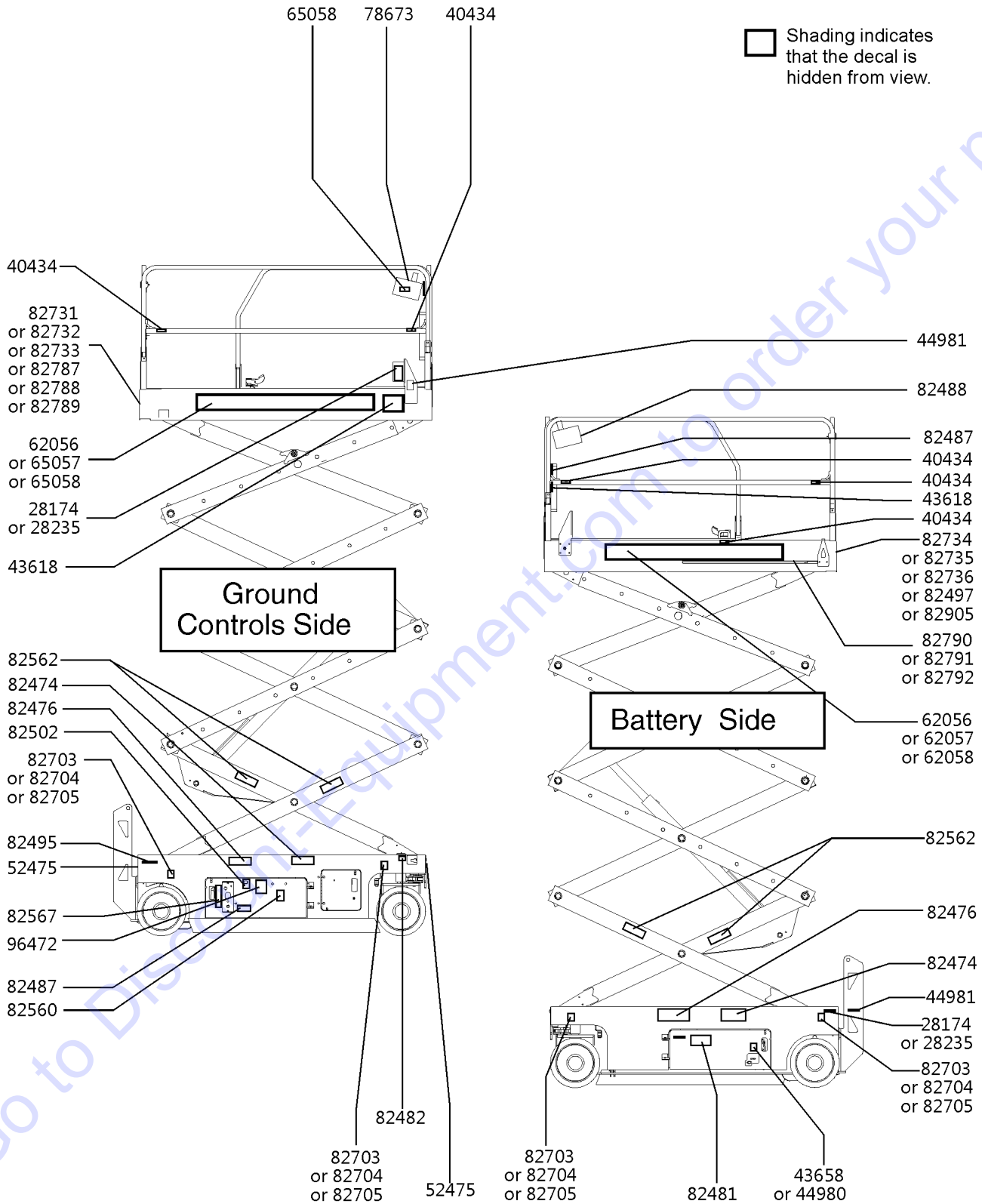


105.1 Decals with Words, GS-46

Item	Part No.	Description	Qty.	Item	Part No.	Description	Qty.
--	84564GT	DECAL KIT,SAFE/INST,GS32/46*** <i>(does not include items 3, 6, 10, 17, 23, 24, 30, 31, 32, 35, 38 and 48 through 59)</i>		32	62057GT	DECAL,COSMETIC,GENIE GS-2646.....	2
1	28164GT	DECAL,NOTICE,HAZARDOUS MAT'LS*.....	1	34	65052GT	DECAL,LABEL,FAULT CODES.....	1
2	28171GT	DECAL,DANGER,NO SMOKING ***.....	1	35	65058GT	DECAL, LABEL, GS32/46.....	1
3	28174GT	DECAL, POWER TO PLATFORM 230V**.....	2	36	72853GT	DECAL,DANGER,IMPROPER USE HAZ.....	1
4	28175GT	DECAL,WARNING-COMPART ACCESS.....	1	37	72970GT	DECAL,INSTRUCTIONS-CHARGER OP.....	1
5	28176GT	DECAL,LABEL,MANUAL NOT HERE.....	1	38	78673GT	OVERLAY, PLAT CONTRL BOX,GEN4~.....	1
6	28235GT	DECAL,POWER TO PLATFORM 115V..	2	39	82366GT	DECAL,CHEVRON RANDO HD.....	1
6	28236GT	DECAL,WARN,IMPROPER OPERATION.....	1	40	82447GT	DECAL, LABEL,AUX LOWERING.....	1
7	31060GT	DECAL,DANGER DO NOT ALTER SWTC.....	1	41	82557GT	DECAL,LABEL,PLAT CONT LOCATION.....	1
8	31508GT	DECAL,DANGER,ELECT HAZARD,PLUG.....	1	42	82558GT	DECAL,WARN,SKIN INJECTION HAZ*.....	1
9	40434GT	DECAL,LANYARD ANCHORAGE POINT.....	5	43	82559GT	DECAL,INSTRUCT-ANNUAL INSP REQ.....	1
10		DECAL,LABEL,PATENTS..... <i>n/a</i>	1	44	82561GT	DECAL,DANGER-USE SAFETY ARM...2	
11	43089GT	DECAL,INSTRUCTIONS-OPER,GCP.....	1	45	82567GT	DECAL, GROUND CONTROL PANEL....1	
12	43090GT	DECAL,NOTICE, OPER INST, PCP.....	1	46	97712GT	DECAL,DANGER,BRAKE REL SAFETY*..... <i>(from SN 60000)</i>	1
13	43091GT	DECAL,DANGER,GENERAL SAFETY.....	1	47	82657GT	DECAL,INSTRUCT,BATTERY CONNECT.....	1
14	43617GT	DECAL,DANGER,TIP-OVER,BATTERY..1		48	82703GT	DECAL,LABEL,WHEEL LOAD 2046.....4	
15	43618GT	DECAL, LABEL - DIRECTION ARROWS.....	2	49	82704GT	DECAL,LABEL,WHEEL LOAD 2646.....4	
16	43619GT	DECAL,LABEL,SAFETY ARM.....	1	51	82710GT	DECAL,INSTR-MAX CAP 1200LBS.....1 <i>GS-2046</i>	
17	43658GT	DECAL,LABEL,PWR TO CHARGR 230V.....	1	52	82726GT	DECAL,INSTRUCT,MAXCAP1000LBS..1. <i>GS-2646</i>	
18	43696GT	DECAL,DANGER,ELEC HAZARD,GS....2		54	82728GT	DECAL,INSTR-SIDE FRC,ANSI 2046.....1 <i>(ANSI &amp; CSA models)</i>	
19	44255GT	DECAL,DANGER,CRUSHING HAZARD.....	4	55	82729GT	NOTICE,SIDE FRC ANSI2646.....1 <i>(ANSI &amp; CSA models)</i>	
20	44736GT	DECAL,DANGER,TIP-OVER,TILT.....	1	58	97663GT	DECAL,INSTR-MANUALFRC,AUS 400N..... <i>GS-2046, GS-2646 (Australia models)</i>	1
21	44737GT	DECAL DANGER TIP OVER TRAYS.....	2	59	96472GT	SERIAL # LABEL,SCISSORS*****.....	1
22	44753GT	DECAL, LABEL, LED READOUT.....	1				
23	44980GT	DECAL,LABEL,PWR TO CHARGR 115V.....	1				
24	44981GT	DECAL,LABEL, AIR LINE 110 PSI.....	2				
25	46238GT	DECAL,NOTICE,ERROR LIGHT.....	1				
26	46262GT	DECAL,DANGER,BATTERY SAFETY.....	1				
27	46287GT	DECAL,LABEL-TIRE SPECS.....	4				
28	48656GT	DECAL, LABEL, YELLOW E STOP.....	1				
29	52475GT	DECAL,LABEL,TRANSPORT TIEDOWN*.....	5				
30	52972GT	DECAL,CE MARK,3".....	1				
31	62056GT	DECAL,COSMETIC,GENIE GS-2046**..2					



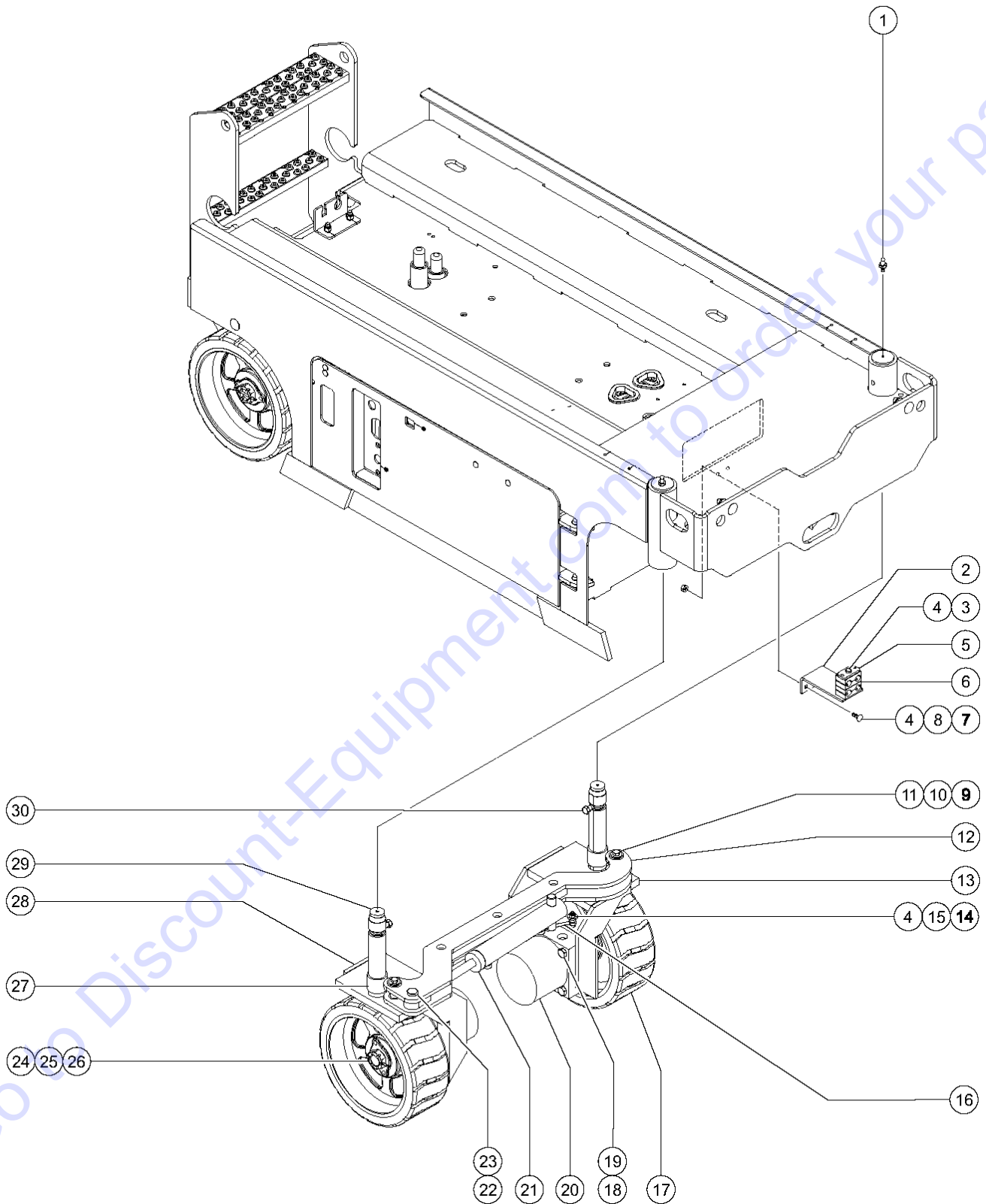
106.1 Decals with Symbols, GS-46



106.1 Decals with Symbols, GS-46

Item	Part No.	Description	Qty.	Item	Part No.	Description	Qty.
--	82995GT	DECAL KIT,SYMBOL,GS-32 & 46 (not include items 1, 2, 3, 6, 7, 8, 10, 11, 12, 14, 22 and 27 through 43)		36	82787GT	DECAL,SYM-MAXCAP CE GS2046.....1 (CE models)	1
--	96472GT	SERIAL # LABEL,SCISSORS*****.....1		37	82788GT	DECAL,SYM-MAXCAP CE GS2646.....1 (CE models)	1
1	28174GT	DECAL, POWER TO PLATFORM 230V**.....2	2	39	82790GT	DECAL,LABEL,CAP IND CE GS2046.....1 (CE models)	1
2	28235GT	DECAL,POWER TO PLATFORM 115V...2	2	40	82791GT	DECAL,LABEL,CAP IND CE GS2646.....1 GS-2646 (CE models)	1
3		DECAL,LABEL,PATENTS.....1 n/a	1	42	82905GT	DECAL,SYM-SIDEFORCE 400N.....1 GS-2046, GS-2646 (CE models)	1
4	40434GT	DECAL,LANYARD ANCHORAGE POINT.....5	5	43	96472GT	SERIAL # LABEL,SCISSORS*****.....1	1
5	43618GT	DECAL, LABEL - DIRECTION ARROWS.....2	2				
6	43658GT	DECAL,LABEL,PWR TO CHARGR 230V.....1	1				
7	44980GT	DECAL,LABEL,PWR TO CHARGR 115V.....1	1				
8	44981GT	DECAL,LABEL, AIR LINE 110 PSI.....2	2				
9	52475GT	DECAL,LABEL, TRANSPORT TIEDOWN*.....5	5				
10	62056GT	DECAL,COSMETIC,GENIE GS-2046**...2	2				
11	62057GT	DECAL,COSMETIC,GENIE GS-2646...2	2				
13	65058GT	DECAL, LABEL, GS32/46.....1	1				
14	78673GT	OVERLAY, PLAT CONTRL BOX,GEN4~.....1	1				
15	82474GT	DECAL,SYMBOL-USE SAFETY ARM...2	2				
16	82476GT	DECAL,SYMBOL-ELEC HAZARD,GS....2	2				
17	82481GT	DECAL,SYMBOL-BATTERY SAFETY....1	1				
18	82482GT	DECAL,LABEL,AUX LOWERING.....1	1				
19	82487GT	DECAL, SYMBOL - READ THE MANUAL.....2	2				
20	82488GT	DECAL,LABEL,ERROR LIGHT.....1	1				
21	82495GT	DECAL,SYMBOL-BRAKE REL SAFETY.....1	1				
23	82502GT	DECAL,LABEL,LED READOUT.....1	1				
24	82560GT	DECAL,SYMBOL-SKIN INJECT HAZRD.....1	1				
25	82562GT	DECAL,SYMBOL-CRUSHING HAZARD.....4	4				
26	82567GT	DECAL, GROUND CONTROL PANEL...1	1				
27	82703GT	DECAL,LABEL,WHEEL LOAD 2046....4	4				
28	82704GT	DECAL,LABEL,WHEEL LOAD 2646....4	4				
30	82731GT	DECAL,SYM-MAXCAP 1200.....1 GS-2046	1				
31	82732GT	DECAL,SYM-MAXCAP 1000.....1 GS-2646	1				
33	82734GT	DECAL,SYM-SIDE FORCE 2046.....1	1				
34	82735GT	DECAL,SYM-SIDE FORCE 2646.....1 GS-2646	1				

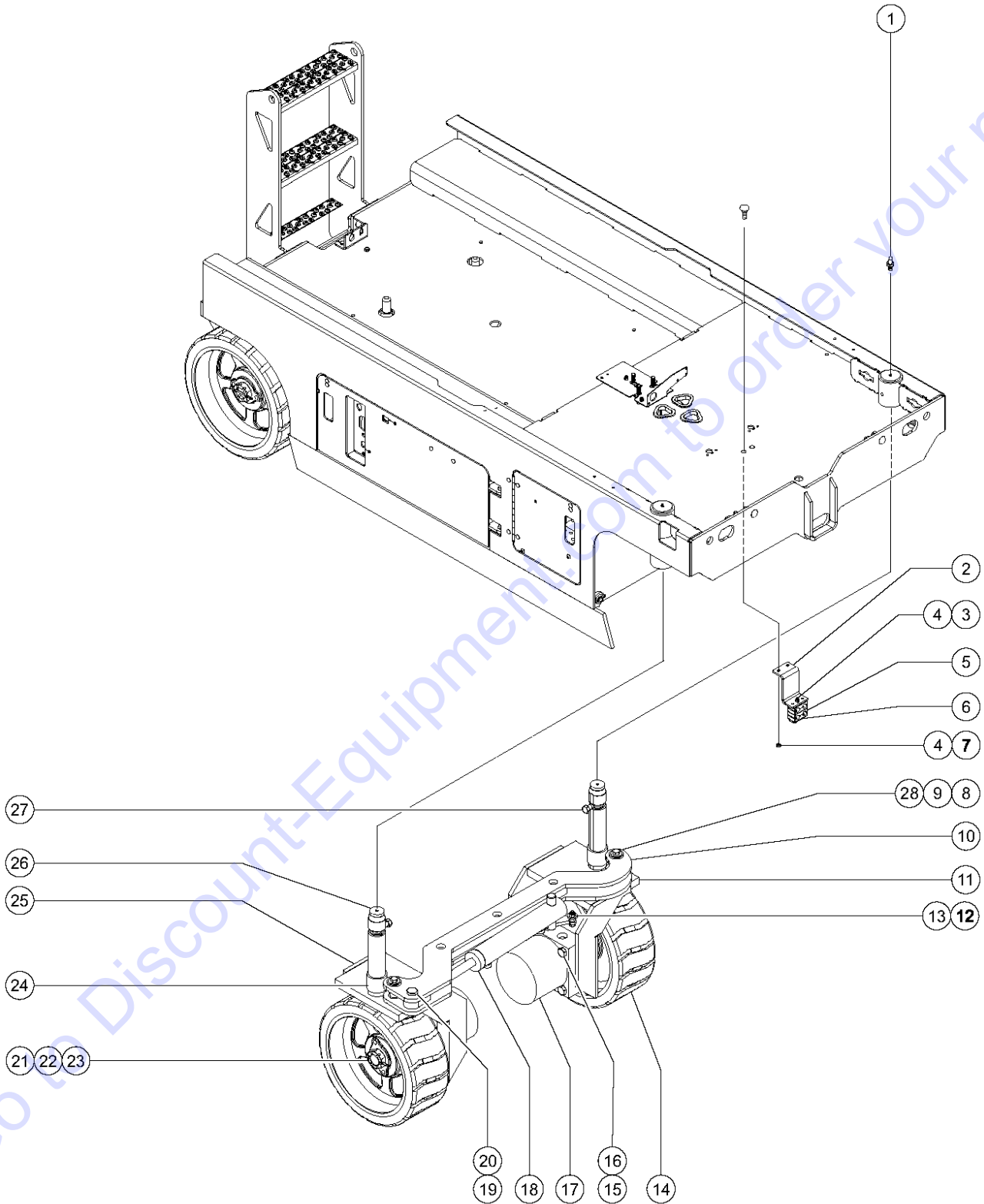
201.1 Steer Linkage and Wheels, GS-30



## 201.1 Steer Linkage and Wheels, GS-30

Item	Part No.	Description	Qty.
1	66770GT	FITTING,STRAIGHT DRIVE-IN ZERK....2	
2A	105051GT	FORMING,HOSE CLAMP SUPPORT.....1 (from SN 63151)	
2B	105053GT	KIT,MINI, HOSE CLAMP RETROFIT (from 60000 to 63150) (includes 105059, 105052, 6878, and 6091 only)	
3	144374GT	SCREW,HHC,1/4-20X3.25,GR8	
4	6091GT	NUT,NYLOCK,1/4-20	
5	58592GT	PLATE,HOSE ROUTG,BULKHEAD(PTD).....1	
6	78736GT	CLAMP,2 HOSE,PLASTIC,5/8.....4	
7	9116GT	BOLT,CARRIAGE,1/4-20x1.25,G2 (from SN 63151)	
8	6638GT	WASHER,FLAT,USS,1/4"Y (from SN 63151)	
9	8255GT	SCREW,HHC,3/8-16 X .75	
10	6097GT	WASHER,FLAT,USS,3/8",Y	
11	47548GT	BEARING,FL,0.75ID X 1 OD X .49.....2	
12	84571GT	TIE ROD ASSEMBLY.....1	
13	96068GT	WELDMENT, STR YOKE, 30 MINI LT.....1	
14	6888GT	SCREW,HHC,1/4-20 X 1	
15	96258GT	PIN,STEER CYLINDER.....1	
16	45748GT	ROD END,.250 X 2.75 LG.....1	
17	105122GT	WHEEL & TIRE ASSY,LP,12"*****.....2	
18	8357GT	SCREW,HHC,1/2-13 X 3.5	
19	6198GT	NUT,NYLOCK,1/2-13	
20		Ref. Drive Motor (refer to 501.1)	
21		Ref. Steer Cylinder (refer to 501.1)	
22	6545GT	PIN,CLEVIS,.75 X 2.....1	
23	21253GT	CLIP,HAIR PIN .125 X 2.....1	
24	44780GT	NUT,CASTLE,1.125-18 UNEF.....2	
25	44781GT	KEY,RECTANGULAR,.31X.28X1.25"*.....2	
26	42079GT	PIN,COTTER,.156 X 2.5.....2	
27	45071GT	BEARING,1.5IDX1.75ODX1.5L.....2	
28	96069GT	WELDMENT, STR YOKE, 30 MINI RT.....1 (ground controls side)	
29	105565GT	WASHER,THRUST, GS.....2	
30	55917GT	SCREW, YOKE LOCK ALL SLABS	

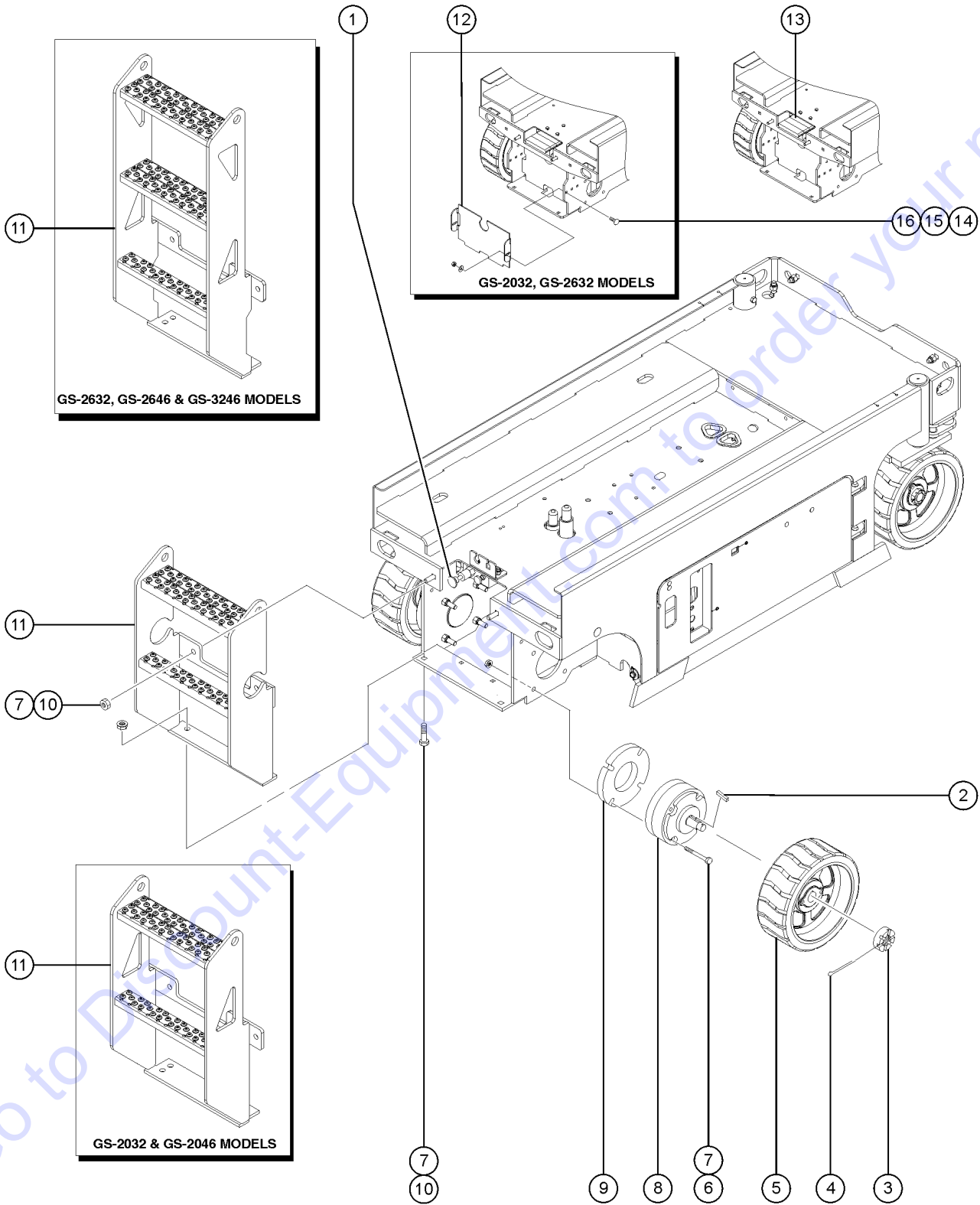
202.1 Steer Linkage and Wheels, GS-32, GS-46



## 202.1 Steer Linkage and Wheels, GS-32, GS-46

Item	Part No.	Description	Qty.
1	66770GT	FITTING,STRAIGHT DRIVE-IN ZERK...2	
2	230364GT	FORMING,HOSE CLAMP SPT,PTD,BLU.....1	
3	144374GT	SCREW,HHC,1/4-20X3.25,GR8	
4	6091GT	NUT,NYLOCK,1/4-20	
5	78736GT	CLAMP,2 HOSE,PLASTIC,5/8.....4	
6	58592GT	PLATE,HOSE ROUTG,BULKHEAD(PTD).....1	
7	6878GT	BOLT,CARRIAGE,1/4-20 X .75,G2	
8	8255GT	SCREW,HHC,3/8-16 X .75	
9	15086GT	WASHER,FLAT,.375 X 1.5 X .125	
10	84699GT	TIE ROD ASSEMBLY, GS32.....1	
10	97267GT	TIE ROD ASSY, GS46	
11	96573GT	WLDMT,STEER YOKE,LT,GS32/46.....1 (battery pack side)	
12	96423GT	RUE RING,3/4 PIN.....1	
13	96907GT	PIN,CLEVIS,0.75 X 3.25".....1	
14	105454GT	WHEEL & TIRE ASSY LP,15".....2	
15	8357GT	SCREW,HHC,1/2-13 X 3.5	
16	6198GT	NUT,NYLOCK,1/2-13	
17		Ref. Drive Motor (refer to 501.1)	
18		Ref. Steer Cylinder (refer to 501.1)	
19	6545GT	PIN,CLEVIS,.75 X 2.....1	
20	21253GT	CLIP,HAIR PIN .125 X 2.....1	
21	44780GT	NUT,CASTLE,1.125-18 UNEF.....2	
22	13635-10GT	PIN,COTTER,.156 X 1.75.....2	
23	44781GT	KEY,RECTANGULAR,.31X.28X1.25**.....2	
24	18722GT	BEARING,2.25IDX2.50ODX1.50L***	
25	96572GT	WLDMT,STEER YOKE,RT,GS32/46.....1 (ground controls side)	
26	105565GT	WASHER,THRUST, GS.....2	
27	55917GT	SCREW, YOKE LOCK ALL SLABS	
28	47946GT	BEARING,1.00IDX1.25ODX0.49L.....2	

203.1 Non-steer Axle Installation





## 203.1 Non-steer Axle Installation

Item	Part No.	Description	Qty.	Item	Part No.	Description	Qty.
1		Ref. Brake Release Manifold (refer to 503.1)		13B	96465GT	WELDMENT, 1532 COUNTERWT, CE...1 GS-1532 CE & AUSTRALIA (inside rear chassis)	1
2	44781GT	KEY,RECTANGULAR,.31X.28X1.25***.....2	2	13C	66692GT	COUNTERWEIGHT,REAR GS***.....2 GS-1930 CE & AUSTRALIA INDOOR (on top of chassis) (from SN 63959 to 72763)	2
3	44780GT	NUT,CASTLE,1.125-18 UNEF.....2	2	13D	66692GT	COUNTERWEIGHT,REAR GS***.....1 GS-1930 CE & AUSTRALIA INDOOR (on top of chassis) (from SN 72764 to A85006, TO B80468)	1
4	42079GT	PIN,COTTER,.156 X 2.5.....2	2	13E	96466GT	COUNTERWEIGHT,CAST,CE,1930/32...1 GS-1930 CE & AUSTRALIA INDOOR (inside rear chassis) (from SN 63959)	1
5	105122GT	WHEEL & TIRE ASSY,LP,12*****.....2	2	13F	105261GT	HOSE, ASSY, UPPER VENT.....6 GS-1930 CE & AUSTRALIA INDOOR (inside rear chassis) (from SN 72764 to A85006, TO B80468)	6
5	105454GT	WHEEL & TIRE ASSY LP,15".....2	2	13G	105261GT	HOSE, ASSY, UPPER VENT.....6 GS-1932 CE & AUSTRALIA (inside rear chassis) (from SN 72764 to A85006, TO B80468)	6
6	8357GT	SCREW,HHC,1/2-13 X 3.5		13H	66692GT	COUNTERWEIGHT,REAR GS***.....2 GS-1932 CE & AUSTRALIA (on top of chassis) (from SN 60000 to 72763)	2
6A	78732GT	SCREW,HHC,1/2-13 X 5 GR5, PLT GS-1532, GS-1932		13J	66692GT	COUNTERWEIGHT,REAR GS***.....1 GS-1932 CE & AUSTRALIA (on top of chassis) (from SN 72764 to A85006, TO B80468)	1
7	6198GT	NUT,NYLOCK,1/2-13		13K	96466GT	COUNTERWEIGHT,CAST,CE,1930/32...1 GS-1932 CE & AUSTRALIA (inside rear chassis)	1
8		Ref. Brake,Hydraulic*** (refer to 501.1)		13L	105080GT	COUNTERWEIGHT,GS32,REAR.....4 GS-2032 CE & AUSTRALIA (inside rear chassis)	4
9	78680GT	PLATE,BRAKE SPACER.....2 GS-1532, GS-1932	2	13M	105080GT	COUNTERWEIGHT,GS32,REAR.....1 GS-2632 ANSI (inside rear chassis)	1
10	96977GT	BOLT,CARRIAGE,1/2-13X1.50,GR5		13N	144142GT	COUNTERWEIGHT,SVC,GSXX32.....8 GS-2632 CE & AUSTRALIA (inside rear chassis)	8
11	144375GT	LADDER ASSY,GS30,WORD,ENG.....1 GS-30	1	13P	105100GT	PLATE,CWGT,GS32 REAR.....1 GS-2632 ANSI (rear stack plate)	1
11A	144381GT	LADDER ASSY,WORD,20XX,ENG.....1 GS-2032, GS-2046	1	13Q	96887GT	CWT, REAR, XX46.....2 GS-2046 CE & AUSTRALIA (inside rear chassis)	2
11B	144382GT	LADDER ASSY,20XX,WORD,AUS,ENG GS-2032, GS-2046		13R	96887GT	CWT, REAR, XX46.....3 GS-2646 CE & AUSTRALIA (inside rear chassis)	3
11C	144383GT	LADDER ASSY,20XX,WORD,FR GS-2032, GS-2046		13S	96876GT	COUNTERWEIGHT, BELLY.....1 GS-2646, 3246 CE & AUSTRALIA (inside front center of chassis)	1
11D	144385GT	LADDER ASSY,20XX,SYM GS-2032, GS-2046		13T	96887GT	CWT, REAR, XX46.....4 GS-3246 ANSI (inside rear chassis)	4
11E	144387GT	LADDER ASSY,26XX-32XX,WORD,ENG.....1 GS-2632, GS-2646, GS-3246	1	13U	96887GT	CWT, REAR, XX46.....6 GS-3246 CE & AUSTRALIA (inside rear chassis)	6
11F	144388GT	LADR ASSY,26XX-32XX,WORD,AUS,E GS-2632, GS-2646, GS-3246					
11G	144389GT	LADDER ASSY,26XX-32XX,WORD,FR GS-2632, GS-2646, GS-3246					
11H	144391GT	LADDER ASSY,26XX-32XX,SYM GS-2632, GS-2646, GS-3246					
12	105140GT	FORMING,CWT,COVER,GS32.....1 GS-2032, GS-2632 (shown)	1				
12A		PLATE, CWGT COVER, GS46 (105066).....1 GS-46 (component no longer available)	1				
--	96886GT	FORMING, CWT CLAMP.....1 GS-46	1				
13	96321GT	WLDMT.WHEEL COUNTERWEIGHT.....1 GS-1530, 1532, 1930, 1932 (under chassis, above left rear wheel) (from SN 60000 to 63226)	1				
13A	96465GT	WELDMENT, 1532 COUNTERWT, CE...1 GS-1530 CE & AUSTRALIA INDOOR (from SN 64511)	1				

203.1 Non-steer Axle Installation  
(continued)

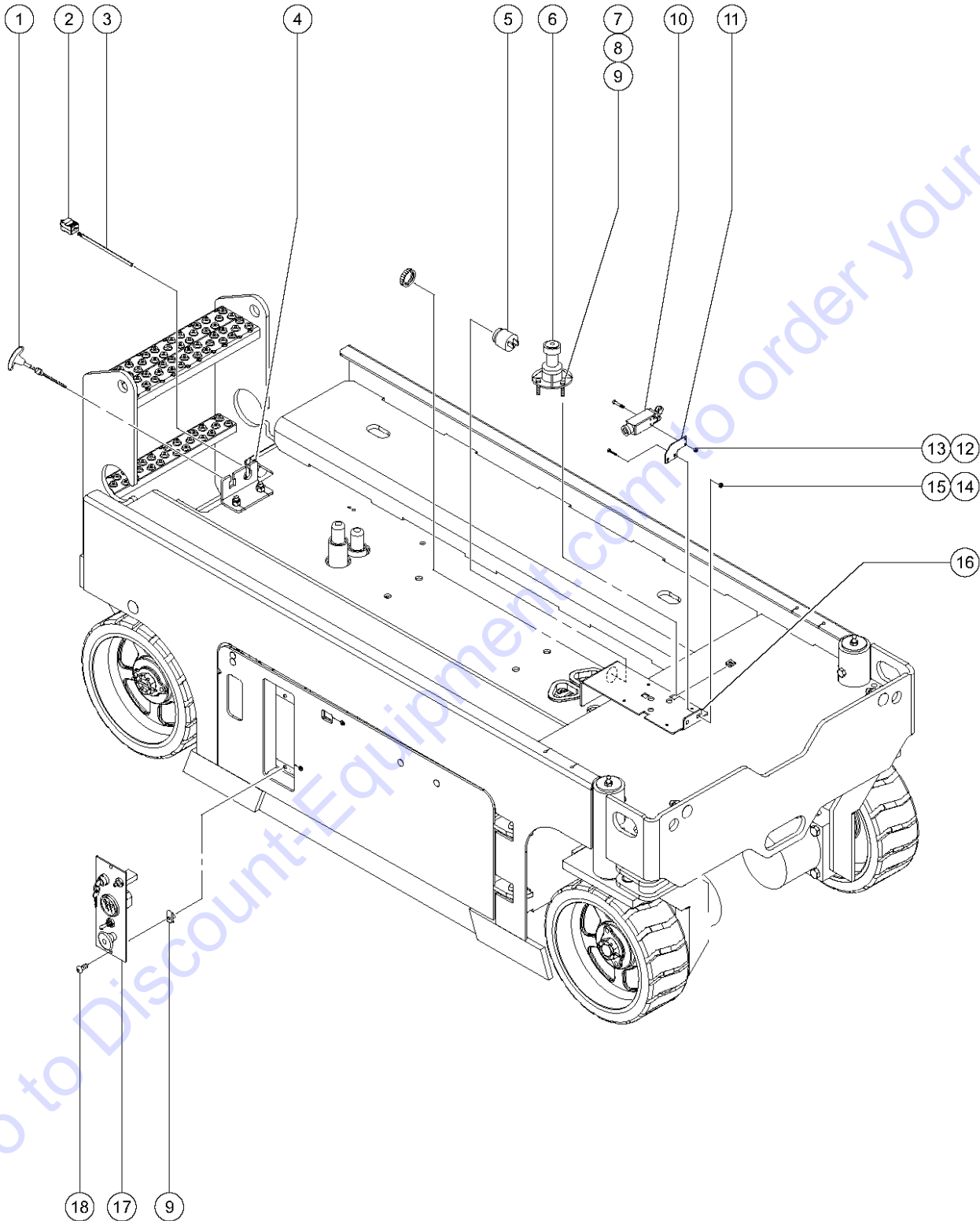
Item	Part No.	Description	Qty.
14	105092GT	BOLT,CARRIAGE,3/8-16X1.25,GR5	
14A	96977GT	BOLT,CARRIAGE,1/2-13X1.50,GR5 GS-46	
15	6097GT	WASHER,FLAT,USS,3/8",Y	
16	4828GT	NUT,NYLOCK,3/8-16	
16A	6097GT	WASHER,FLAT,USS,3/8",Y GS-46	

Go to Discount-Equipment.com to order your parts

***This Page Intentionally Left Blank***

Go to Discount-Equipment.com to order your parts

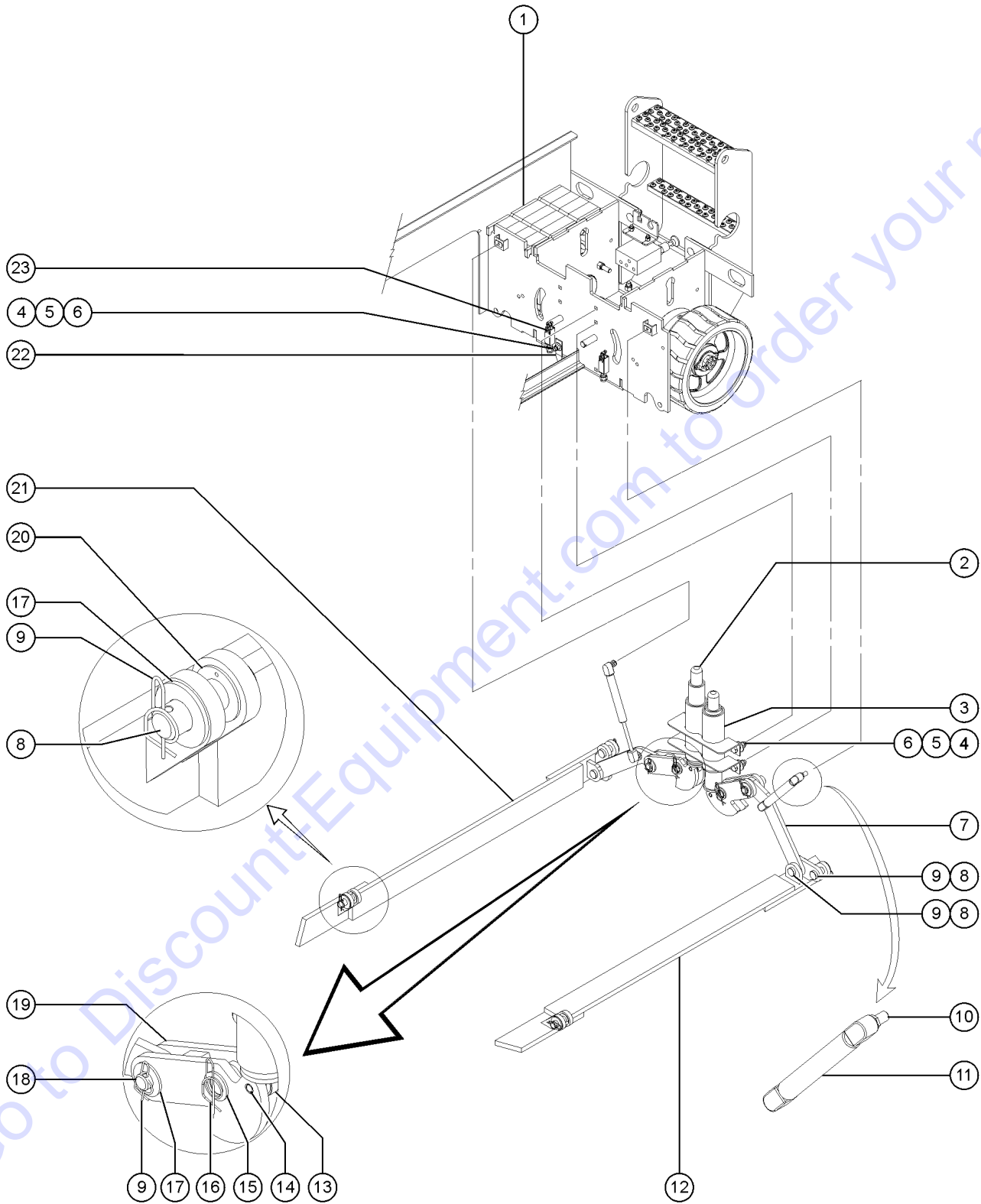
204.1 Ground Controls and Level Sensor Installation



## 204.1 Ground Controls and Level Sensor Installation

Item	Part No.	Description	Qty.
1	39232GT	CABLE,EMERGENCY DOWN.....	1
2		Ref. Electrical Plug (refer to 405.1)	
3		Ref. Electrical Cord (refer to 405.1)	
4	96103GT	FORMING,CONTROL BRKT.....	1
5	39540GT	ALARM,STEADY TONE***.....	1
--	72326GT	NUT - PLASTIC,RING FOR ALARMS Does not include 72326 nut	
6	105142GT	LEVEL SENSOR,LS60,RED,1.5 DIA	
7	6637GT	SCREW,HHC,1/4-20 X 1.75	
8	39469GT	SPRING,COMPRESSION.485 X1.75**	
9	56912GT	SPRING CLIP,1/4-20,.025-.15X.54,ZAG.....	5
10	96948GT	SWITCH,LIMIT,W/ROLLER ARM***.....	3
--	19491GT	CONTACTOR,LIMIT SWITCH	
--	97128GT	ROLLER ARM,LIMIT SWITCH***	
11	96493GT	PLATE, LIMIT SWITCH MOUNT.....	1
12	6178GT	NUT,NYLOCK,10-32	
13	16487GT	SCREW,RHM,10-32 X 1.5	
14	6091GT	NUT,NYLOCK,1/4-20	
15	6878GT	BOLT,CARRIAGE,1/4-20 X .75,G2	
16	96755GT	FORMING,ALARM BRACKET.....	1
16A	1264129GT	BRACKET, UTS, LARGE GS-32, GS-46	
17		Ref. Ground Controls (refer to 210.1)	
18	14297GT	SCREW,BHHS,1/4-20 X .75	

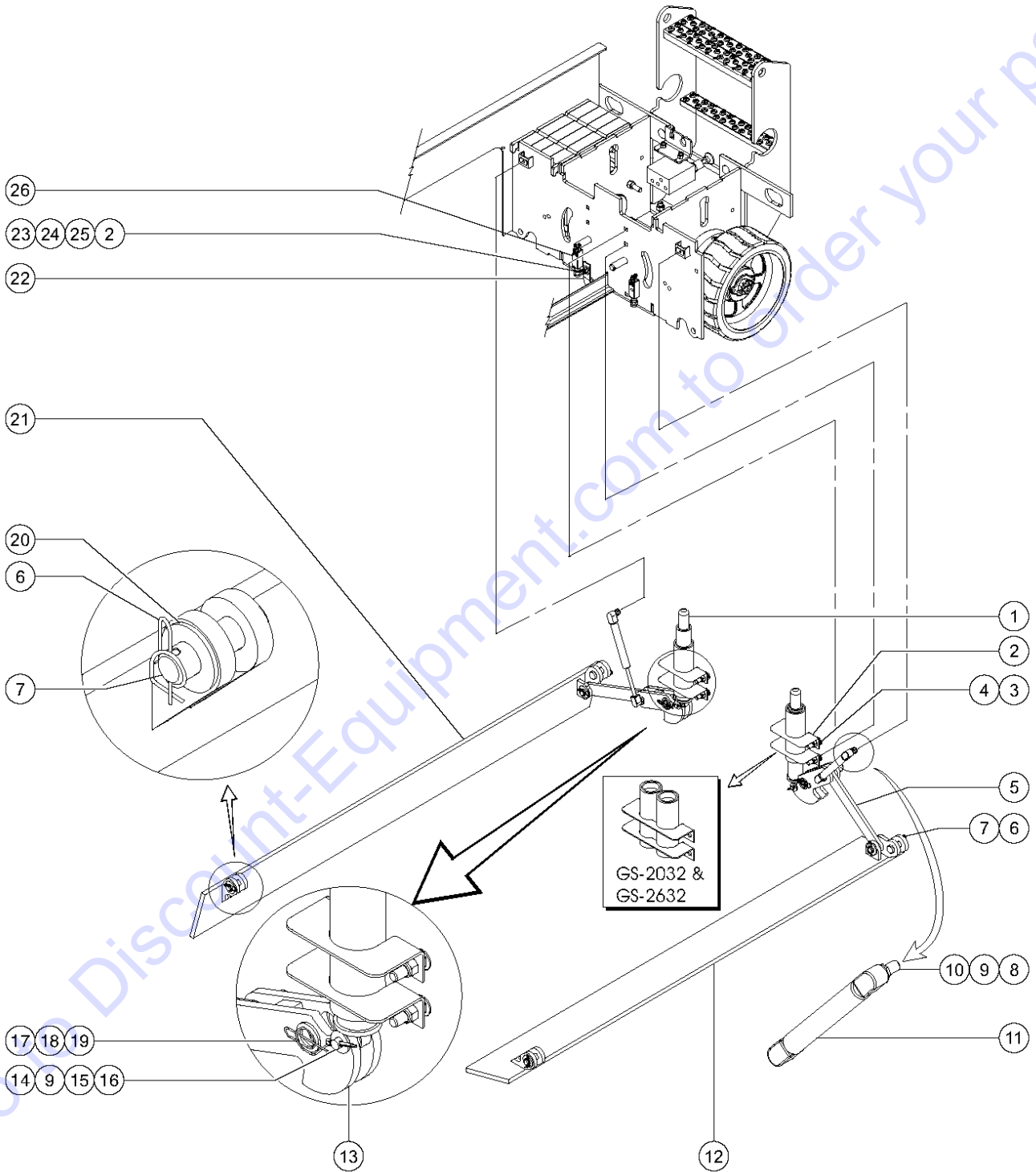
205.1 Pothole Protection Assembly, GS-30



## 205.1 Pothole Protection Assembly, GS-30

Item	Part No.	Description	Qty.
1	96321GT	WLDMT.WHEEL COUNTERWEIGHT.....1 (to SN 63226) (replaced with a welded in counterweight at SN 63227)	
2	96680GT	ASSY,POT HOLE PUSHER,GS*(MINI) (to SN 64634)	
2B	96839GT	ASSY,POT HOLE PUSHER,GS*** (from SN 64635)	
3	96524GT	WLDMT/ASSY, PH GUIDE,GS30/32.....1	
--	96408GT	BEARING, 1.523IDX1.75ODX0.63L	
4	4828GT	NUT,NYLOCK,3/8-16	
5	6097GT	WASHER,FLAT,USS,3/8",Y	
6	6019GT	SCREW,HHC,3/8-16 X 1.25 GRD 5	
7	96043GT	PLATE, POT HOLE LINK.....2 (to SN 64634)	
7A	105055PGT	PLATE,POTHOLE LINK,GS30 (from SN 64635)	
8	96135GT	PIN,CLEVIS,.625 X 1.88,ZINC PL.....6	
9	96422GT	RUE RING,5/8 PIN.....8	
10	78086GT	BALL STUD, GAS STRUT, 3/8-16.....2	
11	39542GT	GAS SHOCK,SCISSORS***.....2	
12	96039GT	POT HOLE GUARD,LT,WLDMT.....1	
13	96087GT	BEARING, BALL, 1.13X.375X.375.....2 (to SN 60907)	
13A	96541GT	CAM FOLLOWER,1.125X.375,DELFIN.....2 (from SN 60908)	
14	96086GT	PIN, ROLL, .375 X 1.25.....2 (to SN 60907)	
--	12016GT	PIN,COTTER,.125 X .75.....2 (from SN 60908)	
--	34742GT	PIN,CLEVIS,.375 X 1.75 LG. (from SN 60908)	
--	5397GT	WASHER,FLAT,USS,5/16",Y (from SN 60908)	
15	6564GT	WASHER, SHIM,.765 X 1.312 X .093.....2	
16	96423GT	RUE RING,3/4 PIN.....2	
17	55355GT	SPACER,.75ID X 1.5OD X 1/4THK.....2	
18	96134GT	PIN,CLEVIS,.625 X 1.56,ZINC PL.....2	
19	84574GT	POT HOLE BELL CRNK LINK ASSYGS30.....2	
--	96642GT	BEARING,.75ID X 1.0OD X 1.38LG.....2	
20	96085GT	WASHER,THRUST,.63 X 1.13 X .06.....4	
21	96038GT	POT HOLE GUARD,RT,WLDMT.....1	
22	96317GT	GROUND STRAP,12"LG***.....1	
23		Ref. Limit Switch (refer to 204.1)	

206.1 Pothole Protection Assembly, GS-32, GS-46

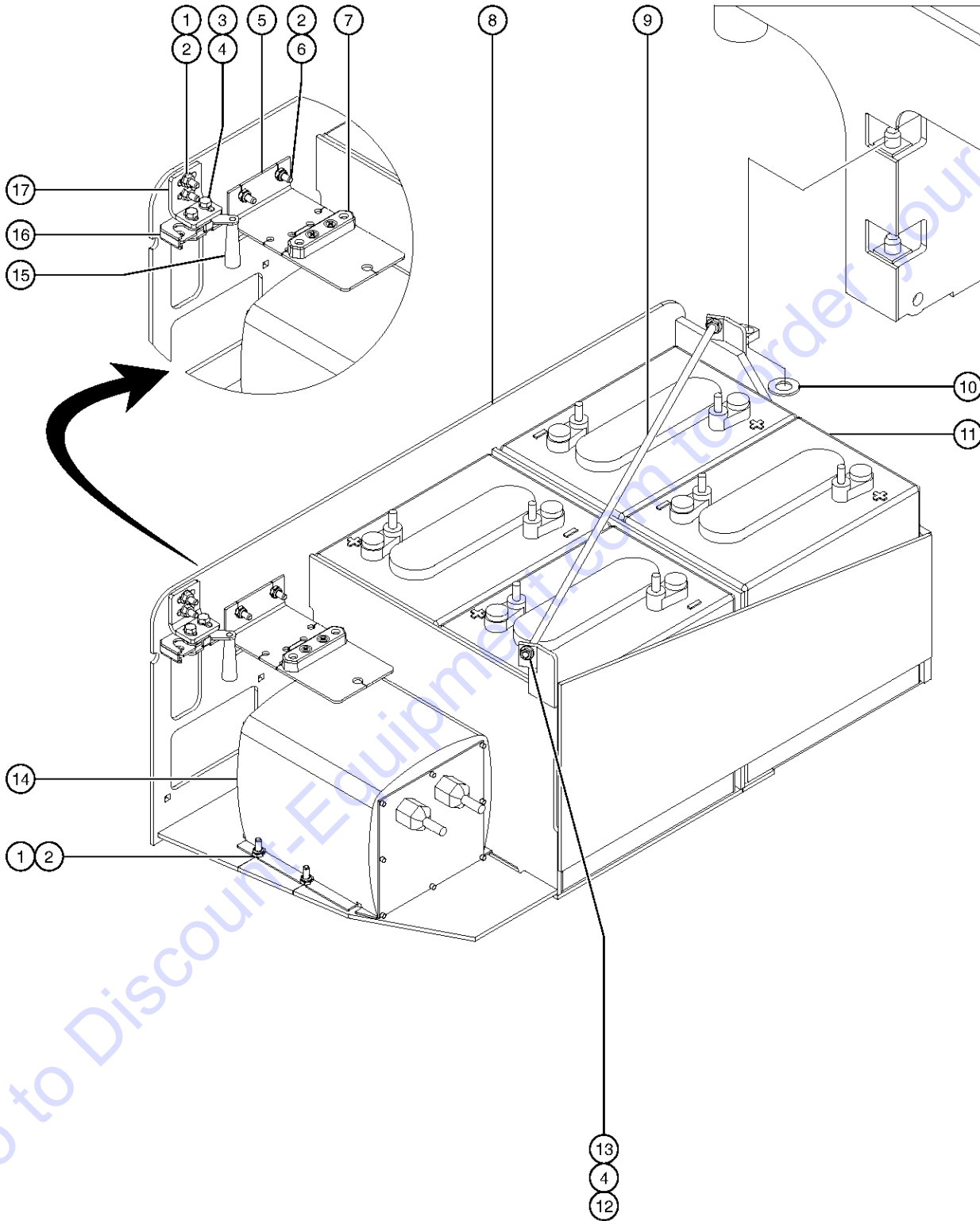




## 206.1 Pothole Protection Assembly, GS-32, GS-46

Item	Part No.	Description	Qty.
1	96839GT	ASSY,POT HOLE PUSHER,GS***.....1	1
2	96524GT	WLDMT/ASSY, PH GUIDE,GS30/32.....1	1
--	96408GT	BEARING,1.523IDX1.75ODX0.63L	
2A	105069GT	WLDMT/ASSY,PH GUIDE,GS46.....2	2
--	96408GT	BEARING,1.523IDX1.75ODX0.63L	
3	60790GT	BOLT, CARRIAGE, 3/8-16 X 1.50, G5	
4	4828GT	NUT,NYLOCK,3/8-16	
5	96637GT	PLATE, POTHOLE LINK.....2	2
6	96422GT	RUE RING,5/8 PIN.....6	6
7	96135GT	PIN,CLEVIS,.625 X 1.88,ZINC PL.....6	6
8	96643GT	PIN, POTHOLE LINK PIVOT.....2	2
9	5397GT	WASHER,FLAT,USS,5/16",Y	
10	78086GT	BALL STUD, GAS STRUT, 3/8-16.....2	2
11	39542GT	GAS SHOCK,SCISSORS***.....2	2
12	96639GT	WELDMENT, POTHOLE, LEFT SIDE.....1 (battery pack side)	1
13	84574GT	POTHLE BELL CRNK LINK ASSYGS30.....2	2
--	96642GT	BEARING,.75ID X 1.0OD X 1.38LG.....2	2
14	12016GT	PIN,COTTER,.125 X .75.....2	2
15	34742GT	PIN,CLEVIS,.375 X 1.75 LG.....2	2
16	96541GT	CAM FOLLOWER,1.125X.375,DELRIN..2	2
17	96423GT	RUE RING,3/4 PIN.....2	2
18	6564GT	WASHER, SHIM,.765 X 1.312 X .093.....2	2
19	55355GT	SPACER,.75ID X 1.5OD X 1/4THK.....2	2
20	6898GT	WASHER,SHIM,.625 X 1.188X.064	
21	96638GT	WELDMENT, POTHOLE, RIGHT SIDE...1 (ground controls side)	1
22	105060GT	GROUND STRAP, 8"LG.....2	2
23	64154GT	BOLT,CARRIAGE,3/8-16 X1.00,G5	
24	6700GT	WASHER,STAR,EXTERNAL,.375	
25	6097GT	WASHER,FLAT,USS,3/8",Y	
26		Ref. Limit Switch (refer to 204.1)	

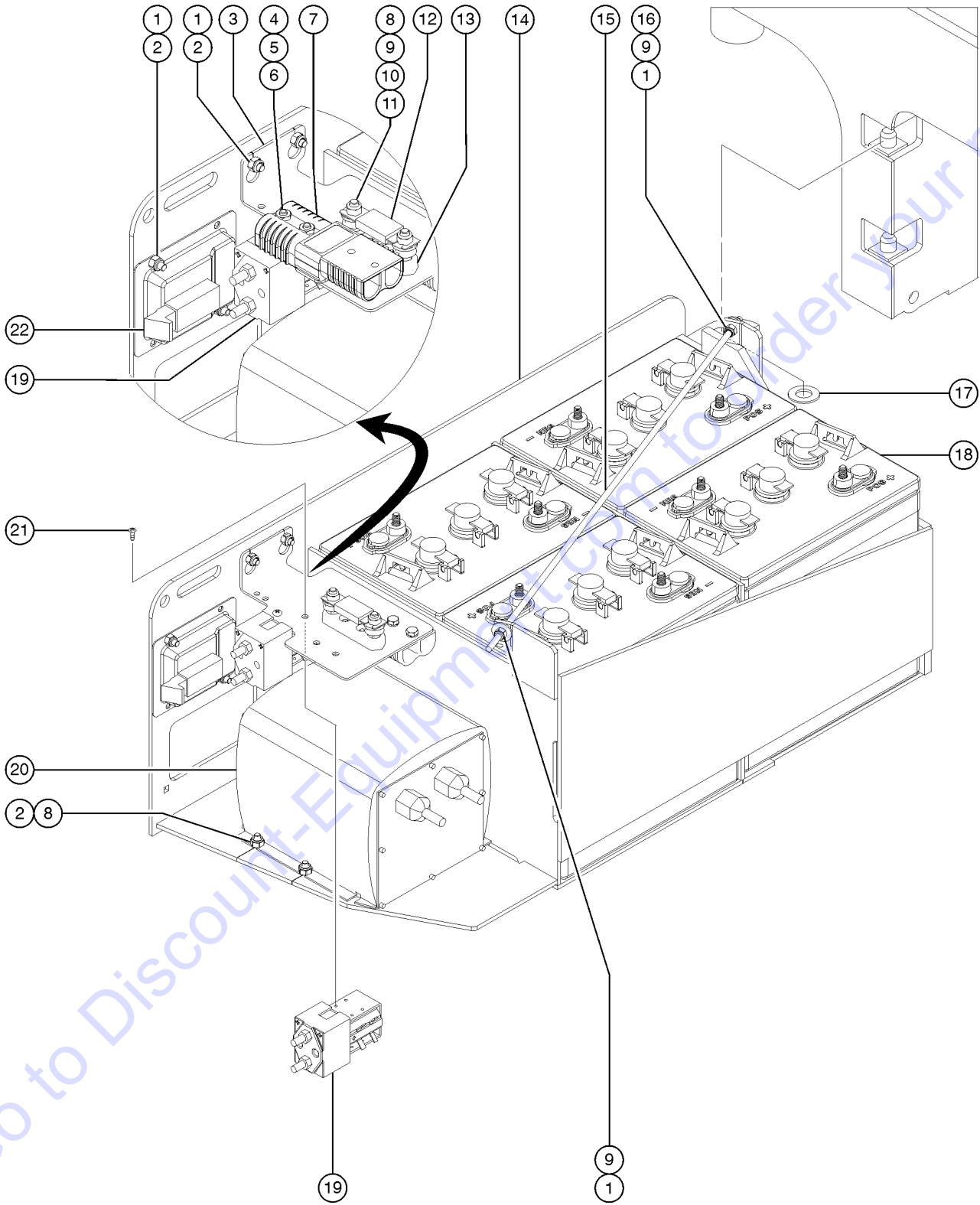
207.1 Battery Pack Module (without contactor)



## 207.1 Battery Pack Module (without contactor)

Item	Part No.	Description	Qty.
1	18504GT	NUT,LOCKING-LG.FLANGE,1/4-20	
2	79456GT	BOLT,CARRIAGE,1/4-20 X 1.00,G2	
3	6090GT	SCREW,HHC,1/4-20 X .75	
4	6356GT	WASHER,LOCK,.25	
5	145284GT	FORMING,FUSE BRACKET.....1	
6	6889GT	NUT,LP NYLOCK,1/4-20	
7	66717GT	FUSE BLOCK, ANN & ANL FUSE.....1 (includes mounting fasteners)	
--	40833GT	FUSE,275 AMP,VERY FAST ACTING	
8	97125GT	BATTERY TRAY ASSY W/WORDS*** .....1 (models with word decals)	
8A	97126GT	BATTERY TRAY ASSY W/SYMBOLS*** (models with symbol decals)	
9	30784-2550GT	THREADED ROD,(1/4-20),25.50.....1	
10	33278GT	WASHER,FLAT,.75 HARDENED	
11	76502GT	BATTERY,T105 W/LPT,3 CAP,DRY**.....4	
12	6091GT	NUT,NYLOCK,1/4-20	
13	6638GT	WASHER,FLAT,USS,1/4"Y	
14		Ref. Battery Charger (refer to 208.1)	
15	105221GT	HANDLE, LATCH, TRAY.....1	
16	105319GT	LATCH,BATT/HYDR TRAY*** .....1	
17	96113GT	BRACKET,TRAY LATCH.....1	

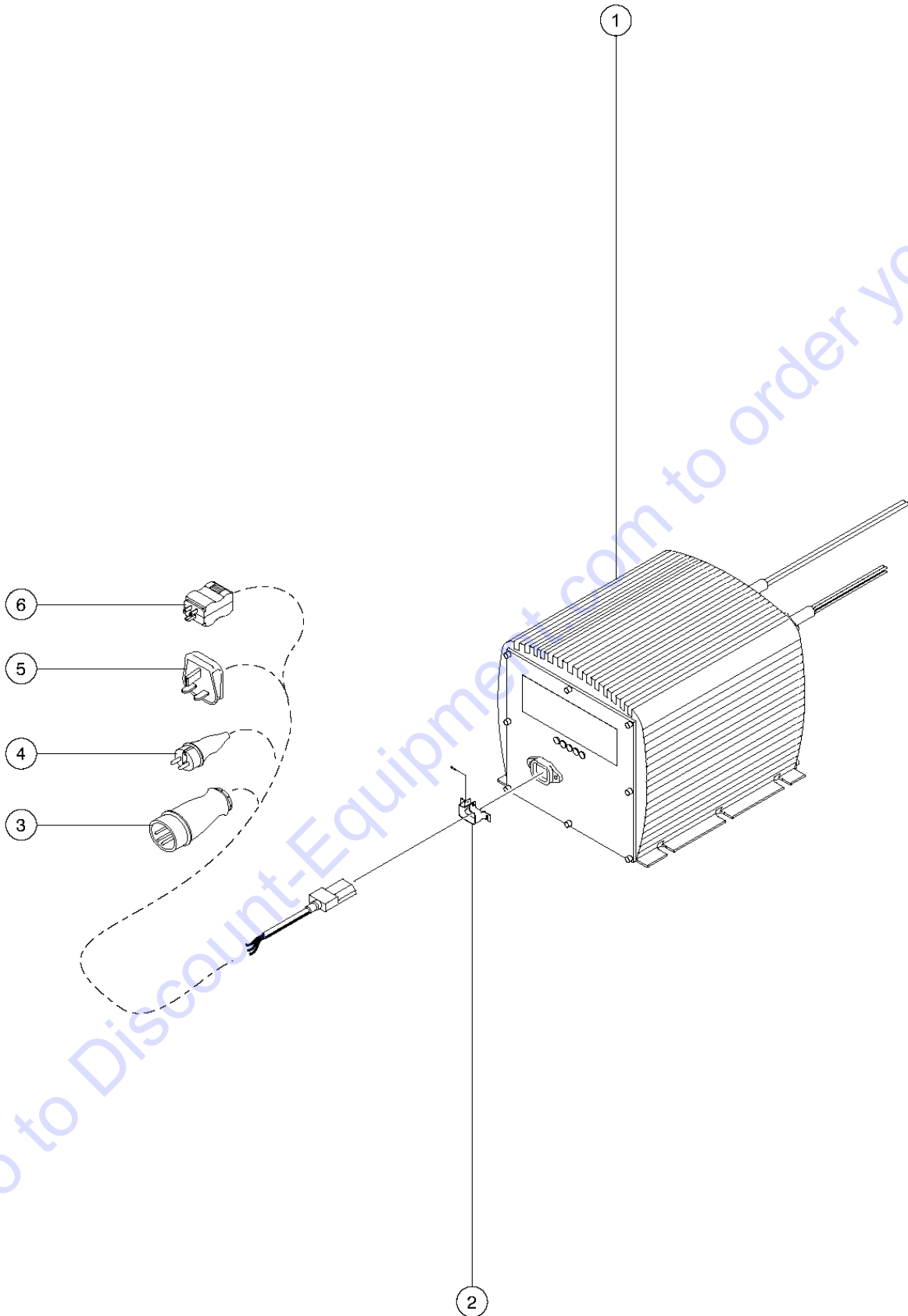
207.2 Battery Pack Module (with contactor)



## 207.2 Battery Pack Module (with contactor)

Item	Part No.	Description	Qty.
1	6091GT	NUT,NYLOCK,1/4-20.....	6
2	6878GT	BOLT,CARRIAGE,1/4-20 X .75,G2.....	8
3	232531GT	FORMING,CONTACTOR MOUNT,GS.....	1
4	66094GT	NUT-THIN HEAVY HEX, 1/4-20.....	4
5	6356GT	WASHER,LOCK,.25.....	4
6	8915GT	SCREW,HHC,1/4-20 X 1.25.....	4
7	66397GT	QUICK DISCONNECT CASING,BATT**.....	2
8	18504GT	NUT,LOCKING-LG.FLANGE,1/4-20.....	2
9	5397GT	WASHER,FLAT,USS,5/16",Y.....	2
10	18503GT	NUT,LOCKING-LG.FLANGE,5/16-18.....	2
11	105273GT	SCREW,HEX HD,NO SLOT,#14X.50.....	2
12	40833GT	FUSE,275 AMP,VERY FAST ACTING.....	1
13	66717GT	FUSE BLOCK, ANN & ANL FUSE..... <i>(includes mounting fasteners)</i>	1
14	233366GT	ASSY,GS BATTERY TRAY <i>(includes items 3, 15 and 24. Does not include decals. To order decals, please refer to Section 1)</i>	
15	30784-2550GT	THREADED ROD,(1/4-20),25.50.....	1
16	6889GT	NUT,LP NYLOCK,1/4-20.....	1
17	33278GT	WASHER,FLAT,.75 HARDENED	
18A	76502GT	BATTERY,T105 W/LPT,3 CAP,DRY**.....	4
--	18503GT	NUT,LOCKING-LG.FLANGE,5/16-18.....	8
18B	105150GT	BATTERY, AGM, 6V, (TROJAN) ***.....	4
19	74267GT	CONTACTOR,DRIVE,24V,180A***.....	1
20		Ref. Battery Charger <i>(Refer to 208.1)</i>	
21	49818GT	SCREW,PHILLIPS,PHM,10-32 X .38.....	2
22	55675GT	LATCH, LRG PADDLE HANDLE GS90...	1

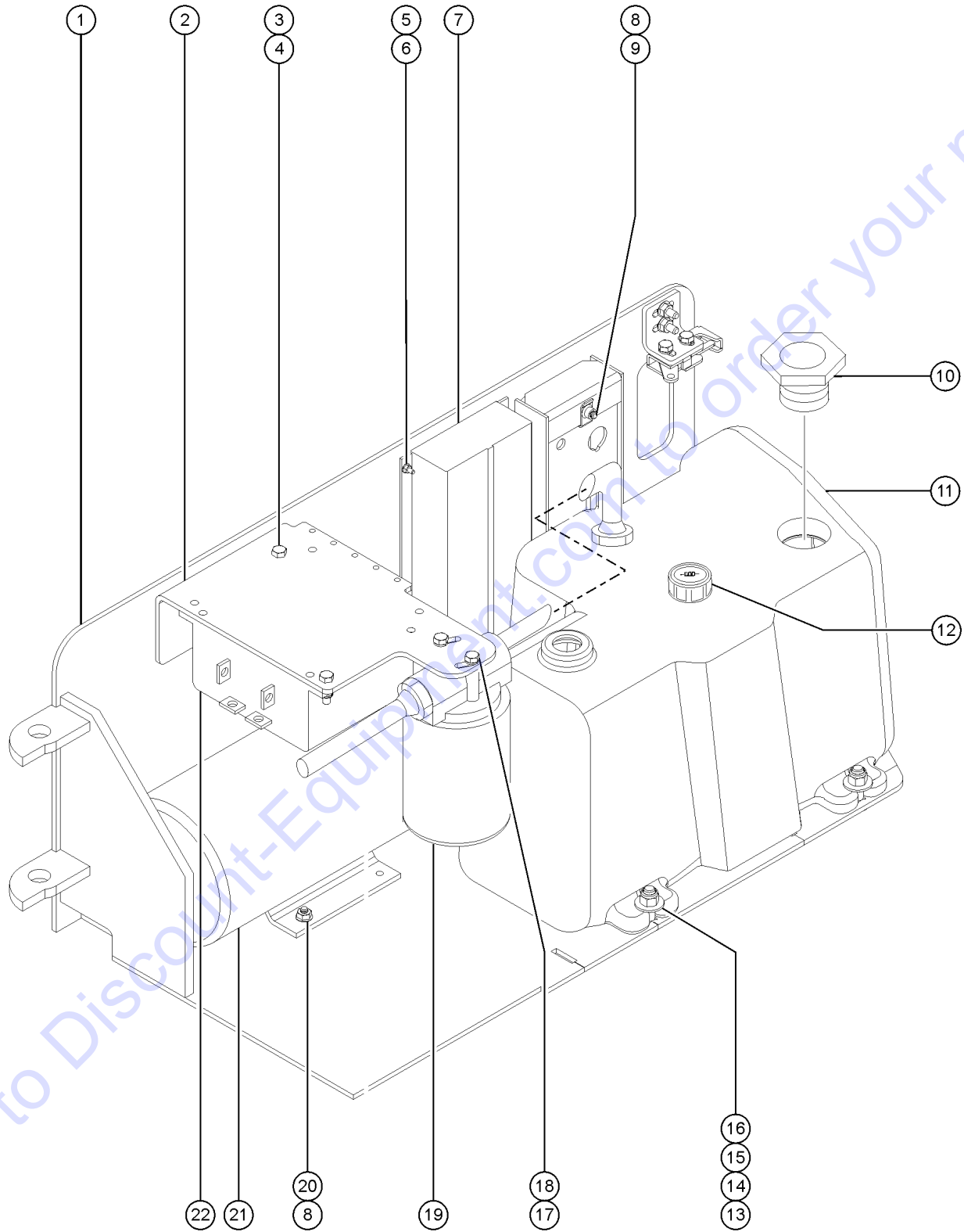
208.1 Battery Charger



## 208.1 Battery Charger

Item	Part No.	Description	Qty.
--	105334GT	CONNECTOR, IEC CHARGER CORD <i>for 5-LED battery charger</i>	
--	97059GT	FUSE,BATTERY CHARGER*** <i>for 5-LED battery charger</i>	
1A	105739GT	CHARGER,BAT,24VDC,H/LO GEN2.....1	
--	144180GT	MANUAL,OWNERS,CHARGER,105739	
1B	219480GT	KIT,BATTERY CHARGER,24V <i>(includes charger, fasteners, ring terminals and instructions for field installation)</i>	
2	55010GT	LOCK, CONNECTOR.....1 <i>(includes fasteners)</i>	
3	71706GT	POWER CORD, UK 110, 115".....1	
4	55019GT	POWER CORD,NOVON, 8".....1	
5	55018GT	POWER CORD,UK-HIGH VOLTAGE, 8".....1	
6	55021GT	POWER CORD,US 110, 8".....1	

209.1 Power Unit Module

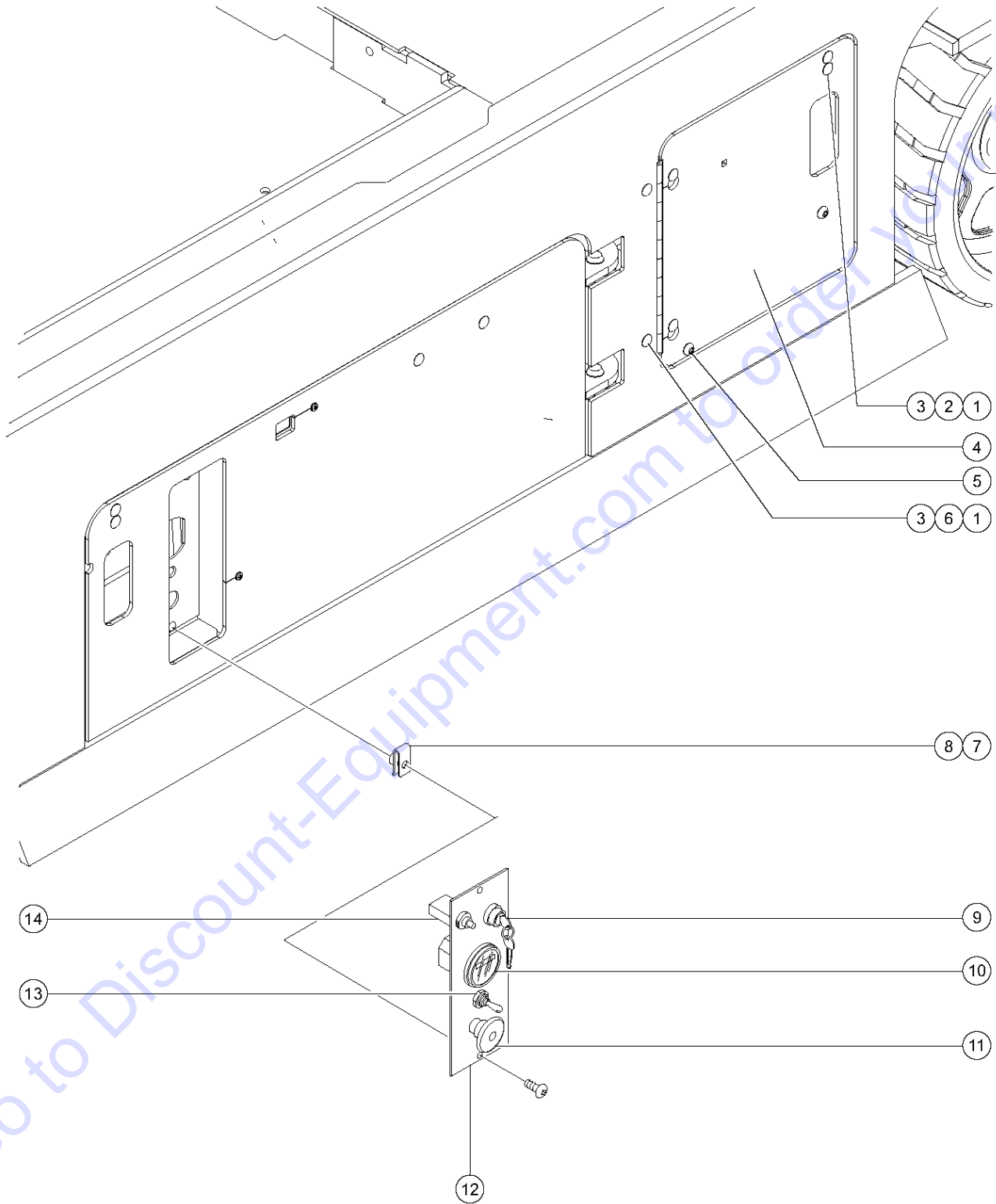




209.1 Power Unit Module

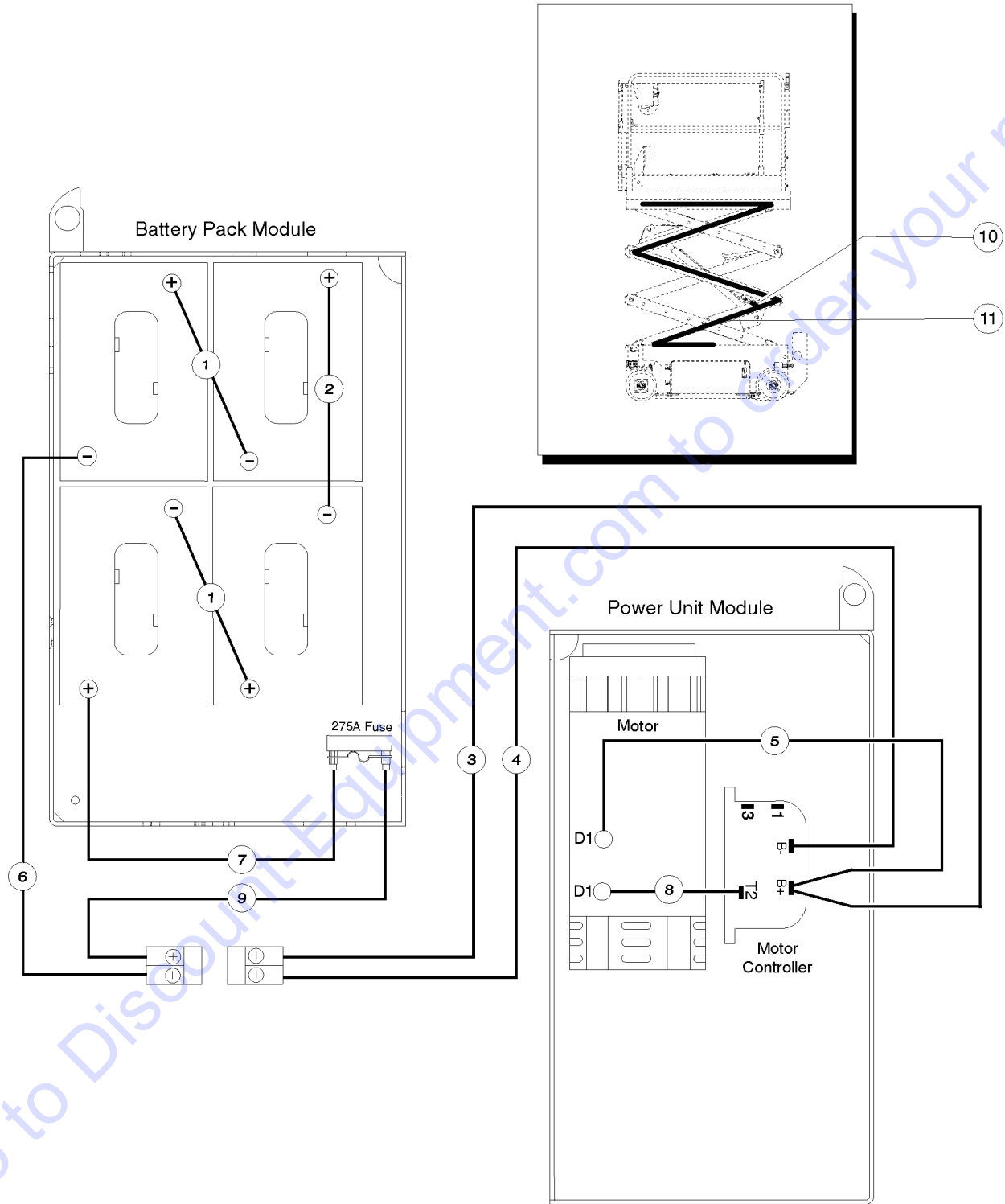
Item	Part No.	Description	Qty.	Item	Part No.	Description	Qty.
1	84398GT	HYDR TRAY ASSY W/WORDS,2003MIN.....1 <i>models with word decals</i>		22A	1257204GT	KIT,GS30/32 MOTOR CONTROLLER <i>from SN GS30-60000 to 136973, GS32-60000 to 135715</i>	
1A	84400GT	HYDR TRAY ASSY W SYMBOLS 30MIN <i>models with symbol decals</i>		22B	1257205GT	KIT,GS46 MOTOR CONTROLLER <i>from SN GS46-60000 to GS46-135367</i>	
2	96215GT	FORMING,FILTER-CNTRLR MOUNT.....1		22C	219556GT	KIT,CONTACTOR,GS,ALT,W INV,CTR.....1 <i>for machines with inverter option to GS30-62710, GS32-51480, &amp; GS46-50780 that have not had a contactor kit previously installed</i>	
3	6888GT	SCREW,HHC,1/4-20 X 1		22D	219497GT	KIT,CONTACTOR,GS,ALT <i>(to SN GS30-62710)</i>	
4	6889GT	NUT,LP NYLOCK,1/4-20		22E	232534GT	KIT,CONTACTOR,GS <i>(from SN GS30-62711, GS32, GS46)</i>	
5	6178GT	NUT,NYLOCK,10-32		22F	233379GT	KIT, INVERTER JUMPER, GS	
6	49816GT	SCREW,PHILLIPS,PHM,10-32 X .75					
7	100839GT	ECU,SLAB/GR GEN 5***					
7	78725GT	ECU,SLAB,GEN4***.....1					
--	39520GT	RECEPTACLE,FEMALE,36 CONTACT					
--	39521GT	RECEPTACLE,ANTI-BACKOUT					
--	39673GT	CONTACT,14-20GA.					
--	51577GT	RECEPTACLE,FEMALE 18 CONT.					
--	51578GT	RECEPTACLE ANTIBACKOUT,18 CONT					
--	78098GT	RELAY,24VDC,40/30A,SLD W/BRKT*.....5 <i>CE models</i>					
--	78313GT	SERVICE KIT, BOM PLUG					
--	99089GT	CAPACITOR,4700MFD 25V <i>CE models</i>					
8	14297GT	SCREW,BHHS,1/4-20 X .75					
9	56912GT	SPRING CLIP,1/4-20,.025-.15X.54,ZAG					
10	66204GT	FILTER CAP (PLUG 1-1/2" NPT HEX.....1					
11	226163GT	HYD. TANK KIT, GS30,32,46					
--	105072GT	KIT,HYD TANK MTG HARDWARE <i>includes items 13-16</i>					
--	96709GT	GROMMET,SLAB HYD TANK***					
--	96855GT	CLAMP,HOSE,1 EAR,1-1/16***					
--	T109012GT	TANK,HYD, SLAB SCISSORS.....1					
12	78546GT	BREATHER CAP,HYD. TANK,1/4 NPT.....1					
13	9116GT	BOLT,CARRIAGE,1/4-20x1.25,G2					
14	96699GT	SLEEVE,TANK SUPPORT.....4					
15	6638GT	WASHER,FLAT,USS,1/4"Y					
16	4828GT	NUT,NYLOCK,3/8-16					
17	6090GT	SCREW,HHC,1/4-20 X .75					
18	6356GT	WASHER,LOCK,.25					
19		Ref. Filter Assembly <i>refer to 501.1</i>					
20	6091GT	NUT,NYLOCK,1/4-20					
21		Ref. Power Unit <i>refer to 505.1</i>					
--	1257840GT	MOTOR CONTROLLER, DC,24V,360A <i>motor controllers sold separately only in cases where upgrade kits are N/A or an upgrade kit has been previously installed</i>					

210.1 Ground Controls



Item	Part No.	Description	Qty.
1	6878GT	BOLT,CARRIAGE,1/4-20 X .75,G2	
2	96113GT	BRACKET,TRAY LATCH.....1	1
3	18504GT	NUT,LOCKING-LG.FLANGE,1/4-20	
4	97271GT	MANIFOLD DOOR ASSY, GS46.....1	1
5	35059GT	SCREW,BHHS,3/8-16 X .75	
6	79136GT	HINGE, ACCESS DOOR GS68.....1	1
7	56912GT	SPRING CLIP,1/4-20,.025-.15X.54,ZAG.....2	2
8	14297GT	SCREW,BHHS,1/4-20 X .75	
9	96008-SGT	KEYSWITCH,3 POS. W/KEYS*** .....1 (includes 1 pair of keys)	1
--	37947GT	KEYS,10 PACK***	
--	83093GT	KEY SINGLE***	
--	85239GT	NUT,RETAINER (96008)	
--	96010GT	SCREW,PHILLIPS,PHM,8-32 X.25** (includes tooth washer)	
10	19506GT	HOUR METER,10-80 VOLTS*** .....1 (includes mounting bracket)	1
11	66812GT	BUTTON,PUSH,RED MUSHROOM HEAD.....1	1
--	66817GT	BASE WITH 1 NC CONTACT, E-STOP (includes 1 each N.C. contact)	
--	66818GT	CONTACT, N.C.	
12	84390GT	GRND CNTRL PANEL ASSY,2003MINI.....1	1
13	T114691GT	ASSY,SWITCH,TOGGLE,SPDT*****.....1 (direct replacement for 96418)	1
14	96452GT	CIRCUIT BREAKER,7.0 AMP*** .....1	1

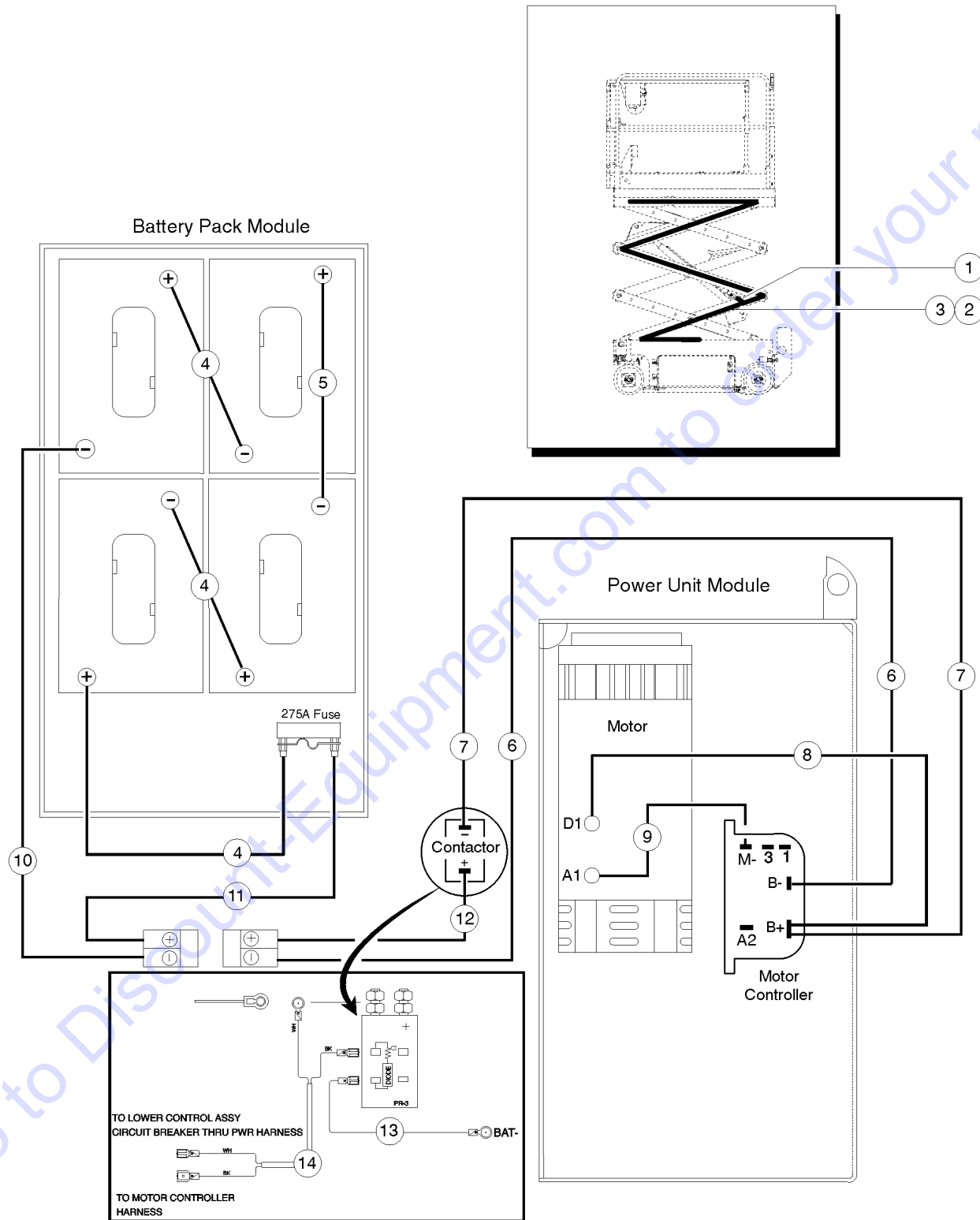
211.1 Electrical Wiring and Power Cables (models without contactor)



## 211.1 Electrical Wiring and Power Cables (models without contactor)

Item	Part No.	Description	Qty.	Item	Part No.	Description	Qty.
--	96522GT	STD CONTROL HARNESS, SLAB (ANSI, CSA and Australia models) (includes wire harnesses 96489, 96387, 96344 and 105321)		4A	96947GT	CABLE ASSY,BATT.90".AND.BLK.....1 GS-2046, GS-2646, GS-3246	1
--	96440GT	CE CONTROL HARNESS, SLAB (CE models) (includes wire harnesses 96489, 96819, 96520, 105320 and 47124)		5	96302GT	CABLE ASSY,BATT, 7.50" RED.....1	1
--	96344GT	HARNESS ASSY, MAIN (ANSI, CSA and Australia models)		6	105071GT	CABLE ASSY, BATT,19"AND.BLK GS-1530, GS-1532, GS-1930, GS-1932, GS-2032, GS-2632 (from SN 64600); GS-2032, GS-2632 (all serial numbers); GS-2046, GS-2646, GS-3246 (from SN 60677)	1
--	96520GT	ASSY,MAIN HARNESS,CE (CE models)		6A	96301GT	CABLE ASSY,BATT,38",AND. BLK**.....1 GS-1530, GS-1532, GS-1930, GS-1932 (to SN 64599); GS-2046, GS-3246 (to SN 60676)	1
--	96308GT	ASSY,LEVEL SENS HARNESS (ANSI, CSA and Australia models)		7	96305GT	CABLE ASSY,BATT,22.0" RED.....1 GS-1530, GS-1532, GS-1930, GS-1932 (to SN 64599); GS-2046, GS-2646, GS-3246 (to SN 60676)	1
--	96521GT	ASSY,LEVEL SENS HARNESS,CE (CE models)		7A	96306GT	CABLE ASSY,BATT,9.50"RED GS-1530, GS-1532, GS-1930, GS-1932, GS-2032, GS-2632 (from SN 64600); GS-2032, GS-2632 (all serial numbers); GS-2046, GS-2646, GS-3246 (from SN 60677)	1
--	96489GT	WIRE ASSY,ECU TO CHASSIS,GS30		8	96303GT	CABLE ASSY,BATT, 7.50" BLACK.....1	1
--	96387GT	ASSY,MOTOR CONTROL HARNESS (ANSI, CSA and Australia models)		9	96300GT	CABLE ASSY,BATT,7.50",AND. RED.....1 GS-1530, GS-1532, GS-1930, GS-1932, GS-2032, GS-2632, GS-2046, GS-2646, GS-3246	1
--	96819GT	ASSY,MOTOR CONTRL HARN,CE (CE models)		10	96307GT	HRNS,LIFT CYL DOWN,MINI,CE.....1 GS-1530, GS-1532, GS-1930, GS-1932	1
--	96309GT	ASSY,POTHOLE HARNESS,GS (GS-1530, GS-1532, GS-1930, GS-1932)		10A	96852GT	HRNS,LIFT CYL DOWN,20/26XX,CE.....1 GS-2032, GS-2632, GS-3232, GS-2046, GS-2646 (compatible with ANSI models, as well)	1
--	96853GT	ASSY,POTHOLE HARNESS GS32/GS46 GS-2032, GS-2632, GS-2046, GS-2646, GS-3246 (CE models)		11	96471GT	WIRE ASSEMBLY,PLAT/CHASS,15XX GS-1530, GS-1532	1
--	105322GT	ASSY,UP-LIMIT SW HARNESS (CE models)		--	105328GT	KIT,FEMALE PLUG, DTM	
--	47662GT	HARNESS,ALARM ACCESSORY (option)		--	105329GT	KIT, MALE RECEPTACLE, DTM	
--	105992GT	HORN HARNESS		--	144155GT	GREASE,DIELECTRIC,TUBE	
--	51075GT	HARNESS,BEACON OPTION,SLAB GS-1530, GS-1930		11A	96473GT	WIRE ASSEMBLY,PLAT/CHASS,19XX GS-1930, GS-1932	1
--	96459GT	HARNESS ASSEMBLY, INVERTER		11B	96474GT	WIRE ASSEMBLY,PLAT/CHASS, 20XX GS-2032, GS-2046	1
--	105125GT	CABLE ASSY, INVERTER (option)		11C	96475GT	WIRE ASSEMBLY,PLAT/CHASS, 26XX.....1 GS-3246	1
--	96502GT	ASSY,PRESS SW HARNESS (CE models)					
--	96820GT	ASSY,RELAY HARNESS (ANSI, CSA and Australia models)					
--	96429GT	ASSY, RELAY HARNESS, CE (CE models)					
--	40833GT	FUSE,275 AMP,VERY FAST ACTING					
1	96304GT	CABLE ASSY,BATT,5.50"RED.....2	2				
2	96302GT	CABLE ASSY,BATT, 7.50" RED.....1	1				
3	96298GT	CABLE ASSY.BATT.75",AND.RED.....1 GS-1530, GS-1532, GS-1930, GS-1932, GS-2032, GS-2632	1				
3A	96946GT	CABLE ASSY.BATT.90".AND.RED.....1 GS-2046, GS-2646, GS-3246	1				
4	96299GT	CABLE ASSY.BATT.75".AND.BLK.....1 GS-1530, GS-1532, GS-1930, GS-1932, GS-2032, GS-2632	1				

211.2 Electrical Wiring and Power Cables (models with contactor)



## 211.2 Electrical Wiring and Power Cables (models with contactor)

Item	Part No.	Description	Qty.	Item	Part No.	Description	Qty.
--	105214GT	CABLE TIE MOUNT, WINGED <i>not shown</i>		--	40833GT	FUSE,275 AMP,VERY FAST ACTING	
--	56926GT	CLIP,TIE HARNESS MOUNT*** <i>not shown</i>		--	T110891GT	HARNESS, GS SENSORS, CE <i>(Green connector)</i>	
--	96522GT	STD CONTROL HARNESS, SLAB <i>(ANSI, CSA and Australia models)</i> <i>(includes wire harnesses 96489, 96387, 96344 and 105321)</i>		--	228786GT	HARNESS, GS SENSORS, ANSI <i>(Green connector)</i>	
--	96440GT	CE CONTROL HARNESS, SLAB <i>(CE models) (includes wire harnesses 96489, 96819, 96520, 105320 and 47124)</i>		--	T110890GT	HARNESS, GS POWER CONTRL <i>(Grey connector)</i>	
--	96344GT	HARNESS ASSY, MAIN <i>ANSI, CSA and Australia Models</i>		--	233440GT	O/R SYSTEM HARNESS, CE	
--	96520GT	ASSY,MAIN HARNESS,CE <i>CE Models</i>		--	233785GT	HARNESS, BEACON RESISTOR KIT,	
--	96308GT	ASSY,LEVEL SENS HARNESS <i>ANSI, CSA and Australia Models</i>		--	233782GT	HRNS ASSY,RESISTOR,200 OHM	
--	96521GT	ASSY,LEVEL SENS HARNESS,CE <i>CE Models</i>		1A	96307GT	HRNS,LIFT CYL DOWN,MINI,CE.....1 <i>GS-30 (CE Models)</i>	1
--	96489GT	WIRE ASSY,ECU TO CHASSIS,GS30		1B	96852GT	HRNS,LIFT CYL DOWN,20/26XX,CE <i>GS-32, GS-2046, GS-2646 (compatible with ANSI models, as well)</i>	
--	105328GT	KIT,FEMALE PLUG, DTM <i>repair kit</i>		1C	96856GT	HRNS,LIFT CYL DOWN,32XX,CE <i>CE Models</i>	
--	233439GT	ASSY,MOTOR CONTROL HARNESS <i>ANSI, CSA and Australia Models</i>		2A	96471GT	WIRE ASSEMBLY,PLAT/CHASS,15XX.....1 <i>GS-1530, GS-1532</i>	1
--	233438GT	ASSY,MOTOR CONTROL HARNESS,CE <i>CE Models</i>		--	105328GT	KIT,FEMALE PLUG, DTM <i>repair kit</i>	
--	96309GT	ASSY,POTHOLE HARNESS,GS <i>GS-30</i>		--	105329GT	KIT, MALE RECEPTACLE, DTM <i>repair kit</i>	
--	96853GT	ASSY,POTHOLE HARNESS GS32/GS46 <i>GS-32, GS-46, CE models</i>		2B	96473GT	WIRE ASSEMBLY,PLAT/CHASS,19XX.....1 <i>GS-1930, GS-1932</i>	1
--	105322GT	ASSY,UP-LIMIT SW HARNESS <i>GS-2032, GS-2632, GS-46, CE models</i>		--	105328GT	KIT,FEMALE PLUG, DTM <i>repair kit</i>	
--	47662GT	HARNESS,ALARM ACCESSORY <i>option</i>		--	105329GT	KIT, MALE RECEPTACLE, DTM <i>repair kit</i>	
--	105992GT	HORN HARNESS <i>option</i>		2C	96474GT	WIRE ASSEMBLY,PLAT/CHASS, 20XX.....1 <i>GS-2032, GS-2046</i>	1
--	51075GT	HARNESS,BEACON OPTION,SLAB <i>GS-1530, GS-1930</i>		--	105328GT	KIT,FEMALE PLUG, DTM <i>repair kit</i>	
--	96459GT	HARNESS ASSEMBLY, INVERTER <i>GS-1932, GS-2032, GS-2046, GS-2646, GS-3246</i>		--	105329GT	KIT, MALE RECEPTACLE, DTM <i>repair kit</i>	
--	105125GT	CABLE ASSY, INVERTER <i>option</i>		2D	96475GT	WIRE ASSEMBLY,PLAT/CHASS, 26XX.....1 <i>GS-2632, GS-2646; platform to chassis</i>	1
--	96502GT	ASSY,PRESS SW HARNESS <i>CE Models</i>		--	105328GT	KIT,FEMALE PLUG, DTM <i>repair kit</i>	
--	96820GT	ASSY,RELAY HARNESS <i>ANSI, CSA and Australia Models</i>		--	105329GT	KIT, MALE RECEPTACLE, DTM <i>repair kit</i>	
--	96429GT	ASSY, RELAY HARNESS, CE <i>CE Models</i>		3A	43956GT	WIRE CABLE,14/3 CON.TPE JKT*.....324-inches <i>GS-15XX</i>	
--	78098GT	RELAY,24VDC,40/30A,SLD W/BRKT* <i>ANSI and CSA Models</i>		3B	43956GT	WIRE CABLE,14/3 CON.TPE JKT*.....396-inches <i>GS-19XX</i>	

## 211.2 Electrical Wiring and Power Cables (models with contactor) (continued)

Item	Part No.	Description	Qty.
3C	43956GT	WIRE CABLE,14/3 CON.TPE JKT*.....420-inches GS-20XX	
3D	43956GT	WIRE CABLE,14/3 CON.TPE JKT*.....540-inches GS-26XX	
4	96304GT	CABLE ASSY,BATT,5.50"RED.....3	
5	96306GT	CABLE ASSY,BATT,9.50"RED.....2	
6A	96299GT	CABLE ASSY,BATT.75".AND.BLK.....1 GS-30, GS-32	
6B	1257058GT	CABLE ASSY., BATT. 79" BLACK for GS-30 & GS-32 with kit 1257204 installed	
6C	96947GT	CABLE ASSY.BATT.90".AND.BLK GS-46	
6D	1257056GT	CABLE ASSY., BATT. 93" BLACK for GS-46 with 1257205 installed	
7A	233368GT	CABLE ASSY, BATT,69" RED GS-30, GS-32	
7B	1257059GT	CABLE ASSY., BATT. 75" RED for GS-30 & GS-32 with kit 1257204 installed	
7C	233370GT	CABLE ASSY,BATT,83"RED GS-46	
7D	1257057GT	CABLE ASSY., BATT. 88.5" RED for GS-46 with 1257205 installed	
8A	96302GT	CABLE ASSY,BATT, 7.50" RED.....1	
8B	1257054GT	CABLE ASSY., BATT. 14" RED for machines with kits 1257204 or 1257205 installed	
9A	96303GT	CABLE ASSY,BATT, 7.50" BLACK.....1	
9B	1257055GT	CABLE ASSY., BATT. 12" BLACK for machines with kits 1257204 or 1257205 installed	
10A	96301GT	CABLE ASSY,BATT,38",AND. BLK** GS-30, to SN 64599; GS-46, to SN 60676	
10B	232578GT	CABLE ASSY,BATT, 20" BLK.....1 GS-30, from SN 64600; GS-46, from SN 60677	
11	232576GT	CABLE ASSY,BATT, 12" RED.....1	
12	233371GT	CABLE ASSY,BATT,23"RED	
13	232582GT	GROUND WIRE ASSY,GS	
14A	233431GT	HRNS,CONTACTOR SIGNAL,GS30/32	
14B	233430GT	HRNS,CONTACTOR SIGNAL,GS46	
15A	1261335GT	KIT,BATT. CABLE ASSY.,GS30/32 for machines with kit 1257204 installed	
15B	1261334GT	KIT,BATT. CABLE ASSY.,GS46 for GS-46 with 1257205 installed	

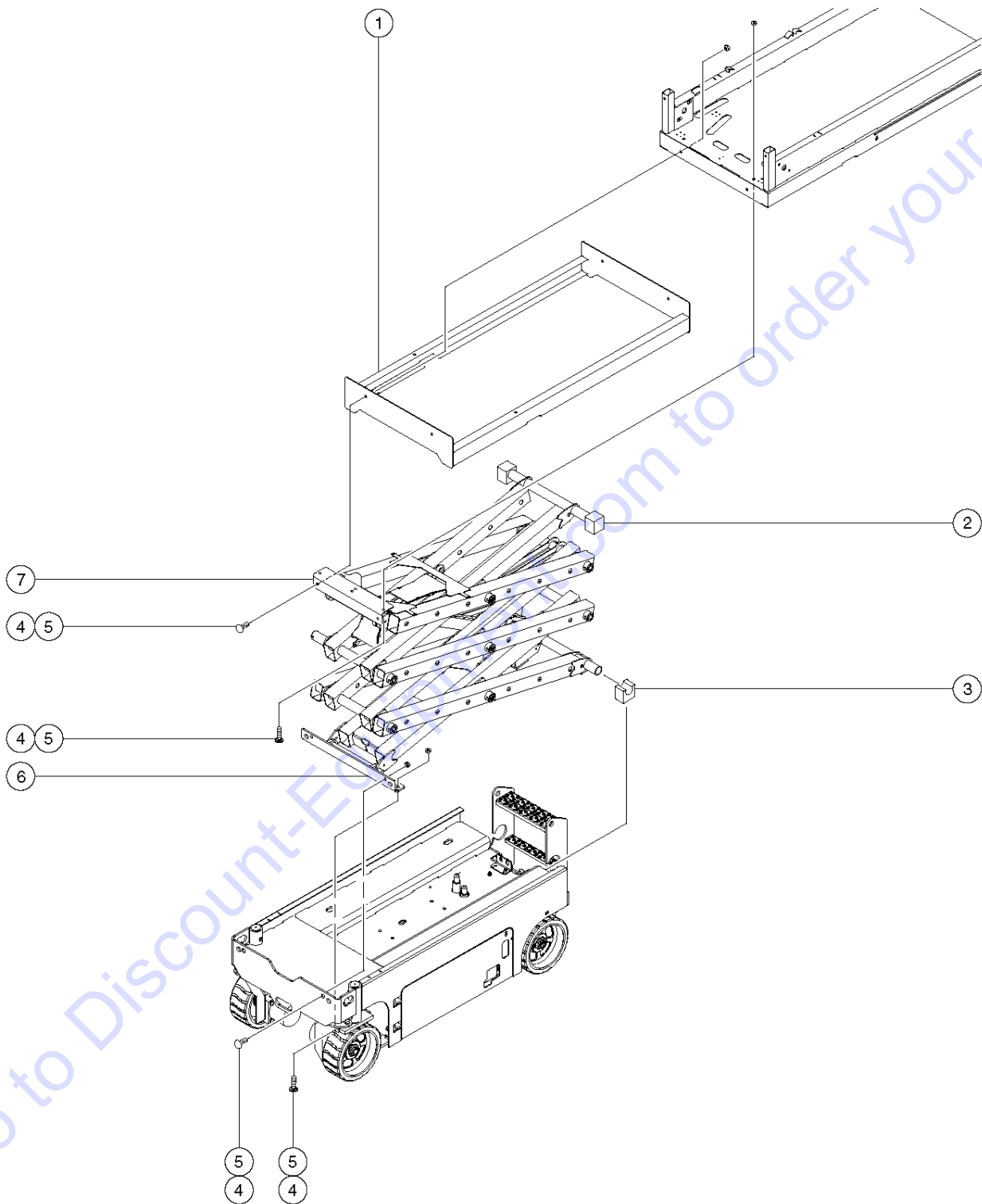


211.2 Electrical Wiring and Power Cables (models with contactor)  
(continued)

***This Page Intentionally Left Blank***

Go to Discount-Equipment.com to order your parts

301.1 Scissor Assembly Installation



# PARTS FINDER

**Search Website  
by Part Number**



**Search Manual  
Library For Parts  
Manual & Lookup Part  
Numbers – Purchase  
or Request Quote**

**Search Manuals**

Enter your information to help us find the right parts manual for your machine.

\* Brand:

\* Model:

\* Serial:

\* Part Number:

SEARCH

**Can't Find Part or  
Manual? Request Help  
by Manufacturer,  
Model & Description**

**Parts Order Form**

Please fill in the following information to help us find the right part for your machine.

Manufacturer:	<input type="text"/>
Model:	<input type="text"/>
Description:	<input type="text"/>
Part Number:	<input type="text"/>
Quantity:	<input type="text"/>
Notes:	<input type="text"/>

Discount-Equipment.com is your online resource for quality parts & equipment.

Florida: **561-964-4949** Outside Florida TOLL FREE: **877-690-3101**

**Need parts?**

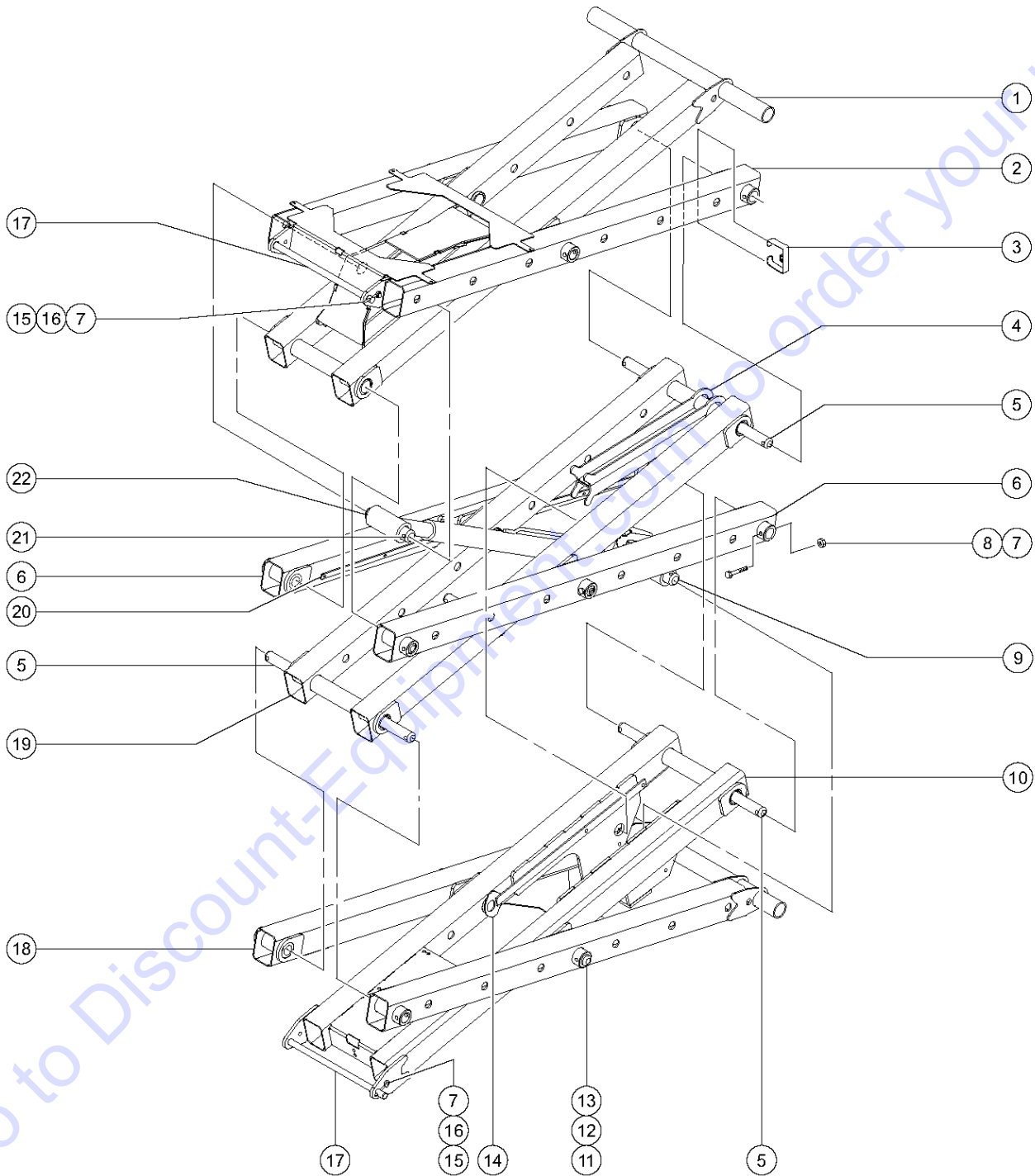
Click on this link: <http://www.discount-equipment.com/category/5443-parts/> and choose one of the options to help get the right parts and equipment you are looking for. Please have the machine model and serial number available in order to help us get you the correct parts. If you don't find the part on the website or on one of the online manuals, please fill out the request form and one of our experienced staff members will get back to you with a quote for the right part that your machine needs.

We sell worldwide for the brands: Genie, Terex, JLG, MultiQuip, Mikasa, Essick, Whiteman, Mayco, Toro Stone, Diamond Products, Generac Magnum, Airman, Haulotte, Barreto, Power Blanket, Nifty Lift, Atlas Copco, Chicago Pneumatic, Allmand, Miller Curber, Skyjack, Lull, Skytrak, Tsurumi, Husquvarna Target, Stow, Wacker, Sakai, Mi-T-M, Sullair, Basic, Dynapac, MBW, Weber, Bartell, Bennar Newman, Haulotte, Ditch Runner, Menegotti, Morrison, Contec, Buddy, Crown, Edco, Wyco, Bomag, Laymor, EZ Trench, Bil-Jax, F.S. Curtis, Gehl Pavers, Heli, Honda, ICS/PowerGrit, IHI, Partner, Imer, Clipper, MMD, Koshin, Rice, CH&E, General Equipment, Amida, Coleman, NAC, Gradall, Square Shooter, Kent, Stanley, Tamco, Toku, Hatz, Kohler, Robin, Wisconsin, Northrock, Oztec, Toker TK, Rol-Air, APT, Wylie, Ingersoll Rand / Doosan, Innovatech, Con X, Ammann, Mecalac, Makinex, Smith Surface Prep, Small Line, Wanco, Yanmar

## 301.1 Scissor Assembly Installation

Item	Part No.	Description	Qty.
1	96415GT	WLDMT,PLATFORM SLIDER.....1 GS-1530, GS-1532	1
2	96576GT	SLIDER,MINI PLATFORM,DRILLED**....2 GS-1530, GS-1930	2
2A	96576GT	SLIDER,MINI PLATFORM,DRILLED**....1 GS-1532, GS-1932	1
2B	96576GT	SLIDER,MINI PLATFORM,DRILLED**....1 GS-1532, GS-1932 (CE models)	1
2C	96595GT	SLIDER,UHMW.....2 GS-32 (to SN 60921)	2
2D	96595GT	SLIDER,UHMW GS-32 (from SN 60922)	2
2E	96595GT	SLIDER,UHMW.....2 (to SN 61724)	2
2F	96595GT	SLIDER,UHMW GS-46 (from SN 61725)	2
3	96126GT	SLIDER, UHMW.....2 GS-30	2
3A	96595GT	SLIDER,UHMW GS-32, GS-46	2
4	96977GT	BOLT,CARRIAGE,1/2-13X1.50,GR5	2
5	6198GT	NUT,NYLOCK,1/2-13	2
6	84693GT	CHASSIS MOUNT ASSY, GS30.....1	1
--	36369GT	BEARING,0.75IDX1.00ODX0.75L.....2 GS-30	2
6A	97241GT	CHASSIS MOUNT ASSY, GS32&46.....1	1
--	51474GT	BEARING,1.00IDX1.25ODX0.75L.....2	2
7	84694GT	PLATFORM MOUNT ASSY, 15 FT.....1 GS-1530, GS-1532	1
--	36369GT	BEARING,0.75IDX1.00ODX0.75L.....2	2
7A	84695GT	PLATFORM MOUNT ASSY, 19 FT.....1 GS-1930, GS-1932	1
--	36369GT	BEARING,0.75IDX1.00ODX0.75L.....2 GS-1930, GS-1932	2
7B	84747GT	PLATFORM MOUNT ASSY, GS32&46....1	1
--	36369GT	BEARING,0.75IDX1.00ODX0.75L.....2	2

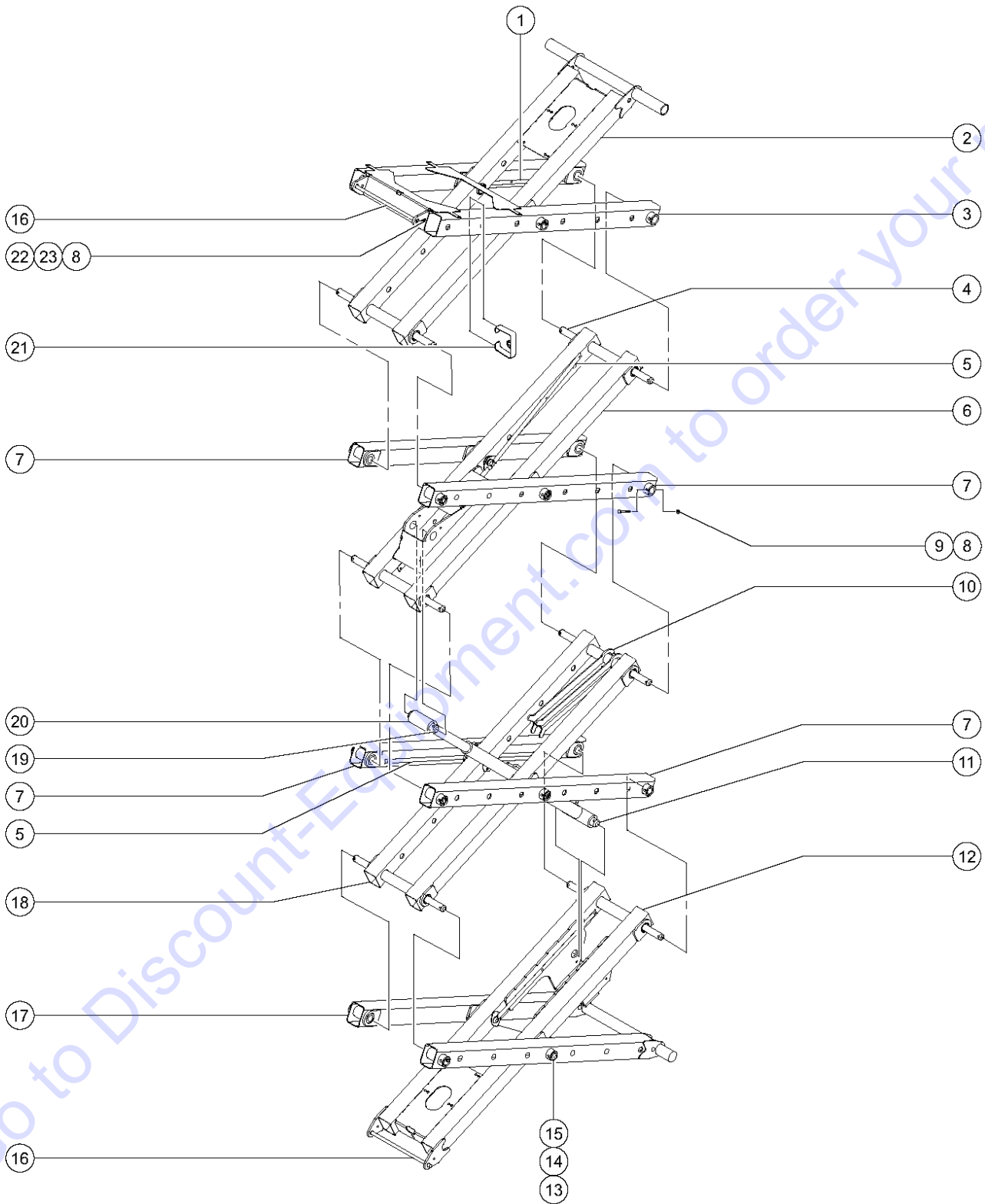
302.1 Scissor Assembly, GS-1530, GS-1532



## 302.1 Scissor Assembly, GS-1530, GS-1532

Item	Part No.	Description	Qty.
1	84578GT	INNER ARM ASSY,#3,15FT.....	1
--	96487GT	BEARING,1.26IDX1.53ODX1.25L.....	6
2	96125GT	WELDMENT,LINK,PLAT MOUNT.....	1
3	96331GT	LINK BUMPER.....	8
4	58000GT	SAFETY CHOCK,SCISSOR.....	1
5	96127GT	PIN,LINKAGE,LONG..... (to SN 67289)	4
5A	105085GT	PIN,MINI END*** (from SN 67290)	
6	96121GT	WELDMENT, LINK, SINGLE.....	2
7	4828GT	NUT,NYLOCK,3/8-16	
8	8178GT	SCREW,HHC,3/8-16 X 2.5	
9	47666GT	PIN,1.50DIA X 9.13LG,1HOLE.....	1
10	84584GT	INNER ARM ASSY,#1,15&19FT WORD..... (models with word decals)	1
--	96487GT	BEARING,1.26IDX1.53ODX1.25L.....	6
10A	84585GT	INNER ARM ASSY,#1,15&19FT SYMB (models with symbol decals)	
--	96487GT	BEARING,1.26IDX1.53ODX1.25L.....	6
11	30217GT	SNAP RING,EXTERNAL,1.25 DIA.**.....	6
12	96390GT	WASHER,FLAT, 1.27 X 2.13 X .13	
13	96130GT	PIN, MINI, CENTER.....	6
14	96369GT	WELDMENT, CABLE BRIDGE, 1 ARMS.....	2
15	8516GT	SCREW, HCC, 3/8-16 X 1.50	
16	45748GT	ROD END,.250 X 2.75 LG.....	2
17	96131GT	PIN, CHASSIS PIVOT.....	2
18	84581GT	OUTER ARM ASSY#1,15&19FT WORD..... (models with word decals)	1
18A	84583GT	OUTER ARM ASSY,#1,15&19FT SYMB (models with symbol decals)	
19	84582GT	INNER ARM ASSY,#2,15/19 FT,WRD.....	1
--	96487GT	BEARING,1.26IDX1.53ODX1.25L.....	8
20	96368GT	WELDMENT, CABLE BRIDGE, 2 ARMS.....	1
21	96283GT	PIN, CYLINDER, SHORT.....	1
22		Ref. Lift Cylinder (refer to 506.1)	

303.1 Scissor Assembly, GS-1930, GS-1932

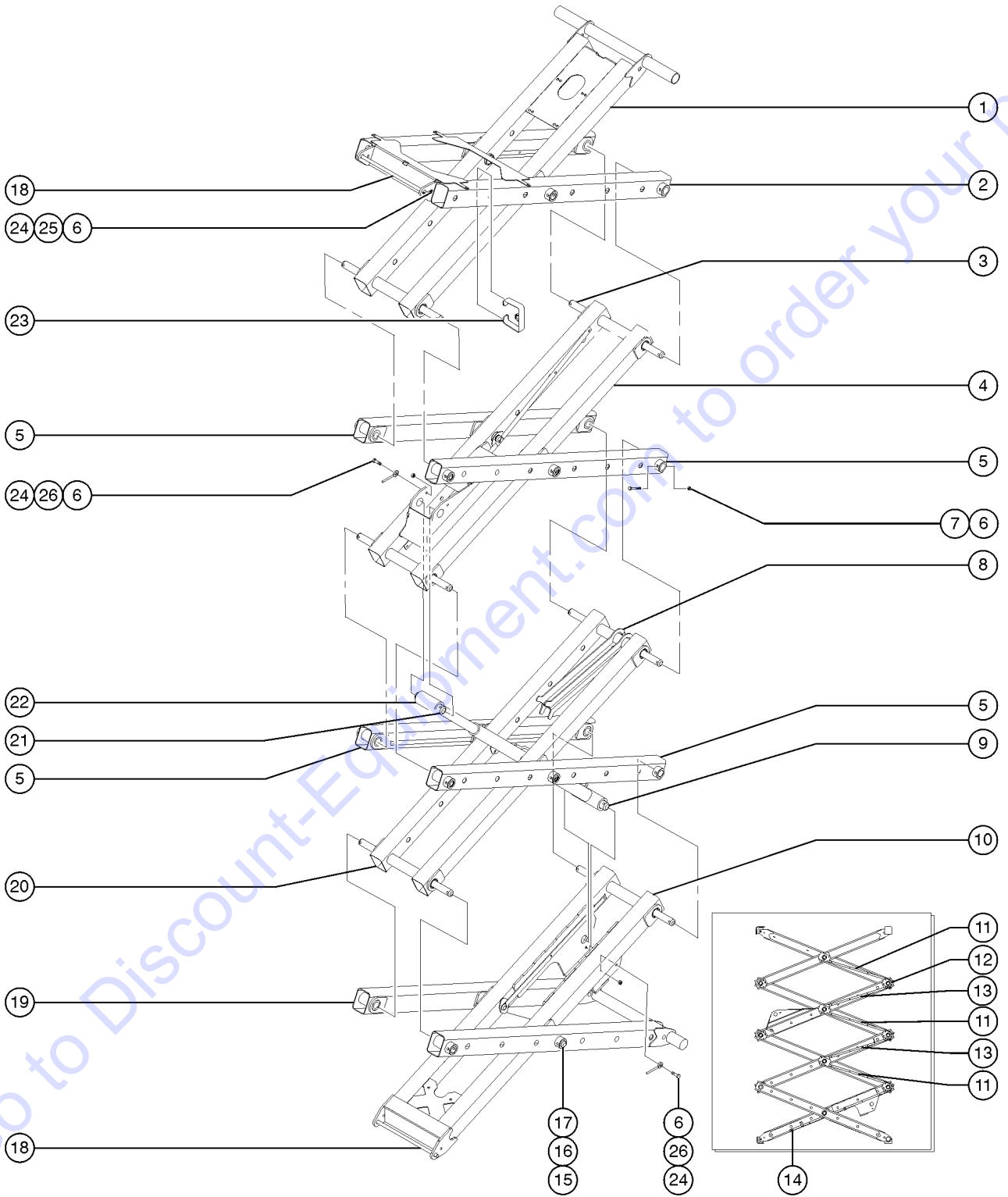


## 303.1 Scissor Assembly, GS-1930, GS-1932

Item	Part No.	Description	Qty.
1	96369GT	WELDMENT, CABLE BRIDGE, 1 ARMS.....	2
2	84579GT	INNER ARM ASSY,#4 19FT.....	1
--	96487GT	BEARING,1.26IDX1.53ODX1.25L.....	6
3	96125GT	WELDMENT,LINK,PLAT MOUNT.....	1
4	96127GT	PIN,LINKAGE,LONG.....	6
4A	105085GT	PIN,MINI END***	
5	96368GT	WELDMENT, CABLE BRIDGE, 2 ARMS.....	2
6	84580GT	INNER ARM ASSY, #3, 19FT.....	1
--	96487GT	BEARING,1.26IDX1.53ODX1.25L.....	8
7	96121GT	WELDMENT, LINK, SINGLE.....	4
8	4828GT	NUT,NYLOCK,3/8-16	
9	8178GT	SCREW,HHC,3/8-16 X 2.5	
10	58000GT	SAFETY CHOCK,SCISSOR.....	1
11	47666GT	PIN,1.50DIA X 9.13LG,1HOLE.....	1
12	84584GT	INNER ARM ASSY,#1,15&19FT WORD (models with word decals)	
--	96487GT	BEARING,1.26IDX1.53ODX1.25L.....	6
12A	84585GT	INNER ARM ASSY,#1,15&19FT SYMB (models with symbol decals)	
--	96487GT	BEARING,1.26IDX1.53ODX1.25L	
13	30217GT	SNAP RING,EXTERNAL,1.25 DIA **.....	8
14	1260941GT	WASHER,SHIM,1.54X2.00X.125,ZAG	
15	96130GT	PIN, MINI, CENTER.....	8
16	96131GT	PIN, CHASSIS PIVOT.....	2
17	84581GT	OUTER ARM ASSY#1,15&19FT WORD..... (models with word decals)	1
17A	84583GT	OUTER ARM ASSY,#1,15&19FT SYMB (models with symbol decals)	
18	84582GT	INNER ARM ASSY,#2,15/19 FT,WRD.....	1
19	96283GT	PIN, CYLINDER, SHORT.....	1
20		Ref. Lift Cylinder (refer to 506.1)	
21	96331GT	LINK BUMPER.....	8
22	8516GT	SCREW, HCC, 3/8-16 X 1.50	
23	45748GT	ROD END,.250 X 2.75 LG.....	2



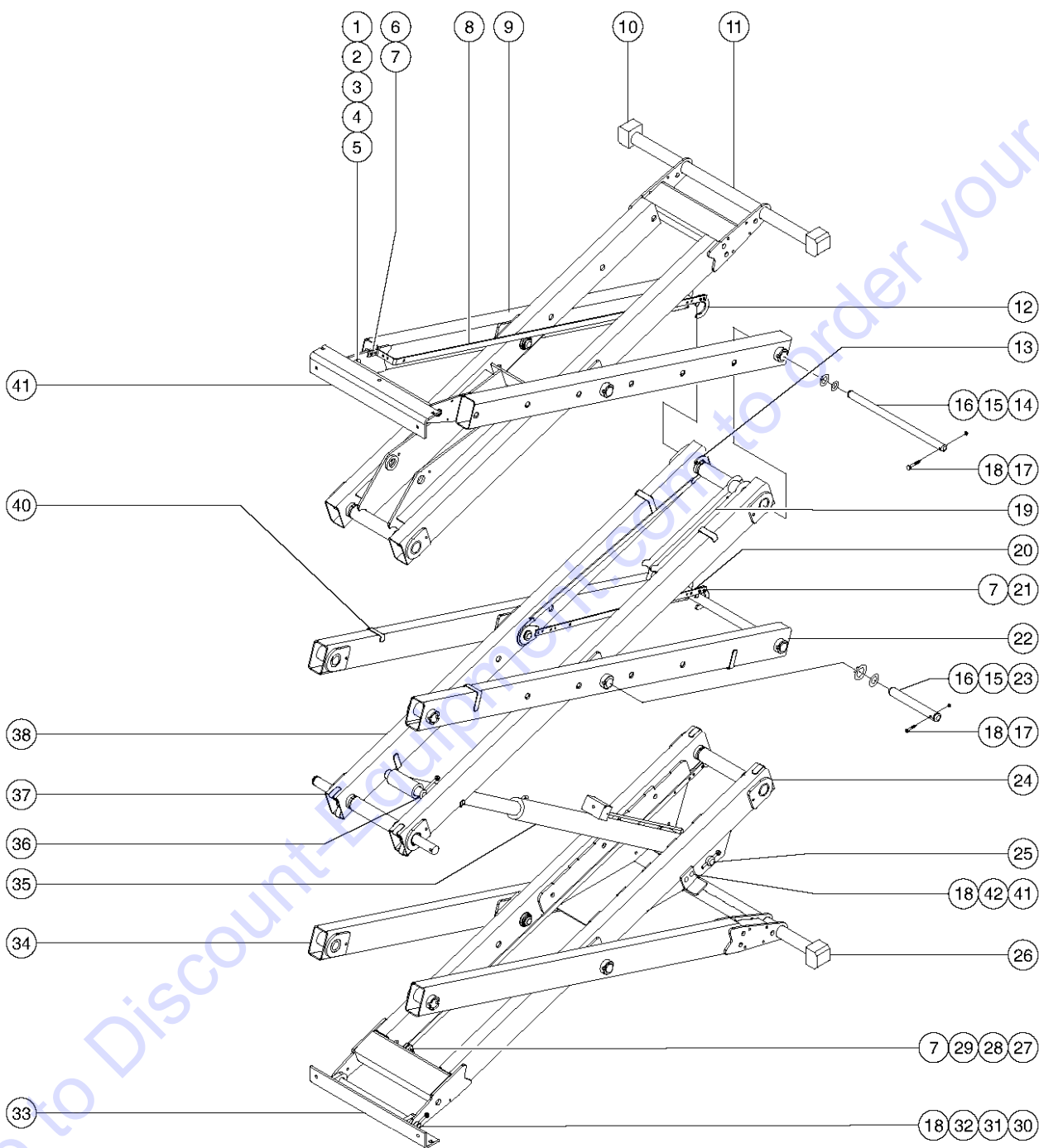
303.2 Scissor Assembly, GS-1930, GS-1932 (from SNs GS3006A-84658, GS3006B-80109 and GS3008C-101)



## 303.2 Scissor Assembly, GS-1930, GS-1932 (from SNs GS3006A-84658, GS3006B-80109 and GS3008C-101)

Item	Part No.	Description	Qty.	Item	Part No.	Description	Qty.
1	84579GT	INNER ARM ASSY,#4 19FT.....	1	23	96331GT	LINK BUMPER.....	8
--	96487GT	BEARING,1.26IDX1.53ODX1.25L.....	6	24	8516GT	SCREW, HCC, 3/8-16 X 1.50	
2	105280GT	WELDMENT, LINK PLATFORM MNT***.....	2	25	45748GT	ROD END, .250 X 2.75 LG.....	2
3	105085GT	PIN, MINI END***.....	6	26	825019GT	ROD END, .375X3.69, ZAG.....	2
4	84580GT	INNER ARM ASSY, #3, 19FT.....	1				
--	96487GT	BEARING,1.26IDX1.53ODX1.25L.....	8				
5	96121GT	WELDMENT, LINK, SINGLE.....	4				
6	4828GT	NUT, NYLOCK, 3/8-16					
7	8178GT	SCREW, HHC, 3/8-16 X 2.5 (from SN GS3007A-91248, GS3007B-86915 and GS3008C-101)					
7A	14033GT	SCREW, HHC, 3/8-16 X 2.75 (to SN GS3007A-91247 and to SN GS3007B-86914)					
8	58000GT	SAFETY CHOCK, SCISSOR.....	1				
9	47666GT	PIN, 1.50DIA X 9.13LG, 1HOLE.....	1				
10	105997GT	INNER ARM ASSY #1, 15&19FT, WORD (USA, Canada, Australia) (from SN 96548)					
--	84584GT	INNER ARM ASSY, #1, 15&19FT WORD.....	1				
--	96487GT	BEARING, 1.26IDX1.53ODX1.25L.....	6				
10A	105998GT	INNER ARM ASSY #1, 15&19FT, SYMB (Europe, Asia, South America) (from SN 96548 and GS3008C-101)					
--	84585GT	INNER ARM ASSY, #1, 15&19FT SYMB (Europe, Asia, South America) (to 96547)					
--	96487GT	BEARING, 1.26IDX1.53ODX1.25L.....	6				
11	105183GT	WLDMT, CABLE BRIDGE, BOTTOM, MINI.....	3				
12	105185GT	CLIP, CABLE BRIDGE, MINI.....	3				
13	105184GT	WELDMENT, CABLE BRIDGE, TOP, MINI.....	2				
14	105182GT	WLDMT, CABLE BRIDGE, LOWER, MINI.....	1				
15	30217GT	SNAP RING, EXTERNAL, 1.25 DIA. **.....	8				
16	96390GT	WASHER, FLAT, 1.27 X 2.13 X .13					
17	96130GT	PIN, MINI, CENTER.....	8				
18	96131GT	PIN, CHASSIS PIVOT.....	2				
19	84581GT	OUTER ARM ASSY #1, 15&19FT WORD.....	1				
		(USA, Canada, Australia)					
19A	84583GT	OUTER ARM ASSY, #1, 15&19FT SYMB (Europe, Asia, South America)					
20	84582GT	INNER ARM ASSY, #2, 15/19 FT, WRD.....	1				
21	96283GT	PIN, CYLINDER, SHORT.....	1				
22		Ref. Lift Cylinder (refer to 506.1)					

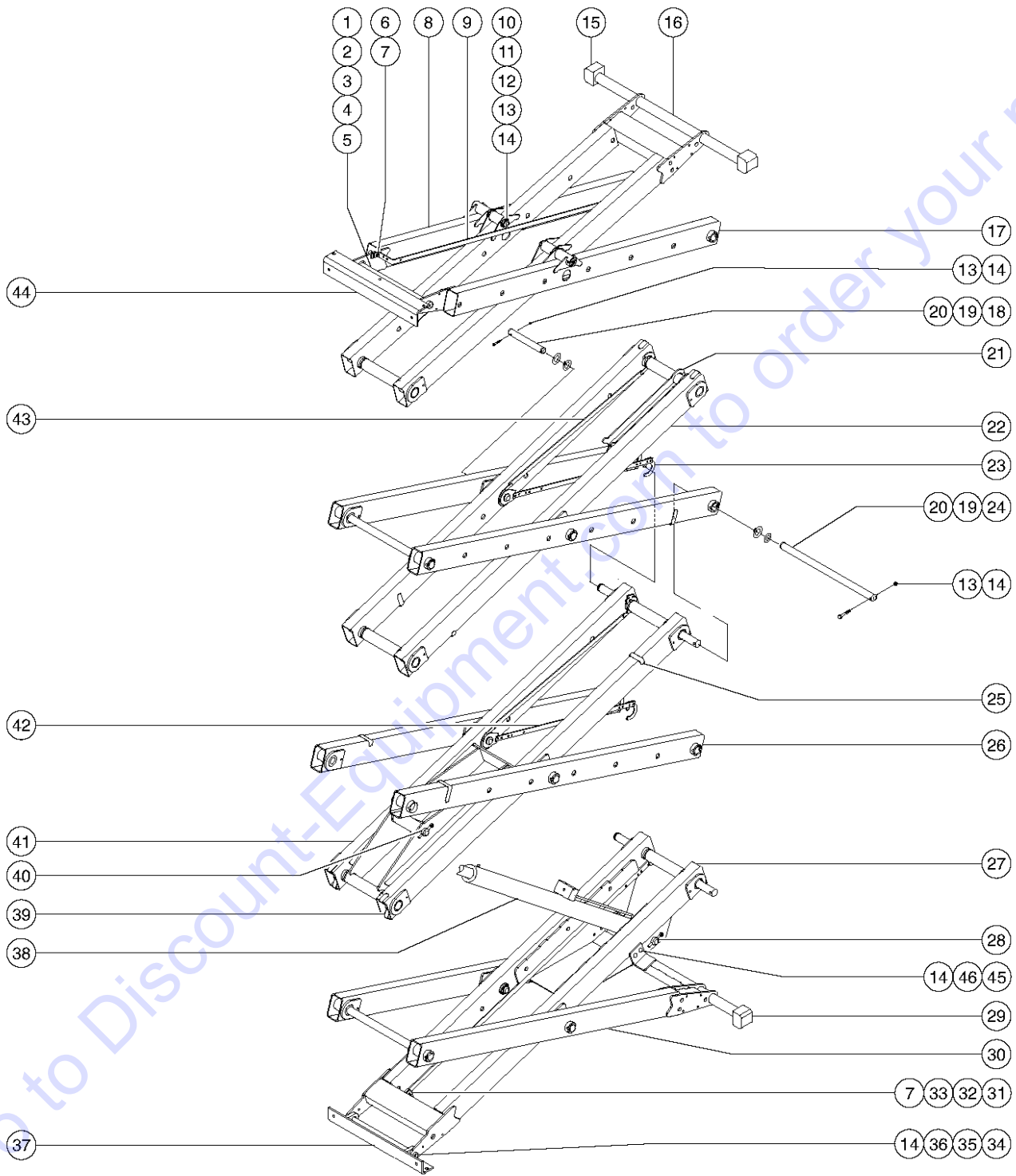
304.1 Scissor Assembly, GS-2032, GS-2046



## 304.1 Scissor Assembly, GS-2032, GS-2046

Item	Part No.	Description	Qty.	Item	Part No.	Description	Qty.
1	96932GT	PIN, LINKSET MOUNT, 3/4".....	1	33		Ref. Chassis Mount Assembly (refer to 301.1)	
2	45748GT	ROD END,.250 X 2.75 LG.....	2	34	84691GT	OUTER ARM ASSY,#1, GS32 WORD.....1 GS-2032 (models with word decals)	
3	8915GT	SCREW,HHC,1/4-20 X 1.25		34A	84692GT	OUTER ARM ASSY,#1, GS32 SYMBOL GS-2032 (models with symbol decals)	
4	6356GT	WASHER,LOCK,.25		34B	97237GT	OUTER ARM ASSY #1, GS46 WORD....1 GS-2046 (models with word decals)	
5	6091GT	NUT,NYLOCK,1/4-20		34C	97238GT	OUTER ARM ASSY #1, GS46, SYMBO GS-2046 (models with symbol decals)	
6	9116GT	BOLT,CARRIAGE,1/4-20x1.25,G2		35		Ref. Lift Cylinder (refer to 506.1)	
7	18504GT	NUT,LOCKING-LG.FLANGE,1/4-20		36	96661GT	PIN, UPPER CYLINDER MOUNT.....	1
8	96786GT	BAR, CABLEBRIDGE, LONG.....	2	37	96735GT	LINK BUMPER, 5".....	4
9	96611GT	WLDMT,LNK,OUT #3-20XX,#5-32XX....	2	38	97234GT	INNER ARM ASSY, #2, GS32&46.....	1
10		Ref. Platform Slider (refer to 301.1)		--	66055GT	BEARING,1.50IDX1.77ODX1.25L.....	8
11	84696GT	INNER ARM ASSY,#3 GS2032.....	1	39	96836GT	LINK BUMPER, SHORT TUBE.....	8
--	66055GT	BEARING,1.50IDX1.77ODX1.25L.....	6	40		Ref. Platform Mount Assembly (refer to 301.1)	
11A	97233GT	INNER ARM ASSY, #3, 2046 GS-2046		41	105092GT	BOLT,CARRIAGE,3/8-16X1.25,GR5 GS-2046	
--	66055GT	BEARING,1.50IDX1.77ODX1.25L.....	6	42	105074GT	FORMING,PH PUSHER, GS46.....	1
12	96787GT	CLIP, CABLEBRIDGE.....	2			GS-2046	
13	96978GT	WELDMENT,CABLEBRIDGE HOOK.....	1				
14	96899GT	PIN, LONG, GS46.....	4				
15	1260941GT	WASHER,SHIM,1.54X2.00X.125,ZAG					
16	18383GT	SNAP RING,EXTERNAL,1.5 DIA*** .....	10				
17	6326GT	SCREW,HHC,3/8-16 X 3					
18	4828GT	NUT,NYLOCK,3/8-16					
19	58000GT	SAFETY CHOCK,SCISSOR.....	1				
20	96866GT	WELDMENT,CABLEBRIDGE,SHORT.....	2				
21	6878GT	BOLT,CARRIAGE,1/4-20 X .75,G2					
22	96605GT	WLDMT,LNK,OUTER #2,#3,#4.....	2				
23	96900GT	PIN, SHORT, GS46.....	6				
24	97235GT	INNER ARM ASSY #1, GS32&46, WO....1 (models with word decals)					
--	66055GT	BEARING,1.50IDX1.77ODX1.25L.....	6				
24A	97236GT	INNER ARM ASSY #1, GS32&46, SY (models with symbol decals)					
--	66055GT	BEARING,1.50IDX1.77ODX1.25L.....	6				
25	96662GT	PIN, LOWER CYLINDER MOUNT.....	1				
26		Ref. Chassis Slider (refer to 301.1)					
27	58592GT	PLATE,HOSE ROUTG,BULKHEAD(PTD).....	2				
28	78736GT	CLAMP,2 HOSE,PLASTIC,5/8.....	4				
29	96905GT	BOLT,CARRIAGE,1/4-20 X 2.5,G2					
30	96862GT	PIN, LINKSET MOUNT, 1".....	1				
31	825019GT	ROD END,.375X3.69,ZAG.....	3				
32	8516GT	SCREW, HCC, 3/8-16 X 1.50					

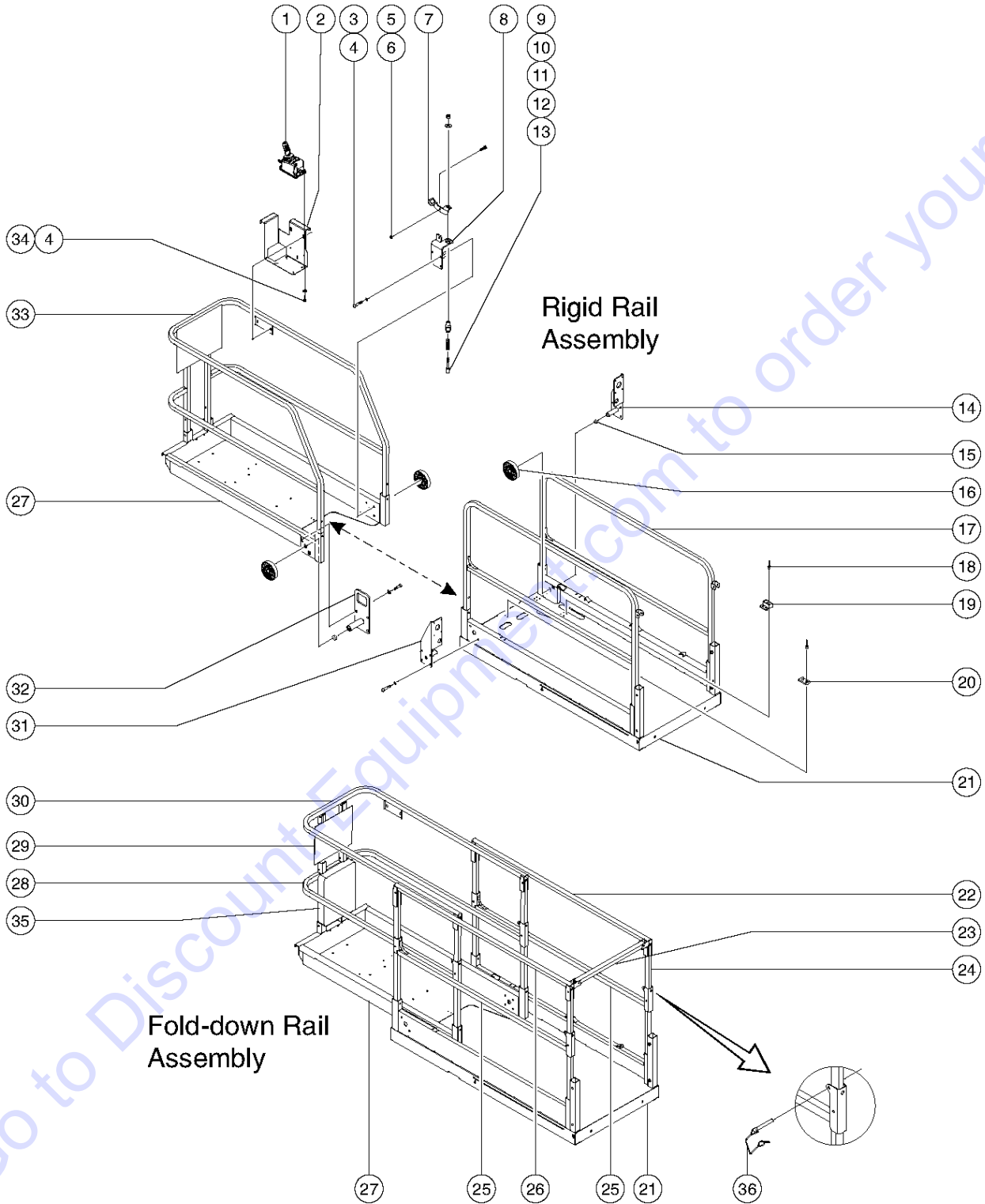
305.1 Scissor Assembly, GS-2632, GS-2646



## 305.1 Scissor Assembly, GS-2632, GS-2646

Item	Part No.	Description	Qty.	Item	Part No.	Description	Qty.
1	96932GT	PIN, LINKSET MOUNT, 3/4".....	1	30C	97238GT	OUTER ARM ASSY #1, GS46, SYMBO GS-2646 (models with symbol decals)	
2	45748GT	ROD END,.250 X 2.75 LG.....	2	31	58592GT	PLATE,HOSE ROUTG,BULKHEAD(PTD).....	2
3	8915GT	SCREW,HHC,1/4-20 X 1.25		32	78736GT	CLAMP,2 HOSE,PLASTIC,5/8.....	4
4	6356GT	WASHER,LOCK,.25		33	96905GT	BOLT,CARRIAGE,1/4-20 X 2.5,G2	
5	6091GT	NUT,NYLOCK,1/4-20		34	96862GT	PIN, LINKSET MOUNT, 1".....	1
6	9116GT	BOLT,CARRIAGE,1/4-20x1.25,G2		35	825019GT	ROD END,.375X3.69,ZAG.....	3
7	18504GT	NUT,LOCKING-LG.FLANGE,1/4-20		36	8516GT	SCREW, HCC, 3/8-16 X 1.50	
8	96615GT	WLDMT,LNK,OUTER #4,26XX..... (ground controls side)	1	37		Ref. Chassis Mount Assembly (refer to 301.1)	
9	96786GT	BAR, CABLEBRIDGE, LONG.....	2	38		Ref. Lift Cylinder (refer to 506.1)	
10	96130GT	PIN, MINI, CENTER.....	2	39	96735GT	LINK BUMPER, 5".....	4
11	30217GT	SNAP RING,EXTERNAL,1.25 DIA.**		40	96661GT	PIN, UPPER CYLINDER MOUNT.....	1
12	96390GT	WASHER,FLAT, 1.27 X 2.13 X .13		41	97234GT	INNER ARM ASSY, #2, GS32&46.....	1
13	6326GT	SCREW,HHC,3/8-16 X 3		--	66055GT	BEARING,1.50IDX1.77ODX1.25L.....	8
14	4828GT	NUT,NYLOCK,3/8-16		42	96866GT	WELDMENT,CABLEBRIDGE,SHORT.....	4
15		Ref. Platform Slider (refer to 301.1)		43	96978GT	WELDMENT,CABLEBRIDGE HOOK.....	2
16	97243GT	INNER ARM ASSY #4, 2646.....	1	44		Ref. Platform Mount Assembly (refer to 301.1)	
--	66055GT	BEARING,1.50IDX1.77ODX1.25L.....	6	45	105092GT	BOLT,CARRIAGE,3/8-16X1.25,GR5 GS-2646	
17	96616GT	WLDMT,LNK,OUTER #4,26XX,LEFT..... (battery pack side)	1	46	105074GT	FORMING,PH PUSHER, GS46.....	1
18	96900GT	PIN, SHORT, GS46.....	6			GS-2646	
19	1260941GT	WASHER,SHIM,1.54X2.00X.125,ZAG					
20	18383GT	SNAP RING,EXTERNAL,1.5 DIA***.....	12				
21	58000GT	SAFETY CHOCK,SCISSOR.....	1				
22	97244GT	INNER ARM ASSY #3, 2632/2646.....	1				
--	66055GT	BEARING,1.50IDX1.77ODX1.25L.....	8				
23	96787GT	CLIP, CABLEBRIDGE.....	3				
24	96899GT	PIN, LONG, GS46.....	6				
25	96836GT	LINK BUMPER, SHORT TUBE.....	8				
26	96605GT	WLDMT,LNK,OUTER #2,#3,#4.....	4				
27	97235GT	INNER ARM ASSY #1, GS32&46, WO.... (models with word decals)	1				
--	66055GT	BEARING,1.50IDX1.77ODX1.25L.....	6				
27A	97236GT	INNER ARM ASSY #1, GS32&46, SY (models with symbol decals)					
--	66055GT	BEARING,1.50IDX1.77ODX1.25L.....	6				
28	96662GT	PIN, LOWER CYLINDER MOUNT.....	1				
29		Ref. Chassis Slider (refer to 301.1)					
30	84691GT	OUTER ARM ASSY,#1, GS32 WORD..... GS-2632 (models with word decals)	1				
30A	84692GT	OUTER ARM ASSY,#1, GS32 SYMBOL GS-2632 (models with symbol decals)					
30B	97237GT	OUTER ARM ASSY #1, GS46 WORD.... GS-2646 (models with word decals)	1				

401.1 Platform Components, GS-30



401.1 Platform Components, GS-30

Item	Part No.	Description	Qty.	Item	Part No.	Description	Qty.
--	97081GT	PLAT ASSY RIGID SWING 1530ANSI <i>(ANSI and CSA Models with Word Decals)</i>		3	5224GT	SCREW,HHC,3/8-16 X 2	
--	97082GT	PLAT ASSY RIGID CHAIN 1530ANSI <i>(ANSI and CSA Models with Word Decals)</i>		4	6021GT	WASHER,LOCK,.375	
--	97083GT	PLAT ASSY FOLD SWING 1530ANSI <i>(ANSI and CSA Models with Word Decals)</i>		5	6002GT	NUT,LP NYLOCK,5/16-18	
--	97084GT	PLAT ASSY FOLD CHAIN 1530ANSI <i>(ANSI and CSA Models with Word Decals)</i>		6	1259223GT	BOLT,SHS,3/8X.375X5/16-18,ZAG	
--	97085GT	PLAT ASSY RIGID SWING 1930ANSI <i>(ANSI and CSA Models with Word Decals)</i>		7	46260GT	FOOTPEDAL W/NON-SKID TAPE,GS**.....1	
--	97086GT	PLAT ASSY RIGID CHAIN 1930ANSI <i>(ANSI and CSA Models with Word Decals)</i>		--	47225GT	TAPE,NON-SKID,DIE CUT,1.38X1.5	
--	97087GT	PLAT ASSY FOLD SWING 1930ANSI <i>(ANSI and CSA Models with Word Decals)</i>		8	96413GT	WLDMT,LOCKING ROLLER SUPPORT.....1	
--	97088GT	PLAT ASSY FOLD CHAIN 1930ANSI <i>(ANSI and CSA Models with Word Decals)</i>		9	39470GT	PIN, LOCK.....1	
--	97089GT	PLAT ASSY RIGID SWING 1532 CE <i>(CE Models with Symbol Decals)</i>		10	39469GT	SPRING,COMPRESSION.485 X1.75**...1	
--	97090GT	PLAT ASSY FOLD SWING 1532 CE <i>(CE Models with Symbol Decals)</i>		11	41630GT	HOUSING, LOCK PIN.....1	
--	97091GT	PLAT ASSY RIGID SWING 1932 CE <i>(CE Models with Symbol Decals)</i>		12	6097GT	WASHER,FLAT,USS,3/8",Y	
--	97092GT	PLAT ASSY FOLD SWING 1932 CE <i>(CE Models with Symbol Decals)</i>		13	7713GT	NUT, LP NYLOCK, 3/8-16	
--	97093GT	PLAT ASSY RIGID SWING 1532 AUS <i>(Australia Models with Word Decals)</i>		14	84587GT	ROLLER BRACKET ASSY, GRND CNTR.....1	
--	97094GT	PLAT ASSY FOLD SWING 1532 AUS <i>(Australia Models with Word Decals)</i>		15	21279GT	BUTTON, .800 O.D. X .281.....3	
--	97095GT	PLAT ASSY RIGID SWING 1932 AUS <i>(Australia Models with Word Decals)</i>		16	47163GT	ROLLER,PLATFORM EXTENSION.....4	
--	97096GT	PLAT ASSY FOLD SWING 1932 AUS <i>(Australia Models with Word Decals)</i>		17	97034GT	GS30 RIDGID MAIN SIDE SQ RAIL.....2	
--	97097GT	PLAT ASSY RIGID SWING 1530SMBL <i>(Models with Symbol Decals except CE)</i>		18	T113787GT	RIVET,ALUM,STL,.188 X .250.....20	
--	97098GT	PLAT ASSY RIGID CHAIN 1530SMBL <i>(Models with Symbol Decals except CE)</i>		19	39310GT	WEAR/GUIDE PAD MAIN PLATFORM...4	
--	97099GT	PLAT ASSY FOLD SWING 1530SMBL <i>(Models with Symbol Decals except CE)</i>		20	39474GT	WEAR PAD,PLATFORM.....2	
--	97100GT	PLAT ASSY FOLD CHAIN 1530SMBL <i>(Models with Symbol Decals except CE)</i>		21	97115GT	PLAT MAIN DECK ASSY,1530 ANSI.....1 <i>(ANSI and CSA models)</i>	
--	97101GT	PLAT ASSY RIGID SWING 1930SMBL <i>(Models with Symbol Decals except CE)</i>		--	47098GT	TAPE,NON-SKID,DIE CUT,4"X 40"	
--	97102GT	PLAT ASSY RIGID CHAIN 1930SMBL <i>(Models with Symbol Decals except CE)</i>		--	47231GT	TAPE,NON-SKID,DIE CUT,4"X 16"	
--	97103GT	PLAT ASSY FOLD SWING 1930SMBL <i>(Models with Symbol Decals except CE)</i>		21A	97116GT	PLAT MAIN DECK ASSY,1532 CE <i>(CE models)</i>	
--	97104GT	PLAT ASSY FOLD CHAIN 1930SMBL <i>(Models with Symbol Decals except CE)</i>		21B	97117GT	PLAT MAIN DECK ASSY,1532 AUS <i>(Australia models)</i>	
1		Ref. Platform Control Box <i>(refer to 406.1)</i>		21C	97118GT	PLAT MAIN DECK ASSY,1530 SMBL <i>(models with symbol decals except CE models)</i>	
2		Ref. Platform Control Box Mount Bracket <i>(refer to 406.1)</i>		21D	97119GT	PLAT MAIN DECK ASSY,1930 ANSI <i>(ANSI and CSA models)</i>	
				21E	97120GT	PLAT MAIN DECK ASSY,1932 CE <i>(CE models)</i>	
				21F	97121GT	PLAT MAIN DECK ASSY,1932 AUS <i>(Australia models)</i>	
				21G	97122GT	PLAT MAIN DECK ASSY,1930 SMBL <i>(models with symbol decals except CE models)</i>	
				22	66890-SGT	WLDMT, MAIN SIDERAIL,UPP,RT **.....1 <i>(ground controls side)</i>	
				22	78038GT	CAP, TUBE, SQ,1.25 X .083	
				23	66886GT	ENTRY SWING TUBE.....1	
				24	66485GT	TUBE, VERT, FOLDING.....6	



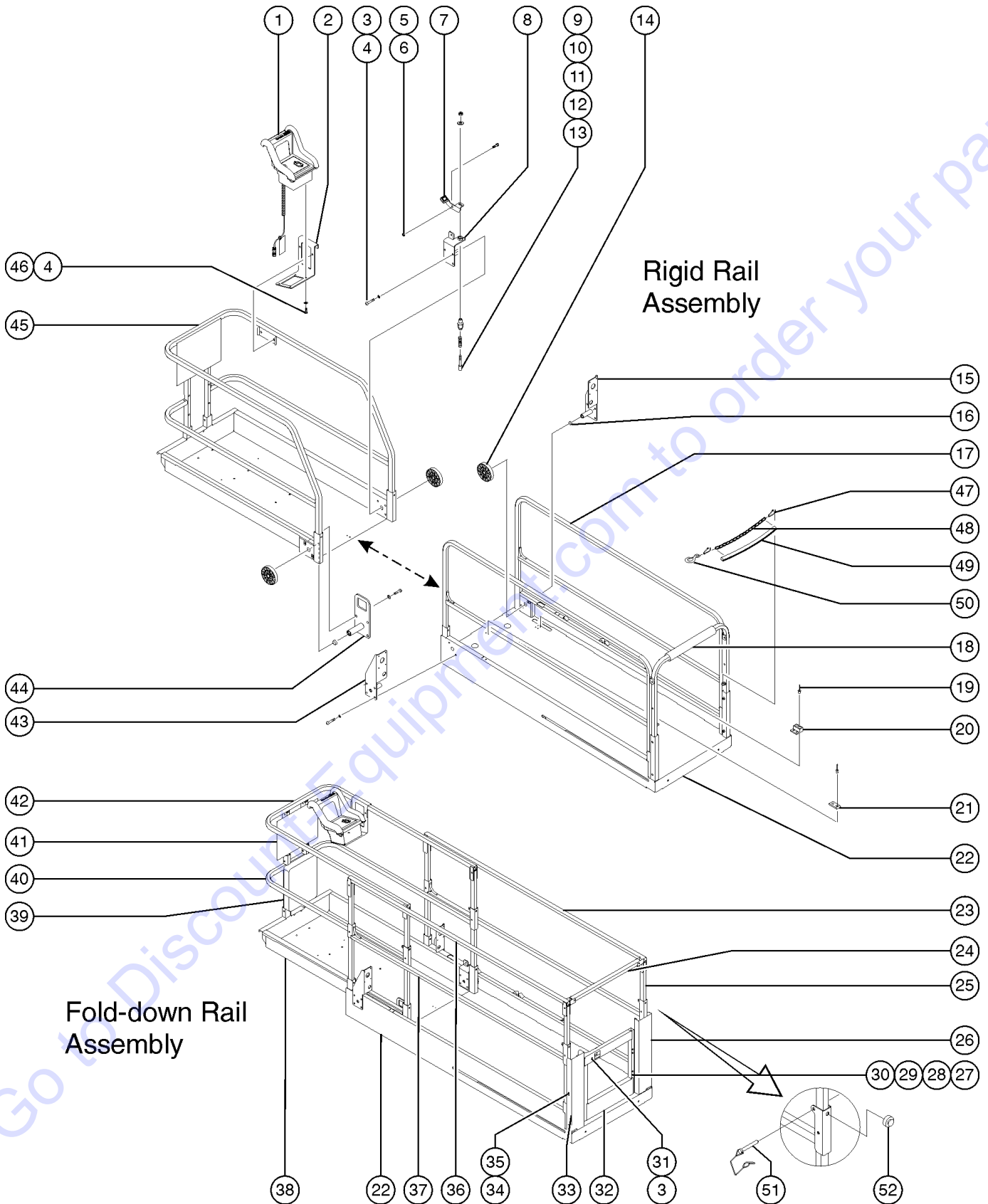
401.1 Platform Components, GS-30  
(continued)

Item	Part No.	Description	Qty.	Item	Part No.	Description	Qty.
25	78038GT	CAP, TUBE, SQ, 1.25 X .083		35A	44743GT	MANUAL BOX W/DECALS***.....1 USA/Canada/Australia	
25	97041GT	MAIN RAIL, FOLDING, GS30.....2		35B	24514GT	BOX, INSTRUCTION STORAGE Europe/Asia/South America (decal required; refer to Section 100)	
26	66889-SGT	WLDMT, MAIN SIDERAIL, UPPER, LFT...1 (battery pack side)		36	66030GT	PIN, WIRE LOCK 3/8 X 2 -1/2	
26	78038GT	CAP, TUBE, SQ, 1.25 X .083					
27	97123GT	PLAT EXT DECK ASSY, GS30.....1					
--	39474GT	WEAR PAD, PLATFORM.....1					
--	47374GT	TAPE, NON-SKID, DIE CUT, 4" X 32".....3					
--	T113787GT	RIVET, ALUM, STL, .188 X .250.....2 for 39474					
28	96336GT	WLDMT, EXT DECK LWR RAIL.....1					
29	97108GT	PLAT EXT PLATE ASSY, GS30 WORD....1 (to SN 61512) (models with word decals)					
29A	97109GT	PLATE EXT PLATE ASSY, GS30 SMBL (to SN 61512) (models with symbol decals)					
29B	144208GT	ASSY, DECAL PLATE, GS30, WORD (from SN GS3003-61513 to GS3005-75999, GS3005A-76000 to GS3007A-91371 and GS3005B-76000 to GS3007B-88079) (models with word decals)					
29C	84590GT	DECAL PLATE ASSY W/SYM DECALS (from SN 61513) (models with symbol decals)					
30	84588GT	PLAT EXTN RAIL ASSY, UPPER.....1 (to SN 61512)					
30A	97213GT	EXT RAIL ASSY, UPPER, GS30 (from SN 61513)					
30B	78038GT	CAP, TUBE, SQ, 1.25 X .083					
31	96246GT	WELDMNT, ROLLER BRACKET, LT***.....1					
32	84586GT	LANYARD ROLLER BRKT ASSY W/DEC.....1					
33	97106GT	PLAT EXT RAIL ASSY, GS30 WORD.....1 (to SN 61512) (models with word decals)					
33A	97107GT	PLAT EXT RAIL ASSY, GS30 SMBL (to SN 61512) (models with symbol decals)					
33B	96844GT	FIXED RAILS ASSY, GS30 WORD (from SN 91372) (models with word decals)					
33C	97132GT	FIXED RAILS ASSY, GS30 SYMBOL (from SN 91372) (models with symbol decals)					
33D	144209GT	WLDT, EX. RAIL, RIGID, GS30 (from 61513 to 91371) (decals sold separately, refer to 101.1 or 102.1)					
34	8255GT	SCREW, HHC, 3/8-16 X .75					
35	44743GT	MANUAL BOX W/DECALS***.....1 USA/Canada/Australia					
35A	24514GT	BOX, INSTRUCTION STORAGE Europe/Asia/South America (decal required; refer to Section 100)					

*This Page Intentionally Left Blank*

Go to Discount-Equipment.com to order your parts

402.1 Platform Components, GS-32



402.1 Platform Components, GS-32

Item	Part No.	Description	Qty.	Item	Part No.	Description	Qty.
--	97290GT	PLAT ASSY, RIGID/CHN,2032 ANSI <i>(ANSI and CSA Models with Word Decals)</i>		15	84587GT	ROLLER BRACKET ASSY, GRND CNTR.....	1
--	97291GT	PLAT ASSY,RIGID/SWG,2032 ANSI <i>(ANSI and CSA Models with Word Decals)</i>		16	21279GT	BUTTON, .800 O.D. X .281.....	3
--	97292GT	PLAT ASSY,FLD/CHN,2032 ANSI WO <i>(ANSI and CSA Models with Word Decals)</i>		17	97044GT	MAIN RAIL RIGID, SQ GS32.....	2
--	97293GT	PLAT ASSY,FLD/SWG,2032 ANSI WO <i>(ANSI and CSA Models with Word Decals)</i>		18	97305GT	CHAIN GATE ASSY, COM GS32.....	1
--	97294GT	PLAT ASSY,FLD/SWG,2632 ANSI WO <i>(ANSI and CSA Models with Word Decals)</i>		--	28443GT	CABLE TIE,11.5" BLACK	
--	97295GT	PLAT ASSY,RIGID/CHN,2032 ANSI <i>(Models with Symbol Decals except CE)</i>		--	47188GT	FOAM,CLOSED CELL 1.75X.250X18"	
--	97296GT	PLAT ASSY,RIGID/SWG, 2032 ANSI <i>(Models with Symbol Decals except CE)</i>		19	T113787GT	RIVET,ALUM,STL.,188 X .250.....	20
--	97297GT	PLAT ASSY,FLD/CHN,2032 ANSI SY <i>(Models with Symbol Decals except CE)</i>		20	39310GT	WEAR/GUIDE PAD MAIN PLATFORM....	4
--	97298GT	PLAT ASSY,FLD/SWG,2032 ANSI SY <i>(Models with Symbol Decals except CE)</i>		21	39474GT	WEAR PAD,PLATFORM.....	2
--	97299GT	PLAT ASSY,FLD/SWG,2632 ANSI SY <i>(Models with Symbol Decals except CE)</i>		22	84674GT	MAIN DECK ASSY, GS2032 WORD.....	1
--	97300GT	PLAT ASSY,FLD/SWG,2032 CE SYMB <i>(CE Models with Symbol Decals)</i>		--	47374GT	TAPE,NON-SKID,DIE CUT,4"X 32".....	7
--	97301GT	PLAT ASSY,FLD/SWG 2632 CE SYMB <i>(CE Models with Symbol Decals)</i>		22A	84675GT	MAIN DECK ASSY, GS2032 SYMBOL <i>(models with symbol decals)</i>	
--	97302GT	PLAT ASSY,RIGID/SWG, 2032 AUS <i>(Australia Models with Word Decals)</i>		22B	84676GT	MAIN DECK ASSY, GS2032 CE SYMB <i>(CE models)</i>	
--	97303GT	PLAT ASSY,FLD/SWG, 2032 AUS WO <i>(Australia Models with Word Decals)</i>		22C	84677GT	MAIN DECK ASSY, GS2632 WORD <i>(models with word decals)</i>	
--	97304GT	PLAT ASSY,FLD/SWG,2632 AUS WOR <i>(Australia Models with Word Decals)</i>		22D	84678GT	MAIN DECK ASSY, GS2632 SYMBOL <i>(models with symbol decals)</i>	
1		Ref. Platform Control Box <i>(refer to 406.1)</i>		22E	84679GT	MAIN DECK ASSY, GS2632 CE SYMB <i>(CE models)</i>	
2		Ref. Platform Control Box Mount <i>(refer to 406.1)</i>		22F	97284GT	MAIN DECK ASSY, GS2032 AU WORD <i>(Australia models)</i>	
3	5224GT	SCREW,HHC,3/8-16 X 2		22G	97285GT	MAIN DECK ASSY, GS2632 AU WORD <i>(Australia models)</i>	
4	6021GT	WASHER,LOCK, .375		23	78038GT	CAP, TUBE, SQ,1.25 X .083	
5	6002GT	NUT,LP NYLOCK,5/16-18		23	84685GT	MAIN FLDG RAIL ASSY,UPR RT,32.....	1
6	1259223GT	BOLT,SHS,3/8X.375X5/16-18,ZAG		24	105057GT	TUBE, ENTRY SWING, GS32.....	1
7	46260GT	FOOTPEDAL W/NON-SKID TAPE,GS**.....	1	25	66485GT	TUBE, VERT, FOLDING.....	6
--	47225GT	TAPE,NON-SKID,DIE CUT,1.38X1.5		26	105004GT	FORMING, HALF GATE, HINGE.....	1
8	96413GT	WLDMT,LOCKING ROLLER SUPPORT.....	1	27	4266GT	SCREW,HHC,1/4-20 X 2	
9	39470GT	PIN, LOCK.....	1	28	6638GT	WASHER,FLAT,USS,1/4"Y	
10	39469GT	SPRING,COMPRESSION.485 X1.75**....	1	29	104804GT	HINGE, SPRING, LONG LEG.....	2
11	41630GT	HOUSING, LOCK PIN.....	1	30	6091GT	NUT,NYLOCK,1/4-20	
12	6097GT	WASHER,FLAT,USS,3/8",Y		31	4828GT	NUT,NYLOCK,3/8-16	
13	7713GT	NUT, LP NYLOCK, 3/8-16		32A	97110GT	SWING GATE ASSY,GS30/32** <i>(ANSI, CSA and Australia Models with Word Decals and Models with Symbol Decals except CE)</i>	
14	47163GT	ROLLER,PLATFORM EXTENSION.....	4	32B	84690GT	SWING GATE ASSY,GS32,COMPLETE <i>(ANSI, CSA and Australia Models with Word Decals and Models with Symbol Decals except CE)</i>	
				32C	97286GT	SWING GATE ASSY, GS2032 CE <i>(models with CE symbol decals; CE Models with Symbol Decals)</i>	

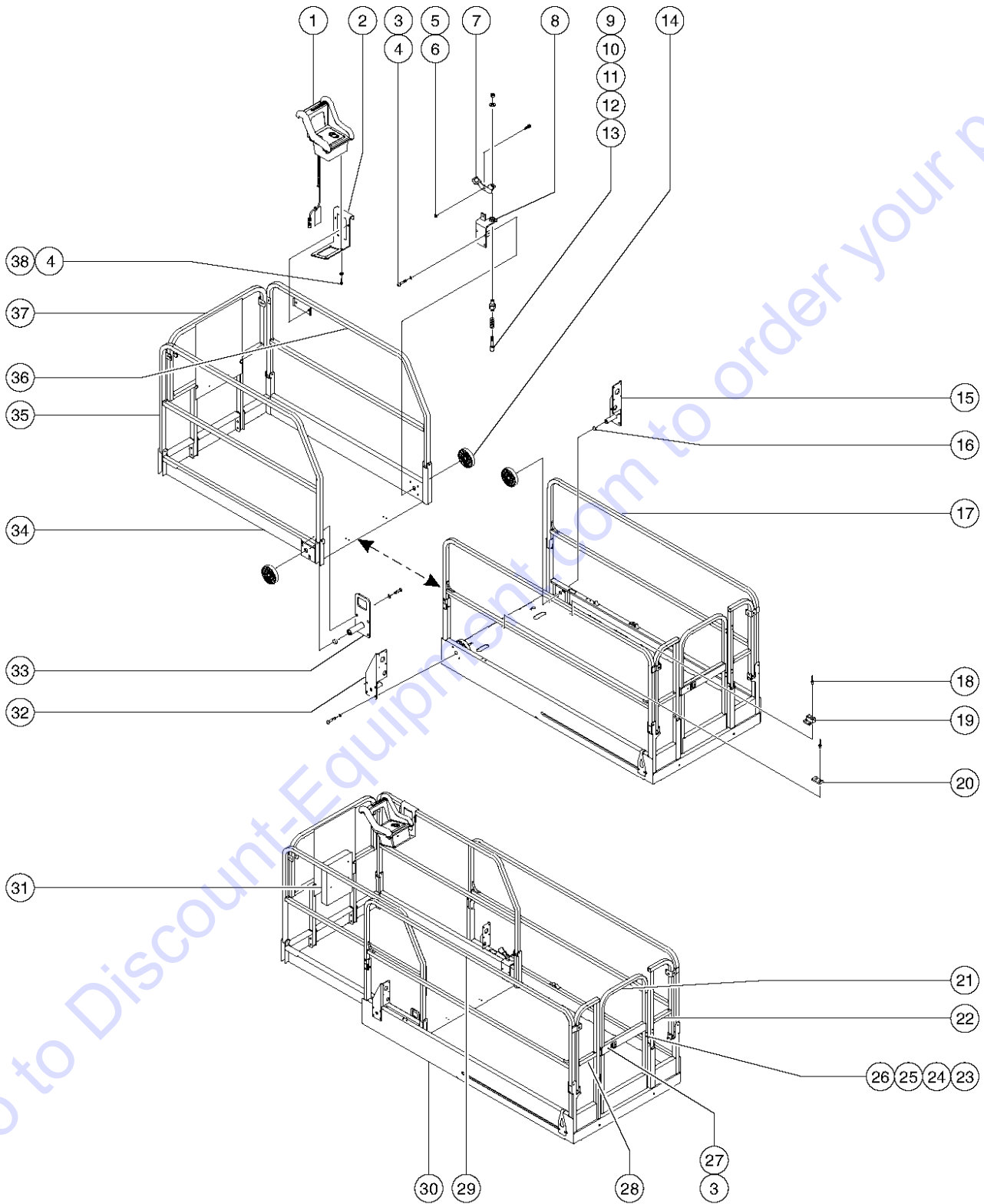
402.1 Platform Components, GS-32  
(continued)

Item	Part No.	Description	Qty.	Item	Part No.	Description	Qty.
32D	97287GT	SWING GATE ASSY, GS2632 CE IND (models with CE symbol decals; CE Models with Symbol Decals)		42A	84687GT	EXT FLDG RAIL ASSY, UPR, 32, S (models with symbol decals)	
32E	84682GT	SWING GATE ASSY, GS2032 CESYMB (CE Models with Symbol Decals)		42B	78038GT	CAP, TUBE, SQ, 1.25 X .083	
32F	84697GT	SWING GATE ASSY, GS2632 CE SYM (CE Models with Symbol Decals)		43	96246GT	WELDMENT, ROLLER BRACKET, LT***	1
32G	65990-SGT	KIT, GATE LATCH (includes items 3 and 31; ANSI, CSA and Australia Models with Word Decals and Models with Symbol Decals except CE)		44	84586GT	LANYARD ROLLER BRKT ASSY W/DEC	1
--	22446GT	SPRING, COMPRESSION .835 X 2	1	45A	144204GT	ASSY, EXT. RIGID RAIL, GS32, WORD	1
--	66544GT	LATCH HANDLE	1	45B	84689GT	EXT RIGID RAIL ASSY, GS32 SYMB (models with symbol decals)	
33	105099GT	WLDT, HALF GATE CATCH, GS32	1	46	8225GT	MOTOR COVER, PLASTIC-DPL**	
34	8178GT	SCREW, HHC, 3/8-16 X 2.5		47	96163GT	LINK, (SPLIT) OPEN-END	2
35	5397GT	WASHER, FLAT, USS, 5/16", Y		48	39509GT	CHAIN, 3/16, OPEN LINK 22.5"	1
36	78038GT	CAP, TUBE, SQ, 1.25 X .083		49	47224GT	TUBING, PVC, 1", BLACK***	21-inches
36	84684GT	MAIN FLDG RAIL ASSY, UPR L, GS32	1	50	39510GT	RIGID EYE SNAP	1
--	78038GT	CAP, TUBE, SQ, 1.25 X .083		51	66030GT	PIN, WIRE LOCK 3/8 X 2 -1/2	
37	78038GT	CAP, TUBE, SQ, 1.25 X .083		52	43392GT	BUMPER, BATTERY BOX & RAILS	4
37	84683GT	MAIN FLDG RAIL ASSY, LWR, GS32	2				
--	78038GT	CAP, TUBE, SQ, 1.25 X .083					
38	84680GT	EXT. DECK ASSY, GS32	1				
		(ANSI and CSA models)					
38	84681GT	EXT. DECK ASSY, GS32 CE (CE models)					
--	39474GT	WEAR PAD, PLATFORM	1				
--	47231GT	TAPE, NON-SKID, DIE CUT, 4" X 16"	1				
--	47374GT	TAPE, NON-SKID, DIE CUT, 4" X 32"	3				
--	84681GT	EXT. DECK ASSY, GS32 CE (CE models)					
--	T113787GT	RIVET, ALUM, STL, .188 X .250	2				
		for 39474					
39A	44743GT	MANUAL BOX W/DECALS*** USA/Canada/Australia	1				
39B	24514GT	BOX, INSTRUCTION STORAGE Europe/Asia/South America (decal required; refer to Section 100)					
40	105023GT	WLDMT, LOWER EXT RAIL	1				
41	144206GT	ASSY, DECAL PLATE, ANSI/CSA, GS32	1				
		(models with word decals)					
41	84590GT	DECAL PLATE ASSY W/SYM DECALS (models with symbol decals)					
41A	84690GT	SWING GATE ASSY, GS32, COMPLETE (models with symbol decals)					
42	84686GT	EXT FLDG RAIL ASSY, UPR, 32, WO**	1				
		(models with word decals)					

***This Page Intentionally Left Blank***

Go to Discount-Equipment.com to order your parts

403.1 Platform Components, GS-46



403.1 Platform Components, GS-46

Item	Part No.	Description	Qty.	Item	Part No.	Description	Qty.
--	84516GT	PLATFORM ASSY,GS2046,ANSI&CSA (ANSI and CSA Models with Word Decals)		--	97262GT	SWING GATE ASSY,GS2046,CE SYMB (complete assembly) (CE Models with Symbol Decals)	
--	84517GT	PLATFORM ASSY,GS2646,ANSI&CSA (ANSI and CSA Models with Word Decals)		21C	97282GT	SWING GATE ASSY,GS2646, CE SYM (CE Models with Symbol Decals)	
--	84519GT	PLATFORM ASSY,GS2046,AUS (Australia Models with Word Decals)		--	97273GT	SWING GATE ASSY,GS2646 CE SYMB (complete assembly) (CE Models with Symbol Decals)	
--	84520GT	PLATFORM ASSY,GS2646,AUS (Australia Models with Word Decals)		21E	65990-SGT	KIT,GATE LATCH (CE Models with symbol decals) (includes items 3 and 27)	
--	84522GT	PLATFORM ASSY,GS2046,ANSI SYM (Models with Symbol Decals except CE)		--	22446GT	SPRING,COMPRESSION .835 X 2.....1 included in kit 65990-S	
--	84523GT	PLATFORM ASSY,GS2646,ANSI SYM (Models with Symbol Decals except CE)		--	66544GT	LATCH HANDLE.....1 included in kit 65990-S	
--	84567GT	PLATFORM ASSY,GS2046,CE SYM (CE Models with Symbol Decals)		22	66923GT	WLDMT, ENTRY SIDERAIL, RT.....1 (ground controls side)	
--	84568GT	PLATFORM ASSY,GS2646,CE SYM (CE Models with Symbol Decals)		22	78038GT	CAP, TUBE, SQ,1.25 X .083	
1		Ref. Platform Control Box (refer to 406.1)		23	4266GT	SCREW,HHC,1/4-20 X 2	
2		Ref. Platform Control Box Mount Bracket (refer to 406.1)		24	6638GT	WASHER,FLAT,USS,1/4"Y	
3	5224GT	SCREW,HHC,3/8-16 X 2		25	104804GT	HINGE, SPRING, LONG LEG.....2	
4	6021GT	WASHER,LOCK,.375		26	6091GT	NUT,NYLOCK,1/4-20	
5	6002GT	NUT,LP NYLOCK,5/16-18		27	4828GT	NUT,NYLOCK,3/8-16	
6	1259223GT	BOLT,SHS,3/8X.375X5/16-18,ZAG		28	66920GT	WLDMT, ENTRY SIDERAIL, LT.....1 (battery pack side)	
7	46260GT	FOOTPEDAL W/NON-SKID TAPE,GS**.....1		28	78038GT	CAP, TUBE, SQ,1.25 X .083	
--	47225GT	TAPE,NON-SKID,DIE CUT,1.38X1.5		29	82053-SGT	RAIL-GS46 PLAT,MAINDECK LT****.....1 (battery pack side)	
8	96413GT	WLDMT,LOCKING ROLLER SUPPORT.....1		30	97249GT	MAIN DECK ASSY, 2046 (WORD).....1 (models with word decals)	
9	39470GT	PIN, LOCK.....1		30A	97250GT	MAIN DECK ASSY, 2046 (SYMBOL) (models with symbol decals)	
10	39469GT	SPRING,COMPRESSION.485 X1.75**...1		30B	97251GT	MAIN DECK ASSY, 2046, CE (CE models)	
11	41630GT	HOUSING, LOCK PIN.....1		30C	97252GT	MAIN DECK ASSY, 2646 (WORD) (models with word decals)	
12	6097GT	WASHER,FLAT,USS,3/8",Y		30D	97253GT	MAIN DECK ASSY, 2646 (SYMBOL) (models with symbol decals)	
13	7713GT	NUT, LP NYLOCK, 3/8-16		30E	97254GT	MAIN DECK ASSY, 2646, CE (CE models)	
14	47163GT	ROLLER,PLATFORM EXTENSION.....4		--	47374GT	TAPE,NON-SKID,DIE CUT,4"X 32"	
15	84587GT	ROLLER BRACKET ASSY, GRND CNTR.....1 (ground controls side)		31A	44743GT	MANUAL BOX W/DECALS***.....1 USA/Canada/Australia	
16	21279GT	BUTTON, .800 O.D. X .281.....3		31B	24514GT	BOX,INSTRUCTION STORAGE Europe/Asia/South America (decals required; refer to Section100)	
17	82052-SGT	RAIL-GS46 PLAT,MAINDECK RT****.....1 (ground controls side)		32	96246GT	WELDMENT,ROLLER BRACKET,LT***.....1	
18	T113787GT	RIVET,ALUM,STL,.188 X .250.....20		33	84586GT	LANYARD ROLLER BRKT ASSY W/DEC.....1	
19	39310GT	WEAR/GUIDE PAD MAIN PLATFORM...4					
20	39474GT	WEAR PAD,PLATFORM.....3					
21A	97242GT	SWING GATE ASSY, GS46 WELD (ANSI, CSA and Australia models with word decals and models with symbol decals except CE)					
21B	97281GT	SWING GATE ASSY, GS2046,CE SYM (CE Models with Symbol Decals)					



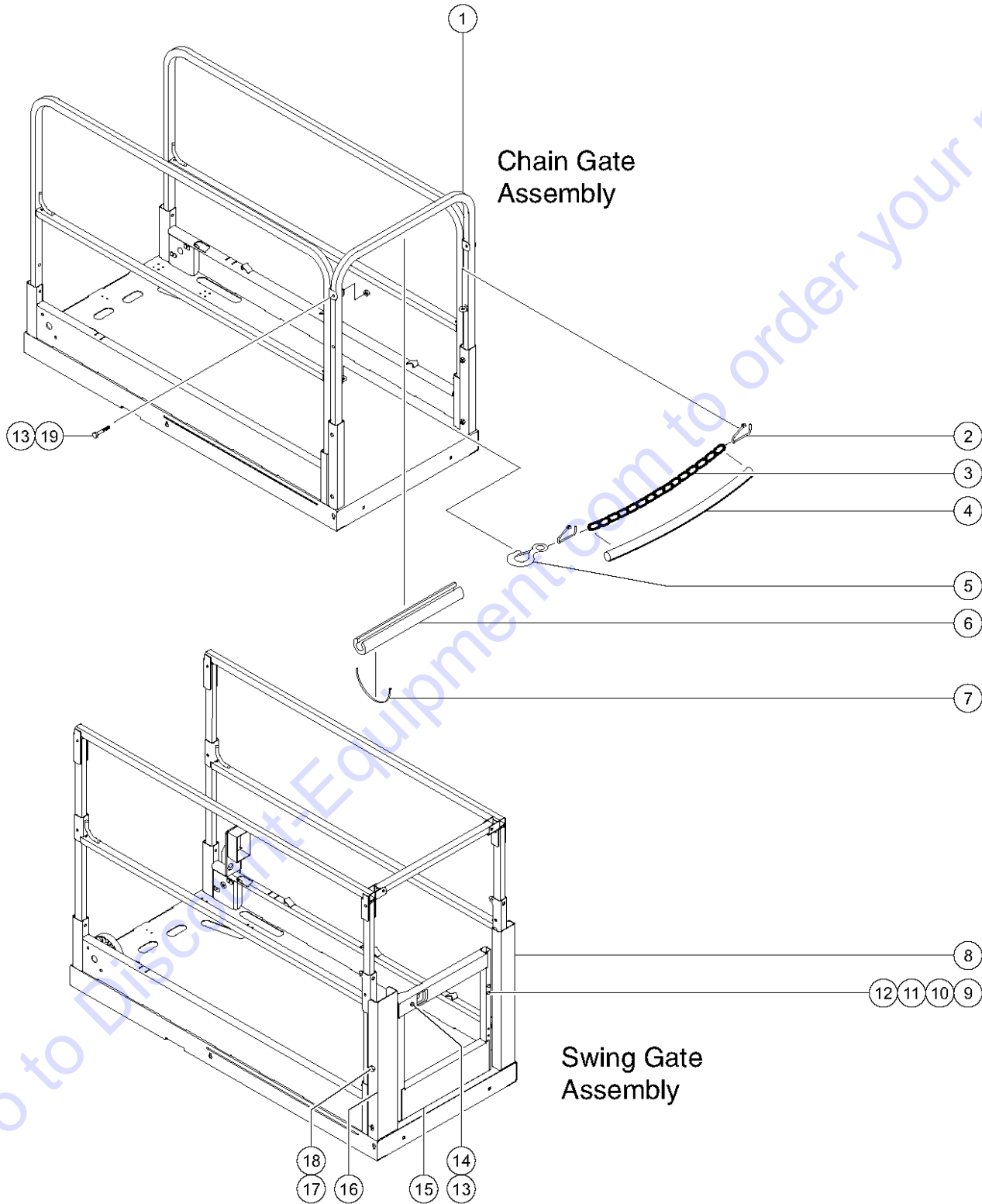
403.1 Platform Components, GS-46  
(continued)

Item	Part No.	Description	Qty.
34	97258GT	EXT. DECK ASSY, GS46.....	1
--	39474GT	WEAR PAD,PLATFORM.....	2
--	47374GT	TAPE, NON-SKID, DIE CUT, 4" X 32".....	7
--	T113787GT	RIVET, ALUM, STL, .188 X .250..... <i>for 39474</i>	4
35	97263GT	LEFT EX. RAIL, GS46..... <i>(battery pack side)</i>	1
36	97265GT	RIGHT EXT. RAIL, GS46 (WORD)..... <i>(models with word decals)</i>	1
36A	97264GT	RIGHT EXT RAIL, GS46 (SYMBOL) <i>(models with symbol decals) (ground controls side)</i>	
37	97259GT	EXT. ENDRAIL ASSY, GS46 (WORD)..... <i>(models with word decals)</i>	1
37A	97260GT	EXT. ENDRAIL ASSY, GS46 (SYMB) <i>(models with symbol decals)</i>	
38	8255GT	SCREW, HHC, 3/8-16 X .75	

***This Page Intentionally Left Blank***

Go to Discount-Equipment.com to order your parts

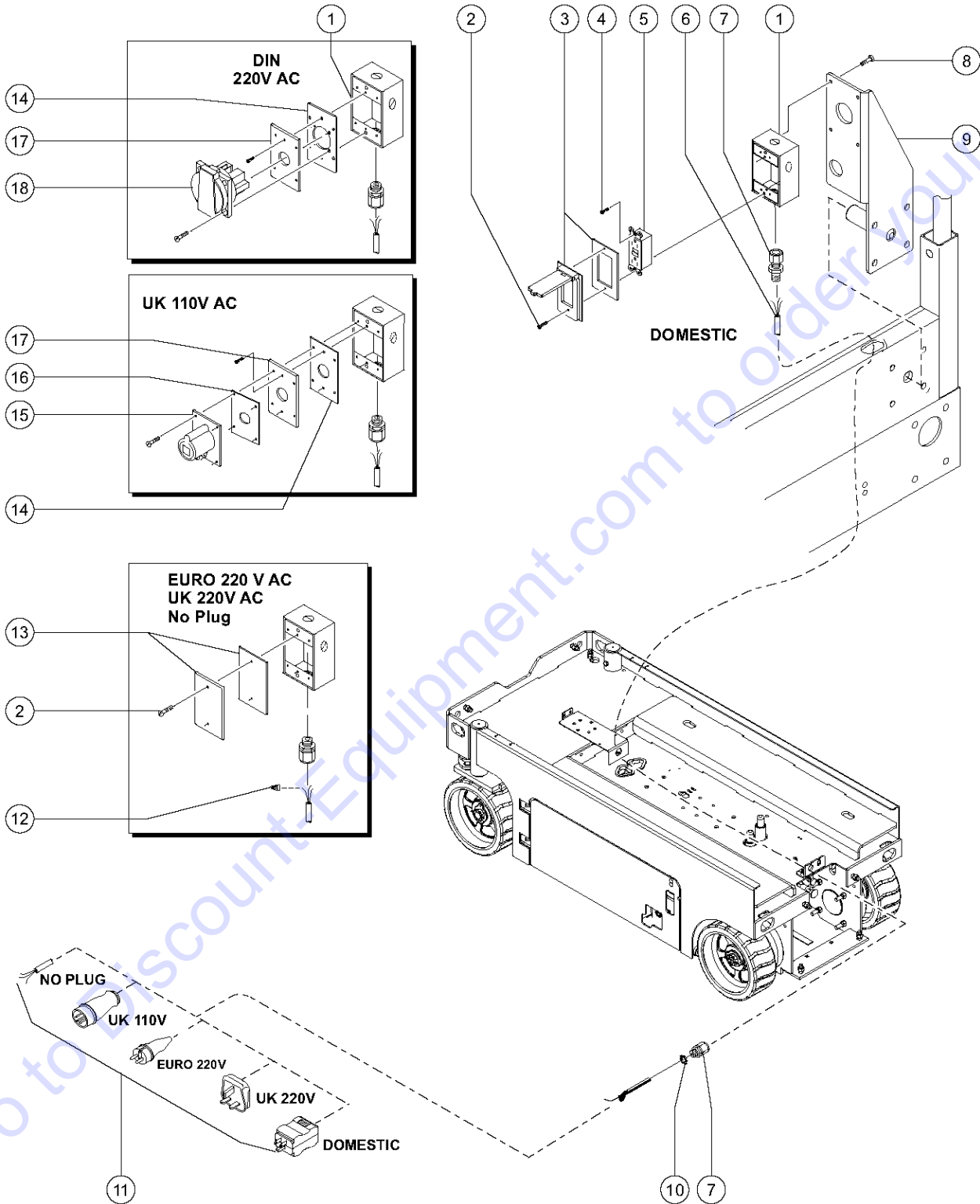
404.1 Platform Gates, GS-30



404.1 Platform Gates, GS-30

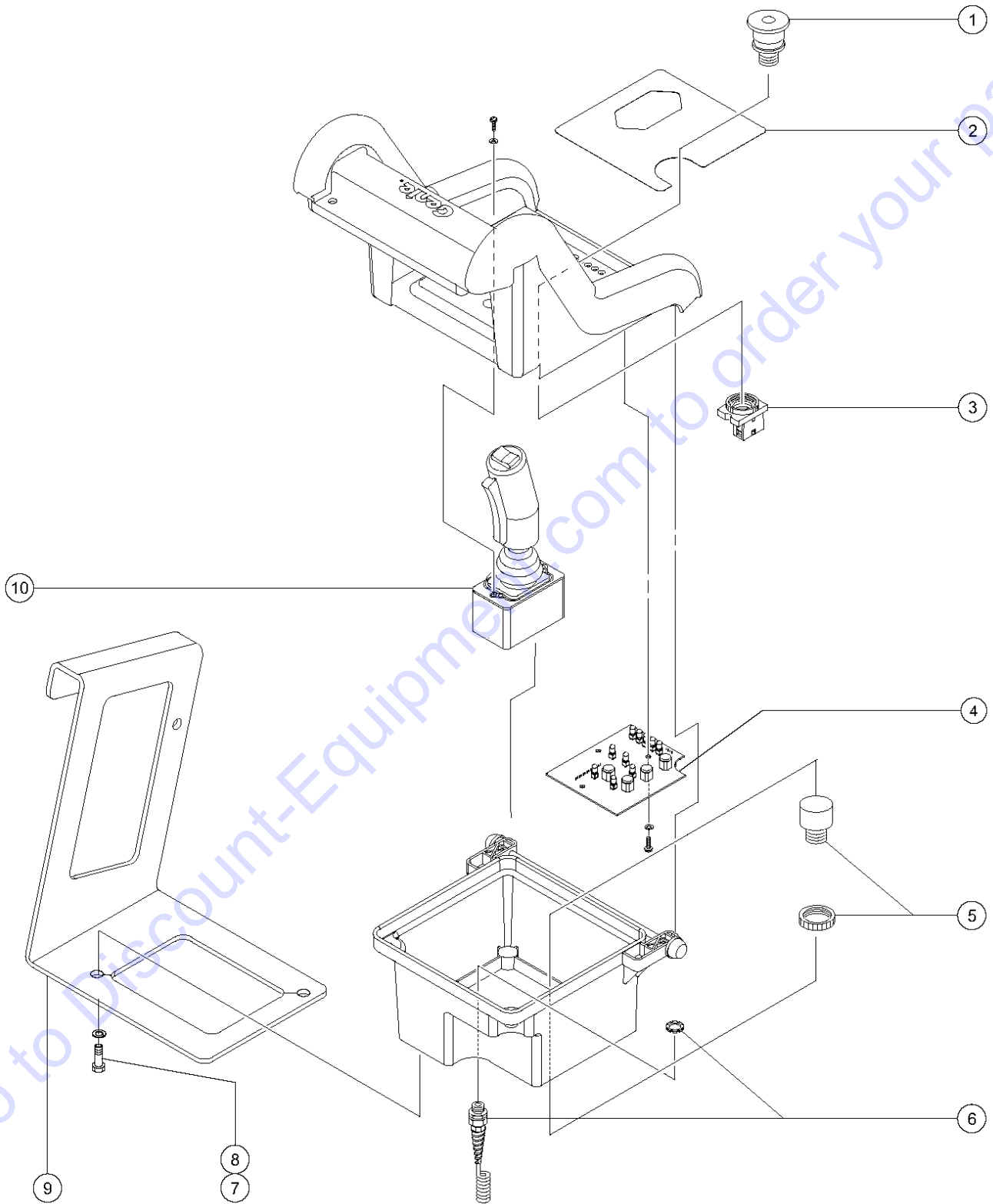
Item	Part No.	Description	Qty.	Item	Part No.	Description	Qty.
--	97275GT	SWING GATE KIT,GS30 <i>(ANSI, CSA and Australia models)</i>		16	66903-SGT	WLDMT, FORMING, HALFGATE CATCH.....1 <i>(CE Models with Symbol Decals)</i>	1
--	97276GT	SWING GATE KIT,1532 CE <i>(CE models)</i>		17	8178GT	SCREW,HHC,3/8-16 X 2.5 <i>(CE Models with Symbol Decals)</i>	
--	97277GT	SWING GATE KIT,1932 CE <i>(CE models)</i>		18	5397GT	WASHER,FLAT,USS,5/16" Y <i>(CE Models with Symbol Decals)</i>	
--	97278GT	SWING GATE KIT,1530 CE INDOORS <i>(CE Indoor models)</i>		19	7713GT	NUT, LP NYLOCK, 3/8-16 <i>(CE Models with Symbol Decals)</i>	
--	97279GT	SWING GATE KIT,1930 CE INDOORS <i>(CE Indoor models)</i>					
--	97280GT	CHAIN GATE KIT,GS30 <i>(ANSI and CSA models) (includes Item 1)</i>					
1	97105GT	PLAT ENTRY ASSY,RIGID GS30.....1	1				
2	96163GT	LINK,(SPLIT) OPEN-END.....2	2				
3	39509GT	CHAIN,3/16,OPEN LINK 22.5".....1	1				
4	47224GT	TUBING,PVC,1",BLACK***					
5	39510GT	RIGID EYE SNAP.....1	1				
6	47188GT	FOAM,CLOSED CELL 1.75X.250X18"....1	1				
7	28443GT	CABLE TIE,11.5" BLACK					
8	66883GT	FORMING, HALF GATE HINGE.....1	1				
9	4266GT	SCREW,HHC,1/4-20 X 2					
10	6638GT	WASHER,FLAT,USS,1/4"Y					
11	6091GT	NUT,NYLOCK,1/4-20					
12	104804GT	HINGE, SPRING, LONG LEG.....2	2				
13	5224GT	SCREW,HHC,3/8-16 X 2					
14	4828GT	NUT,NYLOCK,3/8-16					
15A	97110GT	SWING GATE ASSY,GS30/32** <i>(ANSI, CSA and Australia models with word decals and models with symbol decals except CE)</i>					
15B	97111GT	SWING GATE ASSY,1532 CE <i>(CE Models with symbol decals)</i>					
15C	97288GT	SWING GATE ASSY,1530 CE INDOOR <i>(CE Models with Symbol Decals)</i>					
15D	97112GT	SWING GATE ASSY,1932 CE <i>(CE Models with Symbol Decals)</i>					
15E	97289GT	SWING GATE ASSY,1930 CE INDOOR <i>(CE Models with Symbol Decals)</i>					
15F	65990-SGT	KIT,GATE LATCH <i>(all models)</i>					
--	22446GT	SPRING,COMPRESSION .835 X 2.....1 <i>included in kit 65990-S</i>	1				
--	4828GT	NUT,NYLOCK,3/8-16.....1 <i>included in kit 65990-S</i>	1				
--	5224GT	SCREW,HHC,3/8-16 X 2.....1 <i>included in kit 65990-S</i>	1				
--	66544GT	LATCH HANDLE.....1 <i>included in kit 65990-S</i>	1				

405.1 Power to Platform



Item	Part No.	Description	Qty.
--	33724GT	KIT,GASKET,UK POWER TO PLAT. <i>(includes one each item 14 and 16)</i>	
1	10775GT	T-BOX,2.75 X 4.5 X 2.0.....	1
2	7127GT	SCREW,PHILLIPS,PHM,6-32 X .75	
3	45437GT	COVER,GFCI,WEATHERPROOF..... <i>(ANSI and CSA models) (includes gasket and mounting fasteners)</i>	1
4	45546GT	SCREW,RHM,6-32 X .5	
5	13585GT	OUTLET, 110V..... <i>(ANSI and CSA models)</i>	1
6A	43956GT	WIRE CABLE,14/3 CON.TPE JKT*..... GS-1530, GS-1532	.264-inches
6B	43956GT	WIRE CABLE,14/3 CON.TPE JKT*..... GS-1930, GS-1932	.364-inches
6C	43956GT	WIRE CABLE,14/3 CON.TPE JKT*..... GS-2032, GS-2046	.456-inches
6D	43956GT	WIRE CABLE,14/3 CON.TPE JKT*..... GS-2632, GS-2646	.516-inches
6E	43956GT	WIRE CABLE,14/3 CON.TPE JKT*..... GS-3232, GS-3246	.624-inches
7	7056GT	CONN,SQUEEZE,1/2NPT .38-.50,SM....	1
8	57075GT	SCREW,PHIL,8-32X.50,SELF TAP	
9		Ref. Roller Bracket <i>(refer to 401.1 through 403.1)</i>	
10	6935GT	LOCKNUT,ELEC,1/2".....	1
11	6595GT	PLUG,ELECTRICAL,DOMESTIC.....	1
11A	144161GT	PLUG,PWR,UK,16AMP,3PIN,BLK	
11B	1280665GT	PLUG, TYPE F, 230A, 50HZ, 16A, IP44	
11C	25388GT	PLUG,FUSED,250V,13AMP,U.K.**	
11D		FUSE,13 AMP,220V PLUG <i>(component no longer available) refer to BS1362 BUSS TDC180-13A</i>	
11E		Ref. No Plug (consult Discount-equipment)	
12	6626GT	WIRE CAP,ORANGE.....	1
13	10777GT	COVER,BLANK.....	1
14	66355GT	GASKET, UK & DIN PWR. TO PLAT..... <i>4.6 x 2.9 inches</i>	1
15	T112563GT	SVC KIT,UK RECEPT.REPLACEMENT.....	1
16	66356GT	GASKET, UK RECEPTACLE..... <i>2.9 x 2.9 inches</i>	1
17	96236GT	PLATE,AC ADAPTER,DIN/UK***.....	1
18	66353GT	RECEPTACLE, DIN, 220V 50A.....	1

406.1 Platform Control Box, All Models (from SN 60000 to 74999)

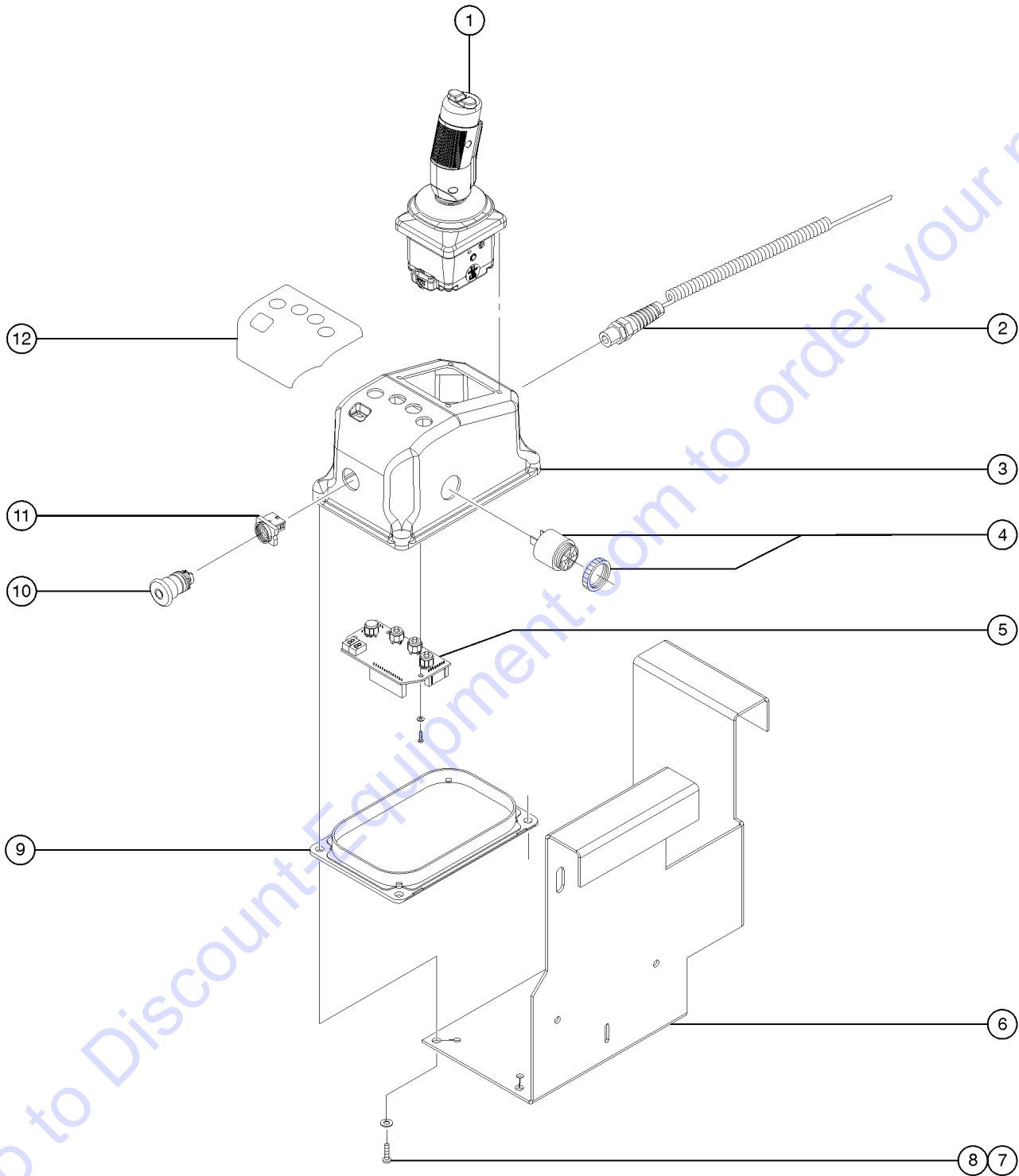


## 406.1 Platform Control Box, All Models (from SN 60000 to 74999)

Item	Part No.	Description	Qty.
--	96420GT	PLAT CONTRL,G4,DEC,IPCB,MINI (complete)	
1	66812GT	BUTTON,PUSH,RED MUSHROOM HEAD.....	1
2		Ref. DECAL,JOYSTICK CONTROLLER.....	1
		(refer to Section 1)	
3	66817GT	BASE WITH 1 NC CONTACT, E-STOP...1	
--	66818GT	CONTACT, N.C.	
4	78904GT	PC BOARD,SLAB,GEN 4.....	1
5	51860GT	ALARM ASSY.12VDC,ITT.....	1
		Does not include 72326 nut	
--	72326GT	NUT - PLASTIC,RING FOR ALARMS	
6	144065GT	KIT,GEN 5 COIL CORD.....	1
		(kit, includes connector, coil cord, instructions, dielectric grease and cable tie; see below)	
7	8255GT	SCREW,HHC,3/8-16 X .75	
8	6021GT	WASHER,LOCK,.375	
9	66685GT	BRACKET,PLAT CONTROL BOX SLAB.....	1
		GS-30 (to SN 61513)	
9A	96668GT	FORMING,PLAT CONTR MOUNT GS-30, from SN 61513; GS-32, GS-46 (shown)	
10		Ref. Joystick Controller (refer to 407.1)	



406.2 Platform Control Box, All Models (from SN 75000 to 75999)

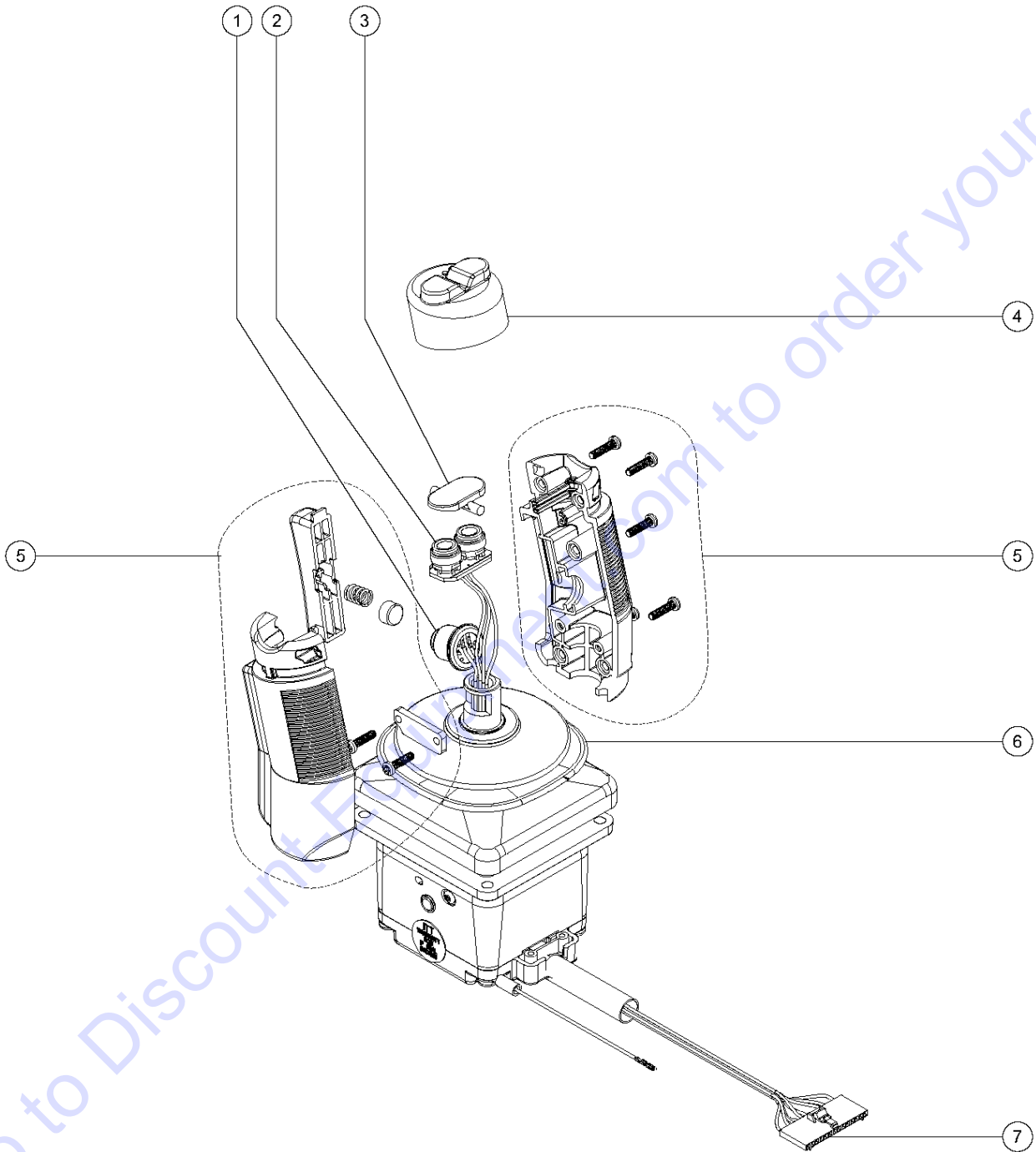


Go to DiscountEquipment.com to order your parts

## 406.2 Platform Control Box, All Models (from SN 75000 to 75999)

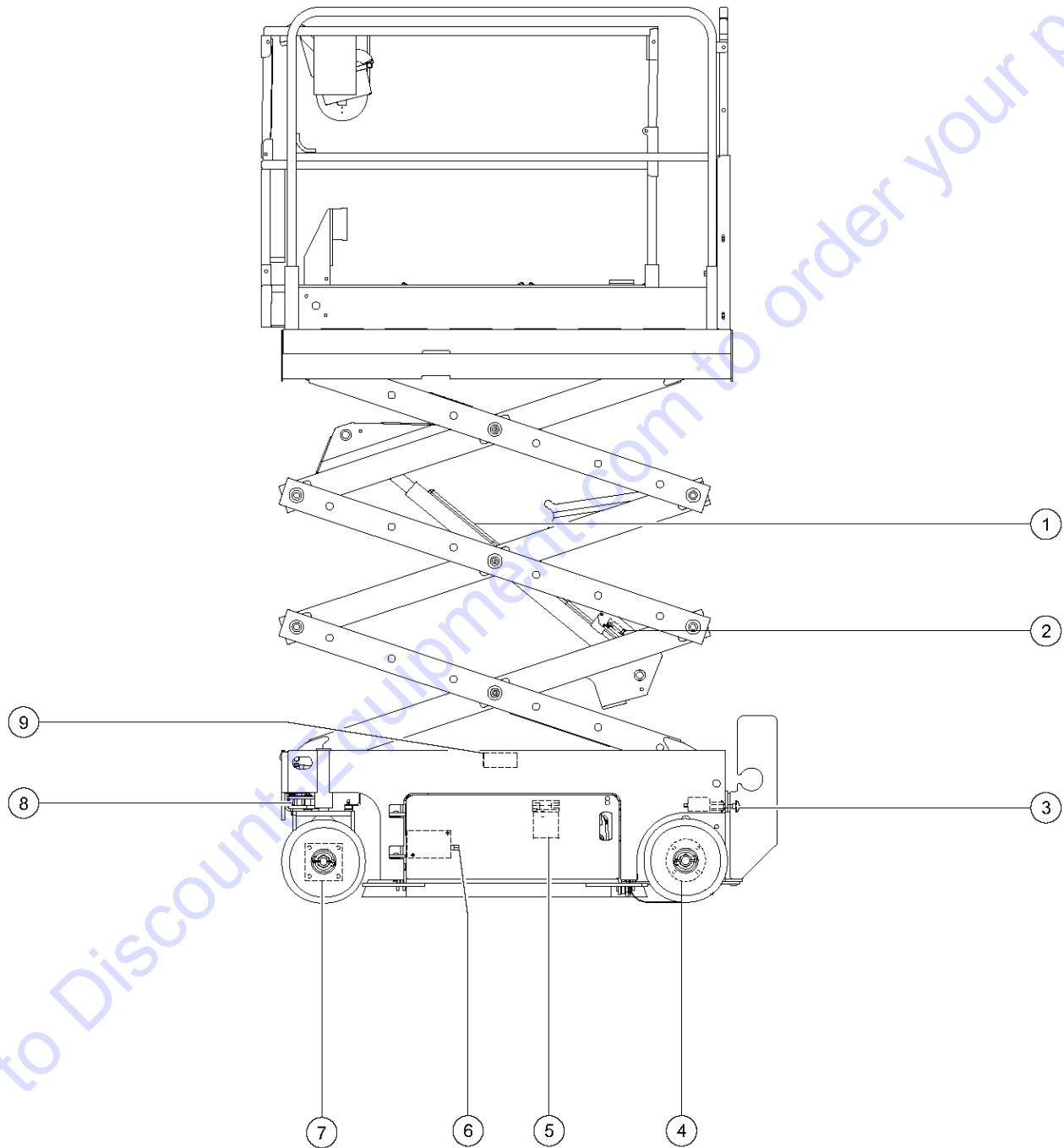
Item	Part No.	Description	Qty.
--	100840GT	PLATFORM CONTROL BOX GEN 5 (does not include item 6)	
--	1288153GT	KIT,PLATFORM CONTROL GUARD,GEN5,GS	
1		Ref. Joystick Controller (refer to 407.1)	
2	144065GT	KIT,GEN 5 COIL CORD.....1 (kit, includes connector, coil cord, instructions, dielectric grease and cable tie; see below)	
3	100998GT	ENCLOSURE GEN 5.....1	
4	62164GT	ALARM ASSY,12VDC,ITT,4 PIN****.....1 Does not include 72326 nut	
--	72326GT	NUT - PLASTIC,RING FOR ALARMS	
5	109503GT	PLAT CONTROL CIRCT BRD ASSY G5.....1	
--	105662GT	CLEAR SWITCH ACTUATOR	
--	T108044GT	CLEAR SWITCH ACTUATOR(QTY 10)	
6	105990GT	FORMING,PLATFORM CONTROL BOX.....1	
7	7339GT	SCREW,HHC,1/4-20 X .5.....1	
8	6356GT	WASHER,LOCK,.25	
9	100999GT	COVER BOTTOM GEN 5	
10	66812GT	BUTTON,PUSH,RED MUSHROOM HEAD.....1	
11	66817GT	BASE WITH 1 NC CONTACT, E-STOP...1	
--	66818GT	CONTACT, N.C.	
12		Ref. Platform Control Panel Decal (refer to 101.1, 102.1, 103.1, 104.1, 105.1 and 106.1)	

407.1 Joystick Controller



Item	Part No.	Description	Qty.
--	78903GT	JOYSTICK,SINGL AXIS,HALL,SLAB* <i>OEM joystick</i>	
--	1277997GT	KIT,JOYSTICK REPAIR (78903H) <i>for 78903H (includes 2 handle halves, top cap, rocker switch, enable switch gasket and fasteners)</i>	
--	78903HGT	JOYSTICK,SINGL AXIS,POT,SLAB <i>aftermarket joystick</i>	
1	105171GT	KIT,JOYSTICK ENABLE SWITCH.....	1
2	105115GT	KIT,JOYSTICK STEER SWITCH.....	1
3	105109GT	TURN SWITCH ACTUATOR,JOYSTICK**.....	1
4	97015GT	BOOT,THUMB ROCKER***.....	1
5	97014GT	JOYSTICK HANDLE SET, COMPLETE.....	1
6	97013GT	BOOT, JOYSTICK~.....	1
7	105172GT	KIT, PLATFORM PC RECEIPT/SOC.....	1

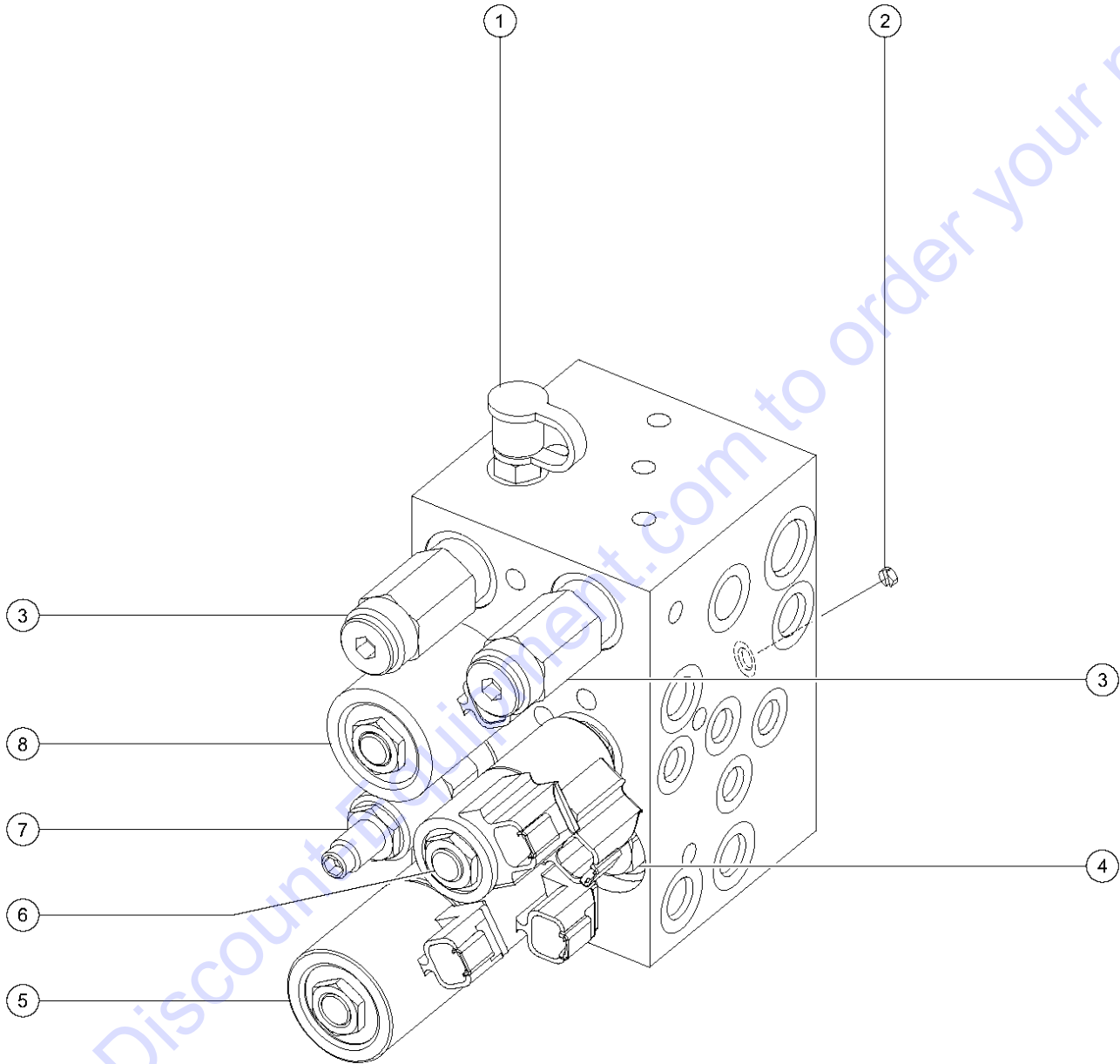
501.1 Hydraulic Components



Go to DiscountEquipment.com to order your parts

Item	Part No.	Description	Qty.
1		Ref. Lift Cylinder Assembly (refer to 506.1)	
2		Ref. Adjustable Pressure Switch (refer to 701.1 or 702.1)	
3		Ref. Brake Release Hand Pump Manifold (refer to 504.1)	
4	96257GT	BRAKE, HYDRAULIC***.....2 (no seal kits available)	
5	78622GT	FILTER ASSY,SAE8,10 MIC,PAPR**.....1	
--	44207GT	FILTER ELEMENT,BETA(10)=200 (fiberglass, optional)	
--	44788GT	FILTER ELEMENT,10MICRON,PAPER* (paper, standard)	
6		Ref. Function Manifold (refer to 502.1 or 503.1)	
7	96388GT	MOTOR,HYDRAULIC,530,14.0CU.IN*....2 GS-30	
--	96419GT	SEAL KIT,RC SERIES DR MOTOR***	
7A	96417GT	DRIVE MOTOR,18.3 CU. IN/REV GS-32, GS-46	
--	96419GT	SEAL KIT,RC SERIES DR MOTOR***	
8	105547GT	CYLINDER,GS/GR STEER***.....1 (old cylinder, 96077, is replaced by 105547. 105547 is backwards compatible, the seal kits are not; refer to date/lot codes listed below)	
--	105553GT	KIT,STEER CYL SEAL,040271P,HDM (for code H408147 and up)	
--	105554GT	KIT,STEER CYL SEAL,040499P,HDM (for code H41109 and up)	
--	105555GT	KIT,STEER CYL SEAL,040505P,HDM (for codes H41205, H41255, H51290, H501111, H505109, H509101, H60723 and H60870)	
--	84387GT	SEAL KIT,STEER CYLINDER(96077) (for non "H" code cylinders only) (for obsolete cylinder, 96077)	
9	78422GT	ACCUMULATOR,180 PSI PRECHARGE*.....1	

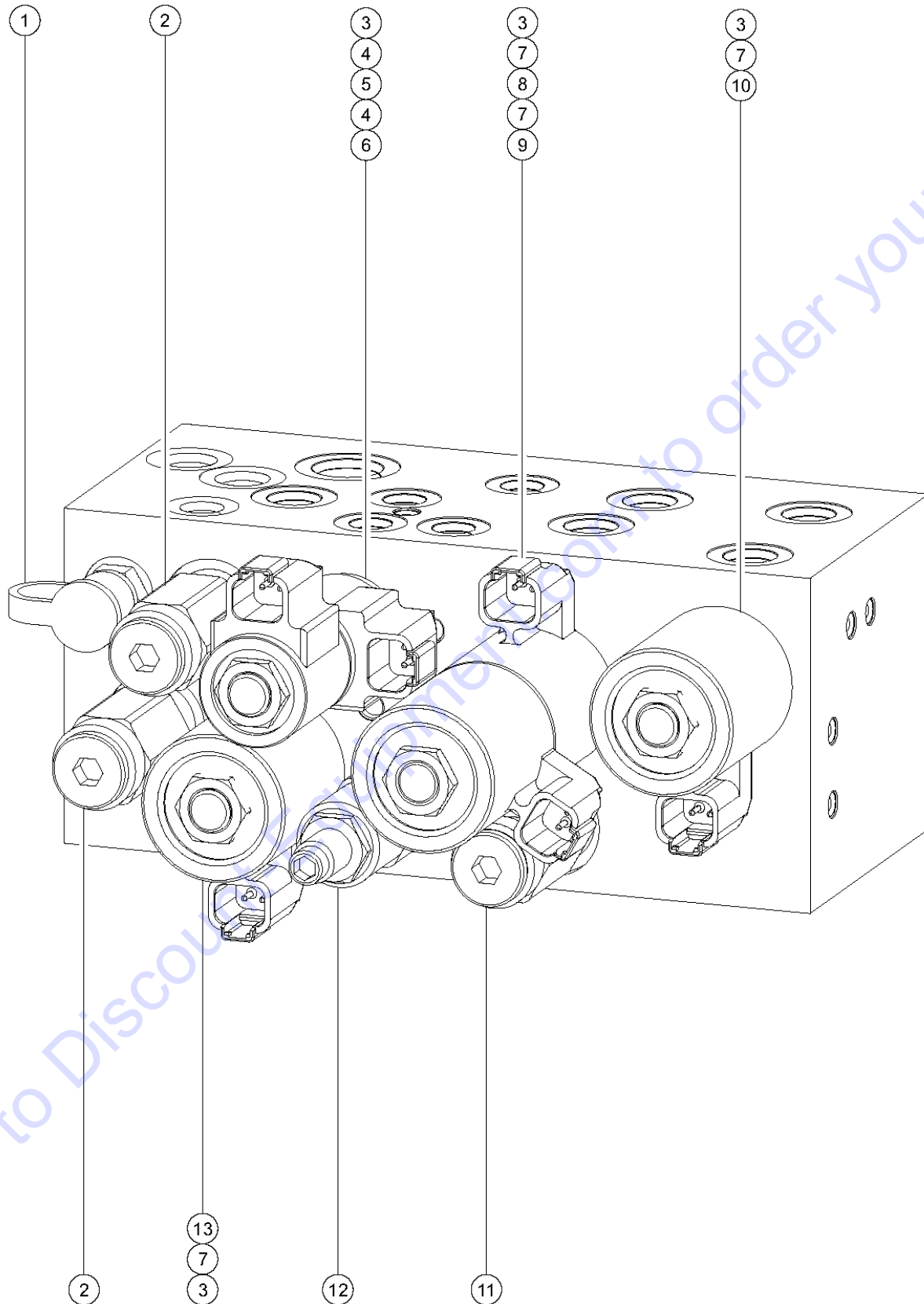
502.1 Function Manifold, GS-30



Item	Part No.	Description	Qty.
--	105063GT	SERVICE KIT,FUNCTION MANIFOLD (to SN 64517) (manifold, complete)	
--	105462GT	KIT,DYN.BRAKING MANIF,MINI (from SN 64518) (manifold, complete)	
--	49612GT	O-RING KIT (ORFS FITTINGS)	
--	49613GT	PLUG AND CAP KIT-SERVICE,ORFS*	
1	48997GT	NIPPLE,DIAGNOSTIC,#4.....	1
--	20224GT	DIAGNOSTIC FEMALE Q-DSCNT (pressure gauge not included)	
--	48880GT	CAP,DIAGNOSTIC NIPPLE	
2	84386GT	CHECK DISK, NO SPRING.....	1
3	65962GT	VALVE-RELIEF, 3700 PSI #8**.....	2
--	44226GT	SEAL KIT-FOR P.N.44167	
4	46216GT	VALVE,CHECK,IWP-S/CWP PWR ASSI.....	1
--	44227GT	SEAL KIT, VALVE	
5	105457GT	KIT,DYN BRAKING VALVE,MINI.....	1
--	44174GT	NUT-COIL SHORT	
--	44230GT	SEAL KIT-P.N.44169,44172,44171	
--	84385GT	COIL,20VDC DEUTC SH W/DIODE.....	2
		(sold separately)	
6	44168GT	VALVE,SOLENOID,3POS 4WAY.....	1
--	44174GT	NUT-COIL SHORT	
--	44229GT	SEAL KIT, VALVE	
--	77709GT	COIL,#8 20VDC,DEUTSCH W/DIOD.....	2
		(sold separately)	
7	84384GT	PRTY,FLOW CNTRL VALVE,.75 GPM.....	1
--	1261888GT	SEAL KIT (84384) for 84384	
8	44169GT	VALVE-SOLENOID, 2POS 4 WAY.....	1
--	44174GT	NUT-COIL SHORT	
--	44230GT	SEAL KIT-P.N.44169,44172,44171	
--	84385GT	COIL,20VDC DEUTC SH W/DIODE.....	1
		(sold separately)	



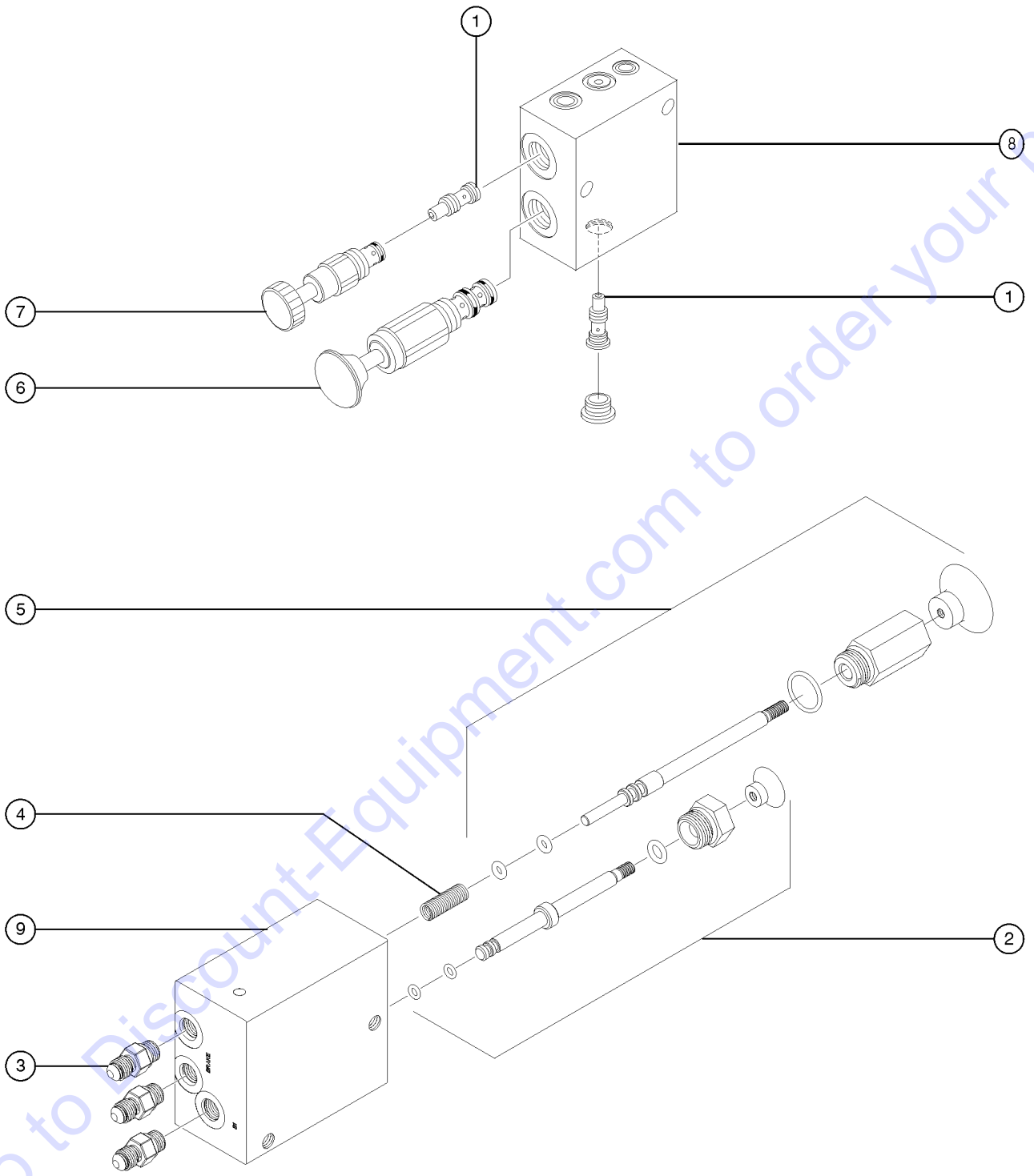
503.1 Function Manifold, GS-32, GS-46



## 503.1 Function Manifold, GS-32, GS-46

Item	Part No.	Description	Qty.
--	105463GT	126,DYN.BRAKING,MANIF,32/46	
--	49612GT	O-RING KIT (ORFS FITTINGS)	
--	49613GT	PLUG AND CAP KIT-SERVICE,ORFS*	
1	48997GT	NIPPLE,DIAGNOSTIC,#4.....	1
--	20224GT	DIAGNOSTIC FEMALE Q-DSCNT	
--	48880GT	CAP,DIAGNOSTIC NIPPLE	
2	65962GT	VALVE-RELIEF, 3700 PSI #8**.....	2
--	44226GT	SEAL KIT-FOR P.N.44167	
3	44174GT	NUT-COIL SHORT.....	4
4	77709GT	COIL,#8 20VDC,DEUTSCH W/DIOD....	2
5	44236GT	SPACER-DUAL COIL,#8***.....	2
6	44168GT	VALVE,SOLENOID,3POS 4WAY.....	1
--	44229GT	SEAL KIT, VALVE	
7	84385GT	COIL,20VDC DEUTCSH W/DIODE.....	4
8	44175GT	SPACER-DUAL COIL,#10, SCISSORS...	1
9	105458GT	KIT,DYN BRAKING VALVE,32/46.....	1
--	84514GT	SEAL KIT (84515 & 150104)	
10	44171GT	VALVE-SOLENOID,2POS 4WAY**.....	1
--	44230GT	SEAL KIT-P.N.44169,44172,44171	
11	65963GT	VALVE-RELIEF, DIFF, 130 PSI.....	1
12	84384GT	PRTY,FLOW CNTRL VALVE,.75 GPM.....	1
--	1261888GT	SEAL KIT (84384) for 84384	
--	44230GT	SEAL KIT-P.N.44169,44172,44171	
13	44169GT	VALVE-SOLENOID, 2POS 4 WAY.....	1
--	44230GT	SEAL KIT-P.N.44169,44172,44171	

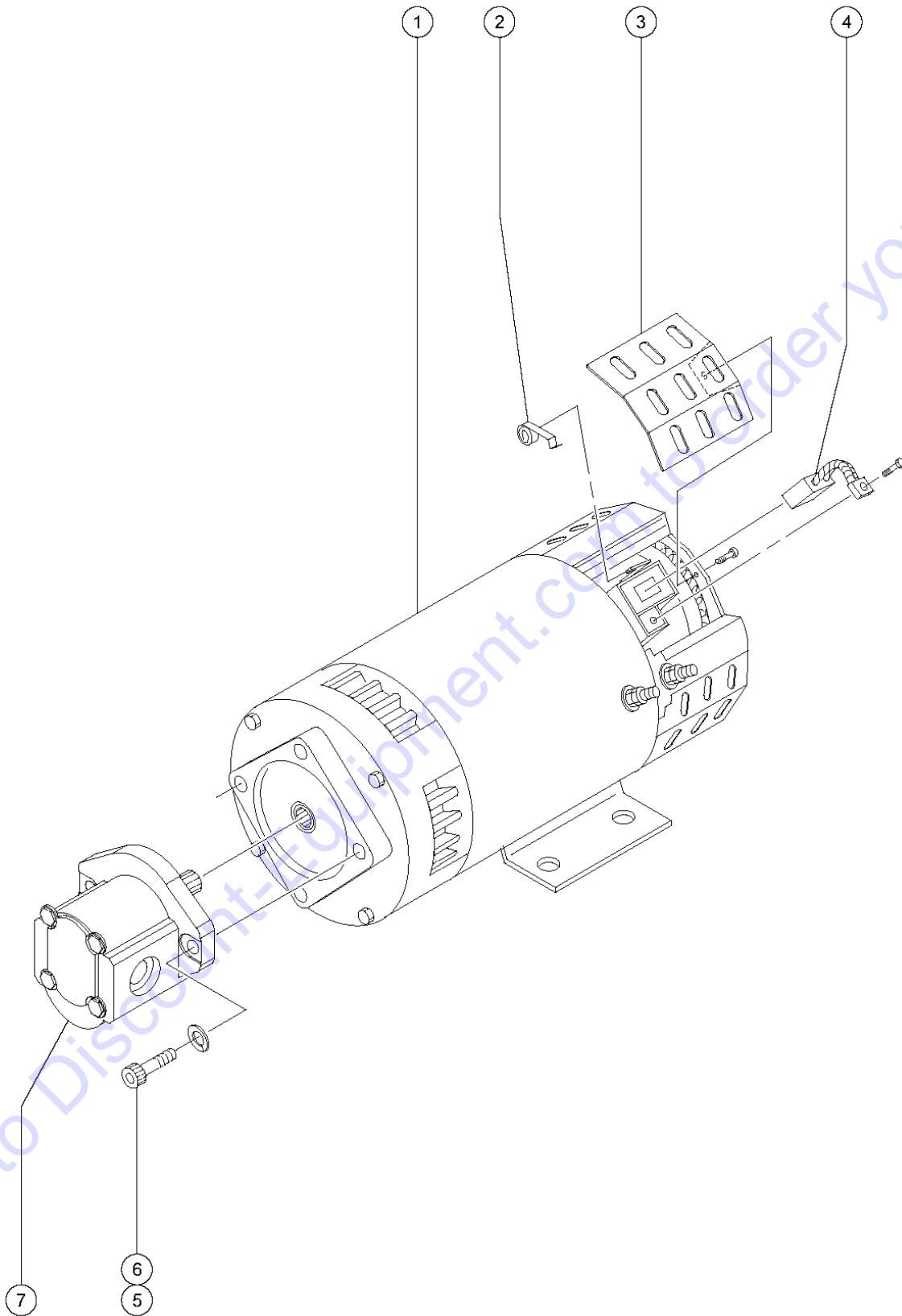
504.1 Brake Release Hand Pump Manifold



## 504.1 Brake Release Hand Pump Manifold

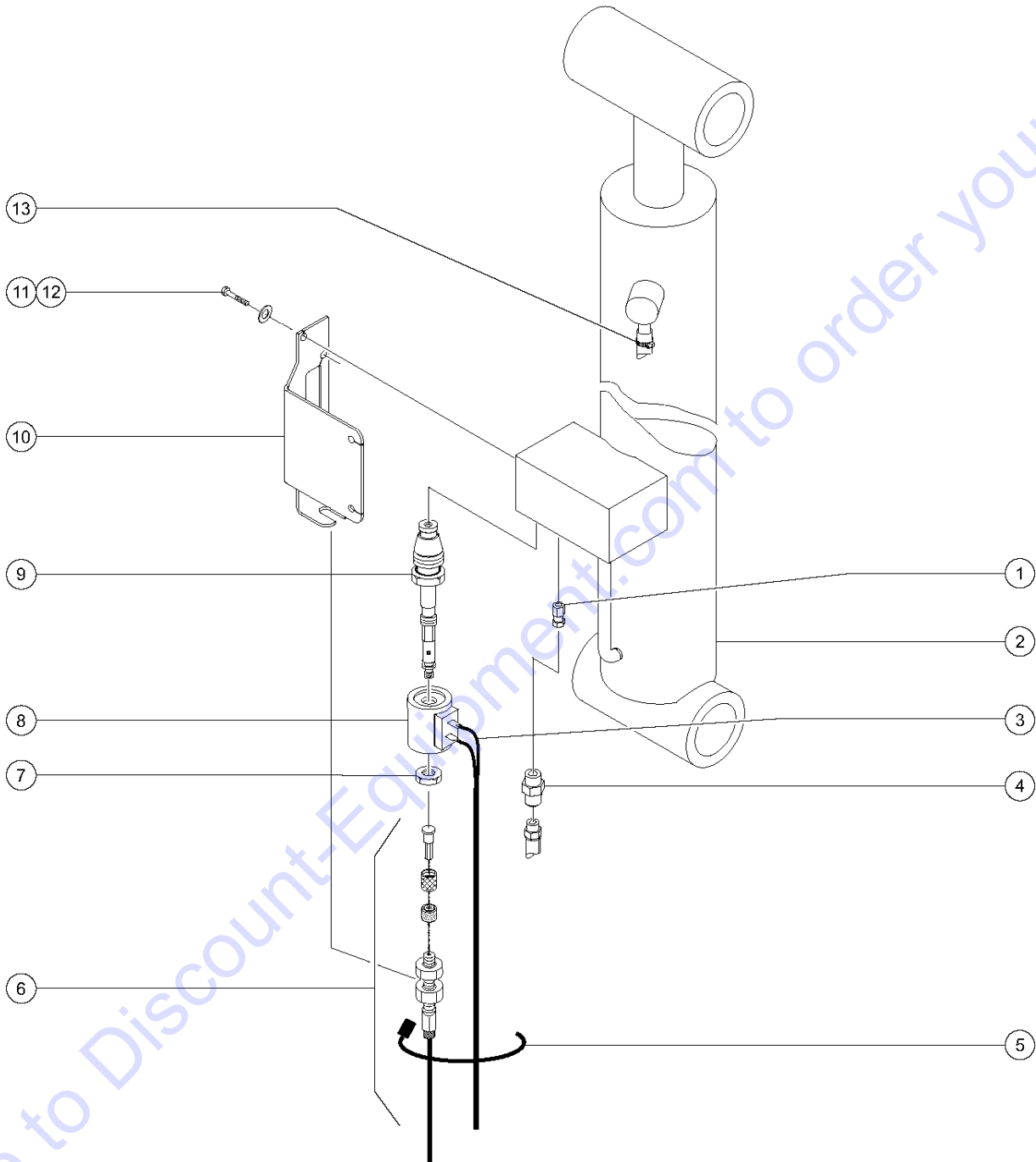
Item	Part No.	Description	Qty.
--	84539GT	NEEDLE/HOUSING ASSY W/KNOB*** <i>(includes items 7 and 8)</i>	
--	96461GT	SERVICE KIT,BRAKE RELEASE MAN* <i>(includes items 9, decals, instructions &amp; miscellaneous hardware)</i>	
1	84391GT	VALVE-CHECK,PILOT OPER,2003MIN.....	2
--	84394GT	SEAL KIT,PO CHECK VALVE(84391)	
2	84743GT	VALVE,PILOT OPERATED ASSEMBLY* <i>(84744 was replaced by 84743 assembly)</i>	
--	84740GT	SEAL KIT,HAND PUMP***	
--	84746GT	KNOB,PILOT OP VALVE (BLACK)***	
3	39877GT	CONNECTOR,070120-4-4.....	3
4	84748GT	SPRING,HAND PUMP ROD.....	1
5	84739GT	VALVE,HAND PUMP ASSEMBLY***..... <i>(red knob)</i>	1
--	84740GT	SEAL KIT,HAND PUMP***	
--	84742GT	KNOB,HAND PUMP (RED)***	
--	84743GT	VALVE,PILOT OPERATED ASSEMBLY* <i>(black knob)</i>	
--	84746GT	KNOB,PILOT OP VALVE (BLACK)***	
--	84748GT	SPRING,HAND PUMP ROD	
6	84392GT	VALVE,HAND PUMP, 2003 MINI.....	1
--	84395GT	SEAL KIT, HAND PUMP,2003 MINI	
7	84539GT	NEEDLE/HOUSING ASSY W/KNOB***...1	
--	84536GT	SEAL (84535/84539)	
8		<i>(manifolds 39558, 78620 &amp; 96328 are no longer available, order service kit 96461)</i>	
9	105067GT	MANIFOLD,BRAKE RELEASE <i>(includes items 2-5) (from SN 60879)</i>	

505.1 Hydraulic Power Unit



Item	Part No.	Description	Qty.
--	44716GT	HANDLE,ANDERSON CONNECTOR SB	
--	49812GT	ENCLOSING BAND KIT <i>Band Kit (EE models)</i>	
--	78006GT	FORMING,PADLOCK BRACKET	
1	40844GT	MOTOR,ELECTRIC,24VDC 4.5HP.....1	
--	43685GT	SEAL KIT,LIFT PUMP,BARNES**	
--	44777GT	BEARING,MOTOR	
--	44778GT	BEARING,MOTOR,36843,BRUSH END*	
2	44750GT	SPRING-BRUSH,40844, SCISSORS....4	
3	44752GT	COVER-BRUSH INSPEC.40844,SCISS.....4	
4	44751GT	BRUSH,PWR UNIT (40844)**.....4	
5	55921GT	SCREW,SHC,3/8-24 X 1.25"	
6	6021GT	WASHER,LOCK, .375	
7	96193GT	PUMP,4CC GEAR,CCW*** .....1 <i>When replacing the 96193 pump, please refer to www.discount-equipment.com to confirm your machine has the most current software (check pump ID for correct seal kit)</i>	
--	233641GT	SEAL KIT,BOSCH PUMP <i>For 96193 w/Bosch PN 9510090001</i>	
--	85197GT	SEAL KIT,BOSCH PUMP*** <i>For 96193 w/Bosch PN 9510290001</i>	

506.1 Lift Cylinder Assembly

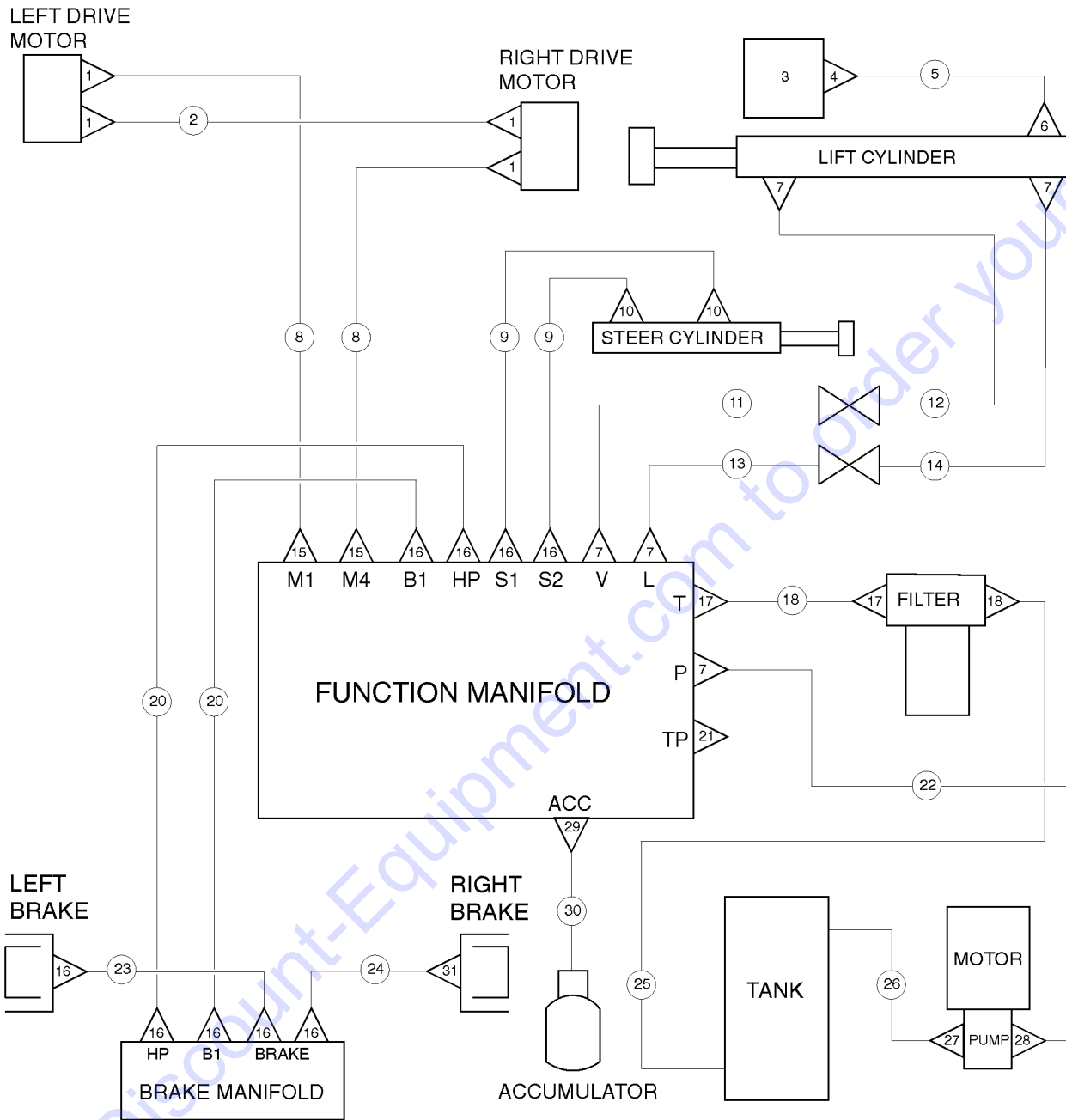


Go to Discount-Equipment.com to order your parts

Item	Part No.	Description	Qty.
1	55558GT	ORIFICE, LONG, .037*** (GS-1530, GS-1532) (GS-3246, upper cylinder)	1
1B	55560GT	ORIFICE, LONG, .059" GS-32, GS-46	1
2	105543GT	CYLINDER, MINI LIFT GS-1930, GS-1932 (shown)	1
--	84388GT	SEAL KIT-LIFT CYL(96192)	1
2A	105544GT	CYLINDER, 20XX LIFT GS-2032, GS-2046	1
--	97131GT	SEAL KIT (96579)	1
2B	105545GT	CYLINDER, 26XX/32XX LIFT (GS-2632, GS-2646) (GS-3246, lower cylinder)	1
--	97131GT	SEAL KIT (96579)	1
3		Ref. Down Coil Wire Harness (refer to 211.1)	
4	39878GT	CONNECTOR, 070120-6-6	1
5	28443GT	CABLE TIE, 11.5" BLACK	3
6		Ref. Emergency Down Cable (refer to 204.1)	
7	44973GT	NUT, COIL (39909)	1
8	84422GT	COIL-SOLENOID VALVE, 20V DC*** (direct replacement for 66467)	1
9	66465GT	VALVE, W/20V NC SOLENOID, MANUAL (includes items 7 and 8)	1
--	40477GT	VALVE, CARTRIDGE***	
--	44979GT	SEAL KIT, 39909, PLAT LWR VALVE*	
10	41557-SGT	CABLE BRACKET, PAINTED	1
11	7339GT	SCREW, HHC, 1/4-20 X .5	
12	6356GT	WASHER, LOCK, .25	
13	96770GT	CLAMP, HOSE, 1 EAR, 11/16	1



507.1 Hydraulic Hoses and Fittings, GS-30

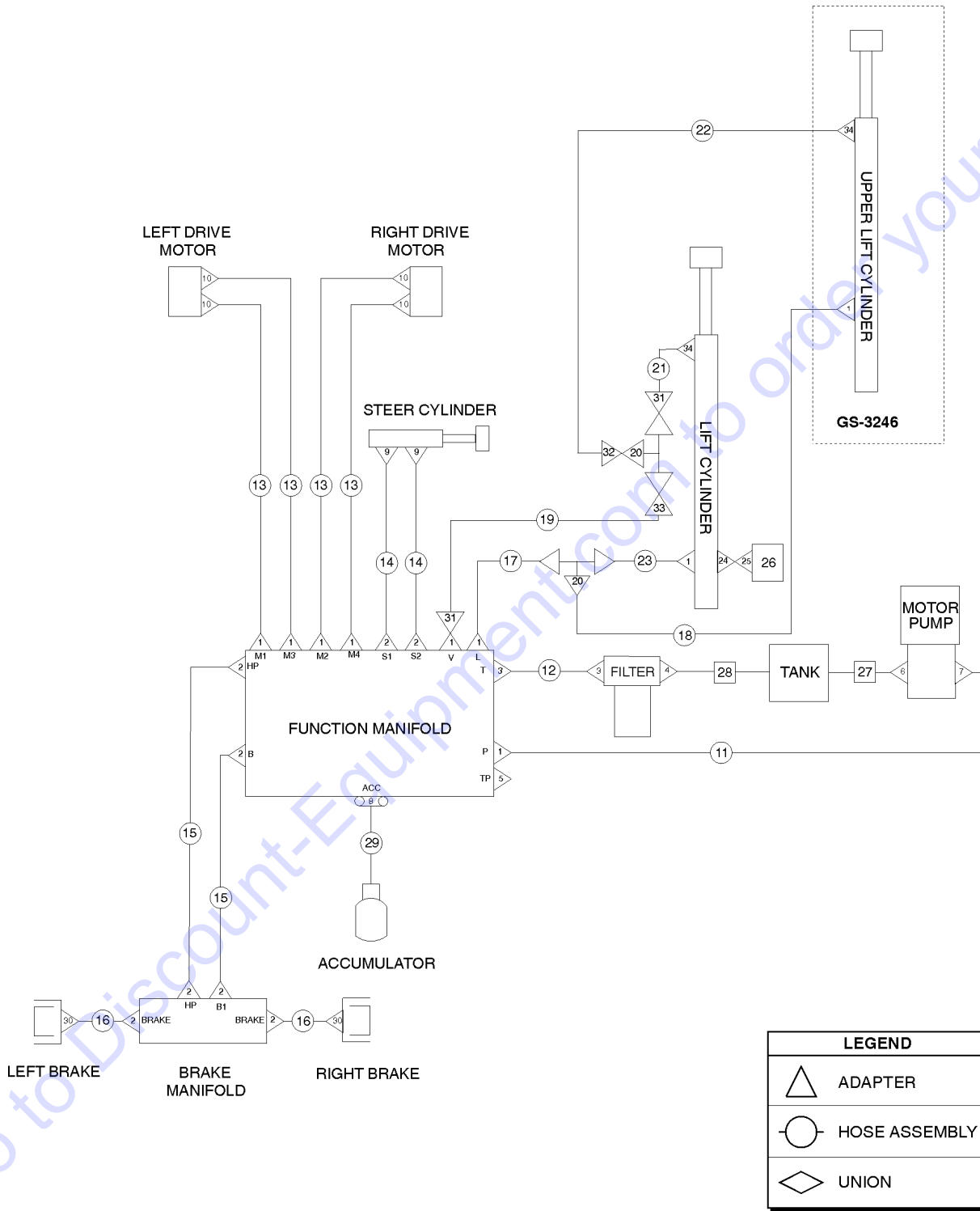


LEGEND	
	ADAPTER
	HOSE ASSEMBLY
	UNION

507.1 Hydraulic Hoses and Fittings, GS-30

Item	Part No.	Description	Qty.	Item	Part No.	Description	Qty.
--		<i>The hose lengths below reflect the length of the hose only. Refer to the 'Fittings Cross Reference' to match Genie part numbers to Parker part numbers.</i>		21		Ref. Diagnostic Nipple (refer to 502.1)	
1	39873GT	ELBOW,070220-6-6.....	4	22	96353GT	HOSE, ASSY, PRESSURE.....1 (39890, 39890 and 39866 @ 40 inches)	
2	96350GT	HOSE, ASSY, MOTOR CROSSOVER.....1 (39890, 39890 and 39866 @ 50 inches)		23	96391GT	HOSE, ASSY.....1 (78855, 78855, and 78852 @ 17 inches)	
3		Ref. Adjustable Pressure Switch (refer to 701.1)		24	96392GT	HOSE, ASSY, RIGHT BRAKE.....1 (78855, 78855, and 78852 @ 17 inches)	
4	105243GT	REDUCER, 6-4.....1 (CE models)		25	96355GT	TUBE, ASSY, RETURN.....1	
5	96697GT	LINE, HYD, PRESS SW.....1 (CE models)		26	96354GT	TUBE, ASSY, DRAW.....1	
6	39881GT	CONNECTOR,070120-4-6.....1 (CE models)		27	22664GT	ELBOW,070220-12-10.....1	
7	39878GT	CONNECTOR,070120-6-6.....5		28	39876GT	ELBOW,070220-6-8.....1	
8	96349GT	HOSE, ASSY, DRIVE MOTORS, 32IN.....1 (to SN 63150) (39890, 39890 and 39866 @ 32 inches)		29	53501GT	O-RING-6.....1	
8A	105059GT	HOSE, ASSY, DRIVE MOTORS, MINI (from SN 63151) (39890, 39890 and 56776 @ 30 inches)		30	78864GT	HOSE ASSY, MAN/ACCUM, MINI.....1 (78855, 78855, and 78852 @ 20 inches)	
9	96351GT	HOSE, ASSY, STEER.....2 (78855, 78855 and 78852 @ 22 inches)		31	45351GT	ELBOW,070320-4-4.....1	
10	13921GT	ELBOW,070220-4-4.....2					
11	96395GT	HOSE, ASSY, LOWER VENT.....1 (96407, 96407 and 75631 @ 40 inches)					
12	96396GT	HOSE, ASSY, UPPER VENT.....1 (96406, 96406 and 75631 @ 76 inches)					
13	96393GT	HOSE, ASSY, LOWER LIFT.....1 (39890, 47223 and 39886 @ 44 inches)					
14	96394GT	HOSE, ASSY, UPPER LIFT.....1 (39890, 39890 and 39886 @ 40 inches)					
15	42283GT	ELBOW,070320-6-6.....2					
16	39877GT	CONNECTOR,070120-4-4.....8 (to SN 65104)					
16A	39882GT	PLUG, HEX SOCKET,090109B-4.....1 (from SN 65105)					
17	20923GT	CONNECTOR,070120-8-6.....2 (from SN 61881 to 64517)					
18	84659GT	KIT, HOSE & FIT. RETURN, GS30.....1 (to SN 61881) (includes item 17)					
18A	96348GT	HOSE, ASSY, MAN TO FILTER (from SN 61882) (96406, 96406 and 75631 @ 25 inches)					
19	96398GT	CONNECTOR, 070120-12-8.....1					
20	96352GT	HOSE, ASSY, BRAKE.....2 (to SN 65104) (78855, 78855, and 78852 @ 54 inches)					
20A	96352GT	HOSE, ASSY, BRAKE.....1 (from SN 65105)					

508.1 Hydraulic Hoses and Fittings, GS-32, GS-46



508.1 Hydraulic Hoses and Fittings, GS-32, GS-46

Item	Part No.	Description	Qty.	Item	Part No.	Description	Qty.
--		<i>The hose lengths below reflect the length of the hose only. Refer to the 'Fittings Cross Reference' to match Genie part numbers to Parker part numbers.</i>		15B	96748GT	HOSE, ASSY, BRAKE.....1 GS-2046, GS-2646, GS-3246 (from SN 60879) (Components: 39893, 39893, and 78852 @ 80 inches)	1
1	39878GT	CONNECTOR,070120-6-6.....4	4	16	105258GT	HOSE, ASSY, BRAKE MAN, GS32.....2 GS-2032, GS-2632 (Components: 78855, 78855, and 78852 @ 18")	2
2	39877GT	CONNECTOR,070120-4-4.....6 GS-2032, GS-2632	6	16A	96749GT	HOSE, ASSY, BRAKE MAN, GS46.....2 GS-2046, GS-2646, GS-3246 (Components: 39893, 39893, and 78852 @ 24 inches)	2
2A	39882GT	PLUG,HEX SOCKET,090109B-4.....1 GS-2032, GS-2632(located in HP port on manifold)	1	17	96750GT	HOSE, ASSY, LIFT (Components: 39890, 39890, and 56776 @ 42 inches)	1
2B	39877GT	CONNECTOR,070120-4-4.....8 GS-2046, GS-2646, GS-3246 (to SN 65104)	8	19	75631GT	HOSE,AIR 3/8.....42-inches Vent Hose (for hose ends see items 31 & 33)	42
2C	39877GT	CONNECTOR,070120-4-4.....7 GS-2046, GS-2646, GS-3246 (from SN 65105)	7	21	75631GT	HOSE,AIR 3/8.....161-inches Vent Hose (for hose ends see items 31 & 34)	161
2D	39882GT	PLUG,HEX SOCKET,090109B-4.....1 GS-2046, GS-2646, GS-3246 (from SN 65105)	1	23	105046GT	HOSE ASSY,LOWER LIFT.....1 (Components: 47223, 39890, and 56776 @ 125 inches)	1
3	96397GT	CONNECTOR, 070120-8-8.....2	2	24	96885GT	CONN,SWIVEL,STR,THR,465OX-S.....1 CE models	1
4	96398GT	CONNECTOR, 070120-12-8.....1	1	25	39881GT	CONNECTOR,070120-4-6.....1 CE models	1
5		Ref. Diagnostic Nipple (refer to 503.1)		26		Ref. Pressure Switch.....1 (refer to 702.1)	1
6	22664GT	ELBOW,070220-12-10.....1	1	27	96354GT	TUBE, ASSY, DRAW.....1	1
7	39876GT	ELBOW,070220-6-8.....1	1	28	96355GT	TUBE, ASSY, RETURN.....1	1
8	53500GT	O-RING-4.....1	1	29	105246GT	HOSE ASSY, MAN/ACCUM, GS32/46....1 (Components: 78855, 78855, and 78852 @ 17 inches)	1
9	13921GT	ELBOW,070220-4-4.....2 GS-2032, GS-2632, GS-2046, GS-2646	2	30	45351GT	ELBOW,070320-4-4.....2	2
10	39873GT	ELBOW,070220-6-6.....4	4	31	96406GT	HOSE END,BARBED,SWIVEL,JIC,6-6....1	1
11	96744GT	HOSE, ASSY, PRESSURE.....1 (Components: 39890, 39890, and 56776 @ 50 inches)	1	33	96407GT	HOSE END, MALE JIC, 30382-6-6B.....1	1
12	96745GT	HOSE, ASSY, MAN TO FILTER.....1 (Components: 96406, 96406, and 53776 @ 38 inches)	1	34	130011GT	HOSE CLAMP, SAE #6.....1 (qty 2 for GS-3246)	1
13	105247GT	HOSE ASSY, DRIVE MOTORS, GS32....4 (Components: 39890, 39890, and 56776 @ 60 inches)	4				
13	96746GT	HOSE ASSY, DRIVE MOTORS, GS46....4 (Components: 39890, 39890, and 56776 @ 60 inches)	4				
14	96747GT	HOSE, ASSY, STEER.....2 (Components: 39893, 39893, and 78852 @ 50 inches)	2				
15	96748GT	HOSE, ASSY, BRAKE.....1 GS-2032, GS-2632 (Components: 39893, 39893, and 78852 @ 80")	1				
15A	96748GT	HOSE, ASSY, BRAKE.....2 GS-2046, GS-2646, GS-3246 (to SN 60878) (Components: 39893, 39893, and 78852 @ 80 inches)	2				

# PARTS FINDER

**Search Website  
by Part Number**



**Search Manual  
Library For Parts  
Manual & Lookup Part  
Numbers – Purchase  
or Request Quote**

**Search Manuals**

Enter your information to help us find the right parts manual for your machine.

\* Brand:

\* Model:

\* Serial:

\* Part Number:

SEARCH

**Can't Find Part or  
Manual? Request Help  
by Manufacturer,  
Model & Description**

**Parts Order Form**

Please fill in the following information to help us find the right part for your machine.

Manufacturer:	<input type="text"/>
Model:	<input type="text"/>
Description:	<input type="text"/>
Part Number:	<input type="text"/>
Quantity:	<input type="text"/>
Notes:	<input type="text"/>

Submit

Discount-Equipment.com is your online resource for quality parts & equipment.

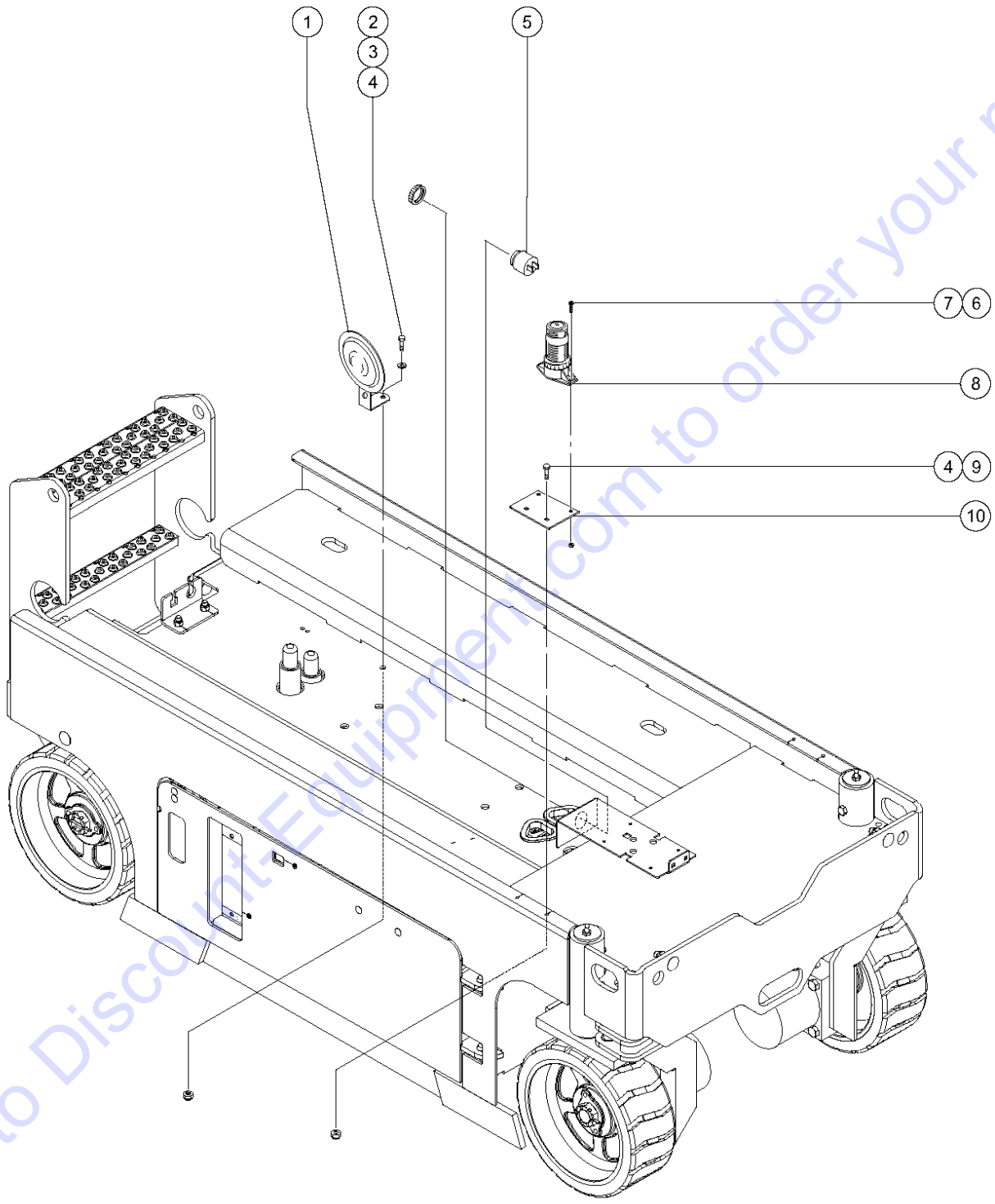
Florida: **561-964-4949** Outside Florida TOLL FREE: **877-690-3101**

**Need parts?**

Click on this link: <http://www.discount-equipment.com/category/5443-parts/> and choose one of the options to help get the right parts and equipment you are looking for. Please have the machine model and serial number available in order to help us get you the correct parts. If you don't find the part on the website or on one of the online manuals, please fill out the request form and one of our experienced staff members will get back to you with a quote for the right part that your machine needs.

We sell worldwide for the brands: Genie, Terex, JLG, MultiQuip, Mikasa, Essick, Whiteman, Mayco, Toro Stone, Diamond Products, Generac Magnum, Airman, Haulotte, Barreto, Power Blanket, Nifty Lift, Atlas Copco, Chicago Pneumatic, Allmand, Miller Curber, Skyjack, Lull, Skytrak, Tsurumi, Husquvarna Target, Stow, Wacker, Sakai, Mi-T-M, Sullair, Basic, Dynapac, MBW, Weber, Bartell, Bennar Newman, Haulotte, Ditch Runner, Menegotti, Morrison, Contec, Buddy, Crown, Edco, Wyco, Bomag, Laymor, EZ Trench, Bil-Jax, F.S. Curtis, Gehl Pavers, Heli, Honda, ICS/PowerGrit, IHI, Partner, Imer, Clipper, MMD, Koshin, Rice, CH&E, General Equipment, Amida, Coleman, NAC, Gradall, Square Shooter, Kent, Stanley, Tamco, Toku, Hatz, Kohler, Robin, Wisconsin, Northrock, Oztec, Toker TK, Rol-Air, APT, Wylie, Ingersoll Rand / Doosan, Innovatech, Con X, Ammann, Mecalac, Makinex, Smith Surface Prep, Small Line, Wanco, Yanmar

601.1 Alarm, Horn and Flashing Beacons, All Models



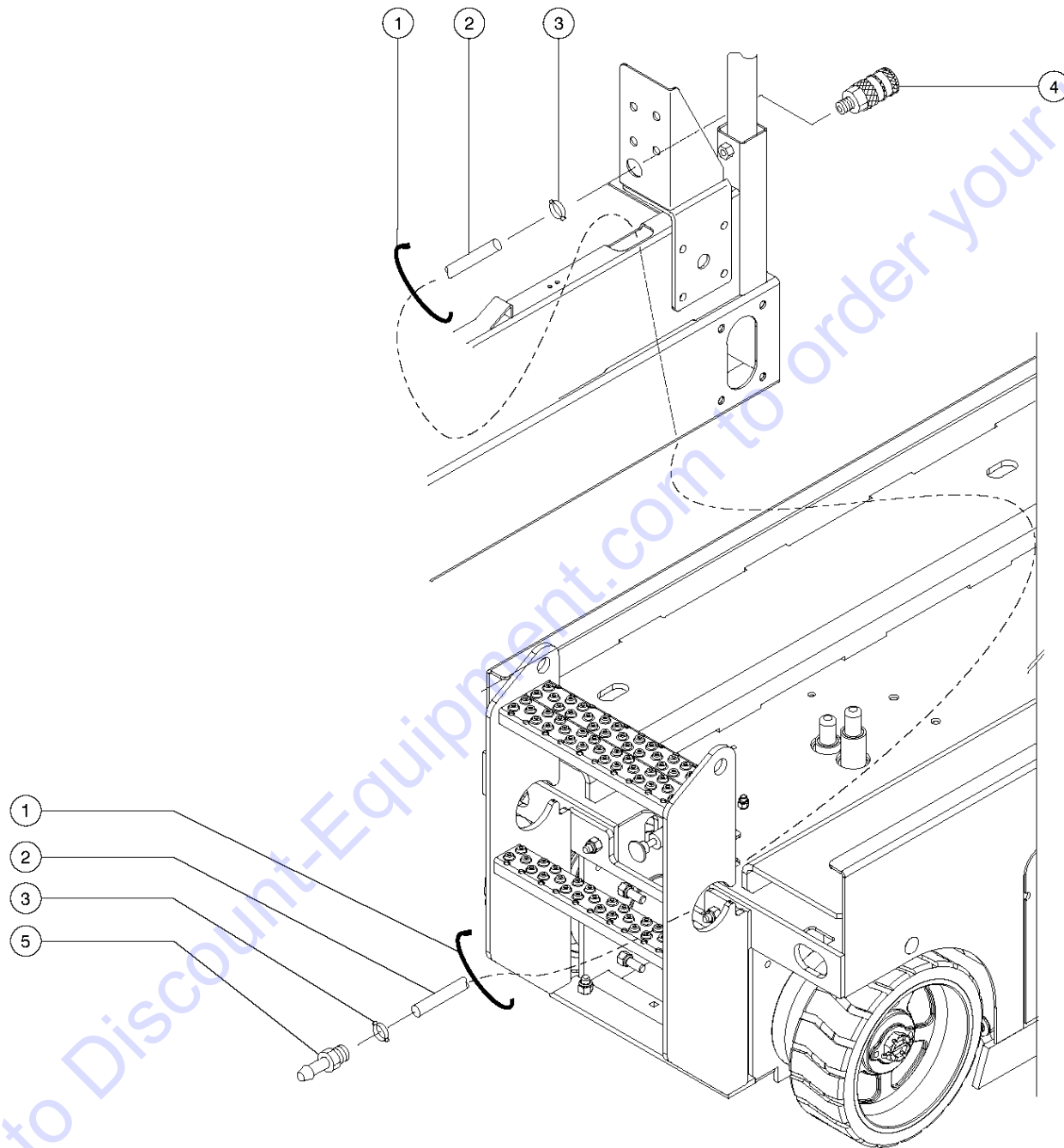
Go to DiscoverEquipment.com to order your parts

601.1 Alarm, Horn and Flashing Beacons, All Models

Item	Part No.	Description	Qty.
--	105797GT	KIT,BEACON,GS32/46 GS-30	
--	105797GT	KIT,BEACON,GS32/46	
--	47675-SGT	TRAVEL ALARM ACC, SLAB	
1	81579GT	HORN,24VDC,SPADE TERMINALS***.....1	
--	78098GT	RELAY,24VDC,40/30A,SLD W/BRKT*	
2	8914GT	SCREW,HHC,1/4-20 X .625	
3	6638GT	WASHER,FLAT,USS,1/4"Y	
4	6091GT	NUT,NYLOCK,1/4-20	
5	39540GT	ALARM,STEADY TONE***.....1 <i>Does not include 72326 nut</i>	
--	72326GT	NUT - PLASTIC,RING FOR ALARMS	
6	49816GT	SCREW,PHILLIPS,PHM,10-32 X .75	
7	6178GT	NUT,NYLOCK,10-32	
8	66909GT	STROBE,BEACON,W/OUT HARDWARE**.....2	
--	58973GT	LIGHT,REPLACEMENT BULB (39676)	
9	6878GT	BOLT,CARRIAGE,1/4-20 X .75,G2	
10	96363GT	PLATE,BEACON MOUNT.....2	

Go to Discount-Equipment.com to order your parts

602.1 Air Line to Platform

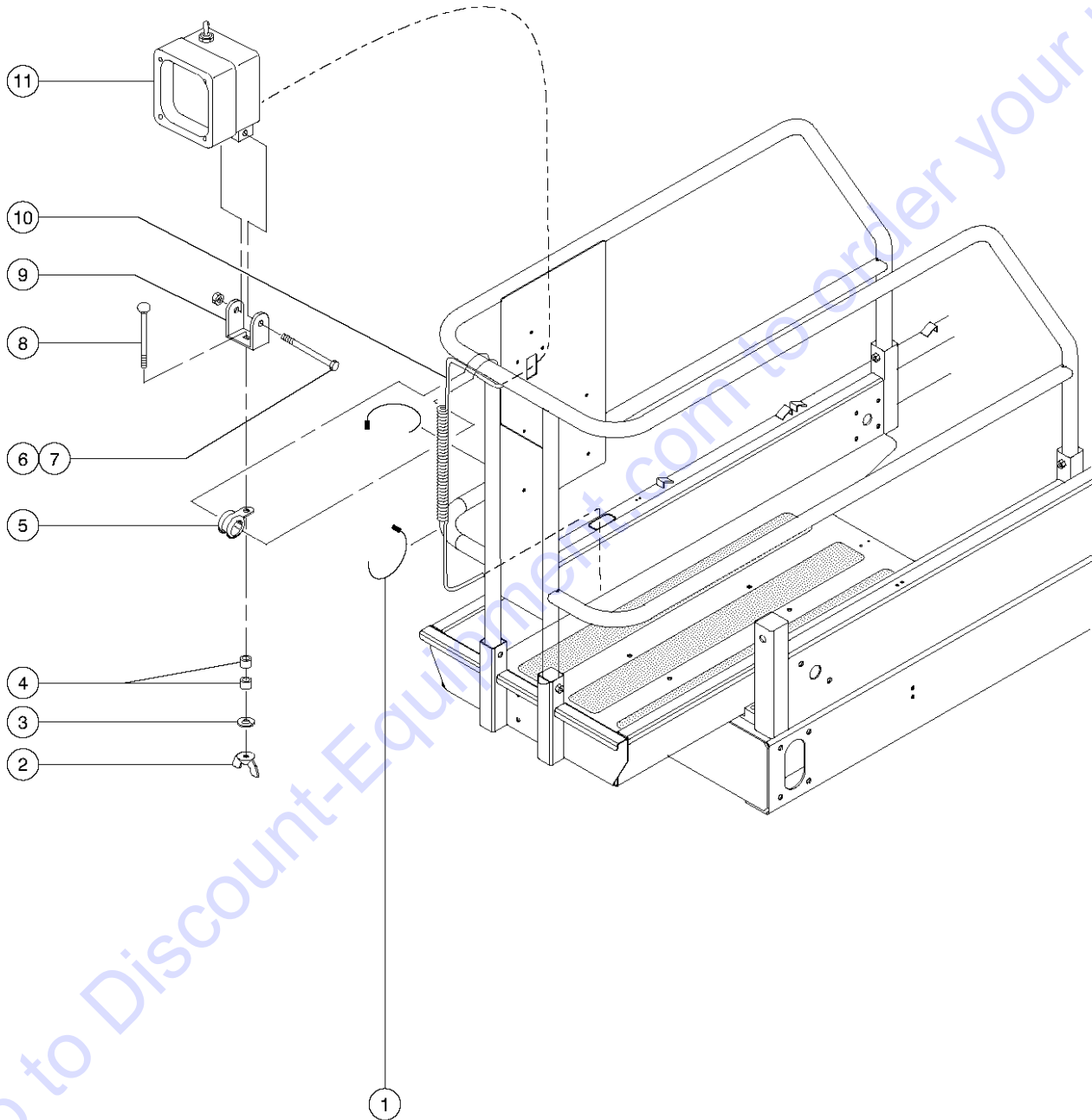




## 602.1 Air Line to Platform

Item	Part No.	Description	Qty.
--	96515-SGT	AIR TO PLAT, GS15, ACC	
--	96516-SGT	AIR TO PLAT, GS19, ACC GS-1530, GS-1532	
--	96731-SGT	AIR TO PLAT, GS20XX, ACC	
--	96990-SGT	AIR TO PLAT, GS26XX, ACC	
1	28443GT	CABLE TIE, 11.5" BLACK	
2	27903GT	HOSE, LOW PRESSURE, .375 ID, BLK.....275-inches GS-1530, GS-1532	
2A	27903GT	HOSE, LOW PRESSURE, .375 ID, BLK.....340-inches GS-1930, GS-1932	
2B	27903GT	HOSE, LOW PRESSURE, .375 ID, BLK.....390-inches	
2C	27903GT	HOSE, LOW PRESSURE, .375 ID, BLK.....490-inches	
3	45454GT	CLAMP, RUB CUSH, 0.75, #12 X 3/8* .....1	
4	96543GT	COUPLER, 1/4" SERIES, 3/8 P-LOK .....1	
5	96542GT	PLUG, 1/4" SERIES, 3/8 P-LOCK*** .....1	

603.1 Platform Work Light

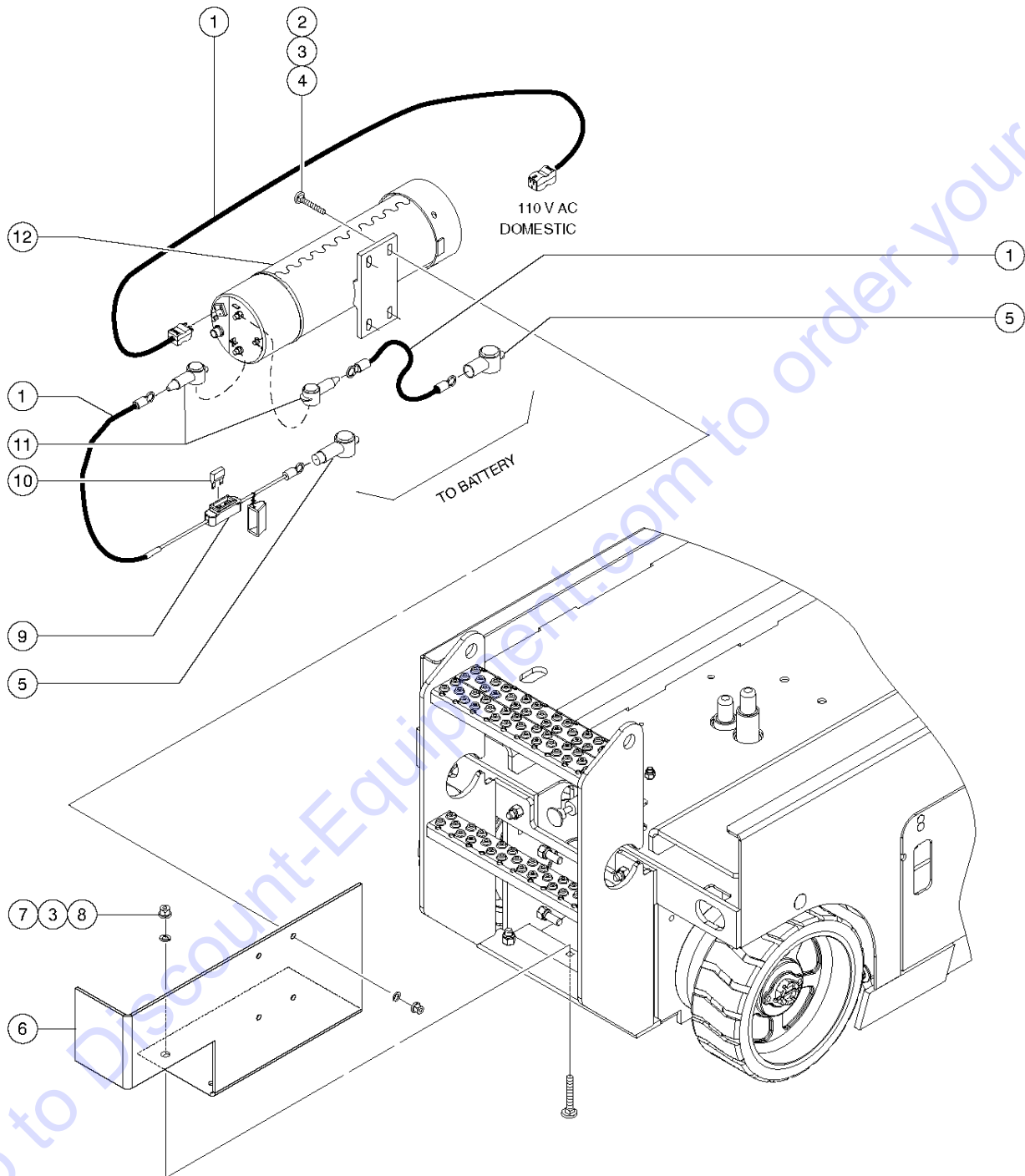


Go to Discount-Equipment.com to order your parts

## 603.1 Platform Work Light

Item	Part No.	Description	Qty.
--	105918GT	WORKLIGHT ACCES,GS15FT GS-1530, GS-1532	
--	105919GT	WORKLIGHT ACCES,GS19FT GS-1930, GS-1932	
--	144027GT	WORKLIGHT ACCESSORY,GS19/20XX GS-2032, GS-2046	
--	144028GT	WORKLIGHT ACCESSORY,GS26XX GS-2632, GS-2646	
--	105971GT	WORKLIGHT PIGTAIL ASSY (chassis)	
--	105972GT	WORKLIGHT CABLE,GS15XX (linkset) GS-1530, GS-1532	
--	105971GT	WORKLIGHT PIGTAIL ASSY (chassis)	
--	105973GT	WORKLIGHT CABLE,GS19/20XX (linkset) GS-1930, GS-1932	
--	105971GT	WORKLIGHT PIGTAIL ASSY (chassis)	
--	105973GT	WORKLIGHT CABLE,GS19/20XX (linkset) GS-2032, GS-2046	
--	105971GT	WORKLIGHT PIGTAIL ASSY (chassis)	
--	105974GT	WORKLIGHT CABLE,GS26XX (linkset) GS-2632, GS-2646	
1	28443GT	CABLE TIE,11.5" BLACK.....	10
2	69229GT	NUT,WING 5/16-18.....	1
3	6886GT	WASHER,LOCK,.313	
4	5397GT	WASHER,FLAT,USS,5/16",Y..... <i>add sufficient washers to equal aproximately 0.435 inch thickness of each spacer</i>	2
5	33784GT	CLAMP,1.31,#21 X 1/4,RUB CUSH.....	1
6	50793GT	SCREW,HHC,5/16-18 X 2	
7	6782GT	NUT,NYLOCK,5/16-18	
8	65439GT	BOLT,CARRIAGE,5/16-18 X 2.0,G2	
9	144009GT	WORKLIGHT BRACKET.....	1
10	65721GT	COIL CORD,WORKLIGHT(144011).....	1
11	144011GT	WORKLIGHT,24V,COIL CORD.....	1

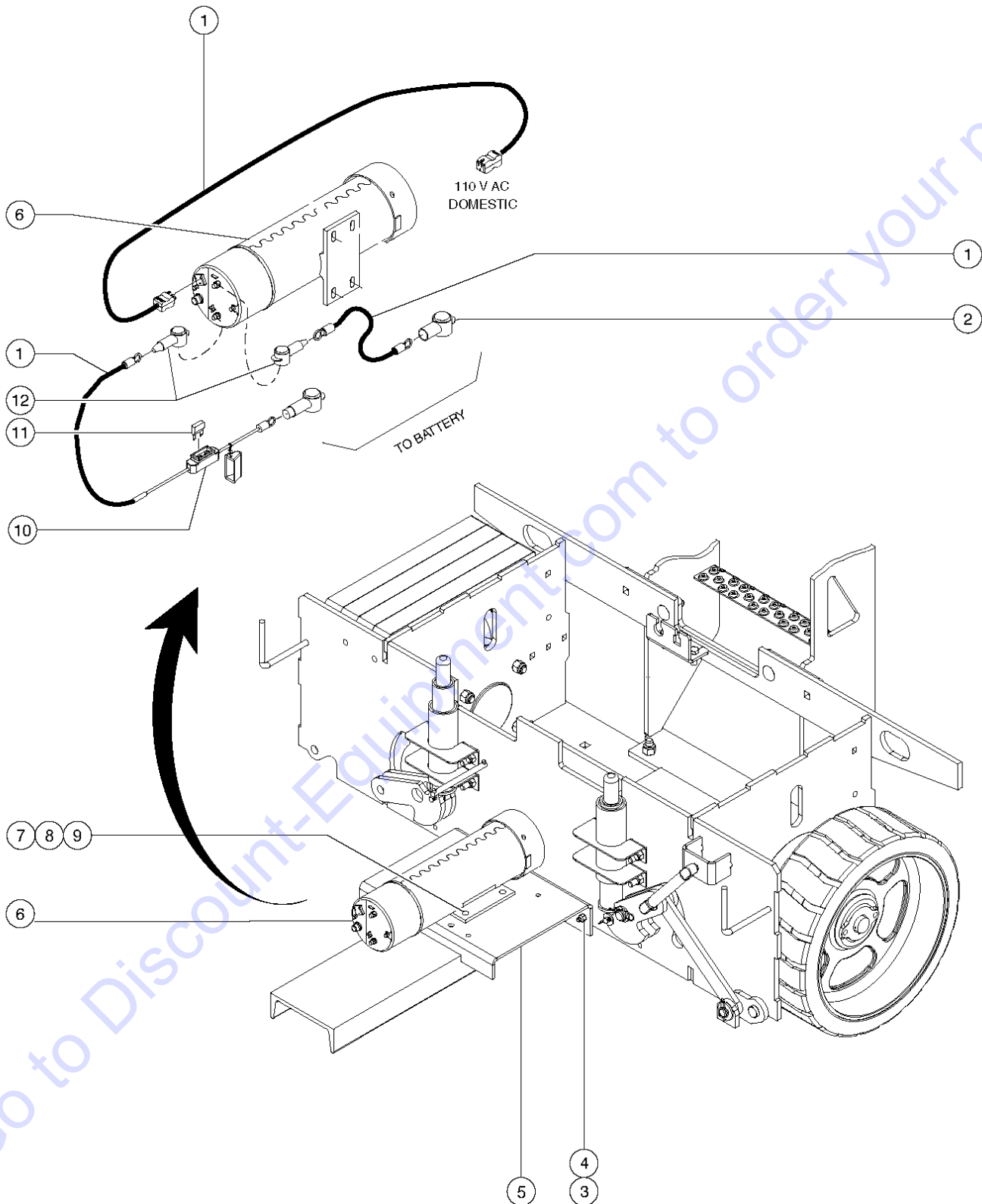
604.1 Voltage Inverter, GS-30



## 604.1 Voltage Inverter, GS-30

Item	Part No.	Description	Qty.
--	105218GT	INVERT.OPTION,GENIE GS30/1532 (complete)	
1		Ref. Wire Harness Assembly (refer to 211.1)	
2	64154GT	BOLT,CARRIAGE,3/8-16 X1.00,G5	
3	6638GT	WASHER,FLAT,USS,1/4"Y	
4	6782GT	NUT,NYLOCK,5/16-18	
5	51147GT	BOOT,CABLE TERMINAL,LG,RED,2/0...2	
6	96457GT	FORMING, INVERTER SUPPORT.....1	
7	4828GT	NUT,NYLOCK,3/8-16	
8	66218GT	BOLT,CARRIAGE,5/16-18 X 1.0,G2	
9	55747GT	FUSE HOLDER,INLINE,GS.....1	
10	55726GT	FUSE,50 AMP.....1	
11	55748GT	BOOT,CABLE TERMINAL,SMALL.....2	
12	96950GT	INVERTER,24VDC,110/230 VAC***	

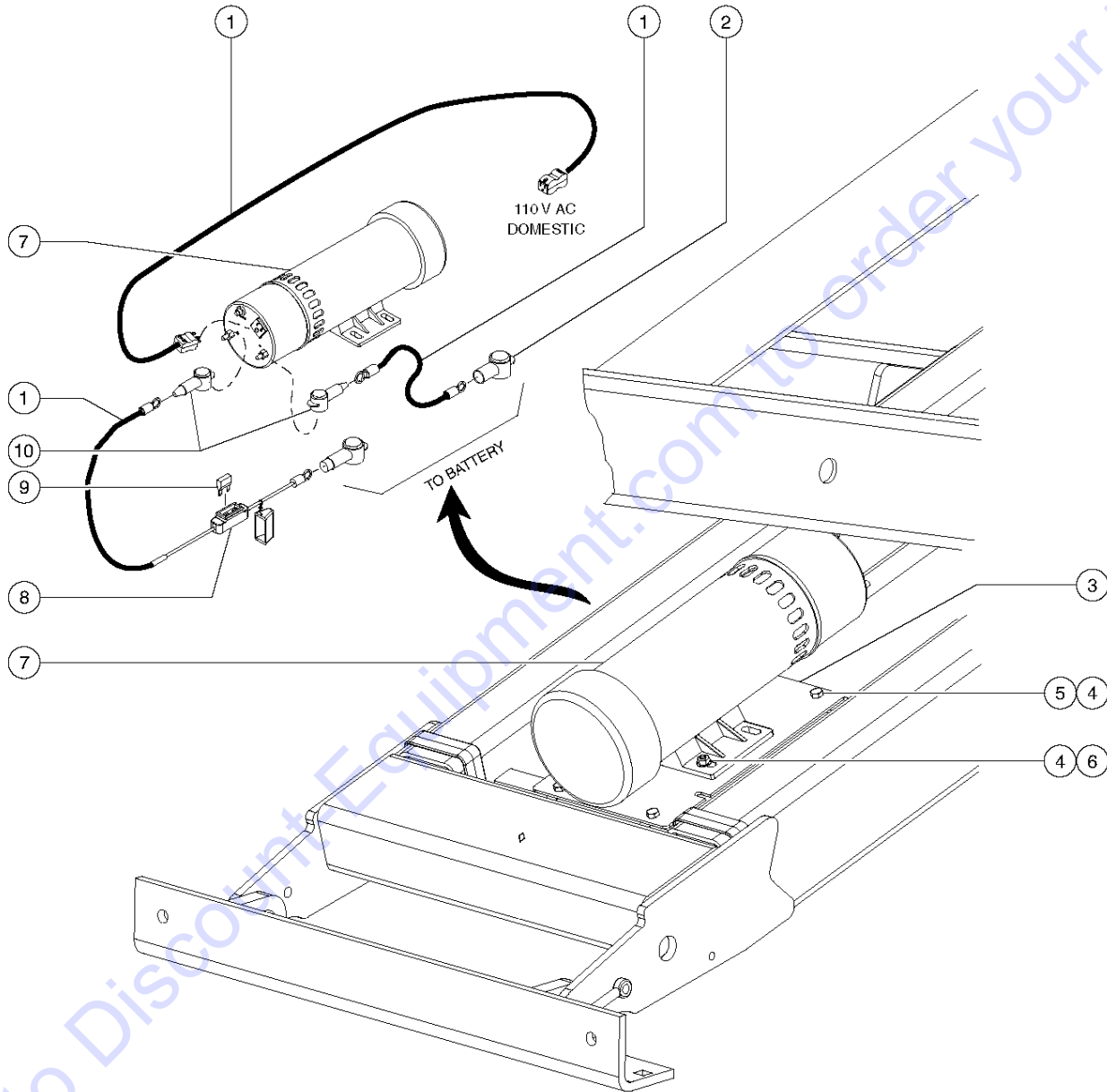
605.1 Voltage Inverter, GS-32, GS-46 (from SN GS4603-60000 to GS4604-61131)



## 605.1 Voltage Inverter, GS-32, GS-46 (from SN GS4603-60000 to GS4604-61131)

Item	Part No.	Description	Qty.
--	105248GT	SERVICE KIT,INVERTER 800W***	
1		Ref. Wire Harness Assembly (refer to 211.1)	
2	51147GT	BOOT,CABLE TERMINAL,LG,RED,2/0...2	
3	60790GT	BOLT, CARRIAGE, 3/8-16 X 1.50, G5	
4	7713GT	NUT, LP NYLOCK, 3/8-16	
5	96898GT	FORMING,INVERTER MOUNT.....1	
6	96950GT	INVERTER,24VDC,110/230 VAC***	
7	66218GT	BOLT,CARRIAGE,5/16-18 X 1.0,G2	
8	6782GT	NUT,NYLOCK,5/16-18	
9	6638GT	WASHER,FLAT,USS,1/4"Y	
10	55747GT	FUSE HOLDER,INLINE,GS.....1	
11	55726GT	FUSE,50 AMP.....1	
12	55748GT	BOOT,CABLE TERMINAL,SMALL.....2	

605.2 Voltage Inverter, GS-32, GS-46 (from SN GS4604-61131)

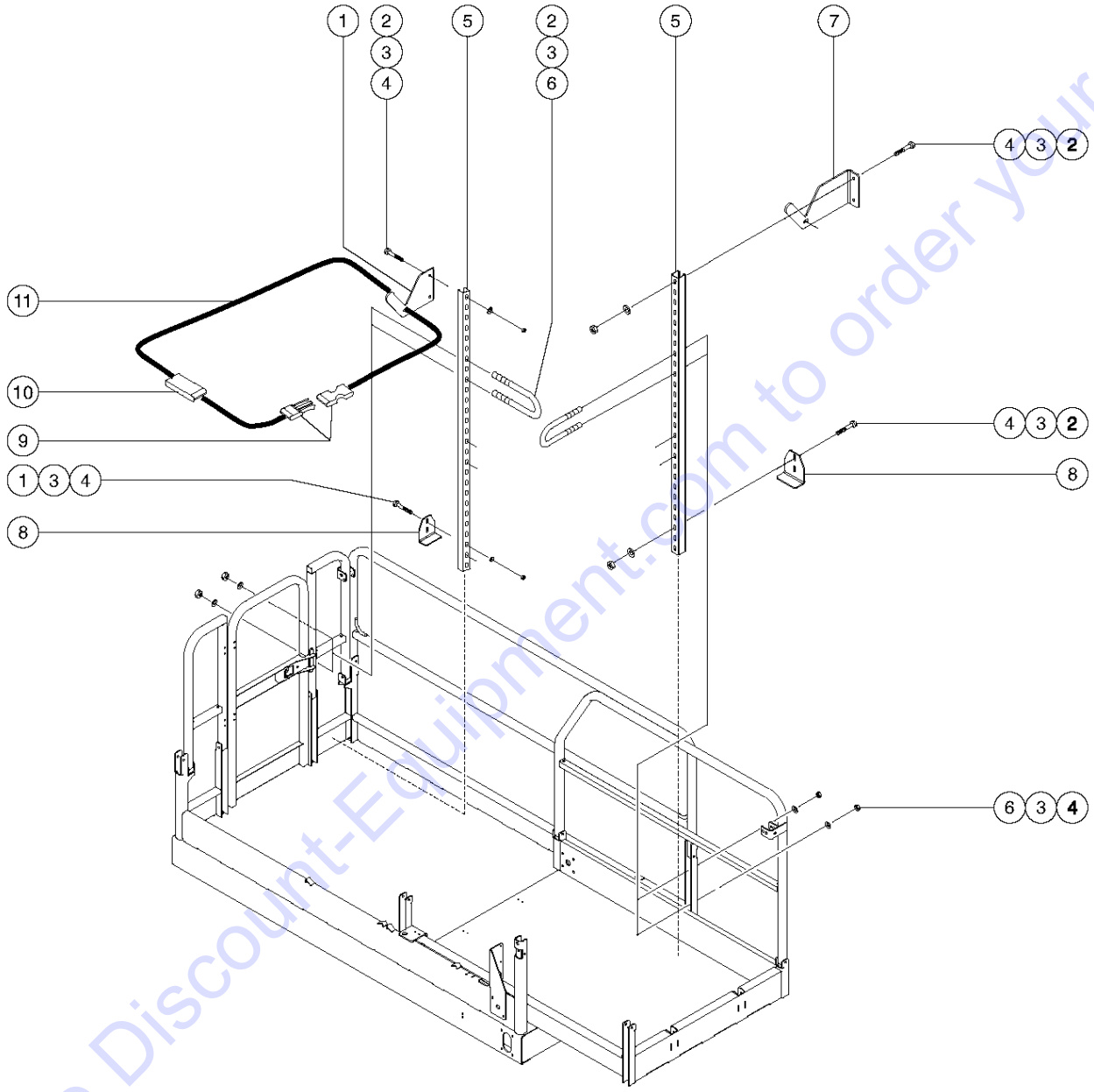




## 605.2 Voltage Inverter, GS-32, GS-46 (from SN GS4604-61131)

Item	Part No.	Description	Qty.
--	105248GT	SERVICE KIT,INVERTER 800W***	
1		Ref. Wire Harness Assembly (refer to 211.1)	
2	51147GT	BOOT,CABLE TERMINAL,LG,RED,2/0...2	
3	105129GT	PLATE, INVERTER MOUNT.....1	
4	6090GT	SCREW,HHC,1/4-20 X .75	
5	56912GT	SPRING CLIP,1/4-20,.025-.15X.54,ZAG	
6	18504GT	NUT,LOCKING-LG.FLANGE,1/4-20	
7A	96950GT	INVERTER,24VDC,110/230 VAC***	
8	55747GT	FUSE HOLDER,INLINE,GS.....1	
9	55726GT	FUSE,50 AMP.....1	
10	55748GT	BOOT,CABLE TERMINAL,SMALL.....2	

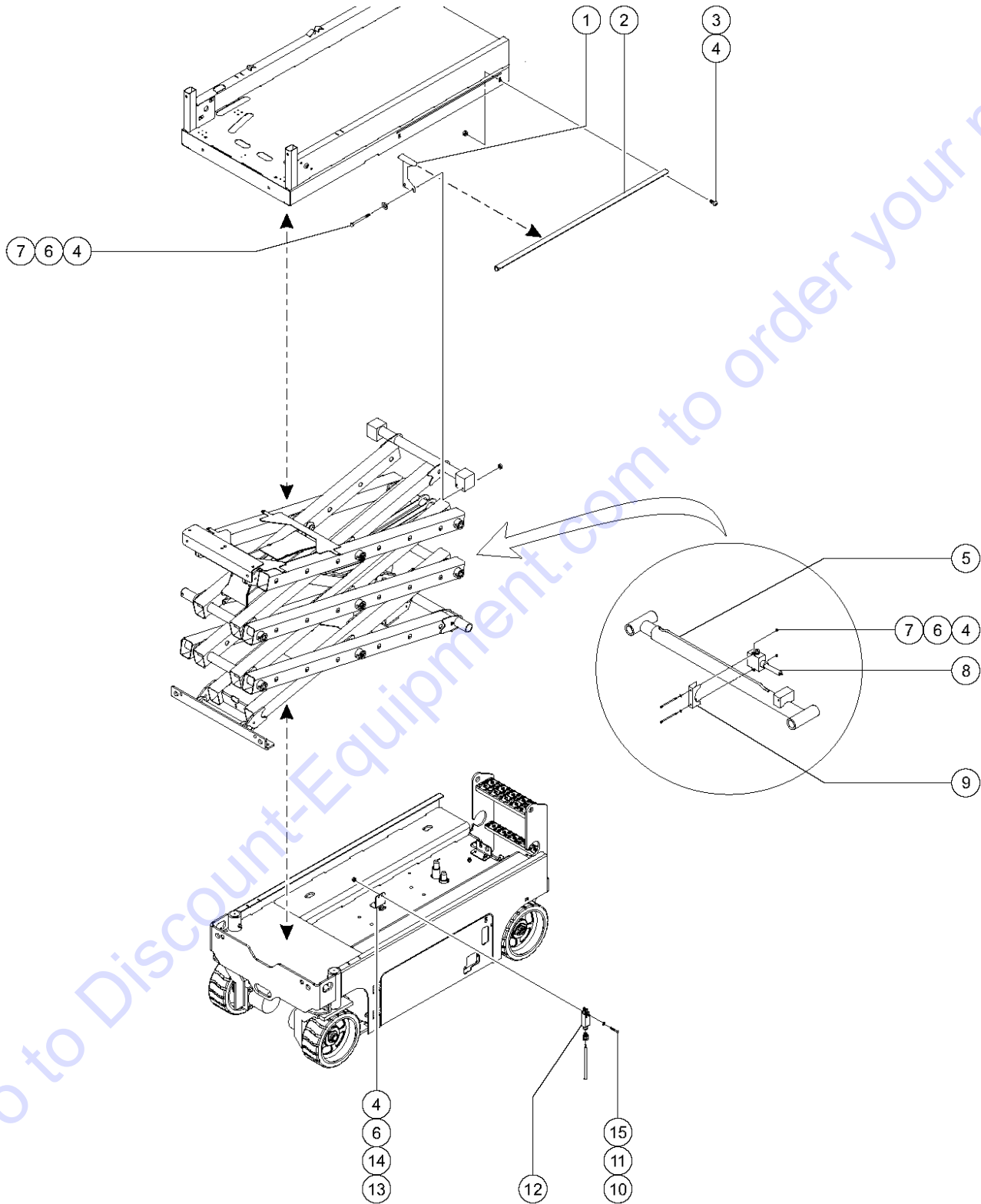
606.1 Pipe Cradle Assembly, GS-2046, GS-2646, GS-3246



## 606.1 Pipe Cradle Assembly, GS-2046, GS-2646, GS-3246

Item	Part No.	Description	Qty.
--	72878GT	PIPE CRDL,SQ RAILINGS,GS46 <i>models with square railings; see 66172-S for round rails</i>	
1	79156GT	PLATE,PIPE HOLDER, GS68.....	1
2	14033GT	SCREW,HHC,3/8-16 X 2.75.....	8
3	6097GT	WASHER,FLAT,USS,3/8",Y	
4	4828GT	NUT,NYLOCK,3/8-16	
5	66171GT	CHANNEL,PIPE RACK.....	2
6	66472GT	U-BOLT, SQR, 3/8-16X2X5, PLTD.....	4
7	66169GT	FORMING, PIPE HOLDER RACK.....	1
8	79158GT	FORMING,PIPE RACK BASE, GS68....	2
9	100810GT	BUCKLE & SLIDE STRAP SET.....	1
10	35643GT	BUCKLE,SIDE RELEASE.....	2
11	35642GT	STRAP,NYLON,1.0 IN. BLACK.....	96-inches

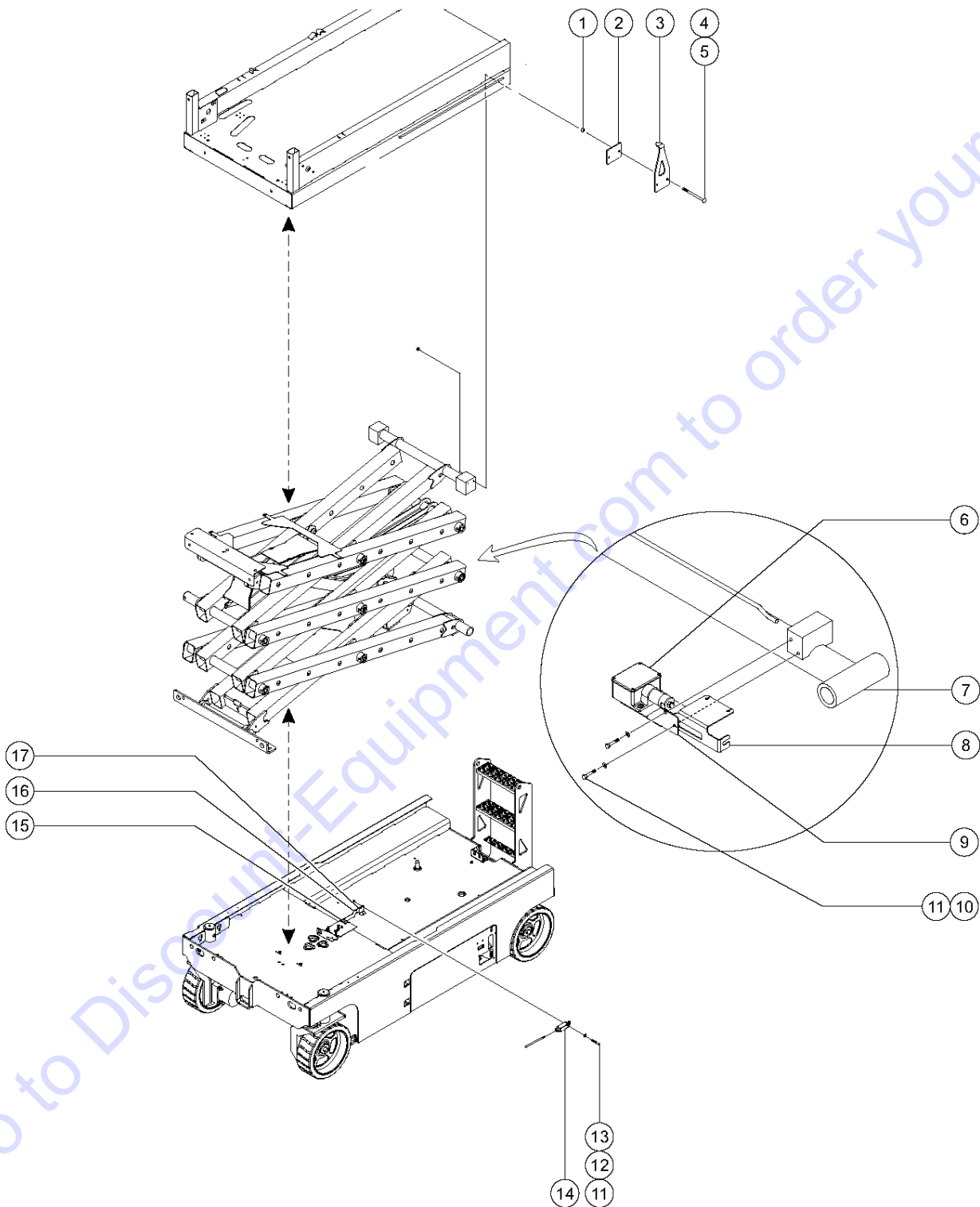
701.1 Platform Overload Components, GS-30



## 701.1 Platform Overload Components, GS-30

Item	Part No.	Description	Qty.
1	96539GT	FORMING, POINTER, 1532, LOAD SENS.....	1
1A	96504GT	FORMING, POINTER, 1932, LOAD SENS	
2	96829GT	FORMING, LOAD DECAL.....	1
3	6878GT	BOLT, CARRIAGE, 1/4-20 X .75, G2	
4	18504GT	NUT, LOCKING-LG. FLANGE, 1/4-20	
5		Ref. Lift Cylinder (refer to 506.1)	
6	6638GT	WASHER, FLAT, USS, 1/4"Y	
7	6115GT	SCREW, HHC, 1/4-20 X 3.5	
8	105355GT	KIT, PRESS SWITCH RPLCMNT, MINI*...1 (CE models)	
--		Ref. Hose Assembly (refer to 507.1)	
--		Ref. Pressure Switch Wire Harness (refer to 211.1)	
9	71911GT	CLAMP, MUFFLER, 2.50 INCH	
10	51063GT	SCREW, PHILLIPS, RHM, 10-32 X 1.5	
11	6178GT	NUT, NYLOCK, 10-32	
12		Ref. Wire Harness Assembly (refer to 211.1)	
--	19491GT	CONTACTOR, LIMIT SWITCH	
--	96948GT	SWITCH, LIMIT, W/ROLLER ARM***	
--	97128GT	ROLLER ARM, LIMIT SWITCH***	
13	96411GT	FORMING, BRKT, UP LIMIT SW.....	1
14	6090GT	SCREW, HHC, 1/4-20 X .75 (to SN 70970)	
14A	6878GT	BOLT, CARRIAGE, 1/4-20 X .75, G2 (from SN 70971)	
15	6146GT	WASHER, FLAT, MS, #10, Y	

702.1 Platform Overload, GS-32, GS-46



## 702.1 Platform Overload, GS-32, GS-46

Item	Part No.	Description	Qty.
--	97266GT	CE POINTER REPL KIT, GS32/46	
1	96904GT	SPACER,1/4ID X 1/2OD X .313	
2	96933GT	WEAR PAD, PLATFORM POINTER.....1	
3	96872GT	FORMING, POINTER.....1	
4	96903GT	BOLT,CARRIAGE,1/4-20 X 3.50,G2	
5	6091GT	NUT,NYLOCK,1/4-20	
6	105356GT	KIT,PRESS SWTH RPLMNT,GS32/46*...1 (CE models)	
--		Ref. Hose Assembly (refer to 508.1)	
--		Ref. Pressure Switch Wire Harness (refer to 211.1)	
7		Ref. Lift Cylinder (refer to 506.1)	
8	41557-SGT	CABLE BRACKET,PAINTED.....1	
9	96908GT	FORMING,PRESSURE SW. MOUNT.....1	
10	7339GT	SCREW,HHC,1/4-20 X .5	
11	6356GT	WASHER,LOCK,.25	
12	51063GT	SCREW,PHILLIPS,RHM,10-32 X 1.5	
13	6178GT	NUT,NYLOCK,10-32	
14		Ref. Wire Harness Assembly (refer to 211.1)	
--	19491GT	CONTACTOR,LIMIT SWITCH	
--	96948GT	SWITCH,LIMIT,W/ROLLER ARM***	
--	97128GT	ROLLER ARM,LIMIT SWITCH***	
15	6878GT	BOLT,CARRIAGE,1/4-20 X .75,G2	
16	105715GT	FORMING,UP LMT SW BRKT,32/46.....1	
17	105715GT	FORMING,UP LMT SW BRKT,32/46.....2	

## Part Number Index

The Part Number Index is a numeric index of all part numbers included in this manual. The index shows what page(s) the part is used on.

Part Number	Page	Part Number	Page	Part Number	Page	Part Number	Page
100810GT	117	105918GT	109	160866GT	19	28175GT	11-12, 17, 21
100839GT	45	105919GT	109	160867GT	19	28176GT	11-12, 17, 21
100840GT	85	105971GT	109	160868GT	19	28235GT	11-12, 15, 17,
100998GT	85	105972GT	109	160869GT	19		19, 21, 23
100999GT	85	105973GT	109	160870GT	19	28236GT	11-12, 17, 21
104804GT	71-72, 75-76, 79	105974GT	109	16487GT	33	28443GT	71-72, 79, 99,
105004GT	71-72	105990GT	85	18383GT	63, 65		107, 109
105023GT	72	105992GT	49, 51-52	18503GT	41	30217GT	57, 59, 61, 65
105046GT	103	105997GT	61	18504GT	39, 41, 47, 63,	30784-2550GT	39, 41
105051GT	25	105998GT	61		65, 115, 119	31060GT	11-12, 17, 21
105053GT	25	10775GT	81	18722GT	27	31508GT	11-12, 17, 21
105055PGT	35	10777GT	81	19491GT	33, 119, 121	33278GT	39, 41
105057GT	71-72	109503GT	85	19506GT	47	33724GT	81
105059GT	101	12016GT	35, 37	20224GT	91, 93	33784GT	109
105060GT	37	1257054GT	52	20923GT	101	34742GT	35, 37
105063GT	91	1257055GT	52	21253GT	25, 27	35059GT	47
105067GT	95	1257056GT	52	21279GT	67-68, 71-72,	35642GT	117
105069GT	37	1257057GT	52		75-76	35643GT	117
105071GT	49	1257058GT	52	214905GT	11-12	36369GT	55
105072GT	45	1257059GT	52	214906GT	11-12	37947GT	47
105074GT	63, 65	1257204GT	45	214907GT	11-12	39232GT	33
105080GT	29-30	1257205GT	45	214908GT	11-12	39310GT	67-68, 71-72,
105085GT	57, 59, 61	1257840GT	45	214909GT	11-12		75-76
105092GT	30, 63, 65	1259223GT	67-68, 71-72,	214910GT	11-12	39469GT	33, 67-68, 71-
105099GT	72		75-76	214911GT	11-12		72, 75-76
105100GT	29-30	1260941GT	59, 63, 65	214912GT	11-12	39470GT	67-68, 71-72,
105109GT	87	1261334GT	52	214913GT	11-12		75-76
105115GT	87	1261335GT	52	214914GT	11-12	39474GT	67-68, 71-72,
105122GT	25, 29-30	1261888GT	91, 93	214916GT	11-12		75-76
105125GT	49, 51-52	1264129GT	33	214917GT	11-12	39509GT	72, 79
105129GT	115	1277997GT	87	219480GT	43	39510GT	72, 79
105140GT	29-30	1280665GT	81	219497GT	45	39520GT	45
105142GT	33	1288153GT	85	219556GT	45	39521GT	45
105150GT	41	130011GT	103	22446GT	72, 75-76, 79	39540GT	33, 105
105171GT	87	13585GT	81	226163GT	45	39542GT	35, 37
105172GT	87	13635-10GT	27	22664GT	101, 103	39673GT	45
105182GT	61	13921GT	101, 103	228786GT	51-52	39873GT	101, 103
105183GT	61	14033GT	61, 117	230364GT	27	39876GT	101, 103
105184GT	61	14297GT	33, 45, 47	232531GT	41	39877GT	95, 101, 103
105185GT	61	144009GT	109	232534GT	45	39878GT	99, 101, 103
105214GT	51-52	144011GT	109	232576GT	52	39881GT	101, 103
105218GT	111	144027GT	109	232578GT	52	39882GT	101, 103
105221GT	39	144028GT	109	232582GT	52	40434GT	11-12, 15, 17,
105243GT	101	144065GT	83, 85	233220GT	11-12		19, 21, 23
105246GT	103	144142GT	29-30	233221GT	11-12	40477GT	99
105247GT	103	144155GT	49	233222GT	11-12	40833GT	39, 41, 49, 51-52
105248GT	113, 115	144161GT	81	233223GT	11-12	40844GT	97
105258GT	103	144180GT	43	233224GT	11-12	41557-SGT	99, 121
105261GT	29-30	144204GT	72	233225GT	11-12	41630GT	67-68, 71-72,
105273GT	41	144206GT	72	233226GT	11-12		75-76
105280GT	61	144208GT	68	233227GT	11-12	42079GT	25, 29-30
105319GT	39	144209GT	68	233366GT	41	42283GT	101
105322GT	49, 51-52	144374GT	25, 27	233368GT	52	4266GT	71-72, 75-76, 79
105328GT	49, 51-52	144375GT	29-30	233370GT	52	43089GT	11-12, 17, 21
105329GT	49, 51-52	144381GT	29-30	233371GT	52	43090GT	11-12, 17, 21
105334GT	43	144382GT	29-30	233379GT	45	43091GT	11-12, 17, 21
105355GT	119	144383GT	29-30	233430GT	52	43093GT	11-12
105356GT	121	144385GT	29-30	233431GT	52	43392GT	72
105454GT	27, 29-30	144387GT	29-30	233438GT	51-52	43617GT	11-12, 17, 21
105457GT	91	144388GT	29-30	233439GT	51-52	43618GT	11-12, 15, 17,
105458GT	93	144389GT	29-30	233440GT	51-52		19, 21, 23
105462GT	91	144391GT	29-30	233641GT	97	43619GT	11-12, 17, 21
105463GT	93	145284GT	39	233782GT	51-52	43658GT	11-12, 15, 17,
105543GT	99	15086GT	27	233785GT	51-52		19, 21, 23
105544GT	99	160854GT	17	234939GT	11-12	43685GT	97
105545GT	99	160855GT	17	234940GT	11-12	43696GT	11-12, 17, 21
105547GT	89	160856GT	17	234941GT	11-12	43956GT	51-52, 81
105553GT	89	160857GT	17	234942GT	11-12	44168GT	91, 93
105554GT	89	160858GT	17	24514GT	68, 72, 75-76	44169GT	91, 93
105555GT	89	160859GT	17	25388GT	81	44171GT	93
105565GT	25, 27	160860GT	17	27903GT	107	44174GT	91, 93
105662GT	85	160861GT	17	28164GT	11-12, 17, 21	44175GT	93
105715GT	121	160863GT	19	28171GT	11-12, 17, 21	44207GT	89
105739GT	43	160864GT	19	28174GT	11-12, 15, 17,	44226GT	91, 93
105797GT	105	160865GT	19		19, 21, 23	44227GT	91





## Part Number Index (continued)

Part Number	Page	Part Number	Page	Part Number	Page	Part Number	Page
84395GT	95	96085GT	35	96459GT	49, 51-52	96899GT	63, 65
84398GT	45	96086GT	35	96461GT	95	96900GT	63, 65
84400GT	45	96087GT	35	96465GT	29-30	96903GT	121
84422GT	99	96103GT	33	96466GT	29-30	96904GT	121
84514GT	93	96113GT	39, 47	96471GT	49, 51-52	96905GT	63, 65
84516GT	75-76	96121GT	57, 59, 61	96472GT	12, 15, 17, 19, 21, 23	96907GT	27
84517GT	75-76	96125GT	57, 59	96473GT	49, 51-52	96908GT	121
84519GT	75-76	96126GT	55	96474GT	49, 51-52	96932GT	63, 65
84520GT	75-76	96127GT	57, 59	96475GT	49, 51-52	96933GT	121
84522GT	75-76	96130GT	57, 59, 61, 65	96487GT	57, 59, 61	96946GT	49
84523GT	75-76	96131GT	57, 59, 61	96489GT	49, 51-52	96947GT	49, 52
84536GT	95	96134GT	35	96493GT	33	96948GT	33, 119, 121
84539GT	95	96135GT	35, 37	96502GT	49, 51-52	96950GT	111, 113, 115
84564GT	17, 21	96163GT	72, 79	96504GT	119	96977GT	29-30, 55
84567GT	75-76	96193GT	97	96515-SGT	107	96978GT	63, 65
84568GT	75-76	96215GT	45	96516-SGT	107	96990-SGT	107
84571GT	25	96236GT	81	96520GT	49, 51-52	97013GT	87
84574GT	35, 37	96246GT	68, 72, 75-76	96521GT	49, 51-52	97014GT	87
84578GT	57	96257GT	89	96522GT	49, 51-52	97015GT	87
84579GT	59, 61	96258GT	25	96524GT	35, 37	97034GT	67-68
84580GT	59, 61	96283GT	57, 59, 61	96539GT	119	97041GT	68
84581GT	57, 59, 61	96298GT	49	96541GT	35, 37	97044GT	71-72
84582GT	57, 59, 61	96299GT	49, 52	96542GT	107	97059GT	43
84583GT	57, 59, 61	96300GT	49	96543GT	107	97081GT	67-68
84584GT	57, 59, 61	96301GT	49, 52	96572GT	27	97082GT	67-68
84585GT	57, 59, 61	96302GT	49, 52	96573GT	27	97083GT	67-68
84586GT	68, 72, 75-76	96303GT	49, 52	96576GT	55	97084GT	67-68
84587GT	67-68, 71-72, 75-76	96304GT	49, 52	96595GT	55	97085GT	67-68
84588GT	68	96305GT	49	96605GT	63, 65	97086GT	67-68
84590GT	68, 72	96306GT	49, 52	96611GT	63	97087GT	67-68
84659GT	101	96307GT	49, 51-52	96615GT	65	97088GT	67-68
84674GT	71-72	96308GT	49, 51-52	96616GT	65	97089GT	67-68
84675GT	71-72	96309GT	49, 51-52	96637GT	37	97090GT	67-68
84676GT	71-72	96317GT	35	96638GT	37	97091GT	67-68
84677GT	71-72	96321GT	29-30, 35	96639GT	37	97092GT	67-68
84678GT	71-72	96331GT	57, 59, 61	96642GT	35, 37	97093GT	67-68
84679GT	71-72	96336GT	68	96643GT	37	97094GT	67-68
84680GT	72	96344GT	49, 51-52	96661GT	63, 65	97095GT	67-68
84681GT	72	96348GT	101	96662GT	63, 65	97096GT	67-68
84682GT	72	96349GT	101	96668GT	83	97097GT	67-68
84683GT	72	96350GT	101	96680GT	35	97098GT	67-68
84684GT	72	96351GT	101	96697GT	101	97099GT	67-68
84685GT	71-72	96352GT	101	96699GT	45	97100GT	67-68
84686GT	72	96353GT	101	96709GT	45	97101GT	67-68
84687GT	72	96354GT	101, 103	96731-SGT	107	97102GT	67-68
84689GT	72	96355GT	101, 103	96735GT	63, 65	97103GT	67-68
84690GT	71-72	96363GT	105	96744GT	103	97104GT	67-68
84691GT	63, 65	96368GT	57, 59	96745GT	103	97105GT	79
84692GT	63, 65	96369GT	57, 59	96746GT	103	97106GT	68
84693GT	55	96387GT	49	96747GT	103	97107GT	68
84694GT	55	96388GT	89	96748GT	103	97108GT	68
84695GT	55	96390GT	57, 61, 65	96749GT	103	97109GT	68
84696GT	63	96391GT	101	96750GT	103	97110GT	71-72, 79
84697GT	72	96392GT	101	96755GT	33	97111GT	79
84699GT	27	96393GT	101	96770GT	99	97112GT	79
84739GT	95	96394GT	101	96786GT	63, 65	97115GT	67-68
84740GT	95	96395GT	101	96787GT	63, 65	97116GT	67-68
84742GT	95	96396GT	101	96819GT	49	97117GT	67-68
84743GT	95	96397GT	103	96820GT	49, 51-52	97118GT	67-68
84746GT	95	96398GT	101, 103	96829GT	119	97119GT	67-68
84747GT	55	96406GT	103	96836GT	63, 65	97120GT	67-68
84748GT	95	96407GT	103	96839GT	35, 37	97121GT	67-68
8516GT	57, 59, 61, 63, 65	96408GT	35, 37	96844GT	68	97122GT	67-68
85197GT	97	96411GT	119	96852GT	49, 51-52	97123GT	68
85239GT	47	96413GT	67-68, 71-72, 75-76	96853GT	49, 51-52	97125GT	39
8914GT	105	96415GT	55	96855GT	45	97126GT	39
8915GT	41, 63, 65	96417GT	89	96856GT	51-52	97128GT	33, 119, 121
9116GT	25, 45, 63, 65	96419GT	89	96862GT	63, 65	97131GT	99
96008-SGT	47	96420GT	83	96866GT	63, 65	97132GT	68
96010GT	47	96422GT	35, 37	96872GT	121	97213GT	68
96038GT	35	96423GT	27, 35, 37	96876GT	29-30	97233GT	63
96039GT	35	96429GT	49, 51-52	96885GT	103	97234GT	63, 65
96043GT	35	96440GT	49, 51-52	96886GT	29-30	97235GT	63, 65
96068GT	25	96452GT	47	96887GT	29-30	97236GT	63, 65
96069GT	25	96457GT	111	96898GT	113	97237GT	63, 65
						97238GT	63, 65

Part Number	Page
97241GT	55
97242GT	75-76
97243GT	65
97244GT	65
97249GT	75-76
97250GT	75-76
97251GT	75-76
97252GT	75-76
97253GT	75-76
97254GT	75-76
97258GT	76
97259GT	76
97260GT	76
97262GT	75-76
97263GT	76
97264GT	76
97265GT	76
97266GT	121
97267GT	27
97271GT	47
97273GT	75-76
97275GT	79
97276GT	79
97277GT	79
97278GT	79
97279GT	79
97280GT	79
97281GT	75-76
97282GT	75-76
97284GT	71-72
97285GT	71-72
97286GT	71-72
97287GT	72
97288GT	79
97289GT	79
97290GT	71-72
97291GT	71-72
97292GT	71-72
97293GT	71-72
97294GT	71-72
97295GT	71-72
97296GT	71-72
97297GT	71-72
97298GT	71-72
97299GT	71-72
97300GT	71-72
97301GT	71-72
97302GT	71-72
97303GT	71-72
97304GT	71-72
97305GT	71-72
97582GT	19
97663GT	21
97683GT	19
97684GT	19
97685GT	19
97686GT	19
97692GT	17, 19
97693GT	17, 19
97694GT	17
97712GT	12, 17, 21
99089GT	45
T108044GT	85
T109012GT	45
T110890GT	51-52
T110891GT	51-52
T112563GT	81
T113787GT	67-68, 71-72, 75-76
T114691GT	47

## Part Description Index

The Part Description Index is an alphabetical index of all part descriptions included in this manual. The index shows what page(s) the part is used on.

## 1

126,DYN.BRAKING,MANIF,32/46.....93

## A

ACCUMULATOR, 180 PSI PRECHARGE\* .....89  
 AIR TO PLAT, GS15, ACC.....107  
 AIR TO PLAT, GS19, ACC.....107  
 AIR TO PLAT, GS20XX, ACC.....107  
 AIR TO PLAT, GS26XX, ACC.....107  
 ALARM ASSY,12VDC,ITT,4 PIN\*\*\*\* .....85  
 ALARM ASSY,12VDC,ITT.....83  
 ALARM,STEADY TONE\*\*.....33, 105  
 ASSY, RELAY HARNESS, CE.....49, 51-52  
 ASSY,DECAL PLATE,ANSI/CSA,GS32.....72  
 ASSY,DECAL PLATE,GS30,WORD.....68  
 ASSY,EXT. RIGID RAIL,GS32,WORD.....72  
 ASSY,GS BATTERY TRAY.....41  
 ASSY,LEVEL SENS HARNESS.....49, 51-52  
 ASSY,LEVEL SENS HARNESS,CE.....49, 51-52  
 ASSY,MAIN HARNESS,CE.....49, 51-52  
 ASSY,MOTOR CONTRL HARN,CE.....49  
 ASSY,MOTOR CONTROL HARNESS.....49, 51-52  
 ASSY,MOTOR CONTROL HARNESS,CE.....51-52  
 ASSY,POT HOLE PUSHER,GS\*(MINI).....35  
 ASSY,POT HOLE PUSHER,GS\*\*\*.....35, 37  
 ASSY,POT HOLE HARNESS GS32/GS46...49, 51-52  
 ASSY,POT HOLE HARNESS,GS.....49, 51-52  
 ASSY,PRESS SW HARNESS.....49, 51-52  
 ASSY,RELAY HARNESS.....49, 51-52  
 ASSY,SWITCH,TOGGLE,SPDT\*\*\*\*\*.....47  
 ASSY,UP-LIMIT SW HARNESS.....49, 51-52

## B

BALL STUD, GAS STRUT, 3/8-16.....35, 37  
 BAR, CABLEBRIDGE, LONG.....63, 65  
 BASE WITH 1 NC CONTACT, E-STOP.....47, 83, 85  
 BATTERY TRAY ASSY W/SYMBOLS\*\*\*\* .....39  
 BATTERY TRAY ASSY W/WORDS\*\*\*\* .....39  
 BATTERY, AGM, 6V, (TROJAN) \*\*\* .....41  
 BATTERY,T105 W/LPT,3 CAP,DRY\*\*.....39, 41  
 BEARING, BALL, 1.13X.375X.375.....35  
 BEARING,.75ID X 1.0OD X 1.38LG.....35, 37  
 BEARING,0.75IDX1.00ODX0.75L.....55  
 BEARING,1.00IDX1.25ODX0.49L.....27  
 BEARING,1.00IDX1.25ODX0.75L.....55  
 BEARING,1.26IDX1.53ODX1.25L.....57, 59, 61  
 BEARING,1.50IDX1.77ODX1.25L.....63, 65  
 BEARING,1.523IDX1.75ODX0.63L.....35, 37  
 BEARING,1.5IDX1.75ODX1.5L.....25  
 BEARING,2.25IDX2.50ODX1.50L\*\*\*.....27  
 BEARING,FL,0.75ID X 1 OD X .49.....25  
 BEARING,MOTOR.....97  
 BEARING,MOTOR,36843,BRUSH END\* .....97  
 BOLT, CARRIAGE, 3/8-16 X 1.50, G5.....37, 113  
 BOLT,CARRIAGE,1/2-13X1.50,GR5.....29-30, 55  
 BOLT,CARRIAGE,1/4-20 X .75,G2.....27, 33, 41, 47, 63, 105, 119, 121

BOLT,CARRIAGE,1/4-20 X 1.00,G2.....39  
 BOLT,CARRIAGE,1/4-20 X 2.5,G2.....63, 65  
 BOLT,CARRIAGE,1/4-20 X 3.50,G2.....121  
 BOLT,CARRIAGE,1/4-20x1.25,G2.....25, 45, 63, 65  
 BOLT,CARRIAGE,3/8-16 X1.00,G5.....37, 111  
 BOLT,CARRIAGE,3/8-16X1.25,GR5.....30, 63, 65  
 BOLT,CARRIAGE,5/16-18 X 1.0,G2.....111, 113  
 BOLT,CARRIAGE,5/16-18 X 2.0,G2.....109  
 BOLT,SHS,3/8X.375X5/16-18,ZAG.....67-68, 71-72, 75-76  
 BOOT, JOYSTICK~.....87  
 BOOT,CABLE TERMINAL,LG,RED,2/0.....111, 113, 115  
 BOOT,CABLE TERMINAL,SMALL.....111, 113, 115  
 BOOT,THUMB ROCKER\*\*\*.....87  
 BOX,INSTRUCTION STORAGE.....68, 72, 75-76  
 BRACKET, UTS, LARGE.....33  
 BRACKET,PLAT CONTROL BOX SLAB.....83  
 BRACKET,TRAY LATCH.....39, 47  
 BRAKE, HYDRAULIC\*\*\* .....89  
 BREATHER CAP,HYD. TANK,1/4 NPT.....45  
 BRUSH,PWR UNIT (40844)\*\*.....97  
 BUCKLE & SLIDE STRAP SET.....117  
 BUCKLE,SIDE RELEASE.....117  
 BUMPER,BATTERY BOX & RAILS.....72  
 BUTTON, .800 O.D. X .281.....67-68, 71-72, 75-76  
 BUTTON,PUSH,RED MUSHROOM HEAD.....47, 83, 85

## C

CABLE ASSY, BATT,19"AND.BLK.....49  
 CABLE ASSY, BATT,69" RED.....52  
 CABLE ASSY, INVERTER.....49, 51-52  
 CABLE ASSY,BATT, 12" RED.....52  
 CABLE ASSY,BATT, 20" BLK.....52  
 CABLE ASSY,BATT, 7.50" BLACK.....49, 52  
 CABLE ASSY,BATT, 7.50" RED.....49, 52  
 CABLE ASSY,BATT,22.0" RED.....49  
 CABLE ASSY,BATT,23"RED.....52  
 CABLE ASSY,BATT,38",AND. BLK\*\*.....49, 52  
 CABLE ASSY,BATT,5.50"RED.....49, 52  
 CABLE ASSY,BATT,7.50",AND. RED.....49  
 CABLE ASSY,BATT,83"RED.....52  
 CABLE ASSY,BATT,9.50"RED.....49, 52  
 CABLE ASSY., BATT. 12" BLACK.....52  
 CABLE ASSY., BATT. 14" RED.....52  
 CABLE ASSY., BATT. 75" RED.....52  
 CABLE ASSY., BATT. 79" BLACK.....52  
 CABLE ASSY., BATT. 88.5" RED.....52  
 CABLE ASSY., BATT. 93" BLACK.....52  
 CABLE ASSY.BATT.75",AND.RED.....49  
 CABLE ASSY.BATT.75".AND.BLK.....49, 52  
 CABLE ASSY.BATT.90".AND.BLK.....49, 52  
 CABLE ASSY.BATT.90".AND.RED.....49  
 CABLE BRACKET,PAINTED.....99, 121  
 CABLE TIE MOUNT, WINGED.....51-52  
 CABLE TIE,11.5" BLACK...71-72, 79, 99, 107, 109  
 CABLE,EMERGENCY DOWN.....33  
 CAM FOLLOWER,1.125X.375,DELIN.....35, 37

CAP, TUBE, SQ,1.25 X .083.....67-68, 71-72, 75-76  
 CAP,DIAGNOSTIC NIPPLE.....91, 93  
 CAPACITOR,4700MFD 25V.....45  
 CE CONTROL HARNESS, SLAB.....49, 51-52  
 CE POINTER REPL KIT, GS32/46.....121  
 CHAIN GATE ASSY, COM GS32.....71-72  
 CHAIN GATE KIT,GS30.....79  
 CHAIN,3/16,OPEN LINK 22.5".....72, 79  
 CHANNEL,PIPE RACK.....117  
 CHARGER,BAT,24VDC,H/LO GEN2.....43  
 CHASSIS MOUNT ASSY, GS30.....55  
 CHASSIS MOUNT ASSY, GS32&46.....55  
 CHECK DISK, NO SPRING.....91  
 CIRCUIT BREAKER,7.0 AMP\*\*.....47  
 CLAMP, HOSE, 1 EAR, 11/16.....99  
 CLAMP,1.31,#21 X 1/4,RUB CUSH.....109  
 CLAMP,2 HOSE,PLASTIC,5/8.....25, 27, 63, 65  
 CLAMP,HOSE,1 EAR,1-1/16\*\*\*.....45  
 CLAMP,MUFFLER, 2.50 INCH.....119  
 CLAMP,RUB CUSH,0.75,#12 X 3/8\*.....107  
 CLEAR SWITCH ACTUATOR.....85  
 CLEAR SWITCH ACTUATOR(QTY 10).....85  
 CLIP, CABLEBRIDGE.....63, 65  
 CLIP, CABLEBRIDGE, MINI.....61  
 CLIP,HAIR PIN .125 X 2.....25, 27  
 CLIP,TIE HARNESS MOUNT\*\*\* .....51-52  
 COIL CORD,WORKLIGHT(144011).....109  
 COIL,#8 20VDC,DEUTSCH W/DIOD.....91, 93  
 COIL,20VDC DEUCTSH W/DIODE.....91, 93  
 COIL-SOLENOID VALVE,20V DC\*\*\*.....99  
 CONN,SQUEEZE,1/2NPT .38-50,SM.....81  
 CONN,SWIVEL,STR,THR,465OX-S.....103  
 CONNECTOR, 070120-12-8.....101, 103  
 CONNECTOR, 070120-8-8.....103  
 CONNECTOR, IEC CHARGER CORD.....43  
 CONNECTOR,070120-4-4.....95, 101, 103  
 CONNECTOR,070120-4-6.....101, 103  
 CONNECTOR,070120-6-6.....99, 101, 103  
 CONNECTOR,070120-8-6.....101  
 CONTACT, N.C.....47, 83, 85  
 CONTACT,14-20GA.....45  
 CONTACTOR,DRIVE,24V,180A\*\*\*.....41  
 CONTACTOR,LIMIT SWITCH.....33, 119, 121  
 COUNTERWEIGHT, BELLY.....29-30  
 COUNTERWEIGHT,CAST,CE,1930/32.....29-30  
 COUNTERWEIGHT,GS32,REAR.....29-30  
 COUNTERWEIGHT,REAR GS\*\*\*.....29-30  
 COUNTERWEIGHT,SVC,GSXX32.....29-30  
 COUPLER,1/4"SERIES,3/8 P-LOK.....107  
 COVER BOTTOM GEN 5.....85  
 COVER,BLANK.....81  
 COVER,GFCI,WEATHERPROOF.....81  
 COVER-BRUSH INSPEC.40844,SCISS.....97  
 CWT, REAR, XX46.....29-30  
 CYLINDER, 20XX LIFT.....99  
 CYLINDER, 26XX/32XX LIFT.....99  
 CYLINDER, MINI LIFT.....99  
 CYLINDER,GS/GR STEER\*\*\* .....89

## D

DECAL DANGER TIP OVER TRAYS.....11-12, 17, 21  
 DECAL KIT, 1930 PLAT,WRD,ANSI.....11-12  
 DECAL KIT,1530 COMP,WRD,ANSI.....11-12

DECAL KIT,1530 COMP,WRD,AUST.....11-12	DECAL,DANGER,BRAKE REL SAFETY.....12	DECAL,LABEL,WHEEL LOAD 19XX.....12, 15
DECAL KIT,1530 PLAT,WRD,ANSI.....11-12	DECAL,DANGER,BRAKE REL SAFETY*.....12, 17, 21	DECAL,LABEL,WHEEL LOAD 2046.....21, 23
DECAL KIT,1530 PLAT,WRD,AUST.....11-12	DECAL,DANGER,CRUSHING HAZARD.....11-12, 17, 21	DECAL,LABEL,WHEEL LOAD 2632.....17, 19
DECAL KIT,1532 COMP,WRD,AUS.....11-12	DECAL,DANGER,ELEC HAZARD,GS.....11-12, 17, 21	DECAL,LABEL,WHEEL LOAD 2646.....21, 23
DECAL KIT,1532COMP,WRD,AUS.....11-12	D E C A L , D A N G E R , E L E C T HAZARD,PLUG.....11-12, 17, 21	DECAL,LABEL-TIRE SPECS.....17, 21
DECAL KIT,1930 COMP,WRD,ANSI.....11-12	DECAL,DANGER,GENERAL SAFETY.....11-12, 17, 21	DECAL,LABEL-WHEEL LOAD 1530/32.....12, 15
DECAL KIT,1930 COMP,WRD,AUS.....11-12	DECAL,DANGER,IMPROPER USE HAZ.....11-12, 17, 21	DECAL,LANYARD ANCHORAGE POINT...11-12, 15, 17, 19, 21, 23
DECAL KIT,1930 COMP.WORD,AUSTR.....11-12	DECAL,DANGER,NO SMOKING ***.....11-12, 17, 21	DECAL,NOTICE, OPER INST, PCP.....11-12, 17, 21
DECAL KIT,1930 PLAT,WRD,ANSI.....11-12	DECAL,DANGER,TIP-OVER,BATTERY.....11-12, 17, 21	DECAL,NOTICE,ERROR LIGHT.....11-12, 17, 21
DECAL KIT,1930 PLAT,WRD,AUS.....11-12	DECAL,DANGER,TIP-OVER,TILT.....11-12, 17, 21	DECAL,NOTICE,HAZARDOUS MAT'LS*.....11-12, 17, 21
DECAL KIT,1930 PLAT.WORD,AUSTR.....11-12	DECAL,DANGER-USE SAFETY ARM.....12, 17, 21	DECAL,POWER TO PLATFORM 115V.....11-12, 15, 17, 19, 21, 23
DECAL KIT,1932 COMP,WRD,AUS.....11-12	DECAL,INSTR,INDOOR,AUS-26/3232.....17	DECAL,SYM-MAXCAP 1000.....23
DECAL KIT,1932 PLAT,WRD,AUS.....11-12	DECAL,INSTR-MANUAL FRC,AUS.....12	DECAL,SYM-MAXCAP 1200.....23
DECAL KIT,2032,COMP,SYM,ANSI.....19	DECAL,INSTR-MANUALFRC,AUS 2032.....17	DECAL,SYM-MAXCAP 500.....15, 19
DECAL KIT,2032,COMP,SYM,CE.....19	DECAL,INSTR-MANUALFRC,AUS 400N.....21	DECAL,SYM-MAXCAP 600.....15
DECAL KIT,2032,COMP,WORD,ANSI.....17	DECAL,INSTR-MAX CAP 1200LBS.....21	DECAL,SYM-MAXCAP 800.....19
DECAL KIT,2032,COMP,WORD,AUS.....17	DECAL,INSTR-MAX CAP 500 LBS.....12, 17	DECAL,SYM-MAXCAP CE GS15XX.....12, 15
DECAL KIT,2032,PLAT,SYM,ANSI.....19	DECAL,INSTR-MAX CAP 600LBS.....12	DECAL,SYM-MAXCAP CE GS19XX.....12, 15
DECAL KIT,2032,PLAT,SYM,CE.....19	DECAL,INSTR-MAX CAP 800 LBS.....17	DECAL,SYM-MAXCAP CE GS2032.....19
DECAL KIT,2032,PLAT,WORD,ANSI.....17	DECAL,INSTR-SIDE FRC,ANSI.....12, 17	DECAL,SYM-MAXCAP CE GS2046.....23
DECAL KIT,2032,PLAT,WORD,AUS.....17	DECAL,INSTR-SIDE FRC,ANSI 2032.....17	DECAL,SYM-MAXCAP CE GS2632.....19
DECAL KIT,2632,COMP,SYM,ANSI.....19	DECAL,INSTR-SIDE FRC,ANSI 2046.....21	DECAL,SYM-MAXCAP CE GS2646.....23
DECAL KIT,2632,COMP,WORD,ANSI.....17	D E C A L , I N S T R U C T , B A T T E R Y CONNECT.....12, 17, 21	DECAL,SYM-SIDE FORCE 2046.....23
DECAL KIT,2632,COMP,WORD,AUS.....17	DECAL,INSTRUCT,MAXCAP1000LBS.....21	DECAL,SYM-SIDE FORCE 2646.....23
DECAL KIT,2632,PLAT,SYM,ANSI.....19	DECAL,INSTRUCT-ANNUAL INSP REQ.....12, 17, 21	DECAL,SYM-SIDE FORCE 445N.....15, 19
DECAL KIT,2632,PLAT,WORD,ANSI.....17	DECAL,INSTRUCTIONS-CHARGER OP.....12, 17, 21	DECAL,SYM-SIDE FORCE 534N.....19
DECAL KIT,2632,PLAT,WORD,AUS.....17	DECAL,INSTRUCTIONS-OPER,GCP...11-12, 17, 21	DECAL,SYM-SIDEFORCE 200400.....15, 19
DECAL KIT,SAFE/INST,GS32/46***.....17, 21	DECAL,LABEL,AIR LINE 110 PSI.....11-12, 15, 17, 19, 21, 23	DECAL,SYM-SIDEFORCE 400N.....23
DECAL KIT,SYMBOL,GS-32 & 46.....19, 23	DECAL,LABEL,AUX LOWERING.....15, 19, 23	DECAL,SYM-SIDEFORCE 400N ID.....19
DECAL PLATE ASSY W/SYM DECALS.....68, 72	DECAL,LABEL,CAP IND CE GS15XX.....15	DECAL,SYMBOL-BATTERY SAFETY.....15, 19, 23
DECAL, GROUND CONTROL PANEL.....12, 15, 17, 19, 21, 23	DECAL,LABEL,CAP IND CE GS2032.....19	DECAL,SYMBOL-BRAKE REL SAFETY....15, 19, 23
DECAL, LABEL - DIRECTION ARROWS...11-12, 15, 17, 19, 21, 23	DECAL,LABEL,CAP IND CE GS2046.....23	DECAL,SYMBOL-CRUSHING HAZARD.....15, 19, 23
DECAL, LABEL, GS30/32.....11-12, 15	DECAL,LABEL,CAP IND CE GS2646.....23	DECAL,SYMBOL-ELEC HAZARD,GS.....15, 19, 23
DECAL, LABEL, GS32/46.....17, 19, 21, 23	DECAL,LABEL,CAP IND CE19XX.....15	DECAL,SYMBOL-SKIN INJECT HAZRD....15, 23
DECAL, LABEL, LED READOUT.....11-12, 17, 21	DECAL,LABEL,CAP IND CE2632.....19	DECAL,SYMBOL-USE SAFETY ARM.....15, 19, 23
DECAL, LABEL, YELLOW E STOP.....11-12, 15, 21	DECAL,LABEL,ERROR LIGHT.....15, 19, 23	DECAL,WARN,IMPROPER OPERATION...11-12, 17, 21
DECAL, LABEL,AUX LOWERING.....12, 17, 21	DECAL,LABEL,FAULT CODES.....11-12, 17, 21	DECAL,WARN,SKIN INJECTION HAZ*.....12, 17, 21
DECAL, POWER TO PLATFORM 230V*...11-12, 15, 17, 19, 21, 23	DECAL,LABEL,LED READOUT.....15, 19, 23	DECAL,WARNING,CRUSHING HAZARD.....19
DECAL, SYMBOL - READ THE MANUAL...15, 19, 23	DECAL,LABEL,MANUAL NOT HERE...11-12, 17, 21	DECAL,WARNING-COMPART ACCESS...11-12, 17, 21
DECAL,CE MARK,3".....11-12, 15, 21	DECAL,LABEL,PATENTS.....21, 23	DIAGNOSTIC FEMALE Q-DSCNT.....91, 93
DECAL,CHEVRON RANDO HD.....12, 17, 21	DECAL,LABEL,PLAT CONT LOCATION.....12, 17, 21	DRIVE MOTOR,18.3 CU. IN/REV.....89
DECAL,COSMETIC,GENIE GS-1530**.....11-12, 15	DECAL,LABEL,PWR TO CHARGR 115V.....11-12, 15, 17, 19, 21, 23	
DECAL,COSMETIC,GENIE GS-1532.....12, 15	DECAL,LABEL,PWR TO CHARGR 230V.....11-12, 15, 17, 19, 21, 23	<b>E</b>
DECAL,COSMETIC,GENIE GS-1930**.....11-12, 15	DECAL,LABEL,SAFETY ARM.....11-12, 17, 21	ECU,SLAB,GEN4***.....45
DECAL,COSMETIC,GENIE GS-1932.....12, 15	DECAL,LABEL,TIRE SPECS.....11-12	ECU,SLAB/GR GEN 5***.....45
DECAL,COSMETIC,GENIE GS-2032.....17, 19	DECAL,LABEL,TRANSPORT TIEDOWN*..11-12, 15, 17, 19, 21, 23	ELBOW,070220-12-10.....101, 103
DECAL,COSMETIC,GENIE GS-2046**.....21, 23	DECAL,LABEL,WHEEL LOAD 1530.....12, 15	ELBOW,070220-4-4.....101, 103
DECAL,COSMETIC,GENIE GS-2632**.....17, 19	DECAL,LABEL,WHEEL LOAD 1930.....12, 15	ELBOW,070220-6-6.....101, 103
DECAL,COSMETIC,GENIE GS-2646.....21, 23		ELBOW,070220-6-8.....101, 103
DECAL,DANGER DO NOT ALTER SWTC.....11-12, 17, 21		ELBOW,070320-4-4.....101, 103
DECAL,DANGER,BATTERY SAFETY.....11-12, 17, 21		ELBOW,070320-6-6.....101

## Part Description Index (continued)

ENTRY SWING TUBE.....67-68  
 EXT FLDG RAIL ASSY, UPR, 32, S.....72  
 EXT FLDG RAIL ASSY,UPR,32,WO\*\*.....72  
 EXT RAIL ASSY, UPPER, GS30.....68  
 EXT RIGID RAIL ASSY, GS32 SYMB.....72  
 EXT. DECK ASSY, GS32.....72  
 EXT. DECK ASSY, GS32 CE.....72  
 EXT. DECK ASSY, GS46.....76  
 EXT. ENDRAIL ASSY, GS46 (SYMB).....76  
 EXT. ENDRAIL ASSY, GS46 (WORD).....76

**F**

FILTER ASSY,SAE8,10 MIC,PAPR\*\*.....89  
 FILTER CAP (PLUG 1-1/2" NPT HEX.....45  
 FILTER ELEMENT,10MICRON,PAPER\*.....89  
 FILTER ELEMENT,BETA(10)=200.....89  
 FITTING,STRAIGHT DRIVE-IN ZERK.....25, 27  
 FIXED RAILS ASSY, GS30 SYMBOL.....68  
 FIXED RAILS ASSY,GS30 WORD.....68  
 FOAM,CLOSED CELL 1.75X.250X18".....71-72, 79  
 FOOTPEDAL W/NON-SKID TAPE,GS\*\*.....67-68, 71-72, 75-76  
 FORMING, CWT CLAMP.....29-30  
 FORMING, HALF GATE HINGE.....79  
 FORMING, HALF GATE, HINGE.....71-72  
 FORMING, INVERTER SUPPORT.....111  
 FORMING, PIPE HOLDER RACK.....117  
 FORMING, POINTER.....121  
 FORMING,ALARM BRACKET.....33  
 FORMING,BRKT,UP LIMIT SW.....119  
 FORMING,CONTACTOR MOUNT,GS.....41  
 FORMING,CONTROL BRKT.....33  
 FORMING,CWT,COVER,GS32.....29-30  
 FORMING,FILTER-CNTRLR MOUNT.....45  
 FORMING,FUSE BRACKET.....39  
 FORMING,HOSE CLAMP SPT,PTD,BLU.....27  
 FORMING,HOSE CLAMP SUPPORT.....25  
 FORMING,INVERTER MOUNT.....113  
 FORMING,LOAD DECAL.....119  
 FORMING,PADLOCK BRACKET.....97  
 FORMING,PH PUSHER, GS46.....63, 65  
 FORMING,PIPE RACK BASE, GS68.....117  
 FORMING,PLAT CONTR MOUNT.....83  
 FORMING,PLATFORM CONTROL BOX.....85  
 FORMING,POINTER,1532,LOAD SENS.....119  
 FORMING,POINTER,1932,LOAD SENS.....119  
 FORMING,PRESSURE SW. MOUNT.....121  
 FORMING,UP LMT SW BRKT,32/46.....121  
 FUSE BLOCK, ANN & ANL FUSE.....39, 41  
 FUSE HOLDER,INLINE,GS.....111, 113, 115  
 FUSE,13 AMP,220V PLUG.....81  
 FUSE,275 AMP,VERY FAST ACTING.....39, 41, 49, 51-52  
 FUSE,50 AMP.....111, 113, 115  
 FUSE,BATTERY CHARGER\*\*\*.....43

**G**

GAS SHOCK,SCISSORS\*\*\*.....35, 37  
 GASKET, UK & DIN PWR. TO PLAT.....81  
 GASKET, UK RECEPTACLE.....81  
 GREASE,DIELECTRIC,TUBE.....49  
 GRND CNTRL PANEL ASSY,2003MINI.....47  
 GROMMET,SLAB HYD TANK\*\*\*.....45  
 GROUND STRAP, 8"LG.....37  
 GROUND STRAP,12"LG\*\*\*.....35  
 GROUND WIRE ASSY,GS.....52  
 GS30 RIDGID MAIN SIDE SQ RAIL.....67-68

**H**

HANDLE, LATCH, TRAY.....39  
 HANDLE,ANDERSON CONNECTOR SB.....97  
 HARNESS ASSEMBLY, INVERTER.....49, 51-52  
 HARNESS ASSY, MAIN.....49, 51-52  
 HARNESS, BEACON RESISTOR KIT,.....51-52  
 HARNESS, GS POWER CONTRL.....51-52  
 HARNESS, GS SENSORS, ANSI.....51-52  
 HARNESS, GS SENSORS, CE.....51-52  
 HARNESS,ALARM ACCESSORY.....49, 51-52  
 HARNESS,BEACON OPTION,SLAB.....49, 51-52  
 HINGE, ACCESS DOOR GS68.....47  
 HINGE, SPRING, LONG LEG...71-72, 75-76, 79  
 HORN HARNESS.....49, 51-52  
 HORN,24VDC,SPADE TERMINALS\*\*\*.....105  
 HOSE ASSY, DRIVE MOTORS, GS32.....103  
 HOSE ASSY, DRIVE MOTORS, GS46.....103  
 HOSE ASSY, MAN/ACCUM, GS32/46.....103  
 HOSE ASSY, MAN/ACCUM, MINI.....101  
 HOSE ASSY,LOWER LIFT.....103  
 HOSE CLAMP, SAE #6.....103  
 HOSE END, MALE JIC, 30382-6-6B.....103  
 HOSE END,BARBED,SWIVEL,JIC,6-6.....103  
 HOSE, ASSY.....101  
 HOSE, ASSY, BRAKE.....101, 103  
 HOSE, ASSY, BRAKE MAN, GS32.....103  
 HOSE, ASSY, BRAKE MAN, GS46.....103  
 HOSE, ASSY, LIFT.....103  
 HOSE, ASSY, LOWER LIFT.....101  
 HOSE, ASSY, LOWER VENT.....101  
 HOSE, ASSY, MAN TO FILTER.....101, 103  
 HOSE, ASSY, MOTOR CROSSOVER.....101  
 HOSE, ASSY, PRESSURE.....101, 103  
 HOSE, ASSY, RIGHT BRAKE.....101  
 HOSE, ASSY, STEER.....101, 103  
 HOSE, ASSY, UPPER LIFT.....101  
 HOSE, ASSY, UPPER VENT.....29-30, 101  
 HOSE,AIR 3/8.....103  
 HOSE,ASSY,DRIVE MOTORS, 32IN.....101  
 HOSE,ASSY,DRIVE MOTORS,MINI.....101  
 HOSE,LOW PRESSURE,.375 ID,BLK.....107  
 HOUR METER,10-80 VOLTS\*\*\*.....47  
 HOUSING, LOCK PIN.....67-68, 71-72, 75-76  
 HRNS ASSY,RESISTOR,200 OHM.....51-52  
 HRNS,CONTACTOR SIGNAL,GS46.....52  
 HRNS,CONTACTOR SIGNL,GS30/32.....52  
 HRNS,LIFT CYL DOWN,20/26XX,CE.....49, 51-52  
 HRNS,LIFT CYL DOWN,32XX,CE.....51-52  
 HRNS,LIFT CYL DOWN,MINI,CE.....49, 51-52  
 HYD. TANK KIT, GS30,32,46.....45  
 HYDR TRAY ASSY W SYMBOLS 30MIN.....45  
 HYDR TRAY ASSY W/WORDS,2003MIN.....45

**I**

INNER ARM ASSY #1, GS32&46, SY.....63, 65  
 INNER ARM ASSY #1, GS32&46, WO.....63, 65  
 INNER ARM ASSY #3, 2632/2646.....65  
 INNER ARM ASSY #4, 2646.....65  
 INNER ARM ASSY#1, 15&19FT,SYMB.....61  
 INNER ARM ASSY#1,15&19FT,WORD.....61  
 INNER ARM ASSY, #2, GS32&46.....63, 65  
 INNER ARM ASSY, #3, 19FT.....59, 61

INNER ARM ASSY, #3, 2046.....63  
 INNER ARM ASSY,#1,15&19FT SYMB.....57, 59, 61  
 INNER ARM ASSY,#1,15&19FT WORD.....57, 59, 61  
 INNER ARM ASSY,#2,15/19 FT,WRD.....57, 59, 61  
 INNER ARM ASSY,#3 GS2032.....63  
 INNER ARM ASSY,#3,15FT.....57  
 INNER ARM ASSY,#4 19FT.....59, 61  
 INVERT.OPTION,GENIE GS30/1532.....111  
 INVERTER,24VDC,110/230 VAC\*\*\*.....111, 113, 115

**J**

JOYSTICK HANDLE SET, COMPLETE.....87  
 JOYSTICK,SINGL AXIS,HALL,SLAB\*.....87  
 JOYSTICK,SINGL AXIS,POT,SLAB.....87

**K**

KEY SINGLE\*\*\*.....47  
 KEY,RECTANGULAR,.31X.28X1.25\*\*.....25, 27, 29-30  
 KEYS,10 PACK\*\*\*.....47  
 KEYSWITCH,3 POS. W/KEYS\*\*\*.....47  
 KIT, HOSE & FIT. RETURN, GS30.....101  
 KIT, INVERTER JUMPER, GS.....45  
 KIT, MALE RECEPTACLE, DTM.....49, 51-52  
 KIT, PLATFORM PC RECEPT/SOC.....87  
 KIT,BATT. CABLE ASSY.,GS30/32.....52  
 KIT,BATT. CABLE ASSY.,GS46.....52  
 KIT,BATTERY CHARGER,24V.....43  
 KIT,BEACON,GS32/46.....105  
 KIT,CONTACTOR,GS.....45  
 KIT,CONTACTOR,GS,ALT.....45  
 KIT,CONTACTOR,GS,ALT,W INV,CTR.....45  
 KIT,DYN BRAKING VALVE,32/46.....93  
 KIT,DYN BRAKING VALVE,MINI.....91  
 KIT,DYN.BRAKING MANIF,MINI.....91  
 KIT,FEMALE PLUG, DTM.....49, 51-52  
 KIT,GASKET,UK POWER TO PLAT.....81  
 KIT,GATE LATCH.....72, 75-76, 79  
 KIT,GEN 5 COIL CORD.....83, 85  
 KIT,GS30/32 MOTOR CONTROLLER.....45  
 KIT,GS46 MOTOR CONTROLLER.....45  
 KIT,HYD TANK MTG HARDWARE.....45  
 KIT,JOYSTICK ENABLE SWITCH.....87  
 KIT,JOYSTICK REPAIR (78903H).....87  
 KIT,JOYSTICK STEER SWITCH.....87  
 KIT,MINI, HOSE CLAMP RETROFIT.....25  
 KIT,PLATFORM CONTROL GUARD,GEN5,GS.....85  
 KIT,PRESS SWITCH RPLCMNT,MINI\*.....119  
 KIT,PRESS SWTH RPLMNT,GS32/46\*.....121  
 KIT,STEER CYL SEAL,040271P,HDM.....89  
 KIT,STEER CYL SEAL,040499P,HDM.....89  
 KIT,STEER CYL SEAL,040505P,HDM.....89  
 KNOB,HAND PUMP (RED)\*\*\*.....95  
 KNOB,PILOT OP VALVE (BLACK)\*\*\*.....95

**L**

LADDER ASSY,20XX,SYM.....29-30  
 LADDER ASSY,20XX,WORD,AUS,ENG.....29-30  
 LADDER ASSY,20XX,WORD,FR.....29-30  
 LADDER ASSY,26XX-32XX,SYM.....29-30  
 LADDER ASSY,26XX-32XX,WORD,ENG.....29-30

- LADDER ASSY,26XX-32XX,WORD,FR.....29-30  
 LADDER ASSY,GS30,WORD,ENG.....29-30  
 LADDER ASSY,WORD,20XX,ENG.....29-30  
 LADR ASSY,26XX-32XX,WORD,AUS,E.....29-30  
 LANYARD ROLLER BRKT ASSY W/DEC...68, 72, 75-76  
 LATCH HANDLE.....72, 75-76, 79  
 LATCH, LRG PADDLE HANDLE GS90.....41  
 LATCH,BATT/HYDR TRAY\*\*\*.....39  
 LEFT EX. RAIL, GS46.....76  
 LEVEL SENSOR,LS60,RED,1.5 DIA.....33  
 LIGHT,REPLACEMENT BULB (39676).....105  
 LINE,HYD,PRESS SW.....101  
 LINK BUMPER.....57, 59, 61  
 LINK BUMPER, 5".....63, 65  
 LINK BUMPER, SHORT TUBE.....63, 65  
 LINK,(SPLIT) OPEN-END.....72, 79  
 LOCK, CONNECTOR.....43  
 LOCKNUT,ELEC,1/2".....81
- M**
- MAIN DECK ASSY, 2046 (SYMBOL).....75-76  
 MAIN DECK ASSY, 2046 (WORD).....75-76  
 MAIN DECK ASSY, 2046, CE.....75-76  
 MAIN DECK ASSY, 2646 (SYMBOL).....75-76  
 MAIN DECK ASSY, 2646 (WORD).....75-76  
 MAIN DECK ASSY, 2646, CE.....75-76  
 MAIN DECK ASSY, GS2032 AU WORD.....71-72  
 MAIN DECK ASSY, GS2032 CE SYMB.....71-72  
 MAIN DECK ASSY, GS2032 SYMBOL.....71-72  
 MAIN DECK ASSY, GS2032 WORD.....71-72  
 MAIN DECK ASSY, GS2632 AU WORD.....71-72  
 MAIN DECK ASSY, GS2632 CE SYMB.....71-72  
 MAIN DECK ASSY, GS2632 SYMBOL.....71-72  
 MAIN DECK ASSY, GS2632 WORD.....71-72  
 MAIN FLDG RAIL ASSY, LWR, GS32.....72  
 MAIN FLDG RAIL ASSY,UPR L,GS32.....72  
 MAIN FLDG RAIL ASSY,UPR RT,32.....71-72  
 MAIN RAIL RIGID, SQ GS32.....71-72  
 MAIN RAIL, FOLDING, GS30.....68  
 MANIFOLD DOOR ASSY, GS46.....47  
 MANIFOLD,BRAKE RELEASE.....95  
 MANUAL BOX W/DECALS\*\*\*.....68, 72, 75-76  
 MANUAL,OWNERS,CHARGER,105739.....43  
 MOTOR CONTROLLER, DC,24V,360A.....45  
 MOTOR COVER,PLASTIC-DPL\*\*.....72  
 MOTOR,ELECTRIC,24VDC 4.5HP.....97  
 MOTOR,HYDRAULIC,530,14.0CU.IN\*.....89
- N**
- NEEDLE/HOUSING ASSY W/KNOB\*\*\*.....95  
 NIPPLE,DIAGNOSTIC,#4.....91, 93  
 NOTICE,SIDE FRC ANSI2646.....21  
 NUT - PLASTIC,RING FOR ALARMS...33, 83, 85, 105  
 NUT, LP NYLOCK, 3/8-16...67-68, 71-72, 75-76, 79, 113  
 NUT,CASTLE, 1.125-18 UNEF.....25, 27, 29-30  
 NUT,COIL (39909).....99  
 NUT,LOCKING-LG.FLANGE,1/4-20.....39, 41, 47, 63, 65, 115, 119  
 NUT,LOCKING-LG.FLANGE,5/16-18.....41  
 NUT,LP NYLOCK,1/4-20.....39, 41, 45  
 NUT,LP NYLOCK,5/16-18.....67-68, 71-72, 75-76  
 NUT,NYLOCK,1/2-13.....25, 27, 29-30, 55  
 NUT,NYLOCK,1/4-20.....25, 27, 33, 39, 41, 45, 63, 65, 71-72, 75-76, 79, 105, 121  
 NUT,NYLOCK,10-32.....33, 45, 105, 119, 121  
 NUT,NYLOCK,3/8-16.....30, 35, 37, 45, 57, 59, 61, 63, 65, 71-72, 75-76, 79, 111, 117  
 NUT,NYLOCK,5/16-18.....109, 111, 113  
 NUT,RETAINER (96008).....47  
 NUT,WING 5/16-18.....109  
 NUT-COIL SHORT.....91, 93  
 NUT-THIN HEAVY HEX, 1/4-20.....41
- O**
- O-RING KIT (ORFS FITTINGS).....91, 93  
 O-RING-4.....103  
 O-RING-6.....101  
 O/R SYSTEM HARNESS, CE.....51-52  
 ORIFICE,LONG, .037\*\*\*.....99  
 ORIFICE,LONG, .059".....99  
 OUTER ARM ASSY #1, GS46 WORD.....63, 65  
 OUTER ARM ASSY #1, GS46, SYMBO.....63, 65  
 OUTER ARM ASSY#1,15&19FT WORD.....57, 59, 61  
 OUTER ARM ASSY,#1, GS32 SYMBOL.....63, 65  
 OUTER ARM ASSY,#1, GS32 WORD.....63, 65  
 OUTER ARM ASSY,#1,15&19FT SYMB.....57, 59, 61  
 OUTLET, 110V.....81  
 OVERLAY, PLAT CONTRL BOX,GEN4~.....12, 15, 17, 19, 21, 23
- P**
- PC BOARD,SLAB,GEN 4.....83  
 PIN, CHASSIS PIVOT.....57, 59, 61  
 PIN, CYLINDER, SHORT.....57, 59, 61  
 PIN, LINKSET MOUNT, 1".....63, 65  
 PIN, LINKSET MOUNT, 3/4".....63, 65  
 PIN, LOCK.....67-68, 71-72, 75-76  
 PIN, LONG, GS46.....63, 65  
 PIN, LOWER CYLINDER MOUNT.....63, 65  
 PIN, MINI, CENTER.....57, 59, 61, 65  
 PIN, POTHOLE LINK PIVOT.....37  
 PIN, ROLL, .375 X 1.25.....35  
 PIN, SHORT, GS46.....63, 65  
 PIN, UPPER CYLINDER MOUNT.....63, 65  
 PIN, WIRE LOCK 3/8 X 2 -1/2.....68, 72  
 PIN,1.50DIA X 9.13LG,1HOLE.....57, 59, 61  
 PIN,CLEVIS,.375 X 1.75 LG.....35, 37  
 PIN,CLEVIS,.625 X 1.56,ZINC PL.....35  
 PIN,CLEVIS,.625 X 1.88,ZINC PL.....35, 37  
 PIN,CLEVIS,.75 X 2.....25, 27  
 PIN,CLEVIS,.075 X 3.25".....27  
 PIN,COTTER,.125 X .75.....35, 37  
 PIN,COTTER,.156 X 1.75.....27  
 PIN,COTTER,.156 X 2.5.....25, 29-30  
 PIN,LINKAGE,LONG.....57, 59  
 PIN,MINI END\*\*\*.....57, 59, 61  
 PIN,STEER CYLINDER.....25  
 PIPE CRDL,SQ RAILINGS,GS46.....117  
 PLAT ASSY FOLD CHAIN 1530ANSI.....67-68  
 PLAT ASSY FOLD CHAIN 1530SMBL.....67-68  
 PLAT ASSY FOLD CHAIN 1930ANSI.....67-68  
 PLAT ASSY FOLD CHAIN 1930SMBL.....67-68  
 PLAT ASSY FOLD SWING 1530ANSI.....67-68  
 PLAT ASSY FOLD SWING 1530SMBL.....67-68  
 PLAT ASSY FOLD SWING 1532 AUS.....67-68  
 PLAT ASSY FOLD SWING 1532 CE.....67-68  
 PLAT ASSY FOLD SWING 1930ANSI.....67-68  
 PLAT ASSY FOLD SWING 1930SMBL.....67-68  
 PLAT ASSY FOLD SWING 1932 AUS.....67-68  
 PLAT ASSY FOLD SWING 1932 CE.....67-68  
 PLAT ASSY RIGID CHAIN 1530ANSI.....67-68  
 PLAT ASSY RIGID CHAIN 1530SMBL.....67-68  
 PLAT ASSY RIGID CHAIN 1930ANSI.....67-68  
 PLAT ASSY RIGID CHAIN 1930SMBL.....67-68  
 PLAT ASSY RIGID SWING 1530ANSI.....67-68  
 PLAT ASSY RIGID SWING 1530SMBL.....67-68  
 PLAT ASSY RIGID SWING 1532 AUS.....67-68  
 PLAT ASSY RIGID SWING 1532 CE.....67-68  
 PLAT ASSY RIGID SWING 1930ANSI.....67-68  
 PLAT ASSY RIGID SWING 1930SMBL.....67-68  
 PLAT ASSY RIGID SWING 1932 AUS.....67-68  
 PLAT ASSY RIGID SWING 1932 CE.....67-68  
 PLAT ASSY,FLD/CHN,2032 ANSI SY.....71-72  
 PLAT ASSY,FLD/CHN,2032 ANSI WO.....71-72  
 PLAT ASSY,FLD/SWG 2632 CE SYMB.....71-72  
 PLAT ASSY,FLD/SWG, 2032 AUS WO.....71-72  
 PLAT ASSY,FLD/SWG,2032 ANSI SY.....71-72  
 PLAT ASSY,FLD/SWG,2032 ANSI WO.....71-72  
 PLAT ASSY,FLD/SWG,2032 CE SYMB.....71-72  
 PLAT ASSY,FLD/SWG,2632 ANSI SY.....71-72  
 PLAT ASSY,FLD/SWG,2632 ANSI WO.....71-72  
 PLAT ASSY,FLD/SWG,2632 AUS WOR.....71-72  
 PLAT ASSY,RIGID/CHN,2032 ANSI.....71-72  
 PLAT ASSY,RIGID/SWG, 2032 ANSI.....71-72  
 PLAT ASSY,RIGID/SWG, 2032 AUS.....71-72  
 PLAT ASSY,RIGID/SWG,2032 ANSI.....71-72  
 PLAT CONTRL,G4,DEC,IPCB,MINI.....83  
 PLAT CONTROL CIRCT BRD ASSY G5.....85  
 PLAT ENTRY ASSY,RIGID GS30.....79  
 PLAT EXT DECK ASSY,GS30.....68  
 PLAT EXT PLATE ASSY,GS30 WORD.....68  
 PLAT EXT RAIL ASSY,GS30 SMBL.....68  
 PLAT EXT RAIL ASSY,GS30 WORD.....68  
 PLAT EXTN RAIL ASSY,UPPER.....68  
 PLAT MAIN DECK ASSY,1530 ANSI.....67-68  
 PLAT MAIN DECK ASSY,1530 SMBL.....67-68  
 PLAT MAIN DECK ASSY,1532 AUS.....67-68  
 PLAT MAIN DECK ASSY,1532 CE.....67-68  
 PLAT MAIN DECK ASSY,1930 ANSI.....67-68  
 PLAT MAIN DECK ASSY,1930 SMBL.....67-68  
 PLAT MAIN DECK ASSY,1932 AUS.....67-68  
 PLAT MAIN DECK ASSY,1932 CE.....67-68  
 PLATE EXT PLATE ASSY,GS30 SMBL.....68

## Part Description Index (continued)

PLATE, CWGT COVER, GS46 (105066).....29–30  
 PLATE, INVERTER MOUNT.....115  
 PLATE, LIMIT SWITCH MOUNT.....33  
 PLATE, POT HOLE LINK.....35  
 PLATE, POT HOLE LINK.....37  
 PLATE, AC ADAPTER, DIN/UK\*\*\*.....81  
 PLATE, BEACON MOUNT.....105  
 PLATE, BRAKE SPACER.....29–30  
 PLATE, CWGT, GS32 REAR.....29–30  
 PLATE, HOSE ROUTG, BULKHEAD (PTD).....25, 27, 63, 65  
 PLATE, PIPE HOLDER, GS68.....117  
 PLATE, POT HOLE LINK, GS30.....35  
 PLATFORM ASSY, GS2046, ANSI SYM.....75–76  
 PLATFORM ASSY, GS2046, ANSI & CSA.....75–76  
 PLATFORM ASSY, GS2046, AUS.....75–76  
 PLATFORM ASSY, GS2046, CE SYM.....75–76  
 PLATFORM ASSY, GS2646, ANSI SYM.....75–76  
 PLATFORM ASSY, GS2646, ANSI & CSA.....75–76  
 PLATFORM ASSY, GS2646, AUS.....75–76  
 PLATFORM ASSY, GS2646, CE SYM.....75–76  
 PLATFORM CONTROL BOX GEN 5.....85  
 PLATFORM MOUNT ASSY, 15 FT.....55  
 PLATFORM MOUNT ASSY, 19 FT.....55  
 PLATFORM MOUNT ASSY, GS32&46.....55  
 PLUG AND CAP KIT-SERVICE, ORFS\*.....91, 93  
 PLUG, TYPE F, 230A, 50HZ, 16A, IP44.....81  
 PLUG, 1/4" SERIES, 3/8 P-LOCK\*\*\*.....107  
 PLUG, ELECTRICAL, DOMESTIC.....81  
 PLUG, FUSED, 250V, 13AMP, U.K.\*\*.....81  
 PLUG, HEX SOCKET, 090109B-4.....101, 103  
 PLUG, PWR, UK, 16AMP, 3PIN, BLK.....81  
 POT HOLE GUARD, LT, WLDMT.....35  
 POT HOLE GUARD, RT, WLDMT.....35  
 POTHOLE BELL CRNK LINK ASSYGS30.....35, 37  
 POWER CORD, UK 110, 115".....43  
 POWER CORD, NOVON, 8".....43  
 POWER CORD, UK-HIGH VOLTAGE, 8".....43  
 POWER CORD, US 110, 8".....43  
 PRY, FLOW CNTRL VALVE, .75 GPM.....91, 93  
 PUMP, 4CC GEAR, CCW\*\*\*.....97

**Q**

QUICK DISCONNECT CASING, BATT\*\*.....41

**R**

RAIL-GS46 PLAT, MAINDECK LT\*\*\*.....75–76  
 RAIL-GS46 PLAT, MAINDECK RT\*\*\*.....75–76  
 RECEPTACLE ANTI-BACKOUT, 18 CONT.....45  
 RECEPTACLE, DIN, 220V 50A.....81  
 RECEPTACLE, ANTI-BACKOUT.....45  
 RECEPTACLE, FEMALE 18 CONT.....45  
 RECEPTACLE, FEMALE, 36 CONTACT.....45  
 REDUCER, 6-4.....101  
 RELAY, 24VDC, 40/30A, SLD W/BRKT\*.....45, 51–52, 105  
 RIGHT EXT RAIL, GS46 (SYMBOL).....76  
 RIGHT EXT. RAIL, GS46 (WORD).....76  
 RIGID EYE SNAP.....72, 79

RIVET, ALUM, STL, .188 X .250.....67–68, 71–72, 75–76  
 ROD END, .250 X 2.75 LG...25, 57, 59, 61, 63, 65  
 ROD END, .375 X 3.69, ZAG.....61, 63, 65  
 ROLLER ARM, LIMIT SWITCH\*\*\*.....33, 119, 121  
 ROLLER BRACKET ASSY, GRND CNTR...67–68, 71–72, 75–76  
 ROLLER, PLATFORM EXTENSION.....67–68, 71–72, 75–76  
 RUE RING, 3/4 PIN.....27, 35, 37  
 RUE RING, 5/8 PIN.....35, 37

**S**

SAFETY CHOCK, SCISSOR.....57, 59, 61, 63, 65  
 SCREW, HCC, 3/8-16 X 1.50.....57, 59, 61, 63, 65  
 SCREW, YOKE LOCK ALL SLABS.....25, 27  
 SCREW, BHHS, 1/4-20 X .75.....33, 45, 47  
 SCREW, BHHS, 3/8-16 X .75.....47  
 SCREW, HEX HD, NO SLOT, #14X.50.....41  
 SCREW, HHC, 1/2-13 X 3.5.....25, 27, 29–30  
 SCREW, HHC, 1/2-13 X 5 GR5, PLT.....29–30  
 SCREW, HHC, 1/4-20 X .5.....85, 99, 121  
 SCREW, HHC, 1/4-20 X .625.....105  
 SCREW, HHC, 1/4-20 X .75.....39, 45, 115, 119  
 SCREW, HHC, 1/4-20 X 1.....25, 45  
 SCREW, HHC, 1/4-20 X 1.25.....41, 63, 65  
 SCREW, HHC, 1/4-20 X 1.75.....33  
 SCREW, HHC, 1/4-20 X 2.....71–72, 75–76, 79  
 SCREW, HHC, 1/4-20 X 3.5.....119  
 SCREW, HHC, 1/4-20X3.25, GR8.....25, 27  
 SCREW, HHC, 3/8-16 X .75.....25, 27, 68, 76, 83  
 SCREW, HHC, 3/8-16 X 1.25 GRD 5.....35  
 SCREW, HHC, 3/8-16 X 2.....67–68, 71–72, 75–76, 79  
 SCREW, HHC, 3/8-16 X 2.5.....57, 59, 61, 72, 79  
 SCREW, HHC, 3/8-16 X 2.75.....61, 117  
 SCREW, HHC, 3/8-16 X 3.....63, 65  
 SCREW, HHC, 5/16-18 X 2.....109  
 SCREW, PHIL, 8-32X.50, SELF TAP.....81  
 SCREW, PHILLIPS, PHM, 10-32 X .38.....41  
 SCREW, PHILLIPS, PHM, 10-32 X .75.....45, 105  
 SCREW, PHILLIPS, PHM, 6-32 X .75.....81  
 SCREW, PHILLIPS, PHM, 8-32 X.25\*\*.....47  
 SCREW, PHILLIPS, RHM, 10-32 X 1.5.....119, 121  
 SCREW, RHM, 10-32 X 1.5.....33  
 SCREW, RHM, 6-32 X .5.....81  
 SCREW, SHC, 3/8-24 X 1.25\*\*.....97  
 SEAL (84535/84539).....95  
 SEAL KIT (84384).....91, 93  
 SEAL KIT (84515 & 150104).....93  
 SEAL KIT (96579).....99  
 SEAL KIT, HAND PUMP, 2003 MINI.....95  
 SEAL KIT, VALVE.....91, 93  
 SEAL KIT, 39909, PLAT LWR VALVE\*.....99  
 SEAL KIT, BOSCH PUMP.....97  
 SEAL KIT, BOSCH PUMP\*\*\*.....97  
 SEAL KIT, HAND PUMP\*\*\*.....95  
 SEAL KIT, LIFT PUMP, BARNES\*\*.....97  
 SEAL KIT, PO CHECK VALVE (84391).....95  
 SEAL KIT, RC SERIES DR MOTOR\*\*\*.....89  
 SEAL KIT, STEER CYLINDER (96077).....89  
 SEAL KIT-FOR P.N.44167.....91, 93  
 SEAL KIT-LIFT CYL (96192).....99  
 SEAL KIT-P.N.44169,44172,44171.....91, 93

SERIAL # LABEL, SCISSORS\*\*\*\*\*.....12, 15, 17, 19, 21, 23  
 SERVICE KIT, BOM PLUG.....45  
 SERVICE KIT, BRAKE RELEASE MAN\*.....95  
 SERVICE KIT, FUNCTION MANIFOLD.....91  
 SERVICE KIT, INVERTER 800W\*\*\*.....113, 115  
 SLEEVE, TANK SUPPORT.....45  
 SLIDER, UHMW.....55  
 SLIDER, MINI PLATFORM, DRILLED\*\*.....55  
 SLIDER, UHMW.....55  
 SNAP RING, EXTERNAL, 1.25 DIA.\*\*.....57, 59, 61, 65  
 SNAP RING, EXTERNAL, 1.5 DIA\*\*\*.....63, 65  
 SPACER, .75ID X 1.5OD X 1/4THK.....35, 37  
 SPACER, 1/4ID X 1/2OD X .313.....121  
 SPACER-DUAL COIL, #10, SCISSORS.....93  
 SPACER-DUAL COIL, #8\*\*\*.....93  
 SPRING CLIP, 1/4-20, .025-.15X.54, ZAG.....33, 45, 47, 115  
 SPRING, COMPRESSION .835 X 2.....72, 75–76, 79  
 SPRING, COMPRESSION.485 X1.75\*\*.....33, 67–68, 71–72, 75–76  
 SPRING, HAND PUMP ROD.....95  
 SPRING-BRUSH, 40844, SCISSORS.....97  
 STD CONTROL HARNESS, SLAB.....49, 51–52  
 STRAP, NYLON, 1.0 IN. BLACK.....117  
 S T R O B E , B E A C O N , W / O U T  
 HARDWARE\*\*.....105  
 SVC KIT, UK RECEPT.REPLACEMENT.....81  
 SWING GATE ASSY, GS2032 CE.....71–72  
 SWING GATE ASSY, GS2032 CESYMB.....72  
 SWING GATE ASSY, GS2046, CE SYM.....75–76  
 SWING GATE ASSY, GS2632 CE IND.....72  
 SWING GATE ASSY, GS2632 CE SYM.....72  
 SWING GATE ASSY, GS46 WELD.....75–76  
 SWING GATE ASSY, 1530 CE INDOOR.....79  
 SWING GATE ASSY, 1532 CE.....79  
 SWING GATE ASSY, 1930 CE INDOOR.....79  
 SWING GATE ASSY, 1932 CE.....79  
 SWING GATE ASSY, GS2046, CE SYMB.....75–76  
 SWING GATE ASSY, GS2646 CE SYMB.....75–76  
 SWING GATE ASSY, GS2646, CE SYM.....75–76  
 SWING GATE ASSY, GS2646, CE SYM.....75–76  
 SWING GATE ASSY, GS30/32\*\*.....71–72, 79  
 SWING GATE ASSY, GS32, COMPLETE.....71–72  
 SWING GATE KIT, 1530 CE INDOORS.....79  
 SWING GATE KIT, 1532 CE.....79  
 SWING GATE KIT, 1930 CE INDOORS.....79  
 SWING GATE KIT, 1932 CE.....79  
 SWING GATE KIT, GS30.....79  
 SWITCH, LIMIT, W/ROLLER ARM\*\*\*.....33, 119, 121

**T**

T-BOX, 2.75 X 4.5 X 2.0.....81  
 TANK, HYD. SLAB SCISSORS.....45  
 TAPE, NON-SKID, DIE CUT, 1.38X1.5.....67–68, 71–72, 75–76  
 TAPE, NON-SKID, DIE CUT, 4" X 16".....67–68, 72  
 TAPE, NON-SKID, DIE CUT, 4" X 32".....68, 71–72, 75–76  
 TAPE, NON-SKID, DIE CUT, 4" X 40".....67–68



THREADED ROD,(1/4-20),25.50.....39, 41  
 TIE ROD ASSEMBLY.....25  
 TIE ROD ASSEMBLY, GS32.....27  
 TIE ROD ASSY, GS46.....27  
 TRAVEL ALARM ACC, SLAB.....105  
 TUBE, ASSY, DRAW.....101, 103  
 TUBE, ASSY, RETURN.....101, 103  
 TUBE, ENTRY SWING, GS32.....71-72  
 TUBE, VERT, FOLDING.....67-68, 71-72  
 TUBING,PVC,1",BLACK\*\*\*.....72, 79  
 TURN SWITCH ACTUATOR,JOYSTICK\*\*.....87

**U**

U-BOLT, SQR, 3/8-16X2X5, PLTD.....117

**V**

VALVE,CARTRIDGE\*\*\*.....99  
 VALVE,CHECK,IWP-S/CWP PWR ASSI.....91  
 VALVE,HAND PUMP ASSEMBLY\*\*\*.....95  
 VALVE,HAND PUMP, 2003 MINI.....95  
 VALVE,PILOT OPERATED ASSEMBLY\*.....95  
 VALVE,SOLENOID,3POS 4WAY.....91, 93  
 VALVE,W/20V NC SOLENOID,MANUAL.....99  
 VALVE-CHECK,PILOT OPER,2003MIN.....95  
 VALVE-RELIEF, 3700 PSI #8\*\*.....91, 93  
 VALVE-RELIEF, DIFF, 130 PSI.....93  
 VALVE-SOLENOID, 2POS 4 WAY.....91, 93  
 VALVE-SOLENOID,2POS 4WAY\*\*.....93

**W**

WASHER, SHIM,.765 X 1.312 X .093.....35, 37  
 WASHER,FLAT, 1.27 X 2.13 X .13.....57, 61, 65  
 WASHER,FLAT, 375 X 1.5 X .125.....27  
 WASHER,FLAT,.75 HARDENED.....39, 41  
 WASHER,FLAT,MS,#10,Y.....119  
 WASHER,FLAT,USS,1/4"Y.....25, 39, 45, 71-72, 75-76, 79, 105, 111, 113, 119  
 WASHER,FLAT,USS,3/8",Y.....25, 30, 35, 37, 67-68, 71-72, 75-76, 117  
 WASHER,FLAT,USS,5/16",Y.....35, 37, 41, 72, 79, 109  
 WASHER,LOCK,.25.....39, 41, 45, 63, 65, 85, 99, 121  
 WASHER,LOCK,.313.....109  
 WASHER,LOCK,.375.....67-68, 71-72, 75-76, 83, 97  
 WASHER,SHIM,.625 X 1.188X.064.....37  
 WASHER,SHIM,1.54X2.00X.125,ZAG.....59, 63, 65  
 WASHER,STAR,EXTERNAL,.375.....37  
 WASHER,THRUST, GS.....25, 27  
 WASHER,THRUST,.63 X 1.13 X .06.....35  
 WEAR PAD, PLATFORM POINTER.....121  
 WEAR PAD,PLATFORM.....67-68, 71-72, 75-76  
 WEAR/GUIDE PAD MAIN PLATFORM.....67-68, 71-72, 75-76  
 WELDMENT, 1532 COUNTERWT, CE.....29-30  
 WELDMENT, CABLE BRIDGE, 1 ARMS.....57, 59  
 WELDMENT, CABLE BRIDGE, 2 ARMS.....57, 59  
 WELDMENT, LINK, SINGLE.....57, 59, 61  
 WELDMENT, POTHOLE, LEFT SIDE.....37  
 WELDMENT, POTHOLE, RIGHT SIDE.....37  
 WELDMENT, STR YOKE, 30 MINI LT.....25

WELDMENT, STR YOKE, 30 MINI RT.....25  
 WELDMENT,CABLE BRIDGE, TOP,MINI.....61  
 WELDMENT,CABLEBRIDGE HOOK.....63, 65  
 WELDMENT,CABLEBRIDGE,SHORT.....63, 65  
 WELDMENT,LINK PLATFORM MNT\*\*\*.....61  
 WELDMENT,LINK,PLAT MOUNT.....57, 59  
 WELDMENT,ROLLER BRACKET,LT\*\*\*.....68, 72, 75-76  
 WHEEL & TIRE ASSY LP,15".....27, 29-30  
 WHEEL & TIRE ASSY,LP,12"\*\*\*\*\*.....25, 29-30  
 WIRE ASSEMBLY,PLAT/CHASS, 20XX.....49, 51-52  
 WIRE ASSEMBLY,PLAT/CHASS, 26XX.....49, 51-52  
 WIRE ASSEMBLY,PLAT/CHASS,15XX.....49, 51-52  
 WIRE ASSEMBLY,PLAT/CHASS,19XX.....49, 51-52  
 WIRE ASSY,ECU TO CHASSIS,GS30.....49, 51-52  
 WIRE CABLE,14/3 CON.TPE JKT\*.....51-52, 81  
 WIRE CAP,ORANGE.....81  
 WLDMT, ENTRY SIDERAIL, LT.....75-76  
 WLDMT, ENTRY SIDERAIL, RT.....75-76  
 WLDMT, EXT DECK LWR RAIL.....68  
 WLDMT, FORMING, HALFGATE CATCH.....79  
 WLDMT, LOWER EXT RAIL.....72  
 WLDMT, MAIN SIDERAIL,UPPRT \*\*.....67-68  
 WLDMT, MAIN SIDERAIL,UPPER,LFT.....68  
 WLDMT,CABLE BRIDGE,BOTTOM,MINI.....61  
 WLDMT,CABLE BRIDGE,LOWER,MINI.....61  
 WLDMT,LNK,OUT #3-20XX,#5-32XX.....63  
 WLDMT,LNK,OUTER #2,#3,#4.....63, 65  
 WLDMT,LNK,OUTER #4,26XX.....65  
 WLDMT,LNK,OUTER #4,26XX,LEFT.....65  
 WLDMT,LOCKING ROLLER SUPPORT.....67-68, 71-72, 75-76  
 WLDMT,PLATFORM SLIDER.....55  
 WLDMT,STEER YOKE,LT,GS32/46.....27  
 WLDMT,STEER YOKE,RT,GS32/46.....27  
 WLDMT.WHEEL COUNTERWEIGHT...29-30, 35  
 WLDMT/ASSY, PH GUIDE,GS30/32.....35, 37  
 WLDMT/ASSY,PH GUIDE,GS46.....37  
 WLDT, HALF GATE CATCH, GS32.....72  
 WLDT,EX.RAIL,RIGID,GS30.....68  
 WORKLIGHT ACCES,GS15FT.....109  
 WORKLIGHT ACCES,GS19FT.....109  
 WORKLIGHT ACCESSORY,GS19/20XX.....109  
 WORKLIGHT ACCESSORY,GS26XX.....109  
 WORKLIGHT BRACKET.....109  
 WORKLIGHT CABLE,GS15XX.....109  
 WORKLIGHT CABLE,GS19/20XX.....109  
 WORKLIGHT CABLE,GS26XX.....109  
 WORKLIGHT PIGTAIL ASSY.....109  
 WORKLIGHT,24V,COIL CORD.....109

## Fitting Cross References

Genie PN	Parker PN	Description	Genie PN	Parker PN	Description
12342	6-4 F5OX-S	CONNECTOR,STRAIGHT THREAD TO FLARE TUBE	42794	1 CR-S	ELBOW,90°,MALE PIPE
13757	4 R6X-S	RUN TEE,SWIVEL NUT,ORFS	42795	BV-0839	BALL VALVE
19685	12-10 C5OX-S	ELBOW,90°,STRAIGHT THREAD TO FLARE TUBE	42796	BV-0838	BALL VALVE
22664	12-10 C5OX	ELBOW,90°,STRAIGHT THREAD TO FLARE TUBE	42874	6-8 CLO-S	ELBOW,90°,MALE PIPE TO ORFS
27431	8-12 F5OX-S	CONNECTOR,STRAIGHT THREAD TO FLARE TUBE	42912	13943-6-4	HOSE END,90° FEMALE SWIVEL,JIC
28678	AS-B-33	SLEEVE,NYLON,1.81" ID	42920	BV-0840	BALL VALVE,90°
39871	6 WETX-WLN-S	UNION,90° BULKHEAD W/NUT,FLARE TUBE	42932	AS-B-17	SLEEVE,NYLON,1.22" ID
39872	4 R5OX-S	RUN TEE,STRAIGHT THREAD	42936	10243-2-4	HOSE END,FEMALE PIPE
39873	6 C5OX-S	ELBOW,90°,STRAIGHT THREAD TO FLARE TUBE	42953	1/2 DD-S	ELBOW,90°,FEMALE PIPE
39874	8-6 C5OX-S	ELBOW,90°,STRAIGHT THREAD TO FLARE TUBE	42956	6 WELO-WLNL-S	UNION,90° BULKHEAD W/NUT,ORFS
39875	4-6 C5OX-S	ELBOW,90°,STRAIGHT THREAD TO FLARE TUBE	45349	8 V5OX-S	ELBOW,45°,STRAIGHT THREAD TO FLARE TUBE
39876	6-8 C5OX-S	ELBOW,90°,STRAIGHT THREAD TO FLARE TUBE	45351	4 V5OX-S	ELBOW,45°,STRAIGHT THREAD TO FLARE TUBE
39877	4 F5OX-S	CONNECTOR,STRAIGHT THREAD TO FLARE TUBE	47223	10343-6-6	HOSE END,MALE,JIC
39878	6 F5OX-S	CONNECTOR,STRAIGHT THREAD TO FLARE TUBE	47419	PS690503-6-6	SWIVEL,90°,STRAIGHT THREAD TO 37° FLARE
39879	4-8 F5OX-S	CONNECTOR,STRAIGHT THREAD TO FLARE TUBE	48750	421-4	HOSE,1/4 INCH ID
39880	6-10 F5OX-S	CONNECTOR,STRAIGHT THREAD TO FLARE TUBE	48751	481TC-4	HOSE,1/4 INCH ID
39881	4-6 F5OX-S	CONNECTOR,STRAIGHT THREAD TO FLARE TUBE	48752	482TC-4	HOSE,1/4 INCH ID
39882	4-HP5ON-S	PLUG,STRAIGHT THREAD	48753	451TC-6	HOSE,3/8 INCH ID
39883	8-8 FTX-S	CONNECTOR,MALE PIPE TO FLARE TUBE	48754	482TC-6	HOSE,3/8 INCH ID
39885	269HB 12-12	ELBOW,90°,BEADED HOSE BARB TO MALE PIPE	48755	381-6	HOSE,3/8 INCH ID
39886	431-6	HOSE,3/8 INCH ID	48756	451TC-8	HOSE,1/2 INCH ID
39887	540N-2	HOSE,1/8 INCH ID	48757	482TC-8	HOSE,1/2 INCH ID
39888	801-8	HOSE,1/2 INCH ID	48758	381-8	HOSE,1/2 INCH ID
39889	801-12	HOSE,3/4 INCH ID	48759	381-10	HOSE,5/8 INCH ID
39890	10643-6-6	HOSE END,FEMALE SWIVEL,JIC	48760	451TC-10	HOSE,5/8 INCH ID
39891	13943-6-6	HOSE END,90° FEMALE SWIVEL,JIC	48761	482TC-12	HOSE,3/4 INCH ID
39892	13743-6-6	HOSE END,45° FEMALE SWIVEL,JIC	48762	451TC-12	HOSE,3/4 INCH ID
39894	30682-8-8	HOSE END,FEMALE SWIVEL,JIC	48763	772-12	HOSE,3/4 INCH ID
39895	30682-10-12	HOSE END,FEMALE SWIVEL,JIC	48764	881-16	HOSE,1 INCH ID
42286	8-8 CTX-S	ELBOW,90°,MALE PIPE TO FLARE TUBE	48765	772-16	HOSE,1 INCH ID
42756	8-12 CLO-S	ELBOW,90,MALE PIPE TO ORFS	48766	AS-B-15	SLEEVE,NYLON,1.06" ID
42757	8-12 FLO-S	CONNECTOR,MALE PIPE TO ORFS	48767	AS-B-22	SLEEVE,NYLON,1.42" ID
42758	4 JLO-S	UNION TEE,ORFS	48770	881-8	HOSE,1/2 INCH ID
42759	4-4 FLO-S	CONNECTOR,MALE PIPE TO ORFS			
42760	6-8 FLO-S	CONNECTOR,MALE PIPE TO ORFS			
42761	1J143-6-4	HOSE END,90° FEMALE SWIVEL,SEAL LOK			
42762	1J743-6-4	HOSE END,45° FEMALE SWIVEL,SEAL LOK			
42768	1JO43-4-4	HOSE END,MALE,SEAL LOK			
42776	601-8	HOSE,1/2 INCH ID			
42777	1J743-16-16	HOSE END,45° FEMALE SWIVEL,SEAL LOK			
42786	16 CLO-S	ELBOW,90°,MALE PIPE TO ORFS			
42787	16 R6LO-S	RUN TEE,SWIVEL NUT,ORFS			
42788	16-8 TRLO-BL-S	REDUCER,TUBE END TO SWIVEL,ORFS			
42789	6-6 CLO-S	ELBOW,90°,MALE PIPE TO ORFS			
42790	8-10 V5OLO-S	ELBOW,45°,STRAIGHT THREAD TO ORFS			
42791	3/4 CD-S	ELBOW,90°,MALE TO FEMALE PIPE			
42792	3/4 X 1/2 PTR-S	REDUCER,MALE TO FEMALE PIPE			
42793	1/2 CR-S	ELBOW,90°,MALE PIPE			

## Fitting Cross References (Continued)

Genie PN	Parker PN	Description	Genie PN	Parker PN	Description
48771	881-10	HOSE,5/8 INCH ID	48847	13943-12-12	HOSE END,90° FEMALE SWIVEL,JIC
48772	381-4	HOSE,1/4 INCH ID	48848	10543-12-12	HOSE END,MALE,STRAIGHT THREAD
48773	AS-B-13	SLEEVE,NYLON,.86" ID	48849	1JC71-12-12	HOSE END,FEMALE SWIVEL,SEAL LOK
48800	1JC43-4-4	HOSE END,FEMALE SWIVEL,SEAL LOK	48850	1JS71-12-12	HOSE END,FEMALE SWIVEL,SEAL LOK
48801	1J743-4-4	HOSE END,45° FEMALE SWIVEL,SEAL LOK	48851	1J171-12-12	HOSE END,90° FEMALE SWIVEL,SEAL LOK
48802	1J943-4-4	HOSE END,90° FEMALE SWIVEL,SEAL LOK	48852	1J771-12-12	HOSE END,45° FEMALE SWIVEL,SEAL LOK
48804	1JM43-4-4	HOSE END,MALE,SEAL LOK, NO O-RING	48853	1J971-12-12	HOSE END,90° FEMALE SWIVEL,SEAL LOK
48805	10643-4-4	HOSE END,FEMALE SWIVEL,JIC	48854	1JC43-16-16	HOSE END,FEMALE SWIVEL,SEAL LOK
48806	13943-4-4	HOSE END,90° FEMALE SWIVEL,JIC	48855	1J943-16-16	HOSE END,90° FEMALE SWIVEL,SEAL LOK
48807	1JS43-4-4	HOSE END,FEMALE SWIVEL,SEAL LOK	48856	1J171-16-16	HOSE END,90° FEMALE SWIVEL,SEAL LOK
48808	3JC82-8-8	HOSE END,FEMALE SWIVEL,SEAL LOK	48857	1J971-16-16	HOSE END,90° FEMALE SWIVEL,SEAL LOK
48809	3JC82-12-12	HOSE END,FEMALE SWIVEL,SEAL LOK	48859	1JS43-8-4	HOSE END,FEMALE SWIVEL,SEAL LOK
48810	1JC43-6-4	HOSE END,FEMALE SWIVEL,SEAL LOK	48867	PD36BTL	DIAGNOSTIC NIPPLE,SEAL-LOK SWIVEL
48811	1J943-6-4	HOSE END,90° FEMALE SWIVEL,SEAL LOK	48873	6 PNLO-S	PLUG,TUBE END,ORFS
48812	1JC43-6-6	HOSE END,FEMALE SWIVEL,SEAL LOK	48874	6 PNTX-S	PLUG,FLARE TUBE
48813	1J143-6-6	HOSE END,90° FEMALE SWIVEL,SEAL LOK	48875	6 R6LO-S	RUN TEE,SWIVEL NUT,ORFS
48814	1J543-6-6	HOSE END,90° FEMALE SWIVEL,SEAL LOK	48877	4 F5OLO-SW/.025	CONNECTOR,STRAIGHT THREAD TO ORFS, W/.025 ORI
48815	1J743-6-6	HOSE END,45° FEMALE SWIVEL,SEAL LOK	48878	16-12 C5OLO-S	ELBOW,90°,STRAIGHT THREAD TO ORFS
48816	1J943-6-6	HOSE END,90° FEMALE SWIVEL,SEAL LOK	48879	8 C6LO-S	ELBOW,90°,SWIVEL NUT ORFS
48817	1JS43-6-8	HOSE END,FEMALE SWIVEL,SEAL LOK	48880	PD6-285	CAP,DIAGNOSTIC NIPPLE
48818	1J943-8-4	HOSE END,90° FEMALE SWIVEL,SEAL LOK	48881	6 HLO-S	UNION,ORFS
48819	1JC43-8-6	HOSE END,FEMALE SWIVEL,SEAL LOK	48883	8 P5ON-S	PLUG,STRAIGHT THREAD
48820	1J743-8-6	HOSE END,45° FEMALE SWIVEL,SEAL LOK	48884	8M18F87OMLO-S	CONNECTOR,METRIC,STRAIGHT THREAD TO ORFS
48821	1J943-8-6	HOSE END,90° FEMALE SWIVEL,SEAL LOK	48885	4 WGTX-WLN-S	CONNECTOR,BULKHEAD,FEMALE PIPE TO FLARE TUBE
48822	1JC43-8-8	HOSE END,FEMALE SWIVEL,SEAL LOK	48886	4 F5OLO-SW/2MM	CONNECTOR,MACHINED STRAIGHT THREAD TO ORFS
48823	1JS43-8-8	HOSE END,FEMALE SWIVEL,SEAL LOK	48887	4 CTX-S	ELBOW,90°,MALE PIPE TO FLARE TUBE
48824	1J143-8-8	HOSE END,90° FEMALE SWIVEL,SEAL LOK	48888	10-12 V5OLO-S	ELBOW,45°,STRAIGHT THREAD TO ORFS
48825	1J543-8-8	HOSE END,90° FEMALE SWIVEL,SEAL LOK	48890	4 S5OLO-S	BRANCH TEE,STRAIGHT THREAD TO ORFS
48826	1J743-8-8	HOSE END,45° FEMALE SWIVEL,SEAL LOK	48891	4 S6LO-S	BRANCH TEE,SWIVEL NUT TO ORFS
48827	1J943-8-8	HOSE END,90° FEMALE SWIVEL,SEAL LOK			
48828	1JC43-10-8	HOSE END,FEMALE SWIVEL,SEAL LOK			
48829	1JS43-10-8	HOSE END,FEMALE SWIVEL,SEAL LOK			
48830	1J743-10-8	HOSE END,45° FEMALE SWIVEL,SEAL LOK			
48831	1J943-10-8	HOSE END,90° FEMALE SWIVEL,SEAL LOK			
48833	1JC43-10-10	HOSE END,FEMALE SWIVEL,SEAL LOK			
48834	1J943-10-10	HOSE END,90° FEMALE SWIVEL,SEAL LOK			
48835	1JS43-10-12	HOSE END,FEMALE SWIVEL,SEAL LOK			
48836	1JC43-12-8	HOSE END,FEMALE SWIVEL,SEAL LOK			
48837	1JS43-12-8	HOSE END,FEMALE SWIVEL,SEAL LOK			
48838	1J743-12-8	HOSE END,45° FEMALE SWIVEL,SEAL LOK			
48839	1J943-12-8	HOSE END,90° FEMALE SWIVEL,SEAL LOK			
48840	1J943-12-10	HOSE END,90° FEMALE SWIVEL,SEAL LOK			
48841	1JC43-12-12	HOSE END,FEMALE SWIVEL,SEAL LOK			
48842	1JO43-12-12	HOSE END,MALE,SEAL LOK			
48843	1J143-12-12	HOSE END,90° FEMALE SWIVEL,SEAL LOK			
48844	1J543-12-12	HOSE END,90° FEMALE SWIVEL,SEAL LOK			
48845	1J743-12-12	HOSE END,45° FEMALE SWIVEL,SEAL LOK			
48846	1J943-12-12	HOSE END,90° FEMALE SWIVEL,SEAL LOK			

## Fitting Cross References (Continued)

Genie PN	Parker PN	Description	Genie PN	Parker PN	Description
48892	6 C6LO-S	ELBOW,90°,SWIVEL NUT ORFS	48938	8 R6LO-S	RUN TEE,SWIVEL NUT,ORFS
48893	6 F5OHAO-S	UNION,STRAIGHT THREAD	48939	8 S6LO-S	BRANCH TEE,SWIVEL NUT TO ORFS
48894	8 WLO-WLNL-S	UNION,BULKHEAD,ORFS	48940	8 WJLO-WLNL-S	RUN TEE, BULKHEAD,ORFS
48895	DT-370-MSMO-5	VALVE,CHECK	48941	8-4 TRLO-S	REDUCER,TUBE END TO SWIVEL,ORFS
48896	6 JLO-S	UNION,TEE,ORFS	48942	8-6 C5OLO-S	ELBOW,90°,STRAIGHT THREAD TO ORFS
48897	DT-750-MSMS-5	VALVE,CHECK	48943	8-6 F5OLO-S	CONNECTOR,STRAIGHT THREAD TO ORFS
48898	DT-750-MOMS-5	VALVE,CHECK	48944	8-8 FLO-S	CONNECTOR,MALE PIPE TO ORFS
48899	DT-620-MOMS-5	VALVE,CHECK	48945	8 FTX-S	CONNECTOR,MALE PIPE TO FLARE TUBE
48900	4-6 F5OLO-SW/.035	CONNECTOR,STRAIGHT THREAD TO ORFS, W/.035 ORI	48946	8-10 F5OLO-S	CONNECTOR,STRAIGHT THREAD TO ORFS
48902	16-1 AOE4G-S	ELBOW,90° LONG,FEMALE PIPE TO STRAIGHT THREAD	48947	8-12 C5OLO-S	ELBOW,90°,STRAIGHT THREAD TO ORFS
48903	1 FF-S	NIPPLE,PIPE	48948	8-12 F5OLO-S	CONNECTOR,STRAIGHT THREAD TO ORFS
48904	4 C5OLO-S	ELBOW,90°,STRAIGHT THREAD TO ORFS	48949	8-16 F5OLO-S	CONNECTOR,STRAIGHT THREAD TO ORFS
48905	4 F5OLO-S	CONNECTOR,STRAIGHT THREAD TO ORFS	48950	10 C5OLO-S	ELBOW,90°,STRAIGHT THREAD TO ORFS
48906	4 R5OLO-S	RUN TEE,STRAIGHT THREAD	48951	10 CC5OLO-S	ELBOW,90° LONG,STRAIGHT THREAD TO ORFS
48907	4 V5OLO-S	ELBOW,45°,STRAIGHT THREAD TO ORFS	48952	10 F5OLO-S	CONNECTOR,STRAIGHT THREAD TO ORFS
48908	4 R6LO-S	RUN TEE,SWIVEL NUT,ORFS	48953	10 R5OLO-S	RUN TEE,STRAIGHT THREAD
48909	4 WJLO-WLNL-S	RUN TEE, BULKHEAD,ORFS	48954	10 S5OLO-S	BRANCH TEE,STRAIGHT THREAD TO ORFS
48910	4 GTX-S W/.030	CONNECTOR,FEMALE PIPE TO FLARE TUBE	48955	10 R6LO-S	RUN TEE,SWIVEL NUT,ORFS
48911	4-6 C5OLO-S	ELBOW,90°,STRAIGHT THREAD TO ORFS	48956	10-4 TRLO-BL-S	REDUCER,TUBE END TO SWIVEL,ORFS
48912	4-6 F5OLO-S	CONNECTOR,STRAIGHT THREAD TO ORFS	48957	10-6 TRLO-BL-S	REDUCER,TUBE END TO SWIVEL,ORFS
48913	4-6 F5OLO-SW/.030	CONNECTOR,STRAIGHT THREAD TO ORFS, W/.030 ORI	48958	10-12 F5OLO-S	CONNECTOR,STRAIGHT THREAD TO ORFS
48914	4-8 F5OLO-S	CONNECTOR,STRAIGHT THREAD TO ORFS	48959	12 C5OLO-S	ELBOW,90°,STRAIGHT THREAD TO ORFS
48915	6 C5OLO-S	ELBOW,90°,STRAIGHT THREAD TO ORFS	48960	12 F5OLO-S	CONNECTOR,STRAIGHT THREAD TO ORFS
48916	6 F5OLO-S	CONNECTOR,STRAIGHT THREAD TO ORFS	48961	12 R5OLO-S	RUN TEE,STRAIGHT THREAD
48917	6 FF5OLO-S	CONNECTOR,LONG,STRAIGHT THREAD TO ORFS	48962	12 S5OLO-S	BRANCH TEE,STRAIGHT THREAD TO ORFS
48918	6 R5OLO-S	RUN TEE,STRAIGHT THREAD	48963	12 V5OLO-S	ELBOW,45°,STRAIGHT THREAD TO ORFS
48919	6 S5OLO-S	BRANCH TEE,STRAIGHT THREAD TO ORFS	48964	12 R6LO-S	RUN TEE,SWIVEL NUT,ORFS
48920	6 V5OLO-S	ELBOW,45°,STRAIGHT THREAD TO ORFS	48965	12 CLO-S	ELBOW,90°,MALE PIPE TO ORFS
48921	6 FLO-S	CONNECTOR,MALE PIPE TO ORFS	48966	12 FLO-S	CONNECTOR,MALE PIPE TO ORFS
48922	6-6 FLO-S	CONNECTOR,MALE PIPE TO ORFS	48967	12 JLO-S	UNION TEE,ORFS
48923	6 P5ON-S	PLUG,STRAIGHT THREAD	48968	12 WLO-WLNL-S	UNION,BULKHEAD,ORFS
48925	6 WELO-S	UNION,90° BULKHEAD,ORFS	48969	12 WJLO-WLNL-S	RUN TEE, BULKHEAD,ORFS
48926	6-4 C5OLO-S	ELBOW,90°,STRAIGHT THREAD TO ORFS	48970	12 WELO-WLNL-S	UNION,90° BULKHEAD W/NUT,ORFS
48927	6-4 F5OLO-S	CONNECTOR,STRAIGHT THREAD TO ORFS			
48928	6-4 V5OLO-S	ELBOW,45°,STRAIGHT THREAD TO ORFS			
48929	6-8 C5OLO-S	ELBOW,90°,STRAIGHT THREAD TO ORFS			
48930	6-8 F5OLO-S	CONNECTOR,STRAIGHT THREAD TO ORFS			
48931	6-10 F5OLO-S	CONNECTOR,STRAIGHT THREAD TO ORFS			
48932	8 C5OLO-S	ELBOW,90°,STRAIGHT THREAD TO ORFS			
48933	8 F5OLO-S	CONNECTOR,STRAIGHT THREAD TO ORFS			
48934	8 FF5OLO-S	CONNECTOR,LONG,STRAIGHT THREAD TO ORFS			
48935	8 R5OLO-S	RUN TEE,STRAIGHT THREAD			
48936	8 S5OLO-S	BRANCH TEE,STRAIGHT THREAD TO ORFS			
48937	8 V5OLO-S	ELBOW,45°,STRAIGHT THREAD TO ORFS			

## Fitting Cross References (Continued)

Genie PN	Parker PN	Description	Genie PN	Parker PN	Description
48971	12 G5G5JG5-S	TEE,FEMALE STRAIGHT THREAD	49612	PKT02586	O-RING KIT (ORFS FITTINGS)
48972	12 XHL6-S	ADAPTER, 37° MALE TO SWIVEL ORFS	49613	PKT06276	PLUG AND CAP KIT-SERVICE,ORFS
48973	12-1/2 F5OG-S	ADAPTER,FEMALE PIPE TO STRAIGHT THREAD	49728	10143-12-12	HOSE END, MALE PIPE
48974	12-10 C5OLO-S	ELBOW,90°,STRAIGHT THREAD TO ORFS	49729	16-1 F5OG-S	ADAPTER,FEMALE PIPE TO STRAIGHT THREAD
48975	12-10 F5OLO-S	CONNECTOR,STRAIGHT THREAD TO ORFS	49814	12-8 FLO-S	CONNECTOR,MALE PIPE TO ORFS
48976	12-16 C5OLO-S	ELBOW,90°,STRAIGHT THREAD TO ORFS	49829	DT-500-MOMF-5	VALVE,CHECK
48977	12-16 F5OLO-S	CONNECTOR,STRAIGHT THREAD TO ORFS	49831	881-12	HOSE,3/4 INCH ID
48978	12-16 V5OLO-S	ELBOW,45°,STRAIGHT THREAD TO ORFS	49834	16 JLO-S	UNION TEE,ORFS
48980	12-16 FLO-S	CONNECTOR,MALE PIPE TO ORFS	49838	12-8 TRLO-BL-S	REDUCER,TUBE END TO SWIVEL,ORFS
48983	16 C5OLO-S	ELBOW,90°,STRAIGHT THREAD TO ORFS	49840	8 JLO-S	UNION TEE,ORFS
48984	16 F5OLO-S	CONNECTOR,STRAIGHT THREAD TO ORFS	49844	10-8 TRLO-BL-S	REDUCER,TUBE END TO SWIVEL,ORFS
48985	16 V5OLO-S	ELBOW,45°,STRAIGHT THREAD TO ORFS	49854	8 P5ON-S	PLUG,STRAIGHT THREAD
48986	16 FLO-S	CONNECTOR,MALE PIPE TO ORFS	49855	1JC43-16-12	HOSE END,FEMALE SWIVEL,SEAL LOK
48988	16 CD45-S	ELBOW,45°,MALE TO FEMALE PIPE	49859	4 P5ON-S	PLUG,STRAIGHT THREAD
48989	12 CD45-S	ELBOW,45°,MALE TO FEMALE PIPE	49861	4 FF5OLO-S	CONNECTOR, LONG, STRAIGHT THREAD TO ORFS
48990	8 CD45-S	ELBOW,45°,MALE TO FEMALE PIPE	49867	12-3/4 F5OG-S	ADAPTER,FEMALE PIPE TO STRAIGHT THREAD
48991	16-12 FLO-S	CONNECTOR,MALE PIPE TO ORFS	51152	6 R6X-S	RUN TEE,SWIVEL NUT,ORFS
48992	16-12 V5OLO-S	ELBOW,45°,STRAIGHT THREAD TO ORFS	51153	6-4 TRTX-S	REDUCER,TUBE END TO SWIVEL,ORFS
48993	XV501-12	BALL VALVE	51154	4-4 GTX	CONNECTOR,FEMALE PIPE TO FLARE TUBE
48994	XV501-16	BALL VALVE	51264	881-12	HOSE,3/4 INCH ID
48995	XV510P-12	BALL VALVE	51265	8 JLO-S	UNION TEE,ORFS
48996	XV510P-16	BALL VALVE	51508	6 BTX-S	NUT,FLARE TUBE
48997	PD341	DIAGNOSTIC NIPPLE, STRAIGHT THREAD	51580	12-8 TRLO-BL-S	TUBE END REDUCER,ORFS
48998	PD 361	DIAGNOSTIC NIPPLE, STRAIGHT THREAD	51628	6 R6X-S	RUN TEE,SWIVEL NUT,ORFS
48999	DT-500-MOMS-5	VALVE,CHECK	51735	3/8 HHP	PLUG,PIPE THREAD
49201	10 V5OLO-S	ELBOW,45°,STRAIGHT THREAD TO ORFS	51803	1J943-6-8	HOSE END,90° FEMALE SWIVEL,SEAL LOK
49202	1JC43-12-10	HOSE END,FEMALE SWIVEL,SEAL LOK	53023	125HBL-5-4	FITTING,HOSE BARB TO MALE PIPE
49203	10-8 V5OLO-S	ELBOW,45°,STRAIGHT THREAD TO ORFS	53497	PKT02585	O-RING KIT
49205	6 F5OHAO-S	UNION,STRAIGHT THREAD	53499	1JC71-16-16	HOSE END,FEMALE SWIVEL,SEAL LOK
49207	PD34BTL	DIAGNOSTIC NIPPLE,SEAL-LOK SWIVEL	53500	3-904	O-RING,STRAIGHT THREAD,-4
49209	8M18F870MX-S	CONNECTOR,METRIC,STRAIGHT THREAD TO FLARE TUBE	53501	3-906	O-RING,STRAIGHT THREAD,-6
49212	8 WGTX-WLN-S	CONNECTOR,BULKHEAD,FEMALE PIPE TO FLARE TUBE	53502	3-908	O-RING,STRAIGHT THREAD,-8
49213	30682-8-8	HOSE END,FEMALE SWIVEL,JIC	53503	3-910	O-RING,STRAIGHT THREAD,-10
49216	831-8	HOSE,1/2 INCH ID			
49217	33982-8-8	HOSE END,90° FEMALE SWIVEL,JIC			
49219	PS-B-35	SLEEVE,NYLON,2.19" ID			
49418	4-6 V5OLO-S	ELBOW,45°,STRAIGHT THREAD TO ORFS			
49511	DT370-MOMS-5	VALVE,CHECK			
49512	1 DD-S	ELBOW,90°,FEMALE PIPE			
49513	1 FF-S	NIPPLE,PIPE			
49514	10 HP5ON-S	PLUG,STRAIGHT THREAD			
49515	12-16 CLO-S	ELBOW,90°,MALE PIPE TO ORFS			
49517	6 HP5ON-S	PLUG,STRAIGHT THREAD			
49519	16-12 F5OLO-S	CONNECTOR,STRAIGHT THREAD TO ORFS			
49520	4 VTX-S	ELBOW,45°,MALE PIPE TO FLARE TUBE			
49530	16 C6LO-S	ELBOW,90°,SWIVEL NUT ORFS			

## Fitting Cross References (Continued)

Genie PN	Parker PN	Description	Genie PN	Parker PN	Description
53535	3-912	O-RING, STRAIGHT THREAD, -12	61083	24 F5OLO-S	CONNECTOR, STRAIGHT THREAD TO ORFS
53536	4-PNLO-S	PLUG, TUBE END, ORFS	61086	20 R5OLO-S	RUN TEE, STRAIGHT THREAD
53537	6 PNLO-S	PLUG, TUBE END, ORFS	61090	24-20 F5OLO-S	CONNECTOR, STRAIGHT THREAD TO ORFS
53538	8 PNLO-S	PLUG, TUBE END, ORFS	61091	1J943 24-24	HOSE END, 90° FEMALE SWIVEL, SEAL LOK
53539	10 PNLO-S	PLUG, TUBE END, ORFS	61093	1J978-12-12	HOSE END, 90° FEMALE SWIVEL, JIC
53540	12 PNLO-S	PLUG, TUBE END, ORFS	61095	1JS43-20-16	HOSE END, FEMALE SWIVEL, SEAL LOK
53946	129HB-5-4	FITTING, 90° HOSE BARB TO MALE PIPE	61100	811-24	HOSE, 1 1/2 INCH ID
53951	8-1/4F50G-S	ADAPTER, FEMALE PIPE TO STRAIGHT THREAD	61130	1JS43-24-24	HOSE END, FEMALE SWIVEL, SEAL LOK
53980	6 S6LO-S	BRANCH TEE, SWIVEL NUT TO ORFS	61131	1JS78 12-12	HOSE END, FEMALE SWIVEL, SEAL LOK
54132	4 C6LO-S	ELBOW, 90°, SWIVEL NUT ORFS	61132	1J778-12-12	HOSE END, 45° FEMALE SWIVEL, JIC
54135	11343-16-16	HOSE END, MALE SWIVEL, PIPE	61152	139HB-6-4	ELBOW, 45°, BARB TO MALE PIPE
54283	8-10 C5OLO-S	ELBOW, 90°, STRAIGHT THREAD TO ORFS	61251	BV-0750	BALL VALVE
54428	8M18C870MLO-S	ELBOW, 90° METRIC, STRAIGHT THREAD TO ORFS	61259	4 CC5OLO-S	ELBOW, 90° LONG, STRAIGHT THREAD TO ORFS
54803	FS-F-16-10	SLEEVE, FIRE, .96" ID	61260	20-12 TRLO-BL	REDUCER, TUBE END TO SWIVEL, ORFS
54954	10143-2-4	HOSE END, MALE PIPE	61262	12 C6LO-S	ELBOW, 90°, SWIVEL NUT ORFS
55190	3/8 HP-S	PLUG, PIPE THREAD	61263	20 F5OHAO-S	UNION, STRAIGHT THREAD
55448	8 HLO-S	UNION, ORFS	61264	6-10 C5OLO-S	ELBOW, 90°, STRAIGHT THREAD TO ORFS
55839	6 F65OX-S	CONNECTOR, STRAIGHT THREAD TO 37° SWIVEL	61265	6 WNLO-WLNL-S	UNION, BULKHEAD 45°, ORFS
55968	10 C5OX-S	ELBOW, 90°, STRAIGHT THREAD TO FLARE TUBE	61268	4 WNLO-WLNL-S	UNION, BULKHEAD 45°, ORFS
56003	6 CC5OLO-S	ELBOW, 90° LONG, STRAIGHT THREAD TO ORFS	61269	4 WLO-WLNL-S	UNION, BULKHEAD, ORFS
56166	BV-0837	BALL VALVE, 90°	61272	12 AOEL6	ELBOW, 90°, STRAIGHT THREAD TO ORFS SWIVEL
56188	10143-8-6	HOSE END, MALE PIPE	61316	482TC-16	HOSE, 1 INCH ID
56233	2-011	O-RING, ORFS, -4	61321	6 JLO-S	UNION TEE, ORFS
56234	2-012	O-RING, ORFS, -6	61327	782-12	HOSE, 3/4 INCH ID
56235	2-014	O-RING, ORFS, -8	61328	881-24	HOSE, 1 1/2 INCH ID
56236	2-016	O-RING, ORFS, -10	61336	11943-20-24	HOSE END, 90° FLANGE HEAD
56237	2-018	O-RING, ORFS, -12	61345	12 WJLO-WLNL-S	RUN TEE, BULKHEAD, ORFS
56238	2-021	O-RING, ORFS, -16	61346	8 WNLO-WLNL-S 4	UNION, BULKHEAD 45°, ORFS
56352	6 WLNL-S	LOCKNUT, BULKHEAD	61569	33782-8-8	HOSE END, 45° FEMALE SWIVEL, JIC
56353	3J782-12-12	HOSE END, 45° FEMALE SWIVEL, SEAL LOK	61610	12 FF5OLO-S	CONNECTOR, LONG, STRAIGHT THREAD TO ORFS
56354	3J982-12-12	HOSE END, 90° FEMALE SWIVEL, SEAL LOK	61742	1/8 X 1.5 FFF	NIPPLE, PIPE
56604	10-8 F5OLO-S	CONNECTOR, STRAIGHT THREAD TO ORFS	63426	8 PNTX-S	PLUG, FLARE TUBE
56639	3JC82-10-10	HOSE END, FEMALE SWIVEL, SEAL LOK			
56640	3J982-10-10	HOSE END, 90° FEMALE SWIVEL, SEAL LOK			
56655	3JC82-8-10	HOSE END, FEMALE SWIVEL, SEAL LOK			
56676	10-8 C5OLO-S	ELBOW, 90°, STRAIGHT THREAD TO ORFS			
56776	471TC-6	HOSE, 3/8 INCH ID			
56777	471TC-8	HOSE, 1/2 INCH ID			
56789	811-16	HOSE, 1 INCH ID			
57884	3/8 FF	NIPPLE, PIPE			
59335	6 FNL-S	CAP, TUBE END			
59342	4 FNL-S	CAP, TUBE END			
59371	8 HP5ON-S	PLUG, STRAIGHT THREAD			
60653	BV-0751	BALL VALVE			
60806	125HB-3-4	FITTING, HOSE BARB TO MALE PIPE			
61064	5-1/4 F5OG-S	ADAPTER, FEMALE PIPE TO STRAIGHT THREAD			
61079	4 WELO-WLNL-S	UNION, 90° BULKHEAD W/NUT, ORFS			
61080	6 WLO-WLNL-S	UNION, BULKHEAD, ORFS			

## Fitting Cross References (Continued)

Genie PN	Parker PN	Description	Genie PN	Parker PN	Description
64271	4 WLO-WLNL-S	UNION,BULKHEAD,ORFS	75631	801-6	HOSE,3/8 INCH ID
64272	6 WLO-WLNL-S	UNION,BULKHEAD,ORFS	75654	20 F5OLO-S	CONNECTOR,STRAIGHT THREAD TO ORFS
65776	8 F65OL-S	CONNECTOR,STRAIGHT THREAD TO ORFS SWIVEL	75655	1J943-20-20	HOSE END,90° FEMALE SWIVEL,SEAL LOK
65880	6001012	O-RING KIT	75656	881-20	HOSE,1-1/4 INCH ID
66154	6 WTX-WLNS	UNION,BULKHEAD,FLARE TUBE	75971	8 F5OHAO-S	UNION,STRAIGHT THREAD
66155	6 WETX-S	UNION,BULKHEAD 90°,FLARE TUBE	77307	1JB43-8-8	HOSE END,BULKHEAD,SEAL LOK
66156	6 WLN-S	BULKHEAD LOCKNUT	77309	8 WLNL-S	BULKHEAD LOCKNUT
66389	6-8 F5OX-S	CONNECTOR,STRAIGHT THREAD TO FLARE TUBE	77379	8M18C87OMX-S	ELBOW,90° METRIC,STRAIGHT THREAD TO FLARE TUBE
66392	6 R5OX-S	RUN TEE,STRAIGHT THREAD	77703	3J982-8-8	HOSE END,90° FEMALE SWIVEL,SEAL LOK
66396	811-12	HOSE,3/4 INCH ID	77711	801-10	HOSE,5/8 INCH ID
66829	H3174PP	CLAMP,TUBE	77758	12 WNLO-WLNL-S	UNION,BULKHEAD 45°,ORFS
67217	4 KLO-S	UNION,CROSS,ORFS	78091	6 C6X-S	ELBOW,90°,SWIVEL NUT TO FLARE TUBE
67339	10-6 F5OX-S	CONNECTOR,STRAIGHT THREAD TO FLARE TUBE	78684	30582-8-8B	HOSE END,PUSH LOK,MALE
67357	13943-8-6	HOSE END,90° FEMALE SWIVEL,JIC	78852	549-2	HOSE,1/8 INCH ID
67358	10 HP5ON-S	PLUG,STRAIGHT THREAD	78855	10657-4-2	HOSE END,FEMALE SWIVEL,JIC
67371	12 S6LO-S	BRANCH TEE,SWIVEL NUT TO ORFS	79138	PS-B-37	SLEEVE,NYLON,2.38" ID
67498	4 FNL-S	CAP, TUBE END	79476	1JS43-6-8	HOSE END,FEMALE SWIVEL,SEAL LOK
67906	DC-370-F0F0-5	VALVE,CHECK	79847	12-3/4 A0EG-S	ELBOW,90°,STRAIGHT THREAD TO FEMALE PIPE
69316	8 FLO-S	CONNECTOR,MALE PIPE TO ORFS	80044	8 CLO-S	ELBOW,90°,MALE PIPE TO ORFS
69333	H3174PP	CLAMP,HYDRAULIC HOSE	80502	8 F5OX-S	CONNECTOR,STRAIGHT THREAD TO FLARE TUBE
69503	4 F65OX-S	CONNECTOR,STRAIGHT THREAD TO 37° SWIVEL	80503	8 C5OX-S	ELBOW,90°,STRAIGHT THREAD TO FLARE TUBE
69775	8 FNL-S	CAP, TUBE END	81010	AS-B-27	SLEEVE,NYLON,1.63" ID
71038	1/4X1/4F3HG-S	ADAPTER,CONVERSION	83052	821-6	HOSE,3/8 INCH ID
71196	12-8 F5OLO-S	CONNECTOR,STRAIGHT THREAD TO ORFS	83053	821-8	HOSE,1/2 INCH ID
71383	1/4 CD45-S	ELBOW,45°,MALE TO FEMALE PIPE	83054	821-12	HOSE,3/4 INCH ID
72270	12FNL-S	CAP, TUBE END	83055	30682-6-6	HOSE END,FEMALE SWIVEL,JIC
73436	60C-4	SLEEVE,COMPRESSION	83056	30682-12-12	HOSE END,FEMALE SWIVEL,JIC
73437	61C-4	NUT,COMPRESSION	83057	33782-6-6	HOSE END,45° FEMALE SWIVEL,JIC
73438	33482-4-4B	HOSE END,PUSH LOK,MALE	83058	33982-6-6	HOSE END,90° FEMALE SWIVEL,JIC
73767	1CD-S	ELBOW,90°,MALE TO FEMALE PIPE	83060	33982-12-12	HOSE END,90° FEMALE SWIVEL,JIC
73768	20-16-F5OG5-S	ADAPTER,FEMALE PIPE TO STRAIGHT THREAD	83063	13743-4-4	HOSE END,45° FEMALE SWIVEL,JIC
73769	16-20 F5OLO-S	CONNECTOR,STRAIGHT THREAD TO ORFS			
74660	6-8 F42EDMLO-S	CONNECTOR,MALE BSPP TO ORFS			
74661	8-8 F42EDMLO-S	CONNECTOR,MALE BSPP TO ORFS			
75007	4 FLO-S	CONNECTOR,MALE PIPE TO ORFS			
75008	1/8 HP-S	PLUG,PIPE THREAD			
75014	1/2 HP-S	PLUG,PIPE THREAD			
75042	8 WELO-WLNL-S	UNION,90° BULKHEAD W/NUT,ORFS			
75043	3/4 FF-S	NIPPLE,PIPE			
75254	24 F5OHAO-S	UNION,STRAIGHT THREAD			
75255	12 F5OHAO-S	UNION,STRAIGHT THREAD			
75256	XV506P-24	BALL VALVE			
75574	4 WLNL-S	BULKHEAD LOCKNUT			
75612	8 WJLO-WLNL-S	RUN TEE, BULKHEAD,ORFS			
75613	12-8 F5OG5-S	ADAPTER,FEMALE PIPE TO STRAIGHT THREAD			
75614	8 CC5OLO-S	ELBOW,90° LONG,STRAIGHT THREAD TO ORFS			
75628	1JB43-4-4	HOSE END,BULKHEAD,SEAL LOK			

## Fitting Cross References (Continued)

Genie PN	Parker PN	Description	Genie PN	Parker PN	Description
83064	13743-8-8	HOSE END,45° FEMALE SWIVEL,JIC	89449	6 WJLO-WLNL-S	RUN TEE, BULKHEAD,ORFS
83065	13743-12-12	HOSE END,45° FEMALE SWIVEL,JIC	89489	4 WJMLO-S	BRANCH TEE,BULKHEAD,ORFS
83066	13943-8-8	HOSE END,90° FEMALE SWIVEL,JIC	89551	1JB43-6-6	HOSE END,BULKHEAD,SEAL LOK
83067	14143-6-6	HOSE END,90° FEMALE SWIVEL,JIC	89552	1JB43-8-8	HOSE END,BULKHEAD,SEAL LOK
83068	14143-8-8	HOSE END,90° FEMALE SWIVEL,JIC	89593	20 C5OLO-S	ELBOW,90°,STRAIGHT THREAD TO ORFS
83069	14143-12-12	HOSE END,90° FEMALE SWIVEL,JIC	94161	8-8 CLO-S	ELBOW,90°,MALE PIPE TO ORFS
83070	772-8	HOSE,1/2 INCH ID	94358	351TC-12	HOSE,3/4 INCH ID
83071	10671-8-8	HOSE END,FEMALE SWIVEL,JIC	94418	20 FLO-S	CONNECTOR,MALE PIPE TO ORFS
83072	10671-12-12	HOSE END,FEMALE SWIVEL,JIC	96358	12 TX-S	SLEEVE,FLARE TUBE
83073	13771-8-8	HOSE END,45° FEMALE SWIVEL,JIC	96359	12 BTX-S	NUT,FLARE TUBE
83074	13771-12-12	HOSE END,45° FEMALE SWIVEL,JIC	96397	8 F5OX-S	CONNECTOR,STRAIGHT THREAD TO FLARE TUBE
83075	13971-8-8	HOSE END,90° FEMALE SWIVEL,JIC	96398	12-8 F5OX-S	CONNECTOR,STRAIGHT THREAD TO FLARE TUBE
83076	13971-12-12	HOSE END,90° FEMALE SWIVEL,JIC	96402	10343-6-6	HOSE END,MALE,JIC
83077	14171-8-8	HOSE END,90° FEMALE SWIVEL,JIC	96407	30382-6-6B	HOSE END,MALE,JIC
83078	14171-12-12	HOSE END,90° FEMALE SWIVEL,JIC			
83080	13943-16-16	HOSE END,90° FEMALE SWIVEL,JIC			
83103	10671-16-12	HOSE END,FEMALE SWIVEL,JIC			
83104	10671-10-12	HOSE END,FEMALE SWIVEL,JIC			
83112	1JC71-8-8	HOSE END,FEMALE SWIVEL,SEAL LOK			
83113	1JS71-16-12	HOSE END,FEMALE SWIVEL,SEAL LOK			
83114	1JS71-10-12	HOSE END,FEMALE SWIVEL,SEAL LOK			
83115	1J971-8-8	HOSE END,90° FEMALE SWIVEL,SEAL LOK			
83116	1J171-8-8	HOSE END,90° FEMALE SWIVEL,SEAL LOK			
83117	1J771-8-8	HOSE END,45° FEMALE SWIVEL,SEAL LOK			
83127	1J543-6-8	HOSE END,90° FEMALE SWIVEL,JIC			
83128	1JC43-6-8	HOSE END,FEMALE SWIVEL,SEAL LOK			
87033	12-6 TRLO-S	REDUCER,TUBE END TO SWIVEL,ORFS			
87034	3J782-8-8	HOSE END,45° FEMALE SWIVEL,SEAL LOK			
87172	12 HP5ON-S	PLUG,STRAIGHT THREAD			
87185	8 WNLO-WLNL-S	UNION,BULKHEAD 45°,ORFS			
87246	4 C6X-S	ELBOW,90°,SWIVEL NUT TO FLARE TUBE			
87679	6 LHP-S	FLANGE SEAL FITTING, MALE			
87681	6PLS N0702	BONDED SEAL			
88100	SR88100	ADAPTER,OIL DRAIN,GM 3.0L			
88311	1JS43-20-20	HOSE END,FEMALE SWIVEL,SEAL LOK			
88353	20 V5OLO-S	ELBOW,45°,STRAIGHT THREAD TO ORFS			
88474	10081-20	Crimp Shell, 1.25"			
88475	1988-20-24	HOSE END,90° FLANGE HEAD			
88476	JS88-24-24	HOSE END,FEMALE SWIVEL,SEAL LOK			
88477	1JC88-20-20	HOSE END,FEMALE SWIVEL,SEAL LOK			
88478	811-20	HOSE,11/4 INCH ID			
88936	20-16 F5OLO-S	CONNECTOR,STRAIGHT THREAD TO ORFS			
88937	20-16 FLO-S	CONNECTOR,MALE PIPE TO ORFS			
88938	1JC88-16-16	HOSE END,FEMALE SWIVEL,SEAL LOK			
88939	1J988-16-16	HOSE END,90° FEMALE SWIVEL,ORFS			
88940	811-16	HOSE,1 INCH ID			
88944	1J988-20-20	HOSE END,90° FEMALE SWIVEL,ORFS			
89403	16 VLO-S	ELBOW,45°,MALE PIPE TO ORFS			



California Proposition 65



Operating, servicing and maintaining this equipment can expose you to chemicals including engine exhaust, carbon monoxide, phthalates, and lead, which are known to the State of California to cause cancer and birth defects or other reproductive harm. These chemicals can be emitted from or contained in other various parts and systems, fluids and some component wear by-products. To minimize exposure, avoid breathing exhaust, do not idle the engine except as necessary, service your equipment and vehicle in a well-ventilated area and wear gloves or wash your hands frequently when servicing your equipment or vehicle and after operation. For more information go to [www.P65Warnings.ca.gov/passenger-vehicle](http://www.P65Warnings.ca.gov/passenger-vehicle).

Distributed By:

Go to [Discount-Equipment.com](http://Discount-Equipment.com) to order your parts

# PARTS FINDER

**Search Website  
by Part Number**



**Search Manual  
Library For Parts  
Manual & Lookup Part  
Numbers – Purchase  
or Request Quote**

**Search Manuals**

Enter your information to help us find the right parts manual for your machine.

\* Brand:

\* Model:

\* Serial:

\* Part Number:

SEARCH

**Can't Find Part or  
Manual? Request Help  
by Manufacturer,  
Model & Description**

**Parts Order Form**

Please fill in the following information to help us find the right part for your machine.

Manufacturer:	<input type="text"/>
Model:	<input type="text"/>
Description:	<input type="text"/>
Part Number:	<input type="text"/>
Quantity:	<input type="text"/>
Notes:	<input type="text"/>

Submit

Discount-Equipment.com is your online resource for quality parts & equipment.

Florida: **561-964-4949** Outside Florida TOLL FREE: **877-690-3101**

**Need parts?**

Click on this link: <http://www.discount-equipment.com/category/5443-parts/> and choose one of the options to help get the right parts and equipment you are looking for. Please have the machine model and serial number available in order to help us get you the correct parts. If you don't find the part on the website or on one of the online manuals, please fill out the request form and one of our experienced staff members will get back to you with a quote for the right part that your machine needs.

We sell worldwide for the brands: Genie, Terex, JLG, MultiQuip, Mikasa, Essick, Whiteman, Mayco, Toro Stone, Diamond Products, Generac Magnum, Airman, Haulotte, Barreto, Power Blanket, Nifty Lift, Atlas Copco, Chicago Pneumatic, Allmand, Miller Curber, Skyjack, Lull, Skytrak, Tsurumi, Husquvarna Target, Stow, Wacker, Sakai, Mi-T-M, Sullair, Basic, Dynapac, MBW, Weber, Bartell, Bennar Newman, Haulotte, Ditch Runner, Menegotti, Morrison, Contec, Buddy, Crown, Edco, Wyco, Bomag, Laymor, EZ Trench, Bil-Jax, F.S. Curtis, Gehl Pavers, Heli, Honda, ICS/PowerGrit, IHI, Partner, Imer, Clipper, MMD, Koshin, Rice, CH&E, General Equipment, Amida, Coleman, NAC, Gradall, Square Shooter, Kent, Stanley, Tamco, Toku, Hatz, Kohler, Robin, Wisconsin, Northrock, Oztec, Toker TK, Rol-Air, APT, Wylie, Ingersoll Rand / Doosan, Innovatech, Con X, Ammann, Mecalac, Makinex, Smith Surface Prep, Small Line, Wanco, Yanmar