



A TEREX BRAND



Parts Manual

Serial Number Range

GS-2668 RT

to SN 41199

GS-3268 RT

Part No. 52301

Rev G3

November 2018

Go to Discount-Equipment.com to order your parts

PARTS FINDER

**Search Website
by Part Number**



**Search Manual
Library For Parts
Manual & Lookup Part
Numbers – Purchase
or Request Quote**

Search Manuals

Enter your information to help us find the right parts manual for your machine.

* Brand:

* Model:

* Serial:

* Part Number:

SEARCH

**Can't Find Part or
Manual? Request Help
by Manufacturer,
Model & Description**

Parts Order Form

Please fill in the following information to help us find the right part for your machine.

Manufacturer:	<input type="text"/>
Model:	<input type="text"/>
Description:	<input type="text"/>
Part Number:	<input type="text"/>
Quantity:	<input type="text"/>
Notes:	<input type="text"/>

Submit

Discount-Equipment.com is your online resource for quality parts & equipment.

Florida: **561-964-4949** Outside Florida TOLL FREE: **877-690-3101**

Need parts?

Click on this link: <http://www.discount-equipment.com/category/5443-parts/> and choose one of the options to help get the right parts and equipment you are looking for. Please have the machine model and serial number available in order to help us get you the correct parts. If you don't find the part on the website or on one of the online manuals, please fill out the request form and one of our experienced staff members will get back to you with a quote for the right part that your machine needs.

We sell worldwide for the brands: Genie, Terex, JLG, MultiQuip, Mikasa, Essick, Whiteman, Mayco, Toro Stone, Diamond Products, Generac Magnum, Airman, Haulotte, Barreto, Power Blanket, Nifty Lift, Atlas Copco, Chicago Pneumatic, Allmand, Miller Curber, Skyjack, Lull, Skytrak, Tsurumi, Husquvarna Target, Stow, Wacker, Sakai, Mi-T-M, Sullair, Basic, Dynapac, MBW, Weber, Bartell, Bennar Newman, Haulotte, Ditch Runner, Menegotti, Morrison, Contec, Buddy, Crown, Edco, Wyco, Bomag, Laymor, EZ Trench, Bil-Jax, F.S. Curtis, Gehl Pavers, Heli, Honda, ICS/PowerGrit, IHI, Partner, Imer, Clipper, MMD, Koshin, Rice, CH&E, General Equipment, Amida, Coleman, NAC, Gradall, Square Shooter, Kent, Stanley, Tamco, Toku, Hatz, Kohler, Robin, Wisconsin, Northrock, Oztec, Toker TK, Rol-Air, APT, Wylie, Ingersoll Rand / Doosan, Innovatech, Con X, Ammann, Mecalac, Makinex, Smith Surface Prep, Small Line, Wanco, Yanmar



A TEREX BRAND

Model: GS-2668
Serial number: GS68-40771
Model year: 2001 **Manufacture date:** 06/06/01
Electrical schematic number: Es0132
Machine unladen weight: 6, 617 lbs / 3,001 kg
Rated work load (including occupants):
1250 lbs / 567 kg
Maximum allowable inclination of the chassis:
2° (Side) 3° (Front) 5° (Rear)
Outriggers retracted:
Position 28

Gradeability:

Maximum allowable side force: 200 lb / 890 N

Maximum number of platform occupants: 4

Country of manufacture: USA

This machine complies with:

ANSI A92.6
CAN3-B354.2



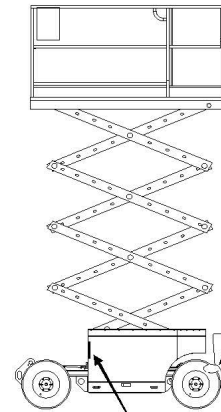
P/N 77055



GS68 - 40771

Model

Sequence number



Sequence number stamped on chassis

Serial label (Located under cover)



Table of Contents

This manual is updated frequently. For the most up-to-date parts information, visit www.discount-equipment.com

How to Read Your Serial Number.....	3
Parts Stocking List.....	7

Electronic Version

Click on any page number to view the figure.

100 Decals

101.1 Decals.....	10
-------------------	----

200 Drive Chassis Components

201.1 Steer Axle Linkage, Wheels and Drive Motors.....	14
202.1 Non-Steer Axle and Drive Motors.....	16

300 Engine Components

301.1 Kubota DF-750 and DF-752 Engine, View 1.....	18
302.1 Kubota DF-750 and DF-752 Engine, View 2.....	20
303.1 Kubota DF-750 and DF-752 Engine, View 3.....	22
304.1 Kubota DF-750 and DF-752 Engine, View 4.....	24
305.1 Kubota D-905 Engine, View 1.....	26
306.1 Kubota D-905 Engine, View 2.....	28
307.1 Kubota D-905 Engine, View 3.....	30
308.1 Kubota D-905 Engine, View 4.....	32

400 Chassis Components

401.1 Engine Tray Components.....	34
402.1 Hydraulic Tank and Ground Controls Installation.....	36
403.1 Hydraulic Tray Components.....	38
404.1 Ground Controls.....	40
405.1 LPG Tank.....	42
406.1 Function Manifold.....	44
407.1 Chassis Covers.....	46
408.1 Hydraulic Hoses and Fittings (to SN 5849).....	48
409.1 Hydraulic Hoses and Fittings (from SN 5850).....	50

500 Scissor Components

501.1 Scissor Components, View 1.....	52
502.1 Scissor Components, View 2.....	54

503.1 Scissor Components, View 1.....	56
504.1 Scissor Components, View 2.....	58

600 Platform Components

601.1 Platform Installation.....	60
602.1 Platform Railing.....	62
603.1 Platform Entry Gate.....	64
604.1 Platform Extension.....	66
605.1 Platform Extension Deck Lock.....	68
606.1 Power to Platform.....	70
607.1 Platform Controls.....	72
608.1 Joystick Controller.....	74

700 Link Guard Components

701.1 Wire Mesh Link Guard Components, View 1.....	76
702.1 Wire Mesh Link Guard Components, View 2.....	78
703.1 Wire Mesh Link Guard Components, View 3.....	80
704.1 Wire Mesh Link Guard Components, View 4.....	82
705.1 Wire Mesh Link Guard Components, View 5.....	84
706.1 Rigid Link Guard Components, View 1.....	86
707.1 Rigid Link Guard Components, View 2.....	88
708.1 Rigid Link Guard Components, View 3.....	90
709.1 Steel Panel Link Guard Assembly.....	92

800 Accessories

801.1 Flashing Beacon.....	94
802.1 Generator.....	96
803.1 Hydraulic Hoses and Fittings - Generator.....	98
804.1 Spare LPG Tank.....	100
805.1 Vented Engine Door.....	102
806.1 Outrigger Cylinder and Footpad Installation.....	104
807.1 Outrigger Installation.....	106
808.1 Hydraulic Hoses and Fittings - Outriggers.....	108
809.1 Platform Work Light.....	110
810.1 Pipe Cradle Assembly.....	112
811.1 Platform Overload Sensor.....	114
812.1 Outrigger Manifold.....	116

Indices

Part Number Index.....	118
Part Description Index.....	122

Cross References

Fittings Cross Reference.....	128
-------------------------------	-----

Required Parts

The following parts are required to perform maintenance procedures as outlined in the *Genie GS-2668 RT and GS-3268 RT Service Manual*.

Kubota DF-750/DF-752 Models

Description	Part No.
Air Cleaner Element	104710
Distributor Cap.....	23465
Distributor Rotor	52499
Engine Oil Filter	22106
Fan Belt.....	52816
Fuel Filter.....	23168
Spark Plug.....	23458
Workshop Manual (DF-752)	84249
Workshop Manual (DF-750)	52492
Dielectric Grease.....	66399
Hydraulic Filter.....	52465

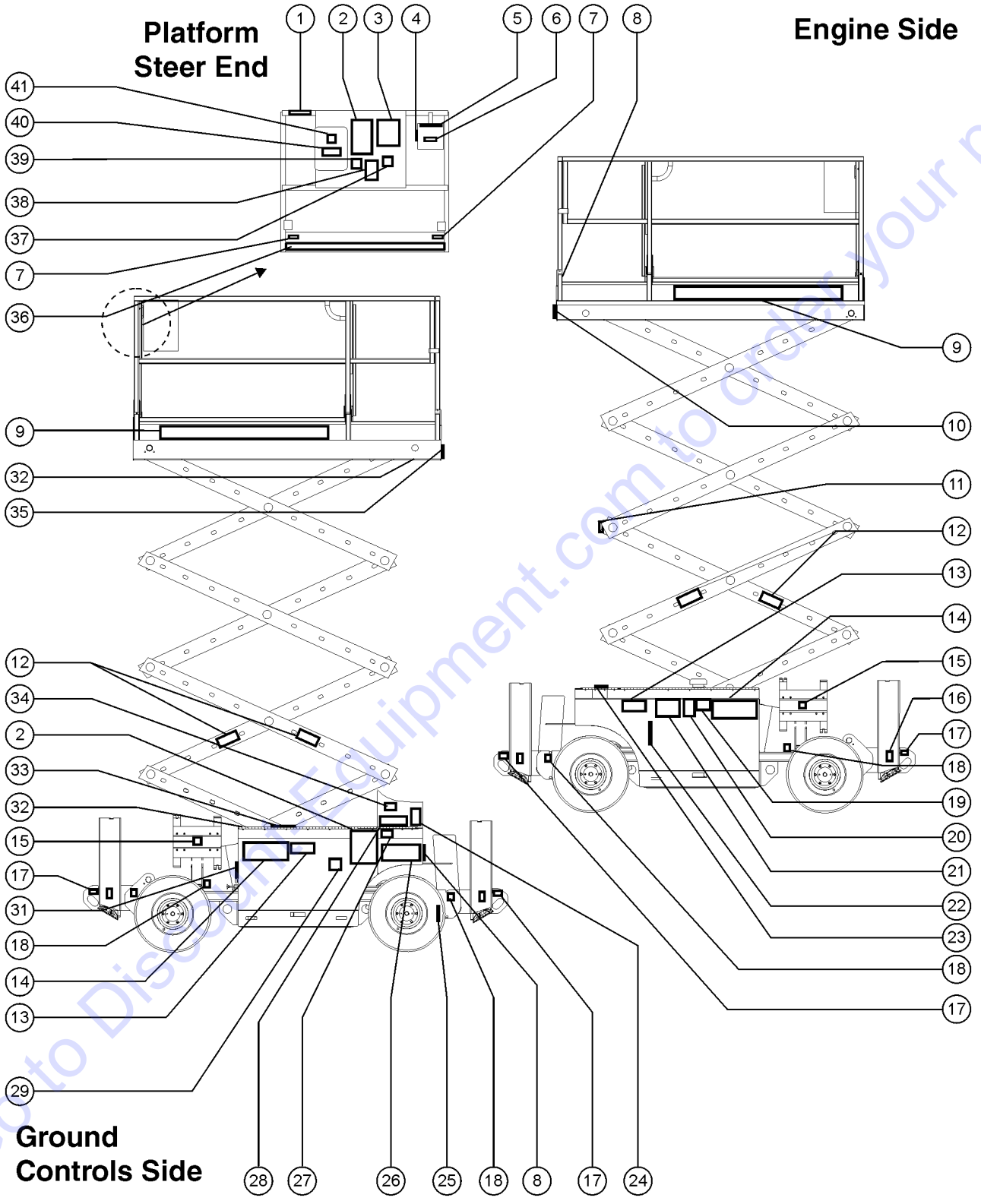
Kubota D-905 Models

Description	Part No.
Fuel/Water Separator Element	65853
Air Cleaner Element	31745
Engine Oil Filter	31744
V-Belt.....	32196
Workshop Manual.....	31742
Hydraulic Filter.....	52465
Dielectric Grease.....	6639

Recommended Parts

Description	Part No.
Genie Blue Paint, 1 Gallon	32150
Genie Blue Paint, 12 Ounce Aerosol	1484
Genie Gray Paint, 1 Gallon	32151
Genie Gray Paint, 12 Ounce Aerosol	1268
O-ring Kit (for O-ring Face Seal Fitting)	49612
Plug and Cap Kit (for O-ring Face Seal Seainting)	49613
Genie also offers the following support documents:	
EMI Safety Manual	27581
Manual of Responsibilities ANSI A92.5	44163

101.1 Decals



101.1 Decals

Item	Part No.	Description	Qty.	Item	Part No.	Description	Qty.
--	52392GT	DECAL KIT,SFTY/INST,GAS/LP2668 <i>kit does not include index numbers 4, 5, 8-10, 14, 24, and 33</i>		14	52967GT	DECAL,COSMETIC,4 X 4.....	2
--	84405GT	DECAL KIT,SFTY/INSTR.GAS,GS68 <i>kit does not include index numbers 4, 5, 8-10, 14, 24, and 33</i>		15	28160GT	DECAL,LABEL,LIQUID PROPANE..... <i>Gasoline/LPG models</i>	1
--	52393GT	DECAL KIT,SFTY/INST,DIESEL2668 <i>kit does not include index numbers 4, 5, 8-10, 14, 15, 24, and 33</i>		16	72186GT	DECAL,WARNING,CRUSHING HAZARD.....	4
--	84406GT	DECAL KIT,SFTY/INSTR.DIES,GS68 <i>kit does not include index numbers 4, 5, 8-10, 14, 15, 24, and 33</i>		17	52475GT	DECAL,LABEL,TRANSPORT TIEDOWN*.....	4
1	52494GT	DECAL,CAUTION,CRUSH HAZ, RAILS.....	1	18	52070GT	DECAL,NOTICE,TIRE SPECS.....	4
2	43091GT	DECAL,DANGER,GENERAL SAFETY....	2	19	28171GT	DECAL,DANGER,NO SMOKING ***.....	1
3	52073GT	DECAL,NOTICE,OPER INST, PLAT.....	1	20	28164GT	DECAL,NOTICE,HAZARDOUS MAT'LS*.....	1
4	52476GT	DECAL,NOTICE,PLAT EXT CUTOUT....	1	21	28175GT	DECAL,WARNING-COMPART ACCESS.....	1
4	52805GT	DECAL,NOTICE,PLAT EXT CUTOUT....	1	22	52071GT	DECAL,NOTICE,KUBOTA GAS SPECS..... <i>to SN 40454</i>	1
5	71245GT	DECAL,PLAT CTRLS,G/LPG W OUTRG..... <i>(Gasoline/LPG models, with outriggers)</i>	1	--	52072GT	DECAL,NOTICE,KUBOTA DIESEL SPEC.....	1
--	48694GT	DECAL,PLAT CTRLS,G/LPG NO OUTR <i>(Gasoline/LPG models, without outriggers)</i>		23	28158GT	DECAL,LABEL,UNLEADED GAS ONLY..... <i>Gasoline/LPG models</i>	1
5A	71246GT	DECAL,PLAT CTRLS,DSL W OUTRG.... <i>(Diesel models, with outriggers)</i>	1	--	28159GT	DECAL,DIESEL..... <i>Diesel models</i>	1
--	48695GT	DECAL,PLAT CTRLS,DSL NO OUTRGR <i>(Diesel models, without outriggers)</i>		24	65053GT	DECAL,LABEL,FAULT CODES.....	1
6	52324GT	DECAL,LABEL,UP/DOWN & FNCTN EN.....	1	25	77046GT	SERIAL # LABEL,MYLAR 4X8***..... <i>ANSI and CSA models</i>	1
7	40434GT	DECAL,LANYARD ANCHORAGE POINT.....	2	--	96472GT	SERIAL # LABEL,SCISSORS***** <i>CE models</i>	1
8	28235GT	DECAL,POWER TO PLATFORM 115V....	2	26	48705GT	DECAL, GROUND CONT PANEL.....	1
--	28174GT	DECAL, POWER TO PLATFORM 230V**.....	2	27	52617GT	DECAL, MANUAL LOWERING VALVE....	1
9	62059GT	DECAL,COSMETIC,GENIE GS-2668RT.....	2	28	52069GT	DECAL,NOTICE,OPER INST, GRND....	1
9	62060GT	DECAL,COSMETIC,GENIE GS-3268RT.....	2	29	28157GT	DECAL,USE DEXRON***.....	1
10	52673GT	DECAL,NOTICE,SIDE FRC,2668ANSI... <i>ANSI and CSA models</i>	1	31	44220GT	DECAL,DANGER,BRAKE REL SAFETY*.....	1
10	52802GT	DECAL,NOTICE,SIDE FRC,3268ANSI... <i>ANSI and CSA models</i>	1	32	31060GT	DECAL,DANGER DO NOT ALTER SWTC.....	2
--	52674GT	DECAL,NOTICE,SIDE FRC,2668,AUS.... <i>CE models</i>	1	33	25994GT	DECAL,NOTICE,SHUTOFF VALVES....	1
--	52803GT	DECAL,NOTICE,SIDE FRC,3268,AUS.... <i>CE models</i>	1	34	52431GT	DECAL,LABEL,GROUND CONTROL PNL.....	1
11	43619GT	DECAL,LABEL,SAFETY ARM.....	1	35	49911GT	DECAL,NOTICE,MAX CAP 1250.....	1
12	44255GT	DECAL,DANGER,CRUSHING HAZARD.....	4	35	52682GT	DECAL,NOTICE,MAX CAP 1000/300....	1
13	43696GT	DECAL,DANGER,ELEC HAZARD,GS....	2	36	33550GT	TAPE,WARNING,BLK/YEL, 50***	
				37	43618GT	DECAL, LABEL - DIRECTION ARROWS.....	2
				38	72197GT	DECAL,DANGER,OUTRIGGER SAFETY.....	1
				39	44736GT	DECAL,DANGER,TIP-OVER,TILT.....	1
				40	28236GT	DECAL,WARN,IMPROPER OPERATION.....	1

101.1 Decals
(continued)

Item	Part No.	Description	Qty.
41	28176GT	DECAL,LABEL,MANUAL NOT HERE.....1	

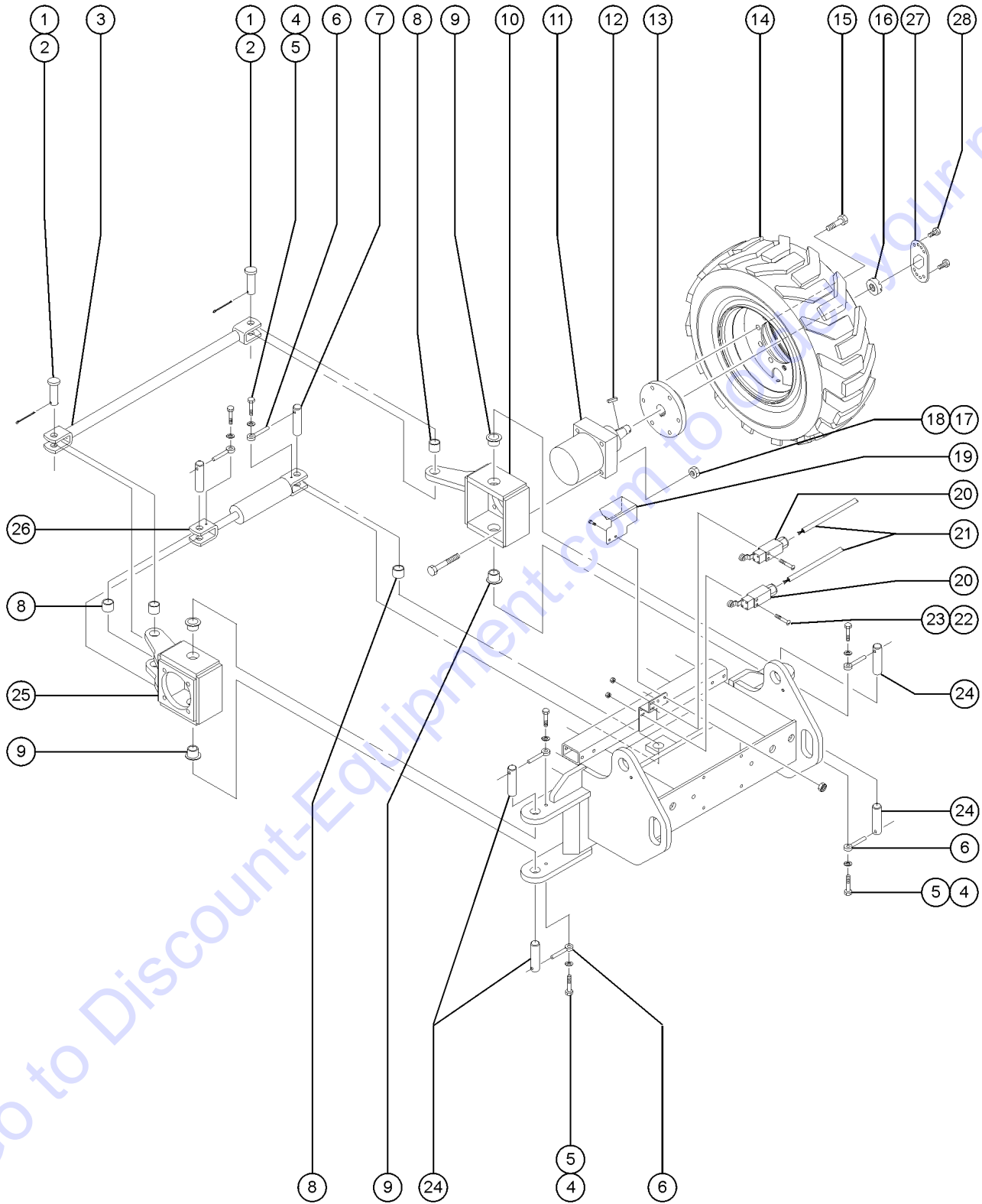
Go to Discount-Equipment.com to order your parts



This Page Intentionally Left Blank

Go to Discount-Equipment.com to order your parts

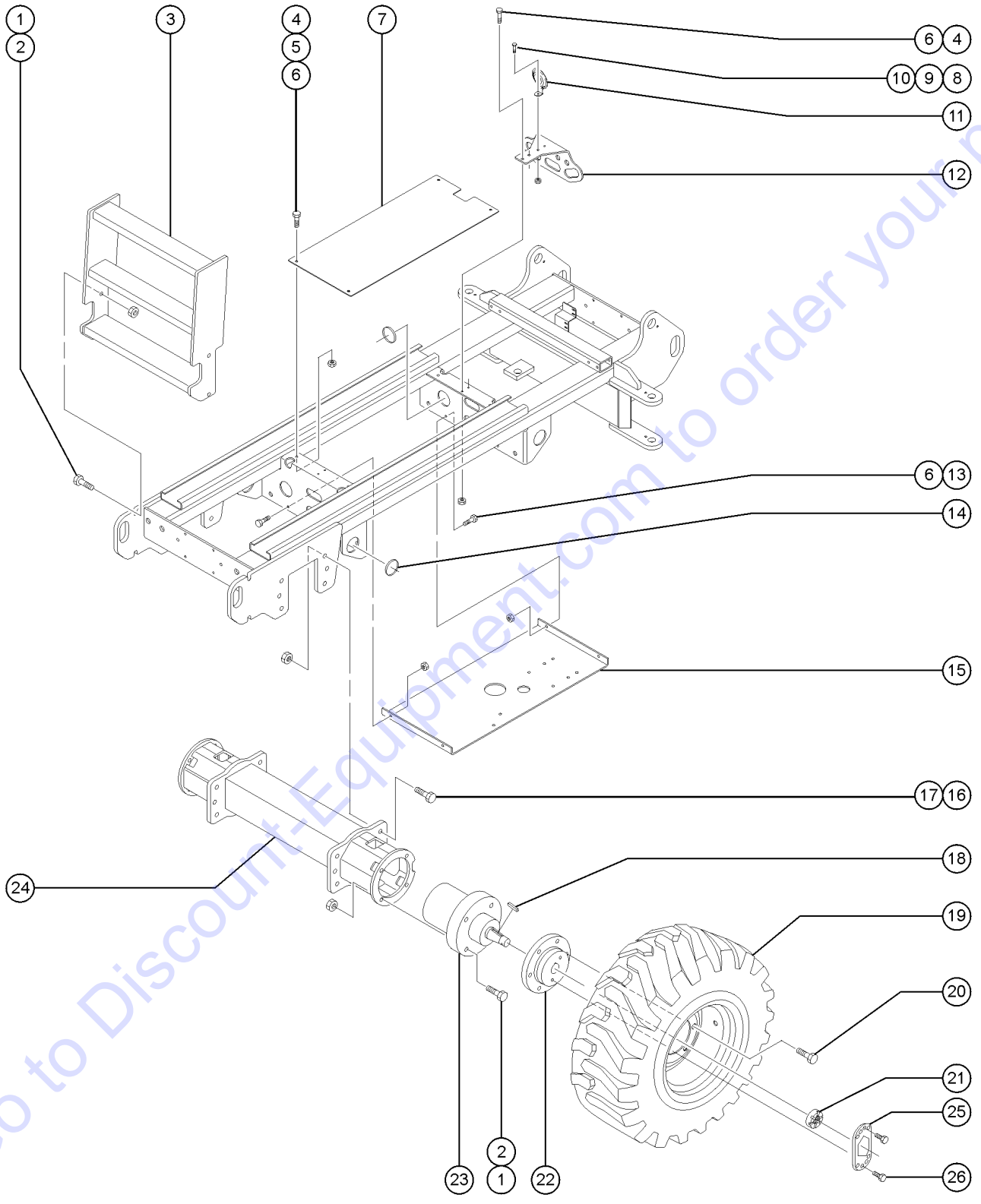
201.1 Steer Axle Linkage, Wheels and Drive Motors



201.1 Steer Axle Linkage, Wheels and Drive Motors

Item	Part No.	Description	Qty.	Item	Part No.	Description	Qty.
1	19440GT	PIN,CLEVIS,1 X 2.5 LG.....	2	18	8220GT	SCREW,HHC,1/2-13 X 4.....	8
2	5361GT	PIN,COTTER,.125 X 1.5.....	2	19	64011GT	BRACKET, LIMIT SWITCH COVER.....	1
3	47282GT	WELDMENT,TIEROD.....	1	20	96948GT	SWITCH,LIMIT,W/ROLLER ARM***.....	2
4	6019GT	SCREW,HHC,3/8-16 X 1.25 GRD 5.....	6	--	19491GT	CONTACTOR,LIMIT SWITCH.....	2
5	6021GT	WASHER,LOCK,.375.....	8	--	97128GT	ROLLER ARM,LIMIT SWITCH***.....	2
6	1255452GT	ROD END,.375 X 2.25,ZAG.....	6	21	39907GT	WIRE CABLE,18/2 SJO,BULK...54-inches (139.7 cm)	
7A	30734GT	PIN,1.00DIA X 2.88LG,1HOLE..... to SN 14810	2	22	51063GT	SCREW,PHILLIPS,RHM,10-32 X 1.5....	4
7B	30734GT	PIN,1.00DIA X 2.88LG,1HOLE..... from SN 14811 (rod end of cylinder)	1	23	6889GT	NUT,LP NYLOCK,1/4-20.....	4
7B	55745GT	PIN,1.00DIA X 3.25LG,1HOLE..... from SN 14811 (barrel end of cylinder)	1	24	47376GT	PIN,1.25DIA X 2.75LG,1HOLE.....	4
8	51474GT	BEARING,1.00IDX1.25ODX0.75L.....	3	25	52391GT	YOKE ASSY,ENGINE/BAT SIDE,GS68.....	1
9	148337GT	BEARING,BRZ,FL,1.25IDX1.5OD.....	4			<i>includes 2 each items 8 and 9</i>	
10	52390GT	YOKE ASSY,GRD CTRL SIDE, GS68..... <i>includes 2 each item 9 and 1 each item 8</i>	1	26	89065GT	CYLINDER,STEER***.....	1
11A	51520GT	DRIVE MOTOR 21.2 CU.IN./REV..... <i>includes 1 each items 12 and 16; to SN 8892</i>	2	--	89066GT	SEAL KIT,STEER CYL (89065).....	1
--	44782GT	SEAL KIT,DR MTR.GS15/19,Z20***		27	T109085GT	PLATE, CASTLE NUT LOCK.....	2
--	44783GT	BEARING,DRIVE MOTOR GS15/19		28	8255GT	SCREW,HHC,3/8-16 X .75.....	4
--	58255GT	SHAFT, MOTOR					
11B	55193GT	MOTOR,HYD-DRIVE,28.3 CU.IN..... <i>includes 1 each index numbers 12 and 16; from SN 8893</i>	2				
--	227782GT	SNAP RING (55193) <i>for 55193</i>					
--	44782GT	SEAL KIT,DR MTR.GS15/19,Z20*** <i>for 55193</i>					
--	44783GT	BEARING,DRIVE MOTOR GS15/19 <i>for 55193</i>					
--	72281GT	SHAFT,MOTOR (51410)*** <i>for 55193</i>					
--	79142GT	SERVICE KIT, MOTOR 55193 <i>to SN 40453</i>					
12	44781GT	KEY,RECTANGULAR,.31X.28X1.25**.....	2				
13	47312GT	ADAPTER,WHEEL,GS68/GS69.....	2				
14	79101GT	WHEEL ASSY,LEFT,F/R LP,RT***..... <i>RT, Foam-filled, left (ground controls side)</i>	1				
14	79102GT	WHEEL ASSY,RIGHT,F/R LP,RT***..... <i>RT, Foam-filled, right (engine side)</i>	1				
14A	51805GT	WHEEL/TIRE ASSY,FOAM FILL..... <i>Turf, Foam-filled</i>	2				
14B	71547GT	TIRE & WHEEL ASSY,NON-MARKING..... <i>Solid, Non-marking</i>	2				
15	148426GT	LUG BOLT,45 DEG,1/2-20 UNF.....	12				
16	44780GT	NUT,CASTLE,1.125-18 UNEF.....	2				
17	6198GT	NUT,NYLOCK,1/2-13.....	8				

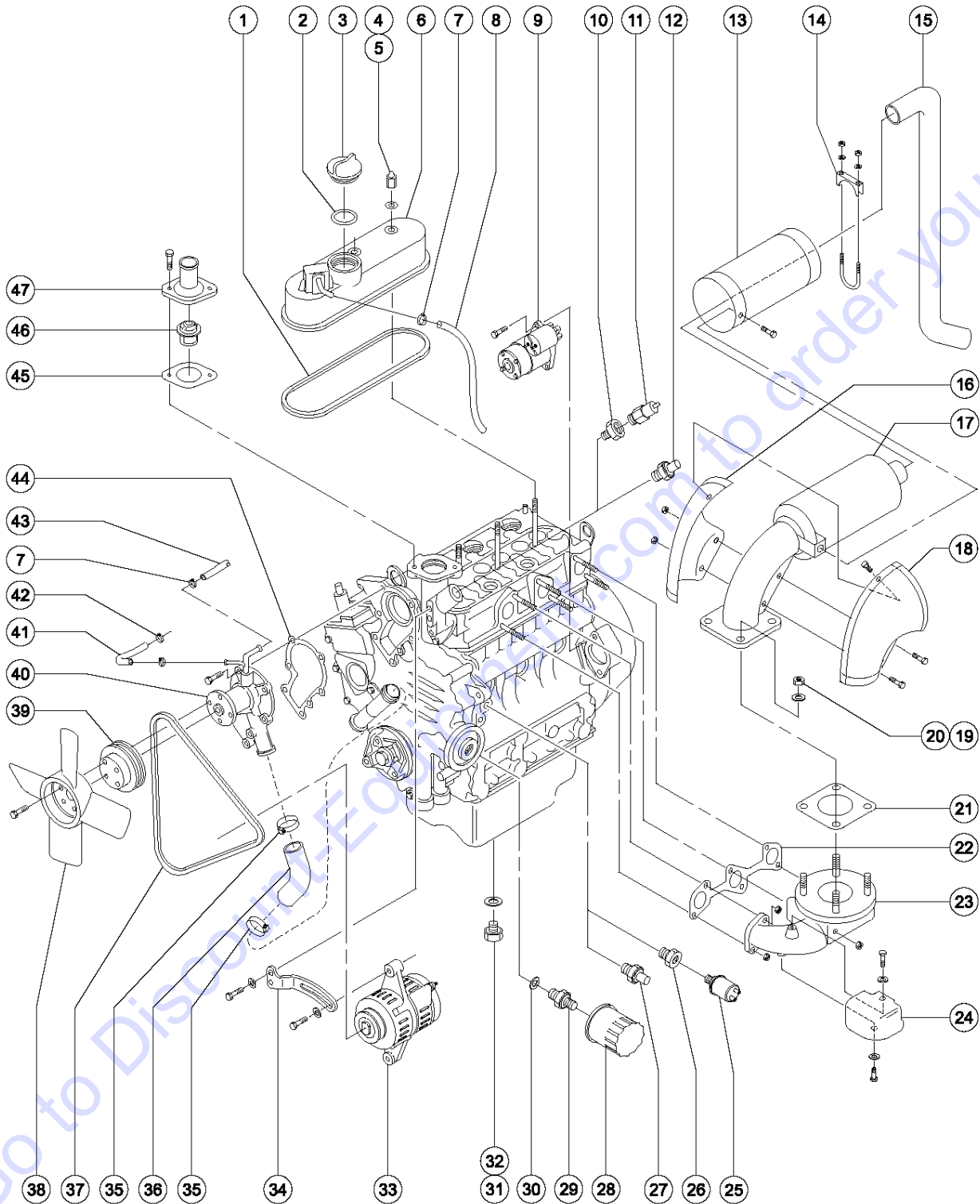
202.1 Non-Steer Axle and Drive Motors



202.1 Non-Steer Axle and Drive Motors

Item	Part No.	Description	Qty.	Item	Part No.	Description	Qty.
1	20654GT	SCREW,SHC,5/8-11 X 3.50,A574.....12 <i>Outrigger models only</i>	12	23C	79143GT	SERVICE KIT,FOR BRAKE 55194.....2 <i>to SN 40453</i>	2
1	51131GT	SCREW,HHC,5/8-11 X 2.5.....12	12	24	47974PGT	WELDMENT,REAR AXLE WHITE BRAKE.....1	1
2	6024GT	NUT,NYLOCK,5/8-11.....12	12	25	42079GT	PIN,COTTER,.156 X 2.5.....2	2
3	47310PGT	WELDMENT,LADDER,PAINTED,GS68...1	1	25	T109085GT	PLATE, CASTLE NUT LOCK.....2	2
3	55393-SGT	WELDMENT,LADDER, GS3268.....1	1	26	8255GT	SCREW,HHC,3/8-16 X .75.....4	4
4	6175GT	SCREW,HHC,3/8-16 X 1.....8	8				
5	5397GT	WASHER,FLAT,USS,5/16",Y.....8	8				
6	4828GT	NUT,NYLOCK,3/8-16.....10	10				
7	62217-SGT	HOSE COVER PLATE W/ DECAL,GS68.....1	1				
8	6090GT	SCREW,HHC,1/4-20 X .75.....1	1				
9	6638GT	WASHER,FLAT,USS,1/4"Y.....1	1				
10	6889GT	NUT,LP NYLOCK,1/4-20.....1	1				
11	81578GT	HORN,12VDC,SPADE TERMINALS***...1	1				
12	55389-SGT	FORMING, STEER HOSE BRCKT,GS68.....1	1				
13	6019GT	SCREW,HHC,3/8-16 X 1.25 GRD 5.....4	4				
14	46436GT	GROMMET,RUBBER 2.5 X .25 X2.75....8	8				
15	51059PGT	PLATE,HOSE GUARD,PAINTED.....1	1				
16	51428GT	SCREW,HHC,3/4-10 X 2.75.....12	12				
17	10258GT	NUT,NYLOCK,3/4-10,GRD.2.....12	12				
18	44781GT	KEY,RECTANGULAR,.31X.28X1.25***...2	2				
19	79101GT	WHEEL ASSY,LEFT,F/R LP,RT***.....1 <i>RT, Foam-filled, left (ground controls side)</i>	1				
19	79102GT	WHEEL ASSY,RIGHT,F/R LP,RT***.....1 <i>RT, Foam-filled, right (engine side)</i>	1				
19A	51805GT	WHEEL/TIRE ASSY,FOAM FILL.....2 <i>Turf, Foam-filled</i>	2				
19B	71547GT	TIRE & WHEEL ASSY,NON-MARKING.....2 <i>Solid, Non-marking</i>	2				
20	148426GT	LUG BOLT,45 DEG,1/2-20 UNF.....12	12				
21	44780GT	NUT,CASTLE,1.125-18 UNEF.....2	2				
22	47312GT	ADAPTER,WHEEL,GS68/GS69.....2	2				
23A	51114GT	MOTOR/BRAKE,21.2 CU.IN.,GS68.....2 <i>includes 1 each index numbers 16 and 20; to SN 8892</i>	2				
--	52395GT	SEAL KIT,DRIVE/BRAKE MTR.2668.....2	2				
--	58255GT	SHAFT, MOTOR.....2	2				
--	79492GT	SERVICE KIT,BRAKE DISC,GS68***...2	2				
23B	55194GT	MOTOR/BRAKE 28.3 CU.IN./REV.....2 <i>includes 1 each index numbers 16 and 20; from SN 8893</i>	2				
--	52395GT	SEAL KIT,DRIVE/BRAKE MTR.2668.....2	2				
--	58255GT	SHAFT, MOTOR.....2	2				
--	58411GT	BRAKE DISC KIT (55194).....2	2				

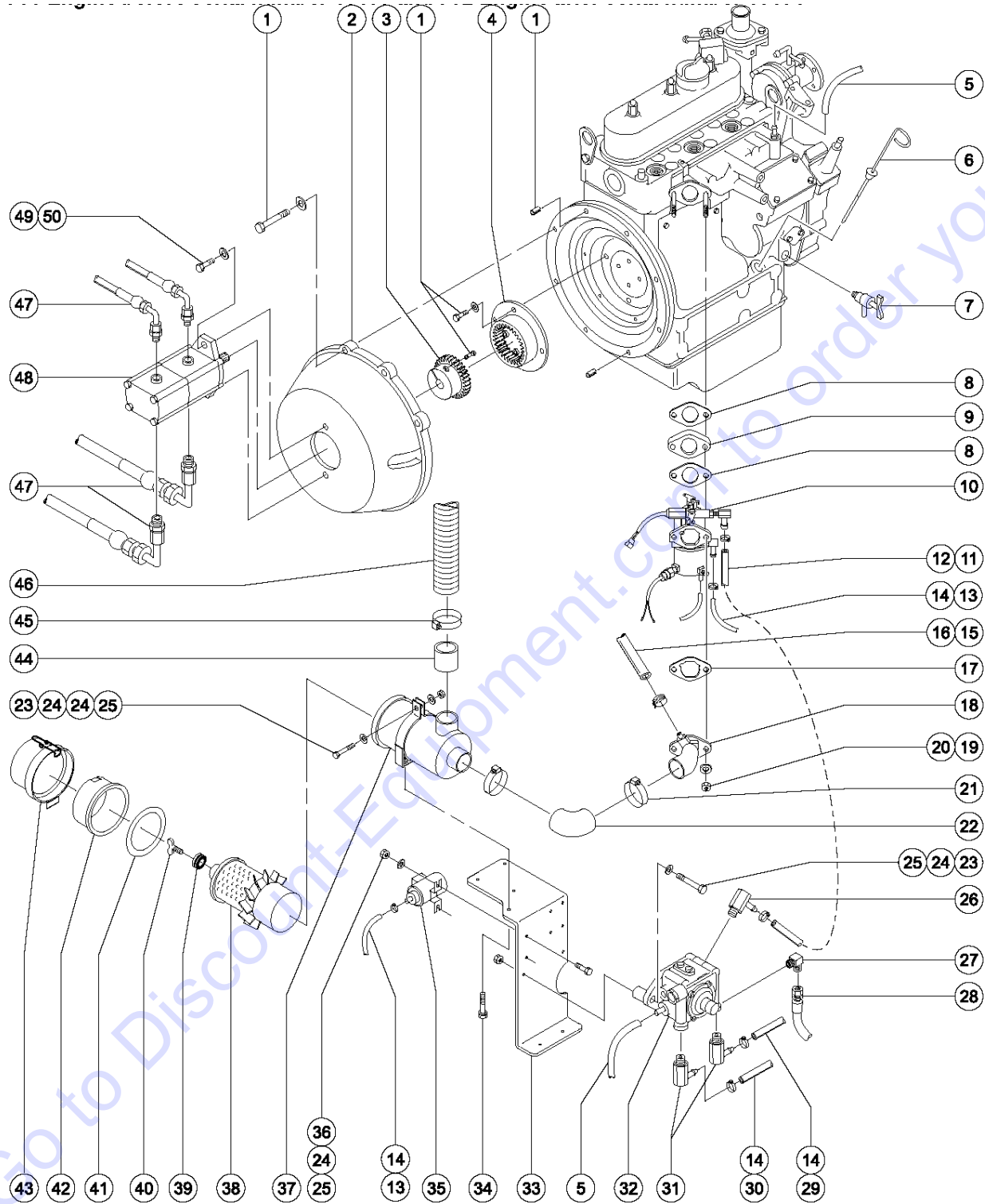
301.1 Kubota DF-750 and DF-752 Engine, View 1



301.1 Kubota DF-750 and DF-752 Engine, View 1

Item	Part No.	Description	Qty.	Item	Part No.	Description	Qty.
--		<i>for internal engine components, contact engine dealer</i>		26	42248GT	ADAPTER,140139-4-2.....1 <i>for models with analog gauge option</i>	1
1	23453GT	GASKET,VALVE COVER,DF750.....1	1	27	22934GT	SWITCH,OIL,PRESSURE,KUBOTA.....1	1
2	22903GT	O-RING,OIL FILLER PLUG,KUBOTA*.....1	1	28	866400GT	KUBOTA OIL FILTER.....1	1
3	23452GT	PLUG,OIL FILLER,WG750B.....1 <i>to SN 40454</i>	1	29	84039GT	JOINT-PIPE.....1	1
3	52808GT	PLUG,OIL FILLER Z482,Z34/22BE*.....1 <i>for models with analog gauge option; from SN 40455</i>	1	30	84040GT	WASHER-PLAIN.....1 <i>from SN 40455</i>	1
4	44182GT	NUT,VALVE COVER CAP, WG750.....3	3	31	22932GT	PLUG,OIL DRAIN,DF750**.....1	1
5	44181GT	GASKET,VALVE COVER CAP, WG750.....3	3	32	52517GT	GASKET-OIL DRAIN, DF750.....1 <i>to SN 40454</i>	1
6	52500GT	VALVE COVER,DF750***.....1	1	32	84042GT	GASKET-DRAIN PLUG,ENG OIL PAN...1	1
7	32069GT	CLAMP,HOSE,KUBOTA WG750.....4	4	33	101203GT	ALTERNATOR,40 AMP,INT REG.....1 <i>from SN 40455</i>	1
8	52501GT	PIPE,BREATHER JOINT,DF-750.....1	1	33	866090GT	ALTERNATOR,KUBOTA*.....1 <i>to SN 40454</i>	1
9	23456GT	STARTER ASSY,KUBOTA DUAL FUEL.....1	1	34	44184GT	ALTERNATOR STAY,WG750***.....1 <i>to SN 40454</i>	1
9	23457GT	SOLENOID,STARTER,WG750B.....1	1	34	84044GT	STAY,ALTERNATOR***.....1 <i>from SN 40455</i>	1
10	28607GT	ADAPTER,140139-8-6.....1 <i>for models with analog gauge option</i>	1	35	32066GT	CLAMP,HOSE,KUBOTA WG750.....2 <i>to SN 40454</i>	2
11	34058GT	SENDING UNIT,TMP,FRD,GM,PRK704.....1 <i>for models with analog gauge option</i>	1	35	84045GT	CLAMP-HOSE.....2 <i>from SN 40455</i>	2
12	54332GT	SWITCH,WATER TEMP.....1 <i>for models with analog gauge option</i>	1	36	32067GT	HOSE,WATER PUMP,KUBOTA**.....1	1
13	52408GT	MUFFLER COVER,GS68,DF750,D905...1 <i>to SN 40454</i>	1	37	52816GT	BELT,FAN,KUBOTA DF972/Z482-E.....1	1
13	62041GT	MUFFLER COVER (62040)***.....1 <i>from SN 40455</i>	1	38	23479GT	FAN,COOLING DF750.....1	1
14	62160GT	CLAMP,TAILPIPE, 1 1/2***.....1 <i>includes hardware</i>	1	39	23469GT	PULLEY,FAN,WG750B***.....1	1
15	47585GT	TAILPIPE,EXHAUST,KUBOTA GAS.....1	1	40	23471GT	PUMP,WATER,WG750B.....1 <i>to SN 40454</i>	1
16	866830GT	KUBOTA MUFFLER COVER LH.....1 <i>(LH muffler cover)</i>	1	40	84034GT	PUMP-WATER.....1 <i>from SN 40455</i>	1
17	52407GT	MUFFLER,KUBOTA,GS68,DF750,D905.1	1	41	27903GT	HOSE,LOW PRESSURE,.375 ID,BLK	
18	866833GT	KUBOTA COVER RH.....1 <i>(muffler cover)</i>	1	42	46131GT	CLAMP,HOSE,.63" - 1.0" X .5".....2	2
19	6037GT	NUT,HEX,5/16-18,GR5.....4	4	43	32068GT	HOSE,WATER PUMP RETURN,WG750**.....1 <i>from SN 40455</i>	1
20	6886GT	WASHER,LOCK,.313.....4	4	43	32070GT	HOSE, WATER PUMP RETURN,WG750.....1 <i>to SN 40454</i>	1
21	832128GT	GASKET,MUFFLER,KUBOTA D905/11.....1	1	44	23472GT	GASKET,WATER PUMPWG750B/Z482-E.....1	1
22	23455GT	GASKET,EXHAUST MANIFOLD,WG750B.....1	1	45	866397GT	KUBOTA GASKET,THERMOSTAT.....1	1
23	32065GT	MANIFOLD,EXHAUST,KUBOTA WG750*.....1	1	46	22918GT	THERMOSTAT ASSY,D850B,DF750.....1	1
24	32215GT	HEAT SHIELD.....1	1	47	27367GT	THERMOSTAT COVER,KUBOTA GAS.....1	1
25	30810GT	SENDING UNIT,OIL PRESSURE***.....1 <i>dual-terminal sender; for models with analog gauge option</i>	1				

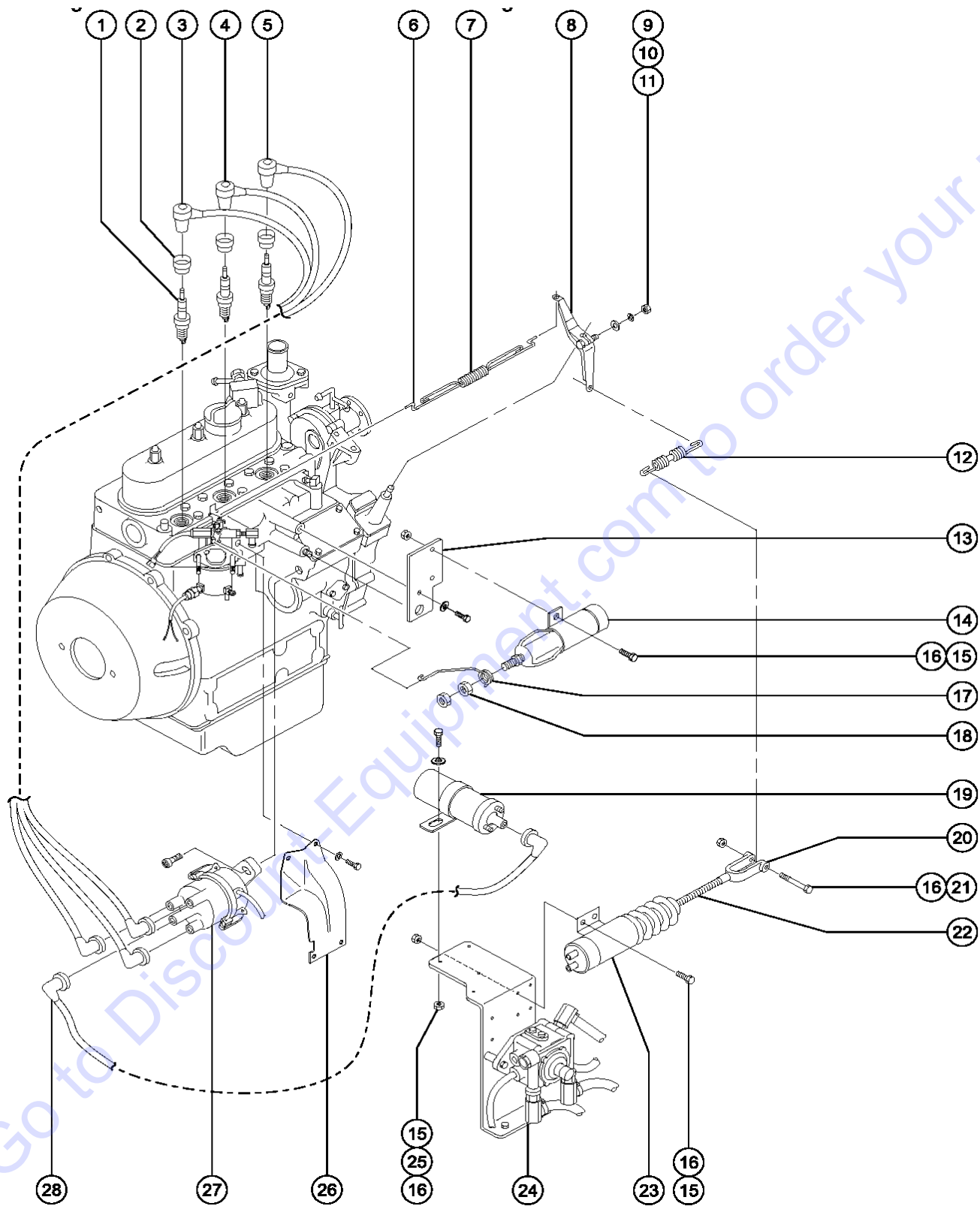
302.1 Kubota DF-750 and DF-752 Engine, View 2



302.1 Kubota DF-750 and DF-752 Engine, View 2

Item	Part No.	Description	Qty.	Item	Part No.	Description	Qty.
--		<i>for internal engine components, contact engine dealer</i>		30	27903GT	HOSE,LOW PRESSURE,.375 ID,BLK	
--	839016GT	KUBOTA AIR CLEANER ASSEMBLY to SN 40454		31		Ref. Fitting - Elbow, 90°.....	2
--	84808GT	AIR CLEANER ASSEMBLY, DF-752 from SN 40455		32A	52429GT	REGULATOR,LPG,KUBOTA,DF-750*** to SN 40454	1
1	104371GT	HARDWARE KIT,BELLHSING K-DF752.....	1	32B	97482GT	REGULATOR,LPG,KUBOTA,DF-752*** from SN 40455	1
2	104368GT	BELL HOUSING KIT,GS68,DF***.....	1	33	51641PGT	BRACKET,LPG REG./SOLENOID MNT.....	1
2	104369GT	BELL HOUSING,K-DF752,A PLT..... from SN 40455	1	34	52530GT	SCREW,AIR CLEANER MOUNT,KUBOTA.....	2
2	52411GT	BELL HOUSING,KUBOTA,DF750,GS68..... to SN 40454	1	35	23167GT	PUMP,FUEL,KUBOTA GAS,INLINE.....	1
3	1268809GT	COUPLER, SPLINED,9 TOOTH, 30MM.....	1	36	6090GT	SCREW,HHC,1/4-20 X .75.....	2
4	161193GT	ADAPTER,FLANGE,FLYWHEEL.....	1	37	52498GT	HOUSING-AIR CLEANER,DF-750..... to SN 40454	1
5	51495GT	HOSE,1/8" VACUUM		37	52504GT	BAND,AIR CLEANER,GS68.....	1
6	32219GT	DIPSTICK,KUBOTA DF750.....	1	37	84808GT	AIR CLEANER ASSEMBLY, DF-752..... from SN 40455	1
7	32077GT	PETCOCK,DRAIN,KUBOTA WG750B.....	1	38	866000GT	KUBOTA 70000-11221 AIR ELEMENT.... to SN 40454	1
8	52425GT	GASKET,CARBURETOR,KUBOTA DF750.....	2	38	866127GT	ELEMENT,AIR CLEANER,KUBOTA from SN 40455	1
9	23467GT	FLANGE,CARBURETOR,WG750B***.....	1	39	44186GT	WASHER ASSY,FILTER ELEMNT,WG75.....	1
10	52445GT	CARBURETOR,DF-750***..... to SN 40454	1	40	44185GT	BOLT,WING,FILTER ELEMENT,WG750.....	1
10	84118GT	CARBURETOR,DF-752 ENGINE***..... from SN 40455	1	41	839081GT	KUBOTA 15221-11170 GASKET A/C.....	1
11	42942GT	HOSE,LPG 1/2" 18" PRECUT		42	865321GT	KUBOTA 15221-11410 BAFFLE.....	1
12	19273GT	CLAMP,HOSE,.75 **.....	2	43	22943GT	AIR CLEANER COVER,SNAP ON..... to SN 40454	1
13		Ref., FUEL LINE (refer to 401.1)		43	84810GT	AIR CLEANER COVER, DF-752..... from SN 40455	1
14	46131GT	CLAMP,HOSE,.63" - 1.0" X .5".....	4	44	51737GT	ADAPTER,HOSE INTAKE 2.5-1.75.....	1
15	52501GT	PIPE,BREATHER JOINT,DF-750.....	1	45	45435GT	CLAMP,HOSE,2.50"***.....	1
16	32069GT	CLAMP,HOSE,KUBOTA WG750.....	2	46	131372GT	HOSE,1.75ID,2.50IDX12.0".....	1
17	52427GT	GASKET,AIR CLEANER, DF-750.....	1	47		Ref. Hydraulic Hoses and Fittings (refer to Figure 4-H or 4-I).....	1
18	52428GT	FLANGE,AIR CLEANER, DF-750.....	1	48	55940GT	PUMP,TANDEM,REXROTH***.....	1
19	52850GT	NUT-SELF LOCKING, M8X1.25MM.....	2	48	62215GT	SEAL KIT-TANDEM PUMP 55940.....	1
20	52535GT	WASHER,LOCK,GOV.LEVER,DF750***.....	4	49	6019GT	SCREW,HHC,3/8-16 X 1.25 GRD 5.....	2
21	22672GT	CLAMP,HOSE,1.75.....	2	50	6021GT	WASHER,LOCK,.375.....	2
22	51736GT	HOSE,1.75 ID,75WIDE.....	1				
23	4266GT	SCREW,HHC,1/4-20 X 2.....	3				
24	6638GT	WASHER,FLAT,USS,1/4"Y.....	6				
25	6091GT	NUT,NYLOCK,1/4-20.....	5				
26		Ref. Fitting - Elbow, 90°.....	1				
27	19859GT	ELBOW,010202-6-4.....	1				
28	25967GT	HOSE ASSEMBLY,LP GAS-86" LNG**.....	1				
29	27903GT	HOSE,LOW PRESSURE,.375 ID,BLK					

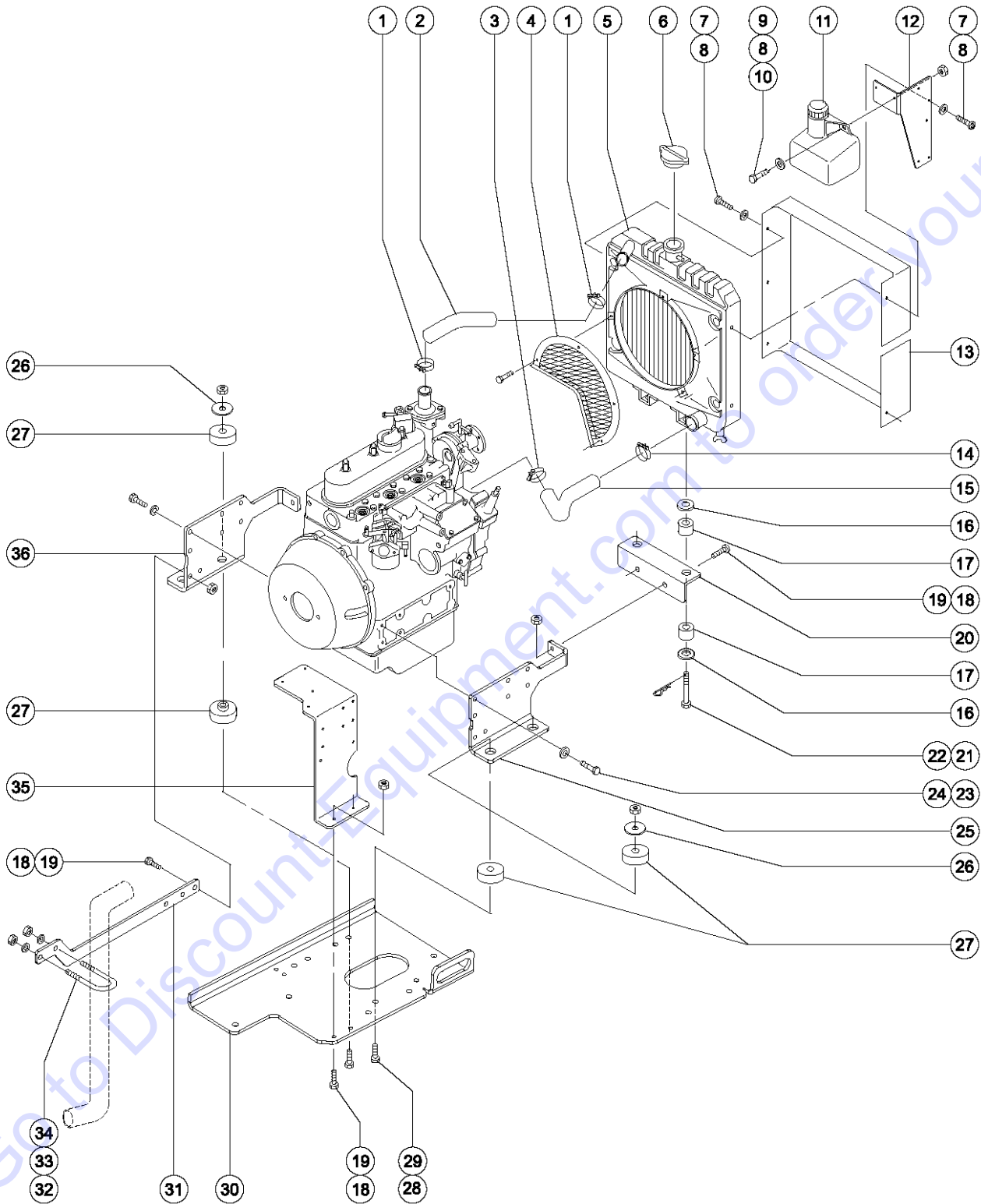
303.1 Kubota DF-750 and DF-752 Engine, View 3



303.1 Kubota DF-750 and DF-752 Engine, View 3

Item	Part No.	Description	Qty.
--		<i>for internal engine components, contact engine dealer</i>	
1	23458GT	SPARK PLUG,WG750B***.....	3
2	23463GT	CAP,SPARK PLUG,WG750B.....	3
3	23462GT	WIRE,SPARK PLUG,NO.3,WG750B***...1	1
4	23461GT	WIRE,SPARK PLUG,NO.2,WG750B***...1	1
5	23460GT	WIRE,SPARK PLUG,NO.1,WG750B***...1	1
6	44187GT	ROD,GOVERNOR, WG750.....	1
7	44188GT	SPRING,GOVERNOR,UPPER, WG750.....	1
8	84053GT	LEVER,GOVERNOR,DF***..... <i>to SN 40454</i>	1
9	52521GT	NUT,TAILPIPE,KUBOTA, 2668..... <i>to SN 40454</i>	1
9	84054GT	NUT-HEX, GOVERNOR LEVER, DF..... <i>from SN 40455</i>	1
10	52535GT	WASHER,LOCK,GOV.LEVER,DF750***.1	1
11	52536GT	WASHER,FLAT,GOV.LEVER, DF750.....1	1
12	44190GT	SPRING,GOVERNOR,LOWER, WG750**.....	1
13	51301PGT	BRACKET,CHOKE SOLENOID MOUNT.....	1
14	51745GT	SOLENOID,1"STRKE,12V,SYNCR***.....1	1
14	52514GT	BOOT,THROTTLE SOLENOID.....	1
15	6090GT	SCREW,HHC,1/4-20 X .75.....	6
16	6091GT	NUT,NYLOCK,1/4-20.....	7
17	51510GT	CHOKE LINKAGE GS68.....	1
18	21496GT	NUT,HEX,1/4-28.....	2
19	32076GT	COIL,IGNITION,KUBOTA WG750B.....	1
20	21130GT	CLEVIS YOKE-1/4-28,PLTD W/PIN.....	1
21	6888GT	SCREW,HHC,1/4-20 X 1.....	1
22	30785-550GT	THREADED ROD,1/4-28 X 5.5 IN**.....	1
23	29073GT	SOLENOID,THROTTLE.....	1
23	52537GT	BOOT,SOLENOID,29073.....	1
24		Ref. LPG Regulator and Solenoid Mount (refer to Figure 3-B).....	1
25	6638GT	WASHER,FLAT,USS,1/4"Y.....	2
26	52538GT	HEAT SHIELD,DISTRIBUTOR,DF750.....	1
27	23465GT	CAP,DISTRIBUTOR, WG750B.....	1
27	52486GT	DISTRIBUTOR ASSY,DF-750.....	1
27	52499GT	ROTOR,DISTRIBUTOR,DF-750.....	1
28	23459GT	PLUG WIRE,DIS/COIL,WG750B.....	1

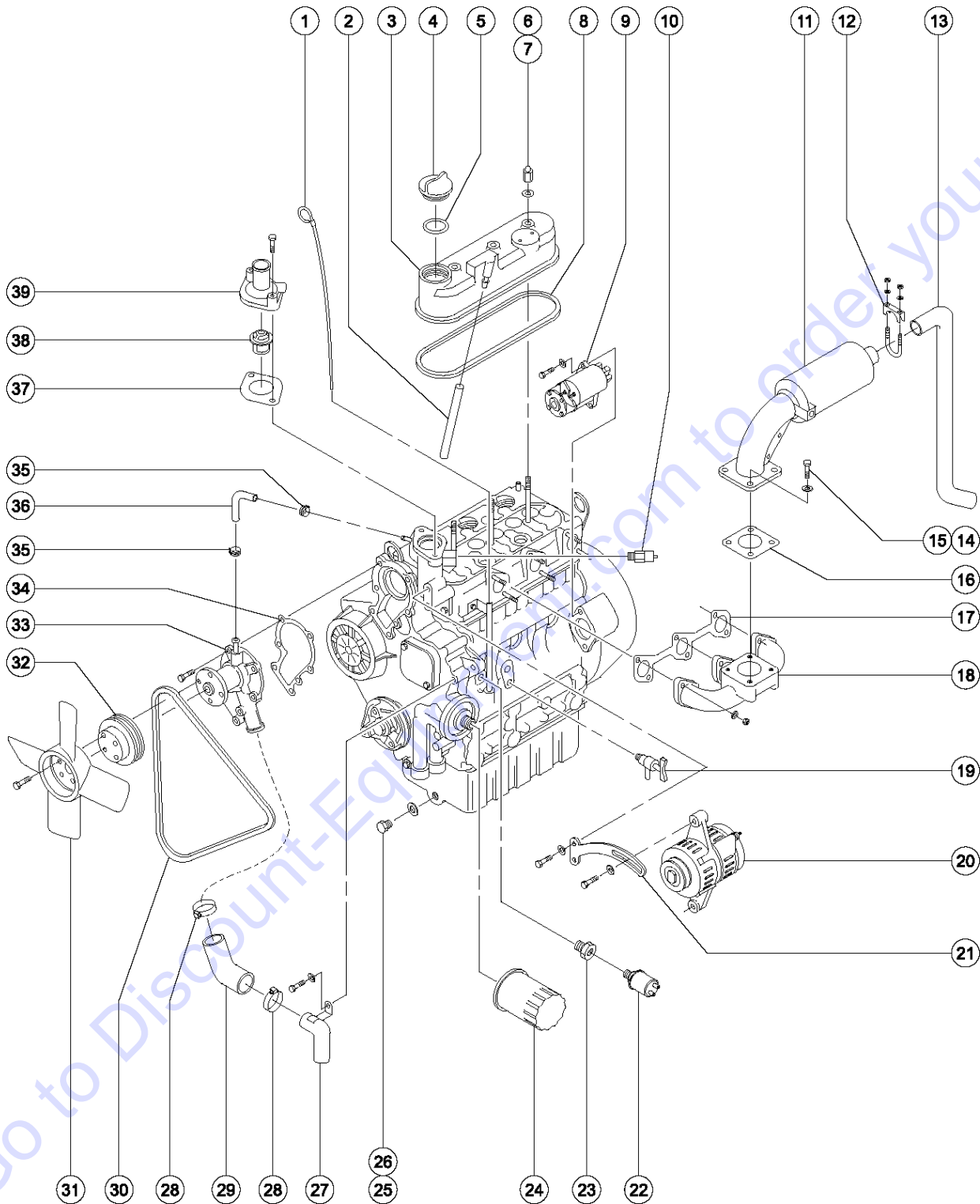
304.1 Kubota DF-750 and DF-752 Engine, View 4



304.1 Kubota DF-750 and DF-752 Engine, View 4

Item	Part No.	Description	Qty.	Item	Part No.	Description	Qty.
--		<i>for internal engine components, contact engine dealer</i>		31	51516PGT	BRACKET, TAILPIPE, GS68RT, GAS.....1 <i>to SN 38744</i>	1
1	32087GT	CLAMP, HOSE, KUBOTA WG750.....	2	31	71779GT	FORMING, TAILPIPE BRKT, GS68.....1 <i>from SN 38745</i>	1
2	32088GT	HOSE, UPR RADIATOR, KUBOTA WG750.....	1	32	51733GT	U-BOLT, 1/4-20 X 1.75 X 3.00.....	1
3	32066GT	CLAMP, HOSE, KUBOTA WG750.....	1	33	6356GT	WASHER, LOCK, .25.....	2
4	84077GT	GUARD-FAN, 905, 752 KUBOTA ENG.....	1	34	6357GT	NUT, HEX, 1/4-20.....	2
5	32089GT	RADIATOR ASSY, KUBOTA WG750/752.....	1	35	51641PGT	BRACKET, LPG REG./SOLENOID MNT.....	1
6	23061GT	CAP, RADIATOR, 13 PSI.....	1	36	32085GT	SUPPORT, RADIATOR, KUBOTA WG750.....1 <i>to SN 38744</i>	1
7	49375GT	SCREW, HHC, M6 X 16.....	5	36	71782GT	FORMING, LEFT ENGINE MOUNT, DF...1 <i>from SN 38745</i>	1
8	6638GT	WASHER, FLAT, USS, 1/4"Y.....	7				
9	6090GT	SCREW, HHC, 1/4-20 X .75.....	2				
10	6091GT	NUT, NYLOCK, 1/4-20.....	2				
11	42662GT	COOLANT RECOVERY BOTTLE 1.5 QT*.....	1				
12	55829GT	GS68 FORMING, DIESEL OVERFLOW.....	1				
13	51609GT	RADIATOR, SEAL DUAL FUEL.....	1				
14	32092GT	CLAMP, HOSE, KUBOTA WG750.....	1				
15	32090GT	HOSE, LWR RADIATOR, KUBOTA WG750.....	1				
16	52539GT	WASHER, RADIATOR CUSHION, KUBOTA.....	4				
17	28156GT	CUSHION, RADIATOR, KUBOTA 1702**.....	2				
18	6019GT	SCREW, HHC, 3/8-16 X 1.25 GRD 5.....	4				
19	4828GT	NUT, NYLOCK, 3/8-16.....	4				
20	28963GT	RADIATOR STAY, KUBOTA 1702.....1 <i>to SN 38744</i>	1				
20	71784GT	FORMING, RAD. MOUNT, DUAL FUEL...1 <i>from SN 38745</i>	1				
21	52540GT	SCREW, RADIATOR MOUNT, KUBOTA.....	2				
22	52541GT	CLIP, RADIATOR MOUNT, KUBOTA.....	2				
23	22676GT	SCREW, HHC, M10 X 1.25 X 30MM**.....	12				
24	22700GT	WASHER, LOCK, M10.....	12				
25	32086GT	SUPPORT, RADIATOR, KUBOTA WG750.....1 <i>to SN 38744</i>	1				
25	71783GT	FORMING, RIGHT ENG. MOUNT, DF....1 <i>from SN 38745</i>	1				
26	24040GT	WASHER, 1/2 PLATE (1/2 X 2.25 X 3/16).....	4				
27	24037GT	SHOCK MOUNT, LARGE**.....	8				
28	6732GT	SCREW, HHC, 1/2-13 X 3.25.....	4				
29	6198GT	NUT, NYLOCK, 1/2-13.....	4				
30	47664PGT	WELDMENT, SLIDING ENGINE TRAY....	1				

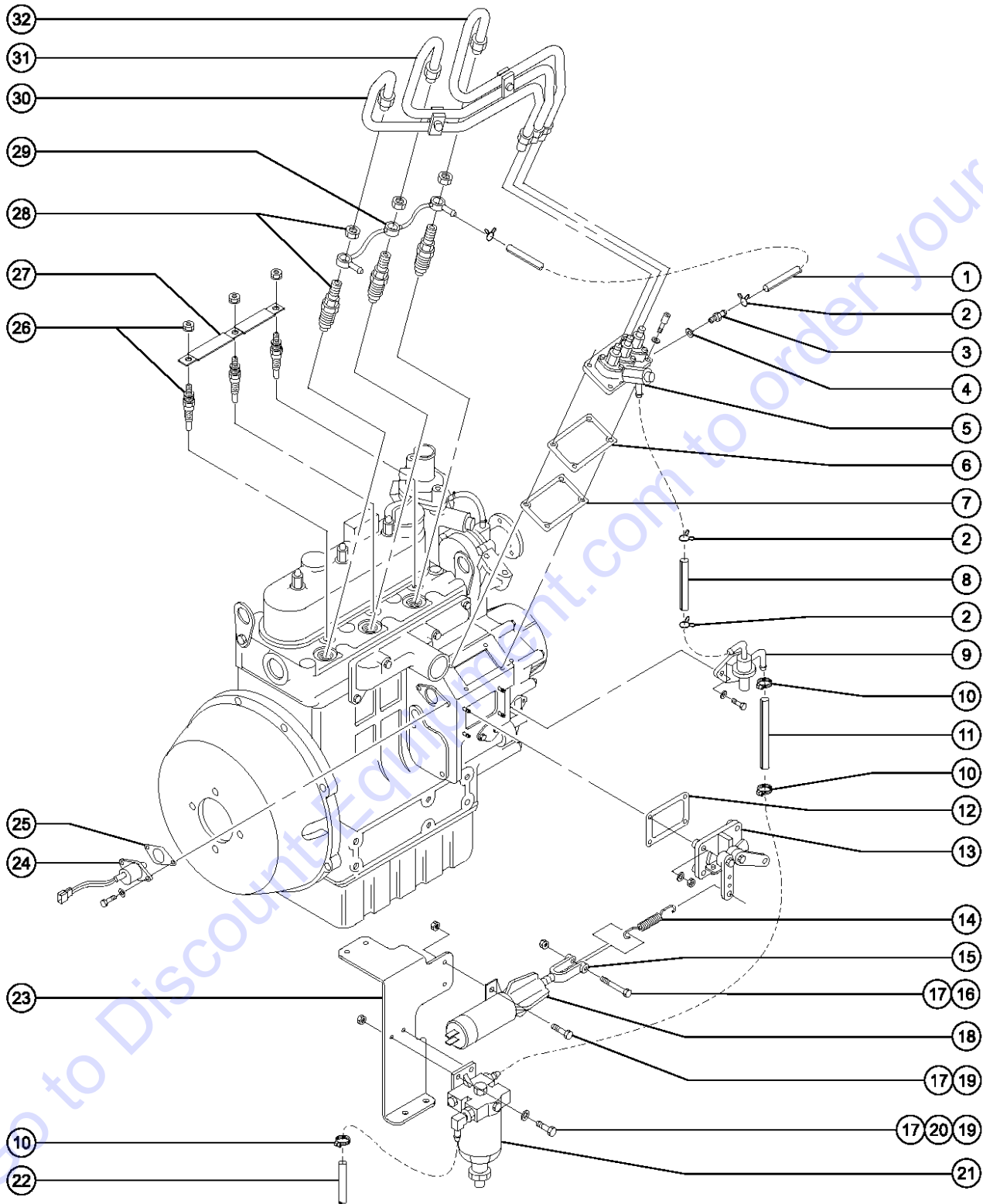
305.1 Kubota D-905 Engine, View 1



305.1 Kubota D-905 Engine, View 1

Item	Part No.	Description	Qty.	Item	Part No.	Description	Qty.
--		<i>for internal engine components, contact engine dealer</i>		34	32199GT	GASKET,WATER PUMP.....	1
1	32188GT	DIPSTICK,KUBOTA D905***.....	1	35	32069GT	CLAMP,HOSE,KUBOTA WG750.....	2
2	44194GT	PIPE,BREATHER JOINT, D905.....	1	36	32200GT	HOSE,WATER PUMP RETURN,D905.....	1
3	44191GT	VALVE COVER, D905.....	1	37	866397GT	KUBOTA GASKET,THERMOSTAT.....	1
4	32190GT	PLUG,OIL FILLER,KUBOTA D905***.....	1	38	139278GT	THERMOSTAT.....	1
5	22903GT	O-RING,OIL FILLER PLUG,KUBOTA*.....	1	39	32201GT	THERMOSTAT, HOUSING, KUBO D905.....	1
6	44193GT	NUT,VALVE COVER CAP, D905.....	1				
7	44192GT	GASKET,VALVE COVER CAP, D905.....	1				
8	32189GT	GASKET,VALVE COVER,KUBOTA D905.....	1				
9	32194GT	SOLENOID,32193 STARTER,D905.....	1				
9	65837GT	STARTER,KUBOTA D905 VERS 2***.....	1				
10	34058GT	SENDING UNIT,TMP,FRD,GM,PRK704.....	1				
--	28607GT	ADAPTER,140139-8-6 <i>if required</i>					
11	52407GT	MUFFLER,KUBOTA,GS68,DF750,D905.1					
12	62160GT	CLAMP,TAILPIPE, 1 1/2***.....	1				
		<i>includes mounting bolts</i>					
13	47560GT	TAILPIPE,EXHAUST,KUBOTA DIESEL.....	1				
14	25929GT	SCREW,HHC,M8 X 30MM,GRD 8.8.....	4				
15	6886GT	WASHER,LOCK,.313.....	4				
16	832128GT	GASKET,MUFFLER,KUBOTA D905/11.....	1				
17	32191GT	GASKET,EXHAUST MANIFOLD,D905.....	1				
18	32192GT	MANIFOLD, EXHAUST, KUBOTA.....	1				
19	32077GT	PETCOCK,DRAIN,KUBOTA WG750B.....	1				
20	866090GT	ALTERNATOR,KUBOTA*.....	1				
21	44195GT	ALTERNATOR STAY, D905.....	1				
22	30810GT	SENDING UNIT,OIL PRESSURE***.....	1				
		<i>dual-terminal sender; for models with analog gauge option</i>					
23	42248GT	ADAPTER,140139-4-2.....	1				
24	866050GT	FILTER,OIL,KUBOTA.....	1				
25	52532GT	PLUG,ENGINE OIL DRAIN,D-905***.....	1				
26	52533GT	GASKET (52532) OIL DRAIN, D905.....	1				
27	32195GT	HOSE,LOWER RADIATOR,DF752.....	1				
28	32185GT	CLAMP,HOSE.....	2				
29	32067GT	HOSE,WATER PUMP,KUBOTA**.....	1				
30	32196GT	BELT,V, KUBOTA D905.....	1				
31	32197GT	FAN,KUBOTA D905.....	1				
32	52531GT	PULLEY,FAN,KUBOTA, D-905,GS68.....	1				
33	32198GT	PUMP, WATER, KUBOTA D905.....	1				

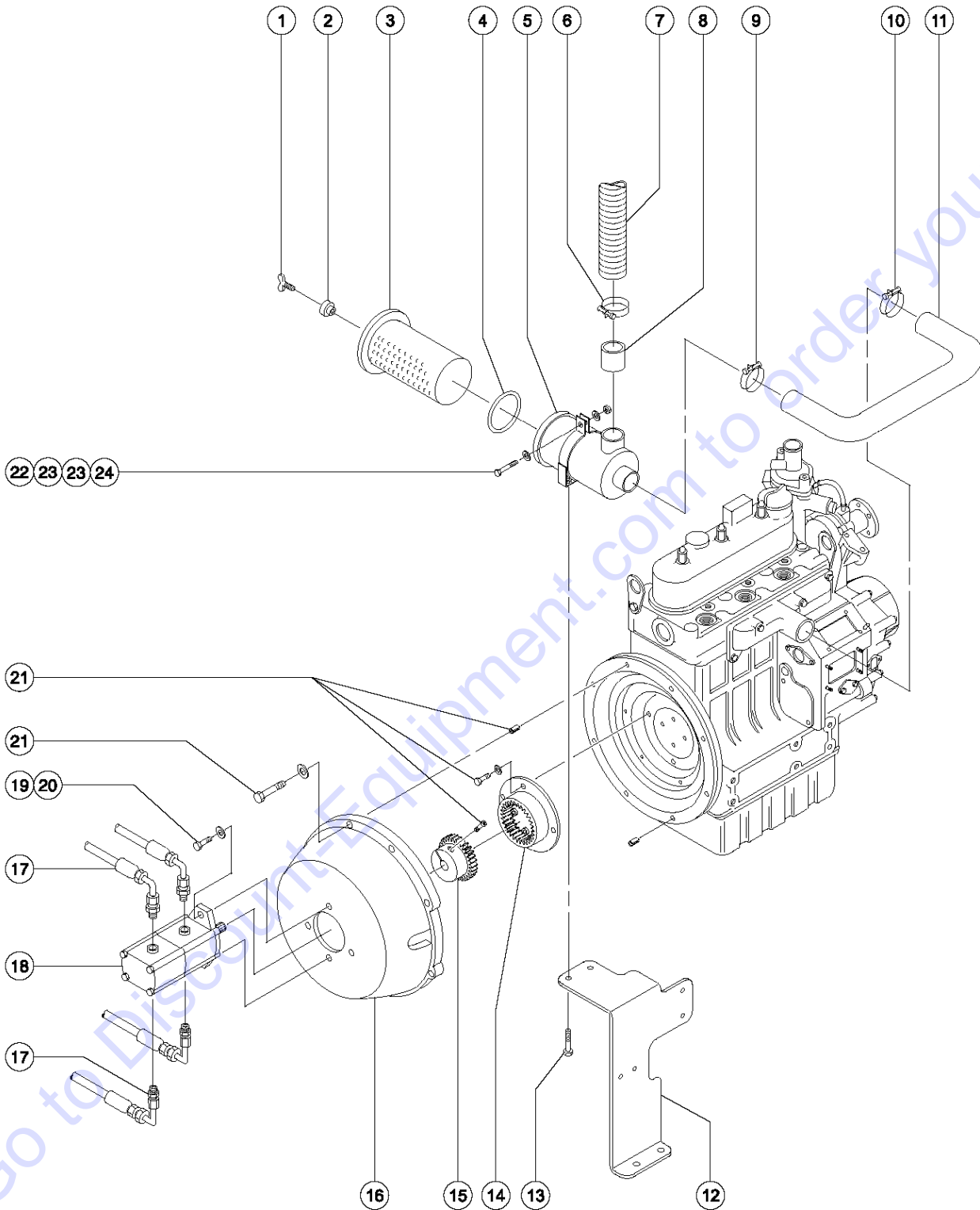
306.1 Kubota D-905 Engine, View 2



306.1 Kubota D-905 Engine, View 2

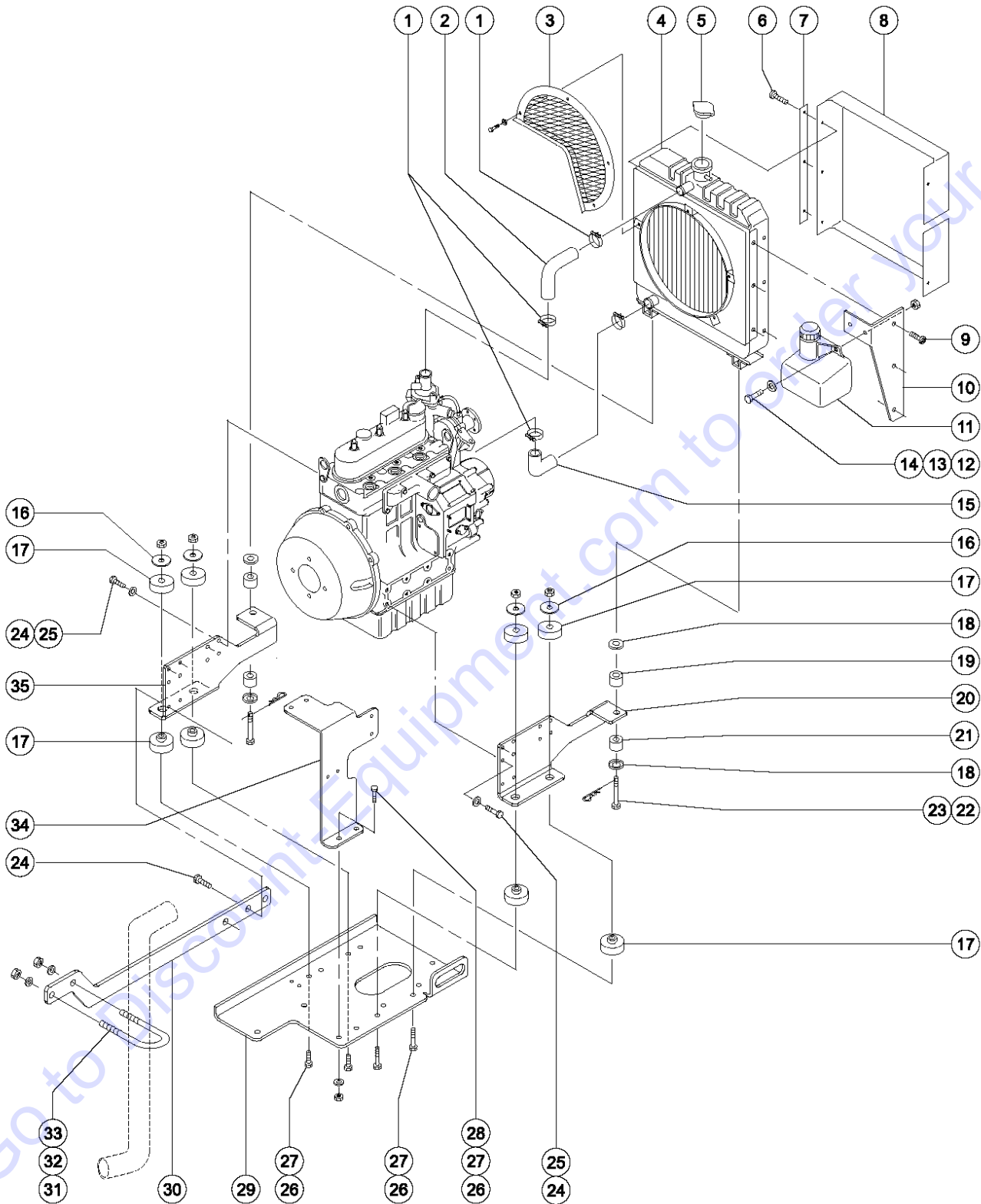
Item	Part No.	Description	Qty.
--		<i>for internal engine components, contact engine dealer</i>	
1	35418GT	HOSE,FUEL,3/16,SAE 30R7	
2	52834GT	CLAMP-HOSE, .375, FUEL PUMP.....3	
3	62119GT	SCREW-AIR BREATHER, D905.....1	
4	44181GT	GASKET,VALVE COVER CAP, WG750.....1	
5	839149GT	KUBOTA INJECTOR PUMP, D1105.....1	
6	32103GT	GASKET,INJECTION PUMP.....1	
7	32182GT	GASKET,INJECTION PUMP.....1	
8	27089GT	HOSE,5/16 FUEL,SAE 30R7	
9	839233GT	KUBOTA FUEL PUMP GASKET.....1	
9	866070GT	FUEL PUMP, MECHANICAL.....1	
10	44909GT	CLAMP,HOSE,.35"-.86" X .3125".....3	
11	27089GT	HOSE,5/16 FUEL,SAE 30R7	
12	44202GT	GASKET,SPEED CONTROL ASSY,D905.....1	
13	44200GT	SPEED CONTROL ASSY, D905.....1 <i>includes mounting fasteners</i>	
13	44201GT	SPRING,RETURN,SPEED CONTR,D905.....1	
14	31379GT	SPRING,TENSION-1.25 X.438 DIA.....1	
15	21130GT	CLEVIS YOKE-1/4-28,PLTD W/PIN.....1	
16	6888GT	SCREW,HHC,1/4-20 X 1.....1	
17	6091GT	NUT,NYLOCK,1/4-20.....5	
18	51745GT	SOLENOID,1"STRKE,12V,SYNCR***.....1	
18	52514GT	BOOT,THROTTLE SOLENOID.....1	
19	6090GT	SCREW,HHC,1/4-20 X .75.....4	
20	6638GT	WASHER,FLAT,USS,1/4"Y.....2	
21	42766GT	SEPARATOR/FILTER,FUEL DIESEL**.....1	
21	65853GT	FILTER,FUEL/WATER SEPARATOR***.....1	
22	27089GT	HOSE,5/16 FUEL,SAE 30R7	
23	51675PGT	FORMING, DIESEL ENG. BRKT,GS68...1	
24	94675GT	KIT,KUBOTA SOLENOID REPLACE***.....1	
25	866040GT	GASKET,SOLENOID,KUBOTA.....1	
26	839119GT	KUBOTA GLOW PLUG.....3	
27	62118GT	JUMPER-GLOW PLUG.....1	
28	62116GT	INJECTOR,FUEL,D905**.....3	
29	62117GT	PIPE ASSY-OVERFLOW-D905.....1	
30	44196GT	PIPE,INJECTOR 1,D905,D1105.....1	
31	44197GT	PIPE,INJECTOR 2,D905,D1105.....1	
32	44198GT	PIPE,INJECTOR 3,D905,D1105.....1	

307.1 Kubota D-905 Engine, View 3



Item	Part No.	Description	Qty.
--		<i>for internal engine components, contact engine dealer</i>	
--	839016GT	KUBOTA AIR CLEANER ASSEMBLY	
1	44203GT	BOLT,WING,FILTER ELEMENT, D905....1	
2	44204GT	WASHER ASSY,FILTER ELEMNT,D905.....1	
3	31745GT	FILTER,AIR,D905.....1	
4	839081GT	KUBOTA 15221-11170 GASKET A/C....1	
5	32184GT	AIR CLEANER KIT,KUBOTA D905.....1	
5	52504GT	BAND,AIR CLEANER,GS68.....1	
6	45435GT	CLAMP,HOSE,2.50"***.....1	
7	131372GT	HOSE,1.75ID,2.50IDX12.0".....1	
8	51852GT	HOSE, 2.44 OD X 2.00 ID X 1.25.....1	
9	62114GT	CLAMP-HOSE, AIR CLEANER.....1	
10	32084GT	CLAMP,AIR CLEANER HOSE,WG750**.....1	
11	43700GT	PIPE,INLET, D905.....1	
12	51675PGT	FORMING, DIESEL ENG. BRKT,GS68...1	
13	52530GT	SCREW,AIR CLEANER MOUNT,KUBOTA.....2	
14	94688GT	ADAPTER, FLANGE GEAR, 3 HOLE....1 <i>three mounting holes</i>	
--	161193GT	ADAPTER,FLANGE,FLYWHEEL.....1 <i>five mounting holes</i>	
15	1268809GT	COUPLER, SPLINED,9 TOOTH, 30MM.....1	
16	104364GT	BELL HOUSING,K-D905K,A PLT.....1	
--	104363GT	BELL HOUSING KIT,GS68,DIESEL **1	
17		Ref. Hydraulic Hoses and Fittings (refer to Figure 4-H or 4-I).....1	
18	55940GT	PUMP,TANDEM,REXROTH***1	
--	52512GT	SEAL KIT,47499 PUMP,BARNES,68.....1	
19	6019GT	SCREW,HHC,3/8-16 X 1.25 GRD 5.....2	
20	6021GT	WASHER,LOCK, .375.....2	
21	104367GT	HARDWARE KIT, BELLHSING KUBOTA.....1	
22	4266GT	SCREW,HHC,1/4-20 X 2.....1	
23	6638GT	WASHER,FLAT,USS,1/4"Y.....2	
24	6091GT	NUT,NYLOCK,1/4-20.....1	

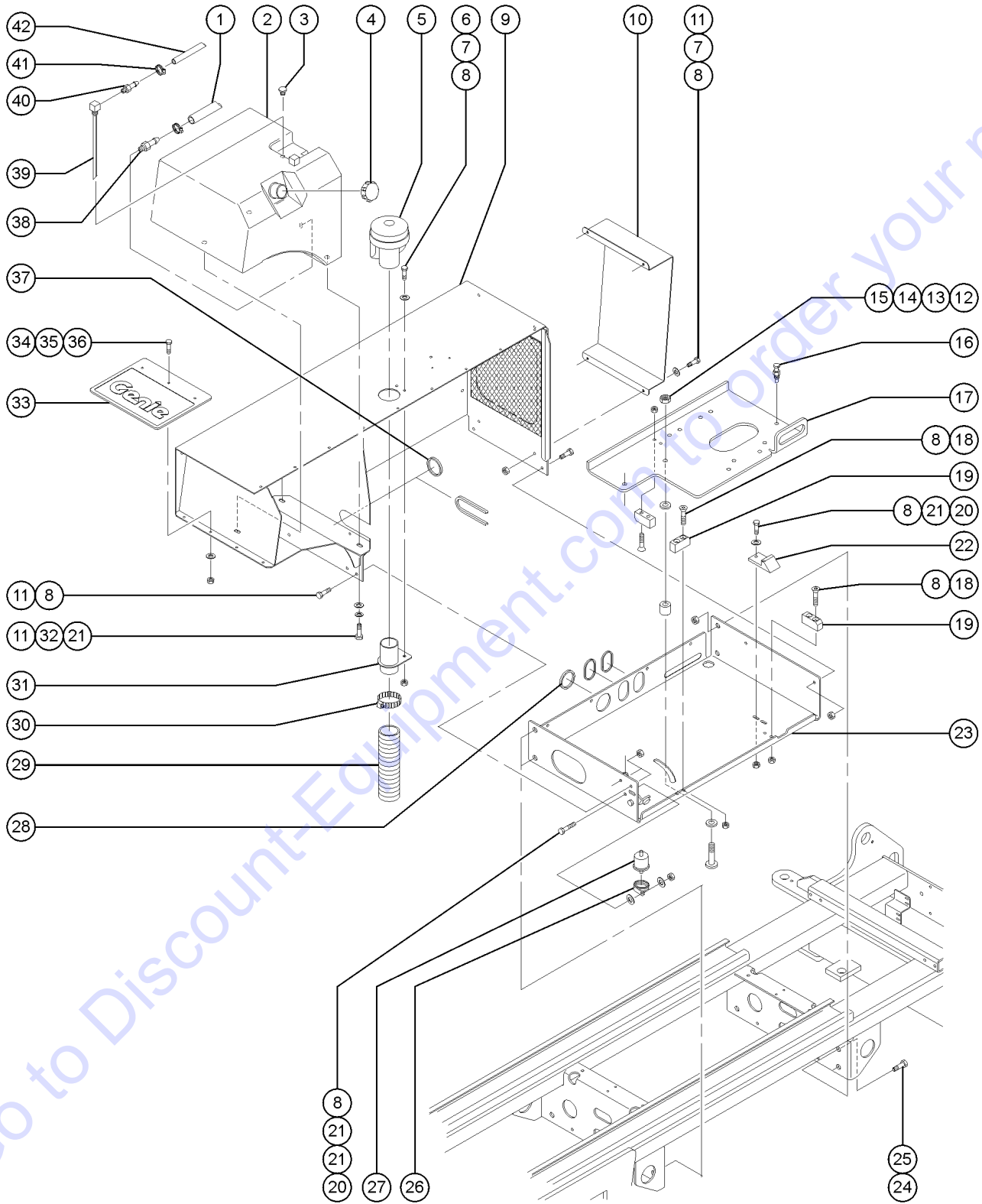
308.1 Kubota D-905 Engine, View 4



308.1 Kubota D-905 Engine, View 4

Item	Part No.	Description	Qty.
--		<i>for internal engine components, contact engine dealer</i>	
1	32185GT	CLAMP,HOSE.....	4
2	32205GT	HOSE,UPPR RADIATOR,KUBOTA D905.....	1
3	32206GT	GUARD,FAN,KUBOTA D905.....	1
4	32207GT	RADIATOR ASSY,KUBOTA D905%%.....	1
5	23061GT	CAP,RADIATOR,13 PSI.....	1
6	51738GT	SCREW,RHM,M6 X 12MM.....	5
7	51850GT	PLATE, RADIATOR SEAL,GS68.....	1
8	51609GT	RADIATOR,SEAL DUAL FUEL.....	1
9	49375GT	SCREW,HHC,M6 X 16.....	4
10	55829GT	GS68 FORMING, DIESEL OVERFLOW.....	1
11	42662GT	COOLANT RECOVERY BOTTLE1.5 QT*.....	1
12	6090GT	SCREW,HHC,1/4-20 X .75.....	2
13	6638GT	WASHER,FLAT,USS,1/4"Y.....	2
14	6091GT	NUT,NYLOCK,1/4-20.....	2
15	32195GT	HOSE,LOWER RADIATOR,DF752.....	1
16	24040GT	WASHER, 1/2 PLATE (1/2 X 2.25 X 3/16).....	4
17	24037GT	SHOCK MOUNT,LARGE**.....	8
18	52539GT	WASHER,RADIATOR CUSHION,KUBOTA.....	4
19	28156GT	CUSHION,RADIATOR,KUBOTA 1702**.....	2
20	71781PGT	FORMING,RT. ENG. MOUNT,DIESEL..... <i>from SN 38745</i>	1
21	865260GT	KUBOTA 15263-12370CUSHION.....	2
22	52540GT	SCREW,RADIATOR MOUNT, KUBOTA.....	2
23	52541GT	CLIP,RADIATOR MOUNT, KUBOTA.....	2
24	22676GT	SCREW,HHC,M10 X 1.25 X 30MM**.....	8
25	22700GT	WASHER,LOCK,M10.....	10
26	6175GT	SCREW,HHC,3/8-16 X 1.....	6
27	6097GT	WASHER,FLAT,USS,3/8",Y.....	6
28	4828GT	NUT,NYLOCK,3/8-16.....	6
29	47664PGT	WELDMENT,SLIDING ENGINE TRAY.....	1
30	71779PGT	FORMING,TAIPE BRKT, GS68..... <i>from SN 38745</i>	1
31	51733GT	U-BOLT,1/4-20 X 1.75 X 3.00.....	1
32	6356GT	WASHER,LOCK,.25.....	2
33	6357GT	NUT,HEX,1/4-20.....	2
34	51675PGT	FORMING, DIESEL ENG. BRKT,GS68.....	1
35	71780PGT	FORMING,LEFT ENG. MOUNT,DIESEL..... <i>from SN 38745</i>	1

401.1 Engine Tray Components

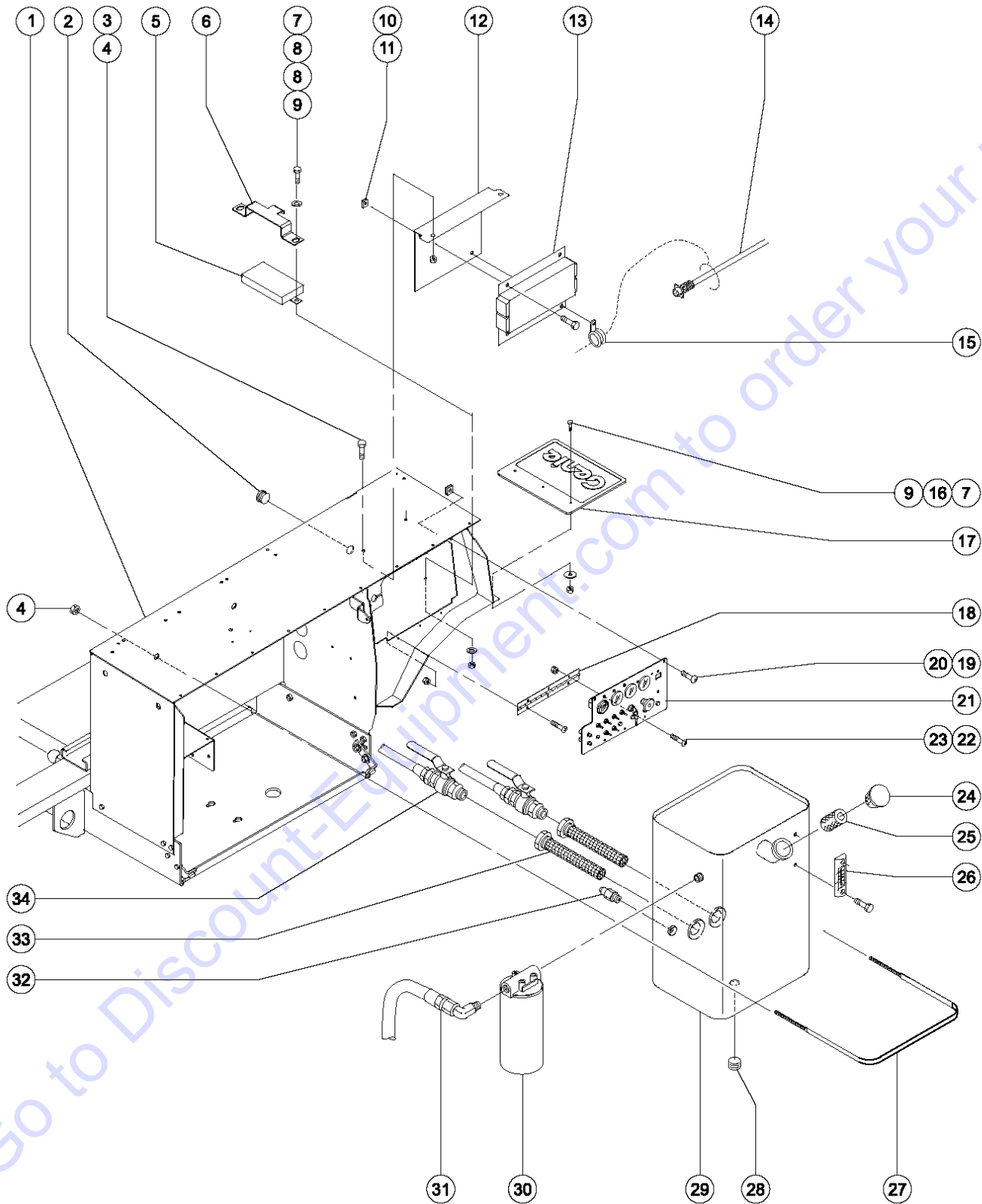


A TEREX BRAND

401.1 Engine Tray Components

Item	Part No.	Description	Qty.	Item	Part No.	Description	Qty.
1A	147566-1500GT	HOSE,FUEL,5/16",SAE30R9.....1 <i>Gasoline/LPG Models</i>	1	29	131372GT	HOSE,1.75ID,2.50IDX12.0".....1	1
1A	147566-1800GT	HOSE,FUEL,5/16",SAE30R9.....1 <i>Gasoline/LPG Models</i>	1	30	45435GT	CLAMP,HOSE,2.50"***.....1	1
1A	147566-2500GT	HOSE,FUEL,5/16",SAE30R9.....1 <i>Gasoline/LPG Models</i>	1	31	51300PGT	WELDMENT,RAIN CAP MOUNT,GS68RT.....1	1
1B	27089GT	HOSE,5/16 FUEL,SAE 30R7.....37-inches <i>Diesel Models</i>	37	32	6021GT	WASHER,LOCK,.375.....3	3
2	T106506GT	KIT,FUEL TANK,RT68.....1 <i>Gasoline/LPG models (includes item 3)</i>	1	33		MUD FLAP <i>component no longer available</i>	
--	52954GT	FUEL TANK ASSY-14.5 GAL DF750* <i>(for use only after kit T106506 is installed)</i>		34	6090GT	SCREW,HHC,1/4-20 X .75.....3	3
2A	T106506GT	KIT,FUEL TANK,RT68.....1 <i>Diesel models (includes item 39)</i>	1	35	12906GT	WASHER,FENDER,.25 X 1.25 X.062.....3	3
--	52419GT	FUEL TANK ASSY,DIESEL,GS26 <i>(for use only after kit T106506 is installed)</i>		36	6091GT	NUT,NYLOCK,1/4-20.....3	3
3	55190GT	PLUG,PIPE HEXHEAD 130109E-3/8.....1 <i>Gasoline/LPG models only</i>	1	37	47232GT	GROMMET,RUBBER 2 X 2.75.....1 <i>for 2 inch round hole</i>	1
4	101726GT	CAP,FUEL,DIESEL,1/8"VENT(GRN).....1 <i>Diesel models</i>	1	37A	1698GT	TRIMLOCK,BLACK,3/8.....13.5-inches <i>for 2.4 x 5.8 inch cutout</i>	13.5
4	101727GT	CAP,FUEL,GAS,1/8"VENT(RED).....1 <i>Gasoline/LPG models</i>	1	38	53023GT	FITTING,1/4 MPT 5/16 BARB.....1	1
5	52420GT	CAP,RAIN,AIR CLEANER, GS68RT**.....1	1	39	51866GT	TUBE ASSY,FUEL TANK,13.5" LG.....1 <i>Diesel Models</i>	1
6	6175GT	SCREW,HHC,3/8-16 X 1.....2	2	40	42338GT	ADAPTER, 1/4NPT-M TO 3/16 BARB.....1 <i>Diesel models</i>	1
7	5397GT	WASHER,FLAT,USS,5/16",Y.....6	6	41	44909GT	CLAMP,HOSE,.35"-.86" X .3125".....2 <i>Diesel Models</i>	2
8	4828GT	NUT,NYLOCK,3/8-16.....17	17	42	35418GT	HOSE,FUEL,3/16,SAE 30R7.....47-inches <i>Diesel models</i>	47
9	47446GT	WELDMENT,ENGINE COVER,GS68.....1	1				
10	47874PGT	FORMING,RADIATOR GUARD,GS68RT.....1	1				
11	8255GT	SCREW,HHC,3/8-16 X .75.....9	9				
12	38028GT	NUT,LP NYLOCK,5/8-11.....2	2				
13	47775GT	SPACER,ROUND ENGINE TRAY.....2	2				
14	47520GT	WASHER,THRUST .75 X 1.25 X .06.....2	2				
15	47792GT	BOLT,SHOULDER 3/4-16 X 1.688LG.....2	2				
16	32375GT	PIN,LOCK,LONG***.....1	1				
17	47664PGT	WELDMENT,SLIDING ENGINE TRAY.....1	1				
18	6610GT	SCREW,FHS,3/8-16 X 2 GRD.8.....6	6				
19	47776GT	WEAR PAD,ENGINE TRAY FRONT.....3	3				
20	6019GT	SCREW,HHC,3/8-16 X 1.25 GRD 5.....3	3				
21	6097GT	WASHER,FLAT,USS,3/8",Y.....6	6				
22	51534GT	ENGINE TRAY RAMP.....1	1				
23	47452PGT	FORMING,ENGINE TRAY,GS68RT.....1	1				
24	34346GT	SCREW,HHC,3/4-10 X 1.75.....4	4				
25	10258GT	NUT,NYLOCK,3/4-10,GRD.2.....4	4				
26	32339GT	CLAMP,1.75,#28 X 3/8,RUB CUSH*.....1	1				
27	23168GT	FILTER,FUEL,IN-LINE**.....1	1				
28	46436GT	GROMMET,RUBBER 2.5 X .25 X2.75.....4	4				

402.1 Hydraulic Tank and Ground Controls Installation

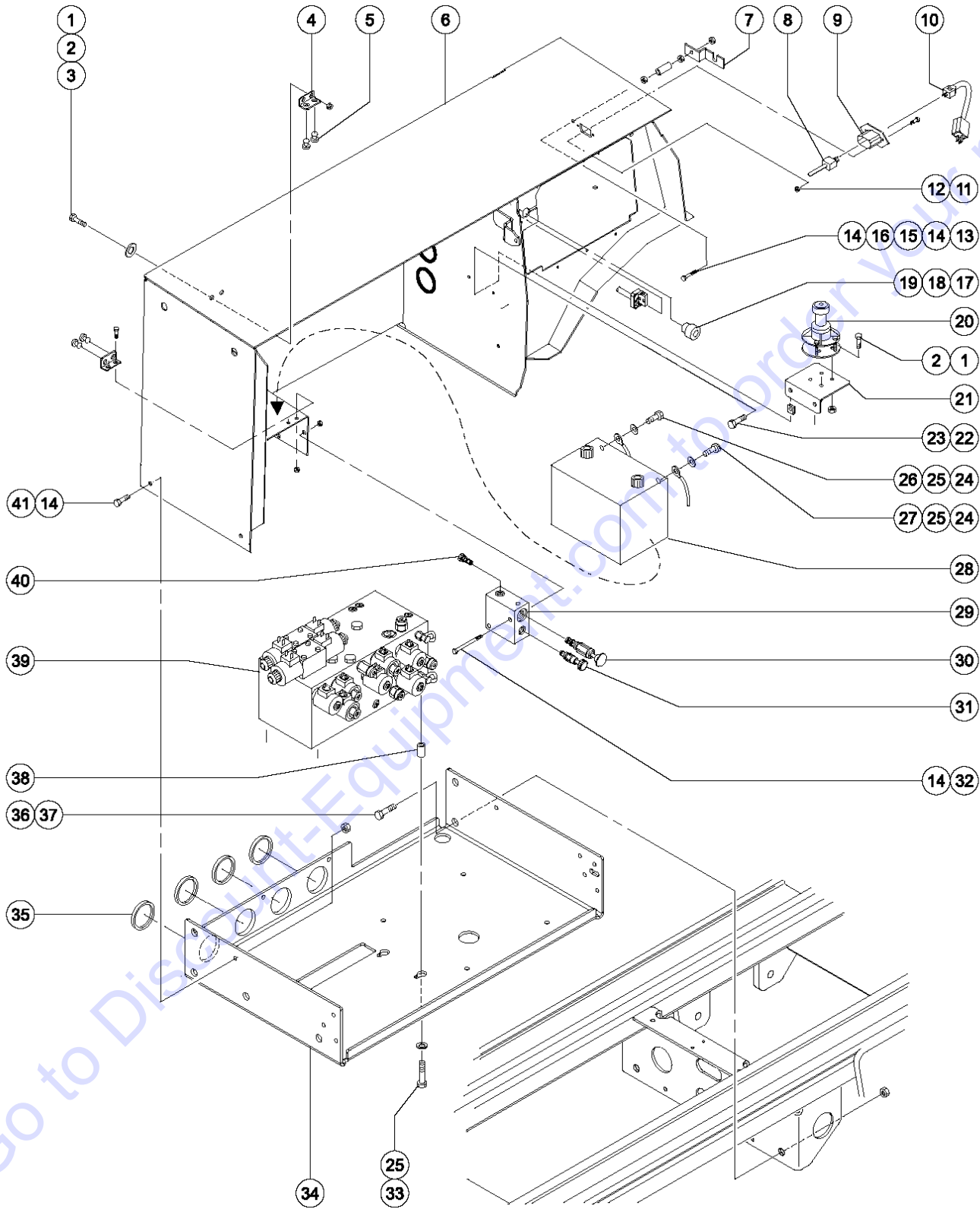


A TEREX BRAND

402.1 Hydraulic Tank and Ground Controls Installation

Item	Part No.	Description	Qty.	Item	Part No.	Description	Qty.
1	52469GT	HYDRAULIC TRAY MODULE,GS68.....	1	31		Ref. Hydraulic Hoses and Fittings (refer to Figure 4-H or Figure 4-I).....	1
2	39540GT	ALARM,STEADY TONE***.....	1	32	48922GT	CONN,520102-6-6.....	1
		<i>Does not include 72326 nut</i>		33	45161GT	STRAINER ASSEMBLY,1.5" NPT.....	2
--	72326GT	NUT - PLASTIC,RING FOR ALARMS.....	1	34	48994GT	VALVE,BALL,16 MPT-16 FPT***.....	2
3	6175GT	SCREW,HHC,3/8-16 X 1.....	2				
4	4828GT	NUT,NYLOCK,3/8-16.....	8				
5	55396GT	12V,SYSTEM,E-DOWN GS68.....	1				
6	71528GT	BRACKET, E-DOWN BATTERY MOUNT.....	1				
7	6090GT	SCREW,HHC,1/4-20 X .75.....	5				
8	6638GT	WASHER,FLAT,USS,1/4"Y.....	2				
9	6091GT	NUT,NYLOCK,1/4-20.....	5				
10	56912GT	SPRING CLIP,1/4-20,.025-.15X.54,ZAG.....	2				
11	8914GT	SCREW,HHC,1/4-20 X .625.....	2				
12	51612PGT	FORMING,ECU BRACKET,GS68RT.....	1				
13	1255783GT	ELECTRONIC CONTRL UNIT GS/RT G1.....	1				
14	64258GT	WIRE ASSY,CHASSIS CONTROL PIGT					
15	18666GT	CLAMP,1.00,#16 X 1/4,RUB CUSH.....	1				
16	12906GT	WASHER,FENDER,.25 X 1.25 X.062.....	3				
17		MUD FLAP <i>component no longer available</i>					
18	46431GT	HINGE,GRND CONT CVR, TMZ34.....	1				
19	6878GT	BOLT,CARRIAGE,1/4-20 X .75,G2.....	2				
20	29868GT	SPRING CLIP,3/8-16,.05-.20X.73,ZAG....	2				
21		Ref. Ground Controls (refer to Figure 4-D).....	2				
22	55906GT	SCREW,PHILLIPS,PHM,8-32 X .5.....	6				
23	18605GT	NUT,NYLOCK,8-32.....	6				
24	131658GT	CAP,HYDRAULIC TANK,GS68/84/90.....	1				
25	31506GT	STRAINER,FILLER NECK.....	1				
26	21141GT	GAUGE-SIGHT,LHA-LGTB***.....	1				
		<i>includes mounting fasteners and O-rings</i>					
27	31658-SGT	EXTRUSION,RUBBER BUMPER STRIP.....	28-inches				
27	51500GT	TANK STRAP, BOLT STYLE, GS68.....	1				
28	14262GT	PLUG,HEX SOCKET,3/8 MPT.....	1				
29	62727-SGT	TANK,ASSY HYD ,27GL GS68.....	1				
		<i>includes index numbers 24, 28 and 32 through 34</i>					
30	87070GT	FILTER ASSY,SAE 12 NO INDICAT*.....	1				
--	1259055GT	FILTER ELEMENT, 10 MICRON <i>Genie aftermarket part</i>					
--	131323GT	FILTER ELEMENT,10 MICRON.....	1				
		<i>Genie genuine part</i>					

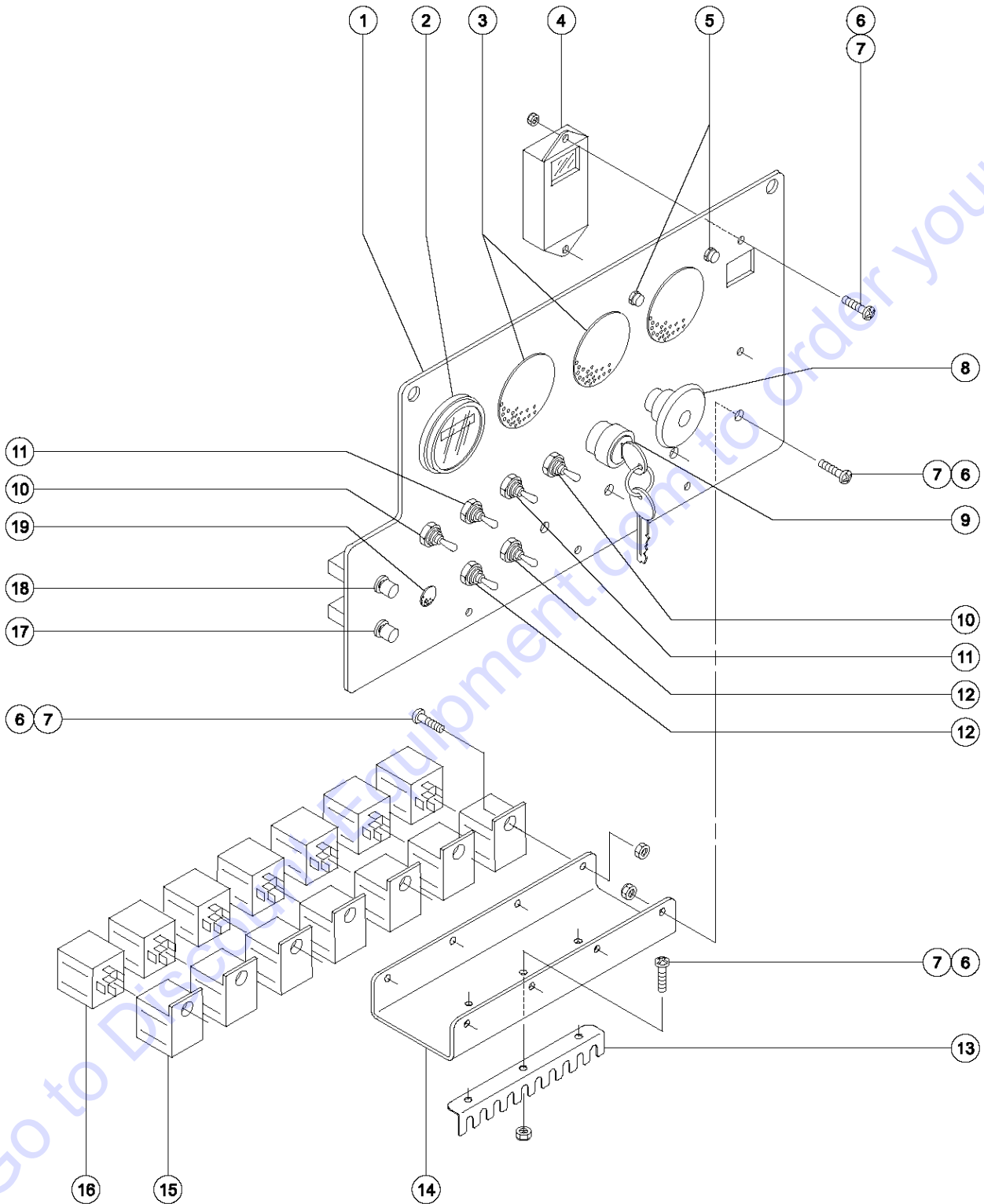
403.1 Hydraulic Tray Components



403.1 Hydraulic Tray Components

Item	Part No.	Description	Qty.	Item	Part No.	Description	Qty.
1	8914GT	SCREW,HHC,1/4-20 X .625.....	8	19	79159GT	E-DOWN HARNESS, GS2668..... <i>from SN 40207</i>	1
2	6638GT	WASHER,FLAT,USS,1/4"Y.....	4	20	40836GT	LEVEL SENSOR,LS60,BLUE,2X4**.....	1
2	6698GT	Washer - Flat, 1/4 inch (0.312 x 0.734 x 0.065 inch) (0.79 x 1.86 x 0.17 cm).....	4	20	71484GT	SENSOR,LEVEL, ANALOG.....	1
3	6091GT	NUT,NYLOCK,1/4-20.....	10	20	71484GT	SENSOR,LEVEL, ANALOG..... <i>models with outriggers</i>	1
4	47480PGT	FORM,BATTERY STOP,PAINT.....	2	21	51304PGT	FORMING,LEVEL SENSOR MNT. GS68.....	1
5	47478GT	BUMPER, RUBBER, 1"OD X .461H.....	4	22	6090GT	SCREW,HHC,1/4-20 X .75.....	2
6	19284GT	SCREW,FHS,1/4-20 X .63..... <i>to SN 38461</i>	2	23	56912GT	SPRING CLIP,1/4-20,.025-.15X.54,ZAG.....	2
6	52469GT	HYDRAULIC TRAY MODULE,GS68..... <i>from SN 38462</i>	1	24	71508GT	SCREW,HHC,3/8-16 X .50 GR.5.....	2
6	56912GT	SPRING CLIP,1/4-20,.025-.15X.54,ZAG..... <i>to SN 38461</i>	2	25	6021GT	WASHER,LOCK,.375.....	6
6	71864GT	FORMING,INVERTER/BATTERY TRAY..... <i>to SN 38461</i>	1	26	52490GT	BATTERY CABLE ASSY.,POS., GS68....	1
7	51346GT	BRACKET,PIGTAIL.....	1	27	52491GT	BATTERY CABLE ASSY.,NEG., GS68....	1
8	43956GT	WIRE CABLE,14/3 CON.TPE JKT*		28	36872GT	BATTERY, 12V,900 CCA.....	1
8	52489GT	CABLE ASSY,PWR TO PLAT.GS-2668.....	1	29	96461GT	SERVICE KIT,BRAKE RELEASE MAN*..... <i>includes index numbers 30, 31 and 32</i>	1
9	46440GT	CONNECTOR,IEC 320 INLET.....	1	30	44218GT	VALVE,HAND PUMP**.....	1
10		FUSE,13 AMP,220V PLUG..... <i>(component no longer available) refer to BS1362 BUSS TDC180-13A</i>	1	30	44224GT	SEAL KIT, VALVE.....	1
10	1280665GT	PLUG, TYPE F, 230A, 50HZ, 16A, IP44.....	1	31	44217GT	VALVE,CHECK,PILOT OPERATED***.....	1
10	144161GT	PLUG,PWR,UK,16AMP,3PIN,BLK.....	1	31	44233GT	SEAL KIT-FOR PN. 44217.....	1
10	25388GT	PLUG,FUSED,250V,13AMP,U.K.**.....	1	32	14033GT	SCREW,HHC,3/8-16 X 2.75.....	2
10	6595GT	PLUG,ELECTRICAL,DOMESTIC.....	1	33	5224GT	SCREW,HHC,3/8-16 X 2.....	4
11	40766GT	NUT,NYLOCK,4-40.....	2	34	47936PGT	FORMING,HYDRAULIC TRAY,GS68.....	1
12	55306GT	SCREW,PHILLIPS,PHM,4-40 X .50.....	2	35	46436GT	GROMMET,RUBBER 2.5 X .25 X2.75....	6
13	39478GT	SCREW,HHC,3/8-16 X 2 FULL THRD....	1	36	34346GT	SCREW,HHC,3/4-10 X 1.75.....	4
14	4828GT	NUT,NYLOCK,3/8-16.....	6	37	10258GT	NUT,NYLOCK,3/4-10,GRD.2.....	4
15	47273GT	POTHOLE SLIDER,32.....	1	38	42189GT	SPACER TUBE,1.00 LG**.....	5
16	7713GT	NUT, LP NYLOCK, 3/8-16.....	1	39	97414GT	MANIFOLD,MAIN,GS68 IC,SERV.....	1
17	122513GT	KIT,HORN SVC BB&SM BOOM..... <i>to SN 37961</i>	1	40	44216GT	VALVE,SHUTTLE.....	1
17	66813GT	BUTTON,PUSH,BLACK W/SEAL***..... <i>from SN 37962</i>	1	40	44235GT	SEAL KIT-FOR PN.44216 & 826779.....	1
18	66815GT	BASE, W/1 N.O. CONTACTS***..... <i>includes 1 N.O. Contact</i>	1	41	6175GT	SCREW,HHC,3/8-16 X 1.....	3
18	66816GT	CONTACT,N.O.***.....	1				
19	51472GT	CABLE,EMERGENCY DOWN, GS68..... <i>to SN 26955</i>	1				
19	55391-SGT	HARNESS, E-DOWN, GS3268..... <i>shown</i>	1				
19	64309GT	CABLE, E-DOWN, LONG..... <i>from SN 26956 to SN 40206</i>	1				

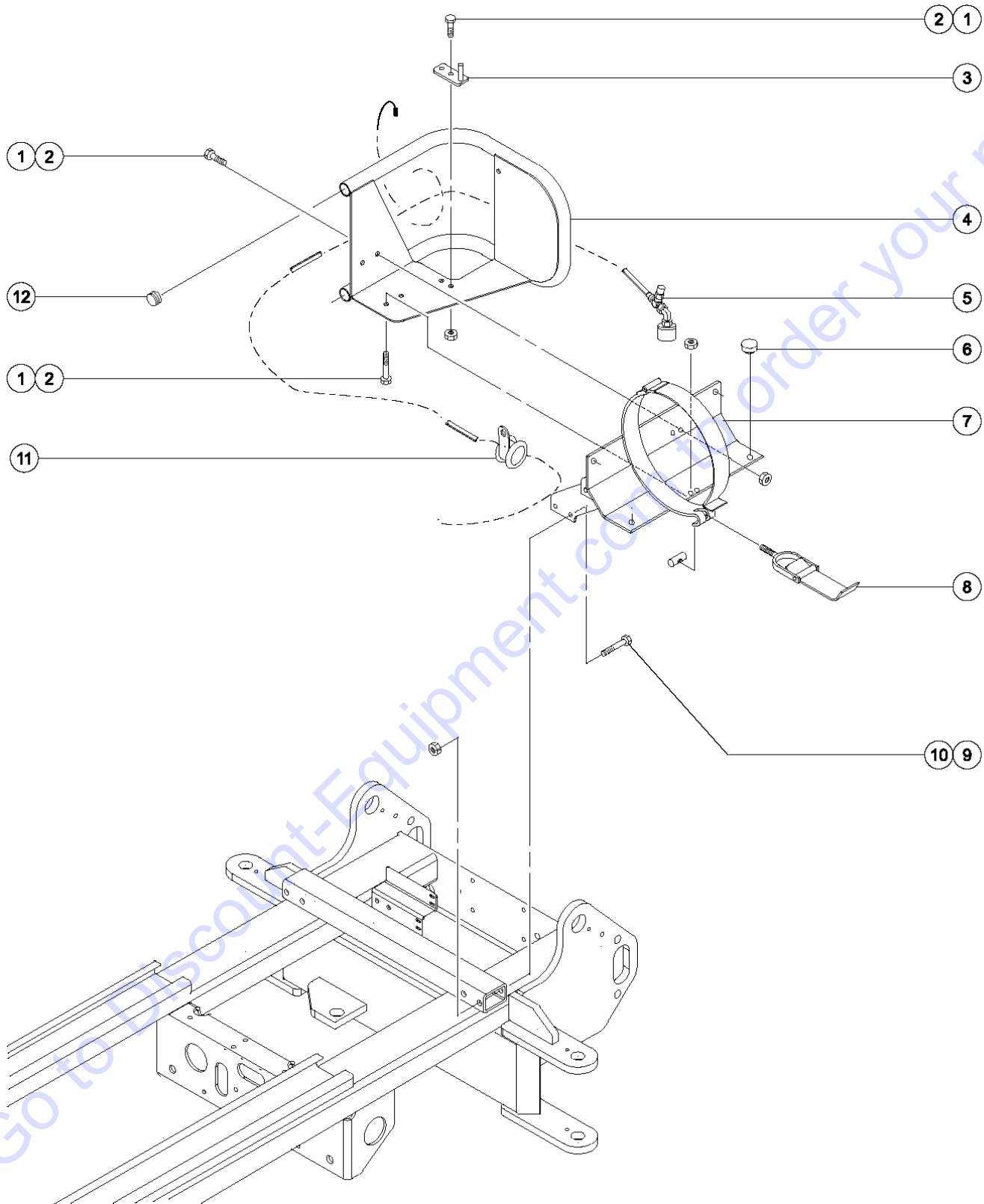
404.1 Ground Controls



404.1 Ground Controls

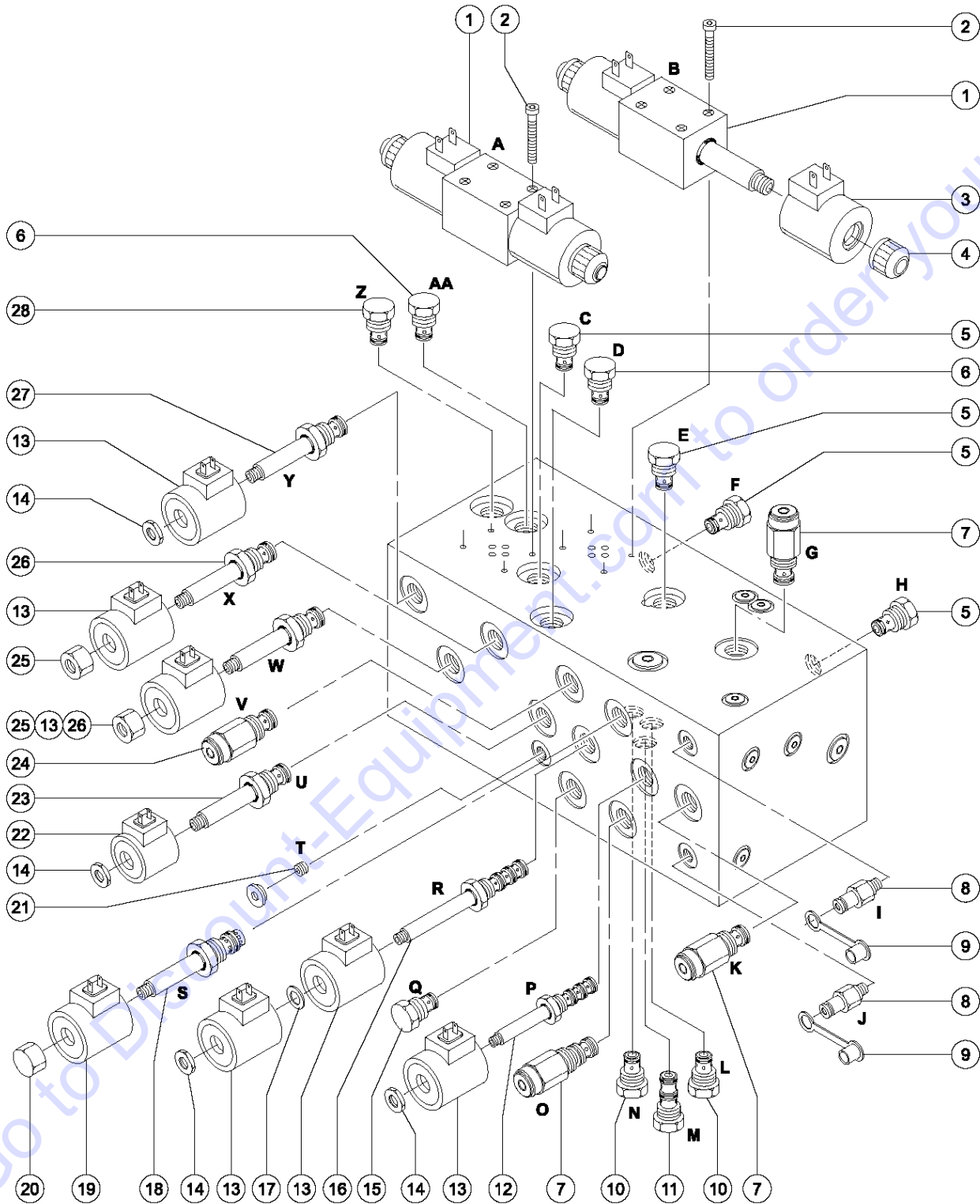
Item	Part No.	Description	Qty.	Item	Part No.	Description	Qty.
--	51916GT	WIRE ASSEMBLY, CHASSY, GS68***		--	34054GT	TERM,RELAY N-INSULATED 10-12 G...7	
--	66821GT	BASE,WITHOUT CONTACTS		--	34056GT	TERM,RELAY,N-INSULATE 18-20 GA...7	
1	62214GT	Plate - Controls Mount with Decals.....1 <i>(decals are listed in Figure 100)</i>		16	34052GT	RELAY,SPDT,12V(AUTO) PLUG IN**.....7	
2	45840GT	PLUG,NYLON 2.00 BLACK DOMED.....1		17	96452GT	CIRCUIT BREAKER,7.0 AMP***.....1	
2	56100GT	HOUR METER,LCD,9-60 VDC***1 <i>(includes mounting bracket and fasteners)</i>		18	147095GT	ASSY, CIRCUIT BREAKER 20A.....1	
3	45840GT	PLUG,NYLON 2.00 BLACK DOMED.....3		19	47479GT	BUMPER,PLASTIC, .625 OD.....1 <i>(Kubota DF-750 or 752 Models)</i>	
4		DIAGNOSTIC DISPLAY.....1 <i>(component no longer available)</i>		--	47479GT	BUMPER,PLASTIC, .625 OD.....2 <i>(Kubota D-905 Models)</i>	
--	64236GT	DISPLAY CABLE ASSEMBLY <i>(sold seperately)</i>					
5	824879GT	LIGHT,LED IND. RED 12V NH.....2					
6	55906GT	SCREW,PHILLIPS,PHM,8-32 X .5.....13					
7	18605GT	NUT,NYLOCK,8-32.....13					
8	66761GT	SERVICE KIT,E-STOP.....1 <i>(to SN 37961)</i>					
8A	66812GT	BUTTON,PUSH,RED MUSHROOM HEAD.....1 <i>(from SN 37962)</i>					
--	66817GT	BASE WITH 1 NC CONTACT, E-STOP...1					
--	66818GT	CONTACT, N.C.....1					
9	96011GT	KIT, KEYSWITCH***.....1 <i>(to SN 37961)</i>					
9A	66811GT	KEYSWITCH,3POS.MNTND.DR WKEY**1 <i>(from SN 37962) (includes: keyswitch and one set of keys, not included: base and contacts)</i>					
--	21982GT	KEY,SINGLE***.....1					
--	37947GT	KEYS,10 PACK***.....1					
--	66814GT	BASE,WITH 2 N.O. CONTACTS***.....1					
--	66816GT	CONTACT,N.O.***.....1					
10	27378-SGT	SWITCH,TOGGLE,DPDT,2POS MAINT* <i>(includes mounting fasteners)</i>					
--	27246GT	BOOT,TOGGLE SWITCH,SHORT*.....1 <i>(Kubota D-905 Models)</i>					
11	13480-SGT	SWITCH,TOGGLE,DPDT,2POS MOMEN.....2 <i>(includes mounting fasteners)</i>					
--	27246GT	BOOT,TOGGLE SWITCH,SHORT*.....2					
12	13037-SGT	SWITCH,TOGGLE,SPDT,3POS MOMEN*.....2 <i>(includes mounting fasteners)</i>					
--	27246GT	BOOT,TOGGLE SWITCH,SHORT*.....2					
13	51608GT	STAMPING,GROUNDING STRIP, GS68.....1					
14	51864PGT	FORMING,RELAY STANDOFF,GS68.....1					
15	34053GT	ASSY,RELAY SOCKET, AUTO.....7 <i>(terminals not included)</i>					

405.1 LPG Tank



Item	Part No.	Description	Qty.
1	8255GT	SCREW,HHC,3/8-16 X .75.....	4
2	7713GT	NUT, LP NYLOCK, 3/8-16.....	8
3	51451PGT	WELDMENT,LP ALIGNMENT PIN,GS68.....	1
4	52482GT	GUARD, LP TANK GS68..... <i>engine side</i>	1
4	52558GT	GUARD, LP TANK GS68..... <i>left</i>	1
5	25967GT	HOSE ASSEMBLY,LP GAS-86" LNG**....	1
6	43392GT	BUMPER,BATTERY BOX & RAILS.....	4
7	47410PGT	WELDMENT,L.P. TANK MOUNT,GS68.....	1
8	49000GT	L.P.TANK LATCH.....	2
9	13854GT	SCREW,HHC,1/2-13 X 4.5,GRD.8..... <i>from SN 40768</i>	2
9	8220GT	SCREW,HHC,1/2-13 X 4..... <i>to SN 40767</i>	2
10	6086GT	NUT,LP NYLOCK,1/2-13..... <i>to SN 40767</i>	2
10	6198GT	NUT,NYLOCK,1/2-13..... <i>from SN 40768</i>	2
11	45454GT	CLAMP,RUB CUSH,0.75,#12 X 3/8*.....	1
12	55753GT	BUMPER, PLASTIC, 1.25 O.D.....	2

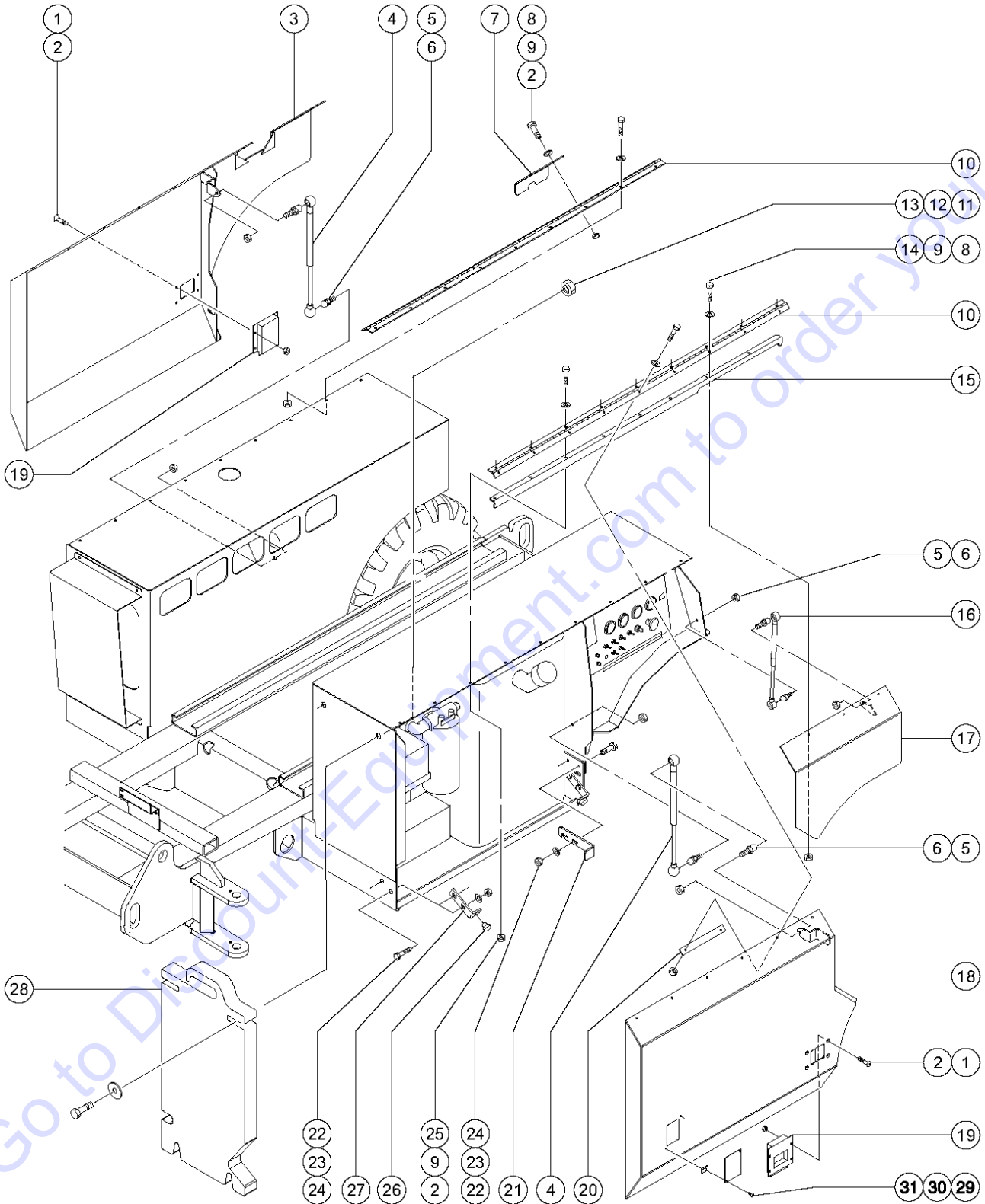
406.1 Function Manifold



406.1 Function Manifold

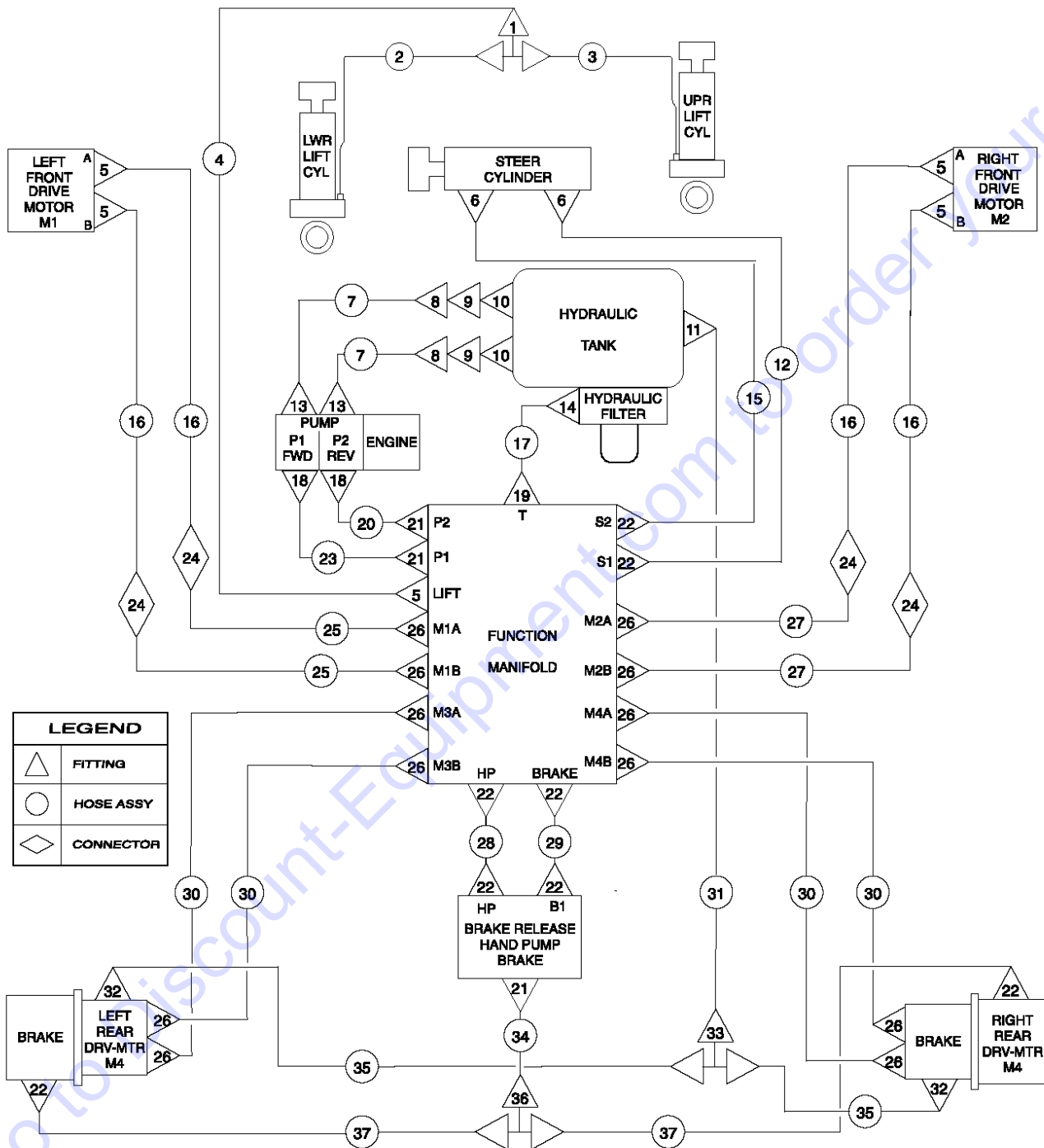
Item	Part No.	Description	Qty.	Item	Part No.	Description	Qty.
A		Drive circuit		--	44224GT	SEAL KIT, VALVE.....	4
B		Drive circuit		6	79833GT	VALVE-CHECK, 200 PSI.....	2
C		Drive speed select circuit		--	44224GT	SEAL KIT, VALVE.....	2
D		Drive circuit		7	52376GT	VALVE,RELIEF,3500PSI***.....	3
E		Steer circuit		--	44227GT	SEAL KIT, VALVE.....	3
F		Proportional control circuit		8	48997GT	NIPPLE,DIAGNOSTIC,#4.....	2
G		System relief, pump 1		--	20224GT	DIAGNOSTIC FEMALE Q-DSCNT.....	2
H		Proportional control circuit		9	48880GT	CAP,DIAGNOSTIC NIPPLE.....	2
I		Testing, pump 1		10	62112GT	VALVE,CHECK(SCISSORS) GS68.....	2
J		Testing, pump 2		--	44224GT	SEAL KIT, VALVE.....	2
K		Lift relief		11	52370GT	VALVE,SHUTTLE,GS68.....	1
L		Drive circuit		--	52371GT	SEAL KIT, VALVE.....	1
M		Brake shuttle		12	44169GT	VALVE-SOLENOID, 2POS 4 WAY.....	1
N		Drive circuit		--	44230GT	SEAL KIT-P.N.44169,44172,44171.....	1
O		System relief, pump 2		13	52383GT	COIL,10V,44169,SIZE 10,GS68.....	6
P		Platform up		14	44174GT	NUT-COIL SHORT.....	4
Q		Steer circuit		15	52369GT	VALVE,FLOW REG., 2.0 GPM,GS68.....	1
R		Steer-left/right		--	44225GT	SEAL KIT, VALVE.....	1
S		Proportional dump		16	52380GT	VALVE,SOLENOID,3POS4WAY,GS68.....	1
T		Brake orifice		--	44230GT	SEAL KIT-P.N.44169,44172,44171.....	1
U		Brake circuit		17	44175GT	SPACER-DUAL COIL,#10, SCISSORS...1	
V		Steering relief		18	52372GT	VALVE,SOLENOID,PROPORNTL,GS68.1	
W		Drive speed select circuit		--	52373GT	SEAL KIT,52372,SOLENOID VALVE.....	1
X		Drive speed select circuit		19	52384GT	COIL,PROP.12VDC,#10/#12,52372.....	1
Y		Drive circuit		20	52466GT	NUT,PROPORNTL. COIL,52372,GS68...1	
Z		Drive circuit		21	62207GT	ORIFICE PLUG, 0.035.....	1
AA		Drive circuit		22	52382GT	COIL,12V,44170,SIZE 8,GS68.....	1
--	28750GT	O-RING KIT,FIELD SVC,ALL PROD*		23	44170GT	VALVE-SOLENOID N.O.(SCISSORS)*....1	
--	33994GT	PLUG AND CAP KIT-SERVICE,37 **		--	44228GT	SEAL KIT, VALVE.....	1
--	49612GT	O-RING KIT (ORFS FITTINGS)		24	62113GT	VALVE,RELIEF,1500PSI***.....	1
--	49613GT	PLUG AND CAP KIT-SERVICE,ORFS*		--	44227GT	SEAL KIT, VALVE.....	1
1	97387GT	VALVE ASSY,D03,REX,3POS 4WAY.....2		25	52484GT	NUT-COIL(SCISSORS) TALL.....	2
--	102395GT	SEAL KIT,REXROTH DO3 VALVE.....	2	26	52379GT	VALVE,SOLENOID N/O POPPT,GS68....2	
--	104767GT	VALVE,D03 REXROTH 3POS 4WAY***.....	2	--	44224GT	SEAL KIT, VALVE.....	2
		valve body only		27	52377GT	VALVE,SOLENOID,2POS2WY,NCGS68*.1	
--	52385GT	SEAL KIT,52381,BOSCH DO3,GS68....2		--	52378GT	SEAL KIT,SOLENOID(52377).....	1
2	45916GT	SCREW,SHC,10-24 X 1.250 (D01).....	8	28	52368GT	VALVE,CHECK,GS68 (SIZE8 8).....	1
--	43255GT	SCREW,SHC,10-24 X 2.....	8	--	44227GT	SEAL KIT, VALVE.....	1
3	97387GT	VALVE ASSY,D03,REX,3POS 4WAY.....2					
--	104764GT	COIL,12V D03 ZENER DIODE.....	4				
4	97387GT	VALVE ASSY,D03,REX,3POS 4WAY.....2					
--	102396GT	NUT-COIL,REXROTH DO3 VALVE.....	4				
5	44178GT	VALVE,CHECK,5 PSI**.....	4				

407.1 Chassis Covers



Item	Part No.	Description	Qty.
1	6878GT	BOLT,CARRIAGE,1/4-20 X .75,G2.....	8
2	6091GT	NUT,NYLOCK,1/4-20.....	44
3	47443GT	WELDMENT,ENGINE BOX COVER GS68.....	1
4	27377GT	RETAINER,GAS SPRING***.....	2
4	28301GT	GAS STRUT,250 LBS FORCE***.....	2
--	27377GT	RETAINER,GAS SPRING***.....	2
--	72256GT	GAS STRUT,CONNECTOR (28301)	
5	33555GT	BALL STUD**.....	4
6	18503GT	NUT,LOCKING-LG.FLANGE,5/16-18.....	6
7	47498GT	TUBE,LP TANK CHASSIS MOUNTING.....	1
8	6090GT	SCREW,HHC,1/4-20 X .75.....	39
9	6638GT	WASHER,FLAT,USS,1/4"Y.....	39
10	51581GT	HINGE, MODULE TRAY, GS68.....	2
11	10258GT	NUT,NYLOCK,3/4-10,GRD.2.....	4
12	74323GT	WASHER,FLAT,.812X2X.14 HARDEN...4	4
13	55859GT	SCREW,HHC,3/4-10 X 4.....	4
14	6889GT	NUT,LP NYLOCK,1/4-20.....	3
15	79174GT	FORMING, HYD. BOX, RIB.....	1
16	51132GT	GAS STRUT,CONTROLS DOOR.....	1
17	51046GT	WELDMENT,CONTROLS DOOR.....	1
18	52463GT	DOOR ASSY,HYDRAULIC TRAY,GS68.....	1
19	51702GT	LATCH,FLUSH GS68.....	2
20	51976-SGT	PLATE, HINGE SUPPORT.....	1
21	51587PGT	BRACKET,CATCH,HYD TANK,GS68RT.....	1
21	51703PGT	BRACKET,CATCH,ENGINE TRAY,GS68.....	1
22	4828GT	NUT,NYLOCK,3/8-16.....	8
23	6097GT	WASHER,FLAT,USS,3/8",Y.....	8
24	6019GT	SCREW,HHC,3/8-16 X 1.25 GRD 5.....	8
25	6888GT	SCREW,HHC,1/4-20 X 1.....	6
26	47230GT	BUMPER,RUBBER.....	2
27	47483PGT	BRACKET,ENGINE BOX COVER,GS68.....	2
28	55477GT	COUNTER WEIGHT..... <i>to SN 38758</i>	1
28	71807GT	PLATE, 3268 COUNTERWEIGHT..... <i>from SN 38759</i>	1
29	19284GT	SCREW,FHS,1/4-20 X .63.....	2
30	55482GT	COVER, PLATE BRAKE ACCESS..... <i>from SN 21787</i>	1
31	56912GT	SPRING CLIP,1/4-20,.025-.15X.54,ZAG.....	2

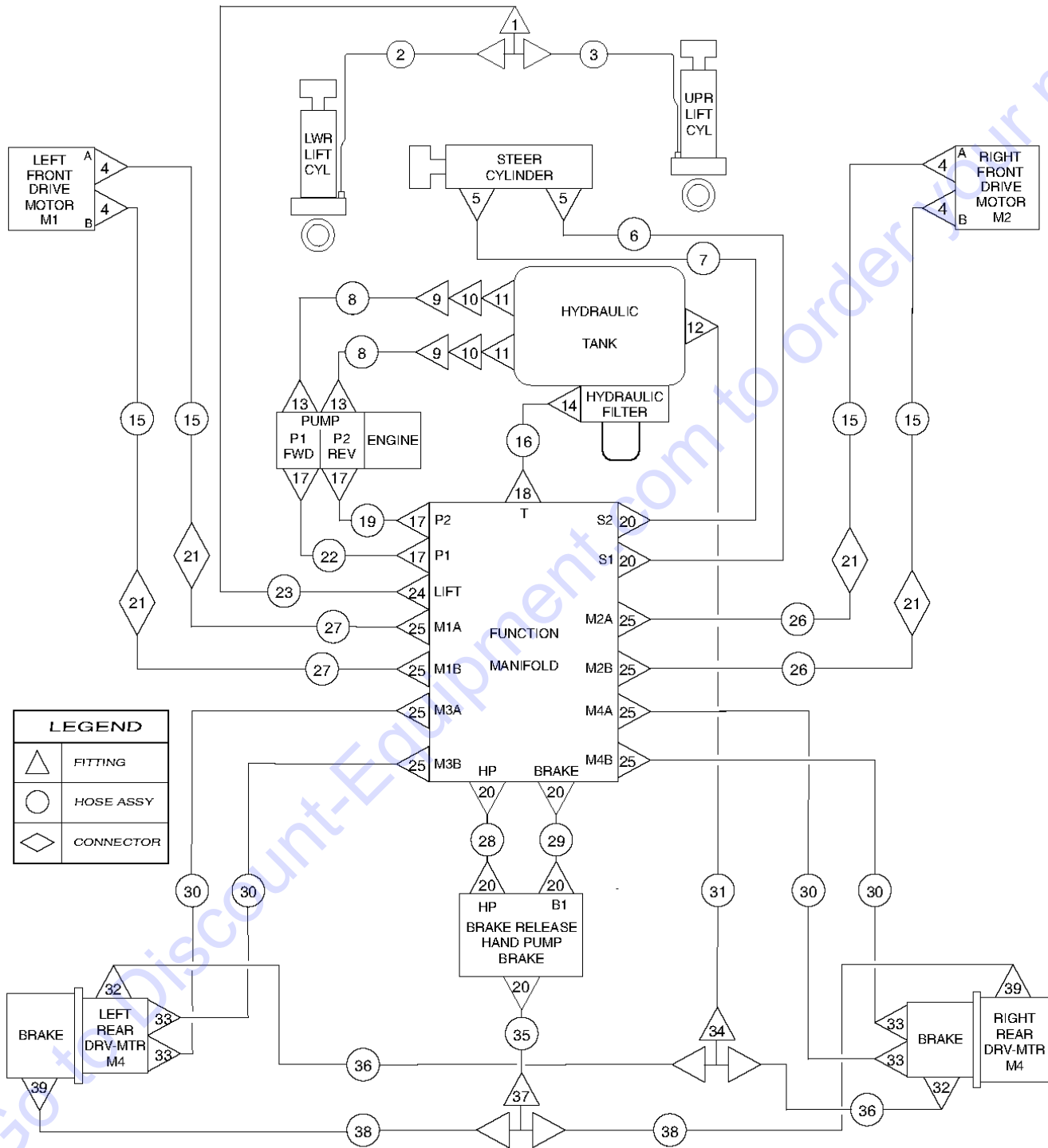
408.1 Hydraulic Hoses and Fittings (to SN 5849)



408.1 Hydraulic Hoses and Fittings (to SN 5849)

Item	Part No.	Description	Qty.	Item	Part No.	Description	Qty.
--	49612GT	O-RING KIT (ORFS FITTINGS)		21	48946GT	CONN,520120-8-10.....	4
--	49613GT	PLUG AND CAP KIT-SERVICE,ORFS*		22	48905GT	CONN,520120-4***.....	9
1	51152GT	TEE,RUN 070432-6****.....	1	23	51263GT	HOSE ASSY, PUMP P1 TO MAN.P1..... (components: 48822, 48822 and 48758 @ 57 inches)	1
2	51626GT	HOSE ASSY,TEE FIT TO 1ST CYL..... (components: 48812, 48816 and 56776 @ 64 inches)	1	24	48894GT	CONN,BULKHEAD,520601-8.....	4
3	51627GT	HOSE ASSY,TEE FIT TO 2ND CYL..... (components: 48812, 48812 and 56776 @ 228 inches)	1	25	64022GT	HOSE ASSY, MANIF TO FL BULKHD..... (components: 48819, 48819 and 56776 @ 28 inches)	2
4	51254GT	HOSE ASSY-LIFT,GS2668..... (components: 48812, 48812 and 56776 @ 183 inches)	1	26	48933GT	CONN,520120-8***.....	12
4	51625GT	HOSE ASSY,LIFT/MAN TO TEE FIT..... (components: 39890, 47223, 51152 and 56776 @ 109 inches)	1	26	48948GT	CONN,520120-8-12.....	12
5	48916GT	CONN, 520120-6.....	5	27	64023GT	HOSE ASSY, MANIF TO FR BULKHD.... (components: 48819, 48819 and 56776 @ 33 inches)	2
5	48931GT	CONN,520120-6-10.....	4	28	51261GT	HOSE ASSY,HP TO HP PORT..... (components: 48800, 48802 and 48751 @ 18 inches)	1
6	48911GT	ELBOW,90D,520220-4-6***.....	2	29	51260GT	HOSE ASSY,HP TO BRAKE PORT..... (components: 48800, 48802 and 48751 @ 15 inches)	1
6	48912GT	CONN,520120-4-6***.....	2	30	64021GT	HOSE ASSY, MANIF TO REAR MTR..... (components: 48822, 48826 and 48758 @ 59 inches)	4
7	51262GT	HOSE ASSY,HYD TANK TO PUMP..... (components: 48841, 48841 and 48761 @ 44 inches)	1	31	51258GT	HOSE ASSY,TEE BRK.TO HYD. TK..... (components: 48812, 48812 and 56776 @ 23 inches)	1
8	48980GT	CONN,520102-12-16.....	2	32	48904GT	ELBOW,90D,520220-4-4.....	2
9	48994GT	VALVE,BALL,16 MPT-16 FPT***.....	2	33	48896GT	CONN,TEE,UNION,520401-6,ORFS.....	1
10	45161GT	STRAINER ASSEMBLY,1.5" NPT.....	2	34	51256GT	HOSE ASSY,TEE FTING TO BRK..... (components: 48800, 48800 and 48751 @ 49 inches)	1
11	48922GT	CONN,520102-6-6.....	1	35	51257GT	HOSE ASSY,BRAKE TO TEE FTING..... (components: 48802, 48810 and 48751 @ 26 inches)	2
12	51248GT	HOSE ASSY,STEER CYL TO S1..... (components: 48800, 48800 and 48751 @ 39 inches)	1	36	42758GT	TEE,UNION,520401-4.....	1
13	48960GT	FITTING,CONN,520120-12***.....	2	37	51255GT	HOSE ASSY,BRAKE TO TEE FTING..... (components: 48800, 48802 and 48751 @ 27 inches)	2
14	48965GT	ELBOW,90D,520202-12.....	1				
15	51247GT	HOSE ASSY,STEER CYL TO S2..... (components: 48800, 48800 and 48751 @ 45 inches)	1				
16	64020GT	HOSE ASSY, FRONT MTR TO BH..... (components: 48816, 48819 and 56776 @ 32 inches)	4				
17	51249GT	HOSE ASSY,MANIFOLD TO TANK..... (components: 48841, 48846 and 48761 @ 21 inches)	1				
18	48932GT	FITTING,ELBOW,90D,520220-8***..... from SN 38733	2				
18	48946GT	CONN,520120-8-10.....	4				
19	48975GT	CONN,520120-12-10.....	1				
20	55450GT	HOSE ASSY, PUMP P2 TO MAN..... (components: 48822, 48822 and 48758 @ 61 inches)	1				

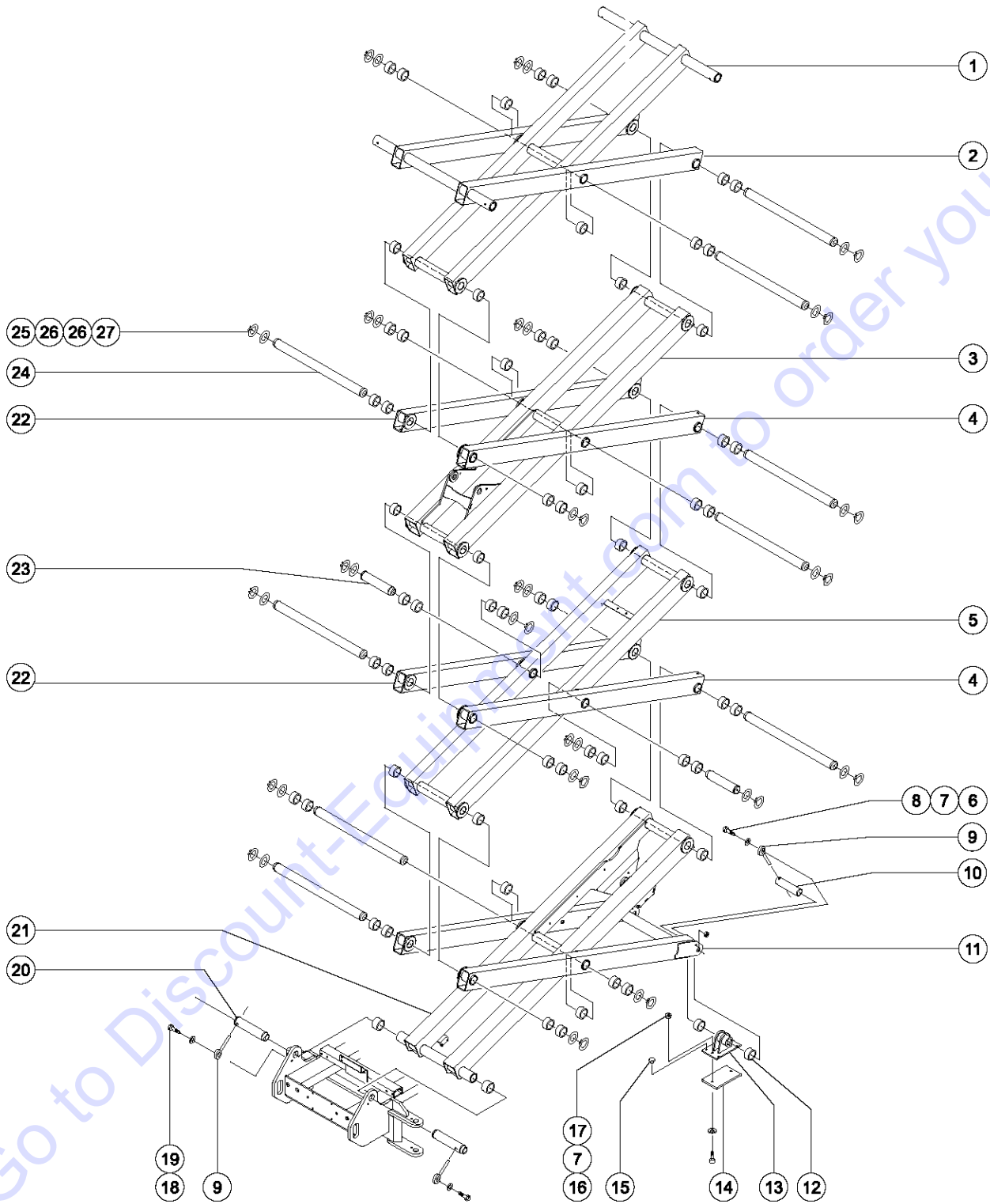
409.1 Hydraulic Hoses and Fittings (from SN 5850)



409.1 Hydraulic Hoses and Fittings (from SN 5850)

Item	Part No.	Description	Qty.	Item	Part No.	Description	Qty.
--	49612GT	O-RING KIT (ORFS FITTINGS)		26	64023-SGT	HOSE ASSY-M2A/M2B MAN TO TEE.....2 (components: 48819, 48819 and 56776 @ 33 inches)	
--	49613GT	PLUG AND CAP KIT-SERVICE,ORFS*		27	64022-SGT	HOSE ASSY-M1A/M1B MAN TO TEE.....2 (components: 48819, 48819 and 56776 @ 28 inches)	
1	51152GT	TEE,RUN 070432-6****	1	28	51261-SGT	HOSE ASSY,HP TO HP PORT.....1 (components: 48800, 48802 and 48751 @ 15 inches)	
2	62177-SGT	HOSE ASSY-LWR LIFT CYL.....1 (components: 39890, 47223 and 48755 @ 24 inches)	1	29	51260-SGT	HOSE ASSY,HP TO BRAKE PORT.....1 (components: 48800, 48802 and 48751 @ 12 inches)	
3	62176-SGT	HOSE ASSY-UPR LIFT CYL.....1 (components: 39891, 47223 and 48755 @ 188 inches)	1	30	64021-SGT	HOSE ASSY-RR MOTOR TO TEE.....4 (components: 48822, 48826 and 48758 @ 59 inches)	
4	48931GT	CONN,520120-6-10.....4	4	31	51258-SGT	HOSE ASSY,TEE FIT TO HYD TANK....1 (components: 48812, 48812 and 56776 @ 23 inches)	
5	48912GT	CONN,520120-4-6***	2	32	48904GT	ELBOW,90D,520220-4-4.....2	
6	51248-SGT	HOSE ASSY,STEER CYL TO S1.....1 (components: 48800, 48800 and 48751 @ 39 inches)	1	33	48948GT	CONN,520120-8-12.....4	
7	51247GT	HOSE ASSY,STEER CYL TO S2.....1 (components: 48800, 48800 and 48751 @ 45 inches)	1	34	48896GT	CONN,TEE,UNION,520401-6,ORFS.....1	
8	62192-SGT	HOSE ASSY-HYD. TANK.....2 (components: 48841, 48846 and 51264 @ 44 inches)	2	35	51256-SGT	HOSE ASSY,TEE FITTING TO BRAKE.....1 (components: 48800, 48800 and 48751 @ 49 inches)	
9	48980GT	CONN,520102-12-16.....2	2	36	51257-SGT	HOSE ASSY,BRAKE TO TEE FITTING.....2 (components: 48802, 48810 and 48751 @ 26 inches)	
10	48994GT	VALVE,BALL,16 MPT-16 FPT***	2	37	42758GT	TEE,UNION,520401-4.....1	
11	45161GT	STRAINER ASSEMBLY,1.5" NPT.....2	2	38	51255-SGT	HOSE ASSY,BRAKE TO TEE FITTING.....2 from SN 5850 to SN 41035 (components: 48800, 48802 and 48751 @ 27 inches)	
12	48922GT	CONN,520102-6-6.....1	1	38	87231GT	HOSE ASSY,BRAKE TO TEE.....2 from SN 41036 (components: 48800, 48801 and 48751 @ 27 inches)	
13	48960GT	FITTING,CONN,520120-12***	2	39	48905GT	CONN,520120-4***.....2 from SN 5850 to SN 41035	
14	48965GT	ELBOW,90D,520202-12.....1	1	39	48907GT	ELBOW,45D,520320-4.....2 from SN 41036	
15	64020-SGT	HOSE ASSY-DRIVE MOTOR.....4 (components: 48816, 48819 and 56776 @ 32 inches)	4				
16	51249-SGT	HOSE ASSY,FILTER TO TANK.....1 (components: 48841, 48846 and 48761 @ 21 inches)	1				
17	48946GT	CONN,520120-8-10.....4	4				
18	48975GT	CONN,520120-12-10.....1	1				
19	55450GT	HOSE ASSY, PUMP P2 TO MAN.....1 (components: 48822, 48822 and 48758 @ 57 inches)	1				
20	48905GT	CONN,520120-4***	7				
21	48894GT	CONN,BULKHEAD,520601-8.....4	4				
22	51263-SGT	HOSE ASSY,PUMP OUTLET TO MANIF.....1 (components: 48822, 48822 and 48758 @ 57 inches)	1				
23	51254-SGT	HOSE ASSY,LIFT GS68.....1 (components: 47223, 48812 and 56776 @ 140 inches)	1				
23	51264-SGT	HOSE,3/4",100R4-12.....146-inches					
24	48916GT	CONN, 520120-6.....1	1				
25	48933GT	CONN,520120-8***	8				

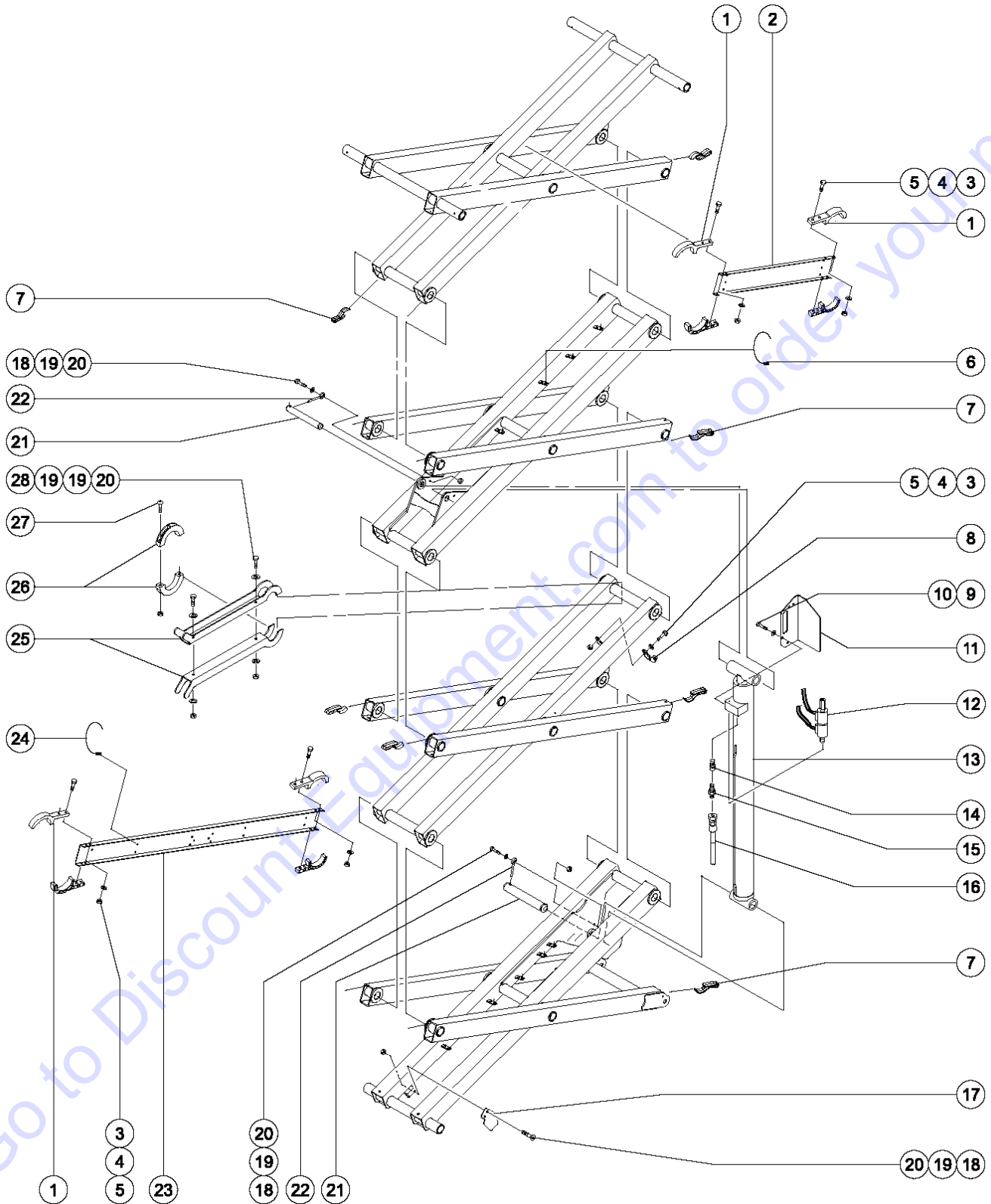
501.1 Scissor Components, View 1



501.1 Scissor Components, View 1

Item	Part No.	Description	Qty.	Item	Part No.	Description	Qty.
1	84235GT	INNER ARM#4 W/BEARINGS GS68.....1 (replaces 71297-S) (includes 4 each item 27)	1	23	47302GT	PIN,1.75DIA X 8.51LG,2RING.....	2
2	84236GT	OUTER ARM #4 W/BEARINGS GS2668.....1 (replaces 71298-S) (includes 8 each item 27)	1	24	47301GT	PIN,1.75DIA X 26.71LG,2RING.....	9
3	84237GT	INNER ARM #3 W/BEARINGS GS2668.....1 (replaces 71299-S) (includes 6 each item 27)	1	25	18384GT	SNAP RING,EXTERNAL,1.75 DIA.....	22
4	84238GT	OUTER ARM ASSY, W/DECALS*1 (replaces 71295-S) (includes 6 each item 27)	1	26	39127GT	WASHER,SCIS ARM,1.79X2.25X.120.....	22
5	84239GT	INNER ARM ASSY, W/DECALS.....1 (replaces 71296-S) (includes 8 each item 27)	1	27	51144GT	BEARING,1.75IDX2.00ODX1.25L.....	64
6	8516GT	SCREW, HCC, 3/8-16 X 1.50.....	3				
7	5397GT	WASHER,FLAT,USS,5/16",Y.....	2				
8	4828GT	NUT,NYLOCK,3/8-16.....	2				
9	825019GT	ROD END,.375X3.69,ZAG.....	3				
10	47530GT	PIN,1.00DIA X 4.6 LG,1HOLE.....	2				
11	84243GT	OUTER ARM #1 W/BEARINGS GS2668.....1 (replaces 71292-S) (includes 8 each item 27)	1				
12	25817GT	BEARING,1.00IDX1.25ODX1.00L.....	4				
13	58189GT	CASTING -SLIDE BLOCK W/BEARING.....2 (from SN 26326)	2				
13A	47360PGT	WELDMENT,SLIDER BLOCK,GS68.....2 (to SN 26325)	2				
14	47373GT	WEAR PAD 2668.....	2				
15	11890GT	GLIDE BUTTON,SIDE,GLL,.100 TK.....	8				
16	7713GT	NUT, LP NYLOCK, 3/8-16.....	2				
17	6175GT	SCREW,HHC,3/8-16 X 1.....	2				
18	6019GT	SCREW,HHC,3/8-16 X 1.25 GRD 5.....	2				
19	6021GT	WASHER,LOCK,.375.....	2				
20	71414GT	PIN,1.75DIA X 5.87LG,CHAMFER.....2 (from SN 32993)	2				
20A	47563GT	PIN,CROSS LOWER PIVOT.....1 (to SN 32992)	1				
21	84241GT	INNER ARM ASSY,#1W/BRNGS,2668....1 (replaces 71293-S) (includes 4 each item 27)	1				
22	84242GT	OUTER ARM ASSY, W/DECALS*1 (word) (replaces 71294-S) (includes 6 each item 27)	1				
22A	84991GT	OUTER ARM ASSY #2,W/SY DECALS* (symbol) (replaces 71294-S) (includes 6 each item 27)	1				

502.1 Scissor Components, View 2



PARTS FINDER

**Search Website
by Part Number**



**Search Manual
Library For Parts
Manual & Lookup Part
Numbers – Purchase
or Request Quote**

Search Manuals

Enter your information to help us find the right parts manual for your machine.

* Brand:

* Model:

* Serial:

* Part Number:

SEARCH

**Can't Find Part or
Manual? Request Help
by Manufacturer,
Model & Description**

Parts Order Form

Please fill in the following information to help us find the right part for your machine.

Manufacturer:	<input type="text"/>
Model:	<input type="text"/>
Description:	<input type="text"/>
Part Number:	<input type="text"/>
Quantity:	<input type="text"/>
Notes:	<input type="text"/>

Submit

Discount-Equipment.com is your online resource for quality parts & equipment.

Florida: **561-964-4949** Outside Florida TOLL FREE: **877-690-3101**

Need parts?

Click on this link: <http://www.discount-equipment.com/category/5443-parts/> and choose one of the options to help get the right parts and equipment you are looking for. Please have the machine model and serial number available in order to help us get you the correct parts. If you don't find the part on the website or on one of the online manuals, please fill out the request form and one of our experienced staff members will get back to you with a quote for the right part that your machine needs.

We sell worldwide for the brands: Genie, Terex, JLG, MultiQuip, Mikasa, Essick, Whiteman, Mayco, Toro Stone, Diamond Products, Generac Magnum, Airman, Haulotte, Barreto, Power Blanket, Nifty Lift, Atlas Copco, Chicago Pneumatic, Allmand, Miller Curber, Skyjack, Lull, Skytrak, Tsurumi, Husquvarna Target, Stow, Wacker, Sakai, Mi-T-M, Sullair, Basic, Dynapac, MBW, Weber, Bartell, Bennar Newman, Haulotte, Ditch Runner, Menegotti, Morrison, Contec, Buddy, Crown, Edco, Wyco, Bomag, Laymor, EZ Trench, Bil-Jax, F.S. Curtis, Gehl Pavers, Heli, Honda, ICS/PowerGrit, IHI, Partner, Imer, Clipper, MMD, Koshin, Rice, CH&E, General Equipment, Amida, Coleman, NAC, Gradall, Square Shooter, Kent, Stanley, Tamco, Toku, Hatz, Kohler, Robin, Wisconsin, Northrock, Oztec, Toker TK, Rol-Air, APT, Wylie, Ingersoll Rand / Doosan, Innovatech, Con X, Ammann, Mecalac, Makinex, Smith Surface Prep, Small Line, Wanco, Yanmar

502.1 Scissor Components, View 2

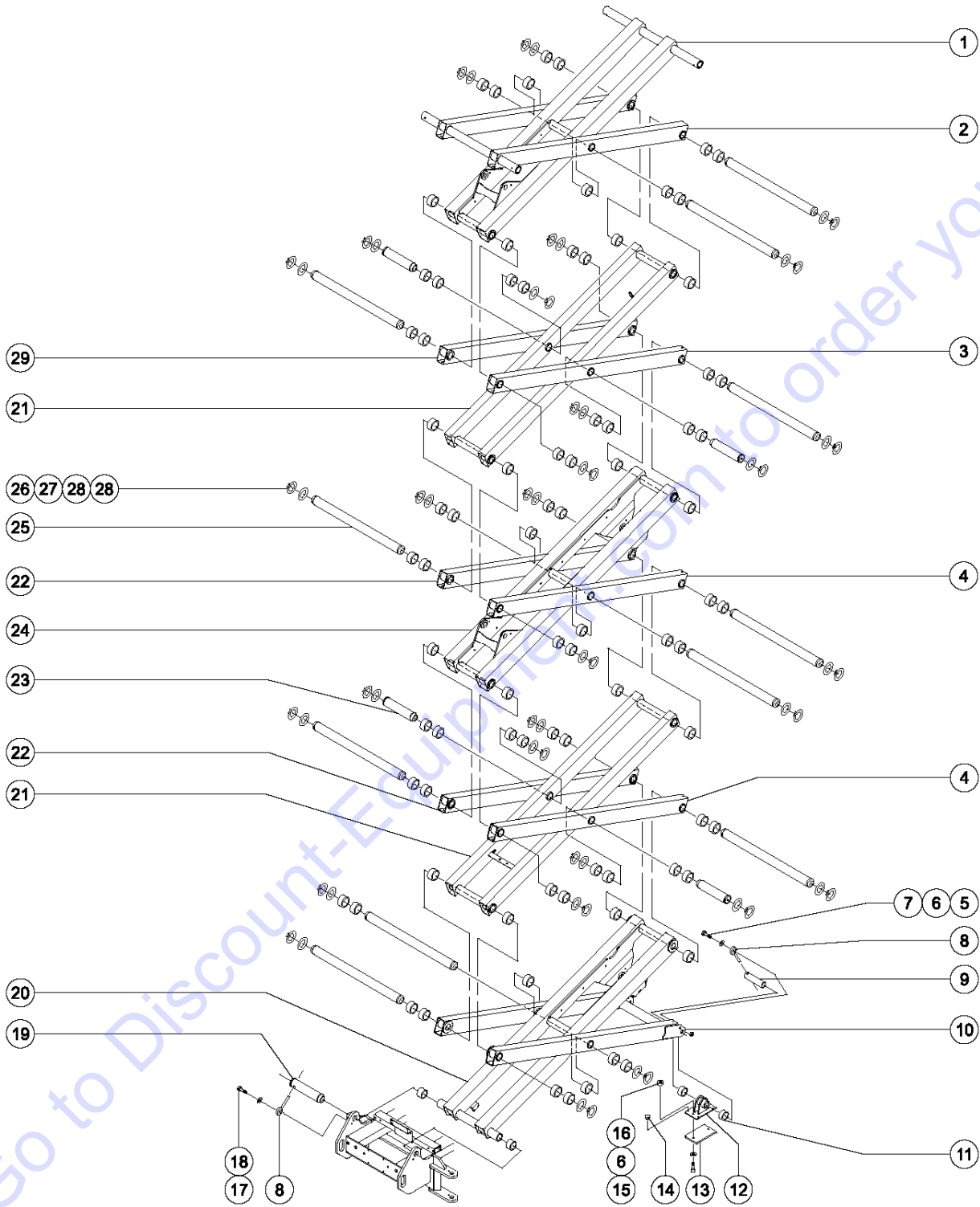
Item	Part No.	Description	Qty.
1	55351GT	CLAMP, CABLEBRIDGE,HALF.....	8
2	47622PGT	BRACKET,UPPER CABLE BRIDGE,46.....	1
3	6888GT	SCREW,HHC,1/4-20 X 1.....	11
4	6638GT	WASHER,FLAT,USS,1/4"Y.....	11
5	6889GT	NUT,LP NYLOCK,1/4-20.....	11
6	28443GT	CABLE TIE,11.5" BLACK.....	20
		1	
7	47502GT	BUMPER,1.25 INCH O.D.,SCISSORS.....	16
		to SN 40224	
7	71349GT	BUMPER, LINK.....	16
		from SN 40225	
8	55336GT	CHOCK STOP CUSHION.....	1
9	7339GT	SCREW,HHC,1/4-20 X .5.....	2
10	6356GT	WASHER,LOCK,.25.....	2
11	41557-SGT	CABLE BRACKET,PAINTED.....	1
		to SN 41053	
11	79494GT	FORMING,DOWN COIL COVER.....	1
		from SN 41054	
12	35724GT	VALVE,NC SOLENOID,MANUAL LWR....	2
		to SN 38464	
12	40417GT	COIL, 12V DC.....	2
		to SN 38464	
12	44973GT	NUT,COIL (39909).....	2
12	44979GT	SEAL KIT,39909,PLAT LWR VALVE*....	2
12	71481GT	VALVE,DOUBLE PULL SOLENOID 12V.....	1
		from SN 38465	
13	119619GT	BEARING,1.5IDX1.75ODX1.5L,PTFE....	1
13	39878GT	CONNECTOR,070120-6-6.....	1
13	48340GT	SEAL KIT, 48341 LIFT CYL.....	1
13	48341GT	CYL.ASSY,2668.....	1
		includes orifice and fitting; to SN 31947	
13	55560GT	ORIFICE,LONG, .059".....	1
13	55717GT	CYLINDER, GS2632/46/68***.....	1
		includes bearings; from SN 31948	
13	66470GT	SEAL KIT (55717) TEXAS HYD VER....	1
14	55560GT	ORIFICE,LONG, .059".....	1
15	48916GT	CONN, 520120-6.....	1
16		Ref. Hydraulic Hoses and Fittings (refer to Figure 4-H and Figure 4-I).....	1
17	47574PGT	PLATE,LIFT ARM CAM GS68.....	1
18	8516GT	SCREW, HCC, 3/8-16 X 1.50.....	4
19	5397GT	WASHER,FLAT,USS,5/16",Y.....	8
20	4828GT	NUT,NYLOCK,3/8-16.....	6
21	47458GT	PIN,1.50DIA X 8.45LG,1HOLE.....	1

Item	Part No.	Description	Qty.
22	825019GT	ROD END,.375X3.69,ZAG.....	2
23	47606PGT	BRACKET,MAIN CABLE BRIDGE,2646.....	1
24	66098GT	CABLE TIE,9" X .5.....	2
		1	
25	58001GT	SAFETY CHOCK-SCISSOR.....	1
		includes 2 each of index numbers 18, 19 and 28	
26	55488GT	CROSS TUBE COLAR, GS46\68.....	2
26	6091GT	NUT,NYLOCK,1/4-20.....	2
27	11966GT	SCREW,BHHS,1/4-20 X 1.5.....	2
28	6019GT	SCREW,HHC,3/8-16 X 1.25 GRD 5.....	2

Footnotes

1: Quantity listed for this item is approximate. Actual quantity may vary to ensure proper fit.

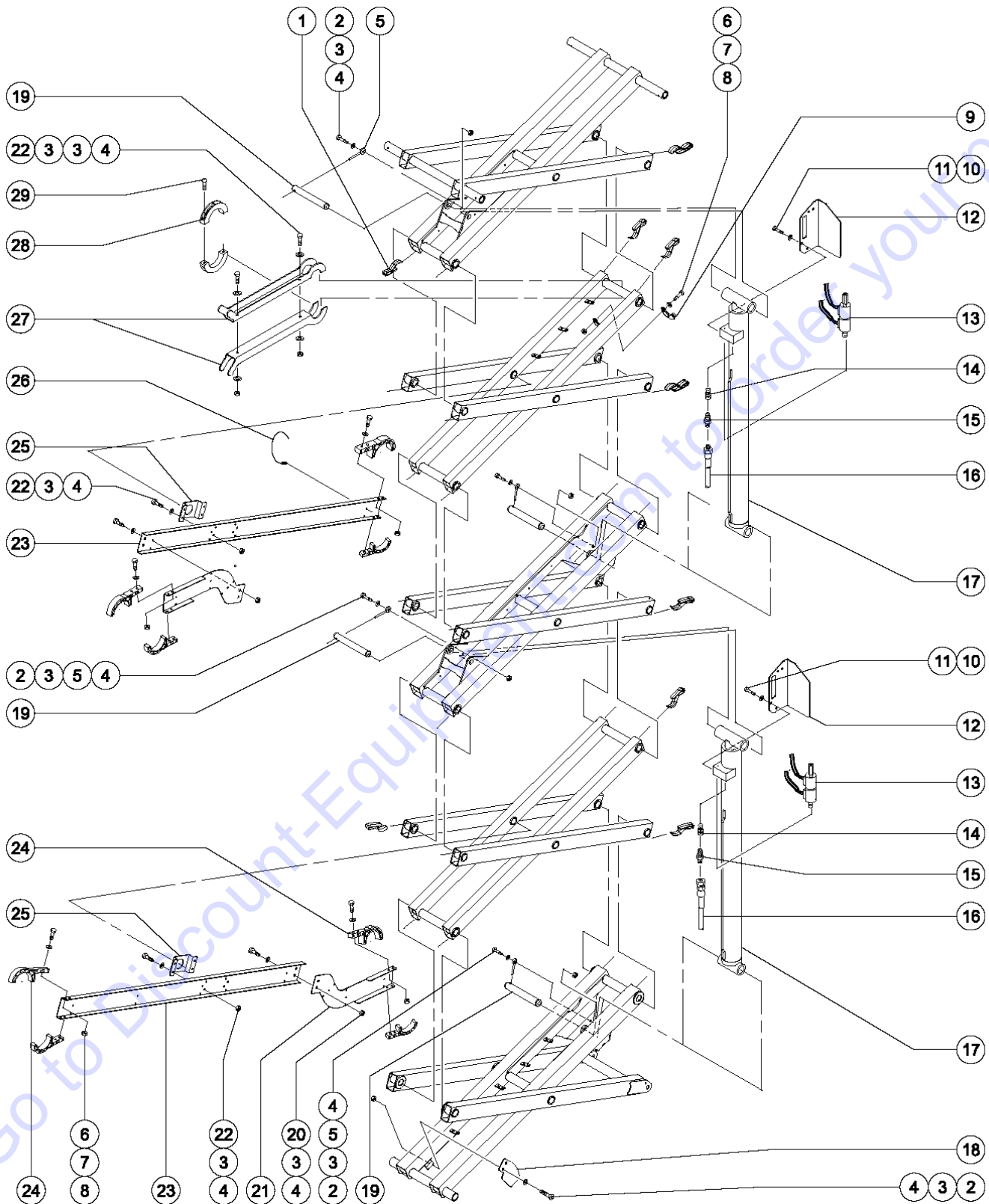
503.1 Scissor Components, View 1



503.1 Scissor Components, View 1

Item	Part No.	Description	Qty.	Item	Part No.	Description	Qty.
1	84244GT	INNER ARM #5 W/BEARINGS GS3268.....1 (replaces 71304-S) (includes 4 each item 28)	1	22	84242GT	OUTER ARM ASSY, W/DECALS*.....1 (word) (replaces 71294-S) (includes 6 each item 28)	1
2	84245GT	OUTER ARM #5 W/BEARINGS GS3268.....1 (replaces 71302-S) (includes 8 each item 28)	1	22A	84991GT	OUTER ARM ASSY #2,W/SY DECALS* (symbol) (replaces 71294-S) (includes 6 each item 28)	1
3	84246GT	OUTER ARM #4 W/BEARINGS,GS3268.....1 (replaces 71301-S) (ground controls side) (includes 6 each item 28)	1	23	47302GT	PIN,1.75DIA X 8.51LG,2RING.....4	4
4	84238GT	OUTER ARM ASSY, W/DECALS*.....1 (word) (replaces 71295-S) (includes 6 each item 27)	1	24	84247GT	INNER ARM #3 W/BEARINGS GS3268.....1 (replaces 71303-S) (includes 6 each item 28)	1
4A	84990GT	OUTER ARM ASSY #2,W/SY DECALS* (symbol) (replaces 71295-S) (includes 6 each item 27)	1	25	47301GT	PIN,1.75DIA X 26.71LG,2RING.....11	11
5	8516GT	SCREW, HCC, 3/8-16 X 1.50.....3	3	26	18384GT	SNAP RING,EXTERNAL,1.75 DIA.....30	30
6	5397GT	WASHER,FLAT,USS,5/16",Y.....3	3	27	39127GT	WASHER,SCIS ARM,1.79X2.25X.120.....30	30
7	4828GT	NUT,NYLOCK,3/8-16.....2	2	28	51144GT	BEARING,1.75IDX2.00ODX1.25L.....82	82
8	825019GT	ROD END,.375X3.69,ZAG.....3	3	29	84248GT	OUTER ARM #4 W/BEARINGS GS3268.....1 (replaces 71300-S) (includes 6 each item 28)	1
9	47530GT	PIN,1.00DIA X 4.6 LG,1HOLE.....2	2				
10	84243GT	OUTER ARM #1 W/BEARINGS GS2668.....1 (replaces 71292-S) (includes 8 each item 28)	1				
11	25817GT	BEARING,1.00IDX1.25ODX1.00L.....4	4				
12	58189GT	CASTING -SLIDE BLOCK W/BEARING.....2 (from SN 26326)	2				
12A	47360PGT	WELDMENT,SLIDER BLOCK,GS68.....2 (to SN 26325)	2				
13	47373GT	WEAR PAD 2668.....2	2				
14	11890GT	GLIDE BUTTON,SIDE,GLL,.100 TK.....8	8				
15	7713GT	NUT, LP NYLOCK, 3/8-16.....2	2				
16	6175GT	SCREW,HHC,3/8-16 X 1.....4	4				
17	6019GT	SCREW,HHC,3/8-16 X 1.25 GRD 5.....3	3				
18	6021GT	WASHER,LOCK,.375.....6	6				
19	71414GT	PIN,1.75DIA X 5.87LG,CHAMFER.....2 (from SN 32993)	2				
19A	47563GT	PIN,CROSS LOWER PIVOT.....1 (to SN 32992)	1				
20	84241GT	INNER ARM ASSY,#1W/BRNGS,2668....1 (replaces 71293-S) (includes 4 each item 28)	1				
21	84239GT	INNER ARM ASSY, W/DECALS.....1 (word) (replaces 71296-S) (includes 8 each item 28)	1				
21A	84992GT	INNER ARM ASSY #4,W/SY DECALS* (symbol) (replaces 71296-S) (includes 8 each item 28)	1				

504.1 Scissor Components, View 2



504.1 Scissor Components, View 2

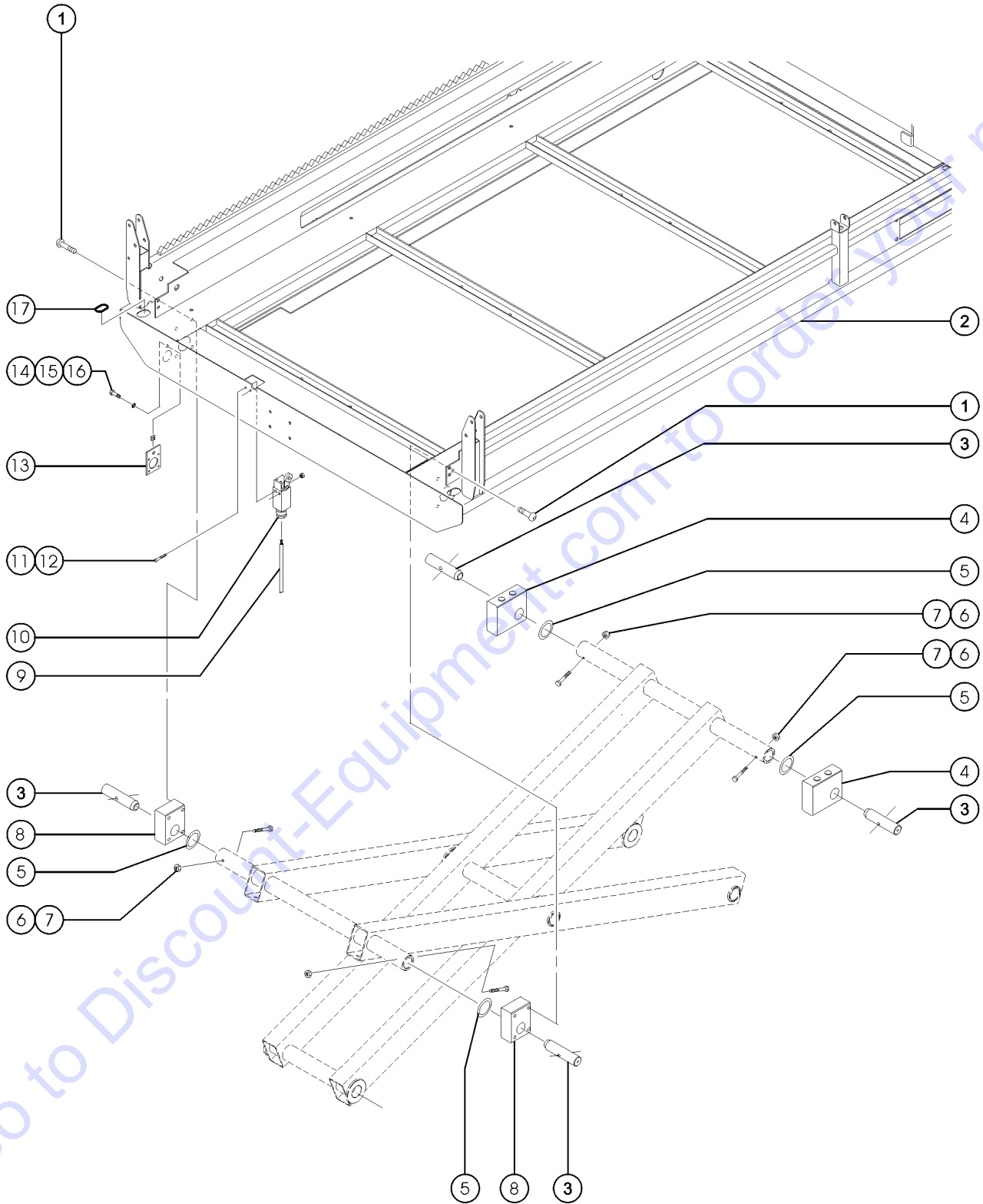
Item	Part No.	Description	Qty.
1	47502GT	BUMPER,1.25 INCH O.D.,SCISSORS..... <i>to SN 40224</i>	16
1	71349GT	BUMPER, LINK..... <i>from SN 40225</i>	16
2	8516GT	SCREW, HCC, 3/8-16 X 1.50.....	6
3	5397GT	WASHER, FLAT, USS, 5/16", Y.....	22
4	4828GT	NUT, NYLOCK, 3/8-16.....	20
5	825019GT	ROD END, .375X3.69, ZAG.....	4
6	6888GT	SCREW, HHC, 1/4-20 X 1.....	11
7	6638GT	WASHER, FLAT, USS, 1/4"Y.....	11
8	6889GT	NUT, LP NYLOCK, 1/4-20.....	11
9	55336GT	CHOCK STOP CUSHION.....	1
10	7339GT	SCREW, HHC, 1/4-20 X .5.....	4
11	6356GT	WASHER, LOCK, .25.....	4
12	41557-SGT	CABLE BRACKET, PAINTED..... <i>to SN 41053</i>	2
12	79494GT	FORMING, DOWN COIL COVER..... <i>from SN 41054</i>	2
13	35724GT	VALVE, NC SOLENOID, MANUAL LWR... <i>to SN 38464</i>	2
13	40417GT	COIL, 12V DC..... <i>to SN 38464</i>	2
13	44973GT	NUT, COIL (39909).....	2
13	44979GT	SEAL KIT, 39909, PLAT LWR VALVE*.....	2
13	71481GT	VALVE, DOUBLE PULL SOLENOID 12V..... <i>from SN 38465</i>	1
14	55560GT	ORIFICE, LONG, .059".....	1
15	48916GT	CONN, 520120-6.....	1
16		Ref. Hydraulic Hoses and Fittings (refer to Figure 4-H or Figure 4-I).....	1
17	119619GT	BEARING, 1.5IDX1.75ODX1.5L, PTFE.....	2
17	39878GT	CONNECTOR, 070120-6-6.....	2
17	48340GT	SEAL KIT, 48341 LIFT CYL.....	2
17	48341GT	CYL. ASSY, 2668..... <i>includes orifice and fitting; to SN 31947</i>	2
17	55560GT	ORIFICE, LONG, .059".....	2
17	55717GT	CYLINDER, GS2632/46/68***..... <i>includes bearings; from SN 31948</i>	1
17	66470GT	SEAL KIT (55717) TEXAS HYD VER.....	1
18	47574PGT	PLATE, LIFT ARM CAM GS68.....	1
19	47458GT	PIN, 1.50DIA X 8.45LG, 1HOLE.....	4
20	6175GT	SCREW, HHC, 3/8-16 X 1.....	2
21	51542PGT	BRACKET, CABLE BRIDGE GS32.....	2
22	6019GT	SCREW, HHC, 3/8-16 X 1.25 GRD 5.....	10

Item	Part No.	Description	Qty.
23	51505PGT	BRACKET, MAIN CABLE BRIDGE, GS32.....	2
24	55351GT	CLAMP, CABLE BRIDGE, HALF.....	8
25	47625PGT	BRACKET CABLE BRIDGE, 46.....	2
26	66098GT	CABLE TIE, 9" X .5..... 1	4
27	58001GT	SAFETY CHOCK-SCISSOR..... <i>includes index numbers 34, 35 and 2 each index number 4</i>	1
28	55488GT	CROSS TUBE COLAR, GS46/68.....	2
28	6091GT	NUT, NYLOCK, 1/4-20.....	2
29	11966GT	SCREW, BHHS, 1/4-20 X 1.5.....	2

Footnotes

1: Quantity listed for this item is approximate. Actual quantity may vary to ensure proper fit.

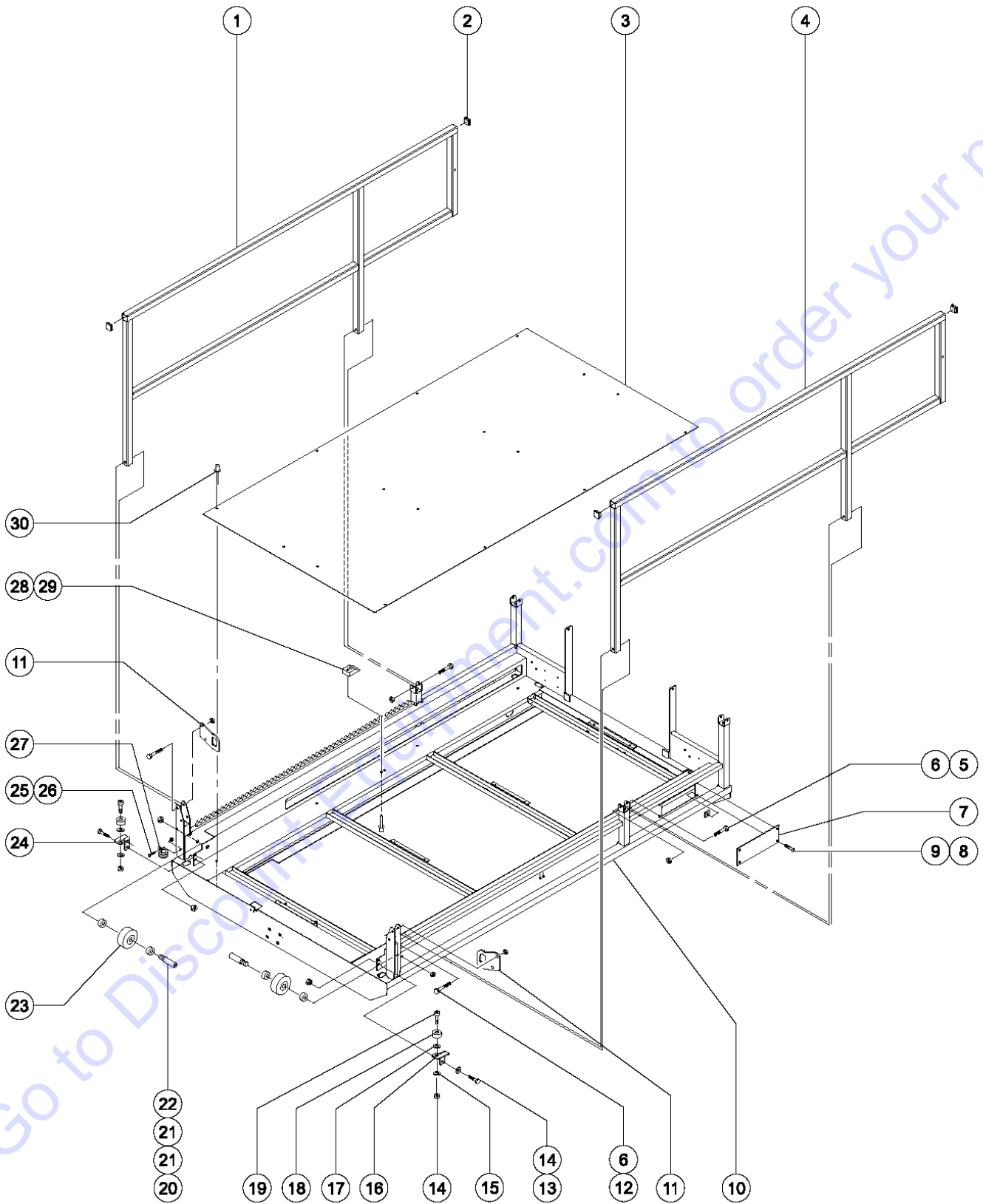
601.1 Platform Installation



601.1 Platform Installation

Item	Part No.	Description	Qty.	Item	Part No.	Description	Qty.
1	26810GT	SCREW,BHHS,3/8-16 X 2.75.....	8	10	96948GT	SWITCH,LIMIT,W/ROLLER ARM***.....	1
2	112601GT	PLAT ASSY,2668RT,ANSI,115V,DSL..... <i>(Assemblies with Word Decals - USA and Canada models)</i>	1	10	97128GT	ROLLER ARM,LIMIT SWITCH***.....	1
2	112605GT	PLAT ASSY,3268RT,ANSI,115V,DSL..... <i>(Assemblies with Word Decals - USA and Canada models)</i>	1	--	19491GT	CONTACTOR,LIMIT SWITCH.....	1
--	112602GT	PLAT ASSY,2668RT,ANSI,230V,DSL <i>(Assemblies with Word Decals - USA and Canada models)</i>		--	97128GT	ROLLER ARM,LIMIT SWITCH***.....	1
--	112603GT	PLAT ASSY,2668RT,DF,ANSI,115V <i>(Assemblies with Word Decals - USA and Canada models)</i>		11	51063GT	SCREW,PHILLIPS,RHM,10-32 X 1.5.....	2
--	112604GT	PLAT ASSY,2668RT,DF,ANSI,230V <i>(Assemblies with Word Decals - USA and Canada models)</i>		12	6178GT	NUT,NYLOCK,10-32.....	2
--	112606GT	PLAT ASSY,3268RT,ANSI,230V,DSL <i>(Assemblies with Word Decals - USA and Canada models)</i>		13	55663-SGT	BRACKET,JOYSTICK Q.D. BULKHEAD.....	1
--	112607GT	PLAT ASSY,3268RT,DF,ANSI,115V <i>(Assemblies with Word Decals - USA and Canada models)</i>		14	6888GT	SCREW,HHC,1/4-20 X 1.....	1
--	112608GT	PLAT ASSY,3268RT,DF,ANSI,230V <i>(Assemblies with Word Decals - USA and Canada models)</i>		15	6638GT	WASHER,FLAT,USS,1/4"Y.....	1
2A	112609GT	PLAT ASSY,2668RT,CE,115V,DIESL..... <i>(Assemblies with Symbol Decals - Europe)</i>	1	16	56912GT	SPRING CLIP,1/4-20,.025-.15X.54,ZAG.....	1
2A	112613GT	PLAT ASSY,3268RT,CE,115V,DIESL..... <i>(Assemblies with Symbol Decals - Europe)</i>	1	17	24649GT	GROMMET,RUBBER 1.5 X .25 X 2.....	1
--	112610GT	PLAT ASSY,2668RT,CE,230V,DIESL <i>(Assemblies with Symbol Decals - Europe)</i>					
--	112611GT	PLAT ASSY,2668RT,CE,DF,115V <i>(Assemblies with Symbol Decals - Europe)</i>					
--	112612GT	PLAT ASSY,2668RT,CE,DF,230V <i>(Assemblies with Symbol Decals - Europe)</i>					
--	112614GT	PLAT ASSY,3268RT,CE,230V,DIESL <i>(Assemblies with Symbol Decals - Europe)</i>					
--	112615GT	PLAT ASSY,3268RT,CE,DF,115V <i>(Assemblies with Symbol Decals - Europe)</i>					
--	112616GT	PLAT ASSY,3268RT,CE,DF,230V <i>(Assemblies with Symbol Decals - Europe)</i>					
3	39095GT	PIN,1.75DIAX7.35LG,CHAMFER.....	4				
4	131426GT	SLIDER BLOCK,PLATFORM.....	2				
5	39127GT	WASHER,SCIS ARM,1.79X2.25X.120....	4				
6	4828GT	NUT,NYLOCK,3/8-16.....	4				
7	21604GT	SCREW,HHC,3/8-16 X 3.25.....	4				
8	47160GT	BLOCK, PLATFORM ANCHOR.....	2				
9	39907GT	WIRE CABLE,18/2 SJO,BULK..... <i>(1326 cm) (excludes items 10-13)</i>	.522-inches				
10	19491GT	CONTACTOR,LIMIT SWITCH.....	1				

602.1 Platform Railing

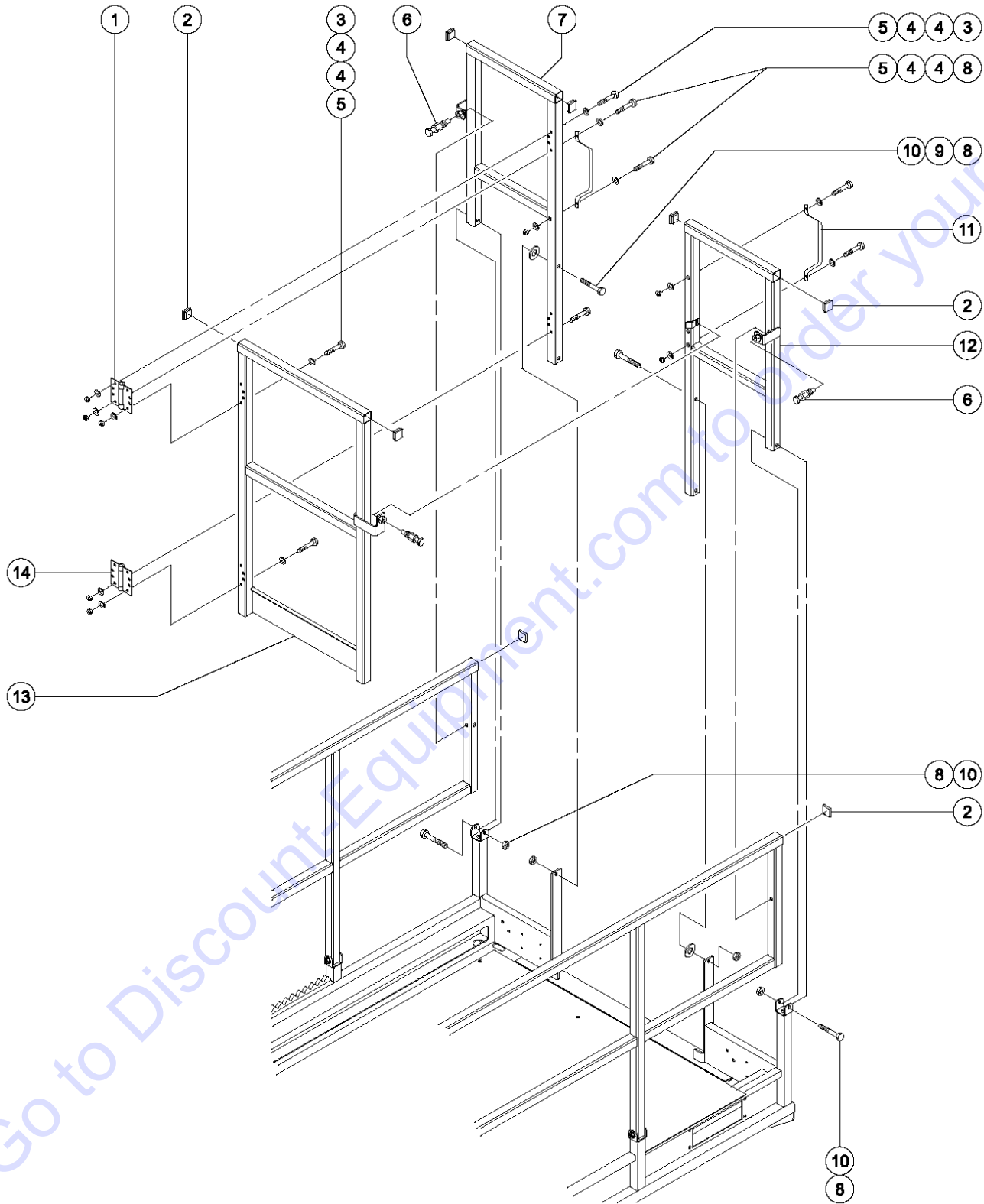


A TEREX BRAND

602.1 Platform Railing

Item	Part No.	Description	Qty.	Item	Part No.	Description	Qty.
1	51379PGT	WELDMENT,SIDERAIL,GS68.....	1	30	28487GT	SCREW,BHHS,3/8-16 X 1.....	16
2	79355GT	PLUG,TUBE,SQ 1.50X.065.....	6			<i>to SN 40695</i>	
		<i>to SN 40787</i>		30	71315GT	RIVET,DRIVE, .25 X .25.....	16
3	51435GT	DECK PLATE,MAIN,GS68.....	1			<i>from SN 40696</i>	
4	51379PGT	WELDMENT,SIDERAIL,GS68.....	1				
5	8178GT	SCREW,HHC,3/8-16 X 2.5.....	2				
6	4828GT	NUT,NYLOCK,3/8-16.....	6				
7	51073PGT	ACCESS PANEL,PLATFORM, GS68.....	2				
8	14297GT	SCREW,BHHS,1/4-20 X .75.....	8				
9	56912GT	SPRING CLIP,1/4-20,.025-.15X.54,ZAG.....	8				
10		PLATFORM ASSY,ANSI&CSA,GS3268 (84111).....	1				
		<i>(component no longer available)</i>					
10	47424-SGT	GS68 PLAT W/ EXTN DECK.....	1				
		<i>CE models</i>					
10A	62186-SGT	PLATFORM ASSY/DECALS 2668 RT.....	1				
		<i>ANSI and CSA models</i>					
10E	112609GT	PLAT ASSY,2668RT,CE,115V,DIESL.....	1				
		<i>CE models</i>					
10F	112610GT	PLAT ASSY,2668RT,CE,230V,DIESL <i>CE models</i>					
10G	112611GT	PLAT ASSY,2668RT,CE,DF,115V <i>CE models</i>					
10H	112612GT	PLAT ASSY,2668RT,CE,DF,230V <i>CE models</i>					
11	51166PGT	GUARD,PLATFORM/LANYARD,GS68.....	2				
12	14033GT	SCREW,HHC,3/8-16 X 2.75.....	4				
13	8255GT	SCREW,HHC,3/8-16 X .75.....	4				
14	7713GT	NUT, LP NYLOCK, 3/8-16.....	4				
15	6052GT	WASHER,SHIM,.5 X .875 X .063.....	2				
16	51409PGT	BRACKET,ROLLER,GRD.CONTRL,GS68.1					
17	47520GT	WASHER,THRUST .75 X 1.25 X .06.....	2				
18	38016GT	ROLLER,PLASTIC,AWP96**.....	2				
19	35706GT	BOLT,ROLLER,.470"(SHORT).....	2				
20	51139GT	PIN,EXTENSION ROLLER.....	2				
21	55355GT	SPACER,.75ID X 1.5OD X 1/4THK.....	4				
22	6024GT	NUT,NYLOCK,5/8-11.....	2				
23	51437GT	WHEEL,4 X 1.5.....	2				
		<i>includes end caps</i>					
24	51408PGT	BRACKET,ROLLR,ENGINE SIDE,GS68.....	1				
25	6090GT	SCREW,HHC,1/4-20 X .75.....	5				
26	6091GT	NUT,NYLOCK,1/4-20.....	5				
27	21618GT	CLAMP,1.13,#18 X 1/4,RUB CUSH.....	1				
28	39317GT	STOP PLATFORM ROLLER.....	2				
29	33776GT	RIVET,STL,STL,P,.188 X .375.....	4				

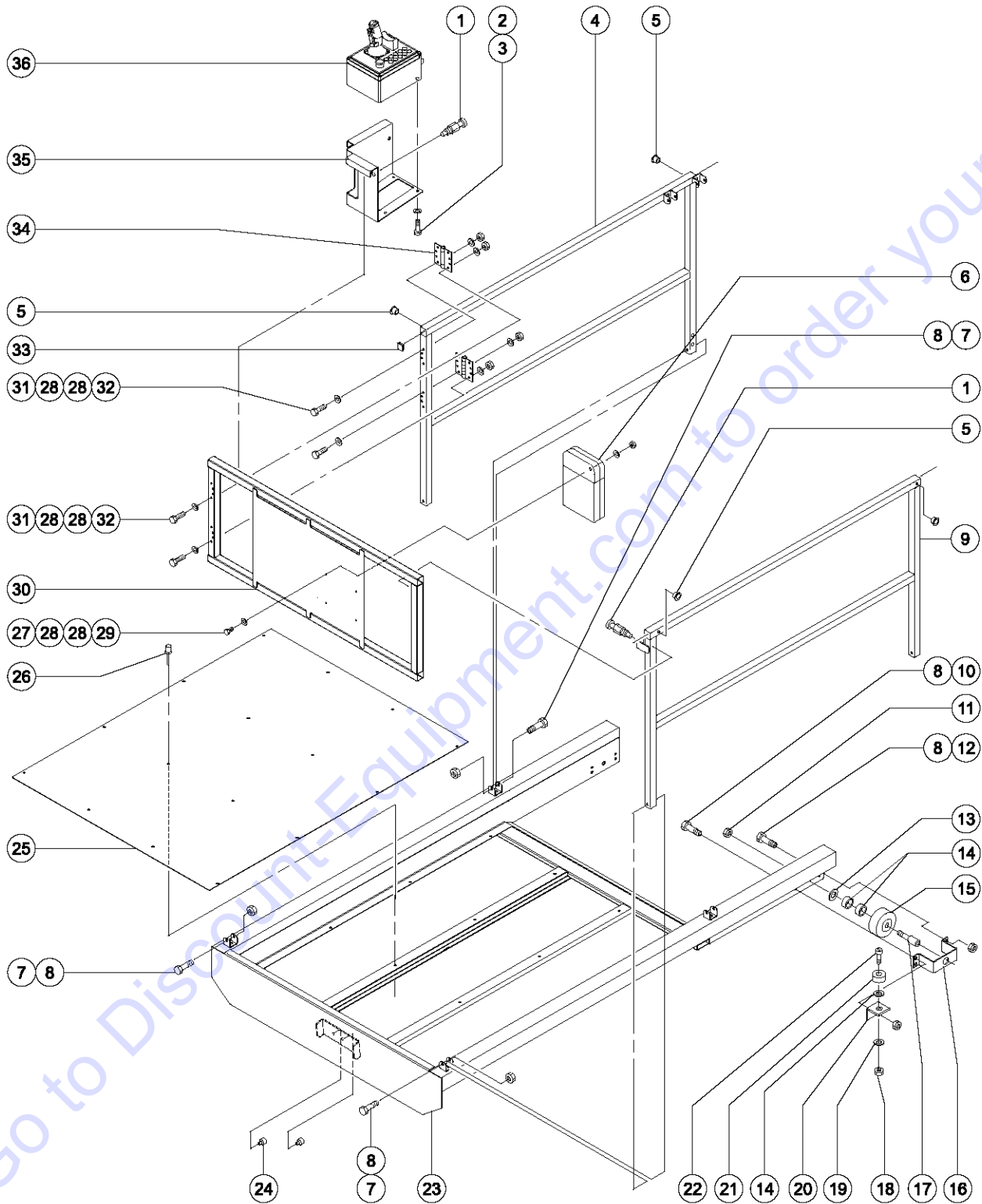
603.1 Platform Entry Gate



Item	Part No.	Description	Qty.
1	47524GT	HINGE,CLOSING (SPRING) 4 X 4.....	1
2	79355GT	PLUG,TUBE,SQ 1.50X.065..... to SN 40787	8
3	4266GT	SCREW,HHC,1/4-20 X 2.....	15
4	6638GT	WASHER,FLAT,USS,1/4"Y.....	40
5	6889GT	NUT,LP NYLOCK,1/4-20.....	19
6	47138GT	PIN,SNAP,ENTRY RAIL.....	3
7	51071PGT	WELDMENT,END RAIL,ENGINE SIDE...1	
8	8178GT	SCREW,HHC,3/8-16 X 2.5.....	4
9	47520GT	WASHER,THRUST .75 X 1.25 X .06.....	2
10	4828GT	NUT,NYLOCK,3/8-16.....	4
11	51416GT	HANDLE,GRAB.....	2
12	51039PGT	WELDMENT,END RAIL,GRD.CONTRLS.....	1
13	51036PGT	WELDMENT,ENTRY GATE 68.....	1
14	47523GT	HINGE,4 X 4.....	1

Go to Discount-Equipment.com to order your parts

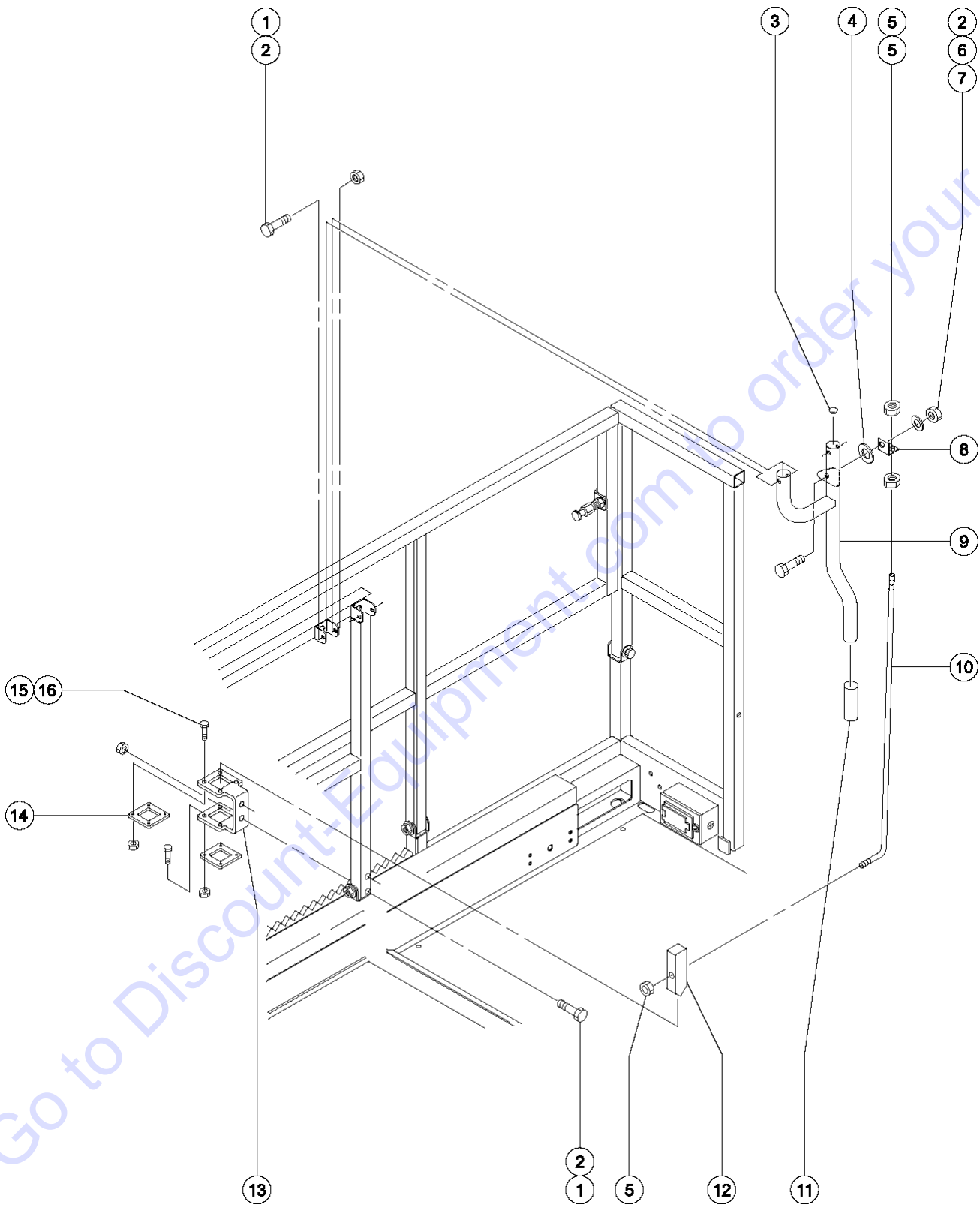
604.1 Platform Extension



604.1 Platform Extension

Item	Part No.	Description	Qty.	Item	Part No.	Description	Qty.
1	47138GT	PIN,SNAP,ENTRY RAIL.....	2	34	47523GT	HINGE,4 X 4.....	2
2	10107GT	SCREW,HHC,5/16-18 X .75.....	4	35	51143GT	JOYSTICK CARRIER.....	1
3	6886GT	WASHER,LOCK,.313.....	4	36		Ref. Platform Controls (refer to Figure 6-G).....	1
4	51092PGT	RAILING,EXT DECK,ENGINE SIDE.....	1				
5	47502GT	BUMPER,1.25 INCH O.D.,SCISSORS....	4				
6	44743GT	MANUAL BOX W/DECALS***.....	1				
7	8178GT	SCREW,HHC,3/8-16 X 2.5.....	4				
8	4828GT	NUT,NYLOCK,3/8-16.....	12				
9	51034PGT	RAILING,EXT.DECK GRD.CONTRL,68.....	1				
10	8255GT	SCREW,HHC,3/8-16 X .75.....	4				
11	6024GT	NUT,NYLOCK,5/8-11.....	2				
12	6175GT	SCREW,HHC,3/8-16 X 1.....	8				
13	47520GT	WASHER,THRUST .75 X 1.25 X .06....	4				
14	39580GT	BEARING,0.75IDX1.00ODX0.38L.....	4				
15	51437GT	WHEEL,4 X 1.5..... <i>includes end caps</i>	2				
16	51055PGT	BRACKET,ROLLER WHEEL EXT.PLAT.....	2				
17	51139GT	PIN,EXTENSION ROLLER.....	2				
18	7713GT	NUT, LP NYLOCK, 3/8-16.....	2				
19	5397GT	WASHER,FLAT,USS,5/16",Y.....	1				
20	51407PGT	BRACKET,SIDE ROLLER,GRN.CONTRL.....	1				
20	51478PGT	BRACKET, SIDE ROLLER, REAR FT.....	1				
21	38016GT	ROLLER,PLASTIC,AWP96**.....	2				
22	35706GT	BOLT,ROLLER,.470"(SHORT).....	2				
23		Ref., PLATFORM EXTENSION..... <i>refer to 602.1</i>	1				
23	33550GT	TAPE,WARNING,BLK/YEL, 50***.....	1				
24	47230GT	BUMPER,RUBBER.....	4				
25	51436-SGT	DECK PLATE,EXTENSION,GS68.....	1				
26	28487GT	SCREW,BHHS,3/8-16 X 1..... <i>to SN 40695</i>	16				
26	71315GT	RIVET,DRIVE, .25 X .25..... <i>from SN 40696</i>	16				
27	6090GT	SCREW,HHC,1/4-20 X .75.....	4				
28	6638GT	WASHER,FLAT,USS,1/4"Y.....	40				
29	6091GT	NUT,NYLOCK,1/4-20.....	16				
30	62710-SGT	ENDRAIL ASSY.EXT.DECK GS68..... <i>includes index number 6 and 4 each index numbers 27 through 29</i>	1				
31	4266GT	SCREW,HHC,1/4-20 X 2.....	16				
32	6086GT	NUT,LP NYLOCK,1/2-13.....	16				
33	79355GT	PLUG,TUBE,SQ 1.50X.065..... <i>to SN 40787</i>	8				

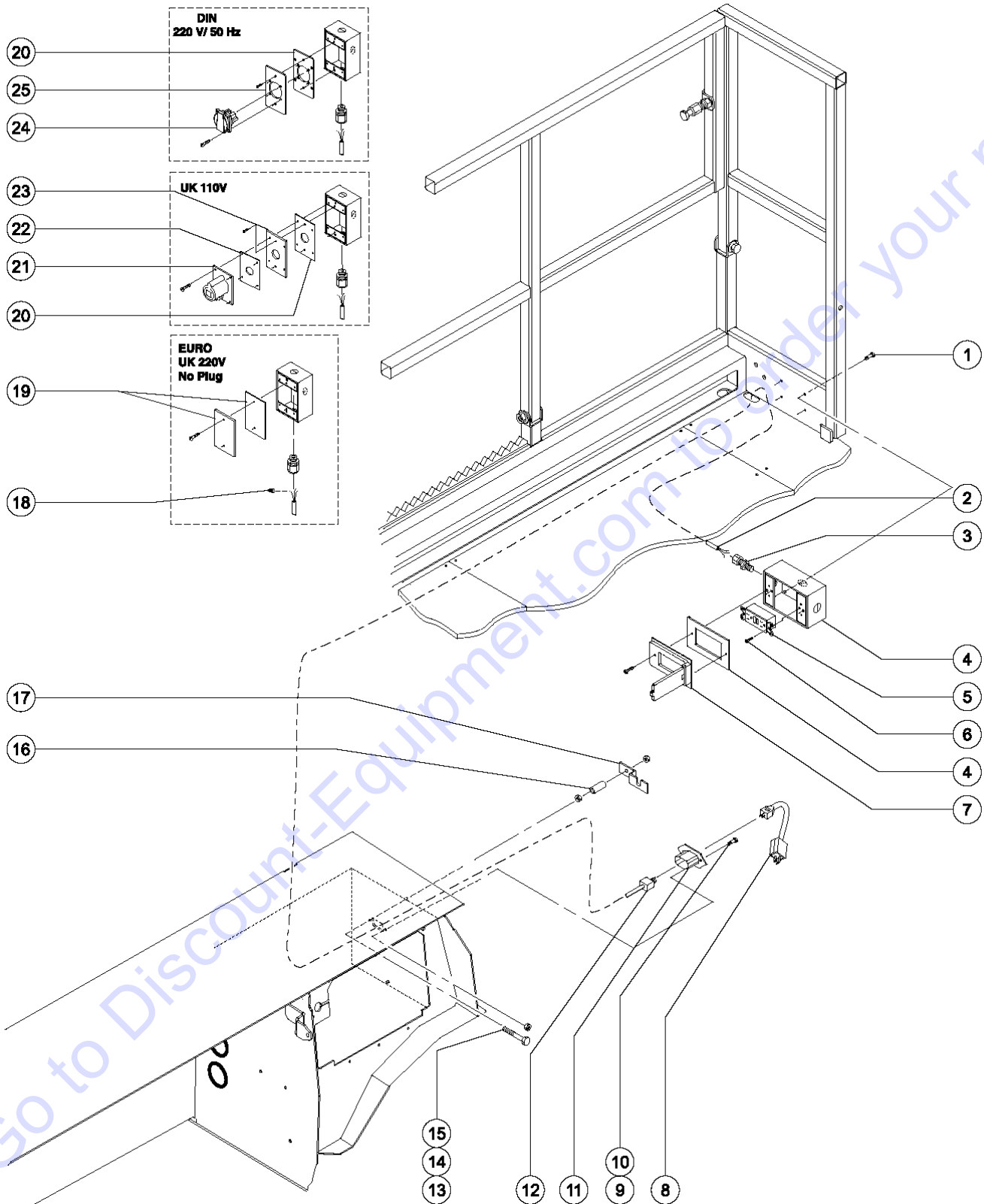
605.1 Platform Extension Deck Lock



605.1 Platform Extension Deck Lock

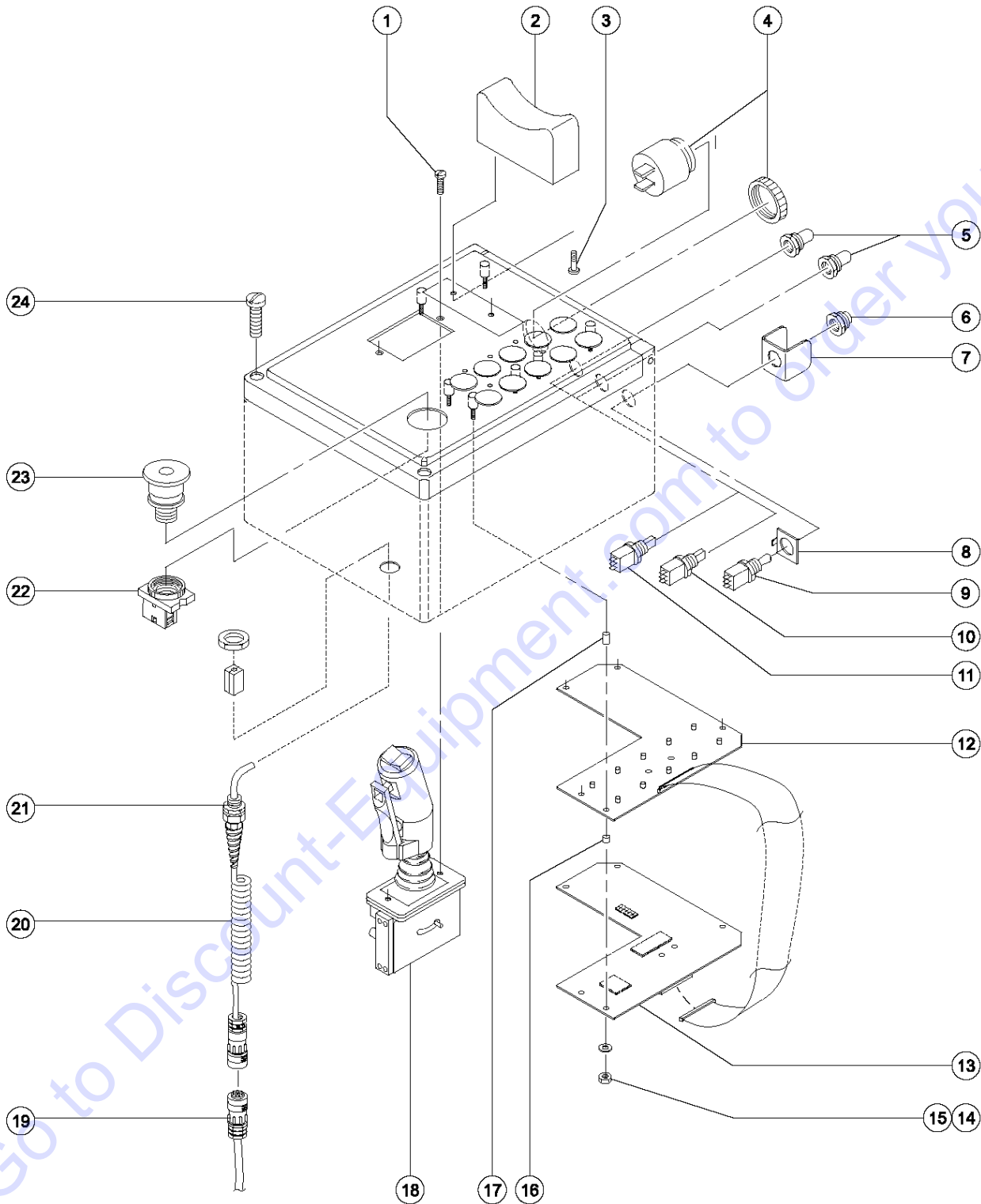
Item	Part No.	Description	Qty.
1	8178GT	SCREW,HHC,3/8-16 X 2.5.....	4
2	4828GT	NUT,NYLOCK,3/8-16.....	5
3	55753GT	BUMPER, PLASTIC, 1.25 O.D.....	2
4	47520GT	WASHER,THRUST .75 X 1.25 X .06.....	1
5	6086GT	NUT,LP NYLOCK,1/2-13.....	3
6	6097GT	WASHER,FLAT,USS,3/8",Y.....	3
7	6019GT	SCREW,HHC,3/8-16 X 1.25 GRD 5.....	1
8	51846PGT	MOUNT,ROD EXTENSION LOCK,68,90.....	1
9	47927PGT	WELDMENT,LATCH HANDLE,GS68.....	1
10	51847GT	ROD, EXTENSION LOCK,GS68,GS90...	1
11	51415GT	GRIP,HANDLE EXT PLATFORM LOCK.....	1
12	47926GT	LATCH PIN.....	1
13	51823PGT	GUIDE, LOCK, GS68,GS90.....	1
14	51844GT	GUIDE PAD, GS68, GS90.....	2
15	6090GT	SCREW,HHC,1/4-20 X .75.....	8
16	6091GT	NUT,NYLOCK,1/4-20.....	8

606.1 Power to Platform



Item	Part No.	Description	Qty.
--	33724GT	KIT,GASKET,UK POWER TO PLAT. <i>(includes one each items 20 and 22)</i>	
1	33759GT	SCREW,PHILLIPS,PHM,8-32 X.375.....4	
2	43956GT	WIRE CABLE,14/3 CON.TPE JKT*.....1	
3	7056GT	CONN,SQUEEZE,1/2NPT .38-.50,SM....1	
4	10775GT	T-BOX,2.75 X 4.5 X 2.0.....1	
5	13585GT	OUTLET, 110V.....1	
6	7127GT	SCREW,PHILLIPS,PHM,6-32 X .75.....2	
7	45437GT	COVER,GFCI,WEATHERPROOF.....1 <i>North America; includes gasket and mounting fasteners</i>	
8		FUSE,13 AMP,220V PLUG.....1 <i>(component no longer available) refer to BS1362 BUSS TDC180-13A</i>	
8	1280665GT	PLUG, TYPE F, 230A, 50HZ, 16A, IP44.....1	
8	144161GT	PLUG,PWR,UK,16AMP,3PIN,BLK.....1	
8	25388GT	PLUG,FUSED,250V,13AMP,U.K.**.....1	
8	6595GT	PLUG,ELECTRICAL,DOMESTIC.....1	
9	55306GT	SCREW,PHILLIPS,PHM,4-40 X .50.....2	
10	40766GT	NUT,NYLOCK,4-40.....2	
11	46440GT	CONNECTOR,IEC 320 INLET.....1	
12	52489GT	CABLE ASSY,PWR TO PLAT.GS-2668	
13	39478GT	SCREW,HHC,3/8-16 X 2 FULL THRD.....1	
14	4828GT	NUT,NYLOCK,3/8-16.....1	
15	7713GT	NUT, LP NYLOCK, 3/8-16.....1	
16	47273GT	POTHOLE SLIDER,32.....1	
17	51346GT	BRACKET,PIGTAIL.....1	
18	6626GT	WIRE CAP,ORANGE.....3	
19	10777GT	COVER,BLANK.....1	
20	66355GT	GASKET, UK & DIN PWR. TO PLAT.....1 <i>4.6 x 2.9 inches</i>	
21	T112563GT	SVC KIT,UK RECEPT.REPLACEMENT.....1	
22	66356GT	GASKET, UK RECEPTACLE.....1 <i>2.9 x 2.9 inches</i>	
23	33629GT	PLATE,UK POWER TO PLATFORM.....1	
24	66353GT	RECEPTACLE, DIN, 220V 50A.....1	
25	96236GT	PLATE,AC ADAPTER,DIN/UK***.....1	

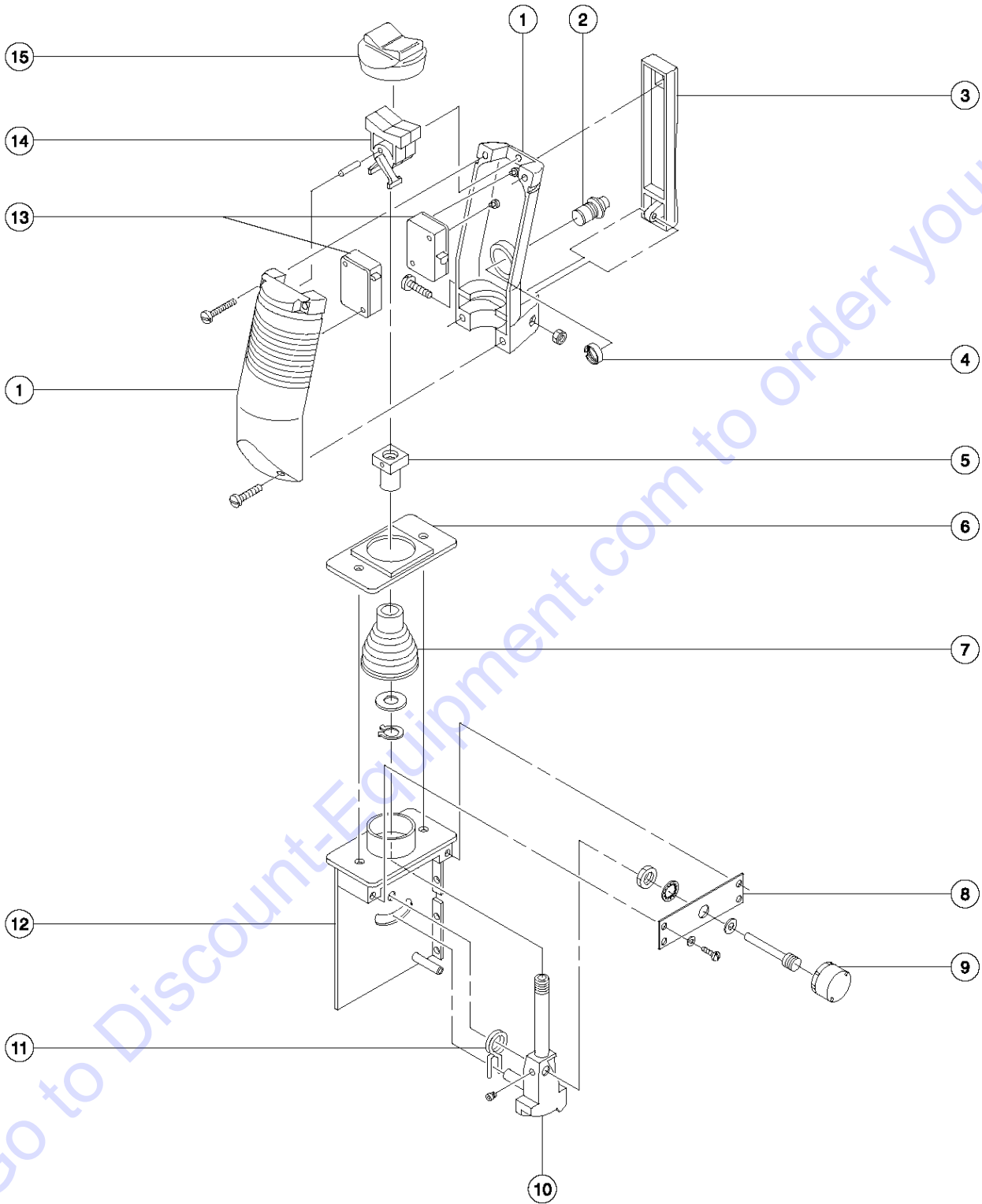
607.1 Platform Controls



607.1 Platform Controls

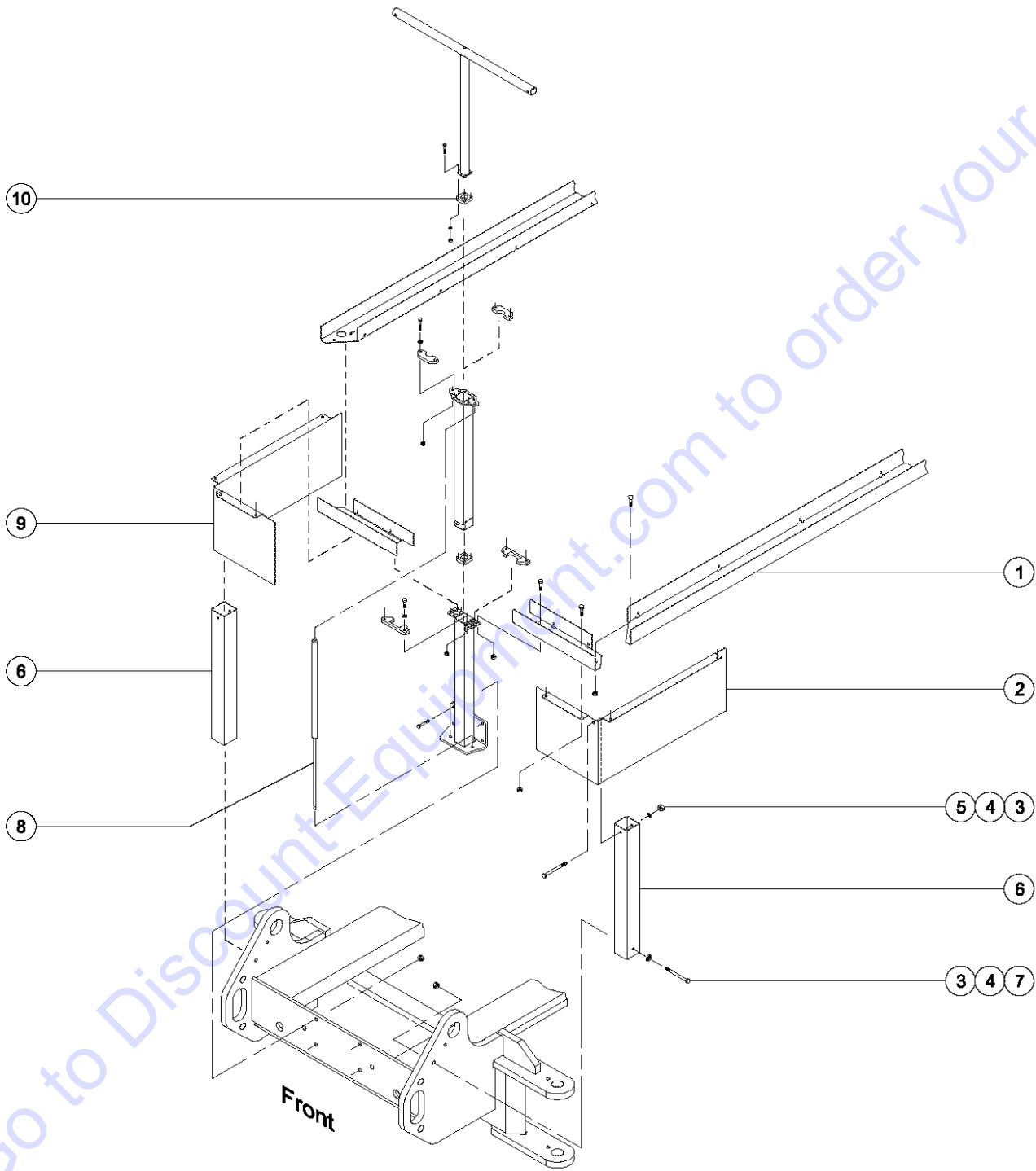
Item	Part No.	Description	Qty.	Item	Part No.	Description	Qty.
--	62180GT	PLATFORM CONTROL BOX W/DECALS* <i>Gasoline/LPG Models without Outriggers</i>		23	66812GT	BUTTON,PUSH,RED MUSHROOM HEAD.....	1
--	62181GT	PLATFORM CONTROL BOX W/DECALS* <i>Gasoline/LPG Models with Outriggers</i>		24	21085GT	SCREW,RHM,10-24 X .75.....	2
--	62211GT	PLATFORM CONTROL BOX W/DEC*** <i>Diesel Models without Outriggers</i>					
--	62212GT	PLATFORM CONTROL BOX W/DECAL** <i>Diesel Models with Outriggers</i>					
1	5094GT	SCREW,RHM,10-32 X .5.....	2				
2	52502GT	PAD,WREST,WRIST,GS68PLAT.CONT~	1				
3	58912GT	FLANGE HEX SCREW,GRADE 8.....	2				
4	62164GT	ALARM ASSY,12VDC,ITT,4 PIN**** <i>includes mounting fasteners</i>	1				
--	72326GT	NUT - PLASTIC,RING FOR ALARMS					
5	52503GT	BOOT,PUSHBUTTON,RUBBER,GS68~	2				
6	27246GT	BOOT,TOGGLE SWITCH,SHORT*.....	1				
7	45105GT	GUARD,TOGGLE SWITCH.....	1				
8	52505GT	PLATE,GROUND,TOGGLE,GS68~	1				
9	62165GT	SWITCH-TOGGLE,SPDT,3POS, MOM*~..... <i>includes mounting fasteners</i>	1				
10	62166GT	SWITCH-PUSH BTN, LOW, GS68**~	1				
11	62167GT	SWITCH-PUSH BTN, HIGH, GS68.....	1				
12	51856GT	P.C.BOARD,SWITCH ASSY,GS68 RT.....	1				
13		P.C.BOARD,PLATCNTRL,ITT,GS68 (51858)..... <i>Gasoline/LPG models; to SN 1240</i>	1				
13	62163GT	PC BOARD-PLATCNTRL,ITT GS68**~ <i>Gasoline/LPG models; from SN 1241</i>	1				
14	11804GT	NUT,HEX,6-32.....	7				
15	11805GT	WASHER,FLAT,MS,#6,Y.....	7				
16	52509GT	SPACER,,188 PLAT.CONTROL,GS68~	7				
17	148174GT	STUD ASSY,RTSC CONTROL BOX.....	7				
17	52510GT	SPACER,.5" GS PLAT PC BOARD.....	7				
18	62161GT	JOYSTICK CONTROLLER..... <i>OEM joystick</i>	1				
--	62161HGT	JOYSTICK CONTROLLER <i>aftermarket joystick replacement</i>					
19A	51919GT	WIRE ASSEMBLY, LINK, GS2668***.....	1				
19B	51920GT	WIRE ASSEMBLY, LINK, GS3268.....	1				
20	62162GT	COIL CORD..... <i>includes ferrite suppressor</i>	1				
21	46266GT	STRAIN RELIEF-GS JOYSTICK**~	1				
22	66817GT	BASE WITH 1 NC CONTACT, E-STOP... <i>includes 1 N.C. contact</i>	1				
22	66818GT	CONTACT, N.C.....	1				

608.1 Joystick Controller



Item	Part No.	Description	Qty.
--	51854GT	JOYSTICK -GS68** <i>Diesel models with Control Box serial number before 1055 (Control Box SN is located inside control box)</i>	
--	62161GT	JOYSTICK CONTROLLER <i>OEM joystick, contains all shown service parts (after serial numbers listed above)</i>	
--	62161HGT	JOYSTICK CONTROLLER <i>aftermarket joystick replacement</i>	
1	58293GT	HANDLE KIT,GS JYSTK,BOTH HALVE.....	1
2	52050GT	PUSHBUTTON-FUNC.ENABL.W/ORING.2 <i>includes mounting hardware</i>	2
3	52042GT	LEVER,FUNC ENABLE SWITCH,RGE**.....	1
4	46271GT	NUT-MOUNTING,PUSH BUTTON-44988.....	1
5	52043GT	NUT,JOYSTICK,44988, RGE.....	1
6	52529GT	GASKET-JOYSTICK.....	1
7	21427GT	BOOT,CONTROLLER**.....	1
8	52527GT	POTENTIOMETER MOUNT PLATE.....	1
9	65179GT	POTENTIOMETER (62161)***.....	1
10	52525GT	SHAFT ASSY,JOYSTICK.....	1
11	21434GT	SPRING & BUSHING KIT,RETURN***.....	1
12	65180GT	CASTING-JOYSTICK, GS2032.....	1
13	19722GT	MICROSWITCH-V319M***.....	2
14	65178GT	ROCKER ASSY W/ROLLPIN***.....	1
15A	19710GT	BOOT, PROTECTIVE, 45049 BLACK <i>for 62161</i>	
15B	43038GT	BOOT-THUMB ROCKER** BLACK..... <i>for 51854</i>	1

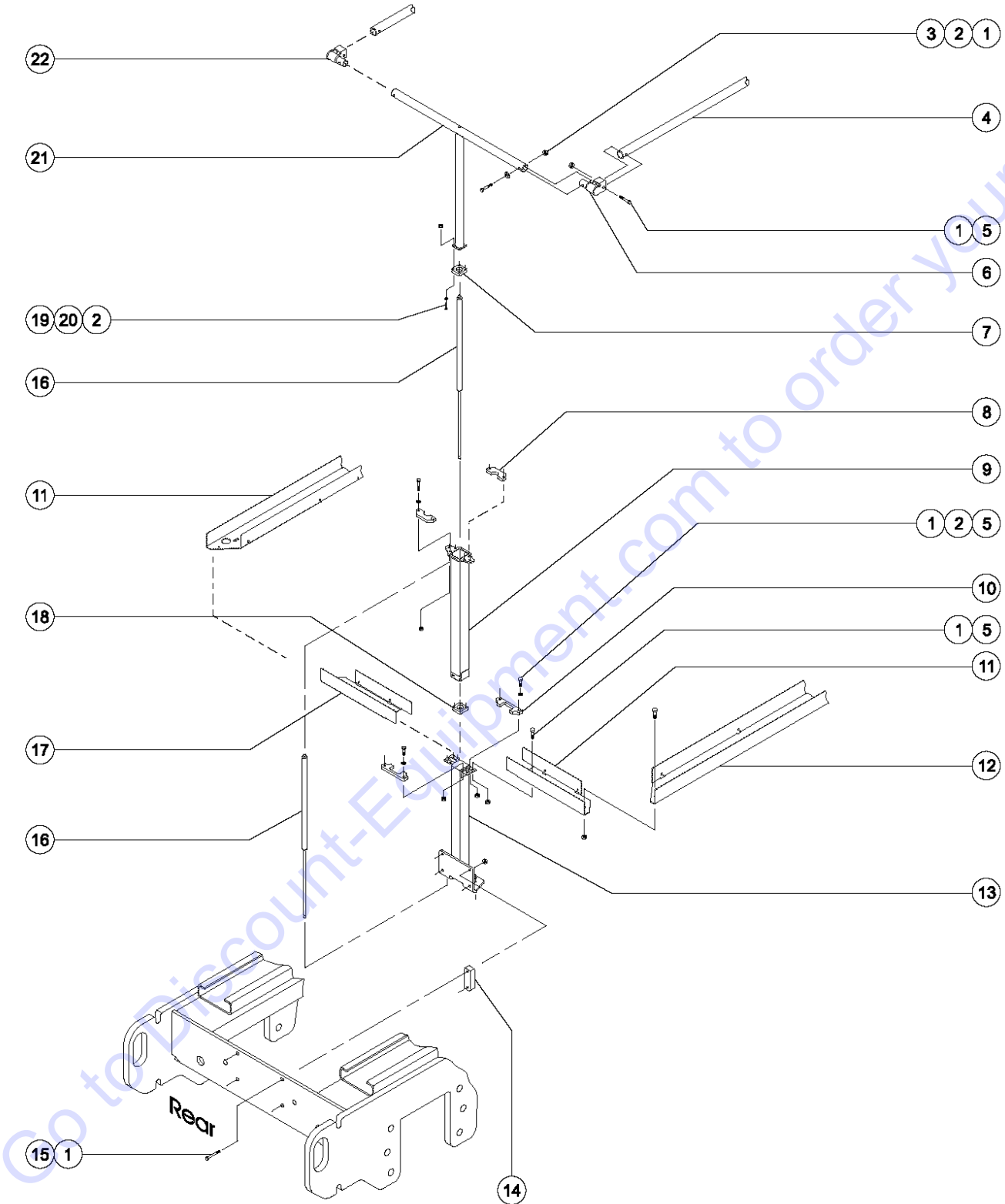
701.1 Wire Mesh Link Guard Components, View 1



701.1 Wire Mesh Link Guard Components, View 1

Item	Part No.	Description	Qty.
--		Ref., Link Guard Kit <i>refer to 709.1</i>	
1	71826GT	FORMING, MESH TRAY SIDE, GS68.....1	
2	71879GT	FORMING, LOWER FRONT GUARD LT.....1	
3	4828GT	NUT,NYLOCK,3/8-16.....16	
4	6097GT	WASHER,FLAT,USS,3/8",Y.....4	
5	6326GT	SCREW,HHC,3/8-16 X 3.....2	
6	71828GT	TUBE MESH TRAY SUPPORT, GS68.....2	
7	8352GT	SCREW,HHC,3/8-16 X 3.75 GD 5.....2	
8	71842GT	GAS STRUT,250N, 55CM STROKE.....4	
9	71880GT	FORMING, LOWER FRONT GUARD RT.....1	
10	71840GT	WEAR PAD, LOWER EXT INNER, 68.....1	

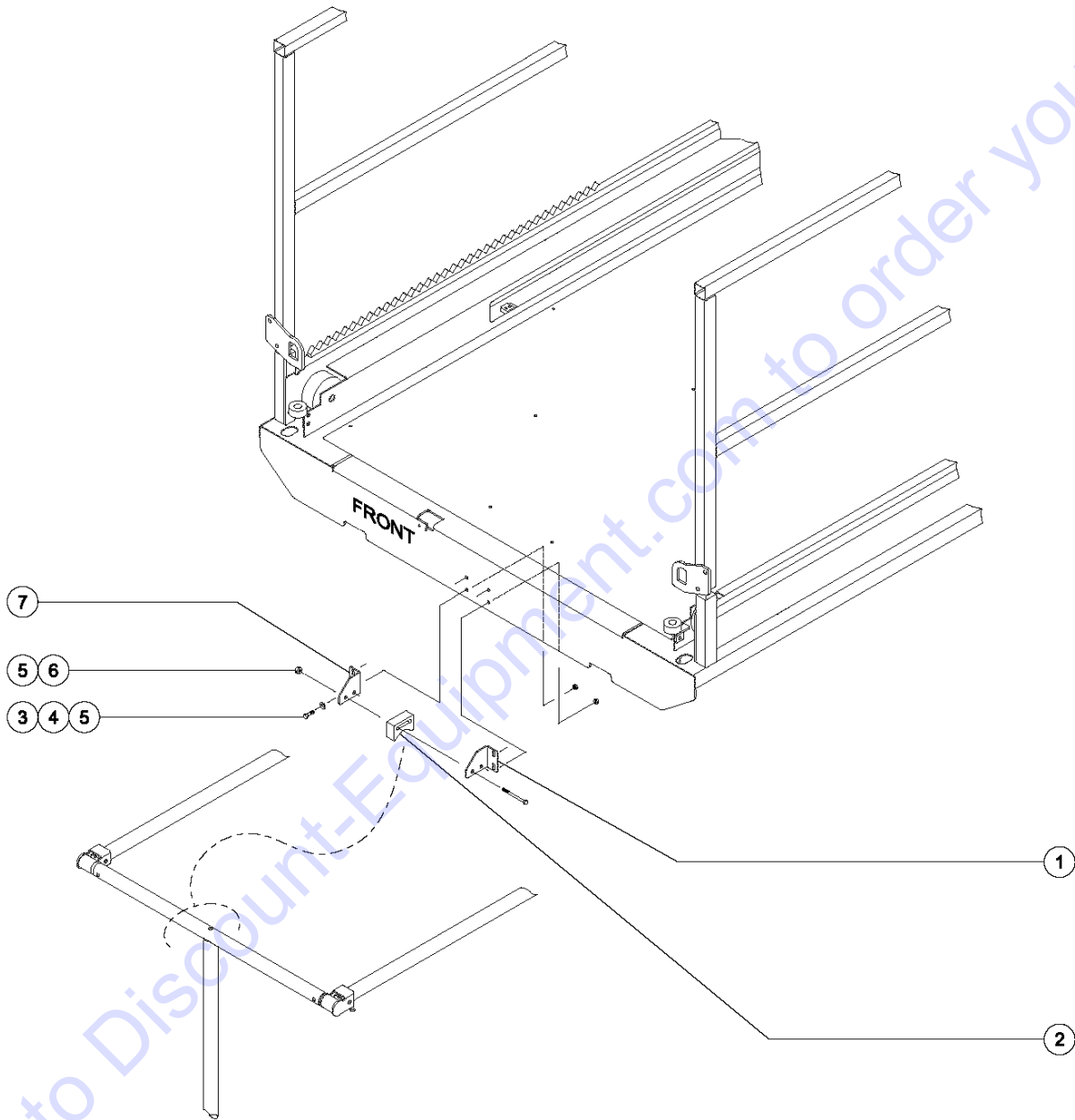
702.1 Wire Mesh Link Guard Components, View 2



702.1 Wire Mesh Link Guard Components, View 2

Item	Part No.	Description	Qty.
1	4828GT	NUT,NYLOCK,3/8-16.....	12
2	5397GT	WASHER,FLAT,USS,5/16",Y.....	10
3	6708GT	SCREW,HHC,3/8-16 X 2.25.....	2
4	71850GT	TUBE, MESH REAIL, SIDE, GS68.....	2
5	6019GT	SCREW,HHC,3/8-16 X 1.25 GRD 5.....	8
6	71855GT	WELDMENT,MESH RAIL JOINT, LEFT.....	2
7	71841GT	WEAR PAD, UPPER EXT INNER,GS68.....	2
8	71839GT	WEAR PAD, UPPER GUIDE, GS68.....	2
9	1077-2400GT	TUBE,UNISTRUT,22F10 2.25 X0105....	2
10	71838GT	WEAR PAD, LOWER GUIDE, GS68.....	2
11	71824GT	FORMING, MESH TRAY FL RR, GS68...2	
12	71826GT	FORMING, MESH TRAY SIDE, GS68....2	
13	71829GT	WELDMENT, EXTENSION BASE, GS68.....	2
14	71858GT	WEAR PAD,4.25 X 1.5 X 1.....	2
15	6326GT	SCREW,HHC,3/8-16 X 3.....	2
16	71842GT	GAS STRUT,250N, 55CM STROKE.....	3
17	71825GT	FORMING, MESH TRAY FR RL.....	2
18	71840GT	WEAR PAD, LOWER EXT INNER, 68....	1
19	10107GT	SCREW,HHC,5/16-18 X .75.....	32
20	6782GT	NUT,NYLOCK,5/16-18.....	32
21	71835GT	WELDMENT, UPPER EXT SECTION,68.....	2
22	71848GT	WELDMENT,MESH RAIL JOINT,RIGHT.....	2

703.1 Wire Mesh Link Guard Components, View 3

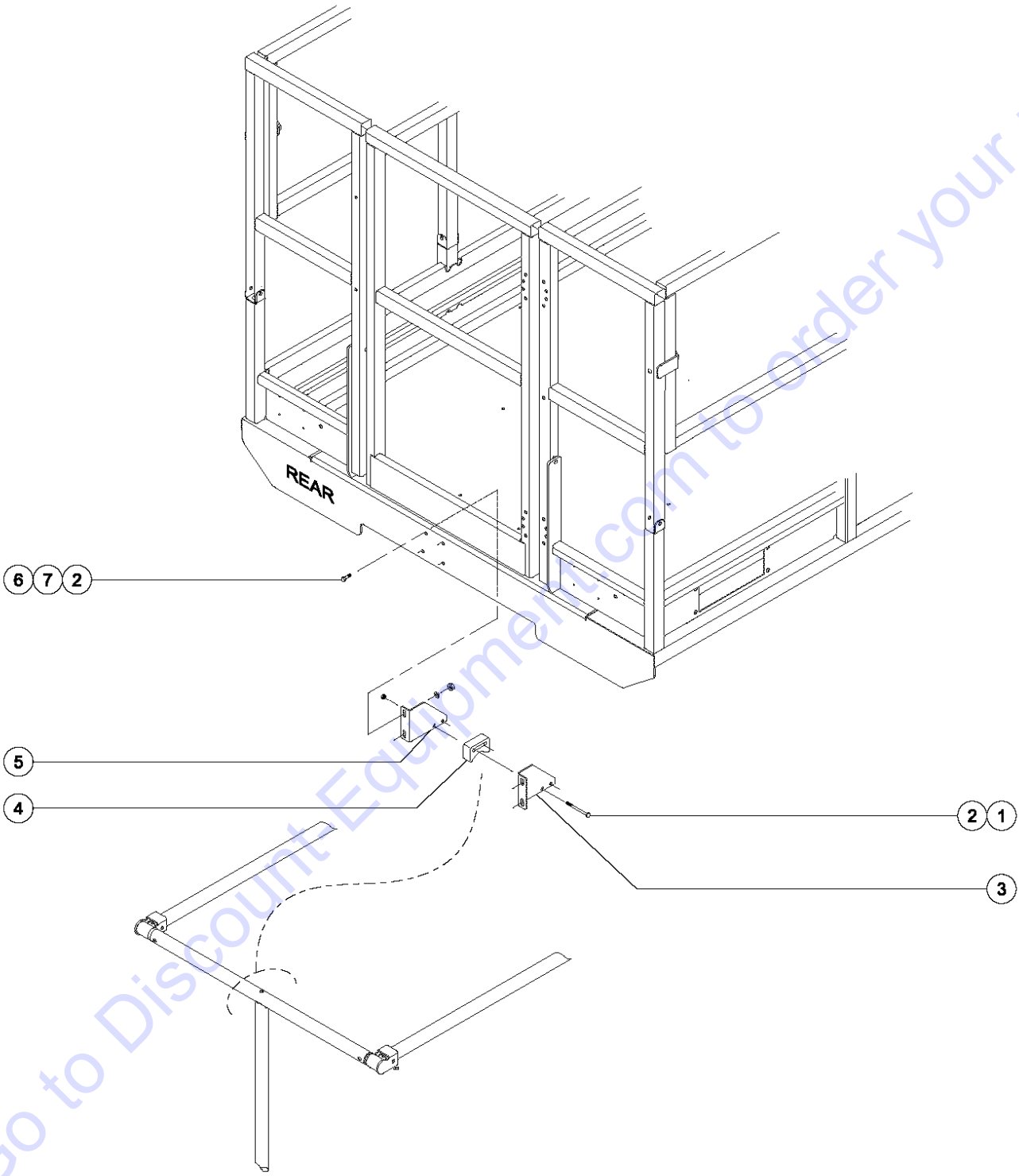


703.1 Wire Mesh Link Guard Components, View 3

Item	Part No.	Description	Qty.
1	71861GT	FORMING, GUARD CONTACT FRNT LT.....	1
2	71862GT	WEAR PAD, GUARD CONTACT, GS68.....	1
3	6019GT	SCREW,HHC,3/8-16 X 1.25 GRD 5.....	1
4	4828GT	NUT,NYLOCK,3/8-16.....	2
5	6097GT	WASHER,FLAT,USS,3/8",Y.....	1
6	6326GT	SCREW,HHC,3/8-16 X 3.....	1
7	71860GT	FORMING, GUARD CONTACT FRNT RT.....	1

Go to Discount-Equipment.com to order your parts

704.1 Wire Mesh Link Guard Components, View 4

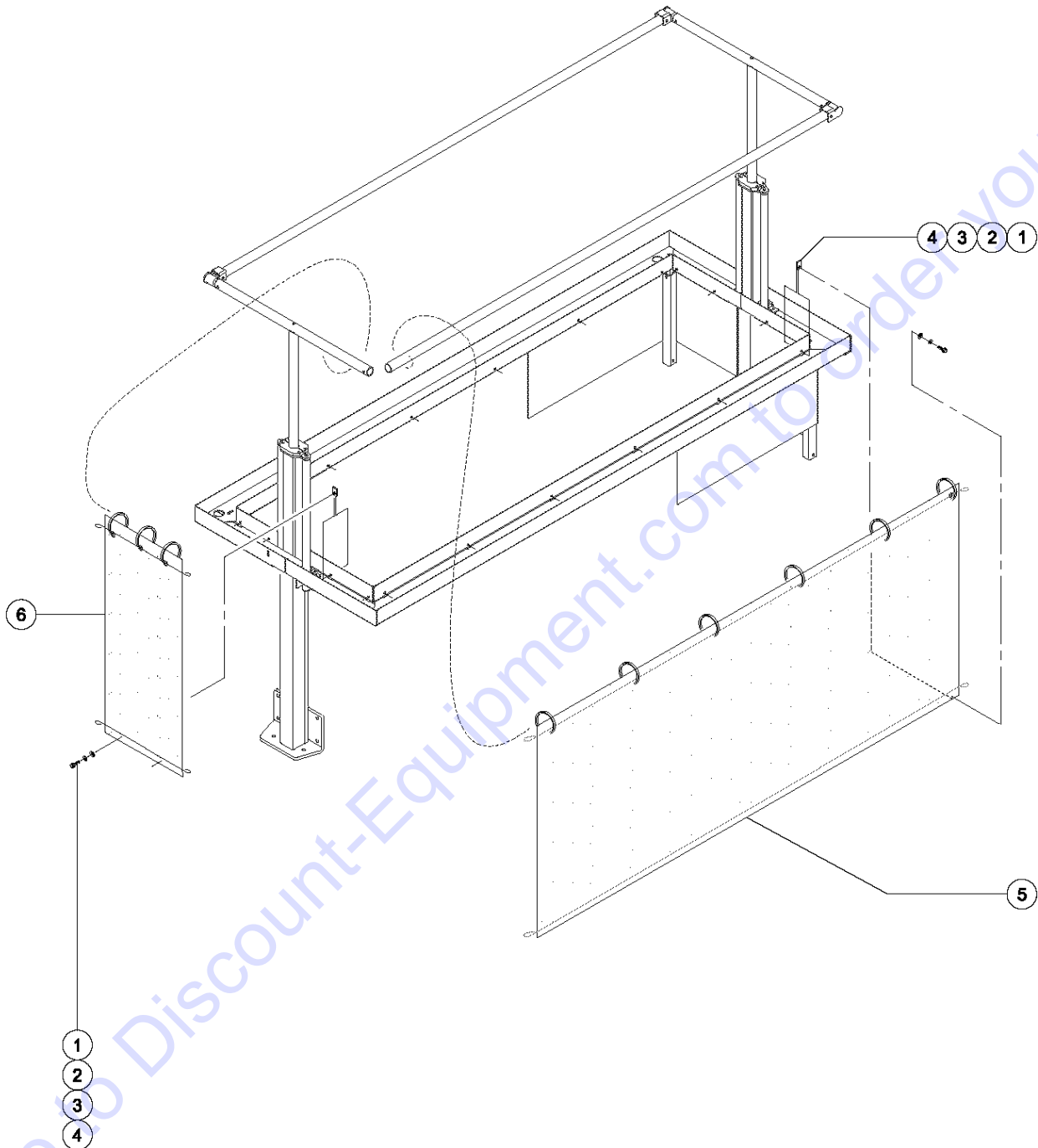


704.1 Wire Mesh Link Guard Components, View 4

Item	Part No.	Description	Qty.
1	6326GT	SCREW,HHC,3/8-16 X 3.....	1
2	4828GT	NUT,NYLOCK,3/8-16.....	3
3	71866GT	FORMING, GUARD CONTACT REAR LT.....	1
4	71862GT	WEAR PAD, GUARD CONTACT, GS68.....	1
5	71865GT	FORMING, GUARD CONTACT REAR RT.....	1
6	6019GT	SCREW,HHC,3/8-16 X 1.25 GRD 5.....	2
7	6097GT	WASHER,FLAT,USS,3/8",Y.....	2

Go to Discount-Equipment.com to order your parts

705.1 Wire Mesh Link Guard Components, View 5

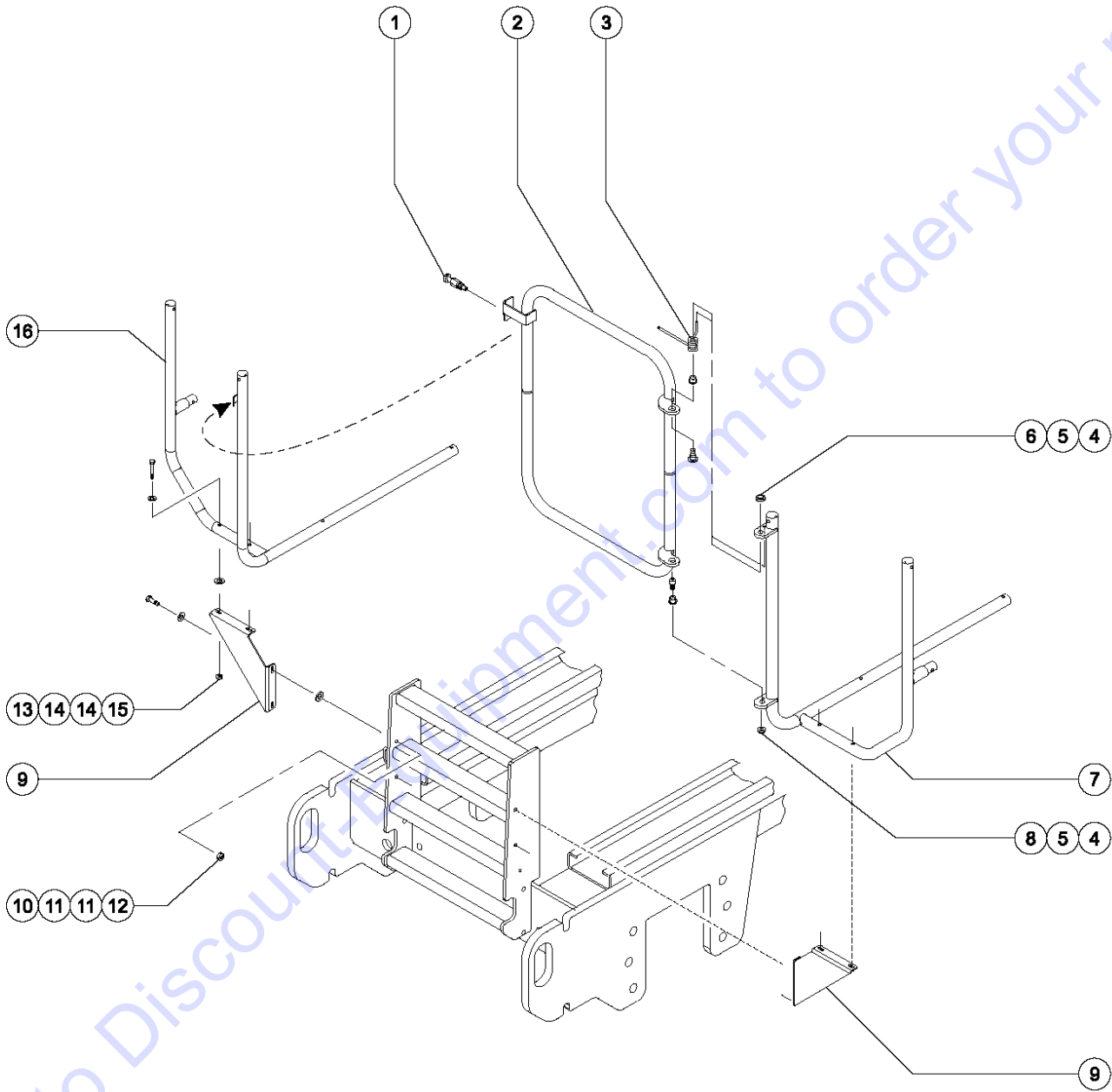


705.1 Wire Mesh Link Guard Components, View 5

Item	Part No.	Description	Qty.
1	73575GT	SPRING CLIP,10-24,.025-.125X.468,ZAG.....	24
2	6146GT	WASHER,FLAT,MS,#10,Y.....	24
3	6607GT	WASHER,LOCK,#10 PLTD.....	24
4	71979GT	SCREW,INDENTED HEX,10-24 X .75..	24
5		Ref., WIRE MESH ASSY,SIDE, 18 GA 1/4".....	2
		<i>component no longer available; refer to 709.1</i>	
7		Ref., WIRE MESH ASSY,END, 18 GA 1/4".....	4
		<i>component no longer available; refer to 709.1</i>	

Go to Discount-Equipment.com to order your parts

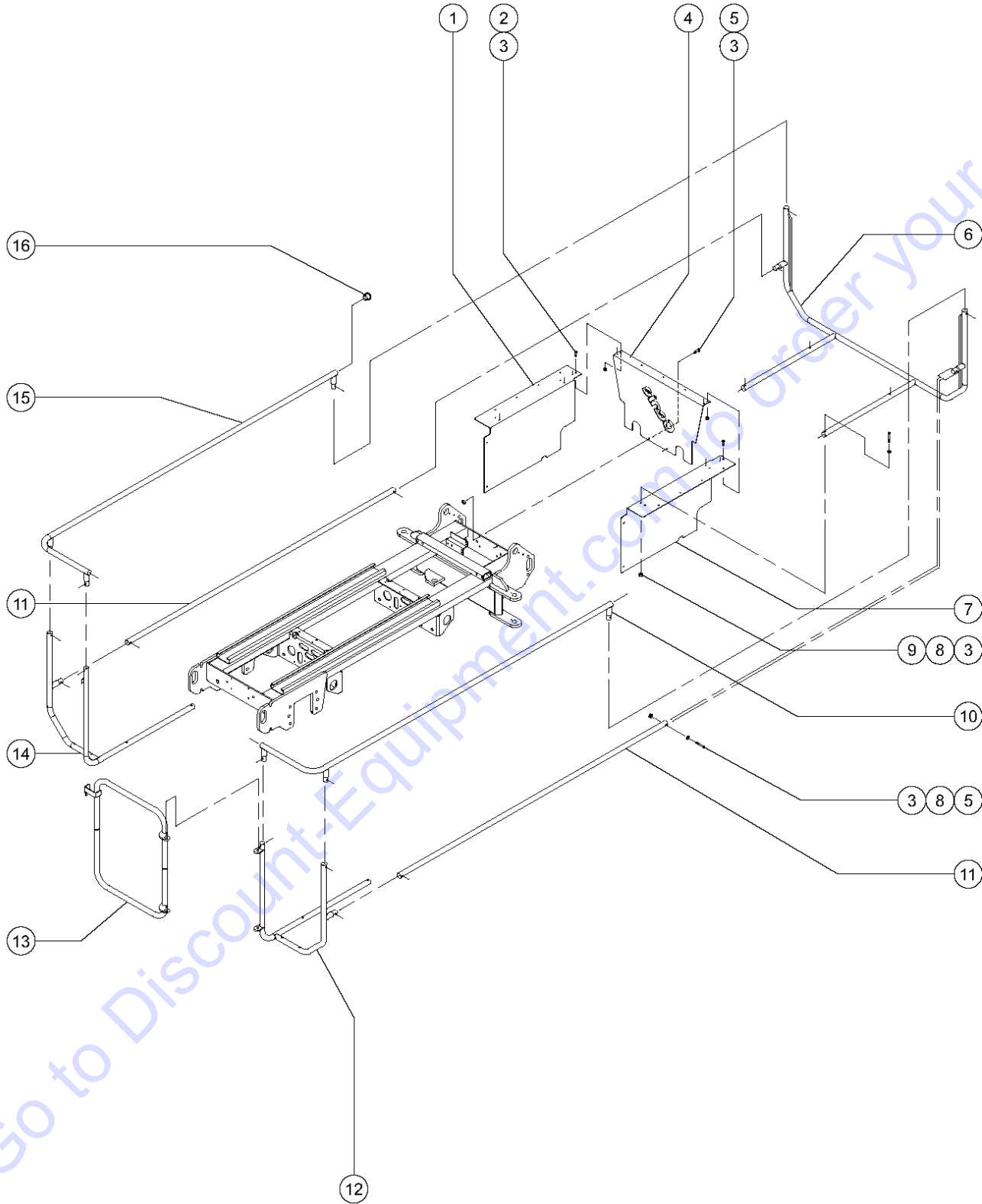
706.1 Rigid Link Guard Components, View 1



706.1 Rigid Link Guard Components, View 1

Item	Part No.	Description	Qty.
--		Ref., Link Guard Kit <i>refer to 709.1</i>	
1	47138GT	PIN,SNAP,ENTRY RAIL.....1	1
2	64278GT	WELDMENT, GUARD, GATE.....1	1
3	55739GT	SPRING, TORSION, ENTRY GATE.....1	1
4	38028GT	NUT,LP NYLOCK,5/8-11.....2	2
5	64245GT	BUSHING,FLANGE, .75 X .875 X.5.....2	2
6	71912GT	BOLT,SHOULDER,5/8-11 X 1.19 LT.....1	1
7	64275GT	WELDMENT, GUARD, REAR, RIGHT.....1	1
8	55983GT	PIN-THREADED SHLDR OFFS,5/8-11...1	1
9	71120GT	GUSSET, GUARD, REAR.....2	2
10	4828GT	NUT,NYLOCK,3/8-16.....8	8
11	6097GT	WASHER,FLAT,USS,3/8",Y.....12	12
12	6019GT	SCREW,HHC,3/8-16 X 1.25 GRD 5.....4	4
13	6708GT	SCREW,HHC,3/8-16 X 2.25.....4	4
14	64276GT	WELDMENT, GUARD, REAR, LEFT.....1	1

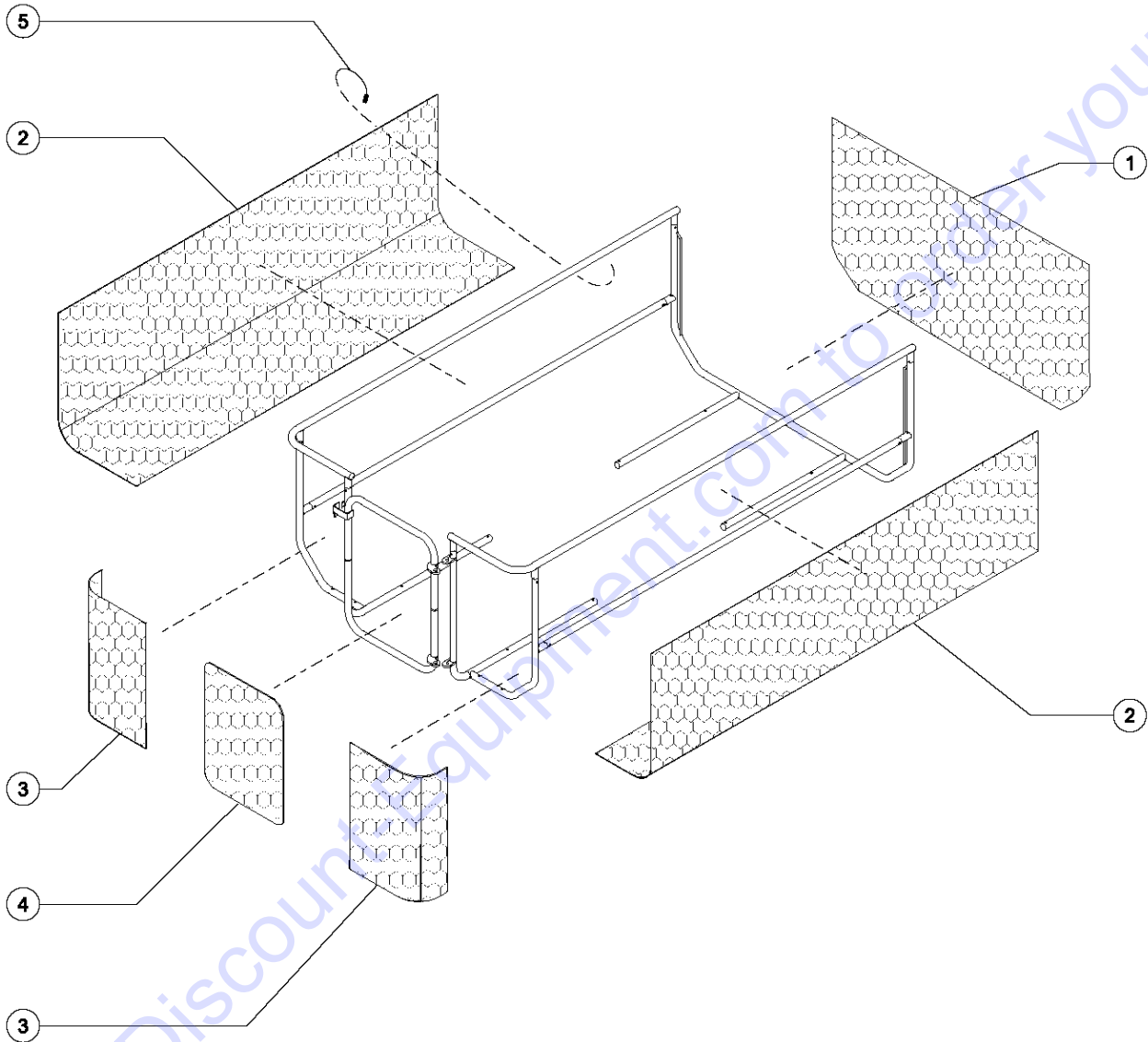
707.1 Rigid Link Guard Components, View 2



707.1 Rigid Link Guard Components, View 2

Item	Part No.	Description	Qty.
1	51397GT	FORMING, NOSE GUARD, LEFT GS68.....	1
2	6175GT	SCREW,HHC,3/8-16 X 1.....	4
3	4828GT	NUT,NYLOCK,3/8-16.....	6
4	51395GT	FORMING,NOSE GUARD,REAR GS68.....	1
5	6019GT	SCREW,HHC,3/8-16 X 1.25 GRD 5.....	2
6	64267GT	WELDMENT,FRONT TUBE GUARD.....	1
7	55284GT	FORMING, NOSE GUARD, RIGHT.....	1
8	6097GT	WASHER,FLAT,USS,3/8",Y.....	14
9	6708GT	SCREW,HHC,3/8-16 X 2.25.....	4
10	71098GT	WELDMENT, GUARD, TOP, RIGHT.....	1
11	71094GT	TUBE, GUARD, SIDE.....	2
12	64275GT	WELDMENT, GUARD, REAR, RIGHT.....	1
13	64278GT	WELDMENT, GUARD, GATE.....	1
14	64276GT	WELDMENT, GUARD, REAR, LEFT.....	1
15	71097GT	WELDMENT, GUARD, TOP, LEFT.....	1
16	55753GT	BUMPER, PLASTIC, 1.25 O.D.....	2

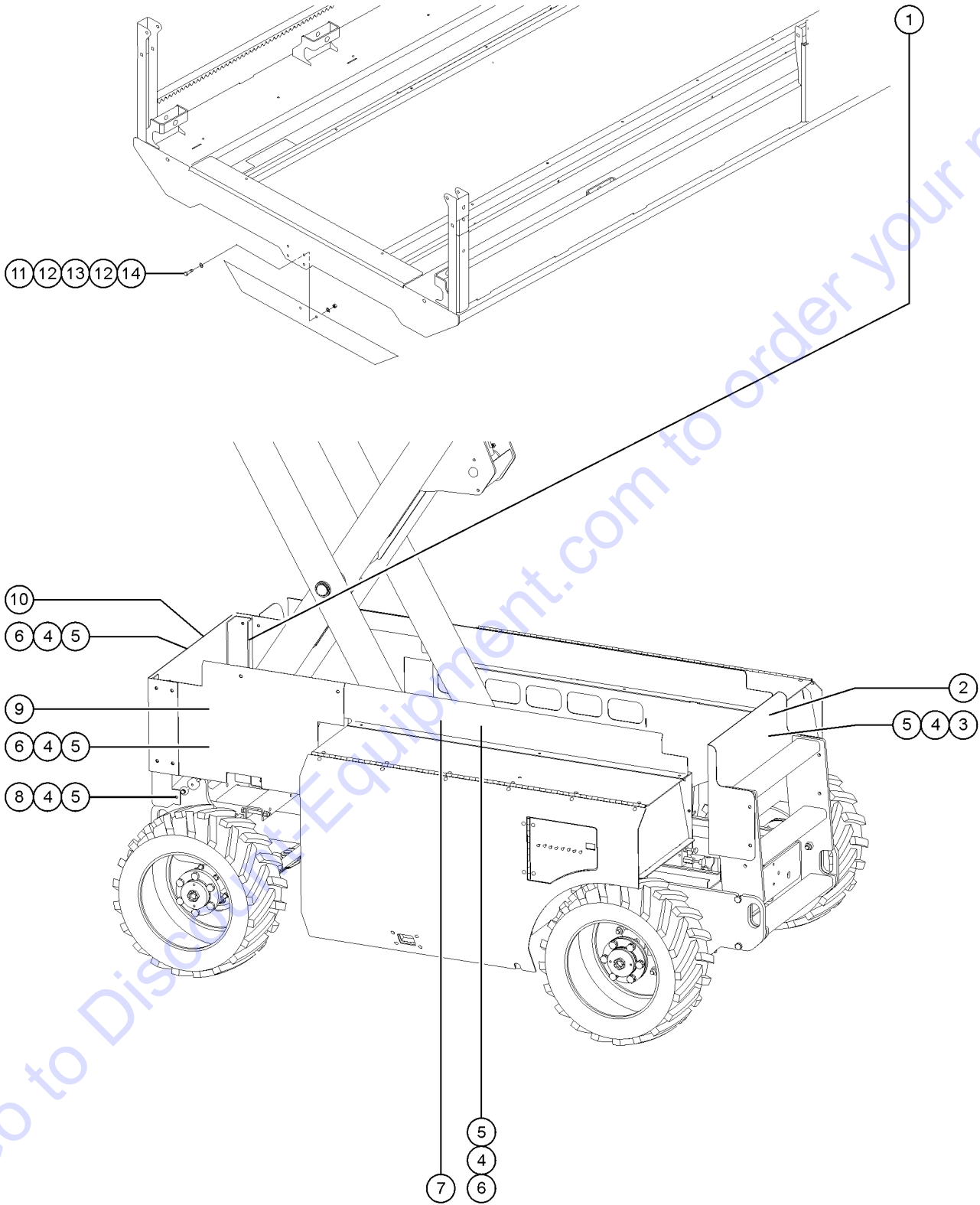
708.1 Rigid Link Guard Components, View 3



708.1 Rigid Link Guard Components, View 3

Item	Part No.	Description	Qty.
1		Ref., MESH, LINK GUARD, FRONT.....1 <i>component no longer available; refer to 709.1</i>	1
2		Ref., MESH, LINK GUARD, SIDE, GS68.....2 <i>component no longer available; refer to 709.1</i>	2
3		Ref., MESH, LINK GUARD, REAR, GS68.....2 <i>component no longer available; refer to 709.1</i>	2
4		Ref., MESH, LINK GUARD, SIDE, GS68.....1 <i>component no longer available; refer to 709.1</i>	1
5	28443GT	CABLE TIE, 11.5" BLACK.....150	150

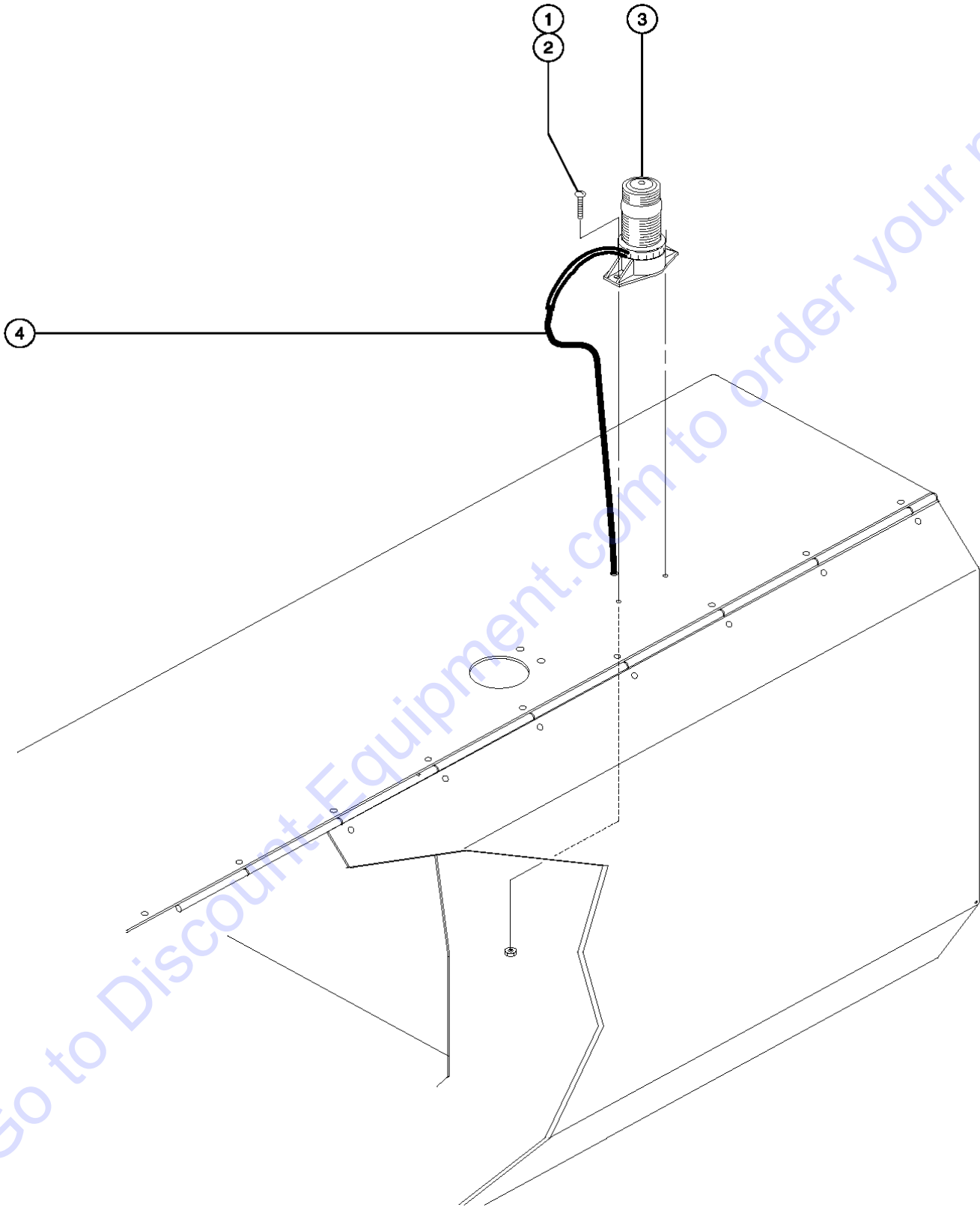
709.1 Steel Panel Link Guard Assembly



709.1 Steel Panel Link Guard Assembly

Item	Part No.	Description	Qty.
--	T109074GT	KIT, LINKGUARDS 2668	
--	T109075GT	KIT, LINKGUARDS 3268	
1A	148187GT	FORMING, LINKGUARD MOUNT, R, 2668.....1 GS-2668 (Right)	
--	148186GT	FORMING, LINKGUARD MOUNT, L, 2668.....1 GS-2668 (Left)	
1B	148286GT	FORMING, LINKGUARD MOUNT, R, 3268 GS-3268 (Right)	
--	T107013GT	FORMING, LINKGUARD MOUNT, L, 3268 GS-3268 (Left)	
2A	T108330GT	FORMING, LINKGUARD LADDER, 2668.....1 GS-2668	
2B	T108213GT	FORMING, LINKGUARD LADDER, 3268.....1 GS-3268	
3	6175GT	SCREW, HHC, 3/8-16 X 1.....4	
4	6097GT	WASHER, FLAT, USS, 3/8", Y.....24	
5	4828GT	NUT, NYLOCK, 3/8-16.....24	
6	8255GT	SCREW, HHC, 3/8-16 X .75.....18	
7A	148176GT	FORMING, LINKGUARD, SIDE, L, 2668....1 GS-2668 (Left)	
--	148177GT	FORMING, LINKGUARD, SIDE, R, 2668....1 GS-2668 (Right)	
7B	148282GT	FORMING, LINKGUARD, SIDE L, 3268 GS-3268 (Left)	
--	148283GT	FORMING, LINKGUARD, SIDE R, 3268 GS-3268 (Right)	
8	6019GT	SCREW, HHC, 3/8-16 X 1.25 GRD 5.....2	
9A	148182GT	FORMING, LINKGUARD CORNER R, 2668.....1 GS-2668 (Left)	
--	148181GT	FORMING, LINKGUARD CORNER L, 2668.....1 GS-2668 (Right)	
9B	148284GT	FORMING, LINKGUARD CORNER L, 3268 GS-3268 (Left)	
--	148285GT	FORMING, LINKGUARD CORNER R, 3268 GS-3268 (Right)	
10A	T107925GT	FORMING, LINKGUARD FRONT, 2668....1 GS-2668	
10B	T108212GT	FORMING, LINKGUARD FRONT, 3268 GS-3268	
11	13002GT	SCREW, HHC, 5/16-18 X 1 GR5.....2	
12	5397GT	WASHER, FLAT, USS, 5/16", Y.....4	
13	229099GT	PLATE, PLATFORM END GUARD.....1	
14	6782GT	NUT, NYLOCK, 5/16-18.....4	

801.1 Flashing Beacon



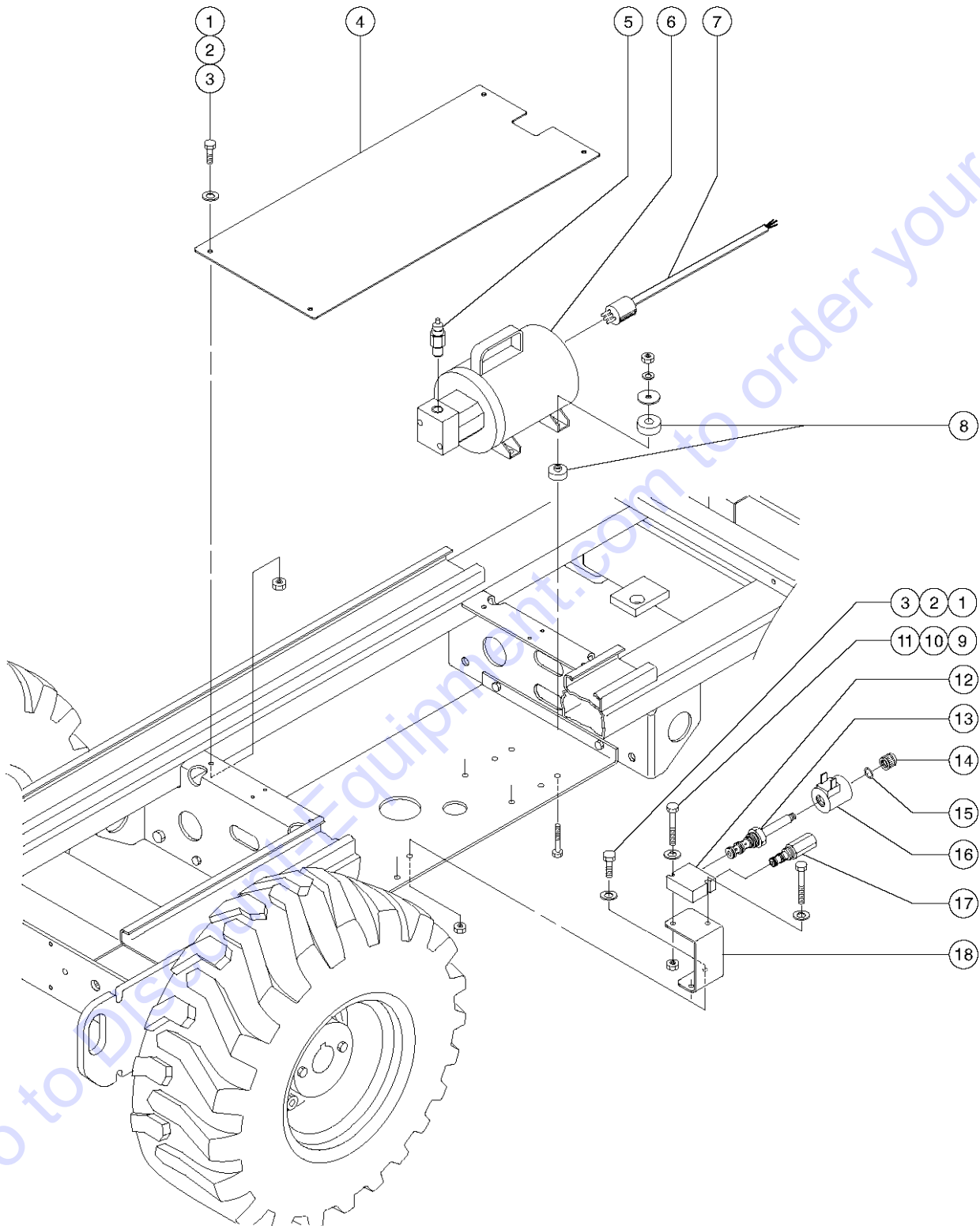
801.1 Flashing Beacon

Item	Part No.	Description	Qty.
1	49816GT	SCREW,PHILLIPS,PHM,10-32 X .75.....	2
2	6178GT	NUT,NYLOCK,10-32.....	2
3A	66909GT	STROBE,BEACON,W/OUT HARDWARE**..... <i>(from SN 41200 to 46145)</i>	2
--	58973GT	LIGHT,REPLACEMENT BULB (39676) <i>for 66909</i>	
3B	231931GT	STROBE,BEACON, AC COMP 12-80V... <i>(from SN 46146); replaced 105107</i>	2
--	105556GT	LENS,FLASHING BEACON <i>for 105107</i>	
--	105557GT	BULB,FLASHING BEACON <i>for 105107</i>	
4	51223GT	GS68 AC BEACON.....	1

Go to Discount-Equipment.com to order your parts

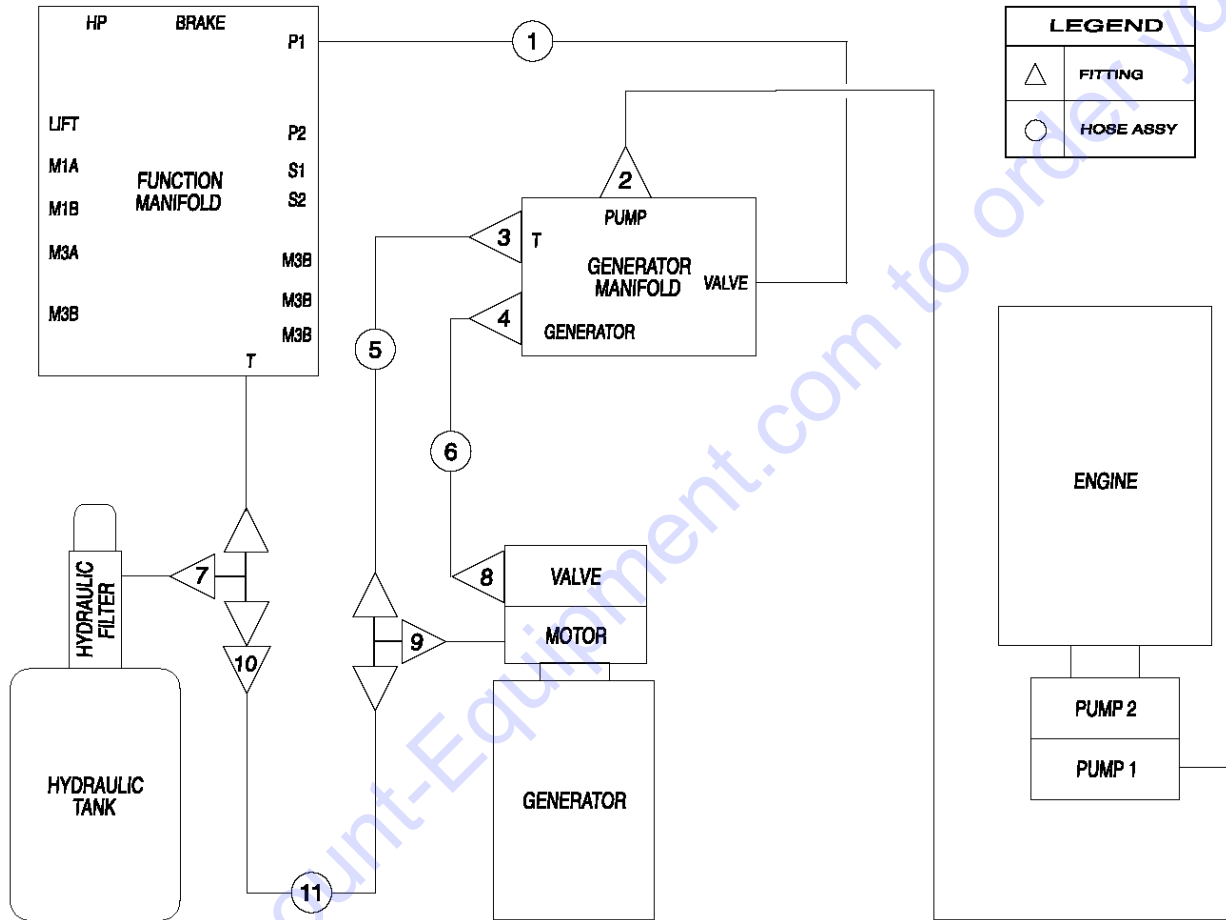


802.1 Generator



Item	Part No.	Description	Qty.
--	51221GT	GS68 AC GENERATOR***	
1	6175GT	SCREW,HHC,3/8-16 X 1.....	6
2	5397GT	WASHER,FLAT,USS,5/16",Y.....	4
3	4828GT	NUT,NYLOCK,3/8-16.....	6
4	51297PGT	PLATE,HOSE COVER, GS-68.....	1
5	32735GT	VALVE,PRI. FLOW REG 4.3..... <i>for 2000W & 2500W generators</i>	1
6	32732GT	RECTIFIER ASSEMBLY.....	1
6	32734GT	BRUSH ASSEMBLY.....	1
6	32736GT	MOTOR,HYDRAULIC GENERATOR.....	1
6	58301GT	GENERATOR,2000W,HYDRAULIC***..... <i>mounting fasteners included</i>	1
6	58402GT	BRIDGE,50A FULL WAVE**.....	1
7	51794GT	OUTLET,GENERATOR CABLE,GS68.....	1
8	84080GT	ISOLATR KIT,RUBBR,2KW GENERATR.....	4
9	8179GT	SCREW,HHC,1/4-20 X 2.25.....	2
10	6638GT	WASHER,FLAT,USS,1/4"Y.....	2
11	6091GT	NUT,NYLOCK,1/4-20.....	2
12	53976GT	MANIFOLD,GENERATOR..... <i>includes index numbers 14 through 17</i>	1
13	19969GT	VALVE,SOLENOID (18660)***..... <i>includes index numbers 14 through 1</i>	1
14	33568GT	NUT, CP521-1 VALVE.....	1
15	45914GT	O-RING, DO1 VALVE.....	1
16	27535GT	COIL,12V.DO1 VALVE.....	1
17	44950GT	VALVE,RELIEF,1500 PSI***.....	1
18	51796PGT	Mount - Flow Control Manifold.....	1

803.1 Hydraulic Hoses and Fittings - Generator



803.1 Hydraulic Hoses and Fittings - Generator

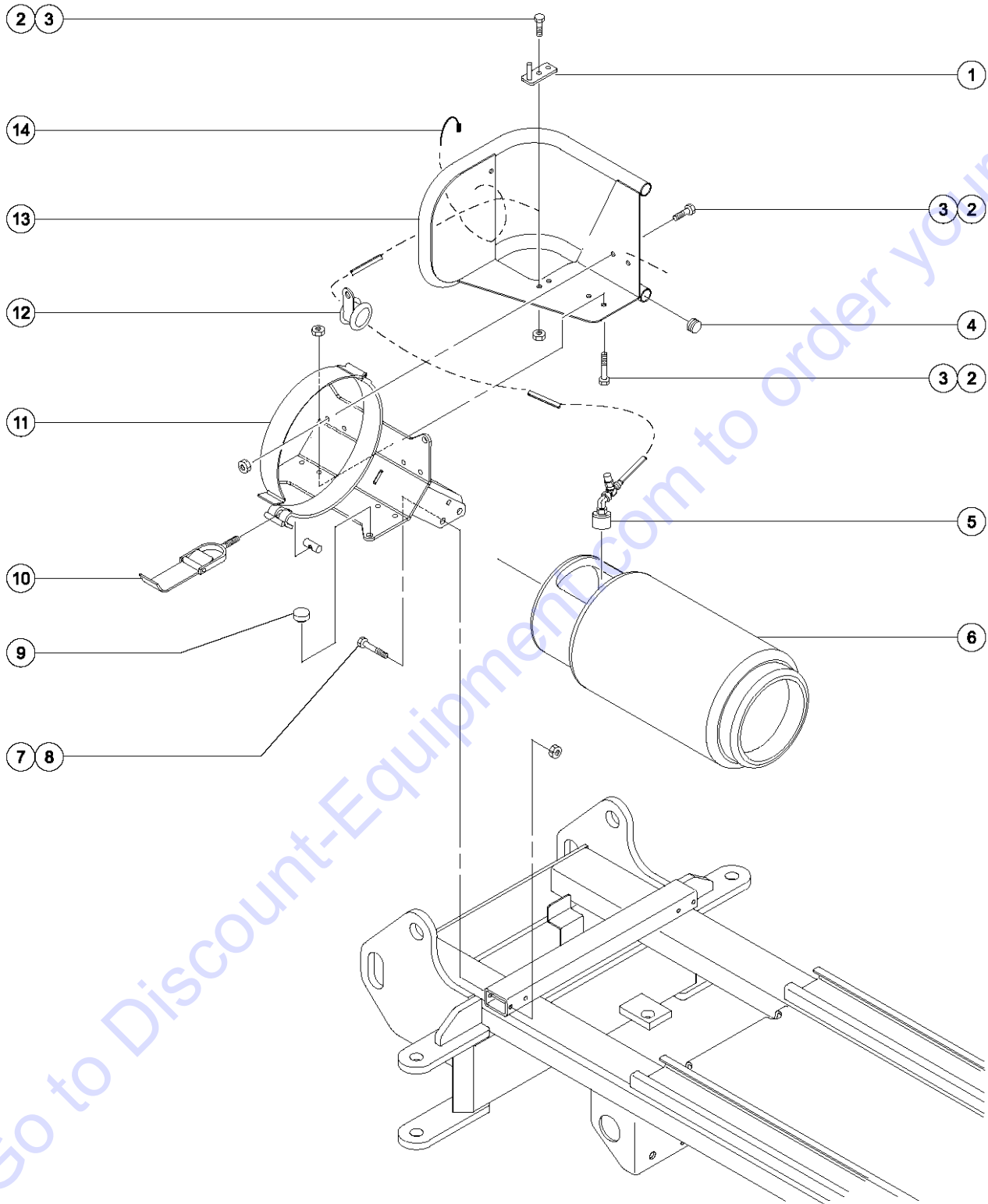
Item	Part No.	Description	Qty.
--	49612GT	O-RING KIT (ORFS FITTINGS)	
--	49613GT	PLUG AND CAP KIT-SERVICE,ORFS*	
1	55444GT	HOSE ASSY,SELECTOR TO MANIFOLD.....1 1	
2	48905GT	CONN,520120-4***.....1	
3	48932GT	FITTING,ELBOW,90D,520220-8***.....2	
4	48936GT	TEE,BRANCH,520429-8.....1	
5	55445GT	HOSE ASSY,GENERATOR TO TANK.....1 1	
6	55443GT	HOSE ASSY,SELECTOR TO GENERATE.....1 2	
7	48964GT	FITTING,TEE,RUN,SWIVEL52043212....1	
8	48932GT	FITTING,ELBOW,90D,520220-8***.....1	
9	48936GT	TEE,BRANCH,520429-8.....1	
10	51580GT	FITTING,REDUCER,520123-12-8***.....1	
11	55442GT	HOSE ASSY,RELIEF TO TANK.....1 2	

Footnotes

1: Hose End - Female, Swivel, ORFS (Parker No. 1JC43-8), Hose End - Female, Swivel, 90°, ORFS (Parker No. 1J943-8) and Hose, 1/2 inch (Parker No. 381-8)

2: Hose End - Female, Swivel, ORFS (Parker No. 1JC43-8), Hose End - Female, Swivel, ORFS (Parker No. 1JC43-8) and Hose, 1/2 inch (Parker No. 381-8)

804.1 Spare LPG Tank



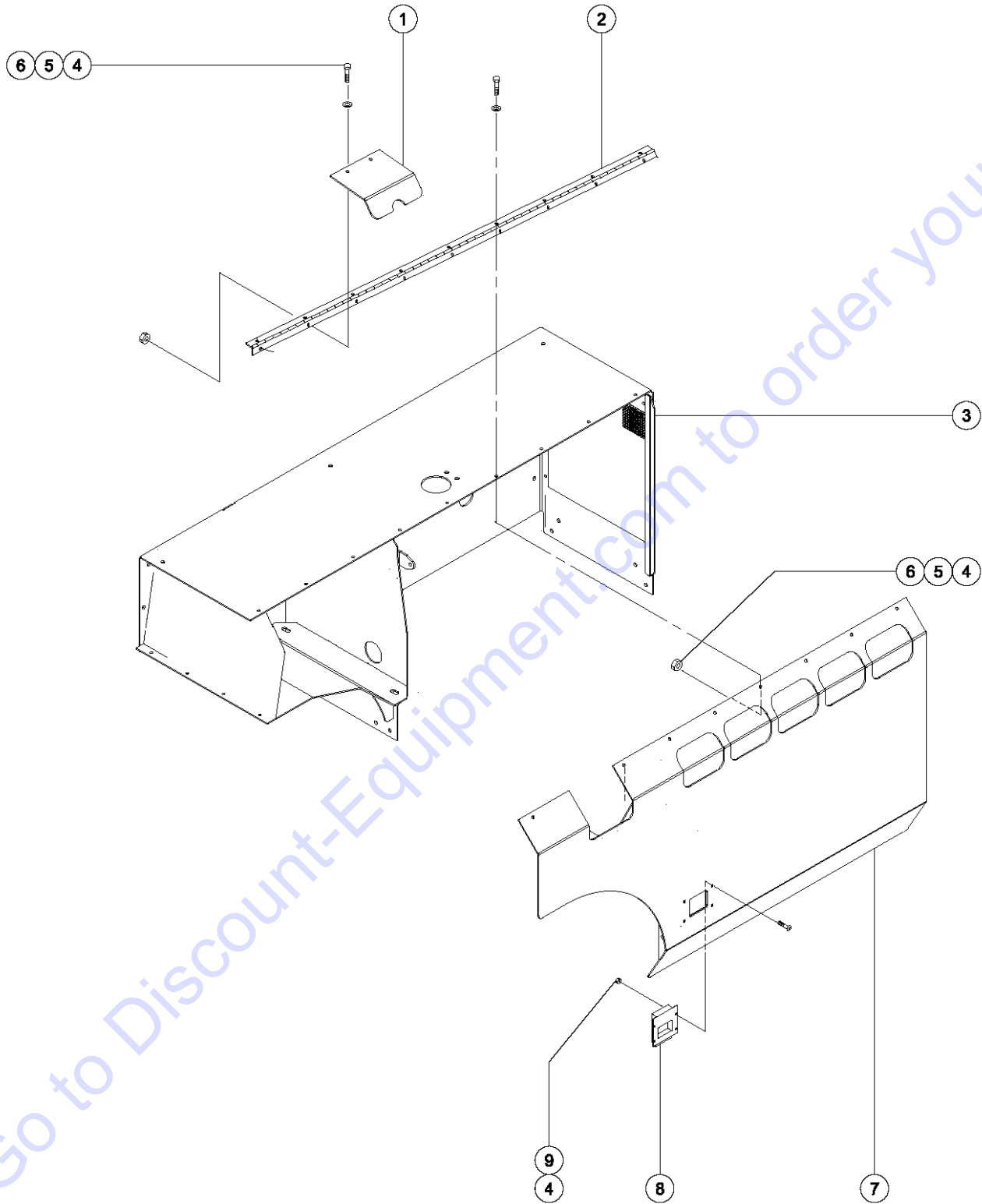
Go to Discount-Equipment.com to order your parts

Item	Part No.	Description	Qty.
1	51451PGT	WELDMENT,LP ALIGNMENT PIN,GS68.....	1
2	8255GT	SCREW,HHC,3/8-16 X .75.....	4
3	7713GT	NUT, LP NYLOCK, 3/8-16.....	8
4	55753GT	BUMPER, PLASTIC, 1.25 O.D.....	2
5	25967GT	HOSE ASSEMBLY,LP GAS-86" LNG**.....	1
6	53605GT	TANK, 7 GAL/33.5 POUND, LP.....	1
7	13854GT	SCREW,HHC,1/2-13 X 4.5,GRD.8..... <i>from SN 40768</i>	2
7	8220GT	SCREW,HHC,1/2-13 X 4..... <i>to SN 40767</i>	2
8	6086GT	NUT,LP NYLOCK,1/2-13..... <i>to SN 40767</i>	2
8	6198GT	NUT,NYLOCK,1/2-13..... <i>from SN 40768</i>	2
9	43392GT	BUMPER,BATTERY BOX & RAILS.....	4
10	49000GT	L.P.TANK LATCH.....	2
11	47410PGT	WELDMENT,L.P. TANK MOUNT,GS68.....	1
12	45454GT	CLAMP,RUB CUSH,0.75,#12 X 3/8*.....	1
13	52482GT	GUARD, LP TANK GS68..... <i>engine side</i>	1
13	52558GT	GUARD, LP TANK GS68..... <i>left</i>	1
14	28443GT	CABLE TIE,11.5" BLACK.....	4

Footnotes

1: Quantity listed for this item is approximate.
Actual quantity may vary to ensure proper fit.

805.1 Vented Engine Door



805.1 Vented Engine Door

Item	Part No.	Description	Qty.
--	79363GT	GS68 VENTED ENGINE DOOR	
1	47968GT	FORMING,GAS DOOR.....1	1
2	51581GT	HINGE, MODULE TRAY, GS68.....1	1
3	47446PGT	WELDMENT,ENGINE COVER,GS68.....1	1
4	6091GT	NUT,NYLOCK,1/4-20.....18	18
5	6638GT	WASHER,FLAT,USS,1/4"Y.....18	18
6	6090GT	SCREW,HHC,1/4-20 X .75.....18	18
7	71513GT	WELDMENT,ENGINE COVER,VENTED.....1	1
8	51702GT	LATCH,FLUSH GS68.....1	1
9	6878GT	BOLT,CARRIAGE,1/4-20 X .75,G2.....4	4

Go to Discount-Equipment.com to order your parts

PARTS FINDER

**Search Website
by Part Number**



**Search Manual
Library For Parts
Manual & Lookup Part
Numbers – Purchase
or Request Quote**

Search Manuals

Enter your information to search for a manual or parts manual for your part.

* Brand:

* Model:

* Serial:

* Part Number:

SEARCH

**Can't Find Part or
Manual? Request Help
by Manufacturer,
Model & Description**

Parts Order Form

Please fill in the following information to request help finding a part or manual.

Manufacturer:

Model:

Description:

Quantity:

Part Number:

Part Name:

Part Description:

Part Category:

Part Location:

Part Status:

Part Condition:

Part Material:

Part Color:

Part Weight:

Part Dimensions:

Part Notes:

Submit

Discount-Equipment.com is your online resource for quality parts & equipment.

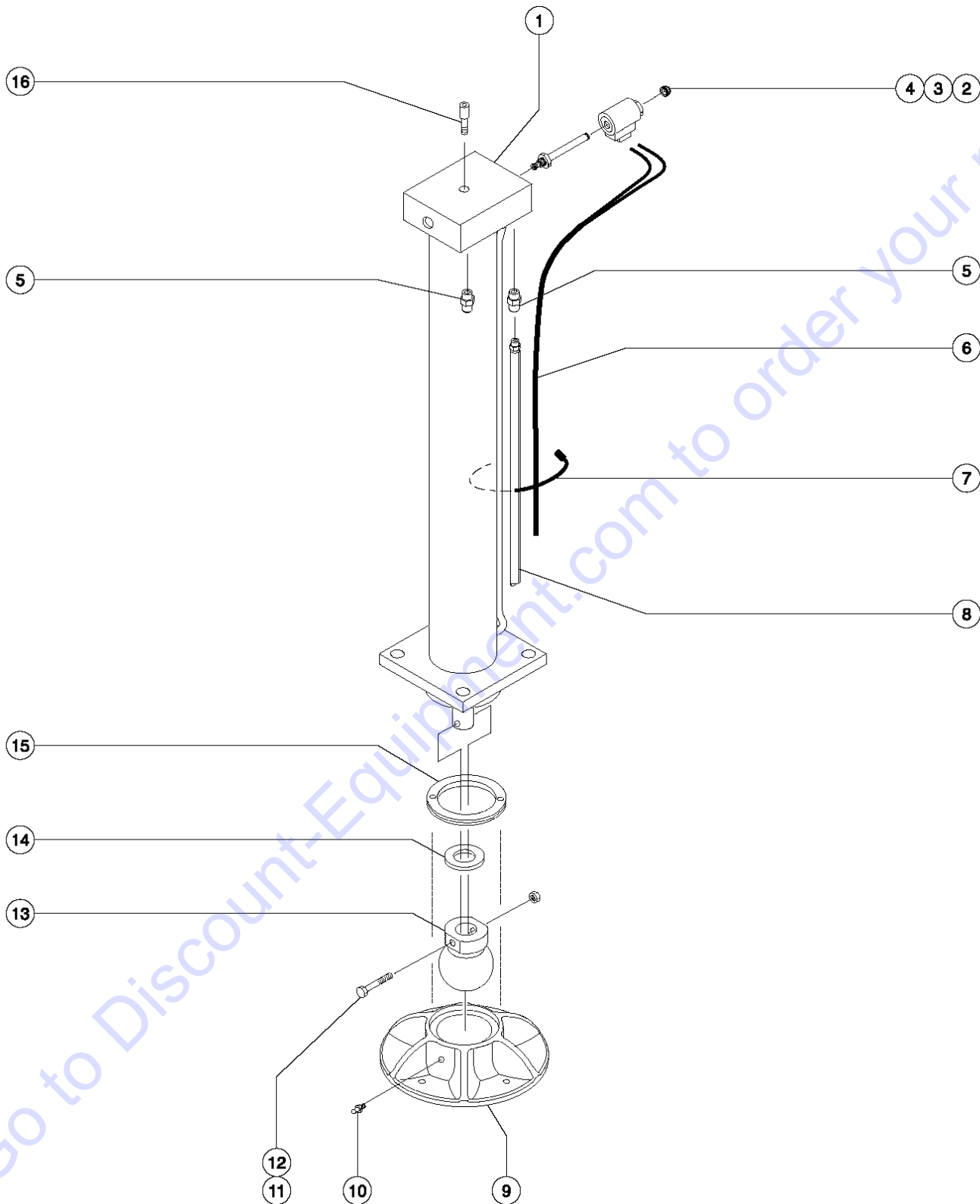
Florida: **561-964-4949** Outside Florida TOLL FREE: **877-690-3101**

Need parts?

Click on this link: <http://www.discount-equipment.com/category/5443-parts/> and choose one of the options to help get the right parts and equipment you are looking for. Please have the machine model and serial number available in order to help us get you the correct parts. If you don't find the part on the website or on one of the online manuals, please fill out the request form and one of our experienced staff members will get back to you with a quote for the right part that your machine needs.

We sell worldwide for the brands: Genie, Terex, JLG, MultiQuip, Mikasa, Essick, Whiteman, Mayco, Toro Stone, Diamond Products, Generac Magnum, Airman, Haulotte, Barreto, Power Blanket, Nifty Lift, Atlas Copco, Chicago Pneumatic, Allmand, Miller Curber, Skyjack, Lull, Skytrak, Tsurumi, Husquvarna Target, Stow, Wacker, Sakai, Mi-T-M, Sullair, Basic, Dynapac, MBW, Weber, Bartell, Bennar Newman, Haulotte, Ditch Runner, Menegotti, Morrison, Contec, Buddy, Crown, Edco, Wyco, Bomag, Laymor, EZ Trench, Bil-Jax, F.S. Curtis, Gehl Pavers, Heli, Honda, ICS/PowerGrit, IHI, Partner, Imer, Clipper, MMD, Koshin, Rice, CH&E, General Equipment, Amida, Coleman, NAC, Gradall, Square Shooter, Kent, Stanley, Tamco, Toku, Hatz, Kohler, Robin, Wisconsin, Northrock, Oztec, Toker TK, Rol-Air, APT, Wylie, Ingersoll Rand / Doosan, Innovatech, Con X, Ammann, Mecalac, Makinex, Smith Surface Prep, Small Line, Wanco, Yanmar

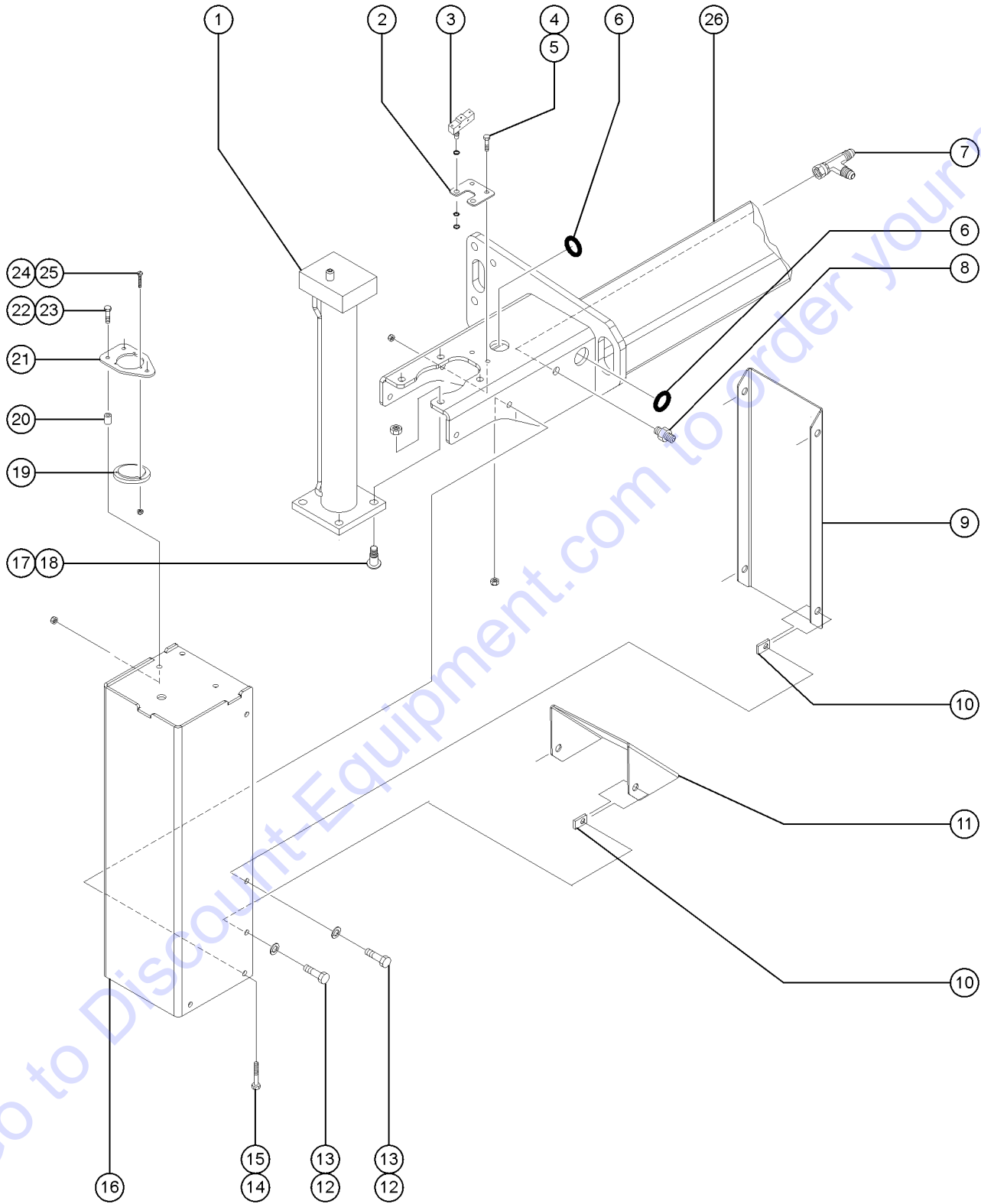
806.1 Outrigger Cylinder and Footpad Installation



806.1 Outrigger Cylinder and Footpad Installation

Item	Part No.	Description	Qty.
--	84100GT	OUTRIGGER CYLINDER ASSY GS68.....4 <i>includes index number 1 through 6 and 9 through 16</i>	
--	84101GT	SEAL KIT, GS68 OUTRIGGER CYL.....4	
1	104900GT	CYLINDER,OUTRIGGER,GS68***.....1	
2	72097GT	NUT,SOLENOID VALVE,OUTRIGGERS.....1	
3	71403GT	COIL, 10VDC.....1	
4	67933GT	VALVE,NC,BI-DI,CART***.....1	
4	72098GT	SEAL KIT, SOLENOID VALVE.....1	
4	72932GT	Nut - Solenoid Valve.....1	
5	48912GT	CONN,520120-4-6***.....2	
6	71531GT	HARNESS,OUTRIGGER,PROD,REAR...1	
6	71532GT	HARNESS,OUTRGR,PROD FRT GS68.....1	
7	28443GT	CABLE TIE,11.5" BLACK.....3	
8		Ref. Hydraulic Hoses and Fittings (refer to Figure 8-H).....3	
9	51814GT	CASTING,OUTRIGGER FOOTPAD ***...1	
10	28646GT	ZERK,GREASE,1/8 NPT.....1	
11	14033GT	SCREW,HHC,3/8-16 X 2.75.....1	
12	4828GT	NUT,NYLOCK,3/8-16.....1	
13	55485GT	CASTING, BALL, GS OUTRIGGER.....1	
14	55682GT	PLATE, CYL UP LIMIT.....1	
15	55484GT	RETAINER, GS68 O/R FOOTPAD***.....1	
16	71494GT	PIN,SHOULDER,5/8-11 X 1.0 PLTD.....1	

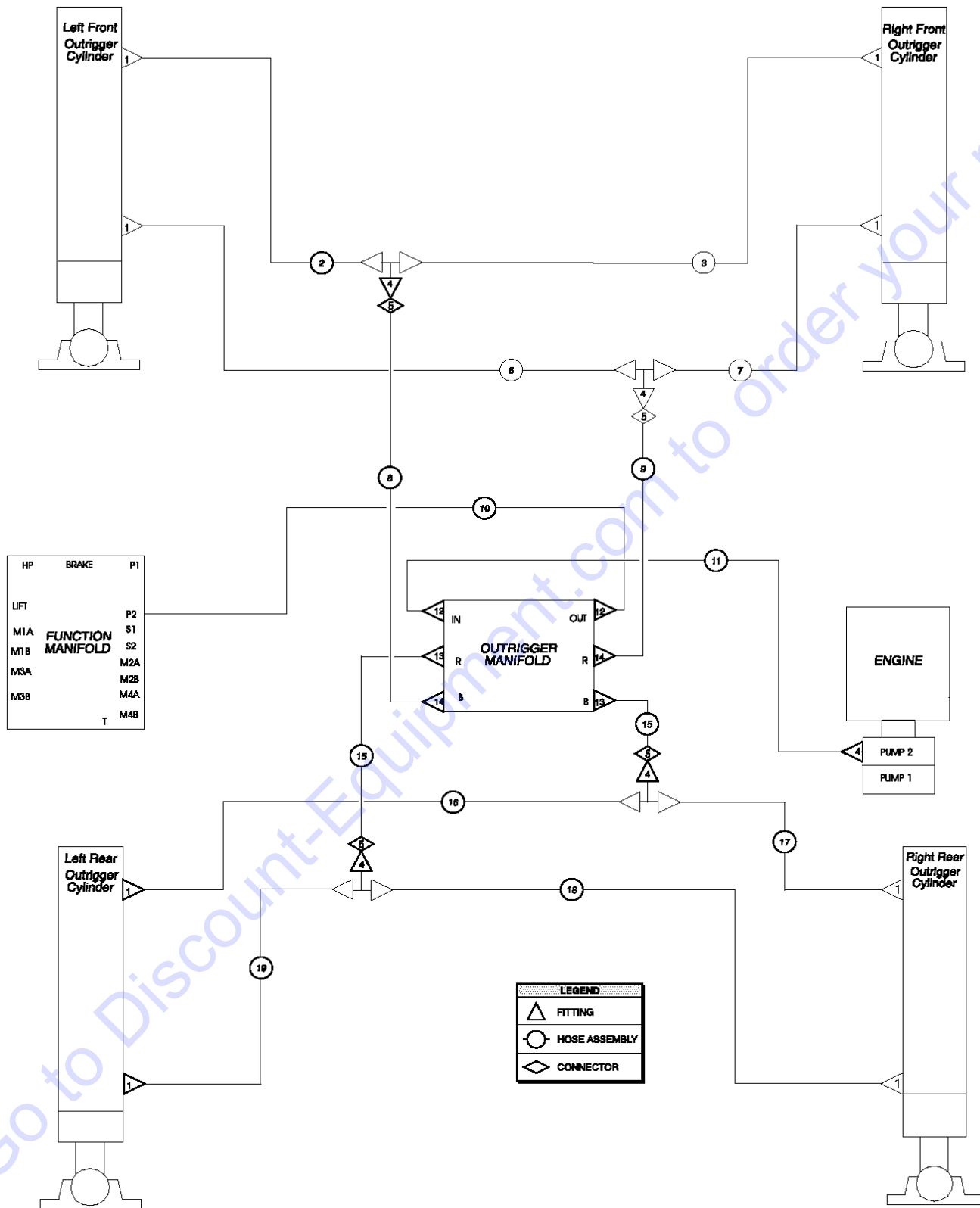
807.1 Outrigger Installation



807.1 Outrigger Installation

Item	Part No.	Description	Qty.
1	104900GT	CYLINDER,OUTRIGGER,GS68***.....	4
2	55871PGT	BRACKET, OUTRIGGER SWITCH 4390.....	1
3	37761GT	SWITCH,PUSHBUTTON,BORE MOUNT.....	1
4	6175GT	SCREW,HHC,3/8-16 X 1.....	2
5	57713GT	Nut - Low Profile Nylock, 3/8 -16.....	2
6	47238GT	GROMMET,RUBBER 1.5 ID.....	2
7	48875GT	TEE,RUN,SWIVEL,520432-6.....	2
8	61080GT	FITTING,6-6BLKHEADUNION 520601...2	2
9	71416GT	FORMING,OUTRIG CYL COVER.....	1
10	29868GT	SPRING CLIP,3/8-16,.05-.20X.73,ZAG...6	6
11	71417GT	FORMING, LOWER CYL COVER.....	1
12	6019GT	SCREW,HHC,3/8-16 X 1.25 GRD 5.....	8
13	6198GT	NUT,NYLOCK,1/2-13.....	6
14	8177GT	SCREW,HHC,1/2-13 X 1.5.....	4
15	6033GT	WASHER,LOCK,0.5".....	4
16	71347GT	WELDMENT, OUTRIG CYL HOUSING...1	1
17	71912GT	BOLT,SHOULDER,5/8-11 X 1.19 LT.....	4
18	38028GT	NUT,LP NYLOCK,5/8-11.....	4
19	6714GT	LEVEL,BUBBLE.....	1
20	59568GT	RUBBER, VIBRATION MOUNT.....	3
21	87002GT	PLATE,BUBBLE LEVEL MOUNT.....	1
22	5224GT	SCREW,HHC,3/8-16 X 2.....	3
23	4828GT	NUT,NYLOCK,3/8-16.....	3
24	49816GT	SCREW,PHILLIPS,PHM,10-32 X .75.....	3
25	6178GT	NUT,NYLOCK,10-32.....	5
26	71346GT	WELDMENT, OUTRIGGER.....	2
26A	10258GT	NUT,NYLOCK,3/4-10,GRD.2..... <i>steer end</i>	4
26A	51428GT	SCREW,HHC,3/4-10 X 2.75..... <i>steer end</i>	4
26B	13003GT	SCREW,HHC,5/8-11 X 3.5 GRD.8..... <i>non-steer end</i>	4
26B	6024GT	NUT,NYLOCK,5/8-11..... <i>non-steer end</i>	4

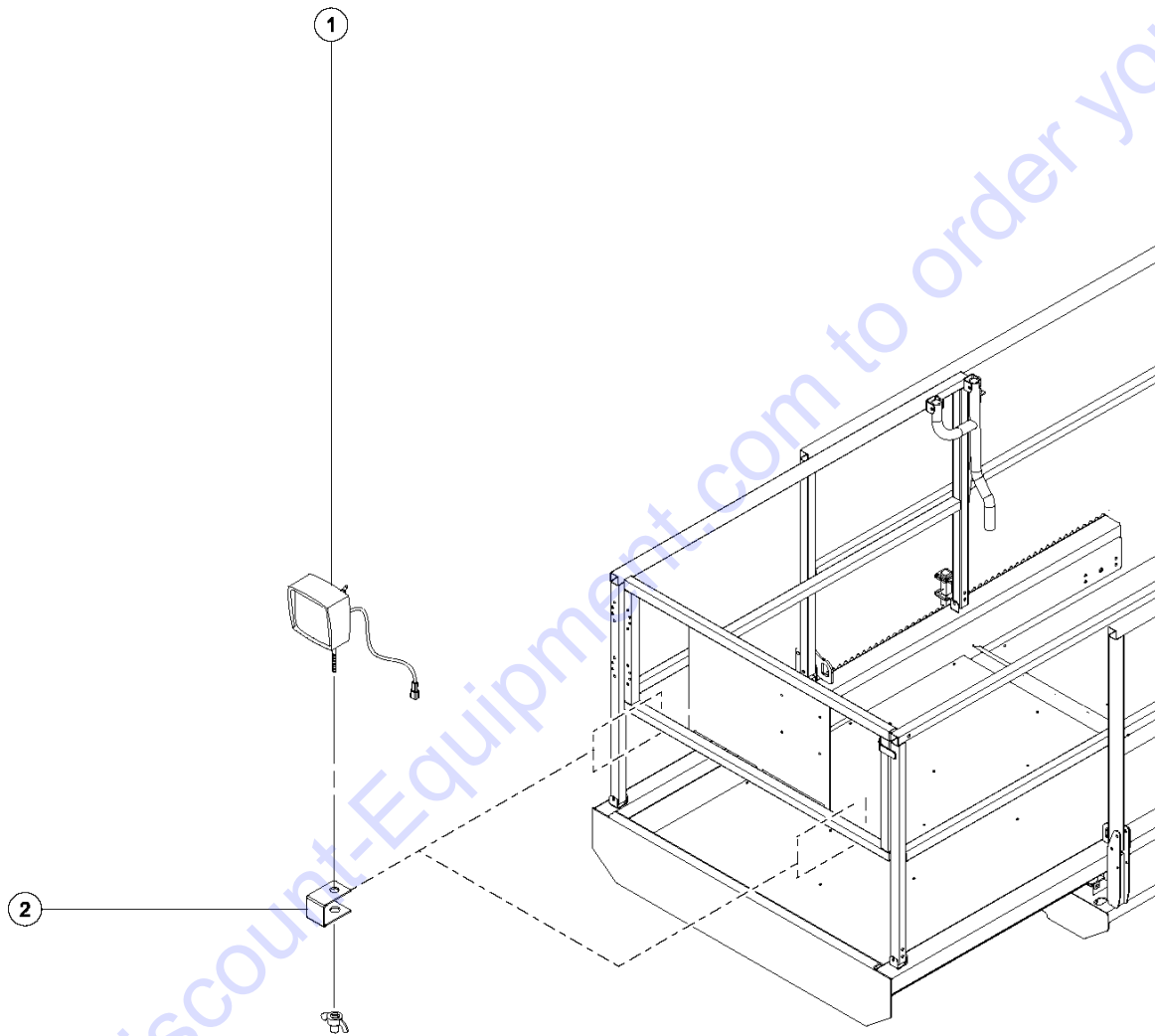
808.1 Hydraulic Hoses and Fittings - Outriggers



808.1 Hydraulic Hoses and Fittings - Outriggers

Item	Part No.	Description	Qty.	Item	Part No.	Description	Qty.
--	71431GT	FIELD KIT,OUTRIGGERS,STD,GS68		Footnotes			
1	48911GT	ELBOW,90D,520220-4-6***.....	8	1: Hose End - Female, Swivel, ORFS (Parker No. 1JC43-8), Hose End - Female, Swivel, ORFS (Parker No. 1JC43-6-4) and Hose, 1/4 inch (Parker No. 451TC-4)			
2	71908GT	HOSE ASSY,FL -TEE TO BAR-L.....	1	2: Hose End - Female, Swivel, 45°, ORFS (Parker 1J743-6), Hose End - Female, Swivel, ORFS (Parker No. 1JC43-6) and Hose, 3/8 inch (Parker No. 381-6)			
3	79160GT	HOSE ASSY,OTRG, RT FT UPPER.....	1	3: Hose End - Female, Swivel, ORFS (Parker No. 1JC43-8), Hose End - Female, Swivel, ORFS (Parker No. 1JC43-8) and Hose, 1/2 inch (Parker No. 381-8)			
4	48875GT	TEE,RUN,SWIVEL,520432-6.....	4	4: Hose End - Female, Swivel, ORFS (Parker No. 1JC43-6), Hose End - Female, Swivel, ORFS (Parker No. 1JC43-6) and Hose, 3/8 inch (Parker No. 381-6)			
5	61080GT	FITTING,6-6BLKHEADUNION 520601...	4	5: Hose End - Female, Swivel, ORFS (Parker No. 1JC43-8), Hose End - Female, Swivel, 90°, ORFS (Parker No. 1J943-6-4) and Hose, 1/4 inch (Parker No. 451TC-4)			
6	71886GT	HOSE ASSY,F-TEE TO ROD-L.....	2				
7	79161GT	HOSE ASSY,OTRG, RT FT LOWER.....	1				
8	71884GT	HOSE ASSY,O/R MAN. TO FRT. TEE.....	1				
9	79125GT	HOSE ASSY,MAN TO FRONT LOWER.....	2				
10	71948GT	HOSE ASSY, OUT TO MAIN MNFLDD2.....	1				
11	71887GT	HOSE ASST,O/R MAN. TO PUMP.....	1				
12	48932GT	FITTING,ELBOW,90D,520220-8***.....	3				
13	48916GT	CONN, 520120-6.....	2				
14	48915GT	ELBOW,90D,520220-6.....	2				
15	71885GT	HOSE ASSY,O/R MAN. TO REAR TEE.....	2				
16	71907GT	HOSE ASSY,RR-TEE TO BAR-L.....	1				
17	71906GT	HOSE ASSY,RR-TEE TO BAR-R.....	1				
18	71888GT	HOSE ASSY,RL-TEE TO ROD-R.....	1				
19	71889GT	HOSE ASSY,RL-TEE TO ROD-L.....	1				

809.1 Platform Work Light



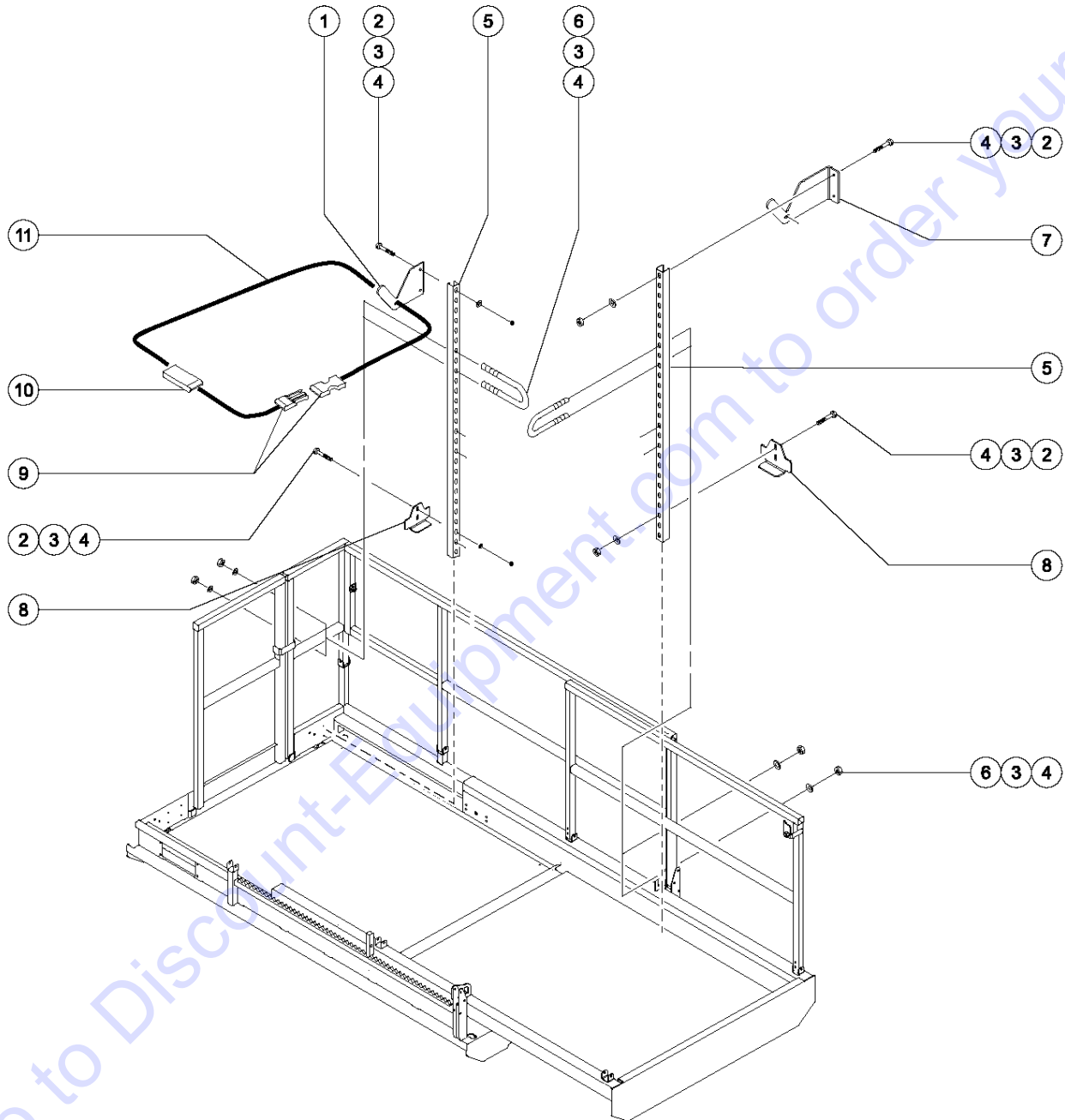
809.1 Platform Work Light

Item	Part No.	Description	Qty.
--	51216GT	GS68 AC 2668 WORK LIGHTS <i>includes harness</i>	
--	51243GT	GS68 AC 3268 WORK LIGHTS <i>includes harness</i>	
1	71498GT	WORKLIGHT, 12V, DEUTSCH RECEPT.....2 <i>includes mounting fasteners</i>	
2	71382GT	BRACKET, WORK LIGHTS, OPTION....2	

Go to Discount-Equipment.com to order your parts



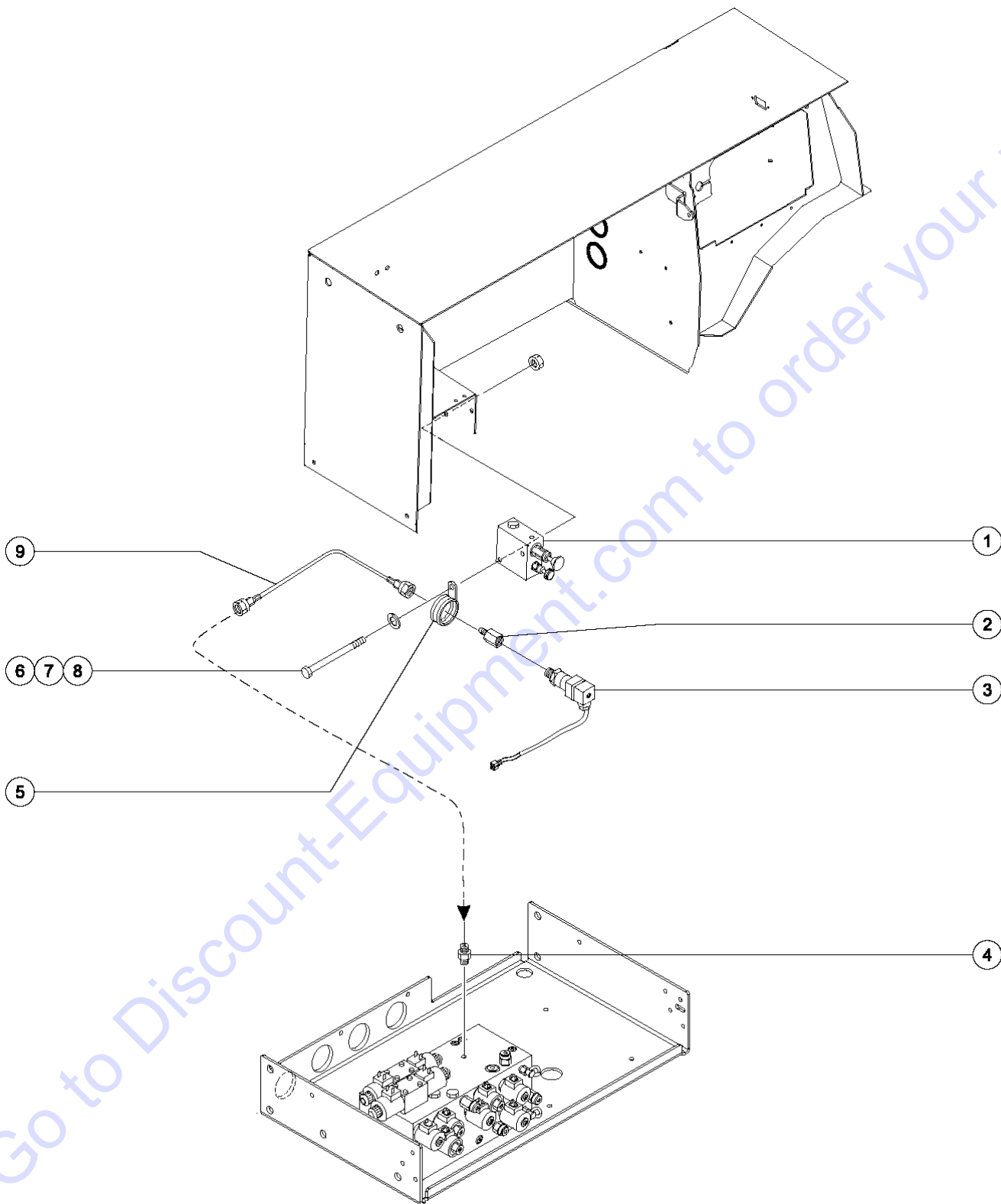
810.1 Pipe Cradle Assembly



810.1 Pipe Cradle Assembly

Item	Part No.	Description	Qty.
--	131626GT	PIPE CRADLE KIT,GS68	
1	79156GT	PLATE,PIPE HOLDER, GS68.....	1
2	14033GT	SCREW,HHC,3/8-16 X 2.75.....	8
3	6097GT	WASHER,FLAT,USS,3/8",Y.....	16
4	4828GT	NUT,NYLOCK,3/8-16.....	16
5	66171GT	CHANNEL,PIPE RACK.....	2
6	66472GT	U-BOLT, SQR, 3/8-16X2X5, PLTD.....	4
7	66169GT	FORMING, PIPE HOLDER RACK.....	1
8	79158GT	FORMING,PIPE RACK BASE, GS68....	2
9	100810GT	BUCKLE & SLIDE STRAP SET.....	1
10	35643GT	BUCKLE,SIDE RELEASE.....	2
11	35642GT	STRAP,NYLON,1.0 IN. BLACK.....	96-inches

811.1 Platform Overload Sensor



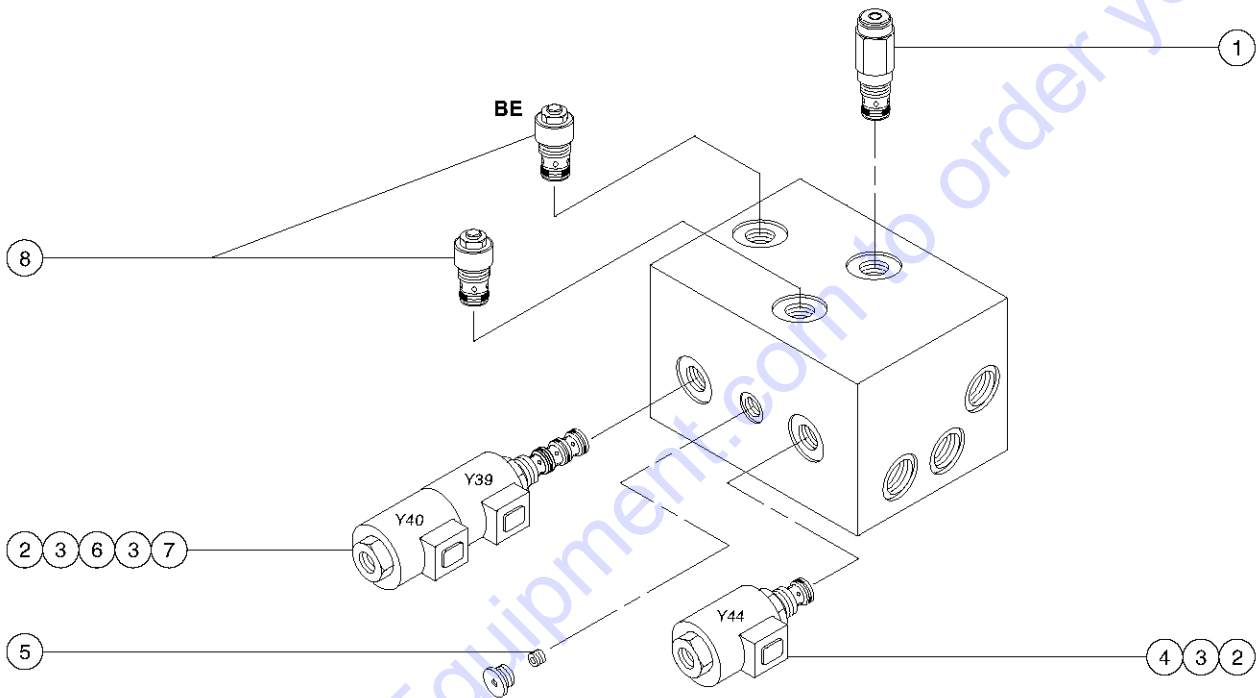
811.1 Platform Overload Sensor

Item	Part No.	Description	Qty.
--	55617GT	GS 68 OP OVERLOAD SENSOR	
1		MANIFOLD,BRAKE RELEASE***.....1 <i>refer to 403.1</i>	
2	51154GT	CONNECTOR,070103-4-4.....1	
3	51151GT	SWITCH,PRESS 2500-6000 PSI ADJ.....1	
4	39877GT	CONNECTOR,070120-4-4.....1	
5	49863GT	CLAMP,1.13,#18 X 3/8,RUB CUSH*.....1	
6	14033GT	SCREW,HHC,3/8-16 X 2.75.....2	
7	6021GT	WASHER,LOCK,.375.....2	
8	4828GT	NUT,NYLOCK,3/8-16.....2	
9	84110GT	HOSE ASSY,OVERLOAD SENSOR.....1 1	

Footnotes

1: Hose End - Female JIC Swivel (Parker 10655-4-2), Hose End - Female JIC Swivel (Parker 10655-4-2) and Hose, 1/8" Thermoplastic Medium Pressure (Parker 540N-2)

812.1 Outrigger Manifold



Go to Discount-Equipment.com to order your parts

812.1 Outrigger Manifold

Item	Part No.	Description	Qty.
--	84868GT	OUTRIG MANIFOLD ASSY,GS68 <i>from SN 40485</i>	
--	87268GT	OUTRIG MANIFOLD ASSY <i>to SN 40484</i>	
1	65754GT	VALVE,RELIEF,2000 PSI.....	1
1	84186GT	SEAL KIT,RELIEF VALVE(65754).....	1
2	44174GT	NUT-COIL SHORT.....	2
3	84144GT	COIL-10,12V DUAL LEAD DIODE.....	3
4	52378GT	SEAL KIT,SOLENOID(52377).....	1
4	84160GT	VALVE-SOLENOID 2-POS 2-WAY,NO.....	1
5	84407GT	ORIFICE PLUG 0.063 IN / 1.6MM.....	1
6	44175GT	SPACER-DUAL COIL,#10, SCISSORS...	1
7	44230GT	SEAL KIT-P.N.44169,44172,44171.....	1
7	52380GT	VALVE,SOLENOID,3POS4WAY,GS68.....	1
8	33428GT	VALVE,COUNTERBALANCE.....	1
8	43018GT	SEAL KIT (39345).....	1

Go to Discount-Equipment.com to order your parts

Part Number Index

The Part Number Index is a numeric index of all part numbers included in this manual. The index shows what page(s) the part is used on.

Part Number	Page	Part Number	Page	Part Number	Page	Part Number	Page
100810GT113	148181GT93	26810GT61	32339GT35
10107GT67, 79	148182GT93	27089GT29, 35	32375GT35
101203GT19	148186GT93	27246GT41, 73	32732GT97
101726GT35	148187GT93	27367GT19	32734GT97
101727GT35	148282GT93	27377GT47	32735GT97
102395GT45	148283GT93	27378-SGT41	32736GT97
102396GT45	148284GT93	27535GT97	33428GT117
10258GT17, 35, 39, 47, 107	148285GT93	27903GT19, 21	33550GT11-12, 67
104363GT31	148286GT93	28156GT25, 33	33555GT47
104364GT31	148337GT15	28157GT11-12	33568GT97
104367GT31	148426GT15, 17	28158GT11-12	33629GT71
104368GT21	161193GT21, 31	28159GT11-12	33724GT71
104369GT21	1698GT35	28160GT11-12	33759GT71
104371GT21	18384GT53, 57	28164GT11-12	33776GT63
104764GT45	18503GT47	28171GT11-12	33994GT45
104767GT45	18605GT37, 41	28174GT11-12	34052GT41
104900GT105, 107	18666GT37	28175GT11-12	34053GT41
105556GT95	19273GT21	28176GT12	34054GT41
105557GT95	19284GT39, 47	28235GT11-12	34056GT41
1077-2400GT79	19440GT15	28236GT11-12	34058GT19, 27
10775GT71	19491GT15, 61	28301GT47	34346GT35, 39
10777GT71	19710GT75	28443GT55, 91, 101, 105	35418GT29, 35
112601GT61	19722GT75	28487GT63, 67	35642GT113
112602GT61	19859GT21	28607GT19, 27	35643GT113
112603GT61	19969GT97	28646GT105	35706GT63, 67
112604GT61	20224GT45	28750GT45	35724GT55, 59
112605GT61	20654GT17	28963GT25	36872GT39
112606GT61	21085GT73	29073GT23	37761GT107
112607GT61	21130GT23, 29	29868GT37, 107	37947GT41
112608GT61	21141GT37	30734GT15	38016GT63, 67
112609GT61, 63	21427GT75	30785-550GT23	38028GT35, 87, 107
112610GT61, 63	21434GT75	30810GT19, 27	39095GT61
112611GT61, 63	21496GT23	31060GT11-12	39127GT53, 57, 61
112612GT61, 63	21604GT61	31379GT29	39317GT63
112613GT61	21618GT63	31506GT37	39478GT39, 71
112614GT61	21982GT41	31658-SGT37	39540GT37
112615GT61	22672GT21	31745GT31	39580GT67
112616GT61	22676GT25, 33	32065GT19	39877GT115
11804GT73	22700GT25, 33	32066GT19, 25	39878GT55, 59
11805GT73	227782GT15	32067GT19, 27	39907GT15, 61
11890GT53, 57	22903GT19, 27	32068GT19	40417GT55, 59
119619GT55, 59	229099GT93	32069GT19, 21, 27	40434GT11-12
11966GT55, 59	22918GT19	32070GT19	40766GT39, 71
122513GT39	22932GT19	32076GT23	40836GT39
1255452GT15	22934GT19	32077GT21, 27	41557-SGT55, 59
1255783GT37	22943GT21	32084GT31	42079GT17
1259055GT37	23061GT25, 33	32085GT25	42189GT39
1268809GT21, 31	23167GT21	32086GT25	42248GT19, 27
1280665GT39, 71	23168GT35	32087GT25	42338GT35
12906GT35, 37	231931GT95	32088GT25	42662GT25, 33
13002GT93	23452GT19	32089GT25	4266GT21, 31, 65, 67
13003GT107	23453GT19	32090GT25	42758GT49, 51
13037-SGT41	23455GT19	32092GT25	42766GT29
131323GT37	23456GT19	32103GT29	42942GT21
131372GT21, 31, 35	23457GT19	32182GT29	43018GT117
131426GT61	23458GT23	32184GT31	43038GT75
131626GT113	23459GT23	32185GT27, 33	43091GT11-12
131658GT37	23460GT23	32188GT27	43255GT45
13480-SGT41	23461GT23	32189GT27	43392GT43, 101
13585GT71	23462GT23	32190GT27	43618GT11-12
13854GT43, 101	23463GT23	32191GT27	43619GT11-12
139278GT27	23465GT23	32192GT27	43696GT11-12
14033GT39, 63, 105, 113, 115	23467GT21	32194GT27	43700GT31
14262GT37	23469GT19	32195GT27, 33	43956GT39, 71
14297GT63	23471GT19	32196GT27	44169GT45
144161GT39, 71	23472GT19	32197GT27	44170GT45
147095GT41	23479GT19	32198GT27	44174GT45, 117
147566-1500GT35	24037GT25, 33	32199GT27	44175GT45, 117
147566-1800GT35	24040GT25, 33	32200GT27	44178GT45
147566-2500GT35	24649GT61	32201GT27	44181GT19, 29
148174GT73	25388GT39, 71	32205GT33	44182GT19
148176GT93	25817GT53, 57	32206GT33	44184GT19
148177GT93	25929GT27	32207GT33	44185GT21
		25967GT21, 43, 101	32215GT19	44186GT21
		25994GT11-12	32219GT21	44187GT23

Part Number	Page	Part Number	Page	Part Number	Page	Part Number	Page
44188GT	23	47498GT	47	51063GT	15, 61	51625GT	49
44190GT	23	47502GT	55, 59, 67	51071PGT	65	51626GT	49
44191GT	27	47520GT	35, 63, 65, 67, 69	51073PGT	63	51627GT	49
44192GT	27	47523GT	65, 67	51092PGT	67	51641PGT	21, 25
44193GT	27	47524GT	65	51114GT	17	51675PGT	29, 31, 33
44194GT	27	47530GT	53, 57	51131GT	17	51702GT	47, 103
44195GT	27	47560GT	27	51132GT	47	51703PGT	47
44196GT	29	47563GT	53, 57	51139GT	63, 67	51733GT	25, 33
44197GT	29	47574PGT	55, 59	51143GT	67	51736GT	21
44198GT	29	47585GT	19	51144GT	53, 57	51737GT	21
44200GT	29	47606PGT	55	51151GT	115	51738GT	33
44201GT	29	47622PGT	55	51152GT	49, 51	51745GT	23, 29
44202GT	29	47625PGT	59	51154GT	115	51794GT	97
44203GT	31	47664PGT	25, 33, 35	51166PGT	63	51796PGT	97
44204GT	31	47775GT	35	51216GT	111	51805GT	15, 17
44216GT	39	47776GT	35	51221GT	97	51814GT	105
44217GT	39	47792GT	35	51223GT	95	51823PGT	69
44218GT	39	47874PGT	35	51243GT	111	51844GT	69
44220GT	11-12	47926GT	69	51247GT	49, 51	51846PGT	69
44224GT	39, 45	47927PGT	69	51248-SGT	51	51847GT	69
44225GT	45	47936PGT	39	51248GT	49	51850GT	33
44227GT	45	47968GT	103	51249-SGT	51	51852GT	31
44228GT	45	47974PGT	17	51249GT	49	51854GT	75
44230GT	45, 117	4828GT	17, 25, 33, 35,	51254-SGT	51	51856GT	73
44233GT	39		37, 39, 47, 53,	51254GT	49	51864PGT	41
44235GT	39		55, 57, 59, 61,	51255-SGT	51	51866GT	35
44255GT	11-12		63, 65, 67, 69,	51255GT	49	51916GT	41
44736GT	11-12		71, 77, 79, 81,	51256-SGT	51	51919GT	73
44743GT	67		83, 87, 89, 93,	51256GT	49	51920GT	73
44780GT	15, 17		97, 105, 107,	51257-SGT	51	51976-SGT	47
44781GT	15, 17		113, 115	51257GT	49	52042GT	75
44782GT	15	48340GT	55, 59	51258-SGT	51	52043GT	75
44783GT	15	48341GT	55, 59	51258GT	49	52050GT	75
44909GT	29, 35	48694GT	11-12	51260-SGT	51	52069GT	11-12
44950GT	97	48695GT	11-12	51260GT	49	52070GT	11-12
44973GT	55, 59	48705GT	11-12	51261-SGT	51	52071GT	11-12
44979GT	55, 59	48875GT	107, 109	51261GT	49	52072GT	11-12
45105GT	73	48880GT	45	51262GT	49	52073GT	11-12
45161GT	37, 49, 51	48894GT	49, 51	51263-SGT	51	5224GT	39, 107
45435GT	21, 31, 35	48896GT	49, 51	51263GT	49	52324GT	11-12
45437GT	71	48904GT	49, 51	51264-SGT	51	52368GT	45
45454GT	43, 101	48905GT	49, 51, 99	51297PGT	97	52369GT	45
45840GT	41	48907GT	51	51300PGT	35	52370GT	45
45914GT	97	48911GT	49, 109	51301PGT	23	52371GT	45
45916GT	45	48912GT	49, 51, 105	51304PGT	39	52372GT	45
46131GT	19, 21	48915GT	109	51346GT	39, 71	52373GT	45
46266GT	73	48916GT	49, 51, 55, 59,	51379PGT	63	52376GT	45
46271GT	75		109	51395GT	89	52377GT	45
46431GT	37	48922GT	37, 49, 51	51397GT	89	52378GT	45, 117
46436GT	17, 35, 39	48931GT	49, 51	51407PGT	67	52379GT	45
46440GT	39, 71	48932GT	49, 99, 109	51408PGT	63	52380GT	45, 117
47138GT	65, 67, 87	48933GT	49, 51	51409PGT	63	52382GT	45
47160GT	61	48936GT	99	51415GT	69	52383GT	45
47230GT	47, 67	48946GT	49, 51	51416GT	65	52384GT	45
47232GT	35	48948GT	49, 51	51428GT	17, 107	52385GT	45
47238GT	107	48960GT	49, 51	51435GT	63	52390GT	15
47273GT	39, 71	48964GT	99	51436-SGT	67	52391GT	15
47282GT	15	48965GT	49, 51	51437GT	63, 67	52392GT	11-12
47301GT	53, 57	48975GT	49, 51	51451PGT	43, 101	52393GT	11-12
47302GT	53, 57	48980GT	49, 51	51472GT	39	52395GT	17
47310PGT	17	48994GT	37, 49, 51	51474GT	15	52407GT	19, 27
47312GT	15, 17	48997GT	45	51478PGT	67	52408GT	19
47360PGT	53, 57	49000GT	43, 101	51495GT	21	52411GT	21
47373GT	53, 57	49375GT	25, 33	51500GT	37	52419GT	35
47376GT	15	49612GT	45, 49, 51, 99	51505PGT	59	52420GT	35
47410PGT	43, 101	49613GT	45, 49, 51, 99	51510GT	23	52425GT	21
47424-SGT	63	49816GT	95, 107	51516PGT	25	52427GT	21
47443GT	47	49863GT	115	51520GT	15	52428GT	21
47446GT	35	49911GT	11-12	51534GT	35	52429GT	21
47446PGT	103	5094GT	73	51542PGT	59	52431GT	11-12
47452PGT	35	51034PGT	67	51580GT	99	52445GT	21
47458GT	55, 59	51036PGT	65	51581GT	47, 103	52463GT	47
47478GT	39	51039PGT	65	51587PGT	47	52466GT	45
47479GT	41	51046GT	47	51608GT	41	52469GT	37, 39
47480PGT	39	51055PGT	67	51609GT	25, 33	52475GT	11-12
47483PGT	47	51059PGT	17	51612PGT	37	52476GT	11-12

Part Number Index (continued)

Part Number	Page	Part Number	Page	Part Number	Page	Part Number	Page
52482GT	43, 101	55484GT	105	62162GT	73	6708GT	79, 87, 89
52484GT	45	55485GT	105	62163GT	73	6714GT	107
52486GT	23	55488GT	55, 59	62164GT	73	6732GT	25
52489GT	39, 71	55560GT	55, 59	62165GT	73	6782GT	79, 93
52490GT	39	55617GT	115	62166GT	73	67933GT	105
52491GT	39	55663-SGT	61	62167GT	73	6878GT	37, 47, 103
52494GT	11-12	55682GT	105	62176-SGT	51	6886GT	19, 27, 67
52498GT	21	55717GT	55, 59	62177-SGT	51	6888GT	23, 29, 47, 55,
52499GT	23	55739GT	87	62180GT	73		59, 61
52500GT	19	55745GT	15	62181GT	73	6889GT	15, 17, 47, 55,
52501GT	19, 21	55753GT	43, 69, 89, 101	62186-SGT	63		59, 65
52502GT	73	55829GT	25, 33	62192-SGT	51	7056GT	71
52503GT	73	55859GT	47	62207GT	45	71094GT	89
52504GT	21, 31	55871PGT	107	62211GT	73	71097GT	89
52505GT	73	55906GT	37, 41	62212GT	73	71098GT	89
52509GT	73	55940GT	21, 31	62214GT	41	71120GT	87
52510GT	73	55983GT	87	62215GT	21	71245GT	11-12
52512GT	31	56100GT	41	62217-SGT	17	71246GT	11-12
52514GT	23, 29	56912GT	37, 39, 47, 61, 63	62217-SGT	17	7127GT	71
52517GT	19	57713GT	107	62215GT	21	71315GT	63, 67
52521GT	23	58001GT	55, 59	6326GT	77, 79, 81, 83	71346GT	107
52525GT	75	58189GT	53, 57	6356GT	25, 33, 55, 59	71347GT	107
52527GT	75	58255GT	15, 17	6357GT	25, 33	71349GT	55, 59
52529GT	75	58293GT	75	64011GT	15	71382GT	111
52530GT	21, 31	58301GT	97	64020-SGT	51	71403GT	105
52531GT	27	58402GT	97	64020GT	49	71414GT	53, 57
52532GT	27	58411GT	17	64021-SGT	51	71416GT	107
52533GT	27	58912GT	73	64021GT	49	71417GT	107
52535GT	21, 23	58973GT	95	64022-SGT	51	71431GT	109
52536GT	23	59568GT	107	64022GT	49	71481GT	55, 59
52537GT	23	6019GT	15, 17, 21, 25,	64023-SGT	51	71484GT	39
52538GT	23		31, 35, 47, 53,	64023GT	49	71494GT	105
52539GT	25, 33		55, 57, 59, 69,	64236GT	41	71498GT	111
52540GT	25, 33		79, 81, 83, 87,	64245GT	87	71508GT	39
52541GT	25, 33		89, 93, 107	64258GT	37	71513GT	103
52558GT	43, 101	6021GT	15, 21, 31, 35,	64267GT	89	71528GT	37
52617GT	11-12		39, 53, 57, 115	64275GT	87, 89	71531GT	105
52673GT	11-12	6024GT	17, 63, 67, 107	64276GT	87, 89	71532GT	105
52674GT	11-12	6033GT	107	64278GT	87, 89	71547GT	15, 17
52682GT	11-12	6037GT	19	64309GT	39	71779GT	25
52802GT	11-12	6052GT	63	65053GT	11-12	71779PGT	33
52803GT	11-12	6086GT	43, 67, 69, 101	65178GT	75	71780PGT	33
52805GT	11-12	6090GT	17, 21, 23, 25,	65179GT	75	71781PGT	33
52808GT	19		29, 33, 35, 37,	65180GT	75	71782GT	25
52816GT	19		39, 47, 63, 67,	65754GT	117	71783GT	25
52834GT	29		69, 103	65837GT	27	71784GT	25
52850GT	21	6091GT	21, 23, 25, 29,	65853GT	29	71807GT	47
52954GT	35		31, 33, 35, 37,	6595GT	39, 71	71824GT	79
52967GT	11-12		39, 47, 55, 59,	6607GT	85	71825GT	79
53023GT	35		63, 67, 69, 97,	66098GT	55, 59	71826GT	77, 79
53605GT	101		103	6610GT	35	71828GT	77
5361GT	15	6097GT	33, 35, 47, 69,	66169GT	113	71829GT	79
53976GT	97		77, 81, 83, 87,	66171GT	113	71835GT	79
5397GT	17, 35, 53, 55,		89, 93, 113	6626GT	71	71838GT	79
	57, 59, 67, 79,	61080GT	107, 109	66353GT	71	71839GT	79
	93, 97	6146GT	85	66355GT	71	71840GT	77, 79
54332GT	19	6175GT	17, 33, 35, 37,	66356GT	71	71841GT	79
55190GT	35		39, 53, 57, 59,	6638GT	17, 21, 23, 25,	71842GT	77, 79
55193GT	15		67, 89, 93, 97,		29, 31, 33, 37,	71848GT	79
55194GT	17		107		39, 47, 55, 59,	71850GT	79
55284GT	89	6178GT	61, 95, 107		61, 65, 67, 97,	71855GT	79
55306GT	39, 71	6198GT	15, 25, 43, 101,		103	71858GT	79
55336GT	55, 59		107	66470GT	55, 59	71860GT	81
55351GT	55, 59	62041GT	19	66472GT	113	71861GT	81
55355GT	63	62059GT	11-12	66761GT	41	71862GT	81, 83
55389-SGT	17	62060GT	11-12	66811GT	41	71864GT	39
55391-SGT	39	62112GT	45	66812GT	41, 73	71865GT	83
55393-SGT	17	62113GT	45	66813GT	39	71866GT	83
55396GT	37	62114GT	31	66814GT	41	71879GT	77
55442GT	99	62116GT	29	66815GT	39	71880GT	77
55443GT	99	62117GT	29	66816GT	39, 41	71884GT	109
55444GT	99	62118GT	29	66817GT	41, 73	71885GT	109
55445GT	99	62119GT	29	66818GT	41, 73	71886GT	109
55450GT	49, 51	62160GT	19, 27	66821GT	41	71887GT	109
55477GT	47	62161GT	73, 75	66909GT	95	71888GT	109
55482GT	47	62161HGT	73, 75	6698GT	39	71889GT	109

Part Number	Page	Part Number	Page
71906GT	109	84243GT	53, 57
71907GT	109	84244GT	57
71908GT	109	84245GT	57
71912GT	87, 107	84246GT	57
71948GT	109	84247GT	57
71979GT	85	84248GT	57
72097GT	105	84405GT	11-12
72098GT	105	84406GT	11-12
72186GT	11-12	84407GT	117
72197GT	11-12	84808GT	21
72256GT	47	84810GT	21
72281GT	15	84868GT	117
72326GT	37, 73	84990GT	57
72932GT	105	84991GT	53, 57
7339GT	55, 59	84992GT	57
73575GT	85	8516GT	53, 55, 57, 59
74323GT	47	865260GT	33
77046GT	11-12	865321GT	21
7713GT	39, 43, 53, 57, 63, 67, 71, 101	866000GT	21
79101GT	15, 17	866040GT	29
79102GT	15, 17	866050GT	27
79125GT	109	866070GT	29
79142GT	15	866090GT	19, 27
79143GT	17	866127GT	21
79156GT	113	866397GT	19, 27
79158GT	113	866400GT	19
79159GT	39	866830GT	19
79160GT	109	866833GT	19
79161GT	109	87002GT	107
79174GT	47	87070GT	37
79355GT	63, 65, 67	87231GT	51
79363GT	103	87268GT	117
79492GT	17	89065GT	15
79494GT	55, 59	89066GT	15
79833GT	45	8914GT	37, 39
81578GT	17	94675GT	29
8177GT	107	94688GT	31
8178GT	63, 65, 67, 69	96011GT	41
8179GT	97	96236GT	71
8220GT	15, 43, 101	96452GT	41
824879GT	41	96461GT	39
825019GT	53, 55, 57, 59	96472GT	11-12
8255GT	15, 17, 35, 43, 63, 67, 93, 101	96948GT	15, 61
832128GT	19, 27	97128GT	15, 61
8352GT	77	97387GT	45
839016GT	21, 31	97414GT	39
839081GT	21, 31	97482GT	21
839119GT	29	T106506GT	35
839149GT	29	T107013GT	93
839233GT	29	T107925GT	93
84034GT	19	T108212GT	93
84039GT	19	T108213GT	93
84040GT	19	T108330GT	93
84042GT	19	T109074GT	93
84044GT	19	T109075GT	93
84045GT	19	T109085GT	15, 17
84053GT	23	T112563GT	71
84054GT	23		
84077GT	25		
84080GT	97		
84100GT	105		
84101GT	105		
84110GT	115		
84118GT	21		
84144GT	117		
84160GT	117		
84186GT	117		
84235GT	53		
84236GT	53		
84237GT	53		
84238GT	53, 57		
84239GT	53, 57		
84241GT	53, 57		
84242GT	53, 57		

Part Description Index

The Part Description Index is an alphabetical index of all part descriptions included in this manual. The index shows what page(s) the part is used on.

1

12V,SYSTEM,E-DOWN GS68.....37

A

ACCESS PANEL,PLATFORM, GS68.....63
 ADAPTER, 1/4NPT-M TO 3/16 BARB.....35
 ADAPTER, FLANGE GEAR, 3 HOLE.....31
 ADAPTER,140139-4-2.....19, 27
 ADAPTER,140139-8-6.....19, 27
 ADAPTER,FLANGE,FLYWHEEL.....21, 31
 ADAPTER,HOSE INTAKE 2.5-1.75.....21
 ADAPTER,WHEEL,GS68/GS69.....15, 17
 AIR CLEANER ASSEMBLY, DF-752.....21
 AIR CLEANER COVER, DF-752.....21
 AIR CLEANER COVER,SNAP ON.....21
 AIR CLEANER KIT,KUBOTA D905.....31
 ALARM ASSY,12VDC,ITT,4 PIN****27
 ALARM,STEADY TONE****37
 ALTERNATOR STAY, D905.....27
 ALTERNATOR STAY,WG750***19
 ALTERNATOR,40 AMP,INT REG.....19
 ALTERNATOR,KUBOTA*19, 27
 ASSY, CIRCUIT BREAKER 20A.....41
 ASSY,RELAY SOCKET, AUTO.....41

B

BALL STUD**47
 BAND,AIR CLEANER,GS68.....21, 31
 BASE WITH 1 NC CONTACT, E-STOP.....41, 73
 BASE, W/1 N.O. CONTACTS***39
 BASE,WITH 2 N.O. CONTACTS***41
 BASE,WITHOUT CONTACTS.....41
 BATTERY CABLE ASSY.,NEG., GS68.....39
 BATTERY CABLE ASSY.,POS., GS68.....39
 BATTERY, 12V,900 CCA.....39
 BEARING,0.75IDX1.00ODX0.38L.....67
 BEARING,1.00IDX1.25ODX0.75L.....15
 BEARING,1.00IDX1.25ODX1.00L.....53, 57
 BEARING,1.5IDX1.75ODX1.5L,PTFE.....55, 59
 BEARING,1.75IDX2.00ODX1.25L.....53, 57
 BEARING,BRZ,FL,1.25IDX1.5OD.....15
 BEARING,DRIVE MOTOR GS15/19.....15
 BELL HOUSING KIT,GS68,DF***21
 BELL HOUSING KIT,GS68,DIESEL**31
 BELL HOUSING,K-D905K,A PLT.....31
 BELL HOUSING,K-DF752,A PLT.....21
 BELL HOUSING,KUBOTA,DF750,GS68.....21
 BELT,FAN,KUBOTA DF972/Z482-E.....19
 BELT,V, KUBOTA D905.....27
 BLOCK, PLATFORM ANCHOR.....61
 BOLT,CARRIAGE,1/4-20 X .75,G2.....37, 47, 103
 BOLT,ROLLER, .470"(SHORT).....63, 67
 BOLT,SHOULDER 3/4-16 X 1.688LG.....35
 BOLT,SHOULDER,5/8-11 X 1.19 LT.....87, 107
 BOLT,WING,FILTER ELEMENT, D905.....31
 BOLT,WING,FILTER ELEMENT,WG750.....21
 BOOT, PROTECTIVE, 45049 BLACK.....75
 BOOT,CONTROLLER**75
 BOOT,PUSHBUTTON,RUBBER,GS68~.....73
 BOOT,SOLENOID,29073.....23
 BOOT,THROTTLE SOLENOID.....23, 29
 BOOT,TOGGLE SWITCH,SHORT*41, 73

BOOT-THUMB ROCKER** BLACK.....75
 BRACKET CABLE BRIDGE, 46.....59
 BRACKET, E-DOWN BATTERY MOUNT.....37
 BRACKET, LIMIT SWITCH COVER.....15
 BRACKET, OUTRIGGER SWITCH 4390.....107
 BRACKET, SIDE ROLLER, REAR FT.....67
 BRACKET, WORK LIGHTS, OPTION.....111
 BRACKET,CABLE BRIDGE GS32.....59
 BRACKET,CATCH,ENGINE TRAY,GS68.....47
 BRACKET,CATCH,HYD TANK,GS68RT.....47
 BRACKET,CHOKE SOLENOID MOUNT.....23
 BRACKET,ENGINE BOX COVER,GS68.....47
 BRACKET,JOYSTICK Q.D. BULKHEAD.....61
 BRACKET,LPG REG./SOLENOID MNT.....21, 25
 BRACKET,MAIN CABLE BRIDGE,2646.....55
 BRACKET,MAIN CABLE BRIDGE,GS32.....59
 BRACKET,PIGTAIL.....39, 71
 BRACKET,ROLLER WHEEL EXT.PLAT.....67
 BRACKET,ROLLER,GRD.CONTRL,GS68.....63
 BRACKET,ROLLR,ENGINE SIDE,GS68.....63
 BRACKET,SIDE ROLLER,GRN.CONTRL.....67
 BRACKET,TAIPIPE, GS68RT, GAS.....25
 BRACKET,UPPER CABLE BRIDGE,46.....55
 BRAKE DISC KIT (55194).....17
 BRIDGE,50A FULL WAVE**.....97
 BRUSH ASSEMBLY.....97
 BUCKLE & SLIDE STRAP SET.....113
 BUCKLE,SIDE RELEASE.....113
 BULB,FLASHING BEACON.....95
 BUMPER, LINK.....55, 59
 BUMPER, PLASTIC, 1.25 O.D.....43, 69, 89, 101
 BUMPER, RUBBER, 1"OD X .461H.....39
 BUMPER,1.25 INCH O.D.,SCISSORS.....55, 59, 67
 BUMPER,BATTERY BOX & RAILS.....43, 101
 BUMPER,PLASTIC, .625 OD.....41
 BUMPER,RUBBER.....47, 67
 BUSHING,FLANGE, .75 X .875 X.5.....87
 BUTTON,PUSH,BLACK W/SEAL***39
 BUTTON,PUSH,RED MUSHROOM HEAD.....41, 73

C

CABLE ASSY,PWR TO PLAT.GS-2668.....39, 71
 CABLE BRACKET,PAINTED.....55, 59
 CABLE TIE,11.5" BLACK.....55, 91, 101, 105
 CABLE TIE,9" X .5.....55, 59
 CABLE, E-DOWN, LONG.....39
 CABLE,EMERGENCY DOWN, GS68.....39
 CAP,DIAGNOSTIC NIPPLE.....45
 CAP,DISTRIBUTOR, WG750B.....23
 CAP,FUEL,DIESEL,1/8"VENT(GRN).....35
 CAP,FUEL,GAS,1/8"VENT(RED).....35
 CAP,HYDRAULIC TANK,GS68/84/90.....37
 CAP,RADIATOR,13 PSI.....25, 33
 CAP,RAIN,AIR CLEANER, GS68RT**35
 CAP,SPARK PLUG,WG750B.....23
 CARBURETOR,DF-750***21
 CARBURETOR,DF-752 ENGINE***21
 CASTING -SLIDE BLOCK W/BEARING.....53, 57
 CASTING, BALL, GS OUTRIGGER.....105
 CASTING,OUTRIGGER FOOTPAD ***105
 CASTING-JOYSTICK, GS2032.....75
 CHANNEL,PIPE RACK.....113
 CHOCK STOP CUSHION.....55, 59
 CHOKE LINKAGE GS68.....23
 CIRCUIT BREAKER,7.0 AMP***41
 CLAMP, CABLEBRIDGE,HALF.....55, 59
 CLAMP,1.00,#16 X 1/4,RUB CUSH.....37
 CLAMP,1.13,#18 X 1/4,RUB CUSH.....63
 CLAMP,1.13,#18 X 3/8,RUB CUSH*115
 CLAMP,1.75,#28 X 3/8,RUB CUSH*35
 CLAMP,AIR CLEANER HOSE,WG750**31
 CLAMP,HOSE.....27, 33
 CLAMP,HOSE, .35"- .86" X .3125".....29, 35
 CLAMP,HOSE, .63" - 1.0" X .5".....19, 21
 CLAMP,HOSE, .75 **21
 CLAMP,HOSE,1.7521
 CLAMP,HOSE,2.50****21, 31, 35
 CLAMP,HOSE,KUBOTA WG750.....19, 21, 25, 27
 CLAMP,RUB CUSH,0.75,#12 X 3/8*43, 101
 CLAMP,TAIPIPE, 1 1/2***19, 27
 CLAMP-HOSE.....19
 CLAMP-HOSE, .375, FUEL PUMP.....29
 CLAMP-HOSE, AIR CLEANER.....31
 CLEVIS YOKE-1/4-28,PLTD W/PIN.....23, 29
 CLIP,RADIATOR MOUNT, KUBOTA.....25, 33
 COIL CORD.....73
 COIL, 10VDC.....105
 COIL,10V,44169,SIZE 10,GS68.....45
 COIL,12V D03 ZENER DIODE.....45
 COIL,12V DC.....55, 59
 COIL,12V,44170,SIZE 8,GS68.....45
 COIL,12V,DO1 VALVE.....97
 COIL,IGNITION,KUBOTA WG750B.....23
 COIL,PROP.12VDC,#10/#12,52372.....45
 COIL-10,12V DUAL LEAD DIODE.....117
 CONN, 520120-6.....49, 51, 55, 59, 109
 CONN,520102-12-16.....49, 51
 CONN,520102-6-6.....37, 49, 51
 CONN,520120-12-10.....49, 51
 CONN,520120-4***49, 51, 99
 CONN,520120-4-6***49, 51, 105
 CONN,520120-6-10.....49, 51
 CONN,520120-8***49, 51
 CONN,520120-8-10.....49, 51
 CONN,520120-8-12.....49, 51
 CONN,BULKHEAD,520601-8.....49, 51
 CONN,SQUEEZE,1/2NPT .38-.50,SM.....71
 CONN,TEE,UNION,520401-6,ORFS.....49, 51
 CONNECTOR,070103-4-4.....115
 CONNECTOR,070120-4-4.....115
 CONNECTOR,070120-6-6.....55, 59
 CONNECTOR,IEC 320 INLET.....39, 71
 CONTACT, N.C.....41, 73
 CONTACT,N.O.***39, 41
 CONTACTOR,LIMIT SWITCH.....15, 61
 COOLANT RECOVERY BOTTLE 1.5 QT*25, 33
 COUNTER WEIGHT.....47
 COUPLER, SPLINED,9 TOOTH, 30MM.....21, 31
 COVER, PLATE BRAKE ACCESS.....47
 COVER,BLANK.....71
 COVER,GFCI,WEATHERPROOF.....71
 CROSS TUBE COLAR, GS46/68.....55, 59
 CUSHION,RADIATOR,KUBOTA 1702**25, 33

CYL.ASSY,2668.....55, 59
 CYLINDER, GS2632/46/68***.....55, 59
 CYLINDER,OUTRIGGER,GS68***.....105, 107
 CYLINDER,STEER***.....15

D

DECAL KIT,SFTY/INSTR.DIES,GS68.....11-12
 DECAL KIT,SFTY/INSTR.GAS,GS68.....11-12
 DECAL KIT-SFTY/INST,DIESEL2668.....11-12
 DECAL KIT-SFTY/INST,GAS/LP2668.....11-12
 DECAL, GROUND CONT PANEL.....11-12
 DECAL, LABEL - DIRECTION ARROWS.....11-12
 DECAL, MANUAL LOWERING VALVE.....11-12
 DECAL, POWER TO PLATFORM 230V**.....11-12
 DECAL,CAUTION,CRUSH HAZ, RAILS.....11-12
 DECAL,COSMETIC,4 X 4.....11-12
 DECAL,COSMETIC,GENIE GS-2668RT.....11-12
 DECAL,COSMETIC,GENIE GS-3268RT.....11-12
 DECAL,DANGER DO NOT ALTER SWTC.....11-12
 DECAL,DANGER,BRAKE REL SAFETY*.....11-12
 DECAL,DANGER,CRUSHING HAZARD.....11-12
 DECAL,DANGER,ELEC HAZARD,GS.....11-12
 DECAL,DANGER,GENERAL SAFETY.....11-12
 DECAL,DANGER,NO SMOKING ***.....11-12
 DECAL,DANGER,OUTRIGGER SAFETY.....11-12
 DECAL,DANGER,TIP-OVER,TILT.....11-12
 DECAL,DIESEL.....11-12
 DECAL,LABEL,FAULT CODES.....11-12
 DECAL,LABEL,GROUND CONTROL PNL.....11-12
 DECAL,LABEL,LIQUID PROPANE.....11-12
 DECAL,LABEL,MANUAL NOT HERE.....12
 DECAL,LABEL,SAFETY ARM.....11-12
 DECAL,LABEL,TRANSPORT TIEDOWN*.....11-12
 DECAL,LABEL,UNLEADED GAS ONLY.....11-12
 DECAL,LABEL,UP/DOWN & FNCTN EN.....11-12
 DECAL,LANYARD ANCHORAGE POINT.....11-12
 DECAL,NOTICE,HAZARDOUS MAT'LS*.....11-12
 DECAL,NOTICE,KUBOTA DIESEL SPEC.....11-12
 DECAL,NOTICE,KUBOTA GAS SPECS.....11-12
 DECAL,NOTICE,MAX CAP 1000/300.....11-12
 DECAL,NOTICE,MAX CAP 1250.....11-12
 DECAL,NOTICE,OPER INST, GRND.....11-12
 DECAL,NOTICE,OPER INST, PLAT.....11-12
 DECAL,NOTICE,PLAT EXT CUTOUT.....11-12
 DECAL,NOTICE,SHUTOFF VALVES.....11-12
 DECAL,NOTICE,SIDE FRC,2668,AUS.....11-12
 DECAL,NOTICE,SIDE FRC,2668ANSI.....11-12

DECAL,NOTICE,SIDE FRC,3268,AUS.....11-12
 DECAL,NOTICE,SIDE FRC,3268ANSI.....11-12
 DECAL,NOTICE,TIRE SPECS.....11-12
 DECAL,PLAT CTRLS,DSL NO OUTRGR.....11-12
 DECAL,PLAT CTRLS,DSL W OUTRG.....11-12
 DECAL,PLAT CTRLS,G/LPG NO OUTR.....11-12
 DECAL,PLAT CTRLS,G/LPG W OUTRG.....11-12
 DECAL,POWER TO PLATFORM 115V.....11-12
 DECAL,USE DEXRON***.....11-12
 DECAL,WARN,IMPROPER OPERATION.....11-12
 DECAL,WARNING,CRUSHING HAZARD.....11-12
 DECAL,WARNING-COMPART ACCESS.....11-12
 DECK PLATE,EXTENSION,GS68.....67
 DECK PLATE,MAIN,GS68.....63
 DIAGNOSTIC DISPLAY.....41
 DIAGNOSTIC FEMALE Q-DSCNT.....45
 DIPSTICK,KUBOTA D905***.....27
 DIPSTICK,KUBOTA DF750.....21
 DISPLAY CABLE ASSEMBLY.....41
 DISTRIBUTOR ASSY,DF-750.....23
 DOOR ASSY,HYDRAULIC TRAY,GS68.....47
 DRIVE MOTOR 21.2 CU.IN./REV.....15

E

E-DOWN HARNESS, GS2668.....39
 ELBOW,010202-6-4.....21
 ELBOW,45D,520320-4.....51
 ELBOW,90D,520202-12.....49, 51
 ELBOW,90D,520220-4-4.....49, 51
 ELBOW,90D,520220-4-6***.....49, 109
 ELBOW,90D,520220-6.....109
 ELECTRONIC CONTRL UNIT GS/RT G1.....37
 ELEMENT,AIR CLEANER,KUBOTA.....21
 ENDRAIL ASSY.EXT.DECK GS68.....67
 ENGINE TRAY RAMP.....35
 EXTRUSION,RUBBER BUMPER STRIP.....37

F

FAN,COOLING DF750.....19
 FAN,KUBOTA D905.....27
 FIELD KIT,OUTRIGGERS,STD,GS68.....109
 FILTER ASSY,SAE 12 NO INDICAT*.....37
 FILTER ELEMENT, 10 MICRON.....37
 FILTER ELEMENT,10 MICRON.....37
 FILTER,AIR,D905.....31
 FILTER,FUEL,IN-LINE**.....35
 FILTER,FUEL/WATER SEPARATOR***.....29
 FILTER,OIL,KUBOTA.....27
 FITTING,1/4 MPT 5/16 BARB.....35
 FITTING,6-6BLKHEADUNION 520601.....107, 109
 FITTING,CONN,520120-12***.....49, 51
 FITTING,ELBOW,90D,520220-8***.....49, 99, 109
 FITTING,REDUCER,520123-12-8***.....99
 FITTING,TEE,RUN,SWIVEL52043212.....99
 FLANGE HEX SCREW,GRADE 8.....73
 FLANGE,AIR CLEANER, DF-750.....21
 FLANGE,CARBURETOR,WG750B***.....21

FORM,BATTERY STOP,PAINT.....39
 FORMING, DIESEL ENG. BRKT,GS68.....29, 31, 33
 FORMING, GUARD CONTACT FRNT LT.....81
 FORMING, GUARD CONTACT FRNT RT.....81
 FORMING, GUARD CONTACT REAR LT.....83
 FORMING, GUARD CONTACT REAR RT.....83
 FORMING, HYD. BOX, RIB.....47
 FORMING, LOWER CYL COVER.....107
 FORMING, LOWER FRONT GUARD LT.....77
 FORMING, LOWER FRONT GUARD RT.....77
 FORMING, MESH TRAY FL RR, GS68.....79
 FORMING, MESH TRAY FR RL.....79
 FORMING, MESH TRAY SIDE, GS68.....77, 79
 FORMING, NOSE GUARD, LEFT GS68.....89
 FORMING, NOSE GUARD, RIGHT.....89
 FORMING, PIPE HOLDER RACK.....113
 FORMING, STEER HOSE BRCKT,GS68.....17
 FORMING,DOWN COIL COVER.....55, 59
 FORMING,ECU BRACKET,GS68RT.....37
 FORMING,ENGINE TRAY,GS68RT.....35
 FORMING,GAS DOOR.....103
 FORMING,HYDRAULIC TRAY,GS68.....39
 FORMING,INVERTER/BATTERY TRAY.....39
 FORMING,LEFT ENG. MOUNT,DIESEL.....33
 FORMING,LEFT ENGINE MOUNT, DF.....25
 FORMING,LEVEL SENSOR MNT. GS68.....39
 FORMING,LINKGUARD CORNER L,2668.....93
 FORMING,LINKGUARD CORNER L,3268.....93
 FORMING,LINKGUARD CORNER R,2668.....93
 FORMING,LINKGUARD CORNER R,3268.....93
 FORMING,LINKGUARD FRONT,2668.....93
 FORMING,LINKGUARD FRONT,3268.....93
 FORMING,LINKGUARD LADDER,2668.....93
 FORMING,LINKGUARD LADDER,3268.....93
 FORMING,LINKGUARD MOUNT,L,2668.....93
 FORMING,LINKGUARD MOUNT,L,3268.....93
 FORMING,LINKGUARD MOUNT,R,2668.....93
 FORMING,LINKGUARD MOUNT,R,3268.....93
 FORMING,LINKGUARD,SIDE L,3268.....93
 FORMING,LINKGUARD,SIDE R,3268.....93
 FORMING,LINKGUARD,SIDE,L,2668.....93
 FORMING,LINKGUARD,SIDE,R,2668.....93
 FORMING,NOSE GUARD,REAR GS68.....89
 FORMING,OUTRIG CYL COVER.....107
 FORMING,PIPE RACK BASE, GS68.....113
 FORMING,RAD. MOUNT, DUAL FUEL.....25
 FORMING,RADIATOR GUARD,GS68RT.....35
 FORMING,RELAY STANDOFF,GS68.....41
 FORMING,RIGHT ENG. MOUNT, DF.....25
 FORMING,RT. ENG. MOUNT,DIESEL.....33
 FORMING,TAIPIPE BRKT, GS68.....33
 FORMING,TAIPIPE BRKT, GS68.....25
 FUEL PUMP, MECHANICAL.....29
 FUEL TANK ASSY,DIESEL,GS26.....35
 FUEL TANK ASSY-14.5 GAL DF750*.....35
 FUSE,13 AMP,220V PLUG.....39, 71

G

GAS STRUT,250 LBS FORCE***.....47
 GAS STRUT,250N, 55CM STROKE.....77, 79
 GAS STRUT,CONNECTOR (28301).....47
 GAS STRUT,CONTROLS DOOR.....47
 GASKET (52532) OIL DRAIN, D905.....27
 GASKET, UK & DIN PWR. TO PLAT.....71
 GASKET, UK RECEPTACLE.....71
 GASKET,AIR CLEANER, DF-750.....21
 GASKET,CARBURETOR,KUBOTA DF750.....21
 GASKET,EXHAUST MANIFOLD,D905.....27

MUD FLAP.....35, 37
 MUFFLER COVER (62040)***19
 MUFFLER COVER,GS68,DF750,D905.....19
 MUFFLER,KUBOTA,GS68,DF750,D905.....19,
 27

N

NIPPLE,DIAGNOSTIC,#4.....45
 Nut - Low Profile Nylock, 3/8 -16.....107
 NUT - PLASTIC,RING FOR ALARMS.....37, 73
 Nut - Solenoid Valve.....105
 NUT, CP521-1 VALVE.....97
 NUT, LP NYLOCK, 3/8-16...39, 43, 53, 57, 63,
 67, 71, 101
 NUT,CASTLE,1.125-18 UNEF.....15, 17
 NUT,COIL (39909).....55, 59
 NUT,HEX,1/4-20.....25, 33
 NUT,HEX,1/4-28.....23
 NUT,HEX,5/16-18,GR5.....19
 NUT,HEX,6-32.....73
 NUT,JOYSTICK,44988, RGE.....75
 NUT,LOCKING-LG.FLANGE,5/16-18.....47
 NUT,LP NYLOCK,1/2-13.....43, 67, 69, 101
 NUT,LP NYLOCK,1/4-20.....15, 17, 47, 55, 59,
 65
 NUT,LP NYLOCK,5/8-11.....35, 87, 107
 NUT,NYLOCK,1/2-13.....15, 25, 43, 101, 107
 NUT,NYLOCK,1/4-20.....21, 23, 25, 29, 31, 33,
 35, 37, 39, 47, 55, 59, 63, 67, 69, 97, 103
 NUT,NYLOCK,10-32.....61, 95, 107
 NUT,NYLOCK,3/4-10,GRD.2.....17, 35, 39, 47,
 107
 NUT,NYLOCK,3/8-16.....17, 25, 33, 35, 37, 39,
 47, 53, 55, 57, 59, 61, 63, 65, 67, 69, 71, 77,
 79, 81, 83, 87, 89, 93, 97, 105, 107, 113, 115
 NUT,NYLOCK,4-40.....39, 71
 NUT,NYLOCK,5/16-18.....79, 93
 NUT,NYLOCK,5/8-11.....17, 63, 67, 107
 NUT,NYLOCK,8-32.....37, 41
 NUT,PROPORTNL. COIL,52372,GS68.....45
 NUT,SOLENOID VALVE,OUTRIGGERS.....105
 NUT,TAILPIPE,KUBOTA, 2668.....23
 NUT,VALVE COVER CAP, D905.....27
 NUT,VALVE COVER CAP, WG750.....19
 NUT-COIL SHORT.....45, 117
 NUT-COIL(SCISSORS) TALL.....45
 NUT-COIL,REXROTH DO3 VALVE.....45
 NUT-HEX, GOVERNOR LEVER, DF.....23
 NUT-MOUNTING,PUSH BUTTON-44988.....75
 NUT-SELF LOCKING, M8X1.25MM.....21

O

O-RING KIT (ORFS FITTINGS).....45, 49, 51,
 99
 O-RING KIT,FIELD SVC,ALL PROD*.....45
 O-RING, DO1 VALVE.....97
 O-RING,OIL FILLER PLUG,KUBOTA*.....19, 27
 ORIFICE PLUG 0.063 IN / 1.6MM.....117
 ORIFICE PLUG, 0.035.....45
 ORIFICE,LONG, .059".....55, 59
 OUTER ARM #1 W/BEARINGS GS2668.....53,
 57
 OUTER ARM #4 W/BEARINGS GS2668.....53
 OUTER ARM #4 W/BEARINGS GS3268.....57
 OUTER ARM #4 W/BEARINGS,GS3268.....57
 OUTER ARM #5 W/BEARINGS GS3268.....57
 OUTER ARM ASSY #2,W/SY DECALS*.....53,
 57

OUTER ARM ASSY, W/DECALS*.....53, 57
 OUTLET, 110V.....71
 OUTLET,GENERATOR CABLE,GS68.....97
 OUTRIG MANIFOLD ASSY.....117
 OUTRIG MANIFOLD ASSY,GS68.....117
 OUTRIGGER CYLINDER ASSY GS68.....105

P

P. C. BOARD, PLAT CNTLR, ITT, GS 68
 (51858).....73
 P.C.BOARD,SWITCH ASSY,GS68 RT.....73
 PAD,WREST,WRIST,GS68PLAT.CONT~.....73
 PC BOARD-PLATCNTRL,ITT GS68**~.....73
 PETCOCK,DRAIN,KUBOTA WG750B.....21, 27
 PIN,1.00DIA X2.88LG,1HOLE.....15
 PIN,1.00DIA X3.25LG,1HOLE.....15
 PIN,1.00DIA X4.6 LG,1HOLE.....53, 57
 PIN,1.25DIA X2.75LG,1HOLE.....15
 PIN,1.50DIA X8.45LG,1HOLE.....55, 59
 PIN,1.75DIA X2.71LG,2RING.....53, 57
 PIN,1.75DIA X5.87LG,CHAMFER.....53, 57
 PIN,1.75DIA X7.35LG,CHAMFER.....61
 PIN,1.75DIA X8.51LG,2RING.....53, 57
 PIN,CLEVIS,1 X 2.5 LG.....15
 PIN,COTTER, .125 X 1.5.....15
 PIN,COTTER, .156 X 2.5.....17
 PIN,CROSS LOWER PIVOT.....53, 57
 PIN,EXTENSION ROLLER.....63, 67
 PIN,LOCK, LONG***.....35
 PIN,SHOULDER,5/8-11 X 1.0 PLTD.....105
 PIN,SNAPENTRY RAIL.....65, 67, 87
 PIN-THREADED SHLDR OFFS,5/8-11.....87
 PIPE ASSY-OVERFLOW-D905.....29
 PIPE CRADLE KIT,GS68.....113
 PIPE,BREATHING JOINT, D905.....27
 PIPE,BREATHING JOINT,DF-750.....19, 21
 PIPE,INJECTOR 1,D905,D1105.....29
 PIPE,INJECTOR 2,D905,D1105.....29
 PIPE,INJECTOR 3,D905,D1105.....29
 PIPE,INLET, D905.....31
 PLAT ASSY,2668RT,ANSI,115V,DSL.....61
 PLAT ASSY,2668RT,ANSI,230V,DSL.....61
 PLAT ASSY,2668RT,CE,115V,DIESL.....61, 63
 PLAT ASSY,2668RT,CE,230V,DIESL.....61, 63
 PLAT ASSY,2668RT,CE,DF,115V.....61, 63
 PLAT ASSY,2668RT,CE,DF,230V.....61, 63
 PLAT ASSY,2668RT,DF,ANSI,115V.....61
 PLAT ASSY,2668RT,DF,ANSI,230V.....61
 PLAT ASSY,3268RT,ANSI,115V,DSL.....61
 PLAT ASSY,3268RT,ANSI,230V,DSL.....61
 PLAT ASSY,3268RT,CE,115V,DIESL.....61
 PLAT ASSY,3268RT,CE,DF,115V.....61
 PLAT ASSY,3268RT,CE,DF,230V.....61
 PLAT ASSY,3268RT,DF,ANSI,115V.....61
 PLAT ASSY,3268RT,DF,ANSI,230V.....61
 Plate - Controls Mount with Decals.....41
 PLATE, 3268 COUNTERWEIGHT.....47
 PLATE, CASTLE NUT LOCK.....15, 17
 PLATE, CYL UP LIMIT.....105
 PLATE, HINGE SUPPORT.....47
 PLATE, RADIATOR SEAL,GS68.....33
 PLATE,AC ADAPTER,DIN/UK***.....71
 PLATE,BUBBLE LEVEL MOUNT.....107
 PLATE,GROUND,TOGGLE,GS68~.....73
 PLATE,HOSE COVER, GS-68.....97
 PLATE,HOSE GUARD,PAINTED.....17
 PLATE,LIFT ARM CAM GS68.....55, 59
 PLATE,PIPE HOLDER, GS68.....113

PLATE,PLATFORM END GUARD.....93
 PLATE,UK POWER TO PLATFORM.....71
 PLATFORM ASSY,ANSI&CSA,GS3268
 (84111).....63
 PLATFORM ASSY/DECALS 2668 RT.....63
 PLATFORM CONTROL BOX W/DEC***.....73
 PLATFORM CONTROL BOX W/DECAL **.....73
 PLATFORM CONTROL BOX W/DECALS*.....73
 PLUG AND CAP KIT-SERVICE,37 **.....45
 PLUG AND CAP KIT-SERVICE,ORFS*.....45,
 49, 51, 99
 PLUG WIRE,DIS/COIL,WG750B.....23
 PLUG, TYPE F, 230A, 50HZ, 16A, IP44.....39,
 71
 PLUG,ELECTRICAL,DOMESTIC.....39, 71
 PLUG,ENGINE OIL DRAIN,D-905***.....27
 PLUG,FUSED,250V,13AMP,U.K. **.....39, 71
 PLUG,HEX SOCKET,3/8 MPT.....37
 PLUG,NYLON 2.00 BLACK DOMED.....41
 PLUG,OIL DRAIN,DF750**.....19
 PLUG,OIL FILLER Z482,Z34/22BE*.....19
 PLUG,OIL FILLER,KUBOTA D905***.....27
 PLUG,OIL FILLER,WG750B.....19
 PLUG,PIPE HEXHEAD 130109E-3/8.....35
 PLUG,PWR,UK,16AMP,3PIN,BLK.....39, 71
 PLUG,TUBE,SQ 1.50X.065.....63, 65, 67
 POTENTIOMETER (62161)***.....75
 POTENTIOMETER MOUNT PLATE.....75
 POTHOLE SLIDER,32.....39, 71
 PULLEY,FAN,KUBOTA, D-905,GS68.....27
 PULLEY,FAN,WG750B***.....19
 PUMP, WATER, KUBOTA D905.....27
 PUMP,FUEL,KUBOTA GAS,INLINE.....21
 PUMP,TANDEM,REXROTH***.....21, 31
 PUMP,WATER,WG750B.....19
 PUMP-WATER.....19
 PUSHBUTTON-FUNC.ENABL.W/ORING.....75

R

RADIATOR ASSY,KUBOTA D905%.....33
 RADIATOR ASSY,KUBOTA WG750/752.....25
 RADIATOR STAY, KUBOTA 1702.....25
 RADIATOR,SEAL DUAL FUEL.....25, 33
 RAILING,EXT DECK,ENGINE SIDE.....67
 RAILING,EXT.DECK GRD.CONTROL,68.....67
 RECEPTACLE, DIN, 220V 50A.....71
 RECTIFIER ASSEMBLY.....97
 REGULATOR,LPG,KUBOTA,DF-750***.....21
 REGULATOR,LPG,KUBOTA,DF-752***.....21
 RELAY,SPDT,12V(AUTO) PLUG IN**.....41
 RETAINER, GS68 O/R FOOTPAD***.....105
 RETAINER,GAS SPRING***.....47
 RIVET,DRIVE, .25 X .25.....63, 67
 RIVET,STL,STL,P.188 X .375.....63
 ROCKER ASSY W/ROLLPIN***.....75
 ROD END, .375 X 2.25,ZAG.....15
 ROD END,.375X3.69,ZAG.....53, 55, 57, 59
 ROD, EXTENSION LOCK,GS68,GS90.....69
 ROD,GOVERNOR, WG750.....23
 ROLLER ARM,LIMIT SWITCH***.....15, 61
 ROLLER,PLASTIC,AWP96**.....63, 67
 ROTOR,DISTRIBUTOR,DF-750.....23
 RUBBER, VIBRATION MOUNT.....107

S

SAFETY CHOCK-SCISSOR.....55, 59
 SCREW, HCC, 3/8-16 X 1.50.....53, 55, 57, 59

Part Description Index (continued)

S C R E W , A I R	C L E A N E R	SEAL KIT,39909,PLAT LWR VALVE*.....55, 59	SUPPORT,RADIATOR,KUBOTA WG750.....25
MOUNT,KUBOTA.....21, 31		SEAL KIT,47499 PUMP,BARNES,68.....31	SVC KIT,UK RECEPT.REPLACEMENT.....71
SCREW,BHHS,1/4-20 X .75.....63		SEAL KIT,52372,SOLENOID VALVE.....45	SWITCH,LIMIT,W/ROLLER ARM***.....15, 61
SCREW,BHHS,1/4-20 X 1.5.....55, 59		SEAL KIT,52381,BOSCH DO3,GS68.....45	SWITCH,OIL,PRESSURE,KUBOTA.....19
SCREW,BHHS,3/8-16 X 1.....63, 67		SEAL KIT,DR MTR.GS15/19,Z20***.....15	SWITCH,PRESS 2500-6000 PSI ADJ.....115
SCREW,BHHS,3/8-16 X 2.75.....61		SEAL KIT,DRIVE/BRAKE MTR.2668.....17	SWITCH,PUSHBUTTON,BORE MOUNT....107
SCREW,FHS,1/4-20 X .63.....39, 47		SEAL KIT,RELIEF VALVE(65754).....117	SWITCH,TOGGLE,DPDT,2POS MAINT*.....41
SCREW,FHS,3/8-16 X 2 GRD.8.....35		SEAL KIT,REXROTH DO3 VALVE.....45	SWITCH,TOGGLE,DPDT,2POS MOMEN.....41
SCREW,HHC,1/2-13 X 1.5.....107		SEAL KIT,SOLENOID(52377).....45, 117	SWITCH,TOGGLE,SPDT,3POS MOMEN*.....41
SCREW,HHC,1/2-13 X 3.25.....25		SEAL KIT,STEER CYL (89065).....15	SWITCH,WATER TEMP.....19
SCREW,HHC,1/2-13 X 4.....15, 43, 101		SEAL KIT-FOR PN. 44217.....39	SWITCH-PUSH BTN, HIGH, GS68.....73
SCREW,HHC,1/2-13 X 4.5,GRD.8.....43, 101		SEAL KIT-FOR PN.44216 & 826779.....39	SWITCH-PUSH BTN, LOW, GS68**~.....73
SCREW,HHC,1/4-20 X .5.....55, 59		SEAL KIT-PN.44169,44172,44171.....45, 117	SWITCH-TOGGLE,SPDT,3POS, MOM*~.....73
SCREW,HHC,1/4-20 X .625.....37, 39		SEAL KIT-TANDEM PUMP 55940.....21	
SCREW,HHC,1/4-20 X .75.....17, 21, 23, 25, 29, 33, 35, 37, 39, 47, 63, 67, 69, 103		SENDING UNIT,OIL PRESSURE***.....19, 27	
SCREW,HHC,1/4-20 X 1.....23, 29, 47, 55, 59, 61		SENDING UNIT,TMP,FRD,GM,PRK704.....19, 27	
SCREW,HHC,1/4-20 X 2.....21, 31, 65, 67		SENSOR,LEVEL, ANALOG.....39	
SCREW,HHC,1/4-20 X 2.25.....97		SEPARATOR/FILTER,FUEL DIESEL **.....29	
SCREW,HHC,3/4-10 X 1.75.....35, 39		SERIAL # LABEL,MYLAR 4X8***.....11-12	
SCREW,HHC,3/4-10 X 2.75.....17, 107		SERIAL # LABEL,SCISSORS*****.....11-12	
SCREW,HHC,3/4-10 X 4.....47		SERVICE KIT, MOTOR 55193.....15	
SCREW,HHC,3/8-16 X .50 GR.5.....39		SERVICE KIT,BRAKE DISC,GS68***.....17	
SCREW,HHC,3/8-16 X .75.....15, 17, 35, 43, 63, 67, 93, 101		SERVICE KIT,BRAKE RELEASE MAN*.....39	
SCREW,HHC,3/8-16 X 1.....17, 33, 35, 37, 39, 53, 57, 59, 67, 89, 93, 97, 107		SERVICE KIT,E-STOP.....41	
SCREW,HHC,3/8-16 X 1.25 GRD 5.....15, 17, 21, 25, 31, 35, 47, 53, 55, 57, 59, 69, 79, 81, 83, 87, 89, 93, 107		SERVICE KIT,FOR BRAKE 55194.....17	
SCREW,HHC,3/8-16 X 2.....39, 107		SHAFT ASSY,JOYSTICK.....75	
SCREW,HHC,3/8-16 X 2 FULL THRD.....39, 71		SHAFT, MOTOR.....15, 17	
SCREW,HHC,3/8-16 X 2.25.....79, 87, 89		SHAFT,MOTOR (51410)***.....15	
SCREW,HHC,3/8-16 X 2.5.....63, 65, 67, 69		SHOCK MOUNT,LARGE**.....25, 33	
SCREW,HHC,3/8-16 X 2.75.....39, 63, 105, 113, 115		SLIDER BLOCK,PLATFORM.....61	
SCREW,HHC,3/8-16 X 3.....77, 79, 81, 83		SNAP RING (55193).....15	
SCREW,HHC,3/8-16 X 3.25.....61		SNAP RING,EXTERNAL,1.75 DIA.....53, 57	
SCREW,HHC,3/8-16 X 3.75 GD 5.....77		SOLENOID,1"STROKE,12V,SYNCR***.....23, 29	
SCREW,HHC,5/16-18 X .75.....67, 79		SOLENOID,32193 STARTER,D905.....27	
SCREW,HHC,5/16-18 X 1 GR5.....93		SOLENOID,STARTER,WG750B.....19	
SCREW,HHC,5/8-11 X 2.5.....17		SOLENOID,THROTTLE.....23	
SCREW,HHC,5/8-11 X 3.5 GRD.8.....107		SPACER TUBE,1.00 LG**.....39	
SCREW,HHC,M10 X 1.25 X 30MM**.....25, 33		SPACER,.188 PLAT.CONTROL,GS68~.....73	
SCREW,HHC,M6 X 16.....25, 33		SPACER,.5" GS PLAT PC BOARD.....73	
SCREW,HHC,M8 X 30MM,GRD 8.8.....27		SPACER,.75ID X 1.5OD X 1/4THK.....63	
SCREW,INDENTED HEX,10-24 X .75.....85		SPACER,ROUND ENGINE TRAY.....35	
SCREW,PHILLIPS,PHM,10-32 X .75.....95, 107		SPACER-DUAL COIL,#10, SCISSORS.....45, 117	
SCREW,PHILLIPS,PHM,4-40 X .50.....39, 71		SPARK PLUG,WG750B***.....23	
SCREW,PHILLIPS,PHM,6-32 X .75.....71		SPEED CONTROL ASSY, D905.....29	
SCREW,PHILLIPS,PHM,8-32 X .5.....37, 41		SPRING & BUSHING KIT,RETURN***.....75	
SCREW,PHILLIPS,PHM,8-32 X.375.....71		SPRING CLIP,1/4-20,.025-.15X.54,ZAG.....37, 39, 47, 61, 63	
SCREW,PHILLIPS,RHM,10-32 X 1.5.....15, 61		SPRING CLIP,10-24,.025-.125X.468,ZAG.....85	
SCREW,RADIATOR MOUNT, KUBOTA.....25, 33		SPRING CLIP,3/8-16,.05-.20X.73,ZAG.....37, 107	
SCREW,RHM,10-24 X .75.....73		SPRING, TORSION, ENTRY GATE.....87	
SCREW,RHM,10-32 X .5.....73		SPRING,GOVERNOR,LOWER, WG750**.....23	
SCREW,RHM,M6 X 12MM.....33		SPRING,GOVERNOR,UPPER, WG750.....23	
SCREW,SHC,10-24 X 1.250 (D01).....45		SPRING,RETURN,SPEED CONTR,D905.....29	
SCREW,SHC,10-24 X 2.....45		SPRING,TENSION-1.25 X.438 DIA.....29	
SCREW,SHC,5/8-11 X 3.50,A574.....17		STAMPING,GROUNDING STRIP, GS68.....41	
SCREW-AIR BREATHER, D905.....29		STARTER ASSY,KUBOTA DUAL FUEL.....19	
SEAL KIT (39345).....117		STARTER,KUBOTA D905 VERS 2***.....27	
SEAL KIT (55717) TEXAS HYD VER.....55, 59		STAY,ALTERNATOR***.....19	
SEAL KIT, 48341 LIFT CYL.....55, 59		STOP PLATFORM ROLLER.....63	
SEAL KIT, GS68 OUTRIGGER CYL.....105		STRAIN RELIEF-GS JOYSTICK**~.....73	
SEAL KIT, SOLENOID VALVE.....105		STRAINER ASSEMBLY,1.5" NPT.....37, 49, 51	
SEAL KIT, VALVE.....39, 45		STRAINER,FILLER NECK.....37	
		STRAP,NYLON,1.0 IN. BLACK.....113	
		STROBE,BEACON, AC COMP 12-80V.....95	
		STROBE,BEACON,W/OUT HARDWARE***.....95	
		STUD ASSY,RTSC CONTROL BOX.....73	

T

T-BOX,2.75 X 4.5 X 2.0.....71
 TAILPIPE,EXHAUST,KUBOTA DIESEL.....27
 TAILPIPE,EXHAUST,KUBOTA GAS.....19
 TANK STRAP, BOLT STYLE, GS68.....37
 TANK, 7 GAL/33.5 POUND, LP.....101
 TANK,ASSY HYD ,27GL GS68.....37
 TAPE,WARNING,BLK/YEL, 50***.....11-12, 67
 TEE,BRANCH,520429-8.....99
 TEE,RUN 070432-6****.....49, 51
 TEE,RUN,SWIVEL,520432-6.....107, 109
 TEE,UNION,520401-4.....49, 51
 TERM,RELAY N-INSULATED 10-12 G.....41
 TERM,RELAY,N-INSULATE 18-20 GA.....41
 THERMOSTAT.....27
 THERMOSTAT ASSY,D850B,DF750.....19
 THERMOSTAT COVER,KUBOTA GAS.....19
 THERMOSTAT, HOUSING, KUBO D905.....27
 THREADED ROD,1/4-28 X 5.5 IN**.....23
 TIRE & WHEEL ASSY,NON-MARKING.....15, 17
 TRIMLOCK,BLACK,3/8.....35
 TUBE ASSY,FUEL TANK,13.5" LG.....35
 TUBE MESH TRAY SUPPORT, GS68.....77
 TUBE, GUARD, SIDE.....89
 TUBE, MESH REAIL, SIDE, GS68.....79
 TUBE,LP TANK CHASSIS MOUNTING.....47
 TUBE,UNISTRUT,22F10 2.25 X0105.....79

U

U-BOLT, SQR, 3/8-16X2X5, PLTD.....113
 U-BOLT,1/4-20 X 1.75 X 3.00.....25, 33

V

VALVE ASSY,D03,REX,3POS 4WAY.....45
 VALVE COVER, D905.....27
 VALVE COVER,DF750***.....19
 VALVE,BALL,16 MPT-16 FPT***.....37, 49, 51
 VALVE,CHECK(SCISSORS) GS68.....45
 VALVE,CHECK,5 PSI**.....45
 VALVE,CHECK,GS68 (SIZE8 8).....45
 VALVE,CHECK,PILOT OPERATED***.....39
 VALVE,COUNTERBALANCE.....117
 VALVE,D03 REXROTH 3POS 4WAY***.....45
 VALVE,DOUBLE PULL SOLENOID 12V.....55, 59
 VALVE,FLOW REG., 2.0 GPM,GS68.....45
 VALVE,HAND PUMP**.....39
 VALVE,NC SOLENOID,MANUAL LWR.....55, 59
 VALVE,NC,BI-DI,CART***.....105
 VALVE,PRI. FLOW REG 4.3.....97
 VALVE,RELIEF,1500 PSI***.....97
 VALVE,RELIEF,1500PSI***.....45

VALVE,RELIEF,2000 PSI.....117
 VALVE,RELIEF,3500PSI***.....45
 VALVE,SHUTTLE.....39
 VALVE,SHUTTLE,GS68.....45
 VALVE,SOLENOID (18660)***.....97
 VALVE,SOLENOID N/O POPPT,GS68.....45
 VALVE,SOLENOID,2POS2WY,NCGS68*.....45
 VALVE,SOLENOID,3POS4WAY,GS68.....45,
 117
 VALVE,SOLENOID,PROPORNAL,GS68.....45
 VALVE-CHECK, 200 PSI.....45
 VALVE-SOLENOID 2-POS 2-WAY,NO.....117
 VALVE-SOLENOID N.O.(SCISSORS)*.....45
 VALVE-SOLENOID, 2POS 4 WAY.....45

W

Washer - Flat, 1/4 inch (0.312 x 0.734 x 0.065
 inch) (0.79 x 1.86 x 0.17 cm).....39
 WASHER ASSY,FILTER ELEMNT,D905.....31
 WASHER ASSY,FILTER ELEMNT,WG75.....21
 WASHER, 1/2 PLATE (1/2 X 2.25 X 3/16).....25,
 33
 WASHER,FENDER,.25 X 1.25 X.062.....35, 37
 WASHER,FLAT,.812X2X.14 HARDEN.....47
 WASHER,FLAT,GOV.LEVER, DF750.....23
 WASHER,FLAT,MS,#10,Y.....85
 WASHER,FLAT,MS,#6,Y.....73
 WASHER,FLAT,USS,1/4"Y.....17, 21, 23, 25,
 29, 31, 33, 37, 39, 47, 55, 59, 61, 65, 67, 97,
 103
 WASHER,FLAT,USS,3/8",Y.....33, 35, 47, 69,
 77, 81, 83, 87, 89, 93, 113
 WASHER,FLAT,USS,5/16",Y.....17, 35, 53, 55,
 57, 59, 67, 79, 93, 97
 WASHER,LOCK,#10 PLTD.....85
 WASHER,LOCK,.25.....25, 33, 55, 59
 WASHER,LOCK,.313.....19, 27, 67
 WASHER,LOCK,.375.....15, 21, 31, 35, 39, 53,
 57, 115
 WASHER,LOCK,0.5".....107
 WASHER,LOCK,GOV.LEVER,DF750***.....21,
 23
 WASHER,LOCK,M10.....25, 33
 W A S H E R , R A D I A T O R
 CUSHION,KUBOTA.....25, 33
 WASHER,SCIS ARM,1.79X2.25X.120.....53,
 57, 61
 WASHER,SHIM,.5 X .875 X .063.....63
 WASHER,THRUST .75 X 1.25 X .06.....35, 63,
 65, 67, 69
 WASHER-PLAIN.....19
 WEAR PAD 2668.....53, 57
 WEAR PAD, GUARD CONTACT, GS68.....81,
 83
 WEAR PAD, LOWER EXT INNER, 68.....77, 79
 WEAR PAD, LOWER GUIDE, GS68.....79
 WEAR PAD, UPPER EXT INNER,GS68.....79
 WEAR PAD, UPPER GUIDE, GS68.....79
 WEAR PAD,4.25 X 1.5 X 1.....79
 WEAR PAD,ENGINE TRAY FRONT.....35
 WELDMENT, EXTENSION BASE, GS68.....79
 WELDMENT, GUARD, GATE.....87, 89
 WELDMENT, GUARD, REAR, LEFT.....87, 89
 WELDMENT, GUARD, REAR, RIGHT.....87, 89
 WELDMENT, GUARD, TOP, LEFT.....89
 WELDMENT, GUARD, TOP, RIGHT.....89
 WELDMENT, OUTRIG CYL HOUSING.....107
 WELDMENT, OUTRIGGER.....107
 WELDMENT, UPPER EXT SECTION,68.....79

WELDMENT,CONTROLS DOOR.....47
 WELDMENT,END RAIL,ENGINE SIDE.....65
 WELDMENT,END RAIL,GRD.CONTRLS.....65
 WELDMENT,ENGINE BOX COVER GS68.....47
 WELDMENT,ENGINE COVER,GS68.....35, 103
 WELDMENT,ENGINE COVER,VENTED.....103
 WELDMENT,ENTRY GATE 68.....65
 WELDMENT,FRONT TUBE GUARD.....89
 WELDMENT,L.P. TANK MOUNT,GS68.....43,
 101
 WELDMENT,LADDER, GS3268.....17
 WELDMENT,LADDER,PAINTED,GS68.....17
 WELDMENT,LATCH HANDLE,GS68.....69
 WELDMENT,LP ALIGNMENT PIN,GS68.....43,
 101
 WELDMENT,MESH RAIL JOINT, LEFT.....79
 WELDMENT,MESH RAIL JOINT,RIGHT.....79
 WELDMENT,RAIN CAP MOUNT,GS68RT.....35
 WELDMENT,REAR AXLE WHITE BRAKE.....17
 WELDMENT,SIDERAIL,GS68.....63
 WELDMENT,SLIDER BLOCK,GS68.....53, 57
 WELDMENT,SLIDING ENGINE TRAY.....25,
 33, 35
 WELDMENT,TIEROD.....15
 WHEEL ASSY,LEFT,F/R LP,RT***.....15, 17
 WHEEL ASSY,RIGHT,F/R LP,RT***.....15, 17
 WHEEL,4 X 1.5.....63, 67
 WHEEL/TIRE ASSY,FOAM FILL.....15, 17
 WIRE ASSEMBLY, CHASSY, GS68***.....41
 WIRE ASSEMBLY, LINK, GS2668***.....73
 WIRE ASSEMBLY, LINK, GS3268.....73
 WIRE ASSY,CHASSIS CONTROL PIGT.....37
 WIRE CABLE,14/3 CON.TPE JKT*.....39, 71
 WIRE CABLE,18/2 SJO,BULK.....15, 61
 WIRE CAP,ORANGE.....71
 WIRE,SPARK PLUG,NO.1,WG750B***.....23
 WIRE,SPARK PLUG,NO.2,WG750B***.....23
 WIRE,SPARK PLUG,NO.3,WG750B***.....23
 WORKLIGHT, 12V, DEUTSCH RECEPT.....111

Y

YOKE ASSY,ENGINE/BAT SIDE,GS68.....15
 YOKE ASSY,GRD CTRL SIDE, GS68.....15

Z

ZERK,GREASE,1/8 NPT.....105

Fitting Cross References

Genie PN	Parker PN	Description	Genie PN	Parker PN	Description
12342	6-4 F5OX-S	CONNECTOR,STRAIGHT THREAD TO FLARE TUBE	42794	1 CR-S	ELBOW,90°,MALE PIPE
13757	4 R6X-S	RUN TEE,SWIVEL NUT,ORFS	42795	BV-0839	BALL VALVE
19685	12-10 C5OX-S	ELBOW,90°,STRAIGHT THREAD TO FLARE TUBE	42796	BV-0838	BALL VALVE
22664	12-10 C5OX	ELBOW,90°,STRAIGHT THREAD TO FLARE TUBE	42874	6-8 CLO-S	ELBOW,90°,MALE PIPE TO ORFS
27431	8-12 F5OX-S	CONNECTOR,STRAIGHT THREAD TO FLARE TUBE	42912	13943-6-4	HOSE END,90° FEMALE SWIVEL,JIC
28678	AS-B-33	SLEEVE,NYLON,1.81" ID	42920	BV-0840	BALL VALVE,90°
39871	6 WETX-WLN-S	UNION,90° BULKHEAD W/NUT,FLARE TUBE	42932	AS-B-17	SLEEVE,NYLON,1.22" ID
39872	4 R5OX-S	RUN TEE,STRAIGHT THREAD	42936	10243-2-4	HOSE END,FEMALE PIPE
39873	6 C5OX-S	ELBOW,90°,STRAIGHT THREAD TO FLARE TUBE	42953	1/2 DD-S	ELBOW,90°,FEMALE PIPE
39874	8-6 C5OX-S	ELBOW,90°,STRAIGHT THREAD TO FLARE TUBE	42956	6 WELO-WLNL-S	UNION,90° BULKHEAD W/NUT,ORFS
39875	4-6 C5OX-S	ELBOW,90°,STRAIGHT THREAD TO FLARE TUBE	45349	8 V5OX-S	ELBOW,45°,STRAIGHT THREAD TO FLARE TUBE
39876	6-8 C5OX-S	ELBOW,90°,STRAIGHT THREAD TO FLARE TUBE	45351	4 V5OX-S	ELBOW,45°,STRAIGHT THREAD TO FLARE TUBE
39877	4 F5OX-S	CONNECTOR,STRAIGHT THREAD TO FLARE TUBE	47223	10343-6-6	HOSE END,MALE,JIC
39878	6 F5OX-S	CONNECTOR,STRAIGHT THREAD TO FLARE TUBE	47419	PS690503-6-6	SWIVEL,90°,STRAIGHT THREAD TO 37° FLARE
39879	4-8 F5OX-S	CONNECTOR,STRAIGHT THREAD TO FLARE TUBE	48750	421-4	HOSE,1/4 INCH ID
39880	6-10 F5OX-S	CONNECTOR,STRAIGHT THREAD TO FLARE TUBE	48751	481TC-4	HOSE,1/4 INCH ID
39881	4-6 F5OX-S	CONNECTOR,STRAIGHT THREAD TO FLARE TUBE	48752	482TC-4	HOSE,1/4 INCH ID
39882	4-HP5ON-S	PLUG,STRAIGHT THREAD	48753	451TC-6	HOSE,3/8 INCH ID
39883	8-8 FTX-S	CONNECTOR,MALE PIPE TO FLARE TUBE	48754	482TC-6	HOSE,3/8 INCH ID
39885	269HB 12-12	ELBOW,90°,BEADED HOSE BARB TO MALE PIPE	48755	381-6	HOSE,3/8 INCH ID
39886	431-6	HOSE,3/8 INCH ID	48756	451TC-8	HOSE,1/2 INCH ID
39887	540N-2	HOSE,1/8 INCH ID	48757	482TC-8	HOSE,1/2 INCH ID
39888	801-8	HOSE,1/2 INCH ID	48758	381-8	HOSE,1/2 INCH ID
39889	801-12	HOSE,3/4 INCH ID	48759	381-10	HOSE,5/8 INCH ID
39890	10643-6-6	HOSE END,FEMALE SWIVEL,JIC	48760	451TC-10	HOSE,5/8 INCH ID
39891	13943-6-6	HOSE END,90° FEMALE SWIVEL,JIC	48761	482TC-12	HOSE,3/4 INCH ID
39892	13743-6-6	HOSE END,45° FEMALE SWIVEL,JIC	48762	451TC-12	HOSE,3/4 INCH ID
39894	30682-8-8	HOSE END,FEMALE SWIVEL,JIC	48763	772-12	HOSE,3/4 INCH ID
39895	30682-10-12	HOSE END,FEMALE SWIVEL,JIC	48764	881-16	HOSE,1 INCH ID
42286	8-8 CTX-S	ELBOW,90°,MALE PIPE TO FLARE TUBE	48765	772-16	HOSE,1 INCH ID
42756	8-12 CLO-S	ELBOW,90,MALE PIPE TO ORFS	48766	AS-B-15	SLEEVE,NYLON,1.06" ID
42757	8-12 FLO-S	CONNECTOR,MALE PIPE TO ORFS	48767	AS-B-22	SLEEVE,NYLON,1.42" ID
42758	4 JLO-S	UNION TEE,ORFS	48770	881-8	HOSE,1/2 INCH ID
42759	4-4 FLO-S	CONNECTOR,MALE PIPE TO ORFS			
42760	6-8 FLO-S	CONNECTOR,MALE PIPE TO ORFS			
42761	1J143-6-4	HOSE END,90° FEMALE SWIVEL,SEAL LOK			
42762	1J743-6-4	HOSE END,45° FEMALE SWIVEL,SEAL LOK			
42768	1JO43-4-4	HOSE END,MALE,SEAL LOK			
42776	601-8	HOSE,1/2 INCH ID			
42777	1J743-16-16	HOSE END,45° FEMALE SWIVEL,SEAL LOK			
42786	16 CLO-S	ELBOW,90°,MALE PIPE TO ORFS			
42787	16 R6LO-S	RUN TEE,SWIVEL NUT,ORFS			
42788	16-8 TRLO-BL-S	REDUCER,TUBE END TO SWIVEL,ORFS			
42789	6-6 CLO-S	ELBOW,90°,MALE PIPE TO ORFS			
42790	8-10 V5OLO-S	ELBOW,45°,STRAIGHT THREAD TO ORFS			
42791	3/4 CD-S	ELBOW,90°,MALE TO FEMALE PIPE			
42792	3/4 X 1/2 PTR-S	REDUCER,MALE TO FEMALE PIPE			
42793	1/2 CR-S	ELBOW,90°,MALE PIPE			

Fitting Cross References (Continued)

Genie PN	Parker PN	Description	Genie PN	Parker PN	Description
48771	881-10	HOSE,5/8 INCH ID	48847	13943-12-12	HOSE END,90° FEMALE SWIVEL,JIC
48772	381-4	HOSE,1/4 INCH ID	48848	10543-12-12	HOSE END,MALE,STRAIGHT THREAD
48773	AS-B-13	SLEEVE,NYLON,.86" ID	48849	1JC71-12-12	HOSE END,FEMALE SWIVEL,SEAL LOK
48800	1JC43-4-4	HOSE END,FEMALE SWIVEL,SEAL LOK	48850	1JS71-12-12	HOSE END,FEMALE SWIVEL,SEAL LOK
48801	1J743-4-4	HOSE END,45° FEMALE SWIVEL,SEAL LOK	48851	1J171-12-12	HOSE END,90° FEMALE SWIVEL,SEAL LOK
48802	1J943-4-4	HOSE END,90° FEMALE SWIVEL,SEAL LOK	48852	1J771-12-12	HOSE END,45° FEMALE SWIVEL,SEAL LOK
48804	1JM43-4-4	HOSE END,MALE,SEAL LOK, NO O-RING	48853	1J971-12-12	HOSE END,90° FEMALE SWIVEL,SEAL LOK
48805	10643-4-4	HOSE END,FEMALE SWIVEL,JIC	48854	1JC43-16-16	HOSE END,FEMALE SWIVEL,SEAL LOK
48806	13943-4-4	HOSE END,90° FEMALE SWIVEL,JIC	48855	1J943-16-16	HOSE END,90° FEMALE SWIVEL,SEAL LOK
48807	1JS43-4-4	HOSE END,FEMALE SWIVEL,SEAL LOK	48856	1J171-16-16	HOSE END,90° FEMALE SWIVEL,SEAL LOK
48808	3JC82-8-8	HOSE END,FEMALE SWIVEL,SEAL LOK	48857	1J971-16-16	HOSE END,90° FEMALE SWIVEL,SEAL LOK
48809	3JC82-12-12	HOSE END,FEMALE SWIVEL,SEAL LOK	48859	1JS43-8-4	HOSE END,FEMALE SWIVEL,SEAL LOK
48810	1JC43-6-4	HOSE END,FEMALE SWIVEL,SEAL LOK	48867	PD36BTL	DIAGNOSTIC NIPPLE,SEAL-LOK SWIVEL
48811	1J943-6-4	HOSE END,90° FEMALE SWIVEL,SEAL LOK	48873	6 PNLO-S	PLUG,TUBE END,ORFS
48812	1JC43-6-6	HOSE END,FEMALE SWIVEL,SEAL LOK	48874	6 PNTX-S	PLUG,FLARE TUBE
48813	1J143-6-6	HOSE END,90° FEMALE SWIVEL,SEAL LOK	48875	6 R6LO-S	RUN TEE,SWIVEL NUT,ORFS
48814	1J543-6-6	HOSE END,90° FEMALE SWIVEL,SEAL LOK	48877	4 F5OLO-SW/.025	CONNECTOR,STRAIGHT THREAD TO ORFS, W/.025 ORI
48815	1J743-6-6	HOSE END,45° FEMALE SWIVEL,SEAL LOK	48878	16-12 C5OLO-S	ELBOW,90°,STRAIGHT THREAD TO ORFS
48816	1J943-6-6	HOSE END,90° FEMALE SWIVEL,SEAL LOK	48879	8 C6LO-S	ELBOW,90°,SWIVEL NUT ORFS
48817	1JS43-6-8	HOSE END,FEMALE SWIVEL,SEAL LOK	48880	PD6-285	CAP,DIAGNOSTIC NIPPLE
48818	1J943-8-4	HOSE END,90° FEMALE SWIVEL,SEAL LOK	48881	6 HLO-S	UNION,ORFS
48819	1JC43-8-6	HOSE END,FEMALE SWIVEL,SEAL LOK	48883	8 P5ON-S	PLUG,STRAIGHT THREAD
48820	1J743-8-6	HOSE END,45° FEMALE SWIVEL,SEAL LOK	48884	8M18F87OMLO-S	CONNECTOR,METRIC,STRAIGHT THREAD TO ORFS
48821	1J943-8-6	HOSE END,90° FEMALE SWIVEL,SEAL LOK	48885	4 WGTX-WLN-S	CONNECTOR,BULKHEAD,FEMALE PIPE TO FLARE TUBE
48822	1JC43-8-8	HOSE END,FEMALE SWIVEL,SEAL LOK	48886	4 F5OLO-SW/2MM	CONNECTOR,MACHINED STRAIGHT THREAD TO ORFS
48823	1JS43-8-8	HOSE END,FEMALE SWIVEL,SEAL LOK	48887	4 CTX-S	ELBOW,90°,MALE PIPE TO FLARE TUBE
48824	1J143-8-8	HOSE END,90° FEMALE SWIVEL,SEAL LOK	48888	10-12 V5OLO-S	ELBOW,45°,STRAIGHT THREAD TO ORFS
48825	1J543-8-8	HOSE END,90° FEMALE SWIVEL,SEAL LOK	48890	4 S5OLO-S	BRANCH TEE,STRAIGHT THREAD TO ORFS
48826	1J743-8-8	HOSE END,45° FEMALE SWIVEL,SEAL LOK	48891	4 S6LO-S	BRANCH TEE,SWIVEL NUT TO ORFS
48827	1J943-8-8	HOSE END,90° FEMALE SWIVEL,SEAL LOK			
48828	1JC43-10-8	HOSE END,FEMALE SWIVEL,SEAL LOK			
48829	1JS43-10-8	HOSE END,FEMALE SWIVEL,SEAL LOK			
48830	1J743-10-8	HOSE END,45° FEMALE SWIVEL,SEAL LOK			
48831	1J943-10-8	HOSE END,90° FEMALE SWIVEL,SEAL LOK			
48833	1JC43-10-10	HOSE END,FEMALE SWIVEL,SEAL LOK			
48834	1J943-10-10	HOSE END,90° FEMALE SWIVEL,SEAL LOK			
48835	1JS43-10-12	HOSE END,FEMALE SWIVEL,SEAL LOK			
48836	1JC43-12-8	HOSE END,FEMALE SWIVEL,SEAL LOK			
48837	1JS43-12-8	HOSE END,FEMALE SWIVEL,SEAL LOK			
48838	1J743-12-8	HOSE END,45° FEMALE SWIVEL,SEAL LOK			
48839	1J943-12-8	HOSE END,90° FEMALE SWIVEL,SEAL LOK			
48840	1J943-12-10	HOSE END,90° FEMALE SWIVEL,SEAL LOK			
48841	1JC43-12-12	HOSE END,FEMALE SWIVEL,SEAL LOK			
48842	1JO43-12-12	HOSE END,MALE,SEAL LOK			
48843	1J143-12-12	HOSE END,90° FEMALE SWIVEL,SEAL LOK			
48844	1J543-12-12	HOSE END,90° FEMALE SWIVEL,SEAL LOK			
48845	1J743-12-12	HOSE END,45° FEMALE SWIVEL,SEAL LOK			
48846	1J943-12-12	HOSE END,90° FEMALE SWIVEL,SEAL LOK			

Fitting Cross References (Continued)

Genie PN	Parker PN	Description	Genie PN	Parker PN	Description
48892	6 C6LO-S	ELBOW,90°,SWIVEL NUT ORFS	48938	8 R6LO-S	RUN TEE,SWIVEL NUT,ORFS
48893	6 F5OHAO-S	UNION,STRAIGHT THREAD	48939	8 S6LO-S	BRANCH TEE,SWIVEL NUT TO ORFS
48894	8 WLO-WLNL-S	UNION,BULKHEAD,ORFS	48940	8 WJLO-WLNL-S	RUN TEE, BULKHEAD,ORFS
48895	DT-370-MSMO-5	VALVE,CHECK	48941	8-4 TRLO-S	REDUCER,TUBE END TO SWIVEL,ORFS
48896	6 JLO-S	UNION,TEE,ORFS	48942	8-6 C5OLO-S	ELBOW,90°,STRAIGHT THREAD TO ORFS
48897	DT-750-MSMS-5	VALVE,CHECK	48943	8-6 F5OLO-S	CONNECTOR,STRAIGHT THREAD TO ORFS
48898	DT-750-MOMS-5	VALVE,CHECK	48944	8-8 FLO-S	CONNECTOR,MALE PIPE TO ORFS
48899	DT-620-MOMS-5	VALVE,CHECK	48945	8 FTX-S	CONNECTOR,MALE PIPE TO FLARE TUBE
48900	4-6 F5OLO-SW/.035	CONNECTOR,STRAIGHT THREAD TO ORFS, W/.035 ORI	48946	8-10 F5OLO-S	CONNECTOR,STRAIGHT THREAD TO ORFS
48902	16-1 AOE4G-S	ELBOW,90° LONG,FEMALE PIPE TO STRAIGHT THREAD	48947	8-12 C5OLO-S	ELBOW,90°,STRAIGHT THREAD TO ORFS
48903	1 FF-S	NIPPLE,PIPE	48948	8-12 F5OLO-S	CONNECTOR,STRAIGHT THREAD TO ORFS
48904	4 C5OLO-S	ELBOW,90°,STRAIGHT THREAD TO ORFS	48949	8-16 F5OLO-S	CONNECTOR,STRAIGHT THREAD TO ORFS
48905	4 F5OLO-S	CONNECTOR,STRAIGHT THREAD TO ORFS	48950	10 C5OLO-S	ELBOW,90°,STRAIGHT THREAD TO ORFS
48906	4 R5OLO-S	RUN TEE,STRAIGHT THREAD	48951	10 CC5OLO-S	ELBOW,90° LONG,STRAIGHT THREAD TO ORFS
48907	4 V5OLO-S	ELBOW,45°,STRAIGHT THREAD TO ORFS	48952	10 F5OLO-S	CONNECTOR,STRAIGHT THREAD TO ORFS
48908	4 R6LO-S	RUN TEE,SWIVEL NUT,ORFS	48953	10 R5OLO-S	RUN TEE,STRAIGHT THREAD
48909	4 WJLO-WLNL-S	RUN TEE, BULKHEAD,ORFS	48954	10 S5OLO-S	BRANCH TEE,STRAIGHT THREAD TO ORFS
48910	4 GTX-S W/.030	CONNECTOR,FEMALE PIPE TO FLARE TUBE	48955	10 R6LO-S	RUN TEE,SWIVEL NUT,ORFS
48911	4-6 C5OLO-S	ELBOW,90°,STRAIGHT THREAD TO ORFS	48956	10-4 TRLO-BL-S	REDUCER,TUBE END TO SWIVEL,ORFS
48912	4-6 F5OLO-S	CONNECTOR,STRAIGHT THREAD TO ORFS	48957	10-6 TRLO-BL-S	REDUCER,TUBE END TO SWIVEL,ORFS
48913	4-6 F5OLO-SW/.030	CONNECTOR,STRAIGHT THREAD TO ORFS, W/.030 ORI	48958	10-12 F5OLO-S	CONNECTOR,STRAIGHT THREAD TO ORFS
48914	4-8 F5OLO-S	CONNECTOR,STRAIGHT THREAD TO ORFS	48959	12 C5OLO-S	ELBOW,90°,STRAIGHT THREAD TO ORFS
48915	6 C5OLO-S	ELBOW,90°,STRAIGHT THREAD TO ORFS	48960	12 F5OLO-S	CONNECTOR,STRAIGHT THREAD TO ORFS
48916	6 F5OLO-S	CONNECTOR,STRAIGHT THREAD TO ORFS	48961	12 R5OLO-S	RUN TEE,STRAIGHT THREAD
48917	6 FF5OLO-S	CONNECTOR,LONG,STRAIGHT THREAD TO ORFS	48962	12 S5OLO-S	BRANCH TEE,STRAIGHT THREAD TO ORFS
48918	6 R5OLO-S	RUN TEE,STRAIGHT THREAD	48963	12 V5OLO-S	ELBOW,45°,STRAIGHT THREAD TO ORFS
48919	6 S5OLO-S	BRANCH TEE,STRAIGHT THREAD TO ORFS	48964	12 R6LO-S	RUN TEE,SWIVEL NUT,ORFS
48920	6 V5OLO-S	ELBOW,45°,STRAIGHT THREAD TO ORFS	48965	12 CLO-S	ELBOW,90°,MALE PIPE TO ORFS
48921	6 FLO-S	CONNECTOR,MALE PIPE TO ORFS	48966	12 FLO-S	CONNECTOR,MALE PIPE TO ORFS
48922	6-6 FLO-S	CONNECTOR,MALE PIPE TO ORFS	48967	12 JLO-S	UNION TEE,ORFS
48923	6 P5ON-S	PLUG,STRAIGHT THREAD	48968	12 WLO-WLNL-S	UNION,BULKHEAD,ORFS
48925	6 WELO-S	UNION,90° BULKHEAD,ORFS	48969	12 WJLO-WLNL-S	RUN TEE, BULKHEAD,ORFS
48926	6-4 C5OLO-S	ELBOW,90°,STRAIGHT THREAD TO ORFS	48970	12 WELO-WLNL-S	UNION,90° BULKHEAD W/NUT,ORFS
48927	6-4 F5OLO-S	CONNECTOR,STRAIGHT THREAD TO ORFS			
48928	6-4 V5OLO-S	ELBOW,45°,STRAIGHT THREAD TO ORFS			
48929	6-8 C5OLO-S	ELBOW,90°,STRAIGHT THREAD TO ORFS			
48930	6-8 F5OLO-S	CONNECTOR,STRAIGHT THREAD TO ORFS			
48931	6-10 F5OLO-S	CONNECTOR,STRAIGHT THREAD TO ORFS			
48932	8 C5OLO-S	ELBOW,90°,STRAIGHT THREAD TO ORFS			
48933	8 F5OLO-S	CONNECTOR,STRAIGHT THREAD TO ORFS			
48934	8 FF5OLO-S	CONNECTOR,LONG,STRAIGHT THREAD TO ORFS			
48935	8 R5OLO-S	RUN TEE,STRAIGHT THREAD			
48936	8 S5OLO-S	BRANCH TEE,STRAIGHT THREAD TO ORFS			
48937	8 V5OLO-S	ELBOW,45°,STRAIGHT THREAD TO ORFS			

Fitting Cross References (Continued)

Genie PN	Parker PN	Description	Genie PN	Parker PN	Description
48971	12 G5G5JG5-S	TEE,FEMALE STRAIGHT THREAD	49612	PKT02586	O-RING KIT (ORFS FITTINGS)
48972	12 XHL6-S	ADAPTER, 37° MALE TO SWIVEL ORFS	49613	PKT06276	PLUG AND CAP KIT-SERVICE,ORFS
48973	12-1/2 F5OG-S	ADAPTER,FEMALE PIPE TO STRAIGHT THREAD	49728	10143-12-12	HOSE END, MALE PIPE
48974	12-10 C5OLO-S	ELBOW,90°,STRAIGHT THREAD TO ORFS	49729	16-1 F5OG-S	ADAPTER,FEMALE PIPE TO STRAIGHT THREAD
48975	12-10 F5OLO-S	CONNECTOR,STRAIGHT THREAD TO ORFS	49814	12-8 FLO-S	CONNECTOR,MALE PIPE TO ORFS
48976	12-16 C5OLO-S	ELBOW,90°,STRAIGHT THREAD TO ORFS	49829	DT-500-MOMF-5	VALVE,CHECK
48977	12-16 F5OLO-S	CONNECTOR,STRAIGHT THREAD TO ORFS	49831	881-12	HOSE,3/4 INCH ID
48978	12-16 V5OLO-S	ELBOW,45°,STRAIGHT THREAD TO ORFS	49834	16 JLO-S	UNION TEE,ORFS
48980	12-16 FLO-S	CONNECTOR,MALE PIPE TO ORFS	49838	12-8 TRLO-BL-S	REDUCER,TUBE END TO SWIVEL,ORFS
48983	16 C5OLO-S	ELBOW,90°,STRAIGHT THREAD TO ORFS	49840	8 JLO-S	UNION TEE,ORFS
48984	16 F5OLO-S	CONNECTOR,STRAIGHT THREAD TO ORFS	49844	10-8 TRLO-BL-S	REDUCER,TUBE END TO SWIVEL,ORFS
48985	16 V5OLO-S	ELBOW,45°,STRAIGHT THREAD TO ORFS	49854	8 P5ON-S	PLUG,STRAIGHT THREAD
48986	16 FLO-S	CONNECTOR,MALE PIPE TO ORFS	49855	1JC43-16-12	HOSE END,FEMALE SWIVEL,SEAL LOK
48988	16 CD45-S	ELBOW,45°,MALE TO FEMALE PIPE	49859	4 P5ON-S	PLUG,STRAIGHT THREAD
48989	12 CD45-S	ELBOW,45°,MALE TO FEMALE PIPE	49861	4 FF5OLO-S	CONNECTOR, LONG, STRAIGHT THREAD TO ORFS
48990	8 CD45-S	ELBOW,45°,MALE TO FEMALE PIPE	49867	12-3/4 F5OG-S	ADAPTER,FEMALE PIPE TO STRAIGHT THREAD
48991	16-12 FLO-S	CONNECTOR,MALE PIPE TO ORFS	51152	6 R6X-S	RUN TEE,SWIVEL NUT,ORFS
48992	16-12 V5OLO-S	ELBOW,45°,STRAIGHT THREAD TO ORFS	51153	6-4 TRTX-S	REDUCER,TUBE END TO SWIVEL,ORFS
48993	XV501-12	BALL VALVE	51154	4-4 GTX	CONNECTOR,FEMALE PIPE TO FLARE TUBE
48994	XV501-16	BALL VALVE	51264	881-12	HOSE,3/4 INCH ID
48995	XV510P-12	BALL VALVE	51265	8 JLO-S	UNION TEE,ORFS
48996	XV510P-16	BALL VALVE	51508	6 BTX-S	NUT,FLARE TUBE
48997	PD341	DIAGNOSTIC NIPPLE, STRAIGHT THREAD	51580	12-8 TRLO-BL-S	TUBE END REDUCER,ORFS
48998	PD 361	DIAGNOSTIC NIPPLE, STRAIGHT THREAD	51628	6 R6X-S	RUN TEE,SWIVEL NUT,ORFS
48999	DT-500-MOMS-5	VALVE,CHECK	51735	3/8 HHP	PLUG,PIPE THREAD
49201	10 V5OLO-S	ELBOW,45°,STRAIGHT THREAD TO ORFS	51803	1J943-6-8	HOSE END,90° FEMALE SWIVEL,SEAL LOK
49202	1JC43-12-10	HOSE END,FEMALE SWIVEL,SEAL LOK	53023	125HBL-5-4	FITTING,HOSE BARB TO MALE PIPE
49203	10-8 V5OLO-S	ELBOW,45°,STRAIGHT THREAD TO ORFS	53497	PKT02585	O-RING KIT
49205	6 F5OHAO-S	UNION,STRAIGHT THREAD	53499	1JC71-16-16	HOSE END,FEMALE SWIVEL,SEAL LOK
49207	PD34BTL	DIAGNOSTIC NIPPLE,SEAL-LOK SWIVEL	53500	3-904	O-RING,STRAIGHT THREAD,-4
49209	8M18F870MX-S	CONNECTOR,METRIC,STRAIGHT THREAD TO FLARE TUBE	53501	3-906	O-RING,STRAIGHT THREAD,-6
49212	8 WGTX-WLN-S	CONNECTOR,BULKHEAD,FEMALE PIPE TO FLARE TUBE	53502	3-908	O-RING,STRAIGHT THREAD,-8
49213	30682-8-8	HOSE END,FEMALE SWIVEL,JIC	53503	3-910	O-RING,STRAIGHT THREAD,-10
49216	831-8	HOSE,1/2 INCH ID			
49217	33982-8-8	HOSE END,90° FEMALE SWIVEL,JIC			
49219	PS-B-35	SLEEVE,NYLON,2.19" ID			
49418	4-6 V5OLO-S	ELBOW,45°,STRAIGHT THREAD TO ORFS			
49511	DT370-MOMS-5	VALVE,CHECK			
49512	1 DD-S	ELBOW,90°,FEMALE PIPE			
49513	1 FF-S	NIPPLE,PIPE			
49514	10 HP5ON-S	PLUG,STRAIGHT THREAD			
49515	12-16 CLO-S	ELBOW,90°,MALE PIPE TO ORFS			
49517	6 HP5ON-S	PLUG,STRAIGHT THREAD			
49519	16-12 F5OLO-S	CONNECTOR,STRAIGHT THREAD TO ORFS			
49520	4 VTX-S	ELBOW,45°,MALE PIPE TO FLARE TUBE			
49530	16 C6LO-S	ELBOW,90°,SWIVEL NUT ORFS			

Fitting Cross References (Continued)

Genie PN	Parker PN	Description	Genie PN	Parker PN	Description
53535	3-912	O-RING,STRAIGHT THREAD,-12	61083	24 F5OLO-S	CONNECTOR,STRAIGHT THREAD TO ORFS
53536	4-PNLO-S	PLUG,TUBE END,ORFS	61086	20 R5OLO-S	RUN TEE,STRAIGHT THREAD
53537	6 PNLO-S	PLUG,TUBE END,ORFS	61090	24-20 F5OLO-S	CONNECTOR,STRAIGHT THREAD TO ORFS
53538	8 PNLO-S	PLUG,TUBE END,ORFS	61091	1J943 24-24	HOSE END,90° FEMALE SWIVEL,SEAL LOK
53539	10 PNLO-S	PLUG,TUBE END,ORFS	61093	1J978-12-12	HOSE END,90° FEMALE SWIVEL,JIC
53540	12 PNLO-S	PLUG,TUBE END,ORFS	61095	1JS43-20-16	HOSE END,FEMALE SWIVEL,SEAL LOK
53946	129HB-5-4	FITTING,90° HOSE BARB TO MALE PIPE	61100	811-24	HOSE,11/2 INCH ID
53951	8-1/4F50G-S	ADAPTER,FEMALE PIPE TO STRAIGHT THREAD	61130	1JS43-24-24	HOSE END,FEMALE SWIVEL,SEAL LOK
53980	6 S6LO-S	BRANCH TEE,SWIVEL NUT TO ORFS	61131	1JS78 12-12	HOSE END,FEMALE SWIVEL,SEAL LOK
54132	4 C6LO-S	ELBOW,90°,SWIVEL NUT ORFS	61132	1J778-12-12	HOSE END,45° FEMALE SWIVEL,JIC
54135	11343-16-16	HOSE END,MALE SWIVEL,PIPE	61152	139HB-6-4	ELBOW,45°,BARB TO MALE PIPE
54283	8-10 C5OLO-S	ELBOW,90°,STRAIGHT THREAD TO ORFS	61251	BV-0750	BALL VALVE
54428	8M18C870MLO-S	ELBOW, 90° METRIC, STRAIGHT THREAD TO ORFS	61259	4 CC5OLO-S	ELBOW,90° LONG,STRAIGHT THREAD TO ORFS
54803	FS-F-16-10	SLEEVE,FIRE,-96" ID	61260	20-12 TRLO-BL	REDUCER,TUBE END TO SWIVEL,ORFS
54954	10143-2-4	HOSE END, MALE PIPE	61262	12 C6LO-S	ELBOW,90°,SWIVEL NUT ORFS
55190	3/8 HP-S	PLUG,PIPE THREAD	61263	20 F5OHAO-S	UNION,STRAIGHT THREAD
55448	8 HLO-S	UNION,ORFS	61264	6-10 C5OLO-S	ELBOW,90°,STRAIGHT THREAD TO ORFS
55839	6 F65OX-S	CONNECTOR,STRAIGHT THREAD TO 37° SWIVEL	61265	6 WNLO-WLNL-S	UNION,BULKHEAD 45°,ORFS
55968	10 C5OX-S	ELBOW,90°,STRAIGHT THREAD TO FLARE TUBE	61268	4 WNLO-WLNL-S	UNION,BULKHEAD 45°,ORFS
56003	6 CC5OLO-S	ELBOW,90° LONG,STRAIGHT THREAD TO ORFS	61269	4 WLO-WLNL-S	UNION,BULKHEAD,ORFS
56166	BV-0837	BALL VALVE,90°	61272	12 AOEL6	ELBOW,90°,STRAIGHT THREAD TO ORFS SWIVEL
56188	10143-8-6	HOSE END, MALE PIPE	61316	482TC-16	HOSE,1 INCH ID
56233	2-011	O-RING,ORFS,-4	61321	6 JLO-S	UNION TEE,ORFS
56234	2-012	O-RING,ORFS,-6	61327	782-12	HOSE,3/4 INCH ID
56235	2-014	O-RING,ORFS,-8	61328	881-24	HOSE,11/2 INCH ID
56236	2-016	O-RING,ORFS,-10	61336	11943-20-24	HOSE END,90° FLANGE HEAD
56237	2-018	O-RING,ORFS,-12	61345	12 WJLO-WLNL-S	RUN TEE, BULKHEAD,ORFS
56238	2-021	O-RING,ORFS,-16	61346	8 WNLO-WLNL-S 4	UNION,BULKHEAD 45°,ORFS
56352	6 WLNL-S	LOCKNUT,BULKHEAD	61569	33782-8-8	HOSE END,45° FEMALE SWIVEL,JIC
56353	3J782-12-12	HOSE END,45° FEMALE SWIVEL,SEAL LOK	61610	12 FF5OLO-S	CONNECTOR,LONG,STRAIGHT THREAD TO ORFS
56354	3J982-12-12	HOSE END,90° FEMALE SWIVEL,SEAL LOK	61742	1/8 X 1.5 FFF	NIPPLE,PIPE
56604	10-8 F5OLO-S	CONNECTOR,STRAIGHT THREAD TO ORFS	63426	8 PNTX-S	PLUG,FLARE TUBE
56639	3JC82-10-10	HOSE END,FEMALE SWIVEL,SEAL LOK			
56640	3J982-10-10	HOSE END,90° FEMALE SWIVEL,SEAL LOK			
56655	3JC82-8-10	HOSE END,FEMALE SWIVEL,SEAL LOK			
56676	10-8 C5OLO-S	ELBOW,90°,STRAIGHT THREAD TO ORFS			
56776	471TC-6	HOSE,3/8 INCH ID			
56777	471TC-8	HOSE,1/2 INCH ID			
56789	811-16	HOSE,1 INCH ID			
57884	3/8 FF	NIPPLE,PIPE			
59335	6 FNL-S	CAP,TUBE END			
59342	4 FNL-S	CAP,TUBE END			
59371	8 HP5ON-S	PLUG,STRAIGHT THREAD			
60653	BV-0751	BALL VALVE			
60806	125HB-3-4	FITTING,HOSE BARB TO MALE PIPE			
61064	5-1/4 F50G-S	ADAPTER,FEMALE PIPE TO STRAIGHT THREAD			
61079	4 WELO-WLNL-S	UNION,90° BULKHEAD W/NUT,ORFS			
61080	6 WLO-WLNL-S	UNION,BULKHEAD,ORFS			

Fitting Cross References (Continued)

Genie PN	Parker PN	Description	Genie PN	Parker PN	Description
64271	4 WLO-WLNL-S	UNION,BULKHEAD,ORFS	75631	801-6	HOSE,3/8 INCH ID
64272	6 WLO-WLNL-S	UNION,BULKHEAD,ORFS	75654	20 F5OLO-S	CONNECTOR,STRAIGHT THREAD TO ORFS
65776	8 F65OL-S	CONNECTOR,STRAIGHT THREAD TO ORFS SWIVEL	75655	1J943-20-20	HOSE END,90° FEMALE SWIVEL,SEAL LOK
65880	6001012	O-RING KIT	75656	881-20	HOSE,1-1/4 INCH ID
66154	6 WTX-WLNS	UNION,BULKHEAD,FLARE TUBE	75971	8 F5OHAO-S	UNION,STRAIGHT THREAD
66155	6 WETX-S	UNION,BULKHEAD 90°,FLARE TUBE	77307	1JB43-8-8	HOSE END,BULKHEAD,SEAL LOK
66156	6 WLN-S	BULKHEAD LOCKNUT	77309	8 WLNL-S	BULKHEAD LOCKNUT
66389	6-8 F5OX-S	CONNECTOR,STRAIGHT THREAD TO FLARE TUBE	77379	8M18C87OMX-S	ELBOW,90° METRIC,STRAIGHT THREAD TO FLARE TUBE
66392	6 R5OX-S	RUN TEE,STRAIGHT THREAD	77703	3J982-8-8	HOSE END,90° FEMALE SWIVEL,SEAL LOK
66396	811-12	HOSE,3/4 INCH ID	77711	801-10	HOSE,5/8 INCH ID
66829	H3174PP	CLAMP,TUBE	77758	12 WNLO-WLNL-S	UNION,BULKHEAD 45°,ORFS
67217	4 KLO-S	UNION,CROSS,ORFS	78091	6 C6X-S	ELBOW,90°,SWIVEL NUT TO FLARE TUBE
67339	10-6 F5OX-S	CONNECTOR,STRAIGHT THREAD TO FLARE TUBE	78684	30582-8-8B	HOSE END,PUSH LOK,MALE
67357	13943-8-6	HOSE END,90° FEMALE SWIVEL,JIC	78852	549-2	HOSE,1/8 INCH ID
67358	10 HP5ON-S	PLUG,STRAIGHT THREAD	78855	10657-4-2	HOSE END,FEMALE SWIVEL,JIC
67371	12 S6LO-S	BRANCH TEE,SWIVEL NUT TO ORFS	79138	PS-B-37	SLEEVE,NYLON,2.38" ID
67498	4 FNL-S	CAP, TUBE END	79476	1JS43-6-8	HOSE END,FEMALE SWIVEL,SEAL LOK
67906	DC-370-F0F0-5	VALVE,CHECK	79847	12-3/4 A0EG-S	ELBOW,90°,STRAIGHT THREAD TO FEMALE PIPE
69316	8 FLO-S	CONNECTOR,MALE PIPE TO ORFS	80044	8 CLO-S	ELBOW,90°,MALE PIPE TO ORFS
69333	H3174PP	CLAMP,HYDRAULIC HOSE	80502	8 F5OX-S	CONNECTOR,STRAIGHT THREAD TO FLARE TUBE
69503	4 F65OX-S	CONNECTOR,STRAIGHT THREAD TO 37° SWIVEL	80503	8 C5OX-S	ELBOW,90°,STRAIGHT THREAD TO FLARE TUBE
69775	8 FNL-S	CAP, TUBE END	81010	AS-B-27	SLEEVE,NYLON,1.63" ID
71038	1/4X1/4F3HG-S	ADAPTER,CONVERSION	83052	821-6	HOSE,3/8 INCH ID
71196	12-8 F5OLO-S	CONNECTOR,STRAIGHT THREAD TO ORFS	83053	821-8	HOSE,1/2 INCH ID
71383	1/4 CD45-S	ELBOW,45°,MALE TO FEMALE PIPE	83054	821-12	HOSE,3/4 INCH ID
72270	12FNL-S	CAP, TUBE END	83055	30682-6-6	HOSE END,FEMALE SWIVEL,JIC
73436	60C-4	SLEEVE,COMPRESSION	83056	30682-12-12	HOSE END,FEMALE SWIVEL,JIC
73437	61C-4	NUT,COMPRESSION	83057	33782-6-6	HOSE END,45° FEMALE SWIVEL,JIC
73438	33482-4-4B	HOSE END,PUSH LOK,MALE	83058	33982-6-6	HOSE END,90° FEMALE SWIVEL,JIC
73767	1CD-S	ELBOW,90°,MALE TO FEMALE PIPE	83060	33982-12-12	HOSE END,90° FEMALE SWIVEL,JIC
73768	20-16-F5OG5-S	ADAPTER,FEMALE PIPE TO STRAIGHT THREAD	83063	13743-4-4	HOSE END,45° FEMALE SWIVEL,JIC
73769	16-20 F5OLO-S	CONNECTOR,STRAIGHT THREAD TO ORFS			
74660	6-8 F42EDMLO-S	CONNECTOR,MALE BSPP TO ORFS			
74661	8-8 F42EDMLO-S	CONNECTOR,MALE BSPP TO ORFS			
75007	4 FLO-S	CONNECTOR,MALE PIPE TO ORFS			
75008	1/8 HP-S	PLUG,PIPE THREAD			
75014	1/2 HP-S	PLUG,PIPE THREAD			
75042	8 WELO-WLNL-S	UNION,90° BULKHEAD W/NUT,ORFS			
75043	3/4 FF-S	NIPPLE,PIPE			
75254	24 F5OHAO-S	UNION,STRAIGHT THREAD			
75255	12 F5OHAO-S	UNION,STRAIGHT THREAD			
75256	XV506P-24	BALL VALVE			
75574	4 WLNL-S	BULKHEAD LOCKNUT			
75612	8 WJLO-WLNL-S	RUN TEE, BULKHEAD,ORFS			
75613	12-8 F5OG5-S	ADAPTER,FEMALE PIPE TO STRAIGHT THREAD			
75614	8 CC5OLO-S	ELBOW,90° LONG,STRAIGHT THREAD TO ORFS			
75628	1JB43-4-4	HOSE END,BULKHEAD,SEAL LOK			

Fitting Cross References (Continued)

Genie PN	Parker PN	Description	Genie PN	Parker PN	Description
83064	13743-8-8	HOSE END,45° FEMALE SWIVEL,JIC	89449	6 WJLO-WLNL-S	RUN TEE, BULKHEAD,ORFS
83065	13743-12-12	HOSE END,45° FEMALE SWIVEL,JIC	89489	4 WJMLO-S	BRANCH TEE,BULKHEAD,ORFS
83066	13943-8-8	HOSE END,90° FEMALE SWIVEL,JIC	89551	1JB43-6-6	HOSE END,BULKHEAD,SEAL LOK
83067	14143-6-6	HOSE END,90° FEMALE SWIVEL,JIC	89552	1JB43-8-8	HOSE END,BULKHEAD,SEAL LOK
83068	14143-8-8	HOSE END,90° FEMALE SWIVEL,JIC	89593	20 C5OLO-S	ELBOW,90°,STRAIGHT THREAD TO ORFS
83069	14143-12-12	HOSE END,90° FEMALE SWIVEL,JIC	94161	8-8 CLO-S	ELBOW,90°,MALE PIPE TO ORFS
83070	772-8	HOSE,1/2 INCH ID	94358	351TC-12	HOSE,3/4 INCH ID
83071	10671-8-8	HOSE END,FEMALE SWIVEL,JIC	94418	20 FLO-S	CONNECTOR,MALE PIPE TO ORFS
83072	10671-12-12	HOSE END,FEMALE SWIVEL,JIC	96358	12 TX-S	SLEEVE,FLARE TUBE
83073	13771-8-8	HOSE END,45° FEMALE SWIVEL,JIC	96359	12 BTX-S	NUT,FLARE TUBE
83074	13771-12-12	HOSE END,45° FEMALE SWIVEL,JIC	96397	8 F5OX-S	CONNECTOR,STRAIGHT THREAD TO FLARE TUBE
83075	13971-8-8	HOSE END,90° FEMALE SWIVEL,JIC	96398	12-8 F5OX-S	CONNECTOR,STRAIGHT THREAD TO FLARE TUBE
83076	13971-12-12	HOSE END,90° FEMALE SWIVEL,JIC	96402	10343-6-6	HOSE END,MALE,JIC
83077	14171-8-8	HOSE END,90° FEMALE SWIVEL,JIC	96407	30382-6-6B	HOSE END,MALE,JIC
83078	14171-12-12	HOSE END,90° FEMALE SWIVEL,JIC			
83080	13943-16-16	HOSE END,90° FEMALE SWIVEL,JIC			
83103	10671-16-12	HOSE END,FEMALE SWIVEL,JIC			
83104	10671-10-12	HOSE END,FEMALE SWIVEL,JIC			
83112	1JC71-8-8	HOSE END,FEMALE SWIVEL,SEAL LOK			
83113	1JS71-16-12	HOSE END,FEMALE SWIVEL,SEAL LOK			
83114	1JS71-10-12	HOSE END,FEMALE SWIVEL,SEAL LOK			
83115	1J971-8-8	HOSE END,90° FEMALE SWIVEL,SEAL LOK			
83116	1J171-8-8	HOSE END,90° FEMALE SWIVEL,SEAL LOK			
83117	1J771-8-8	HOSE END,45° FEMALE SWIVEL,SEAL LOK			
83127	1J543-6-8	HOSE END,90° FEMALE SWIVEL,JIC			
83128	1JC43-6-8	HOSE END,FEMALE SWIVEL,SEAL LOK			
87033	12-6 TRLO-S	REDUCER,TUBE END TO SWIVEL,ORFS			
87034	3J782-8-8	HOSE END,45° FEMALE SWIVEL,SEAL LOK			
87172	12 HP5ON-S	PLUG,STRAIGHT THREAD			
87185	8 WNLO-WLNL-S	UNION,BULKHEAD 45°,ORFS			
87246	4 C6X-S	ELBOW,90°,SWIVEL NUT TO FLARE TUBE			
87679	6 LHP-S	FLANGE SEAL FITTING, MALE			
87681	6PLS N0702	BONDED SEAL			
88100	SR88100	ADAPTER,OIL DRAIN,GM 3.0L			
88311	1JS43-20-20	HOSE END,FEMALE SWIVEL,SEAL LOK			
88353	20 V5OLO-S	ELBOW,45°,STRAIGHT THREAD TO ORFS			
88474	10081-20	Crimp Shell, 1.25"			
88475	1988-20-24	HOSE END,90° FLANGE HEAD			
88476	JS88-24-24	HOSE END,FEMALE SWIVEL,SEAL LOK			
88477	1JC88-20-20	HOSE END,FEMALE SWIVEL,SEAL LOK			
88478	811-20	HOSE,11/4 INCH ID			
88936	20-16 F5OLO-S	CONNECTOR,STRAIGHT THREAD TO ORFS			
88937	20-16 FLO-S	CONNECTOR,MALE PIPE TO ORFS			
88938	1JC88-16-16	HOSE END,FEMALE SWIVEL,SEAL LOK			
88939	1J988-16-16	HOSE END,90° FEMALE SWIVEL,ORFS			
88940	811-16	HOSE,1 INCH ID			
88944	1J988-20-20	HOSE END,90° FEMALE SWIVEL,ORFS			
89403	16 VLO-S	ELBOW,45°,MALE PIPE TO ORFS			

California Proposition 65



Operating, servicing and maintaining this equipment can expose you to chemicals including engine exhaust, carbon monoxide, phthalates, and lead, which are known to the State of California to cause cancer and birth defects or other reproductive harm. These chemicals can be emitted from or contained in other various parts and systems, fluids and some component wear by-products. To minimize exposure, avoid breathing exhaust, do not idle the engine except as necessary, service your equipment and vehicle in a well-ventilated area and wear gloves or wash your hands frequently when servicing your equipment or vehicle and after operation. For more information go to www.P65Warnings.ca.gov/passenger-vehicle.

Breathing diesel engine exhaust exposes you to chemicals known to the State of California to cause cancer and birth defects or other reproductive harm.

- Always start and operate the engine in a well-ventilated area.
- If in an enclosed area, vent the exhaust to the outside.
- Do not modify or tamper with the exhaust system.
- Do not idle the engine except as necessary.

For more information go to

www.P65warnings.ca.gov/diesel.

Distributed By:

www.P65Warnings.ca.gov to order your parts

PARTS FINDER

**Search Website
by Part Number**



**Search Manual
Library For Parts
Manual & Lookup Part
Numbers – Purchase
or Request Quote**

Search Manuals

Enter your information to search for a manual or to purchase a manual or parts.

* Brand:

* Model:

* Serial:

* Part Number:

SEARCH

**Can't Find Part or
Manual? Request Help
by Manufacturer,
Model & Description**

Parts Order Form

Please fill in the information below to request help finding a part or manual.

Manufacturer:

Model:

Description:

Quantity:

Part Number:

Part Name:

Part Description:

Part Category:

Part Location:

Part Status:

Part Condition:

Part Material:

Part Color:

Part Weight:

Part Dimensions:

Part Price:

Part Availability:

Part Lead Time:

Part Notes:

Submit

Discount-Equipment.com is your online resource for quality parts & equipment.

Florida: **561-964-4949** Outside Florida TOLL FREE: **877-690-3101**

Need parts?

Click on this link: <http://www.discount-equipment.com/category/5443-parts/> and choose one of the options to help get the right parts and equipment you are looking for. Please have the machine model and serial number available in order to help us get you the correct parts. If you don't find the part on the website or on one of the online manuals, please fill out the request form and one of our experienced staff members will get back to you with a quote for the right part that your machine needs.

We sell worldwide for the brands: Genie, Terex, JLG, MultiQuip, Mikasa, Essick, Whiteman, Mayco, Toro Stone, Diamond Products, Generac Magnum, Airman, Haulotte, Barreto, Power Blanket, Nifty Lift, Atlas Copco, Chicago Pneumatic, Allmand, Miller Curber, Skyjack, Lull, Skytrak, Tsurumi, Husquvarna Target, Stow, Wacker, Sakai, Mi-T-M, Sullair, Basic, Dynapac, MBW, Weber, Bartell, Bennar Newman, Haulotte, Ditch Runner, Menegotti, Morrison, Contec, Buddy, Crown, Edco, Wyco, Bomag, Laymor, EZ Trench, Bil-Jax, F.S. Curtis, Gehl Pavers, Heli, Honda, ICS/PowerGrit, IHI, Partner, Imer, Clipper, MMD, Koshin, Rice, CH&E, General Equipment, Amida, Coleman, NAC, Gradall, Square Shooter, Kent, Stanley, Tamco, Toku, Hatz, Kohler, Robin, Wisconsin, Northrock, Oztec, Toker TK, Rol-Air, APT, Wylie, Ingersoll Rand / Doosan, Innovatech, Con X, Ammann, Mecalac, Makinex, Smith Surface Prep, Small Line, Wanco, Yanmar