



A TEREX BRAND



Parts Manual

Serial Number Range

GS-2668 DC

to SN GS68-41317

GS-3268 DC

Part No. 62110

Rev E3

November 2018

Go to Discount-Equipment.com to order your parts

PARTS FINDER

**Search Website
by Part Number**



**Search Manual
Library For Parts
Manual & Lookup Part
Numbers – Purchase
or Request Quote**

Search Manuals

Enter your information to help us find the right parts manual for your machine.

* Brand:

* Model:

* Serial:

* Part Number:

SEARCH

**Can't Find Part or
Manual? Request Help
by Manufacturer,
Model & Description**

Parts Order Form

Please fill in the following information to help us find the right part for your machine.

MANUFACTURER:

MODEL:

DESCRIPTION:

DATE:

TIME:

PHONE:

EMAIL:

ADDRESS:

CITY:

STATE:

ZIP:

SEARCH

Discount-Equipment.com is your online resource for quality parts & equipment.

Florida: **561-964-4949** Outside Florida TOLL FREE: **877-690-3101**

Need parts?

Click on this link: <http://www.discount-equipment.com/category/5443-parts/> and choose one of the options to help get the right parts and equipment you are looking for. Please have the machine model and serial number available in order to help us get you the correct parts. If you don't find the part on the website or on one of the online manuals, please fill out the request form and one of our experienced staff members will get back to you with a quote for the right part that your machine needs.

We sell worldwide for the brands: Genie, Terex, JLG, MultiQuip, Mikasa, Essick, Whiteman, Mayco, Toro Stone, Diamond Products, Generac Magnum, Airman, Haulotte, Barreto, Power Blanket, Nifty Lift, Atlas Copco, Chicago Pneumatic, Allmand, Miller Curber, Skyjack, Lull, Skytrak, Tsurumi, Husquvarna Target, Stow, Wacker, Sakai, Mi-T-M, Sullair, Basic, Dynapac, MBW, Weber, Bartell, Bennar Newman, Haulotte, Ditch Runner, Menegotti, Morrison, Contec, Buddy, Crown, Edco, Wyco, Bomag, Laymor, EZ Trench, Bil-Jax, F.S. Curtis, Gehl Pavers, Heli, Honda, ICS/PowerGrit, IHI, Partner, Imer, Clipper, MMD, Koshin, Rice, CH&E, General Equipment, Amida, Coleman, NAC, Gradall, Square Shooter, Kent, Stanley, Tamco, Toku, Hatz, Kohler, Robin, Wisconsin, Northrock, Oztec, Toker TK, Rol-Air, APT, Wylie, Ingersoll Rand / Doosan, Innovatech, Con X, Ammann, Mecalac, Makinex, Smith Surface Prep, Small Line, Wanco, Yanmar



Model: GS-2668
Serial number: GS68-40771
Model year: 2001 **Manufacture date:** 06/06/01
Electrical schematic number: Es0132
Machine unladen weight: 6, 617 lbs / 3,001 kg
Rated work load (including occupants):
1250 lbs / 567 kg
Maximum allowable inclination of the chassis:
2° (Side) 3° (Front) 5° (Rear)
Outriggers retracted:
Position 28

Gradeability:

Maximum allowable side force: 200 lb / 890 N

Maximum number of platform occupants: 4

This machine complies with:

ANSI A92.6
CAN3-B354.2



P/N 77055

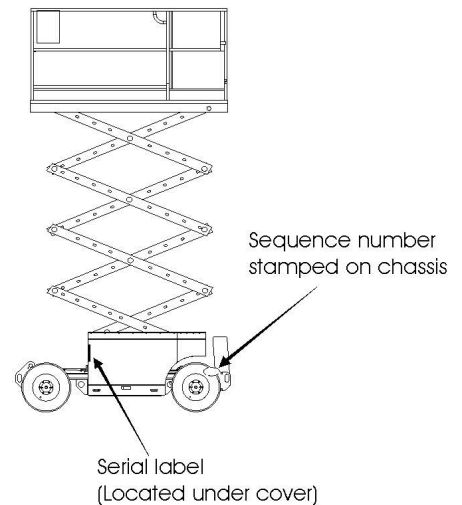
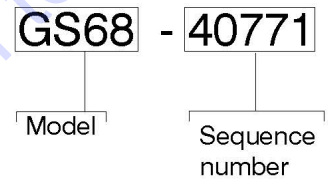


Table of Contents

This manual is updated frequently. For the most up-to-date parts information, visit www.discount-equipment.com

How to Read Your Serial Number.....	3
Parts Stocking List.....	7

Electronic Version

Click on any page number to view the figure.

100 Decals

101.1 Decals, GS-2668.....	10
102.1 Decals, GS-3268.....	12

200 Drive Chassis Components

201.1 Steer Axle Linkage, Wheels and Drive Motors.....	14
202.1 Non-Steer Axle and Drive Motors.....	16

300 Chassis Components

301.1 Hydraulic Tank and Ground Controls Installation.....	18
302.1 Hydraulic Module Components.....	20
303.1 Ground Controls.....	22
304.1 Function Manifold.....	24
305.1 Hydraulic Power Unit.....	26
306.1 Battery Charger.....	28
306.2 Battery Charger Detail.....	30
307.1 Battery Pack Module Installation.....	32
308.1 Battery Pack Module Components.....	34
309.1 Chassis Covers.....	36
310.1 Hydraulic Hoses and Fittings.....	38
311.1 Power Cables - Drive Chassis.....	42

400 Scissor Components

401.1 Scissor Components, View 1.....	44
402.1 Scissor Components, View 2.....	46
403.1 Scissor Components, View 1.....	48
404.1 Scissor Components, View 2.....	50

500 Platform Components

501.1 Platform Installation.....	52
502.1 Platform Railings.....	54

503.1 Platform Entry Gate.....	56
504.1 Platform Extension.....	58
505.1 Platform Extension Deck Lock.....	60
506.1 Power to Platform.....	62
507.1 Platform Controls.....	64
508.1 Joystick Controller.....	66

600 Link Guard Components

601.1 Wire Mesh - Link Guard Installation, View 1.....	68
602.1 Wire Mesh - Link Guard Installation, View 2.....	70
603.1 Wire Mesh - Link Guard Installation, View 3.....	72
604.1 Wire Mesh - Link Guard Installation, View 4.....	74
605.1 Wire Mesh - Link Guard Installation, View 5.....	76
606.1 Rigid Link Guard Assembly, View 1.....	78
607.1 Rigid Link Guard Assembly, View 2.....	80
608.1 Rigid Link Guard Assembly, View 3.....	82
609.1 Steel Panel Link Guard Assembly.....	84

700 Accessories

701.1 Flashing Beacon.....	86
702.1 Platform Work Light.....	88
703.1 Pipe Cradle Assembly.....	90
704.1 Platform Overload Sensor.....	92
705.1 Inverter Installation.....	94

Indices

Part Number Index.....	96
Part Description Index.....	99

Cross References

Fittings Cross Reference.....	104
-------------------------------	-----

Required Parts

The following parts are required to perform maintenance procedures as outlined in the *Genie GS-2668 DC and GS-3268 DC Service Manual*.

Description	Part No.
Dielectric Grease	66399
Filter Element, 10 Micron.....	131323
O-ring Kit	
(for O-ring Face Seal Fitting)	49612
Plug and Cap Kit	
(for O-ring Face Seals)	49613

Recommended Parts

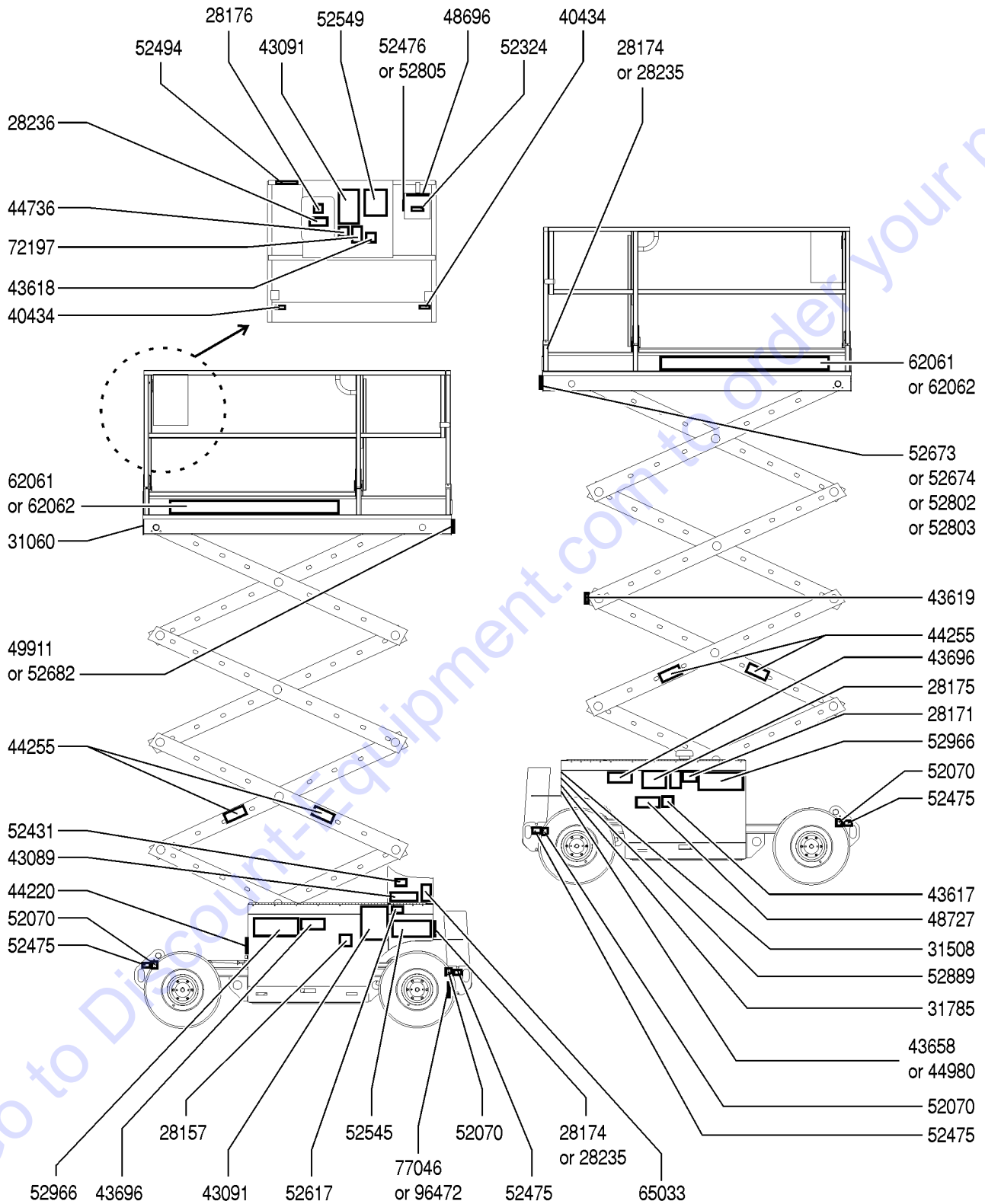
Description	Part No.
Genie Blue Paint, 1 Gallon	32150
Genie Blue Paint, 12 Ounce Aerosol.....	1484
Genie Gray Paint, 1 Gallon.....	32151
Genie Gray Paint, 12 Ounce Aerosol	1268

Genie also offers the following support documents:

EMI Safety Manual	27581
Manual of Responsibilities ANSI A92.5	44163

Go to Discount-Equipment.com to order your parts

101.1 Decals, GS-2668

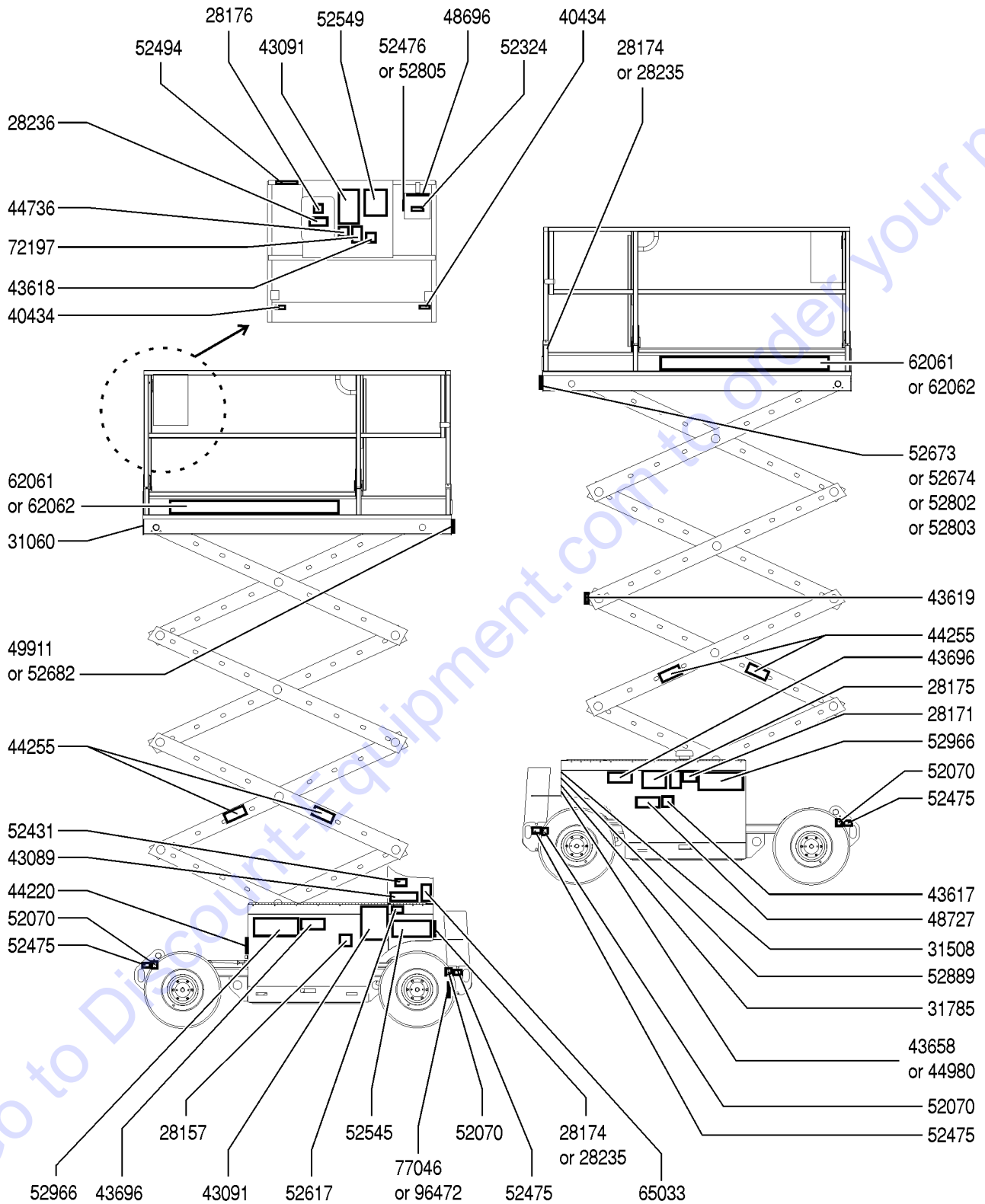


101.1 Decals, GS-2668

Item	Part No.	Description	Qty.	Item	Part No.	Description	Qty.
--	84199GT	DECAL KIT,SAFETY INSTR,GS68 <i>(includes items 3, 4, 6, 7, 9-11, 13, 15-18, 20, 22, 23, 26, 28, 30, 31, and 33)</i>		30	52431GT	DECAL,LABEL,GROUND CONTROL PNL.....	1
1	25994GT	DECAL,NOTICE,SHUTOFF VALVES.....	1	31	52475GT	DECAL,LABEL,TRANSPORT TIEDOWN*.....	4
2	28157GT	DECAL,USE DEXRON***.....	1	32	52476GT	DECAL,NOTICE,PLAT EXT CUTOUT.....	1
3	28164GT	DECAL,NOTICE,HAZARDOUS MAT'LS*.....	1	33	52494GT	DECAL,CAUTION,CRUSH HAZ, RAILS.....	1
4	28171GT	DECAL,DANGER,NO SMOKING ***.....	1	34	52545GT	DECAL,GROUND CONTROL PANEL.....	1
5	28174GT	DECAL, POWER TO PLATFORM 230V**.....	2	35	52549GT	DECAL,NOTICE,PLATFORM OPER INS.....	1
6	28175GT	DECAL,WARNING-COMPART ACCESS.....	1	36	52617GT	DECAL, MANUAL LOWERING VALVE.....	1
7	28176GT	DECAL,LABEL,MANUAL NOT HERE.....	1	37	52673GT	DECAL,NOTICE,SIDE FRC,2668ANSI...1	1
8	28235GT	DECAL,POWER TO PLATFORM 115V...2	2	38	52674GT	DECAL,NOTICE,SIDE FRC,2668,AUS...1	1
9	28236GT	DECAL,WARN,IMPROPER OPERATION.....	1	39	52889GT	DECAL,NOTICE,BATTERY CONN DIAG.....	1
10	31060GT	DECAL,DANGER DO NOT ALTER SWTC.....	2	40	52966GT	DECAL,COSMETIC,4 X 2.....	2
11	31508GT	DECAL,DANGER,ELECT HAZARD,PLUG.....	1	41	62061GT	DECAL,COSMETIC,GENIE GS-2668DC.....	2
12	31785GT	DECAL,NOTICE,CHARGER INSTRUC...1	1	42	65053GT	DECAL,LABEL,FAULT CODES.....	1
12	31785JAGT	DECAL,NOTICE,CHARGER INSTRUC <i>(japanese)</i>	1	43	72197GT	DECAL,DANGER,OUTRIGGER SAFETY.....	1
13	40434GT	DECAL,LANYARD ANCHORAGE POINT.....	2	44	77046GT	SERIAL # LABEL,MYLAR 4X8***.....	1
14	43089GT	DECAL,INSTRUCTIONS-OPER,GCP.....	1	45	96472GT	SERIAL # LABEL,SCISSORS*****.....	1
15	43091GT	DECAL,DANGER,GENERAL SAFETY...2	2				
16	43617GT	DECAL,DANGER,TIP-OVER,BATTERY..1	1				
17	43618GT	DECAL, LABEL - DIRECTION ARROWS.....	2				
18	43619GT	DECAL,LABEL,SAFETY ARM.....	1				
19	43658GT	DECAL,LABEL,PWR TO CHARGR 230V.....	1				
20	43696GT	DECAL,DANGER,ELEC HAZARD,GS....2	2				
21	44220GT	DECAL,DANGER,BRAKE REL SAFETY*.....	1				
22	44255GT	DECAL,DANGER,CRUSHING HAZARD.....	4				
23	44736GT	DECAL,DANGER,TIP-OVER,TILT.....	1				
24	44980GT	DECAL,LABEL,PWR TO CHARGR 115V.....	1				
25	48696GT	PLAT CONTROL PANEL.....	1				
26	48727GT	DECAL, DNGER, BATTERY SAFETY....1	1				
27	49911GT	DECAL,NOTICE,MAX CAP 1250.....	1				
28	52070GT	DECAL,NOTICE,TIRE SPECS.....	4				
29	52324GT	DECAL,LABEL,UP/DOWN & FNCTN EN.....	1				



102.1 Decals, GS-3268

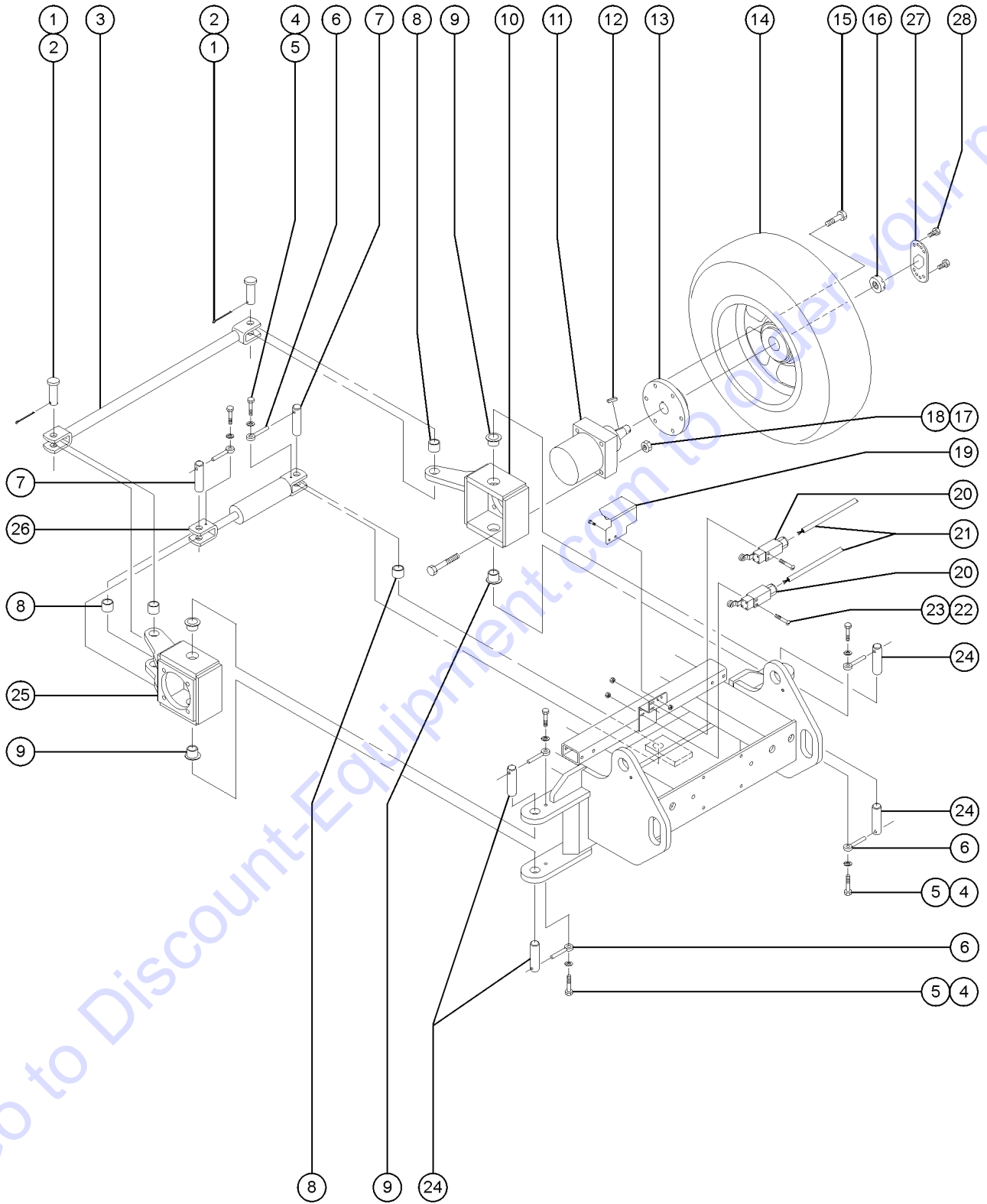


102.1 Decals, GS-3268

Item	Part No.	Description	Qty.	Item	Part No.	Description	Qty.
--	84199GT	DECAL KIT,SAFETY INSTR,GS68 <i>(includes items 4, 6, 7, 9-11, 13, 15-18, 20, 22, 23, 26, 27, and 29-31)</i>		30	52475GT	DECAL,LABEL,TRANSPORT TIEDOWN*.....	4
1	25994GT	DECAL,NOTICE,SHUTOFF VALVES.....	1	31	52494GT	DECAL,CAUTION,CRUSH HAZ, RAILS.....	1
2	28157GT	DECAL,USE DEXRON***.....	1	32	52545GT	DECAL,GROUND CONTROL PANEL.....	1
3	28164GT	DECAL,NOTICE,HAZARDOUS MAT'LS*.....	1	33	52549GT	DECAL,NOTICE,PLATFORM OPER INS.....	1
4	28171GT	DECAL,DANGER,NO SMOKING ***.....	1	34	52617GT	DECAL, MANUAL LOWERING VALVE....	1
5	28174GT	DECAL, POWER TO PLATFORM 230V**.....	2	35	52682GT	DECAL,NOTICE,MAX CAP 1000/300....	1
6	28175GT	DECAL,WARNING-COMPART ACCESS.....	1	36	52802GT	DECAL,NOTICE,SIDE FRC,3268ANSI... <i>ANSI and CSA models</i>	1
7	28176GT	DECAL,LABEL,MANUAL NOT HERE.....	1	37	52803GT	DECAL,NOTICE,SIDE FRC,3268,AUS.... <i>CE models</i>	1
8	28235GT	DECAL,POWER TO PLATFORM 115V...2		38	52805GT	DECAL,NOTICE,PLAT EXT CUTOUT.....	1
9	28236GT	DECAL,WARN,IMPROPER OPERATION.....	1	39	52889GT	DECAL,NOTICE,BATTERY CONN DIAG.....	1
10	31060GT	DECAL,DANGER DO NOT ALTER SWTC.....	2	40	52966GT	DECAL,COSMETIC,4 X 2.....	2
11	31508GT	DECAL,DANGER,ELECT HAZARD,PLUG.....	1	41	62062GT	DECAL,COSMETIC,GENIE GS-3268DC.....	2
12	31785GT	DECAL,NOTICE,CHARGER INSTRUC...1		42	65053GT	DECAL,LABEL,FAULT CODES.....	1
12	31785JAGT	DECAL,NOTICE,CHARGER INSTRUC <i>(japanese)</i>		43	72197GT	DECAL,DANGER,OUTRIGGER SAFETY.....	1
13	40434GT	DECAL,LANYARD ANCHORAGE POINT.....	2	44	77046GT	SERIAL # LABEL,MYLAR 4X8***..... <i>ANSI and CSA models</i>	1
14	43089GT	DECAL,INSTRUCTIONS-OPER,GCP.....	1	45	96472GT	SERIAL # LABEL,SCISSORS*****..... <i>CE models</i>	1
15	43091GT	DECAL,DANGER,GENERAL SAFETY...2					
16	43617GT	DECAL,DANGER,TIP-OVER,BATTERY..1					
17	43618GT	DECAL, LABEL - DIRECTION ARROWS.....	2				
18	43619GT	DECAL,LABEL,SAFETY ARM.....	1				
19	43658GT	DECAL,LABEL,PWR TO CHARGR 230V.....	1				
20	43696GT	DECAL,DANGER,ELEC HAZARD,GS....2					
21	44220GT	DECAL,DANGER,BRAKE REL SAFETY*.....	1				
22	44255GT	DECAL,DANGER,CRUSHING HAZARD.....	4				
23	44736GT	DECAL,DANGER,TIP-OVER,TILT.....	1				
24	44980GT	DECAL,LABEL,PWR TO CHARGR 115V.....	1				
25	48696GT	PLAT CONTROL PANEL.....	1				
26	48727GT	DECAL, DNGER, BATTERY SAFETY....1					
27	52070GT	DECAL,NOTICE,TIRE SPECS.....	4				
28	52324GT	DECAL,LABEL,UP/DOWN & FNCTN EN.....	1				
29	52431GT	DECAL,LABEL,GROUND CONTROL PNL.....	1				



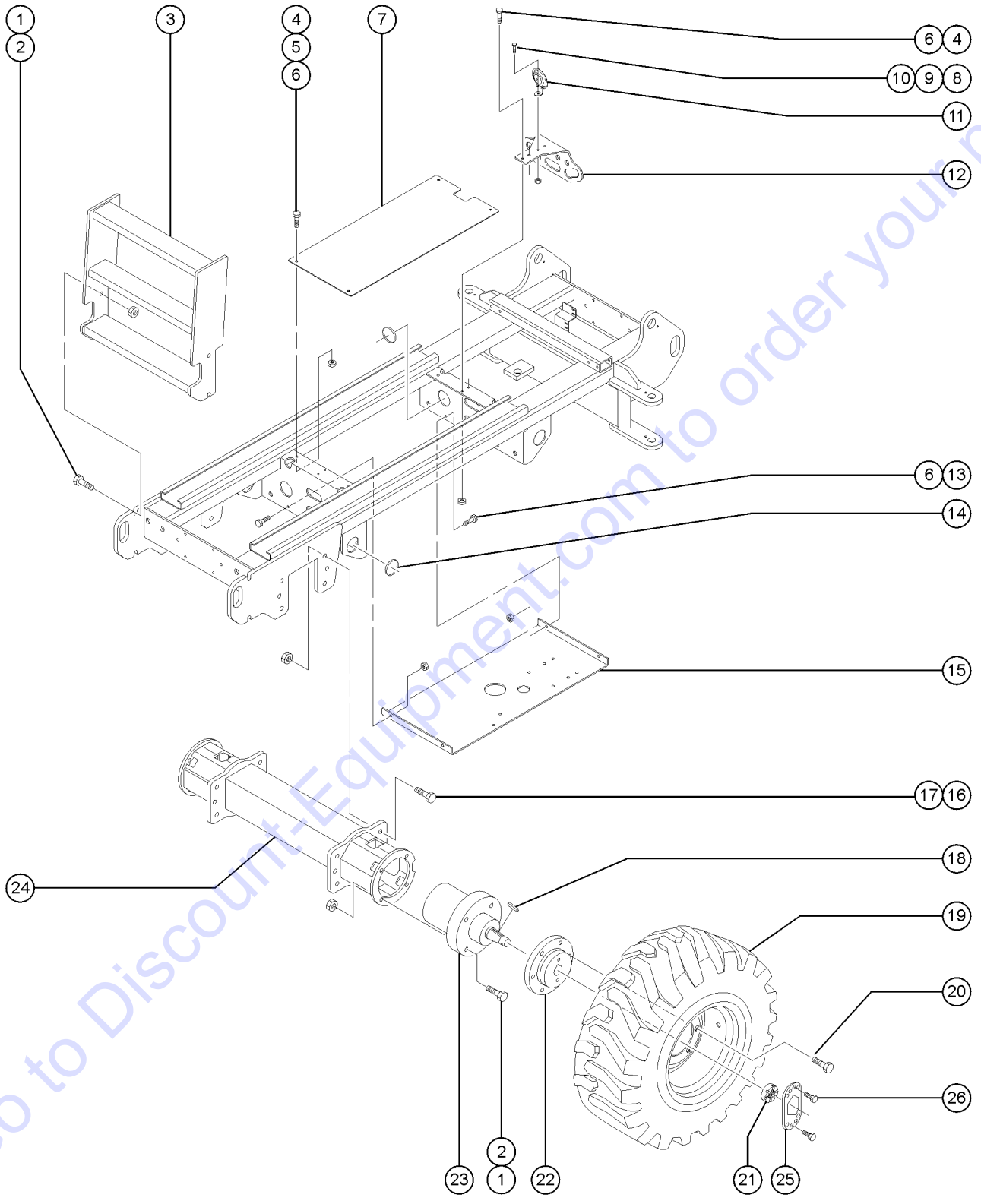
201.1 Steer Axle Linkage, Wheels and Drive Motors



201.1 Steer Axle Linkage, Wheels and Drive Motors

Item	Part No.	Description	Qty.	Item	Part No.	Description	Qty.
1	19440GT	PIN,CLEVIS,1 X 2.5 LG.....	2	26	89065GT	CYLINDER,STEER***.....	1
2	5361GT	PIN,COTTER,.125 X 1.5.....	2			<i>to SN 14810</i>	
3	47282GT	WELDMENT,TIEROD.....	1	--	32673GT	SEAL KIT (CYL PN 30585).....	1
4	6019GT	SCREW,HHC,3/8-16 X 1.25 GRD 5.....	6			<i>to SN 14810</i>	
5	6021GT	WASHER,LOCK,.375.....	8	--	59076GT	SEAL KIT,2.0" BORE CYLINDERS**.....	1
6	1255452GT	ROD END,.375 X 2.25,ZAG.....	6			<i>from SN 14811</i>	
7A	30734GT	PIN,1.00DIA X 2.88LG,1HOLE.....	2	--	89065GT	CYLINDER,STEER***.....	1
		<i>to SN 14810</i>				<i>from SN 33411</i>	
7B	55745GT	PIN,1.00DIA X 3.25LG,1HOLE.....	1	27	T109085GT	PLATE, CASTLE NUT LOCK.....	2
		<i>from SN 14811 (barrel end of cylinder)</i>		28	8255GT	SCREW,HHC,3/8-16 X .75.....	4
--	30734GT	PIN,1.00DIA X 2.88LG,1HOLE.....	1				
		<i>from SN 14811 (rod end of cylinder)</i>					
8	51474GT	BEARING,1.00IDX1.25ODX0.75L.....	3				
9	148337GT	BEARING,BRZ,FL,1.25IDX1.5OD.....	4				
10	52390GT	YOKE ASSY,GRD CTRL SIDE, GS68.....	1				
		<i>includes 2 each item 9 and 1 each item 8</i>					
11	51410GT	MOTOR,32.7 CU.IN.,HYD. DRV.....	2				
		<i>includes 1 each index numbers 12 and 16</i>					
--	44782GT	SEAL KIT,DR MTR.GS15/19,Z20***.....	2				
--	44783GT	BEARING,DRIVE MOTOR GS15/19.....	2				
--	72281GT	SHAFT,MOTOR (51410)***.....	2				
--	72289GT	DRIVE LINK (51410).....	2				
--	84073GT	SERVICE KIT,MOTOR.....	2				
		<i>to SN 40877</i>					
12	44781GT	KEY,RECTANGULAR,.31X.28X1.25**.....	2				
13	47312GT	ADAPTER,WHEEL,GS68/GS69.....	2				
14	51201GT	GS68 TIRES,FF,RT.....	2				
		<i>shown</i>					
--	51805GT	WHEEL/TIRE ASSY,FOAM FILL					
		<i>turf tire</i>					
--	71547GT	TIRE & WHEEL ASSY,NON-MARKING					
15	148426GT	LUG BOLT,45 DEG,1/2-20 UNF.....	12				
16	44780GT	NUT,CASTLE,1.125-18 UNEF.....	2				
17	6198GT	NUT,NYLOCK,1/2-13.....	8				
18	8220GT	SCREW,HHC,1/2-13 X 4.....	8				
19	64011GT	BRACKET, LIMIT SWITCH COVER.....	1				
20	96948GT	SWITCH,LIMIT,W/ROLLER ARM***.....	2				
--	19491GT	CONTACTOR,LIMIT SWITCH.....	2				
--	97128GT	ROLLER ARM,LIMIT SWITCH***.....	2				
21	39907GT	WIRE CABLE,18/2 SJO,BULK...54-inches					
22	51063GT	SCREW,PHILLIPS,RHM,10-32 X 1.5....	4				
23	6889GT	NUT,LP NYLOCK,1/4-20.....	4				
24	47376GT	PIN,1.25DIA X 2.75LG,1HOLE.....	4				
25	52391GT	YOKE ASSY,ENGINE/BAT					
		<i>SIDE,GS68.....</i>	<i>1</i>				
		<i>includes 2 each items 8 and 9</i>					

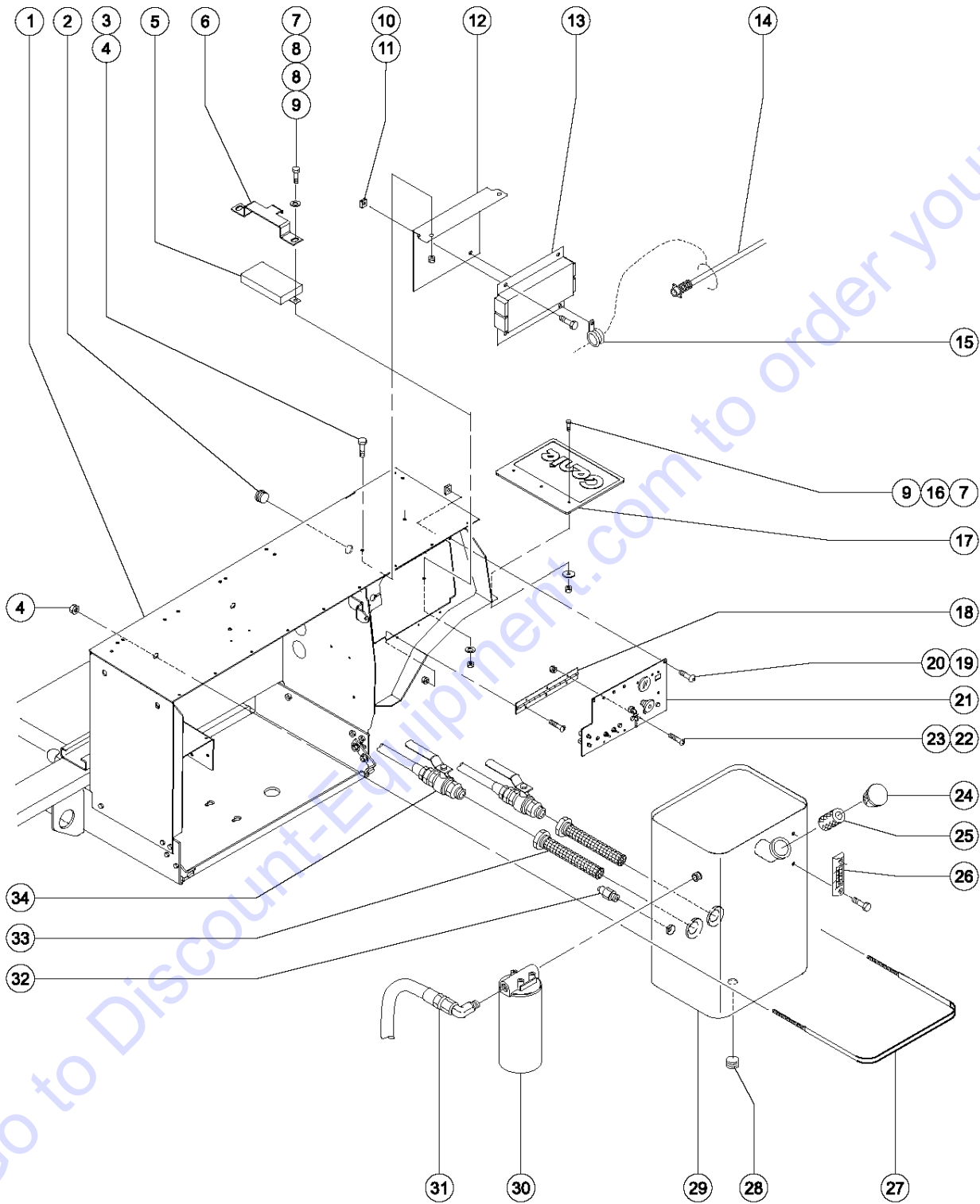
202.1 Non-Steer Axle and Drive Motors



202.1 Non-Steer Axle and Drive Motors

Item	Part No.	Description	Qty.	Item	Part No.	Description	Qty.
1	20654GT	SCREW,SHC,5/8-11 X 3.50,A574.....12 <i>Outrigger models only</i>	12	25	T109085GT	PLATE, CASTLE NUT LOCK.....2	2
1	51131GT	SCREW,HHC,5/8-11 X 2.5.....12	12	26	8255GT	SCREW,HHC,3/8-16 X .75.....4	4
2	6024GT	NUT,NYLOCK,5/8-11.....12	12				
3	47310PGT	WELDMENT,LADDER,PAINTED,GS68...1 <i>shown</i>	1				
3	55393-SGT	WELDMENT,LADDER, GS3268.....1	1				
4	6175GT	SCREW,HHC,3/8-16 X 1.....8	8				
5	5397GT	WASHER,FLAT,USS,5/16",Y.....8	8				
6	4828GT	NUT,NYLOCK,3/8-16.....10	10				
7	62217-SGT	HOSE COVER PLATE W/ DECAL,GS68.....1	1				
8	6090GT	SCREW,HHC,1/4-20 X .75.....1	1				
9	6638GT	WASHER,FLAT,USS,1/4"Y.....1	1				
10	6889GT	NUT,LP NYLOCK,1/4-20.....1	1				
11	81579GT	HORN,24VDC,SPADE TERMINALS***...1	1				
12	55389-SGT	FORMING, STEER HOSE BRCKT,GS68.....1	1				
13	6019GT	SCREW,HHC,3/8-16 X 1.25 GRD 5.....4	4				
14	46436GT	GROMMET,RUBBER 2.5 X .25 X2.75....8	8				
15	51059PGT	PLATE,HOSE GUARD,PAINTED.....1	1				
16	51428GT	SCREW,HHC,3/4-10 X 2.75.....12	12				
17	10258GT	NUT,NYLOCK,3/4-10,GRD.2.....12	12				
18	44781GT	KEY,RECTANGULAR,.31X.28X1.25**....2	2				
19	51201GT	GS68 TIRES,FF,RT.....2 <i>shown</i>	2				
19	51805GT	WHEEL/TIRE ASSY,FOAM FILL.....2 <i>turf tire</i>	2				
19	71547GT	TIRE & WHEEL ASSY,NON-MARKING.....2	2				
--	51805GT	WHEEL/TIRE ASSY,FOAM FILL <i>turf tire</i>					
--	71547GT	TIRE & WHEEL ASSY,NON-MARKING					
20	148426GT	LUG BOLT,45 DEG,1/2-20 UNF.....12	12				
21	44780GT	NUT,CASTLE,1.125-18 UNEF.....2	2				
22	47312GT	ADAPTER,WHEEL,GS68/GS69.....2	2				
23	47492GT	BRAKE,WHEEL MOUNTED,15400 INLB.....2	2				
23	52395GT	SEAL KIT,DRIVE/BRAKE MTR.2668.....2	2				
23	58255GT	SHAFT, MOTOR.....2	2				
23	62205GT	BEARING,BRAKE MOTOR, GS68DC....2	2				
--	52395GT	SEAL KIT,DRIVE/BRAKE MTR.2668.....2	2				
--	58255GT	SHAFT, MOTOR.....2	2				
--	62205GT	BEARING,BRAKE MOTOR, GS68DC....2	2				
24	47974PGT	WELDMENT,REAR AXLE WHITE BRAKE.....1	1				

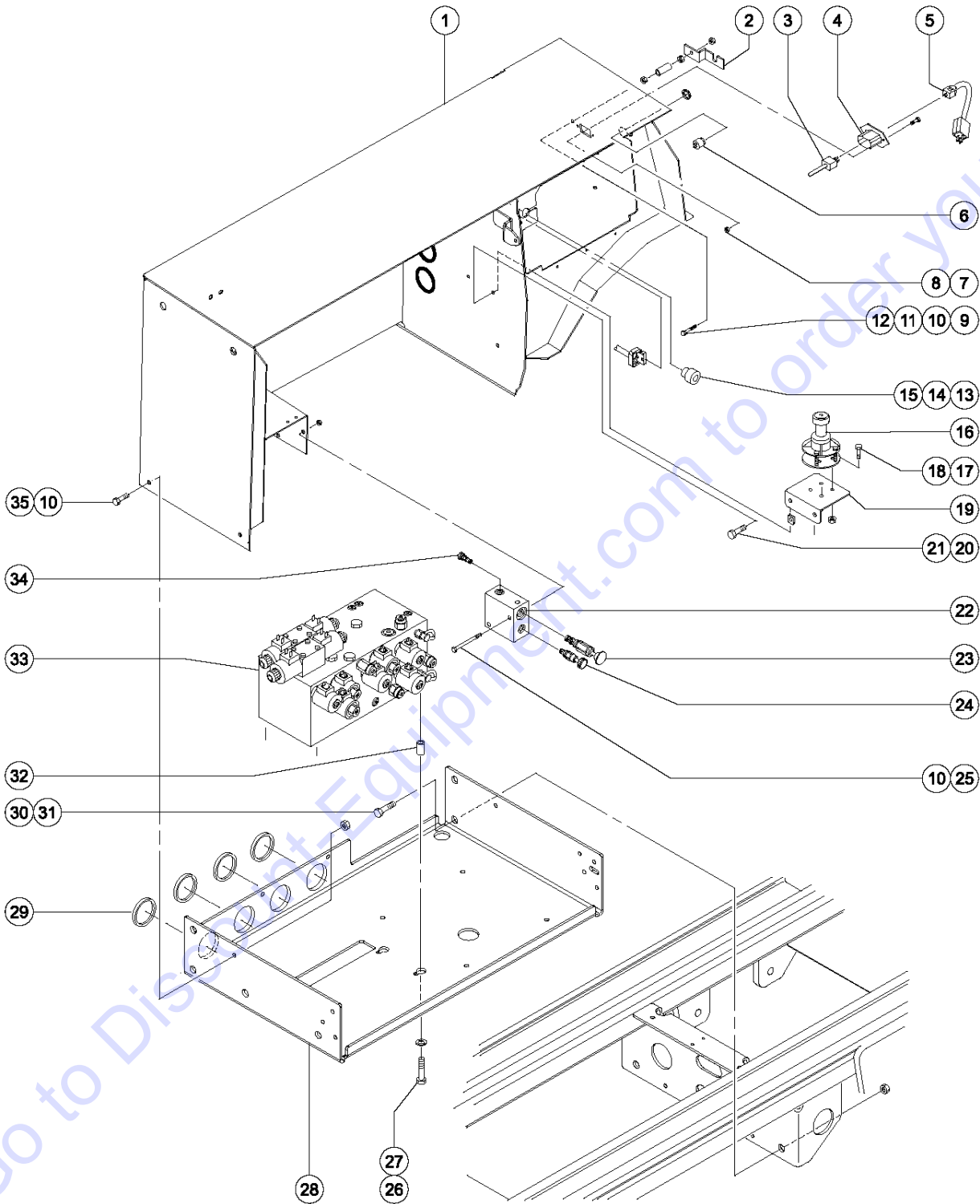
301.1 Hydraulic Tank and Ground Controls Installation



301.1 Hydraulic Tank and Ground Controls Installation

Item	Part No.	Description	Qty.	Item	Part No.	Description	Qty.
1	52469GT	HYDRAULIC TRAY MODULE,GS68.....	1	31		Ref. Hydraulic Hoses and Fittings (refer to Figure 4-H or Figure 4-I).....	1
2	39540GT	ALARM,STEADY TONE***.....	1	32	48922GT	CONN,520102-6-6.....	1
--	72326GT	NUT - PLASTIC,RING FOR ALARMS.....	1	33	45161GT	STRAINER ASSEMBLY,1.5" NPT.....	2
3	6175GT	SCREW,HHC,3/8-16 X 1.....	2	34	48994GT	VALVE,BALL,16 MPT-16 FPT***.....	2
4	4828GT	NUT,NYLOCK,3/8-16.....	8				
5	55396GT	12V,SYSTEM,E-DOWN GS68.....	1				
6	71528GT	BRACKET, E-DOWN BATTERY MOUNT.....	1				
7	6090GT	SCREW,HHC,1/4-20 X .75.....	5				
8	6638GT	WASHER,FLAT,USS,1/4"Y.....	2				
9	6091GT	NUT,NYLOCK,1/4-20.....	5				
10	56912GT	SPRING CLIP,1/4-20,.025-.15X.54,ZAG.....	2				
11	8914GT	SCREW,HHC,1/4-20 X .625.....	2				
12	51612PGT	FORMING,ECU BRACKET,GS68RT.....	1				
13	1255783GT	ELECTRONIC CONTRL UNIT GS/RT G1.....	1				
13	51169GT	J1 HARNESS,MANIFOLD GS68*.....	1				
		<i>(sold seperately)</i>					
14	64258GT	WIRE ASSY,CHASSIS CONTROL PIGT					
15	18666GT	CLAMP,1.00,#16 X 1/4,RUB CUSH.....	1				
16	12906GT	WASHER,FENDER,.25 X 1.25 X.062.....	3				
17		MUD FLAP <i>component no longer available</i>					
18	46431GT	HINGE,GRND CONT CVR, TMZ34.....	1				
19	6878GT	BOLT,CARRIAGE,1/4-20 X .75,G2.....	2				
20	29868GT	SPRING CLIP,3/8-16,.05-.20X.73,ZAG....	2				
21		Ref. Ground Controls (refer to Figure 3-C).....	2				
22	55906GT	SCREW,PHILLIPS,PHM,8-32 X .5.....	6				
23	18605GT	NUT,NYLOCK,8-32.....	6				
24	52464GT	BREATHER CAP ASSY.....	1				
25	31506GT	STRAINER,FILLER NECK.....	1				
26	21141GT	GAUGE-SIGHT,LHA-LGTB***.....	1				
		<i>includes mounting fasteners and O-rings</i>					
27	31658-SGT	EXTRUSION,RUBBER BUMPER STRIP.....	28-inches				
27	51500GT	TANK STRAP, BOLT STYLE, GS68.....	1				
28	14262GT	PLUG,HEX SOCKET,3/8 MPT.....	1				
29	62727-SGT	TANK,ASSY HYD ,27GL GS68.....	1				
		<i>includes index numbers 24, 28, and 32 through 34</i>					
30	87070GT	FILTER ASSY,SAE 12 NO INDICAT*.....	1				
--	1259055GT	FILTER ELEMENT, 10 MICRON <i>Genie aftermarket part</i>					
--	131323GT	FILTER ELEMENT,10 MICRON.....	1				
		<i>Genie genuine part</i>					

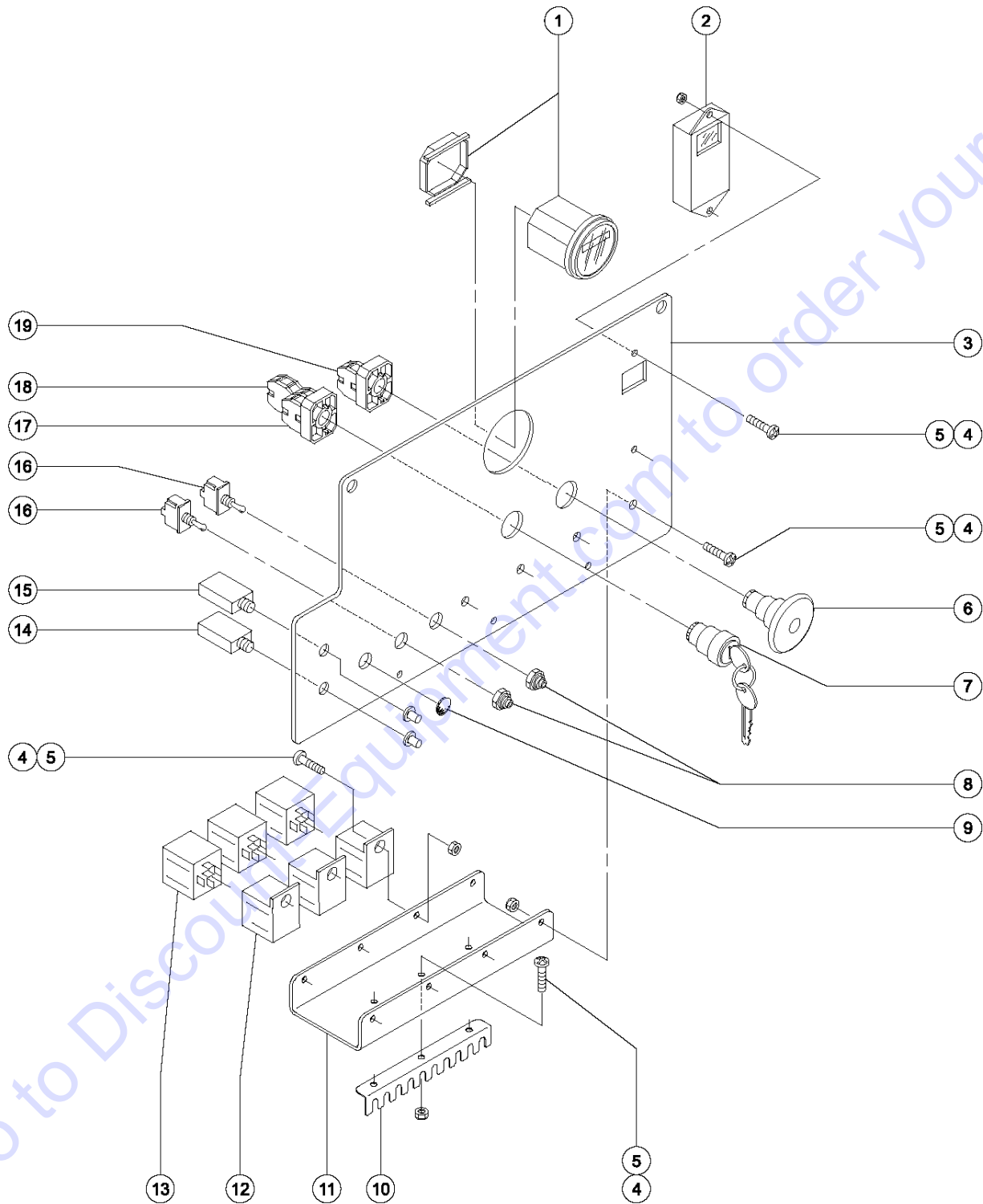
302.1 Hydraulic Module Components



302.1 Hydraulic Module Components

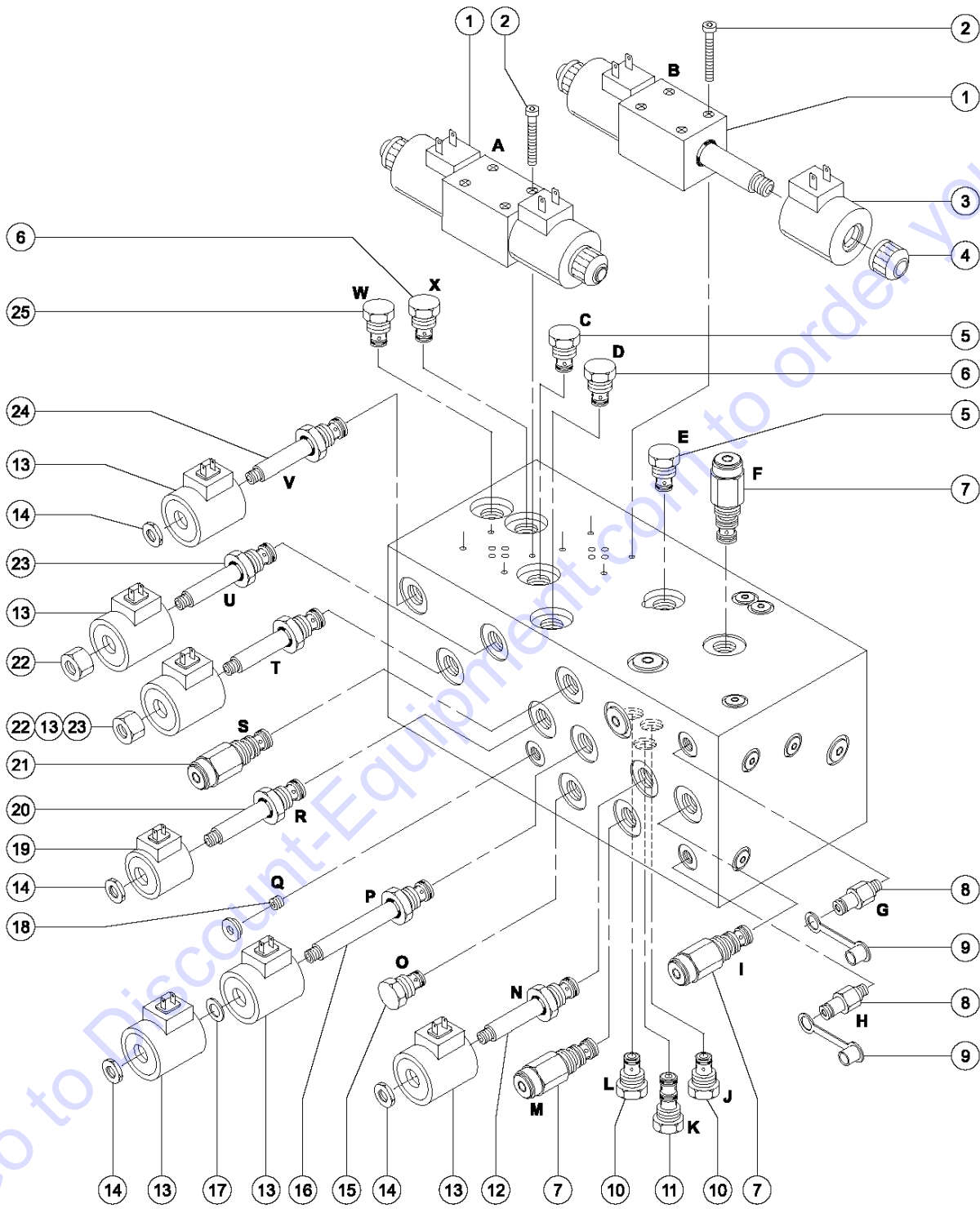
Item	Part No.	Description	Qty.	Item	Part No.	Description	Qty.
1	19284GT	SCREW,FHS,1/4-20 X .63.....2 to SN 38461	2	20	6090GT	SCREW,HHC,1/4-20 X .75.....2	2
1	25965GT	PLATE,HOSE CLAMP.....2 to SN 38461	2	21	56912GT	SPRING CLIP,1/4-20,.025-.15X.54,ZAG.....4	4
1	52469GT	HYDRAULIC TRAY MODULE,GS68.....1 from SN 38462	1	22	96461GT	SERVICE KIT,BRAKE RELEASE MAN*.....1 includes index numbers 23, 24 and 34	1
1	71864GT	FORMING,INVERTER/BATTERY TRAY.....1 to SN 38461	1	23	44218GT	VALVE,HAND PUMP**.....1	1
2	51346GT	BRACKET,PIGTAIL.....1	1	23	44224GT	SEAL KIT, VALVE.....1	1
3	43956GT	WIRE CABLE,14/3 CON.TPE JKT*		24	44217GT	VALVE,CHECK,PILOT OPERATED***.....1	1
3	52489GT	CABLE ASSY,PWR TO PLAT.GS-2668.....1 RT models	1	24	44233GT	SEAL KIT-FOR PN. 44217.....1	1
4	46440GT	CONNECTOR,IEC 320 INLET.....1	1	25	14033GT	SCREW,HHC,3/8-16 X 2.75.....2	2
5		Ref. No Plug - Consult Discount-equipment (component no longer available) refer to BS1362 BUSS TDC180-13A		26	5224GT	SCREW,HHC,3/8-16 X 2.....4	4
5	1280665GT	PLUG, TYPE F, 230A, 50HZ, 16A, IP44.....1	1	27	6021GT	WASHER,LOCK,.375.....4	4
5	144161GT	PLUG,PWR,UK,16AMP,3PIN,BLK.....1	1	28	47936PGT	FORMING,HYDRAULIC TRAY,GS68.....1	1
5	25388GT	PLUG,FUSED,250V,13AMP,U.K.**.....1	1	29	46436GT	GROMMET,RUBBER 2.5 X .25 X2.75.....6	6
5	6595GT	PLUG,ELECTRICAL,DOMESTIC.....1 shown	1	30	34346GT	SCREW,HHC,3/4-10 X 1.75.....4	4
6	39540GT	ALARM,STEADY TONE***.....1	1	31	10258GT	NUT,NYLOCK,3/4-10,GRD.2.....4	4
6	72326GT	NUT - PLASTIC,RING FOR ALARMS.....1	1	32	42189GT	SPACER TUBE,1.00 LG**.....4	4
7	55306GT	SCREW,PHILLIPS,PHM,4-40 X .50.....2	2	33		Ref. Function Manifold (refer to Figure 304.1)	
8	40766GT	NUT,NYLOCK,4-40.....2	2	34	44216GT	VALVE,SHUTTLE.....1	1
9	39478GT	SCREW,HHC,3/8-16 X 2 FULL THRD.....1	1	34	44235GT	SEAL KIT-FOR PN.44216 & 826779.....1	1
10	4828GT	NUT,NYLOCK,3/8-16.....6	6	35	6175GT	SCREW,HHC,3/8-16 X 1.....3	3
11	47273GT	POTHOLE SLIDER,32.....1	1				
12	7713GT	NUT, LP NYLOCK, 3/8-16.....1	1				
13	122513GT	KIT,HORN SVC BB&SM BOOM.....1 to SN 37962	1				
13	66813GT	BUTTON,PUSH,BLACK W/SEAL***.....1 from SN 37963	1				
14	66815GT	BASE, W/1 N.O. CONTACTS***.....1 includes 1 N.O. Contact	1				
14	66816GT	CONTACT,N.O.***.....1	1				
15	55391-SGT	HARNESS, E-DOWN, GS3268.....1	1				
15	79159GT	E-DOWN HARNESS, GS2668.....1	1				
16	23083-SGT	FUSE HOLDER,WATERPROOF.....1	1				
16	27488GT	FUSE,1 AMP.....1	1				
16	40836GT	LEVEL SENSOR,LS60,BLUE,2X4**.....1	1				
17	8914GT	SCREW,HHC,1/4-20 X .625.....3	3				
18	6091GT	NUT,NYLOCK,1/4-20.....10	10				
19	51304PGT	FORMING,LEVEL SENSOR MNT. GS68.....1	1				

303.1 Ground Controls



Item	Part No.	Description	Qty.
--	66821GT	BASE,WITHOUT CONTACTS	
1	19506GT	HOUR METER,10-80 VOLTS*** <i>(includes mounting bracket) (to SN 21569)</i>	
--	19506GT	HOUR METER,10-80 VOLTS***1 <i>(includes mounting bracket) (from SN 41200)</i>	
--	56100GT	HOUR METER,LCD,9-60 VDC***1 <i>(includes mounting bracket and fasteners) (from SN 21570 to 41199)</i>	
2		DIAGNOSTIC DISPLAY1 <i>(component no longer available)</i>	
--	64236GT	DISPLAY CABLE ASSEMBLY <i>(sold seperately)</i>	
3	62206-SGT	GROUND CONTROLS PLATE W/DECAL1	
4	55906GT	SCREW,PHILLIPS,PHM,8-32 X .513	
5	18605GT	NUT,NYLOCK,8-3213	
6	66761GT	SERVICE KIT,E-STOP	
--	66812GT	BUTTON,PUSH,RED MUSHROOM HEAD1	
7	96011GT	KIT, KEYSWITCH***	
7A	66811GT	KEYSWITCH,3POS.MNTND.DR WKEY**1 <i>includes keyswitch and one set of keys, not included: base and contacts.</i>	
--	21982GT	KEY,SINGLE***1	
--	37947GT	KEYS,10 PACK***1	
8	27246GT	BOOT,TOGGLE SWITCH,SHORT*2	
9	47479GT	BUMPER,PLASTIC, .625 OD1	
10	51608GT	STAMPING,GROUNDING STRIP, GS681	
11	51864PGT	FORMING,RELAY STANDOFF,GS681	
12	34053GT	ASSY,RELAY SOCKET, AUTO3 <i>(terminals not included)</i>	
--	34054GT	TERM,RELAY N-INSULATED 10-12 G...3	
--	34056GT	TERM,RELAY,N-INSULATE 18-20 GA...3	
13	34052GT	RELAY,SPDT,12V(AUTO) PLUG IN**3	
14	96452GT	CIRCUIT BREAKER,7.0 AMP***1	
15	147095GT	ASSY, CIRCUIT BREAKER 20A1	
16	13037-SGT	SWITCH,TOGGLE,SPDT,3POS MOMEN*2 <i>(includes mounting fasteners)</i>	
17	66814GT	BASE,WITH 2 N.O. CONTACTS***1	
18	66816GT	CONTACT,N.O.***1	
19	66817GT	BASE WITH 1 NC CONTACT, E-STOP...1	

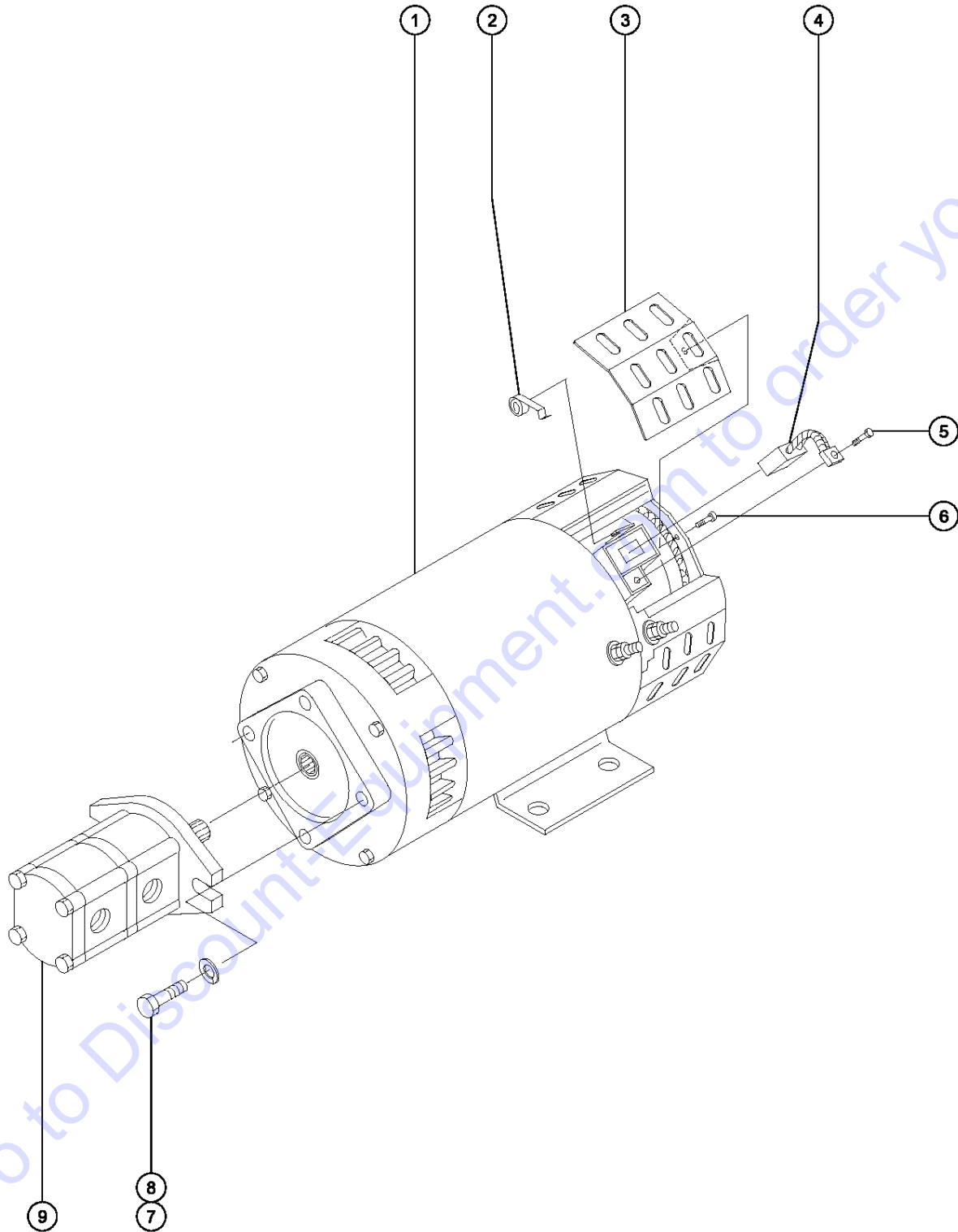
304.1 Function Manifold



304.1 Function Manifold

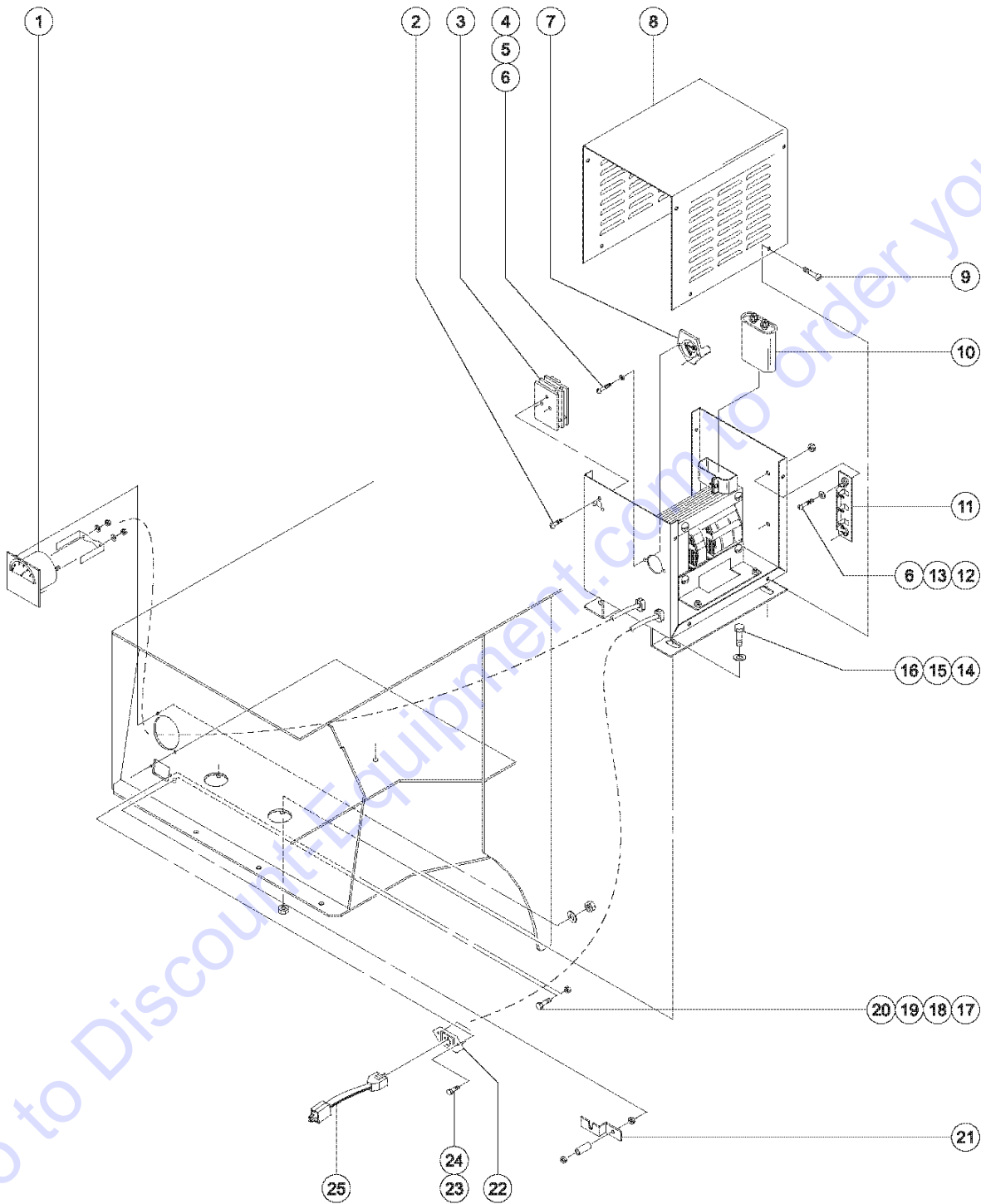
Item	Part No.	Description	Qty.	Item	Part No.	Description	Qty.
A		Drive circuit		6	79495GT	VALVE-CHECK,100PSI.....	1
B		Drive circuit		7	44227GT	SEAL KIT, VALVE.....	3
C		Drive speed select circuit		7	52376GT	VALVE,RELIEF,3500PSI***.....	3
D		Drive circuit		8	20224GT	DIAGNOSTIC FEMALE Q-DSCNT.....	2
E		Steer circuit		8	48997GT	NIPPLE,DIAGNOSTIC,#4.....	2
F		System relief, pump 1		9	48880GT	CAP,DIAGNOSTIC NIPPLE.....	2
G		Testing, pump 1		10	44224GT	SEAL KIT, VALVE.....	2
H		Testing, pump 2		10	62112GT	VALVE,CHECK(SCISSORS) GS68.....	2
I		Lift relief		11	52370GT	VALVE,SHUTTLE,GS68.....	1
J		Drive circuit		11	52371GT	SEAL KIT, VALVE.....	2
K		Brake shuttle		12	44169GT	VALVE-SOLENOID, 2POS 4 WAY.....	1
L		Drive circuit		12	44230GT	SEAL KIT-P.N.44169,44172,44171.....	1
M		System relief, pump 2		13	52383GT	COIL,10V,44169,SIZE 10,GS68.....	6
N		Platform up		14	44174GT	NUT-COIL SHORT.....	4
O		Steer circuit		15	44225GT	SEAL KIT, VALVE.....	1
P		Steer-left/right		15	52369GT	VALVE,FLOW REG., 2.0 GPM,GS68.....	1
Q		Brake circuit		16	44230GT	SEAL KIT-P.N.44169,44172,44171.....	1
R		Brake circuit		16	52380GT	VALVE,SOLENOID,3POS4WAY,GS68.....	1
S		Steering relief		17	44175GT	SPACER-DUAL COIL,#10, SCISSORS...1	1
T		Drive speed select circuit		18	62207GT	ORIFICE PLUG, 0.035.....	1
U		Drive speed select circuit		19	52382GT	COIL,12V,44170,SIZE 8,GS68.....	1
V		Drive circuit		20	44170GT	VALVE-SOLENOID N.O.(SCISSORS)*....1	1
W		Drive circuit		20	44228GT	SEAL KIT, VALVE.....	1
X		Drive circuit		21	44227GT	SEAL KIT, VALVE.....	1
--	28750GT	O-RING KIT,FIELD SVC,ALL PROD*		21	62113GT	VALVE,RELIEF,1500PSI***.....	1
--	33994GT	PLUG AND CAP KIT-SERVICE,37 **		22	52484GT	NUT-COIL(SCISSORS) TALL.....	2
--	49612GT	O-RING KIT (ORFS FITTINGS)		23	44224GT	SEAL KIT, VALVE.....	2
--	49613GT	PLUG AND CAP KIT-SERVICE,ORFS*		23	52379GT	VALVE,SOLENOID N/O POPPT,GS68...2	2
1	102395GT	SEAL KIT,REXROTH DO3 VALVE.....	2	24	52377GT	VALVE,SOLENOID,2POS2WY,NCGS68*.1	1
1	104767GT	VALVE,D03 REXROTH 3POS 4WAY***.....	2	24	52378GT	SEAL KIT,SOLENOID(52377).....	1
		valve body only		25	44227GT	SEAL KIT, VALVE.....	1
1	52385GT	SEAL KIT,52381,BOSCH DO3,GS68....	2	25	52368GT	VALVE,CHECK,GS68 (SIZE8 8).....	1
1	97387GT	VALVE ASSY,D03,REX,3POS 4WAY.....	2				
		valve assembly with coils					
2	43255GT	SCREW,SHC,10-24 X 2.....	2				
2	45916GT	SCREW,SHC,10-24 X 1.250 (D01).....	8				
3	104764GT	COIL,12V D03 ZENER DIODE.....	4				
3	97387GT	VALVE ASSY,D03,REX,3POS 4WAY.....	2				
4	102396GT	NUT-COIL,REXROTH DO3 VALVE.....	4				
4	97387GT	VALVE ASSY,D03,REX,3POS 4WAY.....	2				
5	44178GT	VALVE,CHECK,5 PSI**.....	4				
5	44224GT	SEAL KIT, VALVE.....	1				
6	44224GT	SEAL KIT, VALVE.....	1				

305.1 Hydraulic Power Unit



Item	Part No.	Description	Qty.
1	36843GT	MOTOR,48VDC.....1 <i>includes index numbers 2 through 4</i>	1
1	44778GT	BEARING,MOTOR,36843,BRUSH END*.....1	1
1	44963GT	BEARING,MOTOR,36843, FAN END.....1	1
1	46261GT	MOTOR LEAD ASSY KIT, 36843.....1	1
2	37189GT	SPRING, BRUSH RETAINER, 36182*.....4	4
3	44962GT	MOTOR HEADBAND,36843.....1	1
4	44961GT	BRUSH,MOTOR,36843.....4	4
5	52913GT	SCREW,HH TAPETITE THRD8-32X.50.....4	4
6	52914GT	SCREW,HHTAPTITE THREAD8-32X.38.....4	4
7	44064GT	SCREW,HHC,M10 X 30MM,.....2	2
8	6021GT	WASHER,LOCK,.375.....2	2
9	52512GT	SEAL KIT,47499 PUMP,BARNES,68.....1	1
9	55940GT	PUMP,TANDEM,REXROTH***1 <i>from SN 21709</i>	1
9	62215GT	SEAL KIT-TANDEM PUMP 55940.....1	1

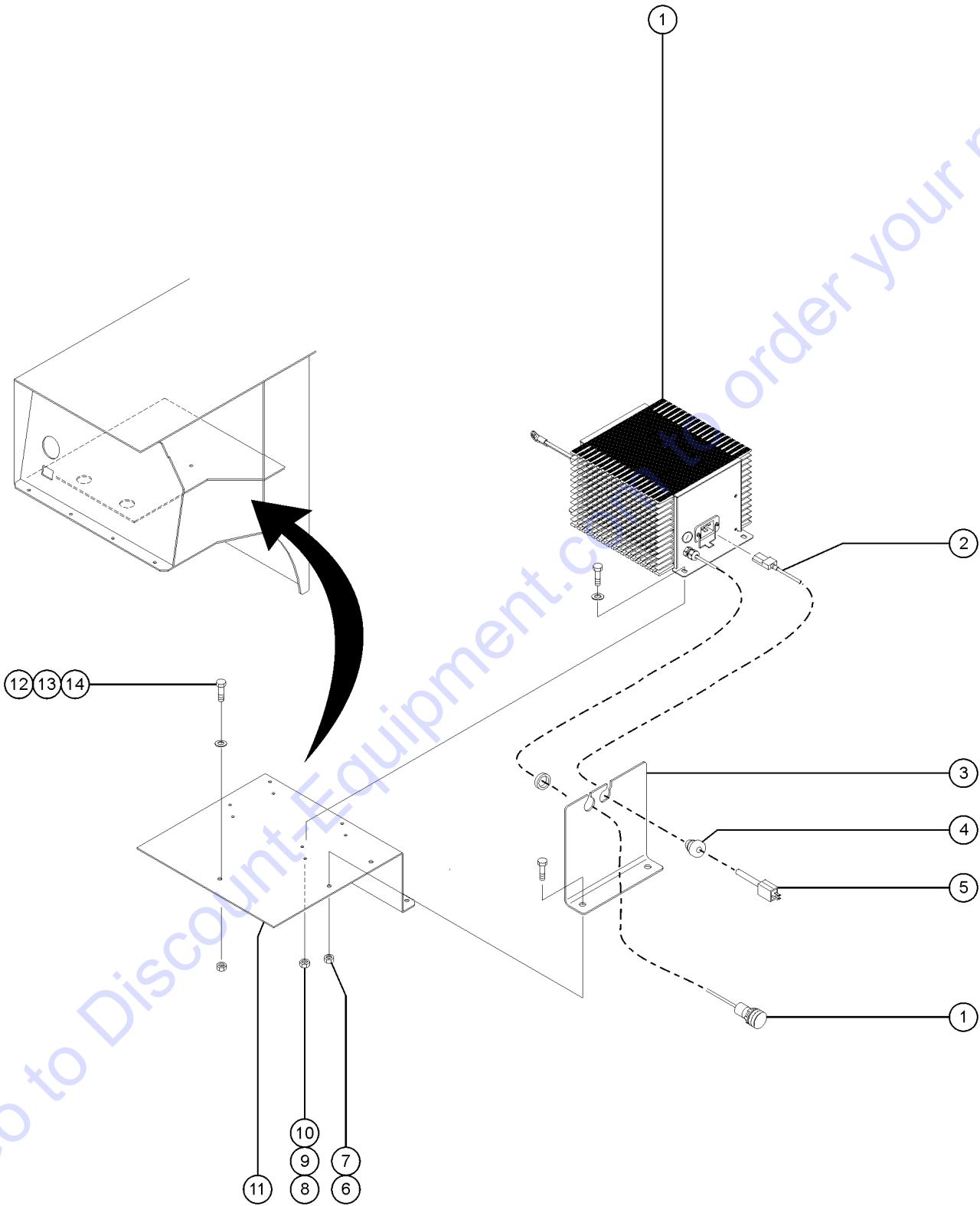
306.1 Battery Charger



306.1 Battery Charger

Item	Part No.	Description	Qty.
--		CHARGER,COMPLETE <i>refer to 306.2</i>	
1	46337GT	AMMETER, 39243/47906/66412.....1	
2	40536GT	SCREW,TIMER,#8 PHMS X.375.....3	
3	19533GT	RELAY,CHARGER .TIMER(19531/32)....1	
3	27830GT	TIMER(24059,41897,41898,41899).....1	
4	40533GT	SCREW,FUSE ASSY,#7 PHMS X .625...2	
5	40534GT	WASHER,LOCK,#10, CHARGER FUSE.....2	
6	6178GT	NUT,NYLOCK,10-32.....4	
7	13008-6GT	FUSE ASSY-BOOM CHARGER.....1	
8	40532GT	CASE COVER ONLY 18710/18720.....1	
9	40537GT	SCREW,CHARGER COVER,#10 X .5....8	
10	13008-3GT	CAPACITOR,6 MFD,660VAC-CHARGR*.....1	
11	27262GT	HEATSINK ASSY W/DIODES (23442)....1	
13	6146GT	WASHER,FLAT,MS,#10,Y.....2	
14	6090GT	SCREW,HHC,1/4-20 X .75.....4	
15	6638GT	WASHER,FLAT,USS,1/4"Y.....4	
16	6091GT	NUT,NYLOCK,1/4-20.....4	
17	39478GT	SCREW,HHC,3/8-16 X 2 FULL THRD....1	
18	4828GT	NUT,NYLOCK,3/8-16.....1	
19	47273GT	POTHOLE SLIDER,32.....1	
20	7713GT	NUT, LP NYLOCK, 3/8-16.....1	
22	46440GT	CONNECTOR,IEC 320 INLET.....1	
23	55306GT	SCREW,PHILLIPS,PHM,4-40 X .50.....2	
24	40766GT	NUT,NYLOCK,4-40.....2	
25	55018GT	POWER CORD,UK-HIGH VOLTAGE, 8".....1	
25	55019GT	POWER CORD,NOVON, 8".....1	
25	55021GT	POWER CORD,US 110, 8".....1	
25	55038GT	POWER CORD, AUSTRALIA, 8".....1	

306.2 Battery Charger Detail

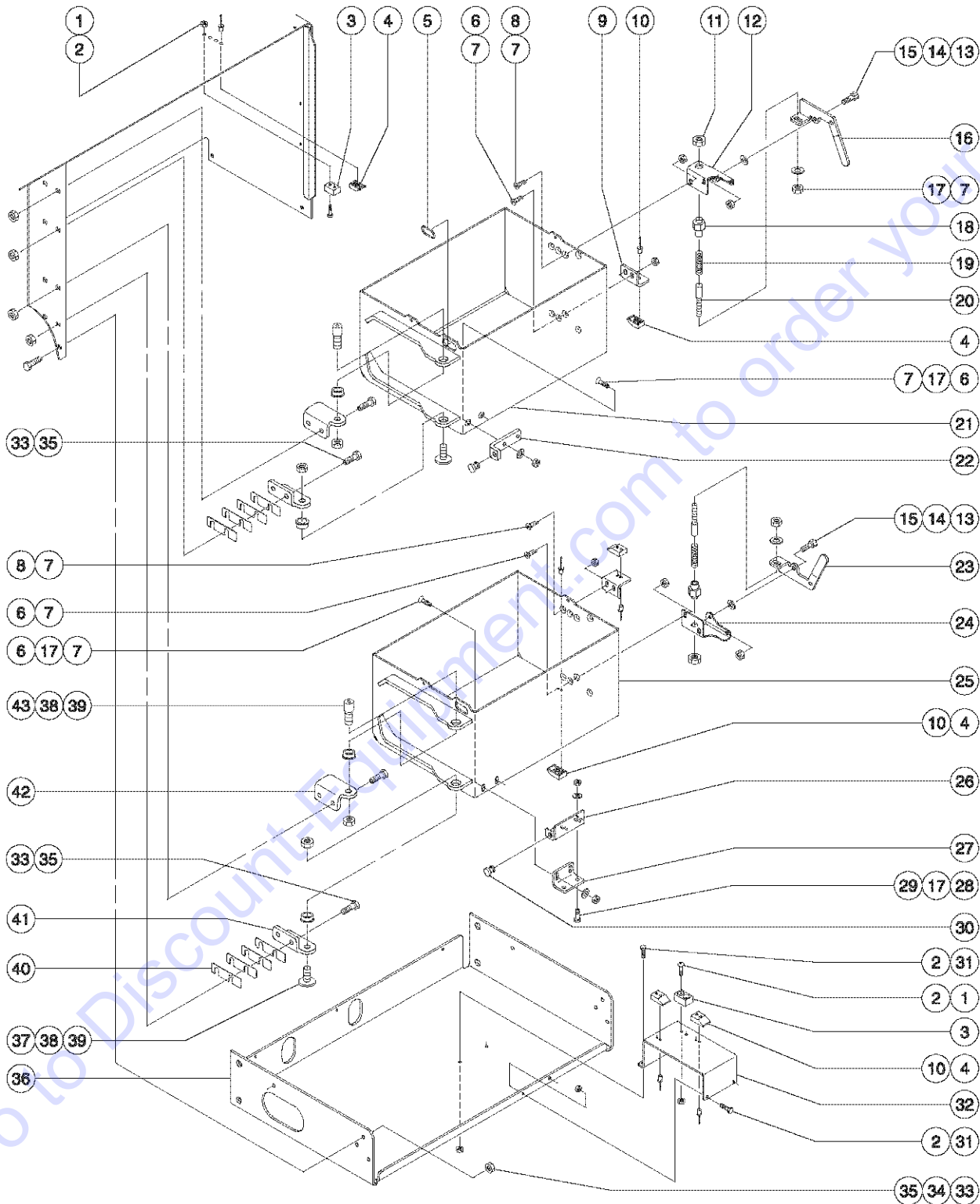


Go to Discount-Equipment.com to order your parts

306.2 Battery Charger Detail

Item	Part No.	Description	Qty.
--	131905GT	KIT, BAT CHARGER, RT68 CE <i>EURO models</i>	
--	131906GT	KIT, BAT CHARGER, RT68 DOM <i>ANSI, CSA models</i>	
--	131918GT	KIT, BAT CHARGER, RT68 UK 220 <i>UK 220V models</i>	
--	131919GT	KIT, BAT CHARGER, RT68 UK 110 <i>UK 110V models</i>	
1	128375GT	CHARGER 48V/30A AUTO AC X-LED <i>(all models)(order power cord separately)</i>	
--	228946GT	ASSY,LED,IES CHARGER	
--	228947GT	CLIP,RETAINING,IES CHARGER	
2	128377GT	CORD AC IEC320-C19 TO 110US.....1 <i>(for ANSI, CSA models) (plug included)</i>	
--	128376GT	CORD EURO AC IEC320-C19PIGTAIL <i>(for CE, UK models) (plug not included; order separately)</i>	
--	128645GT	CORD AC IEC320-C19 TO 220EU <i>(for ANSI, CSA models) (plug not included; order separately)</i>	
3	131907GT	ASSY, CHARGER DISP BKT, WORD.....1 <i>with word decal</i>	
--	131908GT	ASSY, CHARGER DISP BKT, SYMBOL <i>with symbol decal</i>	
4	128118GT	BUSHING,STRAIN RELIEF,.875/.40.....1 <i>(for ANSI, CSA models)</i>	
--	139318GT	BUSHING,STRAIN RELIEF,.875/.30 <i>(for CE, UK models)</i>	
5	6595GT	PLUG,ELECTRICAL,DOMESTIC.....1 <i>(for ANSI, CSA models)</i>	
--	1280665GT	PLUG, TYPE F, 230A, 50HZ, 16A, IP44 <i>(for CE models)</i>	
--	144161GT	PLUG,PWR,UK,16AMP,3PIN,BLK <i>(for UK 110V models)</i>	
--	25388GT	PLUG,FUSED,250V,13AMP,U.K.** <i>(for UK 220V models)</i>	
--	65737GT	FUSE,13 AMP,220V PLUG*** <i>(for 25388)</i>	
6	7713GT	NUT, LP NYLOCK, 3/8-16.....2	
7	8255GT	SCREW,HHC,3/8-16 X .75.....2	
8	6091GT	NUT,NYLOCK,1/4-20.....4	
9	6638GT	WASHER,FLAT,USS,1/4"Y.....4	
10	6090GT	SCREW,HHC,1/4-20 X .75.....4	
11	79464GT	FORMING, CHARGER SHELF.....1	
12	6175GT	SCREW,HHC,3/8-16 X 1.....1	
13	5397GT	WASHER,FLAT,USS,5/16",Y.....1	
14	4828GT	NUT,NYLOCK,3/8-16.....1	

307.1 Battery Pack Module Installation



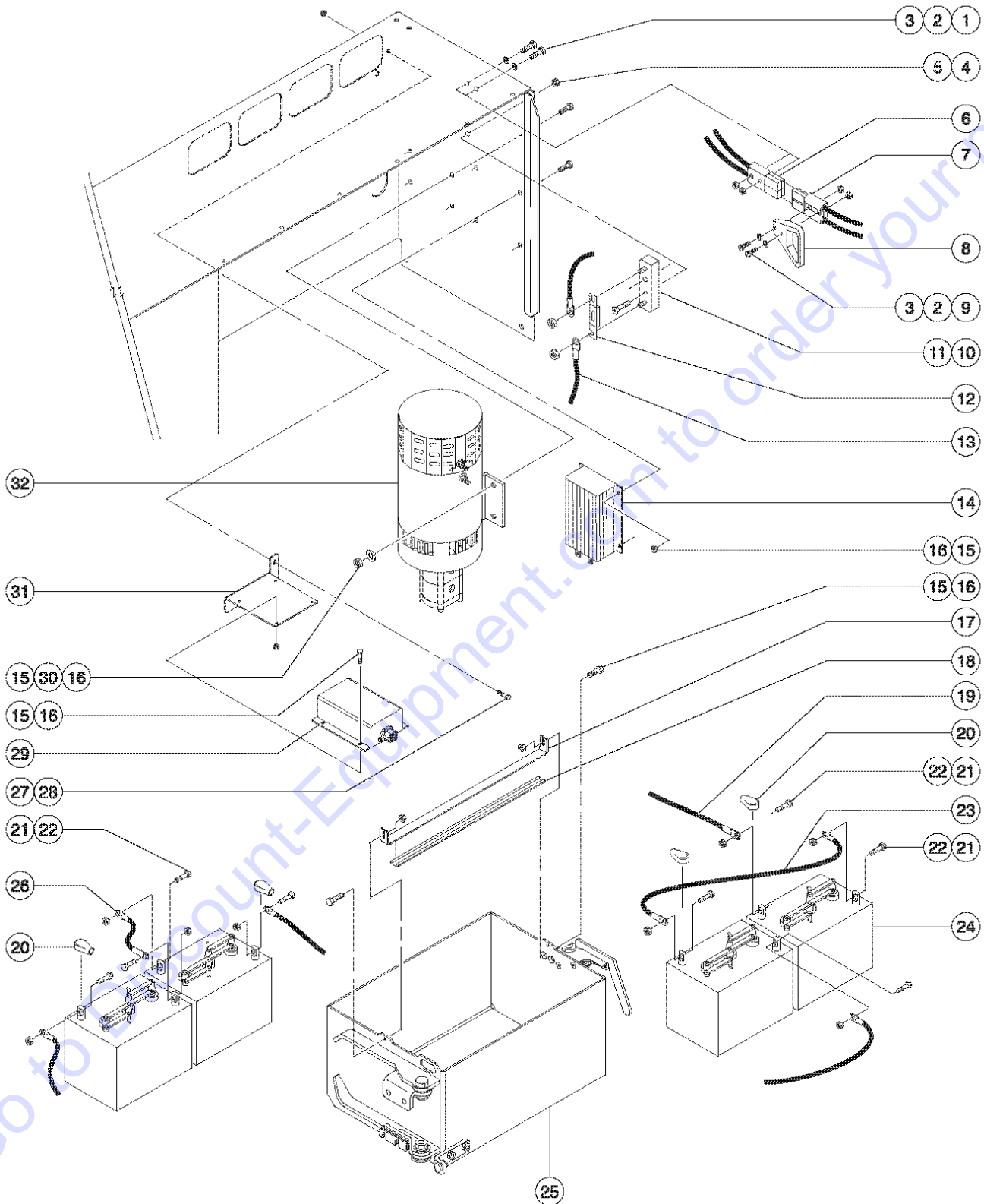
307.1 Battery Pack Module Installation

Item	Part No.	Description	Qty.	Item	Part No.	Description	Qty.
1	40594GT	SCREW,FHS,1/4-20 X 1.25.....	2	32	62196-SGT	BATTERY MODULE SUPPORT,GS68DC.....	1
2	6091GT	NUT,NYLOCK,1/4-20.....	6			<i>includes 2 each index number 4 and 4 each index number 10</i>	
3	47907GT	BLOCK,MODULE TRAY STOP.....	2	33	8177GT	SCREW,HHC,1/2-13 X 1.5.....	4
4	39317GT	STOP PLATFORM ROLLER.....	6	34	6095GT	WASHER,FLAT,USS,1/2",Y.....	4
5	24649GT	GROMMET,RUBBER 1.5 X .25 X 2.....	2	35	6198GT	NUT,NYLOCK,1/2-13.....	4
6	54074GT	SCREW,FHS,3/8-16 X 1,ZINC.....	8	36	51236-SGT	FORMING,BASE,BATTERY ENCLOSURE.....	1
7	7713GT	NUT, LP NYLOCK, 3/8-16.....	14	37	47255GT	BOLT,SHORT SHOULDER.....	2
8	64211GT	SCREW,FHS,3/8-16 X .75 YELLOW.....	4	38	47548GT	BEARING,FL,0.75ID X 1 OD X .49.....	4
9	62193-SGT	BATTERY WEAR PAD ASSY. GS68 DC.....	2	39	38028GT	NUT,LP NYLOCK,5/8-11.....	4
		<i>includes 1 each index number 4 and 2 each index number 10</i>		40	47342GT	SPACER,MODULE TRAY,.030 THK.....	4
10	41695GT	RIVET,STL,STL,.188 X .50.....	12			1	
11	8538GT	NUT,LP NYLOCK,3/4-10.....	2	40	47455GT	SPACER,MODULE TRAY,.075 THK.....	4
12	47325GT	BRACKET,LOCK PIN,LEFT.....	1			1	
13	1259223GT	BOLT,SHS,3/8X.375X5/16-18,ZAG.....	2	41	47323PGT	BRACKET,BOX HINGE,RH/UP-LH/LO....	2
14	47228GT	WASHER,NYLON,.406 X.750 X.032.....	2	42	47324PGT	BRACKET,BOX HINGE,LH/UP-RH-LO....	2
15	6002GT	NUT,LP NYLOCK,5/16-18.....	2	43	55983GT	PIN-THREADED SHLDR OFFS,5/8-11...1	
16	44733GT	HANDLE COVER,PLASTIC.....	1				
16	46347GT	HANDLE-LOCK,BATT.MOD,LEFT SIDE.....	1				
17	5397GT	WASHER,FLAT,USS,5/16",Y.....	2				
18	41630GT	HOUSING, LOCK PIN.....	2				
19	39469GT	SPRING,COMPRESSION.485 X1.75**....	2				
20	39470GT	PIN, LOCK.....	2				
21	62194-SGT	BATTERY BOX ASSY,UPPER,GS68DC.....	1				
		<i>includes 2 each index number 38 and 1 each index number 5</i>					
22	51181-SGT	FORMING, TOP TRAY STOP,GS68 DC.....	1				
23	44733GT	HANDLE COVER,PLASTIC.....	1				
23	46348GT	HANDLE-LOCK,PWR MOD.RIGHT SIDE.....	1				
24	47331PGT	BRACKET,LOCK PIN,GRD CONTROL...1					
25	62195-SGT	BATTERY BOX ASSY,LOWER,GS68DC.....	1				
		<i>includes 1 each index numbers 4 and 5 and 2 each index numbers 10 and 38</i>					
26	55555-SGT	FORMING,LWR TRAY STOP,GS68 DC.....	1				
27	51779-SGT	FORMING, DOOR LATCH.....	1				
28	6019GT	SCREW,HHC,3/8-16 X 1.25 GRD 5.....	2				
29	4828GT	NUT,NYLOCK,3/8-16.....	2				
30	43392GT	BUMPER,BATTERY BOX & RAILS.....	2				
31	6888GT	SCREW,HHC,1/4-20 X 1.....	4				

Footnotes

1: Quantity listed for this item is approximate.
Actual quantity may vary to ensure proper fit.

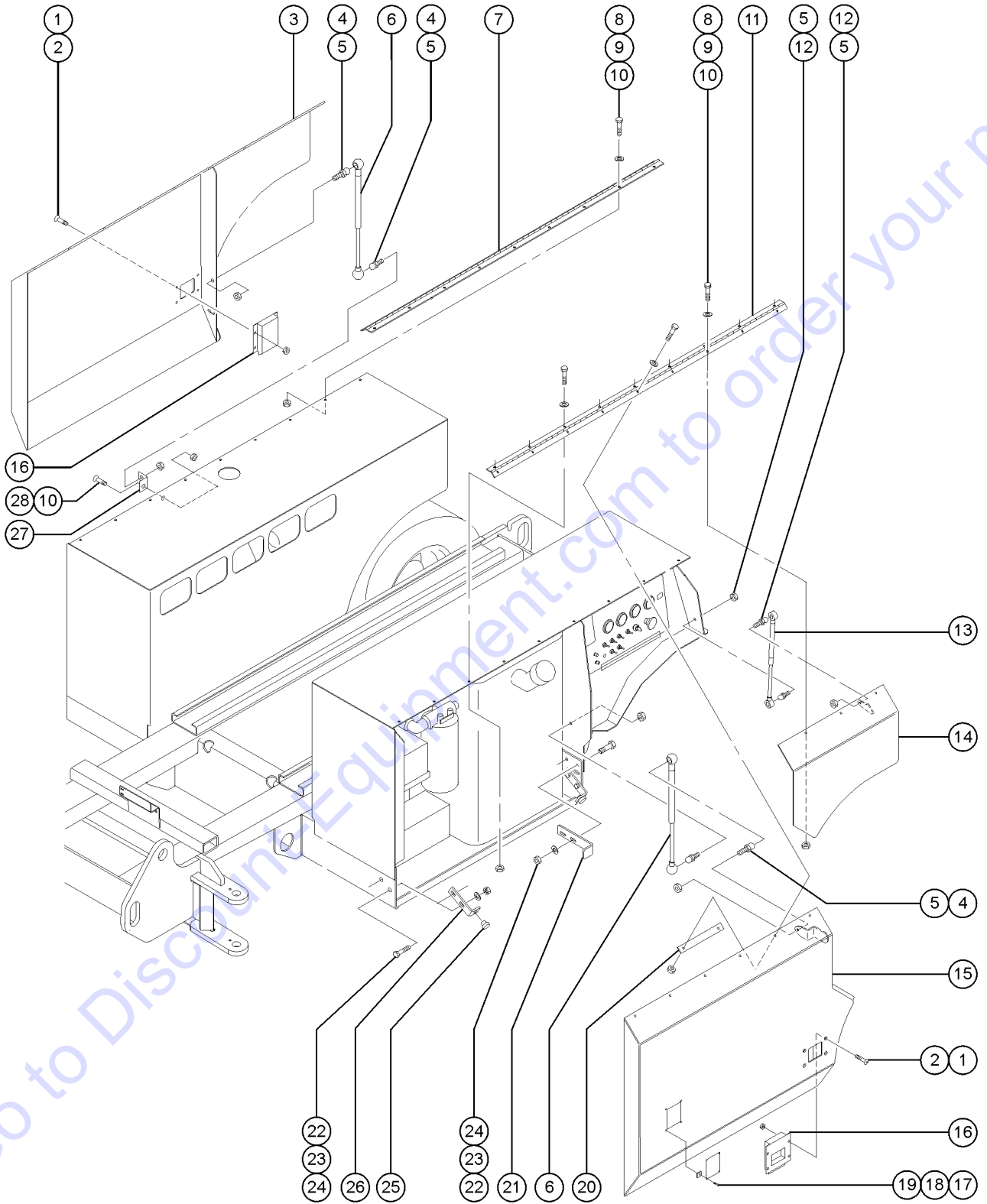
308.1 Battery Pack Module Components



308.1 Battery Pack Module Components

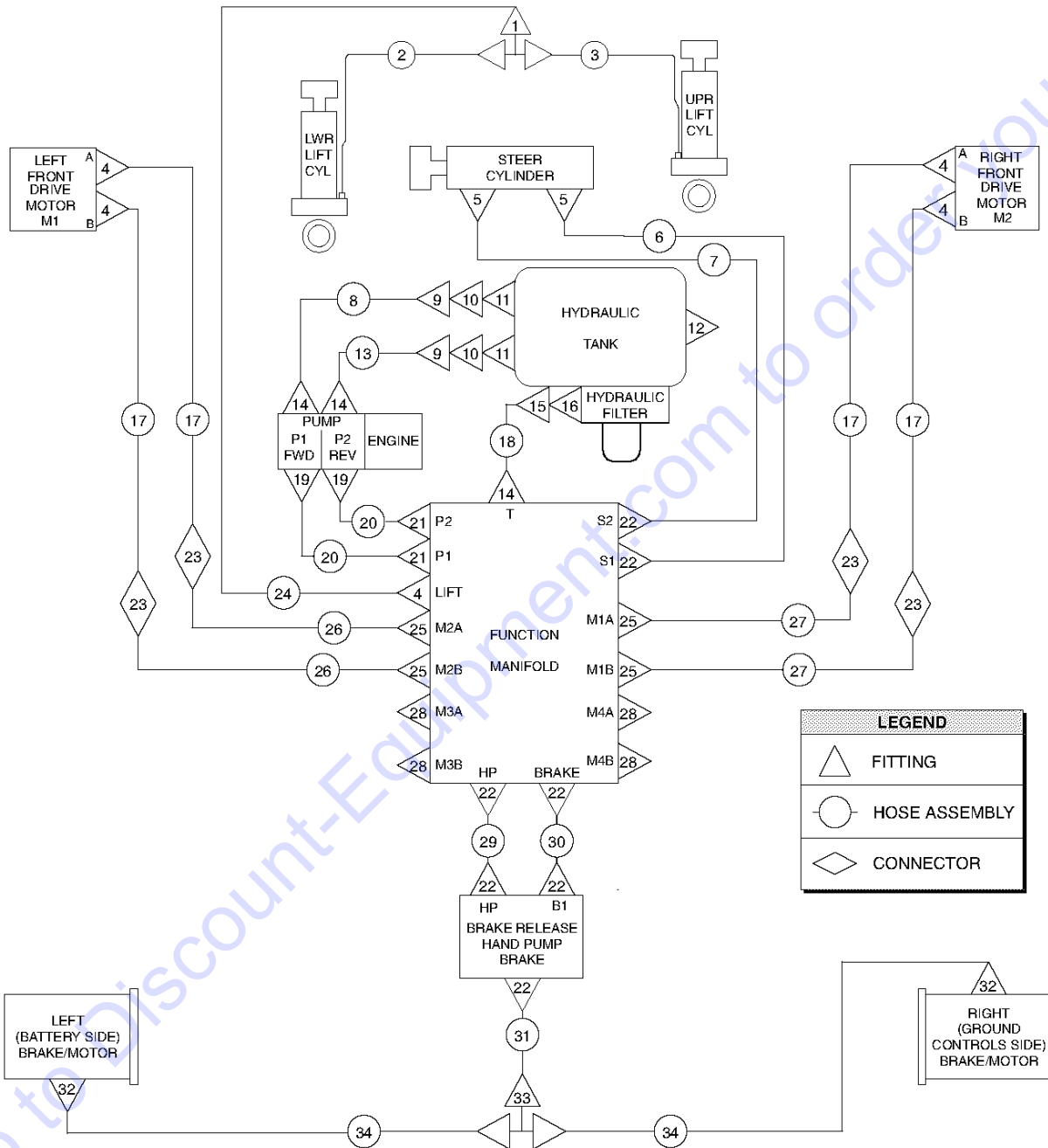
Item	Part No.	Description	Qty.
1	6888GT	SCREW,HHC,1/4-20 X 1.....	4
2	6356GT	WASHER,LOCK,.25.....	4
3	66094GT	NUT-THIN HEAVY HEX, 1/4-20.....	4
4	6178GT	NUT,NYLOCK,10-32.....	2
5	6873GT	SCREW,FHM,10-32 X 1.....	2
6	19436GT	CONNECTOR,ANDERSON SB 175,1/0G.....	1
6	62197-SGT	BATT.CABLE ASSY.BATTERY,GS68DC.....	1
7	19436GT	CONNECTOR,ANDERSON SB 175,1/0G.....	1
7	62198-SGT	BATT.CABLE ASSY,CHASSIS,GS68DC.....	1
8	44716GT	HANDLE,ANDERSON CONNECTOR SB.....	1
9	66081GT	SCREW,RHM,1/4-20 X 1.50.....	2
10	66717GT	FUSE BLOCK, ANN & ANL FUSE..... <i>includes index number 11; from SN 33538</i>	1
11	6782GT	NUT,NYLOCK,5/16-18.....	2
12	40833GT	FUSE,275 AMP,VERY FAST ACTING.....	1
13	62199-SGT	CABLE ASSEMBLY,25" GS68DC.....	1
14	23314GT	CONTROLL.36V/48V,DC MTR.SPD.....	1
15	6091GT	NUT,NYLOCK,1/4-20.....	12
16	6090GT	SCREW,HHC,1/4-20 X .75.....	12
17	51180GT	BRACKET,BATTERY HOLDER,GS68 DC.....	2
18	31658-SGT	EXTRUSION,RUBBER BUMPER STRIP	
19	46225GT	CABLE ASSEMBLY,9" RED.....	2
20	96110GT	BOOT,CABLE TERMINAL COVER.....	20
21	13002GT	SCREW,HHC,5/16-18 X 1 GR5.....	16
22	18503GT	NUT,LOCKING-LG.FLANGE,5/16-18....	16
23	62200-SGT	CABLE ASSEMBLY,23" GS68DC.....	2
24	62201GT	BATTERY,6V,225AH,TRJAN T105UT....	8
--	18503GT	NUT,LOCKING-LG.FLANGE,5/16-18....	16
25	62194-SGT	BATTERY BOX ASSY,UPPER,GS68DC.....	1
26	44244GT	BATTERY CABLE ASSY,3.5" RED.....	2
27	6175GT	SCREW,HHC,3/8-16 X 1.....	2
28	4828GT	NUT,NYLOCK,3/8-16.....	2
29	71852GT	CONVERTER, DC-DC, 48-12 VOLT.....	1
29	79079GT	WIRE ASSY.,DC-DC CONVERTER.....	1
30	6638GT	WASHER,FLAT,USS,1/4"Y.....	4
31	79083GT	FORMING,DC-DC CONVERTER MOUNT.....	1
32		Ref. Hydraulic Power Unit (refer to Figure 3-E).....	1

309.1 Chassis Covers



Item	Part No.	Description	Qty.
1	6878GT	BOLT,CARRIAGE,1/4-20 X .75,G2	
2	6091GT	NUT,NYLOCK,1/4-20	
3	62202-SGT	COVER,PWR.MOD.SIDE GS68 DC.....1	
4	28301GT	GAS STRUT,250 LBS FORCE***4	
5	18503GT	NUT,LOCKING-LG.FLANGE,5/16-18.....6	
6	28301GT	GAS STRUT,250 LBS FORCE***2	
--	27377GT	RETAINER,GAS SPRING***2	
7	51291GT	HINGE,POWER UNIT ACCESS,GS68DC.....1	
8	6090GT	SCREW,HHC,1/4-20 X .75	
9	6638GT	WASHER,FLAT,USS,1/4"Y	
10	6889GT	NUT,LP NYLOCK,1/4-20	
11	51581GT	HINGE, MODULE TRAY, GS68.....1	
12	40265GT	BALL STUD,GAS STRUT (38593)***2	
13	51132GT	GAS STRUT,CONTROLS DOOR.....1	
--	27377GT	RETAINER,GAS SPRING***1	
14	62203-SGT	COVER,GRND.CONTROLS,GS68 DC...1	
15	62204-SGT	COVER,HYD.TANK W/DECAL,GS68 DC.....1	
16	51702GT	LATCH,FLUSH GS68.....2	
17	19284GT	SCREW,FHS,1/4-20 X .63.....2	
18	55482GT	COVER, PLATE BRAKE ACCESS.....1 <i>from SN 21787</i>	
19	56912GT	SPRING CLIP,1/4-20,.025-.15X.54,ZAG.....2	
20	51976-SGT	PLATE, HINGE SUPPORT.....1	
21	51587PGT	BRACKET,CATCH,HYD TANK,GS68RT.....1 <i>shown</i>	
--	51703PGT	BRACKET,CATCH,ENGINE TRAY,GS68.....1	
22	4828GT	NUT,NYLOCK,3/8-16.....8	
23	6097GT	WASHER,FLAT,USS,3/8",Y.....8	
24	6019GT	SCREW,HHC,3/8-16 X 1.25 GRD 5.....8	
25	47230GT	BUMPER,RUBBER.....2	
26	47483PGT	BRACKET,ENGINE BOX COVER,GS68.....2	
27	51329-SGT	BRACKET,SPRING MOUNT,GS68 DC...1	
28	14297GT	SCREW,BHHS,1/4-20 X .75.....2	

310.1 Hydraulic Hoses and Fittings



310.1 Hydraulic Hoses and Fittings

Item	Part No.	Description	Qty.	Item	Part No.	Description	Qty.
--	49612GT	O-RING KIT (ORFS FITTINGS)		26	64022GT	HOSE ASSY, MANIF TO FL BULKHD.....2 11	2
--	49613GT	PLUG AND CAP KIT-SERVICE,ORFS*		27	64023GT	HOSE ASSY, MANIF TO FR BULKHD.....2 11	2
1	51152GT	TEE,RUN 070432-6****	1	28	48883GT	PLUG,HEX,090109A-8***	4
2	51626GT	HOSE ASSY,TEE FIT TO 1ST CYL.....1 1	1	29	51261GT	HOSE ASSY,HP TO HP PORT.....1 12	1
3	51627GT	HOSE ASSY,TEE FIT TO 2ND CYL.....1 2	1	30	51260GT	HOSE ASSY,HP TO BRAKE PORT.....1 12	1
4	48916GT	CONN, 520120-6.....4 <i>from SN 40878</i>	4	31	51256GT	HOSE ASSY,TEE FTING TO BRK.....1 12	1
4	48931GT	CONN,520120-6-10.....4 <i>to SN 40877</i>	4	32	48907GT	ELBOW,45D,520320-4.....	2
5	48912GT	CONN,520120-4-6***	2	33	42758GT	TEE,UNION,520401-4.....	1
6	51248GT	HOSE ASSY,STEER CYL TO S1.....1 3	1	34	51255-SGT	HOSE ASSY,BRAKE TO TEE FITTING.....2 12 <i>to SN 41034</i>	2
7	51247GT	HOSE ASSY,STEER CYL TO S2.....1 3	1	34	87231GT	HOSE ASSY,BRAKE TO TEE.....2 13 <i>from SN 41035</i>	2
8	51330GT	HOSE ASSY.,HYD TK TO PUMP RR.....2 4	2				
9	48980GT	CONN,520102-12-16.....	2				
10	48994GT	VALVE,BALL,16 MPT-16 FPT***	2				
11	45161GT	STRAINER ASSEMBLY,1.5" NPT.....	2				
12	14262GT	PLUG,HEX SOCKET,3/8 MPT.....	1				
13	51262GT	HOSE ASSY,HYD TANK TO PUMP.....1 5	1				
14	48975GT	CONN,520120-12-10.....	3				
15	48965GT	ELBOW,90D,520202-12.....	1				
16	55431GT	ORIFICE,CAVITATION KIT, GS68DC.....	1				
17	51804GT	HOSE ASSY.,FRONT MOTOR,GS68 DC.....4 6, 7	4				
18	51249GT	HOSE ASSY,MANIFOLD TO TANK.....1 7	1				
19	48932GT	FITTING,ELBOW,90D,520220-8***.....	2				
20	51263GT	HOSE ASSY, PUMP P1 TO MAN.P1.....2 8	2				
21	48946GT	CONN,520120-8-10.....	2				
22	48905GT	CONN,520120-4***	7				
23	48894GT	CONN,BULKHEAD,520601-8.....	4				
24	51254GT	HOSE ASSY-LIFT,GS2668.....1 9	1				
24	51625GT	HOSE ASSY,LIFT/MAN TO TEE FIT.....1 10	1				
25	48933GT	CONN,520120-8***	4				

310.1 Hydraulic Hoses and Fittings
(continued)

Item	Part No.	Description	Qty.	Item	Part No.	Description	Qty.
------	----------	-------------	------	------	----------	-------------	------

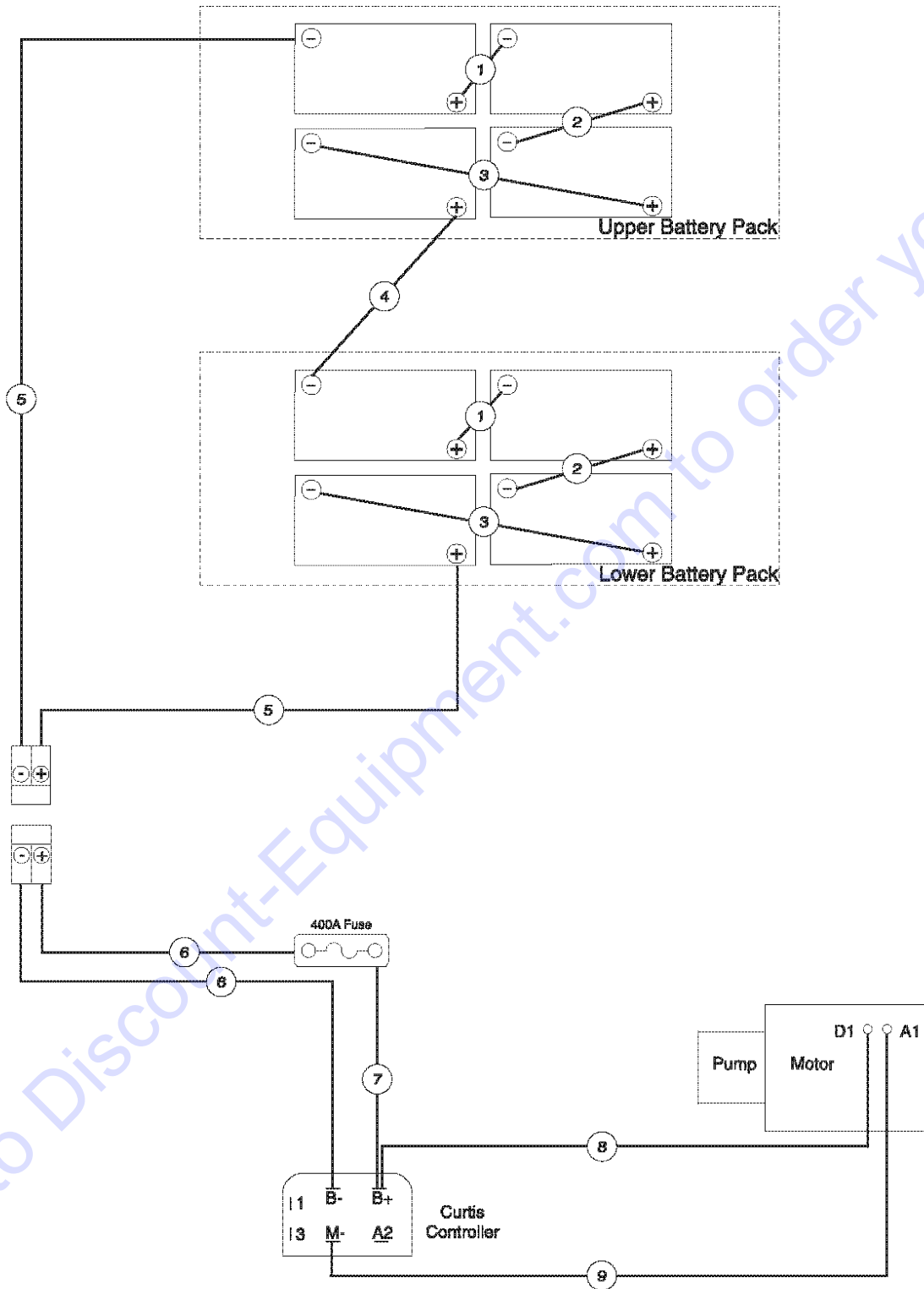
Go to Discount-Equipment.com to order your parts



310.1 Hydraulic Hoses and Fittings

Item	Part No.	Description	Qty.	Item	Part No.	Description	Qty.
Footnotes							
		1: Hose End - Female, Swivel, ORFS (Parker No. 1JC43-6-6), Hose End - Female, Swivel, 90° ORFS (Parker No. 1J943-6-6) and Hose, 3/8 inch (Parker No. 471TC-6)				11: Hose End - Female, Swivel, ORFS (Parker No. 1JC43-8-6), Hose End - Female, Swivel, ORFS (Parker No. 1JC43-8-6) and Hose, 3/8 inch (Parker No. 471TC-6)	
		2: Hose End - Female, Swivel, ORFS (Parker No. 1JC43-6-6), Hose End - Female, Swivel, ORFS (Parker No. 1JC43-6-6) and Hose, 3/8 inch (Parker No. 471TC-6)				12: Hose End - Female, Swivel, ORFS (Parker No. 1JC43-4), Hose End - Female, Swivel, 90°, ORFS (Parker No. 1J943-4) and Hose, 1/4 inch (Parker No. 451TC-4)	
		3: Hose End - Female, Swivel, ORFS (Parker No. 1JC43-4), Hose End - Female, Swivel, ORFS (Parker No. 1JC43-4) and Hose, 1/4 inch (Parker No. 451TC-4)				13: Hose End - Female, Swivel, ORFS (Parker No. 1JC43-4), Hose End - Female, Swivel, 45° ORFS (Parker No. 1J743-4) and Hose, 1/4 inch (Parker No. 451TC-4)	
		4: Hose End - Female, Swivel, 90° ORFS, (Parker No. 1J943-12-12), Hose End - Female, Swivel, ORFS (Parker No. 1JC43-12-12) and Hose, 3/4 inch (Parker No. 881-12)					
		5: Hose End - Female, Swivel, ORFS (Parker No. 1JC43-12-12), Hose End - Female, Swivel, ORFS (Parker No. 1JC43-12-12) and Hose, 3/4 inch (Parker No. 881-12)					
		6: Hose End - Female, Swivel, ORFS (Parker No. 1JC43-8-6), Hose End - Female, Swivel, 90° ORFS (Parker No. 1J943-6-8) and Hose, 1/2 inch (Parker No. 471TC-8)					
		7: Hose End - Female, Swivel, 90° ORFS, (Parker No. 1JC43-8-8), Hose End - Female, Swivel, ORFS (Parker No. 1JC43-8-8) and Hose, 1/2 inch (Parker No. 471TC-8)					
		8: Hose End - Female, Swivel, ORFS (Parker No. 1JC43-8-8), Hose End - Female, Swivel, ORFS (Parker No. 1JC43-8-8) and Hose, 1/2 inch (Parker No. 471TC-8)					
		9: Hose End - Female, Swivel, ORFS (Parker No. 1JC43-6-6) Hose End - Female, Swivel, ORFS (Parker No. 1JC43-6-6) Hose, 3/8 inch (Parker No. 471TC-6)					
		10: Hose End - Female, Swivel, ORFS (Parker No. 10643-6-6), Hose End - Male, Rigid, ORFS (Parker No. 10643-6-6) and Hose, 3/8 inch (Parker No. 471TC-6)					

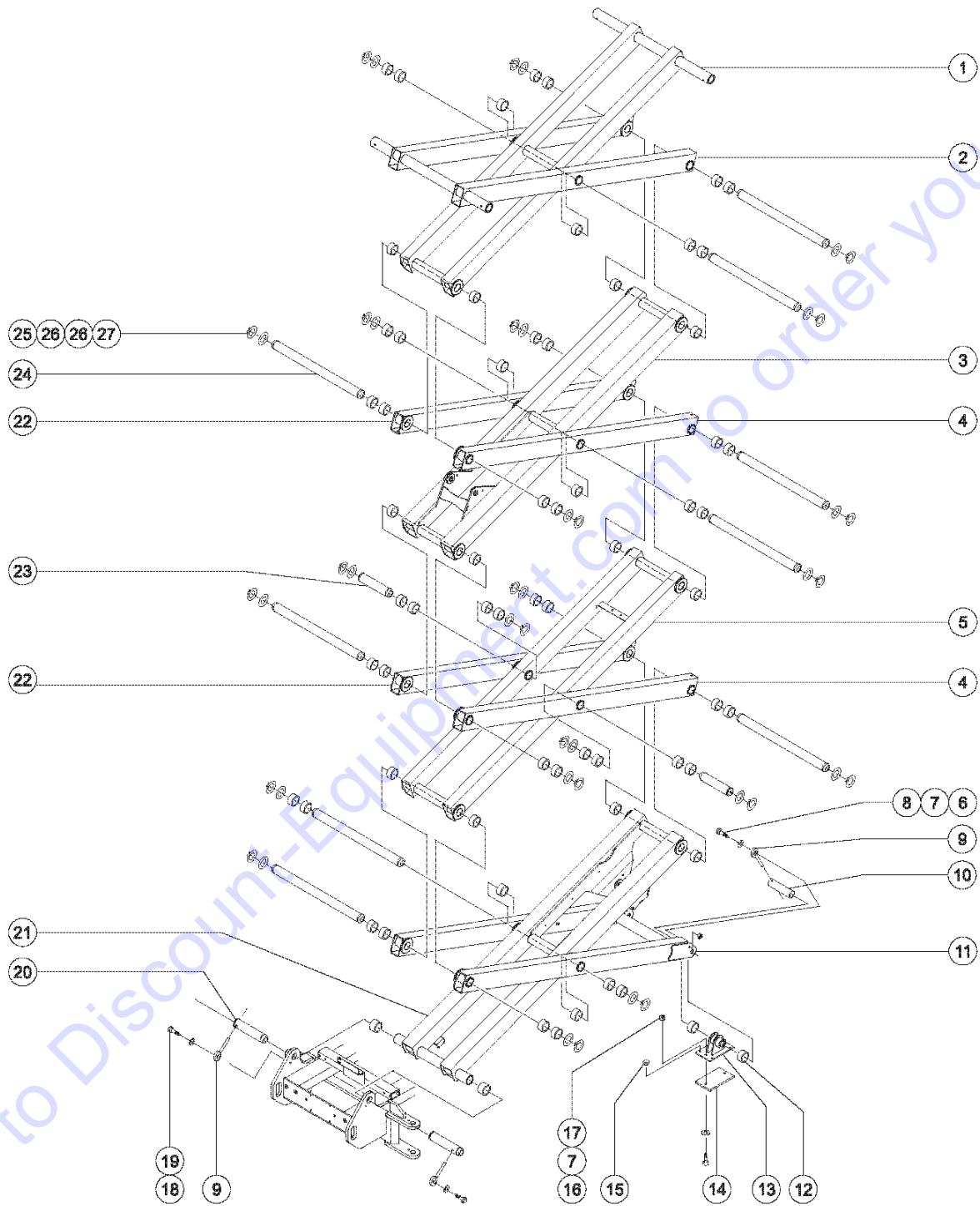
311.1 Power Cables - Drive Chassis



311.1 Power Cables - Drive Chassis

Item	Part No.	Description	Qty.
1	44244GT	BATTERY CABLE ASSY,3.5" RED.....	2
2	46225GT	CABLE ASSEMBLY,9" RED.....	2
3	62200-SGT	CABLE ASSEMBLY,23" GS68DC.....	3
4	62218-SGT	CABLE ASSEMBLY,50" GS68DC.....	1
5	19436GT	CONNECTOR,ANDERSON SB 175,1/0G.....	1
5	62197-SGT	BATT.CABLE ASSY.BATTERY,GS68DC.....	1
6	19436GT	CONNECTOR,ANDERSON SB 175,1/0G.....	1
6	62198-SGT	BATT.CABLE ASSY,CHASSIS,GS68DC.....	1
7	62199-SGT	CABLE ASSEMBLY,25" GS68DC.....	1
8	84115GT	CABLE ASSY, 20" RED.....	1
9	49906GT	CABLE ASSEMBLY,13" BLACK.....	1

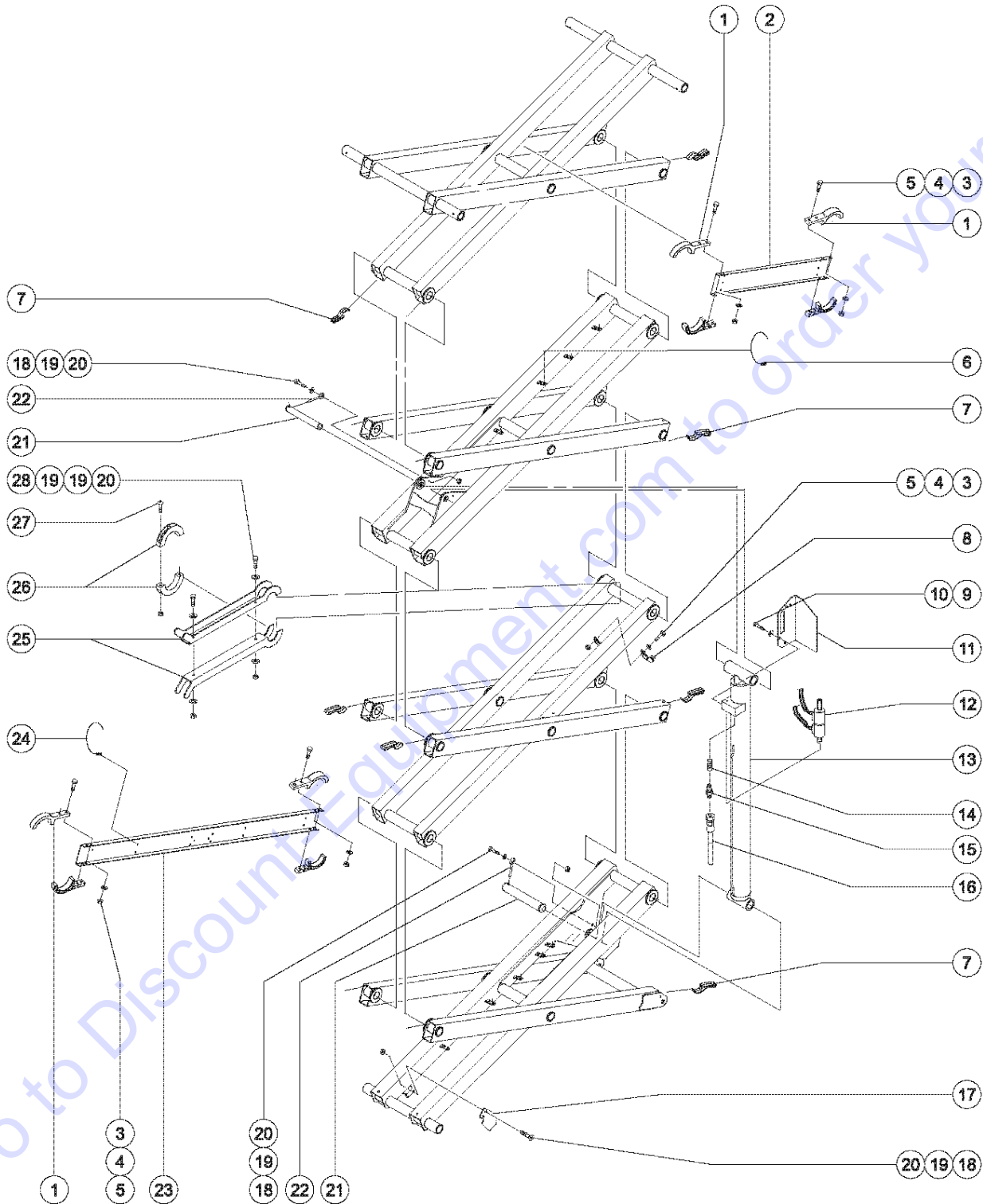
401.1 Scissor Components, View 1



401.1 Scissor Components, View 1

Item	Part No.	Description	Qty.	Item	Part No.	Description	Qty.
1	84235GT	INNER ARM#4 W/BEARINGS GS68.....1 (replaces 71297-S) (includes 4 each item 27)	1	23	47302GT	PIN,1.75DIAX8.51LG,2RING.....2	2
2	84236GT	OUTER ARM #4 W/BEARINGS GS2668.....1 (replaces 71298-S) (includes 8 each item 27)	1	24	47301GT	PIN,1.75DIAX26.71LG,2RING.....9	9
3	84237GT	INNER ARM #3 W/BEARINGS GS2668.....1 (replaces 71299-S) (includes 6 each item 27)	1	25	18384GT	SNAP RING,EXTERNAL,1.75 DIA.....22	22
4	84238GT	OUTER ARM ASSY, W/DECALS*1 (replaces 71295-S) (includes 6 each item 27)	1	26	39127GT	WASHER,SCIS ARM,1.79X2.25X.120.....22	22
5	84239GT	INNER ARM ASSY, W/DECALS.....1 (replaces 71296-S) (includes 8 each of item 27)	1	27	51144GT	BEARING,1.75IDX2.00ODX1.25L.....64	64
6	8516GT	SCREW, HCC, 3/8-16 X 1.50.....3	3				
7	5397GT	WASHER,FLAT,USS,5/16",Y.....2	2				
8	4828GT	NUT,NYLOCK,3/8-16.....2	2				
9	825019GT	ROD END,.375X3.69,ZAG.....3	3				
10	47530GT	PIN,1.00DIAX4.6 LG,1HOLE.....2	2				
11	84243GT	OUTER ARM #1 W/BEARINGS GS2668.....1 (replaces 71292-S) (includes 8 each item 27)	1				
12	25817GT	BEARING,1.00IDX1.25ODX1.00L.....4	4				
13	47360PGT	WELDMENT,SLIDER BLOCK,GS68.....2 (to SN 26325)	2				
13A	58189GT	CASTING -SLIDE BLOCK W/BEARING.....2 (from SN 26326)	2				
14	47373GT	WEAR PAD 2668.....2	2				
15	11890GT	GLIDE BUTTON,SIDE,GLL,.100 TK.....8	8				
16	7713GT	NUT, LP NYLOCK, 3/8-16.....2	2				
17	6175GT	SCREW,HHC,3/8-16 X 1.....2	2				
18	6019GT	SCREW,HHC,3/8-16 X 1.25 GRD 5.....2	2				
19	6021GT	WASHER,LOCK,.375.....2	2				
20	47563GT	PIN,CROSS LOWER PIVOT.....1 (to SN 32992)	1				
20A	71414GT	PIN,1.75DIAX5.87LG,CHAMFER.....2 (from SN 32993)	2				
21	84241GT	INNER ARM ASSY,#1W/BRNGS,2668....1 (replaces 71293-S) (includes 4 each item 27)	1				
22	84242GT	OUTER ARM ASSY, W/DECALS*1 (word) (replaces 71294-S) (includes 6 each item 27)	1				
22A	84991GT	OUTER ARM ASSY #2,W/SY DECALS* (symbol) (replaces 71294-S) (includes 6 each item 27)	1				

402.1 Scissor Components, View 2



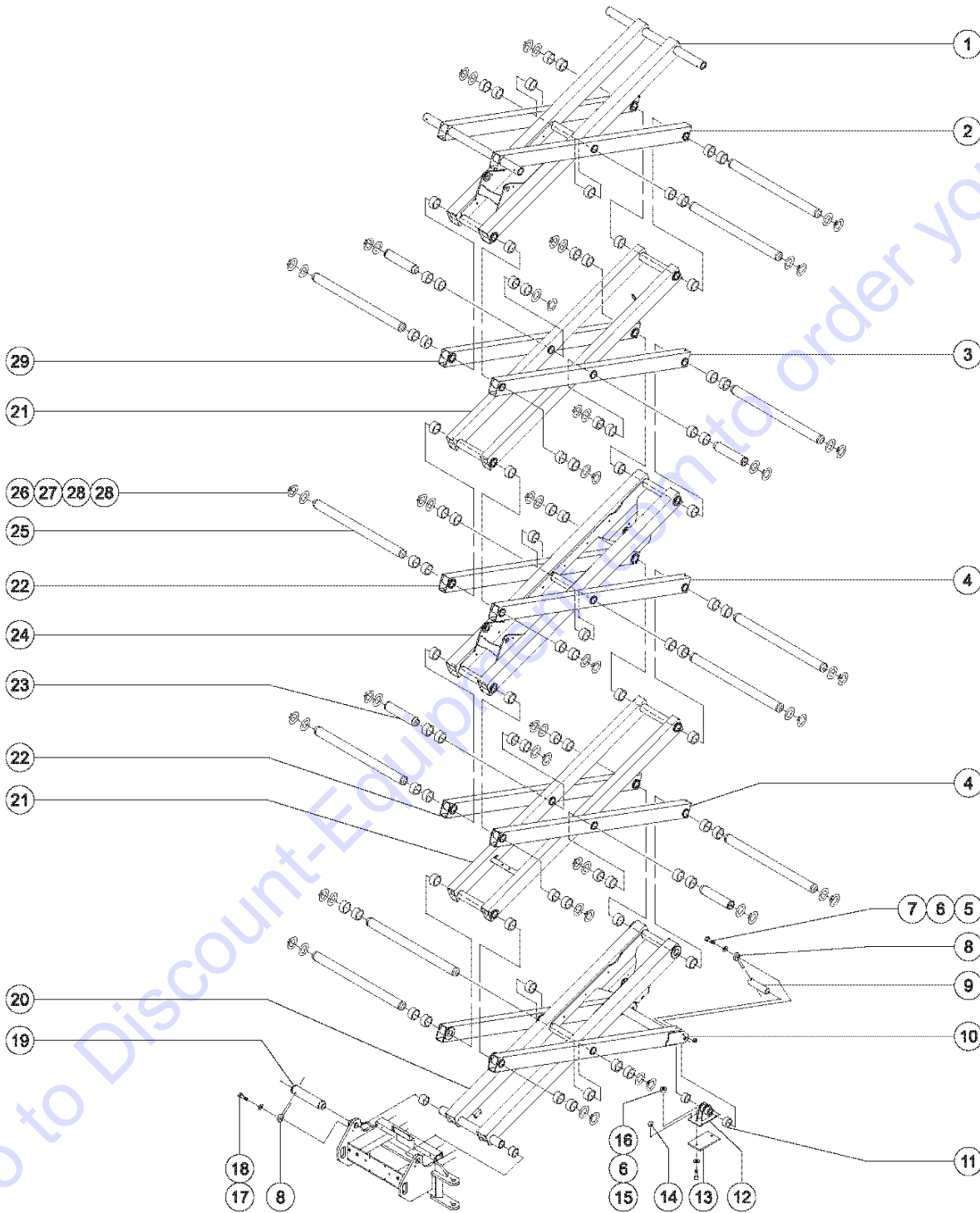
402.1 Scissor Components, View 2

Item	Part No.	Description	Qty.	Item	Part No.	Description	Qty.
1	55351GT	CLAMP, CABLEBRIDGE,HALF.....	8	21	47458GT	PIN,1.50DIA X 8.45LG,1HOLE.....	1
2	47622PGT	BRACKET,UPPER CABLE BRIDGE,46.....	1	22	825019GT	ROD END,.375X3.69,ZAG.....	2
3	6888GT	SCREW,HHC,1/4-20 X 1.....	11	23	47606PGT	BRACKET,MAIN CABLE BRIDGE,2646.....	1
4	6638GT	WASHER,FLAT,USS,1/4"Y.....	11	24	66098GT	CABLE TIE,9" X .5.....	2
5	6889GT	NUT,LP NYLOCK,1/4-20.....	11	1			
6	28443GT	CABLE TIE,11.5" BLACK.....	20	25	58001GT	SAFETY CHOCK-SCISSOR.....	1
		1				<i>includes 2 each of index numbers 18, 19 and 28</i>	
7	47502GT	BUMPER,1.25 INCH O.D.,SCISSORS.....	16	26	55488GT	CROSS TUBE COLAR, GS46\68.....	2
		<i>to SN 40224</i>		26	6091GT	NUT,NYLOCK,1/4-20.....	2
7	71349GT	BUMPER, LINK.....	16	27	11966GT	SCREW,BHHS,1/4-20 X 1.5.....	2
		<i>from SN 40225</i>		28	6019GT	SCREW,HHC,3/8-16 X 1.25 GRD 5.....	2
8	55336GT	CHOCK STOP CUSHION.....	1				
9	7339GT	SCREW,HHC,1/4-20 X .5.....	2				
10	6356GT	WASHER,LOCK,.25.....	2				
11	41557-SGT	CABLE BRACKET,PAINTED.....	1				
		<i>to SN 41053</i>					
11	79494GT	FORMING,DOWN COIL COVER.....	1				
		<i>from SN 41054</i>					
12	35724GT	VALVE,NC SOLENOID,MANUAL LWR....	1				
		<i>to SN 40386</i>					
12	40417GT	COIL,12V DC.....	1				
12	44973GT	NUT,COIL (39909).....	1				
12	44979GT	SEAL KIT,39909,PLAT LWR VALVE*.....	1				
12	71481GT	VALVE,DOUBLE PULL SOLENOID 12V.....	1				
		<i>from SN 40387</i>					
12	84087GT	COIL-VALVE,SOLENOID.....	1				
12	84423GT	VALVE,2 POSITION 2 WAY***.....	1				
13	39878GT	CONNECTOR,070120-6-6.....	1				
13	45071GT	BEARING,1.5IDX1.75ODX1.5L.....	1				
13	48340GT	SEAL KIT, 48341 LIFT CYL.....	1				
13	48341GT	CYL.ASSY,2668.....	1				
		<i>includes orifice and fitting; to SN 40386</i>					
13	55560GT	ORIFICE,LONG, .059".....	1				
13	55717GT	CYLINDER, GS2632/46/68***.....	1				
		<i>includes bearings; from SN 40387</i>					
13	66470GT	SEAL KIT (55717) TEXAS HYD VER....	1				
14	55560GT	ORIFICE,LONG, .059".....	1				
15	48916GT	CONN, 520120-6.....	1				
16		Ref. Hydraulic Hoses and Fittings (refer to Figure 3-J).....	1				
17	47574PGT	PLATE,LIFT ARM CAM GS68.....	1				
18	8516GT	SCREW, HCC, 3/8-16 X 1.50.....	4				
19	5397GT	WASHER,FLAT,USS,5/16",Y.....	8				
20	4828GT	NUT,NYLOCK,3/8-16.....	6				

Footnotes

1: Quantity listed for this item is approximate.
Actual quantity may vary to ensure proper fit.

403.1 Scissor Components, View 1

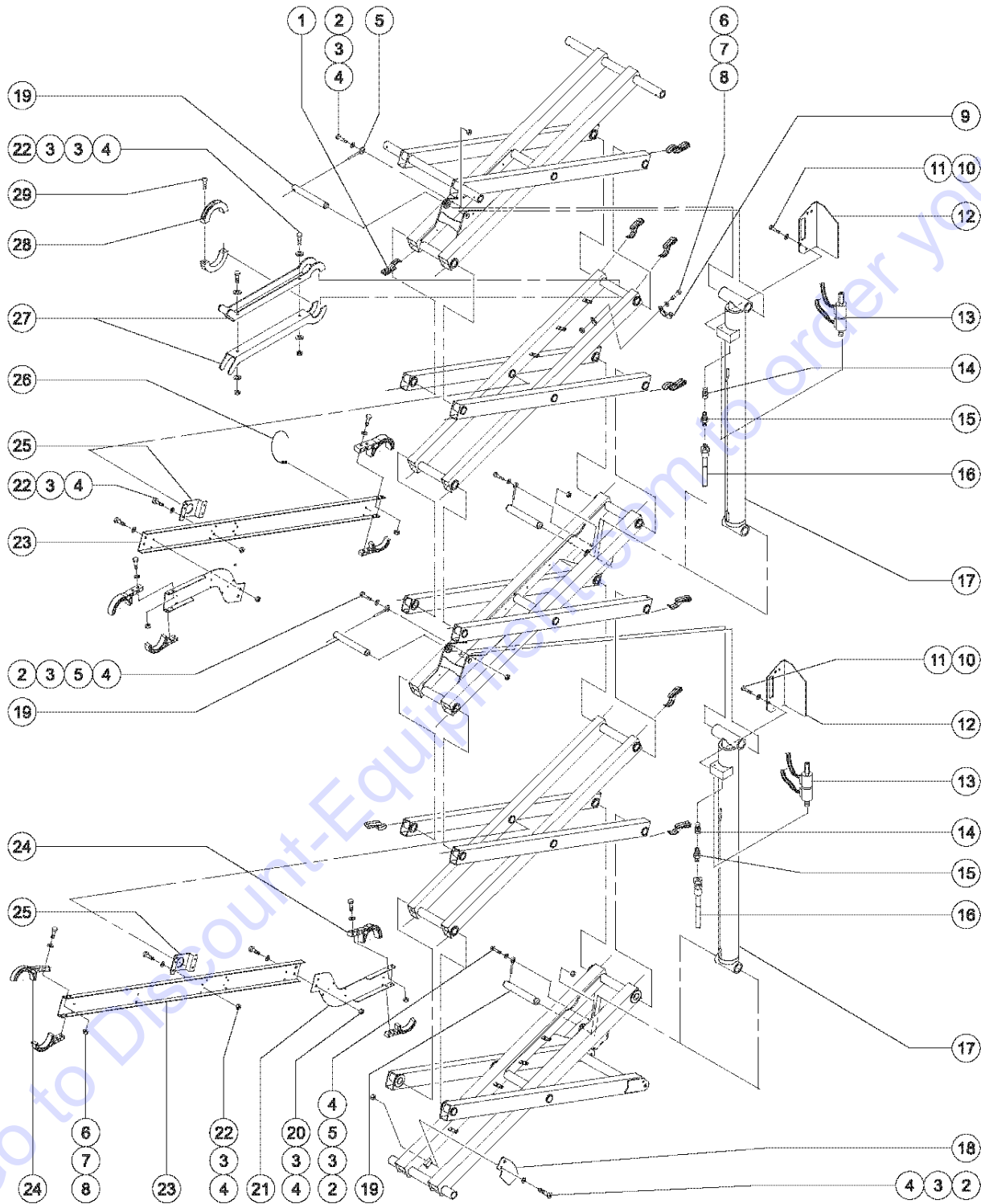


Go to Discount-Equipment.com to order your parts

403.1 Scissor Components, View 1

Item	Part No.	Description	Qty.	Item	Part No.	Description	Qty.
1	84244GT	INNER ARM #5 W/BEARINGS GS3268.....1 (replaces 71304-S) (includes 4 each item 28)	1	22A	84991GT	OUTER ARM ASSY #2,W/SY DECALS* (symbol) (replaces 71294-S) (includes 6 each item 28)	
2	84245GT	OUTER ARM #5 W/BEARINGS GS3268.....1 (replaces 71302-S) (includes 8 each item 28)	1	23	47302GT	PIN,1.75DIAx8.51LG,2RING.....4	4
3	84246GT	OUTER ARM #4 W/BEARINGS,GS3268.....1 (replaces 71301-S) (ground controls side) (includes 6 each item 28)	1	24	84247GT	INNER ARM #3 W/BEARINGS GS3268.....1 (replaces 71303-S) (includes 6 each item 28)	1
4	84238GT	OUTER ARM ASSY, W/DECALS*.....1 (replaces 71295-S) (includes 6 each item 27)	1	25	47301GT	PIN,1.75DIAx26.71LG,2RING.....11	11
5	8516GT	SCREW, HCC, 3/8-16 X 1.50.....3	3	26	18384GT	SNAP RING,EXTERNAL,1.75 DIA.....30	30
6	5397GT	WASHER,FLAT,USS,5/16",Y.....3	3	27	39127GT	WASHER,SCIS ARM,1.79X2.25X.120.....30	30
7	4828GT	NUT,NYLOCK,3/8-16.....2	2	28	51144GT	BEARING,1.75IDX2.00ODX1.25L.....82	82
8	825019GT	ROD END,.375X3.69,ZAG.....3	3	29	84248GT	OUTER ARM #4 W/BEARINGS GS3268.....1 (replaces 71300-S) (includes 6 each item 28)	1
9	47530GT	PIN,1.00DIAx4.6 LG,1HOLE.....2	2				
10	84243GT	OUTER ARM #1 W/BEARINGS GS2668.....1 (replaces 71292-S) (includes 8 each item 28)	1				
11	25817GT	BEARING,1.00IDX1.25ODX1.00L.....4	4				
12	47360PGT	WELDMENT,SLIDER BLOCK,GS68.....2 (to SN 26325)	2				
12A	58189GT	CASTING -SLIDE BLOCK W/BEARING.....2 (from SN 26326)	2				
13	47373GT	WEAR PAD 2668.....2	2				
14	11890GT	GLIDE BUTTON,SIDE,GLL,.100 TK.....8	8				
15	7713GT	NUT, LP NYLOCK, 3/8-16.....2	2				
16	6175GT	SCREW,HHC,3/8-16 X 1.....4	4				
17	6019GT	SCREW,HHC,3/8-16 X 1.25 GRD 5.....3	3				
18	6021GT	WASHER,LOCK,.375.....6	6				
19	47563GT	PIN,CROSS LOWER PIVOT.....1 (to SN 32992)	1				
19A	71414GT	PIN,1.75DIAx5.87LG,CHAMFER.....2 (from SN 32993)	2				
20	84241GT	INNER ARM ASSY,#1W/BRNGS,2668...1 (replaces 71293-S) (includes 4 each item 28)	1				
21	84239GT	INNER ARM ASSY, W/DECALS.....1 (word) (replaces 71296-S) (includes 8 each item 28)	1				
21A	84992GT	INNER ARM ASSY #4,W/SY DECALS* (symbol) (replaces 71296-S) (includes 8 each item 28)					
22	84242GT	OUTER ARM ASSY, W/DECALS*.....1 (word) (replaces 71294-S) (includes 6 each item 28)	1				

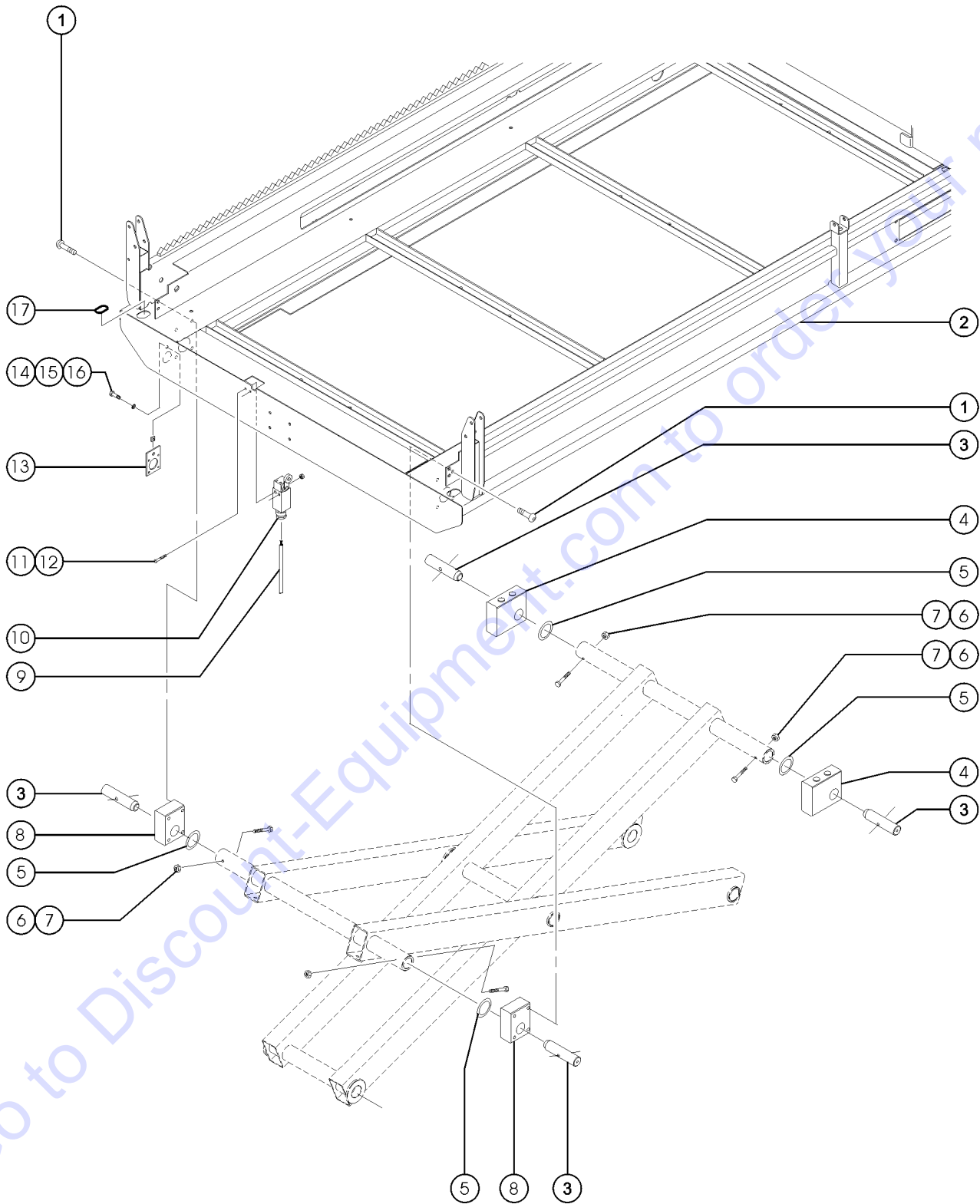
404.1 Scissor Components, View 2



404.1 Scissor Components, View 2

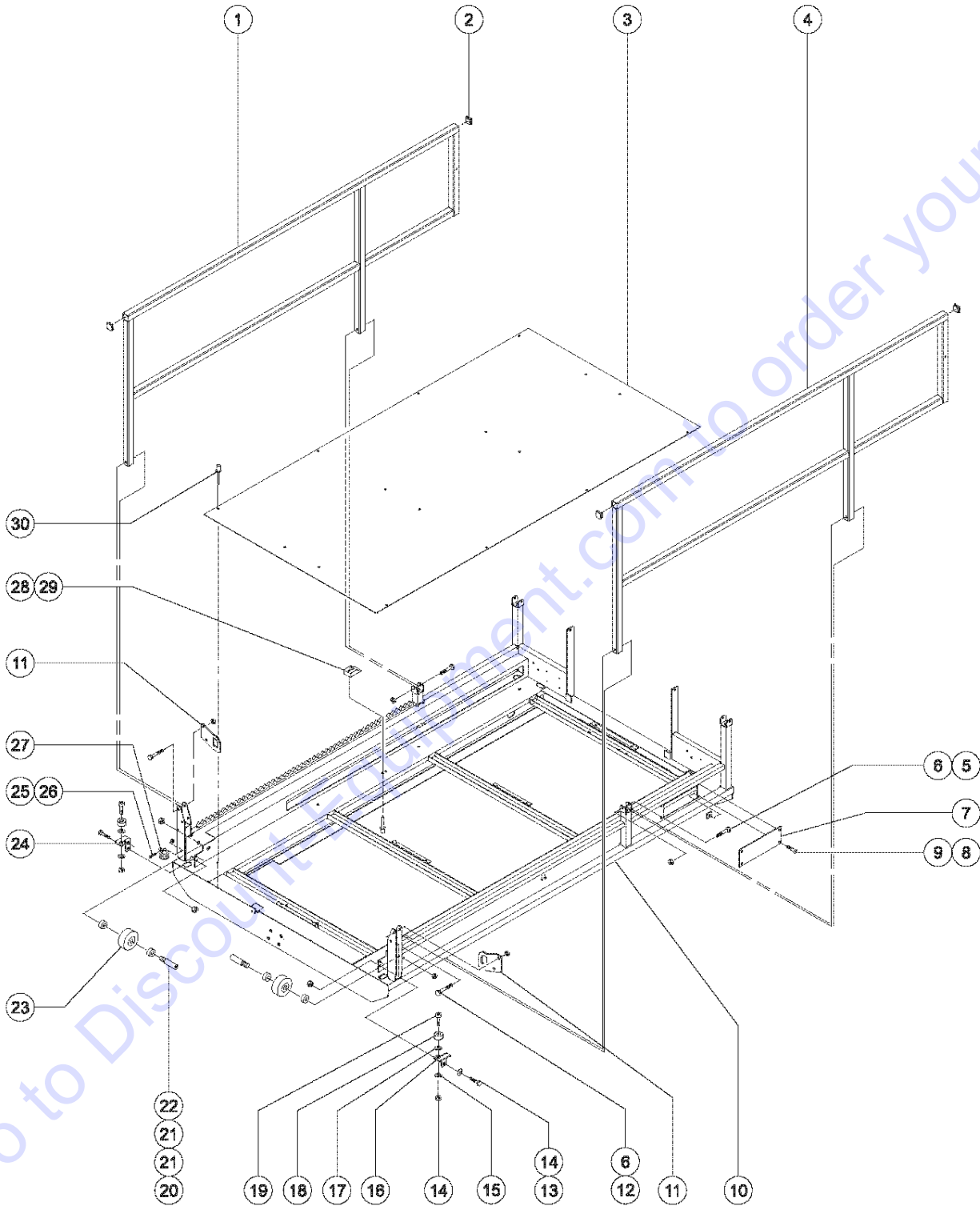
Item	Part No.	Description	Qty.	Item	Part No.	Description	Qty.
1	47502GT	BUMPER,1.25 INCH O.D.,SCISSORS.....16 <i>to SN 40224</i>	16	23	51505PGT	BRACKET,MAIN CABLE BRIDGE,GS32.....2	2
1	71349GT	BUMPER, LINK.....16 <i>from SN 40225</i>	16	24	55351GT	CLAMP, CABLEBRIDGE,HALF.....8	8
2	8516GT	SCREW, HCC, 3/8-16 X 1.50.....6	6	25	47625PGT	BRACKET CABLE BRIDGE, 46.....2	2
3	5397GT	WASHER,FLAT,USS,5/16",Y.....22	22	26	66098GT	CABLE TIE,9" X .5.....4 1	4
4	4828GT	NUT,NYLOCK,3/8-16.....20	20	27	58001GT	SAFETY CHOCK-SCISSOR.....1 <i>includes index numbers 34, 35 and 2 each index number 4</i>	1
5	825019GT	ROD END, .375X3.69,ZAG.....4	4	28	55488GT	CROSS TUBE COLAR, GS46\68.....2	2
6	6888GT	SCREW,HHC,1/4-20 X 1.....11	11	28	6091GT	NUT,NYLOCK,1/4-20.....2	2
7	6638GT	WASHER,FLAT,USS,1/4"Y.....11	11	29	11966GT	SCREW,BHHS,1/4-20 X 1.5.....2	2
8	6889GT	NUT,LP NYLOCK,1/4-20.....11	11	Footnotes			
9	55336GT	CHOCK STOP CUSHION.....1	1	1: Quantity listed for this item is approximate. Actual quantity may vary to ensure proper fit.			
10	7339GT	SCREW,HHC,1/4-20 X .5.....4	4				
11	6356GT	WASHER,LOCK, .25.....4	4				
12	41557-SGT	CABLE BRACKET,PAINTED.....2 <i>to SN 41053</i>	2				
12	79494GT	FORMING,DOWN COIL COVER.....2 <i>from SN 41054</i>	2				
13	35724GT	VALVE,NC SOLENOID,MANUAL LWR...2 <i>to SN 40386</i>	2				
13	40417GT	COIL,12V DC.....2	2				
13	44973GT	NUT,COIL (39909).....2	2				
13	44979GT	SEAL KIT,39909,PLAT LWR VALVE*.....2	2				
13	71481GT	VALVE,DOUBLE PULL SOLENOID 12V.....1 <i>from SN 40387</i>	1				
13	84087GT	COIL-VALVE,SOLENOID.....1	1				
13	84423GT	VALVE,2 POSITION 2 WAY***.....1	1				
14	55560GT	ORIFICE,LONG, .059".....1	1				
15	48916GT	CONN, 520120-6.....1	1				
16		Ref. Hydraulic Hoses and Fittings (refer to Figure 3-J).....1	1				
17	39878GT	CONNECTOR,070120-6-6.....2	2				
17	45071GT	BEARING,1.5IDX1.75ODX1.5L.....2	2				
17	48340GT	SEAL KIT, 48341 LIFT CYL.....2	2				
17	48341GT	CYL.ASSY,2668.....2 <i>includes orifice and fitting; to SN 26955</i>	2				
17	55560GT	ORIFICE,LONG, .059".....2	2				
17	55717GT	CYLINDER, GS2632/46/68***.....1 <i>includes bearings; from SN 26956</i>	1				
17	66470GT	SEAL KIT (55717) TEXAS HYD VER....1	1				
18	47574PGT	PLATE,LIFT ARM CAM GS68.....1	1				
19	47458GT	PIN,1.50DIAx8.45LG,1HOLE.....4	4				
20	6175GT	SCREW,HHC,3/8-16 X 1.....2	2				
21	51542PGT	BRACKET,CABLE BRIDGE GS32.....2	2				
22	6019GT	SCREW,HHC,3/8-16 X 1.25 GRD 5.....10	10				

501.1 Platform Installation



Item	Part No.	Description	Qty.
1	26810GT	SCREW,BHHS,3/8-16 X 2.75.....	8
2	112593GT	PLAT ASSY,2668DC,ANSI,115V..... <i>(Assemblies with Word Decals - USA and Canada) (to SN 41737)</i>	1
2	112597GT	PLAT ASSY,3268DC,ANSI,115V..... <i>(Assemblies with Word Decals - USA and Canada) (to SN 41737)</i>	1
--	112594GT	PLAT ASSY,2668DC,ANSI,230V <i>(Assemblies with Word Decals - USA and Canada) (to SN 41737)</i>	
--	112598GT	PLAT ASSY,3268DC,ANSI,230V <i>(Assemblies with Word Decals - USA and Canada) (to SN 41737)</i>	
2A	112595GT	PLAT ASSY,2668DC,CE,115V..... <i>(Assemblies with Symbol Decals - Europe) (to SN 41737)</i>	1
2A	112599GT	PLAT ASSY,3268DC,CE,115V..... <i>(Assemblies with Symbol Decals - Europe) (to SN 41737)</i>	1
--	112596GT	PLAT ASSY,2668DC,CE,230V <i>(Assemblies with Symbol Decals - Europe) (to SN 41737)</i>	
--	112600GT	PLAT ASSY,3268DC,CE,230V <i>(Assemblies with Symbol Decals - Europe) (to SN 41737)</i>	
3	39095GT	PIN,1.75DIAX7.35LG,CHAMFER.....	4
4	131426GT	SLIDER BLOCK,PLATFORM.....	2
5	39127GT	WASHER,SCIS ARM,1.79X2.25X.120....	4
6	4828GT	NUT,NYLOCK,3/8-16.....	4
7	21604GT	SCREW,HHC,3/8-16 X 3.25.....	4
8	47160GT	BLOCK, PLATFORM ANCHOR.....	2
9	39907GT	WIRE CABLE,18/2 SJO,BULK..... <i>(1326 cm) (excludes items 10-3 on models; RT models only)</i>	.522-inches
10	19491GT	CONTACTOR,LIMIT SWITCH.....	1
10	27643GT	ROLLER ARM-LIMIT SWITCH.....	1
10	96948GT	SWITCH,LIMIT,W/ROLLER ARM***..... <i>RT models only</i>	1
--	19491GT	CONTACTOR,LIMIT SWITCH.....	1
--	97128GT	ROLLER ARM,LIMIT SWITCH***.....	1
11	51063GT	SCREW,PHILLIPS,RHM,10-32 X 1.5.....	2
12	6178GT	NUT,NYLOCK,10-32.....	2
13	10107GT	SCREW,HHC,5/16-18 X .75.....	1
14	6638GT	WASHER,FLAT,USS,1/4"Y.....	1
15	6091GT	NUT,NYLOCK,1/4-20.....	1
16	55663-SGT	BRACKET,JOYSTICK Q.D. BULKHEAD.....	1
17	24649GT	GROMMET,RUBBER 1.5 X .25 X 2.....	1

502.1 Platform Railings



PARTS FINDER

**Search Website
by Part Number**



**Search Manual
Library For Parts
Manual & Lookup Part
Numbers – Purchase
or Request Quote**

Search Manuals

Enter your information to help us find the right parts manual for your equipment.

* Brand:

* Model:

* Serial:

* Part Number:

SEARCH

**Can't Find Part or
Manual? Request Help
by Manufacturer,
Model & Description**

Parts Order Form

Please fill in the following information to help us find the right part for your equipment.

Manufacturer:	<input type="text"/>
Model:	<input type="text"/>
Description:	<input type="text"/>
Part Number:	<input type="text"/>
Quantity:	<input type="text"/>
Notes:	<input type="text"/>

REQUEST HELP

Discount-Equipment.com is your online resource for quality parts & equipment.

Florida: **561-964-4949** Outside Florida TOLL FREE: **877-690-3101**

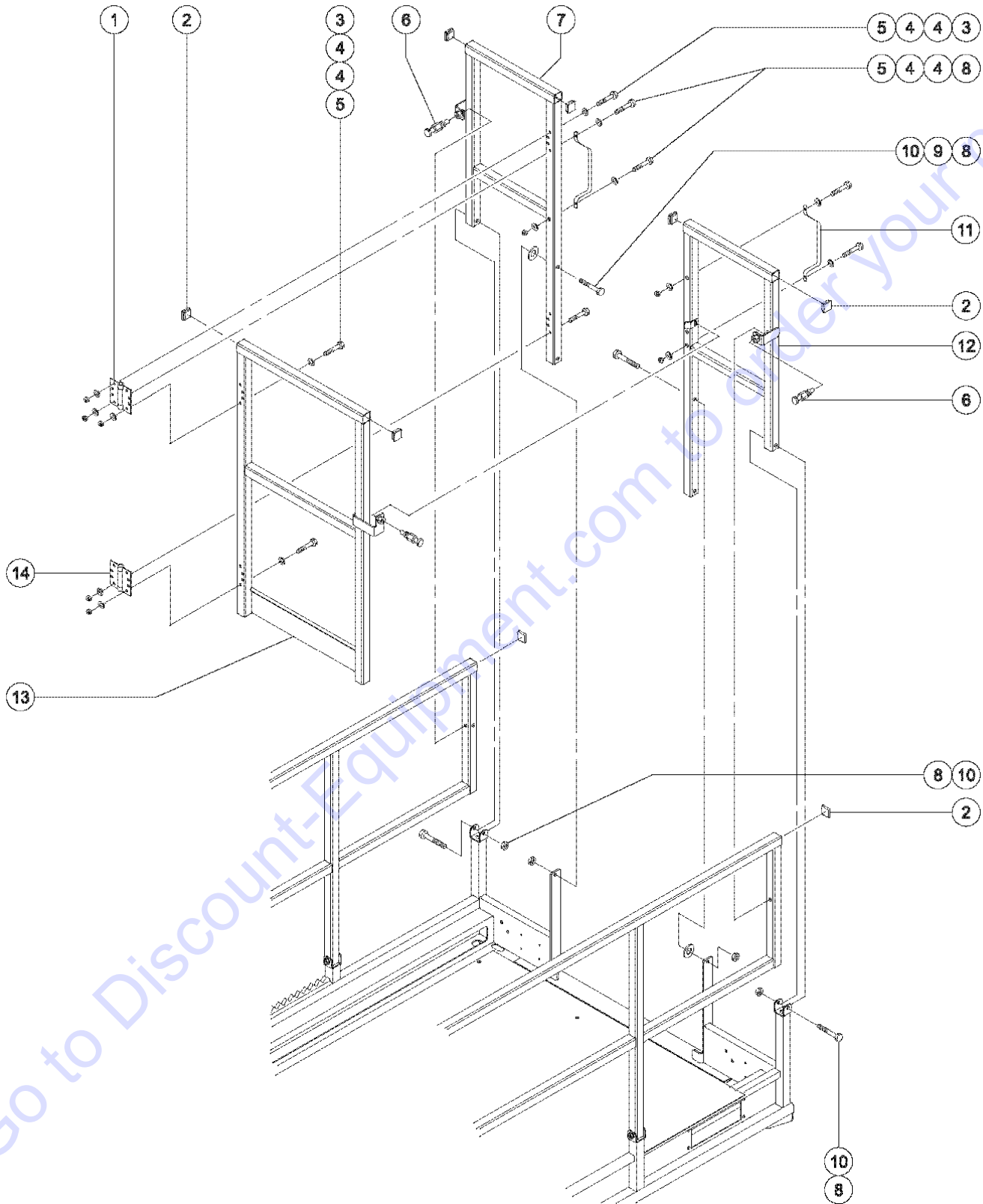
Need parts?

Click on this link: <http://www.discount-equipment.com/category/5443-parts/> and choose one of the options to help get the right parts and equipment you are looking for. Please have the machine model and serial number available in order to help us get you the correct parts. If you don't find the part on the website or on one of the online manuals, please fill out the request form and one of our experienced staff members will get back to you with a quote for the right part that your machine needs.

We sell worldwide for the brands: Genie, Terex, JLG, MultiQuip, Mikasa, Essick, Whiteman, Mayco, Toro Stone, Diamond Products, Generac Magnum, Airman, Haulotte, Barreto, Power Blanket, Nifty Lift, Atlas Copco, Chicago Pneumatic, Allmand, Miller Curber, Skyjack, Lull, Skytrak, Tsurumi, Husquvarna Target, Stow, Wacker, Sakai, Mi-T-M, Sullair, Basic, Dynapac, MBW, Weber, Bartell, Bennar Newman, Haulotte, Ditch Runner, Menegotti, Morrison, Contec, Buddy, Crown, Edco, Wyco, Bomag, Laymor, EZ Trench, Bil-Jax, F.S. Curtis, Gehl Pavers, Heli, Honda, ICS/PowerGrit, IHI, Partner, Imer, Clipper, MMD, Koshin, Rice, CH&E, General Equipment, Amida, Coleman, NAC, Gradall, Square Shooter, Kent, Stanley, Tamco, Toku, Hatz, Kohler, Robin, Wisconsin, Northrock, Oztec, Toker TK, Rol-Air, APT, Wylie, Ingersoll Rand / Doosan, Innovatech, Con X, Ammann, Mecalac, Makinex, Smith Surface Prep, Small Line, Wanco, Yanmar

Item	Part No.	Description	Qty.
1	51379PGT	WELDMENT,SIDERAIL,GS68.....	1
2	79355GT	PLUG,TUBE,SQ 1.50X.065..... <i>to SN 40787</i>	4
3	51435GT	DECK PLATE,MAIN,GS68.....	1
4	51379PGT	WELDMENT,SIDERAIL,GS68.....	1
5	8178GT	SCREW,HHC,3/8-16 X 2.5.....	2
6	4828GT	NUT,NYLOCK,3/8-16.....	16
7	51073PGT	ACCESS PANEL,PLATFORM, GS68.....	2
8	14297GT	SCREW,BHHS,1/4-20 X .75.....	8
9	56912GT	SPRING CLIP,1/4-20,.025-.15X.54,ZAG.....	8
10	47424-SGT	GS68 PLAT W/ EXTN DECK..... <i>ANSI and CSA models</i>	1
10	62179GT	PLAT ASSY,CE,GS2668DC*..... <i>CE models</i>	1
10	62185GT	PLAT ASSY,CE,GS3268DC*..... <i>CE models</i>	1
10	62186-SGT	PLATFORM ASSY/DECALS 2668 RT..... <i>ANSI and CSA models</i>	1
11	51166PGT	GUARD,PLATFORM/LANYARD,GS68.....	2
12	14033GT	SCREW,HHC,3/8-16 X 2.75.....	2
13	8255GT	SCREW,HHC,3/8-16 X .75.....	4
14	7713GT	NUT, LP NYLOCK, 3/8-16.....	4
15	6052GT	WASHER,SHIM,.5 X .875 X .063.....	2
16	51409PGT	BRACKET,ROLLER,GRD.CONTRL,GS68.1	1
17	47520GT	WASHER,THRUST .75 X 1.25 X .06.....	2
18	38016GT	ROLLER,PLASTIC,AWP96**.....	2
19	35706GT	BOLT,ROLLER,.470"(SHORT).....	2
20	51139GT	PIN,EXTENSION ROLLER.....	2
21	55355GT	SPACER,.75ID X 1.5OD X 1/4THK.....	4
22	6024GT	NUT,NYLOCK,5/8-11.....	2
23	51437GT	WHEEL,4 X 1.5..... <i>includes end caps</i>	2
24	51408PGT	BRACKET,ROLLR,ENGINE SIDE,GS68.....	1
25	6090GT	SCREW,HHC,1/4-20 X .75.....	5
26	6091GT	NUT,NYLOCK,1/4-20.....	5
27	21618GT	CLAMP,1.13,#18 X 1/4,RUB CUSH.....	1
28	39317GT	STOP PLATFORM ROLLER.....	2
29	33776GT	RIVET,STL,STL,P.188 X .375.....	4
30	28487GT	SCREW,BHHS,3/8-16 X 1..... <i>to SN 40695</i>	16
30	71315GT	RIVET,DRIVE,.25 X .25..... <i>from SN 40696</i>	16

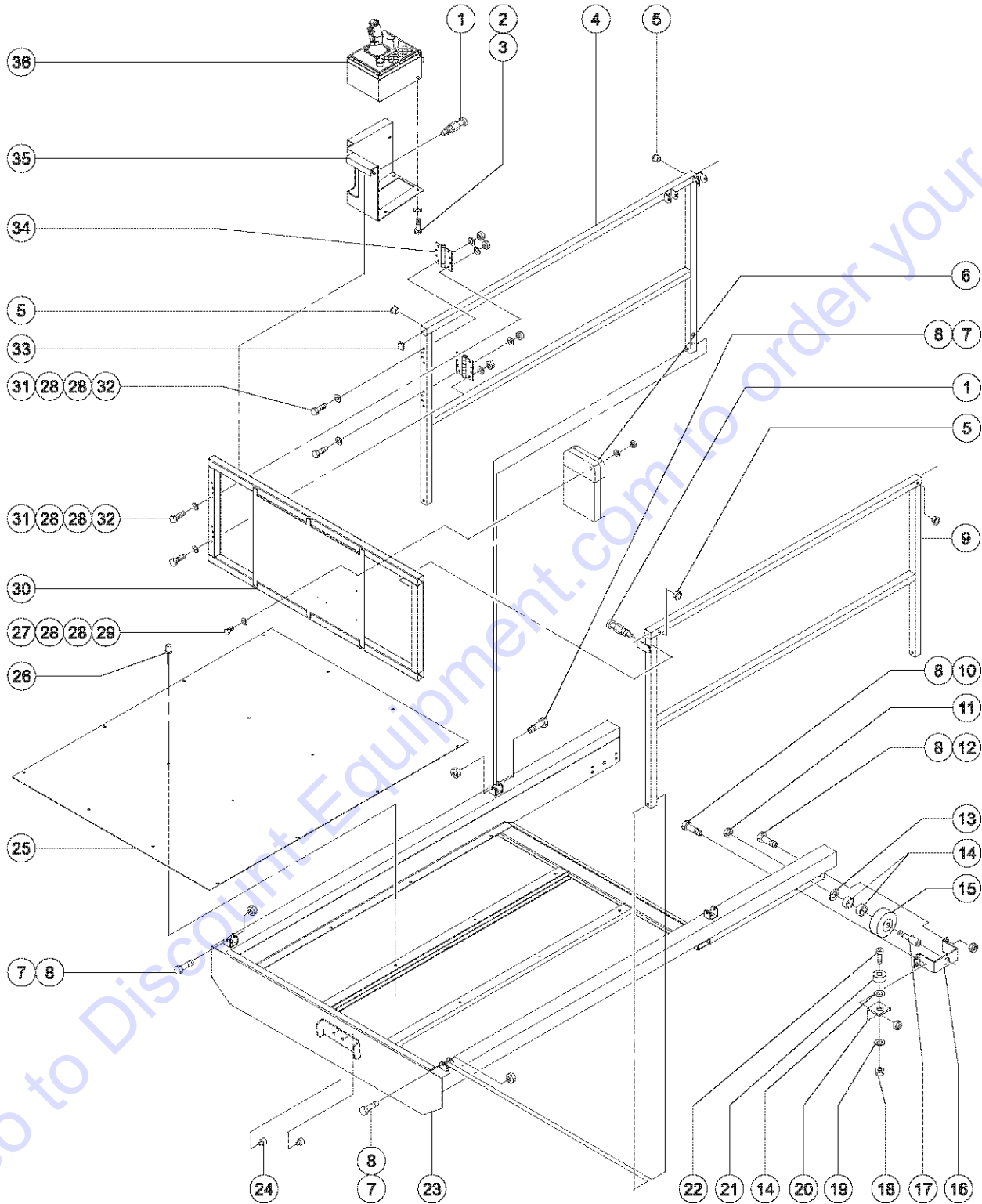
503.1 Platform Entry Gate



Item	Part No.	Description	Qty.
1	47524GT	HINGE,CLOSING (SPRING) 4 X 4.....1	1
2	79355GT	PLUG,TUBE,SQ 1.50X.065.....8 to SN 40787	8
3	4266GT	SCREW,HHC,1/4-20 X 2.....15	15
4	6638GT	WASHER,FLAT,USS,1/4"Y.....40	40
5	6889GT	NUT,LP NYLOCK,1/4-20.....19	19
6	47138GT	PIN,SNAP,ENTRY RAIL.....3	3
7	51071PGT	WELDMENT,END RAIL,ENGINE SIDE...1	1
8	8178GT	SCREW,HHC,3/8-16 X 2.5.....4	4
9	47520GT	WASHER,THRUST .75 X 1.25 X .06.....2	2
10	4828GT	NUT,NYLOCK,3/8-16.....4	4
11	51416GT	HANDLE,GRAB.....2	2
12	51039PGT	WELDMENT,END RAIL,GRD.CONTRLS.....1	1
13	51036PGT	WELDMENT,ENTRY GATE 68.....1	1
14	47523GT	HINGE,4 X 4.....1	1

Go to Discount-Equipment.com to order your parts

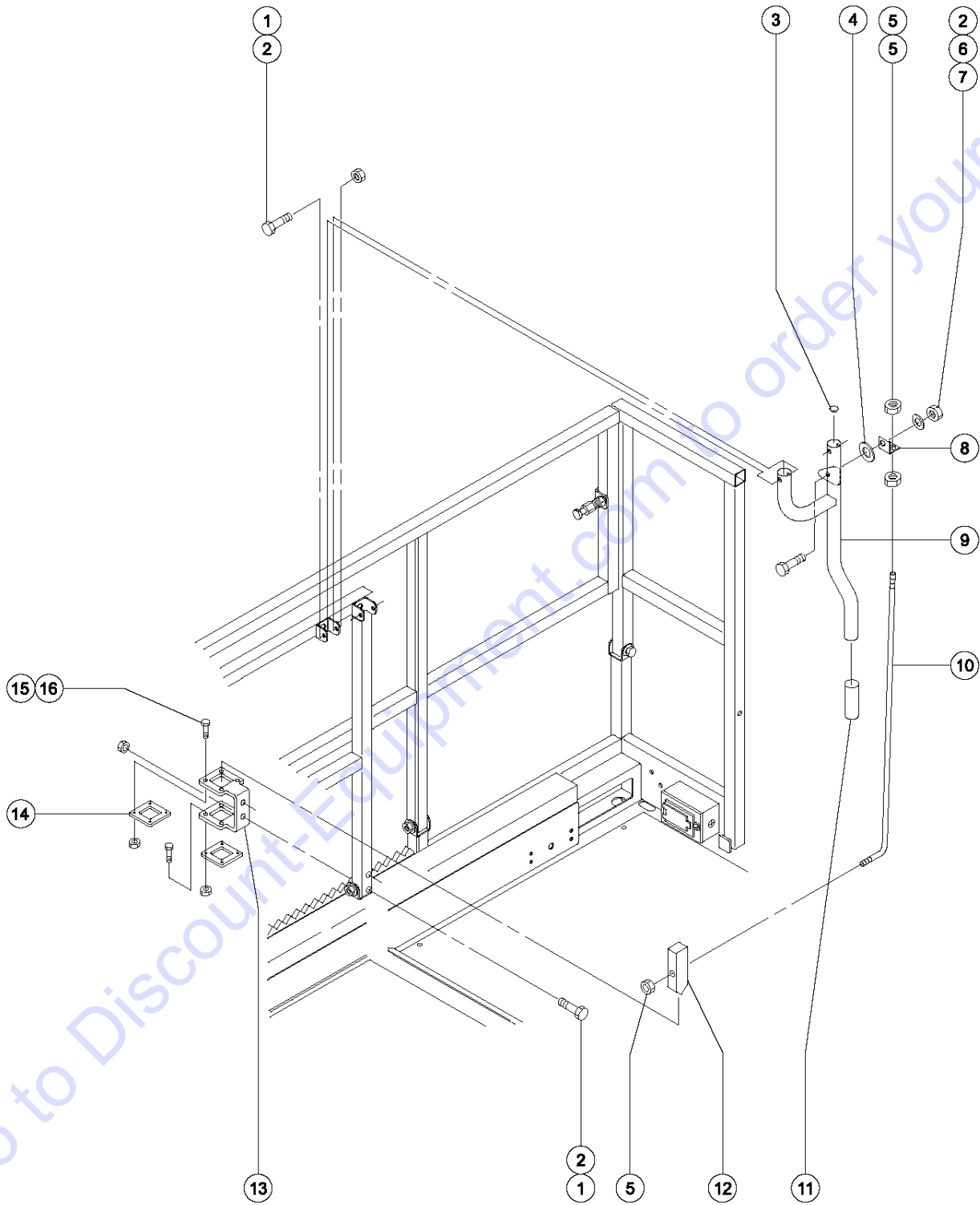
504.1 Platform Extension



504.1 Platform Extension

Item	Part No.	Description	Qty.	Item	Part No.	Description	Qty.
1	47138GT	PIN,SNAP,ENTRY RAIL.....	2	23H	112600GT	PLAT ASSY,3268DC,CE,230V GS-3268 CE models; 230V power to platform	
2	10107GT	SCREW,HHC,5/16-18 X .75.....	4	24	47230GT	BUMPER,RUBBER.....	4
3	6886GT	WASHER,LOCK,.313.....	4	25	51436-SGT	DECK PLATE,EXTENSION,GS68.....	1
4	51092PGT	RAILING,EXT DECK,ENGINE SIDE.....	1	26	28487GT	SCREW,BHHS,3/8-16 X 1.....	16
5	47502GT	BUMPER,1.25 INCH O.D.,SCISSORS....	4			to SN 40695	
6	44743GT	MANUAL BOX W/DECALS***.....	1	26	71315GT	RIVET,DRIVE, .25 X .25.....	16
7	8178GT	SCREW,HHC,3/8-16 X 2.5.....	4			from SN 40696	
8	4828GT	NUT,NYLOCK,3/8-16.....	12	27	6090GT	SCREW,HHC,1/4-20 X .75.....	4
9	51034PGT	RAILING,EXT.DECK GRD.CONTRL,68.....	1	28	6638GT	WASHER,FLAT,USS,1/4"Y.....	40
10	8255GT	SCREW,HHC,3/8-16 X .75.....	4	29	6091GT	NUT,NYLOCK,1/4-20.....	16
11	6024GT	NUT,NYLOCK,5/8-11.....	2	30	62710-SGT	ENDRAIL ASSY.EXT.DECK GS68.....	1
12	6175GT	SCREW,HHC,3/8-16 X 1.....	8			includes index number 6 and 4 each index numbers 27 through 29	
13	47520GT	WASHER,THRUST .75 X 1.25 X .06....	4	31	4266GT	SCREW,HHC,1/4-20 X 2.....	16
14	39580GT	BEARING,0.75IDX1.00ODX0.38L.....	4	32	6086GT	NUT,LP NYLOCK,1/2-13.....	16
15	51437GT	WHEEL,4 X 1.5.....	2	33	79355GT	PLUG,TUBE,SQ 1.50X.065.....	8
		includes end caps				to SN 40787	
16	51055PGT	BRACKET,ROLLER WHEEL EXT.PLAT.....	2	34	47523GT	HINGE,4 X 4.....	2
17	51139GT	PIN,EXTENSION ROLLER.....	2	35	51143GT	JOYSTICK CARRIER.....	1
18	7713GT	NUT, LP NYLOCK, 3/8-16.....	2	36		Ref. Platform Controls (refer to Figure 6-G).....	1
19	5397GT	WASHER,FLAT,USS,5/16",Y.....	1				
20	51407PGT	BRACKET,SIDE ROLLER,GRN.CONTRL.....	1				
20	51478PGT	BRACKET, SIDE ROLLER, REAR FT.....	1				
		shown					
21	38016GT	ROLLER,PLASTIC,AWP96**.....	2				
22	35706GT	BOLT,ROLLER,.470"(SHORT).....	2				
23	33550GT	TAPE,WARNING,BLK/YEL, 50***.....	1				
23A	112593GT	PLAT ASSY,2668DC,ANSI,115V.....	1				
		GS-2668 ANSI/CSA models; 115V power to platform					
23B	112594GT	PLAT ASSY,2668DC,ANSI,230V GS-2668 ANSI/CSA models; 230V power to platform					
23C	112595GT	PLAT ASSY,2668DC,CE,115V GS-2668 CE models; 115V power to platform					
23D	112596GT	PLAT ASSY,2668DC,CE,230V GS-2668 CE models; 230V power to platform					
23E	112597GT	PLAT ASSY,3268DC,ANSI,115V GS-3268 ANSI/CSA models; 115V power to platform					
23F	112598GT	PLAT ASSY,3268DC,ANSI,230V GS-3268 ANSI/CSA models; 230V power to platform					
23G	112599GT	PLAT ASSY,3268DC,CE,115V GS-3268 CE models; 115V power to platform					

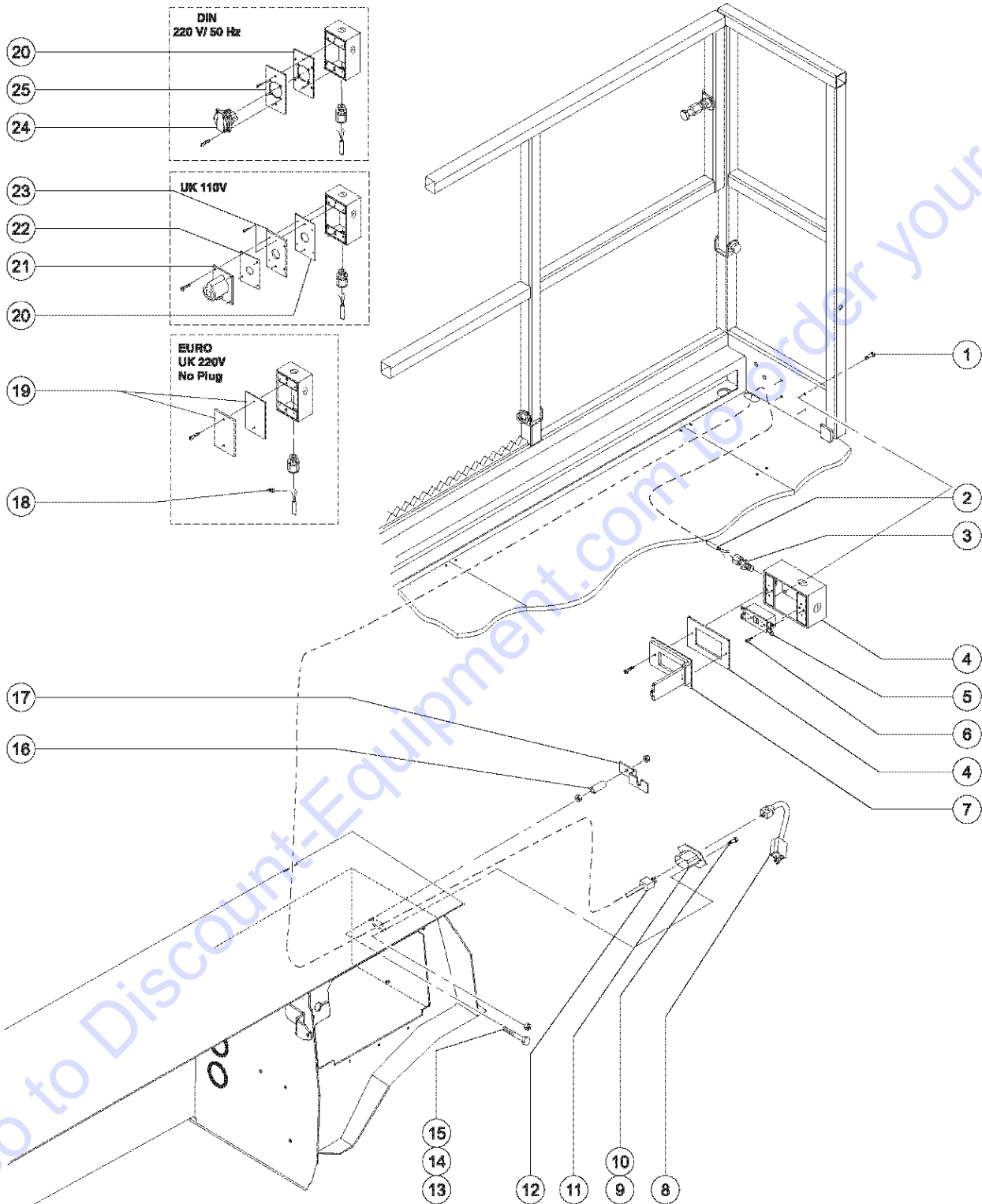
505.1 Platform Extension Deck Lock



505.1 Platform Extension Deck Lock

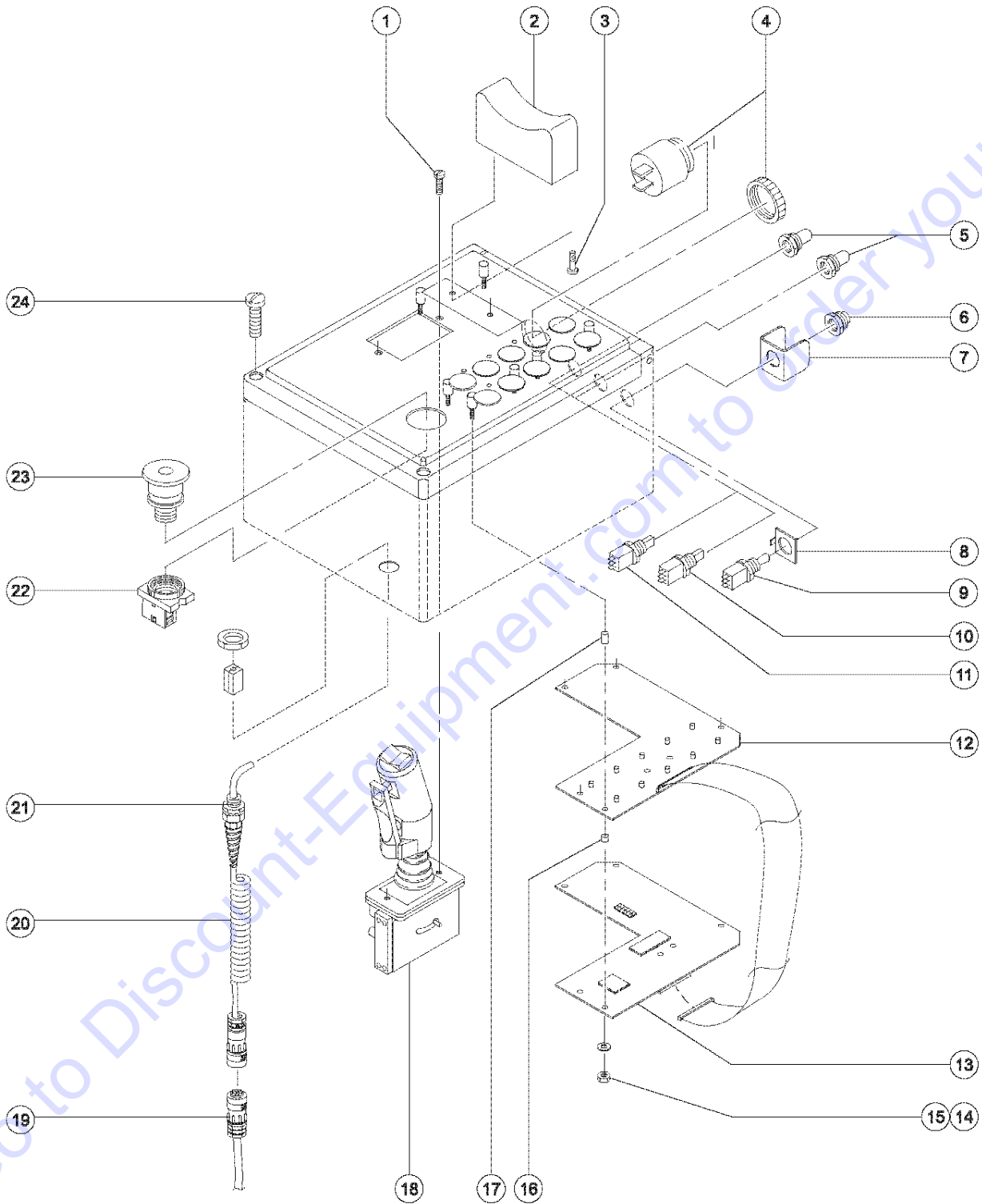
Item	Part No.	Description	Qty.
1	8178GT	SCREW,HHC,3/8-16 X 2.5.....	4
2	4828GT	NUT,NYLOCK,3/8-16.....	5
3	55753GT	BUMPER, PLASTIC, 1.25 O.D.....	2
4	47520GT	WASHER,THRUST .75 X 1.25 X .06.....	1
5	6086GT	NUT,LP NYLOCK,1/2-13.....	3
6	6097GT	WASHER,FLAT,USS,3/8",Y.....	3
7	6019GT	SCREW,HHC,3/8-16 X 1.25 GRD 5.....	1
8	51846PGT	MOUNT,ROD EXTENSION LOCK,68,90.....	1
9	47927PGT	WELDMENT,LATCH HANDLE,GS68.....	1
10	51847GT	ROD, EXTENSION LOCK,GS68,GS90...	1
11	51415GT	GRIP,HANDLE EXT PLATFORM LOCK.....	1
12	47926GT	LATCH PIN.....	1
13	51823PGT	GUIDE, LOCK, GS68,GS90.....	1
14	51844GT	GUIDE PAD, GS68, GS90.....	2
15	6090GT	SCREW,HHC,1/4-20 X .75.....	8
16	6091GT	NUT,NYLOCK,1/4-20.....	8

506.1 Power to Platform



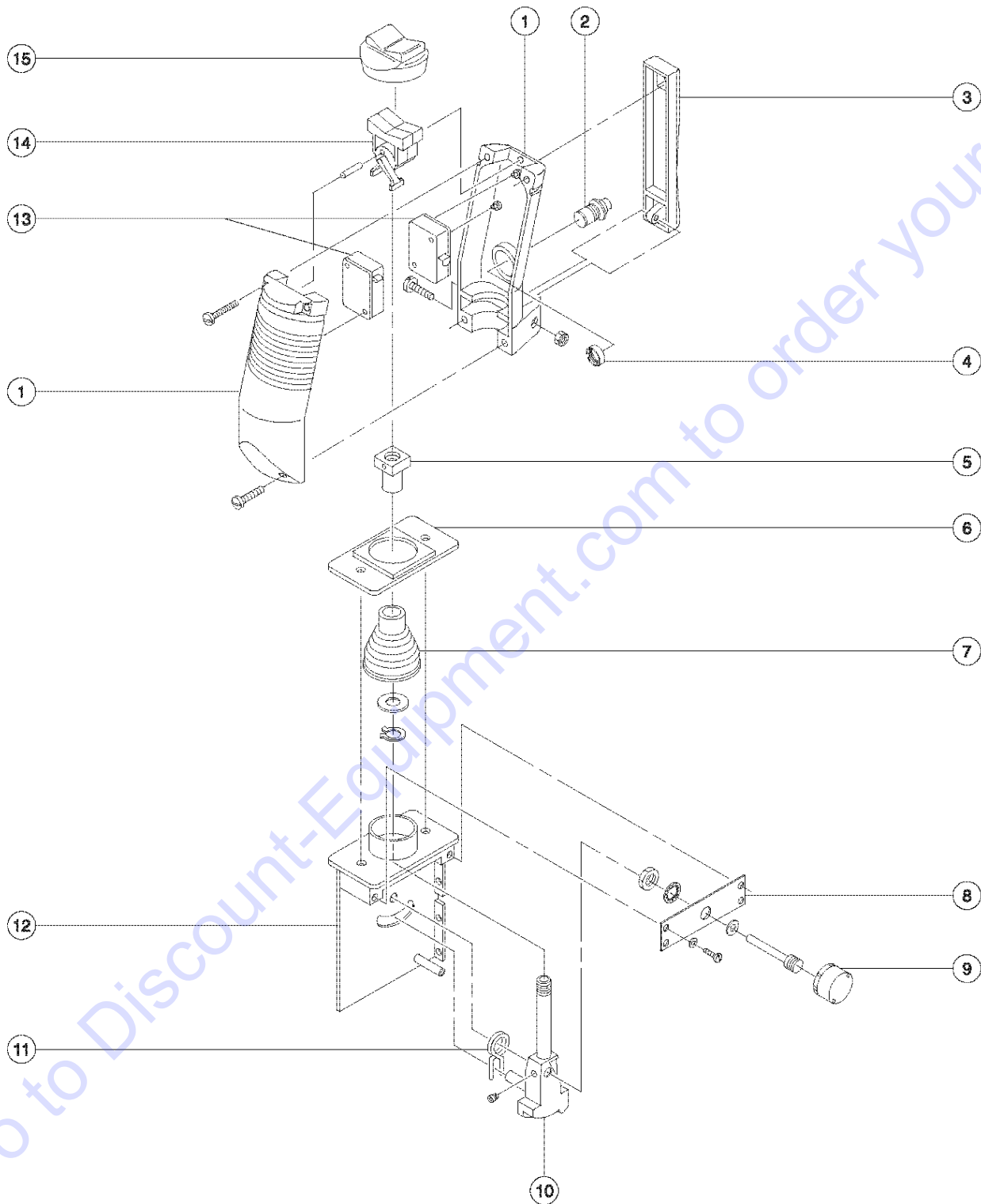
Item	Part No.	Description	Qty.
--	33724GT	KIT,GASKET,UK POWER TO PLAT. <i>(includes items 20 and 22)</i>	
1	33759GT	SCREW,PHILLIPS,PHM,8-32 X .375.....	4
2	43956GT	WIRE CABLE,14/3 CON.TPE JKT*.....	1
3	7056GT	CONN,SQUEEZE,1/2NPT .38-.50,SM....	1
4	10775GT	T-BOX,2.75 X 4.5 X 2.0.....	1
5	13585GT	OUTLET, 110V..... <i>North America</i>	1
6	7127GT	SCREW,PHILLIPS,PHM,6-32 X .75.....	2
7	45437GT	COVER,GFCI,WEATHERPROOF..... <i>North America; includes gasket and mounting fasteners</i>	1
8		FUSE,13 AMP,220V PLUG..... <i>(component no longer available) refer to BS1362 BUSS TDC180-13A</i>	1
8	1280665GT	PLUG, TYPE F, 230A, 50HZ, 16A, IP44.....	1
8	144161GT	PLUG,PWR,UK,16AMP,3PIN,BLK.....	1
8	25388GT	PLUG,FUSED,250V,13AMP,U.K.**.....	1
8	6595GT	PLUG,ELECTRICAL,DOMESTIC.....	1
9	55306GT	SCREW,PHILLIPS,PHM,4-40 X .50.....	2
10	40766GT	NUT,NYLOCK,4-40.....	2
11	46440GT	CONNECTOR,IEC 320 INLET.....	1
12	52489GT	CABLE ASSY,PWR TO PLAT.GS-2668	
13	39478GT	SCREW,HHC,3/8-16 X 2 FULL THRD.....	1
14	4828GT	NUT,NYLOCK,3/8-16.....	2
15	7713GT	NUT, LP NYLOCK, 3/8-16.....	1
16	47273GT	POTHOLE SLIDER,32.....	1
17	51346GT	BRACKET,PIGTAIL.....	1
18	6626GT	WIRE CAP,ORANGE.....	3
19	10777GT	COVER,BLANK.....	1
20	66355GT	GASKET, UK & DIN PWR. TO PLAT.....	1
21	T112563GT	SVC KIT,UK RECEPT.REPLACEMENT.....	1
22	66356GT	GASKET, UK RECEPTACLE.....	1
23	33629GT	PLATE,UK POWER TO PLATFORM.....	1
24	66353GT	RECEPTACLE, DIN, 220V 50A.....	1
25	96236GT	PLATE,AC ADAPTER,DIN/UK***.....	1

507.1 Platform Controls



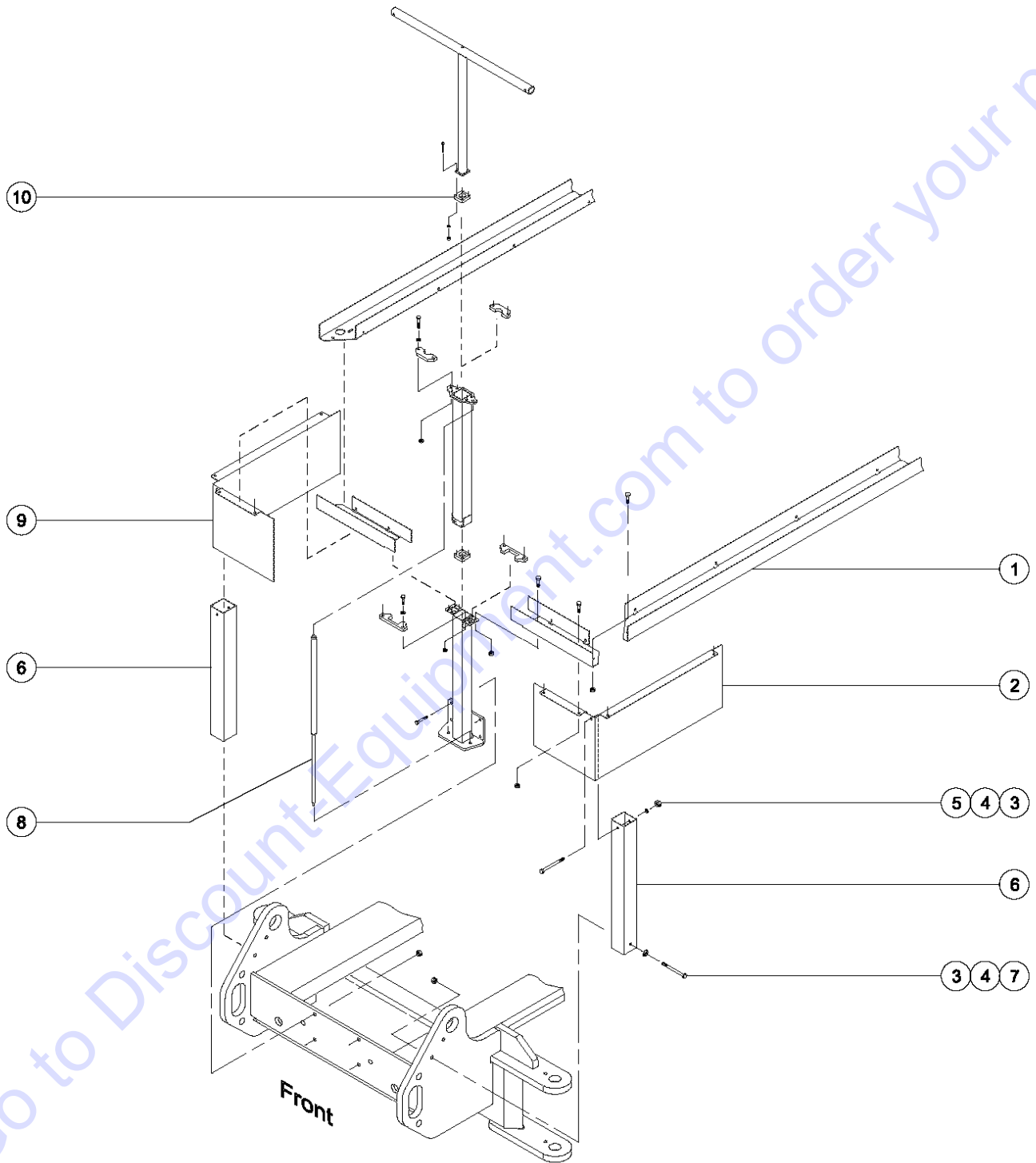
Item	Part No.	Description	Qty.
--	62182-SGT	CONTROLLER,GS2668 DC	
--	62183-SGT	CONTROLLER,GS3268 DC	
1	5094GT	SCREW,RHM,10-32 X .5.....	2
2	52502GT	PAD,WREST,WRIST,GS68PLAT.CONT~	1
3	58912GT	FLANGE HEX SCREW,GRADE 8.....	2
4	62164GT	ALARM ASSY,12VDC,ITT,4 PIN**** <i>includes 72326 nut</i>	1
--	72326GT	NUT - PLASTIC,RING FOR ALARMS	
5	52503GT	BOOT,PUSHBUTTON,RUBBER,GS68~	2
6	27246GT	BOOT,TOGGLE SWITCH,SHORT*.....	1
7	45105GT	GUARD,TOGGLE SWITCH.....	1
8	52505GT	PLATE,GROUND,TOGGLE,GS68~	1
9	62165GT	SWITCH-TOGGLE,SPDT,3POS, MOM*~..... <i>includes mounting fasteners</i>	1
10	62166GT	SWITCH-PUSH BTN, LOW, GS68**~	1
11	62167GT	SWITCH-PUSH BTN, HIGH, GS68.....	1
12	51857GT	P.C.BOARD,SWITCH ASSY,GS68 DC.....	1
13	62163GT	PC BOARD-PLATCNTRL,ITT GS68**~	1
14	11804GT	NUT,HEX,6-32.....	7
15	11805GT	WASHER,FLAT,MS,#6,Y.....	7
16	52509GT	SPACER,.188 PLAT.CONTROL,GS68~	7
17	148174GT	STUD ASSY,RTSC CONTROL BOX.....	7
17	52510GT	SPACER,.5" GS PLAT PC BOARD.....	7
18	62161GT	JOYSTICK CONTROLLER..... <i>OEM joystick</i>	1
--	62161HGT	JOYSTICK CONTROLLER <i>aftermarket joystick replacement</i>	
19	51919GT	WIRE ASSEMBLY, LINK, GS2668***	1
19	51920-SGT	CNTRL CABLE,,**ATT.....	1
20	62162GT	COIL CORD..... <i>includes ferrite suppressor</i>	1
21	46266GT	STRAIN RELIEF-GS JOYSTICK**~	1
22	66817GT	BASE WITH 1 NC CONTACT, E-STOP... <i>includes 1 N.C. contact</i>	1
22	66818GT	CONTACT, N.C.....	1
23	66812GT	BUTTON,PUSH,RED MUSHROOM HEAD.....	1
24	21085GT	SCREW,RHM,10-24 X .75.....	2

508.1 Joystick Controller



Item	Part No.	Description	Qty.
--	62161GT	JOYSTICK CONTROLLER <i>OEM joystick, contains all shown service parts</i>	
--	62161HGT	JOYSTICK CONTROLLER <i>aftermarket joystick replacement</i>	
1	58293GT	HANDLE KIT,GS JYSTK,BOTH HALVE.....	1
2	52050GT	PUSHBUTTON-FUNC.ENABL.W/ORING.2 <i>includes mounting hardware</i>	
3	52042GT	LEVER,FUNC ENABLE SWITCH,RGE**.....	1
4	46271GT	NUT-MOUNTING,PUSH BUTTON-44988.....	1
5	52043GT	NUT,JOYSTICK,44988, RGE.....	1
6	52529GT	GASKET-JOYSTICK.....	1
7	21427GT	BOOT,CONTROLLER**.....	1
8	52527GT	POTENTIOMETER MOUNT PLATE.....	1
9	65179GT	POTENTIOMETER (62161)***.....	1
10	52525GT	SHAFT ASSY,JOYSTICK.....	1
11	21434GT	SPRING & BUSHING KIT,RETURN***.....	1
12	65180GT	CASTING-JOYSTICK, GS2032.....	1
13	19722GT	MICROSWITCH-V319M***.....	2
14	65178GT	ROCKER ASSY W/ROLLPIN***.....	1
15	19710GT	BOOT, PROTECTIVE, 45049 BLACK.....	1

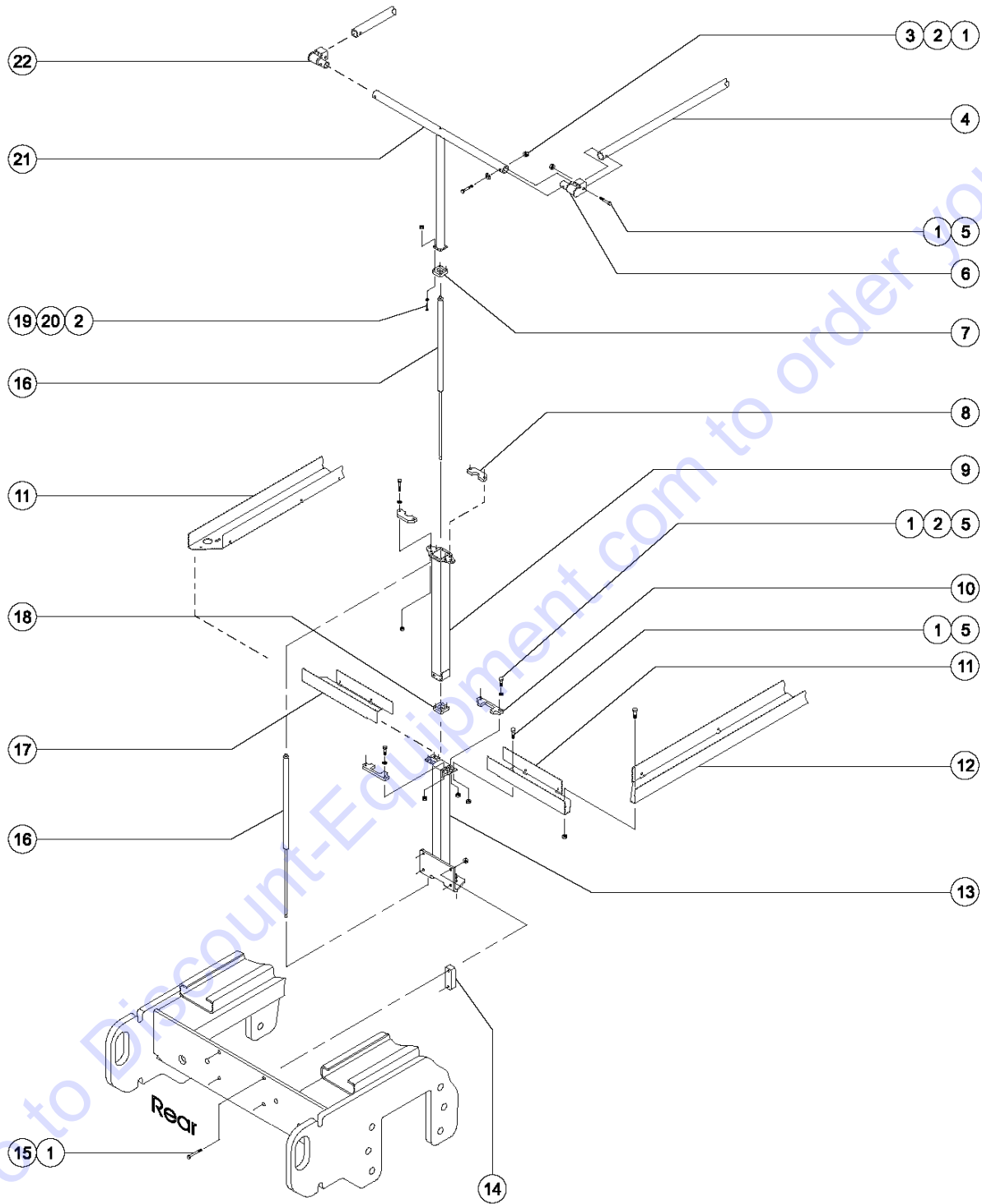
601.1 Wire Mesh - Link Guard Installation, View 1



601.1 Wire Mesh - Link Guard Installation, View 1

Item	Part No.	Description	Qty.
--		Ref., Link Guard Kit <i>refer to 609.1</i>	
1	71826GT	FORMING, MESH TRAY SIDE, GS68.....1	
2	71879GT	FORMING, LOWER FRONT GUARD LT.....1	
3	4828GT	NUT,NYLOCK,3/8-16.....16	
4	6097GT	WASHER,FLAT,USS,3/8",Y.....4	
5	6326GT	SCREW,HHC,3/8-16 X 3.....2	
6	71828GT	TUBE MESH TRAY SUPPORT, GS68.....2	
7	8352GT	SCREW,HHC,3/8-16 X 3.75 GD 5.....2	
8	71842GT	GAS STRUT,250N, 55CM STROKE.....4	
9	71880GT	FORMING, LOWER FRONT GUARD RT.....1	
10	71840GT	WEAR PAD, LOWER EXT INNER, 68.....1	

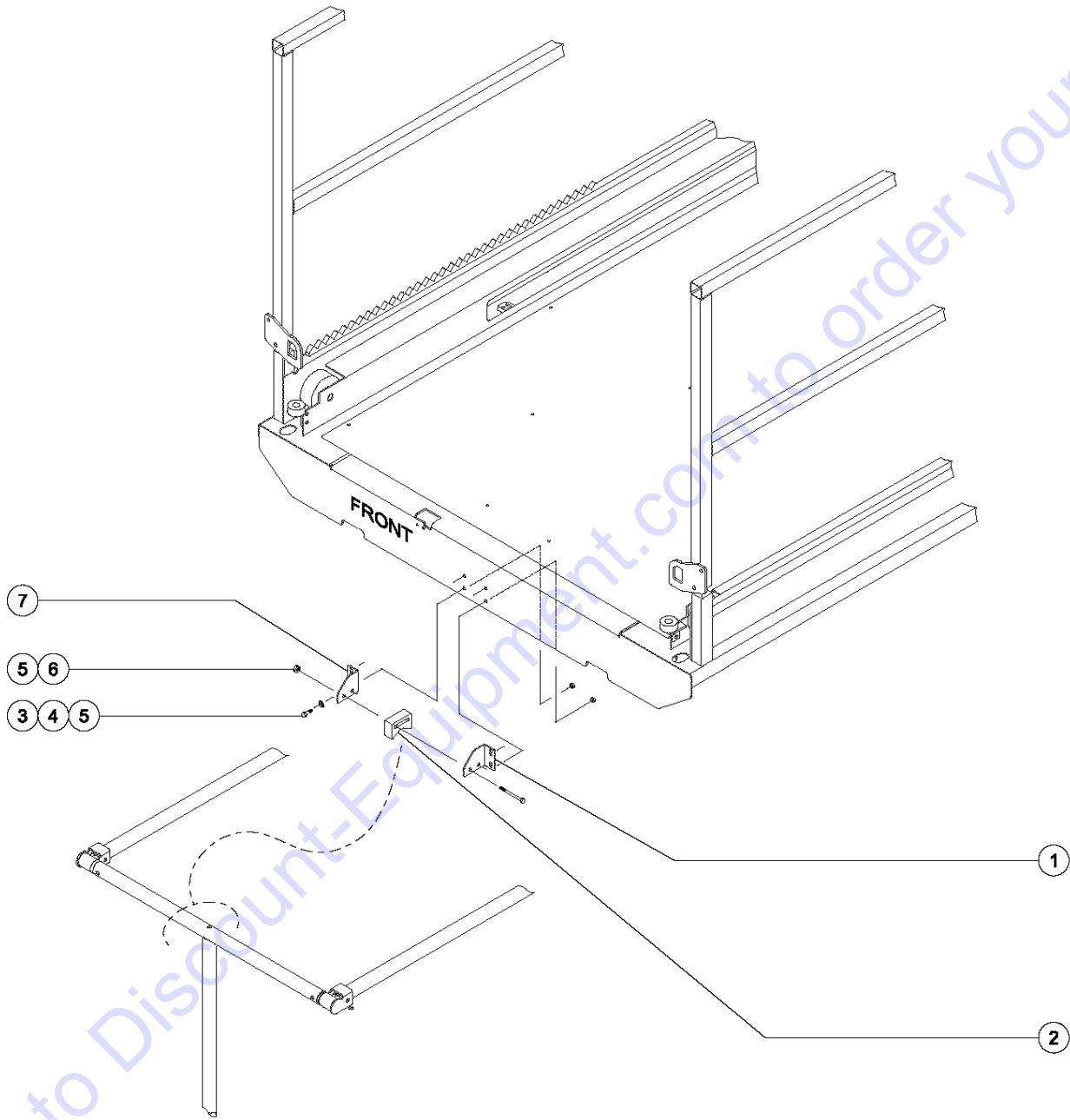
602.1 Wire Mesh - Link Guard Installation, View 2



602.1 Wire Mesh - Link Guard Installation, View 2

Item	Part No.	Description	Qty.
1	4828GT	NUT,NYLOCK,3/8-16.....	12
2	5397GT	WASHER,FLAT,USS,5/16",Y.....	10
3	6708GT	SCREW,HHC,3/8-16 X 2.25.....	2
4	71850GT	TUBE, MESH REAIL, SIDE, GS68.....	2
5	6019GT	SCREW,HHC,3/8-16 X 1.25 GRD 5.....	8
6	71855GT	WELDMENT,MESH RAIL JOINT, LEFT.....	2
7	71841GT	WEAR PAD, UPPER EXT INNER,GS68.....	2
8	71839GT	WEAR PAD, UPPER GUIDE, GS68.....	2
9	1077-2400GT	TUBE,UNISTRUT,22F10 2.25 X0105....	2
10	71838GT	WEAR PAD, LOWER GUIDE, GS68.....	2
11	71824GT	FORMING, MESH TRAY FL RR, GS68...2	
12	71826GT	FORMING, MESH TRAY SIDE, GS68....2	
13	71829GT	WELDMENT, EXTENSION BASE, GS68.....	2
14	71858GT	WEAR PAD,4.25 X 1.5 X 1.....	2
15	6326GT	SCREW,HHC,3/8-16 X 3.....	2
16	71842GT	GAS STRUT,250N, 55CM STROKE.....	3
17	71825GT	FORMING, MESH TRAY FR RL.....	2
18	71840GT	WEAR PAD, LOWER EXT INNER, 68....	1
19	10107GT	SCREW,HHC,5/16-18 X .75.....	32
20	6782GT	NUT,NYLOCK,5/16-18.....	32
21	71835GT	WELDMENT, UPPER EXT SECTION,68.....	2
22	71848GT	WELDMENT,MESH RAIL JOINT,RIGHT.....	2

603.1 Wire Mesh - Link Guard Installation, View 3

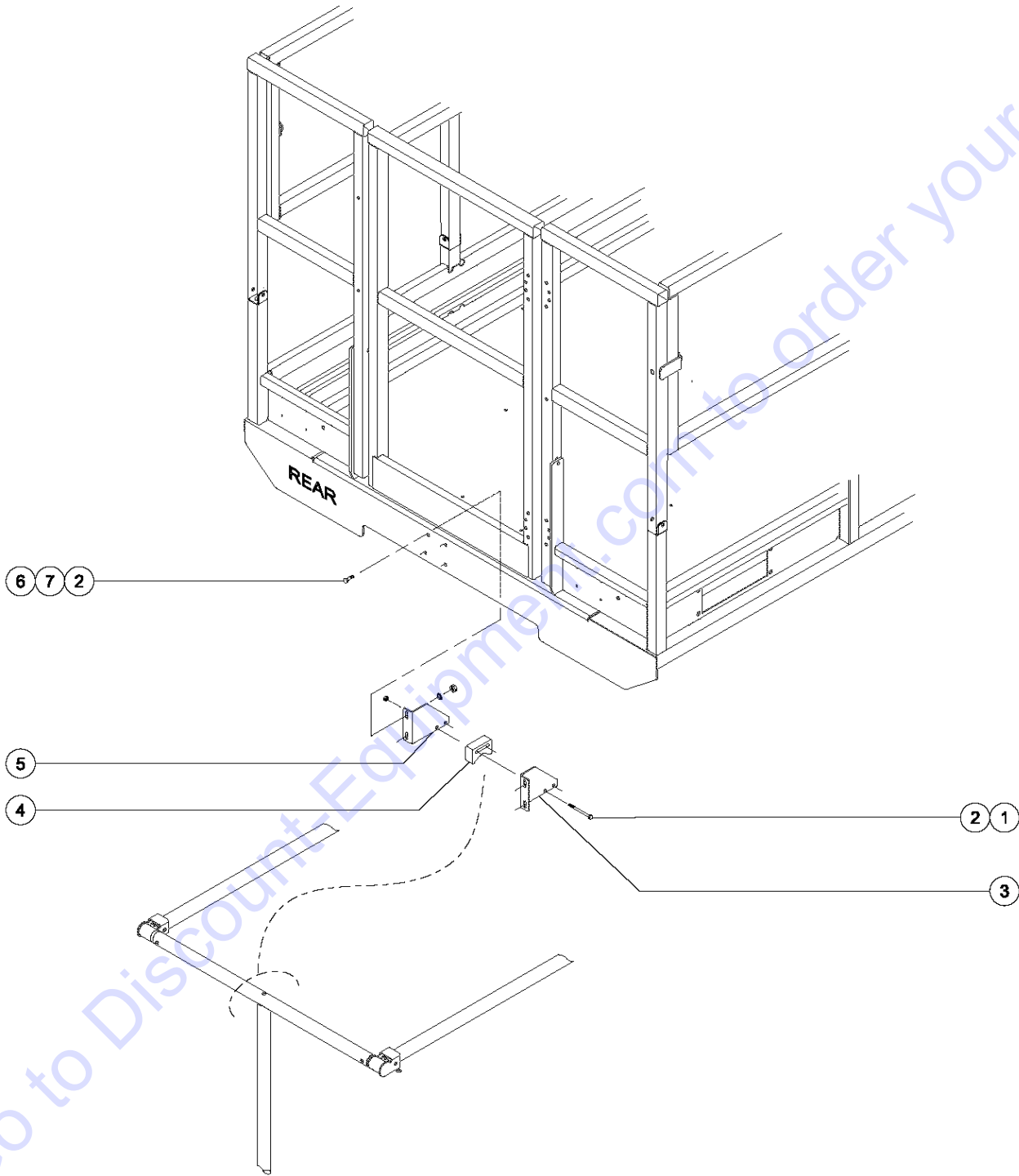


603.1 Wire Mesh - Link Guard Installation, View 3

Item	Part No.	Description	Qty.
1	71861GT	FORMING, GUARD CONTACT FRNT LT.....	1
2	71862GT	WEAR PAD, GUARD CONTACT, GS68.....	1
3	6019GT	SCREW,HHC,3/8-16 X 1.25 GRD 5.....	1
4	4828GT	NUT,NYLOCK,3/8-16.....	2
5	6097GT	WASHER,FLAT,USS,3/8",Y.....	1
6	6326GT	SCREW,HHC,3/8-16 X 3.....	1
7	71860GT	FORMING, GUARD CONTACT FRNT RT.....	1

Go to Discount-Equipment.com to order your parts

604.1 Wire Mesh - Link Guard Installation, View 4

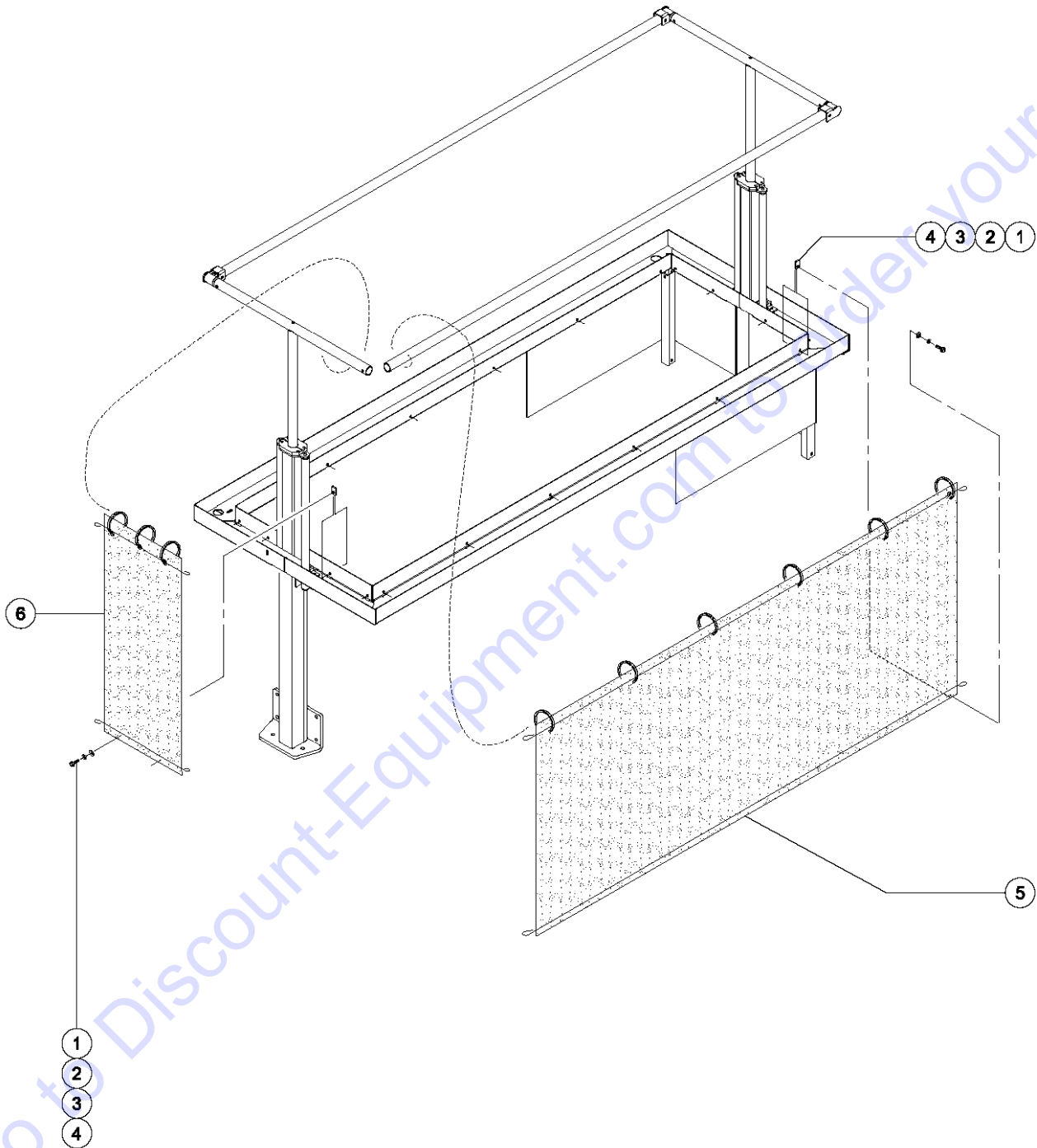


604.1 Wire Mesh - Link Guard Installation, View 4

Item	Part No.	Description	Qty.
1	6326GT	SCREW,HHC,3/8-16 X 3.....	1
2	4828GT	NUT,NYLOCK,3/8-16.....	3
3	71866GT	FORMING, GUARD CONTACT REAR LT.....	1
4	71862GT	WEAR PAD, GUARD CONTACT, GS68.....	1
5	71865GT	FORMING, GUARD CONTACT REAR RT.....	1
6	6019GT	SCREW,HHC,3/8-16 X 1.25 GRD 5.....	2
7	6097GT	WASHER,FLAT,USS,3/8",Y.....	2

Go to Discount-Equipment.com to order your parts

605.1 Wire Mesh - Link Guard Installation, View 5

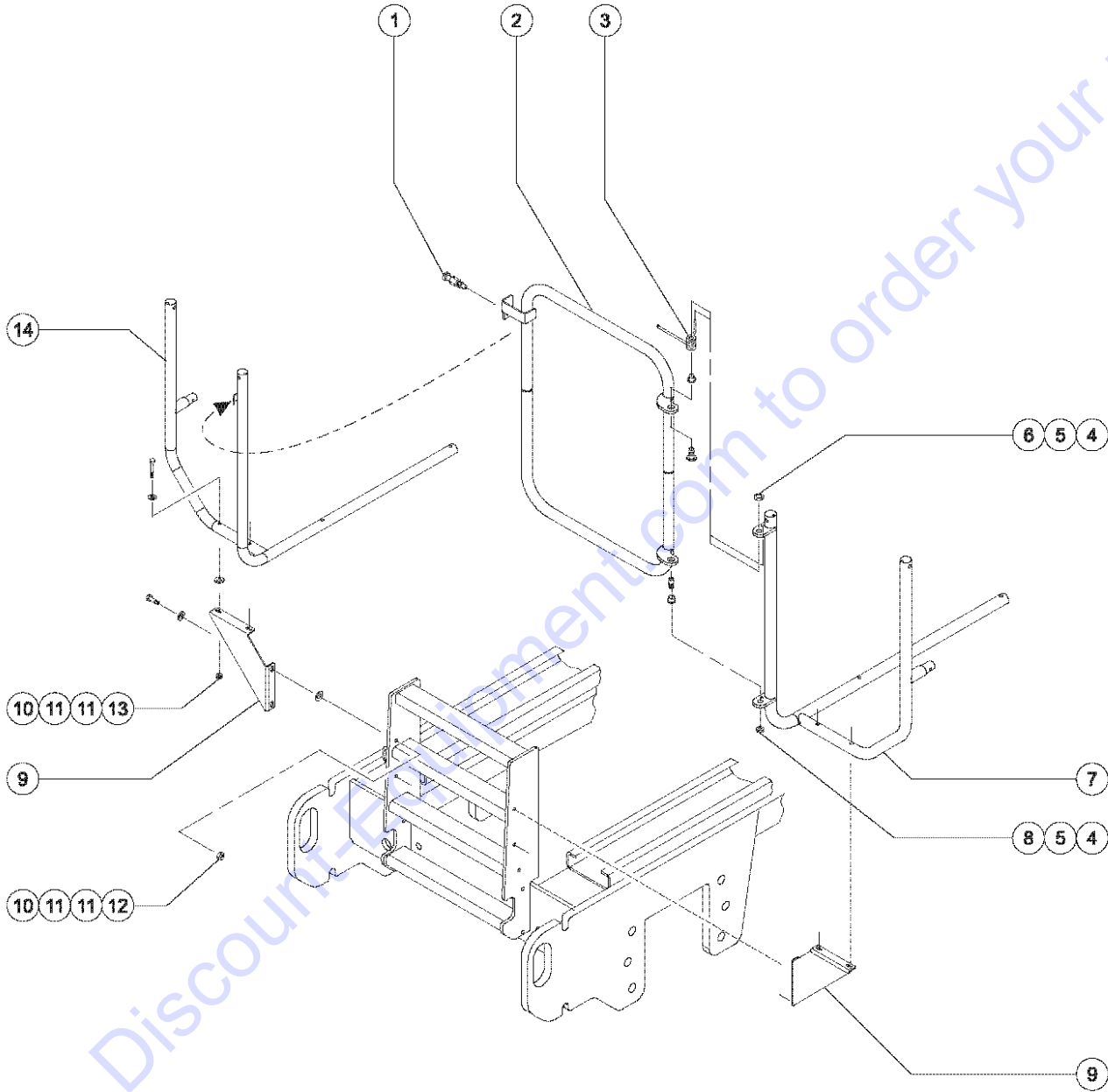


605.1 Wire Mesh - Link Guard Installation, View 5

Item	Part No.	Description	Qty.
1	73575GT	SPRING CLIP,10-24,.025-.125X.468,ZAG.....	24
2	6146GT	WASHER,FLAT,MS,#10,Y.....	24
3	6607GT	WASHER,LOCK,#10 PLTD.....	24
4	71979GT	SCREW,INDENTED HEX,10-24 X .75..	24
5		WIRE MESH ASSY,SIDE,18 GA 1/4"..... <i>component no longer available; refer to 609.1</i>	2
6		WIRE MESH ASSY,END, 18 GA 1/4"..... <i>component no longer available; refer to 609.1</i>	4

Go to Discount-Equipment.com to order your parts

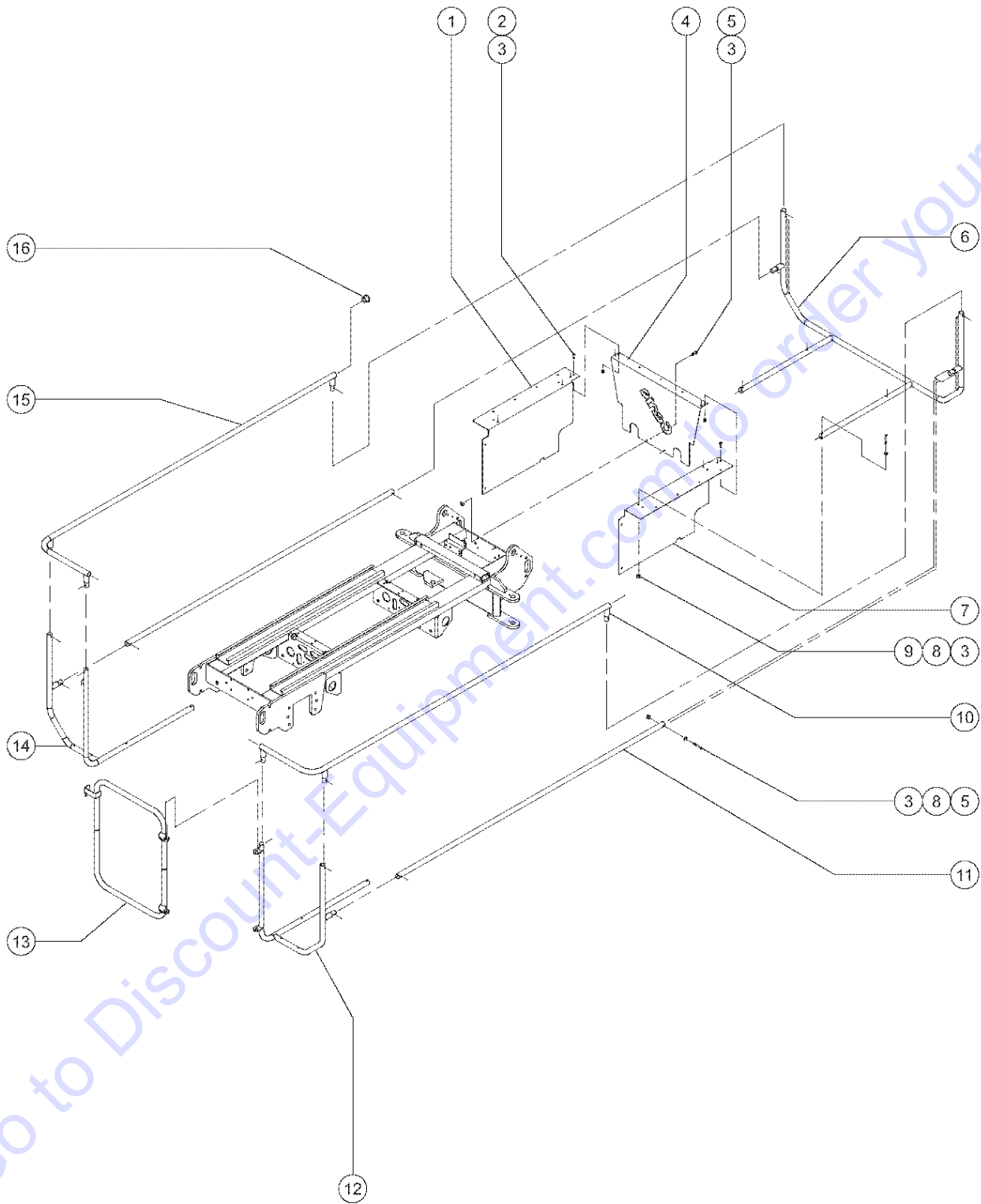
606.1 Rigid Lind Guard Assembly, View 1



606.1 Rigid Lind Guard Assembly, View 1

Item	Part No.	Description	Qty.
--		Ref., Link Guard Kit <i>refer to 609.1</i>	
1	47138GT	PIN,SNAP,ENTRY RAIL.....	1
2	64278GT	WELDMENT, GUARD, GATE.....	1
3	55739GT	SPRING, TORSION, ENTRY GATE.....	1
4	38028GT	NUT,LP NYLOCK,5/8-11.....	2
5	64245GT	BUSHING,FLANGE, .75 X .875 X.5.....	2
6	71912GT	BOLT,SHOULDER,5/8-11 X 1.19 LT.....	1
7	64275GT	WELDMENT, GUARD, REAR, RIGHT.....	1
8	55983GT	PIN-THREADED SHLDR OFFS,5/8-11....	1
9	71120GT	GUSSET, GUARD, REAR.....	2
10	4828GT	NUT,NYLOCK,3/8-16.....	8
11	6097GT	WASHER,FLAT,USS,3/8",Y.....	12
12	6019GT	SCREW,HHC,3/8-16 X 1.25 GRD 5.....	4
13	6708GT	SCREW,HHC,3/8-16 X 2.25.....	4
14	64276GT	WELDMENT, GUARD, REAR, LEFT.....	1

607.1 Rigid Link Guard Assembly, View 2

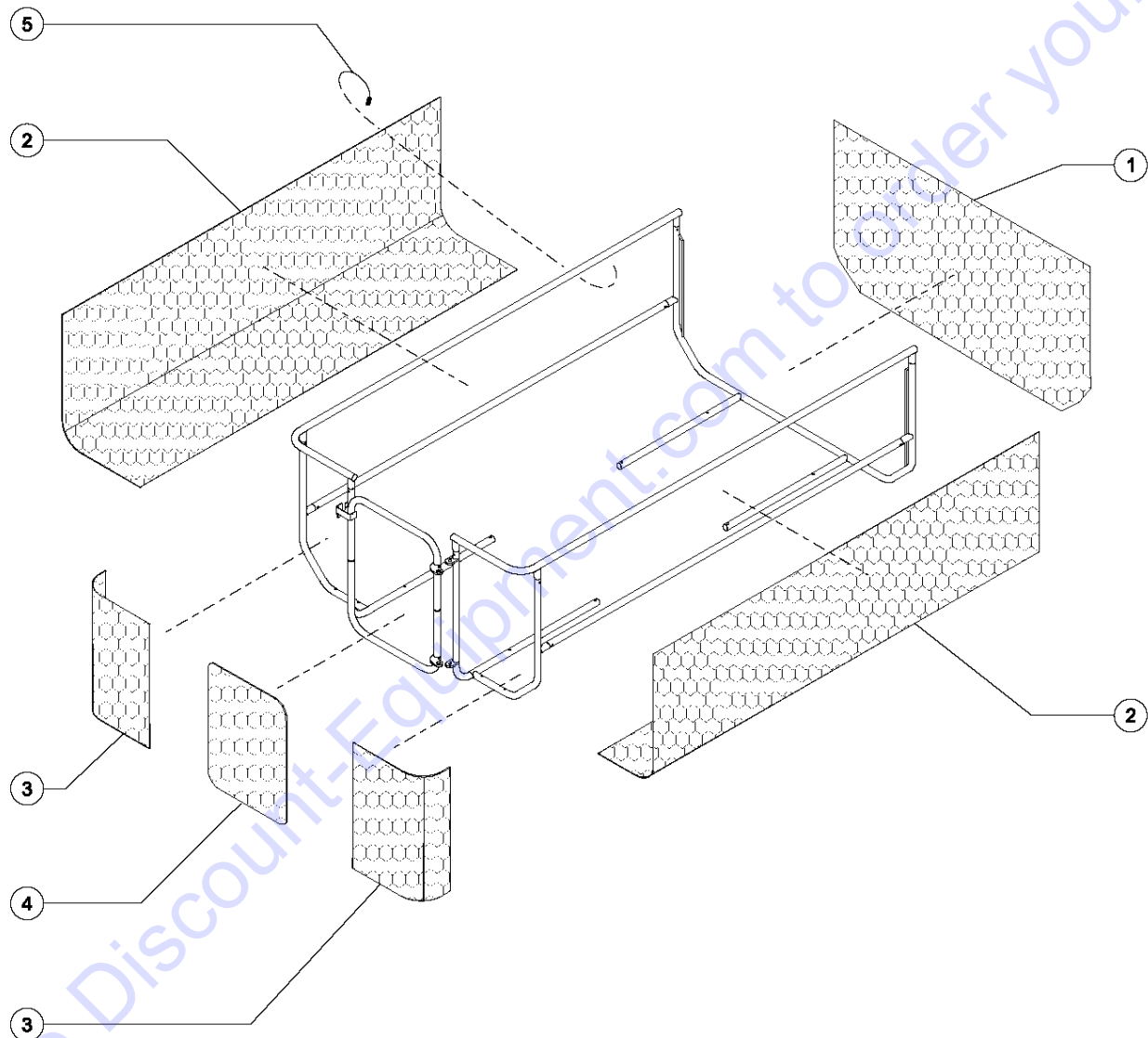


Go to Discount-Equipment.com to order your parts

607.1 Rigid Link Guard Assembly, View 2

Item	Part No.	Description	Qty.
1	51397GT	FORMING, NOSE GUARD, LEFT GS68.....	1
2	6175GT	SCREW,HHC,3/8-16 X 1.....	4
3	4828GT	NUT,NYLOCK,3/8-16.....	6
4	51395GT	FORMING,NOSE GUARD,REAR GS68.....	1
5	6019GT	SCREW,HHC,3/8-16 X 1.25 GRD 5.....	2
6	64267GT	WELDMENT,FRONT TUBE GUARD.....	1
7	55284GT	FORMING, NOSE GUARD, RIGHT.....	1
8	6097GT	WASHER,FLAT,USS,3/8",Y.....	14
9	6708GT	SCREW,HHC,3/8-16 X 2.25.....	4
10	71098GT	WELDMENT, GUARD, TOP, RIGHT.....	1
11	71094GT	TUBE, GUARD, SIDE.....	2
12	64275GT	WELDMENT, GUARD, REAR, RIGHT.....	1
13	64278GT	WELDMENT, GUARD, GATE.....	1
14	64276GT	WELDMENT, GUARD, REAR, LEFT.....	1
15	71097GT	WELDMENT, GUARD, TOP, LEFT.....	1
16	55753GT	BUMPER, PLASTIC, 1.25 O.D.....	2

608.1 Rigid Link Guard Assembly, View 3

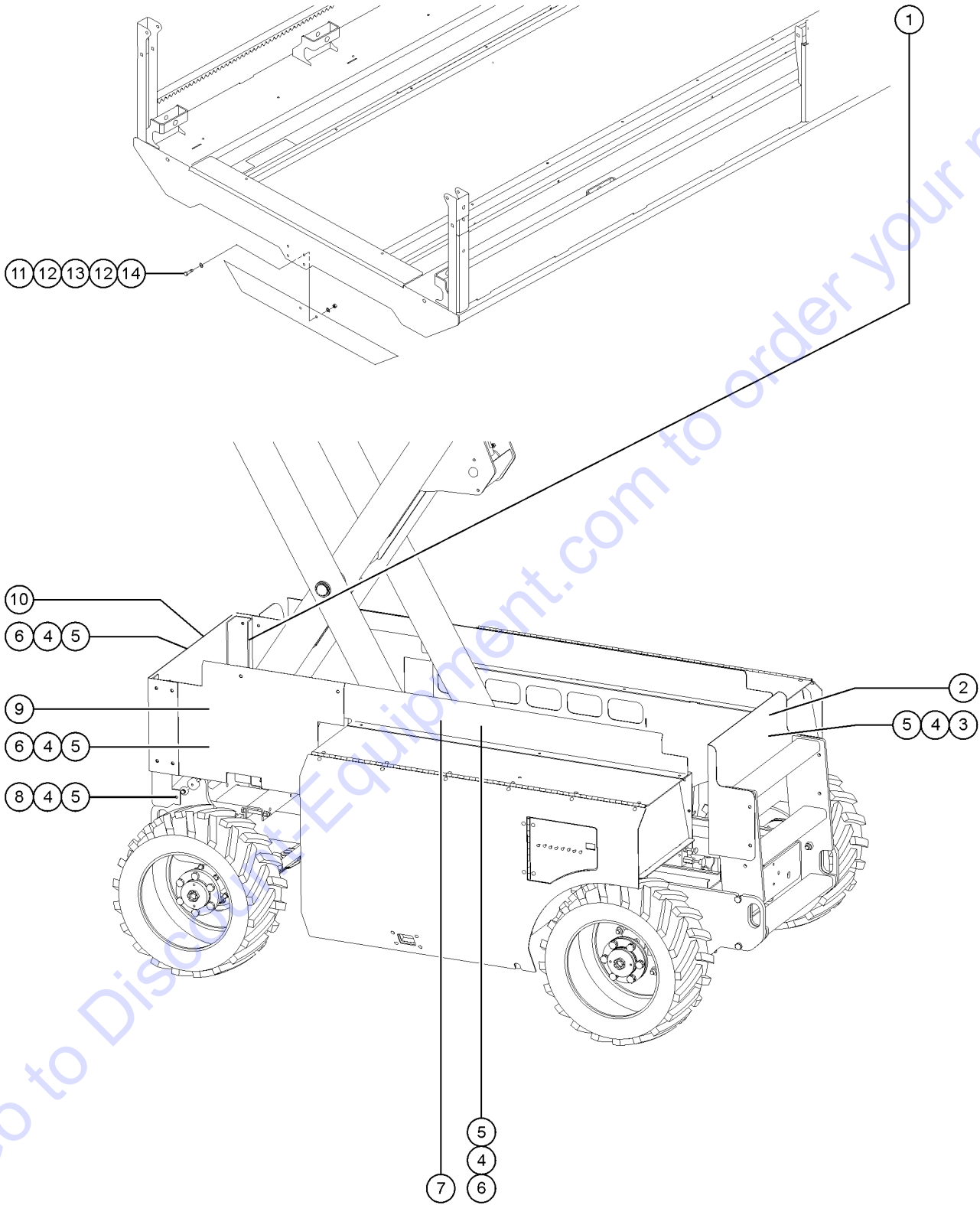


Item	Part No.	Description	Qty.
1		Ref., MESH, LINK GUARD, FRONT.....1 <i>component no longer available; refer to 609.1</i>	1
2		Ref., MESH, LINK GUARD, SIDE, GS68.....2 <i>component no longer available; refer to 609.1</i>	2
3		Ref., MESH, LINK GUARD, REAR, GS68.....2 <i>component no longer available; refer to 609.1</i>	2
4		Ref., MESH, LINK GUARD, SIDE, GS68.....1 <i>component no longer available; refer to 609.1</i>	1
5	28443GT	CABLE TIE, 11.5" BLACK.....150 1	150

Footnotes

1: Quantity listed for this item may vary. Actual quantity may vary to ensure proper fit.

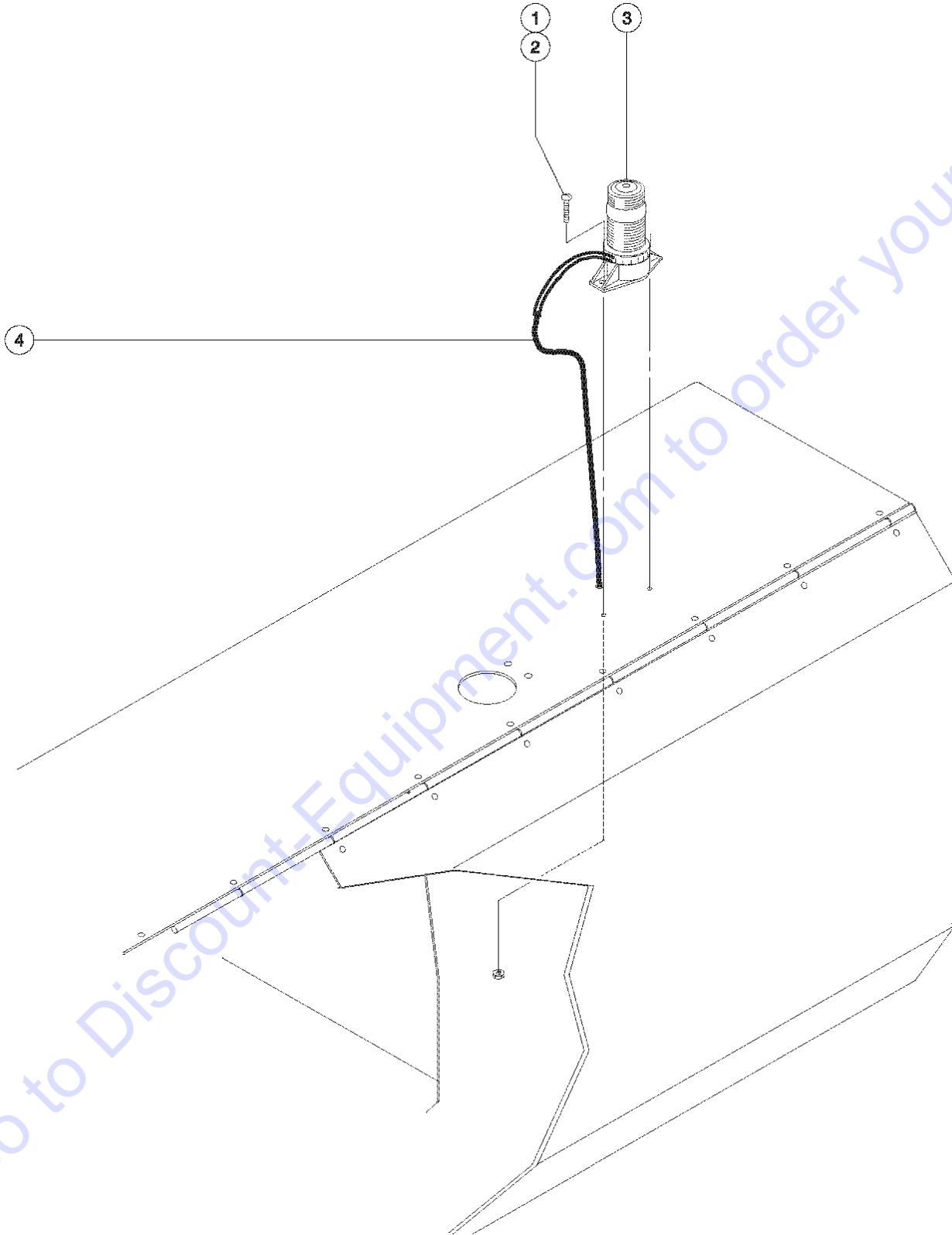
609.1 Steel Panel Link Guard Assembly



609.1 Steel Panel Link Guard Assembly

Item	Part No.	Description	Qty.
--	T109074GT	KIT, LINKGUARDS 2668	
--	T109075GT	KIT, LINKGUARDS 3268	
1A	148187GT	FORMING, LINKGUARD MOUNT, R, 2668.....1 GS-2668 (Right)	
--	148186GT	FORMING, LINKGUARD MOUNT, L, 2668.....1 GS-2668 (Left)	
1B	148286GT	FORMING, LINKGUARD MOUNT, R, 3268 GS-3268 (Right)	
--	T107013GT	FORMING, LINKGUARD MOUNT, L, 3268 GS-3268 (Left)	
2A	T108330GT	FORMING, LINKGUARD LADDER, 2668.....1 GS-2668	
2B	T108213GT	FORMING, LINKGUARD LADDER, 3268.....1 GS-3268	
3	6175GT	SCREW, HHC, 3/8-16 X 1.....4	
4	6097GT	WASHER, FLAT, USS, 3/8", Y.....24	
5	4828GT	NUT, NYLOCK, 3/8-16.....24	
6	8255GT	SCREW, HHC, 3/8-16 X .75.....18	
7A	148176GT	FORMING, LINKGUARD, SIDE, L, 2668....1 GS-2668 (Left)	
--	148177GT	FORMING, LINKGUARD, SIDE, R, 2668....1 GS-2668 (Right)	
7B	148282GT	FORMING, LINKGUARD, SIDE L, 3268 GS-3268 (Left)	
--	148283GT	FORMING, LINKGUARD, SIDE R, 3268 GS-3268 (Right)	
8	6019GT	SCREW, HHC, 3/8-16 X 1.25 GRD 5.....2	
9A	148182GT	FORMING, LINKGUARD CORNER R, 2668.....1 GS-2668 (Left)	
--	148181GT	FORMING, LINKGUARD CORNER L, 2668.....1 GS-2668 (Right)	
9B	148284GT	FORMING, LINKGUARD CORNER L, 3268 GS-3268 (Left)	
--	148285GT	FORMING, LINKGUARD CORNER R, 3268 GS-3268 (Right)	
10A	T107925GT	FORMING, LINKGUARD FRONT, 2668....1 GS-2668	
10B	T108212GT	FORMING, LINKGUARD FRONT, 3268 GS-3268	
11	13002GT	SCREW, HHC, 5/16-18 X 1 GR5.....2	
12	5397GT	WASHER, FLAT, USS, 5/16", Y.....4	
13	229099GT	PLATE, PLATFORM END GUARD.....1	
14	6782GT	NUT, NYLOCK, 5/16-18.....4	

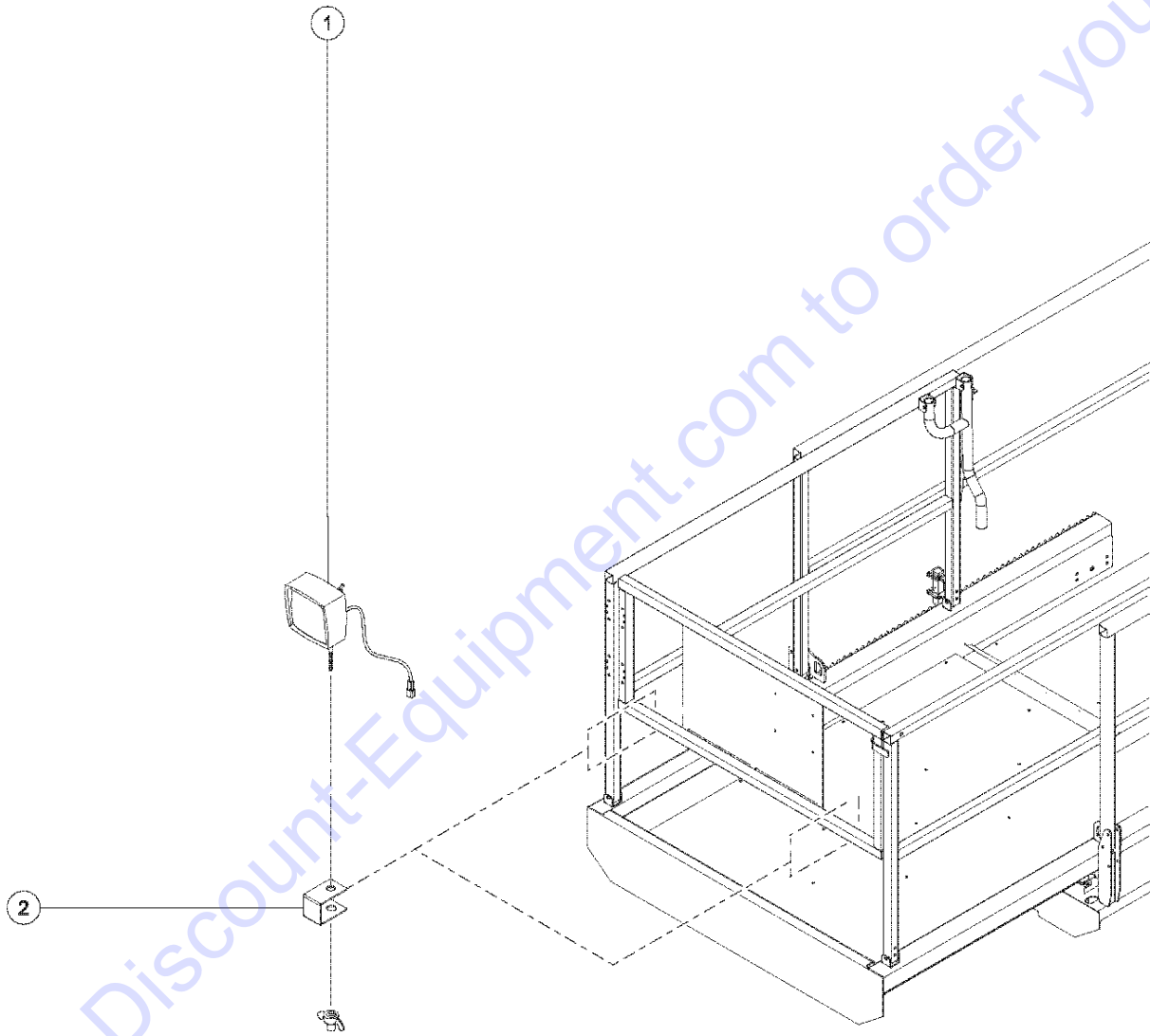
701.1 Flashing Beacon



701.1 Flashing Beacon

Item	Part No.	Description	Qty.
1	55233GT	SCREW,10-24X7/8,PAN HD PHILLIP.....	2
2	5365GT	NUT,NYLOCK,10-24.....	2
3A	66909GT	STROBE,BEACON,W/OUT HARDWARE**..... <i>(from SN 41317 to 46145)</i>	2
--	58973GT	LIGHT,REPLACEMENT BULB (39676) <i>for 66909</i>	
3B	231931GT	STROBE,BEACON, AC COMP 12-80V... <i>(from SN 46146); replaced 105107</i>	2
--	105556GT	LENS,FLASHING BEACON <i>for 231931</i>	
--	105557GT	BULB,FLASHING BEACON <i>for 231931</i>	
4	51223GT	GS68 AC BEACON..... <i>includes item 3A</i>	1

702.1 Platform Work Light



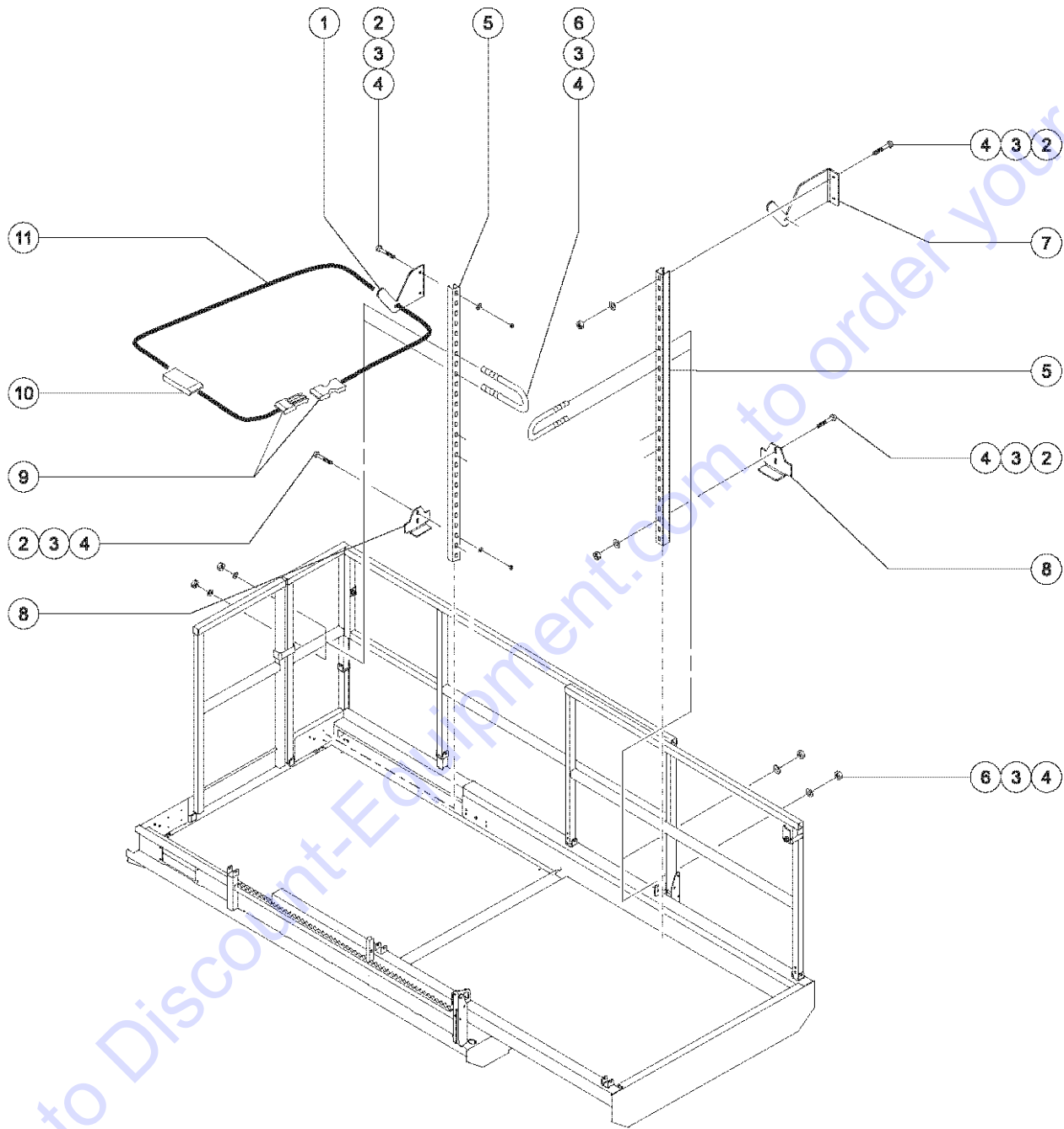
702.1 Platform Work Light

Item	Part No.	Description	Qty.
--	51216GT	GS68 AC 2668 WORK LIGHTS <i>includes harness</i>	
--	51243GT	GS68 AC 3268 WORK LIGHTS <i>includes harness</i>	
1	71498GT	WORKLIGHT, 12V, DEUTSCH RECEPT.....2 <i>includes mounting fasteners</i>	
2	71382GT	BRACKET, WORK LIGHTS, OPTION....2	

Go to Discount-Equipment.com to order your parts



703.1 Pipe Cradle Assembly

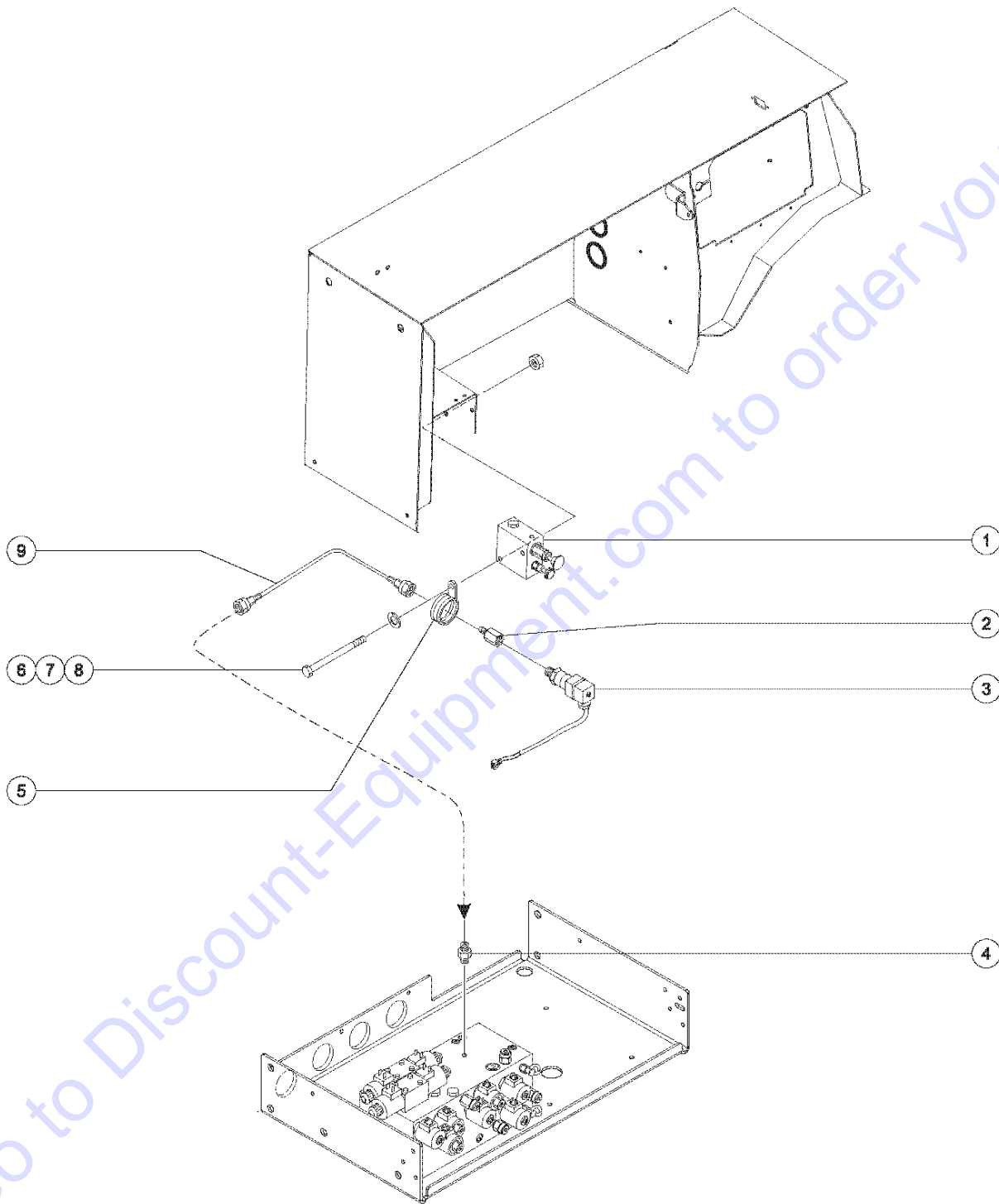


703.1 Pipe Cradle Assembly

Item	Part No.	Description	Qty.
--	131626GT	PIPE CRADLE KIT,GS68	
1	79156GT	PLATE,PIPE HOLDER, GS68.....	1
2	14033GT	SCREW,HHC,3/8-16 X 2.75.....	8
3	6097GT	WASHER,FLAT,USS,3/8",Y.....	16
4	4828GT	NUT,NYLOCK,3/8-16.....	16
5	66171GT	CHANNEL,PIPE RACK.....	2
6	66472GT	U-BOLT, SQR, 3/8-16X2X5, PLTD.....	4
7	66169GT	FORMING, PIPE HOLDER RACK.....	1
8	79158GT	FORMING,PIPE RACK BASE, GS68....	2
9	100810GT	BUCKLE & SLIDE STRAP SET.....	2
10	35643GT	BUCKLE,SIDE RELEASE.....	2
11	35642GT	STRAP,NYLON,1.0 IN. BLACK.....	96-inches

Go to Discount-Equipment.com to order your parts

704.1 Platform Overload Sensor



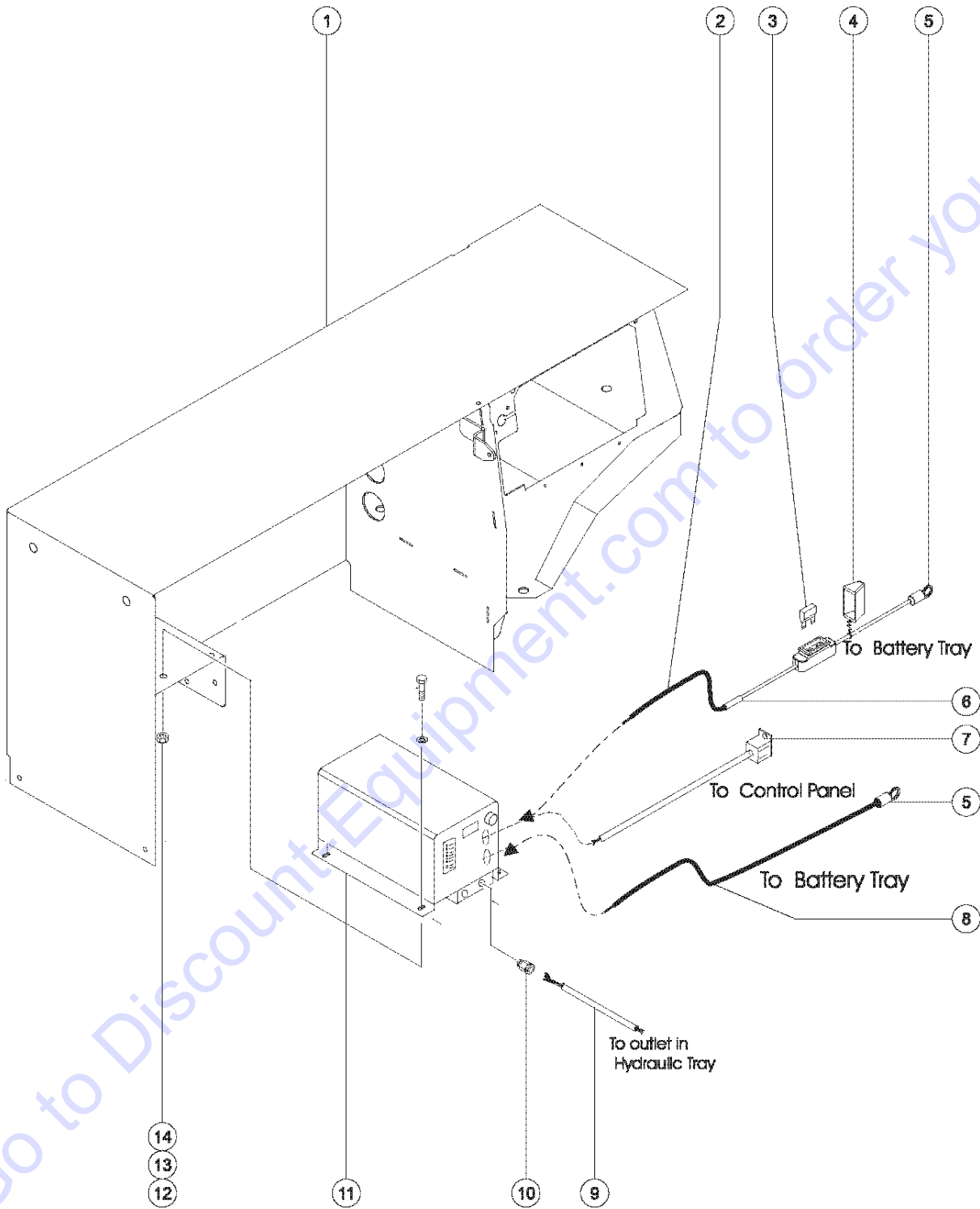
704.1 Platform Overload Sensor

Item	Part No.	Description	Qty.
--	55617GT	GS 68 OP OVERLOAD SENSOR	
1		MANIFOLD,BRAKE RELEASE***.....1 <i>refer to 302.1</i>	
2	51154GT	CONNECTOR,070103-4-4.....1	
3	51151GT	SWITCH,PRESS 2500-6000 PSI ADJ.....1	
4	39877GT	CONNECTOR,070120-4-4.....1	
5	49863GT	CLAMP,1.13,#18 X 3/8,RUB CUSH*.....1	
6	14033GT	SCREW,HHC,3/8-16 X 2.75.....2	
7	6021GT	WASHER,LOCK,.375.....2	
8	4828GT	NUT,NYLOCK,3/8-16.....2	
9	84110GT	HOSE ASSY,OVERLOAD SENSOR.....1 1	

Footnotes

1: Hose End - Female JIC Swivel (Parker 10655-4-2), Hose End - Female JIC Swivel (Parker 10655-4-2) and Hose, 1/8" Thermoplastic Medium Pressure (Parker 540N-2)

705.1 Inverter Installation



705.1 Inverter Installation

Item	Part No.	Description	Qty.
--	71786GT	GS68 OP INVERTER 120VAC/60HZ	
1	52469GT	HYDRAULIC TRAY MODULE,GS68.....1	
2	106207GT	WIRE,6 GA,RED,GXL.....60-inches	
3	71924GT	FUSE,80 AMP.....1	
4	55747GT	FUSE HOLDER,INLINE,GS.....1	
5	55709GT	TERMINAL, 3/8" RING, #6GA.....2	
6	66466GT	BUTT SPLICE, 6-GA.....1	
7	87200GT	HARNESS,INVERTER OPT,GS68 DC....1	
8	106208GT	WIRE,6 GA,BLACK,GXL.....60-inches	
9	87200GT	HARNESS,INVERTER OPT,GS68 DC....1	
10	6935GT	LOCKNUT,ELEC,1/2".....1	
11	150031GT	SVC KIT,120V,INVERTER,GS68DC.....1	
12	6091GT	NUT,NYLOCK,1/4-20.....4	
13	6638GT	WASHER,FLAT,USS,1/4"Y.....4	
14	6090GT	SCREW,HHC,1/4-20 X .75.....4	

Part Number Index

The Part Number Index is a numeric index of all part numbers included in this manual. The index shows what page(s) the part is used on.

Part Number	Page	Part Number	Page	Part Number	Page	Part Number	Page
100810GT91	18605GT19, 23	37947GT23	44980GT11, 13
10107GT53, 59, 71	18666GT19	38016GT55, 59	45071GT47, 51
102395GT25	19284GT21, 37	38028GT33, 79	45105GT65
102396GT25	19436GT35, 43	39095GT53	45161GT19, 39
10258GT17, 21	19440GT15	39127GT45, 49, 53	45437GT63
104764GT25	19491GT15, 53	39317GT33, 55	45916GT25
104767GT25	19506GT23	39469GT33	46225GT35, 43
105556GT87	19533GT29	39470GT33	46261GT27
105557GT87	19710GT67	39478GT21, 29, 63	46266GT65
106207GT95	19722GT67	39540GT19, 21	46271GT67
106208GT95	20224GT25	39580GT59	46337GT29
1077-2400GT71	20654GT17	39877GT93	46347GT33
10775GT63	21085GT65	39878GT47, 51	46348GT33
10777GT63	21141GT19	39907GT15, 53	46431GT19
112593GT53, 59	21427GT67	40265GT37	46436GT17, 21
112594GT53, 59	21434GT67	40417GT47, 51	46440GT21, 29, 63
112595GT53, 59	21604GT53	40434GT11, 13	47138GT57, 59, 79
112596GT53, 59	21618GT55	40532GT29	47160GT53
112597GT53, 59	21982GT23	40533GT29	47228GT33
112598GT53, 59	228946GT31	40534GT29	47230GT37, 59
112599GT53, 59	228947GT31	40536GT29	47255GT33
112600GT53, 59	229099GT85	40537GT29	47273GT21, 29, 63
11804GT65	23083-SGT21	40594GT33	47282GT15
11805GT65	231931GT87	40766GT21, 29, 63	47301GT45, 49
11890GT45, 49	23314GT35	40833GT35	47302GT45, 49
11966GT47, 51	24649GT33, 53	40836GT21	47310PGT17
122513GT21	25388GT21, 31, 63	41557-SGT47, 51	47312GT15, 17
1255452GT15	25817GT45, 49	41630GT33	47323PGT33
1255783GT19	25965GT21	41695GT33	47324PGT33
1259055GT19	25994GT11, 13	42189GT21	47325GT33
1259223GT33	26810GT53	4266GT57, 59	47331PGT33
1280665GT21, 31, 63	27246GT23, 65	42758GT39	47342GT33
128118GT31	27262GT29	43089GT11, 13	47360PGT45, 49
128375GT31	27377GT37	43091GT11, 13	47373GT45, 49
128376GT31	27488GT21	43255GT25	47376GT15
128377GT31	27643GT53	43392GT33	47424-SGT55
128645GT31	27830GT29	43617GT11, 13	47455GT33
12906GT19	28157GT11, 13	43618GT11, 13	47458GT47, 51
13002GT35, 85	28164GT11, 13	43619GT11, 13	47479GT23
13008-3GT29	28171GT11, 13	43658GT11, 13	47483PGT37
13008-6GT29	28174GT11, 13	43696GT11, 13	47492GT17
13037-SGT23	28175GT11, 13	43956GT21, 63	47502GT47, 51, 59
131323GT19	28176GT11, 13	44064GT27	47520GT55, 57, 59, 61
131426GT53	28235GT11, 13	44169GT25	47523GT57, 59
131626GT91	28236GT11, 13	44170GT25	47524GT57
131905GT31	28301GT37	44174GT25	47530GT45, 49
131906GT31	28443GT47, 83	44175GT25	47548GT33
131907GT31	28487GT55, 59	44178GT25	47563GT45, 49
131908GT31	28750GT25	44216GT21	47574PGT47, 51
131918GT31	29868GT19	44217GT21	47606PGT47
131919GT31	30734GT15	44218GT21	47622PGT47
13585GT63	31060GT11, 13	44220GT11, 13	47625PGT51
139318GT31	31506GT19	44224GT21, 25	47907GT33
14033GT21, 55, 91, 93	31508GT11, 13	44225GT25	47926GT61
14262GT19, 39	31658-SGT19, 35	44227GT25	47927PGT61
14297GT37, 55	31785GT11, 13	44228GT25	47936PGT21
144161GT21, 31, 63	31785JAGT11, 13	44230GT25	47974PGT17
147095GT23	32673GT15	44233GT21	4828GT17, 19, 21, 29, 31, 33, 35, 37, 45, 47, 49, 51, 53, 55, 57, 59, 61, 63, 69, 71, 73, 75, 79, 81, 85, 91, 93
148174GT65	33550GT59	44235GT21	48340GT47, 51
148176GT85	33629GT63	44244GT35, 43	48341GT47, 51
148177GT85	33724GT63	44255GT11, 13	48696GT11, 13
148181GT85	33759GT63	44716GT35	48727GT11, 13
148182GT85	33776GT55	44733GT33	48880GT25
148186GT85	33994GT25	44736GT11, 13	48883GT39
148187GT85	34052GT23	44743GT59	48894GT39
148282GT85	34053GT23	44778GT27	48905GT39
148283GT85	34054GT23	44780GT15, 17	48907GT39
148284GT85	34056GT23	44781GT15, 17	48912GT39
148285GT85	34346GT21	44782GT15	48916GT39, 47, 51
148286GT85	35642GT91	44783GT15		
148337GT15	35643GT91	44961GT27		
148426GT15, 17	35706GT55, 59	44962GT27		
150031GT95	35724GT47, 51	44963GT27		
18384GT45, 49	36843GT27	44973GT47, 51		
18503GT35, 37	37189GT27	44979GT47, 51		

Part Number Index (continued)

Part Number	Page	Part Number	Page	Part Number	Page	Part Number	Page
48922GT	19	51587PGT	37	54074GT	33	62166GT	65
48931GT	39	51608GT	23	55018GT	29	62167GT	65
48932GT	39	51612PGT	19	55019GT	29	62179GT	55
48933GT	39	51625GT	39	55021GT	29	62182-SGT	65
48946GT	39	51626GT	39	55038GT	29	62183-SGT	65
48965GT	39	51627GT	39	55233GT	87	62185GT	55
48975GT	39	51702GT	37	55284GT	81	62186-SGT	55
48980GT	39	51703PGT	37	55306GT	21, 29, 63	62193-SGT	33
48994GT	19, 39	51779-SGT	33	55336GT	47, 51	62194-SGT	33, 35
48997GT	25	51804GT	39	55351GT	47, 51	62195-SGT	33
49612GT	25, 39	51805GT	15, 17	55355GT	55	62196-SGT	33
49613GT	25, 39	51823PGT	61	55389-SGT	17	62197-SGT	35, 43
49863GT	93	51844GT	61	55391-SGT	21	62198-SGT	35, 43
49906GT	43	51846PGT	61	55393-SGT	17	62199-SGT	35, 43
49911GT	11	51847GT	61	55396GT	19	62200-SGT	35, 43
5094GT	65	51857GT	65	55431GT	39	62201GT	35
51034PGT	59	51864PGT	23	55482GT	37	62202-SGT	37
51036PGT	57	51919GT	65	55488GT	47, 51	62203-SGT	37
51039PGT	57	51920-SGT	65	55555-SGT	33	62204-SGT	37
51055PGT	59	51976-SGT	37	55560GT	47, 51	62205GT	17
51059PGT	17	52042GT	67	55617GT	93	62206-SGT	23
51063GT	15, 53	52043GT	67	55663-SGT	53	62207GT	25
51071PGT	57	52050GT	67	55709GT	95	62215GT	27
51073PGT	55	52070GT	11, 13	55717GT	47, 51	62217-SGT	17
51092PGT	59	5224GT	21	55739GT	79	62218-SGT	43
51131GT	17	52324GT	11, 13	55745GT	15	62710-SGT	59
51132GT	37	52368GT	25	55747GT	95	62727-SGT	19
51139GT	55, 59	52369GT	25	55753GT	61, 81	6326GT	69, 71, 73, 75
51143GT	59	52370GT	25	55906GT	19, 23	6356GT	35, 47, 51
51144GT	45, 49	52371GT	25	55940GT	27	64011GT	15
51151GT	93	52376GT	25	55983GT	33, 79	64022GT	39
51152GT	39	52377GT	25	56100GT	23	64023GT	39
51154GT	93	52378GT	25	56912GT	19, 21, 37, 55	64211GT	33
51166PGT	55	52379GT	25	58001GT	47, 51	64236GT	23
51169GT	19	52380GT	25	58189GT	45, 49	64245GT	79
51180GT	35	52382GT	25	58255GT	17	64258GT	19
51181-SGT	33	52383GT	25	58293GT	67	64267GT	81
51201GT	15, 17	52385GT	25	58912GT	65	64275GT	79, 81
51216GT	89	52390GT	15	58973GT	87	64276GT	79, 81
51223GT	87	52391GT	15	59076GT	15	64278GT	79, 81
51236-SGT	33	52395GT	17	6002GT	33	65053GT	11, 13
51243GT	89	52431GT	11, 13	6019GT	15, 17, 33, 37,	65178GT	67
51247GT	39	52464GT	19		45, 47, 49, 51,	65179GT	67
51248GT	39	52469GT	19, 21, 95		61, 71, 73, 75,	65180GT	67
51249GT	39	52475GT	11, 13		79, 81, 85	65737GT	31
51254GT	39	52476GT	11	6021GT	15, 21, 27, 45,	6595GT	21, 31, 63
51255-SGT	39	52484GT	25		49, 93	6607GT	77
51256GT	39	52489GT	21, 63	6024GT	17, 55, 59	66081GT	35
51260GT	39	52494GT	11, 13	6052GT	55	66094GT	35
51261GT	39	52502GT	65	6086GT	59, 61	66098GT	47, 51
51262GT	39	52503GT	65	6090GT	17, 19, 21, 29,	66169GT	91
51263GT	39	52505GT	65		31, 35, 37, 55,	66171GT	91
51291GT	37	52509GT	65		59, 61, 95	6626GT	63
51304PGT	21	52510GT	65	6091GT	19, 21, 29, 31,	66353GT	63
51329-SGT	37	52512GT	27		33, 35, 37, 47,	66355GT	63
51330GT	39	52525GT	67		51, 53, 55, 59,	66356GT	63
51346GT	21, 63	52527GT	67		61, 95	6638GT	17, 19, 29, 31,
51379PGT	55	52529GT	67	6095GT	33		35, 37, 47, 51,
51395GT	81	52545GT	11, 13	6097GT	37, 61, 69, 73,		53, 57, 59, 95
51397GT	81	52549GT	11, 13		75, 79, 81, 85, 91	66466GT	95
51407PGT	59	52617GT	11, 13	6146GT	29, 77	66470GT	47, 51
51408PGT	55	52673GT	11	6175GT	17, 19, 21, 31,	66472GT	91
51409PGT	55	52674GT	11		35, 45, 49, 51,	66717GT	35
51410GT	15	52682GT	13		59, 81, 85	66761GT	23
51415GT	61	52802GT	13	6178GT	29, 35, 53	66811GT	23
51416GT	57	52803GT	13	6198GT	15, 33	66812GT	23, 65
51428GT	17	52805GT	13	62061GT	11	66813GT	21
51435GT	55	52889GT	11, 13	62062GT	13	66814GT	23
51436-SGT	59	52913GT	27	62112GT	25	66815GT	21
51437GT	55, 59	52914GT	27	62113GT	25	66816GT	21, 23
51474GT	15	52966GT	11, 13	62161GT	65, 67	66817GT	23, 65
51478PGT	59	5361GT	15	62161HGT	65, 67	66818GT	65
51500GT	19	5365GT	87	62162GT	65	66821GT	23
51505PGT	51	5397GT	17, 31, 33, 45,	62163GT	65	66909GT	87
51542PGT	51		47, 49, 51, 59,	62164GT	65	6708GT	71, 79, 81
51581GT	37		71, 85	62165GT	65	6782GT	35, 71, 85

Part Number Index (continued)

Part Number	Page	Part Number	Page
6873GT	35	84087GT	47, 51
6878GT	19, 37	84110GT	93
6886GT	59	84115GT	43
6888GT	33, 35, 47, 51	84199GT	11, 13
6889GT	15, 17, 37, 47, 51, 57	84235GT	45
6935GT	95	84236GT	45
7056GT	63	84237GT	45
71094GT	81	84238GT	45, 49
71097GT	81	84239GT	45, 49
71098GT	81	84241GT	45, 49
71120GT	79	84242GT	45, 49
7127GT	63	84243GT	45, 49
71315GT	55, 59	84244GT	49
71349GT	47, 51	84245GT	49
71382GT	89	84246GT	49
71414GT	45, 49	84247GT	49
71481GT	47, 51	84248GT	49
71498GT	89	84423GT	47, 51
71528GT	19	84991GT	45, 49
71547GT	15, 17	84992GT	49
71786GT	95	8516GT	45, 47, 49, 51
71824GT	71	8538GT	33
71825GT	71	87070GT	19
71826GT	69, 71	87200GT	95
71828GT	69	87231GT	39
71829GT	71	89065GT	15
71835GT	71	8914GT	19, 21
71838GT	71	96011GT	23
71839GT	71	96110GT	35
71840GT	69, 71	96236GT	63
71841GT	71	96452GT	23
71842GT	69, 71	96461GT	21
71848GT	71	96472GT	11, 13
71850GT	71	96948GT	15, 53
71852GT	35	97128GT	15, 53
71855GT	71	97387GT	25
71858GT	71	T107013GT	85
71860GT	73	T107925GT	85
71861GT	73	T108212GT	85
71862GT	73, 75	T108213GT	85
71864GT	21	T108330GT	85
71865GT	75	T109074GT	85
71866GT	75	T109075GT	85
71879GT	69	T109085GT	15, 17
71880GT	69	T112563GT	63
71912GT	79		
71924GT	95		
71979GT	77		
72197GT	11, 13		
72281GT	15		
72289GT	15		
72326GT	19, 21, 65		
7339GT	47, 51		
73575GT	77		
77046GT	11, 13		
7713GT	21, 29, 31, 33, 45, 49, 55, 59, 63		
79079GT	35		
79083GT	35		
79156GT	91		
79158GT	91		
79159GT	21		
79355GT	55, 57, 59		
79464GT	31		
79494GT	47, 51		
79495GT	25		
81579GT	17		
8177GT	33		
8178GT	55, 57, 59, 61		
8220GT	15		
825019GT	45, 47, 49, 51		
8255GT	15, 17, 31, 55, 59, 85		
8352GT	69		
84073GT	15		

The Part Description Index is an alphabetical index of all part descriptions included in this manual. The index shows what page(s) the part is used on.

1
12V,SYSTEM,E-DOWN GS68.....19

A

ACCESS PANEL,PLATFORM, GS68.....55
ADAPTER,WHEEL,GS68/GS69.....15, 17
ALARM ASSY,12VDC,ITT,4 PIN****.....65
ALARM,STEADY TONE***.....19, 21
AMMETER, 39243/47906/66412.....29
ASSY, CHARGER DISP BKT, SYMBOL.....31
ASSY, CHARGER DISP BKT, WORD.....31
ASSY, CIRCUIT BREAKER 20A.....23
ASSY,LED,IES CHARGER.....31
ASSY,RELAY SOCKET, AUTO.....23

B

BALL STUD,GAS STRUT (38593)***.....37
BASE WITH 1 NC CONTACT, E-STOP.....23, 65
BASE, W/1 N.O. CONTACTS***.....21
BASE,WITH 2 N.O. CONTACTS***.....23
BASE,WITHOUT CONTACTS.....23
BATT.CABLE ASSY,CHASSIS,GS68DC.....35, 43
BATT.CABLE ASSY.BATTERY,GS68DC.....35, 43
BATTERY BOX ASSY,LOWER,GS68DC.....33
BATTERY BOX ASSY,UPPER,GS68DC.....33, 35
BATTERY CABLE ASSY,3.5" RED.....35, 43
BATTERY MODULE SUPPORT,GS68DC.....33
BATTERY WEAR PAD ASSY. GS68 DC.....33
BATTERY,6V,225AH,TRJAN T105UT.....35
BEARING,0.75IDX1.00ODX0.38L.....59
BEARING,1.00IDX1.25ODX0.75L.....15
BEARING,1.00IDX1.25ODX1.00L.....45, 49
BEARING,1.5IDX1.75ODX1.5L.....47, 51
BEARING,1.75IDX2.00ODX1.25L.....45, 49
BEARING,BRAKE MOTOR, GS68DC.....17
BEARING,BRZ,FL,1.25IDX1.5OD.....15
BEARING,DRIVE MOTOR GS15/19.....15
BEARING,FL,0.75ID X 1 OD X .49.....33
BEARING,MOTOR,36843, FAN END.....27
BEARING,MOTOR,36843,BRUSH END*.....27
BLOCK, PLATFORM ANCHOR.....53
BLOCK,MODULE TRAY STOP.....33
BOLT,CARRIAGE,1/4-20 X .75,G2.....19, 37
BOLT,ROLLER,.470"(SHORT).....55, 59
BOLT,SHORT SHOULDER.....33
BOLT,SHOULDER,5/8-11 X 1.19 LT.....79
BOLT,SHS,3/8X.375X5/16-18,ZAG.....33
BOOT, PROTECTIVE, 45049 BLACK.....67
BOOT,CABLE TERMINAL COVER.....35
BOOT,CONTROLLER**.....67
BOOT,PUSHBUTTON,RUBBER,GS68~.....65
BOOT,TOGGLE SWITCH,SHORT*.....23, 65
BRACKET CABLE BRIDGE, 46.....51
BRACKET, E-DOWN BATTERY MOUNT.....19
BRACKET, LIMIT SWITCH COVER.....15
BRACKET, SIDE ROLLER, REAR FT.....59
BRACKET, WORK LIGHTS, OPTION.....89
BRACKET,BATTERY HOLDER,GS68 DC.....35
BRACKET,BOX HINGE,LH/UP-RH-LO.....33
BRACKET,BOX HINGE,RH/UP-LH/LO.....33

BRACKET,CABLE BRIDGE GS32.....51
BRACKET,CATCH,ENGINE TRAY,GS68.....37
BRACKET,CATCH,HYD TANK,GS68RT.....37
BRACKET,ENGINE BOX COVER,GS68.....37
BRACKET,JOYSTICK Q.D. BULKHEAD.....53
BRACKET,LOCK PIN,GRD CONTROL.....33
BRACKET,LOCK PIN,LEFT.....33
BRACKET,MAIN CABLE BRIDGE,2646.....47
BRACKET,MAIN CABLE BRIDGE,GS32.....51
BRACKET,PIGTAIL.....21, 63
BRACKET,ROLLER WHEEL EXT.PLAT.....59
BRACKET,ROLLER,GRD.CONTRL,GS68.....55
BRACKET,ROLLR,ENGINE SIDE,GS68.....55
BRACKET,SIDE ROLLER,GRN.CONTRL.....59
BRACKET,SPRING MOUNT,GS68 DC.....37
BRACKET,UPPER CABLE BRIDGE,46.....47
BRAKE,WHEEL MOUNTED,15400 INLB.....17
BREATHER CAP ASSY.....19
BRUSH,MOTOR,36843.....27
BUCKLE & SLIDE STRAP SET.....91
BUCKLE,SIDE RELEASE.....91
BULB,FLASHING BEACON.....87
BUMPER, LINK.....47, 51
BUMPER, PLASTIC, 1.25 O.D.....61, 81
BUMPER,1.25 INCH O.D.,SCISSORS.....47, 51, 59
BUMPER,BATTERY BOX & RAILS.....33
BUMPER,PLASTIC, .625 OD.....23
BUMPER,RUBBER.....37, 59
BUSHING,FLANGE, .75 X .875 X.5.....79
BUSHING,STRAIN RELIEF,.875/.30.....31
BUSHING,STRAIN RELIEF,.875/.40.....31
BUTT SPLICE, 6-GA.....95
BUTTON,PUSH,BLACK W/SEAL ***.....21
BUTTON,PUSH,RED MUSHROOM HEAD.....23, 65

C

CABLE ASSEMBLY,13" BLACK.....43
CABLE ASSEMBLY,23" GS68DC.....35, 43
CABLE ASSEMBLY,25" GS68DC.....35, 43
CABLE ASSEMBLY,50" GS68DC.....43
CABLE ASSEMBLY,9" RED.....35, 43
CABLE ASSY, 20" RED.....43
CABLE ASSY,PWR TO PLAT.GS-2668.....21, 63
CABLE BRACKET,PAINTED.....47, 51
CABLE TIE,11.5" BLACK.....47, 83
CABLE TIE,9" X .5.....47, 51
CAP,DIAGNOSTIC NIPPLE.....25
CAPACITOR,6 MFD,660VAC-CHARGR*.....29
CASE COVER ONLY 18710/18720.....29
CASTING -SLIDE BLOCK W/BEARING.....45, 49
CASTING-JOYSTICK, GS2032.....67
CHANNEL,PIPE RACK.....91
CHARGER 48V/30A AUTO AC X-LED.....31
CHARGER,COMPLETE.....29
CHOCK STOP CUSHION.....47, 51
CIRCUIT BREAKER,7.0 AMP***.....23
CLAMP, CABLEBRIDGE,HALF.....47, 51
CLAMP,1.00,#16 X 1/4,RUB CUSH.....19
CLAMP,1.13,#18 X 1/4,RUB CUSH.....55
CLAMP,1.13,#18 X 3/8,RUB CUSH*.....93
CLIP,RETAINING,IES CHARGER.....31
CNTRL CABLE,,**ATT.....65

COIL CORD.....65
COIL,10V,44169,SIZE 10,GS68.....25
COIL,12V D03 ZENER DIODE.....25
COIL,12V DC.....47, 51
COIL,12V,44170,SIZE 8,GS68.....25
COIL-VALVE,SOLENOID.....47, 51
CONN, 520120-6.....39, 47, 51
CONN,520102-12-16.....39
CONN,520102-6-6.....19
CONN,520120-12-10.....39
CONN,520120-4***.....39
CONN,520120-4-6***.....39
CONN,520120-6-10.....39
CONN,520120-8***.....39
CONN,520120-8-10.....39
CONN,BULKHEAD,520601-8.....39
CONN,SQUEEZE,1/2NPT .38-50,SM.....63
CONNECTOR,070103-4-4.....93
CONNECTOR,070120-4-4.....93
CONNECTOR,070120-6-6.....47, 51
CONNECTOR,ANDERSON SB 175,1/0G...35, 43
CONNECTOR,IEC 320 INLET.....21, 29, 63
CONTACT, N.C.....65
CONTACT,N.O.***.....21, 23
CONTACTOR,LIMIT SWITCH.....15, 53
CONTROLL.36V/48V,DC MTR.SPD.....35
CONTROLLER,GS2668 DC.....65
CONTROLLER,GS3268 DC.....65
CONVERTER, DC-DC, 48-12 VOLT.....35
CORD AC IEC320-C19 TO 110US.....31
CORD AC IEC320-C19 TO 220EU.....31
CORD EURO AC IEC320-C19PIGTAIL.....31
COVER, PLATE BRAKE ACCESS.....37
COVER,BLANK.....63
COVER,GFCI,WEATHERPROOF.....63
COVER,GRND.CONTROLS,GS68 DC.....37
COVER,HYD.TANK W/DECAL,GS68 DC.....37
COVER,PWR.MOD.SIDE GS68 DC.....37
CROSS TUBE COLAR, GS46/68.....47, 51
CYL.ASSY,2668.....47, 51
CYLINDER, GS2632/46/68***.....47, 51
CYLINDER,STEER***.....15

D

DECAL KIT,SAFETY INSTR,GS68.....11, 13
DECAL, DNGER, BATTERY SAFETY.....11, 13
DECAL, LABEL - DIRECTION ARROWS.....11, 13
DECAL, MANUAL LOWERING VALVE.....11, 13
DECAL, POWER TO PLATFORM 230V**...11, 13
DECAL,CAUTION,CRUSH HAZ, RAILS.....11, 13
DECAL,COSMETIC,4 X 2.....11, 13
DECAL,COSMETIC,GENIE GS-2668DC.....11
DECAL,COSMETIC,GENIE GS-3268DC.....13
DECAL,DANGER DO NOT ALTER SWTC.....11, 13
DECAL,DANGER,BRAKE REL SAFETY*...11, 13
DECAL,DANGER,CRUSHING HAZARD.....11, 13
DECAL,DANGER,ELEC HAZARD,GS....11, 13

Part Description Index (continued)

DECAL, DANGER, ELECT HAZARD, PLUG.....11, 13
 DECAL, DANGER, GENERAL SAFETY.....11, 13
 DECAL, DANGER, NO SMOKING ***.....11, 13
 DECAL, DANGER, OUTRIGGER SAFETY.....11, 13
 DECAL, DANGER, TIP-OVER, BATTERY.....11, 13
 DECAL, DANGER, TIP-OVER, TILT.....11, 13
 DECAL, GROUND CONTROL PANEL.....11, 13
 DECAL, INSTRUCTIONS-OPER, GCP.....11, 13
 DECAL, LABEL, FAULT CODES.....11, 13
 DECAL, LABEL, GROUND CONTROL PNL.....11, 13
 DECAL, LABEL, MANUAL NOT HERE.....11, 13
 DECAL, LABEL, PWR TO CHARGR 115V.....11, 13
 DECAL, LABEL, PWR TO CHARGR 230V.....11, 13
 DECAL, LABEL, SAFETY ARM.....11, 13
 DECAL, LABEL, TRANSPORT TIEDOWN*.....11, 13
 DECAL, LABEL, UP/DOWN & FNCTN EN.....11, 13
 DECAL, LANYARD ANCHORAGE POINT.....11, 13
 DECAL, NOTICE, BATTERY CONN DIAG.....11, 13
 DECAL, NOTICE, CHARGER INSTRUC.....11, 13
 DECAL, NOTICE, HAZARDOUS MAT'LS*.....11, 13
 DECAL, NOTICE, MAX CAP 1000/300.....13
 DECAL, NOTICE, MAX CAP 1250.....11
 DECAL, NOTICE, PLAT EXT CUTOUT.....11, 13
 DECAL, NOTICE, PLATFORM OPER INS.....11, 13
 DECAL, NOTICE, SHUTOFF VALVES.....11, 13
 DECAL, NOTICE, SIDE FRC, 2668, AUS.....11
 DECAL, NOTICE, SIDE FRC, 2668ANSI.....11
 DECAL, NOTICE, SIDE FRC, 3268, AUS.....13
 DECAL, NOTICE, SIDE FRC, 3268ANSI.....13
 DECAL, NOTICE, TIRE SPECS.....11, 13
 DECAL, POWER TO PLATFORM 115V.....11, 13
 DECAL, USE DEXRON***.....11, 13
 DECAL, WARN, IMPROPER OPERATION.....11, 13
 DECAL, WARNING-COMPART ACCESS.....11, 13
 DECK PLATE, EXTENSION, GS68.....59
 DECK PLATE, MAIN, GS68.....55
 DIAGNOSTIC DISPLAY.....23
 DIAGNOSTIC FEMALE Q-DSCNT.....25
 DISPLAY CABLE ASSEMBLY.....23
 DRIVE LINK (51410).....15

E

E-DOWN HARNESS, GS2668.....21
 ELBOW, 45D, 520320-4.....39
 ELBOW, 90D, 520202-12.....39
 ELECTRONIC CONTRL UNIT GS/RT G1.....19
 ENDRAIL ASSY, EXT. DECK GS68.....59
 EXTRUSION, RUBBER BUMPER STRIP.....19, 35

F

FILTER ASSY, SAE 12 NO INDICAT*.....19
 FILTER ELEMENT, 10 MICRON.....19
 FILTER ELEMENT, 10 MICRON.....19
 FITTING, ELBOW, 90D, 520220-8***.....39
 FLANGE HEX SCREW, GRADE 8.....65
 FORMING, CHARGER SHELF.....31
 FORMING, DOOR LATCH.....33
 FORMING, GUARD CONTACT FRNT LT.....73
 FORMING, GUARD CONTACT FRNT RT.....73
 FORMING, GUARD CONTACT REAR LT.....75
 FORMING, GUARD CONTACT REAR RT.....75
 FORMING, LOWER FRONT GUARD LT.....69
 FORMING, LOWER FRONT GUARD RT.....69
 FORMING, MESH TRAY FL RR, GS68.....71
 FORMING, MESH TRAY FR RL.....71
 FORMING, MESH TRAY SIDE, GS68.....69, 71
 FORMING, NOSE GUARD, LEFT GS68.....81
 FORMING, NOSE GUARD, RIGHT.....81
 FORMING, PIPE HOLDER RACK.....91
 FORMING, STEER HOSE BRCKT, GS68.....17
 FORMING, BASE, BATTERY ENCLOSURE.....33
 FORMING, DC-DC CONVERTER MOUNT.....35
 FORMING, DOWN COIL COVER.....47, 51
 FORMING, ECU BRACKET, GS68RT.....19
 FORMING, HYDRAULIC TRAY, GS68.....21
 FORMING, INVERTER/BATTERY TRAY.....21
 FORMING, LEVEL SENSOR MNT. GS68.....21
 FORMING, LINKGUARD CORNER L, 2668.....85
 FORMING, LINKGUARD CORNER L, 3268.....85
 FORMING, LINKGUARD CORNER R, 2668.....85
 FORMING, LINKGUARD CORNER R, 3268.....85
 FORMING, LINKGUARD FRONT, 2668.....85
 FORMING, LINKGUARD FRONT, 3268.....85
 FORMING, LINKGUARD LADDER, 2668.....85
 FORMING, LINKGUARD LADDER, 3268.....85
 FORMING, LINKGUARD MOUNT, L, 2668.....85
 FORMING, LINKGUARD MOUNT, L, 3268.....85
 FORMING, LINKGUARD MOUNT, R, 2668.....85
 FORMING, LINKGUARD MOUNT, R, 3268.....85
 FORMING, LINKGUARD, SIDE L, 3268.....85
 FORMING, LINKGUARD, SIDE R, 3268.....85
 FORMING, LINKGUARD, SIDE, L, 2668.....85
 FORMING, LINKGUARD, SIDE, R, 2668.....85
 FORMING, LWR TRAY STOP, GS68 DC.....33
 FORMING, NOSE GUARD, REAR GS68.....81
 FORMING, PIPE RACK BASE, GS68.....91
 FORMING, RELAY STANDOFF, GS68.....23
 FORMING, TOP TRAY STOP, GS68 DC.....33
 FUSE ASSY-BOOM CHARGER.....29
 FUSE BLOCK, ANN & ANL FUSE.....35
 FUSE HOLDER, INLINE, GS.....95
 FUSE HOLDER, WATERPROOF.....21
 FUSE, 1 AMP.....21
 FUSE, 13 AMP, 220V PLUG.....63
 FUSE, 13 AMP, 220V PLUG***.....31
 FUSE, 275 AMP, VERY FAST ACTING.....35
 FUSE, 80 AMP.....95

G

GAS STRUT, 250 LBS FORCE***.....37
 GAS STRUT, 250N, 55CM STROKE.....69, 71
 GAS STRUT, CONTROLS DOOR.....37
 GASKET, UK & DIN PWR. TO PLAT.....63
 GASKET, UK RECEPTACLE.....63
 GASKET-JOYSTICK.....67
 GAUGE-SIGHT, LHA-LGTB***.....19
 GLIDE BUTTON, SIDE, GLL, 100 TK.....45, 49

GRIP, HANDLE EXT PLATFORM LOCK.....61
 GROMMET, RUBBER 1.5 X .25 X 2.....33, 53
 GROMMET, RUBBER 2.5 X .25 X 2.75.....17, 21
 GROUND CONTROLS PLATE W/DECAL.....23
 GS 68 OP OVERLOAD SENSOR.....93
 GS68 AC 2668 WORK LIGHTS.....89
 GS68 AC 3268 WORK LIGHTS.....89
 GS68 AC BEACON.....87
 GS68 OP INVERTER 120VAC/60HZ.....95
 GS68 PLAT W/ EXTN DECK.....55
 GS68 TIRES, FF, RT.....15, 17
 GUARD, PLATFORM/LANYARD, GS68.....55
 GUARD, TOGGLE SWITCH.....65
 GUIDE PAD, GS68, GS90.....61
 GUIDE, LOCK, GS68, GS90.....61
 GUSSET, GUARD, REAR.....79

H

HANDLE COVER, PLASTIC.....33
 HANDLE KIT, GS JYSTK, BOTH HALVE.....67
 HANDLE, ANDERSON CONNECTOR SB.....35
 HANDLE, GRAB.....57
 HANDLE-LOCK, BATT. MOD, LEFT SIDE.....33
 HANDLE-LOCK, PWR MOD, RIGHT SIDE.....33
 HARNESS, E-DOWN, GS3268.....21
 HARNESS, INVERTER OPT, GS68 DC.....95
 HEATSINK ASSY W/DIODES (23442).....29
 HINGE, MODULE TRAY, GS68.....37
 HINGE, 4 X 4.....57, 59
 HINGE, CLOSING (SPRING) 4 X 4.....57
 HINGE, GRND CONT CVR, TMZ34.....19
 HINGE, POWER UNIT ACCESS, GS68DC.....37
 HORN, 24VDC, SPADE TERMINALS***.....17
 HOSE ASSY, MANIF TO FL BULKHD.....39
 HOSE ASSY, MANIF TO FR BULKHD.....39
 HOSE ASSY, PUMP P1 TO MAN.P1.....39
 HOSE ASSY, BRAKE TO TEE.....39
 HOSE ASSY, BRAKE TO TEE FITTING.....39
 HOSE ASSY, HP TO BRAKE PORT.....39
 HOSE ASSY, HP TO HP PORT.....39
 HOSE ASSY, HYD TANK TO PUMP.....39
 HOSE ASSY, LIFT/MAN TO TEE FIT.....39
 HOSE ASSY, MANIFOLD TO TANK.....39
 HOSE ASSY, OVERLOAD SENSOR.....93
 HOSE ASSY, STEER CYL TO S1.....39
 HOSE ASSY, STEER CYL TO S2.....39
 HOSE ASSY, TEE FIT TO 1ST CYL.....39
 HOSE ASSY, TEE FIT TO 2ND CYL.....39
 HOSE ASSY, TEE FTING TO BRK.....39
 HOSE ASSY, LIFT, GS2668.....39
 HOSE ASSY, FRONT MOTOR, GS68 DC.....39
 HOSE ASSY, HYD TK TO PUMP RR.....39
 HOSE COVER PLATE W/ DECAL, GS68.....17
 HOUR METER, 10-80 VOLTS***.....23
 HOUR METER, LCD, 9-60 VDC***.....23
 HOUSING, LOCK PIN.....33
 HYDRAULIC TRAY MODULE, GS68.....19, 21, 95

I

INNER ARM #3 W/BEARINGS GS2668.....45
 INNER ARM #3 W/BEARINGS GS3268.....49
 INNER ARM #5 W/BEARINGS GS3268.....49
 INNER ARM ASSY #4, W/SY DECALS*.....49
 INNER ARM ASSY, W/DECALS.....45, 49
 INNER ARM ASSY, #1W/BRNGS, 2668.....45, 49
 INNER ARM #4 W/BEARINGS GS68.....45

J
 J1 HARNESS,MANIFOLD GS68*19
 JOYSTICK CARRIER.....59
 JOYSTICK CONTROLLER.....65, 67

K
 KEY,RECTANGULAR,.31X.28X1.25**.....15, 17
 KEY,SINGLE***.....23
 KEYS,10 PACK***.....23
 KEYSWITCH,3POS.MNTND.DR WKEY**.....23
 KIT, BAT CHARGER, RT68 CE.....31
 KIT, BAT CHARGER, RT68 DOM.....31
 KIT, BAT CHARGER, RT68 UK 110.....31
 KIT, BAT CHARGER, RT68 UK 220.....31
 KIT, KEYSWITCH***.....23
 KIT,GASKET,UK POWER TO PLAT.....63
 KIT,HORN SVC BB&SM BOOM.....21
 KIT,LINKGUARDS 2668.....85
 KIT,LINKGUARDS 3268.....85

L
 LATCH PIN.....61
 LATCH,FLUSH GS68.....37
 LENS,FLASHING BEACON.....87
 LEVEL SENSOR,LS60,BLUE,2X4**.....21
 LEVER,FUNC ENABLE SWITCH,RGE**.....67
 LIGHT,REPLACEMENT BULB (39676).....87
 LOCKNUT,ELEC,1/2".....95
 LUG BOLT,45 DEG,1/2-20 UNF.....15, 17

M
 MANIFOLD,BRAKE RELEASE***.....93
 MANUAL BOX W/DECALS***.....59
 MICROSWITCH-V319M***.....67
 MOTOR HEADBAND,36843.....27
 MOTOR LEAD ASSY KIT, 36843.....27
 MOTOR,32.7 CU.IN.,HYD. DRV.....15
 MOTOR,48VDC.....27
 MOUNT,ROD EXTENSION LOCK,68,90.....61
 MUD FLAP.....19

N
 NIPPLE,DIAGNOSTIC,#4.....25
 NUT - PLASTIC,RING FOR ALARMS...19, 21, 65
 NUT, LP NYLOCK, 3/8-16.....21, 29, 31, 33, 45, 49, 55, 59, 63
 NUT,CASTLE,1.125-18 UNEF.....15, 17
 NUT,COIL (39909).....47, 51
 NUT,HEX,6-32.....65
 NUT,JOYSTICK,44988, RGE.....67
 NUT,LOCKING-LG.FLANGE,5/16-18.....35, 37
 NUT,LP NYLOCK,1/2-13.....59, 61
 NUT,LP NYLOCK,1/4-20.....15, 17, 37, 47, 51, 57
 NUT,LP NYLOCK,3/4-10.....33
 NUT,LP NYLOCK,5/16-18.....33
 NUT,LP NYLOCK,5/8-11.....33, 79
 NUT,NYLOCK,1/2-13.....15, 33
 NUT,NYLOCK,1/4-20.....19, 21, 29, 31, 33, 35, 37, 47, 51, 53, 55, 59, 61, 95
 NUT,NYLOCK,10-24.....87
 NUT,NYLOCK,10-32.....29, 35, 53
 NUT,NYLOCK,3/4-10,GRD.2.....17, 21
 NUT,NYLOCK,3/8-16.....17, 19, 21, 29, 31, 33, 35, 37, 45, 47, 49, 51, 53, 55, 57, 59, 61, 63, 69, 71, 73, 75, 79, 81, 85, 91, 93

NUT,NYLOCK,4-40.....21, 29, 63
 NUT,NYLOCK,5/16-18.....35, 71, 85
 NUT,NYLOCK,5/8-11.....17, 55, 59
 NUT,NYLOCK,8-32.....19, 23
 NUT-COIL SHORT.....25
 NUT-COIL(SCISSORS) TALL.....25
 NUT-COIL,REXROTH DO3 VALVE.....25
 NUT-MOUNTING,PUSH BUTTON-44988.....67
 NUT-THIN HEAVY HEX, 1/4-20.....35

O
 O-RING KIT (ORFS FITTINGS).....25, 39
 O-RING KIT,FIELD SVC,ALL PROD*.....25
 ORIFICE PLUG, 0.035.....25
 ORIFICE,CAVITATION KIT, GS68DC.....39
 ORIFICE,LONG, .059".....47, 51
 OUTER ARM #1 W/BEARINGS GS2668.....45, 49
 OUTER ARM #4 W/BEARINGS GS2668.....45
 OUTER ARM #4 W/BEARINGS GS3268.....49
 OUTER ARM #4 W/BEARINGS,GS3268.....49
 OUTER ARM #5 W/BEARINGS GS3268.....49
 OUTER ARM ASSY #2,W/SY DECALS*.....45, 49
 OUTER ARM ASSY, W/DECALS*.....45, 49
 OUTLET, 110V.....63

P
 P.C.BOARD,SWITCH ASSY,GS68 DC.....65
 PAD,WREST,WRIST,GS68PLAT.CONT~.....65
 PC BOARD-PLATCNTRL,ITT GS68**~.....65
 PIN, LOCK.....33
 PIN,1.00DIA X2.88LG,1HOLE.....15
 PIN,1.00DIA X3.25LG,1HOLE.....15
 PIN,1.00DIA X4.6 LG,1HOLE.....45, 49
 PIN,1.25DIA X2.75LG,1HOLE.....15
 PIN,1.50DIA X8.45LG,1HOLE.....47, 51
 PIN,1.75DIA X2.71LG,2RING.....45, 49
 PIN,1.75DIA X5.87LG,CHAMFER.....45, 49
 PIN,1.75DIA X7.35LG,CHAMFER.....53
 PIN,1.75DIA X8.51LG,2RING.....45, 49
 PIN,CLEVIS,1 X 2.5 LG.....15
 PIN,COTTER,.125 X 1.5.....15
 PIN,CROSS LOWER PIVOT.....45, 49
 PIN,EXTENSION ROLLER.....55, 59
 PIN,SNAP,ENTRY RAIL.....57, 59, 79
 PIN-THREADED SHLDR OFFS,5/8-11.....33, 79
 PIPE CRADLE KIT,GS68.....91
 PLAT ASSY,2668DC,ANSI,115V.....53, 59
 PLAT ASSY,2668DC,ANSI,230V.....53, 59
 PLAT ASSY,2668DC,CE,115V.....53, 59
 PLAT ASSY,2668DC,CE,230V.....53, 59
 PLAT ASSY,3268DC,ANSI,115V.....53, 59
 PLAT ASSY,3268DC,ANSI,230V.....53, 59
 PLAT ASSY,3268DC,CE,115V.....53, 59
 PLAT ASSY,3268DC,CE,230V.....53, 59
 PLAT ASSY,CE,GS2668DC*.....55
 PLAT ASSY,CE,GS3268DC*.....55
 PLAT CONTROL PANEL.....11, 13
 PLATE, CASTLE NUT LOCK.....15, 17
 PLATE, HINGE SUPPORT.....37
 PLATE,AC ADAPTER,DIN/UK***.....63
 PLATE,GROUND,TOGGLE,GS68~.....65
 PLATE,HOSE CLAMP.....21
 PLATE,HOSE GUARD,PAINTED.....17
 PLATE,LIFT ARM CAM GS68.....47, 51
 PLATE,PIPE HOLDER, GS68.....91

PLATE,PLATFORM END GUARD.....85
 PLATE,UK POWER TO PLATFORM.....63
 PLATFORM ASSY/DECALS 2668 RT.....55
 PLUG AND CAP KIT-SERVICE,37 **.....25
 PLUG AND CAP KIT-SERVICE,ORFS*.....25, 39
 PLUG, TYPE F, 230A, 50HZ, 16A, IP44.....21, 31, 63
 PLUG,ELECTRICAL,DOMESTIC.....21, 31, 63
 PLUG,FUSED,250V,13AMP,U.K.**.....21, 31, 63
 PLUG,HEX SOCKET,3/8 MPT.....19, 39
 PLUG,HEX,090109A-8***.....39
 PLUG,PWR,UK,16AMP,3PIN,BLK.....21, 31, 63
 PLUG,TUBE,SQ 1.50X.065.....55, 57, 59
 POTENTIOMETER (62161)***.....67
 POTENTIOMETER MOUNT PLATE.....67
 POTHOLE SLIDER,32.....21, 29, 63
 POWER CORD, AUSTRALIA, 8".....29
 POWER CORD,NOVON, 8".....29
 POWER CORD,UK-HIGH VOLTAGE, 8".....29
 POWER CORD,US 110, 8".....29
 PUMP,TANDEM,REXROTH***.....27
 PUSHBUTTON-FUNC.ENABL.W/ORING.....67

R
 RAILING,EXT DECK,ENGINE SIDE.....59
 RAILING,EXT.DECK GRD.CONTRL,68.....59
 RECEPTACLE, DIN, 220V 50A.....63
 RELAY,CHARGER .TIMER(19531/32).....29
 RELAY,SPDT,12V(AUTO) PLUG IN**.....23
 RETAINER,GAS SPRING***.....37
 RIVET,DRIVE, .25 X .25.....55, 59
 RIVET,STL,STL,.188 X .50.....33
 RIVET,STL,STL,P,.188 X .375.....55
 ROCKER ASSY W/ROLLPIN***.....67
 ROD END,.375 X 2.25,ZAG.....15
 ROD END,.375X3.69,ZAG.....45, 47, 49, 51
 ROD, EXTENSION LOCK,GS68,GS90.....61
 ROLLER ARM,LIMIT SWITCH***.....15, 53
 ROLLER ARM-LIMIT SWITCH.....53
 ROLLER,PLASTIC,AWP96**.....55, 59

S
 SAFETY CHOCK-SCISSOR.....47, 51
 SCREW, HCC, 3/8-16 X 1.50.....45, 47, 49, 51
 SCREW,10-24X7/8,PAN HD PHILLIP.....87
 SCREW,BHHS,1/4-20 X .75.....37, 55
 SCREW,BHHS,1/4-20 X 1.5.....47, 51
 SCREW,BHHS,3/8-16 X 1.....55, 59
 SCREW,BHHS,3/8-16 X 2.75.....53
 SCREW,CHARGER COVER,#10 X .5.....29
 SCREW,FHM,10-32 X 1.....35
 SCREW,FHS,1/4-20 X .63.....21, 37
 SCREW,FHS,1/4-20 X 1.25.....33
 SCREW,FHS,3/8-16 X .75 YELLOW.....33
 SCREW,FHS,3/8-16 X 1,ZINC.....33
 SCREW,FUSE ASSY,#7 PHMS X .625.....29
 SCREW,HH TAPETITE THRD8-32X.50.....27
 SCREW,HHC,1/2-13 X 1.5.....33
 SCREW,HHC,1/2-13 X 4.....15
 SCREW,HHC,1/4-20 X .5.....47, 51
 SCREW,HHC,1/4-20 X .625.....19, 21
 SCREW,HHC,1/4-20 X .75.....17, 19, 21, 29, 31, 35, 37, 55, 59, 61, 95
 SCREW,HHC,1/4-20 X 1.....33, 35, 47, 51
 SCREW,HHC,1/4-20 X 2.....57, 59
 SCREW,HHC,3/4-10 X 1.75.....21

Y

YOKE ASSY,ENGINE/BAT SIDE,GS68.....15
YOKE ASSY,GRD CTRL SIDE, GS68.....15

Go to Discount-Equipment.com to order your parts

Fitting Cross References

Genie PN	Parker PN	Description	Genie PN	Parker PN	Description
12342	6-4 F5OX-S	CONNECTOR,STRAIGHT THREAD TO FLARE TUBE	42794	1 CR-S	ELBOW,90°,MALE PIPE
13757	4 R6X-S	RUN TEE,SWIVEL NUT,ORFS	42795	BV-0839	BALL VALVE
19685	12-10 C5OX-S	ELBOW,90°,STRAIGHT THREAD TO FLARE TUBE	42796	BV-0838	BALL VALVE
22664	12-10 C5OX	ELBOW,90°,STRAIGHT THREAD TO FLARE TUBE	42874	6-8 CLO-S	ELBOW,90°,MALE PIPE TO ORFS
27431	8-12 F5OX-S	CONNECTOR,STRAIGHT THREAD TO FLARE TUBE	42912	13943-6-4	HOSE END,90° FEMALE SWIVEL,JIC
28678	AS-B-33	SLEEVE,NYLON,1.81" ID	42920	BV-0840	BALL VALVE,90°
39871	6 WETX-WLN-S	UNION,90° BULKHEAD W/NUT,FLARE TUBE	42932	AS-B-17	SLEEVE,NYLON,1.22" ID
39872	4 R5OX-S	RUN TEE,STRAIGHT THREAD	42936	10243-2-4	HOSE END,FEMALE PIPE
39873	6 C5OX-S	ELBOW,90°,STRAIGHT THREAD TO FLARE TUBE	42953	1/2 DD-S	ELBOW,90°,FEMALE PIPE
39874	8-6 C5OX-S	ELBOW,90°,STRAIGHT THREAD TO FLARE TUBE	42956	6 WELO-WLNL-S	UNION,90° BULKHEAD W/NUT,ORFS
39875	4-6 C5OX-S	ELBOW,90°,STRAIGHT THREAD TO FLARE TUBE	45349	8 V5OX-S	ELBOW,45°,STRAIGHT THREAD TO FLARE TUBE
39876	6-8 C5OX-S	ELBOW,90°,STRAIGHT THREAD TO FLARE TUBE	45351	4 V5OX-S	ELBOW,45°,STRAIGHT THREAD TO FLARE TUBE
39877	4 F5OX-S	CONNECTOR,STRAIGHT THREAD TO FLARE TUBE	47223	10343-6-6	HOSE END,MALE,JIC
39878	6 F5OX-S	CONNECTOR,STRAIGHT THREAD TO FLARE TUBE	47419	PS690503-6-6	SWIVEL,90°,STRAIGHT THREAD TO 37° FLARE
39879	4-8 F5OX-S	CONNECTOR,STRAIGHT THREAD TO FLARE TUBE	48750	421-4	HOSE,1/4 INCH ID
39880	6-10 F5OX-S	CONNECTOR,STRAIGHT THREAD TO FLARE TUBE	48751	481TC-4	HOSE,1/4 INCH ID
39881	4-6 F5OX-S	CONNECTOR,STRAIGHT THREAD TO FLARE TUBE	48752	482TC-4	HOSE,1/4 INCH ID
39882	4-HP5ON-S	PLUG,STRAIGHT THREAD	48753	451TC-6	HOSE,3/8 INCH ID
39883	8-8 FTX-S	CONNECTOR,MALE PIPE TO FLARE TUBE	48754	482TC-6	HOSE,3/8 INCH ID
39885	269HB 12-12	ELBOW,90°,BEADED HOSE BARB TO MALE PIPE	48755	381-6	HOSE,3/8 INCH ID
39886	431-6	HOSE,3/8 INCH ID	48756	451TC-8	HOSE,1/2 INCH ID
39887	540N-2	HOSE,1/8 INCH ID	48757	482TC-8	HOSE,1/2 INCH ID
39888	801-8	HOSE,1/2 INCH ID	48758	381-8	HOSE,1/2 INCH ID
39889	801-12	HOSE,3/4 INCH ID	48759	381-10	HOSE,5/8 INCH ID
39890	10643-6-6	HOSE END,FEMALE SWIVEL,JIC	48760	451TC-10	HOSE,5/8 INCH ID
39891	13943-6-6	HOSE END,90° FEMALE SWIVEL,JIC	48761	482TC-12	HOSE,3/4 INCH ID
39892	13743-6-6	HOSE END,45° FEMALE SWIVEL,JIC	48762	451TC-12	HOSE,3/4 INCH ID
39894	30682-8-8	HOSE END,FEMALE SWIVEL,JIC	48763	772-12	HOSE,3/4 INCH ID
39895	30682-10-12	HOSE END,FEMALE SWIVEL,JIC	48764	881-16	HOSE,1 INCH ID
42286	8-8 CTX-S	ELBOW,90°,MALE PIPE TO FLARE TUBE	48765	772-16	HOSE,1 INCH ID
42756	8-12 CLO-S	ELBOW,90,MALE PIPE TO ORFS	48766	AS-B-15	SLEEVE,NYLON,1.06" ID
42757	8-12 FLO-S	CONNECTOR,MALE PIPE TO ORFS	48767	AS-B-22	SLEEVE,NYLON,1.42" ID
42758	4 JLO-S	UNION TEE,ORFS	48770	881-8	HOSE,1/2 INCH ID
42759	4-4 FLO-S	CONNECTOR,MALE PIPE TO ORFS			
42760	6-8 FLO-S	CONNECTOR,MALE PIPE TO ORFS			
42761	1J143-6-4	HOSE END,90° FEMALE SWIVEL,SEAL LOK			
42762	1J743-6-4	HOSE END,45° FEMALE SWIVEL,SEAL LOK			
42768	1JO43-4-4	HOSE END,MALE,SEAL LOK			
42776	801-8	HOSE,1/2 INCH ID			
42777	1J743-16-16	HOSE END,45° FEMALE SWIVEL,SEAL LOK			
42786	16 CLO-S	ELBOW,90°,MALE PIPE TO ORFS			
42787	16 R6LO-S	RUN TEE,SWIVEL NUT,ORFS			
42788	16-8 TRLO-BL-S	REDUCER,TUBE END TO SWIVEL,ORFS			
42789	6-6 CLO-S	ELBOW,90°,MALE PIPE TO ORFS			
42790	8-10 V5OLO-S	ELBOW,45°,STRAIGHT THREAD TO ORFS			
42791	3/4 CD-S	ELBOW,90°,MALE TO FEMALE PIPE			
42792	3/4 X 1/2 PTR-S	REDUCER,MALE TO FEMALE PIPE			
42793	1/2 CR-S	ELBOW,90°,MALE PIPE			

Fitting Cross References (Continued)

Genie PN	Parker PN	Description	Genie PN	Parker PN	Description
48771	881-10	HOSE,5/8 INCH ID	48847	13943-12-12	HOSE END,90° FEMALE SWIVEL,JIC
48772	381-4	HOSE,1/4 INCH ID	48848	10543-12-12	HOSE END,MALE,STRAIGHT THREAD
48773	AS-B-13	SLEEVE,NYLON,.86" ID	48849	1JC71-12-12	HOSE END,FEMALE SWIVEL,SEAL LOK
48800	1JC43-4-4	HOSE END,FEMALE SWIVEL,SEAL LOK	48850	1JS71-12-12	HOSE END,FEMALE SWIVEL,SEAL LOK
48801	1J743-4-4	HOSE END,45° FEMALE SWIVEL,SEAL LOK	48851	1J171-12-12	HOSE END,90° FEMALE SWIVEL,SEAL LOK
48802	1J943-4-4	HOSE END,90° FEMALE SWIVEL,SEAL LOK	48852	1J771-12-12	HOSE END,45° FEMALE SWIVEL,SEAL LOK
48804	1JM43-4-4	HOSE END,MALE,SEAL LOK, NO O-RING	48853	1J971-12-12	HOSE END,90° FEMALE SWIVEL,SEAL LOK
48805	10643-4-4	HOSE END,FEMALE SWIVEL,JIC	48854	1JC43-16-16	HOSE END,FEMALE SWIVEL,SEAL LOK
48806	13943-4-4	HOSE END,90° FEMALE SWIVEL,JIC	48855	1J943-16-16	HOSE END,90° FEMALE SWIVEL,SEAL LOK
48807	1JS43-4-4	HOSE END,FEMALE SWIVEL,SEAL LOK	48856	1J171-16-16	HOSE END,90° FEMALE SWIVEL,SEAL LOK
48808	3JC82-8-8	HOSE END,FEMALE SWIVEL,SEAL LOK	48857	1J971-16-16	HOSE END,90° FEMALE SWIVEL,SEAL LOK
48809	3JC82-12-12	HOSE END,FEMALE SWIVEL,SEAL LOK	48859	1JS43-8-4	HOSE END,FEMALE SWIVEL,SEAL LOK
48810	1JC43-6-4	HOSE END,FEMALE SWIVEL,SEAL LOK	48867	PD36BTL	DIAGNOSTIC NIPPLE,SEAL-LOK SWIVEL
48811	1J943-6-4	HOSE END,90° FEMALE SWIVEL,SEAL LOK	48873	6 PNLO-S	PLUG,TUBE END,ORFS
48812	1JC43-6-6	HOSE END,FEMALE SWIVEL,SEAL LOK	48874	6 PNTX-S	PLUG,FLARE TUBE
48813	1J143-6-6	HOSE END,90° FEMALE SWIVEL,SEAL LOK	48875	6 R6LO-S	RUN TEE,SWIVEL NUT,ORFS
48814	1J543-6-6	HOSE END,90° FEMALE SWIVEL,SEAL LOK	48877	4 F5OLO-SW/.025	CONNECTOR,STRAIGHT THREAD TO ORFS, W/.025 ORI
48815	1J743-6-6	HOSE END,45° FEMALE SWIVEL,SEAL LOK	48878	16-12 C5OLO-S	ELBOW,90°,STRAIGHT THREAD TO ORFS
48816	1J943-6-6	HOSE END,90° FEMALE SWIVEL,SEAL LOK	48879	8 C6LO-S	ELBOW,90°,SWIVEL NUT ORFS
48817	1JS43-6-8	HOSE END,FEMALE SWIVEL,SEAL LOK	48880	PD6-285	CAP,DIAGNOSTIC NIPPLE
48818	1J943-8-4	HOSE END,90° FEMALE SWIVEL,SEAL LOK	48881	6 HLO-S	UNION,ORFS
48819	1JC43-8-6	HOSE END,FEMALE SWIVEL,SEAL LOK	48883	8 P5ON-S	PLUG,STRAIGHT THREAD
48820	1J743-8-6	HOSE END,45° FEMALE SWIVEL,SEAL LOK	48884	8M18F87OMLO-S	CONNECTOR,METRIC,STRAIGHT THREAD TO ORFS
48821	1J943-8-6	HOSE END,90° FEMALE SWIVEL,SEAL LOK	48885	4 WGTX-WLN-S	CONNECTOR,BULKHEAD,FEMALE PIPE TO FLARE TUBE
48822	1JC43-8-8	HOSE END,FEMALE SWIVEL,SEAL LOK	48886	4 F5OLO-SW/2MM	CONNECTOR,MACHINED STRAIGHT THREAD TO ORFS
48823	1JS43-8-8	HOSE END,FEMALE SWIVEL,SEAL LOK	48887	4 CTX-S	ELBOW,90°,MALE PIPE TO FLARE TUBE
48824	1J143-8-8	HOSE END,90° FEMALE SWIVEL,SEAL LOK	48888	10-12 V5OLO-S	ELBOW,45°,STRAIGHT THREAD TO ORFS
48825	1J543-8-8	HOSE END,90° FEMALE SWIVEL,SEAL LOK	48890	4 S5OLO-S	BRANCH TEE,STRAIGHT THREAD TO ORFS
48826	1J743-8-8	HOSE END,45° FEMALE SWIVEL,SEAL LOK	48891	4 S6LO-S	BRANCH TEE,SWIVEL NUT TO ORFS
48827	1J943-8-8	HOSE END,90° FEMALE SWIVEL,SEAL LOK			
48828	1JC43-10-8	HOSE END,FEMALE SWIVEL,SEAL LOK			
48829	1JS43-10-8	HOSE END,FEMALE SWIVEL,SEAL LOK			
48830	1J743-10-8	HOSE END,45° FEMALE SWIVEL,SEAL LOK			
48831	1J943-10-8	HOSE END,90° FEMALE SWIVEL,SEAL LOK			
48833	1JC43-10-10	HOSE END,FEMALE SWIVEL,SEAL LOK			
48834	1J943-10-10	HOSE END,90° FEMALE SWIVEL,SEAL LOK			
48835	1JS43-10-12	HOSE END,FEMALE SWIVEL,SEAL LOK			
48836	1JC43-12-8	HOSE END,FEMALE SWIVEL,SEAL LOK			
48837	1JS43-12-8	HOSE END,FEMALE SWIVEL,SEAL LOK			
48838	1J743-12-8	HOSE END,45° FEMALE SWIVEL,SEAL LOK			
48839	1J943-12-8	HOSE END,90° FEMALE SWIVEL,SEAL LOK			
48840	1J943-12-10	HOSE END,90° FEMALE SWIVEL,SEAL LOK			
48841	1JC43-12-12	HOSE END,FEMALE SWIVEL,SEAL LOK			
48842	1JO43-12-12	HOSE END,MALE,SEAL LOK			
48843	1J143-12-12	HOSE END,90° FEMALE SWIVEL,SEAL LOK			
48844	1J543-12-12	HOSE END,90° FEMALE SWIVEL,SEAL LOK			
48845	1J743-12-12	HOSE END,45° FEMALE SWIVEL,SEAL LOK			
48846	1J943-12-12	HOSE END,90° FEMALE SWIVEL,SEAL LOK			

Fitting Cross References (Continued)

Genie PN	Parker PN	Description	Genie PN	Parker PN	Description
48892	6 C6LO-S	ELBOW,90°,SWIVEL NUT ORFS	48938	8 R6LO-S	RUN TEE,SWIVEL NUT,ORFS
48893	6 F5OHAO-S	UNION,STRAIGHT THREAD	48939	8 S6LO-S	BRANCH TEE,SWIVEL NUT TO ORFS
48894	8 WLO-WLNL-S	UNION,BULKHEAD,ORFS	48940	8 WJLO-WLNL-S	RUN TEE, BULKHEAD,ORFS
48895	DT-370-MSMO-5	VALVE,CHECK	48941	8-4 TRLO-S	REDUCER,TUBE END TO SWIVEL,ORFS
48896	6 JLO-S	UNION,TEE,ORFS	48942	8-6 C5OLO-S	ELBOW,90°,STRAIGHT THREAD TO ORFS
48897	DT-750-MSMS-5	VALVE,CHECK	48943	8-6 F5OLO-S	CONNECTOR,STRAIGHT THREAD TO ORFS
48898	DT-750-MOMS-5	VALVE,CHECK	48944	8-8 FLO-S	CONNECTOR,MALE PIPE TO ORFS
48899	DT-620-MOMS-5	VALVE,CHECK	48945	8 FTX-S	CONNECTOR,MALE PIPE TO FLARE TUBE
48900	4-6 F5OLO-SW/.035	CONNECTOR,STRAIGHT THREAD TO ORFS, W/.035 ORI	48946	8-10 F5OLO-S	CONNECTOR,STRAIGHT THREAD TO ORFS
48902	16-1 AOE4G-S	ELBOW,90° LONG,FEMALE PIPE TO STRAIGHT THREAD	48947	8-12 C5OLO-S	ELBOW,90°,STRAIGHT THREAD TO ORFS
48903	1 FF-S	NIPPLE,PIPE	48948	8-12 F5OLO-S	CONNECTOR,STRAIGHT THREAD TO ORFS
48904	4 C5OLO-S	ELBOW,90°,STRAIGHT THREAD TO ORFS	48949	8-16 F5OLO-S	CONNECTOR,STRAIGHT THREAD TO ORFS
48905	4 F5OLO-S	CONNECTOR,STRAIGHT THREAD TO ORFS	48950	10 C5OLO-S	ELBOW,90°,STRAIGHT THREAD TO ORFS
48906	4 R5OLO-S	RUN TEE,STRAIGHT THREAD	48951	10 CC5OLO-S	ELBOW,90° LONG,STRAIGHT THREAD TO ORFS
48907	4 V5OLO-S	ELBOW,45°,STRAIGHT THREAD TO ORFS	48952	10 F5OLO-S	CONNECTOR,STRAIGHT THREAD TO ORFS
48908	4 R6LO-S	RUN TEE,SWIVEL NUT,ORFS	48953	10 R5OLO-S	RUN TEE,STRAIGHT THREAD
48909	4 WJLO-WLNL-S	RUN TEE, BULKHEAD,ORFS	48954	10 S5OLO-S	BRANCH TEE,STRAIGHT THREAD TO ORFS
48910	4 GTX-S W/.030	CONNECTOR,FEMALE PIPE TO FLARE TUBE	48955	10 R6LO-S	RUN TEE,SWIVEL NUT,ORFS
48911	4-6 C5OLO-S	ELBOW,90°,STRAIGHT THREAD TO ORFS	48956	10-4 TRLO-BL-S	REDUCER,TUBE END TO SWIVEL,ORFS
48912	4-6 F5OLO-S	CONNECTOR,STRAIGHT THREAD TO ORFS	48957	10-6 TRLO-BL-S	REDUCER,TUBE END TO SWIVEL,ORFS
48913	4-6 F5OLO-SW/.030	CONNECTOR,STRAIGHT THREAD TO ORFS, W/.030 ORI	48958	10-12 F5OLO-S	CONNECTOR,STRAIGHT THREAD TO ORFS
48914	4-8 F5OLO-S	CONNECTOR,STRAIGHT THREAD TO ORFS	48959	12 C5OLO-S	ELBOW,90°,STRAIGHT THREAD TO ORFS
48915	6 C5OLO-S	ELBOW,90°,STRAIGHT THREAD TO ORFS	48960	12 F5OLO-S	CONNECTOR,STRAIGHT THREAD TO ORFS
48916	6 F5OLO-S	CONNECTOR,STRAIGHT THREAD TO ORFS	48961	12 R5OLO-S	RUN TEE,STRAIGHT THREAD
48917	6 FF5OLO-S	CONNECTOR,LONG,STRAIGHT THREAD TO ORFS	48962	12 S5OLO-S	BRANCH TEE,STRAIGHT THREAD TO ORFS
48918	6 R5OLO-S	RUN TEE,STRAIGHT THREAD	48963	12 V5OLO-S	ELBOW,45°,STRAIGHT THREAD TO ORFS
48919	6 S5OLO-S	BRANCH TEE,STRAIGHT THREAD TO ORFS	48964	12 R6LO-S	RUN TEE,SWIVEL NUT,ORFS
48920	6 V5OLO-S	ELBOW,45°,STRAIGHT THREAD TO ORFS	48965	12 CLO-S	ELBOW,90°,MALE PIPE TO ORFS
48921	6 FLO-S	CONNECTOR,MALE PIPE TO ORFS	48966	12 FLO-S	CONNECTOR,MALE PIPE TO ORFS
48922	6-6 FLO-S	CONNECTOR,MALE PIPE TO ORFS	48967	12 JLO-S	UNION TEE,ORFS
48923	6 P5ON-S	PLUG,STRAIGHT THREAD	48968	12 WLO-WLNL-S	UNION,BULKHEAD,ORFS
48925	6 WELO-S	UNION,90° BULKHEAD,ORFS	48969	12 WJLO-WLNL-S	RUN TEE, BULKHEAD,ORFS
48926	6-4 C5OLO-S	ELBOW,90°,STRAIGHT THREAD TO ORFS	48970	12 WELO-WLNL-S	UNION,90° BULKHEAD W/NUT,ORFS
48927	6-4 F5OLO-S	CONNECTOR,STRAIGHT THREAD TO ORFS			
48928	6-4 V5OLO-S	ELBOW,45°,STRAIGHT THREAD TO ORFS			
48929	6-8 C5OLO-S	ELBOW,90°,STRAIGHT THREAD TO ORFS			
48930	6-8 F5OLO-S	CONNECTOR,STRAIGHT THREAD TO ORFS			
48931	6-10 F5OLO-S	CONNECTOR,STRAIGHT THREAD TO ORFS			
48932	8 C5OLO-S	ELBOW,90°,STRAIGHT THREAD TO ORFS			
48933	8 F5OLO-S	CONNECTOR,STRAIGHT THREAD TO ORFS			
48934	8 FF5OLO-S	CONNECTOR,LONG,STRAIGHT THREAD TO ORFS			
48935	8 R5OLO-S	RUN TEE,STRAIGHT THREAD			
48936	8 S5OLO-S	BRANCH TEE,STRAIGHT THREAD TO ORFS			
48937	8 V5OLO-S	ELBOW,45°,STRAIGHT THREAD TO ORFS			

Fitting Cross References (Continued)

Genie PN	Parker PN	Description	Genie PN	Parker PN	Description
48971	12 G5G5JG5-S	TEE,FEMALE STRAIGHT THREAD	49612	PKT02586	O-RING KIT (ORFS FITTINGS)
48972	12 XHL6-S	ADAPTER, 37° MALE TO SWIVEL ORFS	49613	PKT06276	PLUG AND CAP KIT-SERVICE,ORFS
48973	12-1/2 F5OG-S	ADAPTER,FEMALE PIPE TO STRAIGHT THREAD	49728	10143-12-12	HOSE END, MALE PIPE
48974	12-10 C5OLO-S	ELBOW,90°,STRAIGHT THREAD TO ORFS	49729	16-1 F5OG-S	ADAPTER,FEMALE PIPE TO STRAIGHT THREAD
48975	12-10 F5OLO-S	CONNECTOR,STRAIGHT THREAD TO ORFS	49814	12-8 FLO-S	CONNECTOR,MALE PIPE TO ORFS
48976	12-16 C5OLO-S	ELBOW,90°,STRAIGHT THREAD TO ORFS	49829	DT-500-MOMF-5	VALVE,CHECK
48977	12-16 F5OLO-S	CONNECTOR,STRAIGHT THREAD TO ORFS	49831	881-12	HOSE,3/4 INCH ID
48978	12-16 V5OLO-S	ELBOW,45°,STRAIGHT THREAD TO ORFS	49834	16 JLO-S	UNION TEE,ORFS
48980	12-16 FLO-S	CONNECTOR,MALE PIPE TO ORFS	49838	12-8 TRLO-BL-S	REDUCER,TUBE END TO SWIVEL,ORFS
48983	16 C5OLO-S	ELBOW,90°,STRAIGHT THREAD TO ORFS	49840	8 JLO-S	UNION TEE,ORFS
48984	16 F5OLO-S	CONNECTOR,STRAIGHT THREAD TO ORFS	49844	10-8 TRLO-BL-S	REDUCER,TUBE END TO SWIVEL,ORFS
48985	16 V5OLO-S	ELBOW,45°,STRAIGHT THREAD TO ORFS	49854	8 P5ON-S	PLUG,STRAIGHT THREAD
48986	16 FLO-S	CONNECTOR,MALE PIPE TO ORFS	49855	1JC43-16-12	HOSE END,FEMALE SWIVEL,SEAL LOK
48988	16 CD45-S	ELBOW,45°,MALE TO FEMALE PIPE	49859	4 P5ON-S	PLUG,STRAIGHT THREAD
48989	12 CD45-S	ELBOW,45°,MALE TO FEMALE PIPE	49861	4 FF5OLO-S	CONNECTOR, LONG, STRAIGHT THREAD TO ORFS
48990	8 CD45-S	ELBOW,45°,MALE TO FEMALE PIPE	49867	12-3/4 F5OG-S	ADAPTER,FEMALE PIPE TO STRAIGHT THREAD
48991	16-12 FLO-S	CONNECTOR,MALE PIPE TO ORFS	51152	6 R6X-S	RUN TEE,SWIVEL NUT,ORFS
48992	16-12 V5OLO-S	ELBOW,45°,STRAIGHT THREAD TO ORFS	51153	6-4 TRTX-S	REDUCER,TUBE END TO SWIVEL,ORFS
48993	XV501-12	BALL VALVE	51154	4-4 GTX	CONNECTOR,FEMALE PIPE TO FLARE TUBE
48994	XV501-16	BALL VALVE	51264	881-12	HOSE,3/4 INCH ID
48995	XV510P-12	BALL VALVE	51265	8 JLO-S	UNION TEE,ORFS
48996	XV510P-16	BALL VALVE	51508	6 BTX-S	NUT,FLARE TUBE
48997	PD341	DIAGNOSTIC NIPPLE, STRAIGHT THREAD	51580	12-8 TRLO-BL-S	TUBE END REDUCER,ORFS
48998	PD 361	DIAGNOSTIC NIPPLE, STRAIGHT THREAD	51628	6 R6X-S	RUN TEE,SWIVEL NUT,ORFS
48999	DT-500-MOMS-5	VALVE,CHECK	51735	3/8 HHP	PLUG,PIPE THREAD
49201	10 V5OLO-S	ELBOW,45°,STRAIGHT THREAD TO ORFS	51803	1J943-6-8	HOSE END,90° FEMALE SWIVEL,SEAL LOK
49202	1JC43-12-10	HOSE END,FEMALE SWIVEL,SEAL LOK	53023	125HBL-5-4	FITTING,HOSE BARB TO MALE PIPE
49203	10-8 V5OLO-S	ELBOW,45°,STRAIGHT THREAD TO ORFS	53497	PKT02585	O-RING KIT
49205	6 F5OHAO-S	UNION,STRAIGHT THREAD	53499	1JC71-16-16	HOSE END,FEMALE SWIVEL,SEAL LOK
49207	PD34BTL	DIAGNOSTIC NIPPLE,SEAL-LOK SWIVEL	53500	3-904	O-RING,STRAIGHT THREAD,-4
49209	8M18F870MX-S	CONNECTOR,METRIC,STRAIGHT THREAD TO FLARE TUBE	53501	3-906	O-RING,STRAIGHT THREAD,-6
49212	8 WGTX-WLN-S	CONNECTOR,BULKHEAD,FEMALE PIPE TO FLARE TUBE	53502	3-908	O-RING,STRAIGHT THREAD,-8
49213	30682-8-8	HOSE END,FEMALE SWIVEL,JIC	53503	3-910	O-RING,STRAIGHT THREAD,-10
49216	831-8	HOSE,1/2 INCH ID			
49217	33982-8-8	HOSE END,90° FEMALE SWIVEL,JIC			
49219	PS-B-35	SLEEVE,NYLON,2.19" ID			
49418	4-6 V5OLO-S	ELBOW,45°,STRAIGHT THREAD TO ORFS			
49511	DT370-MOMS-5	VALVE,CHECK			
49512	1 DD-S	ELBOW,90°,FEMALE PIPE			
49513	1 FF-S	NIPPLE,PIPE			
49514	10 HP5ON-S	PLUG,STRAIGHT THREAD			
49515	12-16 CLO-S	ELBOW,90°,MALE PIPE TO ORFS			
49517	6 HP5ON-S	PLUG,STRAIGHT THREAD			
49519	16-12 F5OLO-S	CONNECTOR,STRAIGHT THREAD TO ORFS			
49520	4 VTX-S	ELBOW,45°,MALE PIPE TO FLARE TUBE			
49530	16 C6LO-S	ELBOW,90°,SWIVEL NUT ORFS			

Fitting Cross References (Continued)

Genie PN	Parker PN	Description	Genie PN	Parker PN	Description
53535	3-912	O-RING, STRAIGHT THREAD, -12	61083	24 F5OLO-S	CONNECTOR, STRAIGHT THREAD TO ORFS
53536	4-PNLO-S	PLUG, TUBE END, ORFS	61086	20 R5OLO-S	RUN TEE, STRAIGHT THREAD
53537	6 PNLO-S	PLUG, TUBE END, ORFS	61090	24-20 F5OLO-S	CONNECTOR, STRAIGHT THREAD TO ORFS
53538	8 PNLO-S	PLUG, TUBE END, ORFS	61091	1J943 24-24	HOSE END, 90° FEMALE SWIVEL, SEAL LOK
53539	10 PNLO-S	PLUG, TUBE END, ORFS	61093	1J978-12-12	HOSE END, 90° FEMALE SWIVEL, JIC
53540	12 PNLO-S	PLUG, TUBE END, ORFS	61095	1JS43-20-16	HOSE END, FEMALE SWIVEL, SEAL LOK
53946	129HB-5-4	FITTING, 90° HOSE BARB TO MALE PIPE	61100	811-24	HOSE, 1 1/2 INCH ID
53951	8-1/4F50G-S	ADAPTER, FEMALE PIPE TO STRAIGHT THREAD	61130	1JS43-24-24	HOSE END, FEMALE SWIVEL, SEAL LOK
53980	6 S6LO-S	BRANCH TEE, SWIVEL NUT TO ORFS	61131	1JS78 12-12	HOSE END, FEMALE SWIVEL, SEAL LOK
54132	4 C6LO-S	ELBOW, 90°, SWIVEL NUT ORFS	61132	1J778-12-12	HOSE END, 45° FEMALE SWIVEL, JIC
54135	11343-16-16	HOSE END, MALE SWIVEL, PIPE	61152	139HB-6-4	ELBOW, 45°, BARB TO MALE PIPE
54283	8-10 C5OLO-S	ELBOW, 90°, STRAIGHT THREAD TO ORFS	61251	BV-0750	BALL VALVE
54428	8M18C870MLO-S	ELBOW, 90° METRIC, STRAIGHT THREAD TO ORFS	61259	4 CC5OLO-S	ELBOW, 90° LONG, STRAIGHT THREAD TO ORFS
54803	FS-F-16-10	SLEEVE, FIRE, .96" ID	61260	20-12 TRLO-BL	REDUCER, TUBE END TO SWIVEL, ORFS
54954	10143-2-4	HOSE END, MALE PIPE	61262	12 C6LO-S	ELBOW, 90°, SWIVEL NUT ORFS
55190	3/8 HP-S	PLUG, PIPE THREAD	61263	20 F5OHAO-S	UNION, STRAIGHT THREAD
55448	8 HLO-S	UNION, ORFS	61264	6-10 C5OLO-S	ELBOW, 90°, STRAIGHT THREAD TO ORFS
55839	6 F65OX-S	CONNECTOR, STRAIGHT THREAD TO 37° SWIVEL	61265	6 WNLO-WLNL-S	UNION, BULKHEAD 45°, ORFS
55968	10 C5OX-S	ELBOW, 90°, STRAIGHT THREAD TO FLARE TUBE	61268	4 WNLO-WLNL-S	UNION, BULKHEAD 45°, ORFS
56003	6 CC5OLO-S	ELBOW, 90° LONG, STRAIGHT THREAD TO ORFS	61269	4 WLO-WLNL-S	UNION, BULKHEAD, ORFS
56166	BV-0837	BALL VALVE, 90°	61272	12 AOEL6	ELBOW, 90°, STRAIGHT THREAD TO ORFS SWIVEL
56188	10143-8-6	HOSE END, MALE PIPE	61316	482TC-16	HOSE, 1 INCH ID
56233	2-011	O-RING, ORFS, -4	61321	6 JLO-S	UNION TEE, ORFS
56234	2-012	O-RING, ORFS, -6	61327	782-12	HOSE, 3/4 INCH ID
56235	2-014	O-RING, ORFS, -8	61328	881-24	HOSE, 1 1/2 INCH ID
56236	2-016	O-RING, ORFS, -10	61336	11943-20-24	HOSE END, 90° FLANGE HEAD
56237	2-018	O-RING, ORFS, -12	61345	12 WJLO-WLNL-S	RUN TEE, BULKHEAD, ORFS
56238	2-021	O-RING, ORFS, -16	61346	8 WNLO-WLNL-S 4	UNION, BULKHEAD 45°, ORFS
56352	6 WLNL-S	LOCKNUT, BULKHEAD	61569	33782-8-8	HOSE END, 45° FEMALE SWIVEL, JIC
56353	3J782-12-12	HOSE END, 45° FEMALE SWIVEL, SEAL LOK	61610	12 FF5OLO-S	CONNECTOR, LONG, STRAIGHT THREAD TO ORFS
56354	3J982-12-12	HOSE END, 90° FEMALE SWIVEL, SEAL LOK	61742	1/8 X 1.5 FFF	NIPPLE, PIPE
56604	10-8 F5OLO-S	CONNECTOR, STRAIGHT THREAD TO ORFS	63426	8 PNTX-S	PLUG, FLARE TUBE
56639	3JC82-10-10	HOSE END, FEMALE SWIVEL, SEAL LOK			
56640	3J982-10-10	HOSE END, 90° FEMALE SWIVEL, SEAL LOK			
56655	3JC82-8-10	HOSE END, FEMALE SWIVEL, SEAL LOK			
56676	10-8 C5OLO-S	ELBOW, 90°, STRAIGHT THREAD TO ORFS			
56776	471TC-6	HOSE, 3/8 INCH ID			
56777	471TC-8	HOSE, 1/2 INCH ID			
56789	811-16	HOSE, 1 INCH ID			
57884	3/8 FF	NIPPLE, PIPE			
59335	6 FNL-S	CAP, TUBE END			
59342	4 FNL-S	CAP, TUBE END			
59371	8 HP5ON-S	PLUG, STRAIGHT THREAD			
60653	BV-0751	BALL VALVE			
60806	125HB-3-4	FITTING, HOSE BARB TO MALE PIPE			
61064	5-1/4 F5OG-S	ADAPTER, FEMALE PIPE TO STRAIGHT THREAD			
61079	4 WELO-WLNL-S	UNION, 90° BULKHEAD W/NUT, ORFS			
61080	6 WLO-WLNL-S	UNION, BULKHEAD, ORFS			

Fitting Cross References (Continued)

Genie PN	Parker PN	Description	Genie PN	Parker PN	Description
64271	4 WLO-WLNL-S	UNION,BULKHEAD,ORFS	75631	801-6	HOSE,3/8 INCH ID
64272	6 WLO-WLNL-S	UNION,BULKHEAD,ORFS	75654	20 F5OLO-S	CONNECTOR,STRAIGHT THREAD TO ORFS
65776	8 F65OL-S	CONNECTOR,STRAIGHT THREAD TO ORFS SWIVEL	75655	1J943-20-20	HOSE END,90° FEMALE SWIVEL,SEAL LOK
65880	6001012	O-RING KIT	75656	881-20	HOSE,1-1/4 INCH ID
66154	6 WTX-WLNS	UNION,BULKHEAD,FLARE TUBE	75971	8 F5OHAO-S	UNION,STRAIGHT THREAD
66155	6 WETX-S	UNION,BULKHEAD 90°,FLARE TUBE	77307	1JB43-8-8	HOSE END,BULKHEAD,SEAL LOK
66156	6 WLN-S	BULKHEAD LOCKNUT	77309	8 WLNL-S	BULKHEAD LOCKNUT
66389	6-8 F5OX-S	CONNECTOR,STRAIGHT THREAD TO FLARE TUBE	77379	8M18C87OMX-S	ELBOW,90° METRIC,STRAIGHT THREAD TO FLARE TUBE
66392	6 R5OX-S	RUN TEE,STRAIGHT THREAD	77703	3J982-8-8	HOSE END,90° FEMALE SWIVEL,SEAL LOK
66396	811-12	HOSE,3/4 INCH ID	77711	801-10	HOSE,5/8 INCH ID
66829	H3174PP	CLAMP,TUBE	77758	12 WNLO-WLNL-S	UNION,BULKHEAD 45°,ORFS
67217	4 KLO-S	UNION,CROSS,ORFS	78091	6 C6X-S	ELBOW,90°,SWIVEL NUT TO FLARE TUBE
67339	10-6 F5OX-S	CONNECTOR,STRAIGHT THREAD TO FLARE TUBE	78684	30582-8-8B	HOSE END,PUSH LOK,MALE
67357	13943-8-6	HOSE END,90° FEMALE SWIVEL,JIC	78852	549-2	HOSE,1/8 INCH ID
67358	10 HP5ON-S	PLUG,STRAIGHT THREAD	78855	10657-4-2	HOSE END,FEMALE SWIVEL,JIC
67371	12 S6LO-S	BRANCH TEE,SWIVEL NUT TO ORFS	79138	PS-B-37	SLEEVE,NYLON,2.38" ID
67498	4 FNL-S	CAP, TUBE END	79476	1JS43-6-8	HOSE END,FEMALE SWIVEL,SEAL LOK
67906	DC-370-F0F0-5	VALVE,CHECK	79847	12-3/4 A0EG-S	ELBOW,90°,STRAIGHT THREAD TO FEMALE PIPE
69316	8 FLO-S	CONNECTOR,MALE PIPE TO ORFS	80044	8 CLO-S	ELBOW,90°,MALE PIPE TO ORFS
69333	H3174PP	CLAMP,HYDRAULIC HOSE	80502	8 F5OX-S	CONNECTOR,STRAIGHT THREAD TO FLARE TUBE
69503	4 F65OX-S	CONNECTOR,STRAIGHT THREAD TO 37° SWIVEL	80503	8 C5OX-S	ELBOW,90°,STRAIGHT THREAD TO FLARE TUBE
69775	8 FNL-S	CAP, TUBE END	81010	AS-B-27	SLEEVE,NYLON,1.63" ID
71038	1/4X1/4F3HG-S	ADAPTER,CONVERSION	83052	821-6	HOSE,3/8 INCH ID
71196	12-8 F5OLO-S	CONNECTOR,STRAIGHT THREAD TO ORFS	83053	821-8	HOSE,1/2 INCH ID
71383	1/4 CD45-S	ELBOW,45°,MALE TO FEMALE PIPE	83054	821-12	HOSE,3/4 INCH ID
72270	12FNL-S	CAP, TUBE END	83055	30682-6-6	HOSE END,FEMALE SWIVEL,JIC
73436	60C-4	SLEEVE,COMPRESSION	83056	30682-12-12	HOSE END,FEMALE SWIVEL,JIC
73437	61C-4	NUT,COMPRESSION	83057	33782-6-6	HOSE END,45° FEMALE SWIVEL,JIC
73438	33482-4-4B	HOSE END,PUSH LOK,MALE	83058	33982-6-6	HOSE END,90° FEMALE SWIVEL,JIC
73767	1CD-S	ELBOW,90°,MALE TO FEMALE PIPE	83060	33982-12-12	HOSE END,90° FEMALE SWIVEL,JIC
73768	20-16-F5OG5-S	ADAPTER,FEMALE PIPE TO STRAIGHT THREAD	83063	13743-4-4	HOSE END,45° FEMALE SWIVEL,JIC
73769	16-20 F5OLO-S	CONNECTOR,STRAIGHT THREAD TO ORFS			
74660	6-8 F42EDMLO-S	CONNECTOR,MALE BSPP TO ORFS			
74661	8-8 F42EDMLO-S	CONNECTOR,MALE BSPP TO ORFS			
75007	4 FLO-S	CONNECTOR,MALE PIPE TO ORFS			
75008	1/8 HP-S	PLUG,PIPE THREAD			
75014	1/2 HP-S	PLUG,PIPE THREAD			
75042	8 WELO-WLNL-S	UNION,90° BULKHEAD W/NUT,ORFS			
75043	3/4 FF-S	NIPPLE,PIPE			
75254	24 F5OHAO-S	UNION,STRAIGHT THREAD			
75255	12 F5OHAO-S	UNION,STRAIGHT THREAD			
75256	XV506P-24	BALL VALVE			
75574	4 WLNL-S	BULKHEAD LOCKNUT			
75612	8 WJLO-WLNL-S	RUN TEE, BULKHEAD,ORFS			
75613	12-8 F5OG5-S	ADAPTER,FEMALE PIPE TO STRAIGHT THREAD			
75614	8 CC5OLO-S	ELBOW,90° LONG,STRAIGHT THREAD TO ORFS			
75628	1JB43-4-4	HOSE END,BULKHEAD,SEAL LOK			

Fitting Cross References (Continued)

Genie PN	Parker PN	Description	Genie PN	Parker PN	Description
83064	13743-8-8	HOSE END,45° FEMALE SWIVEL,JIC	89449	6 WJLO-WLNL-S	RUN TEE, BULKHEAD,ORFS
83065	13743-12-12	HOSE END,45° FEMALE SWIVEL,JIC	89489	4 WJMLO-S	BRANCH TEE,BULKHEAD,ORFS
83066	13943-8-8	HOSE END,90° FEMALE SWIVEL,JIC	89551	1JB43-6-6	HOSE END,BULKHEAD,SEAL LOK
83067	14143-6-6	HOSE END,90° FEMALE SWIVEL,JIC	89552	1JB43-8-8	HOSE END,BULKHEAD,SEAL LOK
83068	14143-8-8	HOSE END,90° FEMALE SWIVEL,JIC	89593	20 C5OLO-S	ELBOW,90°,STRAIGHT THREAD TO ORFS
83069	14143-12-12	HOSE END,90° FEMALE SWIVEL,JIC	94161	8-8 CLO-S	ELBOW,90°,MALE PIPE TO ORFS
83070	772-8	HOSE,1/2 INCH ID	94358	351TC-12	HOSE,3/4 INCH ID
83071	10671-8-8	HOSE END,FEMALE SWIVEL,JIC	94418	20 FLO-S	CONNECTOR,MALE PIPE TO ORFS
83072	10671-12-12	HOSE END,FEMALE SWIVEL,JIC	96358	12 TX-S	SLEEVE,FLARE TUBE
83073	13771-8-8	HOSE END,45° FEMALE SWIVEL,JIC	96359	12 BTX-S	NUT,FLARE TUBE
83074	13771-12-12	HOSE END,45° FEMALE SWIVEL,JIC	96397	8 F5OX-S	CONNECTOR,STRAIGHT THREAD TO FLARE TUBE
83075	13971-8-8	HOSE END,90° FEMALE SWIVEL,JIC	96398	12-8 F5OX-S	CONNECTOR,STRAIGHT THREAD TO FLARE TUBE
83076	13971-12-12	HOSE END,90° FEMALE SWIVEL,JIC	96402	10343-6-6	HOSE END,MALE,JIC
83077	14171-8-8	HOSE END,90° FEMALE SWIVEL,JIC	96407	30382-6-6B	HOSE END,MALE,JIC
83078	14171-12-12	HOSE END,90° FEMALE SWIVEL,JIC			
83080	13943-16-16	HOSE END,90° FEMALE SWIVEL,JIC			
83103	10671-16-12	HOSE END,FEMALE SWIVEL,JIC			
83104	10671-10-12	HOSE END,FEMALE SWIVEL,JIC			
83112	1JC71-8-8	HOSE END,FEMALE SWIVEL,SEAL LOK			
83113	1JS71-16-12	HOSE END,FEMALE SWIVEL,SEAL LOK			
83114	1JS71-10-12	HOSE END,FEMALE SWIVEL,SEAL LOK			
83115	1J971-8-8	HOSE END,90° FEMALE SWIVEL,SEAL LOK			
83116	1J171-8-8	HOSE END,90° FEMALE SWIVEL,SEAL LOK			
83117	1J771-8-8	HOSE END,45° FEMALE SWIVEL,SEAL LOK			
83127	1J543-6-8	HOSE END,90° FEMALE SWIVEL,JIC			
83128	1JC43-6-8	HOSE END,FEMALE SWIVEL,SEAL LOK			
87033	12-6 TRLO-S	REDUCER,TUBE END TO SWIVEL,ORFS			
87034	3J782-8-8	HOSE END,45° FEMALE SWIVEL,SEAL LOK			
87172	12 HP5ON-S	PLUG,STRAIGHT THREAD			
87185	8 WNLO-WLNL-S	UNION,BULKHEAD 45°,ORFS			
87246	4 C6X-S	ELBOW,90°,SWIVEL NUT TO FLARE TUBE			
87679	6 LHP-S	FLANGE SEAL FITTING, MALE			
87681	6PLS N0702	BONDED SEAL			
88100	SR88100	ADAPTER,OIL DRAIN,GM 3.0L			
88311	1JS43-20-20	HOSE END,FEMALE SWIVEL,SEAL LOK			
88353	20 V5OLO-S	ELBOW,45°,STRAIGHT THREAD TO ORFS			
88474	10081-20	Crimp Shell, 1.25"			
88475	1988-20-24	HOSE END,90° FLANGE HEAD			
88476	JS88-24-24	HOSE END,FEMALE SWIVEL,SEAL LOK			
88477	1JC88-20-20	HOSE END,FEMALE SWIVEL,SEAL LOK			
88478	811-20	HOSE,11/4 INCH ID			
88936	20-16 F5OLO-S	CONNECTOR,STRAIGHT THREAD TO ORFS			
88937	20-16 FLO-S	CONNECTOR,MALE PIPE TO ORFS			
88938	1JC88-16-16	HOSE END,FEMALE SWIVEL,SEAL LOK			
88939	1J988-16-16	HOSE END,90° FEMALE SWIVEL,ORFS			
88940	811-16	HOSE,1 INCH ID			
88944	1J988-20-20	HOSE END,90° FEMALE SWIVEL,ORFS			
89403	16 VLO-S	ELBOW,45°,MALE PIPE TO ORFS			

California Proposition 65



Operating, servicing and maintaining this equipment can expose you to chemicals including engine exhaust, carbon monoxide, phthalates, and lead, which are known to the State of California to cause cancer and birth defects or other reproductive harm. These chemicals can be emitted from or contained in other various parts and systems, fluids and some component wear by-products. To minimize exposure, avoid breathing exhaust, do not idle the engine except as necessary, service your equipment and vehicle in a well-ventilated area and wear gloves or wash your hands frequently when servicing your equipment or vehicle and after operation. For more information go to www.P65Warnings.ca.gov/passenger-vehicle.

Distributed By:

Go to Discount-Equipment.com to order your parts

PARTS FINDER

**Search Website
by Part Number**



**Search Manual
Library For Parts
Manual & Lookup Part
Numbers – Purchase
or Request Quote**

Search Manuals

Enter your information to help us find the right parts manual for your machine.

* Brand:

* Model:

* Serial:

* Part Number:

SEARCH

**Can't Find Part or
Manual? Request Help
by Manufacturer,
Model & Description**

Parts Order Form

Please fill in the following information to help us find the right part for your machine.

Manufacturer:	<input type="text"/>
Model:	<input type="text"/>
Description:	<input type="text"/>
Part Number:	<input type="text"/>
Quantity:	<input type="text"/>
Notes:	<input type="text"/>

Discount-Equipment.com is your online resource for quality parts & equipment.

Florida: **561-964-4949** Outside Florida TOLL FREE: **877-690-3101**

Need parts?

Click on this link: <http://www.discount-equipment.com/category/5443-parts/> and choose one of the options to help get the right parts and equipment you are looking for. Please have the machine model and serial number available in order to help us get you the correct parts. If you don't find the part on the website or on one of the online manuals, please fill out the request form and one of our experienced staff members will get back to you with a quote for the right part that your machine needs.

We sell worldwide for the brands: Genie, Terex, JLG, MultiQuip, Mikasa, Essick, Whiteman, Mayco, Toro Stone, Diamond Products, Generac Magnum, Airman, Haulotte, Barreto, Power Blanket, Nifty Lift, Atlas Copco, Chicago Pneumatic, Allmand, Miller Curber, Skyjack, Lull, Skytrak, Tsurumi, Husquvarna Target, Stow, Wacker, Sakai, Mi-T-M, Sullair, Basic, Dynapac, MBW, Weber, Bartell, Bennar Newman, Haulotte, Ditch Runner, Menegotti, Morrison, Contec, Buddy, Crown, Edco, Wyco, Bomag, Laymor, EZ Trench, Bil-Jax, F.S. Curtis, Gehl Pavers, Heli, Honda, ICS/PowerGrit, IHI, Partner, Imer, Clipper, MMD, Koshin, Rice, CH&E, General Equipment, Amida, Coleman, NAC, Gradall, Square Shooter, Kent, Stanley, Tamco, Toku, Hatz, Kohler, Robin, Wisconsin, Northrock, Oztec, Toker TK, Rol-Air, APT, Wylie, Ingersoll Rand / Doosan, Innovatech, Con X, Ammann, Mecalac, Makinex, Smith Surface Prep, Small Line, Wanco, Yanmar