



A TEREX BRAND



## Parts Manual

Serial Number Range

**Z-45/25**  
**Z-45/25J DC**  
**Bi-Energy**

from SN 4525F-58605

Part No. 1263375GT  
Rev: B  
August 2020

Go to [Discount-Equipment.com](http://Discount-Equipment.com) to order your parts

# PARTS FINDER

**Search Website  
by Part Number**



**Search Manual  
Library For Parts  
Manual & Lookup Part  
Numbers – Purchase  
or Request Quote**

**Search Manuals**

Enter your information to search for a manual or to purchase a manual or parts.

\* Brand:

\* Model:

\* Serial:

\* Part Number:

SEARCH

**Can't Find Part or  
Manual? Request Help  
by Manufacturer,  
Model & Description**

**Parts Order Form**

Please fill in the following information to request help finding a part or manual.

Manufacturer:

Model:

Description:

Quantity:

Part Number:

Part Name:

Part Description:

Part Category:

Part Location:

Part Status:

Part Condition:

Part Material:

Part Color:

Part Weight:

Part Dimensions:

Part Price:

Part Availability:

Part Lead Time:

Part Notes:

Submit

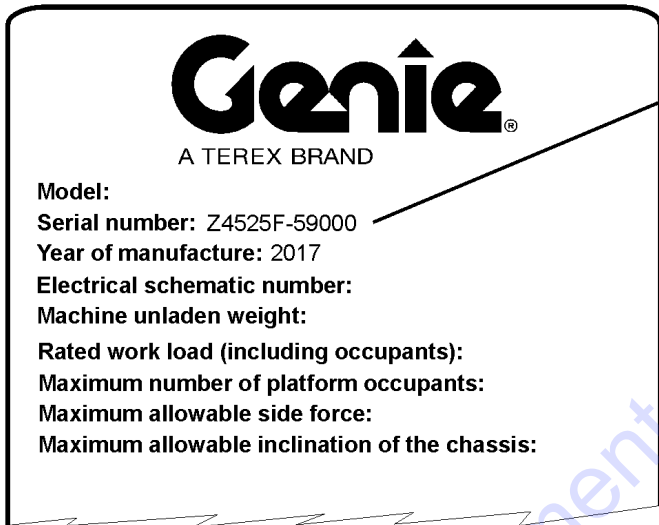
Discount-Equipment.com is your online resource for quality parts & equipment.

Florida: **561-964-4949** Outside Florida TOLL FREE: **877-690-3101**

**Need parts?**

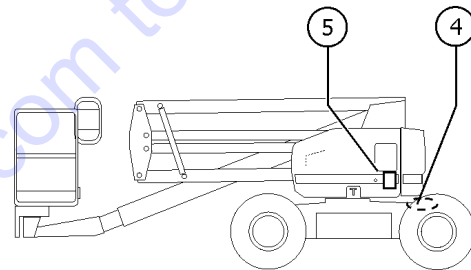
Click on this link: <http://www.discount-equipment.com/category/5443-parts/> and choose one of the options to help get the right parts and equipment you are looking for. Please have the machine model and serial number available in order to help us get you the correct parts. If you don't find the part on the website or on one of the online manuals, please fill out the request form and one of our experienced staff members will get back to you with a quote for the right part that your machine needs.

We sell worldwide for the brands: Genie, Terex, JLG, MultiQuip, Mikasa, Essick, Whiteman, Mayco, Toro Stone, Diamond Products, Generac Magnum, Airman, Haulotte, Barreto, Power Blanket, Nifty Lift, Atlas Copco, Chicago Pneumatic, Allmand, Miller Curber, Skyjack, Lull, Skytrak, Tsurumi, Husquvarna Target, Stow, Wacker, Sakai, Mi-T-M, Sullair, Basic, Dynapac, MBW, Weber, Bartell, Bennar Newman, Haulotte, Ditch Runner, Menegotti, Morrison, Contec, Buddy, Crown, Edco, Wyco, Bomag, Laymor, EZ Trench, Bil-Jax, F.S. Curtis, Gehl Pavers, Heli, Honda, ICS/PowerGrit, IHI, Partner, Imer, Clipper, MMD, Koshin, Rice, CH&E, General Equipment, Amida, Coleman, NAC, Gradall, Square Shooter, Kent, Stanley, Tamco, Toku, Hatz, Kohler, Robin, Wisconsin, Northrock, Oztec, Toker TK, Rol-Air, APT, Wylie, Ingersoll Rand / Doosan, Innovatech, Con X, Ammann, Mecalac, Makinex, Smith Surface Prep, Small Line, Wanco, Yanmar



Z4525 F - 59000

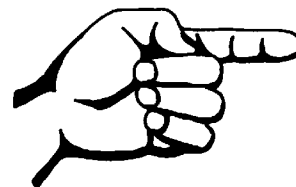
1 2 3



- 1 Model
- 2 Facility code
- 3 Sequence number

- 4 Serial number (stamped on chassis)
- 5 Serial label (located under cover)

Please refer to section 001 for the Recommended Spare Parts List.



This page intentionally left blank.

Go to Discount-Equipment.com to order your parts



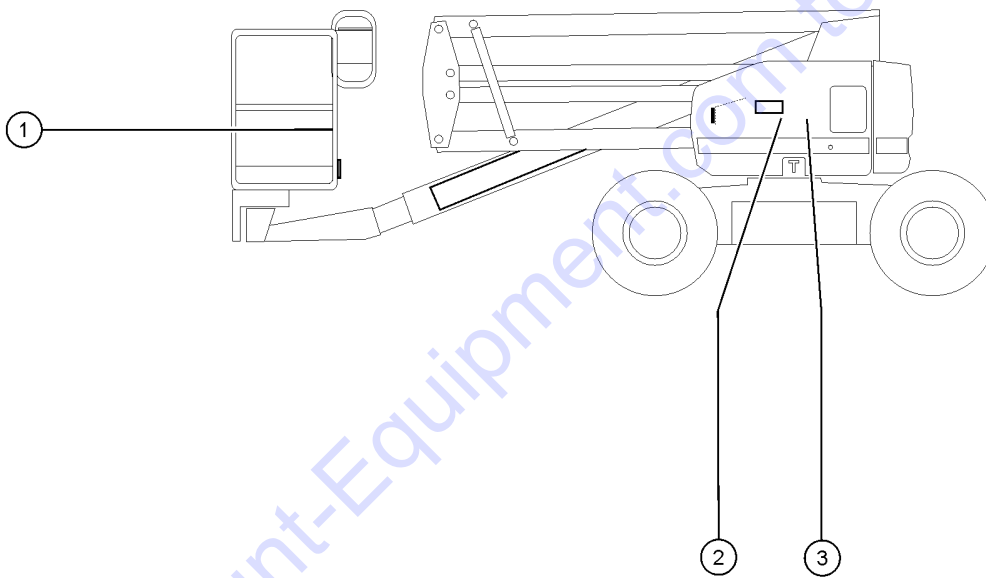
<b>Description</b>	<b>Page</b>
<b>001 Parts Stocking List .....</b>	<b>10</b>
001.1 Parts Stocking List .....	10
<b>100 Decals .....</b>	<b>14</b>
101.1 Word Decals - Bi-Energy (to SN Z4525F-61999) .....	14
102.1 Symbol Decals - Bi-Energy (to SN Z4525F-61999) .....	20
103.1 Word Decals - DC Power (to SN Z4525F-61999) .....	24
104.1 Symbol Decals - DC Power (to SN Z4525F-61999) .....	30
105.1 Decals with Word, Z-45 DC - Chassis (from SN Z4525F-62000) .....	34
106.1 Decals with Word, Z-45 DC - Boom (from SN Z4525F-62000) .....	38
107.1 Decals with Word, Z-45 DC - Turntable Covers (from SN Z4525F-62000) .....	40
108.1 Decals with Word, Z-45 DC - Platform (from SN Z4525F-62000) .....	42
109.1 Decals with Symbol, Z-45 DC - Chassis (from SN Z4525F-62000) .....	44
110.1 Decals with Symbol, Z-45 DC - Boom (from SN Z4525F-62000) .....	46
111.1 Decals with Symbol, Z-45 DC - Turntable Covers (from SN Z4525F-62000) .....	48
112.1 Decals with Symbol, Z-45 DC - Platform (from SN Z4525F-62000) .....	50
<b>200 Drive Chassis Components.....</b>	<b>52</b>
201.1 Steer End .....	52
202.1 Non-steer End .....	56
203.1 Battery Packs .....	66
204.1 Battery Charger .....	70
205.1 Power Cables .....	72
<b>300 Engine Components .....</b>	<b>76</b>
301.1 Engine Components .....	76
302.1 Kubota Z482 E4B-1 Engine, View 1 .....	82
303.1 Kubota Z482 E4B-1 Engine, View 2 .....	86
304.1 Kubota Z482 E4B-1 Engine, View 3 .....	92
<b>400 Turntable Components.....</b>	<b>96</b>
401.1 Turntable Rotator .....	96
402.1 Turntable Components - View 1 - Bi-Energy Models .....	100
403.1 Turntable Components - View 1 - DC Models .....	102
404.1 Turntable Components - View 2 .....	104
405.1 Turntable Components - View 3 .....	108
406.1 Ground Control Box - View 1, Z-45/25J .....	112
406.2 Ground Control Box - View 1, Z-45/25 .....	116
406.3 Ground Control Box - View 1 (from SN Z4525F-62000) .....	124
407.1 Ground Control Box - View 2 .....	128
407.2 Ground Control Box - View 2 (from SN Z4525F-62000) .....	132

Table of Contents

<b>Description</b>	<b>Page</b>
408.1 Turntable Covers - View 1 .....	136
409.1 Turntable Covers - View 2, Z-45/25J .....	140
409.2 Turntable Covers - View 2, Z-45/25 .....	142
410.1 Wire Harness Diagram - DC and Bi-Energy Models, Z-45/25J (to SN Z4525-61999) .....	144
410.2 Wire Harness Diagram - DC and Bi-Energy Models, Z-45/25 (to SN Z4525-61999) .....	148
410.3 Wire Harness Diagram Z-45 DC (from SN Z4525F-62000) .....	152
<b>500 Boom Components .....</b>	<b>156</b>
501.1 Boom Pins and Bearings (to SN 60902) .....	156
501.2 Boom Pins and Bearings (from SN 60903) .....	158
502.1 Secondary Linkage, Z-45/25J (to SN 60902) .....	160
502.2 Secondary Linkage, Z-45/25 (to SN 60902) .....	164
502.3 Boom Linkage (from SN 60903) .....	168
503.1 Upper Pivot, Z-45/25J .....	172
503.2 Upper Pivot, Z-45/25 .....	174
504.1 Primary and Extension Booms (to SN 59508), Z-45/25J .....	176
504.2 Primary and Extension Booms (to SN 59508), Z-45/25 .....	180
504.3 Primary and Extension Booms (from SN 59509), Z-45/25J .....	184
504.4 Primary and Extension Booms (from SN 59509), Z-45/25 .....	188
505.1 Cable Track, Z-45/25J .....	192
505.2 Cable Track, Z-45/25 .....	194
506.1 Non-Jib Platform Leveling and Rotation (Z-45/25) .....	196
507.1 Jib Platform Leveling (Z-45/25J) .....	200
508.1 Jib Platform Rotation (Z-45/25J) .....	204
509.1 Jib Detail (Z-45/25J) .....	206
<b>600 Platform Components .....</b>	<b>208</b>
601.1 Platform Configuration .....	208
602.1 Platform Components .....	210
603.1 Platform Controls, Z-45/25J .....	214
603.1 Platform Controls, Z-45/25 .....	224
604.1 Joystick Controller, Drive/Steer Functions .....	234
605.1 Rotational Controller .....	236
<b>700 Pumps and Manifolds .....</b>	<b>238</b>
701.1 Hydraulic Power Unit .....	238
702.1 Function Manifold .....	240
703.1 Jib Boom and Platform Rotate Manifolds .....	244
<b>800 Hydraulic Hoses and Fittings .....</b>	<b>246</b>
801.1 Drive and Steer Hoses .....	246
802.1 Turntable Components .....	248

<b>Description</b>	<b>Page</b>
803.1 Boom Components - Z-45/25 .....	250
804.1 Boom Components - Z-45/25J .....	252
<b>900 Accessories .....</b>	<b>256</b>
901.1 Flashing Beacon .....	256
902.1 Platform Options .....	258
903.1 Half-height Mesh and Swing Gate Options - Side Swing Gate .....	262
903.2 Half-height mesh and Swing Gate Options - Front Single Entry .....	264
904.1 Air Line to Platform .....	266
905.1 Cold Start Package .....	268
906.1 Platform Overload Option .....	270
907.1 Hostile Environment Package - View 1, Z-45/25J .....	274
907.2 Hostile Environment Package - View 1, Z-45/25 .....	276
908.1 Hostile Environment Package - View 2 .....	278
909.1 Drive Lights .....	280
910.1 Tow Package .....	282
911.1 Aircraft Protection Package, Standard Entry .....	286
912.1 Aircraft Protection Package with Swing Gate .....	290
913.1 Pipe Cradle Accessory .....	294
914.1 Fall Arrest Bar .....	296
915.1 Lift Guard Contact Alarm .....	298
916.1 Operator Protective Structure .....	302
917.1 Auxiliary Rail Option .....	304
918.1 Panel Cradle Option .....	306
918.2 Panel Cradle Option .....	308
919.1 Lift Tools Expo Installer .....	310
920.1 Telematics Option .....	312
921.1 Lift Tools Access Deck .....	314
<b>Part Number Index .....</b>	<b>318</b>

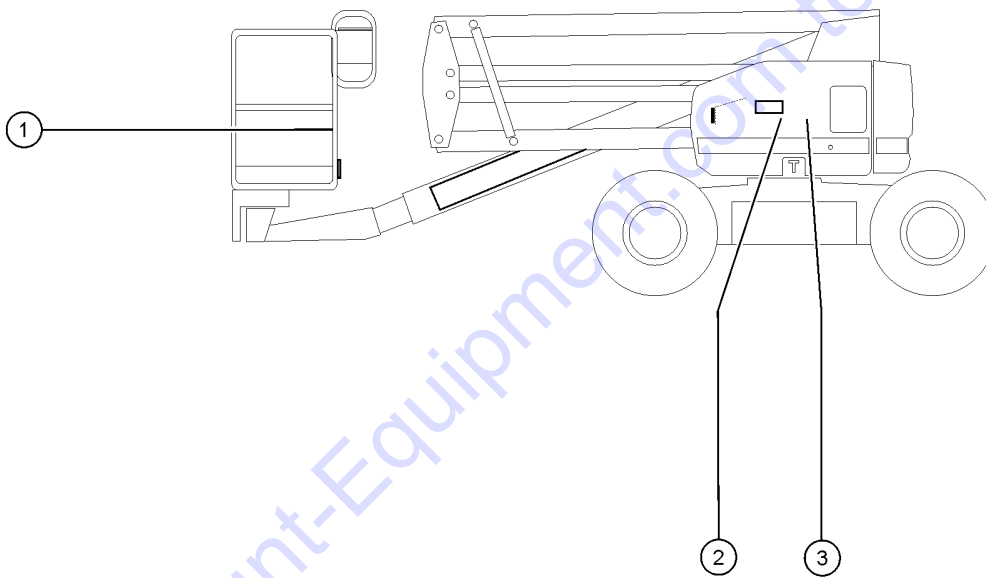
001.1 Parts Stocking List



Item	Part No.	Description	Qty.
A		— GENERAL SERVICE PARTS —	
A-	1484GT	PAINT,AEROSOL,BRIGHT BLUE*** 12-ounce spray paint	
A-	1268GT	PAINT,AEROSOL,GENIE GRAY*** 12-ounce spray paint	
A-	1258567GT	PAINT, AEROSOL, TRAFFIC BLACK 12-ounce spray paint	
A-	32150GT	PAINT,WET,GENIE BLUE (1 GL)** 1-gallon	
A-	32151GT	PAINT,WET,GENIE GRAY (1 GL)** 1-gallon	
A-	1257733GT	PAINT,WET,TRAFFIC BLACK (1 GL)** 1-gallon	
A-	66399GT	GREASE,DIELECTRIC 4 OZ**	
A-	1283776GT	SEAL MARKER,CROSS CHECK,BLUE,TUBE	
A-	93500GT	PARKER DIGITAL PRESSURE GAUGE	
A-	49612GT	O-RING KIT (ORFS FITTINGS) O-ring kit, ORFS	
A-	49613GT	PLUG AND CAP KIT-SERVICE,ORFS* Plug and cap kit, ORFS	
A-	28750GT	O-RING KIT,FIELD SVC,ALL PROD* O-ring kit, SAE	
A-	33994GT	PLUG AND CAP KIT-SERVICE,37 ** Plug and cap kit, SAE	
A-	36555GT	CHOCK,CYLINDER (SERVICE TOOL)	
1		— MANUALS —	
1-	27581GT	MANUAL,AEM SAFETY	
1-	31779GT	MANUAL,RESPON,A92.5 BOOM (to SN Z4525F-61705)	
1-	1298933GT	MANUAL, SAIA MANUAL OF RESPONSIBILITIES, MEWP (from SN Z4525F-61706)	
2		— HYD FILTERS —	
2-	78622GT	FILTER ASSY,SAE8,10 MIC,PAPR**	
2-	44788GT	FILTER ELEMENT,10MICRON,PAPER*	
3		— KUBOTA Z482 E4B-1 MODELS —	
3-	866400GT	KUBOTA OIL FILTER	
3-	52867GT	FILTER,AIR***	



001.1 Parts Stocking List



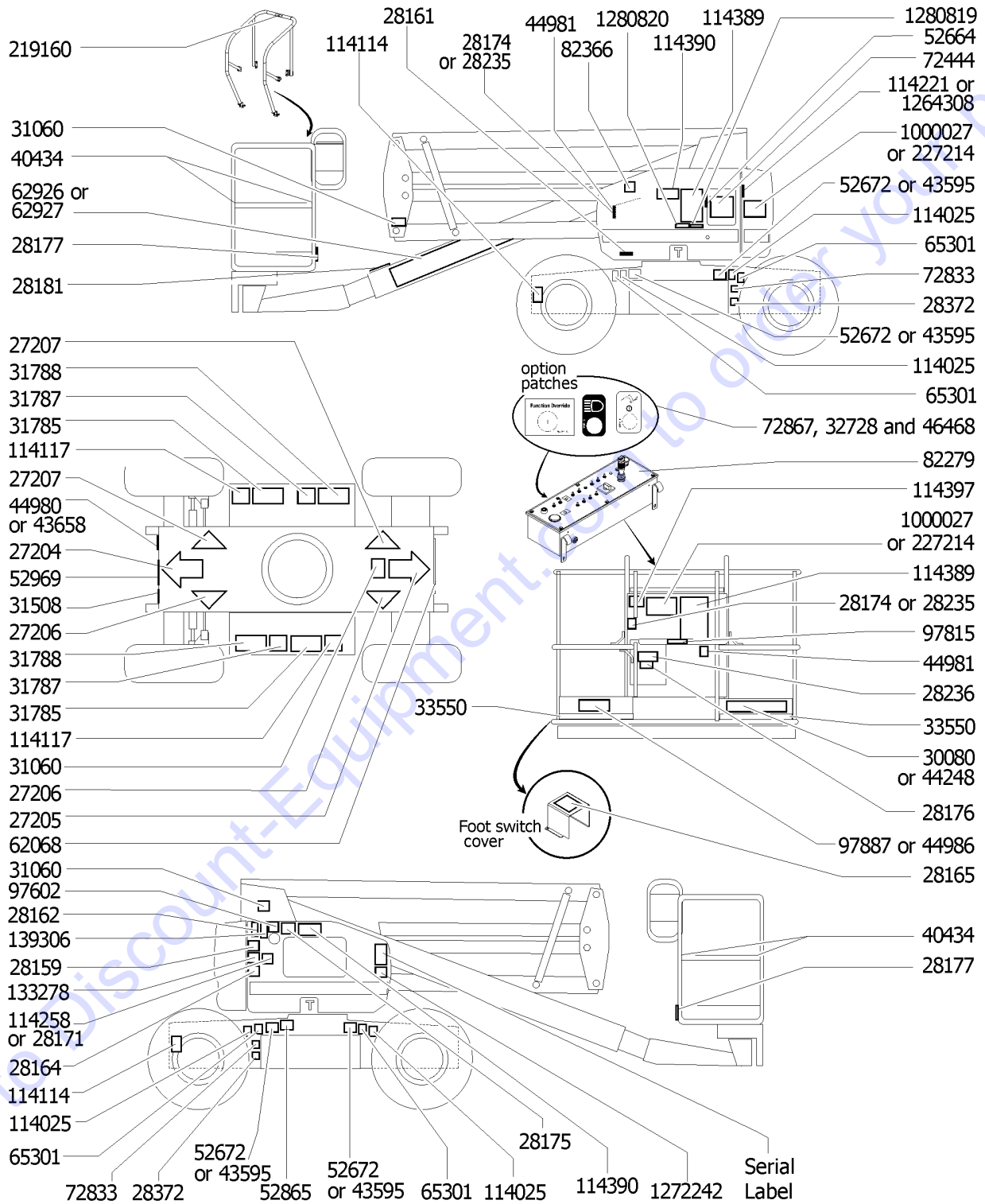
Go to Discount-Equipment.com to order your parts

<i>Item</i>	<i>Part No.</i>	<i>Description</i>	<i>Qty.</i>
3-	139429GT	ELEMENT, FUEL FILTER, Z482 .....	
3-	52816GT	BELT,FAN,KUBOTA DF972/Z482-E .....	
3-	60112GT	ALTERNATOR BELT .....	

Go to Discount-Equipment.com to order your parts



101.1 Word Decals - Bi-Energy (to SN Z4525F-61999)

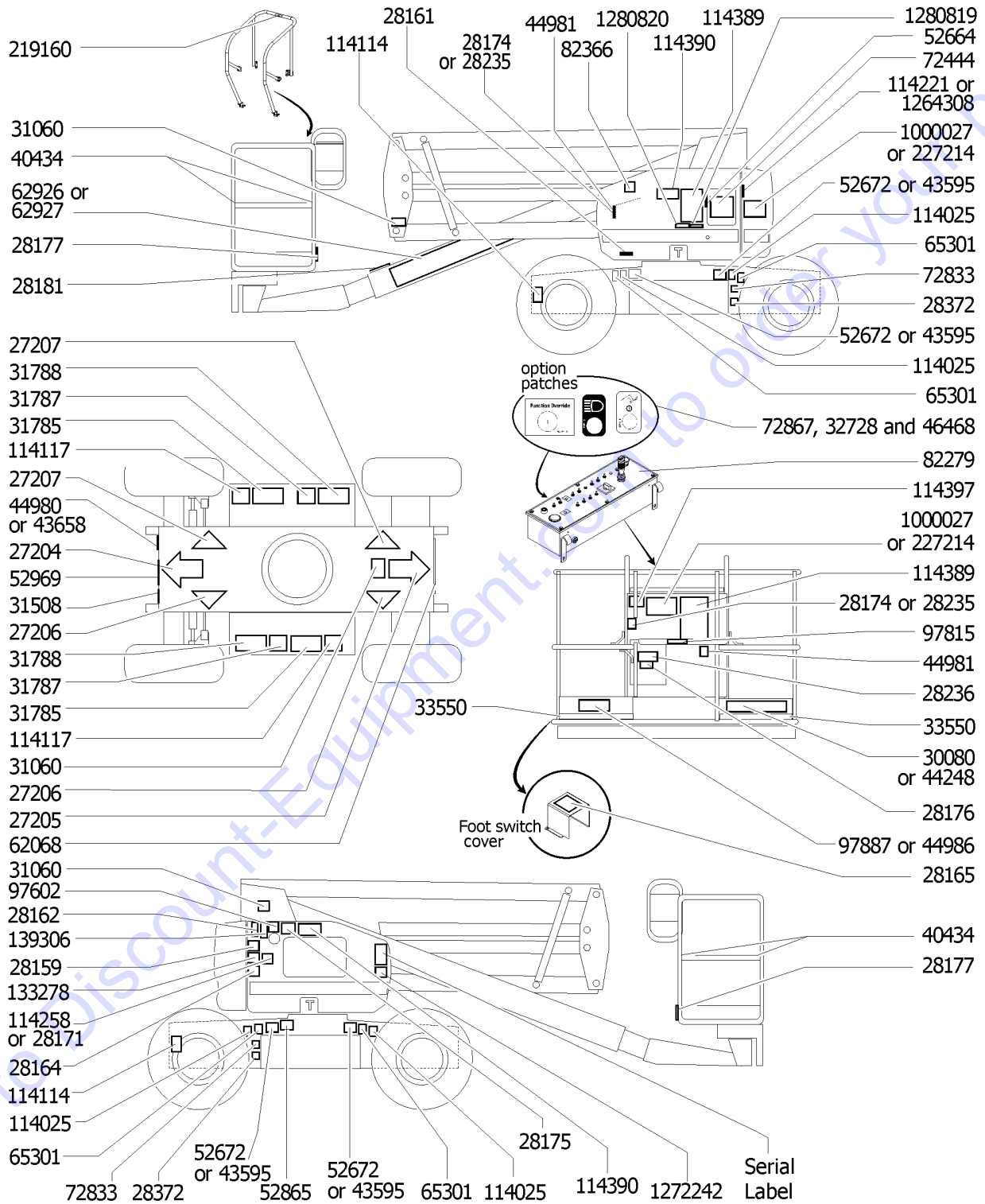




Item	Part No.	Description	Qty.
	822005GT	DECAL KIT,Z45 PLAT,WORD,ANSI .....	
	822010GT	DECAL KIT,Z45 COMP,WORD,ANSI .....	
	822013GT	DECAL KIT,Z45 PLAT,WORD,AUS .....	
	822018GT	DECAL KIT,Z45BE COMP,WORD,AUS .....	
1	27204GT	DECAL,ARROW BLUE .....	1
2	27205GT	DECAL,ARROW YELLOW LRG 9" .....	1
3	27206GT	DECAL,TRIANGLE,BLUE .....	2
4	27207GT	DECAL,TRIANGLE,YELLOW .....	2
5	114390GT	DECAL,DANGER,ELECT HAZARD*** .....	2
6	28159GT	DECAL,DIESEL .....	1
7	28161GT	DECAL,WARN,CRUSH HAZARD HAND .....	3
8	28162GT	DECAL,WARNING,CRUSHING .....	1
9	28164GT	DECAL,NOTICE,HAZARDOUS MAT'LS* .....	1
10	28165GT	DECAL,INSTRUCT,FOOTSWITCH OPER .....	1
11	28171GT	DECAL,DANGER,NO SMOKING *** .....	1
12	28174GT	DECAL,POWER TO PLATFORM 230V .....	2
13	28175GT	DECAL,WARNING-COMPART ACCESS .....	1
14	28176GT	DECAL,LABEL,MANUAL NOT HERE .....	1
15	28177GT	DECAL,WARN,CRUSH HAZARD PLAT .....	2
16	28181GT	DECAL,WARN,FALL HAZARD .....	1
17	28235GT	DECAL,POWER TO PLATFORM 115V .....	2
18	28236GT	DECAL,WARN,IMPROPER OPERATION .....	1
19	28372GT	DECAL,NOTICE,BATTERY CABLES .....	2
20	30080GT	DECAL,NOTICE,MAX LOAD 500 LBS .....	1
21	31060GT	DECAL,DANGER DO NOT ALTER SWTC .....	3
22	31508GT	DECAL,DANGER,ELECT HAZARD,PLUG .....	1
23	31785GT	DECAL,NOTICE,CHARGER INSTRUC .....	2
24	31787GT	DECAL,DANGER,TIP-OVER BATTERY .....	2



101.1 Word Decals - Bi-Energy (to SN Z4525F-61999)

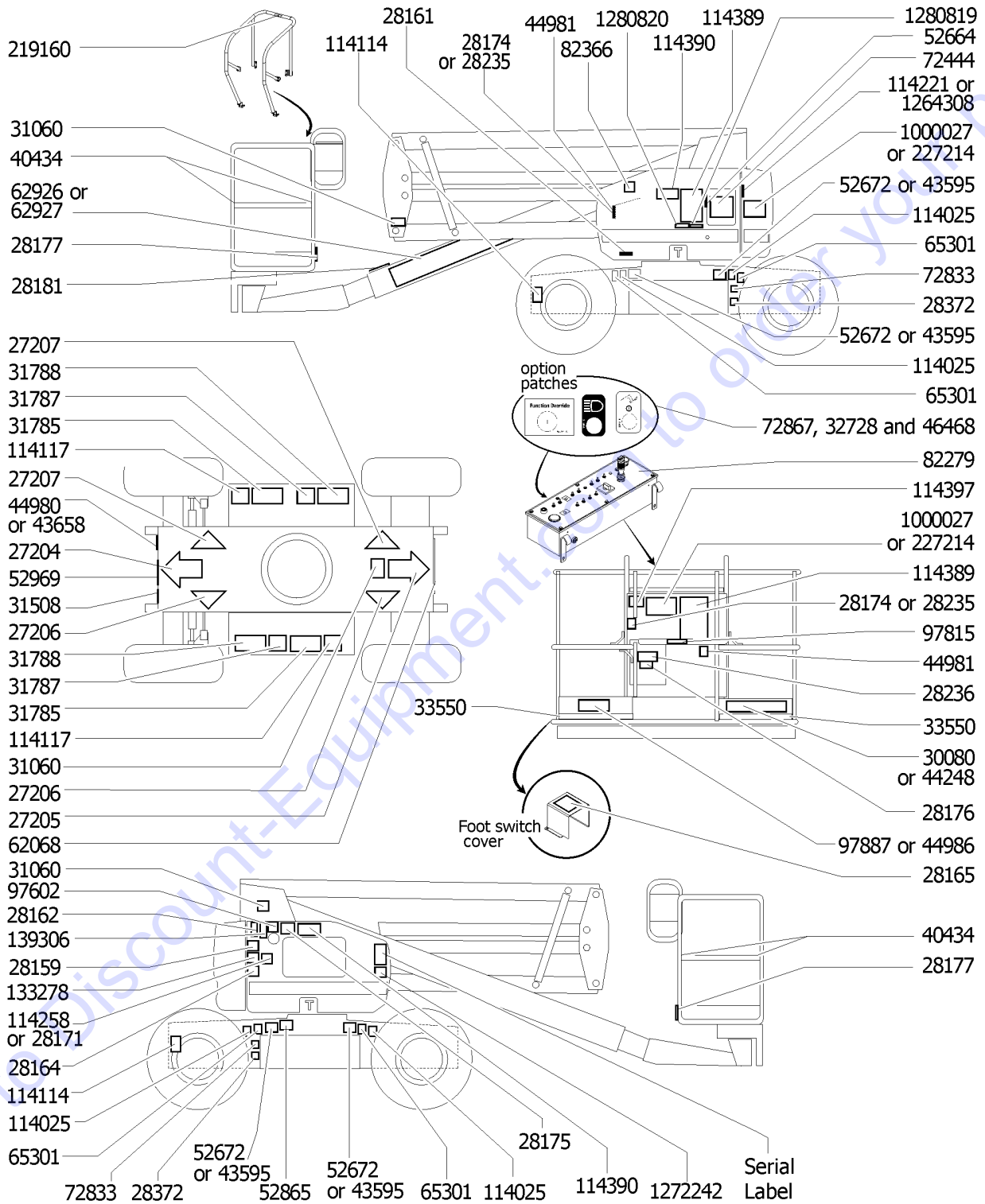


101.1 Word Decals - Bi-Energy (to SN Z4525F-61999)

Item	Part No.	Description	Qty.
25	31788GT	DECAL,DANGER,BATTERY SAFETY***	2
26	32728GT	DECAL,OPTION GENERATOR***	1
27	33550GT	TAPE,WARNING,BLK/YEL, 50**** (sold by the roll. 648" per roll) (Required to be install at base of platform toeboard for Australian market)	1
28	40434GT	DECAL,LANYARD ANCHORAGE POINT	8
29	43595GT	DECAL,DANGER,TIP-OVER,TIRES***	4
30	43658GT	DECAL,LABEL,PWR TO CHARGR 230V	1
31	44248GT	DECAL,NOTICE,MAX CAP 440 LBS models with aircraft protection package	1
32	44980GT	DECAL,LABEL,PWR TO CHARGR 115V	1
33	44981GT	DECAL,LABEL,AIRLINE 110 PSI	2
34	44986GT	DECAL,INSTR,SIDE FRC/WIND,AUS	1
35	46468GT	DECAL,FUNCTION OVERRIDE (for aircraft protection package)	1
36	52664GT	DECAL,LABEL,CONTRLR STATUS LT	1
37	52672GT	DECAL,DANGER,TIPOVER HAZARD***	1
38	52865GT	DECAL,ANNUAL INSP***	1
39	52969GT	DECAL,COSMETIC,GENIE BOOM,HORZ	1
40	62068GT	DECAL,COSMETIC,BI-ENERGY	1
41	62926GT	DECAL,COSMETIC,GENIE Z-45/25J jib	1
42	62927GT	DECAL,COSMETIC,GENIE Z-45/25 non-jib	1
43	65301GT	DECAL,NOTICE,FOAM-FILLED TIRES	4
44	72444GT	DECAL,GROUND CONTROL PANEL	1
45	72833GT	DECAL,LABEL,OPEN,LATCH	2
46	72867GT	DECAL,LABEL,LIGHTS***	1
47	82279GT	DECAL,PLATFORM CONTROL PANEL	1
48	82366GT	DECAL,CHEVRON RANDO HD	1
49	97602GT	DECAL,EXPLOSION HAZARD	2
50	97815GT	DECAL,LABEL,LOWER MIDRAIL	1
51	97887GT	DECAL,INSTR,MAX SIDE FRC,ANSI	1
52	114025GT	DECAL,LABEL,WHEEL LOAD Z4525DC	4



101.1 Word Decals - Bi-Energy (to SN Z4525F-61999)



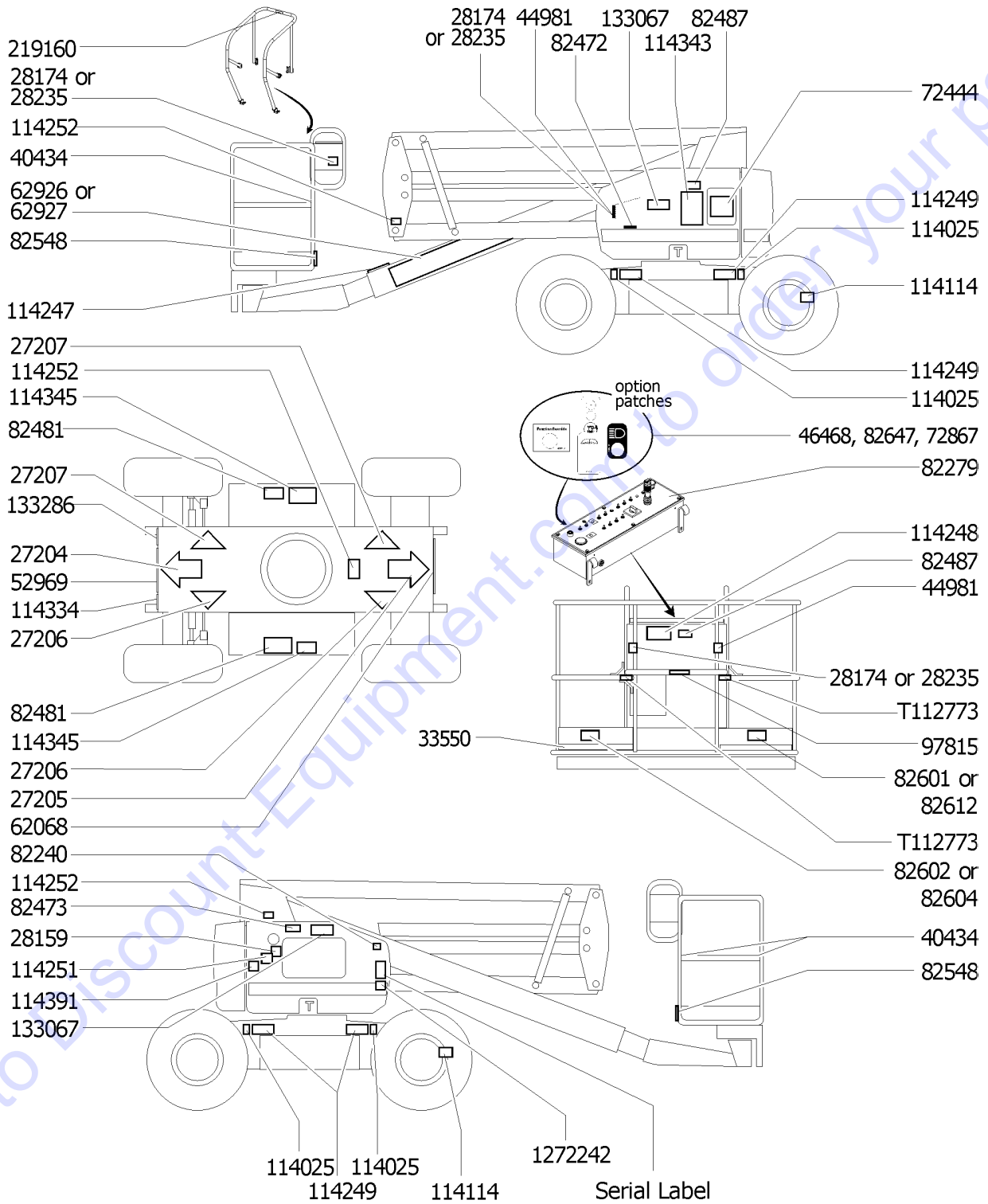
101.1 Word Decals - Bi-Energy (to SN Z4525F-61999)

Item	Part No.	Description	Qty.
53	114114GT	DECAL,LABEL,TRANSPORT .....	2
54	114117GT	DECAL,BATT CONN DIAGRAM .....	2
55	114221GT	DECAL,LABEL,RELAYS,Z45DC,BE .....	2
56	114258GT	DECAL,DANGER,NO SMOKING .....	1
57	114389GT	DECAL,DANGER,GENERAL SAFETY .....	2
58	114390GT	DECAL,DANGER,ELECT HAZARD*** .....	2
59	114397GT	DECAL,DANGER,TILT ALARM .....	1
60	133278GT	DECAL,LOW/ULTRA LOW SULFR FUEL .....	1
61	139306GT	DECAL,NOTICE,SPEC,Z482 .....	1
62	219160GT	DECAL, INSTRUCTION, OPS .....	1
		option	
63	227214GT	DECAL,OPER INST,Z45BE AUS .....	1
64	1000027GT	DECAL,INSTR,OP INST,BI .....	2
		ANSI	
65	1264308GT	DECAL,LABEL,RELAYS,Z45DC,BE .....	
66	1272242GT	DECAL,MACHINE REGISTRATION/OWN .....	1
67	1280819GT	DECAL,WARNING,CANCER AND REPRODUCTIVE HARM, PROP 65 .....	1
		from SN F-59333	
68	1280820GT	DECAL,FUEL,DIESEL EXHAUST, PROP 65 .....	1
		from SN F-59333	

Go to Discount-Equipment.com to order your parts



102.1 Symbol Decals - Bi-Energy (to SN Z4525F-61999)

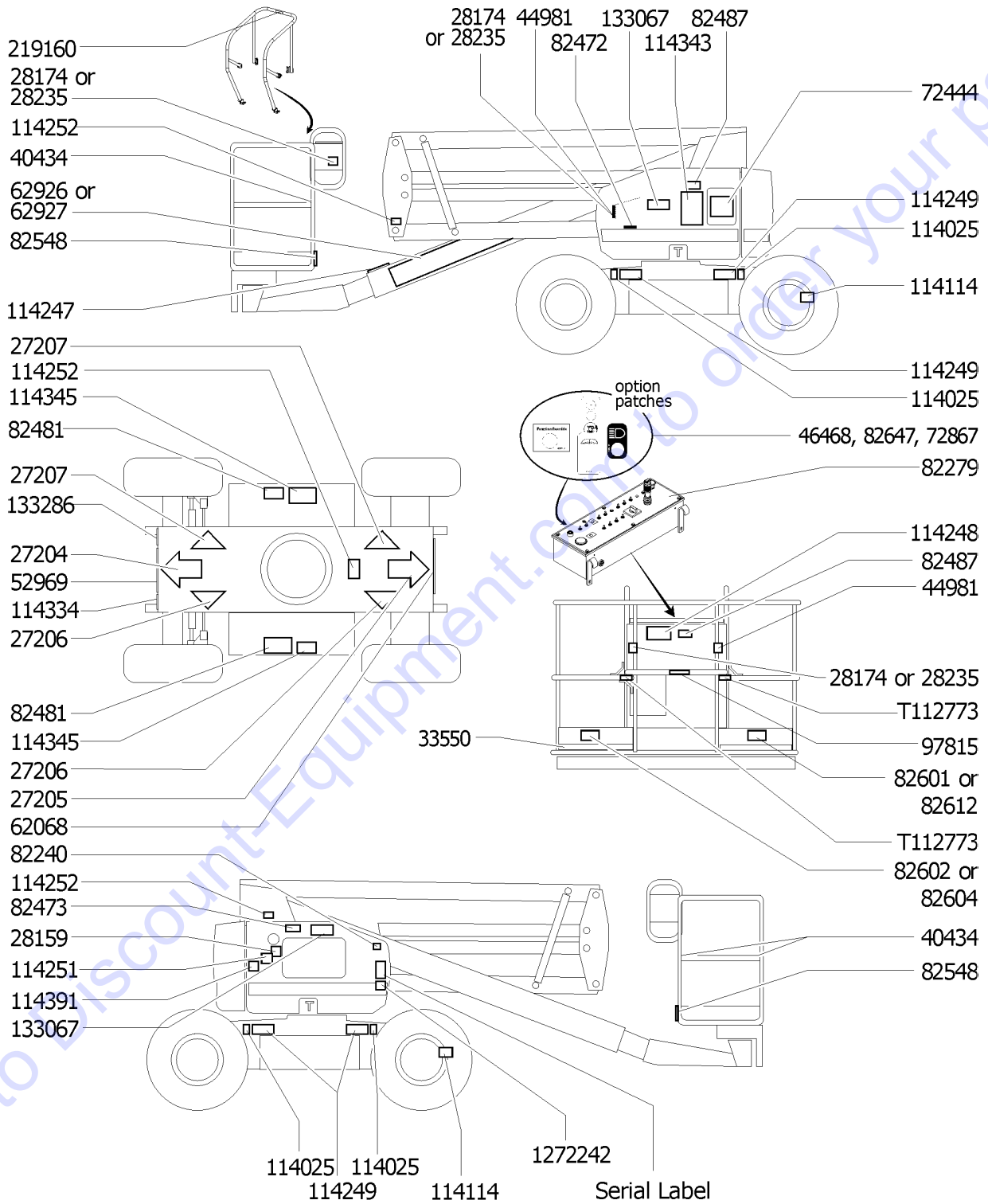


102.1 Symbol Decals - Bi-Energy (to SN Z4525F-61999)

Item	Part No.	Description	Qty.
A	823153GT	DECAL KIT,Z45 PLAT,SYM,ANSI .....	
B	823158GT	DECAL KIT,Z45BE COMP,SYM,ANSI .....	
C	823161GT	DECAL KIT,Z45 PLAT,SYM,CE .....	
D	823166GT	DECAL KIT,Z45BE COMP,SYM,CE .....	
1	27204GT	DECAL,ARROW BLUE .....	1
2	27205GT	DECAL,ARROW YELLOW LRG 9" .....	1
3	27206GT	DECAL,TRIANGLE,BLUE .....	2
4	27207GT	DECAL,TRIANGLE,YELLOW .....	2
5	28159GT	DECAL,DIESEL .....	1
6	28174GT	DECAL,POWER TO PLATFORM 230V .....	2
7	28235GT	DECAL,POWER TO PLATFORM 115V .....	2
8	33550GT	TAPE,WARNING,BLK/YEL, 50'*** (sold by the roll. 648" per roll) (Required to be install at base of platform toeboard for CE market)	1
9	40434GT	DECAL,LANYARD ANCHORAGE POINT .....	3
10	44981GT	DECAL,LABEL,AIRLINE 110 PSI .....	2
11	46468GT	DECAL,FUNCTION OVERRIDE .....	1
12	52969GT	DECAL,COSMETIC,GENIE BOOM,HORZ .....	1
13	62068GT	DECAL,COSMETIC,BI-ENERGY .....	1
14	62926GT	DECAL,COSMETIC,GENIE Z-45/25J .....	1
15	62927GT	DECAL,COSMETIC,GENIE Z-45/25 .....	1
16	72444GT	DECAL,GROUND CONTROL PANEL .....	1
17	72867GT	DECAL,LABEL,LIGHTS*** .....	1
18	82240GT	DECAL,LABEL,105 DB .....	1
19	82279GT	DECAL,PLATFORM CONTROL PANEL .....	1
20	82472GT	DECAL,WARNING,CRUSHING HAZARD .....	3
21	82473GT	DECAL,SYMBOL-COMP ACCESS .....	1
22	82481GT	DECAL,SYMBOL-BATTERY SAFETY .....	2
23	82487GT	DECAL,SYMBOL-READ THE MANUAL .....	2
24	82548GT	DECAL,WARN,CRUSH HAZARD PLAT .....	2



102.1 Symbol Decals - Bi-Energy (to SN Z4525F-61999)



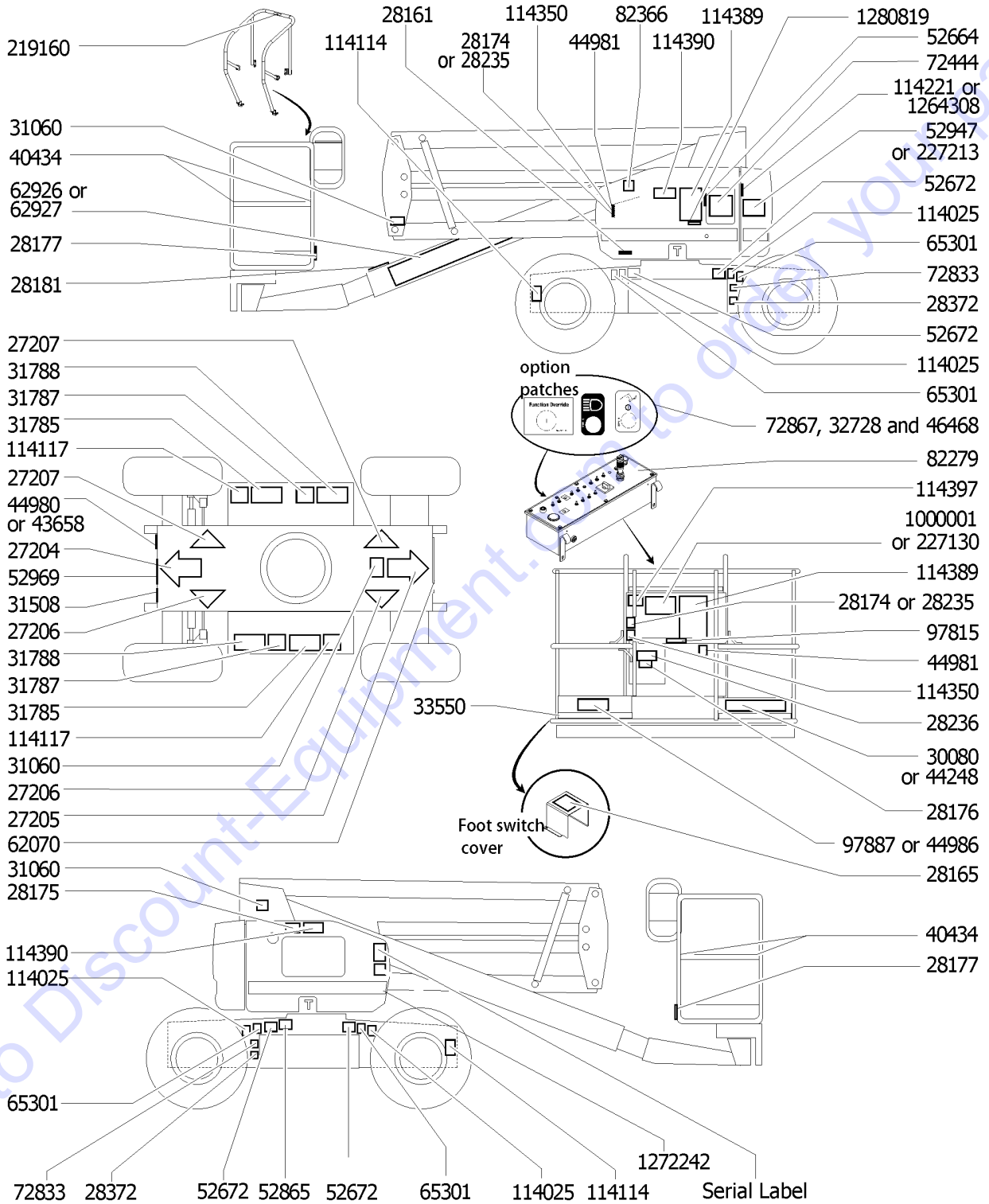


102.1 Symbol Decals - Bi-Energy (to SN Z4525F-61999)

Item	Part No.	Description	Qty.
25	82601GT	DECAL,LABEL,MAX CAPACITY***	1
26	82602GT	DECAL,DANGER,MAX SIDE FRC,667N	1
27	82604GT	DECAL,DANGER,SIDE FRC 400N	1
28	82612GT	DECAL,DANGER,MAX CAP,200KG	1
29	82647GT	DECAL,DRIVE ENABLE PATCH	1
30	97815GT	DECAL,LABEL,LOWER MIDRAIL (CE models)	1
31	114025GT	DECAL,LABEL,WHEEL LOAD Z4525DC	4
32	114114GT	DECAL,LABEL,TRANSPORT	2
33	114247GT	DECAL,LABEL,FALL HAZARD***	1
34	114248GT	DECAL,LABEL,TIPOVER,TILT AL SY	1
35	114249GT	DECAL,LABEL,TIPOVER,TIRES,SYMB	4
36	114251GT	DECAL,LABEL,NO SMOKING,SYMB	2
37	114252GT	DECAL,LABEL,TIP OVER LMT SWTCH	2
38	114334GT	DECAL,SYM-ELEC HAZARD,PLUG	1
39	114343GT	DECAL,LABEL,EMERGENCY DOWN	1
40	114345GT	DECAL,LABEL,TIPOVER,BATTERIES	1
41	114391GT	DECAL,WARNING,CRUSHING	1
42	133067GT	DECAL,DANGER,ELEC.HAZ.STAY CLR	2
43	133286GT	DECAL, POWER TO CHARGER, UNIV	1
44	219160GT	DECAL, INSTRUCTION, OPS option	1
45	T112773GT	TAPE, PROTECTIVE MASK	2
46	1272242GT	DECAL,MACHINE REGISTRATION/OWN	1



103.1 Word Decals - DC Power (to SN Z4525F-61999)

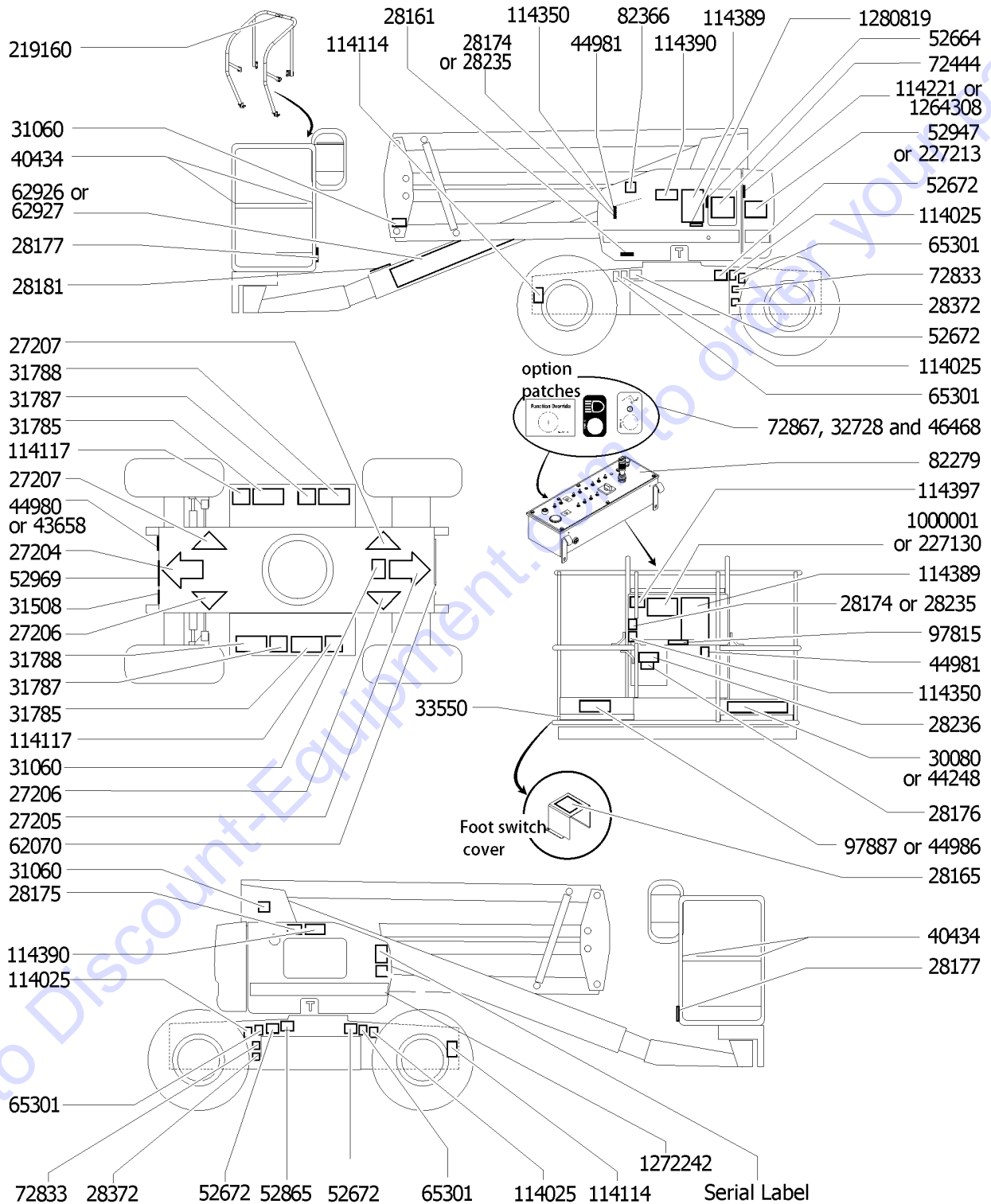


103.1 Word Decals - DC Power (to SN Z4525F-61999)

Item	Part No.	Description	Qty.
	822005GT	DECAL KIT,Z45 PLAT,WORD,ANSI .....	
	822006GT	DECAL KIT,Z45 COMP,WORD,ANSI .....	
	822013GT	DECAL KIT,Z45 PLAT,WORD,AUS .....	
	822014GT	DECAL KIT,Z45 COMP,WORD,AUS .....	
1	27204GT	DECAL,ARROW BLUE .....	1
2	27205GT	DECAL,ARROW YELLOW LRG 9" .....	1
3	27206GT	DECAL,TRIANGLE,BLUE .....	2
4	27207GT	DECAL,TRIANGLE,YELLOW .....	2
5	114390GT	DECAL,DANGER,ELECT HAZARD*** .....	2
6	28161GT	DECAL,WARN,CRUSH HAZARD HAND .....	3
7	28165GT	DECAL,INSTRUCT,FOOTSWITCH OPER .....	1
8	28174GT	DECAL,POWER TO PLATFORM 230V .....	2
9	28175GT	DECAL,WARNING-COMPART ACCESS .....	1
10	28176GT	DECAL,LABEL,MANUAL NOT HERE .....	1
11	28177GT	DECAL,WARN,CRUSH HAZARD PLAT .....	2
12	28181GT	DECAL,WARN,FALL HAZARD .....	1
13	28235GT	DECAL,POWER TO PLATFORM 115V .....	2
14	28236GT	DECAL,WARN,IMPROPER OPERATION .....	1
15	28372GT	DECAL,NOTICE,BATTERY CABLES .....	2
16	30080GT	DECAL,NOTICE,MAX LOAD 500 LBS .....	1
17	31060GT	DECAL,DANGER DO NOT ALTER SWTC .....	3
18	31508GT	DECAL,DANGER,ELECT HAZARD,PLUG .....	1
19	31785GT	DECAL,NOTICE,CHARGER INSTRUC .....	2
19	31785JAGT	DECAL,NOTICE,CHARGER INSTRUC (japanese) .....	
20	31787GT	DECAL,DANGER,TIP-OVER BATTERY .....	2
21	31788GT	DECAL,DANGER,BATTERY SAFETY*** .....	2
22	32728GT	DECAL,OPTION GENERATOR*** .....	1
23	33550GT	TAPE,WARNING,BLK/YEL, 50**** (sold by the roll. 648" per roll) (Required to be ilnstall at base of platform toeboard for Australian market) .....	1



103.1 Word Decals - DC Power (to SN Z4525F-61999)

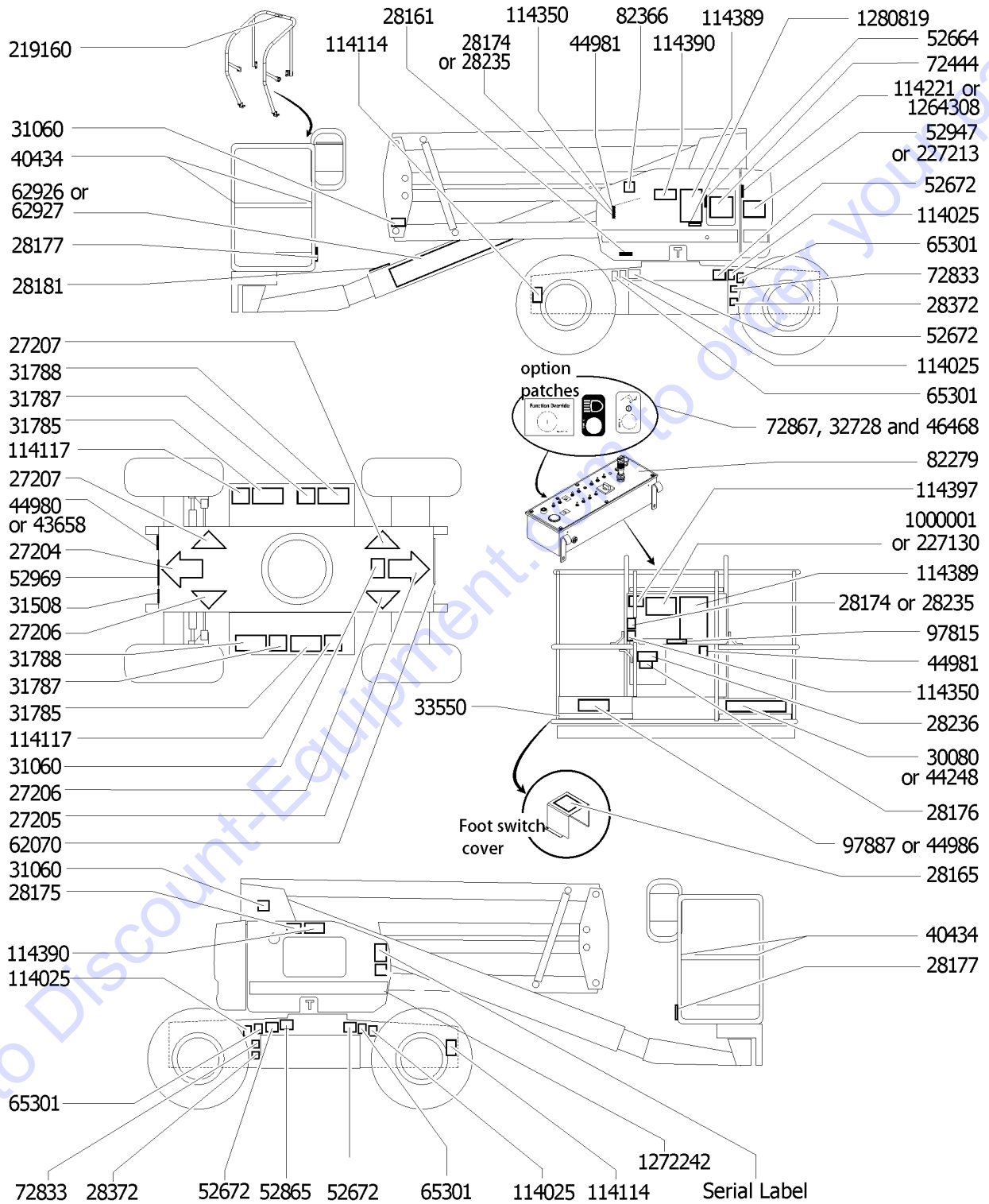


103.1 Word Decals - DC Power (to SN Z4525F-61999)

Item	Part No.	Description	Qty.
24	114397GT	DECAL,DANGER,TILT ALARM .....	1
25	40434GT	DECAL,LANYARD ANCHORAGE POINT .....	8
26	43658GT	DECAL,LABEL,PWR TO CHARGR 230V .....	1
27	44248GT	DECAL,NOTICE,MAX CAP 440 LBS .....	
		(for aircraft protection package)	
28	44980GT	DECAL,LABEL,PWR TO CHARGR 115V .....	1
29	44981GT	DECAL,LABEL,AIRLINE 110 PSI .....	2
30	44986GT	DECAL,INSTR,SIDE FRC/WIND,AUS .....	1
		Australia models	
31	46468GT	DECAL,FUNCTION OVERRIDE .....	1
		(for aircraft protection package)	
32	52664GT	DECAL,LABEL,CONTRLR STATUS LT .....	1
33	52672GT	DECAL,DANGER,TIPOVER HAZARD*** .....	4
34	52865GT	DECAL,ANNUAL INSP*** .....	1
35	52947GT	DECAL,OPERATING INSTR,GROUND .....	1
		ANSI models	
36	52969GT	DECAL,COSMETIC,GENIE BOOM,HORZ .....	1
37	62070GT	DECAL,COSMETIC,DC POWER .....	1
38	62926GT	DECAL,COSMETIC,GENIE Z-45/25J .....	1
		Jib models	
39	62927GT	DECAL,COSMETIC,GENIE Z-45/25 .....	1
		Non-Jib models	
40	65301GT	DECAL,NOTICE,FOAM-FILLED TIRES .....	4
41	72444GT	DECAL,GROUND CONTROL PANEL .....	1
42	72833GT	DECAL,LABEL,OPEN,LATCH .....	2
43	72867GT	DECAL,LABEL,LIGHTS*** .....	1
44	82279GT	DECAL,PLATFORM CONTROL PANEL .....	1
45	82366GT	DECAL,CHEVRON RANDO HD .....	1
46	97815GT	DECAL,LABEL,LOWER MIDRAIL .....	1
47	97887GT	DECAL,INSTR,MAX SIDE FRC,ANSI .....	1
		ANSI models	
48	114025GT	DECAL,LABEL,WHEEL LOAD Z4525DC .....	4
49	114114GT	DECAL,LABEL,TRANSPORT .....	2
50	114117GT	DECAL,BATT CONN DIAGRAM .....	2
51	114221GT	DECAL,LABEL,RELAYS,Z45DC,BE .....	1



103.1 Word Decals - DC Power (to SN Z4525F-61999)



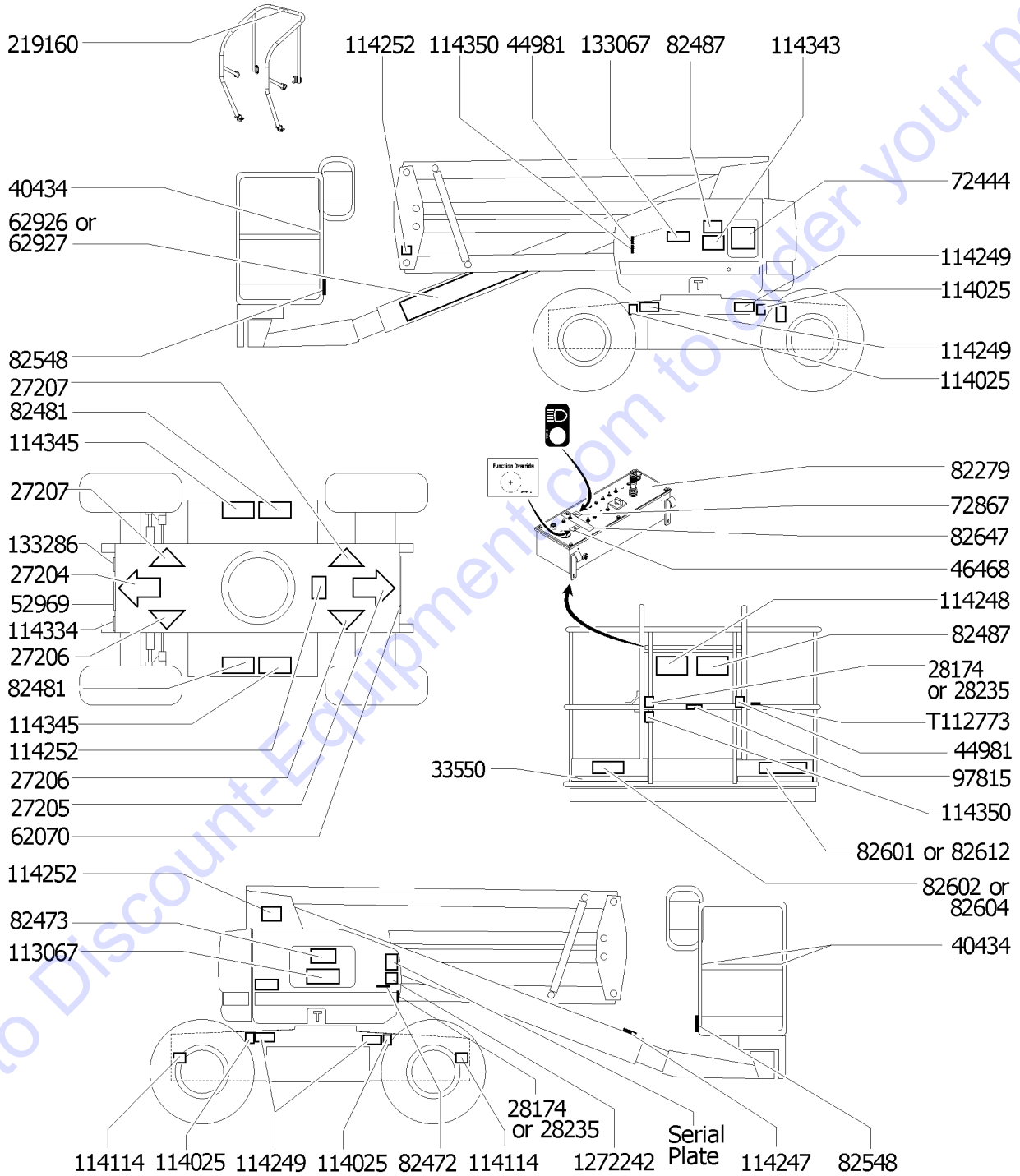
103.1 Word Decals - DC Power (to SN Z4525F-61999)

Item	Part No.	Description	Qty.
52	114350GT	DECAL,AC INVERTER POWER,115V .....	2
53	114389GT	DECAL,DANGER,GENERAL SAFETY .....	2
54	219160GT	DECAL, INSTRUCTION, OPS .....	1
		option	
55	227130GT	DECAL,OPER INST,Z45DC PLAT AUS .....	1
		Australia models	
56	227213GT	DECAL,OPER INST,DC BOOM GND AU .....	1
		Australia models	
57	1000001GT	DECAL, INSTR, OP INST,DC .....	2
		ANSI models	
58	1264308GT	DECAL,LABEL,RELAYS,Z45DC,BE .....	
59	1272242GT	DECAL,MACHINE REGISTRATION/OWN .....	1
60	1280819GT	DECAL,WARNING,CANCER AND REPRODUCTIVE HARM, PROP 65 .....	1
		from SN F-59333	

Go to Discount-Equipment.com to order your parts



104.1 Symbol Decals - DC Power (to SN Z4525F-61999)



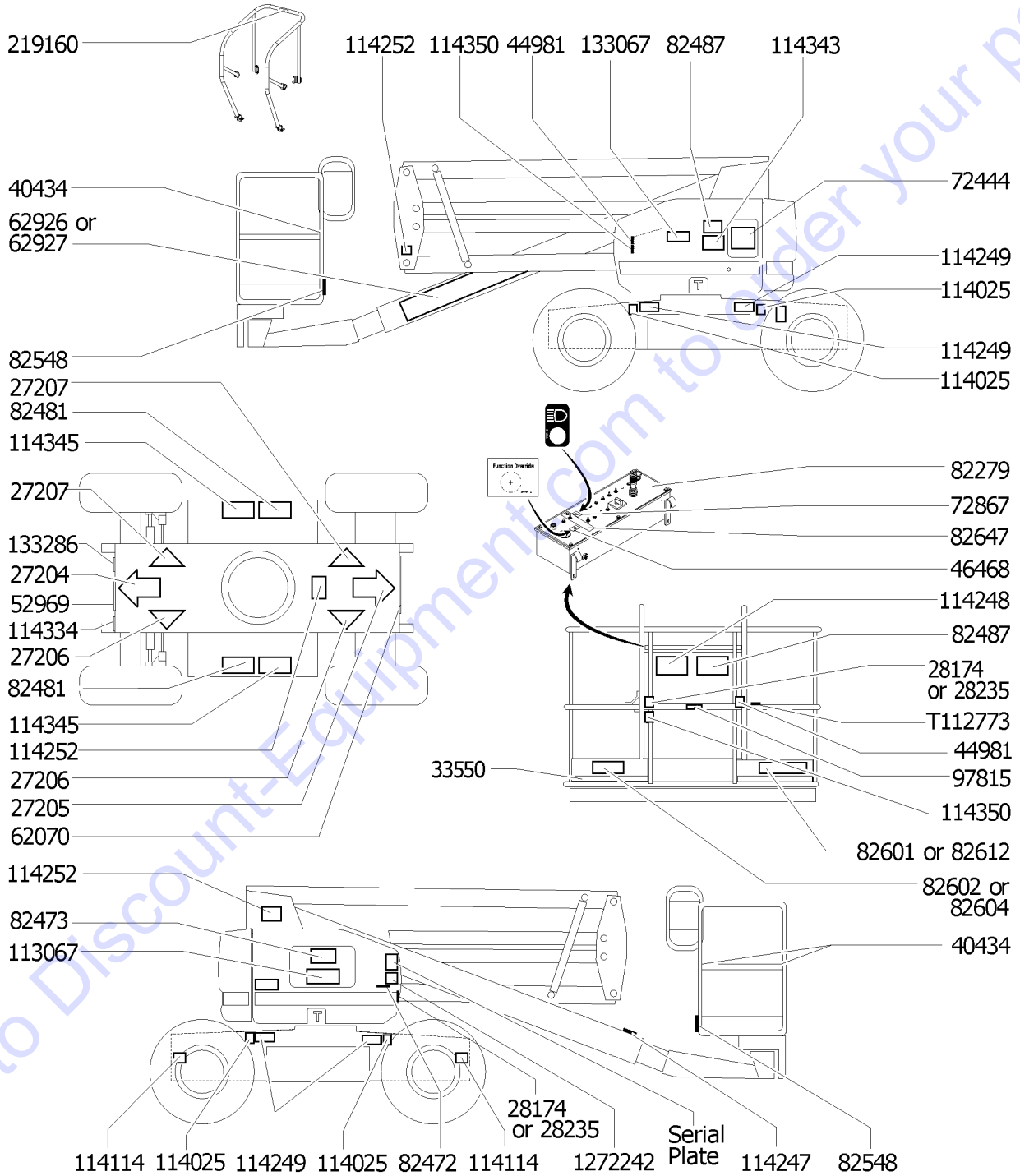


104.1 Symbol Decals - DC Power (to SN Z4525F-61999)

Item	Part No.	Description	Qty.
A	823153GT	DECAL KIT,Z45 PLAT,SYM,ANSI .....	
B	823154GT	DECAL KIT,Z45DC COMP,SYM,ANSI .....	
C	823161GT	DECAL KIT,Z45 PLAT,SYM,CE .....	
D	823162GT	DECAL KIT,Z45DC COMP,SYM,CE .....	
1	27204GT	DECAL,ARROW BLUE .....	1
2	27205GT	DECAL,ARROW YELLOW LRG 9" .....	1
3	27206GT	DECAL,TRIANGLE,BLUE .....	2
4	27207GT	DECAL,TRIANGLE,YELLOW .....	2
5	28174GT	DECAL,POWER TO PLATFORM 230V .....	2
6	28235GT	DECAL,POWER TO PLATFORM 115V .....	2
7	33550GT	TAPE,WARNING,BLK/YEL, 50**** (sold by the roll. 648" per roll) (Required to be ilnstall at base of platform toeboard for CE market)	1
8	40434GT	DECAL,LANYARD ANCHORAGE POINT .....	8
9	44981GT	DECAL,LABEL,AIRLINE 110 PSI .....	2
10	46468GT	DECAL,FUNCTION OVERRIDE .....	1
11	52969GT	DECAL,COSMETIC,GENIE BOOM,HORZ .....	1
12	62070GT	DECAL,COSMETIC,DC POWER .....	1
13	62926GT	DECAL,COSMETIC,GENIE Z-45/25J jib	
14	62927GT	DECAL,COSMETIC,GENIE Z-45/25 non-jib	1
15	72444GT	DECAL,GROUND CONTROL PANEL .....	1
16	72867GT	DECAL,LABEL,LIGHTS*** .....	1
17	82279GT	DECAL,PLATFORM CONTROL PANEL .....	1
18	82472GT	DECAL,WARNING,CRUSHING HAZARD .....	1
19	82473GT	DECAL,SYMBOL-COMP ACCESS .....	1
20	82481GT	DECAL,SYMBOL-BATTERY SAFETY .....	2
21	82487GT	DECAL,SYMBOL-READ THE MANUAL .....	1
22	82548GT	DECAL,WARN,CRUSH HAZARD PLAT .....	2
23	82601GT	DECAL,LABEL,MAX CAPACITY*** .....	1
24	82602GT	DECAL,DANGER,MAX SIDE FRC,667N .....	1



104.1 Symbol Decals - DC Power (to SN Z4525F-61999)

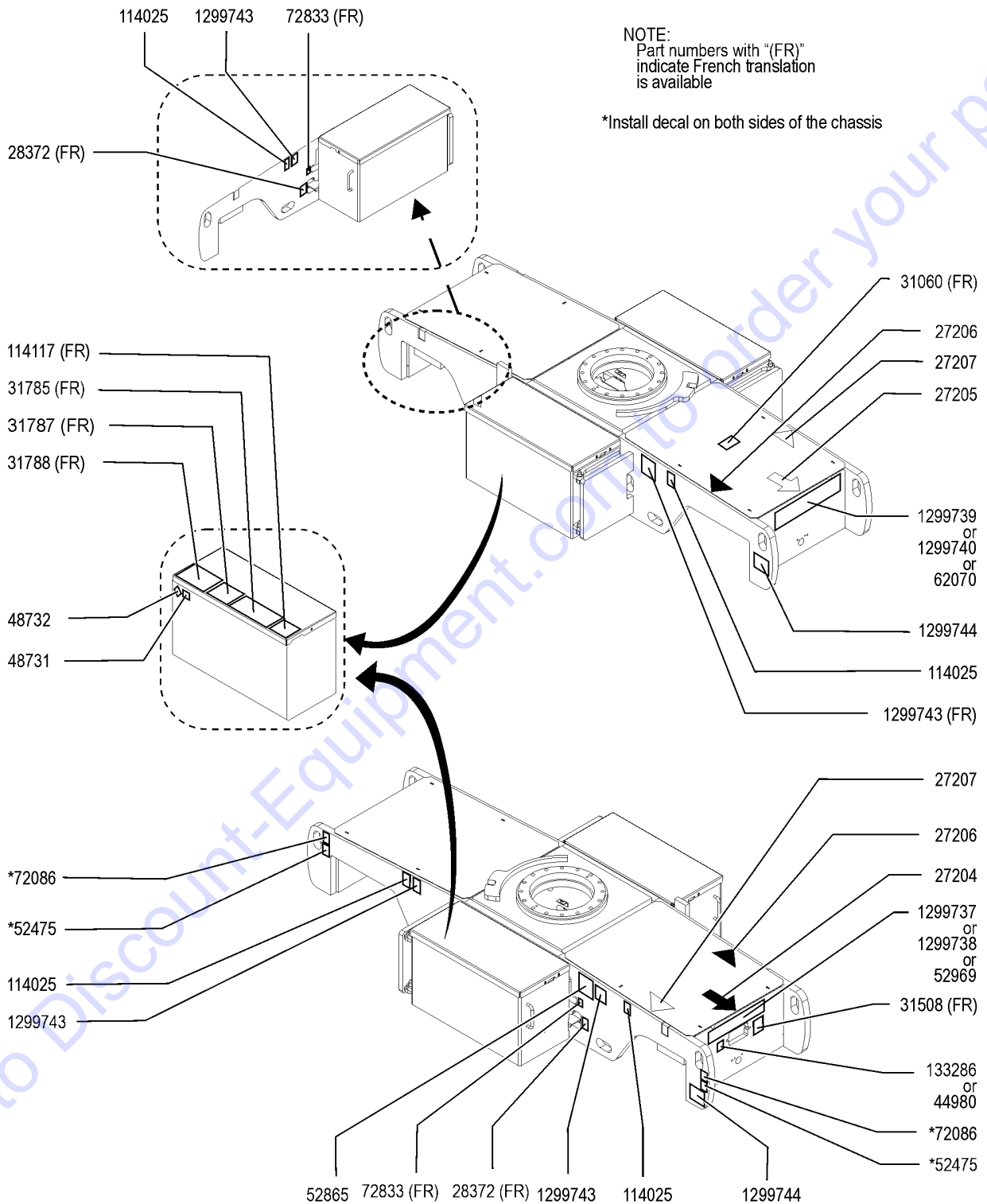


104.1 Symbol Decals - DC Power (to SN Z4525F-61999)

Item	Part No.	Description	Qty.
25	82604GT	DECAL,DANGER,SIDE FRC 400N .....	1
26	82612GT	DECAL,DANGER,MAX CAP,200KG .....	1
27	82647GT	DECAL,DRIVE ENABLE PATCH .....	1
28	97815GT	DECAL,LABEL,LOWER MIDRAIL .....	1
		CE models	
29	133067GT	DECAL,DANGER,ELEC.HAZ.STAY CLR .....	2
30	114025GT	DECAL,LABEL,WHEEL LOAD Z4525DC .....	4
31	114114GT	DECAL,LABEL,TRANSPORT .....	2
32	114247GT	DECAL,LABEL,FALL HAZARD*** .....	1
33	114248GT	DECAL,LABEL,TIPOVER,TILT AL SY .....	1
34	114249GT	DECAL,LABEL,TIPOVER,TIRES,SYMB .....	4
35	114252GT	DECAL,LABEL,TIP OVER LMT SWTCH .....	3
36	114334GT	DECAL,SYM-ELEC HAZARD,PLUG .....	1
37	114343GT	DECAL,LABEL,EMERGENCY DOWN .....	1
38	114345GT	DECAL,LABEL,TIPOVER,BATTERIES .....	2
39	114350GT	DECAL,AC INVERTER POWER,115V .....	2
40	133067GT	DECAL,DANGER,ELEC.HAZ.STAY CLR .....	
41	133286GT	DECAL, POWER TO CHARGER, UNIV .....	1
42	219160GT	DECAL, INSTRUCTION, OPS .....	1
		option	
43	T112773GT	TAPE, PROTECTIVE MASK .....	2
44	1272242GT	DECAL,MACHINE REGISTRATION/OWN .....	1



105.1 Decals with Word, Z-45 DC - Chassis (from SN Z4525F-62000)

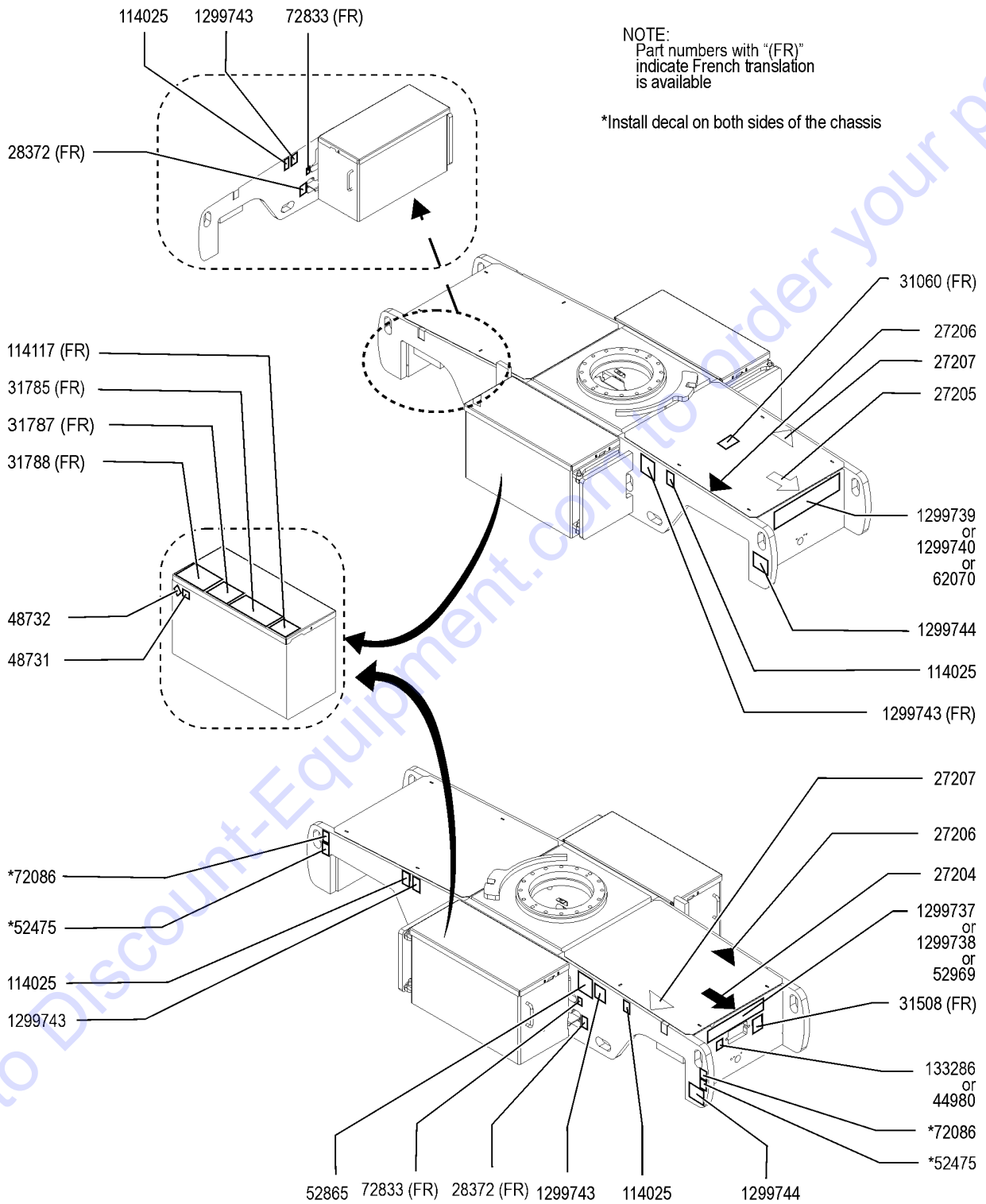


105.1 Decals with Word, Z-45 DC - Chassis (from SN Z4525F-62000)

Item	Part No.	Description	Qty.
-	1304836GT	INSTRUCTIONS,INSTALL,COMP,WORD, Z-45 DC .....	
-	1304837GT	DECAL KIT, Z-45 DC,COMP,WORD,ANSI & AUS .....	
1	27204GT	DECAL,ARROW BLUE .....	1
2	27205GT	DECAL,ARROW YELLOW LRG 9" .....	1
3	27206GT	DECAL,TRIANGLE,BLUE .....	2
4	27207GT	DECAL,TRIANGLE,YELLOW .....	2
5	28372GT	DECAL,NOTICE,BATTERY CABLES .....	2
6	31060GT	DECAL,DANGER DO NOT ALTER SWTC .....	1
7	31508GT	DECAL,DANGER,ELECT HAZARD,PLUG .....	1
8	31785GT	DECAL,NOTICE,CHARGER INSTRUC .....	2
9	31787GT	DECAL,DANGER,TIP-OVER BATTERY .....	2
10	31788GT	DECAL,DANGER,BATTERY SAFETY*** .....	2
11	44980GT	DECAL,LABEL,PWR TO CHARGR 115V Option, EE .....	1
12	48731GT	DECAL,LABEL,FMRC APPROVED .....	2
13	48732GT	DECAL,LABEL,EE RATING .....	2
14	52475GT	DECAL,LABEL,TRANSPORT TIEDOWN* .....	4
15	52865GT	DECAL,ANNUAL INSP*** .....	1
16	52969GT	DECAL,COSMETIC,GENIE BOOM,HORZ .....	1
17	62070GT	DECAL,COSMETIC,DC POWER .....	1
18	72086GT	DECAL,LABEL,LIFTING EYE .....	4
19	72833GT	DECAL,LABEL,OPEN,LATCH .....	2
20	114025GT	DECAL,LABEL,WHEEL LOAD Z4525DC .....	4
21	114117GT	DECAL,BATT CONN DIAGRAM .....	2
22	133286GT	DECAL, POWER TO CHARGER, UNIV .....	1
23	1299737GT	DECAL,COSMETIC,GENIE BOOM,HORZ BLUE .....	1
24	1299738GT	DECAL,COSMETIC,GENIE BOOM,HORZ BLACK .....	1
25	1299739GT	DECAL,COSMETIC,DC POWER BLUE .....	1
26	1299740GT	DECAL,COSMETIC,DC POWER BLACK .....	1



105.1 Decals with Word, Z-45 DC - Chassis (from SN Z4525F-62000)



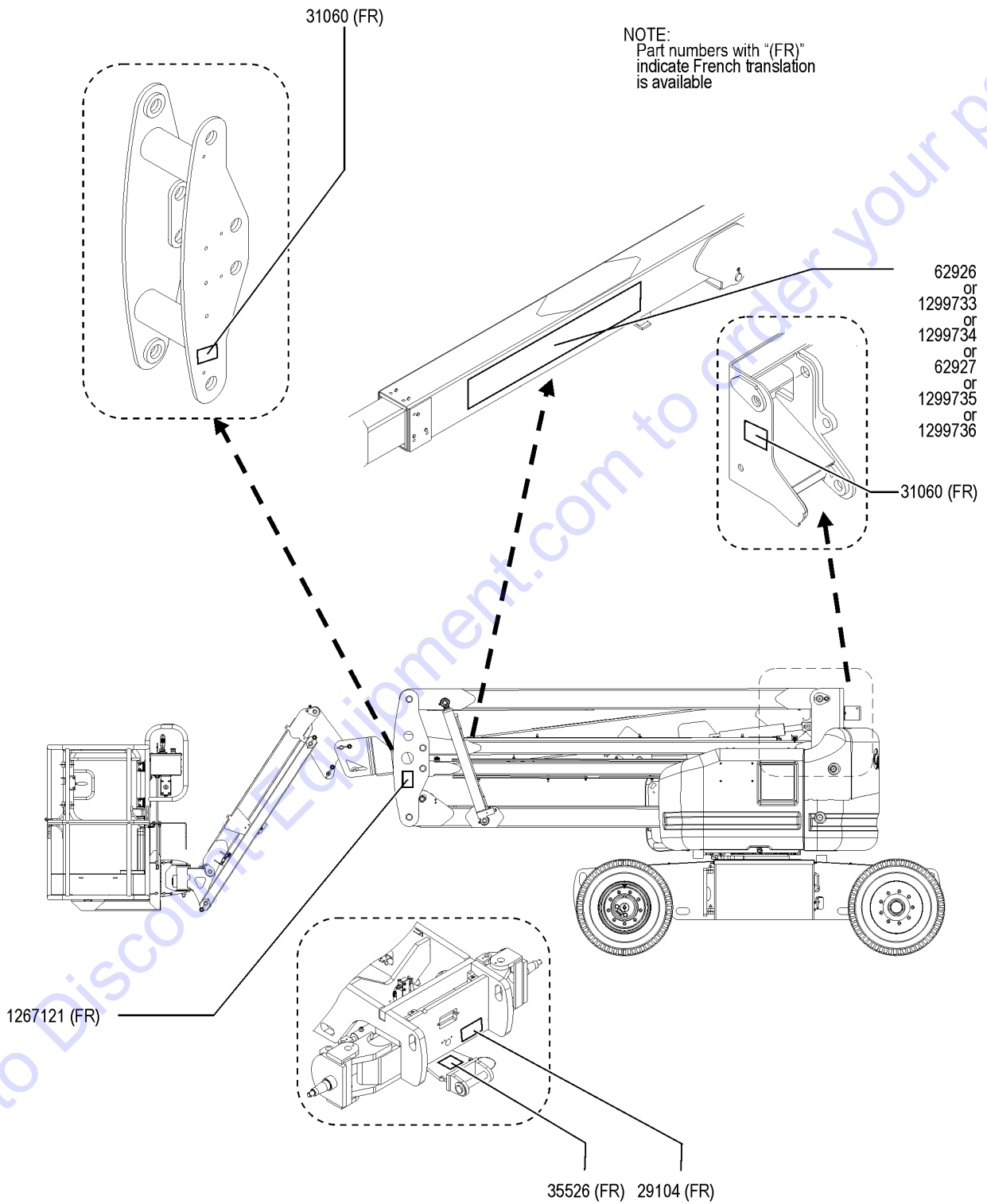
105.1 Decals with Word, Z-45 DC - Chassis (from SN Z4525F-62000)

<i>Item</i>	<i>Part No.</i>	<i>Description</i>	<i>Qty.</i>
27	1299743GT	DECAL,DANGER,TIP,INDUSTRIAL TIRES .....	4
28	1299744GT	DECAL,TRANSPORT/LIFT DIAGRAM, Z-45 .....	2

Go to Discount-Equipment.com to order your parts



106.1 Decals with Word, Z-45 DC - Boom (from SN Z4525F-62000)





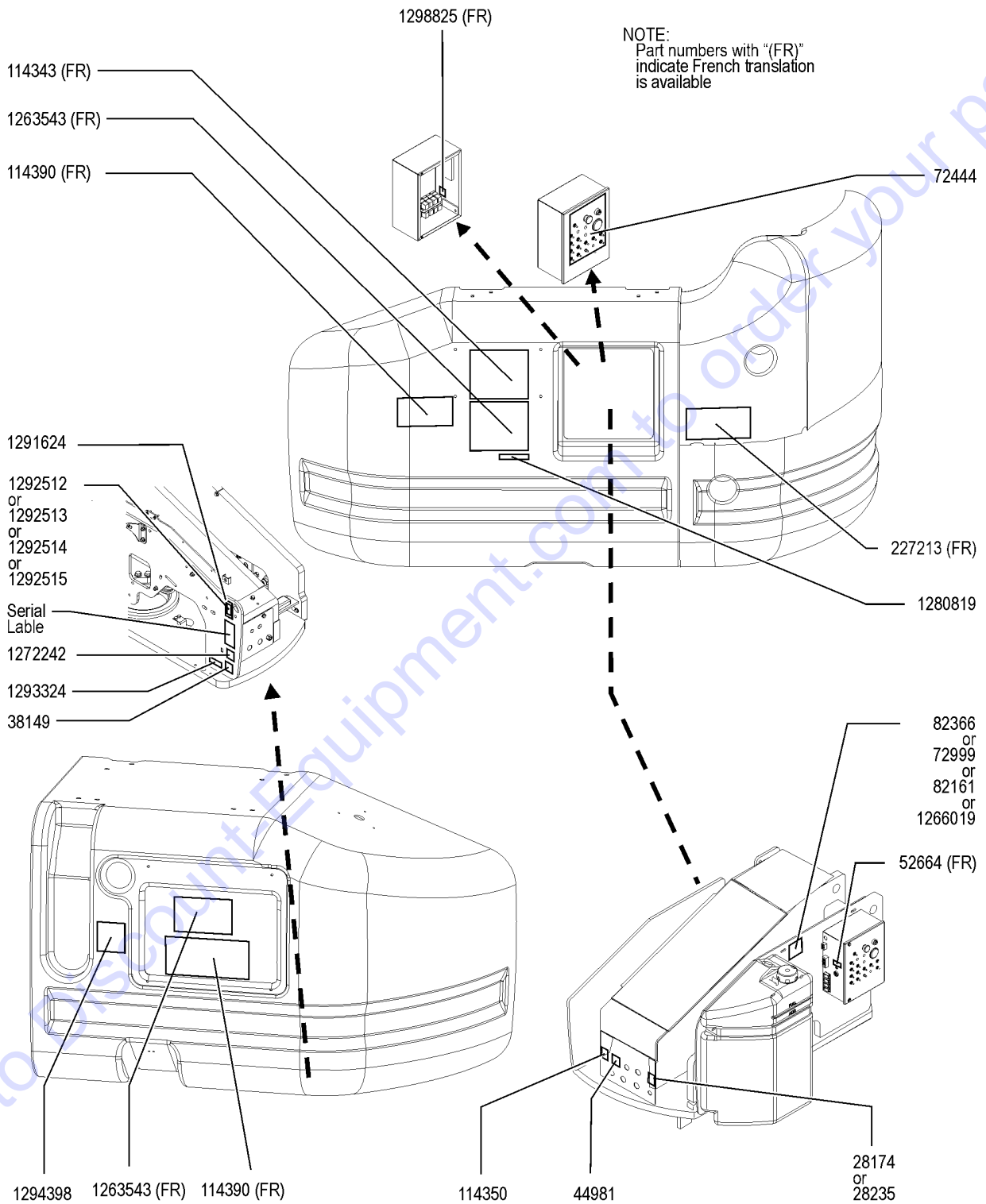
106.1 Decals with Word, Z-45 DC - Boom (from SN Z4525F-62000)

Item	Part No.	Description	Qty.
1	29104GT	DECAL,TOWING INSTRUCTIONS .....	1
2	31060GT	DECAL,DANGER DO NOT ALTER SWTC .....	2
3	35526GT	DECAL,CAUTION,TOWING SPEED .....	1
4	62926GT	DECAL,COSMETIC,GENIE Z-45/25J .....	1
5	62927GT	DECAL,COSMETIC,GENIE Z-45/25 .....	1
6	1267121GT	DECAL,WARNING,CRUSH HAZARD .....	1
7	1299733GT	DECAL,COSMETIC,GENIE Z-45/25J BLUE .....	1
8	1299734GT	DECAL,COSMETIC,GENIE Z-45/25J BLACK .....	1
9	1299735GT	DECAL,COSMETIC,GENIE Z-45/25 BLUE .....	1
10	1299736GT	DECAL,COSMETIC,GENIE Z-45/25 BLACK .....	1

Go to Discount-Equipment.com to order your parts



107.1 Decals with Word, Z-45 DC - Turntable Covers (from SN Z4525F-62000)

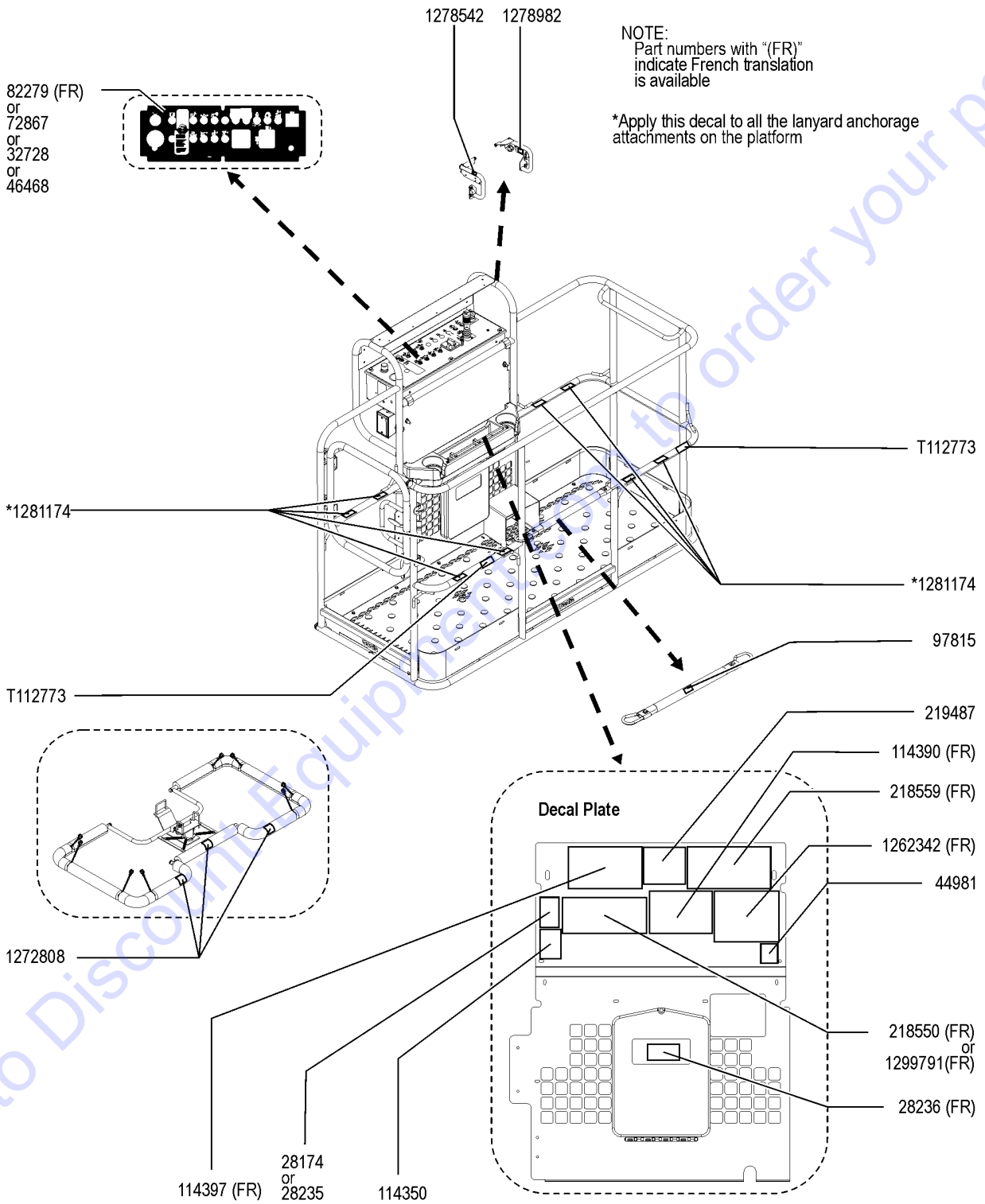


107.1 Decals with Word, Z-45 DC - Turntable Covers (from SN Z4525F-62000)

Item	Part No.	Description	Qty.
1	28174GT	DECAL,POWER TO PLATFORM 230V .....	1
2	28235GT	DECAL,POWER TO PLATFORM 115V .....	1
3	38149GT	DECAL,LABEL,PATENTS .....	1
4	44981GT	DECAL,LABEL,AIRLINE 110 PSI .....	1
		Option, Air line to Plat	
5	52664GT	DECAL,LABEL,CONTRLR STATUS LT .....	1
6	72444GT	DECAL,GROUND CONTROL PANEL .....	1
7	72999GT	DECAL,LABEL,PETRO CANADA*** .....	1
8	82161GT	DECAL,LABEL,UCON HYDROLUBE .....	1
9	82366GT	DECAL,CHEVRON RANDO HD .....	1
10	114343GT	DECAL,LABEL,EMERGENCY DOWN .....	1
11	114350GT	DECAL,AC INVERTER POWER,115V .....	1
		Option, Inverter	
12	114390GT	DECAL,DANGER,ELECT HAZARD*** .....	2
13	227213GT	DECAL,OPER INST,DC BOOM GND AU .....	1
14	1263543GT	DECAL,COMPARTMENT ACCESS .....	2
15	1266019GT	DECAL, LABEL, SHELL TELLUS .....	1
16	1272242GT	DECAL,MACHINE REGISTRATION/OWN .....	1
17	1280819GT	DECAL,WARNING,CANCER AND REPRODUCTIVE HARM, PROP 65 .....	1
18	1291624GT	DECAL COSM,GENIE LIFT CONNECT,LEXAN COVER .....	1
19	1292512GT	DECAL COSM,GENIE LIFT CONNECT,ESN,SKU4-1 .....	1
20	1292513GT	DECAL COSM,GENIE LIFT CONNECT,ESN,SKU4-2 .....	1
21	1292514GT	DECAL COSM,GENIE LIFT CONNECT,ESN,SKU4-3 .....	1
22	1292515GT	DECAL COSM,GENIE LIFT CONNECT,ESN,SKU4-4 .....	1
23	1293324GT	DECAL, ICES-2/CAN-2 COMPLIANCE .....	1
24	1294398GT	DECAL, ANSI/CSA COMPLIANT .....	1
25	1298825GT	DECAL, LABEL, RELAYS, Z45DC, BE .....	1



108.1 Decals with Word, Z-45 DC - Platform (from SN Z4525F-62000)

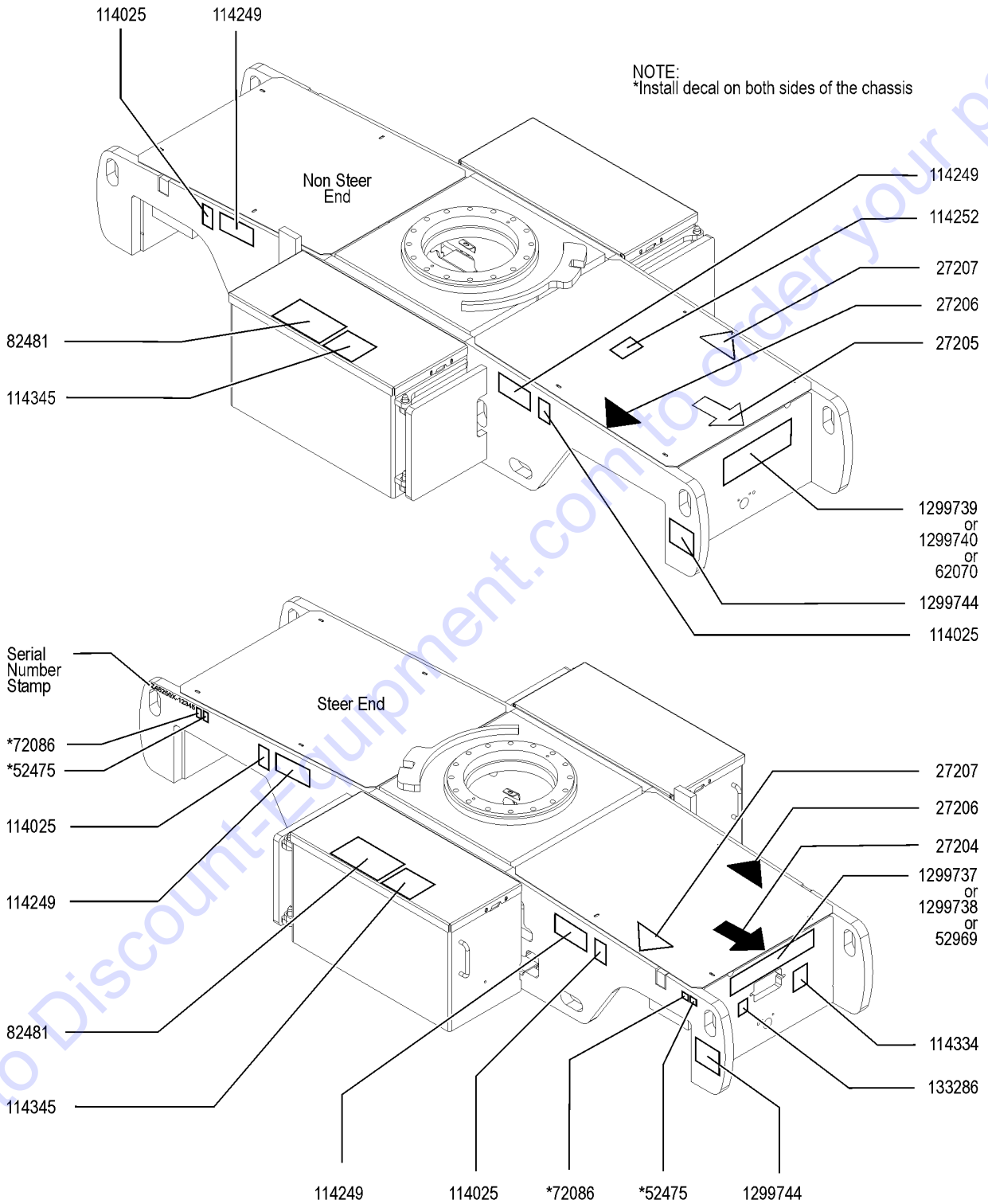


108.1 Decals with Word, Z-45 DC - Platform (from SN Z4525F-62000)

Item	Part No.	Description	Qty.
-	1304838GT	INSTRUCTIONS,INSTALL,PLAT,WORD, Z-45 DC .....	
-	1304839GT	DECAL KIT, Z-45 DC,PLAT,WORD,ANSI & AUS .....	
1	28174GT	DECAL,POWER TO PLATFORM 230V .....	1
2	28235GT	DECAL,POWER TO PLATFORM 115V .....	1
3	28236GT	DECAL,WARN,IMPROPER OPERATION .....	1
4	32728GT	DECAL,OPTION GENERATOR*** Option, Inverter .....	1
5	44981GT	DECAL,LABEL,AIRLINE 110 PSI .....	1
		Option, Air line to Plat .....	
6	46468GT	DECAL,FUNCTION OVERRIDE .....	1
		Option, Aircraft Protection .....	
7	72867GT	DECAL,LABEL,LIGHTS*** .....	1
		Option, Work Light .....	
8	82279GT	DECAL,PLATFORM CONTROL PANEL .....	1
9	97815GT	DECAL,LABEL,LOWER MIDRAIL .....	1
10	114350GT	DECAL,AC INVERTER POWER,115V .....	1
		Option, Inverter .....	
11	114390GT	DECAL,DANGER,ELECT HAZARD*** .....	1
12	114397GT	DECAL,DANGER,TILT ALARM .....	1
13	218550GT	DECAL,DANGER,CAP,AUS WORD .....	1
14	218559GT	DECAL,DANGER/WARNING COMBO .....	1
15	219487GT	DECAL,PLATFORM OVERLOAD .....	1
16	1262342GT	DECAL,WORD,SLOPE RATING,S60 .....	1
17	1272808GT	DECAL, NO STEP, HS ADHESIVE .....	3
18	1278542GT	DECAL, INSTRUCTION, CONTACT ALARM .....	1
19	1278982GT	DECAL, INSTRUCTION, ACTUATOR SWITCH SOCKET .....	1
20	1281174GT	DECAL,LANYARD,FALL ARREST/FALL RESTRAINED .....	8
21	1299791GT	DECAL,DANGER,CAP, AIRCRAFT, WORD .....	1
		Option, Aircraft Pkg. .....	
22	T112773GT	TAPE, PROTECTIVE MASK .....	2



109.1 Decals with Symbol, Z-45 DC - Chassis (from SN Z4525F-62000)

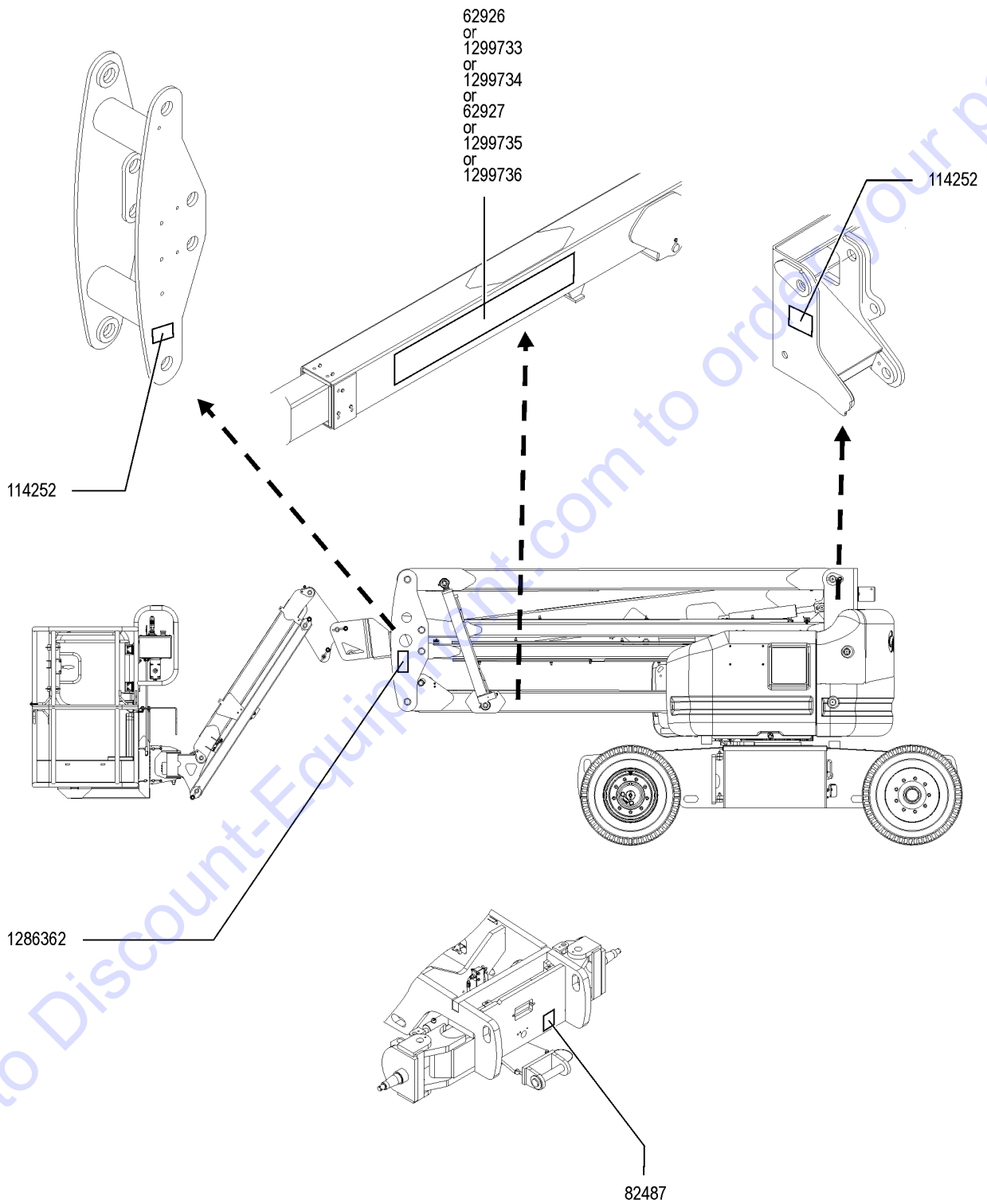


109.1 Decals with Symbol, Z-45 DC - Chassis (from SN Z4525F-62000)

Item	Part No.	Description	Qty.
-	1304840GT	INSTRUCTIONS,INSTALL,COMP,SYMBOL, Z-45 DC .....	
-	1304841GT	DECAL KIT, Z-45 DC,COMP,SYMBOL,ANSI & CE .....	
1	27204GT	DECAL,ARROW BLUE .....	1
2	27205GT	DECAL,ARROW YELLOW LRG 9" .....	1
3	27206GT	DECAL,TRIANGLE,BLUE .....	2
4	27207GT	DECAL,TRIANGLE,YELLOW .....	2
5	52475GT	DECAL,LABEL,TRANSPORT TIEDOWN* .....	4
6	52969GT	DECAL,COSMETIC,GENIE BOOM,HORZ .....	1
7	62070GT	DECAL,COSMETIC,DC POWER .....	1
8	72086GT	DECAL,LABEL,LIFTING EYE .....	4
9	82481GT	DECAL,SYMBOL-BATTERY SAFETY .....	2
10	114025GT	DECAL,LABEL,WHEEL LOAD Z4525DC .....	4
11	114249GT	DECAL,LABEL,TIPOVER,TIRES,SYMB .....	4
12	114252GT	DECAL,LABEL,TIP OVER LMT SWTCH .....	1
13	114334GT	DECAL,SYM-ELEC HAZARD,PLUG .....	1
14	114345GT	DECAL,LABEL,TIPOVER,BATTERIES .....	2
15	133286GT	DECAL, POWER TO CHARGER, UNIV .....	1
16	1299737GT	DECAL,COSMETIC,GENIE BOOM,HORZ BLUE .....	1
17	1299738GT	DECAL,COSMETIC,GENIE BOOM,HORZ BLACK .....	1
18	1299739GT	DECAL,COSMETIC,DC POWER BLUE .....	1
19	1299740GT	DECAL,COSMETIC,DC POWER BLACK .....	1
20	1299744GT	DECAL,TRANSPORT/LIFT DIAGRAM, Z-45 .....	2



110.1 Decals with Symbol, Z-45 DC - Boom (from SN Z4525F-62000)





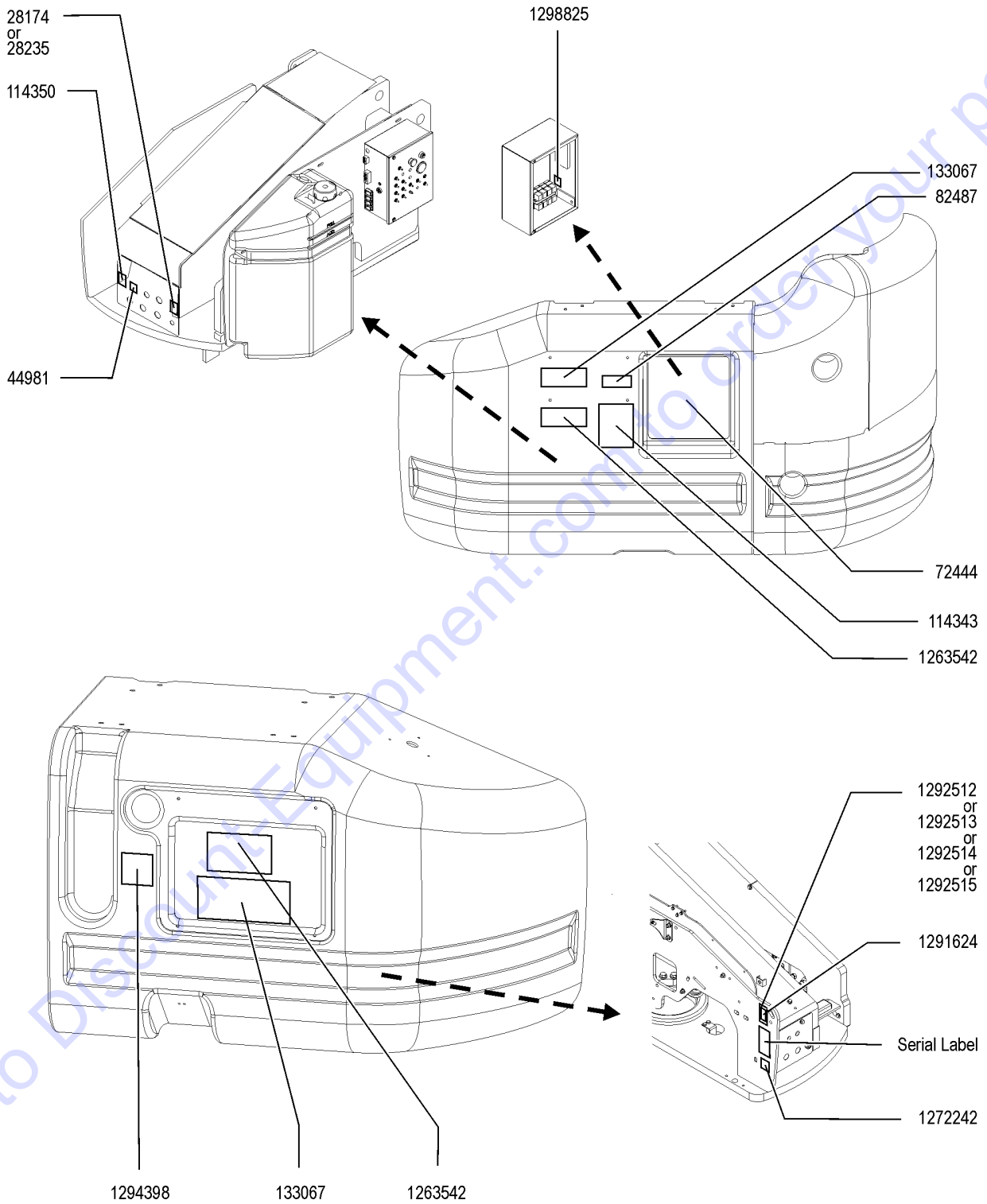
110.1 Decals with Symbol, Z-45 DC - Boom (from SN Z4525F-62000)

Item	Part No.	Description	Qty.
1	62926GT	DECAL,COSMETIC,GENIE Z-45/25J .....	1
2	62927GT	DECAL,COSMETIC,GENIE Z-45/25 .....	1
3	82487GT	DECAL,SYMBOL-READ THE MANUAL .....	1
4	114252GT	DECAL,LABEL,TIP OVER LMT SWTCH .....	2
5	1286362GT	DECAL, BOOM SUPPORT, SYMBOL .....	1
6	1299733GT	DECAL,COSMETIC,GENIE Z-45/25J BLUE .....	1
7	1299734GT	DECAL,COSMETIC,GENIE Z-45/25J BLACK .....	1
8	1299735GT	DECAL,COSMETIC,GENIE Z-45/25 BLUE .....	1
9	1299736GT	DECAL,COSMETIC,GENIE Z-45/25 BLACK .....	1

Go to Discount-Equipment.com to order your parts



111.1 Decals with Symbol, Z-45 DC - Turntable Covers (from SN Z4525F-62000)



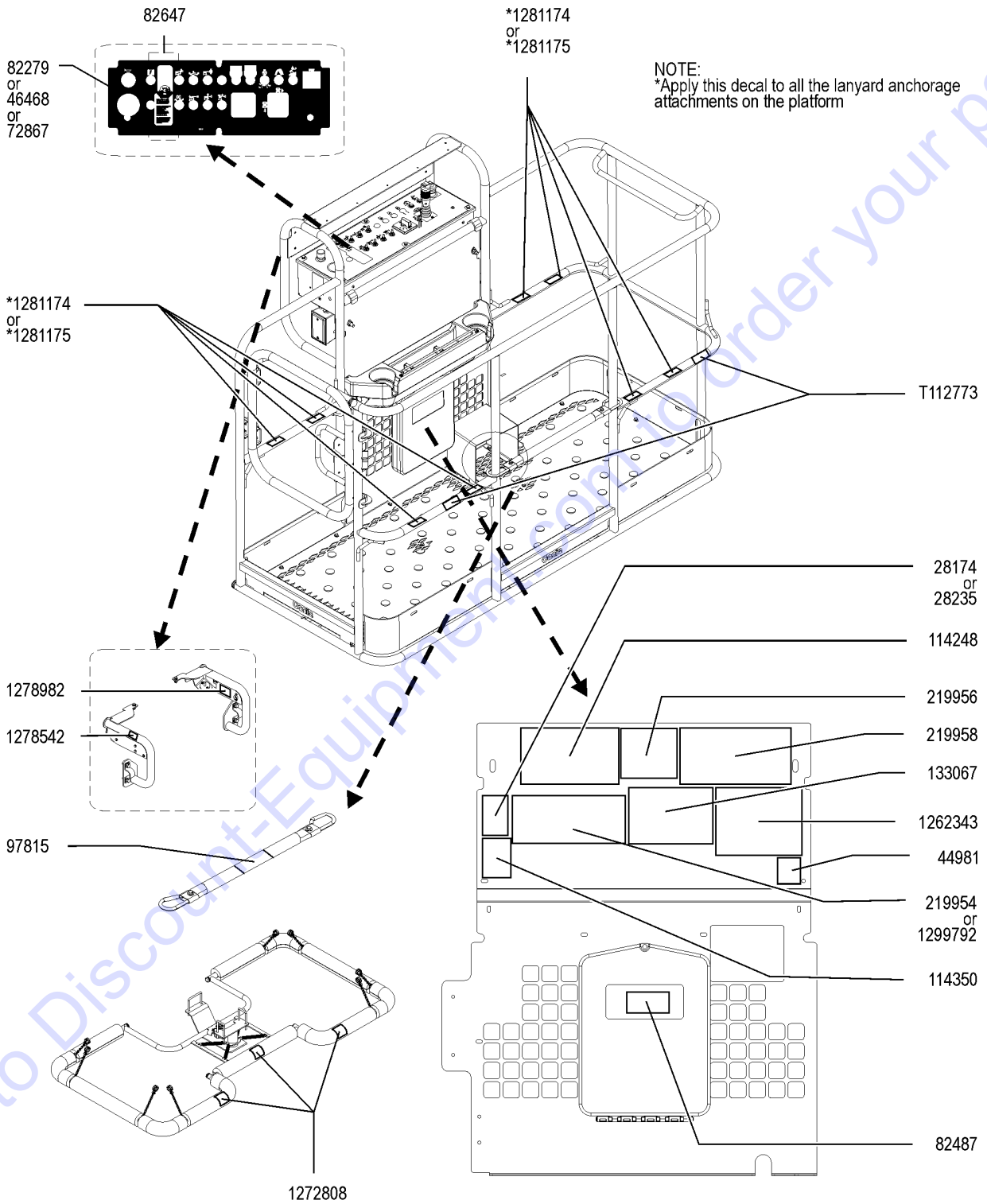
111.1 Decals with Symbol, Z-45 DC - Turntable Covers (from SN Z4525F-62000)

Item	Part No.	Description	Qty.
1	28174GT	DECAL,POWER TO PLATFORM 230V .....	1
2	28235GT	DECAL,POWER TO PLATFORM 115V .....	1
3	44981GT	DECAL,LABEL,AIRLINE 110 PSI .....	1
		Option, Air Line to Plat	
4	72444GT	DECAL,GROUND CONTROL PANEL .....	1
5	82487GT	DECAL,SYMBOL-READ THE MANUAL .....	1
6	114343GT	DECAL,LABEL,EMERGENCY DOWN .....	1
7	114350GT	DECAL,AC INVERTER POWER,115V .....	1
		Option, Inverter	
8	133067GT	DECAL,DANGER,ELEC.HAZ.STAY CLR .....	2
9	1263542GT	DECAL, COMPARTMENT ACCESS .....	2
10	1272242GT	DECAL,MACHINE REGISTRATION/OWN .....	1
11	1291624GT	DECAL COSM,GENIE LIFT CONNECT,LEXAN COVER .....	1
12	1292512GT	DECAL COSM,GENIE LIFT CONNECT,ESN,SKU4-1 .....	1
13	1292513GT	DECAL COSM,GENIE LIFT CONNECT,ESN,SKU4-2 .....	1
14	1292514GT	DECAL COSM,GENIE LIFT CONNECT,ESN,SKU4-3 .....	1
15	1292515GT	DECAL COSM,GENIE LIFT CONNECT,ESN,SKU4-4 .....	1
16	1294398GT	DECAL, ANSI/CSA COMPLIANT .....	1
17	1298825GT	DECAL, LABEL, RELAYS, Z45DC, BE .....	1

Go to Discount-Equipment.com to order your parts



112.1 Decals with Symbol, Z-45 DC - Platform (from SN Z4525F-62000)

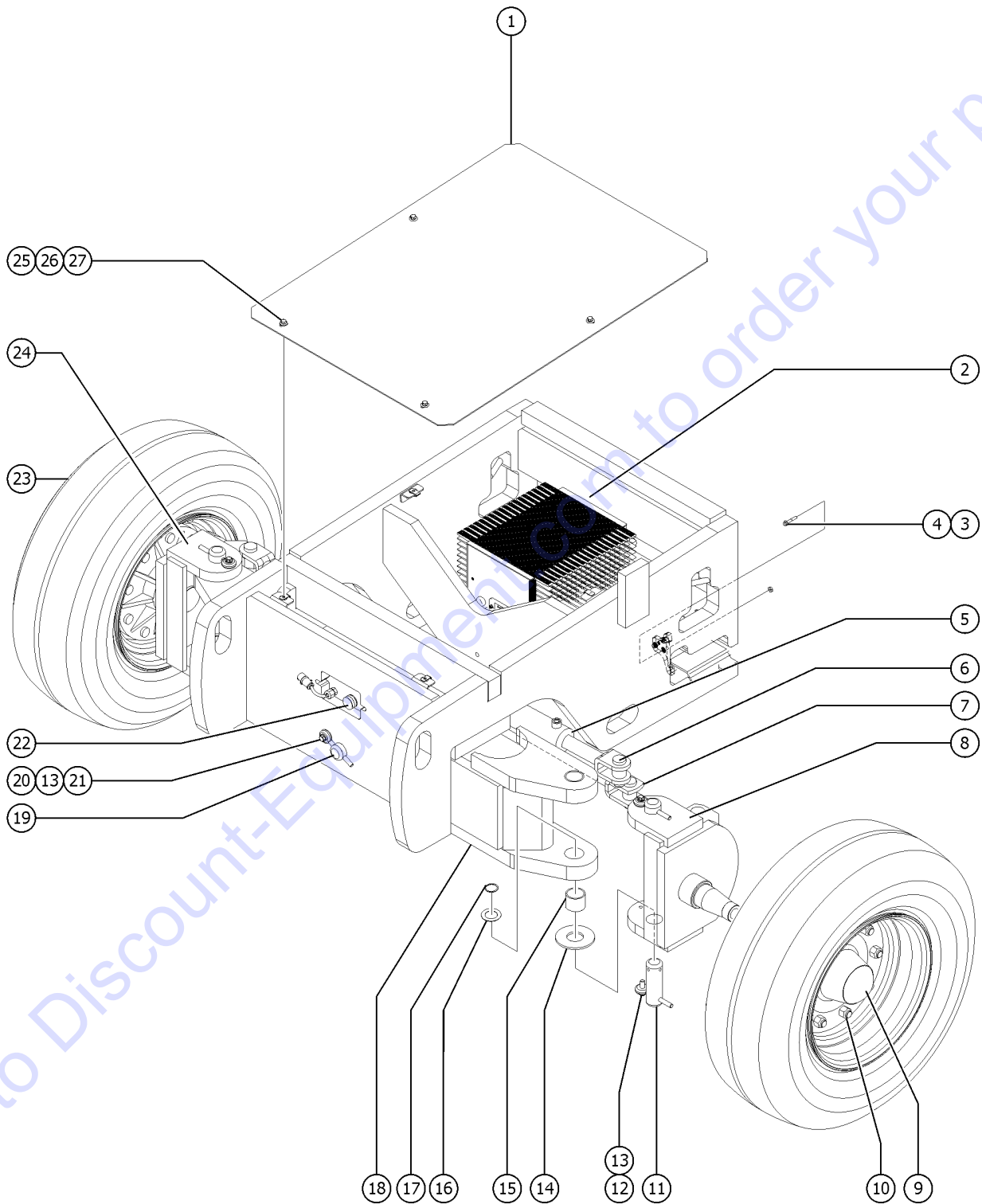


112.1 Decals with Symbol, Z-45 DC - Platform (from SN Z4525F-62000)

Item	Part No.	Description	Qty.
-	1304842GT	INSTRUCTIONS,INSTALL,PLAT,SYMBOL, Z-45 DC	
-	1304843GT	DECAL KIT, Z-45 DC,PLAT,SYMBOL,ANSI & CE	
1	28174GT	DECAL,POWER TO PLATFORM 230V	1
2	28235GT	DECAL,POWER TO PLATFORM 115V	1
3	44981GT	DECAL,LABEL,AIRLINE 110 PSI Option, Air line to Plat	1
4	46468GT	DECAL,FUNCTION OVERRIDE Option, Aircraft Protection	1
5	72867GT	DECAL,LABEL,LIGHTS*** Option, Work Light	1
6	82279GT	DECAL,PLATFORM CONTROL PANEL	1
7	82487GT	DECAL,SYMBOL-READ THE MANUAL	1
8	82647GT	DECAL,DRIVE ENABLE PATCH	1
9	97815GT	DECAL,LABEL,LOWER MIDRAIL	1
10	114248GT	DECAL,LABEL,TIPOVER,TILT AL SY	1
11	114350GT	DECAL,AC INVERTER POWER,115V Option, Inverter	1
12	133067GT	DECAL,DANGER,ELEC.HAZ.STAY CLR	1
13	219954GT	DECAL,TIP-OVER HAZARD,CE	1
14	219956GT	DECAL,PLATFORM OVERLOAD	1
15	219958GT	DECAL,TIP-OVER,CRUSH	1
16	1262343GT	DECAL,SYM,SLOPE RATING,S60	1
17	1272808GT	DECAL, NO STEP, HS ADHESIVE	3
18	1278542GT	DECAL, INSTRUCTION, CONTACT ALARM	1
19	1278982GT	DECAL, INSTRUCTION, ACTUATOR SWITCH SOCKET	1
20	1281174GT	DECAL,LANYARD,FALL ARREST/FALL RESTRAINED	8
21	1281175GT	DECAL,LANYARD,FALL RESTRAINED	8
22	1299792GT	DECAL,TIP-OVER HAZARD, AIRCRAFT, SYM Option, Aircraft Pkg.	1
23	T112773GT	TAPE, PROTECTIVE MASK	2



201.1 Steer End



Go to Discount-Equipment.com to order your parts

# PARTS FINDER

**Search Website  
by Part Number**



**Search Manual  
Library For Parts  
Manual & Lookup Part  
Numbers – Purchase  
or Request Quote**

**Search Manuals**

Enter your information to help us find the right parts manual for your machine.

\* Brand:

\* Model:

\* Serial:

\* Part Number:

SEARCH

**Can't Find Part or  
Manual? Request Help  
by Manufacturer,  
Model & Description**

**Parts Order Form**

Please fill in the following information to help us find the right part for your machine.

Manufacturer:	<input type="text"/>
Model:	<input type="text"/>
Description:	<input type="text"/>
Part Number:	<input type="text"/>
Quantity:	<input type="text"/>
Notes:	<input type="text"/>

Discount-Equipment.com is your online resource for quality parts & equipment.

Florida: **561-964-4949** Outside Florida TOLL FREE: **877-690-3101**

**Need parts?**

Click on this link: <http://www.discount-equipment.com/category/5443-parts/> and choose one of the options to help get the right parts and equipment you are looking for. Please have the machine model and serial number available in order to help us get you the correct parts. If you don't find the part on the website or on one of the online manuals, please fill out the request form and one of our experienced staff members will get back to you with a quote for the right part that your machine needs.

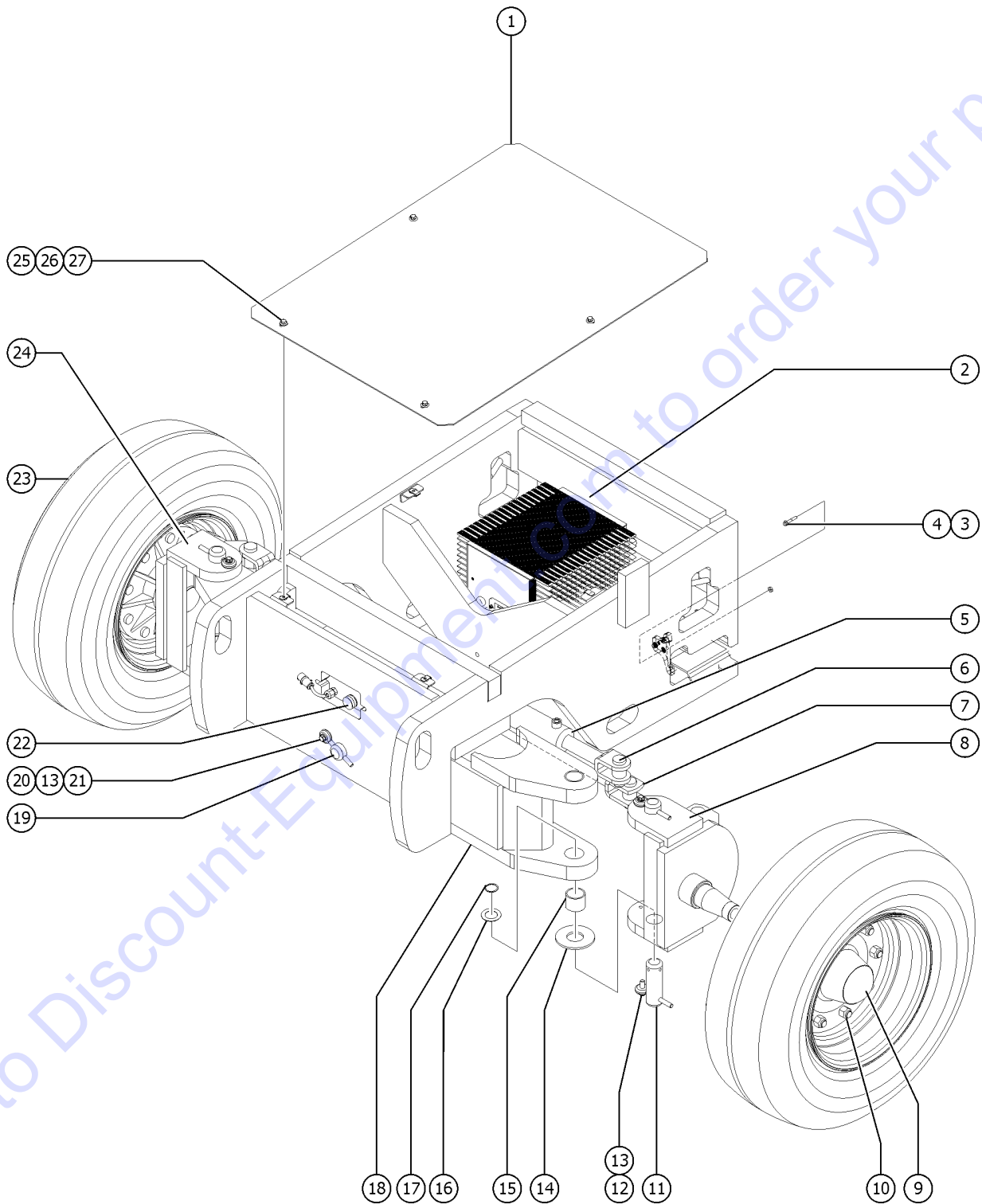
We sell worldwide for the brands: Genie, Terex, JLG, MultiQuip, Mikasa, Essick, Whiteman, Mayco, Toro Stone, Diamond Products, Generac Magnum, Airman, Haulotte, Barreto, Power Blanket, Nifty Lift, Atlas Copco, Chicago Pneumatic, Allmand, Miller Curber, Skyjack, Lull, Skytrak, Tsurumi, Husquvarna Target, Stow, Wacker, Sakai, Mi-T-M, Sullair, Basic, Dynapac, MBW, Weber, Bartell, Bennar Newman, Haulotte, Ditch Runner, Menegotti, Morrison, Contec, Buddy, Crown, Edco, Wyco, Bomag, Laymor, EZ Trench, Bil-Jax, F.S. Curtis, Gehl Pavers, Heli, Honda, ICS/PowerGrit, IHI, Partner, Imer, Clipper, MMD, Koshin, Rice, CH&E, General Equipment, Amida, Coleman, NAC, Gradall, Square Shooter, Kent, Stanley, Tamco, Toku, Hatz, Kohler, Robin, Wisconsin, Northrock, Oztec, Toker TK, Rol-Air, APT, Wylie, Ingersoll Rand / Doosan, Innovatech, Con X, Ammann, Mecalac, Makinex, Smith Surface Prep, Small Line, Wanco, Yanmar

Item	Part No.	Description	Qty.
A	230062GT	ASSEMBLY, AXLE, STEER, Z45DC .....	1
B	54436GT	GROUND STRAP, 18"LG (models with non-marking tires and/or models with EE rating) .....	
1	50770GT	COVER, DR CHASSIS FRONT, NON-OSC .....	1
2		Ref. Battery Charger .....	
		refer to 204.1	
3	824081GT	SCREW, HHF, 1/4-20 X 1.5, 8, ZAG .....	4
4	824037GT	NUT, HH JAM, 1/4-20, A, ZAG .....	4
5	88337GT	CYLINDER, STEER .....	2
5-	88338GT	SEAL KIT, 88337 .....	
6	824127GT	PIN, CLEVIS, 1.0X2.41, SAE, ZAG .....	6
6-	824129GT	RUE RING, 1.0, ZAG .....	
7	50397-SGT	TIE ROD WELDMENT NARROW .....	1
8	50395GT	YOKE MACHINING L.H.(2WD) .....	1
8-	50393GT	YOKE WELDMENT L.H.(2WD) .....	
8-	25817GT	BEARING, 1.00IDX1.25ODX1.00L .....	2
9	54840GT	HUB ASSEMBLY, 9 BOLT*** .....	2
9-	45112GT	WASHER, SPINDLE .....	
9-	45113GT	NUT, SPINDLE, 1-14 .....	
9-	45114GT	PIN, COTTER, .219 X 1.75 .....	
9-	54959GT	CAP, DUST (54840 HUB ASSY) .....	
9-	54960GT	SEAL-GREASE, 9-BOLT HUB 54840 .....	
9-	54961GT	BEARING, INNER, 9 BOLT HUB*** .....	
9-	54962GT	BEARING, OUTER, 9 BOLT HUB*** .....	
10	54627GT	NUT, LUG, 5/8-18 X 90 DEGREE, Z45 .....	18
11	88752GT	PIN, 1.50DIAX4.25LG, GR/H .....	4
12	824091GT	SCREW, HHF, 3/8-16 X 1.25, 8, ZAG .....	4
13	825019GT	ROD END, .375X3.69, ZAG .....	5
14	45074GT	WASHER, THRUST, 1.5 X 3.5 X .187 .....	2
15	119619GT	BEARING, 1.5IDX1.75ODX1.5L, PTFE .....	6





201.1 Steer End



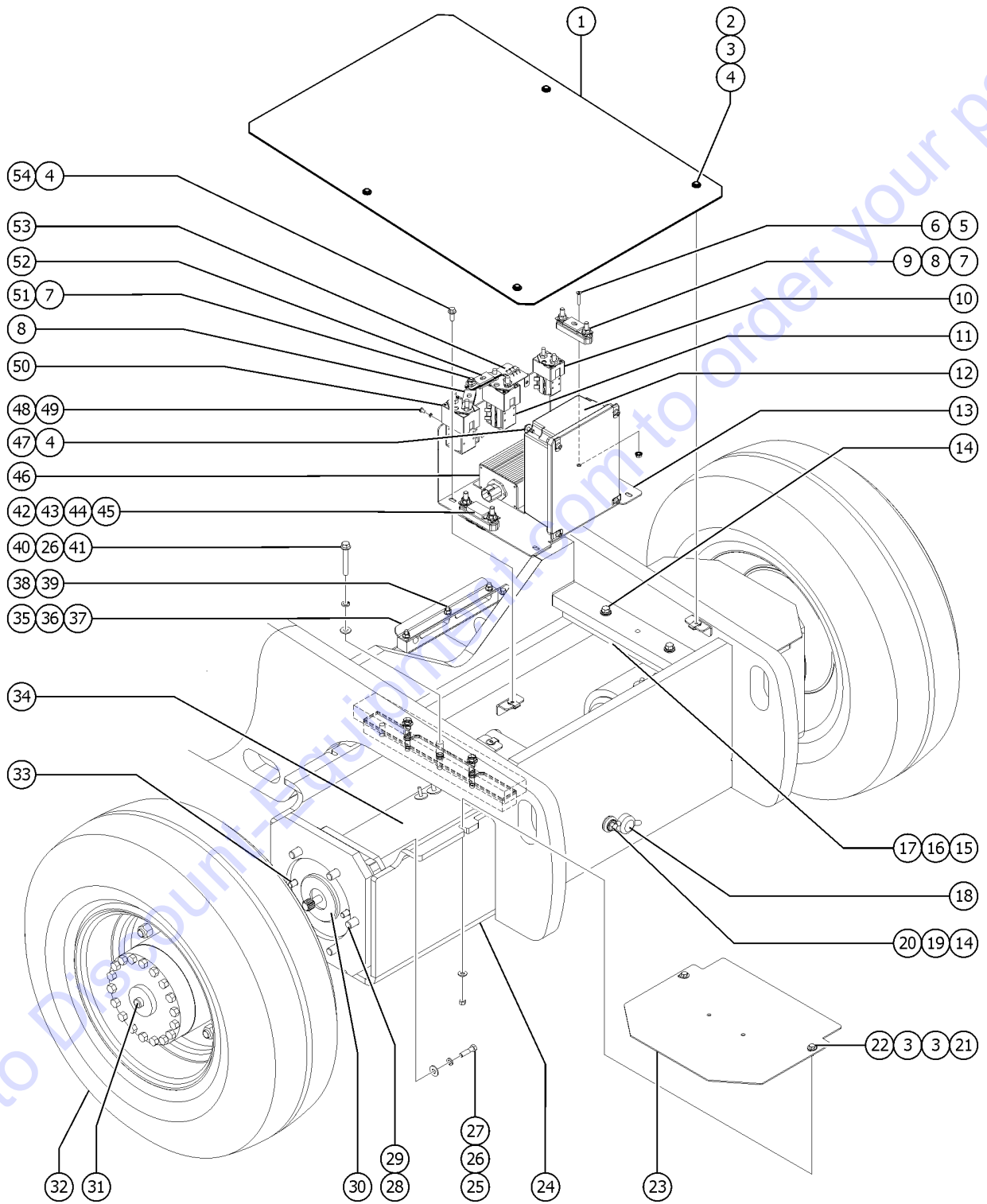
Go to Discount-Equipment.com to order your parts

Item	Part No.	Description	Qty.
16	1251565GT	WASHER,SHIM,1.56X2.5X0.061,ZAG	6
17	825796GT	SNAP RING,EXTERNAL,1.50,ZAG	4
18	215235GT	FRONT AXLE,NARROW	1
18-	25817GT	BEARING,1.00IDX1.25ODX1.00L	2
19	54542GT	PIN,1.50DIA X20.00LG,CHAMFER	1
20	1256693GT	SCREW,HHF,3/8-16X2.25,8,ZAG	1
21	824029GT	NUT,TL FLG,3/8-16,G,ZAG	1
22	228973GT	KIT,ASSY,LED,IES CHARGER refer to 204.1	1
23A	1267779GT	TIRE/WH ASSY,9 LG,FOAM,S FRONT (steer end)	2
23B	1267781GT	TIRE/WH ASSY,9 LG,NM,FOAM,S FR (steer end)	2
23C	1267784GT	TIRE/WH ASSY,9 LG,REPNEU,S (steer end)	2
23D	1267786GT	TIRE/WH ASSY,9 LG,NM,REPNEU,S (steer end)	2
24	50396GT	YOKE MACHINING R.H.(2WD)	1
24-	50394GT	YOKE WELDMENT R.H.(2WD)	
24-	25817GT	BEARING,1.00IDX1.25ODX1.00L	2
25	824060GT	SCREW, HHC, 1/4-20 X 1, 8, ZAG	4
26	824113GT	WASHER,FLAT,USS,1/4,ZAG	4
27	56912GT	SPRING CLIP,1/4-20,.025-.15X.54,ZAG	4

Go to Discount-Equipment.com to order your parts



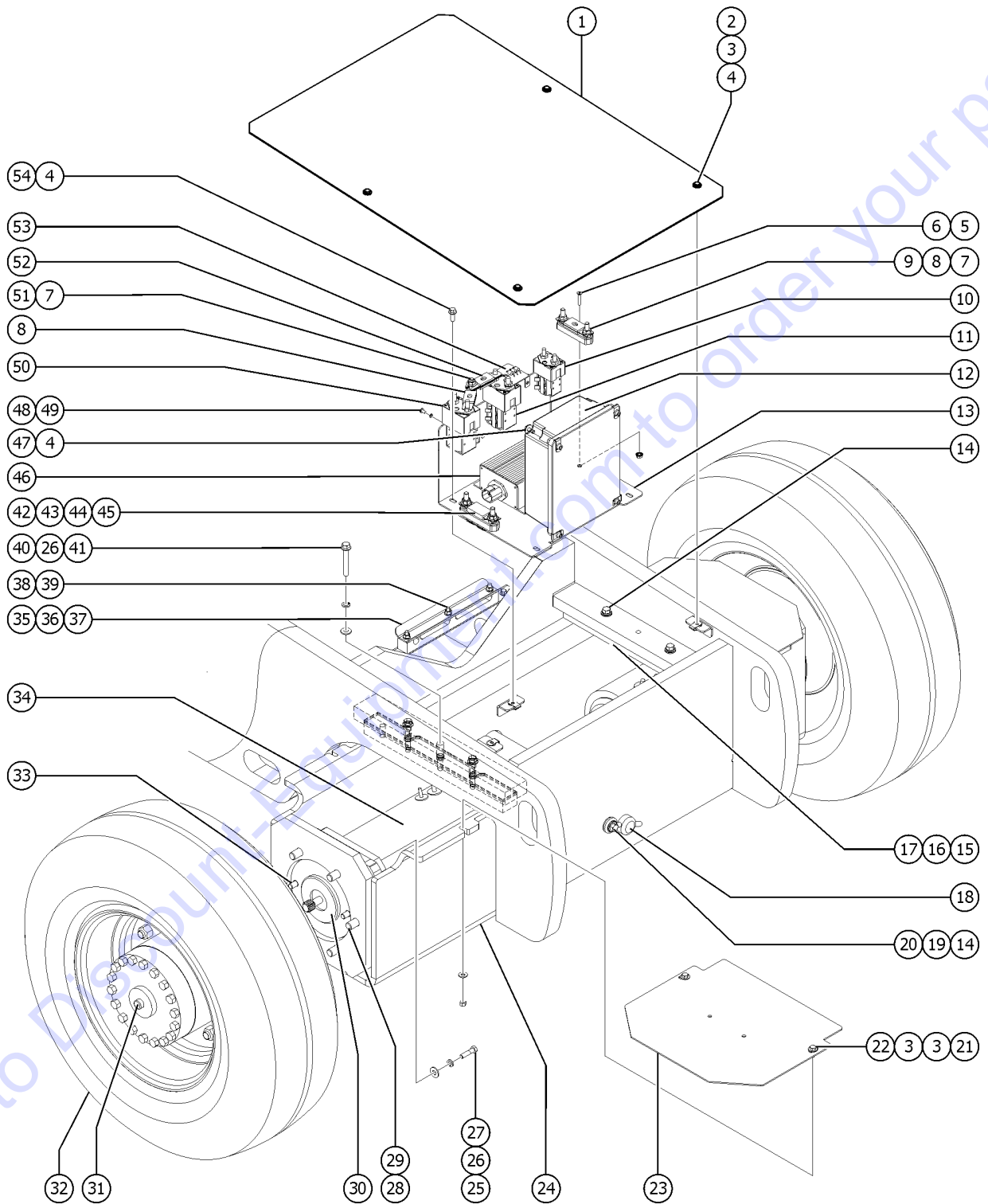
202.1 Non-steer End



Item	Part No.	Description	Qty.
A	23083GT	FUSE HOLDER,WATERPROOF .....	
A-	13097GT	FUSE,10 AMP .....	
1	50371GT	COVER,DRIVE CHASSIS,REAR .....	1
2	824060GT	SCREW, HHC, 1/4-20 X 1, 8, ZAG .....	4
3	824113GT	WASHER,FLAT,USS,1/4,ZAG .....	12
4	56912GT	SPRING CLIP,1/4-20,.025-.15X.54,ZAG .....	13
5	826783GT	SCREW,FHPM,10-32X.1,00,ZAG .....	2
6	1264261GT	NUT,SERRATED,10-32,ZAG .....	2
7	1255805GT	NUT,SERRATED,5/16-18,8,ZAG .....	3
8	18576GT	FUSE,200 AMP .....	2
9	66717GT	FUSE BLOCK, ANN & ANL FUSE .....	1
10	74268GT	CONTACTOR,AUX PUMP 24V,80A*** .....	1
10-	22262GT	CONTACT,MOVING,19549RELAY* .....	
10-	22263GT	CONTACT,STATIONARY,19549RELAY* .....	
10-	74495GT	SPRING, RETURN (FOR 74268) .....	
11	74267GT	CONTACTOR,DRIVE,24V,180A*** .....	1
11-	74468GT	SPRING, RETURN (FOR 74267) .....	
11-	74469GT	FIXED CONTACT (FOR 74267) .....	
11-	74470GT	MOVING CONTACT (FOR PN 74267) .....	
12	128337GT	CONTROLLR,SEPEX MOTOR,Z45DC/BE .....	1
12-	128598GT	HARNESS RETRO 24V RELAY .....	
12-	56561GT	TOOL,TERMINAL CRIMPER,MOLEX*** .....	
12-	56562GT	TOOL,TERMINAL EXTRACTOR,MOLEX .....	
13	70657GT	PLATE, CONTACTOR MOUNT, Z45 .....	1
13-	13268GT	CLAMP,0.75,#12 X 1/4,RUB CUSH (not shown) .....	
14	1256693GT	SCREW,HHF,3/8-16X2.25,8,ZAG .....	6
15	50668-SGT	BAR, AXLE ROTATION STOP .....	2
16	119210GT	SHIM,AXLE ROTATION STOP,12GA as-needed .....	



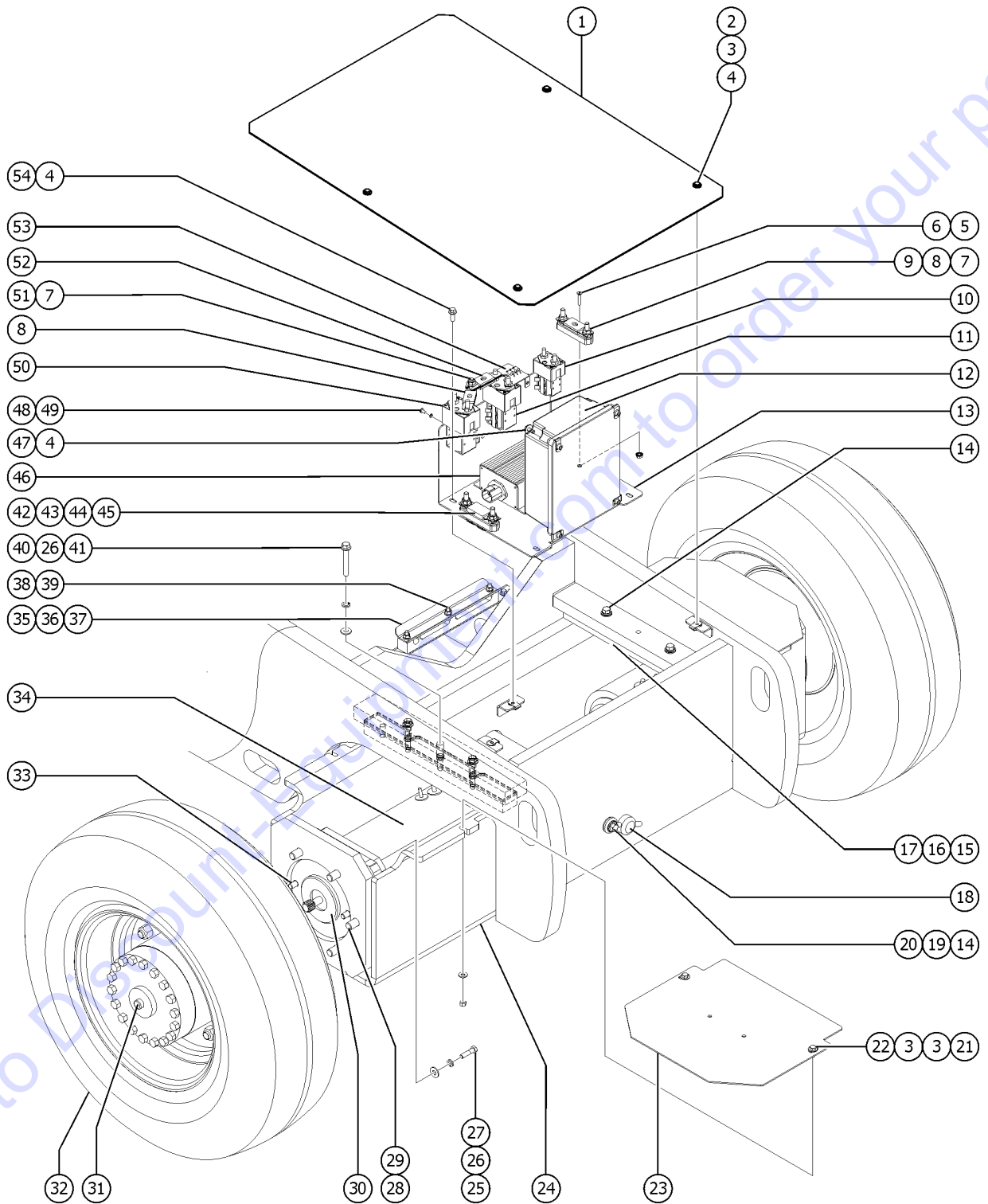
202.1 Non-steer End



Item	Part No.	Description	Qty.
17	119209GT	SHIM,AXLE ROTATION STOP,22GA ..... as-needed	
18	54542GT	PIN,1.50DIAX20.00LG,CHAMFER ..... 1	1
19	825019GT	ROD END,.375X3.69,ZAG ..... 1	1
20	824029GT	NUT,TL FLG,3/8-16,G,ZAG ..... 1	1
21	824061GT	SCREW,HHC,1/4-20X1.25,8,ZAG ..... 4	4
22	824024GT	NUT,TL,1/4-20,C,ZAG ..... 4	4
23	70655GT	AXLE COVER, NARROW ..... 2 to SN 61597	2
23B	1283806GT	AXLE COVER, NARROW ..... 2 from SN 61598	2
24	119767GT	WELDMENT,NARROW REAR AXLE ..... 1	1
24-	45071GT	BEARING,1.5IDX1.75ODX1.5L ..... 2	2
25	1256118GT	SCREW,HHC,3/8-16X1.5,8,ZAG ..... 8	8
26	824110GT	WASHER,LOCK,3/8,ZAG ..... 9	9
27	1255758GT	WASHER,FLAT,3/8,USS,ZAG ..... 8	8
28	824104GT	SCREW,SHC,5/8-11X1.75,A574,ZAG ..... 12	12
29	1256182GT	WASHER,FLAT,5/8,F436,HRD,ZAG ..... 12	12
30	139351GT	BRAKE, NEMA, 1200 IN/LB ..... 2	2
30-	65608GT	BEARING KIT, AUSCO*** ..... for 139351	
30-	139353GT	STACK KIT, AUSCO 1200 IN/LB ..... for 139351	
30-	139354GT	O-RING KIT, AUSCO 1200 IN/LB ..... for 139351	
30-	139355GT	GASKET KIT, AUSCO 1200 IN/LB ..... for 139351	
30-	233807GT	BRAKE REPLACEMENT KIT ..... 1 for 101966 brake	1
30-	65618GT	SEAL KIT,BRAKE*** ..... for 101966 brake	
30-	94879GT	LINING KIT*** ..... for 101966 brake	
30-	94880GT	BEARING KIT ..... for 101966 brake	
31A	106148GT	WHEEL DRIVE,4HB,48:1*** ..... 2 (verify component before ordering) (Do Not use with 218570)	2
31A-	58320GT	KIT,TORQUE HUB COVER(101584)** ..... for 106148	
31A-	215777GT	INPUT CARRIER, SUB-ASSEMBLY ..... for 106148	
31A-	106117GT	O-RING,2-010,VITON ..... for 106148 (Mating O-ring for Brake Port)(Extremely small)	



202.1 Non-steer End

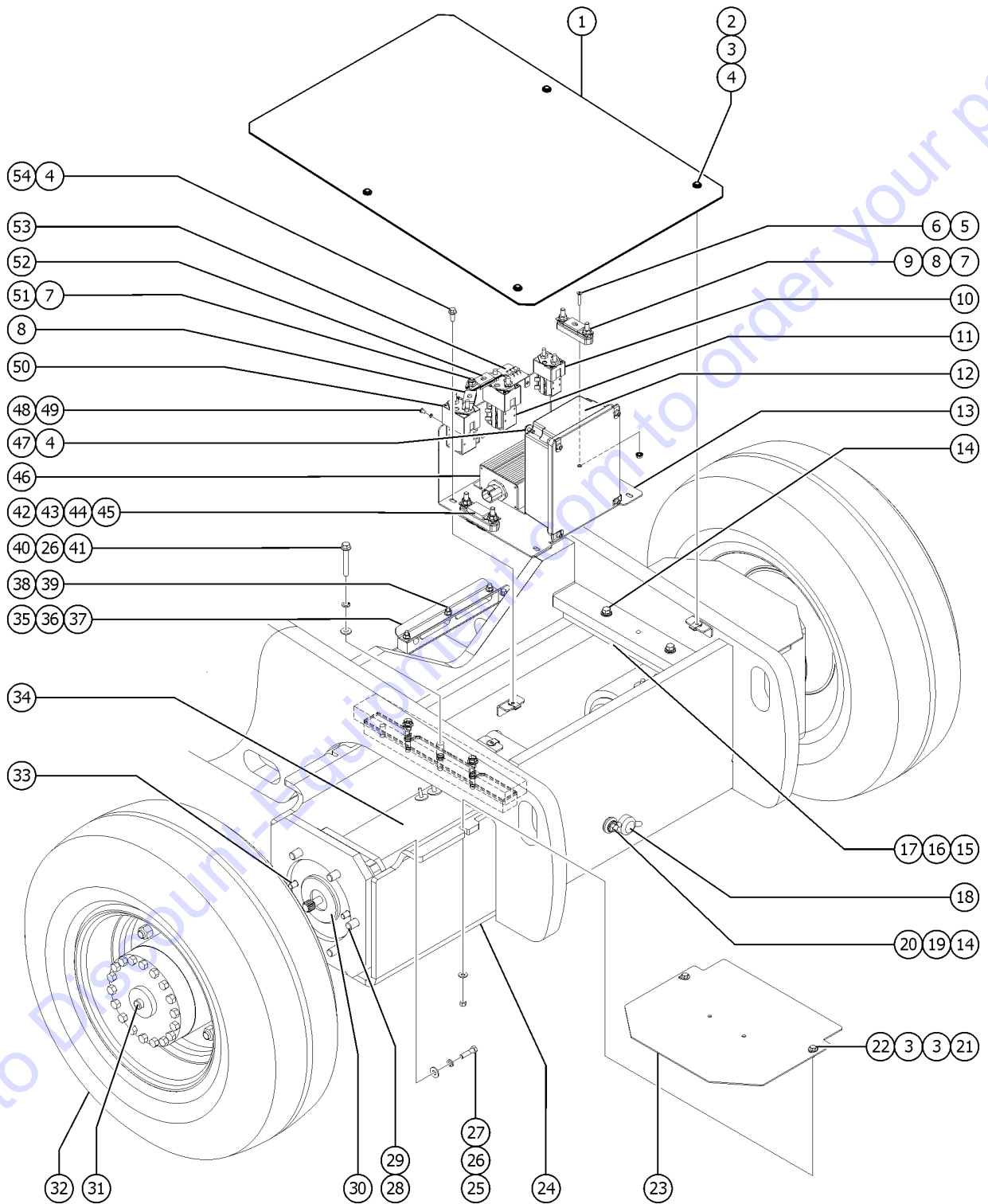


Item	Part No.	Description	Qty.
31A-	1286600GT	SEAL KIT,WHEEL DRIVE (106148/106445/107712) for 106148 (inventory limited to stock on hand as component is no longer available)	.....
31A-	1286600GT	SEAL KIT,WHEEL DRIVE (106148/106445/107712) for 106148	.....
31A-	106120GT	WHEEL STUD, 4HP, 5/8-18*** for 106148	.....
31A-	106121GT	ROD,DISCONNECT 4HP/4HB*** for 106148	.....
31A-	106122GT	CAP,DISENGAGE,4HP/4HB*** for 106148	.....
31A-	106123GT	O-RING,END COVER,4HP/4HB*** for 106148	.....
31A-	106124GT	LINING KIT, BRAKE, 4HP*** for 106148	.....
31A-	106125GT	SEAL KIT, BRAKE, 4HP for 106148 (inventory limited to stock on hand as component is no longer available)	.....
31A-	1286602GT	SEAL KIT,WHEEL DRIVE W/BRAKE (101584/101585) for 106148	.....
31A-	106126GT	BEARING KIT,4HP for 106148 (inventory limited to stock on hand as component is no longer available)	.....
31A-	1286603GT	BEARING KIT,WHEEL DRIVE W/BRAKE (101584/101585) for 106148	.....
31A-	146051GT	BEARING NUT*** for 106148	.....
31A-	232486GT	SNAP RING,WHEEL DRIVE for 106148	.....
31A-	146052GT	SET SCREW*** for 146051	.....
31A-	9990074GT	COUPLING for 106148 (brake coupler)	.....
31B	218570GT	WHEEL DRIVE, NON-BRAKE, 47.6:1 (verify component before ordering) (Do Not use with 106148)	2
31B-	139965GT	WHEEL STUD,5/8-18,OMNI*** for 218570	.....
31B-	139966GT	ROD,DISCONNECT,OMNI*** for 218570	.....
31B-	139967GT	CAP,DISENGAGE,OMNI*** for 218570	.....
31B-	139968GT	O-RING,END COVER,OMNI*** for 218570	.....
31B-	147034GT	PIPE PLUG KIT,OMNI*** for 218570	.....
31B-	229833GT	BEARING KIT, OMNI for 218570	.....
31B-	229834GT	SEAL KIT, OMNI for 218570	.....
31B-	58531GT	ORING,568-908 N552-90 NBR,10PK for 218570	.....
31C	218571GT	WH DRV,NON-BRAKE,GENERIC, 48:1	2
31C-	54627GT	NUT,LUG,5/8-18 X 90 DEGREE,Z45	18
32A	1267780GT	TIRE/WH ASSY,9 LG,FOAM,NS REAR (non-steer end)	2
32B	1267782GT	TIRE/WH ASSY,9LG,NM,FOAM,NS RE (non-steer end)	2





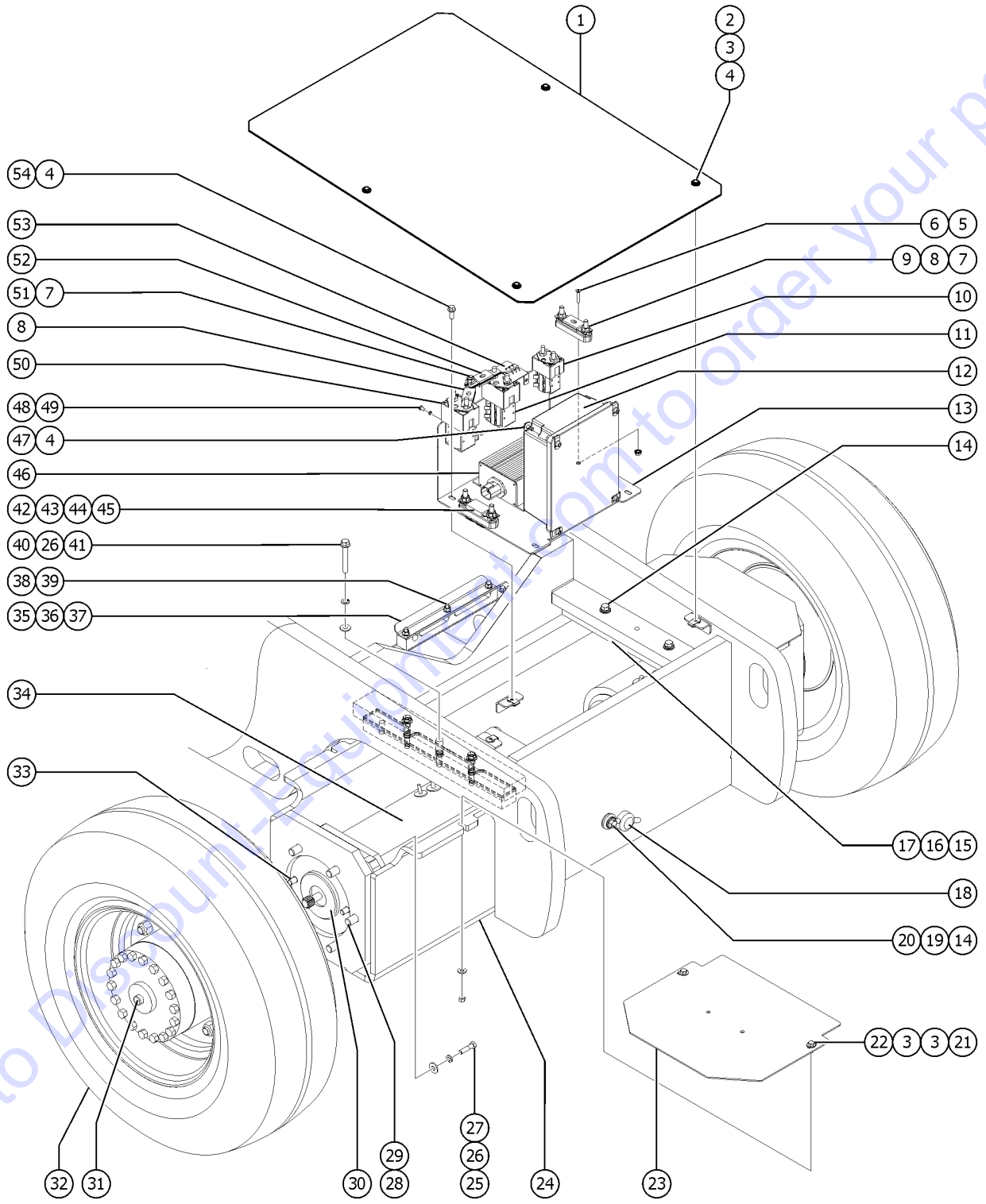
202.1 Non-steer End



Item	Part No.	Description	Qty.
32C	1267785GT	TIRE/WH ASSY,9 LG,REPNEU,NS (non-steer end)	2
32D	1267787GT	TIRE/WH ASSY,9 LG,NM,REPNEU,NS (non-steer end)	2
33	824103GT	SCREW,SHC,1/2-13X3,A574,ZAG	4
34A	T108673GT	KIT, 24V SEP-EX DRIVE MOTORS Replacement kit for GE motor 94197; check stamp on part prior to ordering (kit contains qty 2 x 56282 motor)	
34A-	147187GT	BRUSH KIT, DRIVE MOTOR for AMD motor 56282	
34A-	37189GT	SPRING, BRUSH RETAINER, 36182* for AMD motor 56282	
34A-	44778GT	BEARING,MOTOR,36843,BRUSH END* for AMD motor 56282	
34A-	56282GT	MOTOR,SEP-EX,24V*** AMD motor; check stamp on part prior to ordering	
34A-	62105GT	BRUSH HOLDER(56282) for AMD motor 56282	
34B	56282GT	MOTOR,SEP-EX,24V*** check stamp on part prior to ordering	
34B-	147187GT	BRUSH KIT, DRIVE MOTOR for AMD motor 56282	
34B-	37189GT	SPRING, BRUSH RETAINER, 36182* for AMD motor 56282	
34B-	44778GT	BEARING,MOTOR,36843,BRUSH END* for AMD motor 56282	
34B-	62105GT	BRUSH HOLDER(56282) for AMD motor 56282	
34B-	22811GT	O-RING,MOTOR TO BRAKE*** (not shown)	2
35	229133GT	PLATE,CLAMP, TOP	1
36	229132GT	CLAMP, CABLE	1
37	229131GT	BRACKET, CABLE CLAMP	1
37-	824079GT	SCREW,HHF,1/4-20X1,8,ZAG	2
37-	56912GT	SPRING CLIP,1/4-20,.025-.15X.54,ZAG	2
38	824027GT	NUT,TL FLG,1/4-20,G,ZAG	3
39	1268954GT	BOLT,CARRIAGE,1/4-20X1.75,5,ZAG	3
40	824094GT	SCREW, HHF, 3/8-16 X 2.75, 8, ZAG	1
41	825358GT	WASHER,FLAT,5/16,USS,ZAG	1
42	36372GT	FUSE,50 AMP,VERY FAST ACTING DC models with Inverter	1
43	66717GT	FUSE BLOCK, ANN & ANL FUSE DC models with Inverter	1
44	824028GT	NUT,TL FLG,5/16-18,G,ZAG for 36372	2
45	824225GT	SCREW,FHPM,10-32X.75,ZAG for 66717	2



202.1 Non-steer End

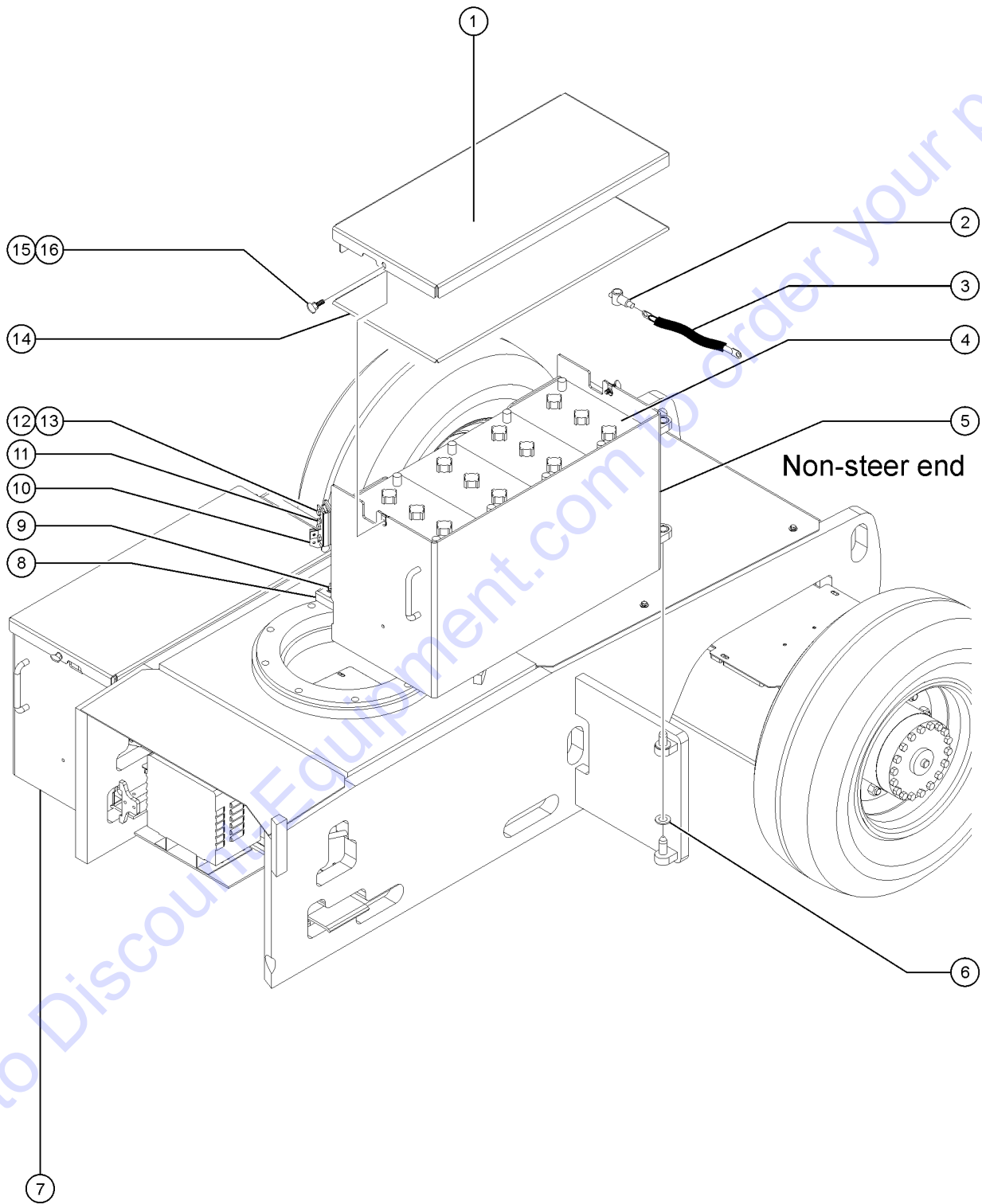


Item	Part No.	Description	Qty.
46	79452GT	CONVERTER, DC-DC, 48-26 VOLT** (mounting hardware not included)	1
46-	73575GT	SPRING CLIP, 10-24, .025-.125X.468, ZAG (not shown)	4
46-	1262031GT	SCREW, HHF, 10-24X.75, ZAG (not shown)	4
47	824080GT	SCREW, HHF, 1/4-20 X 1.25, 8, ZAG	4
48	825349GT	SCREW, PHPM, 10-32X.38, ZAG	6
49	1256312GT	WASHER, LOCK, #10, ZAG	6
50	74266GT	CONTACTOR, LIFT PUMP 24V 180A**	1
50-	62695GT	CONTACT, STATIONARY (56434)**	
50-	62696GT	CONTACT-MOVEABLE (56434)**	
50-	74471GT	SPRING, RETURN (74266)	
51	824086GT	SCREW, HHF, 5/16-18 X 1, 8, ZAG	1
52	43179GT	FUSE, 500 AMP, VERY FAST ACTING	1
53	56930GT	DIODE, PCB DRIVE CONTACTOR**	1
54	824078GT	SCREW, HHF, 1/4-20X.75, 8, ZAG	5

Go to Discount-Equipment.com to order your parts



203.1 Battery Packs

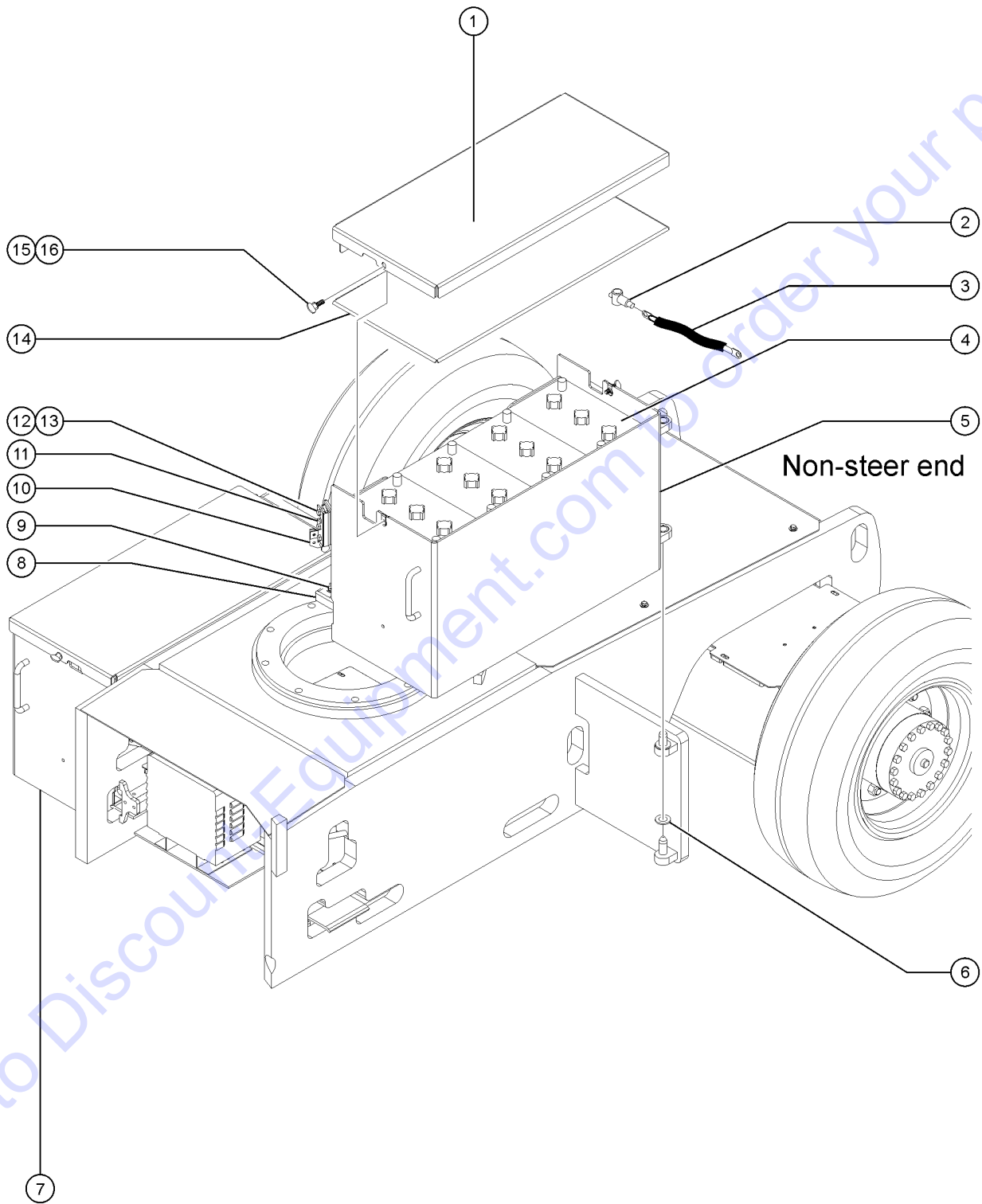


203.1 Battery Packs

Item	Part No.	Description	Qty.
A	230059GT	ASSEMBLY, BATTERY BOX, LH .....	1
B	230060GT	ASSEMBLY, BATTERY BOX, RH .....	1
1	74704GT	COVER,BATTERY BOX** .....	2
2	51147GT	BOOT,CABLE TERMINAL,LG,RED,2/0 .....	12
3	19520GT	BATTERY CABLE ASSY,9.5"JUMPER includes item 2 .....	6
4A	823684GT	BATTERY,AGM,6V/390A,L16 models with AGM option .....	8
4B	56461GT	BATTERY, 390AH L16,WET .....	8
4B-	57162GT	BATTERY TERMINAL PROTECTORS .....	16
4B-	824086GT	SCREW, HHF, 5/16-18 X 1, 8, ZAG .....	
4B-	1255805GT	NUT,SERRATED,5/16-18,8,ZAG .....	
5	161554GT	WELDMENT, BATTERY BOX, LH .....	1
5-	36369GT	BEARING, .75ID X 1"OD X .75LG** .....	2
5-	824059GT	SCREW,HHC,1/4-20X.75,8,ZAG .....	
5-	824027GT	NUT,TL FLG,1/4-20,G,ZAG .....	
6	36212GT	WASHER,THRUST,.75 X 1.38X.13 .....	4
7	161553GT	WELDMENT, BATTERY BOX, RH .....	1
7-	36369GT	BEARING, .75ID X 1"OD X .75LG** .....	2
7-	824059GT	SCREW,HHC,1/4-20X.75,8,ZAG .....	
7-	824027GT	NUT,TL FLG,1/4-20,G,ZAG .....	
8	45209GT	WEAR PAD,4X2X.5 W/INSERT*** .....	2
9	1256855GT	SCREW,HHF,1/4-20X.625,8,ZAG .....	4
10A	66900GT	LATCH,ROTARY, W/KNOB,LEFT (shown) .....	1
10B	66901GT	LATCH,ROTARY, W/KNOB,RIGHT .....	1
11A	101425PGT	FORMING,BATTERY BOX LATCH LH (shown) .....	1
11A-	824125GT	BOLT, CARRIAGE, 3/8-16 X 1, 5, ZAG .....	3
11A-	824029GT	NUT,TL FLG,3/8-16,G,ZAG .....	3
11B	101426PGT	FORMING,BATTERY BOX LATCH RH .....	1
11B-	824125GT	BOLT, CARRIAGE, 3/8-16 X 1, 5, ZAG .....	3



203.1 Battery Packs



203.1 Battery Packs

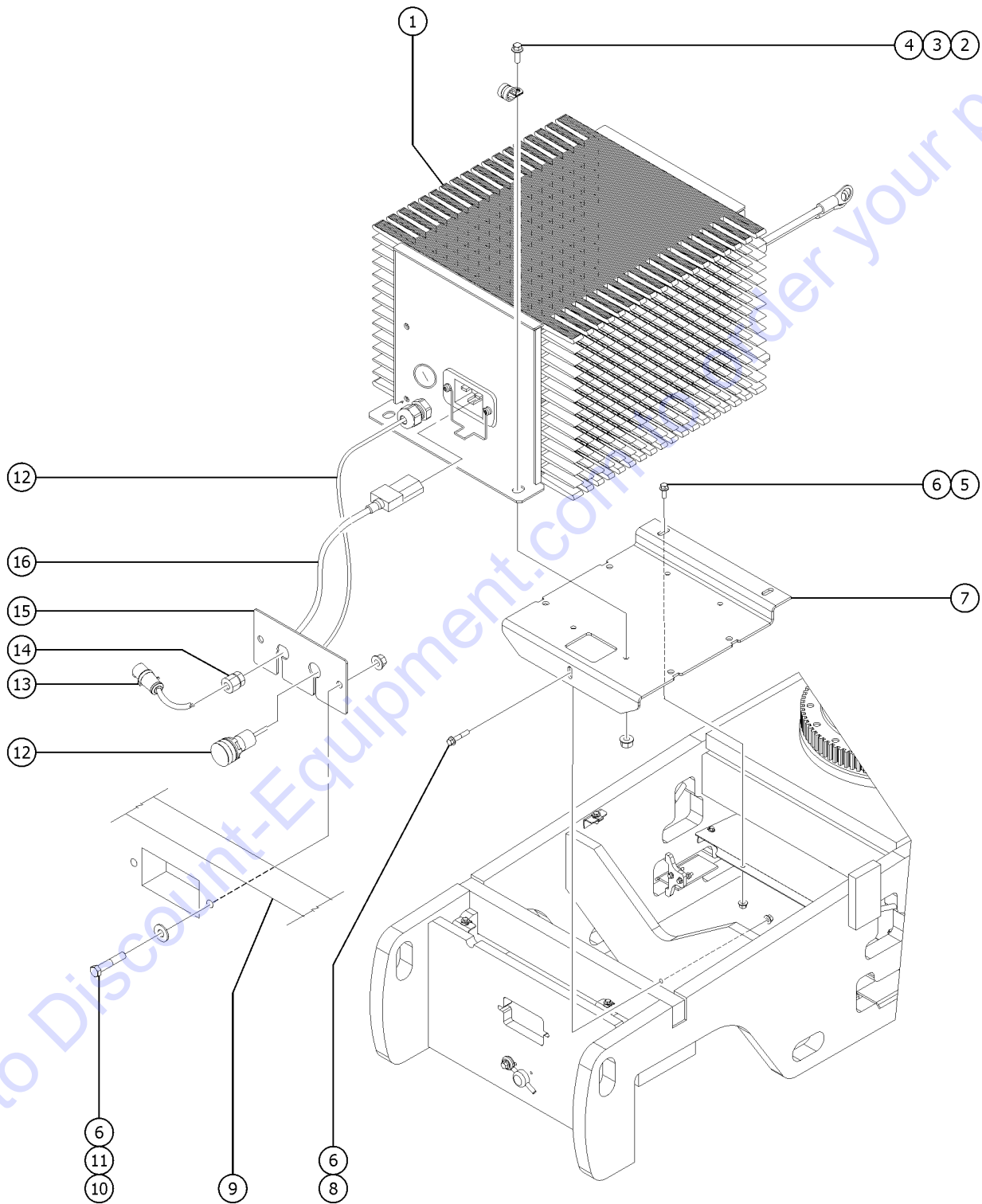
Item	Part No.	Description	Qty.
11B-	824029GT	NUT,TL FLG,3/8-16,G,ZAG .....	3
12	1255763GT	SCREW,HHF,5/16-18X1.5,8,ZAG .....	6
13	824028GT	NUT,TL FLG,5/16-18,G,ZAG .....	6
14	106241GT	INSULATION,48V BATT.BOX LID .....	2
		models with AGM option	
15	824228GT	SCREW,THUMB,A-REG,3/8-16X1,ZAG .....	4
16	29868GT	SPRING CLIP,3/8-16,.05-.20X.73,ZAG .....	4

Go to Discount-Equipment.com to order your parts





204.1 Battery Charger

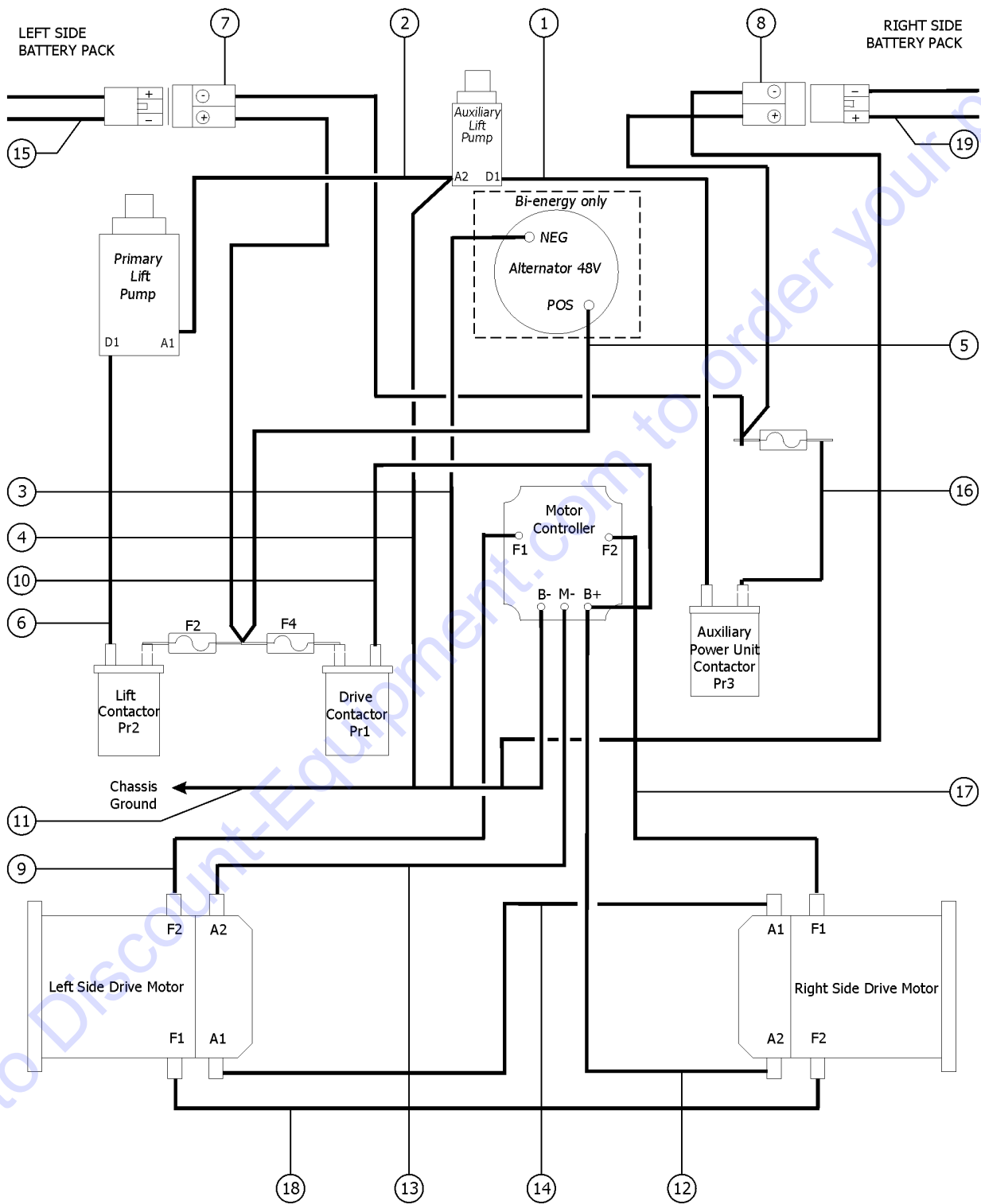


204.1 Battery Charger

Item	Part No.	Description	Qty.
A	228946GT	ASSY,LED,IES CHARGER .....	
B	228947GT	CLIP,RETAINING,IES CHARGER .....	
1	128375GT	CHARGER 48V/30A AUTO AC X-LED (includes item 12) (order power cord separately) .....	1
1-	133286GT	DECAL, POWER TO CHARGER, UNIV .....	
1-	139857GT	HARN.CHARGER INTERLOCK Z45 (not shown)(option) .....	
2	824078GT	SCREW,HHF,1/4-20X.75,8,ZAG .....	4
3	6833GT	CLAMP,0.50,#8 X 1/4,RUB CUSH .....	1
4	824027GT	NUT,TL FLG,1/4-20,G,ZAG .....	4
5	824090GT	SCREW,HHF,3/8-16X1,8,ZAG .....	2
6	824029GT	NUT,TL FLG,3/8-16,G,ZAG .....	5
7	60060GT	FORMING,CHARGER PLATE .....	1
8	1253478GT	SCREW,HHF,3/8-16X2,8,ZAG .....	1
9		Ref. Chassis .....	
10	1256108GT	SCREW,HHC,3/8-16X2,8,ZAG .....	2
11	1255758GT	WASHER,FLAT,3/8,USS,ZAG .....	2
12	228973GT	KIT,ASSY,LED,IES CHARGER .....	1
13A	1280665GT	PLUG, TYPE F, 230A, 50HZ, 16A, IP44 Euro 220V .....	1
13B	144161GT	PLUG,PWR,UK,16AMP,3PIN,BLK UK 110V .....	1
13C	25388GT	PLUG,FUSED,250V,13AMP,U.K.** UK 220V .....	1
14A	128118GT	BUSHING,STRAIN RELIEF,.875/.40 (domestic) .....	1
14B	139318GT	BUSHING,STRAIN RELIEF,.875/.30 (UK) .....	1
15	128825GT	BRACKET, CHARGER CORD AND LED .....	1
16A	128645GT	CORD AC IEC320-C19 TO 220EU EU 220V .....	1
16B	128377GT	CORD AC IEC320-C19 TO 110US US 110V .....	1
16C	128376GT	CORD EURO AC IEC320-C19PIGTAIL EU 110V .....	1



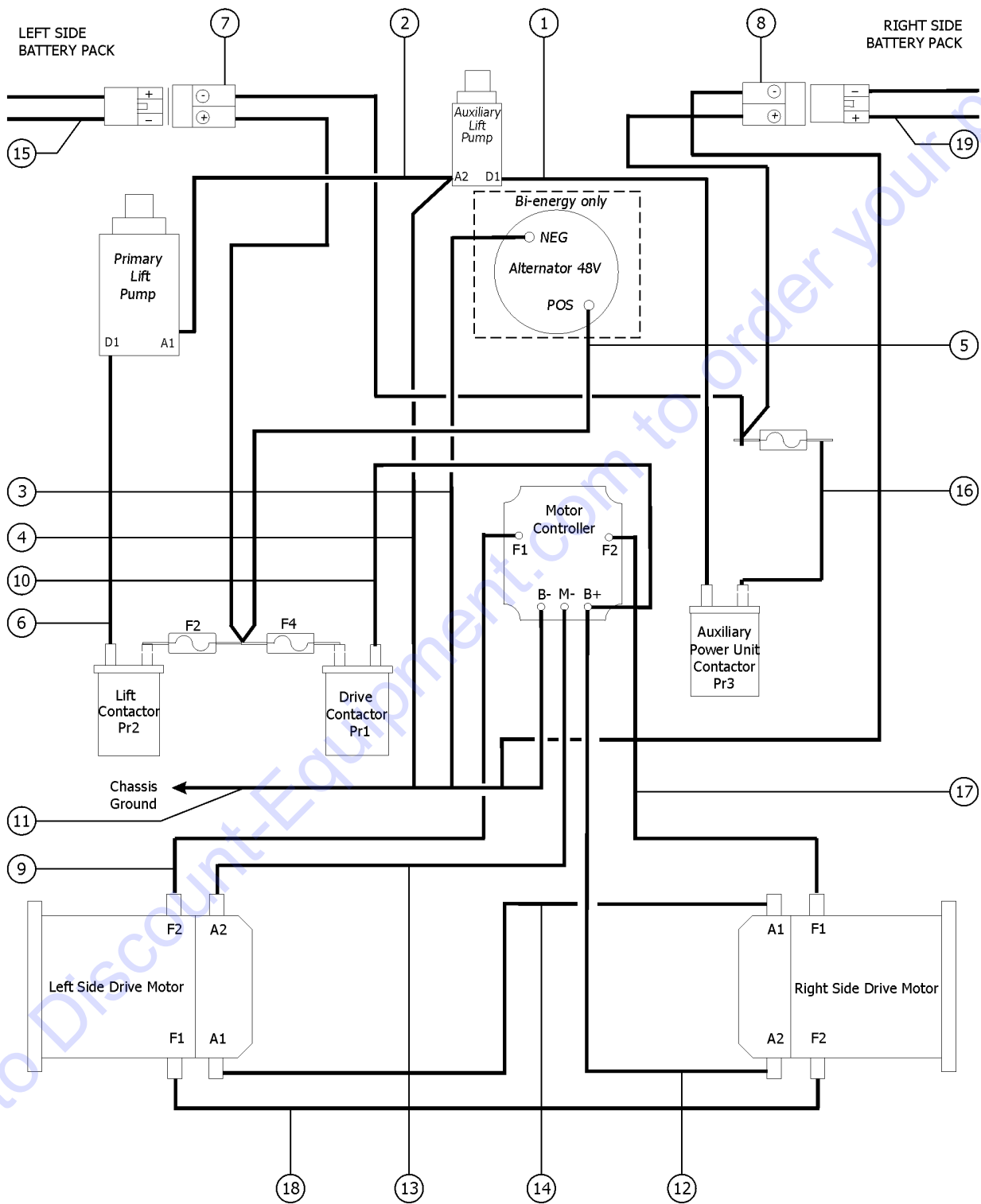
205.1 Power Cables



Item	Part No.	Description	Qty.
	51147GT	BOOT,CABLE TERMINAL,LG,RED,2/0 .....	
1	139058GT	CABLE ASSY #2 RED PR3/AP-DI .....	1
2	139049GT	CABLE ASSY #2 BLK AP-A2/LP-A1 .....	1
3	139063GT	CABLE ASSY #2 BLK ALT(-)/GND .....	1
		Bi-Energy only	
4	139052GT	CABLE ASSY #2 BLK AP-A2/GND .....	1
5	139064GT	CABLE ASSY #2 RED ALT(+)/F2 .....	1
		Bi-Energy only	
6	139057GT	CABLE ASSY #2 RED PR2/LP-D1 .....	1
7A	139048GT	HARN ASSY,POWER PACK AP2 .....	1
		DC only	
7A-	128488GT	CABLE ASSY #2 RED AP1/FU1 DRIV .....	
7A-	128489GT	CABLE ASSY #2 BLK AP1/AP2 DRIV .....	
7B	139062GT	HARN ASSY,POWER DRIVE CHASS .....	
		Bi-Energy only	
7B-	128491GT	CABLE ASSY #2 RED AP2/FU2 DRIV .....	
7B-	128492GT	CABLE ASSY #2 BLK AP2/FU1 DRIV .....	
8	139047GT	HARN ASSY,POWER PACK AP1 .....	1
8-	824049GT	CABLE ASSY #2 BLK AP1/AP2 DRIV .....	1
8-	128929-300GT	SHRINK TUBE, BLACK 3/4,3:1 .....	1
8-	128490GT	CABLE ASSY #2 RED AP2/FU1 .....	1
8-	51147GT	BOOT,CABLE TERMINAL,LG,RED,2/0 .....	2
8-	66397GT	QUICK DISCONNECT CASING,BATT** .....	1
8-	119787PGT	FORMING,BATTERY CONN HANDLE,PT .....	2
8-	824080GT	SCREW, HHF, 1/4-20 X 1.25, 8, ZAG .....	
8-	824037GT	NUT,HH JAM,1/4-20,A,ZAG .....	
9	139020GT	WIRE ASSY #10 RED F1/F2 .....	1
10	139054GT	CABLE ASSY #2 RED B(+)/PR1 .....	1
11	139050GT	CABLE ASSY #2 BLK B(-)/GND .....	1
12	139051GT	CABLE ASSY #2 BLK B(+)/A2 .....	1
13	139055GT	CABLE ASSY #2 RED M(-)/A2 .....	1
14	139056GT	CABLE ASSY #2 RED A1/A1 .....	



205.1 Power Cables



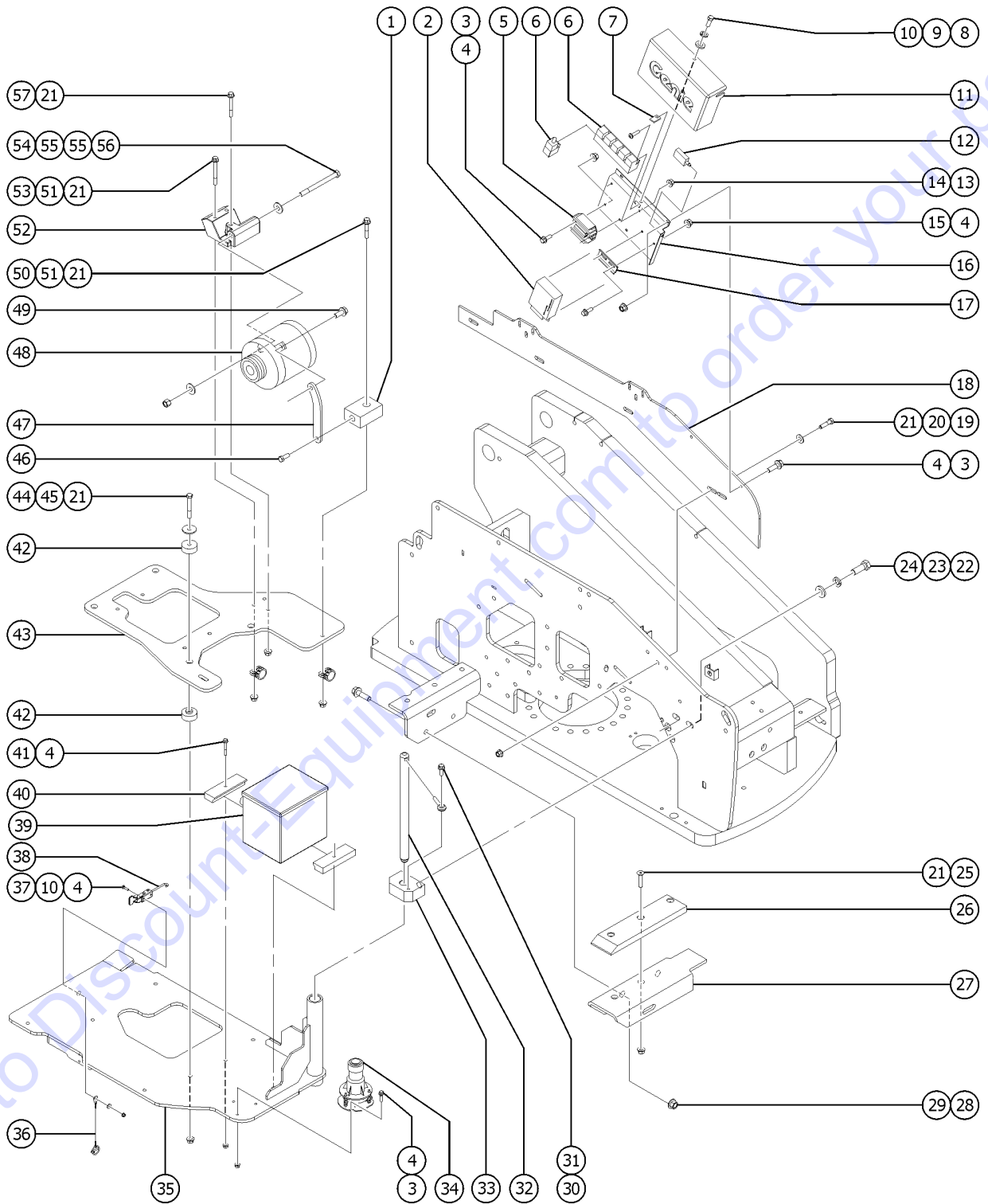
205.1 Power Cables

Item	Part No.	Description	Qty.
15A	139011-SGT	SERV KIT,HARN ASSY,PWR BATT PK ..... DC only	1
15A-	128465GT	CABLE ASSY #2 RED BATT .....	
15A-	128466GT	CABLE ASSY #2 BLK AP1/AP2 BATT .....	
15B	139041GT	HARN ASSY, POWER PACK AP2 ..... Bi-Energy only; left side	1
15B-	128486GT	CABLE ASSY #2 RED AP2 BATT .....	
15B-	128487GT	CABLE ASSY #2 BLK BE AP2 BATT .....	
16	139053GT	CABLE ASSY #2 RED PR2/F2 .....	1
17	139059GT	WIRE ASSY #10 RED F2/F1 .....	1
18	139060GT	WIRE ASSY #10 RED F1/F2 .....	1
19	139011-SGT	SERV KIT,HARN ASSY,PWR BATT PK ..... Bi-Energy only; right side	1
19-	128465GT	CABLE ASSY #2 RED BATT .....	
19-	128466GT	CABLE ASSY #2 BLK AP1/AP2 BATT .....	

Go to Discount-Equipment.com to order your parts



301.1 Engine Components

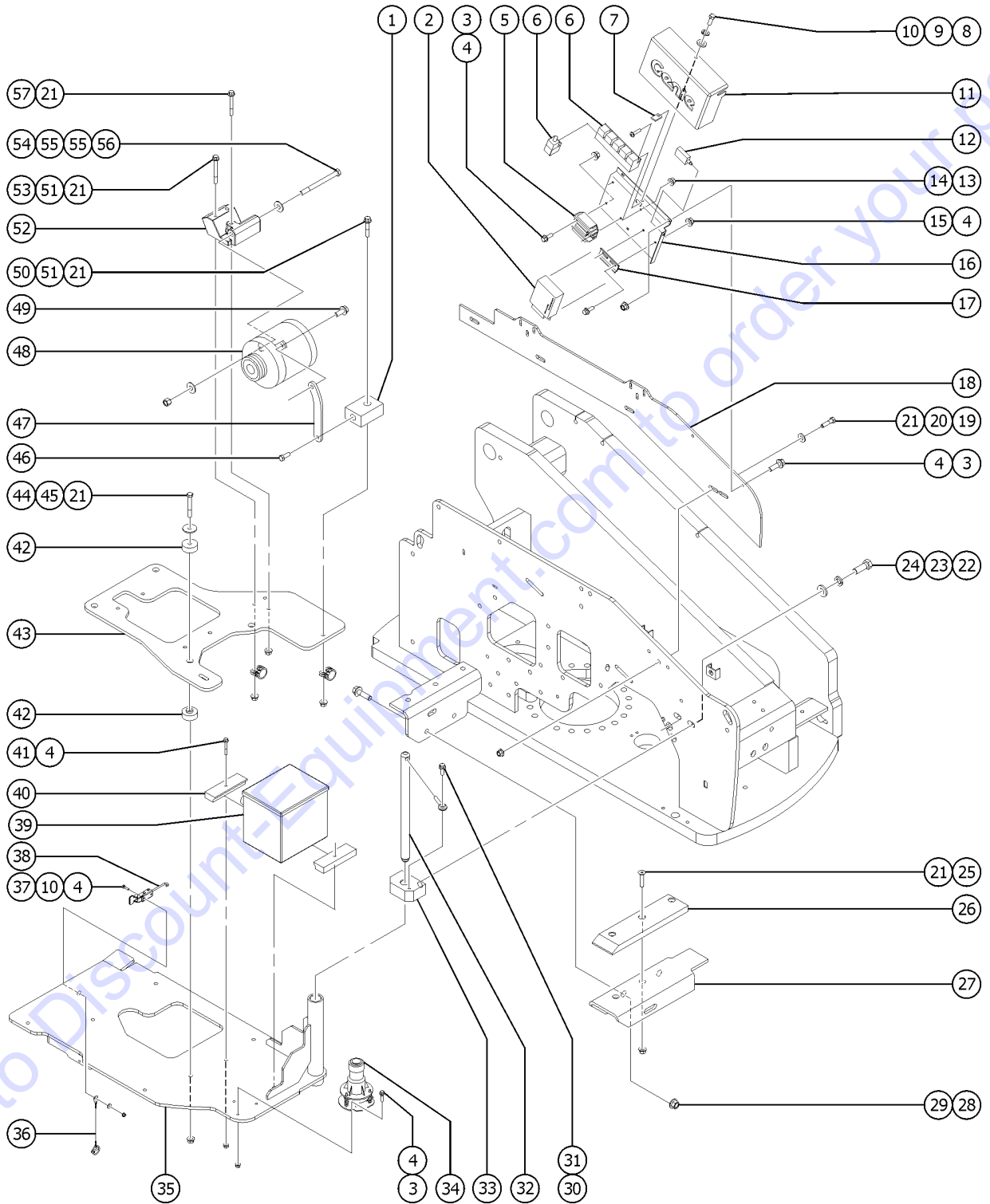


Item	Part No.	Description	Qty.
1	54193GT	PLATE,ALTERNATOR ADJUSTMENT .....	1
2	56057GT	MODULE,IGNITION/START,12/24V .....	1
3	824079GT	SCREW,HHF,1/4-20X1,8,ZAG .....	
4	824027GT	NUT,TL FLG,1/4-20,G,ZAG .....	
5	62085GT	REGULATOR-VOLTAGE(Z482-E) .....	1
6	56302GT	RELAY,24VDC,40/30A,SEALED*** .....	6
6-	34053GT	ASSY,RELAY SOCKET, AUTO .....	
6B	823226GT	POWER RELAY, 24V COIL .....	1
7	56912GT	SPRING CLIP,1/4-20,.025-.15X.54,ZAG .....	
8	824059GT	SCREW,HHC,1/4-20X.75,8,ZAG .....	
9	824109GT	WASHER,LOCK,1/4,ZAG .....	
10	824113GT	WASHER,FLAT,USS,1/4,ZAG .....	2
11	60146GT	RELAY PANEL COVER .....	1
12	147094GT	ASSY, CIRCUIT BREAKER 15A includes mounting fasteners .....	1
13	824032GT	NUT,TL FLG,10-32,F,ZAG .....	
14	1257227GT	SCREW,PHPM,10-32X.625,ZAG .....	
15	824077GT	SCREW, HHF, 1/4-20 X .5, 8, ZAG .....	
16	70658GT	FORMING, RELAY PANEL, Z45 BE .....	1
17	46036GT	DIN RAIL, 5.63" .....	1
18	60000PGT	BULKHEAD,SWING CHASSIS,LH,PAIN .....	1
19	1256118GT	SCREW,HHC,3/8-16X1.5,8,ZAG .....	
20	1255758GT	WASHER,FLAT,3/8,USS,ZAG .....	
21	824029GT	NUT,TL FLG,3/8-16,G,ZAG .....	
22	1260372GT	SCREW,HHC,5/8-11X1.75,8,ZAG .....	2
23	1257229GT	WASHER,LOCK,5/8,ZAG .....	2
24	1256182GT	WASHER,FLAT,5/8,F436,HRD,ZAG .....	2
25	1259857GT	SCREW,FHS,3/8-16X1.75,F835,ZAG .....	2
26	50519GT	LOAD PAD,ENGINE TRAY SUPPORT .....	1





301.1 Engine Components

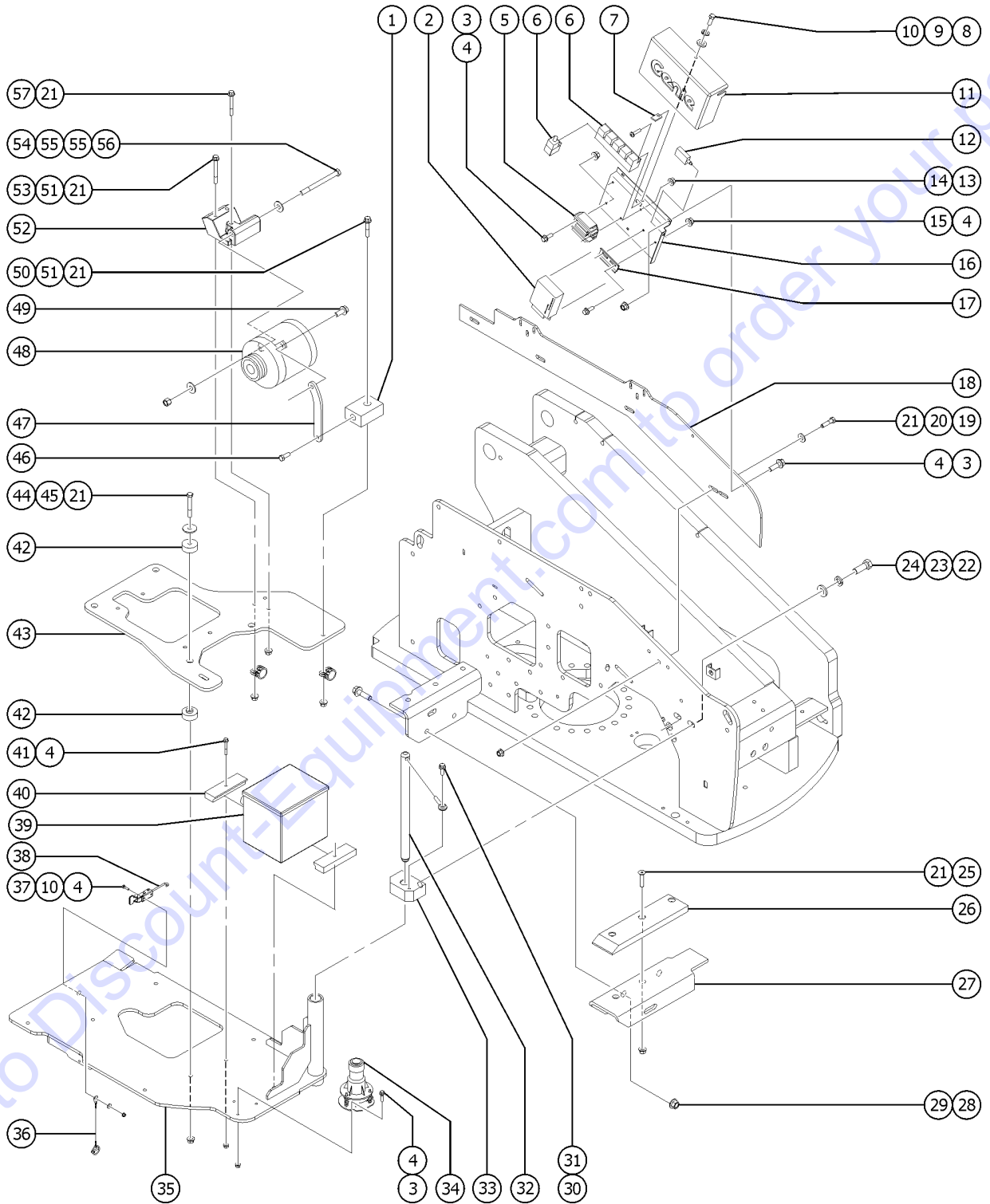


301.1 Engine Components

Item	Part No.	Description	Qty.
27	60100-SGT	BRACKET,ENGINE PLATE REST PTD. ....	1
28	1251997GT	NUT,TL FLG,1/2-13,G,ZAG .....	2
29	826171GT	SCREW,HHF,1/2-13X1.75,ZAG .....	2
30	824090GT	SCREW,HHF,3/8-16X1,8,ZAG .....	1
31	1255452GT	ROD END,.375 X 2.25,ZAG .....	1
32	107803GT	PIN,1.00DIAX15.56LG,CHAMFER .....	1
32-	1255452GT	ROD END,.375 X 2.25,ZAG .....	1
		not shown	
33	107805GT	EAR, ENGINE TRAY PIVOT .....	1
34	94077GT	SENSOR,LEVEL,4.5 DEG .....	1
		to SN Z4525F-61999	
34-	23083-SGT	FUSE HOLDER,WATERPROOF .....	
34-	27488GT	FUSE,1 AMP .....	
35	107811GT	WELDMENT,ENGINE TRAY, Z45 BE .....	
35-	25817GT	BEARING,1.00IDX1.25ODX1.00L .....	2
36	54432GT	LANYARD,LYNCH PIN ASSY .....	1
37	824060GT	SCREW, HHC, 1/4-20 X 1, 8, ZAG .....	2
38	27126GT	LATCH,DRAW,ADJUSTABLE .....	1
39	56050GT	BATTERY,450 CCA*** .....	1
40	60078GT	BATTERY HOLD DOWN .....	2
41	824082GT	SCREW,HHF,1/4-20X1.75,8,ZAG .....	2
42	24038GT	SHOCK MOUNT,SMALL .....	8
43		REF. PLATE,ENGINE MOUNT PAINTED .....	1
		Refer to 304.1	
44	1256848GT	SCREW,HHC,3/8-16X2.75,8,ZAG .....	4
45	824120GT	WASHER, FLAT, .375 X 1.50 X .125, ZAG .....	4
46	824067GT	SCREW,HHC,3/8-16X1,8,ZAG .....	1
47	60096GT	BRACKET,ALTERNATOR ADJ. ....	1
48	54463-SGT	ALTRNTR,48VDC 100A,SERV VERS** .....	1
48-	54446GT	REGULATOR,48 VOLTAGE,BI ENERGY .....	
48-	56283GT	PULLEY,3.15 OD .....	



301.1 Engine Components

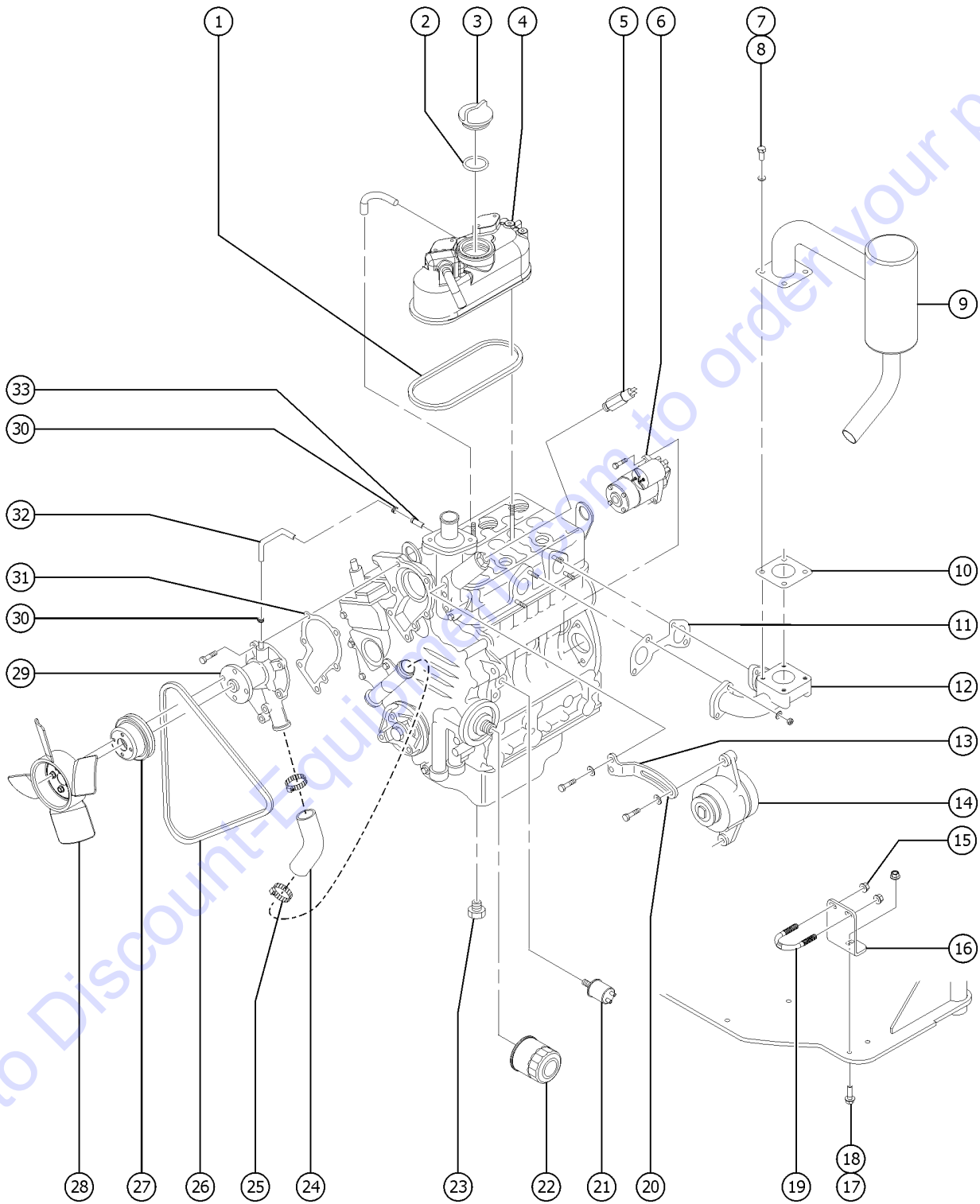


Item	Part No.	Description	Qty.
48-	56290GT	NUT,LOCK,5/8-18 .....	
48-	56291GT	WASHER,HARDENED,5/8 .....	
48-	56292GT	KEY,WOODRUFF,5/32X3/4 KEY #506 .....	
48-	45782GT	DIODE,6 AMP,200 PIV,BULK .....	
49	1255469GT	SCREW,HHF,1/2-13X1.25,8,ZAG .....	1
50	1253478GT	SCREW,HHF,3/8-16X2,8,ZAG .....	1
51	49863GT	CLAMP,1.13,#18 X 3/8,RUB CUSH* .....	2
52	56007GT	BRACKET,ALTERNATOR MOUNT .....	1
53	824096GT	SCREW,HHF,3/8-16X3.5,8,ZAG .....	2
54	1256112GT	SCREW,HHC,1/2-13X6,8,ZAG .....	1
55	1255760GT	WASHER,FLAT,1/2,USS,ZAG .....	2
56	1256106GT	NUT,TL,1/2-13,C,ZAG .....	1
57	824095GT	SCREW,HHF,3/8-16X3,8,ZAG .....	1

Go to Discount-Equipment.com to order your parts

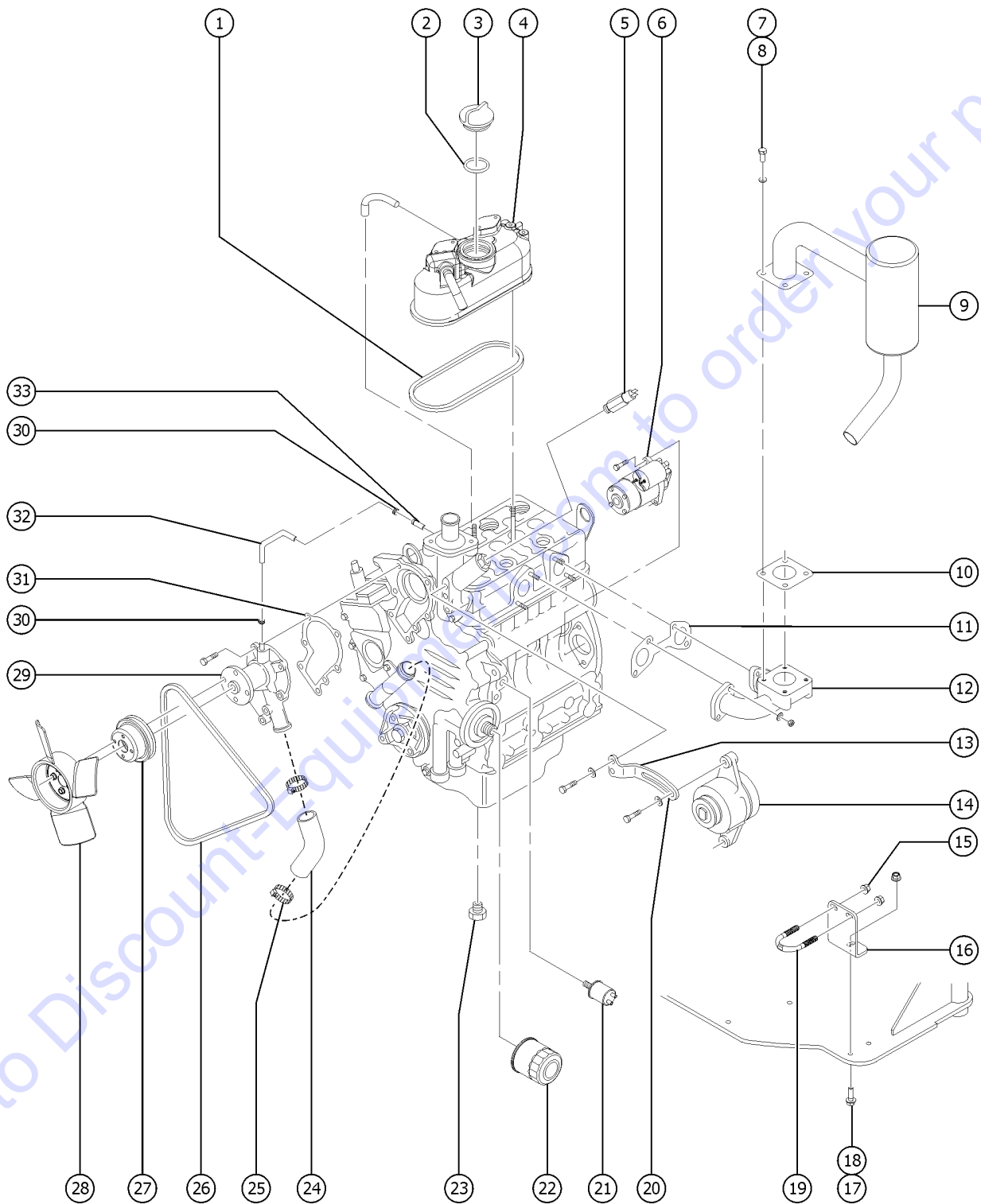


302.1 Kubota Z482 E4B-1 Engine, View 1



Item	Part No.	Description	Qty.
A	161884GT	ENGINE KIT, KUBOTA Z482, E4B .....	
B	62085GT	REGULATOR-VOLTAGE(Z482-E) .....	
1	52806GT	GASKET-VALVE COVER Z482-E .....	1
2	22903GT	O-RING,OIL FILLER PLUG,KUBOTA* .....	1
3	52808GT	PLUG,OIL FILLER Z482,Z34/22BE* .....	1
4	1251796GT	CYLINDER HEAD COVER, Z482 .....	1
5	54332GT	SWITCH,WATER TEMP .....	1
6	52810GT	STARTER MOTOR Z482, Z34/22BE .....	1
6-	23457GT	SOLENOID,STARTER,WG750B .....	
7	23057GT	SCREW,HHC,M8 X 20MM .....	4
8	49408GT	WASHER,LOCK,M8 .....	4
9A	1272998GT	OPT, STD MUFFLER, Z45BE .....	1
9B	77322GT	ACC, CATALIYTIC MUFFLER, KUB Z482 .....	1
10	832128GT	GASKET,MUFFLER,KUBOTA D905/11 .....	1
11	52812GT	GASKET-EXHAUST MANIFOLD Z482 .....	1
12	52813GT	EXHAUST MANIFOLD, Z482-E .....	1
13	84044GT	STAY,ALTERNATOR*** .....	1
14	110286GT	ALTERNATOR,KUBOTA,Z482 .....	1
15	824028GT	NUT,TL FLG,5/16-18,G,ZAG .....	2
16	54605GT	BRACKET,EXHAUST,Z45 BI .....	1
17	824091GT	SCREW, HHF, 3/8-16 X 1.25, 8, ZAG .....	1
18	824029GT	NUT,TL FLG,3/8-16,G,ZAG .....	1
19	1251600GT	U-BOLT, FLATTENED, 1.5 X 3/8 .....	1
20	139423GT	ALTERNATOR GUARD,Z482 .....	
21	22934GT	SWITCH,OIL,PRESSURE,KUBOTA .....	1
22	866400GT	KUBOTA OIL FILTER .....	1
23	52532GT	PLUG,ENGINE OIL DRAIN,D-905*** .....	1
23-	52533GT	GASKET (52532) OIL DRAIN, D905 .....	

302.1 Kubota Z482 E4B-1 Engine, View 1



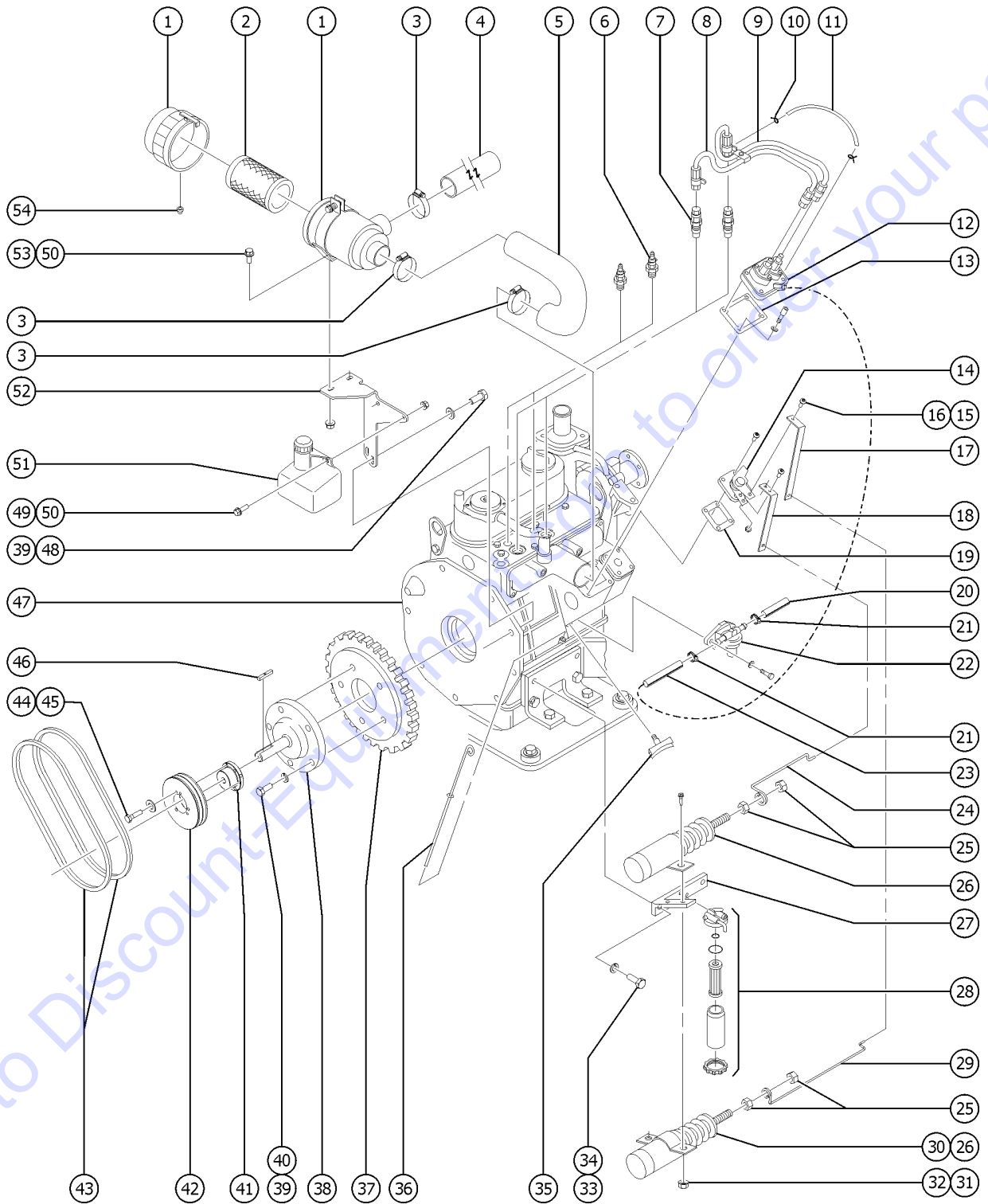
Item	Part No.	Description	Qty.
24	32067GT	HOSE,WATER PUMP,KUBOTA** .....	1
25	32066GT	CLAMP,HOSE,KUBOTA WG750 .....	
26	52816GT	BELT,FAN,KUBOTA DF972/Z482-E .....	1
27	23469GT	PULLEY,FAN,WG750B*** .....	1
28	52818GT	FAN, KUBOTA Z482-E .....	1
28-	54323GT	GUARD,FAN,2 CYL.KUBOTA .....	
29	139421GT	WATER PUMP, Z482 T4 .....	
30	32069GT	CLAMP,HOSE,KUBOTA WG750 .....	
31	23472GT	GASKET,WATER PUMPWG750B/Z482-E .....	1
32	62129GT	HOSE,WATER PUMP RETURN (Z482) .....	1
33	62130GT	PIPE,WATER RETURN (Z482-E) .....	1

Go to Discount-Equipment.com to order your parts



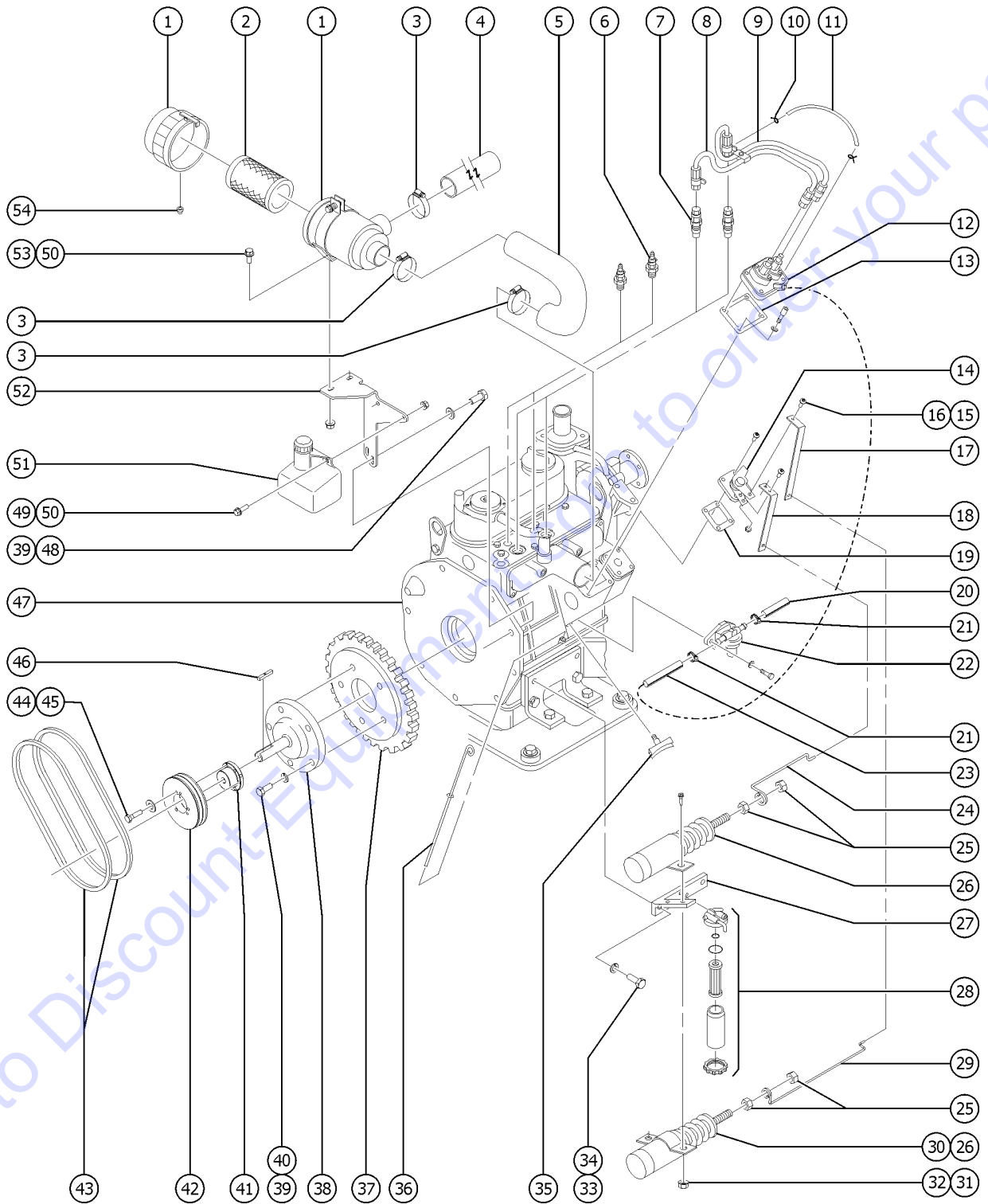


303.1 Kubota Z482 E4B-1 Engine, View 2



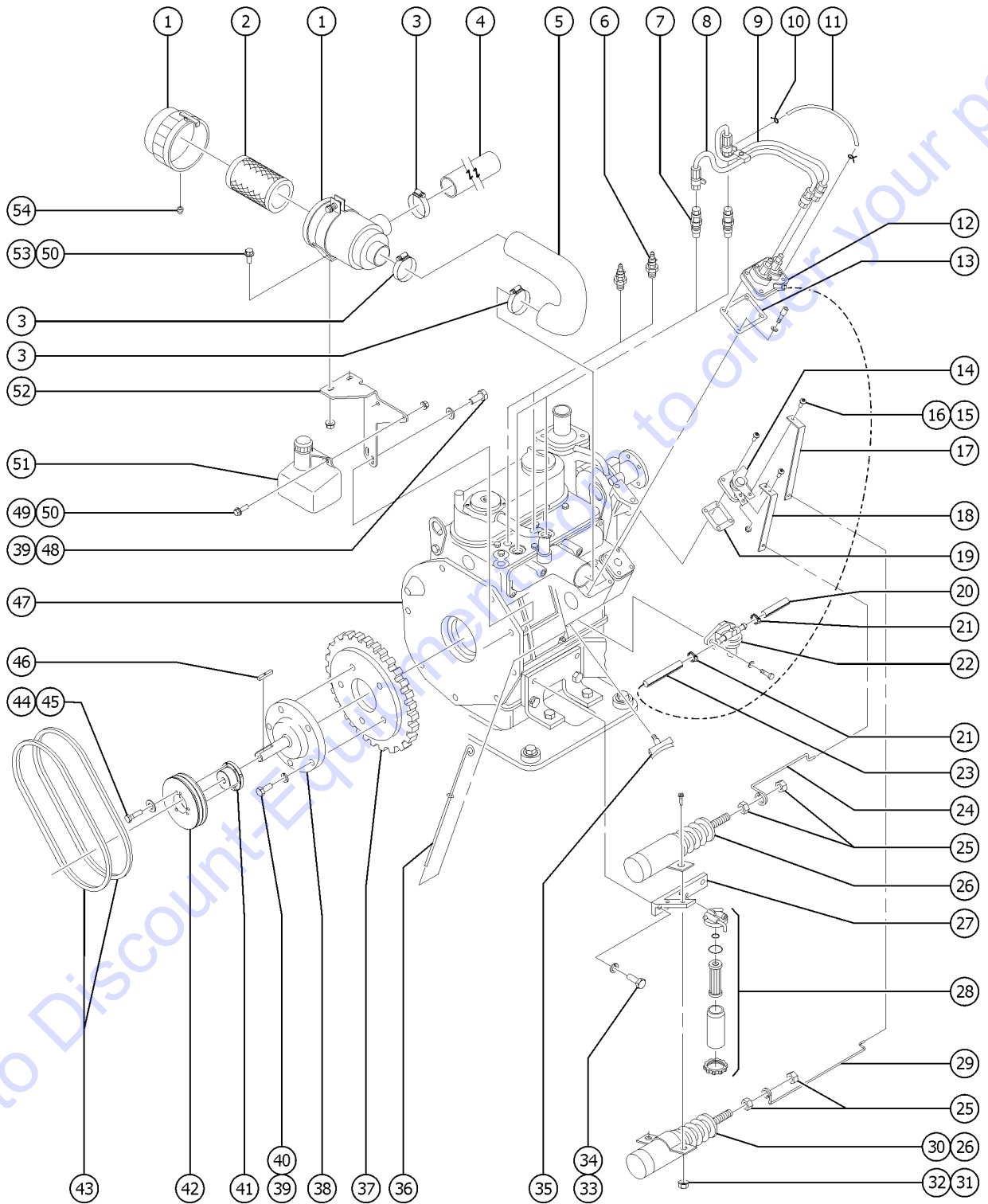
Item	Part No.	Description	Qty.
1	119684GT	AIRCLEANER ASSEMBLY .....	1
1-	119685GT	BRACKET, AIRCLEANER MT. ....	
2	52867GT	FILTER,AIR*** .....	1
3	22672GT	CLAMP,HOSE,1.75 .....	3
4	60108GT	HOSE,AIR CLEANER INTAKE .....	1
5	60107GT	HOSE,AIR CLEANER TO ENGINE .....	1
6	1251793GT	GLOW PLUG, KUBOTA Z482 .....	1
7	1251794GT	INJECTOR, Z482 T4 .....	
7-	139656GT	SERVICE KIT, INJECTOR, Z482 .....	
8	52824GT	PIPE, INJECTOR 2 KUBOTA Z482-E .....	1
9	52823GT	PIPE, INJECTOR 1 KUBOTA Z482-E .....	1
10	62043GT	CLAMP-OVERFLOW PIPE(Z482-E) .....	1
11	62044GT	PIPE ASSY-OVERFLOW (Z482-E) .....	1
12	52825GT	PUMP-INJECTION, KUBOTA Z482-E .....	1
13	52826GT	GASKET-INJECTION PUMP, Z482-E .....	1
14	52949GT	SPEED CONTROL ASSEMBLY** .....	1
15	54365GT	SCREW,PHIL,PHM,10-32 X .5,SSTL .....	3
16	27082GT	NUT,NYLOCK,M5X.80 .....	3
17	56101GT	BRACKET,STOP LEVER .....	1
18	56102GT	BRACKET,IDLE LEVER .....	1
19	52832GT	GASKET-SPEED CONTROL ASSEMBLY .....	1
20	27089GT	HOSE,5/16 FUEL,SAE 30R7 .....	
21	52834GT	CLAMP-HOSE, .375, FUEL PUMP .....	
22	52835GT	PUMP ASSY-FUEL, KUBOTA Z482-E .....	1
23	27089GT	HOSE,5/16 FUEL,SAE 30R7 .....	
24	56110GT	ROD,ENGINE IDLE & STOP length approximately 4.5 inch / 11 cm .....	1
25	824041GT	NUT, 1/4-28, 8, ZAG .....	4
26	20780GT	SOLENOID,2 SPEED TROMBETTA*** .....	2

303.1 Kubota Z482 E4B-1 Engine, View 2



Item	Part No.	Description	Qty.
26-	52514GT	BOOT,THROTTLE SOLENOID .....	
27	60105-SGT	BRACKET,SOLENOID MOUNT PAINTED .....	1
28	147205GT	ASSEMBLY, FUEL FILTER, Z482 .....	1
28-	139428GT	HOUSING, FUEL FILTER, Z482 .....	
28-		RETAINING RING, FUEL FILTER (for illustration only; component not available separately) .....	
28-	139429GT	ELEMENT, FUEL FILTER, Z482 .....	
28-	147206GT	CUP ASSY, FUEL FILTER, Z482 .....	
28-	147208GT	O-RING, FUEL FILTER, Z482 .....	
29	54760GT	ROD,CHOKE Z45 BI ENERGY .....	1
30	22446GT	SPRING,COMPRESSION .835 X 2 .....	1
31	824027GT	NUT,TL FLG,1/4-20,G,ZAG .....	2
32	824079GT	SCREW,HHF,1/4-20X1,8,ZAG .....	2
33	1256284GT	SCREW,HHC,M10-1.5X30,DIN933,10 .....	2
34	824142GT	WASHER,LOCK,M10,ZAB .....	2
35	32077GT	PETCOCK,DRAIN,KUBOTA WG750B .....	1
36	52836GT	DIPSTICK, KUBOTA Z482-E .....	1
37	1251795GT	RING GEAR, Z482 T4 .....	
38	52838GT	ADAPTER FLANGE-PULLEY,Z482-E .....	1
39	824135GT	SCREW,HHC,M8-1.25X20,DIN933,10 .....	7
40	824141GT	WASHER,LOCK,M8,ZAB .....	5
41	56068GT	BUSHING,SH 1-1/8 .....	1
42	56067GT	BALANCER,HARMONIC,2-3V-500-SH .....	1
43	60112GT	ALTERNATOR BELT .....	2
44	824060GT	SCREW, HHC, 1/4-20 X 1, 8, ZAG .....	3
45	824109GT	WASHER,LOCK,1/4,ZAG .....	3
46	56086GT	KEY,1/4 X 1.25 .....	
47	139434GT	REAR END PLATE, Z482 .....	
48	824144GT	WASHER,FLAT,M8,DIN125,ZAB .....	2

303.1 Kubota Z482 E4B-1 Engine, View 2

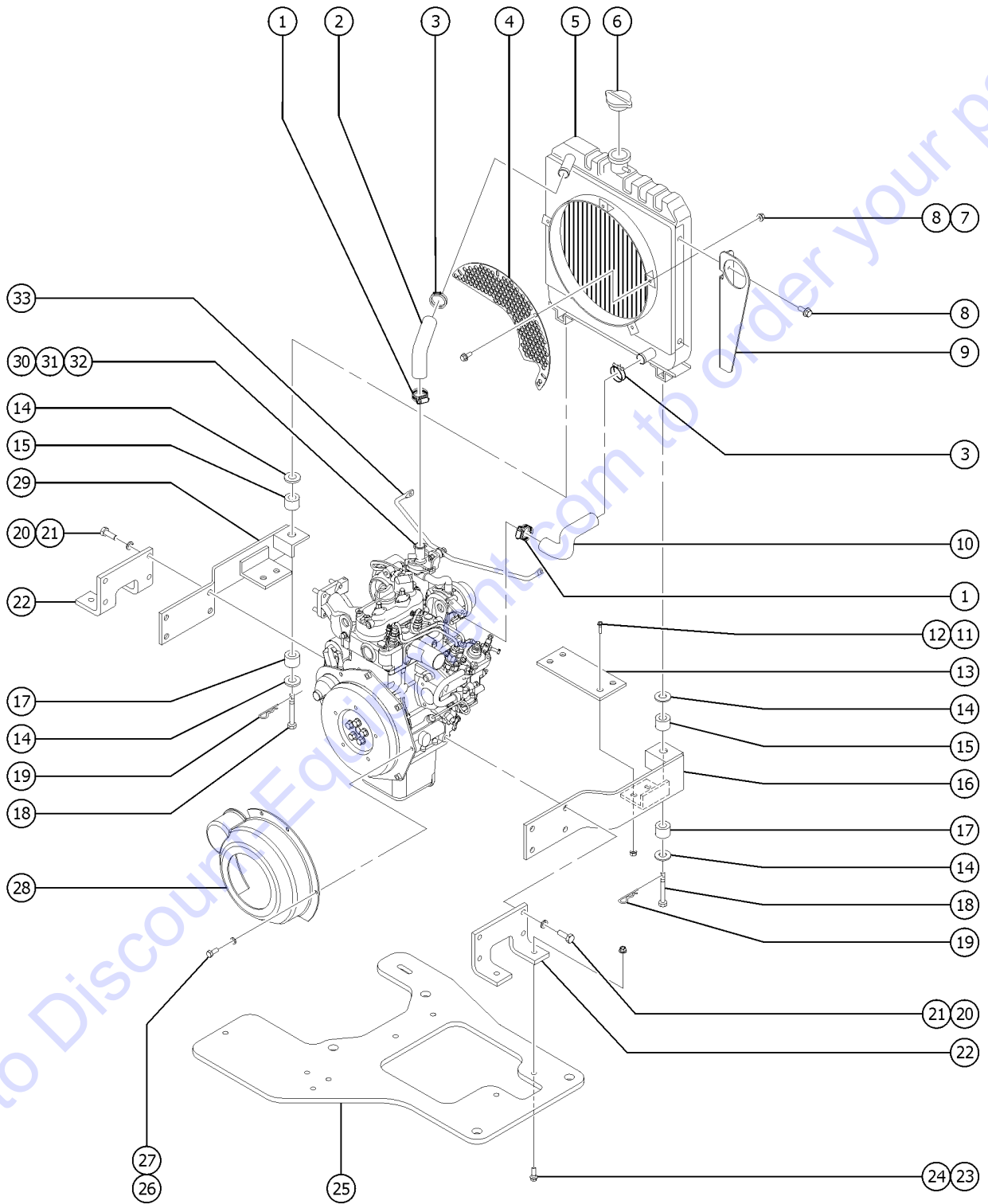


Item	Part No.	Description	Qty.
49	824086GT	SCREW, HHF, 5/16-18 X 1, 8, ZAG .....	2
50	824028GT	NUT, TL FLG, 5/16-18, G, ZAG .....	4
51	42662GT	COOLANT RECOVERY BOTTLE 1.5 QT* .....	1
51-	227833GT	HOSE, PVC, CLEAR, 36.00" not included with coolant bottle .....	
52	54243-SGT	BRKT, AIRCLEAN, COOLRES. MNT, PNTD .....	1
53	824085GT	SCREW, HHF, 5/16-18 X .75, 8, ZAG .....	2
54	52866GT	EVACUATOR VALVE-AIR CLEANER .....	1

Go to Discount-Equipment.com to order your parts



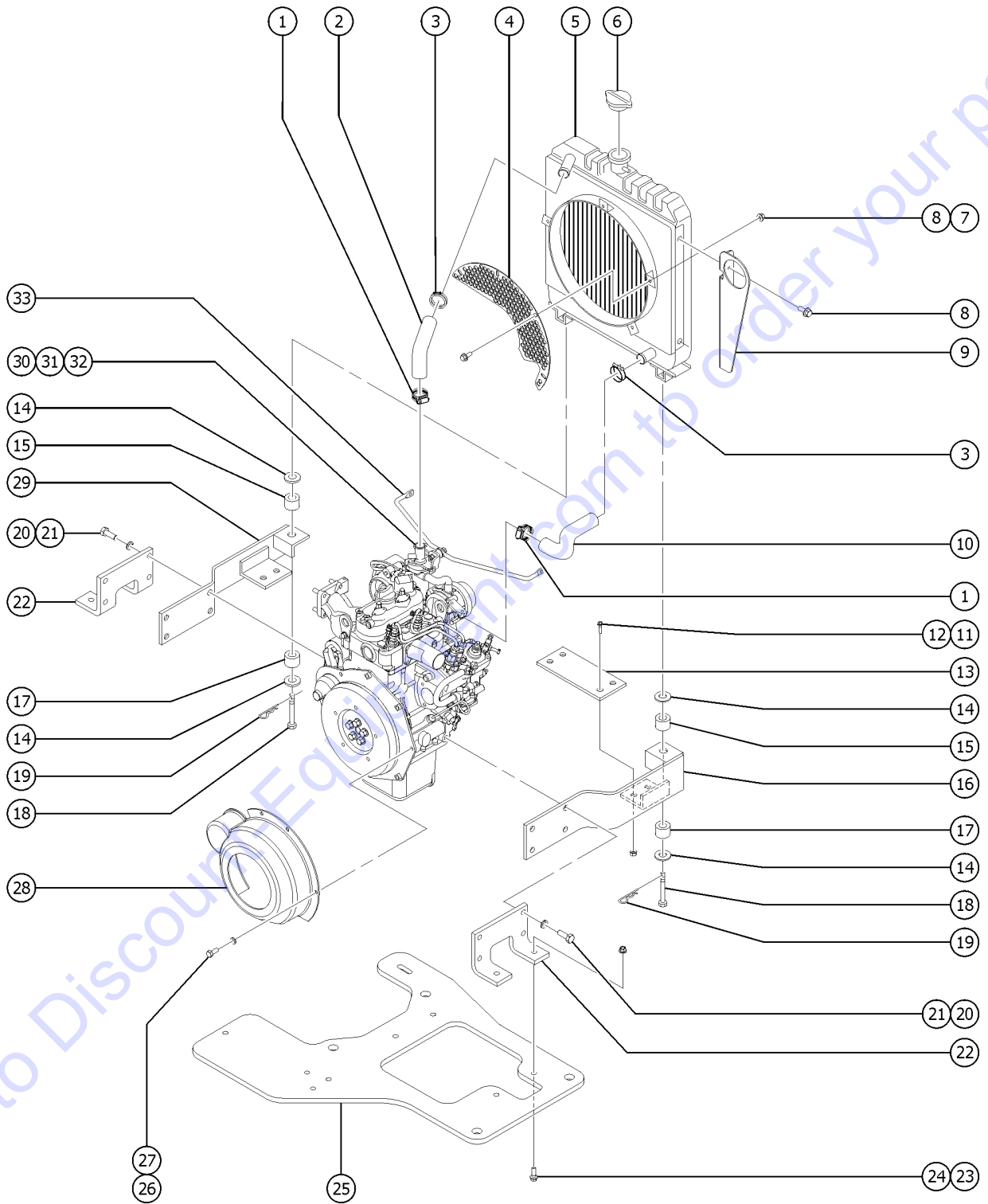
304.1 Kubota Z482 E4B-1 Engine, View 3



Item	Part No.	Description	Qty.
1	32066GT	CLAMP,HOSE,KUBOTA WG750 .....	1
2	52841GT	HOSE-RADIATOR,UPPER Z482-E .....	1
3	32087GT	CLAMP,HOSE,KUBOTA WG750 .....	1
4	54323GT	GUARD,FAN,2 CYL.KUBOTA .....	1
5	119242GT	RADIATOR ASSY,KUBOTA Z482E AL .....	1
6	110523GT	CAP,RADIATOR,AL,KUBOTA DF-752 .....	1
7	231513GT	NUT,TL FLG,M6-1.0,DIN6927,10,Z .....	4
8	824131GT	SCREW,HHF,M6-1.0X16,DIN6921,10 .....	6
9	110749GT	BRACKET,AIR INTAKE .....	1
10	32090GT	HOSE,LWR RADIATOR,KUBOTA WG750 .....	1
11	824078GT	SCREW,HHF,1/4-20X.75,8,ZAG .....	4
12	824027GT	NUT,TL FLG,1/4-20,G,ZAG .....	4
13	28963GT	RADIATOR STAY, KUBOTA 1702 .....	1
14	52539GT	WASHER,RADIATOR CUSHION,KUBOTA .....	4
15	865260GT	KUBOTA 15263-12370CUSHION .....	2
16	52847GT	BRACKET-RADIATOR SUPRT,OUTBRD .....	1
17	28156GT	CUSHION,RADIATOR,KUBOTA 1702** .....	2
18	52540GT	SCREW,RADIATOR MOUNT, KUBOTA .....	2
19	52541GT	CLIP,RADIATOR MOUNT, KUBOTA .....	2
20	1256284GT	SCREW,HHC,M10-1.5X30,DIN933,10 .....	6
21	824142GT	WASHER,LOCK,M10,ZAB .....	6
22	60088-SGT	BRACKET,ENGINE MNT,KUBOTA 13HP .....	2
23	824091GT	SCREW, HHF, 3/8-16 X 1.25, 8, ZAG .....	4
24	824029GT	NUT,TL FLG,3/8-16,G,ZAG .....	4
25	60092-SGT	PLATE,ENGINE MOUNT PAINTED .....	1
26	824135GT	SCREW,HHC,M8-1.25X20,DIN933,10 .....	4
27	824141GT	WASHER,LOCK,M8,ZAB .....	4
28	54316GT	COVER,FLYWHEEL,2 CYL.KUBOTA .....	1



304.1 Kubota Z482 E4B-1 Engine, View 3

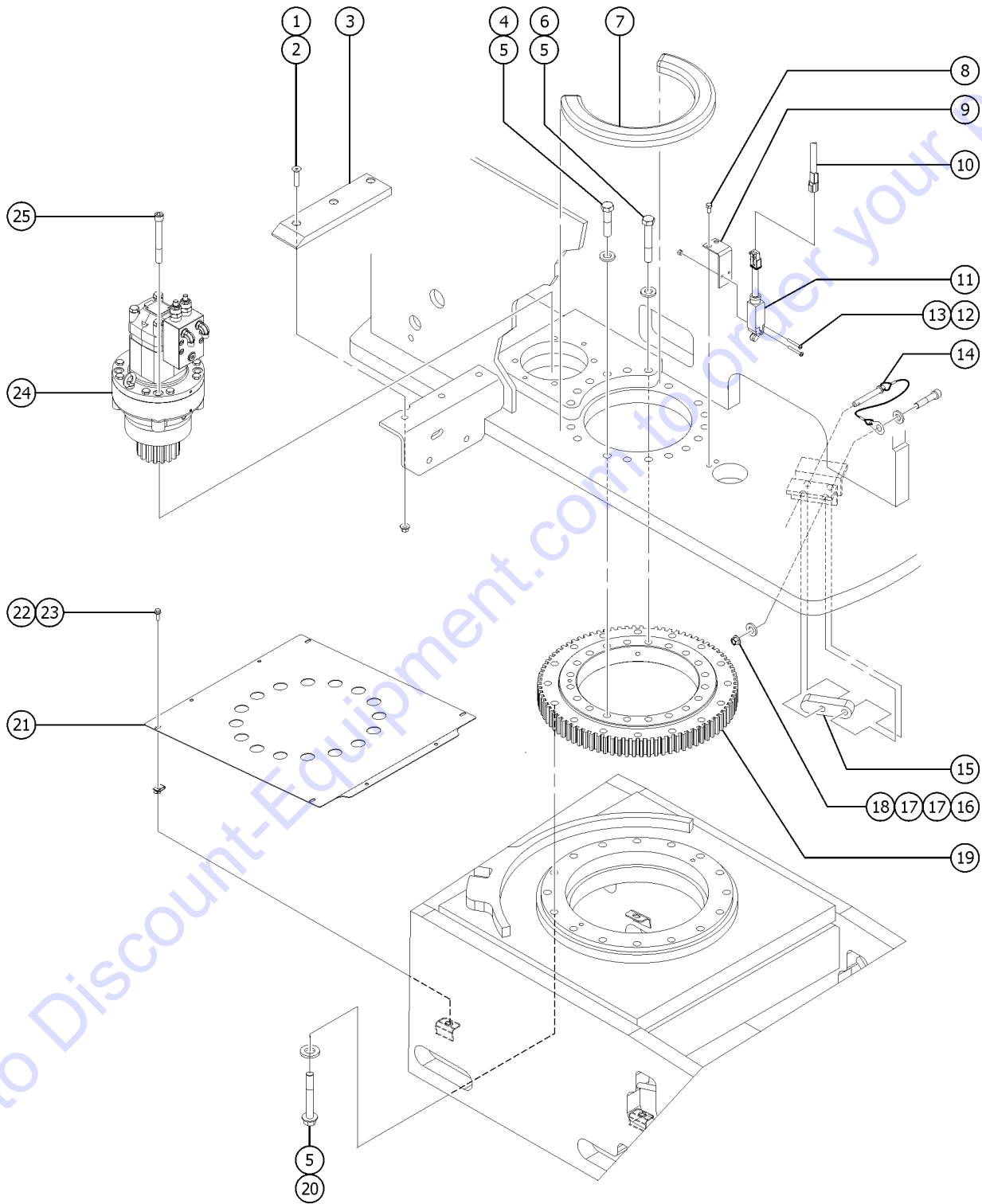


<i>Item</i>	<i>Part No.</i>	<i>Description</i>	<i>Qty.</i>
29	52851GT	BRACKET-RADIATOR SUPRT,INBOARD .....	1
30	27367GT	THERMOSTAT COVER,KUBOTA GAS .....	1
31	23473GT	THERMOSTAT ASSY, WG750B .....	1
32	866397GT	KUBOTA GASKET,THERMOSTAT .....	1
33	82851GT	LABEL,RELAY A .....	1

Go to Discount-Equipment.com to order your parts



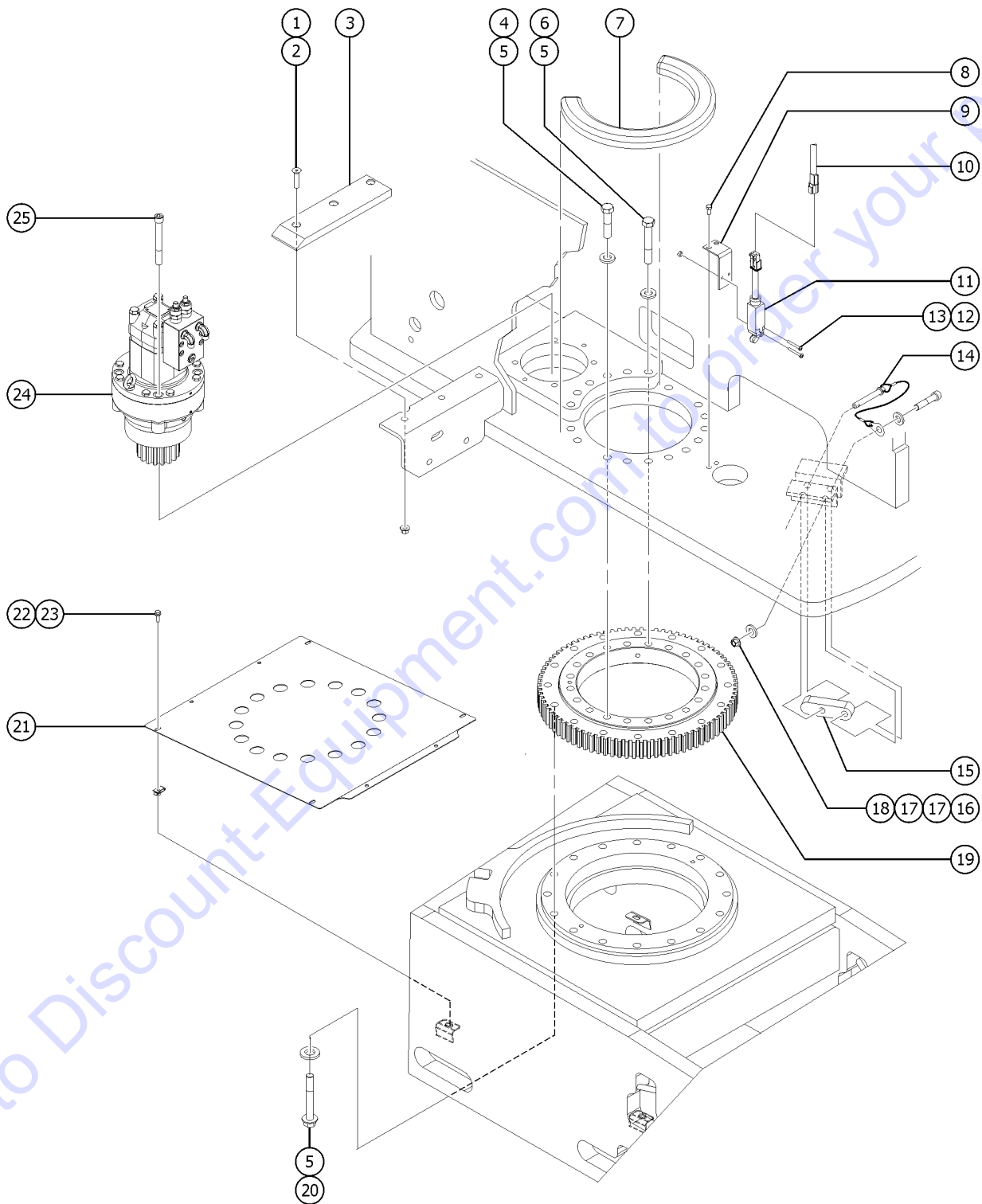
401.1 Turntable Rotator



Item	Part No.	Description	Qty.
1	1259857GT	SCREW,FHS,3/8-16X1.75,F835,ZAG .....	3
2	824029GT	NUT,TL FLG,3/8-16,G,ZAG .....	3
3	50519GT	LOAD PAD,ENGINE TRAY SUPPORT .....	1
4	1263234GT	SCREW,HHC,5/8-11X2.75,8,ZAG .....	12
5	1256182GT	WASHER,FLAT,5/8,F436,HRD,ZAG .....	18
6	1256170GT	SCREW,HHC,5/8-11X4,8,ZAG .....	6
7	107651GT	PROTECTOR,SLEW BOLT .....	1
8	1256109GT	SCREW,HHC,3/8-16X.75,8,ZAG .....	2
9	50469GT	BRACKET,DRIVE SENSOR,ENABLE .....	1
10	88719GT	HARNESS,FUNCTION,Z45 DC/BI .....	
11	88356-11103GT	SWITCH,LIMIT,W/RLR ARM,NO/NC** .....	1
11-	106427GT	LS ROT.HEAD W/O LEVER (ZCE01) .....	
11-	110160GT	HARNESS,LS,D.E. Z45 .....	
11-	97128GT	ROLLER ARM,LIMIT SWITCH*** .....	
12	824216GT	SCREW,PHPM,10-32X1.5,ZAG .....	2
13	824036GT	NUT, TL, 10-32, A, ZAG .....	2
14	54145-800GT	RETAINING PIN, ASSY .....	1
15	50776GT	PLATE,SWING LOCK*** .....	1
16	1251997GT	NUT,TL FLG,1/2-13,G,ZAG .....	1
17	1255760GT	WASHER,FLAT,1/2,USS,ZAG .....	2
18	824103GT	SCREW,SHC,1/2-13X3,A574,ZAG .....	1
19	101815GT	BEARING,SWING CHASSIS .....	1
19-	88635-4024GT	HOSE ASSY 1/4,STR FEM,PIPETHRE .....	
20	1263142GT	SCREW,HHC,5/8-11,4.5,8,ZAG .....	16
21	120269GT	FORMING,BELLY PAN .....	1
22	824078GT	SCREW,HHF,1/4-20X.75,8,ZAG .....	4
23	56912GT	SPRING CLIP,1/4-20,.025-.15X.54,ZAG .....	4
24	824050GT	SWING DRIVE ASSEMBLY .....	1



401.1 Turntable Rotator

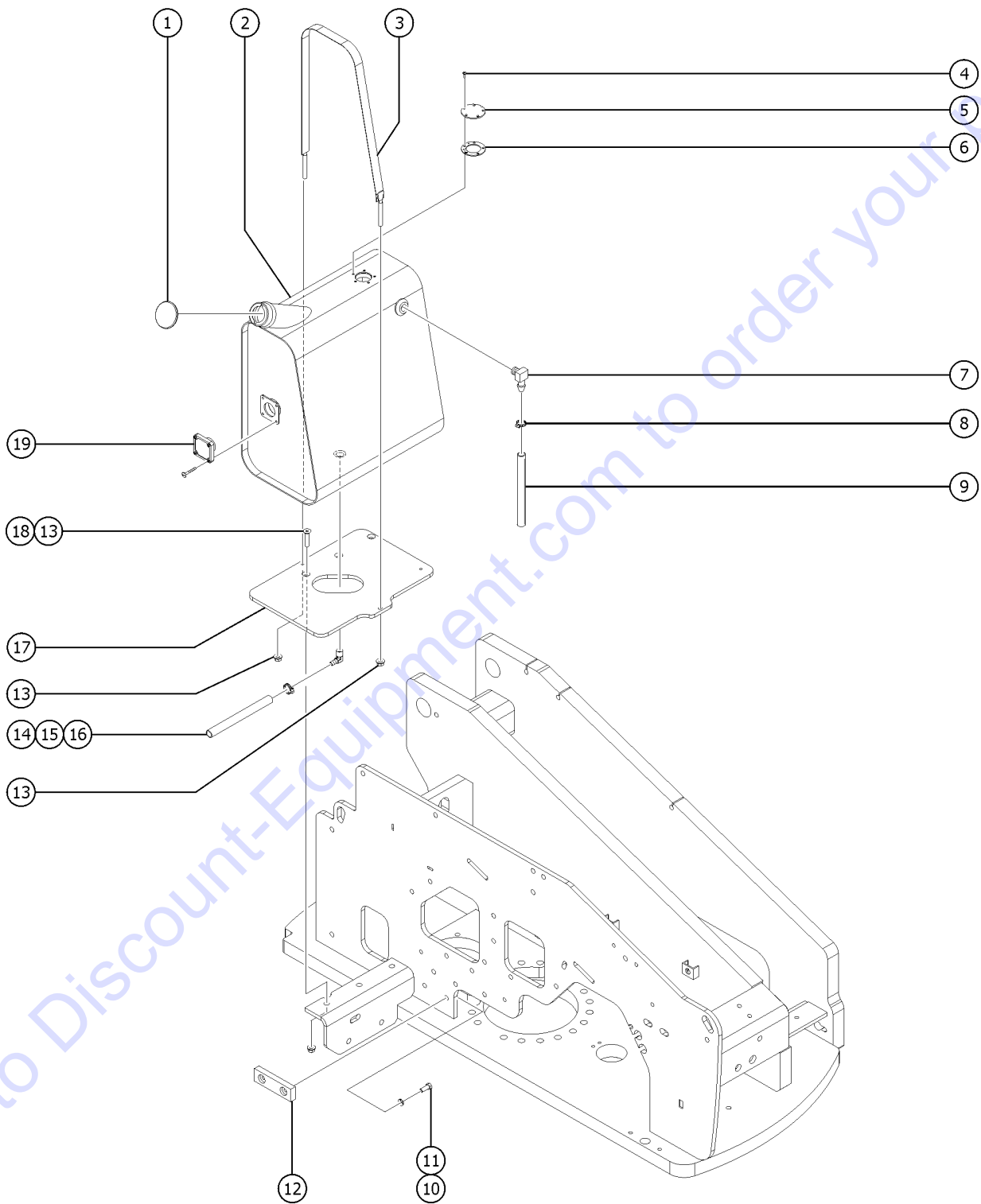


Item	Part No.	Description	Qty.
24-	48904GT	ELBOW,90D,520220-4-4 not included, must order separately	
24-	824051GT	SEAL KIT, SWING DRIVE	
24-	824052GT	VALVE BLOCK, SWING DRIVE	
25	1263232GT	SCREW,SHC,1/2-13X4.5,A574,ZAG	4

Go to Discount-Equipment.com to order your parts



402.1 Turntable Components - View 1 - Bi-Energy Models



Go to Discount-Equipment.com to order your parts

402.1 Turntable Components - View 1 - Bi-Energy Models

Item	Part No.	Description	Qty.
1	54694GT	FUEL CAP,BI-ENERGY,Z45***%%	1
2	1274551GT	FUEL TANK 9 GAL.	1
3	1282314GT	STRAP ASSY, 44LG, W/RUBBER	1
4	1251757GT	SCREW,PHPM,10-32X.50,ZAG	5
5	1271772GT	CAP, TANK, FUEL SENSOR	1
6	1271773GT	GASKET, TANK, FUEL SENSOR	1
7	54206GT	HOSE END,BARB,1/4 MNPTX3/16,90	1
8	31982GT	CLAMP,HOSE,1 EAR, 15/32	1
9	54286GT	HOSE,3/16,FUEL,SAE 30R7,103"	
10	824067GT	SCREW,HHC,3/8-16X1,8,ZAG	2
11	824110GT	WASHER,LOCK,3/8,ZAG	2
12	30138GT	WEAR PAD,5 X 1.5 X .625 W/NUTS	1
13	824029GT	NUT,TL FLG,3/8-16,G,ZAG	5
14	54287GT	HOSE,5/16,FUEL,SAE 30R7,86"	
15	54123GT	CLAMP,HOSE,1 EAR, 5/8	
16	54205GT	HOSE END,BARB,1/4 MNPTX5/16,90	1
17	60102GT	PLATE,FUEL TANK	1
18	1259857GT	SCREW,FHS,3/8-16X1.75,F835,ZAG	3
19	60170GT	GAUGE,FUEL,SIDE MOUNT Z45 includes mounting fasteners	1

Go to DiscountEquipment.com to order your parts





# PARTS FINDER

**Search Website  
by Part Number**



**Search Manual  
Library For Parts  
Manual & Lookup Part  
Numbers – Purchase  
or Request Quote**

**Search Manuals**

Enter your information to help us find the right parts manual for your machine.

\* Brand:

\* Model:

\* Serial:

\* Part Number:

SEARCH

**Can't Find Part or  
Manual? Request Help  
by Manufacturer,  
Model & Description**

**Parts Order Form**

Please fill in the following information to help us find the right part for your machine.

Manufacturer:	<input type="text"/>
Model:	<input type="text"/>
Description:	<input type="text"/>
Part Number:	<input type="text"/>
Quantity:	<input type="text"/>
Notes:	<input type="text"/>

Discount-Equipment.com is your online resource for quality parts & equipment.

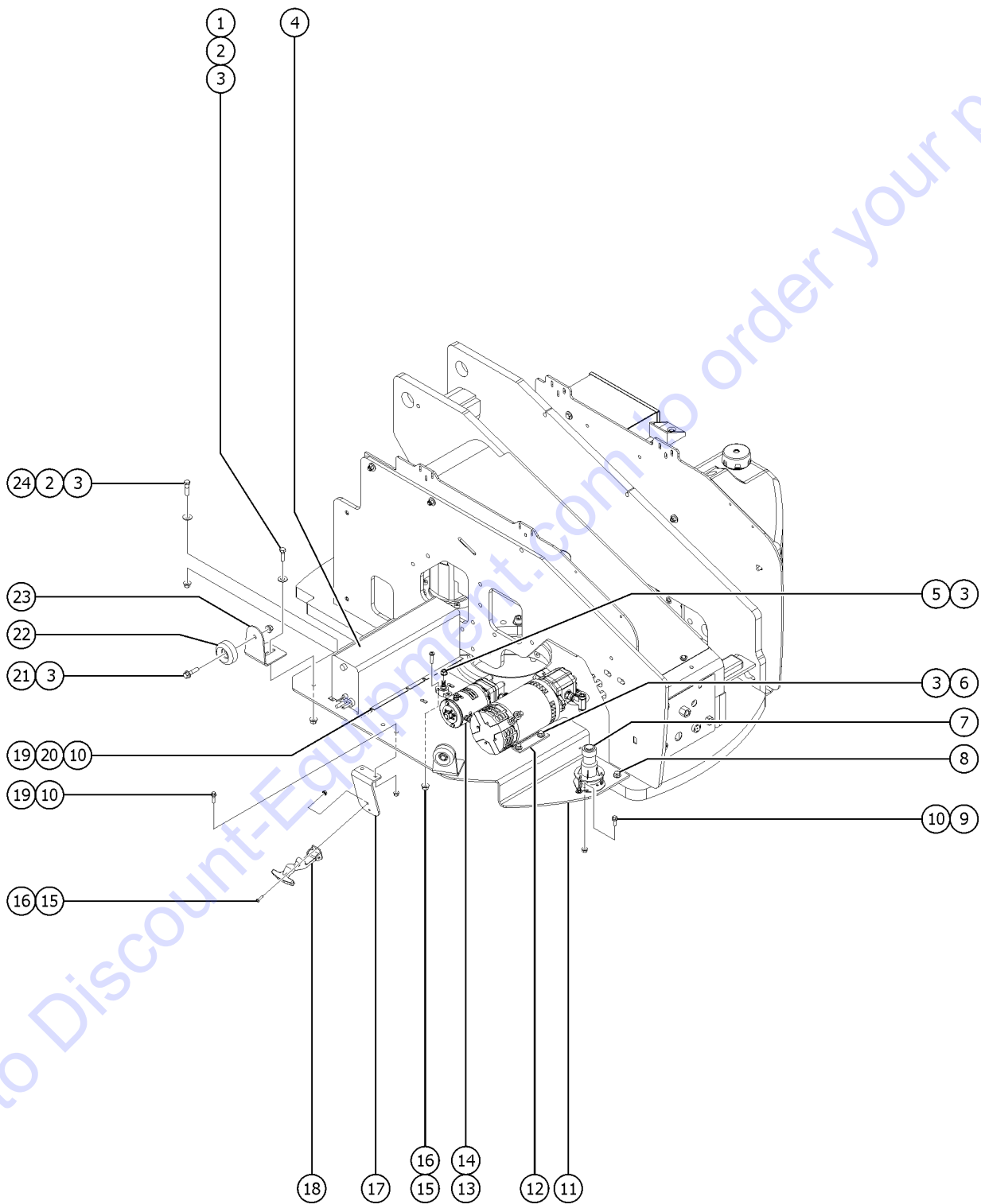
Florida: **561-964-4949** Outside Florida TOLL FREE: **877-690-3101**

**Need parts?**

Click on this link: <http://www.discount-equipment.com/category/5443-parts/> and choose one of the options to help get the right parts and equipment you are looking for. Please have the machine model and serial number available in order to help us get you the correct parts. If you don't find the part on the website or on one of the online manuals, please fill out the request form and one of our experienced staff members will get back to you with a quote for the right part that your machine needs.

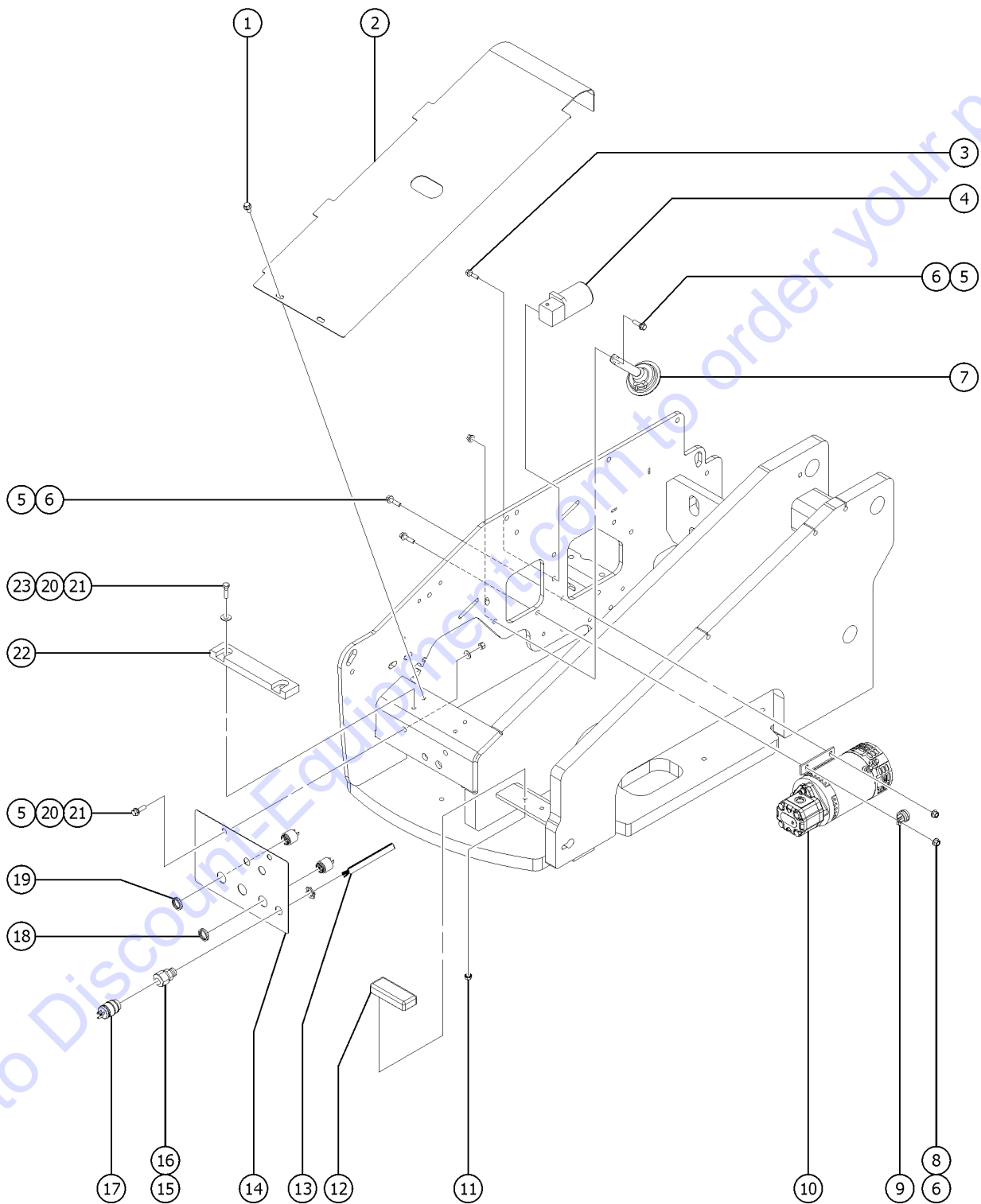
We sell worldwide for the brands: Genie, Terex, JLG, MultiQuip, Mikasa, Essick, Whiteman, Mayco, Toro Stone, Diamond Products, Generac Magnum, Airman, Haulotte, Barreto, Power Blanket, Nifty Lift, Atlas Copco, Chicago Pneumatic, Allmand, Miller Curber, Skyjack, Lull, Skytrak, Tsurumi, Husquvarna Target, Stow, Wacker, Sakai, Mi-T-M, Sullair, Basic, Dynapac, MBW, Weber, Bartell, Bennar Newman, Haulotte, Ditch Runner, Menegotti, Morrison, Contec, Buddy, Crown, Edco, Wyco, Bomag, Laymor, EZ Trench, Bil-Jax, F.S. Curtis, Gehl Pavers, Heli, Honda, ICS/PowerGrit, IHI, Partner, Imer, Clipper, MMD, Koshin, Rice, CH&E, General Equipment, Amida, Coleman, NAC, Gradall, Square Shooter, Kent, Stanley, Tamco, Toku, Hatz, Kohler, Robin, Wisconsin, Northrock, Oztec, Toker TK, Rol-Air, APT, Wylie, Ingersoll Rand / Doosan, Innovatech, Con X, Ammann, Mecalac, Makinex, Smith Surface Prep, Small Line, Wanco, Yanmar

403.1 Turntable Components - View 1 - DC Models



Item	Part No.	Description	Qty.
1	824068GT	SCREW, HHC, 3/8-16 X 1.25, 8, ZAG	2
2	1255758GT	WASHER, FLAT, 3/8, USS, ZAG	4
3	824029GT	NUT, TL FLG, 3/8-16, G, ZAG	11
4	150026GT	INVERTER, 48VDC, 120VAC/60HZ	1
5A	94981GT	STUD, POWER 3/8" RED red	1
5B	94982GT	STANDOFF, 3/8" BLACK black	1
6	824091GT	SCREW, HHF, 3/8-16 X 1.25, 8, ZAG	4
7A	1263187GT	SENSOR, LEVEL, 2.5 X 4.5 DEG	1
7B	94077GT	SENSOR, LEVEL, 4.5 DEG ANSI/CSA/Australia	1
8	824090GT	SCREW, HHF, 3/8-16X1, 8, ZAG	2
9	824078GT	SCREW, HHF, 1/4-20X.75, 8, ZAG	3
10	824027GT	NUT, TL FLG, 1/4-20, G, ZAG	9
11	60106PGT	FORMING, SWING CHASSIS TRAY PTD	1
12		REF. HYDRAULIC POWER UNIT Refer to 701.1	
13	36179GT	POWER UNIT, AUX PUMP 24VDC	1
14	824085GT	SCREW, HHF, 5/16-18 X .75, 8, ZAG	2
15	1264261GT	NUT, SERRATED, 10-32, ZAG	4
16	824215GT	SCREW, PHPM, 10-32X.75, ZAG	4
17	128319GT	FORMING, DRAW LATCH MOUNT	1
18	45363GT	LATCH, FLEXIBLE DRAW W/O KEEPER	1
19	824079GT	SCREW, HHF, 1/4-20X1, 8, ZAG	6
20	13268GT	CLAMP, 0.75, #12 X 1/4, RUB CUSH	2
21	824092GT	SCREW, HHF, 3/8-16 X 1.5, 8, ZAG	2
22	50974GT	BUMPER, RUBBER, COVERS	2
23	54363GT	BRACKET, RUBBER BUMPER, ENGCOVER	2
24	1256118GT	SCREW, HHC, 3/8-16X1.5, 8, ZAG	2

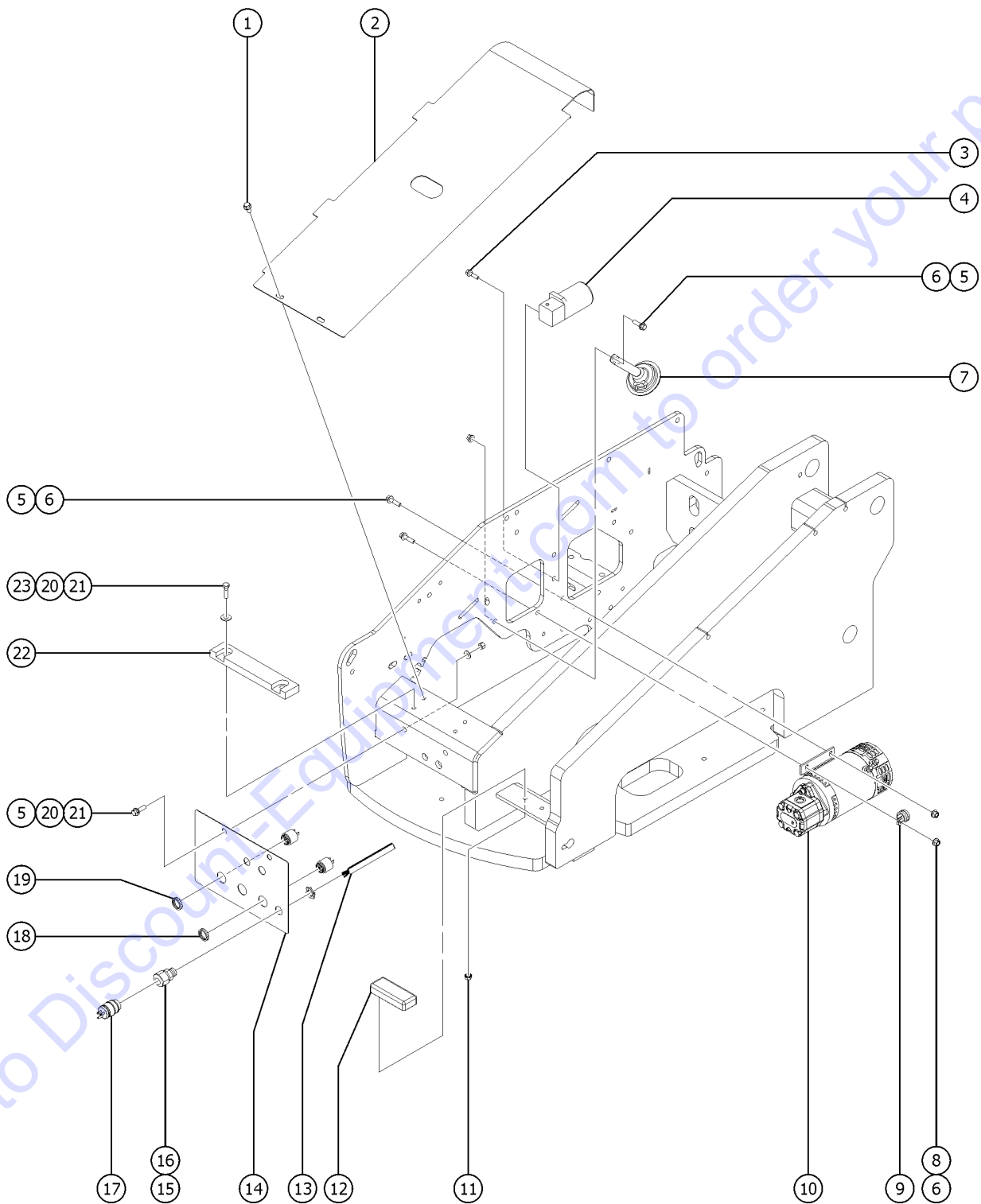
404.1 Turntable Components - View 2



Item	Part No.	Description	Qty.
1	824089GT	SCREW, HHF, 3/8-16 X .75, 8, ZAG .....	2
2	119784PGT	COVER,CENTER SWING CHASSIS,PTD .....	1
3	824087GT	SCREW,HHF,5/16-18X1.25,8,ZAG .....	2
4	36179GT	POWER UNIT,AUX PUMP 24VDC .....	1
4-	37184GT	MOTOR, 24V (36179) .....	
4-	37185GT	PUMP ASSEMBLY (36179) Part 37185GT is no longer backwards compatible with 37184GT. Order complete Aux Pump 36179GT	
4-	37186GT	VALVE,CHECK (36179) .....	
4-	37187GT	SEAL KIT, 37185 PUMP .....	
4-	37191GT	GASKET, PUMP / MOTOR (36179) .....	
4-	37192GT	COUPLER, PUMP / MOTOR (36179) .....	
4-	49878GT	NYLON WASHER,(36179) .....	
5	824091GT	SCREW, HHF, 3/8-16 X 1.25, 8, ZAG .....	5
6	824029GT	NUT,TL FLG,3/8-16,G,ZAG .....	4
7	81579GT	HORN,24VDC,SPADE TERMINALS*** .....	1
8	824092GT	SCREW, HHF, 3/8-16 X 1.5, 8, ZAG .....	1
9	49863GT	CLAMP,1.13,#18 X 3/8,RUB CUSH* .....	1
10		Ref. Hydraulic Power Unit (refer to 701.1) Bi-energy models .....	
11	1257628GT	NUT,SERRATED,3/8-16,ZAG .....	2
12	56849GT	PAD,REST,1"THICK,W/STUDS* .....	1
13	43956GT	WIRE CABLE,14/3 CON.TPE JKT* .....	756
14	70647GT	PLATE,FRONT COVER*** .....	1
15	7056GT	CONN, SQZ, 1/2NPT .38-.50, SM** .....	1
16	6935GT	LOCKNUT,ELEC,1/2" .....	1
17A	119403GT	CONN,PLUG 120 AC/15A DOMESTIC .....	1
17A-		FUSE,13 AMP,220V PLUG (component no longer available) refer to BS1362 BUSS TDC180-13A .....	
17A-	119404GT	CONN,RECEP 120AC/15A DOMESTIC .....	
17A-	144161GT	PLUG,PWR,UK,16AMP,3PIN,BLK .....	
17A-	25388GT	PLUG,FUSED,250V,13AMP,U.K.** .....	



404.1 Turntable Components - View 2

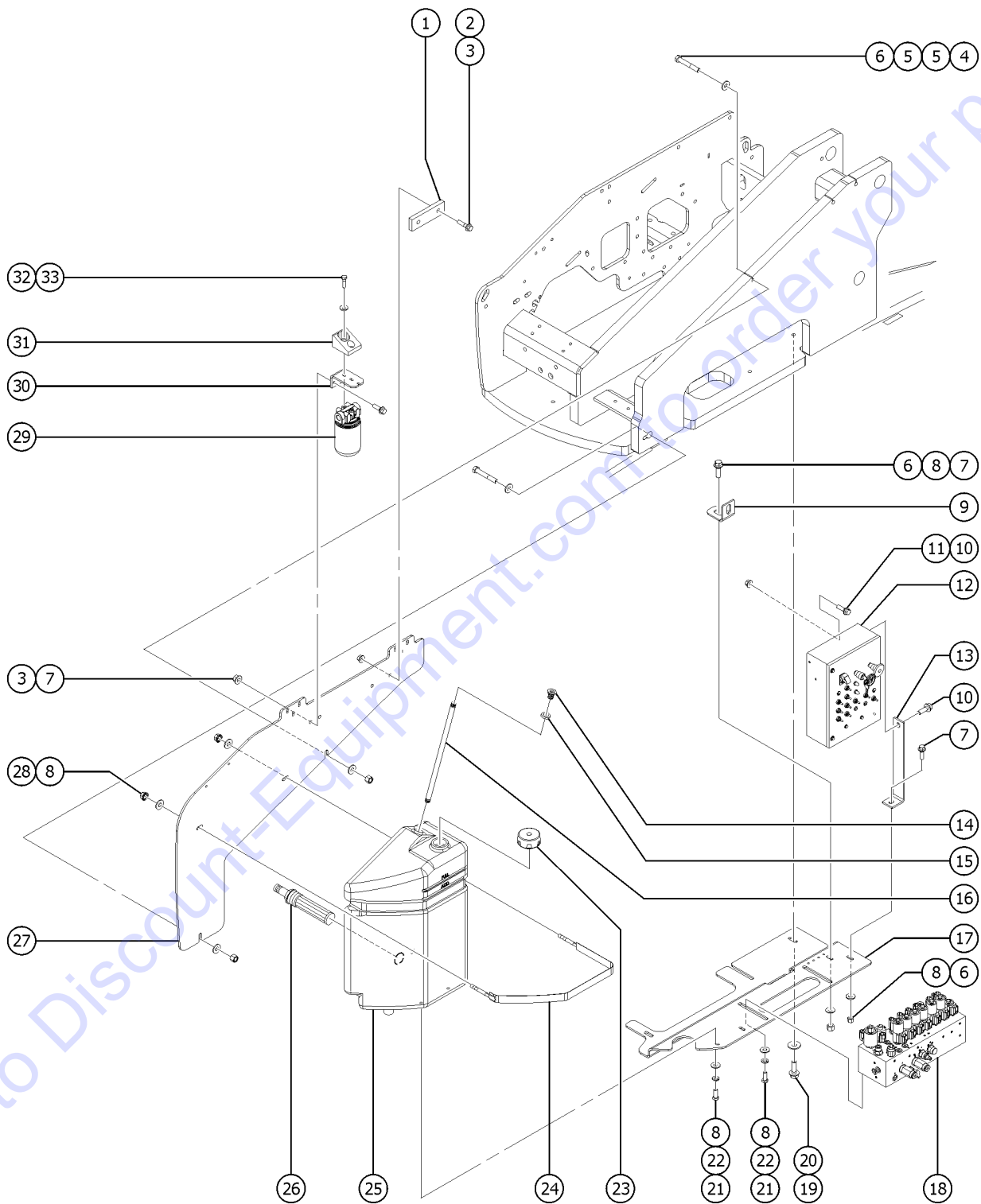


Item	Part No.	Description	Qty.
17A-	1280665GT	PLUG, TYPE F, 230A, 50HZ, 16A, IP44 .....	
17B	128646GT	CORD AC IEC320-C19 TO 110UK .....	1
		UK	
17B-	139318GT	BUSHING,STRAIN RELIEF ,875/.30 .....	
17C	128645GT	CORD AC IEC320-C19 TO 220EU .....	1
		Europe	
17C-	139318GT	BUSHING,STRAIN RELIEF ,875/.30 .....	
18	18963GT	ALARM.INTERMITTENT TONE.24V .....	1
		Does not include 72326 nut	
18-	72326GT	NUT - PLASTIC, RING FOR ALARMS .....	
19	45462GT	ALARM,CHIME TONE 5-25VDC*** .....	1
		Does not include 72326 nut	
19-	72326GT	NUT - PLASTIC, RING FOR ALARMS .....	
20	825358GT	WASHER,FLAT,5/16,USS,ZAG .....	4
21	824025GT	NUT,TL,3/8-16,C,ZAG .....	4
22	50570GT	WEAR PAD,PRIMARY BOOM,NON JIB .....	1
23	1256118GT	SCREW,HHC,3/8-16X1.5,8,ZAG .....	2

Go to Discount-Equipment.com to order your parts



405.1 Turntable Components - View 3

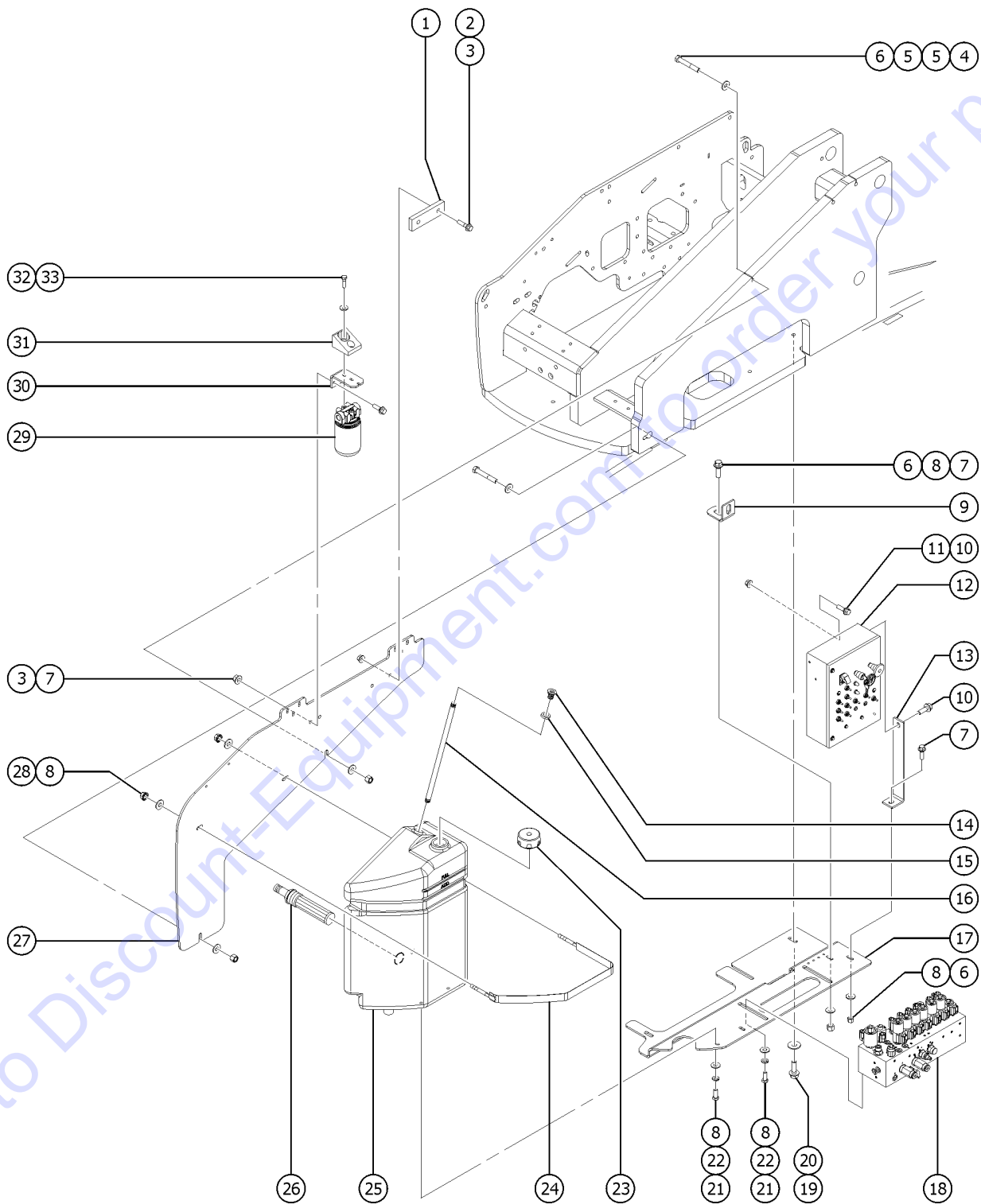




Item	Part No.	Description	Qty.
1	54231GT	WEAR PAD,4.88 X 1.5 X .5	1
2	824092GT	SCREW, HHF, 3/8-16 X 1.5, 8, ZAG	2
3	824029GT	NUT,TL FLG,3/8-16,G,ZAG	4
4	824069GT	SCREW, HHC, 3/8-16 X 2.5, 8, ZAG	2
5	825358GT	WASHER,FLAT,5/16,USS,ZAG	4
6	824025GT	NUT,TL,3/8-16,C,ZAG	4
7	824091GT	SCREW, HHF, 3/8-16 X 1.25, 8, ZAG	4
8	1255758GT	WASHER,FLAT,3/8,USS,ZAG	8
9	70602GT	BRACKET, ANGLE	1
10	824078GT	SCREW,HHF,1/4-20X.75,8,ZAG	2
11	824027GT	NUT,TL FLG,1/4-20,G,ZAG	2
12		Ref. Ground Controls (refer to 406.1 or 407.1)	
13	88557GT	BRACKET,GROUND CONTROL BOX	1
14	39223GT	BULKHEAD FITTING,PLASTIC X 8** Includes item 15	1
15	62088GT	WASHER/BULKHEAD***	1
16	60065GT	TUBE,PLASTIC .5 NPT X 18"	1
17	50959GT	FORMING,SWING CHASSIS,RH	1
18		Ref. Function Manifold (refer to 702.1)	
19	1253498GT	SCREW,HHF,1/2-13X1.5,8,ZAG	3
20	1255760GT	WASHER,FLAT,1/2,USS,ZAG	3
21	824067GT	SCREW,HHC,3/8-16X1,8,ZAG	4
22	824110GT	WASHER,LOCK,3/8,ZAG	4
23	42019GT	TANK BREATHER,NYLON **	1
24	77435GT	STRAP ASSY,29.25LG,W/RUBBER	1
25	50966GT	TANK,HYDRAULIC,8 GALLON,DC/BI	1
25-	56022GT	PLUG,3/4 MAGNETIC PIPE SQ.DRV	
26	45162GT	STRAINER ASSEMBLY,1.25" NPT***	1
27	54443GT	BULKHEAD,SWING,RIGHT,Z45 DC/BE	1



405.1 Turntable Components - View 3

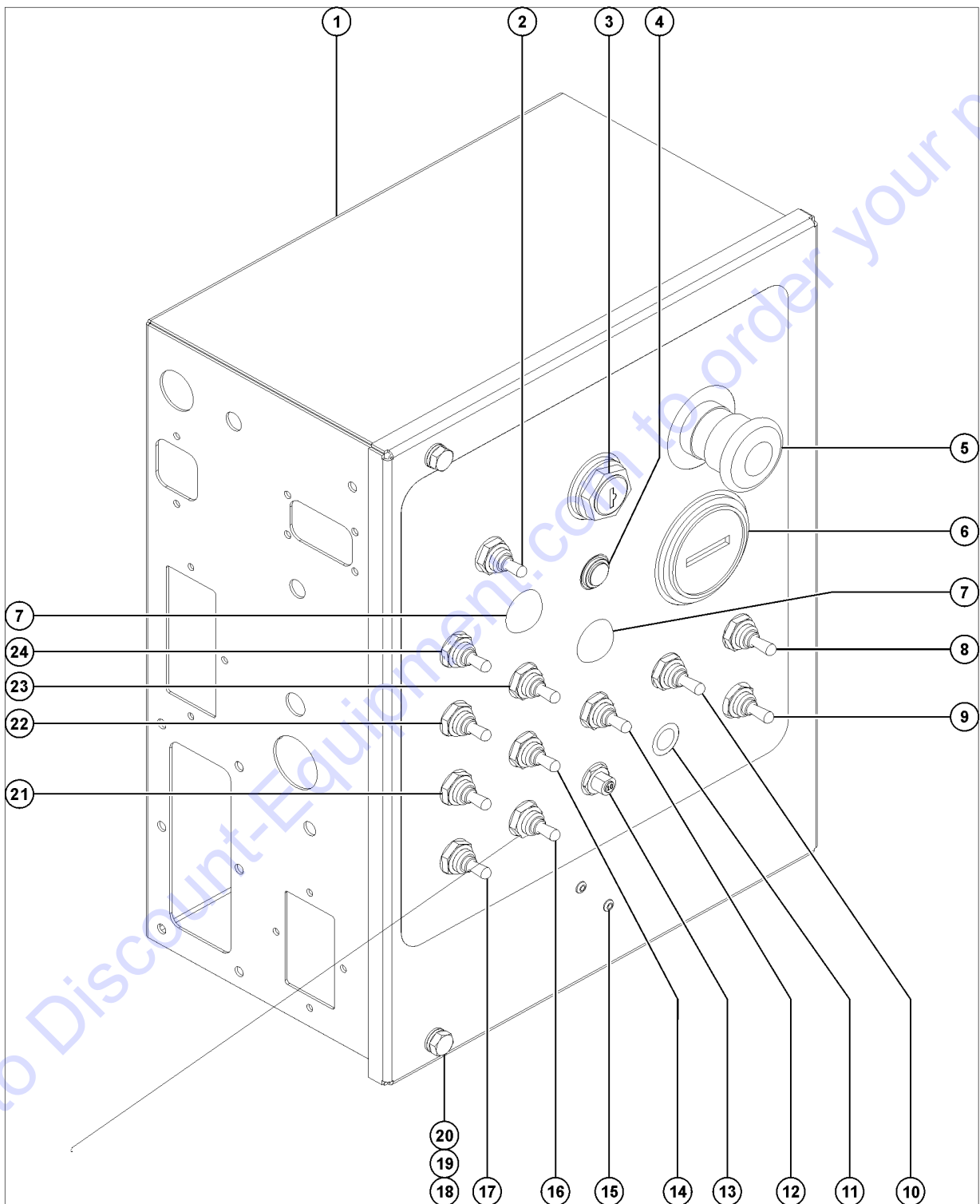


<i>Item</i>	<i>Part No.</i>	<i>Description</i>	<i>Qty.</i>
28	1257628GT	NUT,SERRATED,3/8-16,ZAG .....	2
29	78622GT	FILTER ASSY,SAE8,10 MIC,PAPR** .....	1
29-	44788GT	FILTER ELEMENT,10MICRON,PAPER* .....	
30	50744GT	BRACKET,RETURN FILTER** .....	1
31	54360GT	CUP,PROP ROD,DC/BI .....	1
32	824060GT	SCREW, HHC, 1/4-20 X 1, 8, ZAG .....	2
33	824113GT	WASHER,FLAT,USS,1/4,ZAG .....	2

Go to Discount-Equipment.com to order your parts



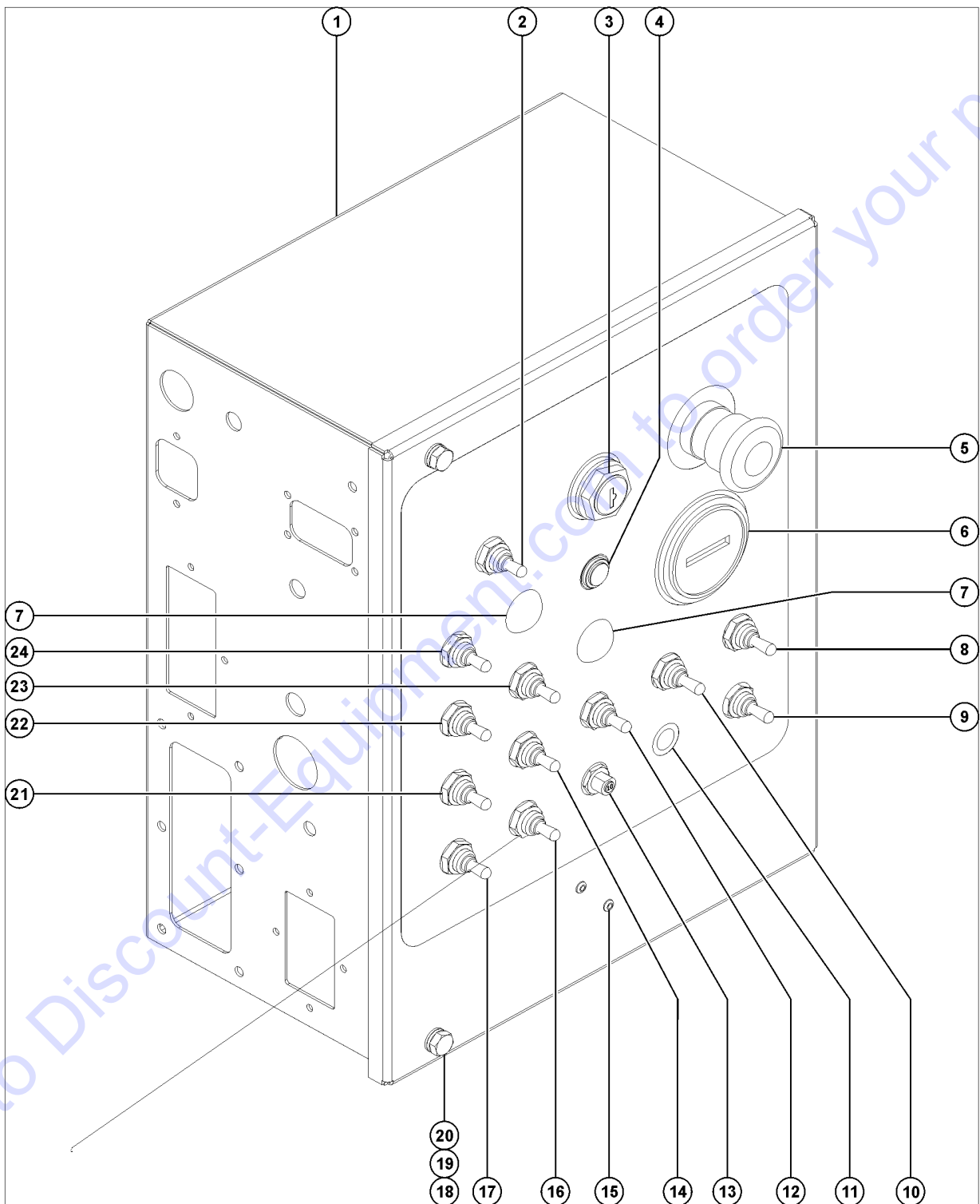
406.1 Ground Control Box - View 1, Z-45/25J



Item	Part No.	Description	Qty.
-	1266947GT	GBOX, Z45BE J, AUST (Complete) AUS, BE Models	1
-	1266935GT	GBOX, Z45DC J, CE (Complete) CE, DC Models	1
-	1266939GT	GBOX, Z45BE J, CE (Complete) CE, BE Models	1
-	1266943GT	GBOX, Z45DC J, AUST (Complete) AUS, DC Models	1
-	1266953GT	GBOX, Z45DC J, ANSI (Complete) ANSI, DC Models	1
-	1266957GT	GBOX, Z45BE J, ANSI (Complete) ANSI, BE Models	1
1	1292677GT	WELDMENT, GROUND CONTROL BOX	1
2	128201GT	SWITCH TOGGLE ASSY DPDT 2P MOM	1
3	96008-SGT	KEYSWITCH,3 POS. W/KEYS***	1
3-	88827GT	GASKET,KEYSWITCH,PLASTIC***	1
3-	96010GT	SCREW,PHILLIPS,PHM,8-32 X.25**	1
4	218164GT	LIGHT,INDICATOR,RED 24V H-BRI (AUS & CE)	1
4B	229567GT	PLUG, SANTOPRENE .5 BLACK DOME (ANSI)	1
5	66812GT	BUTTON,PUSH,RED MUSHROOM HEAD	1
5-	66817GT	BASE WITH 1 NC CONTACT, E-STOP	1
6	19506GT	HOUR METER, 10-80 VOLTS***	1
7	229567GT	PLUG, SANTOPRENE .5 BLACK DOME	2
8	128200GT	SWITCH TOGGLE ASSY SPDT 3P MOM BE Models	1
8B	229567GT	PLUG, SANTOPRENE .5 BLACK DOME DC Models	1
9	128200GT	SWITCH TOGGLE ASSY SPDT 3P MOM	1
10	128200GT	SWITCH TOGGLE ASSY SPDT 3P MOM BE Models	1
10B	229567GT	PLUG, SANTOPRENE .5 BLACK DOME DC Models	1
11	21858GT	PLUG,NYLON .38 BLACK DOMED	1
12	128202GT	SWITCH TOGGLE ASSY DPDT 3P MOM	1
13	147093GT	ASSY, CIRCUIT BREAKER 10A	1
14	128202GT	SWITCH TOGGLE ASSY DPDT 3P MOM	1
15	6272GT	RIVET,STL,STL,P.,.125 X .25	2
16	128202GT	SWITCH TOGGLE ASSY DPDT 3P MOM	1



406.1 Ground Control Box - View 1, Z-45/25J

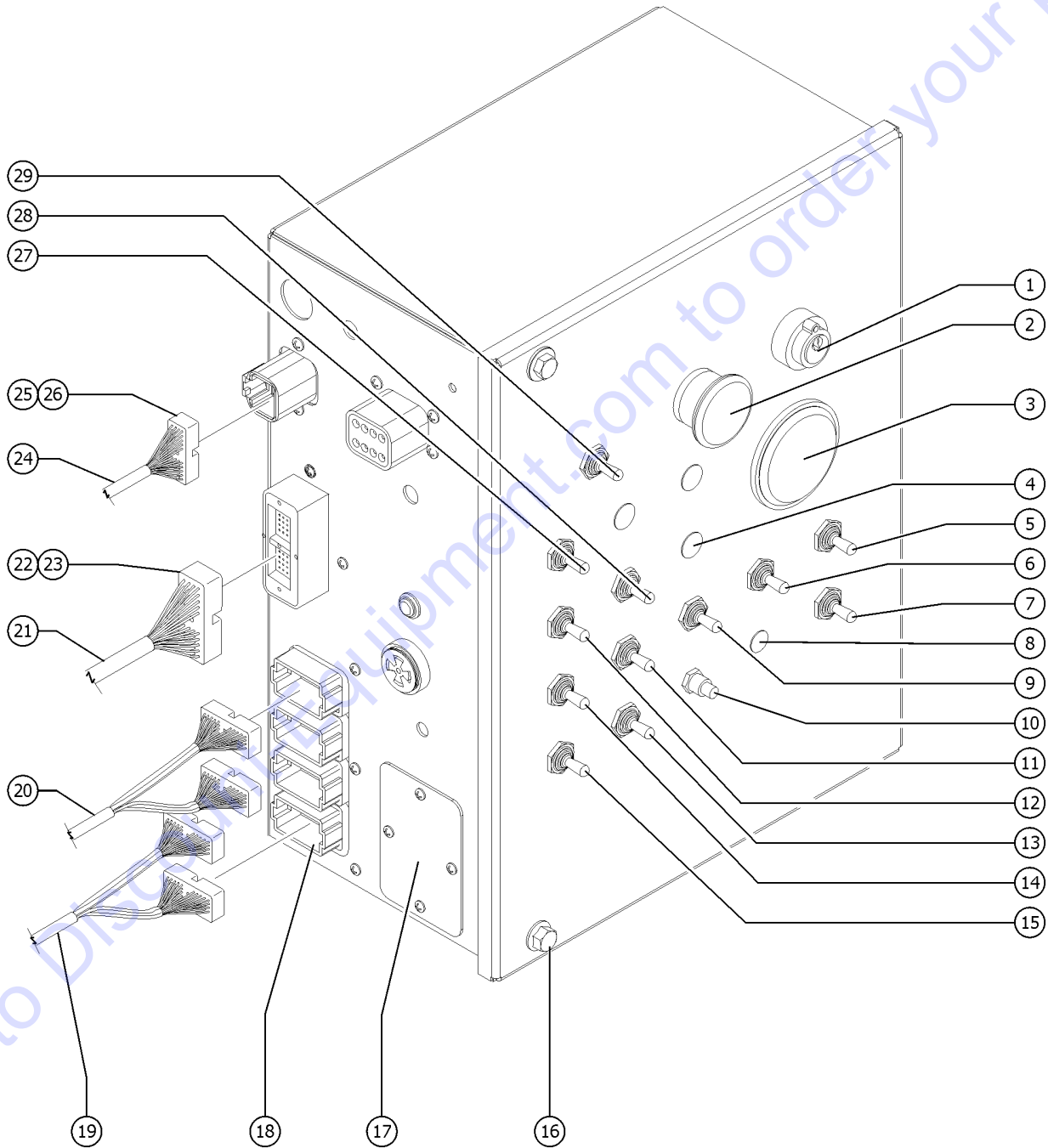


Item	Part No.	Description	Qty.
17	128202GT	SWITCH TOGGLE ASSY DPDT 3P MOM .....	1
18	824059GT	SCREW,HHC,1/4-20X.75,8,ZAG .....	2
19	824109GT	WASHER,LOCK,1/4,ZAG .....	2
20	1253185GT	WASHER,FLAT,#10,USS,ZAG .....	2
21	128202GT	SWITCH TOGGLE ASSY DPDT 3P MOM .....	1
22	128202GT	SWITCH TOGGLE ASSY DPDT 3P MOM .....	1
23	128202GT	SWITCH TOGGLE ASSY DPDT 3P MOM .....	1
24	128204GT	SWITCH TOGGLE ASSY SPDT 2P MNT .....	1
		BE Models (AUS & CE)	
24B	229567GT	PLUG, SANTOPRENE .5 BLACK DOME .....	1
		DC Models and BE (ANSI) Models	

Go to Discount-Equipment.com to order your parts



406.2 Ground Control Box - View 1, Z-45/25

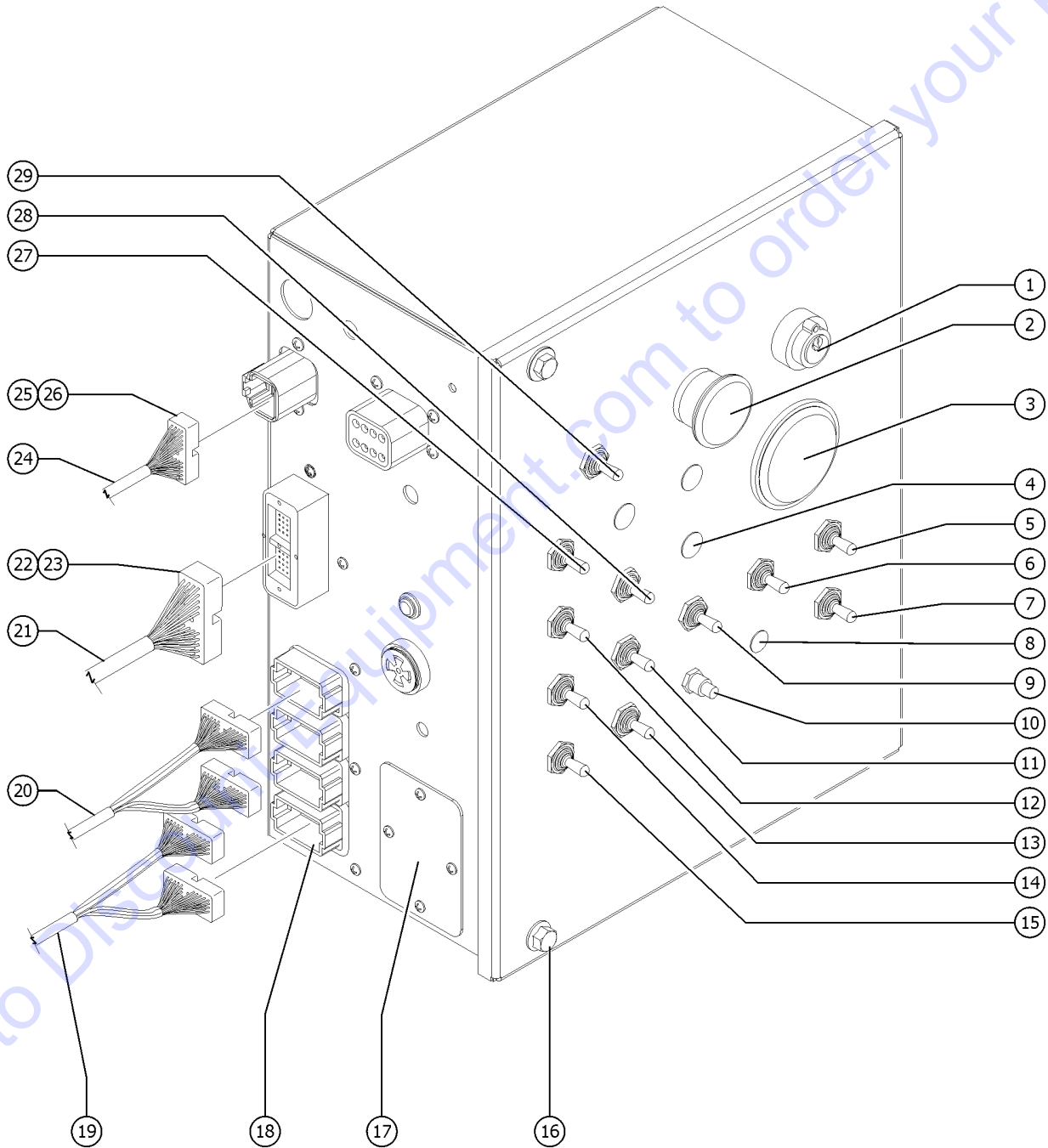




Item	Part No.	Description	Qty.
1	96008-SGT	KEYSWITCH,3 POS. W/KEYS***	1
1A-	21982GT	KEY,SINGLE***	
1A-	37947GT	KEYS,10 PACK***	
1A-	83093GT	KEY SINGLE*** with rubber boot	
1A-	88827GT	GASKET,KEYSWITCH,PLASTIC***	
1A-	94506GT	BASE,W/3 NC CONTACTS	
1A-	96010GT	SCREW,PHILLIPS,PHM,8-32 X.25**	
1B	83131GT	KEYSWITCH,3 POS W/KEYS,LOCKING	1
1B-	83093GT	KEY SINGLE***	
1B-	85239GT	NUT,RETAINER (96008)	
2	66812GT	BUTTON,PUSH,RED MUSHROOM HEAD	1
2-	66818GT	CONTACT,NC	
2-	66821GT	BASE,WITHOUT CONTACTS	
3	19506GT	HOUR METER, 10-80 VOLTS*** includes mounting bracket	1
4	229567GT	PLUG, SANTOPRENE .5 BLACK DOME	2
5	128200GT	SWITCH TOGGLE ASSY SPDT 3P MOM Glow Plug (Bi-Energy); includes boot and hardware	1
5A-	128578GT	SCREW T-SWITCH PH/PH 6-32X1/4	
5A-	128580-SGT	SWITCH TOGGLE SPDT 3P MOM SHDR	
5A-	27246GT	BOOT,TOGGLE SWITCH,SHORT*	
5B	229567GT	PLUG, SANTOPRENE .5 BLACK DOME DC models	1
6	128200GT	SWITCH TOGGLE ASSY SPDT 3P MOM Engine Start; includes boot and hardware	1
6A-	128578GT	SCREW T-SWITCH PH/PH 6-32X1/4	
6A-	128580-SGT	SWITCH TOGGLE SPDT 3P MOM SHDR	
6A-	27246GT	BOOT,TOGGLE SWITCH,SHORT*	
6B	229567GT	PLUG, SANTOPRENE .5 BLACK DOME DC models	1
7	128200GT	SWITCH TOGGLE ASSY SPDT 3P MOM Function Enable; includes boot and hardware	1
7-	128578GT	SCREW T-SWITCH PH/PH 6-32X1/4	
7-	128580-SGT	SWITCH TOGGLE SPDT 3P MOM SHDR	



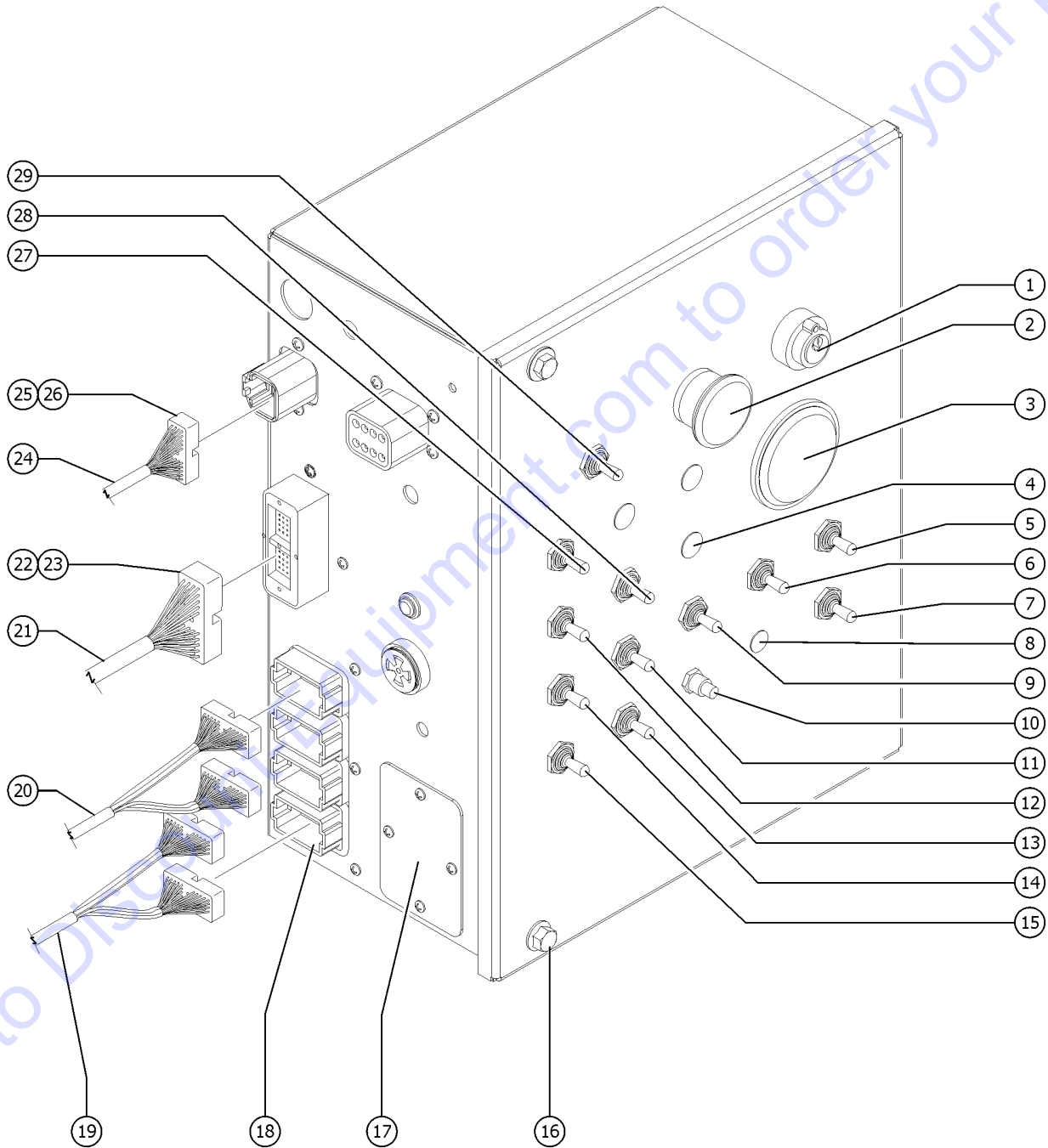
406.2 Ground Control Box - View 1, Z-45/25



Item	Part No.	Description	Qty.
7-	27246GT	BOOT,TOGGLE SWITCH,SHORT* .....	
8	21858GT	PLUG,NYLON .38 BLACK DOMED .....	1
9	128202GT	SWITCH TOGGLE ASSY DPDT 3P MOM Secondary Boom Up/Down; includes boot and hardware .....	1
9-	128578GT	SCREW T-SWITCH PH/PH 6-32X1/4 .....	
9-	128582-SGT	SWITCH TOGGLE DPDT 3P MOM SHDR .....	
9-	27246GT	BOOT,TOGGLE SWITCH,SHORT* .....	
10	147093GT	ASSY, CIRCUIT BREAKER 10A includes mounting fasteners .....	1
10-	147089GT	CIRCUIT BREAKER, 10A .....	
10-	6700GT	WASHER,STAR,EXTERNAL .....	
10-	122994GT	NICKEL PLATED JAM NUT .....	
11	229567GT	PLUG, SANTOPRENE .5 BLACK DOME (Z-45/25) .....	1
12	128202GT	SWITCH TOGGLE ASSY DPDT 3P MOM Primary Boom Ext/Ret; includes boot and hardware .....	1
12-	128578GT	SCREW T-SWITCH PH/PH 6-32X1/4 .....	
12-	128582-SGT	SWITCH TOGGLE DPDT 3P MOM SHDR .....	
12-	27246GT	BOOT,TOGGLE SWITCH,SHORT* .....	
13	128202GT	SWITCH TOGGLE ASSY DPDT 3P MOM Primary Level; includes boot and hardware .....	1
13-	128578GT	SCREW T-SWITCH PH/PH 6-32X1/4 .....	
13-	128582-SGT	SWITCH TOGGLE DPDT 3P MOM SHDR .....	
13-	27246GT	BOOT,TOGGLE SWITCH,SHORT* .....	
14	128202GT	SWITCH TOGGLE ASSY DPDT 3P MOM Turntable Rotate; includes boot and hardware .....	1
14-	128578GT	SCREW T-SWITCH PH/PH 6-32X1/4 .....	
14-	128582-SGT	SWITCH TOGGLE DPDT 3P MOM SHDR .....	
14-	27246GT	BOOT,TOGGLE SWITCH,SHORT* .....	
15	128202GT	SWITCH TOGGLE ASSY DPDT 3P MOM Platform Rotate; includes boot and hardware .....	1
15-	128578GT	SCREW T-SWITCH PH/PH 6-32X1/4 .....	
15-	128582-SGT	SWITCH TOGGLE DPDT 3P MOM SHDR .....	
15-	27246GT	BOOT,TOGGLE SWITCH,SHORT* .....	
16	824059GT	SCREW,HHC,1/4-20X.75,8,ZAG .....	2



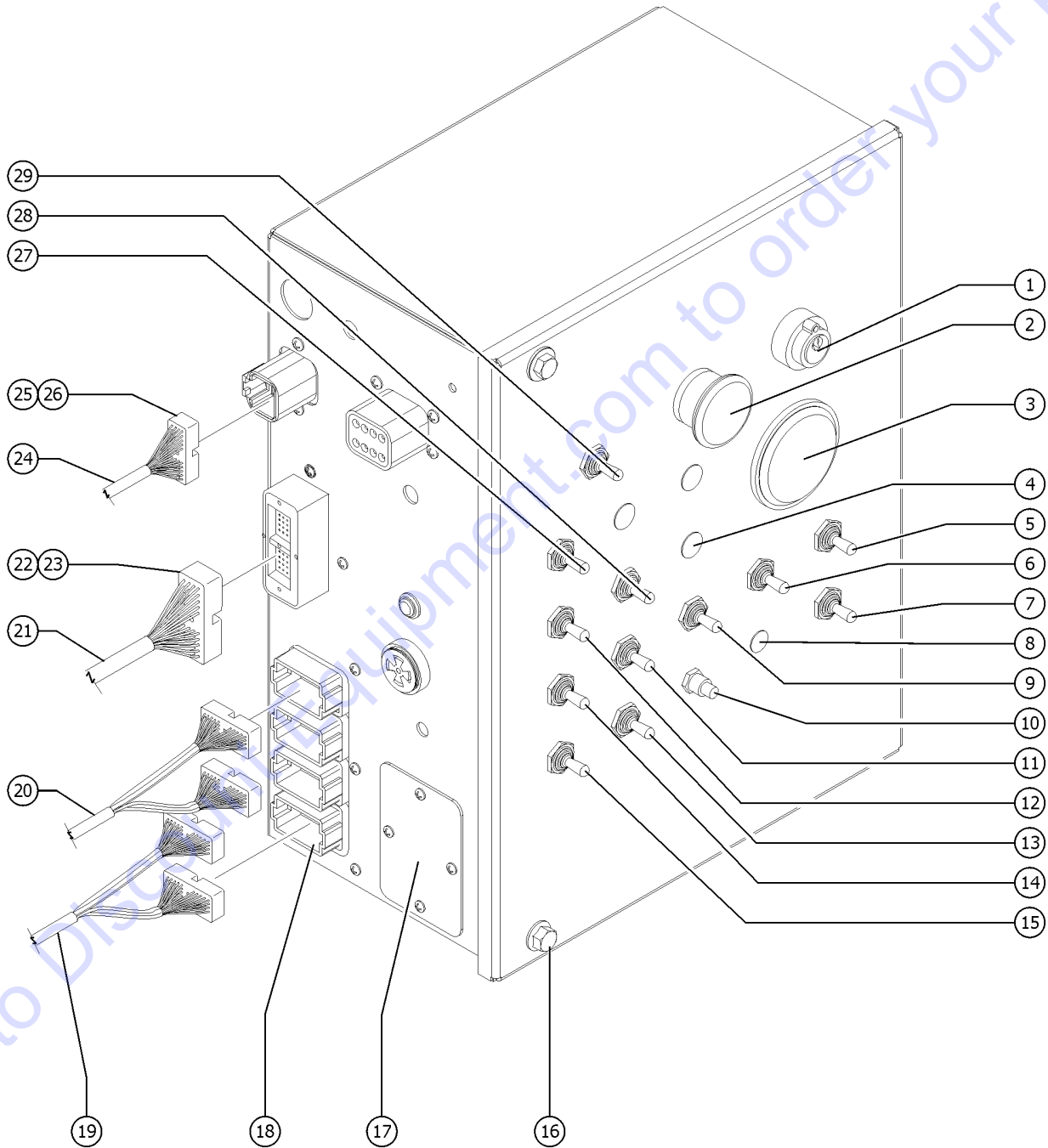
406.2 Ground Control Box - View 1, Z-45/25



Item	Part No.	Description	Qty.
17	1253185GT	WASHER,FLAT,#10,USS,ZAG	2
18		HARNESS,ENGINE,Z45BI Bi-Energy models; refer to section 410.1	
18A-	73749GT	CONN,PLUG 24 WAY,DRC SERIES	
18A-	73753GT	CONN,RECEP 24 WAY,W/FLANGE	
18B	230501GT	COVER PLATE, CONNECTOR DC models	1
19	73736GT	CONN,RECEP 48 WAY,4 X 12	1
19-	119061GT	CONN PLUG 12 WAY ENDCAP DT GY	
19-	119062GT	CONN,PLUG 12 WAY,14-18GA,BLACK	
19-	60435GT	LOCK, PLUG 12WAY, 14-18GA, GRN	
19-	61801GT	SEAL DT SERIES-12W	
19-	54255GT	LOCK,RECEP 12 WAY, 14-18GA	
19-	73713GT	TERM,NI PIN,S&F,16-18GA,REEL	
20	88722-72000GT	HARNESS,18/19,BOOM CABLE #2 (Z-45/25); gray and black connectors	1
20B-	119063GT	CONN PLUG 12 WAY ENDCAP DT GR	
20B-	119064GT	CONN PLUG 12 WAY ENDCAP DT BR	
20B-	60435GT	LOCK, PLUG 12WAY, 14-18GA, GRN	
20B-	61801GT	SEAL DT SERIES-12W	
21	88721-72000GT	HARNESS,18/19 BOOM CABLE #1 (Z-45/25); brown and green connectors	1
22	88719GT	HARNESS,FUNCTION,Z45 DC/BI	1
23	73751GT	CONN,PLUG 40 WAY,DRC SERIES	1
24	73754GT	CONN,RECEP 40 WAY,W/FLANGE	1
25	88723-71000GT	HARNESS,12/3,12V TO PLAT (Z-45/25)	1
26	60527GT	CONN,PLUG 4 WAY,12-14GA***	1
26-	60528GT	LOCK,PLUG 4 WAY,12-14GA***	
27	73754GT	CONN,RECEP 40 WAY,W/FLANGE	1
27-	60526GT	LOCK,RECEP 4 WAY,12-14GA	
28	128204GT	SWITCH TOGGLE ASSY SPDT 2P MNT Engine Idle; includes boot and hardware	1
28A-	128584-SGT	SWITCH TOGGLE SPDT 2P MNT SHDR	



406.2 Ground Control Box - View 1, Z-45/25

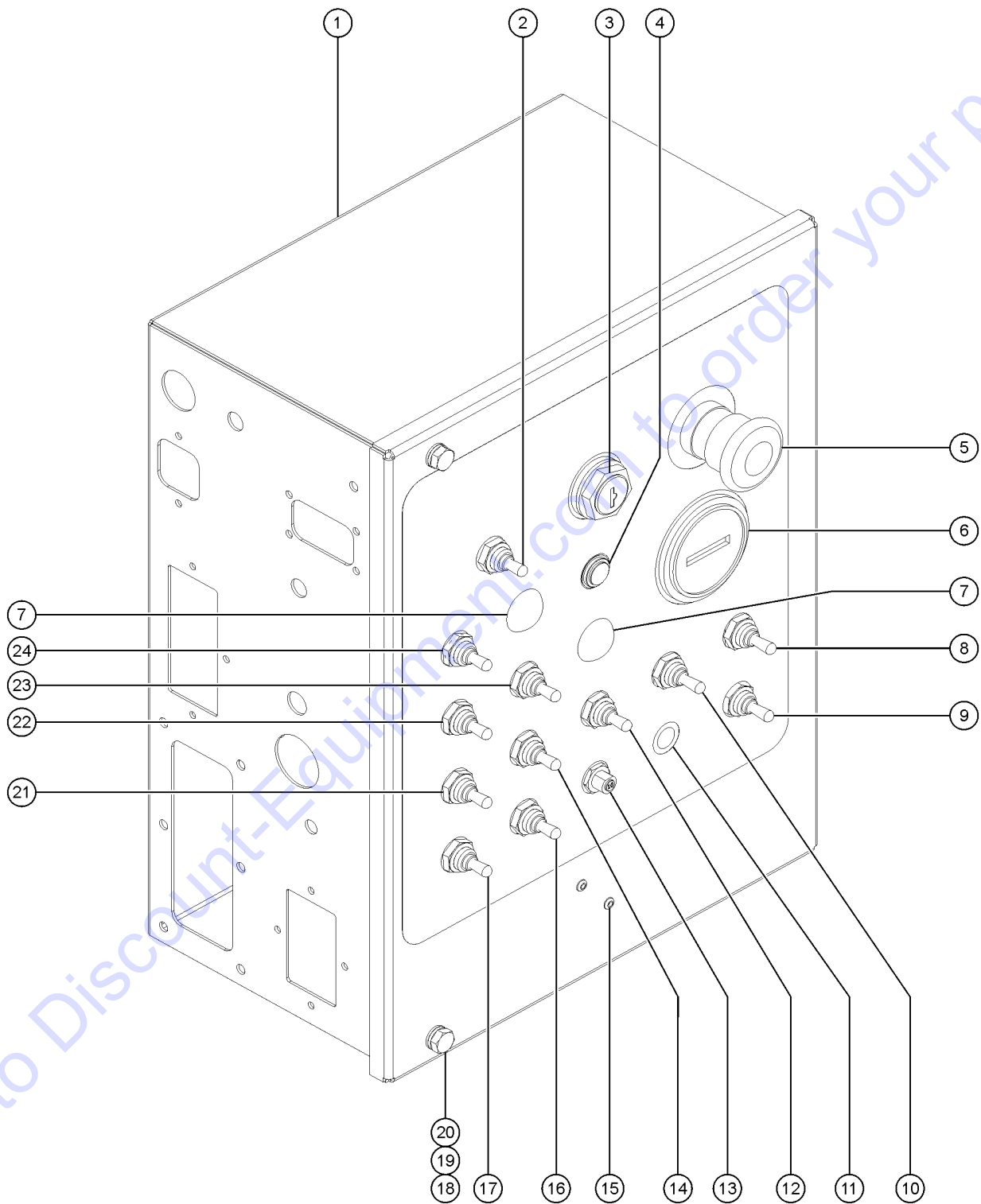


Item	Part No.	Description	Qty.
28A-	128578GT	SCREW T-SWITCH PH/PH 6-32X1/4 .....	
28A-	27246GT	BOOT,TOGGLE SWITCH,SHORT* .....	
28B	229567GT	PLUG, SANTOPRENE .5 BLACK DOME .....	1
29	128202GT	SWITCH TOGGLE ASSY DPDT 3P MOM Primary Boom Up/Down; includes boot and hardware .....	1
29-	128578GT	SCREW T-SWITCH PH/PH 6-32X1/4 .....	
29-	128582-SGT	SWITCH TOGGLE DPDT 3P MOM SHDR .....	
29-	27246GT	BOOT,TOGGLE SWITCH,SHORT* .....	
30	128201GT	SWITCH TOGGLE ASSY DPDT 2P MOM Auxiliary Power; includes boot and hardware .....	1
30-	128578GT	SCREW T-SWITCH PH/PH 6-32X1/4 .....	
30-	128581-SGT	SWITCH TOGGLE DPDT 2P MOM SHDR .....	
30-	25553GT	BOOT,TOGGLE SWITCH .....	
30-	27246GT	BOOT,TOGGLE SWITCH,SHORT* .....	
31	229567GT	PLUG, SANTOPRENE .5 BLACK DOME ANSI models .....	1
31B	824878GT	LIGHT,LED IND. RED 24V NH AUS and CE models .....	1

Go to Discount-Equipment.com to order your parts



406.3 Ground Control Box - View 1 (from SN Z4525F-62000)

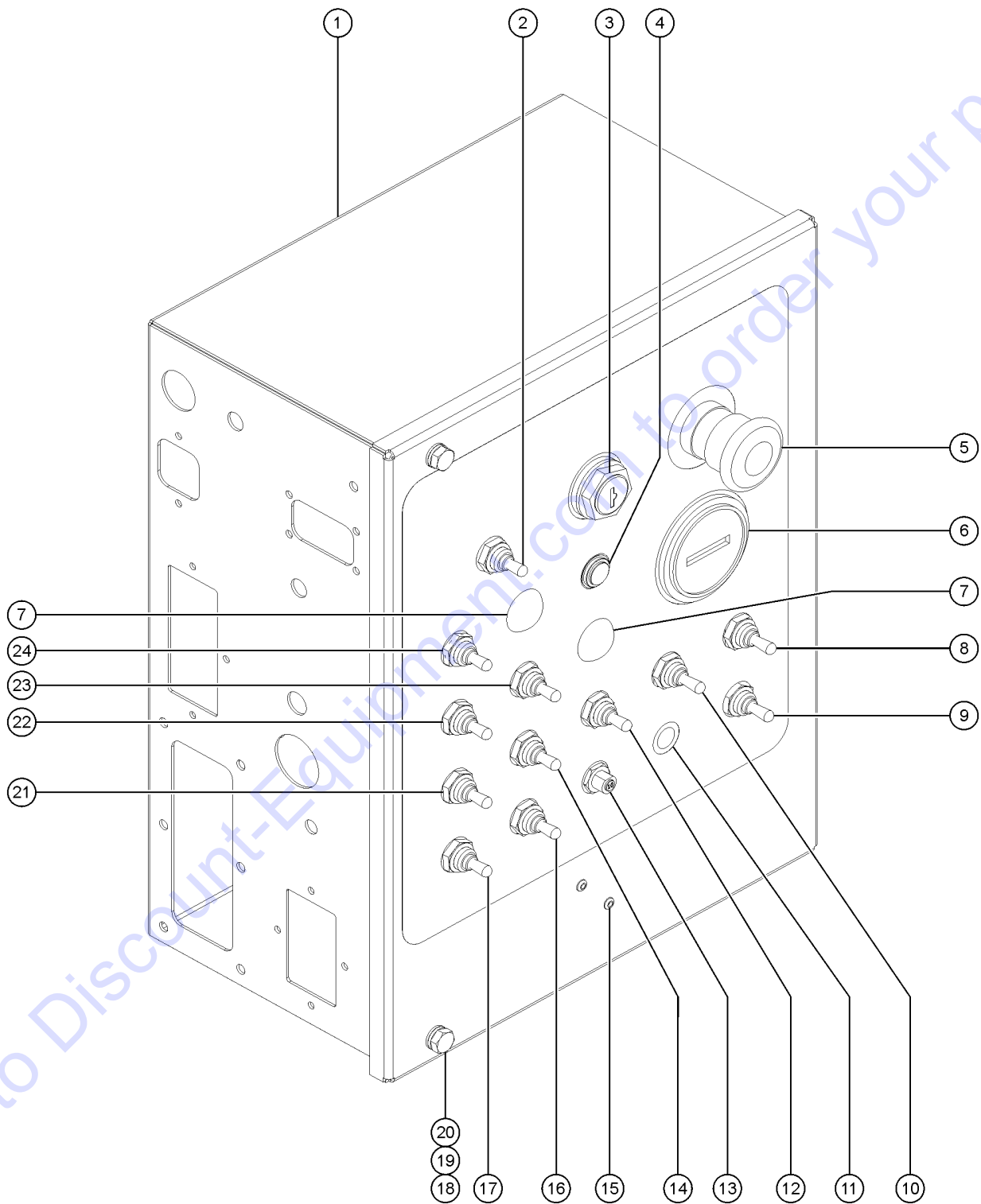




Item	Part No.	Description	Qty.
-	1266943GT	GBOX, Z45DC J, AUST (Complete) AUS, DC Models	1
-	1266947GT	GBOX, Z45BE J, AUST (Complete) AUS, BE Models	1
-	1266935GT	GBOX, Z45DC J, CE (Complete) CE, DC Models	1
-	1266939GT	GBOX, Z45BE J, CE (Complete) CE, BE Models	1
-	1298761GT	GBOX, Z45DC J, ANSI A92.20 (Complete) ANSI, DC Models	1
-	1298763GT	GBOX, Z45BE J, ANSI A92.20 (Complete) ANSI, BE Models	1
1	1292677GT	WELDMENT, GROUND CONTROL BOX	1
2	128201GT	SWITCH TOGGLE ASSY DPDT 2P MOM	1
3	96008-SGT	KEYSWITCH,3 POS. W/KEYS***	1
3-	88827GT	GASKET,KEYSWITCH,PLASTIC***	1
3-	96010GT	SCREW,PHILLIPS,PHM,8-32 X.25**	1
4	218164GT	LIGHT,INDICATOR,RED 24V H-BRI	1
5	66812GT	BUTTON,PUSH,RED MUSHROOM HEAD	1
5-	66817GT	BASE WITH 1 NC CONTACT, E-STOP	1
6	19506GT	HOUR METER, 10-80 VOLTS***	1
7	229567GT	PLUG, SANTOPRENE .5 BLACK DOME	2
8	128200GT	SWITCH TOGGLE ASSY SPDT 3P MOM BE Models	1
8B	229567GT	PLUG, SANTOPRENE .5 BLACK DOME DC Models	1
9	128200GT	SWITCH TOGGLE ASSY SPDT 3P MOM	1
10	128200GT	SWITCH TOGGLE ASSY SPDT 3P MOM BE Models	1
10B	229567GT	PLUG, SANTOPRENE .5 BLACK DOME DC Models	1
11	21858GT	PLUG,NYLON .38 BLACK DOMED	3
12	128202GT	SWITCH TOGGLE ASSY DPDT 3P MOM	1
13	147093GT	ASSY, CIRCUIT BREAKER 10A	1
14	128202GT	SWITCH TOGGLE ASSY DPDT 3P MOM	1
15	6272GT	RIVET,STL,STL,P,.125 X .25	2
16	128202GT	SWITCH TOGGLE ASSY DPDT 3P MOM	1
17	128202GT	SWITCH TOGGLE ASSY DPDT 3P MOM	1



406.3 Ground Control Box - View 1 (from SN Z4525F-62000)



Go to Discount-Equipment.com to order your parts

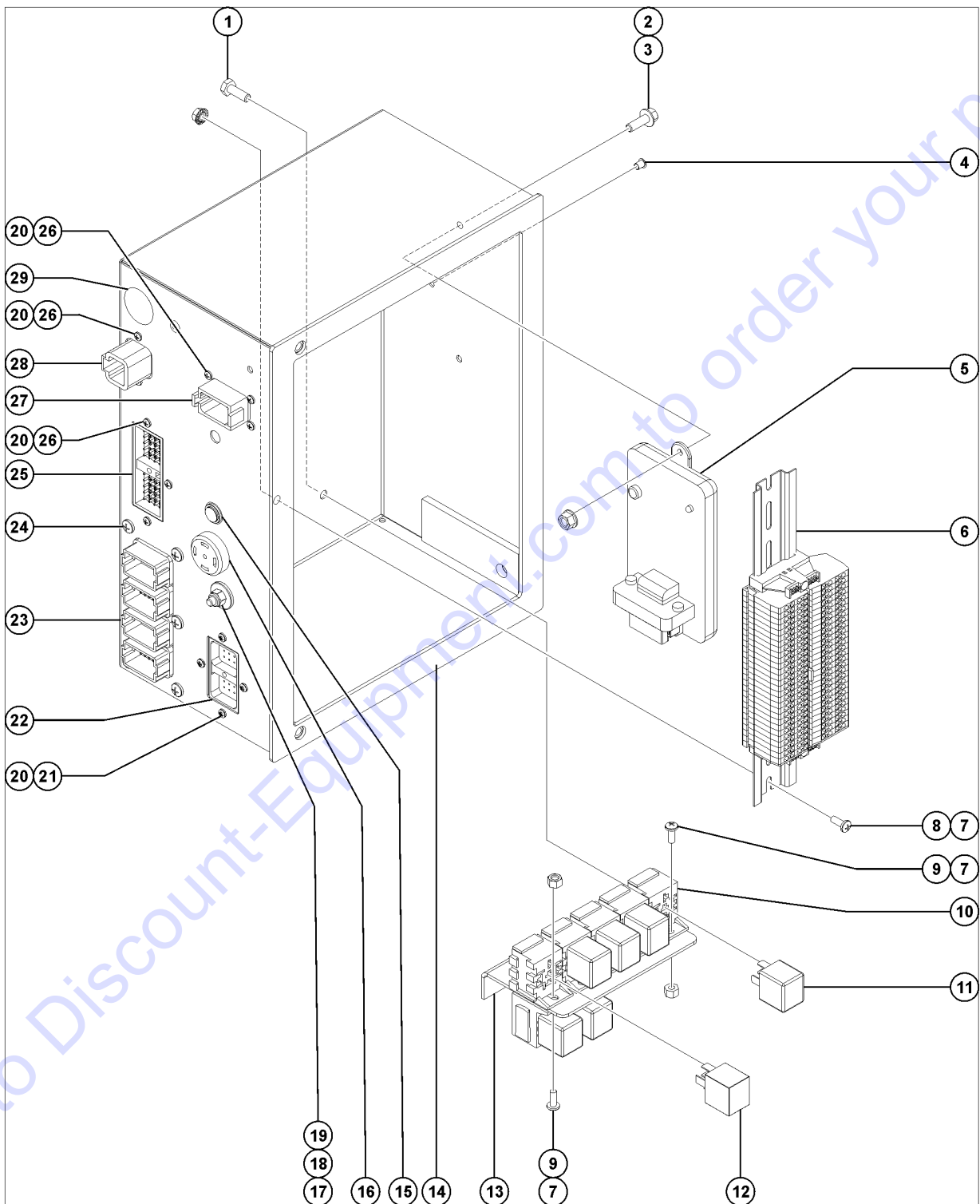
406.3 Ground Control Box - View 1 (from SN Z4525F-62000)

Item	Part No.	Description	Qty.
18	824059GT	SCREW,HHC,1/4-20X.75,8,ZAG .....	2
19	824109GT	WASHER,LOCK,1/4,ZAG .....	2
20	1253185GT	WASHER,FLAT,#10,USS,ZAG .....	2
21	128202GT	SWITCH TOGGLE ASSY DPDT 3P MOM .....	1
22	128202GT	SWITCH TOGGLE ASSY DPDT 3P MOM .....	1
23	128202GT	SWITCH TOGGLE ASSY DPDT 3P MOM .....	1
24	128204GT	SWITCH TOGGLE ASSY SPDT 2P MNT BE Models (AUS & CE) .....	1
24B	229567GT	PLUG, SANTOPRENE .5 BLACK DOME DC Models and BE (ANSI) Models .....	1

Go to Discount-Equipment.com to order your parts



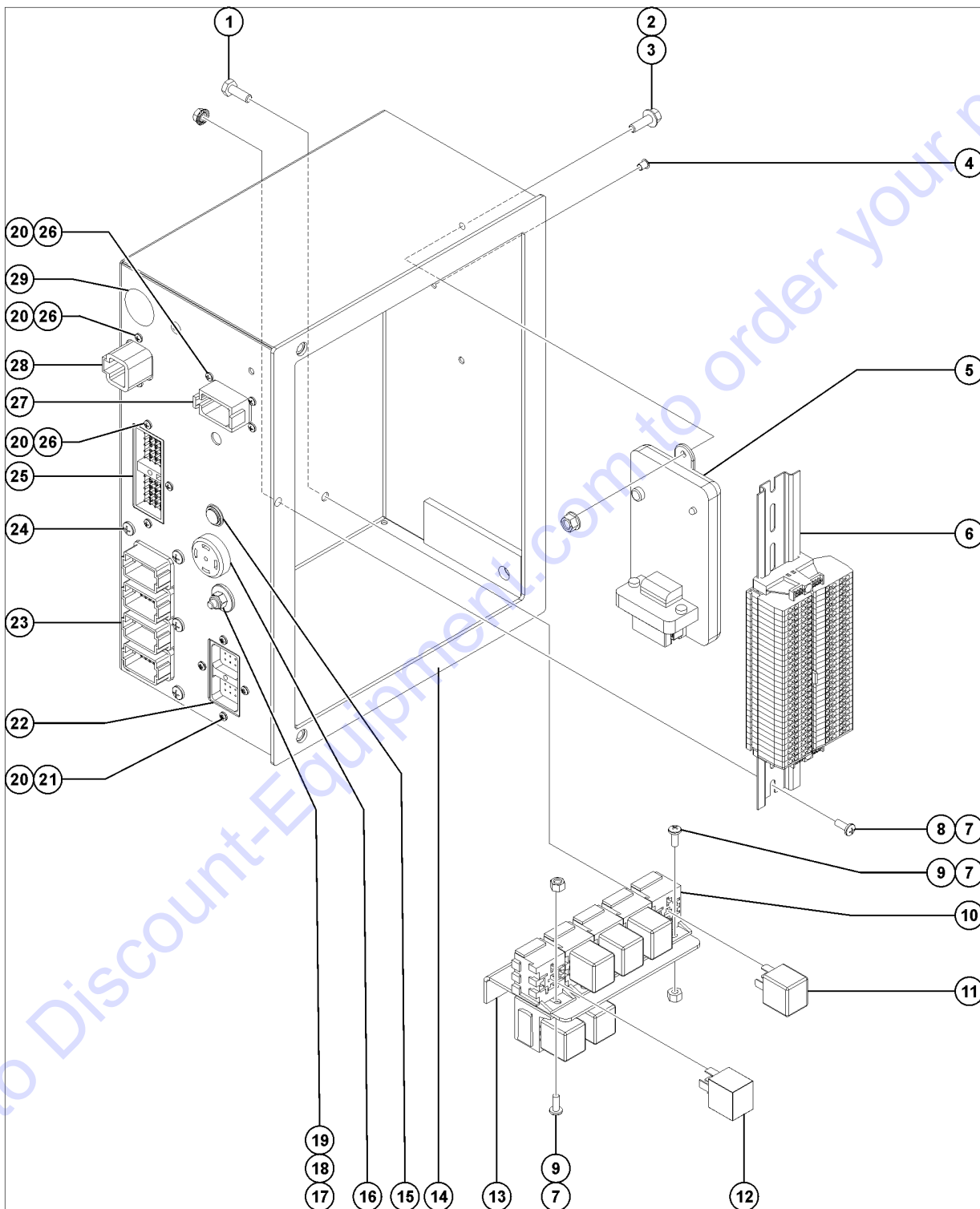
407.1 Ground Control Box - View 2



Item	Part No.	Description	Qty.
-	1262512GT	HARNESS, JIB, BASE BOX .....	1
-	1259323GT	HARNESS,BASE BOX Z45BI-ENERGY .....	1
		BE Models	
-	1259322GT	HARNESS,BASE BOX Z45DC .....	1
		DC Models	
-	1287498GT	HARNESS ASSY,RELAY Z45DC/BE .....	1
-	1260173GT	HARNESS ASSY, RELAY, CE .....	1
		CE	
-	88832GT	HARNESS,PLUG,NON-LOAD WEIGHING .....	1
		ANSI	
1	824059GT	SCREW,HHC,1/4-20X.75,8,ZAG .....	2
2	824078GT	SCREW,HHF,1/4-20X.75,8,ZAG .....	2
		(AUS)	
2B	1262031GT	SCREW,HHF,10-24X.75,ZAG .....	2
		(CE)	
2C	1251757GT	SCREW,PHPM,10-32X.50,ZAG .....	2
		(ANSI)	
2C-	42781GT	PLUG, NYLON .250 BLACK DOMED .....	2
		(ANSI)	
3	824027GT	NUT,TL FLG,1/4-20,G,ZAG .....	2
		(AUS)	
3B	1264261GT	NUT,SERRATED,10-32,ZAG .....	2
		(CE)	
4	42781GT	PLUG, NYLON .250 BLACK DOMED .....	3
5	128045GT	MODULE,LOAD SENSE 2007 .....	1
		(AUS and CE)	
6	94639GT	ASSY,TERMINAL RAIL,Z45DC/BE .....	1
6-	56994GT	DIN RAIL,11.25" .....	
6-	74913GT	END STOP, DIN RAIL,SCREW CLAMP .....	
6-	74911GT	TERMINAL BLOCK, WIELAND*** .....	
6-	74912GT	TERMINAL BLOCK END PLATE ** .....	
6-	74917GT	JUMPER COMB, 2-WAY,WIELAND .....	
7	1251757GT	SCREW,PHPM,10-32X.50,ZAG .....	7
8	1264261GT	NUT,SERRATED,10-32,ZAG .....	2
9	824036GT	NUT, TL, 10-32, A, ZAG .....	5
10	34053GT	ASSY,RELAY SOCKET, AUTO .....	7
11	56302GT	RELAY,24VDC,40/30A,SEALED*** .....	6
12	34052GT	RELAY,SPDT,12V(AUTO) PLUG IN** .....	1
13	T106699GT	BRACKET,RELAY MOUNT W/INSERTS .....	1



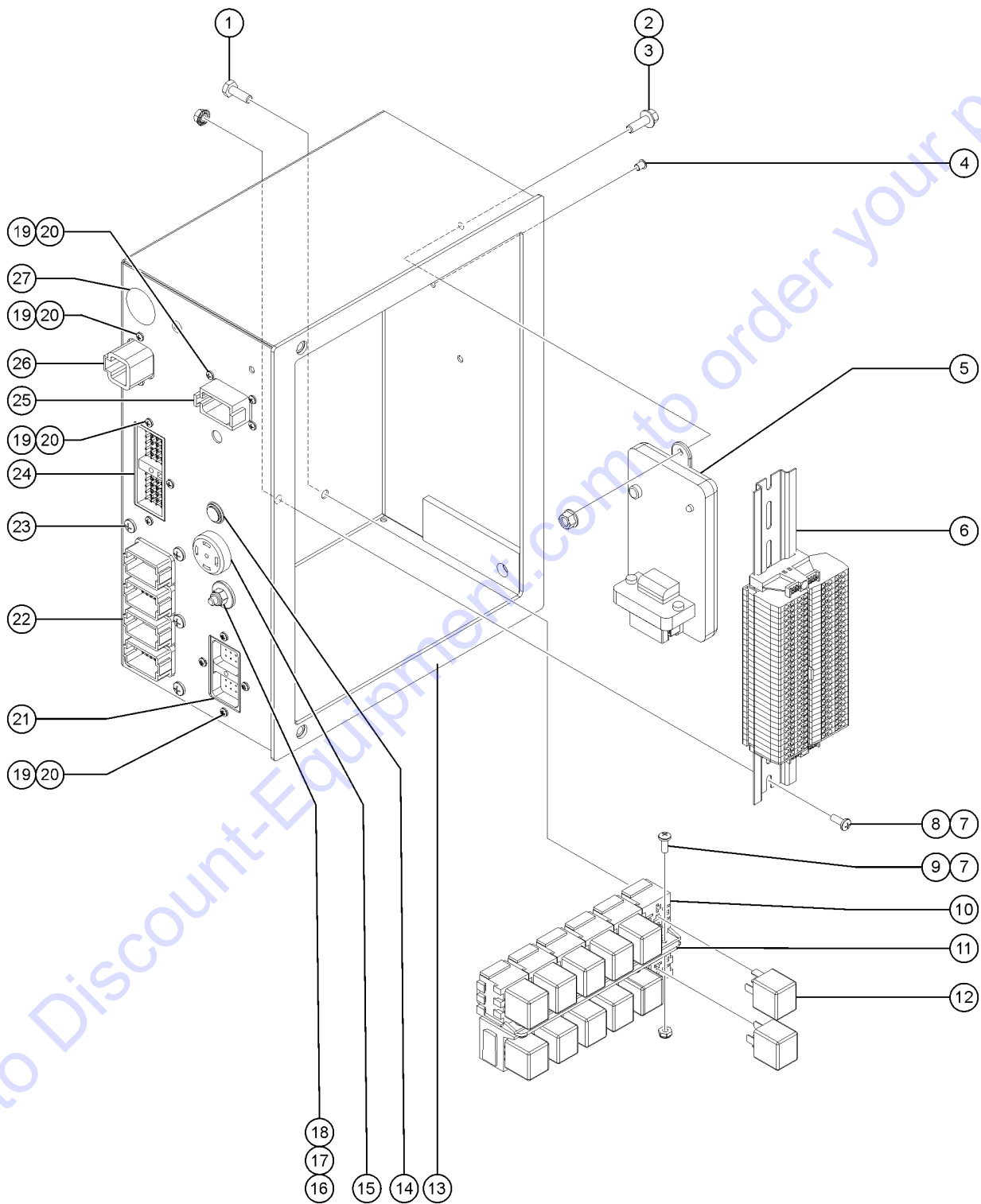
407.1 Ground Control Box - View 2



Item	Part No.	Description	Qty.
14	88637GT	GASKET,GROUND CONTROL BOX***	1
15	218164GT	LIGHT,INDICATOR,RED 24V H-BRI	1
16	45462GT	ALARM,CHIME TONE 5-25VDC*** (AUS and CE)	1
16A-	72326GT	NUT - PLASTIC, RING FOR ALARMS	1
16B	45385GT	PLUG,NYLON 1.12 BLACK DOMED (ANSI)	1
17	6091GT	NUT,NYLOCK,1/4-20	1
18	5397GT	WASHER,FLAT,USS,5/16",Y	1
19	6888GT	SCREW,HHC,1/4-20 X 1	1
20	824214GT	SCREW,PHPM,6-32X.5,ZAG	13
21	824019GT	NUT,TL,6-32,A,ZAG BE Models	4
21B	12344GT	NUT,NYLOCK,6-32 DC Models	4
22	73753GT	CONN,RECEP 24 WAY,W/FLANGE BE Models	1
22B	230501GT	COVER PLATE, CONNECTOR DC Models	1
23	73736GT	CONN,RECEP 48 WAY,4 X 12	1
24	824226GT	SCREW,PHPSH,#12-11X.75,ZAG	6
25	73754GT	CONN,RECEP 40 WAY,W/FLANGE	1
26	824019GT	NUT,TL,6-32,A,ZAG	9
27	73730GT	CONN,RECEP 12 WAY,GRY FLANGE	1
28	73717GT	CONN,RECEP 4 WAY,12-14GA FL***	1
29	15243GT	PLUG,NYLON .875 BLACK DOMED	1



407.2 Ground Control Box - View 2 (from SN Z4525F-62000)



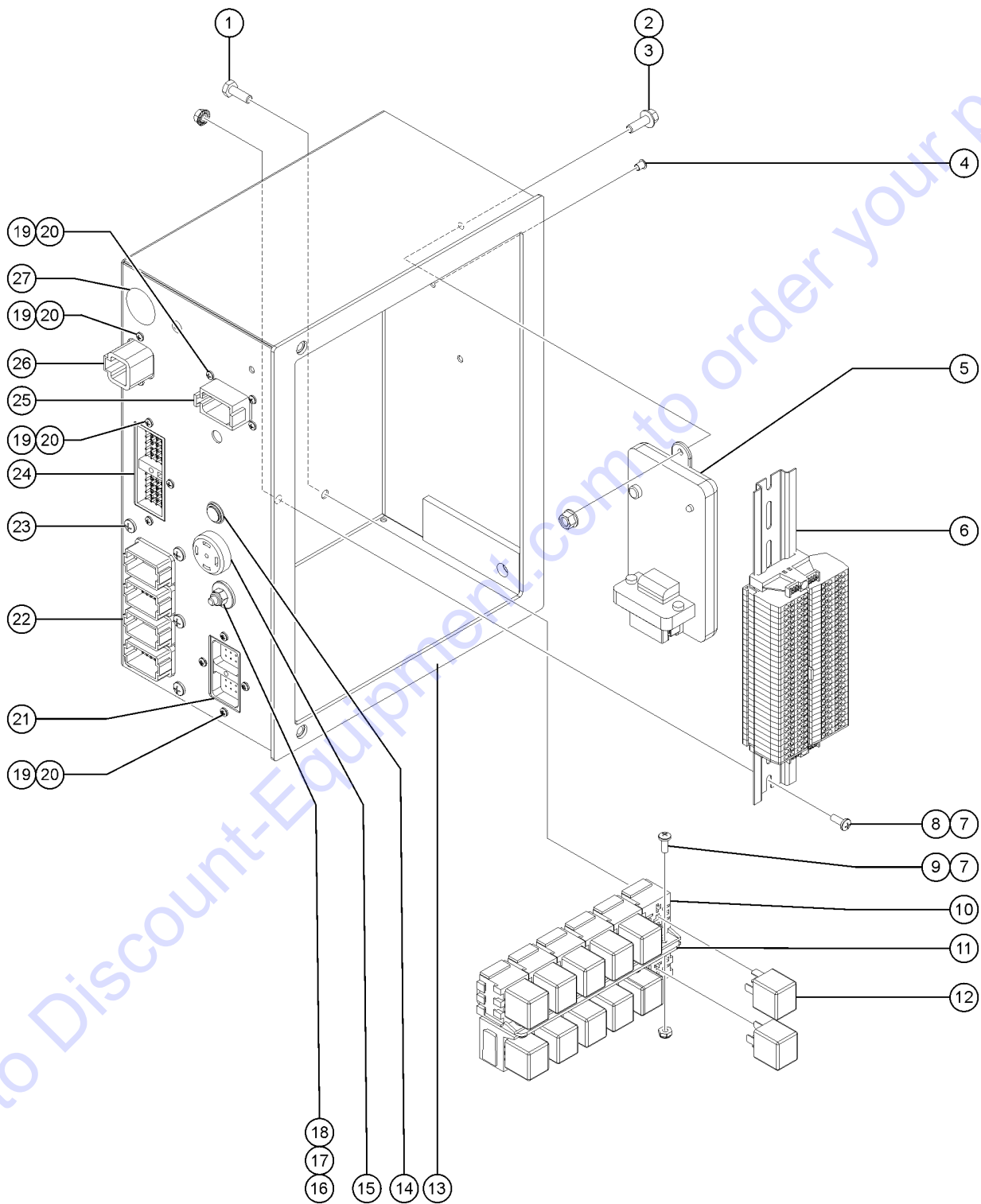
Go to Discount-Equipment.com to order your parts



Item	Part No.	Description	Qty.
-	1299449GT	HARNESS ASSY,RELAY Z45DC/BE .....	
-	1298778GT	HARNESS ASSY, BASE BOX, Z-45BE, ANSI A92.20 (BE Models) .....	
-	1298777GT	HARNESS, PBOX, Z45DC/BE .....	
-	1298776GT	HARNESS ASSY, RELAY, ANSI A92.20 (ANSI) .....	
-	1262512GT	HARNESS, JIB, BASE BOX (ANSI) .....	
1	824059GT	SCREW,HHC,1/4-20X.75,8,ZAG .....	2
2	1262031GT	SCREW,HHF,10-24X.75,ZAG .....	2
3	1283004GT	NUT,NYLOCK FLG,10-24,A,ZAG .....	2
4	42781GT	PLUG, NYLON .250 BLACK DOMED .....	3
5	128045GT	MODULE,LOAD SENSE 2007 .....	1
6	218083GT	ASSY,TERMINAL RAIL,Z45DC/BE .....	1
6-	56994GT	DIN RAIL,11.25" .....	
6-	74913GT	END STOP, DIN RAIL,SCREW CLAMP .....	
6-	216791GT	TERMINAL BLOCK,WIELAND .....	
6-	216793GT	TERMINAL BLOCK END PLATE .....	
6-	74917GT	JUMPER COMB, 2-WAY,WIELAND .....	
7	1251757GT	SCREW,PHPM,10-32X.50,ZAG .....	
8	1264261GT	NUT,SERRATED,10-32,ZAG .....	2
9	14392GT	NUT,LP NYLOCK,10-32 .....	
10	34053GT	ASSY,RELAY SOCKET, AUTO .....	
11	1261725GT	BRACKET, RELAY MOUNT W/INSERTS .....	1
12	56302GT	RELAY,24VDC,40/30A,SEALED*** .....	
13	88637GT	GASKET,GROUND CONTROL BOX*** .....	1
14	218164GT	LIGHT,INDICATOR,RED 24V H-BRI .....	1
15	45462GT	ALARM,CHIME TONE 5-25VDC*** .....	1
15-	72326GT	NUT - PLASTIC, RING FOR ALARMS .....	
16	6091GT	NUT,NYLOCK,1/4-20 .....	1
17	5397GT	WASHER,FLAT,USS,5/16",Y .....	1



407.2 Ground Control Box - View 2 (from SN Z4525F-62000)

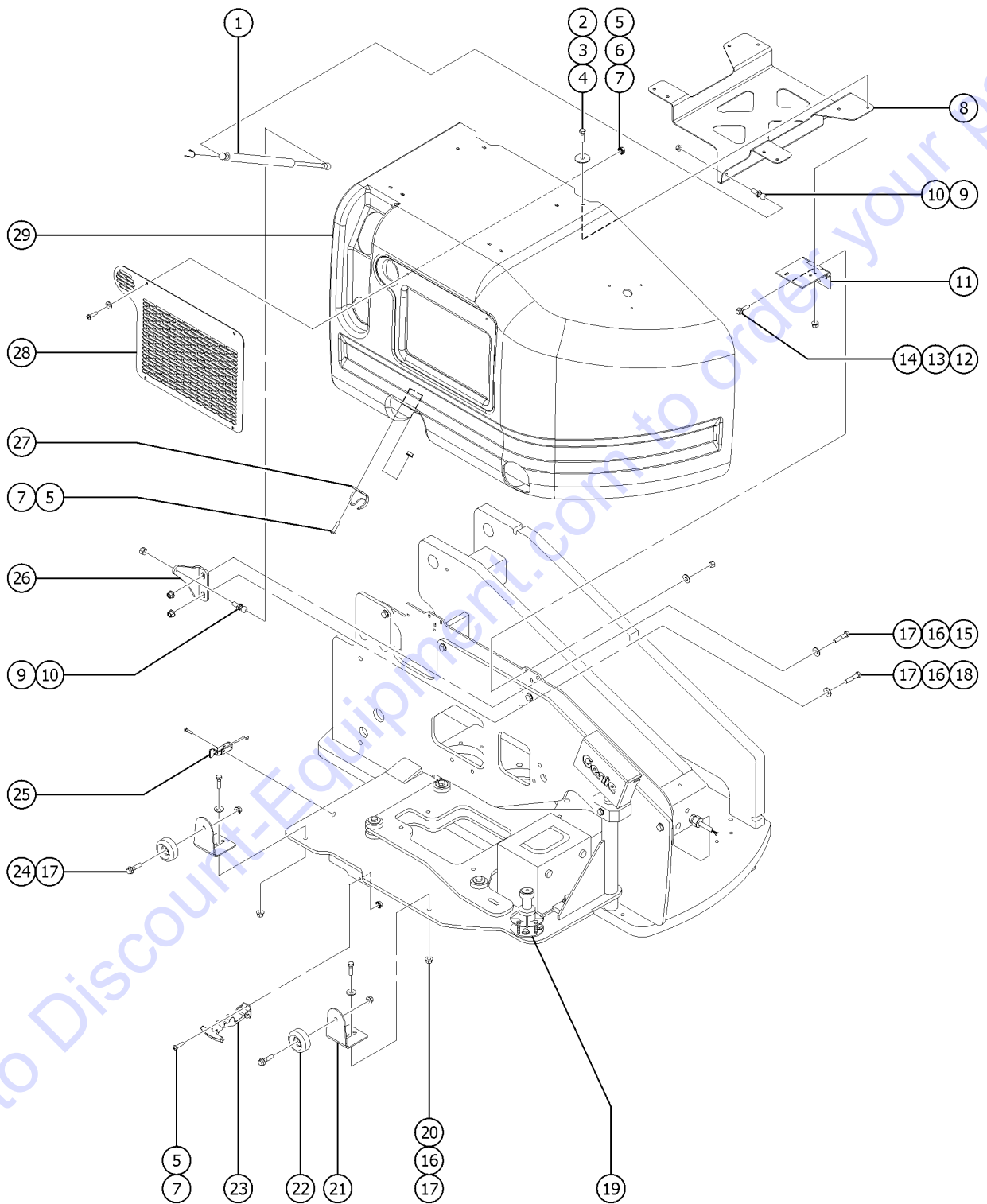


Item	Part No.	Description	Qty.
18	6888GT	SCREW,HHC,1/4-20 X 1 .....	1
19	824214GT	SCREW,PHPM,6-32X.5,ZAG .....	13
20	12344GT	NUT,NYLOCK,6-32 .....	
21	73753GT	CONN,RECEP 24 WAY,W/FLANGE .....	1
		BE Models	
21B	230501GT	COVER PLATE, CONNECTOR .....	1
		DC Models	
22	73736GT	CONN,RECEP 48 WAY,4 X 12 .....	1
23	824226GT	SCREW,PHPSH,#12-11X.75,ZAG .....	6
24	73754GT	CONN,RECEP 40 WAY,W/FLANGE .....	1
25	73730GT	CONN,RECEP 12 WAY,GRY FLANGE .....	1
26	73717GT	CONN,RECEP 4 WAY,12-14GA FL*** .....	1
27	15243GT	PLUG,NYLON .875 BLACK DOMED .....	1

Go to Discount-Equipment.com to order your parts



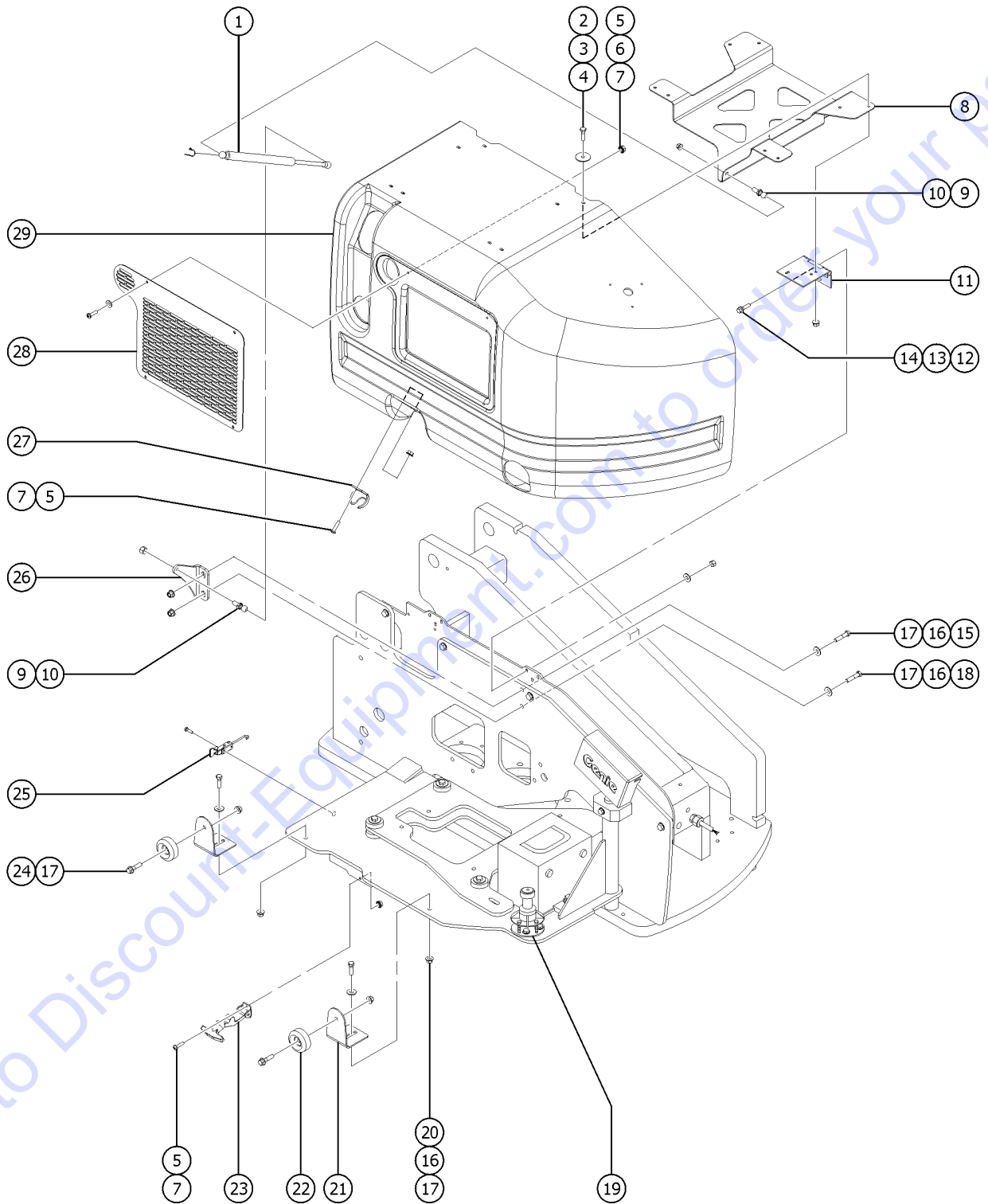
408.1 Turntable Covers - View 1



Item	Part No.	Description	Qty.
1	106069GT	STRUT,GAS,200 LB***	1
2	824060GT	SCREW, HHC, 1/4-20 X 1, 8, ZAG	8
3	824119GT	WASHER,FLAT,.25X1.25X.062,ZAG	8
4	824027GT	NUT,TL FLG,1/4-20,G,ZAG	8
5	1264261GT	NUT,SERRATED,10-32,ZAG	8
6	1253185GT	WASHER,FLAT,#10,USS,ZAG	4
7	824215GT	SCREW,PHPM,10-32X.75,ZAG	8
8	50990GT	FORMING,ENGINE COVER SUPPORT	1
9	33555GT	BALL STUD**	2
10	824028GT	NUT,TL FLG,5/16-18,G,ZAG	2
11	75073GT	HINGE,.375X.120THK.,SLOTTED	2
12	824079GT	SCREW,HHF,1/4-20X1,8,ZAG	6
13	824113GT	WASHER,FLAT,USS,1/4,ZAG	6
14	824024GT	NUT,TL,1/4-20,C,ZAG	6
15	1256847GT	SCREW,HHC,3/8-16X1.75,8,ZAG	1
16	1255758GT	WASHER,FLAT,3/8,USS,ZAG	4
17	824029GT	NUT,TL FLG,3/8-16,G,ZAG	6
18	1256118GT	SCREW,HHC,3/8-16X1.5,8,ZAG	1
19A	110382GT	LEVEL SENSOR,LS60,YL,2.5X4.5 CE models	1
19B	94077GT	SENSOR,LEVEL,4.5 DEG ANSI/CSA/Australia models	1
20	824068GT	SCREW, HHC, 3/8-16 X 1.25, 8, ZAG	2
21	54363GT	BRACKET,RUBBER BUMPER,ENGCOVER	2
22	50974GT	BUMPER,RUBBER,COVERS	2
23	45363GT	LATCH,FLEXIBLE DRAW W/O KEEPER	1
24	824092GT	SCREW, HHF, 3/8-16 X 1.5, 8, ZAG	2
25		Ref: LATCH,DRAW,ADJUSTABLE refer to 301.1	
26	107594GT	FORMING,GAS STRUT MOUNT,PNTD**	1
27	75076GT	KEEPER,LATCH (45363)	1



408.1 Turntable Covers - View 1

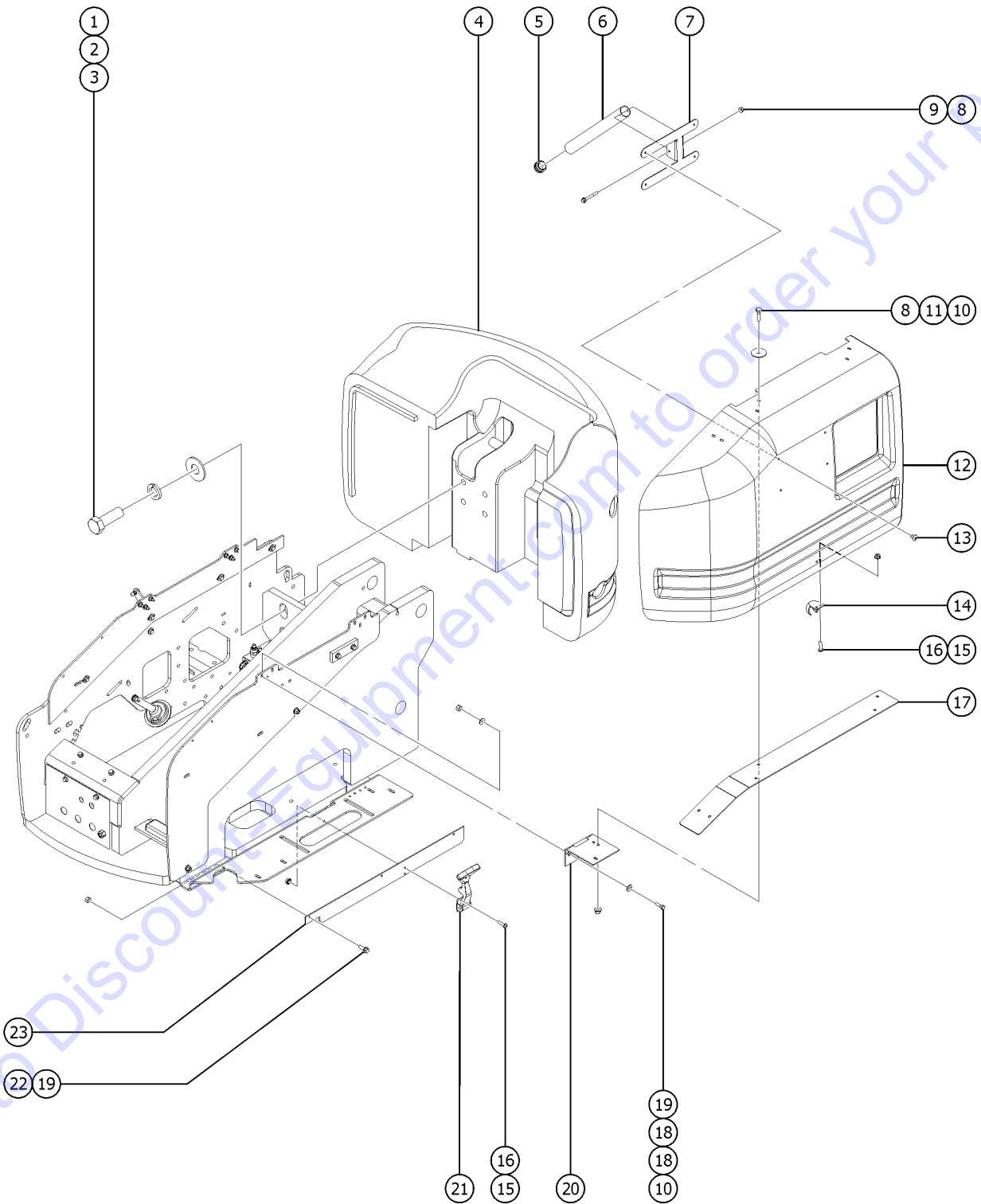


Item	Part No.	Description	Qty.
28	60126GT	COVER PLATE,AIR INTAKE .....	1
29A	101860GT	COVER ASSY W/WRD DECALS,LH BI Bi-Energy .....	1
29B	101863GT	COVER ASSY W/SYM DECLS,LH DC Bi-Energy .....	1
29C	101861GT	COVER ASSY W/WRD DECALS,LH DC DC .....	1
29D	T115412GT	COVER ASSY W/SYM DECALS,LH DC .....	1
29E	60110GT	COVER,TURNTABLE,LH,BI-ENERGY decals not included, refer to section one for decals .....	1
29F	50784GT	COVER,TURNTABLE,LH,DC/BE decals not included, refer to section one for decals .....	1

Go to Discount-Equipment.com to order your parts



409.1 Turntable Covers - View 2, Z-45/25J

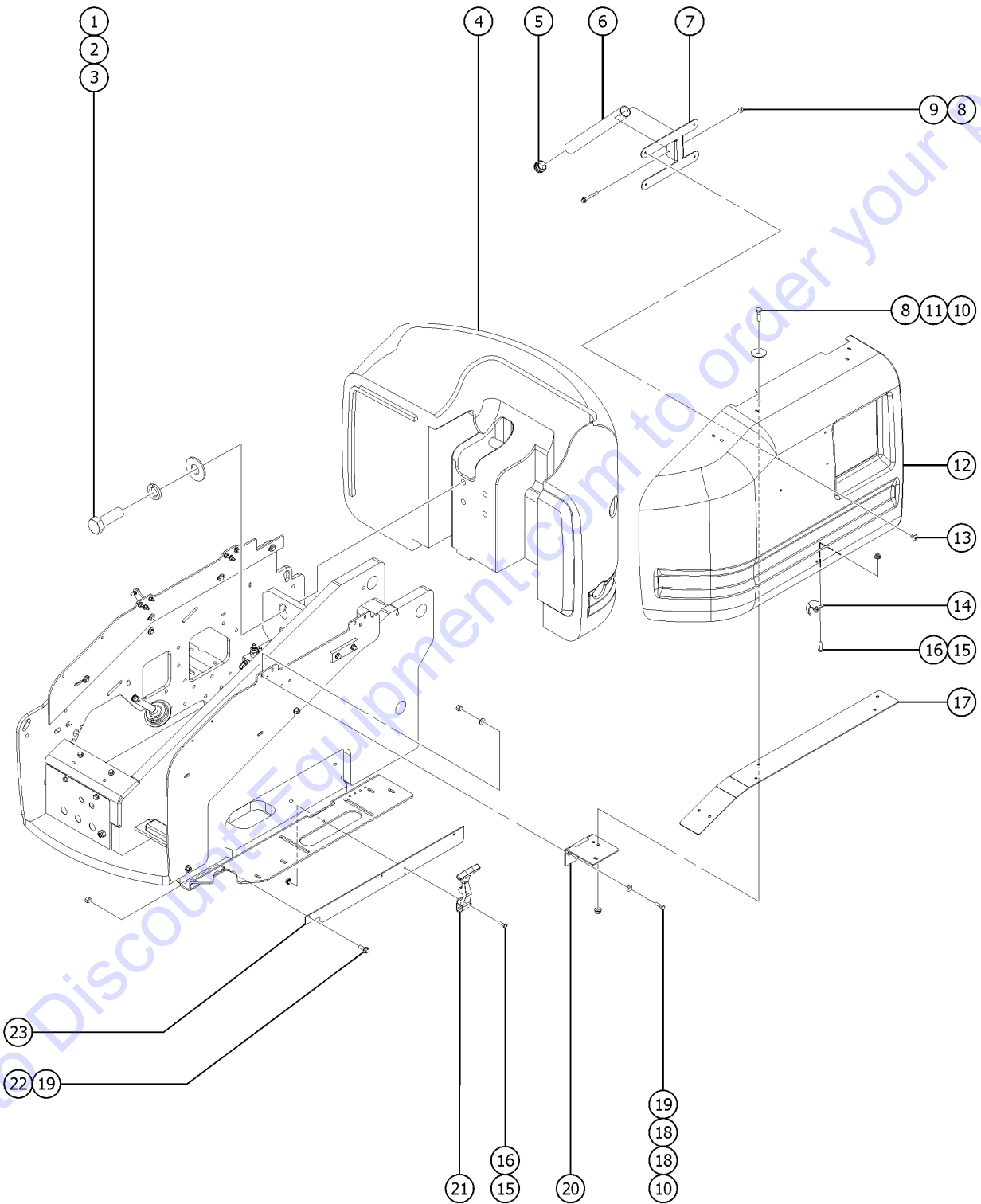




Item	Part No.	Description	Qty.
1	824074GT	SCREW,HHC,1-8X3,8,ZAG	4
2	1264259GT	WASHER,LOCK,1.0,ZAG	4
3	1256469GT	WASHER,FLAT,1.0,USS,ZAG	4
4B	60145GT	COUNTERWEIGHT,CAST,DC/BI,W/JIB (Z-45/25J)	1
5	55753GT	BUMPER, PLASTIC, 1.25 O.D.	1
6	54455GT	TUBE,PROP ROD,12.25"LG	1
7	77034GT	FORMING,CLEVIS PROP ROD,DC/BI	1
8	824027GT	NUT,TL FLG,1/4-20,G,ZAG	7
9	1253485GT	SCREW,HHF,1/4-20X2,8,ZAG	1
10	824060GT	SCREW, HHC, 1/4-20 X 1, 8, ZAG	12
11	824119GT	WASHER,FLAT,.25X1.25X.062,ZAG	6
12A	101858GT	COVER ASSY W/WRD DECALS,RH BI Bi-Energy	1
12A-	77524GT	TUBE,PROP ROD,18.63",W/CAP	
12B	101859GT	COVER ASSY W/WRD DECALS,RH DC DC	1
12C	101862GT	COVER ASSY W/SYM DECLS,RH BIDC Bi-Energy and DC	1
12D	77032GT	COVER,TANK SIDE,DC/BI decals not included, refer to section 1 for decals	1
13	824207GT	RIVET,STL,STL,DOME,1/4X.375,Z	4
14	75076GT	KEEPER,LATCH (45363)	1
15	824215GT	SCREW,PHPM,10-32X.75,ZAG	4
16	1264261GT	NUT,SERRATED,10-32,ZAG	4
17	139417PGT	DOUBLER,BENT,COVER,DC/BI,RH	1
18	824113GT	WASHER,FLAT,USS,1/4,ZAG	12
19	824024GT	NUT,TL,1/4-20,C,ZAG	9
20	75073GT	HINGE,.375X.120THK.,SLOTTED	2
21	45363GT	LATCH,FLEXIBLE DRAW W/O KEEPER	1
22	824078GT	SCREW,HHF,1/4-20X.75,8,ZAG	3
23	60015GT	PLATE,DRAW LATCH MOUNT	1



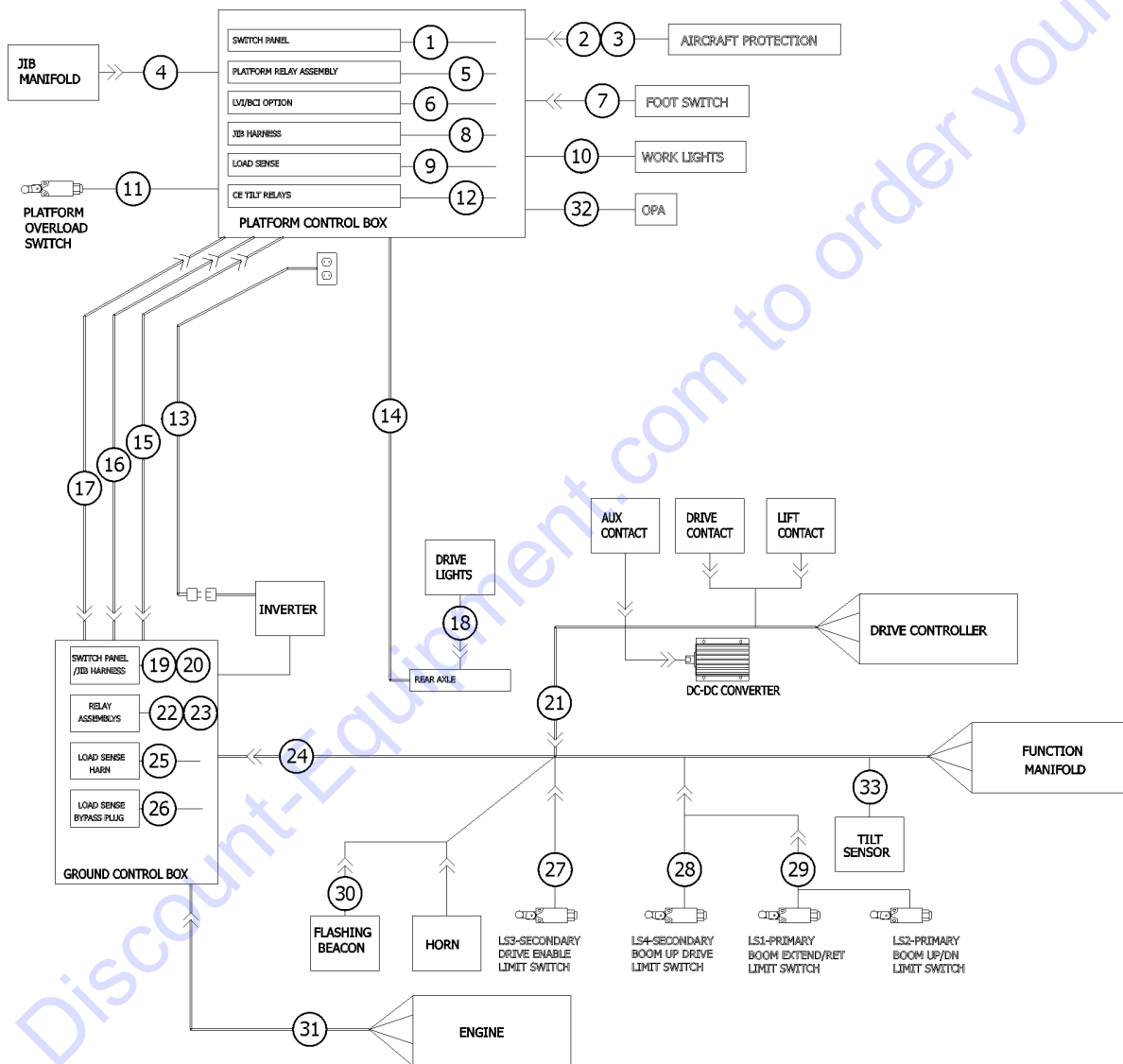
409.2 Turntable Covers - View 2, Z-45/25



Item	Part No.	Description	Qty.
1	824074GT	SCREW,HHC,1-8X3,8,ZAG	4
2	1264259GT	WASHER,LOCK,1.0,ZAG	4
3	1256469GT	WASHER,FLAT,1.0,USS,ZAG	4
4A	50924GT	COUNTERWEIGHT,CAST,Z45 DC (Z-45/25)	1
4B	60145GT	COUNTERWEIGHT,CAST,DC/BI,W/JIB (Z-45/25J)	1
5	55753GT	BUMPER, PLASTIC, 1.25 O.D.	1
6	54455GT	TUBE,PROP ROD,12.25"LG	1
7	77034GT	FORMING,CLEVIS PROP ROD,DC/BI	1
8	824027GT	NUT,TL FLG,1/4-20,G,ZAG	7
9	1253485GT	SCREW,HHF,1/4-20X2,8,ZAG	1
10	824060GT	SCREW, HHC, 1/4-20 X 1, 8, ZAG	12
11	824119GT	WASHER,FLAT,.25X1.25X.062,ZAG	6
12A	101858GT	COVER ASSY W/WRD DECALS,RH BI Bi-Energy	1
12A-	77524GT	TUBE,PROP ROD,18.63",W/CAP	
12B	101859GT	COVER ASSY W/WRD DECALS,RH DC	1
12C	101862GT	COVER ASSY W/SYM DECLS,RH BIDC Bi-Energy and DC	1
12D	77032GT	COVER,TANK SIDE,DC/BI decals not included, refer to section 1 for decals	1
13	824207GT	RIVET,STL,STL,DOME,1/4X.375,Z	4
14	75076GT	KEEPER,LATCH (45363)	1
15	824215GT	SCREW,PHPM,10-32X.75,ZAG	4
16	1264261GT	NUT,SERRATED,10-32,ZAG	4
17	139417PGT	DOUBLER,BENT,COVER,DC/BI,RH	1
18	824113GT	WASHER,FLAT,USS,1/4,ZAG	12
19	824024GT	NUT,TL,1/4-20,C,ZAG	9
20	75073GT	HINGE,.375X.120THK.,SLOTTED	2
21	45363GT	LATCH,FLEXIBLE DRAW W/O KEEPER	1
22	824078GT	SCREW,HHF,1/4-20X.75,8,ZAG	3
23	60015GT	PLATE,DRAW LATCH MOUNT	1



410.1 Wire Harness Diagram - DC and Bi-Energy Models, Z-45/25J (to SN Z4525-61999)

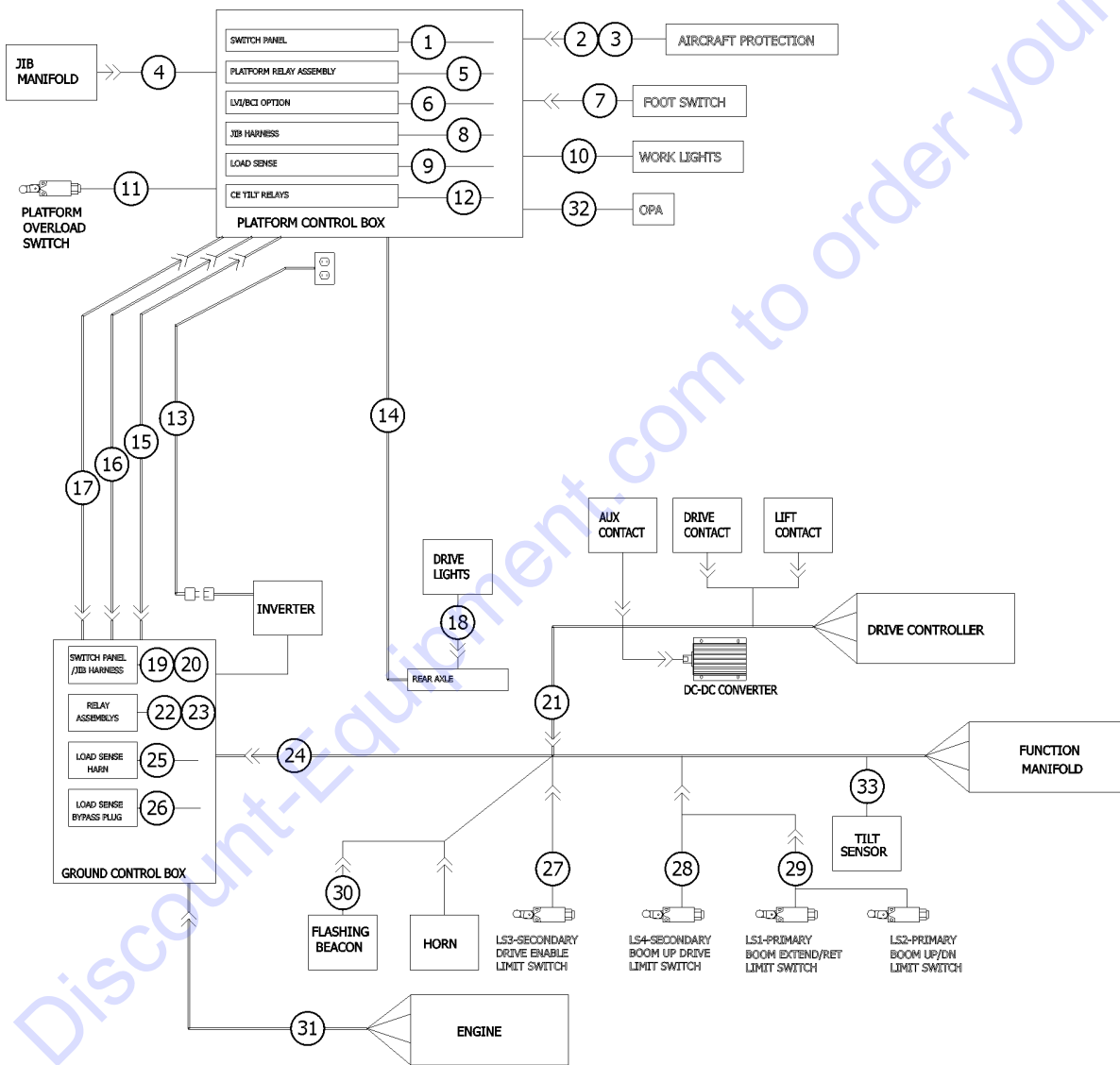


410.1 Wire Harness Diagram - DC and Bi-Energy Models, Z-45/25J (to SN Z4525-61999)

Item	Part No.	Description	Qty.
-	1264822GT	KIT, TRC RETROFIT, STNDRD ..... Telematics (includes 1264834)	
-	1264834GT	INSTRN, TRC RETROFIT, STNDRD .....	
-	1294060GT	HARNESS, HERC TELEMATICS, Z45DC ..... (Hertz Telematics)	
1	1262220GT	HARNESS, PBOX, Z45DC/BE .....	1
2	1266606GT	HARN, AC PROTECTION BYPASS ..... option, aircraft protection	1
3	110657GT	HARNESS,PROX.KILL,24V ..... option, aircraft protection	1
3-	27391GT	PROXIMITY SENSOR*** .....	
3-	78098GT	RELAY,24VDC,40/30A,SLD W/BRKT* .....	
4	101080GT	HARNESS,JIB SELECT MANIFOLD .....	1
5	1261221GT	HARN,RELAY Z45DC/BE,PBOX .....	1
6	128941GT	HARNESS LVI/BCI ENGAGE II .....	1
7		REF: Foot Switch ..... refer to 601.1	1
8	1284282GT	HARNESS,PLAT,Z45DC/BI,JIB .....	1
8-	56445GT	DIODE,6 AMP 200 PIV,REEL .....	1
9	216769GT	HARNESS,JUMPER,LOAD SENSE .....	1
10	823774GT	HARNESS, 48V DRIVE LIGHTS ..... option	1
11	121848GT	ASSY,LS,LOAD SENSE,38.5 IN .....	1
12	1262223GT	HARNESS,RELAY,PBOX,Z45DC,CE ..... CE models	1
13B	30794GT	WIRE,12/3 SJEOW,BK-WH-GR/YL ..... jib models	732
14	823774GT	HARNESS, 48V DRIVE LIGHTS ..... option	1
15B	88723-69700GT	HARNESS,12/3,12V TO PLAT .....	
16B	88722-70700GT	HARNESS,18/19,BOOM CABLE #2 ..... jib models; gray and black connectors	1
17B	88721-70700GT	HARNESS,18/19 BOOM CABLE #1 ..... jib models	1
18	823774GT	HARNESS, 48V DRIVE LIGHTS ..... option	1
19A	1259323GT	HARNESS,BASE BOX Z45BI-ENERGY ..... Bi-Energy models	1
19B	1259322GT	HARNESS,BASE BOX Z45DC ..... DC models	1
20	1262512GT	HARNESS, JIB, BASE BOX ..... jib models	1
21A	822777GT	HARNESS, DRIVE CHASSIS, Z45DC ..... DC models	1



410.1 Wire Harness Diagram - DC and Bi-Energy Models, Z-45/25J (to SN Z4525-61999)

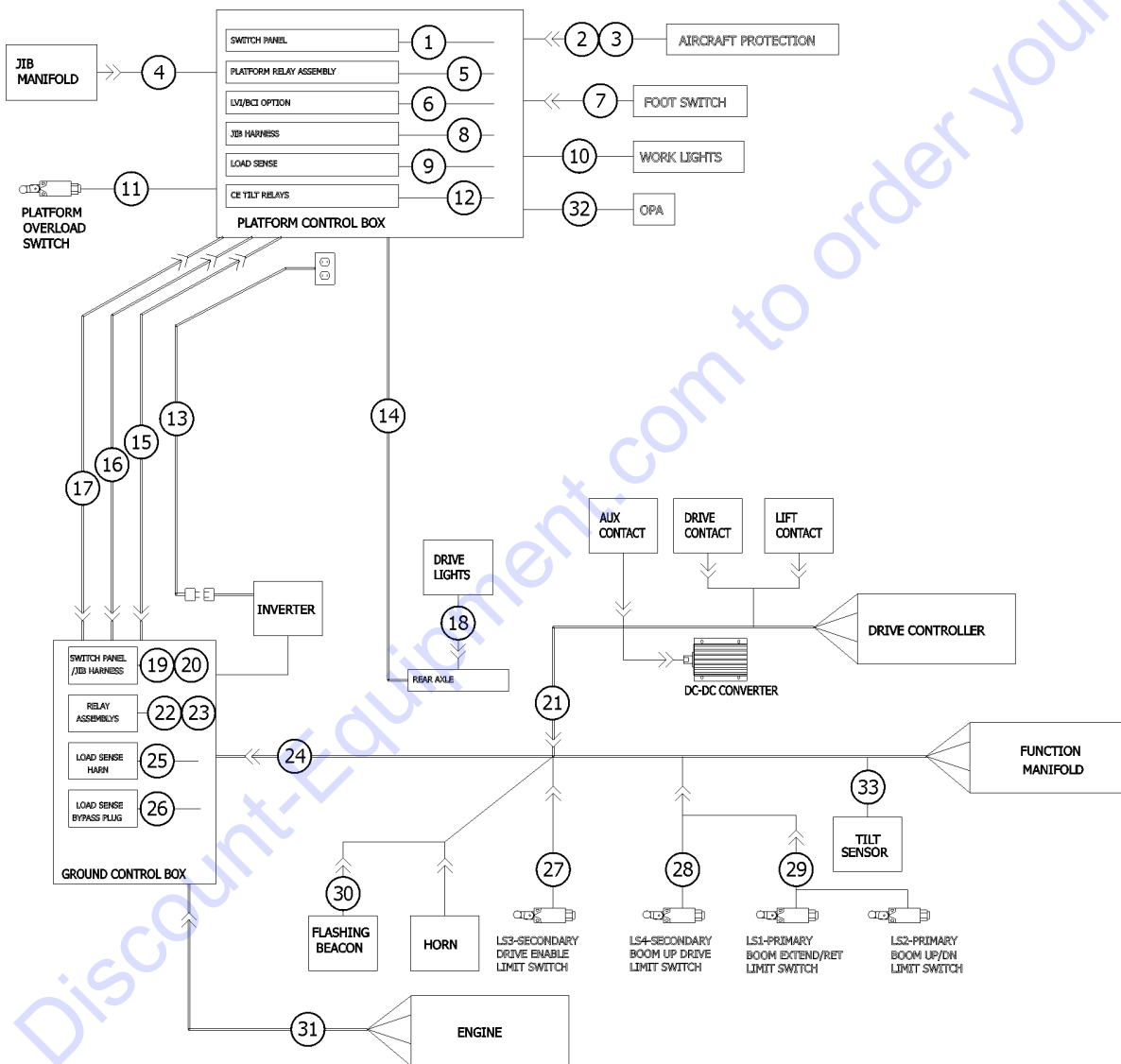


410.1 Wire Harness Diagram - DC and Bi-Energy Models, Z-45/25J (to SN Z4525-61999)

Item	Part No.	Description	Qty.
21B	822778GT	HARNESS, DRIVE CHASSIS, Z45BE ..... Bi-Energy models	1
22	1259639GT	HARN,GBOX Z45DC/BE RELAY ASSY .....	1
23A	1261899GT	HARNESS,Z45DC,TELEMATICS READY ..... DC models (to SN Z4525F-61471)	1
23A-	1292362GT	HARNESS,Z45DC,TELEMATICS READY ..... DC models (from SN Z4525F-61472)	1
23B	1261900GT	HARNESS,Z45BE,TELEMATICS READY ..... Bi-Energy models (to SN Z4525F-61471)	1
23B-	1292490GT	HARNESS,Z45BE,TELEMATICS READY ..... Bi-Energy models (from SN Z4525F-61472)	1
24	128812GT	HARN FUNCTION MAN Z45DC/BE ..... (to SN Z4525F-61471)	1
24B	1294877GT	HARN FUNCTION MAN Z45DC/BE ..... (from SN Z4525F-61472)	1
25	1260173GT	HARNESS ASSY, RELAY, CE ..... CE models	1
26	88832GT	HARNESS,PLUG,NON-LOAD WEIGHING .....	1
27	128816GT	HARN LIMIT SW DE Z45DC/BE .....	1
28	88724GT	HARNESS,LS,PRIM/EXT/SEC .....	1
29	88725GT	HARNESS,LS,PRIM/EXT .....	1
30		REF: Flashing Beacon ..... refer to 901.1	1
31	139368GT	HARNESS,ENGINE,Z45BE ..... Bi-Energy models	1
32A	1255858GT	HARN,PBOX,OPA,HW,24V ..... option	1
32B	1255030GT	PLUG,BLANKING .....	1
33	1261845GT	HARNESS,TILT 24V,CSA PROD ..... for CSA models	1



410.2 Wire Harness Diagram - DC and Bi-Energy Models, Z-45/25 (to SN Z4525-61999)



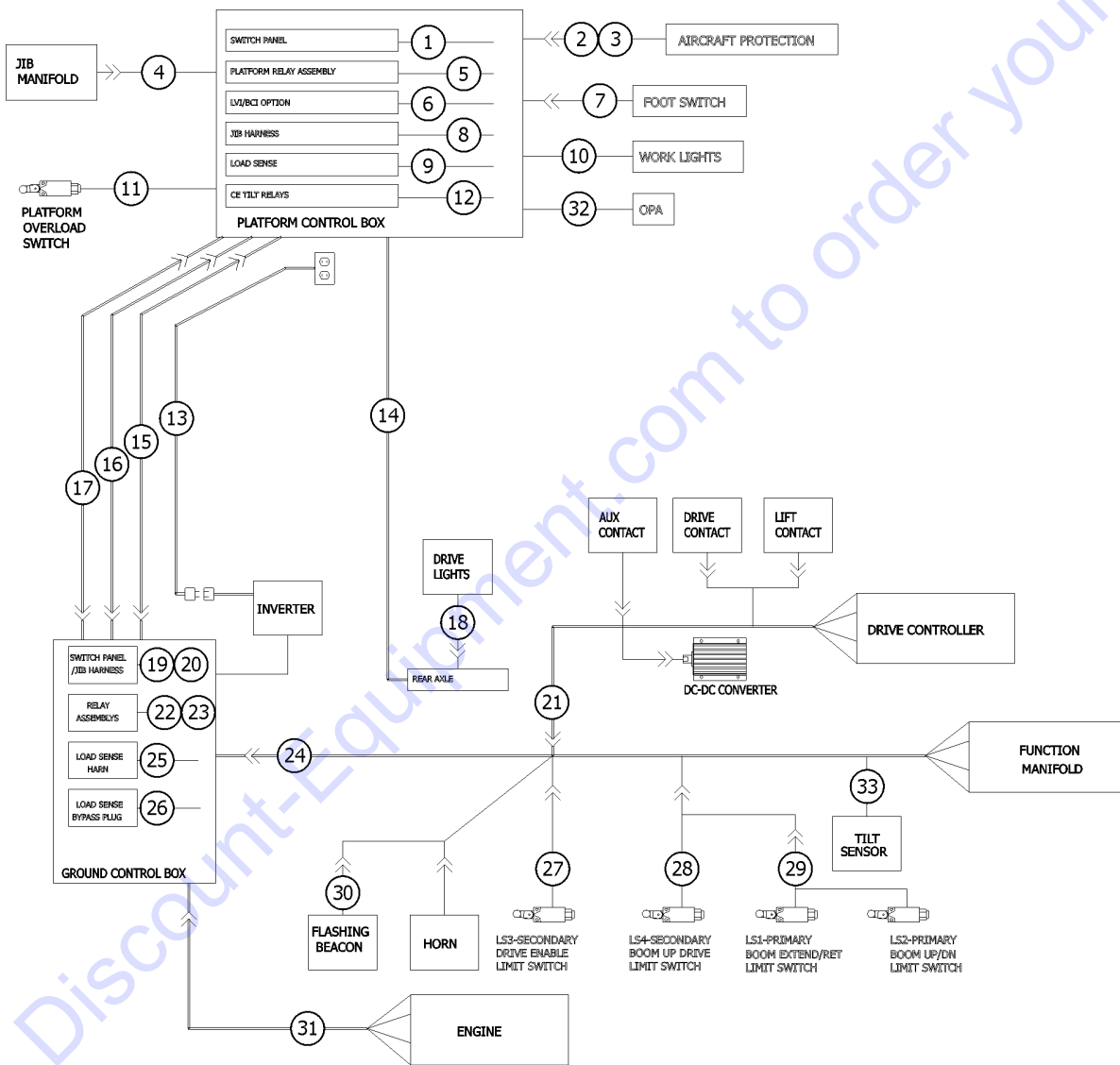


410.2 Wire Harness Diagram - DC and Bi-Energy Models, Z-45/25 (to SN Z4525-61999)

Item	Part No.	Description	Qty.
-	1264822GT	KIT, TRC RETROFIT, STNDRD ..... Telematics (includes 1264834)	
-	1264834GT	INSTRN, TRC RETROFIT, STNDRD .....	
-	1294060GT	HARNESS, HERC TELEMATICS, Z45DC ..... (Hertz Telematics)	
1	1262220GT	HARNESS, PBOX, Z45DC/BE .....	1
2	1266606GT	HARN, AC PROTECTION BYPASS ..... option, aircraft protection	1
3	110657GT	HARNESS,PROX.KILL,24V ..... option, aircraft protection	1
3-	27391GT	PROXIMITY SENSOR*** .....	
3-	78098GT	RELAY,24VDC,40/30A,SLD W/BRKT* .....	
4	101080GT	HARNESS,JIB SELECT MANIFOLD .....	1
5	1261221GT	HARN,RELAY Z45DC/BE,PBOX .....	1
6	128941GT	HARNESS LVI/BCI ENGAGE II .....	1
7		REF: Foot Switch ..... refer to 601.1	1
8	1284282GT	HARNESS,PLAT,Z45DC/BI,JIB .....	1
8-	56445GT	DIODE,6 AMP 200 PIV,REEL .....	1
9	216769GT	HARNESS,JUMPER,LOAD SENSE .....	1
10	823774GT	HARNESS, 48V DRIVE LIGHTS ..... option	1
11	121848GT	ASSY,LS,LOAD SENSE,38.5 IN .....	1
12	1262223GT	HARNESS,RELAY,PBOX,Z45DC,CE ..... CE models	1
13A	30794GT	WIRE,12/3 SJEOW,BK-WH-GR/YL ..... non-jib models	756
14	823774GT	HARNESS, 48V DRIVE LIGHTS ..... option	1
15A	88723-71000GT	HARNESS,12/3,12V TO PLAT ..... non-jib models	1
16A	88722-72000GT	HARNESS,18/19,BOOM CABLE #2 ..... non-jib models; gray and black connectors	1
17A	88721-72000GT	HARNESS,18/19 BOOM CABLE #1 ..... non-jib models; brown and green connectors	1
18	823774GT	HARNESS, 48V DRIVE LIGHTS ..... option	1
19A	1259323GT	HARNESS,BASE BOX Z45BI-ENERGY ..... Bi-Energy models	1
19B	1259322GT	HARNESS,BASE BOX Z45DC ..... DC models	1
21A	822777GT	HARNESS, DRIVE CHASSIS, Z45DC ..... DC models	1
21B	822778GT	HARNESS, DRIVE CHASSIS, Z45BE ..... Bi-Energy models	1



410.2 Wire Harness Diagram - DC and Bi-Energy Models, Z-45/25 (to SN Z4525-61999)



# PARTS FINDER

**Search Website  
by Part Number**



**Search Manual  
Library For Parts  
Manual & Lookup Part  
Numbers – Purchase  
or Request Quote**

**Search Manuals**

Enter your information to help us find the right parts manual for your machine.

\* Brand:

\* Model:

\* Serial:

\* Part Number:

SEARCH

**Can't Find Part or  
Manual? Request Help  
by Manufacturer,  
Model & Description**

**Parts Order Form**

Please fill in the following information to help us find the right part for your machine.

Manufacturer:	<input type="text"/>
Model:	<input type="text"/>
Description:	<input type="text"/>
Part Number:	<input type="text"/>
Quantity:	<input type="text"/>
Notes:	<input type="text"/>

Submit

Discount-Equipment.com is your online resource for quality parts & equipment.

Florida: **561-964-4949** Outside Florida TOLL FREE: **877-690-3101**

**Need parts?**

Click on this link: <http://www.discount-equipment.com/category/5443-parts/> and choose one of the options to help get the right parts and equipment you are looking for. Please have the machine model and serial number available in order to help us get you the correct parts. If you don't find the part on the website or on one of the online manuals, please fill out the request form and one of our experienced staff members will get back to you with a quote for the right part that your machine needs.

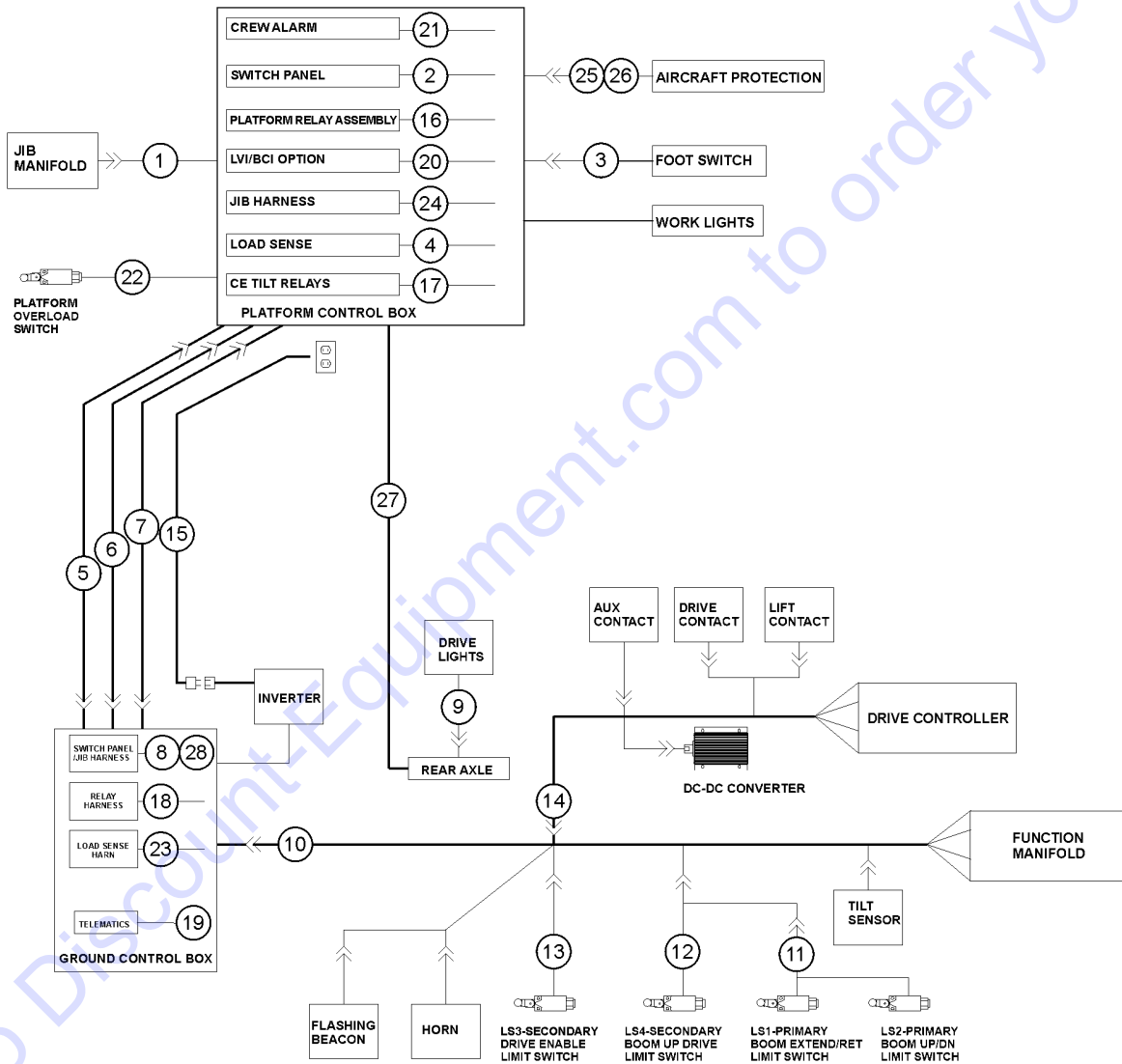
We sell worldwide for the brands: Genie, Terex, JLG, MultiQuip, Mikasa, Essick, Whiteman, Mayco, Toro Stone, Diamond Products, Generac Magnum, Airman, Haulotte, Barreto, Power Blanket, Nifty Lift, Atlas Copco, Chicago Pneumatic, Allmand, Miller Curber, Skyjack, Lull, Skytrak, Tsurumi, Husquvarna Target, Stow, Wacker, Sakai, Mi-T-M, Sullair, Basic, Dynapac, MBW, Weber, Bartell, Bennar Newman, Haulotte, Ditch Runner, Menegotti, Morrison, Contec, Buddy, Crown, Edco, Wyco, Bomag, Laymor, EZ Trench, Bil-Jax, F.S. Curtis, Gehl Pavers, Heli, Honda, ICS/PowerGrit, IHI, Partner, Imer, Clipper, MMD, Koshin, Rice, CH&E, General Equipment, Amida, Coleman, NAC, Gradall, Square Shooter, Kent, Stanley, Tamco, Toku, Hatz, Kohler, Robin, Wisconsin, Northrock, Oztec, Toker TK, Rol-Air, APT, Wylie, Ingersoll Rand / Doosan, Innovatech, Con X, Ammann, Mecalac, Makinex, Smith Surface Prep, Small Line, Wanco, Yanmar

410.2 Wire Harness Diagram - DC and Bi-Energy Models, Z-45/25 (to SN Z4525-61999)

Item	Part No.	Description	Qty.
22	1259639GT	HARN,GBOX Z45DC/BE RELAY ASSY .....	1
23A	1261899GT	HARNESS,Z45DC,TELEMATICS READY .....	1
		DC models (to SN Z4525F-61471)	
23A-	1292362GT	HARNESS,Z45DC,TELEMATICS READY .....	
		DC models (from SN Z4525F-61472)	
23B	1261900GT	HARNESS,Z45BE,TELEMATICS READY .....	1
		Bi-Energy models (to SN Z4525F-61471)	
23B-	1292490GT	HARNESS,Z45BE,TELEMATICS READY .....	
		Bi-Energy models (from SN Z4525F-61472)	
24	128812GT	HARN FUNCTION MAN Z45DC/BE .....	1
		(to SN Z4525F-61471)	
24B	1294877GT	HARN FUNCTION MAN Z45DC/BE .....	
		(from SN Z4525F-61472)	
25	1260173GT	HARNESS ASSY, RELAY, CE .....	1
		CE models	
26	88832GT	HARNESS,PLUG,NON-LOAD WEIGHING .....	1
27	128816GT	HARN LIMIT SW DE Z45DC/BE .....	1
28	88724GT	HARNESS,LS,PRIM/EXT/SEC .....	1
29	88725GT	HARNESS,LS,PRIM/EXT .....	1
30		REF: Flashing Beacon .....	1
		refer to 901.1	
31	139368GT	HARNESS,ENGINE,Z45BE .....	1
		Bi-Energy models	
32A	1255858GT	HARN,PBOX,OPA,HW,24V .....	1
		option	
32B	1255030GT	PLUG,BLANKING .....	1
33A	1261845GT	HARNESS,TILT 24V,CSA PROD .....	
		for CSA models	
33B	1285812GT	KIT,TILT ALARM,DC AND BI-ENERGY MODELS .....	
33B-	1285689GT	INSTRUCTIONS,INSTALL (LEVEL SENSOR ALARM) .....	
		for kit 1285812	



410.3 Wire Harness Diagram Z-45 DC (from SN Z4525F-62000)

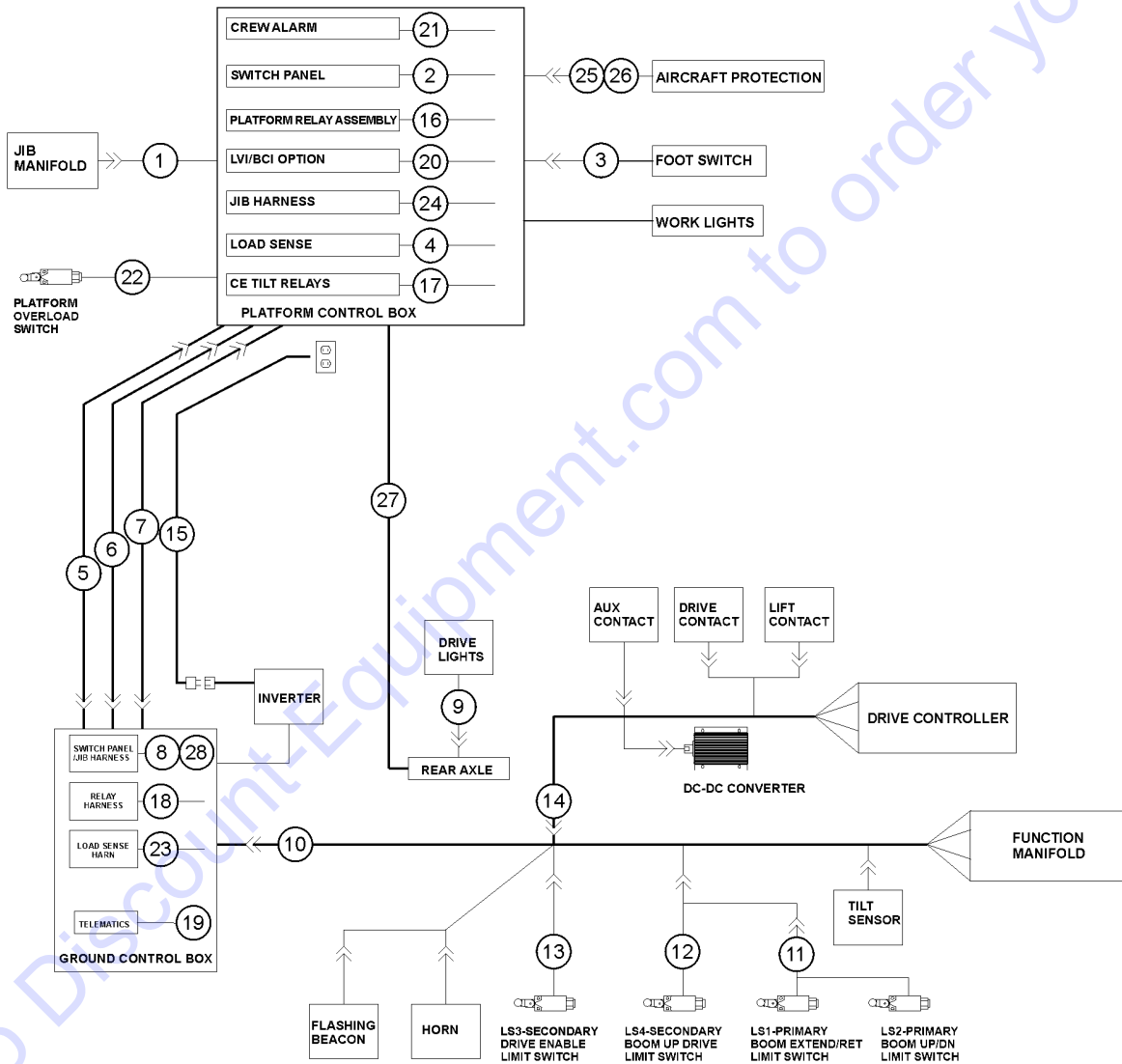


410.3 Wire Harness Diagram Z-45 DC (from SN Z4525F-62000)

Item	Part No.	Description	Qty.
1	101080GT	HARNESS,JIB SELECT MANIFOLD .....	1
2	1299466GT	HARNESS, PBOX, Z45DC/BE .....	1
3		REF. ASSEMBLY,FOOT SWITCH .....	1
		(refer to 602.1)	
4	216769GT	HARNESS,JUMPER,LOAD SENSE .....	1
5	88721-70700GT	HARNESS,18/19 BOOM CABLE #1 .....	1
6	88722-70700GT	HARNESS,18/19,BOOM CABLE #2 .....	1
7	88723-69700GT	HARNESS,12/3,12V TO PLAT .....	1
8	1298777GT	HARNESS, PBOX, Z45DC/BE .....	1
9	823774GT	HARNESS, 48V DRIVE LIGHTS .....	1
10	1294877GT	HARN FUNCTION MAN Z45DC/BE .....	1
11	88725GT	HARNESS,LS,PRIM/EXT .....	1
12	88724GT	HARNESS,LS,PRIM/EXT/SEC .....	1
13	128816GT	HARN LIMIT SW DE Z45DC/BE .....	1
14	822777GT	HARNESS, DRIVE CHASSIS, Z45DC .....	1
15	30794GT	WIRE,12/3 SJEOW,BK-WH-GR/YL .....	732
16	1261221GT	HARN,RELAY Z45DC/BE,PBOX .....	1
17	1262223GT	HARNESS,RELAY,PBOX,Z45DC,CE .....	1
17B	1299450GT	HARNESS, RELAY, PBOX, Z45DC/BE, ANSI .....	1
18	1299449GT	HARNESS ASSY,RELAY Z45DC/BE .....	1
19	1292362GT	HARNESS,Z45DC,TELEMATICS READY .....	1
20	128941GT	HARNESS LVI/BCI ENGAGE II .....	1
21	1288307GT	HARNESS, EE CONTACT ALARM, Z45DC/BE .....	1
22	121848GT	ASSY,LS,LOAD SENSE,38.5 IN .....	1
23	1260173GT	HARNESS ASSY, RELAY, CE .....	1
23B	1298776GT	HARNESS ASSY, RELAY, ANSI A92.20 .....	1
24	88713GT	HARNESS,PLATFORM,Z45DC,BI,JIB .....	1
25	1266606GT	HARN, AC PROTECTION BYPASS .....	1
26	110657GT	HARNESS,PROX.KILL,24V .....	1



410.3 Wire Harness Diagram Z-45 DC (from SN Z4525F-62000)



410.3 Wire Harness Diagram Z-45 DC (from SN Z4525F-62000)

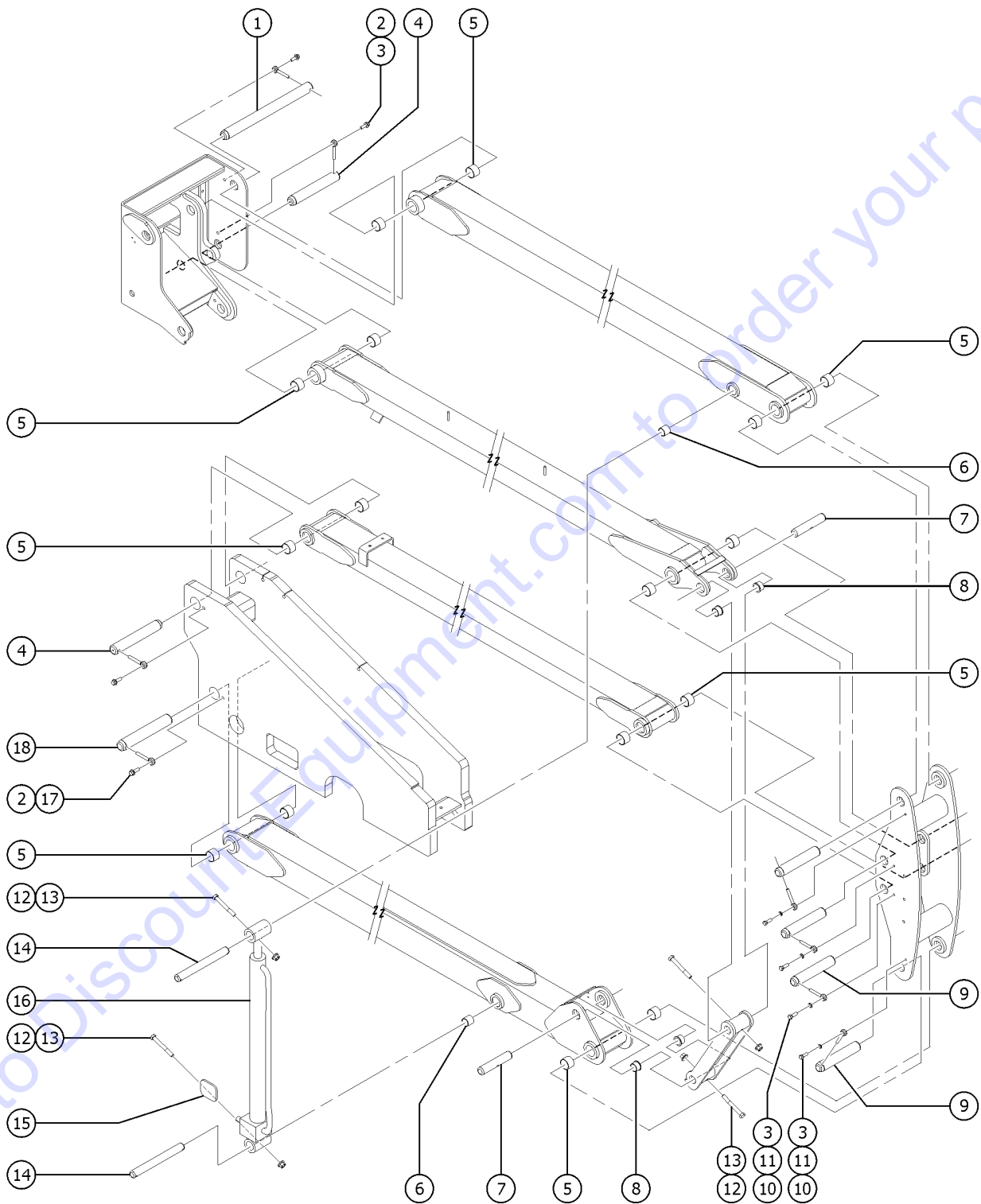
<i>Item</i>	<i>Part No.</i>	<i>Description</i>	<i>Qty.</i>
27	147528GT	OPTION,ACCESSORY CABLE,Z45DC .....	1
28	1262512GT	HARNESS, JIB, BASE BOX .....	1

Go to Discount-Equipment.com to order your parts





501.1 Boom Pins and Bearings (to SN 60902)

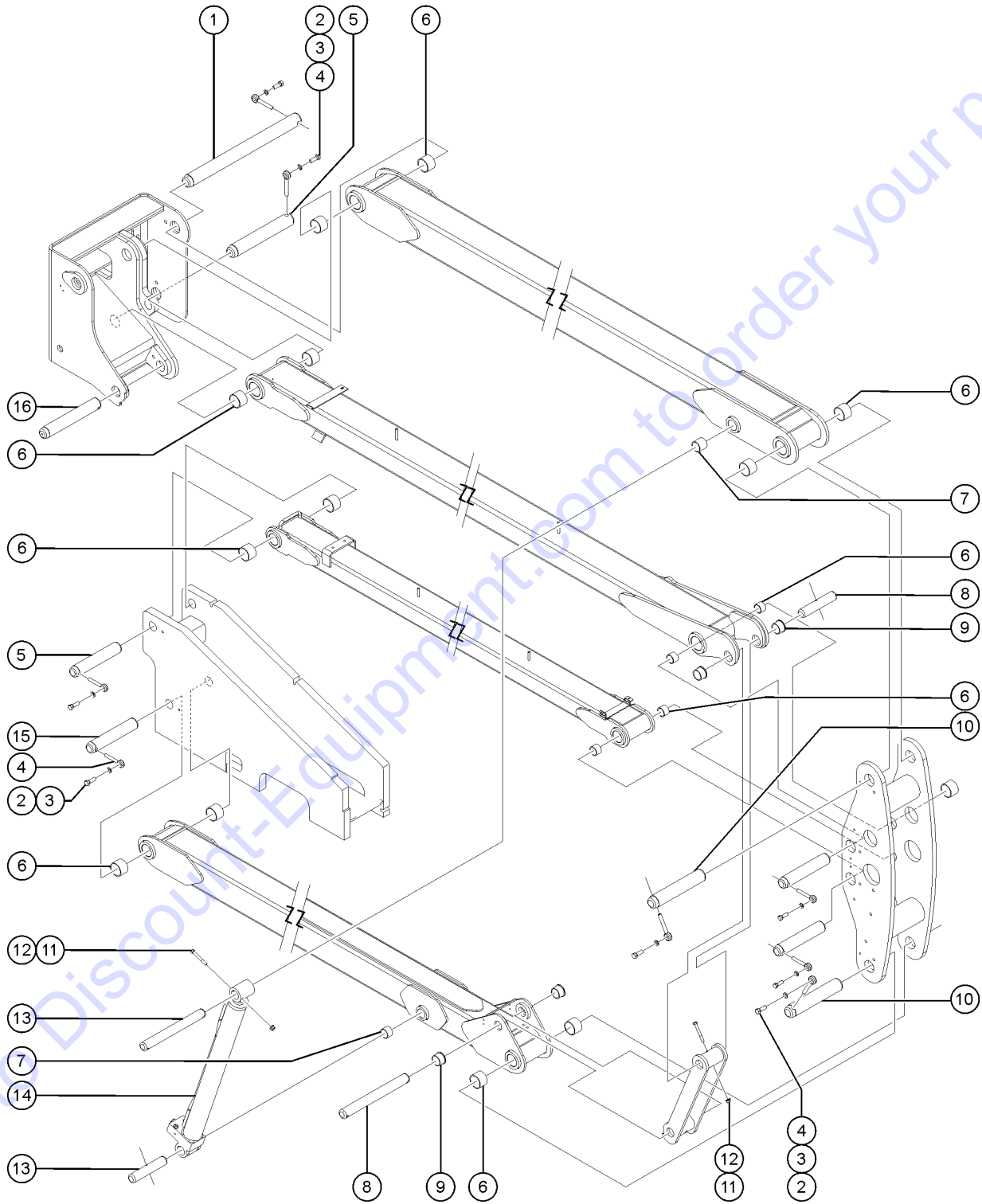


501.1 Boom Pins and Bearings (to SN 60902)

Item	Part No.	Description	Qty.
1	88676GT	PIN,2.00DIAX24.00LG,CHAMFER***	1
2	1253498GT	SCREW,HHF,1/2-13X1.5,8,ZAG	4
3	1256267GT	ROD END,.5 X 3.75,ZAG	6
4	107859GT	PIN,2.00DIAX12.88LG,CHAMFER***	2
5	18720GT	BEARING,2.0IDX2.25ODX1.50L	16
6	45071GT	BEARING,1.5IDX1.75ODX1.5L	4
7	107727GT	PIN,1.50DIAX7.50LG,1HOLE***	2
8	54156GT	BEARING,FL,1.5IDX1.75ODX1.10LG	4
9	107588GT	PIN,2.00DIAX10.88LG,CHAMFER	4
10	1256844GT	SCREW,HHC,1/2-13X1.5,8,ZAG	4
11	824111GT	WASHER,LOCK,1/2,ZAG	4
12	1260940GT	SCREW,HHC,3/8-16X3,8,ZAG	6
13	824029GT	NUT,TL FLG,3/8-16,G,ZAG	6
14	50455GT	PIN,1.50DIAX13.88LG,2HOLE	2
15	54726GT	WEAR PAD,SECONDARY CYL,NON/JIB	1
16	88203GT	CYLINDER,ELEVATE,Z45/25***	2
16-	77303GT	VALVE, CNTRBAL 3500 PSI, ATM VEN	
16-	77521GT	SEAL KIT,ELEVATE (88203)	
17	1256267GT	ROD END,.5 X 3.75,ZAG	2
18	107590GT	PIN,2.00DIAX12.88LG,CHAMFER***	1



501.2 Boom Pins and Bearings (from SN 60903)



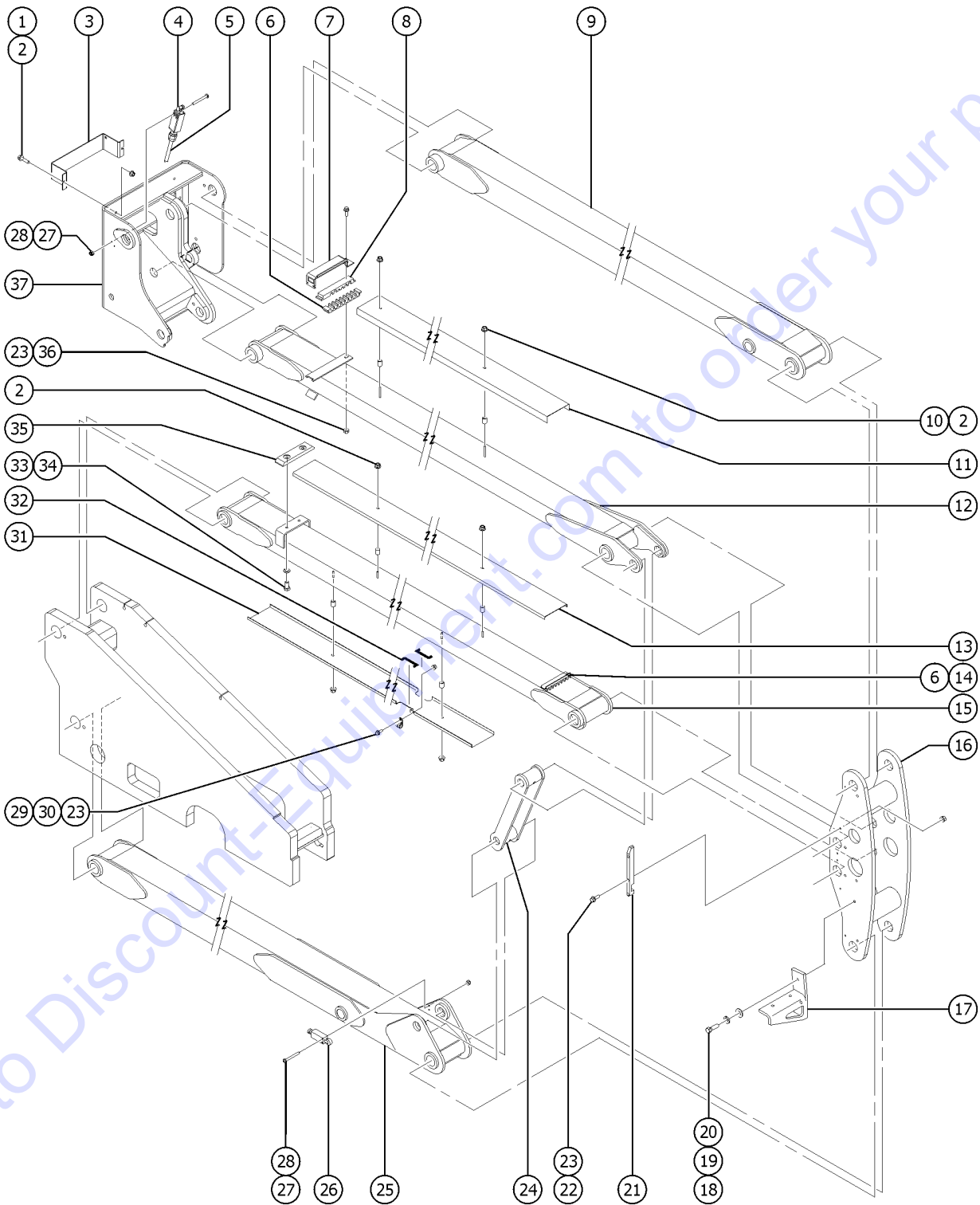
501.2 Boom Pins and Bearings (from SN 60903)

Item	Part No.	Description	Qty.
1	88676GT	PIN,2.00DIAX24.00LG,CHAMFER***	1
2	1256844GT	SCREW,HHC,1/2-13X1.5,8,ZAG	7
3	824111GT	WASHER,LOCK,1/2,ZAG	7
4	1256267GT	ROD END,.5 X 3.75,ZAG	7
5	107859GT	PIN,2.00DIAX12.88LG,CHAMFER***	1
6	18720GT	BEARING,2.0IDX2.25ODX1.50L	16
7	45071GT	BEARING,1.5IDX1.75ODX1.5L	4
8	107727GT	PIN,1.50DIAX7.50LG,1HOLE***	2
9	54156GT	BEARING,FL,1.5IDX1.75ODX1.10LG	4
10	107588GT	PIN,2.00DIAX10.88LG,CHAMFER	4
11	1274322GT	NUT,NYLOCK FLG,3/8-16,F,ZAG	12
12	1260940GT	SCREW,HHC,3/8-16X3,8,ZAG	6
13	50455GT	PIN,1.50DIAX13.88LG,2HOLE	2
14	88203GT	CYLINDER,ELEVATE,Z45/25***	2
14-	77303GT	VALVE, CNTRBAL 3500 PSI, ATM VEN	
14-	77521GT	SEAL KIT,ELEVATE (88203)	
15	107590GT	PIN,2.00DIAX12.88LG,CHAMFER***	1
16	70534GT	PIN,1.75DIAX11.88LG,CHAMFER	1

Go to Discount-Equipment.com to order your parts



502.1 Secondary Linkage, Z-45/25J (to SN 60902)

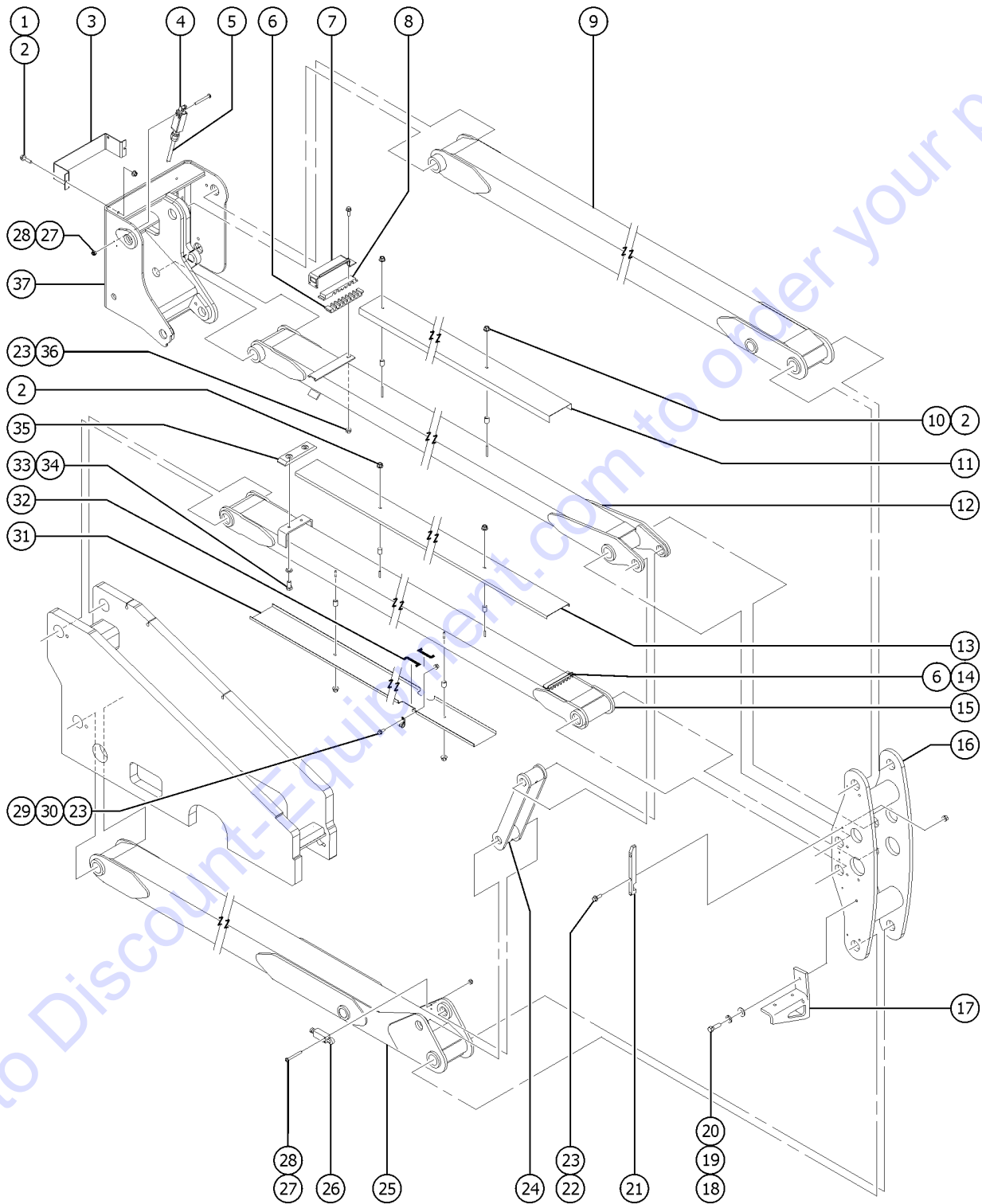


502.1 Secondary Linkage, Z-45/25J (to SN 60902)

Item	Part No.	Description	Qty.
1	824092GT	SCREW, HHF, 3/8-16 X 1.5, 8, ZAG .....	2
2A	824029GT	NUT, TL FLG, 3/8-16, G, ZAG .....	12
		to SN F-59120	
2B	1274322GT	NUT, NYLOCK FLG, 3/8-16, F, ZAG .....	16
		from SN F-59121	
3	237688GT	COVER, UPPER PIVOT .....	1
4	88356-11163GT	SWITCH, LIMIT, W/RLLR ARM, NO/NC* .....	1
4-	106427GT	LS ROT. HEAD W/O LEVER (ZCE01) .....	
4-	97128GT	ROLLER ARM, LIMIT SWITCH*** .....	
5	43960GT	WIRE CABLE, 16/4 CON. TPE JKT .....	360
6	94529GT	CLAMPING BLOCK, HOSE*** .....	2
7	94531PGT	BRACKET, HOSE CLAMP PAINTED*** .....	1
8	128998GT	CLAMPING BLOCK, CABLE, Z45/51 .....	1
9	106983GT	WELDMENT, UPPER SECONDARY*** .....	1
10	42941GT	HOSE, 3/8", FUEL, 30R7 .....	1
		cut to 0.75 inch; Qty. 10	
11	88370PGT	HOSE COVER, UPPER ARM, PAINTED .....	1
12	106986GT	WELDMENT, UPPER LEVELING ARM*** .....	1
13	50517-SGT	HOSE COVER, LOWER LEVEL, TOP, PAI .....	1
14	70685GT	FORMING, HOSE CLAMP .....	1
15	106974GT	WELDMENT, LOWER LEVELING ARM .....	1
16A	110310GT	MIDPIVOT ASSY Z45IC*** .....	1
		USA/Canada/Australian	
16B	106972GT	WELDMENT, MID PIVOT, MACHINED*** .....	
		Europe/Asia/ South America	
17A		Ref., WEAR PAD .....	
		refer to 504.1	
17B	50952GT	WELDMENT, BOOM REST**** .....	1
		Z-45/25J	
18B	1256844GT	SCREW, HHC, 1/2-13X1.5, 8, ZAG .....	2
		Z-45/25J	
19	824111GT	WASHER, LOCK, 1/2, ZAG .....	2
		Z-45/25J	
20	1255760GT	WASHER, FLAT, 1/2, USS, ZAG .....	2
		Z-45/25J	
21B	107881GT	WEAR PAD, MID PIVOT*** .....	1
		Z-45/25J	
22	824082GT	SCREW, HHF, 1/4-20X1.75, 8, ZAG .....	
23A	824027GT	NUT, TL FLG, 1/4-20, G, ZAG .....	
		to SN F-59120	



502.1 Secondary Linkage, Z-45/25J (to SN 60902)



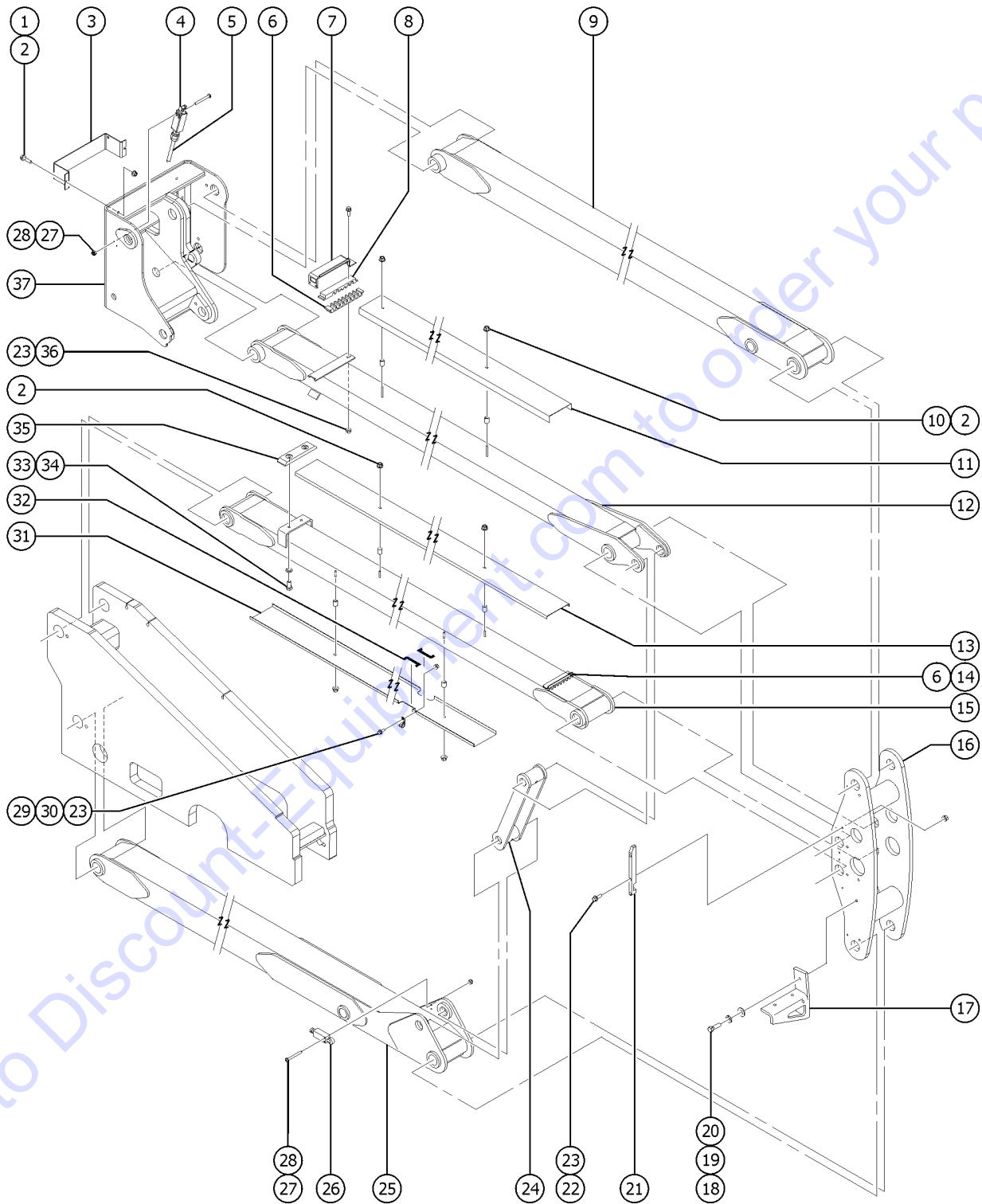
502.1 Secondary Linkage, Z-45/25J (to SN 60902)

Item	Part No.	Description	Qty.
23B	1277924GT	NUT,NYLOCK FLG,1/4-20,F,ZAG ..... from SN F-59121	4
24	50479GT	CONNECTING LINK,MACHINED *** .....	1
24-	50635GT	CONNECTING LINK (WELDMENT) .....	
25	106976GT	WELDMENT,LOWER,SECONDARY*** .....	1
26	88356-11205GT	SWITCH,LIMIT,W/RLLR ARM NO/NC .....	1
26-	89756GT	NECK/HEAD-LIMIT SWITCH (88356) .....	
26-	97128GT	ROLLER ARM,LIMIT SWITCH*** .....	
27	1256177GT	SCREW,PHPM,10-32X1.75,ZAG .....	4
28A	6178GT	NUT,NYLOCK,10-32 ..... to SN F-59120	4
28B	1274168GT	NUT,NYLOCK,10-32,A,ZAG ..... from SN F-59121	
29	1256855GT	SCREW,HHF,1/4-20X.625,8,ZAG .....	2
30	6833GT	CLAMP,0.50,#8 X 1/4,RUB CUSH .....	2
31	50548PGT	HOSE COVER,LOWER LEVEL,BOT,PAI .....	1
32	1697GT	TRIMLOCK,BLACK,3/16 ..... cut to 4 inches	8
33	1256109GT	SCREW,HHC,3/8-16X.75,8,ZAG .....	2
34	824110GT	WASHER,LOCK,3/8,ZAG .....	2
35	49772GT	WEAR PAD,6 X 1.5 X.50,W/INSERT .....	1
36	824078GT	SCREW,HHF,1/4-20X.75,8,ZAG .....	2
37		Ref. Upper Pivot Assembly ..... refer to 503.1	





502.2 Secondary Linkage, Z-45/25 (to SN 60902)

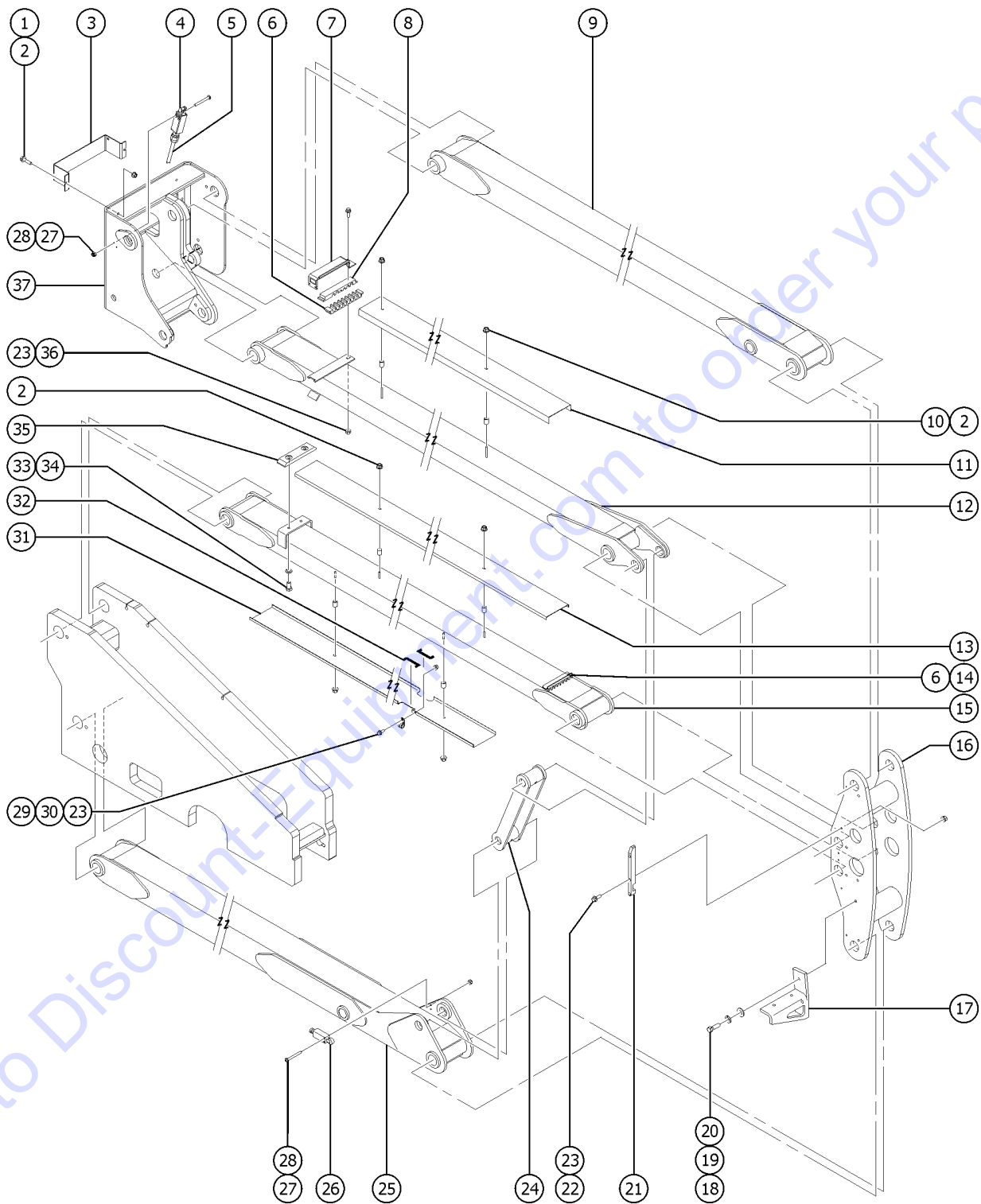


502.2 Secondary Linkage, Z-45/25 (to SN 60902)

Item	Part No.	Description	Qty.
1	824092GT	SCREW, HHF, 3/8-16 X 1.5, 8, ZAG	2
2A	824029GT	NUT, TL FLG, 3/8-16, G, ZAG to SN F-59120	12
2B	1274322GT	NUT, NYLOCK FLG, 3/8-16, F, ZAG from SN F-59121	16
3	237688GT	COVER, UPPER PIVOT	1
4	88356-11163GT	SWITCH, LIMIT, W/RLLR ARM, NO/NC*	1
4-	106427GT	LS ROT. HEAD W/O LEVER (ZCE01)	
4-	97128GT	ROLLER ARM, LIMIT SWITCH***	
5	43960GT	WIRE CABLE, 16/4 CON. TPE JKT	360
6	94529GT	CLAMPING BLOCK, HOSE***	2
7	94531PGT	BRACKET, HOSE CLAMP PAINTED***	1
8	128998GT	CLAMPING BLOCK, CABLE, Z45/51	1
9	106983GT	WELDMENT, UPPER SECONDARY***	1
10	42941GT	HOSE, 3/8", FUEL, 30R7 cut to 0.75 inch; Qty. 10	1
11	88370PGT	HOSE COVER, UPPER ARM, PAINTED	1
12	106986GT	WELDMENT, UPPER LEVELING ARM***	1
13	50517-SGT	HOSE COVER, LOWER LEVEL, TOP, PAI	1
14	70685GT	FORMING, HOSE CLAMP	1
15	106974GT	WELDMENT, LOWER LEVELING ARM	1
16A	110310GT	MIDPIVOT ASSY Z45IC*** USA/Canada/Australian	1
16B	106972GT	WELDMENT, MID PIVOT, MACHINED*** Europe/Asia/ South America	
17A		Ref., WEAR PAD refer to 504.1	
18A	1257454GT	SCREW, HHF, 1/2-13X.75, 8, ZAG Z-45/25	2
21A	107881GT	WEAR PAD, MID PIVOT*** Z-45/25	2
22	824082GT	SCREW, HHF, 1/4-20X1.75, 8, ZAG	
23A	824027GT	NUT, TL FLG, 1/4-20, G, ZAG to SN F-59120	
23B	1277924GT	NUT, NYLOCK FLG, 1/4-20, F, ZAG from SN F-59121	4
24	50479GT	CONNECTING LINK, MACHINED ***	1
24-	50635GT	CONNECTING LINK (WELDMENT)	



502.2 Secondary Linkage, Z-45/25 (to SN 60902)



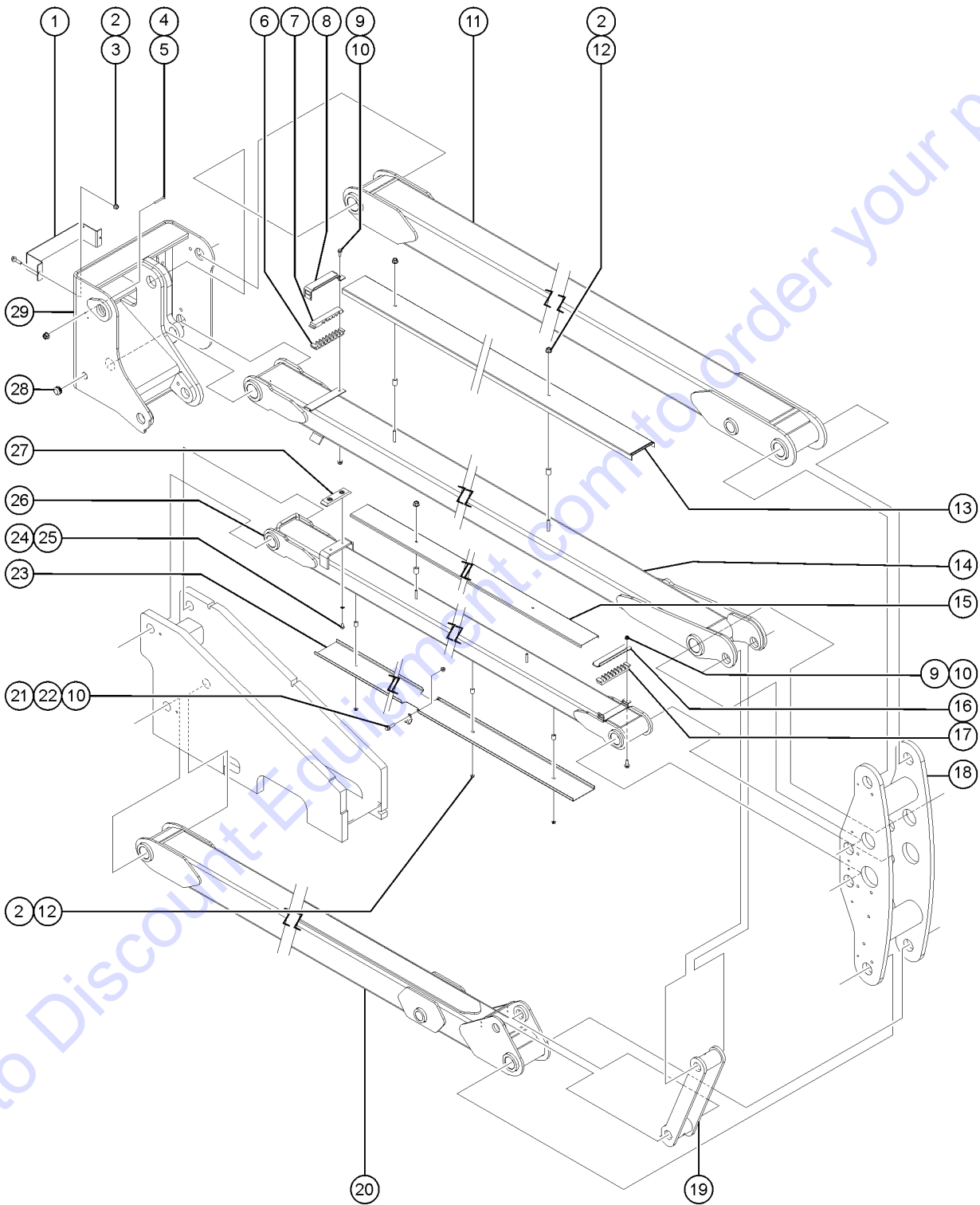
502.2 Secondary Linkage, Z-45/25 (to SN 60902)

Item	Part No.	Description	Qty.
25	106976GT	WELDMENT,LOWER,SECONDARY***	1
26	88356-11205GT	SWITCH,LIMIT,W/RLLR ARM NO/NC	1
26-	89756GT	NECK/HEAD-LIMIT SWITCH (88356)	
26-	97128GT	ROLLER ARM,LIMIT SWITCH***	
27	1256177GT	SCREW,PHPM,10-32X1.75,ZAG	4
28A	6178GT	NUT,NYLOCK,10-32 to SN F-59120	4
28B	1274168GT	NUT,NYLOCK,10-32,A,ZAG from SN F-59121	
29	1256855GT	SCREW,HHF,1/4-20X.625,8,ZAG	2
30	6833GT	CLAMP,0.50,#8 X 1/4,RUB CUSH	2
31	50548PGT	HOSE COVER,LOWER LEVEL,BOT,PAI	1
32	1697GT	TRIMLOCK,BLACK,3/16 cut to 4 inches	8
33	1256109GT	SCREW,HHC,3/8-16X.75,8,ZAG	2
34	824110GT	WASHER,LOCK,3/8,ZAG	2
35	49772GT	WEAR PAD,6 X 1.5 X.50,W/INSERT	1
36	824078GT	SCREW,HHF,1/4-20X.75,8,ZAG	2
37		Ref. Upper Pivot Assembly refer to 503.1	

Go to Discount-Equipment.com to order your parts



502.3 Boom Linkage (from SN 60903)

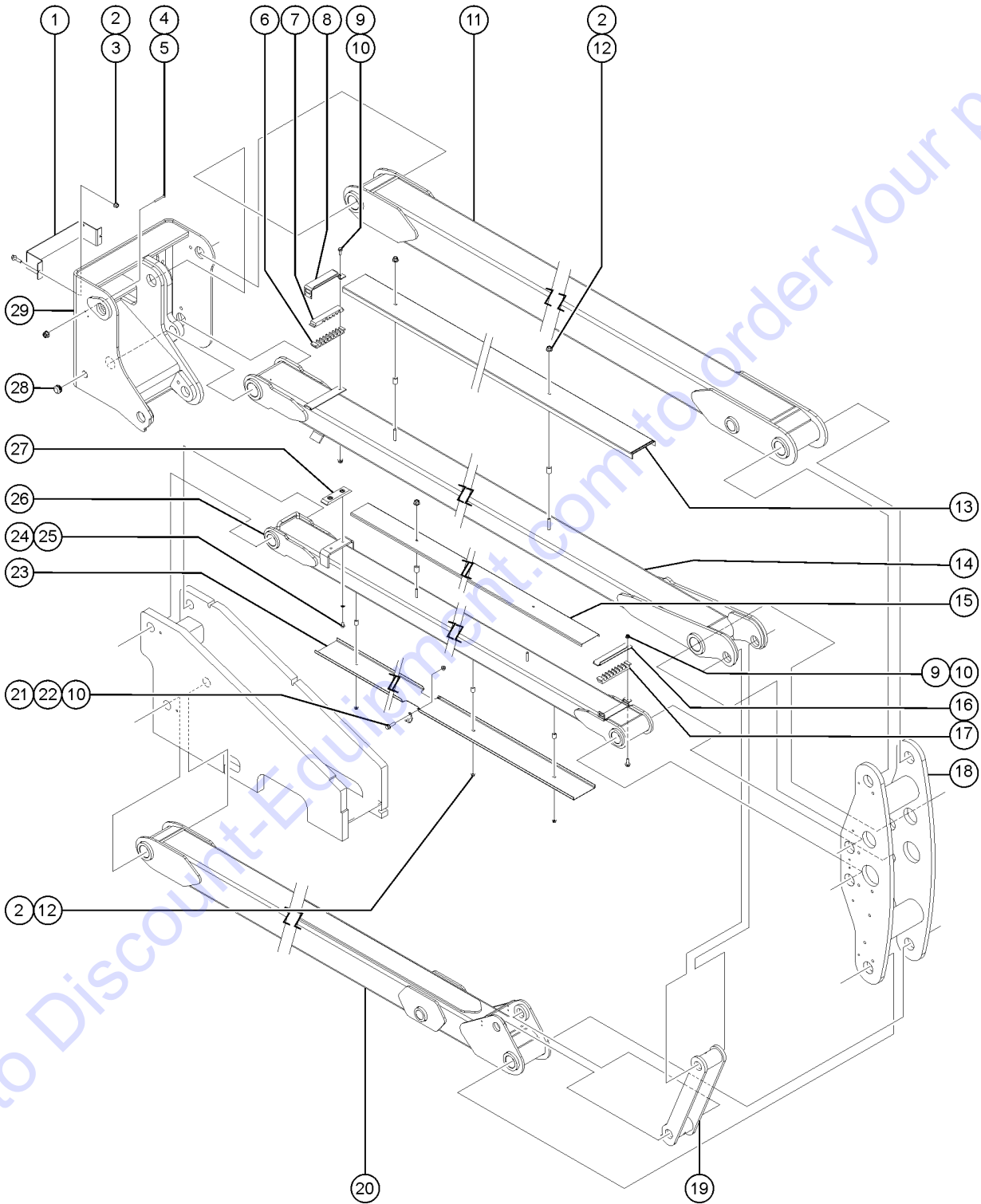


Go to Discount-Equipment.com to order your parts

Item	Part No.	Description	Qty.
1	237688GT	COVER, UPPER PIVOT .....	1
2	1274322GT	NUT,NYLOCK FLG,3/8-16,F,ZAG .....	8
3	824092GT	SCREW, HHF, 3/8-16 X 1.5, 8, ZAG .....	2
4	1256177GT	SCREW,PHPM,10-32X1.75,ZAG .....	4
5	1283005GT	NUT,NYLOCK FLG,10-32,A,ZAG .....	4
6	94529GT	CLAMPING BLOCK,HOSE*** .....	1
7	128998GT	CLAMPING BLOCK, CABLE, Z45/51 .....	1
8	94531GT	BRACKET,HOSE CLAMP*** .....	1
9	824078GT	SCREW,HHF,1/4-20X.75,8,ZAG .....	2
10	1277924GT	NUT,NYLOCK FLG,1/4-20,F,ZAG .....	4
11	823877GT	UPPER SECONDARY ARM ASSY .....	1
		Includes Bearing	
12	42941GT	HOSE,3/8",FUEL,30R7 .....	8
		cut into 0.75 inch pieces; Qty. 10	
13	88370GT	HOSE COVER,UPPER ARM .....	1
14	1272735GT	UPPER LEVEL ARM ASSY .....	1
		Includes Bearing	
15	50517GT	HOSE COVER,LOWER LEVEL, TOP .....	1
16	120092GT	BAR,HOSE CLAMP .....	1
17	1285590GT	CLAMPING BLOCK, HOSE .....	1
18	1272736GT	WELDMENT,MID PIVOT,MACHINED .....	1
19	1272737GT	CONNECTING LINK,MACHINED .....	1
20	1270442GT	LOWER SECONDARY ARM ASSY .....	1
		Includes Bearing	
21	1256855GT	SCREW,HHF,1/4-20X.625,8,ZAG .....	2
22	6833GT	CLAMP,0.50,#8 X 1/4,RUB CUSH .....	2
23	50548GT	HOSE COVER,LOWER LEVEL,BTM*** .....	1
24	1256109GT	SCREW,HHC,3/8-16X.75,8,ZAG .....	2
25	824110GT	WASHER,LOCK,3/8,ZAG .....	2
26	1287148GT	LOWER LEVER ARM SERVICE ASSY .....	1
		Includes Bearing	
27	49772GT	WEAR PAD,6 X 1.5 X.50,W/INSERT .....	1
28	55753GT	BUMPER, PLASTIC, 1.25 O.D. ....	1



502.3 Boom Linkage (from SN 60903)



Go to Discount-Equipment.com to order your parts

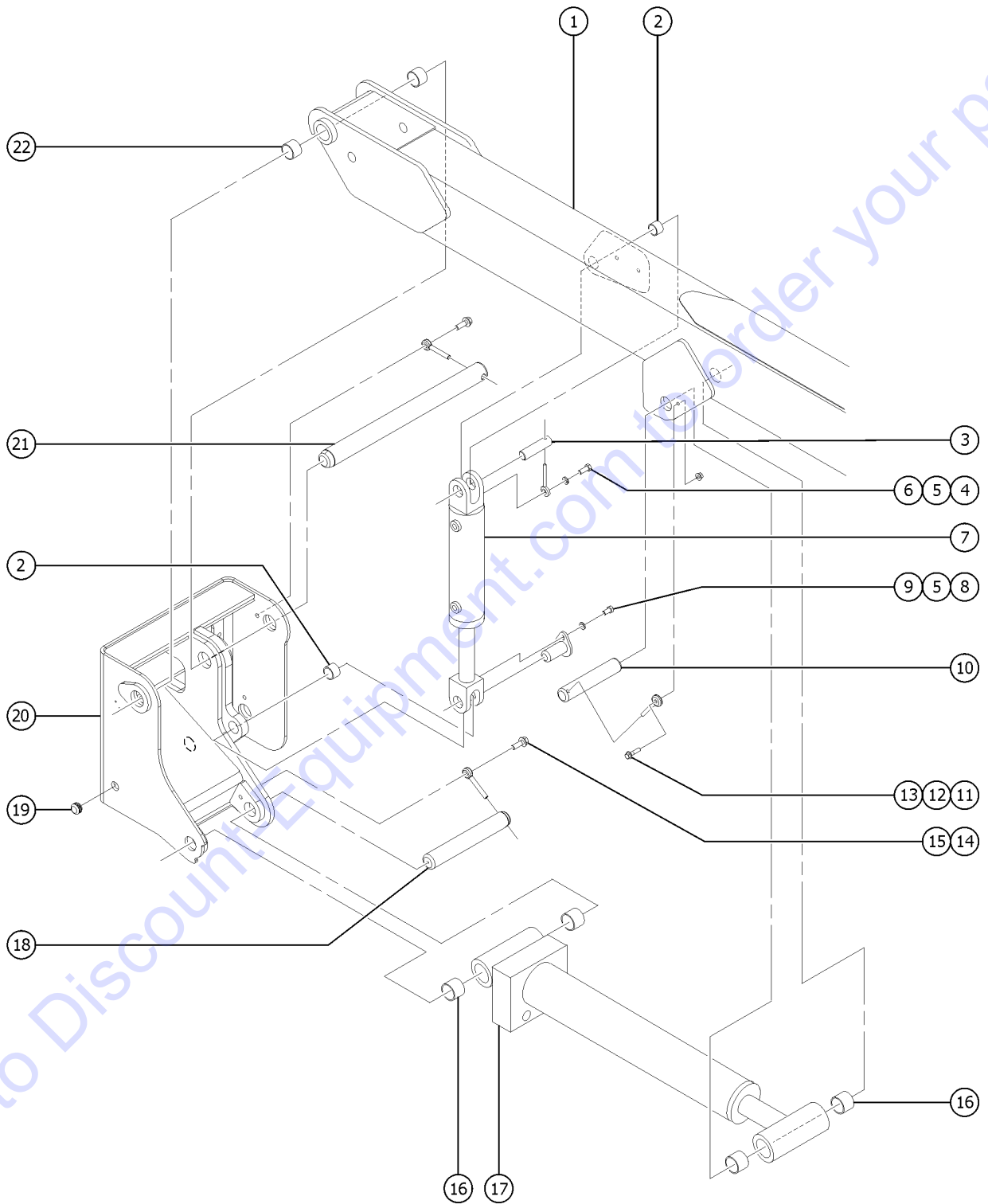
<i>Item</i>	<i>Part No.</i>	<i>Description</i>	<i>Qty.</i>
29	70589GT	UPPER PIVOT,MACHINING*** .....	1

Go to Discount-Equipment.com to order your parts





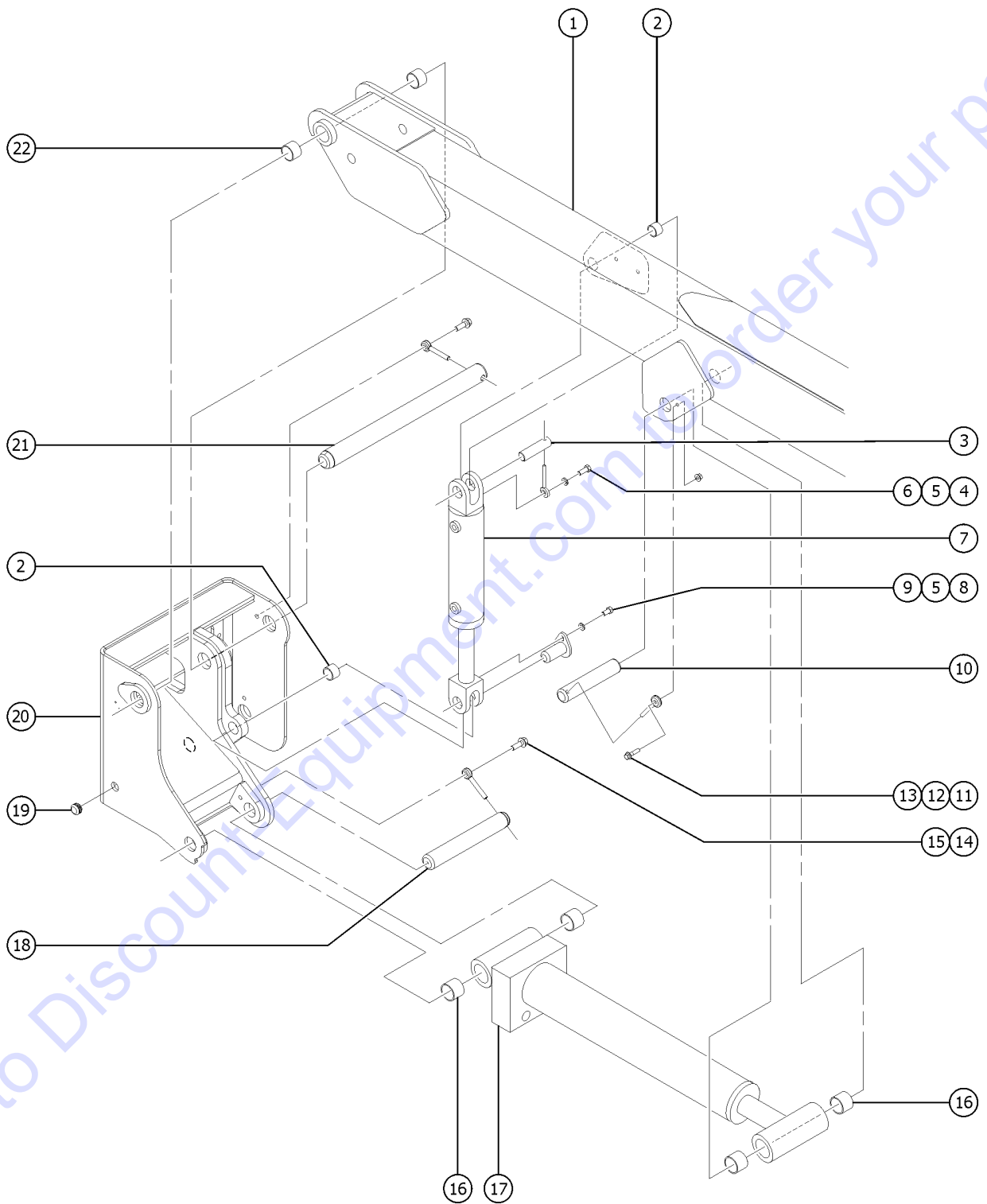
503.1 Upper Pivot, Z-45/25J



Item	Part No.	Description	Qty.
1		Ref. Primary Boom Tube Assembly ..... (refer to 504.1)	
2	30370GT	BEARING,1.25IDX1.5ODX1.00L .....	2
3	34276GT	PIN,1.25DIAX3.37LG,1HOLE .....	1
4	824067GT	SCREW,HHC,3/8-16X1,8,ZAG .....	1
5	824110GT	WASHER,LOCK,3/8,ZAG .....	2
6	1255452GT	ROD END,.375 X 2.25,ZAG .....	1
7	77362GT	CYLINDER,MASTER,Z45*** .....	1
7-	77364GT	SEAL KIT,MASTER & SLAVE CYL .....	
8	1256109GT	SCREW,HHC,3/8-16X.75,8,ZAG .....	1
9	70671GT	PIN,1.25 DIA X 3.19 LG, PLATE .....	1
10	50542GT	PIN,1.75DIAX9.25LG,1HOLE .....	1
11	824092GT	SCREW, HHF, 3/8-16 X 1.5, 8, ZAG .....	1
12	825019GT	ROD END,.375X3.69,ZAG .....	1
13	824029GT	NUT,TL FLG,3/8-16,G,ZAG .....	1
14	1253498GT	SCREW,HHF,1/2-13X1.5,8,ZAG .....	1
15	1256267GT	ROD END,.5 X 3.75,ZAG .....	1
16	1262633GT	BEARING,POLYGON,BM5120 .....	4
17B	1263057GT	CYLINDER,PRIM LIFT JIB,Z45 ..... Z-45/25J	1
17B-	77189GT	SEAL KIT,CYL,Z45 (77187&77188) ..... for 77188, 1263057	1
17B-	77014GT	VALVE,COUNTERBALANCE,3800 PSI ..... for 77188, 1263057	2
18	70534GT	PIN,1.75DIAX11.88LG,CHAMFER .....	1
19	55753GT	BUMPER, PLASTIC, 1.25 O.D. ....	
20	70589GT	UPPER PIVOT,MACHINING*** .....	1
20-	70588GT	WELDMENT,UPPER PIVOT*** .....	
21		REF. PIN ..... Refer to 501.1	1
22	18720GT	BEARING,2.0IDX2.25ODX1.50L .....	2



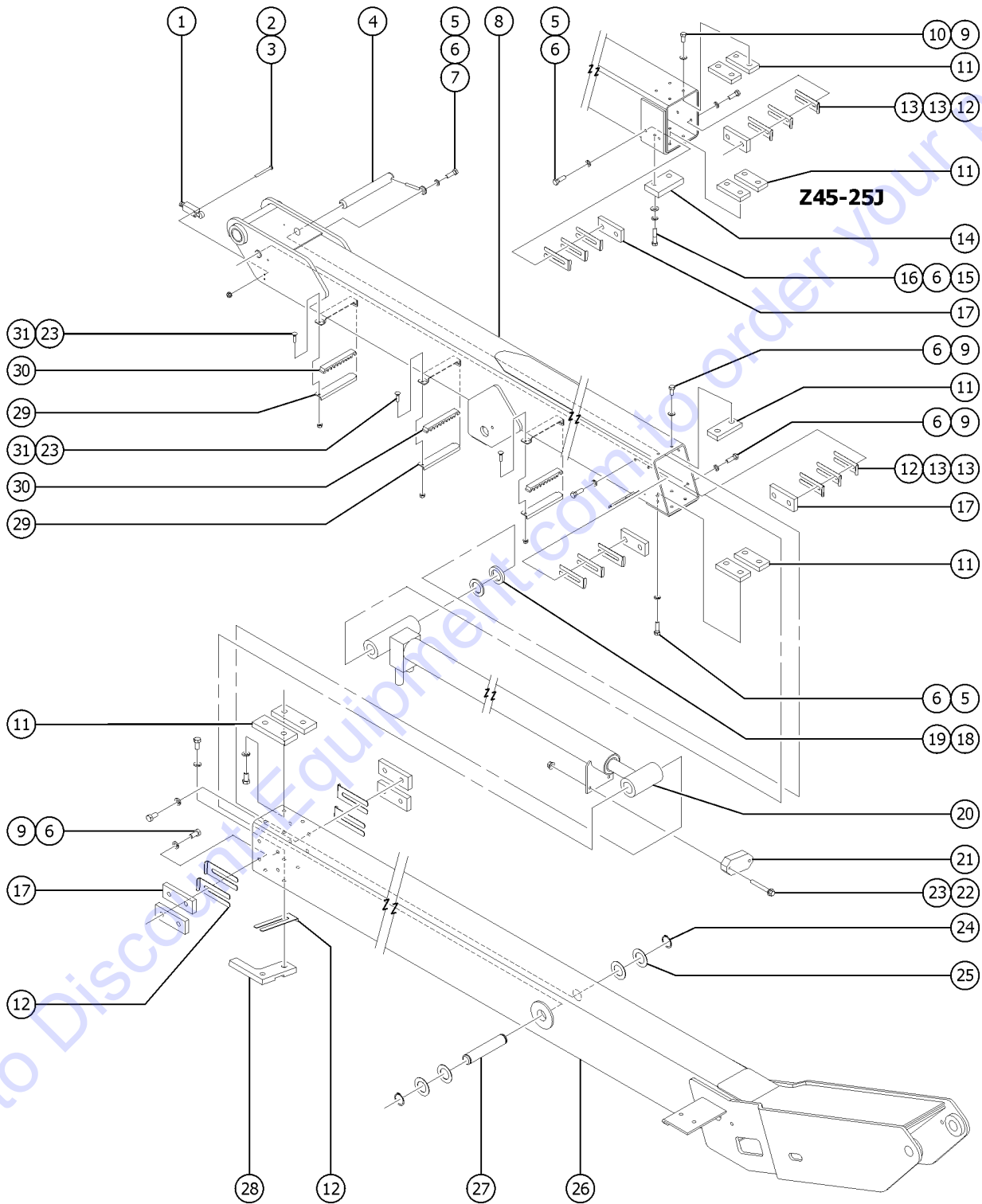
503.2 Upper Pivot, Z-45/25



Item	Part No.	Description	Qty.
1		Ref. Primary Boom Tube Assembly ..... (refer to 504.1)	
2	30370GT	BEARING,1.25IDX1.5ODX1.00L .....	2
3	34276GT	PIN,1.25DIAX3.37LG,1HOLE .....	1
4	824067GT	SCREW,HHC,3/8-16X1,8,ZAG .....	1
5	824110GT	WASHER,LOCK,3/8,ZAG .....	2
6	1255452GT	ROD END,.375 X 2.25,ZAG .....	1
7	77362GT	CYLINDER,MASTER,Z45*** .....	1
7-	77364GT	SEAL KIT,MASTER & SLAVE CYL .....	
8	1256109GT	SCREW,HHC,3/8-16X.75,8,ZAG .....	1
9	70671GT	PIN,1.25 DIA X 3.19 LG, PLATE .....	1
10	50542GT	PIN,1.75DIAX9.25LG,1HOLE .....	1
11	824092GT	SCREW, HHF, 3/8-16 X 1.5, 8, ZAG .....	1
12	825019GT	ROD END,.375X3.69,ZAG .....	1
13	824029GT	NUT,TL FLG,3/8-16,G,ZAG .....	1
14	1253498GT	SCREW,HHF,1/2-13X1.5,8,ZAG .....	1
15	1256267GT	ROD END,.5 X 3.75,ZAG .....	1
16	1262633GT	BEARING,POLYGON,BM5120 .....	4
17A	1263056GT	CYLINDER,PRIM LIFT NON JIB,Z45 ..... Z-45/25	1
17A-	77189GT	SEAL KIT,CYL,Z45 (77187&77188) ..... for cylinder 77187, 1263056	
17A-	77014GT	VALVE,COUNTERBALANCE,3800 PSI ..... for cylinder 77187, 1263056	
18	70534GT	PIN,1.75DIAX11.88LG,CHAMFER .....	1
19	55753GT	BUMPER, PLASTIC, 1.25 O.D. ....	
20	70589GT	UPPER PIVOT,MACHINING*** .....	1
20-	70588GT	WELDMENT,UPPER PIVOT*** .....	
21		REF. PIN ..... Refer to 501.1	1
22	18720GT	BEARING,2.0IDX2.25ODX1.50L .....	2



504.1 Primary and Extension Booms (to SN 59508), Z-45/25J

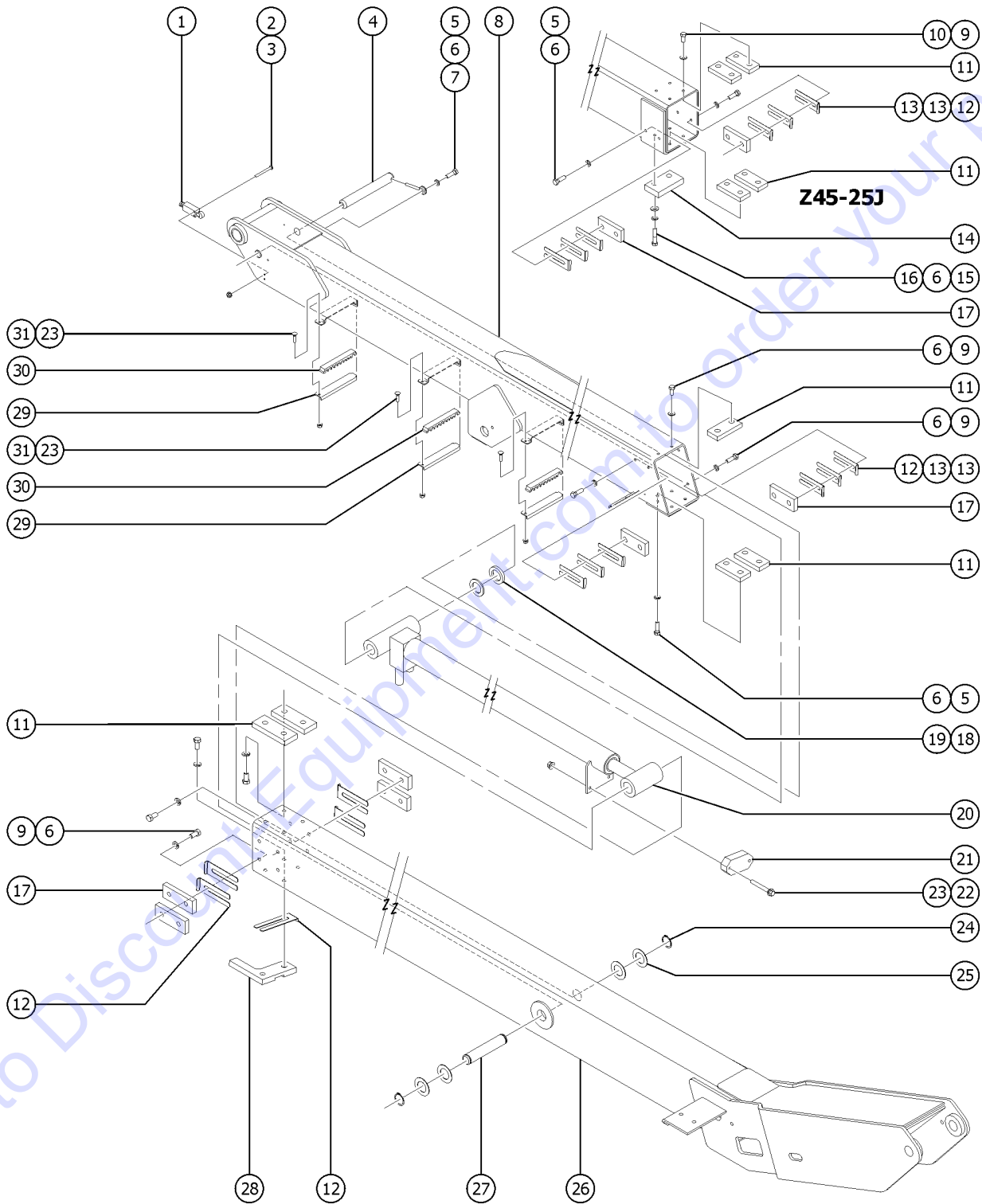


504.1 Primary and Extension Booms (to SN 59508), Z-45/25J

Item	Part No.	Description	Qty.
-	150103GT	WIRE LOOM,1.25"NYLON,HIGH TEMP .....	129
1	88356-11205GT	SWITCH,LIMIT,W/RLLR ARM NO/NC .....	1
1-	97128GT	ROLLER ARM,LIMIT SWITCH*** .....	
2B	1265481GT	SCREW,PHPM,10-32X2,ZAG .....	2
		Z-45/25J	
3	1264261GT	NUT,SERRATED,10-32,ZAG .....	2
4	50584GT	PIN,1.25DIAx9.38LG,THREADED .....	1
5B	824068GT	SCREW, HHC, 3/8-16 X 1.25, 8, ZAG .....	11
		Z-45/25J	
6B	824110GT	WASHER,LOCK,3/8,ZAG .....	27
		Z-45/25J	
7	825019GT	ROD END,.375X3.69,ZAG .....	1
8B	128301GT	WELDMNT,PRIMARY BOOM,Z45 JIB .....	1
		Z-45/25J	
9B	1256109GT	SCREW,HHC,3/8-16X.75,8,ZAG .....	18
		Z-45/25J	
10	824113GT	WASHER,FLAT,USS,1/4,ZAG .....	4
		Z-45/25J only	
11B	34125GT	WEAR PAD,5 X 1.5 X .75 W/NUTS .....	6
		Z-45/25J	
12	29080GT	SHIM,WEAR PAD,5X 1.5 16GA .....	9
13	42502GT	SHIM,SIDE PAD 22GA. ....	8
14	54157GT	WEAR PAD,PRIMARY BOOM,JIB 5.5X3X1 .....	1
		Z-45/25J only	
15	1256847GT	SCREW,HHC,3/8-16X1.75,8,ZAG .....	2
		Z-45/25J only	
16	825358GT	WASHER,FLAT,5/16,USS,ZAG .....	2
		Z-45/25J only	
17	30138GT	WEAR PAD,5 X 1.5 X .625 W/NUTS .....	8
18	77375GT	SPACER,NYLON,2.01 X 1.28 X.135 .....	1
19	77376GT	SPACER,NYLON,2.00 X 1.33 X.310 .....	1
20A-	54063GT	VALVE,CB.CBBC-LHN@1000*** .....	
20A-	65788GT	SEAL KIT CYL Z45 (54570) .....	
20A-	77410GT	VALVE,COUNTERBALNCE,1500 PSI** .....	
20B	54569GT	CYLINDER,EXTEND,Z45J*** .....	1
		Z-45/25J	
20B-	54063GT	VALVE,CB.CBBC-LHN@1000*** .....	
20B-	65790GT	SEAL KIT CYL.Z45(54569) .....	
20B-	77410GT	VALVE,COUNTERBALNCE,1500 PSI** .....	



504.1 Primary and Extension Booms (to SN 59508), Z-45/25J



504.1 Primary and Extension Booms (to SN 59508), Z-45/25J

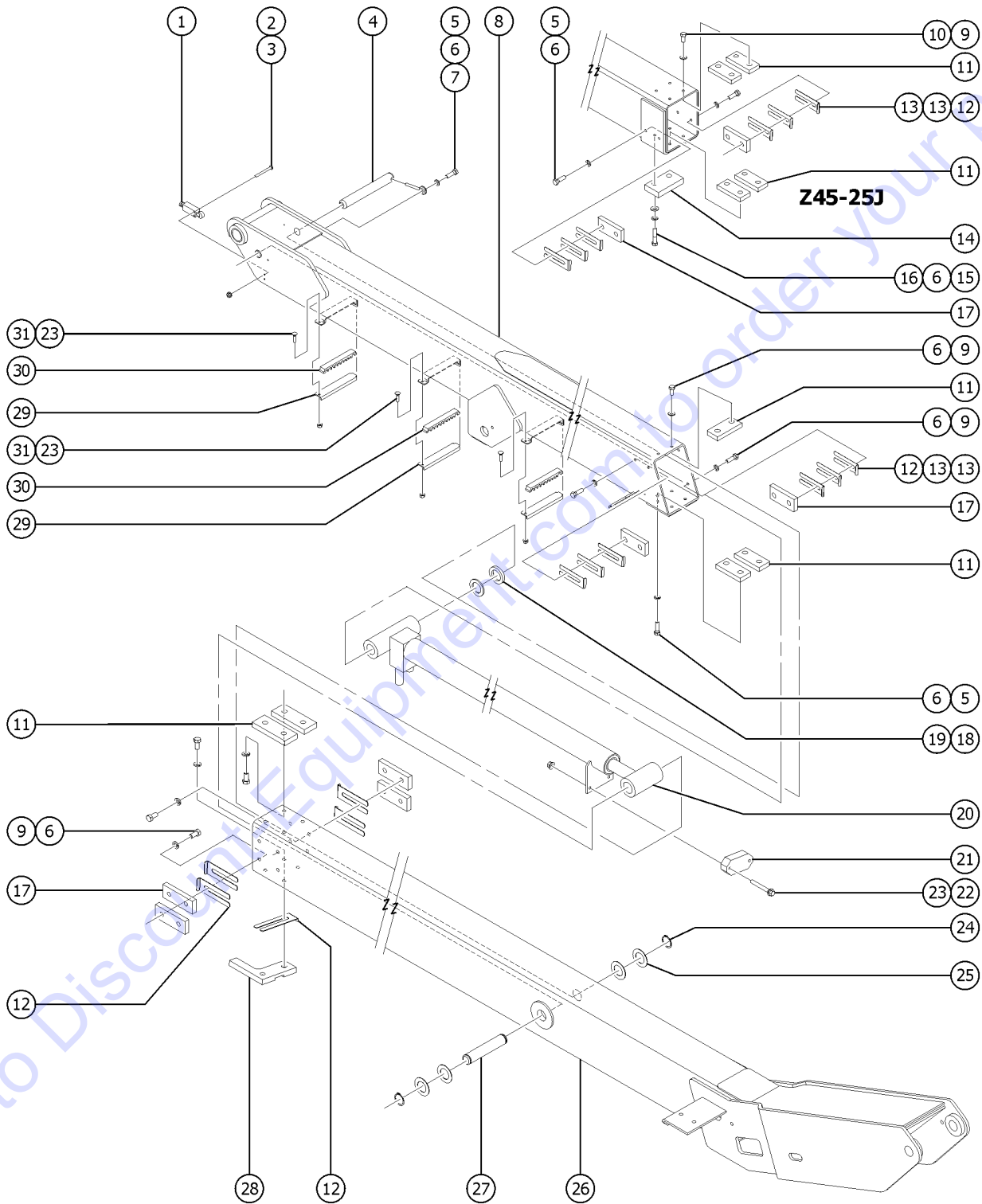
Item	Part No.	Description	Qty.
21	50698GT	WEAR PAD,EXTENSION CYLINDER .....	1
22B	824063GT	SCREW,HHC,1/4-20X1.75,8,ZAG ..... Z-45/25J	2
23	824027GT	NUT,TL FLG,1/4-20,G,ZAG .....	5
24	824164GT	SNAP RING,EXTERNAL,1.25,ZAG .....	2
25	824151GT	WASHER,SHIM,1.270X2.130X.062,Z .....	
26B	128304GT	WELDMENT,EXT. BOOM,Z45 JIB ..... Z-45/25J	1
27	50546GT	PIN,1.25DIAX6.36LG,2RING .....	1
28	50552GT	WEAR PAD,EXTENSION BOOM .....	1
29	128995GT	FORMING, HOSE CLAMP RETAINER .....	3
30	128601GT	CLAMP, PRI, HOSE/CABLE, Z45/51 .....	3
31B	1256127GT	BOLT,CARRIAGE,1/4-20X1,5,ZAG ..... Z-45/25J	3

Go to Discount-Equipment.com to order your parts





504.2 Primary and Extension Booms (to SN 59508), Z-45/25

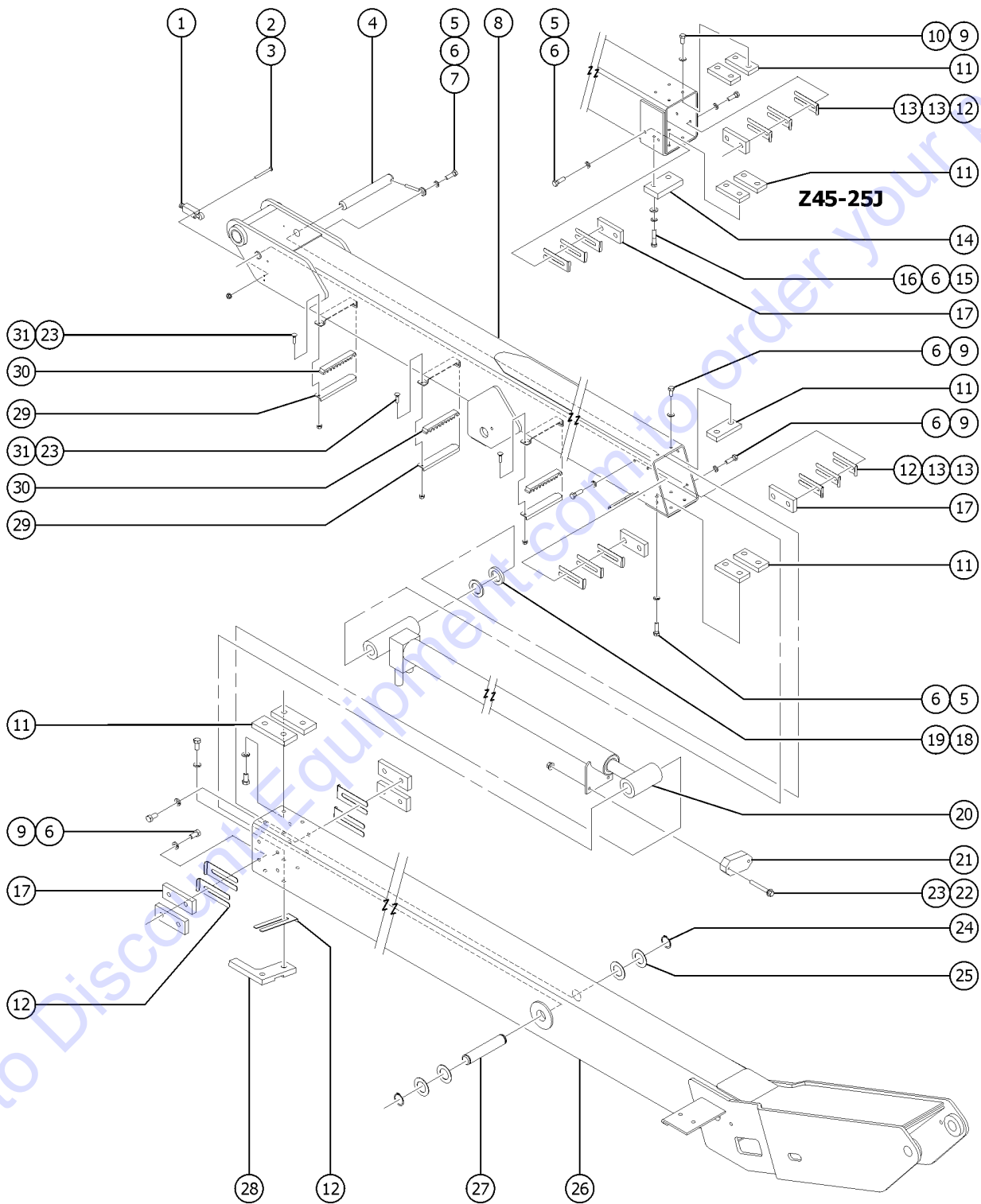


504.2 Primary and Extension Booms (to SN 59508), Z-45/25

Item	Part No.	Description	Qty.
1	88356-11205GT	SWITCH,LIMIT,W/RLLR ARM NO/NC	1
1-	97128GT	ROLLER ARM,LIMIT SWITCH***	
2A	1256922GT	SCREW,PHPM,10-32X2.25,ZAG Z-45/25	2
3	1264261GT	NUT,SERRATED,10-32,ZAG	2
4	50584GT	PIN,1.25DIA X 9.38LG,THREADED	1
5A	824068GT	SCREW, HHC, 3/8-16 X 1.25, 8, ZAG Z-45/25	5
6A	824110GT	WASHER,LOCK,3/8,ZAG Z-45/25	29
7	825019GT	ROD END,.375X3.69,ZAG	1
8A	128603GT	WELDMENT,PRIMARY BOOM,Z45NJ Z-45/25	1
9A	1256109GT	SCREW,HHC,3/8-16X.75,8,ZAG Z-45/25	24
11A	34125GT	WEAR PAD,5 X 1.5 X .75 W/NUTS Z-45/25	5
12	29080GT	SHIM,WEAR PAD,5X 1.5 16GA	9
13	42502GT	SHIM,SIDE PAD 22GA.	8
17	30138GT	WEAR PAD,5 X 1.5 X .625 W/NUTS	8
18	77375GT	SPACER,NYLON,2.01 X 1.28 X.135	1
19	77376GT	SPACER,NYLON,2.00 X 1.33 X.310	1
20A	54570GT	CYLINDER,EXTEND,Z45 NON JIB Z-45/25	1
20A-	54063GT	VALVE,CB.CBBC-LHN@1000***	
20A-	65788GT	SEAL KIT CYL Z45 (54570)	
20A-	77410GT	VALVE,COUNTERBALNCE,1500 PSI**	
20B-	54063GT	VALVE,CB.CBBC-LHN@1000***	
20B-	65790GT	SEAL KIT CYL.Z45(54569)	
20B-	77410GT	VALVE,COUNTERBALNCE,1500 PSI**	
21	50698GT	WEAR PAD,EXTENSION CYLINDER	1
22A	824082GT	SCREW,HHF,1/4-20X1.75,8,ZAG Z-45/25	2
23	824027GT	NUT,TL FLG,1/4-20,G,ZAG	5
24	824164GT	SNAP RING,EXTERNAL,1.25,ZAG	2
25	824151GT	WASHER,SHIM,1.270X2.130X.062,Z	



504.2 Primary and Extension Booms (to SN 59508), Z-45/25



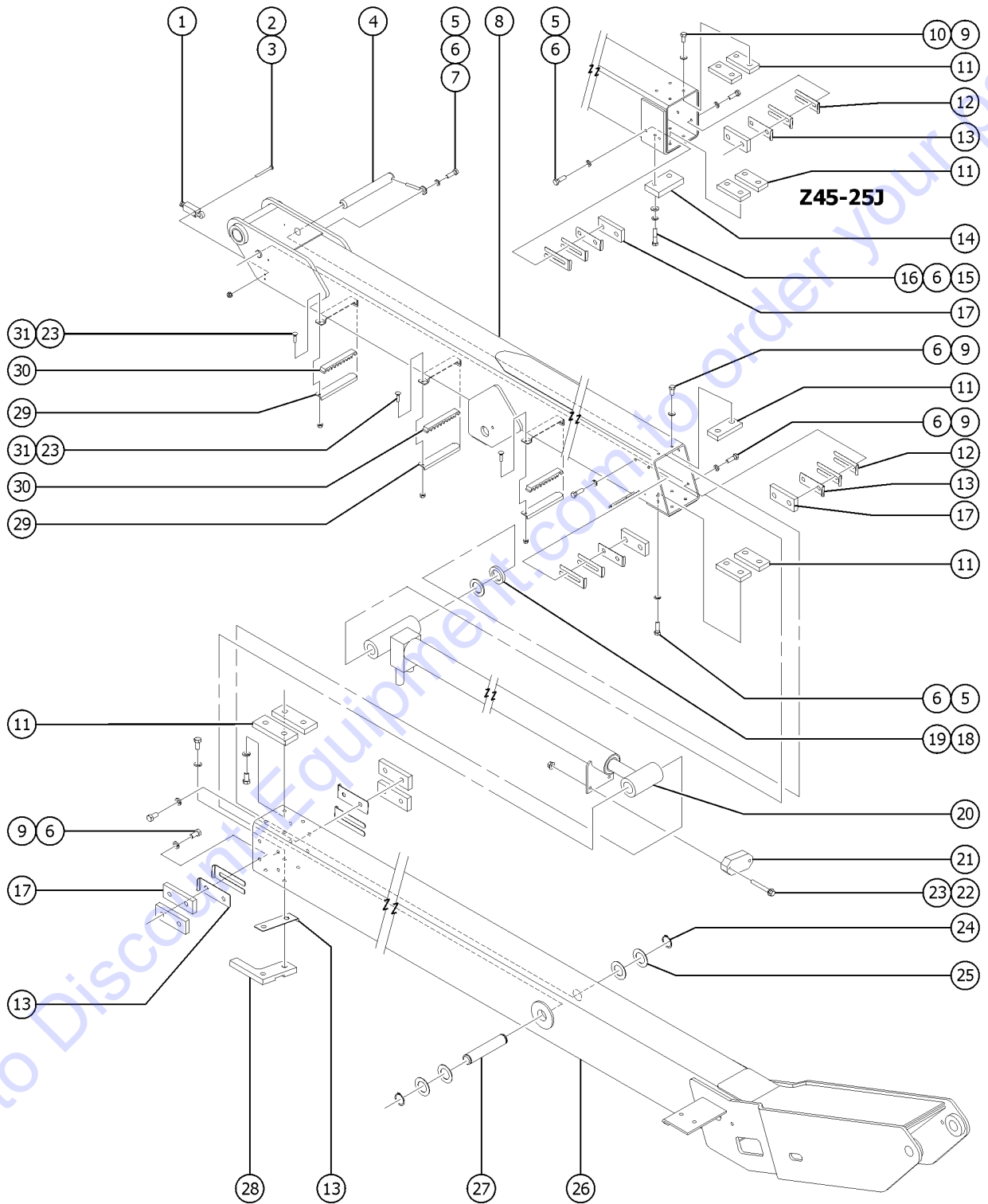
504.2 Primary and Extension Booms (to SN 59508), Z-45/25

<i>Item</i>	<i>Part No.</i>	<i>Description</i>	<i>Qty.</i>
26A	128605GT	WELDMENT, EXT. BOOM,Z45 NJ Z-45/25	1
27	50546GT	PIN,1.25DIAX6.36LG,2RING	1
28	50552GT	WEAR PAD,EXTENSION BOOM	1
29	128995GT	FORMING, HOSE CLAMP RETAINER	3
30	128601GT	CLAMP, PRI, HOSE/CABLE, Z45/51	3
31A	824124GT	BOLT,CARRIAGE,1/4-20X.75,5,ZAG Z-45/25	3

Go to Discount-Equipment.com to order your parts



504.3 Primary and Extension Booms (from SN 59509), Z-45/25J

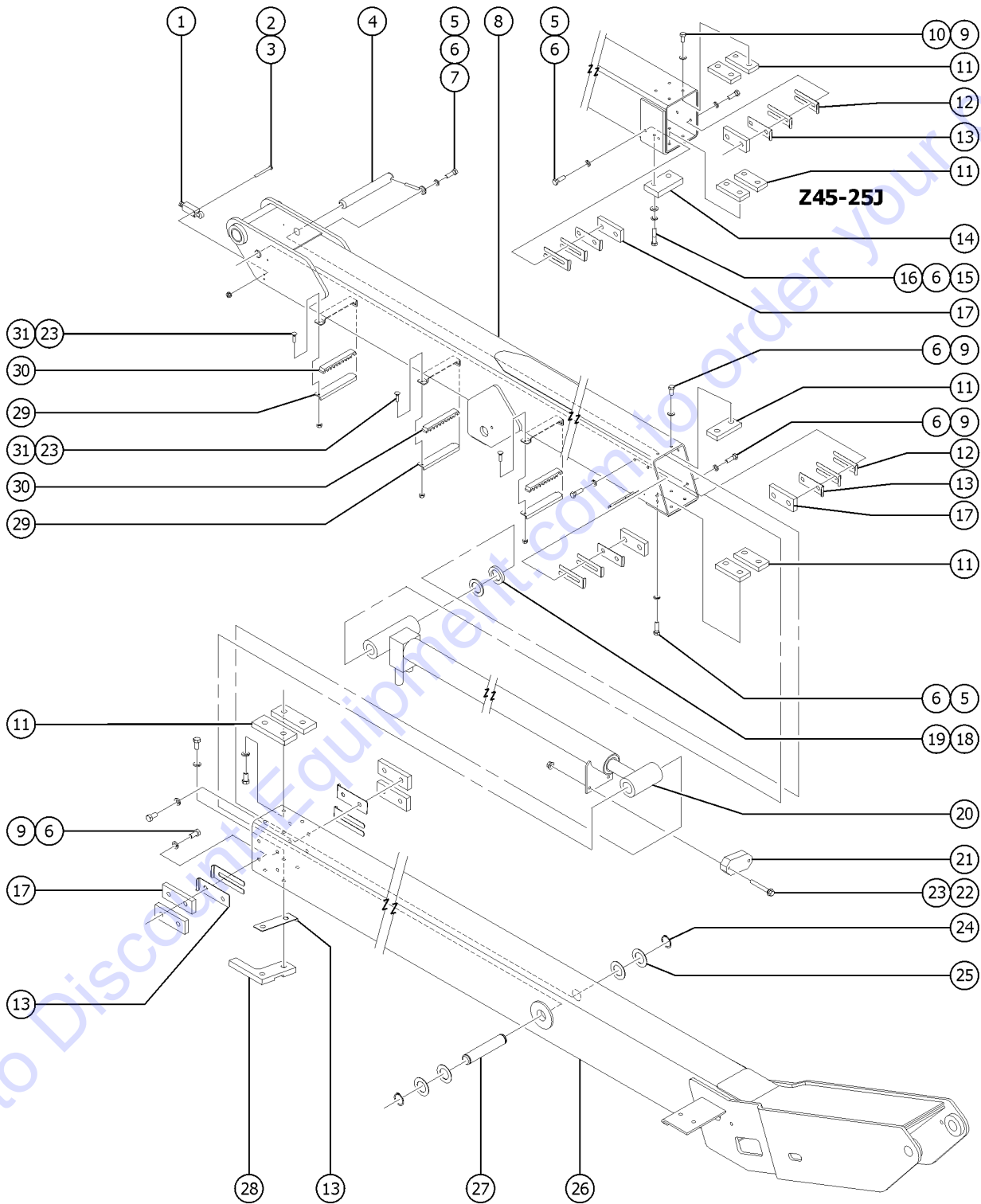


504.3 Primary and Extension Booms (from SN 59509), Z-45/25J

Item	Part No.	Description	Qty.
-	150103GT	WIRE LOOM,1.25"NYLON,HIGH TEMP .....	129
1	88356-11205GT	SWITCH,LIMIT,W/RLLR ARM NO/NC .....	1
1-	97128GT	ROLLER ARM,LIMIT SWITCH*** .....	
2	1265481GT	SCREW,PHPM,10-32X2,ZAG .....	2
		Z-45/25J	
3	1274168GT	NUT,NYLOCK,10-32,A,ZAG .....	2
4	50584GT	PIN,1.25DIAx9.38LG,THREADED .....	1
5	824068GT	SCREW, HHC, 3/8-16 X 1.25, 8, ZAG .....	11
		Z-45/25J	
6	1255758GT	WASHER,FLAT,3/8,USS,ZAG .....	30
		Z-45/25J	
7	825019GT	ROD END,.375X3.69,ZAG .....	1
8	128301GT	WELDMENT,PRIMARY BOOM,Z45 JIB .....	1
		Z-45/25J	
9	1256109GT	SCREW,HHC,3/8-16X.75,8,ZAG .....	18
		Z-45/25J	
10	824113GT	WASHER,FLAT,USS,1/4,ZAG .....	4
		Z-45/25J only	
11	34125GT	WEAR PAD,5 X 1.5 X .75 W/NUTS .....	6
		Z-45/25J	
12	42502GT	SHIM,SIDE PAD 22GA. ....	6
13	38620GT	SHIM,WEAR PAD,5 X 1.5,14GA .....	9
14	54157GT	WEAR PAD,PRIMARY BOOM,JIB 5.5X3X1 .....	1
		Z-45/25J only	
15	1256847GT	SCREW,HHC,3/8-16X1.75,8,ZAG .....	2
		Z-45/25J only	
16	825358GT	WASHER,FLAT,5/16,USS,ZAG .....	2
		Z-45/25J only	
17	30138GT	WEAR PAD,5 X 1.5 X .625 W/NUTS .....	8
18	77375GT	SPACER,NYLON,2.01 X 1.28 X.135 .....	1
19	77376GT	SPACER,NYLON,2.00 X 1.33 X.310 .....	1
20	54569GT	CYLINDER,EXTEND,Z45J*** .....	1
		Z-45/25J	
20B-	54063GT	VALVE,CB.CBBC-LHN@1000*** .....	
20B-	65790GT	SEAL KIT CYL.Z45(54569) .....	
20B-	77410GT	VALVE,COUNTERBALNCE,1500 PSI** .....	
21	50698GT	WEAR PAD,EXTENSION CYLINDER .....	1
22	824063GT	SCREW,HHC,1/4-20X1.75,8,ZAG .....	2
		Z-45/25J	
23	824027GT	NUT,TL FLG,1/4-20,G,ZAG .....	5



504.3 Primary and Extension Booms (from SN 59509), Z-45/25J



504.3 Primary and Extension Booms (from SN 59509), Z-45/25J

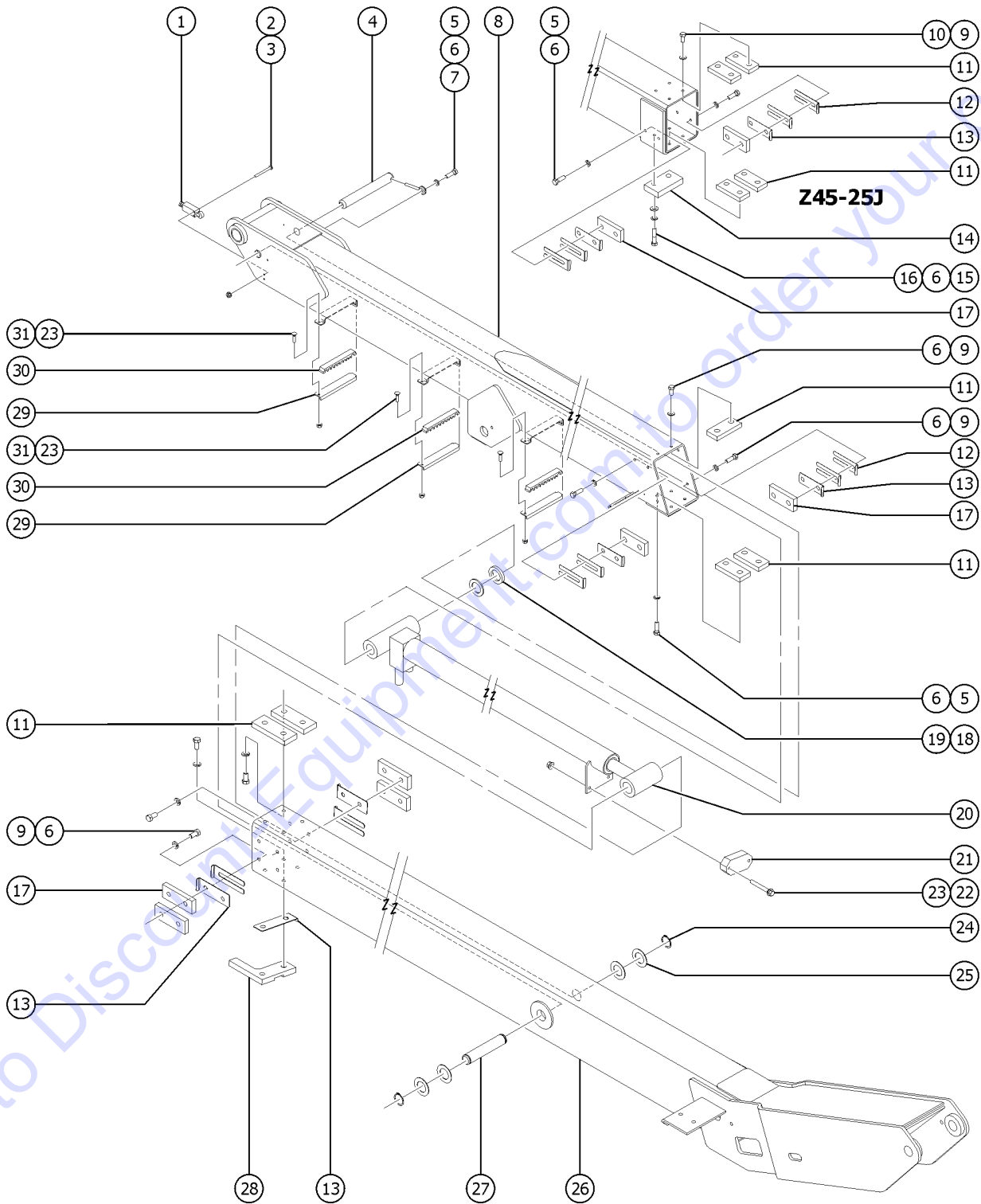
Item	Part No.	Description	Qty.
24	824164GT	SNAP RING,EXTERNAL,1.25,ZAG .....	2
25	824151GT	WASHER,SHIM,1.270X2.130X.062,Z .....	
26	128304GT	WELDMENT,EXT. BOOM,Z45 JIB .....	1
		Z-45/25J	
27	50546GT	PIN,1.25DIAX6.36LG,2RING .....	1
28	50552GT	WEAR PAD,EXTENSION BOOM .....	1
29	128995GT	FORMING, HOSE CLAMP RETAINER .....	3
30	128601GT	CLAMP, PRI, HOSE/CABLE, Z45/51 .....	3
31	1256127GT	BOLT,CARRIAGE,1/4-20X1,5,ZAG .....	3
		Z-45/25J	

Go to Discount-Equipment.com to order your parts





504.4 Primary and Extension Booms (from SN 59509), Z-45/25

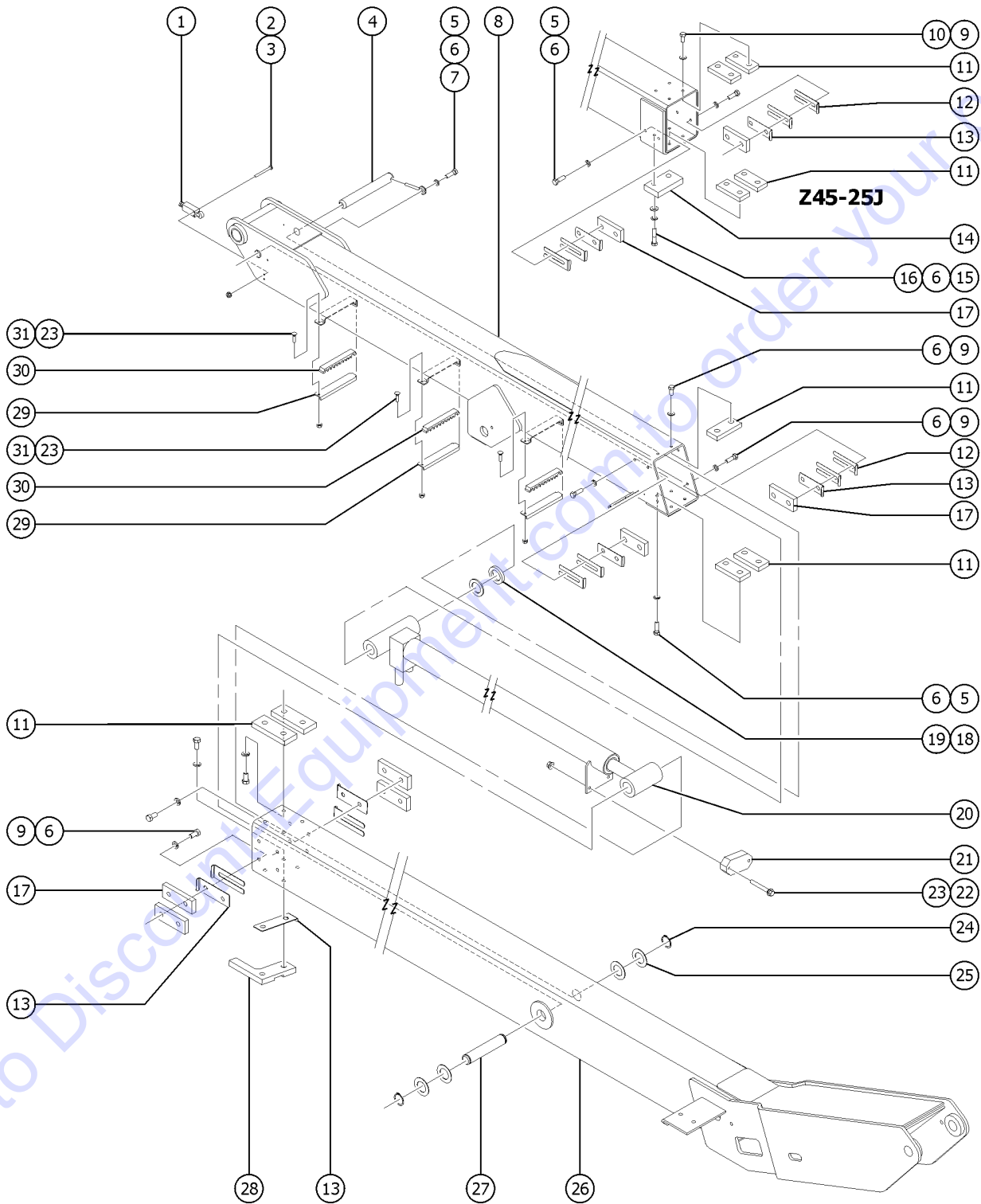


504.4 Primary and Extension Booms (from SN 59509), Z-45/25

Item	Part No.	Description	Qty.
-	150103GT	WIRE LOOM,1.25"NYLON,HIGH TEMP .....	129
1	88356-11205GT	SWITCH,LIMIT,W/RLLR ARM NO/NC .....	1
1-	97128GT	ROLLER ARM,LIMIT SWITCH*** .....	
2	1256922GT	SCREW,PHPM,10-32X2.25,ZAG .....	2
		Z-45/25	
3	1274168GT	NUT,NYLOCK,10-32,A,ZAG .....	2
4	50584GT	PIN,1.25DIAx9.38LG,THREADED .....	1
5	824068GT	SCREW, HHC, 3/8-16 X 1.25, 8, ZAG .....	5
		Z-45/25	
6	1255758GT	WASHER,FLAT,3/8,USS,ZAG .....	28
		Z-45/25	
7	825019GT	ROD END,.375X3.69,ZAG .....	1
8	128603GT	WELDMENT,PRIMARY BOOM,Z45NJ .....	1
		Z-45/25	
9	1256109GT	SCREW,HHC,3/8-16X.75,8,ZAG .....	24
		Z-45/25	
11A	34125GT	WEAR PAD,5 X 1.5 X .75 W/NUTS .....	5
		Z-45/25	
12	42502GT	SHIM,SIDE PAD 22GA. ....	6
13	38620GT	SHIM,WEAR PAD,5 X 1.5,14GA .....	9
17	30138GT	WEAR PAD,5 X 1.5 X .625 W/NUTS .....	8
18	77375GT	SPACER,NYLON,2.01 X 1.28 X.135 .....	1
19	77376GT	SPACER,NYLON,2.00 X 1.33 X.310 .....	1
20A	54570GT	CYLINDER,EXTEND,Z45 NON JIB .....	1
		Z-45/25	
20A-	54063GT	VALVE,CB.CBBC-LHN@1000*** .....	
20A-	65788GT	SEAL KIT CYL Z45 (54570) .....	
20A-	77410GT	VALVE,COUNTERBALNCE,1500 PSI** .....	
21	50698GT	WEAR PAD,EXTENSION CYLINDER .....	1
22A	824082GT	SCREW,HHF,1/4-20X1.75,8,ZAG .....	2
		Z-45/25	
23	824027GT	NUT,TL FLG,1/4-20,G,ZAG .....	5
24	824164GT	SNAP RING,EXTERNAL,1.25,ZAG .....	2
25	824151GT	WASHER,SHIM,1.270X2.130X.062,Z .....	
26A	128605GT	WELDMENT, EXT. BOOM,Z45 NJ .....	1
		Z-45/25	
27	50546GT	PIN,1.25DIAx6.36LG,2RING .....	1



504.4 Primary and Extension Booms (from SN 59509), Z-45/25



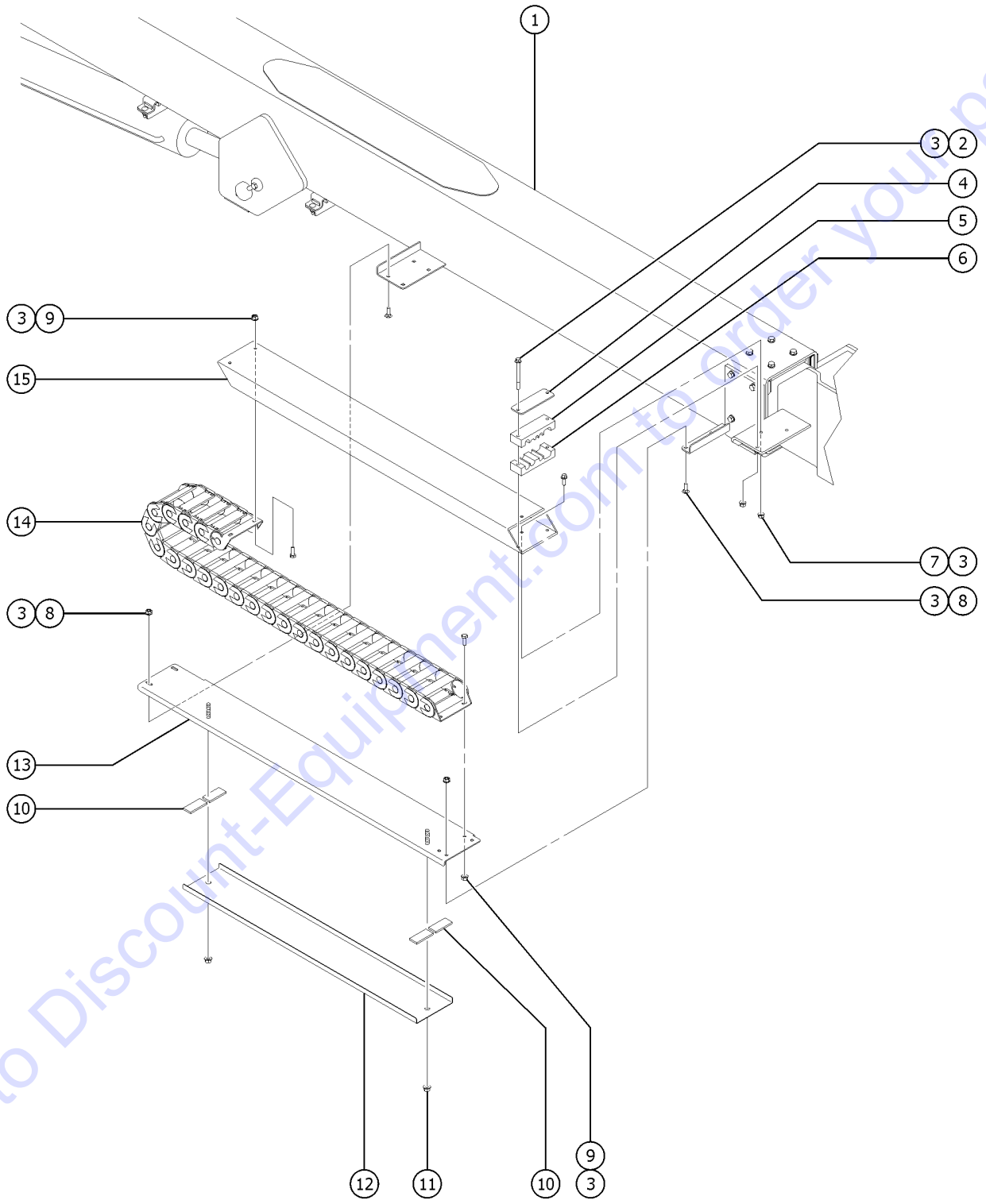
504.4 Primary and Extension Booms (from SN 59509), Z-45/25

<i>Item</i>	<i>Part No.</i>	<i>Description</i>	<i>Qty.</i>
28	50552GT	WEAR PAD,EXTENSION BOOM .....	1
29	128995GT	FORMING, HOSE CLAMP RETAINER .....	3
30	128601GT	CLAMP, PRI, HOSE/CABLE, Z45/51 .....	3
31A	824124GT	BOLT,CARRIAGE,1/4-20X.75,5,ZAG Z-45/25 .....	3

Go to Discount-Equipment.com to order your parts



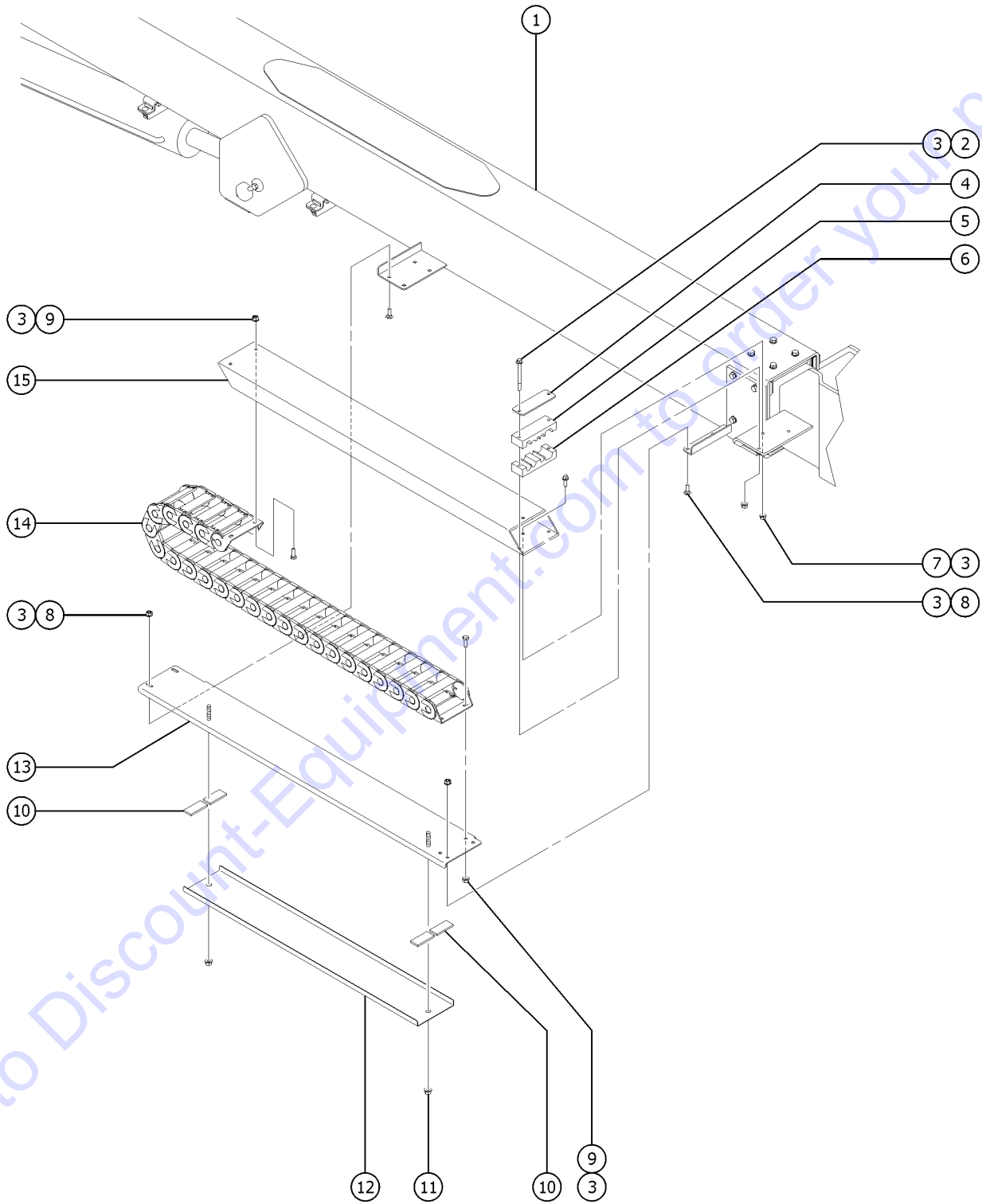
505.1 Cable Track, Z-45/25J



Item	Part No.	Description	Qty.
1		Ref. PRIMARY BOOM ASSY ..... refer to section 504.1	
2B	1256803GT	SCREW,HHC,1/4-20X2.75,8,ZAG ..... Z-45/25J	2
3	824027GT	NUT,TL FLG,1/4-20,G,ZAG ..... Z-45/25J	11
4	128862GT	BACKING PLATE, PULLTUBE .....	1
5	128310GT	CLAMP, JIB HOSE/CABLE, Z45/51 .....	1
6	128311GT	CLAMP, JIB HOSE/CABLE, Z45/51 .....	1
7B	824078GT	SCREW,HHF,1/4-20X.75,8,ZAG ..... Z-45/25J	1
8	824124GT	BOLT,CARRIAGE,1/4-20X.75,5,ZAG .....	4
9	824059GT	SCREW,HHC,1/4-20X.75,8,ZAG .....	4
10	54271GT	SPACER,HOSE CLAMP,RUBBER .....	4
11	1274322GT	NUT,NYLOCK FLG,3/8-16,F,ZAG .....	2
12B	128308GT	COVER,CABLETRACK TRAY,Z40/45 ..... Z-45/25J	1
13B	139781GT	WELDMENT, CABLETRACK TRAY ..... Z-45/25J	1
14A-	111051GT	REPAIR LINK,7 LINKS NP400-7*** ..... for 139701	
14A-	111052GT	REPAIR LINK,NP400-7*** ..... for 139701	
14A-	111053GT	REPAIR END BRKT SET,NP400-7*** ..... for 139701	
14B	139702GT	CABLE TRACK, NP400, 23 LINK ..... Z-45/25J	1
14B-	111051GT	REPAIR LINK,7 LINKS NP400-7*** ..... for 139702	
14B-	111052GT	REPAIR LINK,NP400-7*** ..... for 139702	
14B-	111053GT	REPAIR END BRKT SET,NP400-7*** ..... for 139702	
15B	128309GT	TUBE, CABLETRACK ARM, Z40/45 ..... Z-45/25J	1



505.2 Cable Track, Z-45/25

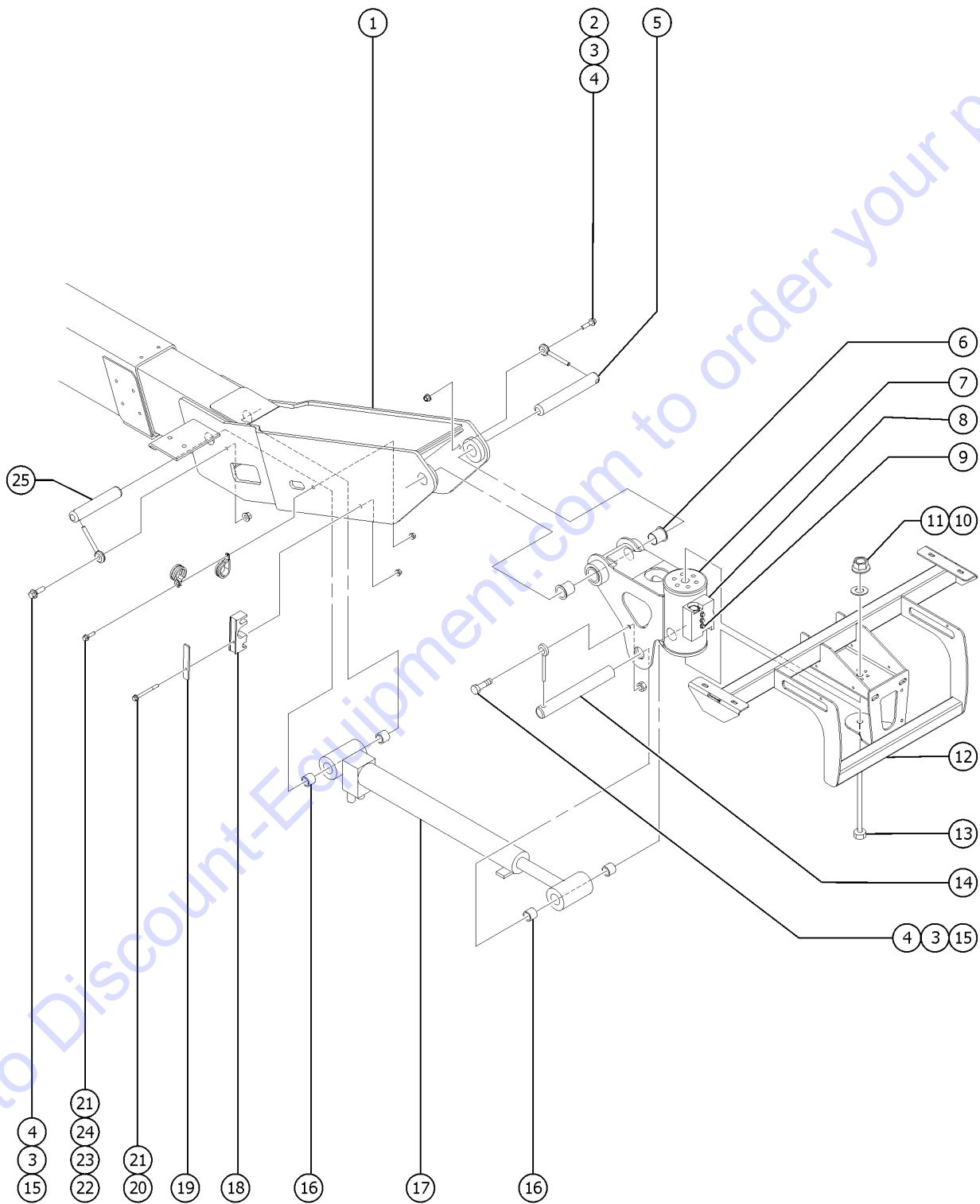


Item	Part No.	Description	Qty.
1		Ref. PRIMARY BOOM ASSY ..... refer to section 504.1	
2A	1256231GT	SCREW,HHF,1/4-20X2.75,8,ZAG ..... Z-45/25	2
3	824027GT	NUT,TL FLG,1/4-20,G,ZAG ..... Z-45/25	11
4	128862GT	BACKING PLATE, PULLTUBE .....	1
5	128310GT	CLAMP, JIB HOSE/CABLE, Z45/51 .....	1
6	128311GT	CLAMP, JIB HOSE/CABLE, Z45/51 .....	1
7A	824079GT	SCREW,HHF,1/4-20X1,8,ZAG ..... Z-45/25	1
8	824124GT	BOLT,CARRIAGE,1/4-20X.75,5,ZAG .....	4
9	824059GT	SCREW,HHC,1/4-20X.75,8,ZAG .....	4
10	54271GT	SPACER,HOSE CLAMP,RUBBER .....	4
11	1274322GT	NUT,NYLOCK FLG,3/8-16,F,ZAG .....	2
12A	128596GT	COVER, CABLETRACK TRAY, Z51 ..... Z-45/25	1
13A	139779GT	WELDMENT, CABLETRACK TRAY ..... Z-45/25	1
14A	139701GT	CABLE TRACK, NP400, 31 LINK ..... Z-45/25	1
14A-	111051GT	REPAIR LINK,7 LINKS NP400-7*** ..... for 139701	
14A-	111052GT	REPAIR LINK,NP400-7*** ..... for 139701	
14A-	111053GT	REPAIR END BRKT SET,NP400-7*** ..... for 139701	
14B-	111051GT	REPAIR LINK,7 LINKS NP400-7*** ..... for 139702	
14B-	111052GT	REPAIR LINK,NP400-7*** ..... for 139702	
14B-	111053GT	REPAIR END BRKT SET,NP400-7*** ..... for 139702	
15A	128597GT	TUBE, CABLETRACK ARM, Z51 ..... Z-45/25	1





506.1 Non-Jib Platform Leveling and Rotation (Z-45/25)

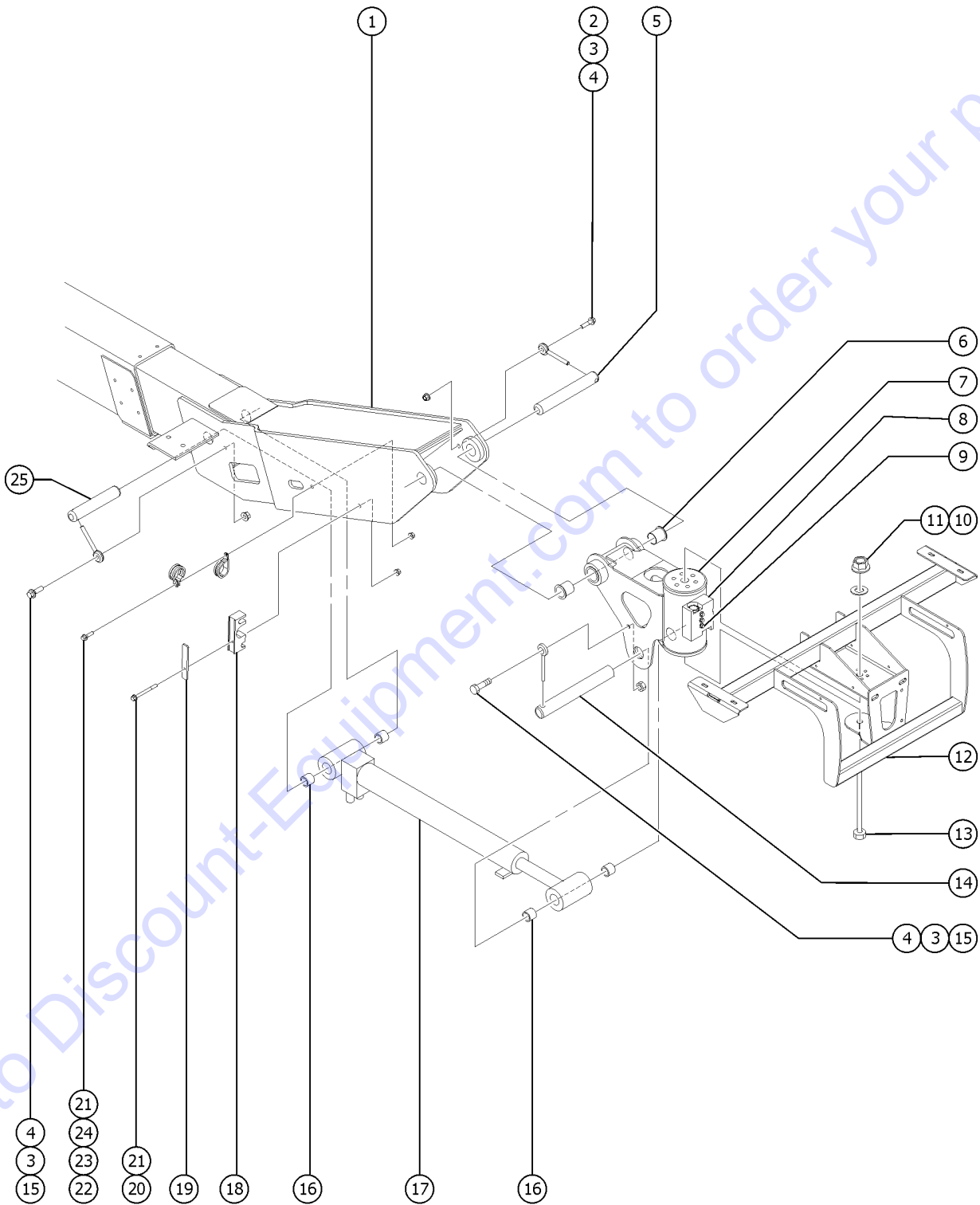


506.1 Non-Jib Platform Leveling and Rotation (Z-45/25)

Item	Part No.	Description	Qty.
-	150103GT	WIRE LOOM,1.25"NYLON,HIGH TEMP .....	129
1		Ref. Primary Boom Tube Assembly .....	
		(refer to 504.1)	
2	824092GT	SCREW, HHF, 3/8-16 X 1.5, 8, ZAG .....	1
3	825019GT	ROD END,.375X3.69,ZAG .....	3
4	824029GT	NUT,TL FLG,3/8-16,G,ZAG .....	3
5	50543GT	PIN,1.25DIA X 8.88LG,1HOLE .....	1
6	30222GT	BEARING,FL,1.25ID X 1.41OD X 1.50L .....	2
7	233716GT	ROTATOR,PLAT,Z45 .....	1
		includes item 6; non-jib units	
7-	233745GT	SEAL AND BRG KIT,4.5K ROTATOR .....	
		for 233716	
8	73807GT	MANIFOLD,ROTATOR,CB*** .....	1
9	824081GT	SCREW, HHF, 1/4-20 X 1.5, 8, ZAG .....	3
10	824030GT	NUT,TL FLG,3/4-10,G,ZAG .....	1
11	1256863GT	WASHER,FLAT,.75,SAE,HRD,ZAG .....	1
12	54520-SGT	WELDMNT,PLATFRM SUPPORT,NJIB** .....	1
		non-jib models	
13	824073GT	SCREW,HHC,3/4-10X9,8,ZAG .....	1
14	T108075GT	PIN,1.25DIA X 5.25LG,1HOLE .....	1
15	824091GT	SCREW, HHF, 3/8-16 X 1.25, 8, ZAG .....	1
16	47377GT	BEARING,1.25 ID X 1.5 OD X .75 .....	4
17	77363GT	CYLINDER,SLAVE,Z45*** .....	1
		includes item 16	
17-	54065GT	VALVE,COUNTERBALANCE,3500*** .....	
17-	77364GT	SEAL KIT,MASTER & SLAVE CYL .....	
18	139687GT	CLAMP, #4 HOSE, AIR AND LOOM .....	1
19	139688GT	BRACKET, HOSE CLAMP SUPPORT .....	1
20	1256231GT	SCREW,HHF,1/4-20X2.75,8,ZAG .....	1
21	824027GT	NUT,TL FLG,1/4-20,G,ZAG .....	2
22	824079GT	SCREW,HHF,1/4-20X1,8,ZAG .....	1
23	21618GT	CLAMP,1.13,#18 X 1/4,RUB CUSH .....	1
24	21619GT	CLAMP,1.50,#24 X 1/4,RUB CUSH .....	1



506.1 Non-Jib Platform Leveling and Rotation (Z-45/25)



506.1 Non-Jib Platform Leveling and Rotation (Z-45/25)

<i>Item</i>	<i>Part No.</i>	<i>Description</i>	<i>Qty.</i>
25	T107884GT	PIN,1.25DIAX7.00LG,1HOLE .....	1

Go to Discount-Equipment.com to order your parts



# PARTS FINDER

**Search Website  
by Part Number**



**Search Manual  
Library For Parts  
Manual & Lookup Part  
Numbers – Purchase  
or Request Quote**

**Search Manuals**

Enter your information to help us find the right parts manual for your machine.

\* Brand:

\* Model:

\* Serial:

\* Part Number:

SEARCH

**Can't Find Part or  
Manual? Request Help  
by Manufacturer,  
Model & Description**

**Parts Order Form**

Please fill in the following information to help us find the right part for your machine.

Manufacturer:	<input type="text"/>
Model:	<input type="text"/>
Description:	<input type="text"/>
Part Number:	<input type="text"/>
Quantity:	<input type="text"/>
Notes:	<input type="text"/>

Submit

Discount-Equipment.com is your online resource for quality parts & equipment.

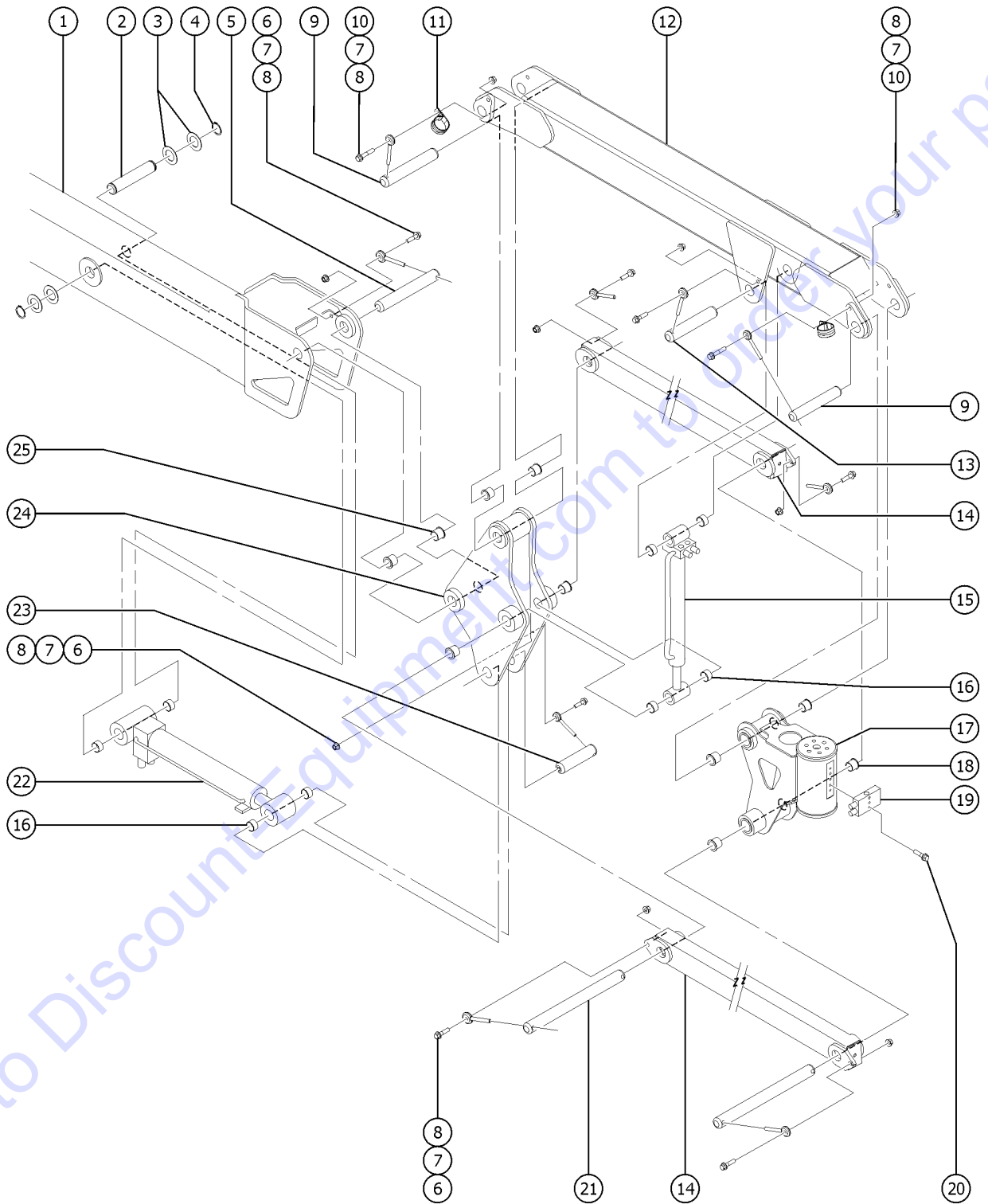
Florida: **561-964-4949** Outside Florida TOLL FREE: **877-690-3101**

**Need parts?**

Click on this link: <http://www.discount-equipment.com/category/5443-parts/> and choose one of the options to help get the right parts and equipment you are looking for. Please have the machine model and serial number available in order to help us get you the correct parts. If you don't find the part on the website or on one of the online manuals, please fill out the request form and one of our experienced staff members will get back to you with a quote for the right part that your machine needs.

We sell worldwide for the brands: Genie, Terex, JLG, MultiQuip, Mikasa, Essick, Whiteman, Mayco, Toro Stone, Diamond Products, Generac Magnum, Airman, Haulotte, Barreto, Power Blanket, Nifty Lift, Atlas Copco, Chicago Pneumatic, Allmand, Miller Curber, Skyjack, Lull, Skytrak, Tsurumi, Husquvarna Target, Stow, Wacker, Sakai, Mi-T-M, Sullair, Basic, Dynapac, MBW, Weber, Bartell, Bennar Newman, Haulotte, Ditch Runner, Menegotti, Morrison, Contec, Buddy, Crown, Edco, Wyco, Bomag, Laymor, EZ Trench, Bil-Jax, F.S. Curtis, Gehl Pavers, Heli, Honda, ICS/PowerGrit, IHI, Partner, Imer, Clipper, MMD, Koshin, Rice, CH&E, General Equipment, Amida, Coleman, NAC, Gradall, Square Shooter, Kent, Stanley, Tamco, Toku, Hatz, Kohler, Robin, Wisconsin, Northrock, Oztec, Toker TK, Rol-Air, APT, Wylie, Ingersoll Rand / Doosan, Innovatech, Con X, Ammann, Mecalac, Makinex, Smith Surface Prep, Small Line, Wanco, Yanmar

507.1 Jib Platform Leveling (Z-45/25J)

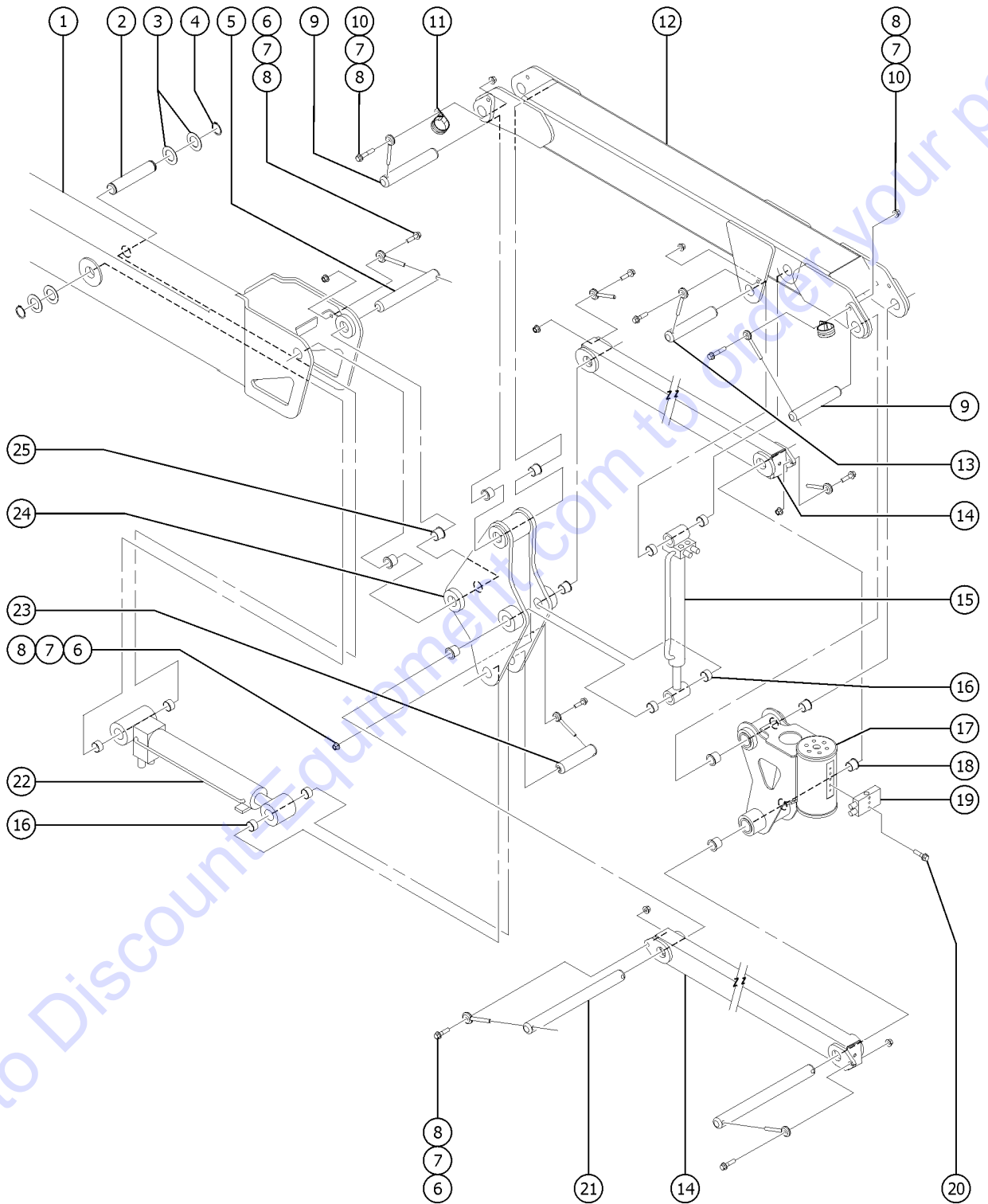


507.1 Jib Platform Leveling (Z-45/25J)

Item	Part No.	Description	Qty.
-	150103GT	WIRE LOOM,1.25"NYLON,HIGH TEMP .....	129
1		Ref. Primary and Extension Booms .....	
		(refer to 504.1)	
2	50546GT	PIN,1.25DIAX6.36LG,2RING .....	1
3	824151GT	WASHER,SHIM,1.270X2.130X.062,Z .....	4
4	824164GT	SNAP RING,EXTERNAL,1.25,ZAG .....	2
5	50543GT	PIN,1.25DIAX8.88LG,1HOLE .....	1
6	824092GT	SCREW, HHF, 3/8-16 X 1.5, 8, ZAG .....	7
7	825019GT	ROD END,.375X3.69,ZAG .....	9
8	1274322GT	NUT,NYLOCK FLG,3/8-16,F,ZAG .....	9
9	T107883GT	PIN,1.25DIAX7.88LG,1HOLE .....	2
10	1253478GT	SCREW,HHF,3/8-16X2,8,ZAG .....	2
11	77181GT	CLAMP,1.63,#26 X 3/8,RUB CUSH .....	2
12		SERVICE KIT, 5FT JIB .....	1
		Refer to section 509.1 for jib detail	
13	T107884GT	PIN,1.25DIAX7.00LG,1HOLE .....	1
14	61306-SGT	COMPR.LINK,MACHINED,GND CONTR* .....	
		to SN Z4525F-60902	
14	1274511GT	MACHINING, COMPRESSION LINK .....	2
		from SN Z4525F-60903	
15	54994GT	CYLINDER,JIB,Z45,#4 PORTS*** .....	1
		includes item 16	
15-	50480GT	VALVE,COUNTERBALANCE,3800 PSI* .....	
15-	65789GT	SEAL KIT (54994) .....	
		for 54994	
16	47377GT	BEARING,1.25 ID X 1.5 OD X .75 .....	8
17		REF: Jib Platform rotator .....	1
		Refer to section 508.1 for jib rotator; includes item 18	
18	30222GT	BEARING,FL,1.25IDX1.41ODX1.50L .....	4
19		Ref. Counterbalance Manifold .....	
		(refer to 703.1)	
20	824081GT	SCREW, HHF, 1/4-20 X 1.5, 8, ZAG .....	3
21	81175GT	PIN,1.25DIAX14.45LG,2HOLE .....	2
22	77363GT	CYLINDER,SLAVE,Z45*** .....	1
		includes item 16	
22-	54065GT	VALVE,COUNTERBALANCE,3500*** .....	
22-	77364GT	SEAL KIT,MASTER & SLAVE CYL .....	



507.1 Jib Platform Leveling (Z-45/25J)





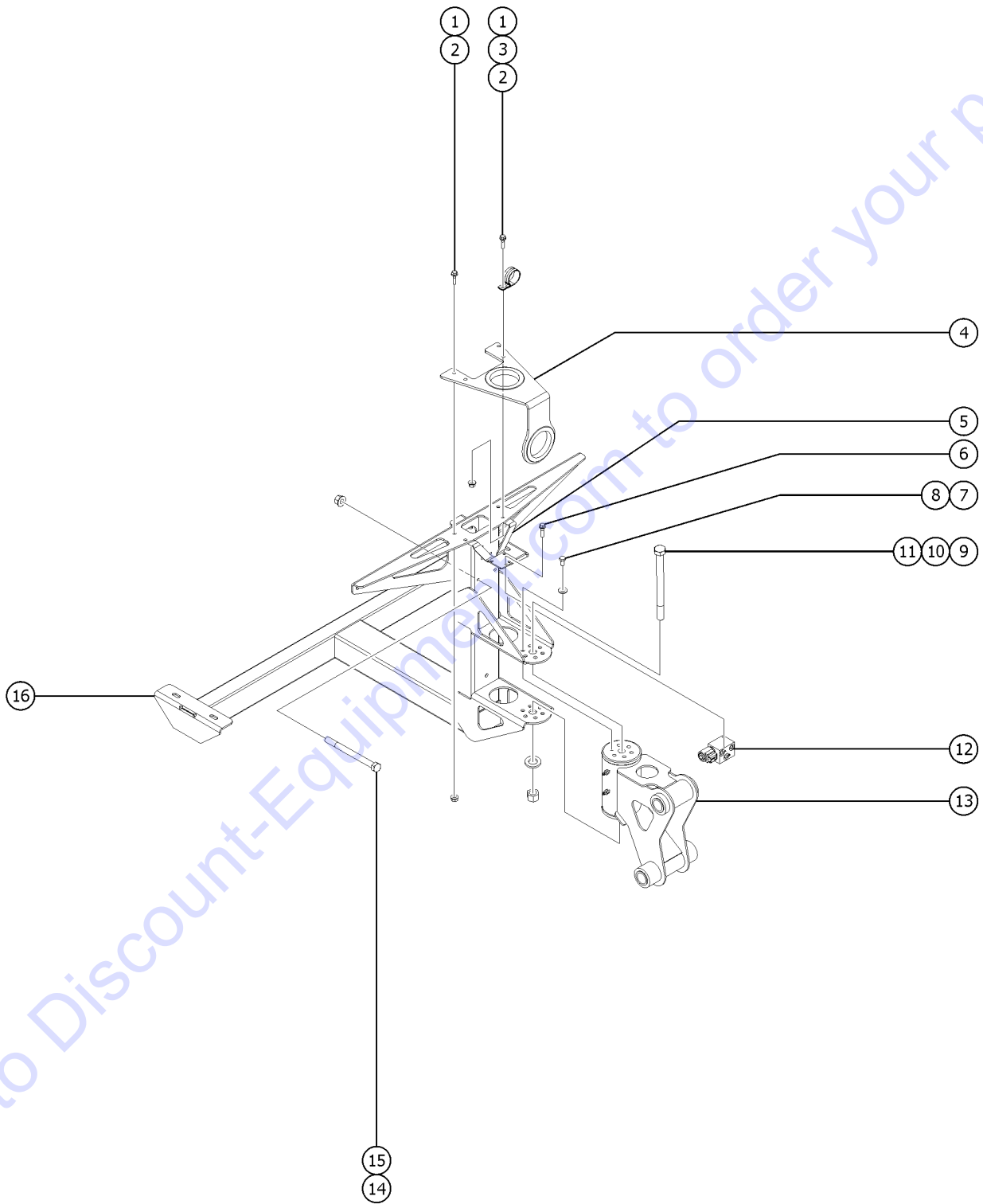
507.1 Jib Platform Leveling (Z-45/25J)

<i>Item</i>	<i>Part No.</i>	<i>Description</i>	<i>Qty.</i>
23	T108075GT	PIN,1.25DIAX5.25LG,1HOLE .....	1
24	50466-SGT	BELLCRANK,JIB,WELD/Z45/25*** .....	1
25	35675GT	BEARING,FL,1.25IDX1.5ODX1.25L .....	6

Go to Discount-Equipment.com to order your parts



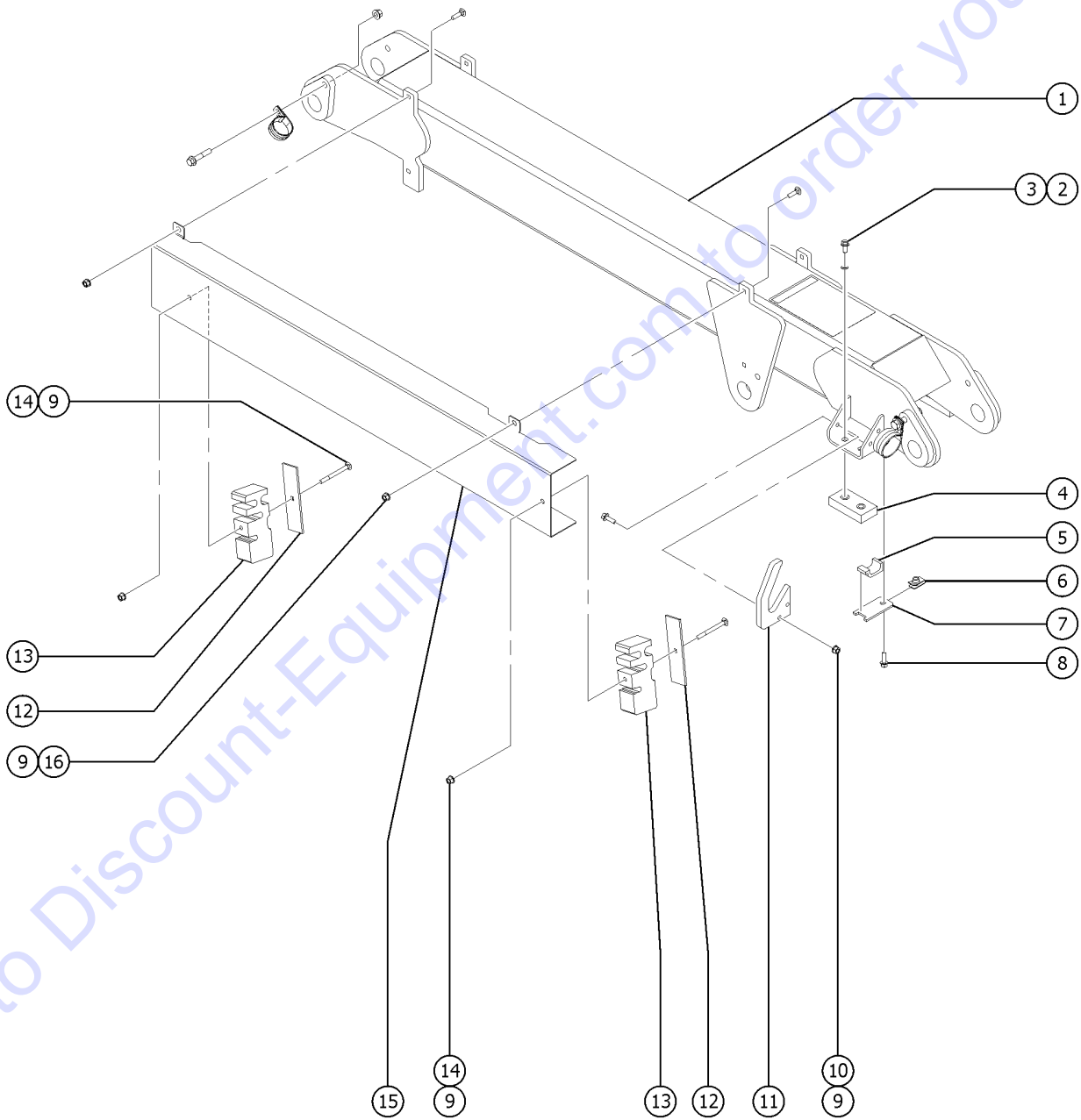
508.1 Jib Platform Rotation (Z-45/25J)



508.1 Jib Platform Rotation (Z-45/25J)

Item	Part No.	Description	Qty.
1	824087GT	SCREW,HHF,5/16-18X1.25,8,ZAG	4
2	824028GT	NUT,TL FLG,5/16-18,G,ZAG	4
3	77181GT	CLAMP,1.63,#26 X 3/8,RUB CUSH	1
4	106163GT	FORMING,CABLE GUIDE order 55067 grommet separately	1
4-	55067GT	GROMMET,RUBBER 3 X .19 X 3.5	2
5	110671GT	PLATE,JIB,ROTATE MANIFOLD	1
6	824078GT	SCREW,HHF,1/4-20X.75,8,ZAG	2
7	1256109GT	SCREW,HHC,3/8-16X.75,8,ZAG	6
8	826793GT	WASHER,FLAT,3/8,SAE,HRD,ZAG	6
9	1273205GT	SCREW,HHC,3/4-10X9.5,8,ZAG	1
10	1256863GT	WASHER,FLAT,.75,SAE,HRD,ZAG	
11	1274173GT	NUT,NYLOCK,3/4-10,C,ZAG	1
12		Ref. Jib Manifold (refer to 703.1)	
13	233715GT	ROTATOR,PLAT,Z45J/Z51J replacement for 94401	1
13-	233745GT	SEAL AND BRG KIT,4.5K ROTATOR for 233715	
13-	30222GT	BEARING,FL,1.25IDX1.41ODX1.50L for 233715	4
13-	88516GT	SCREW,BLEEDER,M5X0.8 for 233715	2
14	1256803GT	SCREW,HHC,1/4-20X2.75,8,ZAG	1
15	824027GT	NUT,TL FLG,1/4-20,G,ZAG	1
16	54510-SGT	WELDMENT,PLATFORM SUPPORT for models with the Platform Overload option, refer to 906.1	1

509.1 Jib Detail (Z-45/25J)

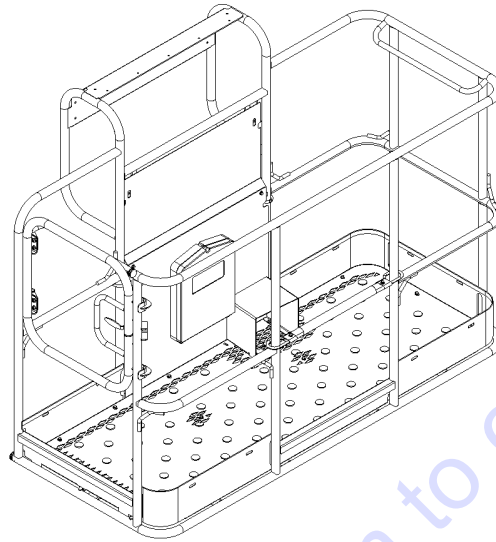


Item	Part No.	Description	Qty.
1	128534GT	JIB BOOM ASSY W/WORD DECAL .....	1
2	824089GT	SCREW, HHF, 3/8-16 X .75, 8, ZAG .....	4
3	824110GT	WASHER, LOCK, 3/8, ZAG .....	4
4	81640GT	WEAR PAD, 3 X 1.5 X .625 W/NUTS .....	2
5	119542GT	CLAMP, TWO HOSE .....	1
6	56912GT	SPRING CLIP, 1/4-20, .025-.15X.54, ZAG .....	1
7	119536PGT	BRACKET, HOSE CLAMP, PAINTED .....	1
8	824078GT	SCREW, HHF, 1/4-20X.75, 8, ZAG .....	1
9	824027GT	NUT, TL FLG, 1/4-20, G, ZAG .....	8
10	824080GT	SCREW, HHF, 1/4-20 X 1.25, 8, ZAG .....	2
11	128482GT	HOSE GUIDE, JIB .....	1
12	128483GT	BACKING PLATE, HOSE BLOCK, JIB .....	2
13	128997GT	CLAMPING BLOCK, CABLE, Z45/51 .....	2
14	1256180GT	BOLT, CARRIAGE, 1/4-20X2.75, 5, ZAG .....	2
15	128454GT	COVER, JIB HOSES/CABLES** .....	1
16	1256127GT	BOLT, CARRIAGE, 1/4-20X1.5, ZAG .....	4

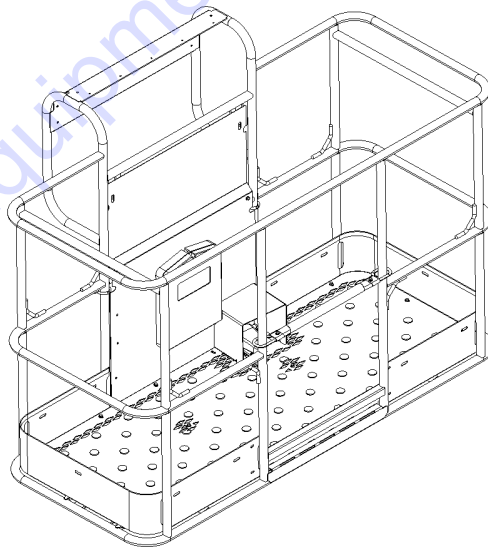
Go to Discount-Equipment.com to order your parts



601.1 Platform Configuration



(1) Side Swing Gate Platform

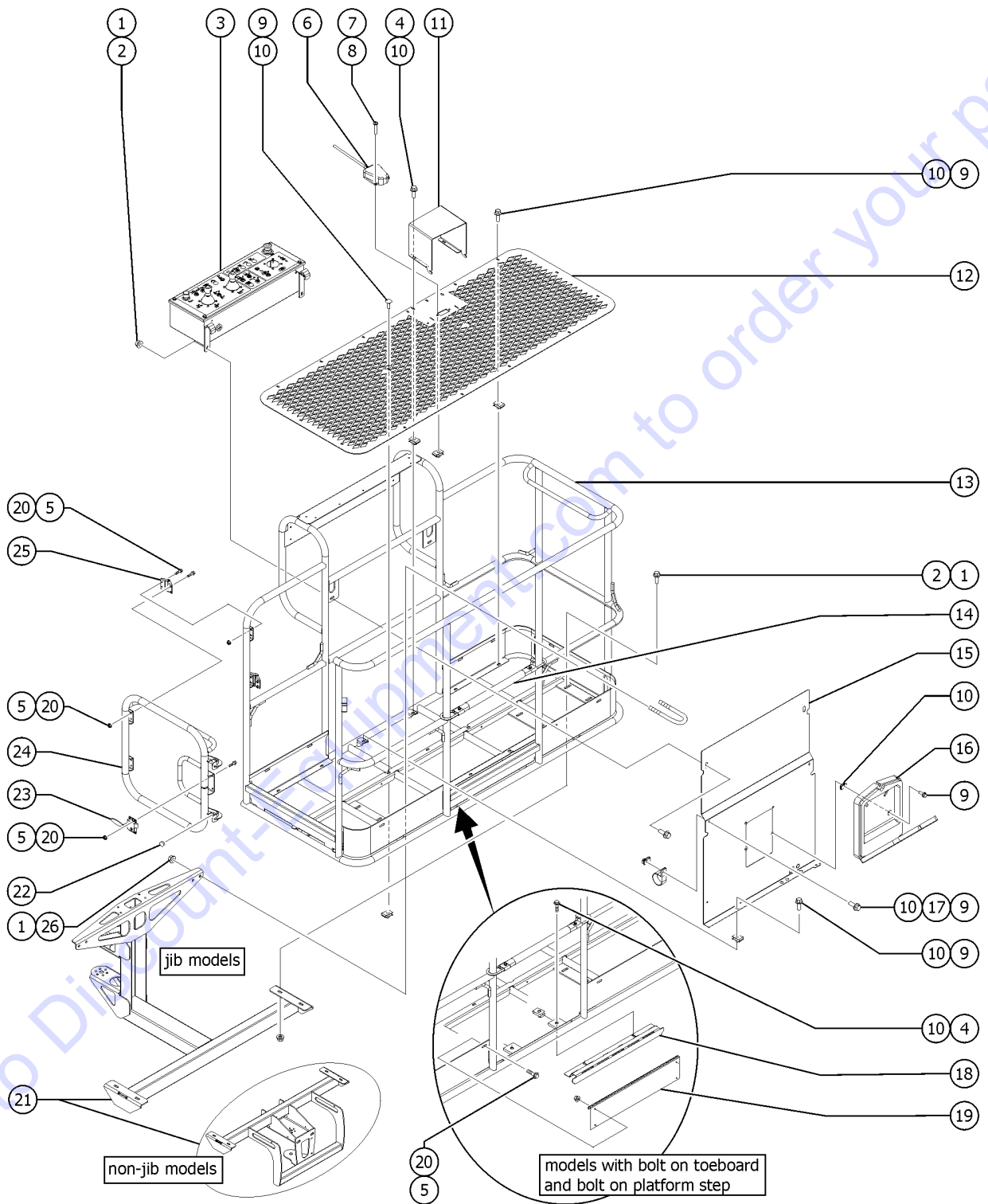


(2) Front Single Entry Platform

Item	Part No.	Description	Qty.
A		Complete Platform Assemblies with Decals	
A-			
A-	1275393GT	PLAT ASSY,6' W/SIDE GATE,Z45DC/BI ANSI WORD USA and Canadian models	
A-	1275397GT	PLAT ASSY,6' W/SIDE GATE,Z45DC/BI AUS Australian models	
A-	1275395GT	PLAT ASSY,6' W/SIDE GATE,Z45/51 CE European models	
A-	1275396GT	PLAT ASSY,6' W/SIDE GATE,Z45/51 ANSI SYM Asia/South America models	
A-			
A-			
B		Complete Platform Assemblies and Platform Weldments without Decals (Warning tape & decals not included, refer to section 100 for decals)	
B-			
1	1272303GT	ASSY,6FT PLAT DUAL LG,BLANK W/SIDE SWING GATE Complete 6' platform assembly (North America, Australia markets). Order decals separately. Refer to Section 100.	
1	1278858GT	6' PLATFORM W/SIDE SWING GATE KIT CE Complete 6' platform assembly (CE market). Order decals separately. Refer to Section 100.	
1-	1274858GT	ASSY,6' PLAT WELDMENT W/SIDE GATE flooring and decal plate not included	
2A	161541GT	ASSY,4FT PLATFORM, NO DECALS Single entry	
2A-	60042GT	WELDMENT,4 FT PLATFORM flooring and decal plate not included	
2B	161542GT	ASSY,5FT PLATFORM, NO DECALS Single entry	
2B-	50294GT	WELDMENT,5 FT PLATFORM flooring and decal plate not included	
2C	160809GT	ASSY,6FT PLATFORM,NO DECALS Single entry	
2C-	73900GT	WELDMNT,6 FT PLATFORM flooring and decal plate not included	



602.1 Platform Components

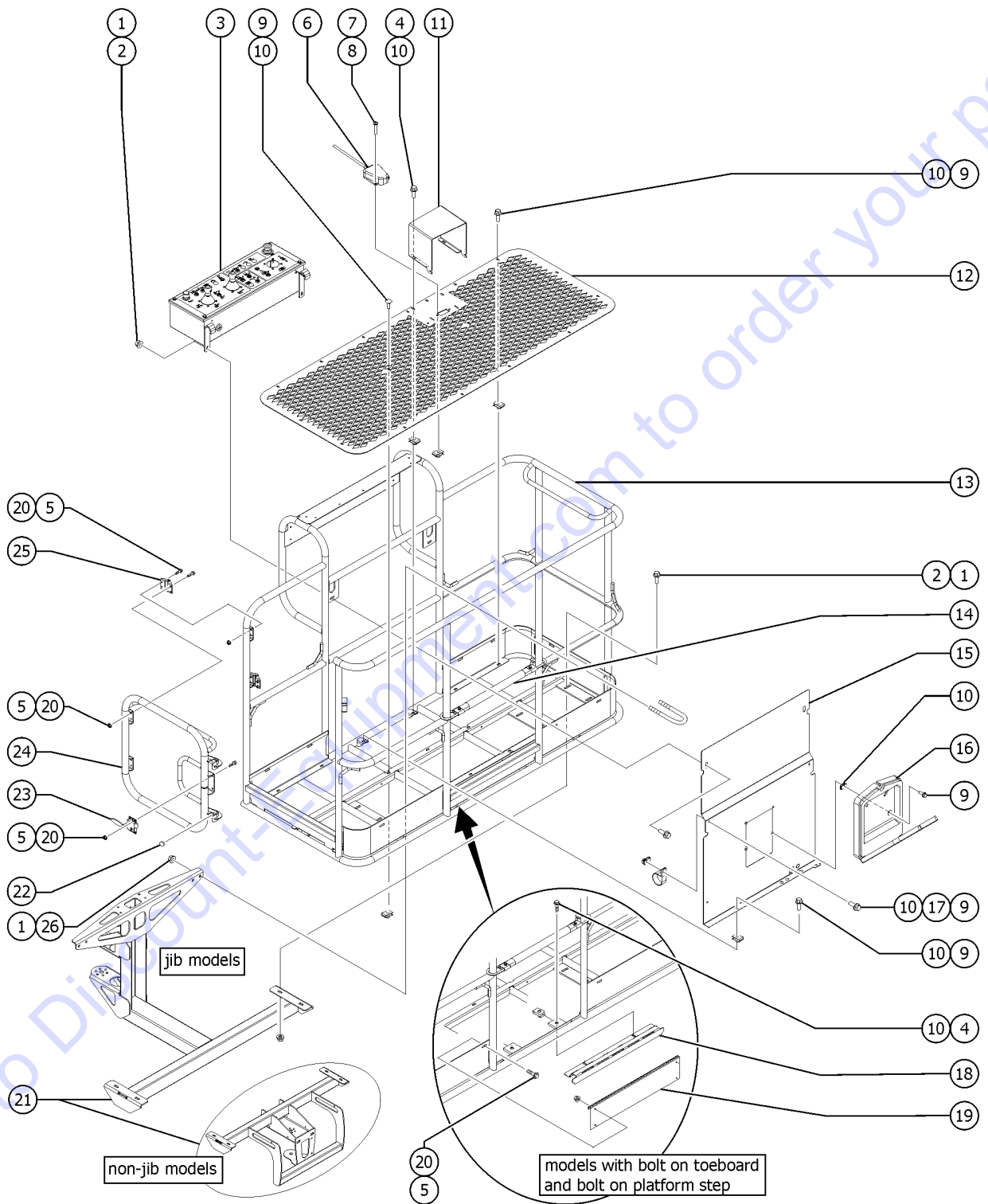




Item	Part No.	Description	Qty.
1	1274322GT	NUT,NYLOCK FLG,3/8-16,F,ZAG .....	
2	824092GT	SCREW, HHF, 3/8-16 X 1.5, 8, ZAG .....	
3		Ref. Platform Control Box .....	
		(refer to 602.1 and 603.1)	
4	824079GT	SCREW,HHF,1/4-20X1,8,ZAG .....	
5	824027GT	NUT,TL FLG,1/4-20,G,ZAG .....	2
6	227617GT	ASSEMBLY,FOOT SWITCH .....	1
6-	119058GT	CONN PLUG 4 WAY ENDCAP DT .....	
6-	1257248GT	SCREW, SHC, M4-0.7X8, DIN912, .....	
6-	1257249GT	WASHER, LOCK, M4, SS .....	
6-	227564GT	FOOT SWITCH,20A IP65 .....	
6-	43960-6950GT	WIRE CABLE,16GA/4 CON.TPE JKT* .....	
6-	73739GT	BOOT,PLUG 4 WAY .....	
7	1256460GT	SCREW,PHPM,10-24X1,ZAG .....	2
8	73575GT	SPRING CLIP,10-24,.025-.125X.468,ZAG .....	2
9	824078GT	SCREW,HHF,1/4-20X.75,8,ZAG .....	
10	56912GT	SPRING CLIP,1/4-20,.025-.15X.54,ZAG .....	
11	147121GT	COVER, FOOT SWITCH, LARGE .....	1
12	1267746GT	FLOORING, 72X30 PLATFORM .....	1
		(sold seperately)	
12B	73477PGT	FLOORING, 6'FT PLATFORM .....	1
12C	54247-SGT	PLAT. FLOOR, 5FT, PAINTED .....	1
12D	60160PGT	FLOORING,4 FT PLATFORM,PAINTED .....	1
13		Ref. Platform Weldment .....	1
		(refer to 601.1)	
14	102992GT	SLIDING MIDRAIL KIT,PTD .....	1
		(includes fasteners)	
15	73574-SGT	DECAL PLATE ASSEMBLY .....	1
		(decals not included, refer to section 100)	
16	24514GT	BOX,INSTRUCTION STORAGE .....	1
		(decals not included, refer to section 100)	
17	56424GT	CLAMP,1.25X.5 RUBBER-CUSHION .....	2
18	73610PGT	STEP PLATFORM ENTRY PAINTED*** .....	1
19	94745GT	TOEBOARD,ENTRY EUROPEAN PNTD** .....	1



602.1 Platform Components



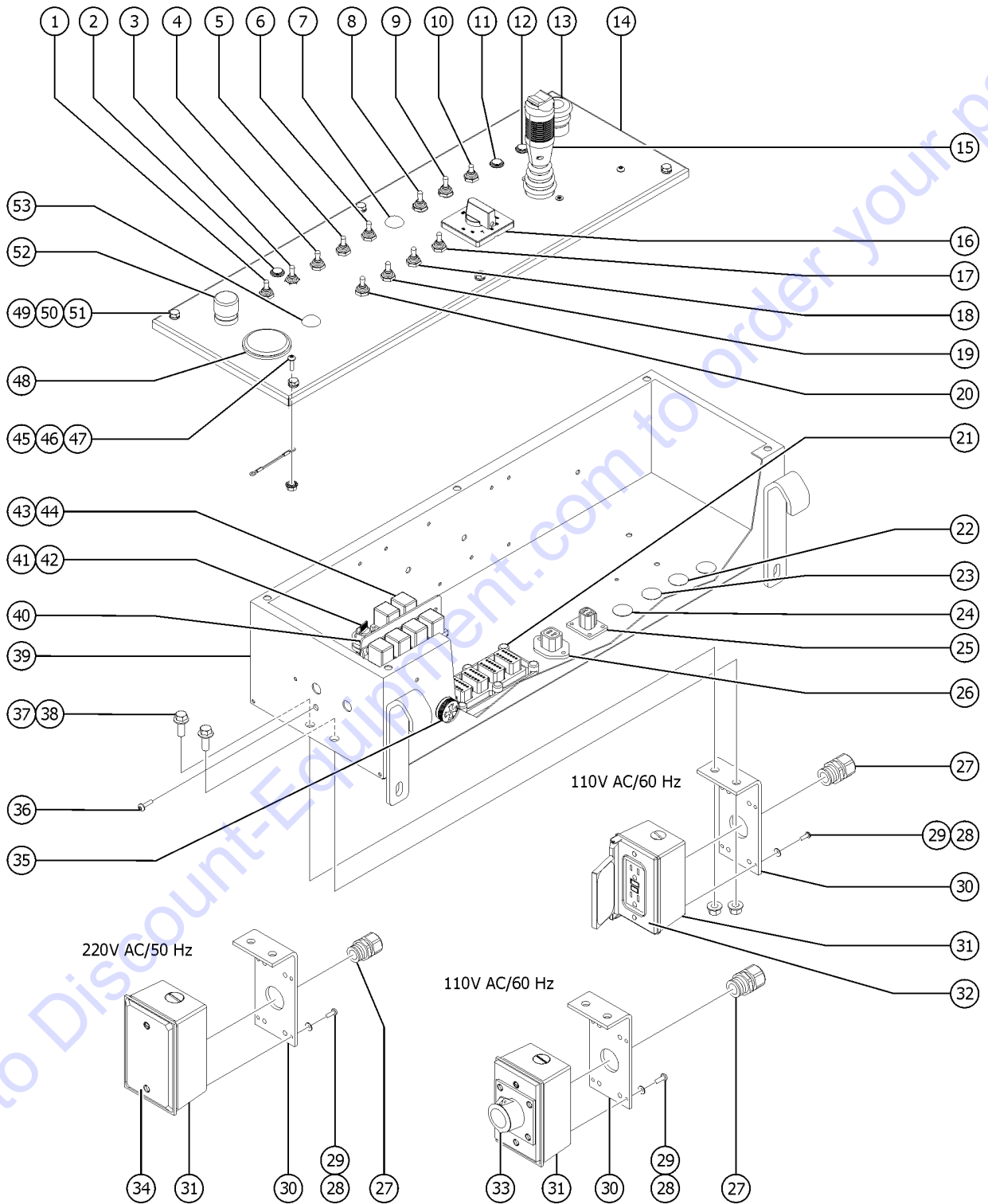
602.1 Platform Components

Item	Part No.	Description	Qty.
20	1256855GT	SCREW,HHF,1/4-20X.625,8,ZAG .....	1
21		WELDMENT,PLATFORM SUPPORT .....	1
		(refer to 508.1) (jib models)	
21C		Ref. Platform Support .....	1
		(refer to 906.1) (models with platform overload option)	
22	43392GT	BUMPER,BATTERY BOX & RAILS .....	2
23	1267747GT	LATCH, SWING GATE .....	1
24	1272307GT	ASSY,SIDE SWING GATE .....	1
25	104804GT	HINGE, SPRING, LONG LEG .....	2
26	1251600GT	U-BOLT, FLATTENED, 1.5 X 3/8 .....	

Go to Discount-Equipment.com to order your parts



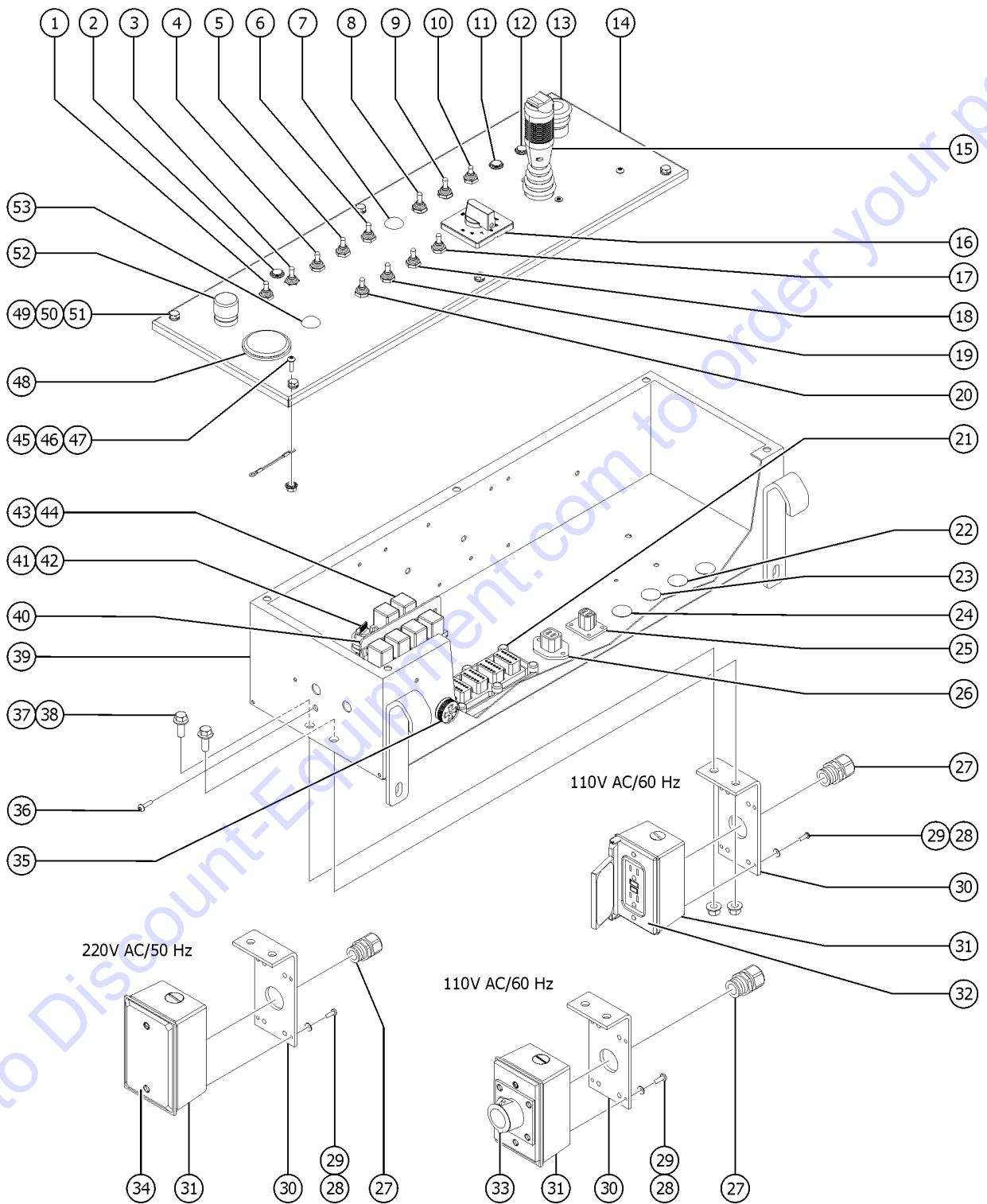
603.1 Platform Controls, Z-45/25J



Item	Part No.	Description	Qty.
-	1266942GT	PBOX, Z45DC J, AUST (Complete) AUS, DC Models	1
-	1266946GT	PBOX, Z45BE J, AUST (Complete) AUS, BE Models	1
-	1266934GT	PBOX, Z45DC J, CE (Complete) CE, DC Models	1
-	1266938GT	PBOX, Z45BE J, CE (Complete) CE, BE Models	1
-	1266952GT	PBOX, Z45DC J, ANSI (Complete) ANSI, DC Models (to SN Z4525F-61999)	1
-	1266956GT	PBOX, Z45BE J, ANSI (Complete) ANSI, BE Models (to SN Z4525F-61999)	1
-	1298762GT	PBOX, Z45DC J, ANSI A92.20 (Complete) ANSI, DC Models (from SN Z4525F-62000)	1
-	1298764GT	PBOX, Z45BE J, ANSI A92.20 (Complete) ANSI, BE Models (from SN Z4525F-62000)	1
-	1284282GT	HARNES,PLAT,Z45DC/BI,JIB (from SN Z4525F-62000)	1
-	147253GT	TIME DELAY RELAY,2 SEC,24VDC	1
-	216769GT	HARNES,JUMPER,LOAD SENSE	
1	128201GT	SWITCH TOGGLE ASSY DPDT 2P MOM Auxiliary Power; includes boot and hardware	1
1-	128578GT	SCREW T-SWITCH PH/PH 6-32X1/4	
1-	128581-SGT	SWITCH TOGGLE DPDT 2P MOM SHDR	
1-	27246GT	BOOT,TOGGLE SWITCH,SHORT*	
2	218164GT	LIGHT,INDICATOR,RED 24V H-BRI	1
3	128200GT	SWITCH TOGGLE ASSY SPDT 3P MOM Drive Enable; includes boot and hardware	1
3-	128578GT	SCREW T-SWITCH PH/PH 6-32X1/4	
3-	128580-SGT	SWITCH TOGGLE SPDT 3P MOM SHDR	
3-	27246GT	BOOT,TOGGLE SWITCH,SHORT*	
4	128202GT	SWITCH TOGGLE ASSY DPDT 3P MOM	1
5	128202GT	SWITCH TOGGLE ASSY DPDT 3P MOM Platform Rotate; includes boot and hardware	1
5-	128578GT	SCREW T-SWITCH PH/PH 6-32X1/4	
5-	128582-SGT	SWITCH TOGGLE DPDT 3P MOM SHDR	
5-	27246GT	BOOT,TOGGLE SWITCH,SHORT*	
6	128202GT	SWITCH TOGGLE ASSY DPDT 3P MOM Platform Level; includes boot and hardware	1
6-	128578GT	SCREW T-SWITCH PH/PH 6-32X1/4	
6-	128582-SGT	SWITCH TOGGLE DPDT 3P MOM SHDR	



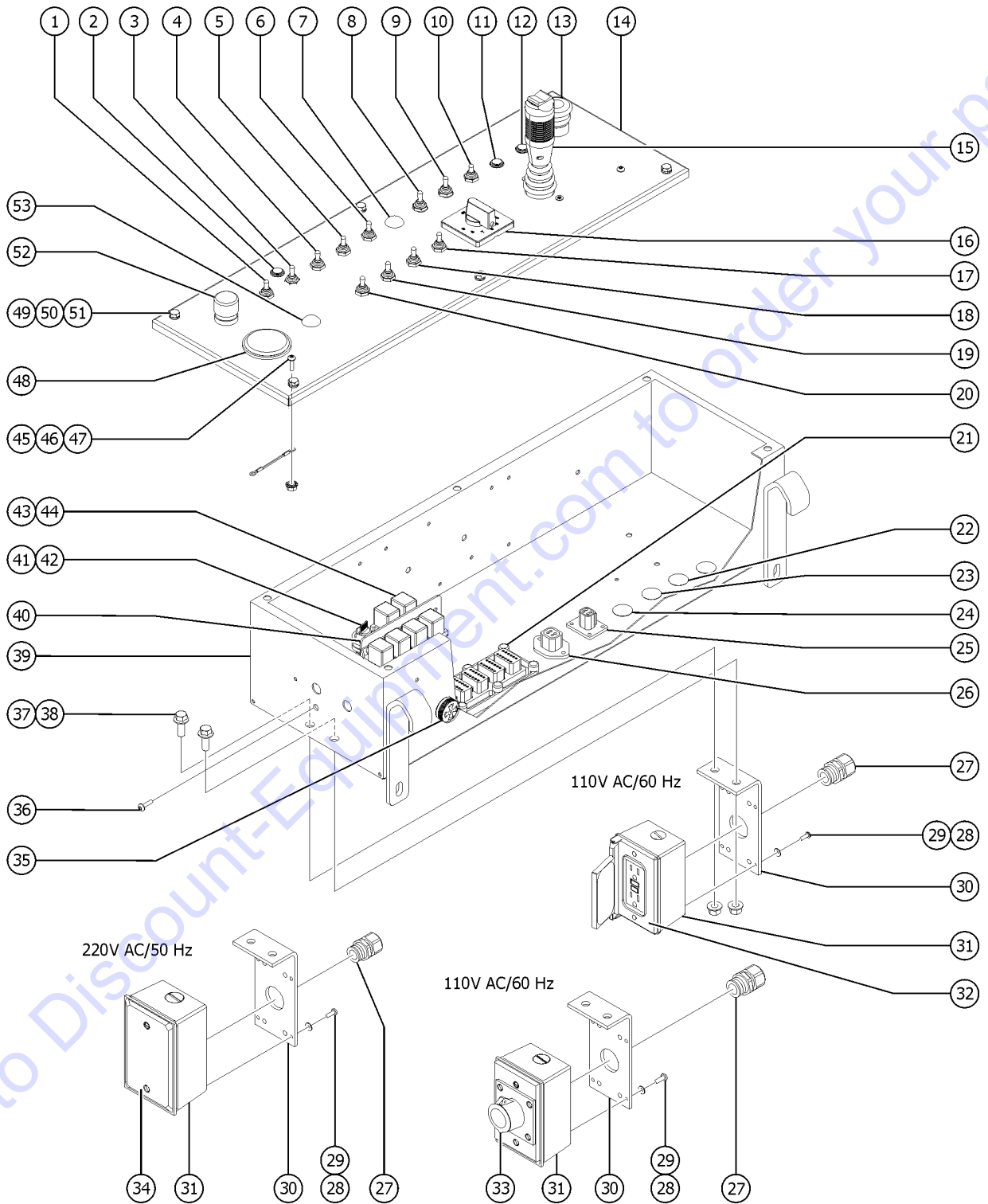
603.1 Platform Controls, Z-45/25J



Item	Part No.	Description	Qty.
6-	27246GT	BOOT,TOGGLE SWITCH,SHORT* .....	
7	229567GT	PLUG, SANTOPRENE .5 BLACK DOME .....	1
8	128200GT	SWITCH TOGGLE ASSY SPDT 3P MOM (BE) Glow Plug; includes boot and hardware .....	1
8-	128578GT	SCREW T-SWITCH PH/PH 6-32X1/4 .....	
8-	128580-SGT	SWITCH TOGGLE SPDT 3P MOM SHDR .....	
8-	27246GT	BOOT,TOGGLE SWITCH,SHORT* .....	
8B	229567GT	PLUG, SANTOPRENE .5 BLACK DOME (DC) .....	1
9	128200GT	SWITCH TOGGLE ASSY SPDT 3P MOM (BE) Engine Start; includes boot and hardware .....	1
9-	128578GT	SCREW T-SWITCH PH/PH 6-32X1/4 .....	
9-	128580-SGT	SWITCH TOGGLE SPDT 3P MOM SHDR .....	
9-	27246GT	BOOT,TOGGLE SWITCH,SHORT* .....	
9B	229567GT	PLUG, SANTOPRENE .5 BLACK DOME (DC) .....	1
10	128206GT	SWITCH TOGGLE ASSY DPDT 3P MNT (BE) .....	1
10B	229567GT	PLUG, SANTOPRENE .5 BLACK DOME (DC) .....	1
11	218164GT	LIGHT,INDICATOR,RED 24V H-BRI .....	1
12	218164GT	LIGHT,INDICATOR,RED 24V H-BRI .....	1
13	66812GT	BUTTON,PUSH,RED MUSHROOM HEAD .....	1
13-	146478GT	BOOT(BELLOWS),E-STOP,BLACK .....	
13-	94506GT	BASE,W/3 NC CONTACTS .....	
14	229812GT	PLAT. CONTROL BOX LID, DC/BE .....	1
14-	81488GT	GASKET,PLATFORM CONTROL BOX .....	
15		Ref. Joystick, Drive/Steer (refer to 604.1) .....	
15-	56306GT	WASHER,FLAT NYLON #10 .....	
16	36557GT	ROTATIONAL CONTROLLER,24V*** .....	1
17	128202GT	SWITCH TOGGLE ASSY DPDT 3P MOM Primary Boom Ext/Ret; includes boot and hardware .....	1
17-	128578GT	SCREW T-SWITCH PH/PH 6-32X1/4 .....	
17-	128582-SGT	SWITCH TOGGLE DPDT 3P MOM SHDR .....	
17-	27246GT	BOOT,TOGGLE SWITCH,SHORT* .....	



603.1 Platform Controls, Z-45/25J

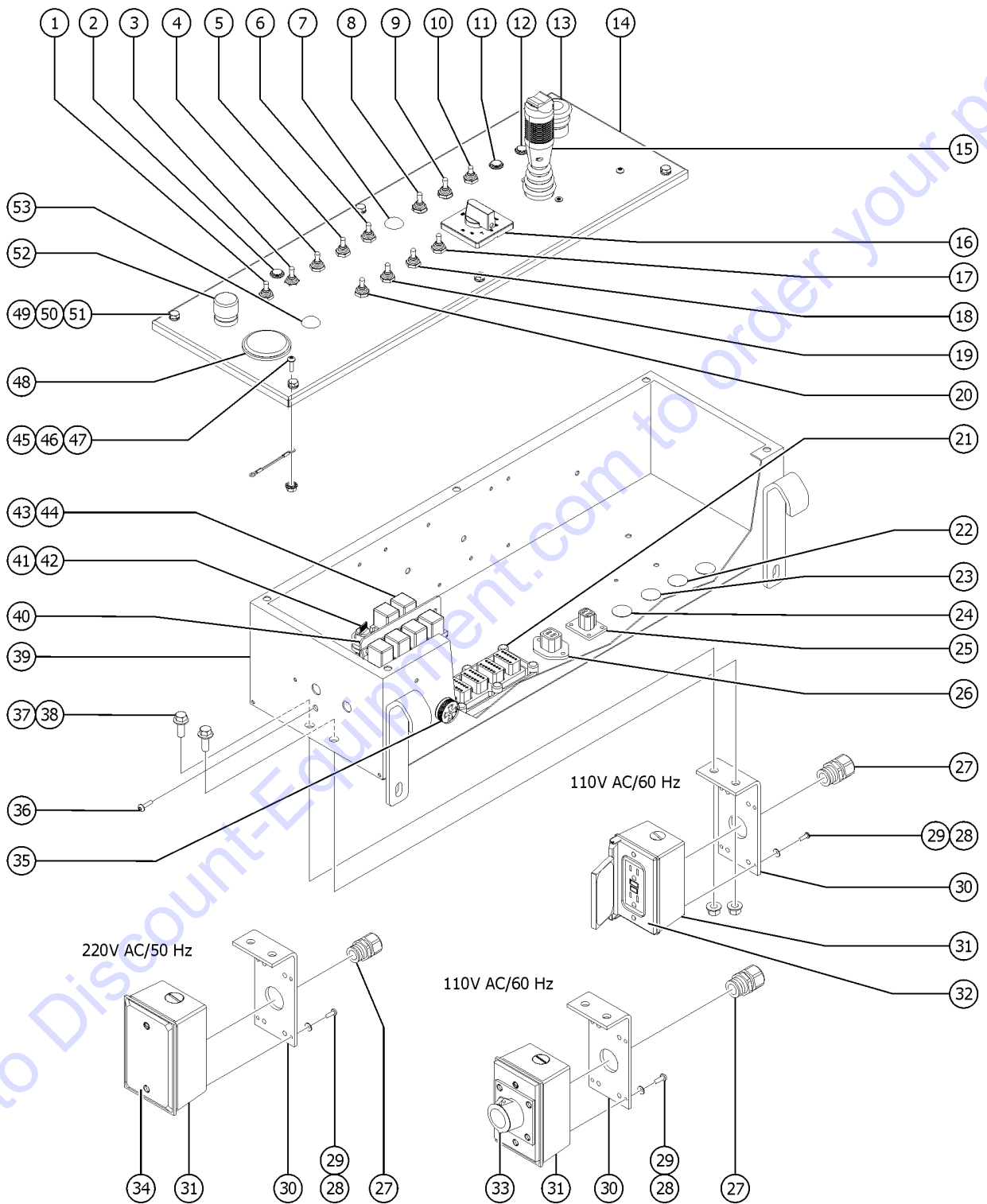




Item	Part No.	Description	Qty.
18	128202GT	SWITCH TOGGLE ASSY DPDT 3P MOM Primary Boom Up/Down; includes boot and hardware	1
18-	128578GT	SCREW T-SWITCH PH/PH 6-32X1/4	
18-	128582-SGT	SWITCH TOGGLE DPDT 3P MOM SHDR	
18-	27246GT	BOOT,TOGGLE SWITCH,SHORT*	
19	128202GT	SWITCH TOGGLE ASSY DPDT 3P MOM Secondary Boom Up/Down; includes boot and hardware	1
19-	128578GT	SCREW T-SWITCH PH/PH 6-32X1/4	
19-	128582-SGT	SWITCH TOGGLE DPDT 3P MOM SHDR	
19-	27246GT	BOOT,TOGGLE SWITCH,SHORT*	
20	128202GT	SWITCH TOGGLE ASSY DPDT 3P MOM Turntable Rotate; includes boot and hardware	1
20-	128578GT	SCREW T-SWITCH PH/PH 6-32X1/4	
20-	128582-SGT	SWITCH TOGGLE DPDT 3P MOM SHDR	
20-	27246GT	BOOT,TOGGLE SWITCH,SHORT*	
21	73736GT	CONN,RECEP 48 WAY,4 X 12	1
21-	54255GT	LOCK,RECEP 12 WAY, 14-18GA	
21-	73713GT	TERM,NI PIN,S&F,16-18GA,REEL	
21-	824226GT	SCREW,PHPSH,#12-11X.75,ZAG	
22	15243GT	PLUG,NYLON .875 BLACK DOMED	1
23	15243GT	PLUG,NYLON .875 BLACK DOMED	1
24		REF. HARNESS,JIB SELECT MANIFOLD (refer to 410.1)	1
25	73723GT	CONN RECEP,FLANGED	1
25-	60443GT	LOCK, RECEP 4WAY, 14-18GA	
25-	73713GT	TERM,NI PIN,S&F,16-18GA,REEL	
25-	1274164GT	NUT,NYLOCK,6-32,A,ZAG	
25-	824214GT	SCREW,PHPM,6-32X.5,ZAG	
26	73717GT	CONN,RECEP 4 WAY,12-14GA FL***	1
26-	60526GT	LOCK,RECEP 4 WAY,12-14GA	
26-	73711GT	TERM,DEUTSCH, PIN #12-14	
26-	1274164GT	NUT,NYLOCK,6-32,A,ZAG	



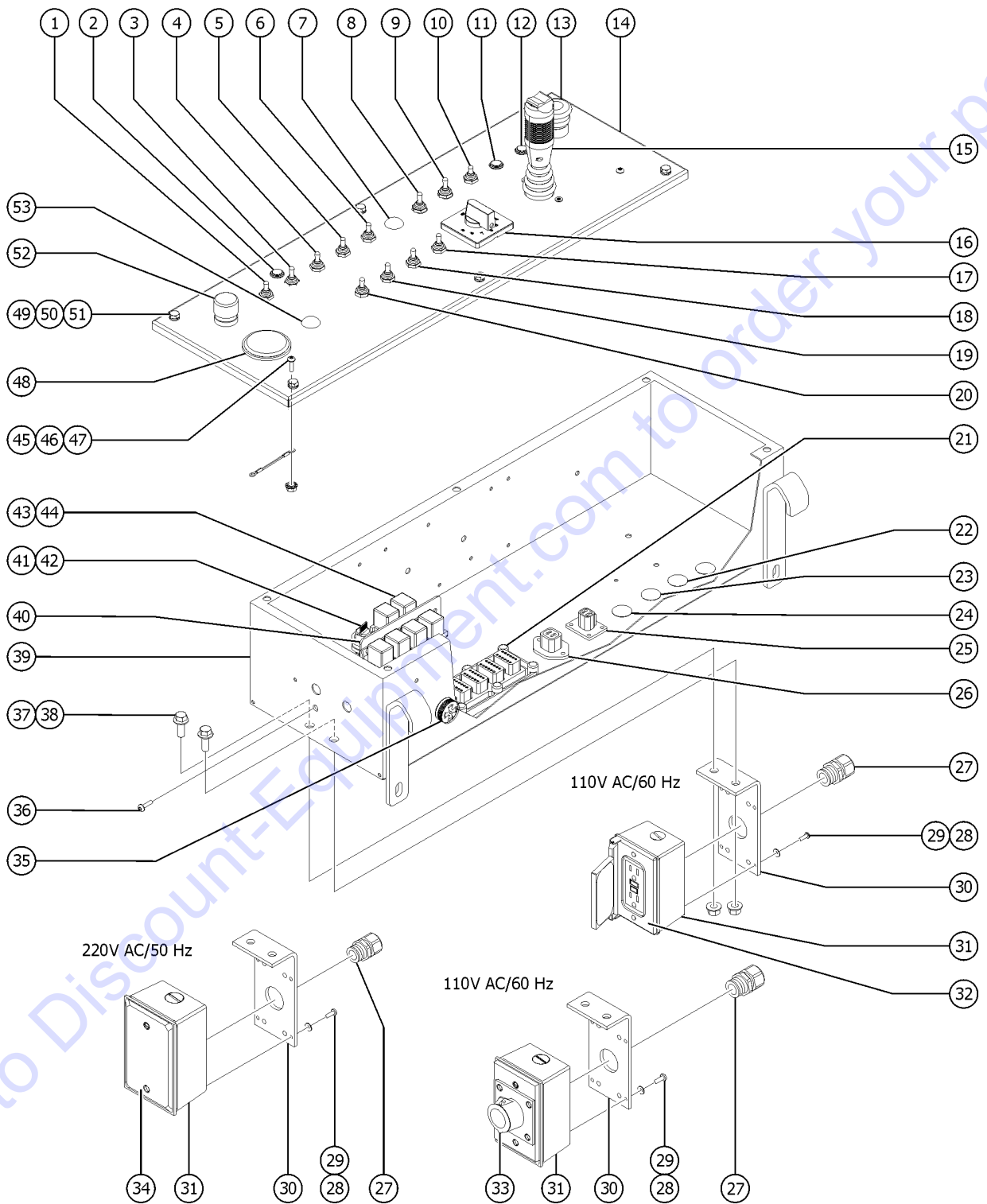
603.1 Platform Controls, Z-45/25J



Item	Part No.	Description	Qty.
26-	824214GT	SCREW,PHPM,6-32X.5,ZAG .....	
27	7056GT	CONN, SQZ, 1/2NPT .38-.50, SM** .....	
27-	6935GT	LOCKNUT,ELEC,1/2" .....	
28	1257296GT	SCREW,PHPM-ST,8-32X.50,TYPE F,ZAG .....	4
29	1257390GT	WASHER,FLAT,#8,SAE,ZAG .....	4
30	120300GT	BRACKET,POWER TO PLAT,DOM. ....	1
31	10775GT	T-BOX,2.75 X 4.5 X 2.0 .....	
32	13585GT	OUTLET, 110V .....	
		USA/Canada	
32-	74006GT	COVER,GFCI,HORIZONTAL,WEATHER .....	
		USA/Canada	
33	T112560GT	RECEPTACLE,UK,110V .....	1
34	10777GT	COVER,BLANK .....	1
34-	33724GT	KIT,GASKET,UK POWER TO PLAT. ....	
34-	49820GT	SCREW,PHILLIPS,PHM,6-32 X .5 .....	
34-	81458GT	GASKET, UK POWER TO PLAT .....	
35	45383GT	ALARM,WARBLE TONE 5-30 VDC*** .....	1
		does not include 72326 nut	
35-	72326GT	NUT - PLASTIC, RING FOR ALARMS .....	
		must order separately	
36	1257227GT	SCREW,PHPM,10-32X.625,ZAG .....	1
37	824090GT	SCREW,HHF,3/8-16X1,8,ZAG .....	2
38	824029GT	NUT,TL FLG,3/8-16,G,ZAG .....	2
		(to SN Z4525F-61999)	
38B	1274322GT	NUT,NYLOCK FLG,3/8-16,F,ZAG .....	2
		(from SN Z4525F-62000)	
39	120297GT	WELDMENT,PLATFORM CONTROL BOX .....	1
39-	1257227GT	SCREW,PHPM,10-32X.625,ZAG .....	
39-	30996GT	PLUG,NYLON .313 BLACK DOMED .....	
39-	42288GT	PLUG,NYLON .188 BLACK DOMED .....	
39-	42781GT	PLUG, NYLON .250 BLACK DOMED .....	
40	T106699GT	BRACKET,RELAY MOUNT W/INSERTS .....	1
40-	1251757GT	SCREW,PHPM,10-32X.50,ZAG .....	
40-	824036GT	NUT, TL, 10-32, A, ZAG .....	



603.1 Platform Controls, Z-45/25J

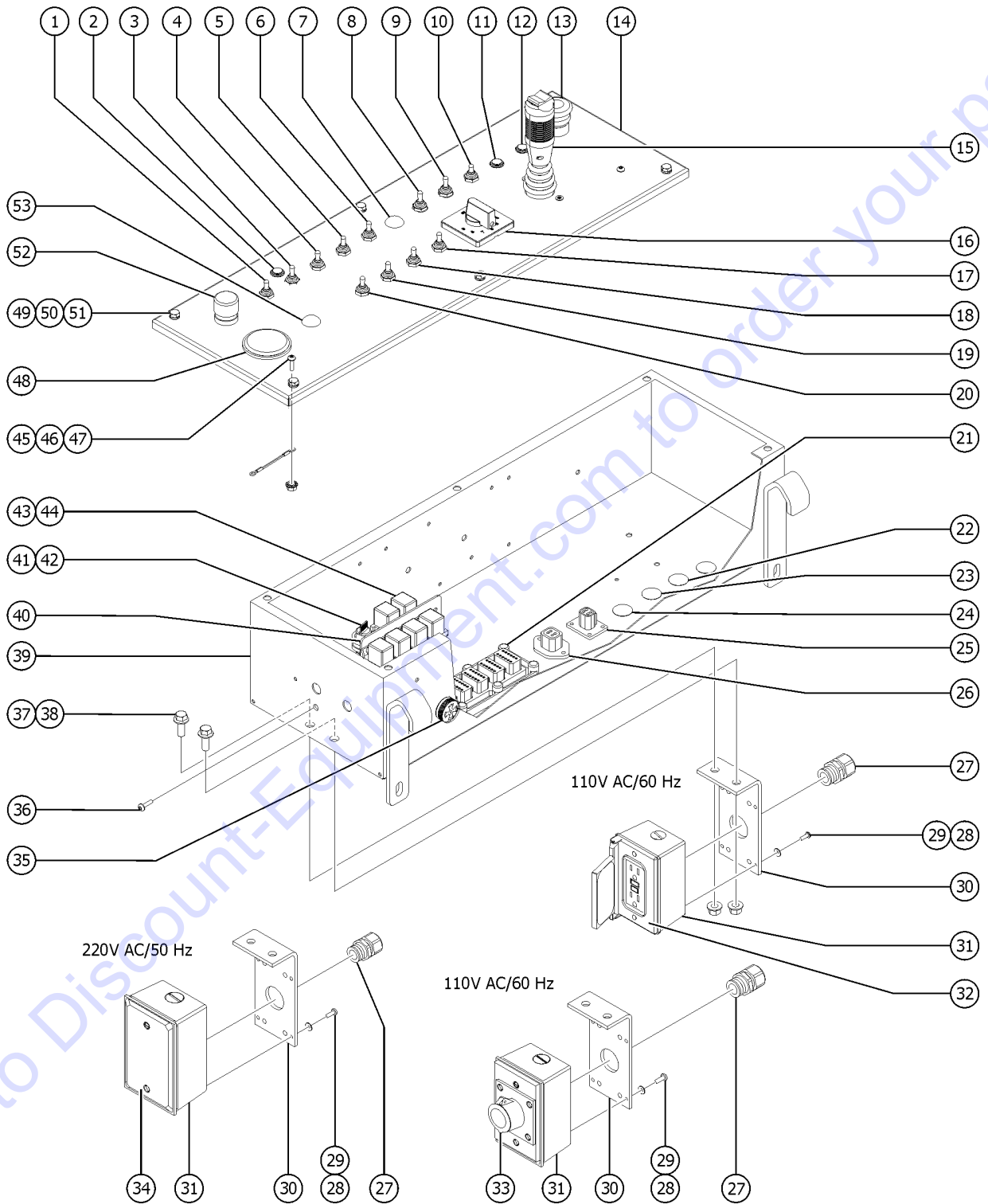


Item	Part No.	Description	Qty.
40-	824078GT	SCREW,HHF,1/4-20X.75,8,ZAG .....	
41	43181GT	CAPACITOR,TIME DELAY .....	
42	13268GT	CLAMP,0.75,#12 X 1/4,RUB CUSH .....	
43	56302GT	RELAY,24VDC,40/30A,SEALED*** .....	6
44	34053GT	ASSY,RELAY SOCKET, AUTO .....	6
45	54365GT	SCREW,PHIL,PHM,10-32 X .5,SSTL .....	4
46	77351GT	LANYARD,PLATFORM CONTROL BOX .....	2
47	1264261GT	NUT,SERRATED,10-32,ZAG .....	4
48	237145GT	IND,BAT CHARGE,48V LEAD-ACID (models with battery charge indicator) (to SN Z4525F-61999) .....	1
48B	110651GT	LVI/BCI 36/48 VOLT ENGAGE II (models with low voltage indicator/battery charge indicator) (to SN Z4525F-61999) .....	1
48C	45840GT	PLUG,NYLON 2.00 BLACK DOMED (from SN Z4525F-62000) .....	1
49	824059GT	SCREW,HHC,1/4-20X.75,8,ZAG .....	6
50	824109GT	WASHER,LOCK,1/4,ZAG .....	6
51	1253185GT	WASHER,FLAT,#10,USS,ZAG .....	6
52	122513GT	KIT,HORN SVC BB&SM BOOM .....	
52-	66813GT	BUTTON,PUSH,BLACK W/SEAL*** .....	
52-	66815GT	BASE, W/1 N.O. CONTACTS*** .....	
53	229567GT	PLUG, SANTOPRENE .5 BLACK DOME .....	1

Go to Discount-Equipment.com to order your parts



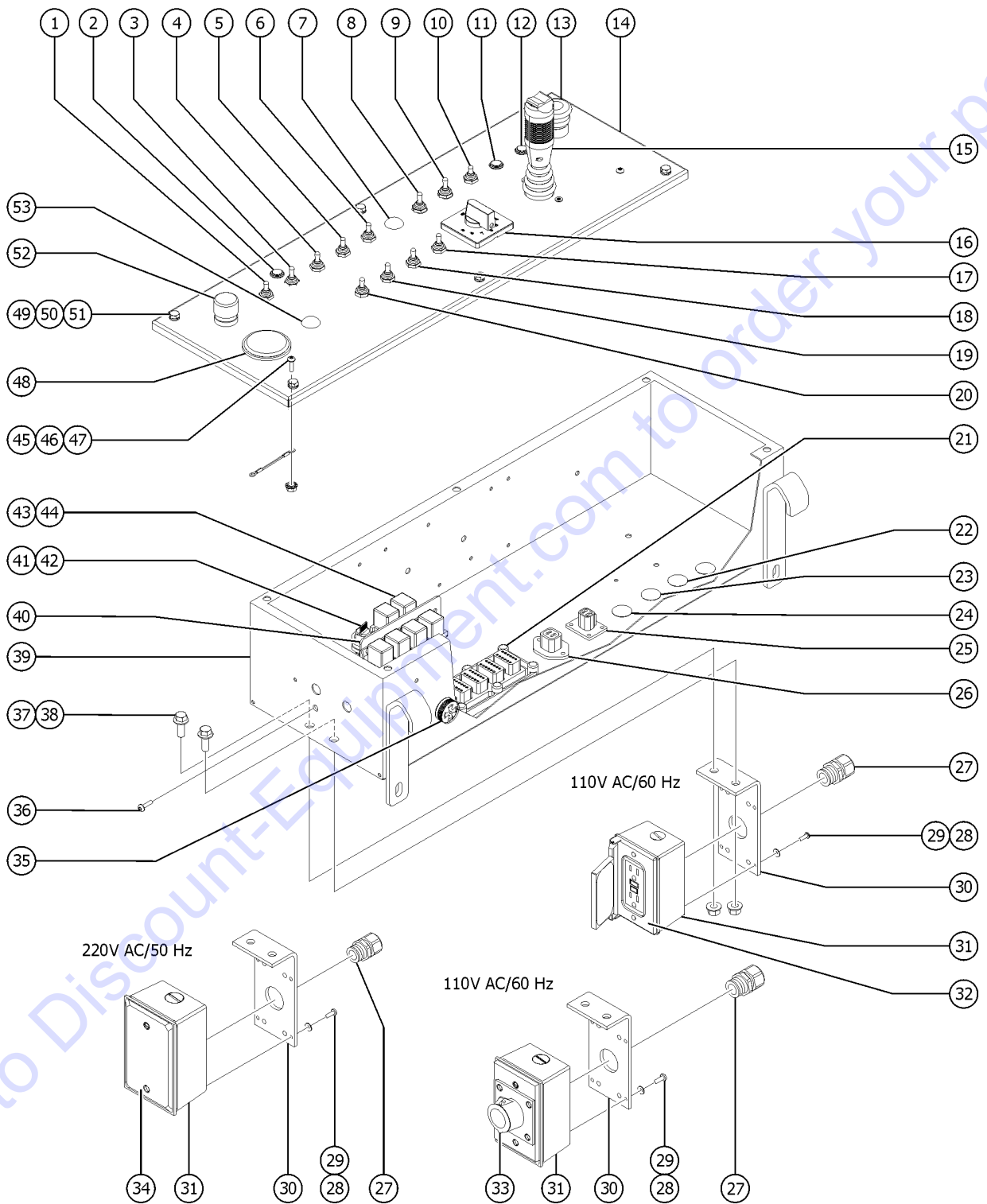
603.1 Platform Controls, Z-45/25



Item	Part No.	Description	Qty.
A	147253GT	TIME DELAY RELAY,2 SEC,24VDC	1
1	128201GT	SWITCH TOGGLE ASSY DPDT 2P MOM Auxiliary Power; includes boot and hardware	1
1-	128578GT	SCREW T-SWITCH PH/PH 6-32X1/4	
1-	128581-SGT	SWITCH TOGGLE DPDT 2P MOM SHDR	
1-	27246GT	BOOT,TOGGLE SWITCH,SHORT*	
2	824878GT	LIGHT,LED IND. RED 24V NH	1
3	128200GT	SWITCH TOGGLE ASSY SPDT 3P MOM Drive Enable; includes boot and hardware	1
3-	128578GT	SCREW T-SWITCH PH/PH 6-32X1/4	
3-	128580-SGT	SWITCH TOGGLE SPDT 3P MOM SHDR	
3-	27246GT	BOOT,TOGGLE SWITCH,SHORT*	
4B	229567GT	PLUG, SANTOPRENE .5 BLACK DOME (Z-45/25)	1
5	128202GT	SWITCH TOGGLE ASSY DPDT 3P MOM Platform Rotate; includes boot and hardware	1
5-	128578GT	SCREW T-SWITCH PH/PH 6-32X1/4	
5-	128582-SGT	SWITCH TOGGLE DPDT 3P MOM SHDR	
5-	27246GT	BOOT,TOGGLE SWITCH,SHORT*	
6	128202GT	SWITCH TOGGLE ASSY DPDT 3P MOM Platform Level; includes boot and hardware	1
6-	128578GT	SCREW T-SWITCH PH/PH 6-32X1/4	
6-	128582-SGT	SWITCH TOGGLE DPDT 3P MOM SHDR	
6-	27246GT	BOOT,TOGGLE SWITCH,SHORT*	
7	229567GT	PLUG, SANTOPRENE .5 BLACK DOME	1
8A	128200GT	SWITCH TOGGLE ASSY SPDT 3P MOM (BE) Glow Plug; includes boot and hardware	1
8A-	128578GT	SCREW T-SWITCH PH/PH 6-32X1/4	
8A-	128580-SGT	SWITCH TOGGLE SPDT 3P MOM SHDR	
8A-	27246GT	BOOT,TOGGLE SWITCH,SHORT*	
8B	229567GT	PLUG, SANTOPRENE .5 BLACK DOME (DC)	1
9A	128200GT	SWITCH TOGGLE ASSY SPDT 3P MOM (BE) Engine Start; includes boot and hardware	1
9A-	128578GT	SCREW T-SWITCH PH/PH 6-32X1/4	
9A-	128580-SGT	SWITCH TOGGLE SPDT 3P MOM SHDR	



603.1 Platform Controls, Z-45/25

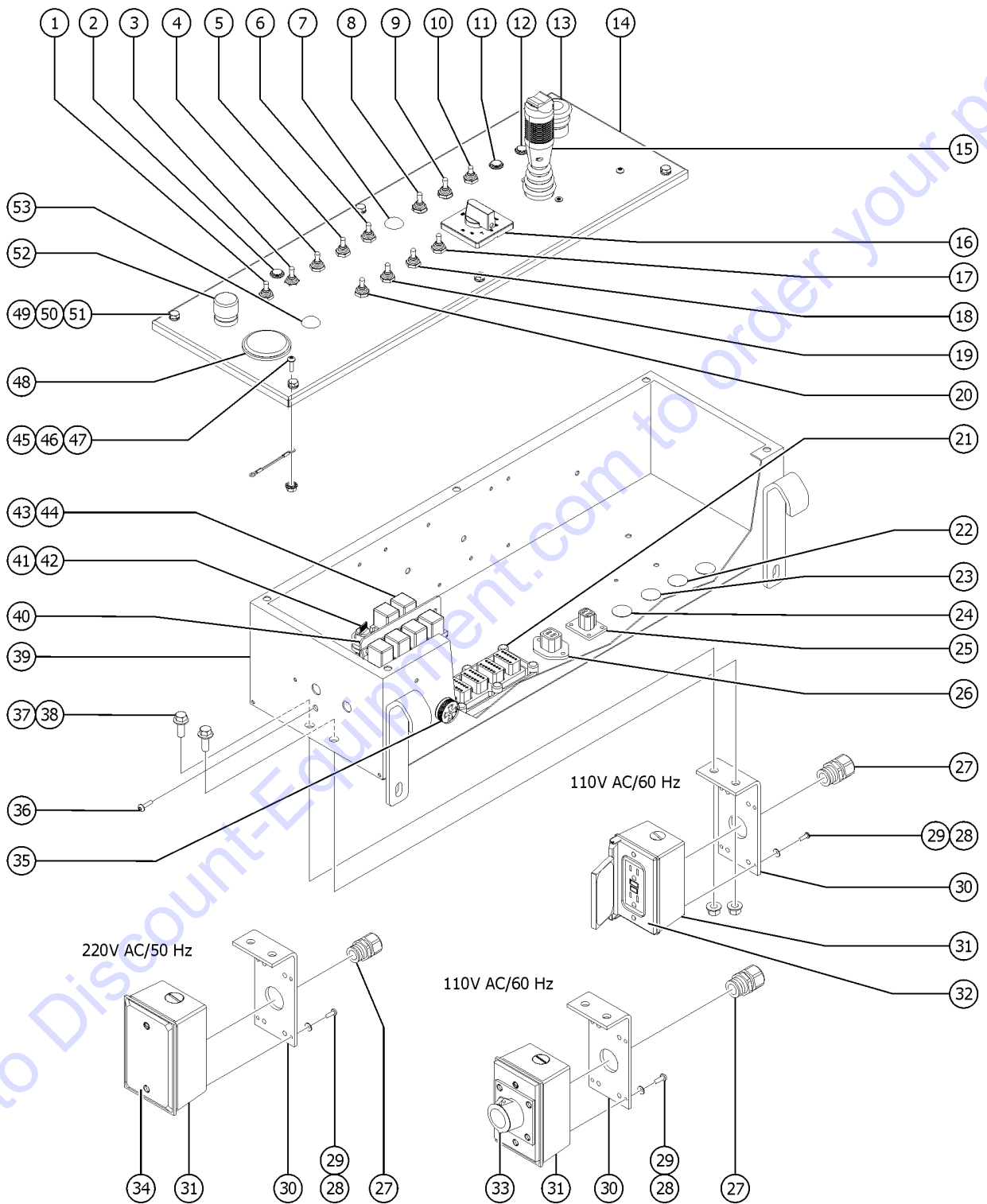




Item	Part No.	Description	Qty.
9A-	27246GT	BOOT,TOGGLE SWITCH,SHORT* .....	
9B	229567GT	PLUG, SANTOPRENE .5 BLACK DOME (DC) .....	1
10A	128206GT	SWITCH TOGGLE ASSY DPDT 3P MNT (BE) .....	1
10B	229567GT	PLUG, SANTOPRENE .5 BLACK DOME (DC) .....	1
11A	824878GT	LIGHT,LED IND. RED 24V NH Australia and CE .....	1
11B	229567GT	PLUG, SANTOPRENE .5 BLACK DOME ANSI .....	1
12	824878GT	LIGHT,LED IND. RED 24V NH .....	1
13	122514GT	KIT,ESTOP SVC BB&SM BOOM .....	1
13-	146478GT	BOOT(BELLOWS),E-STOP,BLACK .....	
13-	66812GT	BUTTON,PUSH,RED MUSHROOM HEAD .....	
13-	66818GT	CONTACT,NC .....	
13-	66821GT	BASE,WITHOUT CONTACTS .....	
14	229812GT	PLAT. CONTROL BOX LID, DC/BE .....	1
14-	81488GT	GASKET,PLATFORM CONTROL BOX .....	1
15		Ref. Joystick, Drive/Steer refer to 604.1 .....	
16	36557GT	ROTATIONAL CONTROLLER,24V*** .....	1
17	128202GT	SWITCH TOGGLE ASSY DPDT 3P MOM Primary Boom Ext/Ret; includes boot and hardware .....	1
17-	128578GT	SCREW T-SWITCH PH/PH 6-32X1/4 .....	
17-	128582-SGT	SWITCH TOGGLE DPDT 3P MOM SHDR .....	
17-	27246GT	BOOT,TOGGLE SWITCH,SHORT* .....	
18	128202GT	SWITCH TOGGLE ASSY DPDT 3P MOM Primary Boom Up/Down; includes boot and hardware .....	1
18-	128578GT	SCREW T-SWITCH PH/PH 6-32X1/4 .....	
18-	128582-SGT	SWITCH TOGGLE DPDT 3P MOM SHDR .....	
18-	27246GT	BOOT,TOGGLE SWITCH,SHORT* .....	
19	128202GT	SWITCH TOGGLE ASSY DPDT 3P MOM Secondary Boom Up/Down; includes boot and hardware .....	1
19-	128578GT	SCREW T-SWITCH PH/PH 6-32X1/4 .....	
19-	128582-SGT	SWITCH TOGGLE DPDT 3P MOM SHDR .....	
19-	27246GT	BOOT,TOGGLE SWITCH,SHORT* .....	



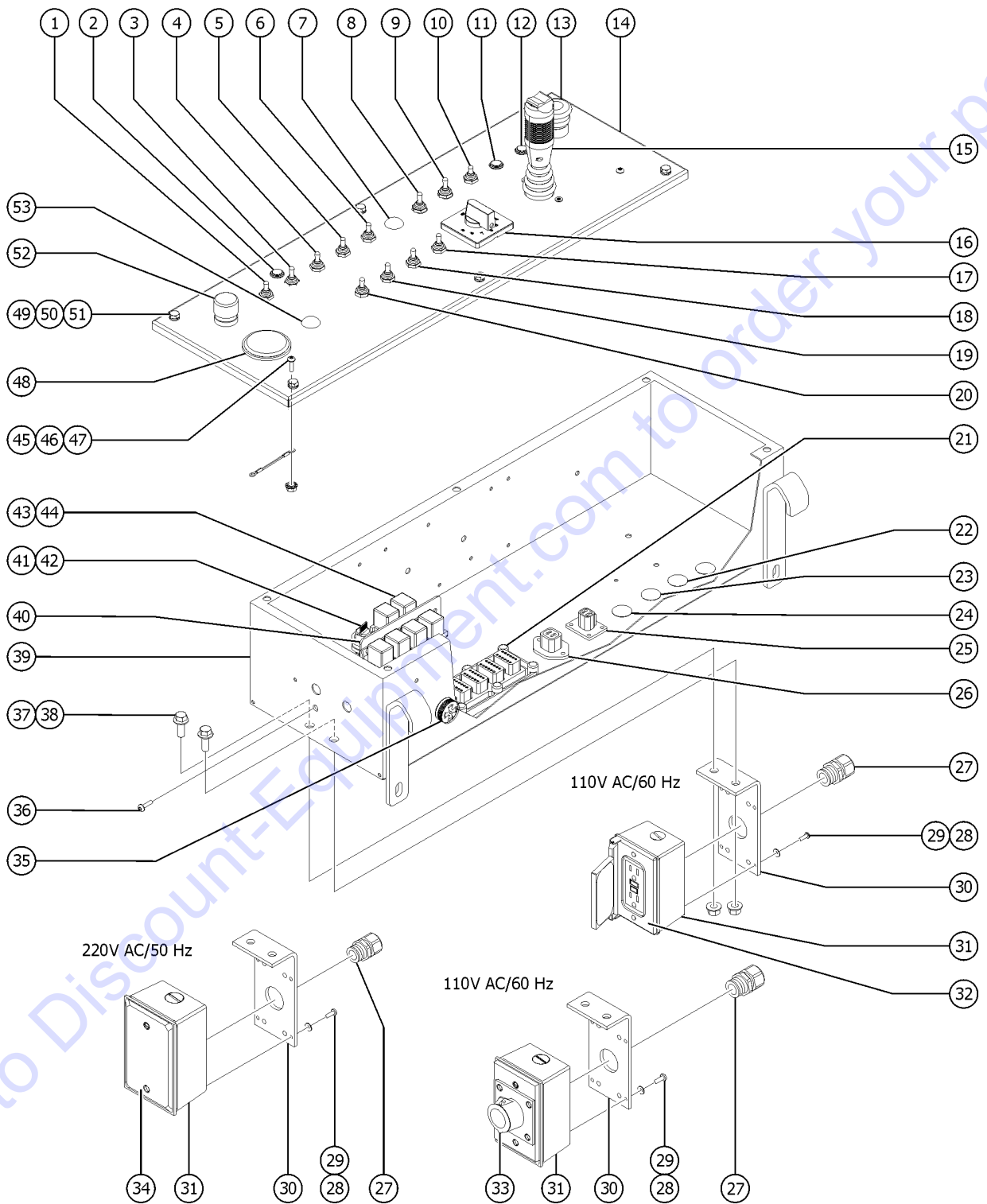
603.1 Platform Controls, Z-45/25



Item	Part No.	Description	Qty.
20	128202GT	SWITCH TOGGLE ASSY DPDT 3P MOM Turntable Rotate; includes boot and hardware	1
20-	128578GT	SCREW T-SWITCH PH/PH 6-32X1/4	
20-	128582-SGT	SWITCH TOGGLE DPDT 3P MOM SHDR	
20-	27246GT	BOOT,TOGGLE SWITCH,SHORT*	
21	73736GT	CONN,RECEP 48 WAY,4 X 12	1
21-	824226GT	SCREW,PHPSH,#12-11X.75,ZAG	
21-	54255GT	LOCK,RECEP 12 WAY, 14-18GA	
21-	73713GT	TERM,NI PIN,S&F,16-18GA,REEL	
22	15243GT	PLUG,NYLON .875 BLACK DOMED	1
23	15243GT	PLUG,NYLON .875 BLACK DOMED	1
24	15243GT	PLUG,NYLON .875 BLACK DOMED (Z-45/25)	1
25	73723GT	CONN RECEP,FLANGED	1
25-	824214GT	SCREW,PHPM,6-32X.5,ZAG	
25-	824019GT	NUT,TL,6-32,A,ZAG	
25-	60443GT	LOCK, RECEP 4WAY, 14-18GA	
25-	73713GT	TERM,NI PIN,S&F,16-18GA,REEL	
26	73717GT	CONN,RECEP 4 WAY,12-14GA FL***	1
26-	824214GT	SCREW,PHPM,6-32X.5,ZAG	
26-	824019GT	NUT,TL,6-32,A,ZAG	
26-	60526GT	LOCK,RECEP 4 WAY,12-14GA	
26-	73711GT	TERM,DEUTSCH, PIN #12-14	
27	7056GT	CONN, SQZ, 1/2NPT .38-.50, SM**	
27-	6935GT	LOCKNUT,ELEC,1/2"	
28	1257296GT	SCREW,PHPM-ST,8-32X.50,TYPE F,ZAG	4
29	1257390GT	WASHER,FLAT,#8,SAE,ZAG	4
30	120300GT	BRACKET,POWER TO PLAT,DOM.	1
31	10775GT	T-BOX,2.75 X 4.5 X 2.0	
32	13585GT	OUTLET, 110V USA/Canada	



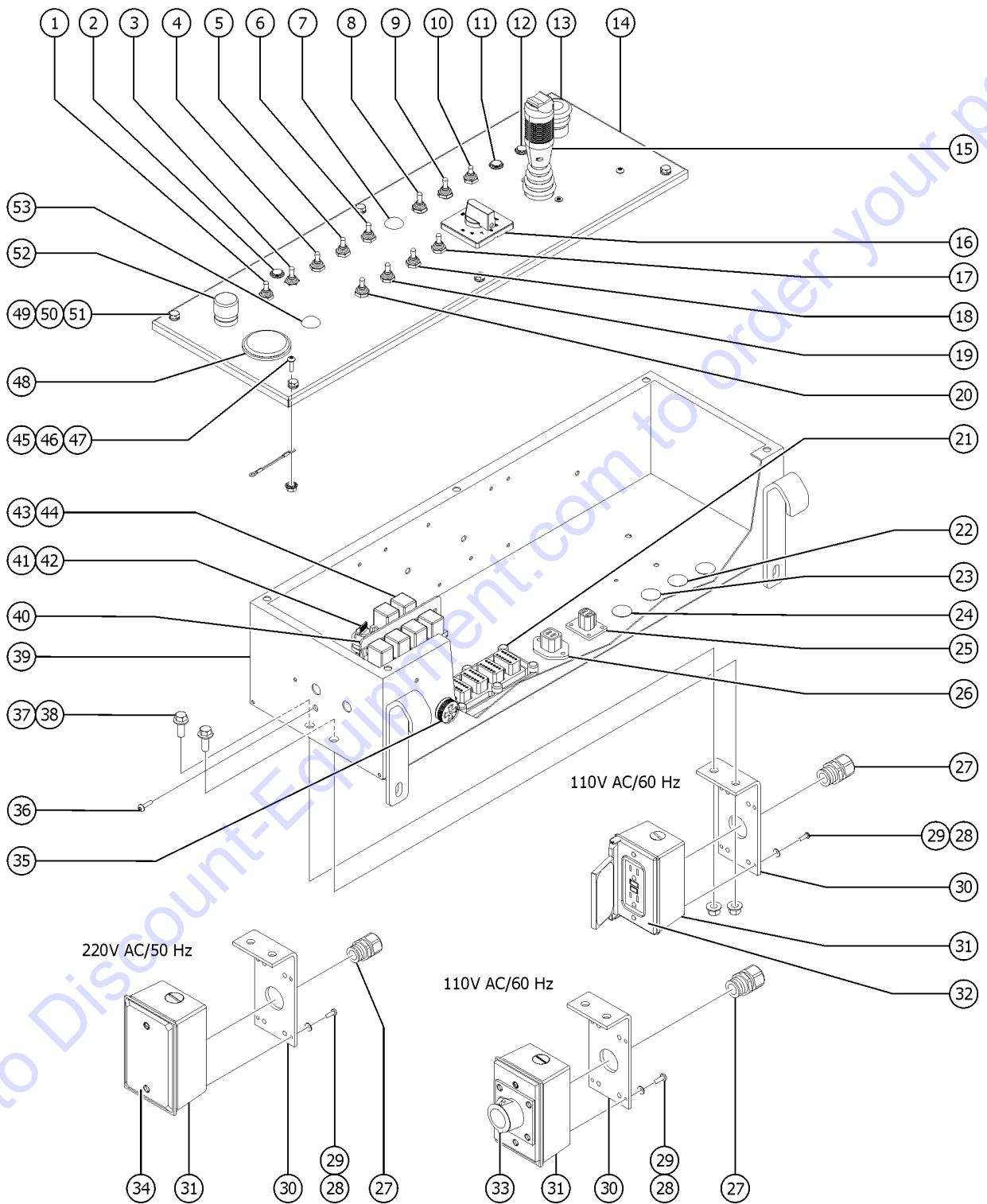
603.1 Platform Controls, Z-45/25



Item	Part No.	Description	Qty.
32-	74006GT	COVER,GFCI,HORIZONTAL,WEATHER USA/Canada	
33	T112560GT	RECEPTACLE,UK,110V	1
34	10777GT	COVER,BLANK	1
34-	33724GT	KIT,GASKET,UK POWER TO PLAT.	
34-	81458GT	GASKET, UK POWER TO PLAT	
34-	49820GT	SCREW,PHILLIPS,PHM,6-32 X .5	
35	45383GT	ALARM,WARBLE TONE 5-30 VDC*** does not include 72326 nut	1
35-	72326GT	NUT - PLASTIC, RING FOR ALARMS must order separately	
36	1257227GT	SCREW,PHPM,10-32X.625,ZAG	1
37	824090GT	SCREW,HHF,3/8-16X1,8,ZAG	2
38	824029GT	NUT,TL FLG,3/8-16,G,ZAG	2
39	120297GT	WELDMENT,PLATFORM CONTROL BOX	1
39-	42288GT	PLUG,NYLON .188 BLACK DOMED	
39-	30996GT	PLUG,NYLON .313 BLACK DOMED	
39-	42781GT	PLUG, NYLON .250 BLACK DOMED	
39-	1257227GT	SCREW,PHPM,10-32X.625,ZAG	
40	T106699GT	BRACKET,RELAY MOUNT W/INSERTS	1
40-	1251757GT	SCREW,PHPM,10-32X.50,ZAG	
40-	824036GT	NUT, TL, 10-32, A, ZAG	
40-	824078GT	SCREW,HHF,1/4-20X.75,8,ZAG	
41	43181GT	CAPACITOR,TIME DELAY	
42	13268GT	CLAMP,0.75,#12 X 1/4,RUB CUSH	
43	56302GT	RELAY,24VDC,40/30A,SEALED***	6
44	34053GT	ASSY,RELAY SOCKET, AUTO	6
45	54365GT	SCREW,PHIL,PHM,10-32 X .5,SSTL	4
46	77351GT	LANYARD,PLATFORM CONTROL BOX	2
47	1264261GT	NUT,SERRATED,10-32,ZAG	4
48A	237145GT	IND,BAT CHARGE,48V LEAD-ACID (models with battery charge indicator)	1



603.1 Platform Controls, Z-45/25



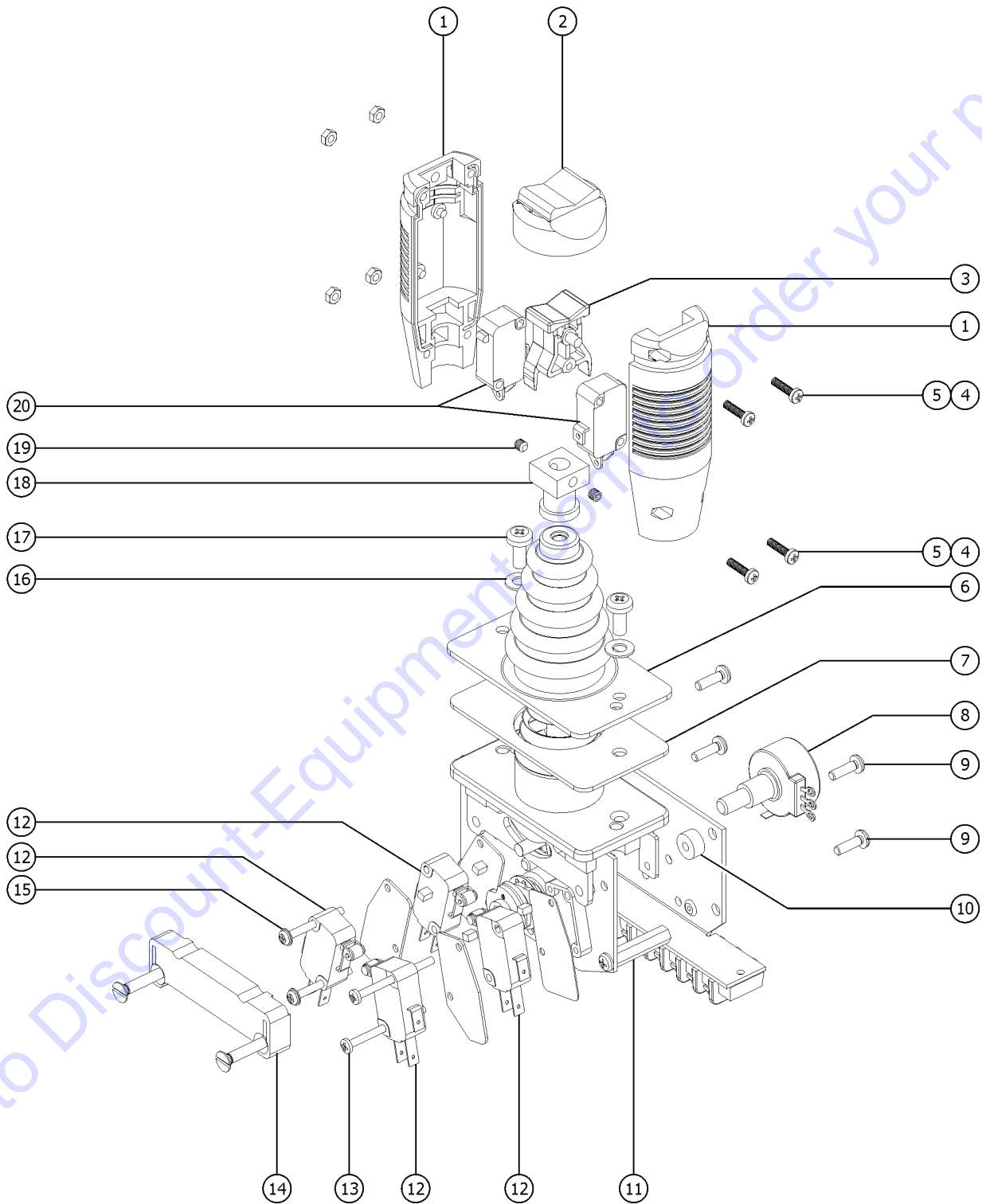
603.1 Platform Controls, Z-45/25

Item	Part No.	Description	Qty.
48B	110651GT	LVI/BCI 36/48 VOLT ENGAGE II (models with low voltage indicator/battery charge indicator)	1
48C	45840GT	PLUG,NYLON 2.00 BLACK DOMED	1
49	824059GT	SCREW,HHC,1/4-20X.75,8,ZAG	6
50	824109GT	WASHER,LOCK,1/4,ZAG	6
51	1253185GT	WASHER,FLAT,#10,USS,ZAG	6
52	122513GT	KIT,HORN SVC BB&SM BOOM	
52-	66813GT	BUTTON,PUSH,BLACK W/SEAL ***	
52-	66815GT	BASE, W/1 N.O. CONTACTS***	
53	229567GT	PLUG, SANTOPRENE .5 BLACK DOME	1

Go to Discount-Equipment.com to order your parts



604.1 Joystick Controller, Drive/Steer Functions



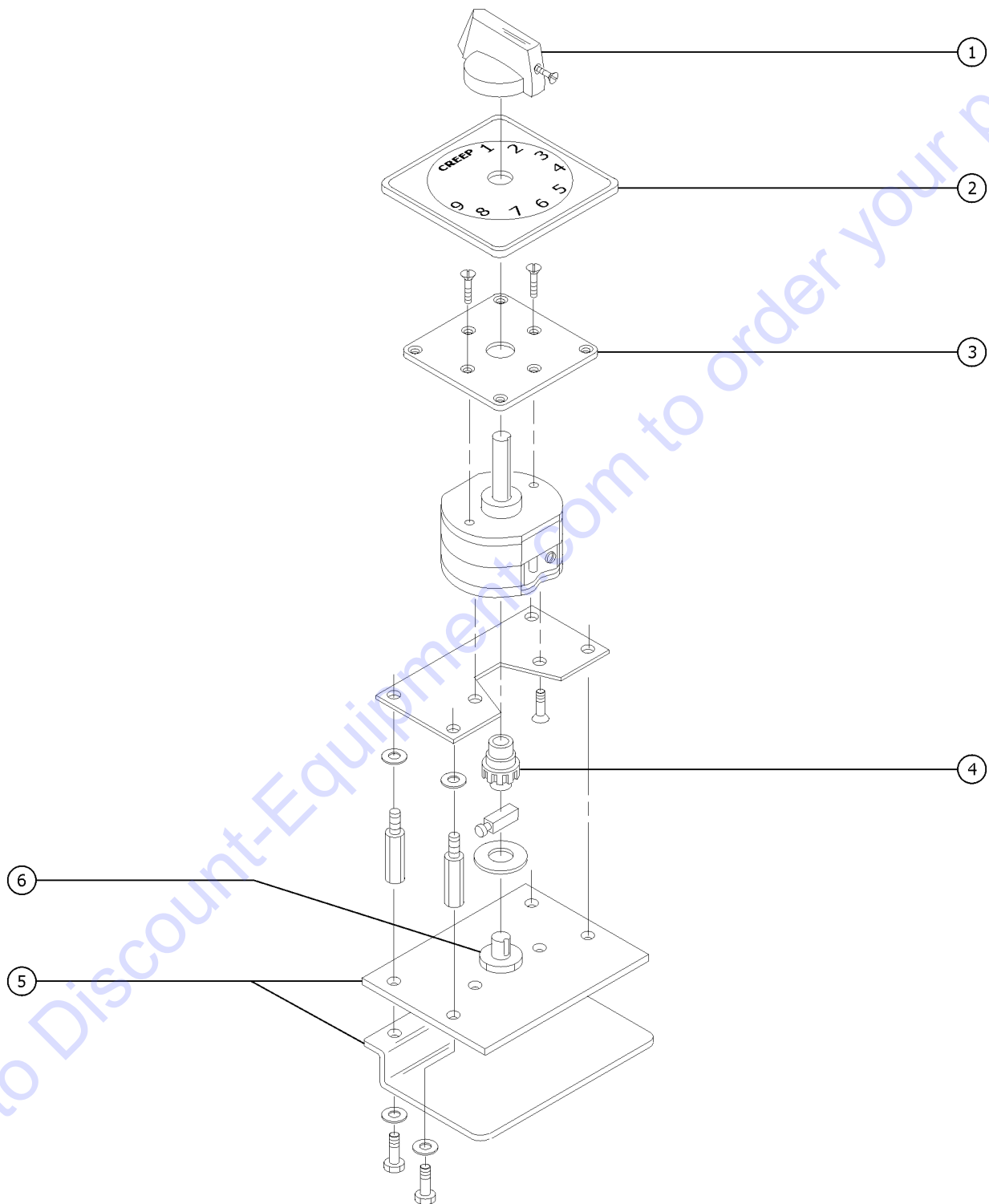


604.1 Joystick Controller, Drive/Steer Functions

Item	Part No.	Description	Qty.
A	234923GT	JOYSTICK,5K-0 OHM,W/RELAY .....	1
1	52887GT	HANDLE HALF (56274) .....	2
2	43038GT	BOOT-THUMB ROCKER** BLACK .....	1
3	65178GT	ROCKER ASSY W/ROLLPIN*** .....	1
4	52895GT	SCREW,PHM,M3 X .5 X 12MM .....	4
5	52928GT	NUT-HEX,3M X 0.5MM .....	4
6	21427GT	BOOT,CONTROLLER** .....	1
7	43042GT	GASKET,JOYSTK.SHAFT36867/42032 .....	1
8	72298GT	POTENTIOMETER (56773) .....	1
9	65546GT	SCREW,PHM,M3.5 X 12MM (57890) .....	6
10	74368GT	SPACER-POT.PLATE,JOYSTICK56773 .....	2
11	19721GT	MICROSWITCH SPACER,45049 .....	1
12	19712GT	MICROSWITCH,V3L-139-D8 .....	4
13	52892GT	SCREW,PHS,4-40 X 1.5 .....	2
14	19713GT	SPRING RETURN,HEAVY DUTY,45049 .....	1
15		Ref. SCREW, 4-40 x 1/18" .....	2
		illustration purpose only	
16	74362GT	WASHER,NYLON, JOYSTICK .....	2
17	226383GT	SCREW .....	2
18	43040GT	NUT,JS,36867/42032/44988/40612 .....	1
		coupling	
19	58985GT	SCREW,HANDLE42032,40612,36867 .....	2
20	19722GT	MICROSWITCH-V319M*** .....	2



605.1 Rotational Controller



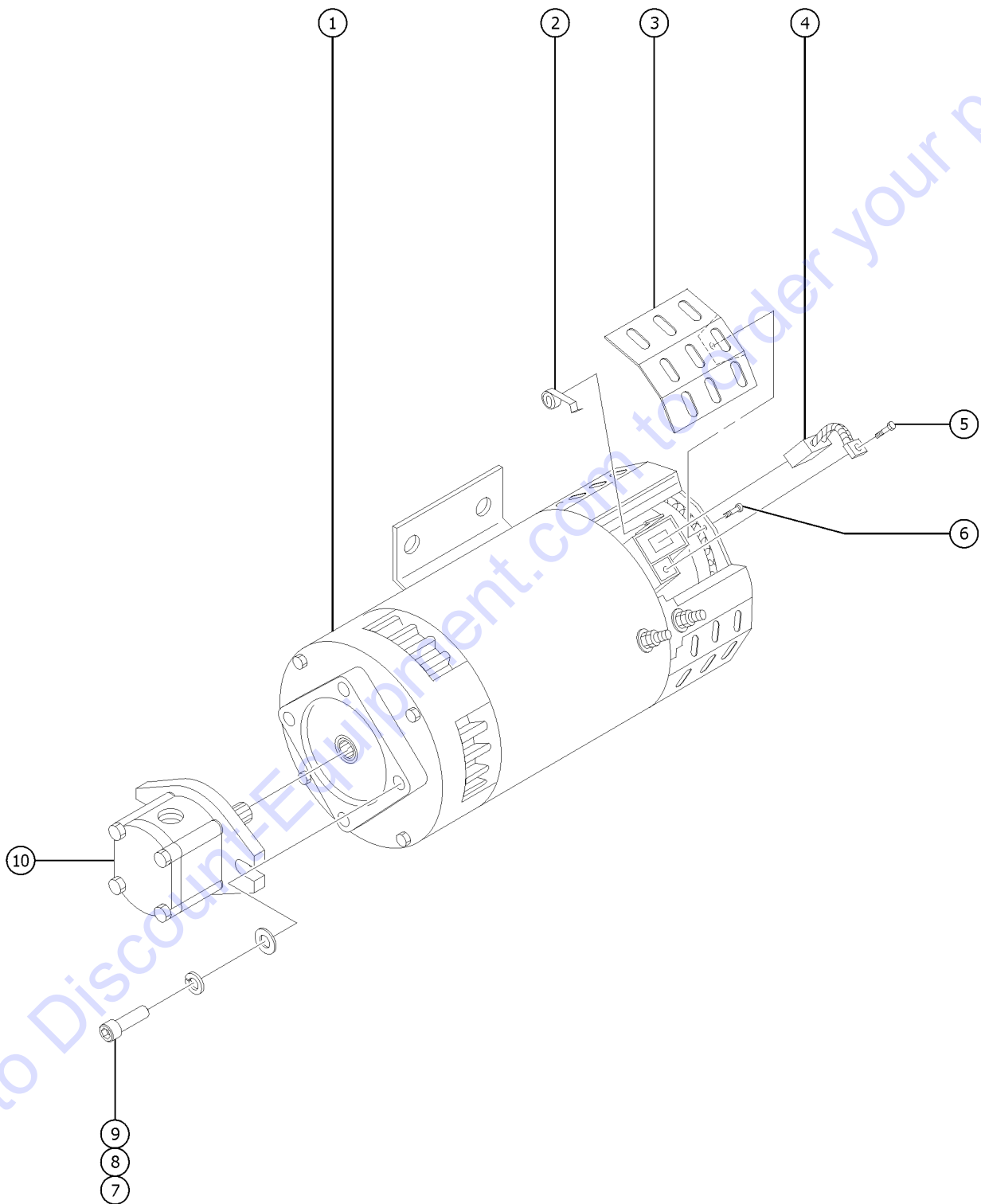
605.1 Rotational Controller

Item	Part No.	Description	Qty.
	36557GT	ROTATIONAL CONTROLLER,24V*** .....	
1	35679GT	KNOB, 45048 CONTROLLER .....	1
2	35680GT	LEGEND,PLSTC,"CREEP TO 9"*** .....	1
3	35678GT	MOUNTING PLATE, 45048 .....	1
4	19731GT	GEAR, SLAVE, MS4,45048 .....	1
5	40433GT	PCB,ROTATOR CONTROLLER 36557* includes item 6 .....	1
6	19729GT	POTENTIOMETER,56886 .....	1

Go to Discount-Equipment.com to order your parts



701.1 Hydraulic Power Unit



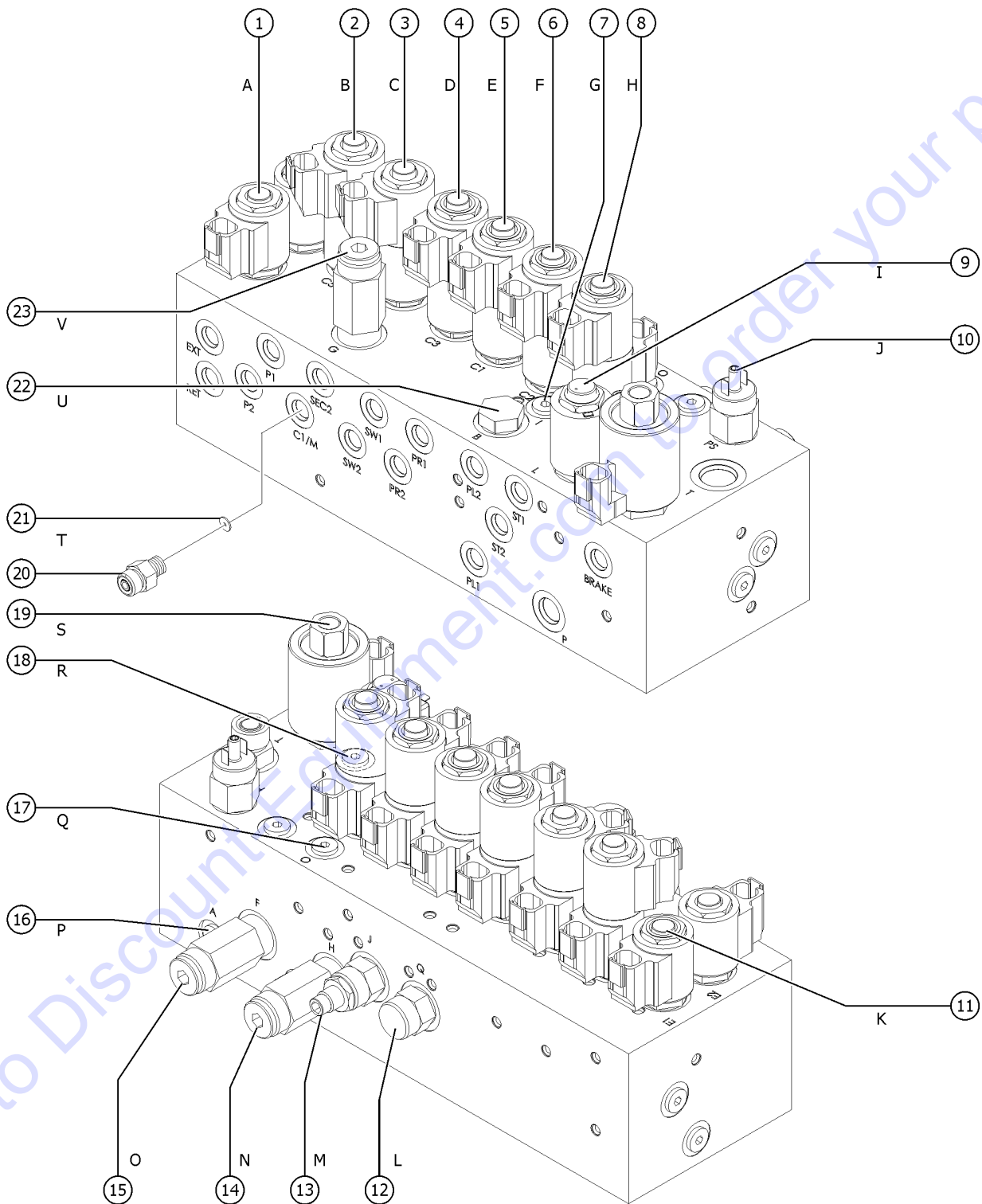
701.1 Hydraulic Power Unit

Item	Part No.	Description	Qty.
1	48504GT	MOTOR,FUNCTION,48V DC .....	1
2	44750GT	SPRING-BRUSH,40844, SCISSORS .....	
3	58936GT	BRUSH COVER -PLATE-(48504)* .....	1
4	58932GT	BRUSH SET 4 EA .....	1
5	52913GT	SCREW,HH TAPETITE THRD8-32X.50 .....	
6	52914GT	SCREW,HHTAPTITE THREAD8-32X.38 .....	
7	824100GT	SCREW,SHC,3/8-24X1.25,A574,ZAG .....	2
8	824110GT	WASHER,LOCK,3/8,ZAG .....	2
		(to SN Z4525F-61682)	
9	826793GT	WASHER,FLAT,3/8,SAE,HRD,ZAG .....	2
10	77981GT	PUMP,LIFT,3CC,CCW*** .....	1
		(to SN Z4525F-61682)	
10-	77990GT	KIT,SEAL,3CC PUMP*** .....	
10B	1295585GT	PUMP,LIFT,3CC,CCW .....	1
		(from SN Z4525F-61683)	
10B-	233568GT	SEAL KIT,PUMP,GRH,(231572GT) .....	

Go to Discount-Equipment.com to order your parts



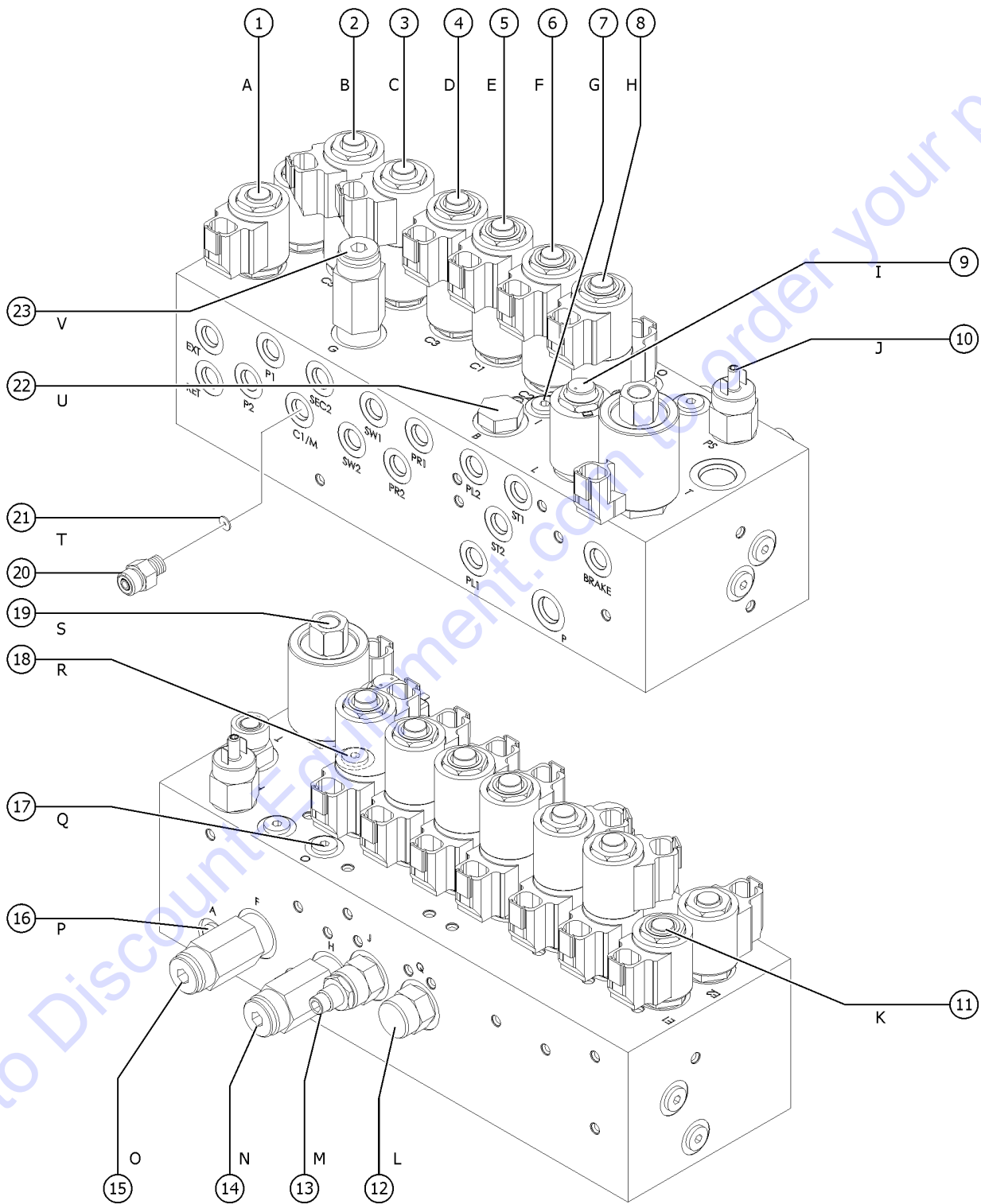
702.1 Function Manifold



Item	Part No.	Description	Qty.
A	94860GT	MANIFOLD,FUNCTION DC/BI***	
1	52897GT	VALVE,SOLENOID, 2POS/3WAY*** A, Primary boom retract	
1-	52371GT	SEAL KIT, VALVE	
1-	77709GT	COIL,#8 20VDC,DEUTSCH W/DIOD	
2	39346GT	VALVE,SOLENOID 3 POS.4 WAY*** B, Primary boom up/down	
2-	44229GT	SEAL KIT, VALVE	
2-	77709GT	COIL,#8 20VDC,DEUTSCH W/DIOD	
2-	44236GT	SPACER-DUAL COIL,#8***	
3	39346GT	VALVE,SOLENOID 3 POS.4 WAY*** C, Secondary boom up/down	
3-	44229GT	SEAL KIT, VALVE	
3-	77709GT	COIL,#8 20VDC,DEUTSCH W/DIOD	
3-	44236GT	SPACER-DUAL COIL,#8***	
4	39346GT	VALVE,SOLENOID 3 POS.4 WAY*** D, Turntable rotate left/right	
4-	44229GT	SEAL KIT, VALVE	
4-	77709GT	COIL,#8 20VDC,DEUTSCH W/DIOD	
4-	44236GT	SPACER-DUAL COIL,#8***	
5	39346GT	VALVE,SOLENOID 3 POS.4 WAY*** E, Platform rotate left/right and jib	
5-	44229GT	SEAL KIT, VALVE	
5-	77709GT	COIL,#8 20VDC,DEUTSCH W/DIOD boom up and down	
5-	44236GT	SPACER-DUAL COIL,#8***	
6	39346GT	VALVE,SOLENOID 3 POS.4 WAY*** F, Platform level up/down	
6-	44229GT	SEAL KIT, VALVE	
6-	77709GT	COIL,#8 20VDC,DEUTSCH W/DIOD	
6-	44236GT	SPACER-DUAL COIL,#8***	
7	826779GT	VALVE,SHUTTLE G, Platform level circuit	
8	52912GT	VALVE,3POSITION,4WAY* H, Steer left/right	
8-	44229GT	SEAL KIT, VALVE	
8-	77709GT	COIL,#8 20VDC,DEUTSCH W/DIOD	



702.1 Function Manifold

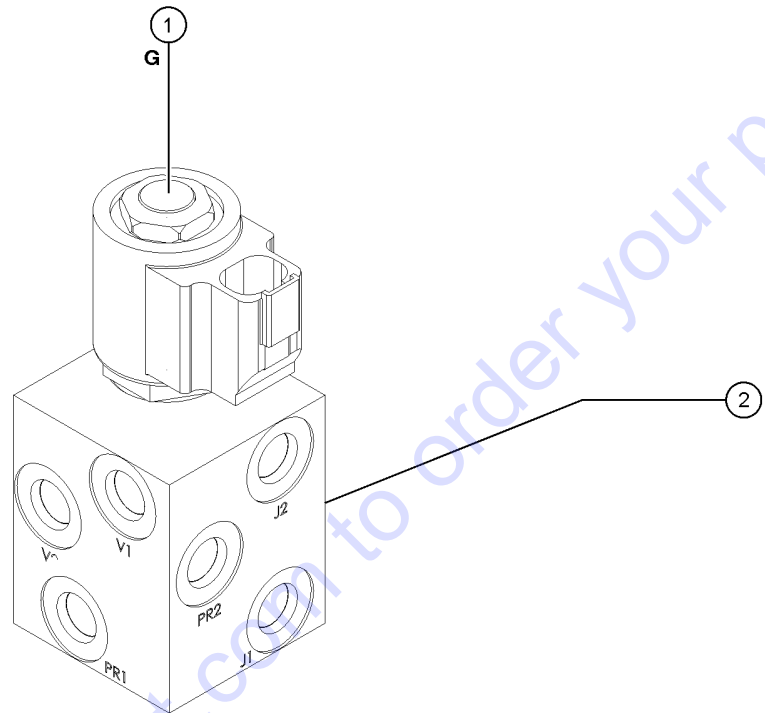




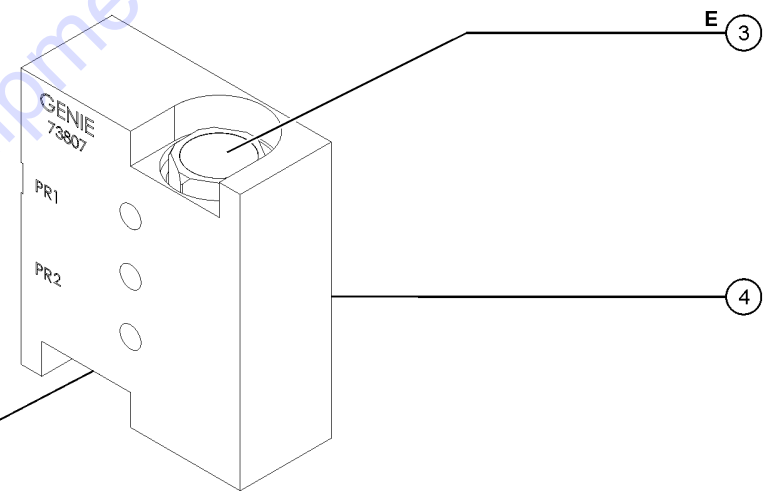
Item	Part No.	Description	Qty.
8-	44236GT	SPACER-DUAL COIL,#8***	
9	101057GT	VALVE,PRESS COMP,PROP DIRECT I, Controls flow to functions	
9-	119825GT	COIL, 24V, DEUTSCH NO DIODE	
10	1287986GT	SWITCH,PRESS,#6SAE,600 PSI J, Brake circuit	
11	52897GT	VALVE,SOLENOID, 2POS/3WAY*** K, Primary boom extend	
11-	77709GT	COIL,#8 20VDC,DEUTSCH W/DIOD	
12	94618GT	VALVE,FLOW CONTROL, 4 GPM L, Platform rotate and turntable rotate circuits	
13	101055GT	VALVE,NEEDLE,FINE ADJUSTMENT** M, Platform level circuit	
14	52374GT	VALVE,RELIEF,3000PSI,GS68PUMP1 N, Platform level circuit	
14-	44227GT	SEAL KIT, VALVE	
15	52906GT	VALVE-RELIEF,3200 PSI O, System relief	
16	52907GT	VALVE-CHECK, #4 SAE, 5 PSI* P, Brake circuit	
17	52910GT	ORIFICE PLUG, 0.060 Q, Steer circuit	
18	101067GT	ORIFICE PLUG,030,1/16-27 NPT R, Proportional valve circuit	
19	101056GT	VALVE,DIRECTIONAL,2-WAY,3 POS S, Brake circuit (coil not included, order separately)	
19-	101069GT	ORIFICE DISK,.030 S, Brake circuit	
19-	84385GT	COIL,20VDC DEUTCSH W/DIODE S, Brake circuit	
19-	46258GT	NUT, CARTRIDGE VALVE	
20A	129021GT	ORIFICE PLATE,0.037" U	
20B	48912GT	CONN,520120-4-6*** T	
21A	47010GT	ORIFICE DISC,.037",BLACK * T	
21B	75453GT	VALVE,CHECK,DUAL PILOT*** V, Platform level circuit	
22A	101277GT	VALVE,RELIEF,2100 PSI*** W, Secondary boom down circuit	
22B	75453GT	VALVE,CHECK,DUAL PILOT*** U, Platform level circuit	
23	101277GT	VALVE,RELIEF,2100 PSI*** V, Secondary boom down circuit	



703.1 Jib Boom and Platform Rotate Manifolds



Jib Manifold



Platform Rotate Manifold

Go to Discount-Equipment.com to order your parts

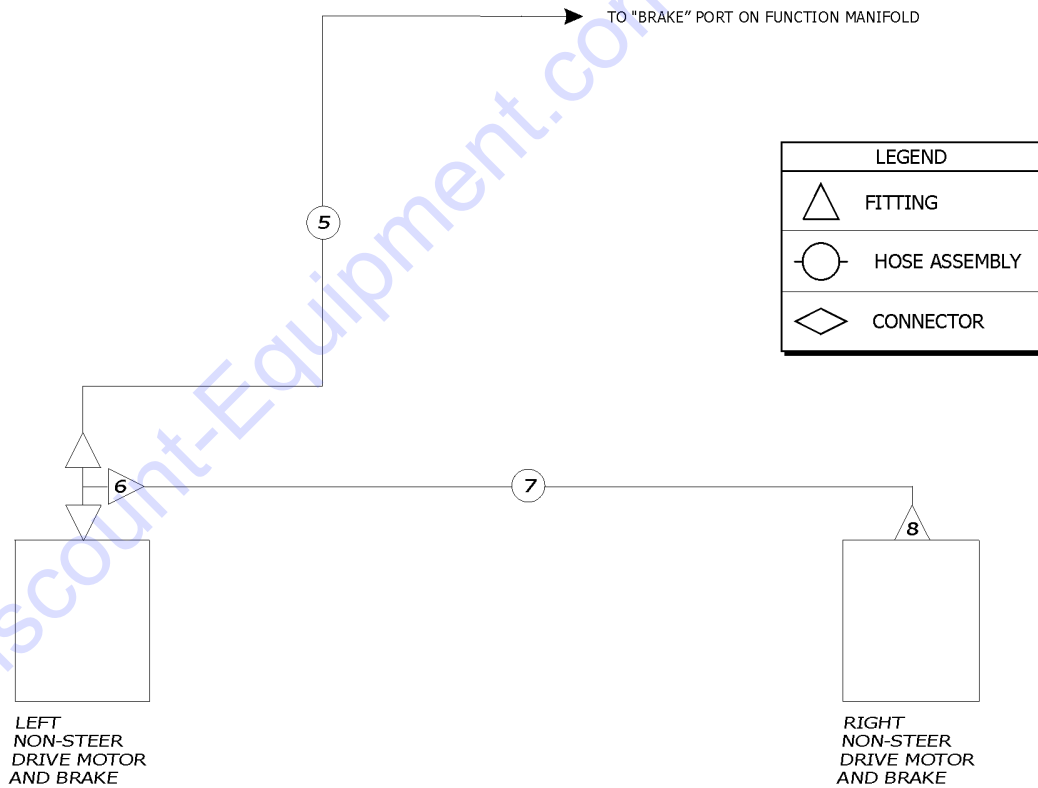
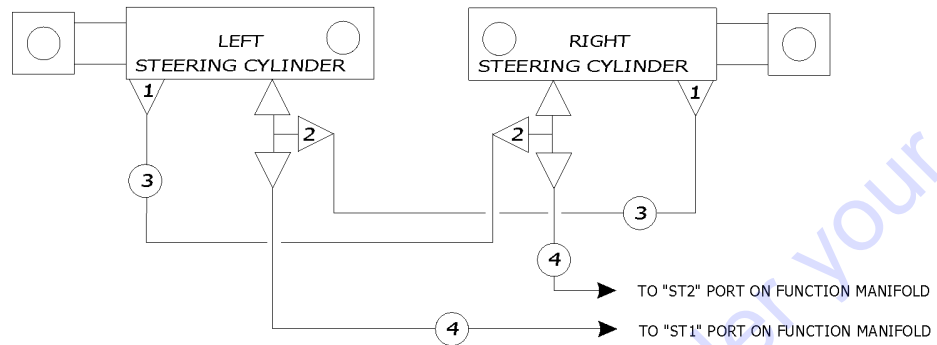
703.1 Jib Boom and Platform Rotate Manifolds

Item	Part No.	Description	Qty.
1	52897GT	VALVE,SOLENOID, 2POS/3WAY*** G, Jib boom / platform rotate select	
1-	77709GT	COIL,#8 20VDC,DEUTSCH W/DIOD	
1-	52371GT	SEAL KIT, VALVE	
1-	44174GT	NUT-COIL SHORT	
2	1267570GT	MANIFOLD,JIB SELECT,20V***	
2-	52897GT	VALVE,SOLENOID, 2POS/3WAY***	
2-	77709GT	COIL,#8 20VDC,DEUTSCH W/DIOD	
2-	44174GT	NUT-COIL SHORT	
2-	52371GT	SEAL KIT, VALVE	
3	62506GT	VALVE - COUNTERBALANCE** E, Platform Rotate Right Circuit	
3-	43018GT	SEAL KIT (39345)	
4	73807GT	MANIFOLD,ROTATOR,CB***	
4-	62507GT	O-RING, ROTATOR MANIFOLD Manifold to Platform Rotator	
5	62506GT	VALVE - COUNTERBALANCE** F, Platform Rotate Left Circuit	
5-	43018GT	SEAL KIT (39345)	

Go to Discount-Equipment.com to order your parts



801.1 Drive and Steer Hoses

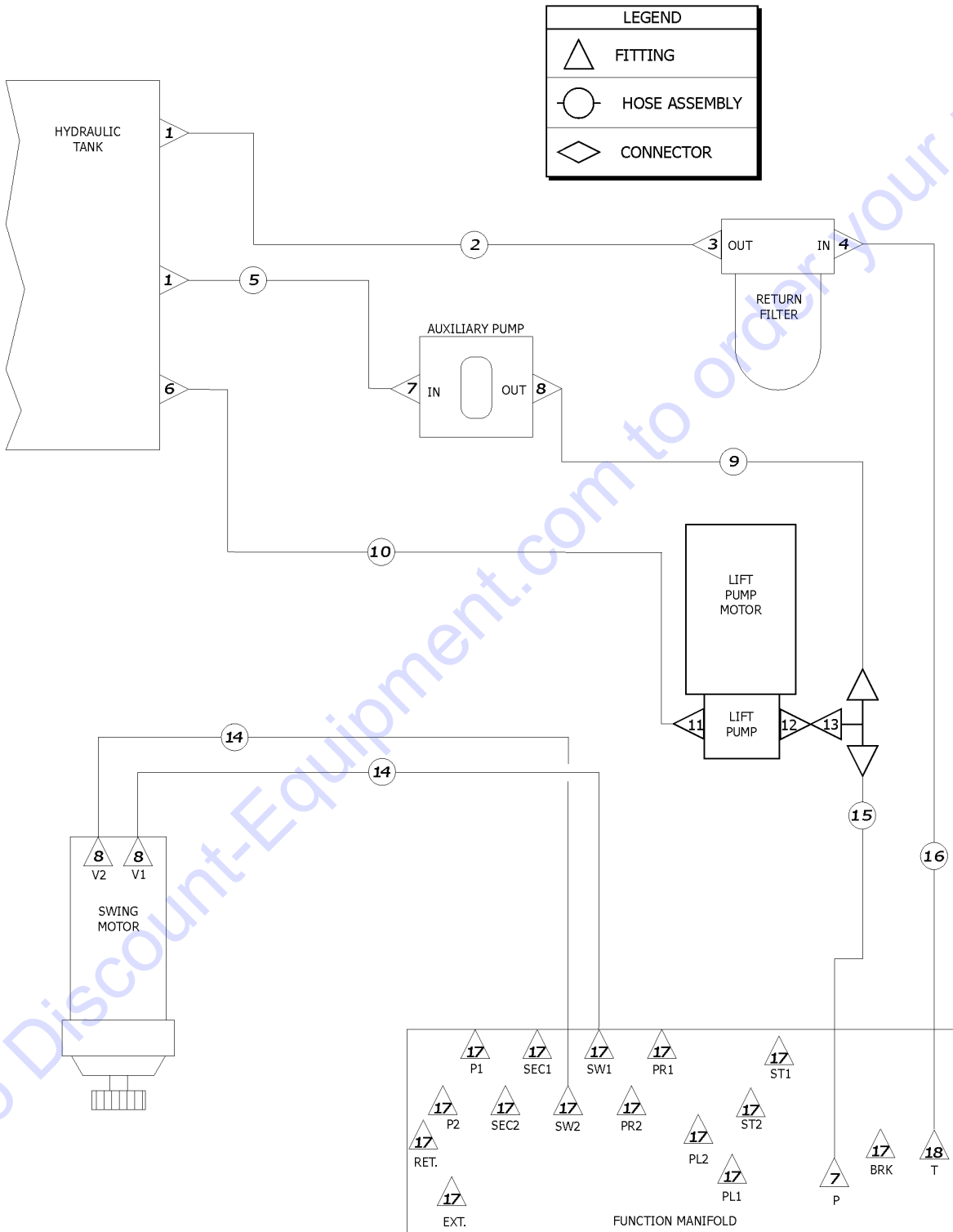


Item	Part No.	Description	Qty.
	28750GT	O-RING KIT,FIELD SVC,ALL PROD* .....	
	49612GT	O-RING KIT (ORFS FITTINGS) .....	
	33994GT	PLUG AND CAP KIT-SERVICE,37 ** .....	
	49613GT	PLUG AND CAP KIT-SERVICE,ORFS* .....	
1	48904GT	ELBOW,90D,520220-4-4 .....	2
2	48906GT	TEE,RUN,520428-4 .....	2
3	49119-2078GT	HOSE ASSY,1/4,STR FEM,STR FEM* .....	2
4	49117-11091GT	HOSE ASSY,1/4,90 FEM,STR FEM .....	2
5	49117-9991GT	HOSE ASSY,1/4,90 FEM,STR FEM .....	1
6	48890GT	FITTING,TEE,BRANCH,520429-4*** .....	1
7	49117-4691GT	HOSE ASSY,1/4,90 FEM,STR FEM .....	1
8	48904GT	ELBOW,90D,520220-4-4 .....	1

Go to Discount-Equipment.com to order your parts



802.1 Turntable Components



# PARTS FINDER

**Search Website  
by Part Number**



**Search Manual  
Library For Parts  
Manual & Lookup Part  
Numbers – Purchase  
or Request Quote**

**Search Manuals**

Enter your information to help us find the right parts manual for your machine.

\* Brand:

\* Model:

\* Serial:

\* Part Number:

SEARCH

**Can't Find Part or  
Manual? Request Help  
by Manufacturer,  
Model & Description**

**Parts Order Form**

Please fill in the following information to help us find the right part for your machine.

Manufacturer:	<input type="text"/>
Model:	<input type="text"/>
Description:	<input type="text"/>
Part Number:	<input type="text"/>
Quantity:	<input type="text"/>
Notes:	<input type="text"/>

Submit

Discount-Equipment.com is your online resource for quality parts & equipment.

Florida: **561-964-4949** Outside Florida TOLL FREE: **877-690-3101**

**Need parts?**



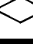
Click on this link: <http://www.discount-equipment.com/category/5443-parts/> and choose one of the options to help get the right parts and equipment you are looking for. Please have the machine model and serial number available in order to help us get you the correct parts. If you don't find the part on the website or on one of the online manuals, please fill out the request form and one of our experienced staff members will get back to you with a quote for the right part that your machine needs.

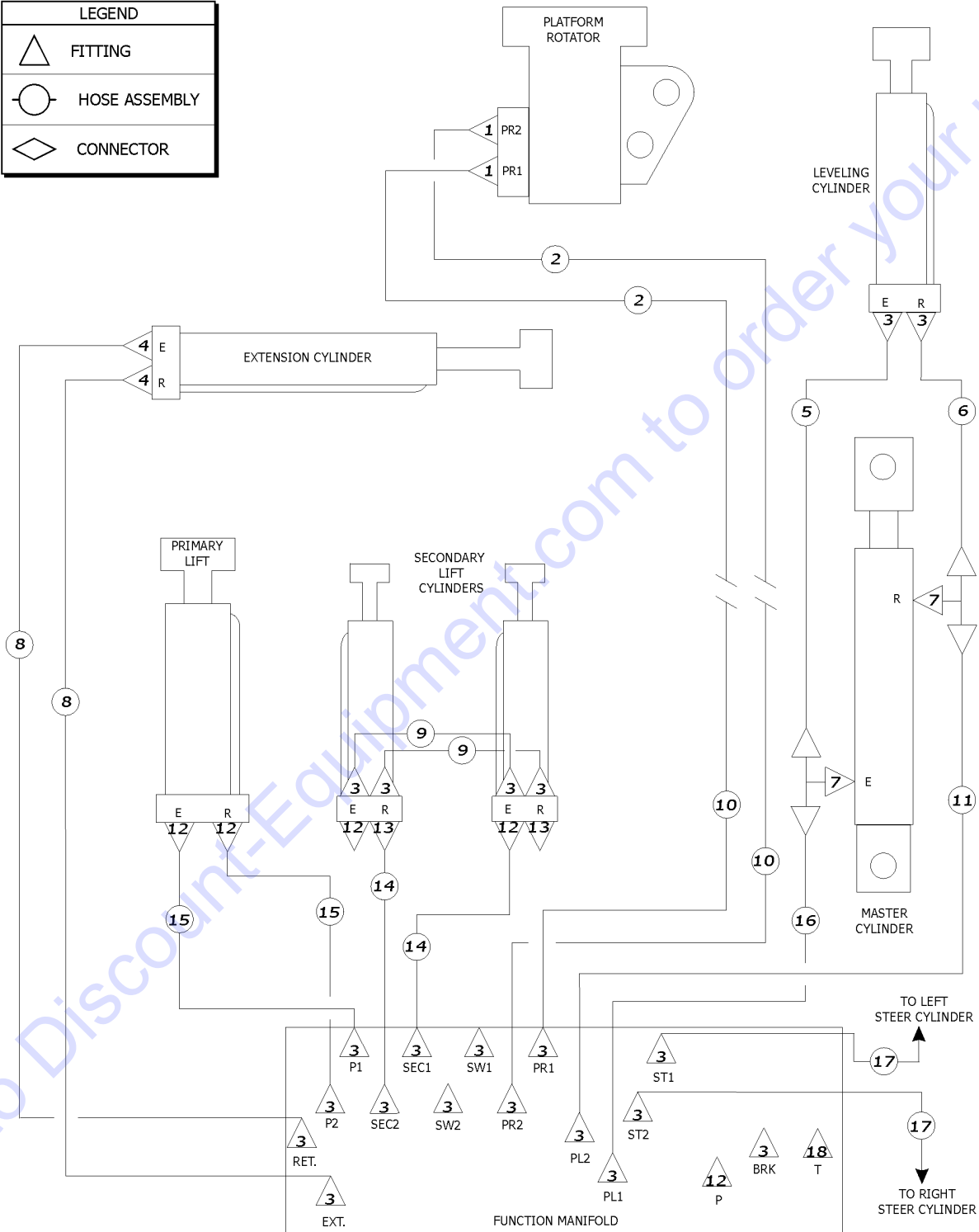
We sell worldwide for the brands: Genie, Terex, JLG, MultiQuip, Mikasa, Essick, Whiteman, Mayco, Toro Stone, Diamond Products, Generac Magnum, Airman, Haulotte, Barreto, Power Blanket, Nifty Lift, Atlas Copco, Chicago Pneumatic, Allmand, Miller Curber, Skyjack, Lull, Skytrak, Tsurumi, Husquvarna Target, Stow, Wacker, Sakai, Mi-T-M, Sullair, Basic, Dynapac, MBW, Weber, Bartell, Bennar Newman, Haulotte, Ditch Runner, Menegotti, Morrison, Contec, Buddy, Crown, Edco, Wyco, Bomag, Laymor, EZ Trench, Bil-Jax, F.S. Curtis, Gehl Pavers, Heli, Honda, ICS/PowerGrit, IHI, Partner, Imer, Clipper, MMD, Koshin, Rice, CH&E, General Equipment, Amida, Coleman, NAC, Gradall, Square Shooter, Kent, Stanley, Tamco, Toku, Hatz, Kohler, Robin, Wisconsin, Northrock, Oztec, Toker TK, Rol-Air, APT, Wylie, Ingersoll Rand / Doosan, Innovatech, Con X, Ammann, Mecalac, Makinex, Smith Surface Prep, Small Line, Wanco, Yanmar

Item	Part No.	Description	Qty.
A	28750GT	O-RING KIT,FIELD SVC,ALL PROD* .....	
B	33994GT	PLUG AND CAP KIT-SERVICE,37 ** .....	
C	49612GT	O-RING KIT (ORFS FITTINGS) .....	
D	49613GT	PLUG AND CAP KIT-SERVICE,ORFS* .....	
1	48944GT	CONN,520102-8-8 .....	2
2	49143-2535GT	HOSE ASSY,1/2,90 FEM,STR FEM .....	1
3	48947GT	ELBOW,90D,520220-8-12 .....	1
4	48948GT	CONN,520120-8-12 .....	1
5	77059-2986GT	HOSE ASSY,MULTI USE*** .....	1
6	45162GT	STRAINER ASSEMBLY,1.25" NPT*** .....	
7	48916GT	CONN, 520120-6 .....	2
8	48911GT	ELBOW,90D,520220-4-6*** .....	3
9	1290338-2050GT	ASSY, HOSE, HYD, -4, 3250, STR, STR .....	1
10	102313-2394GT	ASSY, HOSE, HYD, -12, 4000, STR, 45 DC only .....	1
10B	94374-2205GT	HOSE ASSY,3/4,90D,STR FEM .....	1
		(to SN 59107) BE only	
10C	102313-1920GT	ASSY, HOSE, HYD, -12, 4000, STR, 45 .....	
		(from SN 59108) BE only	
11	48974GT	ELBOW,90D,520220-12-10 .....	1
12	48999GT	VALVE,CHK,#8PORT-#8MALEORFS .....	1
13	48939GT	TEE,BRANCH,520433-8 .....	1
14	49119-3378GT	HOSE ASSY,1/4,STR FEM,STR FEM .....	2
15	1290351-3925GT	ASSY, HOSE, HYD, -8, 4250, STR, 90 .....	1
		DC only	
15B	1290351-3925GT	ASSY, HOSE, HYD, -8, 4250, STR, 90 .....	1
		BE only	
16	49143-2029GT	HOSE ASSY,1/2,90 FEM,STR FEMM* .....	1
17	48912GT	CONN,520120-4-6*** .....	15
18	48942GT	ELBOW,90D,520220-8-6 .....	1



803.1 Boom Components - Z-45/25

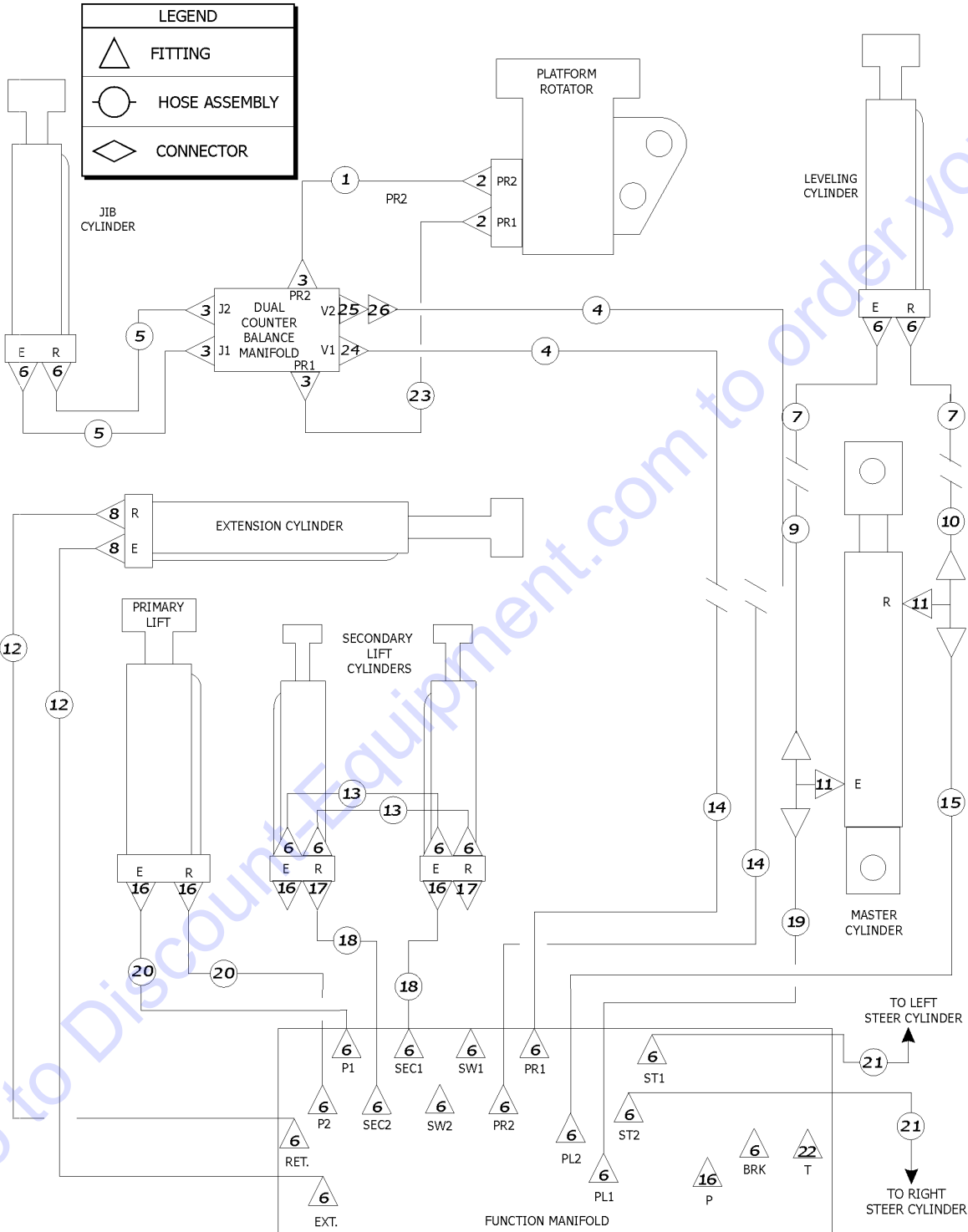
LEGEND	
	FITTING
	HOSE ASSEMBLY
	CONNECTOR



Item	Part No.	Description	Qty.
A	28678GT	SLEEVE,NYLON,2".I.D.,BULK(100') protective hose sleeve, 2.00" diameter	18
B	28750GT	O-RING KIT,FIELD SVC,ALL PROD*	
C	33994GT	PLUG AND CAP KIT-SERVICE,37 **	
D	48767GT	SLEEVE,NYLON,1.42 ID protective hose sleeve, 1.42" diameter	33
E	49612GT	O-RING KIT (ORFS FITTINGS)	
F	49613GT	PLUG AND CAP KIT-SERVICE,ORFS*	
G	77103GT	SLEEVE,NYLON,3.13 ID protective hose sleeve, 3.13" diameter	48
1	48904GT	ELBOW,90D,520220-4-4	2
2	49121-25688GT	HOSE ASSY 1/4,STR FEM,STR MALE	2
3	48912GT	CONN,520120-4-6***	21
4	48917GT	CONN,LONG,520122-6	2
5	49119-26078GT	HOSE ASSY,1/4,STR FEM,STR FEM	1
6	49119-27478GT	HOSE ASSY,1/4,STR FEM,STR FEM	1
7	48919GT	TEE,BRANCH,520429-6	2
8	49120-33381GT	HOSE ASSY 1/4, STR FEM,STR FEM	2
9	49119-2178GT	HOSE ASSY,1/4,STR FEM,STR FEM	2
10	49119-39378GT	HOSE ASSY,1/4,STR FEM,STR FEM	2
11	49119-34378GT	HOSE ASSY,1/4,STR FEM,STR FEM	1
12	48916GT	CONN, 520120-6	5
13	48923GT	PLUG,090109A-6	2
14	49119-13978GT	HOSE ASSY,1/4,STR FEM,STR FEM	2
15	49119-36378GT	HOSE ASSY,1/4,STR FEM,STR FEM	2
16	49119-35678GT	HOSE ASSY,1/4,STR FEM,STR FEM	1
17		Ref. Hose Assembly refer to 801.1	1
18	48942GT	ELBOW,90D,520220-8-6	1



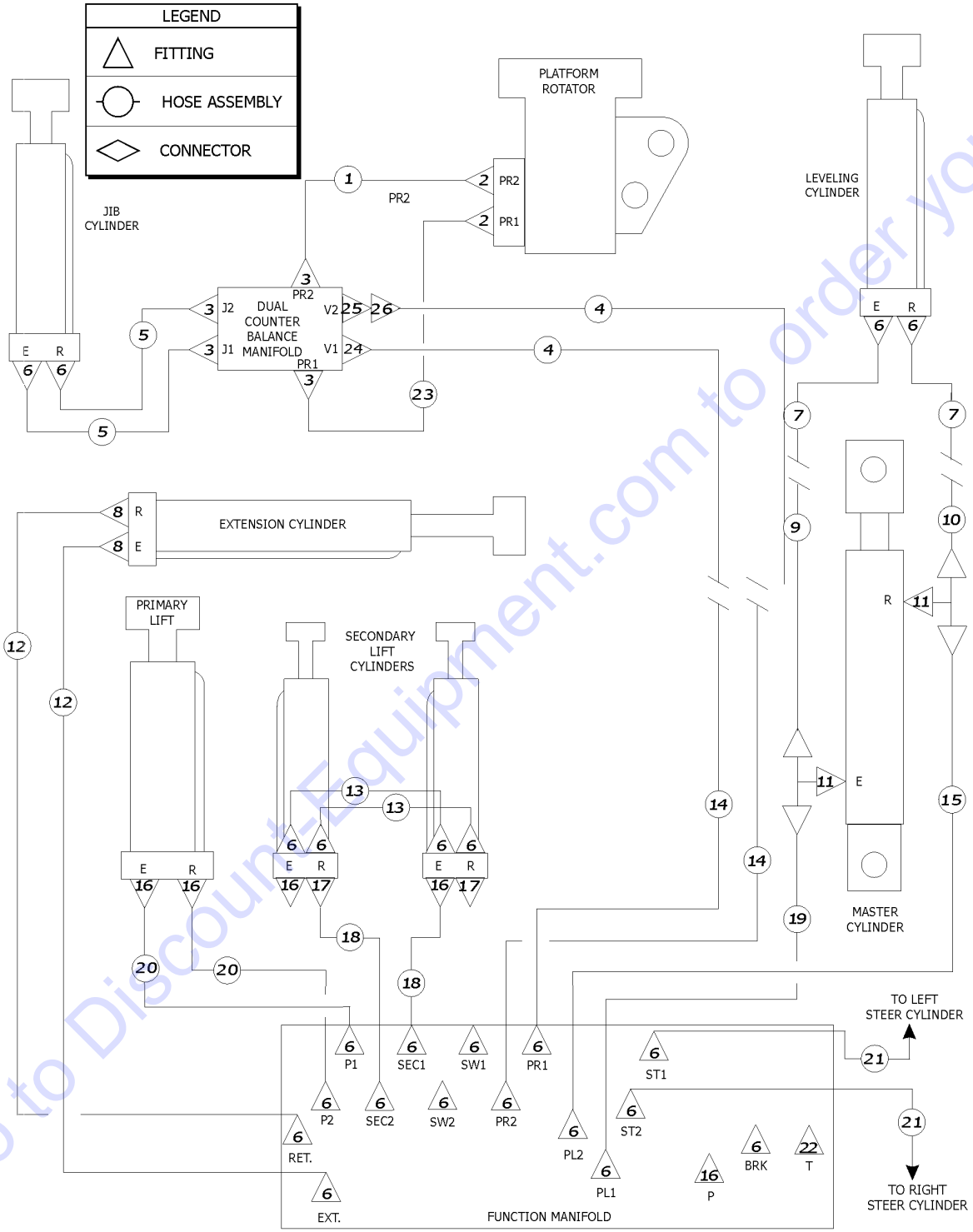
804.1 Boom Components - Z-45/25J



Item	Part No.	Description	Qty.
A	28678GT	SLEEVE,NYLON,2" I.D.,BULK(100')	23
B	28750GT	O-RING KIT,FIELD SVC,ALL PROD*	
C	33994GT	PLUG AND CAP KIT-SERVICE,37 **	
D	48767GT	SLEEVE,NYLON,1.42 ID	7
E	49612GT	O-RING KIT (ORFS FITTINGS)	
F	49613GT	PLUG AND CAP KIT-SERVICE,ORFS*	
1	49119-2374GT	ASSY, HOSE, HYD, -4, 3250, STR, STR	1
2	48904GT	ELBOW,90D,520220-4-4	2
3	48905GT	CONN,520120-4***	5
4	49121-27788GT	HOSE ASSY 1/4,STR FEM,STR MALE	2
5	49119-4178GT	HOSE ASSY,1/4,STR FEM,STR FEM	2
6	48912GT	CONN,520120-4-6***	23
7	49121-2088GT	HOSE ASSY 1/4,STR FEM,STR MALE	2
8	48917GT	CONN,LONG,520122-6	2
9	49119-20578GT	HOSE ASSY,1/4,STR FEM,STR FEM	1
10	49119-21878GT	HOSE ASSY,1/4,STR FEM,STR FEM	1
11	48919GT	TEE,BRANCH,520429-6	2
12	49120-33381GT	HOSE ASSY 1/4, STR FEM,STR FEM	2
13	49119-2178GT	HOSE ASSY,1/4,STR FEM,STR FEM	2
14	49119-37978GT	HOSE ASSY,1/4,STR FEM,STR FEM	2
15	49119-34378GT	HOSE ASSY,1/4,STR FEM,STR FEM	1
16	48923GT	PLUG,090109A-6	4
17	48916GT	CONN, 520120-6	1
18	49119-13978GT	HOSE ASSY,1/4,STR FEM,STR FEM	2
19	49119-35678GT	HOSE ASSY,1/4,STR FEM,STR FEM	1
20	49119-36378GT	HOSE ASSY,1/4,STR FEM,STR FEM	2
21	49117-11091GT	HOSE ASSY,1/4,90 FEM,STR FEM	1
22	48942GT	ELBOW,90D,520220-8-6	1



804.1 Boom Components - Z-45/25J

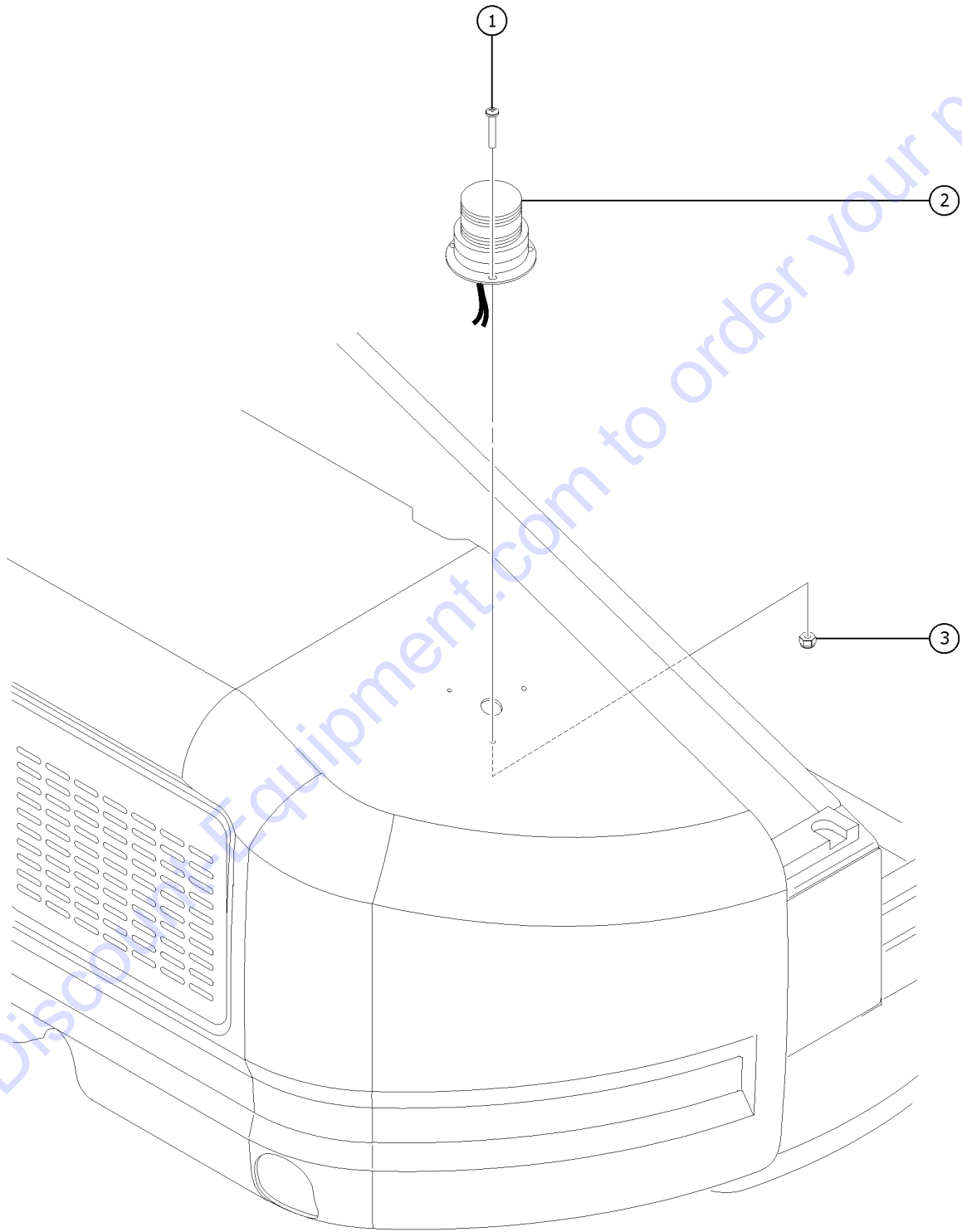


Item	Part No.	Description	Qty.
23	49119-2224GT	ASSY, HOSE, HYD, -4, 3250, STR, STR .....	1
24	1293787GT	No.4 90DEG ORFS W/125 MICRON SCREEN ..... from SN Z4525f-61343	
25	1293788GT	No.4 STR ORFS W/125 MICRON SCREEN ..... from SN Z4525f-61343	
26	54132GT	ELBOW, SWIVEL 90D, 520221-4 ..... from SN Z4525f-61343	

Go to Discount-Equipment.com to order your parts



901.1 Flashing Beacon



901.1 Flashing Beacon

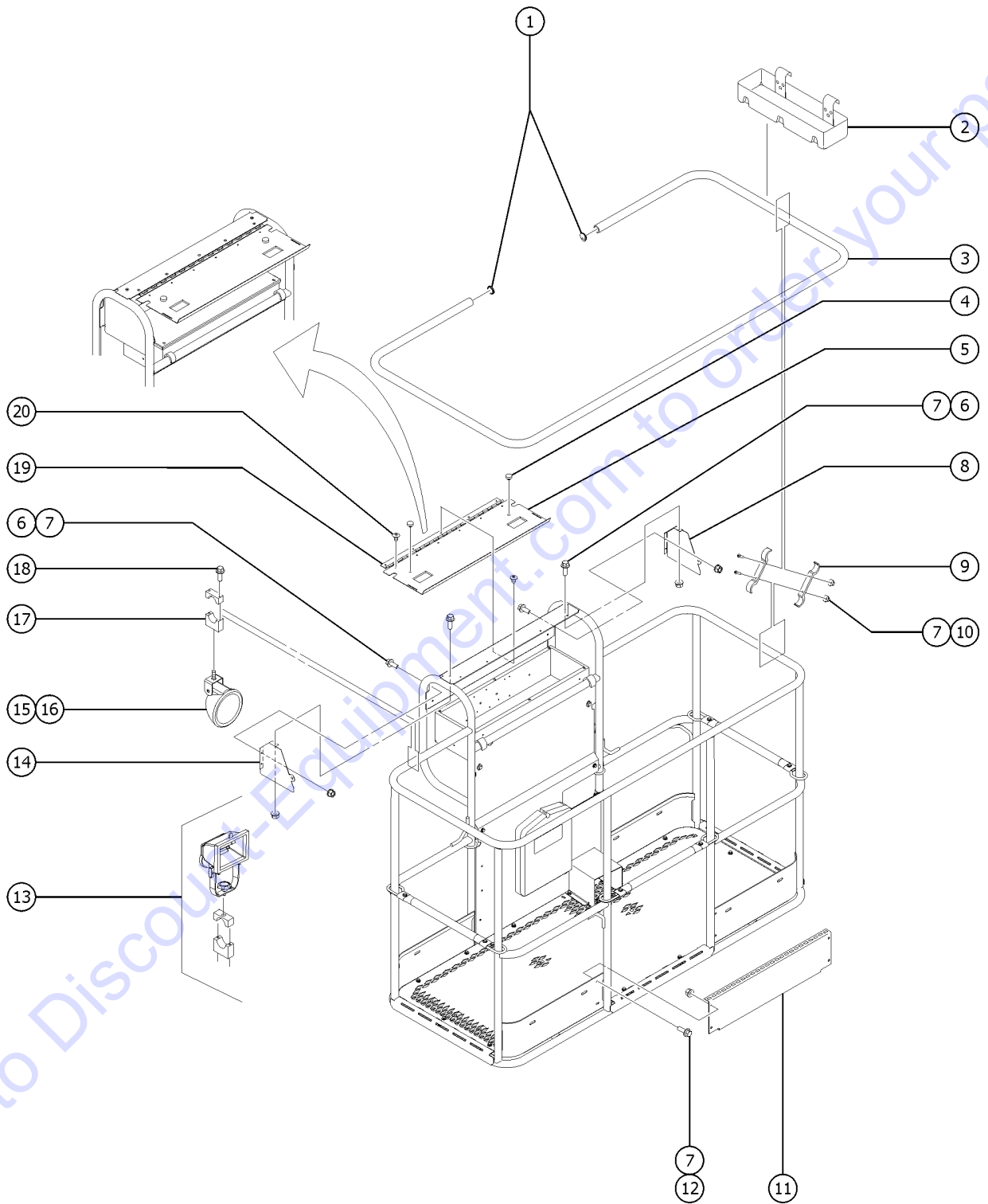
Item	Part No.	Description	Qty.
1	826516GT	SCREW, PHPM, 10-32 X 1.0, ZAG .....	3
2	56704GT	STROBE, FIREBOLT, 12-80VDC, AMB** (replaced 20189) .....	1
2-	122019GT	FLASHTUBE, U SHAPED, 360DEG, BULB .....	
2-	226393GT	FLASHTUBE, STRAIGHT, 360DEG, BULB .....	
2-	72282GT	LENS, AMBER, STROBE, FIREBOLT .....	
2B	1301021GT	GUARD, BEACON, Z45 .....	
		for EE models	
3	1264261GT	NUT, SERRATED, 10-32, ZAG .....	3

Go to Discount-Equipment.com to order your parts





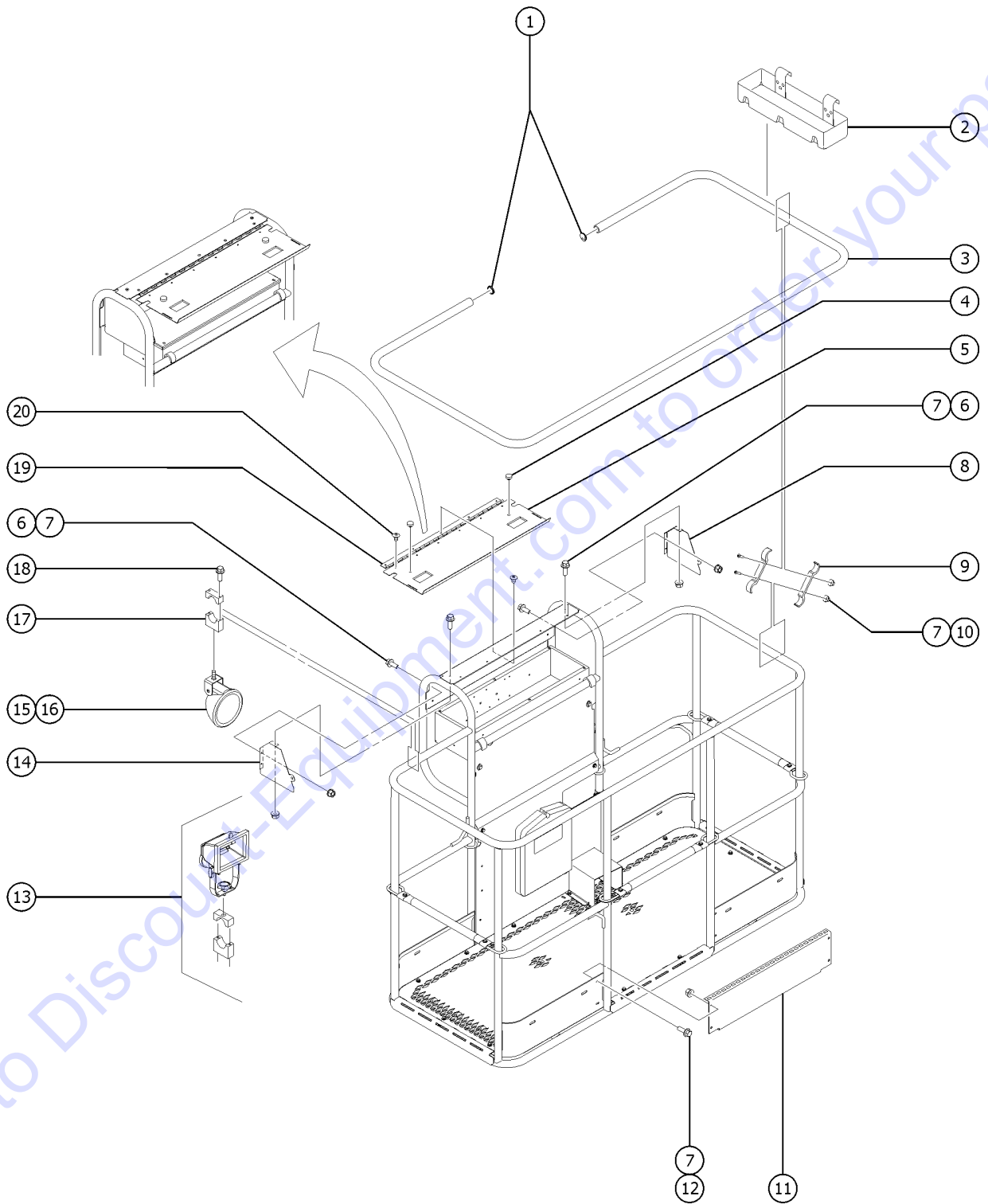
902.1 Platform Options



Item	Part No.	Description	Qty.
A	122278GT	AUX TOP RAIL,6',SWG GT, SRV .....	
B	122279GT	AUX TOP RAIL,8',SWG GT, SRV .....	
C	28322GT	OPTION,PLAT.PINCH GUARD,5 FT. ....	
D	28323GT	OPTION,PLAT.PINCH GUARD,4 FT. ....	
E	53157-SGT	PINCH GUARD,6'(1.31")SERVICE** .....	
F	53807-SGT	AUX TOP RAIL,8'(1.25")SERVICE .....	
G	53808-SGT	AUX TOP RAIL,6'(1.25")SERVICE .....	
H	60922GT	OPTION,EURO TOEBOARD .....	
		includes item 11	
1	55753GT	BUMPER, PLASTIC, 1.25 O.D. ....	2
2	9599-SGT	TOOL TRAY ACCESSORY*** .....	1
2-	7746GT	BRACKET-TOOL TRAY MOUNTING .....	2
3A		Ref. RAILING,PINCH GAURD 4 FT. ....	1
		(tri-entry platform) (refer to 917.1)	
3B		Ref. RAILING,PINCH GAURD,5 FT. ....	1
		(tri-entry platform) (refer to 917.1)	
4	43392GT	BUMPER,BATTERY BOX & RAILS .....	2
5	102785PGT	CONTROL BOX COVER,LID,PTD .....	1
5-	102786PGT	FORMING,LATCH,CTRL BOX LID PTD .....	
		(not included - sold seperately)	
5-	30468GT	LATCH,SLIDE, FLUSH MOUNT STYLE .....	
		(not included - sold seperately)	
6	824078GT	SCREW,HHF,1/4-20X.75,8,ZAG .....	8
7	824027GT	NUT,TL FLG,1/4-20,G,ZAG .....	32
8	88606PGT	COVER,CONTROL BOX RIGHT SIDE** .....	1
9	122073GT	SUPPORT, RAILING .....	20
10	824227GT	SCREW, BHC, 1/4-20 X 1, ZAG .....	20
11	94745PGT	TOEBOARD,ENTRY EUROPEAN PNTD** .....	1
12	1256855GT	SCREW,HHF,1/4-20X.625,8,ZAG .....	4
13	1284764GT	WORKLIGHT,110V,250WATT,HALOGEN .....	2
14	88607PGT	COVER,CONTROL BOX LEFT SIDE*** .....	1
15A	107857GT	LIGHT, 12 VOLT .....	
15A-		REF: Harness, Z45 Drive Lights .....	
		refer to 410.1	



902.1 Platform Options

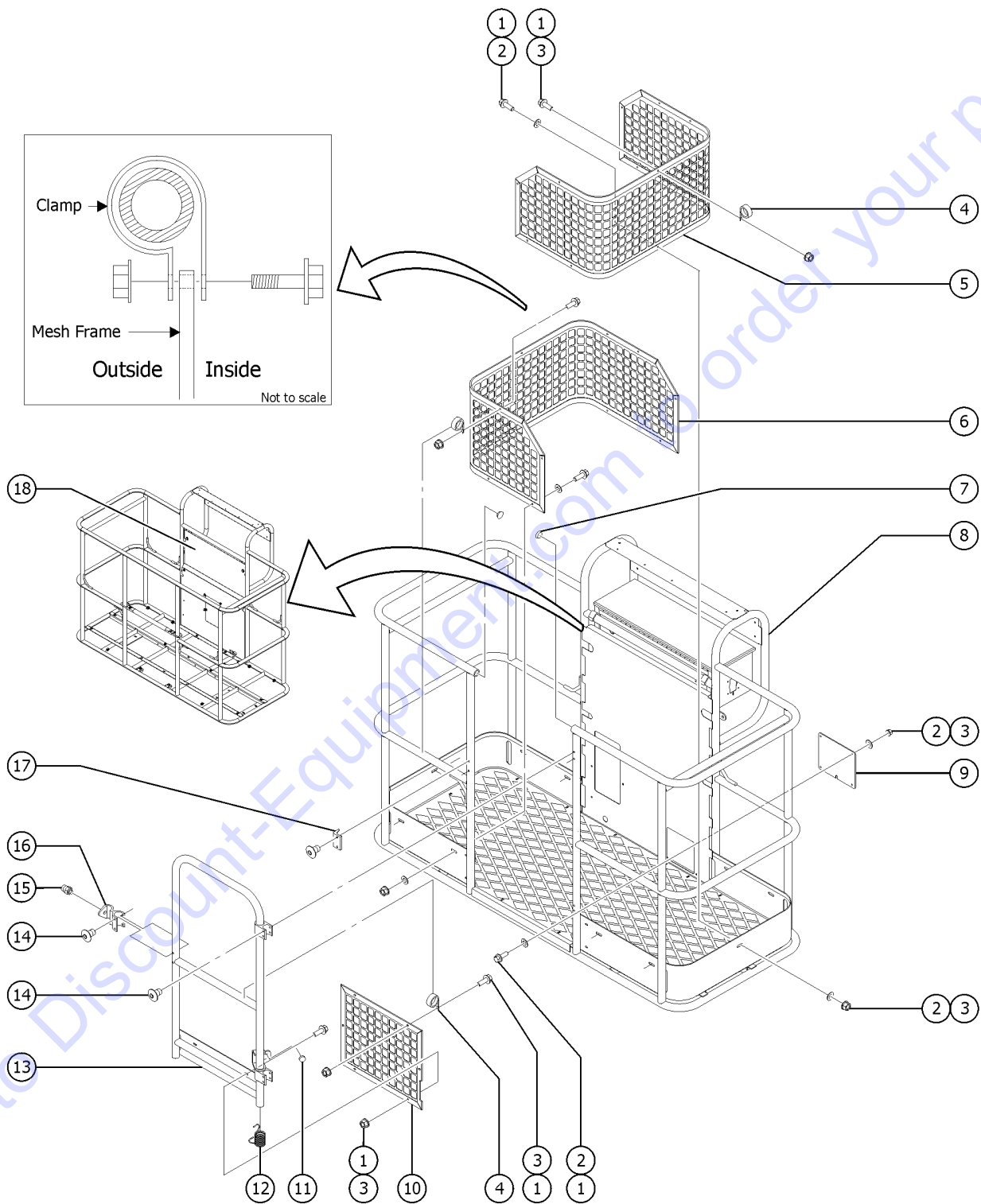


Item	Part No.	Description	Qty.
15A-	35960GT	BULB,WORKLIGHT,12V 35W .....	
15B	107858GT	WORKLIGHT,48 VOLT .....	
15B-		REF: Harness, Z45 Drive Lights .....	
		refer to 410.1	
16	824085GT	SCREW, HHF, 5/16-18 X .75, 8, ZAG .....	2
17	35956GT	BRACKET,WORK LIGHT MOUNT 5/16" .....	2
18	824081GT	SCREW, HHF, 1/4-20 X 1.5, 8, ZAG .....	4
19	111526GT	HINGE,PLAT CONTROL BOX COVER .....	1
20	54486GT	RIVET,ALUM,ALUM,3/16BUTTONHEAD .....	11

Go to Discount-Equipment.com to order your parts



903.1 Half-height Mesh and Swing Gate Options - Side Swing Gate



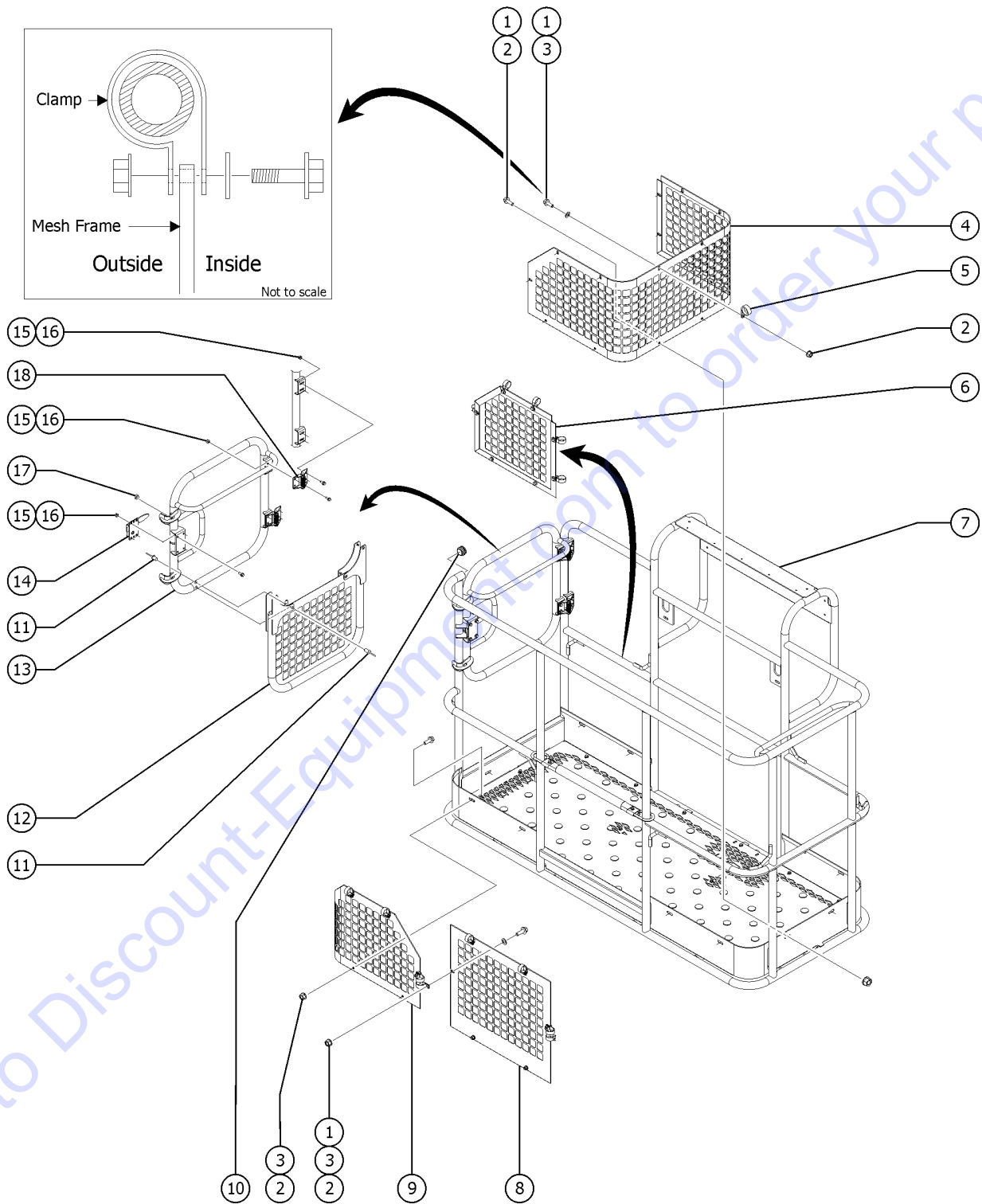
903.1 Half-height Mesh and Swing Gate Options - Side Swing Gate

Item	Part No.	Description	Qty.
1	1264101GT	SCREW,HHC,5/16-18X1,8,ZAG .....	
2	824028GT	NUT,TL FLG,5/16-18,G,ZAG .....	
3	825358GT	WASHER,FLAT,5/16,USS,ZAG .....	
4	1240313GT	PANEL, HALF MESH .....	1
5	56424GT	CLAMP,1.25X.5 RUBBER-CUSHION .....	22
6	1270314GT	PANEL, HALF MESH .....	1
7		Ref. Platform Assembly (refer to 601.1) .....	
8	1271061GT	PANEL, HALF MESH .....	1
9	1270316GT	PANEL, HALF MESH .....	1
10	55753GT	BUMPER, PLASTIC, 1.25 O.D. ....	1
11	824027GT	NUT,TL FLG,1/4-20,G,ZAG .....	
12	1285700GT	WELDMENT,SWING GATE PANEL .....	1
13	1268676GT	SWING GATE,WITH LATCH .....	1
14	1267747GT	LATCH, SWING GATE .....	1
15	824027GT	NUT,TL FLG,1/4-20,G,ZAG .....	
16	1256855GT	SCREW,HHF,1/4-20X.625,8,ZAG .....	
17	43392GT	BUMPER,BATTERY BOX & RAILS .....	2
18	104804GT	HINGE, SPRING, LONG LEG .....	2

Go to Discount-Equipment.com to order your parts



903.2 Half-height mesh and Swing Gate Options - Front Single Entry



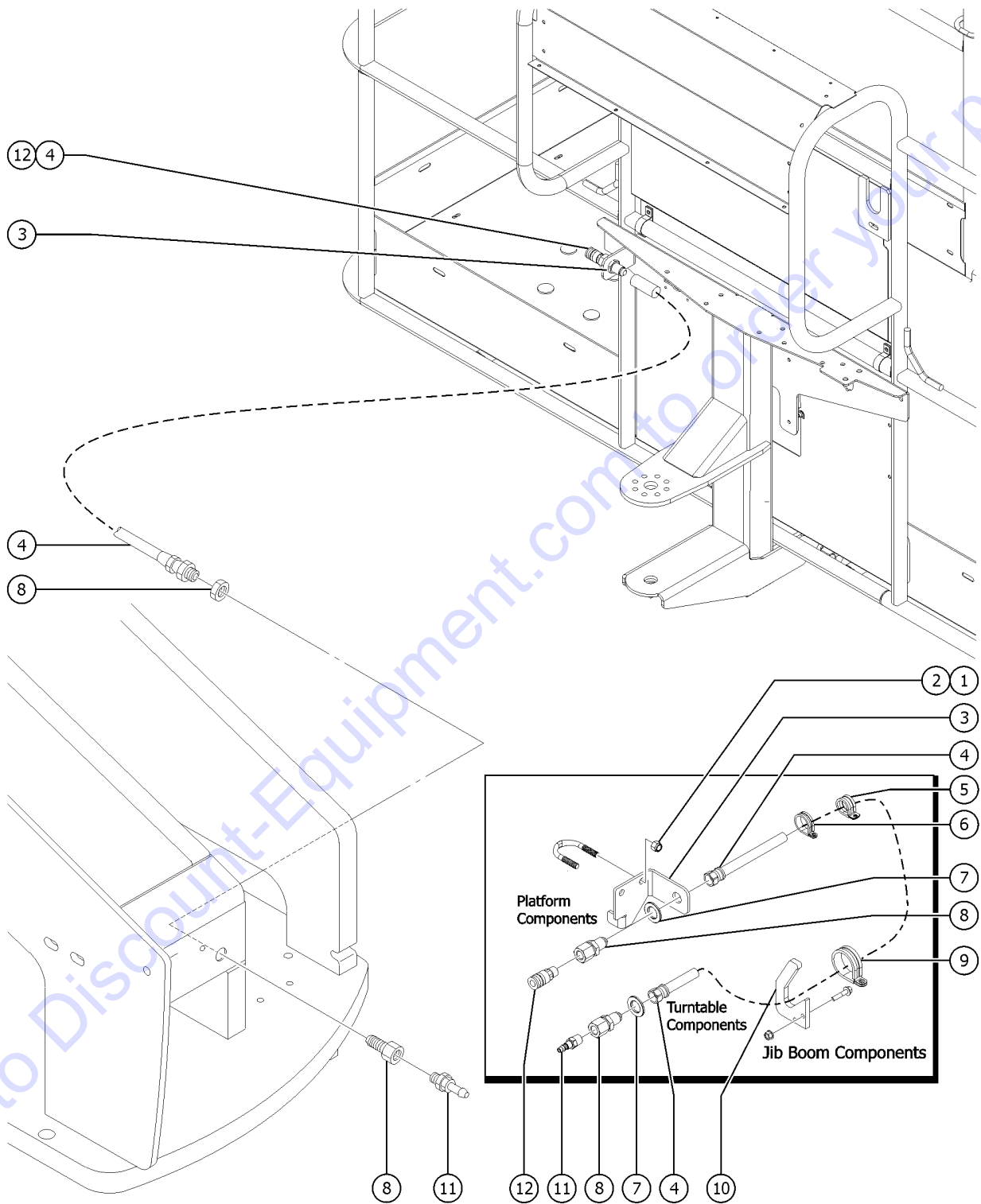
903.2 Half-height mesh and Swing Gate Options - Front Single Entry

Item	Part No.	Description	Qty.
1	824078GT	SCREW,HHF,1/4-20X.75,8,ZAG .....	26
2	824113GT	WASHER,FLAT,USS,1/4,ZAG .....	20
3	824027GT	NUT,TL FLG,1/4-20,G,ZAG .....	26
4	56424GT	CLAMP,1.25X.5 RUBBER-CUSHION .....	14
5A	101853GT	MESH,HALF,RH 5' PLATFORM 5ft .....	1
5B	54465GT	MESH,HALF,RH,6'PLATFORM 6ft .....	1
6A	101852GT	MESH,HALF,LH 5' PLATFORM 5ft .....	1
6B	54458GT	MESH,HALF,LH,6'PLATFORM 6ft .....	1
7	55753GT	BUMPER, PLASTIC, 1.25 O.D. ....	2
8		REF: Platform Weldment (refer to 601.1) .....	1
9	54165GT	PLATE,FOOT SWITCH COVER .....	1
10	54457GT	MESH,HALF,SWING GATE*** .....	1
11	43392GT	BUMPER,BATTERY BOX & RAILS .....	1
12	42104GT	SPRING,SHORT PLATFORM GATE .....	1
13	128368GT	KIT,SWING GATE W/SPRING .....	
13	1290135GT	KIT,FRONT HALF SWING GATE .....	
13A-	128374GT	WELDMENT,SWING GATE,ALUMINUM .....	1
13A-	42104GT	SPRING,SHORT PLATFORM GATE .....	
13A-	43392GT	BUMPER,BATTERY BOX & RAILS .....	
14	824207GT	RIVET,STL,STL,DOME,1/4X.375,Z .....	14
15	33674GT	PIN,LOCK,SHORT*** .....	1
16	1487GT	GATE LATCH CASTING--DRILLED .....	1
17	1488GT	RAILING CATCH CASTING--DRILLED .....	1
18	73901GT	DECAL PLATE,MESH .....	1





904.1 Air Line to Platform



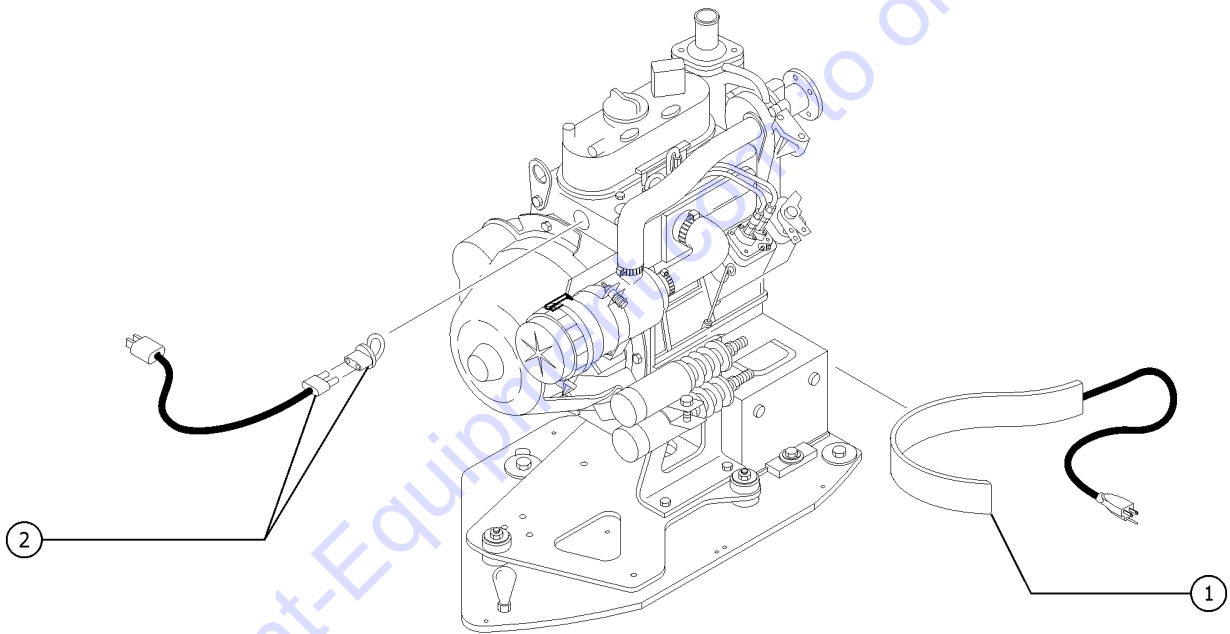
904.1 Air Line to Platform

Item	Part No.	Description	Qty.
1	824029GT	NUT,TL FLG,3/8-16,G,ZAG .....	2
2	1251600GT	U-BOLT, FLATTENED, 1.5 X 3/8 .....	1
3	70642PGT	BRACKET,AIR HOSE TO PLAT PAINT .....	1
4	70644-75792GT	HOSE ASSY,3/8 STR FEM STR FEM* .....	1
4-	16073GT	CLAMP,0.63,#10 X 1/4,RUB CUSH .....	
5	45454GT	CLAMP,RUB CUSH,0.75,#12 X 3/8* .....	6
6	13268GT	CLAMP,0.75,#12 X 1/4,RUB CUSH .....	6
7	1256863GT	WASHER,FLAT,.75,SAE,HRD,ZAG .....	2
8	49212GT	FEMALE BULKHEAD CONNECTOR-8 .....	2
9	66031GT	CLAMP,1.88,#30 X 3/8,RUB CUSH .....	2
		Jib models only	
10		REF. HOSE GUIDE, JIB .....	1
		Refer to 509.1	
11	49214GT	MALE PIPE THD,1/4" SER,3/8"X18 .....	1
12	49215GT	MPT,CPLR,1/4"SER,3/8"X18 .....	1

Go to Discount-Equipment.com to order your parts



905.1 Cold Start Package



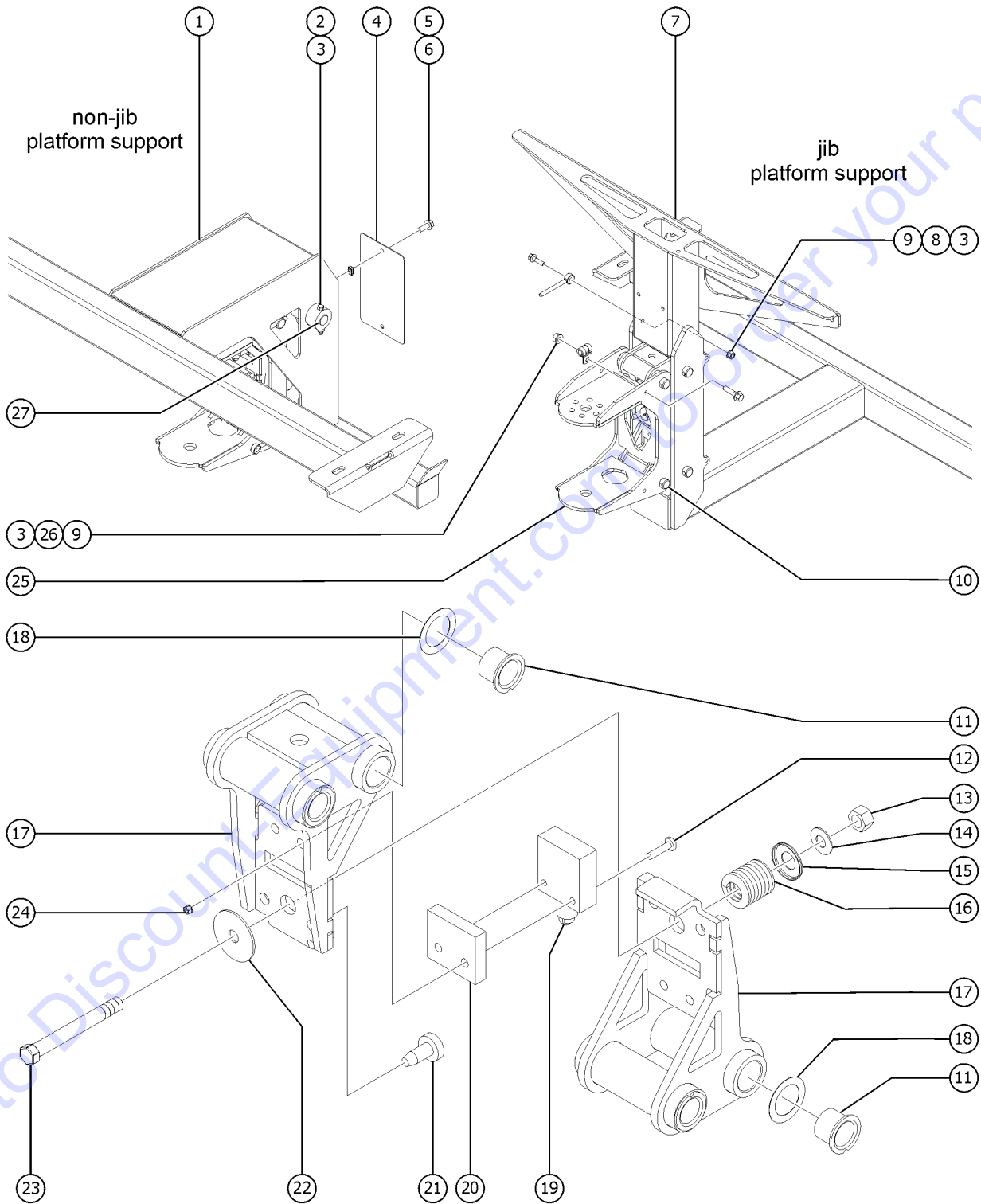
905.1 Cold Start Package

Item	Part No.	Description	Qty.
	70707GT	COLD START PKG,120V BI-ENERGY .....	
1	28853GT	BLANKET,BATTERY .....	1
2	70683GT	FREEZE PLUG HEATER,Z45 .....	1

Go to Discount-Equipment.com to order your parts



906.1 Platform Overload Option

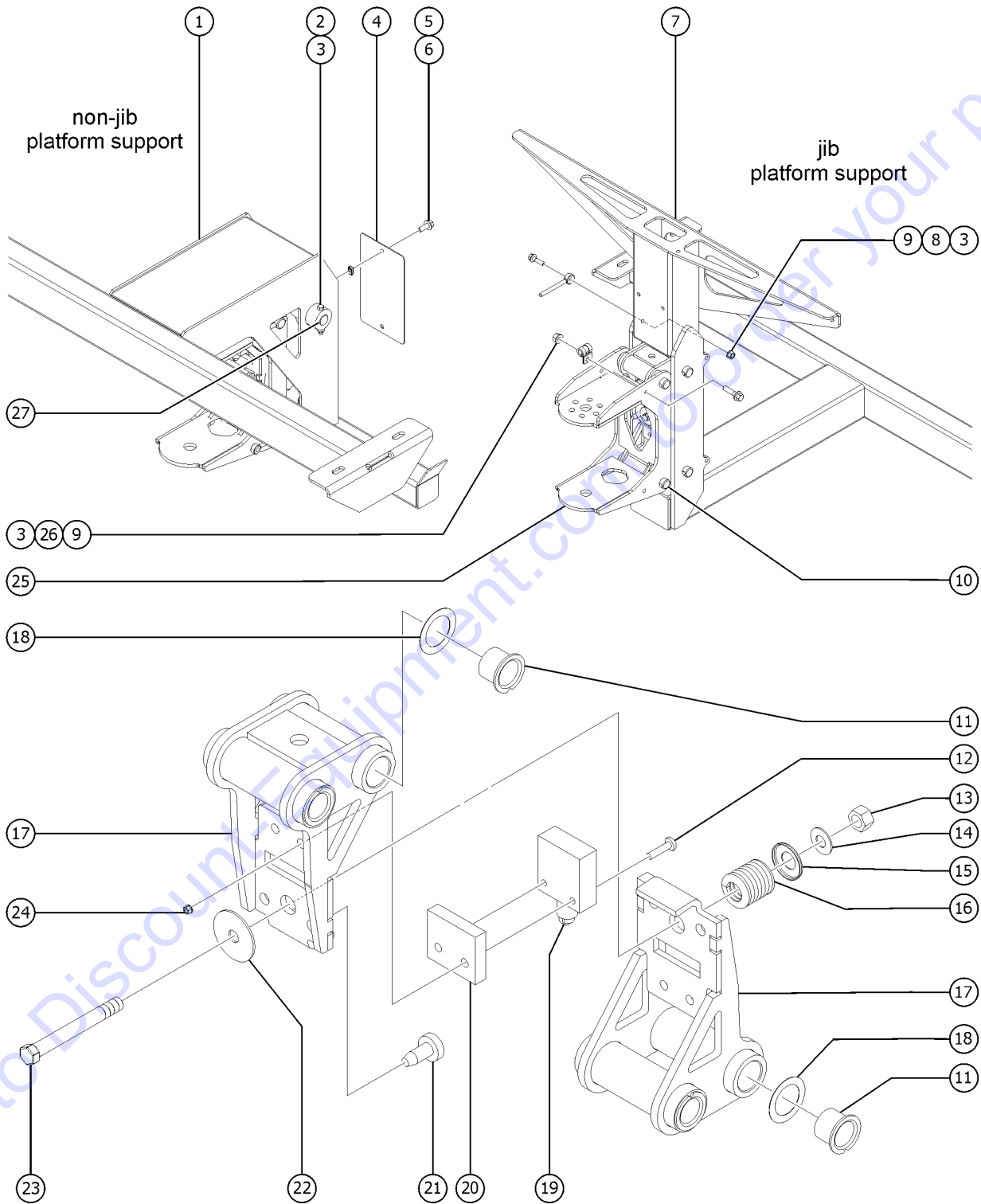


906.1 Platform Overload Option

Item	Part No.	Description	Qty.
-		Becomes Standard After SN Z4525F-62000	
A	147509GT	KIT,LOAD SENSE MECH,Z45 JIB	
B	128045GT	MODULE,LOAD SENSE 2007	
1	98154GT	WELDMENT,PLAT SUPPORT,LS non-jib models with platform overload option	1
2	1253485GT	SCREW,HHF,1/4-20X2,8,ZAG	2
3	824027GT	NUT,TL FLG,1/4-20,G,ZAG	
4	94492PGT	PANEL,ACCESS PAINTED	1
5	824078GT	SCREW,HHF,1/4-20X.75,8,ZAG	2
6	56912GT	SPRING CLIP,1/4-20,.025-.15X.54,ZAG	2
7	61998GT	WELDMENT,PLATFORM SUPPORT jib models with platform overload option	1
8	825020GT	ROD END, .25 X 2.75, ZAG	4
9	824079GT	SCREW,HHF,1/4-20X1,8,ZAG	5
10	61726GT	PIN,0.75DIA X 5.75LG,CHAMFER	4
10-	94643GT	ZERK,GREASE,5/16-24,STRAIT	
11	25685GT	BEARING,GARLOCK,12FDU12	8
12	824216GT	SCREW,PHPM,10-32X1.5,ZAG	2
13	824025GT	NUT,TL,3/8-16,C,ZAG	1
14	1255758GT	WASHER,FLAT,3/8,USS,ZAG	1
15	61975GT	RETAINER,SPRING,1.21 X .375	1
16	61974GT	SPRING,COMP,1" OD,232 LB/IN	1
17	101512GT	LOAD SUPPORT WITH BEARINGS includes items 11 and 18	2
17-	94191GT	WELDMENT,LOAD SUPPORT	
18	110789GT	WASHER,SHIM .0151 THK.	as -n ee ded
19	121848GT	ASSY,LS,LOAD SENSE,38.5 IN	1
20	61972GT	MOUNT,SWITCH	1
21	34619GT	BUMPER,RUBBER***	2
22	824122GT	WASHER, FLAT, .375 X 1.25 X .062, ZAG	1



906.1 Platform Overload Option



906.1 Platform Overload Option

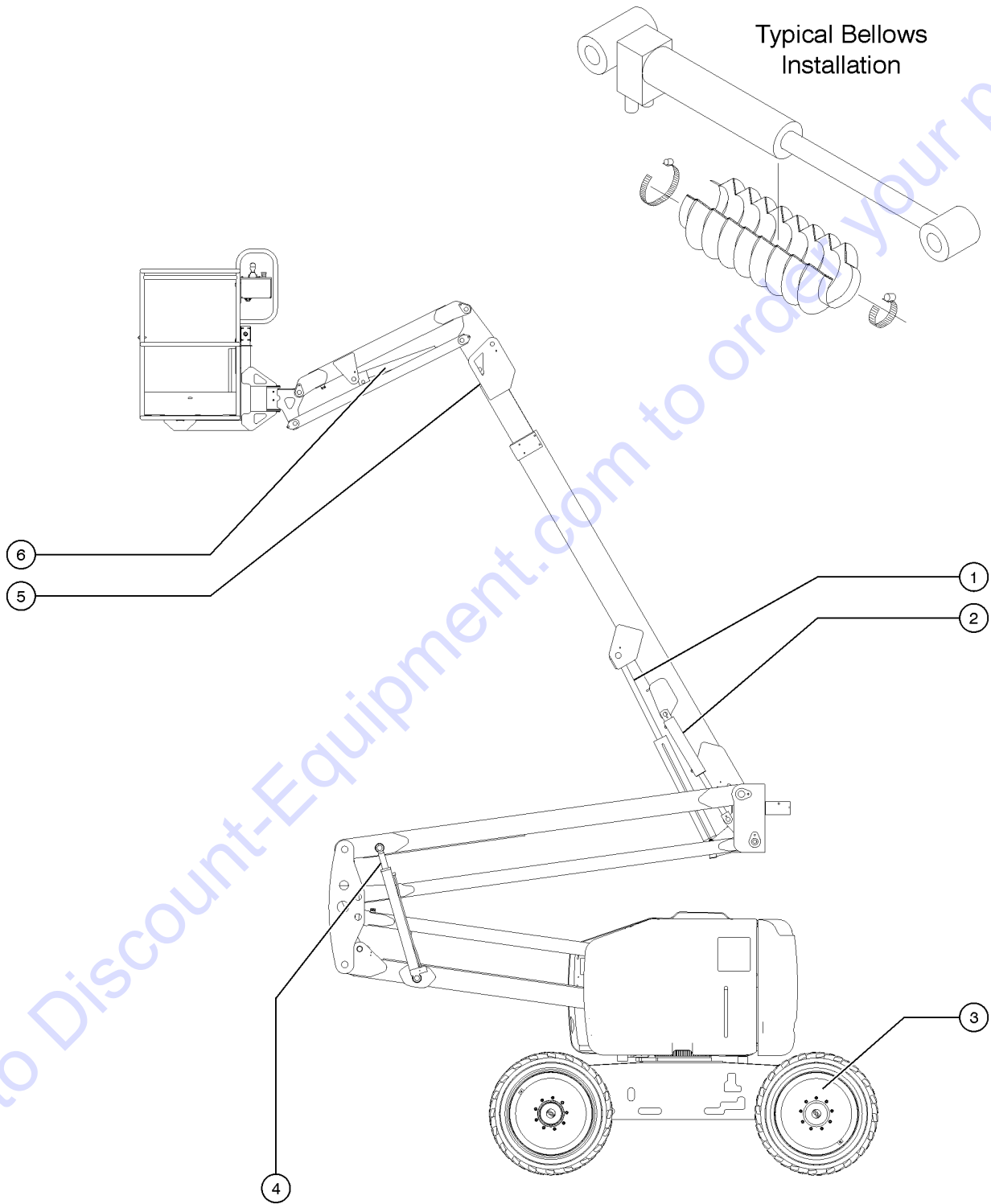
Item	Part No.	Description	Qty.
23	824070GT	SCREW,HHC,3/8-16X3.25,8,ZAG .....	1
24	1264261GT	NUT,SERRATED,10-32,ZAG .....	2
25	61987GT	WELDMENT,ROTATOR MOUNT .....	1
26	45470GT	CLAMP,0.31,#5 X 1/4,RUB CUSH .....	1
27	99174GT	PIN,0.75DIAX8.75LG,CHAMFER .....	2
		(Z45/25)	
27-	94643GT	ZERK,GREASE,5/16-24,STRAIT .....	

Go to Discount-Equipment.com to order your parts





907.1 Hostile Environment Package - View 1, Z-45/25J

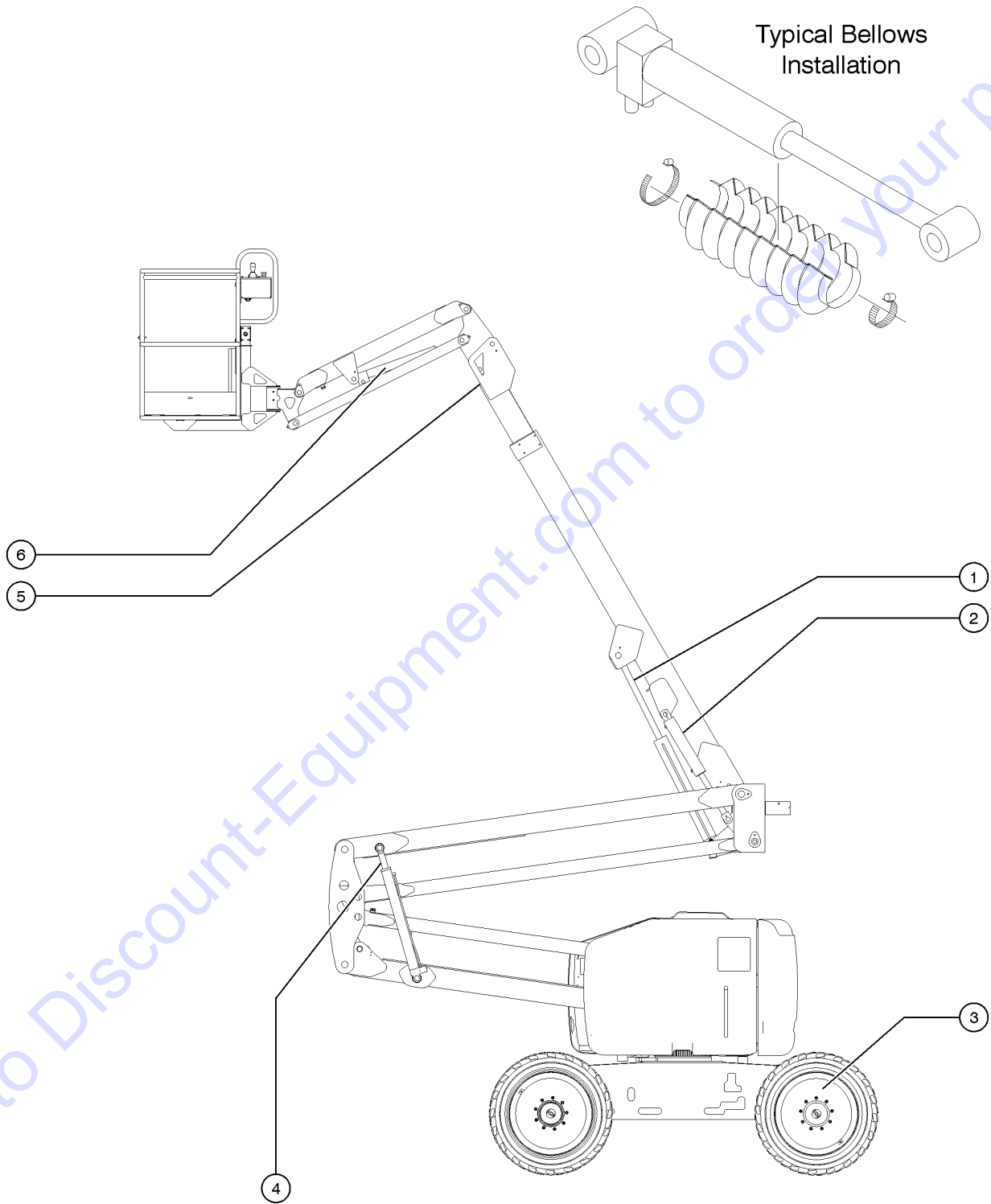


Item	Part No.	Description	Qty.
B	54883GT	BELLOWS,CYL.KIT,Z45&Z51 JIB ..... Z-45/25J	
1B	54638GT	BELLOWS,PRIMARY CYLINDER,JIB ..... Z-45/25J	1
2	54640GT	BELLOWS,MASTER CYLINDER .....	1
3	54989GT	BELLOWS,STEERING CYLINDER .....	1
4	54652GT	BELLOWS,SECONDARY,ELEVATE CYL .....	1
5	54639GT	BELLOWS,SLAVE CYLINDER .....	1
6	54883GT	BELLOWS,CYL.KIT,Z45&Z51 JIB ..... Z-45/25J	1

Go to Discount-Equipment.com to order your parts



907.2 Hostile Environment Package - View 1, Z-45/25

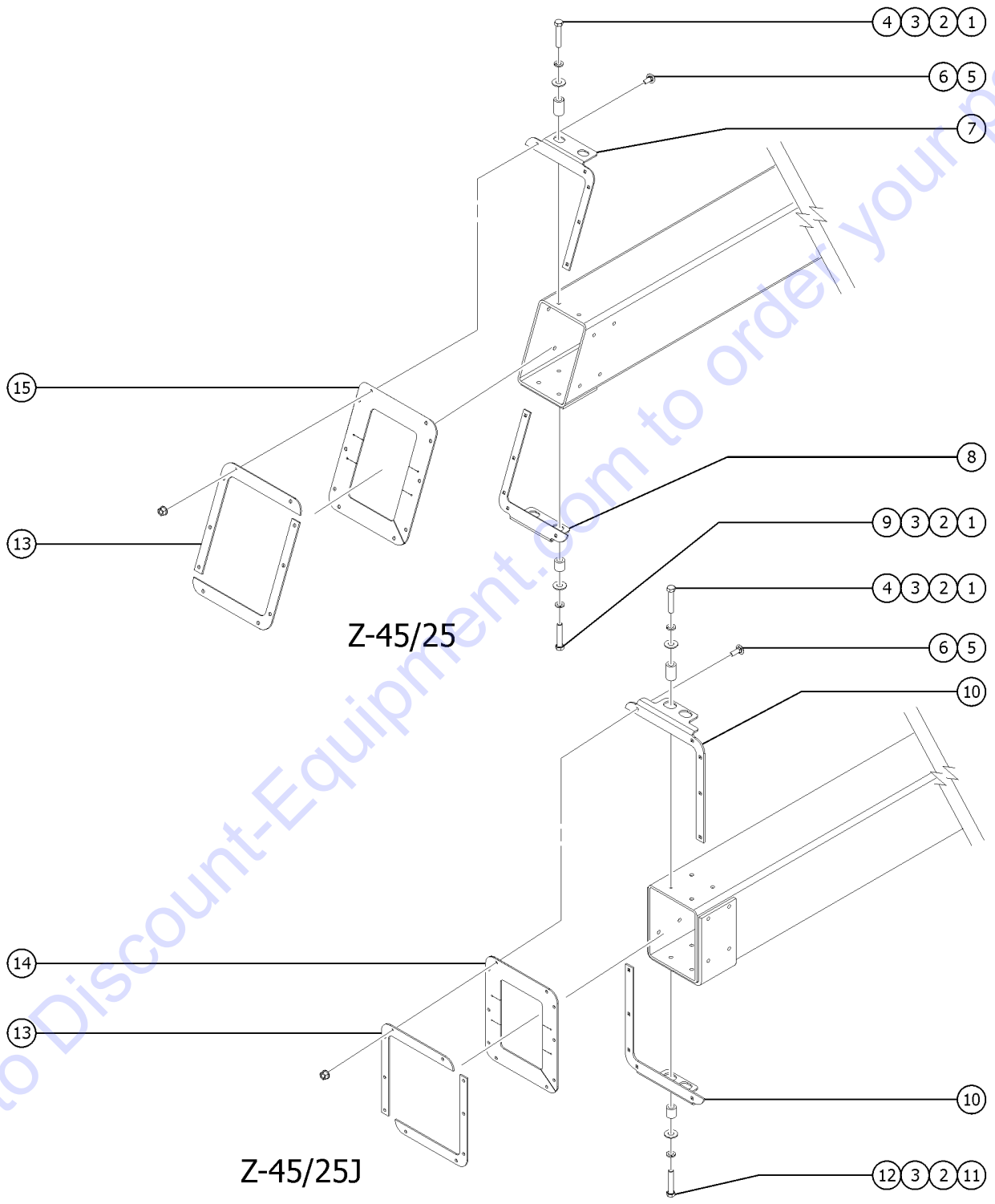


<i>Item</i>	<i>Part No.</i>	<i>Description</i>	<i>Qty.</i>
A	54884GT	BELLOWS,CYLINDER KIT,Z45 N/JIB .....	
1A	54637GT	BELLOWS,PRIMARY CYLINDER,N/JIB .....	1
2	54640GT	BELLOWS,MASTER CYLINDER .....	1
3	54989GT	BELLOWS,STEERING CYLINDER .....	1
4	54652GT	BELLOWS,SECONDARY,ELEVATE CYL .....	1
5	54639GT	BELLOWS,SLAVE CYLINDER .....	1

Go to Discount-Equipment.com to order your parts



908.1 Hostile Environment Package - View 2

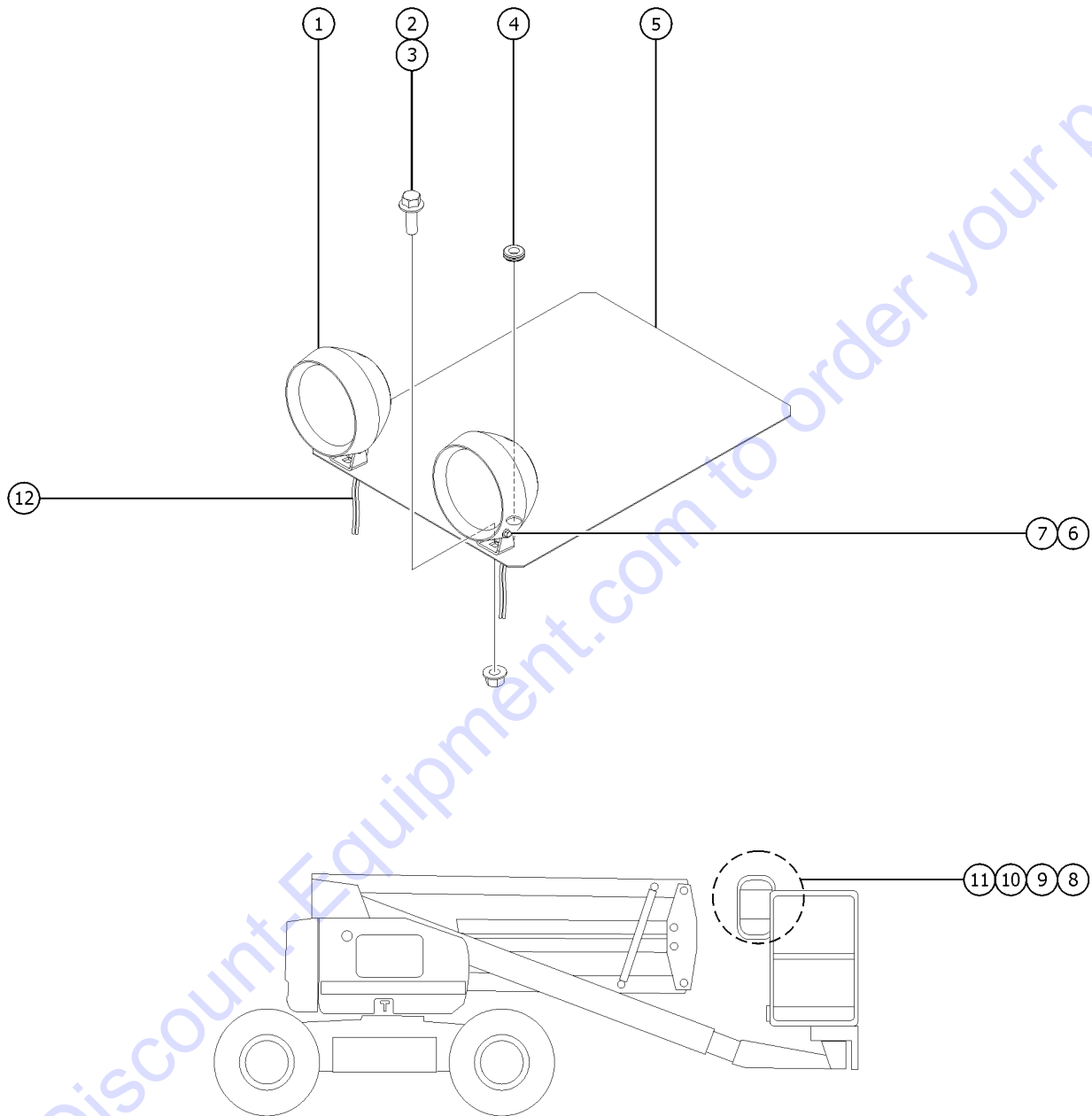


Item	Part No.	Description	Qty.
A	147183GT	KIT, WIPER, Z-45/25 .....	1
B	147184GT	KIT, WIPER, Z-45/25J .....	1
1	1256108GT	SCREW,HHC,3/8-16X2,8,ZAG .....	
2	824110GT	WASHER,LOCK,3/8,ZAG .....	4
3	1255758GT	WASHER,FLAT,3/8,USS,ZAG .....	4
4	128852GT	TUBE,RD,STL,DOM,.75X.438X1.25 .....	2
5	824124GT	BOLT,CARRIAGE,1/4-20X.75,5,ZAG .....	10
6	824027GT	NUT,TL FLG,1/4-20,G,ZAG .....	10
7	147042GT	FORMING WIPER MOUNT .....	1
8	147043GT	FORMING WIPER MOUNT .....	1
9	101932GT	TUBE,RD,STL,DOM,.75X.38X.78 .....	2
10	147041GT	FORMING WIPER MOUNT .....	2
11	1256847GT	SCREW,HHC,3/8-16X1.75,8,ZAG .....	2
12	45400GT	SPACER TUBE,.50 LG .....	2
13	128973GT	PLATE,WIPER BACKING .....	2
14	147181GT	WIPER,PRIMARY BOOM .....	1
15	147044GT	WIPER,PRIMARY BOOM .....	1

Go to Discount-Equipment.com to order your parts



909.1 Drive Lights



Go to DiscountEquipment.com to order your parts

909.1 Drive Lights

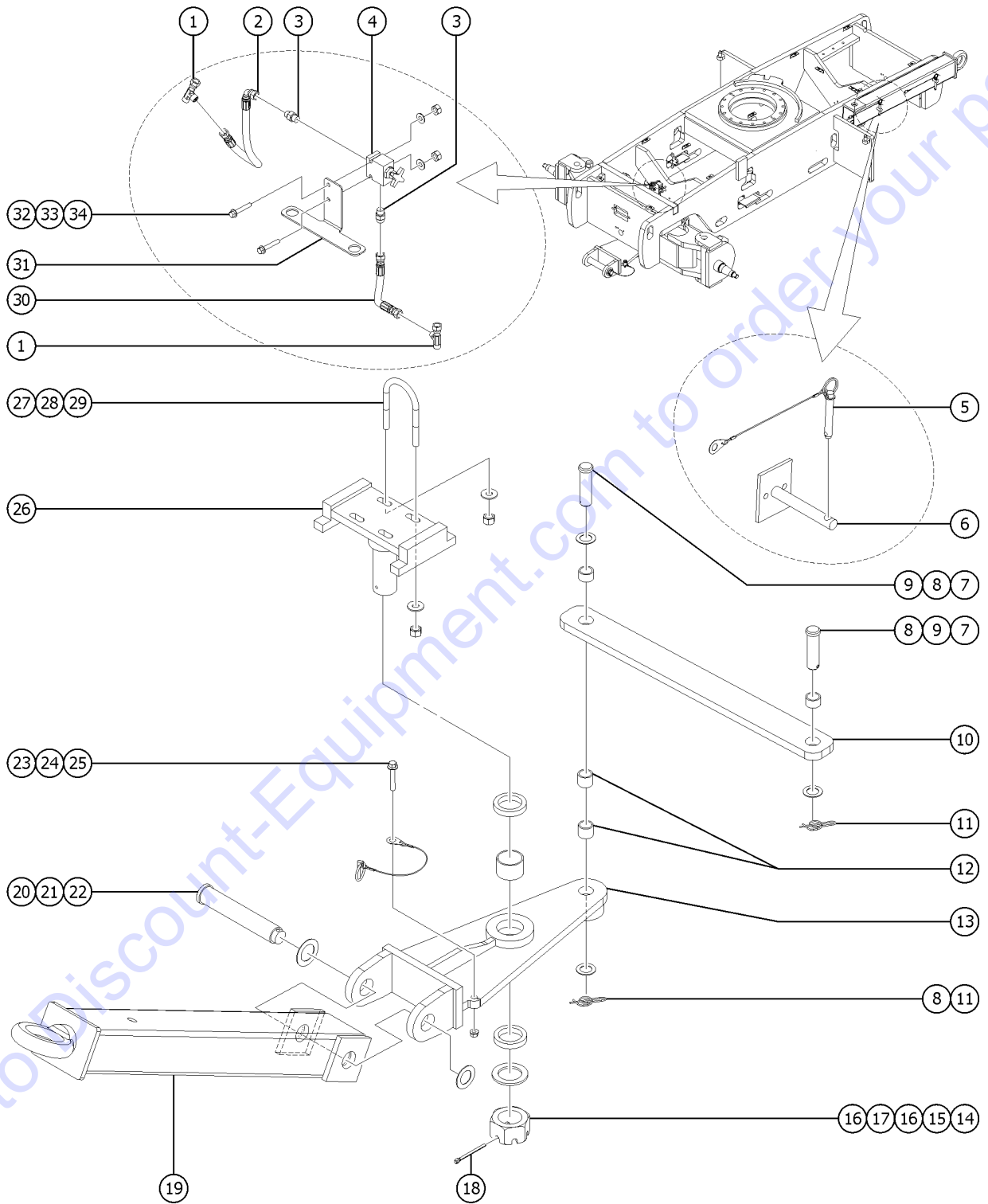
Item	Part No.	Description	Qty.
1	107858GT	WORKLIGHT,48 VOLT includes items 2-3 and 6-7	2
2	824090GT	SCREW,HHF,3/8-16X1,8,ZAG	2
3	824029GT	NUT,TL FLG,3/8-16,G,ZAG	2
4	53517GT	GROMMET,RUBBER .5 X .014 X .75	2
5	128956GT	COVER, DRIVE, DRIVE LIGHT OPT.	1
6	824085GT	SCREW, HHF, 5/16-18 X .75, 8, ZAG	2
7	824028GT	NUT,TL FLG,5/16-18,G,ZAG	2
8	823226GT	POWER RELAY, 24V COIL	1
8-	54365GT	SCREW,PHIL,PHM,10-32 X .5,SSTL	
8-	824032GT	NUT,TL FLG,10-32,F,ZAG	
9	72867GT	DECAL,LABEL,LIGHTS***	1
10	128204GT	SWITCH TOGGLE ASSY SPDT 2P MNT	1
10-	27246GT	BOOT,TOGGLE SWITCH,SHORT*	
11	6578GT	CABLE TIE,7 3/8"	5
12		REF: Harness, Z45 Drive Lights refer to 410.1	1

Go to Discount-Equipment.com to order your parts





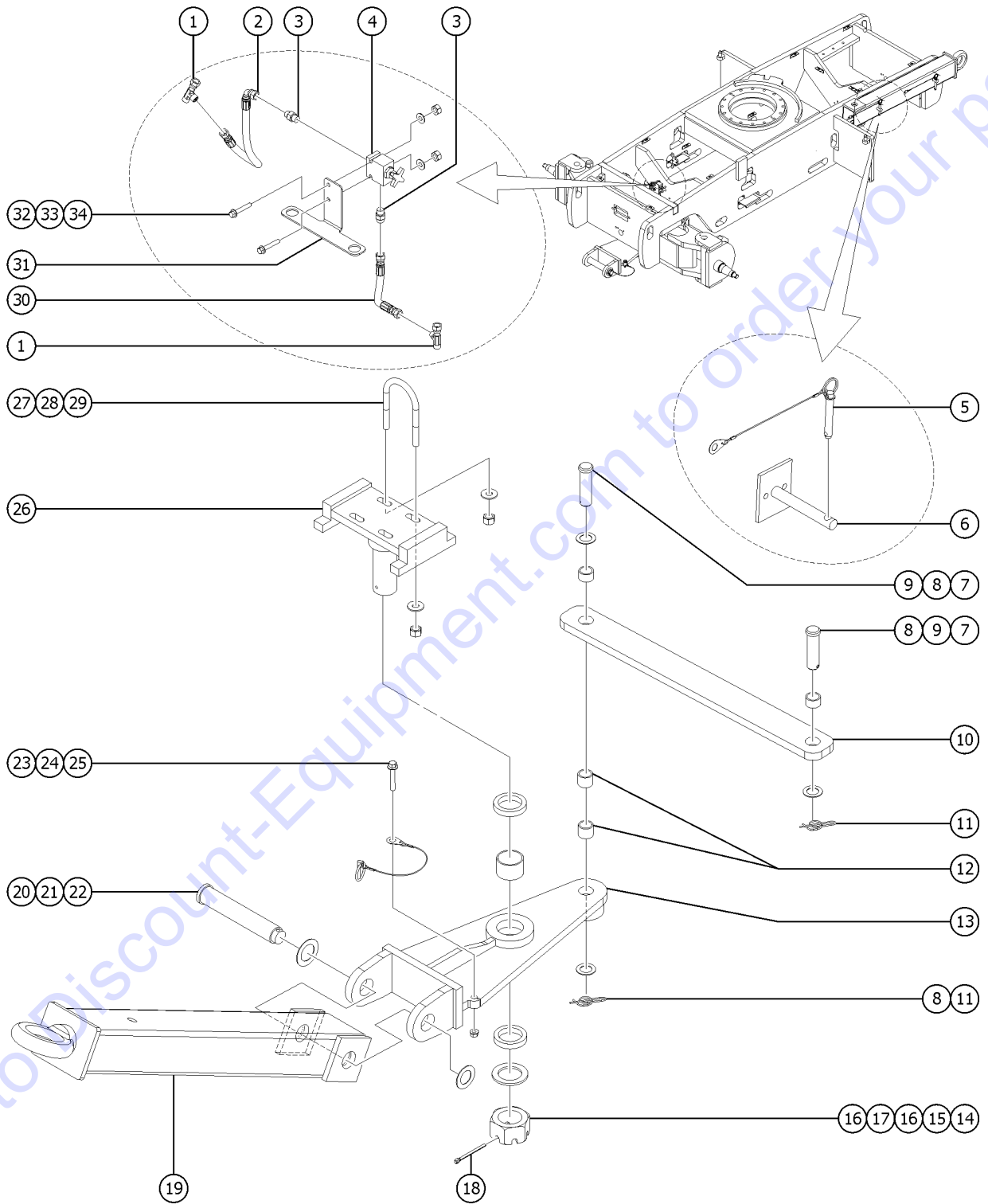
910.1 Tow Package



Item	Part No.	Description	Qty.
A	29104GT	DECAL,TOWING INSTRUCTIONS .....	1
B	35526GT	DECAL,CAUTION,TOWING SPEED .....	2
1	48908GT	FITTING,TEE,RUN,SWIVEL520432-4 .....	2
2	49117-1366GT	ASSY, HOSE, HYD, -4, 3250, STR, 90 .....	1
3	48912GT	CONN,520120-4-6*** .....	2
4	25282GT	VALVE,NEEDLE,BRAKE RELEASE .....	1
5	54145GT	RETAINING PIN,ASSY .....	2
6	54787GT	WELDMENT,TOW STORAGE BRKT,Z45 .....	2
7	1268375GT	PIN,CLEVIS,1X3.5,ZAG .....	2
8	1256119GT	WASHER,SHIM,1.01X1.63X.062,ZAG .....	3
9	51474GT	BEARING,1.00IDX1.25ODX0.75L .....	2
10	54793PGT	PLATE,DRAG LINK,NRRW AXLE,PNT .....	1
11	824129GT	RUE RING,1.0,ZAG .....	2
12	25817GT	BEARING,1.00IDX1.25ODX1.00L .....	2
13	70638GT	MACHINING,TOW HITCH*** .....	1
14	54789GT	NUT,SLOTTED,2-4-1/2 UNC .....	1
15	36937GT	WASHER,THRUST,2.0 X 3.0 X .188 .....	1
16	54757GT	BEARING,UHMW,2.75"DIAX.50"LG .....	2
17	18720GT	BEARING,2.0IDX2.25ODX1.50L .....	1
18	77087GT	PIN,COTTER,.25 X 3.0 .....	1
19	54786GT	WELDMENT,HITCH TONGUE,Z45 .....	1
20	106339GT	PIN,TOW HITCH,1.5DIAX8.25"GRIP .....	1
21	1257899GT	WASHER,FLAT,1.5,F436,HRD,ZAG .....	1
22	824151GT	WASHER,SHIM,1.270X2.130X.062,Z .....	1
23	824093GT	SCREW,HHF,3/8-16X1.75,8,ZAG .....	1
24	54432GT	LANYARD,LYNCH PIN ASSY .....	1
25	824029GT	NUT,TL FLG,3/8-16,G,ZAG .....	1
26	70632GT	WELDMENT,STEER AXLE TOW CRADLE .....	1



910.1 Tow Package



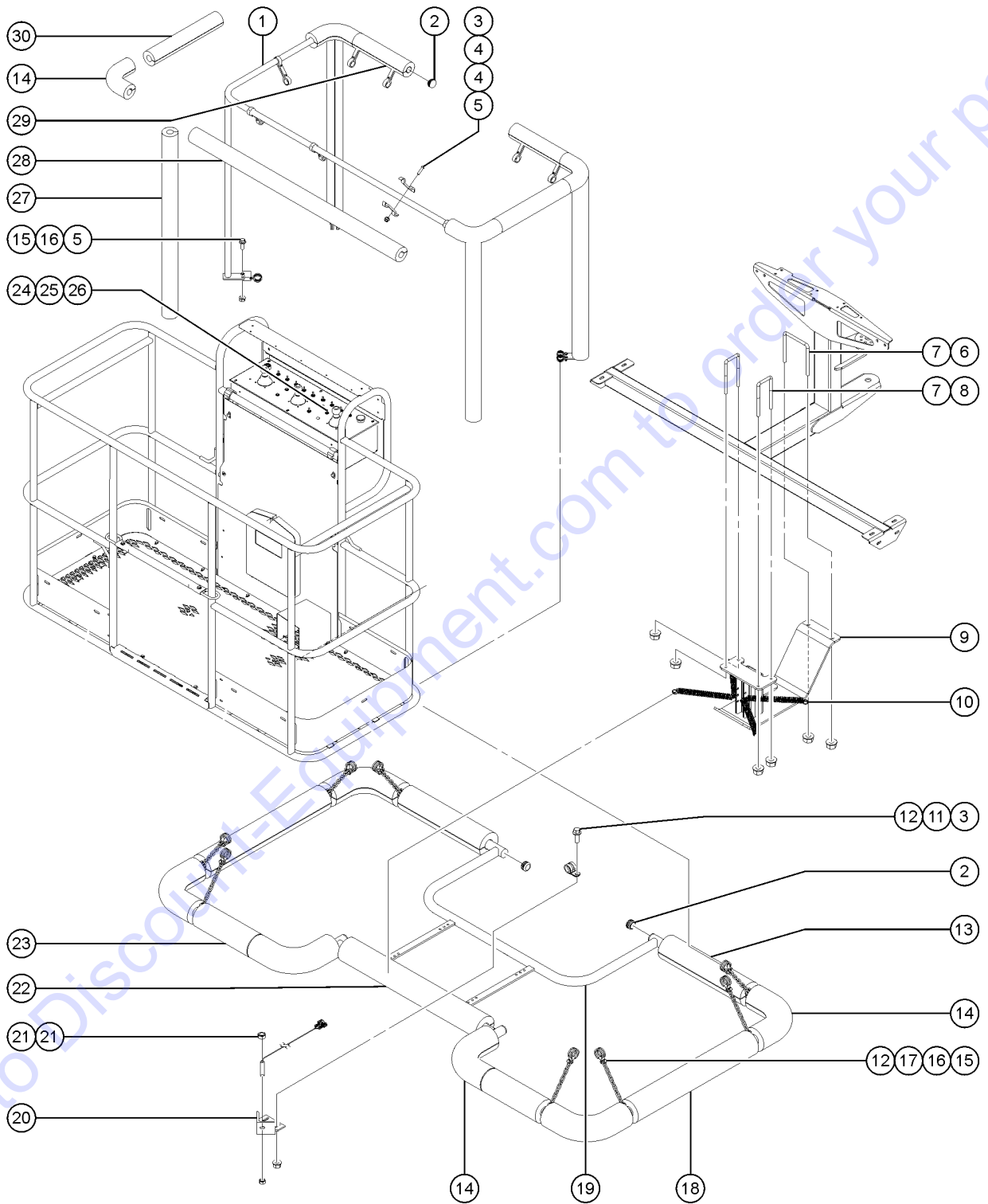
910.1 Tow Package

Item	Part No.	Description	Qty.
27	70633GT	U-BOLT,1/2-13 X 3 X 5.25***	2
28	1255760GT	WASHER,FLAT,1/2,USS,ZAG	4
29	1256106GT	NUT,TL,1/2-13,C,ZAG	4
30	49116-1233GT	ASSY, HOSE, HYD, -4, 3250, STR, 45	1
31	70635PGT	BRACKET,TOW PKG VALVE MOUNT***	1
32	1253485GT	SCREW,HHF,1/4-20X2,8,ZAG	2
33	824113GT	WASHER,FLAT,USS,1/4,ZAG	2
34	824024GT	NUT,TL,1/4-20,C,ZAG	2

Go to Discount-Equipment.com to order your parts



911.1 Aircraft Protection Package, Standard Entry

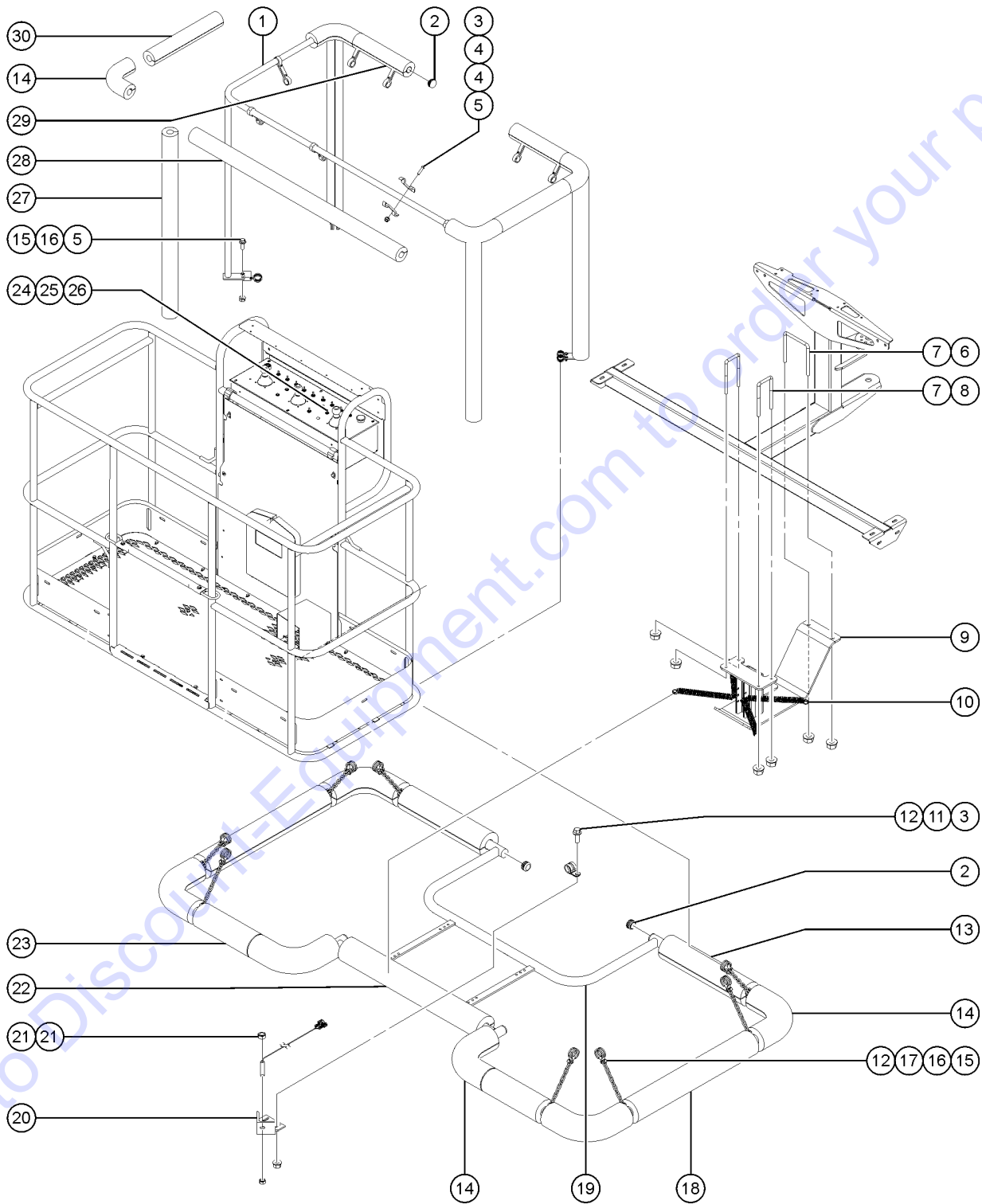


911.1 Aircraft Protection Package, Standard Entry

Item	Part No.	Description	Qty.
1	46188GT	WELDMENT, AIRCRAFT TOP BUMPER .....	1
2	55753GT	BUMPER, PLASTIC, 1.25 O.D. ....	6
3	824079GT	SCREW,HHF,1/4-20X1,8,ZAG .....	22
4	122073GT	SUPPORT, RAILING .....	20
5	1277924GT	NUT,NYLOCK FLG,1/4-20,F,ZAG .....	28
6	106044GT	U-BOLT,3/8-16X4X4.63X3.00 .....	1
7	824029GT	NUT,TL FLG,3/8-16,G,ZAG .....	6
8	66472GT	U-BOLT, SQR, 3/8-16X2X5, PLTD .....	2
9	822764GT	WDMT,SKID PLATE .....	1
10	822769GT	SPRING,EXTENSION,1.92LB/IN .....	4
11	6833GT	CLAMP,0.50,#8 X 1/4,RUB CUSH .....	1
12	824027GT	NUT,TL FLG,1/4-20,G,ZAG .....	18
13	75617-1550GT	PADDING,FOAM 3.5"OD X 1.50"ID .....	2
14	75636GT	PADDING,FOAM,3.0"X1.50ID 90DEG .....	10
15	824078GT	SCREW,HHF,1/4-20X.75,8,ZAG .....	24
16	21618GT	CLAMP,1.13,#18 X 1/4,RUB CUSH .....	24
17	56426-700GT	CHAIN,NO.2 (11 LINKS) .....	8
18	75617-2275GT	PADDING,FOAM 3.5"OD X 1.50"ID .....	2
19	822759GT	WDMT,AIRCRAFT SENSOR BUMPER .....	1
20	77797GT	WELDMENT, SENSOR MOUNT .....	1
21	88390GT	NUT,HEX,M8,PLASTIC .....	2
22	822768GT	FOAM,AIRCRAFT PROTECTION .....	1
23	75617-1025GT	PADDING,FOAM 3.5"OD X 1.50"ID .....	2
24	128203GT	SWITCH TOGGLE ASSY SPDT 2P MOM .....	
		includes item 6	
<del>24</del>	<del>139882GT</del>	<del>HARN, AC PROTECTION BYPASS .....</del>	<del></del>
25	27246GT	BOOT,TOGGLE SWITCH,SHORT* .....	
26		Ref. DECAL,FUNCTION OVERRIDE .....	
		(refer to 101.1 or 103.1)	
27	1259329GT	PADDING, FOAM, 46.5" .....	4



911.1 Aircraft Protection Package, Standard Entry



911.1 Aircraft Protection Package, Standard Entry

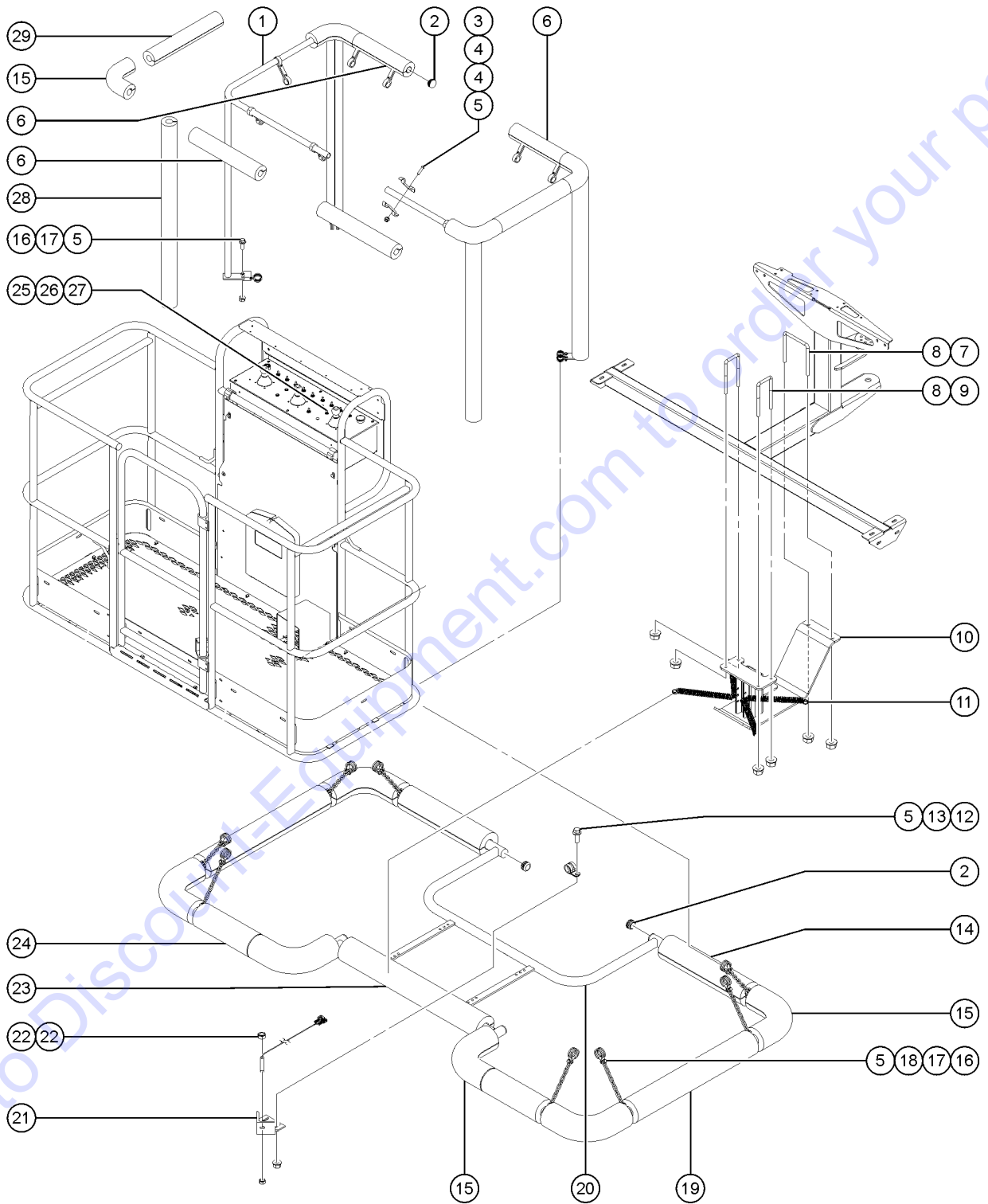
<i>Item</i>	<i>Part No.</i>	<i>Description</i>	<i>Qty.</i>
28	75617-6275GT	PADDING,FOAM 3.5"OD X 1.50"ID .....	1
29	1278629GT	PADDING,FOAM, 10.0" .....	2
30	75617-2075GT	PADDING,FOAM 3.5"OD X 1.50"ID .....	2

Go to Discount-Equipment.com to order your parts





912.1 Aircraft Protection Package with Swing Gate

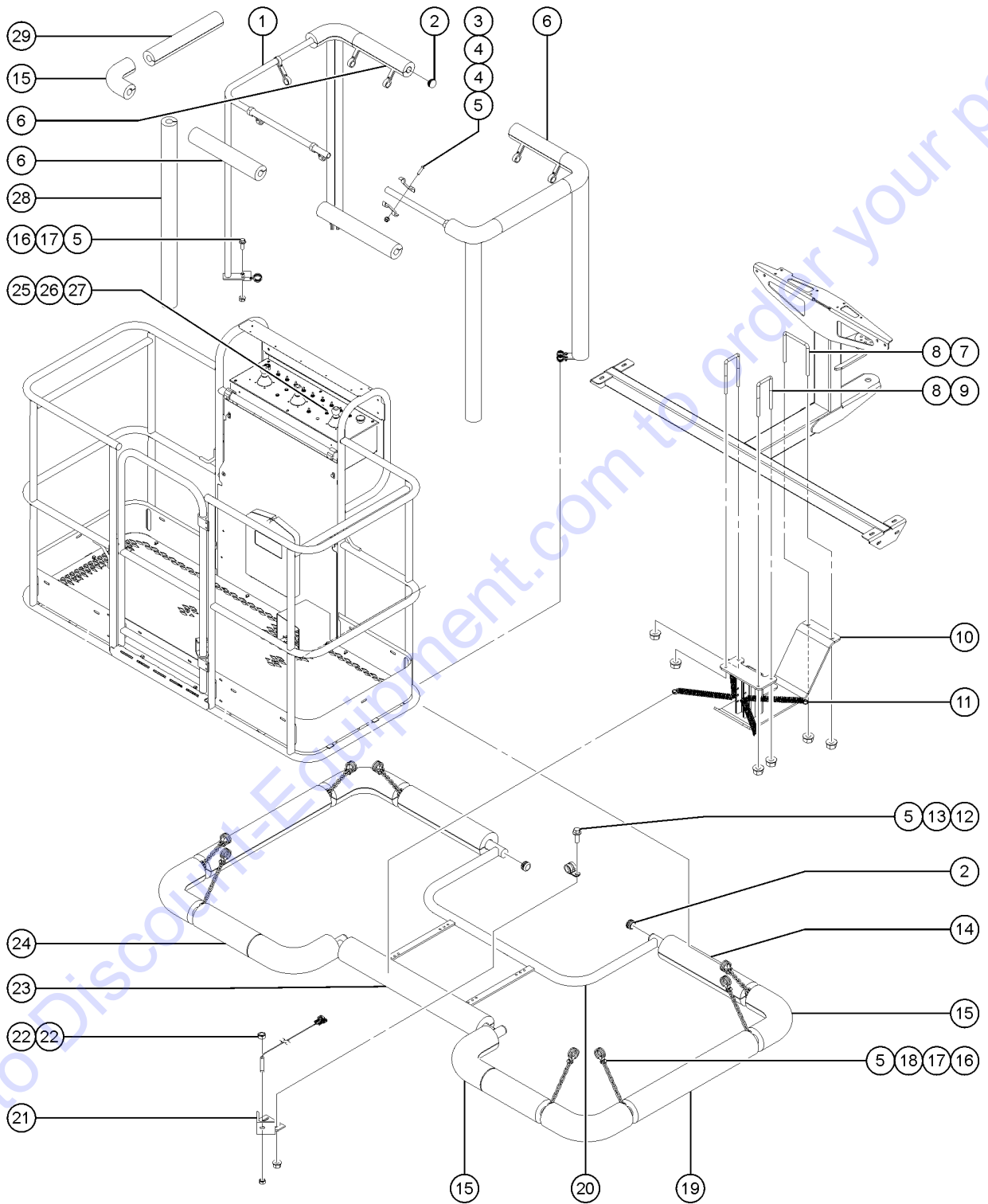


912.1 Aircraft Protection Package with Swing Gate

Item	Part No.	Description	Qty.
1	822771GT	WDMT,FRAME,AIRCRAFT PROTECTION .....	1
2	55753GT	BUMPER, PLASTIC, 1.25 O.D. ....	8
3	824227GT	SCREW, BHC, 1/4-20 X 1, ZAG .....	20
4	122073GT	SUPPORT, RAILING .....	20
5	824027GT	NUT,TL FLG,1/4-20,G,ZAG .....	46
6	1278629GT	PADDING,FOAM, 10.0" .....	4
7	106044GT	U-BOLT,3/8-16X4X4.63X3.00 .....	1
8	824029GT	NUT,TL FLG,3/8-16,G,ZAG .....	6
9	66472GT	U-BOLT, SQR, 3/8-16X2X5, PLTD .....	2
10	822764GT	WDMT,SKID PLATE .....	1
11	822769GT	SPRING,EXTENSION,1.92LB/IN .....	4
12	824079GT	SCREW,HHF,1/4-20X1,8,ZAG .....	2
13	6833GT	CLAMP,0.50,#8 X 1/4,RUB CUSH .....	1
14	75617-1550GT	PADDING,FOAM 3.5"OD X 1.50"ID .....	2
15	75636GT	PADDING,FOAM,3.0"X1.50ID 90DEG .....	10
16	824078GT	SCREW,HHF,1/4-20X.75,8,ZAG .....	24
17	21618GT	CLAMP,1.13,#18 X 1/4,RUB CUSH .....	24
18	56426-700GT	CHAIN,NO.2 (11 LINKS) .....	8
19	75617-2275GT	PADDING,FOAM 3.5"OD X 1.50"ID .....	2
20	822759GT	WDMT,AIRCRAFT SENSOR BUMPER .....	1
21	77797GT	WELDMENT, SENSOR MOUNT .....	1
22	88390GT	NUT,HEX,M8,PLASTIC .....	2
23	822768GT	FOAM,AIRCRAFT PROTECTION .....	1
24	75617-1025GT	PADDING,FOAM 3.5"OD X 1.50"ID .....	2
25	128203GT	SWITCH TOGGLE ASSY SPDT 2P MOM .....	
		includes item 26	
25-	139882GT	HARN, AC PROTECTION BYPASS .....	
26	27246GT	BOOT,TOGGLE SWITCH,SHORT* .....	
27		Ref. DECAL,FUNCTION OVERRIDE .....	
		(refer to 101.1 or 103.1)	



912.1 Aircraft Protection Package with Swing Gate



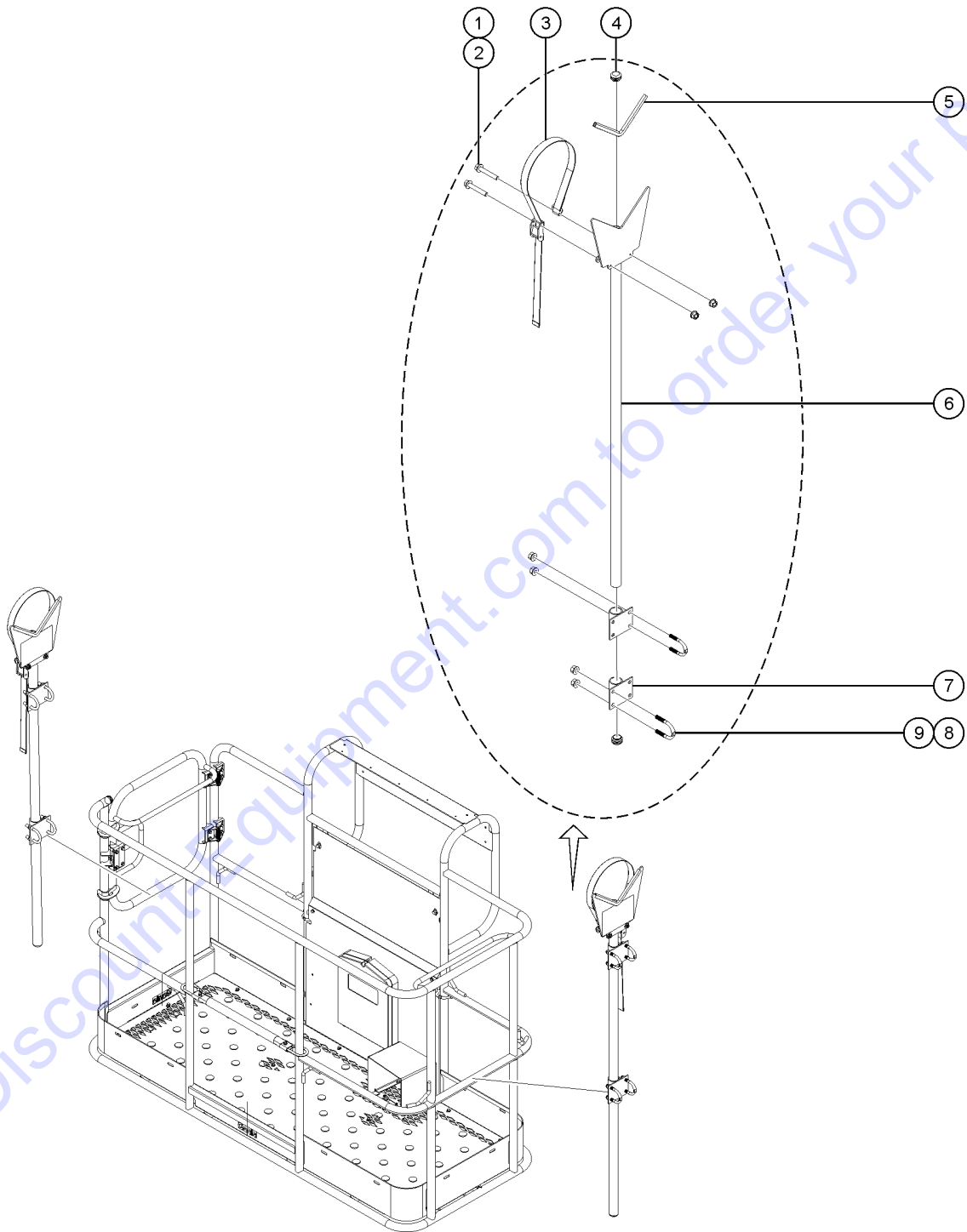
912.1 Aircraft Protection Package with Swing Gate

<i>Item</i>	<i>Part No.</i>	<i>Description</i>	<i>Qty.</i>
28	1259329GT	PADDING, FOAM, 46.5" .....	4
29	75617-2075GT	PADDING,FOAM 3.5"OD X 1.50"ID .....	2

Go to Discount-Equipment.com to order your parts



913.1 Pipe Cradle Accessory



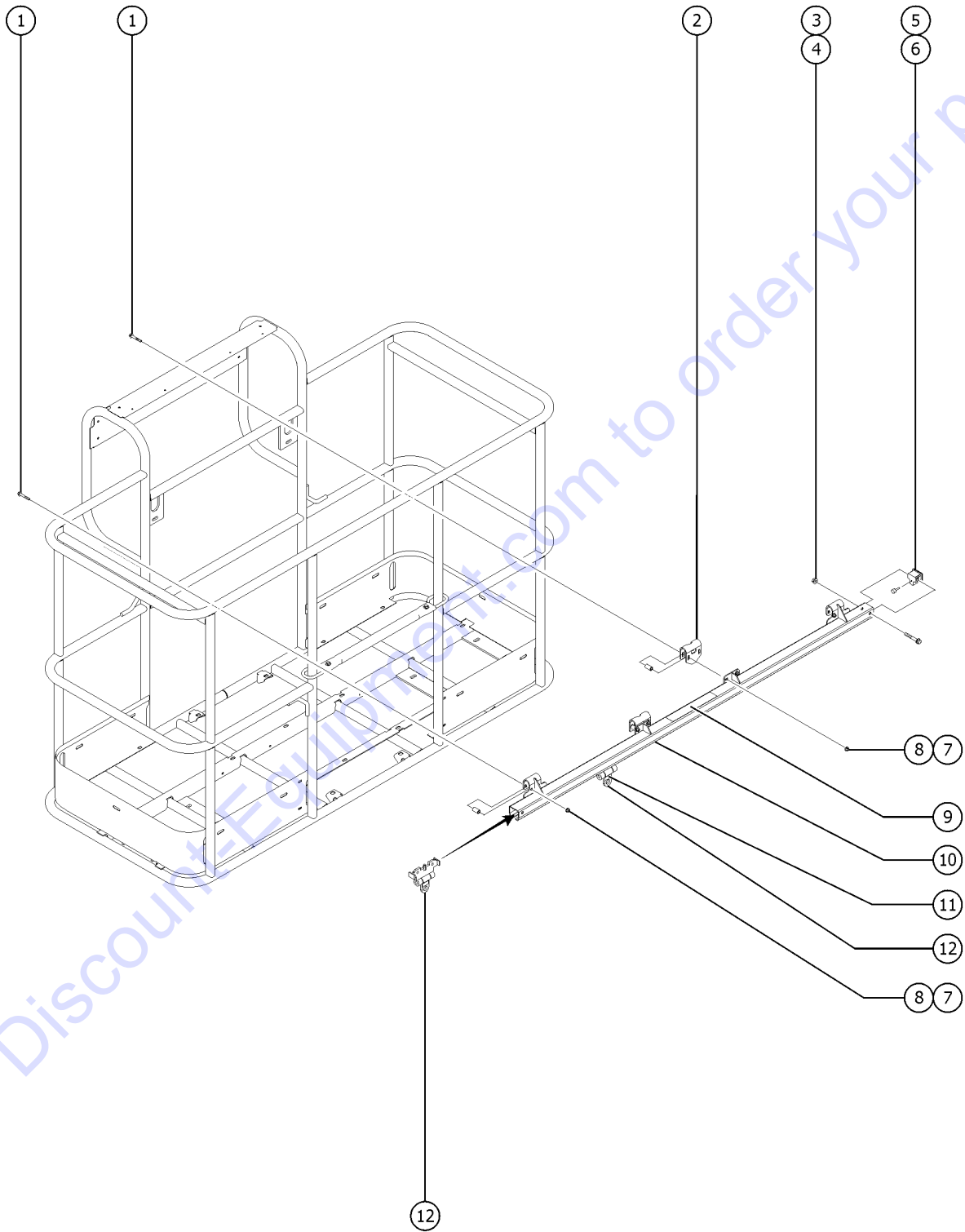
913.1 Pipe Cradle Accessory

Item	Part No.	Description	Qty.
A	85300GT	PIPE CRADLE ASSY. SERV (ONE)** (ANSI & CE only) (This is a single assembly. Qty 2 of 85300GT required to complete a set)	
A-	65630GT	INSTRUCTIONS-PIPE CRADLE,BOOMS .....	
1	824083GT	SCREW,HHF,1/4-20X2.5,8,ZAG .....	4
2	1277924GT	NUT,NYLOCK FLG,1/4-20,F,ZAG .....	4
3	56570GT	STRAP, CONDUIT HOLDER 60"**** .....	2
4	55753GT	BUMPER, PLASTIC, 1.25 O.D. ....	4
5	19018-1100GT	TRIMLOCK,BLACK,5/32" .....	2
6	56525GT	WELDMENT, PIPE CRADLE (decal not included order seperately) .....	2
6-	72875GT	DECAL,WARNING,PIPE CRADLE,BOOM (must be ordered seperately) .....	
7	81368GT	WELDMENT,PIPE CRADLE MOUNT .....	4
8	1251600GT	U-BOLT, FLATTENED, 1.5 X 3/8 .....	8
9	1274322GT	NUT,NYLOCK FLG,3/8-16,F,ZAG .....	16

Go to Discount-Equipment.com to order your parts



914.1 Fall Arrest Bar



Go to DiscountEquipment.com to order your parts

Item	Part No.	Description	Qty.
1	1256856GT	SCREW,HHF,3/8-16X2.5,8,ZAG .....	4
2	1256389GT	FORMING,INNER HANGER .....	2
3	1251997GT	NUT,TL FLG,1/2-13,G,ZAG .....	2
4	1256851GT	SCREW,HHF,1/2-13X3.5,8,ZAG .....	2
5	1260892GT	END STOP,TFAAS TRACK .....	2
6	36388GT	BUMPER,RUBBER,.75 X .50H,STUD .....	2
7	1274322GT	NUT,NYLOCK FLG,3/8-16,F,ZAG .....	8
8	1256481GT	SPACER, HANGER BRACKET .....	8
9A	1256400GT	DECAL,TFAAS TRACK,WORD .....	1
9B	1260910GT	DECAL,TFAAS TRACK,SYMBOL .....	1
9C	1256400FRGT	DECAL,TFAAS TRACK,WORD FR .....	1
10A	1256378GT	ACC,TFAAS FALL ARREST,6FT WORD includes instructions and decals .....	1
10A-	1256380GT	ASSY,TFAAS TRACK,6FT WORD includes decals .....	
10B	1261023GT	ACC,TFAAS FALL ARREST,6FT SYM includes instructions and decals .....	1
10B-	1261025GT	ASSY,TFAAS TRACK,6FT SYM includes decals .....	
10C	1261019GT	ACC,TFAAS FALL ARREST,6FT FR includes instructions and decals .....	1
10C-	1261021GT	ASSY,TFAAS TRACK,6FT FR includes decals .....	
11	40434GT	DECAL,LANYARD ANCHORAGE POINT .....	1
12	1256439GT	TROLLEY, TFASS TRACK .....	1





# PARTS FINDER

**Search Website  
by Part Number**



**Search Manual  
Library For Parts  
Manual & Lookup Part  
Numbers – Purchase  
or Request Quote**

**Search Manuals**

Enter your information to search for a manual or to purchase a manual or parts.

\* Brand:

\* Model:

\* Serial:

\* Part Number:

SEARCH

**Can't Find Part or  
Manual? Request Help  
by Manufacturer,  
Model & Description**

**Parts Order Form**

Please fill in the following information:

Manufacturer:

Model:

Description:

Quantity:

Part Number:

Part Name:

Part Description:

Part Location:

Part Condition:

Part Status:

Part Color:

Part Material:

Part Weight:

Part Dimensions:

Part Price:

Part Notes:

Submit

Discount-Equipment.com is your online resource for quality parts & equipment.

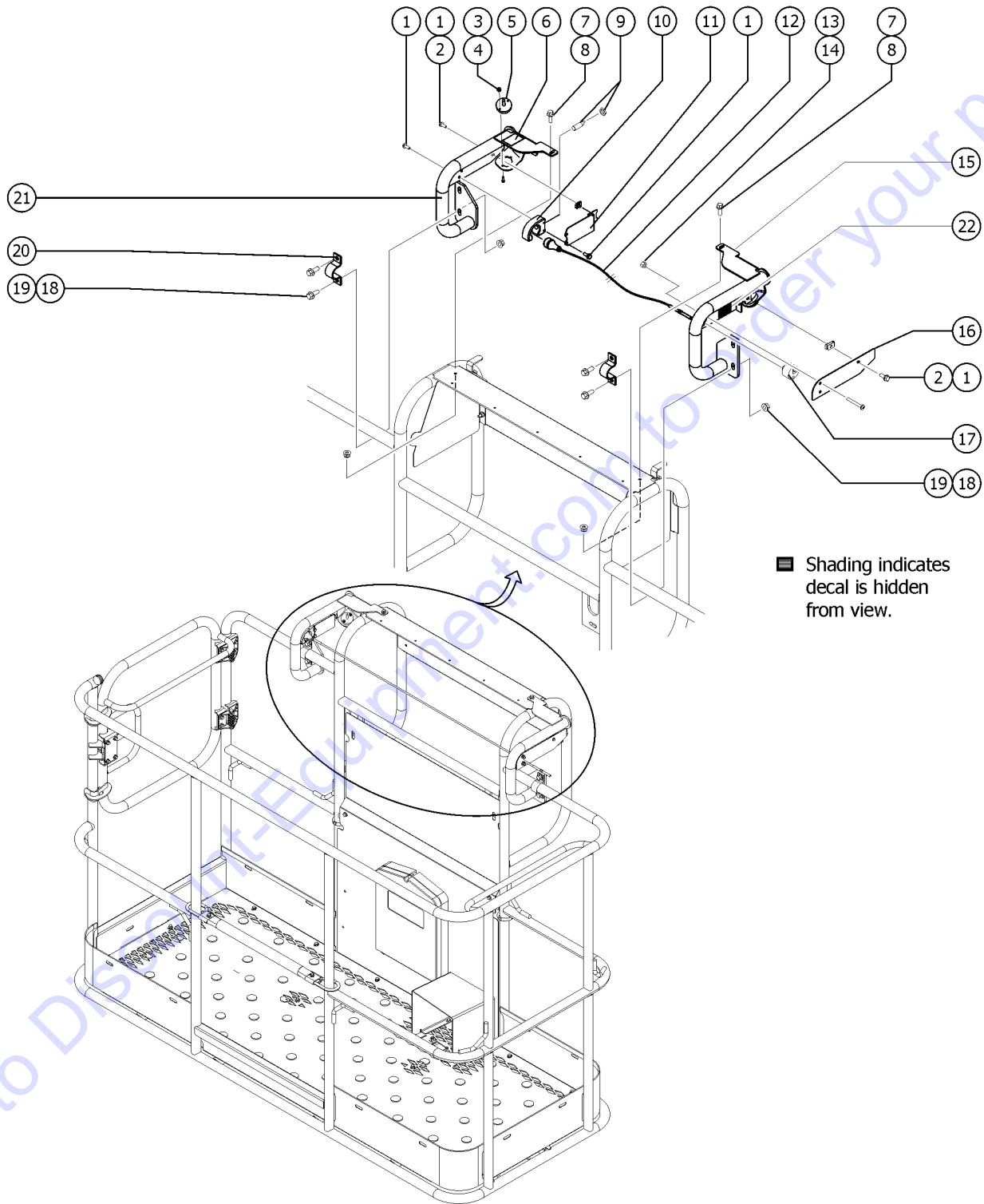
Florida: **561-964-4949** Outside Florida TOLL FREE: **877-690-3101**

**Need parts?**

Click on this link: <http://www.discount-equipment.com/category/5443-parts/> and choose one of the options to help get the right parts and equipment you are looking for. Please have the machine model and serial number available in order to help us get you the correct parts. If you don't find the part on the website or on one of the online manuals, please fill out the request form and one of our experienced staff members will get back to you with a quote for the right part that your machine needs.

We sell worldwide for the brands: Genie, Terex, JLG, MultiQuip, Mikasa, Essick, Whiteman, Mayco, Toro Stone, Diamond Products, Generac Magnum, Airman, Haulotte, Barreto, Power Blanket, Nifty Lift, Atlas Copco, Chicago Pneumatic, Allmand, Miller Curber, Skyjack, Lull, Skytrak, Tsurumi, Husquvarna Target, Stow, Wacker, Sakai, Mi-T-M, Sullair, Basic, Dynapac, MBW, Weber, Bartell, Bennar Newman, Haulotte, Ditch Runner, Menegotti, Morrison, Contec, Buddy, Crown, Edco, Wyco, Bomag, Laymor, EZ Trench, Bil-Jax, F.S. Curtis, Gehl Pavers, Heli, Honda, ICS/PowerGrit, IHI, Partner, Imer, Clipper, MMD, Koshin, Rice, CH&E, General Equipment, Amida, Coleman, NAC, Gradall, Square Shooter, Kent, Stanley, Tamco, Toku, Hatz, Kohler, Robin, Wisconsin, Northrock, Oztec, Toker TK, Rol-Air, APT, Wylie, Ingersoll Rand / Doosan, Innovatech, Con X, Ammann, Mecalac, Makinex, Smith Surface Prep, Small Line, Wanco, Yanmar

915.1 Lift Guard Contact Alarm



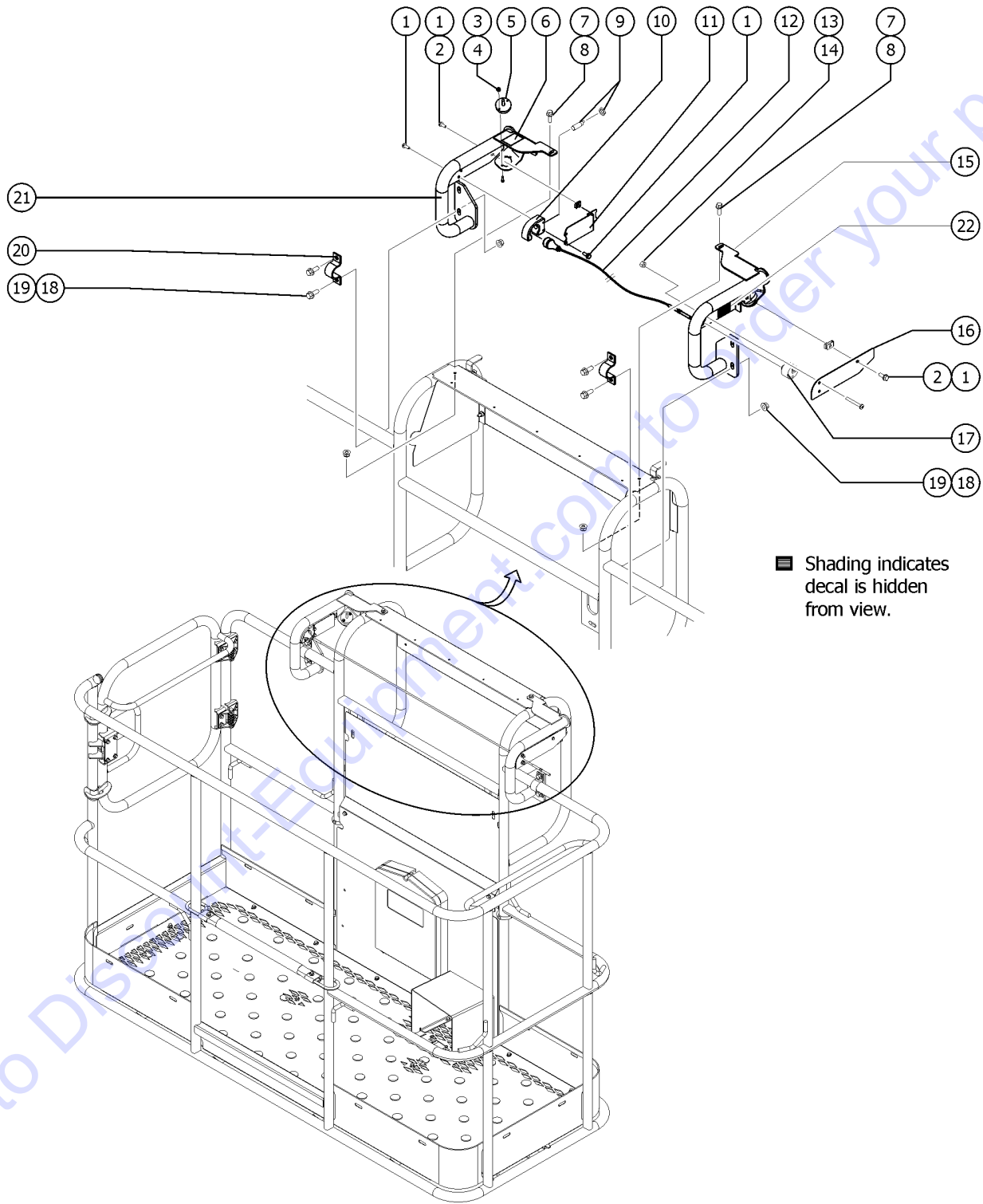
■ Shading indicates decal is hidden from view.

915.1 Lift Guard Contact Alarm

Item	Part No.	Description	Qty.
A-		From January 2017, this option became a standard installation on all models unless the customer specifically request not to have it installed	
B-	1279135GT	KIT, LIFT GUARD CONTACT ALARM,6'-8' PLATFORM,NON-ALC1000 measure platform before ordering - for 5', 6', and 8' platforms only.	
C-	1278452GT	HARNESS, OPA2, Z45DC/BE	
D-	78098GT	RELAY,24VDC,40/30A,SLD W/BRKT*	
E-	1278121GT	MODULE, PLUS+1, OPA2 located inside the Platform Control Box	
1	1264934GT	SCREW,HHF,10-24X. 5	
2	73575GT	SPRING CLIP,10-24,.025-.125X.468,ZAG	
3	12344GT	NUT,NYLOCK,6-32	
4	1256859GT	SCREW,PHPM,6-32X.875,ZAG	
5	1278111GT	ASSEMBLY, LIGHT, OPA2	2
5B	1285850GT	ASSEMBLY,AMBER LIGHTS,CONTACT	
6	1278542GT	DECAL, INSTRUCTION, CONTACT ALARM	
7	824078GT	SCREW,HHF,1/4-20X.75,8,ZAG	
8	1277924GT	NUT,NYLOCK FLG,1/4-20,F,ZAG	
9	1278119GT	ASSEMBLY, SENSOR, PROX, OPA2	1
10	1278433GT	ASSY, SENSOR W/ HOUSING (Includes holder item 1277877 and sensor part 1278119)	
10-	1277877GT	HOLDER, SENSOR	1
11	1277873GT	PLATE, SENSOR HOLDER	1
12	1278416GT	ASSEMBLY, OPA CABLE, LARGE	1
12-	1278124GT	MAGNET, 1/4-20, 15 LB. Part of assembly 1278416	
12-	1278458GT	OPA WIRE ASSY, LARGE Part of assembly 1278416	
12-	1278368GT	GRIP, CABLE Part of assembly 1278416	
12-	1261184GT	NUT,1/4-20,8,ZAG Part of assembly 1278416	
13	825352GT	SCREW,PHPM,10-32X1.25,ZAG	
14	1264261GT	NUT,SERRATED,10-32,ZAG	
15	1278138GT	WELDMENT, RIGHT OPA, LARGE	1
16	1277875GT	PLATE, CABLE AND WIRE COVER	1
17	1277876GT	GUIDE, CABLE	1



915.1 Lift Guard Contact Alarm



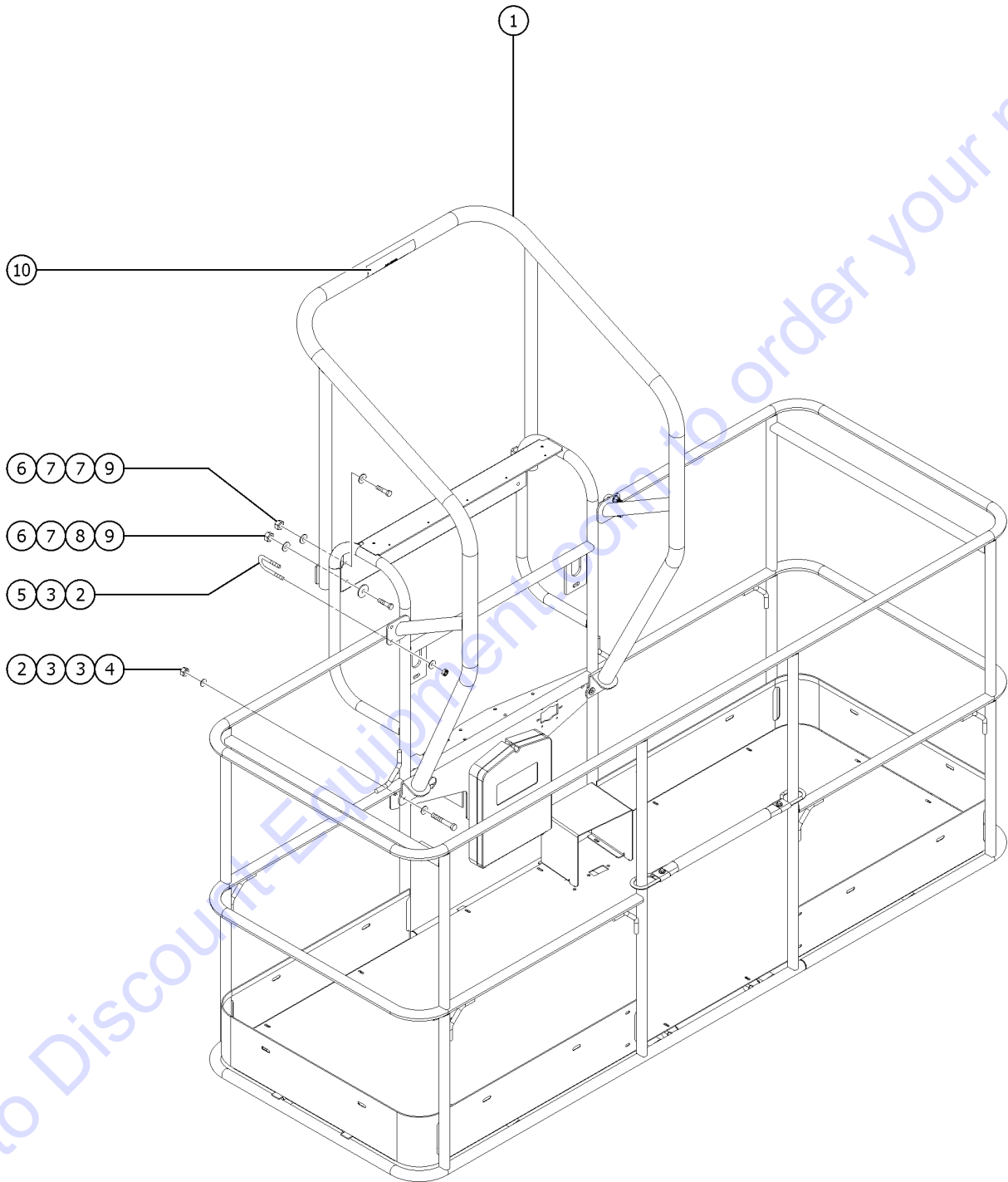
915.1 Lift Guard Contact Alarm

<i>Item</i>	<i>Part No.</i>	<i>Description</i>	<i>Qty.</i>
18	1274322GT	NUT,NYLOCK FLG,3/8-16,F,ZAG .....	
19	824090GT	SCREW,HHF,3/8-16X1,8,ZAG .....	
20	1278363GT	CLAMP, 1.25 INCH TUBE .....	2
21	1278144GT	WELDMENT, LEFT OPA, LARGE .....	1
22	1278982GT	DECAL, INSTRUCTION, ACTUATOR SWITCH SOCKET .....	1

Go to Discount-Equipment.com to order your parts



916.1 Operator Protective Structure



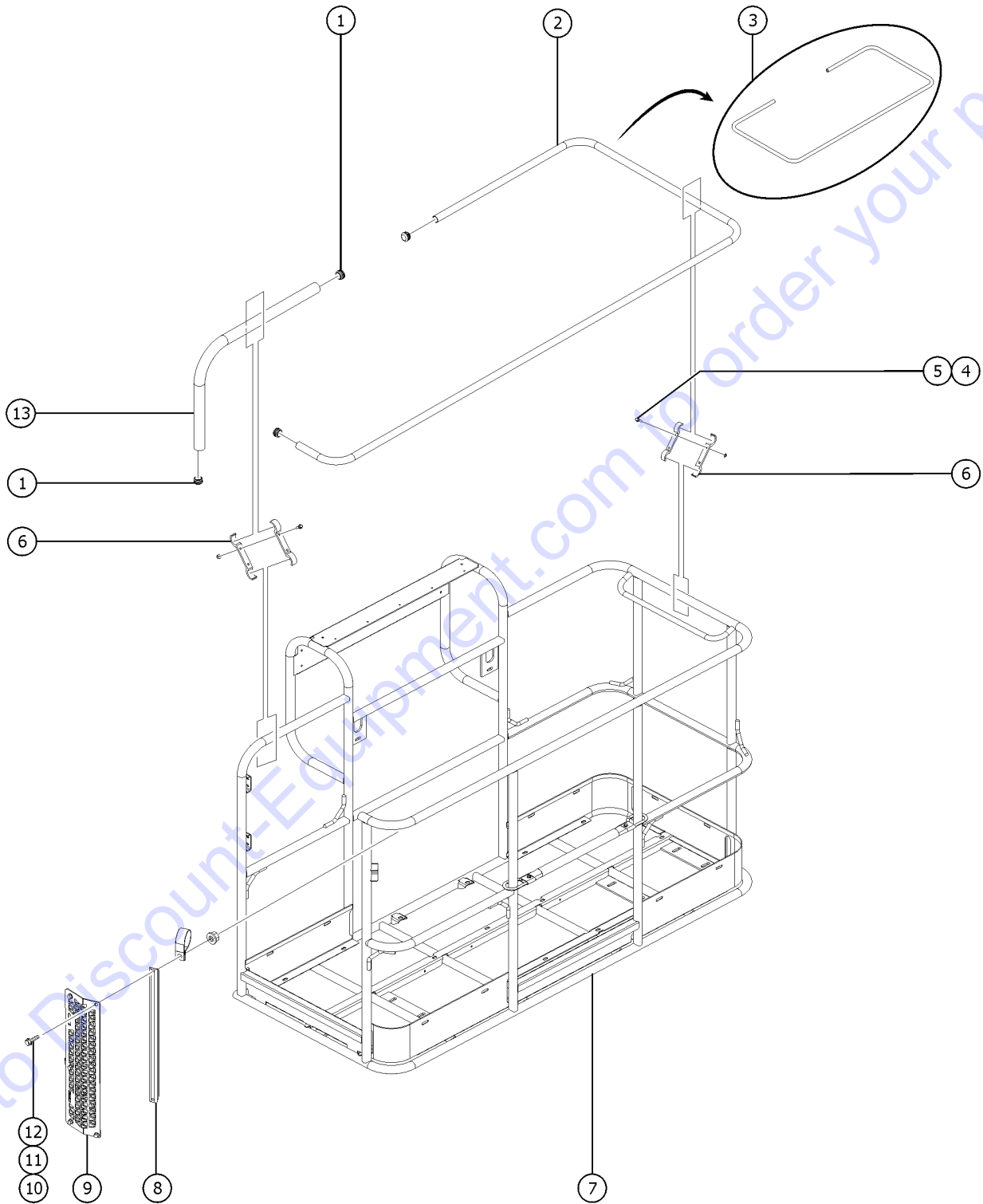
916.1 Operator Protective Structure

Item	Part No.	Description	Qty.
A		Fits all 6' and 8' Booms .....	
1	219158GT	ACCESSORY, OPERATOR PROT STRUCT (Complete) includes all fasteners .....	1
2	1256468GT	NUT, 3/8-16, 8, ZAG .....	8
3	1255758GT	WASHER, FLAT, 3/8, USS, ZAG .....	12
4	824069GT	SCREW, HHC, 3/8-16 X 2.5, 8, ZAG .....	4
5	1251600GT	U-BOLT, FLATTENED, 1.5 X 3/8 .....	4
6	1261184GT	NUT, 1/4-20, 8, ZAG .....	4
7	824113GT	WASHER, FLAT, USS, 1/4, ZAG .....	6
8	824120GT	WASHER, FLAT, .375 X 1.50 X .125, ZAG Use only with the platform control box cover option .....	2
9	824060GT	SCREW, HHC, 1/4-20 X 1, 8, ZAG .....	4
10		Ref. DECAL, INSTRUCTION, OPS .....	1
		Refer to Section 100	

Go to Discount-Equipment.com to order your parts



917.1 Auxiliary Rail Option





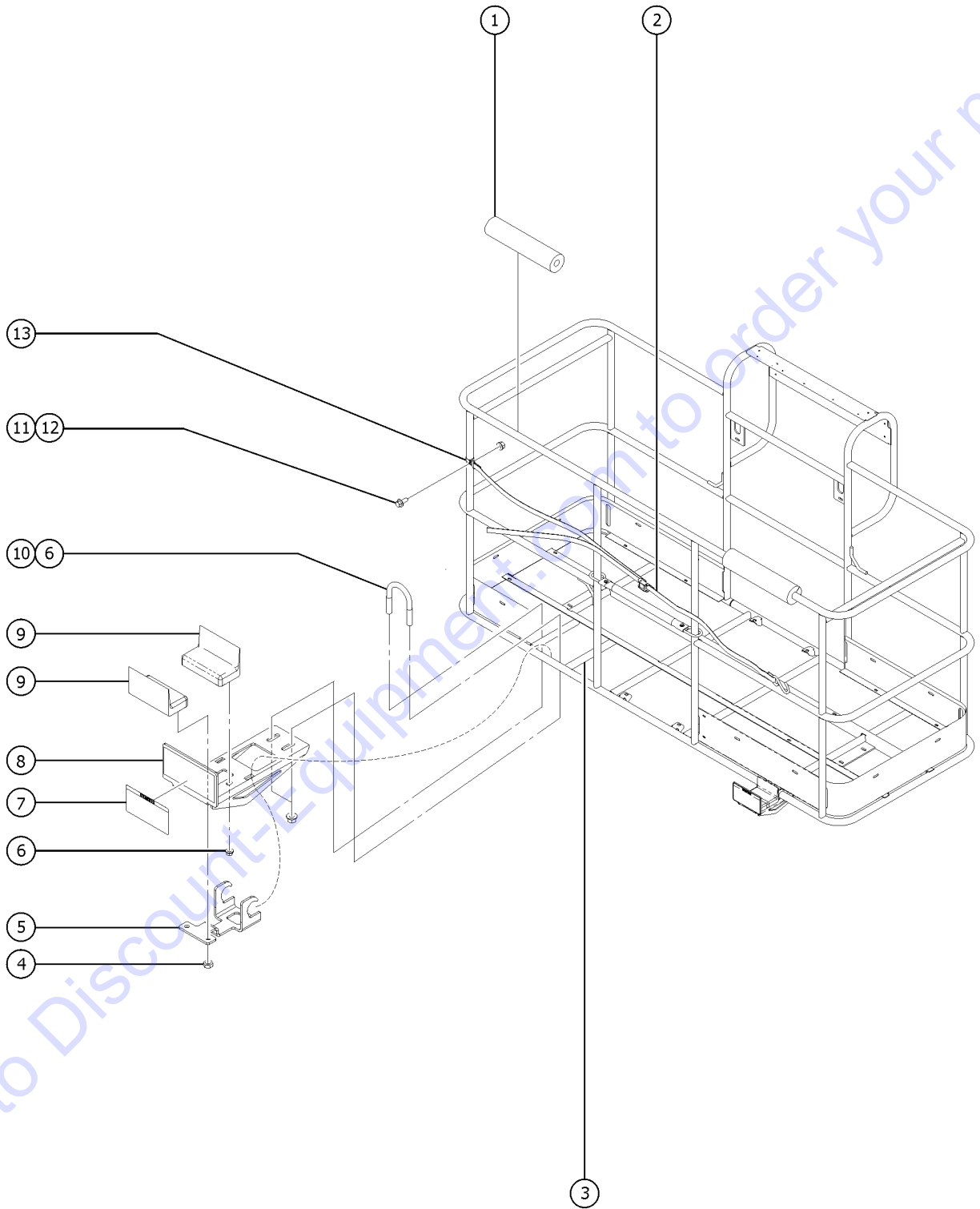
917.1 Auxiliary Rail Option

Item	Part No.	Description	Qty.
A	1279765GT	KIT,LATCH GUARD .....	1
B	1291495GT	KIT, AUX RAIL, 6' PLAT, SIDE GATE .....	
		(6 foot platform)	
C	1291496GT	KIT, AUX RAIL, 8' PLAT, SIDE GATE .....	
		(8 foot platform)	
1	55753GT	BUMPER, PLASTIC, 1.25 O.D. ....	4
2	1270570GT	AUX RAIL, 6' PLAT, SIDE ENTRY .....	1
3A	28329GT	RAILING,PINCH GAURD,4 FT .....	1
		(tri-entry with sliding mid-rails platform)	
3B	28328GT	RAILING,PINCH GAURD,5 FT .....	1
		(tri-entry with sliding mid-rails platform)	
4	824079GT	SCREW,HHF,1/4-20X1,8,ZAG .....	22
5	824027GT	NUT,TL FLG,1/4-20,G,ZAG .....	22
6	122073GT	SUPPORT, RAILING .....	22
7		Ref.WELDMENT, PLATFORM .....	1
		(refer to 602.1)	
8	1277966GT	TUBE, SWING GATE GUARD .....	1
9	1277952GT	GUARD, SWING GATE .....	1
10	824086GT	SCREW, HHF, 5/16-18 X 1, 8, ZAG .....	5
11	56424GT	CLAMP,1.25X.5 RUBBER-CUSHION .....	5
12	824028GT	NUT,TL FLG,5/16-18,G,ZAG .....	5
13	1270571GT	AUX RAIL, 6' PLAT, SIDE ENTRY .....	1

Go to Discount-Equipment.com to order your parts



918.1 Panel Cradle Option

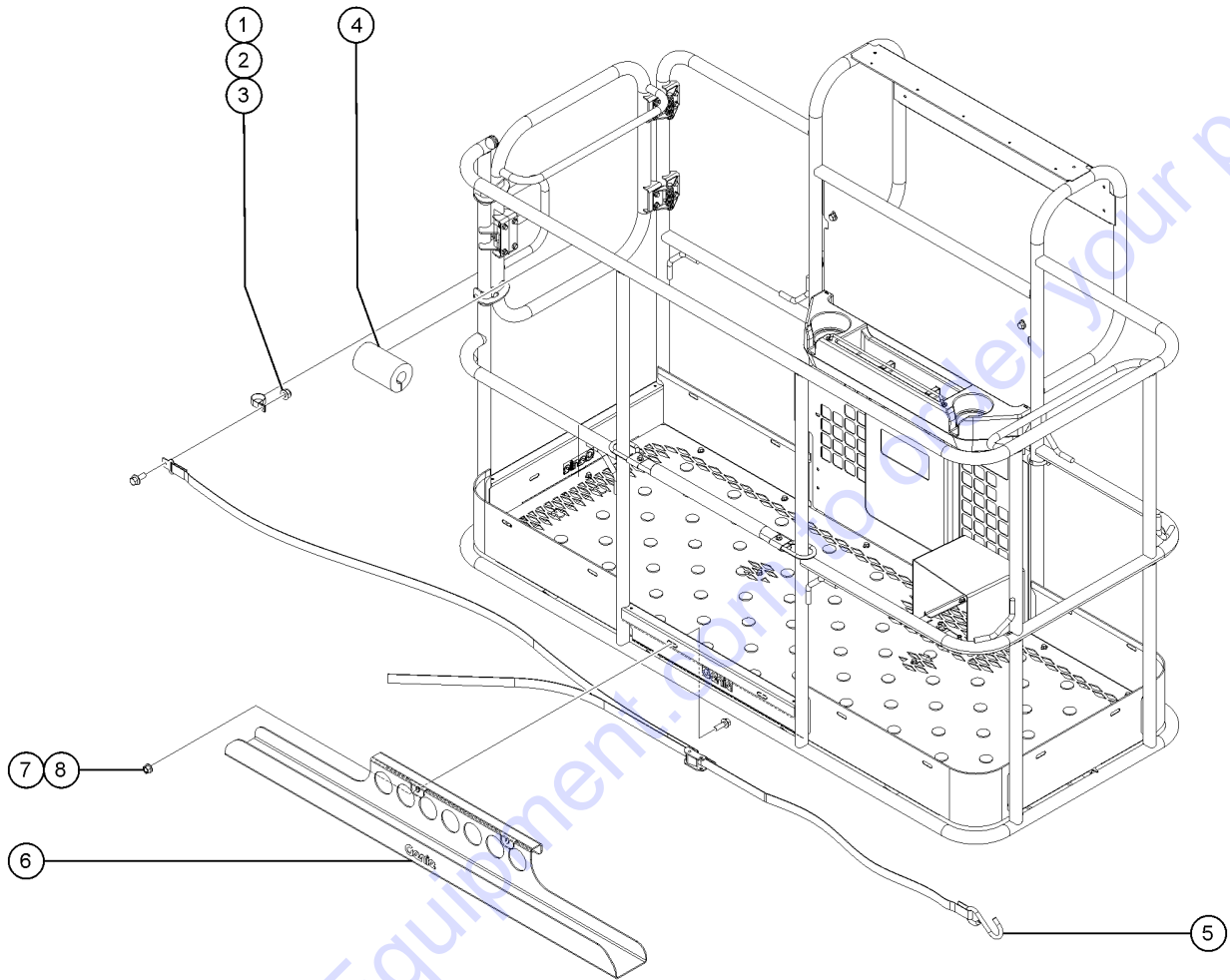


Item	Part No.	Description	Qty.
A-	77683GT	ACCESSORY,PANEL CRADLE,ANSI (ANSI/CSA models)	1
1	88377-1400GT	FOAM PAD***	2
2	77664GT	ADJUSTABLE STRAP ASSY	1
3	73463-1175GT	TUBE, RD, ALUM, 1.25 X .083 X 11.75	2
4	824038GT	NUT, TL JAM, 3/8-16, A, ZAG	4
5	228849GT	FORMING,SECONDARY SUPPORT	2
6	1274322GT	NUT,NYLOCK FLG,3/8-16,F,ZAG	8
7A	82410GT	DECAL,WARNING,PANEL CRADLE (ANSI/CSA models)	2
8	228848GT	FORMING PANEL CRADLE	2
9	56934GT	PAD,REST,1"THICK,FLANGED	4
10	1251600GT	U-BOLT, FLATTENED, 1.5 X 3/8	2
11	1256855GT	SCREW,HHF,1/4-20X.625,8,ZAG	1
12	1277924GT	NUT,NYLOCK FLG,1/4-20,F,ZAG	1
13	56424GT	CLAMP,1.25X.5 RUBBER-CUSHION	1

Go to Discount-Equipment.com to order your parts



918.2 Panel Cradle Option



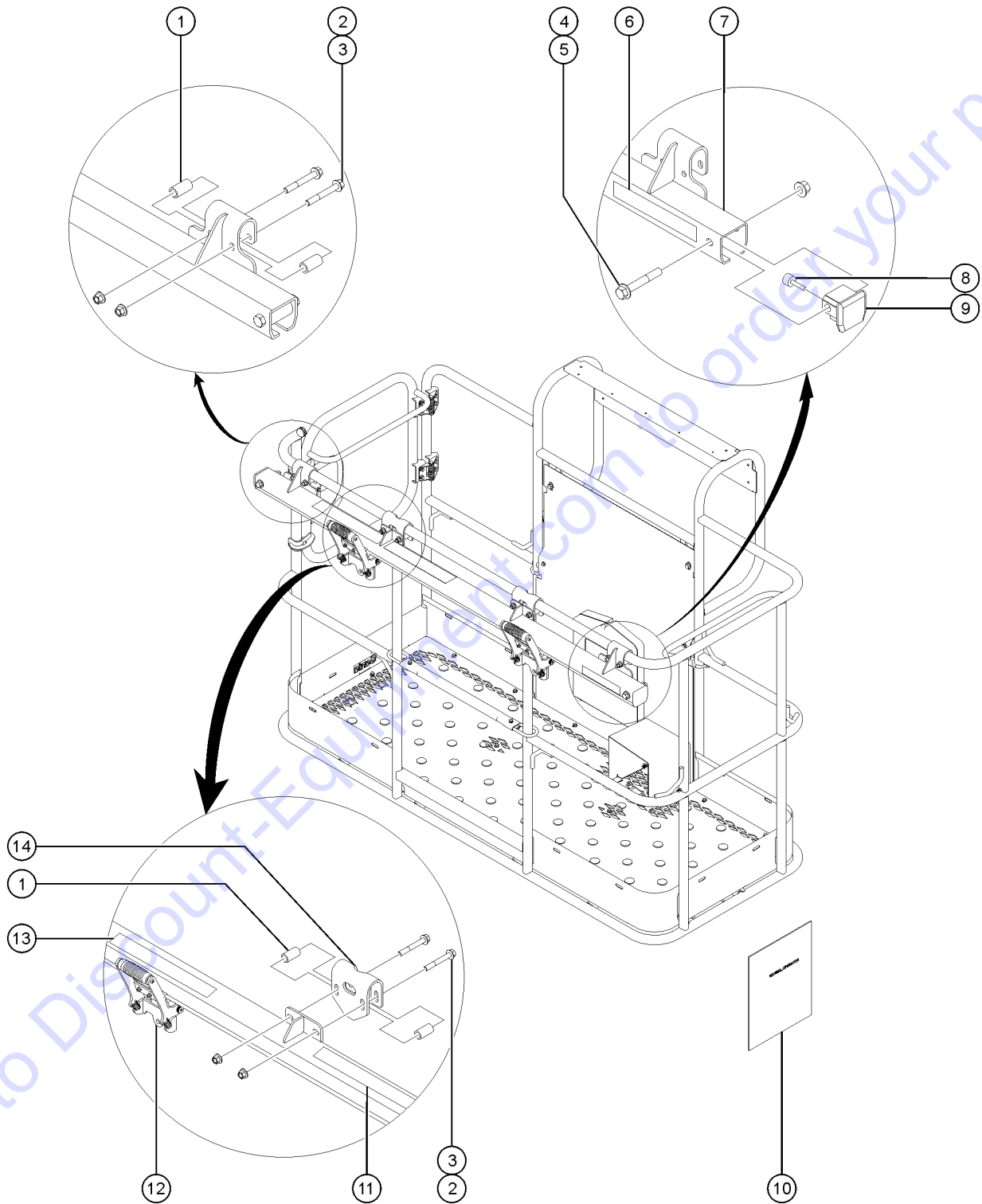
918.2 Panel Cradle Option

Item	Part No.	Description	Qty.
-	1298841GT	KIT, PANEL CRADLE, ANSI For machines with weld in toeboard only (ANSI), Only Approved For Z-45 DC/BE up to SN Z4525F-62000,	1
1	1277924GT	NUT,NYLOCK FLG,1/4-20,F,ZAG .....	1
2	56424GT	CLAMP,1.25X.5 RUBBER-CUSHION .....	1
3	1256855GT	SCREW,HHF,1/4-20X.625,8,ZAG .....	1
4	1298850GT	FOAM PAD, PANEL CRADLE .....	2
5	77664GT	ADJUSTABLE STRAP ASSY .....	1
6	1298851GT	FORMING, PANEL CRADLE TRAY .....	1
7	1274167GT	NUT,NYLOCK FLG,5/16-18,F,ZAG .....	2
8	824086GT	SCREW, HHF, 5/16-18 X 1, 8, ZAG .....	2

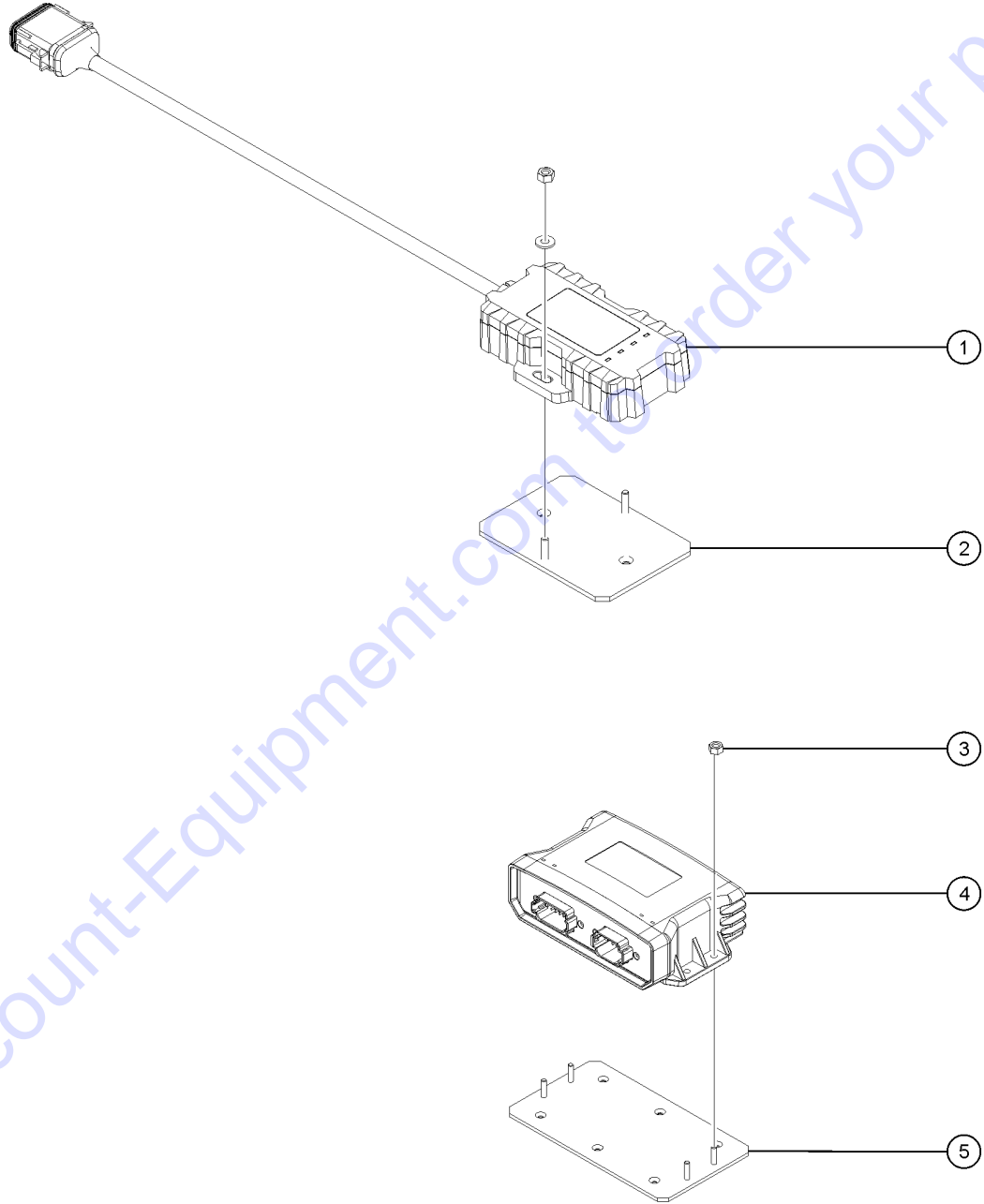
Go to Discount-Equipment.com to order your parts



919.1 Lift Tools Expo Installer



Item	Part No.	Description	Qty.
-	1285719GT	ACC, EXPO INSTALLER, 6FT, WORD (complete kit) 6' Platform with Word decals	
-	1286618GT	ACC, EXPO INSTALLER, 6FT, SYM (complete kit) 6' Platform with Symbol decals	
1	1256481GT	SPACER, HANGER BRACKET	8
2	1256856GT	SCREW,HHF,3/8-16X2.5,8,ZAG Torque to 44 ft-lbs/60 Nm	8
3	1274322GT	NUT,NYLOCK FLG,3/8-16,F,ZAG	8
4	1256851GT	SCREW,HHF,1/2-13X3.5,8,ZAG Tighten until snug. Do not over tighten.	2
5	1251997GT	NUT,TL FLG,1/2-13,G,ZAG	2
6	1286393GT	DECAL, BRANDING, EXPO INSTALLER	1
7	1286620GT	WELDMENT, EXPO INSTALLER TRACK, 6FT	1
7B	1288805GT	WELDMENT, EXPO INSTALLER TRACK, 8FT	
8	36388GT	BUMPER,RUBBER,.75 X .50H,STUD	2
9	1260892GT	END STOP,TFAAS TRACK	2
10	1286259GT	SUPPLEMENT,LIFT TOOLS EXPO INSTALLER	1
11	1286261GT	DECAL,MAX SIDE FORCE, LTEI ,WRDS models with Word decals	1
11B	1286263GT	DECAL,MAX MANUAL FORCE, LTEI ,SYMB models with Symbol decals	1
12	1285721GT	TROLLY,EXPO INSTALLER	1
12-	1289692GT	GRIP,CONTOURED ROUND for 1285721	1
12-	1289693GT	BRAKE, EXPO INSTALLER for 1285721	1
12-	1285730GT	SPRING, COMPRESSION, S/S for 1285721	2
13	1286260GT	DECAL,MAX CAPACITY, LTEI, WRDS models with Word decals	1
13B	1286262GT	DECAL,MAX CAPACITY, LTEI, SYMB models with Symbol decals	1
14	1286621GT	FORMING INNER HANGER, EXPO INSTALLER	2

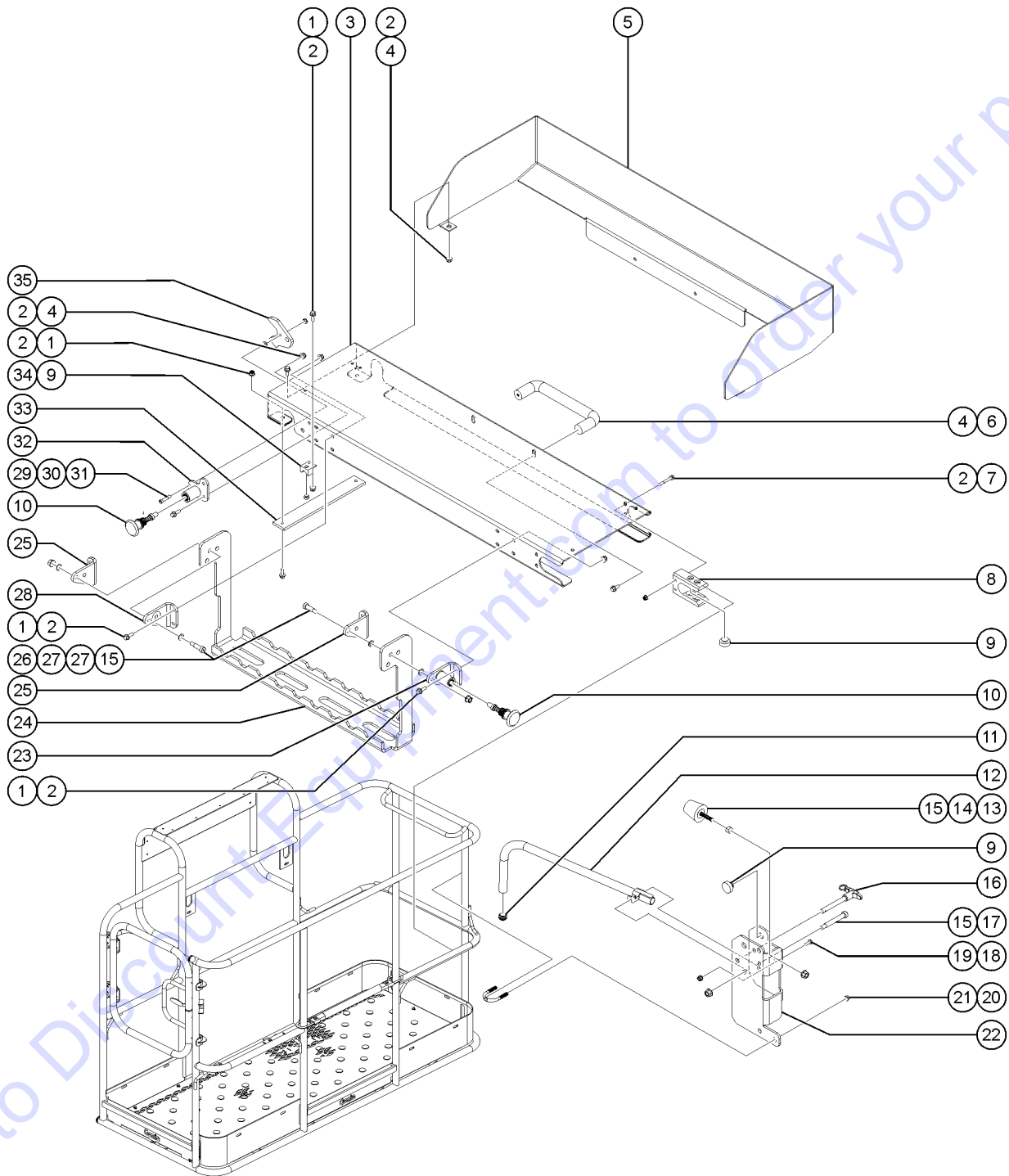


Go to Discount-Equipment.com to order your parts



Item	Part No.	Description	Qty.
-	1292198GT	HARNESS, RETROFIT, M7 for first time insulation, must order this Harness with one of the models 1289520GT, 1289521GT, 1289522GT, or 1289523GT	1
-	1272326GT	KIT,ZTR,M8 (from SN Z4525F-61289) (fuel level)	
1	1289520GT	MODULE, TELEMATICS, ZTR, M7, NORTH AMERICA North America	1
1B	1289521GT	MODULE, TELEMATICS, ZTR, M7, EMEA/APAC EMEA/APAC	
1C	1289522GT	MODULE, TELEMATICS, ZTR, M7, APAC/ANZ APAC/ANZ	
1D	1289523GT	MODULE, TELEMATICS, ZTR, M7, JAPAN Japan	
2	1289561GT	BRACKET, TELEMATICS	1
3	1261777GT	NUT,NYLOCK,8-32,SS (from SN Z4525F-61289)	1
4	1271765GT	MODULE, TELEMATICS, ZTR, M8HZT (from SN Z4525F-61289)	1
4-	1294176GT	HARNESS, TELEMATICS, ZTR, M8HBZ, 8"	
4-	1274040GT	CAN CONVERTER, 2.08 - 4.44 V RANGE	
4-	1271770GT	SENSOR, FUEL LEVEL, 30" DIESEL	
5	1271767GT	BRACKET, TELEMATICS, ZTR, M8 (from SN Z4525F-61289)	1

921.1 Lift Tools Access Deck

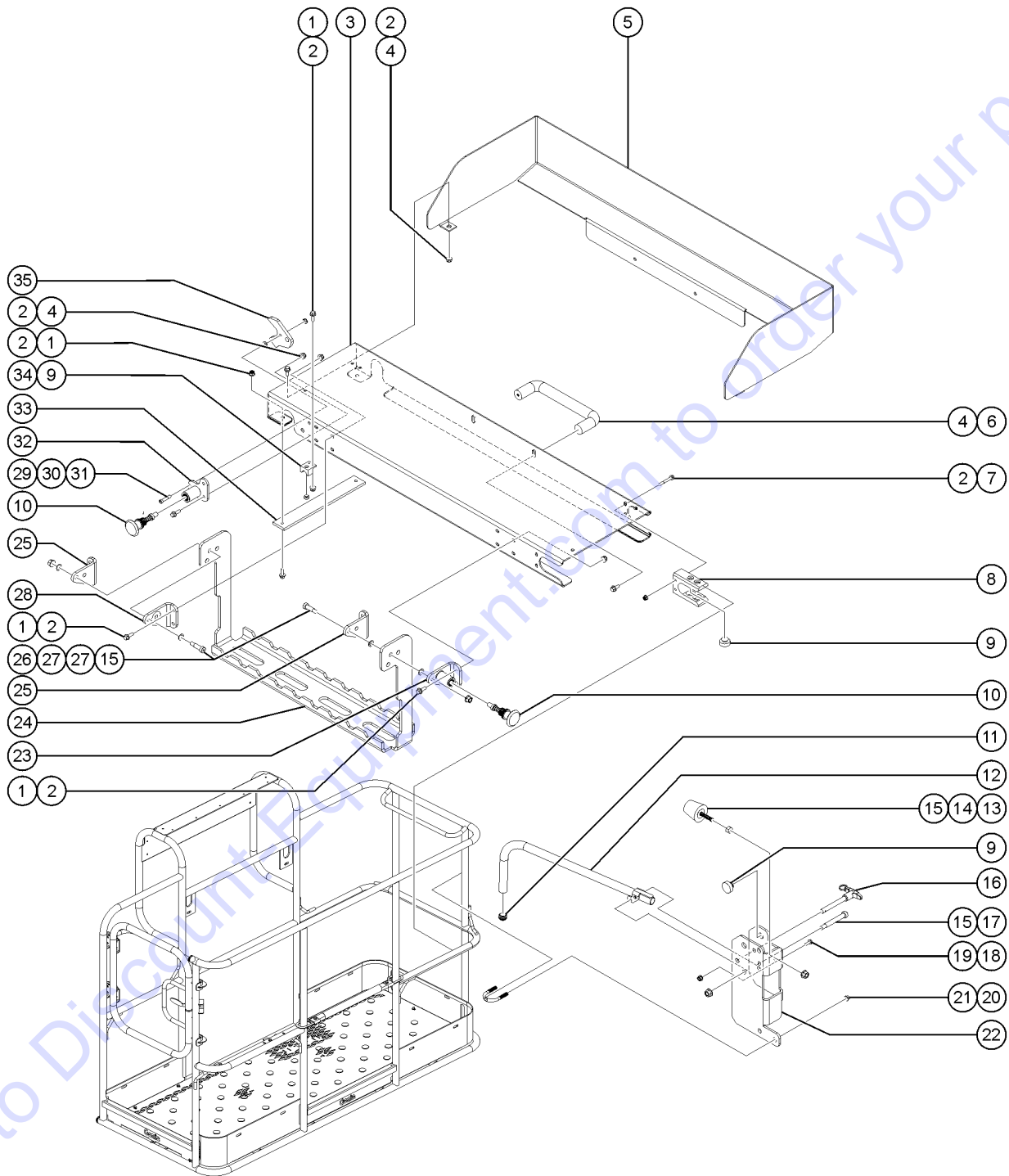


921.1 Lift Tools Access Deck

Item	Part No.	Description	Qty.
-	1293700GT	KIT, LIFT TOOLS ACCESS DECK, 6FT PLATFORM, ANSI (6 feet)	1
1	824078GT	SCREW,HHF,1/4-20X.75,8,ZAG	16
2	1277924GT	NUT,NYLOCK FLG,1/4-20,F,ZAG	24
3	1293710GT	FORMING, ACCESS DECK	1
4	1256855GT	SCREW,HHF,1/4-20X.625,8,ZAG	6
5	1293702GT	FORMING, ACCESS DECK TOEBOARD, 6FT PLATFORM	1
6	1291802GT	FORMED, PULL HANDLE	1
7	1253485GT	SCREW,HHF,1/4-20X2,8,ZAG	4
8	1291812GT	WEAR PAD, HORIZONTAL MIDRAIL SLOT	2
9	43392GT	BUMPER,BATTERY BOX & RAILS	8
10	1291811GT	POP PIN, YELLOW	2
11	55753GT	BUMPER, PLASTIC, 1.25 O.D.	2
12	1291815GT	WELDMENT, FOLDING HANDLE	1
13	111580GT	BUMPER,RUBBER,1.19DX1.5X.31-18	1
14	1261250GT	NUT,5/16-18,8,ZAG	1
15	1274167GT	NUT,NYLOCK FLG,5/16-18,F,ZAG	4
16	1291865GT	PIN, QUICK RELEASE 3/8X2-1/2	1
16-	1292932GT	LANYARD, STEEL, 8",NYLON SLEEVE,#10	
17	1291817GT	BOLT,SHS,3/8X2.25X5/16-18,ZAG	1
18	1270665GT	SCREW,HHF,10-24X.625,5,ZAG	1
19	1283004GT	NUT,NYLOCK FLG,10-24,A,ZAG	1
20	1274322GT	NUT,NYLOCK FLG,3/8-16,F,ZAG	4
21	1251600GT	U-BOLT, FLATTENED, 1.5 X 3/8	2
22	1293706GT	FORMING, ACCESS DECK HANDLE	1
23	1291844GT	WELDMENT, ACCESS DECK STEP LOCK	1
24	1293703GT	FORMING, ACCESS DECK STEP, 6FT PLATFORM	1
25	1291804GT	FORMING, ACCESS DECK LEFT EYE, 8FT PLATFORM	2
26	1291819GT	BOLT,SHS,3/8X7/8X5/16-18,ZAG	2



921.1 Lift Tools Access Deck



921.1 Lift Tools Access Deck

Item	Part No.	Description	Qty.
27	1292828GT	WASHER,FLAT, .39,.625,.036,ZAG .....	4
28	1291803GT	FORMING, ACCESS DECK RIGHT EYE, 8FT PLATFORM .....	1
29	1291818GT	BOLT,SHS,1/4X.75X1/4-20,ZAG .....	1
30	1291821GT	WASHER, FLAT, 1/4X1/16X1/2, AL .....	1
31	1283026GT	NUT,LP NYLOCK,1/4-20,2,ZAG .....	1
32	1291809GT	WELDMENT, LIFT TOOLS MIDRAIL LOCK .....	1
33	1293704GT	PLATE, STIFFENER BAR .....	2
34	1291813GT	WEAR PAD, VERTICAL MIDRAIL SLOT .....	2
35	1291806GT	PLATE, MIDRAIL HOOK .....	1

Go to Discount-Equipment.com to order your parts



<u>Part no.</u>	<u>Page Number</u>	<u>Part no.</u>	<u>Page Number</u>	<u>Part no.</u>	<u>Page Number</u>
119061GT	121	21619GT	197	28171GT	15
1268GT	11	21858GT	113, 119, 125	28174GT	15, 21, 25, 31, 41, 43...
1484GT	11	21982GT	117	28175GT	15, 25
1487GT	265	22262GT	57	28176GT	15, 25
1488GT	265	22263GT	57	28177GT	15, 25
1697GT	163, 167	22446GT	89	28181GT	15, 25
5397GT	131, 133	22672GT	87	28235GT	15, 21, 25, 31, 41, 43...
6091GT	131, 133	22811GT	63	28236GT	15, 25, 43
6178GT	163, 167	22903GT	83	28322GT	259
6272GT	113, 125	22934GT	83	28323GT	259
6578GT	281	23057GT	83	28328GT	305
6700GT	119	23083GT	57	28329GT	305
6833GT	71, 103, 107, 109, 287, 291	23083-SGT	79	28372GT	15, 25, 35
6888GT	131, 135	23457GT	83	28678GT	251, 253
6935GT	105, 221, 229	23469GT	85	28750GT	11, 247, 249, 251, 253
7056GT	105, 221, 229	23472GT	85	28853GT	269
7746GT	259	23473GT	95	28963GT	93
9599-SGT	259	24038GT	79	29080GT	177, 181
10775GT	221, 229	24514GT	211	29104GT	39, 283
10777GT	221, 231	25282GT	283	29868GT	69
12344GT	131, 135, 299	25388GT	71, 105	30080GT	15, 25
13097GT	57	25553GT	123	30138GT	101, 111, 101, 103, 189
13268GT	57, 103, 223, 231, 267	25685GT	271	30222GT	197, 201, 205
13585GT	221, 229	25817GT	53, 55, 79, 283	30370GT	173, 175
14392GT	133	27082GT	87	30468GT	259
15243GT	131, 135, 219, 229	27089GT	87	30794GT	145, 149, 153
16073GT	267	27126GT	79	30996GT	221, 231
18576GT	57	27204GT	15, 21, 25, 31, 35, 45	31060GT	15, 25, 35, 39
18720GT	107, 109, 113, 115, 283	27205GT	15, 21, 25, 31, 35, 45	31508GT	15, 25, 35
18963GT	107	27206GT	15, 21, 25, 31, 35, 45	31779GT	11
19018-1100GT	295	27207GT	15, 21, 25, 31, 35, 45	31785GT	15, 25, 35
19506GT	113, 117, 125	27246GT	111, 119, 123, 213, 217, 219...	31785JAGT	25
19520GT	67	27367GT	95	31787GT	15, 25, 35
19712GT	235	27391GT	145, 149	31788GT	17, 25, 35
19713GT	235	27488GT	79	31982GT	101
19721GT	235	27581GT	11	32066GT	85, 93
19722GT	235	28156GT	93	32067GT	85
19729GT	237	28159GT	15, 21	32069GT	85
19731GT	237	28161GT	15, 25	32077GT	89
20780GT	87	28162GT	15	32087GT	93
21427GT	235	28164GT	15	32090GT	93
21618GT	197, 287, 291	28165GT	15, 25	32150GT	11

<u>Part no.</u>	<u>Page Number</u>	<u>Part no.</u>	<u>Page Number</u>	<u>Part no.</u>	<u>Page Number</u>
32151GT	11	42104GT	265	45470GT	273
32728GT	17, 25, 43	42288GT	221, 231	45782GT	81
33550GT	17, 21, 25, 31	42502GT	177, 181, 185, 189	45840GT	223, 233
33555GT	137	42662GT	91	46036GT	77
33674GT	265	42781GT	129, 133, 221, 231	46188GT	287
33724GT	221, 231	42941GT	161, 165, 169	46258GT	243
33994GT	11, 247, 249, 251, 253	43018GT	245	46468GT	17, 21, 27, 31, 43, 51
34052GT	129	43038GT	235	47010GT	243
34053GT	77, 129, 133, 223, 231	43040GT	235	47377GT	197, 201
34125GT	177, 181, 185, 189	43042GT	235	48504GT	239
34276GT	173, 175	43179GT	65	48731GT	35
34619GT	271	43181GT	223, 231	48732GT	35
35526GT	39, 283	43392GT	213, 239, 263, 265, 315	48767GT	251, 253
35675GT	203	43595GT	17	48890GT	247
35678GT	237	43658GT	17, 27	48904GT	99, 247, 251, 253
35679GT	237	43956GT	105	48905GT	253
35680GT	237	43960-6950GT	211	48906GT	247
35956GT	261	43960GT	161, 165	48908GT	283
35960GT	261	44174GT	245	48911GT	249
36179GT	103, 105	44227GT	243	48912GT	243, 249, 251, 253
36212GT	67	44229GT	241	48916GT	249, 251, 253
36369GT	67	44236GT	241, 243	48917GT	251, 253
36372GT	63	44248GT	17, 27	48919GT	251, 253
36388GT	297, 311	44750GT	239	48923GT	251, 253
36555GT	11	44778GT	63	48939GT	249
36557GT	217, 227, 237	44788GT	11, 111	48942GT	249, 251, 253
36937GT	283	44980GT	17, 27, 35	48944GT	249
37184GT	105	44981GT	17, 21, 27, 31, 41, 43...	48947GT	249
37185GT	105	44986GT	17, 27	48948GT	249
37186GT	105	45071GT	59, 157, 159	48974GT	249
37187GT	105	45074GT	53	48999GT	249
37189GT	63	45112GT	53	49116-1233GT	285
37191GT	105	45113GT	53	49117-1366GT	283
37192GT	105	45114GT	53	49117-4691GT	247
37947GT	117	45162GT	109, 249	49117-9991GT	247
38149GT	41	45209GT	67	49117-11091GT	247, 253
38620GT	185, 189	45363GT	103, 137, 141, 143	49119-2078GT	247
39223GT	109	45383GT	221, 231	49119-2178GT	251, 253
39346GT	241	45385GT	131	49119-2224GT	255
40433GT	237	45400GT	279	49119-2374GT	253
40434GT	17, 21, 27, 31, 297	45454GT	267	49119-3378GT	249
42019GT	109	45462GT	107, 131, 133	49119-4178GT	253

<u>Part no.</u>	<u>Page Number</u>	<u>Part no.</u>	<u>Page Number</u>	<u>Part no.</u>	<u>Page Number</u>
49119-13978GT	251, 253	50543GT	197, 201	52825GT	87
49119-20578GT	253	50546GT	179, 183, 187, 189, 201	52826GT	87
49119-21878GT	253	50548GT	169	52832GT	87
49119-26078GT	251	50548PGT	163, 167	52834GT	87
49119-27478GT	251	50552GT	179, 183, 187, 191	52835GT	87
49119-34378GT	251, 253	50570GT	107	52836GT	89
49119-35678GT	251, 253	50584GT	177, 181, 185, 189	52838GT	89
49119-36378GT	251, 253	50635GT	163, 165	52841GT	93
49119-37978GT	253	50668-SGT	57	52847GT	93
49119-39378GT	251	50698GT	179, 181, 185, 189	52851GT	95
49120-33381GT	251, 253	50744GT	111	52865GT	17, 27, 35
49121-2088GT	253	50770GT	53	52866GT	91
49121-25688GT	251	50776GT	97	52867GT	11, 87
49121-27788GT	253	50784GT	139	52887GT	235
49143-2029GT	249	50924GT	143	52892GT	235
49143-2535GT	249	50952GT	161	52895GT	235
49212GT	267	50959GT	109	52897GT	241, 243, 245
49214GT	267	50966GT	109	52906GT	243
49215GT	267	50974GT	103, 137	52907GT	243
49408GT	83	50990GT	137	52910GT	243
49612GT	11, 247, 249, 251, 253	51147GT	67, 73	52912GT	241
49613GT	11, 247, 249, 251, 253	51474GT	283	52913GT	239
49772GT	163, 167, 169	52371GT	241, 245	52914GT	239
49820GT	221, 231	52374GT	243	52928GT	235
49863GT	81, 105	52475GT	35, 45	52947GT	27
49878GT	105	52514GT	89	52949GT	87
50294GT	209	52532GT	83	52969GT	17, 21, 27, 31, 35, 45
50371GT	57	52533GT	83	53157-SGT	259
50393GT	53	52539GT	93	53517GT	281
50394GT	55	52540GT	93	53807-SGT	259
50395GT	53	52541GT	93	53808-SGT	259
50396GT	55	52664GT	17, 27, 41	54063GT	177, 181, 185, 189
50397-SGT	53	52672GT	17, 27	54065GT	197, 201
50455GT	157, 159	52806GT	83	54123GT	101
50466-SGT	203	52808GT	83	54132GT	255
50469GT	97	52810GT	83	54145-800GT	97
50479GT	163, 165	52812GT	83	54145GT	283
50480GT	201	52813GT	83	54156GT	157, 159
50517GT	169	52816GT	13, 85	54157GT	177, 185
50517-SGT	161, 165	52818GT	85	54165GT	265
50519GT	77, 97	52823GT	87	54193GT	77
50542GT	173, 175	52824GT	87	54205GT	101



<u>Part no.</u>	<u>Page Number</u>	<u>Part no.</u>	<u>Page Number</u>	<u>Part no.</u>	<u>Page Number</u>
54206GT	101	54789GT	283	56934GT	307
54231GT	109	54793PGT	283	56994GT	129, 133
54243-SGT	91	54840GT	53	57162GT	67
54247-SGT	211	54883GT	275	58320GT	59
54255GT	121, 219, 229	54884GT	277	58531GT	61
54271GT	193, 195	54959GT	53	58932GT	239
54286GT	101	54960GT	53	58936GT	239
54287GT	101	54961GT	53	58985GT	235
54316GT	93	54962GT	53	60000PGT	77
54323GT	85, 93	54989GT	275, 277	60015GT	141, 143
54332GT	83	54994GT	201	60042GT	209
54360GT	111	55067GT	205	60060GT	71
54363GT	103, 137	55753GT	141, 143, 169, 173, 175, 259...	60065GT	109
54365GT	87, 223, 231, 281	56007GT	81	60078GT	79
54432GT	79, 283	56022GT	109	60088-SGT	93
54436GT	53	56050GT	79	60092-SGT	93
54443GT	109	56057GT	77	60096GT	79
54446GT	79	56067GT	89	60100-SGT	79
54455GT	141, 143	56068GT	89	60102GT	101
54457GT	265	56086GT	89	60105-SGT	89
54458GT	265	56101GT	87	60106PGT	103
54463-SGT	79	56102GT	87	60107GT	87
54465GT	265	56110GT	87	60108GT	87
54486GT	261	56282GT	63	60110GT	139
54510-SGT	205	56283GT	79	60112GT	13, 89
54520-SGT	197	56290GT	81	60126GT	139
54542GT	55, 59	56291GT	81	60145GT	141, 143
54569GT	177, 185	56292GT	81	60146GT	77
54570GT	181, 189	56302GT	77, 129, 133, 223, 231	60160PGT	211
54605GT	83	56306GT	217	60170GT	101
54627GT	53, 61	56424GT	211, 263, 263, 303, 307, 309	60435GT	121
54637GT	277	56426-700GT	287, 291	60443GT	219, 229
54638GT	275	56445GT	145, 149	60526GT	121, 219, 229
54639GT	275, 277	56461GT	67	60527GT	121
54640GT	275, 277	56525GT	295	60528GT	121
54652GT	275, 277	56561GT	57	60922GT	259
54694GT	101	56562GT	57	61306-SGT	201
54726GT	157	56570GT	295	61726GT	271
54757GT	283	56704GT	257	61801GT	121
54760GT	89	56849GT	105	61972GT	271
54786GT	283	56912GT	207... 207...	61974GT	271
54787GT	283	56930GT	65	61975GT	271

<u>Part no.</u>	<u>Page Number</u>	<u>Part no.</u>	<u>Page Number</u>	<u>Part no.</u>	<u>Page Number</u>
61987GT	273	70602GT	109	73901GT	265
61998GT	271	70632GT	283	74006GT	221, 231
62043GT	87	70633GT	285	74266GT	65
62044GT	87	70635PGT	285	74267GT	57
62068GT	17, 21	70638GT	283	74268GT	57
62070GT	27, 31, 35, 45	70642PGT	267	74362GT	235
62085GT	77, 83	70644-75792GT	267	74368GT	235
62088GT	109	70647GT	105	74468GT	57
62105GT	63	70655GT	59	74469GT	57
62129GT	85	70657GT	57	74470GT	57
62130GT	85	70658GT	77	74471GT	65
62506GT	245	70671GT	173, 175	74495GT	57
62507GT	245	70683GT	269	74704GT	67
62695GT	65	70685GT	161, 165	74911GT	129
62696GT	65	70707GT	269	74912GT	129
62926GT	17, 21, 27, 31, 39, 47	72086GT	35, 45	74913GT	129, 133
62927GT	17, 21, 27, 31, 39, 47	72282GT	257	74917GT	129, 133
65178GT	235	72298GT	235	75073GT	137, 141, 143
65301GT	17, 27	72326GT	107, 131, 133, 221, 231	75076GT	137, 141, 143
65546GT	235	72444GT	17, 21, 27, 31, 41, 49	75453GT	243
65608GT	59	72833GT	17, 27, 35	75617-1025GT	287, 291
65618GT	59	72867GT	17, 21, 27, 31, 43, 51...	75617-1550GT	287, 291
65630GT	295	72875GT	295	75617-2075GT	289, 293
65788GT	177, 181, 189	72999GT	41	75617-2275GT	287, 291
65789GT	201	73463-1175GT	307	75617-6275GT	289
65790GT	177, 181, 185	73477PGT	211	75636GT	287, 291
66031GT	267	73574-SGT	211	77014GT	173, 175
66397GT	73	73575GT	65, 211, 299	77032GT	141, 143
66399GT	11	73610PGT	211	77034GT	141, 143
66472GT	287, 291	73711GT	219, 229	77059-2986GT	249
66717GT	57, 63	73713GT	121, 219, 229	77087GT	283
66812GT	113, 117, 125, 217, 227	73717GT	131, 135, 219, 229	77103GT	251
66813GT	223, 233	73723GT	219, 229	77181GT	201, 205
66815GT	223, 233	73730GT	131, 135	77189GT	173, 175
66817GT	113, 125	73736GT	121, 131, 133, 219, 229	77303GT	157, 159
66818GT	117, 227	73739GT	211	77322GT	83
66821GT	117, 227	73749GT	121	77351GT	223, 231
66900GT	67	73751GT	121	77362GT	173, 175
66901GT	67	73753GT	121, 131, 135	77363GT	197, 201
70534GT	159, 173, 175	73754GT	121, 131, 135	77364GT	173, 175, 197, 201
70588GT	173, 175	73807GT	197, 245	77375GT	177, 181, 185, 189
70589GT	171, 173, 175	73900GT	209	77376GT	177, 181, 185, 189

<u>Part no.</u>	<u>Page Number</u>	<u>Part no.</u>	<u>Page Number</u>	<u>Part no.</u>	<u>Page Number</u>
77410GT	177, 181, 185, 189	88337GT	53	94745GT	211
77435GT	109	88338GT	53	94745PGT	259
77521GT	157, 159	88356-11103GT	97	94860GT	241
77524GT	141, 143	88356-11163GT	161, 165	94879GT	59
77664GT	307, 309	88356-11205GT	103, 107, 111, 101, 185, 189	94880GT	59
77683GT	307	88370GT	169	94981GT	103
77709GT	241, 243, 245	88370PGT	161, 165	94982GT	103
77797GT	287, 291	88377-1400GT	307	96008-SGT	113, 117, 125
77981GT	239	88390GT	287, 291	96010GT	113, 117, 125
77990GT	239	88516GT	205	97128GT	97, 101, 103, 105, 107, 177...
78098GT	145, 149, 299	88557GT	109	97602GT	17
78622GT	11, 111	88606PGT	259	97815GT	17, 23, 27, 33, 43, 51
79452GT	65	88607PGT	259	97887GT	17, 27
81175GT	201	88635-4024GT	97	98154GT	271
81368GT	295	88637GT	131, 133	99174GT	273
81458GT	221, 231	88676GT	157, 159	101055GT	243
81488GT	217, 227	88713GT	153	101056GT	243
81579GT	105	88719GT	97, 121	101057GT	243
81640GT	207	88721-70700GT	145, 153	101067GT	243
82161GT	41	88721-72000GT	121, 149	101069GT	243
82240GT	21	88722-70700GT	145, 153	101080GT	145, 149, 153
82279GT	17, 21, 27, 31, 43, 51	88722-72000GT	121, 149	101277GT	243
82366GT	17, 27, 41	88723-69700GT	145, 153	101425PGT	67
82410GT	307	88723-71000GT	121, 149	101426PGT	67
82472GT	21, 31	88724GT	147, 151, 153	101512GT	271
82473GT	21, 31	88725GT	147, 151, 153	101815GT	97
82481GT	21, 31, 45	88752GT	53	101852GT	265
82487GT	21, 31, 47, 49, 51	88827GT	113, 117, 125	101853GT	265
82548GT	21, 31	88832GT	129, 147, 151	101858GT	141, 143
82601GT	23, 31	89756GT	163, 167	101859GT	141, 143
82602GT	23, 31	93500GT	11	101860GT	139
82604GT	23, 33	94077GT	79, 103, 137	101861GT	139
82612GT	23, 33	94191GT	271	101862GT	141, 143
82647GT	23, 33, 51	94374-2205GT	249	101863GT	139
82851GT	95	94492PGT	271	101932GT	279
83093GT	117	94506GT	117, 217	102313-1920GT	249
83131GT	117	94529GT	161, 165, 169	102313-2394GT	249
84044GT	83	94531GT	169	102785PGT	259
84385GT	243	94531PGT	161, 165	102786PGT	259
85239GT	117	94618GT	243	102992GT	211
85300GT	295	94639GT	129	104804GT	213, 263
88203GT	157, 159	94643GT	271, 273	106044GT	287, 291

<u>Part no.</u>	<u>Page Number</u>	<u>Part no.</u>	<u>Page Number</u>	<u>Part no.</u>	<u>Page Number</u>
106069GT	137	111052GT	193, 195	120297GT	221, 231
106117GT	59	111053GT	193, 195	120300GT	221, 229
106120GT	61	111526GT	261	121848GT	145, 149, 153, 271
106121GT	61	111580GT	315	122019GT	257
106122GT	61	114025GT	17, 23, 27, 33, 35, 45	122073GT	259, 287, 291, 305
106123GT	61	114114GT	19, 23, 27, 33	122278GT	259
106124GT	61	114117GT	19, 27, 35	122279GT	259
106125GT	61	114221GT	19, 27	122513GT	223, 233
106126GT	61	114247GT	23, 33	122514GT	227
106148GT	59	114248GT	23, 33, 51	122994GT	119
106163GT	205	114249GT	23, 33, 45	128045GT	129, 133, 271
106241GT	69	114251GT	23	128118GT	71
106339GT	283	114252GT	23, 33, 45, 47	128200GT	115, 117, 125, 215, 217, 225
106427GT	97, 161, 165	114258GT	19	128201GT	115, 123, 125, 215, 225
106972GT	161, 165	114334GT	23, 33, 45	128202GT	115, 119, 125, 125, 127...
106974GT	161, 165	114343GT	23, 33, 41, 49	128203GT	287, 291
106976GT	163, 167	114345GT	23, 33, 45	128204GT	115, 121, 127, 281
106983GT	161, 165	114350GT	29, 33, 41, 43, 49, 51	128206GT	217, 227
106986GT	161, 165	114389GT	19, 29	128301GT	177, 185
107588GT	157, 159	114390GT	15, 19, 25, 41, 43	128304GT	179, 187
107590GT	157, 159	114391GT	23	128308GT	193
107594GT	137	114397GT	19, 27, 43	128309GT	193
107651GT	97	119058GT	211	128310GT	193, 195
107727GT	157, 159	119062GT	121	128311GT	193, 195
107803GT	79	119063GT	121	128319GT	103
107805GT	79	119064GT	121	128337GT	57
107811GT	79	119209GT	59	128368GT	265
107857GT	259	119210GT	57	128374GT	265
107858GT	261, 281	119242GT	93	128375GT	71
107859GT	157, 159	119403GT	105	128376GT	71
107881GT	161, 165	119404GT	105	128377GT	71
110160GT	97	119536PGT	207	128454GT	207
110286GT	83	119542GT	207	128465GT	75
110310GT	161, 165	119619GT	53	128466GT	75
110382GT	137	119684GT	87	128482GT	207
110523GT	93	119685GT	87	128483GT	207
110651GT	223, 233	119767GT	59	128486GT	75
110657GT	145, 149, 153	119784PGT	105	128487GT	75
110671GT	205	119787PGT	73	128488GT	73
110749GT	93	119825GT	243	128489GT	73
110789GT	271	120092GT	169	128490GT	73
111051GT	193, 195	120269GT	97	128491GT	73

<u>Part no.</u>	<u>Page Number</u>	<u>Part no.</u>	<u>Page Number</u>	<u>Part no.</u>	<u>Page Number</u>
128492GT	73	139055GT	73	147043GT	279
128534GT	207	139056GT	73	147044GT	279
128578GT	117, 119, 125, 217, 219...	139057GT	73	147089GT	119
128580-SGT	117, 215, 217, 225	139058GT	73	147093GT	113, 119, 125
128581-SGT	123, 215, 225	139059GT	75	147094GT	77
128582-SGT	119, 125, 215, 217, 219, 225...	139060GT	75	147121GT	211
128584-SGT	121	139062GT	73	147181GT	279
128596GT	195	139063GT	73	147183GT	279
128597GT	195	139064GT	73	147184GT	279
128598GT	57	139306GT	19	147187GT	63
128601GT	179, 183, 187, 191	139318GT	71, 107	147205GT	89
128603GT	181, 189	139351GT	59	147206GT	89
128605GT	183, 189	139353GT	59	147208GT	89
128645GT	71, 107	139354GT	59	147253GT	215, 225
128646GT	107	139355GT	59	147509GT	271
128812GT	147, 151	139368GT	147, 151	147528GT	155
128816GT	147, 151, 153	139417PGT	141, 143	150026GT	103
128825GT	71	139421GT	85	150103GT	117, 185, 189, 197, 201
128852GT	279	139423GT	83	160809GT	209
128862GT	193, 195	139428GT	89	161541GT	209
128929-300GT	73	139429GT	13, 89	161542GT	209
128941GT	145, 149, 153	139434GT	89	161553GT	67
128956GT	281	139656GT	87	161554GT	67
128973GT	279	139687GT	197	161884GT	83
128995GT	179, 183, 187, 191	139688GT	197	215235GT	55
128997GT	207	139701GT	195	215777GT	59
128998GT	161, 165, 169	139702GT	193	216769GT	145, 149, 153, 215
129021GT	243	139779GT	195	216791GT	133
133067GT	23, 33, 49, 51	139781GT	193	216793GT	133
133278GT	19	139857GT	71	218083GT	133
133286GT	23, 33, 35, 45, 71	139882GT	287, 291	218164GT	113, 125, 151, 155, 215, 217
139011-SGT	75	139965GT	61	218550GT	43
139020GT	73	139966GT	61	218559GT	43
139041GT	75	139967GT	61	218570GT	61
139047GT	73	139968GT	61	218571GT	61
139048GT	73	144161GT	71, 105	219158GT	303
139049GT	73	146051GT	61	219160GT	19, 23, 29, 33
139050GT	73	146052GT	61	219487GT	43
139051GT	73	146478GT	217, 227	219954GT	51
139052GT	73	147034GT	61	219956GT	51
139053GT	75	147041GT	279	219958GT	51
139054GT	73	147042GT	279	226383GT	235

<u>Part no.</u>	<u>Page Number</u>	<u>Part no.</u>	<u>Page Number</u>	<u>Part no.</u>	<u>Page Number</u>
226393GT	257	822769GT	287, 291	824079GT	63, 77, 89, 103, 137, 195...
227130GT	29	822771GT	291	824080GT	65, 73, 207
227213GT	29, 41	822777GT	145, 149, 153	824081GT	53, 197, 201, 261
227214GT	19	822778GT	147, 149	824082GT	79, 161, 165, 181, 189
227564GT	211	823153GT	21, 31	824083GT	295
227617GT	211	823154GT	31	824085GT	91, 103, 261, 281
227833GT	91	823158GT	21	824086GT	65, 67, 91, 305, 309
228848GT	307	823161GT	21, 31	824087GT	105, 205
228849GT	307	823162GT	31	824089GT	105, 207
228946GT	71	823166GT	21	824090GT	77, 79, 103, 221, 231, 281
228947GT	71	823226GT	77, 281	824091GT	33, 83, 93, 103, 105, 109, 109, 109, 137, 161, 165...
228973GT	55, 71	823684GT	67	824092GT	103, 105, 109, 137, 161, 165...
229131GT	63	823774GT	145, 149, 153	824093GT	283
229132GT	63	823877GT	169	824094GT	63
229133GT	63	824019GT	131, 229	824095GT	81
229567GT	113, 115, 117, 119, 123, 125... 217, 227	824024GT	59, 137, 141, 143, 285	824096GT	81
229812GT	217, 227	824025GT	107, 109, 271	824100GT	239
229833GT	61	824027GT	63, 67, 71, 77, 89, 93... 63, 69, 83, 91, 137, 205...	824103GT	63, 97
229834GT	61	824028GT	205...	824104GT	59
230059GT	67	824029GT	55, 59, 67, 69, 71, 77...	824109GT	77, 89, 113, 127, 223, 233, 101, 109, 163, 167, 169...
230060GT	67	824030GT	197	824110GT	157, 159, 161
230062GT	53	824032GT	77, 281	824111GT	141...
230501GT	121, 131, 135	824036GT	97, 129, 221, 231	824113GT	137, 141, 143
231513GT	93	824037GT	53, 73	824119GT	79, 303
232486GT	61	824038GT	307	824120GT	271
233568GT	239	824041GT	87	824122GT	183, 197, 193, 195, 279
233715GT	205	824049GT	73	824124GT	67
233716GT	197	824050GT	97	824125GT	53
233745GT	197, 205	824051GT	99	824127GT	53, 283
233807GT	59	824052GT	99	824129GT	93
234923GT	235	824059GT	67, 77, 113, 119, 127, 129, 137, 139, 89, 111, 137...	824131GT	89, 93
237145GT	223, 231	824060GT	137...	824135GT	89, 93
237688GT	161, 165, 169	824061GT	59	824141GT	89, 93
822005GT	15, 25	824063GT	179, 185	824142GT	89, 93
822006GT	25	824067GT	79, 101, 109, 173, 175, 103, 137, 177, 181, 185, 189	824144GT	89
822010GT	15	824068GT	185, 189	824151GT	179, 181, 187, 189, 201, 283
822013GT	15, 25	824069GT	109, 303	824164GT	173, 187, 187, 189, 201
822014GT	25	824070GT	273	824207GT	141, 143, 265
822018GT	15	824073GT	197	824214GT	137, 139, 219, 221, 229
822759GT	287, 291	824074GT	141, 143	824215GT	103, 137, 141, 143
822764GT	287, 291	824077GT	77	824216GT	97, 271
822768GT	287, 291	824078GT	63, 77, 93, 97, 103, 109...	824225GT	63

<u>Part no.</u>	<u>Page Number</u>	<u>Part no.</u>	<u>Page Number</u>	<u>Part no.</u>	<u>Page Number</u>
824226GT	131, 135, 219, 229	1256106GT	81, 285	1257454GT	165
824227GT	259, 291	1256108GT	71, 279	1257628GT	105, 111
824228GT	69	1256109GT	91, 105, 107, 109, 113, 175...	1257733GT	11
824878GT	123, 225, 227	1256112GT	81	1257899GT	283
825019GT	33, 39, 113, 115, 117, 181...	1256118GT	59, 77, 103, 107, 137	1258567GT	11
825020GT	271	1256119GT	283	1259322GT	129, 145, 149
825349GT	65	1256127GT	179, 187, 207	1259323GT	129, 145, 149
825352GT	299	1256170GT	97	1259329GT	287, 293
825358GT	63, 107, 109, 111, 183, 263	1256177GT	163, 167, 169	1259639GT	147, 151
825796GT	55	1256180GT	207	1259857GT	77, 97, 101
826171GT	79	1256182GT	59, 77, 97	1260173GT	129, 147, 151, 153
826516GT	257	1256231GT	195, 197	1260372GT	77
826779GT	241	1256267GT	157, 159, 173, 175	1260892GT	297, 311
826783GT	57	1256284GT	89, 93	1260910GT	297
826793GT	205, 239	1256312GT	65	1260940GT	157, 159
832128GT	83	1256378GT	297	1261019GT	297
865260GT	93	1256380GT	297	1261021GT	297
866397GT	95	1256389GT	297	1261023GT	297
866400GT	11, 83	1256400FRGT	297	1261025GT	297
1000001GT	29	1256400GT	297	1261184GT	299, 303
1000027GT	19	1256439GT	297	1261221GT	145, 149, 153
1240313GT	263	1256460GT	211	1261250GT	315
1251565GT	55	1256468GT	303	1261725GT	133
1251600GT	83, 113, 127, 129, 303, 307, 311, 313, 315, 317, 319, 321, 323	1256469GT	141, 143	1261777GT	313
1251757GT	231	1256481GT	297, 311	1261845GT	147, 151
1251793GT	87	1256693GT	55, 57	1261899GT	147, 151
1251794GT	87	1256803GT	193, 205	1261900GT	147, 151
1251795GT	89	1256844GT	157, 159, 161	1262031GT	65, 129, 133
1251796GT	83	1256847GT	137, 177, 185, 279	1262220GT	145, 149
1251997GT	79, 97, 297, 311	1256848GT	79	1262223GT	145, 149, 153
1253185GT	113, 121, 123, 131, 223, 233	1256851GT	297, 311	1262342GT	43
1253478GT	71, 81, 201	1256855GT	67, 103, 107, 109, 113, 259...	1262343GT	51
1253485GT	141, 143, 111, 183, 315	1256856GT	297, 311	1262512GT	129, 133, 145, 155
1253498GT	109, 157, 173, 175	1256859GT	299	1262633GT	173, 175
1255030GT	147, 151	1256863GT	197, 205, 267	1263056GT	175
1255452GT	79, 173, 175	1256922GT	181, 189	1263057GT	173
1255469GT	81	1257227GT	77, 221, 231	1263142GT	97
1255758GT	39, 11, 11, 103, 109, 137...	1257229GT	77	1263187GT	103
1255760GT	81, 97, 109, 161, 285	1257248GT	211	1263232GT	99
1255763GT	69	1257249GT	211	1263234GT	97
1255805GT	57, 67	1257296GT	221, 229	1263542GT	49
1255858GT	147, 151	1257390GT	221, 229	1263543GT	41



<u>Part no.</u>	<u>Page Number</u>	<u>Part no.</u>	<u>Page Number</u>	<u>Part no.</u>	<u>Page Number</u>
1264101GT	263	1270665GT	315	1278144GT	301
1264259GT	141, 143	1271061GT	263	1278363GT	301
1264261GT	57, 105, 129, 135, 137, 141...	1271765GT	313	1278368GT	299
1264308GT	19, 29	1271767GT	313	1278416GT	299
1264822GT	145, 149	1271770GT	313	1278433GT	299
1264834GT	145, 149	1271772GT	101	1278452GT	299
1264934GT	299	1271773GT	101	1278458GT	299
1265481GT	177, 185	1272242GT	19, 23, 29, 33, 41, 49	1278542GT	43, 51, 299
1266019GT	41	1272303GT	209	1278629GT	289, 291
1266606GT	145, 149, 153	1272307GT	213	1278858GT	209
1266934GT	215	1272326GT	313	1278982GT	43, 51, 301
1266935GT	113, 125	1272735GT	169	1279135GT	299
1266938GT	215	1272736GT	169	1279765GT	305
1266939GT	113, 125	1272737GT	169	1280665GT	71, 107
1266942GT	215	1272808GT	43, 51	1280819GT	19, 29, 41
1266943GT	113, 125	1272998GT	83	1280820GT	19
1266946GT	215	1273205GT	205	1281174GT	43, 51
1266947GT	113, 125	1274040GT	313	1281175GT	51
1266952GT	215	1274164GT	219	1282314GT	101
1266953GT	113	1274167GT	309, 315	1283004GT	133, 315
1266956GT	215	1274168GT	163, 167, 185, 189	1283005GT	169
1266957GT	113	1274173GT	205	1283026GT	317
1267121GT	39	1274322GT	157, 161, 165, 169, 193, 195...	1283776GT	11
1267570GT	245	1274511GT	201	1283806GT	59
1267746GT	211	1274551GT	101	1284282GT	145, 149, 215
1267747GT	213, 263	1274858GT	209	1284764GT	259
1267779GT	55	1275393GT	209	1285590GT	169
1267780GT	61	1275395GT	209	1285689GT	151
1267781GT	55	1275396GT	209	1285700GT	263
1267782GT	61	1275397GT	209	1285719GT	311
1267784GT	55	1277873GT	299	1285721GT	311
1267785GT	63	1277875GT	299	1285730GT	311
1267786GT	55	1277876GT	299	1285812GT	151
1267787GT	63	1277877GT	299	1285850GT	299
1268375GT	283	1277924GT	165, 169, 169, 287, 295, 299...	1286259GT	311
1268676GT	263	1277952GT	305	1286260GT	311
1268954GT	63	1277966GT	305	1286261GT	311
1270314GT	263	1278111GT	299	1286262GT	311
1270316GT	263	1278119GT	299	1286263GT	311
1270442GT	169	1278121GT	299	1286362GT	47
1270570GT	305	1278124GT	299	1286393GT	311
1270571GT	305	1278138GT	299	1286600GT	61



<u>Part no.</u>	<u>Page Number</u>	<u>Part no.</u>	<u>Page Number</u>	<u>Part no.</u>	<u>Page Number</u>
1286602GT	61	1292513GT	41, 49	1299740GT	35, 45
1286603GT	61	1292514GT	41, 49	1299743GT	37
1286618GT	311	1292515GT	41, 49	1299744GT	37, 45
1286620GT	311	1292677GT	113, 125	1299791GT	43
1286621GT	311	1292828GT	317	1299792GT	51
1287148GT	169	1292932GT	315	1301021GT	257
1287498GT	129	1293324GT	41	1304836GT	35
1287986GT	243	1293700GT	315	1304837GT	35
1288307GT	153	1293702GT	315	1304838GT	43
1288805GT	311	1293703GT	315	1304839GT	43
1289520GT	313	1293704GT	317	1304840GT	45
1289521GT	313	1293706GT	315	1304841GT	45
1289522GT	313	1293710GT	315	1304842GT	51
1289523GT	313	1293787GT	255	1304843GT	51
1289561GT	313	1293788GT	255	9990074GT	61
1289692GT	311	1294060GT	145, 149	T106699GT	129, 221, 231
1289693GT	311	1294176GT	313	T107883GT	201
1290135GT	265	1294398GT	41, 49	T107884GT	199, 201
1290338-2050GT	249	1294877GT	147, 151, 153	T108075GT	197, 203
1290351-3925GT	249	1295585GT	239	T108673GT	63
1291495GT	305	1298761GT	125	T112560GT	221, 231
1291496GT	305	1298762GT	215	T112773GT	23, 33, 43, 51
1291624GT	41, 49	1298763GT	125	T115412GT	139
1291802GT	315	1298764GT	215		
1291803GT	317	1298776GT	133, 153		
1291804GT	315	1298777GT	133, 153		
1291806GT	317	1298778GT	133		
1291809GT	317	1298825GT	41, 49		
1291811GT	315	1298841GT	309		
1291812GT	315	1298850GT	309		
1291813GT	317	1298851GT	309		
1291815GT	315	1298933GT	11		
1291817GT	315	1299449GT	133, 153		
1291818GT	317	1299450GT	153		
1291819GT	315	1299466GT	153		
1291821GT	317	1299733GT	39, 47		
1291844GT	315	1299734GT	39, 47		
1291865GT	315	1299735GT	39, 47		
1292198GT	313	1299736GT	39, 47		
1292362GT	147, 151, 153	1299737GT	35, 45		
1292490GT	147, 151	1299738GT	35, 45		
1292512GT	41, 49	1299739GT	35, 45		

California Proposition 65

 **WARNING**

Operating, servicing and maintaining this equipment, passenger vehicle or off-highway motor vehicle can expose you to chemicals including engine exhaust, carbon monoxide, phthalates, and lead, which are known to the State of California to cause cancer and birth defects or other reproductive harm. These chemicals can be emitted from or contained in other various parts and systems, fluids and some component wear by-products. To minimize exposure, avoid breathing exhaust, do not idle the engine except as necessary, service your equipment and vehicle in a well-ventilated area and wear gloves or wash your hands frequently when servicing your equipment or vehicle and after operation. For more information go to [www.P65Warnings.ca.gov/passenger-vehicle](http://www.P65Warnings.ca.gov/passenger-vehicle).

Breathing diesel engine exhaust exposes you to chemicals known to the State of California to cause cancer and birth defects or other reproductive harm.

- Always start and operate the engine in a well-ventilated area.
- If in an enclosed area, vent the exhaust to the outside.
- Do not modify or tamper with the exhaust system.
- Do not idle the engine except as necessary.

For more information go to [www.P65warnings.ca.gov/diesel](http://www.P65warnings.ca.gov/diesel).

Distributed By:

[www.GPSEquipment.com](http://www.GPSEquipment.com) to order your parts

# PARTS FINDER

**Search Website  
by Part Number**



**Search Manual  
Library For Parts  
Manual & Lookup Part  
Numbers – Purchase  
or Request Quote**

**Search Manuals**

Enter your information to help us find the right parts manual for your machine.

\* Brand:

\* Model:

\* Serial:

\* Part Number:

SEARCH

**Can't Find Part or  
Manual? Request Help  
by Manufacturer,  
Model & Description**

**Parts Order Form**

Please fill in the following information to help us find the right part for your machine.

Manufacturer:	<input type="text"/>
Model:	<input type="text"/>
Description:	<input type="text"/>
Part Number:	<input type="text"/>
Quantity:	<input type="text"/>
Notes:	<input type="text"/>

Submit

Discount-Equipment.com is your online resource for quality parts & equipment.

Florida: **561-964-4949** Outside Florida TOLL FREE: **877-690-3101**

**Need parts?**

Click on this link: <http://www.discount-equipment.com/category/5443-parts/> and choose one of the options to help get the right parts and equipment you are looking for. Please have the machine model and serial number available in order to help us get you the correct parts. If you don't find the part on the website or on one of the online manuals, please fill out the request form and one of our experienced staff members will get back to you with a quote for the right part that your machine needs.

We sell worldwide for the brands: Genie, Terex, JLG, MultiQuip, Mikasa, Essick, Whiteman, Mayco, Toro Stone, Diamond Products, Generac Magnum, Airman, Haulotte, Barreto, Power Blanket, Nifty Lift, Atlas Copco, Chicago Pneumatic, Allmand, Miller Curber, Skyjack, Lull, Skytrak, Tsurumi, Husquvarna Target, Stow, Wacker, Sakai, Mi-T-M, Sullair, Basic, Dynapac, MBW, Weber, Bartell, Bennar Newman, Haulotte, Ditch Runner, Menegotti, Morrison, Contec, Buddy, Crown, Edco, Wyco, Bomag, Laymor, EZ Trench, Bil-Jax, F.S. Curtis, Gehl Pavers, Heli, Honda, ICS/PowerGrit, IHI, Partner, Imer, Clipper, MMD, Koshin, Rice, CH&E, General Equipment, Amida, Coleman, NAC, Gradall, Square Shooter, Kent, Stanley, Tamco, Toku, Hatz, Kohler, Robin, Wisconsin, Northrock, Oztec, Toker TK, Rol-Air, APT, Wylie, Ingersoll Rand / Doosan, Innovatech, Con X, Ammann, Mecalac, Makinex, Smith Surface Prep, Small Line, Wanco, Yanmar