



# Parts Manual

## Serial Number Range

**Z-45/25**

from SN Z452505-27000 to  
Z452507-34010

**Z-45/25J**

from SN Z452507A-34011 to  
Z4516A-55298

**DC & Bi-Energy**

from SN Z452512B-2245 to  
Z452516B-5452

from SN Z4525M-5453 to  
Z452516M-6699

from SN Z452516N-55299 to  
Z452516N-56105

Part No. 110933

Rev G8

November 2018

# PARTS FINDER

**Search Website  
by Part Number**



**Search Manual  
Library For Parts  
Manual & Lookup Part  
Numbers – Purchase  
or Request Quote**

**Search Manuals**

Enter your information to help us find the right parts manual for your machine.

\* Brand:

\* Model:

\* Serial:

\* Part Number:

SEARCH

**Can't Find Part or  
Manual? Request Help  
by Manufacturer,  
Model & Description**

**Parts Order Form**

Please fill in the following information to help us find the right part for your machine.

Manufacturer:	<input type="text"/>
Model:	<input type="text"/>
Description:	<input type="text"/>
Part Number:	<input type="text"/>
Quantity:	<input type="text"/>
Notes:	<input type="text"/>

Submit

Discount-Equipment.com is your online resource for quality parts & equipment.

Florida: **561-964-4949** Outside Florida TOLL FREE: **877-690-3101**

**Need parts?**

Click on this link: <http://www.discount-equipment.com/category/5443-parts/> and choose one of the options to help get the right parts and equipment you are looking for. Please have the machine model and serial number available in order to help us get you the correct parts. If you don't find the part on the website or on one of the online manuals, please fill out the request form and one of our experienced staff members will get back to you with a quote for the right part that your machine needs.

We sell worldwide for the brands: Genie, Terex, JLG, MultiQuip, Mikasa, Essick, Whiteman, Mayco, Toro Stone, Diamond Products, Generac Magnum, Airman, Haulotte, Barreto, Power Blanket, Nifty Lift, Atlas Copco, Chicago Pneumatic, Allmand, Miller Curber, Skyjack, Lull, Skytrak, Tsurumi, Husquvarna Target, Stow, Wacker, Sakai, Mi-T-M, Sullair, Basic, Dynapac, MBW, Weber, Bartell, Bennar Newman, Haulotte, Ditch Runner, Menegotti, Morrison, Contec, Buddy, Crown, Edco, Wyco, Bomag, Laymor, EZ Trench, Bil-Jax, F.S. Curtis, Gehl Pavers, Heli, Honda, ICS/PowerGrit, IHI, Partner, Imer, Clipper, MMD, Koshin, Rice, CH&E, General Equipment, Amida, Coleman, NAC, Gradall, Square Shooter, Kent, Stanley, Tamco, Toku, Hatz, Kohler, Robin, Wisconsin, Northrock, Oztec, Toker TK, Rol-Air, APT, Wylie, Ingersoll Rand / Doosan, Innovatech, Con X, Ammann, Mecalac, Makinex, Smith Surface Prep, Small Line, Wanco, Yanmar

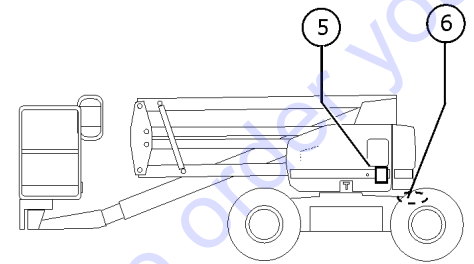
To August 31, 2016

**Genie**  
A TEREX BRAND

**Model:**  
**Serial number:** Z452516M-12345  
**Manufacture date:** 1/2/16      **Model year:** 2016  
**Electrical schematic number:**  
**Machine unladen weight:**  
**Rated work load (including occupants):**  
**Maximum number of platform occupants:**  
**Maximum allowable side force:**  
**Maximum allowable inclination of the chassis:**

Z4525 16 M - 12345

1 2 3 4



- 1 Model
- 2 Model year
- 3 Facility code

- 4 Sequence number
- 5 Serial label (located under cover)
- 6 Serial number (stamped on chassis)

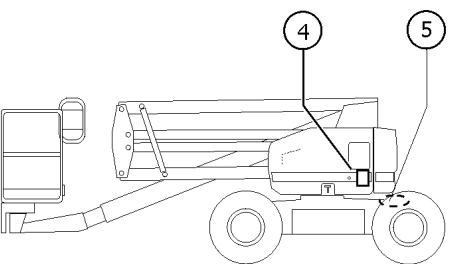
From September 1, 2016

**Genie**  
A TEREX BRAND

**Model:**  
**Serial number:** Z4525M-12345  
**Year of manufacture:** 2016  
**Electrical schematic number:**  
**Machine unladen weight:**  
**Rated work load (including occupants):**  
**Maximum number of platform occupants:**  
**Maximum allowable side force:**  
**Maximum allowable inclination of the chassis:**

Z4525 M - 12345

1 2 3



- 1 Model
- 2 Facility code
- 3 Sequence number

- 4 Serial label (located under cover)
- 5 Serial number (stamped on chassis)

## Table of Contents

This manual is updated frequently. For the most up-to-date parts information, visit [www.discount-equipment.com](http://www.discount-equipment.com)

How to Read Your Serial Number.....	3
Parts Stocking List.....	7

**Electronic Version**

Click on any page number to view the figure.

**001 Parts Stocking List**

001.1 Parts Stocking List.....	10
--------------------------------	----

**100 Decals**

101.1 Word Decals - Bi-Energy.....	12
102.1 Symbol Decals - Bi-Energy.....	16
103.1 Word Decals - DC Power.....	18
104.1 Symbol Decals - DC Power.....	22

**200 Drive Chassis Components**

201.1 Steer End.....	24
202.1 Non-steer End.....	26
203.1 Battery Packs.....	30
204.1 Battery Charger (to SN Z4525-9999).....	32
204.2 Battery Charger (from SN Z4525-10000).....	34
205.1 Power Cables (to SN 08A-35694).....	36
205.2 Power Cables (from SN 08A-35695 and from 12B-2245 and from 13D-101).....	38

**300 Engine Components**

301.1 Engine Components.....	40
302.1 Kubota Z482 E2B-GNI-1 Engine, View 1 (to serial number Z452510A-39345).....	42
303.1 Kubota Z482 E2B-GNI-1 Engine, View 2 (to serial number Z452510A-39345).....	44
304.1 Kubota Z482 E2B-GNI-1 Engine, View 3 (to serial number Z452510A-39345).....	46
305.1 Kubota Z482 E3B-1 Engine, View 1 (from serial number Z452510A-39346 to Z452513A-48922).....	48
306.1 Kubota Z482 E3B-1 Engine, View 2 (from serial number Z452510A-39346 to Z452513A-48922).....	50

307.1 Kubota Z482 E3B-1 Engine, View 3 (from serial number Z452510A-39346 to Z452513A-48922).....	52
308.1 Kubota Z482 E4B-1 Engine, View 1 (from serial number Z452513A-48923).....	54
309.1 Kubota Z482 E4B-1 Engine, View 2 (from serial number Z452513A-48923).....	56
310.1 Kubota Z482 E4B-1 Engine, View 3 (from serial number Z452513A-48923).....	58

**400 Turntable Components**

401.1 Turntable Rotator.....	60
402.1 Turntable Components - View 1 - Bi-Energy Models.....	62
403.1 Turntable Components - View 1 - DC Models.....	64
404.1 Turntable Components - View 2.....	66
405.1 Turntable Components - View 3.....	68
406.1 Ground Control Box - View 1.....	70
407.1 Ground Control Box - View 2.....	74
408.1 Turntable Covers - View 1.....	76
409.1 Turntable Covers - View 2.....	78
410.1 Wire Harness Diagram - DC Models (to SN Z452515A-53480, Z452515B-4518 and Z452515C-532).....	80
411.1 Wire Harness Diagram - Bi-Energy Models (to SN Z452515A-53480, Z452515B-4518 and Z452515C-532).....	82
412.1 Wire Harness Diagram - DC and Bi-Energy Models (from SN Z452515A-53481, Z452515B-4519 and Z452515C-533).....	84

**500 Boom Components**

501.1 Boom Pins and Bearings.....	86
502.1 Secondary Linkage.....	88
503.1 Upper Pivot.....	90
504.1 Primary and Extension Booms (to SN 37889).....	92
504.2 Primary and Extension Booms (from SN 08A-37890 and from 12B-2245 and from 13D101).....	94
505.1 Cable Track (to SN 37889).....	96
505.2 Cable Track (from SN 08A-37890 and from 12B-2245 and from 13D101).....	98
506.1 Non-Jib Platform Leveling and Rotation (Z-45/25).....	100
507.1 Jib Platform Leveling (Z-45/25J).....	102
508.1 Jib Platform Rotation (Z-45/25J).....	104
509.1 Jib Detail (Z-45/25J).....	106

**600 Platform Components**

601.1 Platform Configuration.....	108
602.1 Platform Components.....	110
603.1 Platform Controls (to SN Z452515A-53323 and 15D-554).....	112
603.2 Platform Controls (from SN Z452515A-53324 and 15D-555).....	116
604.1 Joystick Controller, Drive/Steer Functions.....	120

605.1 Rotational Controller.....	122
----------------------------------	-----

### 700 Pumps and Manifolds

701.1 Hydraulic Power Unit.....	124
702.1 Function Manifold.....	126
703.1 Jib Boom and Platform Rotate Manifolds.....	128

### 800 Hydraulic Hoses and Fittings

801.1 Drive and Steer Hoses.....	130
802.1 Turntable Components.....	132
803.1 Boom Components - Z-45/25.....	134
804.1 Boom Components - Z-45/25J.....	136

### 900 Accessories

901.1 Flashing Beacon.....	138
902.1 Platform Options.....	140
903.1 Half-height Mesh and Swing Gate.....	142
904.1 Air Line to Platform.....	144
905.1 Cold Start Package.....	146
906.1 Platform Overload Option.....	148
907.1 Hostile Environment Package - View 1.....	150
908.1 Hostile Environment Package - View 2.....	152
909.1 Drive Lights.....	154
910.1 Tow Package.....	156
911.1 Aircraft Protection Package, Standard (from SN 37297 to 51049).....	158
912.1 Aircraft Protection Package, Deluxe (from SN 37297 to 51049).....	160
912.2 Aircraft Protection Package (from SN 51050).....	162
912.3 Aircraft Protection Package With Swing Gate (from SN Z4514A-51050).....	164
913.1 Pipe Cradle Accessory.....	166
914.1 Fall Arrest Bar.....	168
915.1 Operators Protection Alarm (to January 2017).....	170
915.2 Lift Guard Contact Alarm (from January 2017).....	172
916.1 Operator Protective Structure.....	174
917.1 Panel Cradle Option.....	176

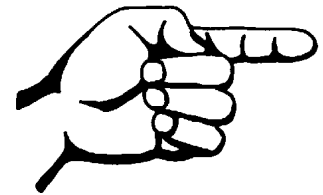
### Indices

Part Number Index.....	178
Part Description Index.....	184

### Cross References

Fittings Cross Reference.....	194
-------------------------------	-----

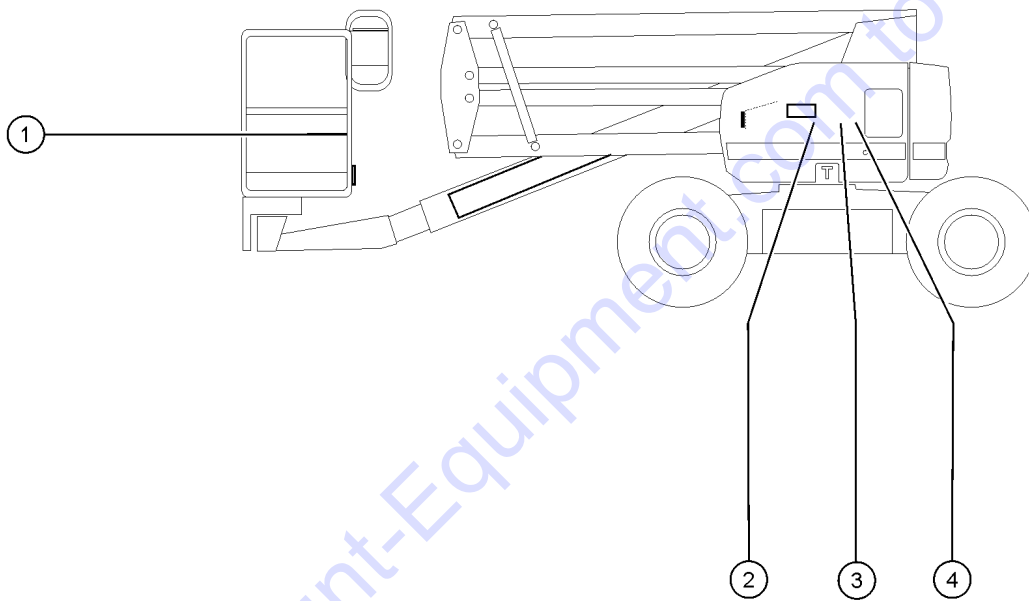
Please refer to section 001 for the Recommended Spare Parts List.



This page intentionally left blank.

Go to Discount-Equipment.com to order your parts

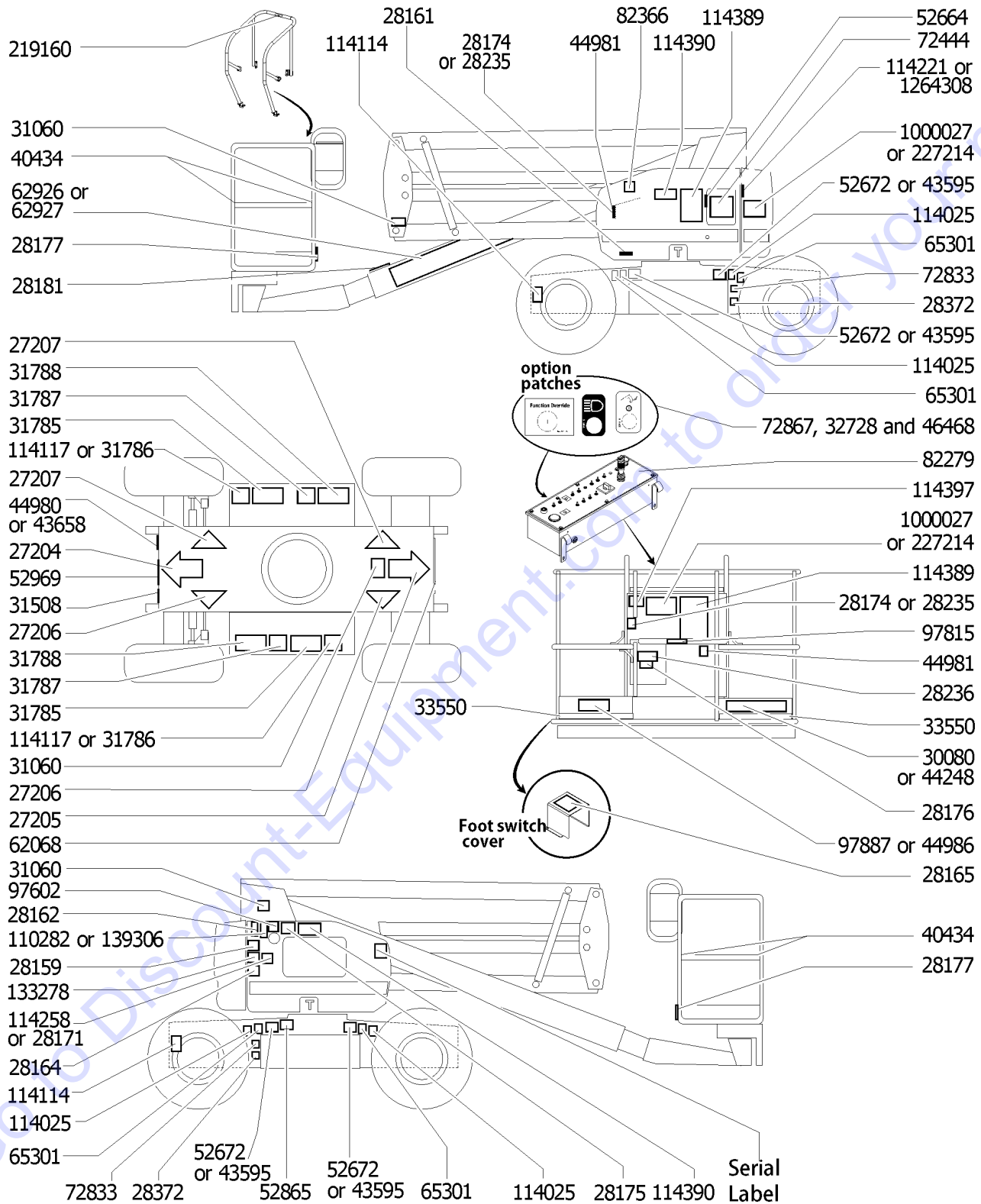
001.1 Parts Stocking List



Item	Part No.	Description	Qty.
A		— GENERAL SERVICE PARTS —	
--	1257733GT	PAINT,WET,TRAFFIC BLACK (1 GL)** <i>1-gallon</i>	
--	1258567GT	PAINT, AEROSOL, TRAFFIC BLACK <i>12-ounce spray paint</i>	
--	1268GT	PAINT,AEROSOL,GENIE GRAY*** <i>12-ounce spray paint</i>	
--	1283776GT	SEAL MARKER,CROSS CHECK,BLUE,TUBE	
--	1484GT	PAINT,AEROSOL,BRIGHT BLUE*** <i>12-ounce spray paint</i>	
--	28750GT	O-RING KIT,FIELD SVC,ALL PROD* <i>O-ring kit, SAE</i>	
--	32150GT	PAINT,WET,GENIE BLUE (1 GL)** <i>1-gallon</i>	
--	32151GT	PAINT,WET,GENIE GRAY (1 GL)** <i>1-gallon</i>	
--	33994GT	PLUG AND CAP KIT-SERVICE,37 ** <i>Plug and cap kit, SAE</i>	
--	36555GT	CHOCK,CYLINDER (SERVICE TOOL)	
--	49612GT	O-RING KIT (ORFS FITTINGS) <i>O-ring kit, ORFS</i>	
--	49613GT	PLUG AND CAP KIT-SERVICE,ORFS* <i>Plug and cap kit, ORFS</i>	
--	66399GT	GREASE,DIELECTRIC 4 OZ**	
--	93500GT	PARKER DIGITAL PRESSURE GAUGE	
--			
1		— MANUALS —	
--	27581GT	MANUAL,AEM SAFETY	
--	31779GT	MANUAL,RESPON,A92.5 BOOM	
2		— HYD FILTERS —	
--	44788GT	FILTER ELEMENT,10MICRON,PAPER*	
--	78622GT	FILTER ASSY,SAE8,10 MIC,PAPR**	
3		— KUBOTA Z482 E2BGNI-1, E3B-1 MODELS —	
--	52816GT	BELT,FAN,KUBOTA DF972/Z482-E	
--	52867GT	FILTER,AIR***	
--	52877GT	FILTER,FUEL FILTER Z482-E	
--	60112GT	ALTERNATOR BELT	
--	866400GT	KUBOTA OIL FILTER	
4		— KUBOTA Z482 E4B-1 MODELS —	
--	139429GT	ELEMENT, FUEL FILTER, Z482	
--	52816GT	BELT,FAN,KUBOTA DF972/Z482-E	
--	52867GT	FILTER,AIR***	
--	60112GT	ALTERNATOR BELT	
--	866400GT	KUBOTA OIL FILTER	



101.1 Word Decals - Bi-Energy



101.1 Word Decals - Bi-Energy

Item	Part No.	Description	Qty.	Item	Part No.	Description	Qty.
--	822005GT	DECAL KIT,Z45 PLAT,WORD,ANSI <i>Platform Decal Kit, ANSI</i>		19	28236GT	DECAL,WARN,IMPROPER OPERATION.....	1
--	822010GT	DECAL KIT,Z45 COMP,WORD,ANSI <i>Complete Decal Kit, ANSI (from SN 33948 to 34010) (from SN A-34011) (from SN B-101) (from SN D-101)</i>		20	28372GT	DECAL,NOTICE,BATTERY CABLES....	2
--	822013GT	DECAL KIT,Z45 PLAT,WORD,AUS <i>Platform Decal Kit, AUS (from SN A-40560) (from SN B-1726) (from SN D-101)</i>		21	30080GT	DECAL,NOTICE,MAX LOAD 500 LBS....	1
--	822018GT	DECAL KIT,Z45BE COMP,WORD,AUS <i>Complete Decal Kit, AUS (from SN A-40560) (from SN B-1726) (from SN D-101)</i>		22	31060GT	DECAL,DANGER DO NOT ALTER SWTC.....	3
--	822038GT	DECAL KIT,Z45 PLAT,WORD,AUS <i>Platform Decal Kit, AUS (from SN 33948 to 34010) (to A-40559) (from SN7B-101 to B-1725)</i>		23	31508GT	DECAL,DANGER,ELECT HAZARD,PLUG.....	1
--	822043GT	DECAL KIT,Z45BE COMP,WORD,AUS <i>Complete Decal Kit, AUS (from SN 33948 to 34010) (from SN A-34011 to A-40559) (from SN B-101 to B-1725)</i>		24	31785GT	DECAL,NOTICE,CHARGER INSTRUC...2	
1	114020GT	DECAL KIT, Z45 DC & BI, WORDS.....1 <i>from SN 27000 to 33947; includes items 2-5, 8, 11, 14-17, 19, 20, 22, 23, 25, 27, 28, 30, 31, 45, 47 and 50</i>	1	25	31786GT	DECAL,NOTICE,BATT CONNECTION....2 <i>to SN 32944</i>	2
2	27204GT	DECAL,ARROW BLUE.....	1	26	31787GT	DECAL,DANGER,TIP-OVER BATTERY.....	2
3	27205GT	DECAL,ARROW YELLOW LRG 9".....	1	27	31788GT	DECAL,DANGER,BATTERY SAFETY***.....	2
4	27206GT	DECAL,TRIANGLE,BLUE.....	2	28	32728GT	DECAL,OPTION GENERATOR***.....	1
5	27207GT	DECAL,TRIANGLE,YELLOW.....	2	29	33550GT	TAPE,WARNING,BLK/YEL, 50*** <i>(sold by the roll. 648" per roll) (Required to be install at base of platform toeboard for Australian market)</i>	
6	27564GT	DECAL,DANGER,ELEC.HAZ.STAY CLR..... <i>to SN 33947</i>	2	30	40434GT	DECAL,LANYARD ANCHORAGE POINT.....	8
7	28159GT	DECAL,DIESEL.....	1	31	43595GT	DECAL,DANGER,TIP-OVER,TIRES***...4	
8	28161GT	DECAL,WARN,CRUSH HAZARD HAND.....	3	32	43658GT	DECAL,LABEL,PWR TO CHARGR 230V.....	1
9	28162GT	DECAL,WARNING,CRUSHING.....	1	33	44248GT	DECAL,NOTICE,MAX CAP 440 LBS.....1 <i>models with aircraft protection package</i>	1
10	28164GT	DECAL,NOTICE,HAZARDOUS MAT'LS*.....	1	34	44980GT	DECAL,LABEL,PWR TO CHARGR 115V.....	1
11	28165GT	DECAL,INSTRUCT,FOOTSWITCH OPER.....	1	35	44981GT	DECAL,LABEL, AIR LINE 110 PSI.....2	
12	28171GT	DECAL,DANGER,NO SMOKING ***.....1 <i>to SN 33947</i>	1	36	44986GT	DECAL,INSTR,SIDE FRC/WIND,AUS....1	
13	28174GT	DECAL, POWER TO PLATFORM 230V**.....	2	37	46468GT	DECAL,FUNCTION OVERRIDE.....1 <i>(for aircraft protection package, from SN 37297)</i>	1
14	28175GT	DECAL,WARNING-COMPART ACCESS.....	1	38	52664GT	DECAL,LABEL,CONTRLR STATUS LT.....	1
15	28176GT	DECAL,LABEL,MANUAL NOT HERE.....1		39	52672GT	DECAL,DANGER,TIPOVER HAZARD***.....	1
16	28177GT	DECAL,WARN,CRUSH HAZARD PLAT.....	2	40	52865GT	DECAL,ANNUAL INSP***.....	1
17	28181GT	DECAL,WARN,FALL HAZARD.....	1	41	52969GT	DECAL,COSMETIC,GENIE BOOM,HORZ.....	1
18	28235GT	DECAL,POWER TO PLATFORM 115V...2		42	62068GT	DECAL,COSMETIC,BI-ENERGY.....	1
				43	62926GT	DECAL,COSMETIC,GENIE Z-45/25J....1 <i>jib</i>	1
				44	62927GT	DECAL,COSMETIC,GENIE Z-45/25....1 <i>non-jib</i>	1
				45	65301GT	DECAL,NOTICE,FOAM-FILLED TIRES.....	4
				46	72444GT	DECAL,GROUND CONTROL PANEL.....	1



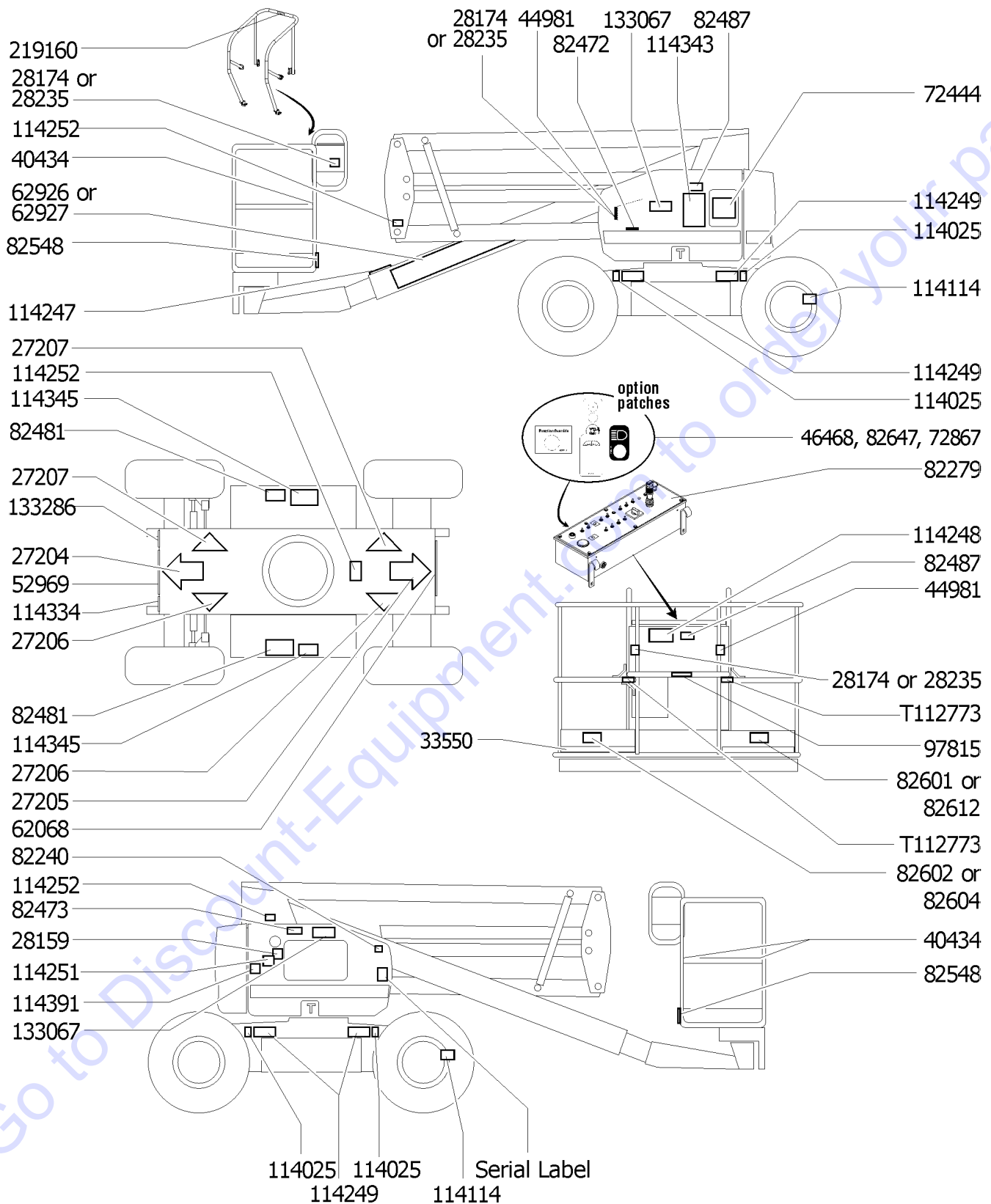
### 101.1 Word Decals - Bi-Energy (continued)

Item	Part No.	Description	Qty.
47	72833GT	DECAL,LABEL,OPEN,LATCH.....	2
48	72867GT	DECAL,LABEL,LIGHTS***.....	1
49	82279GT	DECAL,PLATFORM CONTROL PANEL.....	1
50	82366GT	DECAL,CHEVRON RANDO HD.....	1
51	97602GT	DECAL,EXPLOSION HAZARD..... <i>to SN 33947</i>	2
52	97815GT	DECAL,LABEL,LOWER MIDRAIL.....	1
53	97887GT	DECAL,INSTR,MAX SIDE FRC,ANSI....	1
54	110282GT	DECAL,NOTICE,SPEC,Z482 T2..... <i>to SN 33947</i>	2
55	114025GT	DECAL,LABEL,WHEEL LOAD Z4525DC.....	4
56	114114GT	DECAL,LABEL,TRANSPORT.....	2
57	114117GT	DECAL,BATT CONN DIAGRAM..... <i>from SN 33948</i>	1
58	114221GT	DECAL,LABEL,RELAYS,Z45DC,BE.....	2
59	114258GT	DECAL,DANGER,NO SMOKING..... <i>from SN 33948</i>	1
60	114389GT	DECAL,DANGER,GENERAL SAFETY....	2
61	114390GT	DECAL,DANGER,ELECT HAZARD***....	2
62	114397GT	DECAL,DANGER,TILT ALARM.....	1
63	133278GT	DECAL,LOW/ULTRA LOW SULFR FUEL.....	1
64	139306GT	DECAL,NOTICE,SPEC,Z482.....	1
65	219160GT	DECAL, INSTRUCTION, OPS..... <i>option</i>	1
66	227214GT	DECAL,OPER INST,Z45BE AUS.....	1
67	1000027GT	DECAL,INSTR,OP INST,BI..... <i>ANSI</i>	2
68	1264308GT	DECAL,LABEL,RELAYS,Z45DC,BE	
69	77046GT	SERIAL # LABEL,MYLAR 4X8***	

***This Page Intentionally Left Blank***

Go to [Discount-Equipment.com](http://Discount-Equipment.com) to order your parts

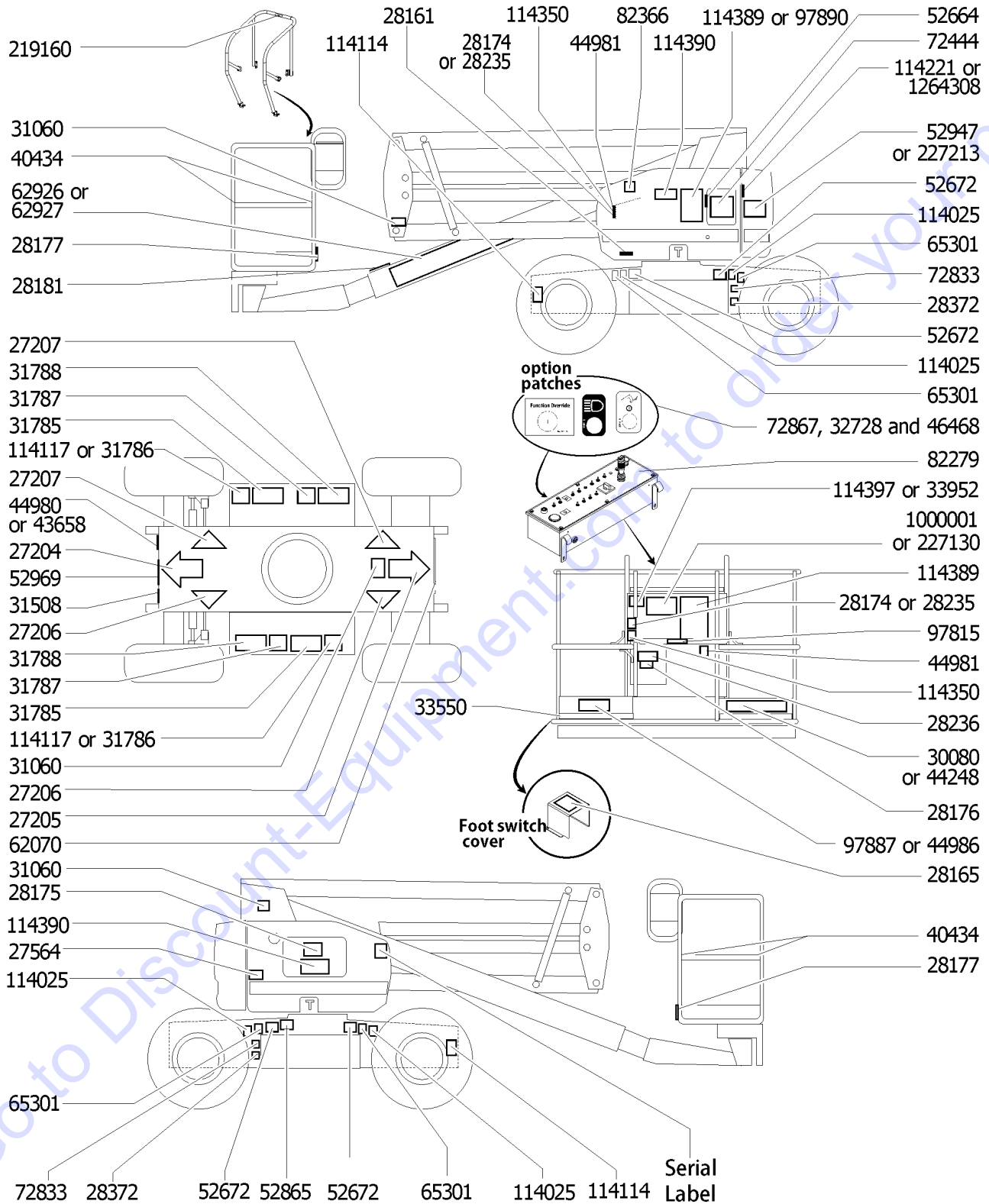
102.1 Symbol Decals - Bi-Energy



## 102.1 Symbol Decals - Bi-Energy

Item	Part No.	Description	Qty.	Item	Part No.	Description	Qty.
A	823153GT	DECAL KIT,Z45 PLAT,SYM,ANSI <i>Platform Decal Kit, ANSI</i>		26	82601GT	DECAL,LABEL,MAX CAPACITY***.....1	1
B	823158GT	DECAL KIT,Z45BE COMP,SYM,ANSI <i>Complete Decal Kit, ANSI (from SN 33948 to 34010) (from SN A-34011) (from SN B-101) (from SN D-101)</i>		27	82602GT	DECAL,DANGER,MAX SIDE FRC,667N.....1	1
C	823161GT	DECAL KIT,Z45 PLAT,SYM,CE <i>Platform Decal Kit, CE</i>		28	82604GT	DECAL,DANGER,SIDE FRC 400N.....1	1
D	823166GT	DECAL KIT,Z45BE COMP,SYM,CE <i>Complete Decal Kit, CE (from SN 33948 to 34010) (from SN A-34011) (from SN B-101) (from SN D-101)</i>		29	82612GT	DECAL,DANGER,MAX CAP,200KG.....1	1
1	82774GT	DECAL KIT,Z45 DC & BI,SYMB <i>(from SN 27000 to 33947) (includes items 2-5, 9, 18, 20-23, 29-33, 35-38 and 42)</i>		30	82647GT	DECAL,DRIVE ENABLE PATCH.....1	1
2	27204GT	DECAL,ARROW BLUE.....1	1	31	97815GT	DECAL,LABEL,LOWER MIDRAIL.....1 <i>(CE models)</i>	1
3	27205GT	DECAL,ARROW YELLOW LRG 9".....1	1	32	114025GT	DECAL,LABEL,WHEEL LOAD Z4525DC.....4	4
4	27206GT	DECAL,TRIANGLE,BLUE.....2	2	33	114114GT	DECAL,LABEL,TRANSPORT.....2	2
5	27207GT	DECAL,TRIANGLE,YELLOW.....2	2	34	114247GT	DECAL,LABEL,FALL HAZARD***.....1	1
6	28159GT	DECAL,DIESEL.....1	1	35	114248GT	DECAL,LABEL,TIPOVER,TILT AL SY.....1	1
7	28174GT	DECAL, POWER TO PLATFORM 230V**.....2	2	36	114249GT	DECAL,LABEL,TIPOVER,TIRES,SYMB.4	4
8	28235GT	DECAL,POWER TO PLATFORM 115V...2	2	37	114251GT	DECAL,LABEL,NO SMOKING,SYMB.....2	2
9	33550GT	TAPE,WARNING,BLK/YEL, 50*** <i>(sold by the roll. 648" per roll) (Required to be install at base of platform toeboard for CE market)</i>		38	114252GT	DECAL,LABEL,TIP OVER LMT SWTCH.....2	2
10	40434GT	DECAL,LANYARD ANCHORAGE POINT.....3	3	39	114334GT	DECAL,SYM-ELEC HAZARD,PLUG.....1	1
11	44981GT	DECAL,LABEL, AIR LINE 110 PSI.....2	2	40	114343GT	DECAL,LABEL,EMERGENCY DOWN...1	1
12	46468GT	DECAL,FUNCTION OVERRIDE.....1	1	41	114345GT	DECAL,LABEL,TIPOVER,BATTERIES...1	1
13	52969GT	DECAL,COSMETIC,GENIE BOOM,HORZ.....1	1	42	114391GT	DECAL,WARNING,CRUSHING.....1	1
14	62068GT	DECAL,COSMETIC,BI-ENERGY.....1	1	43	133067GT	DECAL,DANGER,ELEC.HAZ.STAY CLR.....2	2
15	62926GT	DECAL,COSMETIC,GENIE Z-45/25J.....1	1	44	133286GT	DECAL, POWER TO CHARGER, UNIV.....1	1
16	62927GT	DECAL,COSMETIC,GENIE Z-45/25.....1	1	45	219160GT	DECAL, INSTRUCTION, OPS.....1 <i>option</i>	1
17	72444GT	DECAL,GROUND CONTROL PANEL.....1	1	46	T112773GT	TAPE, PROTECTIVE MASK.....2	2
18	72867GT	DECAL,LABEL,LIGHTS***.....1	1				
19	82240GT	DECAL,LABEL,105 DB.....1	1				
20	82279GT	DECAL,PLATFORM CONTROL PANEL.....1	1				
21	82472GT	DECAL,WARNING,CRUSHING HAZARD.....3	3				
22	82473GT	DECAL,SYMBOL-COMP ACCESS.....1	1				
23	82481GT	DECAL,SYMBOL-BATTERY SAFETY.....2	2				
24	82487GT	DECAL, SYMBOL - READ THE MANUAL.....2	2				
25	82548GT	DECAL,WARN,CRUSH HAZARD PLAT.....2	2				

103.1 Word Decals - DC Power



103.1 Word Decals - DC Power

Item	Part No.	Description	Qty.	Item	Part No.	Description	Qty.
--	77046GT	SERIAL # LABEL,MYLAR 4X8***		17B	30080GT	DECAL,NOTICE,MAX LOAD 500 LBS....1 (models with 5' platform)	
--	822005GT	DECAL KIT,Z45 PLAT,WORD,ANSI Platform Decal Kit, ANSI		18	31060GT	DECAL,DANGER DO NOT ALTER SWTC.....3	
--	822006GT	DECAL KIT,Z45 COMP,WORD,ANSI Complete Decal Kit, ANSI (from SN 33948 to 34010) (from SN A-34011) (from SN B-101) (from SN D-101)		19	31508GT	DECAL,DANGER,ELECT HAZARD,PLUG.....1	
--	822013GT	DECAL KIT,Z45 PLAT,WORD,AUS Platform Decal Kit, AUS (from SN A-40560) (from SN B-1726) (from SN D-101)		20	31785GT	DECAL,NOTICE,CHARGER INSTRUC...2	
--	822014GT	DECAL KIT,Z45 COMP,WORD,AUS Complete Decal Kit, AUS (from SN A-40560) (from SN B-1726) (from SN D-101)		21	31786GT	DECAL,NOTICE,BATT CONNECTION...2 to SN 33947	
--	822038GT	DECAL KIT,Z45 PLAT,WORD,AUS Platform Decal Kit, AUS (to 34010) (from SN A-34011 to A-40559) (from SN7B-101 to B-1725)		22	31787GT	DECAL,DANGER,TIP-OVER BATTERY.....2	
--	822039GT	DECAL KIT,Z45 COMP,WORD,AUS Complete Decal Kit, AUS (from SN 33948 to 34010) (from SN A-34011 to A-40559) (from SN B-101 to B-1725)		23	31788GT	DECAL,DANGER,BATTERY SAFETY***.....2	
1	114020GT	DECAL KIT, Z45 DC & BI, WORDS from SN 27000 to 33947; includes items 2-5, 8, 11, 14-17, 19, 20, 22, 23, 25, 27, 28, 30, 31, 45, 47 and 50		24	32728GT	DECAL,OPTION GENERATOR***.....1	
2	27204GT	DECAL,ARROW BLUE.....1		25	33550GT	TAPE,WARNING,BLK/YEL, 50'*** (sold by the roll. 648" per roll) (Required to be iinstall at base of platform toeboard for Australian market)	
3	27205GT	DECAL,ARROW YELLOW LRG 9".....1		26	33952GT	DECAL,DANGER,TILT ALARM.....1 to SN 33947	
4	27206GT	DECAL,TRIANGLE,BLUE.....2		27	40434GT	DECAL,LANYARD ANCHORAGE POINT.....8	
5	27207GT	DECAL,TRIANGLE,YELLOW.....2		28	43658GT	DECAL,LABEL,PWR TO CHARGR 230V.....1	
6	27564GT	DECAL,DANGER,ELEC.HAZ.STAY CLR.....2		29	44248GT	DECAL,NOTICE,MAX CAP 440 LBS (for aircraft protection package)	
7	28161GT	DECAL,WARN,CRUSH HAZARD HAND.....3		30	44980GT	DECAL,LABEL,PWR TO CHARGR 115V.....1	
8	28165GT	DECAL,INSTRUCT,FOOTSWITCH OPER.....1		31	44981GT	DECAL,LABEL, AIR LINE 110 PSI.....2	
9	28174GT	DECAL, POWER TO PLATFORM 230V**.....2		32	44986GT	DECAL,INSTR,SIDE FRC/WIND,AUS.....1 Australia models	
10	28175GT	DECAL,WARNING-COMPART ACCESS.....1		33	46468GT	DECAL,FUNCTION OVERRIDE.....1 (for aircraft protection package, from SN 37297)	
11	28176GT	DECAL,LABEL,MANUAL NOT HERE.....1		34	52664GT	DECAL,LABEL,CONTRLR STATUS LT.....1	
12	28177GT	DECAL,WARN,CRUSH HAZARD PLAT.....2		35	52672GT	DECAL,DANGER,TIPOVER HAZARD***.....4	
13	28181GT	DECAL,WARN,FALL HAZARD.....1		36	52865GT	DECAL,ANNUAL INSP***.....1	
14	28235GT	DECAL,POWER TO PLATFORM 115V...2		37	52947GT	DECAL,OPERATING INSTR,GROUND.....1 ANSI models	
15	28236GT	DECAL,WARN,IMPROPER OPERATION.....1		38	52969GT	DECAL,COSMETIC,GENIE BOOM,HORZ.....1	
16	28372GT	DECAL,NOTICE,BATTERY CABLES....2		39	62070GT	DECAL,COSMETIC,DC POWER.....1	
17A	37052GT	DECAL,NOTICE,MAX LOAD 500 LBS (models with 4' platform)		40	62926GT	DECAL,COSMETIC,GENIE Z-45/25J.....1 Jib models	
				41	62927GT	DECAL,COSMETIC,GENIE Z-45/25.....1 Non-Jib models	
				42	65301GT	DECAL,NOTICE,FOAM-FILLED TIRES.....4	





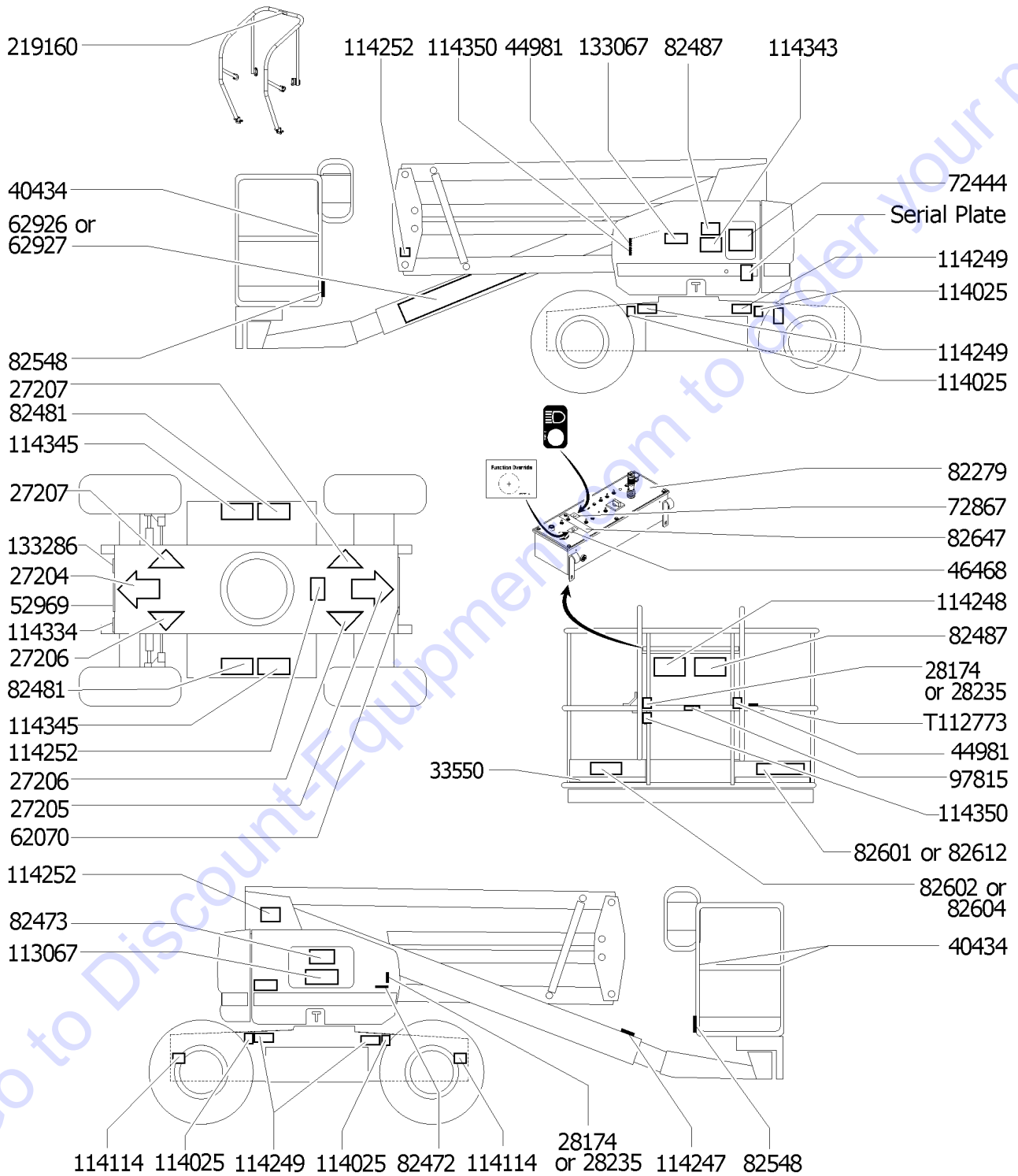
### 103.1 Word Decals - DC Power (continued)

Item	Part No.	Description	Qty.
43	72444GT	DECAL,GROUND CONTROL PANEL.....1	1
44	72833GT	DECAL,LABEL,OPEN,LATCH.....2	2
45	72867GT	DECAL,LABEL,LIGHTS***.....1	1
46	82279GT	DECAL,PLATFORM CONTROL PANEL.....1	1
47	82366GT	DECAL,CHEVRON RANDO HD.....1	1
48	97815GT	DECAL,LABEL,LOWER MIDRAIL.....1	1
49	97887GT	DECAL,INSTR,MAX SIDE FRC,ANSI.....1 <i>ANSI models</i>	1
50	97890GT	DECAL,DANGER,GEN SAFETY RULES.....2 <i>to SN 33947</i>	2
51	114025GT	DECAL,LABEL,WHEEL LOAD Z4525DC.....4	4
52	114114GT	DECAL,LABEL,TRANSPORT.....2	2
53	114117GT	DECAL,BATT CONN DIAGRAM.....1 <i>from SN 33948</i>	1
54	114221GT	DECAL,LABEL,RELAYS,Z45DC,BE.....1	1
55	114350GT	DECAL,AC INVERTER POWER,115V....2	2
56	114389GT	DECAL,DANGER,GENERAL SAFETY....2 <i>from SN 33948</i>	2
57	114390GT	DECAL,DANGER,ELECT HAZARD***....2 <i>from SN 33948</i>	2
58	114397GT	DECAL,DANGER,TILT ALARM.....1 <i>from SN 33948</i>	1
59	219160GT	DECAL, INSTRUCTION, OPS.....1 <i>option</i>	1
60	227130GT	DECAL,OPER INST,Z45DC PLAT AUS.....1 <i>Australia models</i>	1
61	227213GT	DECAL,OPER INST,DC BOOM GND AU.....1 <i>Australia models</i>	1
62	1000001GT	DECAL, INSTR, OP INST,DC.....2 <i>ANSI models</i>	2
62	1264308GT	DECAL,LABEL,RELAYS,Z45DC,BE	

***This Page Intentionally Left Blank***

Go to [Discount-Equipment.com](http://Discount-Equipment.com) to order your parts

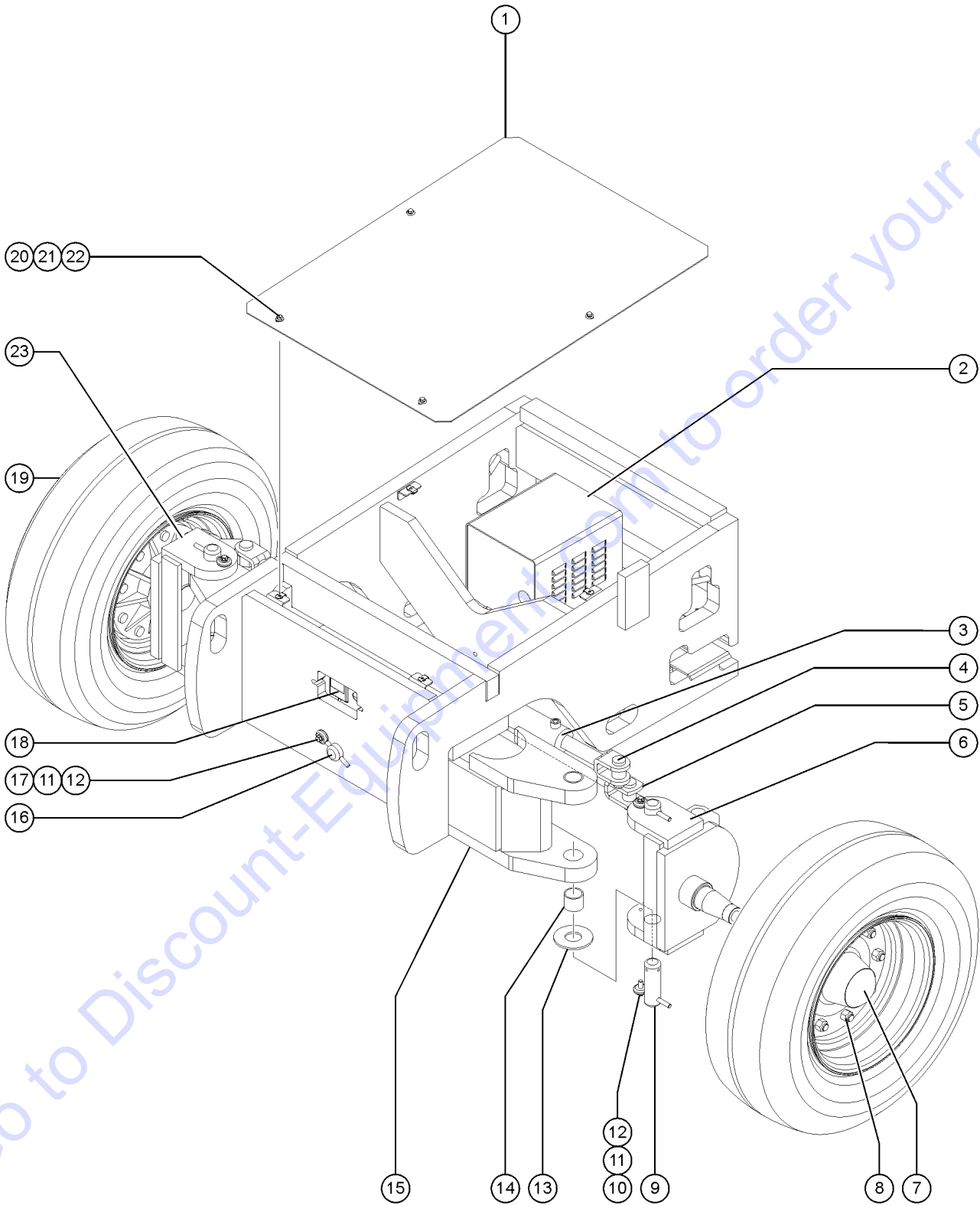
104.1 Symbol Decals - DC Power



104.1 Symbol Decals - DC Power

Item	Part No.	Description	Qty.	Item	Part No.	Description	Qty.
A	823153GT	DECAL KIT,Z45 PLAT,SYM,ANSI <i>Platform Decal Kit, ANSI</i>		25	82602GT	DECAL,DANGER,MAX SIDE FRC,667N.....	1
B	823154GT	DECAL KIT,Z45DC COMP,SYM,ANSI <i>Complete Decal Kit, ANSI (from SN 33948 to 34010) (from SN A-34011) (from SN B-101) (from SN D-101)</i>		26	82604GT	DECAL,DANGER,SIDE FRC 400N.....	1
C	823161GT	DECAL KIT,Z45 PLAT,SYM,CE <i>Platform Decal Kit, CE</i>		27	82612GT	DECAL,DANGER,MAX CAP,200KG.....	1
D	823162GT	DECAL KIT,Z45DC COMP,SYM,CE <i>Complete Decal Kit, CE (from SN 33948 to 34010) (from SN A-34011) (from SN B-101) (from SN D-101)</i>		28	82647GT	DECAL,DRIVE ENABLE PATCH.....	1
1	82774GT	DECAL KIT,Z45 DC & BI,SYMB <i>(from SN 27000 to 33947) includes items 2-5, 8, 20, 22, 23, 25, 26, 33-41, and 43</i>		29	97815GT	DECAL,LABEL,LOWER MIDRAIL..... <i>CE models</i>	1
2	27204GT	DECAL,ARROW BLUE.....	1	30	133067GT	DECAL,DANGER,ELEC.HAZ.STAY CLR.....	2
3	27205GT	DECAL,ARROW YELLOW LRG 9".....	1	31	114025GT	DECAL,LABEL,WHEEL LOAD Z4525DC.....	4
4	27206GT	DECAL,TRIANGLE,BLUE.....	2	32	114114GT	DECAL,LABEL,TRANSPORT.....	2
5	27207GT	DECAL,TRIANGLE,YELLOW.....	2	33	114247GT	DECAL,LABEL,FALL HAZARD***.....	1
6	28174GT	DECAL, POWER TO PLATFORM 230V**.....	2	34	114248GT	DECAL,LABEL,TIPOVER,TILT AL SY.....	1
7	28235GT	DECAL,POWER TO PLATFORM 115V...2		35	114249GT	DECAL,LABEL,TIPOVER,TIRES,SYMB.4	
8	33550GT	TAPE,WARNING,BLK/YEL, 50*** <i>(sold by the roll. 648" per roll) (Required to be install at base of platform toeboard for CE market)</i>		36	114252GT	DECAL,LABEL,TIP OVER LMT SWTCH.....	3
9	40434GT	DECAL,LANYARD ANCHORAGE POINT.....	8	37	114334GT	DECAL,SYM-ELEC HAZARD,PLUG.....	1
10	44981GT	DECAL,LABEL, AIR LINE 110 PSI.....	2	38	114343GT	DECAL,LABEL,EMERGENCY DOWN....	1
11	46468GT	DECAL,FUNCTION OVERRIDE.....	1	39	114345GT	DECAL,LABEL,TIPOVER,BATTERIES....	2
12	52969GT	DECAL,COSMETIC,GENIE BOOM,HORZ.....	1	40	114350GT	DECAL,AC INVERTER POWER,115V...2	
13	62070GT	DECAL,COSMETIC,DC POWER.....	1	41	133067GT	DECAL,DANGER,ELEC.HAZ.STAY CLR	
14	62926GT	DECAL,COSMETIC,GENIE Z-45/25J <i>jib</i>		42	133286GT	DECAL, POWER TO CHARGER, UNIV.....	1
15	62927GT	DECAL,COSMETIC,GENIE Z-45/25..... <i>non-jib</i>	1	43	219160GT	DECAL, INSTRUCTION, OPS..... <i>option</i>	1
16	72444GT	DECAL,GROUND CONTROL PANEL.....	1	44	T112773GT	TAPE, PROTECTIVE MASK.....	2
17	72867GT	DECAL,LABEL,LIGHTS***.....	1				
18	82279GT	DECAL,PLATFORM CONTROL PANEL.....	1				
19	82472GT	DECAL,WARNING,CRUSHING HAZARD.....	1				
20	82473GT	DECAL,SYMBOL-COMP ACCESS.....	1				
21	82481GT	DECAL,SYMBOL-BATTERY SAFETY....	2				
22	82487GT	DECAL, SYMBOL - READ THE MANUAL.....	1				
23	82548GT	DECAL,WARN,CRUSH HAZARD PLAT.....	2				
24	82601GT	DECAL,LABEL,MAX CAPACITY***.....	1				

201.1 Steer End

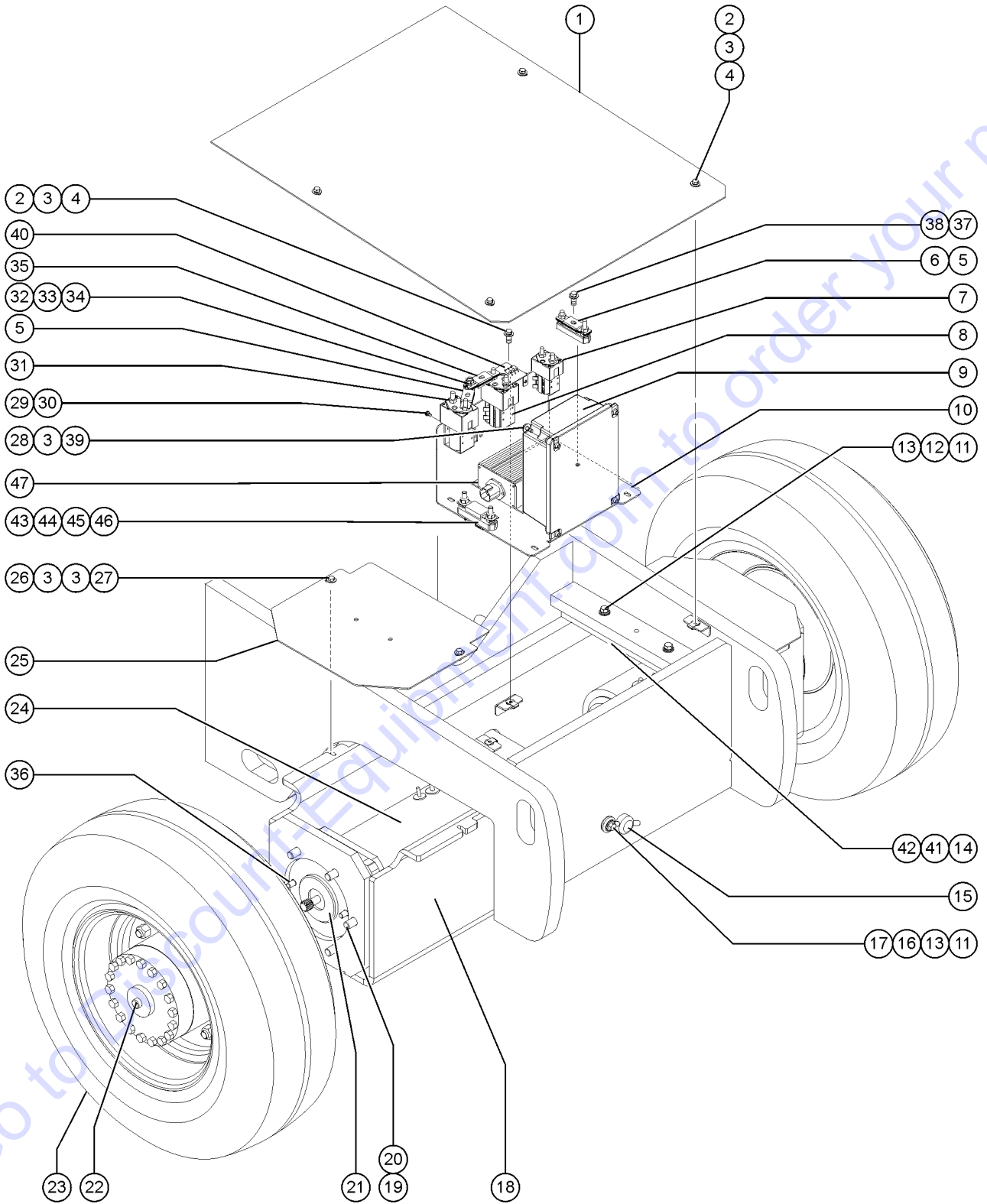


Go to Discount-Equipment.com to order your parts

## 201.1 Steer End

Item	Part No.	Description	Qty.	Item	Part No.	Description	Qty.
--	54436GT	GROUND STRAP,18"LG.....1 <i>(models with non-marking tires and/or models with EE rating)</i>	1	19A	1267779GT	TIRE/WH ASSY,9 LG,FOAM,S FRONT...2 <i>(steer end)</i>	2
--	1267781GT	TIRE/WH ASSY,9 LG,NM,FOAM,S FR <i>(steer end)</i>		19B	1267781GT	TIRE/WH ASSY,9 LG,NM,FOAM,S FR...2 <i>(steer end)</i>	2
--	1267782GT	TIRE/WH ASSY,9LG,NM,FOAM,NS RE <i>(non-steerer end)</i>		19C	1267784GT	TIRE/WH ASSY,9 LG,REPNEU,S.....2 <i>(steer end)</i>	2
1		Ref., COVER, DRIVE, DRIVE LIGHT OPT. <i>models with drive lights (refer to 909.1)</i>		19D	1267786GT	TIRE/WH ASSY,9 LG,NM,REPNEU,S.....2 <i>(steer end)</i>	2
1	77434GT	COVER W/DECALS,STEER,NON OSC.....1	1	20	6888GT	SCREW,HHC,1/4-20 X 1	
2		Ref. Battery Charger <i>refer to 204.1</i>		21	6356GT	WASHER,LOCK, .25	
3	88337GT	CYLINDER,STEER.....2	2	22	56912GT	SPRING CLIP,1/4-20,.025-.15X.54,ZAG	
--	88338GT	SEAL KIT, 88337		23	52734-SGT	YOKE ASSY.RH'2WD'Z45IC.....1	1
4	19440GT	PIN,CLEVIS,1 X 2.5 LG.....4	4	--	25817GT	BEARING,1.00IDX1.25ODX1.00L.....2	2
--	5361GT	PIN,COTTER,.125 X 1.5					
5	229798GT	TIE ROD WELDMENT, NARROW.....1	1				
6	52733-SGT	YOKE ASSY.LH'2WD'Z45IC.....1	1				
--	25817GT	BEARING,1.00IDX1.25ODX1.00L.....2	2				
7	54840GT	HUB ASSEMBLY,9 BOLT***.....2	2				
--	45112GT	WASHER,SPINDLE					
--	45113GT	NUT,SPINDLE,1-14					
--	45114GT	PIN,COTTER,.219 X 1.75					
--	54959GT	CAP,DUST (54840 HUB ASSY)					
--	54960GT	SEAL-GREASE,9-BOLT HUB 54840					
--	54961GT	BEARING,INNER,9 BOLT HUB***					
--	54962GT	BEARING,OUTER,9 BOLT HUB***					
8	21166GT	LUG BOLT,5/8-18,WHEEL HUB***					
--	54627GT	NUT,LUG,5/8-18 X 90 DEGREE,Z45					
9	88752GT	PIN,1.50DIAX4.25LG,GR/H.....4	4				
--	825796GT	SNAP RING,EXTERNAL,1.50,ZAG					
10	6019GT	SCREW,HHC,3/8-16 X 1.25 GRD 5					
11	6021GT	WASHER,LOCK,.375					
12	825019GT	ROD END,.375X3.69,ZAG					
13	45074GT	WASHER,THRUST,1.5 X 3.5 X .187.....2	2				
14	45071GT	BEARING,1.5IDX1.75ODX1.5L					
15	52735GT	FRONT AXLE ASSY,NRRW,Z45/25.....1 <i>includes item 14; to SN 31771</i>	1				
--	119981GT	AXLE ASSY,FRONT,NARROW Z45/Z51 <i>includes item 14; from SN 31772</i>					
--	34245GT	BEARING,1.25IDX1.50X1.25L					
16	54542GT	PIN,1.50DIAX20.00LG,CHAMFER.....2	2				
--	30255GT	WASHER,SHIM,1.27 X 2.13 X .062					
17	6175GT	SCREW,HHC,3/8-16 X 1					
18	46337GT	AMMETER, 39243/47906/66412.....1	1				

202.1 Non-steer End



## 202.1 Non-steer End

Item	Part No.	Description	Qty.	Item	Part No.	Description	Qty.
1	52707-SGT	COVR W/DECALS, NON-STEER Z45/25.....1	1	--	233807GT	BRAKE REPLACEMENT KIT.....1 <i>for 101966 brake</i>	1
2	6090GT	SCREW, HHC, 1/4-20 X .75		--	65618GT	SEAL KIT, BRAKE*** <i>for 101966 brake</i>	
3	6638GT	WASHER, FLAT, USS, 1/4"Y		--	94879GT	LINING KIT*** <i>for 101966 brake</i>	
4	56912GT	SPRING CLIP, 1/4-20, .025-.15X.54, ZAG		--	94880GT	BEARING KIT <i>for 101966 brake</i>	
5	18576GT	FUSE, 200 AMP.....2	2	22A	106148GT	WHEEL DRIVE, 4HB, 48:1*** .....2 <i>(verify component before ordering) (Do Not use with 218570)</i>	2
6	66717GT	FUSE BLOCK, ANN & ANL FUSE.....1	1	--	106117GT	O-RING, 2-010, VITON <i>for 106148 (Mating O-ring for Brake Port)(Extremely small)</i>	
7	74268GT	CONTACTOR, AUX PUMP 24V, 80A*** .....1	1	--	106120GT	WHEEL STUD, 4HP, 5/8-18*** <i>for 106148</i>	
--	22262GT	CONTACT, MOVING, 19549RELAY*		--	106121GT	ROD, DISCONNECT 4HP/4HB*** <i>for 106148</i>	
--	22263GT	CONTACT, STATIONARY, 19549RELAY*		--	106122GT	CAP, DISENGAGE, 4HP/4HB*** <i>for 106148</i>	
--	74495GT	SPRING, RETURN (FOR 74268)		--	106123GT	O-RING, END COVER, 4HP/4HB*** <i>for 106148</i>	
8	74267GT	CONTACTOR, DRIVE, 24V, 180A*** .....1	1	--	106124GT	LINING KIT, BRAKE, 4HP*** <i>for 106148</i>	
--	74468GT	SPRING, RETURN (FOR 74267)		--	106125GT	SEAL KIT, BRAKE, 4HP <i>for 106148 (inventory limited to stock on hand as component is no longer available)</i>	
--	74469GT	FIXED CONTACT (FOR 74267)		--	106126GT	BEARING KIT, 4HP <i>for 106148 (inventory limited to stock on hand as component is no longer available)</i>	
--	74470GT	MOVING CONTACT (FOR PN 74267)		--	1286600GT	SEAL KIT, WHEEL DRIVE (106148/106445/107712) <i>for 106148</i>	
9	128337GT	CONTROLLER, SEPEX MOTOR, Z45DC/BE.....1	1	--	1286602GT	SEAL KIT, WHEEL DRIVE W/BRAKE (101584/101585)	
--	1263554GT	PROGRAMMER, PMC 1313K-4401		--	1286603GT	BEARING KIT, WHEEL DRIVE W/BRAKE (101584/101585) <i>for 106148</i>	
--	128598GT	HARNESS RETRO 24V RELAY		--	146051GT	BEARING NUT*** <i>for 106148</i>	
--	56561GT	TOOL, TERMINAL CRIMPER, MOLEX***		--	146052GT	SET SCREW*** <i>for 146051</i>	
--	56562GT	TOOL, TERMINAL EXTRACTOR, MOLEX		--	215777GT	INPUT CARRIER, SUB-ASSEMBLY <i>for 106148</i>	
10	70657GT	PLATE, CONTACTOR MOUNT, Z45.....1	1	--	232486GT	SNAP RING, WHEEL DRIVE <i>for 106148</i>	
11	6708GT	SCREW, HHC, 3/8-16 X 2.25		--	58320GT	KIT, TORQUE HUB COVER(101584)** <i>for 106148</i>	
12	6021GT	WASHER, LOCK, .375		--	9990074GT	COUPLING <i>for 106148 (brake coupler)</i>	
13	5397GT	WASHER, FLAT, USS, 5/16"Y		22B	218570GT	WHEEL DRIVE, NON-BRAKE, 47.6:1.....2 <i>(verify component before ordering) (Do Not use with 106148)</i>	2
14	50668-SGT	BAR, AXLE ROTATION STOP.....2	2				
15	54542GT	PIN, 1.50DIA X 2.00LG, CHAMFER.....2	2				
16	825019GT	ROD END, .375X3.69, ZAG.....1	1				
17	4828GT	NUT, NYLOCK, 3/8-16					
18	110737GT	AXLE ASSY, NON-STR, NARROW BASE.....1 <i>to SN 31771</i>	1				
--	119980GT	AXLE ASSY, REAR, NARROW Z45/Z51 <i>from SN 31772</i>					
--	45071GT	BEARING, 1.5IDX1.75ODX1.5L					
19	19418GT	SCREW, SHC, 5/8-11 X 1.75					
20	13064GT	WASHER, FLAT, .625 HARDENED					
21A	139351GT	BRAKE, NEMA, 1200 IN/LB.....2	2				
--	139353GT	STACK KIT, AUSCO 1200 IN/LB <i>for 139351</i>					
--	139354GT	O-RING KIT, AUSCO 1200 IN/LB <i>for 139351</i>					
--	139355GT	GASKET KIT, AUSCO 1200 IN/LB <i>for 139351</i>					
--	65608GT	BEARING KIT, AUSCO*** <i>for 139351</i>					



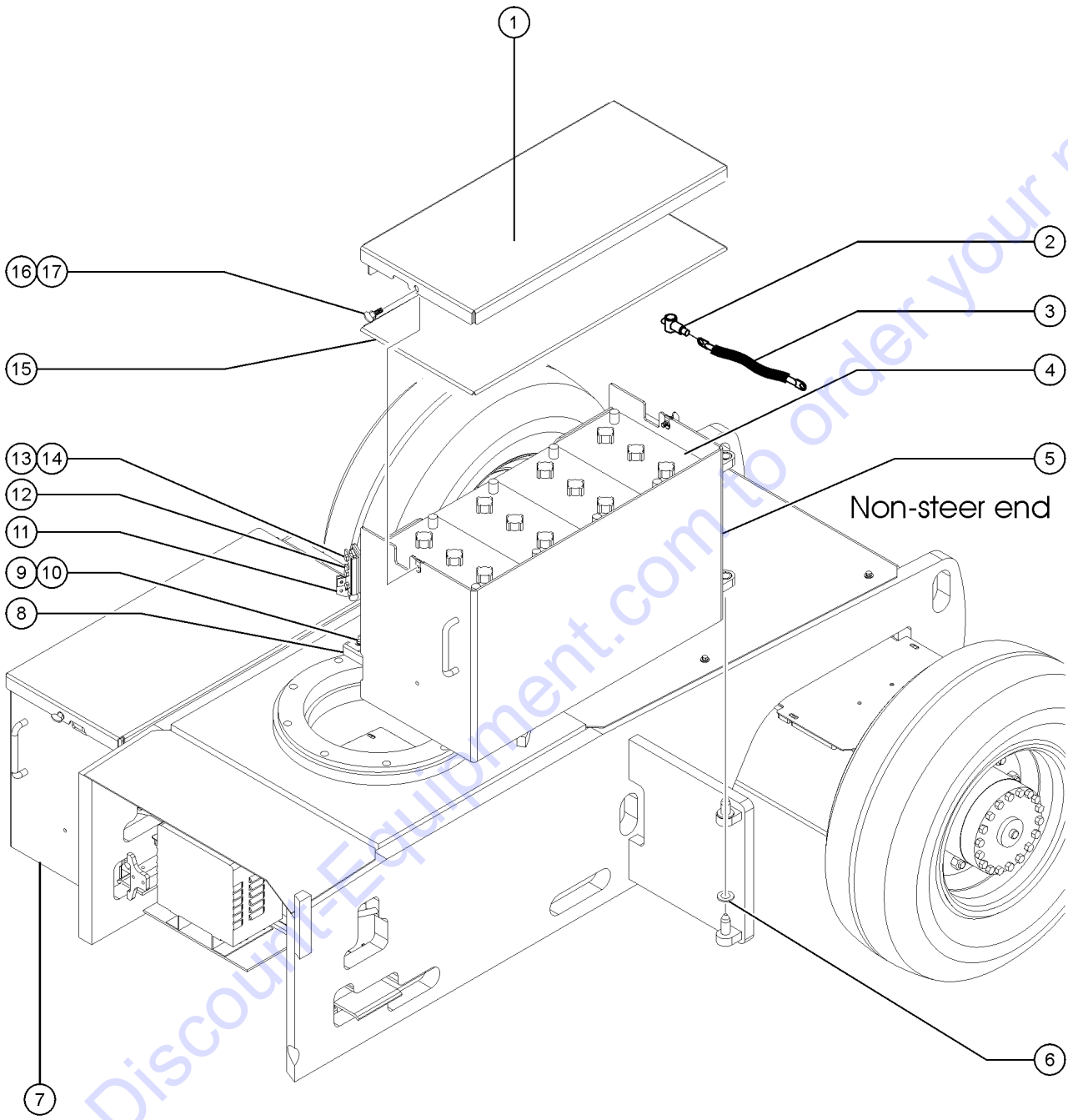
202.1 Non-steer End  
(continued)

Item	Part No.	Description	Qty.	Item	Part No.	Description	Qty.
--	139965GT	WHEEL STUD,5/8-18,OMNI*** <i>for 218570</i>		--	22811GT	O-RING,MOTOR TO BRAKE***.....2 <i>measures approx 4" x 0.10"</i>	
--	139966GT	ROD,DISCONNECT,OMNI*** <i>for 218570</i>		--	37189GT	SPRING, BRUSH RETAINER, 36182* <i>for AMD motor 56282</i>	
--	139967GT	CAP,DISENGAGE,OMNI*** <i>for 218570</i>		--	44778GT	BEARING,MOTOR,36843,BRUSH END* <i>for AMD motor 56282</i>	
--	139968GT	O-RING,END COVER,OMNI*** <i>for 218570</i>		--	62105GT	BRUSH HOLDER(56282) <i>for AMD motor 56282</i>	
--	147034GT	PIPE PLUG KIT,OMNI*** <i>for 218570</i>		25	70655GT	AXLE COVER, NARROW.....1	
--	229833GT	BEARING KIT, OMNI <i>for 218570</i>		26	8915GT	SCREW,HHC,1/4-20 X 1.25	
--	229834GT	SEAL KIT, OMNI <i>for 218570</i>		27	6091GT	NUT,NYLOCK,1/4-20	
--	58531GT	ORING,568-908 N552-90 NBR,10PK <i>for 218570</i>		28	8914GT	SCREW,HHC,1/4-20 X .625	
23A	1267780GT	TIRE/WH ASSY,9 LG,FOAM,NS REAR.....2 <i>(non-steer end)</i>		29	49818GT	SCREW,PHILLIPS,PHM,10-32 X .38	
23B	1267782GT	TIRE/WH ASSY,9LG,NM,FOAM,NS RE <i>(non-steer end)</i>		30	6607GT	WASHER,LOCK,#10 PLTD	
23C	1267785GT	TIRE/WH ASSY,9 LG,REPNEU,NS <i>(non-steer end)</i>		31	74266GT	CONTACTOR,LIFT PUMP 24V 180A**...1	
23D	1267787GT	TIRE/WH ASSY,9 LG,NM,REPNEU,NS <i>(non-steer end)</i>		--	62695GT	CONTACT,STATIONARY (56434)**	
24A	T108673GT	KIT, 24V SEP-EX DRIVE MOTORS <i>Replacement kit for GE motor 94197; check stamp on part prior to ordering (kit contains qty 2 x 56282 motor)</i>		--	62696GT	CONTACT-MOVEABLE (56434)**	
--	147187GT	BRUSH KIT, DRIVE MOTOR <i>for AMD motor 56282</i>		--	74471GT	SPRING,RETURN (74266)	
--	37189GT	SPRING, BRUSH RETAINER, 36182* <i>for AMD motor 56282</i>		32	13002GT	SCREW,HHC,5/16-18 X 1 GR5	
--	44778GT	BEARING,MOTOR,36843,BRUSH END* <i>for AMD motor 56282</i>		33	6886GT	WASHER,LOCK,.313	
--	56282GT	MOTOR,SEP-EX,24V*** <i>AMD motor; check stamp on part prior to ordering</i>		34	18503GT	NUT,LOCKING-LG.FLANGE,5/16-18	
--	62105GT	BRUSH HOLDER(56282) <i>for AMD motor 56282</i>		35	43179GT	FUSE,500 AMP,VERY FAST ACTING.....1	
24B	94315GT	BRUSH KIT,GE DRIVE MOTOR*** <i>for GE motor 94197; check stamp on part prior to ordering</i>		36	50576GT	SCREW,SHC,1/2-13 X 3.00	
24B	94316GT	BRUSH RETAINING SPRING,DR MTR <i>for GE motor 94197; check stamp on part prior to ordering</i>		37	77677GT	SCREW,PHILLIPS,PHM,10-24 X 1	
24B	94317GT	BEARING KIT,GE DRIVE MOTOR*** <i>for GE motor 94197; check stamp on part prior to ordering</i>		38	73575GT	SPRING CLIP,10-24,.025-.125X.468,ZAG	
24C	56282GT	MOTOR,SEP-EX,24V*** <i>check stamp on part prior to ordering</i>		39	56912GT	SPRING CLIP,1/4-20,.025-.15X.54,ZAG	
--	147187GT	BRUSH KIT, DRIVE MOTOR <i>for AMD motor 56282</i>		40	56930GT	DIODE,PCB DRIVE CONTACTOR**.....1	
				41	50669GT	SHIM,AXLE ROTATION STOP,22GA.....as-needed <i>to SN 29757</i>	
				--	119209GT	SHIM,AXLE ROTATION STOP,22GA.....as-needed <i>from SN 29758</i>	
				42	119210GT	SHIM,AXLE ROTATION STOP,12GA.....as-needed <i>to SN 29757</i>	
				--	119210GT	SHIM,AXLE ROTATION STOP,12GA.....as-needed <i>from SN 29758</i>	
				43	36372GT	FUSE,50 AMP,VERY FAST ACTING.....1 <i>DC models with Inverter</i>	
				44	66717GT	FUSE BLOCK, ANN & ANL FUSE.....1 <i>DC models with Inverter</i>	
				45	6782GT	NUT,NYLOCK,5/16-18.....2 <i>for 36372</i>	
				46	17626GT	SCREW,FHM,10-32 X .75.....2 <i>for 66717</i>	

Item	Part No.	Description	Qty.
47	79452GT	CONVERTER, DC-DC, 48-26 VOLT** .....1 <i>from SN Z452513A-48153 and from Z452513B-3078 (mounting hardware not included)</i>	
--	6146GT	WASHER,FLAT,MS,#10,Y.....4 <i>(not shown, not included)</i>	
--	6607GT	WASHER,LOCK,#10 PLTD.....4 <i>(not shown, not included)</i>	
--	73575GT	SPRING CLIP,10-24,.025-.125X.468,ZAG.....4 <i>(not shown, not included)</i>	
--	73587GT	SCREW,PHIL,10-24 X .75.....4 <i>(not shown, not included)</i>	

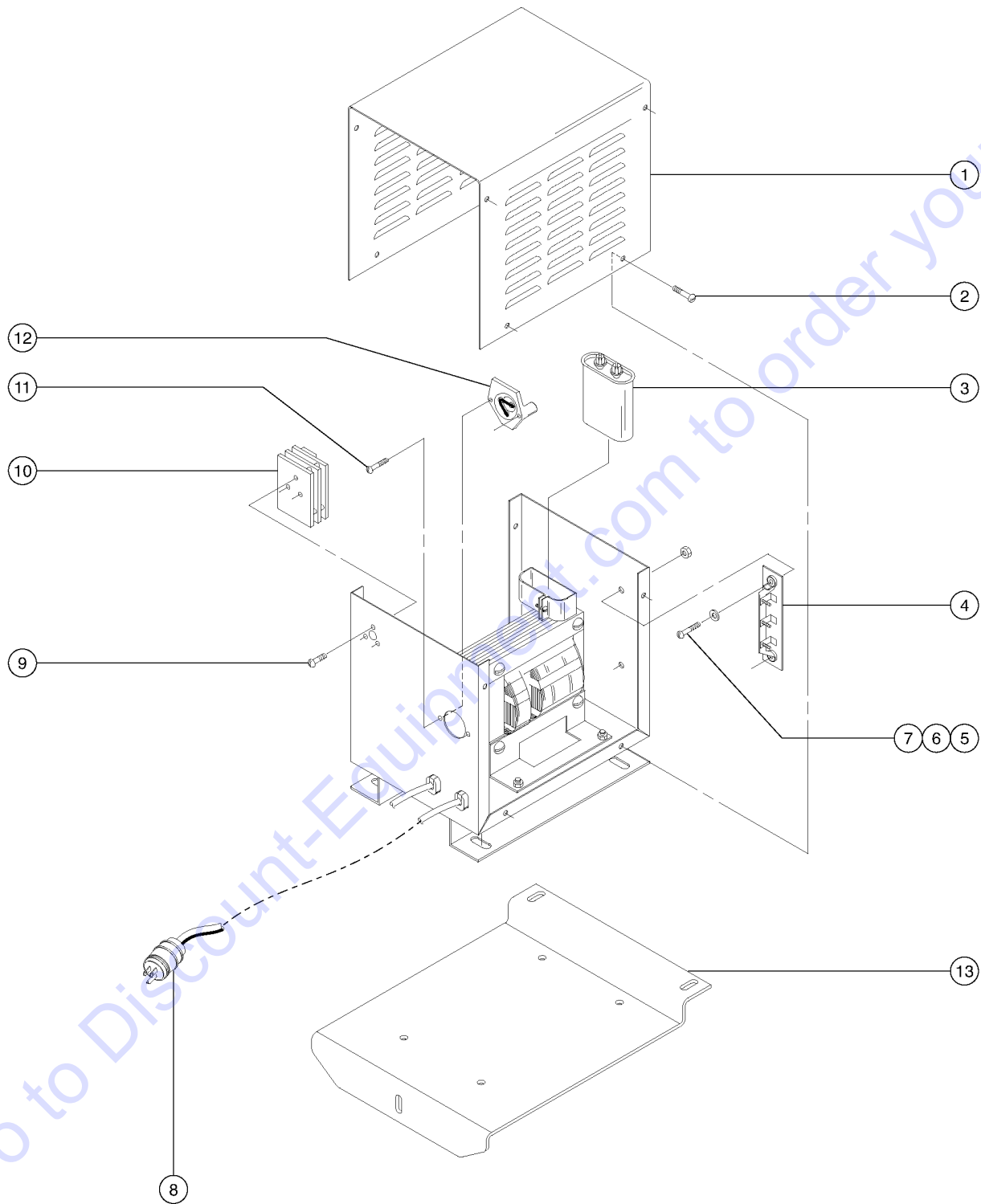
Go to Discount-Equipment.com to order your parts

203.1 Battery Packs



Item	Part No.	Description	Qty.
1	94001GT	LID-BATTERY BOX W/DECALS**.....2	
2	51147GT	BOOT,CABLE TERMINAL,LG,RED,2/0...4	
3	19520GT	BATTERY CABLE ASSY,9.5"JUMPER...6	
4A	36579GT	BATTERY, 350AH,GROUP L16G(DRY).....8	
4B	823684GT	BATTERY,AGM,6V/390A,L16.....8 <i>models with AGM option from SN 46035</i>	
5A	94003GT	BATTERY BOX ASSY,CONTRL SIDE**.....1 <i>includes items 1, 8, 11, 12, 16 &amp; 17, to SN Z452513A-48672</i>	
--	36369GT	BEARING,0.75IDX1.00ODX0.75L.....2	
5B	161941GT	BATTERY BOX ASSY, LH <i>decal not included, refer to section 100, from SN Z452513A-48673</i>	
--	36369GT	BEARING,0.75IDX1.00ODX0.75L.....2	
6	36212GT	WASHER,THRUST,.75 X 1.38X.13	
7A	94002GT	BATTERY BOX ASSY,TANK SIDE***.....1 <i>includes items 1, 8, 11, 12, 16 &amp; 17, to SN Z452513A-48672</i>	
--	36369GT	BEARING,0.75IDX1.00ODX0.75L.....2	
7B	161940GT	BATTERY BOX ASSY, RH <i>decal not included, refer to section 100, from SN Z452513A-48673</i>	
--	36369GT	BEARING,0.75IDX1.00ODX0.75L.....2	
8	45209GT	WEAR PAD,4X2X.5 W/INSERT***.....2	
9	6888GT	SCREW,HHC,1/4-20 X 1	
10	6638GT	WASHER,FLAT,USS,1/4"Y	
11A	66900GT	LATCH,ROTARY, W/KNOB,LEFT.....1 <i>installed on RIGHT side of chassis</i>	
11B	66901GT	LATCH,ROTARY, W/KNOB,RIGHT.....1 <i>(shown) installed on LEFT side of chassis</i>	
12A	101425PGT	FORMING,BATTERY BOX LATCH LH....1 <i>(shown)</i>	
12B	101426PGT	FORMING,BATTERY BOX LATCH RH....1	
13	13000GT	SCREW,HHC,5/16-18 X 1.25	
14	6002GT	NUT,LP NYLOCK,5/16-18	
15	106241GT	INSULATION,48V BATT.BOX LID.....2 <i>models with AGM option from SN 46035</i>	
16	824228GT	SCREW,THUMB,A-REG,3/8-16X1,ZAG	
17	29868GT	SPRING CLIP,3/8-16,.05-.20X.73,ZAG	

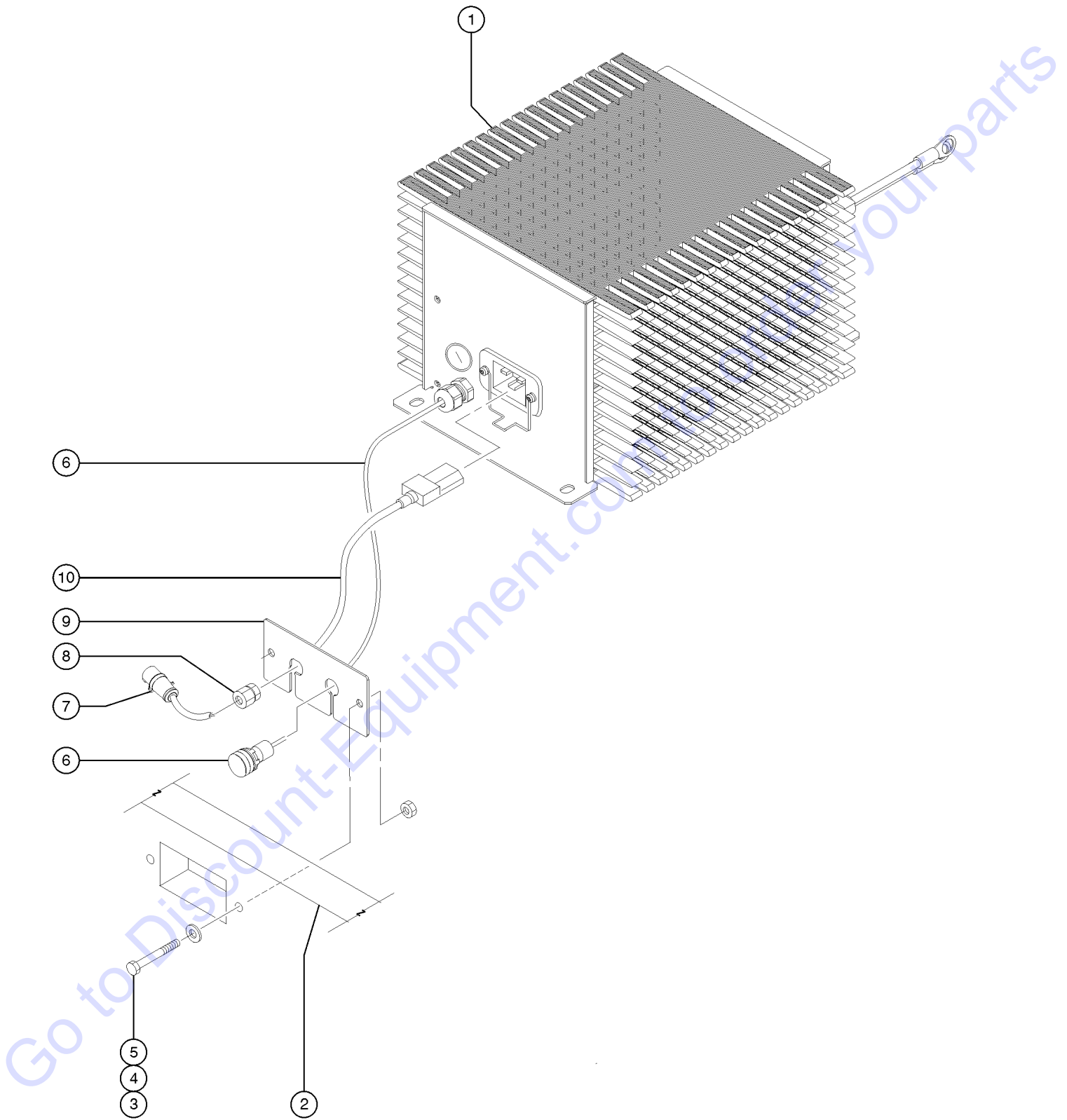
204.1 Battery Charger (to SN Z4525-9999)



## 204.1 Battery Charger (to SN Z4525-9999)

Item	Part No.	Description	Qty.
--	101703GT	CHARGER,48V,100-125VAC,50H,25A (replaced by 139720 from SN 10000 to 38701)	
--	139720GT	KIT,UNIV CHRGR UPGRADE,Z40/Z45 (from SN Z4525-10000 to Z4525-38701)	
--	54794GT	CHARGER,48V,110VAC,60H,25A (replaced by 139720 from SN 10000 to 38701)	
--	54795GT	CHARGER,48V,200-250VAC,50H,25A (replaced by 139720 from SN 10000 to 38701)	
--	54796GT	CHARGER,48V,200-250VAC,60H,25A (replaced by 139720 from SN 10000 to 38701)	
--	54797GT	CHARGER,48V,100-125VAC,60H,25A (replaced by 139720 from SN 10000 to 38701)	
--	58494GT	CHARGER,48V,110/60,12A,EERATNG (replaced by 139720 from SN 10000 to 38701)	
1	40532GT	CASE COVER ONLY 18710/18720.....1	1
2	52916GT	SCREW,10ABX.50",PNHD,ST(41896)	
3	13008-3GT	CAPACITOR,6 MFD,660VAC-CHARGR*.....1	1
4	27262GT	HEATSINK ASSY W/DIODES (23442)....1	1
5	52918GT	SCREW,HH,10-32 X 3/4"(41896)	
6	6146GT	WASHER,FLAT,MS,#10,Y	
7	6178GT	NUT,NYLOCK,10-32	
8	119403GT	CONN,PLUG 120 AC/15A DOMESTIC...1	1
--	1280665GT	PLUG, TYPE F, 230A, 50HZ, 16A, IP44	
--	144161GT	PLUG,PWR,UK,16AMP,3PIN,BLK	
--	25388GT	PLUG,FUSED,250V,13AMP,U.K.**	
9	52917GT	SCREW,8ABX3/8",PNHD-S.T(41896)	
10	27263GT	TIMER (23442)(41896)(36314).....1	1
--	18078GT	RELAY,CHARGER TIMER**	
--	19533GT	RELAY,CHARGER .TIMER(19531/32)	
--	27830GT	TIMER(24059,41897,41898,41899).....1	1
11	52919GT	SCREW,PHM, NO.7X0.625"(41896)	
12	13008-6GT	FUSE ASSY-BOOM CHARGER.....1	1
13	60060-SGT	FORMING,CHARGER PLATE,PAINTED.....1	1

204.2 Battery Charger (from SN Z4525-10000)



## 204.2 Battery Charger (from SN Z4525-10000)

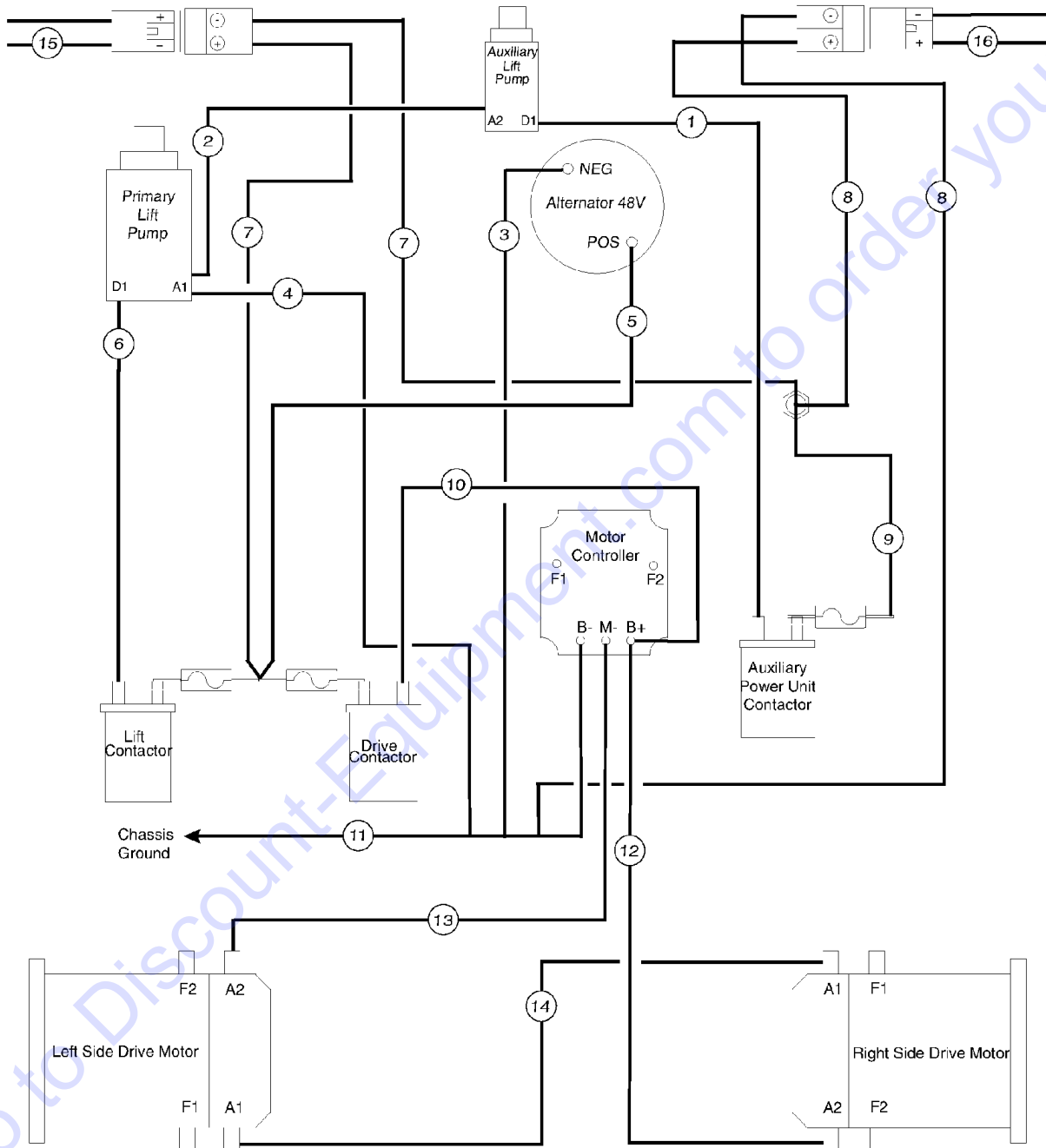
Item	Part No.	Description	Qty.
--	228946GT	ASSY,LED,IES CHARGER	
--	228947GT	CLIP,RETAINING,IES CHARGER	
1	128375GT	CHARGER 48V/30A AUTO AC X-LED....1 <i>(includes item 6) (order power cord separately)</i>	
--	133286GT	DECAL, POWER TO CHARGER, UNIV.....1	
--	139857GT	HARN.CHARGER INTERLOCK Z45.....1 <i>(not shown)(option)</i>	
2		Ref. Chassis	
3	6326GT	SCREW,HHC,3/8-16 X 3	
4	6097GT	WASHER,FLAT,USS,3/8",Y	
5	4828GT	NUT,NYLOCK,3/8-16	
6	228973GT	KIT,ASSY,LED,IES CHARGER.....1	
7A	1280665GT	PLUG, TYPE F, 230A, 50HZ, 16A, IP44.....1 <i>Euro 220V</i>	
7B	144161GT	PLUG,PWR,UK,16AMP,3PIN,BLK <i>UK 110V</i>	
7C	25388GT	PLUG,FUSED,250V,13AMP,U.K.** <i>UK 220V</i>	
8A	128118GT	BUSHING,STRAIN RELIEF,.875/.40 <i>(domestic)</i>	
8B	139318GT	BUSHING,STRAIN RELIEF,.875/.30 <i>(UK)</i>	
9	128825GT	BRACKET, CHARGER CORD AND LED	
10A	128645GT	CORD AC IEC320-C19 TO 220EU <i>EU 220V</i>	
10B	128377GT	CORD AC IEC320-C19 TO 110US <i>US 110V</i>	



205.1 Power Cables (to SN 08A-35694)

LEFT SIDE  
BATTERY PACK

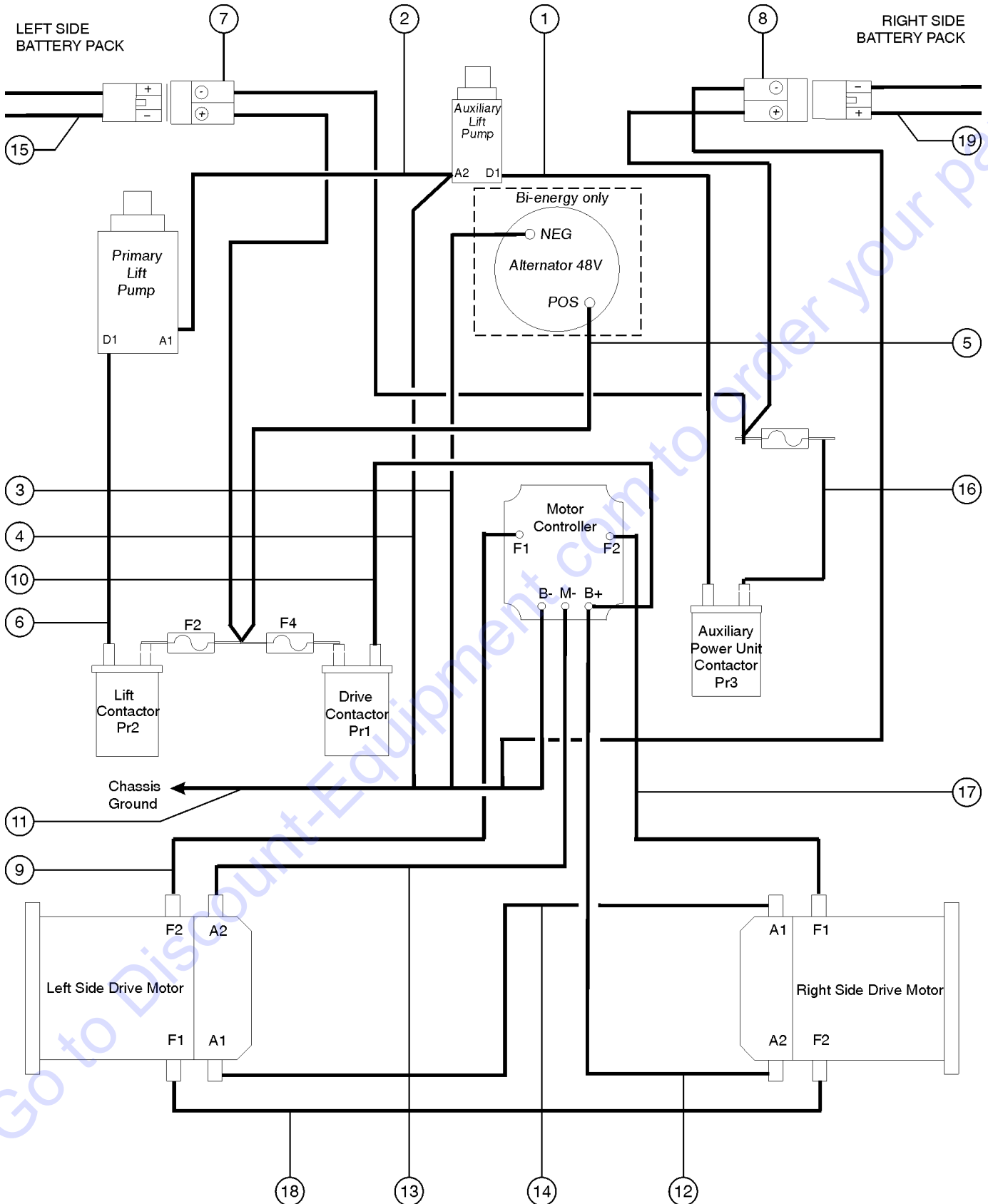
RIGHT SIDE  
BATTERY PACK



## 205.1 Power Cables (to SN 08A-35694)

Item	Part No.	Description	Qty.
1	54471GT	CABLE ASSY,#2 RED, 78".....	1
2	62091GT	CABLE ASSY,#2 BLACK, 12".....	1
3	110896GT	CABLE ASSY, #2 BLACK, 96".....	1
4	110896GT	CABLE ASSY, #2 BLACK, 96".....	1
5	62094GT	Cable Assembly (Bi-Energy).....	1
6	110897GT	CABLE ASSY,#2 RED, 88".....	1
7	110895GT	Battery Connector Cable Assembly (Bi-Energy).....	1
--	128138GT	CONN HOUSING SBX175, BATT	
--	62097-SGT	WIRE ASSY-PWR PAN TO ENG HARN	
--	77723GT	Battery Connector Cable Assembly	
8	139047GT	HARN ASSY,POWER PACK AP1.....	1
9	62099GT	Cable Assembly.....	1
10	62099GT	Cable Assembly.....	1
11	110894GT	CABLE ASSY,#2 BLACK, 15".....	1
12	62101GT	CABLE ASSY-14" RED (45/25).....	1
13	62100GT	CABLE ASSY-17" RED (45/25).....	1
14	62102GT	CABLE ASSY-31" RED (45/25).....	1
15	139011-SGT	SERV KIT,HARN ASSY,PWR BATT PK..... <i>(right side)</i>	1
--	139041GT	HARN ASSY, POWER PACK AP2 <i>(left side)</i>	
16	139011-SGT	SERV KIT,HARN ASSY,PWR BATT PK..... <i>(right side)</i>	1

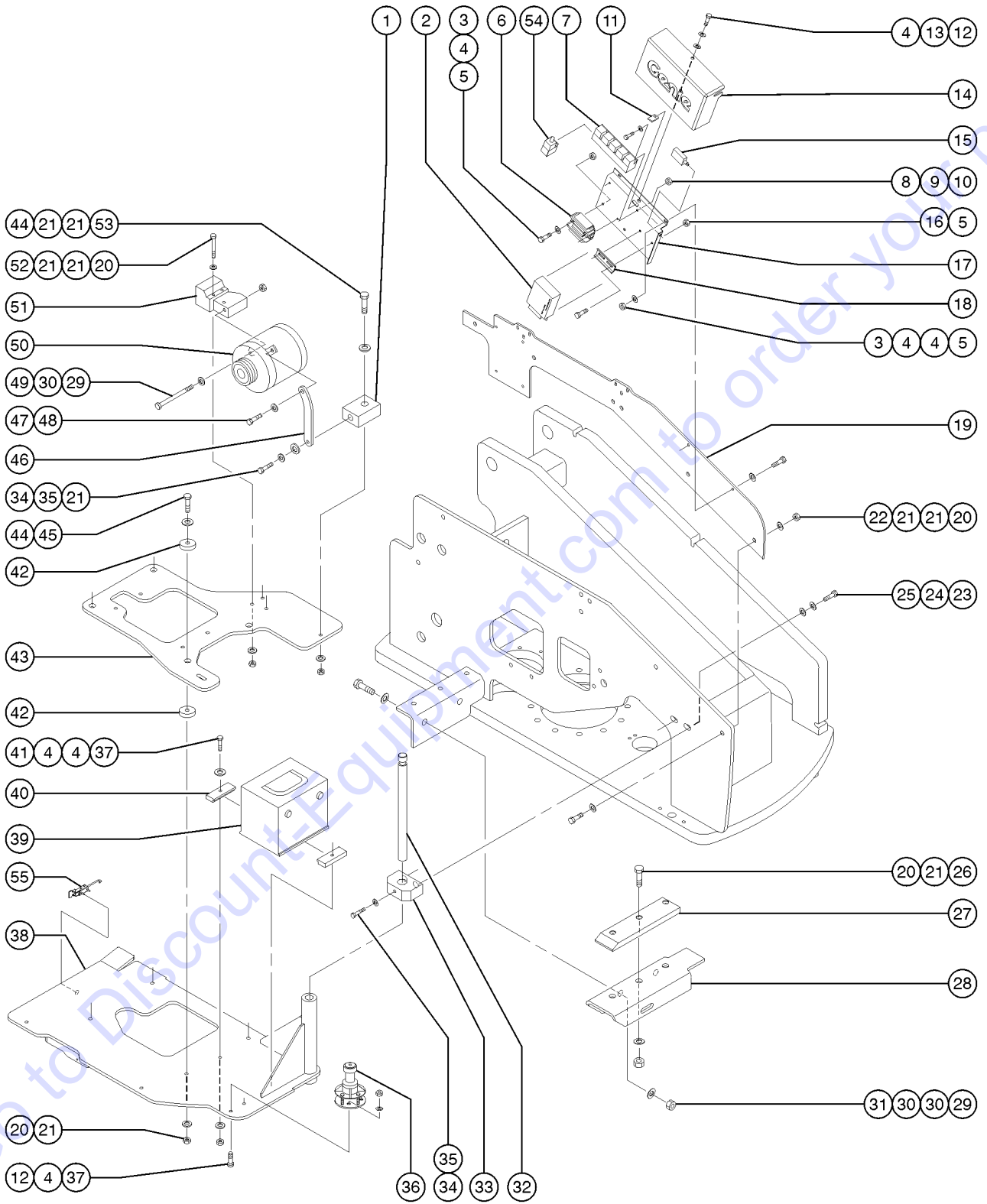
205.2 Power Cables (from SN 08A-35695 and from 12B-2245 and from 13D-101)



## 205.2 Power Cables (from SN 08A-35695 and from 12B-2245 and from 13D-101)

Item	Part No.	Description	Qty.	Item	Part No.	Description	Qty.
--	51147GT	BOOT,CABLE TERMINAL,LG,RED,2/0		--	128466GT	CABLE ASSY #2 BLK AP1/AP2 BATT	
1	139058GT	CABLE ASSY #2 RED PR3/AP-DI.....1	1				
2	139049GT	CABLE ASSY #2 BLK AP-A2/LP-A1.....1	1				
3	139063GT	CABLE ASSY #2 BLK ALT(-)/GND.....1 <i>Bi-Energy only</i>	1				
4	139052GT	CABLE ASSY #2 BLK AP-A2/GND.....1	1				
5	139064GT	CABLE ASSY #2 RED ALT(+)/F2.....1 <i>Bi-Energy only</i>	1				
6	139057GT	CABLE ASSY #2 RED PR2/LP-D1.....1	1				
7A	139048GT	HARN ASSY,POWER PACK AP2.....1 <i>DC only</i>	1				
--	128488GT	CABLE ASSY #2 RED AP1/FU1 DRIV					
--	128489GT	CABLE ASSY #2 BLK AP1/AP2 DRIV					
7B	139062GT	HARN ASSY,POWER DRIVE CHASS <i>Bi-Energy only</i>					
--	128491GT	CABLE ASSY #2 RED AP2/FU2 DRIV					
--	128492GT	CABLE ASSY #2 BLK AP2/FU1 DRIV					
8	139047GT	HARN ASSY,POWER PACK AP1.....1	1				
--	128490GT	CABLE ASSY #2 RED AP2/FU1.....1	1				
--	128929-300GT	SHRINK TUBE, BLACK 3/4,3:1.....1	1				
--	51147GT	BOOT,CABLE TERMINAL,LG,RED,2/0...2	2				
--	66397GT	QUICK DISCONNECT CASING,BATT** .....1	1				
--	824049GT	CABLE ASSY #2 BLK AP1/AP2 DRIV.....1	1				
9	139020GT	WIRE ASSY #10 RED F1/F2.....1	1				
10	139054GT	CABLE ASSY #2 RED B(+)/PR1.....1	1				
11	139050GT	CABLE ASSY #2 BLK B(-)/GND.....1	1				
12	139051GT	CABLE ASSY #2 BLK B(+)/A2.....1	1				
13	139055GT	CABLE ASSY #2 RED M(-)/A2.....1	1				
14	139056GT	CABLE ASSY #2 RED A1/A1					
15A	139011-SGT	SERV KIT,HARN ASSY,PWR BATT PK.....1 <i>DC only</i>	1				
--	128465GT	CABLE ASSY #2 RED BATT					
--	128466GT	CABLE ASSY #2 BLK AP1/AP2 BATT					
15B	139041GT	HARN ASSY, POWER PACK AP2.....1 <i>Bi-Energy only; left side</i>	1				
--	128486GT	CABLE ASSY #2 RED AP2 BATT					
--	128487GT	CABLE ASSY #2 BLK BE AP2 BATT					
16	139053GT	CABLE ASSY #2 RED PR2/F2.....1	1				
17	139059GT	WIRE ASSY #10 RED F2/F1.....1	1				
18	139060GT	WIRE ASSY #10 RED F1/F2.....1	1				
19	139011-SGT	SERV KIT,HARN ASSY,PWR BATT PK.....1 <i>Bi-Energy only; right side</i>	1				
--	128465GT	CABLE ASSY #2 RED BATT					

301.1 Engine Components

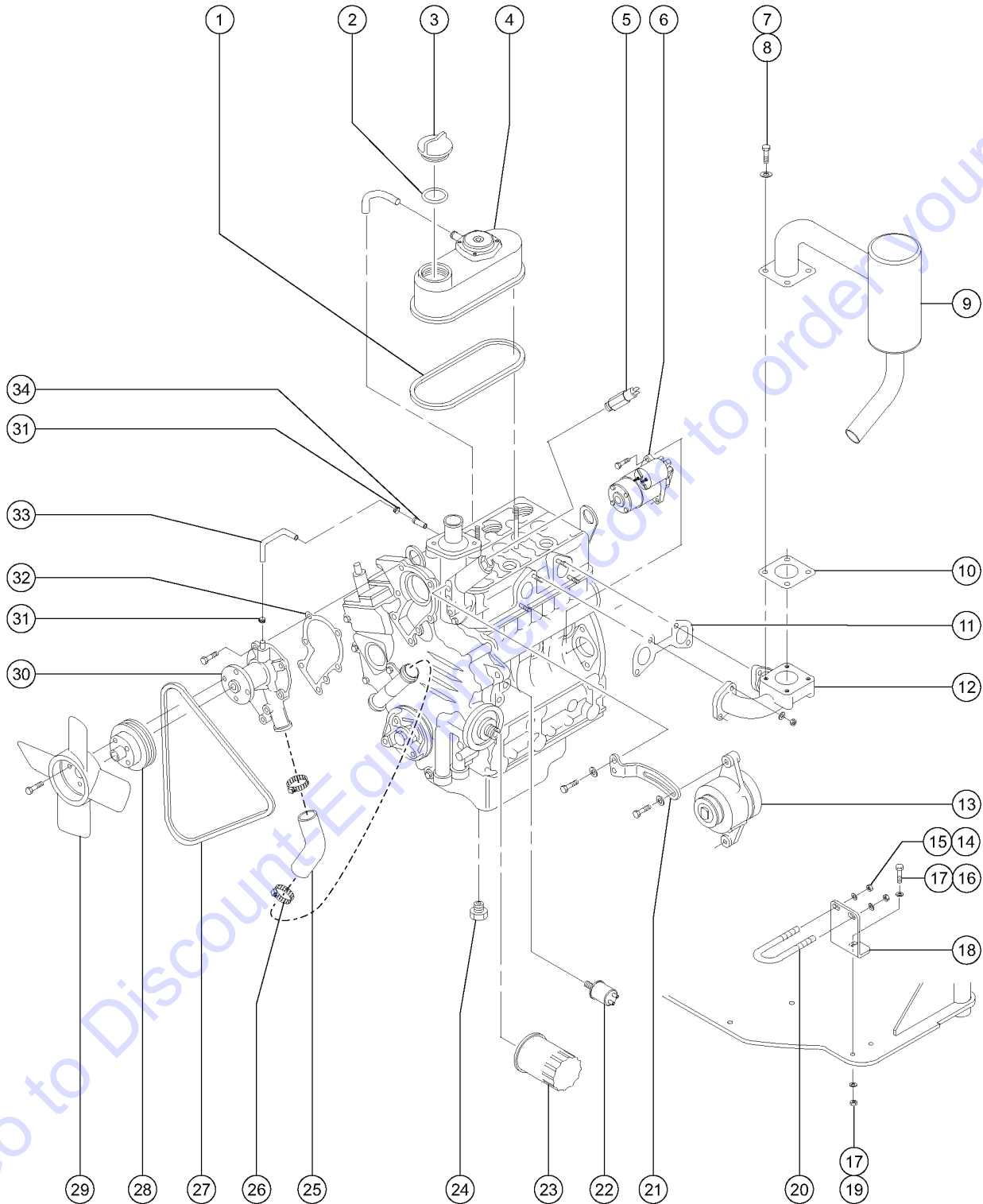


A TEREX BRAND

## 301.1 Engine Components

Item	Part No.	Description	Qty.	Item	Part No.	Description	Qty.
1	54193GT	PLATE,ALTERNATOR ADJUSTMENT.....1		37	6889GT	NUT,LP NYLOCK,1/4-20	
2	56057GT	MODULE,IGNITION/START,12/24V.....1		38	107826GT	ASSEMBLY,ENGINE TRAY,BI-ENERGY	
3	6888GT	SCREW,HHC,1/4-20 X 1		38	25817GT	BEARING,1.00IDX1.25ODX1.00L.....2	
4	6638GT	WASHER,FLAT,USS,1/4"Y		39	56050GT	BATTERY,450 CCA***.....1	
5	6091GT	NUT,NYLOCK,1/4-20		40	60078GT	BATTERY HOLD DOWN.....1	
6	62085GT	REGULATOR-VOLTAGE(Z482-E).....1		41	6145GT	SCREW,HHC,1/4-20 X 1.5	
7A	56302GT	RELAY,24VDC,40/30A,SEALED***.....5		42	24038GT	SHOCK MOUNT,SMALL.....8	
7B	823226GT	POWER RELAY, 24V COIL.....1		43	60092PGT	PLATE,ENGINE MOUNT PAINTED.....1	
8	49826GT	SCREW,PHILLIPS,PHM,10-32 X.625		44	14033GT	SCREW,HHC,3/8-16 X 2.75	
9	6146GT	WASHER,FLAT,MS,#10,Y		45	15086GT	WASHER,FLAT,.375 X 1.5 X .125	
10	6178GT	NUT,NYLOCK,10-32		46	60096GT	BRACKET,ALTERNATOR ADJ.....1	
11	56912GT	SPRING CLIP,1/4-20,.025-.15X.54,ZAG		47	10597GT	SCREW,HHC,1/2-13 X 1.25 GR5	
12	6090GT	SCREW,HHC,1/4-20 X .75		48	6033GT	WASHER,LOCK,0.5"	
13	6356GT	WASHER,LOCK,.25		49	13005GT	SCREW,HHC,1/2-13 X 6,GRD.8	
14	60146GT	RELAY PANEL COVER.....1		50	54463-SGT	ALTRNTR,48VDC 100A,SERV VERS** .....1	
15	147094GT	ASSY, CIRCUIT BREAKER 15A.....1 <i>includes mounting fasteners</i>		--	45782GT	DIODE,6 AMP,200 PIV,BULK	
16	7339GT	SCREW,HHC,1/4-20 X .5		--	54446GT	REGULATOR,48 VOLTAGE,BI ENERGY	
17	70658GT	FORMING, RELAY PANEL, Z45 BE.....1		--	56283GT	PULLEY,3.15 OD	
18	42315GT	DIN RAIL,6.38".....1		--	56290GT	NUT,LOCK,5/8-18	
19	60000PGT	BULKHEAD,SWING CHASSIS,LH,PAIN.....1		--	56291GT	WASHER,HARDENED,5/8	
20	4828GT	NUT,NYLOCK,3/8-16		--	56292GT	KEY,WOODRUFF,5/32X3/4 KEY #506	
21	5397GT	WASHER,FLAT,USS,5/16",Y		51	56007GT	BRACKET,ALTERNATOR MOUNT.....1	
22	8516GT	SCREW, HCC, 3/8-16 X 1.50		52	21604GT	SCREW,HHC,3/8-16 X 3.25	
23	19418GT	SCREW,SHC,5/8-11 X 1.75.....2		53	7713GT	NUT, LP NYLOCK, 3/8-16	
24	6036GT	WASHER,LOCK,.625 PLTD		54A	56302GT	RELAY,24VDC,40/30A,SEALED*** .....1 <i>to SN Z452513A-49731</i>	
25	13064GT	WASHER,FLAT,.625 HARDENED.....2		54B	823226GT	POWER RELAY, 24V COIL.....1 <i>from SN Z452513A-49732</i>	
26	17712GT	SCREW,FHS,3/8-16 X 1.75		55	27126GT	LATCH,DRAW,ADJUSTABLE.....1	
27	50519GT	LOAD PAD,ENGINE TRAY SUPPORT....1					
28	60100-SGT	BRACKET,ENGINE PLATE REST PTD.....1					
29	6198GT	NUT,NYLOCK,1/2-13					
30	6095GT	WASHER,FLAT,USS,1/2",Y					
31	22788GT	SCREW,HHC,1/2-13 X 1.75					
32	107803GT	PIN,1.00DIAX15.56LG,CHAMFER					
--	1255452GT	ROD END,.375 X 2.25,ZAG.....1 <i>not shown</i>					
33	50427-SGT	EAR,ENGINE TRAY PIVOT,PAINTED....1					
34	6175GT	SCREW,HHC,3/8-16 X 1					
35	6021GT	WASHER,LOCK,.375					
36	44586GT	SENSOR,LEVEL 4.5***.....1					
--	23083-SGT	FUSE HOLDER,WATERPROOF					
--	27488GT	FUSE,1 AMP					

302.1 Kubota Z482 E2B-GNI-1 Engine, View 1 (to serial number Z452510A-39345)

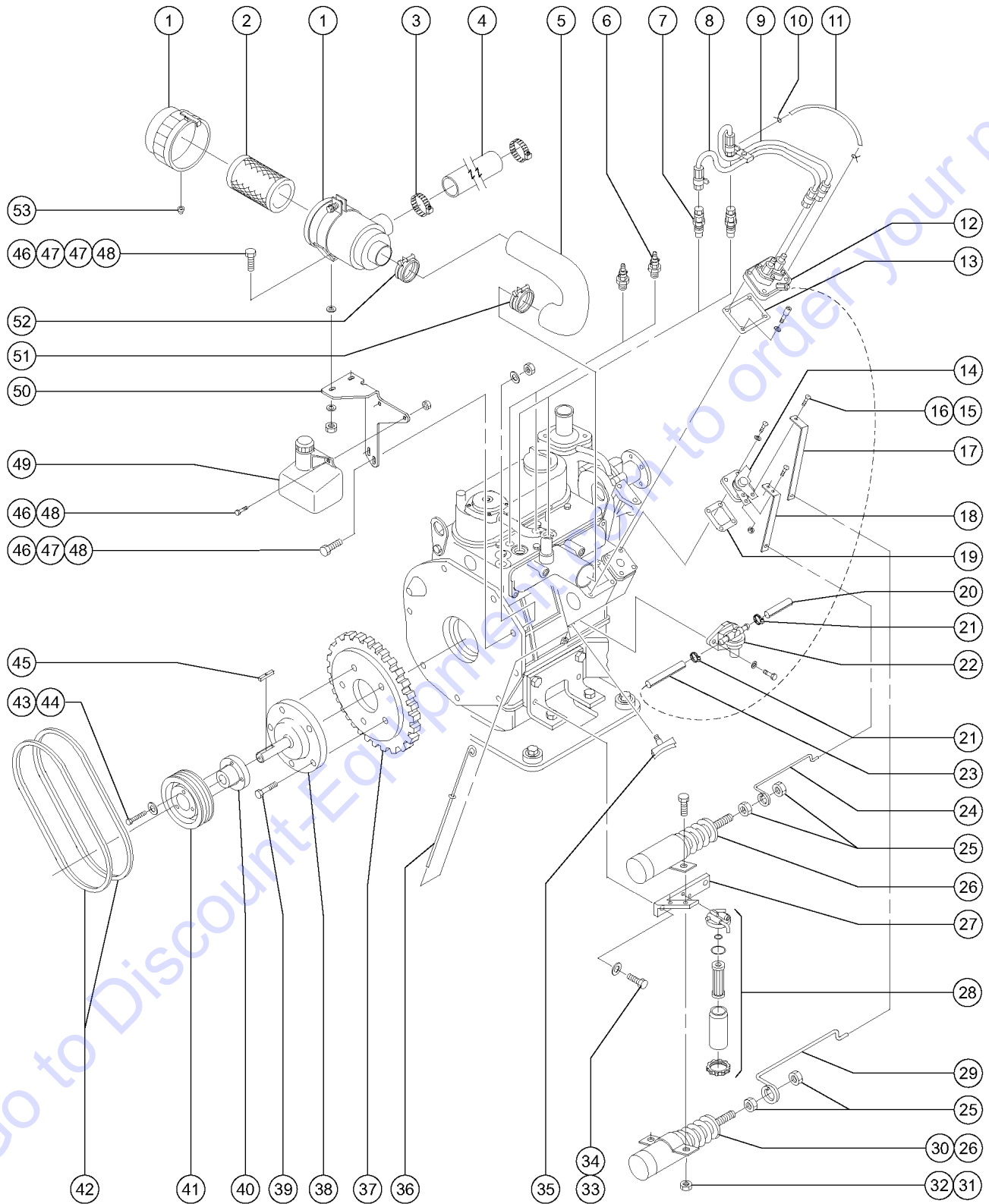


## 302.1 Kubota Z482 E2B-GNI-1 Engine, View 1 (to serial number Z452510A-39345)

Item	Part No.	Description	Qty.
1	52806GT	GASKET-VALVE COVER Z482-E.....1	1
2	22903GT	O-RING,OIL FILLER PLUG,KUBOTA*.....1	1
3	52808GT	PLUG,OIL FILLER Z482,Z34/22BE*.....1	1
4	52807GT	COVER-VALVE Z482, Z34/22BE.....1	1
5	54332GT	SWITCH,WATER TEMP.....1	1
6	52810GT	STARTER MOTOR Z482, Z34/22BE.....1	1
--	23457GT	SOLENOID,STARTER,WG750B	
7	23057GT	SCREW,HHC,M8 X 20MM	
8	49408GT	WASHER,LOCK,M8	
9	54603GT	MUFFLER, KUBOTA, Z45 BE.....1	1
10	832128GT	GASKET,MUFFLER,KUBOTA D905/11.....1	1
11	52812GT	GASKET-EXHAUST MANIFOLD Z482....1	1
12	52813GT	EXHAUST MANIFOLD, Z482-E.....1	1
13	110286GT	ALTERNATOR,KUBOTA,Z482.....1	1
14	6782GT	NUT,NYLOCK,5/16-18	
15	5397GT	WASHER,FLAT,USS,5/16",Y	
16	6019GT	SCREW,HHC,3/8-16 X 1.25 GRD 5	
17	6097GT	WASHER,FLAT,USS,3/8",Y	
18	54605GT	BRACKET,EXHAUST,Z45 BI.....1	1
19	7713GT	NUT, LP NYLOCK, 3/8-16	
20	6550GT	U-BOLT,3/8 X 1 YZ	
21	84044GT	STAY,ALTERNATOR***.....1	1
22	22934GT	SWITCH,OIL,PRESSURE,KUBOTA.....1	1
23	866400GT	KUBOTA OIL FILTER.....1	1
24	52532GT	PLUG,ENGINE OIL DRAIN,D-905***.....1	1
--	52517GT	GASKET-OIL DRAIN, DF750	
25	32067GT	HOSE,WATER PUMP,KUBOTA**.....1	1
26	32066GT	CLAMP,HOSE,KUBOTA WG750	
27	52816GT	BELT,FAN,KUBOTA DF972/Z482-E.....1	1
28	23469GT	PULLEY,FAN,WG750B***.....1	1
29	52818GT	FAN, KUBOTA Z482-E.....1	1
--	54323GT	GUARD,FAN,2 CYL.KUBOTA	
30	52819GT	PUMP-WATER, KUBOTA Z482-E.....1	1
31	32069GT	CLAMP,HOSE,KUBOTA WG750	
32	23472GT	GASKET,WATER PUMPWG750B/Z482-E.....1	1
33	62129GT	HOSE,WATER PUMP RETURN (Z482).....1	1
34	62130GT	PIPE,WATER RETURN (Z482-E).....1	1



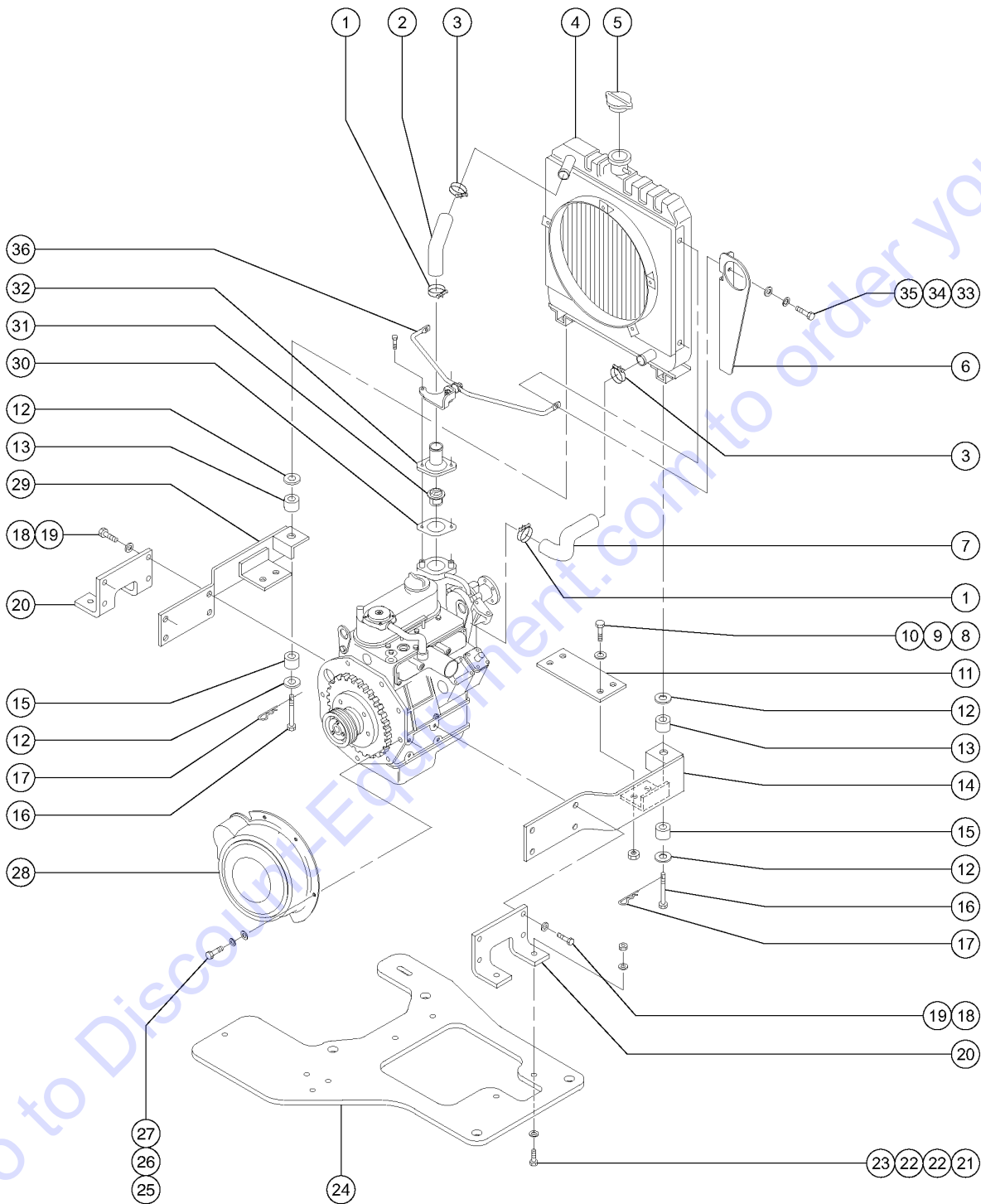
303.1 Kubota Z482 E2B-GNI-1 Engine, View 2 (to serial number Z452510A-39345)



## 303.1 Kubota Z482 E2B-GNI-1 Engine, View 2 (to serial number Z452510A-39345)

Item	Part No.	Description	Qty.	Item	Part No.	Description	Qty.
1	119684GT	AIRCLEANER ASSEMBLY.....1 <i>includes items 2 and 53</i>		34	6886GT	WASHER,LOCK,.313	
--	119685GT	BRACKET, AIRCLEANER MT.		35	32077GT	PETCOCK,DRAIN,KUBOTA WG750B.....1	
2	52867GT	FILTER,AIR***.....1		36	52836GT	DIPSTICK, KUBOTA Z482-E.....1	
3	22672GT	CLAMP,HOSE,1.75		37	52837GT	RING GEAR,KUBOTA Z482-E.....1	
4	60108GT	HOSE,AIR CLEANER INTAKE.....1		38	52838GT	ADAPTER FLANGE-PULLEY,Z482-E.....1	
5	60107GT	HOSE,AIR CLEANER TO ENGINE.....1		39	23057GT	SCREW,HHC,M8 X 20MM	
6	839119GT	KUBOTA GLOW PLUG.....1		40	56068GT	BUSHING,SH 1-1/8.....1	
7	52822GT	INJECTOR,KUBOTA Z482-E.....1		41	56067GT	BALANCER,HARMONIC,2-3V-500-SH...1	
8	52824GT	PIPE, INJECTOR 2 KUBOTA Z482-E.....1		42	60112GT	ALTERNATOR BELT.....2	
9	52823GT	PIPE, INJECTOR 1 KUBOTA Z482-E.....1		43	8915GT	SCREW,HHC, 1/4-20 X 1.25	
10	62043GT	CLAMP-OVERFLOW PIPE(Z482-E).....1		44	6356GT	WASHER,LOCK,.25	
11	62044GT	PIPE ASSY-OVERFLOW (Z482-E).....1 <i>includes item 10</i>		45	56086GT	KEY,1/4 X 1.25	
12	52825GT	PUMP-INJECTION, KUBOTA Z482-E.....1		46	13002GT	SCREW,HHC,5/16-18 X 1 GR5	
13	52826GT	GASKET-INJECTION PUMP, Z482-E.....1		47	5397GT	WASHER,FLAT,USS,5/16",Y	
14	52949GT	SPEED CONTROL ASSEMBLY**.....1		48	6002GT	NUT,LP NYLOCK,5/16-18	
15	5094GT	SCREW,RHM,10-32 X .5		49	42662GT	COOLANT RECOVERY BOTTLE1.5 QT*.....1	
16	6178GT	NUT,NYLOCK,10-32		--	227833GT	HOSE,PVC,CLEAR,36.00" <i>not included with coolant bottle</i>	
17	56101GT	BRACKET,STOP LEVER.....1		50	54243-SGT	BRKT,AIRCLEAN,COOLRES.MNT,PNTD.1	
18	56102GT	BRACKET,IDLE LEVER.....1		51	62133GT	HOSE CLAMP-AIR CLEANER/LOWER.....1	
19	52832GT	GASKET-SPEED CONTROL ASSEMBLY.....1		52	32084GT	CLAMP,AIR CLEANER HOSE,WG750**.....1	
20	27089GT	HOSE,5/16 FUEL,SAE 30R7		53	52866GT	EVACUATOR VALVE-AIR CLEANER.....1	
21	52834GT	CLAMP-HOSE, .375, FUEL PUMP					
22	52835GT	PUMP ASSY-FUEL, KUBOTA Z482-E.....1					
23	27089GT	HOSE,5/16 FUEL,SAE 30R7					
24	56110GT	ROD,ENGINE IDLE & STOP.....1					
25	21496GT	NUT,HEX,1/4-28					
26	20780GT	SOLENOID,2 SPEED TROMBETTA***.....1					
--	52514GT	BOOT,THROTTLE SOLENOID					
27	60105-SGT	BRACKET,SOLENOID MOUNT PAINTED.....1					
28	147205GT	ASSEMBLY, FUEL FILTER, Z482.....1					
--	52875GT	O-RING,FUEL FILTER,UPPER Z482E					
--	52876GT	O-RING,FILTER,LOWER Z482-E					
--	52877GT	FILTER,FUEL FILTER Z482-E					
--	52880GT	RING-RETAINING,FUEL FILTER					
--	52886GT	HOUSING,FUEL FILTER ELEMENT					
29	22956GT	ROD,CHOKE (KUBOTA)****.....1					
30	22446GT	SPRING,COMPRESSION .835 X 2.....1					
31	6091GT	NUT,NYLOCK,1/4-20					
32	6090GT	SCREW,HHC,1/4-20 X .75					
33	6175GT	SCREW,HHC,3/8-16 X 1					

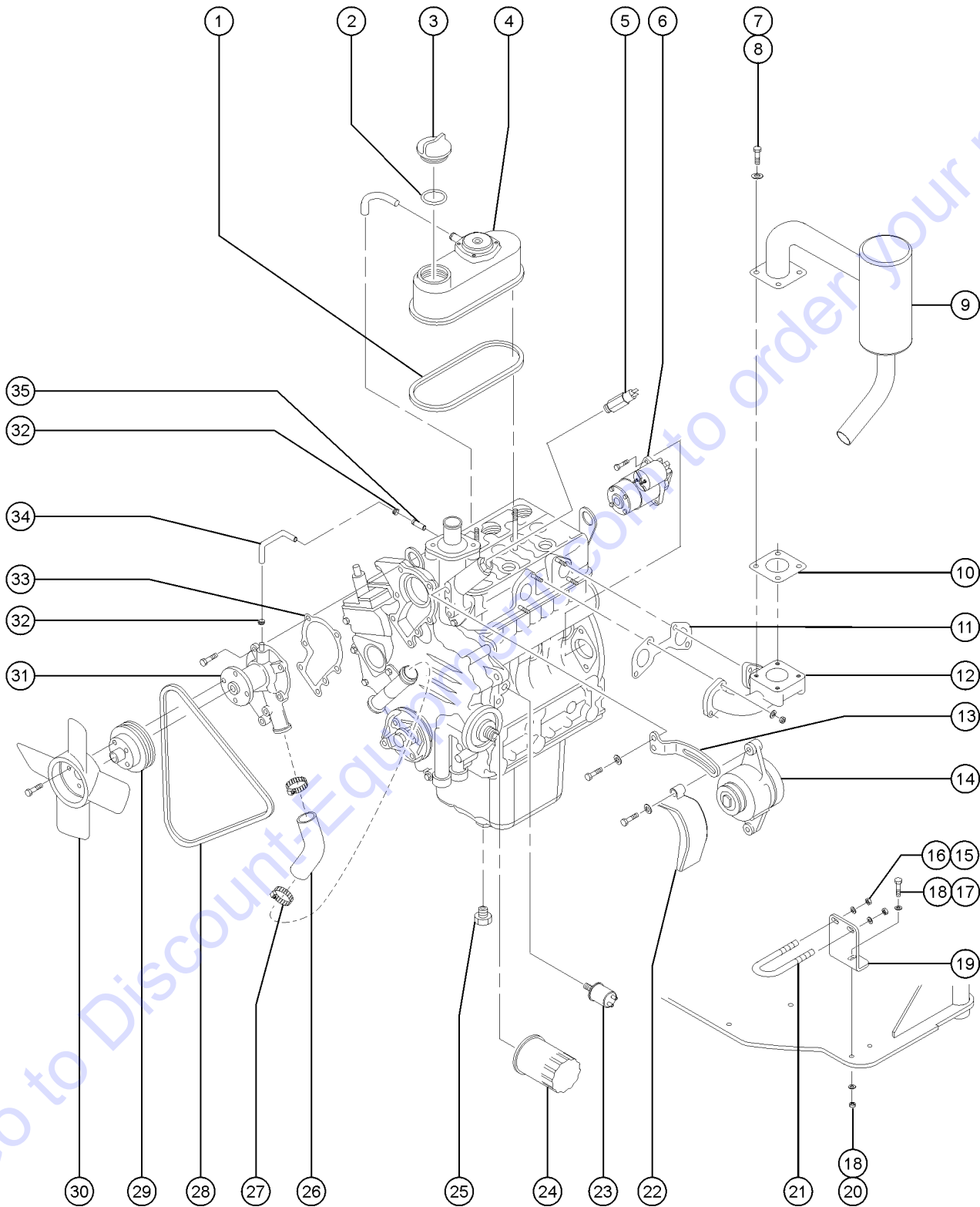
304.1 Kubota Z482 E2B-GNI-1 Engine, View 3 (to serial number Z452510A-39345)



## 304.1 Kubota Z482 E2B-GNI-1 Engine, View 3 (to serial number Z452510A-39345)

Item	Part No.	Description	Qty.
1	32066GT	CLAMP,HOSE,KUBOTA WG750.....1	1
2	52841GT	HOSE-RADIATOR,UPPER Z482-E.....1	1
3	32087GT	CLAMP,HOSE,KUBOTA WG750.....1	1
4	119242GT	RADIATOR ASSY,KUBOTA Z482E AL.....1	1
5	110523GT	CAP,RADIATOR,AL,KUBOTA DF-752.....1	1
6	110749GT	BRACKET,AIR INTAKE.....1	1
7	32090GT	HOSE,LWR RADIATOR,KUBOTA WG750.....1	1
8	6090GT	SCREW,HHC,1/4-20 X .75	
9	6356GT	WASHER,LOCK,.25	
10	6091GT	NUT,NYLOCK,1/4-20	
11	28963GT	RADIATOR STAY, KUBOTA 1702.....1	1
12	52539GT	WASHER,RADIATOR CUSHION,KUBOTA	
13	865260GT	KUBOTA 15263-12370CUSHION.....2	2
14	52847GT	BRACKET-RADIATOR SUPRT,OUTBRD.....1	1
15	28156GT	CUSHION,RADIATOR,KUBOTA 1702**.....2	2
16	52540GT	SCREW,RADIATOR MOUNT, KUBOTA	
17	52541GT	CLIP,RADIATOR MOUNT, KUBOTA	
18	22676GT	SCREW,HHC,M10 X 1.25 X 30MM**	
19	22700GT	WASHER,LOCK,M10	
20	60088-SGT	BRACKET,ENGINE MNT,KUBOTA 13HP.....1	1
21	8516GT	SCREW, HCC, 3/8-16 X 1.50	
22	6097GT	WASHER,FLAT,USS,3/8",Y	
23	4828GT	NUT,NYLOCK,3/8-16	
24	60092-SGT	PLATE,ENGINE MOUNT PAINTED.....1	1
25	23057GT	SCREW,HHC,M8 X 20MM	
26	49408GT	WASHER,LOCK,M8	
27	33277GT	WASHER,FLAT,M8,YELLOW ZINC	
28	54316GT	COVER,FLYWHEEL,2 CYL.KUBOTA.....1	1
29	52851GT	BRACKET-RADIATOR SUPRT,INBOARD.....1	1
30	866397GT	KUBOTA GASKET,THERMOSTAT.....1	1
31	23473GT	THERMOSTAT ASSY, WG750B.....1	1
32	27367GT	THERMOSTAT COVER,KUBOTA GAS.....1	1
33	49375GT	SCREW,HHC,M6 X 16	
34	49407GT	WASHER,LOCK,M6	
35	25926GT	WASHER,FLAT,M6 PLTD.	
36	119507GT	KIT,Z482 RAD SUPPORT.....1	1

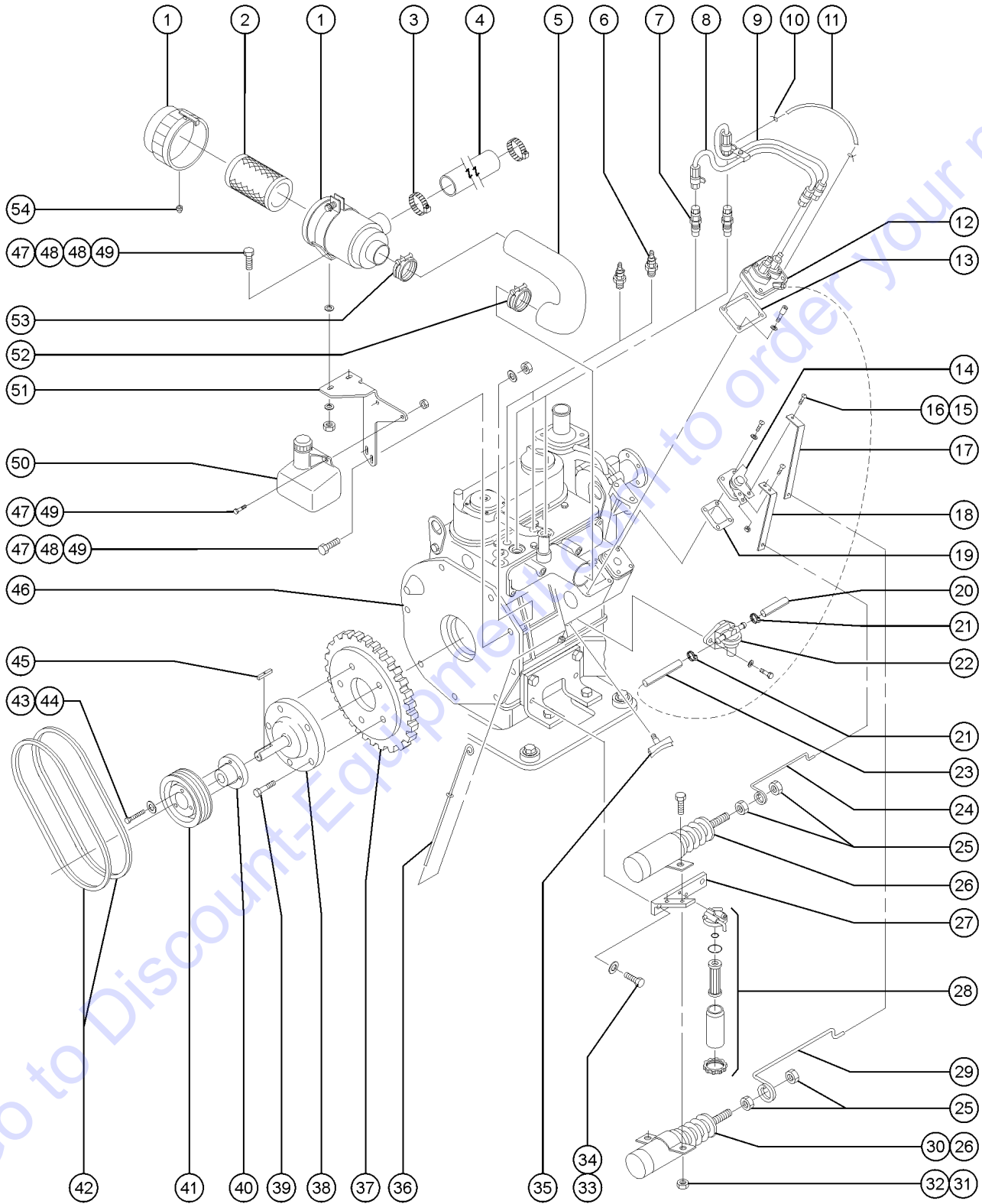
305.1 Kubota Z482 E3B-1 Engine, View 1 (from serial number Z452510A-39346 to Z452513A-48922)



305.1 Kubota Z482 E3B-1 Engine, View 1 (from serial number Z452510A-39346 to  
Z452513A-48922)

Item	Part No.	Description	Qty.
--	139292GT	ENGINE KIT, KUBOTA Z482 T4	
1	52806GT	GASKET-VALVE COVER Z482-E.....1	1
2	22903GT	O-RING,OIL FILLER PLUG,KUBOTA*.....1	1
3	52808GT	PLUG,OIL FILLER Z482,Z34/22BE*.....1	1
4	139427GT	CYLINDER HEAD COVER, Z482.....1	1
5	54332GT	SWITCH,WATER TEMP.....1	1
6	52810GT	STARTER MOTOR Z482, Z34/22BE.....1	1
--	23457GT	SOLENOID,STARTER,WG750B	
7	23057GT	SCREW,HHC,M8 X 20MM	
8	49408GT	WASHER,LOCK,M8	
9	54603GT	MUFFLER, KUBOTA, Z45 BE.....1	1
10	832128GT	GASKET,MUFFLER,KUBOTA D905/11.....1	1
11	52812GT	GASKET-EXHAUST MANIFOLD Z482....1	1
12	52813GT	EXHAUST MANIFOLD, Z482-E.....1	1
13	84044GT	STAY,ALTERNATOR***.....1	1
14	110286GT	ALTERNATOR,KUBOTA,Z482.....1	1
15	6782GT	NUT,NYLOCK,5/16-18	
16	5397GT	WASHER,FLAT,USS,5/16",Y	
17	6019GT	SCREW,HHC,3/8-16 X 1.25 GRD 5	
18	6097GT	WASHER,FLAT,USS,3/8",Y	
19	54605GT	BRACKET,EXHAUST,Z45 BI.....1	1
20	7713GT	NUT, LP NYLOCK, 3/8-16	
21	6550GT	U-BOLT,3/8 X 1 YZ	
22	139423GT	ALTERNATOR GUARD,Z482	
23	22934GT	SWITCH,OIL,PRESSURE,KUBOTA.....1	1
24	866400GT	KUBOTA OIL FILTER.....1	1
25	52532GT	PLUG,ENGINE OIL DRAIN,D-905***.....1	1
--	52533GT	GASKET (52532) OIL DRAIN, D905	
26	32067GT	HOSE,WATER PUMP,KUBOTA**.....1	1
27	32066GT	CLAMP,HOSE,KUBOTA WG750	
28	52816GT	BELT,FAN,KUBOTA DF972/Z482-E.....1	1
29	23469GT	PULLEY,FAN,WG750B***.....1	1
30	52818GT	FAN, KUBOTA Z482-E.....1	1
--	54323GT	GUARD,FAN,2 CYL.KUBOTA	
31	139421GT	WATER PUMP, Z482 T4	
32	32069GT	CLAMP,HOSE,KUBOTA WG750	
33	23472GT	GASKET,WATER PUMPWG750B/Z482-E.....1	1
34	62129GT	HOSE,WATER PUMP RETURN (Z482).....1	1
35	62130GT	PIPE,WATER RETURN (Z482-E).....1	1

306.1 Kubota Z482 E3B-1 Engine, View 2 (from serial number Z452510A-39346 to Z452513A-48922)

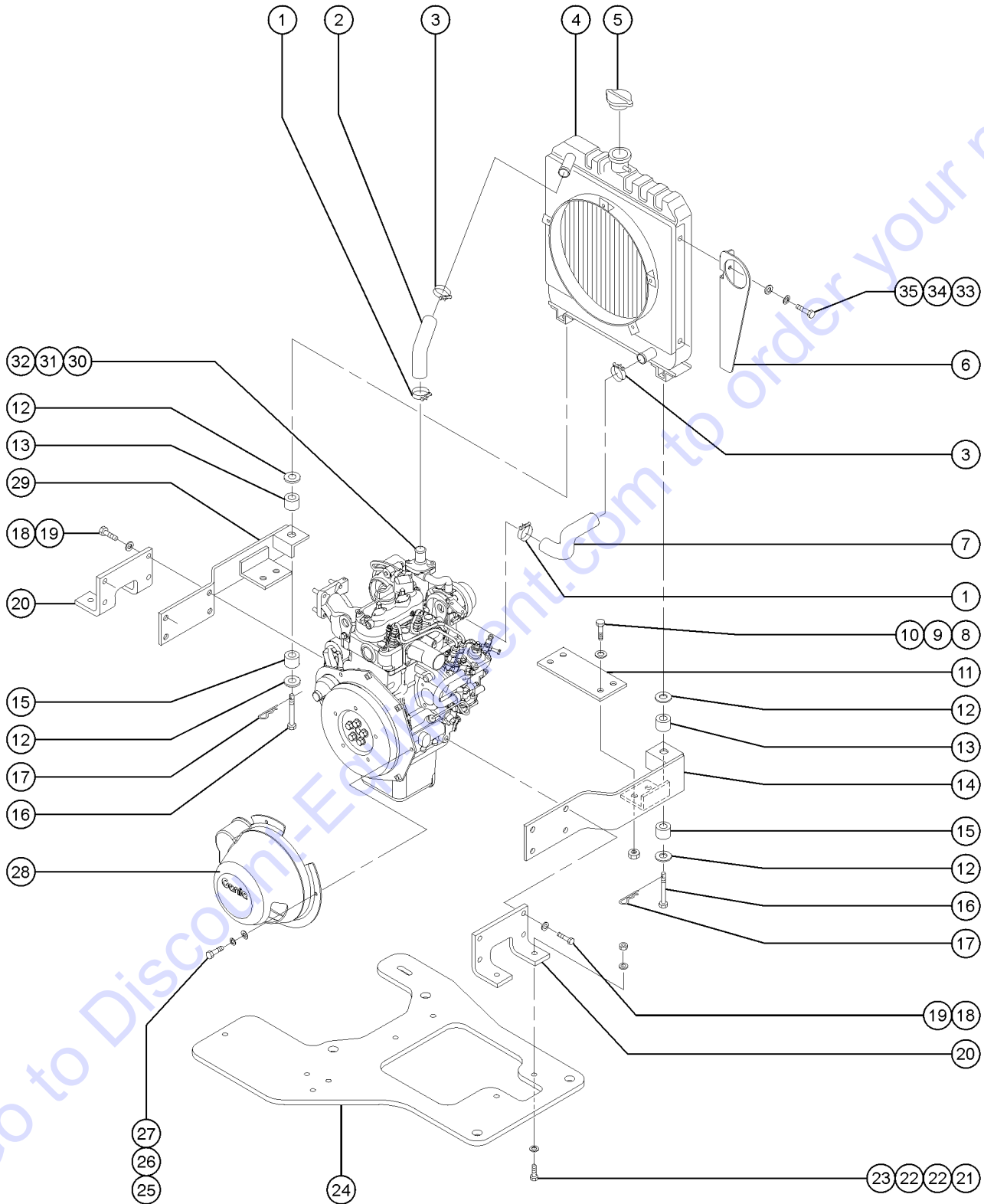


306.1 Kubota Z482 E3B-1 Engine, View 2 (from serial number Z452510A-39346 to  
Z452513A-48922)

Item	Part No.	Description	Qty.	Item	Part No.	Description	Qty.
1	119684GT	AIRCLEANER ASSEMBLY.....	1	35	32077GT	PETCOCK,DRAIN,KUBOTA WG750B.....	1
--	119685GT	BRACKET, AIRCLEANER MT.		36	52836GT	DIPSTICK, KUBOTA Z482-E.....	1
2	52867GT	FILTER,AIR***.....	1	37	139422GT	RING GEAR, Z482 T4	
3	22672GT	CLAMP,HOSE,1.75		38	52838GT	ADAPTER FLANGE-PULLEY,Z482-E.....	1
4	60108GT	HOSE,AIR CLEANER INTAKE.....	1	39	23057GT	SCREW,HHC,M8 X 20MM	
5	60107GT	HOSE,AIR CLEANER TO ENGINE.....	1	40	56068GT	BUSHING,SH 1-1/8.....	1
6	839119GT	KUBOTA GLOW PLUG.....	1	41	56067GT	BALANCER,HARMONIC,2-3V-500-SH...1	
7	139436GT	INJECTOR, Z482 T4		42	60112GT	ALTERNATOR BELT.....	2
--	139656GT	SERVICE KIT, INJECTOR, Z482		43	8915GT	SCREW,HHC,1/4-20 X 1.25	
8	52824GT	PIPE, INJECTOR 2 KUBOTA Z482-E.....	1	44	6356GT	WASHER,LOCK,.25	
9	52823GT	PIPE, INJECTOR 1 KUBOTA Z482-E.....	1	45	56086GT	KEY,1/4 X 1.25	
10	62043GT	CLAMP-OVERFLOW PIPE(Z482-E).....	1	46	139434GT	REAR END PLATE, Z482	
11	62044GT	PIPE ASSY-OVERFLOW (Z482-E).....	1	47	13002GT	SCREW,HHC,5/16-18 X 1 GR5	
12	52825GT	PUMP-INJECTION, KUBOTA Z482-E.....	1	48	5397GT	WASHER,FLAT,USS,5/16",Y	
13	52826GT	GASKET-INJECTION PUMP, Z482-E.....	1	49	6002GT	NUT,LP NYLOCK,5/16-18	
14	52949GT	SPEED CONTROL ASSEMBLY**.....	1	50	42662GT	COOLANT RECOVERY BOTTLE1.5 QT*.....	1
15	5094GT	SCREW,RHM,10-32 X .5		--	227833GT	HOSE,PVC,CLEAR,36.00" <i>not included with coolant bottle</i>	
16	6178GT	NUT,NYLOCK,10-32		51	54243-SGT	BRKT,AIRCLEAN,COOLRES.MNT,PNTD.1	
17	56101GT	BRACKET,STOP LEVER.....	1	52	62133GT	HOSE CLAMP-AIR CLEANER/LOWER.....	1
18	56102GT	BRACKET,IDLE LEVER.....	1	53	32084GT	CLAMP,AIR CLEANER HOSE,WG750**.....	1
19	52832GT	GASKET-SPEED CONTROL ASSEMBLY.....	1	54	52866GT	EVACUATOR VALVE-AIR CLEANER.....	1
20	27089GT	HOSE,5/16 FUEL,SAE 30R7					
21	52834GT	CLAMP-HOSE, .375, FUEL PUMP					
22	52835GT	PUMP ASSY-FUEL, KUBOTA Z482-E.....	1				
23	27089GT	HOSE,5/16 FUEL,SAE 30R7					
24	56110GT	ROD,ENGINE IDLE & STOP.....	1				
25	21496GT	NUT,HEX,1/4-28					
26	20780GT	SOLENOID,2 SPEED TROMBETTA***.....	2				
--	52514GT	BOOT,THROTTLE SOLENOID					
27	60105-SGT	BRACKET,SOLENOID MOUNT PAINTED.....	1				
28	147205GT	ASSEMBLY, FUEL FILTER, Z482.....	1				
--	52875GT	O-RING,FUEL FILTER,UPPER Z482E					
--	52876GT	O-RING,FILTER,LOWER Z482-E					
--	52877GT	FILTER,FUEL FILTER Z482-E					
--	52880GT	RING-RETAINING,FUEL FILTER					
--	52886GT	HOUSING,FUEL FILTER ELEMENT					
29	22956GT	ROD,CHOKE (KUBOTA)****.....	1				
30	22446GT	SPRING,COMPRESSION .835 X 2.....	1				
31	6091GT	NUT,NYLOCK,1/4-20					
32	6090GT	SCREW,HHC,1/4-20 X .75					
33	6175GT	SCREW,HHC,3/8-16 X 1					
34	6886GT	WASHER,LOCK,.313					



307.1 Kubota Z482 E3B-1 Engine, View 3 (from serial number Z452510A-39346 to Z452513A-48922)



307.1 Kubota Z482 E3B-1 Engine, View 3 (from serial number Z452510A-39346 to  
Z452513A-48922)

Item	Part No.	Description	Qty.
1	32066GT	CLAMP,HOSE,KUBOTA WG750.....	1
2	52841GT	HOSE-RADIATOR,UPPER Z482-E.....	1
3	32087GT	CLAMP,HOSE,KUBOTA WG750.....	1
4	119242GT	RADIATOR ASSY,KUBOTA Z482E AL.....	1
5	110523GT	CAP,RADIATOR,AL,KUBOTA DF-752.....	1
6	110749GT	BRACKET,AIR INTAKE.....	1
7	32090GT	HOSE,LWR RADIATOR,KUBOTA WG750.....	1
8	6090GT	SCREW,HHC,1/4-20 X .75	
9	6356GT	WASHER,LOCK,.25	
10	6091GT	NUT,NYLOCK,1/4-20	
11	28963GT	RADIATOR STAY, KUBOTA 1702.....	1
12	52539GT	WASHER,RADIATOR CUSHION,KUBOTA	
13	865260GT	KUBOTA 15263-12370CUSHION.....	2
14	52847GT	BRACKET-RADIATOR SUPRT,OUTBRD.....	1
15	28156GT	CUSHION,RADIATOR,KUBOTA 1702**.....	2
16	52540GT	SCREW,RADIATOR MOUNT, KUBOTA	
17	52541GT	CLIP,RADIATOR MOUNT, KUBOTA	
18	22676GT	SCREW,HHC,M10 X 1.25 X 30MM**	
19	22700GT	WASHER,LOCK,M10	
20	60088-SGT	BRACKET,ENGINE MNT,KUBOTA 13HP.....	1
21	8516GT	SCREW, HCC, 3/8-16 X 1.50	
22	6097GT	WASHER,FLAT,USS,3/8",Y	
23	4828GT	NUT,NYLOCK,3/8-16	
24	60092-SGT	PLATE,ENGINE MOUNT PAINTED.....	1
25	23057GT	SCREW,HHC,M8 X 20MM	
26	49408GT	WASHER,LOCK,M8	
27	33277GT	WASHER,FLAT,M8,YELLOW ZINC	
28	54316GT	COVER,FLYWHEEL,2 CYL.KUBOTA.....	1
29	52851GT	BRACKET-RADIATOR SUPRT,INBOARD.....	1
30	866397GT	KUBOTA GASKET,THERMOSTAT.....	1
31	23473GT	THERMOSTAT ASSY, WG750B.....	1
32	27367GT	THERMOSTAT COVER,KUBOTA GAS.....	1
33	49375GT	SCREW,HHC,M6 X 16	
34	49407GT	WASHER,LOCK,M6	
35	25926GT	WASHER,FLAT,M6 PLTD.	

# PARTS FINDER

**Search Website  
by Part Number**



**Search Manual  
Library For Parts  
Manual & Lookup Part  
Numbers – Purchase  
or Request Quote**

**Search Manuals**

Enter your information to help us find the right parts manual for your machine.

\* Brand:

\* Model:

\* Serial:

\* Part Number:

SEARCH

**Can't Find Part or  
Manual? Request Help  
by Manufacturer,  
Model & Description**

**Parts Order Form**

Please fill in the following information to help us find the right part for your machine.

Manufacturer:	<input type="text"/>
Model:	<input type="text"/>
Description:	<input type="text"/>
Part Number:	<input type="text"/>
Quantity:	<input type="text"/>
Notes:	<input type="text"/>

Discount-Equipment.com is your online resource for quality parts & equipment.

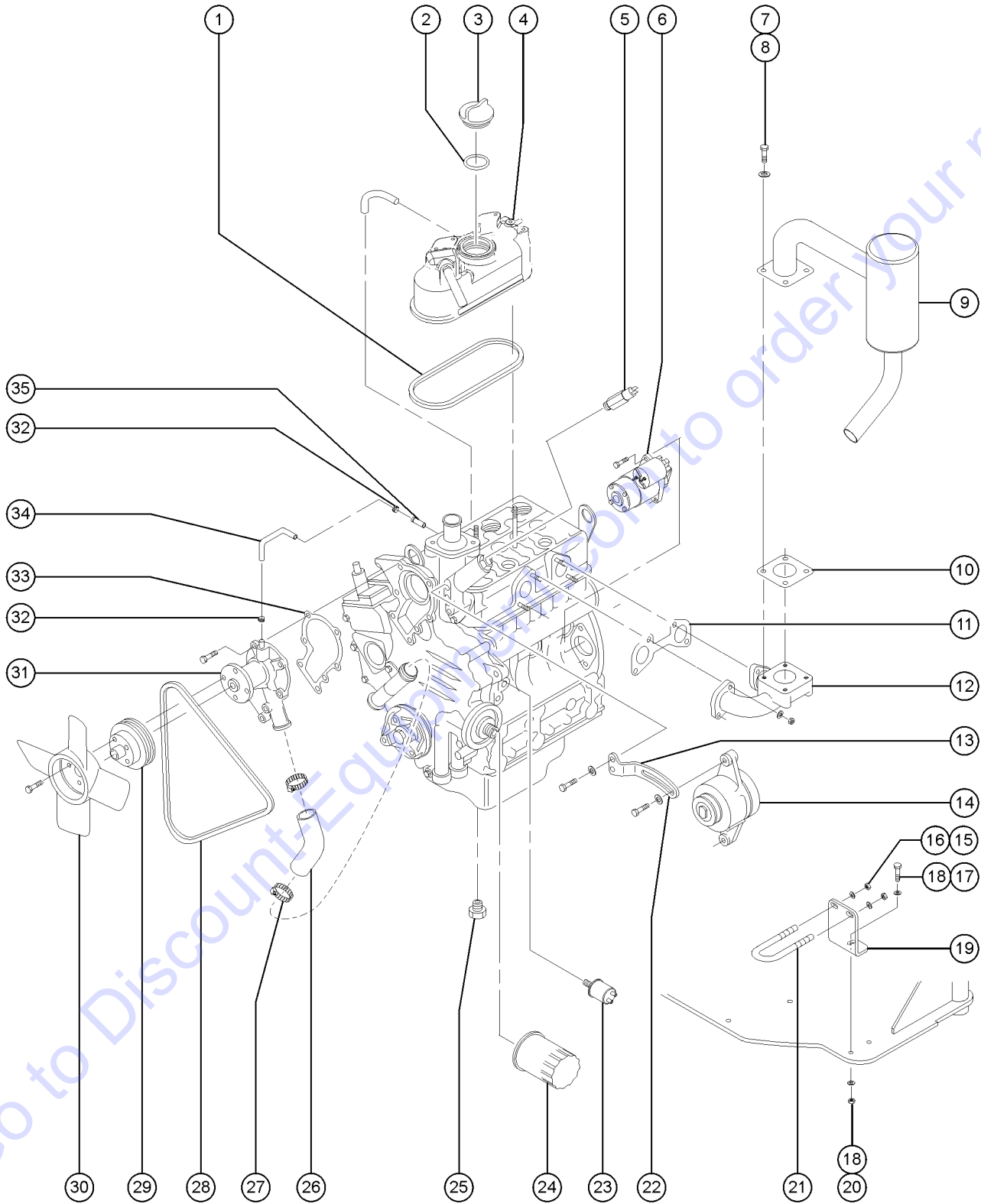
Florida: **561-964-4949** Outside Florida TOLL FREE: **877-690-3101**

**Need parts?**

Click on this link: <http://www.discount-equipment.com/category/5443-parts/> and choose one of the options to help get the right parts and equipment you are looking for. Please have the machine model and serial number available in order to help us get you the correct parts. If you don't find the part on the website or on one of the online manuals, please fill out the request form and one of our experienced staff members will get back to you with a quote for the right part that your machine needs.

We sell worldwide for the brands: Genie, Terex, JLG, MultiQuip, Mikasa, Essick, Whiteman, Mayco, Toro Stone, Diamond Products, Generac Magnum, Airman, Haulotte, Barreto, Power Blanket, Nifty Lift, Atlas Copco, Chicago Pneumatic, Allmand, Miller Curber, Skyjack, Lull, Skytrak, Tsurumi, Husquvarna Target, Stow, Wacker, Sakai, Mi-T-M, Sullair, Basic, Dynapac, MBW, Weber, Bartell, Bennar Newman, Haulotte, Ditch Runner, Menegotti, Morrison, Contec, Buddy, Crown, Edco, Wyco, Bomag, Laymor, EZ Trench, Bil-Jax, F.S. Curtis, Gehl Pavers, Heli, Honda, ICS/PowerGrit, IHI, Partner, Imer, Clipper, MMD, Koshin, Rice, CH&E, General Equipment, Amida, Coleman, NAC, Gradall, Square Shooter, Kent, Stanley, Tamco, Toku, Hatz, Kohler, Robin, Wisconsin, Northrock, Oztec, Toker TK, Rol-Air, APT, Wylie, Ingersoll Rand / Doosan, Innovatech, Con X, Ammann, Mecalac, Makinex, Smith Surface Prep, Small Line, Wanco, Yanmar

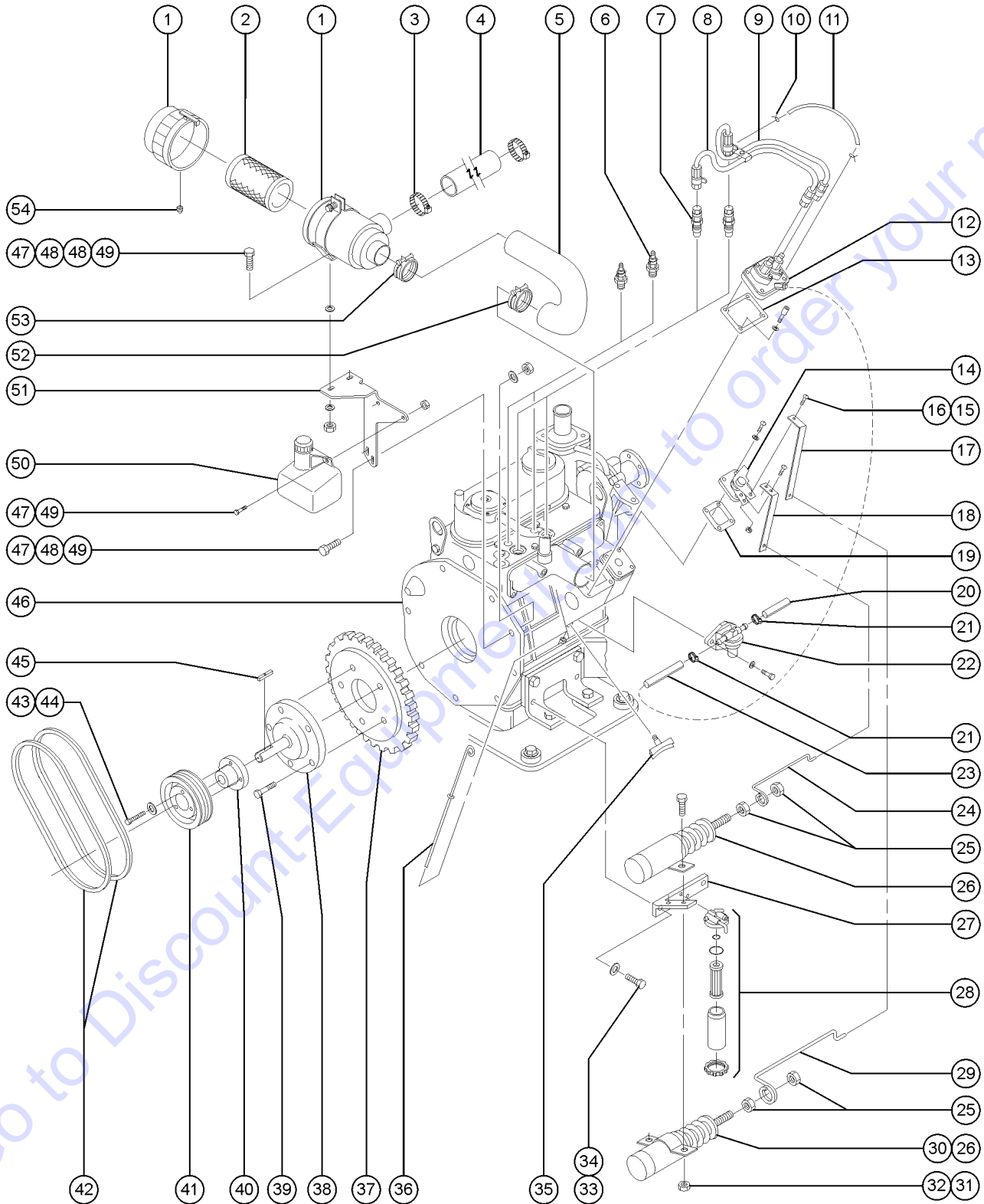
308.1 Kubota Z482 E4B-1 Engine, View 1 (from serial number Z452513A-48923)



## 308.1 Kubota Z482 E4B-1 Engine, View 1 (from serial number Z452513A-48923)

Item	Part No.	Description	Qty.
A	161884GT	ENGINE KIT, KUBOTA Z482, E4B	
B	62085GT	REGULATOR-VOLTAGE(Z482-E)	
1	52806GT	GASKET-VALVE COVER Z482-E.....1	1
2	22903GT	O-RING,OIL FILLER PLUG,KUBOTA*.....1	1
3	52808GT	PLUG,OIL FILLER Z482,Z34/22BE*.....1	1
4	1251796GT	CYLINDER HEAD COVER, Z482.....1	1
5	54332GT	SWITCH,WATER TEMP.....1	1
6	52810GT	STARTER MOTOR Z482, Z34/22BE.....1	1
--	23457GT	SOLENOID,STARTER,WG750B	
7	23057GT	SCREW,HHC,M8 X 20MM	
8	49408GT	WASHER,LOCK,M8	
9	54603GT	MUFFLER, KUBOTA, Z45 BE.....1	1
10	832128GT	GASKET,MUFFLER,KUBOTA D905/11.....1	1
11	52812GT	GASKET-EXHAUST MANIFOLD Z482....1	1
12	52813GT	EXHAUST MANIFOLD, Z482-E.....1	1
13	84044GT	STAY,ALTERNATOR*** .....1	1
14	110286GT	ALTERNATOR,KUBOTA,Z482.....1	1
15	6782GT	NUT,NYLOCK,5/16-18	
16	5397GT	WASHER,FLAT,USS,5/16",Y	
17	6019GT	SCREW,HHC,3/8-16 X 1.25 GRD 5	
18	6097GT	WASHER,FLAT,USS,3/8",Y	
19	54605GT	BRACKET,EXHAUST,Z45 BI.....1	1
20	7713GT	NUT, LP NYLOCK, 3/8-16	
21	6550GT	U-BOLT,3/8 X 1 YZ	
22	139423GT	ALTERNATOR GUARD,Z482	
23	22934GT	SWITCH,OIL,PRESSURE,KUBOTA.....1	1
24	866400GT	KUBOTA OIL FILTER.....1	1
25	52532GT	PLUG,ENGINE OIL DRAIN,D-905***.....1	1
--	52533GT	GASKET (52532) OIL DRAIN, D905	
26	32067GT	HOSE,WATER PUMP,KUBOTA**.....1	1
27	32066GT	CLAMP,HOSE,KUBOTA WG750	
28	52816GT	BELT,FAN,KUBOTA DF972/Z482-E.....1	1
29	23469GT	PULLEY,FAN,WG750B*** .....1	1
30	52818GT	FAN, KUBOTA Z482-E.....1	1
--	54323GT	GUARD,FAN,2 CYL.KUBOTA	
31	139421GT	WATER PUMP, Z482 T4	
32	32069GT	CLAMP,HOSE,KUBOTA WG750	
33	23472GT	GASKET,WATER PUMPWG750B/Z482-E.....1	1
34	62129GT	HOSE,WATER PUMP RETURN (Z482).....1	1
35	62130GT	PIPE,WATER RETURN (Z482-E).....1	1

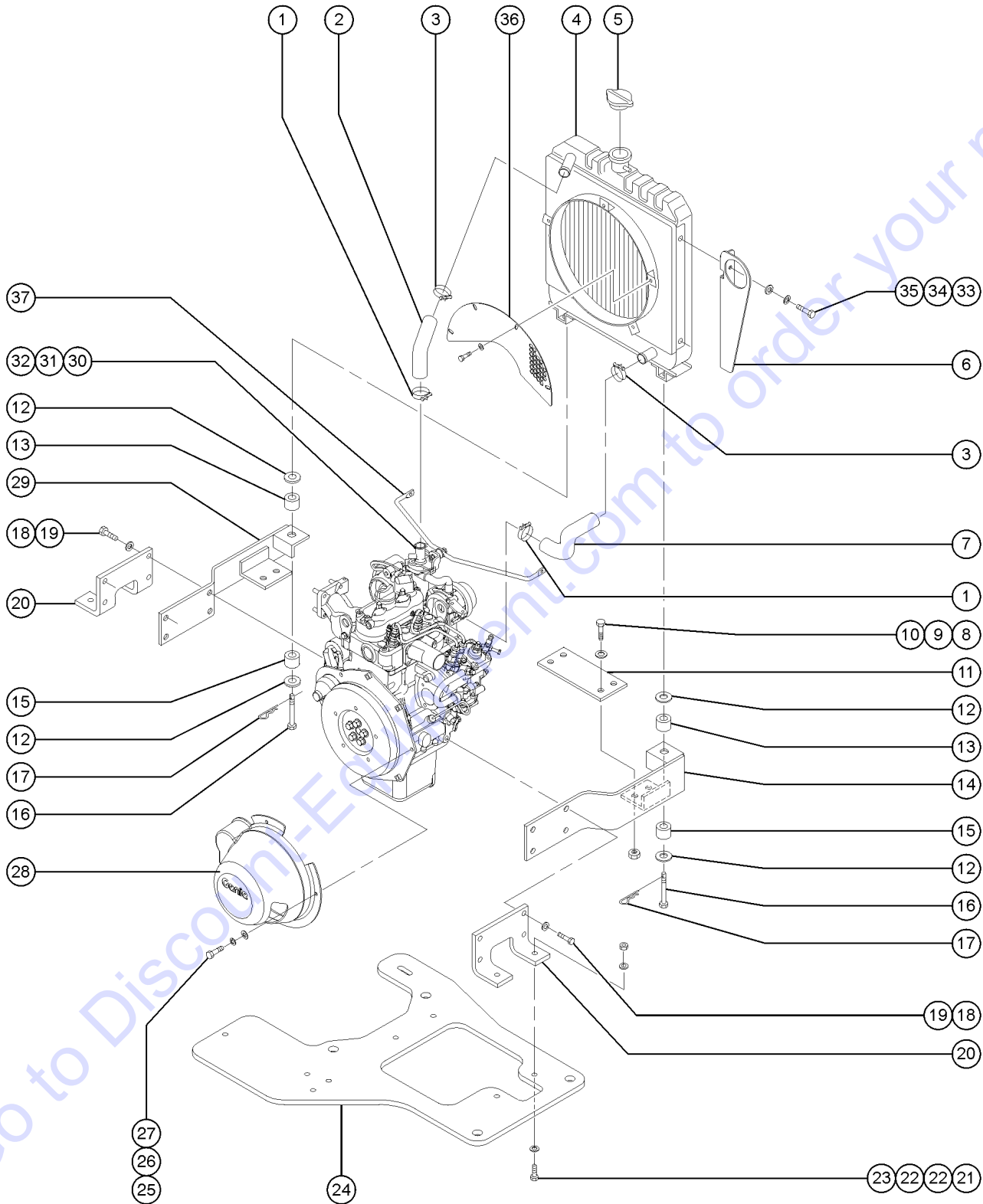
309.1 Kubota Z482 E4B-1 Engine, View 2 (from serial number Z452513A-48923)



## 309.1 Kubota Z482 E4B-1 Engine, View 2 (from serial number Z452513A-48923)

Item	Part No.	Description	Qty.	Item	Part No.	Description	Qty.
1	119684GT	AIRCLEANER ASSEMBLY.....1		33	6175GT	SCREW,HHC,3/8-16 X 1	
--	119685GT	BRACKET, AIRCLEANER MT.		34	6886GT	WASHER,LOCK,.313	
2	52867GT	FILTER,AIR***.....1		35	32077GT	PETCOCK,DRAIN,KUBOTA WG750B.....1	
3	22672GT	CLAMP,HOSE,1.75		36	52836GT	DIPSTICK, KUBOTA Z482-E.....1	
4	60108GT	HOSE,AIR CLEANER INTAKE.....1		37	1251795GT	RING GEAR, Z482 T4	
5	60107GT	HOSE,AIR CLEANER TO ENGINE.....1		38	52838GT	ADAPTER FLANGE-PULLEY,Z482-E.....1	
6	1251793GT	GLOW PLUG, KUBOTA Z482.....1		39	23057GT	SCREW,HHC,M8 X 20MM	
7	1251794GT	INJECTOR, Z482 T4		40	56068GT	BUSHING,SH 1-1/8.....1	
--	139656GT	SERVICE KIT, INJECTOR, Z482		41	56067GT	BALANCER,HARMONIC,2-3V-500-SH...1	
8	52824GT	PIPE, INJECTOR 2 KUBOTA Z482-E.....1		42	60112GT	ALTERNATOR BELT.....2	
9	52823GT	PIPE, INJECTOR 1 KUBOTA Z482-E.....1		43	8915GT	SCREW,HHC,1/4-20 X 1.25	
10	62043GT	CLAMP-OVERFLOW PIPE(Z482-E).....1		44	6356GT	WASHER,LOCK,.25	
11	62044GT	PIPE ASSY-OVERFLOW (Z482-E).....1		45	56086GT	KEY,1/4 X 1.25	
12	52825GT	PUMP-INJECTION, KUBOTA Z482-E.....1		46	139434GT	REAR END PLATE, Z482	
13	52826GT	GASKET-INJECTION PUMP, Z482-E.....1		47	13002GT	SCREW,HHC,5/16-18 X 1 GR5	
14	52949GT	SPEED CONTROL ASSEMBLY**.....1		48	5397GT	WASHER,FLAT,USS,5/16",Y	
15	5094GT	SCREW,RHM,10-32 X .5		49	6002GT	NUT,LP NYLOCK,5/16-18	
16	6178GT	NUT,NYLOCK,10-32		50	42662GT	COOLANT RECOVERY BOTTLE1.5 QT*.....1	
17	56101GT	BRACKET,STOP LEVER.....1		--	227833GT	HOSE,PVC,CLEAR,36.00" <i>not included with coolant bottle</i>	
18	56102GT	BRACKET,IDLE LEVER.....1		51	54243-SGT	BRKT,AIRCLEAN,COOLRES.MNT,PNTD.1	
19	52832GT	GASKET-SPEED CONTROL ASSEMBLY.....1		52	62133GT	HOSE CLAMP-AIR CLEANER/LOWER.....1	
20	27089GT	HOSE,5/16 FUEL,SAE 30R7		53	32084GT	CLAMP,AIR CLEANER HOSE,WG750**.....1	
21	52834GT	CLAMP-HOSE, .375, FUEL PUMP		54	52866GT	EVACUATOR VALVE-AIR CLEANER.....1	
22	52835GT	PUMP ASSY-FUEL, KUBOTA Z482-E.....1					
23	27089GT	HOSE,5/16 FUEL,SAE 30R7					
24	56110GT	ROD,ENGINE IDLE & STOP.....1					
25	21496GT	NUT,HEX,1/4-28					
26	20780GT	SOLENOID,2 SPEED TROMBETTA***.....2					
--	52514GT	BOOT,THROTTLE SOLENOID					
27	60105-SGT	BRACKET,SOLENOID MOUNT PAINTED.....1					
28	147205GT	ASSEMBLY, FUEL FILTER, Z482.....1					
--		RETAINING RING, FUEL FILTER <i>(for illustration only; component not available separately)</i>					
--	139428GT	HOUSING, FUEL FILTER, Z482					
--	139429GT	ELEMENT, FUEL FILTER, Z482					
--	147206GT	CUP ASSY, FUEL FILTER, Z482					
--	147208GT	O-RING, FUEL FILTER, Z482					
29	22956GT	ROD,CHOKE (KUBOTA)****.....1					
30	22446GT	SPRING,COMPRESSION .835 X 2.....1					
31	6091GT	NUT,NYLOCK,1/4-20					
32	6090GT	SCREW,HHC,1/4-20 X .75					

310.1 Kubota Z482 E4B-1 Engine, View 3 (from serial number Z452513A-48923)

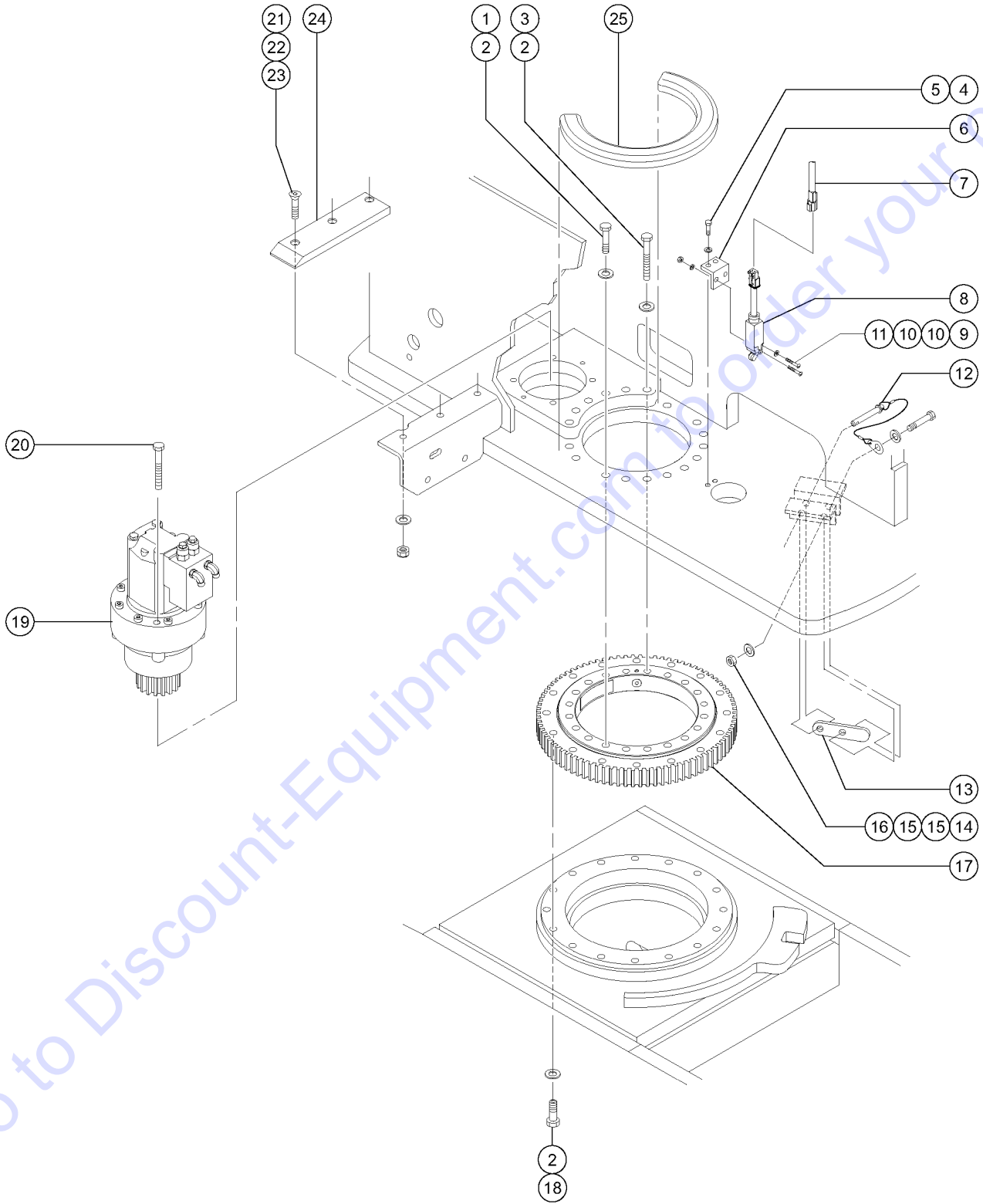




## 310.1 Kubota Z482 E4B-1 Engine, View 3 (from serial number Z452513A-48923)

Item	Part No.	Description	Qty.
1	32066GT	CLAMP,HOSE,KUBOTA WG750.....	1
2	52841GT	HOSE-RADIATOR,UPPER Z482-E.....	1
3	32087GT	CLAMP,HOSE,KUBOTA WG750.....	1
4	119242GT	RADIATOR ASSY,KUBOTA Z482E AL.....	1
5	110523GT	CAP,RADIATOR,AL,KUBOTA DF-752.....	1
6	110749GT	BRACKET,AIR INTAKE.....	1
7	32090GT	HOSE,LWR RADIATOR,KUBOTA WG750.....	1
8	6090GT	SCREW,HHC,1/4-20 X .75	
9	6356GT	WASHER,LOCK,.25	
10	6091GT	NUT,NYLOCK,1/4-20	
11	28963GT	RADIATOR STAY, KUBOTA 1702.....	1
12	52539GT	WASHER,RADIATOR CUSHION,KUBOTA	
13	865260GT	KUBOTA 15263-12370CUSHION.....	2
14	52847GT	BRACKET-RADIATOR SUPRT,OUTBRD.....	1
15	28156GT	CUSHION,RADIATOR,KUBOTA 1702**.....	2
16	52540GT	SCREW,RADIATOR MOUNT, KUBOTA	
17	52541GT	CLIP,RADIATOR MOUNT, KUBOTA	
18	22676GT	SCREW,HHC,M10 X 1.25 X 30MM**	
19	22700GT	WASHER,LOCK,M10	
20	60088-SGT	BRACKET,ENGINE MNT,KUBOTA 13HP.....	1
21	8516GT	SCREW, HCC, 3/8-16 X 1.50	
22	6097GT	WASHER,FLAT,USS,3/8",Y	
23	4828GT	NUT,NYLOCK,3/8-16	
24	60092-SGT	PLATE,ENGINE MOUNT PAINTED.....	1
25	23057GT	SCREW,HHC,M8 X 20MM	
26	49408GT	WASHER,LOCK,M8	
27	33277GT	WASHER,FLAT,M8,YELLOW ZINC	
28	54316GT	COVER,FLYWHEEL,2 CYL.KUBOTA.....	1
29	52851GT	BRACKET-RADIATOR SUPRT,INBOARD.....	1
30	866397GT	KUBOTA GASKET,THERMOSTAT.....	1
31	23473GT	THERMOSTAT ASSY, WG750B.....	1
32	27367GT	THERMOSTAT COVER,KUBOTA GAS.....	1
33	49375GT	SCREW,HHC,M6 X 16	
34	49407GT	WASHER,LOCK,M6	
35	25926GT	WASHER,FLAT,M6 PLTD.	
36	54323GT	GUARD,FAN,2 CYL.KUBOTA.....	1
37A	52847GT	BRACKET-RADIATOR SUPRT,OUTBRD.....	1
37B	82851GT	LABEL,RELAY A.....	1

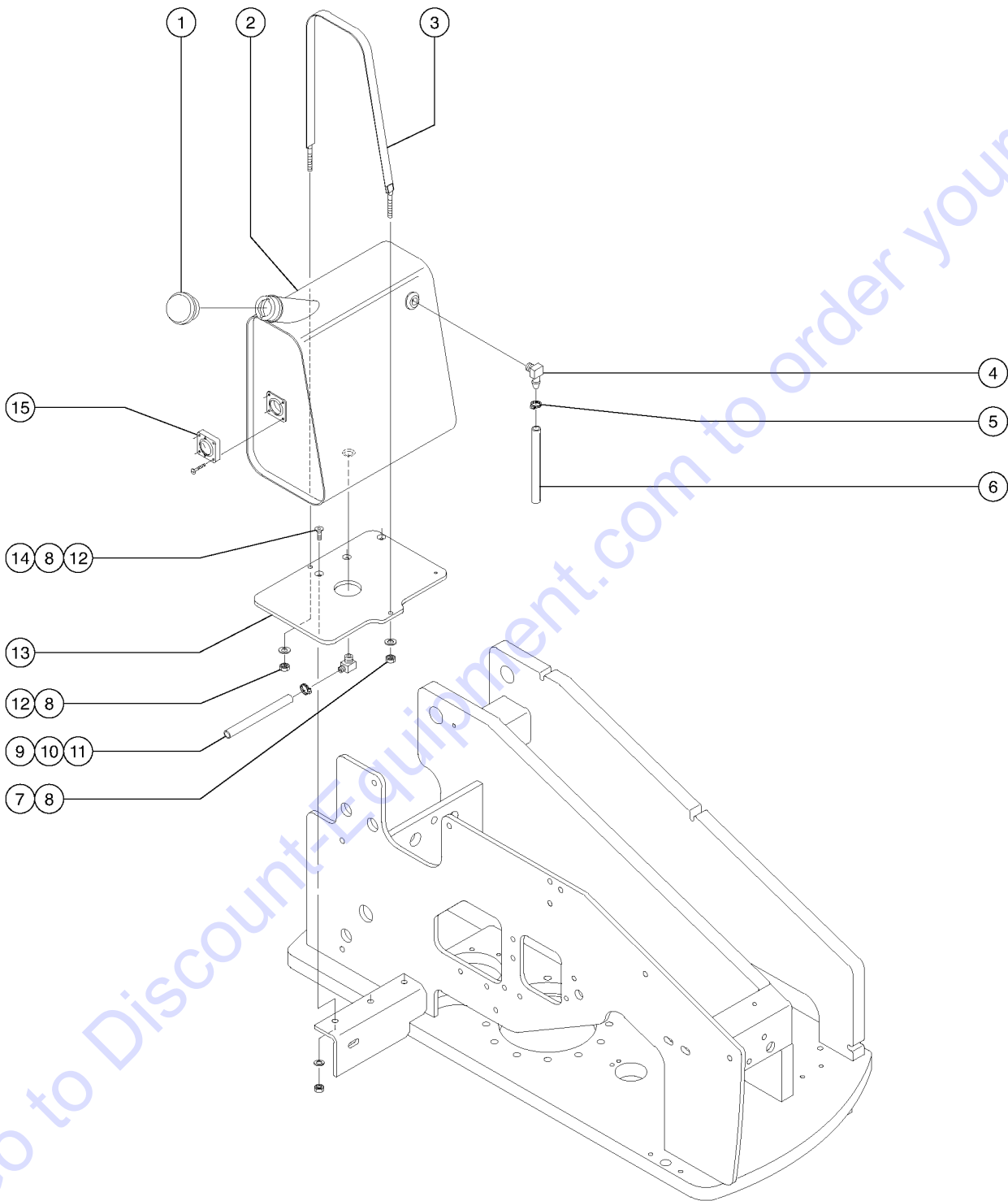
401.1 Turntable Rotator



## 401.1 Turntable Rotator

Item	Part No.	Description	Qty.	Item	Part No.	Description	Qty.
1A	74712GT	SCREW,SHC,5/8-11 X 2.75,A574.....12 to SN 38872	12	--	147210GT	SEAL KIT,SWING DRIVE*** for 147209; from SN Z452511A-40411 to Z452514A-50078 and to Z452514B-3302	
1B	139861GT	SCREW,HHC,5/8-11 X 2.75 GR8 BO....12 from SN 38873	12	--	147211GT	BRAKE KIT, SWING DRIVE for 147209; from SN Z452511A-40411 to Z452514A-50078 and to Z452514B-3302	
2	13064GT	WASHER,FLAT,.625 HARDENED.....36	36	--	147212GT	MANIFOLD KIT, SW DRIVE for 147209; from SN Z452511A-40411 to Z452514A-50078 and to Z452514B-3302	
3A	21175GT	SCREW,SHC,5/8-11 X 4,A574.....6 to SN 38872	6	--	220255GT	SEAL KIT,MANIFOLD TO MOTOR for 147212; from SN Z452511A-40411 to Z452514A-50078 and to Z452514B-3302	
3B	139865GT	SCREW,HHC,5/8-11 X 4.00 GR8 BO....6 from SN 38873	6	--	48904GT	ELBOW,90D,520220-4-4 not included, must order seperately	
4	8255GT	SCREW,HHC,3/8-16 X .75		19C	824050GT	SWING DRIVE ASSEMBLY from SN Z452514A-50079 and Z452514B-3303	
5	6021GT	WASHER,LOCK,.375		--	48904GT	ELBOW,90D,520220-4-4 not included, must order seperately	
6	50469GT	BRACKET,DRIVE SENSOR,ENABLE.....1	1	--	824051GT	SEAL KIT, SWING DRIVE for 824050; from SN Z452514A-50079 and Z452514B-3303	
7	88719GT	HARNESS,FUNCTION,Z45 DC/BI		--	824052GT	VALVE BLOCK, SWING DRIVE for 824050; from SN Z452514A-50079 and Z452514B-3303	
8	88356-11103GT	SWITCH,LIMIT,W/RLR ARM,NO/NC**....1	1	20	56680GT	SCREW,SHC,1/2-13 X 4.50 ZINC	
--	106427GT	LS ROT.HEAD W/O LEVER (ZCE01)		21	17712GT	SCREW,FHS,3/8-16 X 1.75	
--	110160GT	HARNESS,LS,D.E. Z45		22	5397GT	WASHER,FLAT,USS,5/16",Y	
--	97128GT	ROLLER ARM,LIMIT SWITCH***		23	4828GT	NUT,NYLOCK,3/8-16	
9	51063GT	SCREW,PHILLIPS,RHM,10-32 X 1.5		24	50519GT	LOAD PAD,ENGINE TRAY SUPPORT....1	
10	6146GT	WASHER,FLAT,MS,#10,Y		25	107651GT	PROTECTOR,SLEW BOLT.....1	
11	6178GT	NUT,NYLOCK,10-32					
12	54145-800GT	RETAINING PIN, ASSY.....1	1				
13	50776PGT	PLATE,SWING LOCK,PAINTED*** .....1	1				
14	6198GT	NUT,NYLOCK,1/2-13					
15	6095GT	WASHER,FLAT,USS,1/2",Y					
16	50576GT	SCREW,SHC,1/2-13 X 3.00					
17	101815GT	BEARING,SWING CHASSIS.....1	1				
--	88635-4024GT	HOSE ASSY 1/4,STR FEM,PIPETHRE..1	1				
18A	25068GT	SCREW,SHC,5/8-11 X 4.5,A574.....16 to SN 38872	16				
18B	139866GT	SCREW,HHC,5/8-11X4.50GR8 PLAIN.....16 from SN 38873	16				
19A		Ref: Swing Drive Assy (77082) component no longer available; used to SN Z452511A-40410					
--	128446GT	MANIFOLD,TURNTABLE ROTATION*** for 77082; to SN Z452511A-40410					
--	220255GT	SEAL KIT,MANIFOLD TO MOTOR for 128446; to SN Z452511A-40410					
--	48904GT	ELBOW,90D,520220-4-4 not included, must order seperately					
--	77246GT	SEAL KIT,SWING MOTOR*** for 77082; to SN Z452511A-40410					
19B		SWING DRIVE ASSY*** (147209) component no longer available; used from SN Z452511A-40411 to Z452514A-50078 and to Z452514B-3302					

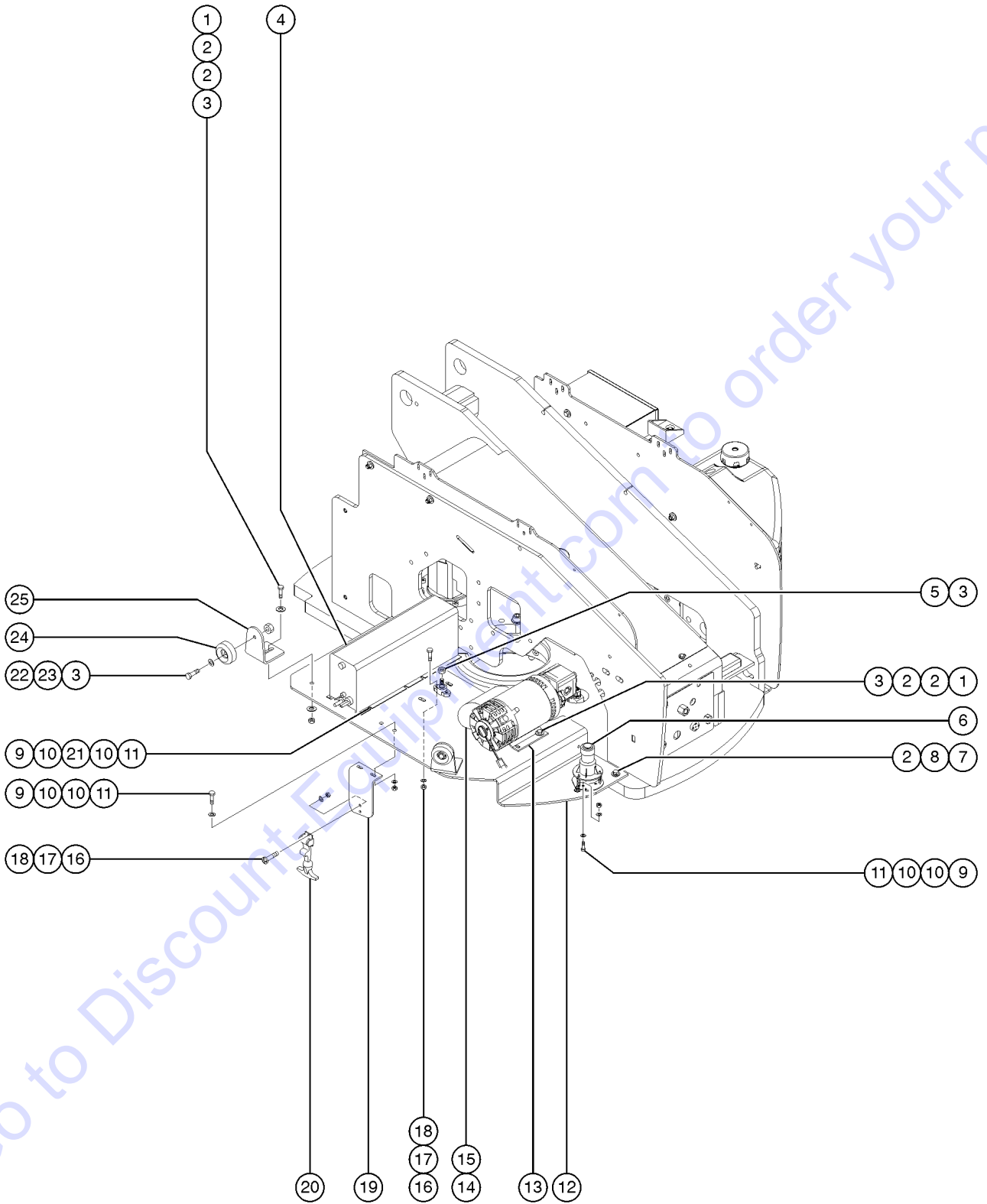
402.1 Turntable Components - View 1 - Bi-Energy Models



## 402.1 Turntable Components - View 1 - Bi-Energy Models

Item	Part No.	Description	Qty.
1	54694GT	FUEL CAP,BI-ENERGY,Z45***%.....1	1
2	62131-SGT	FUEL TANK ASSY W/DECAL(Z45/25)....1	1
3	1282314GT	STRAP ASSY, 44LG, W/RUBBER.....1	1
4	54206GT	HOSE END,BARB,1/4 MNPTX3/16,90....1	1
5	31982GT	CLAMP,HOSE,1 EAR, 15/32.....1	1
6	54286GT	HOSE,3/16,FUEL,SAE 30R7,103"	
7	7713GT	NUT, LP NYLOCK, 3/8-16	
8	5397GT	WASHER,FLAT,USS,5/16",Y	
9	54287GT	HOSE,5/16,FUEL,SAE 30R7,86"	
10	54123GT	CLAMP,HOSE,1 EAR, 5/8.....1	1
11	54205GT	HOSE END,BARB,1/4 MNPTX5/16,90....1	1
12	4828GT	NUT,NYLOCK,3/8-16	
13	60102-SGT	PLATE,FUEL TANK,PAINTED.....1	1
14	17712GT	SCREW,FHS,3/8-16 X 1.75	
15	60170GT	GAUGE,FUEL,SIDE MOUNT Z45.....1 <i>includes mounting fasteners</i>	1

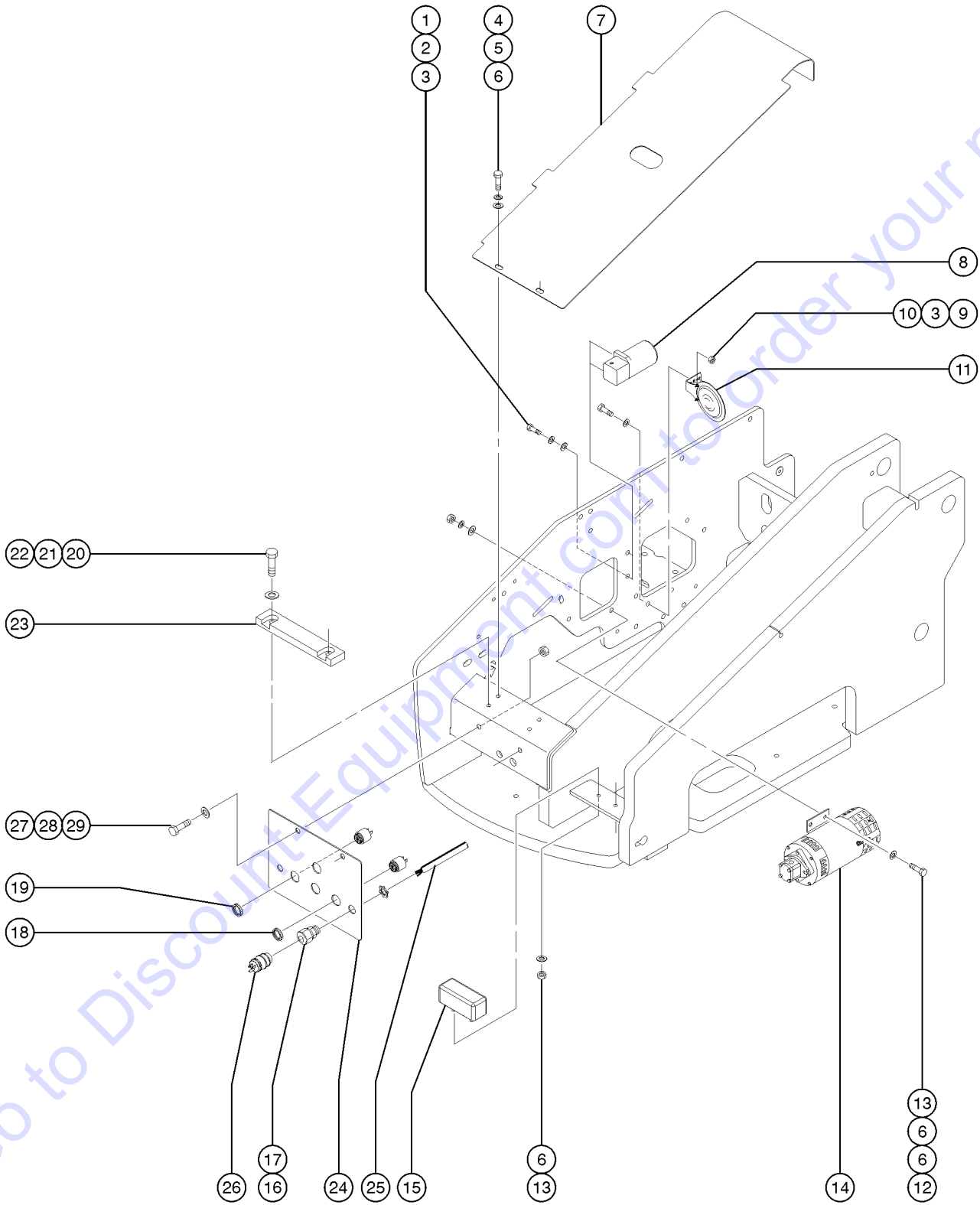
403.1 Turntable Components - View 1 - DC Models



## 403.1 Turntable Components - View 1 - DC Models

Item	Part No.	Description	Qty.	Item	Part No.	Description	Qty.
--				24	50974GT	BUMPER,RUBBER,COVERS.....	2
1	6019GT	SCREW,HHC,3/8-16 X 1.25 GRD 5.....	6	25	54363GT	BRACKET,RUBBER BUMPER,ENGCOVER.....	2
2	6097GT	WASHER,FLAT,USS,3/8",Y.....	15				
3	4828GT	NUT,NYLOCK,3/8-16.....	6				
4	150026GT	INVERTER,48VDC,120VAC/60HZ.....	1				
5A	94981GT	STUD,POWER 3/8" RED.....	1				
		<i>red</i>					
5B	94982GT	STANDOFF, 3/8" BLACK.....	1				
		<i>black</i>					
6A	94077GT	SENSOR,LEVEL,4.5 DEG.....	1				
		<i>ANSI/CSA/Australia</i>					
6B	110382GT	LEVEL SENSOR,LS60,YL,2.5X4.5 <i>CE to Z45D-1698</i>					
6C	1263187GT	SENSOR, LEVEL,2.5 X 4.5 DEG.....	1				
		<i>from Z45D-1699</i>					
7	824090GT	SCREW,HHF,3/8-16X1,8,ZAG.....	3				
8	6021GT	WASHER,LOCK,.375.....	3				
9	6888GT	SCREW,HHC,1/4-20 X 1.....	5				
10	6638GT	WASHER,FLAT,USS,1/4"Y.....	10				
11	6091GT	NUT,NYLOCK,1/4-20.....	5				
12	60106PGT	FORMING,SWING CHASSIS TRAY PTD.....	1				
--	1255758GT	WASHER,FLAT,3/8,USS,ZAG.....	2				
--	1256118GT	SCREW,HHC,3/8-16X1.5,8,ZAG.....	2				
--	824029GT	NUT,TL FLG,3/8-16,G,ZAG.....	2				
13		REF. HYDRAULIC POWER UNIT <i>(refer to 701.1)</i>					
14	36179GT	POWER UNIT,AUX PUMP 24VDC.....	1				
--	37184GT	MOTOR, 24V (36179)					
--	37185GT	PUMP ASSEMBLY (36179)					
--	37186GT	VALVE,CHECK (36179)					
--	37187GT	SEAL KIT, 37185 PUMP <i>for 37185</i>					
--	37191GT	GASKET, PUMP / MOTOR (36179)					
--	37192GT	COUPLER, PUMP / MOTOR (36179)					
--	49878GT	NYLON WASHER,(36179)					
15	18506GT	SCREW 5/16-18 X .75 LG.FLG.LCK.....	2				
16	6178GT	NUT,NYLOCK,10-32.....	3				
17	6146GT	WASHER,FLAT,MS,#10,Y.....	3				
18	49816GT	SCREW,PHILLIPS,PHM,10-32 X .75.....	3				
19	128319GT	FORMING,DRAW LATCH MOUNT.....	1				
20	45363GT	LATCH,FLEXIBLE DRAW W/O KEEPER.....	2				
21	13268GT	CLAMP,0.75,#12 X 1/4,RUB CUSH.....	1				
22	8516GT	SCREW, HCC, 3/8-16 X 1.50.....	2				
23	5397GT	WASHER,FLAT,USS,5/16",Y.....	2				

404.1 Turntable Components - View 2

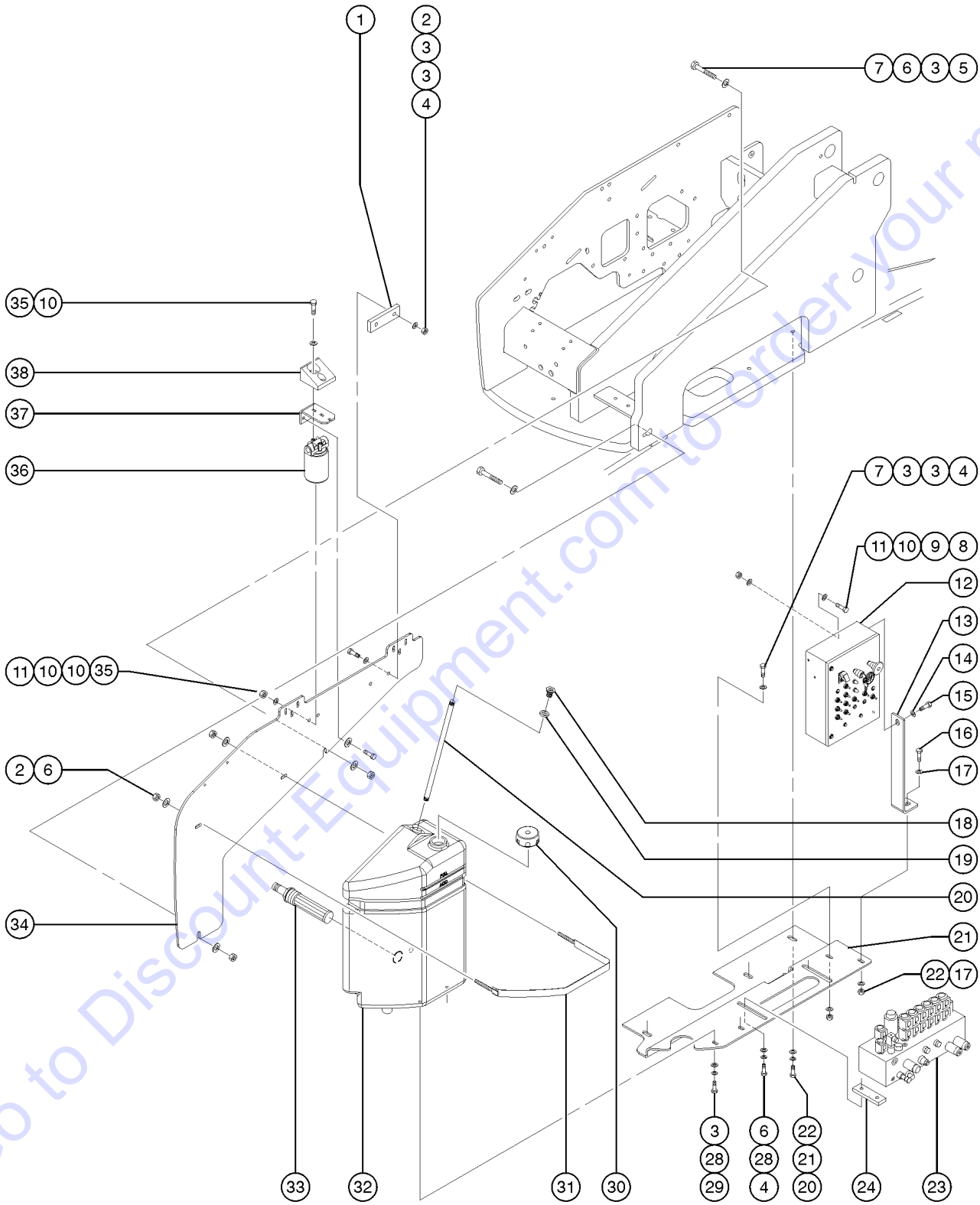




## 404.1 Turntable Components - View 2

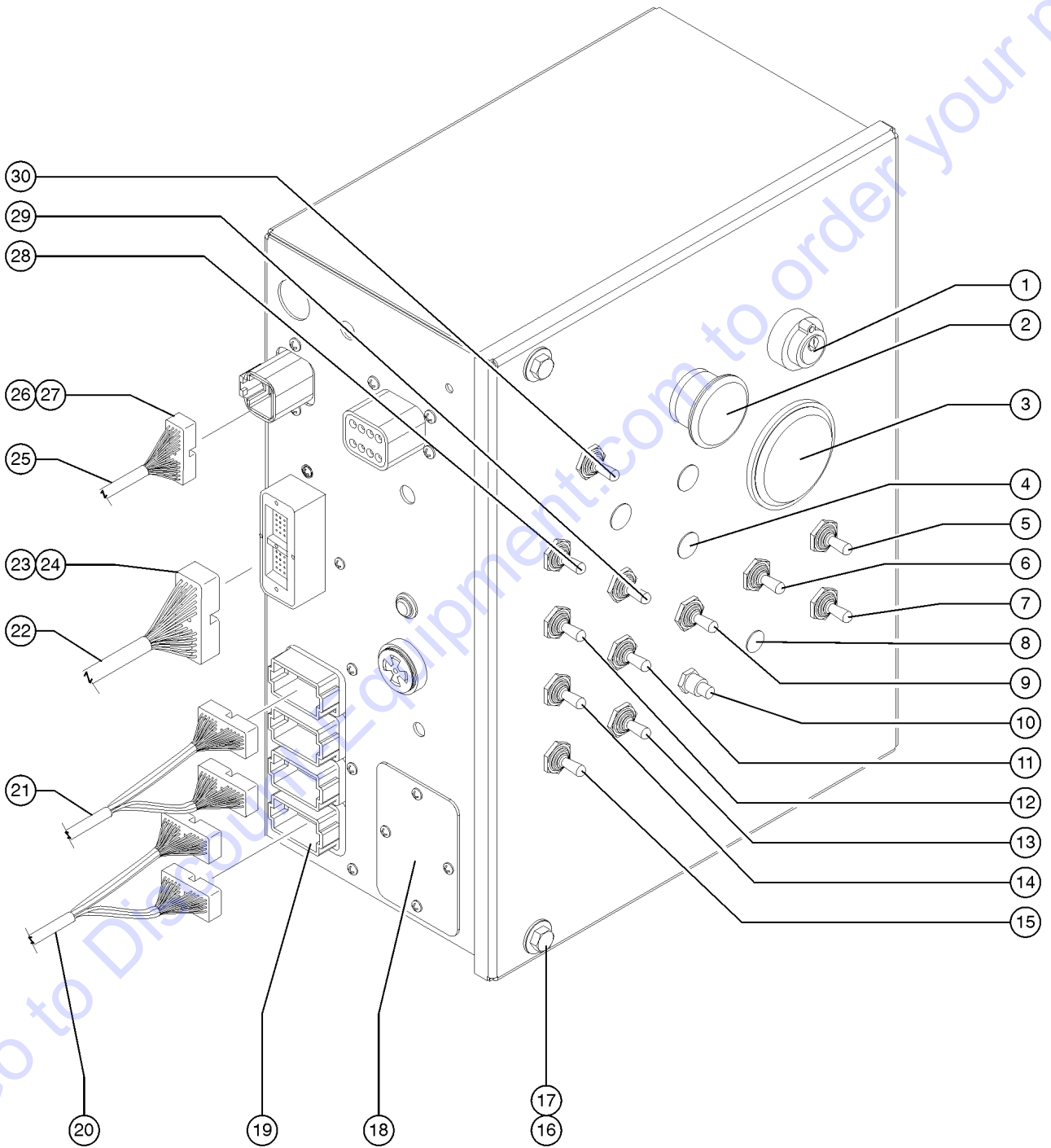
Item	Part No.	Description	Qty.	Item	Part No.	Description	Qty.
1	13002GT	SCREW,HHC,5/16-18 X 1 GR5		--	119404GT	CONN,RECEP 120AC/15A DOMESTIC	
2	6886GT	WASHER,LOCK,.313		--	1280665GT	PLUG, TYPE F, 230A, 50HZ, 16A, IP44	
3	6638GT	WASHER,FLAT,USS,1/4"Y		--	144161GT	PLUG,PWR,UK,16AMP,3PIN,BLK	
4	8255GT	SCREW,HHC,3/8-16 X .75		--	25388GT	PLUG,FUSED,250V,13AMP,U.K.**	
5	6021GT	WASHER,LOCK,.375		26B	128646GT	CORD AC IEC320-C19 TO 110UK.....1 UK	
6	5397GT	WASHER,FLAT,USS,5/16",Y		--	139318GT	BUSHING,STRAIN RELIEF,.875/.30.....1	
7	70574PGT	COVER,CENTER SWING CHASSIS.....1 to SN 31386		26C	128645GT	CORD AC IEC320-C19 TO 220EU.....1 Europe	
--	119784PGT	COVER,CENTER SWING CHASSIS,PTD from SN 31387		--	139318GT	BUSHING,STRAIN RELIEF,.875/.30.....1	
8	36179GT	POWER UNIT,AUX PUMP 24VDC.....1		27	10597GT	SCREW,HHC,1/2-13 X 1.25 GR5	
--	37184GT	MOTOR, 24V (36179)		28	6095GT	WASHER,FLAT,USS,1/2",Y	
--	37185GT	PUMP ASSEMBLY (36179)		29	6198GT	NUT,NYLOCK,1/2-13	
--	37186GT	VALVE,CHECK (36179)					
--	37187GT	SEAL KIT, 37185 PUMP					
--	37191GT	GASKET, PUMP / MOTOR (36179)					
--	37192GT	COUPLER, PUMP / MOTOR (36179)					
--	49878GT	NYLON WASHER,(36179)					
9	6782GT	NUT,NYLOCK,5/16-18					
10	13000GT	SCREW,HHC,5/16-18 X 1.25					
11	81579GT	HORN,24VDC,SPADE TERMINALS***.....1					
12	8516GT	SCREW, HCC, 3/8-16 X 1.50					
13	4828GT	NUT,NYLOCK,3/8-16					
14		Ref. Hydraulic Power Unit (refer to 701.1) Bi-energy models					
15	56927GT	PAD,REST,2"THICK,W/STUDS*.....1					
16	7056GT	CONN,SQUEEZE,1/2NPT .38-.50,SM....1					
17	6935GT	LOCKNUT,ELEC,1/2".....1					
18	18963GT	ALARM,INTERMITTENT TONE 6-30V*...1 Does not include 72326 nut					
--	72326GT	NUT - PLASTIC,RING FOR ALARMS.....1					
19	45462GT	ALARM,CHIME TONE 5-25VDC***.....1 Does not include 72326 nut					
--	72326GT	NUT - PLASTIC,RING FOR ALARMS.....1					
20	4828GT	NUT,NYLOCK,3/8-16					
21	5397GT	WASHER,FLAT,USS,5/16",Y					
22	8516GT	SCREW, HCC, 3/8-16 X 1.50					
23	50570GT	WEAR PAD,PRIMARY BOOM,NON JIB.....1					
24	70647PGT	PLATE,FRONT COVER PAINTED.....1					
25	43956GT	WIRE CABLE,14/3 CON.TPE JKT*.....756-inches					
26A	119403GT	CONN,PLUG 120 AC/15A DOMESTIC...1					
--		FUSE,13 AMP,220V PLUG (component no longer available) refer to BS1362 BUSS TDC180-13A					

405.1 Turntable Components - View 3



Item	Part No.	Description	Qty.
1	54231GT	WEAR PAD,4.88 X 1.5 X .5.....	1
2	1257628GT	NUT,SERRATED,3/8-16,8,ZAG	
3	5397GT	WASHER,FLAT,USS,5/16",Y	
4	6175GT	SCREW,HHC,3/8-16 X 1	
5	14033GT	SCREW,HHC,3/8-16 X 2.75	
6	1255758GT	WASHER,FLAT,3/8,USS,ZAG	
7	7713GT	NUT, LP NYLOCK, 3/8-16	
8	6090GT	SCREW,HHC,1/4-20 X .75	
9	6356GT	WASHER,LOCK,.25	
10	824113GT	WASHER,FLAT,USS,1/4,ZAG	
11	824024GT	NUT,TL,1/4-20,C,ZAG	
12		Ref. Ground Controls (refer to 405.1 or 406.1)	
13	88557GT	BRACKET,GROUND CONTROL BOX.....	1
14	6638GT	WASHER,FLAT,USS,1/4"Y	
15	6090GT	SCREW,HHC,1/4-20 X .75	
16	824091GT	SCREW,HHF,3/8-16X1.25,8,ZAG	
17	5397GT	WASHER,FLAT,USS,5/16",Y	
18	39223GT	BULKHEAD FITTING,PLASTIC X 8**..... <i>Includes item 19</i>	1
19	62088GT	WASHER/BULKHEAD***.....	1
20	60065GT	TUBE,PLASTIC .5 NPT X 18".....	1
21	50959-SGT	FORMING,SWING CHASSIS,RH,PAINT.....	1
22	7713GT	NUT, LP NYLOCK, 3/8-16	
23		Ref. Function Manifold <i>(refer to 702.1)</i>	
24	54231GT	WEAR PAD,4.88 X 1.5 X .5.....	1
25	10597GT	SCREW,HHC,1/2-13 X 1.25 GR5	
26	6033GT	WASHER,LOCK,0.5"	
27	6095GT	WASHER,FLAT,USS,1/2",Y	
28	6021GT	WASHER,LOCK,.375	
29	8255GT	SCREW,HHC,3/8-16 X .75	
30	42019GT	TANK BREATHER,NYLON **.....	1
31	77435GT	STRAP ASSY,29.25LG,W/RUBBER.....	2
32	50966GT	TANK,HYDRAULIC,8 GALLON,DC/BI.....	1
--	56022GT	PLUG,3/4 MAGNETIC PIPE SQ.DRV.....	1
33	45162GT	STRAINER ASSEMBLY,1.25" NPT***	
34	54443GT	BULKHEAD,SWING,RIGHT,Z45 DC/BE.....	1
35	824060GT	SCREW,HHC,1/4-20X1,8,ZAG	
36	78622GT	FILTER ASSY,SAE8,10 MIC,PAPR**.....	1
--	44788GT	FILTER ELEMENT,10MICRON,PAPER*	
37	50744-SGT	BRACKET, RETURN FILTER.....	1
38	54360GT	CUP,PROP ROD,DC/BI.....	1

406.1 Ground Control Box - View 1



## 406.1 Ground Control Box - View 1

Item	Part No.	Description	Qty.	Item	Part No.	Description	Qty.
1A	96008-SGT	KEYSWITCH,3 POS. W/KEYS***.....1	1	9	128202GT	SWITCH TOGGLE ASSY DPDT 3P MOM.....1	1
--	21982GT	KEY,SINGLE***				<i>Secondary Boom Up/Down; includes boot and hardware</i>	
--	37947GT	KEYS,10 PACK***		--	128578GT	SCREW T-SWITCH PH/PH 6-32X1/4	
--	83093GT	KEY SINGLE*** <i>with rubber boot</i>		--	128582-SGT	SWITCH TOGGLE DPDT 3P MOM SHDR	
--	88827GT	GASKET,KEYSWITCH,PLASTIC***		--	27246GT	BOOT,TOGGLE SWITCH,SHORT*	
--	94506GT	BASE,W/3 NC CONTACTS		10	147094GT	ASSY, CIRCUIT BREAKER 15A.....1	1
1B	83131GT	KEYSWITCH,3 POS W/KEYS,LOCKING.....1	1			<i>includes mounting fasteners</i>	
--	83093GT	KEY SINGLE***		--	56234GT	O-RING,ORFS,-6	
--	85239GT	NUT,RETAINER (96008)		--	77061GT	BOOT,CIRCUIT BREAKER PROTECTOR	
2	66812GT	BUTTON,PUSH,RED MUSHROOM HEAD.....1	1	11A	229567GT	PLUG,SANTOPRENE .5 BLACK DOME (Z-45/25) from SN 41671	
--	66818GT	CONTACT, N.C.		11A	45384GT	PLUG,NYLON .50 BLACK DOMED.....1	1
--	73805GT	BASE,W/2 NC CONTACTS*** <i>includes 2 each N.C. contacts</i>		11B	128202GT	SWITCH TOGGLE ASSY DPDT 3P MOM.....1	1
3	19506GT	HOUR METER,10-80 VOLTS*** .....1	1			<i>Jib Boom Up/Down (Z-45/25J); includes boot and hardware</i>	
4	229567GT	PLUG,SANTOPRENE .5 BLACK DOME from SN 41671		--	128578GT	SCREW T-SWITCH PH/PH 6-32X1/4	
4	45384GT	PLUG,NYLON .50 BLACK DOMED.....3	3	--	128582-SGT	SWITCH TOGGLE DPDT 3P MOM SHDR	
		<i>from SN 27000 to 41670</i>		--	27246GT	BOOT,TOGGLE SWITCH,SHORT*	
5	128200GT	SWITCH TOGGLE ASSY SPDT 3P MOM.....1	1	12	128202GT	SWITCH TOGGLE ASSY DPDT 3P MOM.....1	1
--	128578GT	SCREW T-SWITCH PH/PH 6-32X1/4				<i>Primary Boom Ext/Ret; includes boot and hardware</i>	
--	128580-SGT	SWITCH TOGGLE SPDT 3P MOM SHDR		--	128578GT	SCREW T-SWITCH PH/PH 6-32X1/4	
--	229567GT	PLUG,SANTOPRENE .5 BLACK DOME DC models from SN 41671		--	128582-SGT	SWITCH TOGGLE DPDT 3P MOM SHDR	
--	27246GT	BOOT,TOGGLE SWITCH,SHORT*		--	27246GT	BOOT,TOGGLE SWITCH,SHORT*	
--	45384GT	PLUG,NYLON .50 BLACK DOMED.....1	1	13	128202GT	SWITCH TOGGLE ASSY DPDT 3P MOM.....1	1
		<i>DC models from SN 27000 to 41670</i>				<i>Primary Level; includes boot and hardware</i>	
6	128200GT	SWITCH TOGGLE ASSY SPDT 3P MOM.....1	1	--	128578GT	SCREW T-SWITCH PH/PH 6-32X1/4	
--	128578GT	SCREW T-SWITCH PH/PH 6-32X1/4		--	128582-SGT	SWITCH TOGGLE DPDT 3P MOM SHDR	
--	128580-SGT	SWITCH TOGGLE SPDT 3P MOM SHDR		--	27246GT	BOOT,TOGGLE SWITCH,SHORT*	
--	27246GT	BOOT,TOGGLE SWITCH,SHORT*		14	128202GT	SWITCH TOGGLE ASSY DPDT 3P MOM.....1	1
7	128200GT	SWITCH TOGGLE ASSY SPDT 3P MOM.....1	1			<i>Turntable Rotate; includes boot and hardware</i>	
--	128578GT	SCREW T-SWITCH PH/PH 6-32X1/4		--	128578GT	SCREW T-SWITCH PH/PH 6-32X1/4	
--	128580-SGT	SWITCH TOGGLE SPDT 3P MOM SHDR		--	128582-SGT	SWITCH TOGGLE DPDT 3P MOM SHDR	
--	27246GT	BOOT,TOGGLE SWITCH,SHORT*		--	27246GT	BOOT,TOGGLE SWITCH,SHORT*	
8	21858GT	PLUG,NYLON .38 BLACK DOMED.....1	1	15	128202GT	SWITCH TOGGLE ASSY DPDT 3P MOM.....1	1
--	128578GT	SCREW T-SWITCH PH/PH 6-32X1/4				<i>Platform Rotate; includes boot and hardware</i>	
--	128580-SGT	SWITCH TOGGLE SPDT 3P MOM SHDR		--	128578GT	SCREW T-SWITCH PH/PH 6-32X1/4	
--	27246GT	BOOT,TOGGLE SWITCH,SHORT*		--	128582-SGT	SWITCH TOGGLE DPDT 3P MOM SHDR	
				--	27246GT	BOOT,TOGGLE SWITCH,SHORT*	

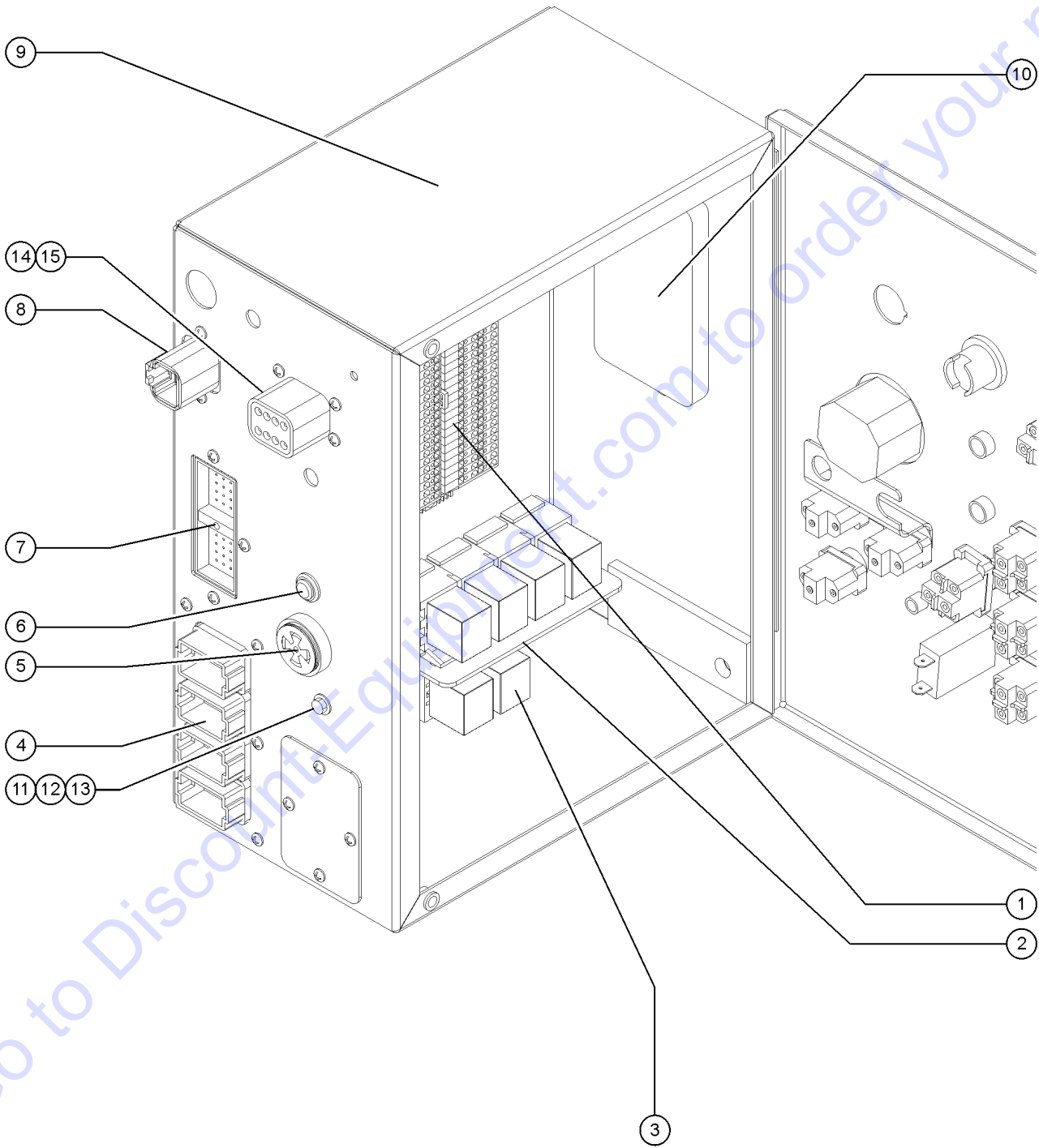
406.1 Ground Control Box - View 1  
(continued)

Item	Part No.	Description	Qty.	Item	Part No.	Description	Qty.
16	6090GT	SCREW,HHC,1/4-20 X .75		--	128582-SGT	SWITCH TOGGLE DPDT 3P MOM SHDR	
17	6638GT	WASHER,FLAT,USS,1/4"Y		--	27246GT	BOOT,TOGGLE SWITCH,SHORT*	
18	88691GT	COVER PLATE,CONNECTOR.....1 <i>shown; DC models</i>	1	30	128201GT	SWITCH TOGGLE ASSY DPDT 2P MOM.....1 <i>Auxiliary Power; includes boot and hardware</i>	1
--		HARNESS,ENGINE,Z45BI.....1 <i>Bi-Energy models; refer to section 410.1</i>	1	--	128578GT	SCREW T-SWITCH PH/PH 6-32X1/4	
--	73749GT	CONN,PLUG 24 WAY,DRC SERIES		--	128581-SGT	SWITCH TOGGLE DPDT 2P MOM SHDR	
--	73753GT	CONN,RECEP 24 WAY,W/FLANGE		--	25553GT	BOOT,TOGGLE SWITCH	
19	73736GT	CONN,RECEP 48 WAY,4 X 12.....1	1	--	27246GT	BOOT,TOGGLE SWITCH,SHORT*	
--	119061GT	CONN PLUG 12 WAY ENDCAP DT GY					
--	119062GT	CONN PLUG 12 WAY ENDCAP DT BK					
--	60435GT	LOCK,PLUG 12 WAY,14-18GA,GRN					
--	61801GT	SEAL DT SERIES-12W					
20A	88722-72000GT	HARNESS,18/19,BOOM CABLE #2.....1 <i>(non-jib); gray and black connectors</i>	1				
20B	88722-70700GT	HARNESS,18/19,BOOM CABLE #2 <i>(Z-45/25J)</i>					
--	119063GT	CONN PLUG 12 WAY ENDCAP DT GR					
--	119064GT	CONN PLUG 12 WAY ENDCAP DT BR					
--	60435GT	LOCK,PLUG 12 WAY,14-18GA,GRN					
--	61801GT	SEAL DT SERIES-12W					
21A	88721-72000GT	HARNESS,18/19 BOOM CABLE #1.....1 <i>(Z-45/25); brown and green connectors</i>	1				
21B	88721-70700GT	HARNESS,18/19 BOOM CABLE #1 <i>(Z-45/25J)</i>					
22	218145GT	MANIFOLD, TRACTION,4WD.....1	1				
22	88719GT	HARNESS,FUNCTION,Z45 DC/BI.....1	1				
23	73751GT	CONN,PLUG 40 WAY,DRC SERIES.....1	1				
24	73754GT	CONN,RECEP 40 WAY,W/FLANGE.....1	1				
25A	88723-71000GT	HARNESS,12/3,12V TO PLAT.....1 <i>(Z-45/25)</i>	1				
25B	88723-69700GT	HARNESS,PLAT,Z45DC/BI,JIB <i>(Z-45/25J)</i>					
26	60527GT	CONN,PLUG 4 WAY,12-14GA.....1	1				
--	60528GT	LOCK,PLUG 4 WAY,12-14GA					
27	73754GT	CONN,RECEP 40 WAY,W/FLANGE.....1	1				
--	60526GT	LOCK,RECEP 4 WAY,12-14GA					
28	128202GT	SWITCH TOGGLE ASSY DPDT 3P MOM.....1 <i>Engine Idle; includes boot and hardware</i>	1				
--	128578GT	SCREW T-SWITCH PH/PH 6-32X1/4					
--	128582-SGT	SWITCH TOGGLE DPDT 3P MOM SHDR					
--	27246GT	BOOT,TOGGLE SWITCH,SHORT*					
29	128202GT	SWITCH TOGGLE ASSY DPDT 3P MOM.....1 <i>Primary Boom Up/Down; includes boot and hardware</i>	1				
--	128578GT	SCREW T-SWITCH PH/PH 6-32X1/4					

***This Page Intentionally Left Blank***

Go to [Discount-Equipment.com](http://Discount-Equipment.com) to order your parts

407.1 Ground Control Box - View 2

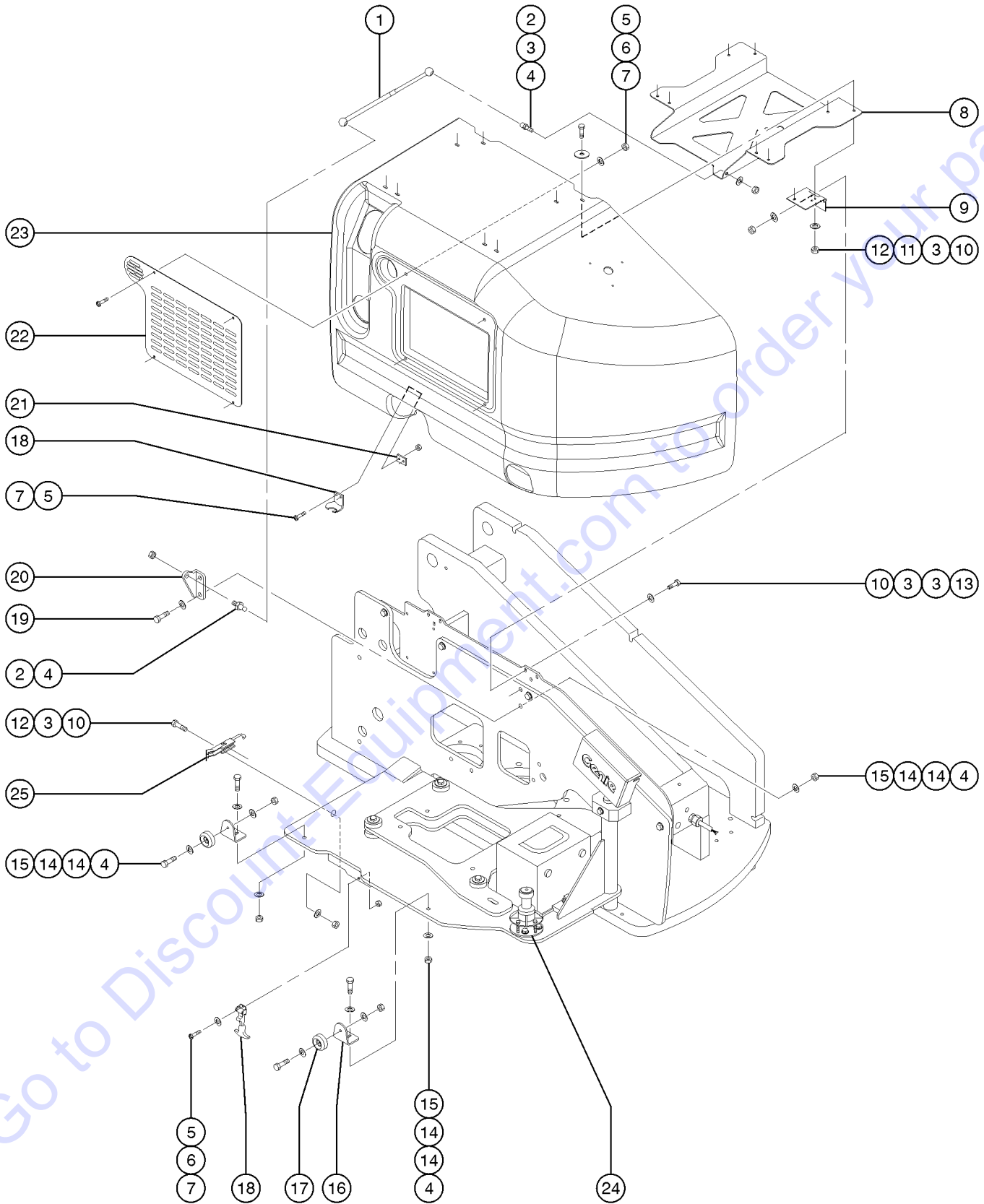




## 407.1 Ground Control Box - View 2

Item	Part No.	Description	Qty.	Item	Part No.	Description	Qty.
1A		ASSY,TERMINAL RAIL,Z45DC/BE.....1 <i>(94639 no longer available, use kit 217046) to SN Z452513A-47173</i>		7	73754GT	CONN,RECEP 40 WAY,W/FLANGE.....1	
--	216793GT	TERMINAL BLOCK END PLATE.....1 <i>(for 94639) to SN Z452513A-47173</i>		8	73717GT	CONN,RECEP 4 WAY,12-14GA FL***.....1	
--	56994GT	DIN RAIL,11.25" <i>(for 94639) to SN Z452513A-47173</i>		--	60526GT	LOCK,RECEP 4 WAY,12-14GA	
--	74911GT	TERMINAL BLOCK, WIELAND*** <i>(for 94639) to SN Z452513A-47173</i>		9	101844GT	GROUND CONTROL BOX ASSY W/DEC*.....1	
--	74913GT	END STOP, DIN RAIL,SCREW CLAMP <i>(for 94639) to SN Z452513A-47173</i>		--	30997GT	CORROSION INHIBITOR,FOAM	
--	74917GT	JUMPER COMB, 2-WAY,WIELAND <i>(for 94639) to SN Z452513A-47173</i>		--	88637GT	GASKET,GROUND CONTROL BOX***	
1B	217046GT	KIT, TERMINAL BLOCK <i>(replaces PN 94639) to SN Z452513A-47173</i>		10	128045GT	MODULE,LOAD SENSE 2007.....1	
--	216791GT	TERMINAL BLOCK,WIELAND <i>(for kit 217046) to SN Z452513A-47173</i>		--	54365GT	SCREW,PHIL,PHM,10-32 X .5,SSTL	
--	216793GT	TERMINAL BLOCK END PLATE <i>(for kit 217046) to SN Z452513A-47173</i>		--	6178GT	NUT,NYLOCK,10-32	
1C	218083GT	ASSY,TERMINAL RAIL,Z45DC/BE <i>from SN Z452513A-47174</i>		11	6888GT	SCREW,HHC,1/4-20 X 1	
--	216791GT	TERMINAL BLOCK,WIELAND.....28 <i>from SN Z452513A-47174</i>		12	6638GT	WASHER,FLAT,USS,1/4"Y	
--	216793GT	TERMINAL BLOCK END PLATE <i>from SN Z452513A-47174</i>		13	6091GT	NUT,NYLOCK,1/4-20	
--	56994GT	DIN RAIL,11.25" <i>from SN Z452513A-47174</i>		14A	1258768GT	CONN,PLUG 8WAY,BLOCKED GROMMET <i>models without telematics</i>	
--	74913GT	END STOP, DIN RAIL,SCREW CLAMP.....2 <i>from SN Z452513A-47174</i>		14B	119060GT	CONN PLUG 8 WAY ENDCAP DT <i>models with telematics</i>	
--	74917GT	JUMPER COMB, 2-WAY,WIELAND <i>from SN Z452513A-47174</i>		14C	60447GT	LOCK,RECEP 8 WAY,14-18GA <i>models with telematics</i>	
2A	54534GT	ANGLE,RELAY MNT,W/NUTSERTS,PNT.....1 <i>includes nutserts, to SN Z452515A-53270</i>		14D	60433GT	LOCK,PLUG 8 WAY, 14-18GA <i>not shown, models with telematics</i>	
--	23404GT	NUTSERT,1/4-20,STEEL CAD PLTD.....2		14E	60757GT	PLUG,SEAL,12-18 GA <i>not shown, models with telematics</i>	
2B	T106699GT	BRACKET,RELAY MOUNT W/INSERTS.....1 <i>includes nutserts, from SN Z452515A-53271</i>		15	87755GT	CONN,RECEP 8 WAY 14-18GA,FL <i>from SN Z452515A-53271</i>	
--	23404GT	NUTSERT,1/4-20,STEEL CAD PLTD.....2					
3	56302GT	RELAY,24VDC,40/30A,SEALED*** .....6					
--	34053GT	ASSY,RELAY SOCKET, AUTO <i>components no longer available</i>					
4	73736GT	CONN,RECEP 48 WAY,4 X 12.....1					
--	54255GT	LOCK,RECEP 12 WAY, 14-18GA					
5	45462GT	ALARM,CHIME TONE 5-25VDC*** .....1 <i>Does not include 72326 nut</i>					
--	72326GT	NUT - PLASTIC,RING FOR ALARMS					
6	218164GT	LIGHT,INDICATOR,RED 24V H-BRI <i>original light no longer available</i>					

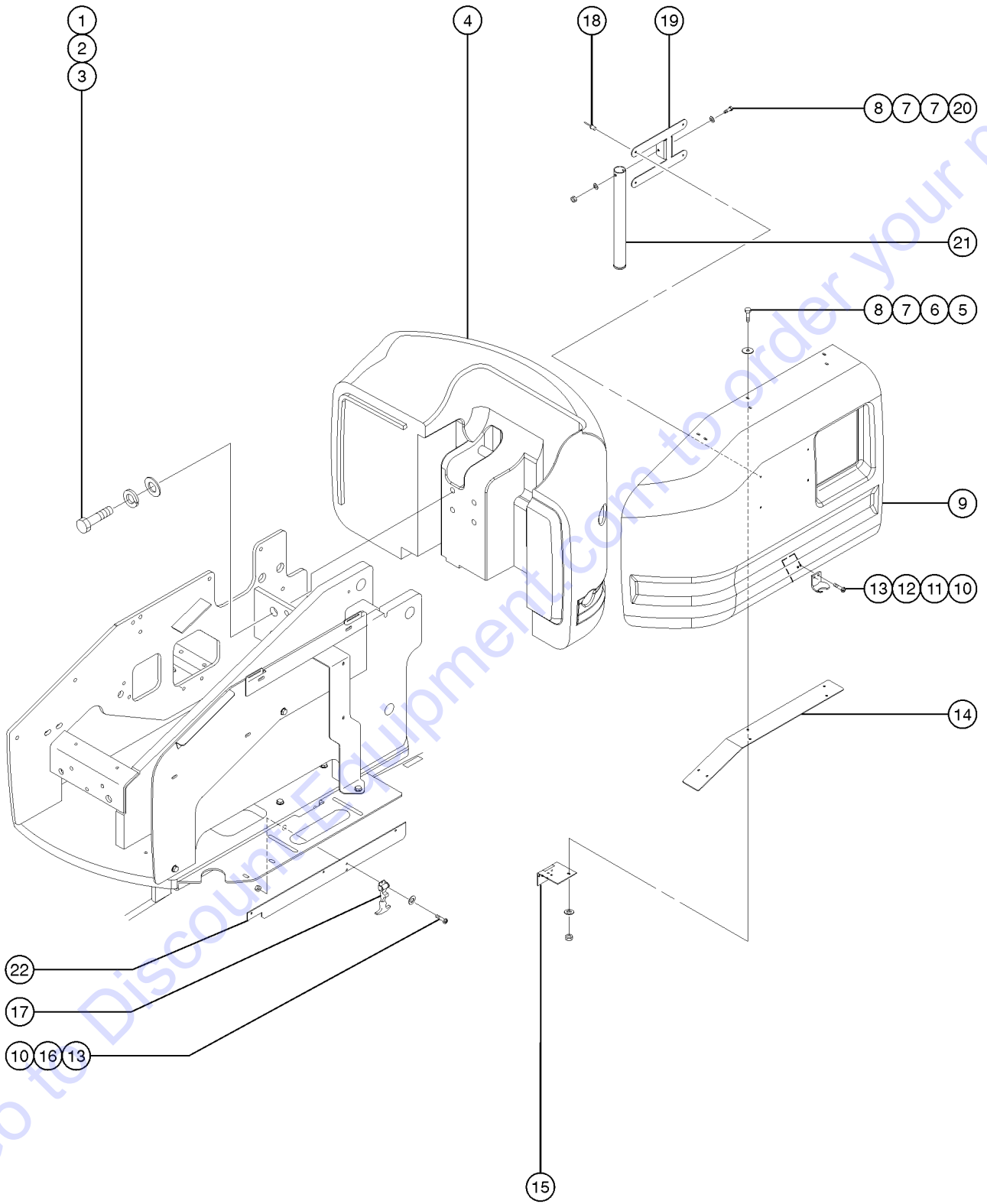
408.1 Turntable Covers - View 1



## 408.1 Turntable Covers - View 1

Item	Part No.	Description	Qty.	Item	Part No.	Description	Qty.
1	106069GT	STRUT,GAS,200 LB***.....	2	24A	94077GT	SENSOR,LEVEL,4.5 DEG.....	1
--	33555GT	BALL STUD**				<i>ANSI/CSA/Australia models</i>	
2	27114GT	BALL STUD,1/2" BALL,3/8-16X1.2		24B	110382GT	LEVEL SENSOR,LS60,YL,2.5X4.5	
3	6638GT	WASHER,FLAT,USS,1/4"Y				<i>CE models to Z45D-1698</i>	
4	4828GT	NUT,NYLOCK,3/8-16		24C	1263187GT	SENSOR, LEVEL,2.5 X 4.5 DEG.....	1
5	6178GT	NUT,NYLOCK,10-32				<i>from Z45D-1699</i>	
6	6146GT	WASHER,FLAT,MS,#10,Y		25		Ref: Adjustable draw latch	
7	49816GT	SCREW,PHILLIPS,PHM,10-32 X .75				<i>refer to 301.1</i>	
8	50990-SGT	FORMING,ENG.COVER SUPPORT,PNTD.....	1				
9	75073GT	HINGE,.375X.120THK.,SLOTTED.....	2				
10	6091GT	NUT,NYLOCK,1/4-20					
11	12906GT	WASHER,FENDER,.25 X 1.25 X.062					
12	8915GT	SCREW,HHC,1/4-20 X 1.25					
13	6888GT	SCREW,HHC,1/4-20 X 1					
14	5397GT	WASHER,FLAT,USS,5/16",Y					
15	8516GT	SCREW, HCC, 3/8-16 X 1.50					
16	54363GT	BRACKET,RUBBER BUMPER,ENGCOVER.....	2				
17	50974GT	BUMPER,RUBBER,COVERS.....	2				
18	45363GT	LATCH,FLEXIBLE DRAW W/O KEEPER.....	2				
18	75076GT	KEEPER,LATCH (45363).....	2				
19	13918GT	SCREW,HHC,3/8-16 X 1.75,GRD.8.....	1				
20	107594GT	FORMING,GAS STRUT MOUNT,PNTD**.....	1				
21	50790GT	PLATE,COVER LATCH BACKING.....	2				
22	60126-SGT	COVER PLATE,AIR INTAKE,GRAY.....	1				
23A	101860GT	COVER ASSY W/WRD DECALS,LH BI...1					
		<i>Bi-Energy</i>					
23B	101863GT	COVER ASSY W/SYM DECLS,LH DC					
		<i>Bi-Energy</i>					
23C	101861GT	COVER ASSY W/WRD DECALS,LH DC					
		<i>DC</i>					
23D	101864GT	COVER ASSY W/SYM DECALS,LH DC (to serial number Z452508A-35522)					
23E	T115412GT	COVER ASSY W/SYM DECALS,LH DC (from serial number Z452508A-35523)					
23F	60110GT	COVER,TURNTABLE,LH,BI-ENERGY decals not included, refer to section one for decals					
23G	50784GT	COVER,TURNTABLE,LH,DC/BE decals not included, refer to section one for decals					
--	6091GT	NUT,NYLOCK,1/4-20					
--	6638GT	WASHER,FLAT,USS,1/4"Y					
--	6888GT	SCREW,HHC,1/4-20 X 1					

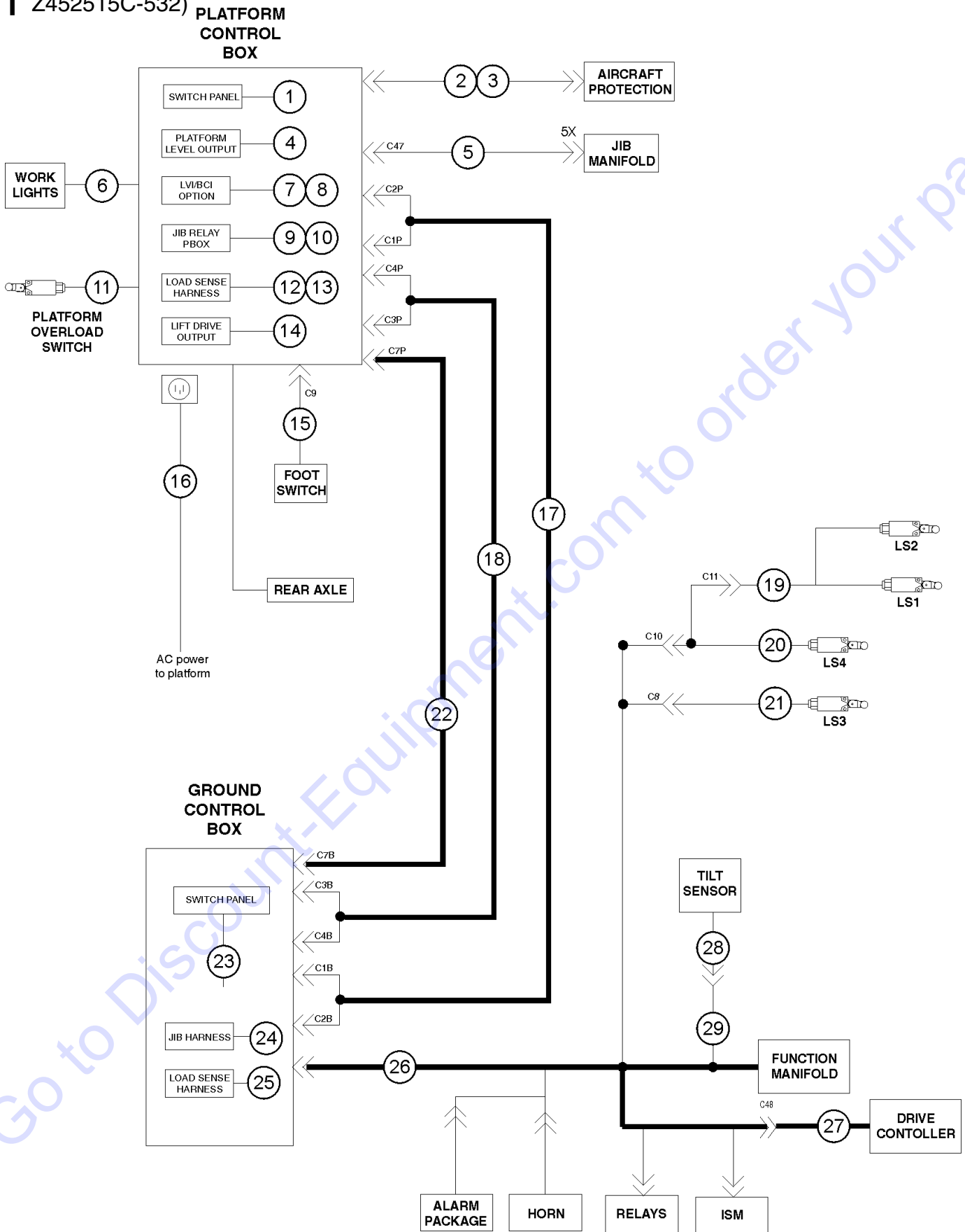
409.1 Turntable Covers - View 2



## 409.1 Turntable Covers - View 2

Item	Part No.	Description	Qty.
1	42078GT	SCREW,HHC,1-8 X 3 GRD.5.....	4
2	29605GT	WASHER,LOCK,1"	
3	38859GT	WASHER,FLAT,USS,1",Y	
4A	50924GT	COUNTERWEIGHT,CAST,Z45 DC (Z-45/25)	
4B	60145GT	COUNTERWEIGHT,CAST,DC/BI,W/JIB..1 (Z-45/25J)	
5	6888GT	SCREW,HHC,1/4-20 X 1.....	6
6	12906GT	WASHER,FENDER,.25 X 1.25 X.062.....	6
7	6638GT	WASHER,FLAT,USS,1/4"Y	
8	6091GT	NUT,NYLOCK,1/4-20	
9A	101858GT	COVER ASSY W/WRD DECALS,RH BI..... <i>Bi-Energy</i>	1
--	77034PGT	FORMING,CLEVIS PROP ROD,DC/BI	
--	77524GT	TUBE,PROP ROD,18.63",W/CAP	
9B	101859GT	COVER ASSY W/WRD DECALS,RH DC DC	
9C	101862GT	COVER ASSY W/SYM DECLS,RH BIDC <i>Bi-Energy and DC</i>	
9D	77032GT	COVER,TANK SIDE,DC/BI <i>decals not included, refer to section 1 for decals</i>	
10	49816GT	SCREW,PHILLIPS,PHM,10-32 X .75	
11	75076GT	KEEPER,LATCH (45363).....	2
12	50790GT	PLATE,COVER LATCH BACKING.....	2
13	6178GT	NUT,NYLOCK,10-32	
14	139417PGT	DOUBLER,BENT,COVER,DC/BI,RH.....	1
15	75073GT	HINGE,.375X.120THK.,SLOTTED.....	2
16	6146GT	WASHER,FLAT,MS,#10,Y	
17	45363GT	LATCH,FLEXIBLE DRAW W/O KEEPER.....	2
18	7265GT	RIVET,STEEL,P .25 X .375.....	4
19	77034PGT	FORMING,CLEVIS PROP ROD,DC/BI....	1
20	8179GT	SCREW,HHC,1/4-20 X 2.25	
21	54455PGT	TUBE,PROP ROD,12.25"LG,DC/BI.....	1
22	60015GT	PLATE,DRAW LATCH MOUNT.....	1
--	824024GT	NUT,TL,1/4-20,C,ZAG.....	3
--	824078GT	SCREW,HHF,1/4-20X.75,8,ZAG.....	3

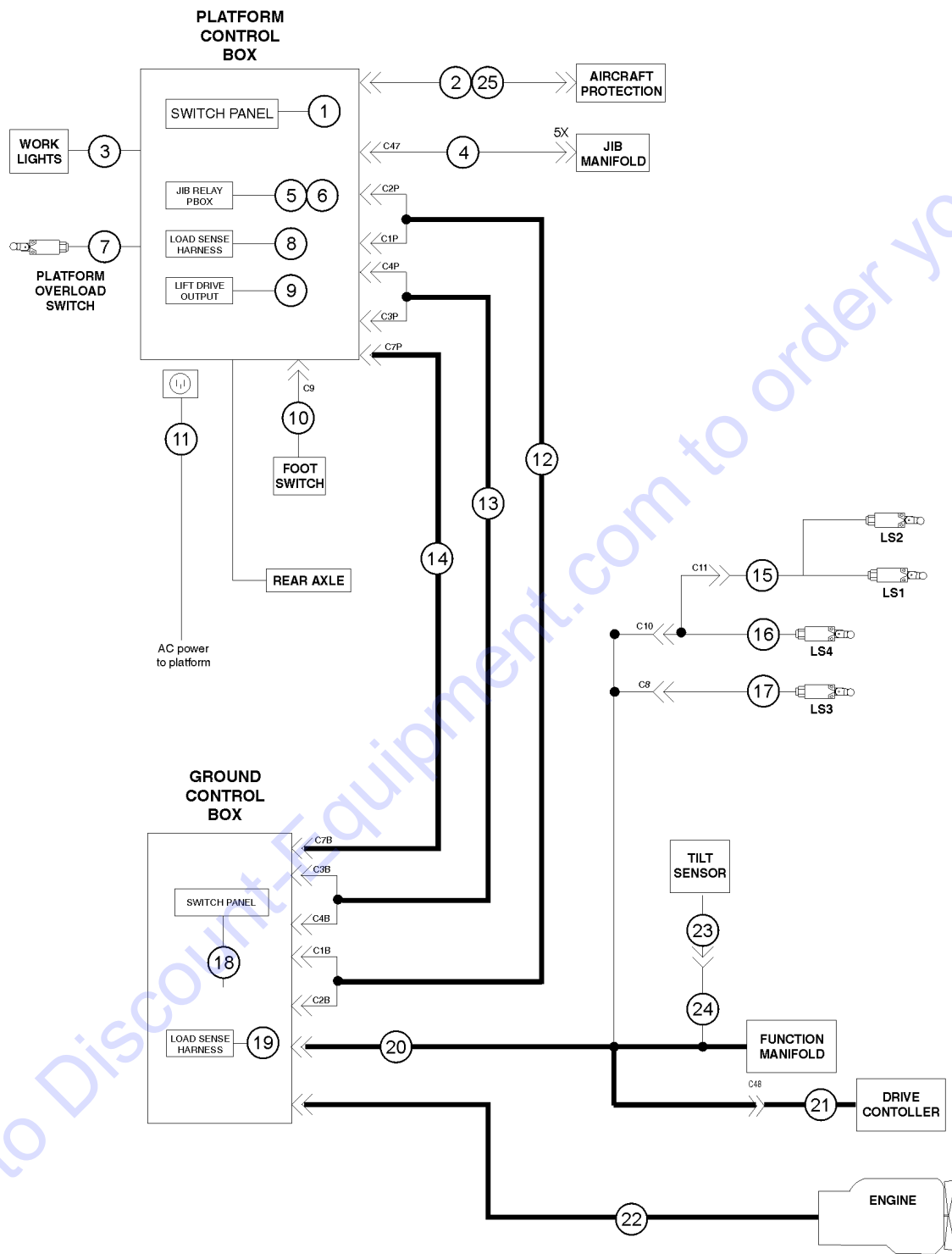
410.1 Wire Harness Diagram - DC Models (to SN Z452515A-53480, Z452515B-4518 and Z452515C-532)



## 410.1 Wire Harness Diagram - DC Models (to SN Z452515A-53480, Z452515B-4518 and Z452515C-532)

Item	Part No.	Description	Qty.	Item	Part No.	Description	Qty.
A	139047GT	HARN ASSY,POWER PACK AP1 (power panel)		14	234956GT	HARNESS,RELAY,LIFT/DR CUTOUT	
B	19520GT	BATTERY CABLE ASSY,9.5"JUMPER (power panel)		15	227617GT	ASSEMBLY,FOOT SWITCH (refer to 601.1)	
C	1264822GT	KIT, TRC RETROFIT, STNDRD Telematics (includes 1264834)		16	43956GT	WIRE CABLE,14/3 CON.TPE JKT* (756 inches)	
--	1264834GT	INSTRN, TRC RETROFIT, STNDRD		17A	88722-72000GT	HARNESS,18/19,BOOM CABLE #2 (non-jib models); gray and black connectors	
1A	128908GT	HARNESS,PBOX,Z45BE.....1 (to SN 38912)	1	17B	88722-70700GT	HARNESS,18/19,BOOM CABLE #2 (jib models); gray and black connectors	
1B	139126GT	HARNESS,PBOX,Z45DC.....1 (from SN 38913 to 45734)	1	18A	88721-72000GT	HARNESS,18/19 BOOM CABLE #1 (non-jib models); brown and green connectors	
--	128937GT	RELAY HARN,PBOX STANDARD (from SN 38913 to 45734)		18B	88721-70700GT	HARNESS,18/19 BOOM CABLE #1 (jib models); brown and green connectors	
--	128938GT	HARNESS,LIFT/DRIVE CUTOUT,24V (from SN 38913 to 45734)		19	88725GT	HARNESS,LS,PRIM/EXT.....1	
1C	234924GT	HARNESS,PBOX,Z45DC/BE.....1 (from SN 43735)	1	20	88724GT	HARNESS,LS,PRIM/EXT/SEC.....1	
--	234954GT	HARNESS,RELAY,STANDARD (from SN 43735)		21	128816GT	HARN LIMIT SW DE Z45DC/BE	
2	1266606GT	HARN, AC PROTECTION BYPASS.....1 option, aircraft protection	1	22A	88723-71000GT	HARNESS,12/3,12V TO PLAT (non-jib models)	
3	110657GT	HARNESS,PROX.KILL,24V.....1 option, aircraft protection	1	22B	88723-69700GT	HARNESS,PLAT,Z45DC/BI,JIB (jib models)	
--	27391GT	PROXIMITY SENSOR***		23	94683GT	HARNESS,BASE Z45DC/BE	
--	78098GT	RELAY,24VDC,40/30A,SLD W/BRKT*		24	88717GT	HARNESS,BASE,Z45,BI/DC JIB	
5A	101080GT	HARNESS,JIB SELECT MANIFOLD.....1 (jib models)	1	25	88832GT	HARNESS,PLUG,NON-LOAD WEIGHING	
5B	128939GT	RELAY HARN,PBOX JIB OPTION.....1 (jib models)	1	26A	88719GT	HARNESS,FUNCTION,Z45 DC/BI (to SN 37283)	
6A	128828GT	HARNESS, Z45DC DRIVE LT, 48V DC models		26B	128812GT	HARN FUNCTION MAN Z45DC/BE (from SN 37284 to Z4525A-45250)	
7	234958GT	HARNESS,RELAY,LVI		26C	218154GT	HARN FUNCTION MAN Z45DC/BE.....1 from SN Z4525A-45251	
8	128941GT	HARNESS LVI/BCI ENGAGE II		27A	128814GT	HARN DRIVE CHASSIS Z45DC (from SN Z452508A-37283 to Z452513A-48152 and to Z452513B-3077)	
9	128939GT	RELAY HARN,PBOX JIB OPTION		27B	822777GT	HARNESS, DRIVE CHASSIS, Z45DC.....1 (from SN Z452513A-48153 and from Z452513B-3078	
10A	88713GT	HARNESS,PLATFORM,Z45DC,BI,JIB to SN Z452515A-53324, Z452515B-4573 and Z452515D-326.		28	1261450GT	ASSY,RECEP,24V,CSA TILT.....1 for CSA models to SN Z452515A-53030	
10B	1284282GT	HARNESS,PLAT,Z45DC/BI,JIB from SN Z452515A-53325, Z452515B-4574 and Z452515D-327.		29A	1260219GT	HARNESS,TILT ALARM,24V,CSA.....1 for CSA models to SN Z452515A-53030	
--	56445GT	DIODE,6 AMP 200 PIV,REEL from SN Z452515A-53325, Z452515B-4574 and Z452515D-327.		29B	1261845GT	HARNESS,TILT 24V,CSA PROD for CSA models from SN Z452515A-53031	
11	121848GT	ASSY,LS,LOAD SENSE,38.5 IN.....1	1	29C	1285812GT	KIT,TILT ALARM,DC AND BI-ENERGY MODELS from SN 52974	
12A	216769GT	HARNESS,JUMPER,LOAD SENSE AUS models		--	1285689GT	INSTRUCTIONS,INSTALL (LEVEL SENSOR ALARM) for kit 1285812	
12B	216769GT	HARNESS,JUMPER,LOAD SENSE CE models (from SN 53324)					
13	147432GT	HARNESS, LOAD SENSE CE models (from SN 39314 to 53323)					

411.1 Wire Harness Diagram - Bi-Energy Models (to SN Z452515A-53480, Z452515B-4518 and Z452515C-532)

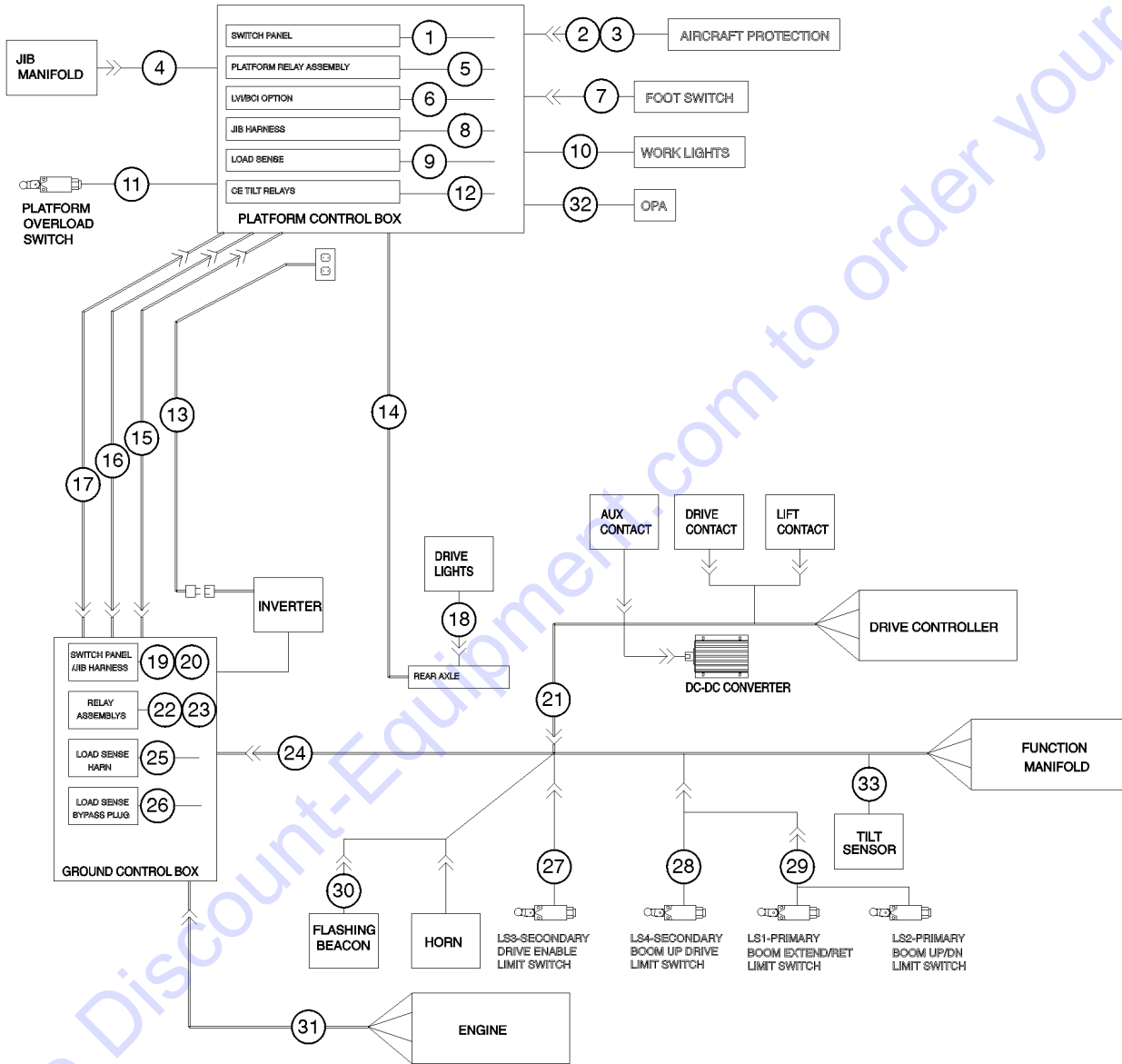




## 411.1 Wire Harness Diagram - Bi-Energy Models (to SN Z452515A-53480, Z452515B-4518 and Z452515C-532)

Item	Part No.	Description	Qty.	Item	Part No.	Description	Qty.
A	119985GT	HARNESS,ALARM OPTION,Z45		13B	88721-70700GT	HARNESS,18/19 BOOM CABLE #1.....1 (jib models); brown and green connectors	1
B	1264822GT	KIT, TRC RETROFIT, STNDRD Telematics (includes 1264834)		14A	88723-71000GT	HARNESS,12/3,12V TO PLAT.....1 (non-jib models)	1
--	1264834GT	INSTRN, TRC RETROFIT, STNDRD		14B	88723-69700GT	HARNESS,PLAT,Z45DC/BI,JIB.....1 (jib models)	1
1A	94684GT	HARNESS,PLAT Z45 DC/BE.....1 (to SN 38912)	1	15	88725GT	HARNESS,LS,PRIM/EXT.....1	1
1B	128908GT	HARNESS,PBOX,Z45BE.....1 (from SN 38913 to 45734)	1	16	88724GT	HARNESS,LS,PRIM/EXT/SEC.....1	1
--	128937GT	RELAY HARN,PBOX STANDARD (from SN 38913 to 45734)		17	128816GT	HARN LIMIT SW DE Z45DC/BE.....1	1
--	128938GT	HARNESS,LIFT/DRIVE CUTOUT,24V (from SN 38913 to 45734)		18A	94683GT	HARNESS,BASE Z45DC/BE.....1	1
1C	234924GT	HARNESS,PBOX,Z45DC/BE.....1 (from SN 43735)	1	19	88832GT	HARNESS,PLUG,NON-LOAD WEIGHING.....1	1
--	234954GT	HARNESS,RELAY,STANDARD (from SN 43735)		20A	88719GT	HARNESS,FUNCTION,Z45 DC/BI.....1 (to SN 37282)	1
2	110657GT	HARNESS,PROX.KILL,24V.....1 option, aircraft protection	1	20B	128812GT	HARN FUNCTION MAN Z45DC/BE.....1 (from SN 37283 to Z452514A-45250)	1
--	27391GT	PROXIMITY SENSOR***		20C	218154GT	HARN FUNCTION MAN Z45DC/BE (from SN Z452514A-45251)	1
--	78098GT	RELAY,24VDC,40/30A,SLD W/BRKT*		21A	128815GT	HARN DRIVE CHASSIS Z45BE.....1 (from 37283 to 45734)	1
3B	128296GT	HARNESS, Z45BE DRIVE LT, 48V Bi-energy models		21B	822778GT	HARNESS, DRIVE CHASSIS, Z45BE.....1 (from 45735)	1
4A	101080GT	HARNESS,JIB SELECT MANIFOLD.....1	1	22A	88718GT	HARNESS,ENGINE,Z45BI.....1 (to 38211)	1
4B	128939GT	RELAY HARN,PBOX JIB OPTION.....1	1	22B	139368GT	HARNESS,ENGINE,Z45BE.....1 (from 38212)	1
--	56302GT	RELAY,24VDC,40/30A,SEALED***.....2	2	23	1261450GT	ASSY,RECEP,24V,CSA TILT.....1 for CSA models to SN Z452515A-53030	1
5A	234958GT	HARNESS,RELAY,LVI.....1 (non-jib models)	1	24A	1260219GT	HARNESS,TILT ALARM,24V,CSA.....1 for CSA models to SN Z452515A-53030	1
5B	128940GT	RELAY HARN,PBOX LVI OPTION.....1 (jib models)	1	24B	1261845GT	HARNESS,TILT 24V,CSA PROD for CSA models from SN Z452515A-53031	1
6	128941GT	HARNESS LVI/BCI ENGAGE II.....1	1	24C	1285812GT	KIT,TILT ALARM,DC AND BI-ENERGY MODELS from SN 52974	1
7	121848GT	ASSY,LS,LOAD SENSE,38.5 IN		--	1285689GT	INSTRUCTIONS,INSTALL (LEVEL SENSOR ALARM) for kit 1285812	1
8A	147432GT	HARNESS, LOAD SENSE.....1 CE models (from SN 39314 to 53323)	1	25	1266606GT	HARN, AC PROTECTION BYPASS.....1 option, aircraft protection	1
8B	216769GT	HARNESS,JUMPER,LOAD SENSE CE models (from SN 53324)					
8C	216769GT	HARNESS,JUMPER,LOAD SENSE AUS models					
9	T108109GT	LIFT/DRIVE CUTOUT, Z45/Z51IC.....1	1				
10		Ref. Foot Switch.....1 (refer to 601.1.1)	1				
11	43956GT	WIRE CABLE,14/3 CON.TPE JKT*.....756-inches					
12A	88722-72000GT	HARNESS,18/19,BOOM CABLE #2.....1 (non-jib models); gray and black connectors	1				
12B	88722-70700GT	HARNESS,18/19,BOOM CABLE #2.....1 (jib models); gray and black connectors	1				
13A	88721-72000GT	HARNESS,18/19 BOOM CABLE #1.....1 (non-jib models); brown and green connectors	1				

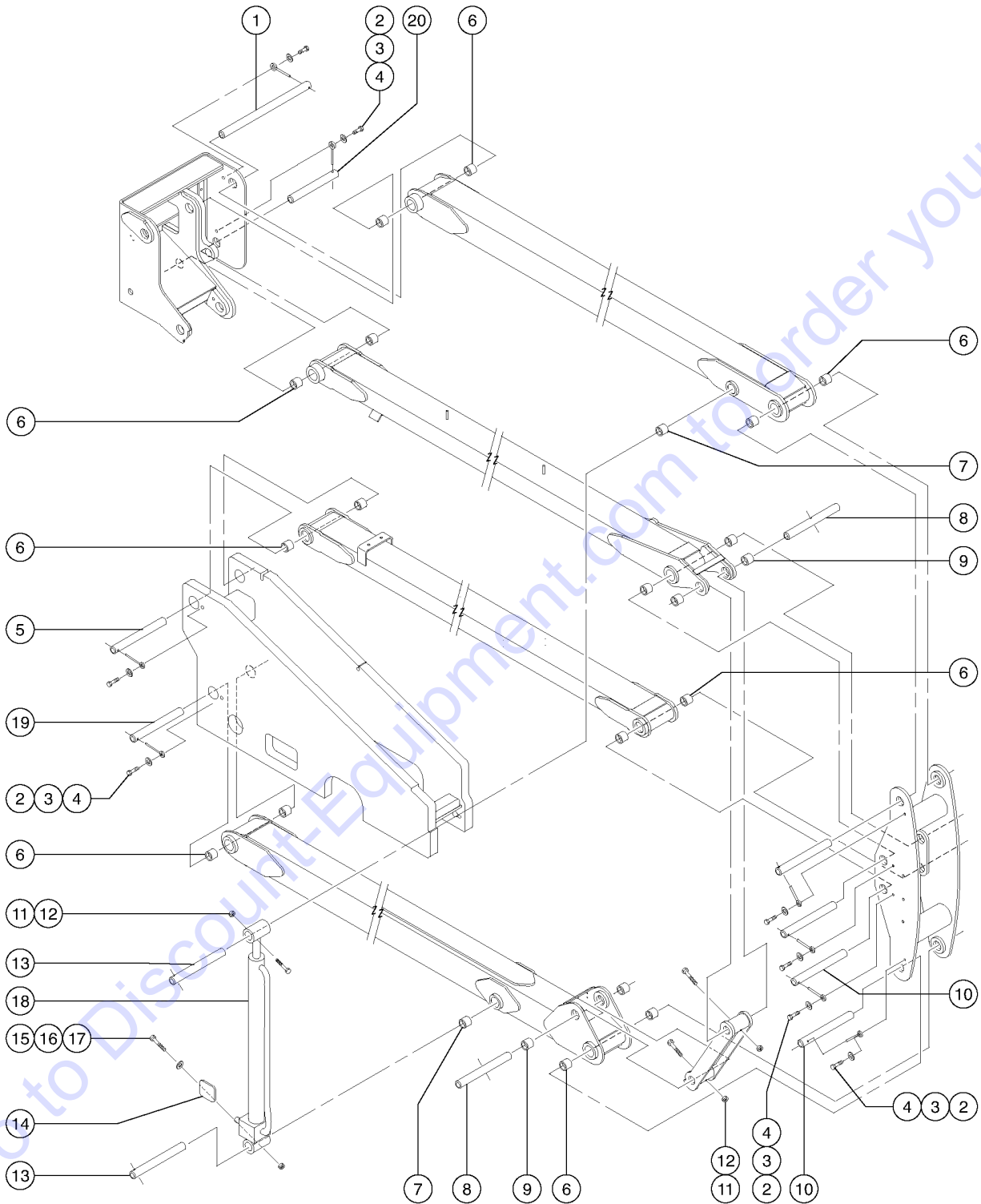
412.1 Wire Harness Diagram - DC and Bi-Energy Models (from SN Z452515A-53481, Z452515B-4519 and Z452515C-533)



### 412.1 Wire Harness Diagram - DC and Bi-Energy Models (from SN Z452515A-53481, Z452515B-4519 and Z452515C-533)

Item	Part No.	Description	Qty.	Item	Part No.	Description	Qty.
B	1264822GT	KIT, TRC RETROFIT, STNDRD Telematics (includes 1264834)		17A	88721-72000GT	HARNESS,18/19 BOOM CABLE #1.....1 non-jib models; brown and green connectors	1
--	1264834GT	INSTRN, TRC RETROFIT, STNDRD		17B	88721-70700GT	HARNESS,18/19 BOOM CABLE #1.....1 jib models	1
1	1262220GT	HARNESS, PBOX, Z45DC/BE.....1	1	18	823774GT	HARNESS, 48V DRIVE LIGHTS.....1 option	1
2	1266606GT	HARN, AC PROTECTION BYPASS.....1 option, aircraft protection	1	19A	1259323GT	HARNESS,BASE BOX Z45BI-ENERGY.....1 models	1
3	110657GT	HARNESS,PROX.KILL,24V.....1 option, aircraft protection	1	19B	1259322GT	HARNESS,BASE BOX Z45DC models	
--	27391GT	PROXIMITY SENSOR***		20	1262512GT	HARNESS, JIB, BASE BOX.....1 jib models	1
--	78098GT	RELAY,24VDC,40/30A,SLD W/BRKT*		21A	822777GT	HARNESS, DRIVE CHASSIS, Z45DC.....1 DC models	1
4	101080GT	HARNESS,JIB SELECT MANIFOLD.....1	1	21B	822778GT	HARNESS, DRIVE CHASSIS, Z45BE.....1 Bi-Energy models	1
5	1261221GT	HARN,RELAY Z45DC/BE,PBOX.....1	1	22	1259639GT	HARN,GBOX Z45DC/BE RELAY ASSY.....1	1
6	128941GT	HARNESS LVI/BCI ENGAGE II.....1	1	23A	1261899GT	HARNESS,Z45DC,TELEMATICS READY.....1 DC models	1
7		REF: Foot Switch.....1 refer to 602.1	1	23B	1261900GT	HARNESS,Z45BE,TELEMATICS READY.....1 Bi-Energy models	1
8A	88713GT	HARNESS,PLATFORM,Z45DC,BI,JIB.....1 to SN Z452515A-53324	1	24	128812GT	HARN FUNCTION MAN Z45DC/BE.....1	1
8B	1284282GT	HARNESS,PLAT,Z45DC/BI,JIB from SN Z452515A-53325		25	1260173GT	HARNESS ASSY, RELAY, CE.....1 CE models	1
--	56445GT	DIODE,6 AMP 200 PIV,REEL from SN Z452515A-53325		26	88832GT	HARNESS,PLUG,NON-LOAD WEIGHING.....1	1
9	216769GT	HARNESS,JUMPER,LOAD SENSE.....1	1	27	128816GT	HARN LIMIT SW DE Z45DC/BE.....1	1
10	823774GT	HARNESS, 48V DRIVE LIGHTS.....1 option	1	28	88724GT	HARNESS,LS,PRIM/EXT/SEC.....1	1
11	121848GT	ASSY,LS,LOAD SENSE,38.5 IN.....1	1	29	88725GT	HARNESS,LS,PRIM/EXT.....1	1
12	1262223GT	HARNESS,RELAY,PBOX,Z45DC,CE.....1 CE models	1	30		REF: Flashing Beacon.....1 refer to 901.1	1
13A	30794GT	WIRE,12/3 SJEOW,BK-WH-GR/YL.....756-inches non-jib models		31	139368GT	HARNESS,ENGINE,Z45BE.....1 Bi-Energy models	1
13B	30794GT	WIRE,12/3 SJEOW,BK-WH-GR/YL.....732-inches jib models		32A	1255858GT	HARN,PBOX,OFA,HW,24V.....1 option	1
14	823774GT	HARNESS, 48V DRIVE LIGHTS.....1 option	1	32B	1255030GT	PLUG,BLANKING.....1	1
15A	88723-71000GT	HARNESS,12/3,12V TO PLAT.....1 non-jib models	1	33	1261845GT	HARNESS,TILT 24V,CSA PROD for CSA models from SN Z452515A-53031	
15B	88723-69700GT	HARNESS,PLAT,Z45DC/BI,JIB.....1 jib models	1				
--	1285689GT	INSTRUCTIONS,INSTALL (LEVEL SENSOR ALARM) for kit 1285812					
--	1285812GT	KIT,TILT ALARM,DC AND BI-ENERGY MODELS from SN 52974					
16A	88722-72000GT	HARNESS,18/19,BOOM CABLE #2.....1 non-jib models; gray and black connectors	1				
16B	88722-70700GT	HARNESS,18/19,BOOM CABLE #2.....1 jib models	1				

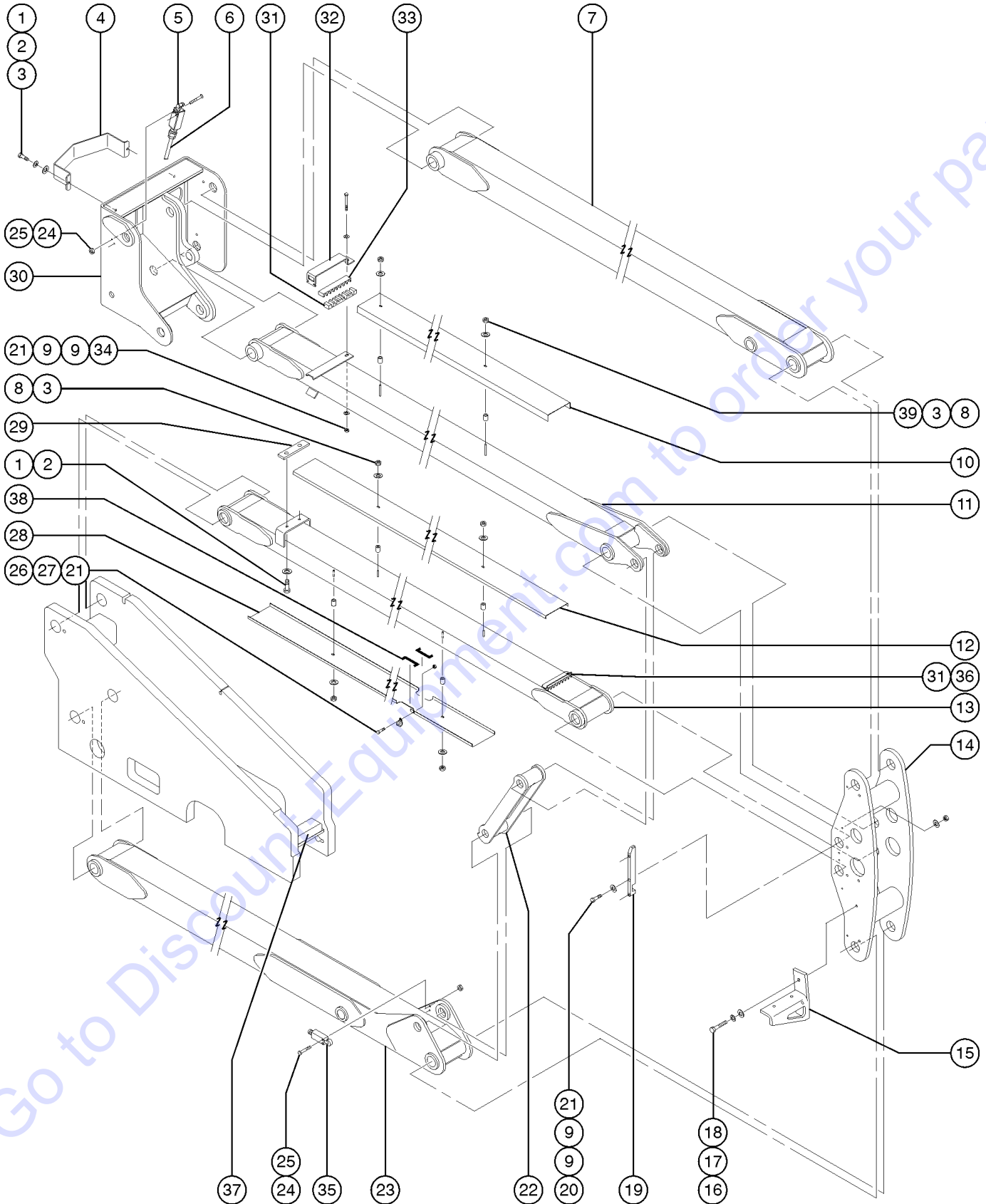
501.1 Boom Pins and Bearings



## 501.1 Boom Pins and Bearings

Item	Part No.	Description	Qty.
1	88676GT	PIN,2.00DIAX24.00LG,CHAMFER***.....1	
2	8177GT	SCREW,HHC,1/2-13 X 1.5	
3	6033GT	WASHER,LOCK,0.5"	
4	1256267GT	ROD END,.5 X 3.75,ZAG	
5	107859GT	PIN,2.00DIAX12.88LG,CHAMFER***.....1 (replaced 107589)	
6	18720GT	BEARING,2.0IDX2.25ODX1.50L.....16	
7	45071GT	BEARING,1.5IDX1.75ODX1.5L.....2	
8	107727GT	PIN,1.50DIAX7.50LG,1HOLE***.....2	
9A	54156GT	BEARING,FL,1.5IDX1.75ODX1.10LG.....4	
9B	1258159GT	KIT, BOOM BEARING.....1 <i>jib models from SN Z452511B-1727 to Z452513B-2766</i>	
10	107588GT	PIN,2.00DIAX10.88LG,CHAMFER.....4	
11	4828GT	NUT,NYLOCK,3/8-16	
12	14033GT	SCREW,HHC,3/8-16 X 2.75	
13	50455GT	PIN,1.50DIAX13.88LG,2HOLE.....2	
14	54726GT	WEAR PAD,SECONDARY CYL,NON/JIB.....1	
15	6326GT	SCREW,HHC,3/8-16 X 3	
16	5397GT	WASHER,FLAT,USS,5/16",Y	
17	7713GT	NUT, LP NYLOCK, 3/8-16	
18	88203GT	CYLINDER,ELEVATE,Z45/25***.....2	
--	77303GT	VALVE, CNTRBAL 3500 PSI, ATM VEN	
--	77521GT	SEAL KIT,ELEVATE (88203)	
19	107590GT	PIN,2.00DIAX12.88LG,CHAMFER***.....1	
20	107859GT	PIN,2.00DIAX12.88LG,CHAMFER***.....1 (replaced 107589)	

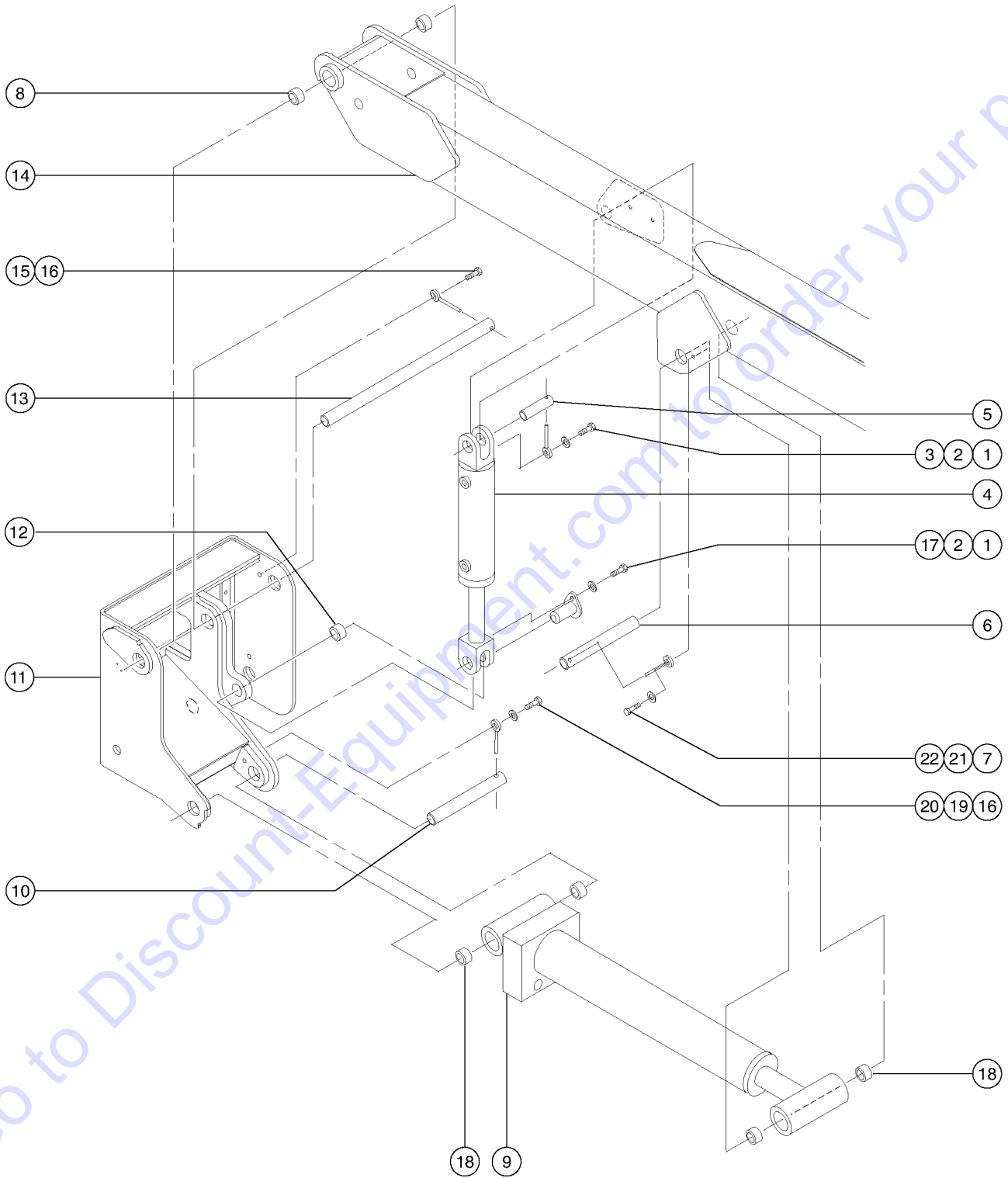
502.1 Secondary Linkage



## 502.1 Secondary Linkage

Item	Part No.	Description	Qty.	Item	Part No.	Description	Qty.
1	6175GT	SCREW,HHC,3/8-16 X 1		30		Ref. Upper Pivot Assembly(refer to 503.1)	
2	6021GT	WASHER,LOCK,.375		31	94529GT	CLAMPING BLOCK,HOSE***.....2	
3	6097GT	WASHER,FLAT,USS,3/8",Y		32	94531PGT	BRACKET,HOSE CLAMP PAINTED***.....1	
4	237688GT	COVER, UPPER PIVOT.....1		33	94530GT	CLAMPING BLOCK,CABLE.....1	
5	<del>88356</del> -11163GT	SWITCH,LIMIT,W/RLLR ARM,NO/NC*...1		34	6888GT	SCREW,HHC,1/4-20 X 1	
--	106427GT	LS ROT.HEAD W/O LEVER (ZCE01)		35	<del>88356</del> -11205GT	SWITCH,LIMIT,W/RLLR ARM NO/NC.....1	
--	97128GT	ROLLER ARM,LIMIT SWITCH***		--	89756GT	NECK/HEAD-LIMIT SWITCH (88356)	
6	43960GT	WIRE CABLE,16/4 CON.TPE JKT.....360-inches		--	97128GT	ROLLER ARM,LIMIT SWITCH***	
7	110305GT	UPPER SECONDARY ARM ASSY-Z45**.....1		36	70685PGT	FORMING, HOSE CLAMP, PAINTED	
8	7713GT	NUT, LP NYLOCK, 3/8-16		37	56849GT	PAD,REST,1"THICK,W/STUDS*.....1	
9	6638GT	WASHER,FLAT,USS,1/4"Y		38	1697-400GT	TRIMLOCK,BLACK,3/16 X 4 INCHES.....2	
10	88370PGT	HOSE COVER,UPPER ARM,PAINTED		39	42941-75GT	HOSE,3/8",FUEL,30R7	
11	110306GT	UPPER LEVEL ARM ASSY,SERV***.....1					
12	50517-SGT	HOSE COVER,LOWER LEVEL,TOP,PAI.....1					
13	110307GT	LOWER LEVEL ARM ASSY***.....1					
14	110310GT	MIDPIVOT ASSY Z45IC***.....1 <i>USA/Canada/Australian</i>					
--	106972GT	WELDMENT,MID PIVOT,MACHINED*** <i>Europe/Asia/ South America</i>					
15		Ref., WEAR PAD <i>refer to 504.1</i>					
15	50952-SGT	BOOM REST WELDMENT.....1 <i>Z-45/25J</i>					
16A	10587GT	SCREW,HHC,1/2-13 X.75 <i>Z-45/25</i>					
16B	8177GT	SCREW,HHC,1/2-13 X 1.5 <i>Z-45/25J</i>					
17	6033GT	WASHER,LOCK,0.5" <i>Z-45/25J</i>					
18	6095GT	WASHER,FLAT,USS,1/2",Y <i>Z-45/25J</i>					
19	107881GT	WEAR PAD,MID PIVOT***.....2 <i>Z-45/25</i>					
20	6637GT	SCREW,HHC,1/4-20 X 1.75					
21	6091GT	NUT,NYLOCK,1/4-20					
22	50479-SGT	CONNECTING LINK, Z45/25.....1					
23	110308GT	LOWER SECONDARY ARM ASSY***.....1					
24	49775GT	SCREW,PHILLIPS,PHM,10-32X 1.75					
25	6178GT	NUT,NYLOCK,10-32					
26	8914GT	SCREW,HHC,1/4-20 X .625					
27	6833GT	CLAMP,0.50,#8 X 1/4,RUB CUSH					
28	50548PGT	HOSE COVER,LOWER LEVEL,BOT,PAI.....1					
29	49772GT	WEAR PAD,6 X 1.5 X.50,W/INSERT.....1					

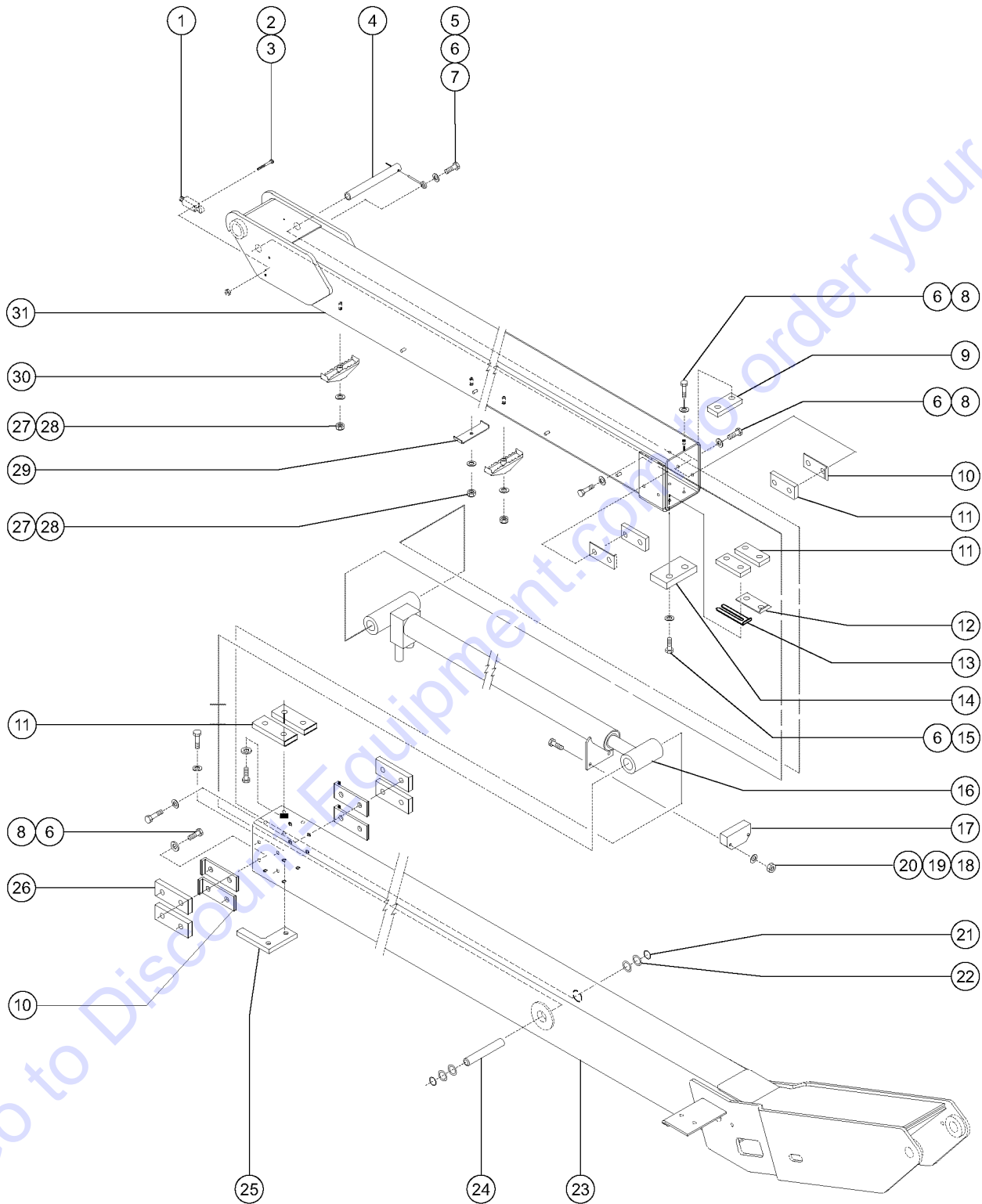
503.1 Upper Pivot





Item	Part No.	Description	Qty.	Item	Part No.	Description	Qty.
1	6175GT	SCREW,HHC,3/8-16 X 1		17	70671GT	PIN,1.25 DIA X 3.19 LG, PLATE.....	1
2	6021GT	WASHER,LOCK,.375		18	1262633GT	BEARING,POLYGON,BM5120.....	4
3	1255452GT	ROD END,.375 X 2.25,ZAG		19	8177GT	SCREW,HHC,1/2-13 X 1.5	
4	77362GT	CYLINDER,MASTER,Z45***.....	1	20	6033GT	WASHER,LOCK,0.5"	
--	77364GT	SEAL KIT,MASTER & SLAVE CYL		21	8516GT	SCREW, HCC, 3/8-16 X 1.50	
5	34276GT	PIN,1.25DIA X 3.37LG,1HOLE.....	1	22	4828GT	NUT,NYLOCK,3/8-16	
6	50542GT	PIN,1.75DIA X 9.25LG,1HOLE.....	1				
7	825019GT	ROD END,.375 X 3.69,ZAG					
8	18720GT	BEARING,2.0IDX 2.25OD X 1.50L.....	2				
9A	1263056GT	CYLINDER,PRIM LIFT NON JIB,Z45..... <i>includes item 18 (used in production from SN 19887 to SN 40637 and from SN 42132)</i>	1				
--	77014GT	VALVE,COUNTERBALANCE,3800 PSI <i>for 77187, 1263056 (from SN 19887 to SN 40637 and from SN 42132) (identify part number on cylinder before ordering)</i>					
--	77189GT	SEAL KIT,CYL,Z45 (77187&77188) <i>for 77187, 1263056 (from SN 19887 to SN 40637 and from SN 42132) (identify part number on cylinder before ordering)</i>					
9B	1263057GT	CYLINDER,PRIM LIFT JIB,Z45..... <i>includes item 18 (used in production from SN 19887 to SN 40637 and from SN 42132)</i>	1				
--	77014GT	VALVE,COUNTERBALANCE,3800 PSI <i>for 77188, 1263057 (from SN 19887 to SN 40637 and from SN 42132) (identify part number on cylinder before ordering)</i>					
--	77189GT	SEAL KIT,CYL,Z45 (77187&77188) <i>for 77188, 1263057 (from SN 19887 to SN 40637 and from SN 42132) (identify part number on cylinder before ordering)</i>					
9C	50480GT	VALVE,COUNTERBALANCE,3800 PSI* <i>for 147270 (from SN 40638 to SN 42131) (identify part number on cylinder before ordering)</i>					
9D	147284GT	SEAL KIT,147260*** <i>for 147260 (from SN 40638 to SN 42131) (identify part number on cylinder before ordering)</i>					
10	70534GT	PIN,1.75DIA X 11.88LG,CHAMFER.....	1				
11	110309GT	UPPER PIVOT W/BEARING-Z45/25**					
--	55753GT	BUMPER, PLASTIC, 1.25 O.D.					
12	30370GT	BEARING,1.25IDX 1.5OD X 1.00L.....	1				
13	88676GT	PIN,2.00DIA X 24.00LG,CHAMFER***.....	1				
14		Ref. Primary Boom Tube Assembly <i>(refer to 504.1)</i>					
15	10597GT	SCREW,HHC,1/2-13 X 1.25 GR5					
16	1256267GT	ROD END,.5 X 3.75,ZAG					
17	120282GT	PIN,1.25 DIA X 3.19 LG, PLATE.....	1				

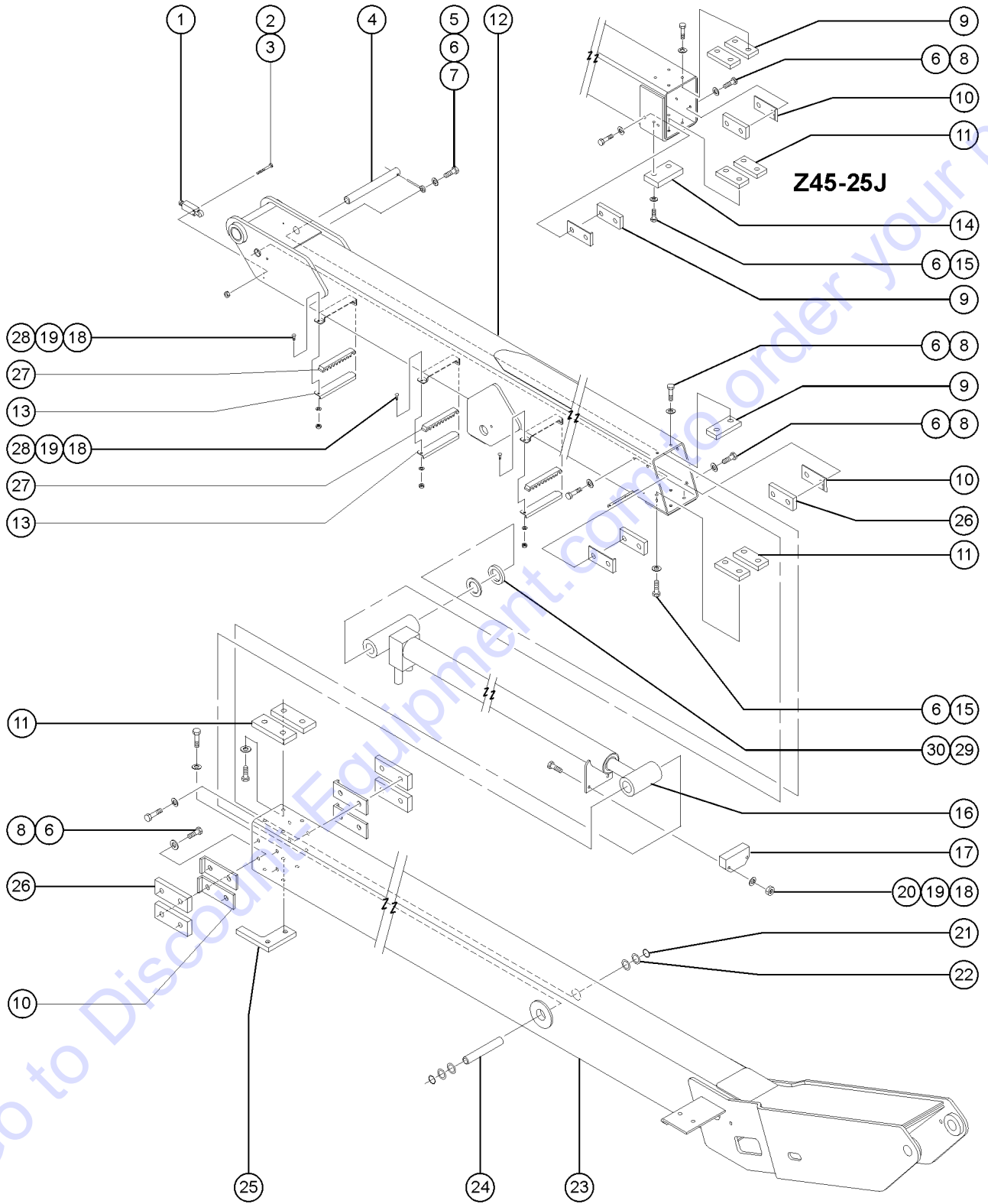
504.1 Primary and Extension Booms (to SN 37889)



## 504.1 Primary and Extension Booms (to SN 37889)

Item	Part No.	Description	Qty.	Item	Part No.	Description	Qty.
--	150103GT	WIRE LOOM,1.25"NYLON,HIGH TEMP.....129-inches		23B	119649GT	WELDMNT,EXTENSION BOOM,JIB,Z45.....1 (Z-45/25J) (from SN 33750 to 37889)	1
1	88366-11205GT	SWITCH,LIMIT,W/RLLR ARM NO/NC.....1		23B	50304GT	EXTENSION BOOM WELDMNT,JIB,Z45.....1 (Z-45/25J) (from SN 27000 to 33749)	1
--	97128GT	ROLLER ARM,LIMIT SWITCH***		24	50546GT	PIN,1.25DIAX6.36LG,2RING.....1	1
2	49775GT	SCREW,PHILLIPS,PHM,10-32X 1.75		25	50552GT	WEAR PAD,EXTENSION BOOM.....1	1
3	6178GT	NUT,NYLOCK,10-32		26	30138GT	WEAR PAD,5 X 1.5 X .625 W/NUTS.....4	4
4	50584GT	PIN,1.25DIAX9.38LG,THREADED.....1		27	4828GT	NUT,NYLOCK,3/8-16	
5	6019GT	SCREW,HHC,3/8-16 X 1.25 GRD 5		27A	4828GT	NUT,NYLOCK,3/8-16 to SN 37889	
6	6021GT	WASHER,LOCK,.375		27B	6091GT	NUT,NYLOCK,1/4-20 from SN 37890	
7	825019GT	ROD END,.375X3.69,ZAG		28A	6097GT	WASHER,FLAT,USS,3/8",Y to SN 37889	
8	8255GT	SCREW,HHC,3/8-16 X .75		28B	6638GT	WASHER,FLAT,USS,1/4"Y from SN 37890	
9A	34125GT	WEAR PAD,5 X 1.5 X .75 W/NUTS.....5 (Z-45/25)	5	29	54530GT	CLAMP,HOSE,ALUMINUM.....1 to SN 37889	1
9B	54131GT	WEAR PAD,PRIMARY BOOM,TOP 6.25X1.5X1.13.....5 (Z-45/25J) to SN 33749	5	30	77106GT	CLAMP,CABLE & HOSE,PLASTIC.....2	2
--	30138GT	WEAR PAD,5 X 1.5 X .625 W/NUTS.....2 (Z-45/25J) from SN 33750	2	30A	77106GT	CLAMP,CABLE & HOSE,PLASTIC.....2 to SN 37889	2
10	38620GT	SHIM,WEAR PAD,5 X 1.5,14GA.....as-needed		30B	128601GT	CLAMP, PRI, HOSE/CABLE, Z45/51.....3 from SN 37890	3
11	34125GT	WEAR PAD,5 X 1.5 X .75 W/NUTS.....4	4	30B	128995GT	FORMING, HOSE CLAMP RETAINER....3 from SN 37890	3
12	38620GT	SHIM,WEAR PAD,5 X 1.5,14GA.....as-needed		30B	79456GT	BOLT,CARRIAGE,1/4-20 X 1.00,G2 from SN 37890	
13	29080GT	SHIM,WEAR PAD,5X 1.5 16GA.....as-needed		31A	110384GT	PRIMARY BOOM ASSY,STD,Z45/25 to SN 37889 (Z-45/25)	
14	54157GT	WEAR PAD,PRIMARY BOOM,JIB.....1	1	31B	110385GT	PRIMARY BOOM ASSY,JIB,Z45/25J.....1 to SN 37889 (Z-45/25J)	1
15A	8516GT	SCREW, HCC, 3/8-16 X 1.50 (Z-45/25)					
15B	13918GT	SCREW,HHC,3/8-16 X 1.75,GRD.8 (Z-45/25J)					
16A	54570GT	CYLINDER,EXTEND,Z45 NON JIB.....1 (Z-45/25)	1				
--	54063GT	VALVE,CB.CBBC-LHN@1000***					
--	65788GT	SEAL KIT CYL Z45 (54570)					
--	77410GT	VALVE,COUNTERBALNCE,1500 PSI**					
16B	54569GT	CYLINDER,EXTEND,Z45J***.....1 (Z-45/25J)	1				
--	54063GT	VALVE,CB.CBBC-LHN@1000***					
--	65790GT	SEAL KIT CYL.Z45(54569)					
--	77410GT	VALVE,COUNTERBALNCE,1500 PSI**					
17	50698GT	WEAR PAD,EXTENSION CYLINDER.....1	1				
18	6091GT	NUT,NYLOCK,1/4-20					
19	6638GT	WASHER,FLAT,USS,1/4"Y					
20	6637GT	SCREW,HHC,1/4-20 X 1.75					
21	824164GT	SNAP RING,EXTERNAL,1.25,ZAG					
22	30255GT	WASHER,SHIM,1.27 X 2.13 X .062					
23A	50315GT	EXTENSION BOOM WELDMNT,NON-JIB (Z-45/25)					

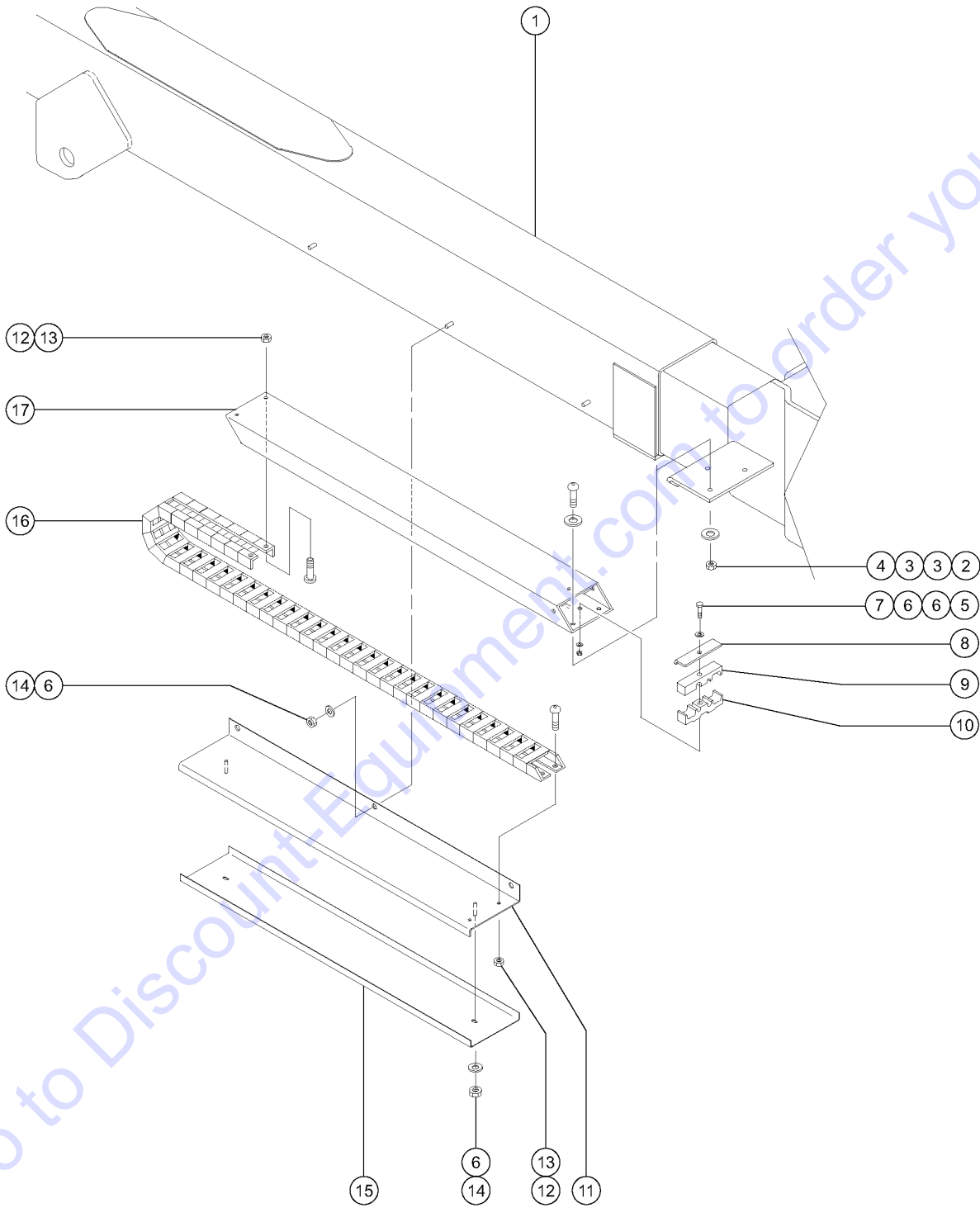
504.2 Primary and Extension Booms (from SN 08A-37890 and from 12B-2245 and from 13D101)



504.2 Primary and Extension Booms (from SN 08A-37890 and from 12B-2245 and from 13D101)

Item	Part No.	Description	Qty.	Item	Part No.	Description	Qty.
--	150103GT	WIRE LOOM,1.25"NYLON,HIGH TEMP.....129-inches		24	50546GT	PIN,1.25DIA X 6.36LG,2RING.....1	1
1	88366-11205GT	SWITCH,LIMIT,W/RLLR ARM NO/NC.....1		25	50552GT	WEAR PAD,EXTENSION BOOM.....1	1
--	97128GT	ROLLER ARM,LIMIT SWITCH***		26	30138GT	WEAR PAD,5 X 1.5 X .625 W/NUTS.....8	8
2	54239GT	SCREW,PHILLIPS,PHM,10-32 X 2.0		27	128601GT	CLAMP, PRI, HOSE/CABLE, Z45/51.....3	3
3	6178GT	NUT,NYLOCK,10-32		28	79456GT	BOLT,CARRIAGE,1/4-20 X 1.00,G2.....3 Z-45/25J	3
4	50584GT	PIN,1.25DIA X 9.38LG,THREADED.....1		29	77376GT	SPACER,NYLON,2.00 X 1.33 X .310.....1	1
5	6019GT	SCREW,HHC,3/8-16 X 1.25 GRD 5		30	77375GT	SPACER,NYLON,2.01 X 1.28 X .135.....1	1
6	6097GT	WASHER,FLAT,USS,3/8",Y					
7	825019GT	ROD END,.375X3.69,ZAG					
8	8255GT	SCREW,HHC,3/8-16 X .75					
9A	34125GT	WEAR PAD,5 X 1.5 X .75 W/NUTS.....1 Z-45/25					
9B	34125GT	WEAR PAD,5 X 1.5 X .75 W/NUTS.....2 Z-45/25J					
10	38620GT	SHIM,WEAR PAD,5 X 1.5,14GA					
11	34125GT	WEAR PAD,5 X 1.5 X .75 W/NUTS.....4					
12A	1257051GT	ASSEMBLY,PRIMARY BOOM,Z45 NJ Z-45/25					
12B	1257052GT	ASSEMBLY,PRIMARY BOOM,Z45 JIB Z-45/25J					
13	128995GT	FORMING, HOSE CLAMP RETAINER....3					
14	54157GT	WEAR PAD,PRIMARY BOOM,JIB.....1 Z-45/25J only					
15A	8516GT	SCREW, HCC, 3/8-16 X 1.50 Z-45/25					
15B	13918GT	SCREW,HHC,3/8-16 X 1.75,GRD.8 Z-45/25J					
16A	54570GT	CYLINDER,EXTEND,Z45 NON JIB.....1 Z-45/25					
--	54063GT	VALVE,CB.CBBC-LHN@1000***					
--	65788GT	SEAL KIT CYL Z45 (54570)					
--	77410GT	VALVE,COUNTERBALNCE,1500 PSI**					
16B	54569GT	CYLINDER,EXTEND,Z45J***.....1 Z-45/25J					
--	54063GT	VALVE,CB.CBBC-LHN@1000***					
--	65790GT	SEAL KIT CYL.Z45(54569)					
--	77410GT	VALVE,COUNTERBALNCE,1500 PSI**					
17	50698GT	WEAR PAD,EXTENSION CYLINDER.....1					
18	6091GT	NUT,NYLOCK,1/4-20					
19	6638GT	WASHER,FLAT,USS,1/4"Y					
20	6637GT	SCREW,HHC,1/4-20 X 1.75					
21	824164GT	SNAP RING,EXTERNAL,1.25,ZAG					
22	30255GT	WASHER,SHIM,1.27 X 2.13 X .062					
23A	50315GT	EXTENSION BOOM WELDMNT,NON-JIB Z-45/25					
23B	128304GT	WELDMNT,EXT. BOOM,Z45 JIB Z-45/25J					

505.1 Cable Track (to SN 37889)

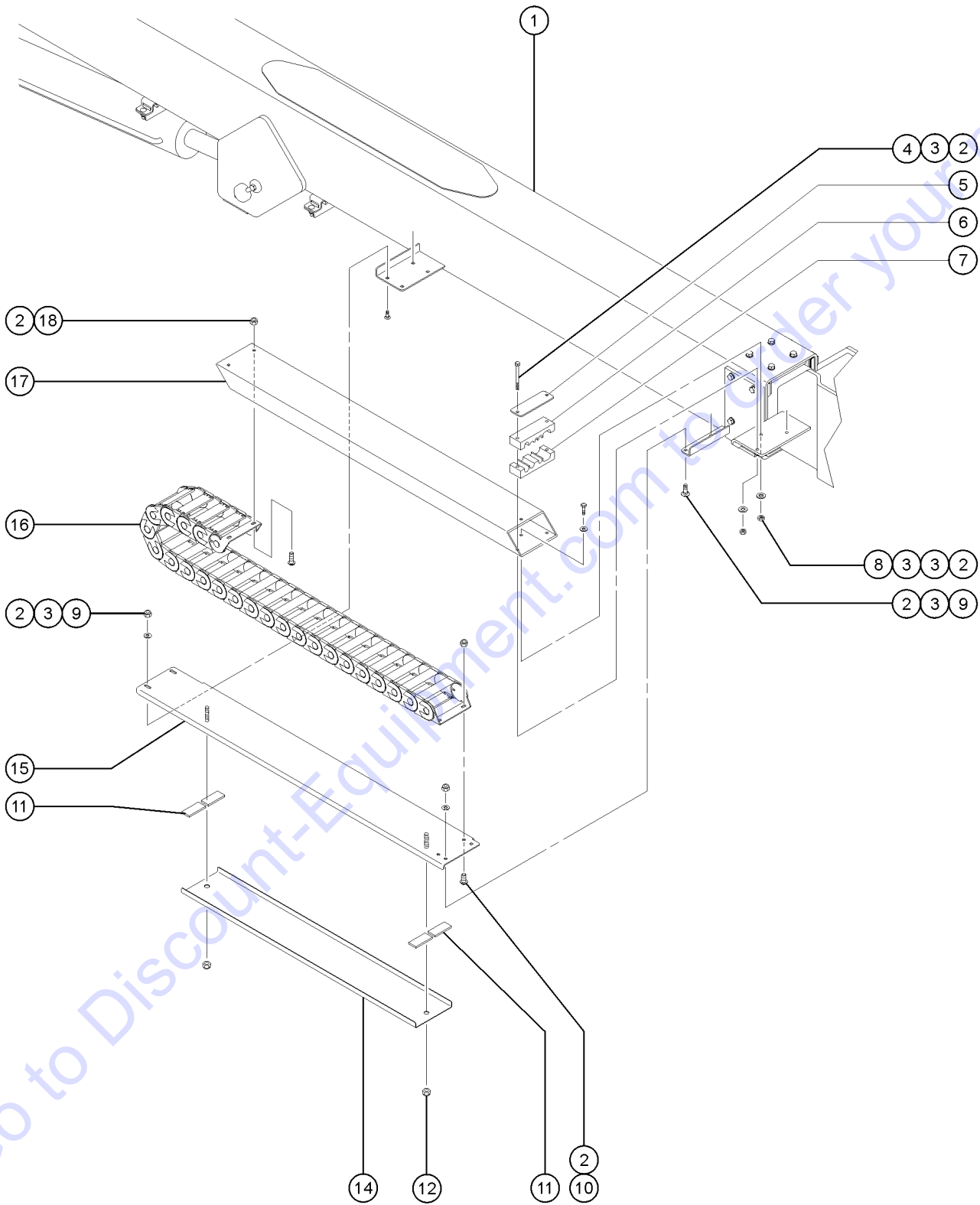


Go to Discount-Equipment.com to order your parts

## 505.1 Cable Track (to SN 37889)

Item	Part No.	Description	Qty.
1		Ref. Primary Boom Tube Assembly (refer to 504.1)	
2	18504GT	NUT,LOCKING-LG.FLANGE,1/4-20	
3	6638GT	WASHER,FLAT,USS,1/4"Y	
4	54830GT	SCREW,BHSC,1/4-20 X .88,Y/ZINC	
5	6326GT	SCREW,HHC,3/8-16 X 3	
6	5397GT	WASHER,FLAT,USS,5/16",Y	
7	4828GT	NUT,NYLOCK,3/8-16	
8	106804PGT	BACKING, HOSE CLAMP PTD.....2	
9	106585GT	CLAMP,HOSE Z-45 PRIMARY.....2	
10	106581GT	CLAMP,JIB HOSE Z45.....2	
--	107901GT	CLAMP, ARCTIC HOSE <i>Arctic Option</i>	
11A	54981GT	WELDMENT,CABLE TRACK TRAY,NJIB (Z-45/25)	
11B	54983GT	WLDMNT,CABLE TRACK TRAY,JIB.....1 (Z-45/25J)	
12	6091GT	NUT,NYLOCK,1/4-20	
13	14297GT	SCREW,BHHS,1/4-20 X .75	
14	7713GT	NUT, LP NYLOCK, 3/8-16	
15A	54985PGT	CHANNEL,CABLE TRACK COV,NONJ,P (Z-45/25)	
15B	54984PGT	CHANNEL,CABLE TRK COVER,JIB,PA.....1 (Z-45/25J)	
16A	50452GT	CABLE TRACK,PLASTIC,35 LINK (Z-45/25)	
--	58919GT	REPAIR LINK,7 LINKS*** <i>for 50452</i>	
--	58920GT	REPAIR LINK END SET (42763)* <i>for 50452</i>	
--	58927GT	LINK,NYLATRAC KS6-5.4*** <i>for 50452</i>	
16C	50451GT	CABLE TRACK,PLASTIC,26 LINK*.....1 (Z-45/25J)	
--	58919GT	REPAIR LINK,7 LINKS*** <i>for 50451</i>	
--	58920GT	REPAIR LINK END SET (42763)* <i>for 50451</i>	
--	58927GT	LINK,NYLATRAC KS6-5.4*** <i>for 50451</i>	
17A	54460GT	TUBE,CABLE TRACK ARM NON-JIB (Z-45/25)	
17B	54461GT	TUBE,CABLE TRACK ARM,JIB.....1 (Z-45/25J)	

505.2 Cable Track (from SN 08A-37890 and from 12B-2245 and from 13D101)



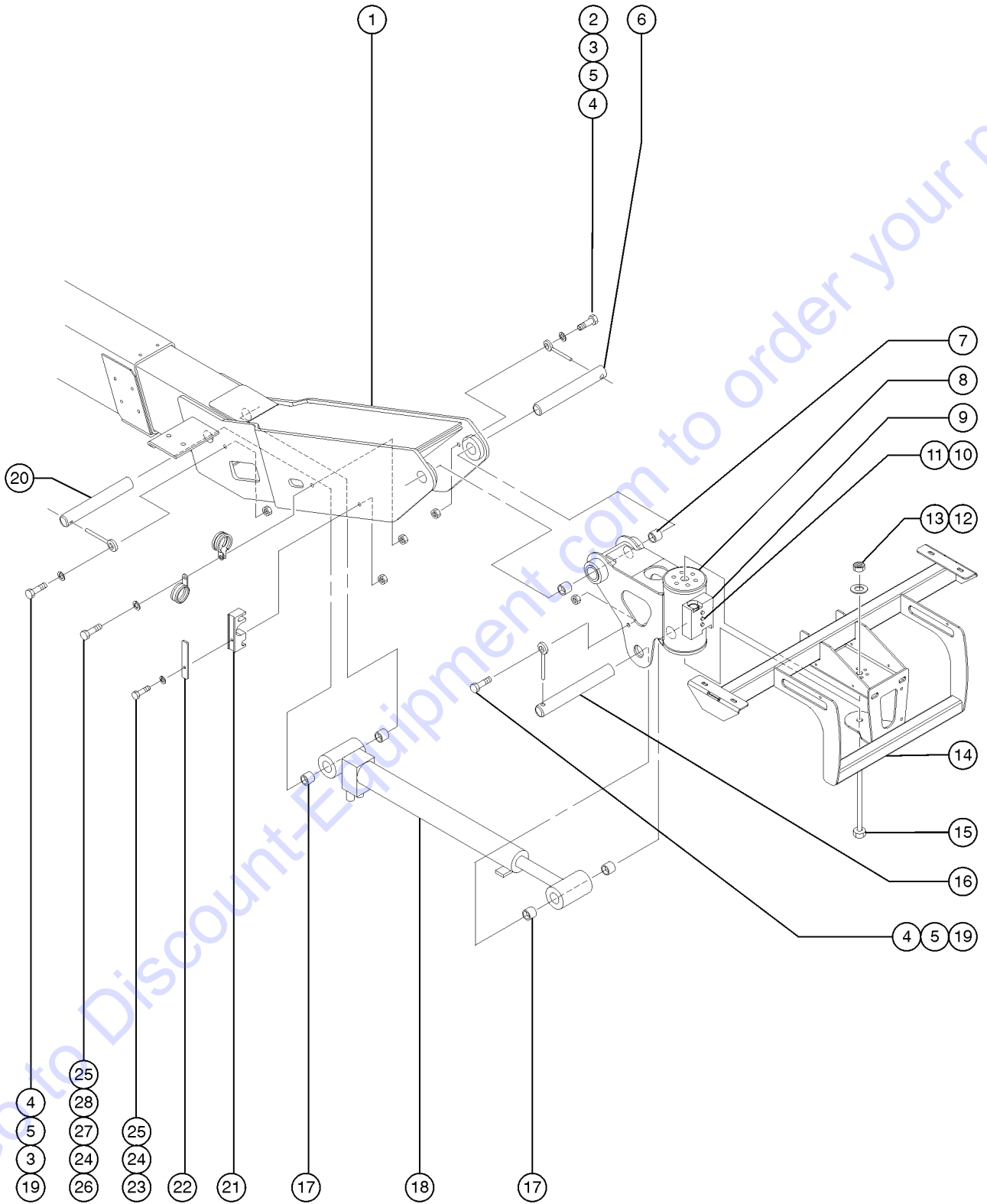
Go to Discount-Equipment.com to order your parts



## 505.2 Cable Track (from SN 08A-37890 and from 12B-2245 and from 13D101)

Item	Part No.	Description	Qty.	Item	Part No.	Description	Qty.
1		PRIMARY BOOM ASSY <i>refer to section 504</i>		--	111052GT	REPAIR LINK,NP400-7*** <i>for 139702</i>	
2	6091GT	NUT,NYLOCK,1/4-20		--	111053GT	REPAIR END BRKT SET,NP400-7*** <i>for 139702</i>	
3	6638GT	WASHER,FLAT,USS,1/4"Y		17A	128597GT	TUBE, CABLETRACK ARM, Z51.....1 Z-45/25	1
4	12343GT	SCREW,HHC,1/4-20 X 3		17B	128309GT	TUBE, CABLETRACK ARM, Z40/45.....1 Z-45/25J	1
5	128862GT	BACKING PLATE, PULLTUBE.....1	1	18	14297GT	SCREW,BHHS,1/4-20 X .75	
6	128310GT	CLAMP, JIB HOSE/CABLE, Z45/51.....1	1				
7	128311GT	CLAMP, JIB HOSE/CABLE, Z45/51.....1	1				
8	6888GT	SCREW,HHC,1/4-20 X 1					
9	6878GT	BOLT,CARRIAGE,1/4-20 X .75,G2					
10	12011GT	SCREW,BHHS,1/4-20 X .5,Y/ZINC					
11	54271GT	SPACER,HOSE CLAMP,RUBBER.....4	4				
12	1274322GT	NUT,NYLOCK FLG,3/8-16,F,ZAG					
13							
14A	128596GT	COVER, CABLETRACK TRAY, Z51.....1 Z-45/25	1				
14B	128308GT	COVER,CABLETRACK TRAY,Z40/45.....1 Z-45/25J	1				
15A	139779GT	WELDMENT, CABLETRACK TRAY.....1 Z-45/25	1				
15B	139781GT	WELDMENT, CABLETRACK TRAY.....1 Z-45/25J	1				
16A	50452GT	CABLE TRACK,PLASTIC,35 LINK Z-45/25 to SN Z452509A-38978					
--	58919GT	REPAIR LINK,7 LINKS*** <i>for 50452</i>					
--	58920GT	REPAIR LINK END SET (42763)* <i>for 50452</i>					
--	58927GT	LINK,NYLATRAC KS6-5.4*** <i>for 50452</i>					
16B	139701GT	CABLE TRACK, NP400, 31 LINK.....1 Z-45/25 from SN Z452509A-38979	1				
--	111051GT	REPAIR LINK,7 LINKS NP400-7*** <i>for 139701</i>					
--	111052GT	REPAIR LINK,NP400-7*** <i>for 139701</i>					
--	111053GT	REPAIR END BRKT SET,NP400-7*** <i>for 139701</i>					
16C	50452GT	CABLE TRACK,PLASTIC,35 LINK Z-45/25J to SN Z452509A-38978					
--	58919GT	REPAIR LINK,7 LINKS*** <i>for 50452</i>					
--	58920GT	REPAIR LINK END SET (42763)* <i>for 50452</i>					
--	58927GT	LINK,NYLATRAC KS6-5.4*** <i>for 50452</i>					
16D	139702GT	CABLE TRACK, NP400, 23 LINK.....1 Z-45/25J from SN Z452509A-38979	1				
--	111051GT	REPAIR LINK,7 LINKS NP400-7*** <i>for 139702</i>					

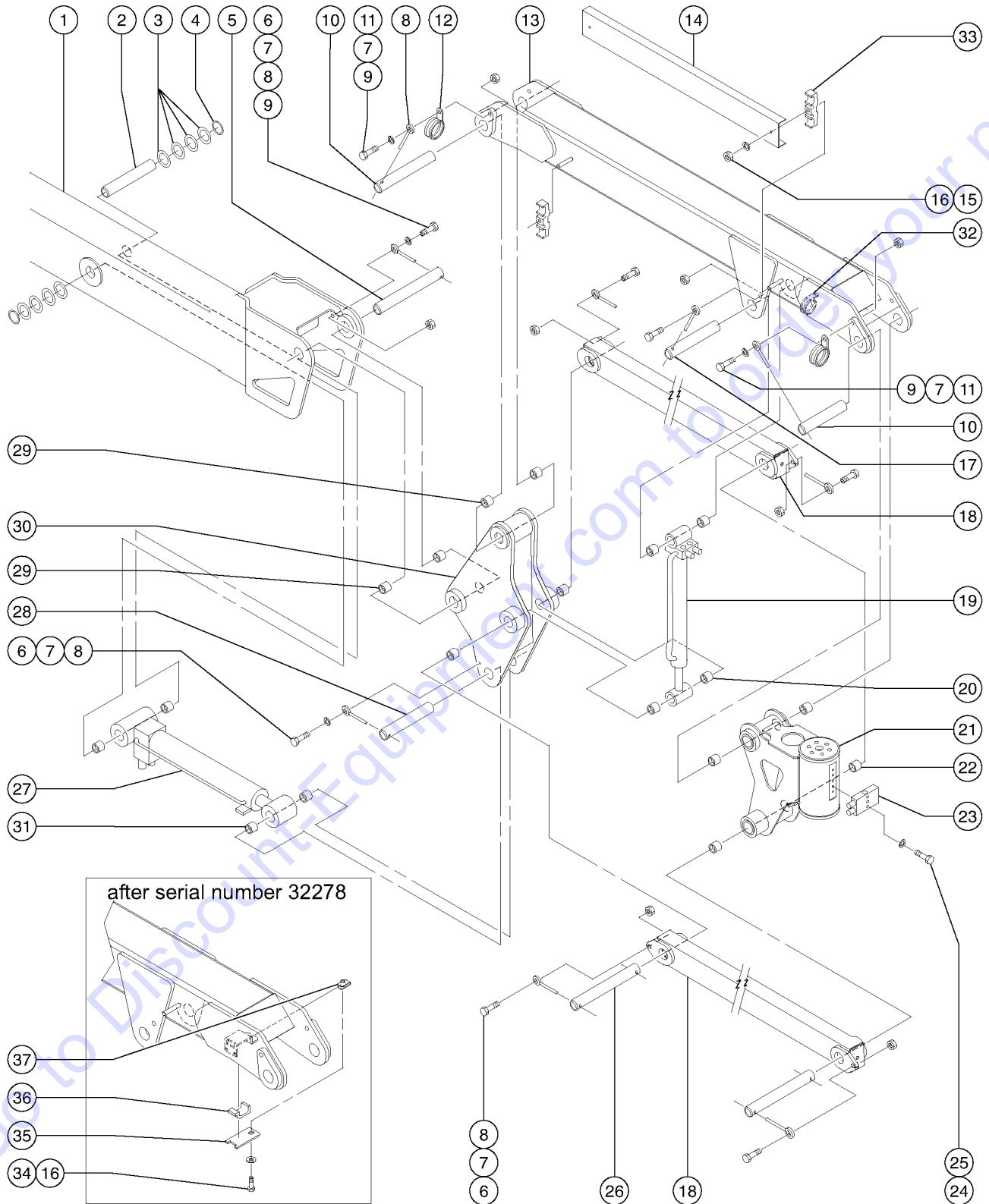
506.1 Non-Jib Platform Leveling and Rotation (Z-45/25)



## 506.1 Non-Jib Platform Leveling and Rotation (Z-45/25)

Item	Part No.	Description	Qty.
--	150103GT	WIRE LOOM,1.25"NYLON,HIGH TEMP.....129-inches	
1		Ref. Primary Boom Tube Assembly (refer to 504.1)	
2	8516GT	SCREW, HCC, 3/8-16 X 1.50	
3	5397GT	WASHER,FLAT,USS,5/16",Y	
4	7713GT	NUT, LP NYLOCK, 3/8-16	
5	825019GT	ROD END,.375X3.69,ZAG	
6	50543GT	PIN,1.25DIAX8.88LG,1HOLE.....1	
7	30222GT	BEARING,FL,1.25IDX1.41ODX1.50L.....2	
8	233716GT	ROTATOR,PLAT,Z45.....1 <i>includes item 7; non-jib units</i>	
--	147369GT	SEAL AND BRG KIT,4.5K ROTATOR* <i>for 94402</i>	
--	233745GT	SEAL AND BRG KIT,4.5K ROTATOR <i>for 233716</i>	
9	73807GT	MANIFOLD,ROTATOR,CB***.....1	
10	6145GT	SCREW,HHC,1/4-20 X 1.5	
11	6356GT	WASHER,LOCK,.25	
12	77051GT	NUT,NYLOCK,3/4-10,GRD.8.....1	
13	33278GT	WASHER,FLAT,.75 HARDENED.....1	
14	54520-SGT	WELDMNT,PLATFRM SUPPORT,NJIB**.....1 <i>non-jib models</i>	
15	56925GT	SCREW,HHC,3/4-10 X 9.5 GR 8 YE.....1	
16	T108075GT	PIN,1.25DIAX5.25LG,1HOLE.....1	
17	25683GT	BEARING,POLYGON,20DU12.....4	
18	77363GT	CYLINDER,SLAVE,Z45***.....1 <i>includes item 17</i>	
--	54065GT	VALVE,COUNTERBALANCE,3500***	
--	77364GT	SEAL KIT,MASTER & SLAVE CYL	
19	6019GT	SCREW,HHC,3/8-16 X 1.25 GRD 5	
20	T107884GT	PIN,1.25DIAX7.00LG,1HOLE.....1	
21A	106526GT	CLAMP,HOSE ROUTE,2X#4,LOOM.....1 <i>(to SN 39070)</i>	
21B	139687GT	CLAMP, #4 HOSE, AIR AND LOOM <i>(from SN 39071) (shown)</i>	
22A	107595GT	BRACKET,HOSE CLAMP SUPPORT.....1 <i>(to SN 39070)</i>	
22B	139688GT	BRACKET, HOSE CLAMP SUPPORT <i>(from SN 39071) (shown)</i>	
23	36294GT	SCREW,HHC,1/4-20 X 2.75	
24	6638GT	WASHER,FLAT,USS,1/4"Y	
25	6091GT	NUT,NYLOCK,1/4-20	
26	6888GT	SCREW,HHC,1/4-20 X 1	
27	21619GT	CLAMP,1.50,#24 X 1/4,RUB CUSH	
28	21618GT	CLAMP,1.13,#18 X 1/4,RUB CUSH	

507.1 Jib Platform Leveling (Z-45/25J)



# PARTS FINDER

**Search Website  
by Part Number**



**Search Manual  
Library For Parts  
Manual & Lookup Part  
Numbers – Purchase  
or Request Quote**

**Search Manuals**

Enter your information to help us find the right parts manual for your machine.

\* Brand:

\* Model:

\* Serial:

\* Part Number:

SEARCH

**Can't Find Part or  
Manual? Request Help  
by Manufacturer,  
Model & Description**

**Parts Order Form**

Please fill in the following information to help us find the right part for your machine.

Manufacturer:	<input type="text"/>
Model:	<input type="text"/>
Description:	<input type="text"/>
Part Number:	<input type="text"/>
Quantity:	<input type="text"/>
Notes:	<input type="text"/>

Submit

Discount-Equipment.com is your online resource for quality parts & equipment.

Florida: **561-964-4949** Outside Florida TOLL FREE: **877-690-3101**

**Need parts?**

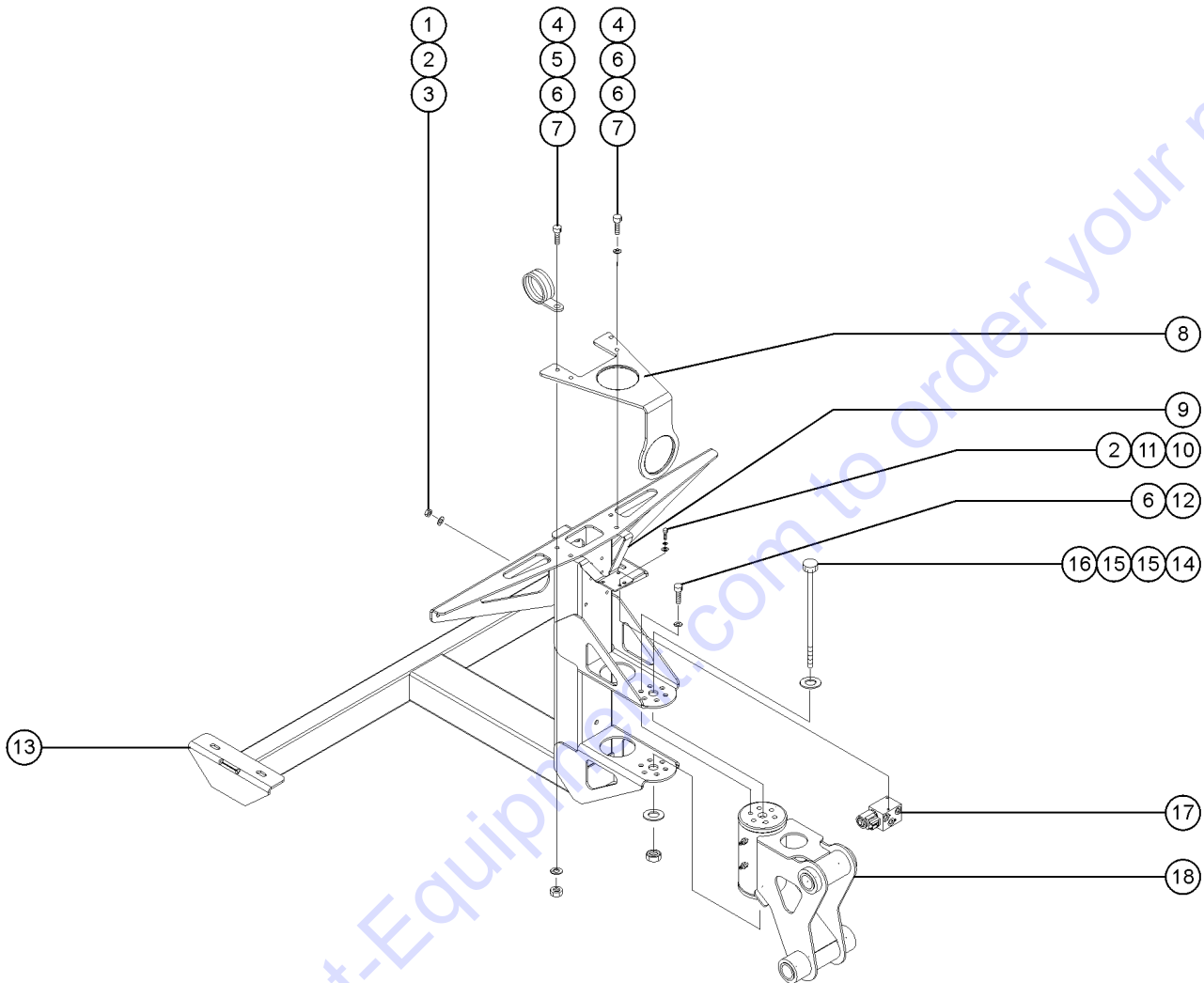
Click on this link: <http://www.discount-equipment.com/category/5443-parts/> and choose one of the options to help get the right parts and equipment you are looking for. Please have the machine model and serial number available in order to help us get you the correct parts. If you don't find the part on the website or on one of the online manuals, please fill out the request form and one of our experienced staff members will get back to you with a quote for the right part that your machine needs.

We sell worldwide for the brands: Genie, Terex, JLG, MultiQuip, Mikasa, Essick, Whiteman, Mayco, Toro Stone, Diamond Products, Generac Magnum, Airman, Haulotte, Barreto, Power Blanket, Nifty Lift, Atlas Copco, Chicago Pneumatic, Allmand, Miller Curber, Skyjack, Lull, Skytrak, Tsurumi, Husquvarna Target, Stow, Wacker, Sakai, Mi-T-M, Sullair, Basic, Dynapac, MBW, Weber, Bartell, Bennar Newman, Haulotte, Ditch Runner, Menegotti, Morrison, Contec, Buddy, Crown, Edco, Wyco, Bomag, Laymor, EZ Trench, Bil-Jax, F.S. Curtis, Gehl Pavers, Heli, Honda, ICS/PowerGrit, IHI, Partner, Imer, Clipper, MMD, Koshin, Rice, CH&E, General Equipment, Amida, Coleman, NAC, Gradall, Square Shooter, Kent, Stanley, Tamco, Toku, Hatz, Kohler, Robin, Wisconsin, Northrock, Oztec, Toker TK, Rol-Air, APT, Wylie, Ingersoll Rand / Doosan, Innovatech, Con X, Ammann, Mecalac, Makinex, Smith Surface Prep, Small Line, Wanco, Yanmar

## 507.1 Jib Platform Leveling (Z-45/25J)

Item	Part No.	Description	Qty.	Item	Part No.	Description	Qty.
--	150103GT	WIRE LOOM,1.25"NYLON,HIGH TEMP.....129-inches		30	50466-SGT	BELLCRANK,JIB,WELD/Z45/25*** <i>includes item 29</i>	1
1		Ref. Primary and Extension Booms (refer to 504.1)		31	25683GT	BEARING,POLYGON,20DU12.....	2
2	50546GT	PIN,1.25DIAX6.36LG,2RING.....	1	32	49863GT	CLAMP,1.13,#18 X 3/8,RUB CUSH*.....	1
3	30255GT	WASHER,SHIM,1.27 X 2.13 X .062		33	106581GT	CLAMP,JIB HOSE Z45.....	2
4	824164GT	SNAP RING,EXTERNAL,1.25,ZAG		--	128428GT	ARCTIC HOSES, Z45J ELEVATE <i>Artic Option</i>	
5	50543GT	PIN,1.25DIAX8.88LG,1HOLE.....	1	34	6090GT	SCREW,HHC,1/4-20 X .75	
6	6019GT	SCREW,HHC,3/8-16 X 1.25 GRD 5		35	119536PGT	BRACKET,HOSE CLAMP,PAINTED.....	1
7	5397GT	WASHER,FLAT,USS,5/16",Y		36	119542GT	CLAMP,TWO HOSE.....	1
8	825019GT	ROD END,.375X3.69,ZAG		37	56912GT	SPRING CLIP,1/4-20,.025-.15X.54,ZAG	
9	4828GT	NUT,NYLOCK,3/8-16					
10	T107883GT	PIN,1.25DIAX7.88LG,1HOLE.....	2				
11	8516GT	SCREW, HCC, 3/8-16 X 1.50					
12	27497GT	CLAMP,RUBBER CUSHIONED-2 5/32....	2				
13		SERVICE KIT, 5FT JIB..... <i>Refer to section 509.1 for jib detail</i>	1				
14	106540PGT	CABLE COVER,JIB PAINTED.....	1				
15	6091GT	NUT,NYLOCK,1/4-20					
16	5397GT	WASHER,FLAT,USS,5/16",Y					
17	T107884GT	PIN,1.25DIAX7.00LG,1HOLE.....	1				
18	61306-SGT	COMPR.LINK,MACHINED,GND CONTR*.....	2				
19	54994GT	CYLINDER,JIB,Z45,#4 PORTS*** <i>includes item 20</i>	1				
--	147283GT	SEAL KIT,147259 <i>for 147259</i>					
--	43018GT	SEAL KIT (39345) <i>for 50480</i>					
--	50480GT	VALVE,COUNTERBALANCE,3800 PSI*					
--	65789GT	SEAL KIT (54994) <i>for 54994</i>					
20	25683GT	BEARING,POLYGON,20DU12.....	4				
21		REF: Jib Platform rotator..... <i>Refer to section 508.1 for jib rotator</i>	1				
22	30222GT	BEARING,FL,1.25IDX1.41ODX1.50L....	4				
23		Ref. Counterbalance Manifold (refer to 703.1)					
24	8915GT	SCREW,HHC,1/4-20 X 1.25					
25	6356GT	WASHER,LOCK,.25					
26	81175GT	PIN,1.25DIAX14.45LG,2HOLE.....	2				
27	77363GT	CYLINDER,SLAVE,Z45*** <i>includes item 31</i>	1				
--	54065GT	VALVE,COUNTERBALANCE,3500***					
--	77364GT	SEAL KIT,MASTER & SLAVE CYL					
28	T108075GT	PIN,1.25DIAX5.25LG,1HOLE.....	1				
29	35675GT	BEARING,FL,1.25IDX1.5ODX1.25L.....	6				

508.1 Jib Platform Rotation (Z-45/25J)



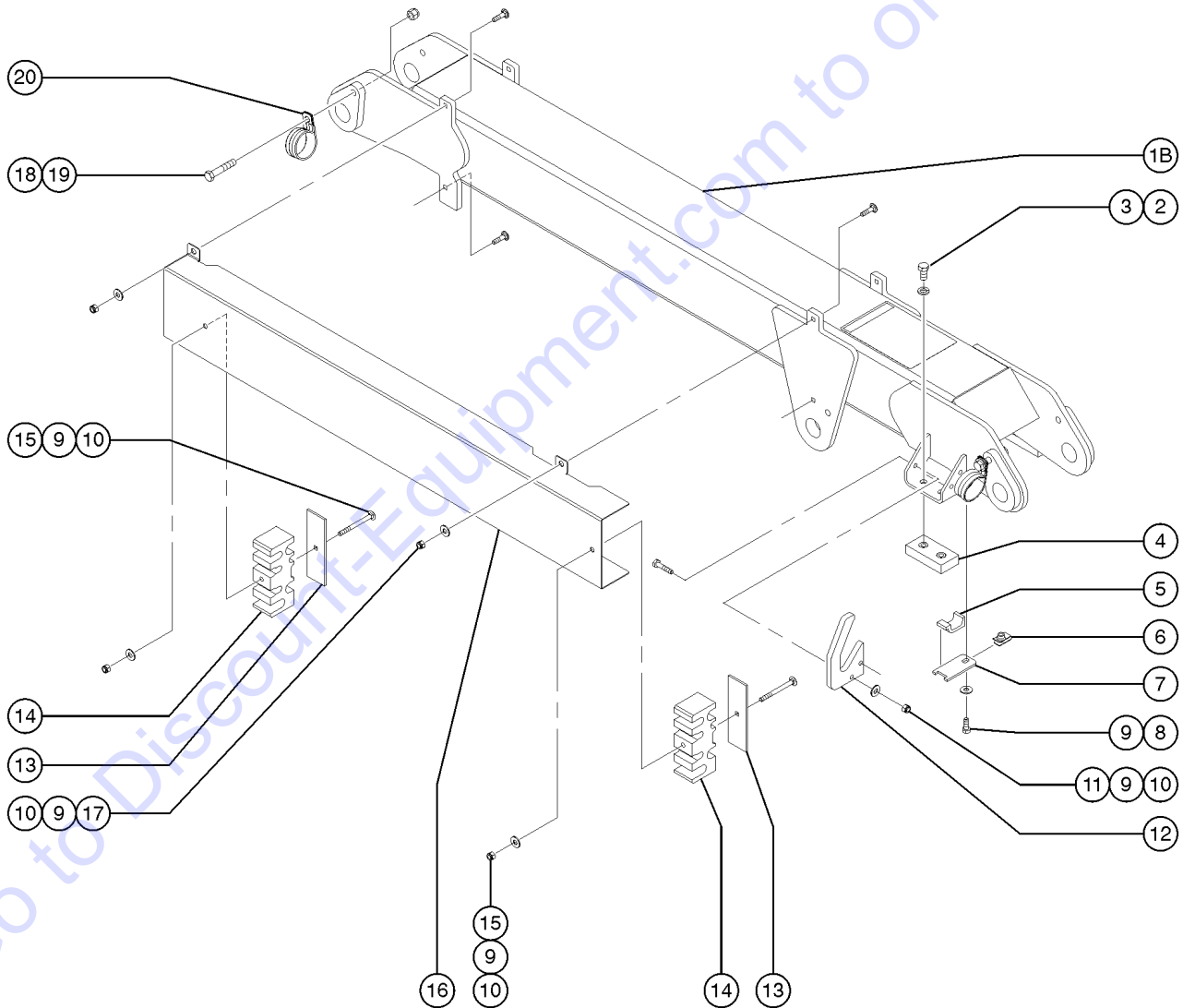
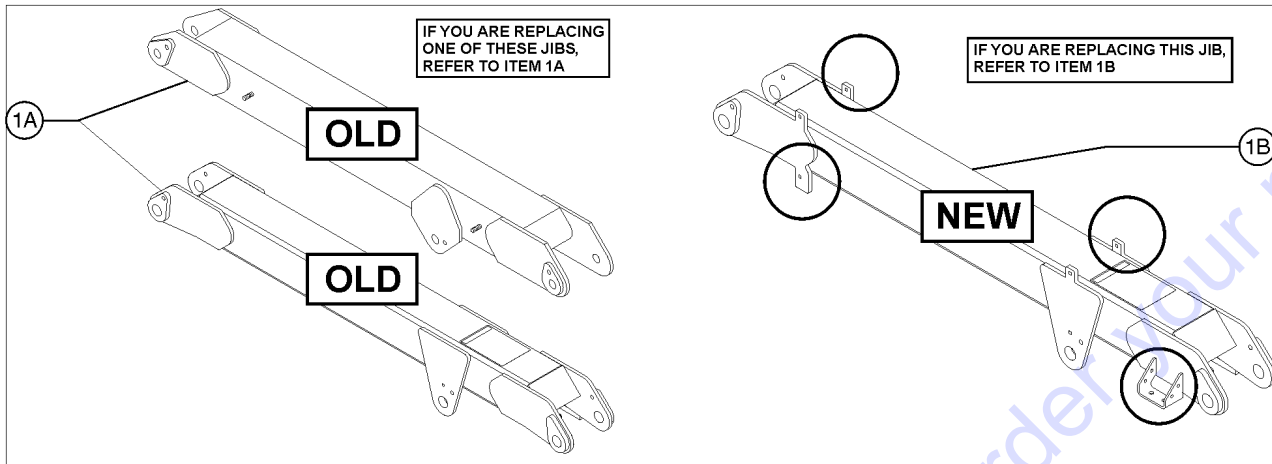
Go to Discount-Equipment.com to order your parts

## 508.1 Jib Platform Rotation (Z-45/25J)

Item	Part No.	Description	Qty.
1	6091GT	NUT,NYLOCK,1/4-20	
2	6638GT	WASHER,FLAT,USS,1/4"Y	
3	36294GT	SCREW,HHC,1/4-20 X 2.75	
4	13002GT	SCREW,HHC,5/16-18 X 1 GR5	
5	49863GT	CLAMP,1.13,#18 X 3/8,RUB CUSH*.....1	
6	5397GT	WASHER,FLAT,USS,5/16",Y	
7	6782GT	NUT,NYLOCK,5/16-18	
8	106163GT	FORMING,CABLE GUIDE.....1 <i>order 55067 grommet separately</i>	
--	55067GT	GROMMET,RUBBER 3 X .19 X 3.5.....2	
9	110671GT	PLATE,JIB,ROTATE MANIFOLD.....1	
10	6090GT	SCREW,HHC,1/4-20 X .75	
11	6356GT	WASHER,LOCK,.25	
12	94195GT	SCREW,HHC,3/8-16 X .75,GR 8.....6	
13	54510-SGT	WELDMENT,PLATFORM SUPPORT <i>for models with the Platform Overload option, refer to 907.1</i>	
14	56925GT	SCREW,HHC,3/4-10 X 9.5 GR 8 YE.....1	
15	33278GT	WASHER,FLAT,.75 HARDENED	
16	77051GT	NUT,NYLOCK,3/4-10,GRD.8.....1	
17		Ref. Jib Manifold (refer to 703.1)	
18A		ROTATOR,PLAT,Z45 <i>originally to SN 43877, PN no longer available, replace with 233715</i>	
--	147369GT	SEAL AND BRG KIT,4.5K ROTATOR* <i>for 94401</i>	
--	30222GT	BEARING,FL,1.25IDX1.41ODX1.50L.....4 <i>for 94401</i>	
--	88516GT	SCREW,BLEEDER,M5X0.8.....2 <i>for 94401</i>	
18B	233715GT	ROTATOR,PLAT,Z45J/Z51J.....1 <i>replacement for 94401</i>	
--	233745GT	SEAL AND BRG KIT,4.5K ROTATOR <i>for 233715</i>	
--	30222GT	BEARING,FL,1.25IDX1.41ODX1.50L.....4 <i>for 233715</i>	
--	88516GT	SCREW,BLEEDER,M5X0.8.....2 <i>for 233715</i>	



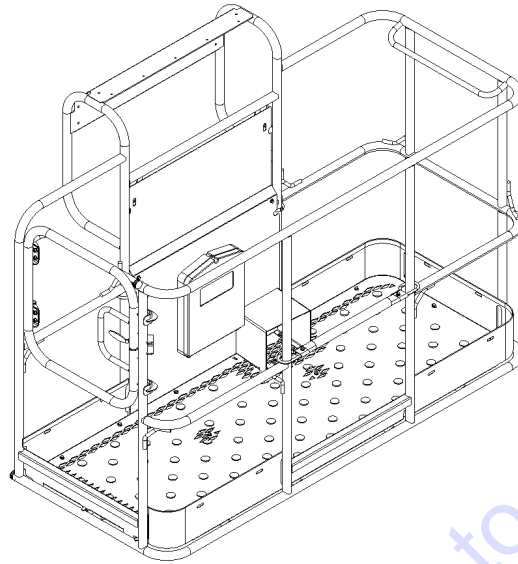
509.1 Jib Detail (Z-45/25J)



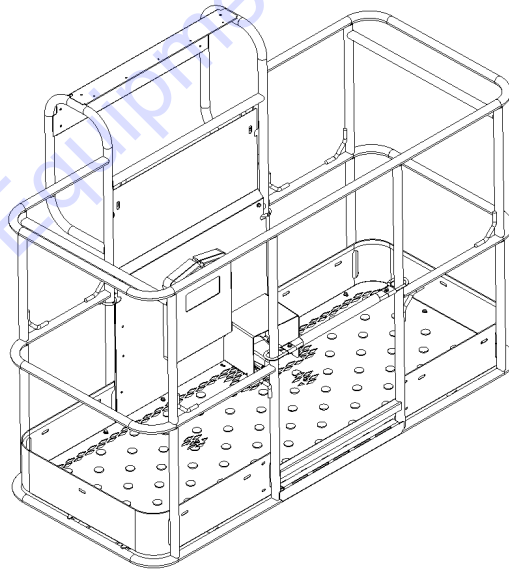
## 509.1 Jib Detail (Z-45/25J)

Item	Part No.	Description	Qty.
1A	128513GT	SERVICE KIT,5FT JIB <i>required for first time replacement (includes part number 128534)</i>	
1B	128534GT	JIB BOOM ASSY W/WORD DECAL.....1 <i>use ONLY if service kit 128513 has been installed on the machine</i>	
2	8255GT	SCREW,HHC,3/8-16 X .75	
3	6021GT	WASHER,LOCK,.375	
4	81640GT	WEAR PAD,3 X 1.5 X.625 W/NUTS.....1	
5	119542GT	CLAMP,TWO HOSE.....1	
6	56912GT	SPRING CLIP,1/4-20,.025-.15X.54,ZAG.....1	
7	119536PGT	BRACKET,HOSE CLAMP,PAINTED.....1	
8	6090GT	SCREW,HHC,1/4-20 X .75	
9	6638GT	WASHER,FLAT,USS,1/4"Y	
10	6091GT	NUT,NYLOCK,1/4-20	
11	8915GT	SCREW,HHC,1/4-20 X 1.25	
12	128482GT	HOSE GUIDE, JIB.....1	
13	128483GT	BACKING PLATE, HOSE BLOCK, JIB....2	
14	128510GT	CLAMP,JIB HOSE/CABLE,Z45/51.....2	
15	128724GT	BOLT,CARRIAGE,1/4-20 X 2.75,G2	
16	128454PGT	COVER, JIB HOSES/CABLES.....1	
17	79456GT	BOLT,CARRIAGE,1/4-20 X 1.00,G2	
18	5224GT	SCREW,HHC,3/8-16 X 2	
19	4828GT	NUT,NYLOCK,3/8-16	
20	77181GT	CLAMP,1.63,#26 X 3/8,RUB CUSH.....2	

601.1 Platform Configuration



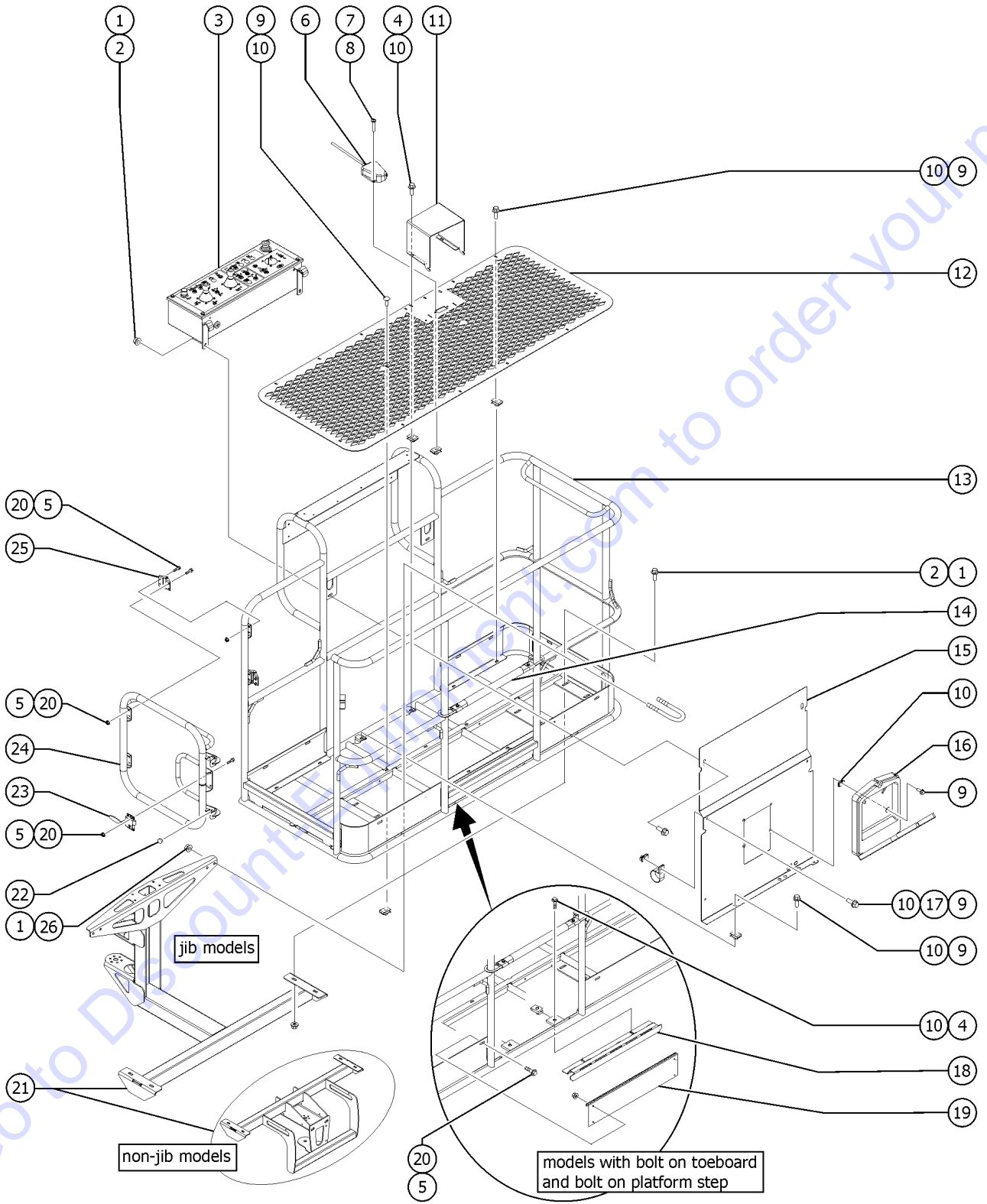
(1) Side Swing Gate Platform



(2) Front Single Entry Platform

Item	Part No.	Description	Qty.
A		<i>Complete Platform Assemblies with Decals</i>	
--			
--	1275393GT	PLAT ASSY,6' W/SIDE GATE,Z45DC/BI ANSI WORD <i>USA and Canadian models</i>	
--	1275394GT	PLAT ASSY,6' W/SIDE GATE,Z45DC/BI AUS <i>Australian models (to 34010) (from SN A-34011 to A-40599)(from SN B-101 to B-1725)</i>	
--	1275395GT	PLAT ASSY,6' W/SIDE GATE,Z45/51 CE <i>European models</i>	
--	1275396GT	PLAT ASSY,6' W/SIDE GATE,Z45/51 ANSI SYM <i>Asia/South America models</i>	
--	1275397GT	PLAT ASSY,6' W/SIDE GATE,Z45DC/BI AUS <i>Australian models (from SN A-40560)(from SN B-1726)(from SN D-101)</i>	
B		<i>Complete Platform Assemblies and Platform Weldments without Decals (Warning tape &amp; decals not included, refer to section 100 for decals)</i>	
--			
1A	1272303GT	ASSY,6FT PLAT DUAL LG,BLANK W/SIDE SWING GATE	
--	1274858GT	ASSY,6' PLAT WELDMENT W/SIDE GATE <i>flooring and decal plate not included</i>	
2A	161541GT	ASSY,4FT PLATFORM, NO DECALS <i>Single entry</i>	
--	60042GT	WELDMENT,4 FT PLATFORM <i>flooring and decal plate not included</i>	
2B	161542GT	ASSY,5FT PLATFORM, NO DECALS <i>Single entry</i>	
--	50294GT	WELDMENT,5 FT PLATFORM <i>flooring and decal plate not included</i>	
2C	160809GT	ASSY,6FT PLATFORM,NO DECALS <i>Single entry</i>	
--	73900GT	WELDMNT,6 FT PLATFORM <i>flooring and decal plate not included</i>	

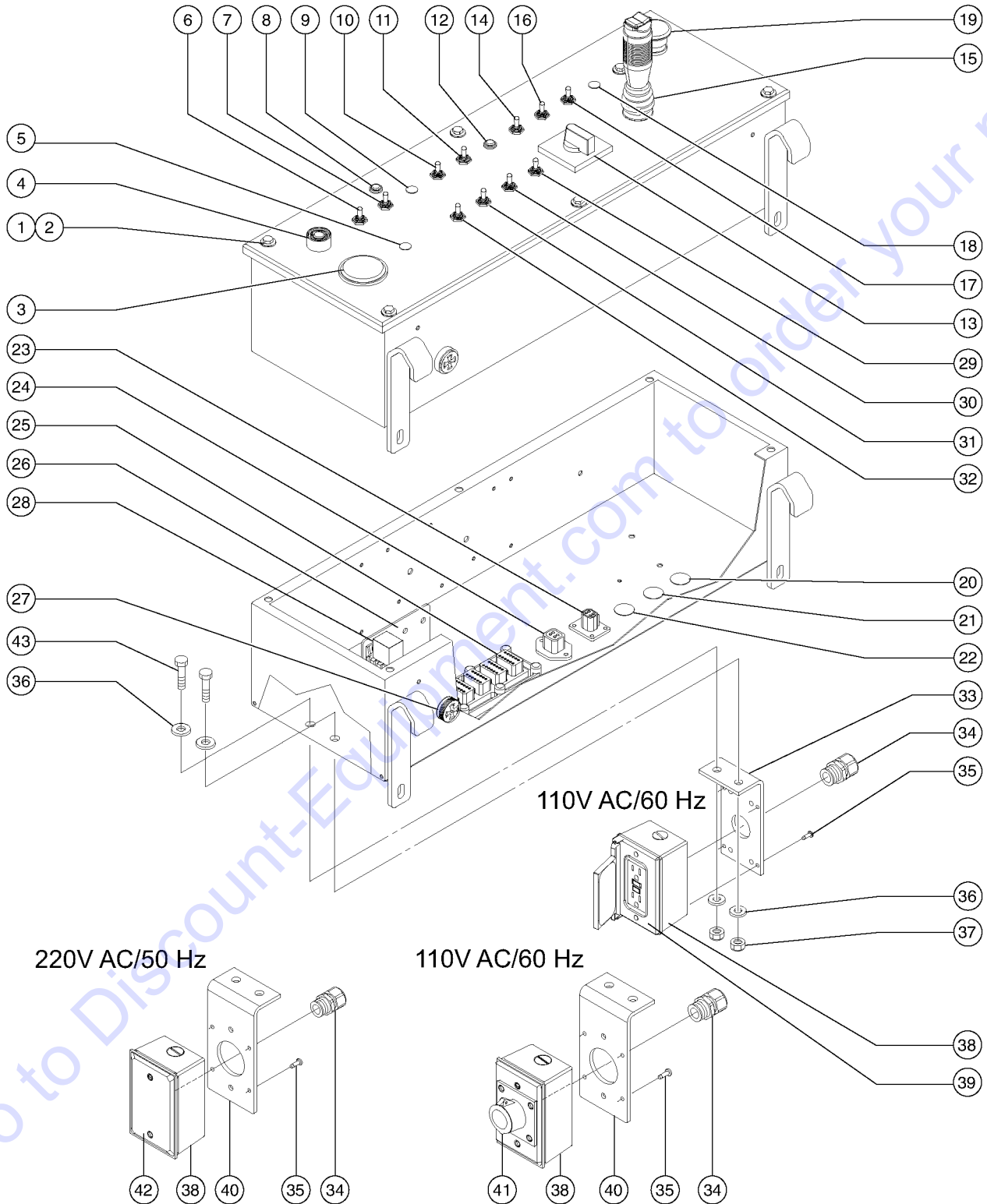
602.1 Platform Components



## 602.1 Platform Components

Item	Part No.	Description	Qty.	Item	Part No.	Description	Qty.
1	824029GT	NUT,TL FLG,3/8-16,G,ZAG		20	1256855GT	SCREW,HHF,1/4-20X.625,8,ZAG	
2	824090GT	SCREW,HHF,3/8-16X1,8,ZAG		21A		WELDMENT, Z45 PLATFORM SUPPORT, NO JIB.....1 <i>(refer to 506.1) (non-jib models)</i>	
3		Ref. Platform Control Box <i>(refer to 602.1 and 603.1)</i>		21B		WELDMENT,PLATFORM SUPPORT.....1 <i>(refer to 508.1) (jib models)</i>	
4	824079GT	SCREW,HHF,1/4-20X1,8,ZAG		21C		Ref. Platform Support.....1 <i>(refer to 906.1) (models with platform overload option)</i>	
5	824027GT	NUT,TL FLG,1/4-20,G,ZAG.....2		22	43392GT	BUMPER,BATTERY BOX & RAILS.....2	
6A	73233GT	ASSEMBLY,FOOT SWITCH***.....1 <i>(to SN 41836)</i>		23	1267747GT	LATCH, SWING GATE.....1	
--	119058GT	CONN PLUG 4 WAY ENDCAP DT <i>(for PN 73233)</i>		24	1272307GT	ASSY,SIDE SWING GATE.....1	
--	20262GT	MICROSWITCH,13482 FOOTSWITCH <i>(for PN 73233)</i>		25	104804GT	HINGE, SPRING, LONG LEG.....2	
--	43960GT	WIRE CABLE,16/4 CON.TPE JKT.....66-inches <i>(for PN 73233)</i>		26	1251600GT	U-BOLT, FLATTENED, 1.5 X 3/8 UNC,ZAG.....2	
--	73739GT	BOOT,PLUG 4 WAY <i>(for PN 73233)</i>					
6B	228468GT	KIT, FOOTSWITCH, Z45 & Z51.....1 <i>(upgrade kit) (to SN 41836)</i>					
--	227617GT	ASSEMBLY,FOOT SWITCH <i>(for PN 228468)</i>					
6C	227617GT	ASSEMBLY,FOOT SWITCH.....1 <i>(from SN 41837)</i>					
7	1256460GT	SCREW,PHPM,10-24X1,ZAG.....2					
8	73575GT	SPRING CLIP,10-24,.025-.125X.468,ZAG.....2					
9	824078GT	SCREW,HHF,1/4-20X.75,8,ZAG					
10	56912GT	SPRING CLIP,1/4-20,.025-.15X.54,ZAG					
11	147121GT	COVER, FOOT SWITCH, LARGE.....1					
12A	1267746GT	FLOORING, 6FT PLAT,SIDE.....1					
12B	73477PGT	FLOORING, 6'FT PLATFORM.....1 <i>(for single entry)</i>					
12C	54247PGT	FLOORING,5 FT PLATFORM,PAINTED.....1					
12D	60160PGT	FLOORING,4 FT PLATFORM,PAINTED.....1					
13		Ref. Platform Weldment.....1 <i>(refer to 601.1)</i>					
14	102992GT	SLIDING MIDRAIL KIT,PTD.....1 <i>(includes fasteners)</i>					
15	73574-SGT	DECAL PLATE ASSEMBLY.....1 <i>(decals not included, refer to section 100)</i>					
16	24514GT	BOX,INSTRUCTION STORAGE.....1 <i>(decals not included, refer to section 100)</i>					
17	56424GT	CLAMP,1.25X.5 RUBBER-CUSHION.....2					
18	73610PGT	STEP PLATFORM ENTRY PAINTED*** .....1					
19	94745GT	TOEBOARD,ENTRY EUROPEAN PNTD** .....1					

603.1 Platform Controls (to SN Z452515A-53323 and 15D-554)



## 603.1 Platform Controls (to SN Z452515A-53323 and 15D-554)

Item	Part No.	Description	Qty.	Item	Part No.	Description	Qty.
--	101579GT	PLAT. CONTROL BOX W/DECAL		--	128578GT	SCREW T-SWITCH PH/PH 6-32X1/4	
--	147253GT	TIME DELAY RELAY,2 SEC,24VDC <i>from SN 10A-39314</i>		--	128580-SGT	SWITCH TOGGLE SPDT 3P MOM SHDR	
1	8914GT	SCREW,HHC,1/4-20 X .625		--	27246GT	BOOT,TOGGLE SWITCH,SHORT*	
2	6638GT	WASHER,FLAT,USS,1/4"Y		8	42725GT	LIGHT,INDICATOR,RED 28V.....1	
3A	119794GT	ACC RETRO KIT LVI/BCI E II Z.....1 <i>Can only be used to upgrade machines which already have the LVI/BCI option installed from the factory; to SN 31014</i>		9A	45384GT	PLUG,NYLON .50 BLACK DOMED <i>(Z-45/25)</i>	
--	107992GT	HARN RETRO LVI/BCI ENGAGE II		9B	128202GT	SWITCH TOGGLE ASSY DPDT 3P MOM.....1 <i>(Z45/25J) Jib Boom Up/Down; includes boot and hardware</i>	
--	110651GT	LVI/BCI 36/48 VOLT ENGAGE II		--	128578GT	SCREW T-SWITCH PH/PH 6-32X1/4	
--	110652GT	GASKET LVI/BCI ENGAGE II		--	128582-SGT	SWITCH TOGGLE DPDT 3P MOM SHDR	
--	110653GT	BRACKET ENGAGE II		--	27246GT	BOOT,TOGGLE SWITCH,SHORT*	
--	110654GT	CONN PLUG 8 WAY MOLEX		10	128202GT	SWITCH TOGGLE ASSY DPDT 3P MOM.....1 <i>Platform Rotate; includes boot and hardware</i>	
3B	110651GT	LVI/BCI 36/48 VOLT ENGAGE II <i>(models with low voltage indicator/battery charge indicator) from SN 31015</i>		--	128578GT	SCREW T-SWITCH PH/PH 6-32X1/4	
--	110652GT	GASKET LVI/BCI ENGAGE II <i>from SN 31015</i>		--	128582-SGT	SWITCH TOGGLE DPDT 3P MOM SHDR	
--	110653GT	BRACKET ENGAGE II <i>from SN 31015</i>		--	27246GT	BOOT,TOGGLE SWITCH,SHORT*	
--	110654GT	CONN PLUG 8 WAY MOLEX <i>from SN 31015</i>		11	128202GT	SWITCH TOGGLE ASSY DPDT 3P MOM.....1 <i>Platform Level; includes boot and hardware</i>	
--	110655GT	HARN LVI/BCI ENGAGE II Z45DC <i>from SN 31015 to 38913</i>		--	128578GT	SCREW T-SWITCH PH/PH 6-32X1/4	
--	128940GT	RELAY HARN,PBOX LVI OPTION <i>from SN 38913; must order with 128941</i>		--	128582-SGT	SWITCH TOGGLE DPDT 3P MOM SHDR	
--	128941GT	HARNNESS LVI/BCI ENGAGE II <i>from SN 38913; must order with 128940</i>		--	27246GT	BOOT,TOGGLE SWITCH,SHORT*	
3C	237145GT	IND,BAT CHARGE,48V LEAD-ACID.....1 <i>(models with battery charge indicator)</i>		12	218164GT	LIGHT,INDICATOR,RED 24V H-BRI	
3D	128939GT	RELAY HARN,PBOX JIB OPTION <i>from SN 38913</i>		12	824878GT	LIGHT,LED IND. RED 24V NH	
4	122513GT	KIT,HORN SVC BB&SM BOOM		13	36557GT	ROTATIONAL CONTROLLER,24V***	
--	66813GT	BUTTON,PUSH,BLACK W/SEAL***		14	128202GT	SWITCH TOGGLE ASSY DPDT 3P MOM.....1 <i>Glow Plug; includes boot and hardware</i>	
--	66815GT	BASE, W/1 N.O. CONTACTS***		--	128578GT	SCREW T-SWITCH PH/PH 6-32X1/4	
5	229567GT	PLUG,SANTOPRENE .5 BLACK DOME <i>from SN 41671</i>		--	128582-SGT	SWITCH TOGGLE DPDT 3P MOM SHDR	
5	45384GT	PLUG,NYLON .50 BLACK DOMED.....3 <i>from SN 27000 to 41670</i>		--	27246GT	BOOT,TOGGLE SWITCH,SHORT*	
6	128201GT	SWITCH TOGGLE ASSY DPDT 2P MOM.....1 <i>Auxiliary Power; includes boot and hardware</i>		15		Ref. Joystick, Drive/Steer (refer to 603.1 or 604.1)	
--	128578GT	SCREW T-SWITCH PH/PH 6-32X1/4		16A	128200GT	SWITCH TOGGLE ASSY SPDT 3P MOM.....1 <i>Engine Star (Bi-Energy); includes boot and hardware</i>	
--	128581-SGT	SWITCH TOGGLE DPDT 2P MOM SHDR		--	128578GT	SCREW T-SWITCH PH/PH 6-32X1/4	
--	27246GT	BOOT,TOGGLE SWITCH,SHORT*		--	128580-SGT	SWITCH TOGGLE SPDT 3P MOM SHDR	
7	128200GT	SWITCH TOGGLE ASSY SPDT 3P MOM.....1 <i>Drive Enable; includes boot and hardware</i>		--	27246GT	BOOT,TOGGLE SWITCH,SHORT*	
				16B	229567GT	PLUG,SANTOPRENE .5 BLACK DOME <i>(DC) from SN 41671</i>	
				16B	45384GT	PLUG,NYLON .50 BLACK DOMED <i>(DC)</i>	



603.1 Platform Controls (to SN Z452515A-53323 and 15D-554)  
(continued)

Item	Part No.	Description	Qty.	Item	Part No.	Description	Qty.
17	13037-SGT	SWITCH,TOGGLE,SPDT,3POS MOMEN*.....1	1	--	128578GT	SCREW T-SWITCH PH/PH 6-32X1/4	
18	45384GT	PLUG,NYLON .50 BLACK DOMED		--	128582-SGT	SWITCH TOGGLE DPDT 3P MOM SHDR	
19	122514GT	KIT,ESTOP SVC BB&SM BOOM		--	27246GT	BOOT,TOGGLE SWITCH,SHORT*	
--	146478GT	BOOT(BELLOWS),E-STOP,BLACK (from SN 39986)		32	128202GT	SWITCH TOGGLE ASSY DPDT 3P MOM.....1 <i>Turntable Rotate; includes boot and hardware</i>	1
--	66812GT	BUTTON,PUSH,RED MUSHROOM HEAD		--	128578GT	SCREW T-SWITCH PH/PH 6-32X1/4	
--	66818GT	CONTACT, N.C.		--	128582-SGT	SWITCH TOGGLE DPDT 3P MOM SHDR	
--	66821GT	BASE,WITHOUT CONTACTS		--	27246GT	BOOT,TOGGLE SWITCH,SHORT*	
20	45385GT	PLUG,NYLON 1.12 BLACK DOMED		33	81096GT	BRACKET,POWER TO PLAT, DOM.....1	
21	45385GT	PLUG,NYLON 1.12 BLACK DOMED		34	7056GT	CONN,SQUEEZE,1/2NPT .38-.50,SM....2	
22	45385GT	PLUG,NYLON 1.12 BLACK DOMED		--	6935GT	LOCKNUT,ELEC,1/2"	
--	43957-8300GT	WIRE CABLE,14GA/4 CON.TPE JKT		35	57075GT	SCREW,PHIL,8-32X.50,SELF TAP.....4	
23	73233GT	ASSEMBLY,FOOT SWITCH***		35A	35461GT	WASHER,FLAT,MS,#8,Y.....4	
23	73723GT	CONN RECEPT,FLANGED		36	5397GT	WASHER,FLAT,USS,5/16",Y	
--	54259GT	TERM,NI PIN, 14-16GA,BULK		37	4828GT	NUT,NYLOCK,3/8-16	
--	60443GT	LOCK,RECEP 4 WAY,14-18GA		38	10775GT	T-BOX,2.75 X 4.5 X 2.0.....1	
--	73233GT	ASSEMBLY,FOOT SWITCH***		39	13585GT	OUTLET, 110V.....1 <i>USA/Canada</i>	1
24	73717GT	CONN,RECEP 4 WAY,12-14GA FL***		--	74006GT	COVER,GFCI,HORIZONTAL,WEATHER <i>USA/Canada</i>	
--	60526GT	LOCK,RECEP 4 WAY,12-14GA		40	81096GT	BRACKET,POWER TO PLAT, DOM.....1	
--	73711GT	TERM,DEUTSCH, PIN #12-14		41A	T112563GT	SVC KIT,UK RECEPT.REPLACEMENT.....1 <i>Europe to SN 43390 (need for first time replacement)</i>	1
25	73736GT	CONN,RECEP 48 WAY,4 X 12.....1	1	--	33629GT	PLATE,UK POWER TO PLATFORM	
--	54255GT	LOCK,RECEP 12 WAY, 14-18GA		--	63375GT	SCREW,FHM,6-32 X .75 <i>for 33629</i>	
--	73713GT	TERM,NI PIN,S&F,16-18GA,REEL		--	74052GT	GASKET,COVER,GFCI,WEATHERPROOF	
26	54534GT	ANGLE,RELAY MNT,W/NUTSERTS,PNT.....1	1	--	T112561GT	PLATE,UK,POWER TO PLAT	
27	45383GT	ALARM,WARBLE TONE 5-30 VDC*** .....1 <i>Does not include 72326 nut</i>	1	41B	T112560GT	RECEPTACLE,UK,110V.....1 <i>from SN 43390</i>	1
--	72326GT	NUT - PLASTIC,RING FOR ALARMS		42	10777GT	COVER,BLANK.....1	1
28	56302GT	RELAY,24VDC,40/30A,SEALED*** .....1	1	--	33724GT	KIT,GASKET,UK POWER TO PLAT.	
29	128202GT	SWITCH TOGGLE ASSY DPDT 3P MOM.....1 <i>Primary Boom Ext/Ret; includes boot and hardware</i>	1	--	81458GT	GASKET, UK POWER TO PLAT	
--	128578GT	SCREW T-SWITCH PH/PH 6-32X1/4		43	6019GT	SCREW,HHC,3/8-16 X 1.25 GRD 5	
--	128582-SGT	SWITCH TOGGLE DPDT 3P MOM SHDR					
--	27246GT	BOOT,TOGGLE SWITCH,SHORT*					
30	128202GT	SWITCH TOGGLE ASSY DPDT 3P MOM.....1 <i>Primary Boom Up/Down; includes boot and hardware</i>	1				
--	128578GT	SCREW T-SWITCH PH/PH 6-32X1/4					
--	128582-SGT	SWITCH TOGGLE DPDT 3P MOM SHDR					
--	27246GT	BOOT,TOGGLE SWITCH,SHORT*					
31	128202GT	SWITCH TOGGLE ASSY DPDT 3P MOM.....1 <i>Secondary Boom Up/Down; includes boot and hardware</i>	1				

603.1 Platform Controls (to SN Z452515A-53323 and 15D-554)  
(continued)

***This Page Intentionally Left Blank***

Go to [Discount-Equipment.com](http://Discount-Equipment.com) to order your parts



## 603.2 Platform Controls (from SN Z452515A-53324 and 15D-555)

Item	Part No.	Description	Qty.	Item	Part No.	Description	Qty.
--	101579GT	PLAT. CONTROL BOX W/DECAL		--	27246GT	BOOT,TOGGLE SWITCH,SHORT*	
--	147253GT	TIME DELAY RELAY,2 SEC,24VDC		12	824878GT	LIGHT,LED IND. RED 24V NH	
1	8914GT	SCREW,HHC,1/4-20 X .625		13	36557GT	ROTATIONAL CONTROLLER,24V***	
2	6638GT	WASHER,FLAT,USS,1/4"Y		14	128202GT	SWITCH TOGGLE ASSY DPDT 3P MOM.....1 <i>Glow Plug; includes boot and hardware</i>	
--	110652GT	GASKET LVI/BCI ENGAGE II		--	128578GT	SCREW T-SWITCH PH/PH 6-32X1/4	
--	110653GT	BRACKET ENGAGE II		--	128582-SGT	SWITCH TOGGLE DPDT 3P MOM SHDR	
--	110654GT	CONN PLUG 8 WAY MOLEX		--	27246GT	BOOT,TOGGLE SWITCH,SHORT*	
3A	237145GT	IND,BAT CHARGE,48V LEAD-ACID.....1 <i>(models with battery charge indicator)</i>		15		Ref. Joystick, Drive/Steer (refer to 603.1 or 604.1)	
3B	110651GT	LVI/BCI 36/48 VOLT ENGAGE II.....1 <i>(models with low voltage indicator/battery charge indicator) from SN 31015</i>		16A	128200GT	SWITCH TOGGLE ASSY SPDT 3P MOM.....1 <i>Engine Star (Bi-Energy); includes boot and hardware</i>	
4	122513GT	KIT,HORN SVC BB&SM BOOM		--	128578GT	SCREW T-SWITCH PH/PH 6-32X1/4	
--	66813GT	BUTTON,PUSH,BLACK W/SEAL***		--	128580-SGT	SWITCH TOGGLE SPDT 3P MOM SHDR	
--	66815GT	BASE, W/1 N.O. CONTACTS***		--	27246GT	BOOT,TOGGLE SWITCH,SHORT*	
5	229567GT	PLUG,SANTOPRENE .5 BLACK DOME		16B	45384GT	PLUG,NYLON .50 BLACK DOMED (DC)	
6	128201GT	SWITCH TOGGLE ASSY DPDT 2P MOM.....1 <i>Auxiliary Power; includes boot and hardware</i>		17	13037-SGT	SWITCH,TOGGLE,SPDT,3POS MOMEN*.....1	
--	128578GT	SCREW T-SWITCH PH/PH 6-32X1/4		18	45384GT	PLUG,NYLON .50 BLACK DOMED	
--	128581-SGT	SWITCH TOGGLE DPDT 2P MOM SHDR		19	122514GT	KIT,ESTOP SVC BB&SM BOOM	
--	27246GT	BOOT,TOGGLE SWITCH,SHORT*		--	146478GT	BOOT(BELLOWS),E-STOP,BLACK	
7	128200GT	SWITCH TOGGLE ASSY SPDT 3P MOM.....1 <i>Drive Enable; includes boot and hardware</i>		--	66812GT	BUTTON,PUSH,RED MUSHROOM HEAD	
--	128578GT	SCREW T-SWITCH PH/PH 6-32X1/4		--	66818GT	CONTACT, N.C.	
--	128580-SGT	SWITCH TOGGLE SPDT 3P MOM SHDR		--	66821GT	BASE,WITHOUT CONTACTS	
--	27246GT	BOOT,TOGGLE SWITCH,SHORT*		20	45385GT	PLUG,NYLON 1.12 BLACK DOMED	
8	42725GT	LIGHT,INDICATOR,RED 28V.....1		21	45385GT	PLUG,NYLON 1.12 BLACK DOMED	
9A	45384GT	PLUG,NYLON .50 BLACK DOMED (Z-45/25)		22	45385GT	PLUG,NYLON 1.12 BLACK DOMED	
9B	128202GT	SWITCH TOGGLE ASSY DPDT 3P MOM.....1 <i>(Z-45/25J) Jib Boom Up/Down; includes boot and hardware</i>		23	73233GT	ASSEMBLY,FOOT SWITCH***	
10	128202GT	SWITCH TOGGLE ASSY DPDT 3P MOM.....1 <i>Platform Rotate; includes boot and hardware</i>		23	73723GT	CONN RECEP,FLANGED	
--	128578GT	SCREW T-SWITCH PH/PH 6-32X1/4		--	54259GT	TERM,NI PIN, 14-16GA,BULK	
--	128582-SGT	SWITCH TOGGLE DPDT 3P MOM SHDR		--	60443GT	LOCK,RECEP 4 WAY,14-18GA	
--	27246GT	BOOT,TOGGLE SWITCH,SHORT*		24	73717GT	CONN,RECEP 4 WAY,12-14GA FL***	
11	128202GT	SWITCH TOGGLE ASSY DPDT 3P MOM.....1 <i>Platform Level; includes boot and hardware</i>		--	60526GT	LOCK,RECEP 4 WAY,12-14GA	
--	128578GT	SCREW T-SWITCH PH/PH 6-32X1/4		--	73711GT	TERM,DEUTSCH, PIN #12-14	
--	128582-SGT	SWITCH TOGGLE DPDT 3P MOM SHDR		25	73736GT	CONN,RECEP 48 WAY,4 X 12.....1	
--	27246GT	BOOT,TOGGLE SWITCH,SHORT*		--	54255GT	LOCK,RECEP 12 WAY, 14-18GA	
--	128578GT	SCREW T-SWITCH PH/PH 6-32X1/4		--	73713GT	TERM,NI PIN,S&F,16-18GA,REEL	
--	128582-SGT	SWITCH TOGGLE DPDT 3P MOM SHDR		26	T106699GT	BRACKET,RELAY MOUNT W/INSERTS.....1	
--	27246GT	BOOT,TOGGLE SWITCH,SHORT*		27	45383GT	ALARM,WARBLE TONE 5-30 VDC*** .....1 <i>does not include 72326 nut</i>	
--	128578GT	SCREW T-SWITCH PH/PH 6-32X1/4		--	72326GT	NUT - PLASTIC,RING FOR ALARMS <i>must order separately</i>	

603.2 Platform Controls (from SN Z452515A-53324 and 15D-555)  
(continued)

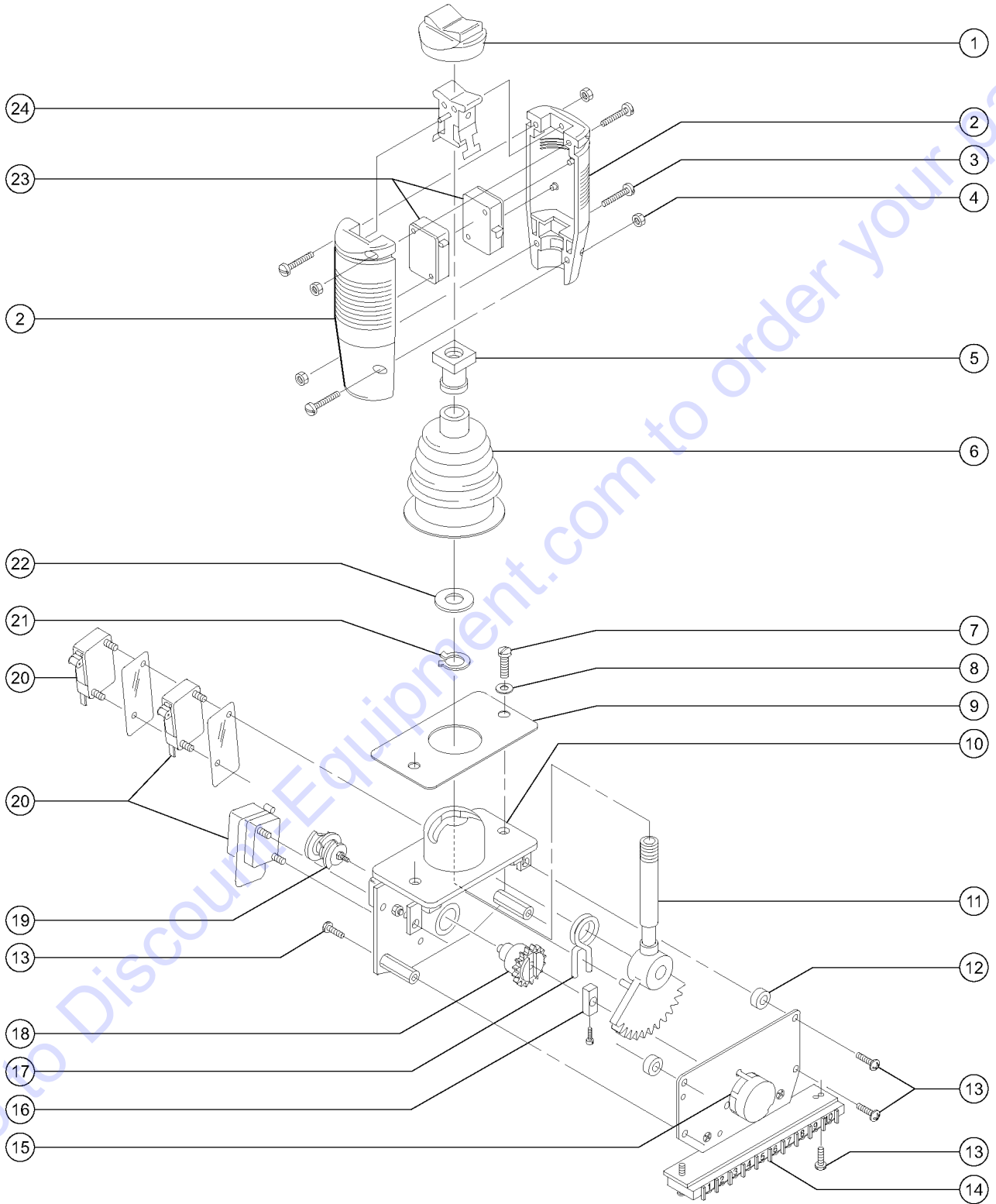
Item	Part No.	Description	Qty.	Item	Part No.	Description	Qty.
28	56302GT	RELAY,24VDC,40/30A,SEALED***.....	6	45	13268GT	CLAMP,0.75,#12 X 1/4,RUB CUSH.....	1
29	128202GT	SWITCH TOGGLE ASSY DPDT 3P MOM.....	1				
		<i>Primary Boom Ext/Ret; includes boot and hardware</i>					
--	128578GT	SCREW T-SWITCH PH/PH 6-32X1/4					
--	128582-SGT	SWITCH TOGGLE DPDT 3P MOM SHDR					
--	27246GT	BOOT,TOGGLE SWITCH,SHORT*					
30	128202GT	SWITCH TOGGLE ASSY DPDT 3P MOM.....	1				
		<i>Primary Boom Up/Down; includes boot and hardware</i>					
--	128578GT	SCREW T-SWITCH PH/PH 6-32X1/4					
--	128582-SGT	SWITCH TOGGLE DPDT 3P MOM SHDR					
--	27246GT	BOOT,TOGGLE SWITCH,SHORT*					
31	128202GT	SWITCH TOGGLE ASSY DPDT 3P MOM.....	1				
		<i>Secondary Boom Up/Down; includes boot and hardware</i>					
--	128578GT	SCREW T-SWITCH PH/PH 6-32X1/4					
--	128582-SGT	SWITCH TOGGLE DPDT 3P MOM SHDR					
--	27246GT	BOOT,TOGGLE SWITCH,SHORT*					
32	128202GT	SWITCH TOGGLE ASSY DPDT 3P MOM.....	1				
		<i>Turntable Rotate; includes boot and hardware</i>					
--	128578GT	SCREW T-SWITCH PH/PH 6-32X1/4					
--	128582-SGT	SWITCH TOGGLE DPDT 3P MOM SHDR					
--	27246GT	BOOT,TOGGLE SWITCH,SHORT*					
33	81096GT	BRACKET,POWER TO PLAT, DOM.....	1				
34	7056GT	CONN,SQUEEZE,1/2NPT .38-.50,SM....	2				
--	6935GT	LOCKNUT,ELEC,1/2"					
35	57075GT	SCREW,PHIL,8-32X.50,SELF TAP.....	4				
35A	35461GT	WASHER,FLAT,MS,#8,Y.....	4				
36	5397GT	WASHER,FLAT,USS,5/16",Y					
37	4828GT	NUT,NYLOCK,3/8-16					
38	10775GT	T-BOX,2.75 X 4.5 X 2.0.....	1				
39	13585GT	OUTLET, 110V.....	1				
		<i>USA/Canada</i>					
--	74006GT	COVER,GFCI,HORIZONTAL,WEATHER <i>USA/Canada</i>					
40	81096GT	BRACKET,POWER TO PLAT, DOM.....	1				
41	T112560GT	RECEPTACLE,UK,110V.....	1				
42	10777GT	COVER,BLANK.....	1				
--	33724GT	KIT,GASKET,UK POWER TO PLAT.					
--	81458GT	GASKET, UK POWER TO PLAT					
43	6019GT	SCREW,HHC,3/8-16 X 1.25 GRD 5					
44	43181GT	CAPACITOR,TIME DELAY.....	1				

603.2 Platform Controls (from SN Z452515A-53324 and 15D-555)  
(continued)

***This Page Intentionally Left Blank***

Go to Discount-Equipment.com to order your parts

604.1 Joystick Controller, Drive/Steer Functions



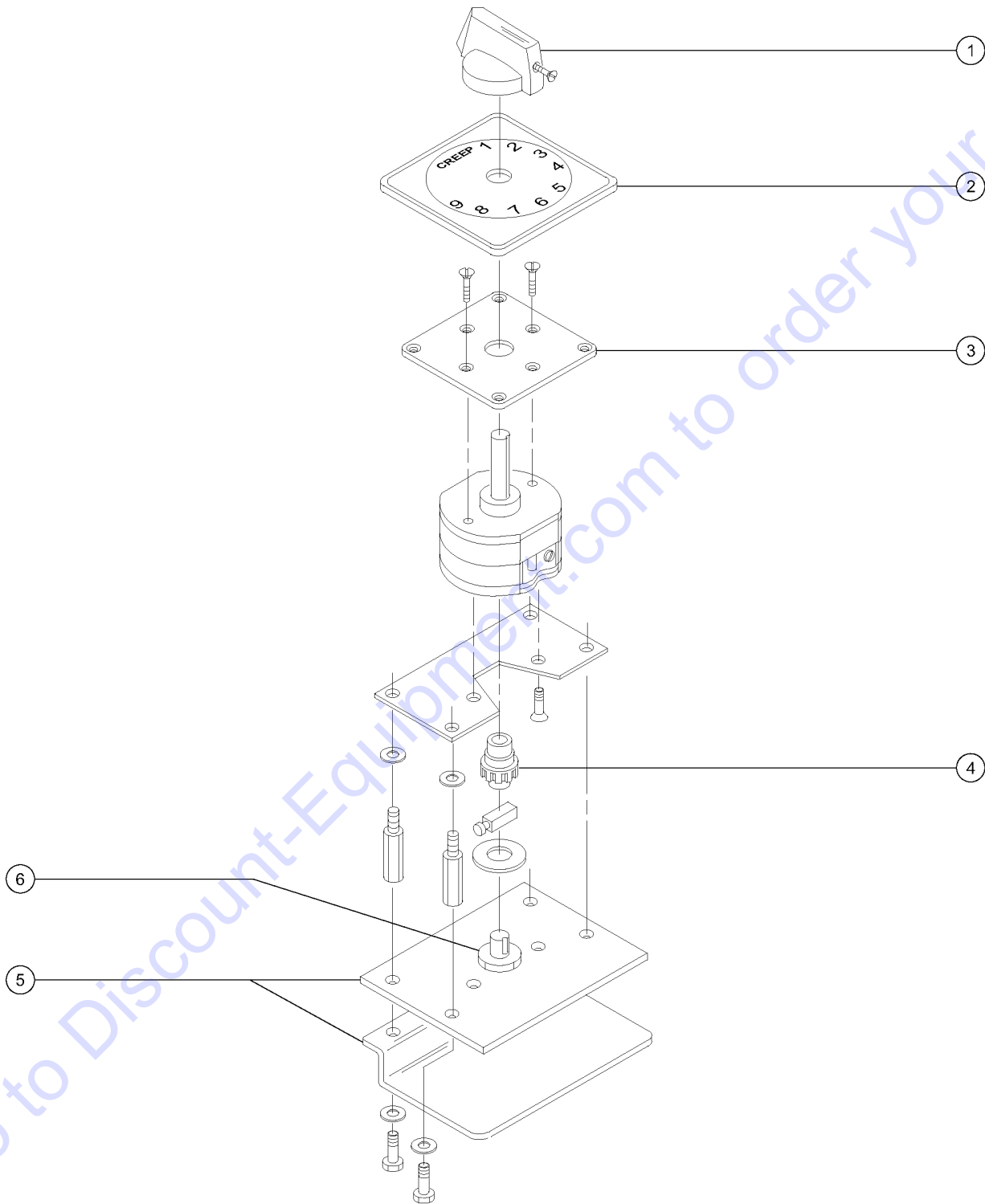
A TEREX BRAND

## 604.1 Joystick Controller, Drive/Steer Functions

Item	Part No.	Description	Qty.
A	56773GT	JOYSTICK,5K-0 OHM (10-pin connector) (to SN Z452513A-45734)	
B	234923GT	JOYSTICK,5K-0 OHM,W/RELAY (12-pin connector) (from SN Z452513A-45735)	
--	78098GT	RELAY,24VDC,40/30A,SLD W/BRKT* (from SN Z452513A-45735, for 234923, includes bracket)	
Z	1269501GT	KIT, ISOLATION, 3 JOYSTICK	
1	43038GT	BOOT-THUMB ROCKER** BLACK.....1	
2	52887GT	HANDLE HALF (56274).....2	
3	52895GT	SCREW,PHM,M3 X .5 X 12MM	
4	52928GT	NUT-HEX,3M X 0.5MM	
5	43040GT	NUT,JS,36867/42032/44988/40612.....1	
6	21427GT	BOOT,CONTROLLER**.....1	
7	49816GT	SCREW,PHILLIPS,PHM,10-32 X .75	
8	74362GT	WASHER,NYLON, JOYSTICK	
9	43042GT	GASKET,JOYSTK.SHAFT36867/42032..1	
10	58987GT	CASTING 42032.....1	
11	46227GT	SHAFT ASSY, JOYSTICK***.....1 includes gear	
12	74368GT	SPACER-POT.PLATE,JOYSTICK56773..1	
13	65546GT	SCREW,PHM,M3.5 X 12MM (57890)	
14	74367GT	TERM.BUSS,10POLE,JOYSTICK56773.1	
15	72298GT	POTENTIOMETER (56773).....1	
16	65529GT	COUPLING-POT,JOYSTICK (56579)....1	
17	21434GT	SPRING & BUSHING KIT,RETURN***...1	
18	19731GT	GEAR, SLAVE, MS4,45048.....1	
19	74364GT	CAM ASSEMBLY, JOYSTICK(42032)....1	
20	19712GT	MICROSWITCH,V3L-139-D8.....1	
21	74365GT	C-CLIP, SHAFT, JOYSTICK.....1	
22	74366GT	WASHER, FLAT, SHAFT, JOYSTICK	
23	19722GT	MICROSWITCH-V319M***.....2	
24A	58986GT	ROCKER ASSY (42032)*** for joystick 56773	
24B	65178GT	ROCKER ASSY W/ROLLPIN*** for joystick 234923	



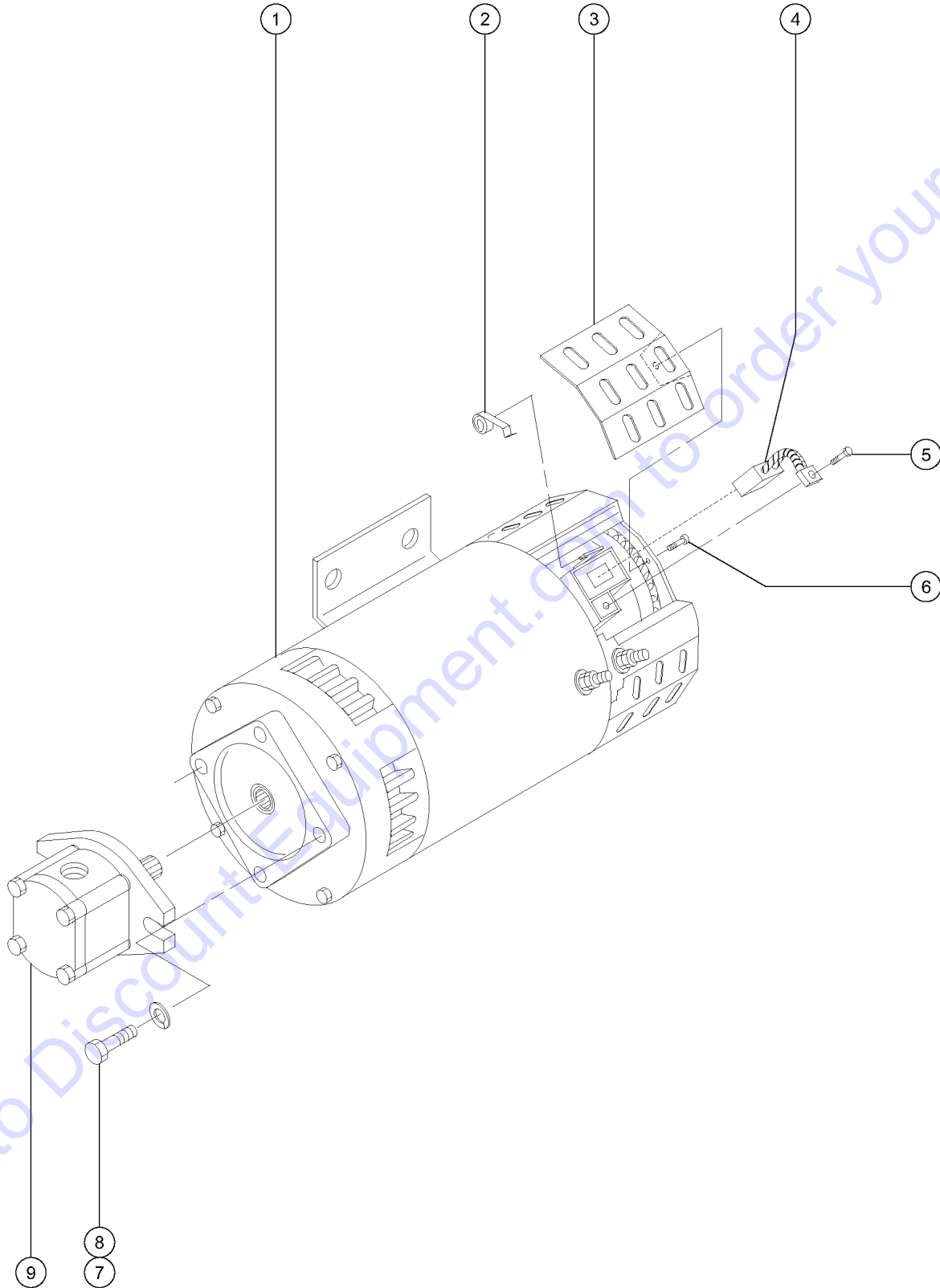
605.1 Rotational Controller



Item	Part No.	Description	Qty.
--	36557GT	ROTATIONAL CONTROLLER,24V***	
1	35679GT	KNOB, 45048 CONTROLLER.....1	1
2	35680GT	LEGEND,PLSTC,"CREEP TO 9"*** .....1	1
3	35678GT	MOUNTING PLATE, 45048.....1	1
4	19731GT	GEAR, SLAVE, MS4,45048.....1	1
5	40433GT	PCB,ROTATOR CONTROLLER 36557*.....1 <i>includes item 6</i>	1
6	19729GT	POTENTIOMETER,56886.....1	1

Go to Discount-Equipment.com to order your parts

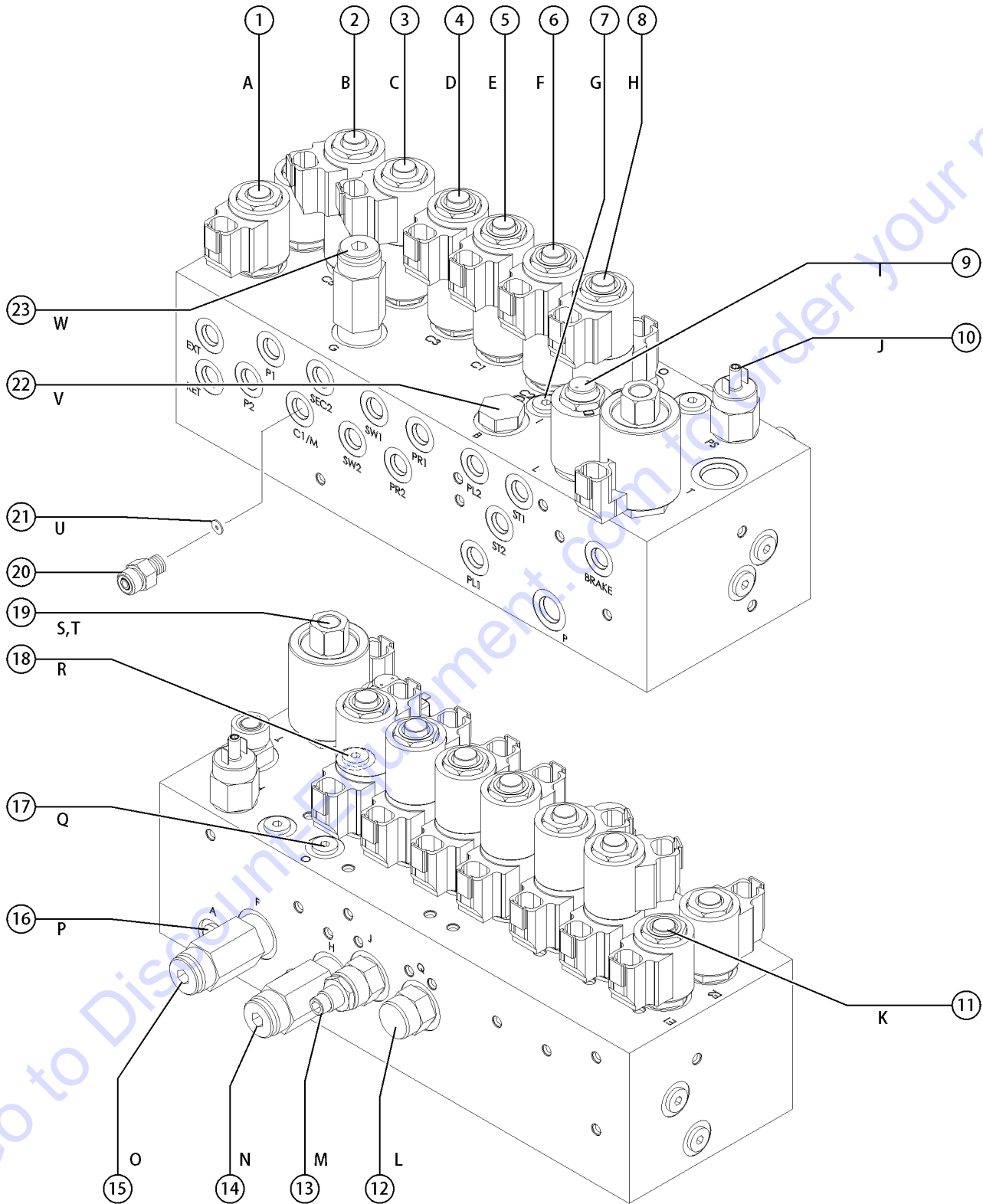
701.1 Hydraulic Power Unit



Item	Part No.	Description	Qty.
1	48504GT	MOTOR,FUNCTION,48V DC.....	1
2	44750GT	SPRING-BRUSH,40844, SCISSORS	
3	58936GT	BRUSH COVER -PLATE-(48504)*.....	1
4	58932GT	BRUSH SET 4 EA.....	1
5	52913GT	SCREW,HH TAPETITE THRD8-32X.50	
6	52914GT	SCREW,HHTAPTITE THREAD8-32X.38	
7	32317GT	SCREW,HHC,3/8-24 X 1 GR 8 YEL	
8	6021GT	WASHER,LOCK,.375	
9	77981GT	PUMP,LIFT,3CC,CCW***.....	1
--	77990GT	KIT,SEAL,3CC PUMP***	

Go to Discount-Equipment.com to order your parts

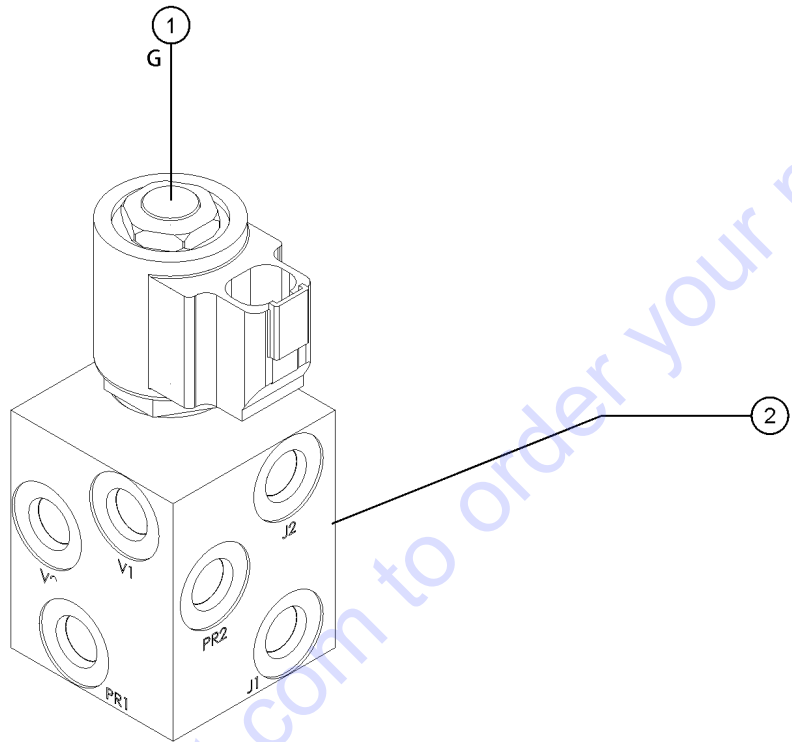
702.1 Function Manifold



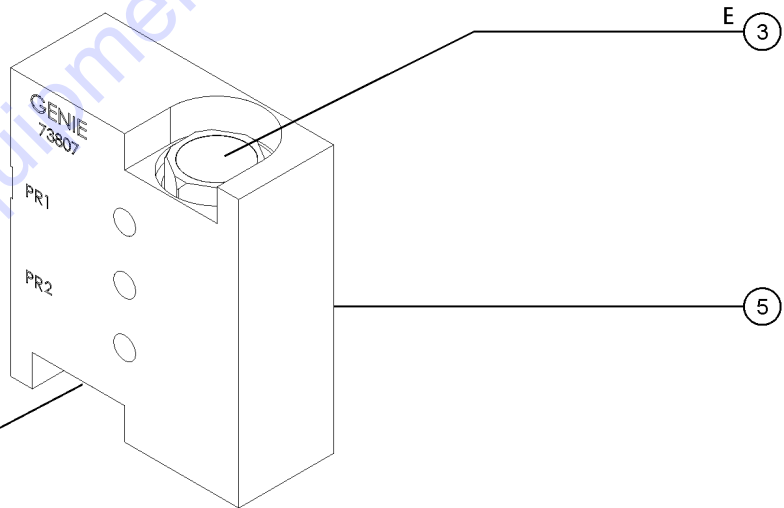
## 702.1 Function Manifold

Item	Part No.	Description	Qty.	Item	Part No.	Description	Qty.
--	94860GT	MANIFOLD,FUNCTION DC/BI***		9C	218433GT	BRACKET,MUFFLER,RIGHT <i>(includes new coil 119825, coil adapter harness, and instructions)</i>	
1	52897GT	VALVE,SOLENOID, 2POS/3WAY*** <i>A, Primary boom retract</i>		--	119825GT	COIL, 24V, DEUTSCH NO DIODE	
--	52371GT	SEAL KIT, VALVE		--	216603GT	HARNESS, ADAPER, FLOW COIL	
--	77709GT	COIL,#8 20VDC,DEUTSCH W/DIOD		10	1287986GT	SWITCH,PRESS,#6SAE,600 PSI <i>J, Brake circuit</i>	
2	39346GT	VALVE,SOLENOID 3 POS.4 WAY*** <i>B, Primary boom up/down</i>		11	52897GT	VALVE,SOLENOID, 2POS/3WAY*** <i>K, Primary boom extend</i>	
--	44229GT	SEAL KIT, VALVE		--	77709GT	COIL,#8 20VDC,DEUTSCH W/DIOD	
--	77709GT	COIL,#8 20VDC,DEUTSCH W/DIOD		12	94618GT	VALVE,FLOW CONTROL,.4 GPM <i>L, Platform rotate and turntable rotate circuits</i>	
3	39346GT	VALVE,SOLENOID 3 POS.4 WAY*** <i>C, Secondary boom up/down</i>		13	101055GT	VALVE,NEEDLE,FINE ADJUSTMENT** <i>M, Platform level circuit</i>	
--	44229GT	SEAL KIT, VALVE		14	101114GT	VALVE RELIEF,2500PSI(88513)** <i>N, Platform level circuit</i>	
--	77709GT	COIL,#8 20VDC,DEUTSCH W/DIOD		14A	101114GT	VALVE RELIEF,2500PSI(88513)** <i>N, Platform level circuit (to SN 7660)</i>	
4	39346GT	VALVE,SOLENOID 3 POS.4 WAY*** <i>D, Turntable rotate left/right</i>		--	44227GT	SEAL KIT, VALVE	
--	44229GT	SEAL KIT, VALVE		14B	52374GT	VALVE,RELIEF,3000PSI,GS68PUMP1 <i>N, Platform level circuit (from SN 7661)</i>	
--	77709GT	COIL,#8 20VDC,DEUTSCH W/DIOD		--	44227GT	SEAL KIT, VALVE	
5	39346GT	VALVE,SOLENOID 3 POS.4 WAY*** <i>E, Platform rotate left/right and jib</i>		15	52906GT	VALVE-RELIEF,3200 PSI <i>O, System relief</i>	
--	44229GT	SEAL KIT, VALVE		16	52907GT	VALVE-CHECK, #4 SAE, 5 PSI* <i>P, Brake circuit</i>	
--	77709GT	COIL,#8 20VDC,DEUTSCH W/DIOD		17	52910GT	ORIFICE PLUG, 0.060 <i>Q, Steer circuit</i>	
6	39346GT	VALVE,SOLENOID 3 POS.4 WAY*** <i>F, Platform level up/down</i>		18	101067GT	ORIFICE PLUG,030,1/16-27 NPT <i>R, Proportional valve circuit</i>	
--	44229GT	SEAL KIT, VALVE		19	101056GT	VALVE,DIRECTIONAL,2-WAY,3 POS <i>S, Brake circuit (coil not included, order separately)</i>	
--	77709GT	COIL,#8 20VDC,DEUTSCH W/DIOD		--	101067GT	ORIFICE PLUG,030,1/16-27 NPT <i>T, Brake circuit</i>	
7	826779GT	VALVE,SHUTTLE <i>G, Platform level circuit</i>		--	84385GT	COIL,20VDC DEUTCSH W/DIODE <i>S, Brake circuit</i>	
8	52912GT	VALVE,3POSITION,4WAY* <i>H, Steer left/right</i>		20	48912GT	CONN,520120-4-6***	
--	44229GT	SEAL KIT, VALVE		21	129021GT	ORIFICE PLATE,0.037" <i>U</i>	
--	77709GT	COIL,#8 20VDC,DEUTSCH W/DIOD		22	75453GT	VALVE,CHECK,DUAL PILOT*** <i>V, Platform level circuit</i>	
9	101057GT	VALVE,PRESS COMP,PROP DIRECT <i>I, Controls flow to functions</i>		23	101277GT	VALVE,RELIEF,2100 PSI*** <i>W, Secondary boom down circuit</i>	
--	101058GT	COIL,24 VDC DUAL SPADE,#8 <i>(to SN 45250)</i>					
--	119825GT	COIL, 24V, DEUTSCH NO DIODE <i>(from SN 45251)</i>					
--	218443GT	KIT, FLOW COIL ADAPTER <i>(includes new coil 119825, coil adapter harness, and instructions)</i>					
9A	101057GT	VALVE,PRESS COMP,PROP DIRECT <i>I, Controls flow to functions</i>					
--	101058GT	COIL,24 VDC DUAL SPADE,#8 <i>(to SN 45250)</i>					
9B	101057GT	VALVE,PRESS COMP,PROP DIRECT <i>I, Controls flow to functions</i>					
--	119825GT	COIL, 24V, DEUTSCH NO DIODE <i>(from SN 45251)</i>					

703.1 Jib Boom and Platform Rotate Manifolds



Jib Manifold



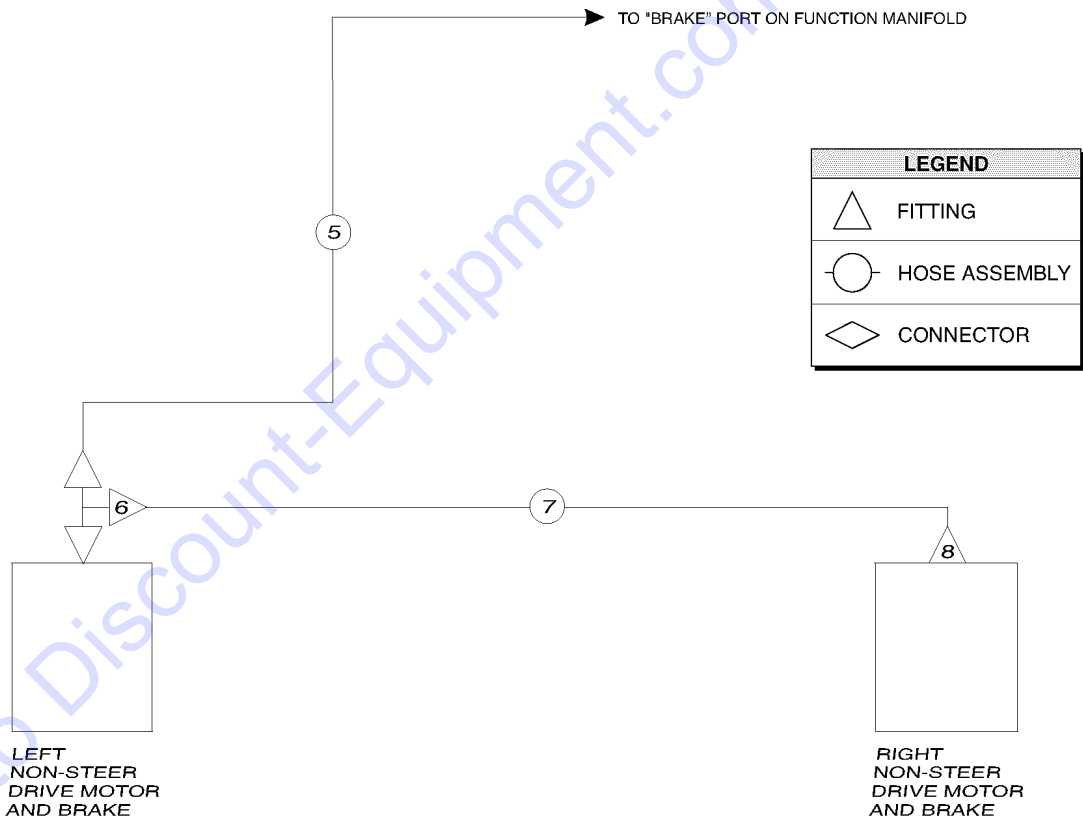
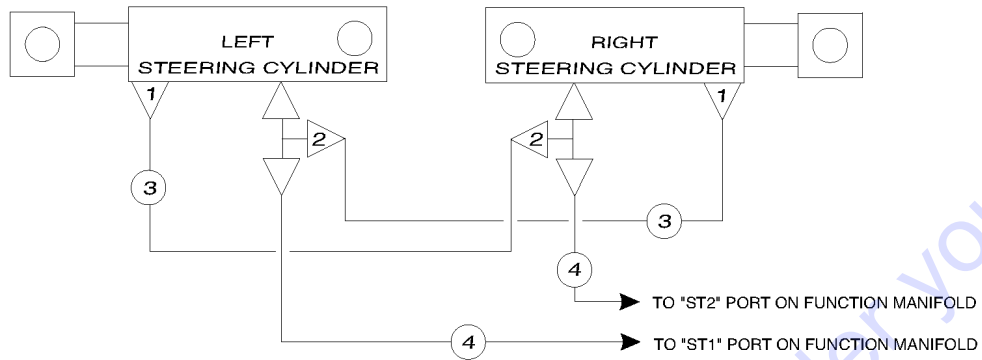
Platform Rotate Manifold

## 703.1 Jib Boom and Platform Rotate Manifolds

Item	Part No.	Description	Qty.
1A	89862GT	VALVE-SOLENOID,2POS 3WAY,JIB** (G, Jib boom / platform rotate select) (to SN 15A-54807) (for 94859GT, check PN on jib manifold before ordering)	
--	77709GT	COIL,#8 20VDC,DEUTSCH W/DIOD (to SN 15A-54807)	
--	89864GT	SEAL KIT,SOLENOID VALVE, SV07 (to SN 15A-54807)	
1B	52897GT	VALVE,SOLENOID, 2POS/3WAY*** (from SN 15A-54808) (for 1267570GT, check PN on jib manifold before ordering)	
--	44174GT	NUT-COIL SHORT (from SN 15A-54808)	
--	52371GT	SEAL KIT, VALVE (from SN 15A-54808)	
--	77709GT	COIL,#8 20VDC,DEUTSCH W/DIOD (from SN 15A-54808)	
2B	1267570GT	MANIFOLD,JIB SELECT,20V***	
3	62506GT	VALVE - COUNTERBALANCE** E, Platform Rotate Right Circuit	
--	43018GT	SEAL KIT (39345)	
4	62506GT	VALVE - COUNTERBALANCE** F, Platform Rotate Left Circuit	
--	43018GT	SEAL KIT (39345)	
5	73807GT	MANIFOLD,ROTATOR,CB***	
--	62507GT	O-RING, ROTATOR MANIFOLD Manifold to Platform Rotator	



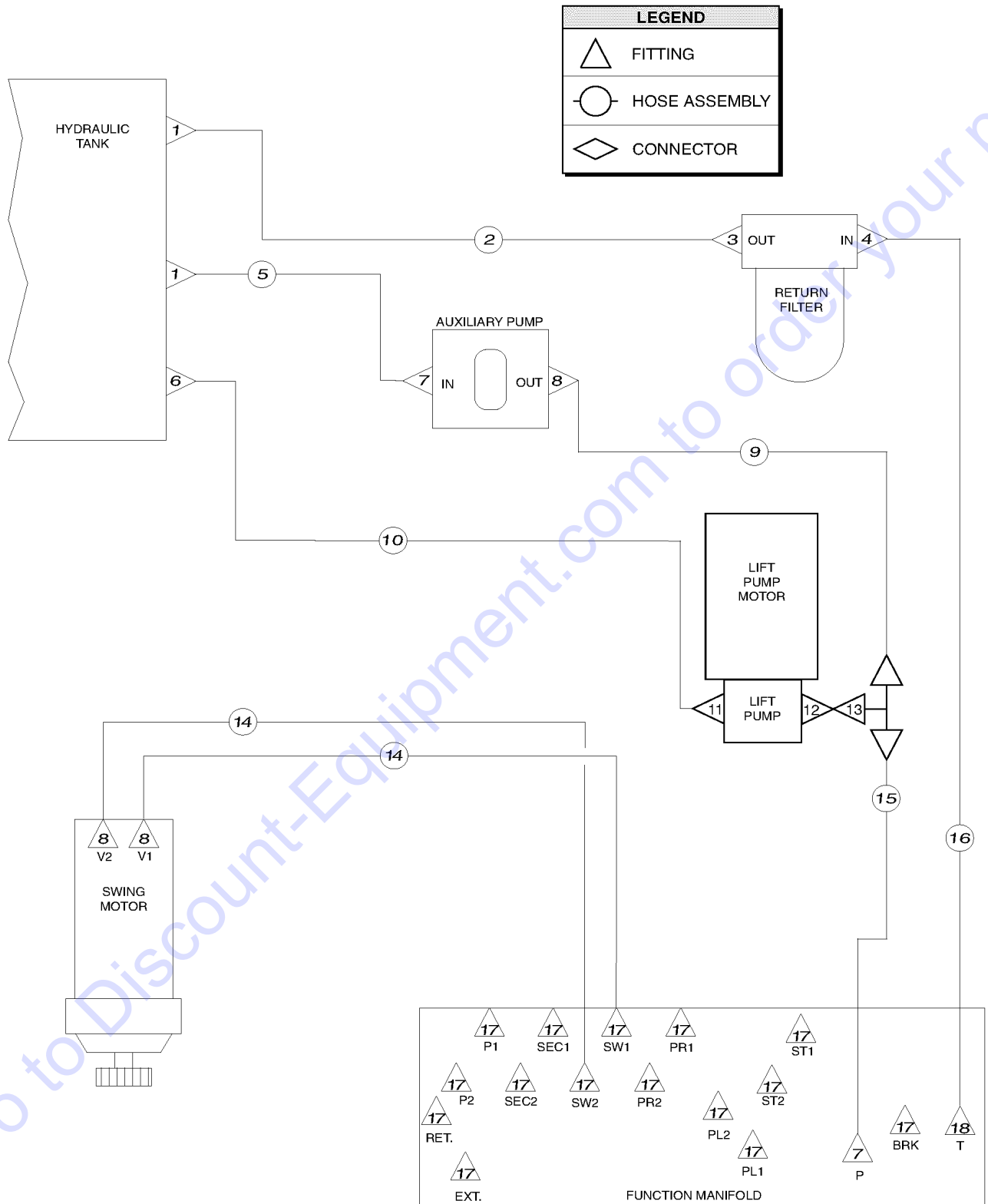
801.1 Drive and Steer Hoses



Item	Part No.	Description	Qty.
--	28750GT	O-RING KIT,FIELD SVC,ALL PROD*	
--	33994GT	PLUG AND CAP KIT-SERVICE,37 **	
--	49612GT	O-RING KIT (ORFS FITTINGS)	
--	49613GT	PLUG AND CAP KIT-SERVICE,ORFS*	
1	48904GT	ELBOW,90D,520220-4-4.....	2
2	48906GT	TEE,RUN,520428-4.....	2
3	49119-2078GT	HOSE ASSY,1/4,STR FEM,STR FEM*....	2
4	49117-11091GT	HOSE ASSY,1/4,90 FEM,STR FEM.....	2
5	49117-9991GT	HOSE ASSY,1/4,90 FEM,STR FEM.....	1
6	48890GT	FITTING,TEE,BRANCH,520429-4*** .....	1
7	49117-4691GT	HOSE ASSY,1/4,90 FEM,STR FEM.....	1
8	48904GT	ELBOW,90D,520220-4-4.....	1



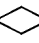
Go to Discount-Equipment.com to order your parts

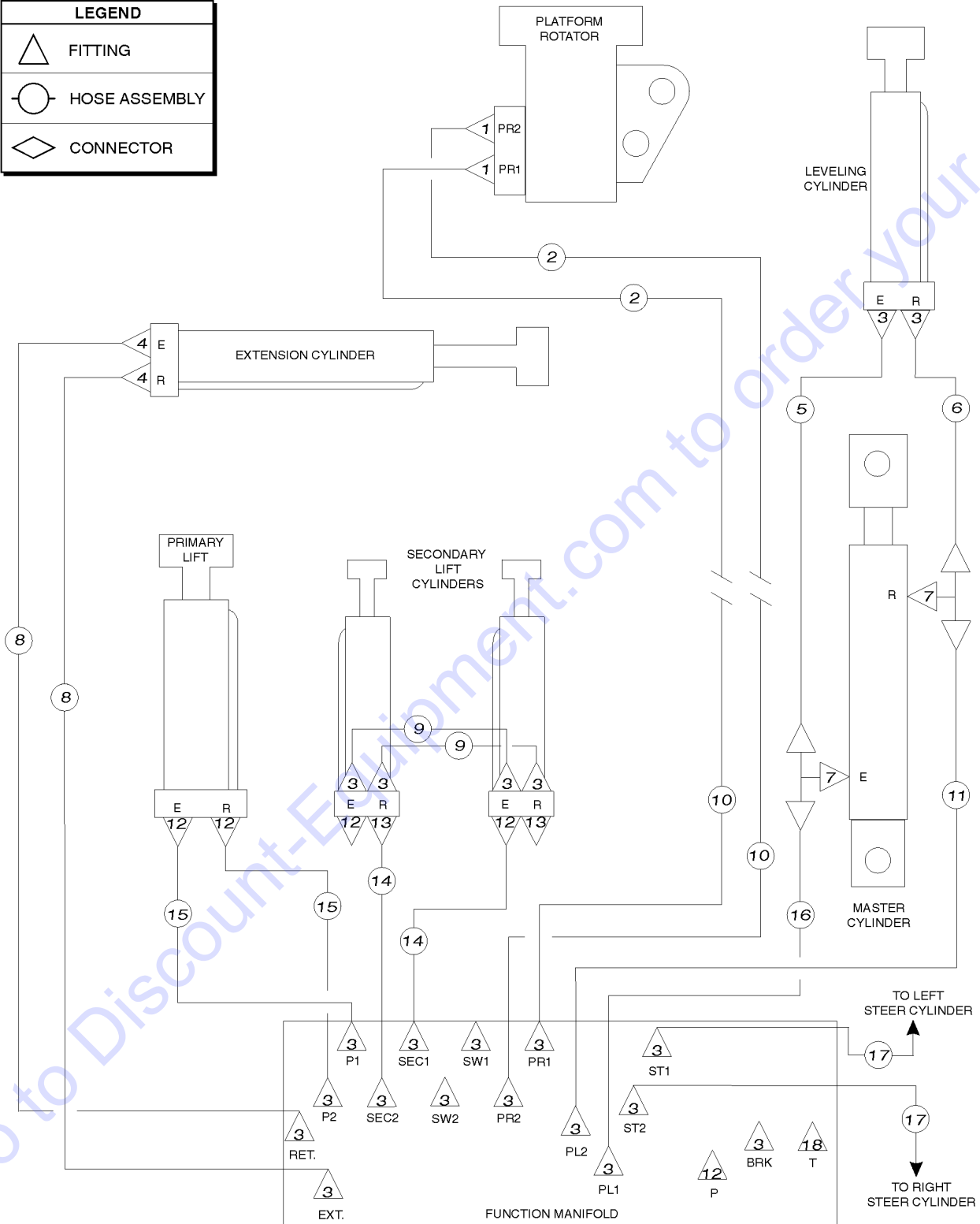
802.1 Turntable Components



Item	Part No.	Description	Qty.
--	28750GT	O-RING KIT,FIELD SVC,ALL PROD*	
--	33994GT	PLUG AND CAP KIT-SERVICE,37 **	
--	49612GT	O-RING KIT (ORFS FITTINGS)	
--	49613GT	PLUG AND CAP KIT-SERVICE,ORFS*	
1	48944GT	CONN,520102-8-8.....	2
2	49143-2535GT	HOSE ASSY,1/2,90 FEM,STR FEM.....	1
3	48947GT	ELBOW,90D,520220-8-12.....	1
4	48948GT	CONN,520120-8-12.....	1
5	77059-2986GT	HOSE ASSY,MULTI USE*** .....	1
6	45162GT	STRAINER ASSEMBLY,1.25" NPT*** from SN 27000	
7	48916GT	CONN, 520120-6.....	2
8	48911GT	ELBOW,90D,520220-4-6*** .....	3
9A	49164-2043GT	HOSE ASSY 1/4,90 DEG FEM,STR F....1 to SN 40593	
9B	T115351GT	HOSE ASSY,1/4,STR FEM,STR FEM from SN 40594	
10A	77059-4086GT	HOSE ASSY,LIFT PUMP/F.MANIF*** .....	1
		to SN 40593	
10B	232574GT	HOSE ASSY, 3/4, 90D, STR FEM from SN 40594 to 44811	
10C	1270353GT	HOSE ASSY, 3/4, 90 FEM, 45 FEM DC only from SN Z452512A-44812	
10D	232574GT	HOSE ASSY, 3/4, 90D, STR FEM BE only from SN Z452512A-44812	
11	48975GT	CONN,520120-12-10.....	1
12	48999GT	VALVE,CHK,#8PORT-#8MALEORFS.....	1
13	48939GT	TEE,BRANCH,520433-8.....	1
14	49119-3378GT	HOSE ASSY,1/4,STR FEM,STR FEM.....	2
15A	77059-2986GT	HOSE ASSY,MULTI USE*** .....	1
		to SN Z452512A-44811	
15C	214814GT	HOSE ASSY, 1/2, 39.25 DC only from SN Z452512A-44812	
15D	214816GT	HOSE ASSY, 1/2, 20.75 BE only from SN Z452512A-44812	
16	49143-2029GT	HOSE ASSY,1/2,90 FEM,STR FEMM*....	1
17	48912GT	CONN,520120-4-6*** .....	15
18	48942GT	ELBOW,90D,520220-8-6.....	1

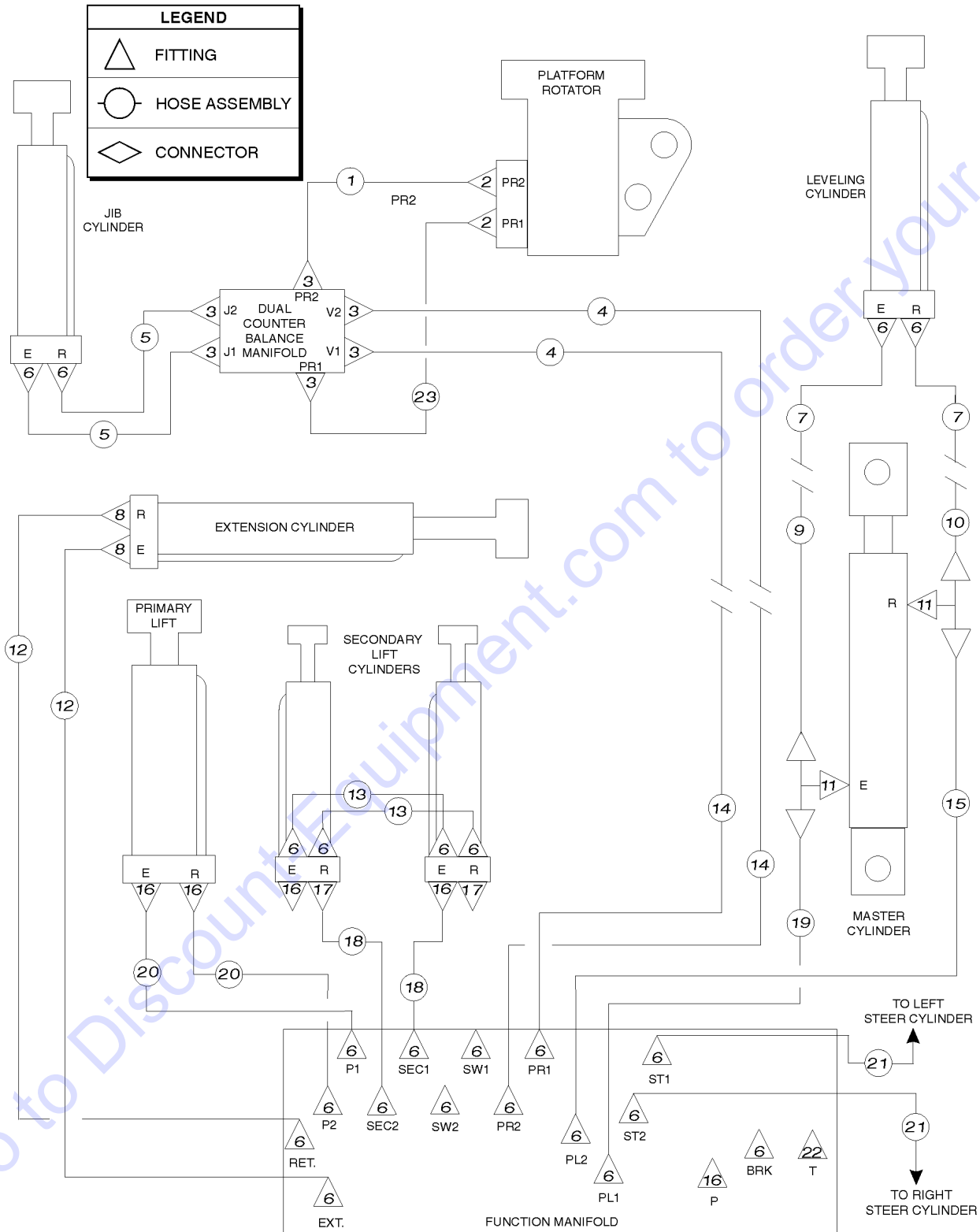
803.1 Boom Components - Z-45/25

LEGEND	
	FITTING
	HOSE ASSEMBLY
	CONNECTOR



Item	Part No.	Description	Qty.
--	28678GT	SLEEVE,NYLON,2" I.D.,BULK(100').18-inches <i>protective hose sleeve, 2.00" diameter</i>	
--	28750GT	O-RING KIT,FIELD SVC,ALL PROD*	
--	33994GT	PLUG AND CAP KIT-SERVICE,37 **	
--	48767GT	SLEEVE,NYLON,1.42 ID.....33-inches <i>protective hose sleeve, 1.42" diameter</i>	
--	49612GT	O-RING KIT (ORFS FITTINGS)	
--	49613GT	PLUG AND CAP KIT-SERVICE,ORFS*	
--	77103GT	SLEEVE,NYLON,3.13 ID.....27-inches <i>protective hose sleeve, 3.13" diameter</i>	
1	48904GT	ELBOW,90D,520220-4-4.....	2
2A	49119-27978GT	HOSE ASSY,1/4,STR FEM,STR FEMM..... <i>to SN Z452512A-44811</i>	2
2B	49121-25688GT	HOSE ASSY 1/4,STR FEM,STR MALE <i>from SN Z452512A-44812</i>	
3	48912GT	CONN,520120-4-6***.....	21
4	48917GT	CONN,LONG,520122-6.....	2
5A	49119-26078GT	HOSE ASSY,1/4,STR FEM,STR FEM..... <i>to SN 38910</i>	1
5B	49119-26078GT	HOSE ASSY,1/4,STR FEM,STR FEM <i>from SN 38911</i>	
6A	49119-27478GT	HOSE ASSY,1/4,STR FEM,STR FEM..... <i>to SN 38910</i>	1
6B	49119-27478GT	HOSE ASSY,1/4,STR FEM,STR FEM <i>from SN 38911</i>	
7	48919GT	TEE,BRANCH,520429-6.....	2
8	49120-33381GT	HOSE ASSY 1/4, STR FEM,STR FEM....	2
9A	49119-2078GT	HOSE ASSY,1/4,STR FEM,STR FEM*.... <i>to SN 38910</i>	2
9B	49119-2278GT	HOSE ASSY,1/4,STR FEM,STR FEM <i>from SN 38911 to 44811</i>	
9C	49119-2178GT	HOSE ASSY,1/4,STR FEM,STR FEM <i>from SN Z452512A-44812</i>	
10A	49119-37978GT	HOSE ASSY 1/4,STR FEM,STR FEM..... <i>to SN 38910</i>	2
10B	49119-33378GT	HOSE ASSY,1/4,STR FEM,STR FEM <i>from SN 38911</i>	
11	49119-34378GT	HOSE ASSY 1/4, STR FEM,STR FEM....	1
12	48916GT	CONN, 520120-6.....	5
13	48923GT	PLUG,090109A-6.....	2
14	49119-13978GT	HOSE ASSY,1/4,STR FEM,STR FEM.....	2
15	49119-36378GT	HOSE ASSY,1/4,STR FEM,STR FEM.....	2
16	49119-35678GT	HOSE ASSY,1/4,STR FEM,STR FEM.....	1
17		Ref. Hose Assembly (refer to 801.1)	
18	48942GT	ELBOW,90D,520220-8-6.....	1

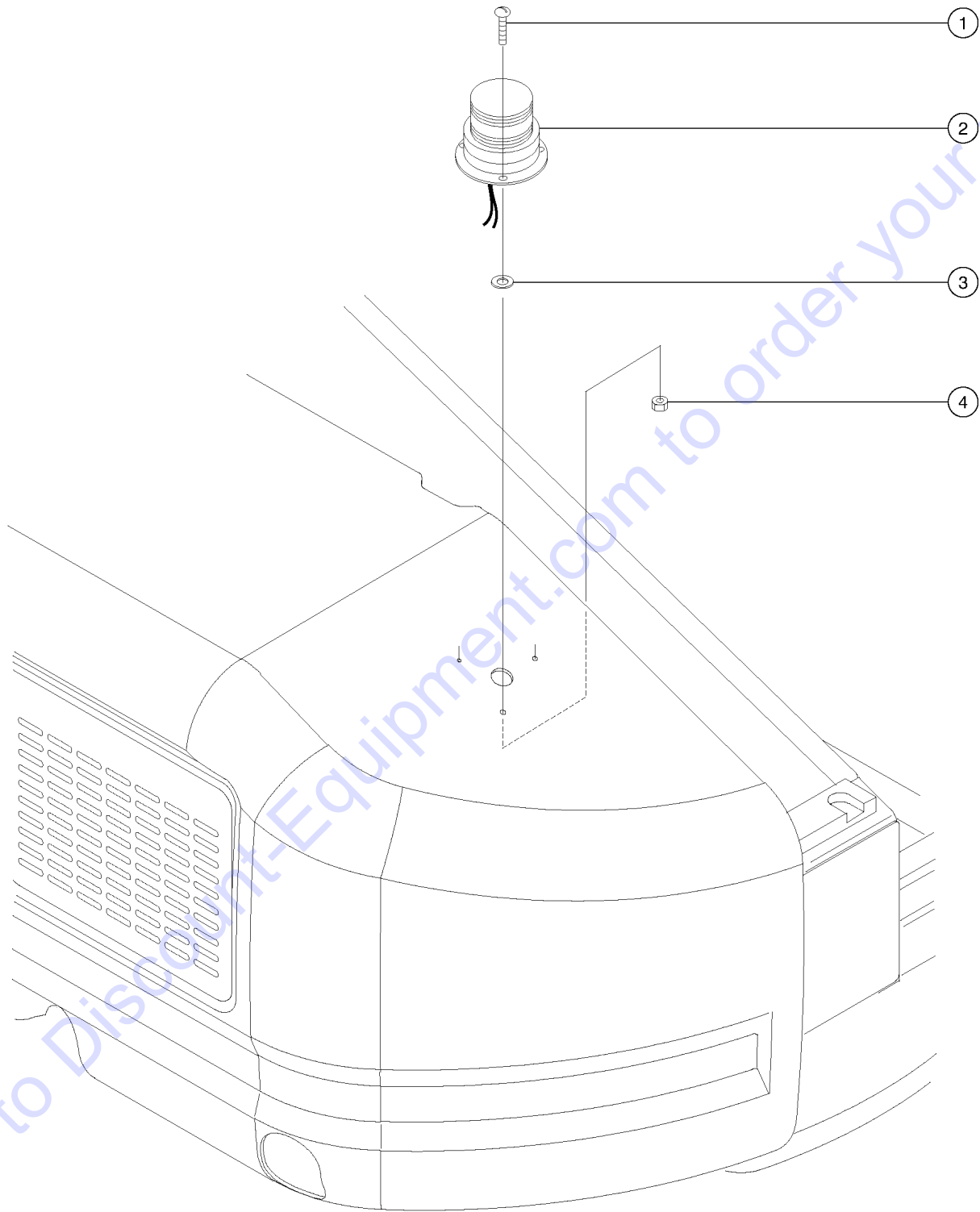
804.1 Boom Components - Z-45/25J



Item	Part No.	Description	Qty.
--	28678-2250GT	SLEEVE,NYLON, 2" ID	
--	28750GT	O-RING KIT,FIELD SVC,ALL PROD*	
--	33994GT	PLUG AND CAP KIT-SERVICE,37 **	
--	48767-700GT	SLEEVE,NYLON,1.42 ID	
--	49612GT	O-RING KIT (ORFS FITTINGS)	
--	49613GT	PLUG AND CAP KIT-SERVICE,ORFS*	
1A	49119-2078GT	HOSE ASSY,1/4,STR FEM,STR FEM*....1 to SN 38910	
1B	139099GT	HOSE ASSY, 1/4", 22.00 from SN 38911	
2	48904GT	ELBOW,90D,520220-4-4.....2	
3	48905GT	CONN,520120-4***.....5	
4	49121-27788GT	HOSE ASSY 1/4,STR FEM,STR MALE..2	
5	49119-4178GT	HOSE ASSY,1/4,STR FEM,STR FEM....2	
6	48912GT	CONN,520120-4-6***.....23	
7	49121-2088GT	HOSE ASSY 1/4,STR FEM,STR MALE..2	
8	48917GT	CONN,LONG,520122-6.....2	
9	49119-20578GT	HOSE ASSY,1/4,STR FEM,STR FEM....1	
10	49119-21878GT	HOSE ASSY,1/4,STR FEM,STR FEM....1	
11	48919GT	TEE,BRANCH,520429-6.....2	
12	49120-33381GT	HOSE ASSY 1/4, STR FEM,STR FEM....2	
13A	49119-2078GT	HOSE ASSY,1/4,STR FEM,STR FEM*....2 to SN 38910	
13B	49119-2278GT	HOSE ASSY,1/4,STR FEM,STR FEM from SN 38911	
14	49119-37978GT	HOSE ASSY 1/4,STR FEM,STR FEM....2	
15	49119-34378GT	HOSE ASSY 1/4, STR FEM,STR FEM....1	
16	48923GT	PLUG,090109A-6.....4	
17	48916GT	CONN, 520120-6.....1	
18A	49119-16178GT	HOSE ASSY,1/4,STR FEM,STR FEM....2 to SN 38910	
18B	49119-13978GT	HOSE ASSY,1/4,STR FEM,STR FEM from SN 38911	
19	49119-35678GT	HOSE ASSY,1/4,STR FEM,STR FEM....1	
20	49119-36378GT	HOSE ASSY,1/4,STR FEM,STR FEM....2	
21	49117-11091GT	HOSE ASSY,1/4,90 FEM,STR FEM.....1	
22	48942GT	ELBOW,90D,520220-8-6.....1	
23A	49119-2078GT	HOSE ASSY,1/4,STR FEM,STR FEM*....1 to SN 38910	
23B	139099GT	HOSE ASSY, 1/4", 22.00 from SN 38911 to 44811	
23C	232575GT	HOSE ASSY, 1/4", 21.24" from Z452512A-48812	



901.1 Flashing Beacon

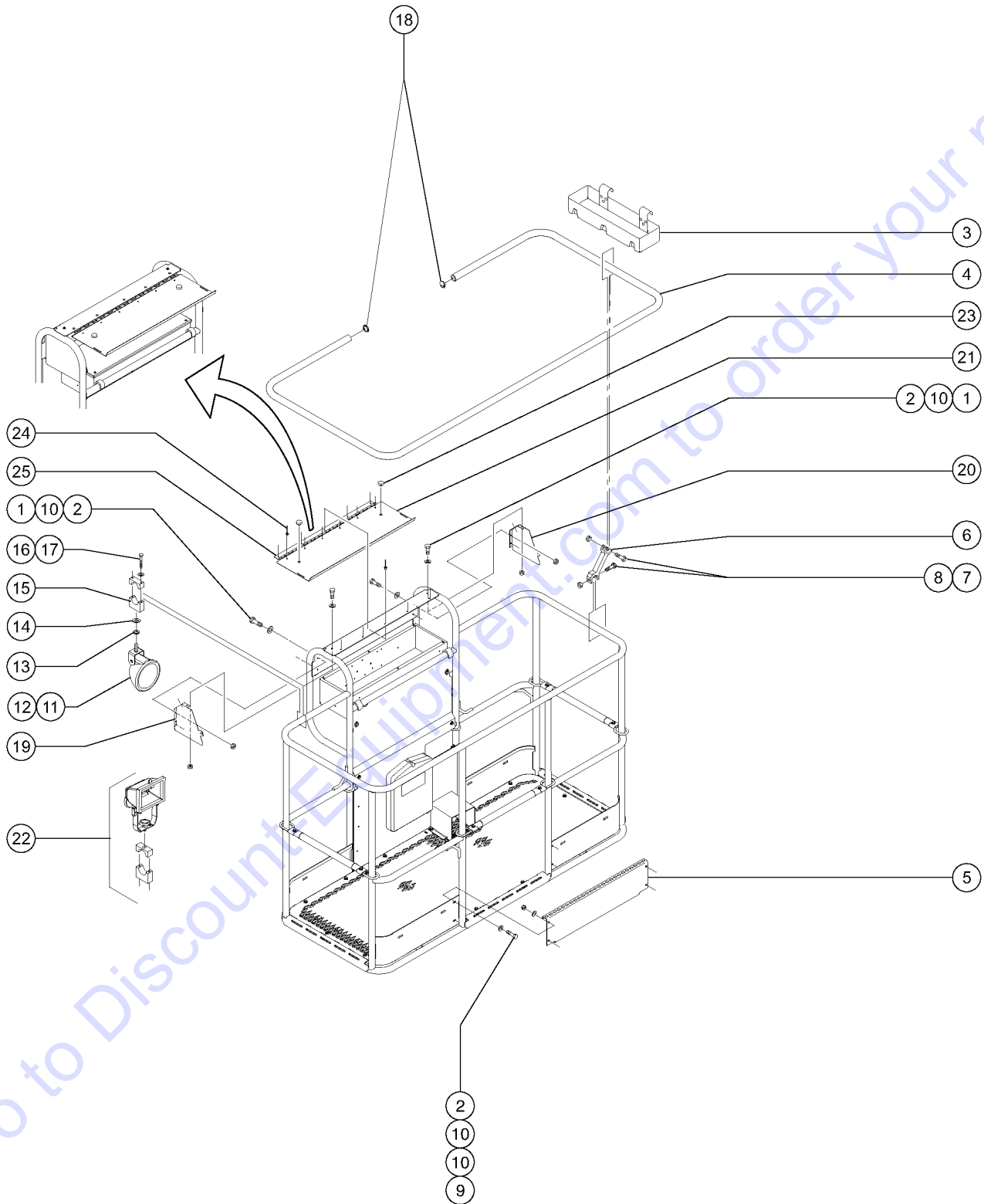


## 901.1 Flashing Beacon

Item	Part No.	Description	Qty.
1	49821GT	SCREW,PHILLIPS,PHM,8-32 X 1.25	
2	56704GT	STROBE,FIREBOLT,12-80VDC,AMB**...1 <i>(replaced 20189)</i>	
--	122019GT	FLASHTUBE,U SHAPED,360DEG,BULB	
--	226393GT	FLASHTUBE,STRAIGHT,360DEG,BULB	
--	72282GT	LENS,AMBER,STROBE,FIREBOLT	
3	35461GT	WASHER,FLAT,MS,#8,Y	
4	18605GT	NUT,NYLOCK,8-32	

Go to Discount-Equipment.com to order your parts

902.1 Platform Options

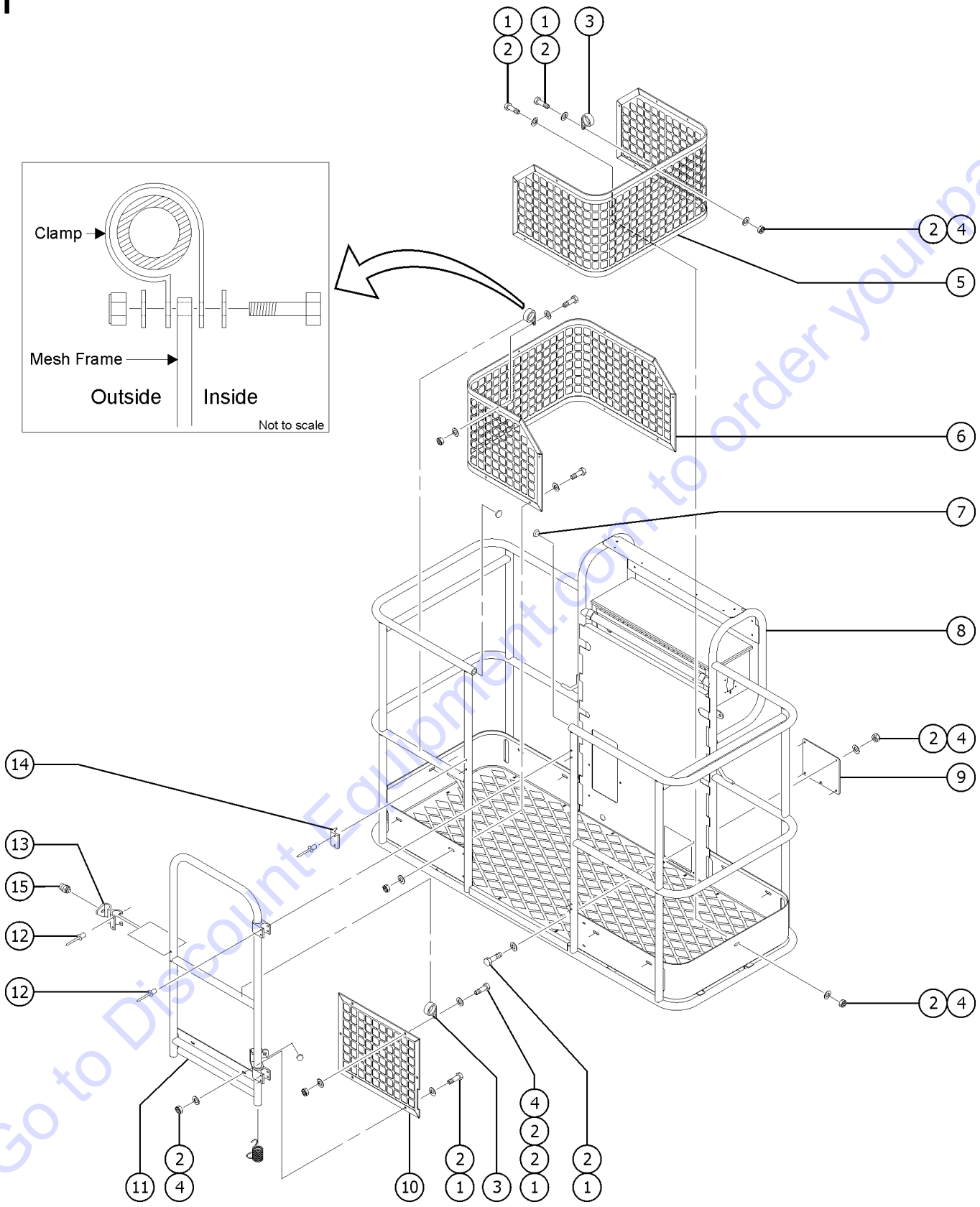


902.1 Platform Options

Item	Part No.	Description	Qty.	Item	Part No.	Description	Qty.
--	122278GT	AUX TOP RAIL,6',SWG GT, SRV		20	88606PGT	COVER,CONTROL BOX RIGHT SIDE**.....	1
--	122279GT	AUX TOP RAIL,8',SWG GT, SRV		21	102785PGT	CONTROL BOX COVER,LID,PTD.....	1
--	28322GT	OPTION,PLAT.PINCH GUARD,5 FT.		--	102786PGT	FORMING,LATCH,CTRL BOX LID PTD.....	2
--	28323GT	OPTION,PLAT.PINCH GUARD,4 FT.				(not included - sold seperately)	
--	53157-SGT	PINCH GUARD,6'(1.31")SERVICE**		--	30468GT	LATCH,SLIDE, FLUSH MOUNT STYLE.....	2
--	53807-SGT	AUX TOP RAIL,8'(1.25")SERVICE				(not included - sold seperately)	
--	53808-SGT	AUX TOP RAIL,6'(1.25")SERVICE		--	43392GT	BUMPER,BATTERY BOX & RAILS.....	2
--	60922GT	OPTION,EURO TOEBOARD <i>includes item 5</i>		--	88606PGT	COVER,CONTROL BOX RIGHT SIDE**.....	1
--	88609-SGT	CONTROL BOX COVER ASSY*** <i>includes mounting fasteners</i>				(not included - sold seperately)	
1	7339GT	SCREW,HHC,1/4-20 X .5		--	88607PGT	COVER,CONTROL BOX LEFT SIDE***.....	1
2	6091GT	NUT,NYLOCK,1/4-20				(not included - sold seperately)	
3	9599-SGT	TOOL TRAY ACCESSORY***.....	1	22	1284764GT	WORKLIGHT,110V,250WATT,HALOGEN.2	
--	7746GT	BRACKET-TOOL TRAY MOUNTING.....	2	23	34619GT	BUMPER,RUBBER***.....	2
4	28329GT	RAILING,PINCH GAURD,4 FT.....	1	24	54486GT	RIVET,ALUM,ALUM,3/16BUTTONHEAD	
--	28328GT	RAILING,PINCH GAURD,5 FT.		25	111526GT	HINGE,PLAT CONTROL BOX COVER...1	
5	94745PGT	TOEBOARD,ENTRY EUROPEAN PNTD**.....	1				
6	139958GT	KIT, AUX TOP RAIL SUPPORT.....	10				
		<i>to SN 34908</i>					
--	122073GT	SUPPORT, RAILING.....	20				
		<i>from SN 34909</i>					
7	4266GT	SCREW,HHC,1/4-20 X 2 <i>to SN 34908</i>					
--	122231GT	SCREW,BHSC,1/4-20 X 1 <i>from SN 34909</i>					
8	6889GT	NUT,LP NYLOCK,1/4-20					
9	8914GT	SCREW,HHC,1/4-20 X .625					
10	6638GT	WASHER,FLAT,USS,1/4"Y					
11A	107857GT	LIGHT, 12 VOLT.....	2				
--		REF: Harness, Z45 Drive Lights.....	1				
		<i>refer to 410.1, 411.1 or 412.1</i>					
--	35960GT	BULB,WORKLIGHT,12V 35W					
11B	107858GT	WORKLIGHT,48 VOLT					
--		REF: Harness, Z45 Drive Lights.....	1				
		<i>refer to 410.1, 411.1 or 412.1</i>					
12	13002GT	SCREW,HHC,5/16-18 X 1 GR5					
13	6886GT	WASHER,LOCK, .313					
14	5397GT	WASHER,FLAT,USS,5/16",Y					
15	35956GT	BRACKET,WORK LIGHT MOUNT 5/16".....	2				
16	6145GT	SCREW,HHC,1/4-20 X 1.5					
17	6356GT	WASHER,LOCK, .25					
18	55753GT	BUMPER, PLASTIC, 1.25 O.D.....	2				
19	88607PGT	COVER,CONTROL BOX LEFT SIDE***.....	1				



903.1 Half-height Mesh and Swing Gate



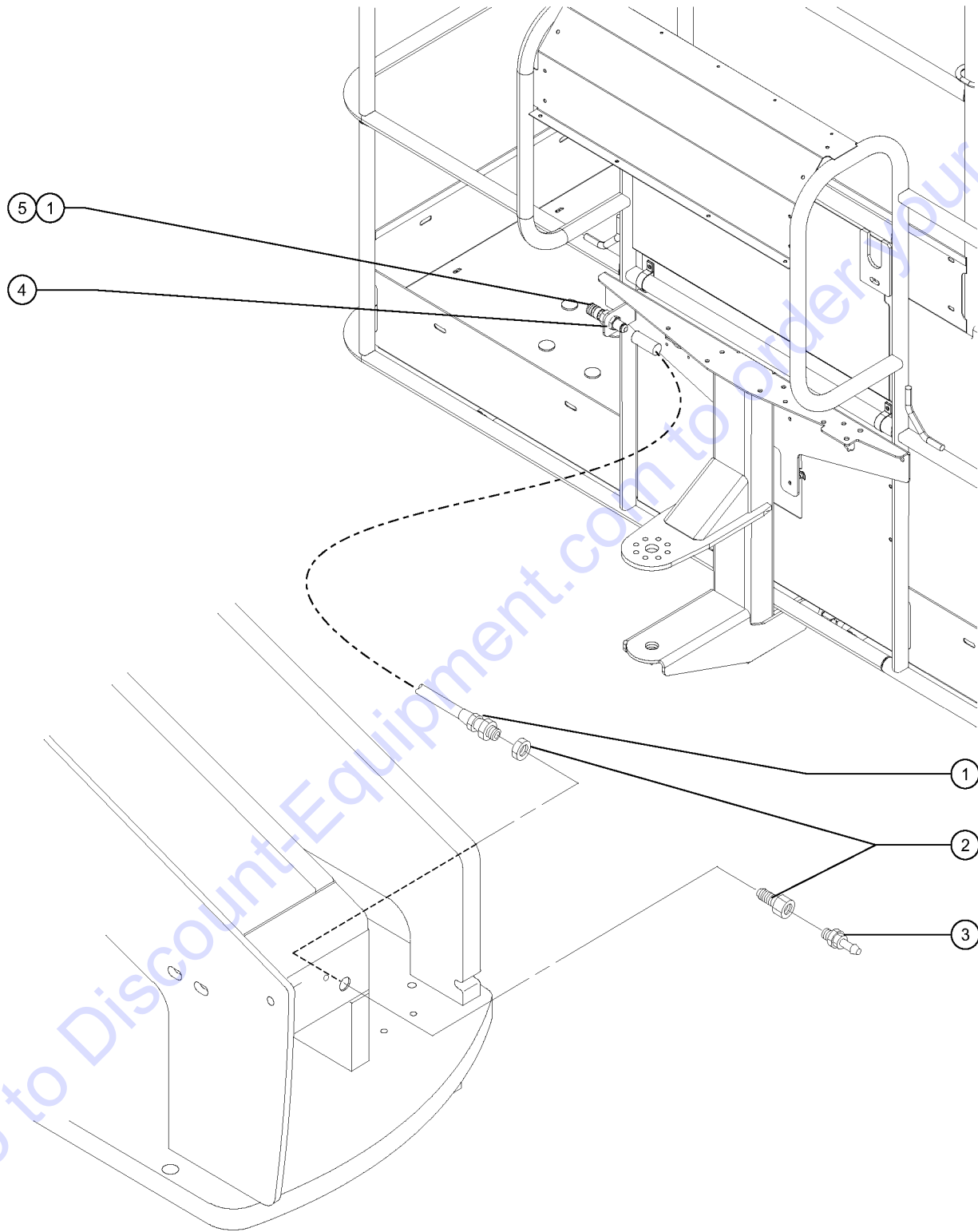
Z45/25 903.1



## 903.1 Half-height Mesh and Swing Gate

Item	Part No.	Description	Qty.
1	8914GT	SCREW,HHC,1/4-20 X .625	
2	6638GT	WASHER,FLAT,USS,1/4"Y	
3	54932GT	CLAMP,1.25,#20 X 1/4,RUB CUSH	
4	6091GT	NUT,NYLOCK,1/4-20	
5	54458GT	MESH,HALF,LH,6'PLATFORM.....1	
--	101852GT	MESH,HALF,LH 5' PLATFORM	
6	54465GT	MESH,HALF,RH,6'PLATFORM.....1	
--	101853GT	MESH,HALF,RH 5' PLATFORM	
7	55753GT	BUMPER, PLASTIC, 1.25 O.D.....2	
8	52752-SGT	PLATFORM,1/2 MESH W/GATE,ANSI*.....1 <i>ANSI and CSA</i>	
--	52753-SGT	PLAT.ASSY,6FT,1/2 MESH, CE CE	
9	54165GT	PLATE,FOOT SWITCH COVER.....1	
10	54457GT	MESH,HALF,SWING GATE***.....1	
11	128368GT	KIT,SWING GATE W/SPRING	
--	128374GT	WELDMENT,SWING GATE,ALUMINUM	
--	42104GT	SPRING,SHORT PLATFORM GATE	
--	43392GT	BUMPER,BATTERY BOX & RAILS	
11A	119950GT	KIT,FIELD INSTALL,SWING GATE <i>includes 128368, 1487, 1488 and 33674</i>	
12	7265GT	RIVET,STEEL,P, .25 X .375	
13	1487GT	GATE LATCH CASTING--DRILLED	
14	1488GT	RAILING CATCH CASTING--DRILLED	
15	33674GT	PIN,LOCK,SHORT***	
16	73901GT	DECAL PLATE,MESH.....1	

904.1 Air Line to Platform



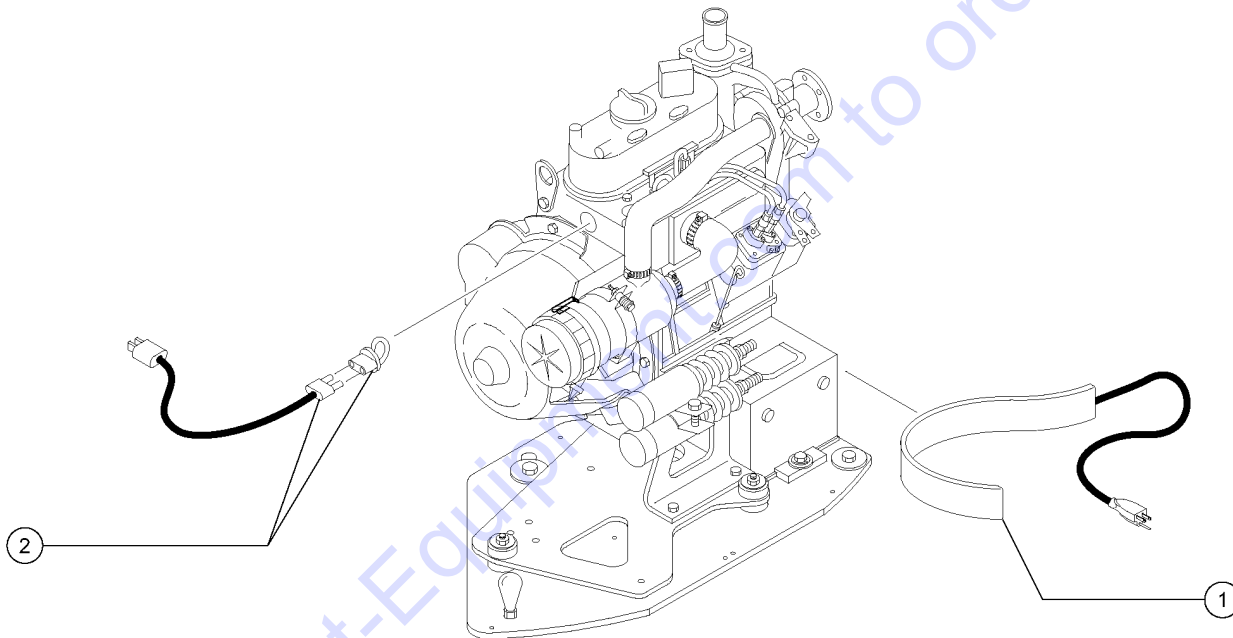
## 904.1 Air Line to Platform

Item	Part No.	Description	Qty.
1	70644-75792GT	HOSE ASSY,3/8 STR FEM STR FEM*....1	
--	16073GT	CLAMP,0.63,#10 X 1/4,RUB CUSH	
2	49212GT	FEMALE BULKHEAD CONNECTOR-8...2	
3	49214GT	MALE PIPE THD,1/4" SER,3/8"X18.....1	
4	70642PGT	BRACKET,AIR HOSE TO PLAT PAINT....1	
5	49215GT	MPT,CPLR,1/4"SER,3/8"X18.....1	

Go to Discount-Equipment.com to order your parts



905.1 Cold Start Package

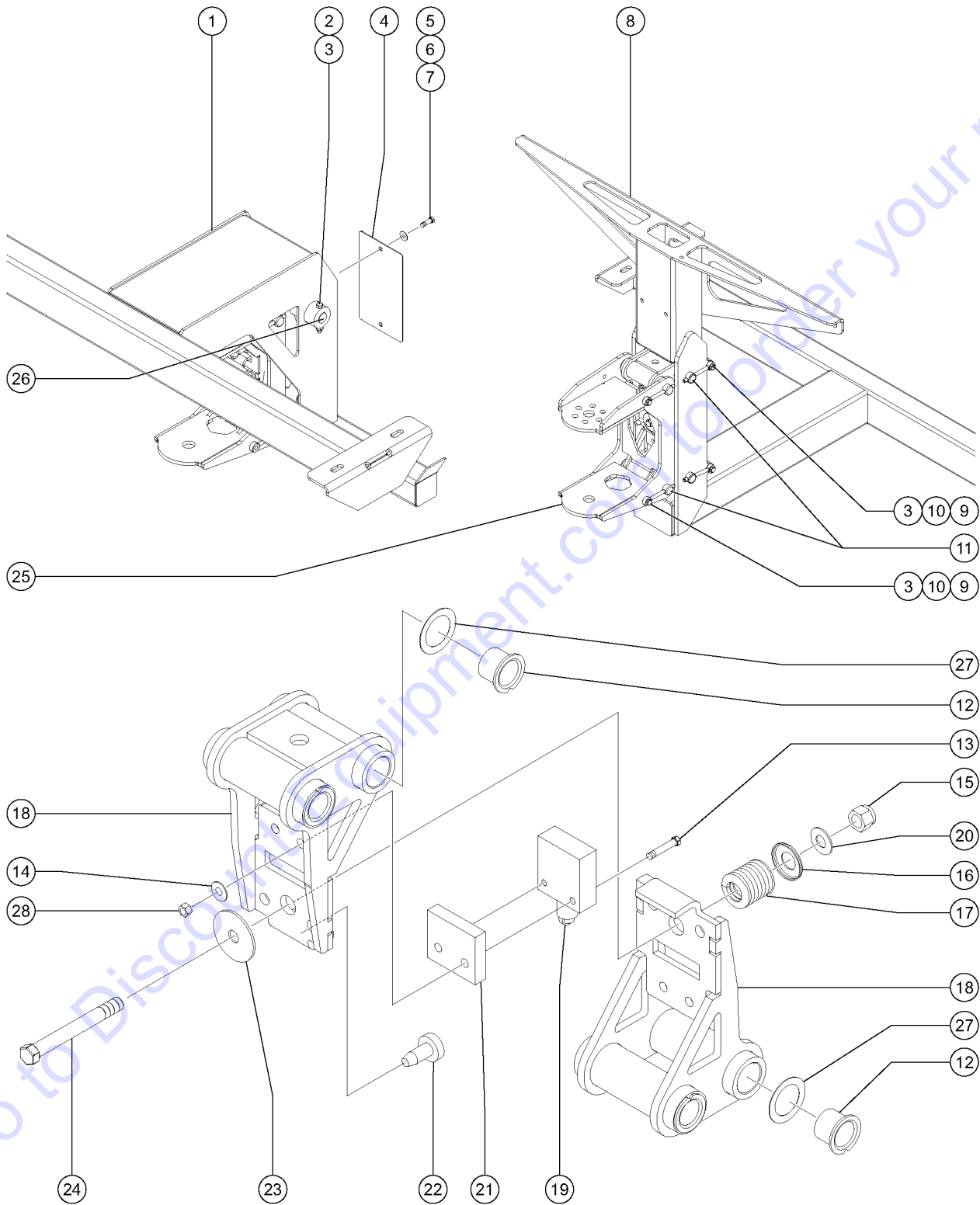


Item	Part No.	Description	Qty.
--	70707GT	COLD START PKG,120V BI-ENERGY	
1	28853GT	BLANKET,BATTERY.....	1
2	70683GT	FREEZE PLUG HEATER,Z45.....	1

Go to Discount-Equipment.com to order your parts



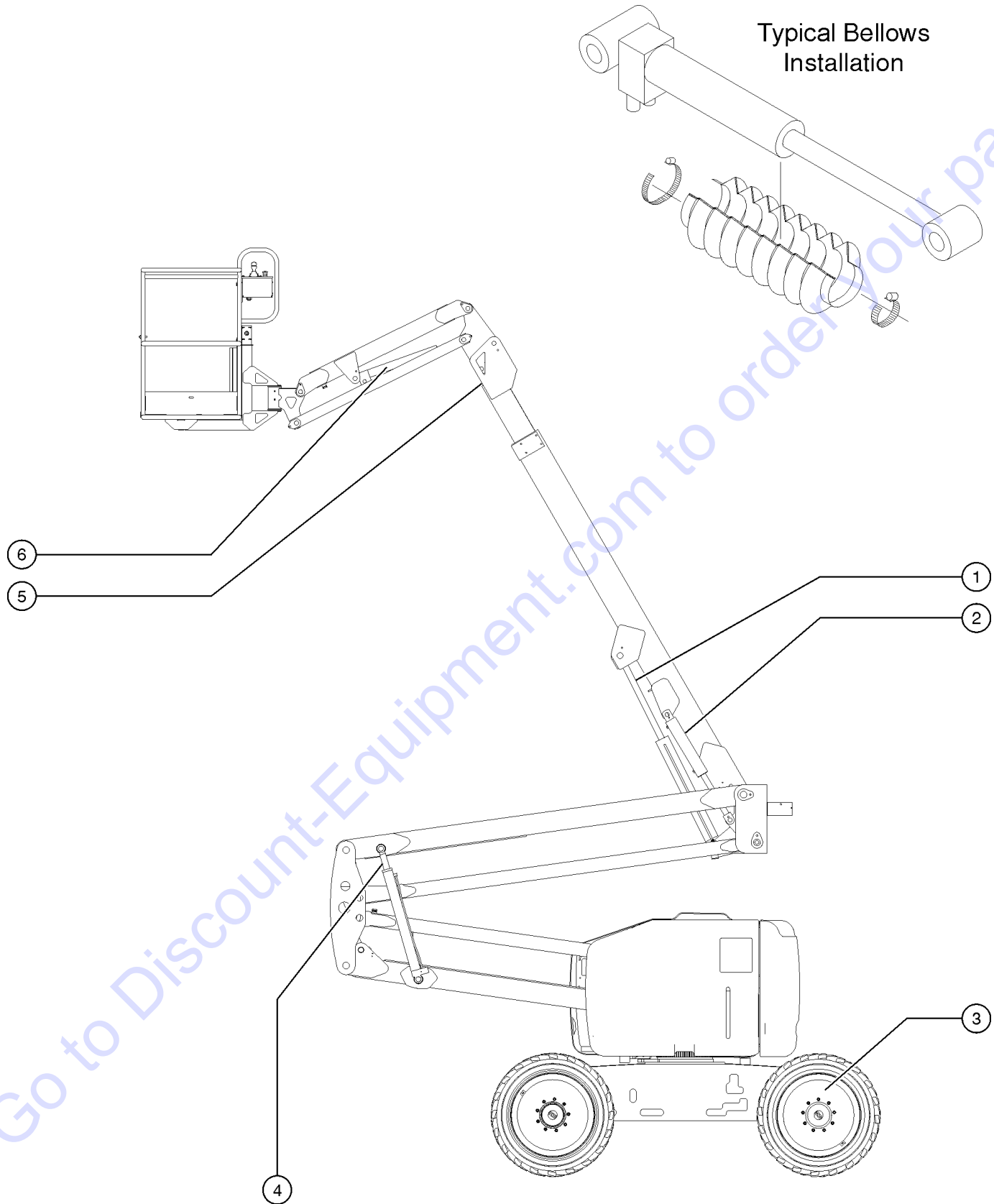
906.1 Platform Overload Option



## 906.1 Platform Overload Option

Item	Part No.	Description	Qty.
--	147509GT	KIT,LOAD SENSE MECH,Z45 JIB (from SN Z4510A-39314 and from SN Z4510B-1488)	
--	128045GT	MODULE,LOAD SENSE 2007	
1	98154GT	WELDMENT,PLAT SUPPORT,LS.....1 <i>non-jib models with platform overload option</i>	
2	4266GT	SCREW,HHC,1/4-20 X 2	
3	6091GT	NUT,NYLOCK,1/4-20	
4	94492PGT	PANEL,ACCESS PAINTED.....1	
5	6090GT	SCREW,HHC,1/4-20 X .75	
6	6638GT	WASHER,FLAT,USS,1/4"Y	
7	56912GT	SPRING CLIP,1/4-20,.025-.15X.54,ZAG	
8	61998GT	WELDMENT,PLATFORM SUPPORT.....1 <i>jib models with platform overload option</i>	
9	6888GT	SCREW,HHC,1/4-20 X 1	
10	45748GT	ROD END,.250 X 2.75 LG	
11	61726GT	PIN,0.75DIA X 5.75LG,CHAMFER.....4	
--	94643GT	ZERK,GREASE,5/16-24,STRAIT	
12	25685GT	BEARING,GARLOCK,12FDU12.....4	
13	73634GT	SCREW,PHIL,PHM,10-24X1.5 ZINC	
14	6146GT	WASHER,FLAT,MS,#10,Y	
15	4828GT	NUT,NYLOCK,3/8-16	
16	61975GT	RETAINER,SPRING,1.21 X .375	
17	61974GT	SPRING,COMP,1" OD,232 LB/IN	
18	101512GT	LOAD SUPPORT WITH BEARINGS.....1 <i>includes item 12</i>	
19A	94642GT	SWITCH,LOAD LIMIT (to SN Z452510A-39313) Z-45/25	
19B	147786GT	ASSY, LS, LOAD SENSE, 89 IN (from SN Z452510A-39314) Z-45/25	
19C	94549GT	SWITCH,LOAD LIMIT (to SN Z452510A-39313) Z-45/25J	
19D	121848GT	ASSY,LS,LOAD SENSE,38.5 IN (from SN Z452510A-39314) Z-45/25J	
20	6097GT	WASHER,FLAT,USS,3/8",Y	
21	61972GT	MOUNT,SWITCH.....1	
22	34619GT	BUMPER,RUBBER***.....2	
23	15086GT	WASHER,FLAT,.375 X 1.5 X .125	
24	21604GT	SCREW,HHC,3/8-16 X 3.25	
25	61987GT	WELDMENT,ROTATOR MOUNT.....1	
26	99174GT	PIN,0.75DIA X 8.75LG,CHAMFER.....2 (Z-45/25)	
--	94643GT	ZERK,GREASE,5/16-24,STRAIT	
27	110789GT	WASHER,SHIM .0151 THK.....as-needed	
28	5365GT	NUT,NYLOCK,10-24	

907.1 Hostile Environment Package - View 1



907.1 Hostile Environment Package - View 1

Item	Part No.	Description	Qty.
--	54883GT	BELLOWS,CYL.KIT,Z45&Z51 JIB	
--	54884GT	BELLOWS,CYLINDER KIT,Z45 N/JIB	
1A	54637GT	BELLOWS,PRIMARY CYLINDER,N/JIB.....	1
1B	54638GT	BELLOWS,PRIMARY CYLINDER,JIB.....	1
2	54640GT	BELLOWS,MASTER CYLINDER.....	1
3	54989GT	BELLOWS,STEERING CYLINDER.....	1
4	54652GT	BELLOWS,SECONDARY,ELEVATE CYL.....	1
5	54639GT	BELLOWS,SLAVE CYLINDER.....	1
6	54635GT	BELLOWS,JIB CYLINDER..... Z-45/25J	1

Go to Discount-Equipment.com to order your parts



# PARTS FINDER

**Search Website  
by Part Number**



**Search Manual  
Library For Parts  
Manual & Lookup Part  
Numbers – Purchase  
or Request Quote**

**Search Manuals**

Enter your information to search for a manual or to purchase a parts manual.

\* Brand:

\* Model:

\* Serial:

\* Part Number:

SEARCH

**Can't Find Part or  
Manual? Request Help  
by Manufacturer,  
Model & Description**

**Parts Order Form**

Please fill in the following information:

Manufacturer:

Model:

Description:

Quantity:

Part Number:

Part Name:

Part Description:

Part Category:

Part Location:

Part Status:

Part Condition:

Part Material:

Part Color:

Part Weight:

Part Dimensions:

Part Price:

Part Notes:

Submit

Discount-Equipment.com is your online resource for quality parts & equipment.

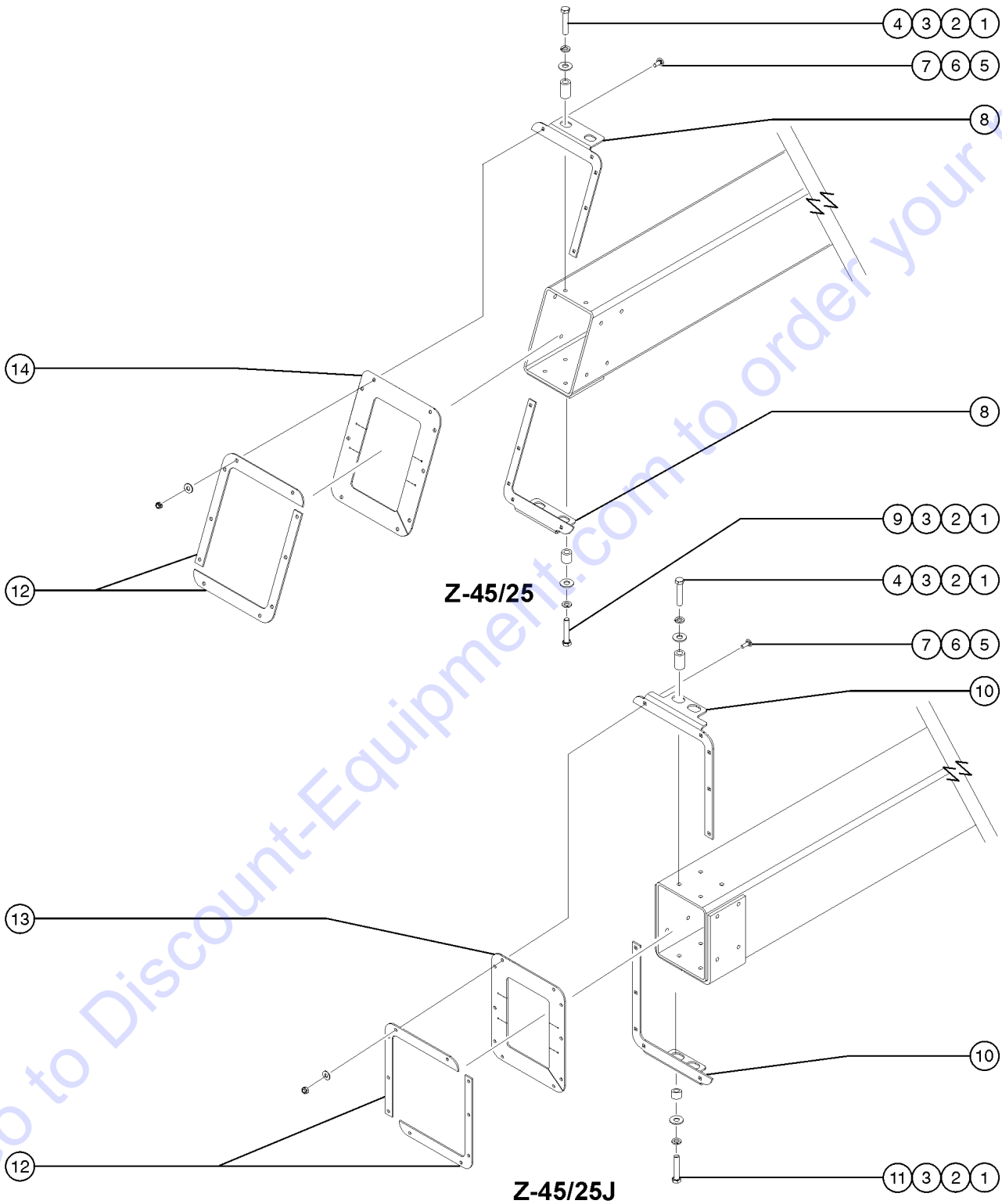
Florida: **561-964-4949** Outside Florida TOLL FREE: **877-690-3101**

**Need parts?**

Click on this link: <http://www.discount-equipment.com/category/5443-parts/> and choose one of the options to help get the right parts and equipment you are looking for. Please have the machine model and serial number available in order to help us get you the correct parts. If you don't find the part on the website or on one of the online manuals, please fill out the request form and one of our experienced staff members will get back to you with a quote for the right part that your machine needs.

We sell worldwide for the brands: Genie, Terex, JLG, MultiQuip, Mikasa, Essick, Whiteman, Mayco, Toro Stone, Diamond Products, Generac Magnum, Airman, Haulotte, Barreto, Power Blanket, Nifty Lift, Atlas Copco, Chicago Pneumatic, Allmand, Miller Curber, Skyjack, Lull, Skytrak, Tsurumi, Husquvarna Target, Stow, Wacker, Sakai, Mi-T-M, Sullair, Basic, Dynapac, MBW, Weber, Bartell, Bennar Newman, Haulotte, Ditch Runner, Menegotti, Morrison, Contec, Buddy, Crown, Edco, Wyco, Bomag, Laymor, EZ Trench, Bil-Jax, F.S. Curtis, Gehl Pavers, Heli, Honda, ICS/PowerGrit, IHI, Partner, Imer, Clipper, MMD, Koshin, Rice, CH&E, General Equipment, Amida, Coleman, NAC, Gradall, Square Shooter, Kent, Stanley, Tamco, Toku, Hatz, Kohler, Robin, Wisconsin, Northrock, Oztec, Toker TK, Rol-Air, APT, Wylie, Ingersoll Rand / Doosan, Innovatech, Con X, Ammann, Mecalac, Makinex, Smith Surface Prep, Small Line, Wanco, Yanmar

908.1 Hostile Environment Package - View 2

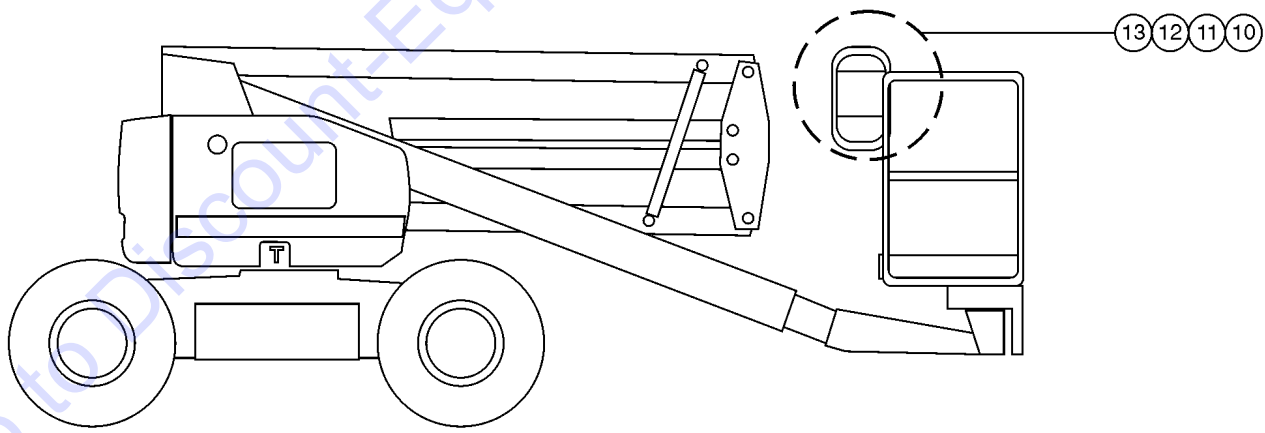
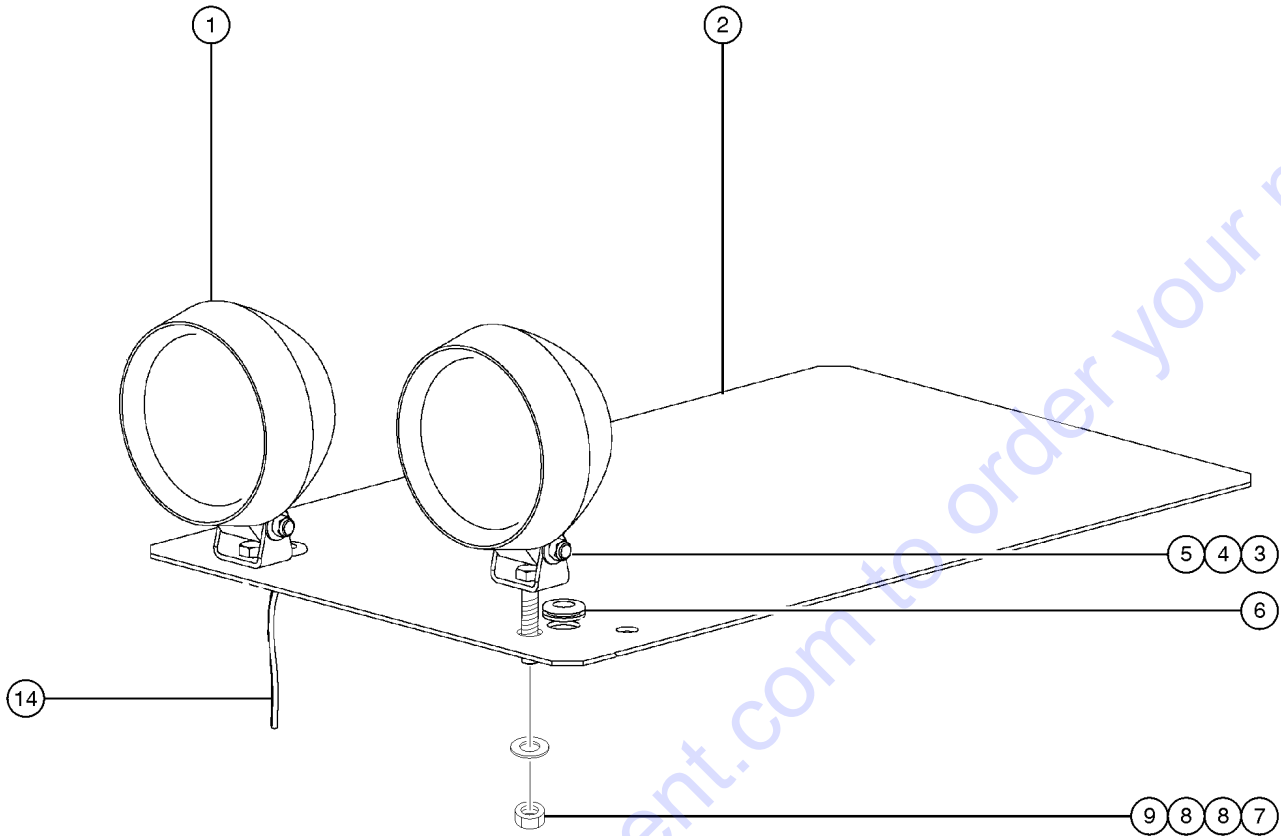




## 908.1 Hostile Environment Package - View 2

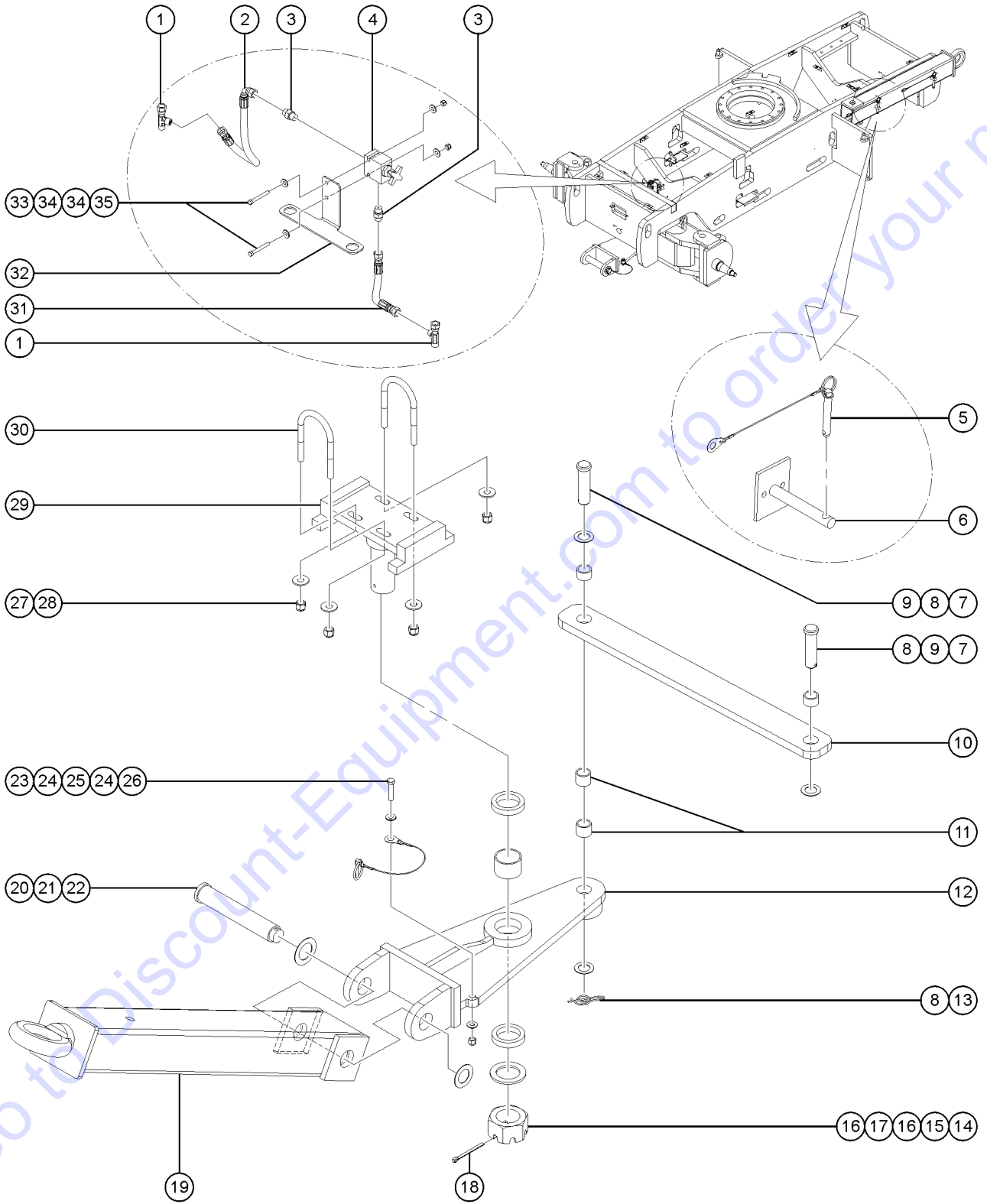
Item	Part No.	Description	Qty.
--	147183GT	KIT, WIPER, Z-45/25	
--	147184GT	KIT, WIPER, Z-45/25J	
1	5224GT	SCREW,HHC,3/8-16 X 2	
2	6021GT	WASHER,LOCK,.375	
3	6097GT	WASHER,FLAT,USS,3/8",Y	
4	128852GT	TUBE,RD,STL,DOM,.75X.438X1.25.....2	
5	6878GT	BOLT,CARRIAGE,1/4-20 X .75,G2	
6	6021GT	WASHER,LOCK,.375	
7	6889GT	NUT,LP NYLOCK,1/4-20	
8	147042GT	FORMING WIPER MOUNT.....2	
9	101932GT	TUBE,RD,STL,DOM,.75X.38X.78.....2	
10	147041GT	FORMING WIPER MOUNT.....2	
11	45400GT	SPACER TUBE,.50 LG.....2	
12	128973GT	PLATE,WIPER BACKING.....2	
13	147181GT	WIPER,PRIMARY BOOM.....1	
14	147044GT	WIPER,PRIMARY BOOM.....1	

909.1 Drive Lights



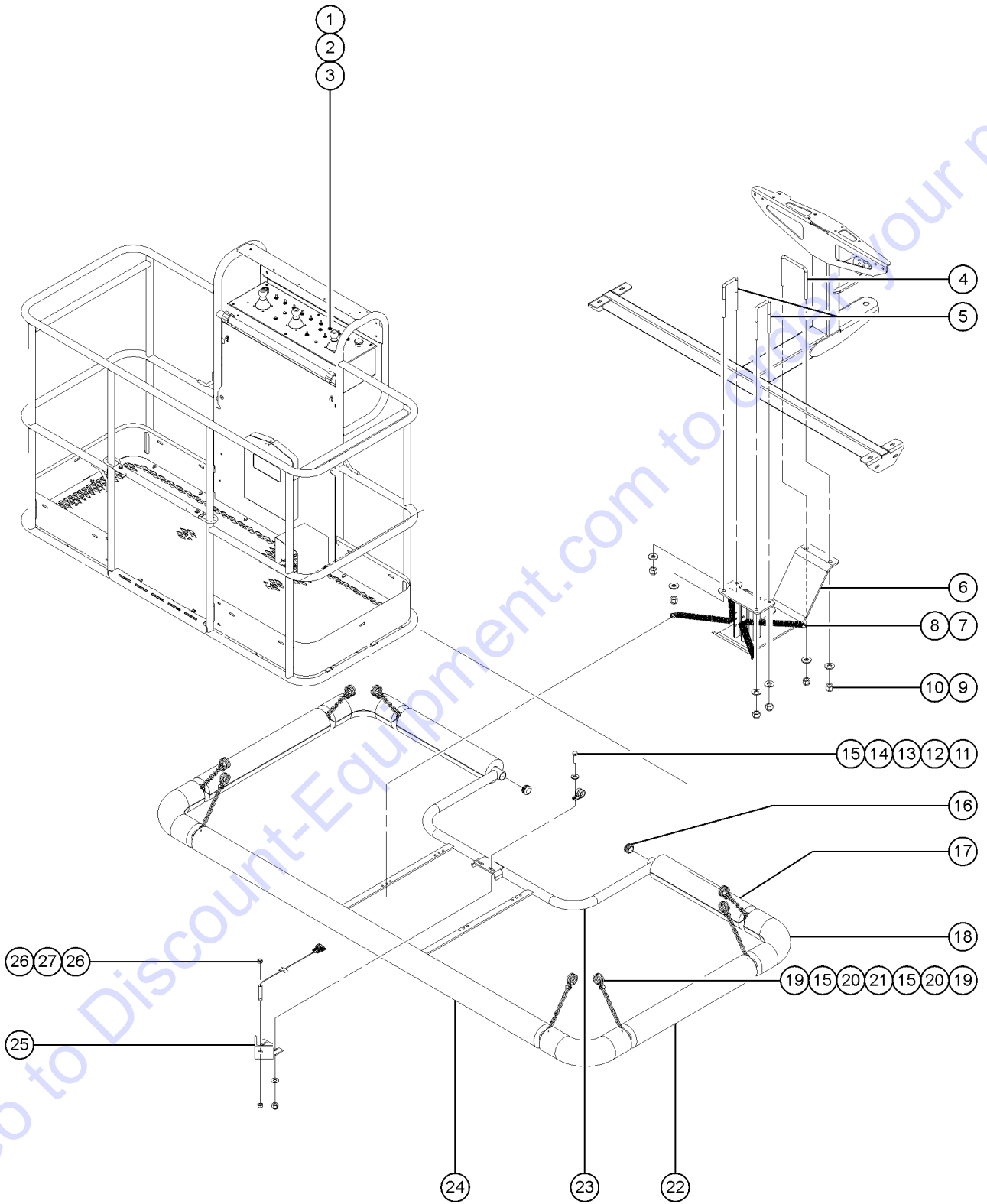
Item	Part No.	Description	Qty.
1	107858GT	WORKLIGHT,48 VOLT.....2 <i>includes items 3-5 and 7-9</i>	
2	128956GT	COVER, DRIVE, DRIVE LIGHT OPT.....1	
3	10107GT	SCREW,HHC,5/16-18 X .75.....2	
4	5397GT	WASHER,FLAT,USS,5/16",Y.....2	
5	6782GT	NUT,NYLOCK,5/16-18.....2	
6	53517GT	GROMMET,RUBBER .5 X .014 X .75.....2	
7	4828GT	NUT,NYLOCK,3/8-16.....2	
8	5397GT	WASHER,FLAT,USS,5/16",Y.....4	
9	6175GT	SCREW,HHC,3/8-16 X 1.....2	
10	823226GT	POWER RELAY, 24V COIL.....1	
--	54365GT	SCREW,PHIL,PHM,10-32 X .5,SSTL.....1	
--	6146GT	WASHER,FLAT,MS,#10,Y.....2	
--	6178GT	NUT,NYLOCK,10-32.....1	
11	72867GT	DECAL,LABEL,LIGHTS***.....1	
12	128204GT	SWITCH TOGGLE ASSY SPDT 2P MNT.....1	
--	27246GT	BOOT,TOGGLE SWITCH,SHORT*.....1	
13	6578GT	CABLE TIE,7 3/8".....5	
14		REF: Harness, Z45 Drive Lights.....1 <i>refer to 410.1, 411.1 or 412.1</i>	

910.1 Tow Package



Item	Part No.	Description	Qty.
--	29104GT	DECAL,TOWING INSTRUCTIONS.....	1
--	35526GT	DECAL,CAUTION,TOWING SPEED.....	2
1	48908GT	FITTING,TEE,RUN,SWIVEL520432-4....	2
2	1275193GT	ASSY,HOSE,HYD,BRKTOSTRCYL,Z45..	1
3	48912GT	CONN,520120-4-6***.....	2
4	25282GT	VALVE,NEEDLE,BRAKE RELEASE.....	1
5	54145-1200GT	RETAINING PIN,ASSY.....	2
6		Ref., TOW STORAGE BRACKET	
7	70634GT	PIN,CLEVIS,1 X 3.5 LG***.....	2
8	30748GT	WASHER,SHIM,1.01 X 1.63 X.062.....	3
9	51474GT	BEARING,1.00IDX1.25ODX0.75L.....	2
10	54793PGT	PLATE,DRAG LINK,NRRW AXLE,PNT...1	
11	25817GT	BEARING,1.00IDX1.25ODX1.00L.....	2
12	70638GT	MACHINING,TOW HITCH***.....	1
13	74389GT	RUE RING,1.00.....	1
14	54789GT	NUT,SLOTTED,2-4-1/2 UNC.....	1
15	36937GT	WASHER,THRUST,2.0 X 3.0 X .188.....	1
16	54757GT	BEARING,UHMW,2.75"DIAX.50"LG.....	2
17	18720GT	BEARING,2.0IDX2.25ODX1.50L.....	1
18	77087GT	PIN,COTTER,.25 X 3.0.....	1
19	54786GT	WELDMENT,HITCH TONGUE,Z45.....	1
20	106339GT	PIN,TOW HITCH,1.5DIAX8.25"GRIP....	1
21	18595GT	WASHER,FLAT,1.78 X 2.50 X .057.....	1
22	30255GT	WASHER,SHIM,1.27 X 2.13 X .062.....	1
23	13918GT	SCREW,HHC,3/8-16 X 1.75,GRD.8.....	1
24	5397GT	WASHER,FLAT,USS,5/16",Y.....	2
25	54432GT	LANYARD,LYNCH PIN ASSY.....	1
26	4828GT	NUT,NYLOCK,3/8-16.....	1
27	6198GT	NUT,NYLOCK,1/2-13.....	4
28	6095GT	WASHER,FLAT,USS,1/2",Y.....	4
29	70632GT	WELDMENT,STEER AXLE TOW CRADLE.....	1
30	70633GT	U-BOLT,1/2-13 X 3 X 5.25***.....	2
31	1275192GT	ASSY,HOSE,HYD,BRKTOSTRCYL,Z45..	1
32	70635PGT	BRACKET,TOW PKG VALVE MOUNT***.....	1
33	4266GT	SCREW,HHC,1/4-20 X 2.....	2
34	6638GT	WASHER,FLAT,USS,1/4"Y.....	4
35	6091GT	NUT,NYLOCK,1/4-20.....	2

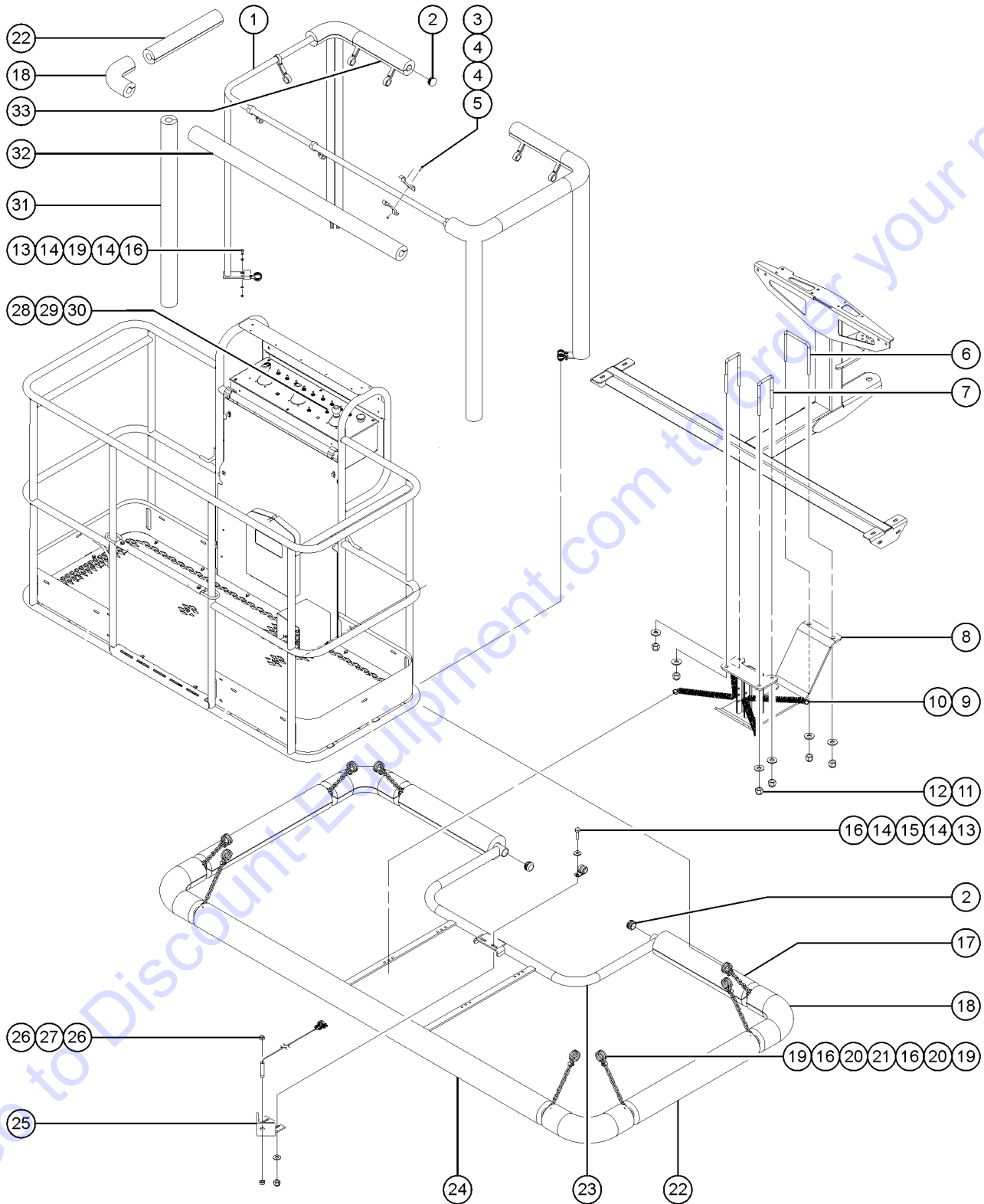
911.1 Aircraft Protection Package, Standard (from SN 37297 to 51049)



## 911.1 Aircraft Protection Package, Standard (from SN 37297 to 51049)

Item	Part No.	Description	Qty.
1	128203GT	SWITCH TOGGLE ASSY SPDT 2P MOM.....	1
--	139882GT	HARN, AC PROTECTION BYPASS.....	1
2	27246GT	BOOT,TOGGLE SWITCH,SHORT*.....	1
3		Ref. DECAL,FUNCTION OVERRIDE..... <i>(refer to 101.1)</i>	1
4	106044GT	U-BOLT,3/8-16X4X4.63X3.00.....	1
5	66472GT	U-BOLT, SQR, 3/8-16X2X5, PLTD.....	2
6	139904GT	WELDMENT, SKIDPLATE**.....	1
7	88384GT	SPRING, SS, 3/4-EO750-69-4500.....	4
8	88385GT	SPRING, SS, 1/2-EO500-49-4500.....	4
9	4828GT	NUT,NYLOCK,3/8-16	
10	5397GT	WASHER,FLAT,USS,5/16",Y	
11	6888GT	SCREW,HHC,1/4-20 X 1	
12	6638GT	WASHER,FLAT,USS,1/4"Y	
13	6833GT	CLAMP,0.50,#8 X 1/4,RUB CUSH.....	1
14	6638GT	WASHER,FLAT,USS,1/4"Y	
15	6091GT	NUT,NYLOCK,1/4-20	
16	55753GT	BUMPER, PLASTIC, 1.25 O.D.....	2
17	75617-1675GT	PADDING,FOAM 3.5"OD X 1.50"ID.....	2
18	75636GT	PADDING,FOAM,3.0"X1.50ID 90DEG.....	4
19	21618GT	CLAMP,1.13,#18 X 1/4,RUB CUSH.....	16
20	6090GT	SCREW,HHC,1/4-20 X .75	
21	56426-700GT	CHAIN,NO.2 (11 LINKS).....	8
22	75617-2275GT	PADDING,FOAM 3.5"OD X 1.50"ID.....	2
23	139181GT	WELDMENT,AIRCRAFT SENSOR BUMPR.....	1
24	75617-6475GT	PADDING,FOAM 3.5"OD X 1.50"ID.....	1
25	77797GT	WELDMENT, SENSOR MOUNT.....	1
26	88390GT	NUT,HEX,M8,PLASTIC	
27	81532GT	HARNES,PROX.KILL..... <i>includes 27391 proximity sensor</i>	1
--	27391GT	PROXIMITY SENSOR***	

912.1 Aircraft Protection Package, Deluxe (from SN 37297 to 51049)

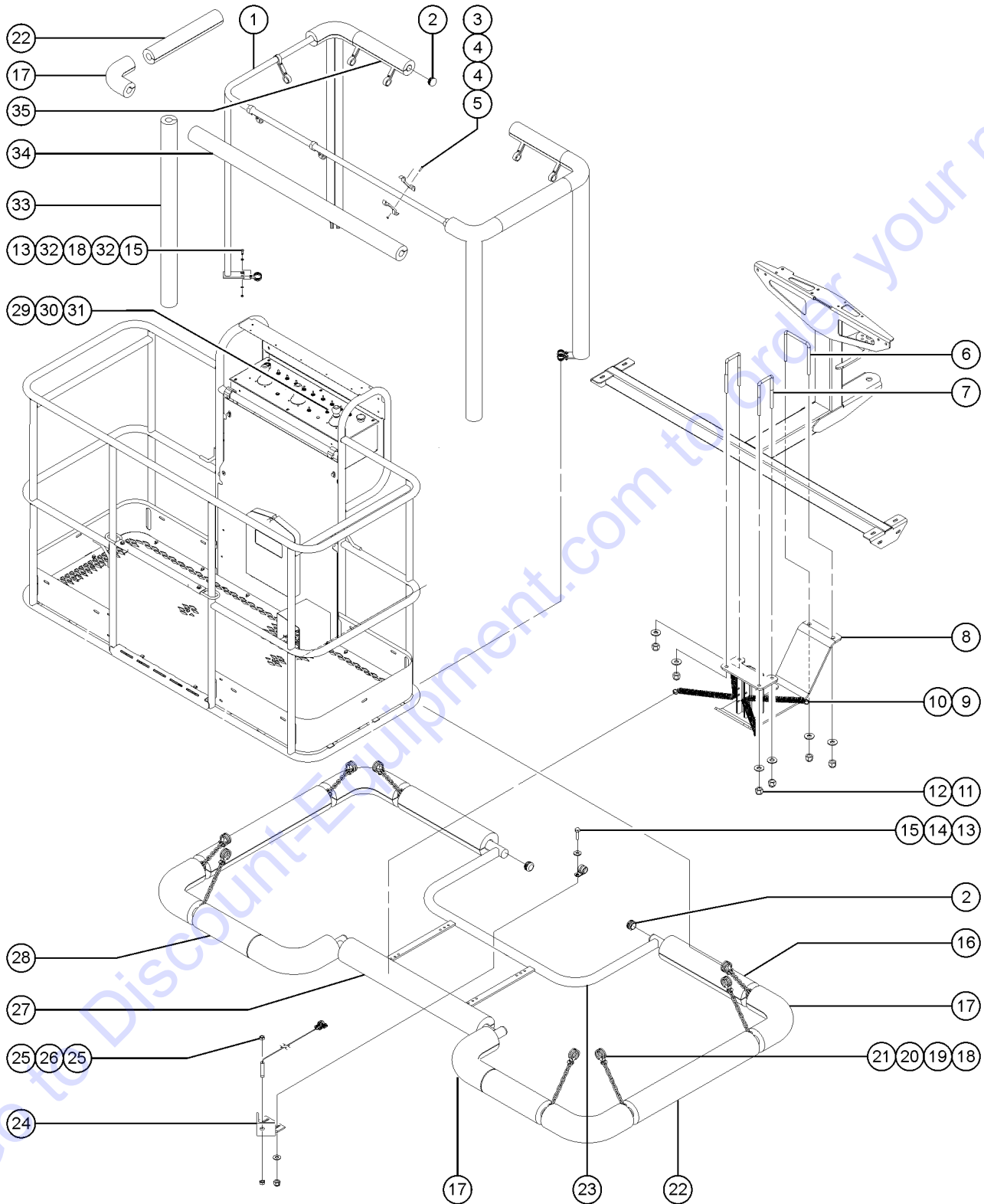




## 912.1 Aircraft Protection Package, Deluxe (from SN 37297 to 51049)

Item	Part No.	Description	Qty.
1	46188GT	WELDMENT, AIRCRAFT TOP BUMPER.....	1
2	55753GT	BUMPER, PLASTIC, 1.25 O.D.....	4
3	122231GT	SCREW,BHSC,1/4-20 X 1	
4	122073GT	SUPPORT, RAILING.....	20
5	6889GT	NUT,LP NYLOCK,1/4-20	
6	106044GT	U-BOLT,3/8-16X4X4.63X3.00.....	1
7	66472GT	U-BOLT, SQR, 3/8-16X2X5, PLTD.....	2
8	139904GT	WELDMENT, SKIDPLATE**.....	1
9	88384GT	SPRING, SS, 3/4-EO750-69-4500.....	4
10	88385GT	SPRING, SS, 1/2-EO500-49-4500.....	4
11	4828GT	NUT,NYLOCK,3/8-16	
12	5397GT	WASHER,FLAT,USS,5/16",Y	
13	6888GT	SCREW,HHC,1/4-20 X 1	
14	6638GT	WASHER,FLAT,USS,1/4"Y	
15	6833GT	CLAMP,0.50,#8 X 1/4,RUB CUSH.....	1
16	6091GT	NUT,NYLOCK,1/4-20	
17	75617-1675GT	PADDING,FOAM 3.5"OD X 1.50"ID.....	2
18	75636GT	PADDING,FOAM,3.0"X1.50ID 90DEG.....	8
19	21618GT	CLAMP,1.13,#18 X 1/4,RUB CUSH.....	16
20	6090GT	SCREW,HHC,1/4-20 X .75	
21	56426-700GT	CHAIN,NO.2 (11 LINKS).....	8
22	75617-2275GT	PADDING,FOAM 3.5"OD X 1.50"ID.....	4
23	139181GT	WELDMENT,AIRCRAFT SENSOR BUMPR.....	1
24	75617-6475GT	PADDING,FOAM 3.5"OD X 1.50"ID.....	1
25	77797GT	WELDMENT, SENSOR MOUNT.....	1
26	88390GT	NUT,HEX,M8,PLASTIC	
27	81532GT	HARNES,PROX.KILL..... <i>includes 27391 proximity sensor</i>	1
--	27391GT	PROXIMITY SENSOR***	
28	128203GT	SWITCH TOGGLE ASSY SPDT 2P MOM.....	1
--	139882GT	HARN, AC PROTECTION BYPASS.....	1
29	27246GT	BOOT,TOGGLE SWITCH,SHORT*.....	1
30		Ref. DECAL,FUNCTION OVERRIDE..... <i>(refer to 101.1 or 103.1)</i>	1
31	75617-4788GT	PADDING,FOAM 3.5"OD X 1.50"ID.....	4
32	75617-6275GT	PADDING,FOAM 3.5"OD X 1.50"ID.....	1
33	75617-1538GT	PADDING,FOAM 3.5"OD X 1.50"ID.....	2

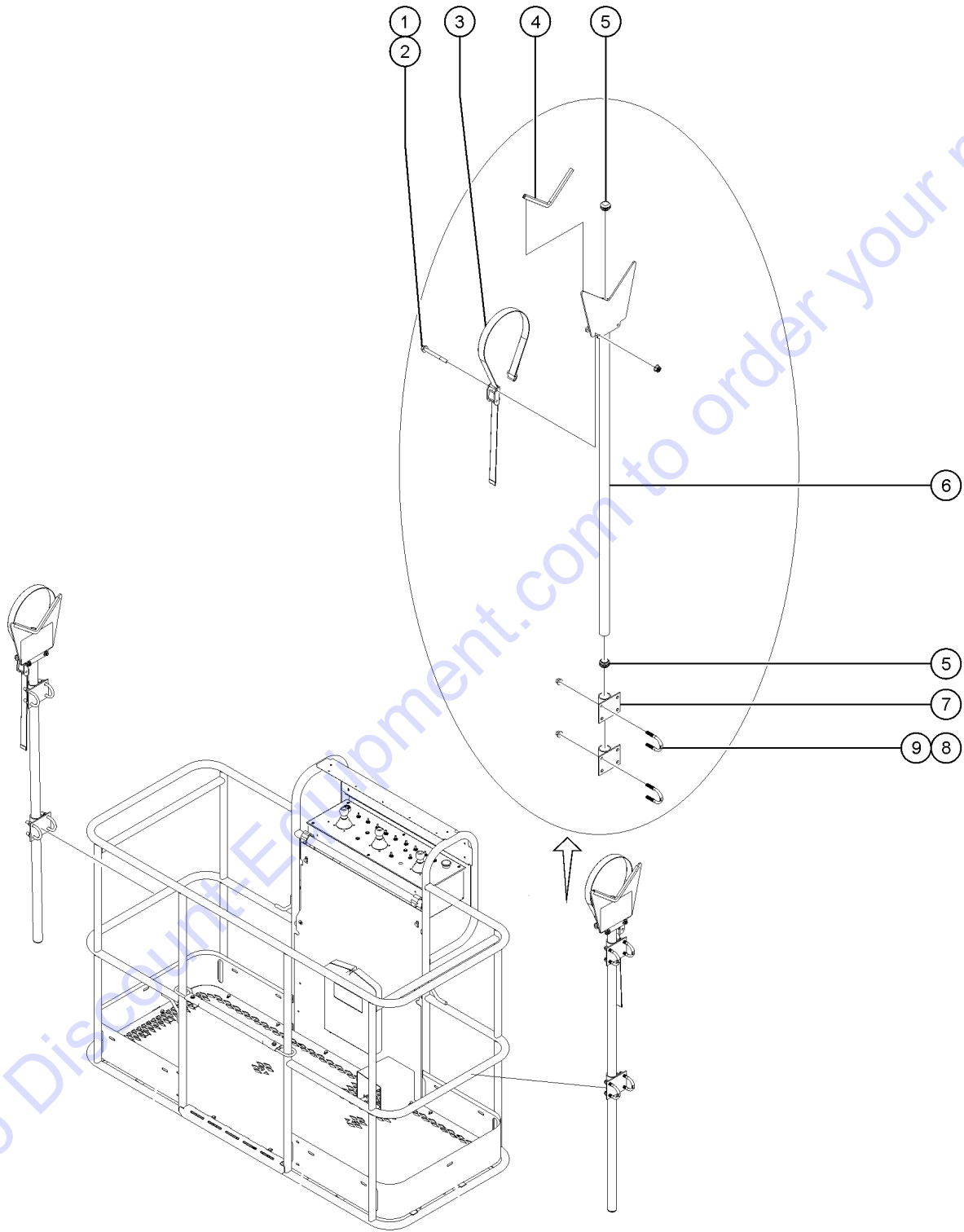
912.2 Aircraft Protection Package (from SN 51050)



## 912.2 Aircraft Protection Package (from SN 51050)

Item	Part No.	Description	Qty.
1	46188GT	WELDMENT, AIRCRAFT TOP BUMPER.....	1
2	55753GT	BUMPER, PLASTIC, 1.25 O.D.....	4
3	122231GT	SCREW,BHSC,1/4-20 X 1	
4	122073GT	SUPPORT, RAILING.....	20
5	6889GT	NUT,LP NYLOCK,1/4-20	
6	106044GT	U-BOLT,3/8-16X4X4.63X3.00	
7	66472GT	U-BOLT, SQR, 3/8-16X2X5, PLTD.....	2
8	822764GT	WDMT,SKID PLATE	
9	822769GT	SPRING,EXTENSION,1.92LB/IN.....	4
10	88385GT	SPRING, SS, 1/2-EO500-49-4500	
11	4828GT	NUT,NYLOCK,3/8-16	
12	5397GT	WASHER,FLAT,USS,5/16",Y	
13	6888GT	SCREW,HHC,1/4-20 X 1	
14	6833GT	CLAMP,0.50,#8 X 1/4,RUB CUSH.....	1
15	6091GT	NUT,NYLOCK,1/4-20	
16	75617-1550GT	PADDING,FOAM 3.5"OD X 1.50"ID.....	2
17	75636GT	PADDING,FOAM,3.0"X1.50ID 90DEG.....	10
18	21618GT	CLAMP,1.13,#18 X 1/4,RUB CUSH.....	24
19	824078GT	SCREW,HHF,1/4-20X.75,8,ZAG	
20	56426-700GT	CHAIN,NO.2 (11 LINKS).....	8
21	824027GT	NUT,TL FLG,1/4-20,G,ZAG	
22	75617-2275GT	PADDING,FOAM 3.5"OD X 1.50"ID.....	2
23	822759GT	WDMT,AIRCRAFT SENSOR BUMPER...1	
24	77797GT	WELDMENT, SENSOR MOUNT.....	1
25	88390GT	NUT,HEX,M8,PLASTIC	
26	1261292GT	HARNASS ASSY,PCON,PROX KILL.....1 <i>includes 27391 proximity sensor</i>	
--	27391GT	PROXIMITY SENSOR***.....	1
27	822768GT	FOAM,AIRCRAFT PROTECTION	
28	75617-1025GT	PADDING,FOAM 3.5"OD X 1.50"ID.....	2
29	128203GT	SWITCH TOGGLE ASSY SPDT 2P MOM.....1 <i>includes item 29</i>	
--	139882GT	HARN, AC PROTECTION BYPASS	
30	27246GT	BOOT,TOGGLE SWITCH,SHORT*.....	1
31		Ref. DECAL,FUNCTION OVERRIDE <i>(refer to 101.1 or 103.1)</i>	
32	6638GT	WASHER,FLAT,USS,1/4"Y	
33	75617-4788GT	PADDING,FOAM 3.5"OD X 1.50"ID.....	4
34	75617-6275GT	PADDING,FOAM 3.5"OD X 1.50"ID.....	1
35	75617-1538GT	PADDING,FOAM 3.5"OD X 1.50"ID.....	2

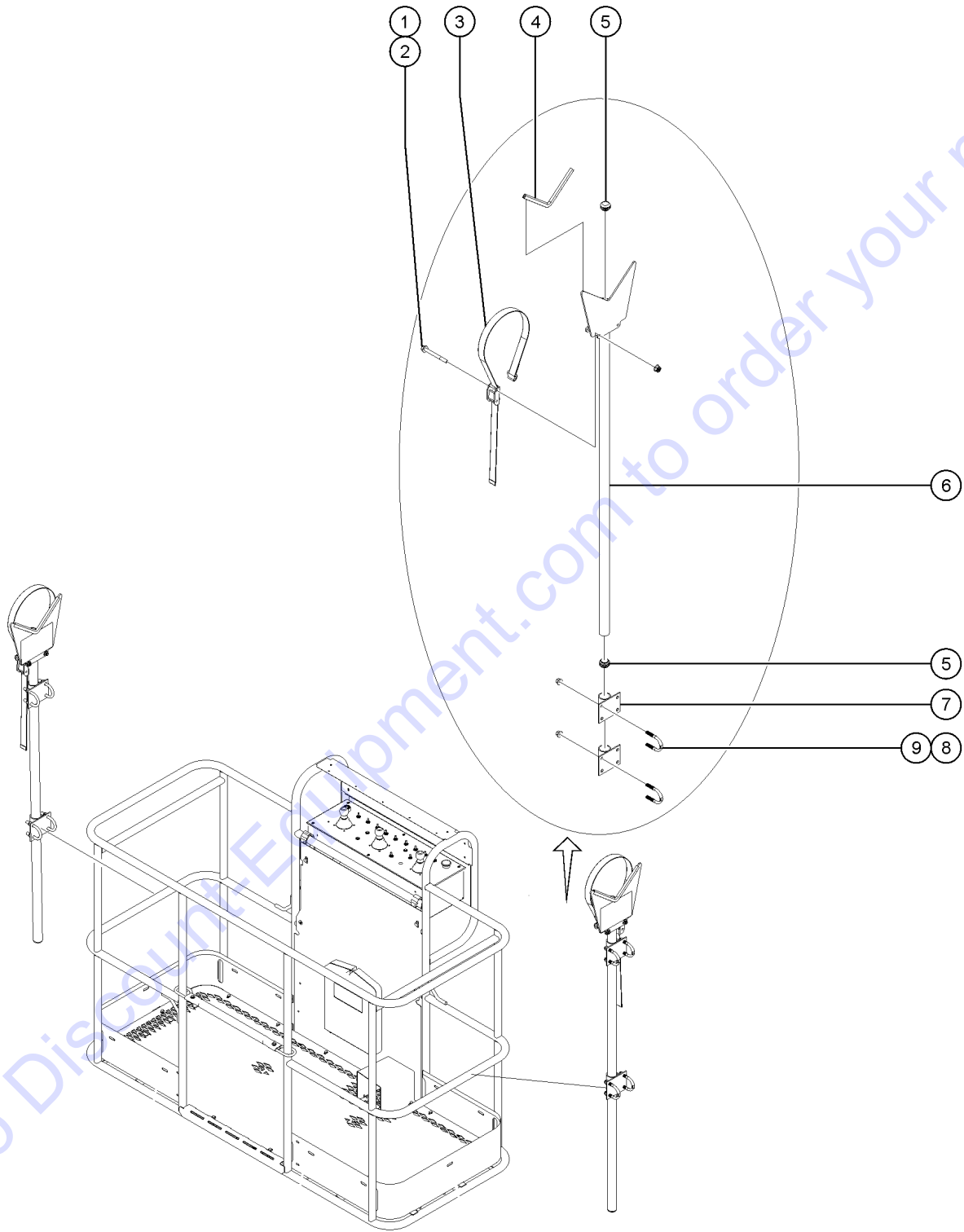
912.3 Aircraft Protection Package With Swing Gate (from SN Z4514A-51050)



## 912.3 Aircraft Protection Package With Swing Gate (from SN Z4514A-51050)

Item	Part No.	Description	Qty.
1	46188GT	WELDMENT, AIRCRAFT TOP BUMPER.....	1
2	55753GT	BUMPER, PLASTIC, 1.25 O.D.....	4
3	122231GT	SCREW,BHSC,1/4-20 X 1	
4	122073GT	SUPPORT, RAILING.....	20
5	6889GT	NUT,LP NYLOCK,1/4-20	
6	1259328GT	PADDING, FOAM, 15.5".....	4
7	66472GT	U-BOLT, SQR, 3/8-16X2X5, PLTD.....	2
8	5397GT	WASHER,FLAT,USS,5/16",Y	
9	4828GT	NUT,NYLOCK,3/8-16	
10	106044GT	U-BOLT,3/8-16X4X4.63X3.00	
11	822764GT	WDMT,SKID PLATE	
12	822769GT	SPRING,EXTENSION,1.92LB/IN.....	4
13	6888GT	SCREW,HHC,1/4-20 X 1	
14	6833GT	CLAMP,0.50,#8 X 1/4,RUB CUSH.....	1
15	6091GT	NUT,NYLOCK,1/4-20	
16	75617-1550GT	PADDING,FOAM 3.5"OD X 1.50"ID.....	2
17	75636GT	PADDING,FOAM,3.0"X1.50ID 90DEG.....	10
18	21618GT	CLAMP,1.13,#18 X 1/4,RUB CUSH.....	24
19	824078GT	SCREW,HHF,1/4-20X.75,8,ZAG	
20	56426-700GT	CHAIN,NO.2 (11 LINKS).....	8
21	824027GT	NUT,TL FLG,1/4-20,G,ZAG	
22	75617-2275GT	PADDING,FOAM 3.5"OD X 1.50"ID.....	2
23	822759GT	WDMT,AIRCRAFT SENSOR BUMPER...1	
24	75617-1025GT	PADDING,FOAM 3.5"OD X 1.50"ID.....	2
25	822768GT	FOAM,AIRCRAFT PROTECTION.....	1
26	77797GT	WELDMENT, SENSOR MOUNT.....	1
27	88390GT	NUT,HEX,M8,PLASTIC	
28	1261292GT	HARNES ASSY,PCON,PROX KILL.....1 <i>includes 27391 proximity sensor</i>	
--	27391GT	PROXIMITY SENSOR***.....	1
29	128203GT	SWITCH TOGGLE ASSY SPDT 2P MOM.....1 <i>includes item 29</i>	
--	139882GT	HARN, AC PROTECTION BYPASS	
30	27246GT	BOOT,TOGGLE SWITCH,SHORT*.....	1
31		Ref. DECAL,FUNCTION OVERRIDE <i>(refer to 101.1 or 103.1)</i>	
32	6638GT	WASHER,FLAT,USS,1/4"Y	
33	1259329GT	PADDING, FOAM, 46.5".....	4
34	75617-2075GT	PADDING,FOAM 3.5"OD X 1.50"ID.....	2

913.1 Pipe Cradle Accessory

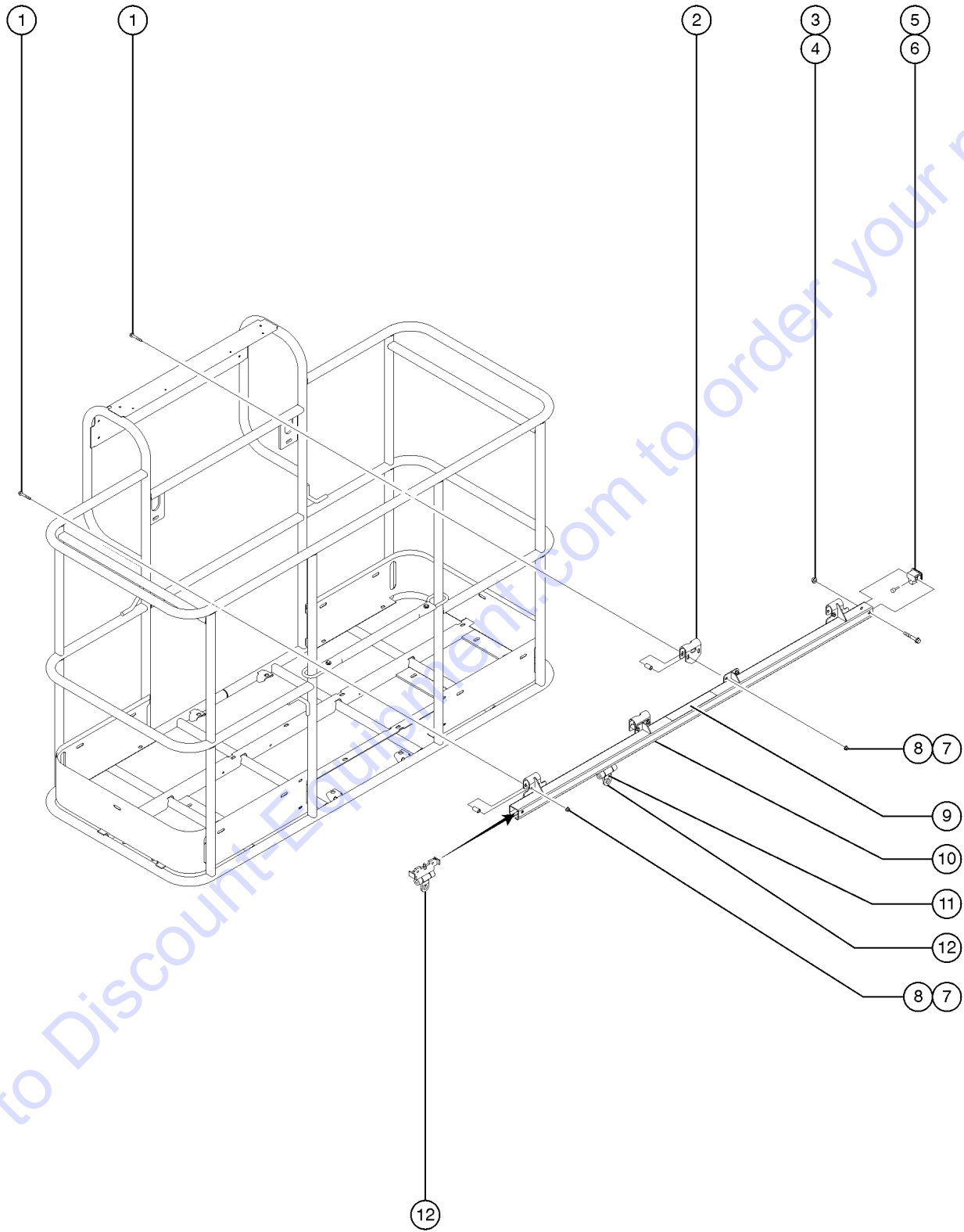


## 913.1 Pipe Cradle Accessory

Item	Part No.	Description	Qty.
A	85300GT	PIPE CRADLE ASSY. SERV (ONE)** (ANSI & CE only) (This is a single assembly. Qty 2 of 85300GT required to complete a set)	
--	65630GT	INSTRUCTIONS-PIPE CRADLE,BOOMS	
1	824083GT	SCREW,HHF,1/4-20X2.5,8,ZAG.....	4
2	1277924GT	NUT,NYLOCK FLG,1/4-20,F,ZAG.....	4
3	56570GT	STRAP, CONDUIT HOLDER 60**** .....	2
4	19018-1100GT	TRIMLOCK,BLACK,5/32".....	2
5	55753GT	BUMPER, PLASTIC, 1.25 O.D.....	4
6	56525GT	WELDMENT, PIPE CRADLE.....	2
7	81368GT	WELDMENT,PIPE CRADLE MOUNT....	4
8	1251600GT	U-BOLT, FLATTENED, 1.5 X 3/8 UNC,ZAG.....	8
9	1274322GT	NUT,NYLOCK FLG,3/8-16,F,ZAG.....	16

Go to Discount-Equipment.com to order your parts

914.1 Fall Arrest Bar



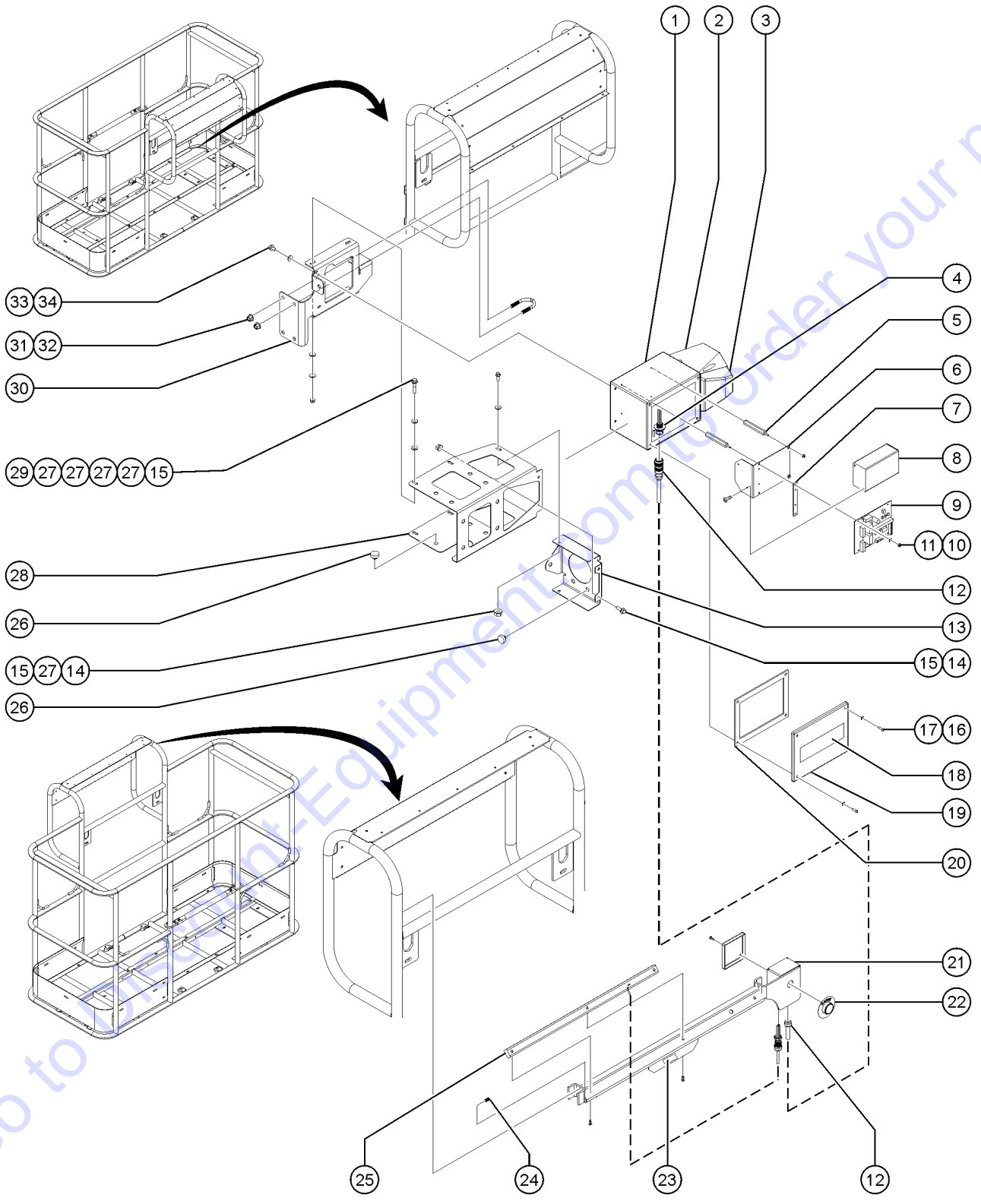
Go to DiscountEquipment.com to order your parts



## 914.1 Fall Arrest Bar

Item	Part No.	Description	Qty.
1	1256856GT	SCREW,HHF,3/8-16X2.5,8,ZAG.....	4
2	1256389GT	FORMING,INNER HANGER.....	2
3	1251997GT	NUT,TL FLG,1/2-13,G,ZAG.....	2
4	1256851GT	SCREW,HHF,1/2-13X3.5,8,ZAG.....	2
5	1260892GT	END STOP,TRACK,FALL ARREST BAR.....	2
6	36388GT	BUMPER,RUBBER,.75 X .50H,STUD....	2
7	1274322GT	NUT,NYLOCK FLG,3/8-16,F,ZAG.....	8
8	1256481GT	SPACER, HANGER BRACKET.....	8
9A	1256400GT	DECAL,TRACK,FALL ARREST BAR,WORD.....	1
9B	1260910GT	DECAL,TRACK,FALL ARREST BAR,SYMBOL.....	1
9C	1256400FRGT	DECAL,TRACK,FALL ARREST BAR,WORD FR.....	1
10A	1256378GT	ACC,FALL ARREST BAR,6FT WORD....	1
--	1256380GT	ASSY,TRACK,FALL ARREST BAR,6FT WORD <i>includes decals</i>	
10B	1261023GT	ACC,FALL ARREST BAR,6FT SYM.....	1
--	1261025GT	ASSY,TRACK,FALL ARREST BAR,6FT SYM <i>includes decals</i>	
10C	1261019GT	ACC,FALL ARREST BAR,6FT FR.....	1
--	1261021GT	ASSY,TRACK,FALL ARREST BAR,6FT FR <i>includes decals</i>	
11	40434GT	DECAL,LANYARD ANCHORAGE POINT.....	1
12	1256439GT	TROLLEY, TRACK, FALL ARREST BAR.....	1

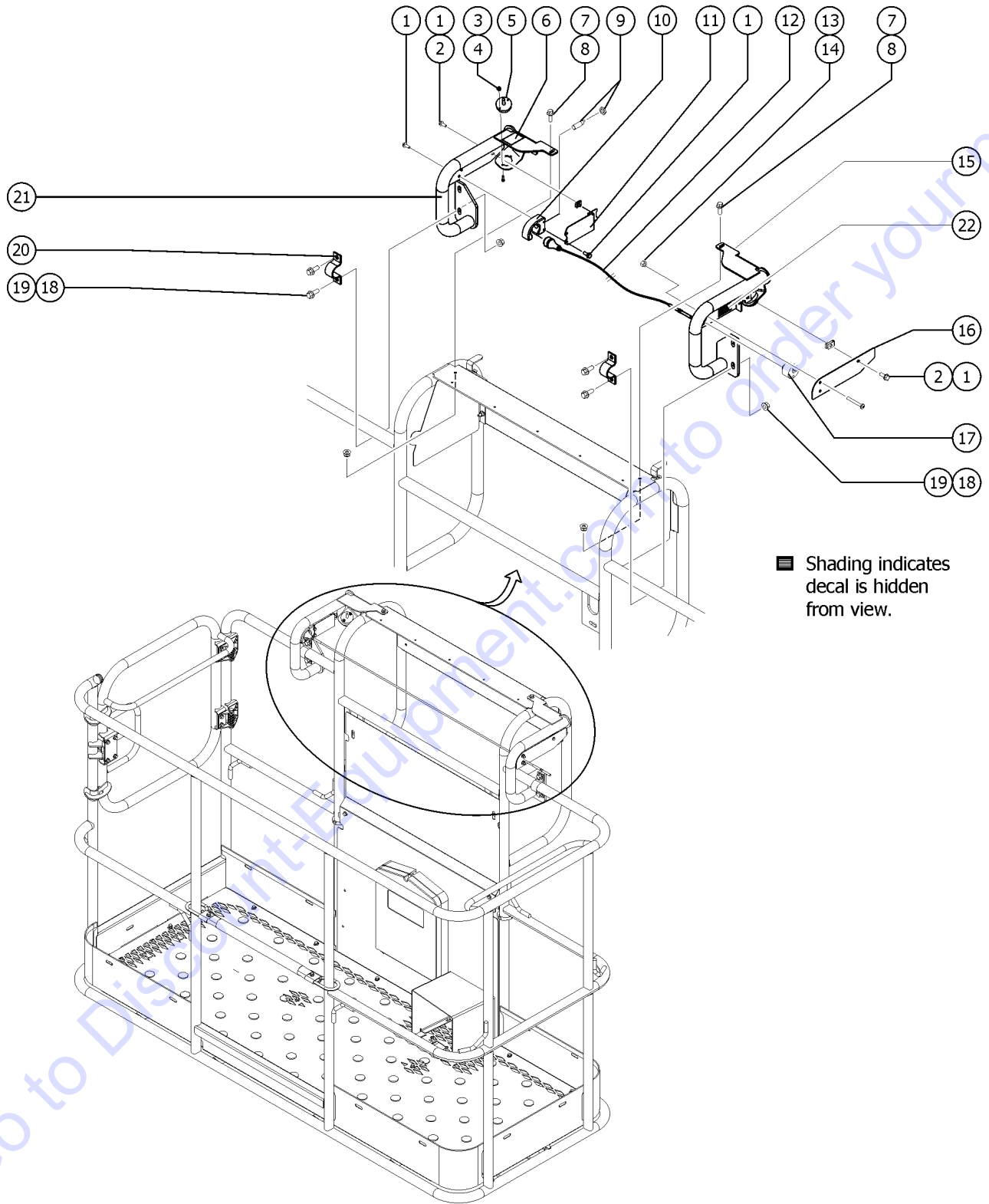
915.1 Operators Protection Alarm (to January 2017)



## 915.1 Operators Protection Alarm (to January 2017)

Item	Part No.	Description	Qty.
B	1275537GT	ASSEMBLY, OPA PROTECTION CAGE.....	1
1	1255018GT	BASE ENCLOSURE,RED,OPA.....	1
2	1255021GT	SOUNDER,MIDI,OPA.....	1
3A	1255037GT	SOUNDER LENS, OPA, BLUE..... (standard lens fitted to OPA)	1
3B	1270116GT	SOUNDER LENS, OPA, RED.....	1
3C	1270117GT	SOUNDER LENS, OPA, AMBER.....	1
3D	1270118GT	SOUNDER LENS, OPA, CLEAR.....	1
4	1255033GT	HARN,PIGTAIL,TAPESWITCH,OPA.....	1
5	1255028GT	STAND OFF,CONTROL UNIT.....	4
6	1255024GT	BRACKET,CONTROL UNIT.....	1
7	1255025GT	SPACER,HEAT SINK.....	1
8	1255023GT	ASSY,MODULE,CONTROL UNIT,OPA....	1
9	1255022GT	MODULE,CONTROL UNIT,PCB,OPA....	1
10	1255067GT	NUT,M4 NYLOCK.....	4
11	1255066GT	WASHER,M4 NYLON.....	4
12	1255035GT	ASSEMBLY,CABLE,TAPESWITCH.....	1
13	1275539GT	FORMING, OPA CAP.....	1
14	824078GT	SCREW,HHF,1/4-20X.75,8,ZAG.....	5
15	824027GT	NUT,TL FLG,1/4-20,G,ZAG.....	9
16	1255038GT	SCREW,M5X16 BHD.....	4
17	1255027GT	WASHER,M5 NYLON.....	4
18	1255890GT	DECAL,COSMETIC,GENIE.....	1
19	1255020GT	LID ENCLOSURE,RED,OPA.....	1
20	1255019GT	GASKET,ENCLOSURE.....	1
21	1255029GT	ASSEMBLY,TAPESWITCH..... "(6/8' platforms) (includes j-box and fasteners)"	1
22	1255036GT	ASSEMBLY RESET SWITCH.....	1
23	1255889GT	DECAL,SYMBOL-READ THE MANUAL.....	1
24	1255068GT	SCREW,M6X8.....	2
25	1255047GT	SENSOR,RUBBER EDGE..... (6/8' platforms)	1
26	43392GT	BUMPER,BATTERY BOX & RAILS.....	17
27	824113GT	WASHER,FLAT,USS,1/4,ZAG.....	19
28	1275538GT	FORMING, OPA CAGE.....	1
29	824080GT	SCREW,HHF,1/4-20X1.25,8,ZAG.....	4
30	1275540GT	FORMING, OPA, BRACKET.....	1
31	824029GT	NUT,TL FLG,3/8-16,G,ZAG.....	4
32	1251600GT	U-BOLT, FLATTENED, 1.5 X 3/8 UNC,ZAG.....	2
33	237238GT	SCREW,HHF,M6-1.0X12,DIN6921,10....	2
34	1257389GT	WASHER, FLAT, M6X18X1.6,DIN9021,ZAB.....	2

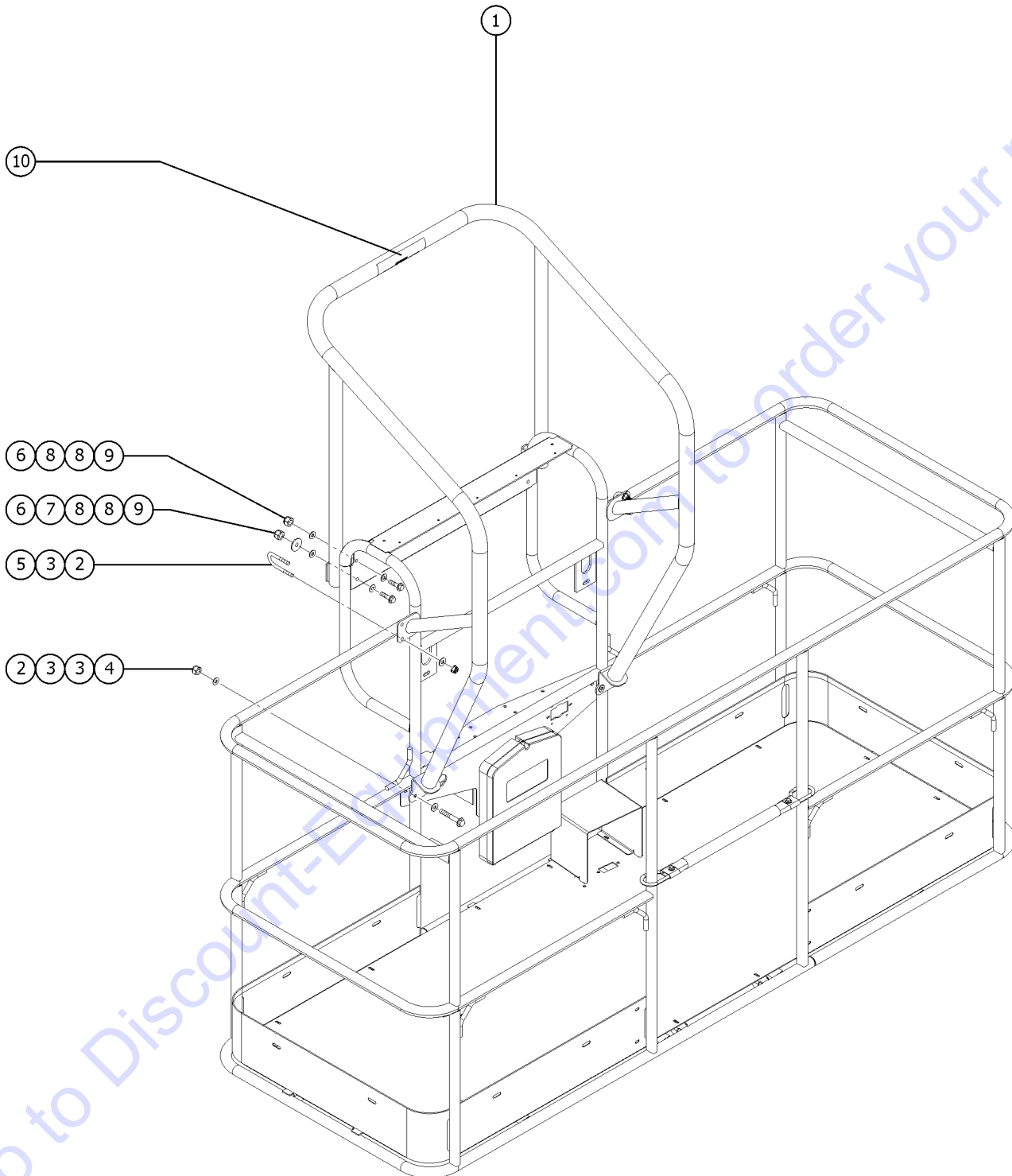
915.2 Lift Guard Contact Alarm (from January 2017)



## 915.2 Lift Guard Contact Alarm (from January 2017)

Item	Part No.	Description	Qty.	Item	Part No.	Description	Qty.
--		From January 2017, this option became a standard installation on all models unless the customer specifically request not to have it installed		21	1278144GT	WELDMENT, LEFT CONTACT ALARM, LARGE.....	1
--	1279135GT	KIT, LIFT GUARD CONTACT ALARM,6'-8' PLATFORM,NON-ALC1000 <i>measure platform before ordering - for 5', 6', and 8' platforms only.</i>		22	1278982GT	DECAL, INSTRUCTION, ACTUATOR SWITCH SOCKET.....	1
--	1278452GT	HARNESS, OPA2, Z45DC/BE					
--	78098GT	RELAY,24VDC,40/30A,SLD W/BRKT*					
--	1278121GT	MODULE, PLUS+1, CONTACT ALARM <i>located inside the Platform Control Box</i>					
1	1264934GT	SCREW,HHF,10-24X.5					
2	73575GT	SPRING CLIP,10-24,.025-.125X.468,ZAG					
3	12344GT	NUT,NYLOCK,6-32					
4	1256859GT	SCREW,PHPM,6-32X.875,ZAG					
5	1278111GT	ASSEMBLY, LIGHT, CONTACT ALARM.....	2				
6	1278542GT	DECAL, INSTRUCTION, CONTACT ALARM					
7	824078GT	SCREW,HHF,1/4-20X.75,8,ZAG					
8	1277924GT	NUT,NYLOCK FLG,1/4-20,F,ZAG					
9	1278119GT	ASSEMBLY, SENSOR, PROX, CONTACT ALARM.....	1				
10	1278433GT	ASSY, SENSOR W/HOUSING <i>(Includes holder item 1277877 and sensor part 1278119)</i>					
--	1277877GT	HOLDER, SENSOR.....	1				
11	1277873GT	FORMING, SENSOR HOLDER.....	1				
12	1278416GT	ASSEMBLY,CONTACT ALARM CABLE, LARGE.....	1				
--	1261184GT	NUT,1/4-20,8,ZAG <i>Part of assembly 1278416</i>					
--	1278124GT	MAGNET, 1/4-20, 15 LB. <i>Part of assembly 1278416</i>					
--	1278368GT	GRIP, CABLE <i>Part of assembly 1278416</i>					
--	1278458GT	CONTACT ALARM WIRE ASSY, LARGE <i>Part of assembly 1278416</i>					
13	825352GT	SCREW,PHPM,10-32X1.25,ZAG					
14	1264261GT	NUT,SERRATED,10-32,ZAG					
15	1278138GT	WELDMENT, RIGHT CONTACT ALARM, LARGE.....	1				
16	1277875GT	PLATE, CABLE AND WIRE COVER.....	1				
17	1277876GT	GUIDE, CABLE.....	1				
18	1274322GT	NUT,NYLOCK FLG,3/8-16,F,ZAG					
19	824090GT	SCREW,HHF,3/8-16X1,8,ZAG					
20	1278363GT	CLAMP, 1.25 INCH TUBE.....	2				

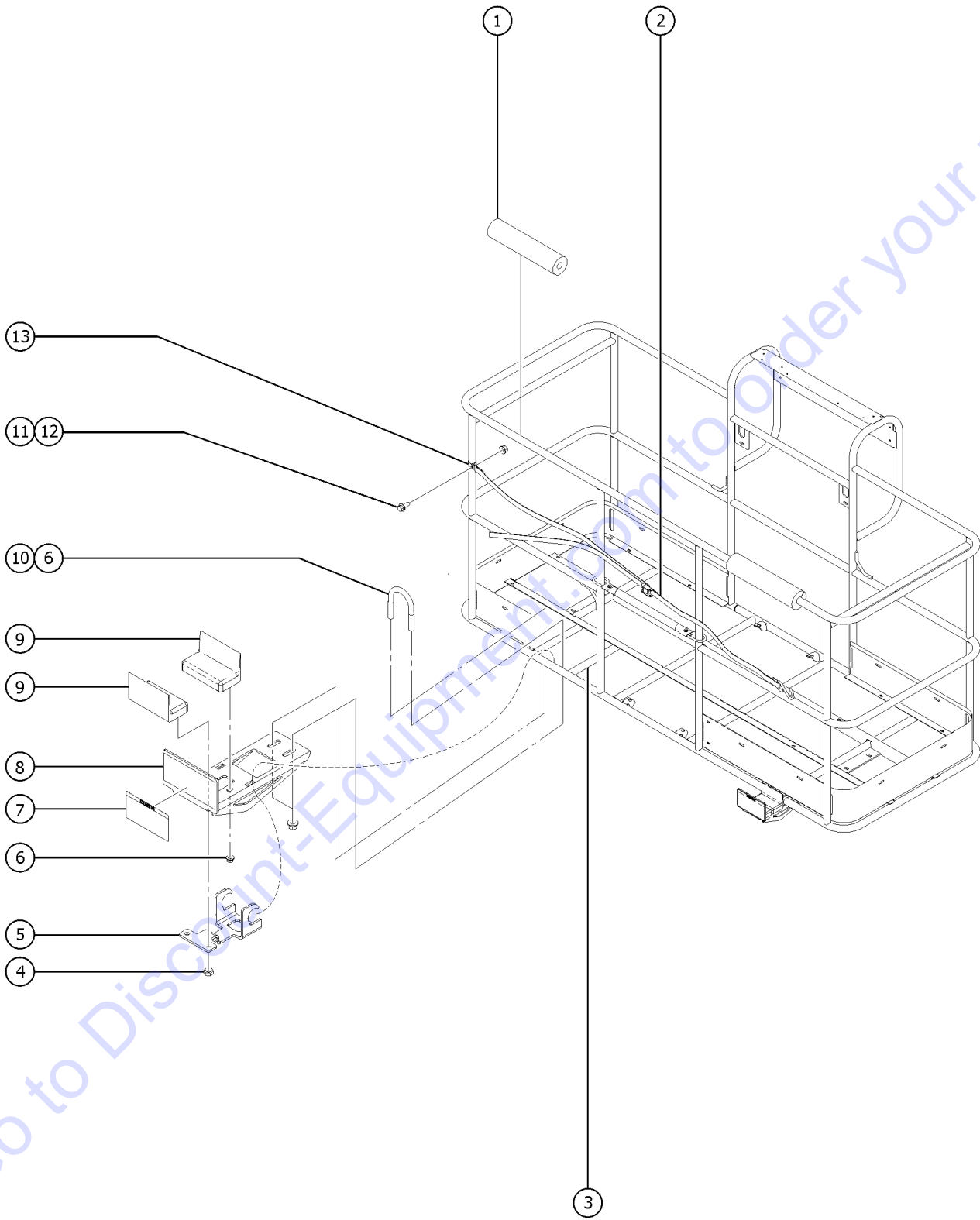
916.1 Operator Protective Structure



## 916.1 Operator Protective Structure

Item	Part No.	Description	Qty.
--		<i>Fits all 6' and 8' Booms</i>	
1	219158GT	ACCESSORY, OPERATOR PROT STRUCT.....1 <i>(Complete) includes all fasteners</i>	1
2	1256468GT	NUT, 3/8-16, 8, ZAG.....8	8
3	1255758GT	WASHER, FLAT, 3/8, USS, ZAG.....12	12
4	824069GT	SCREW, HHC, 3/8-16X2.5, 8, ZAG.....4	4
5	1251600GT	U-BOLT, FLATTENED, 1.5 X 3/8 UNC, ZAG.....4	4
6	1261184GT	NUT, 1/4-20, 8, ZAG.....4	4
7	824120GT	WASHER, FLAT, .375X1.50X.125, ZAG.....2 <i>Use only with the platform control box cover option</i>	2
8	824113GT	WASHER, FLAT, USS, 1/4, ZAG.....6	6
9	824060GT	SCREW, HHC, 1/4-20X1, 8, ZAG.....4	4
10		Ref. DECAL, INSTRUCTION, OPS.....1 <i>Refer to Section 100</i>	1

917.1 Panel Cradle Option





## 917.1 Panel Cradle Option

Item	Part No.	Description	Qty.
--	77683GT	ACCESSORY,PANEL CRADLE,ANSI (ANSI/CSA models)	
1	88377-1400GT	FOAM PAD, 3" OD X 1.25" ID X 14 IN.....2	
2	77664GT	ADJUSTABLE STRAP ASSY.....1	
3	73463-1175GT	TUBE, RD, ALUM, 1.25 X .083 X 11.75...2	
4	824038GT	NUT, TL JAM, 3/8-16, A, ZAG.....4	
5	228849GT	FORMING,SECONDARY SUPPORT.....2	
6	1274322GT	NUT,NYLOCK FLG,3/8-16,F,ZAG.....8	
7A	82410GT	DECAL,WARNING,PANEL CRADLE.....2 (ANSI/CSA models)	
8	228848GT	FORMING PANEL CRADLE.....2	
9	56934GT	PAD,REST,1"THICK,FLANGED.....4	
10	1251600GT	U-BOLT, FLATTENED, 1.5 X 3/8 UNC,ZAG.....2	
11	1256855GT	SCREW,HHF,1/4-20X.625,8,ZAG.....1	
12	1277924GT	NUT,NYLOCK FLG,1/4-20,F,ZAG.....1	
13	56424GT	CLAMP,1.25X.5 RUBBER-CUSHION.....1	

## Part Number Index

The Part Number Index is a numeric index of all part numbers included in this manual. The index shows what page(s) the part is used on.

Part Number	Page	Part Number	Page	Part Number	Page	Part Number	Page
1000001GT	20	110286GT	43, 49, 55	119985GT	83	1259329GT	165
1000027GT	14	110305GT	89	120111GT	99	1259639GT	85
101055GT	127	110306GT	89	120282GT	91	1260173GT	85
101056GT	127	110307GT	89	121848GT	81, 83, 85, 149	1260219GT	81, 83
101057GT	127	110308GT	89	122019GT	139	1260892GT	169
101058GT	127	110309GT	91	122073GT	141, 161, 163,	1260910GT	169
101067GT	127	110310GT	89		165	1261019GT	169
10107GT	155	110382GT	65, 77	122231GT	141, 161, 163,	1261021GT	169
101080GT	81, 83, 85	110384GT	93		165	1261023GT	169
101114GT	127	110385GT	93	122278GT	141	1261025GT	169
101277GT	127	110523GT	47, 53, 59	122279GT	141	1261184GT	173, 175
101425PGT	31	110651GT	113-114, 117-118	122513GT	113-114, 117-118	1261221GT	85
101426PGT	31		118		118	1261292GT	163, 165
101512GT	149	110652GT	113-114, 117-118	122514GT	114, 117-118	1261450GT	81, 83
101579GT	113-114, 117-118		118	12343GT	99	1261845GT	81, 83, 85
		110653GT	113-114, 117-118	12344GT	173	1261899GT	85
101703GT	33		118	1251600GT	111, 167, 171, 175, 177	1261900GT	85
101815GT	61	110654GT	113-114, 117-118			1262220GT	85
101844GT	75		118	1251793GT	57	1262223GT	85
101852GT	143	110655GT	113-114	1251794GT	57	1262512GT	85
101853GT	143	110657GT	81, 83, 85	1251795GT	57	1262633GT	91
101858GT	79	110671GT	105	1251796GT	55	1263056GT	91
101859GT	79	110737GT	27-29	1251997GT	169	1263057GT	91
101860GT	77	110749GT	47, 53, 59	1255018GT	171	1263187GT	65, 77
101861GT	77	110789GT	149	1255019GT	171	1263554GT	27-29
101862GT	79	110894GT	37	1255020GT	171	1264261GT	173
101863GT	77	110895GT	37	1255021GT	171	1264308GT	14, 20
101864GT	77	110896GT	37	1255022GT	171	1264822GT	81, 83, 85
101932GT	153	110897GT	37	1255023GT	171	1264834GT	81, 83, 85
102785PGT	141	111051GT	99	1255024GT	171	1264934GT	173
102786PGT	141	111052GT	99	1255025GT	171	1266606GT	81, 83, 85
102992GT	111	111053GT	99	1255027GT	171	1267570GT	129
104804GT	111	111526GT	141	1255028GT	171	1267746GT	111
10587GT	89	114020GT	13-14, 19-20	1255029GT	171	1267747GT	111
10597GT	41, 67, 69, 91	114025GT	14, 17, 20, 23	1255030GT	85	1267779GT	25
106044GT	159, 161, 163, 165	114114GT	14, 17, 20, 23	1255033GT	171	1267780GT	28-29
		114117GT	14, 20	1255035GT	171	1267781GT	25
106069GT	77	114221GT	14, 20	1255036GT	171	1267782GT	25, 28-29
106117GT	27-29	114247GT	17, 23	1255037GT	171	1267784GT	25
106120GT	27-29	114248GT	17, 23	1255038GT	171	1267785GT	28-29
106121GT	27-29	114249GT	17, 23	1255047GT	171	1267786GT	25
106122GT	27-29	114251GT	17	1255066GT	171	1267787GT	28-29
106123GT	27-29	114252GT	17, 23	1255067GT	171	1268GT	11
106124GT	27-29	114258GT	14	1255068GT	171	1269501GT	121
106125GT	27-29	114334GT	17, 23	1255452GT	41, 91	1270116GT	171
106126GT	27-29	114343GT	17, 23	1255758GT	65, 69, 175	1270117GT	171
106148GT	27-29	114345GT	17, 23	1255858GT	85	1270118GT	171
106163GT	105	114350GT	20, 23	1255889GT	171	1270353GT	133
106241GT	31	114389GT	14, 20	1255890GT	171	1272303GT	109
106339GT	157	114390GT	14, 20	1256118GT	65	1272307GT	111
106427GT	61, 89	114391GT	17	1256267GT	87, 91	1274322GT	99, 167, 169, 173, 177
106526GT	101	114397GT	14, 20	1256378GT	169		
106540PGT	103	119058GT	111	1256380GT	169	1274858GT	109
106581GT	97, 103	119060GT	75	1256389GT	169	1275192GT	157
106585GT	97	119061GT	72	1256400FRGT	169	1275193GT	157
106804PGT	97	119062GT	72	1256400GT	169	1275393GT	109
106972GT	89	119063GT	72	1256439GT	169	1275394GT	109
107588GT	87	119064GT	72	1256460GT	111	1275395GT	109
107590GT	87	119209GT	28-29	1256468GT	175	1275396GT	109
107594GT	77	119210GT	28-29	1256481GT	169	1275397GT	109
107595GT	101	119242GT	47, 53, 59	1256851GT	169	1275537GT	171
107651GT	61	119403GT	33, 67	1256855GT	111, 177	1275538GT	171
107727GT	87	119404GT	67	1256856GT	169	1275539GT	171
10775GT	114, 118	119507GT	47	1256859GT	173	1275540GT	171
10777GT	114, 118	119536PGT	103, 107	1257051GT	95	1277873GT	173
107803GT	41	119542GT	103, 107	1257052GT	95	1277875GT	173
107826GT	41	119649GT	93	1257389GT	171	1277876GT	173
107857GT	141	119684GT	45, 51, 57	1257628GT	69	1277877GT	173
107858GT	141, 155	119685GT	45, 51, 57	1257733GT	11	1277924GT	167, 173, 177
107859GT	87	119784PGT	67	1258159GT	87	1278111GT	173
107881GT	89	119794GT	113-114	1258567GT	11	1278119GT	173
107901GT	97	119825GT	127	1258768GT	75	1278121GT	173
107992GT	113-114	119950GT	143	1259322GT	85	1278124GT	173
110160GT	61	119980GT	27-29	1259323GT	85	1278138GT	173
110282GT	14	119981GT	25	1259328GT	165	1278144GT	173

Part Number	Page	Part Number	Page	Part Number	Page	Part Number	Page
1278363GT	173	128812GT	81, 83, 85	139687GT	101	19440GT	25
1278368GT	173	128814GT	81	139688GT	101	19506GT	71-72
1278416GT	173	128815GT	83	139701GT	99	19520GT	31, 81
1278433GT	173	128816GT	81, 83, 85	139702GT	99	19533GT	33
1278452GT	173	128825GT	35	139720GT	33	19712GT	121
1278458GT	173	128828GT	81	139779GT	99	19722GT	121
1278542GT	173	128852GT	153	139781GT	99	19729GT	123
1278982GT	173	128862GT	99	139857GT	35	19731GT	121, 123
1279135GT	173	128908GT	81, 83	139861GT	61	20262GT	111
128045GT	75, 149	128929-300GT	39	139865GT	61	20780GT	45, 51, 57
1280665GT	33, 35, 67	128937GT	81, 83	139866GT	61	21166GT	25
128118GT	35	128938GT	81, 83	139882GT	159, 161, 163, 165	21175GT	61
128138GT	37	128939GT	81, 83, 113-114	139904GT	159, 161	21427GT	121
128200GT	71-72, 113-114, 117-118	128940GT	83, 113-114	139958GT	141	21434GT	121
128201GT	72, 113-114, 117-118	128941GT	81, 83, 85, 113-114	139965GT	28-29	214814GT	133
128202GT	71-72, 113-114, 117-118	128956GT	155	139966GT	28-29	214816GT	133
128203GT	159, 161, 163, 165	128973GT	153	139967GT	28-29	21496GT	45, 51, 57
128204GT	155	128995GT	93, 95	139968GT	28-29	215777GT	27-29
1282314GT	63	129021GT	127	14033GT	41, 69, 87	21604GT	41, 149
128296GT	83	12906GT	77, 79	14297GT	97, 99	21618GT	101, 159, 161, 163, 165
128304GT	95	13000GT	31, 67	144161GT	33, 35, 67	21619GT	101
128308GT	99	13002GT	28-29, 45, 51, 57, 67, 105, 141	146051GT	27-29	216603GT	127
128309GT	99	13005GT	41	146052GT	27-29	216769GT	81, 83, 85
128310GT	99	13008-3GT	33	146478GT	114, 117-118	216791GT	75
128311GT	99	13008-6GT	33	147034GT	28-29	216793GT	75
128319GT	65	13037-SGT	114, 117-118	147041GT	153	217046GT	75
128337GT	27-29	13064GT	27-29, 41, 61	147042GT	153	218083GT	75
128368GT	143	13268GT	65, 118	147044GT	153	218145GT	72
128374GT	143	133067GT	17, 23	147094GT	41, 71-72	218154GT	81, 83
128375GT	35	133278GT	14	147121GT	111	218164GT	75, 113-114
1283776GT	11	133286GT	17, 23, 35	147181GT	153	218433GT	127
128377GT	35	13585GT	114, 118	147183GT	153	218443GT	127
1284282GT	81, 85	139011-SGT	37, 39	147184GT	153	218570GT	27-29
128428GT	103	139020GT	39	147187GT	28-29	21858GT	71-72
128446GT	61	139041GT	37, 39	147205GT	45, 51, 57	219158GT	175
128454PGT	107	139047GT	37, 39, 81	147206GT	57	219160GT	14, 17, 20, 23
128465GT	39	139048GT	39	147208GT	57	21982GT	71-72
128466GT	39	139049GT	39	147210GT	61	220255GT	61
1284764GT	141	139050GT	39	147211GT	61	22262GT	27-29
128482GT	107	139051GT	39	147212GT	61	22263GT	27-29
128483GT	107	139052GT	39	147253GT	113-114, 117-118	22446GT	45, 51, 57
128486GT	39	139053GT	39	147283GT	103	226393GT	139
128487GT	39	139054GT	39	147284GT	91	22672GT	45, 51, 57
128488GT	39	139055GT	39	147369GT	101, 105	22676GT	47, 53, 59
128489GT	39	139056GT	39	147432GT	81, 83	22700GT	47, 53, 59
128490GT	39	139057GT	39	147509GT	149	227130GT	20
128491GT	39	139058GT	39	147786GT	149	227213GT	20
128492GT	39	139059GT	39	1484GT	11	227214GT	14
128510GT	107	139060GT	39	1487GT	143	227617GT	81, 111
128513GT	107	139062GT	39	1488GT	143	227833GT	45, 51, 57
128534GT	107	139063GT	39	150026GT	65	22788GT	41
1285689GT	81, 83, 85	139064GT	39	150103GT	93, 95, 101, 103	22811GT	28-29
128578GT	71-72, 113-114, 117-118	139099GT	137	15086GT	41, 149	228468GT	111
128580-SGT	71-72, 113-114, 117-118	139126GT	81	16073GT	145	228848GT	177
128581-SGT	72, 113-114, 117-118	139181GT	159, 161	160809GT	109	228849GT	177
1285812GT	81, 83, 85	13918GT	77, 93, 95, 157	161541GT	109	228946GT	35
128582-SGT	71-72, 113-114, 117-118	139292GT	49	161542GT	109	228947GT	35
128596GT	99	139306GT	14	161884GT	55	228973GT	35
128597GT	99	139318GT	35, 67	161940GT	31	22903GT	43, 49, 55
128598GT	27-29	139351GT	27-29	161941GT	31	22934GT	43, 49, 55
128601GT	93, 95	139353GT	27-29	1697-400GT	89	229567GT	71-72, 113-114, 117-118
128645GT	35, 67	139354GT	27-29	17626GT	28-29	22956GT	45, 51, 57
128646GT	67	139355GT	27-29	17712GT	41, 61, 63	229798GT	25
1286600GT	27-29	139368GT	83, 85	18078GT	33	229833GT	28-29
1286602GT	27-29	139417PGT	79	18503GT	28-29	229834GT	28-29
1286603GT	27-29	139421GT	49, 55	18504GT	97	23057GT	43, 45, 47, 49, 51, 53, 55, 57, 59
128724GT	107	139422GT	51	18506GT	65	23083-SGT	41
1287986GT	127	139423GT	49, 55	18576GT	27-29	232486GT	27-29
		139427GT	49	18595GT	157	232574GT	133
		139428GT	57	18605GT	139	232575GT	137
		139429GT	11, 57	18720GT	87, 91, 157	233715GT	105
		139434GT	51, 57	18963GT	67	233716GT	101
		139436GT	51	19018-1100GT	167	233745GT	101, 105
		139656GT	51, 57	19418GT	27-29, 41		

## Part Number Index (continued)

Part Number	Page	Part Number	Page	Part Number	Page	Part Number	Page
233807GT	27-29	28963GT	47, 53, 59	37191GT	65, 67	48767GT	135
23404GT	75	29080GT	93	37192GT	65, 67	48890GT	131
23457GT	43, 49, 55	29104GT	157	37947GT	71-72	48904GT	61, 131, 135, 137
23469GT	43, 49, 55	29605GT	79	38620GT	93, 95	48905GT	137
23472GT	43, 49, 55	29868GT	31	38859GT	79	48906GT	131
23473GT	47, 53, 59	30080GT	13-14, 19-20	39223GT	69	48908GT	157
234923GT	121	30138GT	93, 95	39346GT	127	48911GT	133
234924GT	81, 83	30222GT	101, 103, 105	40433GT	123	48912GT	127, 133, 135, 137, 157
234954GT	81, 83	30255GT	25, 93, 95, 103, 157	40434GT	13-14, 17, 19-20, 23, 169	48916GT	133, 135, 137
234956GT	81	30370GT	91	40532GT	33	48917GT	135, 137
234958GT	81, 83	30468GT	141	42019GT	69	48919GT	135, 137
237145GT	113-114, 117-118	30748GT	157	42078GT	79	48923GT	135, 137
237238GT	171	30794GT	85	42104GT	143	48939GT	133
237688GT	89	30997GT	75	42315GT	41	48942GT	133, 135, 137
24038GT	41	31060GT	13-14, 19-20	42662GT	45, 51, 57	48944GT	133
24514GT	111	31508GT	13-14, 19-20	4266GT	141, 149, 157	48947GT	133
25068GT	61	31779GT	11	42725GT	113-114, 117-118	48948GT	133
25282GT	157	31785GT	13-14, 19-20			48975GT	133
25388GT	33, 35, 67	31786GT	13-14, 19-20	42941-75GT	89	48999GT	133
25553GT	72	31787GT	13-14, 19-20	43018GT	103, 129	49117-11091GT	131, 137
25683GT	101, 103	31788GT	13-14, 19-20	43038GT	121	49117-4691GT	131
25685GT	149	31982GT	63	43040GT	121	49117-9991GT	131
25817GT	25, 41, 157	32066GT	43, 47, 49, 53, 55, 59	43042GT	121	49119-13978GT	135, 137
25926GT	47, 53, 59	32067GT	43, 49, 55	43179GT	28-29	49119-16178GT	137
27089GT	45, 51, 57	32069GT	43, 49, 55	43181GT	118	49119-20578GT	137
27114GT	77	32077GT	45, 51, 57	43392GT	111, 141, 143, 171	49119-2078GT	131, 135, 137
27126GT	41	32084GT	45, 51, 57	43595GT	13-14	49119-2178GT	135
27204GT	13-14, 17, 19-20, 23	32087GT	47, 53, 59	43658GT	13-14, 19-20	49119-21878GT	137
27205GT	13-14, 17, 19-20, 23	32090GT	47, 53, 59	43956GT	67, 81, 83	49119-2278GT	135, 137
27206GT	13-14, 17, 19-20, 23	32150GT	11	43957-8300GT	114	49119-26078GT	135
27207GT	13-14, 17, 19-20, 23	32151GT	11	43960GT	89, 111	49119-27478GT	135
27246GT	71-72, 113-114, 117-118, 155, 159, 161, 163, 165	32317GT	125	44174GT	129	49119-27978GT	135
27262GT	33	32728GT	13-14, 19-20	44227GT	127	49119-3378GT	133
27263GT	33	33277GT	47, 53, 59	44229GT	127	49119-34378GT	135, 137
27367GT	47, 53, 59	33278GT	101, 105	44248GT	13-14, 19-20	49119-35678GT	135, 137
27391GT	81, 83, 85, 159, 161, 163, 165	33550GT	13-14, 17, 19-20, 23	44586GT	41	49119-36378GT	135, 137
27488GT	41	33555GT	77	44750GT	125	49119-37978GT	135, 137
27497GT	103	33629GT	114	44778GT	28-29	49119-39378GT	135
27564GT	13-14, 19-20	33674GT	143	44788GT	11, 69	49119-4178GT	137
27581GT	11	33724GT	114, 118	44980GT	13-14, 19-20	49120-33381GT	135, 137
27830GT	33	33952GT	19-20	44981GT	13-14, 17, 19-20, 23	49121-2088GT	137
28156GT	47, 53, 59	33994GT	11, 131, 133, 135, 137	44986GT	13-14, 19-20	49121-25688GT	135
28159GT	13-14, 17	34053GT	75	45071GT	25, 27-29, 87	49121-27788GT	137
28161GT	13-14, 19-20	34125GT	93, 95	45074GT	25	49143-2029GT	133
28162GT	13-14	34245GT	25	45112GT	25	49143-2535GT	133
28164GT	13-14	34276GT	91	45113GT	25	49164-2043GT	133
28165GT	13-14, 19-20	34619GT	141, 149	45114GT	25	49212GT	145
28171GT	13-14	35461GT	114, 118, 139	45162GT	69, 133	49214GT	145
28174GT	13-14, 17, 19-20, 23	35526GT	157	45209GT	31	49215GT	145
28175GT	13-14, 19-20	35675GT	103	45363GT	65, 77, 79	49375GT	47, 53, 59
28176GT	13-14, 19-20	35678GT	123	45383GT	114, 117-118	49407GT	47, 53, 59
28177GT	13-14, 19-20	35679GT	123	45384GT	71-72, 113-114, 117-118	49408GT	43, 47, 49, 53, 55, 59
28181GT	13-14, 19-20	35680GT	123	45385GT	114, 117-118	49612GT	11, 131, 133, 135, 137
28235GT	13-14, 17, 19-20, 23	35956GT	141	45400GT	153	49613GT	11, 131, 133, 135, 137
28236GT	13-14, 19-20	35960GT	141	45462GT	67, 75	49772GT	89
28322GT	141	36179GT	65, 67	45748GT	149	49775GT	89, 93
28323GT	141	36212GT	31	45782GT	41	49816GT	65, 77, 79, 121
28328GT	141	36294GT	101, 105	46188GT	161, 163, 165	49818GT	28-29
28329GT	141	36369GT	31	46227GT	121	49821GT	139
28372GT	13-14, 19-20	36372GT	28-29	46337GT	25	49826GT	41
28678-2250GT	137	36388GT	169	46468GT	13-14, 17, 19-20, 23	49863GT	103, 105
28678GT	135	36555GT	11			49878GT	65, 67
28750GT	11, 131, 133, 135, 137	36557GT	113-114, 117-118, 123	4828GT	27-29, 35, 41, 47, 53, 59, 61, 63, 65, 67, 77, 87, 91, 93, 97, 103, 107, 114, 118, 149, 155, 157, 159, 161, 163, 165	50294GT	109
28853GT	147	36579GT	31			50304GT	93
		36937GT	157			50315GT	93, 95
		37052GT	19-20			50427-SGT	41
		37184GT	65, 67			50451GT	97
		37185GT	65, 67			50452GT	97, 99
		37186GT	65, 67			50455GT	87
		37187GT	65, 67			50466-SGT	103
		37189GT	28-29			50469GT	61
				48504GT	125	50479-SGT	89
				48767-700GT	137		

Part Number	Page	Part Number	Page	Part Number	Page	Part Number	Page
50480GT	91, 103	52886GT	45, 51	54530GT	93	56925GT	101, 105
50517-SGT	89	52887GT	121	54534GT	75, 114	56927GT	67
50519GT	41, 61	52895GT	121	54542GT	25, 27-29	56930GT	28-29
50542GT	91	52897GT	127, 129	54569GT	93, 95	56934GT	177
50543GT	101, 103	52906GT	127	54570GT	93, 95	56994GT	75
50546GT	93, 95, 103	52907GT	127	54603GT	43, 49, 55	57075GT	114, 118
50548PGT	89	52910GT	127	54605GT	43, 49, 55	58320GT	27-29
50552GT	93, 95	52912GT	127	54627GT	25	58494GT	33
50570GT	67	52913GT	125	54635GT	151	58531GT	28-29
50576GT	28-29, 61	52914GT	125	54637GT	151	58919GT	97, 99
50584GT	93, 95	52916GT	33	54638GT	151	58920GT	97, 99
50668-SGT	27-29	52917GT	33	54639GT	151	58927GT	97, 99
50669GT	28-29	52918GT	33	54640GT	151	58932GT	125
50698GT	93, 95	52919GT	33	54652GT	151	58936GT	125
50744-SGT	69	52928GT	121	54694GT	63	58986GT	121
50776PGT	61	52947GT	19-20	54726GT	87	58987GT	121
50784GT	77	52949GT	45, 51, 57	54757GT	157	60000PGT	41
50790GT	77, 79	52969GT	13-14, 17, 19-20, 23	54786GT	157	60015GT	79
50924GT	79			54789GT	157	6002GT	31, 45, 51, 57
5094GT	45, 51, 57	53157-SGT	141	54793PGT	157	60042GT	109
50952-SGT	89	53517GT	155	54794GT	33	60060-SGT	33
50959-SGT	69	5361GT	25	54795GT	33	60065GT	69
50966GT	69	5365GT	149	54796GT	33	60078GT	41
50974GT	65, 77	53807-SGT	141	54797GT	33	60088-SGT	47, 53, 59
50990-SGT	77	53808-SGT	141	54830GT	97	60092-SGT	47, 53, 59
51063GT	61	5397GT	27-29, 41, 43, 45, 49, 51, 55, 57, 61, 63, 65, 67, 69, 77, 87, 97, 101, 103, 105, 114, 118, 141, 155, 157, 159, 161, 163, 165	54840GT	25	60092PGT	41
51147GT	31, 39			54883GT	151	60096GT	41
51474GT	157			54884GT	151	60100-SGT	41
5224GT	107, 153			54932GT	143	60102-SGT	63
52371GT	127, 129			54959GT	25	60105-SGT	45, 51, 57
52374GT	127			54960GT	25	60106PGT	65
52514GT	45, 51, 57			54961GT	25	60107GT	45, 51, 57
52517GT	43			54962GT	25	60108GT	45, 51, 57
52532GT	43, 49, 55			54981GT	97	60110GT	77
52533GT	49, 55	54063GT	93, 95	54983GT	97	60112GT	11, 45, 51, 57
52539GT	47, 53, 59	54065GT	101, 103	54984PGT	97	60126-SGT	77
52540GT	47, 53, 59	54123GT	63	54985PGT	97	60145GT	79
52541GT	47, 53, 59	54131GT	93	54989GT	151	60146GT	41
52664GT	13-14, 19-20	54145-1200GT	157	54994GT	103	60160PGT	111
52672GT	13-14, 19-20	54145-800GT	61	55067GT	105	60170GT	63
52707-SGT	27-29	54156GT	87	55753GT	91, 141, 143, 159, 161, 163, 165, 167	6019GT	25, 43, 49, 55, 65, 93, 95, 101, 103, 114, 118
52733-SGT	25	54157GT	93, 95			6021GT	25, 27-29, 41, 61, 65, 67, 69, 89, 91, 93, 107, 125, 153
52734-SGT	25	54165GT	143	56007GT	41	6033GT	41, 69, 87, 89, 91
52735GT	25	54193GT	41	56022GT	69	6036GT	41
52752-SGT	143	54205GT	63	56050GT	41	60433GT	75
52753-SGT	143	54206GT	63	56057GT	41	60435GT	72
52806GT	43, 49, 55	54231GT	69	56067GT	45, 51, 57	60443GT	114, 117-118
52807GT	43	54239GT	95	56068GT	45, 51, 57	60447GT	75
52808GT	43, 49, 55	54243-SGT	45, 51, 57	56086GT	45, 51, 57	60526GT	72, 75, 114, 117-118
52810GT	43, 49, 55	54247PGT	111	56101GT	45, 51, 57	60527GT	72
52812GT	43, 49, 55	54255GT	75, 114, 117-118	56102GT	45, 51, 57	60528GT	72
52813GT	43, 49, 55	54259GT	114, 117-118	56110GT	45, 51, 57	60757GT	75
52816GT	11, 43, 49, 55	54271GT	99	56234GT	71-72	6090GT	27-29, 41, 45, 47, 51, 53, 57, 59, 65, 75, 77, 79, 89, 93, 95, 97, 99, 101, 103, 105, 107, 141, 143, 149, 157, 159, 161, 163, 165
52818GT	43, 49, 55	54286GT	63	56282GT	28-29	6091GT	28-29, 41, 45, 47, 51, 53, 57, 59, 65, 75, 77, 79, 89, 93, 95, 97, 99, 101, 103, 105, 107, 141, 143, 149, 157, 159, 161, 163, 165
52819GT	43	54287GT	63	56283GT	41		
52822GT	45	54316GT	47, 53, 59	56290GT	41		
52823GT	45, 51, 57	54323GT	43, 49, 55, 59	56291GT	41		
52824GT	45, 51, 57	54332GT	43, 49, 55	56292GT	41		
52825GT	45, 51, 57	54360GT	69	56302GT	41, 75, 83, 114, 118		
52826GT	45, 51, 57	54363GT	65, 77				
52832GT	45, 51, 57	54365GT	75, 155	56424GT	111, 177		
52834GT	45, 51, 57	54432GT	157	56426-700GT	159, 161, 163, 165		
52835GT	45, 51, 57	54436GT	25				
52836GT	45, 51, 57	54443GT	69	56445GT	81, 85		
52837GT	45	54446GT	41	56525GT	167		
52838GT	45, 51, 57	54455PGT	79	56561GT	27-29		
52841GT	47, 53, 59	54457GT	143	56562GT	27-29		
52847GT	47, 53, 59	54458GT	143	56570GT	167		
52851GT	47, 53, 59	54460GT	97	56680GT	61		
52865GT	13-14, 19-20	54461GT	97	56704GT	139		
52866GT	45, 51, 57	54463-SGT	41	56773GT	121		
52867GT	11, 45, 51, 57	54465GT	143	56849GT	89		
52875GT	45, 51	54471GT	37	56912GT	25, 27-29, 41, 103, 107, 111, 149		
52876GT	45, 51	54486GT	141				
52877GT	11, 45, 51	54510-SGT	105				
52880GT	45, 51	54520-SGT	101				

## Part Number Index (continued)

Part Number	Page	Part Number	Page	Part Number	Page	Part Number	Page
6097GT	35, 43, 47, 49, 53, 55, 59, 65, 89, 93, 95, 149, 153			73736GT	72, 75, 114, 117- 118	77664GT	177
61306-SGT	103	66397GT	39	73739GT	111	77677GT	28-29
6145GT	41, 101, 141	66399GT	11	73749GT	72	77683GT	177
6146GT	29, 33, 41, 61, 65, 77, 79, 149, 155	66472GT	159, 161, 163, 165	73751GT	72	77709GT	127, 129
61726GT	149	66717GT	27-29	73753GT	72	77723GT	37
6175GT	25, 41, 45, 51, 57, 69, 89, 91, 155	66812GT	71-72, 114, 117- 118	73754GT	72, 75	77797GT	159, 161, 163, 165
6178GT	33, 41, 45, 51, 57, 61, 65, 75, 77, 79, 89, 93, 95, 155	66813GT	113-114, 117- 118	73805GT	71-72	77981GT	125
61801GT	72	66815GT	113-114, 117- 118	73807GT	101, 129	77990GT	125
61972GT	149	66818GT	71-72, 114, 117- 118	73900GT	109	78098GT	81, 83, 85, 121, 173
61974GT	149	66821GT	114, 117-118	73901GT	143	78622GT	11, 69
61975GT	149	66900GT	31	74006GT	114, 118	79452GT	29
61987GT	149	66901GT	31	74052GT	114	79456GT	93, 95, 107
6198GT	41, 61, 67, 157	6708GT	27-29	74266GT	28-29	81096GT	114, 118
61998GT	149	6782GT	28-29, 43, 49, 55, 67, 105, 155	74267GT	27-29	81175GT	103
62043GT	45, 51, 57	6833GT	89, 159, 161, 163, 165	74268GT	27-29	81368GT	167
62044GT	45, 51, 57	6878GT	99, 153	74362GT	121	81458GT	114, 118
62068GT	13-14, 17	6886GT	28-29, 45, 51, 57, 67, 141	74364GT	121	81532GT	159, 161
62070GT	19-20, 23	6888GT	25, 31, 41, 65, 75, 77, 79, 89, 99, 101, 149,	74365GT	121	81579GT	67
62085GT	41, 55			74366GT	121	81640GT	107
62088GT	69			74367GT	121	8177GT	87, 89, 91
62091GT	37			74368GT	121	8179GT	79
62094GT	37			74389GT	157	822005GT	13-14, 19-20
62097-SGT	37	6889GT	41, 141, 153, 161, 163, 165	74468GT	27-29	822006GT	19-20
62099GT	37	6935GT	67, 114, 118	74469GT	27-29	822010GT	13-14
62100GT	37	70534GT	91	74470GT	27-29	822013GT	13-14, 19-20
62101GT	37	7056GT	67, 114, 118	74471GT	28-29	822014GT	19-20
62102GT	37	70574PGT	67	74495GT	27-29	822018GT	13-14
62105GT	28-29	70632GT	157	74712GT	61	822038GT	13-14, 19-20
62129GT	43, 49, 55	70633GT	157	74911GT	75	822039GT	19-20
62130GT	43, 49, 55	70634GT	157	74913GT	75	822043GT	13-14
62131-SGT	63	70635PGT	157	74917GT	75	82240GT	17
62133GT	45, 51, 57	70638GT	157	75073GT	77, 79	822759GT	163, 165
62506GT	129	70642PGT	145	75076GT	77, 79	822764GT	163, 165
62507GT	129	70644-75792GT	145	75453GT	127	822768GT	163, 165
62695GT	28-29	70647PGT	67	75617-1025GT	163, 165	822769GT	163, 165
62696GT	28-29	70655GT	28-29	75617-1538GT	161, 163	822777GT	81, 85
62926GT	13-14, 17, 19- 20, 23	70657GT	27-29	75617-1550GT	163, 165	822778GT	83, 85
62927GT	13-14, 17, 19- 20, 23	70658GT	41	75617-1675GT	159, 161	82279GT	14, 17, 20, 23
6326GT	35, 87, 97	70671GT	91	75617-2075GT	165	823153GT	17, 23
63375GT	114	70683GT	147	75617-2275GT	159, 161, 163, 165	823154GT	23
6356GT	25, 41, 45, 47, 51, 53, 57, 59, 69, 101, 103, 105, 141	70685PGT	89	75617-4788GT	161, 163	823158GT	17
65178GT	121	70707GT	147	75617-6275GT	161, 163	823161GT	17, 23
65301GT	13-14, 19-20	72282GT	139	75617-6475GT	159, 161	823162GT	23
6550GT	43, 49, 55	72298GT	121	75636GT	159, 161, 163, 165	823166GT	17
65529GT	121	72326GT	67, 75, 114, 117- 118	77014GT	91	823226GT	41, 155
65546GT	121			77032GT	79	82366GT	14, 20
65608GT	27-29	72444GT	13-14, 17, 20, 23	77034PGT	79	823684GT	31
65618GT	27-29	7265GT	79, 143	77046GT	14, 19-20	823774GT	85
65630GT	167	72833GT	14, 20	77051GT	101, 105	824024GT	69, 79
65788GT	93, 95	72867GT	14, 17, 20, 23, 155	77059-2986GT	133	824027GT	111, 163, 165, 171
65789GT	103			77059-4086GT	133	824029GT	65, 111, 171
6578GT	155	73233GT	111, 114, 117- 118	77061GT	71-72	824038GT	177
65790GT	93, 95			77087GT	157	824049GT	39
6607GT	28-29	7339GT	41, 141	77103GT	135	824050GT	61
6637GT	89, 93, 95	73463-1175GT	177	77106GT	93	824051GT	61
6638GT	27-29, 31, 41, 65, 67, 69, 72, 75, 77, 79, 89, 93, 95, 97, 99, 101, 105, 107, 113-114, 117-	73477PGT	111	7713GT	41, 43, 49, 55, 63, 69, 87, 89, 97, 101	824052GT	61
		73574-SGT	111			824060GT	69, 175
		73575GT	28-29, 111, 173	77181GT	107	824069GT	175
		73587GT	29	77189GT	91	824078GT	79, 111, 163, 165, 171, 173
		73610PGT	111	77246GT	61	824079GT	111
		73634GT	149	77303GT	87	824080GT	171
		73711GT	114, 117-118	77362GT	91	824083GT	167
		73713GT	114, 117-118	77363GT	101, 103	824090GT	65, 111, 173
		73717GT	75, 114, 117-118	77364GT	91, 101, 103	824091GT	69
		73723GT	114, 117-118	77375GT	95	82410GT	177
				77376GT	95	824113GT	69, 171, 175
				77410GT	93, 95	824120GT	175
				77434GT	25	824164GT	93, 95, 103
				77435GT	69	824228GT	31
				7746GT	141	82472GT	17, 23
				77521GT	87	82473GT	17, 23
				77524GT	79	82481GT	17, 23

Part Number	Page	Part Number	Page
824878GT	113–114, 117–118	89864GT	129
82487GT	17, 23	93500GT	11
825019GT	25, 27–29, 91, 93, 95, 101, 103	94001GT	31
825352GT	173	94002GT	31
82548GT	17, 23	94003GT	31
8255GT	61, 67, 69, 93, 95, 107	94077GT	65, 77
825796GT	25	94195GT	105
82601GT	17, 23	94315GT	28–29
82602GT	17, 23	94316GT	28–29
82604GT	17, 23	94317GT	28–29
82612GT	17, 23	94492PGT	149
82647GT	17, 23	94506GT	71–72
826779GT	127	94529GT	89
82774GT	17, 23	94530GT	89
82851GT	59	94531PGT	89
83093GT	71–72	94549GT	149
83131GT	71–72	94618GT	127
832128GT	43, 49, 55	94642GT	149
839119GT	45, 51	94643GT	149
84044GT	43, 49, 55	94683GT	81, 83
84385GT	127	94684GT	83
8516GT	41, 47, 53, 59, 65, 67, 77, 91, 93, 95, 101, 103	94745GT	111
85239GT	71–72	94745PGT	141
85300GT	167	94860GT	127
865260GT	47, 53, 59	94879GT	27–29
866397GT	47, 53, 59	94880GT	27–29
866400GT	11, 43, 49, 55	94981GT	65
87755GT	75	94982GT	65
88203GT	87	9599-SGT	141
88337GT	25	96008-SGT	71–72
88338GT	25	97128GT	61, 89, 93, 95
88356-11103GT	61	97602GT	14
88356-11163GT	89	97815GT	14, 17, 20, 23
88356-11205GT	89, 93, 95	97887GT	14, 20
88370PGT	89	97890GT	20
88377-1400GT	177	98154GT	149
88384GT	159, 161	99174GT	149
88385GT	159, 161, 163	9990074GT	27–29
88390GT	159, 161, 163, 165	T106699GT	75, 117–118
88516GT	105	T107883GT	103
88557GT	69	T107884GT	101, 103
88606PGT	141	T108075GT	101, 103
88607PGT	141	T108109GT	83
88609-SGT	141	T108673GT	28–29
88635-4024GT	61	T112560GT	114, 118
88637GT	75	T112561GT	114
88676GT	87, 91	T112563GT	114
88691GT	72	T112773GT	17, 23
88713GT	81, 85	T115351GT	133
88717GT	81	T115412GT	77
88718GT	83		
88719GT	61, 72, 81, 83		
88721-70700GT	72, 81, 83, 85		
88721-72000GT	72, 81, 83, 85		
88722-70700GT	72, 81, 83, 85		
88722-72000GT	72, 81, 83, 85		
88723-69700GT	72, 81, 83, 85		
88723-71000GT	72, 81, 83, 85		
88724GT	81, 83, 85		
88725GT	81, 83, 85		
88752GT	25		
88827GT	71–72		
88832GT	81, 83, 85		
8914GT	28–29, 89, 113–114, 117–118, 141, 143		
8915GT	28–29, 45, 51, 57, 77, 103, 107		
89756GT	89		
89862GT	129		

## Part Description Index

The Part Description Index is an alphabetical index of all part descriptions included in this manual. The index shows what page(s) the part is used on.

**A**

ACC RETRO KIT LVI/BCI E II Z.....113-114  
 ACC,FALL ARREST BAR,6FT FR.....169  
 ACC,FALL ARREST BAR,6FT SYM.....169  
 ACC,FALL ARREST BAR,6FT WORD.....169  
 ACCESSORY,OPERATOR PROT  
 STRUCT.....175  
 ACCESSORY,PANEL CRADLE,ANSI.....177  
 ADAPTER FLANGE-PULLEY,Z482-E.....45, 51,  
 57  
 ADJUSTABLE STRAP ASSY.....177  
 AIRCLEANER ASSEMBLY.....45, 51, 57  
 ALARM,CHIME TONE 5-25VDC\*\*\*.....67, 75  
 ALARM,INTERMITTENT TONE 6-30V\*.....67  
 ALARM,WARBLE TONE 5-30 VDC\*\*.....114,  
 117-118  
 ALTERNATOR BELT.....11, 45, 51, 57  
 ALTERNATOR GUARD,Z482.....49, 55  
 ALTERNATOR,KUBOTA,Z482.....43, 49, 55  
 ALTRNTR,48VDC 100A,SERV VERS\*\*.....41  
 AMMETER, 39243/47906/66412.....25  
 ANGLE,RELAY MNT,W/NUTSERTS,PNT...75,  
 114  
 ARCTIC HOSES, Z45J ELEVATE.....103  
 ASSEMBLY RESET SWITCH.....171  
 ASSEMBLY, FUEL FILTER, Z482.....45, 51, 57  
 ASSEMBLY, LIGHT, CONTACT ALARM.....173  
 ASSEMBLY, OPA PROTECTION CAGE.....171  
 ASSEMBLY, SENSOR, PROX, CONTACT  
 ALARM.....173  
 ASSEMBLY,CABLE,TAPESWITCH.....171  
 ASSEMBLY,CONTACT ALARM CABLE,  
 LARGE.....173  
 ASSEMBLY,ENGINE TRAY,BI-ENERGY.....41  
 ASSEMBLY,FOOT SWITCH.....81, 111  
 ASSEMBLY,FOOT SWITCH\*\*\*.....111, 114,  
 117-118  
 ASSEMBLY,PRIMARY BOOM,Z45 JIB.....95  
 ASSEMBLY,PRIMARY BOOM,Z45 NJ.....95  
 ASSEMBLY,TAPESWITCH.....171  
 ASSY,CIRCUIT BREAKER 15A.....41, 71-72  
 ASSY, LS, LOAD SENSE, 89 IN.....149  
 ASSY, SENSOR W/HOUSING.....173  
 ASSY,4FT PLATFORM, NO DECALS.....109  
 ASSY,5FT PLATFORM, NO DECALS.....109  
 ASSY,6' PLAT WELDMENT W/SIDE  
 GATE.....109  
 ASSY,6FT PLAT DUAL LG,BLANK W/SIDE  
 SWING GATE.....109  
 ASSY,6FT PLATFORM,NO DECALS.....109  
 ASSY,HOSE,HYD,BRKTOSTRCYL,Z45.....157  
 ASSY,LED,IES CHARGER.....35  
 ASSY,LS,LOAD SENSE,38.5 IN.....81, 83, 85,  
 149  
 ASSY,MODULE,CONTROL UNIT,OPA.....171  
 ASSY,RECEP,24V,CSA TILT.....81, 83  
 ASSY,RELAY SOCKET, AUTO.....75  
 ASSY,SIDE SWING GATE.....111  
 ASSY,TERMINAL RAIL,Z45DC/BE.....75  
 ASSY,TRACK,FALL ARREST BAR,6FT  
 FR.....169  
 ASSY,TRACK,FALL ARREST BAR,6FT  
 SYM.....169  
 ASSY,TRACK,FALL ARREST BAR,6FT  
 WORD.....169

AUX TOP RAIL,6'(1.25")SERVICE.....141  
 AUX TOP RAIL,6',SWG GT, SRV.....141  
 AUX TOP RAIL,8'(1.25")SERVICE.....141  
 AUX TOP RAIL,8',SWG GT, SRV.....141  
 AXLE ASSY,FRONT,NARROW Z45/Z51.....25  
 AXLE ASSY,NON-STR,NARROW BASE.....27-  
 29  
 AXLE ASSY,REAR,NARROW Z45/Z51.....27-  
 29  
 AXLE COVER, NARROW.....28-29

**B**

BACKING PLATE, HOSE BLOCK, JIB.....107  
 BACKING PLATE, PULLTUBE.....99  
 BACKING, HOSE CLAMP PTD.....97  
 BALANCER,HARMONIC,2-3V-500-SH.....45,  
 51, 57  
 BALL STUD\*\*.....77  
 BALL STUD,1/2" BALL,3/8-16X1.2.....77  
 BAR, AXLE ROTATION STOP.....27-29  
 BASE ENCLOSURE,RED,OPA.....171  
 BASE, W/1 N.O. CONTACTS\*\*\*.....113-114,  
 117-118  
 BASE, W/2 NC CONTACTS\*\*\*.....71-72  
 BASE, W/3 NC CONTACTS.....71-72  
 BASE, WITHOUT CONTACTS.....114, 117-118  
 BATTERY BOX ASSY, LH.....31  
 BATTERY BOX ASSY, RH.....31  
 BATTERY BOX ASSY,CONTRL SIDE\*\*.....31  
 BATTERY BOX ASSY,TANK SIDE\*\*\*.....31  
 BATTERY CABLE ASSY,9.5"JUMPER.....31,  
 81  
 Battery Connector Cable Assembly.....37  
 Battery Connector Cable Assembly  
 (Bi-Energy).....37  
 BATTERY HOLD DOWN.....41  
 BATTERY, 350AH, GROUP L16G(DRY).....31  
 BATTERY,450 CCA\*\*\*.....41  
 BATTERY,AGM,6V/390A,L16.....31  
 BEARING KIT.....27-29  
 BEARING KIT, AUSCO\*\*\*.....27-29  
 BEARING KIT, OMNI.....28-29  
 BEARING KIT,4HP.....27-29  
 BEARING KIT,GE DRIVE MOTOR\*\*\*.....28-29  
 BEARING KIT,WHEEL DRIVE W/BRAKE  
 (101584/101585).....27-29  
 BEARING NUT\*\*\*.....27-29  
 BEARING,0.75IDX1.00ODX0.75L.....31  
 BEARING,1.00IDX1.25ODX0.75L.....157  
 BEARING,1.00IDX1.25ODX1.00L.....25, 41, 157  
 BEARING,1.25IDX1.50X1.25L.....25  
 BEARING,1.25IDX1.50DX1.00L.....91  
 BEARING,1.5IDX1.75ODX1.5L.....25, 27-29,  
 87  
 BEARING,2.0IDX2.25ODX1.50L.....87, 91, 157  
 BEARING,FL,1.25IDX1.41ODX1.50L.....101,  
 103, 105  
 BEARING,FL,1.25IDX1.50DX1.25L.....103  
 BEARING,FL,1.5IDX1.75ODX1.10LG.....87  
 BEARING,GARLOCK,12FDU12.....149  
 BEARING,INNER,9 BOLT HUB\*\*\*.....25  
 BEARING,MOTOR,36843,BRUSH END\*.....28-  
 29  
 BEARING,OUTER,9 BOLT HUB\*\*\*.....25  
 BEARING,POLYGON,20DU12.....101, 103  
 BEARING,POLYGON,BM5120.....91

BEARING,SWING CHASSIS.....61  
 BEARING,UHMMW,2.75"DIAX.50"LG.....157  
 BELLCRANK,JIB,WELD/Z45/25\*\*\*.....103  
 BELLOWS,CYL.KIT,Z45&Z51 JIB.....151  
 BELLOWS,CYLINDER KIT,Z45 N/JIB.....151  
 BELLOWS,JIB CYLINDER.....151  
 BELLOWS,MASTER CYLINDER.....151  
 BELLOWS,PRIMARY CYLINDER,JIB.....151  
 BELLOWS,PRIMARY CYLINDER,N/JIB.....151  
 B E L L O W S , S E C O N D A R Y , E L E V A T E  
 C Y L ..... 1 5 1  
 BELLOWS,SLAVE CYLINDER.....151  
 BELLOWS,STEERING CYLINDER.....151  
 BELT,FAN,KUBOTA DF972/Z482-E.....11, 43,  
 49, 55  
 BLANKET,BATTERY.....147  
 BOLT,CARRIAGE,1/4-20 X .75,G2.....99, 153  
 BOLT,CARRIAGE,1/4-20 X 1.00,G2.....93, 95,  
 107  
 BOLT,CARRIAGE,1/4-20 X 2.75,G2.....107  
 BOOM REST WELDMENT.....89  
 BOOT(BELLOWS),E-STOP,BLACK.....114,  
 117-118  
 BOOT,CABLE TERMINAL,LG,RED,2/0.....31,  
 39  
 B O O T , C I R C U I T B R E A K E R  
 P R O T E C T O R ..... 7 1 - 7 2  
 BOOT,CONTROLLER\*\*.....121  
 BOOT,PLUG 4 WAY.....111  
 BOOT,THROTTLE SOLENOID.....45, 51, 57  
 BOOT,TOGGLE SWITCH.....72  
 BOOT,TOGGLE SWITCH,SHORT\*.....71-72,  
 113-114, 117-118, 155, 159, 161, 163, 165  
 BOOT-THUMB ROCKER\*\* BLACK.....121  
 BOX,INSTRUCTION STORAGE.....111  
 BRACKET ENGAGE II.....113-114, 117-118  
 BRACKET, AIRCLEANER MT.....45, 51, 57  
 BRACKET, CHARGER CORD AND LED.....35  
 BRACKET, HOSE CLAMP SUPPORT.....101  
 BRACKET, RETURN FILTER.....69  
 BRACKET,AIR HOSE TO PLAT PAINT.....145  
 BRACKET,AIR INTAKE.....47, 53, 59  
 BRACKET,ALTERNATOR ADJ.....41  
 BRACKET,ALTERNATOR MOUNT.....41  
 BRACKET,CONTROL UNIT.....171  
 BRACKET,DRIVE SENSOR,ENABLE.....61  
 BRACKET,ENGINE MNT,KUBOTA 13HP....47,  
 53, 59  
 BRACKET,ENGINE PLATE REST PTD.....41  
 BRACKET,EXHAUST,Z45 BI.....43, 49, 55  
 BRACKET,GROUND CONTROL BOX.....69  
 BRACKET,HOSE CLAMP PAINTED\*\*\*.....89  
 BRACKET,HOSE CLAMP SUPPORT.....101  
 BRACKET,HOSE CLAMP,PAINTED.....103, 107  
 BRACKET,IDLE LEVER.....45, 51, 57  
 BRACKET,MUFFLER,RIGHT.....127  
 BRACKET,POWER TO PLAT, DOM.....114,  
 118  
 BRACKET,RELAY MOUNT W/INSERTS.....75,  
 117-118  
 B R A C K E T , R U B B E R  
 B U M P E R , E N G C O V E R ..... 6 5 , 7 7  
 BRACKET,SOLENOID MOUNT  
 PAINTED.....45, 51, 57  
 BRACKET,STOP LEVER.....45, 51, 57  
 BRACKET,TOW PKG VALVE MOUNT\*\*\*.....157  
 BRACKET,WORK LIGHT MOUNT 5/16".....141



B R A C K E T - R A D I A T O R	CABLE COVER, JIB PAINTED.....103	COIL, #8 20VDC, DEUTSCH W/DIOD.....127, 129
SUPRT, INBOARD.....47, 53, 59	CABLE TIE, 7 3/8".....155	COIL, 20VDC DEUTCSH W/DIODE.....127
BRACKET-RADIATOR SUPRT, OUTBRD....47, 53, 59	CABLE TRACK, NP400, 23 LINK.....99	COIL, 24 VDC DUAL SPADE, #8.....127
BRACKET-TOOL TRAY MOUNTING.....141	CABLE TRACK, NP400, 31 LINK.....99	COLD START PKG, 120V BI-ENERGY.....147
BRAKE KIT, SWING DRIVE.....61	CABLE TRACK, PLASTIC, 26 LINK*.....97	COMPR. LINK, MACHINED, GND CONTR*..103
BRAKE REPLACEMENT KIT.....27-29	CABLE TRACK, PLASTIC, 35 LINK.....97, 99	CONN HOUSING SBX175, BATT.....37
BRAKE, NEMA, 1200 IN/LB.....27-29	CAM ASSEMBLY, JOYSTICK(42032).....121	CONN PLUG 12 WAY ENDCAP DT BK.....72
BRKT, AIR CLEAN, COOLRES. MNT, PNTD...45, 51, 57	CAP, DISENGAGE, 4HP/4HB***.....27-29	CONN PLUG 12 WAY ENDCAP DT BR.....72
BRUSH COVER -PLATE-(48504)*.....125	CAP, DISENGAGE, OMNI***.....28-29	CONN PLUG 12 WAY ENDCAP DT GR.....72
BRUSH HOLDER(56282).....28-29	CAP, DUST (54840 HUB ASSY).....25	CONN PLUG 12 WAY ENDCAP DT GY.....72
BRUSH KIT, DRIVE MOTOR.....28-29	CAP, RADIATOR, AL, KUBOTA DF-752.....47, 53, 59	CONN PLUG 4 WAY ENDCAP DT.....111
BRUSH KIT, GE DRIVE MOTOR***.....28-29	CAPACITOR, 6 MFD, 660VAC-CHARGR*.....33	CONN PLUG 8 WAY ENDCAP DT.....75
BRUSH RETAINING SPRING, DR MTR.....28-29	CAPACITOR, TIME DELAY.....118	CONN PLUG 8 WAY MOLEX.....113-114, 117-118
BRUSH SET 4 EA.....125	CASE COVER ONLY 18710/18720.....33	CONN RECEP, FLANGED.....114, 117-118
BULB, WORKLIGHT, 12V 35W.....141	CASTING 42032.....121	CONN, 520120-6.....133, 135, 137
BULKHEAD FITTING, PLASTIC X 8**.....69	CHAIN, NO.2 (11 LINKS).....159, 161, 163, 165	CONN, 520102-8-8.....133
BULKHEAD, SWING CHASSIS, LH, PAIN.....41	CHANNEL, CABLE TRACK COV, NONJ, P.....97	CONN, 520120-12-10.....133
BULKHEAD, SWING, RIGHT, Z45 DC/BE.....69	CHANNEL, CABLE TRK COVER, JIB, PA.....97	CONN, 520120-4***.....137
BUMPER, PLASTIC, 1.25 O.D.....91, 141, 143, 159, 161, 163, 165, 167	CHARGER 48V/30A AUTO AC X-LED.....35	CONN, 520120-4-6***.....127, 133, 135, 137, 157
BUMPER, BATTERY BOX & RAILS...111, 141, 143, 171	CHARGER, 48V, 100-125VAC, 50H, 25A.....33	CONN, 520120-8-12.....133
BUMPER, RUBBER***.....141, 149	CHARGER, 48V, 100-125VAC, 60H, 25A.....33	CONN, LONG, 520122-6.....135, 137
BUMPER, RUBBER, .75 X .50H, STUD.....169	CHARGER, 48V, 110/60, 12A, EERATNG.....33	CONN, PLUG 120 AC/15A DOMESTIC.....33, 67
BUMPER, RUBBER, COVERS.....65, 77	CHARGER, 48V, 200-250VAC, 50H, 25A.....33	CONN, PLUG 24 WAY, DRC SERIES.....72
BUSHING, SH 1-1/8.....45, 51, 57	CHARGER, 48V, 200-250VAC, 60H, 25A.....33	CONN, PLUG 4 WAY, 12-14GA.....72
BUSHING, STRAIN RELIEF, 875/.30.....35, 67	CHOCK, CYLINDER (SERVICE TOOL).....11	CONN, PLUG 40 WAY, DRC SERIES.....72
BUSHING, STRAIN RELIEF, 875/.40.....35	CLAMP, #4 HOSE, AIR AND LOOM.....101	CONN, PLUG 8WAY, BLOCKED GROMMET.....75
BUTTON, PUSH, BLACK W/SEAL***.....113-114, 117-118	CLAMP, 1.25 INCH TUBE.....173	CONN, RECEP 120AC/15A DOMESTIC.....67
BUTTON, PUSH, RED MUSHROOM HEAD.....71-72, 114, 117-118	CLAMP, ARCTIC HOSE.....97	CONN, RECEP 24 WAY, W/FLANGE.....72
	CLAMP, JIB HOSE/CABLE, Z45/51.....99	CONN, RECEP 4 WAY, 12-14GA FL***.....75, 114, 117-118
	CLAMP, PRI, HOSE/CABLE, Z45/51.....93, 95	CONN, RECEP 40 WAY, W/FLANGE.....72, 75
	CLAMP, 0.50, #8 X 1/4, RUB CUSH.....89, 159, 161, 163, 165	CONN, RECEP 48 WAY, 4 X 12.....72, 75, 114, 117-118
	CLAMP, 0.63, #10 X 1/4, RUB CUSH.....145	CONN, RECEP 8 WAY 14-18GA, FL.....75
	CLAMP, 0.75, #12 X 1/4, RUB CUSH.....65, 118	CONN, SQUEEZE, 1/2NPT .38-.50, SM.....67, 114, 118
	CLAMP, 1.13, #18 X 1/4, RUB CUSH...101, 159, 161, 163, 165	CONNECTING LINK, Z45/25.....89
	CLAMP, 1.13, #18 X 3/8, RUB CUSH*.....103, 105	CONTACT ALARM WIRE ASSY, LARGE....173
	CLAMP, 1.25, #20 X 1/4, RUB CUSH.....143	CONTACT, N.C.....71-72, 114, 117-118
	CLAMP, 1.25X.5 RUBBER-CUSHION.....111, 177	CONTACT, MOVING, 19549RELAY*.....27-29
	CLAMP, 1.50, #24 X 1/4, RUB CUSH.....101	CONTACT, STATIONARY (56434)**.....28-29
	CLAMP, 1.63, #26 X 3/8, RUB CUSH.....107	CONTACT, STATIONARY, 19549RELAY*.....27-29
	CLAMP, AIR CLEANER HOSE, WG750**.....45, 51, 57	CONTACT-MOVEABLE (56434)**.....28-29
	CLAMP, CABLE & HOSE, PLASTIC.....93	CONTACTOR, AUX PUMP 24V, 80A***.....27-29
	CLAMP, HOSE ROUTE, 2X#4, LOOM.....101	CONTACTOR, DRIVE, 24V, 180A***.....27-29
	CLAMP, HOSE Z-45 PRIMARY.....97	CONTACTOR, LIFT PUMP 24V 180A**.....28-29
	CLAMP, HOSE, 1 EAR, 15/32.....63	CONTROL BOX COVER ASSY***.....141
	CLAMP, HOSE, 1 EAR, 5/8.....63	CONTROL BOX COVER, LID, PTD.....141
	CLAMP, HOSE, 1.75.....45, 51, 57	C O N T R O L L R , S E P E X MOTOR, Z45DC/BE.....27-29
	CLAMP, HOSE, ALUMINUM.....93	CONVERTER, DC-DC, 48-26 VOLT**.....29
	CLAMP, HOSE, KUBOTA WG750.....43, 47, 49, 53, 55, 59	COOLANT RECOVERY BOTTLE 1.5 QT*...45, 51, 57
	CLAMP, JIB HOSE Z45.....97, 103	CORD AC IEC320-C19 TO 110UK.....67
	CLAMP, JIB HOSE/CABLE, Z45/51.....107	CORD AC IEC320-C19 TO 110US.....35
	CLAMP, RUBBER CUSHIONED-2 5/32.....103	CORD AC IEC320-C19 TO 220EU.....35, 67
	CLAMP, TWO HOSE.....103, 107	CORROSION INHIBITOR, FOAM.....75
	CLAMP-HOSE, .375, FUEL PUMP.....45, 51, 57	COUNTERWEIGHT, CAST, DC/BI, W/JIB.....79
	CLAMP-OVERFLOW PIPE(Z482-E).....45, 51, 57	COUNTERWEIGHT, CAST, Z45 DC.....79
	CLAMPING BLOCK, CABLE.....89	COUPLER, PUMP / MOTOR (36179).....65, 67
	CLAMPING BLOCK, HOSE***.....89	COUPLING.....27-29
	CLIP, RADIATOR MOUNT, KUBOTA.....47, 53, 59	COUPLING-POT, JOYSTICK (56579).....121
	CLIP, RETAINING, IES CHARGER.....35	
	COIL, 24V, DEUTSCH NO DIODE.....127	

## C

C-CLIP, SHAFT, JOYSTICK.....121  
Cable Assembly.....37  
Cable Assembly (Bi-Energy).....37  
CABLE ASSY #2 BLK ALT(-)/GND.....39  
CABLE ASSY #2 BLK AP-A2/GND.....39  
CABLE ASSY #2 BLK AP-A2/LP-A1.....39  
CABLE ASSY #2 BLK AP1/AP2 BATT.....39  
CABLE ASSY #2 BLK AP1/AP2 DRIV.....39  
CABLE ASSY #2 BLK AP2/FU1 DRIV.....39  
CABLE ASSY #2 BLK B(+)/A2.....39  
CABLE ASSY #2 BLK B(-)/GND.....39  
CABLE ASSY #2 BLK BE AP2 BATT.....39  
CABLE ASSY #2 RED A1/A1.....39  
CABLE ASSY #2 RED ALT(+)/F2.....39  
CABLE ASSY #2 RED AP1/FU1 DRIV.....39  
CABLE ASSY #2 RED AP2 BATT.....39  
CABLE ASSY #2 RED AP2/FU1.....39  
CABLE ASSY #2 RED AP2/FU2 DRIV.....39  
CABLE ASSY #2 RED B(+)/PR1.....39  
CABLE ASSY #2 RED BATT.....39  
CABLE ASSY #2 RED M(-)/A2.....39  
CABLE ASSY #2 RED PR2/F2.....39  
CABLE ASSY #2 RED PR2/LP-D1.....39  
CABLE ASSY #2 RED PR3/AP-DI.....39  
CABLE ASSY, #2 BLACK, 96".....37  
CABLE ASSY, #2 BLACK, 12".....37  
CABLE ASSY, #2 BLACK, 15".....37  
CABLE ASSY, #2 RED, 78".....37  
CABLE ASSY, #2 RED, 88".....37  
CABLE ASSY-14" RED (45/25).....37  
CABLE ASSY-17" RED (45/25).....37  
CABLE ASSY-31" RED (45/25).....37

## Part Description Index (continued)

COVER ASSY W/SYM DECALS,LH.....77	DECAL, INSTRUCTION, ACTUATOR SWITCH SOCKET.....173	DECAL,LABEL,CONTRLR STATUS LT.....13-14, 19-20
COVER ASSY W/SYM DECLS,LH DC.....77	DECAL, INSTRUCTION, CONTACT ALARM.....173	DECAL,LABEL,EMERGENCY DOWN.....17, 23
COVER ASSY W/SYM DECLS,RH BIDC.....79	DECAL, INSTRUCTION, OPS.....14, 17, 20, 23	DECAL,LABEL,FALL HAZARD***.....17, 23
COVER ASSY W/WRD DECALS,LH BI.....77	DECAL, POWER TO CHARGER, UNIV.....17, 23, 35	DECAL,LABEL,LIGHTS***.....14, 17, 20, 23, 155
COVER ASSY W/WRD DECALS,RH BI.....79	DECAL, POWER TO PLATFORM 230V**.....13-14, 17, 19-20, 23	DECAL,LABEL,LOWER MIDRAIL.....14, 17, 20, 23
COVER ASSY W/WRD DECALS,RH DC.....79	DECAL, SYMBOL - READ THE MANUAL.....17, 23	DECAL,LABEL,MANUAL NOT HERE...13-14, 19-20
COVER PLATE,AIR INTAKE,GRAY.....77	DECAL,AC INVERTER POWER,115V....20, 23	DECAL,LABEL,MAX CAPACITY***.....17, 23
COVER PLATE,CONNECTOR.....72	DECAL,ANNUAL INSP***.....13-14, 19-20	DECAL,LABEL,NO SMOKING,SYMB.....17
COVER W/DECALS,STEER,NON OSC.....25	DECAL,ARROW BLUE.....13-14, 17, 19-20, 23	DECAL,LABEL,OPEN,LATCH.....14, 20
COVER, CABLETRACK TRAY, Z51.....99	DECAL,ARROW YELLOW LRG 9".....13-14, 17, 19-20, 23	DECAL,LABEL,PWR TO CHARGR 115V....13-14, 19-20
COVER, DRIVE, DRIVE LIGHT OPT.....155	DECAL,BATT CONN DIAGRAM.....14, 20	DECAL,LABEL,PWR TO CHARGR 230V....13-14, 19-20
COVER, FOOT SWITCH, LARGE.....111	DECAL,CAUTION,TOWING SPEED.....157	DECAL,LABEL,RELAYS,Z45DC,BE.....14, 20
COVER, JIB HOSES/CABLES.....107	DECAL,CHEVRON RANDO HD.....14, 20	DECAL,LABEL,TIP OVER LMT SWTCH.....17, 23
COVER, UPPER PIVOT.....89	DECAL,COSMETIC,BI-ENERGY.....13-14, 17	DECAL,LABEL,TIPOVER,BATTERIES.....17, 23
COVER,BLANK.....114, 118	DECAL,COSMETIC,DC POWER.....19-20, 23	DECAL,LABEL,TIPOVER,TILT AL SY.....17, 23
COVER,CABLETRACK TRAY,Z40/45.....99	DECAL,COSMETIC,GENIE.....171	DECAL,LABEL,TIPOVER,TIRES,SYMB.....17, 23
COVER,CENTER SWING CHASSIS.....67	D E C A L , C O S M E T I C , G E N I E BOOM,HORZ.....13-14, 17, 19-20, 23	DECAL,LABEL,TRANSPORT.....14, 17, 20, 23
COVER,CENTER SWING CHASSIS,PTD....67	DECAL,COSMETIC,GENIE Z-45/25.....13-14, 17, 19-20, 23	DECAL,LABEL,WHEEL LOAD Z4525DC....14, 17, 20, 23
COVER,CONTROL BOX LEFT SIDE***.....141	DECAL,COSMETIC,GENIE Z-45/25J....13-14, 17, 19-20, 23	DECAL,LANYARD ANCHORAGE POINT...13-14, 17, 19-20, 23, 169
COVER,CONTROL BOX RIGHT SIDE**.....141	DECAL,DANGER DO NOT ALTER SWTC.....13-14, 19-20	DECAL,LOW/ULTRA LOW SULFR FUEL.....14
COVER,FLYWHEEL,2 CYL.KUBOTA....47, 53, 59	DECAL,DANGER,BATTERY SAFETY***.....13-14, 19-20	DECAL,NOTICE,BATT CONNECTION.....13-14, 19-20
COVER,GFCI,HORIZONTAL,WEATHER..114, 118	DECAL,DANGER,ELEC.HAZ.STAY CLR....13-14, 17, 19-20, 23	DECAL,NOTICE,BATTERY CABLES....13-14, 19-20
COVER,TANK SIDE,DC/BI.....79	DECAL,DANGER,ELECT HAZARD***.....14, 20	DECAL,NOTICE,CHARGER INSTRUC.....13-14, 19-20
COVER,TURNTABLE,LH,BI-ENERGY.....77	D E C A L , D A N G E R , E L E C T HAZARD,PLUG.....13-14, 19-20	DECAL,NOTICE,FOAM-FILLED TIRES.....13-14, 19-20
COVER,TURNTABLE,LH,DC/BE.....77	DECAL,DANGER,GEN SAFETY RULES.....20	DECAL,NOTICE,HAZARDOUS MAT'LS*....13-14
COVER-VALVE Z482, Z34/22BE.....43	DECAL,DANGER,GENERAL SAFETY.....14, 20	DECAL,NOTICE,MAX CAP 440 LBS....13-14, 19-20
COVR W/DECALS,NON-STEER Z45/25.....27-29	DECAL,DANGER,MAX CAP,200KG.....17, 23	DECAL,NOTICE,MAX LOAD 500 LBS.....13-14, 19-20
CUP ASSY, FUEL FILTER, Z482.....57	DECAL,DANGER,MAX SIDE FRC,667N.....17, 23	DECAL,NOTICE,SPEC,Z482.....14
CUP,PROP ROD,DC/BI.....69	DECAL,DANGER,NO SMOKING.....14	DECAL,NOTICE,SPEC,Z482 T2.....14
CUSHION,RADIATOR,KUBOTA 1702**.....47, 53, 59	DECAL,DANGER,NO SMOKING ***.....13-14	DECAL,OPER INST,DC BOOM GND AU.....20
CYLINDER HEAD COVER, Z482.....49, 55	DECAL,DANGER,SIDE FRC 400N.....17, 23	DECAL,OPER INST,Z45BE AUS.....14
CYLINDER,ELEVATE,Z45/25***.....87	DECAL,DANGER,TILT ALARM.....14, 19-20	DECAL,OPER INST,Z45DC PLAT AUS.....20
CYLINDER,EXTEND,Z45 NON JIB.....93, 95	DECAL,DANGER,TIP-OVER BATTERY.....13-14, 19-20	DECAL,OPERATING INSTR,GROUND.....19-20
CYLINDER,EXTEND,Z45J***.....93, 95	DECAL,DANGER,TIP-OVER,TIRES***.....13-14, 19-20	DECAL,OPTION GENERATOR***.....13-14, 19-20
CYLINDER,JIB,Z45,#4 PORTS***.....103	DECAL,DANGER,TIPOVER HAZARD***.....13-14, 19-20	DECAL,PLATFORM CONTROL PANEL.....14, 17, 20, 23
CYLINDER,MASTER,Z45***.....91	DECAL,DIESEL.....13-14, 17	DECAL,POWER TO PLATFORM 115V.....13-14, 17, 19-20, 23
CYLINDER,PRIM LIFT JIB,Z45.....91	DECAL,DRIVE ENABLE PATCH.....17, 23	DECAL,SYM-ELEC HAZARD,PLUG.....17, 23
CYLINDER,PRIM LIFT NON JIB,Z45.....91	DECAL,EXPLOSION HAZARD.....14	DECAL,SYMBOL-BATTERY SAFETY.....17, 23
CYLINDER,SLAVE,Z45***.....101, 103	DECAL,FUNCTION OVERRIDE.....13-14, 17, 19-20, 23	DECAL,SYMBOL-COMP ACCESS.....17, 23
CYLINDER,STEER.....25	DECAL,GROUND CONTROL PANEL.....13-14, 17, 20, 23	DECAL,SYMBOL-READ THE MANUAL.....171
	DECAL,INSTR,MAX SIDE FRC,ANSI.....14, 20	DECAL,TOWING INSTRUCTIONS.....157
	DECAL,INSTR,OP INST,BI.....14	DECAL,TRACK,FALL ARREST BAR,SYMBOL.....169
	DECAL,INSTR,SIDE FRC/WIND,AUS.....13-14, 19-20	DECAL,TRACK,FALL ARREST BAR,WORD.....169
	D E C A L , I N S T R U C T , F O O T S W I T C H OPER.....13-14, 19-20	DECAL,TRACK,FALL ARREST BAR,WORD FR.....169
	DECAL,LABEL, AIR LINE 110 PSI.....13-14, 17, 19-20, 23	
	DECAL,LABEL,105 DB.....17	

**D**

- DECAL, TRIANGLE, BLUE...13-14, 17, 19-20, 23  
 DECAL, TRIANGLE, YELLOW...13-14, 17, 19-20, 23  
 DECAL, WARN, CRUSH HAZARD HAND...13-14, 19-20  
 DECAL, WARN, CRUSH HAZARD PLAT...13-14, 17, 19-20, 23  
 DECAL, WARN, FALL HAZARD...13-14, 19-20  
 DECAL, WARN, IMPROPER OPERATION...13-14, 19-20  
 DECAL, WARNING, CRUSHING...13-14, 17  
 DECAL, WARNING, CRUSHING HAZARD...17, 23  
 DECAL, WARNING, PANEL CRADLE...177  
 DECAL, WARNING-COMPART ACCESS...13-14, 19-20  
 DIN RAIL, 11.25".....75  
 DIN RAIL, 6.38".....41  
 DIODE, 6 AMP 200 PIV, REEL.....81, 85  
 DIODE, 6 AMP, 200 PIV, BULK.....41  
 DIODE, PCB DRIVE CONTACTOR\*\*.....28-29  
 DIPSTICK, KUBOTA Z482-E.....45, 51, 57  
 DOUBLER, BENT, COVER, DC/BI, RH.....79
- E**
- EAR, ENGINE TRAY PIVOT, PAINTED.....41  
 ELBOW, 90D, 520220-4-4.....61, 131, 135, 137  
 ELBOW, 90D, 520220-4-6\*\*\*.....133  
 ELBOW, 90D, 520220-8-12.....133  
 ELBOW, 90D, 520220-8-6.....133, 135, 137  
 ELEMENT, FUEL FILTER, Z482.....11, 57  
 END STOP, DIN RAIL, SCREW CLAMP.....75  
 END STOP, TRACK, FALL ARREST BAR.....169  
 ENGINE KIT, KUBOTA Z482 T4.....49  
 ENGINE KIT, KUBOTA Z482, E4B.....55  
 EVACUATOR VALVE-AIR CLEANER.....45, 51, 57  
 EXHAUST MANIFOLD, Z482-E.....43, 49, 55  
 EXTENSION BOOM WELDMNT, JIB, Z45.....93  
 E X T E N S I O N B O O M WELDMNT, NON-JIB.....93, 95
- F**
- FAN, KUBOTA Z482-E.....43, 49, 55  
 FEMALE BULKHEAD CONNECTOR-8.....145  
 FILTER ASSY, SAE8, 10 MIC, PAPER\*\*.....11, 69  
 FILTER ELEMENT, 10MICRON, PAPER\*.....11, 69  
 FILTER, AIR\*\*\*.....11, 45, 51, 57  
 FILTER, FUEL FILTER Z482-E.....11, 45, 51  
 FITTING, TEE, BRANCH, 520429-4\*\*\*.....131  
 FITTING, TEE, RUN, SWIVEL520432-4.....157  
 FIXED CONTACT (FOR 74267).....27-29  
 FLASHTUBE, STRAIGHT, 360DEG, BULB.....139  
 FLASHTUBE, U SHAPED, 360DEG, BULB...139  
 FLOORING, 6'FT PLATFORM.....111  
 FLOORING, 6FT PLAT, SIDE.....111  
 FLOORING, 4 FT PLATFORM, PAINTED.....111  
 FLOORING, 5 FT PLATFORM, PAINTED.....111  
 FOAM PAD, 3" OD X 1.25" ID X 14 IN.....177  
 FOAM, AIRCRAFT PROTECTION.....163, 165  
 FORMING PANEL CRADLE.....177  
 FORMING WIPER MOUNT.....153  
 FORMING, HOSE CLAMP RETAINER.....93, 95  
 FORMING, HOSE CLAMP, PAINTED.....89
- FORMING, OPA CAGE.....171  
 FORMING, OPA CAP.....171  
 FORMING, OPA, BRACKET.....171  
 FORMING, RELAY PANEL, Z45 BE.....41  
 FORMING, SENSOR HOLDER.....173  
 FORMING, BATTERY BOX LATCH LH.....31  
 FORMING, BATTERY BOX LATCH RH.....31  
 FORMING, CABLE GUIDE.....105  
 FORMING, CHARGER PLATE, PAINTED.....33  
 FORMING, CLEVIS PROP ROD, DC/BI.....79  
 FORMING, DRAW LATCH MOUNT.....65  
 FORMING, ENG. COVER SUPPORT, PNTD...77  
 FORMING, GAS STRUT MOUNT, PNTD\*\*.....77  
 FORMING, INNER HANGER.....169  
 FORMING, LATCH, CTRL BOX LID PTD.....141  
 FORMING, SECONDARY SUPPORT.....177  
 FORMING, SWING CHASSIS TRAY PTD.....65  
 FORMING, SWING CHASSIS, RH, PAINT.....69  
 FREEZE PLUG HEATER, Z45.....147  
 From January 2017, this option became a standard installation on all models unless the customer specifically request not to have it installed.....173  
 FRONT AXLE ASSY, NRRW, Z45/25.....25  
 FUEL CAP, BI-ENERGY, Z45\*\*\*%.....63  
 FUEL TANK ASSY W/DECAL(Z45/25).....63  
 FUSE ASSY-BOOM CHARGER.....33  
 FUSE BLOCK, ANN & ANL FUSE.....27-29  
 FUSE HOLDER, WATERPROOF.....41  
 FUSE, 1 AMP.....41  
 FUSE, 13 AMP, 220V PLUG.....67  
 FUSE, 200 AMP.....27-29  
 FUSE, 50 AMP, VERY FAST ACTING.....28-29  
 FUSE, 500 AMP, VERY FAST ACTING.....28-29
- G**
- GASKET (52532) OIL DRAIN, D905.....49, 55  
 GASKET KIT, AUSCO 1200 IN/LB.....27-29  
 GASKET LVI/BCI ENGAGE II.....113-114, 117-118  
 GASKET, PUMP / MOTOR (36179).....65, 67  
 GASKET, UK POWER TO PLAT.....114, 118  
 GASKET, COVER, GFCI, WEATHERPROOF.114  
 GASKET, ENCLOSURE.....171  
 GASKET, GROUND CONTROL BOX\*\*\*.....75  
 GASKET, JOYSTK. SHAFT36867/42032.....121  
 GASKET, KEYSWITCH, PLASTIC\*\*\*.....71-72  
 GASKET, MUFFLER, KUBOTA D905/11.....43, 49, 55  
 G A S K E T , W A T E R P U M P W G 7 5 0 B / Z 4 8 2 - E ..... 4 3 , 4 9 , 5 5  
 GASKET-EXHAUST MANIFOLD Z482.....43, 49, 55  
 GASKET-INJECTION PUMP, Z482-E.....45, 51, 57  
 GASKET-OIL DRAIN, DF750.....43  
 GASKET-SPEED CONTROL ASSEMBLY...45, 51, 57  
 GASKET-VALVE COVER Z482-E.....43, 49, 55  
 GATE LATCH CASTING--DRILLED.....143  
 GAUGE, FUEL, SIDE MOUNT Z45.....63  
 GEAR, SLAVE, MS4, 45048.....121, 123  
 GLOW PLUG, KUBOTA Z482.....57  
 GREASE, DIELECTRIC 4 OZ\*\*.....11  
 GRIP, CABLE.....173  
 GROMMET, RUBBER .5 X .014 X .75.....155  
 GROMMET, RUBBER 3 X .19 X 3.5.....105  
 GROUND CONTROL BOX ASSY W/DEC\*...75  
 GROUND STRAP, 18"LG.....25
- GUARD, FAN, 2 CYL. KUBOTA.....43, 49, 55, 59  
 GUIDE, CABLE.....173
- H**
- HANDLE HALF (56274).....121  
 HARN ASSY, POWER PACK AP2.....37, 39  
 HARN ASSY, POWER DRIVE CHASS.....39  
 HARN ASSY, POWER PACK AP1.....37, 39, 81  
 HARN ASSY, POWER PACK AP2.....39  
 HARN DRIVE CHASSIS Z45BE.....83  
 HARN DRIVE CHASSIS Z45DC.....81  
 HARN FUNCTION MAN Z45DC/BE.....81, 83, 85  
 HARN LIMIT SW DE Z45DC/BE.....81, 83, 85  
 HARN LVI/BCI ENGAGE II Z45DC.....113-114  
 HARN RETRO LVI/BCI ENGAGE II.....113-114  
 HARN, AC PROTECTION BYPASS.....81, 83, 85, 159, 161, 163, 165  
 HARN, GBOX Z45DC/BE RELAY ASSY.....85  
 HARN, PBOX, OPA, HW, 24V.....85  
 HARN, PIGTAIL, TAPESWITCH, OPA.....171  
 HARN, RELAY Z45DC/BE, PBOX.....85  
 HARN.CHARGER INTERLOCK Z45.....35  
 HARNESS ASSY, RELAY, CE.....85  
 HARNESS ASSY, PCON, PROX KILL.....163, 165  
 HARNESS LVI/BCI ENGAGE II.....81, 83, 85, 113-114  
 HARNESS RETRO 24V RELAY.....27-29  
 HARNESS, 48V DRIVE LIGHTS.....85  
 HARNESS, ADAPER, FLOW COIL.....127  
 HARNESS, DRIVE CHASSIS, Z45BE.....83, 85  
 HARNESS, DRIVE CHASSIS, Z45DC.....81, 85  
 HARNESS, JIB, BASE BOX.....85  
 HARNESS, LOAD SENSE.....81, 83  
 HARNESS, OPA2, Z45DC/BE.....173  
 HARNESS, PBOX, Z45DC/BE.....85  
 HARNESS, Z45BE DRIVE LT, 48V.....83  
 HARNESS, Z45DC DRIVE LT, 48V.....81  
 HARNESS, 12/3, 12V TO PLAT.....72, 81, 83, 85  
 HARNESS, 18/19 BOOM CABLE #1.....72, 81, 83, 85  
 HARNESS, 18/19, BOOM CABLE #2.....72, 81, 83, 85  
 HARNESS, ALARM OPTION, Z45.....83  
 HARNESS, BASE BOX Z45BI-ENERGY.....85  
 HARNESS, BASE BOX Z45DC.....85  
 HARNESS, BASE Z45DC/BE.....81, 83  
 HARNESS, BASE, Z45, BI/DC JIB.....81  
 HARNESS, ENGINE, Z45BE.....83, 85  
 HARNESS, ENGINE, Z45BI.....72, 83  
 HARNESS, FUNCTION, Z45 DC/BI.....61, 72, 81, 83  
 HARNESS, JIB SELECT MANIFOLD.....81, 83, 85  
 HARNESS, JUMPER, LOAD SENSE.....81, 83, 85  
 HARNESS, LIFT/DRIVE CUTOUT, 24V.....81, 83  
 HARNESS, LS, D.E. Z45.....61  
 HARNESS, LS, PRIM/EXT.....81, 83, 85  
 HARNESS, LS, PRIM/EXT/SEC.....81, 83, 85  
 HARNESS, PBOX, Z45BE.....81, 83  
 HARNESS, PBOX, Z45DC.....81  
 HARNESS, PBOX, Z45DC/BE.....81, 83  
 HARNESS, PLAT Z45 DC/BE.....83  
 HARNESS, PLAT, Z45DC/BI, JIB.....72, 81, 83, 85  
 HARNESS, PLATFORM, Z45DC, BI, JIB.....81, 85

## Part Description Index (continued)

HARNESSES, PLUG, NON-LOAD HUB ASSEMBLY, 9 BOLT\*\*\*.....25  
WEIGHING.....81, 83, 85

HARNESSES, PROX. KILL.....159, 161  
HARNESSES, PROX. KILL, 24V.....81, 83, 85  
HARNESSES, RELAY, LIFT/DR CUTOUT.....81  
HARNESSES, RELAY, LVI.....81, 83  
HARNESSES, RELAY, PBOX, Z45DC, CE.....85  
HARNESSES, RELAY, STANDARD.....81, 83  
HARNESSES, TILT 24V, CSA PROD.....81, 83, 85  
HARNESSES, TILT ALARM, 24V, CSA.....81, 83  
HARNESSES, Z45BE, TELEMATICS READY.....85  
HARNESSES, Z45DC, TELEMATICS READY.....85  
HEATSINK ASSY W/DIODES (23442).....33  
HINGE, SPRING, LONG LEG.....111  
HINGE, .375X.120THK., SLOTTED.....77, 79  
HINGE, PLAT CONTROL BOX COVER.....141  
HOLDER, SENSOR.....173  
HORN, 24VDC, SPADE TERMINALS\*\*\*.....67  
HOSE ASSY 1/4, STR FEM, STR FEM.....135, 137  
HOSE ASSY 1/4, 90 DEG FEM, STR F.....133  
HOSE ASSY 1/4, STR FEM, PIPETHRE.....61  
HOSE ASSY 1/4, STR FEM, STR FEM.....135, 137  
HOSE ASSY 1/4, STR FEM, STR MALE.....135, 137  
HOSE ASSY, 1/2, 20.75.....133  
HOSE ASSY, 1/2, 39.25.....133  
HOSE ASSY, 1/4", 21.24".....137  
HOSE ASSY, 1/4", 22.00".....137  
HOSE ASSY, 3/4, 90 FEM, 45 FEM.....133  
HOSE ASSY, 3/4, 90D, STR FEM.....133  
HOSE ASSY, 1/2, 90 FEM, STR FEM.....133  
HOSE ASSY, 1/2, 90 FEM, STR FEM\*.....133  
HOSE ASSY, 1/4, 90 FEM, STR FEM.....131, 137  
HOSE ASSY, 1/4, STR FEM, STR FEM.....133, 135, 137  
HOSE ASSY, 1/4, STR FEM, STR FEM\*.....131, 135, 137  
HOSE ASSY, 1/4, STR FEM, STR FEM\*.....135  
HOSE ASSY, 3/8 STR FEM STR FEM\*.....145  
HOSE ASSY, LIFT PUMP/F.MANIF\*\*\*.....133  
HOSE ASSY, MULTI USE\*\*\*.....133  
HOSE CLAMP-AIR CLEANER/LOWER.....45, 51, 57  
HOSE COVER, LOWER LEVEL, BOT, PAI.....89  
HOSE COVER, LOWER LEVEL, TOP, PAI.....89  
HOSE COVER, UPPER ARM, PAINTED.....89  
HOSE END, BARB, 1/4 MNPTX3/16, 90.....63  
HOSE END, BARB, 1/4 MNPTX5/16, 90.....63  
HOSE GUIDE, JIB.....107  
HOSE, 3/16, FUEL, SAE 30R7, 103".....63  
HOSE, 3/8", FUEL, 30R7.....89  
HOSE, 5/16 FUEL, SAE 30R7.....45, 51, 57  
HOSE, 5/16, FUEL, SAE 30R7, 86".....63  
HOSE, AIR CLEANER INTAKE.....45, 51, 57  
HOSE, AIR CLEANER TO ENGINE.....45, 51, 57  
HOSE, LWR RADIATOR, KUBOTA WG750.....47, 53, 59  
HOSE, PVC, CLEAR, 36.00".....45, 51, 57  
HOSE, WATER PUMP RETURN (Z482).....43, 49, 55  
HOSE, WATER PUMP, KUBOTA\*\*.....43, 49, 55  
HOSE-RADIATOR, UPPER Z482-E.....47, 53, 59  
HOUR METER, 10-80 VOLTS\*\*\*.....71-72  
HOUSING, FUEL FILTER, Z482.....57  
HOUSING, FUEL FILTER ELEMENT.....45, 51

## I

IND, BAT CHARGE, 48V LEAD-ACID.....113-114, 117-118  
INJECTOR, Z482 T4.....51, 57  
INJECTOR, KUBOTA Z482-E.....45  
INPUT CARRIER, SUB-ASSEMBLY.....27-29  
INSTRN, TRC RETROFIT, STNDRD.....81, 83, 85  
INSTRUCTIONS, INSTALL (LEVEL SENSOR ALARM).....81, 83, 85  
INSTRUCTIONS-PIPE CRADLE, BOOMS...167  
INSULATION, 48V BATT.BOX LID.....31  
INVERTER, 48VDC, 120VAC/60HZ.....65

## J

JIB BOOM ASSY W/WORD DECAL.....107  
JOYSTICK, 5K-0 OHM.....121  
JOYSTICK, 5K-0 OHM, W/RELAY.....121  
JUMPER COMB, 2-WAY, WIELAND.....75

## K

KEEPER, LATCH (45363).....77, 79  
KEY SINGLE\*\*\*.....71-72  
KEY, 1/4 X 1.25.....45, 51, 57  
KEY, SINGLE\*\*\*.....71-72  
KEY, WOODRUFF, 5/32X3/4 KEY #506.....41  
KEYS, 10 PACK\*\*\*.....71-72  
KEYSWITCH, 3 POS W/KEYS, LOCKING.....71-72  
KEYSWITCH, 3 POS. W/KEYS\*\*\*.....71-72  
KIT, 24V SEP-EX DRIVE MOTORS.....28-29  
KIT, AUX TOP RAIL SUPPORT.....141  
KIT, BOOM BEARING.....87  
KIT, FLOW COIL ADAPTER.....127  
KIT, FOOTSWITCH, Z45 & Z51.....111  
KIT, ISOLATION, 3 JOYSTICK.....121  
KIT, LIFT GUARD CONTACT ALARM, 6'-8' PLATFORM, NON-ALC1000.....173  
KIT, TERMINAL BLOCK.....75  
KIT, TRC RETROFIT, STNDRD.....81, 83, 85  
KIT, WIPER, Z-45/25.....153  
KIT, WIPER, Z-45/25J.....153  
KIT, ASSY, LED, IES CHARGER.....35  
KIT, ESTOP SVC BB&SM BOOM.....114, 117-118  
KIT, FIELD INSTALL, SWING GATE.....143  
KIT, GASKET, UK POWER TO PLAT.....114, 118  
KIT, HORN SVC BB&SM BOOM.....113-114, 117-118  
KIT, LOAD SENSE MECH, Z45 JIB.....149  
KIT, SEAL, 3CC PUMP\*\*\*.....125  
KIT, SWING GATE W/SPRING.....143  
KIT, TILT ALARM, DC AND BI-ENERGY MODELS.....81, 83, 85  
KIT, TORQUE HUB COVER (101584)\*\*.....27-29  
KIT, UNIV CHRGR UPGRADE, Z40/Z45.....33  
KIT, Z482 RAD SUPPORT.....47  
KNOB, 45048 CONTROLLER.....123  
KUBOTA 15263-12370 CUSHION.....47, 53, 59  
KUBOTA GASKET, THERMOSTAT.....47, 53, 59  
KUBOTA GLOW PLUG.....45, 51  
KUBOTA OIL FILTER.....11, 43, 49, 55

## L

LABEL, RELAY A.....59  
LANYARD, LYNCH PIN ASSY.....157  
LATCH, SWING GATE.....111  
LATCH, DRAW, ADJUSTABLE.....41  
LATCH, FLEXIBLE DRAW W/O KEEPER.....65, 77, 79  
LATCH, ROTARY, W/KNOB, LEFT.....31  
LATCH, ROTARY, W/KNOB, RIGHT.....31  
LATCH, SLIDE, FLUSH MOUNT STYLE.....141  
LEGEND, PLSTC, "CREEP TO 9"\*\*\*.....123  
LENS, AMBER, STROBE, FIREBOLT.....139  
LEVEL SENSOR, LS60, YL, 2.5X4.5.....65, 77  
LID ENCLOSURE, RED, OPA.....171  
LID-BATTERY BOX W/DECALS\*\*.....31  
LIFT/DRIVE CUTOUT, Z45/Z51C.....83  
LIGHT, 12 VOLT.....141  
LIGHT, INDICATOR, RED 24V H-BRI.....75, 113-114  
LIGHT, INDICATOR, RED 28V.....113-114, 117-118  
LIGHT, LED IND. RED 24V NH...113-114, 117-118  
LINING KIT\*\*\*.....27-29  
LINING KIT, BRAKE, 4HP\*\*\*.....27-29  
LINK, NYLATRAC KS6-5.4\*\*\*.....97, 99  
LOAD PAD, ENGINE TRAY SUPPORT.....41, 61  
LOAD SUPPORT WITH BEARINGS.....149  
LOCK, PLUG 12 WAY, 14-18GA, GRN.....72  
LOCK, PLUG 4 WAY, 12-14GA.....72  
LOCK, PLUG 8 WAY, 14-18GA.....75  
LOCK, RECEP 12 WAY, 14-18GA.....75, 114, 117-118  
LOCK, RECEP 4 WAY, 12-14GA.....72, 75, 114, 117-118  
LOCK, RECEP 4 WAY, 14-18GA.....114, 117-118  
LOCK, RECEP 8 WAY, 14-18GA.....75  
LOCKNUT, ELEC, 1/2".....67, 114, 118  
LOWER LEVEL ARM ASSY\*\*\*.....89  
LOWER SECONDARY ARM ASSY\*\*\*.....89  
LS ROT. HEAD W/O LEVER (ZCE01).....61, 89  
LUG BOLT, 5/8-18, WHEEL HUB\*\*\*.....25  
LVI/BCI 36/48 VOLT ENGAGE II.....113-114, 117-118

## M

MACHINING, TOW HITCH\*\*\*.....157  
MAGNET, 1/4-20, 15 LB.....173  
MALE PIPE THD, 1/4" SER, 3/8"X18.....145  
MANIFOLD KIT, SW DRIVE.....61  
MANIFOLD, FUNCTION DC/BI\*\*\*.....127  
MANIFOLD, JIB SELECT, 20V\*\*\*.....129  
MANIFOLD, ROTATOR, CB\*\*\*.....101, 129  
MANIFOLD, TRACTION, 4WD.....72  
MANIFOLD, TURNTABLE ROTATION\*\*\*.....61  
MANUAL, AEM SAFETY.....11  
MANUAL, RESPON, A92.5 BOOM.....11  
MESH, HALF, LH 5' PLATFORM.....143  
MESH, HALF, LH, 6' PLATFORM.....143  
MESH, HALF, RH 5' PLATFORM.....143  
MESH, HALF, RH, 6' PLATFORM.....143  
MESH, HALF, SWING GATE\*\*\*.....143  
MICROSWITCH, 13482 FOOTSWITCH.....111  
MICROSWITCH, V3L-139-D8.....121  
MICROSWITCH-V319M\*\*\*.....121  
MIDPIVOT ASSY Z45C\*\*\*.....89

MODULE, PLUS+1, CONTACT ALARM.....173  
 MODULE, CONTROL UNIT, PCB, OPA.....171  
 MODULE, IGNITION/START, 12/24V.....41  
 MODULE, LOAD SENSE 2007.....75, 149  
 MOTOR, 24V (36179).....65, 67  
 MOTOR, FUNCTION, 48V DC.....125  
 MOTOR, SEP-EX, 24V\*\*\*.....28-29  
 MOUNT, SWITCH.....149  
 MOUNTING PLATE, 45048.....123  
 MOVING CONTACT (FOR PN 74267).....27-29  
 MPT, CPLR, 1/4"SER, 3/8"X18.....145  
 MUFFLER, KUBOTA, Z45 BE.....43, 49, 55

**N**

NECK/HEAD-LIMIT SWITCH (88356).....89  
 NUT - PLASTIC, RING FOR ALARMS..67, 75,  
 114, 117-118  
 NUT, LP NYLOCK, 3/8-16...41, 43, 49, 55, 63,  
 69, 87, 89, 97, 101  
 NUT, TL JAM, 3/8-16, A, ZAG.....177  
 NUT, 1/4-20, 8, ZAG.....173, 175  
 NUT, 3/8-16, 8, ZAG.....175  
 NUT, HEX, 1/4-28.....45, 51, 57  
 NUT, HEX, M8, PLASTIC.....159, 161, 163, 165  
 NUT, JS, 36867/42032/44988/40612.....121  
 NUT, LOCK, 5/8-18.....41  
 NUT, LOCKING-LG. FLANGE, 1/4-20.....97  
 NUT, LOCKING-LG. FLANGE, 5/16-18.....28-29  
 NUT, LP NYLOCK, 1/4-20.....41, 141, 153, 161,  
 163, 165  
 NUT, LP NYLOCK, 5/16-18.....31, 45, 51, 57  
 NUT, LUG, 5/8-18 X 90 DEGREE, Z45.....25  
 NUT, M4 NYLOCK.....171  
 NUT, NYLOCK FLG, 1/4-20, F, ZAG.....167, 173,  
 177  
 NUT, NYLOCK FLG, 3/8-16, F, ZAG.....99, 167,  
 169, 173, 177  
 NUT, NYLOCK, 1/2-13.....41, 61, 67, 157  
 NUT, NYLOCK, 1/4-20.....28-29, 41, 45, 47, 51,  
 53, 57, 59, 65, 75, 77, 79, 89, 93, 95, 97, 99,  
 101, 103, 105, 107, 141, 143, 149, 157, 159,  
 161, 163, 165  
 NUT, NYLOCK, 10-24.....149  
 NUT, NYLOCK, 10-32.....33, 41, 45, 51, 57, 61,  
 65, 75, 77, 79, 89, 93, 95, 155  
 NUT, NYLOCK, 3/4-10, GRD.8.....101, 105  
 NUT, NYLOCK, 3/8-16.....27-29, 35, 41, 47, 53,  
 59, 61, 63, 65, 67, 77, 87, 91, 93, 97, 103, 107,  
 114, 118, 149, 155, 157, 159, 161, 163, 165  
 NUT, NYLOCK, 5/16-18.....28-29, 43, 49, 55,  
 67, 105, 155  
 NUT, NYLOCK, 6-32.....173  
 NUT, NYLOCK, 8-32.....139  
 NUT, RETAINER (96008).....71-72  
 NUT, SERRATED, 10-32, ZAG.....173  
 NUT, SERRATED, 3/8-16, 8, ZAG.....69  
 NUT, SLOTTED, 2-4-1/2 UNC.....157  
 NUT, SPINDLE, 1-14.....25  
 NUT, TL FLG, 1/2-13, G, ZAG.....169  
 NUT, TL FLG, 1/4-20, G, ZAG.....111, 163, 165,  
 171  
 NUT, TL FLG, 3/8-16, G, ZAG.....65, 111, 171  
 NUT, TL, 1/4-20, C, ZAG.....69, 79  
 NUT-COIL SHORT.....129  
 NUT-HEX, 3M X 0.5MM.....121  
 NUTSERT, 1/4-20, STEEL CAD PLTD.....75  
 NYLON WASHER, (36179).....65, 67

**O**

O-RING KIT (ORFS FITTINGS)..11, 131, 133,  
 135, 137  
 O-RING KIT, AUSCO 1200 IN/LB.....27-29  
 O-RING KIT, FIELD SVC, ALL PROD\*.....11,  
 131, 133, 135, 137  
 O-RING, FUEL FILTER, Z482.....57  
 O-RING, ROTATOR MANIFOLD.....129  
 O-RING, 2-010, VITON.....27-29  
 O-RING, END COVER, 4HP/4HB\*\*\*.....27-29  
 O-RING, END COVER, OMNI\*\*\*.....28-29  
 O-RING, FILTER, LOWER Z482-E.....45, 51  
 O-RING, FUEL FILTER, UPPER Z482E.....45,  
 51  
 O-RING, MOTOR TO BRAKE\*\*\*.....28-29  
 O-RING, OIL FILLER PLUG, KUBOTA\*.....43,  
 49, 55  
 O-RING, ORFS, -6.....71-72  
 OPTION, EURO TOEBOARD.....141  
 OPTION, PLAT. PINCH GUARD, 4 FT.....141  
 OPTION, PLAT. PINCH GUARD, 5 FT.....141  
 ORIFICE PLATE, 0.037".....127  
 ORIFICE PLUG, 0.060.....127  
 ORIFICE PLUG, 0.30, 1/16-27 NPT.....127  
 ORING, 568-908 N552-90 NBR, 10PK.....28-29  
 OUTLET, 110V.....114, 118

**P**

PAD, REST, 1" THICK, FLANGED.....177  
 PAD, REST, 1" THICK, W/STUDS\*.....89  
 PAD, REST, 2" THICK, W/STUDS\*.....67  
 PADDING, FOAM, 15.5".....165  
 PADDING, FOAM, 46.5".....165  
 PADDING, FOAM 3.5"OD X 1.50"ID...159, 161,  
 163, 165  
 PADDING, FOAM, 3.0"X1.50ID 90DEG.....159,  
 161, 163, 165  
 PAINT, AEROSOL, TRAFFIC BLACK.....11  
 PAINT, AEROSOL, BRIGHT BLUE\*\*\*.....11  
 PAINT, AEROSOL, GENIE GRAY\*\*\*.....11  
 PAINT, WET, GENIE BLUE (1 GL)\*\*.....11  
 PAINT, WET, GENIE GRAY (1 GL)\*\*.....11  
 PAINT, WET, TRAFFIC BLACK (1 GL)\*\*.....11  
 PANEL, ACCESS PAINTED.....149  
 PARKER DIGITAL PRESSURE GAUGE.....11  
 PCB, ROTATOR CONTROLLER 36557\*.....123  
 PETCOCK, DRAIN, KUBOTA WG750B.....45,  
 51, 57  
 PIN, 0.75DIA X 5.75LG, CHAMFER.....149  
 PIN, 0.75DIA X 8.75LG, CHAMFER.....149  
 PIN, 1.00DIA X 15.56LG, CHAMFER.....41  
 PIN, 1.25 DIA X 3.19 LG, PLATE.....91  
 PIN, 1.25DIA X 14.45LG, 2HOLE.....103  
 PIN, 1.25DIA X 3.37LG, 1HOLE.....91  
 PIN, 1.25DIA X 5.25LG, 1HOLE.....101, 103  
 PIN, 1.25DIA X 6.36LG, 2RING.....93, 95, 103  
 PIN, 1.25DIA X 7.00LG, 1HOLE.....101, 103  
 PIN, 1.25DIA X 7.88LG, 1HOLE.....103  
 PIN, 1.25DIA X 8.88LG, 1HOLE.....101, 103  
 PIN, 1.25DIA X 9.38LG, THREADED.....93, 95  
 PIN, 1.50DIA X 13.88LG, 2HOLE.....87  
 PIN, 1.50DIA X 20.00LG, CHAMFER.....25, 27-29  
 PIN, 1.50DIA X 4.25LG, GR/H.....25  
 PIN, 1.50DIA X 7.50LG, 1HOLE\*\*\*.....87  
 PIN, 1.75DIA X 11.88LG, CHAMFER.....91  
 PIN, 1.75DIA X 9.25LG, 1HOLE.....91  
 PIN, 2.00DIA X 10.88LG, CHAMFER.....87  
 PIN, 2.00DIA X 12.88LG, CHAMFER\*\*\*.....87

PIN, 2.00DIA X 24.00LG, CHAMFER\*\*\*.....87, 91  
 PIN, CLEVIS, 1 X 2.5 LG.....25  
 PIN, CLEVIS, 1 X 3.5 LG\*\*\*.....157  
 PIN, COTTER, .125 X 1.5.....25  
 PIN, COTTER, .219 X 1.75.....25  
 PIN, COTTER, .25 X 3.0.....157  
 PIN, LOCK, SHORT\*\*\*.....143  
 PIN, TOW HITCH, 1.5DIA X 8.25"GRIP.....157  
 PINCH GUARD, 6"(1.31")SERVICE\*\*.....141  
 PIPE ASSY-OVERFLOW (Z482-E).....45, 51,  
 57  
 PIPE CRADLE ASSY. SERV (ONE)\*\*.....167  
 PIPE PLUG KIT, OMNI\*\*\*.....28-29  
 PIPE, INJECTOR 1 KUBOTA Z482-E....45, 51,  
 57  
 PIPE, INJECTOR 2 KUBOTA Z482-E....45, 51,  
 57  
 PIPE, WATER RETURN (Z482-E).....43, 49, 55  
 PLAT ASSY, 6' W/SIDE GATE, Z45/51 ANSI  
 SYM.....109  
 PLAT ASSY, 6' W/SIDE GATE, Z45/51 CE....109  
 PLAT ASSY, 6' W/SIDE GATE, Z45DC/BI ANSI  
 WORD.....109  
 PLAT ASSY, 6' W/SIDE GATE, Z45DC/BI  
 AUS.....109  
 PLAT. CONTROL BOX W/DECAL.....113-114,  
 117-118  
 PLAT. ASSY, 6FT, 1/2 MESH, CE.....143  
 PLATE, CABLE AND WIRE COVER.....173  
 PLATE, CONTACTOR MOUNT, Z45.....27-29  
 PLATE, ALTERNATOR ADJUSTMENT.....41  
 PLATE, COVER LATCH BACKING.....77, 79  
 PLATE, DRAG LINK, NRRW AXLE, PNT.....157  
 PLATE, DRAW LATCH MOUNT.....79  
 PLATE, ENGINE MOUNT PAINTED.....41, 47,  
 53, 59  
 PLATE, FOOT SWITCH COVER.....143  
 PLATE, FRONT COVER PAINTED.....67  
 PLATE, FUEL TANK, PAINTED.....63  
 PLATE, JIB, ROTATE MANIFOLD.....105  
 PLATE, SWING LOCK, PAINTED\*\*\*.....61  
 PLATE, UK POWER TO PLATFORM.....114  
 PLATE, UK, POWER TO PLAT.....114  
 PLATE, WIPER BACKING.....153  
 PLATFORM, 1/2 MESH W/GATE, ANSI\*.....143  
 PLUG AND CAP KIT-SERVICE, 37 \*\*.....11,  
 131, 133, 135, 137  
 PLUG AND CAP KIT-SERVICE, ORFS\*.....11,  
 131, 133, 135, 137  
 PLUG, TYPE F, 230A, 50HZ, 16A, IP44.....33,  
 35, 67  
 PLUG, 090109A-6.....135, 137  
 PLUG, 3/4 MAGNETIC PIPE SQ. DRV.....69  
 PLUG, BLANKING.....85  
 PLUG, ENGINE OIL DRAIN, D-905\*\*\*.....43, 49,  
 55  
 PLUG, FUSED, 250V, 13AMP, U.K. \*\*.....33, 35,  
 67  
 PLUG, NYLON .38 BLACK DOMED.....71-72  
 PLUG, NYLON .50 BLACK DOMED.....71-72,  
 113-114, 117-118  
 PLUG, NYLON 1.12 BLACK DOMED.....114,  
 117-118  
 PLUG, OIL FILLER Z482, Z34/22BE\*.....43, 49,  
 55  
 PLUG, PWR, UK, 16AMP, 3PIN, BLK.....33, 35, 67  
 PLUG, SANTOPRENE .5 BLACK DOME.....71-  
 72, 113-114, 117-118  
 PLUG, SEAL, 12-18 GA.....75

## Part Description Index (continued)

POTENTIOMETER (56773).....121	ROCKER ASSY (42032)***.....121	SCREW,HHC,3/8-16 X 1.75,GRD.8.....77, 93, 95, 157
POTENTIOMETER,56886.....123	ROCKER ASSY W/ROLLPIN***.....121	SCREW,HHC,3/8-16 X 2.....107, 153
POWER RELAY, 24V COIL.....41, 155	ROD END,.250 X 2.75 LG.....149	SCREW,HHC,3/8-16 X 2.25.....27-29
POWER UNIT,AUX PUMP 24VDC.....65, 67	ROD END,.375 X 2.25,ZAG.....41, 91	SCREW,HHC,3/8-16 X 2.75.....41, 69, 87
PRIMARY BOOM ASSY.....99	ROD END,.375X3.69,ZAG.....25, 27-29, 91, 93, 95, 101, 103	SCREW,HHC,3/8-16 X 3.....35, 87, 97
PRIMARY BOOM ASSY,JIB,Z45/25J.....93	ROD END,.5 X 3.75,ZAG.....87, 91	SCREW,HHC,3/8-16 X 3.25.....41, 149
PRIMARY BOOM ASSY,STD,Z45/25.....93	ROD,CHOKE (KUBOTA)****.....45, 51, 57	SCREW,HHC,3/8-16X1.5,8,ZAG.....65
PROCTAMMER, PMC 1313K-4401.....27-29	ROD,DISCONNECT 4HP/4HB***.....27-29	SCREW,HHC,3/8-16X2.5,8,ZAG.....175
PROTECTOR,SLEW BOLT.....61	ROD,DISCONNECT,OMNI***.....28-29	SCREW,HHC,3/8-24 X 1 GR 8 YEL.....125
PROXIMITY SENSOR***.....81, 83, 85, 159, 161, 163, 165	ROD,ENGINE IDLE & STOP.....45, 51, 57	SCREW,HHC,5/16-18 X .75.....155
PULLEY,3.15 OD.....41	ROLLER ARM,LIMIT SWITCH***.....61, 89, 93, 95	SCREW,HHC,5/16-18 X 1 GR5.....28-29, 45, 51, 57, 67, 105, 141
PULLEY,FAN,WG750B***.....43, 49, 55	ROTATIONAL CONTROLLER,24V***.....113-114, 117-118, 123	SCREW,HHC,5/16-18 X 1.25.....31, 67
PUMP ASSEMBLY (36179).....65, 67	ROTATOR,PLAT,Z45.....101, 105	SCREW,HHC,5/8-11 X 2.75 GR8 BO.....61
PUMP ASSY-FUEL, KUBOTA Z482-E.....45, 51, 57	ROTATOR,PLAT,Z45J/Z51J.....105	SCREW,HHC,5/8-11X4.50GR8 PLAIN.....61
PUMP,LIFT,3CC,CCW***.....125	RUE RING,1.00.....157	SCREW,HHC,M10 X 1.25 X 30MM**.....47, 53, 59
PUMP-INJECTION, KUBOTA Z482-E.....45, 51, 57		SCREW,HHC,M6 X 16.....47, 53, 59
PUMP-WATER, KUBOTA Z482-E.....43		SCREW,HHC,M8 X 20MM.....43, 45, 47, 49, 51, 53, 55, 57, 59
	<b>S</b>	SCREW,HHF,1/2-13X3.5,8,ZAG.....169
<b>Q</b>		SCREW,HHF,1/4-20X.625,8,ZAG.....111, 177
QUICK DISCONNECT CASING,BATT**.....39		SCREW,HHF,1/4-20X.75,8,ZAG.....79, 111, 163, 165, 171, 173
		SCREW,HHF,1/4-20X1.8,ZAG.....111
<b>R</b>		SCREW,HHF,1/4-20X1.25,8,ZAG.....171
RADIATOR ASSY,KUBOTA Z482E AL.....47, 53, 59	SCREW,5/16-18 X .75 LG.FLG.LCK.....65	SCREW,HHF,1/4-20X2.5,8,ZAG.....167
RADIATOR STAY, KUBOTA 1702.....47, 53, 59	SCREW T-SWITCH PH/PH 6-32X1/4.....71-72, 113-114, 117-118	SCREW,HHF,10-24X.5.....173
RAILING CATCH CASTING--DRILLED.....143	SCREW, HCC, 3/8-16 X 1.50.....41, 47, 53, 59, 65, 67, 77, 91, 93, 95, 101, 103	SCREW,HHF,3/8-16X1.8,ZAG.....65, 111, 173
RAILING,PINCH GAURD,4 FT.....141	SCREW,10ABX.50",PNHD,ST(41896).....33	SCREW,HHF,3/8-16X1.25,8,ZAG.....69
RAILING,PINCH GAURD,5 FT.....141	SCREW,8ABX3/8",PNHD-S.T(41896).....33	SCREW,HHF,3/8-16X2.5,8,ZAG.....169
REAR END PLATE, Z482.....51, 57	SCREW,BHHS,1/4-20 X .5,Y/ZINC.....99	SCREW,HHF,M6-1.0X12,DIN6921,10.....171
RECEPTACLE,UK,110V.....114, 118	SCREW,BHHS,1/4-20 X .75.....97, 99	SCREW,HHAPTITE THRED8-32X.38.....125
REF. HYDRAULIC POWER UNIT.....65	SCREW,BHSC,1/4-20 X .88,Y/ZINC.....97	SCREW,M5X16 BHD.....171
Ref: Adjustable draw latch.....77	SCREW,BHSC,1/4-20 X 1.....141, 161, 163, 165	SCREW,M6X8.....171
REF: Flashing Beacon.....85	SCREW,BLEEDER,M5X0.8.....105	SCREW,PHIL,10-24 X .75.....29
REF: Foot Switch.....85	SCREW,FHM,10-32 X .75.....28-29	SCREW,PHIL,8-32X.50,SELF TAP.....114, 118
REF: Harness, Z45 Drive Lights.....141, 155	SCREW,FHM,6-32 X .75.....114	SCREW,PHIL,PHM,10-24X1.5 ZINC.....149
REF: Jib Platform rotator.....103	SCREW,FHS,3/8-16 X 1.75.....41, 61, 63	SCREW,PHIL,PHM,10-32 X .5,SSTL.....75, 155
Ref: Swing Drive Assy (77082).....61	SCREW,HH,10-32 X 3/4"(41896).....33	SCREW,PHILLIPS,PHM,10-24 X 1.....28-29
REGULATOR,48 VOLTAGE,BI ENERGY.....41	SCREW,HHC,1-8 X 3 GRD.5.....79	SCREW,PHILLIPS,PHM,10-32 X .38.....28-29
REGULATOR-VOLTAGE(Z482-E).....41, 55	SCREW,HHC,1/2-13 X 1.25 GR5.....41, 67, 69, 91	SCREW,PHILLIPS,PHM,10-32 X .75.....65, 77, 79, 121
RELAY HARN,PBOX JIB OPTION.....81, 83, 113-114	SCREW,HHC,1/2-13 X 1.5.....87, 89, 91	SCREW,PHILLIPS,PHM,10-32 X 2.0.....95
RELAY HARN,PBOX LVI OPTION.....83, 113-114	SCREW,HHC,1/2-13 X 1.75.....41	SCREW,PHILLIPS,PHM,10-32 X.625.....41
RELAY HARN,PBOX STANDARD.....81, 83	SCREW,HHC,1/2-13 X 6,GRD.8.....41	SCREW,PHILLIPS,PHM,8-32 X 1.25.....139
RELAY PANEL COVER.....41	SCREW,HHC,1/2-13 X.75.....89	SCREW,PHILLIPS,RHM,10-32 X 1.5.....61
RELAY,24VDC,40/30A,SEALED***.....41, 75, 83, 114, 118	SCREW,HHC,1/4-20 X .5.....41, 141	SCREW,PHM, NO.7X0.625"(41896).....33
RELAY,24VDC,40/30A,SLD W/BRKT*.....81, 83, 85, 121, 173	SCREW,HHC,1/4-20 X .625.....28-29, 89, 113-114, 117-118, 141, 143	SCREW,PHM,M3 X .5 X 12MM.....121
RELAY,CHARGER .TIMER(19531/32).....33	SCREW,HHC,1/4-20 X .75.....27-29, 41, 45, 47, 51, 53, 57, 59, 69, 72, 103, 105, 107, 149, 159, 161	SCREW,PHM,M3.5 X 12MM (57890).....121
RELAY,CHARGER TIMER**.....33	SCREW,HHC,1/4-20 X 1.....25, 31, 41, 65, 75, 77, 79, 89, 99, 101, 149, 159, 161, 163, 165	SCREW,PHPM,10-24X1,ZAG.....111
REPAIR END BRKT SET,NP400-7***.....99	SCREW,HHC,1/4-20 X 1.25.....28-29, 45, 51, 57, 77, 103, 107	SCREW,PHPM,10-32X1.25,ZAG.....173
REPAIR LINK END SET (42763)*.....97, 99	SCREW,HHC,1/4-20 X 1.5.....41, 101, 141	SCREW,PHPM,6-32X.875,ZAG.....173
REPAIR LINK,7 LINKS NP400-7***.....99	SCREW,HHC,1/4-20 X 1.75.....89, 93, 95	SCREW,RADIATOR MOUNT, KUBOTA.....47, 53, 59
REPAIR LINK,7 LINKS***.....97, 99	SCREW,HHC,1/4-20 X 2.....141, 149, 157	SCREW,RHM,10-32 X .5.....45, 51, 57
REPAIR LINK,NP400-7***.....99	SCREW,HHC,1/4-20 X 2.25.....79	SCREW,SHC,1/2-13 X 3.00.....28-29, 61
RETAINER,SPRING,1.21 X .375.....149	SCREW,HHC,1/4-20 X 2.75.....101, 105	SCREW,SHC,1/2-13 X 4.50 ZINC.....61
RETAINING PIN, ASSY.....61	SCREW,HHC,1/4-20 X 3.....99	SCREW,SHC,5/8-11 X 1.75.....27-29, 41
RETAINING PIN,ASSY.....157	SCREW,HHC,1/4-20X1.8,ZAG.....69, 175	SCREW,SHC,5/8-11 X 2.75,A574.....61
RETAINING RING, FUEL FILTER.....57	SCREW,HHC,3/4-10 X 9.5 GR 8 YE.....101, 105	SCREW,SHC,5/8-11 X 4,A574.....61
RING GEAR, Z482 T4.....51, 57	SCREW,HHC,3/8-16 X .75.....61, 67, 69, 93, 95, 107	SCREW,SHC,5/8-11 X 4.5,A574.....61
RING GEAR,KUBOTA Z482-E.....45	SCREW,HHC,3/8-16 X .75,GR 8.....105	SCREW,THUMB,A-REG,3/8-16X1,ZAG.....31
RING-RETAINING,FUEL FILTER.....45, 51	SCREW,HHC,3/8-16 X 1.....25, 41, 45, 51, 57, 69, 89, 91, 155	SEAL AND BRG KIT,4.5K ROTATOR.....101, 105
RIVET,ALUM,ALUM,3/16BUTONHEAD.....141	SCREW,HHC,3/8-16 X 1.25 GRD 5.....25, 43, 49, 55, 65, 93, 95, 101, 103, 114, 118	
RIVET,STEEL,P .25 X .375.....79, 143		

SEAL AND BRG KIT,4.5K ROTATOR*.....101, 105	SPACER,HOSE CLAMP,RUBBER.....99	
SEAL DT SERIES-12W.....72	SPACER,NYLON,2.00 X 1.33 X.310.....95	
SEAL KIT (39345).....103, 129	SPACER,NYLON,2.01 X 1.28 X.135.....95	
SEAL KIT (54994).....103	SPACER-POT.PLATE,JOYSTICK56773.....121	
SEAL KIT CYL Z45 (54570).....93, 95	SPEED CONTROL ASSEMBLY**.....45, 51, 57	
SEAL KIT CYL,Z45(54569).....93, 95	SPRING & BUSHING KIT,RETURN***.....121	
SEAL KIT, 37185 PUMP.....65, 67	SPRING CLIP,1/4-20,.025-.15X.54,ZAG.....25, 27-29, 41, 103, 107, 111, 149	
SEAL KIT, 88337.....25	SPRING CLIP,10-24,.025-.125X.468,ZAG...28-29, 111, 173	
SEAL KIT, BRAKE, 4HP.....27-29	SPRING CLIP,3/8-16,.05-.20X.73,ZAG.....31	
SEAL KIT, OMNI.....28-29	SPRING, BRUSH RETAINER, 36182*.....28-29	
SEAL KIT, SWING DRIVE.....61	SPRING, RETURN (FOR 74267).....27-29	
SEAL KIT, VALVE.....127, 129	SPRING, RETURN (FOR 74268).....27-29	
SEAL KIT,147259.....103	SPRING, SS, 1/2-EO500-49-4500.....159, 161, 163	
SEAL KIT,147260***.....91	SPRING, SS, 3/4-EO750-69-4500.....159, 161	
SEAL KIT,BRAKE***.....27-29	SPRING,COMP,1" OD,232 LB/IN.....149	
SEAL KIT,CYL,Z45 (77187&77188).....91	SPRING,COMPRESSION .835 X 2.....45, 51, 57	
SEAL KIT,ELEVATE (88203).....87	SPRING,EXTENSION,1.92LB/IN.....163, 165	
SEAL KIT,MANIFOLD TO MOTOR.....61	SPRING,RETURN (74266).....28-29	
SEAL KIT,MASTER & SLAVE CYL.....91, 101, 103	SPRING,SHORT PLATFORM GATE.....143	
SEAL KIT,SOLENOID VALVE, SV07.....129	SPRING-BRUSH,40844, SCISSORS.....125	
SEAL KIT,SWING DRIVE***.....61	STACK KIT, AUSCO 1200 IN/LB.....27-29	
SEAL KIT,SWING MOTOR***.....61	STAND OFF,CONTROL UNIT.....171	
SEAL KIT, WHEEL DRIVE (106148/106445/107712).....27-29	STANDOFF, 3/8" BLACK.....65	
SEAL KIT,WHEEL DRIVE W/BRAKE (101584/101585).....27-29	STARTER MOTOR Z482, Z34/22BE.....43, 49, 55	
SEAL MARKER, CROSS CHECK,BLUE,TUBE.....11	STAY,ALTERNATOR***.....43, 49, 55	
SEAL-GREASE,9-BOLT HUB 54840.....25	STEP PLATFORM ENTRY PAINTED***.....111	
SENSOR, LEVEL,2.5 X 4.5 DEG.....65, 77	STRAINER ASSEMBLY,1.25" NPT***.....69, 133	
SENSOR,LEVEL 4.5***.....41	STRAP ASSY, 44LG, W/RUBBER.....63	
SENSOR,LEVEL,4.5 DEG.....65, 77	STRAP ASSY,29.25LG,W/RUBBER.....69	
SENSOR,RUBBER EDGE.....171	STRAP, CONDUIT HOLDER 60***.....167	
SERIAL # LABEL,MYLAR 4X8***.....14, 19-20	STROBE,FIREBOLT,12-80VDC,AMB**.....139	
SERV KIT,HARN ASSY,PWR BATT PK.....37, 39	STRUT,GAS,200 LB***.....77	
SERVICE KIT, 5FT JIB.....103	STUD,POWER 3/8" RED.....65	
SERVICE KIT, INJECTOR, Z482.....51, 57	SUPPORT, RAILING.....141, 161, 163, 165	
SERVICE KIT,5FT JIB.....107	SVC KIT,UK RECEIPT.REPLACEMENT.....114	
SET SCREW***.....27-29	SWING DRIVE ASSEMBLY.....61	
SHAFT ASSY, JOYSTICK***.....121	SWING DRIVE ASSY*** (147209).....61	
SHIM,AXLE ROTATION STOP,12GA.....28-29	SWITCH TOGGLE ASSY DPDT 2P MOM..72, 113-114, 117-118	
SHIM,AXLE ROTATION STOP,22GA.....28-29	SWITCH TOGGLE ASSY DPDT 3P MOM..71-72, 113-114, 117-118	
SHIM,WEAR PAD,5 X 1.5,14GA.....93, 95	SWITCH TOGGLE ASSY SPDT 2P MNT....155	
SHIM,WEAR PAD,5X 1.5 16GA.....93	SWITCH TOGGLE ASSY SPDT 2P MOM.....159, 161, 163, 165	
SHOCK MOUNT,SMALL.....41	SWITCH TOGGLE ASSY SPDT 3P MOM...71-72, 113-114, 117-118	
SHRINK TUBE, BLACK 3/4,3:1.....39	SWITCH TOGGLE DPDT 2P MOM SHDR.....72, 113-114, 117-118	
SLEEVE,NYLON, 2" ID.....137	SWITCH TOGGLE DPDT 3P MOM SHDR.....71-72, 113-114, 117-118	
SLEEVE,NYLON,1.42 ID.....135, 137	SWITCH TOGGLE SPDT 3P MOM SHDR.....71-72, 113-114, 117-118	
SLEEVE,NYLON,2" I.D.,BULK(100').....135	SWITCH,LIMIT,W/RLLR ARM NO/NC.....89, 93, 95	
SLEEVE,NYLON,3.13 ID.....135	SWITCH,LIMIT,W/RLLR ARM,NO/NC*.....89	
SLIDING MIDRAIL KIT,PTD.....111	SWITCH,LIMIT,W/RLLR ARM,NO/NC**.....61	
SNAP RING,EXTERNAL,1.25,ZAG.....93, 95, 103	SWITCH,LOAD LIMIT.....149	
SNAP RING,EXTERNAL,1.50,ZAG.....25	SWITCH,OIL,PRESSURE,KUBOTA.....43, 49, 55	
SNAP RING,WHEEL DRIVE.....27-29	SWITCH,PRESS,#6SAE,600 PSI.....127	
SOLENOID,2 SPEED TROMBETTA***.....45, 51, 57	S W I T C H , T O G G L E , S P D T , 3 P O S MOMEN*.....114, 117-118	
SOLENOID,STARTER,WG750B.....43, 49, 55	SWITCH,WATER TEMP.....43, 49, 55	
SOUNDER LENS, OPA, AMBER.....171		
SOUNDER LENS, OPA, BLUE.....171		
SOUNDER LENS, OPA, CLEAR.....171		
SOUNDER LENS, OPA, RED.....171		
SOUNDER,MIDI,OPA.....171		
SPACER TUBE,.50 LG.....153		
SPACER, HANGER BRACKET.....169		
SPACER,HEAT SINK.....171		

## T

T-BOX,2.75 X 4.5 X 2.0.....114, 118	
TANK BREATHER,NYLON **.....69	
TANK,HYDRAULIC,8 GALLON,DC/BI.....69	
TAPE, PROTECTIVE MASK.....17, 23	
TAPE,WARNING,BLK/YEL, 50***...13-14, 17, 19-20, 23	
TEE,BRANCH,520429-6.....135, 137	
TEE,BRANCH,520433-8.....133	
TEE,RUN,520428-4.....131	
TERM,DEUTSCH, PIN #12-14.....114, 117-118	
TERM,NI PIN, 14-16GA,BULK.....114, 117-118	
TERM,NI PIN,S&F,16-18GA,REEL.....114, 117-118	
TERM.BUSS,10POLE,JOYSTICK56773.....121	
TERMINAL BLOCK END PLATE.....75	
TERMINAL BLOCK, WIELAND***.....75	
TERMINAL BLOCK,WIELAND.....75	
THERMOSTAT ASSY, WG750B.....47, 53, 59	
THERMOSTAT COVER,KUBOTA GAS.....47, 53, 59	
TIE ROD WELDMENT, NARROW.....25	
TIME DELAY RELAY,2 SEC,24VDC.....113-114, 117-118	
TIMER (23442)(41896)(36314).....33	
TIMER(24059,41897,41898,41899).....33	
TIRE/WH ASSY,9 LG,FOAM,NS REAR.....28-29	
TIRE/WH ASSY,9 LG,FOAM,S FRONT.....25	
TIRE/WH ASSY,9 LG,NM,FOAM,S FR.....25	
TIRE/WH ASSY,9 LG,NM,REPNEU,NS.....28-29	
TIRE/WH ASSY,9 LG,NM,REPNEU,S.....25	
TIRE/WH ASSY,9 LG,REPNEU,NS.....28-29	
TIRE/WH ASSY,9 LG,REPNEU,S.....25	
TIRE/WH ASSY,9LG,NM,FOAM,NS RE.....25, 28-29	
TOEBOARD,ENTRY EUROPEAN PNTD**.....111, 141	
TOOL TRAY ACCESSORY***.....141	
TOOL,TERMINAL CRIMPER,MOLEX***.....27-29	
TOOL,TERMINAL EXTRACTOR,MOLEX...27-29	
TRIMLOCK,BLACK,3/16 X 4 INCHES.....89	
TRIMLOCK,BLACK,5/32".....167	
TROLLEY,TRACK, FALL ARREST BAR.....169	
TUBE, CABLETRACK ARM, Z40/45.....99	
TUBE, CABLETRACK ARM, Z51.....99	
TUBE, RD, ALUM, 1.25 X .083 X 11.75.....177	
TUBE,CABLE TRACK ARM NON-JIB.....97	
TUBE,CABLE TRACK ARM,JIB.....97	
TUBE,PLASTIC .5 NPT X 18".....69	
TUBE,PROP ROD,12.25"LG,DC/BI.....79	
TUBE,PROP ROD,18.63",W/CAP.....79	
TUBE,RD,STL,DOM,.75X.38X.78.....153	
TUBE,RD,STL,DOM,.75X.438X1.25.....153	

## U

U-BOLT, FLATTENED, 1.5 X 3/8 UNC,ZAG.....111, 167, 171, 175, 177	
U-BOLT, SQR, 3/8-16X2X5, PLTD.....159, 161, 163, 165	
U-BOLT,1/2-13 X 3 X 5.25***.....157	
U-BOLT,3/8 X 1 YZ.....43, 49, 55	
U-BOLT,3/8-16X4X4.63X3.00.....159, 161, 163, 165	
UPPER LEVEL ARM ASSY,SERV***.....89	

## Part Description Index (continued)

UPPER PIVOT W/BEARING-Z45/25**.....91	WASHER,LOCK,,25.....25, 41, 45, 47, 51, 53,	WELDMNT,ROTATOR MOUNT.....149
UPPER SECONDARY ARM ASSY-Z45**.....89	57, 59, 69, 101, 103, 105, 141	WELDMNT,STEER AXLE TOW
	WASHER,LOCK,,313.....28-29, 45, 51, 57, 67,	CRADLE.....157
	141	WELDMNT,SWING GATE,ALUMINUM.....143
	WASHER,LOCK,,375.....25, 27-29, 41, 61, 65,	WELDMNT,6 FT PLATFORM.....109
	67, 69, 89, 91, 93, 107, 125, 153	WELDMNT,EXTENSION BOOM,JIB,Z45.....93
	WASHER,LOCK,,625 PLTD.....41	WELDMNT,PLATFRM SUPPORT,NJIB**.....101
	WASHER,LOCK,0.5".....41, 69, 87, 89, 91	WHEEL DRIVE, NON-BRAKE, 47.6:1.....27-29
	WASHER,LOCK,1".....79	WHEEL DRIVE,4HB,48:1***.....27-29
	WASHER,LOCK,M10.....47, 53, 59	WHEEL STUD, 4HP, 5/8-18***.....27-29
	WASHER,LOCK,M6.....47, 53, 59	WHEEL STUD,5/8-18,OMNI***.....28-29
	WASHER,LOCK,M8.....43, 47, 49, 53, 55, 59	WIPER,PRIMARY BOOM.....153
	WASHER,M4 NYLON.....171	WIRE ASSY #10 RED F1/F2.....39
	WASHER,M5 NYLON.....171	WIRE ASSY #10 RED F2/F1.....39
	WASHER,NYLON, JOYSTICK.....121	WIRE ASSY-PWR PAN TO ENG HARN.....37
	W A S H E R , R A D I A T O R	WIRE CABLE,14/3 CON.TPE JKT*.....67, 81,
	CUSHION,KUBOTA.....47, 53, 59	83
	WASHER,SHIM .0151 THK.....149	WIRE CABLE,14GA/4 CON.TPE JKT.....114
	WASHER,SHIM,1.01 X 1.63 X.062.....157	WIRE CABLE,16/4 CON.TPE JKT.....89, 111
	WASHER,SHIM,1.27 X 2.13 X .062.....25, 93,	WIRE LOOM,1.25"NYLON,HIGH TEMP.....93,
	95, 103, 157	95, 101, 103
	WASHER,SPINDLE.....25	WIRE,12/3 SJEOW,BK-WH-GR/YL.....85
	WASHER,THRUST,.75 X 1.38X.13.....31	WLDMNT,CABLE TRACK TRAY,JIB.....97
	WASHER,THRUST,1.5 X 3.5 X .187.....25	WORKLIGHT,110V,250WATT,HALOGEN....141
	WASHER,THRUST,2.0 X 3.0 X .188.....157	WORKLIGHT,48 VOLT.....141, 155
	WASHER/BULKHEAD***.....69	
	WATER PUMP, Z482 T4.....49, 55	
	WDMT,AIRCRAFT SENSOR BUMPER.....163,	
	165	
	WDMT,SKID PLATE.....163, 165	
	WEAR PAD,3 X 1.5 X.625 W/NUTS.....107	
	WEAR PAD,4.88 X 1.5 X .5.....69	
	WEAR PAD,4X2X.5 W/INSERT***.....31	
	WEAR PAD,5 X 1.5 X .625 W/NUTS.....93, 95	
	WEAR PAD,5 X 1.5 X .75 W/NUTS.....93, 95	
	WEAR PAD,6 X 1.5 X.50,W/INSERT.....89	
	WEAR PAD,EXTENSION BOOM.....93, 95	
	WEAR PAD,EXTENSION CYLINDER.....93, 95	
	WEAR PAD,MID PIVOT***.....89	
	WEAR PAD,PRIMARY BOOM,JIB.....93, 95	
	WEAR PAD,PRIMARY BOOM,NON JIB.....67	
	WEAR PAD,PRIMARY BOOM, TOP	
	6.25X1.5X1.13.....93	
	WEAR PAD,SECONDARY CYL,NON/JIB.....87	
	WELDMNT, AIRCRAFT TOP	
	BUMPER.....161, 163, 165	
	WELDMNT, CABLETRACK TRAY.....99	
	WELDMNT, LEFT CONTACT ALARM,	
	LARGE.....173	
	WELDMNT, PIPE CRADLE.....167	
	WELDMNT, RIGHT CONTACT ALARM,	
	LARGE.....173	
	WELDMNT, SENSOR MOUNT.....159, 161,	
	163, 165	
	WELDMNT, SKIDPLATE**.....159, 161	
	WELDMNT, Z45 PLATFORM SUPPORT, NO	
	JIB.....111	
	WELDMNT,4 FT PLATFORM.....109	
	WELDMNT,5 FT PLATFORM.....109	
	WELDMNT,AIRCRAFT SENSOR	
	BUMPR.....159, 161	
	WELDMNT,CABLE TRACK TRAY,NJIB.....97	
	WELDMNT,EXT. BOOM,Z45 JIB.....95	
	WELDMNT,HITCH TONGUE,Z45.....157	
	WELDMNT,MID PIVOT,MACHINED***.....89	
	WELDMNT,PIPE CRADLE MOUNT.....167	
	WELDMNT,PLAT SUPPORT,LS.....149	
	WELDMNT,PLATFORM SUPPORT.....105,	
	111, 149	

## V

VALVE - COUNTERBALANCE\*\*.....129  
 VALVE BLOCK, SWING DRIVE.....61  
 VALVE RELIEF,2500PSI(88513)\*\*.....127  
 VALVE, CNTRBAL 3500 PSI, ATM VEN.....87  
 VALVE,3POSITION,4WAY\*.....127  
 VALVE,CB.CBBC-LHN@1000\*\*\*.....93, 95  
 VALVE,CHECK (36179).....65, 67  
 VALVE,CHECK,DUAL PILOT\*\*\*.....127  
 VALVE,CHK,#8PORT-#8MALEORFS.....133  
 VALVE,COUNTERBALANCE,3500\*\*\*.....101, 103  
 VALVE,COUNTERBALANCE,3800 PSI.....91  
 VALVE,COUNTERBALANCE,3800 PSI\*.....91, 103  
 VALVE,COUNTERBALNCE,1500 PSI\*\*.....93, 95  
 VALVE,DIRECTIONAL,2-WAY,3 POS.....127  
 VALVE,FLOW CONTROL,,4 GPM.....127  
 VALVE,NEEDLE,BRAKE RELEASE.....157  
 VALVE,NEEDLE,FINE ADJUSTMENT\*\*.....127  
 VALVE,PRESS COMP,PROP DIRECT.....127  
 VALVE,RELIEF,2100 PSI\*\*\*.....127  
 VALVE,RELIEF,3000PSI,GS68PUMP1.....127  
 VALVE,SHUTTLE.....127  
 VALVE,SOLENOID 3 POS.4 WAY\*\*\*.....127  
 VALVE,SOLENOID, 2POS/3WAY\*\*\*.....127, 129  
 VALVE-CHECK, #4 SAE, 5 PSI\*.....127  
 VALVE-RELIEF,3200 PSI.....127  
 VALVE-SOLENOID,2POS 3WAY,JIB\*\*.....129

## W

W A S H E R , F L A T ,  
 M6X18X1.6,DIN9021,ZAB.....171  
 WASHER, FLAT, SHAFT, JOYSTICK.....121  
 WASHER,FENDER,.25 X 1.25 X.062.....77, 79  
 WASHER,FLAT,,375 X 1.5 X .125.....41, 149  
 WASHER,FLAT,,375X1.50X.125,ZAG.....175  
 WASHER,FLAT,,625 HARDENED.....27-29, 41, 61  
 WASHER,FLAT,,75 HARDENED.....101, 105  
 WASHER,FLAT,1.78 X 2.50 X .057.....157  
 WASHER,FLAT,3/8,USS,ZAG.....65, 69, 175  
 WASHER,FLAT,M6 PLTD.....47, 53, 59  
 WASHER,FLAT,M8,YELLOW ZINC.....47, 53, 59  
 WASHER,FLAT,MS,#10,Y.....29, 33, 41, 61, 65, 77, 79, 149, 155  
 WASHER,FLAT,MS,#8,Y.....114, 118, 139  
 WASHER,FLAT,USS,1",Y.....79  
 WASHER,FLAT,USS,1/2",Y.....41, 61, 67, 69, 89, 157  
 WASHER,FLAT,USS,1/4"Y.....27-29, 31, 41, 65, 67, 69, 72, 75, 77, 79, 89, 93, 95, 97, 99, 101, 105, 107, 113-114, 117-118, 141, 143, 149, 157, 159, 161, 163, 165  
 WASHER,FLAT,USS,1/4,ZAG.....69, 171, 175  
 WASHER,FLAT,USS,3/8",Y.....35, 43, 47, 49, 53, 55, 59, 65, 89, 93, 95, 149, 153  
 WASHER,FLAT,USS,5/16",Y.....27-29, 41, 43, 45, 49, 51, 55, 57, 61, 63, 65, 67, 69, 77, 87, 97, 101, 103, 105, 114, 118, 141, 155, 157, 159, 161, 163, 165  
 WASHER,HARDENED,5/8.....41  
 WASHER,LOCK,#10 PLTD.....28-29

## Y

YOKE ASSY.LH'2WD'Z45IC.....25  
 YOKE ASSY.RH'2WD'Z45IC.....25

## Z

ZERK,GREASE,5/16-24,STRAIT.....149

## —

— GENERAL SERVICE PARTS —.....11  
 — HYD FILTERS —.....11  
 — KUBOTA Z482 E2BGN1-1, E3B-1 MODELS —.....11  
 — KUBOTA Z482 E4B-1 MODELS —.....11  
 — MANUALS —.....11



***This Page Intentionally Left Blank***

Go to [Discount-Equipment.com](http://Discount-Equipment.com) to order your parts

## Fitting Cross References

Genie PN	Parker PN	Description	Genie PN	Parker PN	Description
12342	6-4 F5OX-S	CONNECTOR,STRAIGHT THREAD TO FLARE TUBE	42794	1 CR-S	ELBOW,90°,MALE PIPE
13757	4 R6X-S	RUN TEE,SWIVEL NUT,ORFS	42795	BV-0839	BALL VALVE
19685	12-10 C5OX-S	ELBOW,90°,STRAIGHT THREAD TO FLARE TUBE	42796	BV-0838	BALL VALVE
22664	12-10 C5OX	ELBOW,90°,STRAIGHT THREAD TO FLARE TUBE	42874	6-8 CLO-S	ELBOW,90°,MALE PIPE TO ORFS
27431	8-12 F5OX-S	CONNECTOR,STRAIGHT THREAD TO FLARE TUBE	42912	13943-6-4	HOSE END,90° FEMALE SWIVEL,JIC
28678	AS-B-33	SLEEVE,NYLON,1.81" ID	42920	BV-0840	BALL VALVE,90°
39871	6 WETX-WLN-S	UNION,90° BULKHEAD W/NUT,FLARE TUBE	42932	AS-B-17	SLEEVE,NYLON,1.22" ID
39872	4 R5OX-S	RUN TEE,STRAIGHT THREAD	42936	10243-2-4	HOSE END,FEMALE PIPE
39873	6 C5OX-S	ELBOW,90°,STRAIGHT THREAD TO FLARE TUBE	42953	1/2 DD-S	ELBOW,90°,FEMALE PIPE
39874	8-6 C5OX-S	ELBOW,90°,STRAIGHT THREAD TO FLARE TUBE	42956	6 WELO-WLNL-S	UNION,90° BULKHEAD W/NUT,ORFS
39875	4-6 C5OX-S	ELBOW,90°,STRAIGHT THREAD TO FLARE TUBE	45349	8 V5OX-S	ELBOW,45°,STRAIGHT THREAD TO FLARE TUBE
39876	6-8 C5OX-S	ELBOW,90°,STRAIGHT THREAD TO FLARE TUBE	45351	4 V5OX-S	ELBOW,45°,STRAIGHT THREAD TO FLARE TUBE
39877	4 F5OX-S	CONNECTOR,STRAIGHT THREAD TO FLARE TUBE	47223	10343-6-6	HOSE END,MALE,JIC
39878	6 F5OX-S	CONNECTOR,STRAIGHT THREAD TO FLARE TUBE	47419	PS690503-6-6	SWIVEL,90°,STRAIGHT THREAD TO 37° FLARE
39879	4-8 F5OX-S	CONNECTOR,STRAIGHT THREAD TO FLARE TUBE	48750	421-4	HOSE,1/4 INCH ID
39880	6-10 F5OX-S	CONNECTOR,STRAIGHT THREAD TO FLARE TUBE	48751	481TC-4	HOSE,1/4 INCH ID
39881	4-6 F5OX-S	CONNECTOR,STRAIGHT THREAD TO FLARE TUBE	48752	482TC-4	HOSE,1/4 INCH ID
39882	4-HP5ON-S	PLUG,STRAIGHT THREAD	48753	451TC-6	HOSE,3/8 INCH ID
39883	8-8 FTX-S	CONNECTOR,MALE PIPE TO FLARE TUBE	48754	482TC-6	HOSE,3/8 INCH ID
39885	269HB 12-12	ELBOW,90°,BEADED HOSE BARB TO MALE PIPE	48755	381-6	HOSE,3/8 INCH ID
39886	431-6	HOSE,3/8 INCH ID	48756	451TC-8	HOSE,1/2 INCH ID
39887	540N-2	HOSE,1/8 INCH ID	48757	482TC-8	HOSE,1/2 INCH ID
39888	801-8	HOSE,1/2 INCH ID	48758	381-8	HOSE,1/2 INCH ID
39889	801-12	HOSE,3/4 INCH ID	48759	381-10	HOSE,5/8 INCH ID
39890	10643-6-6	HOSE END,FEMALE SWIVEL,JIC	48760	451TC-10	HOSE,5/8 INCH ID
39891	13943-6-6	HOSE END,90° FEMALE SWIVEL,JIC	48761	482TC-12	HOSE,3/4 INCH ID
39892	13743-6-6	HOSE END,45° FEMALE SWIVEL,JIC	48762	451TC-12	HOSE,3/4 INCH ID
39894	30682-8-8	HOSE END,FEMALE SWIVEL,JIC	48763	772-12	HOSE,3/4 INCH ID
39895	30682-10-12	HOSE END,FEMALE SWIVEL,JIC	48764	881-16	HOSE,1 INCH ID
42286	8-8 CTX-S	ELBOW,90°,MALE PIPE TO FLARE TUBE	48765	772-16	HOSE,1 INCH ID
42756	8-12 CLO-S	ELBOW,90,MALE PIPE TO ORFS	48766	AS-B-15	SLEEVE,NYLON,1.06" ID
42757	8-12 FLO-S	CONNECTOR,MALE PIPE TO ORFS	48767	AS-B-22	SLEEVE,NYLON,1.42" ID
42758	4 JLO-S	UNION TEE,ORFS	48770	881-8	HOSE,1/2 INCH ID
42759	4-4 FLO-S	CONNECTOR,MALE PIPE TO ORFS			
42760	6-8 FLO-S	CONNECTOR,MALE PIPE TO ORFS			
42761	1J143-6-4	HOSE END,90° FEMALE SWIVEL,SEAL LOK			
42762	1J743-6-4	HOSE END,45° FEMALE SWIVEL,SEAL LOK			
42768	1JO43-4-4	HOSE END,MALE,SEAL LOK			
42776	601-8	HOSE,1/2 INCH ID			
42777	1J743-16-16	HOSE END,45° FEMALE SWIVEL,SEAL LOK			
42786	16 CLO-S	ELBOW,90°,MALE PIPE TO ORFS			
42787	16 R6LO-S	RUN TEE,SWIVEL NUT,ORFS			
42788	16-8 TRLO-BL-S	REDUCER,TUBE END TO SWIVEL,ORFS			
42789	6-6 CLO-S	ELBOW,90°,MALE PIPE TO ORFS			
42790	8-10 V5OLO-S	ELBOW,45°,STRAIGHT THREAD TO ORFS			
42791	3/4 CD-S	ELBOW,90°,MALE TO FEMALE PIPE			
42792	3/4 X 1/2 PTR-S	REDUCER,MALE TO FEMALE PIPE			
42793	1/2 CR-S	ELBOW,90°,MALE PIPE			

## Fitting Cross References (Continued)

Genie PN	Parker PN	Description	Genie PN	Parker PN	Description
48771	881-10	HOSE,5/8 INCH ID	48847	13943-12-12	HOSE END,90° FEMALE SWIVEL,JIC
48772	381-4	HOSE,1/4 INCH ID	48848	10543-12-12	HOSE END,MALE,STRAIGHT THREAD
48773	AS-B-13	SLEEVE,NYLON,.86" ID	48849	1JC71-12-12	HOSE END,FEMALE SWIVEL,SEAL LOK
48800	1JC43-4-4	HOSE END,FEMALE SWIVEL,SEAL LOK	48850	1JS71-12-12	HOSE END,FEMALE SWIVEL,SEAL LOK
48801	1J743-4-4	HOSE END,45° FEMALE SWIVEL,SEAL LOK	48851	1J171-12-12	HOSE END,90° FEMALE SWIVEL,SEAL LOK
48802	1J943-4-4	HOSE END,90° FEMALE SWIVEL,SEAL LOK	48852	1J771-12-12	HOSE END,45° FEMALE SWIVEL,SEAL LOK
48804	1JM43-4-4	HOSE END,MALE,SEAL LOK, NO O-RING	48853	1J971-12-12	HOSE END,90° FEMALE SWIVEL,SEAL LOK
48805	10643-4-4	HOSE END,FEMALE SWIVEL,JIC	48854	1JC43-16-16	HOSE END,FEMALE SWIVEL,SEAL LOK
48806	13943-4-4	HOSE END,90° FEMALE SWIVEL,JIC	48855	1J943-16-16	HOSE END,90° FEMALE SWIVEL,SEAL LOK
48807	1JS43-4-4	HOSE END,FEMALE SWIVEL,SEAL LOK	48856	1J171-16-16	HOSE END,90° FEMALE SWIVEL,SEAL LOK
48808	3JC82-8-8	HOSE END,FEMALE SWIVEL,SEAL LOK	48857	1J971-16-16	HOSE END,90° FEMALE SWIVEL,SEAL LOK
48809	3JC82-12-12	HOSE END,FEMALE SWIVEL,SEAL LOK	48859	1JS43-8-4	HOSE END,FEMALE SWIVEL,SEAL LOK
48810	1JC43-6-4	HOSE END,FEMALE SWIVEL,SEAL LOK	48867	PD36BTL	DIAGNOSTIC NIPPLE,SEAL-LOK SWIVEL
48811	1J943-6-4	HOSE END,90° FEMALE SWIVEL,SEAL LOK	48873	6 PNLO-S	PLUG,TUBE END,ORFS
48812	1JC43-6-6	HOSE END,FEMALE SWIVEL,SEAL LOK	48874	6 PNTX-S	PLUG,FLARE TUBE
48813	1J143-6-6	HOSE END,90° FEMALE SWIVEL,SEAL LOK	48875	6 R6LO-S	RUN TEE,SWIVEL NUT,ORFS
48814	1J543-6-6	HOSE END,90° FEMALE SWIVEL,SEAL LOK	48877	4 F5OLO-SW/.025	CONNECTOR,STRAIGHT THREAD TO ORFS, W/.025 ORI
48815	1J743-6-6	HOSE END,45° FEMALE SWIVEL,SEAL LOK	48878	16-12 C5OLO-S	ELBOW,90°,STRAIGHT THREAD TO ORFS
48816	1J943-6-6	HOSE END,90° FEMALE SWIVEL,SEAL LOK	48879	8 C6LO-S	ELBOW,90°,SWIVEL NUT ORFS
48817	1JS43-6-8	HOSE END,FEMALE SWIVEL,SEAL LOK	48880	PD6-285	CAP,DIAGNOSTIC NIPPLE
48818	1J943-8-4	HOSE END,90° FEMALE SWIVEL,SEAL LOK	48881	6 HLO-S	UNION,ORFS
48819	1JC43-8-6	HOSE END,FEMALE SWIVEL,SEAL LOK	48883	8 P5ON-S	PLUG,STRAIGHT THREAD
48820	1J743-8-6	HOSE END,45° FEMALE SWIVEL,SEAL LOK	48884	8M18F87OMLO-S	CONNECTOR,METRIC,STRAIGHT THREAD TO ORFS
48821	1J943-8-6	HOSE END,90° FEMALE SWIVEL,SEAL LOK	48885	4 WGTX-WLN-S	CONNECTOR,BULKHEAD,FEMALE PIPE TO FLARE TUBE
48822	1JC43-8-8	HOSE END,FEMALE SWIVEL,SEAL LOK	48886	4 F5OLO-SW/2MM	CONNECTOR,MACHINED STRAIGHT THREAD TO ORFS
48823	1JS43-8-8	HOSE END,FEMALE SWIVEL,SEAL LOK	48887	4 CTX-S	ELBOW,90°,MALE PIPE TO FLARE TUBE
48824	1J143-8-8	HOSE END,90° FEMALE SWIVEL,SEAL LOK	48888	10-12 V5OLO-S	ELBOW,45°,STRAIGHT THREAD TO ORFS
48825	1J543-8-8	HOSE END,90° FEMALE SWIVEL,SEAL LOK	48890	4 S5OLO-S	BRANCH TEE,STRAIGHT THREAD TO ORFS
48826	1J743-8-8	HOSE END,45° FEMALE SWIVEL,SEAL LOK	48891	4 S6LO-S	BRANCH TEE,SWIVEL NUT TO ORFS
48827	1J943-8-8	HOSE END,90° FEMALE SWIVEL,SEAL LOK			
48828	1JC43-10-8	HOSE END,FEMALE SWIVEL,SEAL LOK			
48829	1JS43-10-8	HOSE END,FEMALE SWIVEL,SEAL LOK			
48830	1J743-10-8	HOSE END,45° FEMALE SWIVEL,SEAL LOK			
48831	1J943-10-8	HOSE END,90° FEMALE SWIVEL,SEAL LOK			
48833	1JC43-10-10	HOSE END,FEMALE SWIVEL,SEAL LOK			
48834	1J943-10-10	HOSE END,90° FEMALE SWIVEL,SEAL LOK			
48835	1JS43-10-12	HOSE END,FEMALE SWIVEL,SEAL LOK			
48836	1JC43-12-8	HOSE END,FEMALE SWIVEL,SEAL LOK			
48837	1JS43-12-8	HOSE END,FEMALE SWIVEL,SEAL LOK			
48838	1J743-12-8	HOSE END,45° FEMALE SWIVEL,SEAL LOK			
48839	1J943-12-8	HOSE END,90° FEMALE SWIVEL,SEAL LOK			
48840	1J943-12-10	HOSE END,90° FEMALE SWIVEL,SEAL LOK			
48841	1JC43-12-12	HOSE END,FEMALE SWIVEL,SEAL LOK			
48842	1JO43-12-12	HOSE END,MALE,SEAL LOK			
48843	1J143-12-12	HOSE END,90° FEMALE SWIVEL,SEAL LOK			
48844	1J543-12-12	HOSE END,90° FEMALE SWIVEL,SEAL LOK			
48845	1J743-12-12	HOSE END,45° FEMALE SWIVEL,SEAL LOK			
48846	1J943-12-12	HOSE END,90° FEMALE SWIVEL,SEAL LOK			

## Fitting Cross References (Continued)

Genie PN	Parker PN	Description	Genie PN	Parker PN	Description
48892	6 C6LO-S	ELBOW,90°,SWIVEL NUT ORFS	48938	8 R6LO-S	RUN TEE,SWIVEL NUT,ORFS
48893	6 F5OHAO-S	UNION,STRAIGHT THREAD	48939	8 S6LO-S	BRANCH TEE,SWIVEL NUT TO ORFS
48894	8 WLO-WLNL-S	UNION,BULKHEAD,ORFS	48940	8 WJLO-WLNL-S	RUN TEE, BULKHEAD,ORFS
48895	DT-370-MSMO-5	VALVE,CHECK	48941	8-4 TRLO-S	REDUCER,TUBE END TO SWIVEL,ORFS
48896	6 JLO-S	UNION,TEE,ORFS	48942	8-6 C5OLO-S	ELBOW,90°,STRAIGHT THREAD TO ORFS
48897	DT-750-MSMS-5	VALVE,CHECK	48943	8-6 F5OLO-S	CONNECTOR,STRAIGHT THREAD TO ORFS
48898	DT-750-MOMS-5	VALVE,CHECK	48944	8-8 FLO-S	CONNECTOR,MALE PIPE TO ORFS
48899	DT-620-MOMS-5	VALVE,CHECK	48945	8 FTX-S	CONNECTOR,MALE PIPE TO FLARE TUBE
48900	4-6 F5OLO-SW/.035	CONNECTOR,STRAIGHT THREAD TO ORFS, W/.035 ORI	48946	8-10 F5OLO-S	CONNECTOR,STRAIGHT THREAD TO ORFS
48902	16-1 AOE4G-S	ELBOW,90° LONG,FEMALE PIPE TO STRAIGHT THREAD	48947	8-12 C5OLO-S	ELBOW,90°,STRAIGHT THREAD TO ORFS
48903	1 FF-S	NIPPLE,PIPE	48948	8-12 F5OLO-S	CONNECTOR,STRAIGHT THREAD TO ORFS
48904	4 C5OLO-S	ELBOW,90°,STRAIGHT THREAD TO ORFS	48949	8-16 F5OLO-S	CONNECTOR,STRAIGHT THREAD TO ORFS
48905	4 F5OLO-S	CONNECTOR,STRAIGHT THREAD TO ORFS	48950	10 C5OLO-S	ELBOW,90°,STRAIGHT THREAD TO ORFS
48906	4 R5OLO-S	RUN TEE,STRAIGHT THREAD	48951	10 CC5OLO-S	ELBOW,90° LONG,STRAIGHT THREAD TO ORFS
48907	4 V5OLO-S	ELBOW,45°,STRAIGHT THREAD TO ORFS	48952	10 F5OLO-S	CONNECTOR,STRAIGHT THREAD TO ORFS
48908	4 R6LO-S	RUN TEE,SWIVEL NUT,ORFS	48953	10 R5OLO-S	RUN TEE,STRAIGHT THREAD
48909	4 WJLO-WLNL-S	RUN TEE, BULKHEAD,ORFS	48954	10 S5OLO-S	BRANCH TEE,STRAIGHT THREAD TO ORFS
48910	4 GTX-S W/.030	CONNECTOR,FEMALE PIPE TO FLARE TUBE	48955	10 R6LO-S	RUN TEE,SWIVEL NUT,ORFS
48911	4-6 C5OLO-S	ELBOW,90°,STRAIGHT THREAD TO ORFS	48956	10-4 TRLO-BL-S	REDUCER,TUBE END TO SWIVEL,ORFS
48912	4-6 F5OLO-S	CONNECTOR,STRAIGHT THREAD TO ORFS	48957	10-6 TRLO-BL-S	REDUCER,TUBE END TO SWIVEL,ORFS
48913	4-6 F5OLO-SW/.030	CONNECTOR,STRAIGHT THREAD TO ORFS, W/.030 ORI	48958	10-12 F5OLO-S	CONNECTOR,STRAIGHT THREAD TO ORFS
48914	4-8 F5OLO-S	CONNECTOR,STRAIGHT THREAD TO ORFS	48959	12 C5OLO-S	ELBOW,90°,STRAIGHT THREAD TO ORFS
48915	6 C5OLO-S	ELBOW,90°,STRAIGHT THREAD TO ORFS	48960	12 F5OLO-S	CONNECTOR,STRAIGHT THREAD TO ORFS
48916	6 F5OLO-S	CONNECTOR,STRAIGHT THREAD TO ORFS	48961	12 R5OLO-S	RUN TEE,STRAIGHT THREAD
48917	6 FF5OLO-S	CONNECTOR,LONG,STRAIGHT THREAD TO ORFS	48962	12 S5OLO-S	BRANCH TEE,STRAIGHT THREAD TO ORFS
48918	6 R5OLO-S	RUN TEE,STRAIGHT THREAD	48963	12 V5OLO-S	ELBOW,45°,STRAIGHT THREAD TO ORFS
48919	6 S5OLO-S	BRANCH TEE,STRAIGHT THREAD TO ORFS	48964	12 R6LO-S	RUN TEE,SWIVEL NUT,ORFS
48920	6 V5OLO-S	ELBOW,45°,STRAIGHT THREAD TO ORFS	48965	12 CLO-S	ELBOW,90°,MALE PIPE TO ORFS
48921	6 FLO-S	CONNECTOR,MALE PIPE TO ORFS	48966	12 FLO-S	CONNECTOR,MALE PIPE TO ORFS
48922	6-6 FLO-S	CONNECTOR,MALE PIPE TO ORFS	48967	12 JLO-S	UNION TEE,ORFS
48923	6 P5ON-S	PLUG,STRAIGHT THREAD	48968	12 WLO-WLNL-S	UNION,BULKHEAD,ORFS
48925	6 WELO-S	UNION,90° BULKHEAD,ORFS	48969	12 WJLO-WLNL-S	RUN TEE, BULKHEAD,ORFS
48926	6-4 C5OLO-S	ELBOW,90°,STRAIGHT THREAD TO ORFS	48970	12 WELO-WLNL-S	UNION,90° BULKHEAD W/NUT,ORFS
48927	6-4 F5OLO-S	CONNECTOR,STRAIGHT THREAD TO ORFS			
48928	6-4 V5OLO-S	ELBOW,45°,STRAIGHT THREAD TO ORFS			
48929	6-8 C5OLO-S	ELBOW,90°,STRAIGHT THREAD TO ORFS			
48930	6-8 F5OLO-S	CONNECTOR,STRAIGHT THREAD TO ORFS			
48931	6-10 F5OLO-S	CONNECTOR,STRAIGHT THREAD TO ORFS			
48932	8 C5OLO-S	ELBOW,90°,STRAIGHT THREAD TO ORFS			
48933	8 F5OLO-S	CONNECTOR,STRAIGHT THREAD TO ORFS			
48934	8 FF5OLO-S	CONNECTOR,LONG,STRAIGHT THREAD TO ORFS			
48935	8 R5OLO-S	RUN TEE,STRAIGHT THREAD			
48936	8 S5OLO-S	BRANCH TEE,STRAIGHT THREAD TO ORFS			
48937	8 V5OLO-S	ELBOW,45°,STRAIGHT THREAD TO ORFS			

## Fitting Cross References (Continued)

Genie PN	Parker PN	Description	Genie PN	Parker PN	Description
48971	12 G5G5JG5-S	TEE,FEMALE STRAIGHT THREAD	49612	PKT02586	O-RING KIT (ORFS FITTINGS)
48972	12 XHL6-S	ADAPTER, 37° MALE TO SWIVEL ORFS	49613	PKT06276	PLUG AND CAP KIT-SERVICE,ORFS
48973	12-1/2 F5OG-S	ADAPTER,FEMALE PIPE TO STRAIGHT THREAD	49728	10143-12-12	HOSE END, MALE PIPE
48974	12-10 C5OLO-S	ELBOW,90°,STRAIGHT THREAD TO ORFS	49729	16-1 F5OG-S	ADAPTER,FEMALE PIPE TO STRAIGHT THREAD
48975	12-10 F5OLO-S	CONNECTOR,STRAIGHT THREAD TO ORFS	49814	12-8 FLO-S	CONNECTOR,MALE PIPE TO ORFS
48976	12-16 C5OLO-S	ELBOW,90°,STRAIGHT THREAD TO ORFS	49829	DT-500-MOMF-5	VALVE,CHECK
48977	12-16 F5OLO-S	CONNECTOR,STRAIGHT THREAD TO ORFS	49831	881-12	HOSE,3/4 INCH ID
48978	12-16 V5OLO-S	ELBOW,45°,STRAIGHT THREAD TO ORFS	49834	16 JLO-S	UNION TEE,ORFS
48980	12-16 FLO-S	CONNECTOR,MALE PIPE TO ORFS	49838	12-8 TRLO-BL-S	REDUCER,TUBE END TO SWIVEL,ORFS
48983	16 C5OLO-S	ELBOW,90°,STRAIGHT THREAD TO ORFS	49840	8 JLO-S	UNION TEE,ORFS
48984	16 F5OLO-S	CONNECTOR,STRAIGHT THREAD TO ORFS	49844	10-8 TRLO-BL-S	REDUCER,TUBE END TO SWIVEL,ORFS
48985	16 V5OLO-S	ELBOW,45°,STRAIGHT THREAD TO ORFS	49854	8 P5ON-S	PLUG,STRAIGHT THREAD
48986	16 FLO-S	CONNECTOR,MALE PIPE TO ORFS	49855	1JC43-16-12	HOSE END,FEMALE SWIVEL,SEAL LOK
48988	16 CD45-S	ELBOW,45°,MALE TO FEMALE PIPE	49859	4 P5ON-S	PLUG,STRAIGHT THREAD
48989	12 CD45-S	ELBOW,45°,MALE TO FEMALE PIPE	49861	4 FF5OLO-S	CONNECTOR, LONG, STRAIGHT THREAD TO ORFS
48990	8 CD45-S	ELBOW,45°,MALE TO FEMALE PIPE	49867	12-3/4 F5OG-S	ADAPTER,FEMALE PIPE TO STRAIGHT THREAD
48991	16-12 FLO-S	CONNECTOR,MALE PIPE TO ORFS	51152	6 R6X-S	RUN TEE,SWIVEL NUT,ORFS
48992	16-12 V5OLO-S	ELBOW,45°,STRAIGHT THREAD TO ORFS	51153	6-4 TRTX-S	REDUCER,TUBE END TO SWIVEL,ORFS
48993	XV501-12	BALL VALVE	51154	4-4 GTX	CONNECTOR,FEMALE PIPE TO FLARE TUBE
48994	XV501-16	BALL VALVE	51264	881-12	HOSE,3/4 INCH ID
48995	XV510P-12	BALL VALVE	51265	8 JLO-S	UNION TEE,ORFS
48996	XV510P-16	BALL VALVE	51508	6 BTX-S	NUT,FLARE TUBE
48997	PD341	DIAGNOSTIC NIPPLE, STRAIGHT THREAD	51580	12-8 TRLO-BL-S	TUBE END REDUCER,ORFS
48998	PD 361	DIAGNOSTIC NIPPLE, STRAIGHT THREAD	51628	6 R6X-S	RUN TEE,SWIVEL NUT,ORFS
48999	DT-500-MOMS-5	VALVE,CHECK	51735	3/8 HHP	PLUG,PIPE THREAD
49201	10 V5OLO-S	ELBOW,45°,STRAIGHT THREAD TO ORFS	51803	1J943-6-8	HOSE END,90° FEMALE SWIVEL,SEAL LOK
49202	1JC43-12-10	HOSE END,FEMALE SWIVEL,SEAL LOK	53023	125HBL-5-4	FITTING,HOSE BARB TO MALE PIPE
49203	10-8 V5OLO-S	ELBOW,45°,STRAIGHT THREAD TO ORFS	53497	PKT02585	O-RING KIT
49205	6 F5OHAO-S	UNION,STRAIGHT THREAD	53499	1JC71-16-16	HOSE END,FEMALE SWIVEL,SEAL LOK
49207	PD34BTL	DIAGNOSTIC NIPPLE,SEAL-LOK SWIVEL	53500	3-904	O-RING,STRAIGHT THREAD,-4
49209	8M18F870MX-S	CONNECTOR,METRIC,STRAIGHT THREAD TO FLARE TUBE	53501	3-906	O-RING,STRAIGHT THREAD,-6
49212	8 WGTX-WLN-S	CONNECTOR,BULKHEAD,FEMALE PIPE TO FLARE TUBE	53502	3-908	O-RING,STRAIGHT THREAD,-8
49213	30682-8-8	HOSE END,FEMALE SWIVEL,JIC	53503	3-910	O-RING,STRAIGHT THREAD,-10
49216	831-8	HOSE,1/2 INCH ID			
49217	33982-8-8	HOSE END,90° FEMALE SWIVEL,JIC			
49219	PS-B-35	SLEEVE,NYLON,2.19" ID			
49418	4-6 V5OLO-S	ELBOW,45°,STRAIGHT THREAD TO ORFS			
49511	DT370-MOMS-5	VALVE,CHECK			
49512	1 DD-S	ELBOW,90°,FEMALE PIPE			
49513	1 FF-S	NIPPLE,PIPE			
49514	10 HP5ON-S	PLUG,STRAIGHT THREAD			
49515	12-16 CLO-S	ELBOW,90°,MALE PIPE TO ORFS			
49517	6 HP5ON-S	PLUG,STRAIGHT THREAD			
49519	16-12 F5OLO-S	CONNECTOR,STRAIGHT THREAD TO ORFS			
49520	4 VTX-S	ELBOW,45°,MALE PIPE TO FLARE TUBE			
49530	16 C6LO-S	ELBOW,90°,SWIVEL NUT ORFS			

## Fitting Cross References (Continued)

Genie PN	Parker PN	Description	Genie PN	Parker PN	Description
53535	3-912	O-RING, STRAIGHT THREAD, -12	61083	24 F5OLO-S	CONNECTOR, STRAIGHT THREAD TO ORFS
53536	4-PNLO-S	PLUG, TUBE END, ORFS	61086	20 R5OLO-S	RUN TEE, STRAIGHT THREAD
53537	6 PNLO-S	PLUG, TUBE END, ORFS	61090	24-20 F5OLO-S	CONNECTOR, STRAIGHT THREAD TO ORFS
53538	8 PNLO-S	PLUG, TUBE END, ORFS	61091	1J943 24-24	HOSE END, 90° FEMALE SWIVEL, SEAL LOK
53539	10 PNLO-S	PLUG, TUBE END, ORFS	61093	1J978-12-12	HOSE END, 90° FEMALE SWIVEL, JIC
53540	12 PNLO-S	PLUG, TUBE END, ORFS	61095	1JS43-20-16	HOSE END, FEMALE SWIVEL, SEAL LOK
53946	129HB-5-4	FITTING, 90° HOSE BARB TO MALE PIPE	61100	811-24	HOSE, 1 1/2 INCH ID
53951	8-1/4F50G-S	ADAPTER, FEMALE PIPE TO STRAIGHT THREAD	61130	1JS43-24-24	HOSE END, FEMALE SWIVEL, SEAL LOK
53980	6 S6LO-S	BRANCH TEE, SWIVEL NUT TO ORFS	61131	1JS78 12-12	HOSE END, FEMALE SWIVEL, SEAL LOK
54132	4 C6LO-S	ELBOW, 90°, SWIVEL NUT ORFS	61132	1J778-12-12	HOSE END, 45° FEMALE SWIVEL, JIC
54135	11343-16-16	HOSE END, MALE SWIVEL, PIPE	61152	139HB-6-4	ELBOW, 45°, BARB TO MALE PIPE
54283	8-10 C5OLO-S	ELBOW, 90°, STRAIGHT THREAD TO ORFS	61251	BV-0750	BALL VALVE
54428	8M18C870MLO-S	ELBOW, 90° METRIC, STRAIGHT THREAD TO ORFS	61259	4 CC5OLO-S	ELBOW, 90° LONG, STRAIGHT THREAD TO ORFS
54803	FS-F-16-10	SLEEVE, FIRE, .96" ID	61260	20-12 TRLO-BL	REDUCER, TUBE END TO SWIVEL, ORFS
54954	10143-2-4	HOSE END, MALE PIPE	61262	12 C6LO-S	ELBOW, 90°, SWIVEL NUT ORFS
55190	3/8 HP-S	PLUG, PIPE THREAD	61263	20 F5OHAO-S	UNION, STRAIGHT THREAD
55448	8 HLO-S	UNION, ORFS	61264	6-10 C5OLO-S	ELBOW, 90°, STRAIGHT THREAD TO ORFS
55839	6 F65OX-S	CONNECTOR, STRAIGHT THREAD TO 37° SWIVEL	61265	6 WNLO-WLNL-S	UNION, BULKHEAD 45°, ORFS
55968	10 C5OX-S	ELBOW, 90°, STRAIGHT THREAD TO FLARE TUBE	61268	4 WNLO-WLNL-S	UNION, BULKHEAD 45°, ORFS
56003	6 CC5OLO-S	ELBOW, 90° LONG, STRAIGHT THREAD TO ORFS	61269	4 WLO-WLNL-S	UNION, BULKHEAD, ORFS
56166	BV-0837	BALL VALVE, 90°	61272	12 AOEL6	ELBOW, 90°, STRAIGHT THREAD TO ORFS SWIVEL
56188	10143-8-6	HOSE END, MALE PIPE	61316	482TC-16	HOSE, 1 INCH ID
56233	2-011	O-RING, ORFS, -4	61321	6 JLO-S	UNION TEE, ORFS
56234	2-012	O-RING, ORFS, -6	61327	782-12	HOSE, 3/4 INCH ID
56235	2-014	O-RING, ORFS, -8	61328	881-24	HOSE, 1 1/2 INCH ID
56236	2-016	O-RING, ORFS, -10	61336	11943-20-24	HOSE END, 90° FLANGE HEAD
56237	2-018	O-RING, ORFS, -12	61345	12 WJLO-WLNL-S	RUN TEE, BULKHEAD, ORFS
56238	2-021	O-RING, ORFS, -16	61346	8 WNLO-WLNL-S 4	UNION, BULKHEAD 45°, ORFS
56352	6 WLNL-S	LOCKNUT, BULKHEAD	61569	33782-8-8	HOSE END, 45° FEMALE SWIVEL, JIC
56353	3J782-12-12	HOSE END, 45° FEMALE SWIVEL, SEAL LOK	61610	12 FF5OLO-S	CONNECTOR, LONG, STRAIGHT THREAD TO ORFS
56354	3J982-12-12	HOSE END, 90° FEMALE SWIVEL, SEAL LOK	61742	1/8 X 1.5 FFF	NIPPLE, PIPE
56604	10-8 F5OLO-S	CONNECTOR, STRAIGHT THREAD TO ORFS	63426	8 PNTX-S	PLUG, FLARE TUBE
56639	3JC82-10-10	HOSE END, FEMALE SWIVEL, SEAL LOK			
56640	3J982-10-10	HOSE END, 90° FEMALE SWIVEL, SEAL LOK			
56655	3JC82-8-10	HOSE END, FEMALE SWIVEL, SEAL LOK			
56676	10-8 C5OLO-S	ELBOW, 90°, STRAIGHT THREAD TO ORFS			
56776	471TC-6	HOSE, 3/8 INCH ID			
56777	471TC-8	HOSE, 1/2 INCH ID			
56789	811-16	HOSE, 1 INCH ID			
57884	3/8 FF	NIPPLE, PIPE			
59335	6 FNL-S	CAP, TUBE END			
59342	4 FNL-S	CAP, TUBE END			
59371	8 HP5ON-S	PLUG, STRAIGHT THREAD			
60653	BV-0751	BALL VALVE			
60806	125HB-3-4	FITTING, HOSE BARB TO MALE PIPE			
61064	5-1/4 F5OG-S	ADAPTER, FEMALE PIPE TO STRAIGHT THREAD			
61079	4 WELO-WLNL-S	UNION, 90° BULKHEAD W/NUT, ORFS			
61080	6 WLO-WLNL-S	UNION, BULKHEAD, ORFS			

## Fitting Cross References (Continued)

Genie PN	Parker PN	Description	Genie PN	Parker PN	Description
64271	4 WLO-WLNL-S	UNION,BULKHEAD,ORFS	75631	801-6	HOSE,3/8 INCH ID
64272	6 WLO-WLNL-S	UNION,BULKHEAD,ORFS	75654	20 F5OLO-S	CONNECTOR,STRAIGHT THREAD TO ORFS
65776	8 F65OL-S	CONNECTOR,STRAIGHT THREAD TO ORFS SWIVEL	75655	1J943-20-20	HOSE END,90° FEMALE SWIVEL,SEAL LOK
65880	6001012	O-RING KIT	75656	881-20	HOSE,1-1/4 INCH ID
66154	6 WTX-WLNS	UNION,BULKHEAD,FLARE TUBE	75971	8 F5OHAO-S	UNION,STRAIGHT THREAD
66155	6 WETX-S	UNION,BULKHEAD 90°,FLARE TUBE	77307	1JB43-8-8	HOSE END,BULKHEAD,SEAL LOK
66156	6 WLN-S	BULKHEAD LOCKNUT	77309	8 WLNL-S	BULKHEAD LOCKNUT
66389	6-8 F5OX-S	CONNECTOR,STRAIGHT THREAD TO FLARE TUBE	77379	8M18C87OMX-S	ELBOW,90° METRIC,STRAIGHT THREAD TO FLARE TUBE
66392	6 R5OX-S	RUN TEE,STRAIGHT THREAD	77703	3J982-8-8	HOSE END,90° FEMALE SWIVEL,SEAL LOK
66396	811-12	HOSE,3/4 INCH ID	77711	801-10	HOSE,5/8 INCH ID
66829	H3174PP	CLAMP,TUBE	77758	12 WNLO-WLNL-S	UNION,BULKHEAD 45°,ORFS
67217	4 KLO-S	UNION,CROSS,ORFS	78091	6 C6X-S	ELBOW,90°,SWIVEL NUT TO FLARE TUBE
67339	10-6 F5OX-S	CONNECTOR,STRAIGHT THREAD TO FLARE TUBE	78684	30582-8-8B	HOSE END,PUSH LOK,MALE
67357	13943-8-6	HOSE END,90° FEMALE SWIVEL,JIC	78852	549-2	HOSE,1/8 INCH ID
67358	10 HP5ON-S	PLUG,STRAIGHT THREAD	78855	10657-4-2	HOSE END,FEMALE SWIVEL,JIC
67371	12 S6LO-S	BRANCH TEE,SWIVEL NUT TO ORFS	79138	PS-B-37	SLEEVE,NYLON,2.38" ID
67498	4 FNL-S	CAP, TUBE END	79476	1JS43-6-8	HOSE END,FEMALE SWIVEL,SEAL LOK
67906	DC-370-F0F0-5	VALVE,CHECK	79847	12-3/4 A0EG-S	ELBOW,90°,STRAIGHT THREAD TO FEMALE PIPE
69316	8 FLO-S	CONNECTOR,MALE PIPE TO ORFS	80044	8 CLO-S	ELBOW,90°,MALE PIPE TO ORFS
69333	H3174PP	CLAMP,HYDRAULIC HOSE	80502	8 F5OX-S	CONNECTOR,STRAIGHT THREAD TO FLARE TUBE
69503	4 F65OX-S	CONNECTOR,STRAIGHT THREAD TO 37° SWIVEL	80503	8 C5OX-S	ELBOW,90°,STRAIGHT THREAD TO FLARE TUBE
69775	8 FNL-S	CAP, TUBE END	81010	AS-B-27	SLEEVE,NYLON,1.63" ID
71038	1/4X1/4F3HG-S	ADAPTER,CONVERSION	83052	821-6	HOSE,3/8 INCH ID
71196	12-8 F5OLO-S	CONNECTOR,STRAIGHT THREAD TO ORFS	83053	821-8	HOSE,1/2 INCH ID
71383	1/4 CD45-S	ELBOW,45°,MALE TO FEMALE PIPE	83054	821-12	HOSE,3/4 INCH ID
72270	12FNL-S	CAP, TUBE END	83055	30682-6-6	HOSE END,FEMALE SWIVEL,JIC
73436	60C-4	SLEEVE,COMPRESSION	83056	30682-12-12	HOSE END,FEMALE SWIVEL,JIC
73437	61C-4	NUT,COMPRESSION	83057	33782-6-6	HOSE END,45° FEMALE SWIVEL,JIC
73438	33482-4-4B	HOSE END,PUSH LOK,MALE	83058	33982-6-6	HOSE END,90° FEMALE SWIVEL,JIC
73767	1CD-S	ELBOW,90°,MALE TO FEMALE PIPE	83060	33982-12-12	HOSE END,90° FEMALE SWIVEL,JIC
73768	20-16-F5OG5-S	ADAPTER,FEMALE PIPE TO STRAIGHT THREAD	83063	13743-4-4	HOSE END,45° FEMALE SWIVEL,JIC
73769	16-20 F5OLO-S	CONNECTOR,STRAIGHT THREAD TO ORFS			
74660	6-8 F42EDMLO-S	CONNECTOR,MALE BSPP TO ORFS			
74661	8-8 F42EDMLO-S	CONNECTOR,MALE BSPP TO ORFS			
75007	4 FLO-S	CONNECTOR,MALE PIPE TO ORFS			
75008	1/8 HP-S	PLUG,PIPE THREAD			
75014	1/2 HP-S	PLUG,PIPE THREAD			
75042	8 WELO-WLNL-S	UNION,90° BULKHEAD W/NUT,ORFS			
75043	3/4 FF-S	NIPPLE,PIPE			
75254	24 F5OHAO-S	UNION,STRAIGHT THREAD			
75255	12 F5OHAO-S	UNION,STRAIGHT THREAD			
75256	XV506P-24	BALL VALVE			
75574	4 WLNL-S	BULKHEAD LOCKNUT			
75612	8 WJLO-WLNL-S	RUN TEE, BULKHEAD,ORFS			
75613	12-8 F5OG5-S	ADAPTER,FEMALE PIPE TO STRAIGHT THREAD			
75614	8 CC5OLO-S	ELBOW,90° LONG,STRAIGHT THREAD TO ORFS			
75628	1JB43-4-4	HOSE END,BULKHEAD,SEAL LOK			

## Fitting Cross References (Continued)

Genie PN	Parker PN	Description	Genie PN	Parker PN	Description
83064	13743-8-8	HOSE END,45° FEMALE SWIVEL,JIC	89449	6 WJLO-WLNL-S	RUN TEE, BULKHEAD,ORFS
83065	13743-12-12	HOSE END,45° FEMALE SWIVEL,JIC	89489	4 WJMLO-S	BRANCH TEE,BULKHEAD,ORFS
83066	13943-8-8	HOSE END,90° FEMALE SWIVEL,JIC	89551	1JB43-6-6	HOSE END,BULKHEAD,SEAL LOK
83067	14143-6-6	HOSE END,90° FEMALE SWIVEL,JIC	89552	1JB43-8-8	HOSE END,BULKHEAD,SEAL LOK
83068	14143-8-8	HOSE END,90° FEMALE SWIVEL,JIC	89593	20 C5OLO-S	ELBOW,90°,STRAIGHT THREAD TO ORFS
83069	14143-12-12	HOSE END,90° FEMALE SWIVEL,JIC	94161	8-8 CLO-S	ELBOW,90°,MALE PIPE TO ORFS
83070	772-8	HOSE,1/2 INCH ID	94358	351TC-12	HOSE,3/4 INCH ID
83071	10671-8-8	HOSE END,FEMALE SWIVEL,JIC	94418	20 FLO-S	CONNECTOR,MALE PIPE TO ORFS
83072	10671-12-12	HOSE END,FEMALE SWIVEL,JIC	96358	12 TX-S	SLEEVE,FLARE TUBE
83073	13771-8-8	HOSE END,45° FEMALE SWIVEL,JIC	96359	12 BTX-S	NUT,FLARE TUBE
83074	13771-12-12	HOSE END,45° FEMALE SWIVEL,JIC	96397	8 F5OX-S	CONNECTOR,STRAIGHT THREAD TO FLARE TUBE
83075	13971-8-8	HOSE END,90° FEMALE SWIVEL,JIC	96398	12-8 F5OX-S	CONNECTOR,STRAIGHT THREAD TO FLARE TUBE
83076	13971-12-12	HOSE END,90° FEMALE SWIVEL,JIC	96402	10343-6-6	HOSE END,MALE,JIC
83077	14171-8-8	HOSE END,90° FEMALE SWIVEL,JIC	96407	30382-6-6B	HOSE END,MALE,JIC
83078	14171-12-12	HOSE END,90° FEMALE SWIVEL,JIC			
83080	13943-16-16	HOSE END,90° FEMALE SWIVEL,JIC			
83103	10671-16-12	HOSE END,FEMALE SWIVEL,JIC			
83104	10671-10-12	HOSE END,FEMALE SWIVEL,JIC			
83112	1JC71-8-8	HOSE END,FEMALE SWIVEL,SEAL LOK			
83113	1JS71-16-12	HOSE END,FEMALE SWIVEL,SEAL LOK			
83114	1JS71-10-12	HOSE END,FEMALE SWIVEL,SEAL LOK			
83115	1J971-8-8	HOSE END,90° FEMALE SWIVEL,SEAL LOK			
83116	1J171-8-8	HOSE END,90° FEMALE SWIVEL,SEAL LOK			
83117	1J771-8-8	HOSE END,45° FEMALE SWIVEL,SEAL LOK			
83127	1J543-6-8	HOSE END,90° FEMALE SWIVEL,JIC			
83128	1JC43-6-8	HOSE END,FEMALE SWIVEL,SEAL LOK			
87033	12-6 TRLO-S	REDUCER,TUBE END TO SWIVEL,ORFS			
87034	3J782-8-8	HOSE END,45° FEMALE SWIVEL,SEAL LOK			
87172	12 HP5ON-S	PLUG,STRAIGHT THREAD			
87185	8 WNLO-WLNL-S	UNION,BULKHEAD 45°,ORFS			
87246	4 C6X-S	ELBOW,90°,SWIVEL NUT TO FLARE TUBE			
87679	6 LHP-S	FLANGE SEAL FITTING, MALE			
87681	6PLS N0702	BONDED SEAL			
88100	SR88100	ADAPTER,OIL DRAIN,GM 3.0L			
88311	1JS43-20-20	HOSE END,FEMALE SWIVEL,SEAL LOK			
88353	20 V5OLO-S	ELBOW,45°,STRAIGHT THREAD TO ORFS			
88474	10081-20	Crimp Shell, 1.25"			
88475	1988-20-24	HOSE END,90° FLANGE HEAD			
88476	JS88-24-24	HOSE END,FEMALE SWIVEL,SEAL LOK			
88477	1JC88-20-20	HOSE END,FEMALE SWIVEL,SEAL LOK			
88478	811-20	HOSE,11/4 INCH ID			
88936	20-16 F5OLO-S	CONNECTOR,STRAIGHT THREAD TO ORFS			
88937	20-16 FLO-S	CONNECTOR,MALE PIPE TO ORFS			
88938	1JC88-16-16	HOSE END,FEMALE SWIVEL,SEAL LOK			
88939	1J988-16-16	HOSE END,90° FEMALE SWIVEL,ORFS			
88940	811-16	HOSE,1 INCH ID			
88944	1J988-20-20	HOSE END,90° FEMALE SWIVEL,ORFS			
89403	16 VLO-S	ELBOW,45°,MALE PIPE TO ORFS			



## California Proposition 65

### **WARNING**

Operating, servicing and maintaining this equipment can expose you to chemicals including engine exhaust, carbon monoxide, phthalates, and lead, which are known to the State of California to cause cancer and birth defects or other reproductive harm. These chemicals can be emitted from or contained in other various parts and systems, fluids and some component wear by-products. To minimize exposure, avoid breathing exhaust, do not idle the engine except as necessary, service your equipment and vehicle in a well-ventilated area and wear gloves or wash your hands frequently when servicing your equipment or vehicle and after operation. For more information go to [www.P65Warnings.ca.gov/passenger-vehicle](http://www.P65Warnings.ca.gov/passenger-vehicle).

Breathing diesel engine exhaust exposes you to chemicals known to the State of California to cause cancer and birth defects or other reproductive harm.

- Always start and operate the engine in a well-ventilated area.
- If in an enclosed area, vent the exhaust to the outside.
- Do not modify or tamper with the exhaust system.
- Do not idle the engine except as necessary.

For more information go to

[www.P65warnings.ca.gov/diesel](http://www.P65warnings.ca.gov/diesel).

Distributed By:

to order your parts

# PARTS FINDER

**Search Website  
by Part Number**



**Search Manual  
Library For Parts  
Manual & Lookup Part  
Numbers – Purchase  
or Request Quote**

**Search Manuals**

Enter your information to help us find the right parts manual for your machine.

\* Brand:

\* Model:

\* Serial:

\* Part Number:

SEARCH

**Can't Find Part or  
Manual? Request Help  
by Manufacturer,  
Model & Description**

**Parts Order Form**

Please fill in the following information to help us find the right part for your machine.

MANUFACTURER:

MODEL:

DESCRIPTION:

DATE:

TIME:

PHONE:

EMAIL:

ADDRESS:

CITY:

STATE:

ZIP:

COUNTRY:

SEARCH

Discount-Equipment.com is your online resource for quality parts & equipment.

Florida: **561-964-4949** Outside Florida TOLL FREE: **877-690-3101**

**Need parts?**

Click on this link: <http://www.discount-equipment.com/category/5443-parts/> and choose one of the options to help get the right parts and equipment you are looking for. Please have the machine model and serial number available in order to help us get you the correct parts. If you don't find the part on the website or on one of the online manuals, please fill out the request form and one of our experienced staff members will get back to you with a quote for the right part that your machine needs.

We sell worldwide for the brands: Genie, Terex, JLG, MultiQuip, Mikasa, Essick, Whiteman, Mayco, Toro Stone, Diamond Products, Generac Magnum, Airman, Haulotte, Barreto, Power Blanket, Nifty Lift, Atlas Copco, Chicago Pneumatic, Allmand, Miller Curber, Skyjack, Lull, Skytrak, Tsurumi, Husquvarna Target, Stow, Wacker, Sakai, Mi-T-M, Sullair, Basic, Dynapac, MBW, Weber, Bartell, Bennar Newman, Haulotte, Ditch Runner, Menegotti, Morrison, Contec, Buddy, Crown, Edco, Wyco, Bomag, Laymor, EZ Trench, Bil-Jax, F.S. Curtis, Gehl Pavers, Heli, Honda, ICS/PowerGrit, IHI, Partner, Imer, Clipper, MMD, Koshin, Rice, CH&E, General Equipment, Amida, Coleman, NAC, Gradall, Square Shooter, Kent, Stanley, Tamco, Toku, Hatz, Kohler, Robin, Wisconsin, Northrock, Oztec, Toker TK, Rol-Air, APT, Wylie, Ingersoll Rand / Doosan, Innovatech, Con X, Ammann, Mecalac, Makinex, Smith Surface Prep, Small Line, Wanco, Yanmar