



A TEREX BRAND



# Parts Manual

Serial Number Range

**Z-45/25**

from SN Z452516N-56106 to  
Z452516N-57199

**Z-45/25J DC &  
Bi-Energy**

from SN Z4525N-57200 to 58604

Part No. 1263373GT

Rev B4

November 2018

Go to [Discount-Equipment.com](http://Discount-Equipment.com) to order your parts

# PARTS FINDER

**Search Website  
by Part Number**



**Search Manual  
Library For Parts  
Manual & Lookup Part  
Numbers – Purchase  
or Request Quote**

**Search Manuals**

Enter your information to help us find the right parts manual for your machine.

\* Brand:

\* Model:

\* Serial:

\* Part Number:

SEARCH

**Can't Find Part or  
Manual? Request Help  
by Manufacturer,  
Model & Description**

**Parts Order Form**

Please fill in the following information to help us find the right part for your machine.

MANUFACTURER:

MODEL:

DESCRIPTION:

DATE:

TIME:

PHONE:

EMAIL:

ADDRESS:

CITY:

STATE:

ZIP:

COUNTRY:

SEARCH

Discount-Equipment.com is your online resource for quality parts & equipment.

Florida: **561-964-4949** Outside Florida TOLL FREE: **877-690-3101**

**Need parts?**

Click on this link: <http://www.discount-equipment.com/category/5443-parts/> and choose one of the options to help get the right parts and equipment you are looking for. Please have the machine model and serial number available in order to help us get you the correct parts. If you don't find the part on the website or on one of the online manuals, please fill out the request form and one of our experienced staff members will get back to you with a quote for the right part that your machine needs.

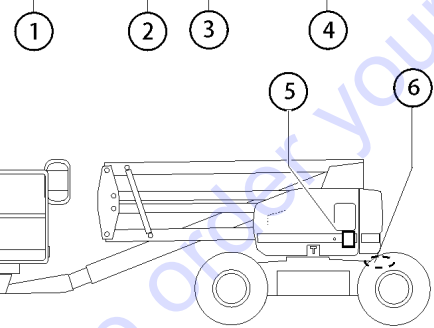
We sell worldwide for the brands: Genie, Terex, JLG, MultiQuip, Mikasa, Essick, Whiteman, Mayco, Toro Stone, Diamond Products, Generac Magnum, Airman, Haulotte, Barreto, Power Blanket, Nifty Lift, Atlas Copco, Chicago Pneumatic, Allmand, Miller Curber, Skyjack, Lull, Skytrak, Tsurumi, Husquvarna Target, Stow, Wacker, Sakai, Mi-T-M, Sullair, Basic, Dynapac, MBW, Weber, Bartell, Bennar Newman, Haulotte, Ditch Runner, Menegotti, Morrison, Contec, Buddy, Crown, Edco, Wyco, Bomag, Laymor, EZ Trench, Bil-Jax, F.S. Curtis, Gehl Pavers, Heli, Honda, ICS/PowerGrit, IHI, Partner, Imer, Clipper, MMD, Koshin, Rice, CH&E, General Equipment, Amida, Coleman, NAC, Gradall, Square Shooter, Kent, Stanley, Tamco, Toku, Hatz, Kohler, Robin, Wisconsin, Northrock, Oztec, Toker TK, Rol-Air, APT, Wylie, Ingersoll Rand / Doosan, Innovatech, Con X, Ammann, Mecalac, Makinex, Smith Surface Prep, Small Line, Wanco, Yanmar

To August 31, 2016

**Genie**  
A TEREX BRAND

**Model:**  
**Serial number:** Z452516N-12345  
**Manufacture date:** 1/2/16      **Model year:** 2016  
**Electrical schematic number:**  
**Machine unladen weight:**  
**Rated work load (including occupants):**  
**Maximum number of platform occupants:**  
**Maximum allowable side force:**  
**Maximum allowable inclination of the chassis:**

Z4525 16 N - 12345



- 1 Model
- 2 Model year
- 3 Facility code

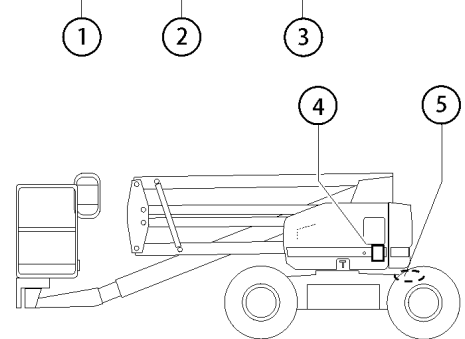
- 4 Sequence number
- 5 Serial label (located under cover)
- 6 Serial number (stamped on chassis)

From September 1, 2016

**Genie**  
A TEREX BRAND

**Model:**  
**Serial number:** Z4525N-12345  
**Year of manufacture:** 2017  
**Electrical schematic number:**  
**Machine unladen weight:**  
**Rated work load (including occupants):**  
**Maximum number of platform occupants:**  
**Maximum allowable side force:**  
**Maximum allowable inclination of the chassis:**

Z4525 N - 12345



- 1 Model
- 2 Facility code
- 3 Sequence number

- 4 Serial label (located under cover)
- 5 Serial number (stamped on chassis)

## Table of Contents

This manual is updated frequently. For the most up-to-date parts information, visit [www.discount-equipment.com](http://www.discount-equipment.com)

How to Read Your Serial Number.....	3
Parts Stocking List.....	7

**Electronic Version**

Click on any page number to view the figure.

**001 Parts Stocking List**

001.1 Parts Stocking List.....	10
--------------------------------	----

**100 Decals**

101.1 Word Decals - Bi-Energy.....	12
102.1 Symbol Decals - Bi-Energy.....	16
103.1 Word Decals - DC Power.....	18
104.1 Symbol Decals - DC Power.....	22

**200 Drive Chassis Components**

201.1 Steer End.....	24
202.1 Non-steer End.....	26
203.1 Battery Packs.....	30
204.1 Battery Charger.....	32
205.1 Power Cables.....	34

**300 Engine Components**

301.1 Engine Components.....	36
302.1 Kubota Z482 E4B-1 Engine, View 1.....	38
303.1 Kubota Z482 E4B-1 Engine, View 2.....	40
304.1 Kubota Z482 E4B-1 Engine, View 3.....	42

**400 Turntable Components**

401.1 Turntable Rotator.....	44
402.1 Turntable Components - View 1 - Bi-Energy Models..	46
403.1 Turntable Components - View 1 - DC Models.....	48
404.1 Turntable Components - View 2.....	50
405.1 Turntable Components - View 3.....	52
406.1 Ground Control Box - View 1.....	54
407.1 Ground Control Box - View 2.....	58
408.1 Turntable Covers - View 1.....	60

409.1 Turntable Covers - View 2.....	62
410.1 Wire Harness Diagram - DC and Bi-Energy Models..	64

**500 Boom Components**

501.1 Boom Pins and Bearings.....	66
502.1 Secondary Linkage.....	68
503.1 Upper Pivot.....	70
504.1 Primary and Extension Booms.....	72
505.1 Cable Track.....	74
506.1 Non-Jib Platform Leveling and Rotation (Z-45/25)....	76
507.1 Jib Platform Leveling (Z-45/25J).....	78
508.1 Jib Platform Rotation (Z-45/25J).....	80
509.1 Jib Detail (Z-45/25J).....	82

**600 Platform Components**

601.1 Platform Configuration.....	84
602.1 Platform Components.....	86
603.1 Platform Controls.....	88
604.1 Joystick Controller, Drive/Steer Functions.....	92
605.1 Rotational Controller.....	94

**700 Pumps and Manifolds**

701.1 Hydraulic Power Unit.....	96
702.1 Function Manifold.....	98
703.1 Jib Boom and Platform Rotate Manifolds.....	100

**800 Hydraulic Hoses and Fittings**

801.1 Drive and Steer Hoses.....	102
802.1 Turntable Components.....	104
803.1 Boom Components - Z-45/25.....	106
804.1 Boom Components - Z-45/25J.....	108

**900 Accessories**

901.1 Flashing Beacon.....	110
902.1 Platform Options.....	112
903.1 Half-height Mesh and Swing Gate Options - Side Swing Gate.....	114
903.2 Half-height mesh and Swing Gate Options - Front Single Entry.....	116
904.1 Air Line to Platform.....	118
905.1 Cold Start Package.....	120
906.1 Platform Overload Option.....	122
907.1 Hostile Environment Package - View 1.....	124
908.1 Hostile Environment Package - View 2.....	126
909.1 Drive Lights.....	128
910.1 Tow Package.....	130
911.1 Aircraft Protection Package.....	132
912.1 Aircraft Protection Package with Swing Gate.....	134
913.1 Pipe Cradle Accessory.....	136

914.1 Fall Arrest Bar.....138  
915.1 Operators Protection Alarm (to January 2017).....140  
915.2 Lift Guard Contact Alarm (from January 2017).....142  
916.1 Operator Protective Structure.....144  
917.1 Auxiliary Rail Option.....146  
918.1 Panel Cradle Option.....148

**Indices**

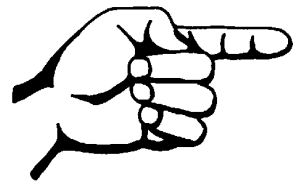
Part Number Index.....150  
Part Description Index.....155

**Cross References**

Fittings Cross Reference.....164

Go to Discount-Equipment.com to order your parts

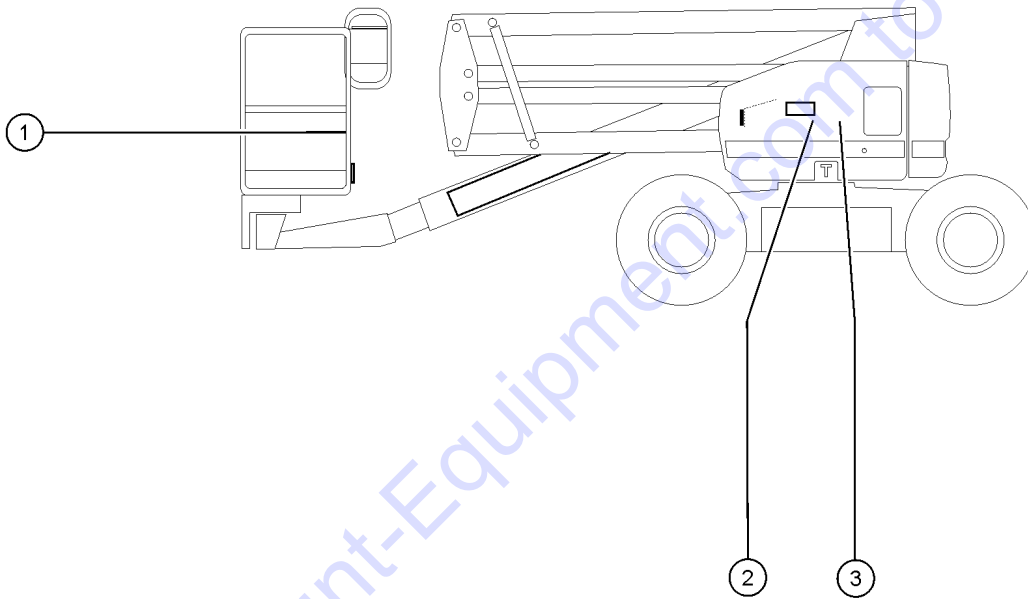
Please refer to section 001 for the Recommended Spare Parts List.



This page intentionally left blank.

Go to Discount-Equipment.com to order your parts

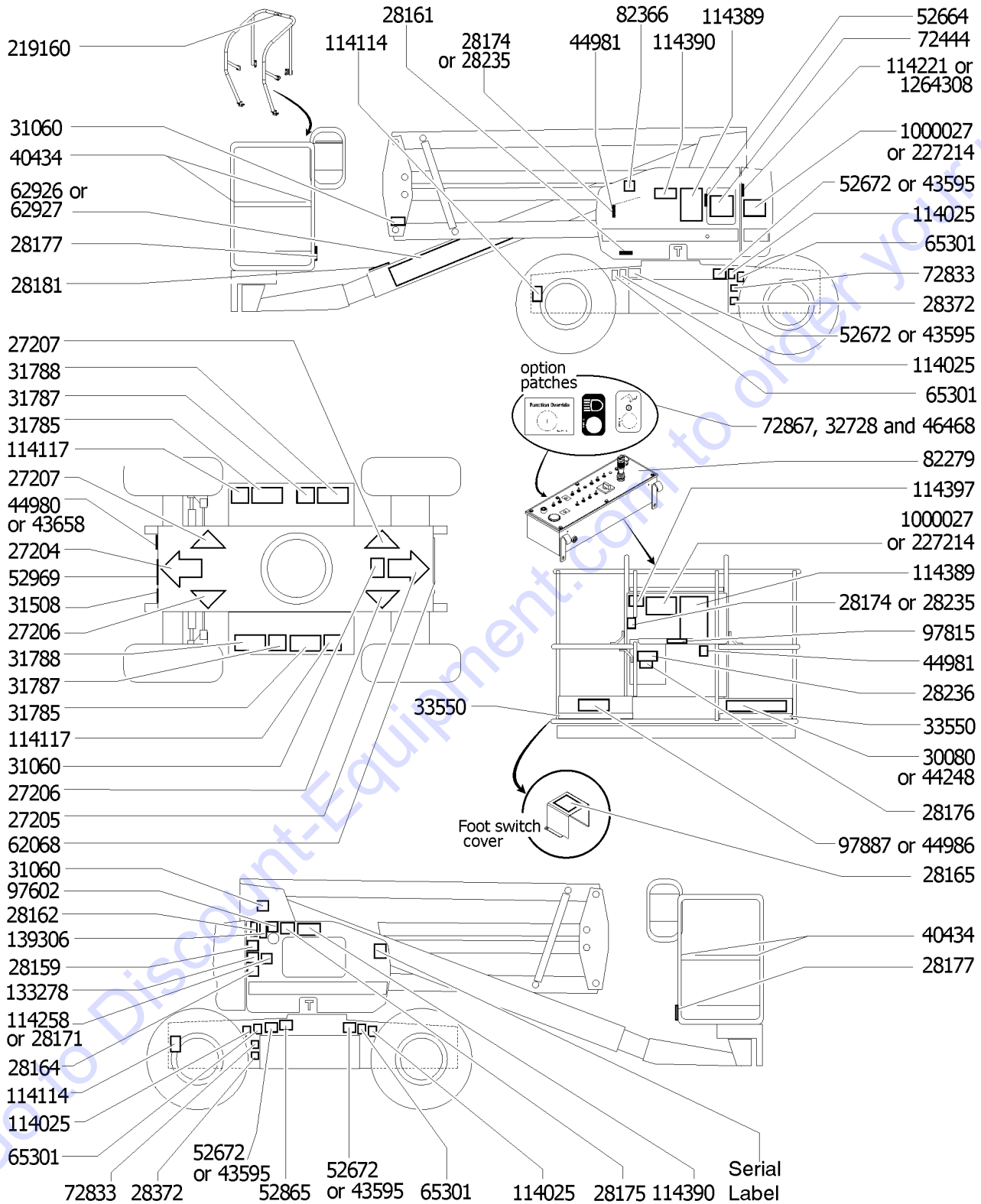
001.1 Parts Stocking List



Item	Part No.	Description	Qty.
A		— GENERAL SERVICE PARTS —	
--	1257733GT	PAINT,WET,TRAFFIC BLACK (1 GL)** <i>1-gallon</i>	
--	1258567GT	PAINT, AEROSOL, TRAFFIC BLACK <i>12-ounce spray paint</i>	
--	1268GT	PAINT,AEROSOL,GENIE GRAY*** <i>12-ounce spray paint</i>	
--	1283776GT	SEAL MARKER,CROSS CHECK,BLUE,TUBE	
--	1484GT	PAINT,AEROSOL,BRIGHT BLUE*** <i>12-ounce spray paint</i>	
--	28750GT	O-RING KIT,FIELD SVC,ALL PROD* <i>O-ring kit, SAE</i>	
--	32150GT	PAINT,WET,GENIE BLUE (1 GL)** <i>1-gallon</i>	
--	32151GT	PAINT,WET,GENIE GRAY (1 GL)** <i>1-gallon</i>	
--	33994GT	PLUG AND CAP KIT-SERVICE,37 ** <i>Plug and cap kit, SAE</i>	
--	36555GT	CHOCK,CYLINDER (SERVICE TOOL)	
--	49612GT	O-RING KIT (ORFS FITTINGS) <i>O-ring kit, ORFS</i>	
--	49613GT	PLUG AND CAP KIT-SERVICE,ORFS* <i>Plug and cap kit, ORFS</i>	
--	66399GT	GREASE,DIELECTRIC 4 OZ**	
--	93500GT	PARKER DIGITAL PRESSURE GAUGE	
--			
1		— MANUALS —	
--	27581GT	MANUAL,AEM SAFETY	
--	31779GT	MANUAL,RESPON,A92.5 BOOM	
2		— HYD FILTERS —	
--	44788GT	FILTER ELEMENT,10MICRON,PAPER*	
--	78622GT	FILTER ASSY,SAE8,10 MIC,PAPR**	
3		— KUBOTA Z482 E4B-1 MODELS —	
--	139429GT	ELEMENT, FUEL FILTER, Z482	
--	52816GT	BELT,FAN,KUBOTA DF972/Z482-E	
--	52867GT	FILTER,AIR***	
--	60112GT	ALTERNATOR BELT	
--	866400GT	KUBOTA OIL FILTER	



101.1 Word Decals - Bi-Energy



## 101.1 Word Decals - Bi-Energy

Item	Part No.	Description	Qty.	Item	Part No.	Description	Qty.
--	822005GT	DECAL KIT,Z45 PLAT,WORD,ANSI		30	43658GT	DECAL,LABEL,PWR TO CHARGR 230V.....	1
--	822010GT	DECAL KIT,Z45 COMP,WORD,ANSI		31	44248GT	DECAL,NOTICE,MAX CAP 440 LBS..... <i>models with aircraft protection package</i>	1
--	822013GT	DECAL KIT,Z45 PLAT,WORD,AUS		32	44980GT	DECAL,LABEL,PWR TO CHARGR 115V.....	1
--	822018GT	DECAL KIT,Z45BE COMP,WORD,AUS		33	44981GT	DECAL,LABEL, AIR LINE 110 PSI.....	2
1	27204GT	DECAL,ARROW BLUE.....	1	34	44986GT	DECAL,INSTR,SIDE FRC/WIND,AUS.....	1
2	27205GT	DECAL,ARROW YELLOW LRG 9".....	1	35	46468GT	DECAL,FUNCTION OVERRIDE..... <i>(for aircraft protection package)</i>	1
3	27206GT	DECAL,TRIANGLE,BLUE.....	2	36	52664GT	DECAL,LABEL,CONTRLR STATUS LT.....	1
4	27207GT	DECAL,TRIANGLE,YELLOW.....	2	37	52672GT	DECAL,DANGER,TIPOVER HAZARD***.....	1
5	114390GT	DECAL,DANGER,ELECT HAZARD***.....	2	38	52865GT	DECAL,ANNUAL INSP***.....	1
6	28159GT	DECAL,DIESEL.....	1	39	52969GT	DECAL,COSMETIC,GENIE BOOM,HORZ.....	1
7	28161GT	DECAL,WARN,CRUSH HAZARD HAND.....	3	40	62068GT	DECAL,COSMETIC,BI-ENERGY.....	1
8	28162GT	DECAL,WARNING,CRUSHING.....	1	41	62926GT	DECAL,COSMETIC,GENIE Z-45/25J..... <i>jib</i>	1
9	28164GT	DECAL,NOTICE,HAZARDOUS MAT'LS*.....	1	42	62927GT	DECAL,COSMETIC,GENIE Z-45/25..... <i>non-jib</i>	1
10	28165GT	DECAL,INSTRUCT,FOOTSWITCH OPER.....	1	43	65301GT	DECAL,NOTICE,FOAM-FILLED TIRES.....	4
11	28171GT	DECAL,DANGER,NO SMOKING ***.....	1	44	72444GT	DECAL,GROUND CONTROL PANEL.....	1
12	28174GT	DECAL, POWER TO PLATFORM 230V**.....	2	45	72833GT	DECAL,LABEL,OPEN,LATCH.....	2
13	28175GT	DECAL,WARNING-COMPART ACCESS.....	1	46	72867GT	DECAL,LABEL,LIGHTS***.....	1
14	28176GT	DECAL,LABEL,MANUAL NOT HERE.....	1	47	82279GT	DECAL,PLATFORM CONTROL PANEL.....	1
15	28177GT	DECAL,WARN,CRUSH HAZARD PLAT.....	2	48	82366GT	DECAL,CHEVRON RANDO HD.....	1
16	28181GT	DECAL,WARN,FALL HAZARD.....	1	49	97602GT	DECAL,EXPLOSION HAZARD.....	2
17	28235GT	DECAL,POWER TO PLATFORM 115V...2		50	97815GT	DECAL,LABEL,LOWER MIDRAIL.....	1
18	28236GT	DECAL,WARN,IMPROPER OPERATION.....	1	51	97887GT	DECAL,INSTR,MAX SIDE FRC,ANSI.....	1
19	28372GT	DECAL,NOTICE,BATTERY CABLES.....	2	52	114025GT	DECAL,LABEL,WHEEL LOAD Z4525DC.....	4
20	30080GT	DECAL,NOTICE,MAX LOAD 500 LBS....	1	53	114114GT	DECAL,LABEL,TRANSPORT.....	2
21	31060GT	DECAL,DANGER DO NOT ALTER SWTC.....	3	54	114117GT	DECAL,BATT CONN DIAGRAM.....	2
22	31508GT	DECAL,DANGER,ELECT HAZARD,PLUG.....	1	55	114221GT	DECAL,LABEL,RELAYS,Z45DC,BE.....	2
23	31785GT	DECAL,NOTICE,CHARGER INSTRUC...2		56	114258GT	DECAL,DANGER,NO SMOKING.....	1
24	31787GT	DECAL,DANGER,TIP-OVER BATTERY.....	2	57	114389GT	DECAL,DANGER,GENERAL SAFETY...2	
25	31788GT	DECAL,DANGER,BATTERY SAFETY***.....	2	58	114390GT	DECAL,DANGER,ELECT HAZARD***.....	2
26	32728GT	DECAL,OPTION GENERATOR***.....	1	59	114397GT	DECAL,DANGER,TILT ALARM.....	1
27	33550GT	TAPE,WARNING,BLK/YEL, 50*** <i>(sold by the roll. 648" per roll) (Required to be install at base of platform toeboard for Australian market)</i>		60	133278GT	DECAL,LOW/ULTRA LOW SULFR FUEL.....	1
28	40434GT	DECAL,LANYARD ANCHORAGE POINT.....	8	61	139306GT	DECAL,NOTICE,SPEC,Z482.....	1
29	43595GT	DECAL,DANGER,TIP-OVER, TIRES***...4		62	219160GT	DECAL, INSTRUCTION, OPS..... <i>option</i>	1

101.1 Word Decals - Bi-Energy  
(continued)

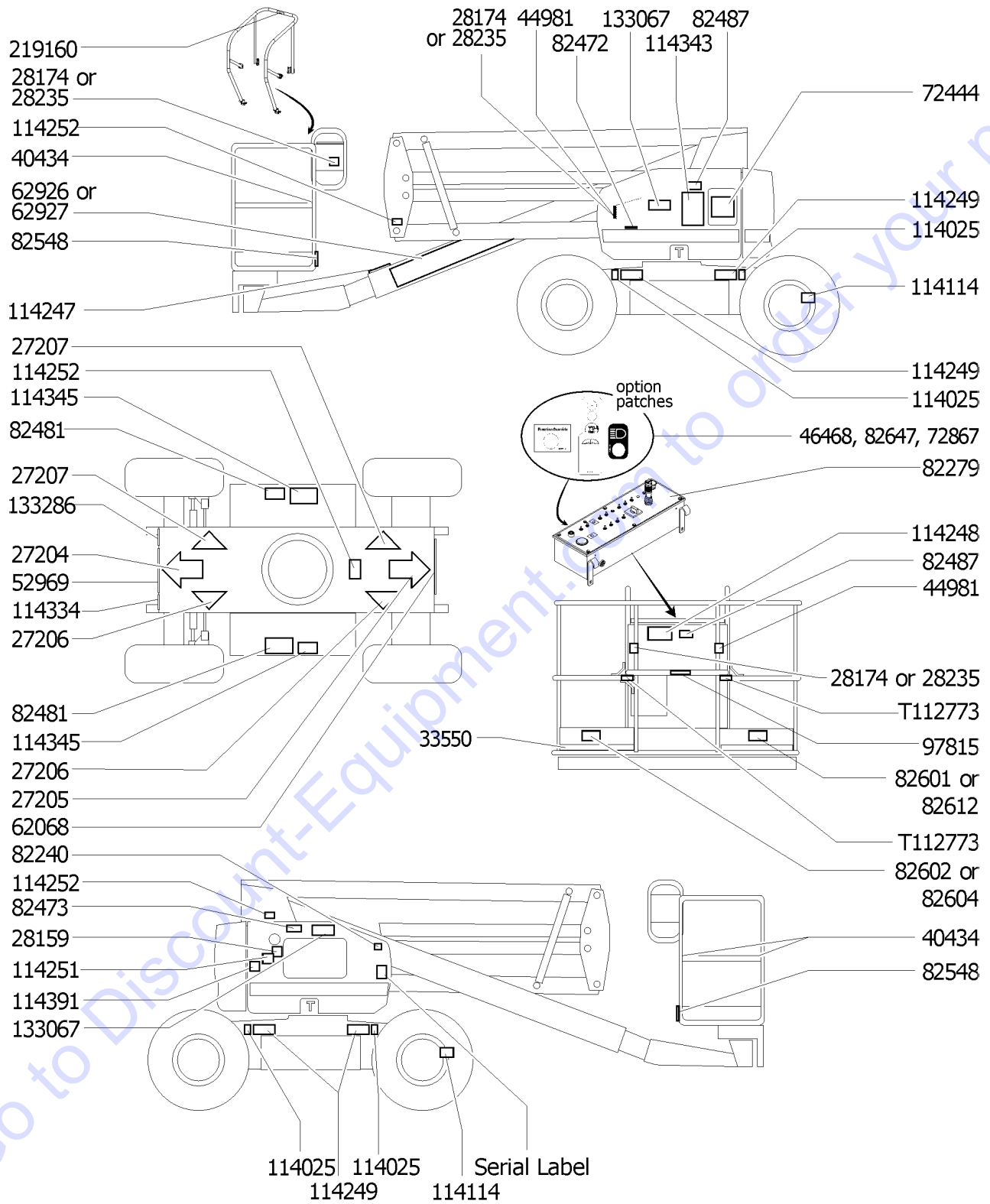
Item	Part No.	Description	Qty.
63	227214GT	DECAL,OPER INST,Z45BE AUS.....	1
64	1000027GT	DECAL,INSTR,OP INST,BI..... ANSI	2
65	1264308GT	DECAL,LABEL,RELAYS,Z45DC,BE	

Go to Discount-Equipment.com to order your parts

***This Page Intentionally Left Blank***

Go to [Discount-Equipment.com](http://Discount-Equipment.com) to order your parts

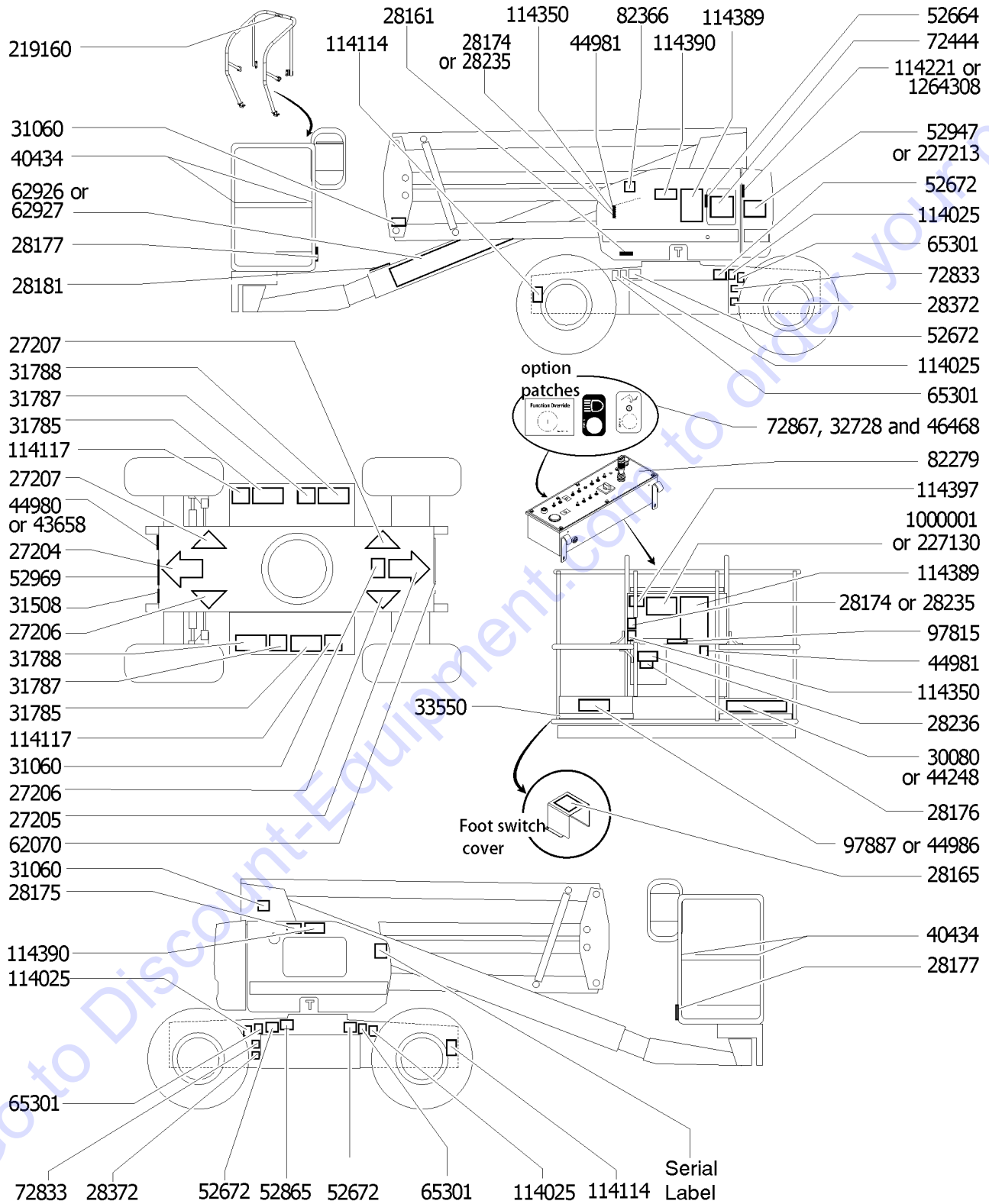
102.1 Symbol Decals - Bi-Energy



## 102.1 Symbol Decals - Bi-Energy

Item	Part No.	Description	Qty.	Item	Part No.	Description	Qty.
A	823153GT	DECAL KIT,Z45 PLAT,SYM,ANSI		31	114025GT	DECAL,LABEL,WHEEL LOAD Z4525DC.....	4
B	823158GT	DECAL KIT,Z45BE COMP,SYM,ANSI		32	114114GT	DECAL,LABEL,TRANSPORT.....	2
C	823161GT	DECAL KIT,Z45 PLAT,SYM,CE		33	114247GT	DECAL,LABEL,FALL HAZARD***.....	1
D	823166GT	DECAL KIT,Z45BE COMP,SYM,CE		34	114248GT	DECAL,LABEL,TIPOVER,TILT AL SY.....	1
1	27204GT	DECAL,ARROW BLUE.....	1	35	114249GT	DECAL,LABEL,TIPOVER,TIRES,SYMB.4	4
2	27205GT	DECAL,ARROW YELLOW LRG 9".....	1	36	114251GT	DECAL,LABEL,NO SMOKING,SYMB.....	2
3	27206GT	DECAL,TRIANGLE,BLUE.....	2	37	114252GT	DECAL,LABEL,TIP OVER LMT SWTCH.....	2
4	27207GT	DECAL,TRIANGLE,YELLOW.....	2	38	114334GT	DECAL,SYM-ELEC HAZARD,PLUG.....	1
5	28159GT	DECAL,DIESEL.....	1	39	114343GT	DECAL,LABEL,EMERGENCY DOWN....	1
6	28174GT	DECAL, POWER TO PLATFORM 230V**.....	2	40	114345GT	DECAL,LABEL,TIPOVER,BATTERIES....	1
7	28235GT	DECAL,POWER TO PLATFORM 115V...2		41	114391GT	DECAL,WARNING,CRUSHING.....	1
8	33550GT	TAPE,WARNING,BLK/YEL, 50*** (sold by the roll. 648" per roll) (Required to be install at base of platform toeboard for CE market)		42	133067GT	DECAL,DANGER,ELEC.HAZ.STAY CLR.....	2
9	40434GT	DECAL,LANYARD ANCHORAGE POINT.....	3	43	133286GT	DECAL, POWER TO CHARGER, UNIV.....	1
10	44981GT	DECAL,LABEL, AIR LINE 110 PSI.....	2	44	219160GT	DECAL, INSTRUCTION, OPS..... option	1
11	46468GT	DECAL,FUNCTION OVERRIDE.....	1	45	T112773GT	TAPE, PROTECTIVE MASK.....	2
12	52969GT	DECAL,COSMETIC,GENIE BOOM,HORZ.....	1				
13	62068GT	DECAL,COSMETIC,BI-ENERGY.....	1				
14	62926GT	DECAL,COSMETIC,GENIE Z-45/25J.....	1				
15	62927GT	DECAL,COSMETIC,GENIE Z-45/25.....	1				
16	72444GT	DECAL,GROUND CONTROL PANEL.....	1				
17	72867GT	DECAL,LABEL,LIGHTS***.....	1				
18	82240GT	DECAL,LABEL,105 DB.....	1				
19	82279GT	DECAL,PLATFORM CONTROL PANEL.....	1				
20	82472GT	DECAL,WARNING,CRUSHING HAZARD.....	3				
21	82473GT	DECAL,SYMBOL-COMP ACCESS.....	1				
22	82481GT	DECAL,SYMBOL-BATTERY SAFETY....	2				
23	82487GT	DECAL,SYMBOL - READ THE MANUAL.....	2				
24	82548GT	DECAL,WARN,CRUSH HAZARD PLAT.....	2				
25	82601GT	DECAL,LABEL,MAX CAPACITY***.....	1				
26	82602GT	DECAL,DANGER,MAX SIDE FRC,667N.....	1				
27	82604GT	DECAL,DANGER,SIDE FRC 400N.....	1				
28	82612GT	DECAL,DANGER,MAX CAP,200KG.....	1				
29	82647GT	DECAL,DRIVE ENABLE PATCH.....	1				
30	97815GT	DECAL,LABEL,LOWER MIDRAIL..... (CE models)	1				

103.1 Word Decals - DC Power



## 103.1 Word Decals - DC Power

Item	Part No.	Description	Qty.	Item	Part No.	Description	Qty.
--	822005GT	DECAL KIT,Z45 PLAT,WORD,ANSI		28	44980GT	DECAL,LABEL,PWR TO CHARGR 115V.....	1
--	822006GT	DECAL KIT,Z45 COMP,WORD,ANSI		29	44981GT	DECAL,LABEL, AIR LINE 110 PSI.....	2
--	822013GT	DECAL KIT,Z45 PLAT,WORD,AUS		30	44986GT	DECAL,INSTR,SIDE FRC/WIND,AUS..... <i>Australia models</i>	1
--	822014GT	DECAL KIT,Z45 COMP,WORD,AUS		31	46468GT	DECAL,FUNCTION OVERRIDE..... <i>(for aircraft protection package)</i>	1
1	27204GT	DECAL,ARROW BLUE.....	1	32	52664GT	DECAL,LABEL,CONTRLR STATUS LT.....	1
2	27205GT	DECAL,ARROW YELLOW LRG 9".....	1	33	52672GT	DECAL,DANGER,TIPOVER HAZARD***.....	4
3	27206GT	DECAL,TRIANGLE,BLUE.....	2	34	52865GT	DECAL,ANNUAL INSP***.....	1
4	27207GT	DECAL,TRIANGLE,YELLOW.....	2	35	52947GT	DECAL,OPERATING INSTR,GROUND..... <i>ANSI models</i>	1
5	114390GT	DECAL,DANGER,ELECT HAZARD***.....	2	36	52969GT	DECAL,COSMETIC,GENIE BOOM,HORZ.....	1
6	28161GT	DECAL,WARN,CRUSH HAZARD HAND.....	3	37	62070GT	DECAL,COSMETIC,DC POWER.....	1
7	28165GT	DECAL,INSTRUCT,FOOTSWITCH OPER.....	1	38	62926GT	DECAL,COSMETIC,GENIE Z-45/25J..... <i>Jib models</i>	1
8	28174GT	DECAL, POWER TO PLATFORM 230V**.....	2	39	62927GT	DECAL,COSMETIC,GENIE Z-45/25..... <i>Non-Jib models</i>	1
9	28175GT	DECAL,WARNING-COMPART ACCESS.....	1	40	65301GT	DECAL,NOTICE,FOAM-FILLED TIRES.....	4
10	28176GT	DECAL,LABEL,MANUAL NOT HERE.....	1	41	72444GT	DECAL,GROUND CONTROL PANEL.....	1
11	28177GT	DECAL,WARN,CRUSH HAZARD PLAT.....	2	42	72833GT	DECAL,LABEL,OPEN,LATCH.....	2
12	28181GT	DECAL,WARN,FALL HAZARD.....	1	43	72867GT	DECAL,LABEL,LIGHTS***.....	1
13	28235GT	DECAL,POWER TO PLATFORM 115V.....	2	44	82279GT	DECAL,PLATFORM CONTROL PANEL.....	1
14	28236GT	DECAL,WARN,IMPROPER OPERATION.....	1	45	82366GT	DECAL,CHEVRON RANDO HD.....	1
15	28372GT	DECAL,NOTICE,BATTERY CABLES.....	2	46	97815GT	DECAL,LABEL,LOWER MIDRAIL.....	1
16	30080GT	DECAL,NOTICE,MAX LOAD 500 LBS.....	1	47	97887GT	DECAL,INSTR,MAX SIDE FRC,ANSI..... <i>ANSI models</i>	1
17	31060GT	DECAL,DANGER DO NOT ALTER SWTC.....	3	48	114025GT	DECAL,LABEL,WHEEL LOAD Z4525DC.....	4
18	31508GT	DECAL,DANGER,ELECT HAZARD,PLUG.....	1	49	114114GT	DECAL,LABEL,TRANSPORT.....	2
19	31785GT	DECAL,NOTICE,CHARGER INSTRU.....	2	50	114117GT	DECAL,BATT CONN DIAGRAM.....	2
20	31787GT	DECAL,DANGER,TIP-OVER BATTERY.....	2	51	114221GT	DECAL,LABEL,RELAYS,Z45DC,BE.....	1
21	31788GT	DECAL,DANGER,BATTERY SAFETY***.....	2	52	114350GT	DECAL,AC INVERTER POWER,115V.....	2
22	32728GT	DECAL,OPTION GENERATOR***.....	1	53	114389GT	DECAL,DANGER,GENERAL SAFETY.....	2
23	33550GT	TAPE,WARNING,BLK/YEL, 50*** <i>(sold by the roll. 648" per roll) (Required to be iinstall at base of platform toeboard for Australian market)</i>		54	219160GT	DECAL, INSTRUCTION, OPS..... <i>option</i>	1
24	114397GT	DECAL,DANGER,TILT ALARM.....	1	55	227130GT	DECAL,OPER INST,Z45DC PLAT AUS..... <i>Australia models</i>	1
25	40434GT	DECAL,LANYARD ANCHORAGE POINT.....	8	56	227213GT	DECAL,OPER INST,DC BOOM GND AU..... <i>Australia models</i>	1
26	43658GT	DECAL,LABEL,PWR TO CHARGR 230V.....	1	57	1000001GT	DECAL, INSTR, OP INST,DC..... <i>ANSI models</i>	2
27	44248GT	DECAL,NOTICE,MAX CAP 440 LBS <i>(for aircraft protection package)</i>					



103.1 Word Decals - DC Power  
(continued)

Item	Part No.	Description	Qty.
58	1264308GT	DECAL,LABEL,RELAYS,Z45DC,BE	

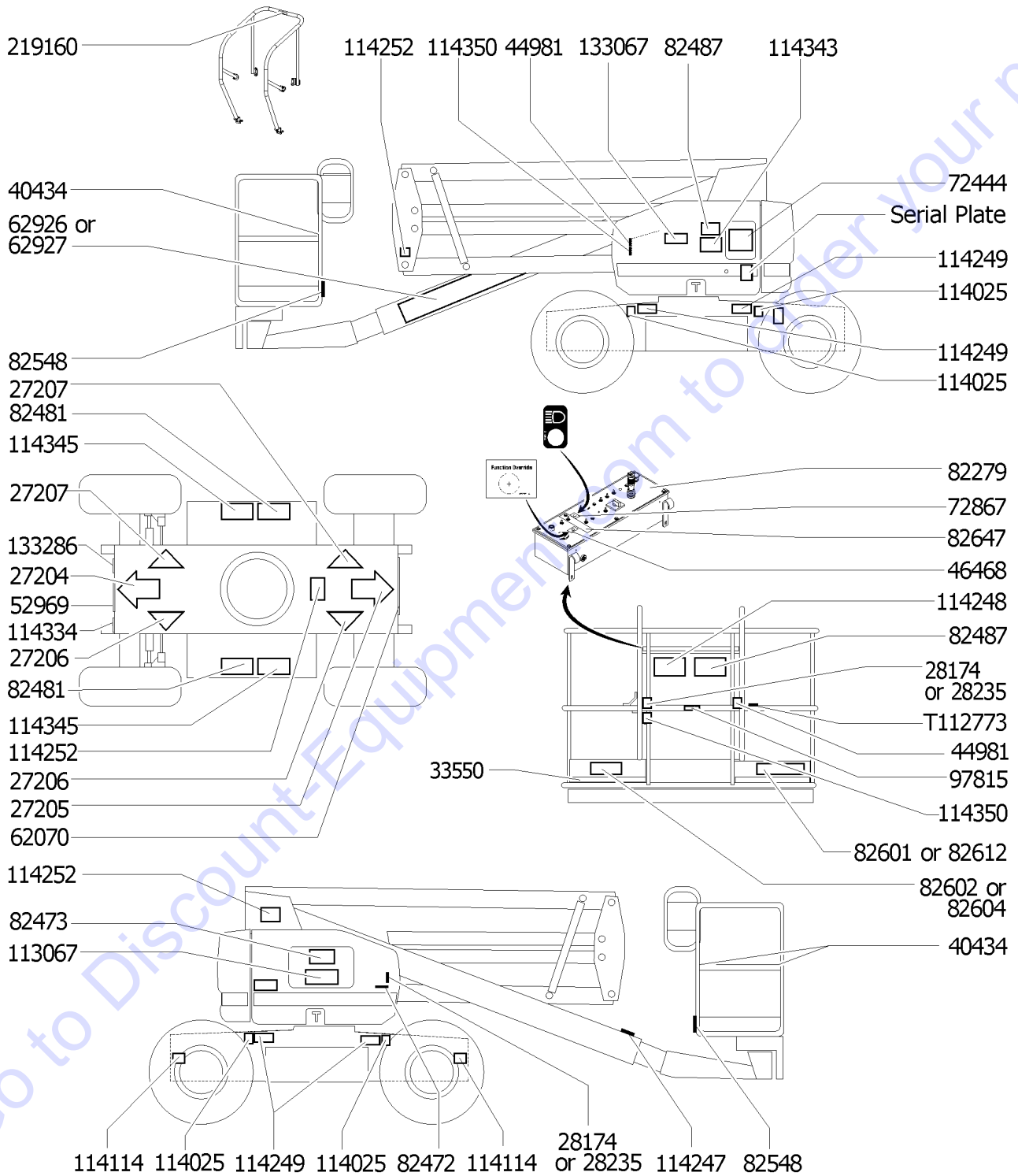
Go to Discount-Equipment.com to order your parts



***This Page Intentionally Left Blank***

*Go to Discount-Equipment.com to order your parts*

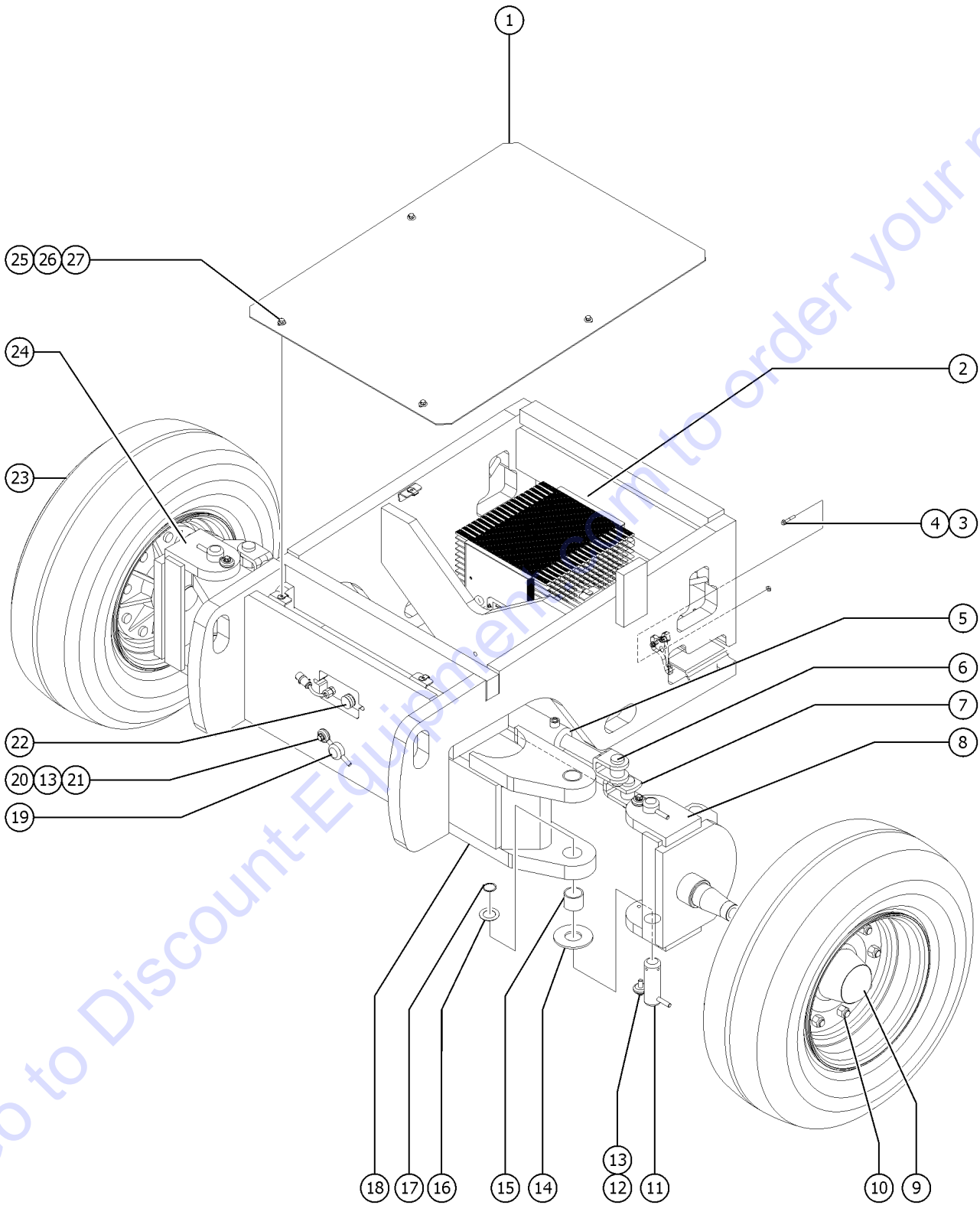
104.1 Symbol Decals - DC Power



## 104.1 Symbol Decals - DC Power

Item	Part No.	Description	Qty.	Item	Part No.	Description	Qty.
A	823153GT	DECAL KIT,Z45 PLAT,SYM,ANSI		30	114025GT	DECAL,LABEL,WHEEL LOAD Z4525DC.....	4
B	823154GT	DECAL KIT,Z45DC COMP,SYM,ANSI		31	114114GT	DECAL,LABEL,TRANSPORT.....	2
C	823161GT	DECAL KIT,Z45 PLAT,SYM,CE		32	114247GT	DECAL,LABEL,FALL HAZARD***.....	1
D	823162GT	DECAL KIT,Z45DC COMP,SYM,CE		33	114248GT	DECAL,LABEL,TIPOVER,TILT AL SY.....	1
1	27204GT	DECAL,ARROW BLUE.....	1	34	114249GT	DECAL,LABEL,TIPOVER,TIRES,SYMB.4	
2	27205GT	DECAL,ARROW YELLOW LRG 9".....	1	35	114252GT	DECAL,LABEL,TIP OVER LMT SWTCH.....	3
3	27206GT	DECAL,TRIANGLE,BLUE.....	2	36	114334GT	DECAL,SYM-ELEC HAZARD,PLUG.....	1
4	27207GT	DECAL,TRIANGLE,YELLOW.....	2	37	114343GT	DECAL,LABEL,EMERGENCY DOWN....	1
5	28174GT	DECAL, POWER TO PLATFORM 230V**.....	2	38	114345GT	DECAL,LABEL,TIPOVER,BATTERIES....	2
6	28235GT	DECAL,POWER TO PLATFORM 115V...2		39	114350GT	DECAL,AC INVERTER POWER,115V....	2
7	33550GT	TAPE,WARNING,BLK/YEL, 50*** (sold by the roll. 648" per roll) (Required to be install at base of platform toeboard for CE market)		40	133067GT	DECAL,DANGER,ELEC.HAZ.STAY CLR	
8	40434GT	DECAL,LANYARD ANCHORAGE POINT.....	8	41	133286GT	DECAL, POWER TO CHARGER, UNIV.....	1
9	44981GT	DECAL,LABEL, AIR LINE 110 PSI.....	2	42	219160GT	DECAL, INSTRUCTION, OPS..... option	1
10	46468GT	DECAL,FUNCTION OVERRIDE.....	1	43	T112773GT	TAPE, PROTECTIVE MASK.....	2
11	52969GT	DECAL,COSMETIC,GENIE BOOM,HORZ.....	1				
12	62070GT	DECAL,COSMETIC,DC POWER.....	1				
13	62926GT	DECAL,COSMETIC,GENIE Z-45/25J jib					
14	62927GT	DECAL,COSMETIC,GENIE Z-45/25..... non-jib	1				
15	72444GT	DECAL,GROUND CONTROL PANEL....	1				
16	72867GT	DECAL,LABEL,LIGHTS***.....	1				
17	82279GT	DECAL,PLATFORM CONTROL PANEL.....	1				
18	82472GT	DECAL,WARNING,CRUSHING HAZARD.....	1				
19	82473GT	DECAL,SYMBOL-COMP ACCESS.....	1				
20	82481GT	DECAL,SYMBOL-BATTERY SAFETY....	2				
21	82487GT	DECAL, SYMBOL - READ THE MANUAL.....	1				
22	82548GT	DECAL,WARN,CRUSH HAZARD PLAT.....	2				
23	82601GT	DECAL,LABEL,MAX CAPACITY***.....	1				
24	82602GT	DECAL,DANGER,MAX SIDE FRC,667N.....	1				
25	82604GT	DECAL,DANGER,SIDE FRC 400N.....	1				
26	82612GT	DECAL,DANGER,MAX CAP,200KG.....	1				
27	82647GT	DECAL,DRIVE ENABLE PATCH.....	1				
28	97815GT	DECAL,LABEL,LOWER MIDRAIL..... CE models	1				
29	133067GT	DECAL,DANGER,ELEC.HAZ.STAY CLR.....	2				

201.1 Steer End

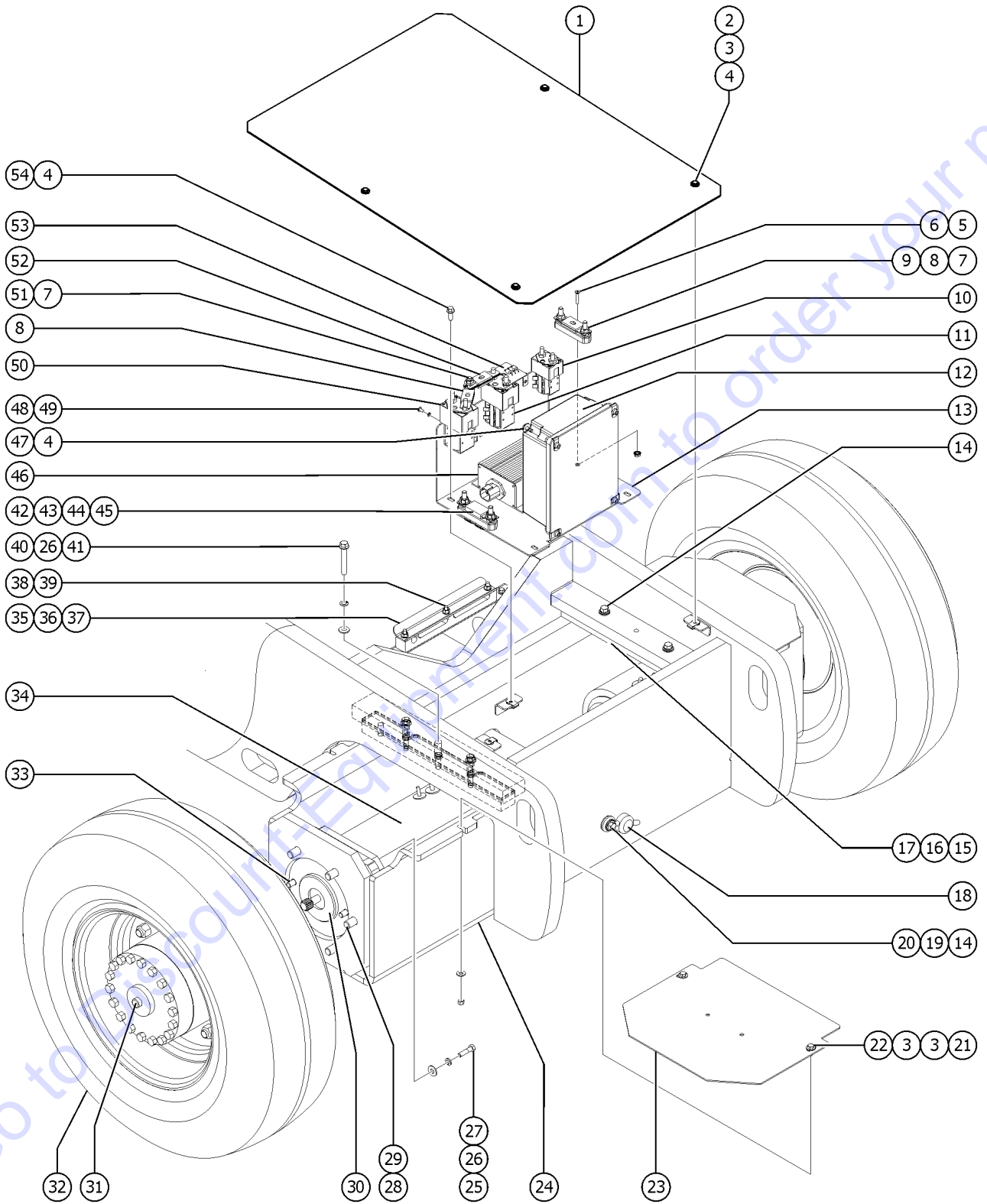


Go to Discount-Equipment.com to order your parts

## 201.1 Steer End

Item	Part No.	Description	Qty.	Item	Part No.	Description	Qty.
A	230062GT	ASSEMBLY, AXLE, STEER, Z45DC.....1		23C	1267784GT	TIRE/WH ASSY,9 LG,REPNEU,S.....2 (steer end)	
B	54436GT	GROUND STRAP,18"LG (models with non-marking tires and/or models with EE rating)		23D	1267786GT	TIRE/WH ASSY,9 LG,NM,REPNEU,S.....2 (steer end)	
1	50770GT	COVER,DR CHASSIS FRONT,NON-OSC.....1		24	50396GT	YOKE MACHINING R.H.(2WD).....1	
2		Ref. Battery Charger refer to 204.1		--	25817GT	BEARING,1.00IDX1.25ODX1.00L.....2	
3	824081GT	SCREW,HHF,1/4-20X1.5,8,ZAG.....4		--	50394GT	YOKE WELDMENT R.H.(2WD)	
4	824037GT	NUT,HH JAM,1/4-20,A,ZAG.....4		25	824060GT	SCREW,HHC,1/4-20X1,8,ZAG.....4	
5	88337GT	CYLINDER,STEER.....2		26	824113GT	WASHER,FLAT,USS,1/4,ZAG.....4	
--	88338GT	SEAL KIT, 88337		27	56912GT	SPRING CLIP,1/4-20,.025-.15X.54,ZAG.....4	
6	824127GT	PIN,CLEVIS,1.0X2.41,SAE,ZAG.....6					
--	824129GT	RUE RING,1.0,ZAG					
7	50397-SGT	TIE ROD WELDMENT NARROW.....1					
8	50395GT	YOKE MACHINING L.H.(2WD).....1					
--	25817GT	BEARING,1.00IDX1.25ODX1.00L.....2					
--	50393GT	YOKE WELDMENT L.H.(2WD)					
9	54840GT	HUB ASSEMBLY,9 BOLT***.....2					
--	45112GT	WASHER,SPINDLE					
--	45113GT	NUT,SPINDLE,1-14					
--	45114GT	PIN,COTTER,.219 X 1.75					
--	54959GT	CAP,DUST (54840 HUB ASSY)					
--	54960GT	SEAL-GREASE,9-BOLT HUB 54840					
--	54961GT	BEARING,INNER,9 BOLT HUB***					
--	54962GT	BEARING,OUTER,9 BOLT HUB***					
10	54627GT	NUT,LUG,5/8-18 X 90 DEGREE,Z45.....18					
11	88752GT	PIN,1.50DIAX4.25LG,GR/H.....4					
12	824091GT	SCREW,HHF,3/8-16X1.25,8,ZAG.....4					
13	825019GT	ROD END,.375X3.69,ZAG.....5					
14	45074GT	WASHER,THRUST,1.5 X 3.5 X .187.....2					
15	119619GT	BEARING,1.5IDX1.75ODX1.5L,PTFE.....6					
16	1251565GT	WASHER,SHIM,1.56X2.5X.061,ZAG.....6					
17	825796GT	SNAP RING,EXTERNAL,1.50,ZAG.....4					
18	215235GT	FRONT AXLE,NARROW.....1					
--	25817GT	BEARING,1.00IDX1.25ODX1.00L.....2					
19	54542GT	PIN,1.50DIAX20.00LG,CHAMFER.....1					
20	1256693GT	SCREW,HHF,3/8-16X2.25,8,ZAG.....1					
21	824029GT	NUT,TL FLG,3/8-16,G,ZAG.....1					
22	228973GT	KIT,ASSY,LED,IES CHARGER.....1 refer to 204.1					
23A	1267779GT	TIRE/WH ASSY,9 LG,FOAM,S FRONT...2 (steer end)					
23B	1267781GT	TIRE/WH ASSY,9 LG,NM,FOAM,S FR...2 (steer end)					

202.1 Non-steer End



## 202.1 Non-steer End

Item	Part No.	Description	Qty.	Item	Part No.	Description	Qty.
A	23083GT	FUSE HOLDER,WATERPROOF		27	1255758GT	WASHER,FLAT,3/8,USS,ZAG.....	8
--	13097GT	FUSE,10 AMP		28	824104GT	SCREW,SHC,5/8-11X1.75,A574,ZAG...	12
1	50371GT	COVER,DRIVE CHASSIS,REAR.....	1	29	1256182GT	WASHER,FLAT,5/8,F436,HRD,ZAG.....	12
2	824060GT	SCREW,HHC,1/4-20X1,8,ZAG.....	4	30	139351GT	BRAKE, NEMA, 1200 IN/LB.....	2
3	824113GT	WASHER,FLAT,USS,1/4,ZAG.....	12	--	139353GT	STACK KIT, AUSCO 1200 IN/LB for 139351	
4	56912GT	SPRING CLIP,1/4-20,.025-.15X.54,ZAG.....	13	--	139354GT	O-RING KIT, AUSCO 1200 IN/LB for 139351	
5	826783GT	SCREW,FHPM,10-32X.1,00,ZAG.....	2	--	139355GT	GASKET KIT, AUSCO 1200 IN/LB for 139351	
6	1264261GT	NUT,SERRATED,10-32,ZAG.....	2	--	233807GT	BRAKE REPLACEMENT KIT.....	1
7	1255805GT	NUT,SERRATED,5/16-18,8,ZAG.....	3	--	65608GT	BEARING KIT, AUSCO*** for 139351	
8	18576GT	FUSE,200 AMP.....	2	--	65618GT	SEAL KIT,BRAKE*** for 101966 brake	
9	66717GT	FUSE BLOCK, ANN & ANL FUSE.....	1	--	94879GT	LINING KIT*** for 101966 brake	
10	74268GT	CONTACTOR,AUX PUMP 24V,80A***.....	1	--	94880GT	BEARING KIT for 101966 brake	
--	22262GT	CONTACT,MOVING,19549RELAY*		31A	106148GT	WHEEL DRIVE,4HB,48:1***.....	2
--	22263GT	CONTACT,STATIONARY,19549RELAY*				(verify component before ordering) (Do Not use with 218570)	
--	74495GT	SPRING, RETURN (FOR 74268)		--	106117GT	O-RING,2-010,VITON for 106148 (Mating O-ring for Brake Port)(Extremely small)	
11	74267GT	CONTACTOR,DRIVE,24V,180A***.....	1	--	106120GT	WHEEL STUD, 4HP, 5/8-18*** for 106148	
--	74468GT	SPRING, RETURN (FOR 74267)		--	106121GT	ROD,DISCONNECT 4HP/4HB*** for 106148	
--	74469GT	FIXED CONTACT (FOR 74267)		--	106122GT	CAP,DISENGAGE,4HP/4HB*** for 106148	
--	74470GT	MOVING CONTACT (FOR PN 74267)		--	106123GT	O-RING,END COVER,4HP/4HB*** for 106148	
12	128337GT	CONTROLLR,SEPEX MOTOR,Z45DC/BE.....	1	--	106124GT	LINING KIT, BRAKE, 4HP*** for 106148	
--	1263554GT	PROGRAMMER, PMC 1313K-4401		--	106125GT	SEAL KIT, BRAKE, 4HP for 106148 (inventory limited to stock on hand as component is no longer available)	
--	128598GT	HARNESS RETRO 24V RELAY		--	106126GT	BEARING KIT,4HP for 106148 (inventory limited to stock on hand as component is no longer available)	
--	56561GT	TOOL,TERMINAL CRIMPER,MOLEX***		--	1286600GT	SEAL KIT,WHEEL DRIVE (106148/106445/107712) for 106148 (inventory limited to stock on hand as component is no longer available)	
--	56562GT	TOOL,TERMINAL EXTRACTOR,MOLEX		--	1286602GT	SEAL KIT,WHEEL DRIVE W/BRAKE (101584/101585) for 106148	
13	70657GT	PLATE, CONTACTOR MOUNT, Z45.....	1	--	1286603GT	BEARING KIT,WHEEL DRIVE W/BRAKE (101584/101585) for 106148	
--	13268GT	CLAMP,0.75,#12 X 1/4,RUB CUSH (not shown)					
14	1256693GT	SCREW,HHF,3/8-16X2.25,8,ZAG.....	6				
15	50668-SGT	BAR, AXLE ROTATION STOP.....	2				
16	119210GT	SHIM,AXLE ROTATION STOP,12GA as-needed					
17	119209GT	SHIM,AXLE ROTATION STOP,22GA as-needed					
18	54542GT	PIN,1.50DIAX20.00LG,CHAMFER.....	1				
19	825019GT	ROD END,.375X3.69,ZAG.....	1				
20	824029GT	NUT,TL FLG,3/8-16,G,ZAG.....	1				
21	824061GT	SCREW,HHC,1/4-20X1.25,8,ZAG.....	4				
22	824024GT	NUT,TL,1/4-20,C,ZAG.....	4				
23	70655GT	AXLE COVER, NARROW.....	2				
24	119767GT	WELDMENT,NARROW REAR AXLE.....	1				
--	45071GT	BEARING,1.5IDX1.75ODX1.5L.....	2				
25	1256118GT	SCREW,HHC,3/8-16X1.5,8,ZAG.....	8				
26	824110GT	WASHER,LOCK,3/8,ZAG.....	9				



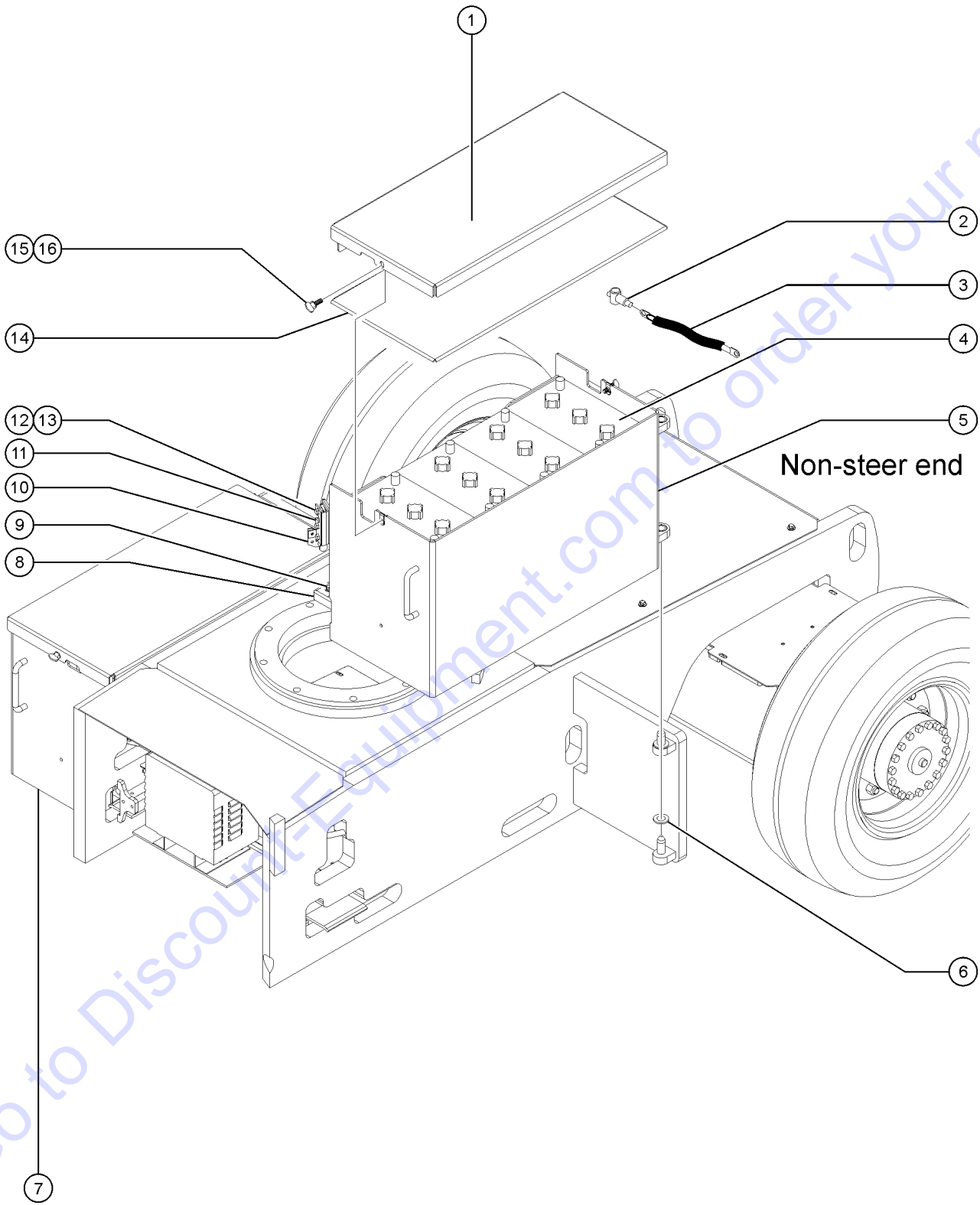
202.1 Non-steer End  
(continued)

Item	Part No.	Description	Qty.	Item	Part No.	Description	Qty.
--	146051GT	BEARING NUT*** for 106148		--	37189GT	SPRING, BRUSH RETAINER, 36182* for AMD motor 56282	
--	146052GT	SET SCREW*** for 146051		--	44778GT	BEARING,MOTOR,36843,BRUSH END* for AMD motor 56282	
--	215777GT	INPUT CARRIER, SUB-ASSEMBLY for 106148		--	56282GT	MOTOR,SEP-EX,24V*** AMD motor; check stamp on part prior to ordering	
--	232486GT	SNAP RING,WHEEL DRIVE for 106148		--	62105GT	BRUSH HOLDER(56282) for AMD motor 56282	
--	58320GT	KIT,TORQUE HUB COVER(101584)** for 106148		34B	56282GT	MOTOR,SEP-EX,24V*** check stamp on part prior to ordering	
--	9990074GT	COUPLING for 106148 (brake coupler)		--	147187GT	BRUSH KIT, DRIVE MOTOR for AMD motor 56282	
31B	218570GT	WHEEL DRIVE, NON-BRAKE, 47.6:1.....2 (verify component before ordering) (Do Not use with 106148)		--	22811GT	O-RING,MOTOR TO BRAKE***.....2 (not shown)	
--	139965GT	WHEEL STUD,5/8-18,OMNI*** for 218570		--	37189GT	SPRING, BRUSH RETAINER, 36182* for AMD motor 56282	
--	139966GT	ROD,DISCONNECT,OMNI*** for 218570		--	44778GT	BEARING,MOTOR,36843,BRUSH END* for AMD motor 56282	
--	139967GT	CAP,DISENGAGE,OMNI*** for 218570		--	62105GT	BRUSH HOLDER(56282) for AMD motor 56282	
--	139968GT	O-RING,END COVER,OMNI*** for 218570		35	229133GT	PLATE,CLAMP,TOP.....1	
--	147034GT	PIPE PLUG KIT,OMNI*** for 218570		36	229132GT	CLAMP, CABLE.....1	
--	229833GT	BEARING KIT, OMNI for 218570		37	229131GT	BRACKET, CABLE CLAMP.....1	
--	229834GT	SEAL KIT, OMNI for 218570		--	56912GT	SPRING CLIP,1/4-20,.025-.15X.54,ZAG.....2	
--	58531GT	ORING,568-908 N552-90 NBR,10PK for 218570		--	824079GT	SCREW,HHF,1/4-20X1.8,ZAG.....2	
31C	218571GT	WH DRV,NON-BRAKE,GENERIC, 48:1.....2		38	824027GT	NUT,TL FLG,1/4-20,G,ZAG.....3	
--	54627GT	NUT,LUG,5/8-18 X 90 DEGREE,Z45.....18		39	1268954GT	BOLT,CARRIAGE,1/4-20X1.75,5,ZA.....3	
32A	1267780GT	TIRE/WH ASSY,9 LG,FOAM,NS REAR.....2 (non-steer end)		40	824094GT	SCREW,HHF,3/8-16X2.75,8,ZAG.....1	
32B	1267782GT	TIRE/WH ASSY,9LG,NM,FOAM,NS RE.....2 (non-steer end)		41	825358GT	WASHER,FLAT,5/16,USS,ZAG.....1	
32C	1267785GT	TIRE/WH ASSY,9 LG,REPNEU,NS.....2 (non-steer end)		42	36372GT	FUSE,50 AMP,VERY FAST ACTING.....1 DC models with Inverter	
32D	1267787GT	TIRE/WH ASSY,9 LG,NM,REPNEU,NS.....2 (non-steer end)		43	66717GT	FUSE BLOCK, ANN & ANL FUSE.....1 DC models with Inverter	
33	824103GT	SCREW,SHC,1/2-13X3,A574,ZAG.....4		44	824028GT	NUT,TL FLG,5/16-18,G,ZAG.....2 for 36372	
34A	T108673GT	KIT, 24V SEP-EX DRIVE MOTORS "Replacement kit for GE motor 94197; check stamp on part prior to ordering (kit contains qty 2 x 56282 motor)"		45	824225GT	SCREW,FHPM,10-32X.75,ZAG.....2 for 66717	
--	147187GT	BRUSH KIT, DRIVE MOTOR for AMD motor 56282		46	79452GT	CONVERTER, DC-DC, 48-26 VOLT** .....1 (mounting hardware not included)	
				--	1262031GT	SCREW,HHF,10-24X.75,ZAG.....4 (not shown)	
				--	73575GT	SPRING CLIP,10-24,.025-.125X.468,ZAG.....4 (not shown)	
				47	824080GT	SCREW,HHF,1/4-20X1.25,8,ZAG.....4	
				48	825349GT	SCREW,PHPM,10-32X.38,ZAG.....6	
				49	1256312GT	WASHER,LOCK,#10,ZAG.....6	
				50	74266GT	CONTACTOR,LIFT PUMP 24V 180A**...1	

Item	Part No.	Description	Qty.
--	62695GT	CONTACT,STATIONARY (56434)**	
--	62696GT	CONTACT-MOVEABLE (56434)**	
--	74471GT	SPRING,RETURN (74266)	
51	824086GT	SCREW,HHF,5/16-18X1,8,ZAG.....1	1
52	43179GT	FUSE,500 AMP,VERY FAST ACTING.....1	1
53	56930GT	DIODE,PCB DRIVE CONTACTOR**.....1	1
54	824078GT	SCREW,HHF,1/4-20X.75,8,ZAG.....5	5

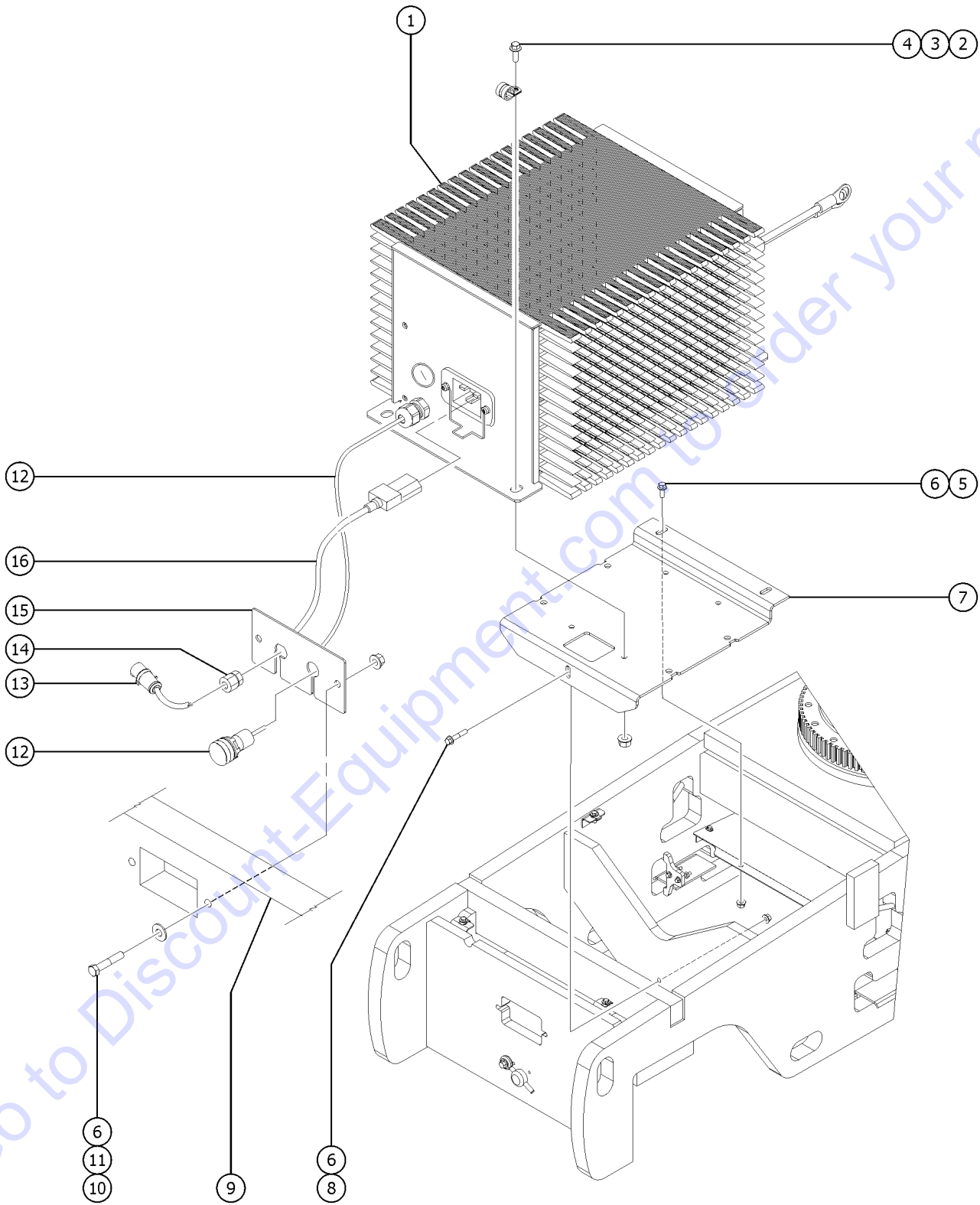
Go to Discount-Equipment.com to order your parts

203.1 Battery Packs



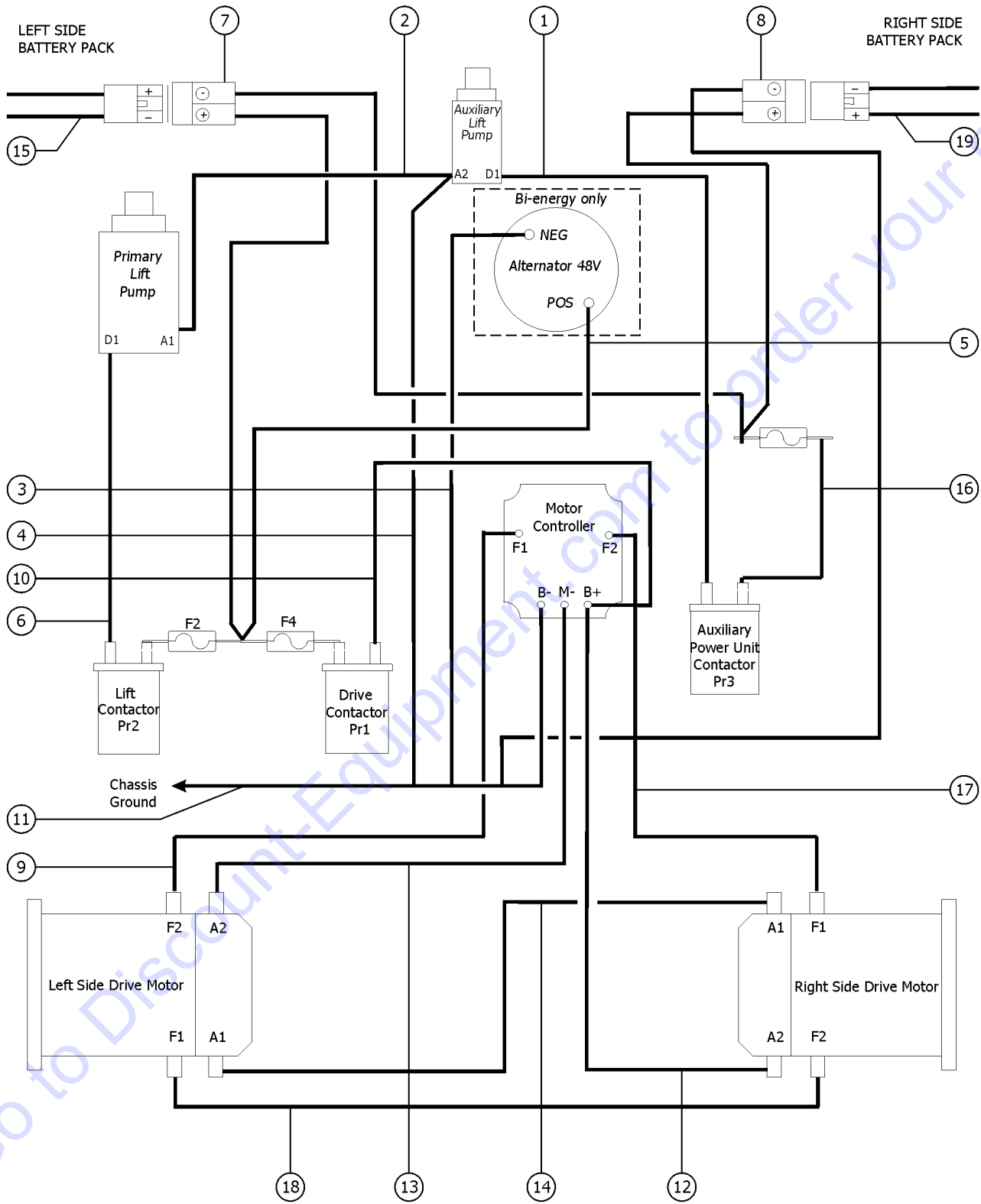
Item	Part No.	Description	Qty.
A	230059GT	ASSEMBLY, BATTERY BOX, LH.....	1
B	230060GT	ASSEMBLY, BATTERY BOX, RH.....	1
1	74704GT	COVER,BATTERY BOX** .....	2
2	51147GT	BOOT,CABLE TERMINAL,LG,RED,2/0.....	12
3	19520GT	BATTERY CABLE ASSY,9.5"JUMPER... <i>includes item 2</i>	6
4A	823684GT	BATTERY,AGM,6V/390A,L16..... <i>models with AGM option</i>	8
4B	56461GT	BATTERY, 390AH L16,WET.....	8
--	1255805GT	NUT,SERRATED,5/16-18,8,ZAG	
--	57162GT	BATTERY TERMINAL PROTECTORS.....	16
--	824086GT	SCREW,HHF,5/16-18X1,8,ZAG	
5	161554GT	WELDMENT, BATTERY BOX, LH.....	1
--	36369GT	BEARING,0.75IDX1.00ODX0.75L.....	2
--	824027GT	NUT,TL FLG,1/4-20,G,ZAG	
--	824059GT	SCREW,HHC,1/4-20X.75,8,ZAG	
6	36212GT	WASHER,THRUST,.75 X 1.38X.13.....	4
7	161553GT	WELDMENT, BATTERY BOX, RH.....	1
--	36369GT	BEARING,0.75IDX1.00ODX0.75L.....	2
--	824027GT	NUT,TL FLG,1/4-20,G,ZAG	
--	824059GT	SCREW,HHC,1/4-20X.75,8,ZAG	
8	45209GT	WEAR PAD,4X2X.5 W/INSERT***.....	2
9	1256855GT	SCREW,HHF,1/4-20X.625,8,ZAG.....	4
10A	66900GT	LATCH,ROTARY, W/KNOB,LEFT..... <i>(shown)</i>	1
10B	66901GT	LATCH,ROTARY, W/KNOB,RIGHT.....	1
11A	101425PGT	FORMING,BATTERY BOX LATCH LH.... <i>(shown)</i>	1
--	824029GT	NUT,TL FLG,3/8-16,G,ZAG.....	3
--	824125GT	BOLT,CARRIAGE,3/8-16X1,5,ZAG.....	3
11B	101426PGT	FORMING,BATTERY BOX LATCH RH....	1
--	824029GT	NUT,TL FLG,3/8-16,G,ZAG.....	3
--	824125GT	BOLT,CARRIAGE,3/8-16X1,5,ZAG.....	3
12	1255763GT	SCREW,HHF,5/16-18X1.5,8,ZAG.....	6
13	824028GT	NUT,TL FLG,5/16-18,G,ZAG.....	6
14	106241GT	INSULATION,48V BATT.BOX LID..... <i>models with AGM option</i>	2
15	824228GT	SCREW,THUMB,A-REG,3/8-16X1,ZAG..	4
16	29868GT	SPRING CLIP,3/8-16,.05-.20X.73,ZAG...4	4

204.1 Battery Charger



Item	Part No.	Description	Qty.
A	228946GT	ASSY,LED,IES CHARGER	
B	228947GT	CLIP,RETAINING,IES CHARGER	
1	128375GT	CHARGER 48V/30A AUTO AC X-LED....1 <i>(includes item 12) (order power cord separately)</i>	
--	133286GT	DECAL, POWER TO CHARGER, UNIV	
--	139857GT	HARN.CHARGER INTERLOCK Z45 <i>(not shown)(option)</i>	
2	824078GT	SCREW,HHF,1/4-20X.75,8,ZAG.....4	
3	6833GT	CLAMP,0.50,#8 X 1/4,RUB CUSH.....1	
4	824027GT	NUT,TL FLG,1/4-20,G,ZAG.....4	
5	824090GT	SCREW,HHF,3/8-16X1,8,ZAG.....2	
6	824029GT	NUT,TL FLG,3/8-16,G,ZAG.....5	
7	60060GT	FORMING,CHARGER PLATE.....1	
8	1253478GT	SCREW,HHF,3/8-16X2,8,ZAG.....1	
9		Ref. Chassis	
10	1256108GT	SCREW,HHC,3/8-16X2,8,ZAG.....2	
11	1255758GT	WASHER,FLAT,3/8,USS,ZAG.....2	
12	228973GT	KIT,ASSY,LED,IES CHARGER.....1	
13A	1280665GT	PLUG, TYPE F, 230A, 50HZ, 16A, IP44.....1 <i>Euro 220V</i>	
13B	144161GT	PLUG,PWR,UK,16AMP,3PIN,BLK.....1 <i>UK 110V</i>	
13C	25388GT	PLUG,FUSED,250V,13AMP,U.K.**.....1 <i>UK 220V</i>	
14A	128118GT	BUSHING,STRAIN RELIEF,.875/.40.....1 <i>(domestic)</i>	
14B	139318GT	BUSHING,STRAIN RELIEF,.875/.30.....1 <i>(UK)</i>	
15	128825GT	BRACKET, CHARGER CORD AND LED.....1	
16A	128645GT	CORD AC IEC320-C19 TO 220EU.....1 <i>EU 220V</i>	
16B	128377GT	CORD AC IEC320-C19 TO 110US.....1 <i>US 110V</i>	
16C	128376GT	CORD EURO AC IEC320-C19PIGTAIL...1 <i>EU 110V</i>	

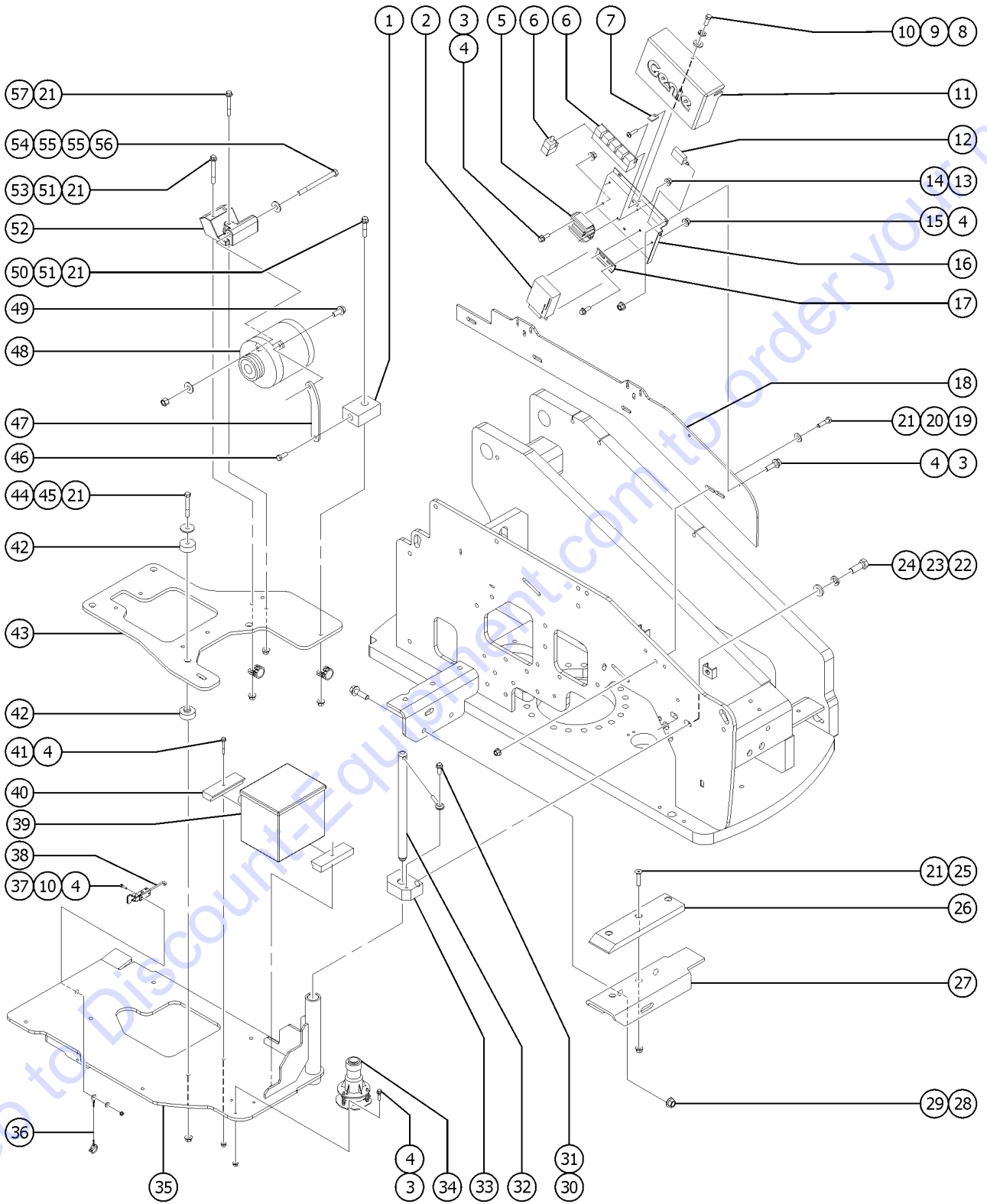
205.1 Power Cables



Item	Part No.	Description	Qty.	Item	Part No.	Description	Qty.
--	51147GT	BOOT,CABLE TERMINAL,LG,RED,2/0		19	139011-SGT	SERV KIT,HARN ASSY,PWR BATT PK.....1	1
1	139058GT	CABLE ASSY #2 RED PR3/AP-DI.....1				<i>Bi-Energy only; right side</i>	
2	139049GT	CABLE ASSY #2 BLK AP-A2/LP-A1.....1		--	128465GT	CABLE ASSY #2 RED BATT	
3	139063GT	CABLE ASSY #2 BLK ALT(-)/GND.....1 <i>Bi-Energy only</i>		--	128466GT	CABLE ASSY #2 BLK AP1/AP2 BATT	
4	139052GT	CABLE ASSY #2 BLK AP-A2/GND.....1					
5	139064GT	CABLE ASSY #2 RED ALT(+)/F2.....1 <i>Bi-Energy only</i>					
6	139057GT	CABLE ASSY #2 RED PR2/LP-D1.....1					
7A	139048GT	HARN ASSY,POWER PACK AP2.....1 <i>DC only</i>					
--	128488GT	CABLE ASSY #2 RED AP1/FU1 DRIV					
--	128489GT	CABLE ASSY #2 BLK AP1/AP2 DRIV					
7B	139062GT	HARN ASSY,POWER DRIVE CHASS <i>Bi-Energy only</i>					
--	128491GT	CABLE ASSY #2 RED AP2/FU2 DRIV					
--	128492GT	CABLE ASSY #2 BLK AP2/FU1 DRIV					
8	139047GT	HARN ASSY,POWER PACK AP1.....1					
--	119787PGT	FORMING,BATTERY CONN HANDLE,PT.....2					
--	128490GT	CABLE ASSY #2 RED AP2/FU1.....1					
--	128929-300GT	SHRINK TUBE, BLACK 3/4,3:1.....1					
--	51147GT	BOOT,CABLE TERMINAL,LG,RED,2/0...2					
--	66397GT	QUICK DISCONNECT CASING,BATT**.....1					
--	824037GT	NUT,HH JAM,1/4-20,A,ZAG					
--	824049GT	CABLE ASSY #2 BLK AP1/AP2 DRIV.....1					
--	824080GT	SCREW,HHF,1/4-20X1.25,8,ZAG					
9	139020GT	WIRE ASSY #10 RED F1/F2.....1					
10	139054GT	CABLE ASSY #2 RED B(+)/PR1.....1					
11	139050GT	CABLE ASSY #2 BLK B(-)/GND.....1					
12	139051GT	CABLE ASSY #2 BLK B(+)/A2.....1					
13	139055GT	CABLE ASSY #2 RED M(-)/A2.....1					
14	139056GT	CABLE ASSY #2 RED A1/A1					
15A	139011-SGT	SERV KIT,HARN ASSY,PWR BATT PK.....1 <i>DC only</i>					
--	128465GT	CABLE ASSY #2 RED BATT					
--	128466GT	CABLE ASSY #2 BLK AP1/AP2 BATT					
15B	139041GT	HARN ASSY, POWER PACK AP2.....1 <i>Bi-Energy only; left side</i>					
--	128486GT	CABLE ASSY #2 RED AP2 BATT					
--	128487GT	CABLE ASSY #2 BLK BE AP2 BATT					
16	139053GT	CABLE ASSY #2 RED PR2/F2.....1					
17	139059GT	WIRE ASSY #10 RED F2/F1.....1					
18	139060GT	WIRE ASSY #10 RED F1/F2.....1					



301.1 Engine Components

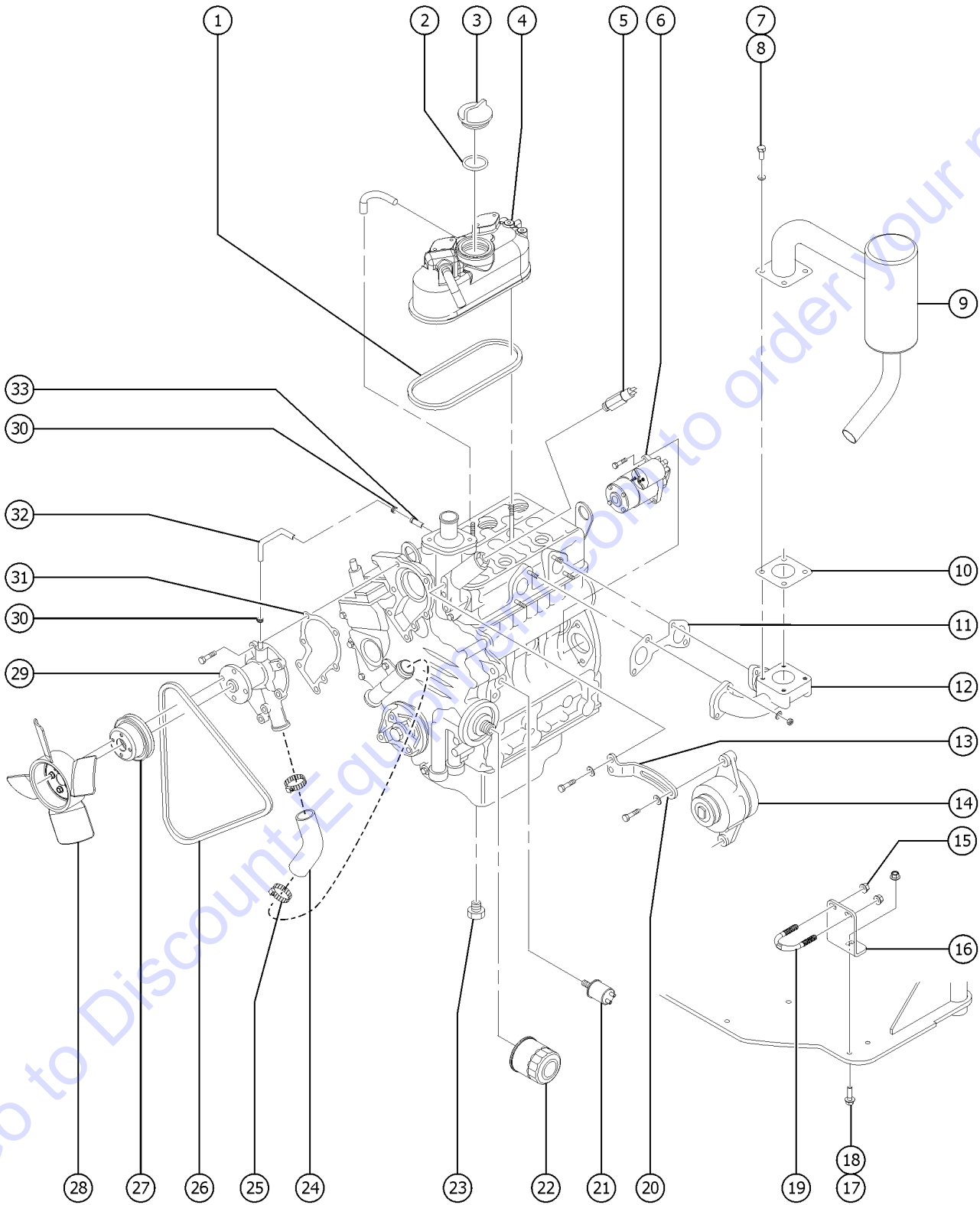


A TEREX BRAND

## 301.1 Engine Components

Item	Part No.	Description	Qty.	Item	Part No.	Description	Qty.
1	54193GT	PLATE,ALTERNATOR ADJUSTMENT.....1		--	25817GT	BEARING,1.00IDX1.25ODX1.00L.....2	
2	56057GT	MODULE,IGNITION/START,12/24V.....1		36	54432GT	LANYARD,LYNCH PIN ASSY.....1	
3	824079GT	SCREW,HHF,1/4-20X1,8,ZAG		37	824060GT	SCREW,HHC,1/4-20X1,8,ZAG.....2	
4	824027GT	NUT,TL FLG,1/4-20,G,ZAG		38	27126GT	LATCH,DRAW,ADJUSTABLE.....1	
5	62085GT	REGULATOR-VOLTAGE(Z482-E).....1		39	56050GT	BATTERY,450 CCA***.....1	
6A	56302GT	RELAY,24VDC,40/30A,SEALED***.....6		40	60078GT	BATTERY HOLD DOWN.....2	
--	34053GT	ASSY,RELAY SOCKET, AUTO		41	824082GT	SCREW,HHF,1/4-20X1.75,8,ZAG.....2	
6B	823226GT	POWER RELAY, 24V COIL.....1		42	24038GT	SHOCK MOUNT,SMALL.....8	
7	56912GT	SPRING CLIP,1/4-20,.025-.15X.54,ZAG		43		REF. PLATE,ENGINE MOUNT PAINTED.....1 <i>Refer to 304.1</i>	
8	824059GT	SCREW,HHC,1/4-20X.75,8,ZAG		44	1256848GT	SCREW,HHC,3/8-16X2.75,8,ZAG.....4	
9	824109GT	WASHER,LOCK,1/4,ZAG		45	824120GT	WASHER,FLAT,.375X1.50X.125,ZAG.....4	
10	824113GT	WASHER,FLAT,USS,1/4,ZAG.....2		46	824067GT	SCREW,HHC,3/8-16X1,8,ZAG.....1	
11	60146GT	RELAY PANEL COVER.....1		47	60096GT	BRACKET,ALTERNATOR ADJ.....1	
12	147094GT	ASSY, CIRCUIT BREAKER 15A.....1 <i>includes mounting fasteners</i>		48	54463-SGT	ALTRNTR,48VDC 100A,SERV VERS**.....1	
13	824032GT	NUT,TL FLG,10-32,F,ZAG		--	45782GT	DIODE,6 AMP,200 PIV,BULK	
14	1257227GT	SCREW,PHPM,10-32X.625,ZAG		--	54446GT	REGULATOR,48 VOLTAGE,BI ENERGY	
15	824077GT	SCREW, HHF, 1/4-20 X .5, 8, ZAG		--	56283GT	PULLEY,3.15 OD	
16	70658GT	FORMING, RELAY PANEL, Z45 BE.....1		--	56290GT	NUT,LOCK,5/8-18	
17	46036GT	DIN RAIL, 5.63".....1		--	56291GT	WASHER,HARDENED,5/8	
18	60000PGT	BULKHEAD,SWING CHASSIS,LH,PAIN.....1		--	56292GT	KEY,WOODRUFF,5/32X3/4 KEY #506	
19	1256118GT	SCREW,HHC,3/8-16X1.5,8,ZAG		49	1255469GT	SCREW,HHF,1/2-13X1.25,8,ZAG.....1	
20	1255758GT	WASHER,FLAT,3/8,USS,ZAG		50	1253478GT	SCREW,HHF,3/8-16X2,8,ZAG.....1	
21	824029GT	NUT,TL FLG,3/8-16,G,ZAG		51	49863GT	CLAMP,1.13,#18 X 3/8,RUB CUSH*.....2	
22	1260372GT	SCREW,HHC,5/8-11X1.75,8,ZAG.....2		52	56007GT	BRACKET,ALTERNATOR MOUNT.....1	
23	1257229GT	WASHER,LOCK,5/8,ZAG.....2		53	824096GT	SCREW,HHF,3/8-16X3.5,8,ZAG.....2	
24	1256182GT	WASHER,FLAT,5/8,F436,HRD,ZAG.....2		54	1256112GT	SCREW,HHC,1/2-13X6,8,ZAG.....1	
25	1259857GT	SCREW,FHS,3/8-16X1.75,F835,ZAG.....2		55	1255760GT	WASHER,FLAT,1/2,USS,ZAG.....2	
26	50519GT	LOAD PAD,ENGINE TRAY SUPPORT....1		56	1256106GT	NUT,TL,1/2-13,C,ZAG.....1	
27	60100-SGT	BRACKET,ENGINE PLATE REST PTD.....1		57	824095GT	SCREW,HHF,3/8-16X3,8,ZAG.....1	
28	1251997GT	NUT,TL FLG,1/2-13,G,ZAG.....2					
29	826171GT	SCREW,HHF,1/2-13X1.75,ZAG.....2					
30	824090GT	SCREW,HHF,3/8-16X1,8,ZAG.....1					
31	1255452GT	ROD END,.375 X 2.25,ZAG.....1					
32	107803GT	PIN,1.00DIAX15.56LG,CHAMFER.....1					
--	1255452GT	ROD END,.375 X 2.25,ZAG.....1 <i>not shown</i>					
33	107805GT	EAR, ENGINE TRAY PIVOT.....1					
34	94077GT	SENSOR,LEVEL,4.5 DEG.....1					
--	23083-SGT	FUSE HOLDER,WATERPROOF					
--	27488GT	FUSE,1 AMP					
35	107811GT	WELDMENT,ENGINE TRAY, Z45 BE					

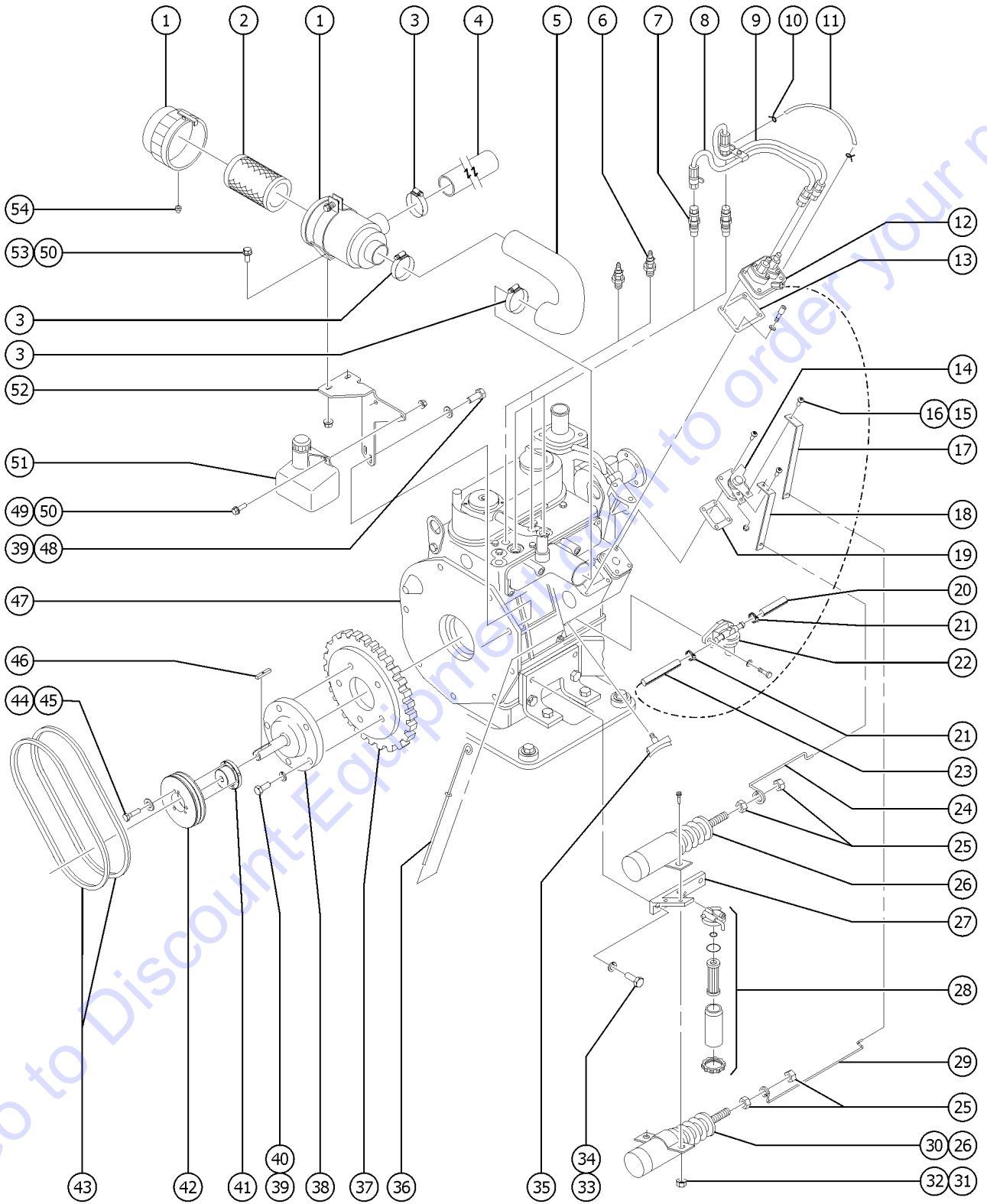
302.1 Kubota Z482 E4B-1 Engine, View 1



## 302.1 Kubota Z482 E4B-1 Engine, View 1

Item	Part No.	Description	Qty.
A	161884GT	ENGINE KIT, KUBOTA Z482, E4B	
B	62085GT	REGULATOR-VOLTAGE(Z482-E)	
1	52806GT	GASKET-VALVE COVER Z482-E.....1	1
2	22903GT	O-RING,OIL FILLER PLUG,KUBOTA*.....1	1
3	52808GT	PLUG,OIL FILLER Z482,Z34/22BE*.....1	1
4	1251796GT	CYLINDER HEAD COVER, Z482.....1	1
5	54332GT	SWITCH,WATER TEMP.....1	1
6	52810GT	STARTER MOTOR Z482, Z34/22BE.....1	1
--	23457GT	SOLENOID,STARTER,WG750B	
7	23057GT	SCREW,HHC,M8 X 20MM.....4	4
8	49408GT	WASHER,LOCK,M8.....4	4
9A	1272998GT	OPT, STD MUFFLER, Z45BE.....1	1
9B	77322GT	ACC, CATALIYTIC MUFFLER, KUB Z482.....1	1
10	832128GT	GASKET,MUFFLER,KUBOTA D905/11.....1	1
11	52812GT	GASKET-EXHAUST MANIFOLD Z482....1	1
12	52813GT	EXHAUST MANIFOLD, Z482-E.....1	1
13	84044GT	STAY,ALTERNATOR***.....1	1
14	110286GT	ALTERNATOR,KUBOTA,Z482.....1	1
15	824028GT	NUT,TL FLG,5/16-18,G,ZAG.....2	2
16	54605GT	BRACKET,EXHAUST,Z45 BI.....1	1
17	824091GT	SCREW,HHF,3/8-16X1.25,8,ZAG.....1	1
18	824029GT	NUT,TL FLG,3/8-16,G,ZAG.....1	1
19	1251600GT	U-BOLT, FLATTENED, 1.5 X 3/8 UNC,ZAG.....1	1
20	139423GT	ALTERNATOR GUARD,Z482	
21	22934GT	SWITCH,OIL,PRESSURE,KUBOTA.....1	1
22	866400GT	KUBOTA OIL FILTER.....1	1
23	52532GT	PLUG,ENGINE OIL DRAIN,D-905***.....1	1
--	52533GT	GASKET (52532) OIL DRAIN, D905	
24	32067GT	HOSE,WATER PUMP,KUBOTA**.....1	1
25	32066GT	CLAMP,HOSE,KUBOTA WG750	
26	52816GT	BELT,FAN,KUBOTA DF972/Z482-E.....1	1
27	23469GT	PULLEY,FAN,WG750B***.....1	1
28	52818GT	FAN, KUBOTA Z482-E.....1	1
--	54323GT	GUARD,FAN,2 CYL.KUBOTA	
29	139421GT	WATER PUMP, Z482 T4	
30	32069GT	CLAMP,HOSE,KUBOTA WG750	
31	23472GT	GASKET,WATER PUMPWG750B/Z482-E.....1	1
32	62129GT	HOSE,WATER PUMP RETURN (Z482).....1	1
33	62130GT	PIPE,WATER RETURN (Z482-E).....1	1

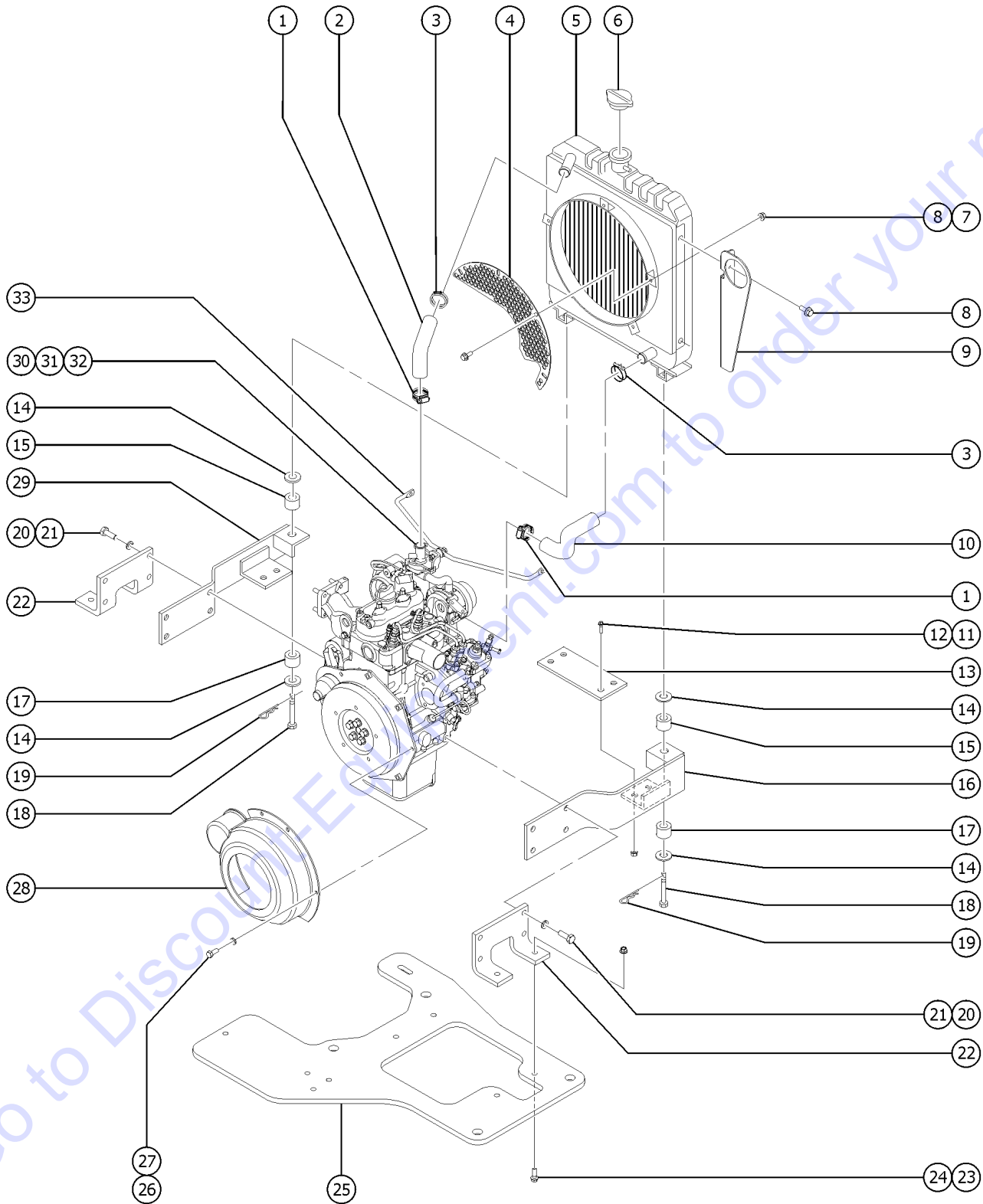
303.1 Kubota Z482 E4B-1 Engine, View 2



## 303.1 Kubota Z482 E4B-1 Engine, View 2

Item	Part No.	Description	Qty.	Item	Part No.	Description	Qty.
1	119684GT	AIRCLEANER ASSEMBLY.....	1	33	1256284GT	SCREW,HHC,M10-1.5X30,DIN933,10....	2
--	119685GT	BRACKET, AIRCLEANER MT.		34	824142GT	WASHER,LOCK,M10,ZAB.....	2
2	52867GT	FILTER,AIR***.....	1	35	32077GT	PETCOCK,DRAIN,KUBOTA WG750B.....	1
3	22672GT	CLAMP,HOSE,1.75.....	3	36	52836GT	DIPSTICK, KUBOTA Z482-E.....	1
4	60108GT	HOSE,AIR CLEANER INTAKE.....	1	37	1251795GT	RING GEAR, Z482 T4	
5	60107GT	HOSE,AIR CLEANER TO ENGINE.....	1	38	52838GT	ADAPTER FLANGE-PULLEY,Z482-E.....	1
6	1251793GT	GLOW PLUG, KUBOTA Z482.....	1	39	824135GT	SCREW,HHC,M8-1.25X20,DIN933,10....	7
7	1251794GT	INJECTOR, Z482 T4		40	824141GT	WASHER,LOCK,M8,ZAB.....	5
--	139656GT	SERVICE KIT, INJECTOR, Z482		41	56068GT	BUSHING,SH 1-1/8.....	1
8	52824GT	PIPE, INJECTOR 2 KUBOTA Z482-E.....	1	42	56067GT	BALANCER,HARMONIC,2-3V-500-SH...1	
9	52823GT	PIPE, INJECTOR 1 KUBOTA Z482-E.....	1	43	60112GT	ALTERNATOR BELT.....	2
10	62043GT	CLAMP-OVERFLOW PIPE(Z482-E).....	1	44	824060GT	SCREW,HHC,1/4-20X1,8,ZAG.....	3
11	62044GT	PIPE ASSY-OVERFLOW (Z482-E).....	1	45	824109GT	WASHER,LOCK,1/4,ZAG.....	3
12	52825GT	PUMP-INJECTION, KUBOTA Z482-E.....	1	46	56086GT	KEY,1/4 X 1.25	
13	52826GT	GASKET-INJECTION PUMP, Z482-E.....	1	47	139434GT	REAR END PLATE, Z482	
14	52949GT	SPEED CONTROL ASSEMBLY**.....	1	48	824144GT	WASHER,FLAT,M8,DIN125,ZAB.....	2
15	54365GT	SCREW,PHIL,PHM,10-32 X .5,SSTL....	3	49	824086GT	SCREW,HHF,5/16-18X1,8,ZAG.....	2
16	27082GT	NUT,NYLOCK,M5X.80.....	3	50	824028GT	NUT,TL FLG,5/16-18,G,ZAG.....	4
17	56101GT	BRACKET,STOP LEVER.....	1	51	42662GT	COOLANT RECOVERY BOTTLE1.5 QT*.....	1
18	56102GT	BRACKET,IDLE LEVER.....	1	--	227833GT	HOSE,PVC,CLEAR,36.00" <i>not included with coolant bottle</i>	
19	52832GT	GASKET-SPEED CONTROL ASSEMBLY.....	1	52	54243-SGT	BRKT,AIRCLEAN,COOLRES.MNT,PNTD.1	
20	27089GT	HOSE,5/16 FUEL,SAE 30R7		53	824085GT	SCREW,HHF,5/16-18X.75,8,ZAG.....	2
21	52834GT	CLAMP-HOSE, .375, FUEL PUMP		54	52866GT	EVACUATOR VALVE-AIR CLEANER.....	1
22	52835GT	PUMP ASSY-FUEL, KUBOTA Z482-E.....	1				
23	27089GT	HOSE,5/16 FUEL,SAE 30R7					
24	56110GT	ROD,ENGINE IDLE & STOP.....	1				
25	824041GT	NUT,1/4-28,8,ZAG.....	4				
26	20780GT	SOLENOID,2 SPEED TROMBETTA***.....	2				
--	52514GT	BOOT,THROTTLE SOLENOID					
27	60105-SGT	BRACKET,SOLENOID MOUNT PAINTED.....	1				
28	147205GT	ASSEMBLY, FUEL FILTER, Z482.....	1				
--		RETAINING RING, FUEL FILTER <i>(for illustration only; component not available separately)</i>					
--	139428GT	HOUSING, FUEL FILTER, Z482					
--	139429GT	ELEMENT, FUEL FILTER, Z482					
--	147206GT	CUP ASSY, FUEL FILTER, Z482					
--	147208GT	O-RING, FUEL FILTER, Z482					
29	54760GT	ROD,CHOKE Z45 BI ENERGY.....	1				
30	22446GT	SPRING,COMPRESSION .835 X 2.....	1				
31	824027GT	NUT,TL FLG,1/4-20,G,ZAG.....	2				
32	824079GT	SCREW,HHF,1/4-20X1,8,ZAG.....	2				

304.1 Kubota Z482 E4B-1 Engine, View 3

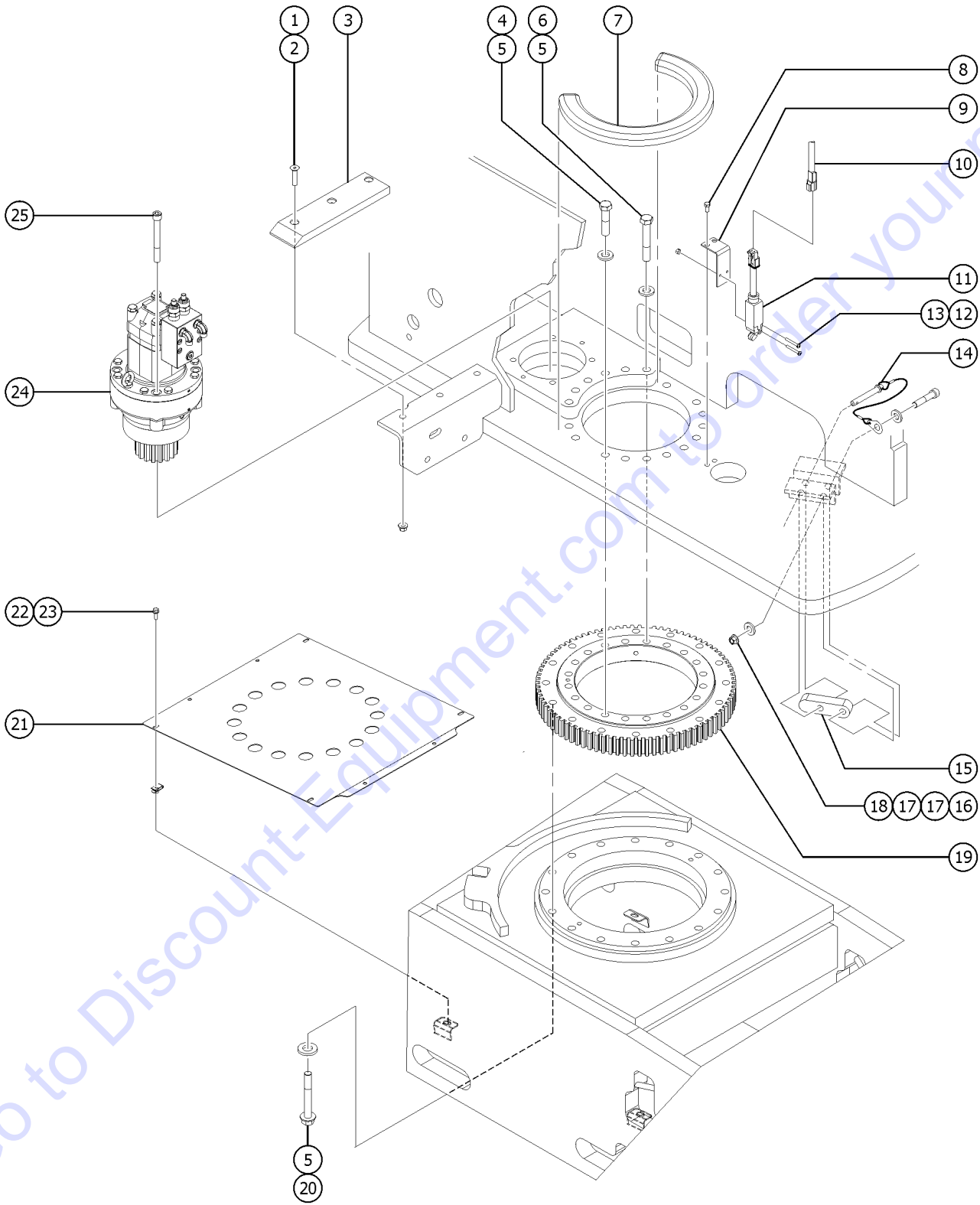


## 304.1 Kubota Z482 E4B-1 Engine, View 3

Item	Part No.	Description	Qty.
1	32066GT	CLAMP,HOSE,KUBOTA WG750.....1	1
2	52841GT	HOSE-RADIATOR,UPPER Z482-E.....1	1
3	32087GT	CLAMP,HOSE,KUBOTA WG750.....1	1
4	54323GT	GUARD,FAN,2 CYL.KUBOTA.....1	1
5	119242GT	RADIATOR ASSY,KUBOTA Z482E AL.....1	1
6	110523GT	CAP,RADIATOR,AL,KUBOTA DF-752.....1	1
7	231513GT	NUT,TL FLG,M6-1.0,DIN6927,10,ZAB....4	4
8	824131GT	SCREW,HHF,M6-1.0X16,DIN6921,10,9,ZAB.6	6
9	110749GT	BRACKET,AIR INTAKE.....1	1
10	32090GT	HOSE,LWR RADIATOR,KUBOTA WG750.....1	1
11	824078GT	SCREW,HHF,1/4-20X.75,8,ZAG.....4	4
12	824027GT	NUT,TL FLG,1/4-20,G,ZAG.....4	4
13	28963GT	RADIATOR STAY, KUBOTA 1702.....1	1
14	52539GT	WASHER,RADIATOR CUSHION,KUBOTA.....4	4
15	865260GT	KUBOTA 15263-12370CUSHION.....2	2
16	52847GT	BRACKET-RADIATOR SUPRT,OUTBRD.....1	1
17	28156GT	CUSHION,RADIATOR,KUBOTA 1702**.....2	2
18	52540GT	SCREW,RADIATOR MOUNT, KUBOTA.....2	2
19	52541GT	CLIP,RADIATOR MOUNT, KUBOTA.....2	2
20	1256284GT	SCREW,HHC,M10-1.5X30,DIN933,10...6	6
21	824142GT	WASHER,LOCK,M10,ZAB.....6	6
22	60088-SGT	BRACKET,ENGINE MNT,KUBOTA 13HP.....2	2
23	824091GT	SCREW,HHF,3/8-16X1.25,8,ZAG.....4	4
24	824029GT	NUT,TL FLG,3/8-16,G,ZAG.....4	4
25	60092-SGT	PLATE,ENGINE MOUNT PAINTED.....1	1
26	824135GT	SCREW,HHC,M8-1.25X20,DIN933,10...4	4
27	824141GT	WASHER,LOCK,M8,ZAB.....4	4
28	54316GT	COVER,FLYWHEEL,2 CYL.KUBOTA.....1	1
29	52851GT	BRACKET-RADIATOR SUPRT,INBOARD.....1	1
30	27367GT	THERMOSTAT COVER,KUBOTA GAS.....1	1
31	23473GT	THERMOSTAT ASSY, WG750B.....1	1
32	866397GT	KUBOTA GASKET,THERMOSTAT.....1	1
33	82851GT	LABEL,RELAY A.....1	1

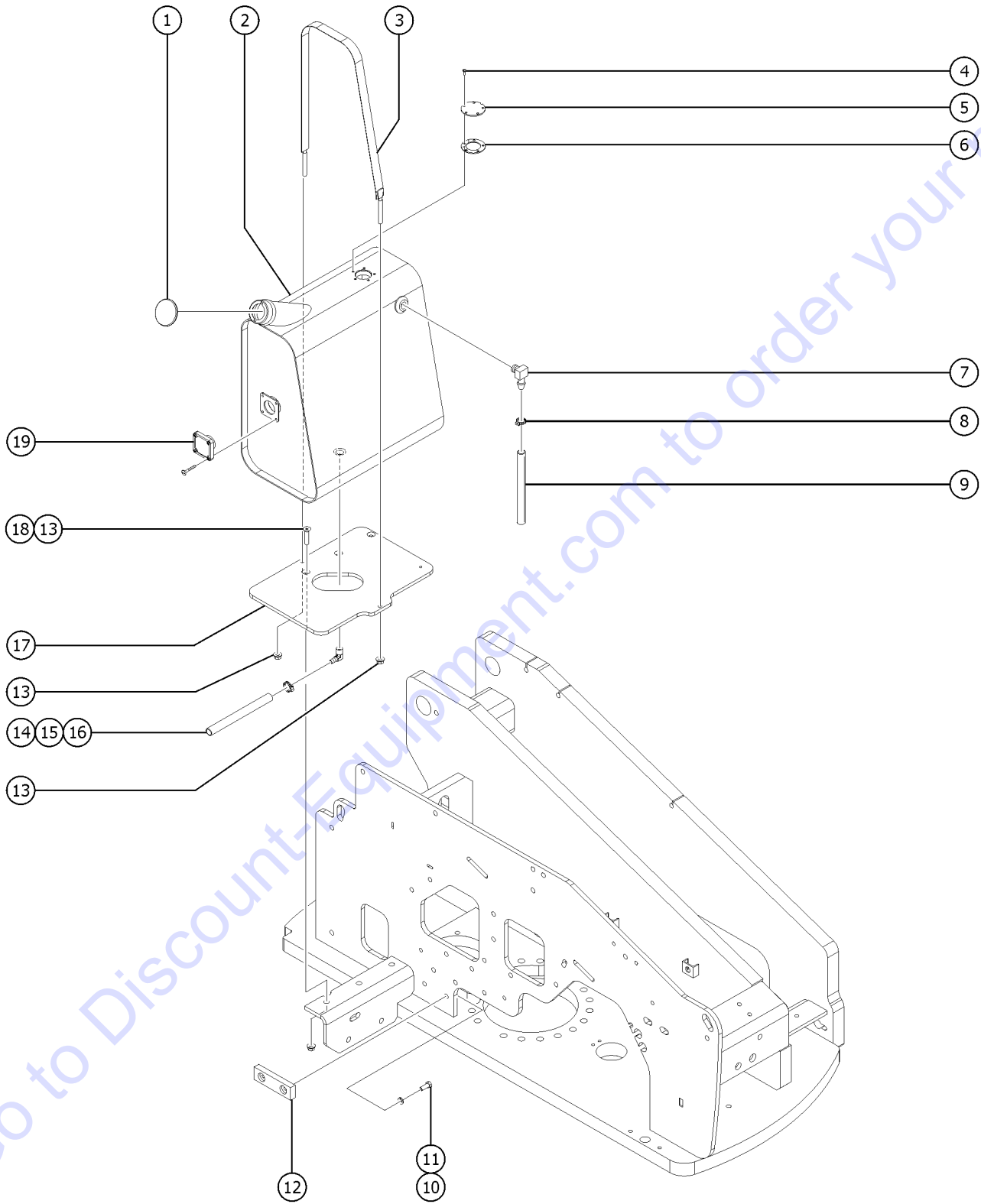


401.1 Turntable Rotator



Item	Part No.	Description	Qty.
1	1259857GT	SCREW,FHS,3/8-16X1.75,F835,ZAG.....3	
2	824029GT	NUT,TL FLG,3/8-16,G,ZAG.....3	
3	50519GT	LOAD PAD,ENGINE TRAY SUPPORT....1	
4	1263234GT	SCREW,HHC,5/8-11X2.75,8,ZAG.....12	
5	1256182GT	WASHER,FLAT,5/8,F436,HRD,ZAG.....34	
6	1256170GT	SCREW,HHC,5/8-11X4,8,ZAG.....6	
7	107651GT	PROTECTOR,SLEW BOLT.....1	
8	1256109GT	SCREW,HHC,3/8-16X.75,8,ZAG.....2	
9	50469GT	BRACKET,DRIVE SENSOR,ENABLE....1	
10	88719GT	HARNES,FUNCTION,Z45 DC/BI	
11	88356-11103GT	SWITCH,LIMIT,W/RLR ARM,NO/NC**....1	
--	106427GT	LS ROT.HEAD W/O LEVER (ZCE01)	
--	110160GT	HARNES,LS,D.E. Z45	
--	97128GT	ROLLER ARM,LIMIT SWITCH***	
12	824216GT	SCREW,PHPM,10-32X1.5,ZAG.....2	
13	824036GT	NUT,TL,10-32,A,ZAG.....2	
14	54145-800GT	RETAINING PIN, ASSY.....1	
15	50776GT	PLATE,SWING LOCK***.....1	
16	1251997GT	NUT,TL FLG,1/2-13,G,ZAG.....1	
17	1255760GT	WASHER,FLAT,1/2,USS,ZAG.....2	
18	824103GT	SCREW,SHC,1/2-13X3,A574,ZAG.....1	
19	101815GT	BEARING,SWING CHASSIS.....1	
--	88635-4024GT	HOSE ASSY 1/4,STR FEM,PIPETHRE	
20	1263142GT	SCREW,HHC,5/8-11,4.5,8,ZAG.....16	
21	120269GT	FORMING,BELLY PAN.....1	
22	824078GT	SCREW,HHF,1/4-20X.75,8,ZAG.....4	
23	56912GT	SPRING CLIP,1/4-20,.025-.15X.54,ZAG.....4	
24	824050GT	SWING DRIVE ASSEMBLY.....1	
--	48904GT	ELBOW,90D,520220-4-4 <i>not included, must order separately</i>	
--	824051GT	SEAL KIT, SWING DRIVE	
--	824052GT	VALVE BLOCK, SWING DRIVE	
25	1263232GT	SCREW,SHC,1/2-13X4.5,A574,ZAG.....4	

402.1 Turntable Components - View 1 - Bi-Energy Models

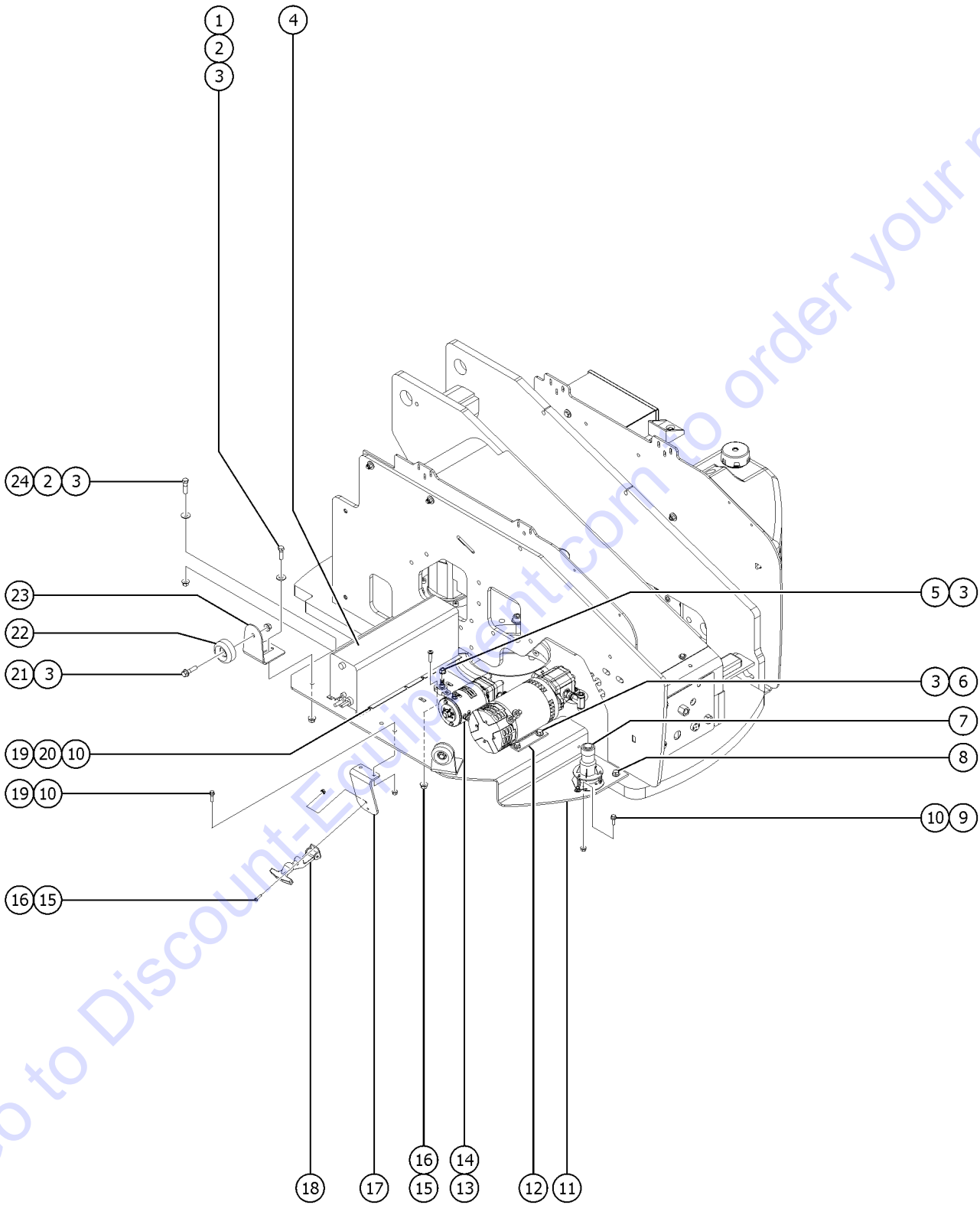


Go to [Discount-Equipment.com](http://Discount-Equipment.com) to order your parts

## 402.1 Turntable Components - View 1 - Bi-Energy Models

Item	Part No.	Description	Qty.
1	54694GT	FUEL CAP,BI-ENERGY,Z45***%.....1	1
2	1274551GT	FUEL TANK 9 GAL.....1	1
3	1282314GT	STRAP ASSY, 44LG, W/RUBBER.....1	1
4	1251757GT	SCREW,PHPM,10-32X.50,ZAG.....5	5
5	1271772GT	CAP, TANK, FUEL SENSOR.....1	1
6	1271773GT	GASKET, TANK, FUEL SENSOR.....1	1
7	54206GT	HOSE END,BARB,1/4 MNPTX3/16,90....1	1
8	31982GT	CLAMP,HOSE,1 EAR, 15/32.....1	1
9	54286GT	HOSE,3/16,FUEL,SAE 30R7,103"	
10	824067GT	SCREW,HHC,3/8-16X1,8,ZAG.....2	2
11	824110GT	WASHER,LOCK,3/8,ZAG.....2	2
12	30138GT	WEAR PAD,5 X 1.5 X .625 W/NUTS.....1	1
13	824029GT	NUT,TL FLG,3/8-16,G,ZAG.....5	5
14	54287GT	HOSE,5/16,FUEL,SAE 30R7,86"	
15	54123GT	CLAMP,HOSE,1 EAR, 5/8	
16	54205GT	HOSE END,BARB,1/4 MNPTX5/16,90....1	1
17	60102GT	PLATE,FUEL TANK.....1	1
18	1259857GT	SCREW,FHS,3/8-16X1.75,F835,ZAG.....3	3
19	60170GT	GAUGE,FUEL,SIDE MOUNT Z45.....1 <i>includes mounting fasteners</i>	1

403.1 Turntable Components - View 1 - DC Models

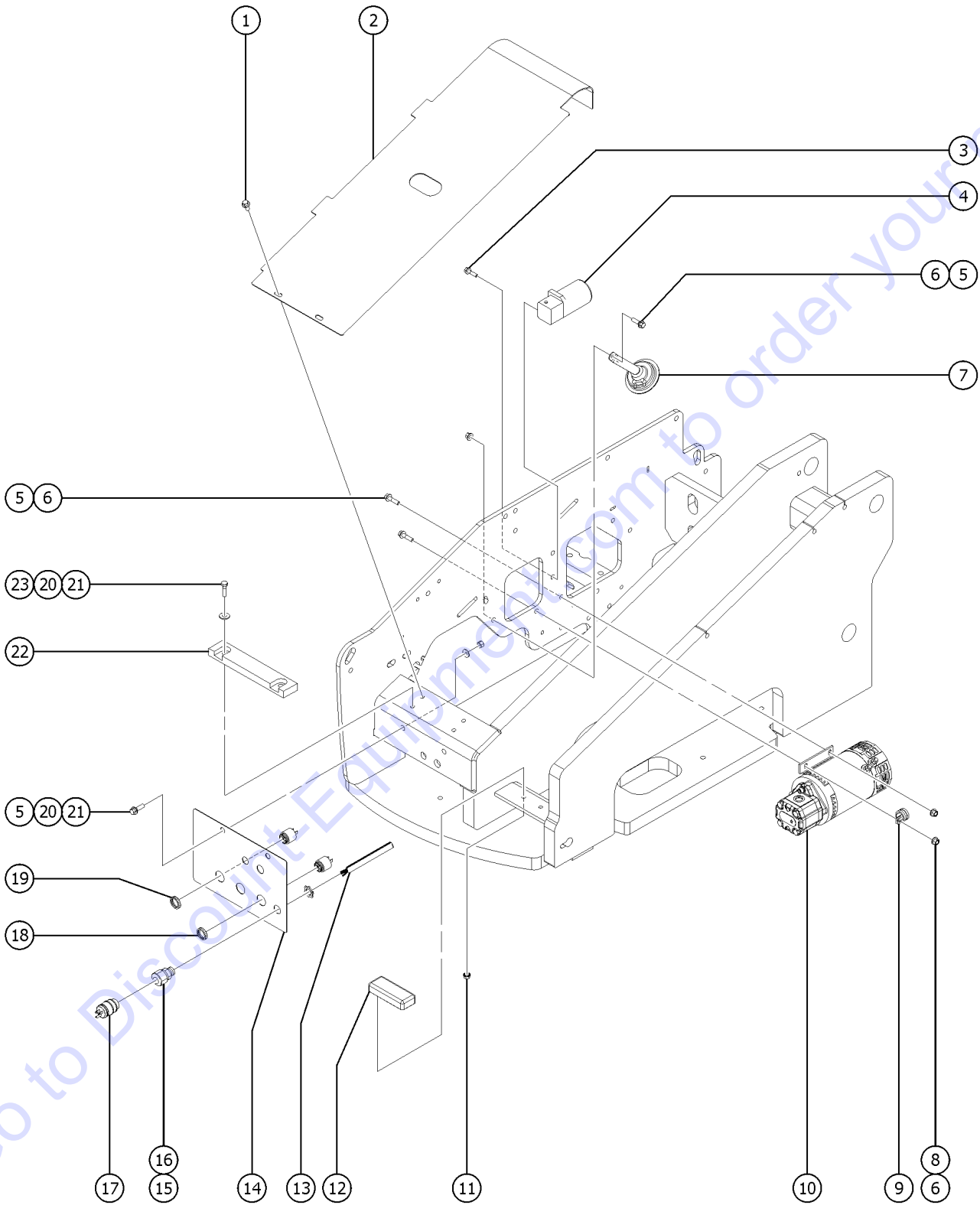


Go to Discount-Equipment.com to order your parts

## 403.1 Turntable Components - View 1 - DC Models

Item	Part No.	Description	Qty.
1	824068GT	SCREW,HHC,3/8-16X1.25,8,ZAG.....	2
2	1255758GT	WASHER,FLAT,3/8,USS,ZAG.....	4
3	824029GT	NUT,TL FLG,3/8-16,G,ZAG.....	11
4	150026GT	INVERTER,48VDC,120VAC/60HZ.....	1
5A	94981GT	STUD,POWER 3/8" RED.....	1
		<i>red</i>	
5B	94982GT	STANDOFF, 3/8" BLACK.....	1
		<i>black</i>	
6	824091GT	SCREW,HHF,3/8-16X1.25,8,ZAG.....	4
7A	110382GT	LEVEL SENSOR,LS60,YL,2.5X4.5.....	1
		<i>CE</i>	
7B	94077GT	SENSOR,LEVEL,4.5 DEG.....	1
		<i>ANSI/CSA/Australia</i>	
8	824090GT	SCREW,HHF,3/8-16X1,8,ZAG.....	2
9	824078GT	SCREW,HHF,1/4-20X.75,8,ZAG.....	3
10	824027GT	NUT,TL FLG,1/4-20,G,ZAG.....	9
11	60106PGT	FORMING,SWING CHASSIS TRAY PTD.....	1
12		REF. HYDRAULIC POWER UNIT <i>Refer to 701.1</i>	
13	36179GT	POWER UNIT,AUX PUMP 24VDC.....	1
14	824085GT	SCREW,HHF,5/16-18X.75,8,ZAG.....	2
15	1264261GT	NUT,SERRATED,10-32,ZAG.....	4
16	824215GT	SCREW,PHPM,10-32X.75,ZAG.....	4
17	128319GT	FORMING,DRAW LATCH MOUNT.....	1
18	45363GT	LATCH,FLEXIBLE DRAW W/O KEEPER.....	1
19	824079GT	SCREW,HHF,1/4-20X1,8,ZAG.....	6
20	13268GT	CLAMP,0.75,#12 X 1/4,RUB CUSH.....	2
21	824092GT	SCREW,HHF,3/8-16X1.5,8,ZAG.....	2
22	50974GT	BUMPER,RUBBER,COVERS.....	2
23	54363GT	BRACKET,RUBBER BUMPER,ENGCOVER.....	2
24	1256118GT	SCREW,HHC,3/8-16X1.5,8,ZAG.....	2

404.1 Turntable Components - View 2

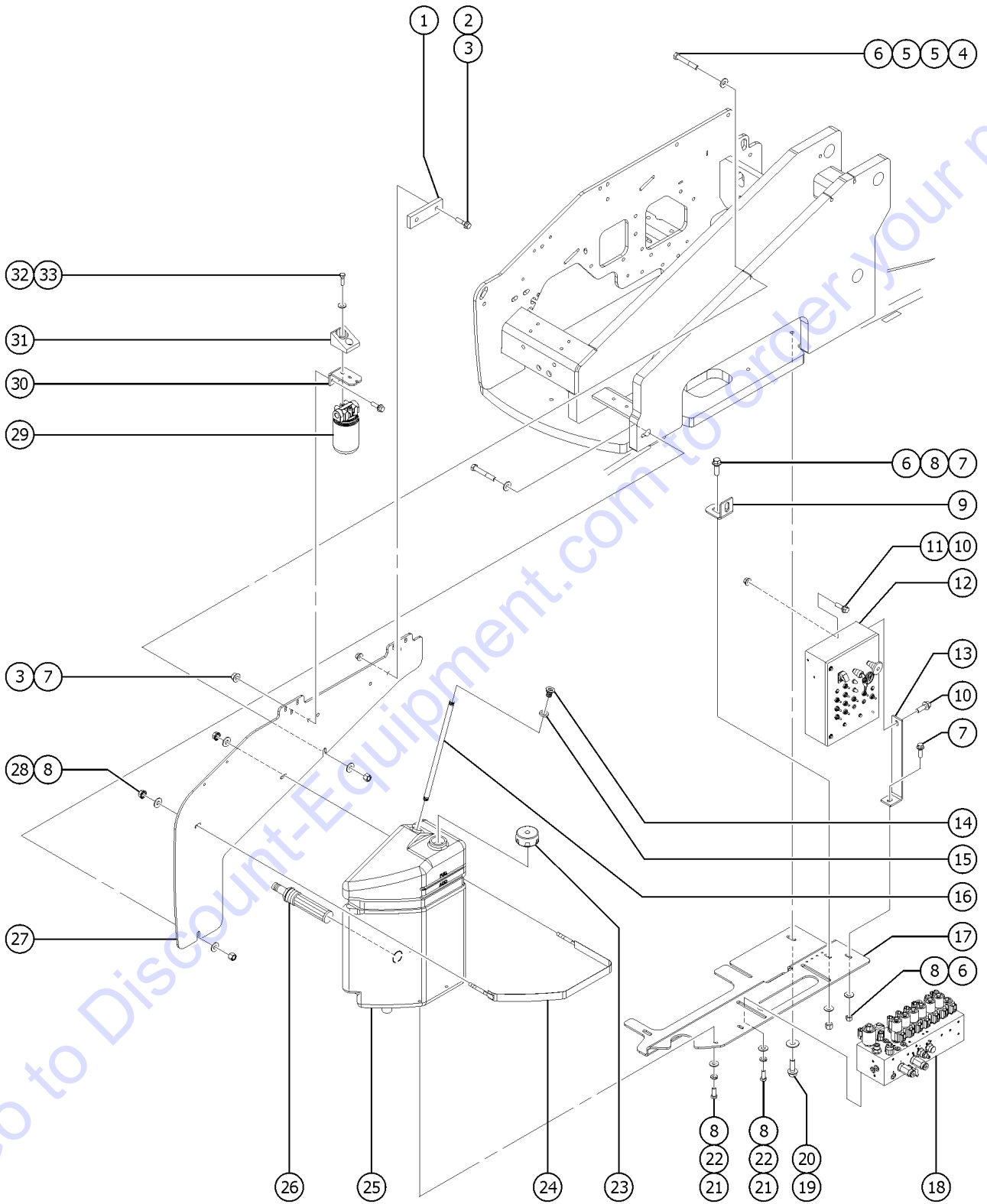


## 404.1 Turntable Components - View 2

Item	Part No.	Description	Qty.	Item	Part No.	Description	Qty.
1	824089GT	SCREW,HHF,3/8-16X.75,8,ZAG.....	2	20	825358GT	WASHER,FLAT,5/16,USS,ZAG.....	4
2	119784PGT	COVER,CENTER SWING CHASSIS,PTD.....	1	21	824025GT	NUT,TL,3/8-16,C,ZAG.....	4
3	824087GT	SCREW,HHF,5/16-18X1.25,8,ZAG.....	2	22	50570GT	WEAR PAD,PRIMARY BOOM,NON JIB.....	1
4	36179GT	POWER UNIT,AUX PUMP 24VDC.....	1	23	1256118GT	SCREW,HHC,3/8-16X1.5,8,ZAG.....	2
--	37184GT	MOTOR, 24V (36179)					
--	37185GT	PUMP ASSEMBLY (36179)					
--	37186GT	VALVE,CHECK (36179)					
--	37187GT	SEAL KIT, 37185 PUMP					
--	37191GT	GASKET, PUMP / MOTOR (36179)					
--	37192GT	COUPLER, PUMP / MOTOR (36179)					
--	49878GT	NYLON WASHER,(36179)					
5	824091GT	SCREW,HHF,3/8-16X1.25,8,ZAG.....	5				
6	824029GT	NUT,TL FLG,3/8-16,G,ZAG.....	4				
7	81579GT	HORN,24VDC,SPADE TERMINALS***.....	1				
8	824092GT	SCREW,HHF,3/8-16X1.5,8,ZAG.....	1				
9	49863GT	CLAMP,1.13,#18 X 3/8,RUB CUSH*.....	1				
10		Ref. Hydraulic Power Unit (refer to 701.1) Bi-energy models					
11	1257628GT	NUT,SERRATED,3/8-16,8,ZAG.....	2				
12	56849GT	PAD,REST,1"THICK,W/STUDS*.....	1				
13	43956GT	WIRE CABLE,14/3 CON.TPE JKT*.....	756-inches				
14	70647GT	PLATE,FRONT COVER***.....	1				
15	7056GT	CONN,SQUEEZE,1/2NPT .38-.50,SM....	1				
16	6935GT	LOCKNUT,ELEC,1/2".....	1				
17A	119403GT	CONN,PLUG 120 AC/15A DOMESTIC...1					
--		FUSE,13 AMP,220V PLUG (component no longer available) refer to BS1362 BUSS TDC180-13A					
--	119404GT	CONN,RECEP 120AC/15A DOMESTIC					
--	1280665GT	PLUG, TYPE F, 230A, 50HZ, 16A, IP44					
--	144161GT	PLUG,PWR,UK,16AMP,3PIN,BLK					
--	25388GT	PLUG,FUSED,250V,13AMP,U.K.**					
17B	128646GT	CORD AC IEC320-C19 TO 110UK.....1					
--	139318GT	BUSHING,STRAIN RELIEF,.875/.30					
17C	128645GT	CORD AC IEC320-C19 TO 220EU.....1					
--	139318GT	BUSHING,STRAIN RELIEF,.875/.30					
18	18963GT	ALARM,INTERMITTENT TONE 6-30V*...1					
--	72326GT	NUT - PLASTIC,RING FOR ALARMS					
19	45462GT	ALARM,CHIME TONE 5-25VDC***.....1					
--	72326GT	NUT - PLASTIC,RING FOR ALARMS					



405.1 Turntable Components - View 3



## 405.1 Turntable Components - View 3

Item	Part No.	Description	Qty.
1	54231GT	WEAR PAD,4.88 X 1.5 X .5.....	1
2	824092GT	SCREW,HHF,3/8-16X1.5,8,ZAG.....	2
3	824029GT	NUT,TL FLG,3/8-16,G,ZAG.....	4
4	824069GT	SCREW,HHC,3/8-16X2.5,8,ZAG.....	2
5	825358GT	WASHER,FLAT,5/16,USS,ZAG.....	4
6	824025GT	NUT,TL,3/8-16,C,ZAG.....	4
7	824091GT	SCREW,HHF,3/8-16X1.25,8,ZAG.....	4
8	1255758GT	WASHER,FLAT,3/8,USS,ZAG.....	8
9	70602GT	BRACKET, ANGLE.....	1
10	824078GT	SCREW,HHF,1/4-20X.75,8,ZAG.....	2
11	824027GT	NUT,TL FLG,1/4-20,G,ZAG.....	2
12		Ref. Ground Controls (refer to 406.1 or 407.1)	
13	88557GT	BRACKET,GROUND CONTROL BOX.....	1
14	39223GT	BULKHEAD FITTING,PLASTIC X 8**..... Includes item 15	1
15	62088GT	WASHER/BULKHEAD***.....	1
16	60065GT	TUBE,PLASTIC .5 NPT X 18".....	1
17	50959GT	FORMING,SWING CHASSIS,RH.....	1
18		Ref. Function Manifold (refer to 702.1)	
19	1253498GT	SCREW,HHF,1/2-13X1.5,8,ZAG.....	3
20	1255760GT	WASHER,FLAT,1/2,USS,ZAG.....	3
21	824067GT	SCREW,HHC,3/8-16X1,8,ZAG.....	4
22	824110GT	WASHER,LOCK,3/8,ZAG.....	4
23	42019GT	TANK BREATHER,NYLON **.....	1
24	77435GT	STRAP ASSY,29.25LG,W/RUBBER.....	1
25	50966GT	TANK,HYDRAULIC,8 GALLON,DC/BI.....	1
--	56022GT	PLUG,3/4 MAGNETIC PIPE SQ.DRV	
26	45162GT	STRAINER ASSEMBLY,1.25" NPT***.....	1
27	54443GT	BULKHEAD,SWING,RIGHT,Z45 DC/BE.....	1
28	1257628GT	NUT,SERRATED,3/8-16,8,ZAG.....	2
29	78622GT	FILTER ASSY,SAE8,10 MIC,PAPR**.....	1
--	44788GT	FILTER ELEMENT,10MICRON,PAPER*	
30	50744GT	BRACKET,RETURN FILTER**.....	1
31	54360GT	CUP,PROP ROD,DC/BI.....	1
32	824060GT	SCREW,HHC,1/4-20X1,8,ZAG.....	2
33	824113GT	WASHER,FLAT,USS,1/4,ZAG.....	2

# PARTS FINDER

**Search Website  
by Part Number**



**Search Manual  
Library For Parts  
Manual & Lookup Part  
Numbers – Purchase  
or Request Quote**

**Search Manuals**

Enter your information to help us find the right parts manual for your machine.

\* Brand:

\* Model:

\* Serial:

\* Part Number:

SEARCH

**Can't Find Part or  
Manual? Request Help  
by Manufacturer,  
Model & Description**

**Parts Order Form**

Please fill in the following information to help us find the right part for your machine.

Manufacturer:	<input type="text"/>
Model:	<input type="text"/>
Description:	<input type="text"/>
Part Number:	<input type="text"/>
Quantity:	<input type="text"/>
Notes:	<input type="text"/>

Submit

Discount-Equipment.com is your online resource for quality parts & equipment.

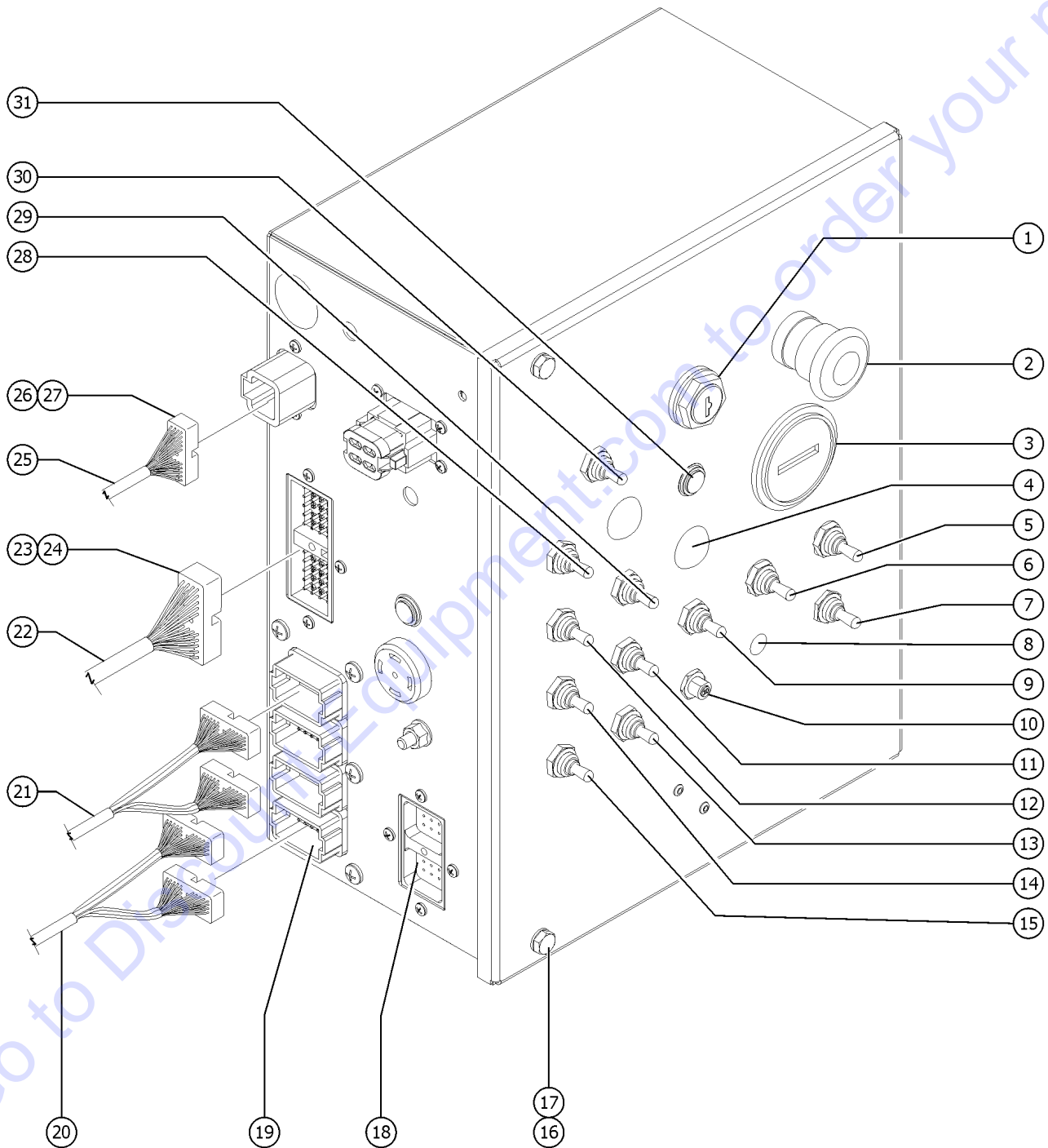
Florida: **561-964-4949** Outside Florida TOLL FREE: **877-690-3101**

**Need parts?**

Click on this link: <http://www.discount-equipment.com/category/5443-parts/> and choose one of the options to help get the right parts and equipment you are looking for. Please have the machine model and serial number available in order to help us get you the correct parts. If you don't find the part on the website or on one of the online manuals, please fill out the request form and one of our experienced staff members will get back to you with a quote for the right part that your machine needs.

We sell worldwide for the brands: Genie, Terex, JLG, MultiQuip, Mikasa, Essick, Whiteman, Mayco, Toro Stone, Diamond Products, Generac Magnum, Airman, Haulotte, Barreto, Power Blanket, Nifty Lift, Atlas Copco, Chicago Pneumatic, Allmand, Miller Curber, Skyjack, Lull, Skytrak, Tsurumi, Husquvarna Target, Stow, Wacker, Sakai, Mi-T-M, Sullair, Basic, Dynapac, MBW, Weber, Bartell, Bennar Newman, Haulotte, Ditch Runner, Menegotti, Morrison, Contec, Buddy, Crown, Edco, Wyco, Bomag, Laymor, EZ Trench, Bil-Jax, F.S. Curtis, Gehl Pavers, Heli, Honda, ICS/PowerGrit, IHI, Partner, Imer, Clipper, MMD, Koshin, Rice, CH&E, General Equipment, Amida, Coleman, NAC, Gradall, Square Shooter, Kent, Stanley, Tamco, Toku, Hatz, Kohler, Robin, Wisconsin, Northrock, Oztec, Toker TK, Rol-Air, APT, Wylie, Ingersoll Rand / Doosan, Innovatech, Con X, Ammann, Mecalac, Makinex, Smith Surface Prep, Small Line, Wanco, Yanmar

406.1 Ground Control Box - View 1



## 406.1 Ground Control Box - View 1

Item	Part No.	Description	Qty.	Item	Part No.	Description	Qty.
1A	96008-SGT	KEYSWITCH,3 POS. W/KEYS***.....1	1	9	128202GT	SWITCH TOGGLE ASSY DPDT 3P MOM.....1	1
--	21982GT	KEY,SINGLE***				<i>Secondary Boom Up/Down; includes boot and hardware</i>	
--	37947GT	KEYS,10 PACK***		--	128578GT	SCREW T-SWITCH PH/PH 6-32X1/4	
--	83093GT	KEY SINGLE*** <i>with rubber boot</i>		--	128582-SGT	SWITCH TOGGLE DPDT 3P MOM SHDR	
--	88827GT	GASKET,KEYSWITCH,PLASTIC***		--	27246GT	BOOT,TOGGLE SWITCH,SHORT*	
--	94506GT	BASE,W/3 NC CONTACTS		10	147093GT	ASSY, CIRCUIT BREAKER 10A.....1	1
--	96010GT	SCREW,PHILLIPS,PHM,8-32 X.25**				<i>includes mounting fasteners</i>	
1B	83131GT	KEYSWITCH,3 POS W/KEYS,LOCKING.....1	1	--	122994GT	NICKEL PLATED JAM NUT	
--	83093GT	KEY SINGLE***		--	147089GT	CIRCUIT BREAKER, 10A	
--	85239GT	NUT,RETAINER (96008)		--	6700GT	WASHER,STAR,EXTERNAL,,375	
2	66812GT	BUTTON,PUSH,RED MUSHROOM HEAD.....1	1	11A	229567GT	PLUG,SANTOPRENE .5 BLACK DOME.....1	1
--	66818GT	CONTACT, N.C.				<i>(Z-45/25)</i>	
--	66821GT	BASE,WITHOUT CONTACTS		11B	128202GT	SWITCH TOGGLE ASSY DPDT 3P MOM.....1	1
3	19506GT	HOUR METER,10-80 VOLTS***.....1	1			<i>Jib Boom Up/Down (Z-45/25J); includes boot and hardware</i>	
		<i>includes mounting bracket</i>		--	128578GT	SCREW T-SWITCH PH/PH 6-32X1/4	
4	229567GT	PLUG,SANTOPRENE .5 BLACK DOME.....2	2	--	128582-SGT	SWITCH TOGGLE DPDT 3P MOM SHDR	
5A	128200GT	SWITCH TOGGLE ASSY SPDT 3P MOM.....1	1	--	27246GT	BOOT,TOGGLE SWITCH,SHORT*	
		<i>Glow Plug (Bi-Energy); includes boot and hardware</i>		12	128202GT	SWITCH TOGGLE ASSY DPDT 3P MOM.....1	1
--	128578GT	SCREW T-SWITCH PH/PH 6-32X1/4				<i>Primary Boom Ext/Ret; includes boot and hardware</i>	
--	128580-SGT	SWITCH TOGGLE SPDT 3P MOM SHDR		--	128578GT	SCREW T-SWITCH PH/PH 6-32X1/4	
--	27246GT	BOOT,TOGGLE SWITCH,SHORT*		--	128582-SGT	SWITCH TOGGLE DPDT 3P MOM SHDR	
5B	229567GT	PLUG,SANTOPRENE .5 BLACK DOME.....1	1	--	27246GT	BOOT,TOGGLE SWITCH,SHORT*	
		<i>DC models</i>		13	128202GT	SWITCH TOGGLE ASSY DPDT 3P MOM.....1	1
6A	128200GT	SWITCH TOGGLE ASSY SPDT 3P MOM.....1	1			<i>Primary Level; includes boot and hardware</i>	
		<i>Engine Start; includes boot and hardware</i>		--	128578GT	SCREW T-SWITCH PH/PH 6-32X1/4	
--	128578GT	SCREW T-SWITCH PH/PH 6-32X1/4		--	128582-SGT	SWITCH TOGGLE DPDT 3P MOM SHDR	
--	128580-SGT	SWITCH TOGGLE SPDT 3P MOM SHDR		--	27246GT	BOOT,TOGGLE SWITCH,SHORT*	
--	27246GT	BOOT,TOGGLE SWITCH,SHORT*		14	128202GT	SWITCH TOGGLE ASSY DPDT 3P MOM.....1	1
6B	229567GT	PLUG,SANTOPRENE .5 BLACK DOME.....1	1			<i>Turntable Rotate; includes boot and hardware</i>	
		<i>DC models</i>		--	128578GT	SCREW T-SWITCH PH/PH 6-32X1/4	
7	128200GT	SWITCH TOGGLE ASSY SPDT 3P MOM.....1	1	--	128582-SGT	SWITCH TOGGLE DPDT 3P MOM SHDR	
		<i>Function Enable; includes boot and hardware</i>		--	27246GT	BOOT,TOGGLE SWITCH,SHORT*	
--	128578GT	SCREW T-SWITCH PH/PH 6-32X1/4		15	128202GT	SWITCH TOGGLE ASSY DPDT 3P MOM.....1	1
--	128580-SGT	SWITCH TOGGLE SPDT 3P MOM SHDR				<i>Platform Rotate; includes boot and hardware</i>	
--	27246GT	BOOT,TOGGLE SWITCH,SHORT*		--	128578GT	SCREW T-SWITCH PH/PH 6-32X1/4	
8	21858GT	PLUG,NYLON .38 BLACK DOMED.....1	1	--	128582-SGT	SWITCH TOGGLE DPDT 3P MOM SHDR	
				--	27246GT	BOOT,TOGGLE SWITCH,SHORT*	

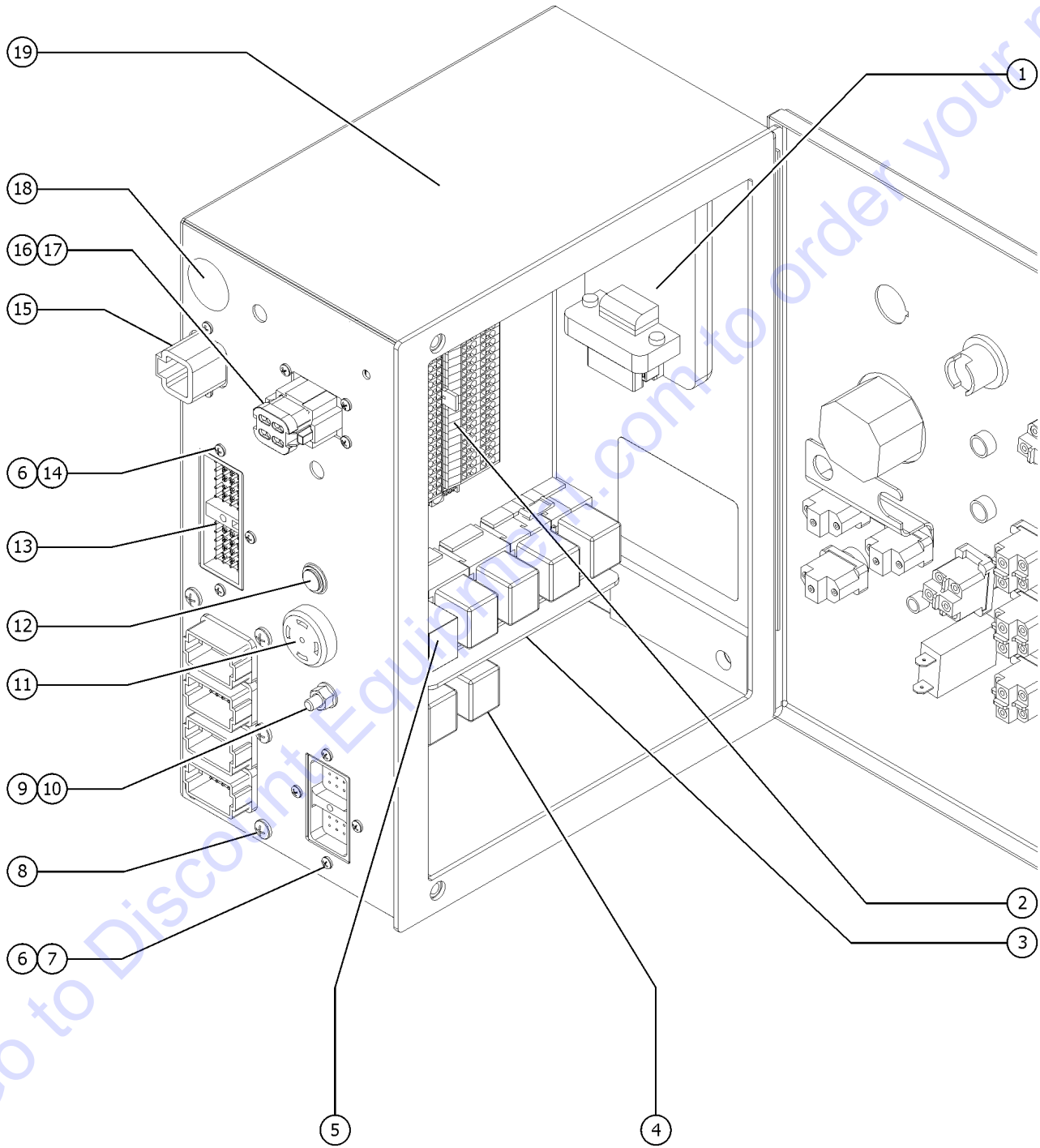
406.1 Ground Control Box - View 1  
(continued)

Item	Part No.	Description	Qty.	Item	Part No.	Description	Qty.
16	824059GT	SCREW,HHC,1/4-20X.75,8,ZAG.....	2	--	128578GT	SCREW T-SWITCH PH/PH 6-32X1/4	
17	1253185GT	WASHER,FLAT,#10,USS,ZAG.....	2	--	128582-SGT	SWITCH TOGGLE DPDT 3P MOM SHDR	
18A		HARNES,ENGINE,Z45BI <i>Bi-Energy models; refer to section 410.1</i>		--	27246GT	BOOT,TOGGLE SWITCH,SHORT*	
--	73749GT	CONN,PLUG 24 WAY,DRC SERIES		30	128201GT	SWITCH TOGGLE ASSY DPDT 2P MOM.....	1
--	73753GT	CONN,RECEP 24 WAY,W/FLANGE				<i>Auxiliary Power; includes boot and hardware</i>	
18B	230501GT	COVER PLATE, CONNECTOR.....	1	--	128578GT	SCREW T-SWITCH PH/PH 6-32X1/4	
		<i>DC models</i>		--	128581-SGT	SWITCH TOGGLE DPDT 2P MOM SHDR	
19	73736GT	CONN,RECEP 48 WAY,4 X 12.....	1	--	25553GT	BOOT,TOGGLE SWITCH	
--	119061GT	CONN PLUG 12 WAY ENDCAP DT GY		--	27246GT	BOOT,TOGGLE SWITCH,SHORT*	
--	119062GT	CONN PLUG 12 WAY ENDCAP DT BK		31A	229567GT	PLUG,SANTOPRENE .5 BLACK DOME.....	1
--	54255GT	LOCK,RECEP 12 WAY, 14-18GA				<i>ANSI models</i>	
--	60435GT	LOCK,PLUG 12 WAY,14-18GA,GRN		31B	824878GT	LIGHT,LED IND. RED 24V NH.....	1
--	61801GT	SEAL DT SERIES-12W				<i>AUS and CE models</i>	
--	73713GT	TERM,NI PIN,S&F,16-18GA,REEL					
20A	88722-72000GT	HARNES,18/19,BOOM CABLE #2.....	1				
		<i>(Z-45/25); gray and black connectors</i>					
20B	88722-70700GT	HARNES,18/19,BOOM CABLE #2.....	1				
		<i>(Z-45/25J); gray and black connectors</i>					
--	119063GT	CONN PLUG 12 WAY ENDCAP DT GR					
--	119064GT	CONN PLUG 12 WAY ENDCAP DT BR					
--	60435GT	LOCK,PLUG 12 WAY,14-18GA,GRN					
--	61801GT	SEAL DT SERIES-12W					
21A	88721-72000GT	HARNES,18/19 BOOM CABLE #1.....	1				
		<i>(Z-45/25); brown and green connectors</i>					
22	88719GT	HARNES,FUNCTION,Z45 DC/BI.....	1				
23	73751GT	CONN,PLUG 40 WAY,DRC SERIES.....	1				
24	73754GT	CONN,RECEP 40 WAY,W/FLANGE.....	1				
25A	88723-71000GT	HARNES,12/3,12V TO PLAT.....	1				
		<i>(Z-45/25)</i>					
25B	88723-69700GT	HARNES,PLAT,Z45DC/BI,JIB.....	1				
		<i>(Z-45/25J)</i>					
26	60527GT	CONN,PLUG 4 WAY,12-14GA.....	1				
--	60528GT	LOCK,PLUG 4 WAY,12-14GA					
27	73754GT	CONN,RECEP 40 WAY,W/FLANGE.....	1				
--	60526GT	LOCK,RECEP 4 WAY,12-14GA					
28A	128204GT	SWITCH TOGGLE ASSY SPDT 2P MNT.....	1				
		<i>Engine Idle; includes boot and hardware</i>					
--	128578GT	SCREW T-SWITCH PH/PH 6-32X1/4					
--	128584-SGT	SWITCH TOGGLE SPDT 2P MNT SHDR					
--	27246GT	BOOT,TOGGLE SWITCH,SHORT*					
28B	229567GT	PLUG,SANTOPRENE .5 BLACK DOME.....	1				
29	128202GT	SWITCH TOGGLE ASSY DPDT 3P MOM.....	1				
		<i>Primary Boom Up/Down; includes boot and hardware</i>					

***This Page Intentionally Left Blank***

Go to [Discount-Equipment.com](http://Discount-Equipment.com) to order your parts

407.1 Ground Control Box - View 2

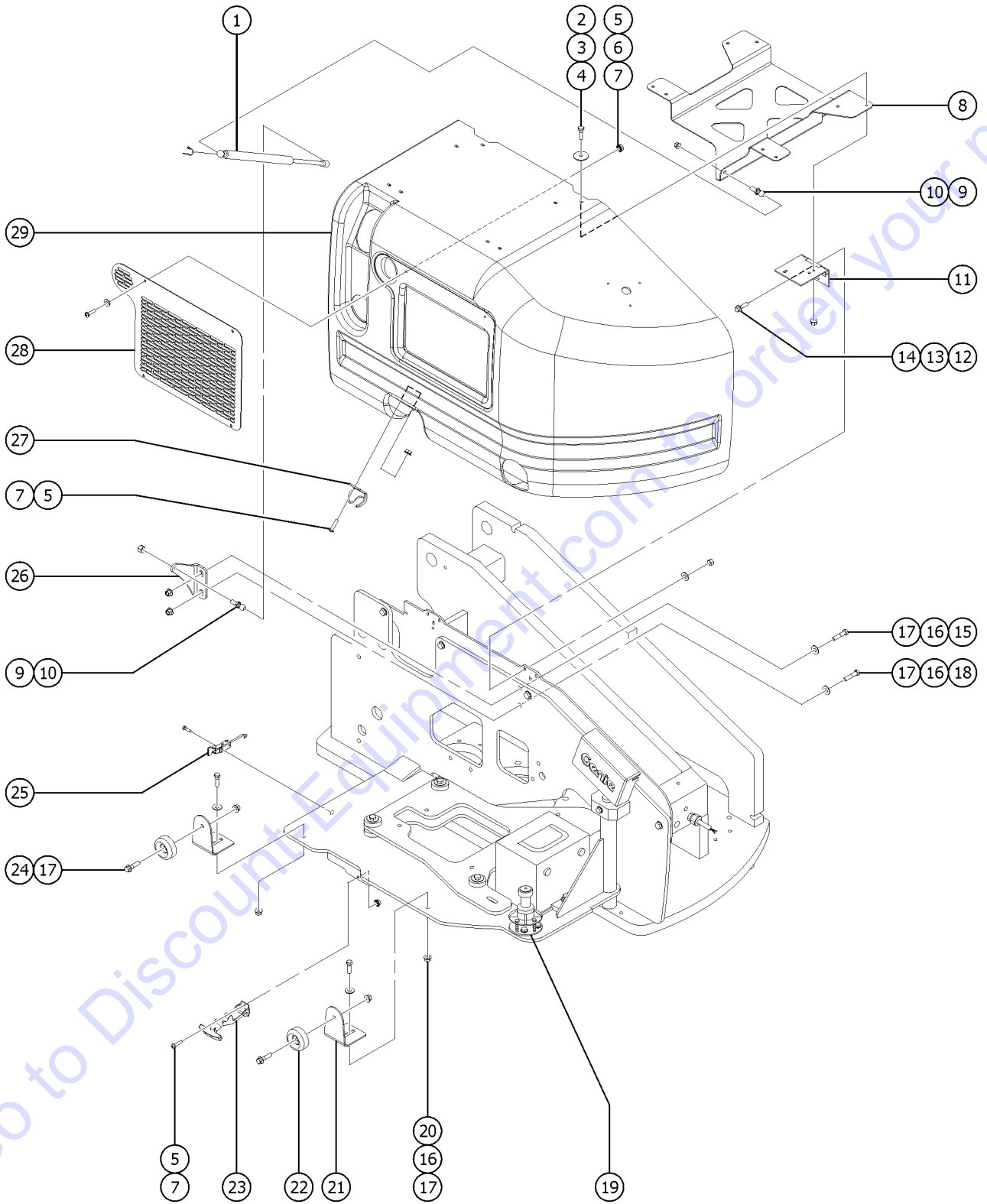




## 407.1 Ground Control Box - View 2

Item	Part No.	Description	Qty.	Item	Part No.	Description	Qty.
1	128045GT	MODULE,LOAD SENSE 2007.....1 <i>Australia and CE models</i>	1	13	73754GT	CONN,RECEP 40 WAY,W/FLANGE.....1	1
--	1262031GT	SCREW,HHF,10-24X.75,ZAG.....2 <i>CE models</i>	2	--	73713GT	TERM,NI PIN,S&F,16-18GA,REEL	
--	1264261GT	NUT,SERRATED,10-32,ZAG.....2 <i>CE models</i>	2	14	824019GT	NUT,TL,6-32,A,ZAG.....9	9
--	824027GT	NUT,TL FLG,1/4-20,G,ZAG.....2 <i>Australia models</i>	2	15	73717GT	CONN,RECEP 4 WAY,12-14GA FL***.....1	1
--	824078GT	SCREW,HHF,1/4-20X.75,8,ZAG.....2 <i>Australia models</i>	2	--	60526GT	LOCK,RECEP 4 WAY,12-14GA	
2A	218083GT	ASSY,TERMINAL RAIL,Z45DC/BE		--	73711GT	TERM,DEUTSCH, PIN #12-14	
--	216791GT	TERMINAL BLOCK,WIELAND.....28	28	16A	1258768GT	CONN,PLUG 8WAY,BLOCKED GROMMET.....1 <i>models without telematics</i>	1
--	216793GT	TERMINAL BLOCK END PLATE		16B	119060GT	CONN PLUG 8 WAY ENDCAP DT.....1 <i>models with telematics</i>	1
--	56994GT	DIN RAIL,11.25"		16C	60447GT	LOCK,RECEP 8 WAY,14-18GA.....1 <i>models with telematics</i>	1
--	74913GT	END STOP, DIN RAIL,SCREW CLAMP.....2	2	16D	60433GT	LOCK,PLUG 8 WAY, 14-18GA.....1 <i>not shown, models with telematics</i>	1
--	74917GT	JUMPER COMB, 2-WAY,WIELAND		16E	60757GT	PLUG,SEAL,12-18 GA.....1 <i>not shown, models with telematics</i>	1
2B	94639GT	ASSY,TERMINAL RAIL,Z45DC/BE.....1	1	17	87755GT	CONN,RECEP 8 WAY 14-18GA,FL	
--	1251757GT	SCREW,PHPM,10-32X.50,ZAG.....2	2	18	15243GT	PLUG,NYLON .875 BLACK DOMED.....1	1
--	1264261GT	NUT,SERRATED,10-32,ZAG.....2	2	19	120236GT	WELDMENT,GROUND CONTROL BOX***.....1	1
--	56994GT	DIN RAIL,11.25"		--	42781GT	PLUG, NYLON .250 BLACK DOMED	
--	74911GT	TERMINAL BLOCK, WIELAND***.....28	28	--	6272GT	RIVET,STL,STL,P,.125 X .25	
--	74912GT	TERMINAL BLOCK END PLATE **		--	88637GT	GASKET,GROUND CONTROL BOX***	
--	74913GT	END STOP, DIN RAIL,SCREW CLAMP.....1	1				
--	74917GT	JUMPER COMB, 2-WAY,WIELAND					
3	T106699GT	BRACKET,RELAY MOUNT W/INSERTS.....1 <i>includes nutserts</i>	1				
--	23404GT	NUTSERT,1/4-20,STEEL CAD PLTD.....2	2				
--	824059GT	SCREW,HHC,1/4-20X.75,8,ZAG.....2	2				
4	56302GT	RELAY,24VDC,40/30A,SEALED***.....6	6				
--	1251757GT	SCREW,PHPM,10-32X.50,ZAG.....5	5				
--	34053GT	ASSY,RELAY SOCKET, AUTO <i>components no longer available</i>					
--	824036GT	NUT,TL,10-32,A,ZAG.....5	5				
5	34052GT	RELAY,SPDT,12V(AUTO) PLUG IN**.....1	1				
6	824214GT	SCREW,PHPM,6-32X.5,ZAG.....13	13				
7	12344GT	NUT,NYLOCK,6-32.....4	4				
8	824226GT	SCREW,PHPSH,#12-11X.75,ZAG.....6	6				
9	824079GT	SCREW,HHF,1/4-20X1,8,ZAG.....1	1				
10	824027GT	NUT,TL FLG,1/4-20,G,ZAG.....1	1				
11A	45462GT	ALARM,CHIME TONE 5-25VDC***.....1 <i>Does not include 72326 nut</i>	1				
--	72326GT	NUT - PLASTIC,RING FOR ALARMS					
11B	45385GT	PLUG,NYLON 1.12 BLACK DOMED					
12	824878GT	LIGHT,LED IND. RED 24V NH					

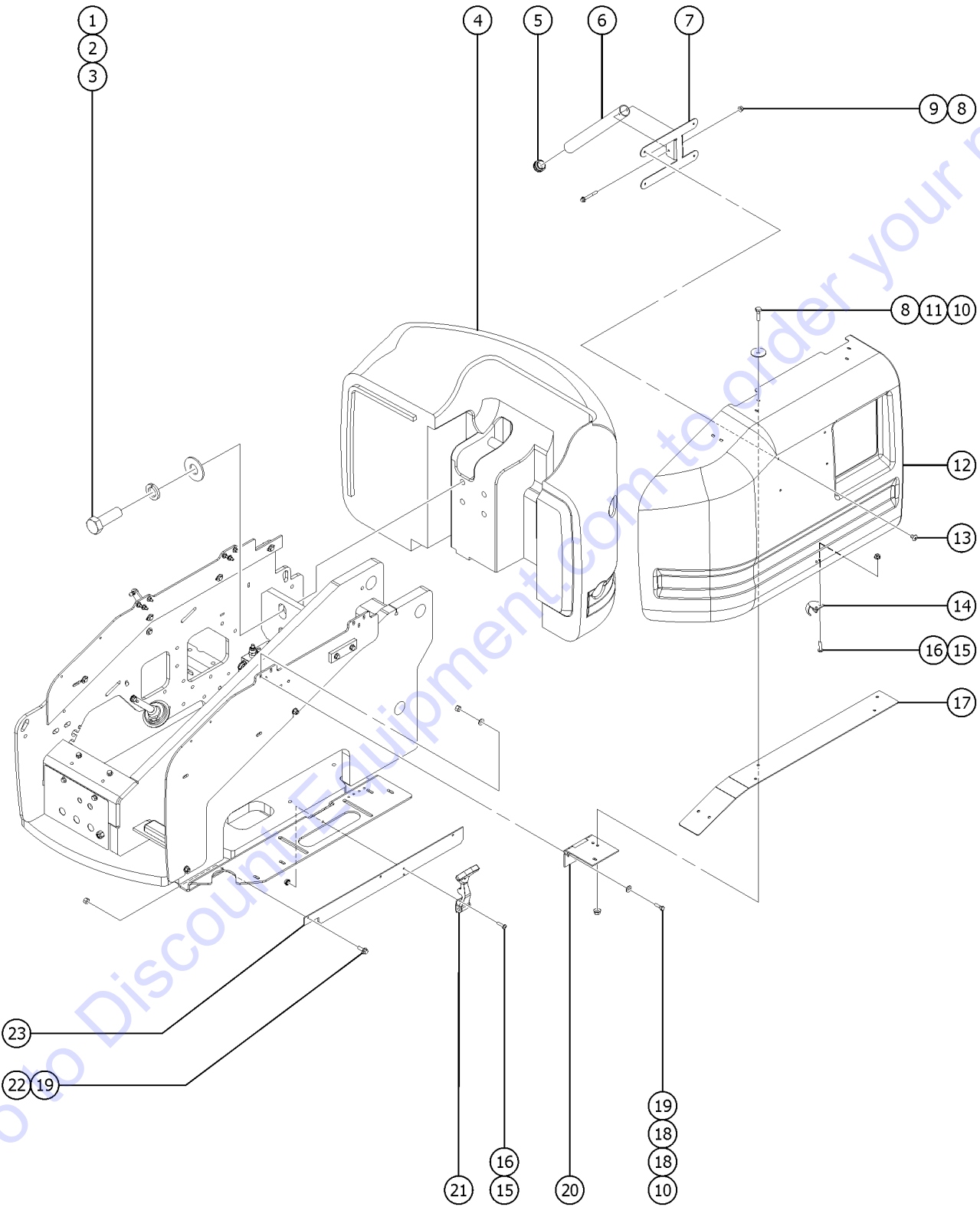
408.1 Turntable Covers - View 1



## 408.1 Turntable Covers - View 1

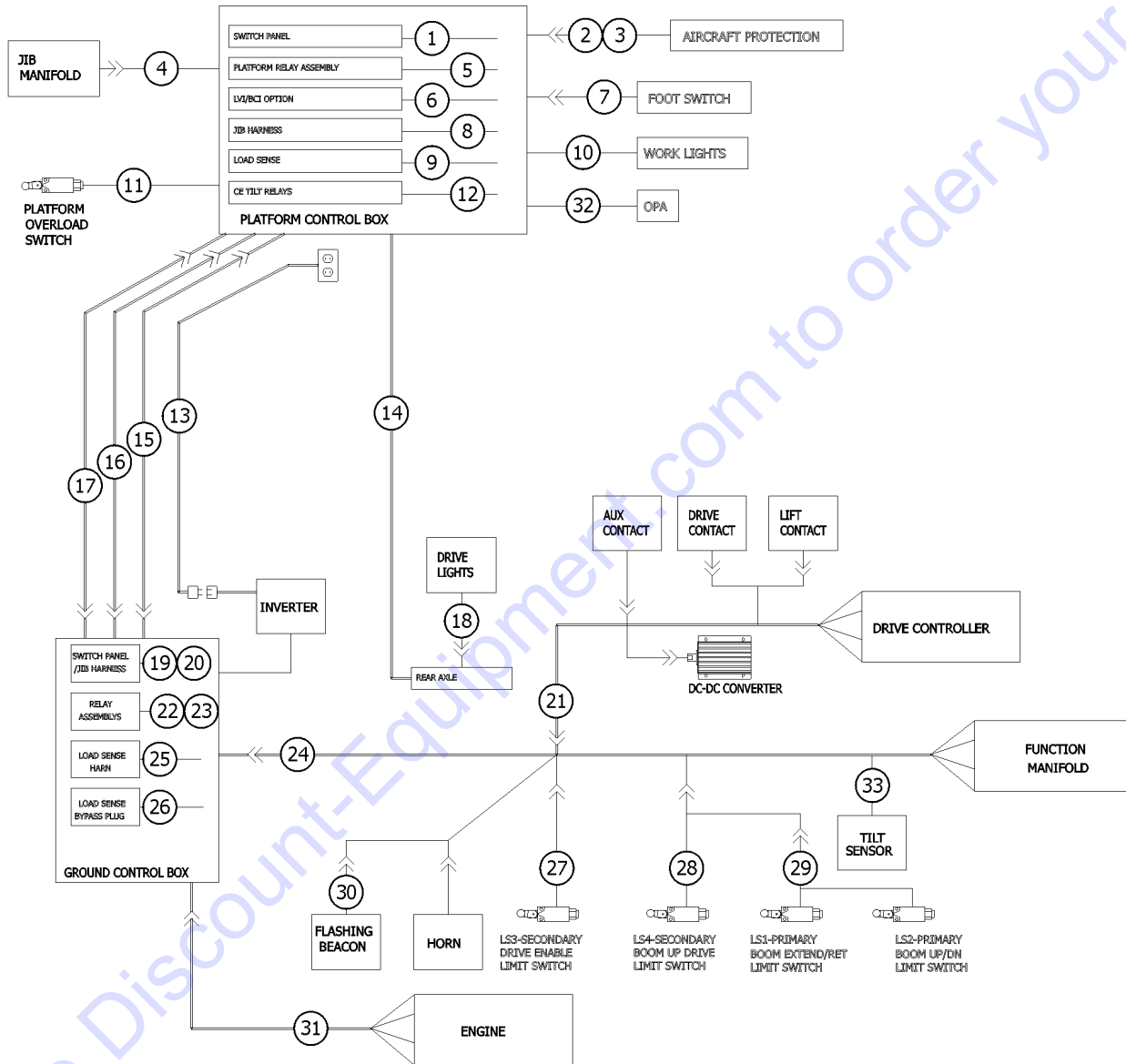
Item	Part No.	Description	Qty.	Item	Part No.	Description	Qty.
1	106069GT	STRUT,GAS,200 LB**.....	1	29F	50784GT	COVER,TURNTABLE,LH,DC/BE.....	1
2	824060GT	SCREW,HHC,1/4-20X1,8,ZAG.....	8			<i>decals not included, refer to section one for decals</i>	
3	824119GT	WASHER,FLAT,.25X1.25X.062,ZAG.....	8				
4	824027GT	NUT,TL FLG,1/4-20,G,ZAG.....	8				
5	1264261GT	NUT,SERRATED,10-32,ZAG.....	8				
6	1253185GT	WASHER,FLAT,#10,USS,ZAG.....	4				
7	824215GT	SCREW,PHPM,10-32X.75,ZAG.....	8				
8	50990GT	FORMING,ENGINE COVER SUPPORT.....	1				
9	33555GT	BALL STUD*.....	2				
10	824028GT	NUT,TL FLG,5/16-18,G,ZAG.....	2				
11	75073GT	HINGE,.375X.120THK.,SLOTTED.....	2				
12	824079GT	SCREW,HHF,1/4-20X1,8,ZAG.....	6				
13	824113GT	WASHER,FLAT,USS,1/4,ZAG.....	6				
14	824024GT	NUT,TL,1/4-20,C,ZAG.....	6				
15	1256847GT	SCREW,HHC,3/8-16X1.75,8,ZAG.....	1				
16	1255758GT	WASHER,FLAT,3/8,USS,ZAG.....	4				
17	824029GT	NUT,TL FLG,3/8-16,G,ZAG.....	6				
18	1256118GT	SCREW,HHC,3/8-16X1.5,8,ZAG.....	1				
19A	110382GT	LEVEL SENSOR,LS60,YL,2.5X4.5.....	1				
		<i>CE models</i>					
19B	94077GT	SENSOR,LEVEL,4.5 DEG.....	1				
		<i>ANSI/CSA/Australia models</i>					
20	824068GT	SCREW,HHC,3/8-16X1.25,8,ZAG.....	2				
21	54363GT	BRACKET,RUBBER BUMPER,ENGCOVER.....	2				
22	50974GT	BUMPER,RUBBER,COVERS.....	2				
23	45363GT	LATCH,FLEXIBLE DRAW W/O KEEPER.....	1				
24	824092GT	SCREW,HHF,3/8-16X1.5,8,ZAG.....	2				
25		Ref: LATCH,DRAW,ADJUSTABLE <i>refer to 301.1</i>					
26	107594GT	FORMING,GAS STRUT MOUNT,PNTD**.....	1				
27	75076GT	KEEPER,LATCH (45363).....	1				
28	60126GT	COVER PLATE,AIR INTAKE.....	1				
29A	101860GT	COVER ASSY W/WRD DECALS,LH BI...1					
		<i>Bi-Energy</i>					
29B	101863GT	COVER ASSY W/SYM DECLS,LH DC....1					
		<i>Bi-Energy</i>					
29C	101861GT	COVER ASSY W/WRD DECALS,LH DC.....	1				
		<i>DC</i>					
29D	T115412GT	COVER ASSY W/SYM DECALS,LH.....1					
		<i>DC</i>					
29E	60110GT	COVER,TURNTABLE,LH,BI-ENERGY....1					
		<i>decals not included, refer to section one for decals</i>					

409.1 Turntable Covers - View 2



Item	Part No.	Description	Qty.
1	824074GT	SCREW,HHC,1-8X3,8,ZAG.....	4
2	1264259GT	WASHER,LOCK,1.0,ZAG.....	4
3	1256469GT	WASHER,FLAT,1.0,USS,ZAG.....	4
4A	50924GT	COUNTERWEIGHT,CAST,Z45 DC..... (Z-45/25)	1
4B	60145GT	COUNTERWEIGHT,CAST,DC/BI,W/JIB..1 (Z-45/25J)	1
5	55753GT	BUMPER, PLASTIC, 1.25 O.D.....	1
6	54455GT	TUBE,PROP ROD,12.25"LG.....	1
7	77034GT	FORMING,CLEVIS PROP ROD,DC/BI....	1
8	824027GT	NUT,TL FLG,1/4-20,G,ZAG.....	7
9	1253485GT	SCREW,HHF,1/4-20X2,8,ZAG.....	1
10	824060GT	SCREW,HHC,1/4-20X1,8,ZAG.....	12
11	824119GT	WASHER,FLAT,.25X1.25X.062,ZAG.....	6
12A	101858GT	COVER ASSY W/WRD DECALS,RH BI..... <i>Bi-Energy</i>	1
--	77524GT	TUBE,PROP ROD,18.63",W/CAP	
12B	101859GT	COVER ASSY W/WRD DECALS,RH DC..... DC	1
12C	101862GT	COVER ASSY W/SYM DECLS,RH BIDC..... <i>Bi-Energy and DC</i>	1
12D	77032GT	COVER,TANK SIDE,DC/BI..... <i>decals not included, refer to section 1 for decals</i>	1
13	824207GT	RIVET, STL, STL, DOME, 1/4 X .375, ZAG.....	4
14	75076GT	KEEPER,LATCH (45363).....	1
15	824215GT	SCREW,PHPM,10-32X.75,ZAG.....	4
16	1264261GT	NUT,SERRATED,10-32,ZAG.....	4
17	139417PGT	DOUBLER,BENT,COVER,DC/BI,RH.....	1
18	824113GT	WASHER,FLAT,USS,1/4,ZAG.....	12
19	824024GT	NUT,TL,1/4-20,C,ZAG.....	9
20	75073GT	HINGE,.375X.120THK.,SLOTTED.....	2
21	45363GT	LATCH,FLEXIBLE DRAW W/O KEEPER.....	1
22	824078GT	SCREW,HHF,1/4-20X.75,8,ZAG.....	3
23	60015GT	PLATE,DRAW LATCH MOUNT.....	1

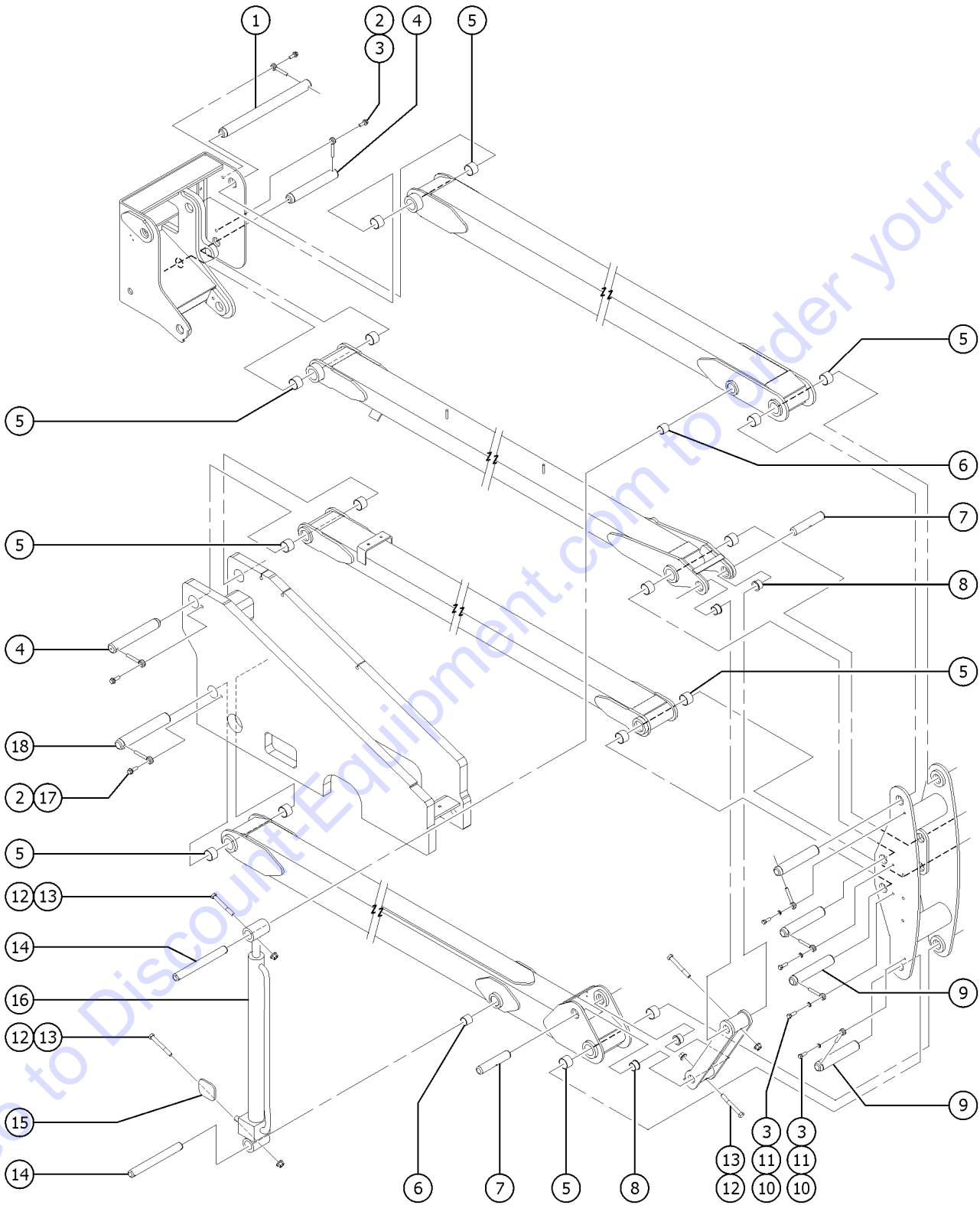
410.1 Wire Harness Diagram - DC and Bi-Energy Models



## 410.1 Wire Harness Diagram - DC and Bi-Energy Models

Item	Part No.	Description	Qty.	Item	Part No.	Description	Qty.
A	1264822GT	KIT, TRC RETROFIT, STNDRD <i>Telematics (includes 1264834)</i>		19B	1259322GT	HARNESS,BASE BOX Z45DC.....1 <i>DC models</i>	1
--	1264834GT	INSTRN, TRC RETROFIT, STNDRD		20	1262512GT	HARNESS, JIB, BASE BOX.....1 <i>jib models</i>	1
1	1262220GT	HARNESS, PBOX, Z45DC/BE.....1	1	21A	822777GT	HARNESS, DRIVE CHASSIS, Z45DC.....1 <i>DC models</i>	1
2	1266606GT	HARN, AC PROTECTION BYPASS.....1 <i>option, aircraft protection</i>	1	21B	822778GT	HARNESS, DRIVE CHASSIS, Z45BE.....1 <i>Bi-Energy models</i>	1
3	110657GT	HARNESS,PROX.KILL,24V.....1 <i>option, aircraft protection</i>	1	22	1259639GT	HARN,GBOX Z45DC/BE RELAY ASSY.....1	1
--	27391GT	PROXIMITY SENSOR***		23A	1261899GT	HARNESS,Z45DC,TELEMATICS READY.....1 <i>DC models</i>	1
--	78098GT	RELAY,24VDC,40/30A,SLD W/BRKT*		23B	1261900GT	HARNESS,Z45BE,TELEMATICS READY.....1 <i>Bi-Energy models</i>	1
4	101080GT	HARNESS,JIB SELECT MANIFOLD.....1	1	24	128812GT	HARN FUNCTION MAN Z45DC/BE.....1	1
5	1261221GT	HARN,RELAY Z45DC/BE,PBOX.....1	1	25	1260173GT	HARNESS ASSY, RELAY, CE.....1 <i>CE models</i>	1
6	128941GT	HARNESS LVI/BCI ENGAGE II.....1	1	26	88832GT	HARNESS,PLUG,NON-LOAD WEIGHING.....1	1
7		REF: Foot Switch.....1 <i>refer to 601.1</i>	1	27	128816GT	HARN LIMIT SW DE Z45DC/BE.....1	1
8	1284282GT	HARNESS,PLAT,Z45DC/BI,JIB.....1	1	28	88724GT	HARNESS,LS,PRIM/EXT/SEC.....1	1
--	56445GT	DIODE,6 AMP 200 PIV,REEL		29	88725GT	HARNESS,LS,PRIM/EXT.....1	1
9	216769GT	HARNESS,JUMPER,LOAD SENSE.....1	1	30		REF: Flashing Beacon.....1 <i>refer to 901.1</i>	1
10	823774GT	HARNESS, 48V DRIVE LIGHTS.....1 <i>option</i>	1	31	139368GT	HARNESS,ENGINE,Z45BE.....1 <i>Bi-Energy models</i>	1
11	121848GT	ASSY,LS,LOAD SENSE,38.5 IN.....1	1	32A	1255858GT	HARN,PBOX,OPA,HW,24V.....1 <i>option</i>	1
12	1262223GT	HARNESS,RELAY,PBOX,Z45DC,CE.....1 <i>CE models</i>	1	32B	1255030GT	PLUG,BLANKING.....1	1
13A	30794GT	WIRE,12/3 SJEOW,BK-WH-GR/YL.....756-inches <i>non-jib models</i>		33	1261845GT	HARNESS,TILT 24V,CSA PROD <i>for CSA models</i>	1
13B	30794GT	WIRE,12/3 SJEOW,BK-WH-GR/YL.....732-inches <i>jib models</i>		33A	1261845GT	HARNESS,TILT 24V,CSA PROD <i>for CSA models</i>	1
14	823774GT	HARNESS, 48V DRIVE LIGHTS.....1 <i>option</i>	1	33B	1285812GT	KIT,TILT ALARM,DC AND BI-ENERGY MODELS	1
15A	88723-71000GT	HARNESS,12/3,12V TO PLAT.....1 <i>non-jib models</i>	1	--	1285689GT	INSTRUCTIONS,INSTALL (LEVEL SENSOR ALARM) <i>for kit 1285812</i>	1
15B	88723-69700GT	HARNESS,PLAT,Z45DC/BI,JIB.....1 <i>jib models</i>	1				
16A	88722-72000GT	HARNESS,18/19,BOOM CABLE #2.....1 <i>non-jib models; gray and black connectors</i>	1				
16B	88722-70700GT	HARNESS,18/19,BOOM CABLE #2.....1 <i>jib models; gray and black connectors</i>	1				
17A	88721-72000GT	HARNESS,18/19 BOOM CABLE #1.....1 <i>non-jib models; brown and green connectors</i>	1				
17B	88721-70700GT	HARNESS,18/19 BOOM CABLE #1.....1 <i>jib models</i>	1				
18	823774GT	HARNESS, 48V DRIVE LIGHTS.....1 <i>option</i>	1				
19A	1259323GT	HARNESS,BASE BOX Z45BI-ENERGY.....1 <i>Bi-Energy models</i>	1				

501.1 Boom Pins and Bearings

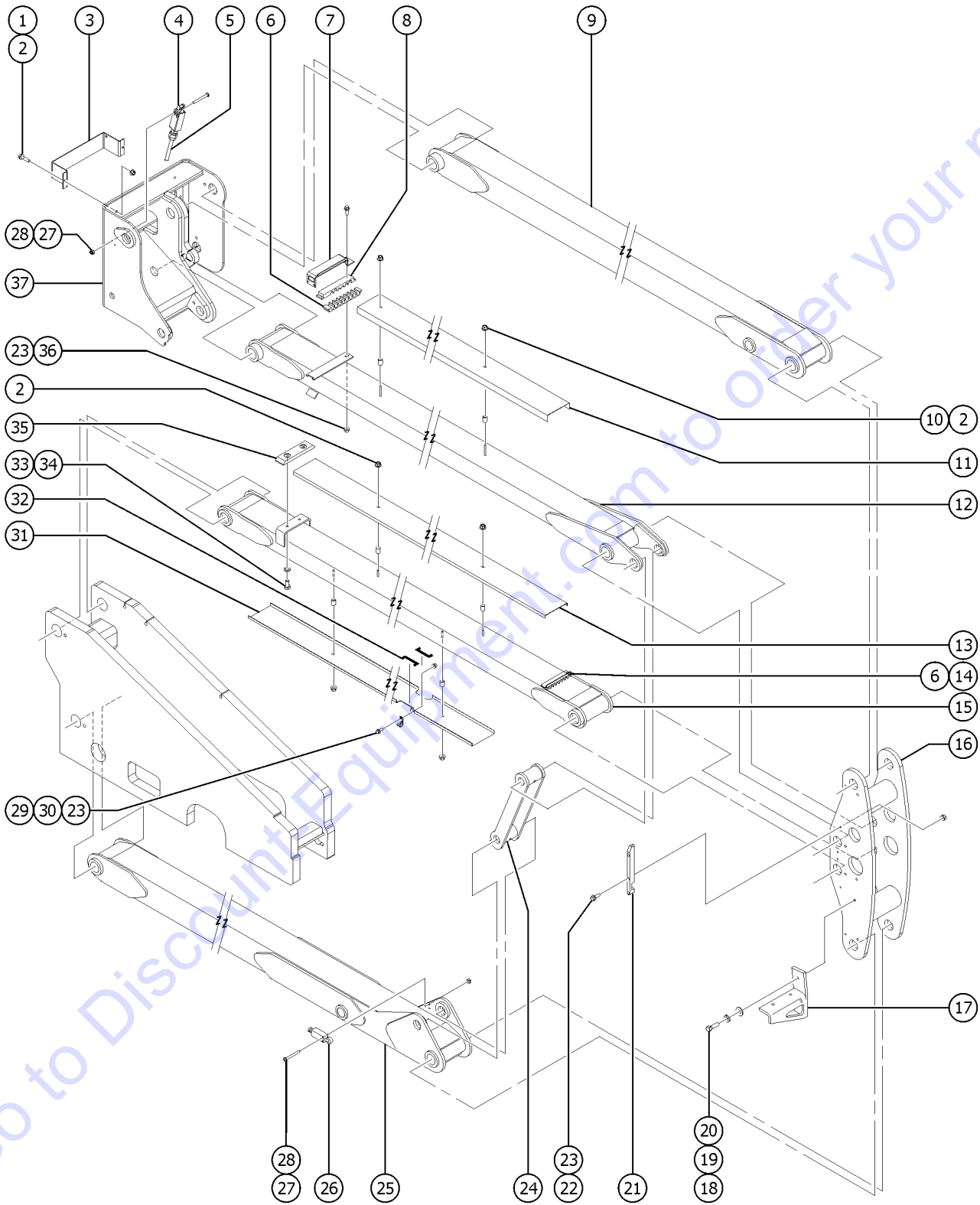




## 501.1 Boom Pins and Bearings

Item	Part No.	Description	Qty.
1	88676GT	PIN,2.00DIAX24.00LG,CHAMFER***.....1	1
2	1253498GT	SCREW,HHF,1/2-13X1.5,8,ZAG.....4	4
3	1256267GT	ROD END,.5 X 3.75,ZAG.....6	6
4	107859GT	PIN,2.00DIAX12.88LG,CHAMFER***.....2	2
5	18720GT	BEARING,2.0IDX2.25ODX1.50L.....16	16
6	45071GT	BEARING,1.5IDX1.75ODX1.5L.....4	4
7	107727GT	PIN,1.50DIAX7.50LG,1HOLE***.....2	2
8	54156GT	BEARING,FL,1.5IDX1.75ODX1.10LG.....4	4
9	107588GT	PIN,2.00DIAX10.88LG,CHAMFER.....4	4
10	1256844GT	SCREW,HHC,1/2-13X1.5,8,ZAG.....4	4
11	824111GT	WASHER,LOCK,1/2,ZAG.....4	4
12	1260940GT	SCREW,HHC,3/8-16X3,8,ZAG.....6	6
13	824029GT	NUT,TL FLG,3/8-16,G,ZAG.....6	6
14	50455GT	PIN,1.50DIAX13.88LG,2HOLE.....2	2
15	54726GT	WEAR PAD,SECONDARY CYL,NON/JIB.....1	1
16	88203GT	CYLINDER,ELEVATE,Z45/25***.....2	2
--	77303GT	VALVE, CNTRBAL 3500 PSI, ATM VEN	
--	77521GT	SEAL KIT,ELEVATE (88203)	
17	1256267GT	ROD END,.5 X 3.75,ZAG.....2	2
18	107590GT	PIN,2.00DIAX12.88LG,CHAMFER***.....1	1

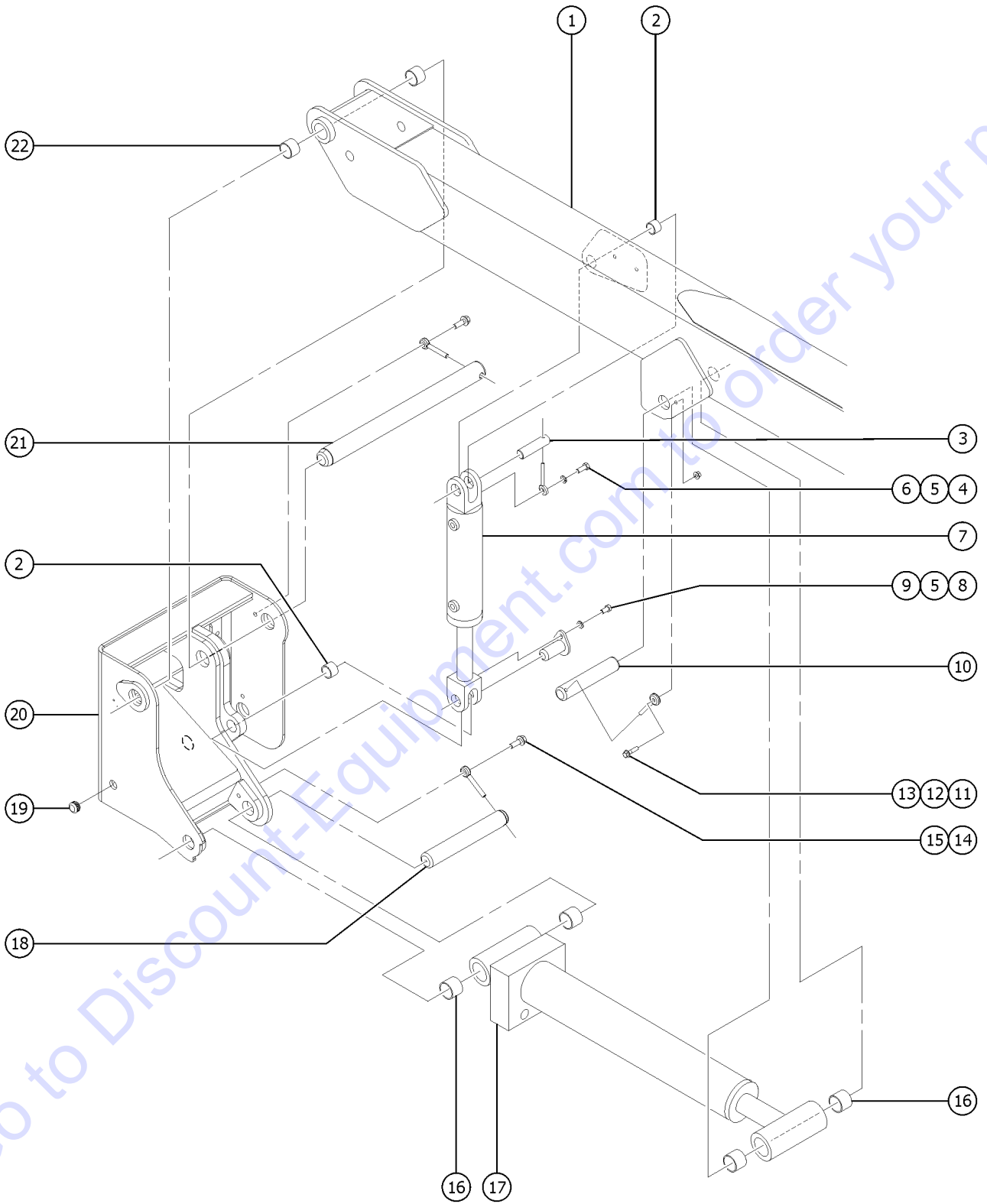
502.1 Secondary Linkage



## 502.1 Secondary Linkage

Item	Part No.	Description	Qty.	Item	Part No.	Description	Qty.
1	824092GT	SCREW,HHF,3/8-16X1.5,8,ZAG.....	2	--	89756GT	NECK/HEAD-LIMIT SWITCH (88356)	
2	824029GT	NUT,TL FLG,3/8-16,G,ZAG.....	12	--	97128GT	ROLLER ARM,LIMIT SWITCH***	
3	237688GT	COVER, UPPER PIVOT.....	1	27	1256177GT	SCREW,PHPM,10-32X1.75,ZAG.....	4
4	88356-11163GT	SWITCH,LIMIT,W/RLLR ARM,NO/NC*...1		28	6178GT	NUT,NYLOCK,10-32.....	4
--	106427GT	LS ROT.HEAD W/O LEVER (ZCE01)		29	1256855GT	SCREW,HHF,1/4-20X.625,8,ZAG.....	2
--	97128GT	ROLLER ARM,LIMIT SWITCH***		30	6833GT	CLAMP,0.50,#8 X 1/4,RUB CUSH.....	2
5	43960GT	WIRE CABLE,16/4 CON.TPE JKT.....360-inches		31	50548PGT	HOSE COVER,LOWER LEVEL,BOT,PAI.....	1
6	94529GT	CLAMPING BLOCK,HOSE***.....	2	32	1697-400GT	TRIMLOCK,BLACK,3/16 X 4 INCHES.....	2
7	94531PGT	BRACKET,HOSE CLAMP PAINTED***....1		33	1256109GT	SCREW,HHC,3/8-16X.75,8,ZAG.....	2
8	128998GT	CLAMPING BLOCK, CABLE, Z45/51.....1		34	824110GT	WASHER,LOCK,3/8,ZAG.....	2
9	106983GT	WELDMENT,UPPER SECONDARY***....1		35	49772GT	WEAR PAD,6 X 1.5 X.50,W/INSERT.....1	
10	42941-75GT	HOSE,3/8",FUEL,30R7.....	10	36	824078GT	SCREW,HHF,1/4-20X.75,8,ZAG.....	2
11	88370PGT	HOSE COVER,UPPER ARM,PAINTED.....	1	37		Ref. Upper Pivot Assembly <i>refer to 503.1</i>	
12	106986GT	WELDMENT,UPPER LEVELING ARM***.....	1				
13	50517-SGT	HOSE COVER,LOWER LEVEL,TOP,PAI.....	1				
14	70685GT	FORMING, HOSE CLAMP.....	1				
15	106974GT	WELDMENT,LOWER LEVELING ARM...1					
16A	110310GT	MIDPIVOT ASSY Z45IC***.....1 <i>USA/Canada/Australian</i>					
16B	106972GT	WELDMENT,MID PIVOT,MACHINED*** <i>Europe/Asia/ South America</i>					
17A		Ref., WEAR PAD <i>refer to 504.1</i>					
17B	50952GT	WELDMENT,BOOM REST**** .....1 <i>Z-45/25J</i>					
18A	1257454GT	SCREW,HHF,1/2-13X.75,8,ZAG.....	2				
		<i>Z-45/25</i>					
18B	1256844GT	SCREW,HHC,1/2-13X1.5,8,ZAG.....	2				
		<i>Z-45/25J</i>					
19	824111GT	WASHER,LOCK,1/2,ZAG.....	2				
		<i>Z-45/25J</i>					
20	1255760GT	WASHER,FLAT,1/2,USS,ZAG.....	2				
		<i>Z-45/25J</i>					
21A	107881GT	WEAR PAD,MID PIVOT*** .....2 <i>Z-45/25</i>					
21B	107881GT	WEAR PAD,MID PIVOT*** .....1 <i>Z-45/25J</i>					
22	824082GT	SCREW,HHF,1/4-20X1.75,8,ZAG					
23	824027GT	NUT,TL FLG,1/4-20,G,ZAG					
24	50479GT	CONNECTING LINK,MACHINED ***.....1					
--	50635GT	CONNECTING LINK (WELDMENT)					
25	106976GT	WELDMENT,LOWER,SECONDARY***...1					
26	88356-11205GT	SWITCH,LIMIT,W/RLLR ARM NO/NC.....1					

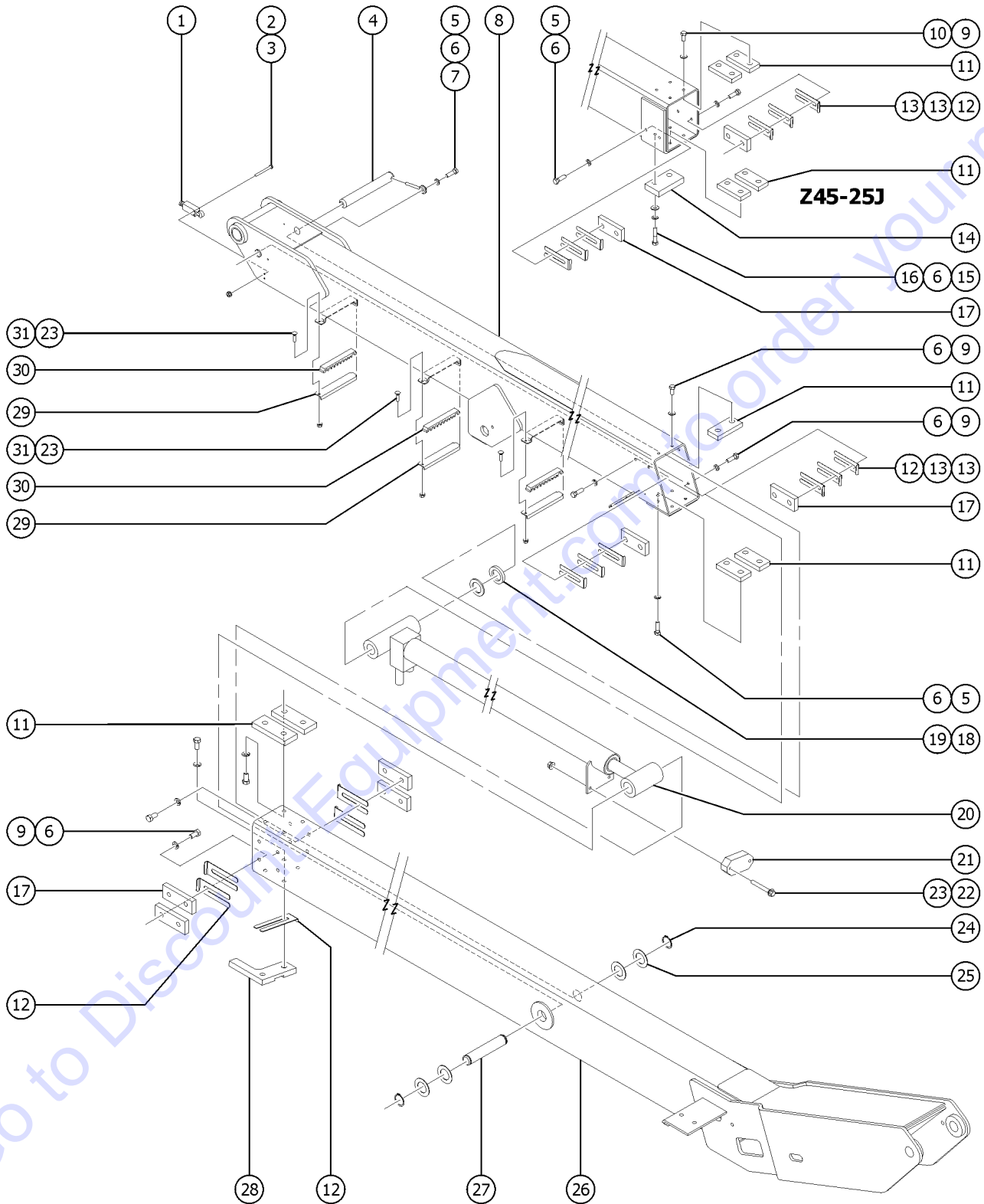
503.1 Upper Pivot



Go to Discount-Equipment.com to order your parts

Item	Part No.	Description	Qty.
1		Ref. Primary Boom Tube Assembly (refer to 504.1)	
2	30370GT	BEARING,1.25IDX1.5ODX1.00L.....	2
3	34276GT	PIN,1.25DIA X 3.37LG,1HOLE.....	1
4	824067GT	SCREW,HHC,3/8-16X1,8,ZAG.....	1
5	824110GT	WASHER,LOCK,3/8,ZAG.....	2
6	1255452GT	ROD END,.375 X 2.25,ZAG.....	1
7	77362GT	CYLINDER,MASTER,Z45***.....	1
--	77364GT	SEAL KIT,MASTER & SLAVE CYL	
8	1256109GT	SCREW,HHC,3/8-16X.75,8,ZAG.....	1
9	70671GT	PIN,1.25 DIA X 3.19 LG, PLATE.....	1
10	50542GT	PIN,1.75DIA X 9.25LG,1HOLE.....	1
11	824092GT	SCREW,HHF,3/8-16X1.5,8,ZAG.....	1
12	825019GT	ROD END,.375X3.69,ZAG.....	1
13	824029GT	NUT,TL FLG,3/8-16,G,ZAG.....	1
14	1253498GT	SCREW,HHF,1/2-13X1.5,8,ZAG.....	1
15	1256267GT	ROD END,.5 X 3.75,ZAG.....	1
16	1262633GT	BEARING,POLYGON,BM5120.....	4
17A	1263056GT	CYLINDER,PRIM LIFT NON JIB,Z45..... Z-45/25	1
17B	1263057GT	CYLINDER,PRIM LIFT JIB,Z45..... Z-45/25J	1
--	77014GT	VALVE,COUNTERBALANCE,3800 PSI..... for 77188, 1263057, 1263056	2
--	77189GT	SEAL KIT,CYL,Z45 (77187&77188)..... for 77188, 1263057, 1263056	1
18	70534GT	PIN,1.75DIA X 11.88LG,CHAMFER.....	1
19	55753GT	BUMPER, PLASTIC, 1.25 O.D.	
20	70589GT	UPPER PIVOT,MACHINING***.....	1
--	70588GT	WELDMENT,UPPER PIVOT***	
21		REF. PIN..... Refer to 501.1	1
22	18720GT	BEARING,2.0IDX2.25ODX1.50L.....	2

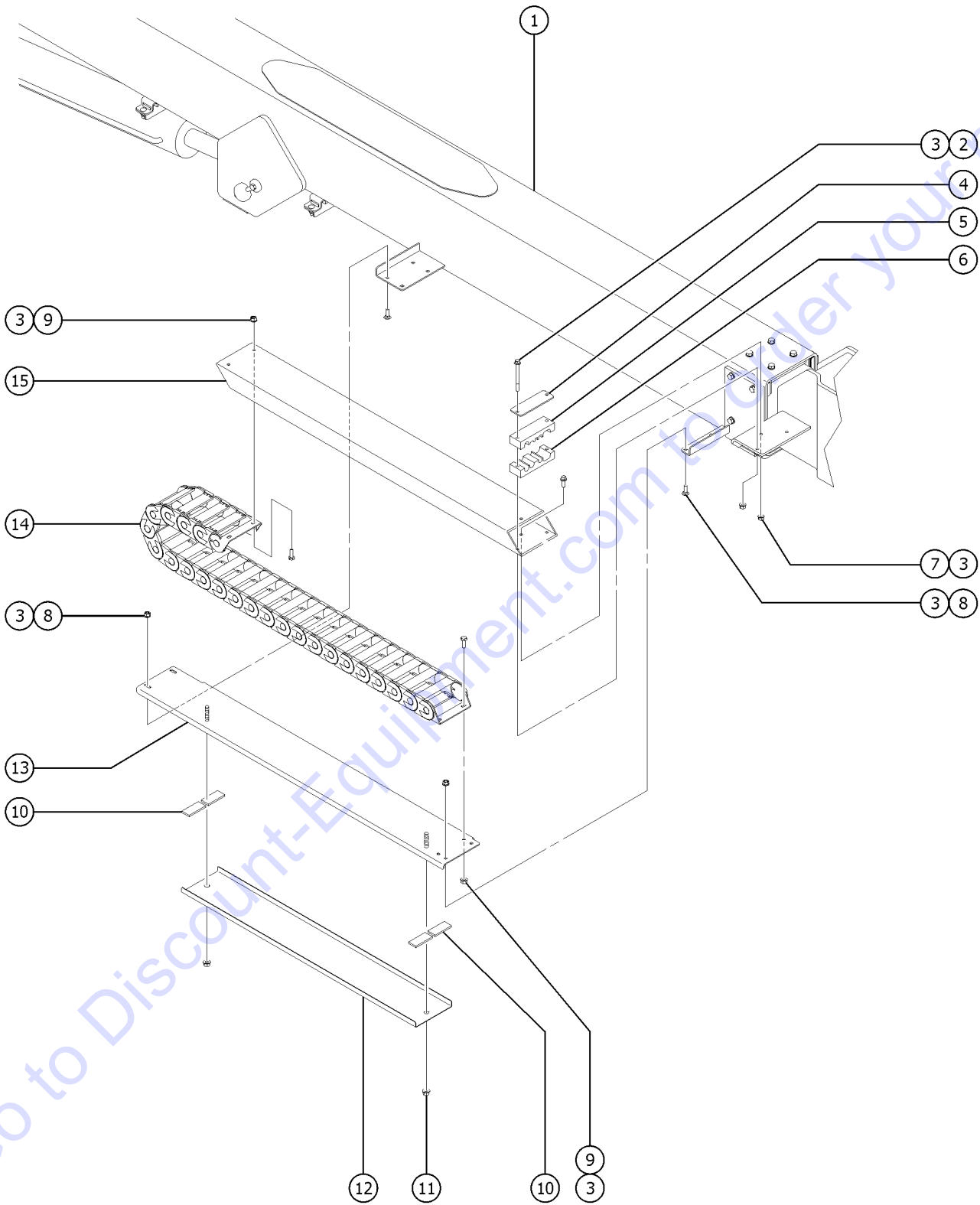
504.1 Primary and Extension Booms



## 504.1 Primary and Extension Booms

Item	Part No.	Description	Qty.	Item	Part No.	Description	Qty.
--	150103GT	WIRE LOOM,1.25"NYLON,HIGH TEMP.....129-inches		--	77410GT	VALVE,COUNTERBALNCE,1500 PSI**	
1	88366-11205GT	SWITCH,LIMIT,W/RLLR ARM NO/NC.....1		20B	54569GT	CYLINDER,EXTEND,Z45J***.....1 Z-45/25J	
--	97128GT	ROLLER ARM,LIMIT SWITCH***		--	54063GT	VALVE,CB.CBBC-LHN@1000***	
2A	1256922GT	SCREW,PHPM,10-32X2.25,ZAG.....2 Z-45/25		--	65790GT	SEAL KIT CYL.Z45(54569)	
2B	1265481GT	SCREW,PHPM,10-32X2,ZAG.....2 Z-45/25J		--	77410GT	VALVE,COUNTERBALNCE,1500 PSI**	
3	1264261GT	NUT,SERRATED,10-32,ZAG.....2		21	50698GT	WEAR PAD,EXTENSION CYLINDER.....1	
4	50584GT	PIN,1.25DIAX9.38LG,THREADED.....1		22A	824082GT	SCREW,HHF,1/4-20X1.75,8,ZAG.....2 Z-45/25	
5A	824068GT	SCREW,HHC,3/8-16X1.25,8,ZAG.....5 Z-45/25		22B	824063GT	SCREW,HHC,1/4-20X1.75,8,ZAG.....2 Z-45/25J	
5B	824068GT	SCREW,HHC,3/8-16X1.25,8,ZAG.....11 Z-45/25J		23	824027GT	NUT,TL FLG,1/4-20,G,ZAG.....5	
6A	824110GT	WASHER,LOCK,3/8,ZAG.....29 Z-45/25		24	824164GT	SNAP RING,EXTERNAL,1.25,ZAG.....2	
6B	824110GT	WASHER,LOCK,3/8,ZAG.....27 Z-45/25J		25	824151GT	WASHER,SHIM,1.270X2.130X.062,Z	
7	825019GT	ROD END,.375X3.69,ZAG.....1		26A	128605GT	WELDMENT, EXT. BOOM,Z45 NJ.....1 Z-45/25	
8A	128603GT	WELDMENT,PRIMARY BOOM,Z45NJ....1 Z-45/25		26B	128304GT	WELDMENT,EXT. BOOM,Z45 JIB.....1 Z-45/25J	
8B	128301GT	WELDMENT,PRIMARY BOOM,Z45 JIB.....1 Z-45/25J		27	50546GT	PIN,1.25DIAX6.36LG,2RING.....1	
9A	1256109GT	SCREW,HHC,3/8-16X.75,8,ZAG.....24 Z-45/25		28	50552GT	WEAR PAD,EXTENSION BOOM.....1	
9B	1256109GT	SCREW,HHC,3/8-16X.75,8,ZAG.....18 Z-45/25J		29	128995GT	FORMING, HOSE CLAMP RETAINER...3	
10	824113GT	WASHER,FLAT,USS,1/4,ZAG.....4 Z-45/25J only		30	128601GT	CLAMP, PRI, HOSE/CABLE, Z45/51.....3	
11A	34125GT	WEAR PAD,5 X 1.5 X .75 W/NUTS.....5 Z-45/25		31A	824124GT	BOLT,CARRIAGE,1/4-20X.75,5,ZAG.....3 Z-45/25	
11B	34125GT	WEAR PAD,5 X 1.5 X .75 W/NUTS.....6 Z-45/25J		31B	1256127GT	BOLT,CARRIAGE,1/4-20X1.5,ZAG.....3 Z-45/25J	
12	29080GT	SHIM,WEAR PAD,5X 1.5 16GA.....9					
13	42502GT	SHIM,SIDE PAD 22GA.....8					
14	54157GT	WEAR PAD,PRIMARY BOOM,JIB.....1 Z-45/25J only					
15	1256847GT	SCREW,HHC,3/8-16X1.75,8,ZAG.....2 Z-45/25J only					
16	825358GT	WASHER,FLAT,5/16,USS,ZAG.....2 Z-45/25J only					
17	30138GT	WEAR PAD,5 X 1.5 X .625 W/NUTS.....8					
18	77375GT	SPACER,NYLON,2.01 X 1.28 X.135.....1					
19	77376GT	SPACER,NYLON,2.00 X 1.33 X.310.....1					
20A	54570GT	CYLINDER,EXTEND,Z45 NON JIB.....1 Z-45/25					
--	54063GT	VALVE,CB.CBBC-LHN@1000***					
--	65788GT	SEAL KIT CYL Z45 (54570)					

505.1 Cable Track

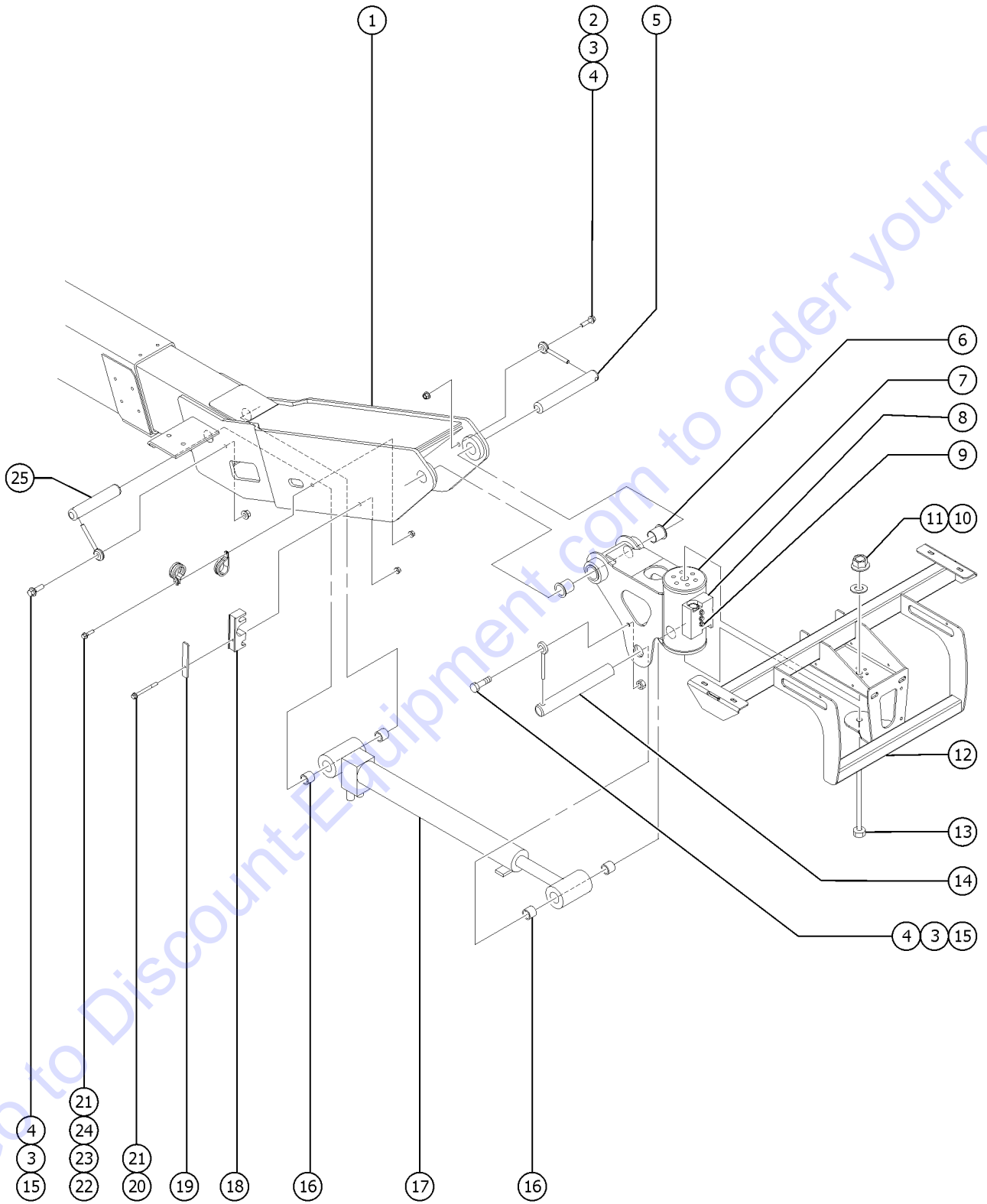


A TEREX BRAND



Item	Part No.	Description	Qty.
1		Ref. PRIMARY BOOM ASSY <i>refer to section 504.1</i>	
2A	1256231GT	SCREW,HHF,1/4-20X2.75,8,ZAG.....2 Z-45/25	
2B	1256803GT	SCREW,HHC,1/4-20X2.75,8,ZAG.....2 Z-45/25J	
3	824027GT	NUT,TL FLG,1/4-20,G,ZAG.....11	
4	128862GT	BACKING PLATE, PULLTUBE.....1	
5	128310GT	CLAMP, JIB HOSE/CABLE, Z45/51.....1	
6	128311GT	CLAMP, JIB HOSE/CABLE, Z45/51.....1	
7A	824079GT	SCREW,HHF,1/4-20X1,8,ZAG.....1 Z-45/25	
7B	824078GT	SCREW,HHF,1/4-20X.75,8,ZAG.....1 Z-45/25J	
8	824124GT	BOLT,CARRIAGE,1/4-20X.75,5,ZAG.....4	
9	824059GT	SCREW,HHC,1/4-20X.75,8,ZAG.....4	
10	54271GT	SPACER,HOSE CLAMP,RUBBER.....4	
11	1274322GT	NUT,NYLOCK FLG,3/8-16,F,ZAG.....2	
12A	128596GT	COVER, CABLETRACK TRAY, Z51.....1 Z-45/25	
12B	128308GT	COVER,CABLETRACK TRAY,Z40/45.....1 Z-45/25J	
13A	139779GT	WELDMENT, CABLETRACK TRAY.....1 Z-45/25	
13B	139781GT	WELDMENT, CABLETRACK TRAY.....1 Z-45/25J	
14A	139701GT	CABLE TRACK, NP400, 31 LINK.....1 Z-45/25	
--	111051GT	REPAIR LINK,7 LINKS NP400-7*** <i>for 139701</i>	
--	111052GT	REPAIR LINK,NP400-7*** <i>for 139701</i>	
--	111053GT	REPAIR END BRKT SET,NP400-7*** <i>for 139701</i>	
14B	139702GT	CABLE TRACK, NP400, 23 LINK.....1 Z-45/25J	
--	111051GT	REPAIR LINK,7 LINKS NP400-7*** <i>for 139702</i>	
--	111052GT	REPAIR LINK,NP400-7*** <i>for 139702</i>	
--	111053GT	REPAIR END BRKT SET,NP400-7*** <i>for 139702</i>	
15A	128597GT	TUBE, CABLETRACK ARM, Z51.....1 Z-45/25	
15B	128309GT	TUBE, CABLETRACK ARM, Z40/45.....1 Z-45/25J	

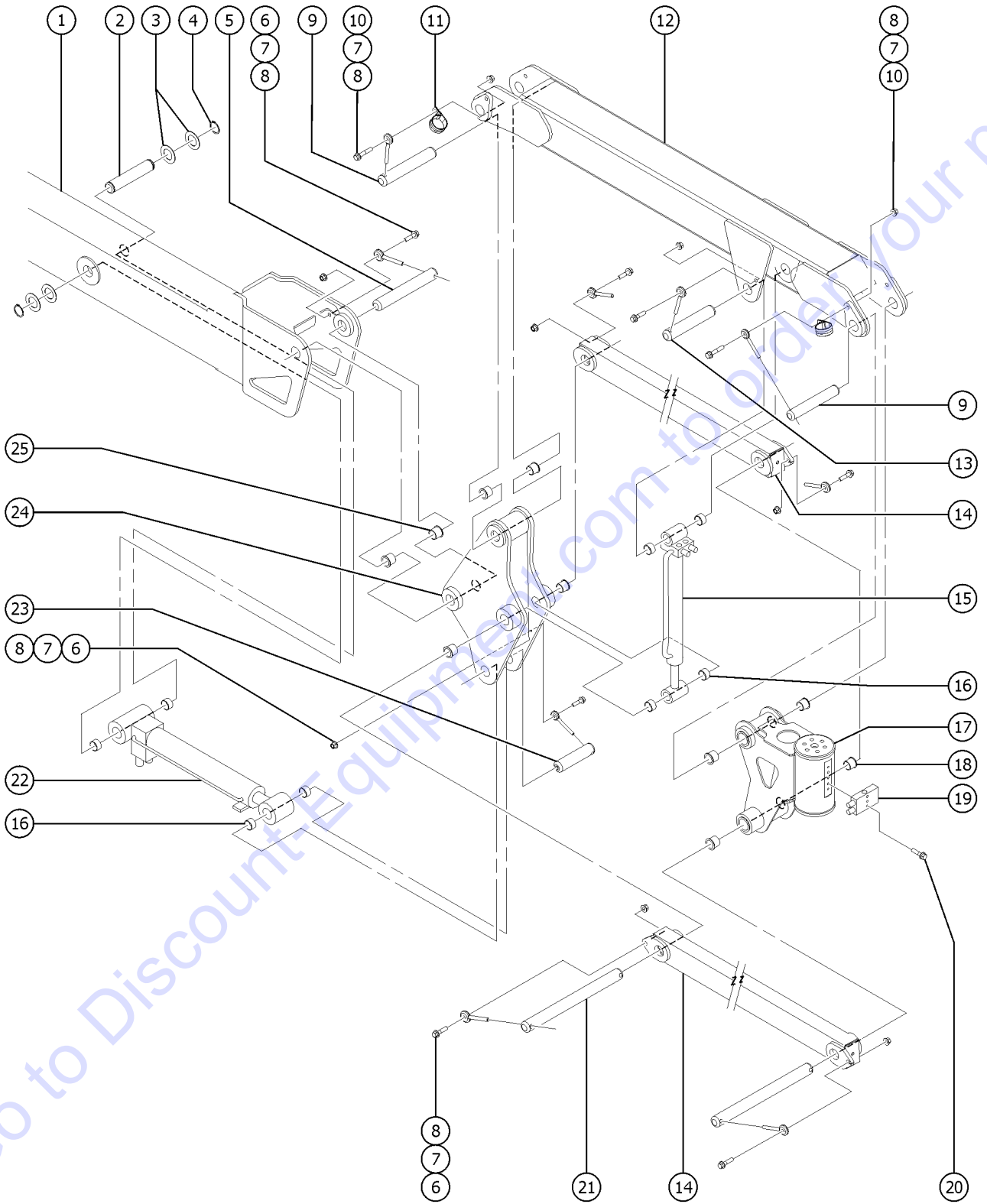
506.1 Non-Jib Platform Leveling and Rotation (Z-45/25)



## 506.1 Non-Jib Platform Leveling and Rotation (Z-45/25)

Item	Part No.	Description	Qty.
--	150103GT	WIRE LOOM,1.25"NYLON,HIGH TEMP.....129-inches	
1		Ref. Primary Boom Tube Assembly (refer to 504.1)	
2	824092GT	SCREW,HHF,3/8-16X1.5,8,ZAG.....1	
3	825019GT	ROD END,.375X3.69,ZAG.....3	
4	824029GT	NUT,TL FLG,3/8-16,G,ZAG.....3	
5	50543GT	PIN,1.25DIAX8.88LG,1HOLE.....1	
6	30222GT	BEARING,FL,1.25IDX1.41ODX1.50L.....2	
7	233716GT	ROTATOR,PLAT,Z45.....1 <i>includes item 6; non-jib units</i>	
--	233745GT	SEAL AND BRG KIT,4.5K ROTATOR for 233716	
8	73807GT	MANIFOLD,ROTATOR,CB***.....1	
9	824081GT	SCREW,HHF,1/4-20X1.5,8,ZAG.....3	
10	824030GT	NUT,TL FLG,3/4-10,G,ZAG.....1	
11	1256863GT	WASHER,FLAT,.75,SAE,HRD,ZAG.....1	
12	54520-SGT	WELDMNT,PLATFRM SUPPORT,NJIB**.....1 <i>non-jib models</i>	
13	824073GT	SCREW,HHC,3/4-10X9,8,ZAG.....1	
14	T108075GT	PIN,1.25DIAX5.25LG,1HOLE.....1	
15	824091GT	SCREW,HHF,3/8-16X1.25,8,ZAG.....1	
16	47377GT	BEARING,1.25 ID X 1.5 OD X .75.....4	
17	77363GT	CYLINDER,SLAVE,Z45***.....1 <i>includes item 16</i>	
--	54065GT	VALVE,COUNTERBALANCE,3500***	
--	77364GT	SEAL KIT,MASTER & SLAVE CYL	
18	139687GT	CLAMP, #4 HOSE, AIR AND LOOM.....1	
19	139688GT	BRACKET, HOSE CLAMP SUPPORT.....1	
20	1256231GT	SCREW,HHF,1/4-20X2.75,8,ZAG.....1	
21	824027GT	NUT,TL FLG,1/4-20,G,ZAG.....2	
22	824079GT	SCREW,HHF,1/4-20X1,8,ZAG.....1	
23	21618GT	CLAMP,1.13,#18 X 1/4,RUB CUSH.....1	
24	21619GT	CLAMP,1.50,#24 X 1/4,RUB CUSH.....1	
25	T107884GT	PIN,1.25DIAX7.00LG,1HOLE.....1	

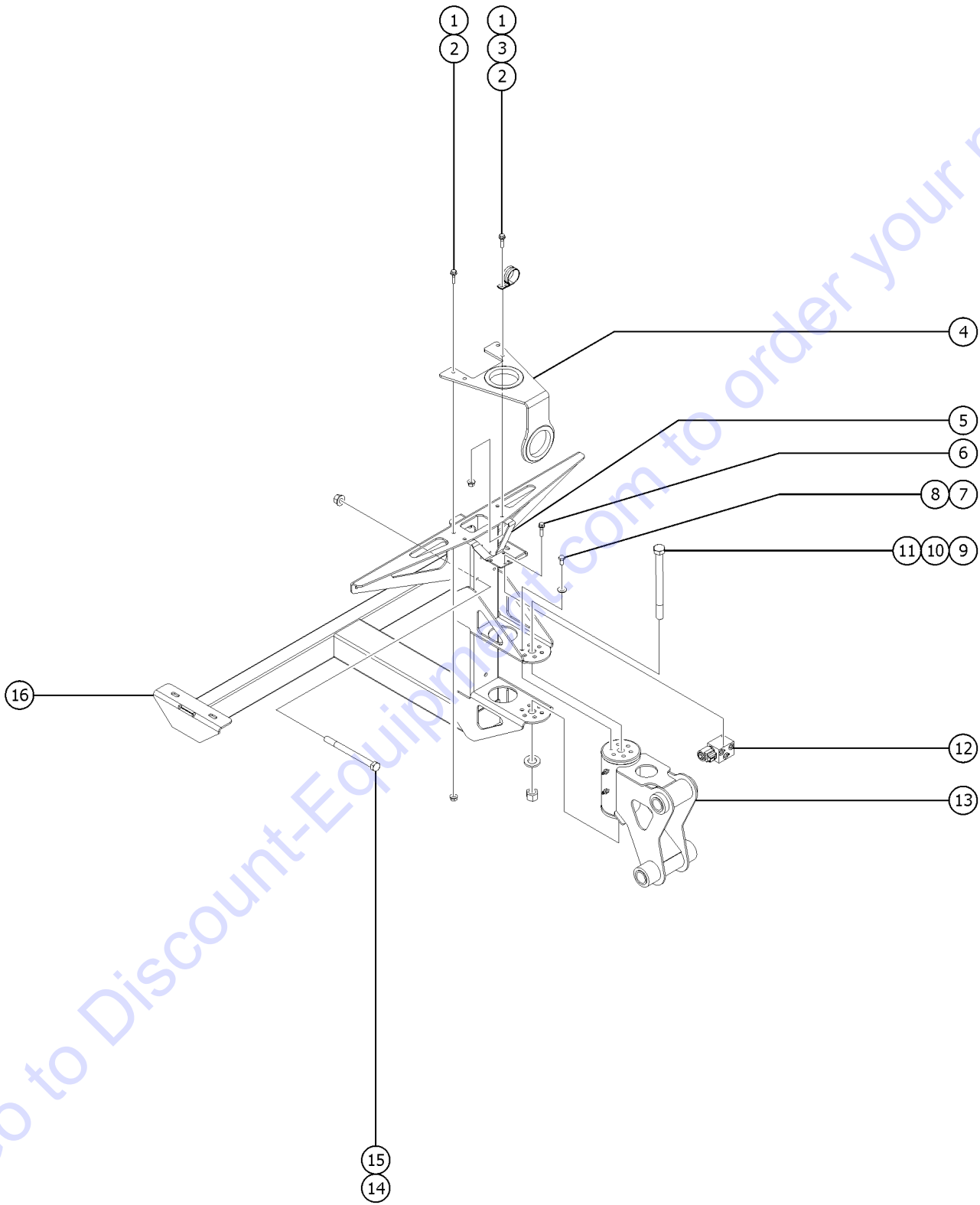
507.1 Jib Platform Leveling (Z-45/25J)



## 507.1 Jib Platform Leveling (Z-45/25J)

Item	Part No.	Description	Qty.
--	150103GT	WIRE LOOM,1.25"NYLON,HIGH TEMP.....129-inches	
1		Ref. Primary and Extension Booms (refer to 504.1)	
2	50546GT	PIN,1.25DIAX6.36LG,2RING.....1	
3	824151GT	WASHER,SHIM,1.270X2.130X.062,Z....4	
4	824164GT	SNAP RING,EXTERNAL,1.25,ZAG.....2	
5	50543GT	PIN,1.25DIAX8.88LG,1HOLE.....1	
6	824092GT	SCREW,HHF,3/8-16X1.5,8,ZAG.....7	
7	825019GT	ROD END,.375X3.69,ZAG.....9	
8	824029GT	NUT,TL FLG,3/8-16,G,ZAG.....9	
9	T107883GT	PIN,1.25DIAX7.88LG,1HOLE.....2	
10	1253478GT	SCREW,HHF,3/8-16X2,8,ZAG.....2	
11	77181GT	CLAMP,1.63,#26 X 3/8,RUB CUSH.....2	
12		SERVICE KIT, 5FT JIB.....1 Refer to section 509.1 for jib detail	
13	T107884GT	PIN,1.25DIAX7.00LG,1HOLE.....1	
14	61306-SGT	COMPR.LINK,MACHINED,GND CONTR*.....2	
--	61306-SGT	COMPR.LINK,MACHINED,GND CONTR*	
15	54994GT	CYLINDER,JIB,Z45,#4 PORTS***.....1 includes item 16	
--	50480GT	VALVE,COUNTERBALANCE,3800 PSI*	
--	65789GT	SEAL KIT (54994) for 54994	
16	47377GT	BEARING,1.25 ID X 1.5 OD X .75.....8	
17		REF: Jib Platform rotator.....1 Refer to section 508.1 for jib rotator; includes item 18	
18	30222GT	BEARING,FL,1.25IDX1.41ODX1.50L....4	
19		Ref. Counterbalance Manifold (refer to 703.1)	
20	824081GT	SCREW,HHF,1/4-20X1.5,8,ZAG.....3	
21	81175GT	PIN,1.25DIAX14.45LG,2HOLE.....2	
22	77363GT	CYLINDER,SLAVE,Z45***.....1 includes item 16	
--	54065GT	VALVE,COUNTERBALANCE,3500***	
--	77364GT	SEAL KIT,MASTER & SLAVE CYL	
23	T108075GT	PIN,1.25DIAX5.25LG,1HOLE.....1	
24	50466-SGT	BELLCRANK,JIB,WELD/Z45/25***.....1	
25	35675GT	BEARING,FL,1.25IDX1.5ODX1.25L.....6	

508.1 Jib Platform Rotation (Z-45/25J)

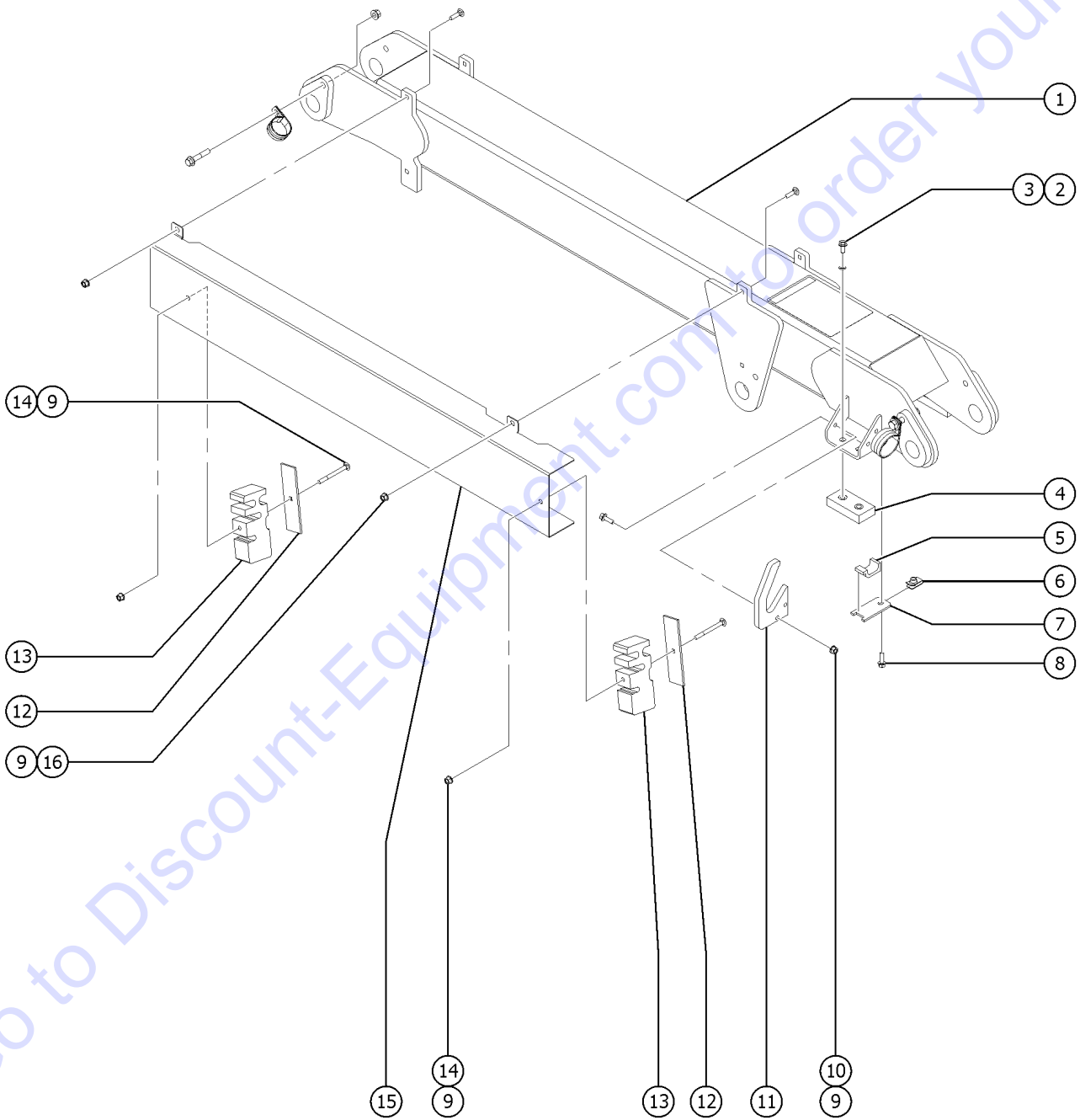


Go to Discount-Equipment.com to order your parts

## 508.1 Jib Platform Rotation (Z-45/25J)

Item	Part No.	Description	Qty.
1	824087GT	SCREW,HHF,5/16-18X1.25,8,ZAG.....	4
2	824028GT	NUT,TL FLG,5/16-18,G,ZAG.....	4
3	77181GT	CLAMP,1.63,#26 X 3/8,RUB CUSH.....	1
4	106163GT	FORMING,CABLE GUIDE..... <i>order 55067 grommet separately</i>	1
--	55067GT	GROMMET,RUBBER 3 X .19 X 3.5.....	2
5	110671GT	PLATE,JIB,ROTATE MANIFOLD.....	1
6	824078GT	SCREW,HHF,1/4-20X.75,8,ZAG.....	2
7	1256109GT	SCREW,HHC,3/8-16X.75,8,ZAG.....	6
8	826793GT	WASHER,FLAT,3/8,SAE,HRD,ZAG.....	6
9	1273205GT	SCREW,HHC,3/4-10X9.5,8,ZAG.....	1
10	1256863GT	WASHER,FLAT,.75,SAE,HRD,ZAG	
11	1257458GT	NUT,TL,3/4-10,C,ZAG.....	1
12		Ref. Jib Manifold <i>(refer to 703.1)</i>	
13	233715GT	ROTATOR,PLAT,Z45J/Z51J..... <i>replacement for 94401</i>	1
--	233745GT	SEAL AND BRG KIT,4.5K ROTATOR <i>for 233715</i>	
--	30222GT	BEARING,FL,1.25IDX1.41ODX1.50L..... <i>for 233715</i>	4
--	88516GT	SCREW,BLEEDER,M5X0.8..... <i>for 233715</i>	2
14	1256803GT	SCREW,HHC,1/4-20X2.75,8,ZAG.....	1
15	824027GT	NUT,TL FLG,1/4-20,G,ZAG.....	1
16	54510-SGT	WELDMENT,PLATFORM SUPPORT..... <i>for models with the Platform Overload option, refer to 906.1</i>	1

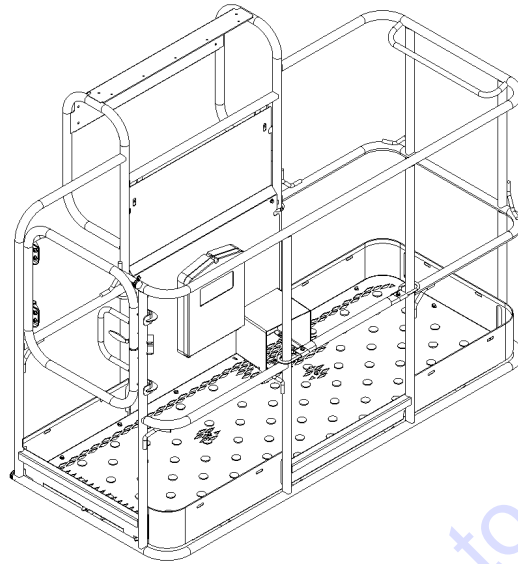
509.1 Jib Detail (Z-45/25J)



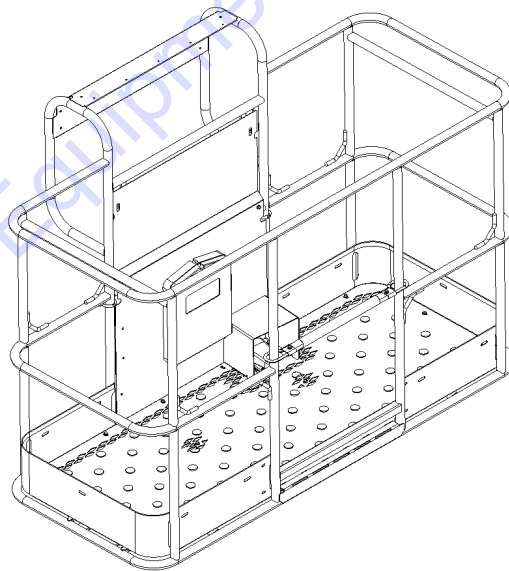


Item	Part No.	Description	Qty.
1	128534GT	JIB BOOM ASSY W/WORD DECAL.....1	1
2	824089GT	SCREW,HHF,3/8-16X.75,8,ZAG.....4	4
3	824110GT	WASHER,LOCK,3/8,ZAG.....4	4
4	81640GT	WEAR PAD,3 X 1.5 X.625 W/NUTS.....2	2
5	119542GT	CLAMP,TWO HOSE.....1	1
6	56912GT	SPRING CLIP,1/4-20,.025-.15X.54,ZAG.....1	1
7	119536PGT	BRACKET,HOSE CLAMP,PAINTED.....1	1
8	824078GT	SCREW,HHF,1/4-20X.75,8,ZAG.....1	1
9	824027GT	NUT,TL FLG,1/4-20,G,ZAG.....8	8
10	824080GT	SCREW,HHF,1/4-20X1.25,8,ZAG.....2	2
11	128482GT	HOSE GUIDE, JIB.....1	1
12	128483GT	BACKING PLATE, HOSE BLOCK, JIB...2	2
13	128997GT	CLAMPING BLOCK, CABLE, Z45/51.....2	2
14	1256180GT	BOLT,CARRIAGE,1/4-20X2.75,5,ZAG.....2	2
15	128454GT	COVER, JIB HOSES/CABLES**.....1	1
16	1256127GT	BOLT,CARRIAGE,1/4-20X1.5,ZAG.....4	4

601.1 Platform Configuration



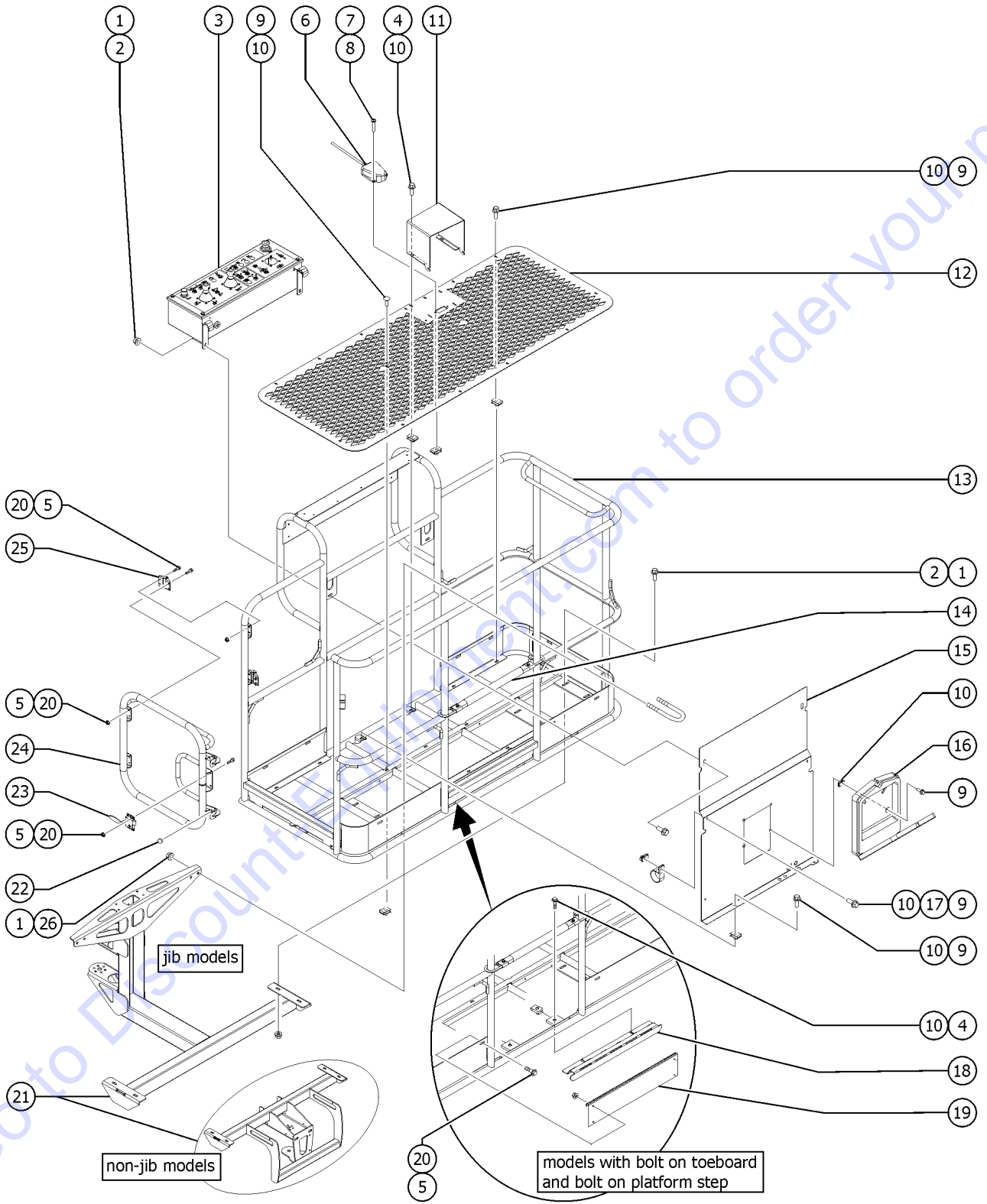
(1) Side Swing Gate Platform



(2) Front Single Entry Platform

Item	Part No.	Description	Qty.
A		<i>Complete Platform Assemblies with Decals</i>	
--			
--	1275393GT	PLAT ASSY,6' W/SIDE GATE,Z45DC/BI ANSI WORD <i>USA and Canadian models</i>	
--	1275395GT	PLAT ASSY,6' W/SIDE GATE,Z45/51 CE <i>European models</i>	
--	1275396GT	PLAT ASSY,6' W/SIDE GATE,Z45/51 ANSI SYM <i>Asia/South America models</i>	
--	1275397GT	PLAT ASSY,6' W/SIDE GATE,Z45DC/BI AUS <i>Australian models</i>	
B		<i>Complete Platform Assemblies and Platform Weldments without Decals (Warning tape &amp; decals not included, refer to section 100 for decals)</i>	
--			
1	1272303GT	ASSY,6FT PLAT DUAL LG,BLANK W/SIDE SWING GATE	
--	1274858GT	ASSY,6' PLAT WELDMNT W/SIDE GATE <i>flooring and decal plate not included</i>	
2A	161541GT	ASSY,4FT PLATFORM, NO DECALS <i>Single entry</i>	
--	60042GT	WELDMNT,4 FT PLATFORM <i>flooring and decal plate not included</i>	
2B	161542GT	ASSY,5FT PLATFORM, NO DECALS <i>Single entry</i>	
--	50294GT	WELDMNT,5 FT PLATFORM <i>flooring and decal plate not included</i>	
2C	160809GT	ASSY,6FT PLATFORM,NO DECALS <i>Single entry</i>	
--	73900GT	WELDMNT,6 FT PLATFORM <i>flooring and decal plate not included</i>	

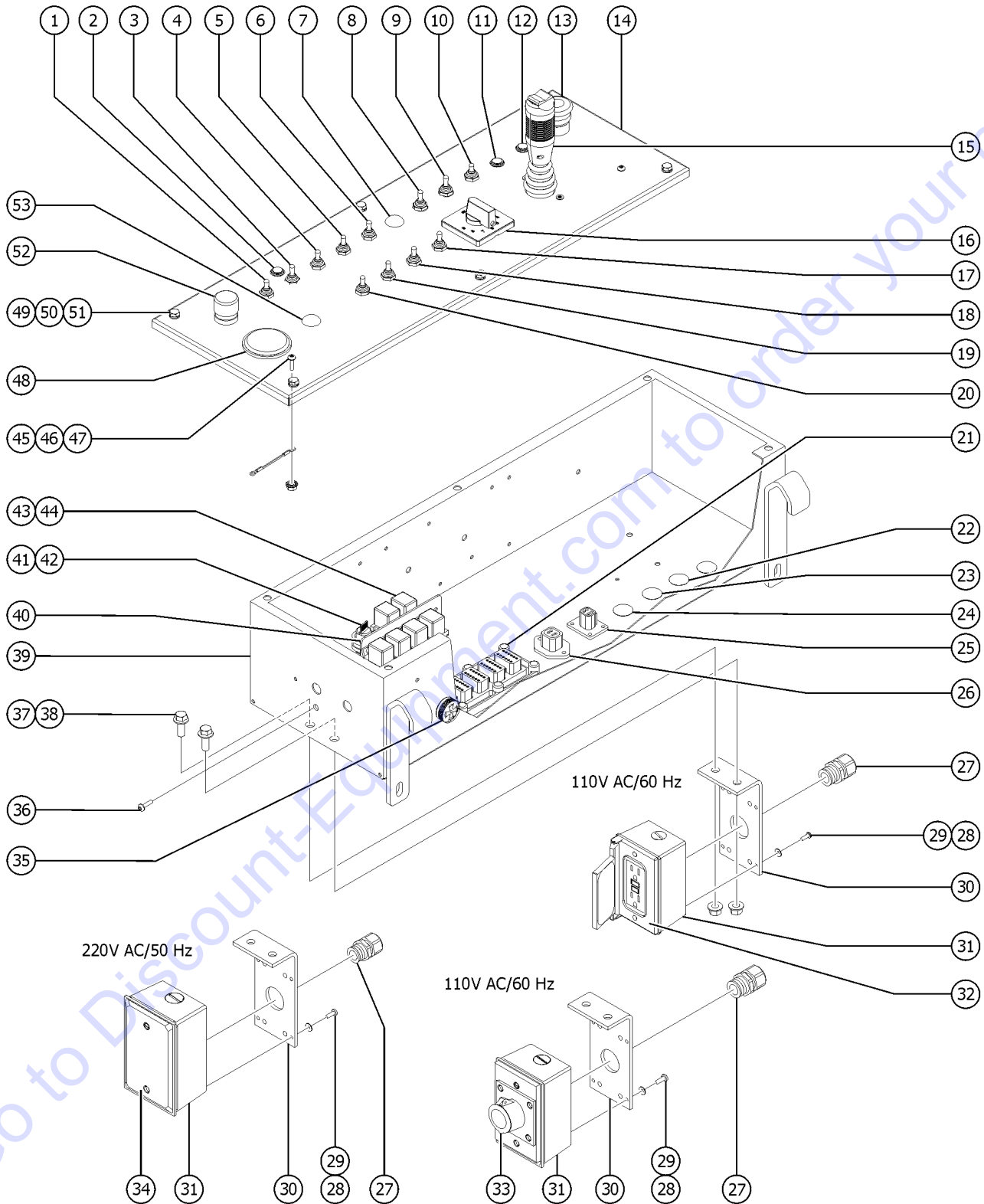
602.1 Platform Components



## 602.1 Platform Components

Item	Part No.	Description	Qty.	Item	Part No.	Description	Qty.
1	824029GT	NUT,TL FLG,3/8-16,G,ZAG		25	104804GT	HINGE, SPRING, LONG LEG.....	2
2	824090GT	SCREW,HHF,3/8-16X1,8,ZAG		26	1251600GT	U-BOLT, FLATTENED, 1.5 X 3/8 UNC,ZAG	
3		Ref. Platform Control Box (refer to 602.1 and 603.1)					
4	824079GT	SCREW,HHF,1/4-20X1,8,ZAG					
5	824027GT	NUT,TL FLG,1/4-20,G,ZAG.....	2				
6	227617GT	ASSEMBLY,FOOT SWITCH.....	1				
--	119058GT	CONN PLUG 4 WAY ENDCAP DT					
--	1257248GT	SCREW, SHC, M4-0.7X8, DIN912,					
--	1257249GT	WASHER, LOCK, M4, SS					
--	227564GT	FOOT SWITCH,20A IP65					
--	43960-6950GT	WIRE CABLE,16GA/4 CON.TPE JKT*					
--	73739GT	BOOT,PLUG 4 WAY					
7	1256460GT	SCREW,PHPM,10-24X1,ZAG.....	2				
8	73575GT	SPRING CLIP,10-24,.025-.125X.468,ZAG.....	2				
9	824078GT	SCREW,HHF,1/4-20X.75,8,ZAG					
10	56912GT	SPRING CLIP,1/4-20,.025-.15X.54,ZAG					
11	147121GT	COVER, FOOT SWITCH, LARGE.....	1				
12A	1267746GT	FLOORING, 6FT PLAT,SIDE..... (sold seperately)	1				
12B	73477PGT	FLOORING, 6'FT PLATFORM.....	1				
12C	54247-SGT	PLAT. FLOOR, 5FT, PAINTED.....	1				
12D	60160PGT	FLOORING,4 FT PLATFORM,PAINTED.....	1				
13		Ref. Platform Weldment..... (refer to 601.1)	1				
14	102992GT	SLIDING MIDRAIL KIT,PTD..... (includes fasteners)	1				
15	73574-SGT	DECAL PLATE ASSEMBLY..... (decals not included, refer to section 100)	1				
16	24514GT	BOX,INSTRUCTION STORAGE..... (decals not included, refer to section 100)	1				
17	56424GT	CLAMP,1.25X.5 RUBBER-CUSHION....	2				
18	73610PGT	STEP PLATFORM ENTRY PAINTED***.....	1				
19	94745GT	TOEBOARD,ENTRY EUROPEAN PNTD**.....	1				
20	1256855GT	SCREW,HHF,1/4-20X.625,8,ZAG					
21B		WELDMENT,PLATFORM SUPPORT..... (refer to 508.1) (jib models)	1				
21C		Ref. Platform Support..... (refer to 906.1) (models with platform overload option)	1				
22	43392GT	BUMPER,BATTERY BOX & RAILS.....	2				
23	1267747GT	LATCH, SWING GATE.....	1				
24	1272307GT	ASSY,SIDE SWING GATE.....	1				

603.1 Platform Controls



## 603.1 Platform Controls

Item	Part No.	Description	Qty.	Item	Part No.	Description	Qty.
A	147253GT	TIME DELAY RELAY,2 SEC,24VDC.....1		--	27246GT	BOOT,TOGGLE SWITCH,SHORT*	
1	128201GT	SWITCH TOGGLE ASSY DPDT 2P MOM.....1 <i>Auxiliary Power; includes boot and hardware</i>		9B	229567GT	PLUG,SANTOPRENE .5 BLACK DOME.....1 <i>(DC)</i>	
--	128578GT	SCREW T-SWITCH PH/PH 6-32X1/4		10A	128206GT	SWITCH TOGGLE ASSY DPDT 3P MNT.....1 <i>(BE)</i>	
--	128581-SGT	SWITCH TOGGLE DPDT 2P MOM SHDR		10B	229567GT	PLUG,SANTOPRENE .5 BLACK DOME.....1 <i>(DC)</i>	
--	27246GT	BOOT,TOGGLE SWITCH,SHORT*		11A	824878GT	LIGHT,LED IND. RED 24V NH.....1 <i>Australia and CE</i>	
2	824878GT	LIGHT,LED IND. RED 24V NH.....1		11B	229567GT	PLUG,SANTOPRENE .5 BLACK DOME.....1 <i>ANSI</i>	
3	128200GT	SWITCH TOGGLE ASSY SPDT 3P MOM.....1 <i>Drive Enable; includes boot and hardware</i>		12	824878GT	LIGHT,LED IND. RED 24V NH.....1	
--	128578GT	SCREW T-SWITCH PH/PH 6-32X1/4		13	122514GT	KIT,ESTOP SVC BB&SM BOOM.....1	
--	128580-SGT	SWITCH TOGGLE SPDT 3P MOM SHDR		--	146478GT	BOOT(BELLOWS),E-STOP,BLACK	
--	27246GT	BOOT,TOGGLE SWITCH,SHORT*		--	66812GT	BUTTON,PUSH,RED MUSHROOM HEAD	
4B	229567GT	PLUG,SANTOPRENE .5 BLACK DOME.....1 <i>(Z-45/25)</i>		--	66818GT	CONTACT, N.C.	
5	128202GT	SWITCH TOGGLE ASSY DPDT 3P MOM.....1 <i>"Platform Rotate; includes boot and hardware"</i>		--	66821GT	BASE,WITHOUT CONTACTS	
--	128578GT	SCREW T-SWITCH PH/PH 6-32X1/4		14	229812GT	PLAT. CONTROL BOX LID, DC/BE.....1	
--	128582-SGT	SWITCH TOGGLE DPDT 3P MOM SHDR		--	81488GT	GASKET,PLATFORM CONTROL BOX....1	
--	27246GT	BOOT,TOGGLE SWITCH,SHORT*		15		Ref. Joystick, Drive/Steer <i>refer to 604. 1</i>	
6	128202GT	SWITCH TOGGLE ASSY DPDT 3P MOM.....1 <i>Platform Level; includes boot and hardware</i>		16	36557GT	ROTATIONAL CONTROLLER,24V***.....1	
--	128578GT	SCREW T-SWITCH PH/PH 6-32X1/4		17	128202GT	SWITCH TOGGLE ASSY DPDT 3P MOM.....1 <i>Primary Boom Ext/Ret; includes boot and hardware</i>	
--	128582-SGT	SWITCH TOGGLE DPDT 3P MOM SHDR		--	128578GT	SCREW T-SWITCH PH/PH 6-32X1/4	
--	27246GT	BOOT,TOGGLE SWITCH,SHORT*		--	128582-SGT	SWITCH TOGGLE DPDT 3P MOM SHDR	
7	229567GT	PLUG,SANTOPRENE .5 BLACK DOME.....1		--	27246GT	BOOT,TOGGLE SWITCH,SHORT*	
8A	128200GT	SWITCH TOGGLE ASSY SPDT 3P MOM.....1 <i>(BE) Glow Plug; includes boot and hardware</i>		18	128202GT	SWITCH TOGGLE ASSY DPDT 3P MOM.....1 <i>Primary Boom Up/Down; includes boot and hardware</i>	
--	128578GT	SCREW T-SWITCH PH/PH 6-32X1/4		--	128578GT	SCREW T-SWITCH PH/PH 6-32X1/4	
--	128580-SGT	SWITCH TOGGLE SPDT 3P MOM SHDR		--	128582-SGT	SWITCH TOGGLE DPDT 3P MOM SHDR	
--	27246GT	BOOT,TOGGLE SWITCH,SHORT*		--	27246GT	BOOT,TOGGLE SWITCH,SHORT*	
8B	229567GT	PLUG,SANTOPRENE .5 BLACK DOME.....1 <i>(DC)</i>		19	128202GT	SWITCH TOGGLE ASSY DPDT 3P MOM.....1 <i>Secondary Boom Up/Down; includes boot and hardware</i>	
9A	128200GT	SWITCH TOGGLE ASSY SPDT 3P MOM.....1 <i>"(BE) Engine Start; includes boot and hardware"</i>		--	128578GT	SCREW T-SWITCH PH/PH 6-32X1/4	
--	128578GT	SCREW T-SWITCH PH/PH 6-32X1/4		--	128582-SGT	SWITCH TOGGLE DPDT 3P MOM SHDR	
--	128580-SGT	SWITCH TOGGLE SPDT 3P MOM SHDR		--	27246GT	BOOT,TOGGLE SWITCH,SHORT*	

603.1 Platform Controls  
(continued)

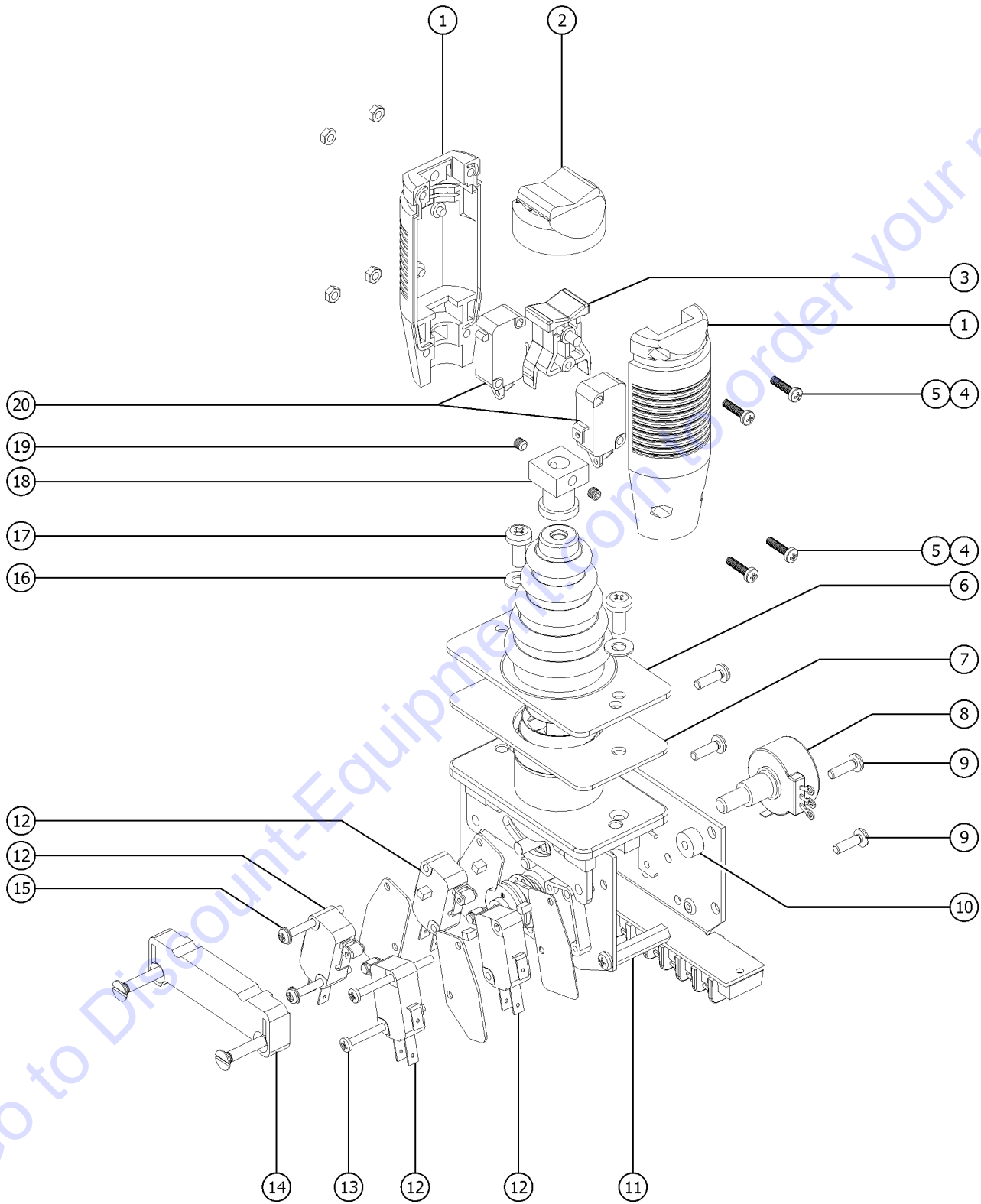
Item	Part No.	Description	Qty.	Item	Part No.	Description	Qty.
20	128202GT	SWITCH TOGGLE ASSY DPDT 3P MOM.....1 <i>Turntable Rotate; includes boot and hardware</i>	1	37	824029GT	NUT,TL FLG,3/8-16,G,ZAG.....2	2
--	128578GT	SCREW T-SWITCH PH/PH 6-32X1/4		38	824029GT	NUT,TL FLG,3/8-16,G,ZAG.....2	2
--	128582-SGT	SWITCH TOGGLE DPDT 3P MOM SHDR		39	120297GT	WELDMENT,PLATFORM CONTROL BOX.....1	1
--	27246GT	BOOT,TOGGLE SWITCH,SHORT*		--	1257227GT	SCREW,PHPM,10-32X.625,ZAG	
21	73736GT	CONN,RECEP 48 WAY,4 X 12.....1	1	--	30996GT	PLUG,NYLON .313 BLACK DOMED	
--	54255GT	LOCK,RECEP 12 WAY, 14-18GA		--	42288GT	PLUG,NYLON .188 BLACK DOMED	
--	73713GT	TERM,NI PIN,S&F,16-18GA,REEL		--	42781GT	PLUG, NYLON .250 BLACK DOMED	
--	824226GT	SCREW,PHPSH,#12-11X.75,ZAG		40	T106699GT	BRACKET,RELAY MOUNT W/INSERTS.....1	1
22	15243GT	PLUG,NYLON .875 BLACK DOMED.....1	1	--	1251757GT	SCREW,PHPM,10-32X.50,ZAG	
23	15243GT	PLUG,NYLON .875 BLACK DOMED.....1	1	--	824036GT	NUT,TL,10-32,A,ZAG	
24	15243GT	PLUG,NYLON .875 BLACK DOMED.....1 <i>(Z-45/25)</i>	1	--	824078GT	SCREW,HHF,1/4-20X.75,8,ZAG	
25	73723GT	CONN RECEPT,FLANGED.....1	1	41	43181GT	CAPACITOR,TIME DELAY	
--	60443GT	LOCK,RECEP 4 WAY,14-18GA		42	13268GT	CLAMP,0.75,#12 X 1/4,RUB CUSH	
--	73713GT	TERM,NI PIN,S&F,16-18GA,REEL		43	56302GT	RELAY,24VDC,40/30A,SEALED***.....6	6
--	824019GT	NUT,TL,6-32,A,ZAG		44	34053GT	ASSY,RELAY SOCKET, AUTO.....6	6
--	824214GT	SCREW,PHPM,6-32X.5,ZAG		45	54365GT	SCREW,PHIL,PHM,10-32 X .5,SSTL.....4	4
26	73717GT	CONN,RECEP 4 WAY,12-14GA FL***.....1	1	46	77351GT	LANYARD,PLATFORM CONTROL BOX.....2	2
--	60526GT	LOCK,RECEP 4 WAY,12-14GA		47	1264261GT	NUT,SERRATED,10-32,ZAG.....4	4
--	73711GT	TERM,DEUTSCH, PIN #12-14		48A	237145GT	IND,BAT CHARGE,48V LEAD-ACID.....1 <i>(models with battery charge indicator)</i>	1
--	824019GT	NUT,TL,6-32,A,ZAG		48B	110651GT	LVI/BCI 36/48 VOLT ENGAGE II.....1 <i>"(models with low voltage indicator/battery charge indicator)"</i>	1
--	824214GT	SCREW,PHPM,6-32X.5,ZAG		48C	45840GT	PLUG,NYLON 2.00 BLACK DOMED.....1	1
27	7056GT	CONN,SQUEEZE,1/2NPT .38-.50,SM		49	824059GT	SCREW,HHC,1/4-20X.75,8,ZAG.....6	6
--	6935GT	LOCKNUT,ELEC,1/2"		50	824109GT	WASHER,LOCK,1/4,ZAG.....6	6
28	1257296GT	SCREW,PHPM-ST,8-32X.50,TYPE F,ZAG.....4	4	51	1253185GT	WASHER,FLAT,#10,USS,ZAG.....6	6
29	1257390GT	WASHER,FLAT,#8,SAE,ZAG.....4	4	52	122513GT	KIT,HORN SVC BB&SM BOOM	
30	120300GT	BRACKET,POWER TO PLAT,DOM.....1	1	--	66813GT	BUTTON,PUSH,BLACK W/SEAL***	
31	10775GT	T-BOX,2.75 X 4.5 X 2.0		--	66815GT	BASE, W/1 N.O. CONTACTS***	
32	13585GT	OUTLET, 110V <i>USA/Canada</i>		53	229567GT	PLUG,SANTOPRENE .5 BLACK DOME.....1	1
--	74006GT	COVER,GFCI,HORIZONTAL,WEATHER <i>USA/Canada</i>					
33	T112560GT	RECEPTACLE,UK,110V.....1	1				
34	10777GT	COVER,BLANK.....1	1				
--	33724GT	KIT,GASKET,UK POWER TO PLAT.					
--	49820GT	SCREW,PHILLIPS,PHM,6-32 X .5					
--	81458GT	GASKET, UK POWER TO PLAT					
35	45383GT	ALARM,WARBLE TONE 5-30 VDC***.....1 <i>does not include 72326 nut</i>	1				
--	72326GT	NUT - PLASTIC,RING FOR ALARMS <i>must order separately</i>					
36	824090GT	SCREW,HHF,3/8-16X1,8,ZAG.....1	1				



*This Page Intentionally Left Blank*

Go to [Discount-Equipment.com](http://Discount-Equipment.com) to order your parts

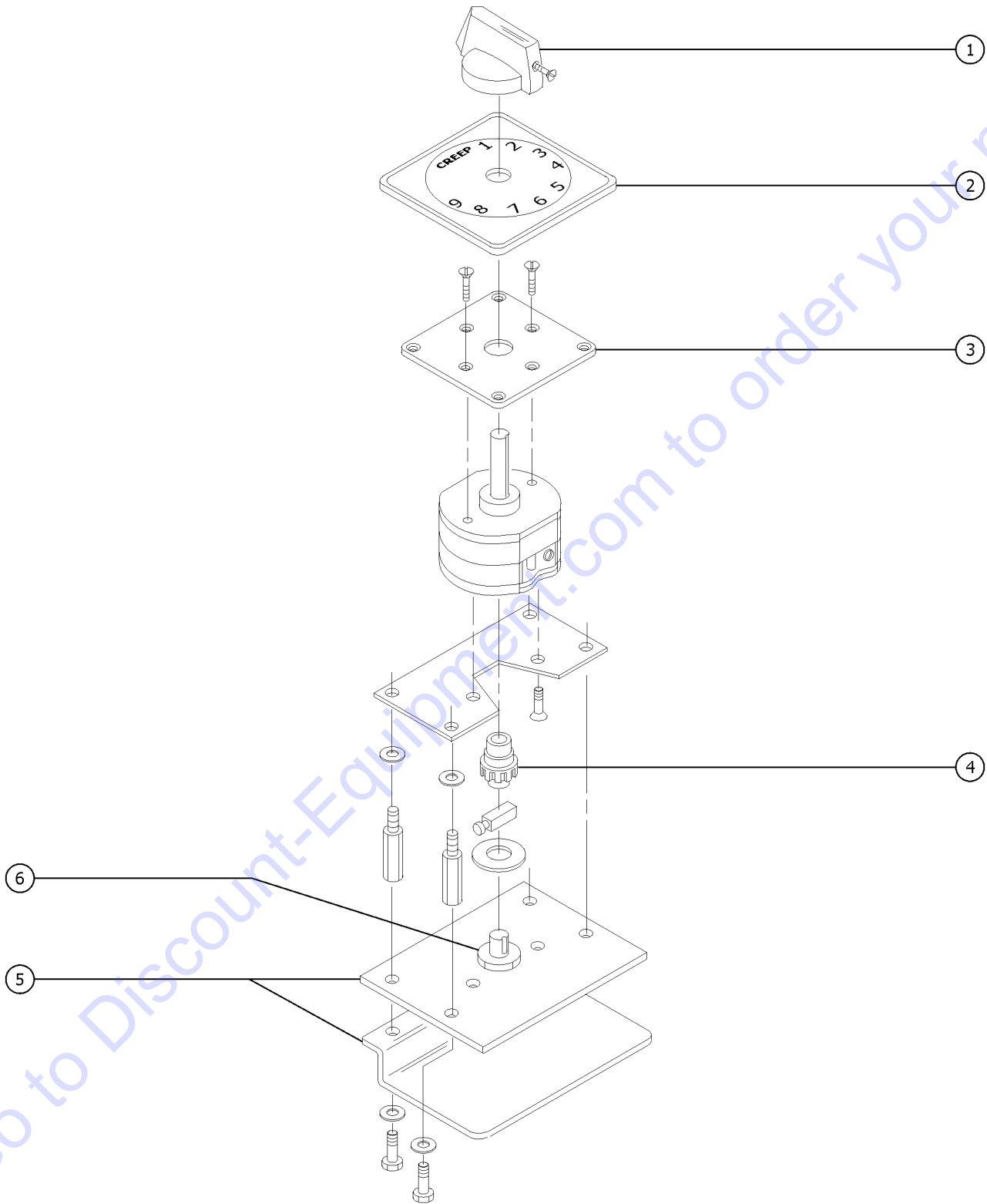
604.1 Joystick Controller, Drive/Steer Functions



## 604.1 Joystick Controller, Drive/Steer Functions

Item	Part No.	Description	Qty.
A	234923GT	JOYSTICK,5K-0 OHM,W/RELAY.....	1
1	52887GT	HANDLE HALF (56274).....	2
2	43038GT	BOOT-THUMB ROCKER** BLACK.....	1
3	65178GT	ROCKER ASSY W/ROLLPIN***.....	1
4	52895GT	SCREW,PHM,M3 X .5 X 12MM.....	4
5	52928GT	NUT-HEX,3M X 0.5MM.....	4
6	21427GT	BOOT,CONTROLLER**.....	1
7	43042GT	GASKET,JOYSTK.SHAFT36867/42032..	1
8	72298GT	POTENTIOMETER (56773).....	1
9	65546GT	SCREW,PHM,M3.5 X 12MM (57890)....	6
10	74368GT	SPACER-POT.PLATE,JOYSTICK56773..	2
11	19721GT	MICROSWITCH SPACER,45049.....	1
12	19712GT	MICROSWITCH,V3L-139-D8.....	4
13	52892GT	SCREW,PHS,4-40 X 1.5.....	2
14	19713GT	SPRING RETURN,HEAVY DUTY,45049.....	1
15		Ref. SCREW, 4-40 x 1/18" <i>illustration purpose only</i>	2
16	74362GT	WASHER,NYLON, JOYSTICK.....	2
17	226383GT	SCREW.....	2
18	43040GT	NUT,JS,36867/42032/44988/40612..... <i>coupling</i>	1
19	58985GT	SCREW,HANDLE42032,40612,36867....	2
20	19722GT	MICROSWITCH-V319M***.....	2

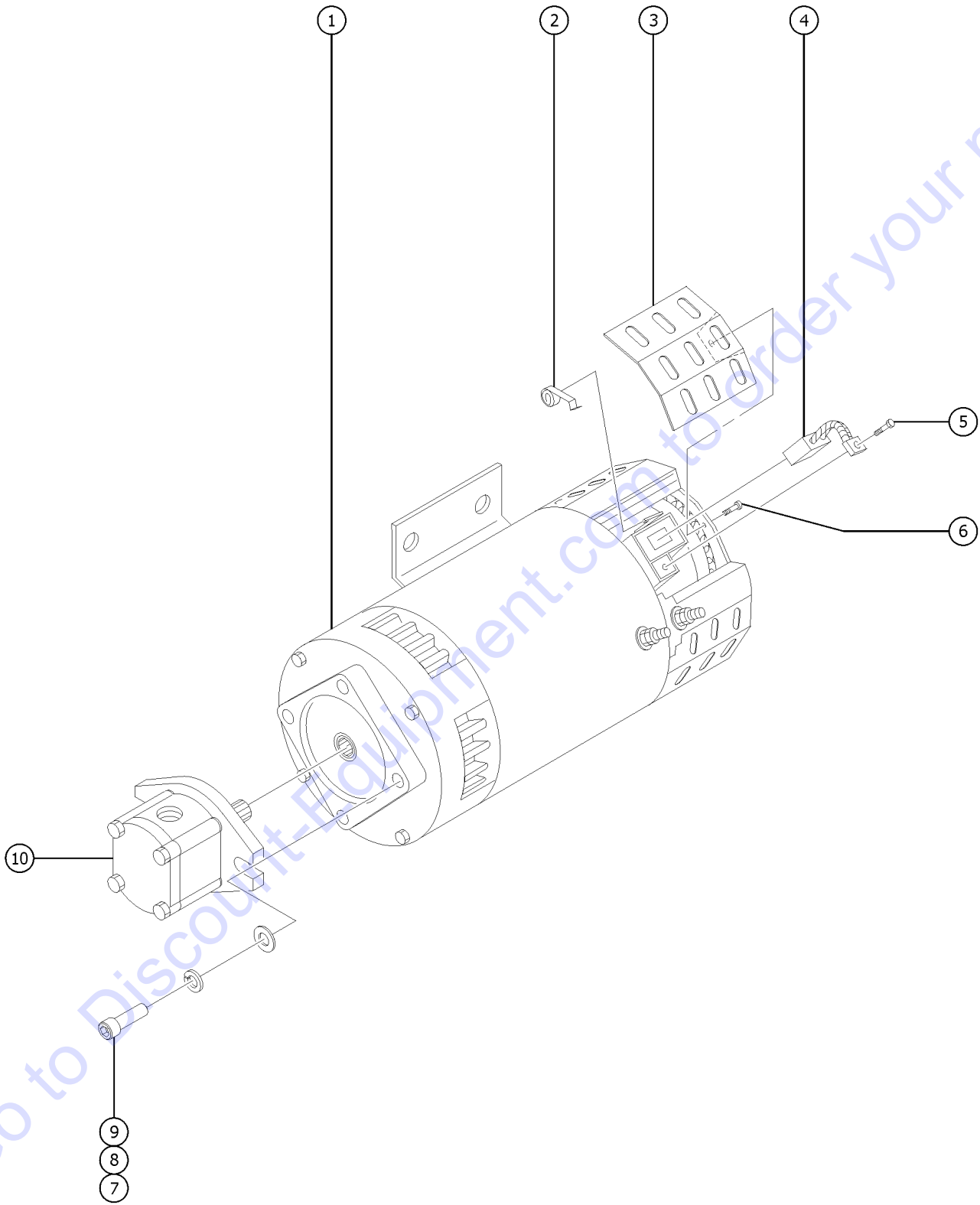
605.1 Rotational Controller



Item	Part No.	Description	Qty.
--	36557GT	ROTATIONAL CONTROLLER,24V***	
1	35679GT	KNOB, 45048 CONTROLLER.....1	1
2	35680GT	LEGEND,PLSTC,"CREEP TO 9"*** .....1	1
3	35678GT	MOUNTING PLATE, 45048.....1	1
4	19731GT	GEAR, SLAVE, MS4,45048.....1	1
5	40433GT	PCB,ROTATOR CONTROLLER 36557*.....1 <i>includes item 6</i>	1
6	19729GT	POTENTIOMETER,56886.....1	1

Go to Discount-Equipment.com to order your parts

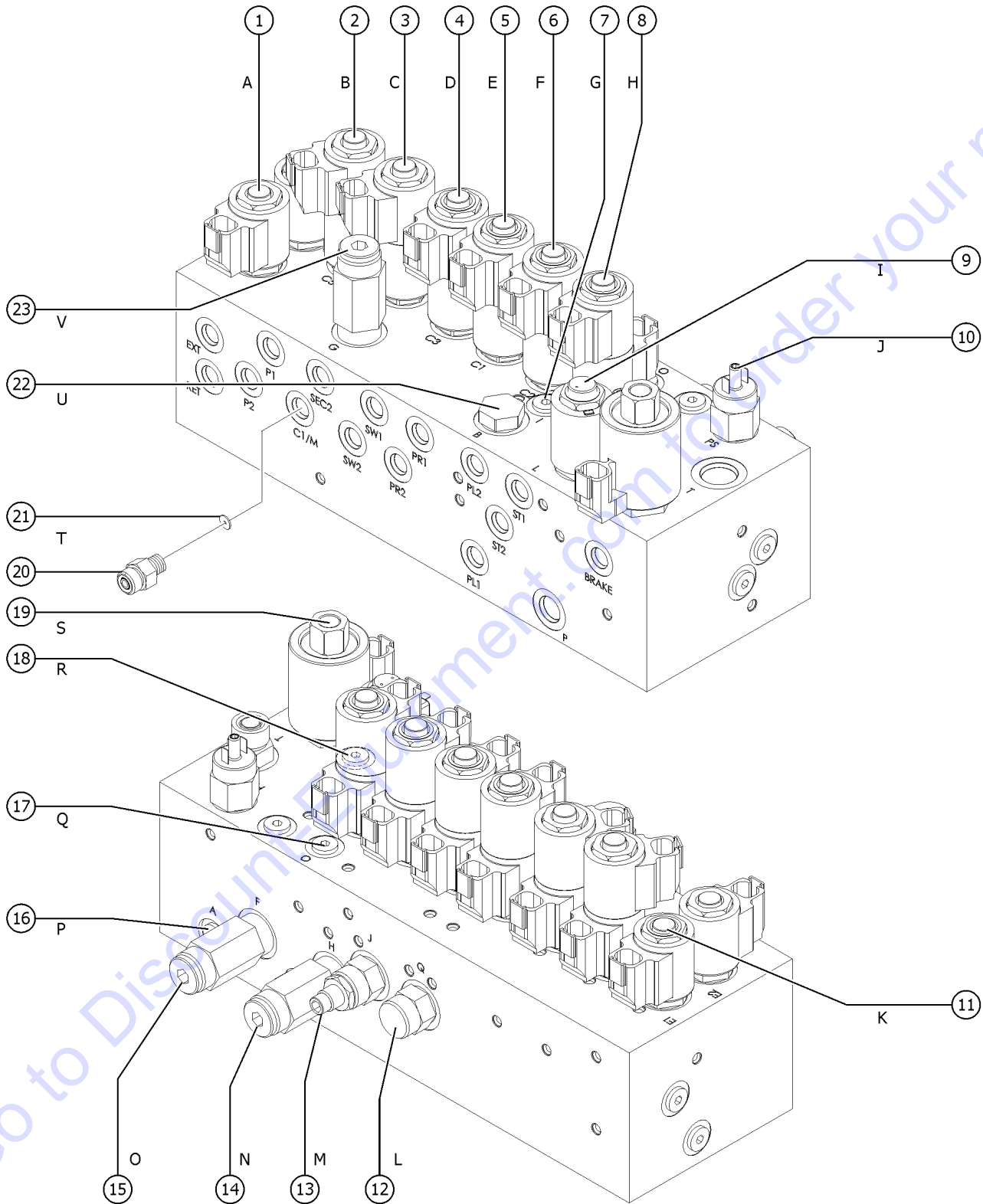
701.1 Hydraulic Power Unit



Item	Part No.	Description	Qty.
1	48504GT	MOTOR,FUNCTION,48V DC.....	1
2	44750GT	SPRING-BRUSH,40844, SCISSORS	
3	58936GT	BRUSH COVER -PLATE-(48504)* .....	1
4	58932GT	BRUSH SET 4 EA.....	1
5	52913GT	SCREW,HH TAPETITE THRD8-32X.50	
6	52914GT	SCREW,HHTAPTITE THREAD8-32X.38	
7	824100GT	SCREW,SHC,3/8-24X1.25,A574,ZAG.....	2
8	824110GT	WASHER,LOCK,3/8,ZAG.....	2
9	826793GT	WASHER,FLAT,3/8,SAE,HRD,ZAG.....	2
10	77981GT	PUMP,LIFT,3CC,CCW*** .....	1
--	77990GT	KIT,SEAL,3CC PUMP***	

Go to Discount-Equipment.com to order your parts

702.1 Function Manifold

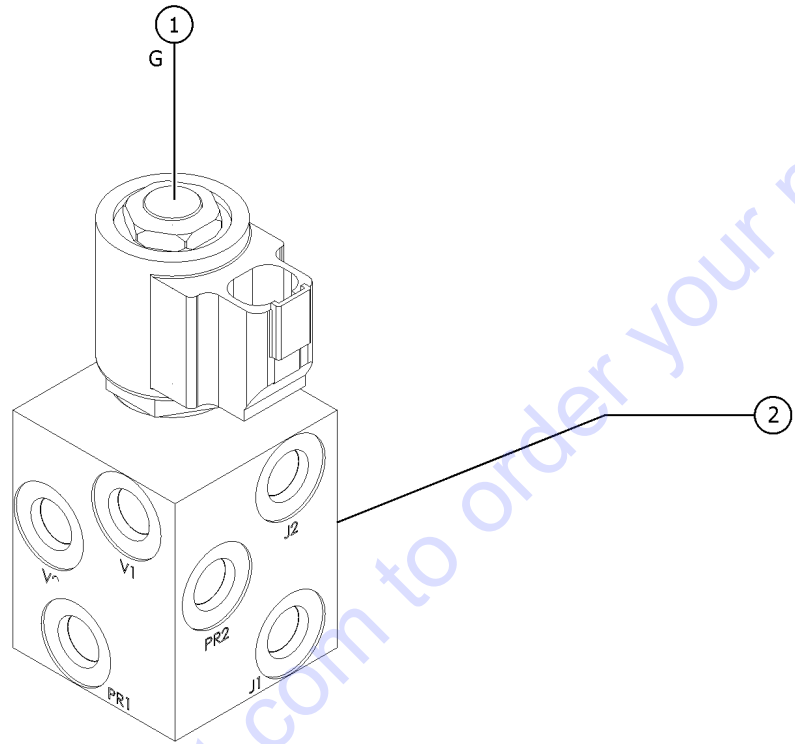




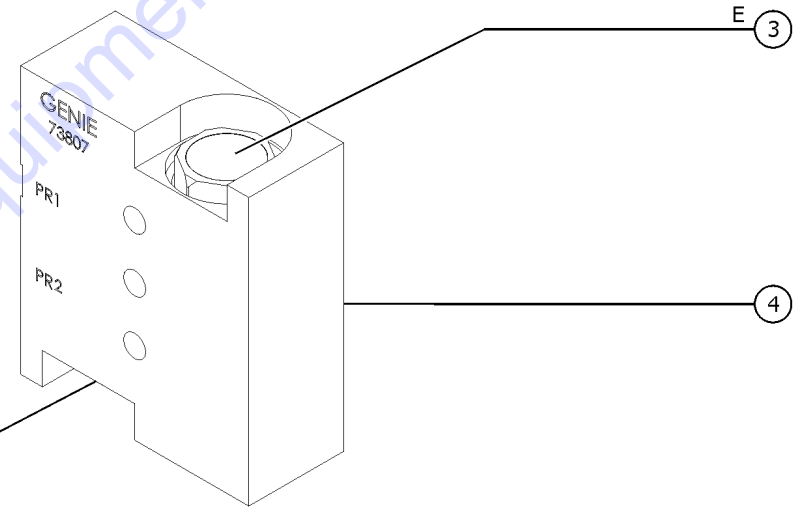
## 702.1 Function Manifold

Item	Part No.	Description	Qty.	Item	Part No.	Description	Qty.
A	94860GT	MANIFOLD,FUNCTION DC/BI***		12	94618GT	VALVE,FLOW CONTROL,.4 GPM <i>L, Platform rotate and turntable rotate circuits</i>	
1	52897GT	VALVE,SOLENOID, 2POS/3WAY*** <i>A, Primary boom retract</i>		13	101055GT	VALVE,NEEDLE,FINE ADJUSTMENT** <i>M, Platform level circuit</i>	
--	52371GT	SEAL KIT, VALVE		14A	101114GT	VALVE RELIEF,2500PSI(88513)** <i>N, Platform level circuit (to SN 58175)</i>	
--	77709GT	COIL,#8 20VDC,DEUTSCH W/DIODE		--	44227GT	SEAL KIT, VALVE	
2	39346GT	VALVE,SOLENOID 3 POS.4 WAY*** <i>B, Primary boom up/down</i>		14B	52374GT	VALVE,RELIEF,3000PSI,GS68PUMP1 <i>N, Platform level circuit (from SN 58176)</i>	
--	44229GT	SEAL KIT, VALVE		--	44227GT	SEAL KIT, VALVE	
--	44236GT	SPACER-DUAL COIL,#8***		15	52906GT	VALVE-RELIEF,3200 PSI <i>O, System relief</i>	
--	77709GT	COIL,#8 20VDC,DEUTSCH W/DIODE		16	52907GT	VALVE-CHECK, #4 SAE, 5 PSI* <i>P, Brake circuit</i>	
3	39346GT	VALVE,SOLENOID 3 POS.4 WAY*** <i>C, Secondary boom up/down</i>		17	52910GT	ORIFICE PLUG, 0.060 <i>Q, Steer circuit</i>	
--	44229GT	SEAL KIT, VALVE		18	101067GT	ORIFICE PLUG,030,1/16-27 NPT <i>R, Proportional valve circuit</i>	
--	44236GT	SPACER-DUAL COIL,#8***		19	101056GT	VALVE,DIRECTIONAL,2-WAY,3 POS <i>S, Brake circuit (coil not included, order separately)</i>	
--	77709GT	COIL,#8 20VDC,DEUTSCH W/DIODE		--	101069GT	ORIFICE DISK,.030 <i>S, Brake circuit</i>	
4	39346GT	VALVE,SOLENOID 3 POS.4 WAY*** <i>D, Turntable rotate left/right</i>		--	46258GT	NUT, CARTRIDGE VALVE	
--	44229GT	SEAL KIT, VALVE		--	84385GT	COIL,20VDC DEUTCSH W/DIODE <i>S, Brake circuit</i>	
--	44236GT	SPACER-DUAL COIL,#8***		20A	129021GT	ORIFICE PLATE,0.037" <i>U</i>	
--	77709GT	COIL,#8 20VDC,DEUTSCH W/DIODE		20B	48912GT	CONN,520120-4-6*** <i>T</i>	
5	39346GT	VALVE,SOLENOID 3 POS.4 WAY*** <i>E, Platform rotate left/right and jib</i>		21A	47010GT	ORIFICE DISC,.037",BLACK * <i>T</i>	
--	44229GT	SEAL KIT, VALVE		21B	75453GT	VALVE,CHECK,DUAL PILOT*** <i>V, Platform level circuit</i>	
--	44236GT	SPACER-DUAL COIL,#8***		22A	101277GT	VALVE,RELIEF,2100 PSI*** <i>W, Secondary boom down circuit</i>	
--	77709GT	COIL,#8 20VDC,DEUTSCH W/DIODE		22B	75453GT	VALVE,CHECK,DUAL PILOT*** <i>U, Platform level circuit</i>	
6	39346GT	VALVE,SOLENOID 3 POS.4 WAY*** <i>F, Platform level up/down</i>		23	101277GT	VALVE,RELIEF,2100 PSI*** <i>V, Secondary boom down circuit</i>	
--	44229GT	SEAL KIT, VALVE					
--	44236GT	SPACER-DUAL COIL,#8***					
--	77709GT	COIL,#8 20VDC,DEUTSCH W/DIODE					
7	826779GT	VALVE,SHUTTLE <i>G, Platform level circuit</i>					
8	52912GT	VALVE,3POSITION,4WAY* <i>H, Steer left/right</i>					
--	44229GT	SEAL KIT, VALVE					
--	44236GT	SPACER-DUAL COIL,#8***					
--	77709GT	COIL,#8 20VDC,DEUTSCH W/DIODE					
9	101057GT	VALVE,PRESS COMP,PROP DIRECT <i>I, Controls flow to functions</i>					
--	119825GT	COIL, 24V, DEUTSCH NO DIODE					
10	1287986GT	SWITCH,PRESS,#6SAE,600 PSI <i>J, Brake circuit</i>					
11	52897GT	VALVE,SOLENOID, 2POS/3WAY*** <i>K, Primary boom extend</i>					
--	77709GT	COIL,#8 20VDC,DEUTSCH W/DIODE					

703.1 Jib Boom and Platform Rotate Manifolds



Jib Manifold



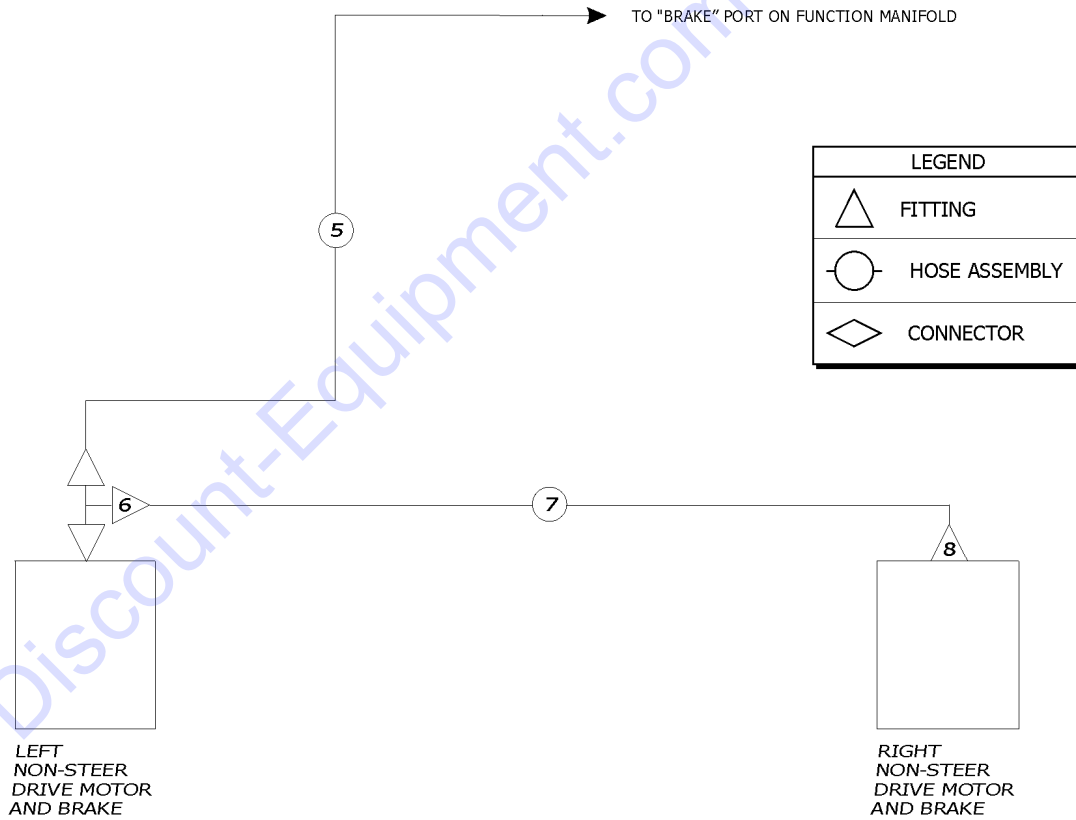
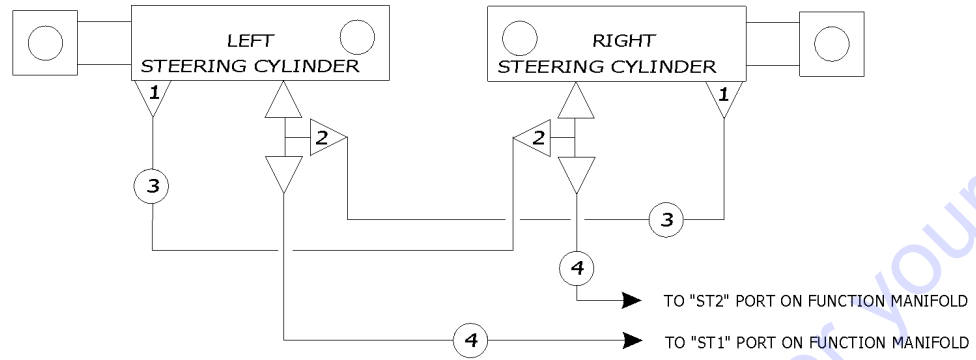
Platform Rotate Manifold

Go to Discount-Equipment.com to order your parts

## 703.1 Jib Boom and Platform Rotate Manifolds

Item	Part No.	Description	Qty.
1	52897GT	VALVE,SOLENOID, 2POS/3WAY*** <i>G, Jib boom / platform rotate select</i>	
--	44174GT	NUT-COIL SHORT	
--	52371GT	SEAL KIT, VALVE	
--	77709GT	COIL,#8 20VDC,DEUTSCH W/DIOD	
2	1267570GT	MANIFOLD,JIB SELECT,20V***	
--	44174GT	NUT-COIL SHORT	
--	52371GT	SEAL KIT, VALVE	
--	52897GT	VALVE,SOLENOID, 2POS/3WAY***	
--	77709GT	COIL,#8 20VDC,DEUTSCH W/DIOD	
3	62506GT	VALVE - COUNTERBALANCE** <i>E, Platform Rotate Right Circuit</i>	
--	43018GT	SEAL KIT (39345)	
4	73807GT	MANIFOLD,ROTATOR,CB***	
--	62507GT	O-RING, ROTATOR MANIFOLD <i>Manifold to Platform Rotator</i>	
5	62506GT	VALVE - COUNTERBALANCE** <i>F, Platform Rotate Left Circuit</i>	
--	43018GT	SEAL KIT (39345)	

801.1 Drive and Steer Hoses



# PARTS FINDER

Search Website  
by Part Number



Search Manual  
Library For Parts  
Manual & Lookup Part  
Numbers – Purchase  
or Request Quote

Can't Find Part or  
Manual? Request Help  
by Manufacturer,  
Model & Description

Discount-Equipment.com is your online resource for quality parts & equipment.

Florida: **561-964-4949** Outside Florida TOLL FREE: **877-690-3101**

Need parts?

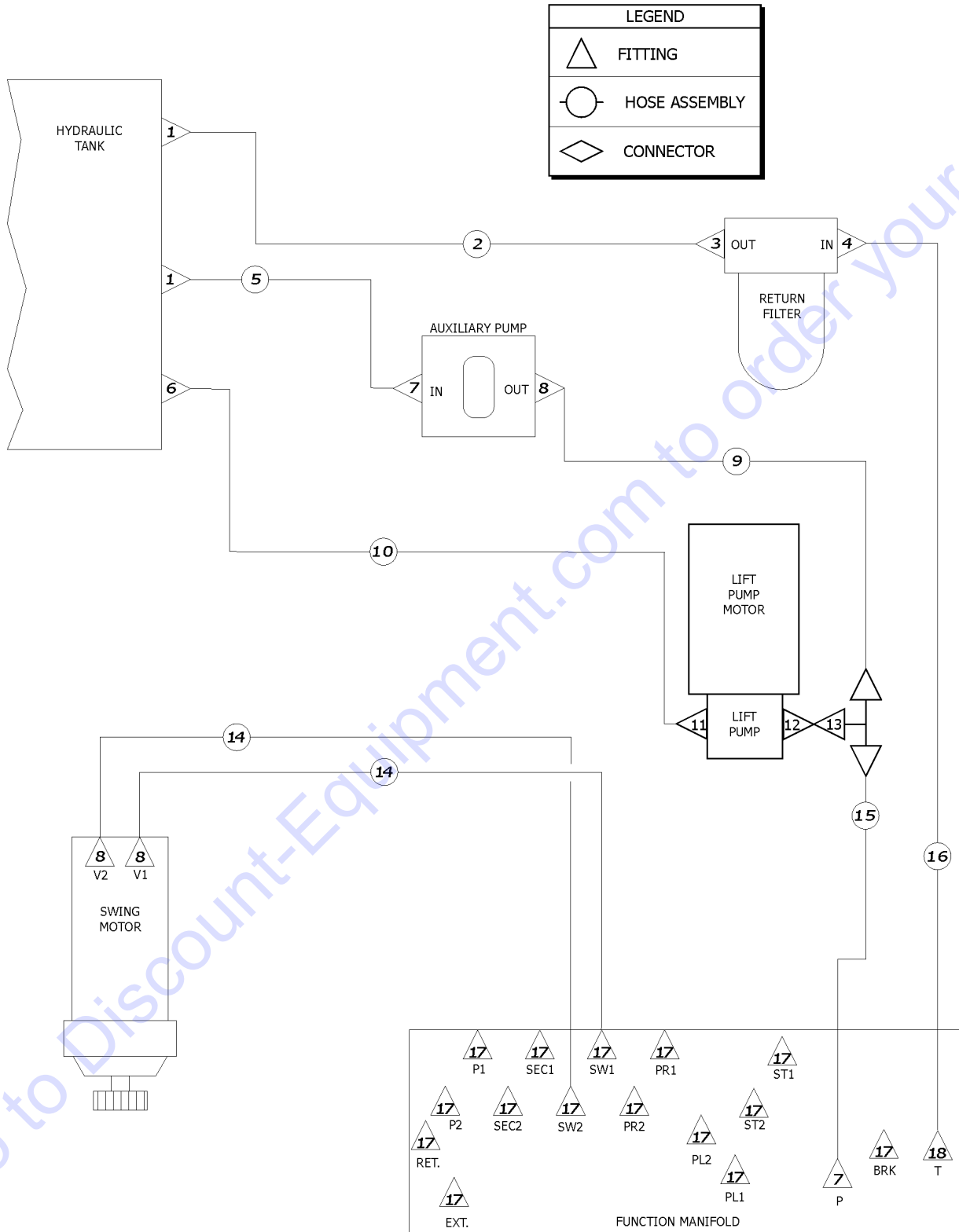
Click on this link: <http://www.discount-equipment.com/category/5443-parts/> and choose one of the options to help get the right parts and equipment you are looking for. Please have the machine model and serial number available in order to help us get you the correct parts. If you don't find the part on the website or on one of the online manuals, please fill out the request form and one of our experienced staff members will get back to you with a quote for the right part that your machine needs.

We sell worldwide for the brands: Genie, Terex, JLG, MultiQuip, Mikasa, Essick, Whiteman, Mayco, Toro Stone, Diamond Products, Generac Magnum, Airman, Haulotte, Barreto, Power Blanket, Nifty Lift, Atlas Copco, Chicago Pneumatic, Allmand, Miller Curber, Skyjack, Lull, Skytrak, Tsurumi, Husquvarna Target, Stow, Wacker, Sakai, Mi-T-M, Sullair, Basic, Dynapac, MBW, Weber, Bartell, Bennar Newman, Haulotte, Ditch Runner, Menegotti, Morrison, Contec, Buddy, Crown, Edco, Wyco, Bomag, Laymor, EZ Trench, Bil-Jax, F.S. Curtis, Gehl Pavers, Heli, Honda, ICS/PowerGrit, IHI, Partner, Imer, Clipper, MMD, Koshin, Rice, CH&E, General Equipment, Amida, Coleman, NAC, Gradall, Square Shooter, Kent, Stanley, Tamco, Toku, Hatz, Kohler, Robin, Wisconsin, Northrock, Oztec, Toker TK, Rol-Air, APT, Wylie, Ingersoll Rand / Doosan, Innovatech, Con X, Ammann, Mecalac, Makinex, Smith Surface Prep, Small Line, Wanco, Yanmar

Item	Part No.	Description	Qty.
--	28750GT	O-RING KIT,FIELD SVC,ALL PROD*	
--	33994GT	PLUG AND CAP KIT-SERVICE,37 **	
--	49612GT	O-RING KIT (ORFS FITTINGS)	
--	49613GT	PLUG AND CAP KIT-SERVICE,ORFS*	
1	48904GT	ELBOW,90D,520220-4-4.....	2
2	48906GT	TEE,RUN,520428-4.....	2
3	49119-2078GT	HOSE ASSY,1/4,STR FEM,STR FEM*....	2
4	49117-11091GT	HOSE ASSY,1/4,90 FEM,STR FEM.....	2
5	49117-9991GT	HOSE ASSY,1/4,90 FEM,STR FEM.....	1
6	48890GT	FITTING,TEE,BRANCH,520429-4*** .....	1
7	49117-4691GT	HOSE ASSY,1/4,90 FEM,STR FEM.....	1
8	48904GT	ELBOW,90D,520220-4-4.....	1

Go to Discount-Equipment.com to order your parts



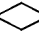
802.1 Turntable Components

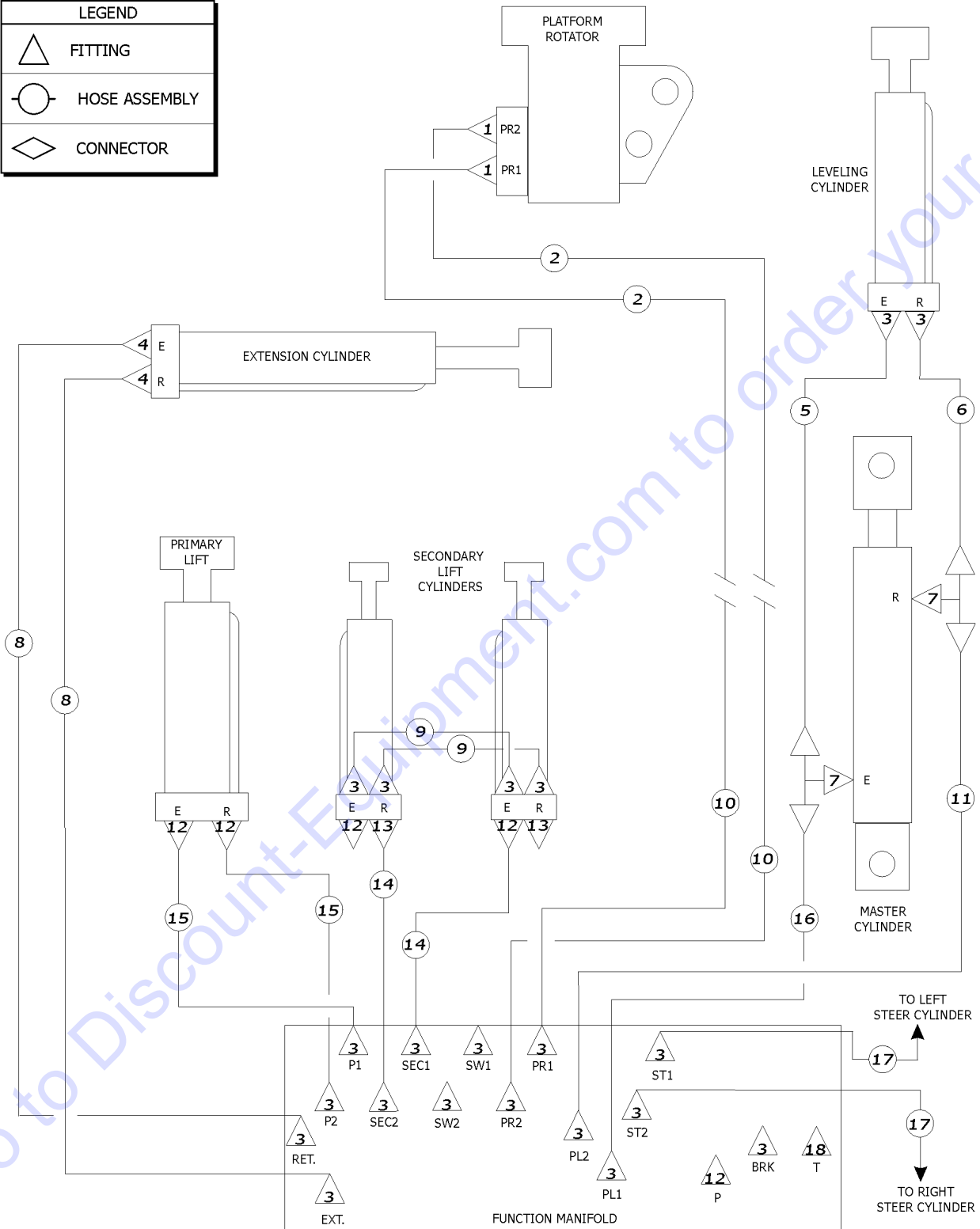


Item	Part No.	Description	Qty.
A	28750GT	O-RING KIT,FIELD SVC,ALL PROD*	
B	33994GT	PLUG AND CAP KIT-SERVICE,37 **	
C	49612GT	O-RING KIT (ORFS FITTINGS)	
D	49613GT	PLUG AND CAP KIT-SERVICE,ORFS*	
1	48944GT	CONN,520102-8-8.....	2
2	49143-2535GT	HOSE ASSY,1/2,90 FEM,STR FEM.....	1
3	48947GT	ELBOW,90D,520220-8-12.....	1
4	48948GT	CONN,520120-8-12.....	1
5	77059-2986GT	HOSE ASSY,MULTI USE***.....	1
6	45162GT	STRAINER ASSEMBLY,1.25" NPT***	
7	48916GT	CONN, 520120-6.....	2
8	48911GT	ELBOW,90D,520220-4-6***.....	3
9	T115351GT	HOSE ASSY,1/4,STR FEM,STR FEM.....	1
10A	1270353GT	HOSE ASSY, 3/4, 90 FEM, 45 FEM..... <i>DC only</i>	1
10B	232574GT	HOSE ASSY, 3/4, 90D, STR FEM..... <i>BE only</i>	1
11A	48975GT	CONN,520120-12-10..... <i>(to SN 56361)</i>	1
11B	48974GT	ELBOW,90D,520220-12-10..... <i>(from SN 56362)</i>	1
12	48999GT	VALVE,CHK,#8PORT-#8MALEORFS.....	1
13	48939GT	TEE,BRANCH,520433-8.....	1
14	49119-3378GT	HOSE ASSY,1/4,STR FEM,STR FEM.....	2
15A	214814GT	HOSE ASSY, 1/2, 39.25..... <i>DC only</i>	1
15B	214816GT	HOSE ASSY, 1/2, 20.75..... <i>BE only</i>	1
16	49143-2029GT	HOSE ASSY,1/2,90 FEM,STR FEMM*.....	1
17	48912GT	CONN,520120-4-6***.....	15
18	48942GT	ELBOW,90D,520220-8-6.....	1



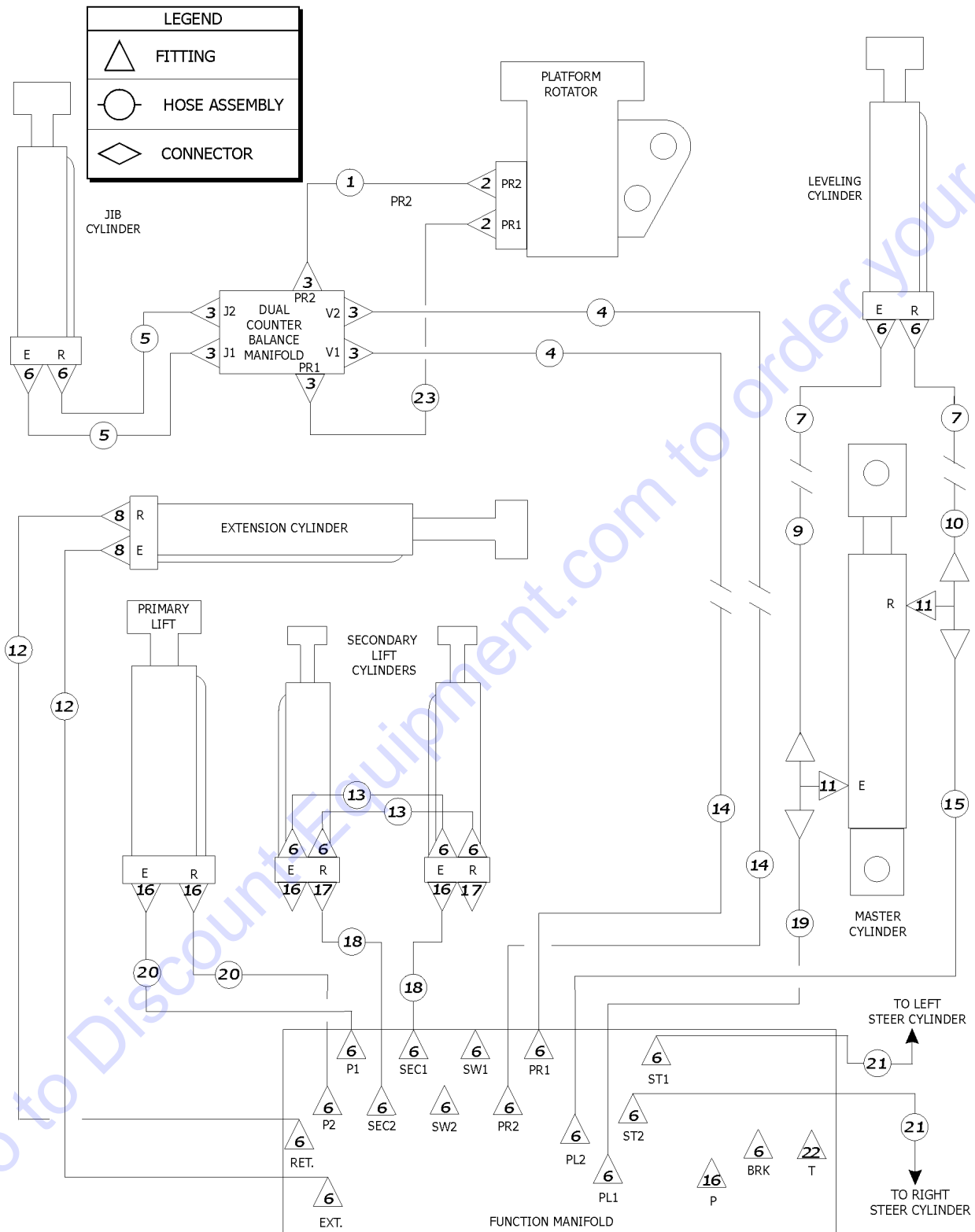
803.1 Boom Components - Z-45/25

LEGEND	
	FITTING
	HOSE ASSEMBLY
	CONNECTOR



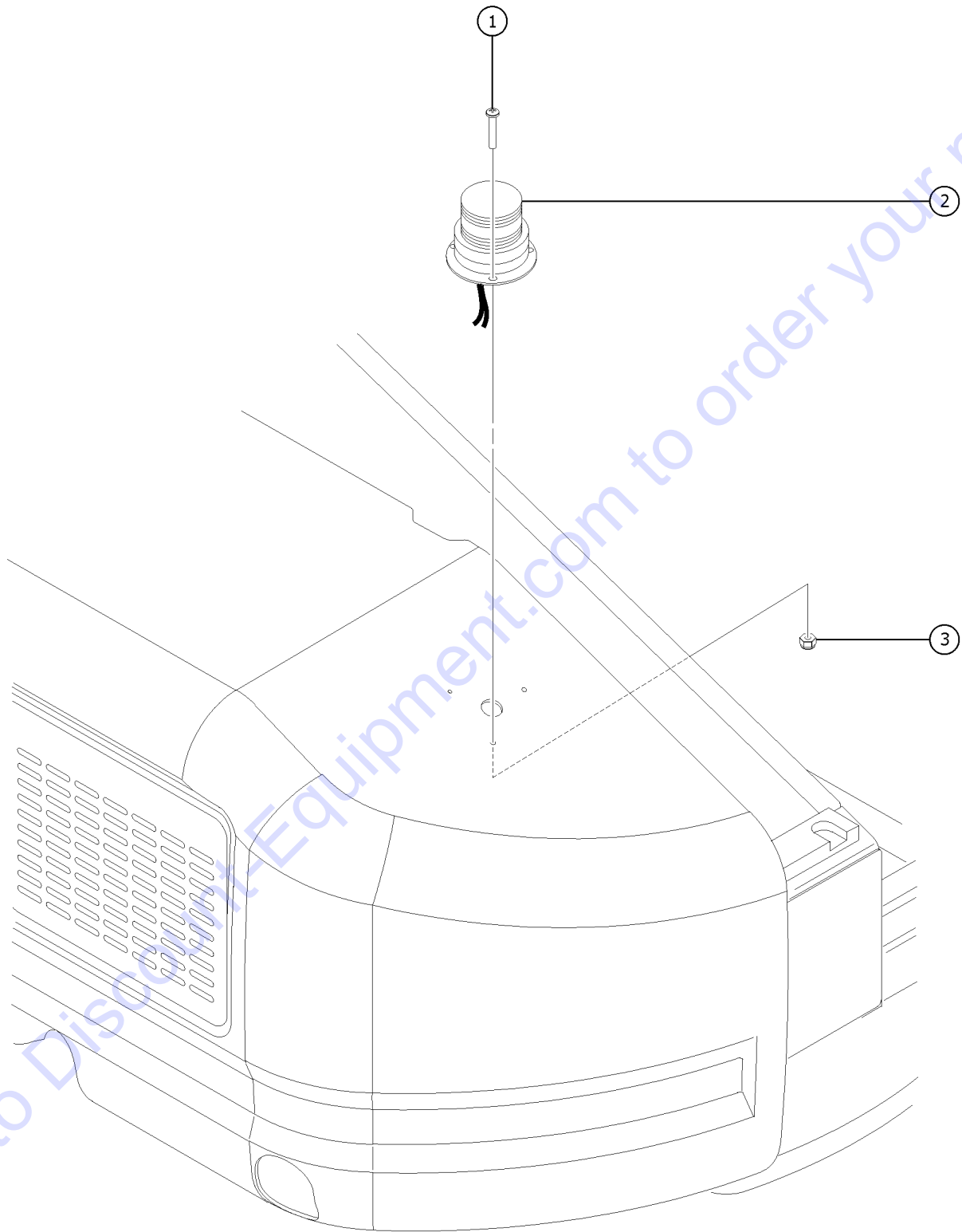
Item	Part No.	Description	Qty.
A	28678GT	SLEEVE,NYLON,2" I.D.,BULK(100').18-inches <i>protective hose sleeve, 2.00" diameter</i>	
B	28750GT	O-RING KIT,FIELD SVC,ALL PROD*	
C	33994GT	PLUG AND CAP KIT-SERVICE,37 **	
D	48767GT	SLEEVE,NYLON,1.42 ID.....33-inches <i>protective hose sleeve, 1.42" diameter</i>	
E	49612GT	O-RING KIT (ORFS FITTINGS)	
F	49613GT	PLUG AND CAP KIT-SERVICE,ORFS*	
G	77103GT	SLEEVE,NYLON,3.13 ID.....48-inches <i>protective hose sleeve, 3.13" diameter</i>	
1	48904GT	ELBOW,90D,520220-4-4.....	2
2	49121-25688GT	HOSE ASSY 1/4,STR FEM,STR MALE..	2
3	48912GT	CONN,520120-4-6***.....	21
4	48917GT	CONN,LONG,520122-6.....	2
5	49119-26078GT	HOSE ASSY,1/4,STR FEM,STR FEM.....	1
6	49119-27478GT	HOSE ASSY,1/4,STR FEM,STR FEM.....	1
7	48919GT	TEE,BRANCH,520429-6.....	2
8	49120-33381GT	HOSE ASSY 1/4, STR FEM,STR FEM....	2
9	49119-2178GT	HOSE ASSY,1/4,STR FEM,STR FEM....	2
10	49119-39378GT	HOSE ASSY,1/4,STR FEM,STR FEM....	2
11	49119-34378GT	HOSE ASSY 1/4, STR FEM,STR FEM....	1
12	48916GT	CONN, 520120-6.....	5
13	48923GT	PLUG,090109A-6.....	2
14	49119-13978GT	HOSE ASSY,1/4,STR FEM,STR FEM....	2
15	49119-36378GT	HOSE ASSY,1/4,STR FEM,STR FEM....	2
16	49119-35678GT	HOSE ASSY,1/4,STR FEM,STR FEM....	1
17		Ref. Hose Assembly..... <i>refer to 801.1</i>	1
18	48942GT	ELBOW,90D,520220-8-6.....	1

804.1 Boom Components - Z-45/25J



Item	Part No.	Description	Qty.
A	28678-2250GT	SLEEVE,NYLON, 2" ID	
B	28750GT	O-RING KIT,FIELD SVC,ALL PROD*	
C	33994GT	PLUG AND CAP KIT-SERVICE,37 **	
D	48767-700GT	SLEEVE,NYLON,1.42 ID	
E	49612GT	O-RING KIT (ORFS FITTINGS)	
F	49613GT	PLUG AND CAP KIT-SERVICE,ORFS*	
1	139099GT	HOSE ASSY, 1/4", 22.00.....	1
2	48904GT	ELBOW,90D,520220-4-4.....	2
3	48905GT	CONN,520120-4***.....	5
4	49121-27788GT	HOSE ASSY 1/4,STR FEM,STR MALE..	2
5	49119-4178GT	HOSE ASSY,1/4,STR FEM,STR FEM....	2
6	48912GT	CONN,520120-4-6***.....	23
7	49121-2088GT	HOSE ASSY 1/4,STR FEM,STR MALE..	2
8	48917GT	CONN,LONG,520122-6.....	2
9	49119-20578GT	HOSE ASSY,1/4,STR FEM,STR FEM.....	1
10	49119-21878GT	HOSE ASSY,1/4,STR FEM,STR FEM.....	1
11	48919GT	TEE,BRANCH,520429-6.....	2
12	49120-33381GT	HOSE ASSY 1/4, STR FEM,STR FEM....	2
13	49119-2178GT	HOSE ASSY,1/4,STR FEM,STR FEM....	2
14	49119-37978GT	HOSE ASSY 1/4,STR FEM,STR FEM....	2
15	49119-34378GT	HOSE ASSY 1/4, STR FEM,STR FEM....	1
16	48923GT	PLUG,090109A-6.....	4
17	48916GT	CONN, 520120-6.....	1
18	49119-13978GT	HOSE ASSY,1/4,STR FEM,STR FEM....	2
19	49119-35678GT	HOSE ASSY,1/4,STR FEM,STR FEM....	1
20	49119-36378GT	HOSE ASSY,1/4,STR FEM,STR FEM....	2
21	49117-11091GT	HOSE ASSY,1/4,90 FEM,STR FEM.....	1
22	48942GT	ELBOW,90D,520220-8-6.....	1
23	232575GT	HOSE ASSY, 1/4", 21.24".....	1

901.1 Flashing Beacon

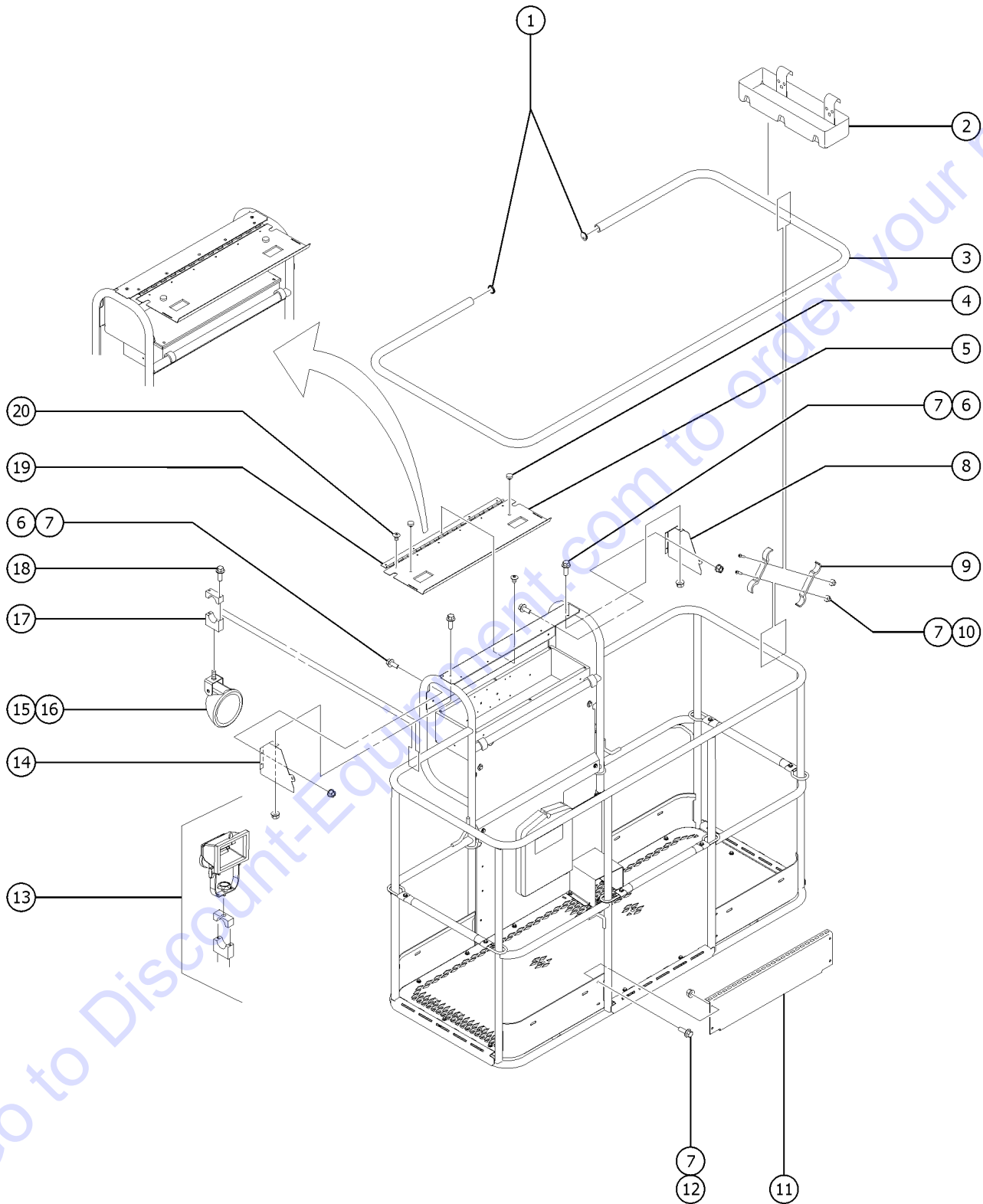


## 901.1 Flashing Beacon

Item	Part No.	Description	Qty.
1	1258189GT	SCREW,PHPM,8-32X1,ZAG.....	3
2	56704GT	STROBE,FIREBOLT,12-80VDC,AMB**...1 (replaced 20189)	1
--	122019GT	FLASHTUBE,U SHAPED,360DEG,BULB	
--	226393GT	FLASHTUBE,STRAIGHT,360DEG,BULB	
--	72282GT	LENS,AMBER,STROBE,FIREBOLT	
3	18605GT	NUT,NYLOCK,8-32.....	3

Go to Discount-Equipment.com to order your parts

902.1 Platform Options

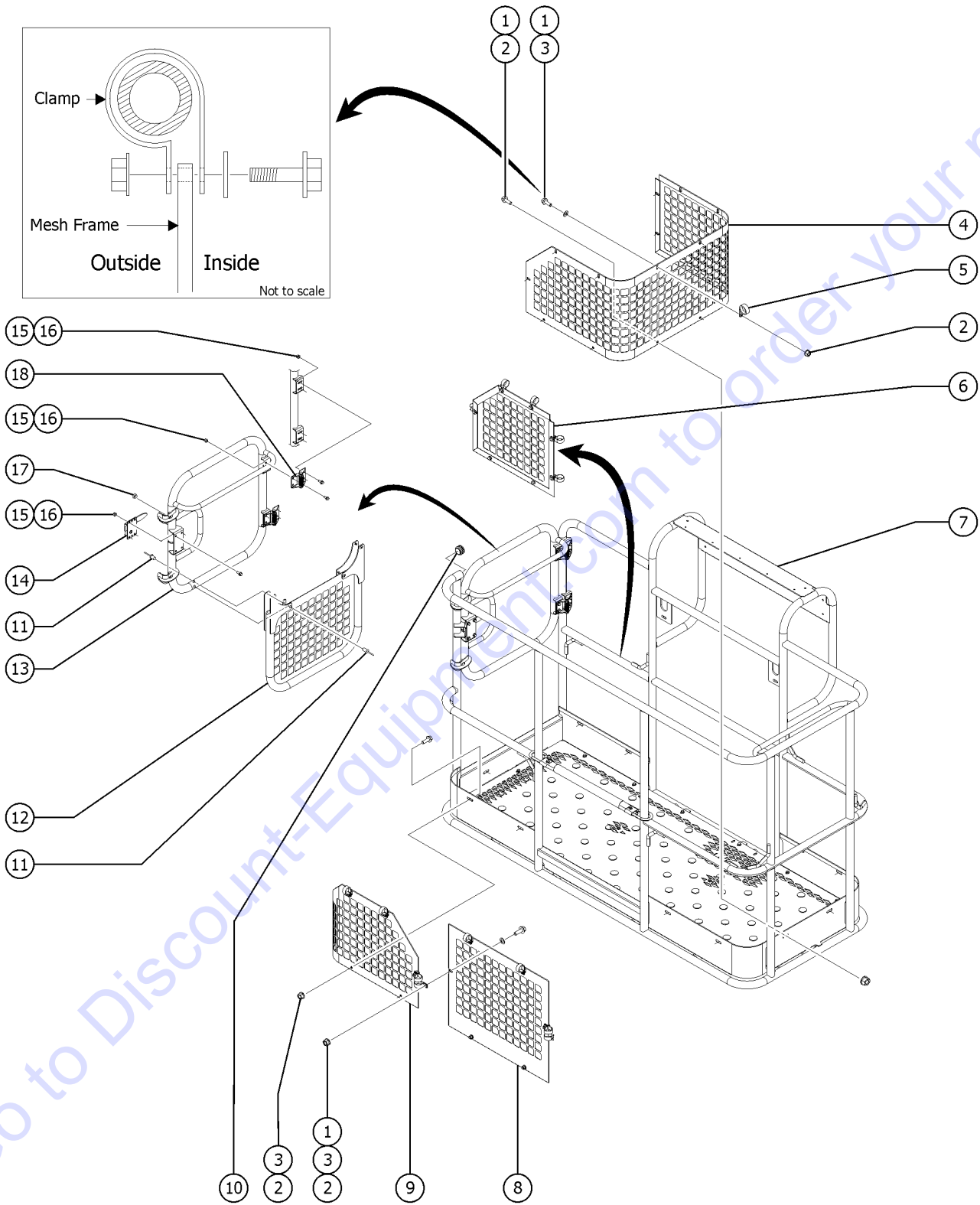


## 902.1 Platform Options

Item	Part No.	Description	Qty.
A	122278GT	AUX TOP RAIL,6',SWG GT, SRV	
B	122279GT	AUX TOP RAIL,8',SWG GT, SRV	
C	28322GT	OPTION,PLAT.PINCH GUARD,5 FT.	
D	28323GT	OPTION,PLAT.PINCH GUARD,4 FT.	
E	53157-SGT	PINCH GUARD,6'(1.31")SERVICE**	
F	53807-SGT	AUX TOP RAIL,8'(1.25")SERVICE	
G	53808-SGT	AUX TOP RAIL,6'(1.25")SERVICE	
H	60922GT	OPTION,EURO TOEBOARD <i>includes item 11</i>	
1	55753GT	BUMPER, PLASTIC, 1.25 O.D.....	2
2	9599-SGT	TOOL TRAY ACCESSORY*** .....	1
--	7746GT	BRACKET-TOOL TRAY MOUNTING.....	2
3A		Ref. RAILING,PINCH GAURD,4 FT..... <i>(tri-entry platform) (refer to 917.1)</i>	1
3B		Ref. RAILING,PINCH GAURD,5 FT..... <i>(tri-entry platform) (refer to 917.1)</i>	1
4	43392GT	BUMPER,BATTERY BOX & RAILS.....	2
5	102785PGT	CONTROL BOX COVER,LID,PTD.....	1
--	102786PGT	FORMING,LATCH,CTRL BOX LID PTD <i>(not included - sold seperately)</i>	
--	30468GT	LATCH,SLIDE, FLUSH MOUNT STYLE <i>(not included - sold seperately)</i>	
6	824078GT	SCREW,HHF,1/4-20X.75,8,ZAG.....	8
7	824027GT	NUT,TL FLG,1/4-20,G,ZAG.....	32
8	88606PGT	COVER,CONTROL BOX RIGHT SIDE** .....	1
9	122073GT	SUPPORT, RAILING.....	20
10	824227GT	SCREW, BHC, 1/4-20 X 1, ZAG.....	20
11	94745PGT	TOEBOARD,ENTRY EUROPEAN PNTD** .....	1
12	1256855GT	SCREW,HHF,1/4-20X.625,8,ZAG.....	4
13	1284764GT	WORKLIGHT,110V,250WATT,HALOGEN.2	
14	88607PGT	COVER,CONTROL BOX LEFT SIDE*** .....	1
15A	107857GT	LIGHT, 12 VOLT	
--		REF: Harness, Z45 Drive Lights <i>refer to 410.1</i>	
--	35960GT	BULB,WORKLIGHT,12V 35W	
15B	107858GT	WORKLIGHT,48 VOLT	
--		REF: Harness, Z45 Drive Lights <i>refer to 410.1</i>	
16	824085GT	SCREW,HHF,5/16-18X.75,8,ZAG.....	2
17	35956GT	BRACKET,WORK LIGHT MOUNT 5/16".....	2
18	824081GT	SCREW,HHF,1/4-20X1.5,8,ZAG.....	4
19	111526GT	HINGE,PLAT CONTROL BOX COVER...1	
20	54486GT	RIVET,ALUM,ALUM,3/16BUTTONHEAD.11	



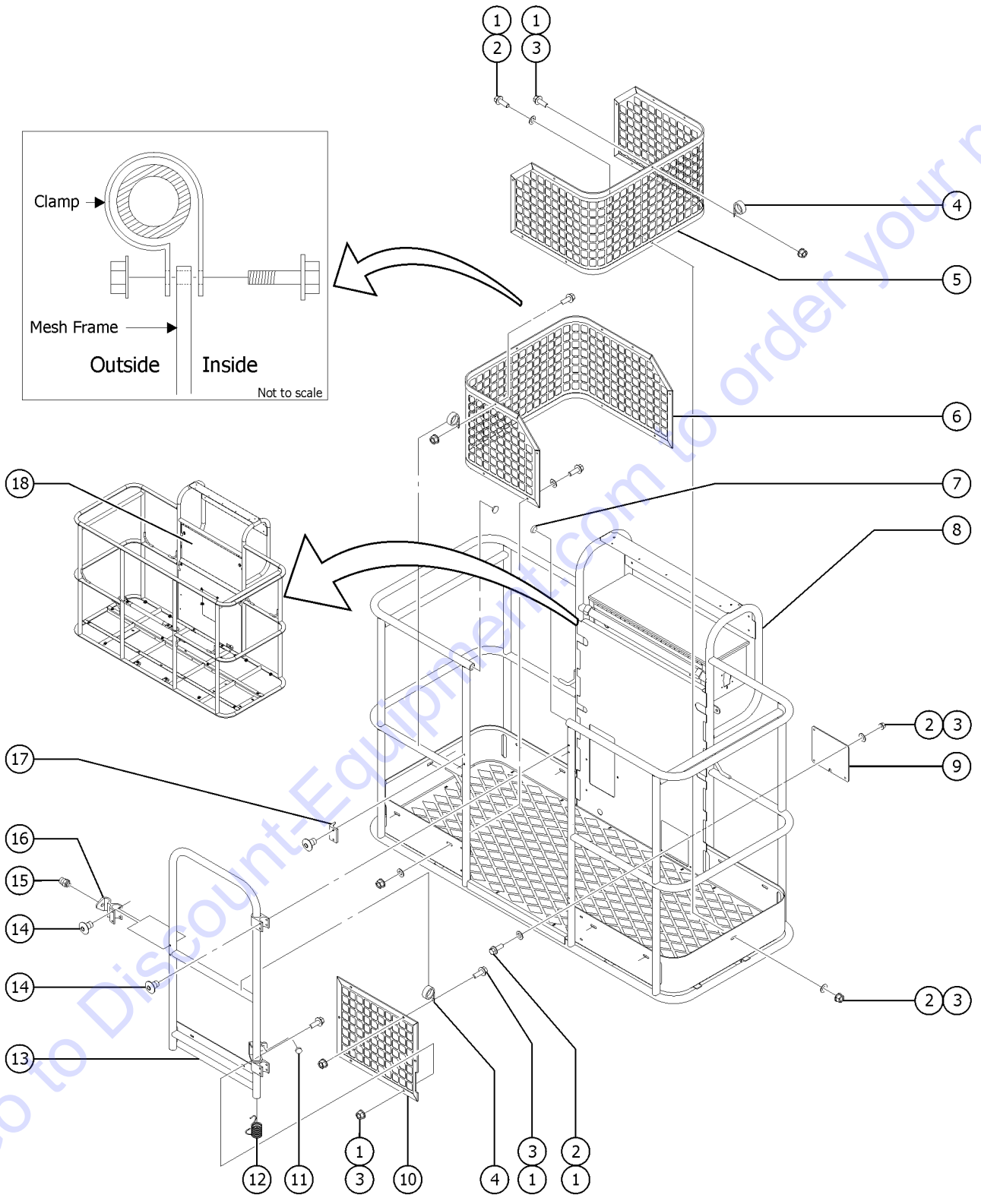
903.1 Half-height Mesh and Swing Gate Options - Side Swing Gate



## 903.1 Half-height Mesh and Swing Gate Options - Side Swing Gate

Item	Part No.	Description	Qty.
1	1264101GT	SCREW,HHC,5/16-18X1,8,ZAG	
2	824028GT	NUT,TL FLG,5/16-18,G,ZAG	
3	825358GT	WASHER,FLAT,5/16,USS,ZAG	
4	1240313GT	PANEL, HALF MESH.....	1
5	56424GT	CLAMP,1.25X.5 RUBBER-CUSHION....	22
6	1270314GT	PANEL, HALF MESH.....	1
7		Ref. Platform Assembly (refer to 601.1)	
8	1271061GT	PANEL, HALF MESH.....	1
9	1270316GT	PANEL, HALF MESH.....	1
10	55753GT	BUMPER, PLASTIC, 1.25 O.D.....	1
11	824027GT	NUT,TL FLG,1/4-20,G,ZAG	
12	1285700GT	WELDMENT,SWING GATE PANEL.....	1
13	1268676GT	WELDMENT,SWING GATE.....	1
14	1267747GT	LATCH, SWING GATE.....	1
15	824027GT	NUT,TL FLG,1/4-20,G,ZAG	
16	1256855GT	SCREW,HHF,1/4-20X.625,8,ZAG	
17	43392GT	BUMPER,BATTERY BOX & RAILS.....	2
18	104804GT	HINGE, SPRING, LONG LEG.....	2

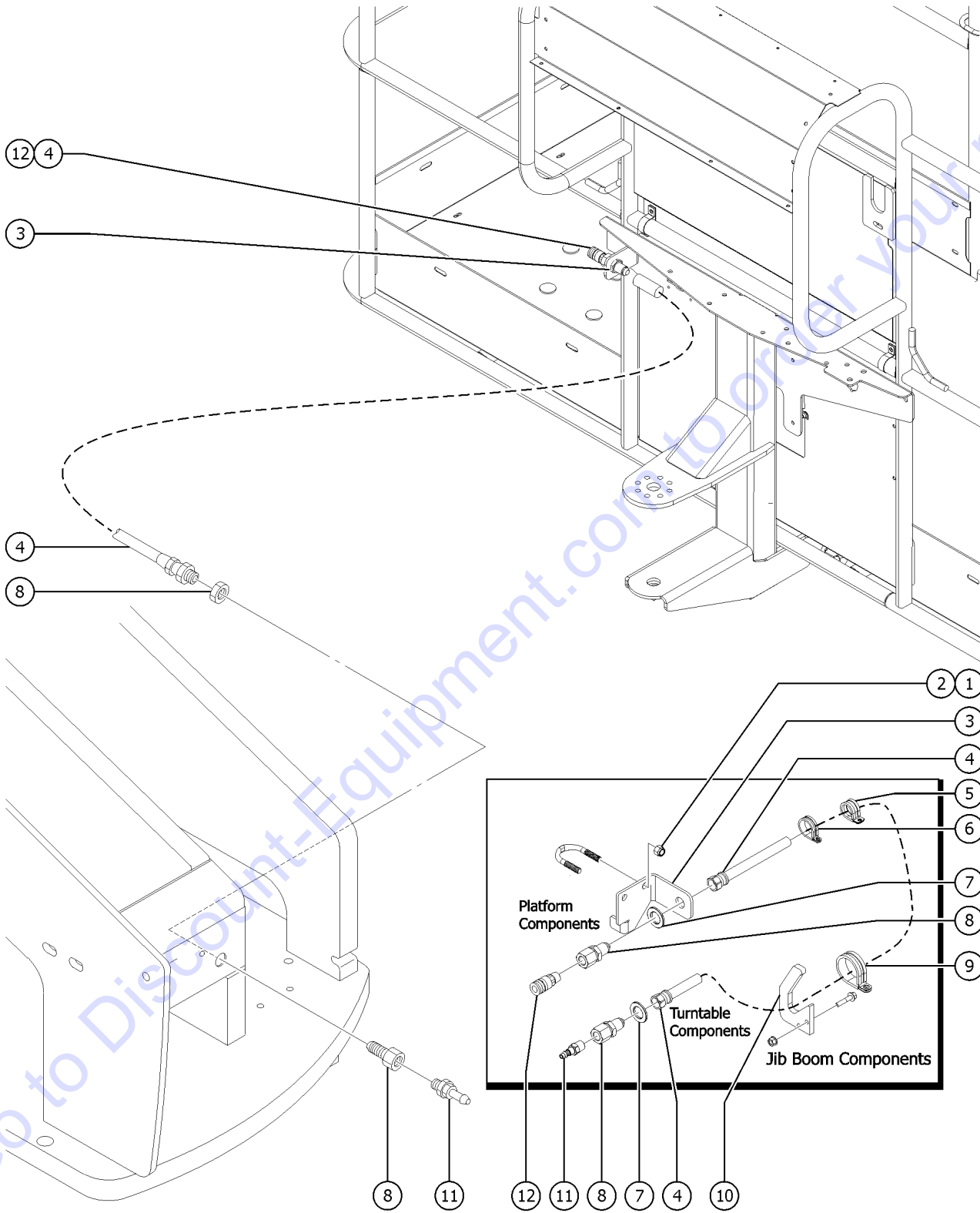
903.2 Half-height mesh and Swing Gate Options - Front Single Entry



## 903.2 Half-height mesh and Swing Gate Options - Front Single Entry

Item	Part No.	Description	Qty.
1	824078GT	SCREW,HHF,1/4-20X.75,8,ZAG.....	26
2	824113GT	WASHER,FLAT,USS,1/4,ZAG.....	20
3	824027GT	NUT,TL FLG,1/4-20,G,ZAG.....	26
4	56424GT	CLAMP,1.25X.5 RUBBER-CUSHION....	14
5A	101853GT	MESH,HALF,RH 5' PLATFORM..... 5ft	1
5B	54465GT	MESH,HALF,RH,6'PLATFORM..... 6ft	1
6A	101852GT	MESH,HALF,LH 5' PLATFORM..... 5ft	1
6B	54458GT	MESH,HALF,LH,6'PLATFORM..... 6ft	1
7	55753GT	BUMPER, PLASTIC, 1.25 O.D.....	2
8		REF: Platform Weldment..... (refer to 601.1)	1
9	54165GT	PLATE,FOOT SWITCH COVER.....	1
10	54457GT	MESH,HALF,SWING GATE***.....	1
11	43392GT	BUMPER,BATTERY BOX & RAILS.....	1
12	42104GT	SPRING,SHORT PLATFORM GATE.....	1
13A	128368GT	KIT,SWING GATE W/SPRING	
--	128374GT	WELDMENT,SWING GATE,ALUMINUM.....	1
--	42104GT	SPRING,SHORT PLATFORM GATE	
--	43392GT	BUMPER,BATTERY BOX & RAILS	
13B	119950GT	KIT,FIELD INSTALL,SWING GATE <i>includes 128368, 1487, 1488 and 33674</i>	
14	824207GT	RIVET, STL, STL, DOME, 1/4 X .375, ZAG.....	14
15	33674GT	PIN,LOCK,SHORT***.....	1
16	1487GT	GATE LATCH CASTING--DRILLED.....	1
17	1488GT	RAILING CATCH CASTING--DRILLED...	1
18	73901GT	DECAL PLATE,MESH.....	1

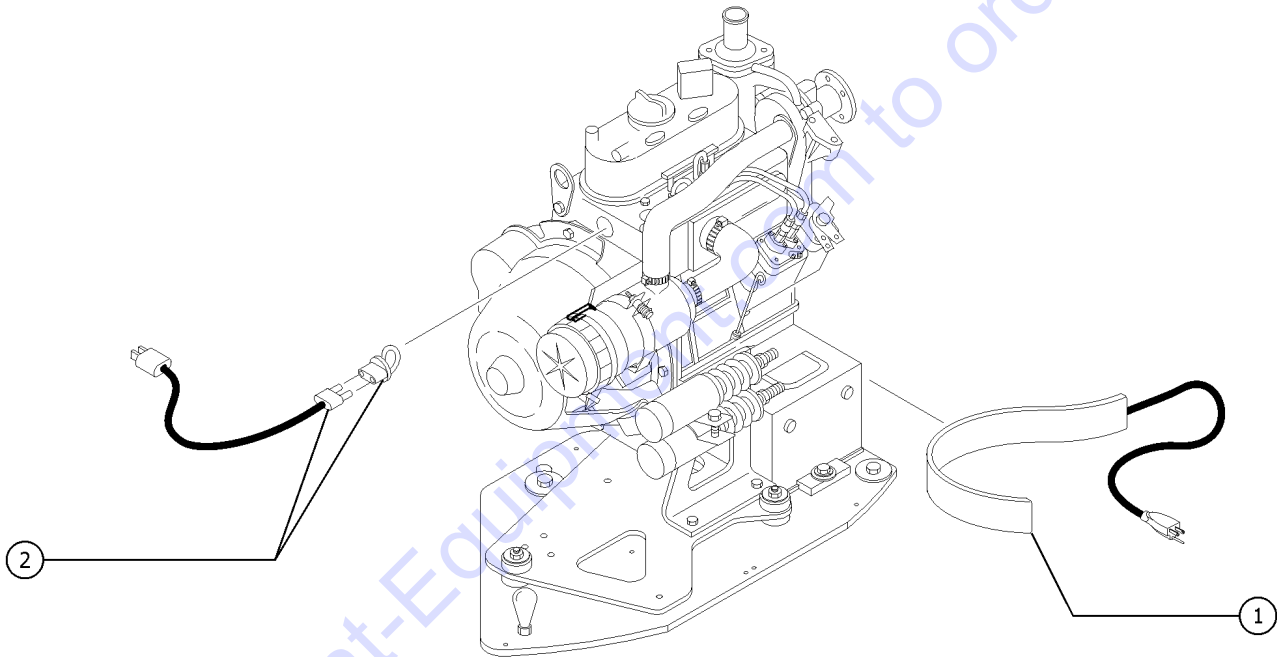
904.1 Air Line to Platform



## 904.1 Air Line to Platform

Item	Part No.	Description	Qty.
1	824029GT	NUT,TL FLG,3/8-16,G,ZAG.....	2
2	1251600GT	U-BOLT, FLATTENED, 1.5 X 3/8 UNC,ZAG.....	1
3	70642PGT	BRACKET,AIR HOSE TO PLAT PAINT....	1
4	70644-75792GT	HOSE ASSY,3/8 STR FEM STR FEM*....	1
--	16073GT	CLAMP,0.63,#10 X 1/4,RUB CUSH	
5	45454GT	CLAMP,RUB CUSH,0.75,#12 X 3/8*.....	6
6	13268GT	CLAMP,0.75,#12 X 1/4,RUB CUSH.....	6
7	1256863GT	WASHER,FLAT,.75,SAE,HRD,ZAG.....	2
8	49212GT	FEMALE BULKHEAD CONNECTOR-8....	2
9	66031GT	CLAMP,1.88,#30 X 3/8,RUB CUSH..... <i>Jib models only</i>	2
10		REF. HOSE GUIDE, JIB..... <i>Refer to 509.1</i>	1
11	49214GT	MALE PIPE THD,1/4" SER,3/8"X18.....	1
12	49215GT	MPT,CPLR,1/4"SER,3/8"X18.....	1

905.1 Cold Start Package



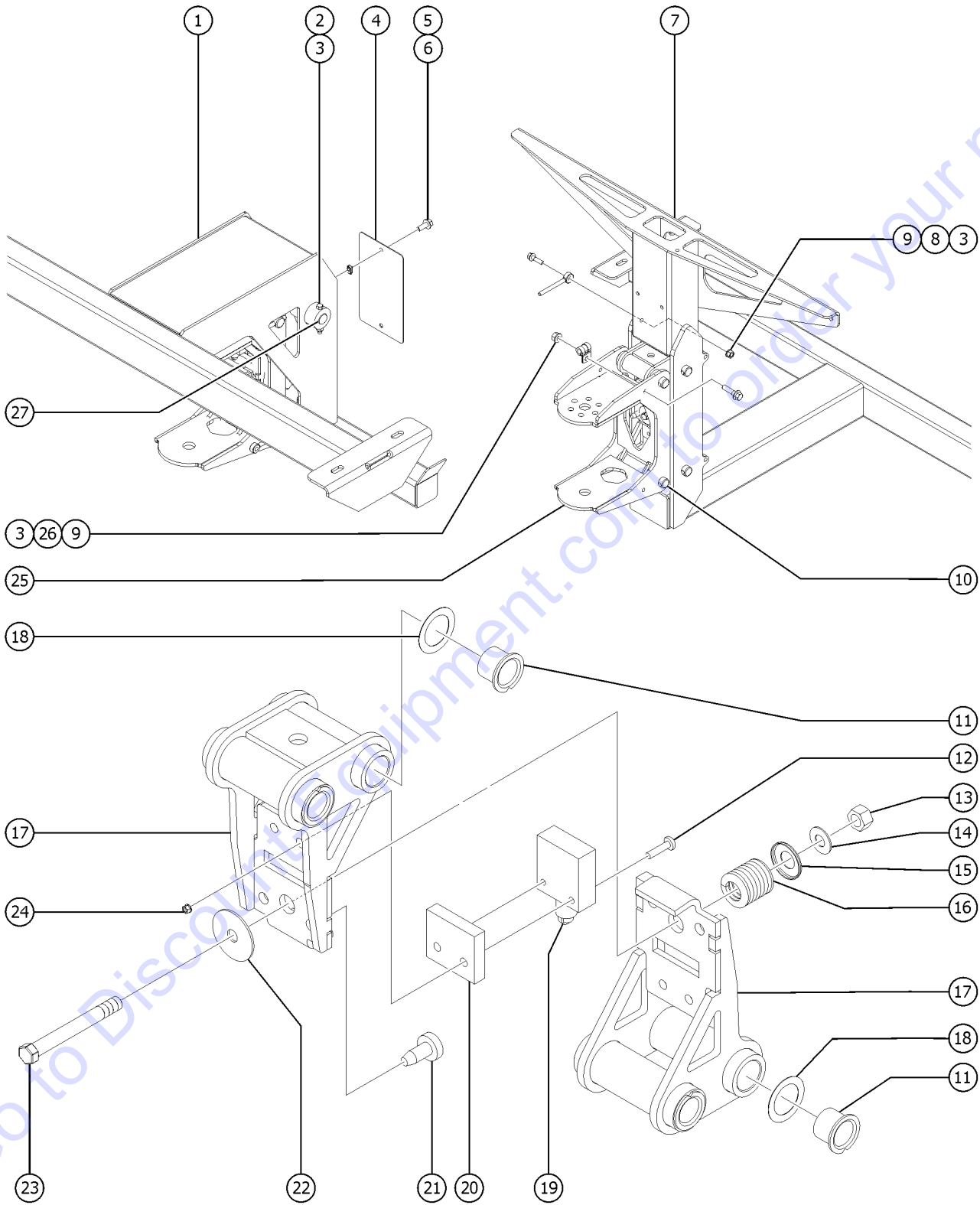
Go to Discount-Equipment.com to order your parts

Item	Part No.	Description	Qty.
--	70707GT	COLD START PKG,120V BI-ENERGY	
1	28853GT	BLANKET,BATTERY.....	1
2	70683GT	FREEZE PLUG HEATER,Z45.....	1

Go to Discount-Equipment.com to order your parts



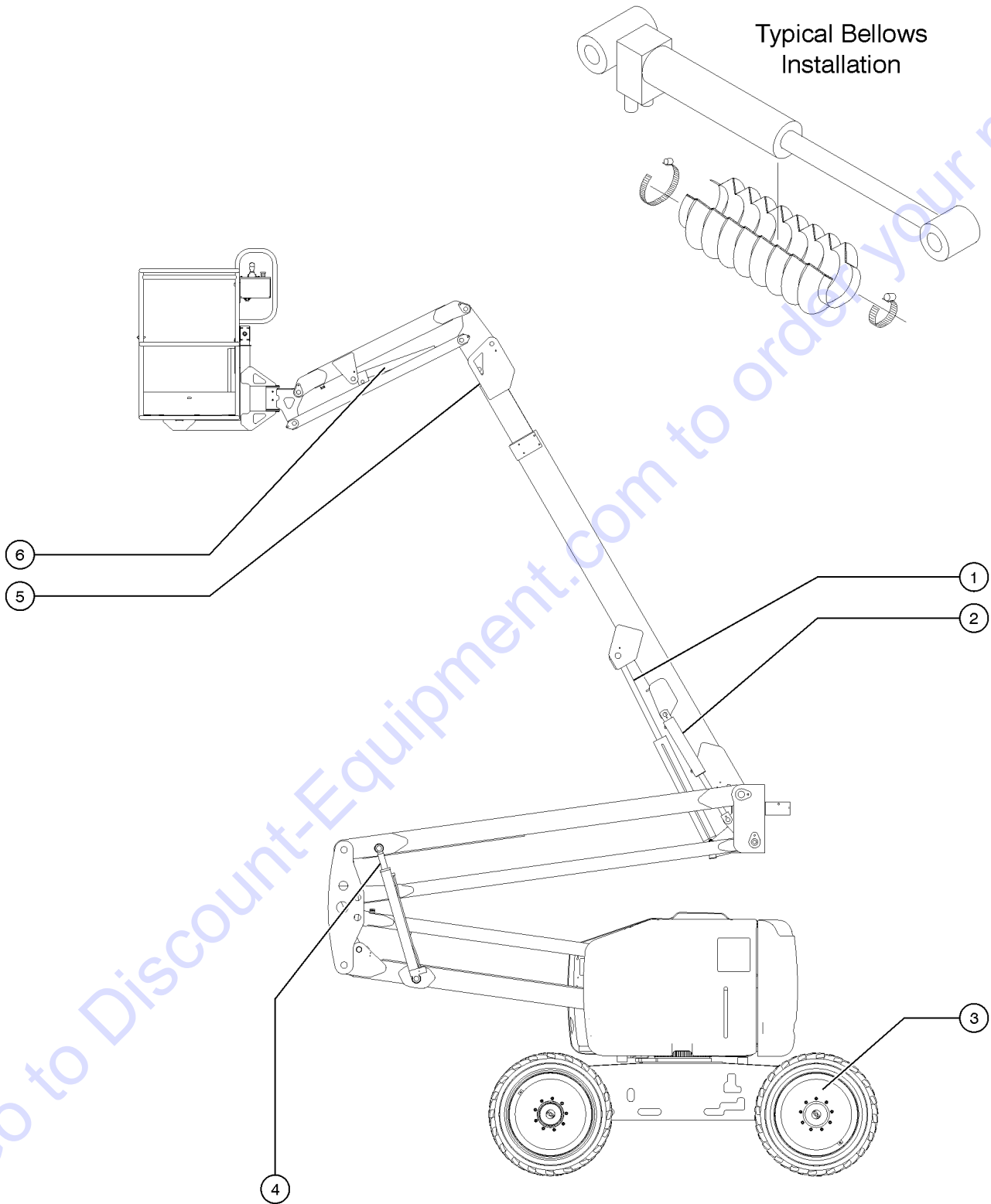
906.1 Platform Overload Option



## 906.1 Platform Overload Option

Item	Part No.	Description	Qty.
A	147509GT	KIT,LOAD SENSE MECH,Z45 JIB	
B	128045GT	MODULE,LOAD SENSE 2007	
1	98154GT	WELDMENT,PLAT SUPPORT,LS.....1 <i>"non-jib models with platform overload option"</i>	
2	1253485GT	SCREW,HHF,1/4-20X2,8,ZAG.....2	
3	824027GT	NUT,TL FLG,1/4-20,G,ZAG	
4	94492PGT	PANEL,ACCESS PAINTED.....1	
5	824078GT	SCREW,HHF,1/4-20X.75,8,ZAG.....2	
6	56912GT	SPRING CLIP,1/4-20,.025-.15X.54,ZAG.....2	
7	61998GT	WELDMENT,PLATFORM SUPPORT.....1 <i>jib models with platform overload option</i>	
8	825020GT	ROD END, .25 X 2.75, ZAG.....4	
9	824079GT	SCREW,HHF,1/4-20X1,8,ZAG.....5	
10	61726GT	PIN,0.75DIAX5.75LG,CHAMFER.....4	
--	94643GT	ZERK,GREASE,5/16-24,STRAIT	
11	25685GT	BEARING,GARLOCK,12FDU12.....8	
12	824216GT	SCREW,PHPM,10-32X1.5,ZAG.....2	
13	824025GT	NUT,TL,3/8-16,C,ZAG.....1	
14	1255758GT	WASHER,FLAT,3/8,USS,ZAG.....1	
15	61975GT	RETAINER,SPRING,1.21 X .375.....1	
16	61974GT	SPRING,COMP,1" OD,232 LB/IN.....1	
17	101512GT	LOAD SUPPORT WITH BEARINGS.....2 <i>includes items 11 and 18</i>	
--	94191GT	WELDMENT,LOAD SUPPORT	
18	110789GT	WASHER,SHIM .0151 THK.....as-needed	
19	121848GT	ASSY,LS,LOAD SENSE,38.5 IN.....1	
20	61972GT	MOUNT,SWITCH.....1	
21	34619GT	BUMPER,RUBBER*** .....2	
22	824122GT	WASHER,FLAT,.375X1.25X.062,ZAG.....1	
23	824070GT	SCREW,HHC,3/8-16X3.25,8,ZAG.....1	
24	1264261GT	NUT,SERRATED,10-32,ZAG.....2	
25	61987GT	WELDMENT,ROTATOR MOUNT.....1	
26	45470GT	CLAMP,0.31,#5 X 1/4,RUB CUSH.....1	
27	99174GT	PIN,0.75DIAX8.75LG,CHAMFER.....2 <i>(Z45/25)</i>	
--	94643GT	ZERK,GREASE,5/16-24,STRAIT	

907.1 Hostile Environment Package - View 1

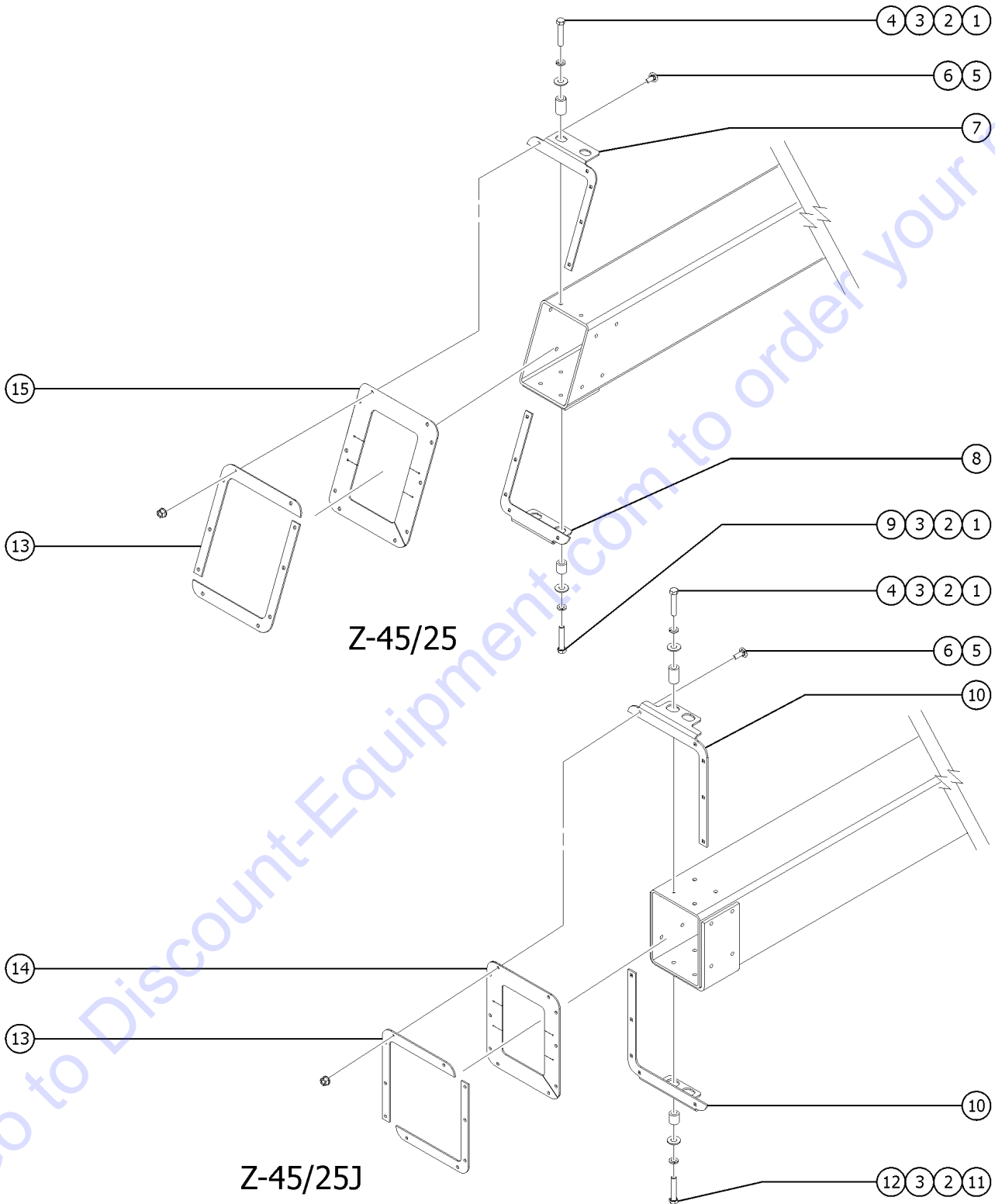


## 907.1 Hostile Environment Package - View 1

Item	Part No.	Description	Qty.
A	54884GT	BELLOWS,CYLINDER KIT,Z45 N/JIB	
B	54883GT	BELLOWS,CYL.KIT,Z45&Z51 JIB Z-45/25J	
1A	54637GT	BELLOWS,PRIMARY CYLINDER,N/JIB.....	1
1B	54638GT	BELLOWS,PRIMARY CYLINDER,JIB..... Z-45/25J	1
2	54640GT	BELLOWS,MASTER CYLINDER.....	1
3	54989GT	BELLOWS,STEERING CYLINDER.....	1
4	54652GT	BELLOWS,SECONDARY,ELEVATE CYL.....	1
5	54639GT	BELLOWS,SLAVE CYLINDER.....	1
6	54883GT	BELLOWS,CYL.KIT,Z45&Z51 JIB..... Z-45/25J	1

Go to Discount-Equipment.com to order your parts

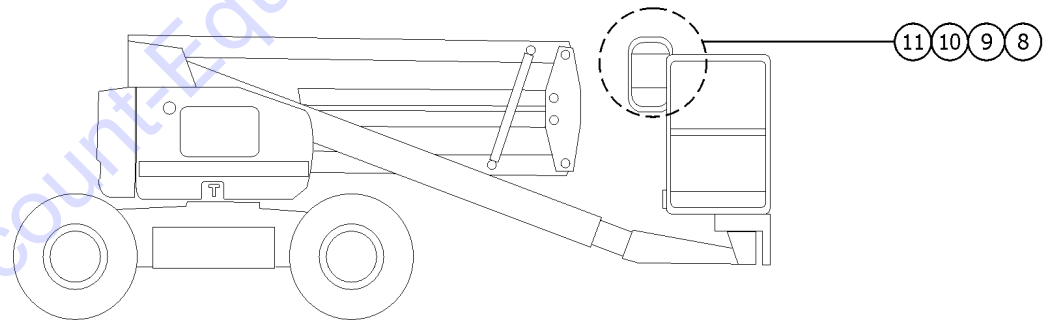
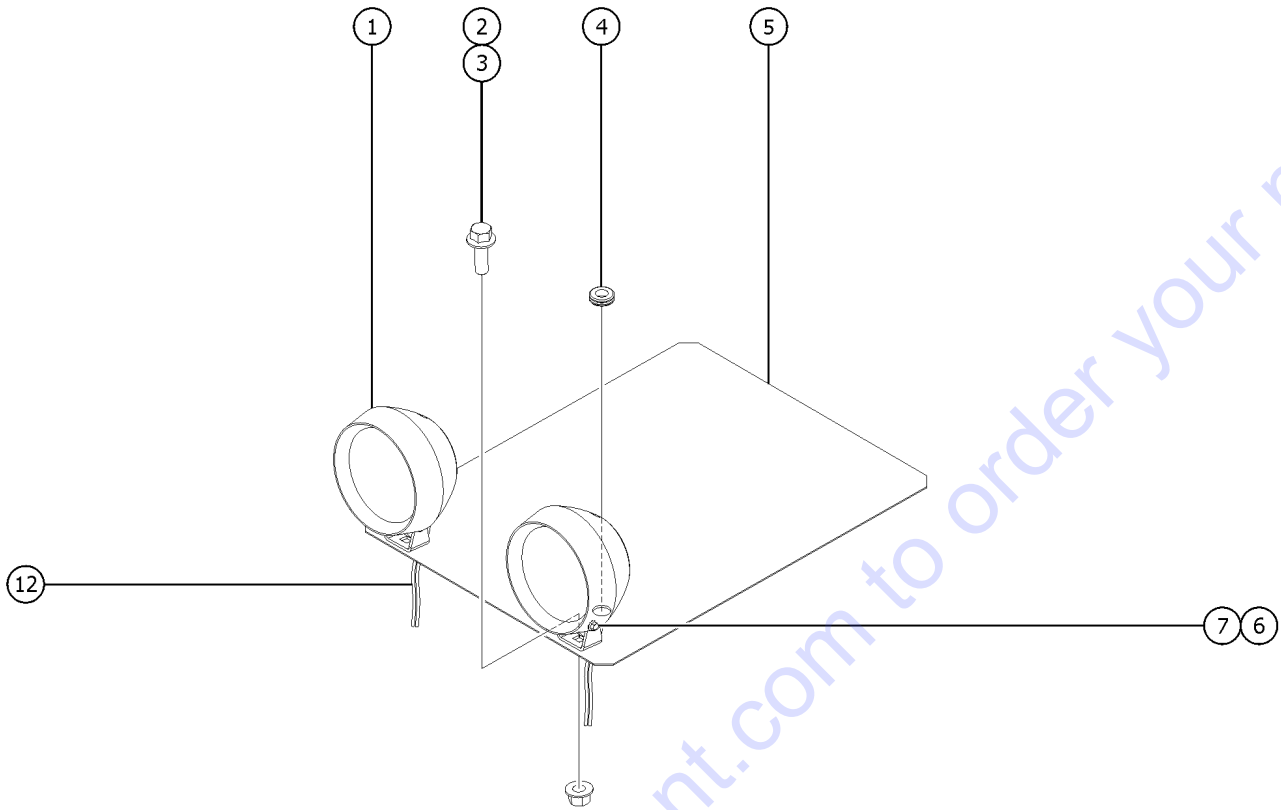
908.1 Hostile Environment Package - View 2



## 908.1 Hostile Environment Package - View 2

Item	Part No.	Description	Qty.
A	147183GT	KIT, WIPER, Z-45/25.....	1
B	147184GT	KIT, WIPER, Z-45/25J.....	1
1	1256108GT	SCREW,HHC,3/8-16X2,8,ZAG	
2	824110GT	WASHER,LOCK,3/8,ZAG.....	4
3	1255758GT	WASHER,FLAT,3/8,USS,ZAG.....	4
4	128852GT	TUBE,RD,STL,DOM,,75X.438X1.25.....	2
5	824124GT	BOLT,CARRIAGE,1/4-20X.75,5,ZAG.....	10
6	824027GT	NUT,TL FLG,1/4-20,G,ZAG.....	10
7	147042GT	FORMING WIPER MOUNT.....	1
8	147043GT	FORMING WIPER MOUNT.....	1
9	101932GT	TUBE,RD,STL,DOM,,75X.38X.78.....	2
10	147041GT	FORMING WIPER MOUNT.....	2
11	1256847GT	SCREW,HHC,3/8-16X1.75,8,ZAG.....	2
12	45400GT	SPACER TUBE,.50 LG.....	2
13	128973GT	PLATE,WIPER BACKING.....	2
14	147181GT	WIPER,PRIMARY BOOM.....	1
15	147044GT	WIPER,PRIMARY BOOM.....	1

909.1 Drive Lights

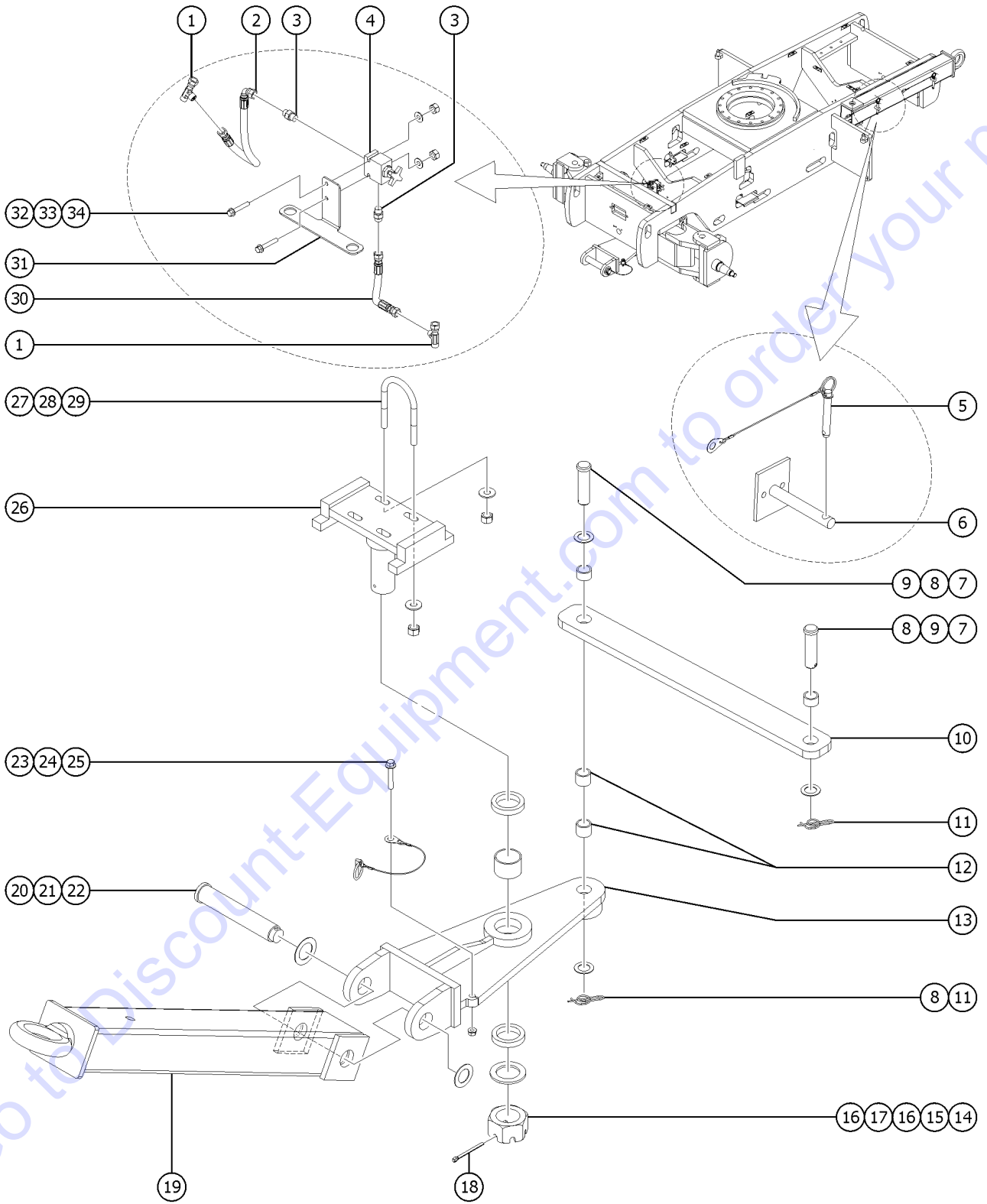


Go to DiscountEquipment.com to order your parts

Item	Part No.	Description	Qty.
1	107858GT	WORKLIGHT,48 VOLT..... <i>includes items 2-3 and 6-7</i>	2
2	824090GT	SCREW,HHF,3/8-16X1,8,ZAG.....	2
3	824029GT	NUT,TL FLG,3/8-16,G,ZAG.....	2
4	53517GT	GROMMET,RUBBER .5 X .014 X .75.....	2
5	128956GT	COVER, DRIVE, DRIVE LIGHT OPT.....	1
6	824085GT	SCREW,HHF,5/16-18X.75,8,ZAG.....	2
7	824028GT	NUT,TL FLG,5/16-18,G,ZAG.....	2
8	823226GT	POWER RELAY, 24V COIL.....	1
--	54365GT	SCREW,PHIL,PHM,10-32 X .5,SSTL	
--	824032GT	NUT,TL FLG,10-32,F,ZAG	
9	72867GT	DECAL,LABEL,LIGHTS***.....	1
10	128204GT	SWITCH TOGGLE ASSY SPDT 2P MNT.....	1
--	27246GT	BOOT,TOGGLE SWITCH,SHORT*	
11	6578GT	CABLE TIE,7 3/8".....	5
12		REF: Harness, Z45 Drive Lights..... <i>refer to 410.1</i>	1

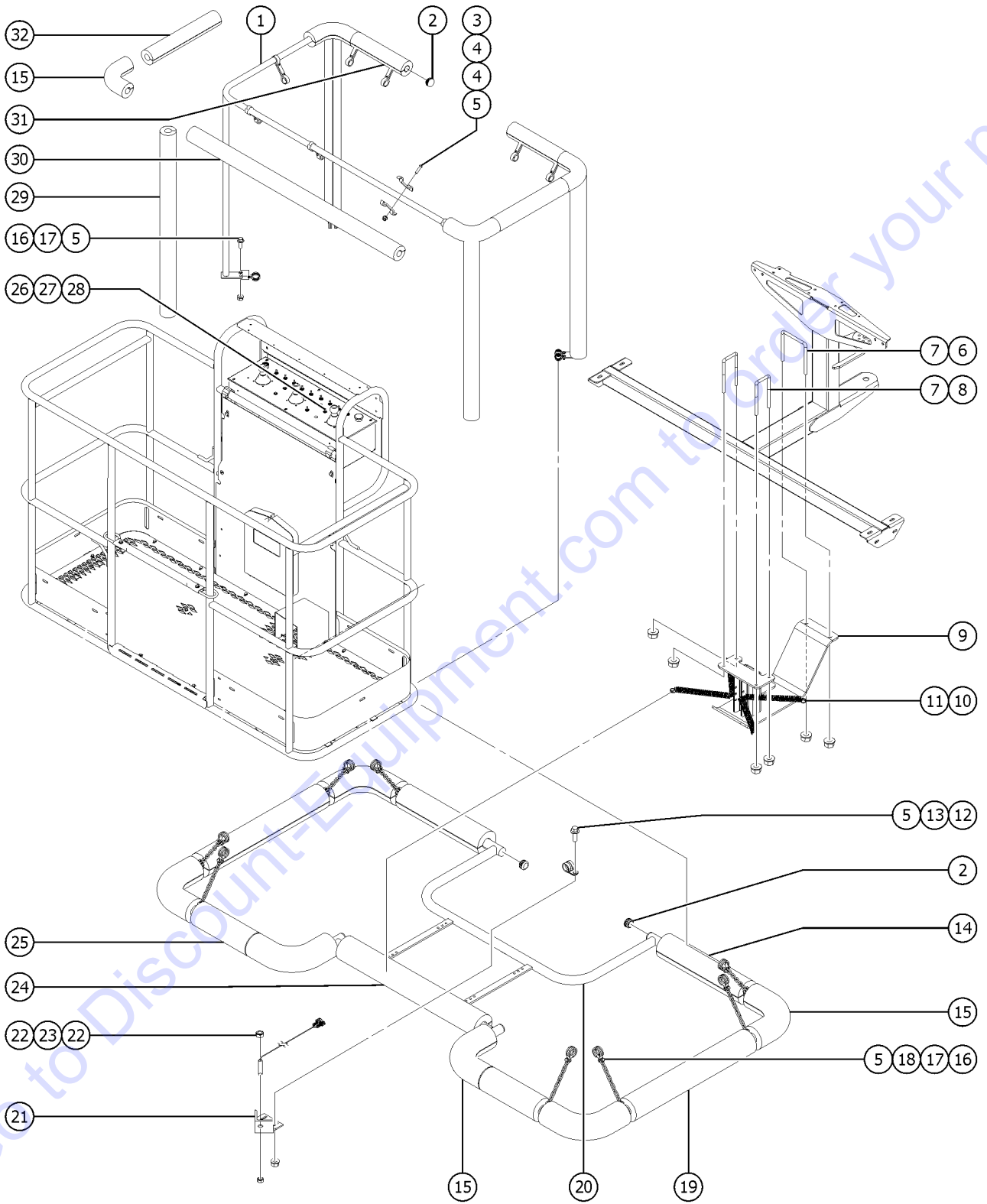


910.1 Tow Package



Item	Part No.	Description	Qty.
A	29104GT	DECAL,TOWING INSTRUCTIONS.....	1
B	35526GT	DECAL,CAUTION,TOWING SPEED.....	2
1	48908GT	FITTING,TEE,RUN,SWIVEL520432-4....	2
2	1275193GT	ASSY,HOSE,HYD,BRKTOSTRCYL,Z45..	1
3	48912GT	CONN,520120-4-6***.....	2
4	25282GT	VALVE,NEEDLE,BRAKE RELEASE.....	1
5	54145GT	RETAINING PIN,ASSY.....	2
6	54787GT	WELDMENT,TOW STORAGE BRKT,Z45.....	2
7	1268375GT	PIN,CLEVIS,1X3.5,ZAG.....	2
8	1256119GT	WASHER,SHIM,1.01X1.63X.062,ZAG...3	3
9	51474GT	BEARING,1.00IDX1.25ODX0.75L.....	2
10	54793PGT	PLATE,DRAG LINK,NRRW AXLE,PNT...1	1
11	824129GT	RUE RING,1.0,ZAG.....	2
12	25817GT	BEARING,1.00IDX1.25ODX1.00L.....	2
13	70638GT	MACHINING,TOW HITCH***.....	1
14	54789GT	NUT,SLOTTED,2-4-1/2 UNC.....	1
15	36937GT	WASHER,THRUST,2.0 X 3.0 X .188.....	1
16	54757GT	BEARING,UHMW,2.75"DIAX.50"LG.....	2
17	18720GT	BEARING,2.0IDX2.25ODX1.50L.....	1
18	77087GT	PIN,COTTER,.25 X 3.0.....	1
19	54786GT	WELDMENT,HITCH TONGUE,Z45.....	1
20	106339GT	PIN,TOW HITCH,1.5DIAX8.25"GRIP....	1
21	1257899GT	WASHER,FLAT,1.5,F436,HRD,ZAG.....	1
22	824151GT	WASHER,SHIM,1.270X2.130X.062,Z....	1
23	824093GT	SCREW,HHF,3/8-16X1.75,8,ZAG.....	1
24	54432GT	LANYARD,LYNCH PIN ASSY.....	1
25	824029GT	NUT,TL FLG,3/8-16,G,ZAG.....	1
26	70632GT	WELDMENT,STEER AXLE TOW CRADLE.....	1
27	70633GT	U-BOLT,1/2-13 X 3 X 5.25***.....	2
28	1255760GT	WASHER,FLAT,1/2,USS,ZAG.....	4
29	1256106GT	NUT,TL,1/2-13,C,ZAG.....	4
30	1275192GT	ASSY,HOSE,HYD,BRKTOSTRCYL,Z45..	1
31	70635PGT	BRACKET,TOW PKG VALVE MOUNT***.....	1
32	1253485GT	SCREW,HHF,1/4-20X2,8,ZAG.....	2
33	824113GT	WASHER,FLAT,USS,1/4,ZAG.....	2
34	824024GT	NUT,TL,1/4-20,C,ZAG.....	2

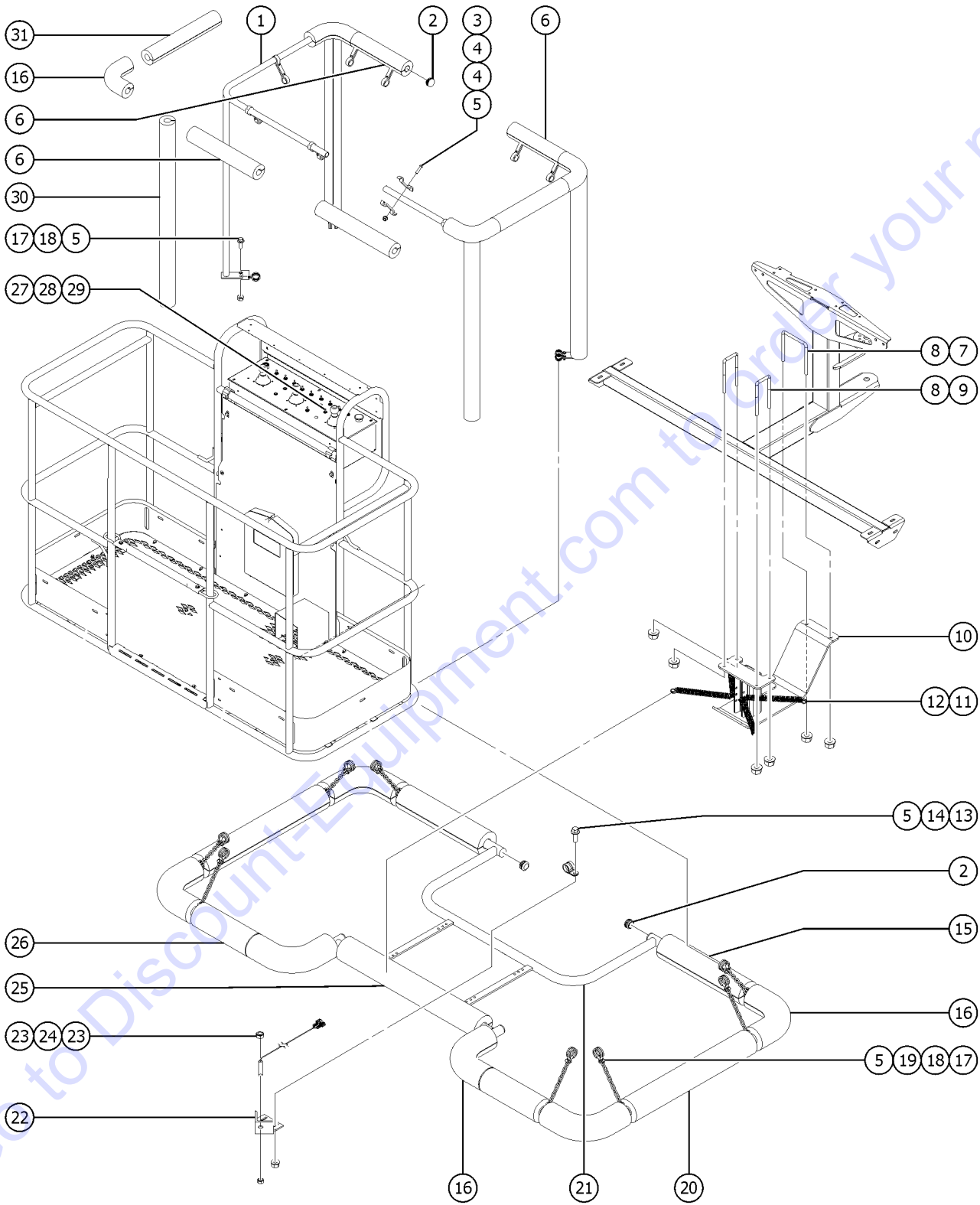
911.1 Aircraft Protection Package



## 911.1 Aircraft Protection Package

Item	Part No.	Description	Qty.
1	46188GT	WELDMENT, AIRCRAFT TOP BUMPER.....	1
2	55753GT	BUMPER, PLASTIC, 1.25 O.D.....	6
3	824227GT	SCREW, BHC, 1/4-20 X 1, ZAG.....	20
4	122073GT	SUPPORT, RAILING.....	20
5	824027GT	NUT, TL FLG, 1/4-20, G, ZAG.....	46
6	106044GT	U-BOLT, 3/8-16X4X4.63X3.00.....	1
7	824029GT	NUT, TL FLG, 3/8-16, G, ZAG.....	6
8	66472GT	U-BOLT, SQR, 3/8-16X2X5, PLTD.....	2
9	822764GT	WDMT, SKID PLATE.....	1
10	822769GT	SPRING, EXTENSION, 1.92LB/IN.....	4
11	88385GT	SPRING, SS, 1/2-EO500-49-4500	
12	824079GT	SCREW, HHF, 1/4-20X1, 8, ZAG.....	2
13	6833GT	CLAMP, 0.50, #8 X 1/4, RUB CUSH.....	1
14	75617-1550GT	PADDING, FOAM 3.5"OD X 1.50"ID.....	2
15	75636GT	PADDING, FOAM, 3.0"X1.50ID 90DEG.....	10
16	824078GT	SCREW, HHF, 1/4-20X.75, 8, ZAG.....	24
17	21618GT	CLAMP, 1.13, #18 X 1/4, RUB CUSH.....	24
18	56426-700GT	CHAIN, NO.2 (11 LINKS).....	8
19	75617-2275GT	PADDING, FOAM 3.5"OD X 1.50"ID.....	2
20	822759GT	WDMT, AIRCRAFT SENSOR BUMPER...1	
21	77797GT	WELDMENT, SENSOR MOUNT.....	1
22	88390GT	NUT, HEX, M8, PLASTIC.....	2
23	1261292GT	HARNASS ASSY, PCON, PROX KILL..... <i>includes 27391 proximity sensor</i>	1
--	27391GT	PROXIMITY SENSOR***	
24	822768GT	FOAM, AIRCRAFT PROTECTION.....	1
25	75617-1025GT	PADDING, FOAM 3.5"OD X 1.50"ID.....	2
26	128203GT	SWITCH TOGGLE ASSY SPDT 2P MOM <i>includes item 27</i>	
--	139882GT	HARN, AC PROTECTION BYPASS	
27	27246GT	BOOT, TOGGLE SWITCH, SHORT*	
28		Ref. DECAL, FUNCTION OVERRIDE <i>(refer to 101.1 or 103.1)</i>	
29	1259329GT	PADDING, FOAM, 46.5".....	4
30	75617-6275GT	PADDING, FOAM 3.5"OD X 1.50"ID.....	1
31	1278629GT	PADDING, FOAM, 10.0".....	2
32	75617-2075GT	PADDING, FOAM 3.5"OD X 1.50"ID.....	2

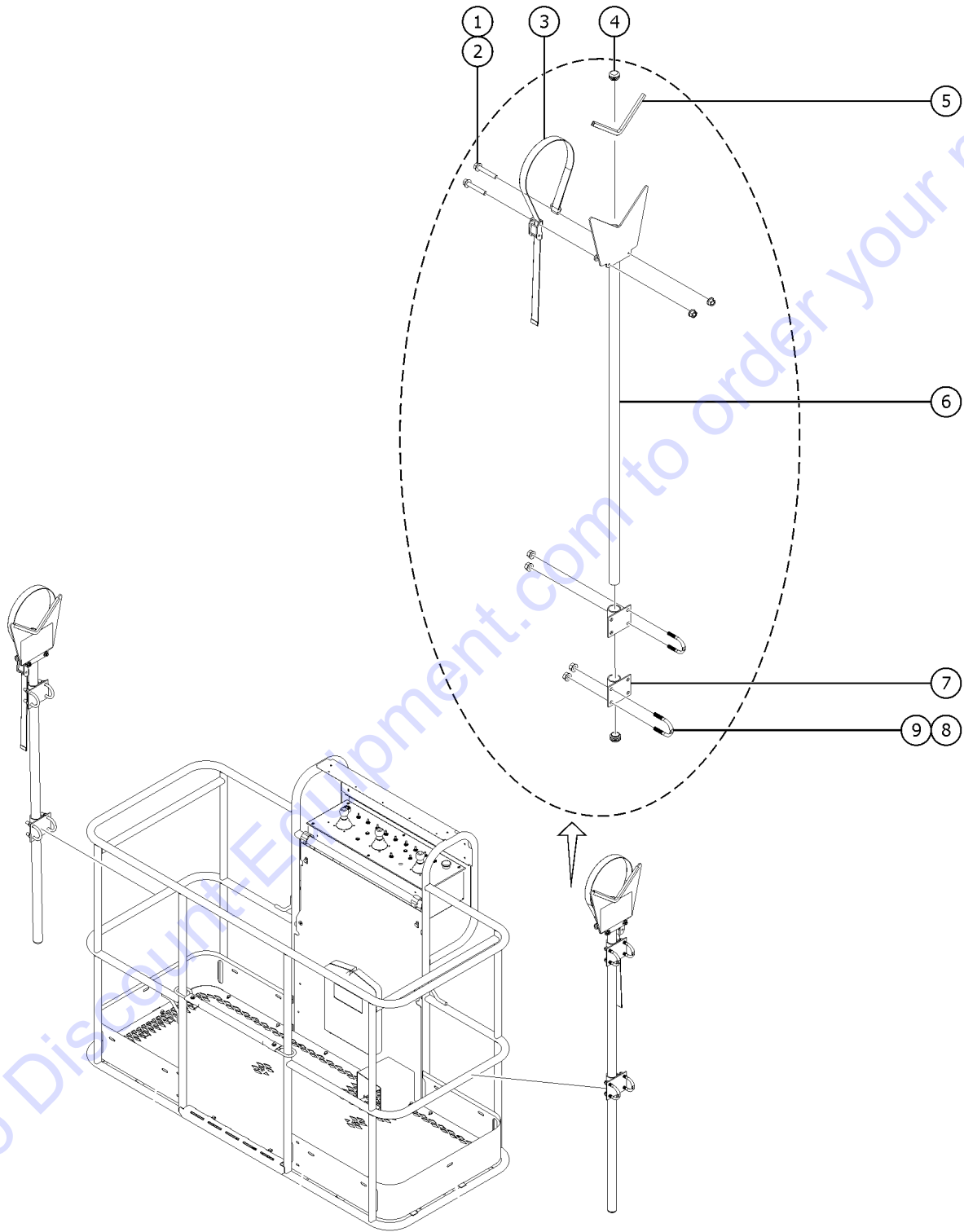
912.1 Aircraft Protection Package with Swing Gate



## 912.1 Aircraft Protection Package with Swing Gate

Item	Part No.	Description	Qty.
1	822771GT	WDMT,FRAME,AIRCRAFT PROTECTION.....	1
2	55753GT	BUMPER, PLASTIC, 1.25 O.D.....	8
3	824227GT	SCREW, BHC, 1/4-20 X 1, ZAG.....	20
4	122073GT	SUPPORT, RAILING.....	20
5	824027GT	NUT,TL FLG,1/4-20,G,ZAG.....	46
6	1278629GT	PADDING,FOAM, 10.0".....	4
7	106044GT	U-BOLT,3/8-16X4X4.63X3.00.....	1
8	824029GT	NUT,TL FLG,3/8-16,G,ZAG.....	6
9	66472GT	U-BOLT, SQR, 3/8-16X2X5, PLTD.....	2
10	822764GT	WDMT,SKID PLATE.....	1
11	822769GT	SPRING,EXTENSION,1.92LB/IN.....	4
12	88385GT	SPRING, SS, 1/2-EO500-49-4500	
13	824079GT	SCREW,HHF,1/4-20X1,8,ZAG.....	2
14	6833GT	CLAMP,0.50,#8 X 1/4,RUB CUSH.....	1
15	75617-1550GT	PADDING,FOAM 3.5"OD X 1.50"ID.....	2
16	75636GT	PADDING,FOAM,3.0"X1.50ID 90DEG.....	10
17	824078GT	SCREW,HHF,1/4-20X.75,8,ZAG.....	24
18	21618GT	CLAMP,1.13,#18 X 1/4,RUB CUSH.....	24
19	56426-700GT	CHAIN,NO.2 (11 LINKS).....	8
20	75617-2275GT	PADDING,FOAM 3.5"OD X 1.50"ID.....	2
21	822759GT	WDMT,AIRCRAFT SENSOR BUMPER...1	
22	77797GT	WELDMENT, SENSOR MOUNT.....	1
23	88390GT	NUT,HEX,M8,PLASTIC.....	2
24	1261292GT	HARNES ASSY,PCON,PROX KILL.....1 <i>includes 27391 proximity sensor</i>	
--	27391GT	PROXIMITY SENSOR***	
25	822768GT	FOAM,AIRCRAFT PROTECTION.....	1
26	75617-1025GT	PADDING,FOAM 3.5"OD X 1.50"ID.....	2
27	128203GT	SWITCH TOGGLE ASSY SPDT 2P MOM <i>includes item 28</i>	
--	139882GT	HARN, AC PROTECTION BYPASS	
28	27246GT	BOOT,TOGGLE SWITCH,SHORT*	
29		Ref. DECAL,FUNCTION OVERRIDE <i>(refer to 101.1 or 103.1)</i>	
30	1259329GT	PADDING, FOAM, 46.5".....	4
31	75617-2075GT	PADDING,FOAM 3.5"OD X 1.50"ID.....	2

913.1 Pipe Cradle Accessory

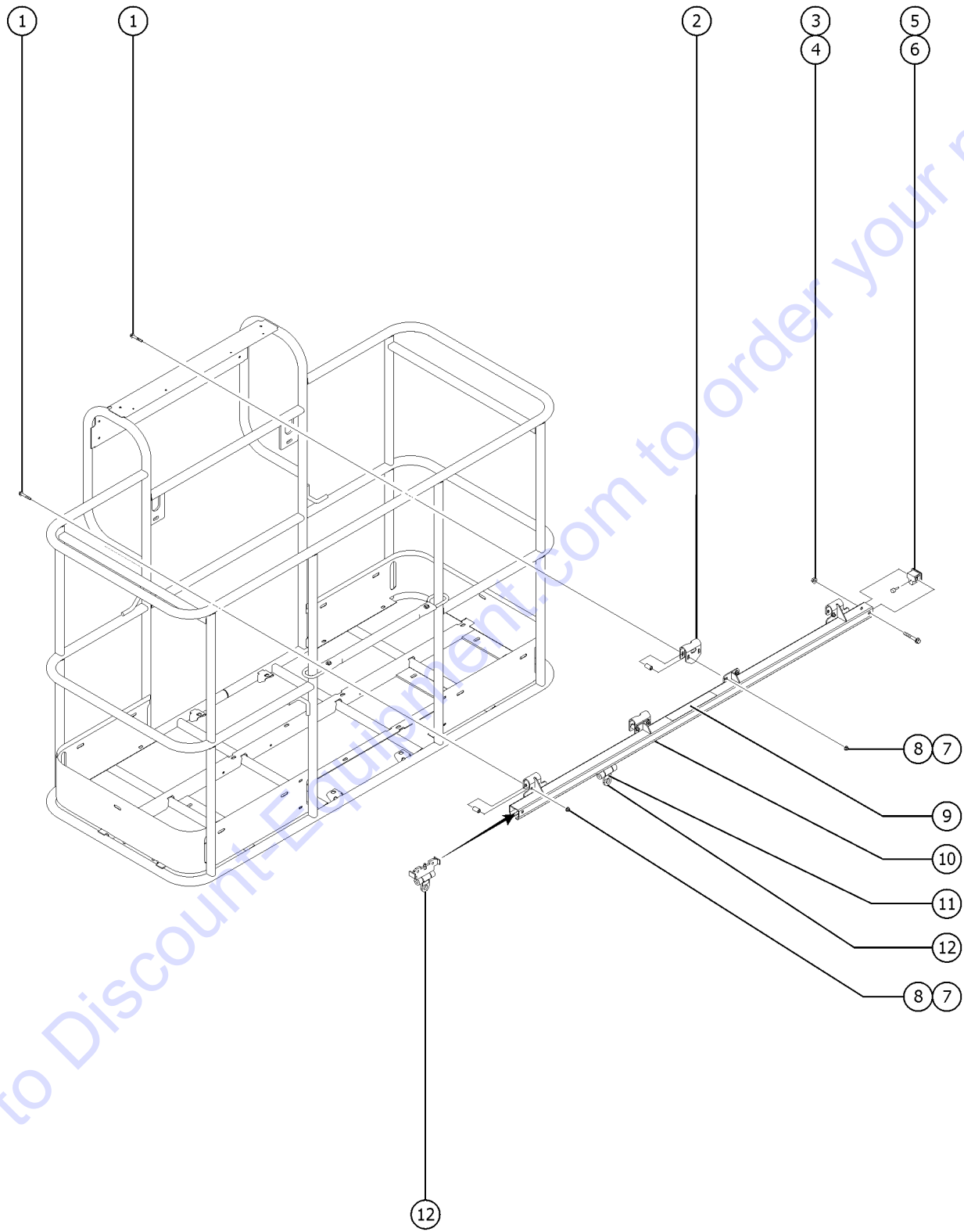


## 913.1 Pipe Cradle Accessory

Item	Part No.	Description	Qty.
A	85300GT	PIPE CRADLE ASSY. SERV (ONE)** (single)	
--	65630GT	INSTRUCTIONS-PIPE CRADLE,BOOMS	
1	824083GT	SCREW,HHF,1/4-20X2.5,8,ZAG.....	4
2	1277924GT	NUT,NYLOCK FLG,1/4-20,F,ZAG.....	4
3	56570GT	STRAP, CONDUIT HOLDER 60****	2
4	55753GT	BUMPER, PLASTIC, 1.25 O.D.....	4
5	19018GT	TRIMLOCK,BLACK,5/32".....	11-inches
6	56525GT	WELDMENT, PIPE CRADLE..... (decals not included order seperately)	2
--	72875GT	DECAL,WARNING,PIPE CRADLE,BOOM..... (must be ordered seperately)	4
7	81368GT	WELDMENT,PIPE CRADLE MOUNT....	4
8	1251600GT	U-BOLT, FLATTENED, 1.5 X 3/8 UNC,ZAG.....	8
9	1274322GT	NUT,NYLOCK FLG,3/8-16,F,ZAG.....	16



914.1 Fall Arrest Bar

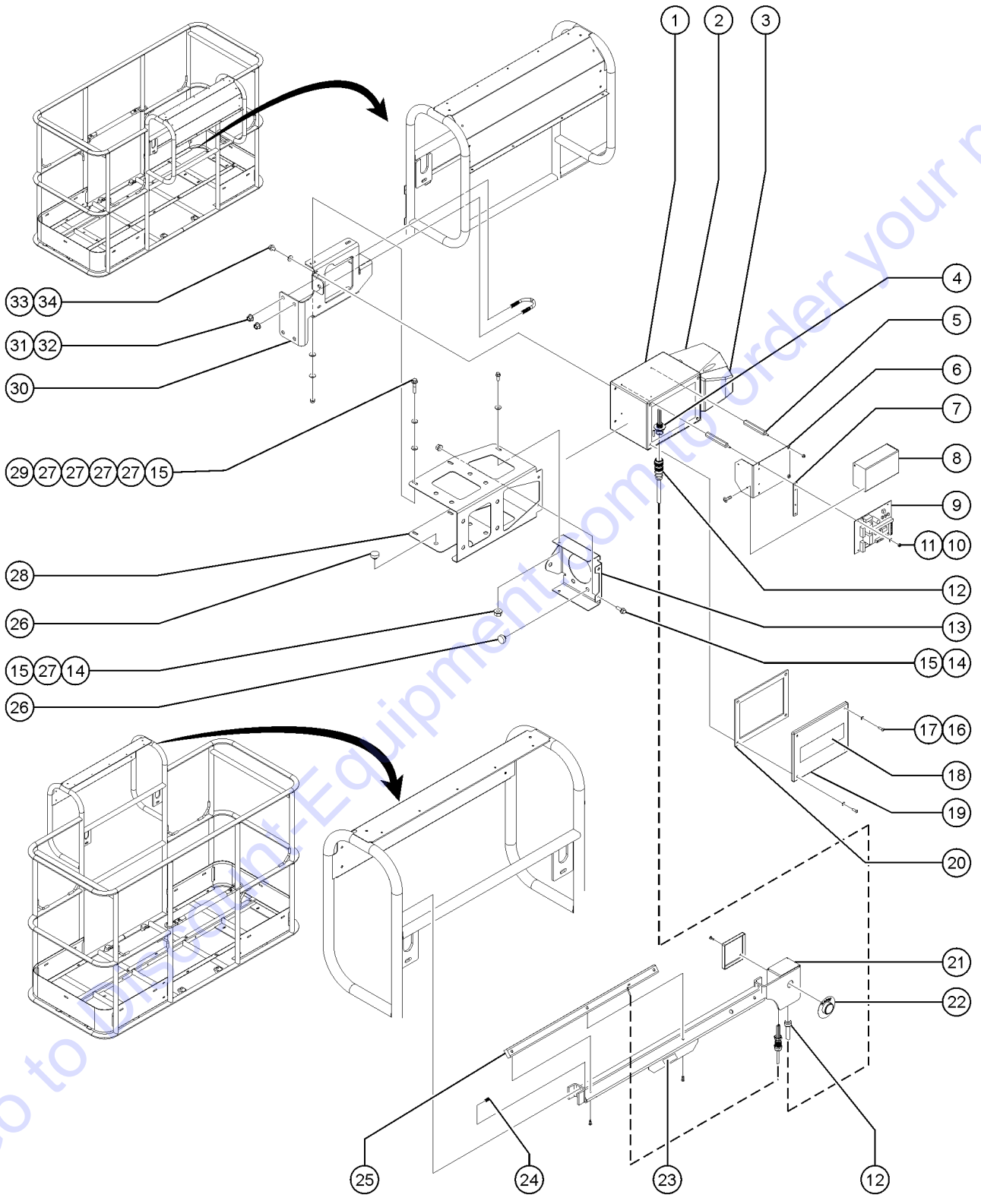


Go to DiscountEquipment.com to order your parts

## 914.1 Fall Arrest Bar

Item	Part No.	Description	Qty.
1	1256856GT	SCREW,HHF,3/8-16X2.5,8,ZAG.....	4
2	1256389GT	FORMING,INNER HANGER.....	2
3	1251997GT	NUT,TL FLG,1/2-13,G,ZAG.....	2
4	1256851GT	SCREW,HHF,1/2-13X3.5,8,ZAG.....	2
5	1260892GT	END STOP,TRACK,FALL ARREST BAR.....	2
6	36388GT	BUMPER,RUBBER,.75 X .50H,STUD....	2
7	1274322GT	NUT,NYLOCK FLG,3/8-16,F,ZAG.....	8
8	1256481GT	SPACER, HANGER BRACKET.....	8
9A	1256400GT	DECAL,TRACK,FALL ARREST BAR,WORD.....	1
9B	1260910GT	DECAL,TRACK,FALL ARREST BAR,SYMBOL.....	1
9C	1256400FRGT	DECAL,TRACK,FALL ARREST BAR,WORD FR.....	1
10A	1256378GT	ACC,FALL ARREST BAR,6FT WORD....	1
--	1256380GT	ASSY,TRACK,FALL ARREST BAR,6FT WORD <i>includes decals</i>	
10B	1261023GT	ACC,FALL ARREST BAR,6FT SYM.....	1
--	1261025GT	ASSY,TRACK,FALL ARREST BAR,6FT SYM <i>includes decals</i>	
10C	1261019GT	ACC,FALL ARREST BAR,6FT FR.....	1
--	1261021GT	ASSY,TRACK,FALL ARREST BAR,6FT FR <i>includes decals</i>	
11	40434GT	DECAL,LANYARD ANCHORAGE POINT.....	1
12	1256439GT	TROLLEY, TRACK, FALL ARREST BAR.....	1

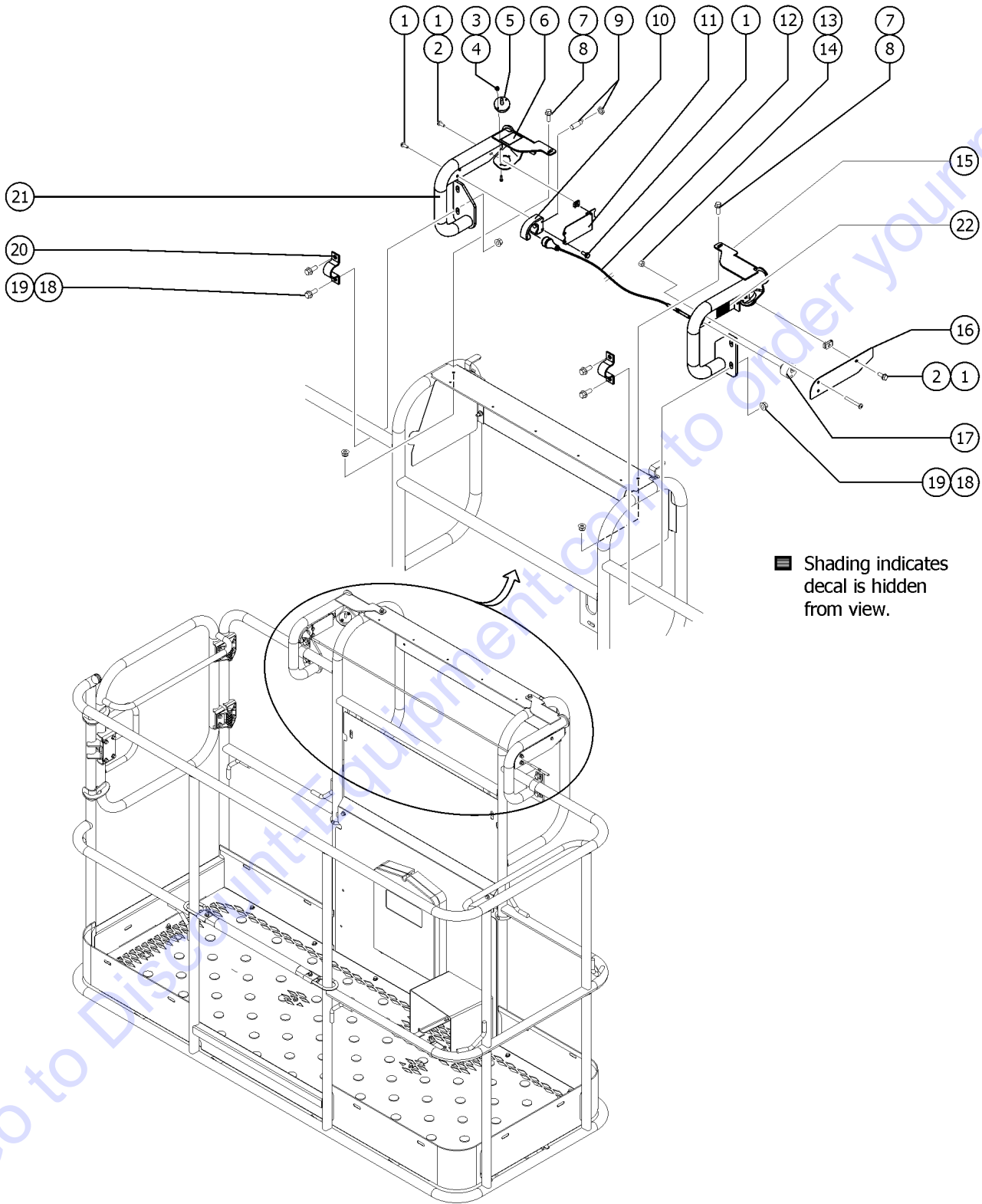
915.1 Operators Protection Alarm (to January 2017)



## 915.1 Operators Protection Alarm (to January 2017)

Item	Part No.	Description	Qty.
B	1275537GT	ASSEMBLY, OPA PROTECTION CAGE.....	1
1	1255018GT	BASE ENCLOSURE,RED,OPA.....	1
2	1255021GT	SOUNDER,MIDI,OPA.....	1
3A	1255037GT	SOUNDER LENS, OPA, BLUE..... <i>(standard lens fitted to OPA)</i>	1
3B	1270116GT	SOUNDER LENS, OPA, RED.....	1
3C	1270117GT	SOUNDER LENS, OPA, AMBER.....	1
3D	1270118GT	SOUNDER LENS, OPA, CLEAR.....	1
4	1255033GT	HARN,PIGTAIL,TAPESWITCH,OPA.....	1
5	1255028GT	STAND OFF,CONTROL UNIT.....	4
6	1255024GT	BRACKET,CONTROL UNIT.....	1
7	1255025GT	SPACER,HEAT SINK.....	1
8	1255023GT	ASSY,MODULE,CONTROL UNIT,OPA....	1
9	1255022GT	MODULE,CONTROL UNIT,PCB,OPA....	1
10	1255067GT	NUT,M4 NYLOCK.....	4
11	1255066GT	WASHER,M4 NYLON.....	4
12	1255035GT	ASSEMBLY,CABLE,TAPESWITCH.....	1
13	1275539GT	FORMING, OPA CAP.....	1
14	824078GT	SCREW,HHF,1/4-20X.75,8,ZAG.....	5
15	824027GT	NUT,TL FLG,1/4-20,G,ZAG.....	9
16	1255038GT	SCREW,M5X16 BHD.....	4
17	1255027GT	WASHER,M5 NYLON.....	4
18	1255890GT	DECAL,COSMETIC,GENIE.....	1
19	1255020GT	LID ENCLOSURE,RED,OPA.....	1
20	1255019GT	GASKET,ENCLOSURE.....	1
21	1255029GT	ASSEMBLY,TAPESWITCH..... <i>"(6/8' platforms) (includes j-box and fasteners)"</i>	1
22	1255036GT	ASSEMBLY RESET SWITCH.....	1
23	1255889GT	DECAL,SYMBOL-READ THE MANUAL.....	1
24	1255068GT	SCREW,M6X8.....	2
25	1255047GT	SENSOR,RUBBER EDGE..... <i>(6/8' platforms)</i>	1
26	43392GT	BUMPER,BATTERY BOX & RAILS.....	17
27	824113GT	WASHER,FLAT,USS,1/4,ZAG.....	19
28	1275538GT	FORMING, OPA CAGE.....	1
29	824080GT	SCREW,HHF,1/4-20X1.25,8,ZAG.....	4
30	1275540GT	FORMING, OPA, BRACKET.....	1
31	824029GT	NUT,TL FLG,3/8-16,G,ZAG.....	4
32	1251600GT	U-BOLT, FLATTENED, 1.5 X 3/8 UNC,ZAG.....	2
33	237238GT	SCREW,HHF,M6-1.0X12,DIN6921,10....	2
34	1257389GT	WASHER, FLAT, M6X18X1.6,DIN9021,ZAB.....	2

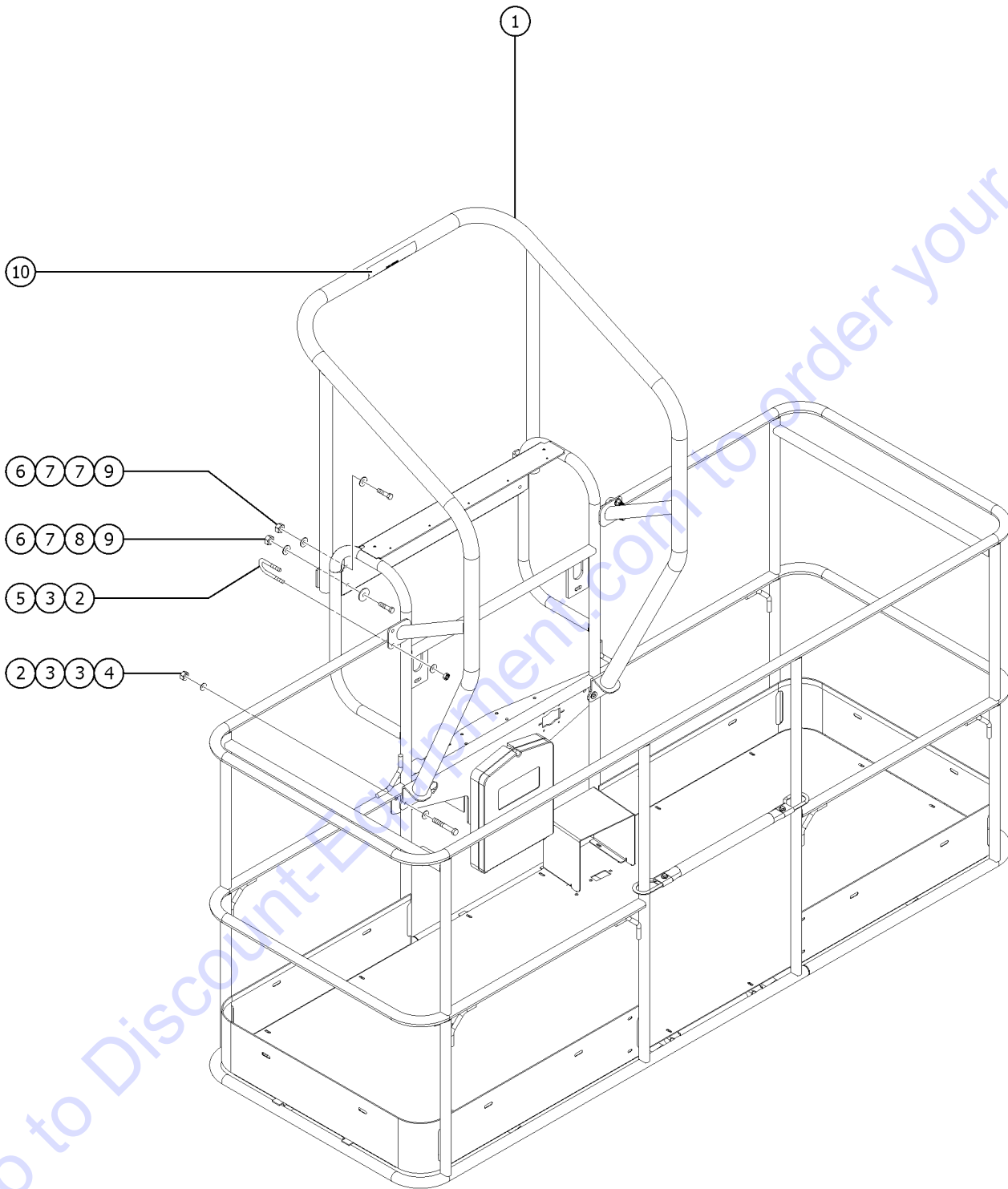
915.2 Lift Guard Contact Alarm (from January 2017)



## 915.2 Lift Guard Contact Alarm (from January 2017)

Item	Part No.	Description	Qty.	Item	Part No.	Description	Qty.
--		From January 2017, this option became a standard installation on all models unless the customer specifically request not to have it installed		21	1278144GT	WELDMENT, LEFT CONTACT ALARM, LARGE.....	1
--	1279135GT	KIT, LIFT GUARD CONTACT ALARM,6'-8' PLATFORM,NON-ALC1000 <i>measure platform before ordering - for 5', 6', and 8' platforms only.</i>		22	1278982GT	DECAL, INSTRUCTION, ACTUATOR SWITCH SOCKET.....	1
--	1278452GT	HARNESS, OPA2, Z45DC/BE					
--	78098GT	RELAY,24VDC,40/30A,SLD W/BRKT*					
--	1278121GT	MODULE, PLUS+1, CONTACT ALARM <i>located inside the Platform Control Box</i>					
1	1264934GT	SCREW,HHF,10-24X.5					
2	73575GT	SPRING CLIP,10-24,.025-.125X.468,ZAG					
3	12344GT	NUT,NYLOCK,6-32					
4	1256859GT	SCREW,PHPM,6-32X.875,ZAG					
5	1278111GT	ASSEMBLY, LIGHT, CONTACT ALARM.....	2				
6	1278542GT	DECAL, INSTRUCTION, CONTACT ALARM					
7	824078GT	SCREW,HHF,1/4-20X.75,8,ZAG					
8	1277924GT	NUT,NYLOCK FLG,1/4-20,F,ZAG					
9	1278119GT	ASSEMBLY, SENSOR, PROX, CONTACT ALARM.....	1				
10	1278433GT	ASSY, SENSOR W/HOUSING <i>(Includes holder item 1277877 and sensor part 1278119)</i>					
--	1277877GT	HOLDER, SENSOR.....	1				
11	1277873GT	FORMING, SENSOR HOLDER.....	1				
12	1278416GT	ASSEMBLY,CONTACT ALARM CABLE, LARGE.....	1				
--	1261184GT	NUT,1/4-20,8,ZAG <i>Part of assembly 1278416</i>					
--	1278124GT	MAGNET, 1/4-20, 15 LB. <i>Part of assembly 1278416</i>					
--	1278368GT	GRIP, CABLE <i>Part of assembly 1278416</i>					
--	1278458GT	CONTACT ALARM WIRE ASSY, LARGE <i>Part of assembly 1278416</i>					
13	825352GT	SCREW,PHPM,10-32X1.25,ZAG					
14	1264261GT	NUT,SERRATED,10-32,ZAG					
15	1278138GT	WELDMENT, RIGHT CONTACT ALARM, LARGE.....	1				
16	1277875GT	PLATE, CABLE AND WIRE COVER.....	1				
17	1277876GT	GUIDE, CABLE.....	1				
18	1274322GT	NUT,NYLOCK FLG,3/8-16,F,ZAG					
19	824090GT	SCREW,HHF,3/8-16X1,8,ZAG					
20	1278363GT	CLAMP, 1.25 INCH TUBE.....	2				

916.1 Operator Protective Structure

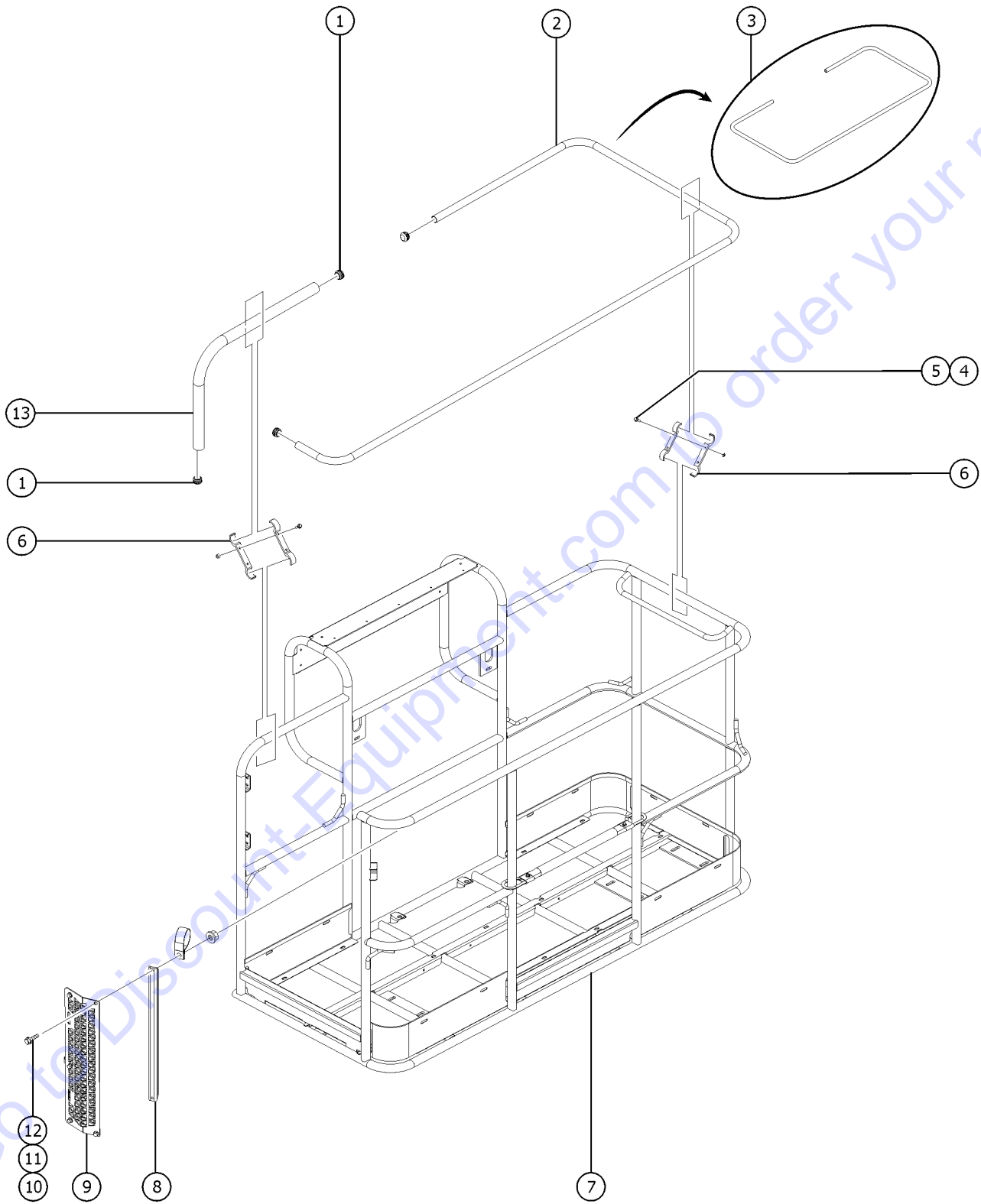


## 916.1 Operator Protective Structure

Item	Part No.	Description	Qty.
A		Fits all 6' and 8' Booms	
1	219158GT	ACCESSORY, OPERATOR PROT STRUCT.....1 <i>(Complete) includes all fasteners</i>	1
2	1256468GT	NUT, 3/8-16, 8, ZAG.....8	8
3	1255758GT	WASHER, FLAT, 3/8, USS, ZAG.....12	12
4	824069GT	SCREW, HHC, 3/8-16X2.5, 8, ZAG.....4	4
5	1251600GT	U-BOLT, FLATTENED, 1.5 X 3/8 UNC, ZAG.....4	4
6	1261184GT	NUT, 1/4-20, 8, ZAG.....4	4
7	824113GT	WASHER, FLAT, USS, 1/4, ZAG.....6	6
8	824120GT	WASHER, FLAT, .375X1.50X.125, ZAG.....2 <i>"Use only with the platform control box cover option"</i>	2
9	824060GT	SCREW, HHC, 1/4-20X1, 8, ZAG.....4	4
10		Ref. DECAL, INSTRUCTION, OPS.....1 <i>Refer to Section 100</i>	1



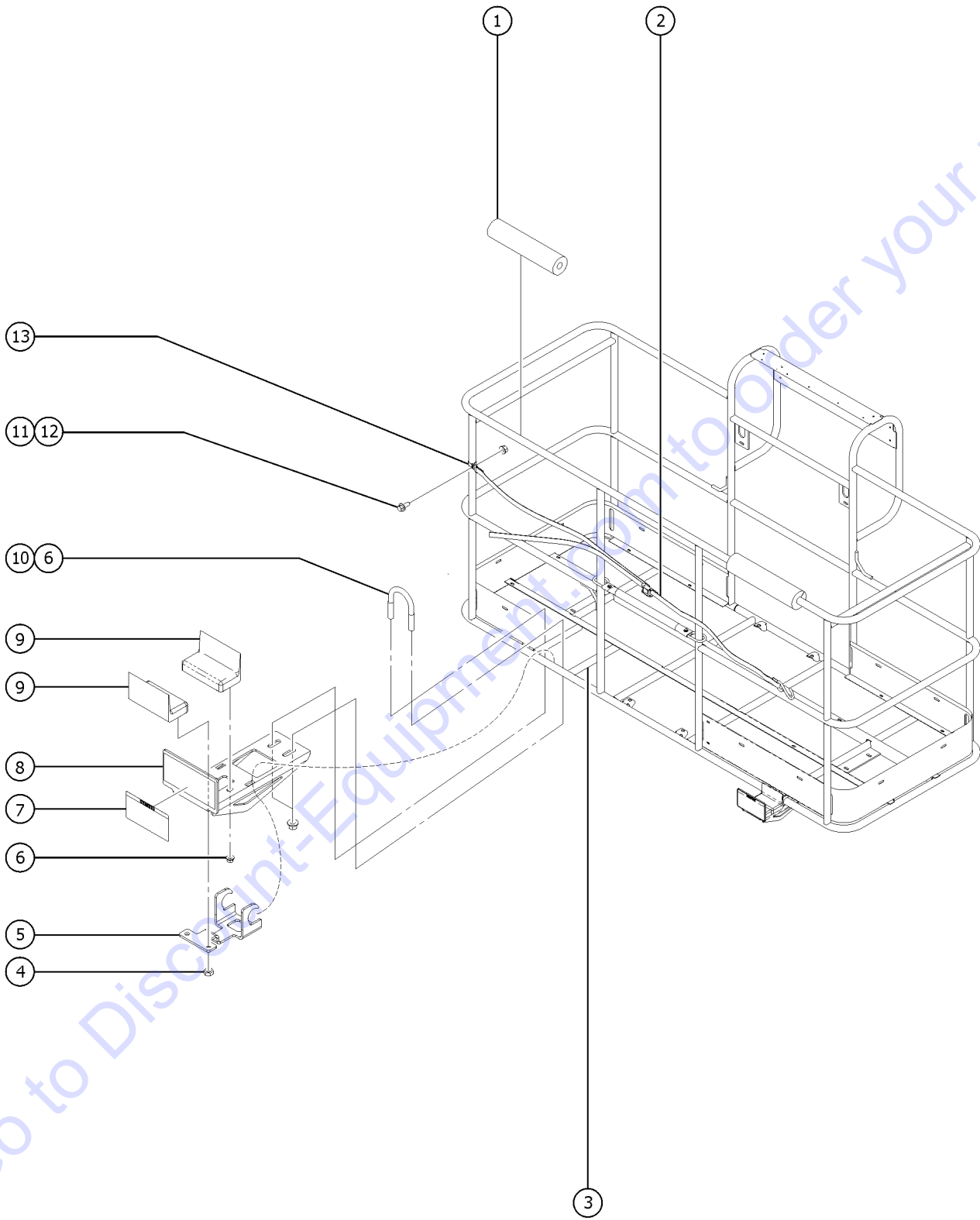
917.1 Auxiliary Rail Option



## 917.1 Auxiliary Rail Option

Item	Part No.	Description	Qty.
A	1279765GT	KIT,LATCH GUARD.....	1
1	55753GT	BUMPER, PLASTIC, 1.25 O.D.....	4
2	1270570GT	AUX RAIL, 6' PLAT, SIDE ENTRY.....	1
3A	28329GT	RAILING,PINCH GAURD,4 FT..... <i>(tri-entry with sliding mid-rails platform)</i>	1
3B	28328GT	RAILING,PINCH GAURD,5 FT..... <i>(tri-entry with sliding mid-rails platform)</i>	1
4	824079GT	SCREW,HHF,1/4-20X1,8,ZAG.....	22
5	824027GT	NUT,TL FLG,1/4-20,G,ZAG.....	22
6	122073GT	SUPPORT, RAILING.....	22
7		Ref.WELDMENT, PLATFORM..... <i>(refer to 602.1)</i>	1
8	1277966GT	TUBE,SQ,STL, 1.00 x 1.00 x .120.....	1
9	1277952GT	GUARD, SWING GATE.....	1
10	824086GT	SCREW,HHF,5/16-18X1,8,ZAG.....	5
11	56424GT	CLAMP,1.25X.5 RUBBER-CUSHION....	5
12	824028GT	NUT,TL FLG,5/16-18,G,ZAG.....	5
13	1270571GT	AUX RAIL, 6' PLAT, SIDE ENTRY.....	1

918.1 Panel Cradle Option



## 918.1 Panel Cradle Option

Item	Part No.	Description	Qty.
--	77683GT	ACCESSORY,PANEL CRADLE,ANSI (ANSI/CSA models)	
1	88377-1400GT	FOAM PAD, 3" OD X 1.25" ID X 14 IN.....2	
2	77664GT	ADJUSTABLE STRAP ASSY.....1	
3	73463-1175GT	TUBE, RD, ALUM, 1.25 X .083 X 11.75...2	
4	824038GT	NUT, TL JAM, 3/8-16, A, ZAG.....4	
5	228849GT	FORMING,SECONDARY SUPPORT.....2	
6	1274322GT	NUT,NYLOCK FLG,3/8-16,F,ZAG.....8	
7A	82410GT	DECAL,WARNING,PANEL CRADLE.....2 (ANSI/CSA models)	
8	228848GT	FORMING PANEL CRADLE.....2	
9	56934GT	PAD,REST,1"THICK,FLANGED.....4	
10	1251600GT	U-BOLT, FLATTENED, 1.5 X 3/8 UNC,ZAG.....2	
11	1256855GT	SCREW,HHF,1/4-20X.625,8,ZAG.....1	
12	1277924GT	NUT,NYLOCK FLG,1/4-20,F,ZAG.....1	
13	56424GT	CLAMP,1.25X.5 RUBBER-CUSHION.....1	

Part Number Index

The Part Number Index is a numeric index of all part numbers included in this manual. The index shows what page(s) the part is used on.

Part Number	Page	Part Number	Page	Part Number	Page	Part Number	Page
1000001GT	19–20	114025GT	13–14, 17, 19–	1255024GT	141	1257733GT	11
1000027GT	14		20, 23	1255025GT	141	1257899GT	131
101055GT	99	114114GT	13–14, 17, 19–	1255027GT	141	1258189GT	111
101056GT	99		20, 23	1255028GT	141	1258567GT	11
101057GT	99	114117GT	13–14, 19–20	1255029GT	141	1258768GT	59
101067GT	99	114221GT	13–14, 19–20	1255030GT	65	1259322GT	65
101069GT	99	114247GT	17, 23	1255033GT	141	1259323GT	65
101080GT	65	114248GT	17, 23	1255035GT	141	1259329GT	133, 135
101114GT	99	114249GT	17, 23	1255036GT	141	1259639GT	65
101277GT	99	114251GT	17	1255037GT	141	1259857GT	37, 45, 47
101425PGT	31	114252GT	17, 23	1255038GT	141	1260173GT	65
101426PGT	31	114258GT	13–14	1255047GT	141	1260372GT	37
101512GT	123	114334GT	17, 23	1255066GT	141	1260892GT	139
101815GT	45	114343GT	17, 23	1255067GT	141	1260910GT	139
101852GT	117	114345GT	17, 23	1255068GT	141	1260940GT	67
101853GT	117	114350GT	19–20, 23	1255452GT	37, 71	1261019GT	139
101858GT	63	114389GT	13–14, 19–20	1255469GT	37	1261021GT	139
101859GT	63	114390GT	13–14, 19–20	1255758GT	27–29, 33, 37,	1261023GT	139
101860GT	61	114391GT	17		49, 53, 61, 123,	1261025GT	139
101861GT	61	114397GT	13–14, 19–20		127, 145	1261184GT	143, 145
101862GT	63	119058GT	87	1255760GT	37, 45, 53, 69,	1261221GT	65
101863GT	61	119060GT	59		131	1261292GT	133, 135
101932GT	127	119061GT	56	1255763GT	31	1261845GT	65
102785PGT	113	119062GT	56	1255805GT	27–29, 31	1261899GT	65
102786PGT	113	119063GT	56	1255858GT	65	1261900GT	65
102992GT	87	119064GT	56	1255889GT	141	1262031GT	28–29, 59
104804GT	87, 115	119209GT	27–29	1255890GT	141	1262220GT	65
106044GT	133, 135	119210GT	27–29	1256106GT	37, 131	1262223GT	65
106069GT	61	119242GT	43	1256108GT	33, 127	1262512GT	65
106117GT	27–29	119403GT	51	1256109GT	45, 69, 71, 73, 81	1262633GT	71
106120GT	27–29	119404GT	51	1256112GT	37	1263056GT	71
106121GT	27–29	119536PGT	83	1256118GT	27–29, 37, 49,	1263057GT	71
106122GT	27–29	119542GT	83		51, 61	1263142GT	45
106123GT	27–29	119619GT	25	1256119GT	131	1263232GT	45
106124GT	27–29	119684GT	41	1256127GT	73, 83	1263234GT	45
106125GT	27–29	119685GT	41	1256170GT	45	1263554GT	27–29
106126GT	27–29	119767GT	27–29	1256177GT	69	1264101GT	115
106148GT	27–29	119784PGT	51	1256180GT	83	1264259GT	63
106163GT	81	119787PGT	35	1256182GT	27–29, 37, 45	1264261GT	27–29, 49, 59,
106241GT	31	119825GT	99	1256231GT	75, 77		61, 63, 73, 90,
106339GT	131	119950GT	117	1256267GT	67, 71		123, 143
106427GT	45, 69	120236GT	59	1256284GT	41, 43	1264308GT	14, 20
106972GT	69	120269GT	45	1256312GT	28–29	1264822GT	65
106974GT	69	120297GT	90	1256378GT	139	1264834GT	65
106976GT	69	120300GT	90	1256380GT	139	1264934GT	143
106983GT	69	121848GT	65, 123	1256389GT	139	1265481GT	73
106986GT	69	122019GT	111	1256400FRGT	139	1266606GT	65
107588GT	67	122073GT	113, 133, 135,	1256400GT	139	1267570GT	101
107590GT	67		147	1256439GT	139	1267746GT	87
107594GT	61	122278GT	113	1256460GT	87	1267747GT	87, 115
107651GT	45	122279GT	113	1256468GT	145	1267779GT	25
107727GT	67	122513GT	90	1256469GT	63	1267780GT	28–29
10775GT	90	122514GT	89–90	1256481GT	139	1267781GT	25
10777GT	90	122994GT	55–56	1256693GT	25, 27–29	1267782GT	28–29
107803GT	37	12344GT	59, 143	1256803GT	75, 81	1267784GT	25
107805GT	37	1240313GT	115	1256844GT	67, 69	1267785GT	28–29
107811GT	37	1251565GT	25	1256847GT	61, 73, 127	1267786GT	25
107857GT	113	1251600GT	39, 87, 119, 137,	1256848GT	37	1267787GT	28–29
107858GT	113, 129		141, 145, 149	1256851GT	139	1268375GT	131
107859GT	67	1251757GT	47, 59, 90	1256855GT	31, 69, 87, 113,	1268676GT	115
107881GT	69	1251793GT	41		115, 149	1268954GT	28–29
110160GT	45	1251794GT	41	1256856GT	139	1268GT	11
110286GT	39	1251795GT	41	1256859GT	143	1270116GT	141
110310GT	69	1251796GT	39	1256863GT	77, 81, 119	1270117GT	141
110382GT	49, 61	1251997GT	37, 45, 139	1256922GT	73	1270118GT	141
110523GT	43	1253185GT	56, 61, 90	1257227GT	37, 90	1270314GT	115
110651GT	90	1253478GT	33, 37, 79	1257229GT	37	1270316GT	115
110657GT	65	1253485GT	63, 123, 131	1257248GT	87	1270353GT	105
110671GT	81	1253498GT	53, 67, 71	1257249GT	87	1270570GT	147
110749GT	43	1255018GT	141	1257296GT	90	1270571GT	147
110789GT	123	1255019GT	141	1257389GT	141	1271061GT	115
111051GT	75	1255020GT	141	1257390GT	90	1271772GT	47
111052GT	75	1255021GT	141	1257454GT	69	1271773GT	47
111053GT	75	1255022GT	141	1257458GT	81	1272303GT	85
111526GT	113	1255023GT	141	1257628GT	51, 53	1272307GT	87

Part Number	Page	Part Number	Page	Part Number	Page	Part Number	Page
1272998GT	39	128491GT	35	139434GT	41	218571GT	28-29
1273205GT	81	128492GT	35	139656GT	41	21858GT	55-56
1274322GT	75, 137, 139, 143, 149	128534GT	83	139687GT	77	219158GT	145
1274551GT	47	1285689GT	65	139688GT	77	219160GT	13-14, 17, 19- 20, 23
1274858GT	85	1285700GT	115	139701GT	75	21982GT	55-56
1275192GT	131	128578GT	55-56, 89-90	139702GT	75	22262GT	27-29
1275193GT	131	128580-SGT	55-56, 89-90	139779GT	75	22263GT	27-29
1275393GT	85	128581-SGT	56, 89-90	139781GT	75	22446GT	41
1275395GT	85	1285812GT	65	139857GT	33	226383GT	93
1275396GT	85	128582-SGT	55-56, 89-90	139882GT	133, 135	226393GT	111
1275397GT	85	128584-SGT	56	139965GT	28-29	22672GT	41
1275537GT	141	128596GT	75	139966GT	28-29	227130GT	19-20
1275538GT	141	128597GT	75	139967GT	28-29	227213GT	19-20
1275539GT	141	128598GT	27-29	139968GT	28-29	227214GT	14
1275540GT	141	128601GT	73	144161GT	33, 51	227564GT	87
1277873GT	143	128603GT	73	146051GT	28-29	227617GT	87
1277875GT	143	128605GT	73	146052GT	28-29	227833GT	41
1277876GT	143	128645GT	33, 51	146478GT	89-90	22811GT	28-29
1277877GT	143	128646GT	51	147034GT	28-29	228848GT	149
1277924GT	137, 143, 149	1286600GT	27-29	147041GT	127	228849GT	149
1277952GT	147	1286602GT	27-29	147042GT	127	228946GT	33
1277966GT	147	1286603GT	27-29	147043GT	127	228947GT	33
1278111GT	143	1287986GT	99	147044GT	127	228973GT	25, 33
1278119GT	143	128812GT	65	147089GT	55-56	22903GT	39
1278121GT	143	128816GT	65	147093GT	55-56	229131GT	28-29
1278124GT	143	128825GT	33	147094GT	37	229132GT	28-29
1278138GT	143	128852GT	127	147121GT	87	229133GT	28-29
1278144GT	143	128862GT	75	147181GT	127	22934GT	39
1278363GT	143	128929-300GT	35	147183GT	127	229567GT	55-56, 89-90
1278368GT	143	128941GT	65	147184GT	127	229812GT	89-90
1278416GT	143	128956GT	129	147187GT	28-29	229833GT	28-29
1278433GT	143	128973GT	127	147205GT	41	229834GT	28-29
1278452GT	143	128995GT	73	147206GT	41	230059GT	31
1278458GT	143	128997GT	83	147208GT	41	230060GT	31
1278542GT	143	128998GT	69	147253GT	89-90	230062GT	25
1278629GT	133, 135	129021GT	99	147509GT	123	230501GT	56
1278982GT	143	13097GT	27-29	1484GT	11	23057GT	39
1279135GT	143	13268GT	27-29, 49, 90, 119	1487GT	117	23083-SGT	37
1279765GT	147	133067GT	17, 23	1488GT	117	23083GT	27-29
128045GT	59, 123	133278GT	13-14	150026GT	49	231513GT	43
1280665GT	33, 51	133286GT	17, 23, 33	150103GT	73, 77, 79	232486GT	28-29
128118GT	33	13585GT	90	15243GT	59, 90	232574GT	105
128200GT	55-56, 89-90	139011-SGT	35	16073GT	119	232575GT	109
128201GT	56, 89-90	139011-SGT	35	160809GT	85	233715GT	81
128202GT	55-56, 89-90	139020GT	35	161541GT	85	233716GT	77
128203GT	133, 135	139041GT	35	161542GT	85	233745GT	77, 81
128204GT	56, 129	139047GT	35	161553GT	31	233807GT	27-29
128206GT	89-90	139048GT	35	161554GT	31	23404GT	59
1282314GT	47	139049GT	35	161884GT	39	23457GT	39
128301GT	73	139050GT	35	1697-400GT	69	23469GT	39
128304GT	73	139051GT	35	18576GT	27-29	23472GT	39
128308GT	75	139052GT	35	18605GT	111	23473GT	43
128309GT	75	139053GT	35	18720GT	67, 71, 131	234923GT	93
128310GT	75	139054GT	35	18963GT	51	237145GT	90
128311GT	75	139055GT	35	19018GT	137	237238GT	141
128319GT	49	139056GT	35	19506GT	55-56	237688GT	69
128337GT	27-29	139057GT	35	19520GT	31	24038GT	37
128368GT	117	139058GT	35	19712GT	93	24514GT	87
128374GT	117	139059GT	35	19713GT	93	25282GT	131
128375GT	33	139060GT	35	19721GT	93	25388GT	33, 51
128376GT	33	139062GT	35	19722GT	93	25553GT	56
1283776GT	11	139063GT	35	19729GT	95	25685GT	123
128377GT	33	139064GT	35	19731GT	95	25817GT	25, 37, 131
1284282GT	65	139099GT	109	20780GT	41	27082GT	41
128454GT	83	139306GT	13-14	21427GT	93	27089GT	41
128465GT	35	139318GT	33, 51	214814GT	105	27126GT	37
128466GT	35	139351GT	27-29	214816GT	105	27204GT	13-14, 17, 19- 20, 23
1284764GT	113	139353GT	27-29	215235GT	25	27205GT	13-14, 17, 19- 20, 23
128482GT	83	139354GT	27-29	215777GT	28-29	27206GT	13-14, 17, 19- 20, 23
128483GT	83	139355GT	27-29	21618GT	77, 133, 135	27207GT	13-14, 17, 19- 20, 23
128486GT	35	139368GT	65	21619GT	77		
128487GT	35	139417PGT	63	216769GT	65		
128488GT	35	139421GT	39	216791GT	59		
128489GT	35	139423GT	39	216793GT	59		
128490GT	35	139428GT	41	218083GT	59		
		139429GT	11, 41	218570GT	28-29		

# PARTS FINDER

**Search Website  
by Part Number**



**Search Manual  
Library For Parts  
Manual & Lookup Part  
Numbers – Purchase  
or Request Quote**

**Search Manuals**

Enter your information to help us find the right parts manual for your machine.

\* Brand:

\* Model:

\* Serial:

\* Part Number:

SEARCH

**Can't Find Part or  
Manual? Request Help  
by Manufacturer,  
Model & Description**

**Parts Order Form**

Please fill in the following information to help us find the right part for your machine.

Manufacturer:	<input type="text"/>
Model:	<input type="text"/>
Description:	<input type="text"/>
Part Number:	<input type="text"/>
Quantity:	<input type="text"/>
Notes:	<input type="text"/>

Submit

Discount-Equipment.com is your online resource for quality parts & equipment.

Florida: **561-964-4949** Outside Florida TOLL FREE: **877-690-3101**

**Need parts?**

Click on this link: <http://www.discount-equipment.com/category/5443-parts/> and choose one of the options to help get the right parts and equipment you are looking for. Please have the machine model and serial number available in order to help us get you the correct parts. If you don't find the part on the website or on one of the online manuals, please fill out the request form and one of our experienced staff members will get back to you with a quote for the right part that your machine needs.

We sell worldwide for the brands: Genie, Terex, JLG, MultiQuip, Mikasa, Essick, Whiteman, Mayco, Toro Stone, Diamond Products, Generac Magnum, Airman, Haulotte, Barreto, Power Blanket, Nifty Lift, Atlas Copco, Chicago Pneumatic, Allmand, Miller Curber, Skyjack, Lull, Skytrak, Tsurumi, Husquvarna Target, Stow, Wacker, Sakai, Mi-T-M, Sullair, Basic, Dynapac, MBW, Weber, Bartell, Bennar Newman, Haulotte, Ditch Runner, Menegotti, Morrison, Contec, Buddy, Crown, Edco, Wyco, Bomag, Laymor, EZ Trench, Bil-Jax, F.S. Curtis, Gehl Pavers, Heli, Honda, ICS/PowerGrit, IHI, Partner, Imer, Clipper, MMD, Koshin, Rice, CH&E, General Equipment, Amida, Coleman, NAC, Gradall, Square Shooter, Kent, Stanley, Tamco, Toku, Hatz, Kohler, Robin, Wisconsin, Northrock, Oztec, Toker TK, Rol-Air, APT, Wylie, Ingersoll Rand / Doosan, Innovatech, Con X, Ammann, Mecalac, Makinex, Smith Surface Prep, Small Line, Wanco, Yanmar

Part Number Index (continued)

Part Number	Page	Part Number	Page	Part Number	Page	Part Number	Page
27246GT	55-56, 89-90, 129, 133, 135	35956GT	113	47010GT	99	50546GT	73, 79
27367GT	43	35960GT	113	47377GT	77, 79	50548PGT	69
27391GT	65, 133, 135	36179GT	49, 51	48504GT	97	50552GT	73
27488GT	37	36212GT	31	48767-700GT	109	50570GT	51
27581GT	11	36369GT	31	48767GT	107	50584GT	73
28156GT	43	36372GT	28-29	48890GT	103	50635GT	69
28159GT	13-14, 17	36388GT	139	48904GT	45, 103, 107, 109	50668-SGT	27-29
28161GT	13-14, 19-20	36555GT	11	48905GT	109	50698GT	73
28162GT	13-14	36557GT	89-90, 95	48906GT	103	50744GT	53
28164GT	13-14	36937GT	131	48908GT	131	50770GT	25
28165GT	13-14, 19-20	37184GT	51	48911GT	105	50776GT	45
28171GT	13-14	37185GT	51	48912GT	99, 105, 107, 109, 131	50784GT	61
28174GT	13-14, 17, 19-20, 23	37186GT	51	48916GT	105, 107, 109	50924GT	63
28175GT	13-14, 19-20	37187GT	51	48917GT	107, 109	50952GT	69
28176GT	13-14, 19-20	37189GT	28-29	48919GT	107, 109	50959GT	53
28177GT	13-14, 19-20	37191GT	51	48923GT	107, 109	50966GT	53
28178GT	13-14, 19-20	37192GT	51	48939GT	105	50974GT	49, 61
28235GT	13-14, 17, 19-20, 23	37947GT	55-56	48942GT	105, 107, 109	50990GT	61
28236GT	13-14, 19-20	39223GT	53	48944GT	105	51147GT	31, 35
28322GT	113	39346GT	99	48947GT	105	51474GT	131
28323GT	113	40433GT	95	48948GT	105	52371GT	99, 101
28328GT	147	40434GT	13-14, 17, 19-20, 23, 139	48974GT	105	52374GT	99
28329GT	147	42019GT	53	48975GT	105	52514GT	41
28372GT	13-14, 19-20	42104GT	117	48999GT	105	52532GT	39
28678-2250GT	109	42288GT	90	49117-11091GT	103, 109	52533GT	39
28678GT	107	42502GT	73	49117-4691GT	103	52539GT	43
28750GT	11, 103, 105, 107, 109	42662GT	41	49117-9991GT	103	52540GT	43
28853GT	121	42781GT	59, 90	49119-13978GT	107, 109	52541GT	43
28963GT	43	42941-75GT	69	49119-20578GT	109	52664GT	13-14, 19-20
29080GT	73	43018GT	101	49119-2078GT	103	52672GT	13-14, 19-20
29104GT	131	43038GT	93	49119-2178GT	107, 109	52806GT	39
29868GT	31	43040GT	93	49119-21878GT	109	52808GT	39
30080GT	13-14, 19-20	43042GT	93	49119-26078GT	107	52810GT	39
30138GT	47, 73	43179GT	29	49119-27478GT	107	52812GT	39
30222GT	77, 79, 81	43181GT	90	49119-3378GT	105	52813GT	39
30370GT	71	43392GT	87, 113, 115, 117, 141	49119-34378GT	107, 109	52816GT	11, 39
30468GT	113	43595GT	13-14	49119-35678GT	107, 109	52818GT	39
30794GT	65	43658GT	13-14, 19-20	49119-36378GT	107, 109	52823GT	41
30996GT	90	43956GT	51	49119-37978GT	109	52824GT	41
31060GT	13-14, 19-20	43960-6950GT	87	49119-39378GT	107	52825GT	41
31508GT	13-14, 19-20	43960GT	69	49119-4178GT	109	52826GT	41
31779GT	11	44174GT	101	49120-33381GT	107, 109	52832GT	41
31785GT	13-14, 19-20	44227GT	99	49121-2088GT	109	52834GT	41
31787GT	13-14, 19-20	44229GT	99	49121-25688GT	107	52835GT	41
31788GT	13-14, 19-20	44236GT	99	49121-27788GT	109	52836GT	41
31982GT	47	44236GT	99	49143-2029GT	105	52838GT	41
32066GT	39, 43	44248GT	13-14, 19-20	49143-2535GT	105	52841GT	43
32067GT	39	44750GT	97	49212GT	119	52847GT	43
32069GT	39	44778GT	28-29	49214GT	119	52851GT	43
32077GT	41	44788GT	11, 53	49215GT	119	52865GT	13-14, 19-20
32087GT	43	44980GT	13-14, 19-20	49408GT	39	52866GT	41
32090GT	43	44981GT	13-14, 17, 19-20, 23	49612GT	11, 103, 105, 107, 109	52867GT	11, 41
32150GT	11	44986GT	13-14, 19-20	49613GT	11, 103, 105, 107, 109	52887GT	93
32151GT	11	45071GT	27-29, 67	49772GT	69	52892GT	93
32728GT	13-14, 19-20	45074GT	25	49820GT	90	52895GT	93
33550GT	13-14, 17, 19-20, 23	45112GT	25	49863GT	37, 51	52897GT	99, 101
33555GT	61	45113GT	25	49878GT	51	52906GT	99
33674GT	117	45114GT	25	50294GT	85	52907GT	99
33724GT	90	45162GT	53, 105	50371GT	27-29	52910GT	99
33994GT	11, 103, 105, 107, 109	45209GT	31	50393GT	25	52912GT	99
34052GT	59	45363GT	49, 61, 63	50394GT	25	52913GT	97
34053GT	37, 59, 90	45383GT	90	50395GT	25	52914GT	97
34125GT	73	45385GT	59	50396GT	25	52928GT	93
34276GT	71	45400GT	127	50397-SGT	25	52947GT	19-20
34619GT	123	45454GT	119	50455GT	67	52949GT	41
35526GT	131	45462GT	51, 59	50466-SGT	79	52969GT	13-14, 17, 19-20, 23
35675GT	79	45470GT	123	50469GT	45	53157-SGT	113
35678GT	95	45782GT	37	50479GT	69	53517GT	129
35679GT	95	45840GT	90	50480GT	79	53807-SGT	113
35680GT	95	46036GT	37	50517-SGT	69	53808-SGT	113
		46188GT	133	50519GT	37, 45	54063GT	73
		46258GT	99	50542GT	71	54065GT	77, 79
		46468GT	13-14, 17, 19-20, 23	50543GT	77, 79	54123GT	47
						54145-800GT	45
						54145GT	131



## Part Number Index (continued)

Part Number	Page	Part Number	Page	Part Number	Page	Part Number	Page
54156GT	67	56292GT	37	62696GT	29	73901GT	117
54157GT	73	56302GT	37, 59, 90	6272GT	59	74006GT	90
54165GT	117	56424GT	87, 115, 117,	62926GT	13-14, 17, 19-	74266GT	28-29
54193GT	37		147, 149		20, 23	74267GT	27-29
54205GT	47	56426-700GT	133, 135	62927GT	13-14, 17, 19-	74268GT	27-29
54206GT	47	56445GT	65		20, 23	74362GT	93
54231GT	53	56461GT	31	65178GT	93	74368GT	93
54243-SGT	41	56525GT	137	65301GT	13-14, 19-20	74468GT	27-29
54247-SGT	87	56561GT	27-29	65546GT	93	74469GT	27-29
54255GT	56, 90	56562GT	27-29	65608GT	27-29	74470GT	27-29
54271GT	75	56570GT	137	65618GT	27-29	74471GT	29
54286GT	47	56704GT	111	65630GT	137	74495GT	27-29
54287GT	47	56849GT	51	65788GT	73	74704GT	31
54316GT	43	56912GT	25, 27-29, 37,	65789GT	79	74911GT	59
54323GT	39, 43		45, 83, 87, 123	6578GT	129	74912GT	59
54332GT	39	56930GT	29	65790GT	73	74913GT	59
54360GT	53	56934GT	149	66031GT	119	74917GT	59
54363GT	49, 61	56994GT	59	66397GT	35	75073GT	61, 63
54365GT	41, 90, 129	57162GT	31	66399GT	11	75076GT	61, 63
54432GT	37, 131	58320GT	28-29	66472GT	133, 135	75453GT	99
54436GT	25	58531GT	28-29	66717GT	27-29	75617-1025GT	133, 135
54443GT	53	58932GT	97	66812GT	55-56, 89-90	75617-1550GT	133, 135
54446GT	37	58936GT	97	66813GT	90	75617-2075GT	133, 135
54455GT	63	58985GT	93	66815GT	90	75617-2275GT	133, 135
54457GT	117	60000PGT	37	66818GT	55-56, 89-90	75617-6275GT	133
54458GT	117	60015GT	63	66821GT	55-56, 89-90	75636GT	133, 135
54463-SGT	37	60042GT	85	66900GT	31	77014GT	71
54465GT	117	60060GT	33	66901GT	31	77032GT	63
54486GT	113	60065GT	53	6700GT	55-56	77034GT	63
54510-SGT	81	60078GT	37	6833GT	33, 69, 133, 135	77059-2986GT	105
54520-SGT	77	60088-SGT	43	6935GT	51, 90	77087GT	131
54542GT	25, 27-29	60092-SGT	43	70534GT	71	77103GT	107
54569GT	73	60096GT	37	7056GT	51, 90	77181GT	79, 81
54570GT	73	60100-SGT	37	70588GT	71	77189GT	71
54605GT	39	60102GT	47	70589GT	71	77303GT	67
54627GT	25, 28-29	60105-SGT	41	70602GT	53	77322GT	39
54637GT	125	60106PGT	49	70632GT	131	77351GT	90
54638GT	125	60107GT	41	70633GT	131	77362GT	71
54639GT	125	60108GT	41	70635PGT	131	77363GT	77, 79
54640GT	125	60110GT	61	70638GT	131	77364GT	71, 77, 79
54652GT	125	60112GT	11, 41	70642PGT	119	77375GT	73
54694GT	47	60126GT	61	70644-75792GT	119	77376GT	73
54726GT	67	60145GT	63	70647GT	51	77410GT	73
54757GT	131	60146GT	37	70655GT	27-29	77435GT	53
54760GT	41	60160PGT	87	70657GT	27-29	7746GT	113
54786GT	131	60170GT	47	70658GT	37	77521GT	67
54787GT	131	60433GT	59	70671GT	71	77524GT	63
54789GT	131	60435GT	56	70683GT	121	77664GT	149
54793PGT	131	60443GT	90	70685GT	69	77683GT	149
54840GT	25	60447GT	59	70707GT	121	77709GT	99, 101
54883GT	125	60526GT	56, 59, 90	72282GT	111	77797GT	133, 135
54884GT	125	60527GT	56	72298GT	93	77981GT	97
54959GT	25	60528GT	56	72326GT	51, 59, 90	77990GT	97
54960GT	25	60757GT	59	72444GT	13-14, 17, 19-	78098GT	65, 143
54961GT	25	60922GT	113		20, 23	78622GT	11, 53
54962GT	25	61306-SGT	79	72833GT	13-14, 19-20	79452GT	28-29
54989GT	125	61726GT	123	72867GT	13-14, 17, 19-	81175GT	79
54994GT	79	6178GT	69		20, 23, 129	81368GT	137
55067GT	81	61801GT	56	72875GT	137	81458GT	90
55753GT	63, 71, 113, 115,	61972GT	123	73463-1175GT	149	81488GT	89-90
	117, 133, 135,	61974GT	123	73477PGT	87	81579GT	51
	137, 147	61975GT	123	73574-SGT	87	81640GT	83
56007GT	37	61987GT	123	73575GT	28-29, 87, 143	822005GT	13-14, 19-20
56022GT	53	61998GT	123	73610PGT	87	822006GT	19-20
56050GT	37	62043GT	41	73711GT	59, 90	822010GT	13-14
56057GT	37	62044GT	41	73713GT	56, 59, 90	822013GT	13-14, 19-20
56067GT	41	62068GT	13-14, 17	73717GT	59, 90	822014GT	19-20
56068GT	41	62070GT	19-20, 23	73723GT	90	822018GT	13-14
56086GT	41	62085GT	37, 39	73736GT	56, 90	82240GT	17
56101GT	41	62088GT	53	73739GT	87	822759GT	133, 135
56102GT	41	62105GT	28-29	73749GT	56	822764GT	133, 135
56110GT	41	62129GT	39	73751GT	56	822768GT	133, 135
56282GT	28-29	62130GT	39	73753GT	56	822769GT	133, 135
56283GT	37	62506GT	101	73754GT	56, 59	822771GT	135
56290GT	37	62507GT	101	73807GT	77, 101	822777GT	65
56291GT	37	62695GT	29	73900GT	85	822778GT	65

## Part Number Index (continued)

Part Number	Page	Part Number	Page	Part Number	Page
82279GT	13-14, 17, 19-20, 23	824087GT	51, 81	85239GT	55-56
823153GT	17, 23	824089GT	51, 83	85300GT	137
823154GT	23	824090GT	33, 37, 49, 87, 90, 129, 143	865260GT	43
823158GT	17	824091GT	25, 39, 43, 49, 51, 53, 77	866397GT	43
823161GT	17, 23	824092GT	49, 51, 53, 61, 69, 71, 77, 79	866400GT	11, 39
823162GT	23	824093GT	131	87755GT	59
823166GT	17	824094GT	28-29	88203GT	67
823226GT	37, 129	824095GT	37	88337GT	25
82366GT	13-14, 19-20	824096GT	37	88338GT	25
823684GT	31	824100GT	97	88356-11103GT	45
823774GT	65	824103GT	28-29, 45	88356-11163GT	69
824019GT	59, 90	824104GT	27-29	88356-11205GT	69, 73
824024GT	27-29, 61, 63, 131	824109GT	37, 41, 90	88370PGT	69
824025GT	51, 53, 123	82410GT	149	88377-1400GT	149
824027GT	28-29, 31, 33, 37, 41, 43, 49, 53, 59, 61, 63, 69, 73, 75, 77, 81, 83, 87, 113, 115, 117, 123, 127, 133, 135, 141, 147	824110GT	27-29, 47, 53, 69, 71, 73, 83, 97, 127	88385GT	133, 135
824028GT	28-29, 31, 39, 41, 61, 81, 115, 129, 147	824111GT	67, 69	88390GT	133, 135
824029GT	25, 27-29, 31, 33, 37, 39, 43, 45, 47, 49, 51, 53, 61, 67, 69, 71, 77, 79, 87, 90, 119, 129, 131, 133, 135, 141	824113GT	25, 27-29, 37, 53, 61, 63, 73, 117, 131, 141, 145	88516GT	81
824030GT	77	824119GT	61, 63	88557GT	53
824032GT	37, 129	824120GT	37, 145	88606PGT	113
824036GT	45, 59, 90	824122GT	123	88607PGT	113
824037GT	25, 35	824124GT	73, 75, 127	88635-4024GT	45
824038GT	149	824125GT	31	88637GT	59
824041GT	41	824127GT	25	88676GT	67
824049GT	35	824129GT	25, 131	88719GT	45, 56
824050GT	45	824131GT	43	88721-70700GT	65
824051GT	45	824135GT	41, 43	88721-72000GT	56, 65
824052GT	45	824141GT	41, 43	88722-70700GT	56, 65
824059GT	31, 37, 56, 59, 75, 90	824142GT	41, 43	88722-72000GT	56, 65
824060GT	25, 27-29, 37, 41, 53, 61, 63, 145	824144GT	41	88723-69700GT	56, 65
824061GT	27-29	824151GT	73, 79, 131	88723-71000GT	56, 65
824063GT	73	824164GT	73, 79	88724GT	65
824067GT	37, 47, 53, 71	824207GT	63, 117	88725GT	65
824068GT	49, 61, 73	824214GT	59, 90	88752GT	25
824069GT	53, 145	824215GT	49, 61, 63	88827GT	55-56
824070GT	123	824216GT	45, 123	88832GT	65
824073GT	77	824225GT	28-29	89756GT	69
824074GT	63	824226GT	59, 90	93500GT	11
824077GT	37	824227GT	113, 133, 135	94077GT	37, 49, 61
824078GT	29, 33, 43, 45, 49, 53, 59, 63, 69, 75, 81, 83, 87, 90, 113, 117, 123, 133, 135, 141, 143	824228GT	31	94191GT	123
824079GT	28-29, 37, 41, 49, 59, 61, 75, 77, 87, 123, 133, 135, 147	82472GT	17, 23	94492PGT	123
824080GT	28-29, 35, 83, 141	82473GT	17, 23	94506GT	55-56
824081GT	25, 77, 79, 113	82481GT	17, 23	94529GT	69
824082GT	37, 69, 73	82487GT	17, 23	94531PGT	69
824083GT	137	824878GT	56, 59, 89-90	94618GT	99
824085GT	41, 49, 113, 129	825019GT	25, 27-29, 71, 73, 77, 79	94639GT	59
824086GT	29, 31, 41, 147	825020GT	123	94643GT	123
		825349GT	28-29	94745GT	87
		825352GT	143	94745PGT	113
		825358GT	28-29, 51, 53, 73, 115	94860GT	99
		82548GT	17, 23	94879GT	27-29
		825796GT	25	94880GT	27-29
		82601GT	17, 23	94981GT	49
		82602GT	17, 23	94982GT	49
		82604GT	17, 23	9599-SGT	113
		82612GT	17, 23	96008-SGT	55-56
		826171GT	37	96010GT	55-56
		82647GT	17, 23	97128GT	45, 69, 73
		826779GT	99	97602GT	13-14
		826783GT	27-29	97815GT	13-14, 17, 19-20, 23
		826793GT	81, 97	97887GT	13-14, 19-20
		82851GT	43	98154GT	123
		83093GT	55-56	99174GT	123
		83131GT	55-56	9990074GT	28-29
		832128GT	39	T106699GT	59, 90
		84044GT	39	T107883GT	79
		84385GT	99	T107884GT	77, 79
				T108075GT	77, 79
				T108673GT	28-29
				T112560GT	90
				T112773GT	17, 23
				T115351GT	105
				T115412GT	61

The Part Description Index is an alphabetical index of all part descriptions included in this manual. The index shows what page(s) the part is used on.

**A**

ACC, CATALIYTIC MUFFLER, KUB Z482.....39  
 ACC,FALL ARREST BAR,6FT FR.....139  
 ACC,FALL ARREST BAR,6FT SYM.....139  
 ACC,FALL ARREST BAR,6FT WORD.....139  
 ACCESSORY,OPERATOR PROT STRUCT.....145  
 ACCESSORY,PANEL CRADLE,ANSI.....149  
 ADAPTER FLANGE-PULLEY,Z482-E.....41  
 ADJUSTABLE STRAP ASSY.....149  
 AIRCLEANER ASSEMBLY.....41  
 ALARM,CHIME TONE 5-25VDC\*\*\*.....51, 59  
 ALARM,INTERMITTENT TONE 6-30V\*.....51  
 ALARM,WARBLE TONE 5-30 VDC\*\*\*.....90  
 ALTERNATOR BELT.....11, 41  
 ALTERNATOR GUARD,Z482.....39  
 ALTERNATOR,KUBOTA,Z482.....39  
 ALTRNTR,48VDC 100A,SERV VERS\*\*.....37  
 ASSEMBLY RESET SWITCH.....141  
 ASSEMBLY, AXLE, STEER, Z45DC.....25  
 ASSEMBLY, BATTERY BOX, LH.....31  
 ASSEMBLY, BATTERY BOX, RH.....31  
 ASSEMBLY, FUEL FILTER, Z482.....41  
 ASSEMBLY, LIGHT, CONTACT ALARM.....143  
 ASSEMBLY, OPA PROTECTION CAGE.....141  
 ASSEMBLY, SENSOR, PROX, CONTACT ALARM.....143  
 ASSEMBLY,CABLE,TAPESWITCH.....141  
 ASSEMBLY,CONTACT ALARM CABLE, LARGE.....143  
 ASSEMBLY,FOOT SWITCH.....87  
 ASSEMBLY,TAPESWITCH.....141  
 ASSY, CIRCUIT BREAKER 10A.....55-56  
 ASSY, CIRCUIT BREAKER 15A.....37  
 ASSY, SENSOR W/HOUSING.....143  
 ASSY,4FT PLATFORM, NO DECALS.....85  
 ASSY,5FT PLATFORM, NO DECALS.....85  
 ASSY,6' PLAT WELDMENT W/SIDE GATE.....85  
 ASSY,6FT PLAT DUAL LG,BLANK W/SIDE SWING GATE.....85  
 ASSY,6FT PLATFORM,NO DECALS.....85  
 ASSY,HOSE,HYD,BRKTOSTRCYL,Z45.....131  
 ASSY,LED,IES CHARGER.....33  
 ASSY,LS,LOAD SENSE,38.5 IN.....65, 123  
 ASSY,MODULE,CONTROL UNIT,OPA.....141  
 ASSY,RELAY SOCKET, AUTO.....37, 59, 90  
 ASSY,SIDE SWING GATE.....87  
 ASSY,TERMINAL RAIL,Z45DC/BE.....59  
 ASSY,TRACK,FALL ARREST BAR,6FT FR.....139  
 ASSY,TRACK,FALL ARREST BAR,6FT SYM.....139  
 ASSY,TRACK,FALL ARREST BAR,6FT WORD.....139  
 AUX RAIL, 6' PLAT, SIDE ENTRY.....147  
 AUX TOP RAIL,6'(1.25")SERVICE.....113  
 AUX TOP RAIL,6',SWG GT, SRV.....113  
 AUX TOP RAIL,8'(1.25")SERVICE.....113  
 AUX TOP RAIL,8',SWG GT, SRV.....113  
 AXLE COVER, NARROW.....27-29

**B**

BACKING PLATE, HOSE BLOCK, JIB.....83  
 BACKING PLATE, PULLTUBE.....75

BALANCER,HARMONIC,2-3V-500-SH.....41  
 BALL STUD\*\*.....61  
 BAR, AXLE ROTATION STOP.....27-29  
 BASE ENCLOSURE,RED,OPA.....141  
 BASE, W/1 N.O. CONTACTS\*\*\*.....90  
 BASE,W/3 NC CONTACTS.....55-56  
 BASE,WITHOUT CONTACTS.....55-56, 89-90  
 BATTERY CABLE ASSY,9.5"JUMPER.....31  
 BATTERY HOLD DOWN.....37  
 BATTERY TERMINAL PROTECTORS.....31  
 BATTERY, 390AH L16,WET.....31  
 BATTERY,450 CCA\*\*\*.....37  
 BATTERY,AGM,6V/390A,L16.....31  
 BEARING KIT.....27-29  
 BEARING KIT, AUSCO\*\*\*.....27-29  
 BEARING KIT, OMNI.....28-29  
 BEARING KIT,4HP.....27-29  
 BEARING KIT,WHEEL DRIVE W/BRAKE (101584/101585).....27-29  
 BEARING NUT\*\*\*.....28-29  
 BEARING,0.75IDX1.00ODX0.75L.....31  
 BEARING,1.00IDX1.25ODX0.75L.....131  
 BEARING,1.00IDX1.25ODX1.00L.....25, 37, 131  
 BEARING,1.25 ID X 1.5 OD X .75.....77, 79  
 BEARING,1.25IDX1.5ODX1.00L.....71  
 BEARING,1.5IDX1.75ODX1.5L.....27-29, 67  
 BEARING,1.5IDX1.75ODX1.5L,PTFE.....25  
 BEARING,2.0IDX2.25ODX1.50L.....67, 71, 131  
 BEARING,FL,1.25IDX1.41ODX1.50L.....77, 79, 81  
 BEARING,FL,1.25IDX1.5ODX1.25L.....79  
 BEARING,FL,1.5IDX1.75ODX1.10LG.....67  
 BEARING,GARLOCK,12FDU12.....123  
 BEARING,INNER,9 BOLT HUB\*\*\*.....25  
 BEARING,MOTOR,36843,BRUSH END\*.....28-29  
 BEARING,OUTER,9 BOLT HUB\*\*\*.....25  
 BEARING,POLYGON,BM5120.....71  
 BEARING,SWING CHASSIS.....45  
 BEARING,UHMW,2.75"DIA,50"LG.....131  
 BELLCRANK,JIB,WELD/Z45/25\*\*\*.....79  
 BELLOWS,CYL,KIT,Z45&Z51 JIB.....125  
 BELLOWS,CYLINDER KIT,Z45 N/JIB.....125  
 BELLOWS,MASTER CYLINDER.....125  
 BELLOWS,PRIMARY CYLINDER,JIB.....125  
 BELLOWS,PRIMARY CYLINDER,N/JIB.....125  
 BELLOWS,SECONDARY,ELEVATE CYL.....125  
 BELLOWS,SLAVE CYLINDER.....125  
 BELLOWS,STEERING CYLINDER.....125  
 BELT,FAN,KUBOTA DF972/Z482-E.....11, 39  
 BLANKET,BATTERY.....121  
 BOLT,CARRIAGE,1/4-20X.75,5,ZAG.....73, 75, 127  
 BOLT,CARRIAGE,1/4-20X1.5,ZAG.....73, 83  
 BOLT,CARRIAGE,1/4-20X1.75,5,ZA.....28-29  
 BOLT,CARRIAGE,1/4-20X2.75,5,ZAG.....83  
 BOLT,CARRIAGE,3/8-16X1.5,ZAG.....31  
 BOOT(BELLOWS),E-STOP,BLACK.....89-90  
 BOOT,CABLE TERMINAL,LG,RED,2/0.....31, 35  
 BOOT,CONTROLLER\*\*.....93  
 BOOT,PLUG 4 WAY.....87  
 BOOT,THROTTLE SOLENOID.....41  
 BOOT,TOGGLE SWITCH.....56  
 BOOT,TOGGLE SWITCH,SHORT\*.....55-56, 89-90, 129, 133, 135

BOOT-THUMB ROCKER\*\* BLACK.....93  
 BOX,INSTRUCTION STORAGE.....87  
 BRACKET, AIRCLEANER MT.....41  
 BRACKET, ANGLE.....53  
 BRACKET, CABLE CLAMP.....28-29  
 BRACKET, CHARGER CORD AND LED.....33  
 BRACKET, HOSE CLAMP SUPPORT.....77  
 BRACKET,AIR HOSE TO PLAT PAINT.....119  
 BRACKET,AIR INTAKE.....43  
 BRACKET,ALTERNATOR ADJ.....37  
 BRACKET,ALTERNATOR MOUNT.....37  
 BRACKET,CONTROL UNIT.....141  
 BRACKET,DRIVE SENSOR,ENABLE.....45  
 BRACKET,ENGINE MNT,KUBOTA 13HP.....43  
 BRACKET,ENGINE PLATE REST PTD.....37  
 BRACKET,EXHAUST,Z45 BI.....39  
 BRACKET,GROUND CONTROL BOX.....53  
 BRACKET,HOSE CLAMP PAINTED\*\*\*.....69  
 BRACKET,HOSE CLAMP,PAINTED.....83  
 BRACKET,IDLE LEVER.....41  
 BRACKET,POWER TO PLAT,DOM.....90  
 BRACKET,RELAY MOUNT W/INSERTS.....59, 90  
 BRACKET,RETURN FILTER\*\*.....53  
 B R A C K E T , R U B B E R BUMPER,ENGCOVER.....49, 61  
 BRACKET,SOLENOID MOUNT PAINTED.....41  
 BRACKET,STOP LEVER.....41  
 BRACKET,TOW PKG VALVE MOUNT\*\*\*.....131  
 BRACKET,WORK LIGHT MOUNT 5/16".....113  
 BRACKET-RADIATOR SUPRT,INBOARD.....43  
 BRACKET-RADIATOR SUPRT,OUTBRD.....43  
 BRACKET-TOOL TRAY MOUNTING.....113  
 BRAKE REPLACEMENT KIT.....27-29  
 BRAKE, NEMA, 1200 IN/LB.....27-29  
 BRKT,AIRCLEAN,COOLRES.MNT,PNTD.....41  
 BRUSH COVER -PLATE-(48504)\*.....97  
 BRUSH HOLDER(56282).....28-29  
 BRUSH KIT, DRIVE MOTOR.....28-29  
 BRUSH SET 4 EA.....97  
 BULB,WORKLIGHT,12V 35W.....113  
 BULKHEAD FITTING,PLASTIC X 8".....53  
 BULKHEAD,SWING CHASSIS,LH,PAIN.....37  
 BULKHEAD,SWING,RIGHT,Z45 DC/BE.....53  
 BUMPER, PLASTIC, 1.25 O.D.....63, 71, 113, 115, 117, 133, 135, 137, 147  
 BUMPER,BATTERY BOX & RAILS.....87, 113, 115, 117, 141  
 BUMPER,RUBBER\*\*\*.....123  
 BUMPER,RUBBER,.75 X .50H,STUD.....139  
 BUMPER,RUBBER,COVERS.....49, 61  
 BUSHING,SH 1-1/8.....41  
 BUSHING,STRAIN RELIEF,875/.30.....33, 51  
 BUSHING,STRAIN RELIEF,875/.40.....33  
 BUTTON,PUSH,BLACK W/SEAL\*\*\*.....90  
 BUTTON,PUSH,RED MUSHROOM HEAD.....55-56, 89-90

**C**

CABLE ASSY #2 BLK ALT(-)/GND.....35  
 CABLE ASSY #2 BLK AP-A2/GND.....35  
 CABLE ASSY #2 BLK AP-A2/LP-A1.....35  
 CABLE ASSY #2 BLK AP1/AP2 BATT.....35  
 CABLE ASSY #2 BLK AP1/AP2 DRIV.....35  
 CABLE ASSY #2 BLK AP2/FU1 DRIV.....35  
 CABLE ASSY #2 BLK B(+)/A2.....35

## Part Description Index (continued)

CABLE ASSY #2 BLK B(-)/GND.....35	CONN RECEP,FLANGED.....90	COVER,DRIVE CHASSIS,REAR.....27-29
CABLE ASSY #2 BLK BE AP2 BATT.....35	CONN, 520120-6.....105, 107, 109	COVER,FLYWHEEL,2 CYL.KUBOTA.....43
CABLE ASSY #2 RED A1/A1.....35	CONN,520102-8-8.....105	COVER,GFCI,HORIZONTAL,WEATHER.....90
CABLE ASSY #2 RED ALT(+)/F2.....35	CONN,520120-12-10.....105	COVER,TANK SIDE,DC/BI.....63
CABLE ASSY #2 RED AP1/FU1 DRIV.....35	CONN,520120-4***.....109	COVER,TURNTABLE,LH,BI-ENERGY.....61
CABLE ASSY #2 RED AP2 BATT.....35	CONN,520120-4-6***.....99, 105, 107, 109, 131	COVER,TURNTABLE,LH,DC/BE.....61
CABLE ASSY #2 RED AP2/FU1.....35	CONN,520120-8-12.....105	CUP ASSY, FUEL FILTER, Z482.....41
CABLE ASSY #2 RED AP2/FU2 DRIV.....35	CONN,LONG,520122-6.....107, 109	CUP,PROP ROD,DC/BI.....53
CABLE ASSY #2 RED B(+)/PR1.....35	CONN,PLUG 120 AC/15A DOMESTIC.....51	CUSHION,RADIATOR,KUBOTA 1702**.....43
CABLE ASSY #2 RED BATT.....35	CONN,PLUG 24 WAY,DRC SERIES.....56	CYLINDER HEAD COVER, Z482.....39
CABLE ASSY #2 RED M(-)/A2.....35	CONN,PLUG 4 WAY,12-14GA.....56	CYLINDER,ELEVATE,Z45/25***.....67
CABLE ASSY #2 RED PR2/F2.....35	CONN,PLUG 40 WAY,DRC SERIES.....56	CYLINDER,EXTEND,Z45 NON JIB.....73
CABLE ASSY #2 RED PR2/LP-D1.....35	CONN,PLUG 8WAY,BLOCKED	CYLINDER,EXTEND,Z45J***.....73
CABLE ASSY #2 RED PR3/AP-DI.....35	GROMMET.....59	CYLINDER,JIB,Z45,#4 PORTS***.....79
CABLE TIE,7 3/8".....129	CONN,RECEP 120AC/15A DOMESTIC.....51	CYLINDER,MASTER,Z45***.....71
CABLE TRACK, NP400, 23 LINK.....75	CONN,RECEP 24 WAY,W/FLANGE.....56	CYLINDER,PRIM LIFT JIB,Z45.....71
CABLE TRACK, NP400, 31 LINK.....75	CONN,RECEP 4 WAY,12-14GA FL***.....59, 90	CYLINDER,PRIM LIFT NON JIB,Z45.....71
CAP, TANK, FUEL SENSOR.....47	CONN,RECEP 40 WAY,W/FLANGE.....56, 59	CYLINDER,SLAVE,Z45***.....77, 79
CAP,DISENGAGE,4HP/4HB***.....27-29	CONN,RECEP 48 WAY,4 X 12.....56, 90	CYLINDER,STEER.....25
CAP,DISENGAGE,OMNI***.....28-29	CONN,RECEP 8 WAY 14-18GA,FL.....59	
CAP,DUST (54840 HUB ASSY).....25	CONN,SQUEEZE,1/2NPT .38-.50,SM.....51, 90	<b>D</b>
CAP,RADIATOR,AL,KUBOTA DF-752.....43	CONNECTING LINK (WELDMENT).....69	DECAL KIT,Z45 COMP,WORD,ANSI.....13-14,
CAPACITOR,TIME DELAY.....90	CONNECTING LINK,MACHINED ***.....69	19-20
CHAIN,NO.2 (11 LINKS).....133, 135	CONTACT ALARM WIRE ASSY, LARGE.....143	DECAL KIT,Z45 COMP,WORD,AUS.....19-20
CHARGER 48V/30A AUTO AC X-LED.....33	CONTACT, N.C.....55-56, 89-90	DECAL KIT,Z45 PLAT,SYM,ANSI.....17, 23
CHOCK,CYLINDER (SERVICE TOOL).....11	CONTACT,MOVING,19549RELAY*.....27-29	DECAL KIT,Z45 PLAT,SYM,CE.....17, 23
CIRCUIT BREAKER, 10A.....55-56	CONTACT,STATIONARY (56434)**.....29	DECAL KIT,Z45 PLAT,WORD,ANSI.....13-14,
CLAMP, #4 HOSE, AIR AND LOOM.....77	CONTACT,STATIONARY,19549RELAY*.....27-	19-20
CLAMP, 1.25 INCH TUBE.....143	29	DECAL KIT,Z45 PLAT,WORD,AUS.....13-14,
CLAMP, CABLE.....28-29	CONTACT-MOVEABLE (56434)**.....29	19-20
CLAMP, JIB HOSE/CABLE, Z45/51.....75	CONTACTOR,AUX PUMP 24V,80A***.....27-	DECAL KIT,Z45BE COMP,SYM,ANSI.....17
CLAMP, PRI, HOSE/CABLE, Z45/51.....73	29	DECAL KIT,Z45BE COMP,SYM,CE.....17
CLAMP,0.31,#5 X 1/4,RUB CUSH.....123	CONTACTOR,DRIVE,24V,180A***.....27-29	DECAL KIT,Z45BE COMP,WORD,AUS.....13-
CLAMP,0.50,#8 X 1/4,RUB CUSH.....33, 69,	CONTACTOR,LIFT PUMP 24V 180A**.....28-	14
133, 135	29	DECAL KIT,Z45DC COMP,SYM,ANSI.....23
CLAMP,0.63,#10 X 1/4,RUB CUSH.....119	CONTROL BOX COVER,LID,PTD.....113	DECAL KIT,Z45DC COMP,SYM,CE.....23
CLAMP,0.75,#12 X 1/4,RUB CUSH.....27-29,	C O N T R O L L E R , S E P E X	DECAL PLATE ASSEMBLY.....87
49, 90, 119	MOTOR,Z45DC/BE.....27-29	DECAL PLATE,MESH.....117
CLAMP,1.13,#18 X 1/4,RUB CUSH.....77, 133,	CONVERTER, DC-DC, 48-26 VOLT**.....28-29	DECAL, INSTR, OP INST,DC.....19-20
135	COOLANT RECOVERY BOTTLE1.5 QT*.....41	DECAL, INSTRUCTION, ACTUATOR SWITCH
CLAMP,1.13,#18 X 3/8,RUB CUSH*.....37, 51	CORD AC IEC320-C19 TO 110UK.....51	SOCKET.....143
CLAMP,1.25X.5 RUBBER-CUSHION.....87,	CORD AC IEC320-C19 TO 110US.....33	DECAL, INSTRUCTION, CONTACT
115, 117, 147, 149	CORD AC IEC320-C19 TO 220EU.....33, 51	ALARM.....143
CLAMP,1.50,#24 X 1/4,RUB CUSH.....77	CORD EURO AC IEC320-C19PIGTAIL.....33	DECAL, INSTRUCTION, OPS...13-14, 17, 19-
CLAMP,1.63,#26 X 3/8,RUB CUSH.....79, 81	COUNTERWEIGHT,CAST,DC/BI,W/JIB.....63	20, 23
CLAMP,1.88,#30 X 3/8,RUB CUSH.....119	COUNTERWEIGHT,CAST,Z45 DC.....63	DECAL, POWER TO CHARGER, UNIV.....17,
CLAMP,HOSE,1 EAR, 15/32.....47	COUPLER, PUMP / MOTOR (36179).....51	23, 33
CLAMP,HOSE,1 EAR, 5/8.....47	COUPLING.....28-29	DECAL, POWER TO PLATFORM 230V**...13-
CLAMP,HOSE,1.75.....41	COVER ASSY W/SYM DECALS,LH.....61	14, 17, 19-20, 23
CLAMP,HOSE,KUBOTA WG750.....39, 43	COVER ASSY W/SYM DECLS,LH DC.....61	DECAL, SYMBOL - READ THE MANUAL...17,
CLAMP,RUB CUSH,0.75,#12 X 3/8*.....119	COVER ASSY W/SYM DECLS,RH BIDC.....63	23
CLAMP,TWO HOSE.....83	COVER ASSY W/WRD DECALS,LH BI.....61	DECAL,AC INVERTER POWER,115V.....19-
CLAMP-HOSE, .375, FUEL PUMP.....41	COVER ASSY W/WRD DECALS,LH DC.....61	20, 23
CLAMP-OVERFLOW PIPE(Z482-E).....41	COVER ASSY W/WRD DECALS,RH BI.....63	DECAL,ANNUAL INSP***.....13-14, 19-20
CLAMPING BLOCK, CABLE, Z45/51.....69, 83	COVER ASSY W/WRD DECALS,RH DC.....63	DECAL,ARROW BLUE.....13-14, 17, 19-20, 23
CLAMPING BLOCK,HOSE***.....69	COVER PLATE, CONNECTOR.....56	DECAL,ARROW YELLOW LRG 9".....13-14,
CLIP,RADIATOR MOUNT, KUBOTA.....43	COVER PLATE,AIR INTAKE.....61	17, 19-20, 23
CLIP,RETAINING,IES CHARGER.....33	COVER, CABLETRACK TRAY, Z51.....75	DECAL,BATT CONN DIAGRAM.....13-14, 19-
COIL, 24V, DEUTSCH NO DIODE.....99	COVER, DRIVE, DRIVE LIGHT OPT.....129	20
COIL,#8 20VDC,DEUTSCH W/DIODE.....99, 101	COVER, FOOT SWITCH, LARGE.....87	DECAL,CAUTION,TOWING SPEED.....131
COIL,20VDC DEUTCSH W/DIODE.....99	COVER, JIB HOSES/CABLES**.....83	DECAL,CHEVRON RANDO HD.....13-14, 19-
COLD START PKG,120V BI-ENERGY.....121	COVER, UPPER PIVOT.....69	20
COMPR.LINK,MACHINED,GND CONTR*.....79	COVER,BATTERY BOX***.....31	DECAL,CAUTION,TOWING SPEED.....131
CONN PLUG 12 WAY ENDCAP DT BK.....56	COVER,BLANK.....90	DECAL,CHEVRON RANDO HD.....13-14, 19-
CONN PLUG 12 WAY ENDCAP DT BR.....56	COVER,CABLETRACK TRAY,Z40/45.....75	20
CONN PLUG 12 WAY ENDCAP DT GR.....56	COVER,CENTER SWING CHASSIS,PTD.....51	DECAL,COSMETIC,BI-ENERGY.....13-14, 17
CONN PLUG 12 WAY ENDCAP DT GY.....56	COVER,CONTROL BOX LEFT SIDE***.....113	DECAL,COSMETIC,DC POWER.....19-20, 23
CONN PLUG 4 WAY ENDCAP DT.....87	COVER,CONTROL BOX RIGHT SIDE**.....113	DECAL,COSMETIC,GENIE.....141
CONN PLUG 8 WAY ENDCAP DT.....59	COVER,DR CHASSIS FRONT,NON-OSC.....25	D E C A L , C O S M E T I C , G E N I E

DECAL,COSMETIC,GENIE Z-45/25J.....13-14, 17, 19-20, 23	DECAL,LABEL,TIPOVER,TIRES,SYMB.....17, 23	DIODE,6 AMP 200 PIV,REEL.....65
DECAL,DANGER DO NOT ALTER SWTC.....13-14, 19-20	DECAL,LABEL,TRANSPORT....13-14, 17, 19-20, 23	DIODE,6 AMP,200 PIV,BULK.....37
DECAL,DANGER,BATTERY SAFETY***.....13-14, 19-20	DECAL,LABEL,WHEEL LOAD Z4525DC....13-14, 17, 19-20, 23	DIODE,PCB DRIVE CONTACTOR**.....29
DECAL,DANGER,ELEC.HAZ.STAY CLR....17, 23	DECAL,LANYARD ANCHORAGE POINT...13-14, 17, 19-20, 23, 139	DIPSTICK, KUBOTA Z482-E.....41
DECAL,DANGER,ELECT HAZARD***.....13-14, 19-20	DECAL,LOW/ULTRA LOW SULFR FUEL...13-14	DOUBLER,BENT,COVER,DC/BI,RH.....63
<b>D E C A L , D A N G E R , E L E C T HAZARD,PLUG.....13-14, 19-20</b>	DECAL,NOTICE,BATTERY CABLES.....13-14, 19-20	<b>E</b>
DECAL,DANGER,GENERAL SAFETY.....13-14, 19-20	DECAL,NOTICE,CHARGER INSTRUC.....13-14, 19-20	EAR, ENGINE TRAY PIVOT.....37
DECAL,DANGER,MAX CAP,200KG.....17, 23	DECAL,NOTICE,FOAM-FILLED TIRES.....13-14, 19-20	ELBOW,90D,520220-12-10.....105
DECAL,DANGER,MAX SIDE FRC,667N.....17, 23	DECAL,NOTICE,HAZARDOUS MAT'LS*.....13-14	ELBOW,90D,520220-4-4.....45, 103, 107, 109
DECAL,DANGER,NO SMOKING.....13-14	DECAL,NOTICE,MAX CAP 440 LBS.....13-14, 19-20	ELBOW,90D,520220-4-6***.....105
DECAL,DANGER,NO SMOKING ***.....13-14	DECAL,NOTICE,MAX LOAD 500 LBS.....13-14, 19-20	ELBOW,90D,520220-8-12.....105
DECAL,DANGER,SIDE FRC 400N.....17, 23	DECAL,NOTICE,SPEC,Z482.....13-14	ELBOW,90D,520220-8-6.....105, 107, 109
DECAL,DANGER,TILT ALARM.....13-14, 19-20	DECAL,OPER INST,DC BOOM GND AU....19-20	ELEMENT, FUEL FILTER, Z482.....11, 41
DECAL,DANGER,TIP-OVER BATTERY.....13-14, 19-20	DECAL,OPER INST,Z45BE AUS.....14	END STOP, DIN RAIL,SCREW CLAMP.....59
DECAL,DANGER,TIP-OVER,TIRES***.....13-14	DECAL,OPER INST,Z45DC PLAT AUS.....19-20	END STOP,TRACK,FALL ARREST BAR.....139
DECAL,DANGER,TIPOVER HAZARD***.....13-14, 19-20	DECAL,OPERATING INSTR,GROUND.....19-20	ENGINE KIT, KUBOTA Z482, E4B.....39
DECAL,DIESEL.....13-14, 17	DECAL,OPTION GENERATOR***.....13-14, 19-20	EVACUATOR VALVE-AIR CLEANER.....41
DECAL,DRIVE ENABLE PATCH.....17, 23	DECAL,PLATFORM CONTROL PANEL.....13-14, 17, 19-20, 23	EXHAUST MANIFOLD, Z482-E.....39
DECAL,EXPLOSION HAZARD.....13-14	DECAL,POWER TO PLATFORM 115V.....13-14, 17, 19-20, 23	<b>F</b>
DECAL,FUNCTION OVERRIDE.....13-14, 17, 19-20, 23	DECAL,SYM-ELEC HAZARD,PLUG.....17, 23	FAN, KUBOTA Z482-E.....39
DECAL,GROUND CONTROL PANEL.....13-14, 17, 19-20, 23	DECAL,SYMBOL-BATTERY SAFETY.....17, 23	FEMALE BULKHEAD CONNECTOR-8.....119
DECAL,INSTR,MAX SIDE FRC,ANSI...13-14, 19-20	DECAL,SYMBOL-COMP ACCESS.....17, 23	FILTER ASSY,SAE8,10 MIC,PAPR**.....11, 53
DECAL,INSTR,OP INST,BI.....14	DECAL,SYMBOL-READ THE MANUAL.....141	FILTER ELEMENT,10MICRON,PAPER*.....11, 53
DECAL,INSTR,SIDE FRC/WIND,AUS.....13-14, 19-20	DECAL,TOWING INSTRUCTIONS.....131	FILTER,AIR***.....11, 41
<b>D E C A L , I N S T R U C T , F O O T S W I T C H OPER.....13-14, 19-20</b>	DECAL,TRACK,FALL ARREST BAR,SYMBOL.....139	Fits all 6' and 8' Booms.....145
DECAL,LABEL, AIR LINE 110 PSI.....13-14, 17, 19-20, 23	DECAL,TRACK,FALL ARREST BAR,WORD.....139	FITTING,TEE,BRANCH,520429-4***.....103
DECAL,LABEL,105 DB.....17	DECAL,TRACK,FALL ARREST BAR,WORD FR.....139	FITTING,TEE,RUN,SWIVEL520432-4.....131
DECAL,LABEL,CONTRLR STATUS LT.....13-14, 19-20	DECAL,TRIANGLE,BLUE...13-14, 17, 19-20, 23	FIXED CONTACT (FOR 74267).....27-29
DECAL,LABEL,EMERGENCY DOWN.....17, 23	DECAL,TRIANGLE,YELLOW....13-14, 17, 19-20, 23	FLASHTUBE,STRAIGHT,360DEG,BULB...111
DECAL,LABEL,FALL HAZARD***.....17, 23	DECAL,WARN,CRUSH HAZARD HAND....13-14, 19-20	FLASHTUBE,U SHAPED,360DEG,BULB...111
DECAL,LABEL,LIGHTS***.....13-14, 17, 19-20, 23, 129	DECAL,WARN,CRUSH HAZARD PLAT.....13-14, 17, 19-20, 23	FLOORING, 6'FT PLATFORM.....87
DECAL,LABEL,LOWER MIDRAIL...13-14, 17, 19-20, 23	DECAL,WARN,FALL HAZARD.....13-14, 19-20	FLOORING, 6FT PLAT,SIDE.....87
DECAL,LABEL,MANUAL NOT HERE...13-14, 19-20	DECAL,WARN,IMPROPER OPERATION...13-14, 19-20	FLOORING,4 FT PLATFORM,PAINTED.....87
DECAL,LABEL,MAX CAPACITY***.....17, 23	DECAL,WARNING,CRUSHING.....13-14, 17	FOAM PAD, 3" OD X 1.25" ID X 14 IN.....149
DECAL,LABEL,NO SMOKING,SYMB.....17	DECAL,WARNING,CRUSHING HAZARD...17, 23	FOAM,AIRCRAFT PROTECTION.....133, 135
DECAL,LABEL,OPEN,LATCH.....13-14, 19-20	DECAL,WARNING,PANEL CRADLE.....149	FOOT SWITCH,20A IP65.....87
DECAL,LABEL,PWR TO CHARGR 115V...13-14, 19-20	<b>D E C A L , W A R N I N G , P I P E CRADLE,BOOM.....137</b>	FORMING PANEL CRADLE.....149
DECAL,LABEL,PWR TO CHARGR 230V...13-14, 19-20	DECAL,WARNING-COMPART ACCESS....13-14, 19-20	FORMING WIPER MOUNT.....127
DECAL,LABEL,RELAYS,Z45DC,BE.....13-14, 19-20	DIN RAIL, 5.63".....37	FORMING, HOSE CLAMP.....69
DECAL,LABEL,TIP OVER LMT SWITCH.....17, 23	DIN RAIL, 11.25".....59	FORMING, HOSE CLAMP RETAINER.....73
DECAL,LABEL,TIPOVER,BATTERIES.....17, 23		FORMING, OPA CAGE.....141
DECAL,LABEL,TIPOVER,TILT AL SY.....17, 23		FORMING, OPA CAP.....141
		FORMING, OPA, BRACKET.....141
		FORMING, RELAY PANEL, Z45 BE.....37
		FORMING, SENSOR HOLDER.....143
		FORMING,BATTERY BOX LATCH LH.....31
		FORMING,BATTERY BOX LATCH RH.....31
		FORMING,BATTERY CONN HANDLE,PT....35
		FORMING,BELLY PAN.....45
		FORMING,CABLE GUIDE.....81
		FORMING,CHARGER PLATE.....33
		FORMING,CLEVIS PROP ROD,DC/BI.....63
		FORMING,DRAW LATCH MOUNT.....49
		FORMING,ENGINE COVER SUPPORT.....61
		FORMING,GAS STRUT MOUNT,PNTD**.....61
		FORMING,INNER HANGER.....139
		FORMING,LATCH,CTRL BOX LID PTD.....113
		FORMING,SECONDARY SUPPORT.....149
		FORMING,SWING CHASSIS TRAY PTD.....49
		FORMING,SWING CHASSIS,RH.....53
		FREEZE PLUG HEATER,Z45.....121
		From January 2017, this option became a standard installation on all models unless the customer specifically request not to have it installed.....143

## Part Description Index (continued)

FRONT AXLE,NARROW.....25  
 FUEL CAP,BI-ENERGY,Z45\*\*\*%.....47  
 FUEL TANK 9 GAL.....47  
 FUSE BLOCK, ANN & ANL FUSE.....27-29  
 FUSE HOLDER,WATERPROOF.....27-29, 37  
 FUSE,1 AMP.....37  
 FUSE,10 AMP.....27-29  
 FUSE,13 AMP,220V PLUG.....51  
 FUSE,200 AMP.....27-29  
 FUSE,50 AMP,VERY FAST ACTING.....28-29  
 FUSE,500 AMP,VERY FAST ACTING.....29

**G**

GASKET (52532) OIL DRAIN, D905.....39  
 GASKET KIT, AUSCO 1200 IN/LB.....27-29  
 GASKET, PUMP / MOTOR (36179).....51  
 GASKET, TANK, FUEL SENSOR.....47  
 GASKET, UK POWER TO PLAT.....90  
 GASKET,ENCLOSURE.....141  
 GASKET,GROUND CONTROL BOX\*\*\*.....59  
 GASKET,JOYSTK.SHAFT36867/42032.....93  
 GASKET,KEYSWITCH,PLASTIC\*\*\*.....55-56  
 GASKET,MUFFLER,KUBOTA D905/11.....39  
 GASKET,PLATFORM CONTROL BOX.....89-90  
 GASKET,WATER PUMPWG750B/Z482-E.....39  
 GASKET-EXHAUST MANIFOLD Z482.....39  
 GASKET-INJECTION PUMP, Z482-E.....41  
 GASKET-SPEED CONTROL ASSEMBLY.....41  
 GASKET-VALVE COVER Z482-E.....39  
 GATE LATCH CASTING--DRILLED.....117  
 GAUGE,FUEL,SIDE MOUNT Z45.....47  
 GEAR, SLAVE, MS4,45048.....95  
 GLOW PLUG, KUBOTA Z482.....41  
 GREASE,DIELECTRIC 4 OZ\*\*.....11  
 GRIP, CABLE.....143  
 GROMMET,RUBBER .5 X .014 X .75.....129  
 GROMMET,RUBBER 3 X .19 X 3.5.....81  
 GROUND STRAP,18"LG.....25  
 GUARD, SWING GATE.....147  
 GUARD,FAN,2 CYL.KUBOTA.....39, 43  
 GUIDE, CABLE.....143

**H**

HANDLE HALF (56274).....93  
 HARN ASSY, POWER PACK AP2.....35  
 HARN ASSY,POWER DRIVE CHASS.....35  
 HARN ASSY,POWER PACK AP1.....35  
 HARN ASSY,POWER PACK AP2.....35  
 HARN FUNCTION MAN Z45DC/BE.....65  
 HARN LIMIT SW DE Z45DC/BE.....65  
 HARN, AC PROTECTION BYPASS.....65, 133, 135  
 HARN,GBOX Z45DC/BE RELAY ASSY.....65  
 HARN,PBOX,OPA,HW,24V.....65  
 HARN,PIGTAIL,TAPESWITCH,OPA.....141  
 HARN,RELAY Z45DC/BE,PBOX.....65  
 HARN.CHARGER INTERLOCK Z45.....33  
 HARNESS ASSY, RELAY, CE.....65  
 HARNESS ASSY,PCON,PROX KILL.....133, 135  
 HARNESS LVI/BCI ENGAGE II.....65  
 HARNESS RETRO 24V RELAY.....27-29  
 HARNESS, 48V DRIVE LIGHTS.....65  
 HARNESS, DRIVE CHASSIS, Z45BE.....65  
 HARNESS, DRIVE CHASSIS, Z45DC.....65  
 HARNESS, JIB, BASE BOX.....65  
 HARNESS, OPA2, Z45DC/BE.....143

HARNESS, PBOX, Z45DC/BE.....65  
 HARNESS,12/3,12V TO PLAT.....56, 65  
 HARNESS,18/19 BOOM CABLE #1.....56, 65  
 HARNESS,18/19,BOOM CABLE #2.....56, 65  
 HARNESS,BASE BOX Z45BI-ENERGY.....65  
 HARNESS,BASE BOX Z45DC.....65  
 HARNESS,ENGINE,Z45BE.....65  
 HARNESS,ENGINE,Z45BI.....56  
 HARNESS,FUNCTION,Z45 DC/BI.....45, 56  
 HARNESS,JIB SELECT MANIFOLD.....65  
 HARNESS,JUMPER,LOAD SENSE.....65  
 HARNESS,LS,D.E. Z45.....45  
 HARNESS,LS,PRIM/EXT.....65  
 HARNESS,LS,PRIM/EXT/SEC.....65  
 HARNESS,PLAT,Z45DC/BI,JIB.....56, 65  
 HARNESS,PLUG,NON-LOAD WEIGHING...65  
 HARNESS,PROX.KILL,24V.....65  
 HARNESS,RELAY,PBOX,Z45DC,CE.....65  
 HARNESS,TILT 24V,CSA PROD.....65  
 HARNESS,Z45BE,TELEMATICS READY.....65  
 HARNESS,Z45DC,TELEMATICS READY.....65  
 HINGE, SPRING, LONG LEG.....87, 115  
 HINGE,,375X.120THK.,SLOTTED.....61, 63  
 HINGE,PLAT CONTROL BOX COVER.....113  
 HOLDER, SENSOR.....143  
 HORN,24VDC,SPADE TERMINALS\*\*\*.....51  
 HOSE ASSY 1/4, STR FEM,STR FEM.....107, 109  
 HOSE ASSY 1/4,STR FEM,PIPETHRE.....45  
 HOSE ASSY 1/4,STR FEM,STR FEM.....109  
 HOSE ASSY 1/4,STR FEM,STR MALE.....107, 109  
 HOSE ASSY, 1/2, 20.75.....105  
 HOSE ASSY, 1/2, 39.25.....105  
 HOSE ASSY, 1/4", 21.24".....109  
 HOSE ASSY, 1/4", 22.00.....109  
 HOSE ASSY, 3/4, 90 FEM, 45 FEM.....105  
 HOSE ASSY, 3/4, 90D, STR FEM.....105  
 HOSE ASSY,1/2,90 FEM,STR FEM.....105  
 HOSE ASSY,1/2,90 FEM,STR FEMM\*.....105  
 HOSE ASSY,1/4,90 FEM,STR FEM.....103, 109  
 HOSE ASSY,1/4,STR FEM,STR FEM.....105, 107, 109  
 HOSE ASSY,1/4,STR FEM,STR FEM\*.....103  
 HOSE ASSY,3/8 STR FEM STR FEM\*.....119  
 HOSE ASSY,MULTI USE\*\*\*.....105  
 HOSE COVER,LOWER LEVEL,BOT,PAI.....69  
 HOSE COVER,LOWER LEVEL,TOP,PAI.....69  
 HOSE COVER,UPPER ARM,PAINTED.....69  
 HOSE END,BARB,1/4 MNPTX3/16,90.....47  
 HOSE END,BARB,1/4 MNPTX5/16,90.....47  
 HOSE GUIDE, JIB.....83  
 HOSE,3/16,FUEL,SAE 30R7,103".....47  
 HOSE,3/8",FUEL,30R7.....69  
 HOSE,5/16 FUEL,SAE 30R7.....41  
 HOSE,5/16,FUEL,SAE 30R7,86".....47  
 HOSE,AIR CLEANER INTAKE.....41  
 HOSE,AIR CLEANER TO ENGINE.....41  
 HOSE,LWR RADIATOR,KUBOTA WG750.....43  
 HOSE,PVC,CLEAR,36.00".....41  
 HOSE,WATER PUMP RETURN (Z482).....39  
 HOSE,WATER PUMP,KUBOTA\*\*.....39  
 HOSE-RADIATOR,UPPER Z482-E.....43  
 HOUR METER,10-80 VOLTS\*\*\*.....55-56  
 HOUSING, FUEL FILTER, Z482.....41  
 HUB ASSEMBLY,9 BOLT\*\*\*.....25

**I**

IND,BAT CHARGE,48V LEAD-ACID.....90

INJECTOR, Z482 T4.....41  
 INPUT CARRIER, SUB-ASSEMBLY.....28-29  
 INSTRN, TRC RETROFIT, STNDRD.....65  
 INSTRUCTIONS,INSTALL (LEVEL SENSOR ALARM).....65  
 INSTRUCTIONS-PIPE CRADLE,BOOMS...137  
 INSULATION,48V BATT.BOX LID.....31  
 INVERTER,48VDC,120VAC/60HZ.....49

**J**

JIB BOOM ASSY W/WORD DECAL.....83  
 JOYSTICK,5K-0 OHM,W/RELAY.....93  
 JUMPER COMB, 2-WAY,WIELAND.....59

**K**

KEEPER,LATCH (45363).....61, 63  
 KEY SINGLE\*\*\*.....55-56  
 KEY,1/4 X 1.25.....41  
 KEY,SINGLE\*\*\*.....55-56  
 KEY,WOODRUFF,5/32X3/4 KEY #506.....37  
 KEYS,10 PACK\*\*\*.....55-56  
 KEYSWITCH,3 POS W/KEYS,LOCKING.....55-56  
 KEYSWITCH,3 POS. W/KEYS\*\*\*.....55-56  
 KIT, 24V SEP-EX DRIVE MOTORS.....28-29  
 KIT, LIFT GUARD CONTACT ALARM,6'-8' PLATFORM,NON-ALC1000.....143  
 KIT, TRC RETROFIT, STNDRD.....65  
 KIT, WIPER, Z-45/25.....127  
 KIT, WIPER, Z-45/25J.....127  
 KIT,ASSY,LED,IES CHARGER.....25, 33  
 KIT,ESTOP SVC BB&SM BOOM.....89-90  
 KIT,FIELD INSTALL,SWING GATE.....117  
 KIT,GASKET,UK POWER TO PLAT.....90  
 KIT,HORN SVC BB&SM BOOM.....90  
 KIT,LATCH GUARD.....147  
 KIT,LOAD SENSE MECH,Z45 JIB.....123  
 KIT,SEAL,3CC PUMP\*\*\*.....97  
 KIT,SWING GATE W/SPRING.....117  
 KIT,TILT ALARM,DC AND BI-ENERGY MODELS.....65  
 KIT,TORQUE HUB COVER(101584)\*\*.....28-29  
 KNOB, 45048 CONTROLLER.....95  
 KUBOTA 15263-12370CUSHDION.....43  
 KUBOTA GASKET,THERMOSTAT.....43  
 KUBOTA OIL FILTER.....11, 39

**L**

LABEL,RELAY A.....43  
 LANYARD,LYNCH PIN ASSY.....37, 131  
 LANYARD,PLATFORM CONTROL BOX.....90  
 LATCH, SWING GATE.....87, 115  
 LATCH,DRAW,ADJUSTABLE.....37  
 LATCH,FLEXIBLE DRAW W/O KEEPER.....49, 61, 63  
 LATCH,ROTARY, W/KNOB,LEFT.....31  
 LATCH,ROTARY, W/KNOB,RIGHT.....31  
 LATCH,SLIDE, FLUSH MOUNT STYLE.....113  
 LEGEND,PLSTC,"CREEP TO 9"\*\*\*.....95  
 LENS,AMBER,STROBE,FIREBOLT.....111  
 LEVEL SENSOR,LS60,YL,2.5X4.5.....49, 61  
 LID ENCLOSURE,RED,OPA.....141  
 LIGHT, 12 VOLT.....113  
 LIGHT,LED IND. RED 24V NH.....56, 59, 89-90  
 LINING KIT\*\*\*.....27-29  
 LINING KIT, BRAKE, 4HP\*\*\*.....27-29

LOAD PAD,ENGINE TRAY SUPPORT.....37, 45  
 LOAD SUPPORT WITH BEARINGS.....123  
 LOCK,PLUG 12 WAY,14-18GA,GRN.....56  
 LOCK,PLUG 4 WAY,12-14GA.....56  
 LOCK,PLUG 8 WAY, 14-18GA.....59  
 LOCK,RECEP 12 WAY, 14-18GA.....56, 90  
 LOCK,RECEP 4 WAY,12-14GA.....56, 59, 90  
 LOCK,RECEP 4 WAY,14-18GA.....90  
 LOCK,RECEP 8 WAY,14-18GA.....59  
 LOCKNUT,ELEC,1/2".....51, 90  
 LS ROT.HEAD W/O LEVER (ZCE01).....45, 69  
 LVI/BCI 36/48 VOLT ENGAGE II.....90

**M**

MACHINING,TOW HITCH\*\*\*.....131  
 MAGNET, 1/4-20, 15 LB.....143  
 MALE PIPE THD,1/4" SER,3/8"X18.....119  
 MANIFOLD,FUNCTION DC/BI\*\*\*.....99  
 MANIFOLD,JIB SELECT,20V\*\*\*.....101  
 MANIFOLD,ROTATOR,CB\*\*\*.....77, 101  
 MANUAL,AEM SAFETY.....11  
 MANUAL,RESPON,A92.5 BOOM.....11  
 MESH,HALF,LH 5' PLATFORM.....117  
 MESH,HALF,LH,6'PLATFORM.....117  
 MESH,HALF,RH 5' PLATFORM.....117  
 MESH,HALF,RH,6'PLATFORM.....117  
 MESH,HALF,SWING GATE\*\*\*.....117  
 MICROSWITCH SPACER,45049.....93  
 MICROSWITCH,V3L-139-D8.....93  
 MICROSWITCH-V319M\*\*\*.....93  
 MIDPIVOT ASSY Z45C\*\*\*.....69  
 MODULE, PLUS+1, CONTACT ALARM.....143  
 MODULE,CONTROL UNIT,PCB,OPA.....141  
 MODULE,IGNITION/START,12/24V.....37  
 MODULE,LOAD SENSE 2007.....59, 123  
 MOTOR, 24V (36179).....51  
 MOTOR,FUNCTION,48V DC.....97  
 MOTOR,SEP-EX,24V\*\*\*.....28-29  
 MOUNT,SWITCH.....123  
 MOUNTING PLATE, 45048.....95  
 MOVING CONTACT (FOR PN 74267).....27-29  
 MPT,CPLR,1/4"SER,3/8"X18.....119

**N**

NECK/HEAD-LIMIT SWITCH (88356).....69  
 NICKEL PLATED JAM NUT.....55-56  
 NUT - PLASTIC,RING FOR ALARMS...51, 59, 90  
 NUT, CARTRIDGE VALVE.....99  
 NUT, TL JAM, 3/8-16, A, ZAG.....149  
 NUT,1/4-20,8,ZAG.....143, 145  
 NUT,1/4-28,8,ZAG.....41  
 NUT,3/8-16,8,ZAG.....145  
 NUT,HEX,M8,PLASTIC.....133, 135  
 NUT,HH JAM,1/4-20,A,ZAG.....25, 35  
 NUT,JS,36867/42032/44988/40612.....93  
 NUT,LOCK,5/8-18.....37  
 NUT,LUG,5/8-18 X 90 DEGREE,Z45.....25, 28-29  
 NUT,M4 NYLOCK.....141  
 NUT,NYLOCK FLG,1/4-20,F,ZAG.....137, 143, 149  
 NUT,NYLOCK FLG,3/8-16,F,ZAG.....75, 137, 139, 143, 149  
 NUT,NYLOCK,10-32.....69  
 NUT,NYLOCK,6-32.....59, 143  
 NUT,NYLOCK,8-32.....111

NUT,NYLOCK,M5X.80.....41  
 NUT,RETAINER (96008).....55-56  
 NUT,SERRATED,10-32,ZAG.....27-29, 49, 59, 61, 63, 73, 90, 123, 143  
 NUT,SERRATED,3/8-16,8,ZAG.....51, 53  
 NUT,SERRATED,5/16-18,8,ZAG.....27-29, 31  
 NUT,SLOTTED,2-4-1/2 UNC.....131  
 NUT,SPINDLE,1-14.....25  
 NUT,TL FLG,1/2-13,G,ZAG.....37, 45, 139  
 NUT,TL FLG,1/4-20,G,ZAG.....28-29, 31, 33, 37, 41, 43, 49, 53, 59, 61, 63, 69, 73, 75, 77, 81, 83, 87, 113, 115, 117, 123, 127, 133, 135, 141, 147  
 NUT,TL FLG,10-32,F,ZAG.....37, 129  
 NUT,TL FLG,3/4-10,G,ZAG.....77  
 NUT,TL FLG,3/8-16,G,ZAG.....25, 27-29, 31, 33, 37, 39, 43, 45, 47, 49, 51, 53, 61, 67, 69, 71, 77, 79, 87, 90, 119, 129, 131, 133, 135, 141  
 NUT,TL FLG,5/16-18,G,ZAG.....28-29, 31, 39, 41, 61, 81, 115, 129, 147  
 NUT,TL FLG,M6-1.0,DIN6927,10,ZAB.....43  
 NUT,TL,1/2-13,C,ZAG.....37, 131  
 NUT,TL,1/4-20,C,ZAG.....27-29, 61, 63, 131  
 NUT,TL,10-32,A,ZAG.....45, 59, 90  
 NUT,TL,3/4-10,C,ZAG.....81  
 NUT,TL,3/8-16,C,ZAG.....51, 53, 123  
 NUT,TL,6-32,A,ZAG.....59, 90  
 NUT-COIL SHORT.....101  
 NUT-HEX,3M X 0.5MM.....93  
 NUTSERT,1/4-20,STEEL CAD PLTD.....59  
 NYLON WASHER,(36179).....51

**O**

O-RING KIT (ORFS FITTINGS)..11, 103, 105, 107, 109  
 O-RING KIT, AUSCO 1200 IN/LB.....27-29  
 O-RING KIT,FIELD SVC,ALL PROD\*.....11, 103, 105, 107, 109  
 O-RING, FUEL FILTER, Z482.....41  
 O-RING, ROTATOR MANIFOLD.....101  
 O-RING,2-010,VITON.....27-29  
 O-RING,END COVER,4HP/4HB\*\*\*.....27-29  
 O-RING,END COVER,OMNI\*\*\*.....28-29  
 O-RING,MOTOR TO BRAKE\*\*\*.....28-29  
 O-RING,OIL FILLER PLUG,KUBOTA\*.....39  
 OPT, STD MUFFLER, Z45BE.....39  
 OPTION,EURO TOEBOARD.....113  
 OPTION,PLAT.PINCH GUARD,4 FT.....113  
 OPTION,PLAT.PINCH GUARD,5 FT.....113  
 ORIFICE DISC,.037",BLACK \*.....99  
 ORIFICE DISK,.030.....99  
 ORIFICE PLATE,0.037".....99  
 ORIFICE PLUG, 0.060.....99  
 ORIFICE PLUG,030,1/16-27 NPT.....99  
 ORING,568-908 N552-90 NBR,10PK.....28-29  
 OUTLET, 110V.....90

**P**

PAD,REST,1"THICK,FLANGED.....149  
 PAD,REST,1"THICK,W/STUDS\*.....51  
 PADDING, FOAM, 46.5".....133, 135  
 PADDING,FOAM 3.5"OD X 1.50"ID.....133, 135  
 PADDING,FOAM, 10.0".....133, 135  
 PADDING,FOAM,3.0"X1.50ID 90DEG.....133, 135  
 PAINT, AEROSOL, TRAFFIC BLACK.....11  
 PAINT,AEROSOL,BRIGHT BLUE\*\*\*.....11

PAINT,AEROSOL,GENIE GRAY\*\*\*.....11  
 PAINT,WET,GENIE BLUE (1 GL)\*.....11  
 PAINT,WET,GENIE GRAY (1 GL)\*.....11  
 PAINT,WET,TRAFFIC BLACK (1 GL)\*\*.....11  
 PANEL, HALF MESH.....115  
 PANEL,ACCESS PAINTED.....123  
 PARKER DIGITAL PRESSURE GAUGE.....11  
 PCB,ROTATOR CONTROLLER 36557\*.....95  
 PETCOCK,DRAIN,KUBOTA WG750B.....41  
 PIN,0.75DIA X 5.75LG,CHAMFER.....123  
 PIN,0.75DIA X 8.75LG,CHAMFER.....123  
 PIN,1.00DIA X 15.56LG,CHAMFER.....37  
 PIN,1.25 DIA X 3.19 LG, PLATE.....71  
 PIN,1.25DIA X 14.45LG,2HOLE.....79  
 PIN,1.25DIA X 3.37LG,1HOLE.....71  
 PIN,1.25DIA X 5.25LG,1HOLE.....77, 79  
 PIN,1.25DIA X 6.36LG,2RING.....73, 79  
 PIN,1.25DIA X 7.00LG,1HOLE.....77, 79  
 PIN,1.25DIA X 7.88LG,1HOLE.....79  
 PIN,1.25DIA X 8.88LG,1HOLE.....77, 79  
 PIN,1.25DIA X 9.38LG,THREADED.....73  
 PIN,1.50DIA X 13.88LG,2HOLE.....67  
 PIN,1.50DIA X 20.00LG,CHAMFER.....25, 27-29  
 PIN,1.50DIA X 4.25LG,GR/H.....25  
 PIN,1.50DIA X 7.50LG,1HOLE\*\*\*.....67  
 PIN,1.75DIA X 11.88LG,CHAMFER.....71  
 PIN,1.75DIA X 9.25LG,1HOLE.....71  
 PIN,2.00DIA X 10.88LG,CHAMFER.....67  
 PIN,2.00DIA X 12.88LG,CHAMFER\*\*\*.....67  
 PIN,2.00DIA X 24.00LG,CHAMFER\*\*\*.....67  
 PIN,CLEVIS,1.0X2.41,SAE,ZAG.....25  
 PIN,CLEVIS,1X3.5,ZAG.....131  
 PIN,COTTER,.219 X 1.75.....25  
 PIN,COTTER,.25 X 3.0.....131  
 PIN,LOCK,SHORT\*\*\*.....117  
 PIN,TOW HITCH,1.5DIA X 8.25"GRIP.....131  
 PINCH GUARD,6"(1.31")SERVICE\*\*.....113  
 PIPE ASSY-OVERFLOW (Z482-E).....41  
 PIPE CRADLE ASSY. SERV (ONE)\*\*.....137  
 PIPE PLUG KIT,OMNI\*\*\*.....28-29  
 PIPE, INJECTOR 1 KUBOTA Z482-E.....41  
 PIPE, INJECTOR 2 KUBOTA Z482-E.....41  
 PIPE,WATER RETURN (Z482-E).....39  
 PLAT ASSY,6' W/SIDE GATE,Z45/51 ANSI SYM.....85  
 PLAT ASSY,6' W/SIDE GATE,Z45/51 CE.....85  
 PLAT ASSY,6' W/SIDE GATE,Z45DC/BI ANSI WORD.....85  
 PLAT ASSY,6' W/SIDE GATE,Z45DC/BI AUS.....85  
 PLAT. CONTROL BOX LID, DC/BE.....89-90  
 PLAT. FLOOR, 5FT, PAINTED.....87  
 PLATE, CABLE AND WIRE COVER.....143  
 PLATE, CONTACTOR MOUNT, Z45.....27-29  
 PLATE,ALTERNATOR ADJUSTMENT.....37  
 PLATE,CLAMP,TOP.....28-29  
 PLATE,DRAG LINK,NRRW AXLE,PNT.....131  
 PLATE,DRAW LATCH MOUNT.....63  
 PLATE,ENGINE MOUNT PAINTED.....43  
 PLATE,FOOT SWITCH COVER.....117  
 PLATE,FRONT COVER\*\*\*.....51  
 PLATE,FUEL TANK.....47  
 PLATE,JIB,ROTATE MANIFOLD.....81  
 PLATE,SWING LOCK\*\*\*.....45  
 PLATE,WIPER BACKING.....127  
 PLUG AND CAP KIT-SERVICE,37 \*\*.....11, 103, 105, 107, 109  
 PLUG AND CAP KIT-SERVICE,ORFS\*.....11, 103, 105, 107, 109

## Part Description Index (continued)

PLUG, NYLON .250 BLACK DOMED.....59, 90  
 PLUG, TYPE F, 230A, 50HZ, 16A, IP44.....33, 51  
 PLUG,090109A-6.....107, 109  
 PLUG,3/4 MAGNETIC PIPE SQ.DRV.....53  
 PLUG,BLANKING.....65  
 PLUG,ENGINE OIL DRAIN,D-905\*\*\*.....39  
 PLUG,FUSED,250V,13AMP,U.K.\*\*.....33, 51  
 PLUG,NYLON .188 BLACK DOMED.....90  
 PLUG,NYLON .313 BLACK DOMED.....90  
 PLUG,NYLON .38 BLACK DOMED.....55-56  
 PLUG,NYLON .875 BLACK DOMED.....59, 90  
 PLUG,NYLON 1.12 BLACK DOMED.....59  
 PLUG,NYLON 2.00 BLACK DOMED.....90  
 PLUG,OIL FILLER Z482,Z34/22BE\*.....39  
 PLUG,PWR,UK,16AMP,3PIN,BLK.....33, 51  
 PLUG,SANTOPRENE .5 BLACK DOME.....55-56, 89-90  
 PLUG,SEAL,12-18 GA.....59  
 POTENTIOMETER (56773).....93  
 POTENTIOMETER,56886.....95  
 POWER RELAY, 24V COIL.....37, 129  
 POWER UNIT,AUX PUMP 24VDC.....49, 51  
 PROGRAMMER, PMC 1313K-4401.....27-29  
 PROTRACTOR,SLEW BOLT.....45  
 PROXIMITY SENSOR\*\*\*.....65, 133, 135  
 PULLEY,3.15 OD.....37  
 PULLEY,FAN,WG750B\*\*\*.....39  
 PUMP ASSEMBLY (36179).....51  
 PUMP ASSY-FUEL, KUBOTA Z482-E.....41  
 PUMP,LIFT,3CC,CCW\*\*\*.....97  
 PUMP-INJECTION, KUBOTA Z482-E.....41

**Q**

QUICK DISCONNECT CASING,BATT\*\*.....35

**R**

RADIATOR ASSY,KUBOTA Z482E AL.....43  
 RADIATOR STAY, KUBOTA 1702.....43  
 RAILING CATCH CASTING--DRILLED.....117  
 RAILING,PINCH GAURD,4 FT.....147  
 RAILING,PINCH GAURD,5 FT.....147  
 REAR END PLATE, Z482.....41  
 RECEPACLE,UK, 110V.....90  
 REF. HOSE GUIDE, JIB.....119  
 REF. HYDRAULIC POWER UNIT.....49  
 REF. PIN.....71  
 REF. PLATE,ENGINE MOUNT PAINTED.....37  
 REF: Flashing Beacon.....65  
 REF: Foot Switch.....65  
 REF: Harness, Z45 Drive Lights.....113, 129  
 REF: Jib Platform rotator.....79  
 Ref: LATCH,DRAW,ADJUSTABLE.....61  
 REF: Platform Weldment.....117  
 REGULATOR,48 VOLTAGE,BI ENERGY.....37  
 REGULATOR-VOLTAGE(Z482-E).....37, 39  
 RELAY PANEL COVER.....37  
 RELAY,24VDC,40/30A,SEALED\*\*\*.....37, 59, 90  
 RELAY,24VDC,40/30A,SLD W/BRKT\*.....65, 143  
 RELAY,SPDT,12V(AUTO) PLUG IN\*\*.....59  
 REPAIR END BRKT SET,NP400-7\*\*\*.....75  
 REPAIR LINK,7 LINKS NP400-7\*\*\*.....75  
 REPAIR LINK,NP400-7\*\*\*.....75  
 RETAINER,SPRING,1.21 X .375.....123  
 RETAINING PIN, ASSY.....45  
 RETAINING PIN,ASSY.....131  
 RETAINING RING, FUEL FILTER.....41  
 RING GEAR, Z482 T4.....41  
 RIVET, STL, STL, DOME, 1/4 X .375, ZAG.....63, 117  
 RIVET,ALUM,ALUM,3/16BUTTONHEAD.....113  
 RIVET,STL,STL,P,.125 X .25.....59  
 ROCKER ASSY W/ROLLPIN\*\*.....93  
 ROD END, .25 X 2.75, ZAG.....123  
 ROD END,.375 X 2.25,ZAG.....37, 71  
 ROD END,.375X3.69,ZAG.....25, 27-29, 71, 73, 77, 79  
 ROD END,.5 X 3.75,ZAG.....67, 71  
 ROD,CHOKE Z45 BI ENERGY.....41  
 ROD,DISCONNECT 4HP/4HB\*\*\*.....27-29  
 ROD,DISCONNECT,OMNI\*\*.....28-29  
 ROD,ENGINE IDLE & STOP.....41  
 ROLLER ARM,LIMIT SWITCH\*\*\*.....45, 69, 73  
 ROTATIONAL CONTROLLER,24V\*\*\*.....89-90, 95  
 ROTATOR,PLAT,Z45.....77  
 ROTATOR,PLAT,Z45J/Z51J.....81  
 RUE RING,1.0,ZAG.....25, 131

**S**

SCREW.....93  
 SCREW T-SWITCH PH/PH 6-32X1/4.....55-56, 89-90  
 SCREW, BHC, 1/4-20 X 1, ZAG.....113, 133, 135  
 SCREW, HHF, 1/4-20 X .5, 8, ZAG.....37  
 SCREW, SHC, M4-0.7X8, DIN912.....87  
 SCREW,BLEEDER,M5X0.8.....81  
 SCREW,FHPM,10-32X.1,00,ZAG.....27-29  
 SCREW,FHPM,10-32X.75,ZAG.....28-29  
 SCREW,FHS,3/8-16X1.75,F835,ZAG.....37, 45, 47  
 SCREW,HANDLE42032,40612,36867.....93  
 SCREW,HH TAPETITE THRD8-32X.50.....97  
 SCREW,HHC,1-8X3,8,ZAG.....63  
 SCREW,HHC,1/2-13X1.5,8,ZAG.....67, 69  
 SCREW,HHC,1/2-13X6,8,ZAG.....37  
 SCREW,HHC,1/4-20X.75,8,ZAG.....31, 37, 56, 59, 75, 90  
 SCREW,HHC,1/4-20X1.8,ZAG.....25, 27-29, 37, 41, 53, 61, 63, 145  
 SCREW,HHC,1/4-20X1.25,8,ZAG.....27-29  
 SCREW,HHC,1/4-20X1.75,8,ZAG.....73  
 SCREW,HHC,1/4-20X2.75,8,ZAG.....75, 81  
 SCREW,HHC,3/4-10X9,8,ZAG.....77  
 SCREW,HHC,3/4-10X9.5,8,ZAG.....81  
 SCREW,HHC,3/8-16X.75,8,ZAG.....45, 69, 71, 73, 81  
 SCREW,HHC,3/8-16X1,8,ZAG.....37, 47, 53, 71  
 SCREW,HHC,3/8-16X1.25,8,ZAG.....49, 61, 73  
 SCREW,HHC,3/8-16X1.5,8,ZAG.....27-29, 37, 49, 51, 61  
 SCREW,HHC,3/8-16X1.75,8,ZAG.....61, 73, 127  
 SCREW,HHC,3/8-16X2,8,ZAG.....33, 127  
 SCREW,HHC,3/8-16X2.5,8,ZAG.....53, 145  
 SCREW,HHC,3/8-16X2.75,8,ZAG.....37  
 SCREW,HHC,3/8-16X3,8,ZAG.....67  
 SCREW,HHC,3/8-16X3.25,8,ZAG.....123  
 SCREW,HHC,5/16-18X1,8,ZAG.....115  
 SCREW,HHC,5/8-11,4,5,8,ZAG.....45  
 SCREW,HHC,5/8-11X1.75,8,ZAG.....37  
 SCREW,HHC,5/8-11X2.75,8,ZAG.....45  
 SCREW,HHC,5/8-11X4,8,ZAG.....45  
 SCREW,HHC,M10-1.5X30,DIN933,10.....41, 43  
 SCREW,HHC,M8 X 20MM.....39  
 SCREW,HHC,M8-1.25X20,DIN933,10.....41, 43  
 SCREW,HHF,1/2-13X.75,8,ZAG.....69  
 SCREW,HHF,1/2-13X1.25,8,ZAG.....37  
 SCREW,HHF,1/2-13X1.5,8,ZAG.....53, 67, 71  
 SCREW,HHF,1/2-13X1.75,ZAG.....37  
 SCREW,HHF,1/2-13X3.5,8,ZAG.....139  
 SCREW,HHF,1/4-20X.625,8,ZAG.....31, 69, 87, 113, 115, 149  
 SCREW,HHF,1/4-20X.75,8,ZAG.....29, 33, 43, 45, 49, 53, 59, 63, 69, 75, 81, 83, 87, 90, 113, 117, 123, 133, 135, 141, 143  
 SCREW,HHF,1/4-20X1.8,ZAG.....28-29, 37, 41, 49, 59, 61, 75, 77, 87, 123, 133, 135, 147  
 SCREW,HHF,1/4-20X1.25,8,ZAG.....28-29, 35, 83, 141  
 SCREW,HHF,1/4-20X1.5,8,ZAG.....25, 77, 79, 113  
 SCREW,HHF,1/4-20X1.75,8,ZAG.....37, 69, 73  
 SCREW,HHF,1/4-20X2,8,ZAG.....63, 123, 131  
 SCREW,HHF,1/4-20X2.5,8,ZAG.....137  
 SCREW,HHF,1/4-20X2.75,8,ZAG.....75, 77  
 SCREW,HHF,10-24X.5.....143  
 SCREW,HHF,10-24X.75,ZAG.....28-29, 59  
 SCREW,HHF,3/8-16X.75,8,ZAG.....51, 83  
 SCREW,HHF,3/8-16X1,8,ZAG.....33, 37, 49, 87, 90, 129, 143  
 SCREW,HHF,3/8-16X1.25,8,ZAG.....25, 39, 43, 49, 51, 53, 77  
 SCREW,HHF,3/8-16X1.5,8,ZAG.....49, 51, 53, 61, 69, 71, 77, 79  
 SCREW,HHF,3/8-16X1.75,8,ZAG.....131  
 SCREW,HHF,3/8-16X2,8,ZAG.....33, 37, 79  
 SCREW,HHF,3/8-16X2.25,8,ZAG.....25, 27-29  
 SCREW,HHF,3/8-16X2.5,8,ZAG.....139  
 SCREW,HHF,3/8-16X2.75,8,ZAG.....28-29  
 SCREW,HHF,3/8-16X3,8,ZAG.....37  
 SCREW,HHF,3/8-16X3.5,8,ZAG.....37  
 SCREW,HHF,5/16-18X.75,8,ZAG.....41, 49, 113, 129  
 SCREW,HHF,5/16-18X1,8,ZAG.....29, 31, 41, 147  
 SCREW,HHF,5/16-18X1.25,8,ZAG.....51, 81  
 SCREW,HHF,5/16-18X1.5,8,ZAG.....31  
 SCREW,HHF,M6-1.0X12,DIN6921,10.....141  
 SCREW,HHF,M6-1.0X16,DIN6921,10,9,ZAB.43  
 SCREW,HH TAPITITE THREAD8-32X.38.....97  
 SCREW,M5X16 BHD.....141  
 SCREW,M6X8.....141  
 SCREW,PHIL,PHM,10-32 X .5,SSTL.....41, 90, 129  
 SCREW,PHILLIPS,PHM,6-32 X .5.....90  
 SCREW,PHILLIPS,PHM,8-32 X.25\*\*.....55-56  
 SCREW,PHM,M3 X .5 X 12MM.....93  
 SCREW,PHM,M3.5 X 12MM (57890).....93  
 SCREW,PHPM,10-24X1,ZAG.....87  
 SCREW,PHPM,10-32X.38,ZAG.....28-29  
 SCREW,PHPM,10-32X.50,ZAG.....47, 59, 90  
 SCREW,PHPM,10-32X.625,ZAG.....37, 90  
 SCREW,PHPM,10-32X.75,ZAG.....49, 61, 63  
 SCREW,PHPM,10-32X1.25,ZAG.....143  
 SCREW,PHPM,10-32X1.5,ZAG.....45, 123  
 SCREW,PHPM,10-32X1.75,ZAG.....69  
 SCREW,PHPM,10-32X2,ZAG.....73  
 SCREW,PHPM,10-32X2.25,ZAG.....73  
 SCREW,PHPM,6-32X.5,ZAG.....59, 90  
 SCREW,PHPM,6-32X.875,ZAG.....143  
 SCREW,PHPM,8-32X1,ZAG.....111  
 SCREW,PHPM-ST,8-32X.50,TYPE F,ZAG.....90  
 SCREW,PHPSH,#12-11X.75,ZAG.....59, 90





## Part Description Index (continued)

VALVE,RELIEF,2100 PSI\*\*\*.....99  
 VALVE,RELIEF,3000PSI,GS68PUMP1.....99  
 VALVE,SHUTTLE.....99  
 VALVE,SOLENOID 3 POS.4 WAY\*\*\*.....99  
 VALVE,SOLENOID, 2POS/3WAY\*\*\*.....99, 101  
 VALVE-CHECK, #4 SAE, 5 PSI\*.....99  
 VALVE-RELIEF,3200 PSI.....99

**W**

W A S H E R , F L A T ,  
 M6X18X1.6,DIN9021,ZAB.....141  
 WASHER, LOCK, M4, SS.....87  
 WASHER,FLAT,#10,USS,ZAG.....56, 61, 90  
 WASHER,FLAT,#8,SAE,ZAG.....90  
 WASHER,FLAT,.25X1.25X.062,ZAG.....61, 63  
 WASHER,FLAT,.375X1.25X.062,ZAG.....123  
 WASHER,FLAT,.375X1.50X.125,ZAG.....37,  
 145  
 WASHER,FLAT,.75,SAE,HRD,ZAG.....77, 81,  
 119  
 WASHER,FLAT,1.0,USS,ZAG.....63  
 WASHER,FLAT,1.5,F436,HRD,ZAG.....131  
 WASHER,FLAT,1/2,USS,ZAG.....37, 45, 53,  
 69, 131  
 WASHER,FLAT,3/8,SAE,HRD,ZAG.....81, 97  
 WASHER,FLAT,3/8,USS,ZAG.....27-29, 33,  
 37, 49, 53, 61, 123, 127, 145  
 WASHER,FLAT,5/16,USS,ZAG.....28-29, 51,  
 53, 73, 115  
 WASHER,FLAT,5/8,F436,HRD,ZAG.....27-29,  
 37, 45  
 WASHER,FLAT,M8,DIN125,ZAB.....41  
 WASHER,FLAT,USS,1/4,ZAG.....25, 27-29,  
 37, 53, 61, 63, 73, 117, 131, 141, 145  
 WASHER,HARDENED,5/8.....37  
 WASHER,LOCK,#10,ZAG.....28-29  
 WASHER,LOCK,1.0,ZAG.....63  
 WASHER,LOCK,1/2,ZAG.....67, 69  
 WASHER,LOCK,1/4,ZAG.....37, 41, 90  
 WASHER,LOCK,3/8,ZAG.....27-29, 47, 53, 69,  
 71, 73, 83, 97, 127  
 WASHER,LOCK,5/8,ZAG.....37  
 WASHER,LOCK,M10,ZAB.....41, 43  
 WASHER,LOCK,M8.....39  
 WASHER,LOCK,M8,ZAB.....41, 43  
 WASHER,M4 NYLON.....141  
 WASHER,M5 NYLON.....141  
 WASHER,NYLON, JOYSTICK.....93  
 WASHER,RADIATOR CUSHION,KUBOTA...43  
 WASHER,SHIM .0151 THK.....123  
 WASHER,SHIM,1.01X1.63X.062,ZAG.....131  
 WASHER,SHIM,1.270X2.130X.062,Z.....73, 79,  
 131  
 WASHER,SHIM,1.56X2.5X.061,ZAG.....25  
 WASHER,SPINDLE.....25  
 WASHER,STAR,EXTERNAL,.375.....55-56  
 WASHER,THRUST,75 X 1.38X.13.....31  
 WASHER,THRUST,1.5 X 3.5 X .187.....25  
 WASHER,THRUST,2.0 X 3.0 X .188.....131  
 WASHER/BULKHEAD\*\*\*.....53  
 WATER PUMP, Z482 T4.....39  
 WDMT,AIRCRAFT SENSOR BUMPER.....133,  
 135  
 W D M T , F R A M E , A I R C R A F T  
 PROTECTION.....135  
 WDMT,SKID PLATE.....133, 135  
 WEAR PAD,3 X 1.5 X .625 W/NUTS.....83  
 WEAR PAD,4.88 X 1.5 X .5.....53  
 WEAR PAD,4X2X.5 W/INSERT\*\*\*.....31

WEAR PAD,5 X 1.5 X .625 W/NUTS.....47, 73  
 WEAR PAD,5 X 1.5 X .75 W/NUTS.....73  
 WEAR PAD,6 X 1.5 X .50,W/INSERT.....69  
 WEAR PAD,EXTENSION BOOM.....73  
 WEAR PAD,EXTENSION CYLINDER.....73  
 WEAR PAD,MID PIVOT\*\*\*.....69  
 WEAR PAD,PRIMARY BOOM,JIB.....73  
 WEAR PAD,PRIMARY BOOM,NON JIB.....51  
 WEAR PAD,SECONDARY CYL,NON/JIB.....67  
 WELDMNT, AIRCRAFT TOP BUMPER.....133  
 WELDMNT, BATTERY BOX, LH.....31  
 WELDMNT, BATTERY BOX, RH.....31  
 WELDMNT, CABLETRACK TRAY.....75  
 WELDMNT, EXT. BOOM,Z45 NJ.....73  
 WELDMNT, LEFT CONTACT ALARM,  
 LARGE.....143  
 WELDMNT, PIPE CRADLE.....137  
 WELDMNT, RIGHT CONTACT ALARM,  
 LARGE.....143  
 WELDMNT, SENSOR MOUNT.....133, 135  
 WELDMNT,4 FT PLATFORM.....85  
 WELDMNT,5 FT PLATFORM.....85  
 WELDMNT,BOOM REST\*\*\*\*.....69  
 WELDMNT,ENGINE TRAY, Z45 BE.....37  
 WELDMNT,EXT. BOOM,Z45 JIB.....73  
 WELDMNT,GROUND CONTROL BOX\*\*\*...59  
 WELDMNT,HITCH TONGUE,Z45.....131  
 WELDMNT,LOAD SUPPORT.....123  
 WELDMNT,LOWER LEVELING ARM.....69  
 WELDMNT,LOWER,SECONDARY\*\*\*.....69  
 WELDMNT,MID PIVOT,MACHINED\*\*\*.....69  
 WELDMNT,NARROW REAR AXLE.....27-29  
 WELDMNT,PIPE CRADLE MOUNT.....137  
 WELDMNT,PLAT SUPPORT,LS.....123  
 WELDMNT,PLATFORM CONTROL BOX...90  
 WELDMNT,PLATFORM SUPPORT.....81, 87,  
 123  
 WELDMNT,PRIMARY BOOM,Z45 JIB.....73  
 WELDMNT,PRIMARY BOOM,Z45NJ.....73  
 WELDMNT,ROTATOR MOUNT.....123  
 WELDMNT,STEER AXLE TOW  
 CRADLE.....131  
 WELDMNT,SWING GATE.....115  
 WELDMNT,SWING GATE PANEL.....115  
 WELDMNT,SWING GATE,ALUMINUM.....117  
 WELDMNT,TOW STORAGE BRKT,Z45.....131  
 WELDMNT,UPPER LEVELING ARM\*\*\*.....69  
 WELDMNT,UPPER PIVOT\*\*\*.....71  
 WELDMNT,UPPER SECONDARY\*\*\*.....69  
 WELDMNT,6 FT PLATFORM.....85  
 WELDMNT,PLATFRM SUPPORT,NJIB\*\*.....77  
 WH DRV,NON-BRAKE,GENERIC, 48:1.....28-  
 29  
 WHEEL DRIVE, NON-BRAKE, 47.6:1.....28-29  
 WHEEL DRIVE,4HB,48:1\*\*\*.....27-29  
 WHEEL STUD, 4HP, 5/8-18\*\*\*.....27-29  
 WHEEL STUD,5/8-18,OMNI\*\*\*.....28-29  
 WIPER,PRIMARY BOOM.....127  
 WIRE ASSY #10 RED F1/F2.....35  
 WIRE ASSY #10 RED F2/F1.....35  
 WIRE CABLE,14/3 CON.TPE JKT\*.....51  
 WIRE CABLE,16/4 CON.TPE JKT.....69  
 WIRE CABLE,16GA/4 CON.TPE JKT\*.....87  
 WIRE LOOM,1.25\*NYLON,HIGH TEMP.....73,  
 77, 79  
 WIRE,12/3 SJEOW,BK-WH-GR/YL.....65  
 WORKLIGHT,110V,250WATT,HALOGEN.....113  
 WORKLIGHT,48 VOLT.....113, 129

**Y**

YOKE MACHINING L.H.(2WD).....25  
 YOKE MACHINING R.H.(2WD).....25  
 YOKE WELDMNT L.H.(2WD).....25  
 YOKE WELDMNT R.H.(2WD).....25

**Z**

ZERK,GREASE,5/16-24,STRAIT.....123

## —

— GENERAL SERVICE PARTS —.....11  
 — HYD FILTERS —.....11  
 — KUBOTA Z482 E4B-1 MODELS —.....11  
 — MANUALS —.....11

***This Page Intentionally Left Blank***

Go to [Discount-Equipment.com](http://Discount-Equipment.com) to order your parts

## Fitting Cross References

Genie PN	Parker PN	Description	Genie PN	Parker PN	Description
12342	6-4 F5OX-S	CONNECTOR,STRAIGHT THREAD TO FLARE TUBE	42794	1 CR-S	ELBOW,90°,MALE PIPE
13757	4 R6X-S	RUN TEE,SWIVEL NUT,ORFS	42795	BV-0839	BALL VALVE
19685	12-10 C5OX-S	ELBOW,90°,STRAIGHT THREAD TO FLARE TUBE	42796	BV-0838	BALL VALVE
22664	12-10 C5OX	ELBOW,90°,STRAIGHT THREAD TO FLARE TUBE	42874	6-8 CLO-S	ELBOW,90°,MALE PIPE TO ORFS
27431	8-12 F5OX-S	CONNECTOR,STRAIGHT THREAD TO FLARE TUBE	42912	13943-6-4	HOSE END,90° FEMALE SWIVEL,JIC
28678	AS-B-33	SLEEVE,NYLON,1.81" ID	42920	BV-0840	BALL VALVE,90°
39871	6 WETX-WLN-S	UNION,90° BULKHEAD W/NUT,FLARE TUBE	42932	AS-B-17	SLEEVE,NYLON,1.22" ID
39872	4 R5OX-S	RUN TEE,STRAIGHT THREAD	42936	10243-2-4	HOSE END,FEMALE PIPE
39873	6 C5OX-S	ELBOW,90°,STRAIGHT THREAD TO FLARE TUBE	42953	1/2 DD-S	ELBOW,90°,FEMALE PIPE
39874	8-6 C5OX-S	ELBOW,90°,STRAIGHT THREAD TO FLARE TUBE	42956	6 WELO-WLNL-S	UNION,90° BULKHEAD W/NUT,ORFS
39875	4-6 C5OX-S	ELBOW,90°,STRAIGHT THREAD TO FLARE TUBE	45349	8 V5OX-S	ELBOW,45°,STRAIGHT THREAD TO FLARE TUBE
39876	6-8 C5OX-S	ELBOW,90°,STRAIGHT THREAD TO FLARE TUBE	45351	4 V5OX-S	ELBOW,45°,STRAIGHT THREAD TO FLARE TUBE
39877	4 F5OX-S	CONNECTOR,STRAIGHT THREAD TO FLARE TUBE	47223	10343-6-6	HOSE END,MALE,JIC
39878	6 F5OX-S	CONNECTOR,STRAIGHT THREAD TO FLARE TUBE	47419	PS690503-6-6	SWIVEL,90°,STRAIGHT THREAD TO 37° FLARE
39879	4-8 F5OX-S	CONNECTOR,STRAIGHT THREAD TO FLARE TUBE	48750	421-4	HOSE,1/4 INCH ID
39880	6-10 F5OX-S	CONNECTOR,STRAIGHT THREAD TO FLARE TUBE	48751	481TC-4	HOSE,1/4 INCH ID
39881	4-6 F5OX-S	CONNECTOR,STRAIGHT THREAD TO FLARE TUBE	48752	482TC-4	HOSE,1/4 INCH ID
39882	4-HP5ON-S	PLUG,STRAIGHT THREAD	48753	451TC-6	HOSE,3/8 INCH ID
39883	8-8 FTX-S	CONNECTOR,MALE PIPE TO FLARE TUBE	48754	482TC-6	HOSE,3/8 INCH ID
39885	269HB 12-12	ELBOW,90°,BEADED HOSE BARB TO MALE PIPE	48755	381-6	HOSE,3/8 INCH ID
39886	431-6	HOSE,3/8 INCH ID	48756	451TC-8	HOSE,1/2 INCH ID
39887	540N-2	HOSE,1/8 INCH ID	48757	482TC-8	HOSE,1/2 INCH ID
39888	801-8	HOSE,1/2 INCH ID	48758	381-8	HOSE,1/2 INCH ID
39889	801-12	HOSE,3/4 INCH ID	48759	381-10	HOSE,5/8 INCH ID
39890	10643-6-6	HOSE END,FEMALE SWIVEL,JIC	48760	451TC-10	HOSE,5/8 INCH ID
39891	13943-6-6	HOSE END,90° FEMALE SWIVEL,JIC	48761	482TC-12	HOSE,3/4 INCH ID
39892	13743-6-6	HOSE END,45° FEMALE SWIVEL,JIC	48762	451TC-12	HOSE,3/4 INCH ID
39894	30682-8-8	HOSE END,FEMALE SWIVEL,JIC	48763	772-12	HOSE,3/4 INCH ID
39895	30682-10-12	HOSE END,FEMALE SWIVEL,JIC	48764	881-16	HOSE,1 INCH ID
42286	8-8 CTX-S	ELBOW,90°,MALE PIPE TO FLARE TUBE	48765	772-16	HOSE,1 INCH ID
42756	8-12 CLO-S	ELBOW,90,MALE PIPE TO ORFS	48766	AS-B-15	SLEEVE,NYLON,1.06" ID
42757	8-12 FLO-S	CONNECTOR,MALE PIPE TO ORFS	48767	AS-B-22	SLEEVE,NYLON,1.42" ID
42758	4 JLO-S	UNION TEE,ORFS	48770	881-8	HOSE,1/2 INCH ID
42759	4-4 FLO-S	CONNECTOR,MALE PIPE TO ORFS			
42760	6-8 FLO-S	CONNECTOR,MALE PIPE TO ORFS			
42761	1J143-6-4	HOSE END,90° FEMALE SWIVEL,SEAL LOK			
42762	1J743-6-4	HOSE END,45° FEMALE SWIVEL,SEAL LOK			
42768	1JO43-4-4	HOSE END,MALE,SEAL LOK			
42776	601-8	HOSE,1/2 INCH ID			
42777	1J743-16-16	HOSE END,45° FEMALE SWIVEL,SEAL LOK			
42786	16 CLO-S	ELBOW,90°,MALE PIPE TO ORFS			
42787	16 R6LO-S	RUN TEE,SWIVEL NUT,ORFS			
42788	16-8 TRLO-BL-S	REDUCER,TUBE END TO SWIVEL,ORFS			
42789	6-6 CLO-S	ELBOW,90°,MALE PIPE TO ORFS			
42790	8-10 V5OLO-S	ELBOW,45°,STRAIGHT THREAD TO ORFS			
42791	3/4 CD-S	ELBOW,90°,MALE TO FEMALE PIPE			
42792	3/4 X 1/2 PTR-S	REDUCER,MALE TO FEMALE PIPE			
42793	1/2 CR-S	ELBOW,90°,MALE PIPE			

## Fitting Cross References (Continued)

Genie PN	Parker PN	Description	Genie PN	Parker PN	Description
48771	881-10	HOSE,5/8 INCH ID	48847	13943-12-12	HOSE END,90° FEMALE SWIVEL,JIC
48772	381-4	HOSE,1/4 INCH ID	48848	10543-12-12	HOSE END,MALE,STRAIGHT THREAD
48773	AS-B-13	SLEEVE,NYLON,.86" ID	48849	1JC71-12-12	HOSE END,FEMALE SWIVEL,SEAL LOK
48800	1JC43-4-4	HOSE END,FEMALE SWIVEL,SEAL LOK	48850	1JS71-12-12	HOSE END,FEMALE SWIVEL,SEAL LOK
48801	1J743-4-4	HOSE END,45° FEMALE SWIVEL,SEAL LOK	48851	1J171-12-12	HOSE END,90° FEMALE SWIVEL,SEAL LOK
48802	1J943-4-4	HOSE END,90° FEMALE SWIVEL,SEAL LOK	48852	1J771-12-12	HOSE END,45° FEMALE SWIVEL,SEAL LOK
48804	1JM43-4-4	HOSE END,MALE,SEAL LOK, NO O-RING	48853	1J971-12-12	HOSE END,90° FEMALE SWIVEL,SEAL LOK
48805	10643-4-4	HOSE END,FEMALE SWIVEL,JIC	48854	1JC43-16-16	HOSE END,FEMALE SWIVEL,SEAL LOK
48806	13943-4-4	HOSE END,90° FEMALE SWIVEL,JIC	48855	1J943-16-16	HOSE END,90° FEMALE SWIVEL,SEAL LOK
48807	1JS43-4-4	HOSE END,FEMALE SWIVEL,SEAL LOK	48856	1J171-16-16	HOSE END,90° FEMALE SWIVEL,SEAL LOK
48808	3JC82-8-8	HOSE END,FEMALE SWIVEL,SEAL LOK	48857	1J971-16-16	HOSE END,90° FEMALE SWIVEL,SEAL LOK
48809	3JC82-12-12	HOSE END,FEMALE SWIVEL,SEAL LOK	48859	1JS43-8-4	HOSE END,FEMALE SWIVEL,SEAL LOK
48810	1JC43-6-4	HOSE END,FEMALE SWIVEL,SEAL LOK	48867	PD36BTL	DIAGNOSTIC NIPPLE,SEAL-LOK SWIVEL
48811	1J943-6-4	HOSE END,90° FEMALE SWIVEL,SEAL LOK	48873	6 PNLO-S	PLUG,TUBE END,ORFS
48812	1JC43-6-6	HOSE END,FEMALE SWIVEL,SEAL LOK	48874	6 PNTX-S	PLUG,FLARE TUBE
48813	1J143-6-6	HOSE END,90° FEMALE SWIVEL,SEAL LOK	48875	6 R6LO-S	RUN TEE,SWIVEL NUT,ORFS
48814	1J543-6-6	HOSE END,90° FEMALE SWIVEL,SEAL LOK	48877	4 F5OLO-SW/.025	CONNECTOR,STRAIGHT THREAD TO ORFS, W/.025 ORI
48815	1J743-6-6	HOSE END,45° FEMALE SWIVEL,SEAL LOK	48878	16-12 C5OLO-S	ELBOW,90°,STRAIGHT THREAD TO ORFS
48816	1J943-6-6	HOSE END,90° FEMALE SWIVEL,SEAL LOK	48879	8 C6LO-S	ELBOW,90°,SWIVEL NUT ORFS
48817	1JS43-6-8	HOSE END,FEMALE SWIVEL,SEAL LOK	48880	PD6-285	CAP,DIAGNOSTIC NIPPLE
48818	1J943-8-4	HOSE END,90° FEMALE SWIVEL,SEAL LOK	48881	6 HLO-S	UNION,ORFS
48819	1JC43-8-6	HOSE END,FEMALE SWIVEL,SEAL LOK	48883	8 P5ON-S	PLUG,STRAIGHT THREAD
48820	1J743-8-6	HOSE END,45° FEMALE SWIVEL,SEAL LOK	48884	8M18F87OMLO-S	CONNECTOR,METRIC,STRAIGHT THREAD TO ORFS
48821	1J943-8-6	HOSE END,90° FEMALE SWIVEL,SEAL LOK	48885	4 WGTX-WLN-S	CONNECTOR,BULKHEAD,FEMALE PIPE TO FLARE TUBE
48822	1JC43-8-8	HOSE END,FEMALE SWIVEL,SEAL LOK	48886	4 F5OLO-SW/2MM	CONNECTOR,MACHINED STRAIGHT THREAD TO ORFS
48823	1JS43-8-8	HOSE END,FEMALE SWIVEL,SEAL LOK	48887	4 CTX-S	ELBOW,90°,MALE PIPE TO FLARE TUBE
48824	1J143-8-8	HOSE END,90° FEMALE SWIVEL,SEAL LOK	48888	10-12 V5OLO-S	ELBOW,45°,STRAIGHT THREAD TO ORFS
48825	1J543-8-8	HOSE END,90° FEMALE SWIVEL,SEAL LOK	48890	4 S5OLO-S	BRANCH TEE,STRAIGHT THREAD TO ORFS
48826	1J743-8-8	HOSE END,45° FEMALE SWIVEL,SEAL LOK	48891	4 S6LO-S	BRANCH TEE,SWIVEL NUT TO ORFS
48827	1J943-8-8	HOSE END,90° FEMALE SWIVEL,SEAL LOK			
48828	1JC43-10-8	HOSE END,FEMALE SWIVEL,SEAL LOK			
48829	1JS43-10-8	HOSE END,FEMALE SWIVEL,SEAL LOK			
48830	1J743-10-8	HOSE END,45° FEMALE SWIVEL,SEAL LOK			
48831	1J943-10-8	HOSE END,90° FEMALE SWIVEL,SEAL LOK			
48833	1JC43-10-10	HOSE END,FEMALE SWIVEL,SEAL LOK			
48834	1J943-10-10	HOSE END,90° FEMALE SWIVEL,SEAL LOK			
48835	1JS43-10-12	HOSE END,FEMALE SWIVEL,SEAL LOK			
48836	1JC43-12-8	HOSE END,FEMALE SWIVEL,SEAL LOK			
48837	1JS43-12-8	HOSE END,FEMALE SWIVEL,SEAL LOK			
48838	1J743-12-8	HOSE END,45° FEMALE SWIVEL,SEAL LOK			
48839	1J943-12-8	HOSE END,90° FEMALE SWIVEL,SEAL LOK			
48840	1J943-12-10	HOSE END,90° FEMALE SWIVEL,SEAL LOK			
48841	1JC43-12-12	HOSE END,FEMALE SWIVEL,SEAL LOK			
48842	1JO43-12-12	HOSE END,MALE,SEAL LOK			
48843	1J143-12-12	HOSE END,90° FEMALE SWIVEL,SEAL LOK			
48844	1J543-12-12	HOSE END,90° FEMALE SWIVEL,SEAL LOK			
48845	1J743-12-12	HOSE END,45° FEMALE SWIVEL,SEAL LOK			
48846	1J943-12-12	HOSE END,90° FEMALE SWIVEL,SEAL LOK			

## Fitting Cross References (Continued)

Genie PN	Parker PN	Description	Genie PN	Parker PN	Description
48892	6 C6LO-S	ELBOW,90°,SWIVEL NUT ORFS	48938	8 R6LO-S	RUN TEE,SWIVEL NUT,ORFS
48893	6 F5OHAO-S	UNION,STRAIGHT THREAD	48939	8 S6LO-S	BRANCH TEE,SWIVEL NUT TO ORFS
48894	8 WLO-WLNL-S	UNION,BULKHEAD,ORFS	48940	8 WJLO-WLNL-S	RUN TEE, BULKHEAD,ORFS
48895	DT-370-MSMO-5	VALVE,CHECK	48941	8-4 TRLO-S	REDUCER,TUBE END TO SWIVEL,ORFS
48896	6 JLO-S	UNION,TEE,ORFS	48942	8-6 C5OLO-S	ELBOW,90°,STRAIGHT THREAD TO ORFS
48897	DT-750-MSMS-5	VALVE,CHECK	48943	8-6 F5OLO-S	CONNECTOR,STRAIGHT THREAD TO ORFS
48898	DT-750-MOMS-5	VALVE,CHECK	48944	8-8 FLO-S	CONNECTOR,MALE PIPE TO ORFS
48899	DT-620-MOMS-5	VALVE,CHECK	48945	8 FTX-S	CONNECTOR,MALE PIPE TO FLARE TUBE
48900	4-6 F5OLO-SW/.035	CONNECTOR,STRAIGHT THREAD TO ORFS, W/.035 ORI	48946	8-10 F5OLO-S	CONNECTOR,STRAIGHT THREAD TO ORFS
48902	16-1 AOE4G-S	ELBOW,90° LONG,FEMALE PIPE TO STRAIGHT THREAD	48947	8-12 C5OLO-S	ELBOW,90°,STRAIGHT THREAD TO ORFS
48903	1 FF-S	NIPPLE,PIPE	48948	8-12 F5OLO-S	CONNECTOR,STRAIGHT THREAD TO ORFS
48904	4 C5OLO-S	ELBOW,90°,STRAIGHT THREAD TO ORFS	48949	8-16 F5OLO-S	CONNECTOR,STRAIGHT THREAD TO ORFS
48905	4 F5OLO-S	CONNECTOR,STRAIGHT THREAD TO ORFS	48950	10 C5OLO-S	ELBOW,90°,STRAIGHT THREAD TO ORFS
48906	4 R5OLO-S	RUN TEE,STRAIGHT THREAD	48951	10 CC5OLO-S	ELBOW,90° LONG,STRAIGHT THREAD TO ORFS
48907	4 V5OLO-S	ELBOW,45°,STRAIGHT THREAD TO ORFS	48952	10 F5OLO-S	CONNECTOR,STRAIGHT THREAD TO ORFS
48908	4 R6LO-S	RUN TEE,SWIVEL NUT,ORFS	48953	10 R5OLO-S	RUN TEE,STRAIGHT THREAD
48909	4 WJLO-WLNL-S	RUN TEE, BULKHEAD,ORFS	48954	10 S5OLO-S	BRANCH TEE,STRAIGHT THREAD TO ORFS
48910	4 GTX-S W/.030	CONNECTOR,FEMALE PIPE TO FLARE TUBE	48955	10 R6LO-S	RUN TEE,SWIVEL NUT,ORFS
48911	4-6 C5OLO-S	ELBOW,90°,STRAIGHT THREAD TO ORFS	48956	10-4 TRLO-BL-S	REDUCER,TUBE END TO SWIVEL,ORFS
48912	4-6 F5OLO-S	CONNECTOR,STRAIGHT THREAD TO ORFS	48957	10-6 TRLO-BL-S	REDUCER,TUBE END TO SWIVEL,ORFS
48913	4-6 F5OLO-SW/.030	CONNECTOR,STRAIGHT THREAD TO ORFS, W/.030 ORI	48958	10-12 F5OLO-S	CONNECTOR,STRAIGHT THREAD TO ORFS
48914	4-8 F5OLO-S	CONNECTOR,STRAIGHT THREAD TO ORFS	48959	12 C5OLO-S	ELBOW,90°,STRAIGHT THREAD TO ORFS
48915	6 C5OLO-S	ELBOW,90°,STRAIGHT THREAD TO ORFS	48960	12 F5OLO-S	CONNECTOR,STRAIGHT THREAD TO ORFS
48916	6 F5OLO-S	CONNECTOR,STRAIGHT THREAD TO ORFS	48961	12 R5OLO-S	RUN TEE,STRAIGHT THREAD
48917	6 FF5OLO-S	CONNECTOR,LONG,STRAIGHT THREAD TO ORFS	48962	12 S5OLO-S	BRANCH TEE,STRAIGHT THREAD TO ORFS
48918	6 R5OLO-S	RUN TEE,STRAIGHT THREAD	48963	12 V5OLO-S	ELBOW,45°,STRAIGHT THREAD TO ORFS
48919	6 S5OLO-S	BRANCH TEE,STRAIGHT THREAD TO ORFS	48964	12 R6LO-S	RUN TEE,SWIVEL NUT,ORFS
48920	6 V5OLO-S	ELBOW,45°,STRAIGHT THREAD TO ORFS	48965	12 CLO-S	ELBOW,90°,MALE PIPE TO ORFS
48921	6 FLO-S	CONNECTOR,MALE PIPE TO ORFS	48966	12 FLO-S	CONNECTOR,MALE PIPE TO ORFS
48922	6-6 FLO-S	CONNECTOR,MALE PIPE TO ORFS	48967	12 JLO-S	UNION TEE,ORFS
48923	6 P5ON-S	PLUG,STRAIGHT THREAD	48968	12 WLO-WLNL-S	UNION,BULKHEAD,ORFS
48925	6 WELO-S	UNION,90° BULKHEAD,ORFS	48969	12 WJLO-WLNL-S	RUN TEE, BULKHEAD,ORFS
48926	6-4 C5OLO-S	ELBOW,90°,STRAIGHT THREAD TO ORFS	48970	12 WELO-WLNL-S	UNION,90° BULKHEAD W/NUT,ORFS
48927	6-4 F5OLO-S	CONNECTOR,STRAIGHT THREAD TO ORFS			
48928	6-4 V5OLO-S	ELBOW,45°,STRAIGHT THREAD TO ORFS			
48929	6-8 C5OLO-S	ELBOW,90°,STRAIGHT THREAD TO ORFS			
48930	6-8 F5OLO-S	CONNECTOR,STRAIGHT THREAD TO ORFS			
48931	6-10 F5OLO-S	CONNECTOR,STRAIGHT THREAD TO ORFS			
48932	8 C5OLO-S	ELBOW,90°,STRAIGHT THREAD TO ORFS			
48933	8 F5OLO-S	CONNECTOR,STRAIGHT THREAD TO ORFS			
48934	8 FF5OLO-S	CONNECTOR,LONG,STRAIGHT THREAD TO ORFS			
48935	8 R5OLO-S	RUN TEE,STRAIGHT THREAD			
48936	8 S5OLO-S	BRANCH TEE,STRAIGHT THREAD TO ORFS			
48937	8 V5OLO-S	ELBOW,45°,STRAIGHT THREAD TO ORFS			

## Fitting Cross References (Continued)

Genie PN	Parker PN	Description	Genie PN	Parker PN	Description
48971	12 G5G5JG5-S	TEE,FEMALE STRAIGHT THREAD	49612	PKT02586	O-RING KIT (ORFS FITTINGS)
48972	12 XHL6-S	ADAPTER, 37° MALE TO SWIVEL ORFS	49613	PKT06276	PLUG AND CAP KIT-SERVICE,ORFS
48973	12-1/2 F5OG-S	ADAPTER,FEMALE PIPE TO STRAIGHT THREAD	49728	10143-12-12	HOSE END, MALE PIPE
48974	12-10 C5OLO-S	ELBOW,90°,STRAIGHT THREAD TO ORFS	49729	16-1 F5OG-S	ADAPTER,FEMALE PIPE TO STRAIGHT THREAD
48975	12-10 F5OLO-S	CONNECTOR,STRAIGHT THREAD TO ORFS	49814	12-8 FLO-S	CONNECTOR,MALE PIPE TO ORFS
48976	12-16 C5OLO-S	ELBOW,90°,STRAIGHT THREAD TO ORFS	49829	DT-500-MOMF-5	VALVE,CHECK
48977	12-16 F5OLO-S	CONNECTOR,STRAIGHT THREAD TO ORFS	49831	881-12	HOSE,3/4 INCH ID
48978	12-16 V5OLO-S	ELBOW,45°,STRAIGHT THREAD TO ORFS	49834	16 JLO-S	UNION TEE,ORFS
48980	12-16 FLO-S	CONNECTOR,MALE PIPE TO ORFS	49838	12-8 TRLO-BL-S	REDUCER,TUBE END TO SWIVEL,ORFS
48983	16 C5OLO-S	ELBOW,90°,STRAIGHT THREAD TO ORFS	49840	8 JLO-S	UNION TEE,ORFS
48984	16 F5OLO-S	CONNECTOR,STRAIGHT THREAD TO ORFS	49844	10-8 TRLO-BL-S	REDUCER,TUBE END TO SWIVEL,ORFS
48985	16 V5OLO-S	ELBOW,45°,STRAIGHT THREAD TO ORFS	49854	8 P5ON-S	PLUG,STRAIGHT THREAD
48986	16 FLO-S	CONNECTOR,MALE PIPE TO ORFS	49855	1JC43-16-12	HOSE END,FEMALE SWIVEL,SEAL LOK
48988	16 CD45-S	ELBOW,45°,MALE TO FEMALE PIPE	49859	4 P5ON-S	PLUG,STRAIGHT THREAD
48989	12 CD45-S	ELBOW,45°,MALE TO FEMALE PIPE	49861	4 FF5OLO-S	CONNECTOR, LONG, STRAIGHT THREAD TO ORFS
48990	8 CD45-S	ELBOW,45°,MALE TO FEMALE PIPE	49867	12-3/4 F5OG-S	ADAPTER,FEMALE PIPE TO STRAIGHT THREAD
48991	16-12 FLO-S	CONNECTOR,MALE PIPE TO ORFS	51152	6 R6X-S	RUN TEE,SWIVEL NUT,ORFS
48992	16-12 V5OLO-S	ELBOW,45°,STRAIGHT THREAD TO ORFS	51153	6-4 TRTX-S	REDUCER,TUBE END TO SWIVEL,ORFS
48993	XV501-12	BALL VALVE	51154	4-4 GTX	CONNECTOR,FEMALE PIPE TO FLARE TUBE
48994	XV501-16	BALL VALVE	51264	881-12	HOSE,3/4 INCH ID
48995	XV510P-12	BALL VALVE	51265	8 JLO-S	UNION TEE,ORFS
48996	XV510P-16	BALL VALVE	51508	6 BTX-S	NUT,FLARE TUBE
48997	PD341	DIAGNOSTIC NIPPLE, STRAIGHT THREAD	51580	12-8 TRLO-BL-S	TUBE END REDUCER,ORFS
48998	PD 361	DIAGNOSTIC NIPPLE, STRAIGHT THREAD	51628	6 R6X-S	RUN TEE,SWIVEL NUT,ORFS
48999	DT-500-MOMS-5	VALVE,CHECK	51735	3/8 HHP	PLUG,PIPE THREAD
49201	10 V5OLO-S	ELBOW,45°,STRAIGHT THREAD TO ORFS	51803	1J943-6-8	HOSE END,90° FEMALE SWIVEL,SEAL LOK
49202	1JC43-12-10	HOSE END,FEMALE SWIVEL,SEAL LOK	53023	125HBL-5-4	FITTING,HOSE BARB TO MALE PIPE
49203	10-8 V5OLO-S	ELBOW,45°,STRAIGHT THREAD TO ORFS	53497	PKT02585	O-RING KIT
49205	6 F5OHAO-S	UNION,STRAIGHT THREAD	53499	1JC71-16-16	HOSE END,FEMALE SWIVEL,SEAL LOK
49207	PD34BTL	DIAGNOSTIC NIPPLE,SEAL-LOK SWIVEL	53500	3-904	O-RING,STRAIGHT THREAD,-4
49209	8M18F870MX-S	CONNECTOR,METRIC,STRAIGHT THREAD TO FLARE TUBE	53501	3-906	O-RING,STRAIGHT THREAD,-6
49212	8 WGTX-WLN-S	CONNECTOR,BULKHEAD,FEMALE PIPE TO FLARE TUBE	53502	3-908	O-RING,STRAIGHT THREAD,-8
49213	30682-8-8	HOSE END,FEMALE SWIVEL,JIC	53503	3-910	O-RING,STRAIGHT THREAD,-10
49216	831-8	HOSE,1/2 INCH ID			
49217	33982-8-8	HOSE END,90° FEMALE SWIVEL,JIC			
49219	PS-B-35	SLEEVE,NYLON,2.19" ID			
49418	4-6 V5OLO-S	ELBOW,45°,STRAIGHT THREAD TO ORFS			
49511	DT370-MOMS-5	VALVE,CHECK			
49512	1 DD-S	ELBOW,90°,FEMALE PIPE			
49513	1 FF-S	NIPPLE,PIPE			
49514	10 HP5ON-S	PLUG,STRAIGHT THREAD			
49515	12-16 CLO-S	ELBOW,90°,MALE PIPE TO ORFS			
49517	6 HP5ON-S	PLUG,STRAIGHT THREAD			
49519	16-12 F5OLO-S	CONNECTOR,STRAIGHT THREAD TO ORFS			
49520	4 VTX-S	ELBOW,45°,MALE PIPE TO FLARE TUBE			
49530	16 C6LO-S	ELBOW,90°,SWIVEL NUT ORFS			

## Fitting Cross References (Continued)

Genie PN	Parker PN	Description	Genie PN	Parker PN	Description
53535	3-912	O-RING,STRAIGHT THREAD,-12	61083	24 F5OLO-S	CONNECTOR,STRAIGHT THREAD TO ORFS
53536	4-PNLO-S	PLUG,TUBE END,ORFS	61086	20 R5OLO-S	RUN TEE,STRAIGHT THREAD
53537	6 PNLO-S	PLUG,TUBE END,ORFS	61090	24-20 F5OLO-S	CONNECTOR,STRAIGHT THREAD TO ORFS
53538	8 PNLO-S	PLUG,TUBE END,ORFS	61091	1J943 24-24	HOSE END,90° FEMALE SWIVEL,SEAL LOK
53539	10 PNLO-S	PLUG,TUBE END,ORFS	61093	1J978-12-12	HOSE END,90° FEMALE SWIVEL,JIC
53540	12 PNLO-S	PLUG,TUBE END,ORFS	61095	1JS43-20-16	HOSE END,FEMALE SWIVEL,SEAL LOK
53946	129HB-5-4	FITTING,90° HOSE BARB TO MALE PIPE	61100	811-24	HOSE,11/2 INCH ID
53951	8-1/4F50G-S	ADAPTER,FEMALE PIPE TO STRAIGHT THREAD	61130	1JS43-24-24	HOSE END,FEMALE SWIVEL,SEAL LOK
53980	6 S6LO-S	BRANCH TEE,SWIVEL NUT TO ORFS	61131	1JS78 12-12	HOSE END,FEMALE SWIVEL,SEAL LOK
54132	4 C6LO-S	ELBOW,90°,SWIVEL NUT ORFS	61132	1J778-12-12	HOSE END,45° FEMALE SWIVEL,JIC
54135	11343-16-16	HOSE END,MALE SWIVEL,PIPE	61152	139HB-6-4	ELBOW,45°,BARB TO MALE PIPE
54283	8-10 C5OLO-S	ELBOW,90°,STRAIGHT THREAD TO ORFS	61251	BV-0750	BALL VALVE
54428	8M18C870MLO-S	ELBOW, 90° METRIC, STRAIGHT THREAD TO ORFS	61259	4 CC5OLO-S	ELBOW,90° LONG,STRAIGHT THREAD TO ORFS
54803	FS-F-16-10	SLEEVE,FIRE,-.96" ID	61260	20-12 TRLO-BL	REDUCER,TUBE END TO SWIVEL,ORFS
54954	10143-2-4	HOSE END, MALE PIPE	61262	12 C6LO-S	ELBOW,90°,SWIVEL NUT ORFS
55190	3/8 HP-S	PLUG,PIPE THREAD	61263	20 F5OHAO-S	UNION,STRAIGHT THREAD
55448	8 HLO-S	UNION,ORFS	61264	6-10 C5OLO-S	ELBOW,90°,STRAIGHT THREAD TO ORFS
55839	6 F65OX-S	CONNECTOR,STRAIGHT THREAD TO 37° SWIVEL	61265	6 WNLO-WLNL-S	UNION,BULKHEAD 45°,ORFS
55968	10 C5OX-S	ELBOW,90°,STRAIGHT THREAD TO FLARE TUBE	61268	4 WNLO-WLNL-S	UNION,BULKHEAD 45°,ORFS
56003	6 CC5OLO-S	ELBOW,90° LONG,STRAIGHT THREAD TO ORFS	61269	4 WLO-WLNL-S	UNION,BULKHEAD,ORFS
56166	BV-0837	BALL VALVE,90°	61272	12 AOEL6	ELBOW,90°,STRAIGHT THREAD TO ORFS SWIVEL
56188	10143-8-6	HOSE END, MALE PIPE	61316	482TC-16	HOSE,1 INCH ID
56233	2-011	O-RING,ORFS,-4	61321	6 JLO-S	UNION TEE,ORFS
56234	2-012	O-RING,ORFS,-6	61327	782-12	HOSE,3/4 INCH ID
56235	2-014	O-RING,ORFS,-8	61328	881-24	HOSE,11/2 INCH ID
56236	2-016	O-RING,ORFS,-10	61336	11943-20-24	HOSE END,90° FLANGE HEAD
56237	2-018	O-RING,ORFS,-12	61345	12 WJLO-WLNL-S	RUN TEE, BULKHEAD,ORFS
56238	2-021	O-RING,ORFS,-16	61346	8 WNLO-WLNL-S 4	UNION,BULKHEAD 45°,ORFS
56352	6 WLNL-S	LOCKNUT,BULKHEAD	61569	33782-8-8	HOSE END,45° FEMALE SWIVEL,JIC
56353	3J782-12-12	HOSE END,45° FEMALE SWIVEL,SEAL LOK	61610	12 FF5OLO-S	CONNECTOR,LONG,STRAIGHT THREAD TO ORFS
56354	3J982-12-12	HOSE END,90° FEMALE SWIVEL,SEAL LOK	61742	1/8 X 1.5 FFF	NIPPLE,PIPE
56604	10-8 F5OLO-S	CONNECTOR,STRAIGHT THREAD TO ORFS	63426	8 PNTX-S	PLUG,FLARE TUBE
56639	3JC82-10-10	HOSE END,FEMALE SWIVEL,SEAL LOK			
56640	3J982-10-10	HOSE END,90° FEMALE SWIVEL,SEAL LOK			
56655	3JC82-8-10	HOSE END,FEMALE SWIVEL,SEAL LOK			
56676	10-8 C5OLO-S	ELBOW,90°,STRAIGHT THREAD TO ORFS			
56776	471TC-6	HOSE,3/8 INCH ID			
56777	471TC-8	HOSE,1/2 INCH ID			
56789	811-16	HOSE,1 INCH ID			
57884	3/8 FF	NIPPLE,PIPE			
59335	6 FNL-S	CAP,TUBE END			
59342	4 FNL-S	CAP,TUBE END			
59371	8 HP50N-S	PLUG,STRAIGHT THREAD			
60653	BV-0751	BALL VALVE			
60806	125HB-3-4	FITTING,HOSE BARB TO MALE PIPE			
61064	5-1/4 F50G-S	ADAPTER,FEMALE PIPE TO STRAIGHT THREAD			
61079	4 WELO-WLNL-S	UNION,90° BULKHEAD W/NUT,ORFS			
61080	6 WLO-WLNL-S	UNION,BULKHEAD,ORFS			



## Fitting Cross References (Continued)

Genie PN	Parker PN	Description	Genie PN	Parker PN	Description
64271	4 WLO-WLNL-S	UNION,BULKHEAD,ORFS	75631	801-6	HOSE,3/8 INCH ID
64272	6 WLO-WLNL-S	UNION,BULKHEAD,ORFS	75654	20 F5OLO-S	CONNECTOR,STRAIGHT THREAD TO ORFS
65776	8 F65OL-S	CONNECTOR,STRAIGHT THREAD TO ORFS SWIVEL	75655	1J943-20-20	HOSE END,90° FEMALE SWIVEL,SEAL LOK
65880	6001012	O-RING KIT	75656	881-20	HOSE,1-1/4 INCH ID
66154	6 WTX-WLNS	UNION,BULKHEAD,FLARE TUBE	75971	8 F5OHAO-S	UNION,STRAIGHT THREAD
66155	6 WETX-S	UNION,BULKHEAD 90°,FLARE TUBE	77307	1JB43-8-8	HOSE END,BULKHEAD,SEAL LOK
66156	6 WLN-S	BULKHEAD LOCKNUT	77309	8 WLNL-S	BULKHEAD LOCKNUT
66389	6-8 F5OX-S	CONNECTOR,STRAIGHT THREAD TO FLARE TUBE	77379	8M18C87OMX-S	ELBOW,90° METRIC,STRAIGHT THREAD TO FLARE TUBE
66392	6 R5OX-S	RUN TEE,STRAIGHT THREAD	77703	3J982-8-8	HOSE END,90° FEMALE SWIVEL,SEAL LOK
66396	811-12	HOSE,3/4 INCH ID	77711	801-10	HOSE,5/8 INCH ID
66829	H3174PP	CLAMP,TUBE	77758	12 WNLO-WLNL-S	UNION,BULKHEAD 45°,ORFS
67217	4 KLO-S	UNION,CROSS,ORFS	78091	6 C6X-S	ELBOW,90°,SWIVEL NUT TO FLARE TUBE
67339	10-6 F5OX-S	CONNECTOR,STRAIGHT THREAD TO FLARE TUBE	78684	30582-8-8B	HOSE END,PUSH LOK,MALE
67357	13943-8-6	HOSE END,90° FEMALE SWIVEL,JIC	78852	549-2	HOSE,1/8 INCH ID
67358	10 HP5ON-S	PLUG,STRAIGHT THREAD	78855	10657-4-2	HOSE END,FEMALE SWIVEL,JIC
67371	12 S6LO-S	BRANCH TEE,SWIVEL NUT TO ORFS	79138	PS-B-37	SLEEVE,NYLON,2.38" ID
67498	4 FNL-S	CAP, TUBE END	79476	1JS43-6-8	HOSE END,FEMALE SWIVEL,SEAL LOK
67906	DC-370-F0F0-5	VALVE,CHECK	79847	12-3/4 A0EG-S	ELBOW,90°,STRAIGHT THREAD TO FEMALE PIPE
69316	8 FLO-S	CONNECTOR,MALE PIPE TO ORFS	80044	8 CLO-S	ELBOW,90°,MALE PIPE TO ORFS
69333	H3174PP	CLAMP,HYDRAULIC HOSE	80502	8 F5OX-S	CONNECTOR,STRAIGHT THREAD TO FLARE TUBE
69503	4 F65OX-S	CONNECTOR,STRAIGHT THREAD TO 37° SWIVEL	80503	8 C5OX-S	ELBOW,90°,STRAIGHT THREAD TO FLARE TUBE
69775	8 FNL-S	CAP, TUBE END	81010	AS-B-27	SLEEVE,NYLON,1.63" ID
71038	1/4X1/4F3HG-S	ADAPTER,CONVERSION	83052	821-6	HOSE,3/8 INCH ID
71196	12-8 F5OLO-S	CONNECTOR,STRAIGHT THREAD TO ORFS	83053	821-8	HOSE,1/2 INCH ID
71383	1/4 CD45-S	ELBOW,45°,MALE TO FEMALE PIPE	83054	821-12	HOSE,3/4 INCH ID
72270	12FNL-S	CAP, TUBE END	83055	30682-6-6	HOSE END,FEMALE SWIVEL,JIC
73436	60C-4	SLEEVE,COMPRESSION	83056	30682-12-12	HOSE END,FEMALE SWIVEL,JIC
73437	61C-4	NUT,COMPRESSION	83057	33782-6-6	HOSE END,45° FEMALE SWIVEL,JIC
73438	33482-4-4B	HOSE END,PUSH LOK,MALE	83058	33982-6-6	HOSE END,90° FEMALE SWIVEL,JIC
73767	1CD-S	ELBOW,90°,MALE TO FEMALE PIPE	83060	33982-12-12	HOSE END,90° FEMALE SWIVEL,JIC
73768	20-16-F5OG5-S	ADAPTER,FEMALE PIPE TO STRAIGHT THREAD	83063	13743-4-4	HOSE END,45° FEMALE SWIVEL,JIC
73769	16-20 F5OLO-S	CONNECTOR,STRAIGHT THREAD TO ORFS			
74660	6-8 F42EDMLO-S	CONNECTOR,MALE BSPP TO ORFS			
74661	8-8 F42EDMLO-S	CONNECTOR,MALE BSPP TO ORFS			
75007	4 FLO-S	CONNECTOR,MALE PIPE TO ORFS			
75008	1/8 HP-S	PLUG,PIPE THREAD			
75014	1/2 HP-S	PLUG,PIPE THREAD			
75042	8 WELO-WLNL-S	UNION,90° BULKHEAD W/NUT,ORFS			
75043	3/4 FF-S	NIPPLE,PIPE			
75254	24 F5OHAO-S	UNION,STRAIGHT THREAD			
75255	12 F5OHAO-S	UNION,STRAIGHT THREAD			
75256	XV506P-24	BALL VALVE			
75574	4 WLNL-S	BULKHEAD LOCKNUT			
75612	8 WJLO-WLNL-S	RUN TEE, BULKHEAD,ORFS			
75613	12-8 F5OG5-S	ADAPTER,FEMALE PIPE TO STRAIGHT THREAD			
75614	8 CC5OLO-S	ELBOW,90° LONG,STRAIGHT THREAD TO ORFS			
75628	1JB43-4-4	HOSE END,BULKHEAD,SEAL LOK			

## Fitting Cross References (Continued)

Genie PN	Parker PN	Description	Genie PN	Parker PN	Description
83064	13743-8-8	HOSE END,45° FEMALE SWIVEL,JIC	89449	6 WJLO-WLNL-S	RUN TEE, BULKHEAD,ORFS
83065	13743-12-12	HOSE END,45° FEMALE SWIVEL,JIC	89489	4 WJMLO-S	BRANCH TEE,BULKHEAD,ORFS
83066	13943-8-8	HOSE END,90° FEMALE SWIVEL,JIC	89551	1JB43-6-6	HOSE END,BULKHEAD,SEAL LOK
83067	14143-6-6	HOSE END,90° FEMALE SWIVEL,JIC	89552	1JB43-8-8	HOSE END,BULKHEAD,SEAL LOK
83068	14143-8-8	HOSE END,90° FEMALE SWIVEL,JIC	89593	20 C5OLO-S	ELBOW,90°,STRAIGHT THREAD TO ORFS
83069	14143-12-12	HOSE END,90° FEMALE SWIVEL,JIC	94161	8-8 CLO-S	ELBOW,90°,MALE PIPE TO ORFS
83070	772-8	HOSE,1/2 INCH ID	94358	351TC-12	HOSE,3/4 INCH ID
83071	10671-8-8	HOSE END,FEMALE SWIVEL,JIC	94418	20 FLO-S	CONNECTOR,MALE PIPE TO ORFS
83072	10671-12-12	HOSE END,FEMALE SWIVEL,JIC	96358	12 TX-S	SLEEVE,FLARE TUBE
83073	13771-8-8	HOSE END,45° FEMALE SWIVEL,JIC	96359	12 BTX-S	NUT,FLARE TUBE
83074	13771-12-12	HOSE END,45° FEMALE SWIVEL,JIC	96397	8 F5OX-S	CONNECTOR,STRAIGHT THREAD TO FLARE TUBE
83075	13971-8-8	HOSE END,90° FEMALE SWIVEL,JIC	96398	12-8 F5OX-S	CONNECTOR,STRAIGHT THREAD TO FLARE TUBE
83076	13971-12-12	HOSE END,90° FEMALE SWIVEL,JIC	96402	10343-6-6	HOSE END,MALE,JIC
83077	14171-8-8	HOSE END,90° FEMALE SWIVEL,JIC	96407	30382-6-6B	HOSE END,MALE,JIC
83078	14171-12-12	HOSE END,90° FEMALE SWIVEL,JIC			
83080	13943-16-16	HOSE END,90° FEMALE SWIVEL,JIC			
83103	10671-16-12	HOSE END,FEMALE SWIVEL,JIC			
83104	10671-10-12	HOSE END,FEMALE SWIVEL,JIC			
83112	1JC71-8-8	HOSE END,FEMALE SWIVEL,SEAL LOK			
83113	1JS71-16-12	HOSE END,FEMALE SWIVEL,SEAL LOK			
83114	1JS71-10-12	HOSE END,FEMALE SWIVEL,SEAL LOK			
83115	1J971-8-8	HOSE END,90° FEMALE SWIVEL,SEAL LOK			
83116	1J171-8-8	HOSE END,90° FEMALE SWIVEL,SEAL LOK			
83117	1J771-8-8	HOSE END,45° FEMALE SWIVEL,SEAL LOK			
83127	1J543-6-8	HOSE END,90° FEMALE SWIVEL,JIC			
83128	1JC43-6-8	HOSE END,FEMALE SWIVEL,SEAL LOK			
87033	12-6 TRLO-S	REDUCER,TUBE END TO SWIVEL,ORFS			
87034	3J782-8-8	HOSE END,45° FEMALE SWIVEL,SEAL LOK			
87172	12 HP5ON-S	PLUG,STRAIGHT THREAD			
87185	8 WNLO-WLNL-S	UNION,BULKHEAD 45°,ORFS			
87246	4 C6X-S	ELBOW,90°,SWIVEL NUT TO FLARE TUBE			
87679	6 LHP-S	FLANGE SEAL FITTING, MALE			
87681	6PLS N0702	BONDED SEAL			
88100	SR88100	ADAPTER,OIL DRAIN,GM 3.0L			
88311	1JS43-20-20	HOSE END,FEMALE SWIVEL,SEAL LOK			
88353	20 V5OLO-S	ELBOW,45°,STRAIGHT THREAD TO ORFS			
88474	10081-20	Crimp Shell, 1.25"			
88475	1988-20-24	HOSE END,90° FLANGE HEAD			
88476	JS88-24-24	HOSE END,FEMALE SWIVEL,SEAL LOK			
88477	1JC88-20-20	HOSE END,FEMALE SWIVEL,SEAL LOK			
88478	811-20	HOSE,11/4 INCH ID			
88936	20-16 F5OLO-S	CONNECTOR,STRAIGHT THREAD TO ORFS			
88937	20-16 FLO-S	CONNECTOR,MALE PIPE TO ORFS			
88938	1JC88-16-16	HOSE END,FEMALE SWIVEL,SEAL LOK			
88939	1J988-16-16	HOSE END,90° FEMALE SWIVEL,ORFS			
88940	811-16	HOSE,1 INCH ID			
88944	1J988-20-20	HOSE END,90° FEMALE SWIVEL,ORFS			
89403	16 VLO-S	ELBOW,45°,MALE PIPE TO ORFS			

California Proposition 65



Operating, servicing and maintaining this equipment can expose you to chemicals including engine exhaust, carbon monoxide, phthalates, and lead, which are known to the State of California to cause cancer and birth defects or other reproductive harm. These chemicals can be emitted from or contained in other various parts and systems, fluids and some component wear by-products. To minimize exposure, avoid breathing exhaust, do not idle the engine except as necessary, service your equipment and vehicle in a well-ventilated area and wear gloves or wash your hands frequently when servicing your equipment or vehicle and after operation. For more information go to [www.P65Warnings.ca.gov/passenger-vehicle](http://www.P65Warnings.ca.gov/passenger-vehicle).

Breathing diesel engine exhaust exposes you to chemicals known to the State of California to cause cancer and birth defects or other reproductive harm.

- Always start and operate the engine in a well-ventilated area.
- If in an enclosed area, vent the exhaust to the outside.
- Do not modify or tamper with the exhaust system.
- Do not idle the engine except as necessary.

For more information go to

[www.P65warnings.ca.gov/diesel](http://www.P65warnings.ca.gov/diesel).

Distributed By:

[www.P65Warnings.ca.gov](http://www.P65Warnings.ca.gov) to order your parts

# PARTS FINDER

**Search Website  
by Part Number**



**Search Manual  
Library For Parts  
Manual & Lookup Part  
Numbers – Purchase  
or Request Quote**

**Search Manuals**

Enter your information to help us find the right parts manual for your machine.

\* Brand:

\* Model:

\* Serial:

\* Part Number:

SEARCH

**Can't Find Part or  
Manual? Request Help  
by Manufacturer,  
Model & Description**

**Parts Order Form**

Please fill in the following information to help us find the right part for your machine.

Manufacturer:	<input type="text"/>
Model:	<input type="text"/>
Description:	<input type="text"/>
Part Number:	<input type="text"/>
Quantity:	<input type="text"/>
Notes:	<input type="text"/>

Submit

Discount-Equipment.com is your online resource for quality parts & equipment.

Florida: **561-964-4949** Outside Florida TOLL FREE: **877-690-3101**

**Need parts?**

Click on this link: <http://www.discount-equipment.com/category/5443-parts/> and choose one of the options to help get the right parts and equipment you are looking for. Please have the machine model and serial number available in order to help us get you the correct parts. If you don't find the part on the website or on one of the online manuals, please fill out the request form and one of our experienced staff members will get back to you with a quote for the right part that your machine needs.

We sell worldwide for the brands: Genie, Terex, JLG, MultiQuip, Mikasa, Essick, Whiteman, Mayco, Toro Stone, Diamond Products, Generac Magnum, Airman, Haulotte, Barreto, Power Blanket, Nifty Lift, Atlas Copco, Chicago Pneumatic, Allmand, Miller Curber, Skyjack, Lull, Skytrak, Tsurumi, Husquvarna Target, Stow, Wacker, Sakai, Mi-T-M, Sullair, Basic, Dynapac, MBW, Weber, Bartell, Bennar Newman, Haulotte, Ditch Runner, Menegotti, Morrison, Contec, Buddy, Crown, Edco, Wyco, Bomag, Laymor, EZ Trench, Bil-Jax, F.S. Curtis, Gehl Pavers, Heli, Honda, ICS/PowerGrit, IHI, Partner, Imer, Clipper, MMD, Koshin, Rice, CH&E, General Equipment, Amida, Coleman, NAC, Gradall, Square Shooter, Kent, Stanley, Tamco, Toku, Hatz, Kohler, Robin, Wisconsin, Northrock, Oztec, Toker TK, Rol-Air, APT, Wylie, Ingersoll Rand / Doosan, Innovatech, Con X, Ammann, Mecalac, Makinex, Smith Surface Prep, Small Line, Wanco, Yanmar