



A TEREX BRAND



Parts Manual

Serial Number Range

Z-34/22
BiEnergy
Z-34/DC
Z-34/22N

from SN Z34F-12000

-

-

from SN Z34F-12000

-

from SN Z34NF-14000

Part No. 1284225GT
Rev: B
August 2020

Go to Discount-Equipment.com to order your parts

PARTS FINDER

**Search Website
by Part Number**



**Search Manual
Library For Parts
Manual & Lookup Part
Numbers – Purchase
or Request Quote**

Search Manuals

Enter your information to help us find the right parts manual for your machine.

* Brand:

* Model:

* Serial:

* Part Number:

SEARCH

**Can't Find Part or
Manual? Request Help
by Manufacturer,
Model & Description**

Parts Order Form

Please fill in the following information to help us find the right part for your machine.

Manufacturer:	<input type="text"/>
Model:	<input type="text"/>
Description:	<input type="text"/>
Part Number:	<input type="text"/>
Quantity:	<input type="text"/>
Notes:	<input type="text"/>

Submit

Discount-Equipment.com is your online resource for quality parts & equipment.

Florida: **561-964-4949** Outside Florida TOLL FREE: **877-690-3101**

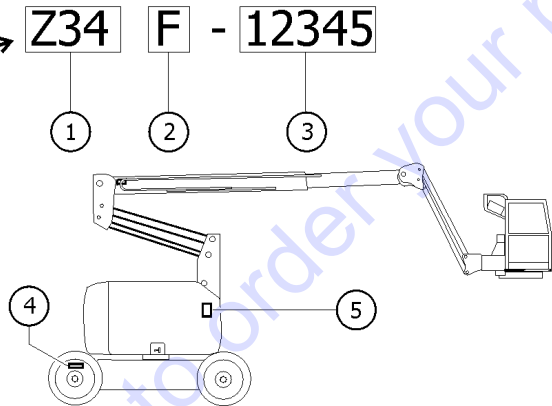
Need parts?

Click on this link: <http://www.discount-equipment.com/category/5443-parts/> and choose one of the options to help get the right parts and equipment you are looking for. Please have the machine model and serial number available in order to help us get you the correct parts. If you don't find the part on the website or on one of the online manuals, please fill out the request form and one of our experienced staff members will get back to you with a quote for the right part that your machine needs.

We sell worldwide for the brands: Genie, Terex, JLG, MultiQuip, Mikasa, Essick, Whiteman, Mayco, Toro Stone, Diamond Products, Generac Magnum, Airman, Haulotte, Barreto, Power Blanket, Nifty Lift, Atlas Copco, Chicago Pneumatic, Allmand, Miller Curber, Skyjack, Lull, Skytrak, Tsurumi, Husquvarna Target, Stow, Wacker, Sakai, Mi-T-M, Sullair, Basic, Dynapac, MBW, Weber, Bartell, Bennar Newman, Haulotte, Ditch Runner, Menegotti, Morrison, Contec, Buddy, Crown, Edco, Wyco, Bomag, Laymor, EZ Trench, Bil-Jax, F.S. Curtis, Gehl Pavers, Heli, Honda, ICS/PowerGrit, IHI, Partner, Imer, Clipper, MMD, Koshin, Rice, CH&E, General Equipment, Amida, Coleman, NAC, Gradall, Square Shooter, Kent, Stanley, Tamco, Toku, Hatz, Kohler, Robin, Wisconsin, Northrock, Oztec, Toker TK, Rol-Air, APT, Wylie, Ingersoll Rand / Doosan, Innovatech, Con X, Ammann, Mecalac, Makinex, Smith Surface Prep, Small Line, Wanco, Yanmar

Genie
A TEREX BRAND

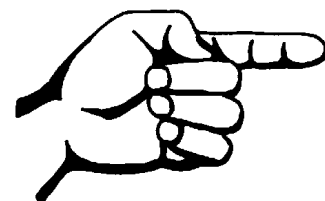
Model:
Serial number: Z34F-12345
Year of manufacture: 2017
Electrical schematic number:
Machine unladen weight:
Rated work load (including occupants):
Maximum number of platform occupants:
Maximum allowable side force:
Maximum allowable inclination of the chassis:



- 1 Model
- 2 Facility code
- 3 Sequence number

- 4 Serial number (stamped on chassis)
- 5 Serial label (located under cover)

Please refer to section 001 for the Recommended Spare Parts List.



This page intentionally left blank.

Go to Discount-Equipment.com to order your parts

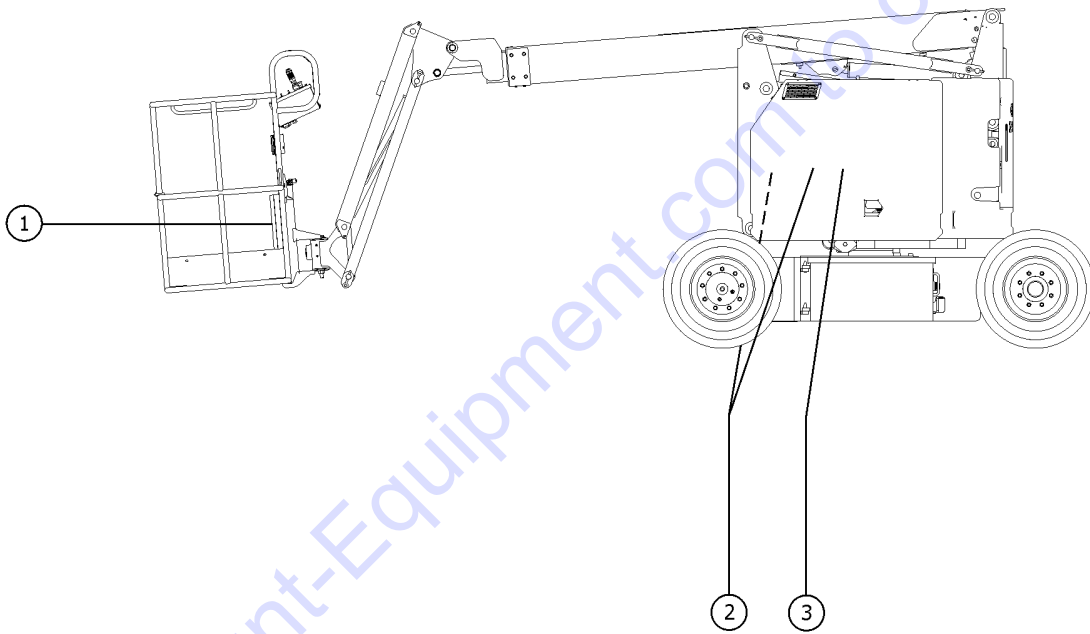
Description	Page
001 Parts Stocking List	10
001.1 Parts Stocking List	10
100 Decals	12
101.1 Word Decals, Z-34/22N & Z-34/22DC, Chassis/Battery Box (to SN Z34NF-16999 and SN Z34F-13999)	12
101.2 Word Decals, Z-34/22N & Z-34/22DC, Chassis/Battery Box (to SN Z34NF-16999 and SN Z34F-13999)	14
102.1 Word Decals, Z-34/22N & Z-34/22DC, Turntable (to SN Z34NF-16999 and SN Z34F-13999)	16
103.1 Word Decals, Z-34/22N & Z-34/22DC, Boom (to SN Z34NF-16999 and SN Z34F-13999)	18
104.1 Word Decals, Z-34/22N & Z-34/22DC, Platform (to SN Z34NF-16999 and SN Z34F-13999)	20
105.1 Word Decals, Z-34/22BE, Chassis (to SN Z34F-13999)	22
106.1 Word Decals, Z-34/22BE, Turntable (to SN Z34F-13999)	24
107.1 Word Decals, Z-34/22BE, Boom (to SN Z34F-13999)	26
108.1 Word Decals, Z-34/22BE, Platform (to SN Z34F-13999)	28
109.1 Symbol Decals, Z-34/22N & Z-34/22DC, Chassis/Battery Box (to SN Z34NF-16999 and SN Z34F-13999)	30
110.1 Symbol Decals, Z-34/22N & Z-34/22DC, Turntable (to SN Z34NF-16999 and SN Z34F-13999)	32
111.1 Symbol Decals, Z-34/22N & Z-34/22DC, Boom (to SN Z34NF-16999 and SN Z34F-13999)	34
112.1 Symbol Decals, Z-34/22N & Z-34/22DC, Platform (to SN Z34NF-16999 and SN Z34F-13999)	36
113.1 Symbol Decals, Z-34/22BE, Chassis (to SN Z34F-13999)	38
114.1 Symbol Decals, Z-34/22BE, Turntable (to SN Z34F-13999)	40
115.1 Symbol Decals, Z-34/22BE, Boom (to SN Z34F-13999)	42
116.1 Symbol Decals, Z-34/22BE, Platform (to SN Z34F-13999)	44
117.1 Word Decals, Z-34/22N & Z-34/22 DC, Chassis/Battery Box (from SN Z34NF-17000 and SN Z34F-14000)	46
118.1 Word Decals, Z-34/22N & Z-34/22 DC, Turntable (from SN Z34NF-17000 and SN Z34F-14000)	50
119.1 Word Decals, Z-34/22N & Z-34/22 DC, Boom (from SN Z34NF-17000 and SN Z34F-14000)	52
120.1 Word Decals, Z-34/22N & Z-34/22 DC, Platform (from SN Z34NF-17000 and SN Z34F-14000)	54
121.1 Word Decals, Z-34/22BE, Chassis (from SN Z34F-14000)	56
122.1 Word Decals, Z-34/22BE, Turntable (from SN Z34F-14000)	58
123.1 Word Decals, Z-34/22BE, Boom (from SN Z34F-14000)	62
124.1 Word Decals, Z-34/22BE, Platform (from SN Z34F-14000)	64
125.1 Symbol Decals, Z-34/22N & Z-34/22 DC, Chassis/Battery Box (from SN Z34NF-17000 and SN Z34F-14000)	66
126.1 Symbol Decals, Z-34/22N & Z-34/22 DC, Turntable (from SN Z34NF-17000 and SN Z34F-14000)	68
127.1 Symbol Decals, Z-34/22N & Z-34/22 DC, Boom (from SN Z34NF-17000 and SN Z34F-14000)	70
128.1 Symbol Decals, Z-34/22N & Z-34/22 DC, Platform (from SN Z34NF-17000 and SN Z34F-14000)	72
129.1 Word Decals, Z-34/22BE, Chassis (from SN Z34F-14000)	74
130.1 Word Decals, Z-34/22BE, Turntable (from SN Z34F-14000)	76
131.1 Symbol Decals, Z-34/22BE, Boom (From SN Z34F-14000)	78
132.1 Word Decals, Z-34/22BE, Platform (from SN Z34F-14000)	80

Table of Contents

Description	Page
200 Chassis Components	82
201.1 Steer End	82
201.2 Steer End, Z-34/22N	86
202.1 Non-Steer End, Electronic Control Module	90
202.2 Non-Steer End, Electronic Control Module, Z-34/22N	98
203.1 Battery Charger	104
204.1 Battery Packs	106
205.1 Power Cable Diagram, Z-34/22N & Z-34/22DC	110
206.1 Power Cable Diagram, Z-34/22BE	112
300 Turntable Components	114
301.1 Turntable Rotator	114
302.1 Ground Control Side, Z-34/22N & Z-34/22DC	118
303.1 Ground Controls Side, Z-34/22BE, View 1	122
304.1 Ground Controls Side, Z-34/22BE, View 2	126
305.1 Hydraulic Tank Side, Z-34/22N & Z-34/22DC	128
306.1 Turntable Covers, Z-34/22N & Z-34/22DC	132
307.1 Turntable Covers, Z-34/22BE	136
308.1 Ground Control Panel, Z-34/22N & Z-34/22DC	140
309.1 Ground Control Box, Z-34/22BE, External View	142
310.1 Ground Control Box, Z-34/22BE, Internal View	146
311.1 Wire Harness Diagram, Z-34/22N and Z-34/22DC	150
312.1 Wire Harness Diagram, Z-34/22BE	154
400 Engine Components	158
401.1 Engine Pivot Plate	158
402.1 Kubota Z482 E4B, Diesel Engine, View 1	164
403.1 Kubota Z482 E4B, Diesel Engine, View 2	168
404.1 Kubota Z482 E4B, Diesel Engine, View 3	172
500 Boom Components	176
500.1 Boom Layout	176
501.1 Secondary Boom, View 1	178
502.1 Secondary Boom, View 2	182
503.1 Upper Pivot	184
504.1 Primary and Extension Booms	186
505.1 Cable Track	190
506.1 Jib Boom and Platform Rotator	192
600 Platform Components	196
601.1 Platform	196

Description	Page
601.2 Platform with Swing Gate (from SN Z34F-13116 and SN Z34NF-15685)	202
602.1 Platform Control Box, External View	204
603.1 Platform Control Box, Internal View	208
604.1 Joystick Controller, Drive/Steer Functions	212
605.1 Rotation Controller, Boom Function Speed	214
700 Hydraulic Components	216
701.1 Function Manifold	216
702.1 Jib Boom and Platform Rotate Manifold	222
703.1 Drive Chassis Hoses	224
704.1 Turntable Hoses	226
705.1 Boom Hoses	230
706.1 Hydraulic Power Unit	232
800 Accessories	234
801.1 Air Line to Platform	234
802.1 Aircraft Protection	236
803.1 Auxiliary Rail Assembly	240
804.1 Flashing Beacon and Alarm	242
805.1 Hostile Environment, Wiper	244
806.1 Hostile Environment, Cylinder Bellows	246
807.1 Cold Start for Bi-Energy	248
808.1 Drive Light	250
809.1 Inverter, 120V	252
810.1 Platform Control Box Cover, Tool Tray and Work Light	254
811.1 Platform Half Mesh, Swing Gate and Pipe Cradle (to SN Z34F-13115 & SN Z34NF-15684)	256
811.2 Platform Half Mesh, Swing Gate and Pipe Cradle (from SN Z34F-13116 & SN Z34NF-15685)	258
812.1 Platform Overload, CE and AUS	260
813.1 Operators Protection Alarm (to January 2017)	262
813.2 Lift Guard Contact Alarm (from January 2017)	266
814.1 Telematics Option	270
Part Number Index	272

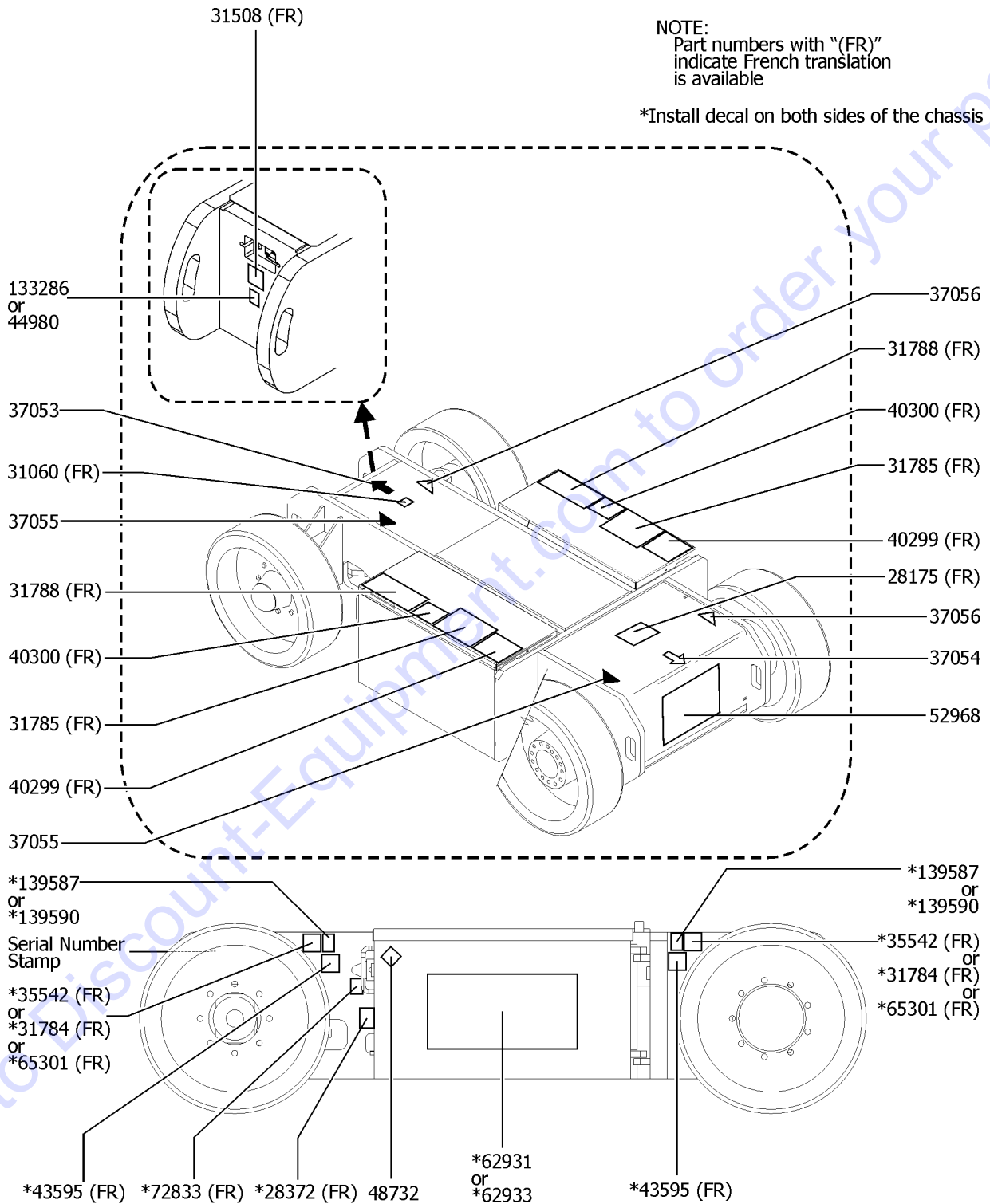
001.1 Parts Stocking List



Item	Part No.	Description	Qty.
A		— GENERAL SERVICE PARTS —	
A-	1484GT	PAINT,AEROSOL,BRIGHT BLUE*** 12-ounce spray paint	
A-	1268GT	PAINT,AEROSOL,GENIE GRAY*** 12-ounce spray paint	
A-	1258567GT	PAINT, AEROSOL, TRAFFIC BLACK 12-ounce spray paint	
A-	32150GT	PAINT,WET,GENIE BLUE (1 GL)** 1-gallon	
A-	32151GT	PAINT,WET,GENIE GRAY (1 GL)** 1-gallon	
A-	1257733GT	PAINT,WET,TRAFFIC BLACK (1 GL)** 1-gallon	
A-	66399GT	GREASE,DIELECTRIC 4 OZ**	
A-	1283776GT	SEAL MARKER,CROSS CHECK,BLUE,TUBE	
A-	93500GT	PARKER DIGITAL PRESSURE GAUGE	
A-	49612GT	O-RING KIT (ORFS FITTINGS) O-ring kit, ORFS	
A-	49613GT	PLUG AND CAP KIT-SERVICE,ORFS* Plug and cap kit, ORFS	
A-	28750GT	O-RING KIT,FIELD SVC,ALL PROD* O-ring kit, SAE	
A-	33994GT	PLUG AND CAP KIT-SERVICE,37 ** Plug and cap kit, SAE	
A-	36555GT	CHOCK,CYLINDER (SERVICE TOOL)	
1		— MANUALS —	
1-	27581GT	MANUAL,AEM SAFETY	
1-	31779GT	MANUAL,RESPON,A92.5 BOOM	
2		— HYD FILTERS —	
2-	44788GT	FILTER ELEMENT,10MICRON,PAPER*	
3		— Kubota Diesel Models —	
3-	52867GT	FILTER,AIR***	
3-	86640GT	KUBOTA OIL FILTER	
3-	139429GT	ELEMENT, FUEL FILTER, Z482	



101.1 Word Decals, Z-34/22N & Z-34/22DC, Chassis/Battery Box (to SN 734NF-16999 and SN 734F-13999)

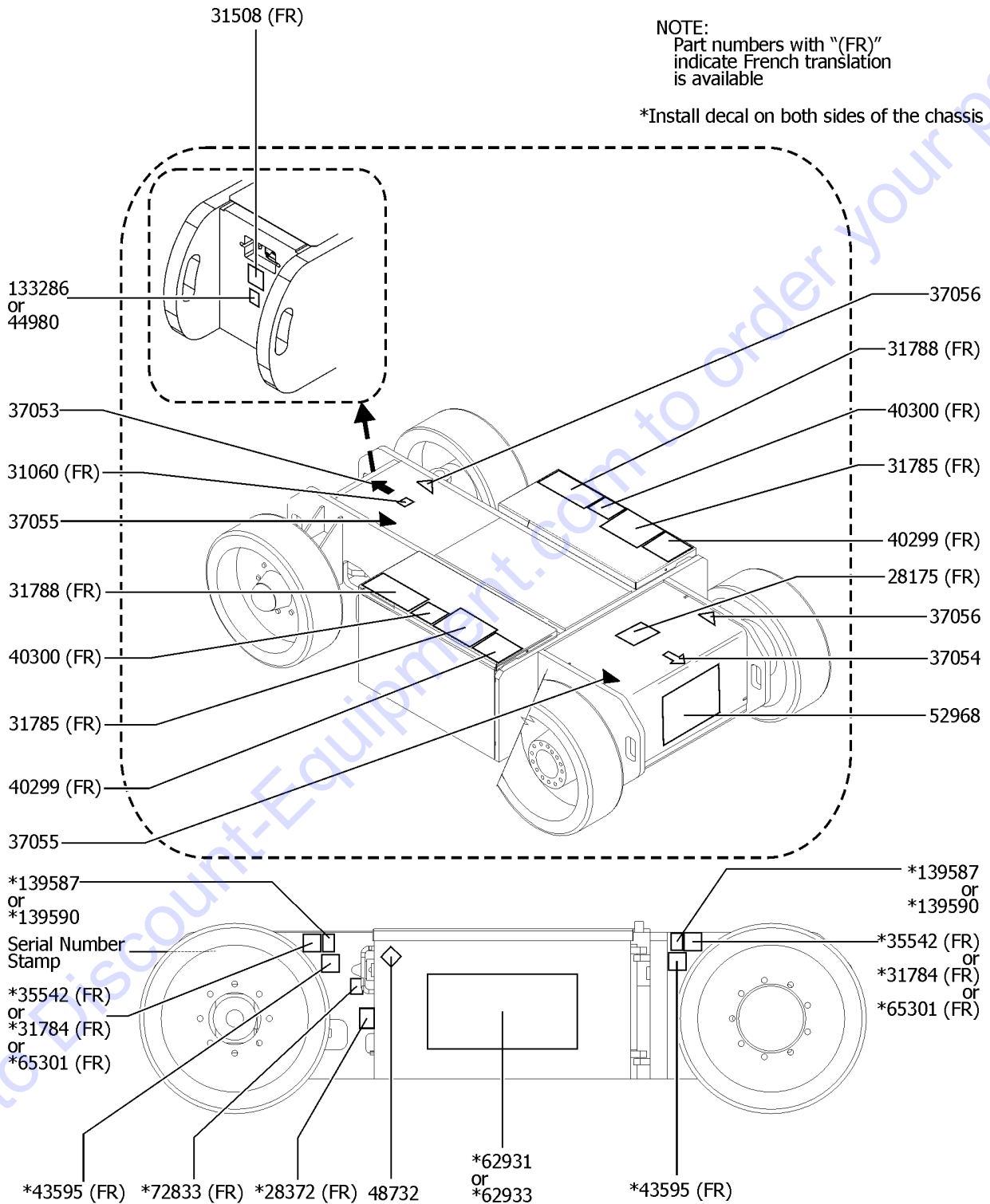


101.1 Word Decals, Z-34/22N & Z-34/22DC, Chassis/Battery Box (to SN 734NF-16999 and SN 734F-13999)

Item	Part No.	Description	Qty.
-	1303484GT	INSTRUCTIONS,INSTALL,COMP,WORD, Z-34N/DC	1
-	1303485GT	DECAL KIT, Z-34N/DC,COMP,WORD,ANSI & AUS	1
1	28175GT	DECAL,WARNING-COMPART ACCESS	1
2	28372GT	DECAL,NOTICE,BATTERY CABLES	2
3	31060GT	DECAL,DANGER DO NOT ALTER SWTC	1
4	31508GT	DECAL,DANGER,ELECT HAZARD,PLUG	1
5	31784GT	DECAL,NOTICE,TIRE SPECS,Z34DC Z-34 DC, ANSI	4
6	31785GT	DECAL,NOTICE,CHARGER INSTRUC	2
6	31785JAGT	DECAL,NOTICE,CHARGER INSTRUC (japanese)	
7	31788GT	DECAL,DANGER,BATTERY SAFETY***	2
9	37053GT	DECAL,ARROW,BLUE	1
10	37054GT	DECAL,ARROW,YELLOW SM 5-3/8"	1
11	37055GT	DECAL,TRIANGLE,BLUE	2
12	37056GT	DECAL,TRIANGLE,YELLOW	2
13	40299GT	DECAL,NOTICE,BATT CONNECTION	2
14	40300GT	DECAL,DANGER,TIP-OVER BATTERY	2
15	43595GT	DECAL,DANGER,TIP-OVER,TIRES*** Z-34 DC, AUS	4
16	44980GT	DECAL,LABEL,PWR TO CHARGR 115V	1
17		DECAL,LABEL,EE RATING to order 48732GT must contact Discount-equipment and verify the machine has EE RATING OPTION	1
18	52968GT	DECAL,COSMETIC,GENIE BOOM,VERT	1
19	62931GT	DECAL,GENIE Z-34/22 DC POWER Z-34 DC	2
21	65301GT	DECAL,NOTICE,FOAM-FILLED TIRES Z-34 DC, AUS	4
22	72833GT	DECAL,LABEL,OPEN,LATCH	2
23	133286GT	DECAL, POWER TO CHARGER, UNIV	1
24	139587GT	DECAL,LABEL,WHEEL LOAD Z34DC** Z-34 DC	4



101.2 Word Decals, Z-34/22N & Z-34/22DC, Chassis/Battery Box (to SN 734NF-16999 and SN 734F-13999)

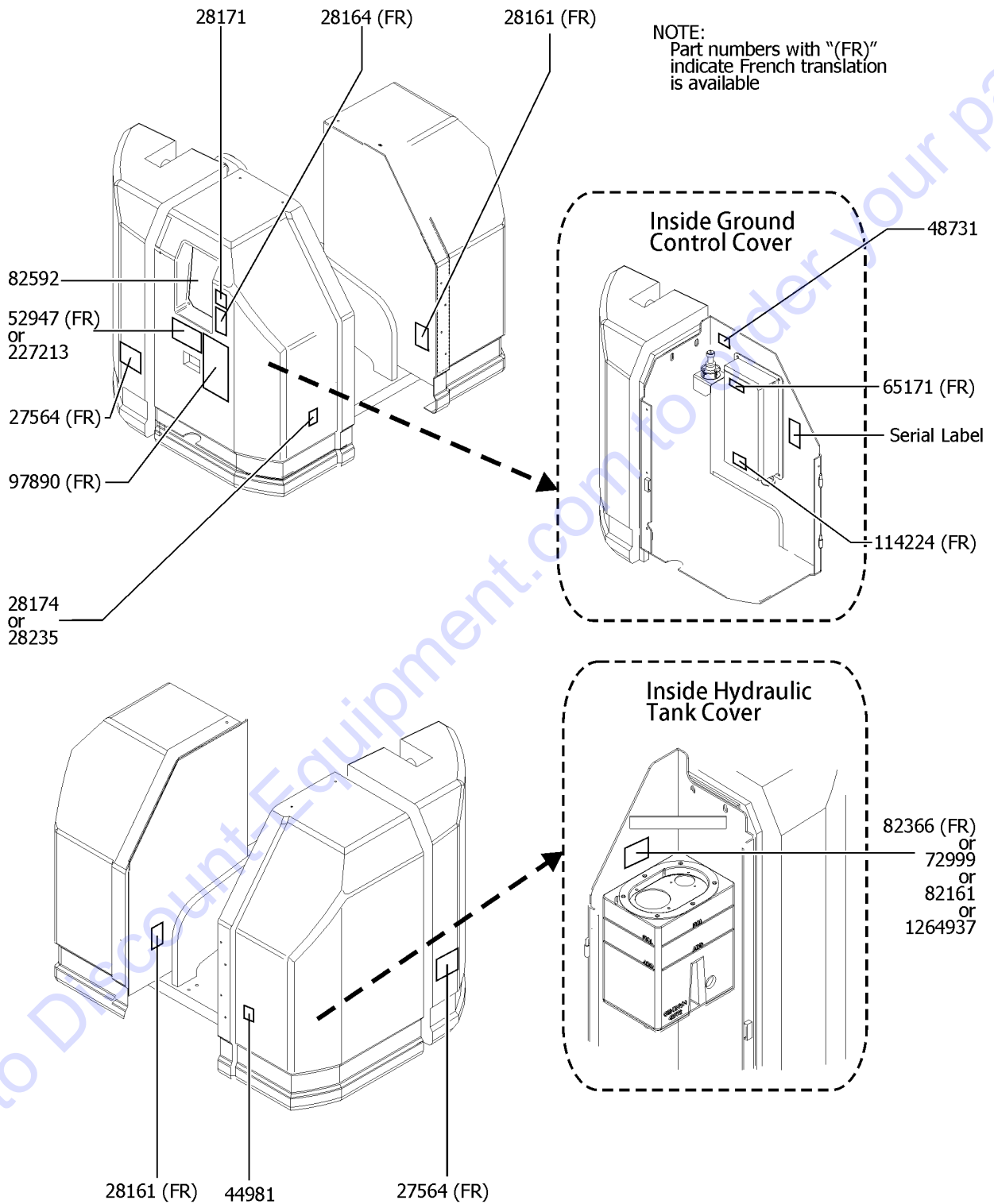


101.2 Word Decals, Z-34/22N & Z-34/22DC, Chassis/Battery Box (to SN 734NF-16999 and SN 734F-13999)

Item	Part No.	Description	Qty.
-	1303484GT	INSTRUCTIONS,INSTALL,COMP,WORD, Z-34N/DC	1
-	1303485GT	DECAL KIT, Z-34N/DC,COMP,WORD,ANSI & AUS	1
1	28175GT	DECAL,WARNING-COMPART ACCESS	1
2	28372GT	DECAL,NOTICE,BATTERY CABLES	2
3	31060GT	DECAL,DANGER DO NOT ALTER SWTC	1
4	31508GT	DECAL,DANGER,ELECT HAZARD,PLUG	1
6	31785JAGT	DECAL,NOTICE,CHARGER INSTRUC (japanese)	
6	31785GT	DECAL,NOTICE,CHARGER INSTRUC	2
7	31788GT	DECAL,DANGER,BATTERY SAFETY***	2
8	35542GT	DECAL,NOTICE,LUG NUT TORQUE*** Z-34N	4
9	37053GT	DECAL,ARROW,BLUE	1
10	37054GT	DECAL,ARROW,YELLOW SM 5-3/8"	1
11	37055GT	DECAL,TRIANGLE,BLUE	2
12	37056GT	DECAL,TRIANGLE,YELLOW	2
13	40299GT	DECAL,NOTICE,BATT CONNECTION	2
14	40300GT	DECAL,DANGER,TIP-OVER BATTERY	2
16	44980GT	DECAL,LABEL,PWR TO CHARGR 115V	1
17		DECAL,LABEL,EE RATING to order 48732GT must contact Discount-equipment and verify the machine has EE RATING OPTION	1
18	52968GT	DECAL,COSMETIC,GENIE BOOM,VERT	1
20	62933GT	DECAL,COSM,GENIE Z-34/22N(BOX) Z-34N	2
22	72833GT	DECAL,LABEL,OPEN,LATCH	2
23	133286GT	DECAL, POWER TO CHARGER, UNIV	1
25	139590GT	DECAL,LABEL,WHEEL LOAD Z34N*** Z-34N	4



102.1 Word Decals, Z-34/22N & Z-34/22DC, Turntable (to SN Z34NF-16999 and SN 734F-13999)

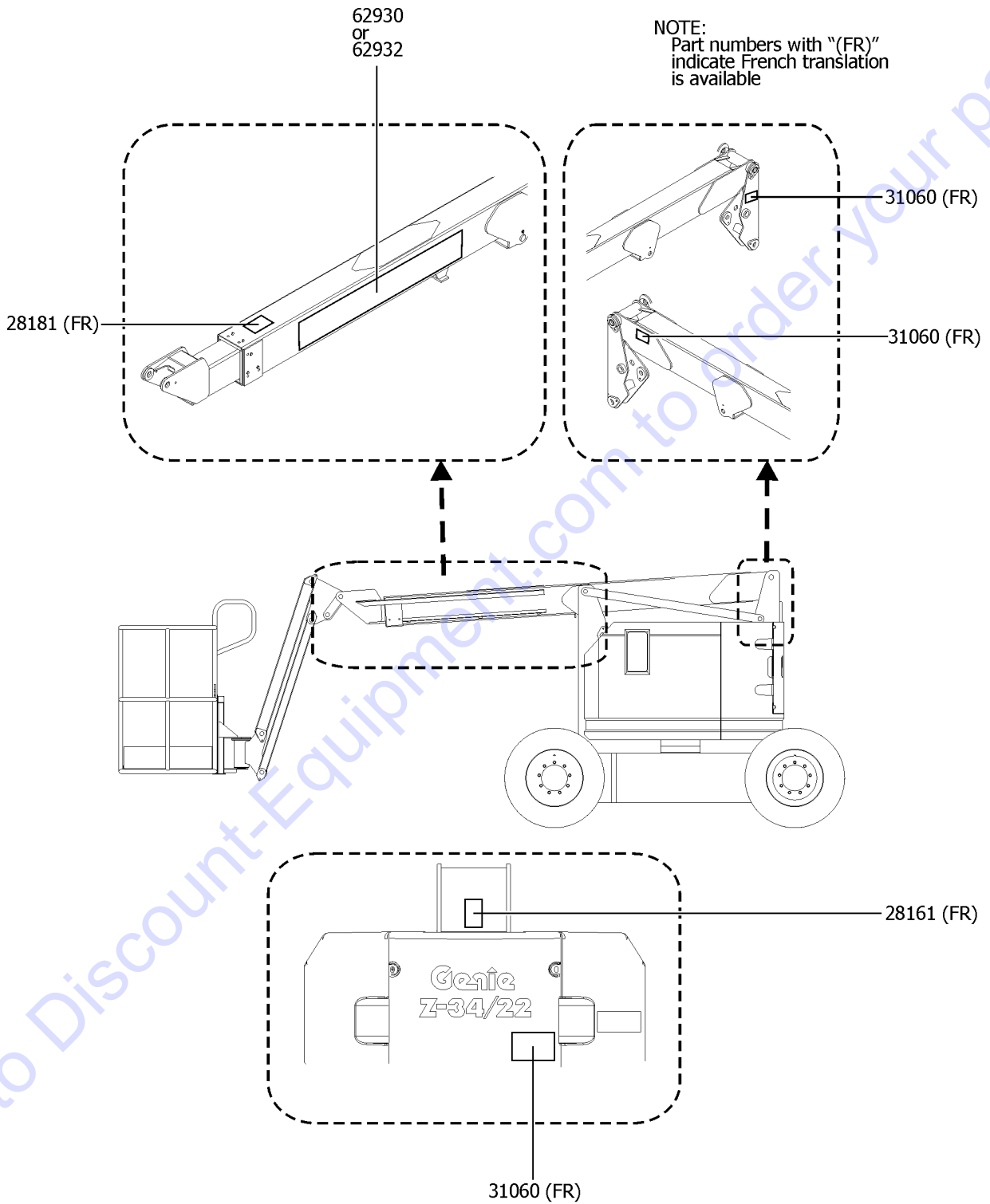


102.1 Word Decals, Z-34/22N & Z-34/22DC, Turntable (to SN 734NF-16999 and SN 734F-13999)

Item	Part No.	Description	Qty.
1	27564GT	DECAL,DANGER,ELEC.HAZ.STAY CLR	2
2	28161GT	DECAL,WARN,CRUSH HAZARD HAND	2
3	28164GT	DECAL,NOTICE,HAZARDOUS MAT'LS*	1
4	28171GT	DECAL,DANGER,NO SMOKING ***	1
5	28174GT	DECAL,POWER TO PLATFORM 230V	1
6	28235GT	DECAL,POWER TO PLATFORM 115V	1
7	44981GT	DECAL,LABEL,AIRLINE 110 PSI	1
		option, airline to platform	
8	52947GT	DECAL,OPERATING INSTR,GROUND	1
		ANSI models	
9	65171GT	DECAL,LABEL,CB & STATUS LIGHT	1
10	72999GT	DECAL,LABEL,PETRO CANADA***	1
		option, hydraulic oil	
11	82161GT	DECAL,LABEL,UCON HYDROLUBE	1
		option, hydraulic oil	
12	82366GT	DECAL,CHEVRON RANDO HD	1
		option, hydraulic oil	
13	82592GT	DECAL,GROUND CONTROL PANEL***	1
14	97890GT	DECAL,DANGER,GEN SAFETY RULES	1
15	114224GT	DECAL,LABEL,RELAYS,Z30N,Z34NDC	1
16	227213GT	DECAL,OPER INST,DC BOOM GND AU	1
		AUS models	
17	1264937GT	OIL, HYD, SHELL TELLUS S4 VX	
		option, cold weather	



103.1 Word Decals, Z-34/22N & Z-34/22DC, Boom (to SN Z34NF-16999 and SN 734F-13999)



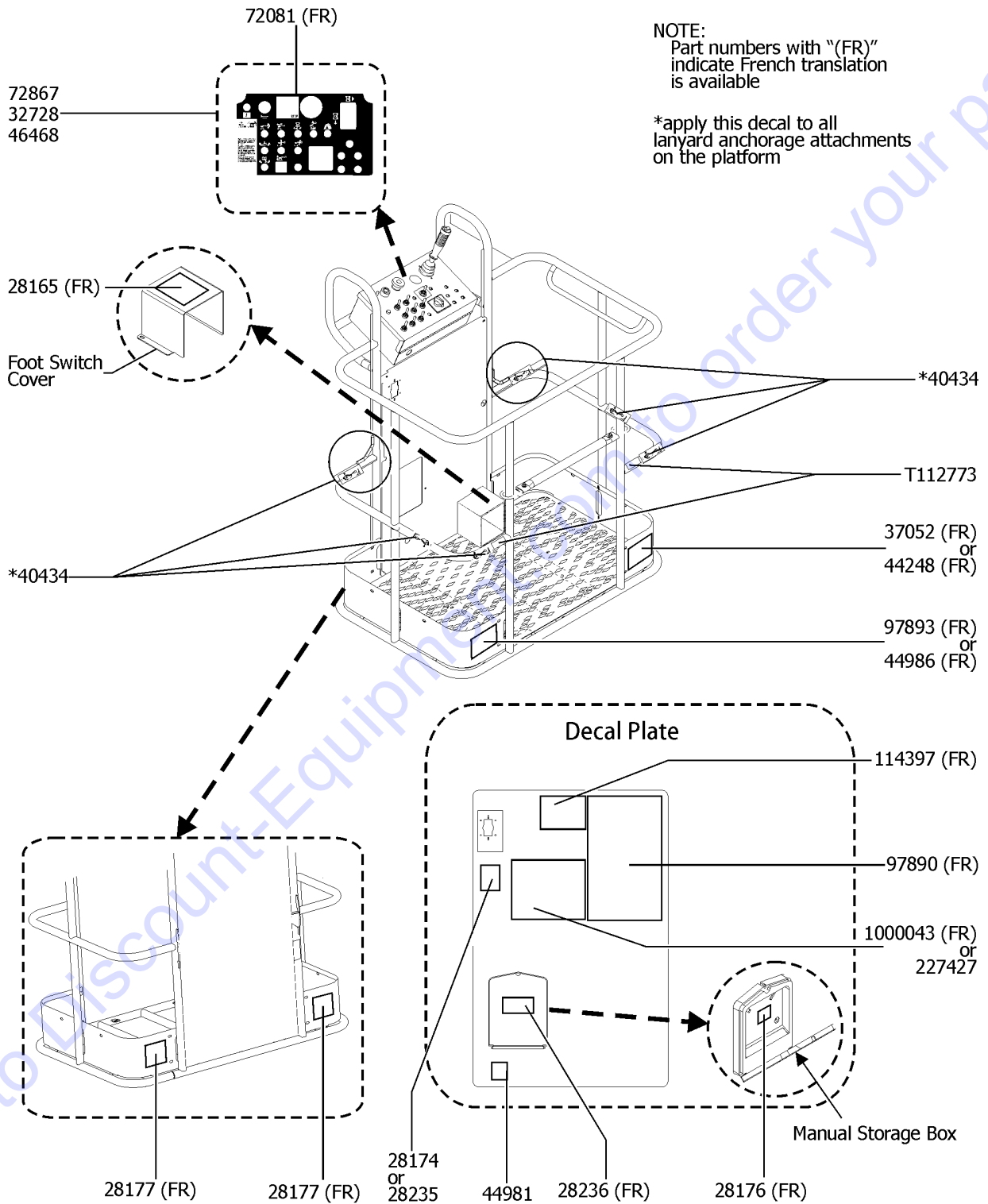
103.1 Word Decals, Z-34/22N & Z-34/22DC, Boom (to SN Z34NF-16999 and SN Z34F-13999)

Item	Part No.	Description	Qty.
1	28161GT	DECAL,WARN,CRUSH HAZARD HAND	1
2	28181GT	DECAL,WARN,FALL HAZARD	1
3	31060GT	DECAL,DANGER DO NOT ALTER SWTC	3
4	62930GT	DECAL,COSMETIC,GENIE Z-34/22 Z-34DC	1
5	62932GT	DECAL,COSMETIC,GENIE Z-34/22N Z-34N	1

Go to Discount-Equipment.com to order your parts



104.1 Word Decals, Z-34/22N & Z-34/22DC, Platform (to SN Z34NF-16999 and SN 734F-13999)



NOTE:
Part numbers with "(FR)"
indicate French translation
is available

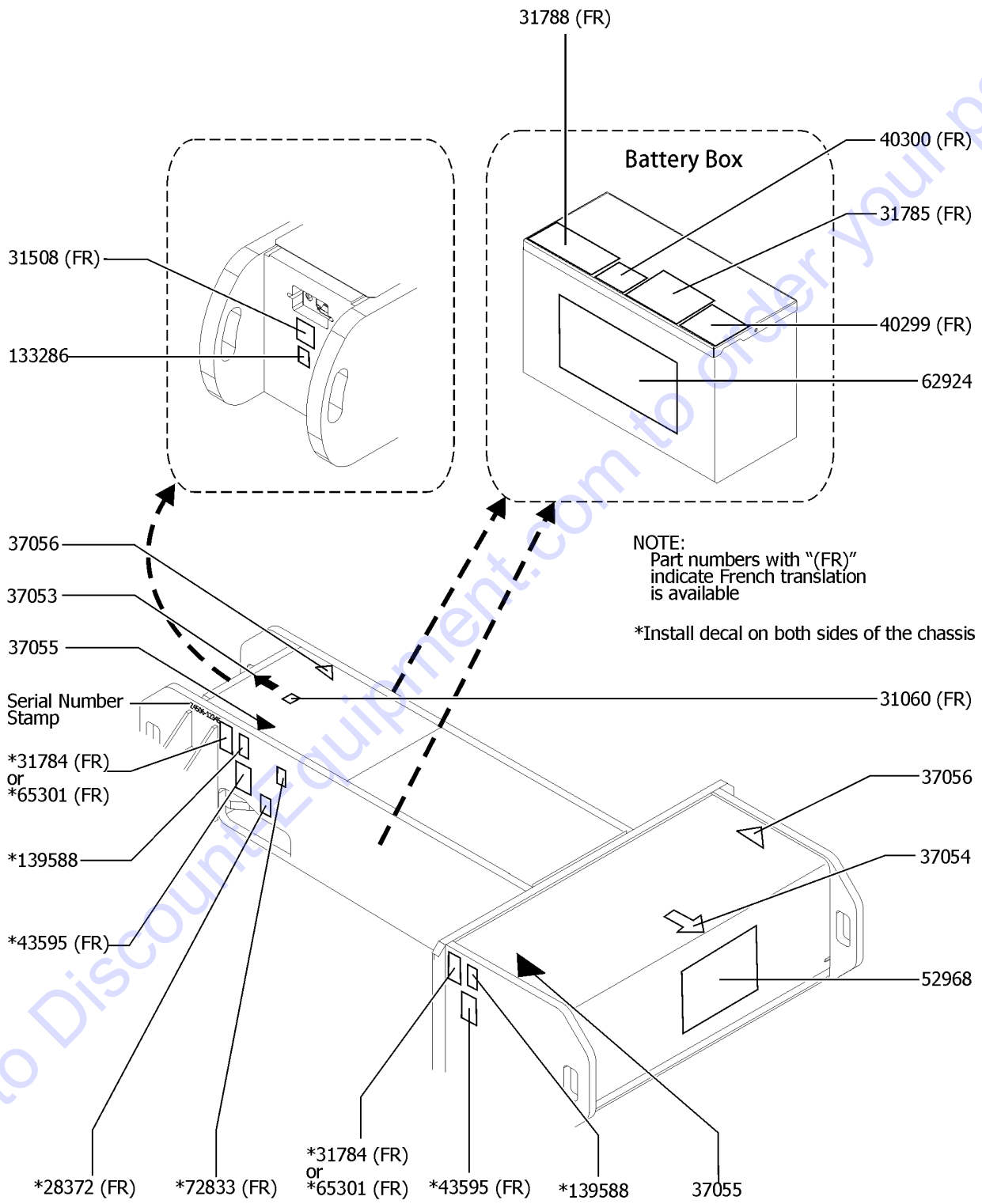
*apply this decal to all
lanyard anchorage attachments
on the platform

104.1 Word Decals, Z-34/22N & Z-34/22DC, Platform (to SN Z34NF-16999 and SN Z34F-13999)

Item	Part No.	Description	Qty.
-	1303486GT	INSTRUCTIONS,INSTALL,PLAT,WORD, Z-34N/DC	1
-	1303487GT	DECAL KIT, Z-34N/DC,PLAT,WORD,ANSI & AUS	1
1	28165GT	DECAL,INSTRUCT,FOOTSWITCH OPER	1
2	28174GT	DECAL,POWER TO PLATFORM 230V	1
3	28176GT	DECAL,LABEL,MANUAL NOT HERE	1
4	28177GT	DECAL,WARN,CRUSH HAZARD PLAT	2
5	28235GT	DECAL,POWER TO PLATFORM 115V	1
6	28236GT	DECAL,WARN,IMPROPER OPERATION	1
7	32728GT	DECAL,OPTION GENERATOR*** option, inverter	1
8	37052GT	DECAL,NOTICE,MAX LOAD 500 LBS	1
9	40434GT	DECAL,LANYARD ANCHORAGE POINT	6
10	44248GT	DECAL,NOTICE,MAX CAP 440 LBS option, aircraft protection	1
11	44981GT	DECAL,LABEL,AIRLINE 110 PSI option, airline to platform	1
12	44986GT	DECAL,INSTR,SIDE FRC/WIND,AUS AUS models	1
13	46468GT	DECAL,FUNCTION OVERRIDE option, aircraft protection	1
14	72081GT	DECAL,PLATFORM CONTROL PANEL**	1
15	72867GT	DECAL,LABEL,LIGHTS*** option, work lights	1
16	97890GT	DECAL,DANGER,GEN SAFETY RULES	1
17	97893GT	DECAL,NOTICE,SIDE FRC/WINDANSI ANSI models	1
18	114397GT	DECAL,DANGER,TILT ALARM	1
19	227427GT	DECAL, OPERATING INSTRUCTIONS AUS models	1
20	1000043GT	DECAL,NOTICE,OPER INST PLAT,DC ANSI models	1
21	T112773GT	TAPE, PROTECTIVE MASK	2



105.1 Word Decals, Z-34/22BE, Chassis (to SN Z34F-13999)

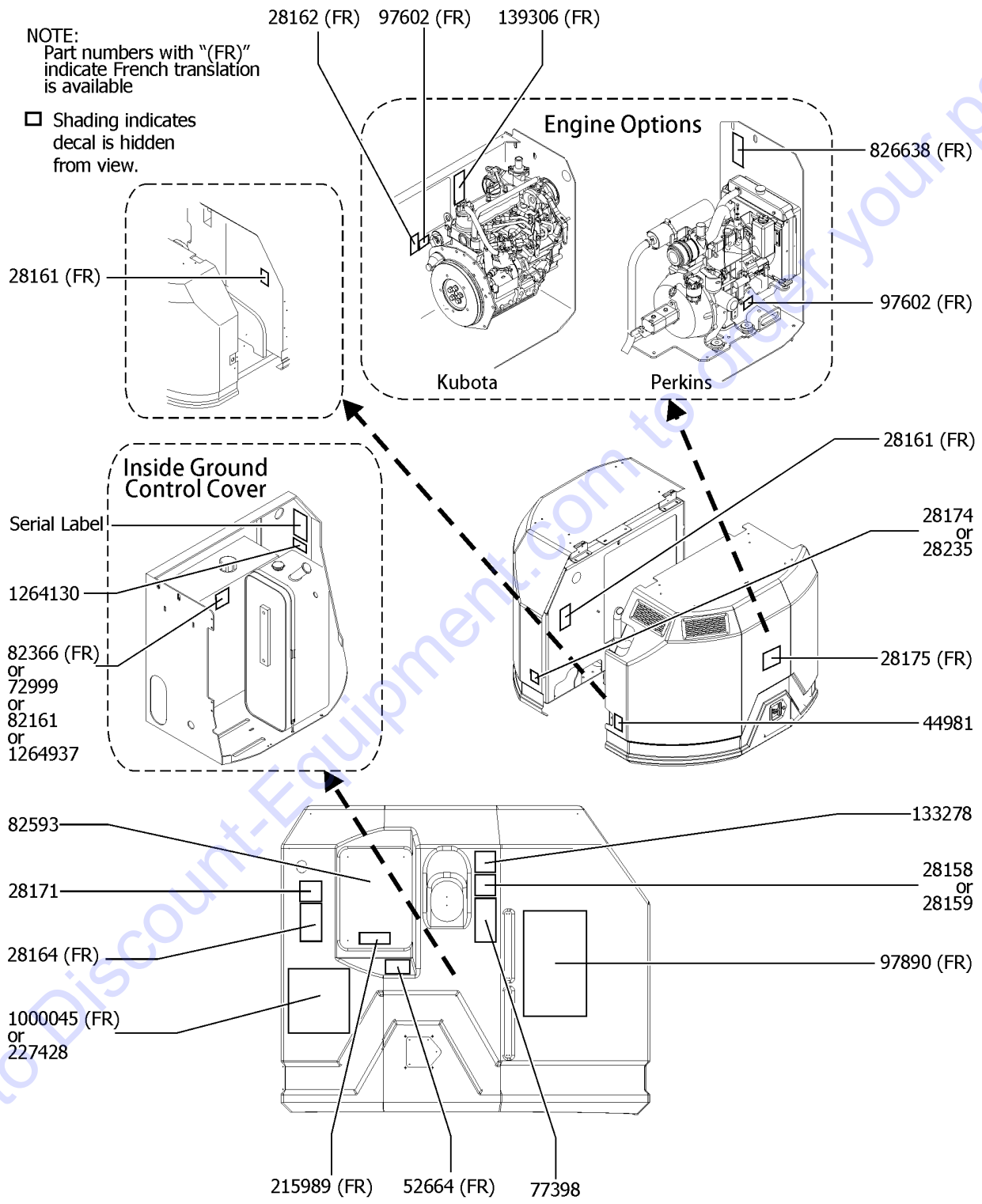


105.1 Word Decals, Z-34/22BE, Chassis (to SN Z34F-13999)

Item	Part No.	Description	Qty.
-	1303691GT	INSTRUCTIONS,INSTALL,COMP,WORD, Z-34 BE	1
-	1303692GT	DECAL KIT, Z-34 BE,COMP,WORD,ANSI & AUS	1
1	28372GT	DECAL,NOTICE,BATTERY CABLES	2
2	31060GT	DECAL,DANGER DO NOT ALTER SWTC	1
3	31508GT	DECAL,DANGER,ELECT HAZARD,PLUG	1
4	31784GT	DECAL,NOTICE,TIRE SPECS,Z34DC	4
		ANSI models	
5	31785GT	DECAL,NOTICE,CHARGER INSTRUC	2
5	31785JAGT	DECAL,NOTICE,CHARGER INSTRUC	
		(japanese)	
6	31788GT	DECAL,DANGER,BATTERY SAFETY***	2
7	37053GT	DECAL,ARROW,BLUE	1
8	37054GT	DECAL,ARROW,YELLOW SM 5-3/8"	1
9	37055GT	DECAL,TRIANGLE,BLUE	2
10	37056GT	DECAL,TRIANGLE,YELLOW	2
11	40299GT	DECAL,NOTICE,BATT CONNECTION	2
12	40300GT	DECAL,DANGER,TIP-OVER BATTERY	2
13	43595GT	DECAL,DANGER,TIP-OVER,TIRES***	4
		AUS models	
14	52968GT	DECAL,COSMETIC,GENIE BOOM,VERT	1
15	62924GT	DECAL,GENIE Z-34/22 BI-ENERGY	2
16	65301GT	DECAL,NOTICE,FOAM-FILLED TIRES	4
		AUS models	
17	72833GT	DECAL,LABEL,OPEN,LATCH	2
18	133286GT	DECAL, POWER TO CHARGER, UNIV	1
19	139588GT	DECAL,LABEL,WHEEL LOAD Z34BE**	4



106.1 Word Decals, Z-34/22BE, Turntable (to SN Z34F-13999)

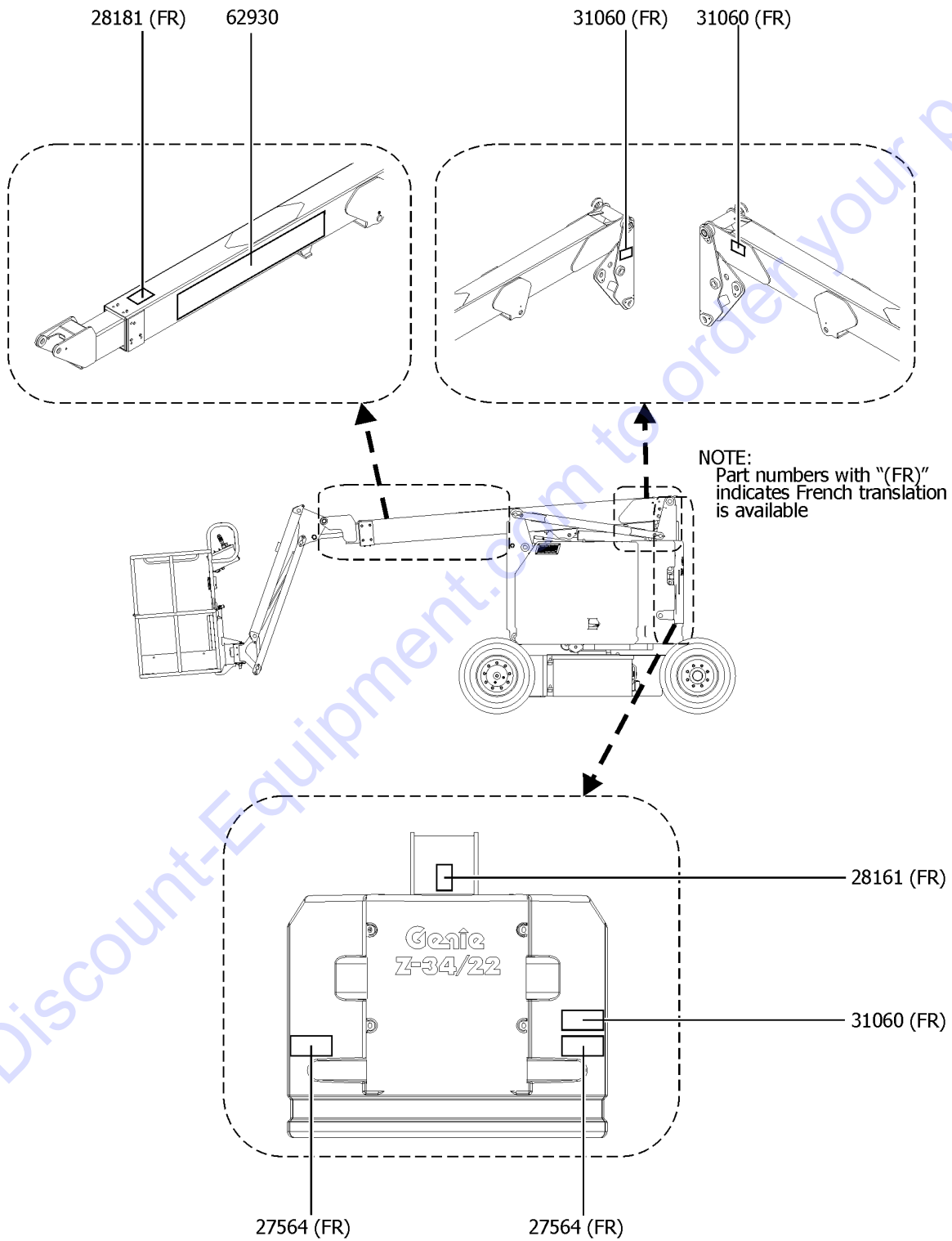


106.1 Word Decals, Z-34/22BE, Turntable (to SN Z34F-13999)

Item	Part No.	Description	Qty.
1	28158GT	DECAL,LABEL,UNLEADED GAS ONLY option, fuel	1
2	28159GT	DECAL,DIESEL option, fuel	1
3	28161GT	DECAL,WARN,CRUSH HAZARD HAND	2
4	28162GT	DECAL,WARNING,CRUSHING	1
5	28164GT	DECAL,NOTICE,HAZARDOUS MAT'LS*	1
6	28171GT	DECAL,DANGER,NO SMOKING ***	1
7	28174GT	DECAL,POWER TO PLATFORM 230V	1
8	28175GT	DECAL,WARNING-COMPART ACCESS	1
9	28235GT	DECAL,POWER TO PLATFORM 115V	1
10	44981GT	DECAL,LABEL,AIRLINE 110 PSI option, airline to platform	1
11	52664GT	DECAL,LABEL,CONTRLR STATUS LT	1
12	72999GT	DECAL,LABEL,PETRO CANADA*** option, hydraulic oil	1
13	77398GT	DECAL,TIRE SEALANT,3.25 X 7.5 option, tire sealant	1
14	82161GT	DECAL,LABEL,UCON HYDROLUBE option, hydraulic oil	1
15	82366GT	DECAL,CHEVRON RANDO HD option, hydraulic oil	1
16	82593GT	DECAL,GROUND CONTROL PANEL***	1
17	97602GT	DECAL,EXPLOSION HAZARD diesel engines only	1
18	97890GT	DECAL,DANGER,GEN SAFETY RULES	1
19	133278GT	DECAL,LOW/ULTRA LOW SULFR FUEL diesel models only	1
20	139306GT	DECAL,NOTICE,SPEC,Z482	1
21	215989GT	DECAL,RELAY LABEL,Z34BE	1
22	227428GT	DECAL, OPERATING INSTRUCTIONS AUS models	1
23	826638GT	DECAL,ENGINE SPEC,PERKINS 403D/F	1
24	1000045GT	DECAL,NOTICE,OPER INST BE ANSI models	1
25	1264130GT	DECAL,WG972,CARB,EPA CERT 2015 gasoline models	1
26	1264937GT	OIL, HYD, SHELL TELLUS S4 VX option, cold weather	1



107.1 Word Decals, Z-34/22BE, Boom (to SN Z34F-13999)



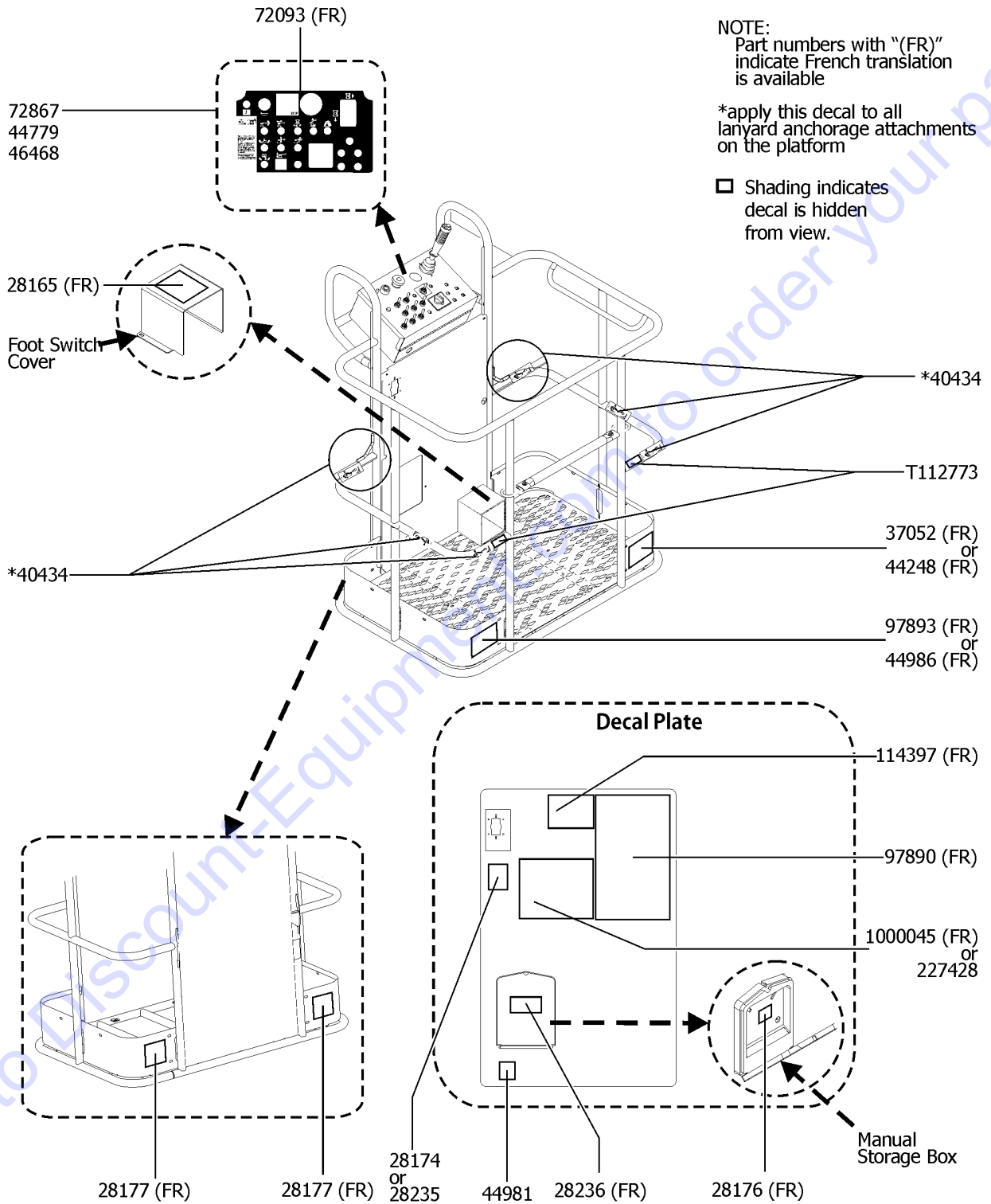
107.1 Word Decals, Z-34/22BE, Boom (to SN Z34F-13999)

<i>Item</i>	<i>Part No.</i>	<i>Description</i>	<i>Qty.</i>
1	27564GT	DECAL,DANGER,ELEC.HAZ.STAY CLR	2
2	28161GT	DECAL,WARN,CRUSH HAZARD HAND	1
3	28181GT	DECAL,WARN,FALL HAZARD	1
4	31060GT	DECAL,DANGER DO NOT ALTER SWTC	3
5	62930GT	DECAL,COSMETIC,GENIE Z-34/22	1

Go to Discount-Equipment.com to order your parts



108.1 Word Decals, Z-34/22BE, Platform (to SN Z34F-13999)



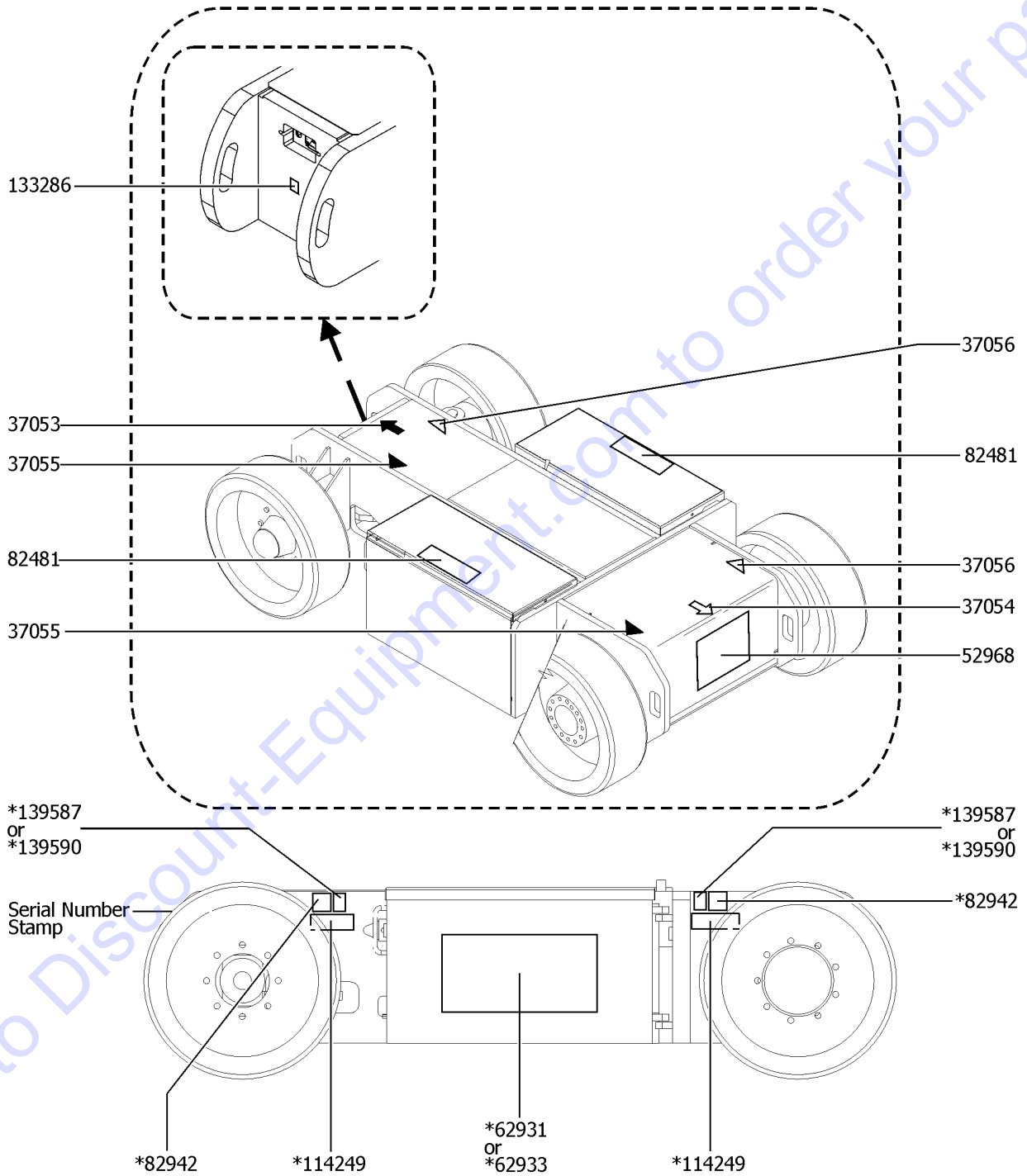
108.1 Word Decals, Z-34/22BE, Platform (to SN Z34F-13999)

Item	Part No.	Description	Qty.
-	1303693GT	INSTRUCTIONS,INSTALL,PLAT,WORD, Z-34 BE	1
-	1303694GT	DECAL KIT, Z-34 BE,PLAT,WORD,ANSI & AUS	1
1	28165GT	DECAL,INSTRUCT,FOOTSWITCH OPER	1
2	28174GT	DECAL,POWER TO PLATFORM 230V	1
3	28176GT	DECAL,LABEL,MANUAL NOT HERE	1
4	28177GT	DECAL,WARN,CRUSH HAZARD PLAT	2
5	28235GT	DECAL,POWER TO PLATFORM 115V	1
6	28236GT	DECAL,WARN,IMPROPER OPERATION	1
7	37052GT	DECAL,NOTICE,MAX LOAD 500 LBS	1
8	40434GT	DECAL,LANYARD ANCHORAGE POINT	6
9	44248GT	DECAL,NOTICE,MAX CAP 440 LBS	1
		option, aircraft protection	
10	44779GT	DECAL,GENERATOR OPTION	1
		option, generator	
11	44981GT	DECAL,LABEL,AIRLINE 110 PSI	1
		option, airline to platform	
12	44986GT	DECAL,INSTR,SIDE FRC/WIND,AUS	1
		AUS models	
13	46468GT	DECAL,FUNCTION OVERRIDE	1
		option, aircraft protection	
14	72093GT	DECAL,PLATFORM CONTROL PANEL	1
15	72867GT	DECAL,LABEL,LIGHTS***	1
		option, work lights	
16	97890GT	DECAL,DANGER,GEN SAFETY RULES	1
17	97893GT	DECAL,NOTICE,SIDE FRC/WINDANSI	1
		ANSI models	
18	114397GT	DECAL,DANGER,TILT ALARM	1
19	227428GT	DECAL, OPERATING INSTRUCTIONS	1
		AUS models	
20	1000045GT	DECAL,NOTICE,OPER INST BE	1
		ANSI models	
21	T112773GT	TAPE, PROTECTIVE MASK	2



109.1 Symbol Decals, Z-34/22N & Z-34/22DC, Chassis/Battery Box (to SN 734NF-16999 and SN 734F-13999)

NOTE:
*Install decal on both sides of the chassis



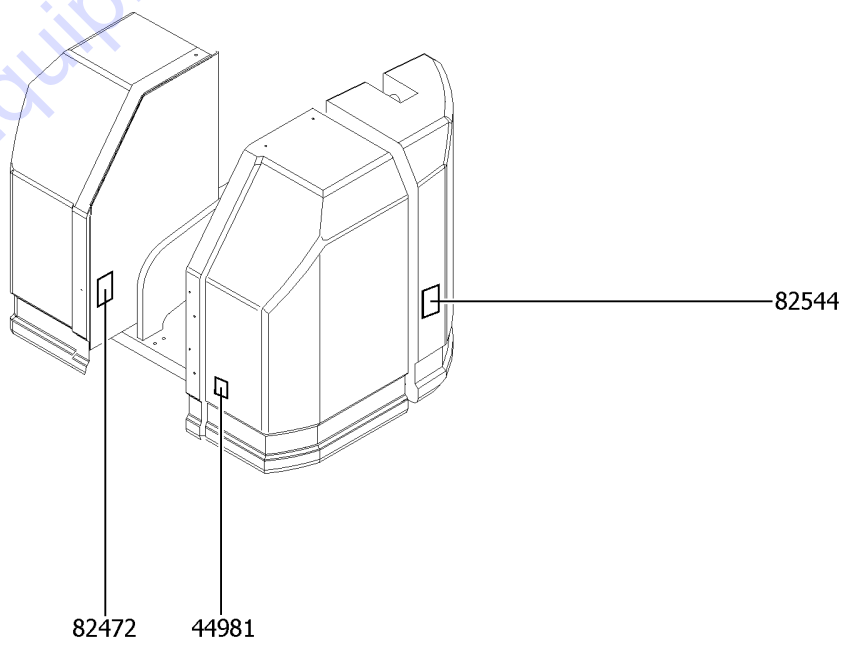
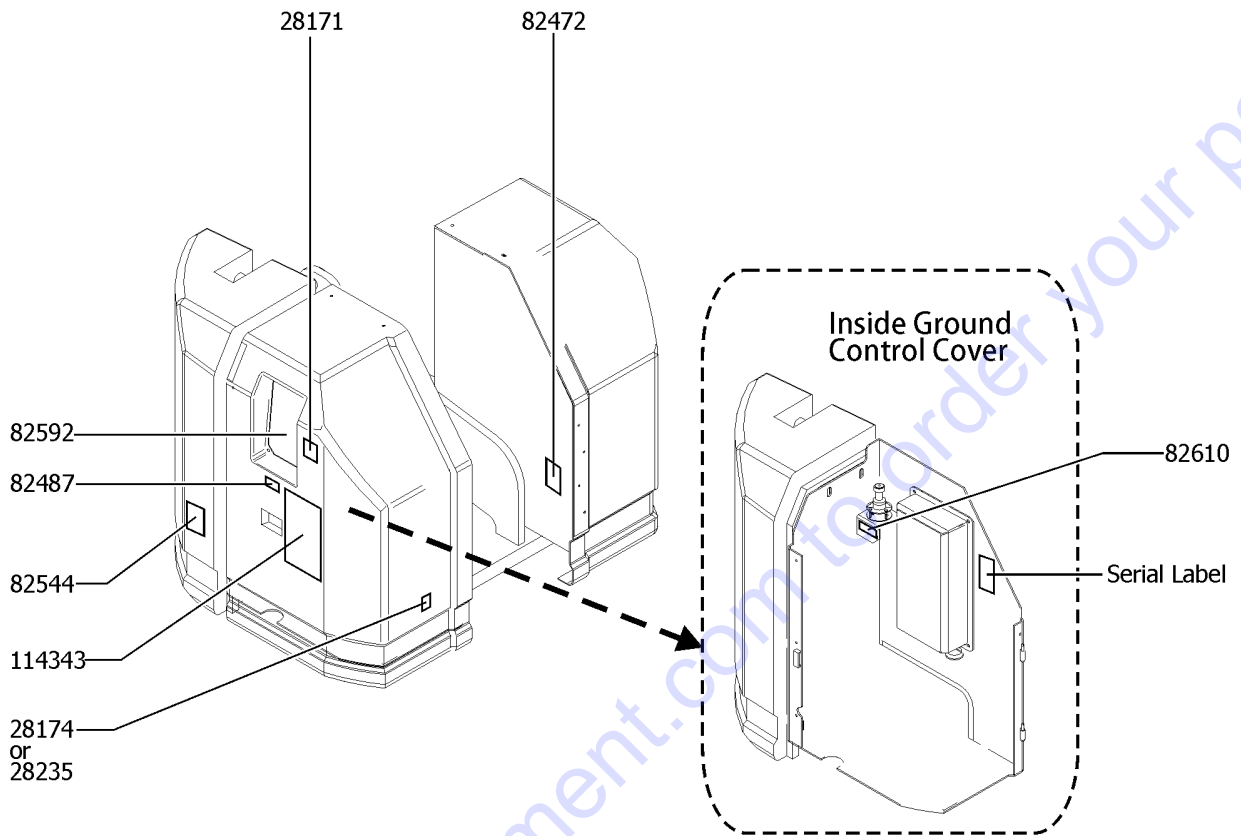
109.1 Symbol Decals, Z-34/22N & Z-34/22DC, Chassis/Battery Box (to SN 734NF-16999 and SN 734F-13999)

Item	Part No.	Description	Qty.
-	1303488GT	INSTRUCTIONS,INSTALL,COMP,SYMBOL, Z-34N/DC	
-	1303489GT	DECAL KIT, Z-34N/DC,COMP,SYMBOL,ANSI & CE	
1	37053GT	DECAL,ARROW,BLUE	1
2	37054GT	DECAL,ARROW,YELLOW SM 5-3/8"	1
3	37055GT	DECAL,TRIANGLE,BLUE	2
4	37056GT	DECAL,TRIANGLE,YELLOW	2
5	52968GT	DECAL,COSMETIC,GENIE BOOM,VERT	1
6	62931GT	DECAL,GENIE Z-34/22 DC POWER Z-34DC	2
7	62933GT	DECAL,COSM,GENIE Z-34/22N(BOX) Z-34N	2
8	82481GT	DECAL,SYMBOL-BATTERY SAFETY	2
9	82942GT	DECAL,LABEL,TIRE PRESS,Z-34/22 Z-34DC, ANSI models	4
10	114249GT	DECAL,LABEL,TIPOVER,TIRES,SYMB Z-34DC, CE models	4
11	133286GT	DECAL, POWER TO CHARGER, UNIV	1
12	139587GT	DECAL,LABEL,WHEEL LOAD Z34DC**	4
13	139590GT	DECAL,LABEL,WHEEL LOAD Z34N***	4

Go to Discount-Equipment.com to order your parts



110.1 Symbol Decals, Z-34/22N & Z-34/22DC, Turntable (to SN Z34NF-16999 and SN 734F-13999)



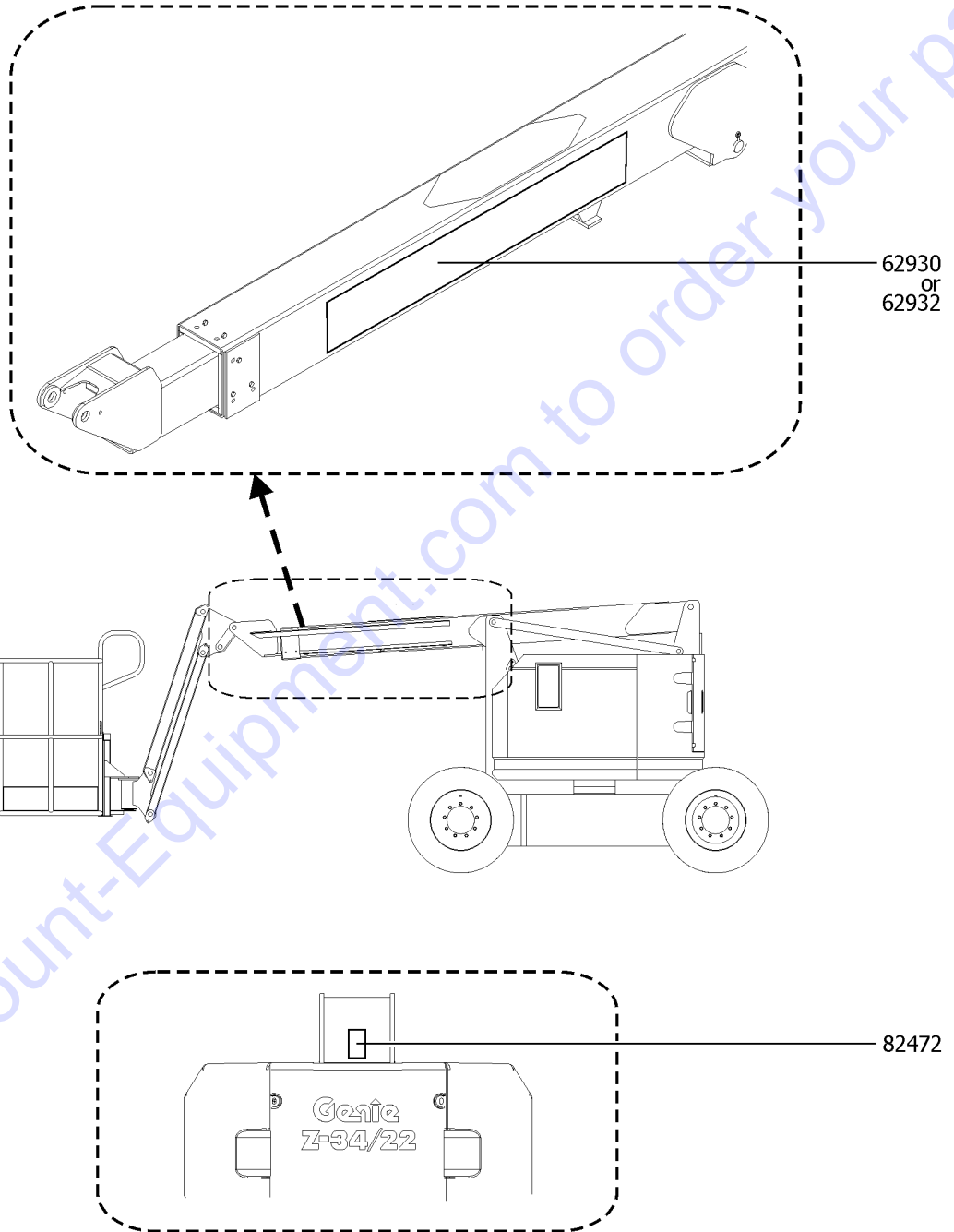
110.1 Symbol Decals, Z-34/22N & Z-34/22DC, Turntable (to SN 734NF-16999 and SN 734F-13999)

Item	Part No.	Description	Qty.
1	28171GT	DECAL,DANGER,NO SMOKING ***	1
2	28174GT	DECAL,POWER TO PLATFORM 230V	1
3	28235GT	DECAL,POWER TO PLATFORM 115V	1
4	44981GT	DECAL,LABEL,AIRLINE 110 PSI	1
		option, airline to platform	
5	82472GT	DECAL,WARNING,CRUSHING HAZARD	2
6	82487GT	DECAL,SYMBOL-READ THE MANUAL	1
7	82544GT	DECAL,DANGER,ELEC.HAZ.STAY CLR	2
8	82592GT	DECAL,GROUND CONTROL PANEL ***	1
9	82610GT	DECAL,LABEL,CB & STATUS LIGHT	1
10	114343GT	DECAL,LABEL,EMERGENCY DOWN	1

Go to Discount-Equipment.com to order your parts



111.1 Symbol Decals, Z-34/22N & Z-34/22DC, Boom (to SN Z34NF-16999 and SN 734F-13999)



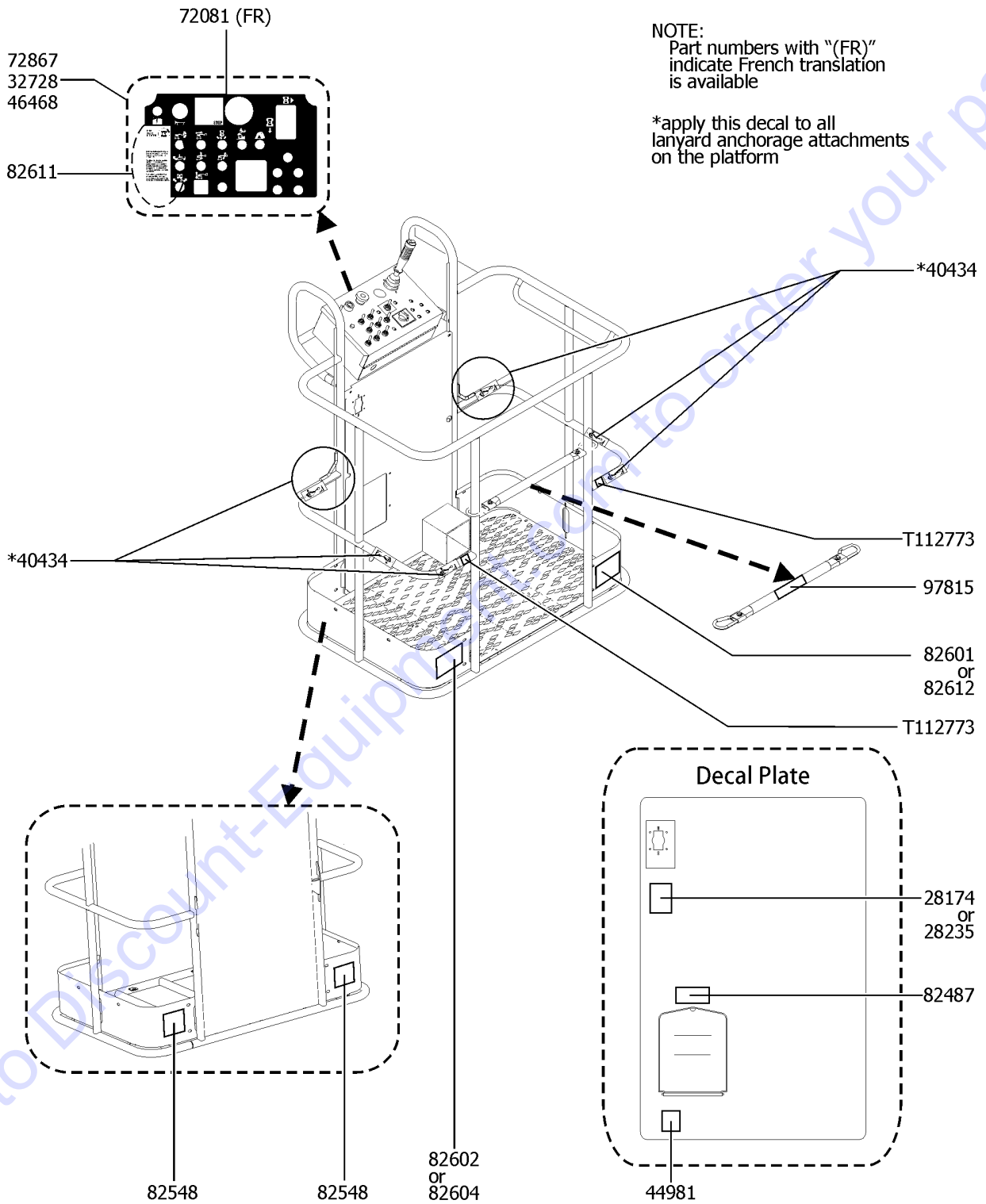
111.1 Symbol Decals, Z-34/22N & Z-34/22DC, Boom (to SN Z34NF-16999 and SN Z34F-13999)

Item	Part No.	Description	Qty.
1	62930GT	DECAL,COSMETIC,GENIE Z-34/22 Z-34DC	1
2	62932GT	DECAL,COSMETIC,GENIE Z-34/22N Z-34N	1
3	82472GT	DECAL,WARNING,CRUSHING HAZARD	1

Go to Discount-Equipment.com to order your parts



112.1 Symbol Decals, Z-34/22N & Z-34/22DC, Platform (to SN Z34NF-16999 and SN 734F-13999)



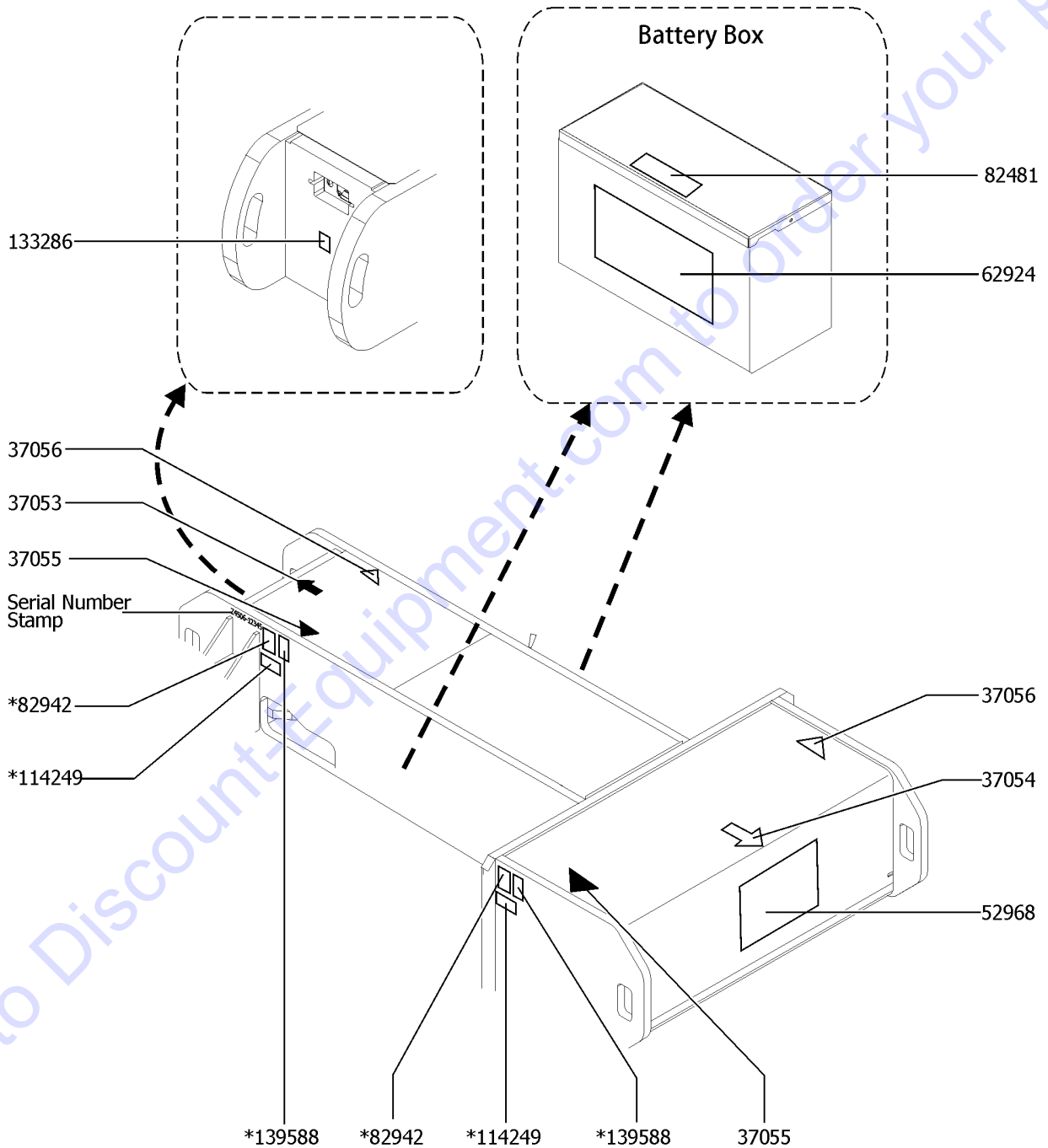
112.1 Symbol Decals, Z-34/22N & Z-34/22DC, Platform (to SN 734NF-16999 and SN 734F-13999)

Item	Part No.	Description	Qty.
-	1303490GT	INSTRUCTIONS,INSTALL,PLAT,SYMBOL, Z-34N/DC	1
-	1303491GT	DECAL KIT, Z-34N/DC,PLAT,SYMBOL,ANSI & CE	1
1	28174GT	DECAL,POWER TO PLATFORM 230V	1
2	28235GT	DECAL,POWER TO PLATFORM 115V	1
3	32728GT	DECAL,OPTION GENERATOR*** option, inverter	1
4	40434GT	DECAL,LANYARD ANCHORAGE POINT	6
5	44981GT	DECAL,LABEL,AIRLINE 110 PSI option, airline to platform	1
6	46468GT	DECAL,FUNCTION OVERRIDE option, aircraft protection	1
7	72081GT	DECAL,PLATFORM CONTROL PANEL**	1
8	72867GT	DECAL,LABEL,LIGHTS*** option, Work lights	1
9	82487GT	DECAL,SYMBOL-READ THE MANUAL	1
10	82548GT	DECAL,WARN,CRUSH HAZARD PLAT	2
11	82601GT	DECAL,LABEL,MAX CAPACITY***	1
12	82602GT	DECAL,DANGER,MAX SIDE FRC,667N ANSI models	1
13	82604GT	DECAL,DANGER,SIDE FRC 400N CE models	1
14	82611GT	DECAL,DRIVE ENABLE PATCH	1
15	82612GT	DECAL,DANGER,MAX CAP,200KG option, aircraft protection	1
16	97815GT	DECAL,LABEL,LOWER MIDRAIL	1
17	T112773GT	TAPE, PROTECTIVE MASK	2



113.1 Symbol Decals, Z-34/22BE, Chassis (to SN Z34F-13999)

NOTE:
*Install decal on both sides of the chassis



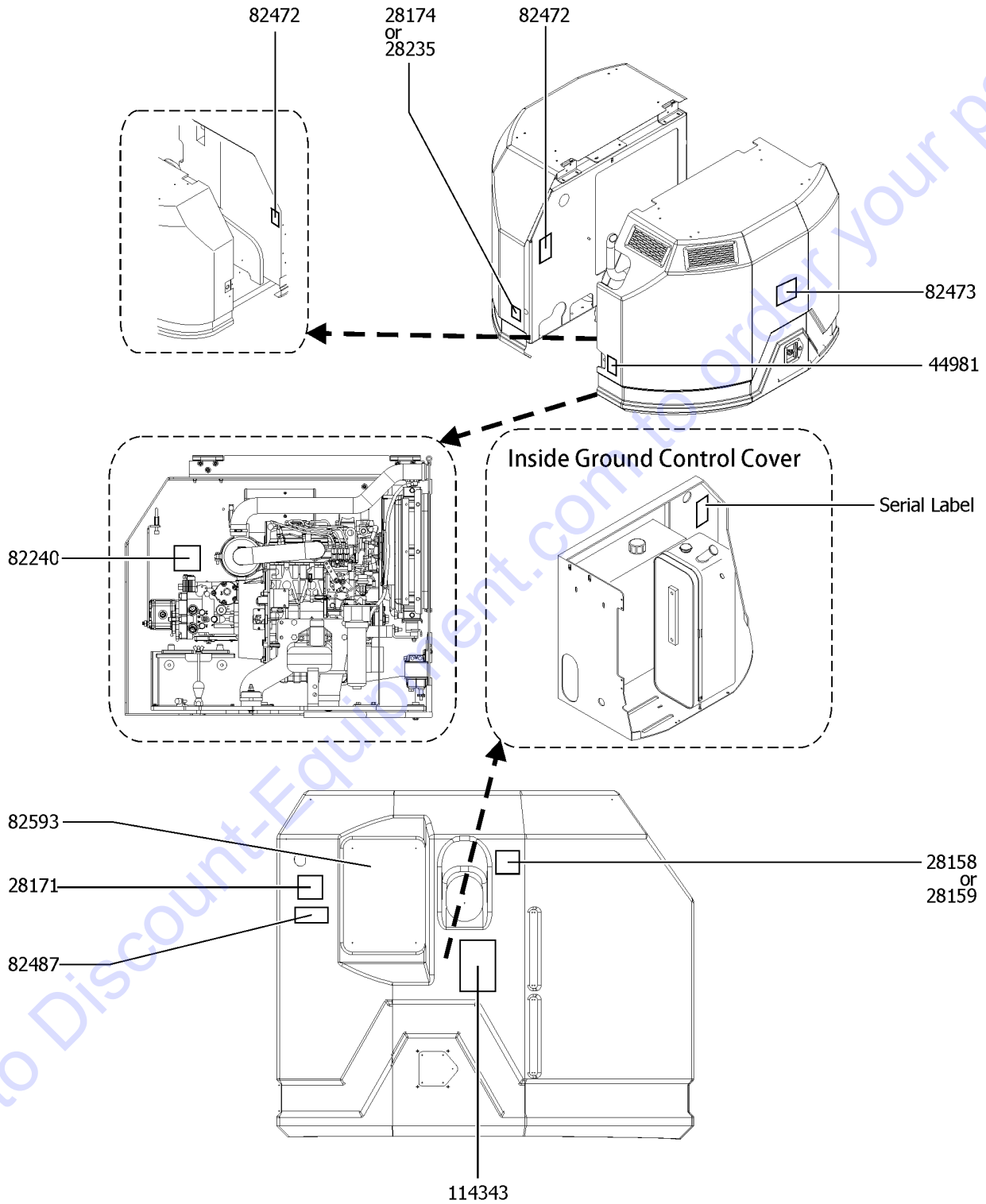
113.1 Symbol Decals, Z-34/22BE, Chassis (to SN Z34F-13999)

Item	Part No.	Description	Qty.
-	1303695GT	INSTRUCTIONS,INSTALL,COMP,SYMBOL, Z-34 BE	1
-	1303696GT	DECAL KIT, Z-34 BE,COMP,SYMBOL,ANSI & CE	1
1	37053GT	DECAL,ARROW,BLUE	1
2	37054GT	DECAL,ARROW,YELLOW SM 5-3/8"	1
3	37055GT	DECAL,TRIANGLE,BLUE	2
4	37056GT	DECAL,TRIANGLE,YELLOW	2
5	52968GT	DECAL,COSMETIC,GENIE BOOM,VERT	1
6	62924GT	DECAL,GENIE Z-34/22 BI-ENERGY	2
7	82481GT	DECAL,SYMBOL-BATTERY SAFETY	2
8	82942GT	DECAL,LABEL,TIRE PRESS,Z-34/22 ANSI models	4
9	114249GT	DECAL,LABEL,TIPOVER,TIRES,SYMB CE models	4
10	133286GT	DECAL, POWER TO CHARGER, UNIV	1
11	139588GT	DECAL,LABEL,WHEEL LOAD Z34BE**	4

Go to Discount-Equipment.com to order your parts



114.1 Symbol Decals, Z-34/22BE, Turntable (to SN Z34F-13999)



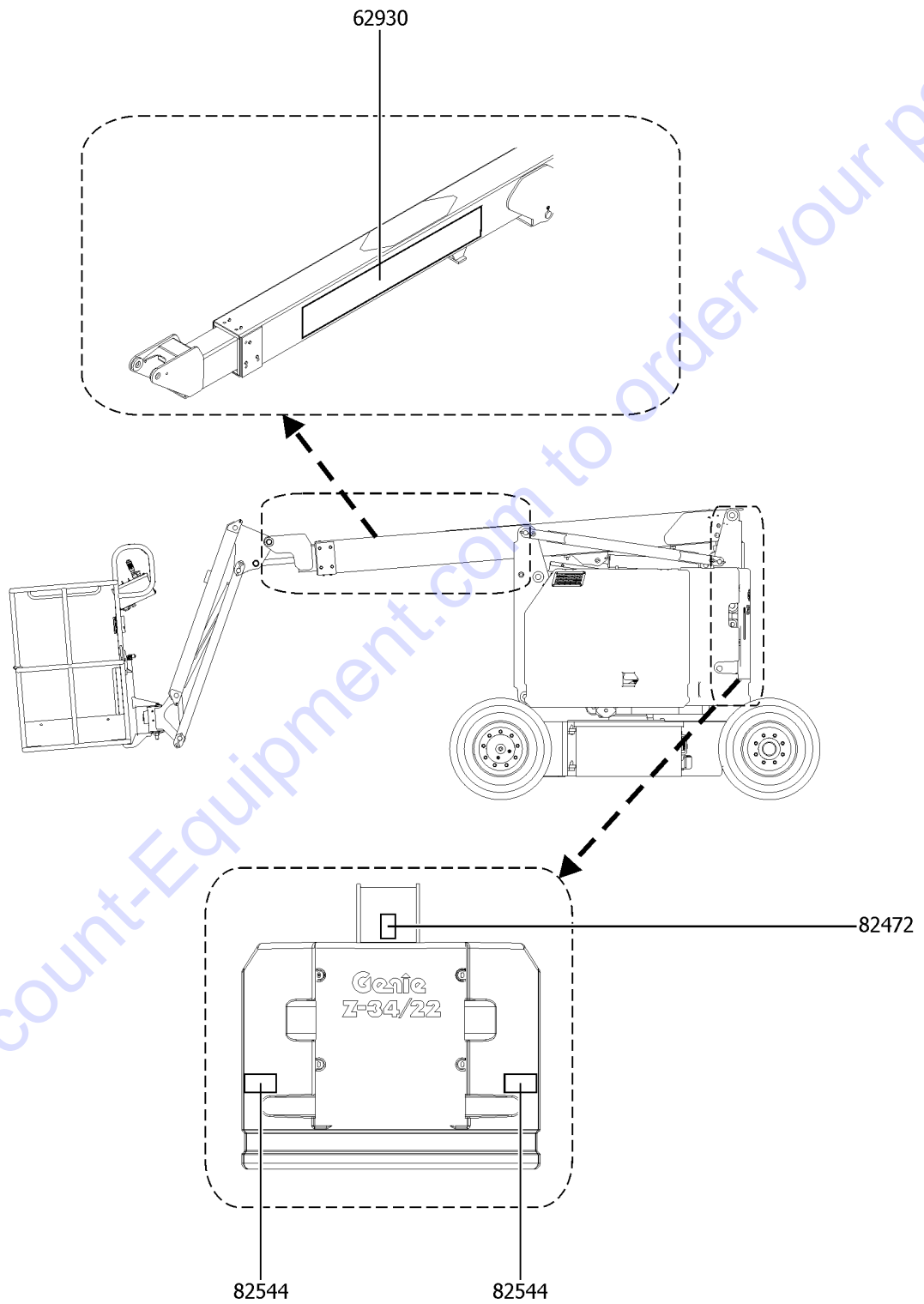
114.1 Symbol Decals, Z-34/22BE, Turntable (to SN Z34F-13999)

Item	Part No.	Description	Qty.
1	28158GT	DECAL,LABEL,UNLEADED GAS ONLY option, fuel	1
2	28159GT	DECAL,DIESEL option, fuel	1
3	28171GT	DECAL,DANGER,NO SMOKING ***	1
4	28174GT	DECAL,POWER TO PLATFORM 230V	1
5	28235GT	DECAL,POWER TO PLATFORM 115V	1
6	44981GT	DECAL,LABEL,AIRLINE 110 PSI option, airline to platform	1
7	82240GT	DECAL,LABEL,105 DB CE models	1
8	82472GT	DECAL,WARNING,CRUSHING HAZARD	2
9	82473GT	DECAL,SYMBOL-COMP ACCESS	1
10	82487GT	DECAL,SYMBOL-READ THE MANUAL	1
11	82593GT	DECAL,GROUND CONTROL PANEL ***	1
12	114343GT	DECAL,LABEL,EMERGENCY DOWN	1

Go to Discount-Equipment.com to order your parts



115.1 Symbol Decals, Z-34/22BE, Boom (to SN Z34F-13999)



Go to Discount-Equipment.com to order your parts

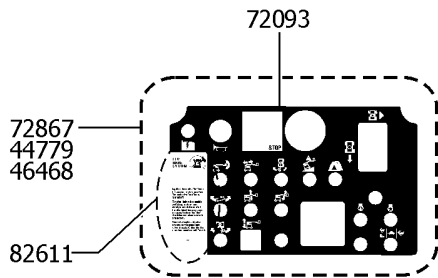
115.1 Symbol Decals, Z-34/22BE, Boom (to SN Z34F-13999)

<i>Item</i>	<i>Part No.</i>	<i>Description</i>	<i>Qty.</i>
1	62930GT	DECAL,COSMETIC,GENIE Z-34/22	1
2	82472GT	DECAL,WARNING,CRUSHING HAZARD	1
3	82544GT	DECAL,DANGER,ELEC.HAZ.STAY CLR	2

Go to Discount-Equipment.com to order your parts

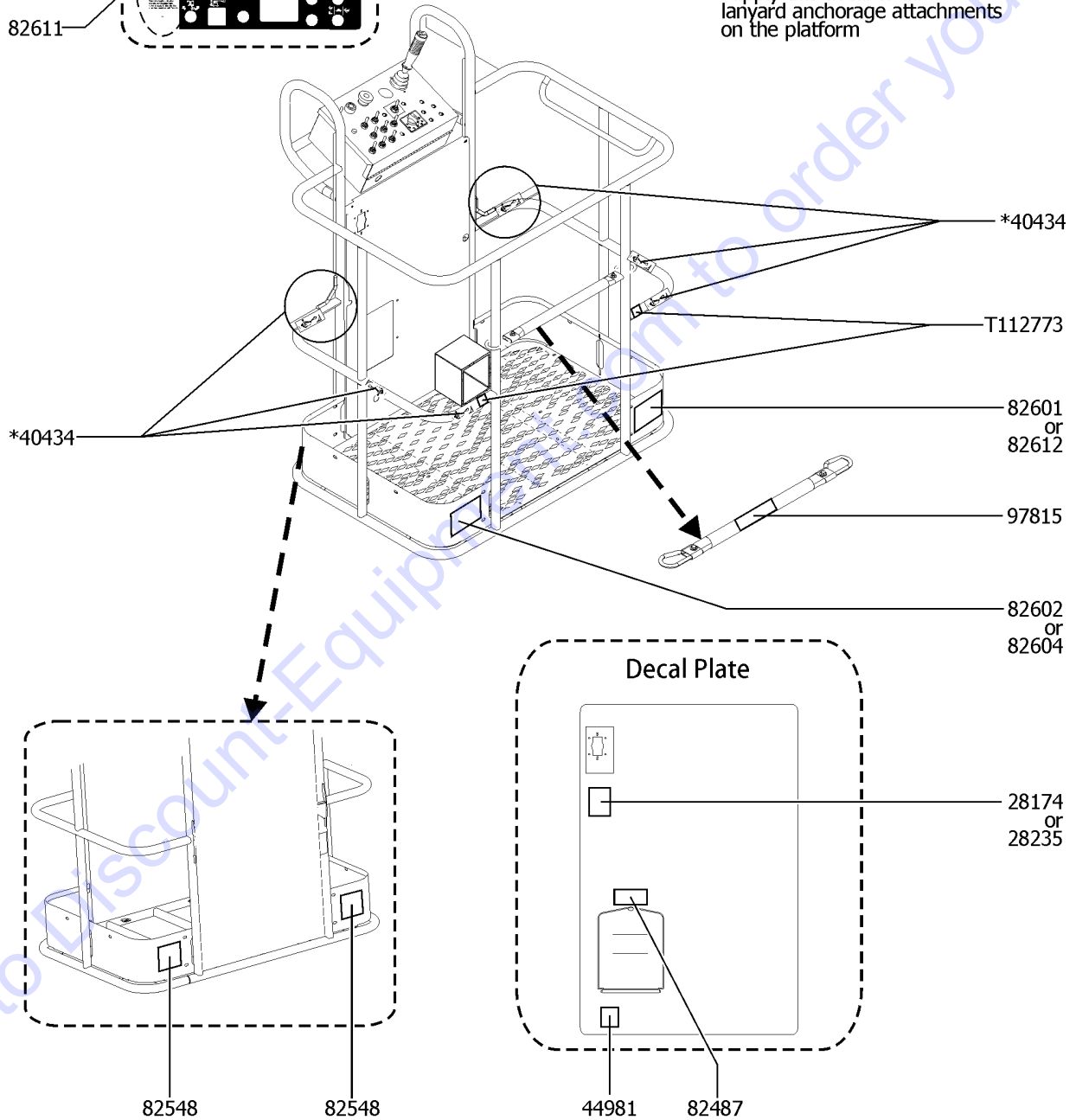


116.1 Symbol Decals, Z-34/22BE, Platform (to SN Z34F-13999)



NOTE:
☐ Shading indicates
decals hidden
from view.

*apply this decal to all
lanyard anchorage attachments
on the platform

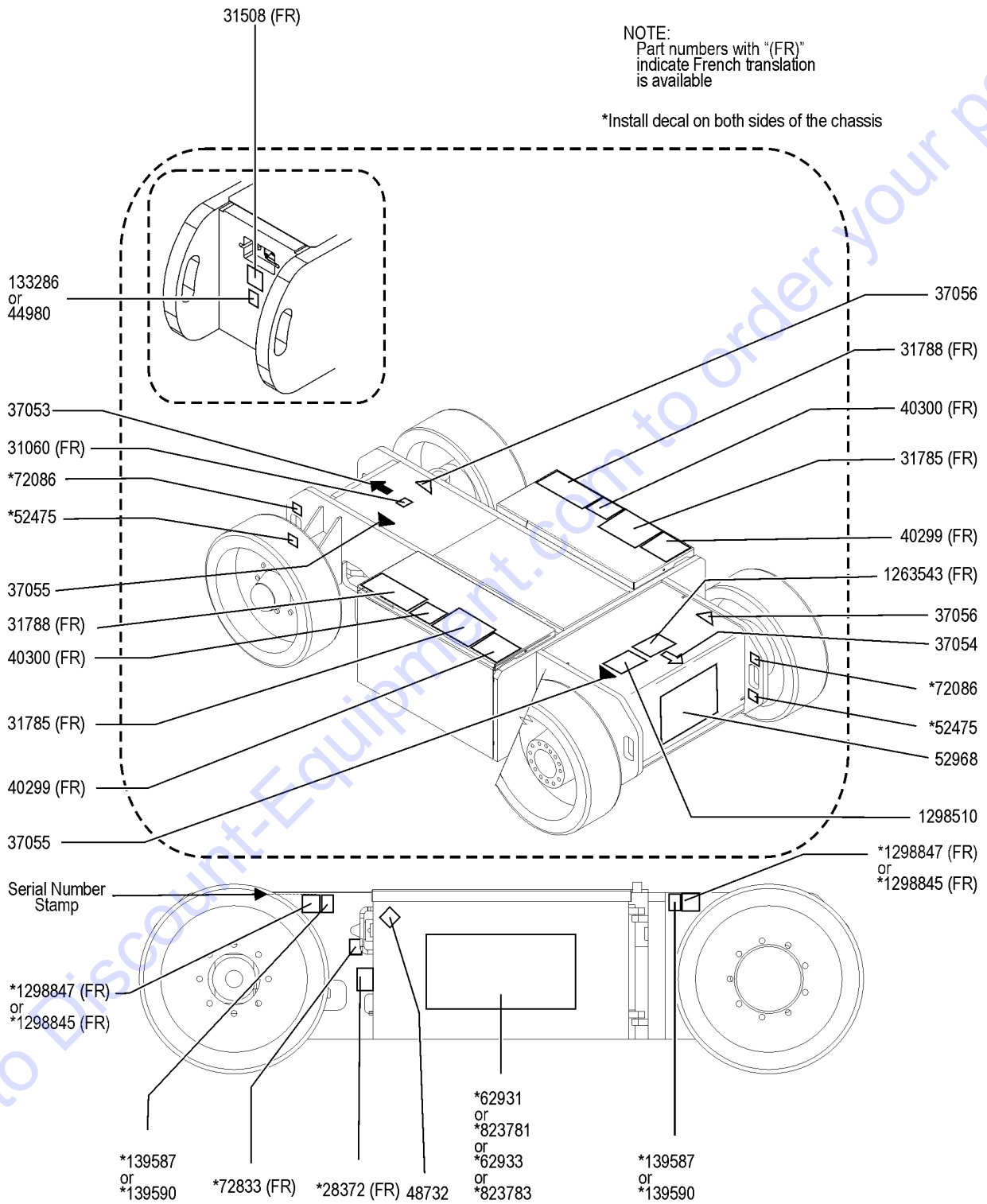


116.1 Symbol Decals, Z-34/22BE, Platform (to SN Z34F-13999)

Item	Part No.	Description	Qty.
-	1303697GT	INSTRUCTIONS,INSTALL,PLAT,SYMBOL, Z-34 BE	1
-	1303698GT	DECAL KIT, Z-34 BE,PLAT,SYMBOL,ANSI & CE	1
1	28174GT	DECAL,POWER TO PLATFORM 230V	1
2	28235GT	DECAL,POWER TO PLATFORM 115V	1
3	40434GT	DECAL,LANYARD ANCHORAGE POINT	6
4	44779GT	DECAL,GENERATOR OPTION	1
		option, generator	
5	44981GT	DECAL,LABEL,AIRLINE 110 PSI	1
		option, airline to platform	
6	46468GT	DECAL,FUNCTION OVERRIDE	1
		option, aircraft protection	
7	72093GT	DECAL,PLATFORM CONTROL PANEL	1
8	72867GT	DECAL,LABEL,LIGHTS***	1
		option, work lights	
9	82487GT	DECAL,SYMBOL-READ THE MANUAL	1
10	82548GT	DECAL,WARN,CRUSH HAZARD PLAT	2
11	82601GT	DECAL,LABEL,MAX CAPACITY***	1
12	82602GT	DECAL,DANGER,MAX SIDE FRC,667N	1
		ANSI models	
13	82604GT	DECAL,DANGER,SIDE FRC 400N	1
		CE models	
14	82611GT	DECAL,DRIVE ENABLE PATCH	1
15	82612GT	DECAL,DANGER,MAX CAP,200KG	1
		option, aircraft protection	
16	97815GT	DECAL,LABEL,LOWER MIDRAIL	1
17	T112773GT	TAPE, PROTECTIVE MASK	2



117.1 Word Decals, Z-34/22N & Z-34/22 DC, Chassis/Battery Box (from SN 734NF-17000 and SN 734F-14000)

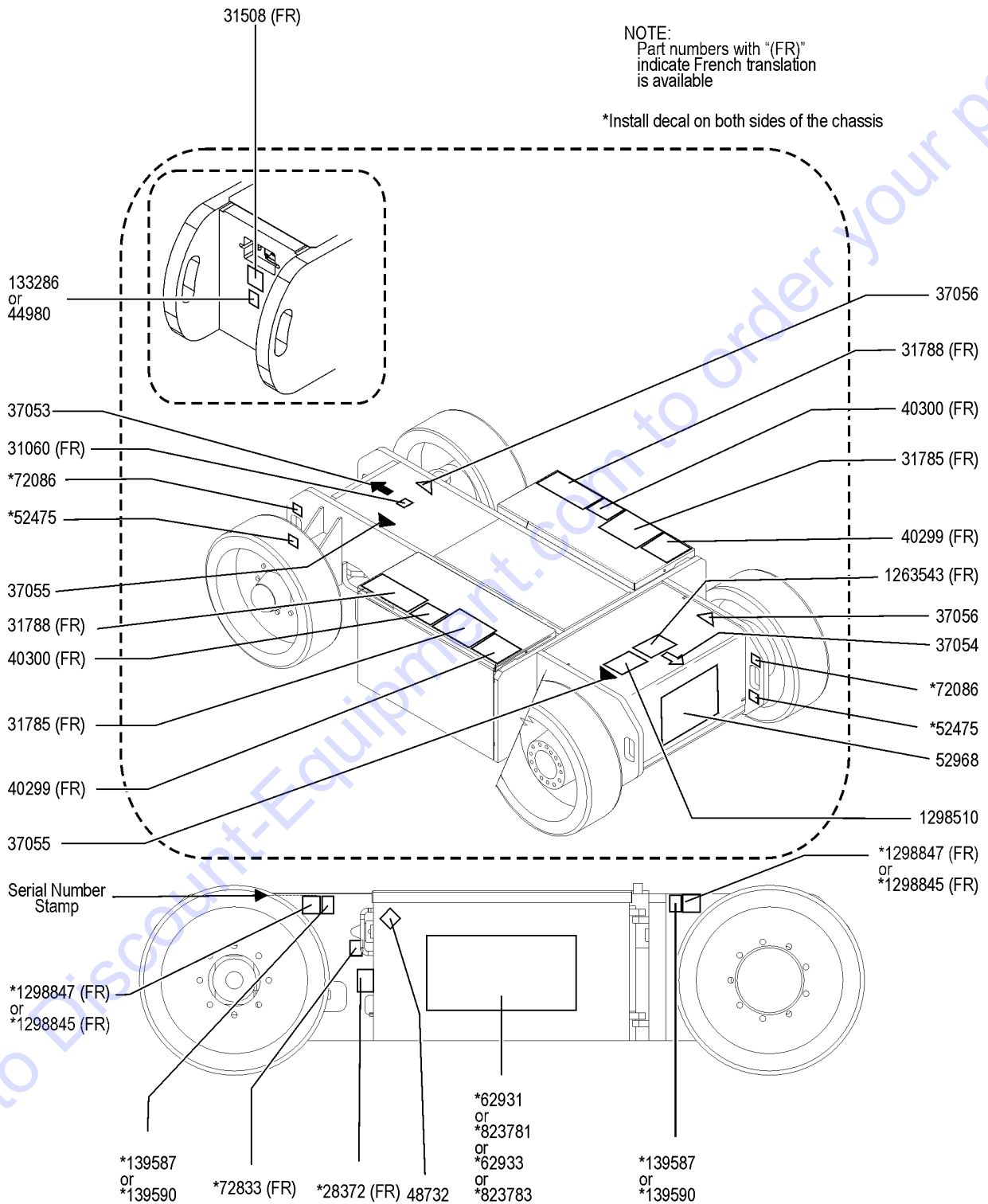


117.1 Word Decals, Z-34/22N & Z-34/22 DC, Chassis/Battery Box (from SN Z34NF-17000 and SN Z34F-14000)

Item	Part No.	Description	Qty.
-	1303337GT	INSTRUCTIONS,INSTALL,COMP,WORD, Z-34N/DC	1
-	1303338GT	DECAL KIT, Z-34N/DC,COMP,WORD,ANSI & AUS	1
1	28372GT	DECAL,NOTICE,BATTERY CABLES	2
2	31060GT	DECAL,DANGER DO NOT ALTER SWTC	1
3	31508GT	DECAL,DANGER,ELECT HAZARD,PLUG	1
4	31785GT	DECAL,NOTICE,CHARGER INSTRUC	2
5	31788GT	DECAL,DANGER,BATTERY SAFETY***	2
6	37053GT	DECAL,ARROW,BLUE	1
7	37054GT	DECAL,ARROW,YELLOW SM 5-3/8"	1
8	37055GT	DECAL,TRIANGLE,BLUE	2
9	37056GT	DECAL,TRIANGLE,YELLOW	2
10	40299GT	DECAL,NOTICE,BATT CONNECTION	2
11	40300GT	DECAL,DANGER,TIP-OVER BATTERY	2
12	44980GT	DECAL,LABEL,PWR TO CHARGR 115V Option, EE	1
13	48732GT	DECAL,LABEL,EE RATING	1
14	52475GT	DECAL,LABEL,TRANSPORT TIEDOWN*	4
15	52968GT	DECAL,COSMETIC,GENIE BOOM,VERT	1
16	62931GT	DECAL,GENIE Z-34/22 DC POWER	2
17	62933GT	DECAL,COSM,GENIE Z-34/22N(BOX)	2
18	72086GT	DECAL,LABEL,LIFTING EYE	4
19	72833GT	DECAL,LABEL,OPEN,LATCH	2
20	133286GT	DECAL, POWER TO CHARGER, UNIV	1
21	139587GT	DECAL,LABEL,WHEEL LOAD Z34DC**	4
22	139590GT	DECAL,LABEL,WHEEL LOAD Z34N***	4
23	823781GT	DECAL,COSM,GENIE Z34DC PWR BLK	2
24	823783GT	DECAL,COSM,GENIE Z34N(BOX) BLK	2
25	1263543GT	DECAL,COMPARTMENT ACCESS	1
26	1298510GT	DECAL,TRANSPORT/LIFT DIAGRAM, Z-34	1



117.1 Word Decals, Z-34/22N & Z-34/22 DC, Chassis/Battery Box (from SN 734NF-17000 and SN 734F-14000)



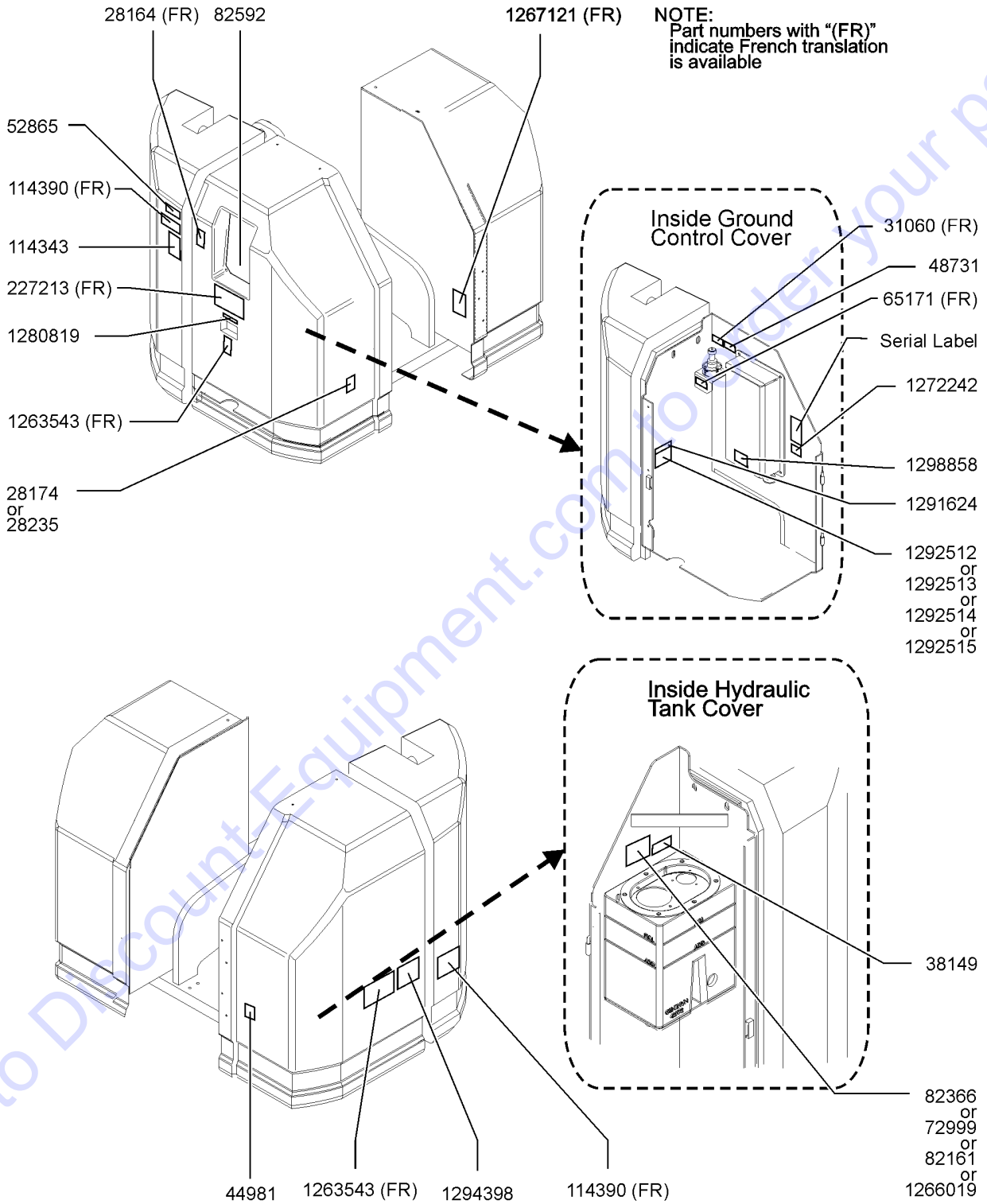
117.1 Word Decals, Z-34/22N & Z-34/22 DC, Chassis/Battery Box (from SN Z34NF-17000 and SN Z34F-14000)

Item	Part No.	Description	Qty.
27	1298845GT	DECAL,DANGER,TIPOVR,TIRES INDF NM, Z34, 2WD,WORD Z-34	4
28	1298847GT	DECAL,DANGER,TIPOVR,TIRES NMF, Z-30N, Z34N,WORD Z-30N, Z-34N	4

Go to Discount-Equipment.com to order your parts



118.1 Word Decals, Z-34/22N & Z-34/22 DC, Turntable (from SN Z34NF-17000 and SN 734F-14000)



118.1 Word Decals, Z-34/22N & Z-34/22 DC, Turntable (from SN 734NF-17000 and SN 734F-14000)

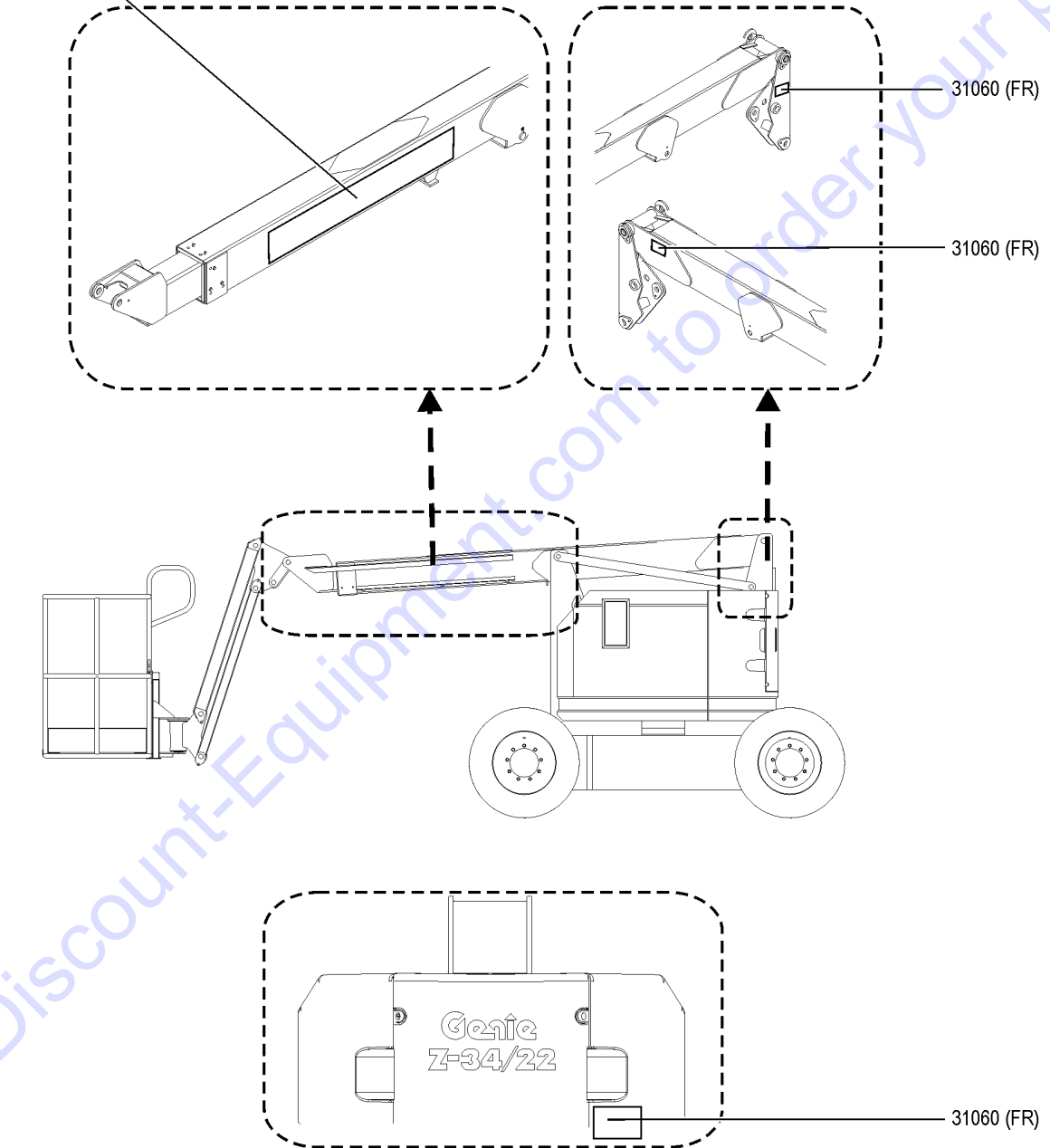
Item	Part No.	Description	Qty.
1	28164GT	DECAL,NOTICE,HAZARDOUS MAT'LS*	1
2	28174GT	DECAL,POWER TO PLATFORM 230V	1
3	28235GT	DECAL,POWER TO PLATFORM 115V	1
4	31060GT	DECAL,DANGER DO NOT ALTER SWTC	1
5	38149GT	DECAL,LABEL,PATENTS	1
6	44981GT	DECAL,LABEL,AIRLINE 110 PSI Option, Air Line to Platform	1
7	48731GT	DECAL,LABEL,FMRC APPROVED	1
8	52865GT	DECAL,ANNUAL INSP***	1
9	65171GT	DECAL,LABEL,CB & STATUS LIGHT	1
10	72999GT	DECAL,LABEL,PETRO CANADA*** Option, Hydraulic Oil	1
11	82161GT	DECAL,LABEL,UCON HYDROLUBE Option, Hydraulic Oil	1
12	82366GT	DECAL,CHEVRON RANDO HD Option, Hydraulic Oil	1
13	82592GT	DECAL,GROUND CONTROL PANEL***	1
14	114343GT	DECAL,LABEL,EMERGENCY DOWN	1
15	114390GT	DECAL,DANGER,ELECT HAZARD***	2
16	227213GT	DECAL,OPER INST,DC BOOM GND AU	1
17	1263543GT	DECAL,COMPARTMENT ACCESS	2
18	1266019GT	DECAL, LABEL, SHELL TELLUS Option, Hydraulic Oil	1
19	1267121GT	DECAL,WARNING,CRUSH HAZARD	1
20	1272242GT	DECAL,MACHINE REGISTRATION/OWN	1
21	1280819GT	DECAL,WARNING,CANCER AND REPRODUCTIVE HARM, PROP 65	1
22	1291624GT	DECAL COSM,GENIE LIFT CONNECT,LEXAN COVER	1
23	1292512GT	DECAL COSM,GENIE LIFT CONNECT,ESN,SKU4-1	1
24	1292513GT	DECAL COSM,GENIE LIFT CONNECT,ESN,SKU4-2	1
25	1292514GT	DECAL COSM,GENIE LIFT CONNECT,ESN,SKU4-3	1
26	1292515GT	DECAL COSM,GENIE LIFT CONNECT,ESN,SKU4-4	1
27	1294398GT	DECAL, ANSI/CSA COMPLIANT	1
28	1298858GT	DECAL,RELAY LABEL,Z30/34 DC	1



119.1 Word Decals, Z-34/22N & Z-34/22 DC, Boom (from SN Z34NF-17000 and SN 734F-14000)

62930
or
823780
or
62932
or
823782

NOTE:
Part numbers with "(FR)"
indicate French translation
is available



PARTS FINDER

**Search Website
by Part Number**



**Search Manual
Library For Parts
Manual & Lookup Part
Numbers – Purchase
or Request Quote**

Search Manuals

Enter your information to search for a manual or to purchase a manual or parts.

* Brand:

* Model:

* Serial:

* Part Number:

SEARCH

**Can't Find Part or
Manual? Request Help
by Manufacturer,
Model & Description**

Parts Order Form

Please fill in the following information to request help finding a part or manual.

Manufacturer:

Model:

Description:

Quantity:

Part Number:

Part Name:

Part Description:

Part Category:

Part Location:

Part Status:

Part Condition:

Part Material:

Part Color:

Part Weight:

Part Dimensions:

Part Price:

Part Availability:

Part Lead Time:

Part Notes:

Submit

Discount-Equipment.com is your online resource for quality parts & equipment.

Florida: **561-964-4949** Outside Florida TOLL FREE: **877-690-3101**

Need parts?

Click on this link: <http://www.discount-equipment.com/category/5443-parts/> and choose one of the options to help get the right parts and equipment you are looking for. Please have the machine model and serial number available in order to help us get you the correct parts. If you don't find the part on the website or on one of the online manuals, please fill out the request form and one of our experienced staff members will get back to you with a quote for the right part that your machine needs.

We sell worldwide for the brands: Genie, Terex, JLG, MultiQuip, Mikasa, Essick, Whiteman, Mayco, Toro Stone, Diamond Products, Generac Magnum, Airman, Haulotte, Barreto, Power Blanket, Nifty Lift, Atlas Copco, Chicago Pneumatic, Allmand, Miller Curber, Skyjack, Lull, Skytrak, Tsurumi, Husquvarna Target, Stow, Wacker, Sakai, Mi-T-M, Sullair, Basic, Dynapac, MBW, Weber, Bartell, Bennar Newman, Haulotte, Ditch Runner, Menegotti, Morrison, Contec, Buddy, Crown, Edco, Wyco, Bomag, Laymor, EZ Trench, Bil-Jax, F.S. Curtis, Gehl Pavers, Heli, Honda, ICS/PowerGrit, IHI, Partner, Imer, Clipper, MMD, Koshin, Rice, CH&E, General Equipment, Amida, Coleman, NAC, Gradall, Square Shooter, Kent, Stanley, Tamco, Toku, Hatz, Kohler, Robin, Wisconsin, Northrock, Oztec, Toker TK, Rol-Air, APT, Wylie, Ingersoll Rand / Doosan, Innovatech, Con X, Ammann, Mecalac, Makinex, Smith Surface Prep, Small Line, Wanco, Yanmar

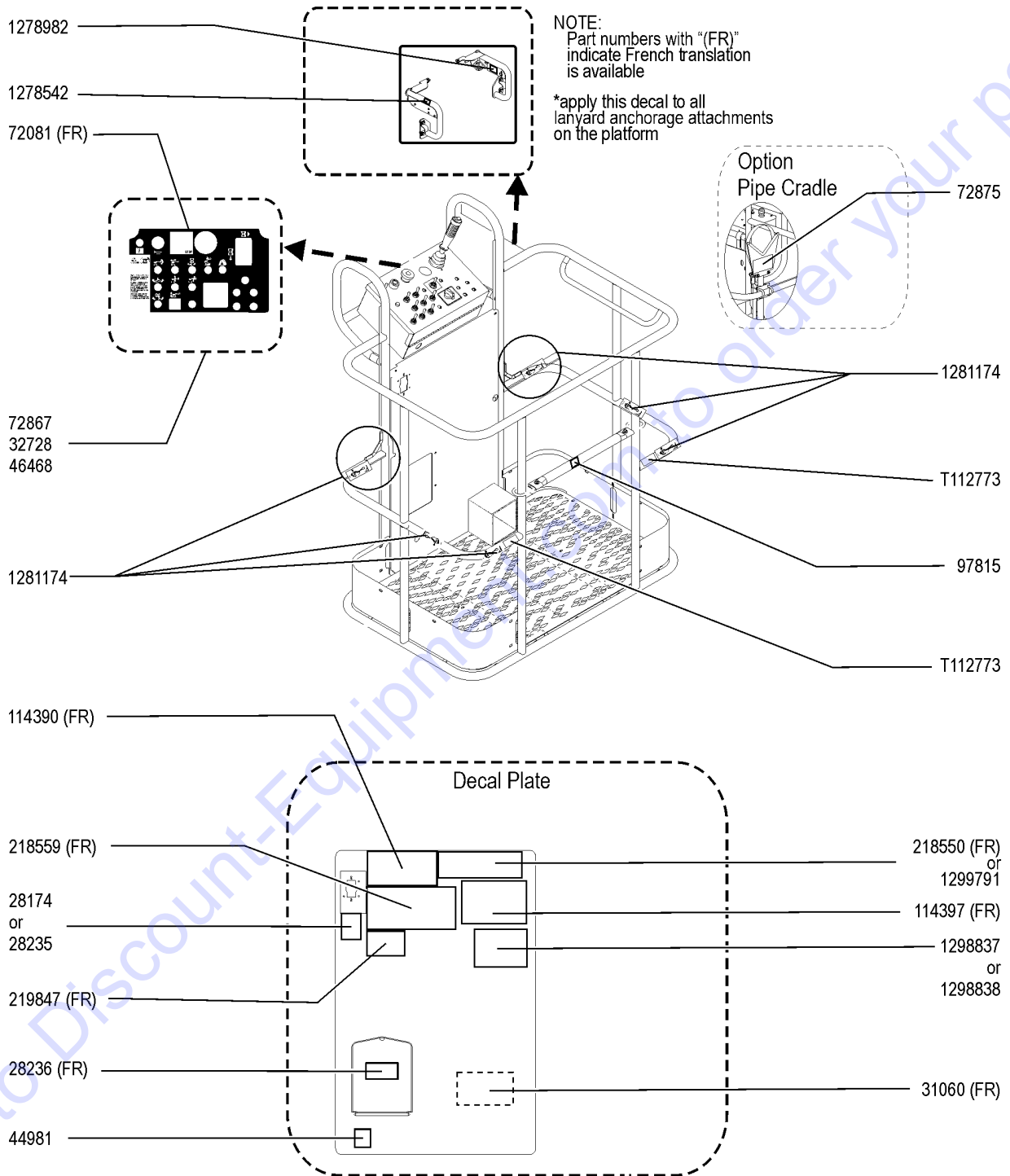
119.1 Word Decals, Z-34/22N & Z-34/22 DC, Boom (from SN 734NF-17000 and SN 734F-14000)

Item	Part No.	Description	Qty.
1	31060GT	DECAL,DANGER DO NOT ALTER SWTC	3
2	62930GT	DECAL,COSMETIC,GENIE Z-34/22 for Z-34/22	1
3	62932GT	DECAL,COSMETIC,GENIE Z-34/22N for Z-34/22N	1
4	823780GT	DECAL,COSM,GENIE Z34 BLK	1
5	823782GT	DECAL,COSM,GENIE Z34N BLK	1

Go to Discount-Equipment.com to order your parts



120.1 Word Decals, Z-34/22N & Z-34/22 DC, Platform (from SN Z34NF-17000 and SN 734F-14000)

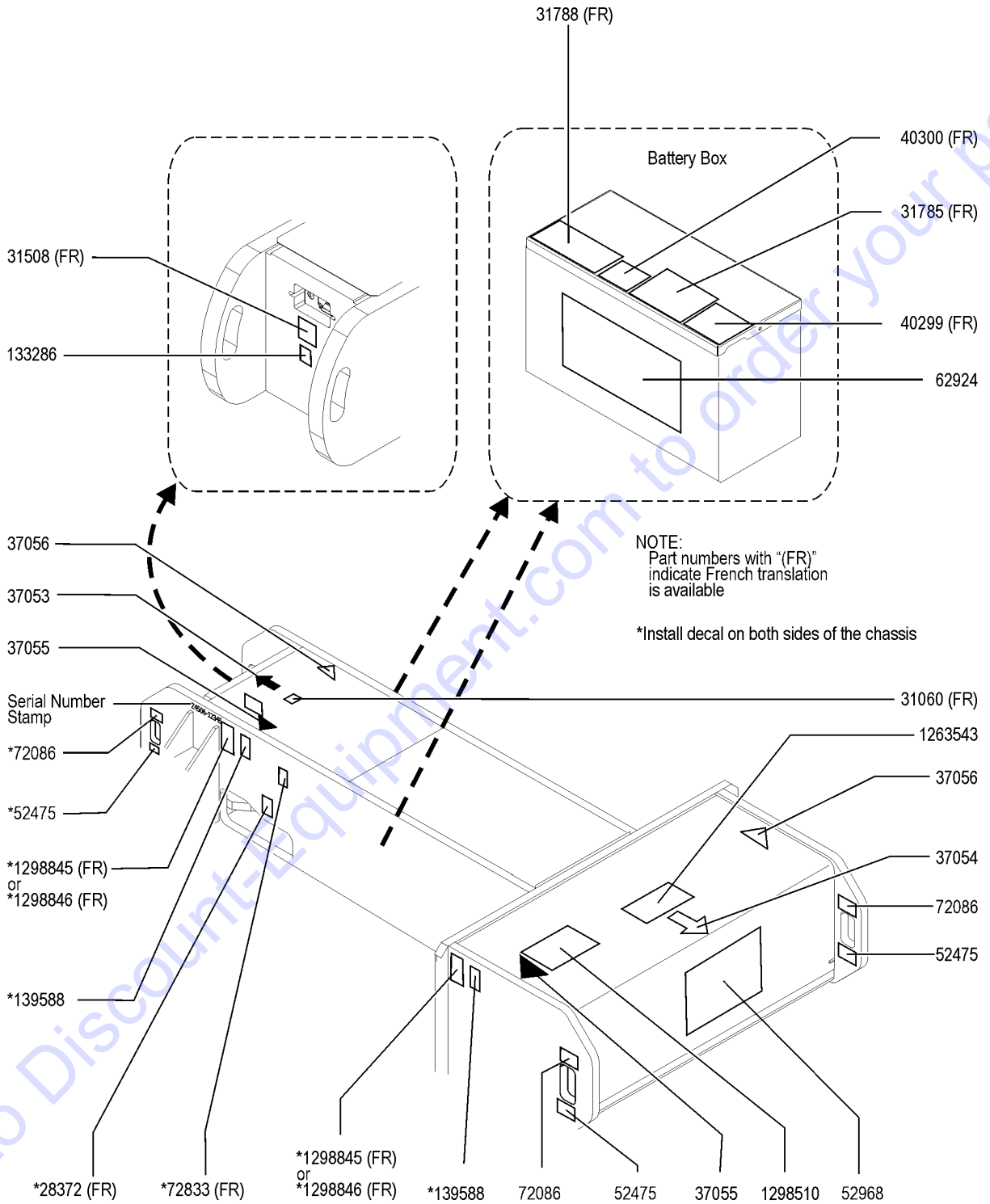


120.1 Word Decals, Z-34/22N & Z-34/22 DC, Platform (from SN 734NF-17000 and SN 734F-14000)

Item	Part No.	Description	Qty.
-	1303339GT	INSTRUCTIONS,INSTALL,PLAT,WORD, Z-34N/DC	1
-	1303340GT	DECAL KIT, Z-34N/DC,PLAT,WORD,ANSI & AUS	1
1	28174GT	DECAL,POWER TO PLATFORM 230V	1
2	28235GT	DECAL,POWER TO PLATFORM 115V	1
3	28236GT	DECAL,WARN,IMPROPER OPERATION	1
4	31060GT	DECAL,DANGER DO NOT ALTER SWTC	1
5	32728GT	DECAL,OPTION GENERATOR*** Option, Inverter	1
6	44981GT	DECAL,LABEL,AIRLINE 110 PSI	1
7	46468GT	DECAL,FUNCTION OVERRIDE	1
8	72081GT	DECAL,PLATFORM CONTROL PANEL**	1
9	72867GT	DECAL,LABEL,LIGHTS*** Option, Work Lights	1
10	72875GT	DECAL,WARNING,PIPE CRADLE,BOOM	2
11	97815GT	DECAL,LABEL,LOWER MIDRAIL	1
12	114390GT	DECAL,DANGER,ELECT HAZARD***	1
13	114397GT	DECAL,DANGER,TILT ALARM	1
14	218550GT	DECAL,DANGER,CAP,AUS WORD	1
15	218559GT	DECAL,DANGER/WARNING COMBO	1
16	219847GT	ASSY, DIESEL FUEL TANK	1
17	1278542GT	DECAL, INSTRUCTION, CONTACT ALARM	1
18	1278982GT	DECAL, INSTRUCTION, ACTUATOR SWITCH SOCKET	1
19	1281174GT	DECAL,LANYARD,FALL ARREST/FALL RESTRAINED	6
20	1298837GT	DECAL,WARNING,RUNAWAY MACHINE,Z30N/RJ, Z34N,WORD	1
21	1298838GT	DECAL,WARNING,RUNAWAY MACHINE,Z34DC/BE,WORD	1
22	1299791GT	DECAL,DANGER,CAP, AIRCRAFT, WORD	1
23	T112773GT	TAPE, PROTECTIVE MASK	2



121.1 Word Decals, Z-34/22BE, Chassis (from SN Z34F-14000)

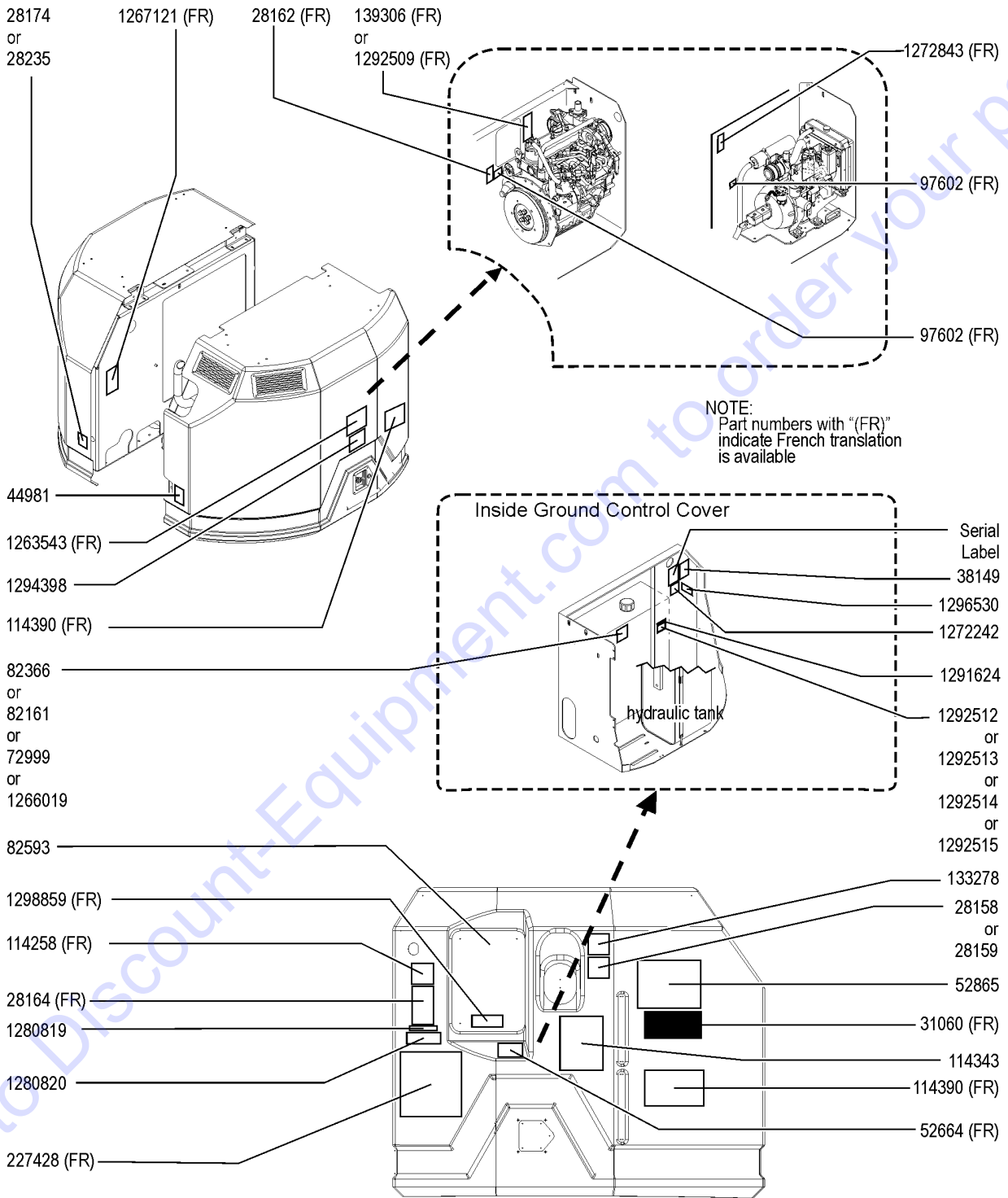


121.1 Word Decals, Z-34/22BE, Chassis (from SN Z34F-14000)

Item	Part No.	Description	Qty.
-	1303461GT	INSTRUCTIONS,INSTALL,COMP,WORD, Z-34 BE	1
-	1303462GT	DECAL KIT, Z-34 BE,COMP,WORD,ANSI & AUS	1
1	28372GT	DECAL,NOTICE,BATTERY CABLES	2
2	31060GT	DECAL,DANGER DO NOT ALTER SWTC	1
3	31508GT	DECAL,DANGER,ELECT HAZARD,PLUG	1
4	31785GT	DECAL,NOTICE,CHARGER INSTRUC	2
5	31788GT	DECAL,DANGER,BATTERY SAFETY***	2
6	37053GT	DECAL,ARROW,BLUE	1
7	37054GT	DECAL,ARROW,YELLOW SM 5-3/8"	1
8	37055GT	DECAL,TRIANGLE,BLUE	2
9	37056GT	DECAL,TRIANGLE,YELLOW	2
10	40299GT	DECAL,NOTICE,BATT CONNECTION	2
11	40300GT	DECAL,DANGER,TIP-OVER BATTERY	2
12	52475GT	DECAL,LABEL,TRANSPORT TIEDOWN*	4
13	52968GT	DECAL,COSMETIC,GENIE BOOM,VERT	1
14	62924GT	DECAL,GENIE Z-34/22 BI-ENERGY	2
15	72086GT	DECAL,LABEL,LIFTING EYE	4
16	72833GT	DECAL,LABEL,OPEN,LATCH	2
17	133286GT	DECAL, POWER TO CHARGER, UNIV	1
18	139588GT	DECAL,LABEL,WHEEL LOAD Z34BE**	4
19	1263543GT	DECAL,COMPARTMENT ACCESS	1
20	1298510GT	DECAL,TRANSPORT/LIFT DIAGRAM, Z-34	1
21	1298845GT	DECAL,DANGER,TIPOVR,TIRES INDF NM, Z34, 2WD,WORD	4
22	1298846GT	DECAL,DANGER,TIPOVR,TIRES RTF, Z34, 4WD,WORD	4



122.1 Word Decals, Z-34/22BE, Turntable (from SN Z34F-14000)

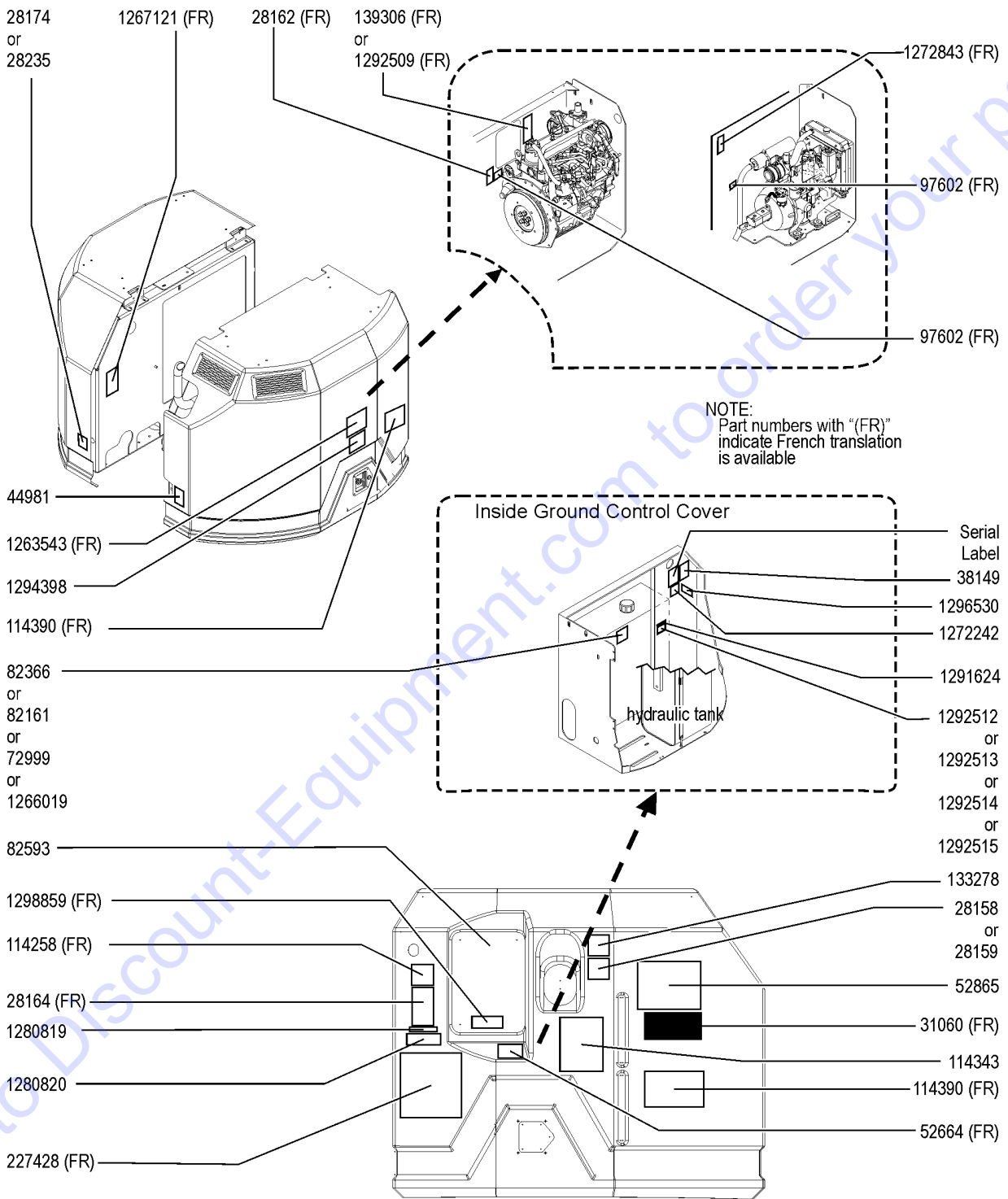


122.1 Word Decals, Z-34/22BE, Turntable (from SN Z34F-14000)

Item	Part No.	Description	Qty.
1	28158GT	DECAL,LABEL,UNLEADED GAS ONLY	1
2	28159GT	DECAL,DIESEL	1
3	28162GT	DECAL,WARNING,CRUSHING	1
4	28164GT	DECAL,NOTICE,HAZARDOUS MAT'LS*	1
5	28174GT	DECAL,POWER TO PLATFORM 230V	1
6	28235GT	DECAL,POWER TO PLATFORM 115V	1
7	31060GT	DECAL,DANGER DO NOT ALTER SWTC	1
8	38149GT	DECAL,LABEL,PATENTS	1
9	44981GT	DECAL,LABEL,AIRLINE 110 PSI	1
		Option, Air Line to Platfrom	
10	52664GT	DECAL,LABEL,CONTRLR STATUS LT	1
11	52865GT	DECAL,ANNUAL INSP***	1
12	72999GT	DECAL,LABEL,PETRO CANADA***	1
		Option, Hydraulic oil	
13	82161GT	DECAL,LABEL,UCON HYDROLUBE	1
		Option, Hydraulic oil	
14	82366GT	DECAL,CHEVRON RANDO HD	1
		Option, Hydraulic oil	
15	82593GT	DECAL,GROUND CONTROL PANEL ***	1
16	97602GT	DECAL,EXPLOSION HAZARD	1
17	114258GT	DECAL,DANGER,NO SMOKING	1
18	114343GT	DECAL,LABEL,EMERGENCY DOWN	1
19	114390GT	DECAL,DANGER,ELECT HAZARD***	2
20	133278GT	DECAL,LOW/ULTRA LOW SULFR FUEL	1
21	139306GT	DECAL,NOTICE,SPEC,Z482	1
22	227428GT	DECAL, OPERATING INSTRUCTIONS	1
23	1263543GT	DECAL,COMPARTMENT ACCESS	1
24	1266019GT	DECAL, LABEL, SHELL TELLUS	1
		Option, Hydraulic oil	
25	1267121GT	DECAL,WARNING,CRUSH HAZARD	1
26	1272242GT	DECAL,MACHINE REGISTRATION/OWN	1
27	1272843GT	DECAL,NOTICE,GM .998L SPEC	1
28	1280819GT	DECAL,WARNING,CANCER AND REPRODUCTIVE HARM, PROP 65	1



122.1 Word Decals, Z-34/22BE, Turntable (from SN Z34F-14000)



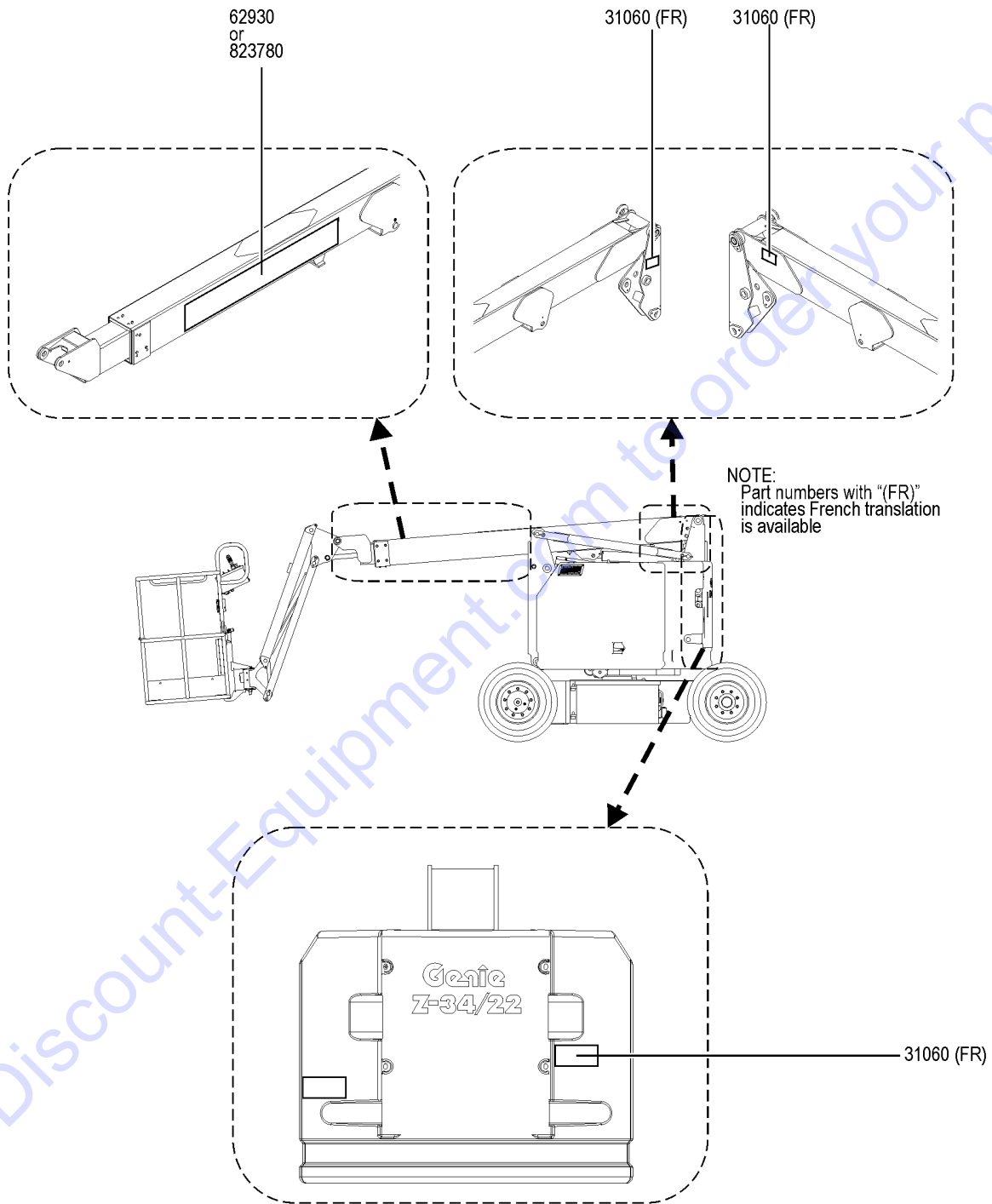
122.1 Word Decals, Z-34/22BE, Turntable (from SN Z34F-14000)

Item	Part No.	Description	Qty.
29	1280820GT	DECAL,FUEL,DIESEL EXHAUST, PROP 65	1
30	1291624GT	DECAL COSM,GENIE LIFT CONNECT,LEXAN COVER	1
31	1292509GT	DECAL,KUBOTA D1105,SPECS	1
32	1292512GT	DECAL COSM,GENIE LIFT CONNECT,ESN,SKU4-1	1
33	1292513GT	DECAL COSM,GENIE LIFT CONNECT,ESN,SKU4-2	1
34	1292514GT	DECAL COSM,GENIE LIFT CONNECT,ESN,SKU4-3	1
35	1292515GT	DECAL COSM,GENIE LIFT CONNECT,ESN,SKU4-4	1
36	1294398GT	DECAL, ANSI/CSA COMPLIANT	1
37	1296530GT	DECAL, EPA/CARB EMISSIONS 2019	1
38	1298859GT	DECAL,RELAY LABEL,Z34BE	1

Go to Discount-Equipment.com to order your parts



123.1 Word Decals, Z-34/22BE, Boom (from SN Z34F-14000)



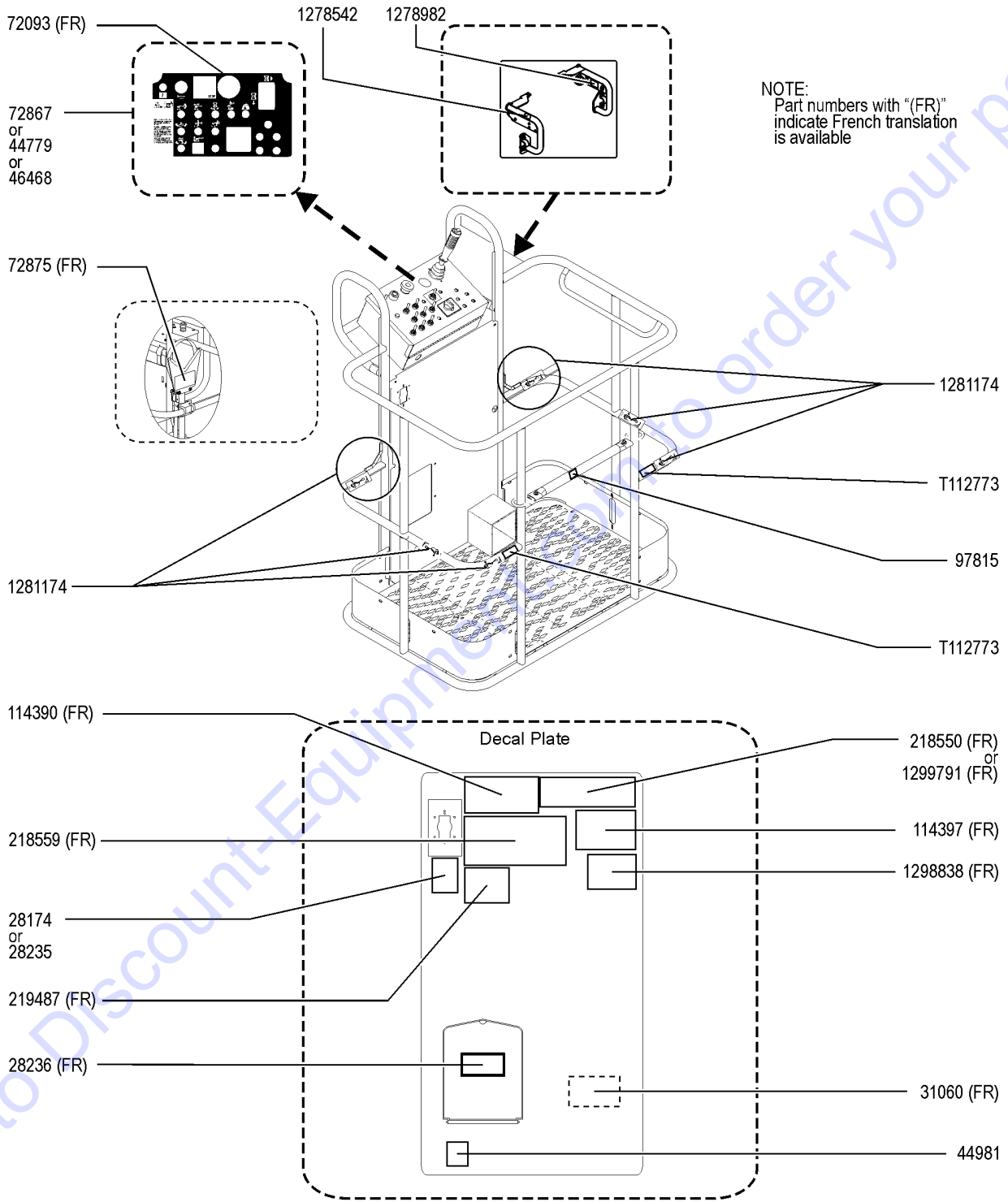
123.1 Word Decals, Z-34/22BE, Boom (from SN Z34F-14000)

<i>Item</i>	<i>Part No.</i>	<i>Description</i>	<i>Qty.</i>
1	31060GT	DECAL,DANGER DO NOT ALTER SWTC	3
2	62930GT	DECAL,COSMETIC,GENIE Z-34/22	1
3	823780GT	DECAL,COSM,GENIE Z34 BLK	1

Go to Discount-Equipment.com to order your parts



124.1 Word Decals, Z-34/22BE, Platform (from SN Z34F-14000)



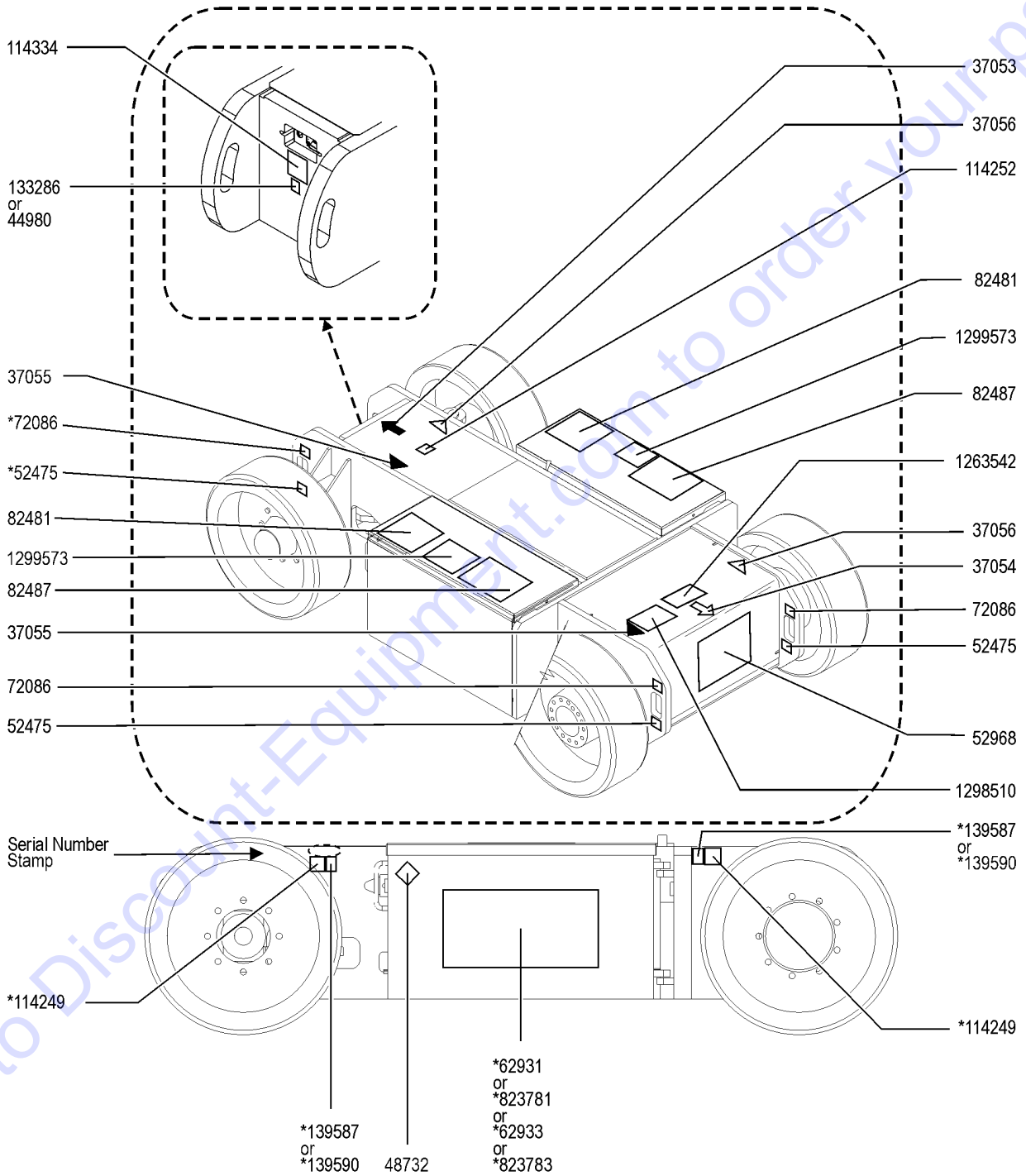
124.1 Word Decals, Z-34/22BE, Platform (from SN Z34F-14000)

Item	Part No.	Description	Qty.
-	1303463GT	INSTRUCTIONS,INSTALL,PLAT,WORD, Z-34 BE	1
-	1303464GT	DECAL KIT,Z-34 BE,PLAT,WORD,ANSI & AUS	1
1	28174GT	DECAL,POWER TO PLATFORM 230V	1
2	28235GT	DECAL,POWER TO PLATFORM 115V	1
3	28236GT	DECAL,WARN,IMPROPER OPERATION	1
4	31060GT	DECAL,DANGER DO NOT ALTER SWTC	1
5	44779GT	DECAL,GENERATOR OPTION Option, Generator	1
6	44981GT	DECAL,LABEL,AIRLINE 110 PSI Option, Air Line to Platform	1
7	46468GT	DECAL,FUNCTION OVERRIDE Option, Aircraft Protection	1
8	72093GT	DECAL,PLATFORM CONTROL PANEL	1
9	72867GT	DECAL,LABEL,LIGHTS*** Option, Work Lights	1
10	72875GT	DECAL,WARNING,PIPE CRADLE,BOOM Option, Pipe Cradle	2
11	97815GT	DECAL,LABEL,LOWER MIDRAIL	1
12	114390GT	DECAL,DANGER,ELECT HAZARD***	1
13	114397GT	DECAL,DANGER,TILT ALARM	1
14	218550GT	DECAL,DANGER,CAP,AUS WORD	1
15	218559GT	DECAL,DANGER/WARNING COMBO	1
16	219487GT	DECAL,PLATFORM OVERLOAD	1
17	1278542GT	DECAL, INSTRUCTION, CONTACT ALARM	1
18	1278982GT	DECAL, INSTRUCTION, ACTUATOR SWITCH SOCKET	1
19	1281174GT	DECAL,LANYARD,FALL ARREST/FALL RESTRAINED	6
20	1298838GT	DECAL,WARNING,RUNAWAY MACHINE,Z34DC/BE,WORD	1
21	1299791GT	DECAL,DANGER,CAP, AIRCRAFT, WORD Option, Aircraft Protection	1
22	T112773GT	TAPE, PROTECTIVE MASK	2



125.1 Symbol Decals, Z-34/22N & Z-34/22 DC, Chassis/Battery Box (from SN 734NF-17000 and SN 734F-14000)

NOTE:
*Install decal on both sides of the chassis

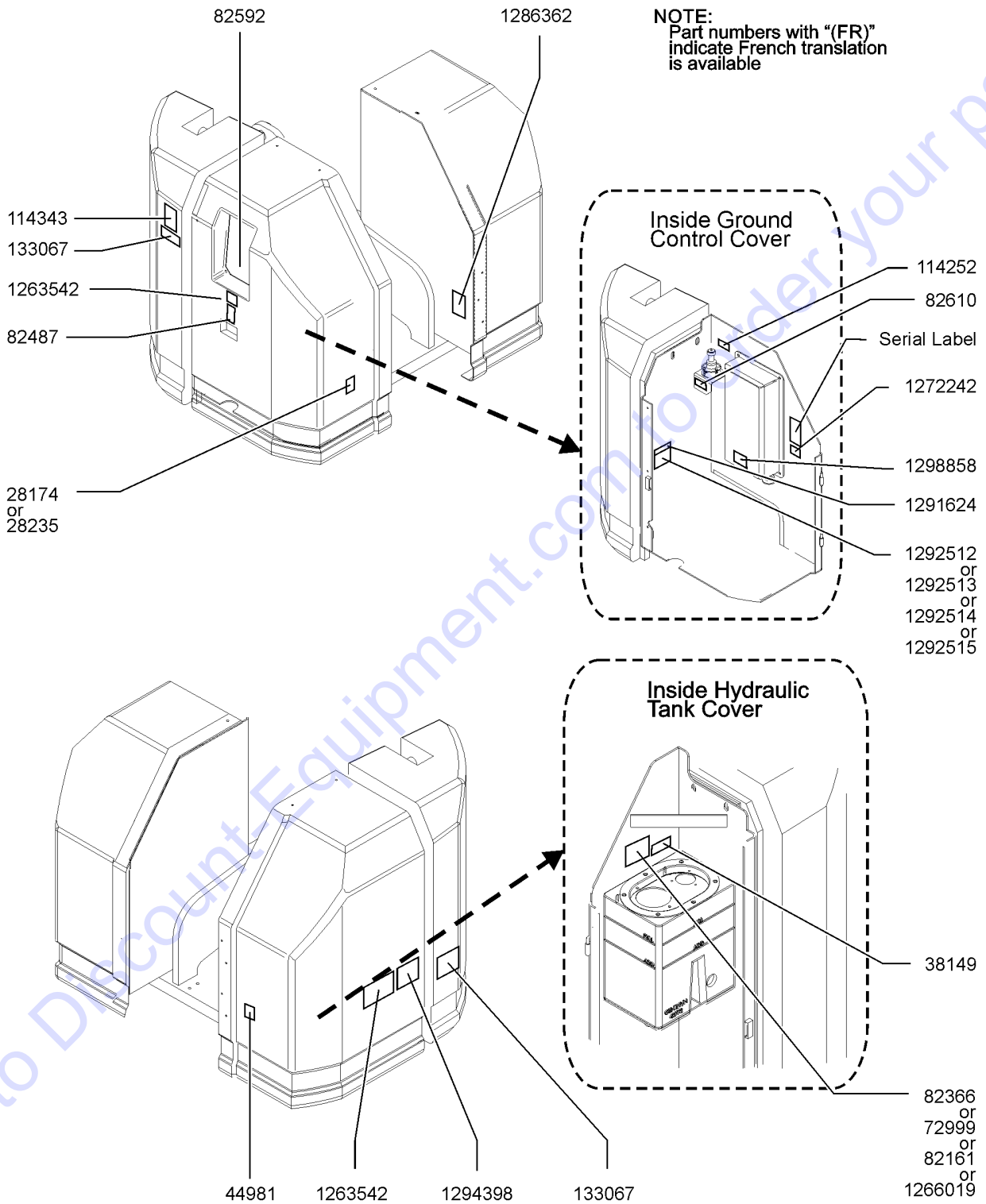


125.1 Symbol Decals, Z-34/22N & Z-34/22 DC, Chassis/Battery Box (from SN Z34NF-17000 and SN Z34F-14000)

Item	Part No.	Description	Qty.
-	1303341GT	INSTRUCTIONS,INSTALL,COMP,SYMBOL, Z-34N/DC	1
-	1303342GT	DECAL KIT, Z-34N/DC,COMP,SYMBOL,ANSI & CE	1
1	37053GT	DECAL,ARROW,BLUE	1
2	37054GT	DECAL,ARROW,YELLOW SM 5-3/8"	1
3	37055GT	DECAL,TRIANGLE,BLUE Option, EE	2
4	37056GT	DECAL,TRIANGLE,YELLOW Option, FMRC	2
5	44980GT	DECAL,LABEL,PWR TO CHARGR 115V	1
6	48732GT	DECAL,LABEL,EE RATING	1
7	52475GT	DECAL,LABEL,TRANSPORT TIEDOWN*	4
8	52968GT	DECAL,COSMETIC,GENIE BOOM,VERT	1
9	62931GT	DECAL,GENIE Z-34/22 DC POWER	2
10	62933GT	DECAL,COSM,GENIE Z-34/22N(BOX)	2
11	72086GT	DECAL,LABEL,LIFTING EYE	4
12	82481GT	DECAL,SYMBOL-BATTERY SAFETY	2
13	82487GT	DECAL,SYMBOL-READ THE MANUAL	2
14	114249GT	DECAL,LABEL,TIPOVER,TIRES,SYMB	4
15	114252GT	DECAL,LABEL,TIP OVER LMT SWTCH	1
16	114334GT	DECAL,SYM-ELEC HAZARD,PLUG	1
17	133286GT	DECAL, POWER TO CHARGER, UNIV	1
18	139587GT	DECAL,LABEL,WHEEL LOAD Z34DC**	4
19	139590GT	DECAL,LABEL,WHEEL LOAD Z34N***	4
20	823781GT	DECAL,COSM,GENIE Z34DC PWR BLK	2
21	823783GT	DECAL,COSM,GENIE Z34N(BOX) BLK	2
22	1263542GT	DECAL, COMPARTMENT ACCESS	1
23	1298510GT	DECAL,TRANSPORT/LIFT DIAGRAM, Z-34	1
24	1299573GT	DECAL,ANSI SYMBOL, BATT WEIGHT/TIP OVER,Z34	2



126.1 Symbol Decals, Z-34/22N & Z-34/22 DC, Turntable (from SN Z34NF-17000 and SN 734F-14000)

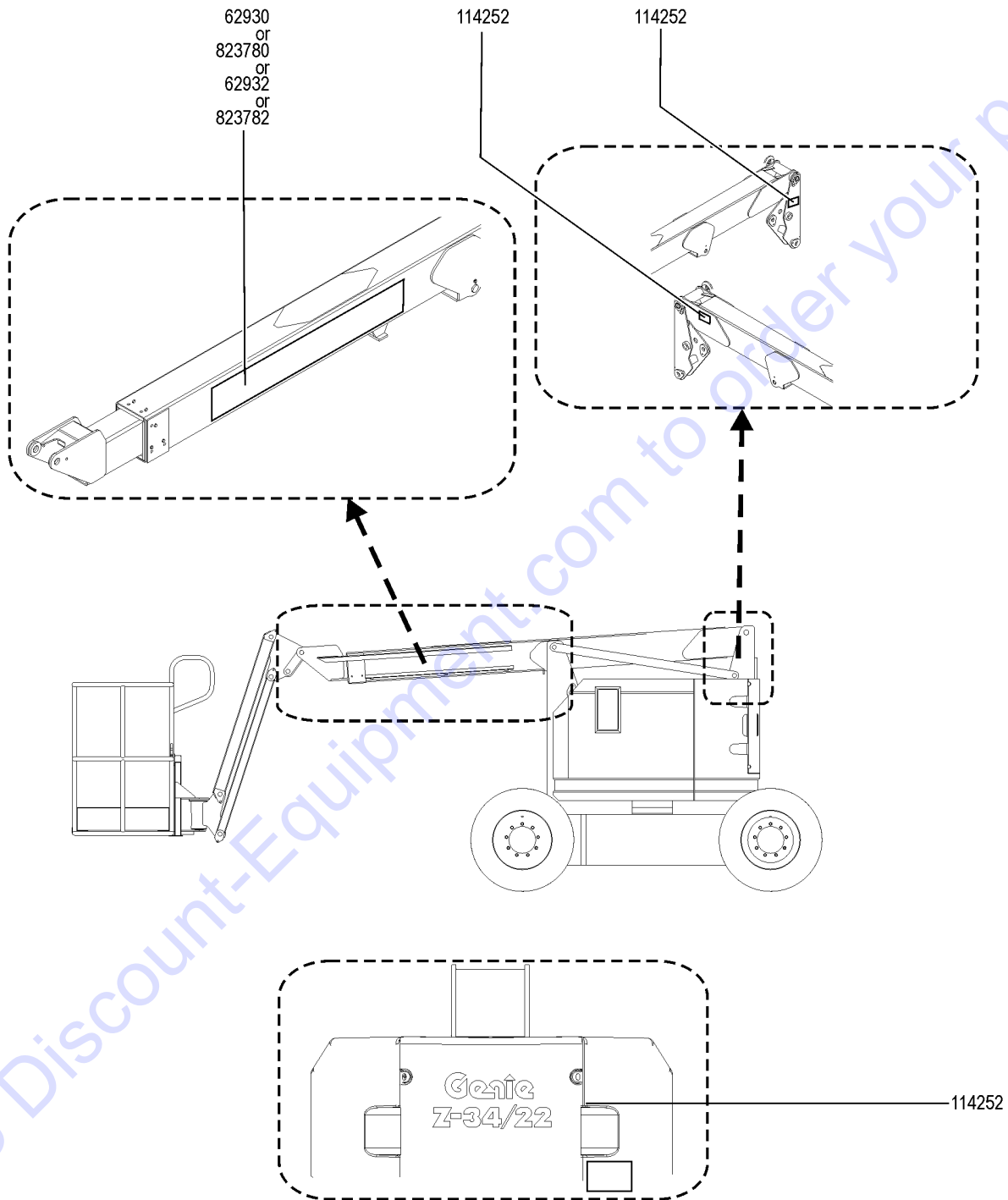


126.1 Symbol Decals, Z-34/22N & Z-34/22 DC, Turntable (from SN 734NF-17000 and SN 734F-14000)

Item	Part No.	Description	Qty.
1	28174GT	DECAL,POWER TO PLATFORM 230V	1
2	28235GT	DECAL,POWER TO PLATFORM 115V	1
3	38149GT	DECAL,LABEL,PATENTS	1
4	44981GT	DECAL,LABEL,AIRLINE 110 PSI	1
		Option, Air Line to Platform	
5	72999GT	DECAL,LABEL,PETRO CANADA***	1
		Option, Hydraulic Oil	
6	82161GT	DECAL,LABEL,UCON HYDROLUBE	1
		Option, Hydraulic Oil	
7	82366GT	DECAL,CHEVRON RANDO HD	1
		Option, Hydraulic Oil	
8	82487GT	DECAL,SYMBOL-READ THE MANUAL	1
9	82592GT	DECAL,GROUND CONTROL PANEL ***	1
10	82610GT	DECAL,LABEL,CB & STATUS LIGHT	1
11	114252GT	DECAL,LABEL,TIP OVER LMT SWTCH	1
12	114343GT	DECAL,LABEL,EMERGENCY DOWN	1
13	133067GT	DECAL,DANGER,ELEC.HAZ.STAY CLR	2
14	1263542GT	DECAL, COMPARTMENT ACCESS	2
15	1266019GT	DECAL, LABEL, SHELL TELLUS	1
		Option, Hydraulic Oil	
16	1272242GT	DECAL,MACHINE REGISTRATION/OWN	1
17	1286362GT	DECAL, BOOM SUPPORT, SYMBOL	1
18	1291624GT	DECAL COSM,GENIE LIFT CONNECT,LEXAN COVER	1
19	1292512GT	DECAL COSM,GENIE LIFT CONNECT,ESN,SKU4-1	1
20	1292513GT	DECAL COSM,GENIE LIFT CONNECT,ESN,SKU4-2	1
21	1292514GT	DECAL COSM,GENIE LIFT CONNECT,ESN,SKU4-3	1
22	1292515GT	DECAL COSM,GENIE LIFT CONNECT,ESN,SKU4-4	1
23	1298898GT	DECAL, ANSI/CSA COMPLIANT	1
24	1298858GT	DECAL,RELAY LABEL,Z30/34 DC	1



127.1 Symbol Decals, Z-34/22N & Z-34/22 DC, Boom (from SN Z34NF-17000 and SN 734F-14000)



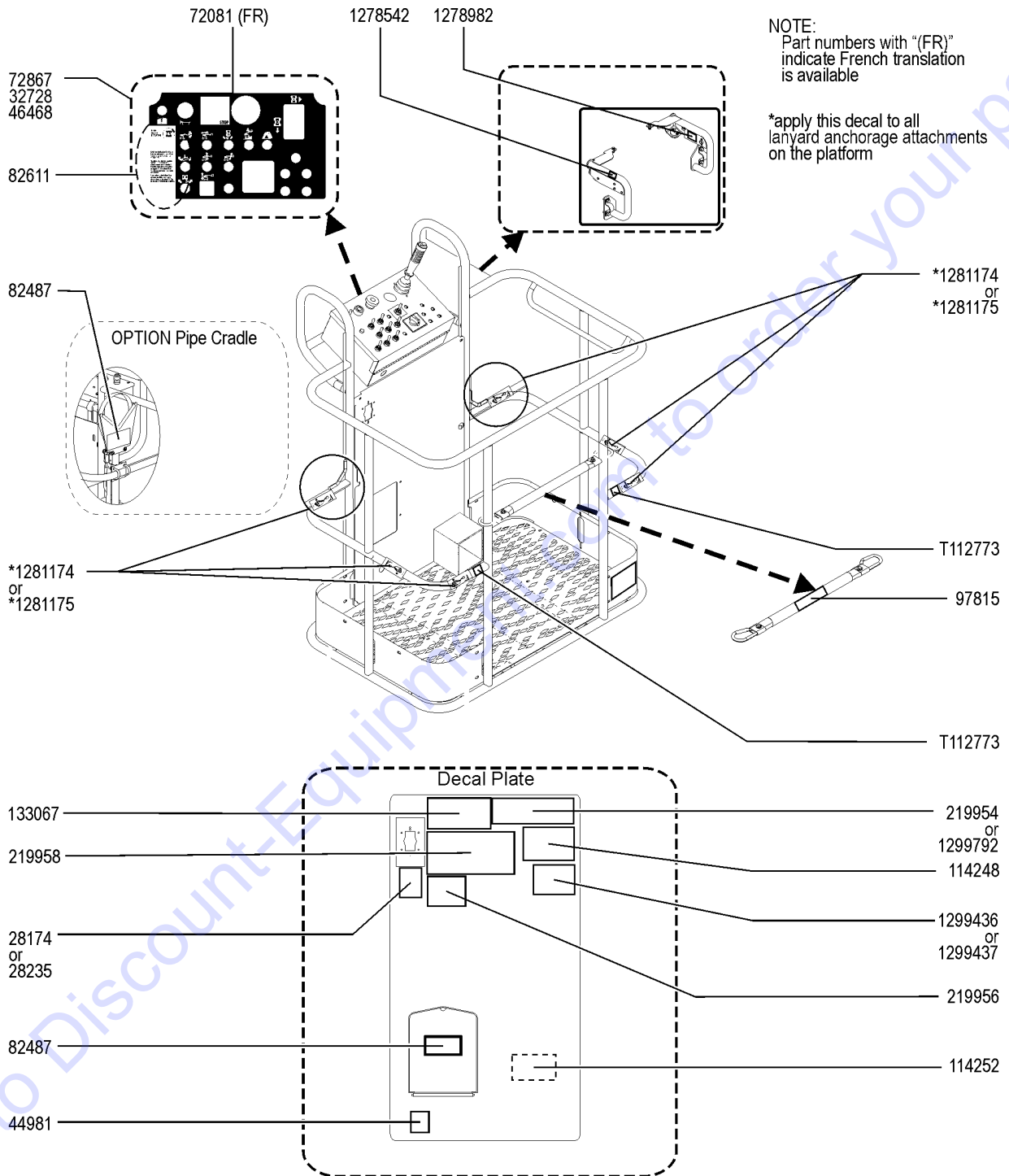
127.1 Symbol Decals, Z-34/22N & Z-34/22 DC, Boom (from SN 734NF-17000 and SN 734F-14000)

Item	Part No.	Description	Qty.
1	62930GT	DECAL,COSMETIC,GENIE Z-34/22 for Z-34/22	1
2	62932GT	DECAL,COSMETIC,GENIE Z-34/22N for Z-34/22N	1
3	114252GT	DECAL,LABEL,TIP OVER LMT SWTCH	3
4	823780GT	DECAL,COSM,GENIE Z34 BLK for Z-34/22	1
5	823782GT	DECAL,COSM,GENIE Z34N BLK for Z-34/22N	1

Go to Discount-Equipment.com to order your parts



128.1 Symbol Decals, Z-34/22N & Z-34/22 DC, Platform (from SN Z34NF-17000 and SN Z34F-14000)

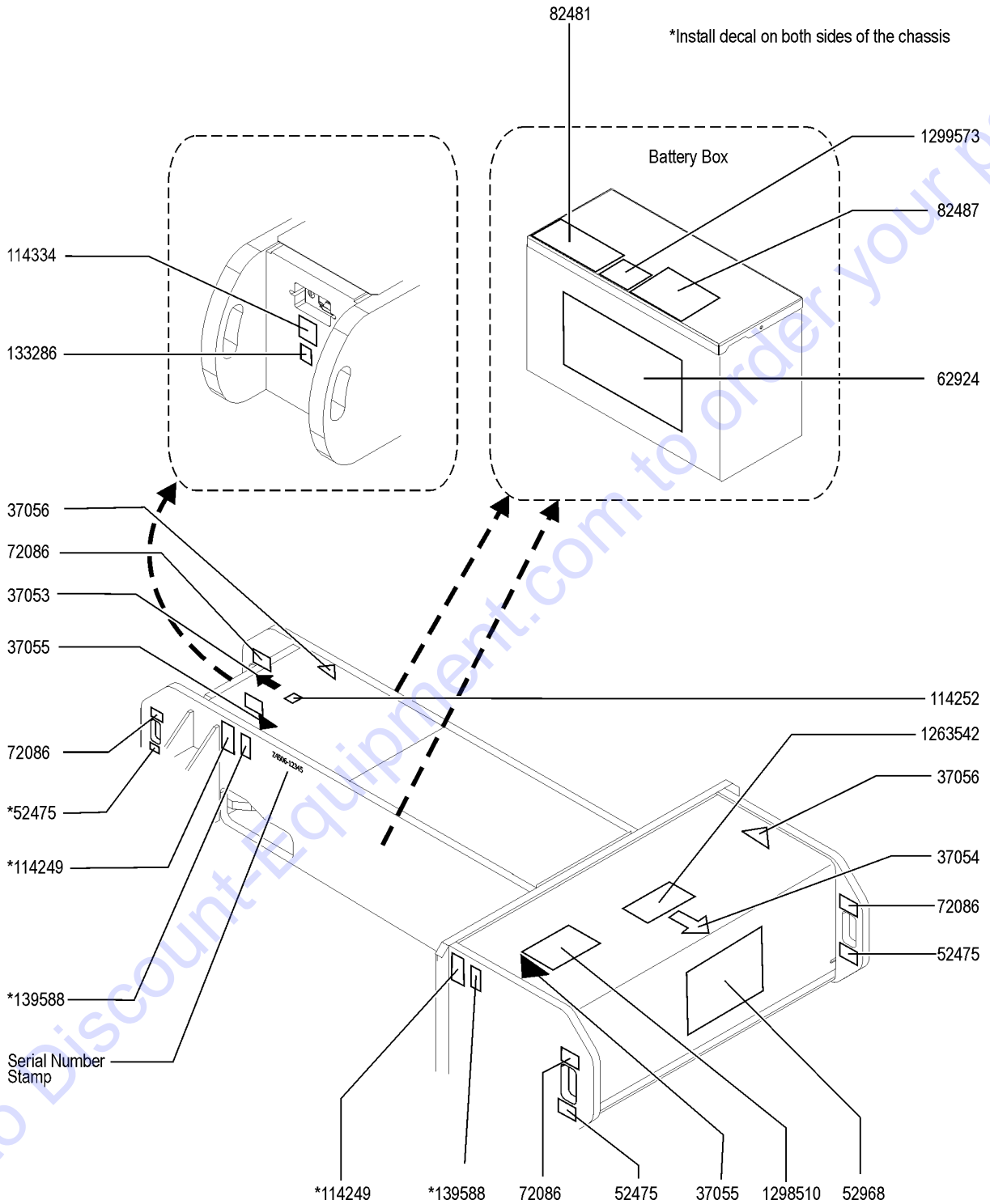


128.1 Symbol Decals, Z-34/22N & Z-34/22 DC, Platform (from SN 734NF-17000 and SN 734F-14000)

Item	Part No.	Description	Qty.
-	1303343GT	INSTRUCTIONS,INSTALL,PLAT,SYMBOL, Z-34N/DC	1
-	1303344GT	DECAL KIT, Z-34N/DC,PLAT,SYMBOL,ANSI & CE	1
1	28174GT	DECAL,POWER TO PLATFORM 230V	1
2	28235GT	DECAL,POWER TO PLATFORM 115V	1
3	32728GT	DECAL,OPTION GENERATOR*** Option, Inverter	1
4	44981GT	DECAL,LABEL,AIRLINE 110 PSI Option, Air Line to Platform	1
5	46468GT	DECAL,FUNCTION OVERRIDE Option, Aircraft Protection	1
6	72081GT	DECAL,PLATFORM CONTROL PANEL**	1
7	72867GT	DECAL,LABEL,LIGHTS*** Option, Work Lights	1
8	82487GT	DECAL,SYMBOL-READ THE MANUAL	1
9	82611GT	DECAL,DRIVE ENABLE PATCH	1
10	97815GT	DECAL,LABEL,LOWER MIDRAIL	1
11	114248GT	DECAL,LABEL,TIPOVER,TILT AL SY	1
12	114252GT	DECAL,LABEL,TIP OVER LMT SWTCH	1
13	133067GT	DECAL,DANGER,ELEC.HAZ.STAY CLR	1
14	219954GT	DECAL,TIP-OVER HAZARD,CE Option, Aircraft Protection	1
15	219956GT	DECAL,PLATFORM OVERLOAD	1
16	219958GT	DECAL,TIP-OVER,CRUSH	1
17	1278542GT	DECAL, INSTRUCTION, CONTACT ALARM	1
18	1278982GT	DECAL, INSTRUCTION, ACTUATOR SWITCH SOCKET	1
19	1281174GT	DECAL,LANYARD,FALL ARREST/FALL RESTRAINED	6
20	1281175GT	DECAL,LANYARD,FALL RESTRAINED	6
21	1299436GT	DECAL,SYMBOL,SLOPE RATING,Z30N/34N	1
22	1299437GT	DECAL,SYMBOL,SLOPE RATING,Z34DC/BE	1
23	1299792GT	DECAL,TIP-OVER HAZARD, AIRCRAFT, SYM	1
24	T112773GT	TAPE, PROTECTIVE MASK	2



129.1 Word Decals, Z-34/22BE, Chassis (from SN Z34F-14000)

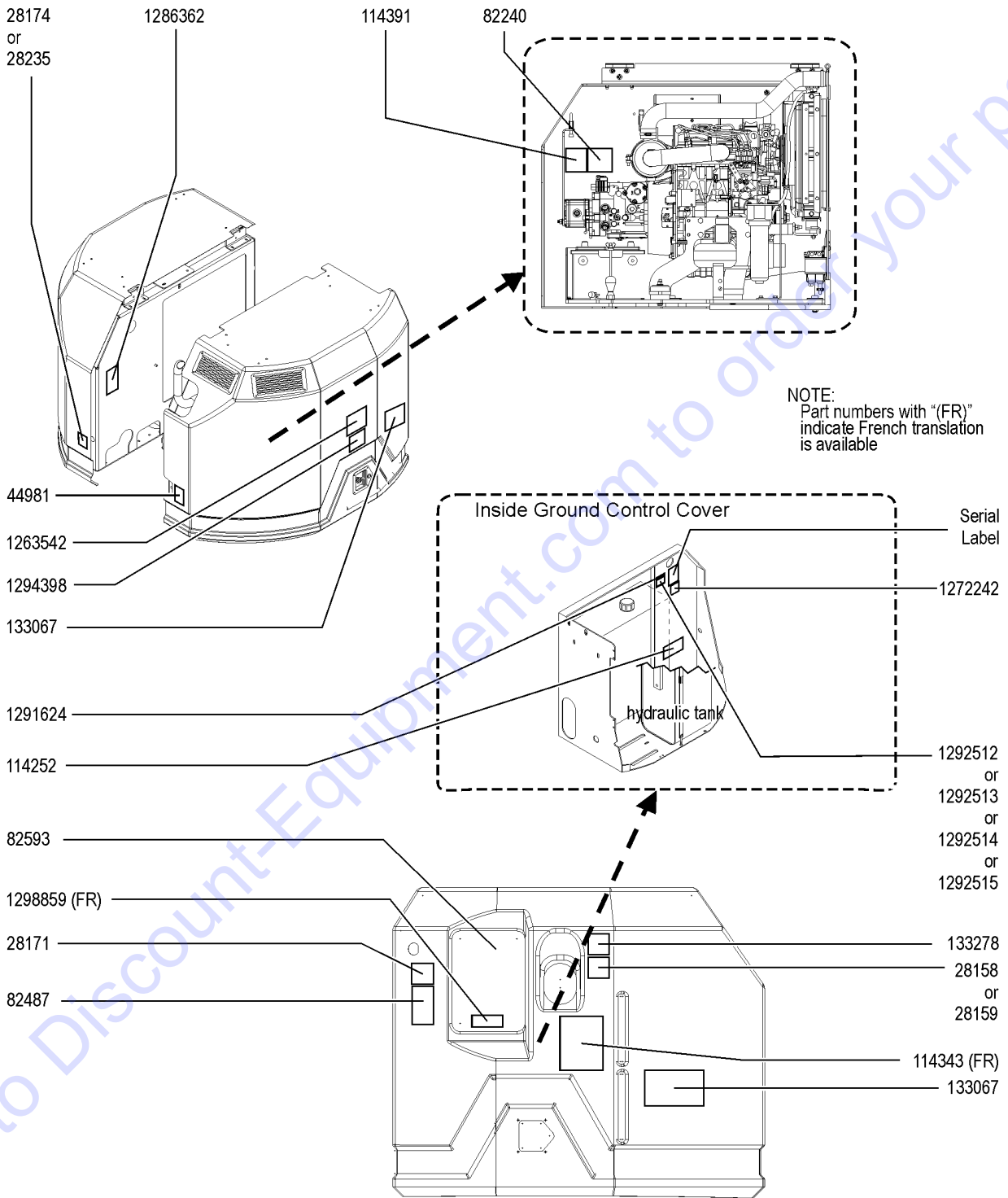


129.1 Word Decals, Z-34/22BE, Chassis (from SN Z34F-14000)

Item	Part No.	Description	Qty.
-	1303465GT	INSTRUCTIONS,INSTALL,COMP,SYMBOL, Z-34 BE	1
-	1303466GT	DECAL KIT,Z-34 BE,COMP,SYMBOL,ANSI & CE	
1	37053GT	DECAL,ARROW,BLUE	1
2	37054GT	DECAL,ARROW,YELLOW SM 5-3/8"	1
3	37055GT	DECAL,TRIANGLE,BLUE	2
4	37056GT	DECAL,TRIANGLE,YELLOW	2
5	52475GT	DECAL,LABEL,TRANSPORT TIEDOWN*	4
6	52968GT	DECAL,COSMETIC,GENIE BOOM,VERT	1
7	62924GT	DECAL,GENIE Z-34/22 BI-ENERGY	2
8	72086GT	DECAL,LABEL,LIFTING EYE	4
9	82481GT	DECAL,SYMBOL-BATTERY SAFETY	2
10	82487GT	DECAL,SYMBOL-READ THE MANUAL	2
11	114249GT	DECAL,LABEL,TIPOVER,TIRES,SYMB	4
12	114252GT	DECAL,LABEL,TIP OVER LMT SWTCH	1
13	114334GT	DECAL,SYM-ELEC HAZARD,PLUG	1
14	133286GT	DECAL, POWER TO CHARGER, UNIV	1
15	139588GT	DECAL,LABEL,WHEEL LOAD Z34BE**	4
16	1263542GT	DECAL, COMPARTMENT ACCESS	1
17	1298510GT	DECAL,TRANSPORT/LIFT DIAGRAM, Z-34	1
18	1299573GT	DECAL,ANSI SYMBOL, BATT WEIGHT/TIP OVER,Z34	2



130.1 Word Decals, Z-34/22BE, Turntable (from SN Z34F-14000)

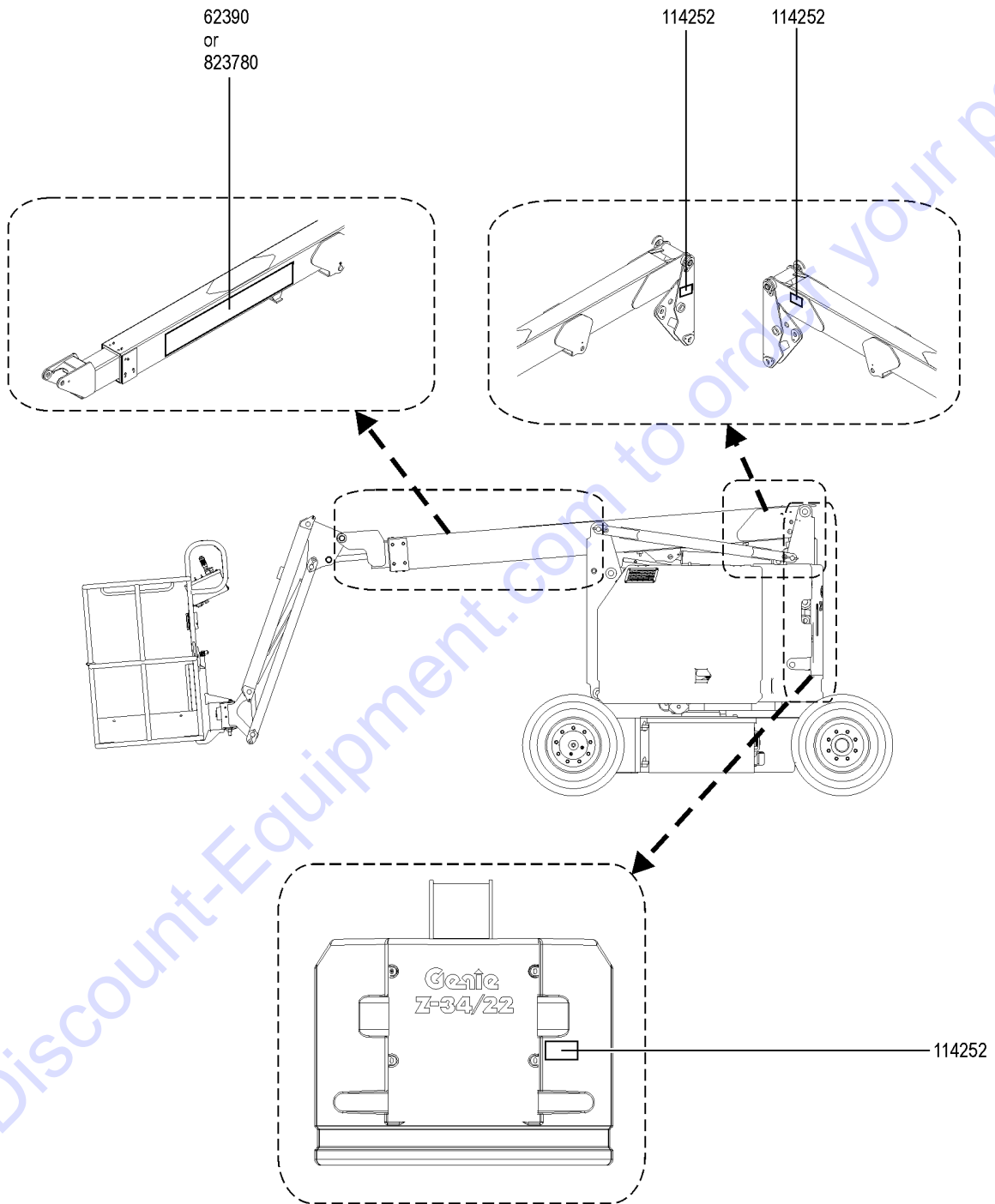


130.1 Word Decals, Z-34/22BE, Turntable (from SN Z34F-14000)

Item	Part No.	Description	Qty.
1	28158GT	DECAL,LABEL,UNLEADED GAS ONLY	1
2	28159GT	DECAL,DIESEL	1
3	28171GT	DECAL,DANGER,NO SMOKING ***	1
4	28174GT	DECAL,POWER TO PLATFORM 230V	1
5	28235GT	DECAL,POWER TO PLATFORM 115V	1
6	44981GT	DECAL,LABEL,AIRLINE 110 PSI	1
7	82240GT	DECAL,LABEL,105 DB	1
8	82487GT	DECAL,SYMBOL-READ THE MANUAL	1
9	82593GT	DECAL,GROUND CONTROL PANEL ***	1
10	114252GT	DECAL,LABEL,TIP OVER LMT SWTCH	1
11	114343GT	DECAL,LABEL,EMERGENCY DOWN	1
12	114391GT	DECAL,WARNING,CRUSHING	1
13	133067GT	DECAL,DANGER,ELEC.HAZ.STAY CLR	2
14	133278GT	DECAL,LOW/ULTRA LOW SULFR FUEL	1
15	1263542GT	DECAL, COMPARTMENT ACCESS	1
16	1272242GT	DECAL,MACHINE REGISTRATION/OWN	1
17	1286362GT	DECAL, BOOM SUPPORT, SYMBOL	1
18	1291624GT	DECAL COSM,GENIE LIFT CONNECT,LEXAN COVER	1
19	1292512GT	DECAL COSM,GENIE LIFT CONNECT,ESN,SKU4-1	1
20	1292513GT	DECAL COSM,GENIE LIFT CONNECT,ESN,SKU4-2	1
21	1292514GT	DECAL COSM,GENIE LIFT CONNECT,ESN,SKU4-3	1
22	1292515GT	DECAL COSM,GENIE LIFT CONNECT,ESN,SKU4-4	1
23	1294398GT	DECAL, ANSI/CSA COMPLIANT	1
24	1298859GT	DECAL,RELAY LABEL,Z34BE	1



131.1 Symbol Decals, Z-34/22BE, Boom (From SN Z34F-14000)



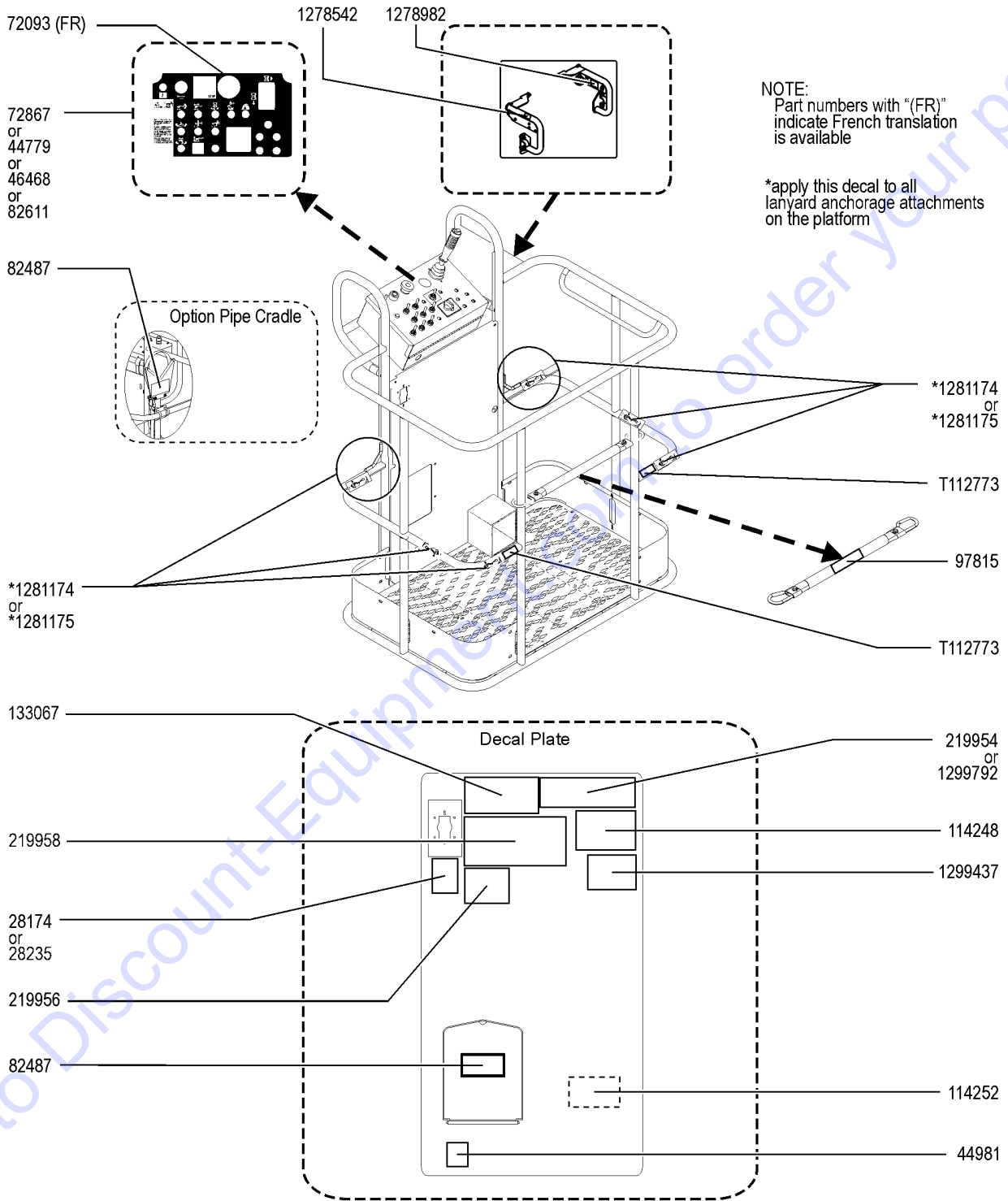
131.1 Symbol Decals, Z-34/22BE, Boom (From SN Z34F-14000)

<i>Item</i>	<i>Part No.</i>	<i>Description</i>	<i>Qty.</i>
1	62930GT	DECAL,COSMETIC,GENIE Z-34/22	3
2	114252GT	DECAL,LABEL,TIP OVER LMT SWTCH	1
3	823780GT	DECAL,COSM,GENIE Z34 BLK	1

Go to Discount-Equipment.com to order your parts



132.1 Word Decals, Z-34/22BE, Platform (from SN Z34F-14000)

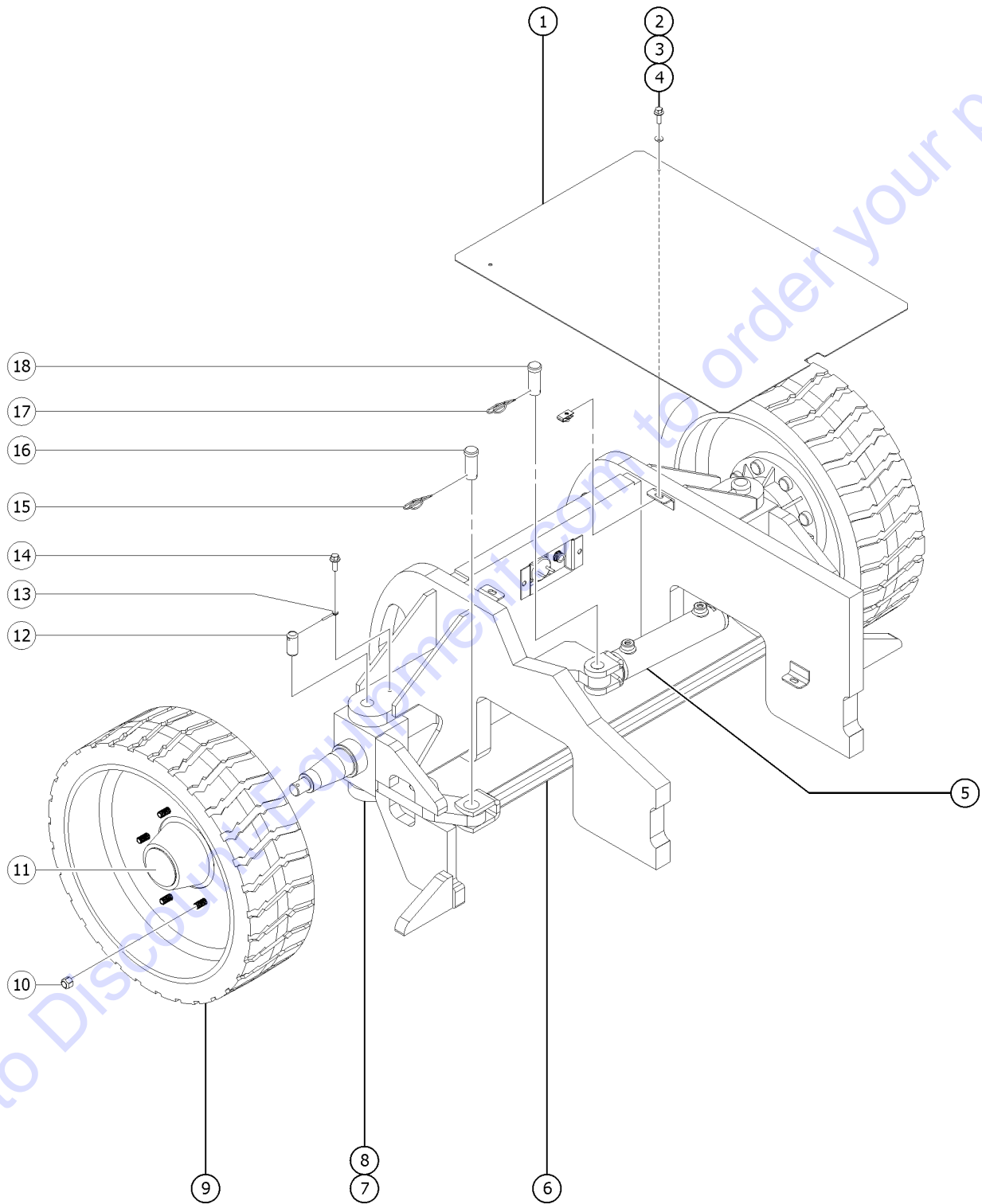


132.1 Word Decals, Z-34/22BE, Platform (from SN Z34F-14000)

Item	Part No.	Description	Qty.
-	1303467GT	INSTRUCTIONS,INSTALL,PLAT,SYMBOL, Z-34 BE	1
-	1303468GT	DECAL KIT,Z-34 BE,PLAT,SYMBOL,ANSI & CE	1
1	28174GT	DECAL,POWER TO PLATFORM 230V	1
2	28235GT	DECAL,POWER TO PLATFORM 115V	1
3	44779GT	DECAL,GENERATOR OPTION Option, Generator	1
4	44981GT	DECAL,LABEL,AIRLINE 110 PSI	1
5	46468GT	DECAL,FUNCTION OVERRIDE Option, Aircraft Protection	1
6	72093GT	DECAL,PLATFORM CONTROL PANEL	1
7	72867GT	DECAL,LABEL,LIGHTS*** Option, Work Lights	1
8	82487GT	DECAL,SYMBOL-READ THE MANUAL	1
9	82611GT	DECAL,DRIVE ENABLE PATCH	1
10	97815GT	DECAL,LABEL,LOWER MIDRAIL	1
11	114248GT	DECAL,LABEL,TIPOVER,TILT AL SY	1
12	114252GT	DECAL,LABEL,TIP OVER LMT SWTCH	1
13	133067GT	DECAL,DANGER,ELEC.HAZ.STAY CLR	1
14	219954GT	DECAL,TIP-OVER HAZARD,CE	1
15	219956GT	DECAL,PLATFORM OVERLOAD	1
16	219958GT	DECAL,TIP-OVER,CRUSH	1
17	1278542GT	DECAL, INSTRUCTION, CONTACT ALARM	1
18	1278982GT	DECAL, INSTRUCTION, ACTUATOR SWITCH SOCKET	1
19	1281174GT	DECAL,LANYARD,FALL ARREST/FALL RESTRAINED	6
20	1281175GT	DECAL,LANYARD,FALL RESTRAINED	6
21	1299437GT	DECAL,SYMBOL,SLOPE RATING,Z34DC/BE	1
22	1299792GT	DECAL,TIP-OVER HAZARD, AIRCRAFT, SYM Option, Aircraft Protection	1
23	T112773GT	TAPE, PROTECTIVE MASK	2



201.1 Steer End

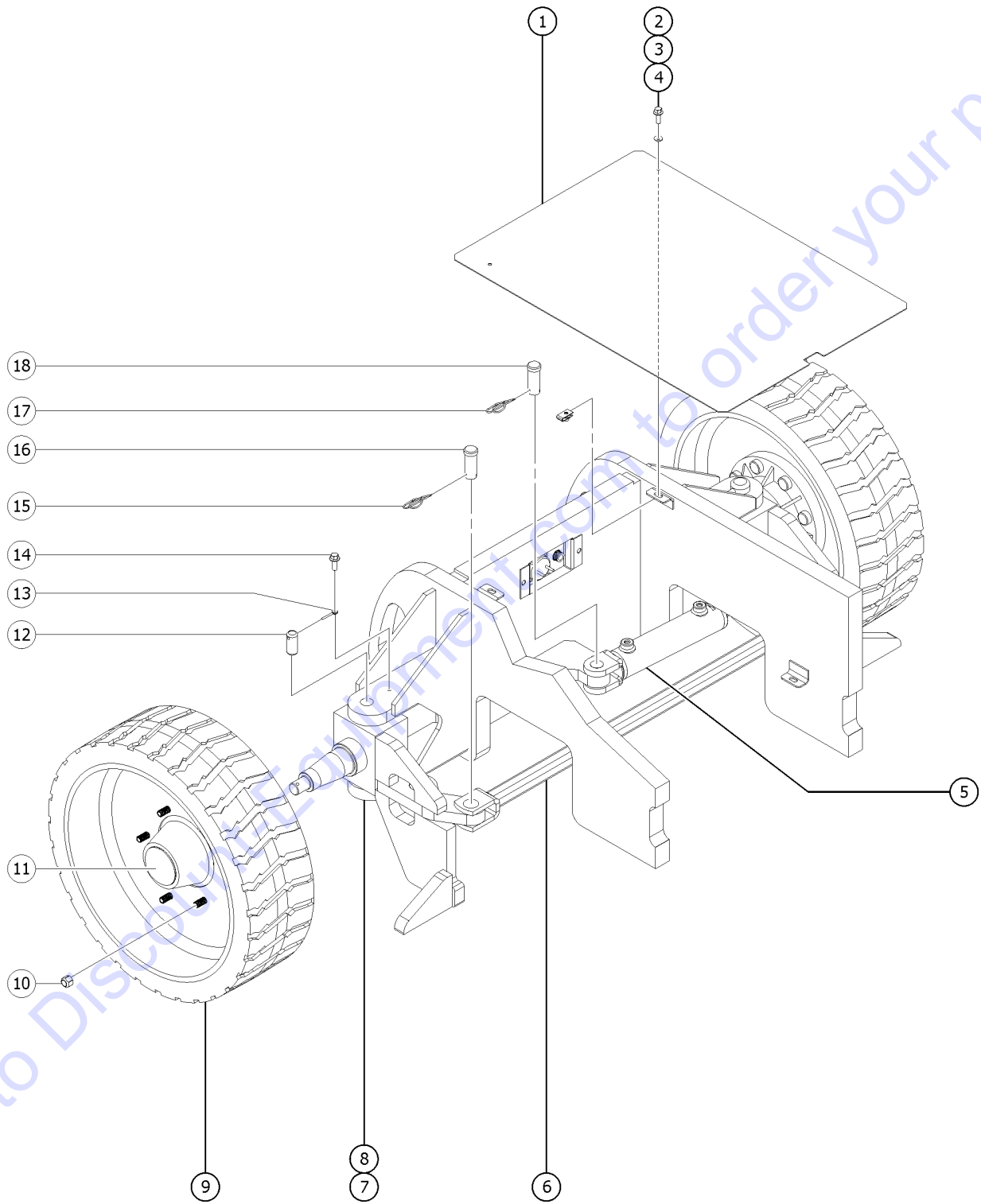


Go to [Discontinued Parts](#) to order your parts

Item	Part No.	Description	Qty.
	54436GT	GROUND STRAP,18"LG not shown	1
	96317GT	GROUND STRAP,12"LG*** not shown	
1	40438GT	COVR W/DECALS DR CHAS STR END*	1
2	824078GT	SCREW,HHF,1/4-20X.75,8,ZAG	2
3	824113GT	WASHER,FLAT,USS,1/4,ZAG	2
4	56912GT	SPRING CLIP,1/4-20,.025-.15X.54,ZAG	2
5	88337GT	CYLINDER,STEER	1
5-	88338GT	SEAL KIT, 88337	
6B	42432-SGT	WELDMENT, TIE ROD,Z-34/68 Z-34DC/BE	1
7C	94021GT	YOKE ASSY, Z34 2WD LEFT Z-34DC/BE, left front (shown)	2
7C-	18396GT	BEARING,1.5IDX1.75ODX1.0L	2
7D	94020GT	YOKE ASSY, Z34 2WD RIGHT Z-34DC/BE, right front	2
7D-	18396GT	BEARING,1.5IDX1.75ODX1.0L	2
7D-	25817GT	BEARING,1.00IDX1.25ODX1.00L	1
8	45074GT	WASHER,THRUST,1.5 X 3.5 X .187	4
9B	45093GT	WHEEL ASSY, INDUSTRIAL, AF Z-34DC/BE; industrial air-filled tire, 8-hole wheel	2
9B-	45040GT	RIM,Z45,14.5 X 7(8 HOLE ON 8BC	2
9B-	54140GT	TUBELESS PNEUMATIC TIRE,9-14LT	2
9C	40137GT	WHEEL ASSY, INDUSTRIAL, AF NM Z-34DC/BE; industrial air-filled non-marking tire, 8-hole wheel	2
9C-	45040GT	RIM,Z45,14.5 X 7(8 HOLE ON 8BC	2
9C-	54234GT	TUBELESS TIRE,9-14.5,NON-M 47#	2
9D	45460GT	WHEEL ASSY, INDUSTRIAL, FF Z-34DC/BE; industrial foam-filled tire, 8-hole wheel	2
9E	40837GT	WHEEL ASSY, INDUSTRIAL, FF NM Z-34DC/BE; industrial foam-filled non-marking tire, 8-hole wheel	2
9F	110694GT	WHEEL ASSY, IND.W/SEALANT Z-34DC/BE; industrial tire with sealant, 8-hole wheel	2
9G	110706GT	WHEEL ASSY, IND.W/SEALANT NM Z-34DC/BE; industrial non-marking tire with sealant, 8-hole wheel	2
10	824042GT	NUT,LUG,5/8-18X90 DEG,ZAG	18
11	45043GT	HUB ASSEMBLY MODEL#60-8***	2
11-	21166GT	LUG BOLT,5/8-18,WHEEL HUB***	

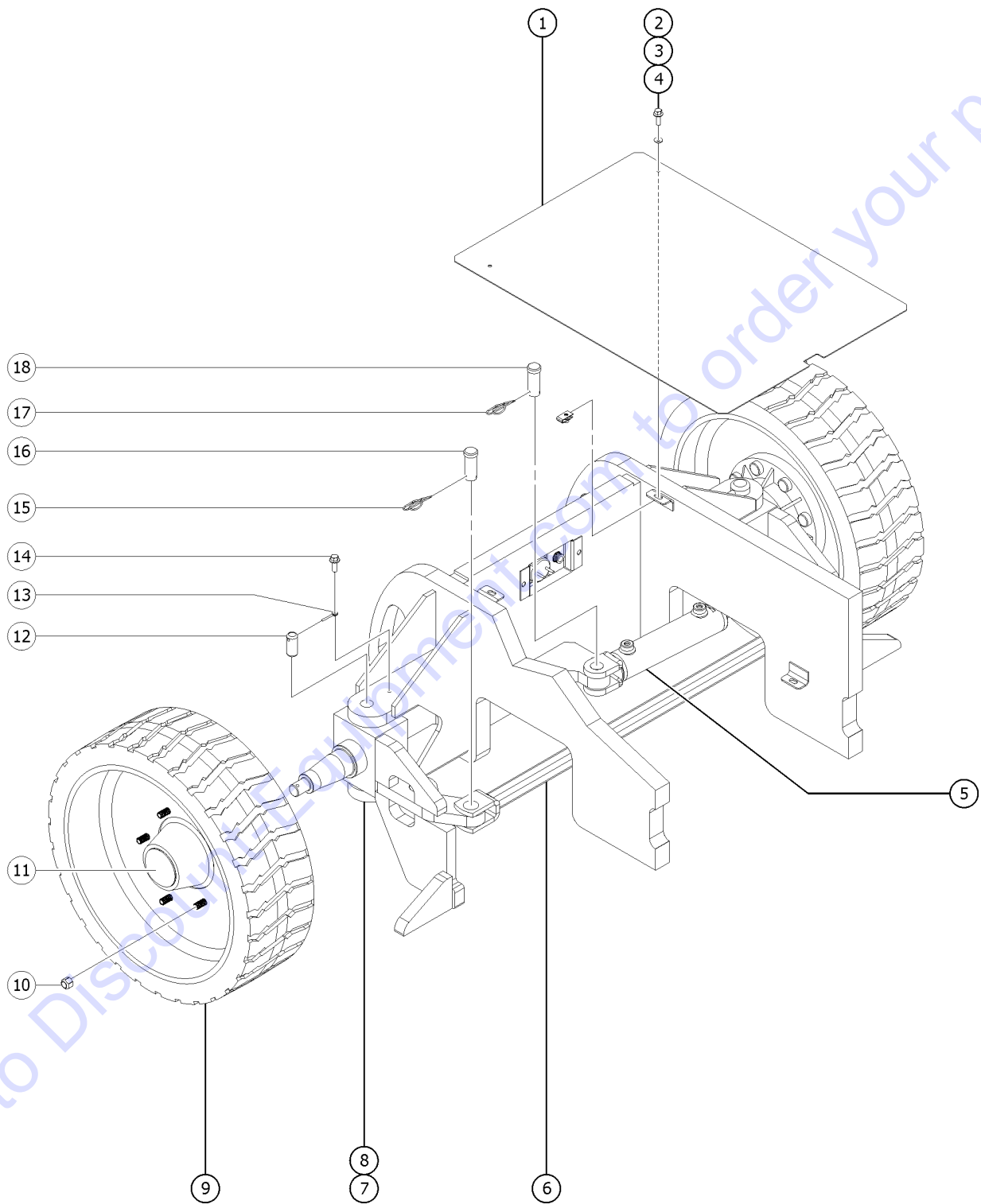


201.1 Steer End



Item	Part No.	Description	Qty.
11-	45107GT	INNER CONE - MODEL 60-8 large bearing race not included	
11-	45108GT	OUTER CONE - MODEL 60-8 small bearing race not included	
11-	40146GT	BEARING RACE (SMALL) (45873) outer cone not included	2
11-	40145GT	BEARING RACE (LARGE) (45873) inner cone not included	2
11-	45111GT	CAP,DUST,45873 HUB KIT	
11-	45112GT	WASHER,SPINDLE	
11-	45113GT	NUT,SPINDLE,1-14	
11-	45873GT	SEAL/BEARING KIT (45043,54840)	
12B	94221GT	PIN,1.50DIAX3.75LG,1HOLE Z-34DC/BE	4
13A	1255452GT	ROD END,375 X 2.25,ZAG Z-34DC/BE	4
14	824090GT	SCREW,HHF,3/8-16X1,8,ZAG	4
15	824128GT	RUE RING,3/4,ZAG	2
16	824126GT	PIN,CLEVIS,3/4X3,ZAG	2
17	824129GT	RUE RING,1.0,ZAG	2
18	824127GT	PIN,CLEVIS,1.0X2.41,SAE,ZAG	2

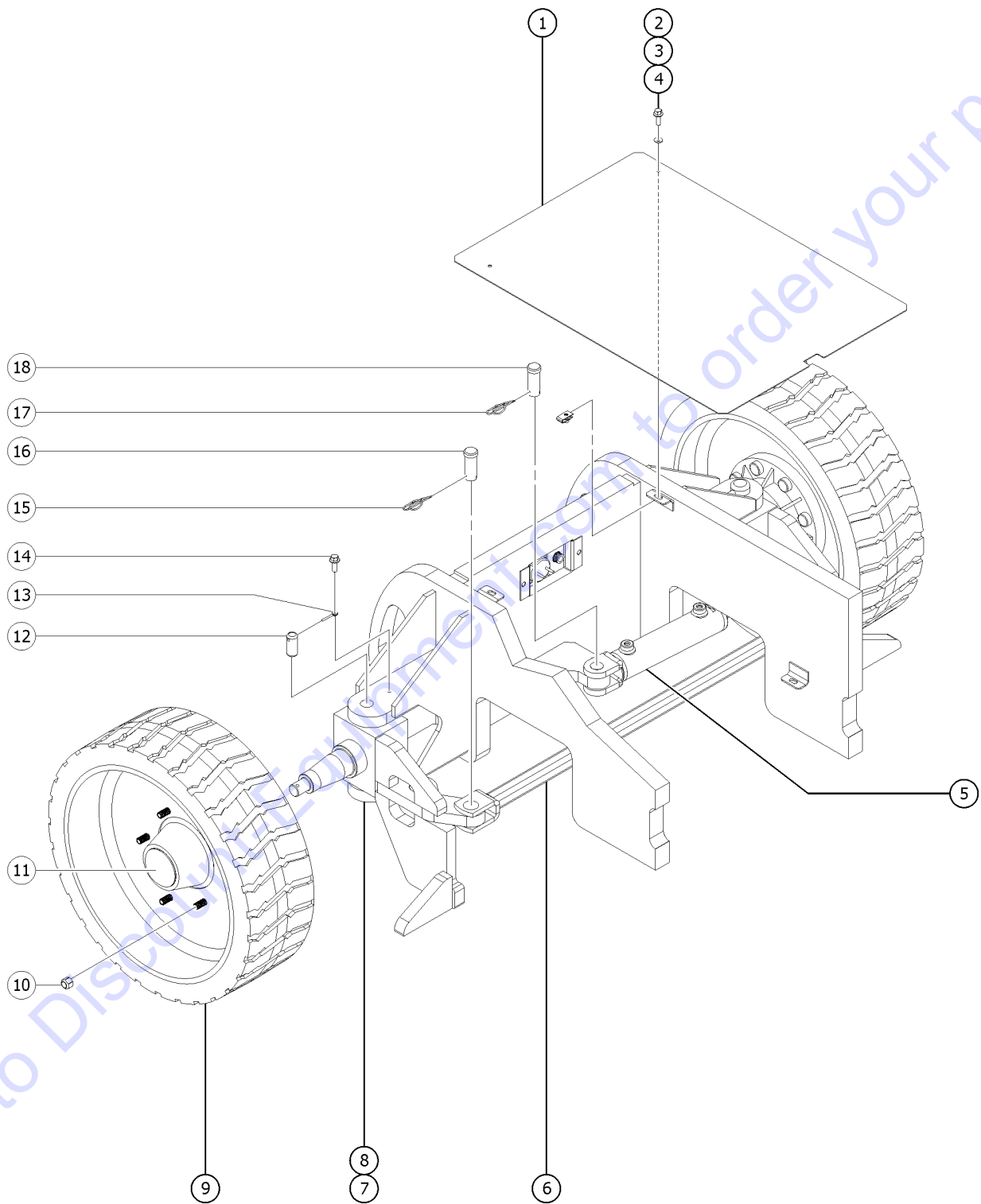
201.2 Steer End, Z-34/22N



Go to Disc... to order your parts

Item	Part No.	Description	Qty.
	54436GT	GROUND STRAP,18"LG not shown	1
	96317GT	GROUND STRAP,12"LG*** not shown	
1	40438GT	COVR W/DECALS DR CHAS STR END*	1
2	824078GT	SCREW,HHF,1/4-20X.75,8,ZAG	2
3	824113GT	WASHER,FLAT,USS,1/4,ZAG	2
4	56912GT	SPRING CLIP,1/4-20,.025-.15X.54,ZAG	2
5	88337GT	CYLINDER,STEER	1
5-	88338GT	SEAL KIT, 88337	
6A	36676GT	TIE ROD,WELDMENT,Z34 Z-34N	1
7A	74312GT	YOKE ASSY,LH,Z30NRJ Z-34N, left front (shown)	2
7A-	25817GT	BEARING,1.00IDX1.25ODX1.00L	1
7A-	45071GT	BEARING,1.5IDX1.75ODX1.5L	2
7B	74313GT	YOKE ASSY,RH,Z30NRJ Z-34N, right front	2
7B-	25817GT	BEARING,1.00IDX1.25ODX1.00L	2
7B-	45071GT	BEARING,1.5IDX1.75ODX1.5L	2
8	45074GT	WASHER,THRUST,1.5 X 3.5 X .187	4
9A	94908GT	TIRE & WHEEL ASSY,FRONT N-M Z-34N; solid non-marking tire, 8-hole wheel	2
10	824042GT	NUT,LUG,5/8-18X90 DEG,ZAG	18
11	45043GT	HUB ASSEMBLY MODEL#60-8***	2
11-	21166GT	LUG BOLT,5/8-18,WHEEL HUB***	
11-	45107GT	INNER CONE - MODEL 60-8 large bearing race not included	
11-	45108GT	OUTER CONE - MODEL 60-8 small bearing race not included	
11-	40146GT	BEARING RACE (SMALL) (45873) outer cone not included	2
11-	40145GT	BEARING RACE (LARGE) (45873) inner cone not included	2
11-	45111GT	CAP,DUST,45873 HUB KIT	
11-	45112GT	WASHER,SPINDLE	
11-	45113GT	NUT,SPINDLE,1-14	
11-	45873GT	SEAL/BEARING KIT (45043,54840)	

201.2 Steer End, Z-34/22N

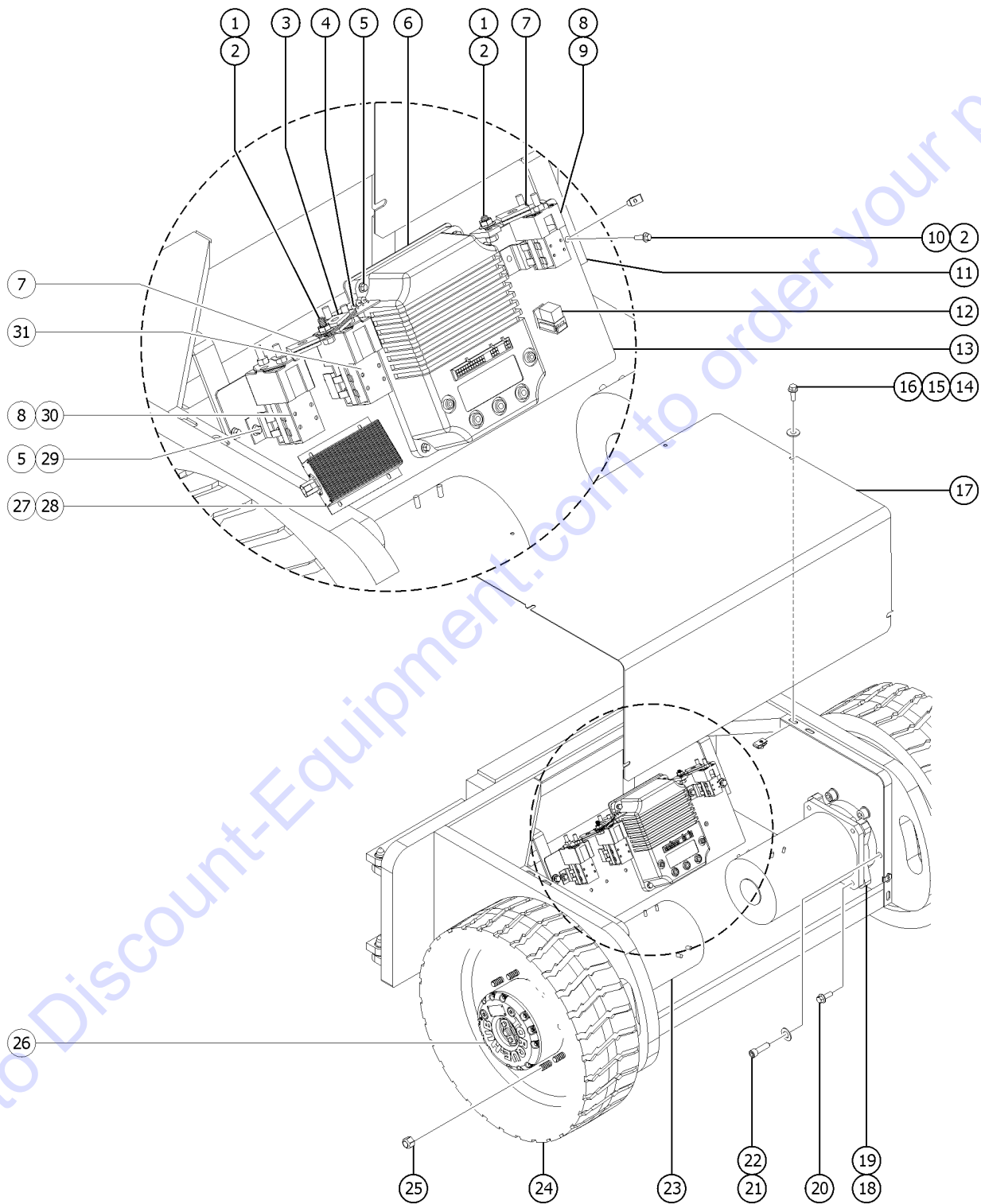


Item	Part No.	Description	Qty.
12A	36211GT	PIN,1.50DIAX3.25LG,1HOLE Z-34N	4
13B	825019GT	ROD END,.375X3.69,ZAG Z-34N	4
14	824090GT	SCREW,HHF,3/8-16X1,8,ZAG	4
15	824128GT	RUE RING,3/4,ZAG	2
16	824126GT	PIN,CLEVIS,3/4X3,ZAG	2
17	824129GT	RUE RING,1.0,ZAG	2
18	824127GT	PIN,CLEVIS,1.0X2.41,SAE,ZAG	2

Go to Discount-Equipment.com to order your parts



202.1 Non-Steer End, Electronic Control Module

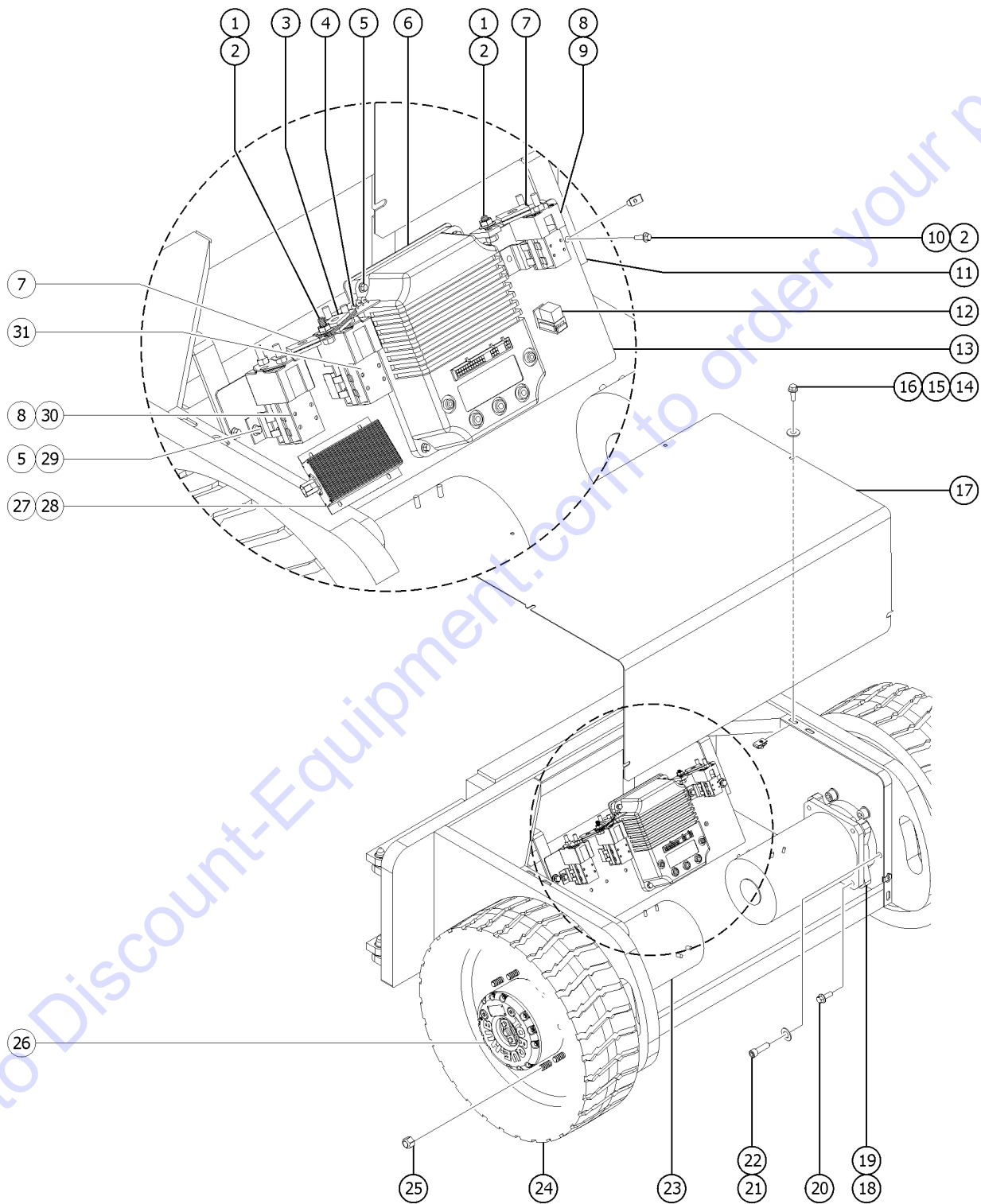


202.1 Non-Steer End, Electronic Control Module

Item	Part No.	Description	Qty.
1	1255805GT	NUT,SERRATED,5/16-18,8,ZAG	2
2	824086GT	SCREW, HHF, 5/16-18 X 1, 8, ZAG	3
3	43179GT	FUSE,500 AMP,VERY FAST ACTING	1
4	56930GT	DIODE,PCB DRIVE CONTACTOR**	1
5	824079GT	SCREW,HHF,1/4-20X1,8,ZAG	4
6A	128335GT	CONTROLLER,SEP-EX,Z34N***	1
6B	128965GT	KIT CONTROL SEPEX UPGRADE 34BI includes 128336, wire harness and fasteners	1
6B-	128336GT	CONTROLLER,SEPEX Z34DC/BE	
6B-	56029GT	CONNECTOR,MOLEX 24-WAY**	
6B-	56030GT	TERMINAL,MOLEX 16 GAUGE***	
6B-	56561GT	TOOL,TERMINAL CRIMPER,MOLEX***	
6B-	56562GT	TOOL,TERMINAL EXTRACTOR,MOLEX	
7	36355GT	FUSE,100 AMP,VERY FAST ACTING	2
8	74282GT	DUST SHIELDS,180A CONTACTOR for EE units only	4
9A	74268GT	CONTACTOR,AUX PUMP 24V,80A***	1
9A-	22262GT	CONTACT,MOVING,19549RELAY*	
9A-	22263GT	CONTACT,STATIONARY,19549RELAY*	
9A-	74495GT	SPRING, RETURN (FOR 74268)	
9B	74266GT	CONTACTOR,LIFT PUMP 24V 180A** for EE units only	1
10	36456GT	SPRING CLIP,5/16-18,.025-.15X.83,ZAG	1
11	45454GT	CLAMP,RUB CUSH,0.75,#12 X 3/8*	1
12	823226GT	POWER RELAY, 24V COIL for drive light option	1
12-	61226GT	RELAY SOCKET,70AMP	
13	236665GT	ASSEMBLY, CONTROLLER PLATE includes item 29	1
14	824078GT	SCREW,HHF,1/4-20X.75,8,ZAG	4
15	824113GT	WASHER,FLAT,USS,1/4,ZAG	4
16	56912GT	SPRING CLIP,1/4-20,.025-.15X.54,ZAG	4
17A	128730GT	COVER, DRIVE CHASSIS,Z34N 34.88-inches wide, decals not included, refer to section 100	1



202.1 Non-Steer End, Electronic Control Module

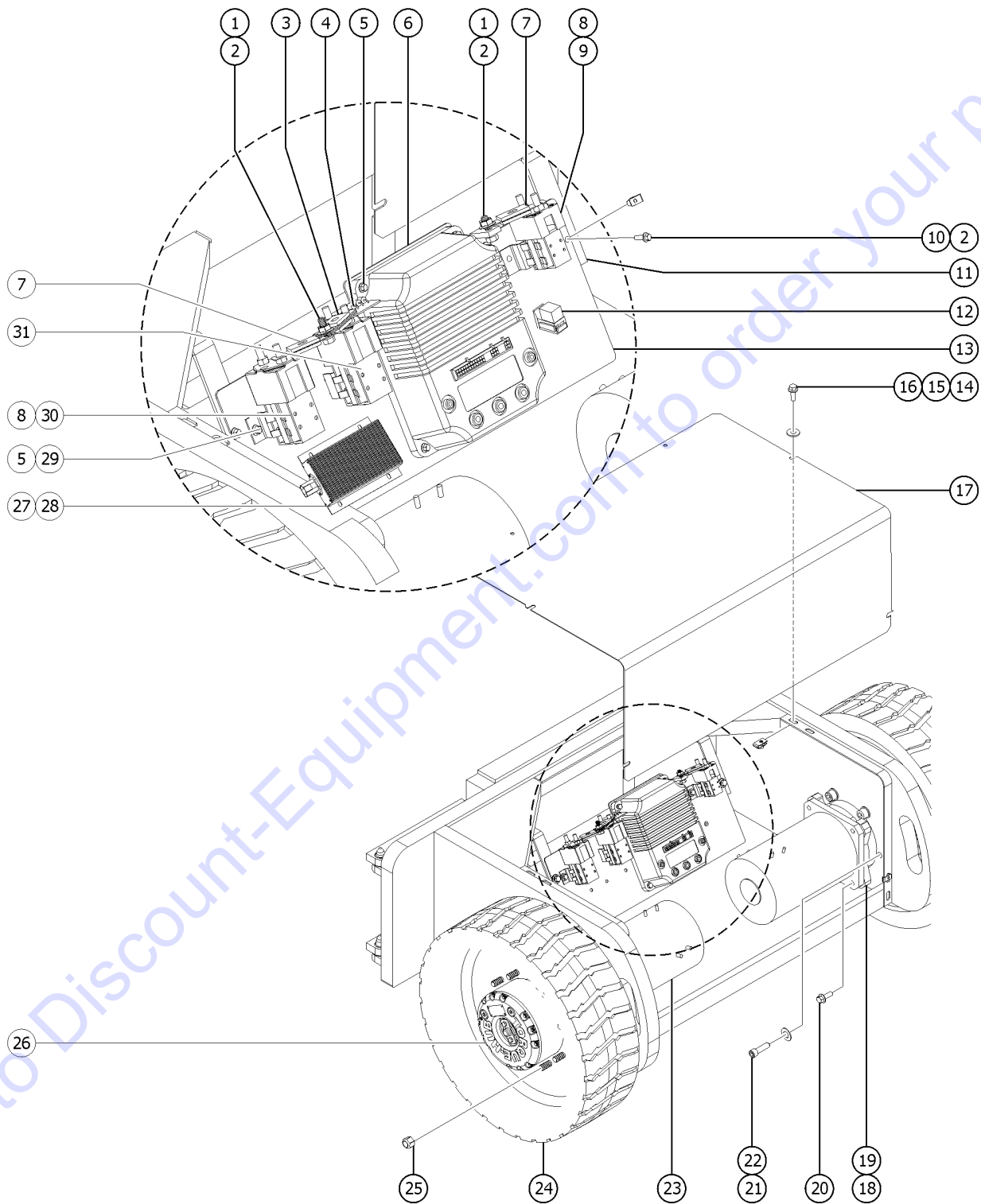


202.1 Non-Steer End, Electronic Control Module

Item	Part No.	Description	Qty.
17B	128729GT	COVER, DRIVE CHASSIS, Z34 40.63-inches wide, decals not included, refer to section 100	
18	824103GT	SCREW,SHC,1/2-13X3,A574,ZAG	4
19	139351GT	BRAKE, NEMA, 1200 IN/LB	2
19-	65608GT	BEARING KIT, AUSCO***	
19-	139353GT	STACK KIT, AUSCO 1200 IN/LB	
19-	139354GT	O-RING KIT, AUSCO 1200 IN/LB	
19-	139355GT	GASKET KIT, AUSCO 1200 IN/LB	
20	824091GT	SCREW, HHF, 3/8-16 X 1.25, 8, ZAG	8
21B	824107GT	SCREW,SHC,5/8-11X3,A574,ZAG Z-34DC/BE	12
22	824121GT	WASHER, FLAT, .688 X 1.160 X .09, ZAG	12
23	74643GT	MOTOR,DRIVE,SEPEX	2
23-	44778GT	BEARING,MOTOR,36843,BRUSH END*	
23-	65872GT	BRUSH LEAD ASSEMBLY KIT(56831)	
23-	72078GT	BRUSH BOX ASSY	
23-	T108887GT	SPRING, BRUSH	
24B	1267846GT	WHEEL ASSY, INDUSTRIAL, AF Z-34DC/BE; industrial, air-filled, 9 hole x 9.5 inch BC	2
24B-	1267397GT	WHEEL, 14.5 X 7	
24B-	54140GT	TUBELESS PNEUMATIC TIRE,9-14LT	
24C	1267844GT	WHEEL ASSY, INDUSTRIAL, AF NM Z-34DC/BE; industrial, air-filled, 9 hole x 9.5 inch BC	2
24C-	1267397GT	WHEEL, 14.5 X 7	
24C-	54234GT	TUBELESS TIRE,9-14.5,NON-M 47#	
24D	1267847GT	WHEEL ASSY, INDUSTRIAL, FF Z-34DC/BE; industrial, foam-filled, 9 hole x 9.5 inch BC	
24E	1267845GT	WHEEL ASSY, INDUSTRIAL, FF NM Z-34DC/BE; industrial, foam-filled, non-marking, 9 hole x 9.5 inch BC	
24F	1267842GT	WHEEL ASSY, IND. W/SEALANT Z-34DC/BE; industrial, air-filled with sealant, 9 hole x 9.5 inch BC	
24G	1267843GT	WHEEL ASSY, IND. W/SEALANT NM Z-34DC/BE; industrial, air-filled with sealant, non-marking, 9 hole x 9.5 inch BC	
25	824042GT	NUT,LUG,5/8-18X90 DEG,ZAG	18
26A	106148GT	WHEEL DRIVE,4HB,48:1*** verify before ordering; DO NOT USE with a different torque hub	2
26A-	58320GT	KIT,TORQUE HUB COVER(101584)** for 106148	



202.1 Non-Steer End, Electronic Control Module

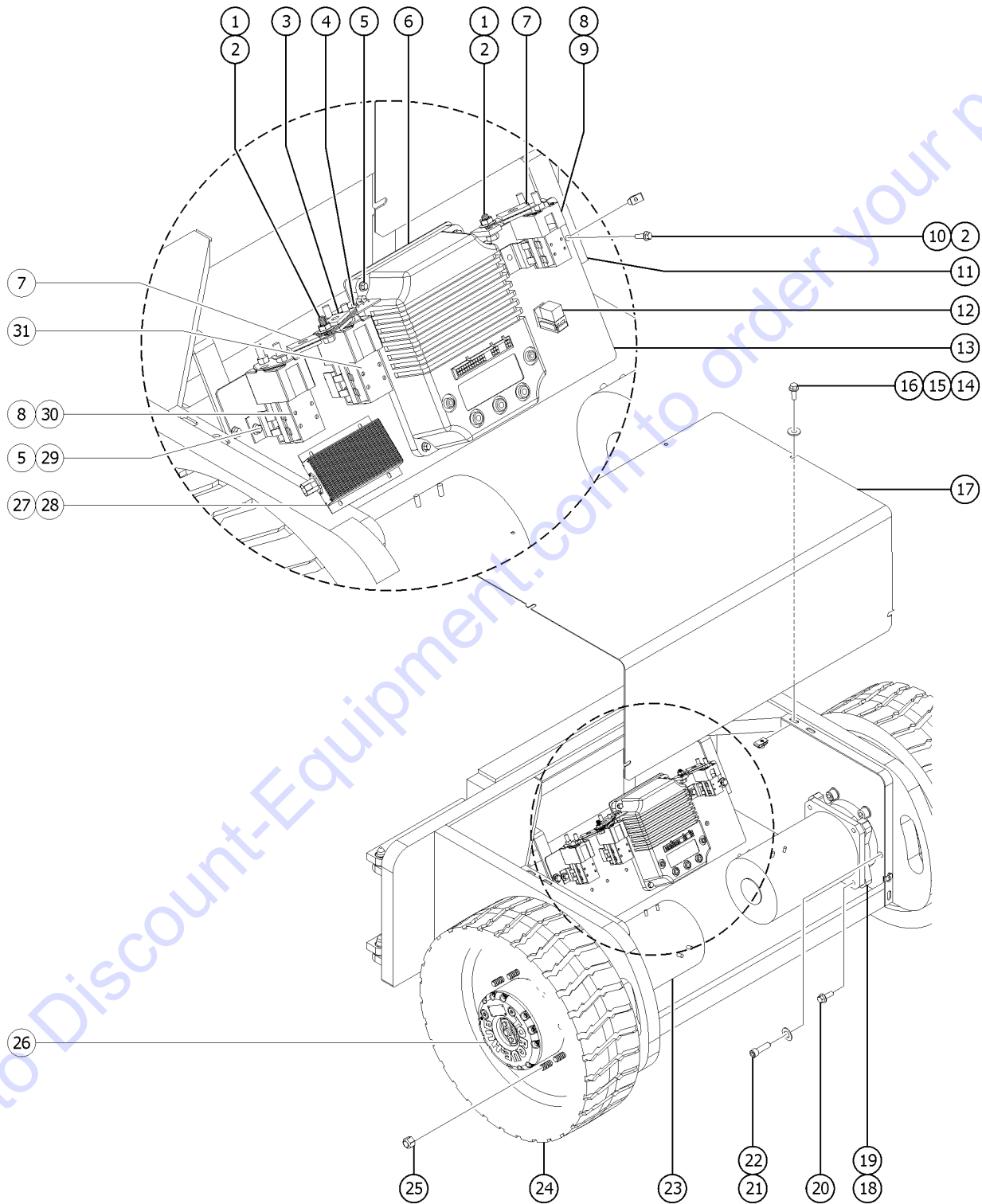


202.1 Non-Steer End, Electronic Control Module

Item	Part No.	Description	Qty.
26A-	215777GT	INPUT CARRIER, SUB-ASSEMBLY for 106148	
26A-	106117GT	O-RING,2-010,VITON for 106148 (Mating O-ring for Brake Port)(Extremely small)	
26A-	1286600GT	SEAL KIT,WHEEL DRIVE (106148/106445/107712) for 106148 (inventory limited to stock on hand as component is no longer available)	
26A-	1286600GT	SEAL KIT,WHEEL DRIVE (106148/106445/107712) for 106148	
26A-	106120GT	WHEEL STUD, 4HP, 5/8-18*** for 106148	
26A-	106121GT	ROD,DISCONNECT 4HP/4HB*** for 106148	
26A-	106122GT	CAP,DISENGAGE,4HP/4HB*** for 106148	
26A-	106123GT	O-RING,END COVER,4HP/4HB*** for 106148	
26A-	106124GT	LINING KIT, BRAKE, 4HP*** for 106148	
26A-	106125GT	SEAL KIT, BRAKE, 4HP for 106148 (inventory limited to stock on hand as component is no longer available)	
26A-	1286602GT	SEAL KIT,WHEEL DRIVE W/BRAKE (101584/101585) for 106148	
26A-	106126GT	BEARING KIT,4HP for 106148 (inventory limited to stock on hand as component is no longer available)	
26A-	1286603GT	BEARING KIT,WHEEL DRIVE W/BRAKE (101584/101585) for 106148	
26A-	146051GT	BEARING NUT*** for 106148	
26A-	232486GT	SNAP RING,WHEEL DRIVE for 106148	
26A-	232486GT	SNAP RING,WHEEL DRIVE for 106148	
26A-	146052GT	SET SCREW*** for 146051	
26A-	9990074GT	COUPLING for 106148 (brake coupler)	
26B	218570GT	WHEEL DRIVE, NON-BRAKE, 47.6:1 verify before ordering; DO NOT USE with a different torque hub	2
26B-	139965GT	WHEEL STUD,5/8-18,OMNI*** for 218570	
26B-	139966GT	ROD,DISCONNECT,OMNI*** for 218570	
26B-	139967GT	CAP,DISENGAGE,OMNI*** for 218570	
26B-	139968GT	O-RING,END COVER,OMNI*** for 218570	
26B-	147034GT	PIPE PLUG KIT,OMNI*** for 218570	
26B-	229833GT	BEARING KIT, OMNI for 218570	
26B-	229834GT	SEAL KIT, OMNI for 218570	
26B-	58531GT	ORING,568-908 N552-90 NBR,10PK for 218570	
27	79452GT	CONVERTER, DC-DC, 48-26 VOLT** for 218570	1



202.1 Non-Steer End, Electronic Control Module



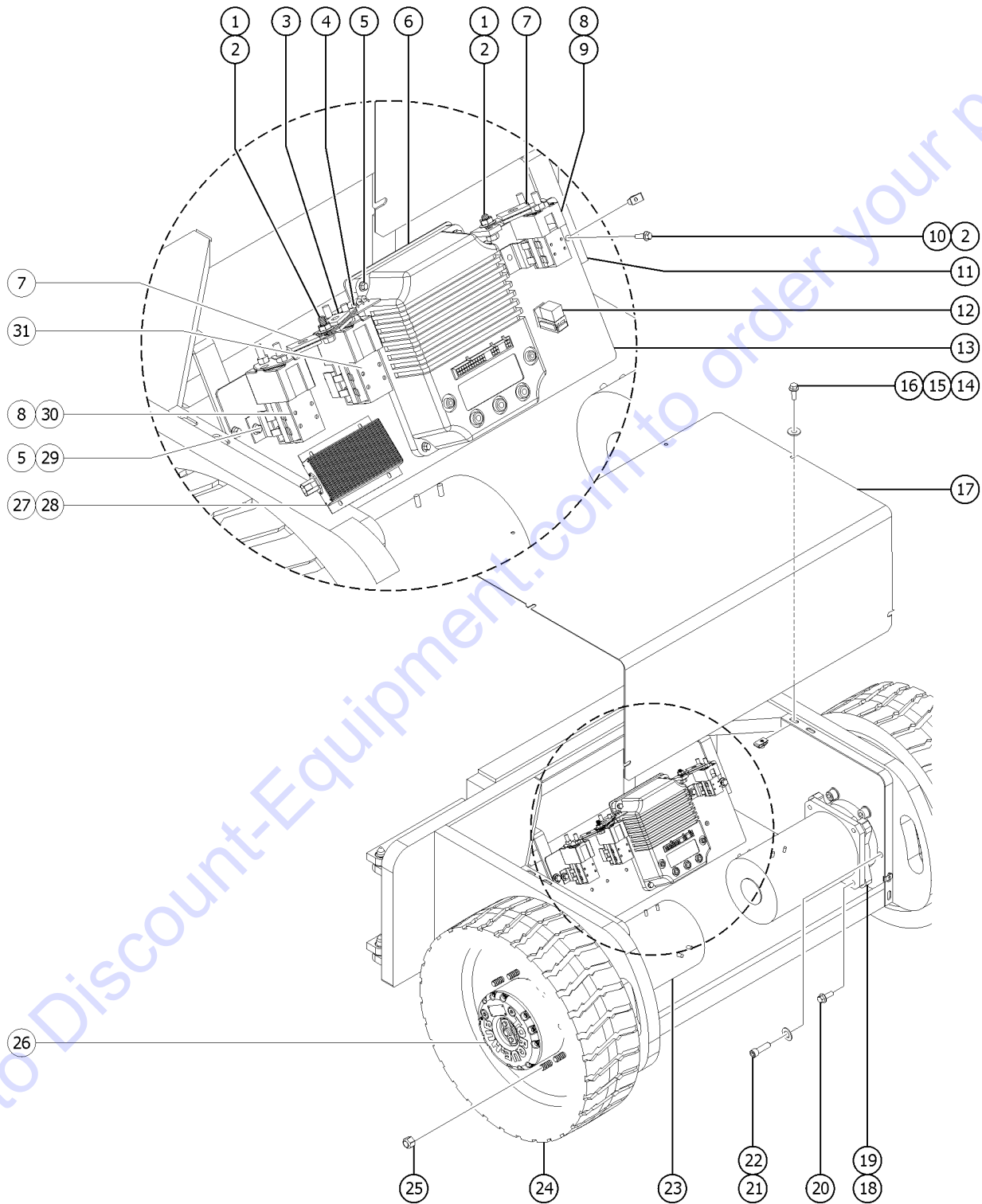
202.1 Non-Steer End, Electronic Control Module

Item	Part No.	Description	Qty.
28	1251757GT	SCREW,PHPM,10-32X.50,ZAG	4
29	23404GT	NUTSERT,1/4-20,STEEL CAD PLTD	2
30	74266GT	CONTACTOR,LIFT PUMP 24V 180A**	1
30-	62695GT	CONTACT,STATIONARY (56434)**	
30-	62696GT	CONTACT-MOVEABLE (56434)**	
30-	74471GT	SPRING,RETURN (74266)	
31	74267GT	CONTACTOR,DRIVE,24V,180A***	1
31-	74282GT	DUST SHIELDS,180A CONTACTOR (EE models only) Limited inventory available; this component is no longer available from our supplier	
31-	74468GT	SPRING, RETURN (FOR 74267)	
31-	74469GT	FIXED CONTACT (FOR 74267)	
31-	74470GT	MOVING CONTACT (FOR PN 74267)	

Go to Discount-Equipment.com to order your parts



202.2 Non-Steer End, Electronic Control Module, Z-34/22N

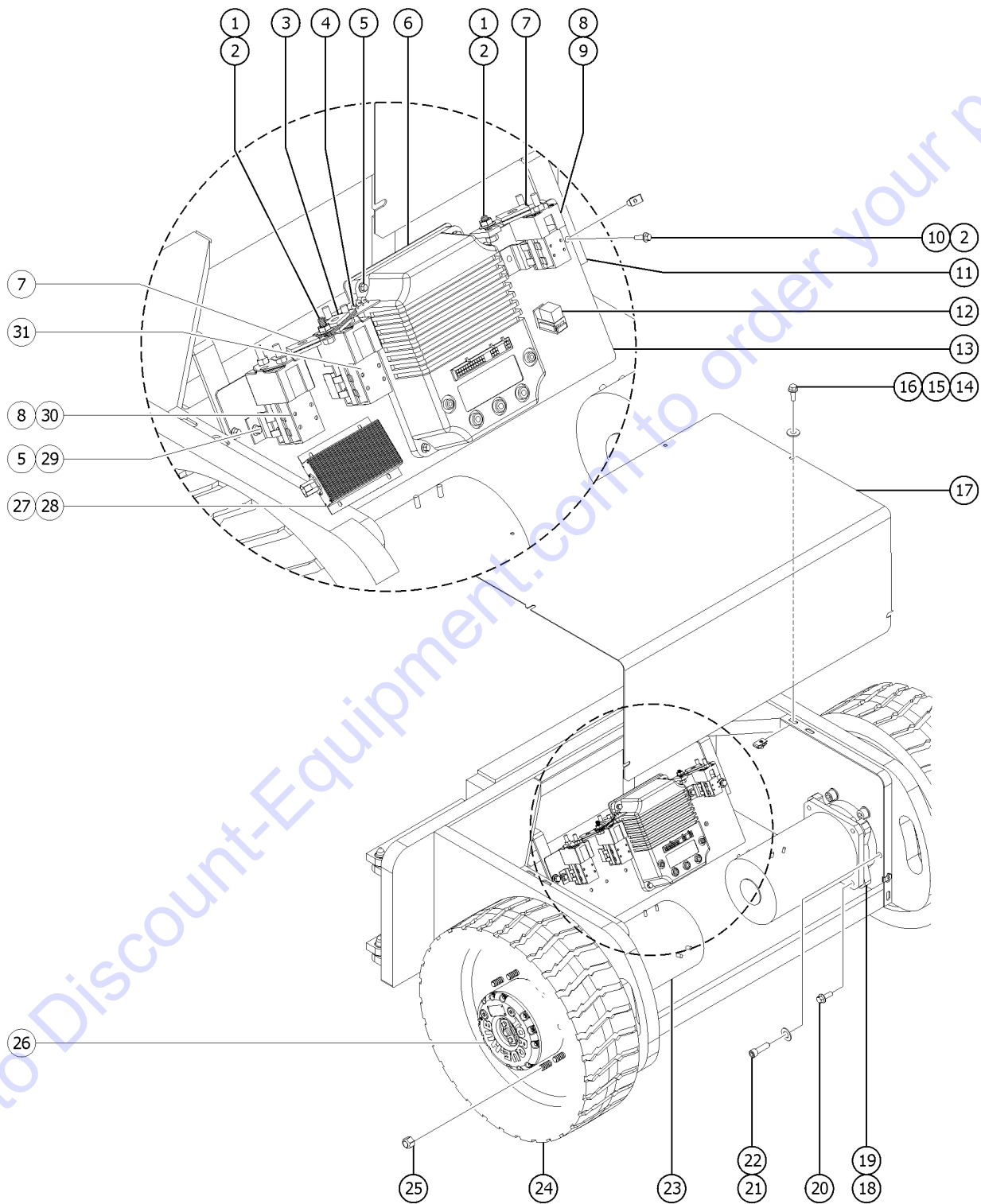


202.2 Non-Steer End, Electronic Control Module, Z-34/22N

Item	Part No.	Description	Qty.
1	1255805GT	NUT,SERRATED,5/16-18,8,ZAG	2
2	824086GT	SCREW, HHF, 5/16-18 X 1, 8, ZAG	3
3	43179GT	FUSE,500 AMP,VERY FAST ACTING	1
4	56930GT	DIODE,PCB DRIVE CONTACTOR**	1
5	824079GT	SCREW,HHF,1/4-20X1,8,ZAG	4
6A	128335GT	CONTROLLER,SEP-EX,Z34N***	1
6B	128965GT	KIT CONTROL SEPEX UPGRADE 34BI includes 128336, wire harness and fasteners	1
6B-	128336GT	CONTROLLER,SEPEX Z34DC/BE	1
6B-	56029GT	CONNECTOR,MOLEX 24-WAY**	
6B-	56030GT	TERMINAL,MOLEX 16 GAUGE***	
6B-	56561GT	TOOL,TERMINAL CRIMPER,MOLEX***	
6B-	56562GT	TOOL,TERMINAL EXTRACTOR,MOLEX	
7	36355GT	FUSE,100 AMP,VERY FAST ACTING	2
8	74282GT	DUST SHIELDS,180A CONTACTOR for EE units only	4
9A	74268GT	CONTACTOR,AUX PUMP 24V,80A***	1
9A-	22262GT	CONTACT,MOVING,19549RELAY*	
9A-	22263GT	CONTACT,STATIONARY,19549RELAY*	
9A-	74495GT	SPRING, RETURN (FOR 74268)	
9B	74266GT	CONTACTOR,LIFT PUMP 24V 180A** for EE units only	1
10	36456GT	SPRING CLIP,5/16-18,.025-.15X.83,ZAG	1
11	45454GT	CLAMP,RUB CUSH,0.75,#12 X 3/8*	1
12	823226GT	POWER RELAY, 24V COIL for drive light option	1
12-	61226GT	RELAY SOCKET,70AMP	
13	236665GT	ASSEMBLY, CONTROLLER PLATE includes item 29	1
14	824078GT	SCREW,HHF,1/4-20X.75,8,ZAG	4
15	824113GT	WASHER,FLAT,USS,1/4,ZAG	4
16	56912GT	SPRING CLIP,1/4-20,.025-.15X.54,ZAG	4
17A	128730GT	COVER, DRIVE CHASSIS,Z34N 34.88-inches wide, decals not included, refer to section 100	1



202.2 Non-Steer End, Electronic Control Module, Z-34/22N



202.2 Non-Steer End, Electronic Control Module, Z-34/22N

Item	Part No.	Description	Qty.
17B	128729GT	COVER, DRIVE CHASSIS, Z34 40.63-inches wide, decals not included, refer to section 100	
18	824103GT	SCREW,SHC,1/2-13X3,A574,ZAG	4
19	139351GT	BRAKE, NEMA, 1200 IN/LB	2
19-	65608GT	BEARING KIT, AUSCO***	
19-	139353GT	STACK KIT, AUSCO 1200 IN/LB	
19-	139354GT	O-RING KIT, AUSCO 1200 IN/LB	
19-	139355GT	GASKET KIT, AUSCO 1200 IN/LB	
20	824091GT	SCREW, HHF, 3/8-16 X 1.25, 8, ZAG	8
21A	824105GT	SCREW,SHC,5/8-11X2.5,A574,ZAG Z-34N	12
22	824121GT	WASHER, FLAT, .688 X 1.160 X .09, ZAG	12
23	74643GT	MOTOR,DRIVE,SEPEX	2
23-	44778GT	BEARING,MOTOR,36843,BRUSH END*	
23-	65872GT	BRUSH LEAD ASSEMBLY KIT(56831)	
23-	72078GT	BRUSH BOX ASSY	
23-	T108887GT	SPRING, BRUSH	
24A	94909GT	TIRE & WHEEL ASSY,REAR N-M Z-34N; solid, non-marking, 9 hole x 9.5 inch BC	2
25	824042GT	NUT,LUG,5/8-18X90 DEG,ZAG	18
26A	106148GT	WHEEL DRIVE,4HB,48:1*** verify before ordering; DO NOT USE with a different torque hub	2
26A-	58320GT	KIT,TORQUE HUB COVER(101584)** for 106148	
26A-	215777GT	INPUT CARRIER, SUB-ASSEMBLY for 106148	
26A-	106117GT	O-RING,2-010,VITON for 106148 (Mating O-ring for Brake Port)(Extremely small)	
26A-	1286600GT	SEAL KIT,WHEEL DRIVE (106148/106445/107712) for 106148 (inventory limited to stock on hand as component is no longer available)	
26A-	1286600GT	SEAL KIT,WHEEL DRIVE (106148/106445/107712) for 106148	
26A-	106120GT	WHEEL STUD, 4HP, 5/8-18*** for 106148	
26A-	106121GT	ROD,DISCONNECT 4HP/4HB*** for 106148	
26A-	106122GT	CAP,DISENGAGE,4HP/4HB*** for 106148	
26A-	106123GT	O-RING,END COVER,4HP/4HB*** for 106148	
26A-	106124GT	LINING KIT, BRAKE, 4HP*** for 106148	



PARTS FINDER

**Search Website
by Part Number**



**Search Manual
Library For Parts
Manual & Lookup Part
Numbers – Purchase
or Request Quote**

Search Manuals

Enter your information to help us find the right parts manual for your machine.

* Brand:

* Model:

* Serial:

* Part Number:

SEARCH

**Can't Find Part or
Manual? Request Help
by Manufacturer,
Model & Description**

Parts Order Form

Please fill in the following information to help us find the right part for your machine.

Manufacturer:	<input type="text"/>
Model:	<input type="text"/>
Description:	<input type="text"/>
Part Number:	<input type="text"/>
Quantity:	<input type="text"/>
Notes:	<input type="text"/>

Submit

Discount-Equipment.com is your online resource for quality parts & equipment.

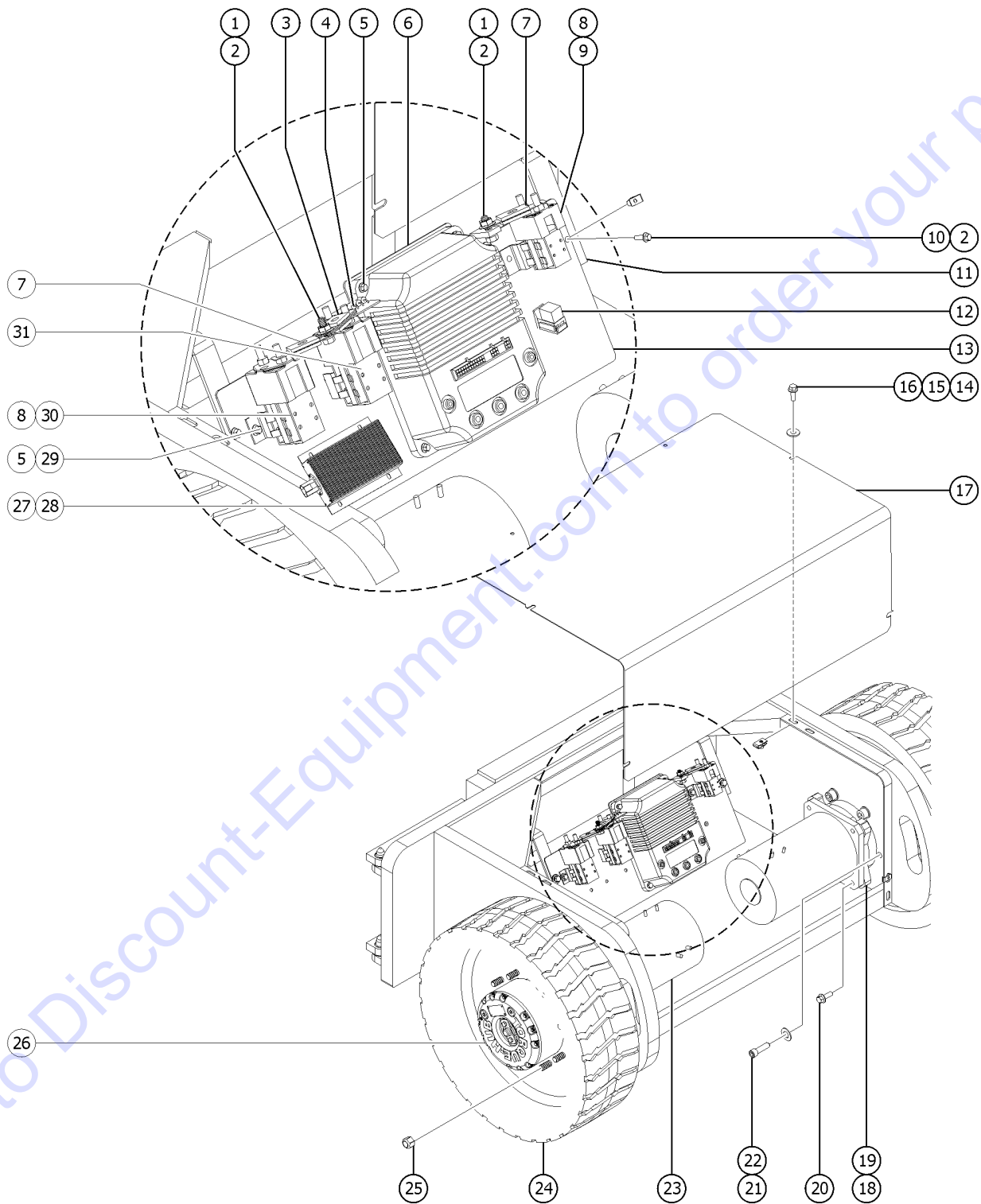
Florida: **561-964-4949** Outside Florida TOLL FREE: **877-690-3101**

Need parts?

Click on this link: <http://www.discount-equipment.com/category/5443-parts/> and choose one of the options to help get the right parts and equipment you are looking for. Please have the machine model and serial number available in order to help us get you the correct parts. If you don't find the part on the website or on one of the online manuals, please fill out the request form and one of our experienced staff members will get back to you with a quote for the right part that your machine needs.

We sell worldwide for the brands: Genie, Terex, JLG, MultiQuip, Mikasa, Essick, Whiteman, Mayco, Toro Stone, Diamond Products, Generac Magnum, Airman, Haulotte, Barreto, Power Blanket, Nifty Lift, Atlas Copco, Chicago Pneumatic, Allmand, Miller Curber, Skyjack, Lull, Skytrak, Tsurumi, Husquvarna Target, Stow, Wacker, Sakai, Mi-T-M, Sullair, Basic, Dynapac, MBW, Weber, Bartell, Bennar Newman, Haulotte, Ditch Runner, Menegotti, Morrison, Contec, Buddy, Crown, Edco, Wyco, Bomag, Laymor, EZ Trench, Bil-Jax, F.S. Curtis, Gehl Pavers, Heli, Honda, ICS/PowerGrit, IHI, Partner, Imer, Clipper, MMD, Koshin, Rice, CH&E, General Equipment, Amida, Coleman, NAC, Gradall, Square Shooter, Kent, Stanley, Tamco, Toku, Hatz, Kohler, Robin, Wisconsin, Northrock, Oztec, Toker TK, Rol-Air, APT, Wylie, Ingersoll Rand / Doosan, Innovatech, Con X, Ammann, Mecalac, Makinex, Smith Surface Prep, Small Line, Wanco, Yanmar

202.2 Non-Steer End, Electronic Control Module, Z-34/22N

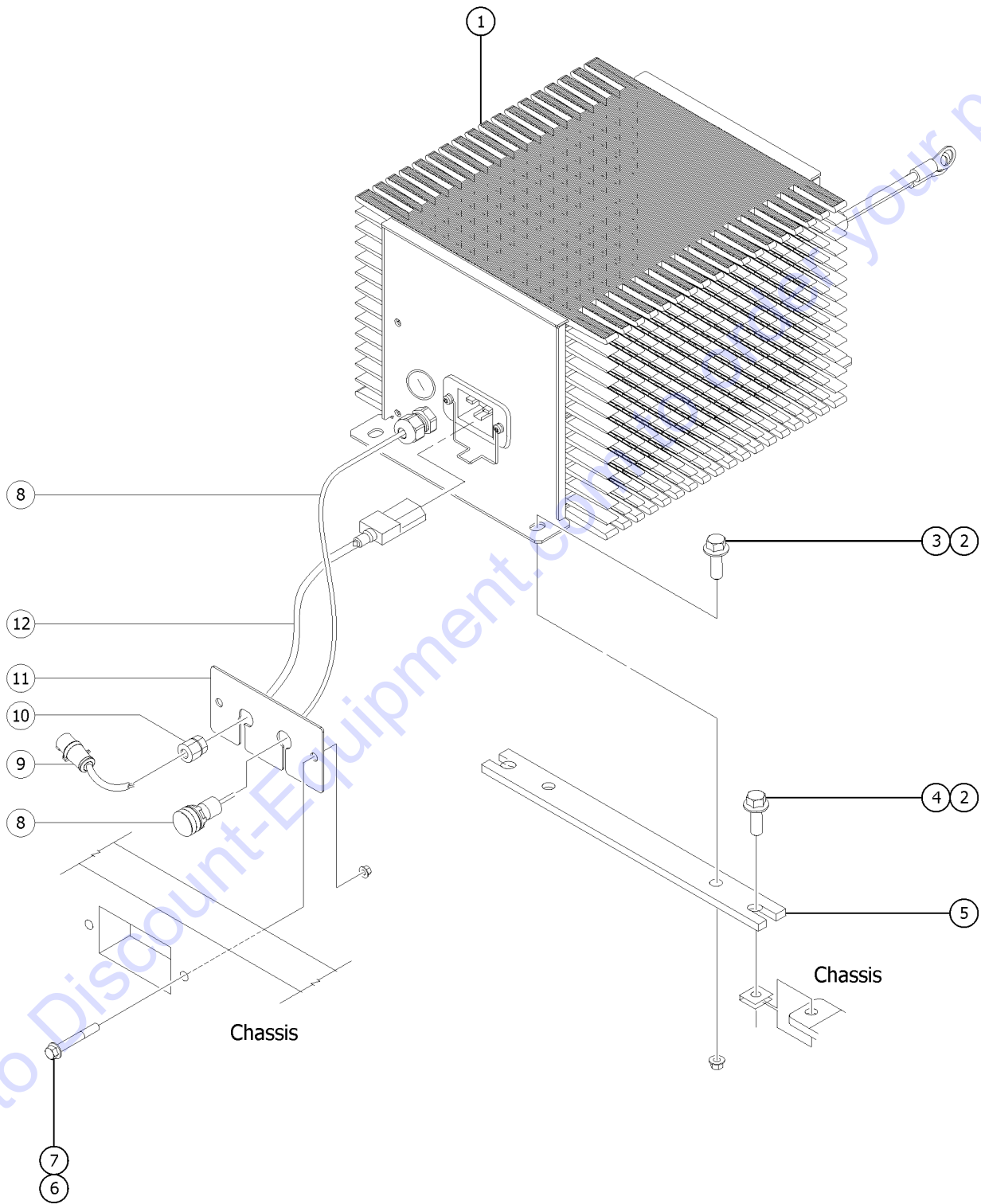


202.2 Non-Steer End, Electronic Control Module, Z-34/22N

Item	Part No.	Description	Qty.
26A-	106125GT	SEAL KIT, BRAKE, 4HP for 106148 (inventory limited to stock on hand as component is no longer available)
26A-	1286602GT	SEAL KIT, WHEEL DRIVE W/BRAKE (101584/101585) for 106148
26A-	106126GT	BEARING KIT, 4HP for 106148 (inventory limited to stock on hand as component is no longer available)
26A-	1286603GT	BEARING KIT, WHEEL DRIVE W/BRAKE (101584/101585) for 106148
26A-	232486GT	SNAP RING, WHEEL DRIVE for 106148
26A-	146052GT	SET SCREW*** for 146051
26A-	9990074GT	COUPLING for 106148 (brake coupler)
26B	218570GT	WHEEL DRIVE, NON-BRAKE, 47.6:1 verify before ordering; DO NOT USE with a different torque hub	2
26B-	139965GT	WHEEL STUD, 5/8-18, OMNI*** for 218570
26B-	139966GT	ROD, DISCONNECT, OMNI*** for 218570
26B-	139967GT	CAP, DISENGAGE, OMNI*** for 218570
26B-	139968GT	O-RING, END COVER, OMNI*** for 218570
26B-	147034GT	PIPE PLUG KIT, OMNI*** for 218570
26B-	229833GT	BEARING KIT, OMNI for 218570
26B-	229834GT	SEAL KIT, OMNI for 218570
26B-	58531GT	ORING, 568-908 N552-90 NBR, 10PK for 218570
27	79452GT	CONVERTER, DC-DC, 48-26 VOLT**	1
28	1251757GT	SCREW, PHPM, 10-32X.50, ZAG	4
29	23404GT	NUTSERT, 1/4-20, STEEL CAD PLTD	2
30	74266GT	CONTACTOR, LIFT PUMP 24V 180A**	1
30-	62695GT	CONTACT, STATIONARY (56434)**
30-	62696GT	CONTACT-MOVEABLE (56434)**
30-	74471GT	SPRING, RETURN (74266)
31	74267GT	CONTACTOR, DRIVE, 24V, 180A***	1
31-	74282GT	DUST SHIELDS, 180A CONTACTOR (EE models only) Limited inventory available; this component is no longer available from our supplier	..
31-	74468GT	SPRING, RETURN (FOR 74267)
31-	74469GT	FIXED CONTACT (FOR 74267)
31-	74470GT	MOVING CONTACT (FOR PN 74267)



203.1 Battery Charger

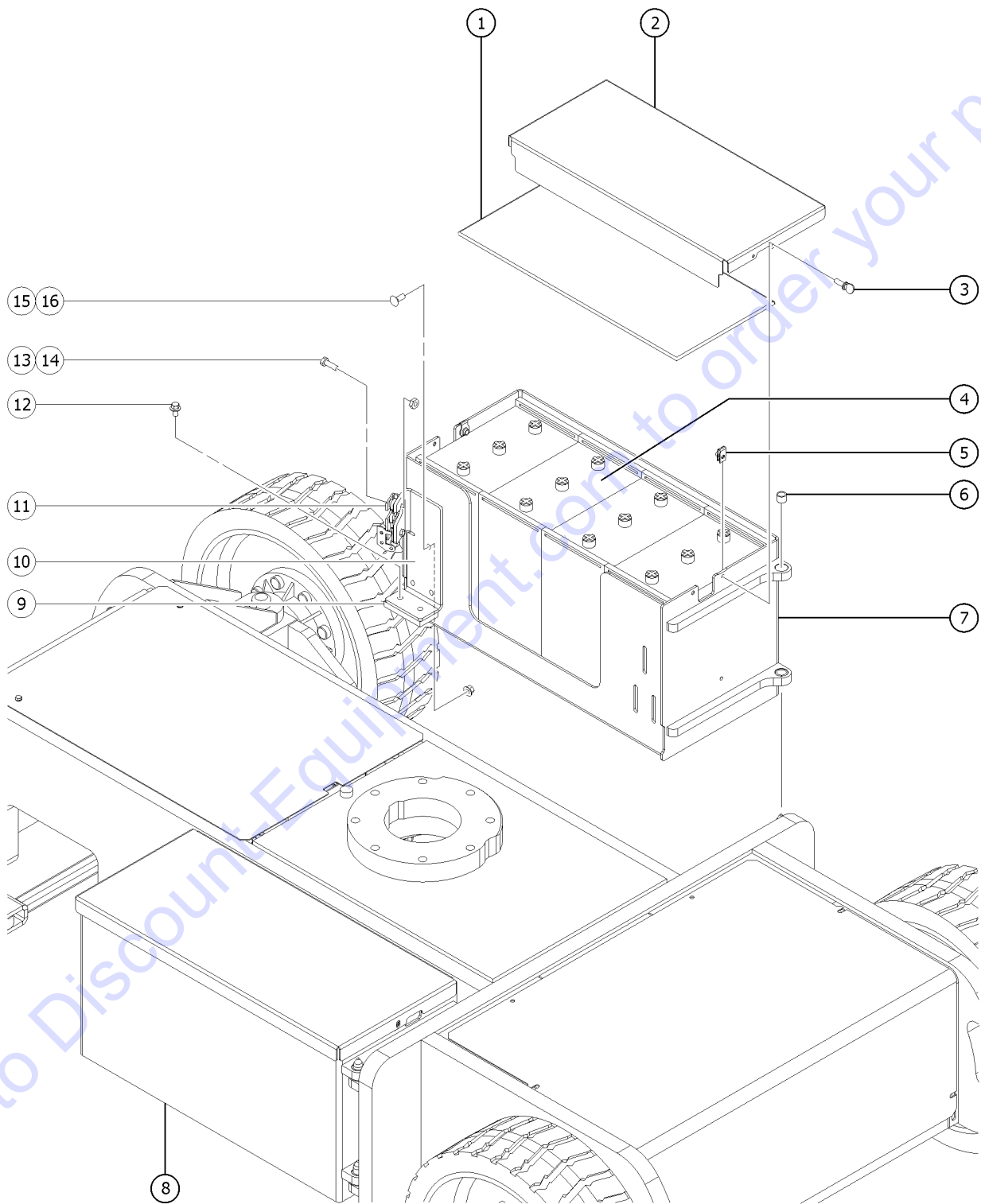


203.1 Battery Charger

Item	Part No.	Description	Qty.
1	128375GT	CHARGER 48V/30A AUTO AC X-LED includes item 8 (order power cord separately)	1
1-	133286GT	DECAL, POWER TO CHARGER, UNIV	1
1-	139858GT	HARN.CHARGER INTERLOCK Z34	1
1-	228947GT	CLIP,RETAINING,IES CHARGER	1
2	824078GT	SCREW,HHF,1/4-20X.75,8,ZAG	8
3	824027GT	NUT,TL FLG,1/4-20,G,ZAG	4
4	56912GT	SPRING CLIP,1/4-20,.025-.15X.54,ZAG	4
5	36673GT	PLATE,CHARGER MOUNT	2
6	824094GT	SCREW, HHF, 3/8-16 X 2.75, 8, ZAG	2
7	824029GT	NUT,TL FLG,3/8-16,G,ZAG	2
8	228973GT	KIT,ASSY,LED,IES CHARGER with spade terminals	1
8-	230759GT	ASSY,IES CHARGER LED	1
8-	19246GT	TERMINAL,FEMALE COUPLER,18-22G	1
8-	19247GT	TERMINAL,MALE COUPLER,18-22GA.	2
9A	1280665GT	PLUG, TYPE F, 230A, 50HZ, 16A, IP44 Euro 220V	1
9B	144161GT	PLUG,PWR,UK,16AMP,3PIN,BLK UK 110V	
9C	25388GT	PLUG,FUSED,250V,13AMP,U.K.** UK 220V	
9C-	65737GT	FUSE,13 AMP,220V PLUG*** (for 25388)	
10A	128118GT	BUSHING,STRAIN RELIEF,.875/.40 domestic	1
10B	139318GT	BUSHING,STRAIN RELIEF,.875/.30 UK	1
11	128825GT	BRACKET, CHARGER CORD AND LED	1
12A	128377GT	CORD AC IEC320-C19 TO 110US US 110V	
12B	128376GT	CORD EURO AC IEC320-C19PIGTAIL EU 110V	
12C	128645GT	CORD AC IEC320-C19 TO 220EU EU 220V	



204.1 Battery Packs

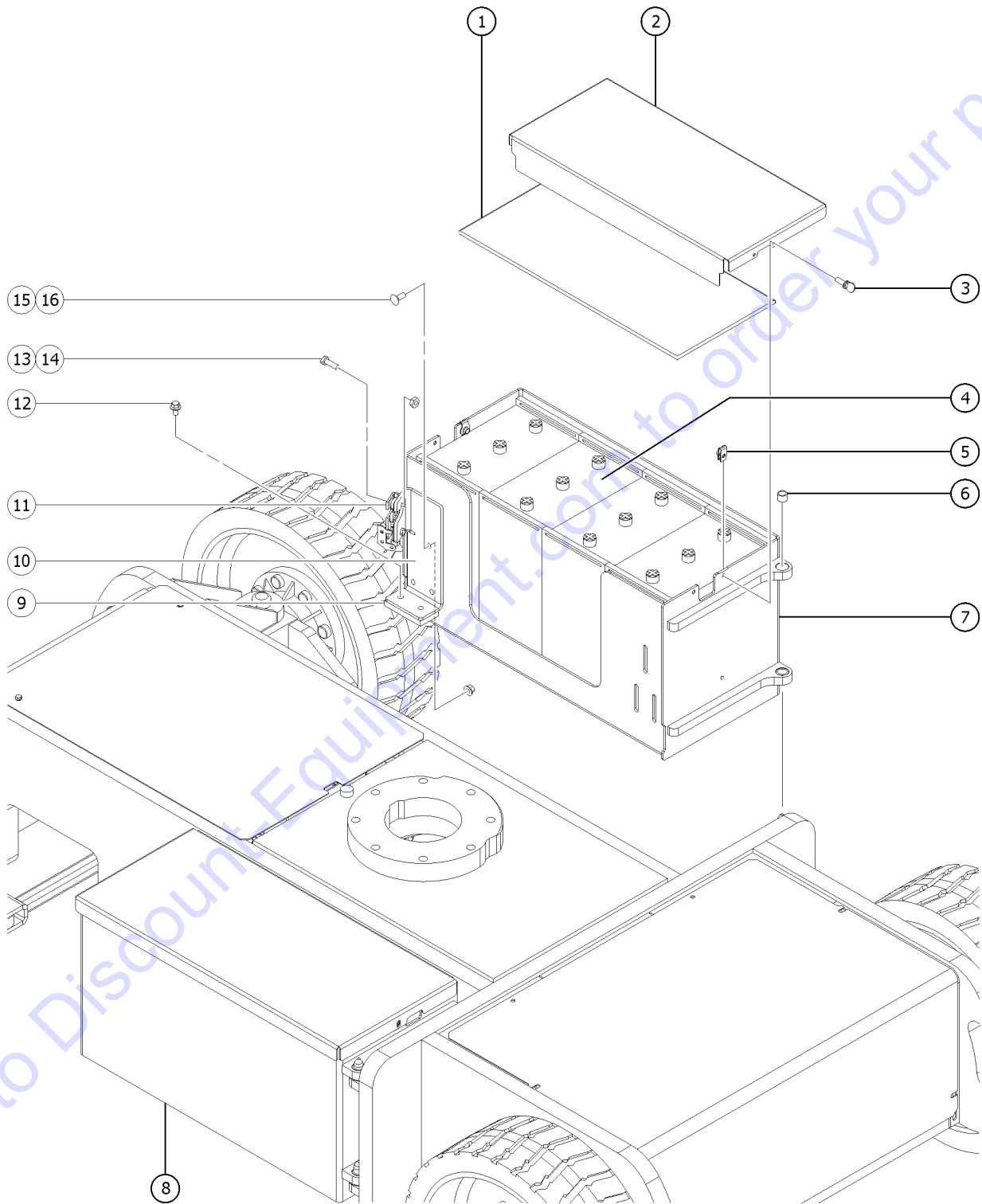


204.1 Battery Packs

Item	Part No.	Description	Qty.
1	106241GT	INSULATION,48V BATT.BOX LID	1
2A	94001GT	LID-BATTERY BOX W/DECALS**	
2B	106025GT	LID,BATT PACK, W/SYM DECALS**	
2C	74704PGT	COVER,BATTERY BOX** lid with no decals; 13.36 inches x 29.50 inches	
3	824228GT	SCREW,THUMB,A-REG,3/8-16X1,ZAG	4
4A	56462GT	BATTERY, J 305GH, 315AH	8
4B	823685GT	BATTERY,AGM,6V/320A,J305 used with universal charger 128375 revision E or later	8
5	29868GT	SPRING CLIP,3/8-16,.05-.20X.73,ZAG	4
6	36369GT	BEARING, .75ID X 1"OD X .75LG**	8
7A	94022GT	BATTERY BOX ASSY. W/DECALS RH	1
		Z-34N; includes items 9-16	
7B	77969GT	BATT. BOX ASSY.RH, Z34DC	1
		Z-34DC; includes items 9-16	
7B-	45382GT	SHIM,PRIMARY BOOM,.052 THK.	1
		Z-34DC	
7B-	45465GT	SHIM,PRIMARY BOOM,.022 THICK	1
		Z-34DC	
7C	106054GT	BATT BOX ASSY.W/DECAL 34BI RH*	1
		Z-34BE; includes items 9-16	
8A	94023GT	BATTERY BOX ASSY. W/DECALS LH	1
		Z-34N; includes items 9-16	
8B	77970GT	BATT. BOX ASSY.LH, Z34DC	1
		Z-34DC; includes items 9-16	
8B-	45382GT	SHIM,PRIMARY BOOM,.052 THK.	1
		Z-34DC	
8B-	45465GT	SHIM,PRIMARY BOOM,.022 THICK	1
		Z-34DC	
8C	106055GT	BATT BOX ASSY.W/DECAL 34BI LH*	1
		Z-34BE; includes items 9-16	
9	45209GT	WEAR PAD,4X2X.5 W/INSERT***	2
10A	101426PGT	FORMING,BATTERY BOX LATCH RH	1
10B	101425PGT	FORMING,BATTERY BOX LATCH LH	1
11A	66901GT	LATCH,ROTARY, W/KNOB,RIGHT	1
		(installed on LEFT side of chassis)	
11B	66900GT	LATCH,ROTARY, W/KNOB,LEFT	1
		(shown)(installed on RIGHT side of chassis)	
12	824077GT	SCREW, HHF, 1/4-20 X .5, 8, ZAG	4
13	824066GT	SCREW, HHC, 5/16-18 X 1.375, 8, ZAG	6
14	1252977GT	NUT,TL JAM,5/16-18,A,ZAG	6
15	824125GT	BOLT, CARRIAGE, 3/8-16 X 1, 5, ZAG	6



204.1 Battery Packs



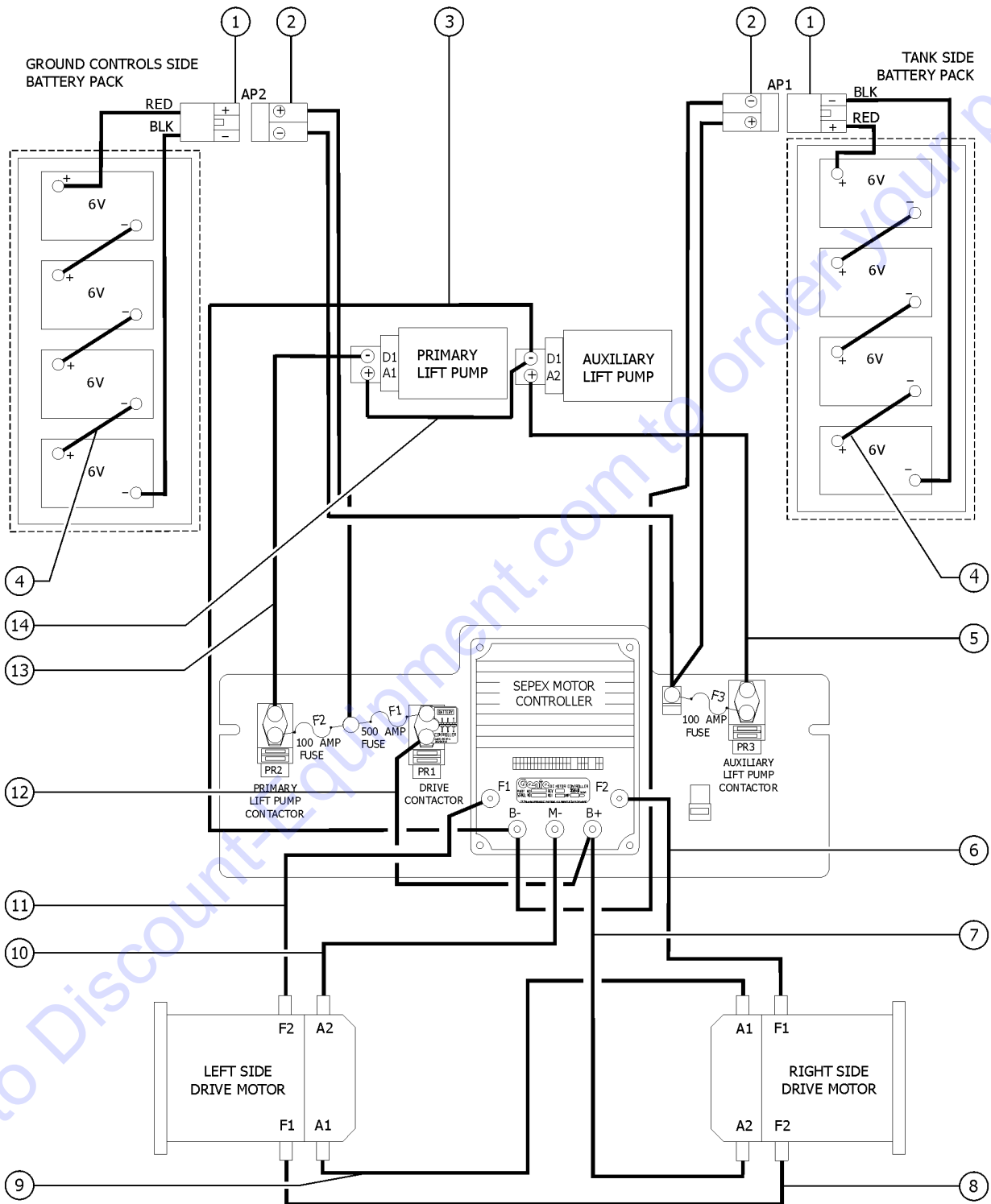
204.1 Battery Packs

<i>Item</i>	<i>Part No.</i>	<i>Description</i>	<i>Qty.</i>
16	1274322GT	NUT,NYLOCK FLG,3/8-16,F,ZAG	6

Go to Discount-Equipment.com to order your parts



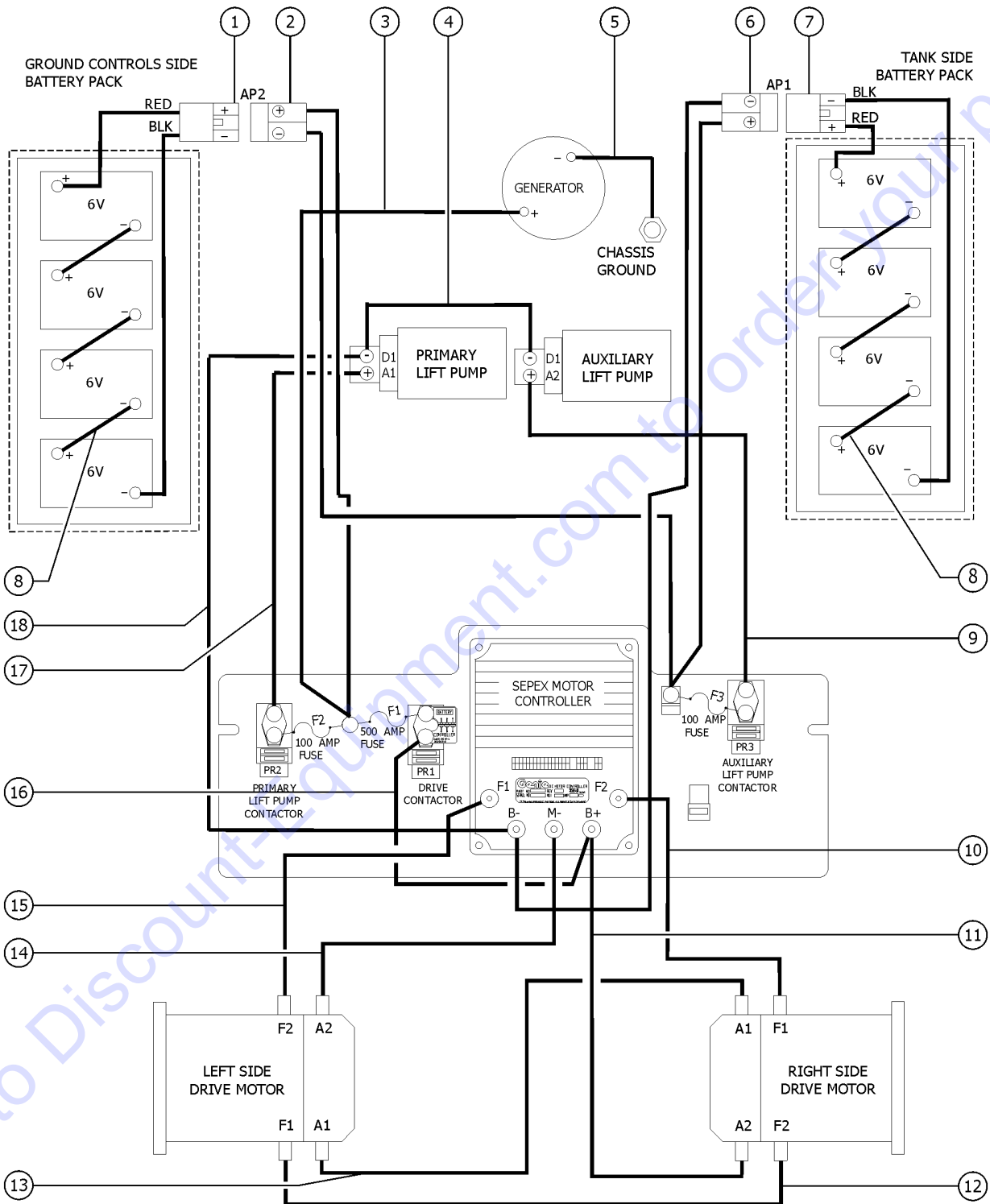
205.1 Power Cable Diagram, Z-34/22N & Z-34/22DC



Item	Part No.	Description	Qty.
-	51147GT	BOOT,CABLE TERMINAL,LG,RED,2/0	
1	825066GT	HARN ASSY, POWER BATT PACK	2
1-	128465GT	CABLE ASSY #2 RED BATT	1
1-	128466GT	CABLE ASSY #2 BLK AP1/AP2 BATT	1
2	139010GT	HARN ASSY, POWER DRIVE CHASS	2
2-	128458GT	CABLE ASSY #2 RED AP1/AP2 DRIV	1
2-	128459GT	CABLE ASSY #2 BLK AP1/AP2 DRIV	1
3A	139037GT	CABLE ASSY #4 BLK B(-)/AP-D1	1
		Z-34N	
3B	139027GT	CABLE ASSY #4 BLK B(-)/AP-D1	1
		Z-34DC	
4	19520GT	BATTERY CABLE ASSY,9.5"JUMPER	2
5A	139036GT	CABLE ASSY #4 RED PR3/AP-A2	1
		Z-34N	
5B	139017GT	CABLE ASSY #4 RED PR3/AP-A2	1
		Z-34DC	
6A	139021GT	WIRE ASSY #10 RED F2/F1	1
		Z-34N	
6B	139030GT	WIRE ASSY #10 RED F2/F1	1
		Z-34DC	
7	139023GT	CABLE ASSY #2 BLK B(+)/A2	1
8A	139038GT	WIRE ASSY #10 RED F1/F2	1
		Z-34N	
8B	139031GT	WIRE ASSY #10 RED F1/F2	1
		Z-34DC	
9A	139015GT	CABLE ASSY #2 BLK A1/A1	1
		Z-34N	
9B	139025GT	CABLE ASSY #2 BLK A1/A1	1
		Z-34DC	
10A	139034GT	CABLE ASSY #2 BLK M(-)/A2	1
		Z-34N	
10B	139024GT	CABLE ASSY #2 BLK M(-)/A2	1
		Z-34DC	
11A	139039GT	WIRE ASSY #10 RED F1/F2	1
		Z-34N	
11B	139029GT	WIRE ASSY #10 RED F1/F2	1
		Z-34DC	
12A	139033GT	CABLE ASSY #2 BLK B(+)/PR1	1
		Z-34N	
12B	139013GT	CABLE ASSY #2 BLK B(+)/PR1	1
		Z-34DC	
13A	139035GT	CABLE ASSY #4 RED PR2/LP-D1	1
		Z-34N	
13B	139026GT	CABLE ASSY #4 RED PR2/LP-D1	1
		Z-34DC	
14	139028GT	CABLE ASSY #4 BLK LP-D1/AP-D1	1



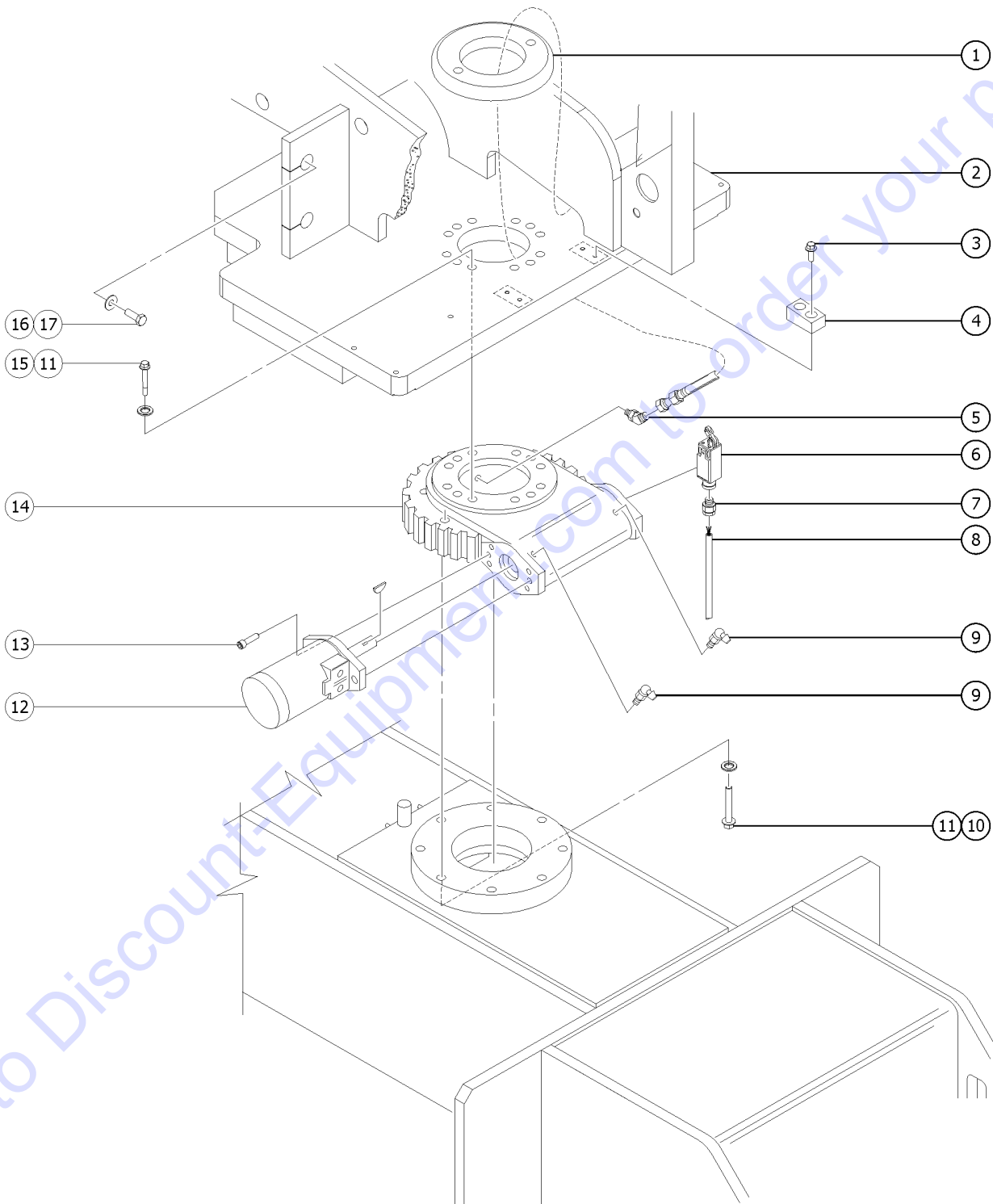
206.1 Power Cable Diagram, Z-34/22BE



Item	Part No.	Description	Qty.
-	51147GT	BOOT,CABLE TERMINAL,LG,RED,2/0	
1	825067GT	HARN ASSY, POWER PACK AP2	2
2	139040GT	HARN ASSY, Z34BE AP2/DRIVE	2
3	139045GT	CABLE ASSY #4 RED ALT(+)/F1	1
4	139019GT	CABLE ASSY #4 BLK LP-D1/AP-D1	1
5	139046GT	CABLE ASSY #4 BLK ALT(-)/B(-)	2
6	139010GT	HARN ASSY, POWER DRIVE CHASS	2
6-	128458GT	CABLE ASSY #2 RED AP1/AP2 DRIV	
6-	128459GT	CABLE ASSY #2 BLK AP1/AP2 DRIV	
7	825066GT	HARN ASSY, POWER BATT PACK	2
7-	128465GT	CABLE ASSY #2 RED BATT	
7-	128466GT	CABLE ASSY #2 BLK AP1/AP2 BATT	
8	19520GT	BATTERY CABLE ASSY,9.5"JUMPER	1
9	139043GT	CABLE ASSY #4 RED PR3/AP-A2	1
10	139030GT	WIRE ASSY #10 RED F2/F1	1
11	139023GT	CABLE ASSY #2 BLK B(+)/A2	1
12	139031GT	WIRE ASSY #10 RED F1/F2	1
13	139025GT	CABLE ASSY #2 BLK A1/A1	1
14	139024GT	CABLE ASSY #2 BLK M(-)/A2	1
15	139029GT	WIRE ASSY #10 RED F1/F2	1
16	139013GT	CABLE ASSY #2 BLK B(+)/PR1	1
17	139042GT	CABLE ASSY #4 RED PR2/LP-A1	1
18	139044GT	CABLE ASSY#4 BLK B(-)/LP-D1	1



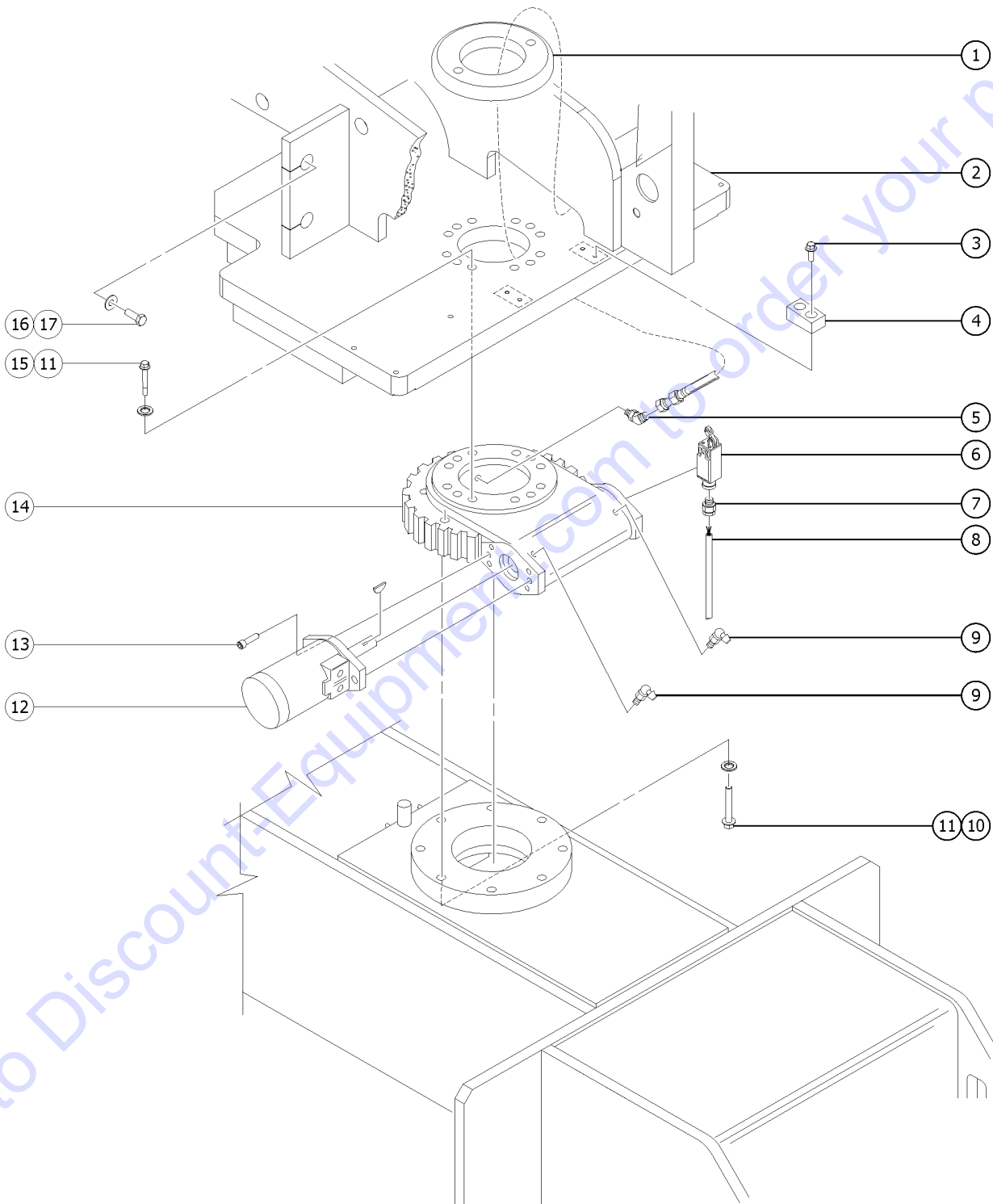
301.1 Turntable Rotator



Item	Part No.	Description	Qty.
1	42363GT	RING,HOSE PROTECTOR	1
2A	94220GT	WELDMENT,SWING CHASSIS Z34	1
2B	94219GT	WELDMENT,SWING CHASSIS Z34N	1
3	824090GT	SCREW,HHF,3/8-16X1,8,ZAG	4
4A	74256GT	REST PAD, LOWER REST Z30N Z-34DC/BE	2
4B	74086GT	REST PAD, LOWER ARM REST Z-34N	2
5	31194GT	ELBOW,070302-4-2	1
6	110232GT	HARNESS LS3 OP DRIVE ENABLE includes limit switch, wiring and connectors	1
6-	119762GT	CONN PLUG 4 WAY EXTEND DT	1
6-	60429GT	LOCK,PLUG 4 WAY,14-18GA	1
6-	73714GT	TERM,NI SOC,S&F,16-18GA,REEL	4
6-	88356-12103GT	SWITCH,LIMIT,W/ROLLER ARM***	1
7	7056GT	CONN, SQZ, 1/2NPT .38-.50, SM**	1
8	43960GT	WIRE CABLE,16/4 CON.TPE JKT	71
9	22794GT	ZERK,GREASE,1/8 NPT,45DEG	2
10	139867GT	SCREW,HHC,5/8-11 X 5.50 GR8 BO	8
11	13064GT	WASHER,FLAT,.625 HARDENED	20
12	128453GT	MOTOR,TURNTABLE,125CC***	1
12-	84312GT	SEAL KIT,ROTATE MOTOR	
13	824102GT	SCREW,SHC,1/2-13X1.5,A574,ZAG	2
14	119111GT	ROTATOR TURNTABLE ASSEMBLY***	1
14-	128565GT	SHIM KIT,TURNTABLE*** for 119111	
14-	128618GT	SEAL KIT*** for 119111	
14-	128619GT	ZERK,GREASE,1/8 NPT,67.5 DEG** for 119111	
14-	128620GT	ZERK,GREASE,1/8 NPT,45 DEG*** for 119111	
14-	128621GT	BEARING,CUP*** for 119111	
14-	128622GT	BEARING,CONE*** for 119111	
14-	128899GT	SHAFT,WORM GEAR*** for 119111	



301.1 Turntable Rotator

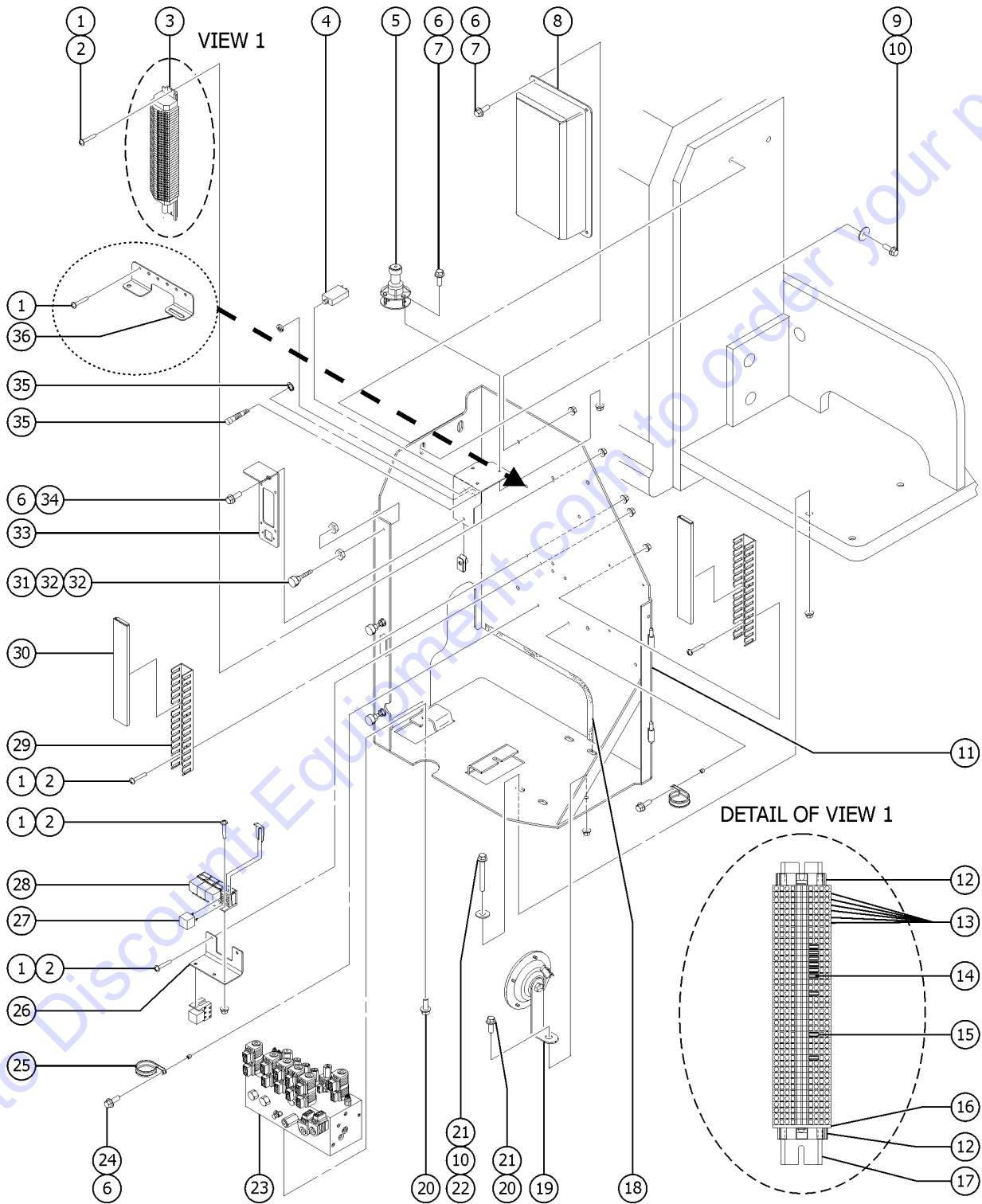


Item	Part No.	Description	Qty.
14-	139008GT	SNAP RING,INT,2.88 DIA*** for 119111	
14-	1284189GT	CASE COVER,ROTATOR,Z30/34 (119111) for 119111	
15A	139866GT	SCREW,HHC,5/8-11X4.50GR8 PLAIN (to SN Z34N16F-12688)	12
15B	1263142GT	SCREW,HHC,5/8-11,4.5,8,ZAG (from SN Z34N16F-12689)	12
16	824074GT	SCREW,HHC,1-8X3,8,ZAG	2
17	824116GT	WASHER,FLAT,1.0,F436,HRD,ZAG	2

Go to Discount-Equipment.com to order your parts



302.1 Ground Control Side, Z-34/22N & Z-34/22DC

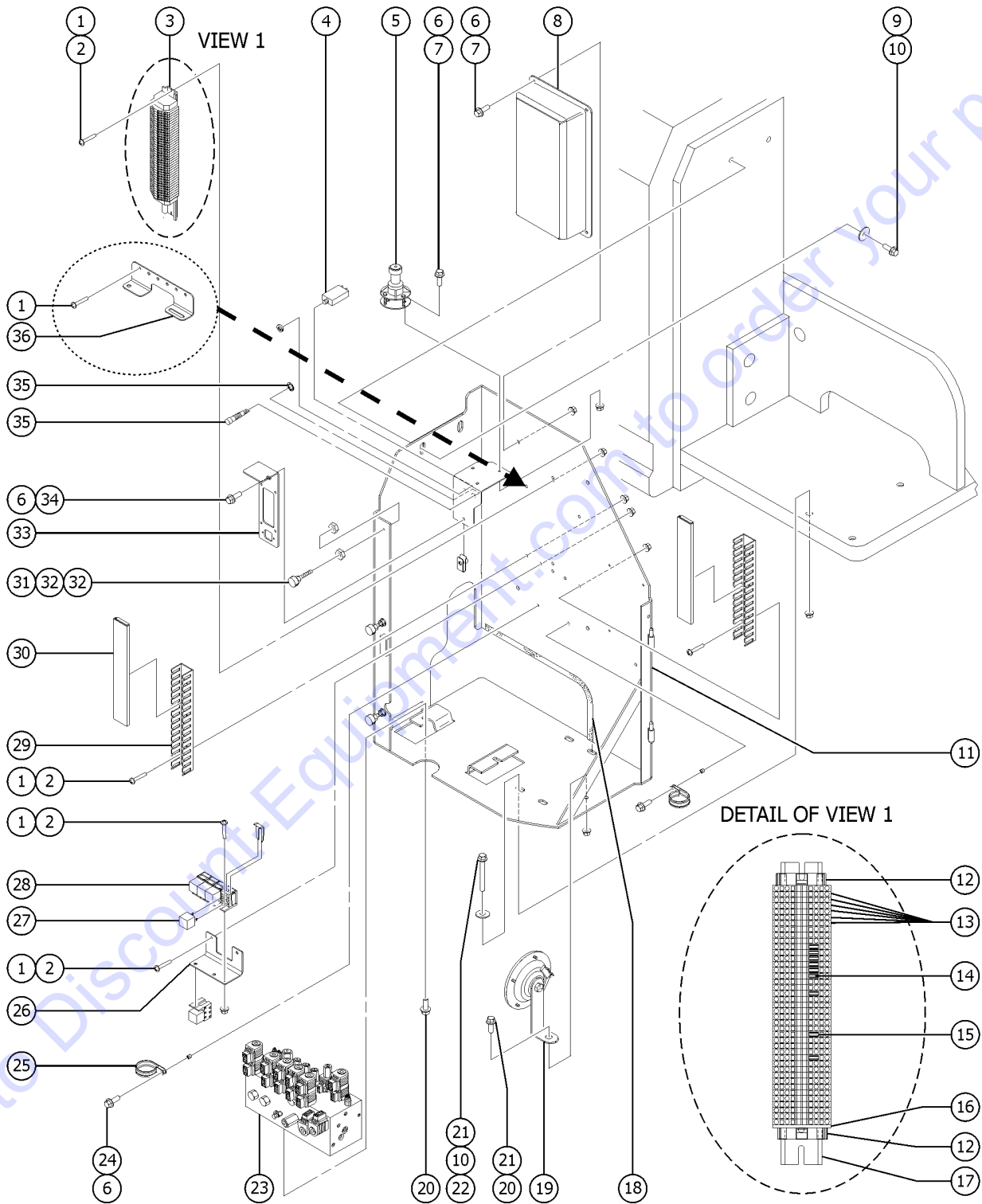


302.1 Ground Control Side, Z-34/22N & Z-34/22DC

Item	Part No.	Description	Qty.
-	1289561GT	BRACKET, TELEMATICS	
-	1289520GT	MODULE, TELEMATICS, ZTR, M7, NORTH AMERICA	
-	1289521GT	MODULE, TELEMATICS, ZTR, M7, EMEA/APAC	
1	824215GT	SCREW,PHPM,10-32X.75,ZAG	9
2	824032GT	NUT,TL FLG,10-32,F,ZAG	9
3	1259574GT	TERMINAL RAIL, Z30/34DC	
		includes items 12-17	
4	147094GT	ASSY, CIRCUIT BREAKER 15A	1
5	94077GT	SENSOR,LEVEL,4.5 DEG	1
		Z34N/DC, (ANSI to SN Z34F - 13999)	
5B	110382GT	LEVEL SENSOR,LS60,YL,2.5X4.5	1
		Z34N/DC (CE) (ANSI from SN Z34F-14000)	
5C	42439GT	SENSOR,LEVEL 3 DEG**	1
		Z34N, AUS models	
6	824078GT	SCREW,HHF,1/4-20X.75,8,ZAG	9
7	824027GT	NUT,TL FLG,1/4-20,G,ZAG	5
8	110626GT	COVER,TERMINAL STRIP, CONN	1
9	824091GT	SCREW, HHF, 3/8-16 X 1.25, 8, ZAG	2
10	824120GT	WASHER, FLAT, .375 X 1.50 X .125, ZAG	4
11	56784GT	CVR SUPPORT WELDM'T LH.34N/34	1
12	74913GT	END STOP, DIN RAIL,SCREW CLAMP	2
13	216791GT	TERMINAL BLOCK,WIELAND	26
14	74917GT	JUMPER COMB, 2-WAY,WIELAND	
15	74918GT	JUMPER COMB, 3-WAY,WIELAND	1
16	216793GT	TERMINAL BLOCK END PLATE	1
17	56994GT	DIN RAIL,11.25"	1
18	19018GT	TRIMLOCK,BLACK,5/32"	49
			5
19	81579GT	HORN,24VDC,SPADE TERMINALS***	1
20	824090GT	SCREW,HHF,3/8-16X1,8,ZAG	3
21	824029GT	NUT,TL FLG,3/8-16,G,ZAG	3
22	824095GT	SCREW,HHF,3/8-16X3,8,ZAG	2
23		Ref. Function Manifold	
		refer to 701.1	



302.1 Ground Control Side, Z-34/22N & Z-34/22DC



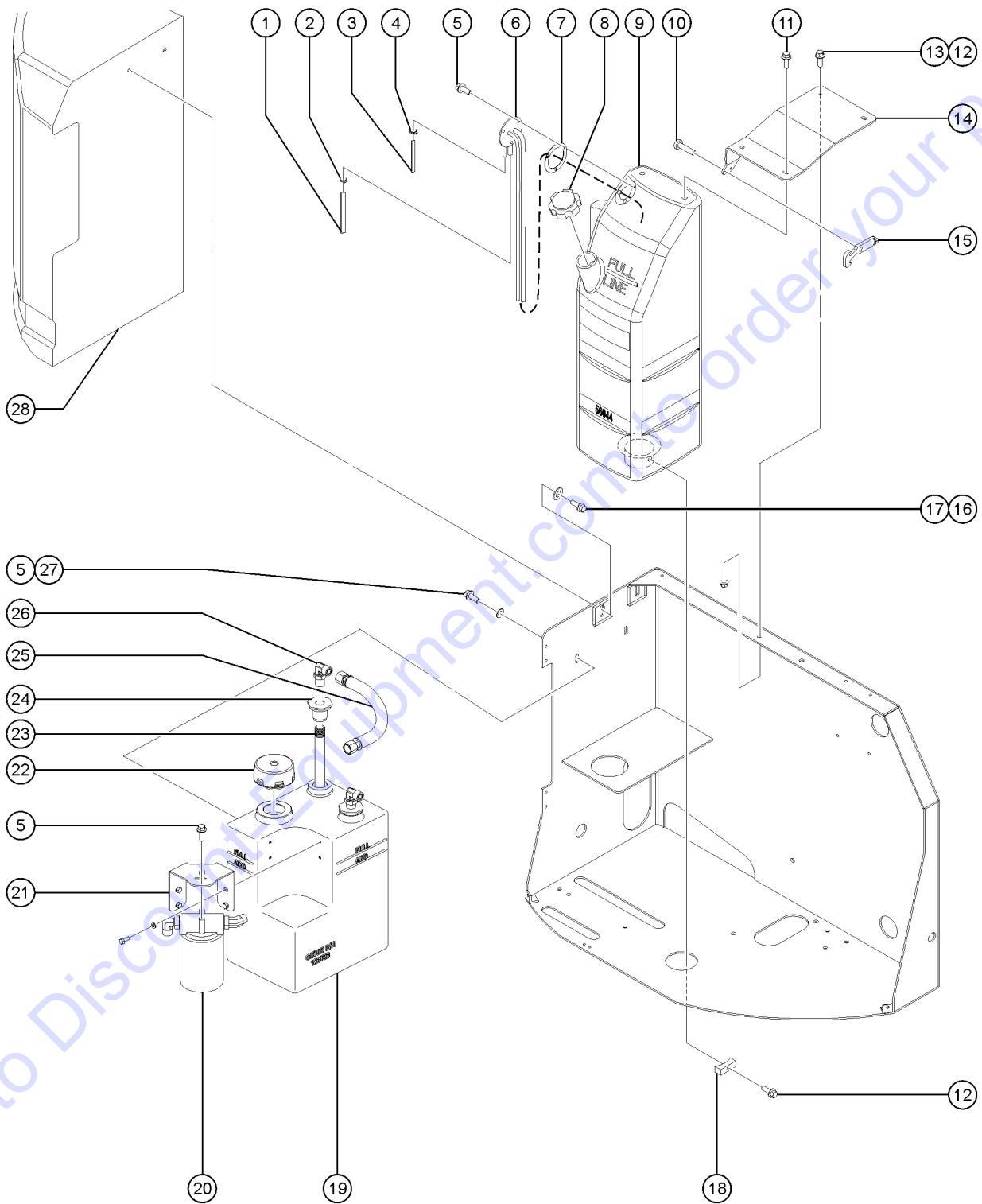
302.1 Ground Control Side, Z-34/22N & Z-34/22DC

Item	Part No.	Description	Qty.
24	23404GT	NUTSERT,1/4-20,STEEL CAD PLTD	2
25	21619GT	CLAMP,1.50,#24 X 1/4,RUB CUSH	2
26	56791GT	ANGLE RELAY MOUNTING	1
27	56302GT	RELAY,24VDC,40/30A,SEALED***	
28	34053GT	ASSY,RELAY SOCKET, AUTO	
29	28298GT	WIRING DUCT, 1.5 X 1.5 (to SN Z34F - 13999 and Z34NF - 16999)	2
30	1262218GT	COVER, DUCT, WIRING (to SN Z34F - 13999 and Z34NF - 16999)	2
31	36388GT	BUMPER,RUBBER,.75 X .50H,STUD	3
32	824037GT	NUT,HH JAM,1/4-20,A,ZAG	6
33	119618GT	FORMING,BRACKET	1
34	56912GT	SPRING CLIP,1/4-20,.025-.15X.54,ZAG	
35	824878GT	LIGHT,LED IND. RED 24V NH	1
35-		LOCKWASHER,LT IND. OD.868/530 included with light	1
36	1298550GT	BRACKET, RELAY MOUNT (from SN Z34F - 14000 and Z34NF - 17000)	1

Go to Discount-Equipment.com to order your parts



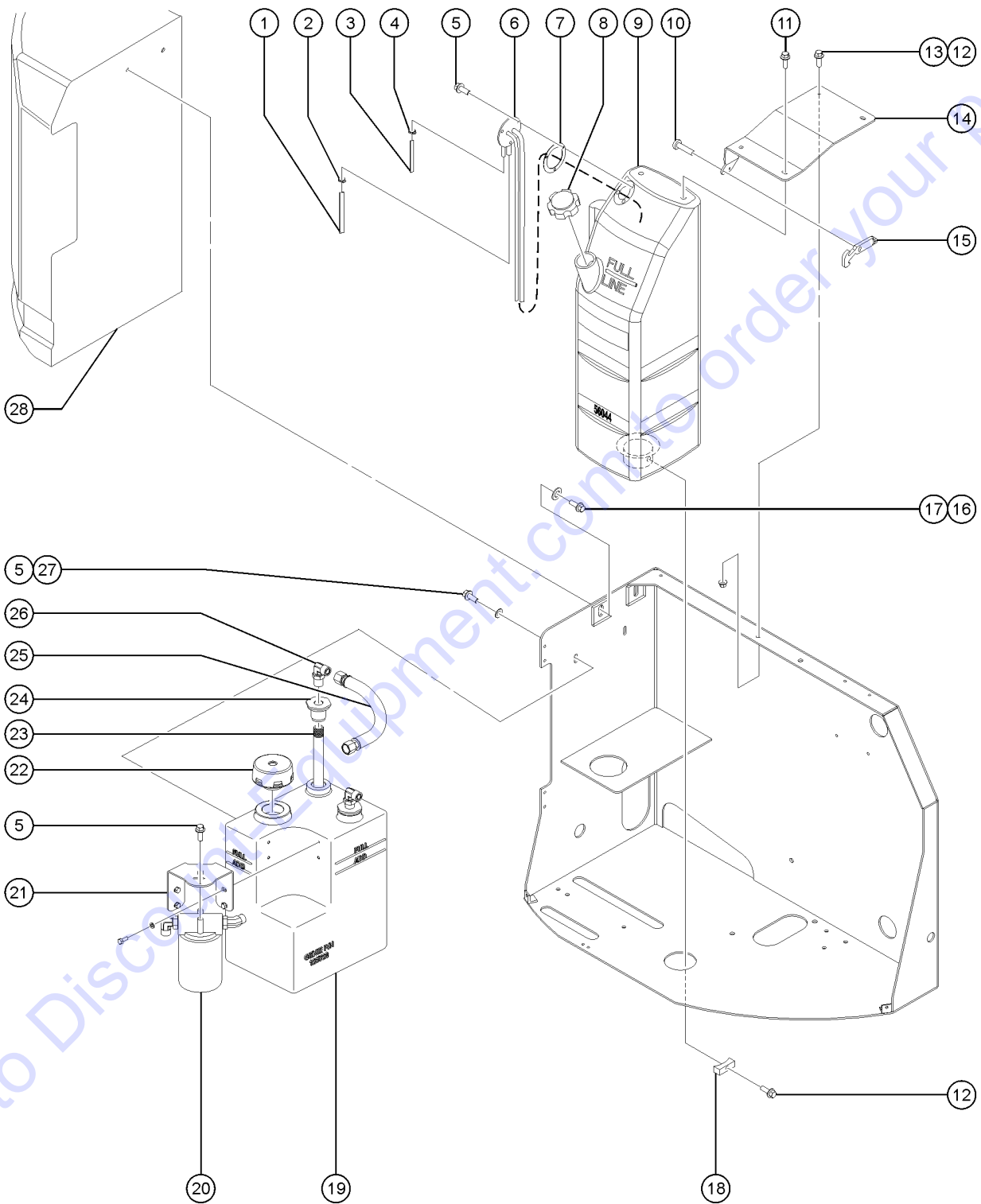
303.1 Ground Controls Side, Z-34/22BE, View 1



Item	Part No.	Description	Qty.
1	27089GT	HOSE,5/16 FUEL,SAE 30R7	80
2	21465GT	CLAMP,HOSE,.25" - .63" X .3125	1
3	35418GT	HOSE,FUEL,3/16,SAE 30R7	94
4	44909GT	CLAMP,HOSE,.35"-.86" X .3125"	1
5	824077GT	SCREW, HHF, 1/4-20 X .5, 8, ZAG	7
6	56091GT	FUEL LINES,BULKHEAD	1
7	56094GT	GASKET	1
8	101726GT	CAP,FUEL,DIESEL,1/8"VENT(GRN)	1
9	230470GT	FUEL TANK ASSY, DIESEL includes items 5-8, 11-12, 18	1
10	824215GT	SCREW,PHPM,10-32X.75,ZAG	1
11	824089GT	SCREW, HHF, 3/8-16 X .75, 8, ZAG	2
12	824090GT	SCREW,HHF,3/8-16X1,8,ZAG	3
13	824029GT	NUT,TL FLG,3/8-16,G,ZAG	2
14	56052GT	BRACKET,FUEL TANK	1
15	56053GT	LATCH,FLEXIBLE DRAW	1
16	824091GT	SCREW, HHF, 3/8-16 X 1.25, 8, ZAG	2
17	824120GT	WASHER, FLAT, .375 X 1.50 X .125, ZAG	2
18	56056GT	SPACER,PLASTIC	1
19	128728GT	HYDRAULIC TANK,Z30N	1
20	78622GT	FILTER ASSY,SAE8,10 MIC,PAPR**	1
20-	44788GT	FILTER ELEMENT,10MICRON,PAPER*	
21	128808GT	BRACKET, RETURN FILTER	1
22	42019GT	TANK BREATHER,NYLON **	1
23	128818GT	TUBE, HYDRAULIC TANK	1
24	39223GT	BULKHEAD FITTING,PLASTIC X 8**	2
25	81812-1188GT	ASSY, HOSE, HYD, -8, 2500, STR, STR	1
26	128811GT	ELBOW,90D,520201-8	2
27	824119GT	WASHER,FLAT,.25X1.25X.062,ZAG	2



303.1 Ground Controls Side, Z-34/22BE, View 1

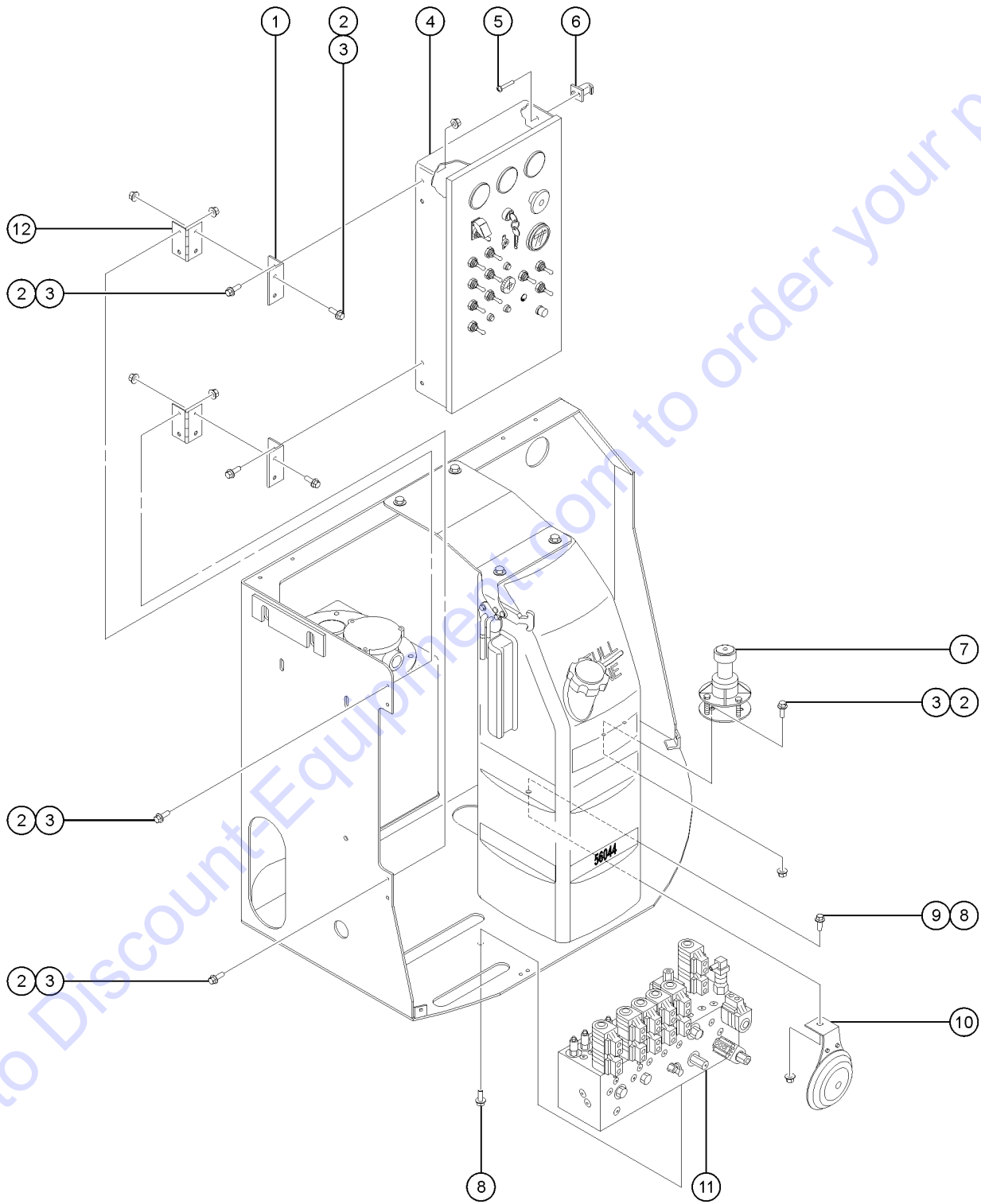


<i>Item</i>	<i>Part No.</i>	<i>Description</i>	<i>Qty.</i>
28	74532GT	COUNTERWEIGHT,CAST	1

Go to Discount-Equipment.com to order your parts



304.1 Ground Controls Side, Z-34/22BE, View 2

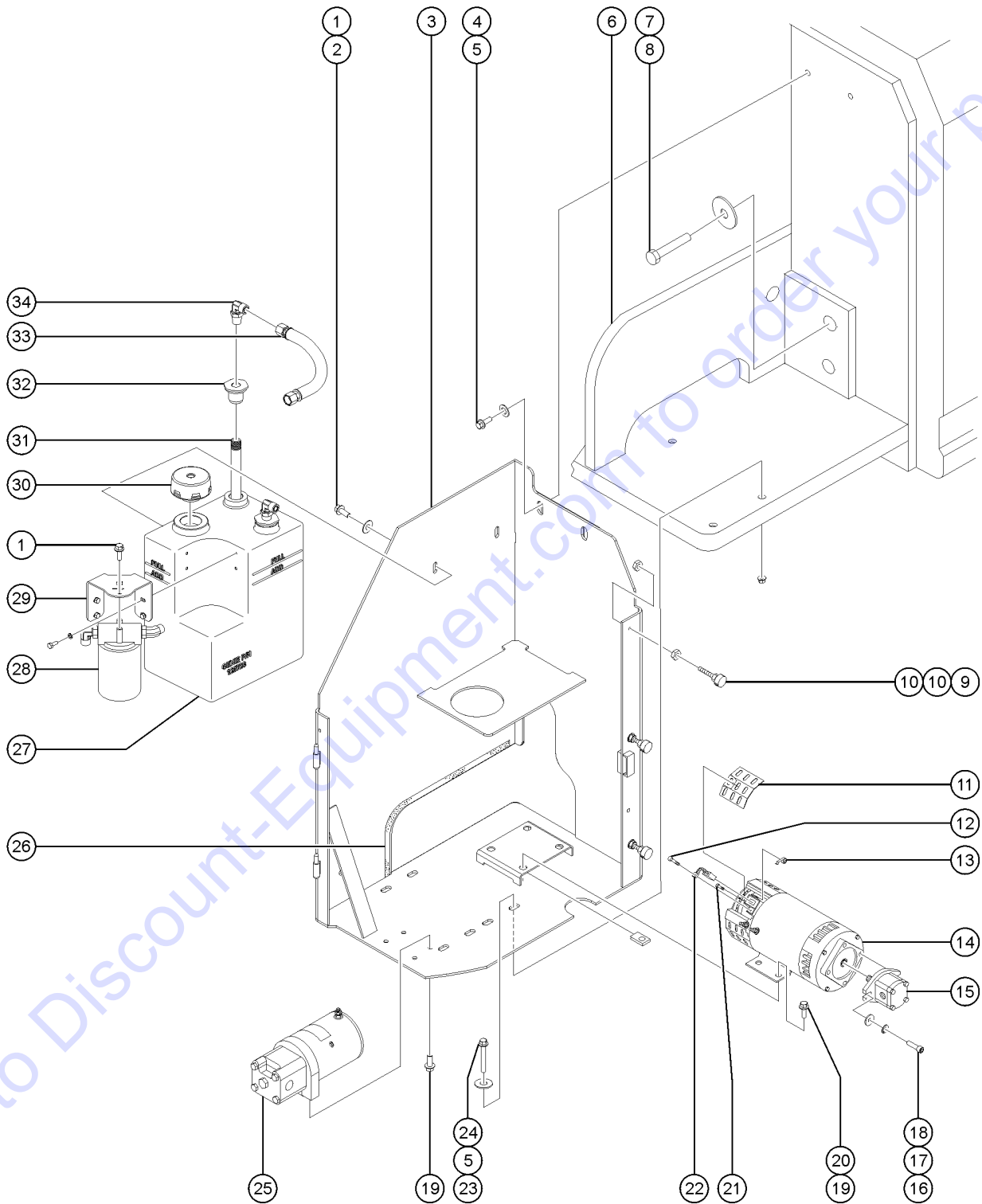


Item	Part No.	Description	Qty.
A	1289561GT	BRACKET, TELEMATICS	
A	1289520GT	MODULE, TELEMATICS, ZTR, M7, NORTH AMERICA	
A	1289521GT	MODULE, TELEMATICS, ZTR, M7, EMEA/APAC	
1	42067GT	ANGLE,CONTROL BOX MOUNTING	2
2	824078GT	SCREW,HHF,1/4-20X.75,8,ZAG	15
3	1277924GT	NUT,NYLOCK FLG,1/4-20,F,ZAG	15
4		ref. Ground Control Box refer to 309.1 and 310.1	
5	824215GT	SCREW,PHPM,10-32X.75,ZAG	2
6	56053GT	LATCH,FLEXIBLE DRAW	1
7A	94077GT	SENSOR,LEVEL,4.5 DEG ANSI/AUS models	1
7B	110382GT	LEVEL SENSOR,LS60,YL,2.5X4.5 CE models	1
8	824090GT	SCREW,HHF,3/8-16X1,8,ZAG	3
9	824029GT	NUT,TL FLG,3/8-16,G,ZAG	1
10	81579GT	HORN,24VDC,SPADE TERMINALS***	1
11		ref. Function Manifold	
12	42077GT	HINGE, 2 X 1.50	2

Go to Discount-Equipment.com to order your parts



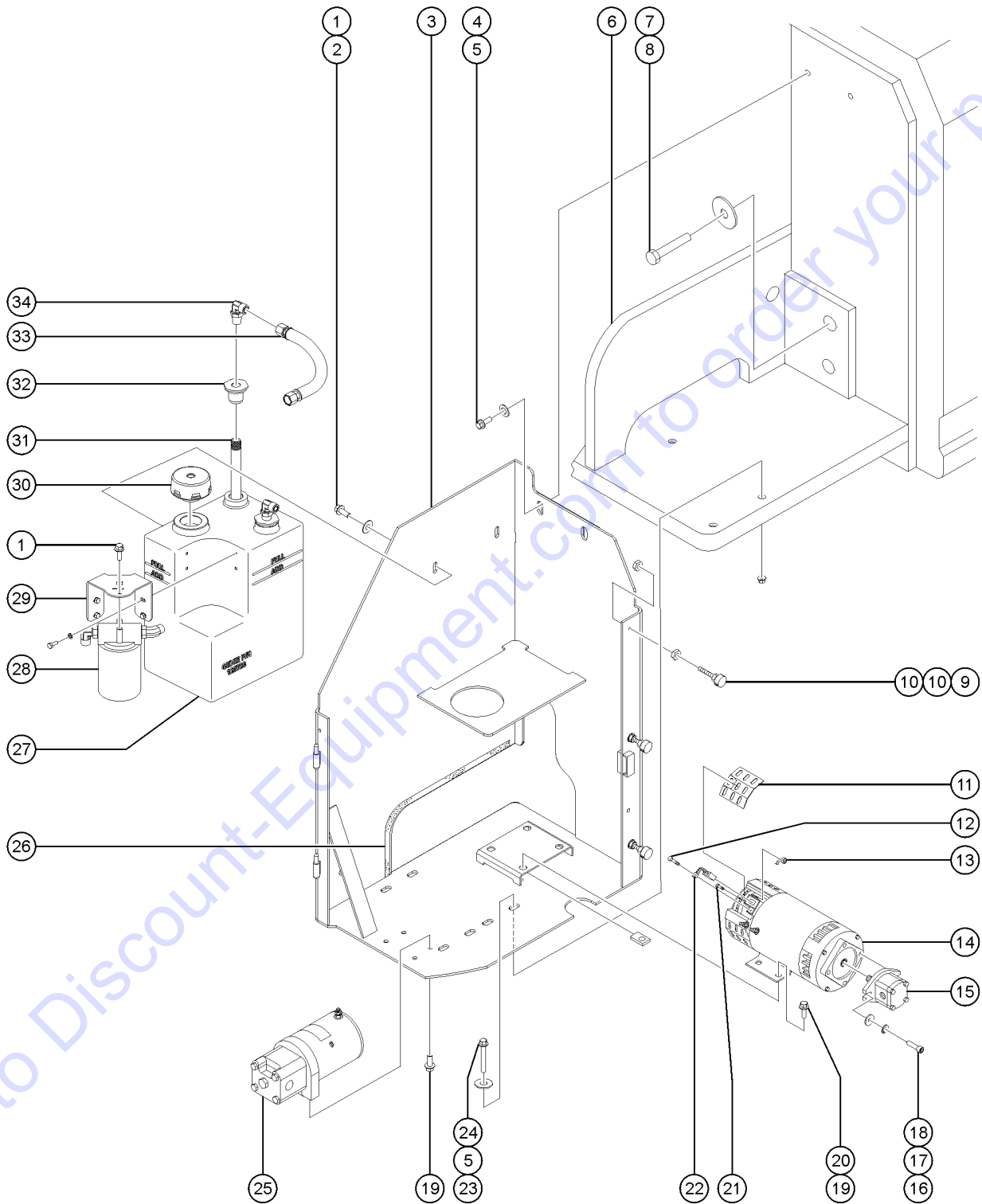
305.1 Hydraulic Tank Side, Z-34/22N & Z-34/22DC



Item	Part No.	Description	Qty.
1	824077GT	SCREW, HHF, 1/4-20 X .5, 8, ZAG	8
2	824119GT	WASHER, FLAT, .25X1.25X.062, ZAG	2
3	94427GT	WELDMENT, CVR SUPPORT RH***	1
4	824091GT	SCREW, HHF, 3/8-16 X 1.25, 8, ZAG	2
5	824120GT	WASHER, FLAT, .375 X 1.50 X .125, ZAG	4
6A	94220GT	WELDMENT, SWING CHASSIS Z34	1
6B	94219GT	WELDMENT, SWING CHASSIS Z34N	1
7	824074GT	SCREW, HHC, 1-8X3, 8, ZAG	2
8	824116GT	WASHER, FLAT, 1.0, F436, HRD, ZAG	2
9	36388GT	BUMPER, RUBBER, .75 X .50H, STUD	3
10	824037GT	NUT, HH JAM, 1/4-20, A, ZAG	6
11	58936GT	BRUSH COVER -PLATE-(48504)*	1
12	52913GT	SCREW, HH TAPETITE THRD8-32X.50	1
13	58933GT	BRUSH SPRING SET	1
14	48504GT	MOTOR, FUNCTION, 48V DC	1
14-	44778GT	BEARING, MOTOR, 36843, BRUSH END*	
14-	44777GT	BEARING, MOTOR	
14-	58934GT	BRUSH BOX ASSEMBLY	
14-	49812GT	ENCLOSING BAND KIT for EE units only	
14-	44778GT	BEARING, MOTOR, 36843, BRUSH END*	
15	77981GT	PUMP, LIFT, 3CC, CCW*** (to SN Z34NF-15742 and SN SN Z34F-13216)	1
15-	77990GT	KIT, SEAL, 3CC PUMP***	
15B	1295585GT	PUMP, LIFT, 3CC, CCW (from SN Z34NF-15743 and SN Z34F-13217)	1
15B-	233568GT	SEAL KIT, PUMP, GRH, (231572GT)	
16	824100GT	SCREW, SHC, 3/8-24X1.25, A574, ZAG	2
17	824110GT	WASHER, LOCK, 3/8, ZAG (to SN Z34NF-15742 and SN SN Z34F-13216)	2
18	825358GT	WASHER, FLAT, 5/16, USS, ZAG	2
19	824085GT	SCREW, HHF, 5/16-18 X .75, 8, ZAG	6



305.1 Hydraulic Tank Side, Z-34/22N & Z-34/22DC

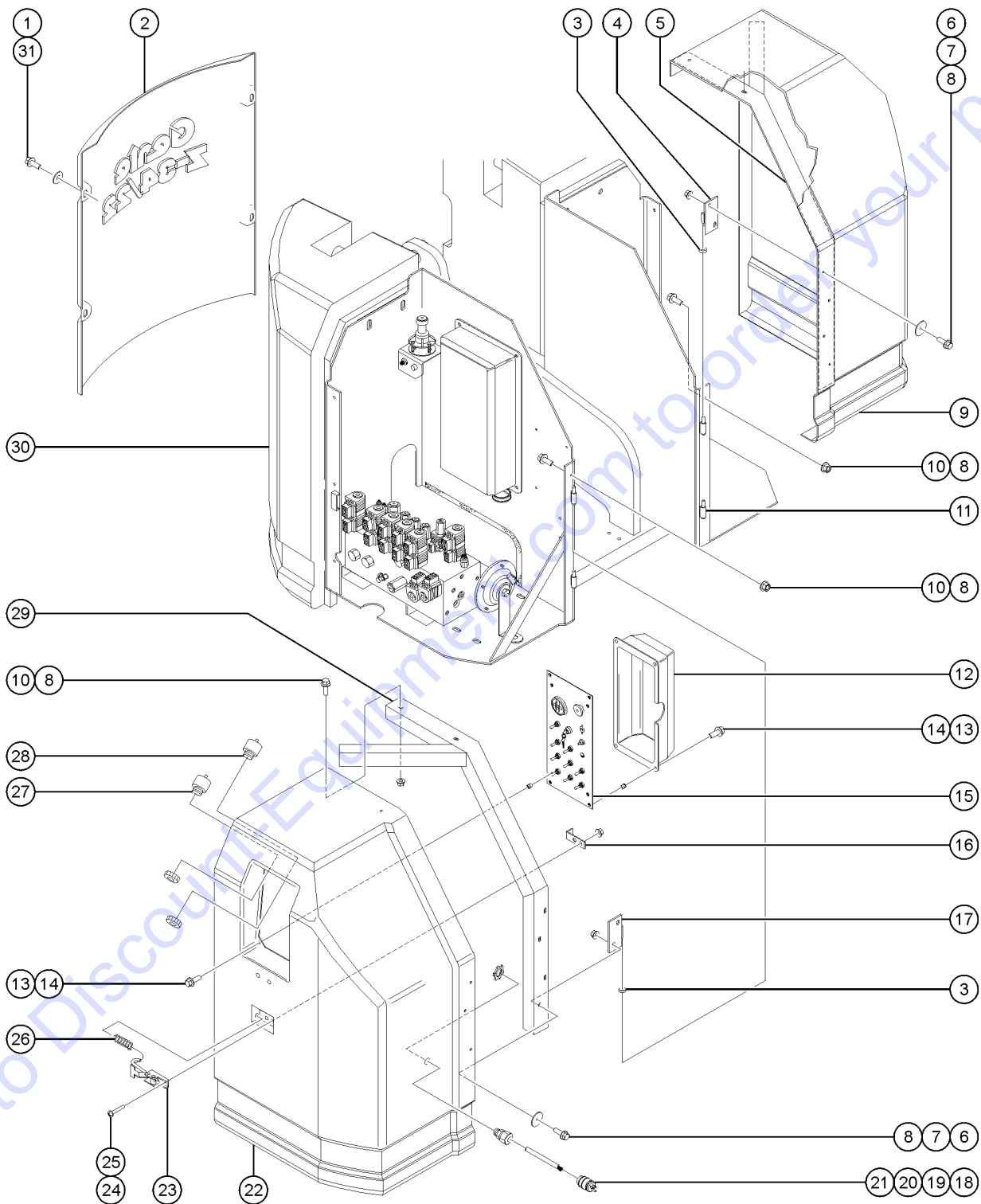


305.1 Hydraulic Tank Side, Z-34/22N & Z-34/22DC

Item	Part No.	Description	Qty.
20	36456GT	SPRING CLIP,5/16-18,.025-.15X.83,ZAG	4
21	52914GT	SCREW,HHTAPTITE THREAD8-32X.38	
22	58932GT	BRUSH SET 4 EA	
23	824095GT	SCREW,HHF,3/8-16X3,8,ZAG	2
24	824029GT	NUT,TL FLG,3/8-16,G,ZAG	2
25	36179GT	POWER UNIT,AUX PUMP 24VDC	1
25-	37184GT	MOTOR, 24V (36179)	
25-	37185GT	PUMP ASSEMBLY (36179) Part 37185GT is no longer backwards compatible with 37184GT. Order complete Aux Pump 36179GT	
25-	37186GT	VALVE,CHECK (36179)	
25-	37187GT	SEAL KIT, 37185 PUMP	
25-	37191GT	GASKET, PUMP / MOTOR (36179)	
25-	37192GT	COUPLER, PUMP / MOTOR (36179)	
26	19018GT	TRIMLOCK,BLACK,5/32"	49.5
27	128728GT	HYDRAULIC TANK,Z30N	1
28	78622GT	FILTER ASSY,SAE8,10 MIC,PAPR**	1
28-	44788GT	FILTER ELEMENT,10MICRON,PAPER*	
29	128808GT	BRACKET, RETURN FILTER	1
30	42019GT	TANK BREATHER,NYLON **	1
31	128818GT	TUBE, HYDRAULIC TANK	2
32	39223GT	BULKHEAD FITTING,PLASTIC X 8**	2
33	81812-1188GT	ASSY, HOSE, HYD, -8, 2500, STR, STR	1
34	128811GT	ELBOW,90D,520201-8	2



306.1 Turntable Covers, Z-34/22N & Z-34/22DC

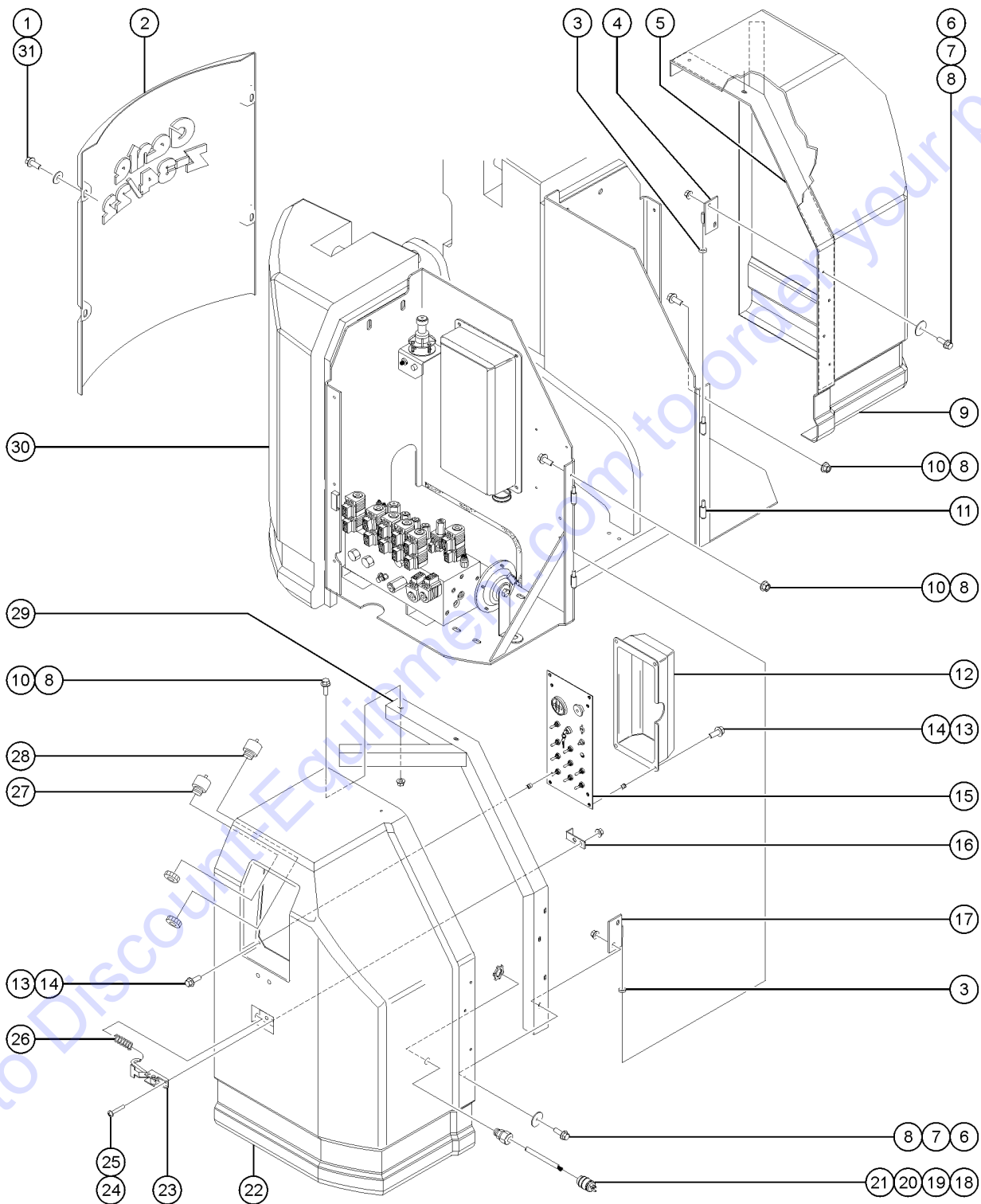


306.1 Turntable Covers, Z-34/22N & Z-34/22DC

Item	Part No.	Description	Qty.
1	824089GT	SCREW, HHF, 3/8-16 X .75, 8, ZAG	4
2	139290GT	COVER,COUNTERWEIGHT,Z34	1
3	36457GT	WASHER,THRUST,,313 X .50 X .10	10
4	36414GT	HINGE,WELD.,COVER,PUMP GRY/BLU	4
5	36923PGT	WELD,COVER BRACE,RH HINGE,PNTD	1
6	824079GT	SCREW,HHF,1/4-20X1,8,ZAG	8
7	824119GT	WASHER,FLAT,,25X1.25X.062,ZAG	8
8	824027GT	NUT,TL FLG,1/4-20,G,ZAG	12
9A	62502GT	COVER ASSY W/DECALS HPU** ANSI; includes items 16, 23-26	1
9B	106217GT	COVER ASSY,W/SYM DEC,HPU,34DC* CE; includes items 16, 23-26	1
10	824078GT	SCREW,HHF,1/4-20X.75,8,ZAG	4
11	36421GT	HINGE,WELD ON,MALE	4
12	36257GT	COVER,CONTROL PANEL	1
13	824077GT	SCREW, HHF, 1/4-20 X .5, 8, ZAG	8
14	23404GT	NUTSERT,1/4-20,STEEL CAD PLTD	8
15		Ref. Ground Control Panel refer to 308.1	
16	36570GT	BRACKET,COVER LATCH	1
17	36415GT	HINGE,WELD,COVER,CTRLS GRY/BLU	1
18A	119403GT	CONN,PLUG 120 AC/15A DOMESTIC	1
18B	144161GT	PLUG,PWR,UK,16AMP,3PIN,BLK	1
18C	25388GT	PLUG,FUSED,250V,13AMP,U.K.**	1
19	43956GT	WIRE CABLE,14/3 CON.TPE JKT*	
20	7056GT	CONN, SQZ, 1/2NPT .38-.50, SM**	1
21	6935GT	LOCKNUT,ELEC,1/2"	1
22A	106215GT	CVR ASSY.W/WORD DEC,GC,34N/DC* ANSI; includes items 16, 23-26	1
22B	106216GT	COVER ASSY,W/SYM DEC,GC,34DC** CE; includes items 16, 23-26	1
23	36575GT	LATCH,ADJUSTABLE DRAW	1
24	824215GT	SCREW,PHPM,10-32X.75,ZAG	2



306.1 Turntable Covers, Z-34/22N & Z-34/22DC



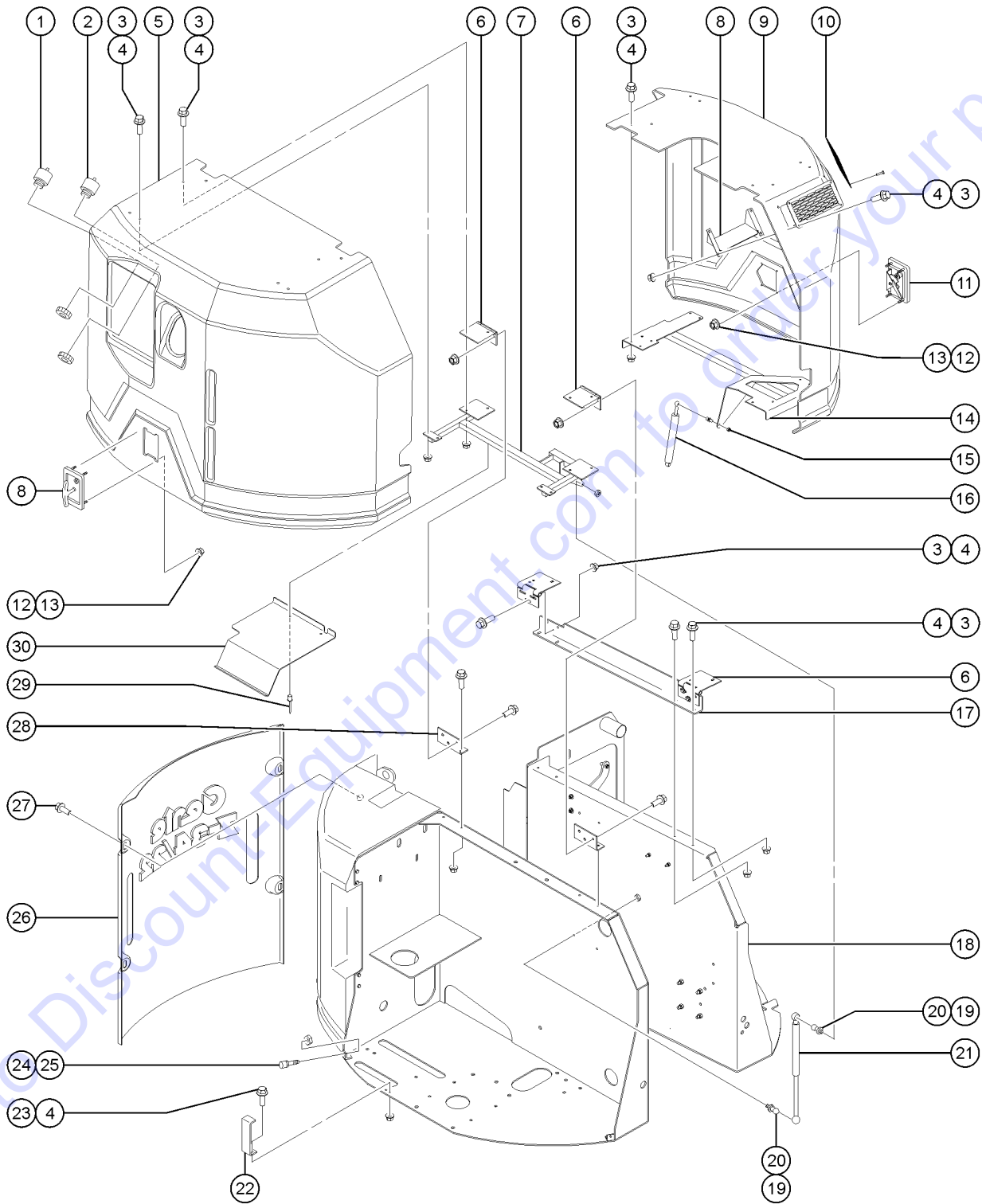
306.1 Turntable Covers, Z-34/22N & Z-34/22DC

Item	Part No.	Description	Qty.
25	824032GT	NUT,TL FLG,10-32,F,ZAG	2
26	36574GT	SPRING,EXTENSION,.36 X 1.25	1
27	45462GT	ALARM,CHIME TONE 5-25VDC*** descent alarm, plastic nut not included	1
27-	45385GT	PLUG,NYLON 1.12 BLACK DOMED	
27-	72326GT	NUT - PLASTIC, RING FOR ALARMS	
28	18963GT	ALARM.INTERMITTENT TONE.24V plastic nut not included	1
28-	72326GT	NUT - PLASTIC, RING FOR ALARMS	
29	36924PGT	WELD,COVER BRACE,LH HINGE,PNTD	1
30A	36449GT	COUNTERWEIGHT,CAST,3700 LBS. Z-34N	1
30B	36680GT	COUNTERWEIGHT,CAST,2460 LBS. Z-34DC	1
31	1255758GT	WASHER,FLAT,3/8,USS,ZAG	4

Go to Discount-Equipment.com to order your parts



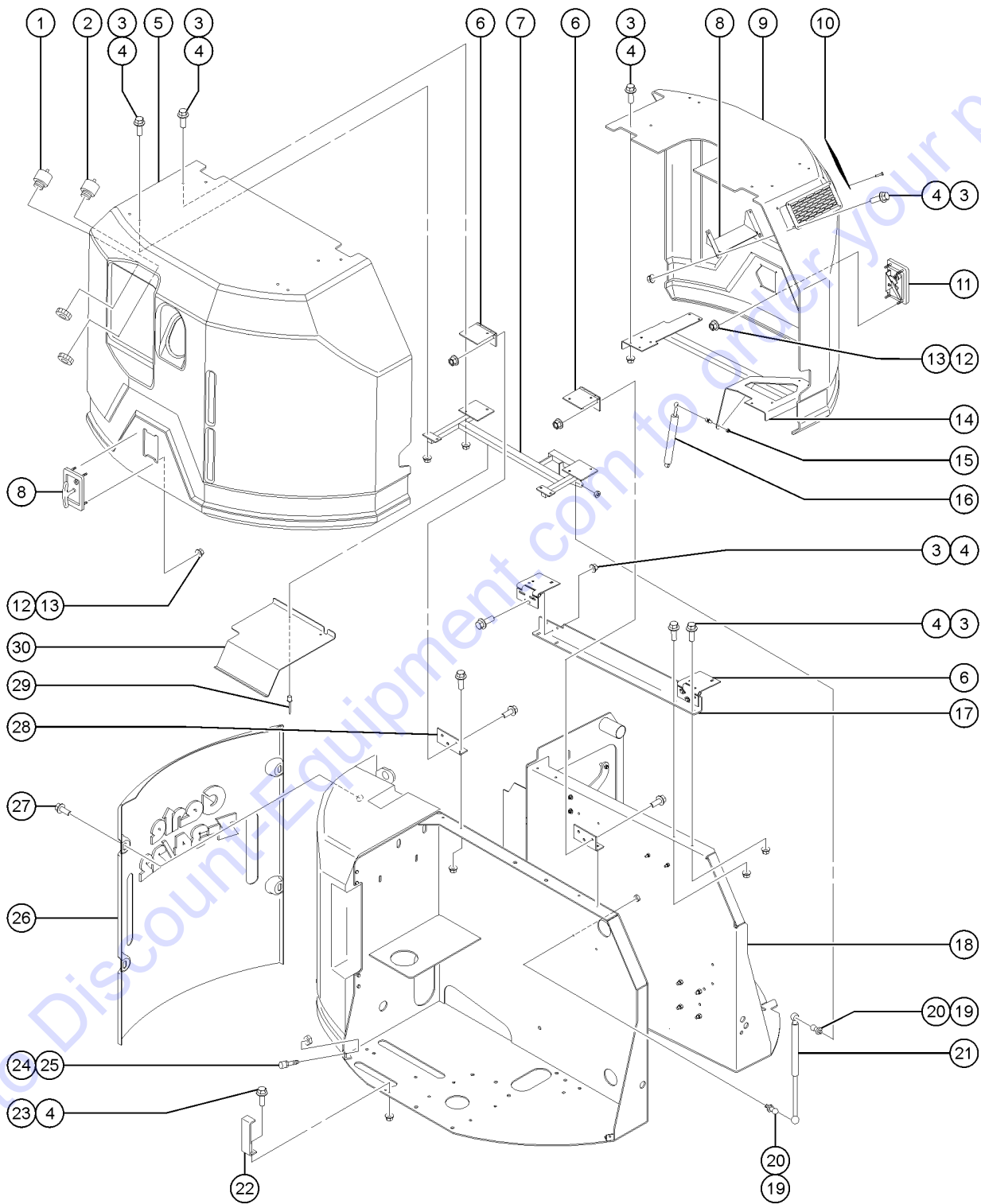
307.1 Turntable Covers, Z-34/22BE



Item	Part No.	Description	Qty.
1	45462GT	ALARM,CHIME TONE 5-25VDC*** descent alarm, plastic nut not included	1
1-	72326GT	NUT - PLASTIC, RING FOR ALARMS	
2	18963GT	ALARM.INTERMITTENT TONE.24V travel alarm, plastic nut not included	1
2-	72326GT	NUT - PLASTIC, RING FOR ALARMS	
3	824079GT	SCREW,HHF,1/4-20X1,8,ZAG	22
4	824027GT	NUT,TL FLG,1/4-20,G,ZAG	17
5A	106218GT	COVER ASSY,W/WORD DEC,GC,34BI* includes items 3, 4, 6-7, 11	1
5B	106219GT	COVER ASSY,W/SYM DEC,GC,34BI** includes items 3, 4, 6-7, 11, 30	1
6	75073GT	HINGE,.375X.120THK.,SLOTTED	4
7	56955-SGT	COVER REINFORCEMENT LH***	1
8	139246GT	BAFFLE,ENGINE COVER	2
9A	139619GT	COVER ASSY,W/SYM DEC,ENG,34BI includes items 3, 6, 11, 14	1
9B	139620GT	COVER ASSY,W/WORD DEC,ENG,34BI includes items 3, 6, 11, 14	1
10	128467GT	PLATE, COVER, IC VENT	2
11	28125GT	LATCH,FLUSH CUP***	2
11-	29314GT	KEY,LATCH, 1 PAIR (28125)	
11-	33510GT	LOCK PLUG ASSY, (28125)	
12	824032GT	NUT,TL FLG,10-32,F,ZAG	4
13	824215GT	SCREW,PHPM,10-32X.75,ZAG	4
14	128470GT	WDMT, COVER REINFORC, RH	1
15	33555GT	BALL STUD**	1
16	139241GT	STRUT,GAS,14",200LBS.	1
17	128298GT	FORMING, HING SUPPORT, LONG	1
18	128291GT	WDMT, ENGINE COMPARTMENT	1
19	62706GT	BALL STUD,5/16-18 (56295)	2
20	1252977GT	NUT,TL JAM,5/16-18,A,ZAG	2
21	56295GT	STRUT,GAS***	1
22	42064GT	BRACKET, LATCH	2



307.1 Turntable Covers, Z-34/22BE



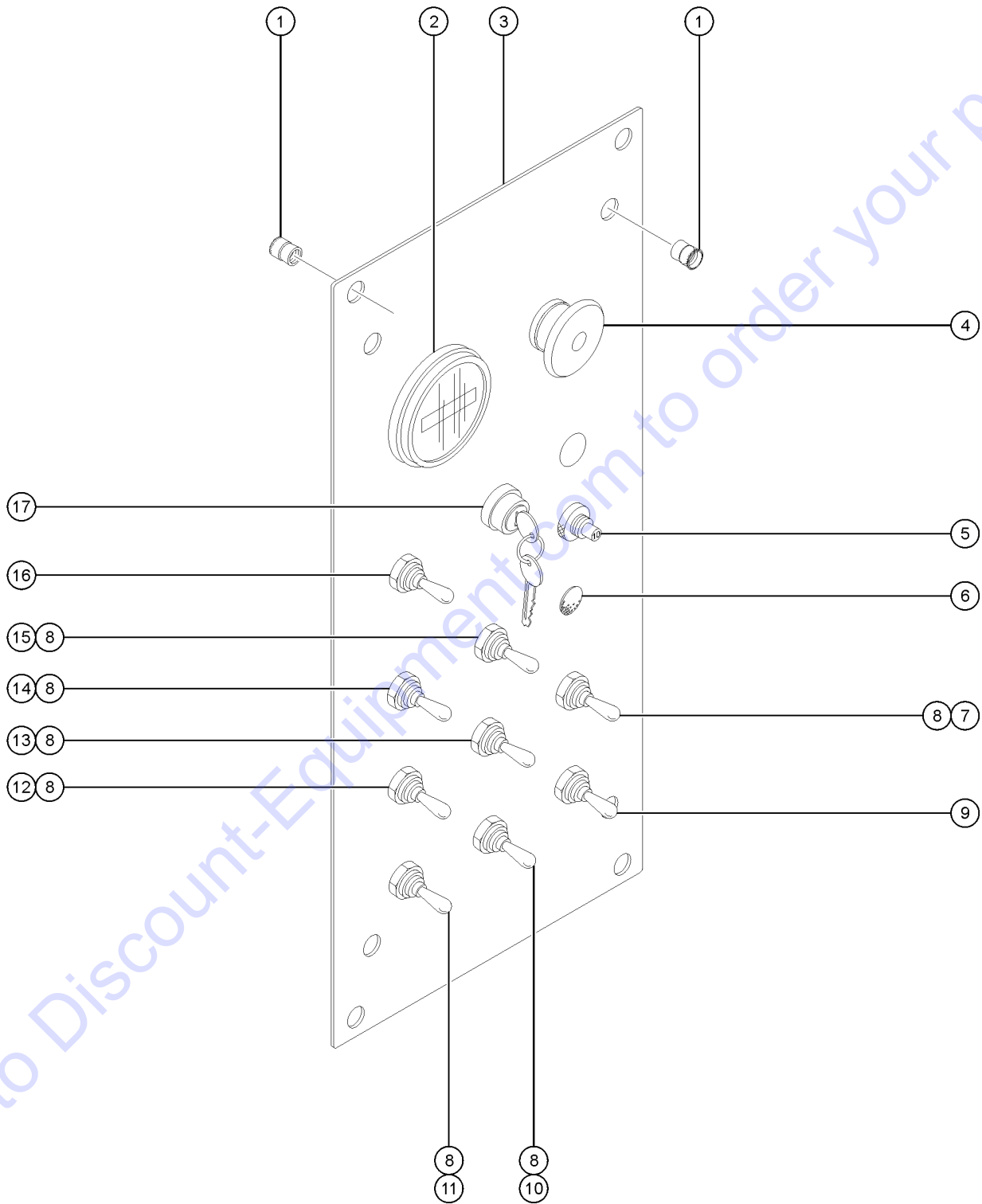
307.1 Turntable Covers, Z-34/22BE

Item	Part No.	Description	Qty.
23	824078GT	SCREW,HHF,1/4-20X.75,8,ZAG	1
24	36388GT	BUMPER,RUBBER,.75 X .50H,STUD	1
25	824037GT	NUT,HH JAM,1/4-20,A,ZAG	
26	139290GT	COVER,COUNTERWEIGHT,Z34	1
27	824089GT	SCREW, HHF, 3/8-16 X .75, 8, ZAG	4
28	74496PGT	FORMING,HINGE SUPPORT PAINTED	2
29	7264GT	RIVET,STL,STL,P,.125 X .5	
30	56117GT	PLATE,SHIELD FUEL TANK	1

Go to Discount-Equipment.com to order your parts



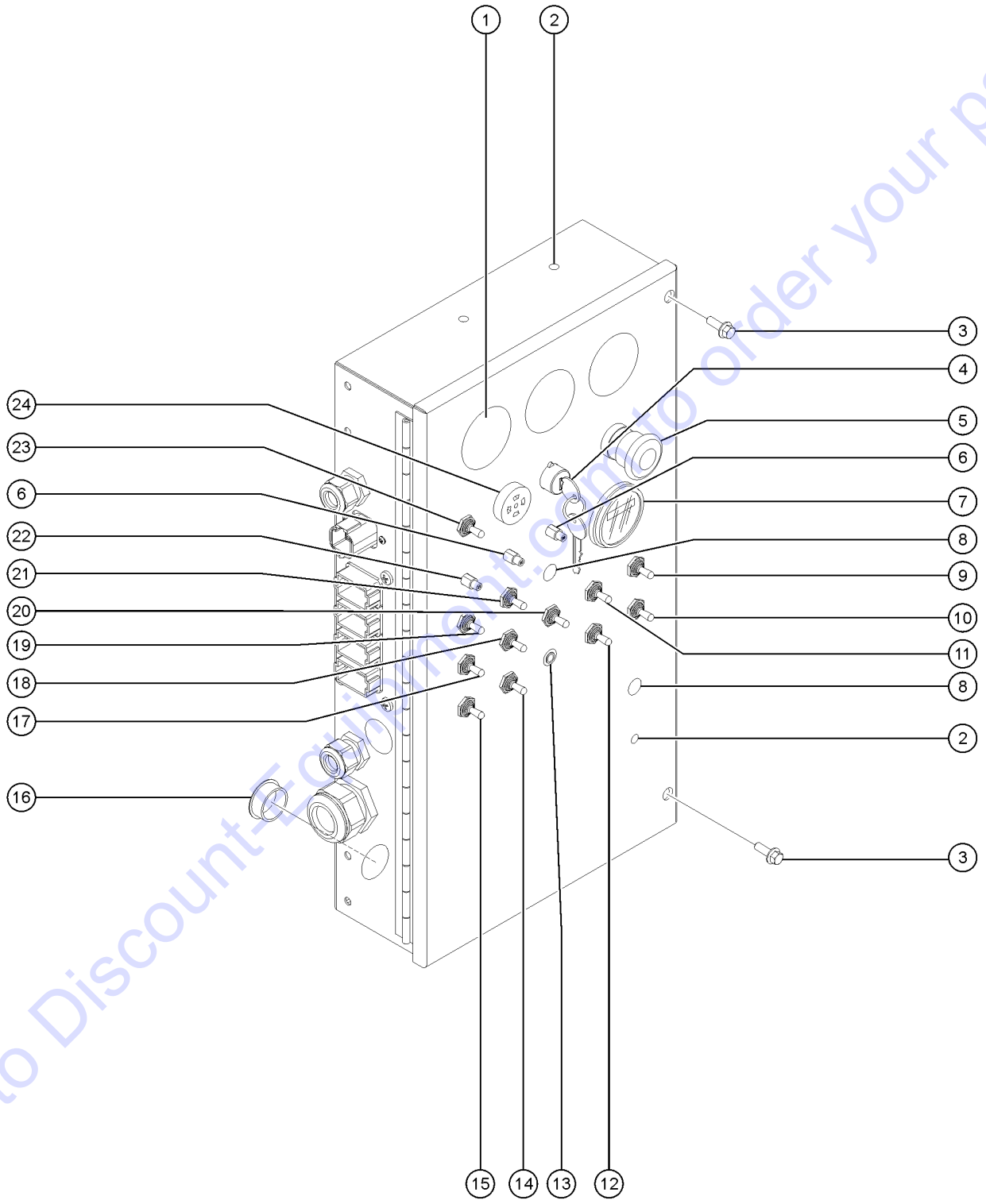
308.1 Ground Control Panel, Z-34/22N & Z-34/22DC



Item	Part No.	Description	Qty.
A-	45782GT	DIODE,6 AMP,200 PIV,BULK	
B-	37947GT	KEYS,10 PACK*** includes PN 21982	
1	23404GT	NUTSERT,1/4-20,STEEL CAD PLTD	8
2	19506GT	HOUR METER, 10-80 VOLTS***	1
3	101965GT	GROUND CONTROL PANEL ASSY	
		includes item 1	
3-	94512GT	PANEL,GROUND CONTROL BOX***	
4	66812GT	BUTTON,PUSH,RED MUSHROOM HEAD	1
4-	66817GT	BASE WITH 1 NC CONTACT, E-STOP	
4-	66818GT	CONTACT,NC	
4-	66821GT	BASE,WITHOUT CONTACTS	
5	147094GT	ASSY, CIRCUIT BREAKER 15A	1
6	229567GT	PLUG, SANTOPRENE .5 BLACK DOME	1
7	128202GT	SWITCH TOGGLE ASSY DPDT 3P MOM	1
		jib boom up/down	
8	19268GT	DIODE ASSEMBLY	7
9	128200GT	SWITCH TOGGLE ASSY SPDT 3P MOM	1
		function enable switch	
10	128202GT	SWITCH TOGGLE ASSY DPDT 3P MOM	1
		secondary boom up/down	
11	128202GT	SWITCH TOGGLE ASSY DPDT 3P MOM	1
		turntable rotate	
12	128202GT	SWITCH TOGGLE ASSY DPDT 3P MOM	1
		platform rotate	
13	128202GT	SWITCH TOGGLE ASSY DPDT 3P MOM	1
		primary boom up/down	
14	128202GT	SWITCH TOGGLE ASSY DPDT 3P MOM	1
		platform level	
15	128202GT	SWITCH TOGGLE ASSY DPDT 3P MOM	1
		primary boom extend/retract	
16	128203GT	SWITCH TOGGLE ASSY SPDT 2P MOM	1
		aux. power switch; refer to 602.1 for CE switch covers	
17	96008-SGT	KEYSWITCH,3 POS. W/KEYS***	1
17-	85239GT	NUT,RETAINER (96008)	
17-	88827GT	GASKET,KEYSWITCH,PLASTIC***	
17-	824218GT	SCREW,PHPM SEMS ET,8-32X.25,ZA	
17-	21982GT	KEY,SINGLE***	1
		without rubber boot	
17-	83093GT	KEY SINGLE***	
		with rubber boot	



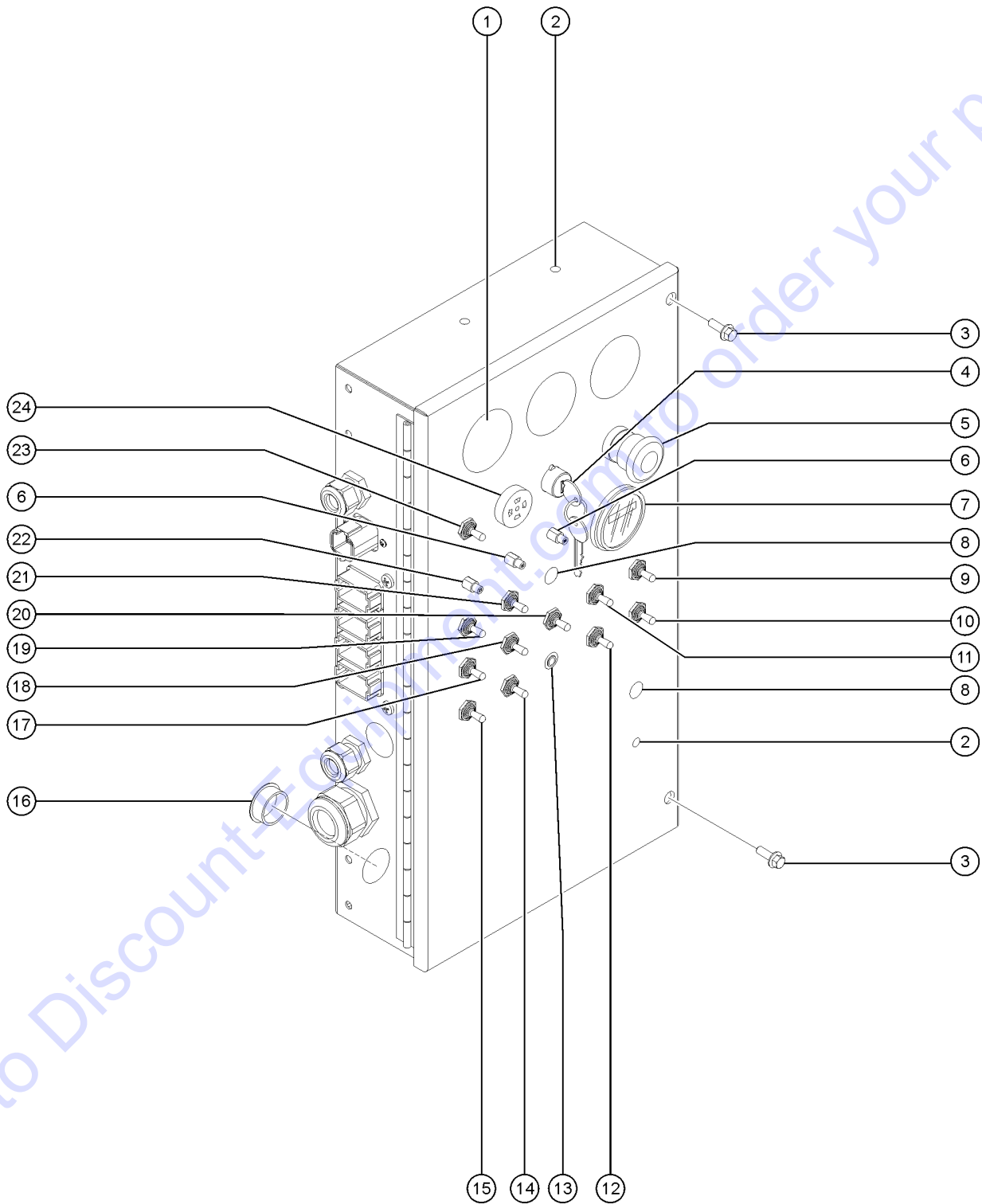
309.1 Ground Control Box, Z-34/22BE, External View



Item	Part No.	Description	Qty.
A-	53758-SGT	GAUGE,OIL PRESSURE W/O SENDER includes mounting bracket and fasteners	
B-	53759-SGT	GAUGE,WATER TEMP includes mounting bracket and fasteners	
C-	53761-SGT	GAUGE,VOLTAGE includes mounting bracket and fasteners	
D-	37947GT	KEYS,10 PACK***	
1	45840GT	PLUG,NYLON 2.00 BLACK DOMED	3
2	42781GT	PLUG, NYLON .250 BLACK DOMED	3
3	824077GT	SCREW, HHF, 1/4-20 X .5, 8, ZAG	2
4	96008-SGT	KEYSWITCH,3 POS. W/KEYS***	1
4-	85239GT	NUT,RETAINER (96008)	
4-	88827GT	GASKET,KEYSWITCH,PLASTIC***	
4-	824218GT	SCREW,PHPM SEMS ET,8-32X.25,ZA	
4-	21982GT	KEY,SINGLE*** without rubber boot	1
4-	83093GT	KEY SINGLE*** with rubber boot	
5	66812GT	BUTTON,PUSH,RED MUSHROOM HEAD	1
5-	66818GT	CONTACT,NC	
5-	73805GT	BASE,W/2 NC CONTACTS*** includes 2 contacts	
6	147093GT	ASSY, CIRCUIT BREAKER 10A	2
7	19506GT	HOUR METER, 10-80 VOLTS*** includes mounting bracket	1
8	229567GT	PLUG, SANTOPRENE .5 BLACK DOME	1
9	128200GT	SWITCH TOGGLE ASSY SPDT 3P MOM glow plug	1
10	128200GT	SWITCH TOGGLE ASSY SPDT 3P MOM function enable	1
11	128200GT	SWITCH TOGGLE ASSY SPDT 3P MOM engine start	1
12	56457-SGT	SWITCH,TOGGLE,SPDT,2 POS MAINT engine idle	1
12-	27246GT	BOOT,TOGGLE SWITCH,SHORT*	
13	824878GT	LIGHT,LED IND. RED 24V NH	1
14	128202GT	SWITCH TOGGLE ASSY DPDT 3P MOM secondary boom up/down	1
15	128202GT	SWITCH TOGGLE ASSY DPDT 3P MOM turntable rotate	1
16	45385GT	PLUG,NYLON 1.12 BLACK DOMED	1



309.1 Ground Control Box, Z-34/22BE, External View



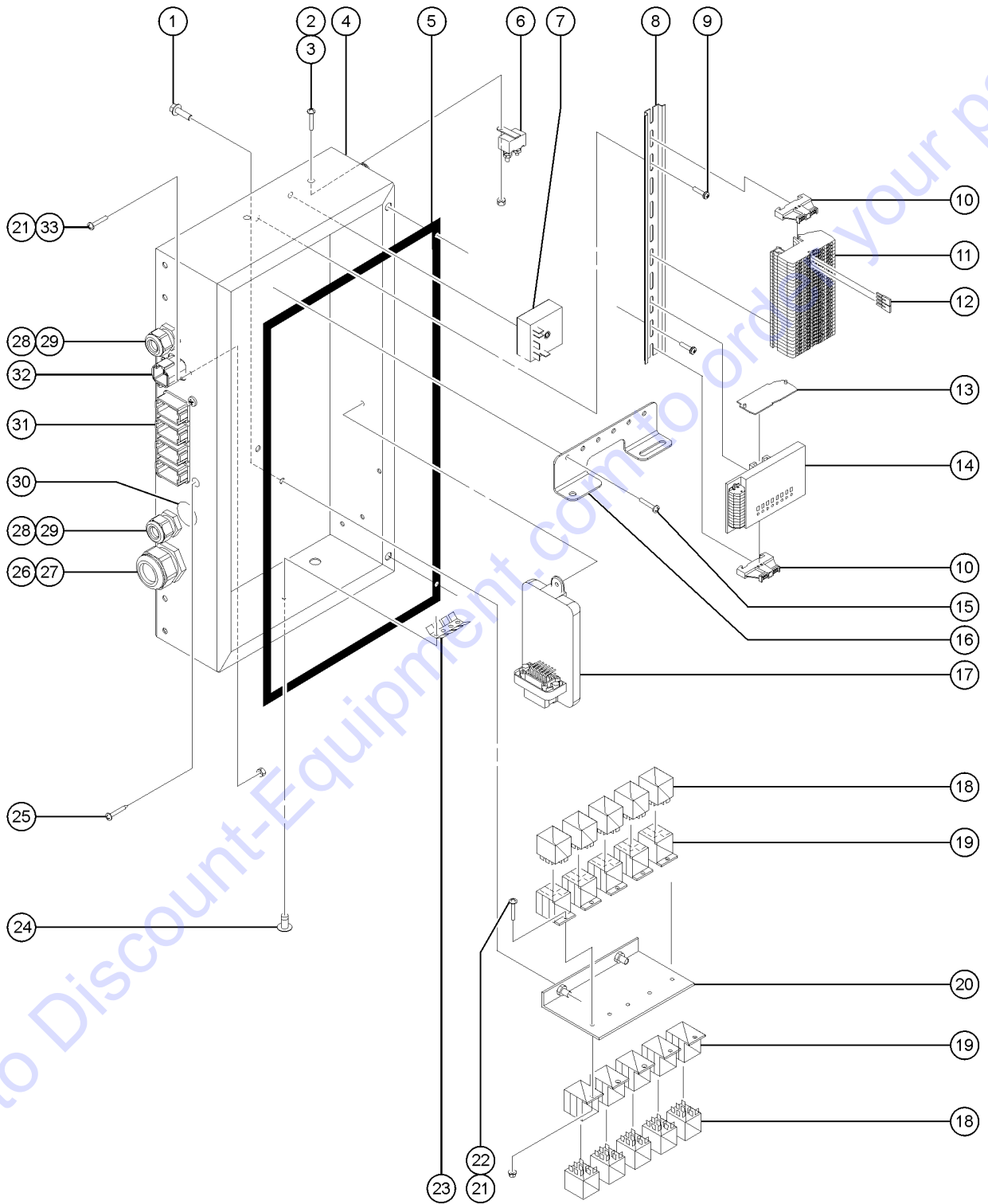
309.1 Ground Control Box, Z-34/22BE, External View

Item	Part No.	Description	Qty.
17	128202GT	SWITCH TOGGLE ASSY DPDT 3P MOM platform rotate	1
18	128202GT	SWITCH TOGGLE ASSY DPDT 3P MOM primary boom up/down	1
19	128202GT	SWITCH TOGGLE ASSY DPDT 3P MOM platform level	1
20	128202GT	SWITCH TOGGLE ASSY DPDT 3P MOM jib boom up/down	1
21	128202GT	SWITCH TOGGLE ASSY DPDT 3P MOM primary boom extend/retract	1
22	147094GT	ASSY, CIRCUIT BREAKER 15A includes mounting fasteners	1
23	128203GT	SWITCH TOGGLE ASSY SPDT 2P MOM auxiliary power	1
24	18963GT	ALARM.INTERMITTENT TONE.24V plastic nut not included	1
24-	72326GT	NUT - PLASTIC, RING FOR ALARMS	

Go to Discount-Equipment.com to order your parts



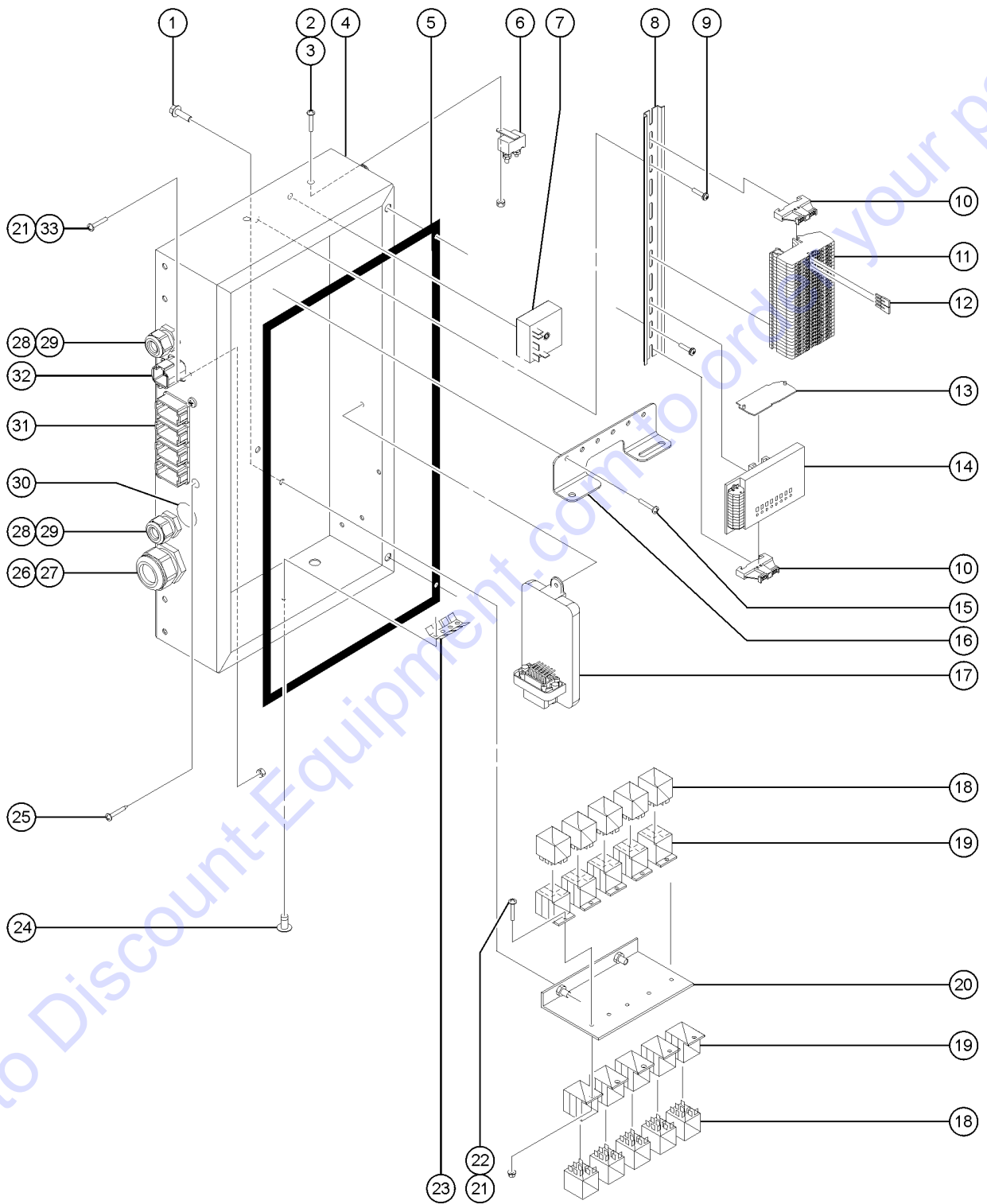
310.1 Ground Control Box, Z-34/22BE, Internal View



Item	Part No.	Description	Qty.
-	216790GT	ASSY,TERMINAL RAIL,Z34BE	1
-	45782GT	DIODE,6 AMP,200 PIV,BULK	
1	824078GT	SCREW,HHF,1/4-20X.75,8,ZAG	2
2	1251757GT	SCREW,PHPM,10-32X.50,ZAG	1
3	824036GT	NUT, TL, 10-32, A, ZAG	1
4	110648GT	GROUND CONTROL BOX W/DECAL includes item 5	1
4-	23404GT	NUTSERT,1/4-20,STEEL CAD PLTD	
5	42065GT	GASKET,GROUND CONTROL BOX	1
6	128935GT	CIRCUIT BKR 10A TYPE 2 METAL	1
7	121846GT	RELAY,TIME DELAY,2 SEC,10A (from SN Z34F - 14000 and Z34NF - 17000)	1
8	36871GT	DIN RAIL,14.75" **	1
9	824222GT	SCREW,PHPM SEMS ET,10-32X.625,	2
10	74913GT	END STOP, DIN RAIL,SCREW CLAMP	2
11	216791GT	TERMINAL BLOCK,WIELAND	
12	74917GT	JUMPER COMB, 2-WAY,WIELAND	4
13	216793GT	TERMINAL BLOCK END PLATE	1
14	56057GT	MODULE,IGNITION/START,12/24V	1
15	824215GT	SCREW,PHPM,10-32X.75,ZAG (from SN Z34F - 14000 and Z34NF - 17000)	
16	1298550GT	BRACKET, RELAY MOUNT (from SN Z34F - 14000 and Z34NF - 17000)	1
17	128045GT	MODULE,LOAD SENSE 2007 option, platform overload	1
17-	824215GT	SCREW,PHPM,10-32X.75,ZAG	
17-	824032GT	NUT,TL FLG,10-32,F,ZAG	
18	56302GT	RELAY,24VDC,40/30A,SEALED***	10
19	34053GT	ASSY,RELAY SOCKET, AUTO	10
20	T106699GT	BRACKET,RELAY MOUNT W/INSERTS	1
21	824214GT	SCREW,PHPM,6-32X.5,ZAG	7
22	824032GT	NUT,TL FLG,10-32,F,ZAG	5
23	56663GT	TERMINAL STRIP	1

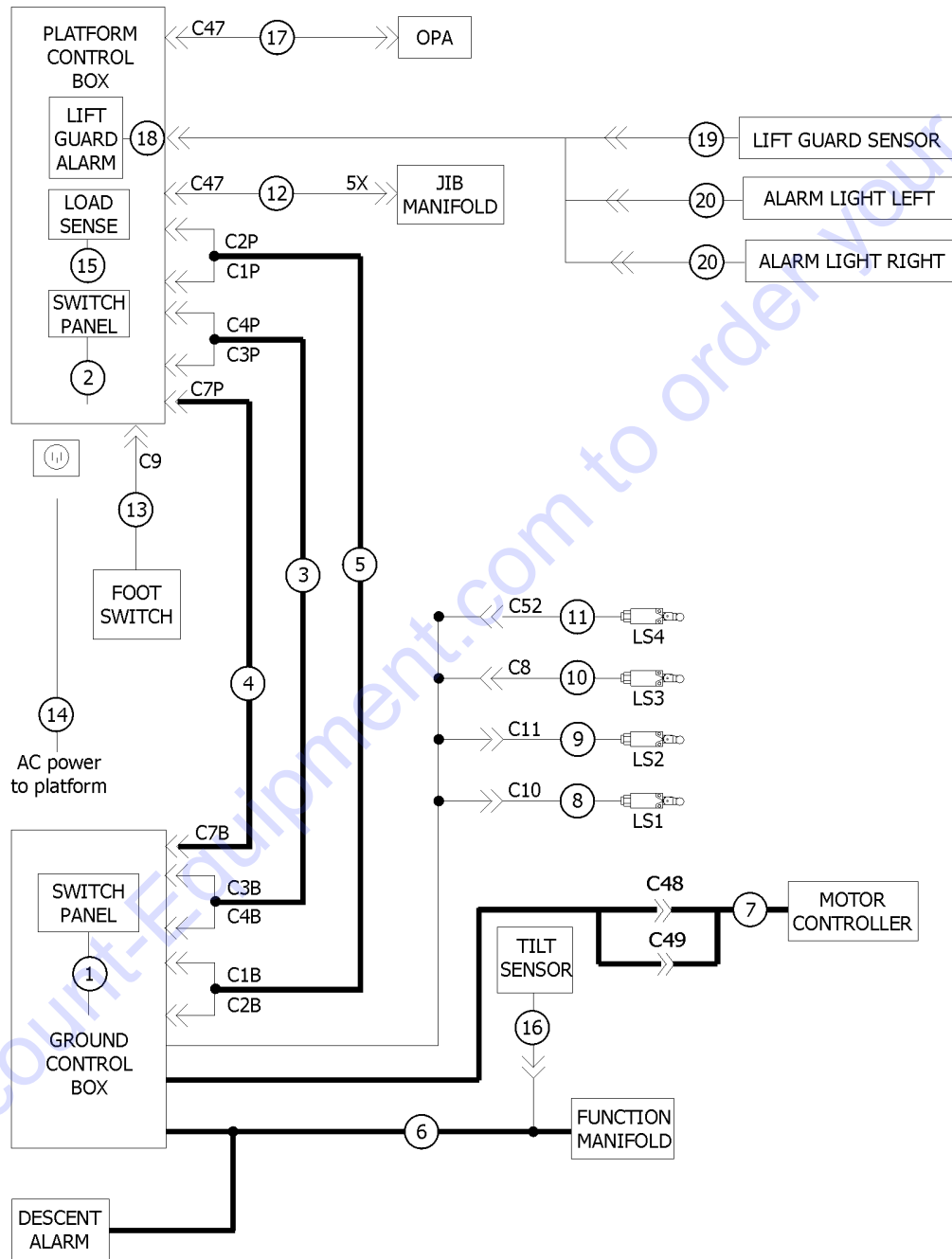


310.1 Ground Control Box, Z-34/22BE, Internal View



Item	Part No.	Description	Qty.
24	824206GT	RIVET,STL,STL,DOME,1/8X.25,ZAG	2
25	824226GT	SCREW,PHPSH,#12-11X.75,ZAG	4
26	20776GT	CABLE SQUEEZE CONN.	1
27	18665GT	LOCKNUT,ELECTRIC,1" NPT	1
28	7057GT	CONN. SQZ,1/2NPT .39-.56 MED.	2
29	6935GT	LOCKNUT,ELEC,1/2"	2
30	45385GT	PLUG,NYLON 1.12 BLACK DOMED	1
30B	15243GT	PLUG,NYLON .875 BLACK DOMED (to SN Z34F - 13999 and Z34NF - 16999)	1
30B-	45383GT	ALARM,WARBLE TONE 5-30 VDC*** (from SN Z34F - 14000 and Z34NF - 17000)	
31	73736GT	CONN,RECEP 48 WAY,4 X 12	1
31-	54255GT	LOCK,RECEP 12 WAY, 14-18GA	
31-	73713GT	TERM,NI PIN,S&F,16-18GA,REEL	
32	73717GT	CONN,RECEP 4 WAY,12-14GA FL***	1
32-	60526GT	LOCK,RECEP 4 WAY,12-14GA	
32-	73711GT	TERM,DEUTSCH, PIN #12-14	
33	824019GT	NUT,TL,6-32,A,ZAG	2

311.1 Wire Harness Diagram, Z-34/22N and Z-34/22DC



PARTS FINDER

**Search Website
by Part Number**



**Search Manual
Library For Parts
Manual & Lookup Part
Numbers – Purchase
or Request Quote**

Search Manuals

Enter your information to help us find the right parts manual for your machine.

* Brand:

* Model:

* Serial:

* Part Number:

SEARCH

**Can't Find Part or
Manual? Request Help
by Manufacturer,
Model & Description**

Parts Order Form

Please fill in the following information to help us find the right part for your machine.

Manufacturer:	<input type="text"/>
Model:	<input type="text"/>
Description:	<input type="text"/>
Part Number:	<input type="text"/>
Quantity:	<input type="text"/>
Notes:	<input type="text"/>

Submit

Discount-Equipment.com is your online resource for quality parts & equipment.

Florida: **561-964-4949** Outside Florida TOLL FREE: **877-690-3101**

Need parts?

Click on this link: <http://www.discount-equipment.com/category/5443-parts/> and choose one of the options to help get the right parts and equipment you are looking for. Please have the machine model and serial number available in order to help us get you the correct parts. If you don't find the part on the website or on one of the online manuals, please fill out the request form and one of our experienced staff members will get back to you with a quote for the right part that your machine needs.

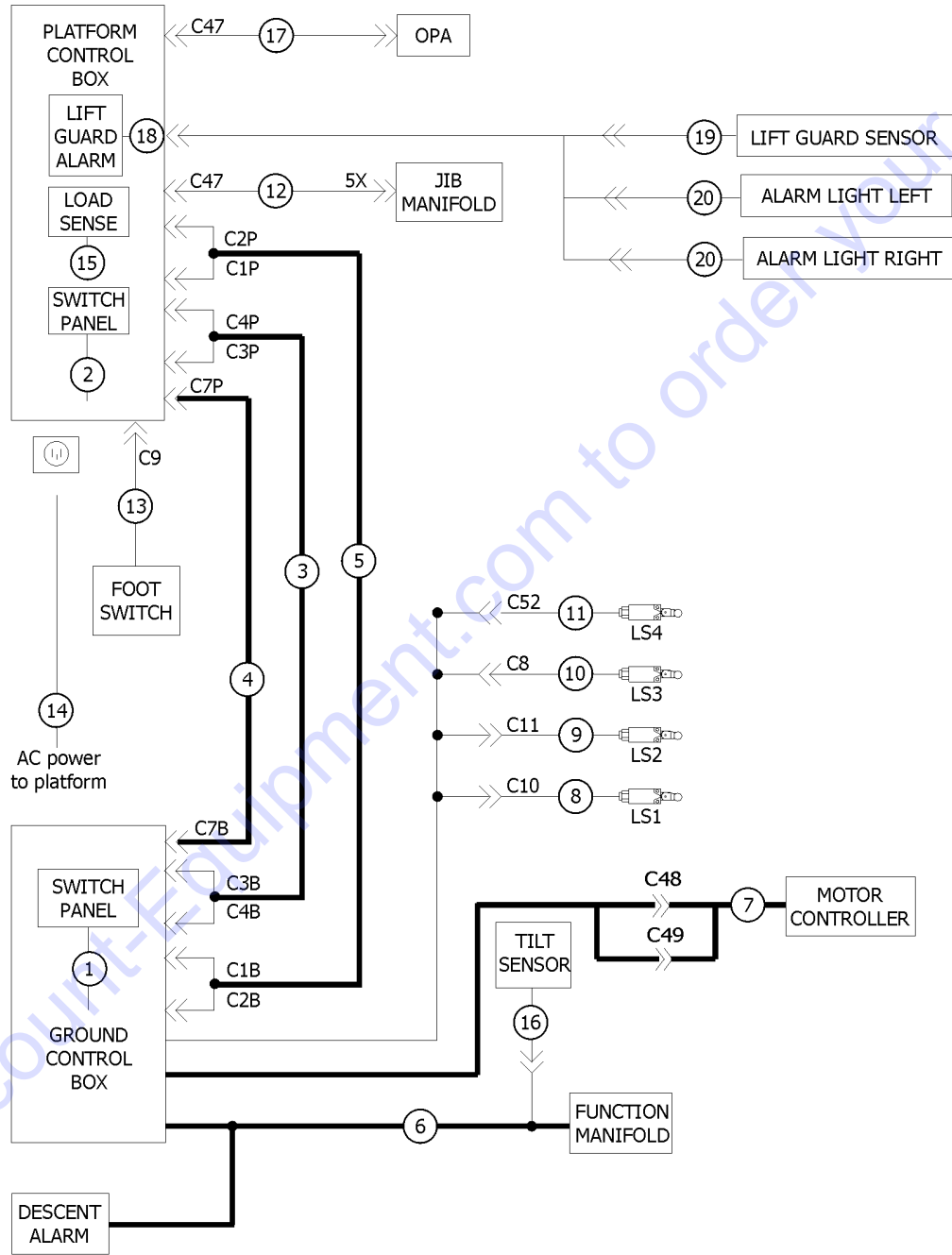
We sell worldwide for the brands: Genie, Terex, JLG, MultiQuip, Mikasa, Essick, Whiteman, Mayco, Toro Stone, Diamond Products, Generac Magnum, Airman, Haulotte, Barreto, Power Blanket, Nifty Lift, Atlas Copco, Chicago Pneumatic, Allmand, Miller Curber, Skyjack, Lull, Skytrak, Tsurumi, Husquvarna Target, Stow, Wacker, Sakai, Mi-T-M, Sullair, Basic, Dynapac, MBW, Weber, Bartell, Bennar Newman, Haulotte, Ditch Runner, Menegotti, Morrison, Contec, Buddy, Crown, Edco, Wyco, Bomag, Laymor, EZ Trench, Bil-Jax, F.S. Curtis, Gehl Pavers, Heli, Honda, ICS/PowerGrit, IHI, Partner, Imer, Clipper, MMD, Koshin, Rice, CH&E, General Equipment, Amida, Coleman, NAC, Gradall, Square Shooter, Kent, Stanley, Tamco, Toku, Hatz, Kohler, Robin, Wisconsin, Northrock, Oztec, Toker TK, Rol-Air, APT, Wylie, Ingersoll Rand / Doosan, Innovatech, Con X, Ammann, Mecalac, Makinex, Smith Surface Prep, Small Line, Wanco, Yanmar

311.1 Wire Harness Diagram, Z-34/22N and Z-34/22DC

Item	Part No.	Description	Qty.
-	1264822GT	KIT, TRC RETROFIT, STNDRD Telematics (includes 1264834)	
-	1264834GT	INSTRN, TRC RETROFIT, STNDRD	
-	88832GT	HARNESS, PLUG, NON-LOAD WEIGHING (to SN Z34F - 13999 and Z34NF - 16999)	
-	121843GT	RESISTOR, 4.7K OHM, 25 WATT	
1	110242GT	HARNESS, GBOX WIRE JUMPER	1
1-	1297677GT	HARNESS, GBOX, Z30/34N, ANSI (from SN Z34F - 14000 and Z34NF - 17000)	
1-	1298274GT	HARNESS, GBOX, Z34DC, ANSI (from SN Z34F - 14000 and Z34NF - 17000)	
1-	1298942GT	HARNESS, GBOX, Z30/34DC, CE (from SN Z34F - 14000 and Z34NF - 17000)	
1-	1260643GT	HARNESS, BASE BOX, RELAY, CE (from SN Z34F - 14000 and Z34NF - 17000)	
2	237503GT	HARNESS, PLAT BOX, Z30/34DC (to SN Z34F - 13999 and Z34NF - 16999)	
2-	1260928GT	HARNESS, BASE BOX, RELAY, CE (from SN Z34F - 14000 and Z34NF - 17000)	
2-	1260887GT	HARNESS, RELAY, PBOX, CE (from SN Z34F - 14000 and Z34NF - 17000)	
3	110240GT	HARNESS CABLE1 18/19 COND. green & brown connectors	1
4	110233GT	HARNESS CABLE2 12/3 COND.	1
5	110236GT	HARNESS CABLE3 18/19 COND. gray & black connectors	1
6	110249GT	HARNESS, FUNC. MAN., Z30/34DC	1
7	822704GT	HARNESS, DRIVE CHASSIS, DC	1
8	110244GT	HARNESS LS1 OP EXT/RET	1
9	110245GT	HARNESS LS2 OP PRIMARY	1
10	110232GT	HARNESS LS3 OP DRIVE ENABLE	1
11	110246GT	HARNESS LS4 OP SECONDARY	1
12	139584GT	HARNESS, JIB MANIFOLD, NON RJ	1
13	110255GT	ASSEMBLY FOOT SWITCH	1
14	43956GT	WIRE CABLE, 14/3 CON. TPE JKT*	600
15	147389GT	HARNESS, LOAD SENSE, Z30/34DC CE models (to SN Z34F - 13999 and Z34NF - 16999)	1
15B	218602GT	HARNESS, LOAD SENSE RECOVERY	1
16	1261845GT	HARNESS, TILT 24V, CSA PROD	1
16B	1285812GT	KIT, TILT ALARM, DC AND BI-ENERGY MODELS	



311.1 Wire Harness Diagram, Z-34/22N and Z-34/22DC



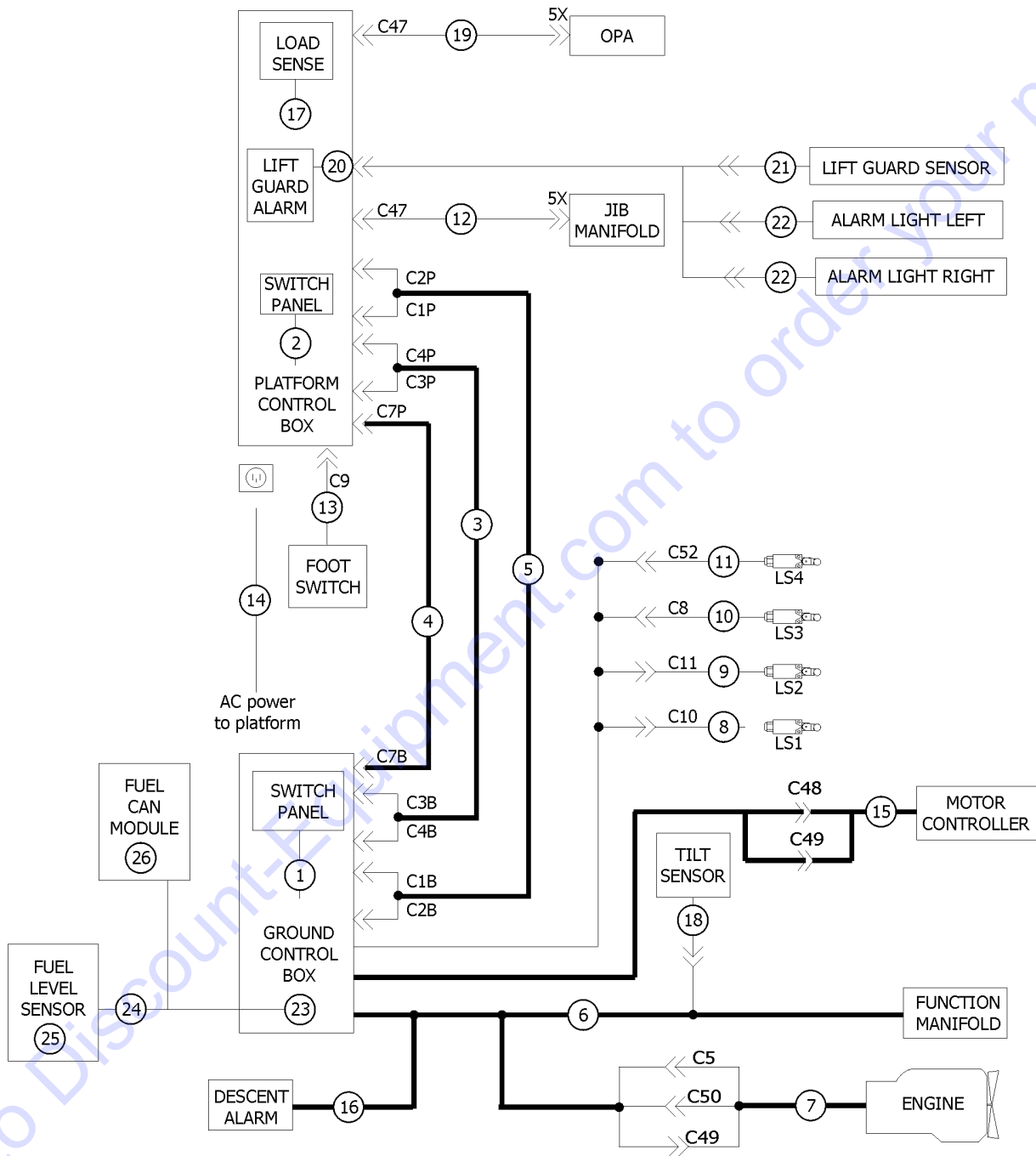
311.1 Wire Harness Diagram, Z-34/22N and Z-34/22DC

Item	Part No.	Description	Qty.
16B-	1285689GT	INSTRUCTIONS,INSTALL (LEVEL SENSOR ALARM) for kit 1285812	
17	1255858GT	HARN,PBOX,OPA,HW,24V (to SN Z34F - 13999 and Z34NF - 16999)	1
17B	1255030GT	PLUG,BLANKING	1
18	1278450GT	HARNESS, CONTACT ALARM, Z30/34DC models with Lift Guard Contact Alarm Option	
19	1278119GT	ASSEMBLY, SENSOR, PROX, OPA2	
20	1278111GT	ASSEMBLY, LIGHT, OPA2	
20B	1285850GT	ASSEMBLY,AMBER LIGHTS,CONTACT	

Go to Discount-Equipment.com to order your parts



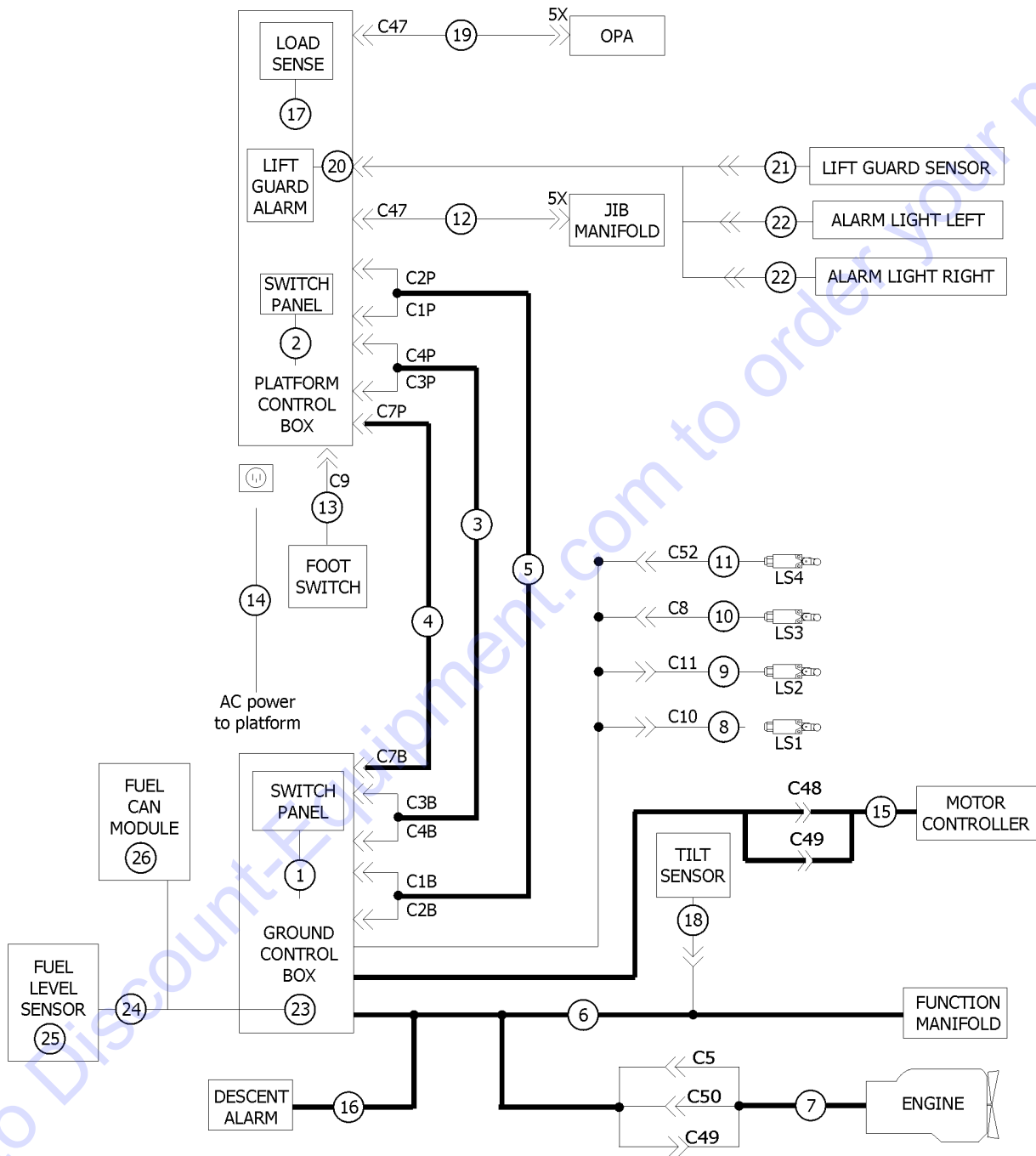
312.1 Wire Harness Diagram, Z-34/22BE



Item	Part No.	Description	Qty.
-	1264822GT	KIT, TRC RETROFIT, STNDRD Telematics (includes 1264834)	
-	1264834GT	INSTRN, TRC RETROFIT, STNDRD	
-	88832GT	HARNESS,PLUG,NON-LOAD WEIGHING	
1	110250GT	HARNESS BASE BOX BI-ENERGY	1
1-	1298626GT	HARNESS, BASE BOX, BI-ENERGY, Z35BE ANSI models (from SN Z34F - 14000)	1
1B	1261752GT	HARNESS, GBOX, CE, Z34BE CE models	1
1C	1261751GT	HARNESS, RELAY, GBOX, CE, Z34B CE models	1
1C-	1298625GT	HARNESS, RELAY, GBOX, Z34BE (from SN Z34F - 14000)	
1D	1261753GT	HARNESS, GBOX, JUMPERS, Z34BE	1
2	237502GT	HARNESS,PLAT BOX,Z34BE	1
2B	1261750GT	HARNESS, PBOX, JUMPERS, Z34BE	
2C	1261749GT	HARNES, PBOX, CE, Z34BE	
2D	1261185GT	HARNESS,RELAY,PBOX,Z34IC,CE CE models (to SN Z34F - 13999)	
2D-	1299872GT	HARNESS,RELAY,PBOX,Z34BE CE models (from SN Z34F - 14000)	1
3	110240GT	HARNESS CABLE1 18/19 COND. green & brown connectors	1
4	110233GT	HARNESS CABLE2 12/3 COND.	1
5	110236GT	HARNESS CABLE3 18/19 COND. gray & black connectors	1
6	215986GT	HARNESS,FUNC. MAN.,Z34BE (to SN Z34F - 13999)	
6B	1299799GT	HARNESS,FUNC.MANIFOLD,Z34BE (from SN Z34F - 14000)	
7	110352GT	HARNESS, ENGINE	1
8	110244GT	HARNESS LS1 OP EXT/RET	1
9	110245GT	HARNESS LS2 OP PRIMARY	1
10	110232GT	HARNESS LS3 OP DRIVE ENABLE	1
11	110246GT	HARNESS LS4 OP SECONDARY	1
12	139584GT	HARNESS,JIB MANIFOLD,NON RJ	1
13	110255GT	ASSEMBLY FOOT SWITCH	1
14	43956GT	WIRE CABLE,14/3 CON.TPE JKT*	600
15	822705GT	HARNESS, DRIVE CHASSIS, BE	1



312.1 Wire Harness Diagram, Z-34/22BE

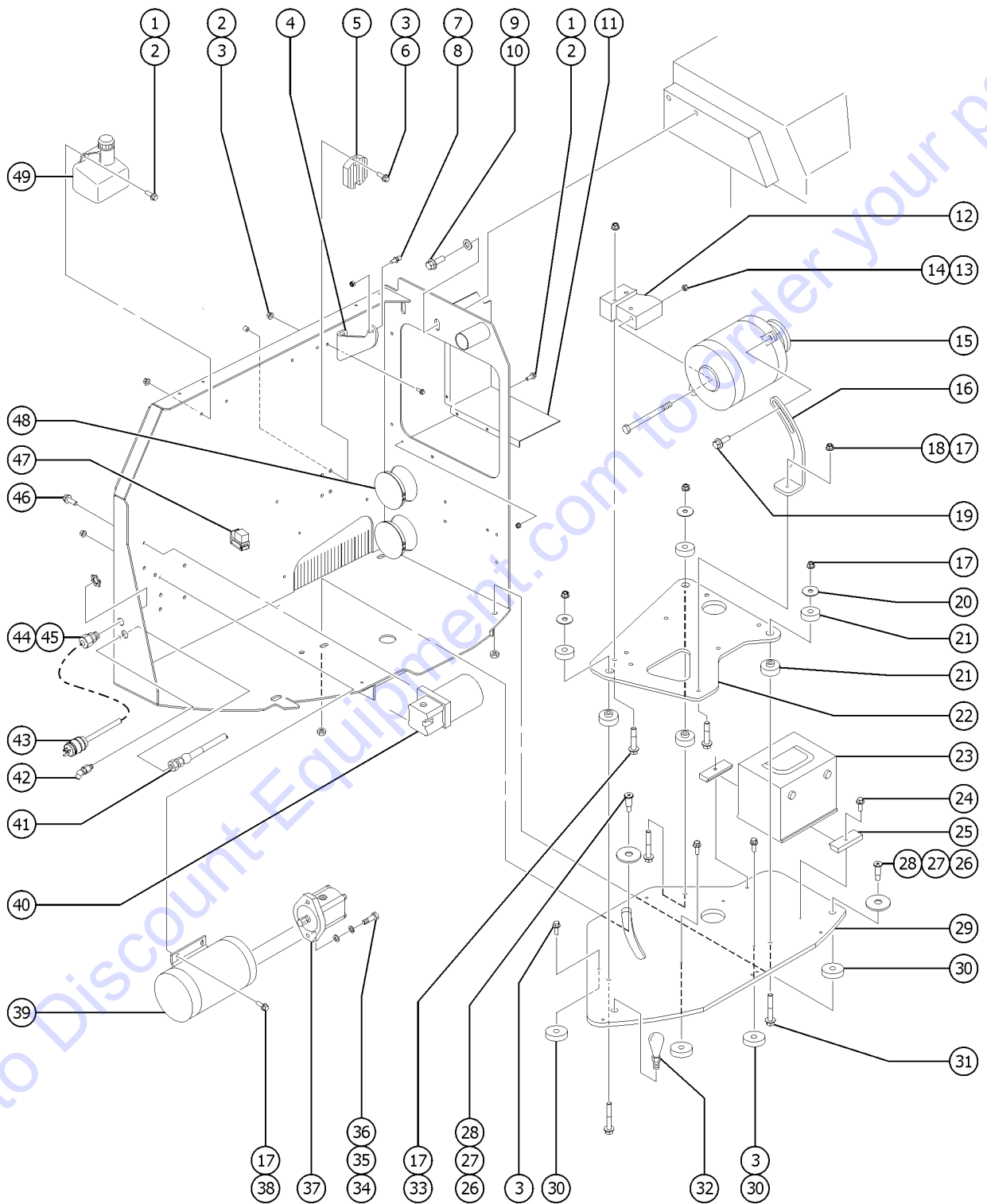


312.1 Wire Harness Diagram, Z-34/22BE

Item	Part No.	Description	Qty.
16	128048GT	HARNESS,DESCENT ALARM	1
17	147389GT	HARNESS, LOAD SENSE, Z30/34DC CE models (to SN Z34F - 13999)	1
17B	218602GT	HARNESS,LOAD SENSE RECOVERY	1
18	1261845GT	HARNESS,TILT 24V,CSA PROD	1
		Z34DC/BE CSA models	
18-	1285812GT	KIT,TILT ALARM,DC AND BI-ENERGY MODELS	
18-	1285689GT	INSTRUCTIONS,INSTALL (LEVEL SENSOR ALARM) for kit 1285812	
19	1255858GT	HARN,PBOX,OPA,HW,24V	1
		(to SN Z34F - 13999)	
19B	1255030GT	PLUG,BLANKING	1
20	1278450GT	HARNESS, CONTACT ALARM, Z30/34DC	
		models with Lift Guard Contact Alarm	
21	1278119GT	ASSEMBLY, SENSOR, PROX, OPA2	
22	1278111GT	ASSEMBLY, LIGHT, OPA2	
22B	1285850GT	ASSEMBLY,AMBER LIGHTS,CONTACT	
23	1285866GT	HARN, FUEL LEVEL POWER/CAN,Z34	1
		(from SN Z34NF-14884)	
24	1285867GT	HARN, FUEL LEVELSENSE,Z34	1
		(from SN Z34NF-14884)	
25	1271770GT	SENSOR, FUEL LEVEL, 30" DIESEL	1
		(from SN Z34NF-14884)	
26	1283904GT	CAN CONVERTER, 1.15 - 4.14 V RANGE	1
		(from SN Z34NF-14884)	



401.1 Engine Pivot Plate

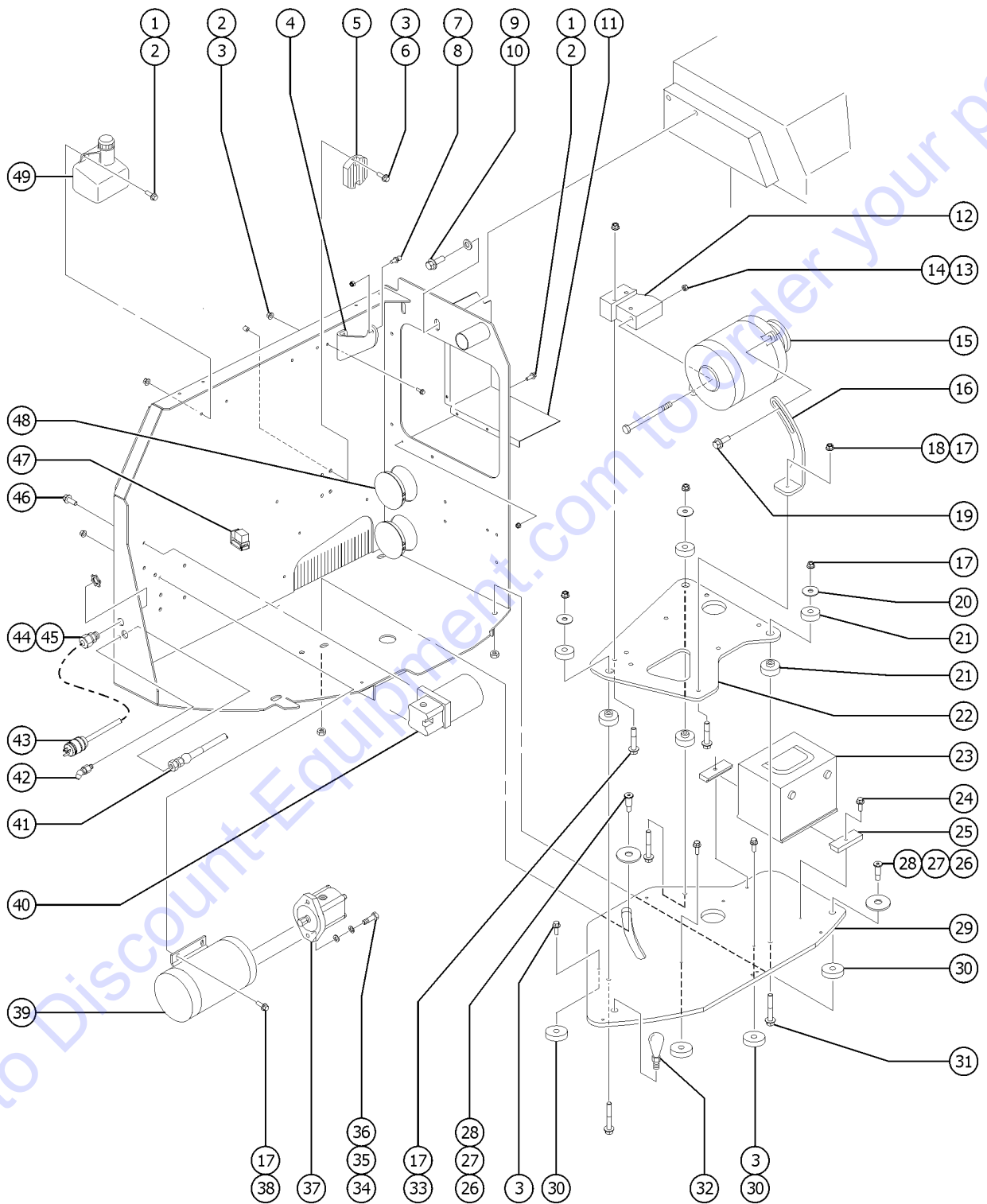


401.1 Engine Pivot Plate

Item	Part No.	Description	Qty.
1	824078GT	SCREW,HHF,1/4-20X.75,8,ZAG	6
2	824027GT	NUT,TL FLG,1/4-20,G,ZAG	8
3	824079GT	SCREW,HHF,1/4-20X1,8,ZAG	6
4	128902GT	BRACKET,ANCHOR,GAS STRUT	1
5	62085GT	REGULATOR-VOLTAGE(Z482-E)	1
6	23404GT	NUTSERT,1/4-20,STEEL CAD PLTD	2
7	33555GT	BALL STUD**	1
8	1252977GT	NUT,TL JAM,5/16-18,A,ZAG	1
9	824091GT	SCREW, HHF, 3/8-16 X 1.25, 8, ZAG	2
10	824120GT	WASHER, FLAT, .375 X 1.50 X .125, ZAG	2
11	128331GT	BAFFLE, RADIATOR	1
12	56007GT	BRACKET,ALTERNATOR MOUNT	1
13	6198GT	NUT,NYLOCK,1/2-13	1
14	13005GT	SCREW,HHC,1/2-13 X 6,GRD.8	1
15	54463-SGT	ALTRNTR,48VDC 100A,SERV VERS**	1
15-	54446-SGT	REGULATOR,48 VOLTAGE,BI ENERGY	
15-	56283GT	PULLEY,3.15 OD	
15-	56290GT	NUT,LOCK,5/8-18	
15-	56291GT	WASHER,HARDENED,5/8	
15-	56292GT	KEY,WOODRUFF,5/32X3/4 KEY #506	
15-	45782GT	DIODE,6 AMP,200 PIV,BULK	
16	56033GT	BRACKET,ALTERNATOR ADJUSTMENT	1
17	824029GT	NUT,TL FLG,3/8-16,G,ZAG	8
18	824091GT	SCREW, HHF, 3/8-16 X 1.25, 8, ZAG	1
19	824134GT	SCREW,HHF,M12-1.75X30,DIN6921	1
20	824120GT	WASHER, FLAT, .375 X 1.50 X .125, ZAG	3
21	24038GT	SHOCK MOUNT,SMALL	6
22	56089GT	PLATE,ENGINE GENERATOR MOUNT	1



401.1 Engine Pivot Plate

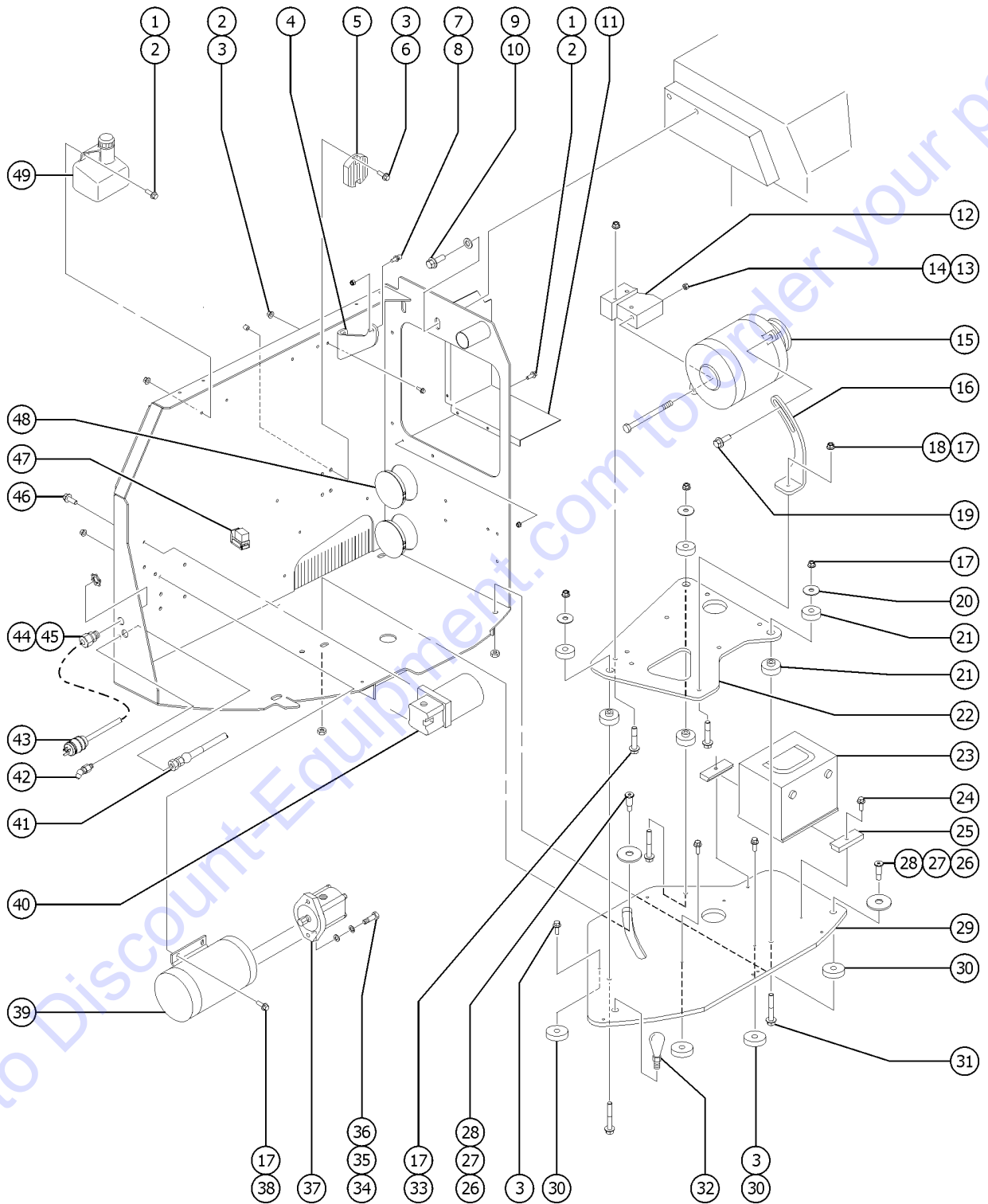


401.1 Engine Pivot Plate

Item	Part No.	Description	Qty.
23	56050GT	BATTERY,450 CCA***	1
24	824080GT	SCREW, HHF, 1/4-20 X 1.25, 8, ZAG	2
25	60078GT	BATTERY HOLD DOWN	2
26	824229GT	BOLT,SSHS,5/8X1.25X1/2-13,ZAG	2
27	824115GT	WASHER,FLAT,5/8,USS,ZAG	2
28	824039GT	NUT,TL JAM,1/2-13,A,ZAG	2
29	139235GT	PLATE, ENGINE SWING-OUT	1
30	56093GT	WEAR PAD ROUND	4
31	824094GT	SCREW, HHF, 3/8-16 X 2.75, 8, ZAG	3
32	44160GT	LOCK PIN ASSY,3.00"	1
32-	39469GT	SPRING,COMPRESSION.485 X1.75**	
32-	39470GT	PIN, LOCK	
32-	40835GT	KNOB,OVAL TAPERED	
32-	41630GT	HOUSING, LOCK PIN	
33	824096GT	SCREW,HHF,3/8-16X3.5,8,ZAG	2
34	824100GT	SCREW,SHC,3/8-24X1.25,A574,ZAG	2
35	824110GT	WASHER,LOCK,3/8,ZAG	2
36	825358GT	WASHER,FLAT,5/16,USS,ZAG	2
37		Ref. PUMP,LIFT,3CC,CCW*** refer to 706.1	1
38	824090GT	SCREW,HHF,3/8-16X1,8,ZAG	2
39		Ref. MOTOR,FUNCTION,48V DC refer to 706.1	1
40	36179GT	POWER UNIT,AUX PUMP 24VDC	1
40-	37184GT	MOTOR, 24V (36179)	
40-	37185GT	PUMP ASSEMBLY (36179) Part 37185GT is no longer backwards compatible with 37184GT. Order complete Aux Pump 36179GT	
40-	37186GT	VALVE,CHECK (36179)	
40-	37187GT	SEAL KIT, 37185 PUMP	
40-	37191GT	GASKET, PUMP / MOTOR (36179)	
40-	37192GT	COUPLER, PUMP / MOTOR (36179)	



401.1 Engine Pivot Plate



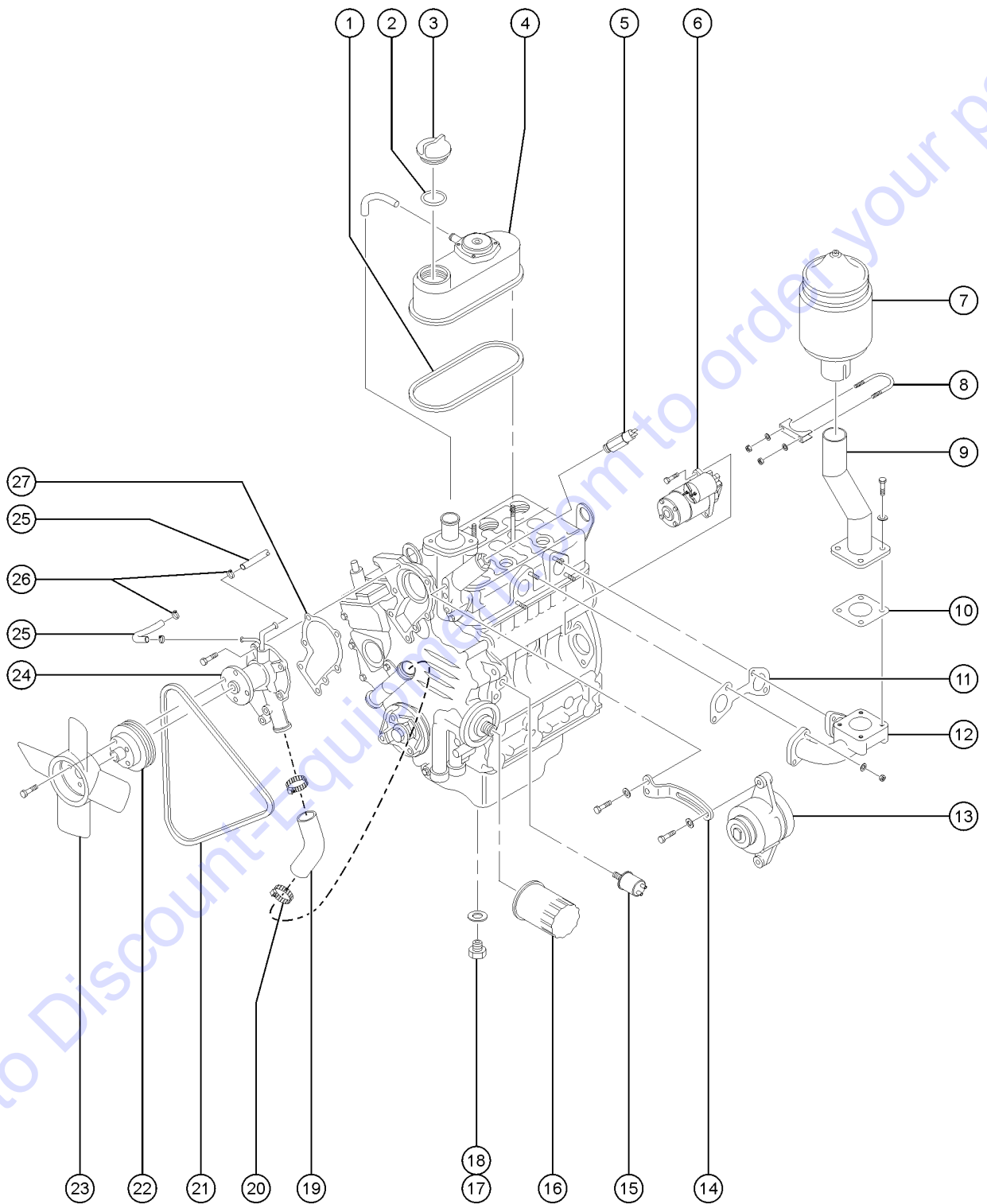
401.1 Engine Pivot Plate

Item	Part No.	Description	Qty.
40-	49878GT	NYLON WASHER,(36179)	
41	56120GT	HOSE ASSY-GREASE POINT TO APU	1
42	22794GT	ZERK,GREASE,1/8 NPT,45DEG	1
43	119403GT	CONN,PLUG 120 AC/15A DOMESTIC	1
43-	1280665GT	PLUG, TYPE F, 230A, 50HZ, 16A, IP44	
44	7056GT	CONN, SQZ, 1/2NPT .38-.50, SM**	1
45	6935GT	LOCKNUT,ELEC,1/2"	1
46	824085GT	SCREW, HHF, 5/16-18 X .75, 8, ZAG	1
47	823226GT	POWER RELAY, 24V COIL for light package option; CR16 alternator relay	1
48	80229GT	CAP, PLASTIC, 4"	2
49	42662GT	COOLANT RECOVERY BOTTLE1.5 QT*	1

Go to Discount-Equipment.com to order your parts

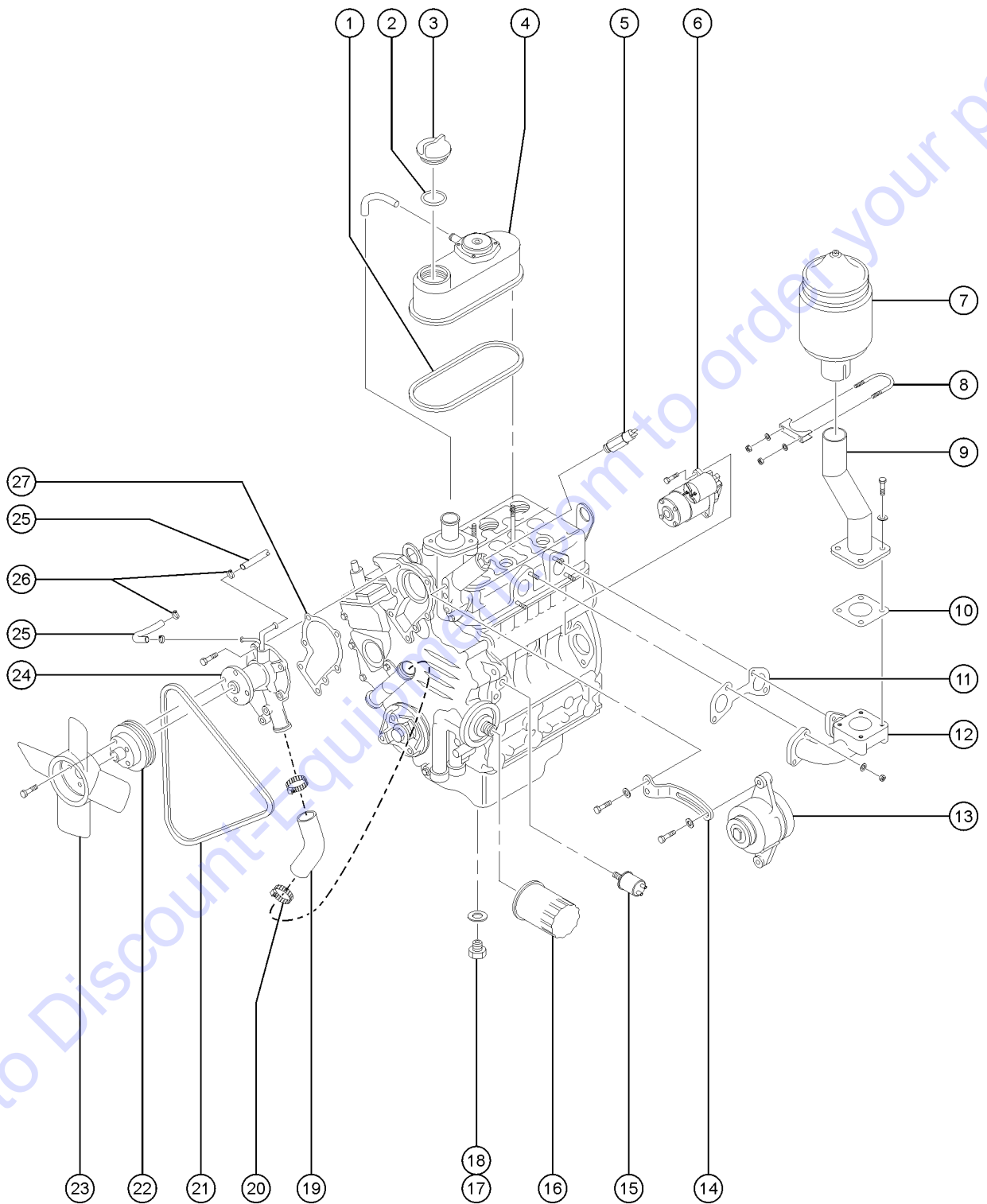


402.1 Kubota Z482 E4B, Diesel Engine, View 1



Item	Part No.	Description	Qty.
A-	52956GT	MANUAL,WORKSHOP,KUBOTA Z482***	1
B-	52958GT	MANUAL,OPERATORS,KUBOTA Z482**	1
C-	58259GT	MANUAL,PARTS,KUBOTA Z482**	1
1	52806GT	GASKET-VALVE COVER Z482-E	1
2	22903GT	O-RING,OIL FILLER PLUG,KUBOTA*	1
3	52808GT	PLUG,OIL FILLER Z482,Z34/22BE*	1
4	52807GT	COVER-VALVE Z482, Z34/22BE	1
5	54332GT	SWITCH,WATER TEMP	1
6	52810GT	STARTER MOTOR Z482, Z34/22BE	1
6-	23457GT	SOLENOID,STARTER,WG750B	
7	52407GT	MUFFLER,KUBOTA,GS68,DF750,D905	1
8	32064GT	CLAMP,MUFFLER,1.75 INCH	1
9	56062GT	WELDMENT,EXHAUST EXTENSION	1
10	832128GT	GASKET,MUFFLER,KUBOTA D905/11	1
11	52812GT	GASKET-EXHAUST MANIFOLD Z482	1
12	52813GT	EXHAUST MANIFOLD, Z482-E	1
13	110286GT	ALTERNATOR,KUBOTA,Z482	1
13-	139423GT	ALTERNATOR GUARD,Z482 not shown; sold separately	1
14	84044GT	STAY,ALTERNATOR***	1
15	22934GT	SWITCH,OIL,PRESSURE,KUBOTA	1
16	866400GT	KUBOTA OIL FILTER	1
17	56107GT	VALVE,OIL DRAIN,22MMO	1
18	52517GT	GASKET-OIL DRAIN, DF750	1
19	32067GT	HOSE,WATER PUMP,KUBOTA**	1
20	32066GT	CLAMP,HOSE,KUBOTA WG750	2
21	52816GT	BELT,FAN,KUBOTA DF972/Z482-E	1
22	23469GT	PULLEY,FAN,WG750B***	1
23	52818GT	FAN, KUBOTA Z482-E	1

402.1 Kubota Z482 E4B, Diesel Engine, View 1



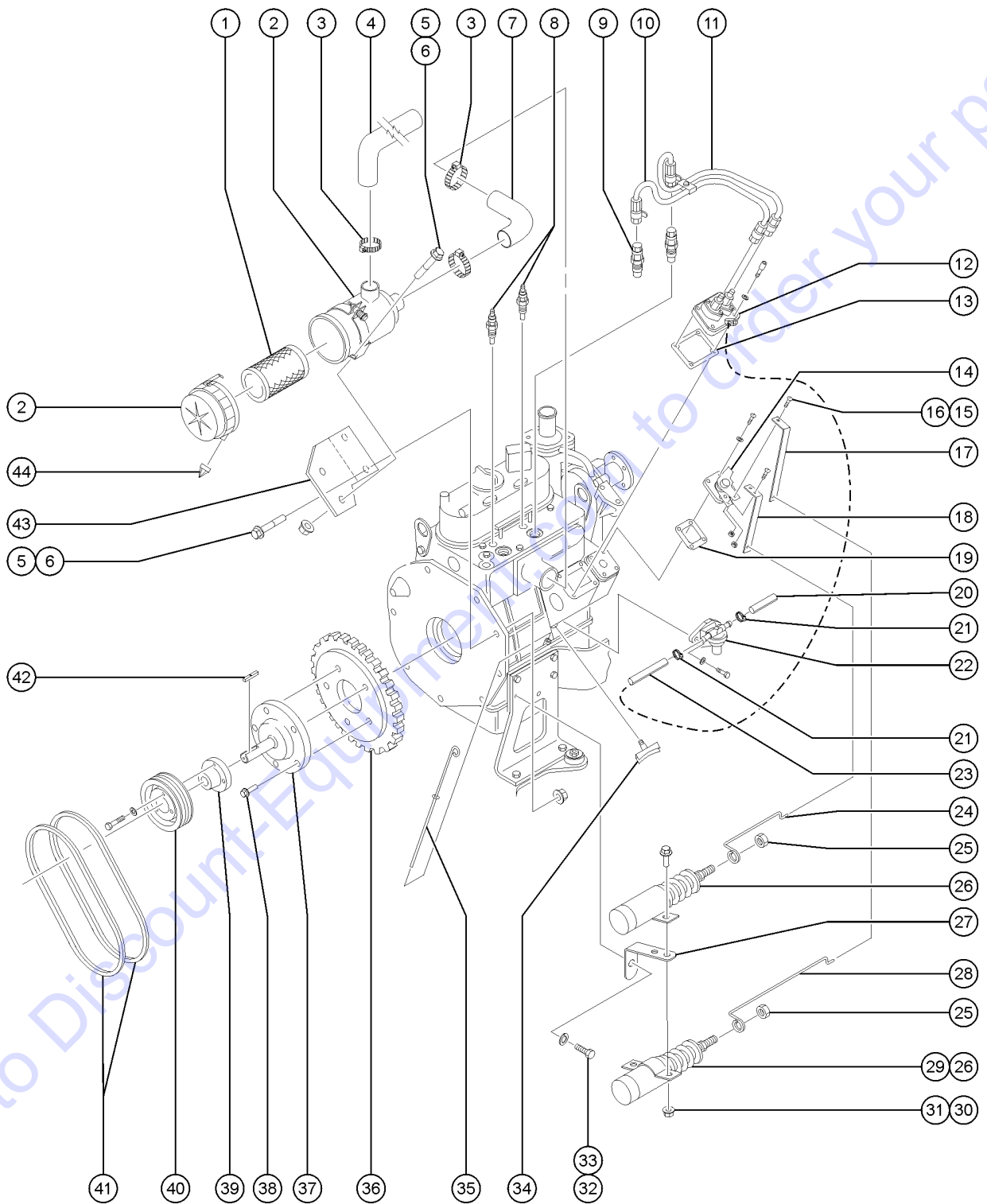
402.1 Kubota Z482 E4B, Diesel Engine, View 1

<i>Item</i>	<i>Part No.</i>	<i>Description</i>	<i>Qty.</i>
24	52819GT	PUMP-WATER, KUBOTA Z482-E	1
25	32200GT	HOSE,WATER PUMP RETURN,D905	1
26	32069GT	CLAMP,HOSE,KUBOTA WG750	4
27	23472GT	GASKET,WATER PUMPWG750B/Z482-E	1

Go to Discount-Equipment.com to order your parts



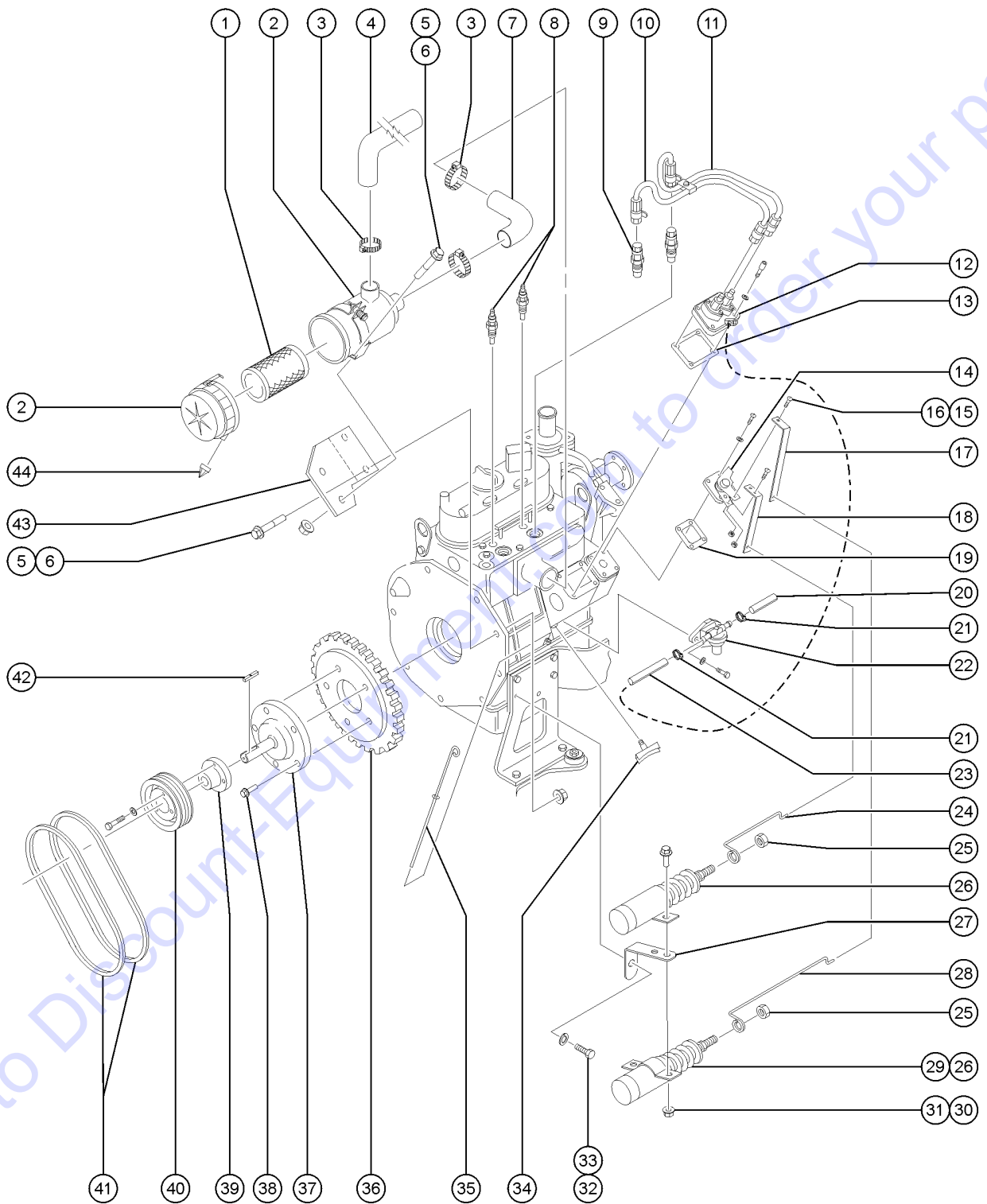
403.1 Kubota Z482 E4B, Diesel Engine, View 2



Item	Part No.	Description	Qty.
1	52867GT	FILTER,AIR***	1
2	119684GT	AIRCLEANER ASSEMBLY includes items 1, 3-7, 44	1
3	22672GT	CLAMP,HOSE,1.75	3
4	139237GT	HOSE, BI-ENERGY AIR INTAKE	1
5	824086GT	SCREW, HHF, 5/16-18 X 1, 8, ZAG	4
6	824028GT	NUT, TL FLG,5/16-18,G,ZAG	4
7	56060GT	HOSE,INTAKE AIR,ELBOW	1
8	839119GT	KUBOTA GLOW PLUG	2
9	52822GT	INJECTOR,KUBOTA Z482-E	2
10	52824GT	PIPE, INJECTOR 2 KUBOTA Z482-E	1
11	52823GT	PIPE, INJECTOR 1 KUBOTA Z482-E	1
12	52825GT	PUMP-INJECTION, KUBOTA Z482-E	1
13	52826GT	GASKET-INJECTION PUMP, Z482-E	1
14	52949GT	SPEED CONTROL ASSEMBLY**	1
15	824215GT	SCREW,PHPM,10-32X.75,ZAG	3
16	824036GT	NUT, TL, 10-32, A, ZAG	3
17	56101GT	BRACKET,STOP LEVER	1
18	56102GT	BRACKET,IDLE LEVER	1
19	52832GT	GASKET-SPEED CONTROL ASSEMBLY	1
20	27089GT	HOSE,5/16 FUEL,SAE 30R7	8
21	52834GT	CLAMP-HOSE, .375, FUEL PUMP	4
22	52835GT	PUMP ASSY-FUEL, KUBOTA Z482-E	1
23	27089GT	HOSE,5/16 FUEL,SAE 30R7	12
24	56110GT	ROD,ENGINE IDLE & STOP length approximately 4.5 inch / 11 cm	1
25	824041GT	NUT, 1/4-28, 8, ZAG	2
26	20780GT	SOLENOID,2 SPEED TROMBETTA***	2
26-	52514GT	BOOT,THROTTLE SOLENOID	
27	56098GT	BRACKET,SOLENOID MOUNT	1



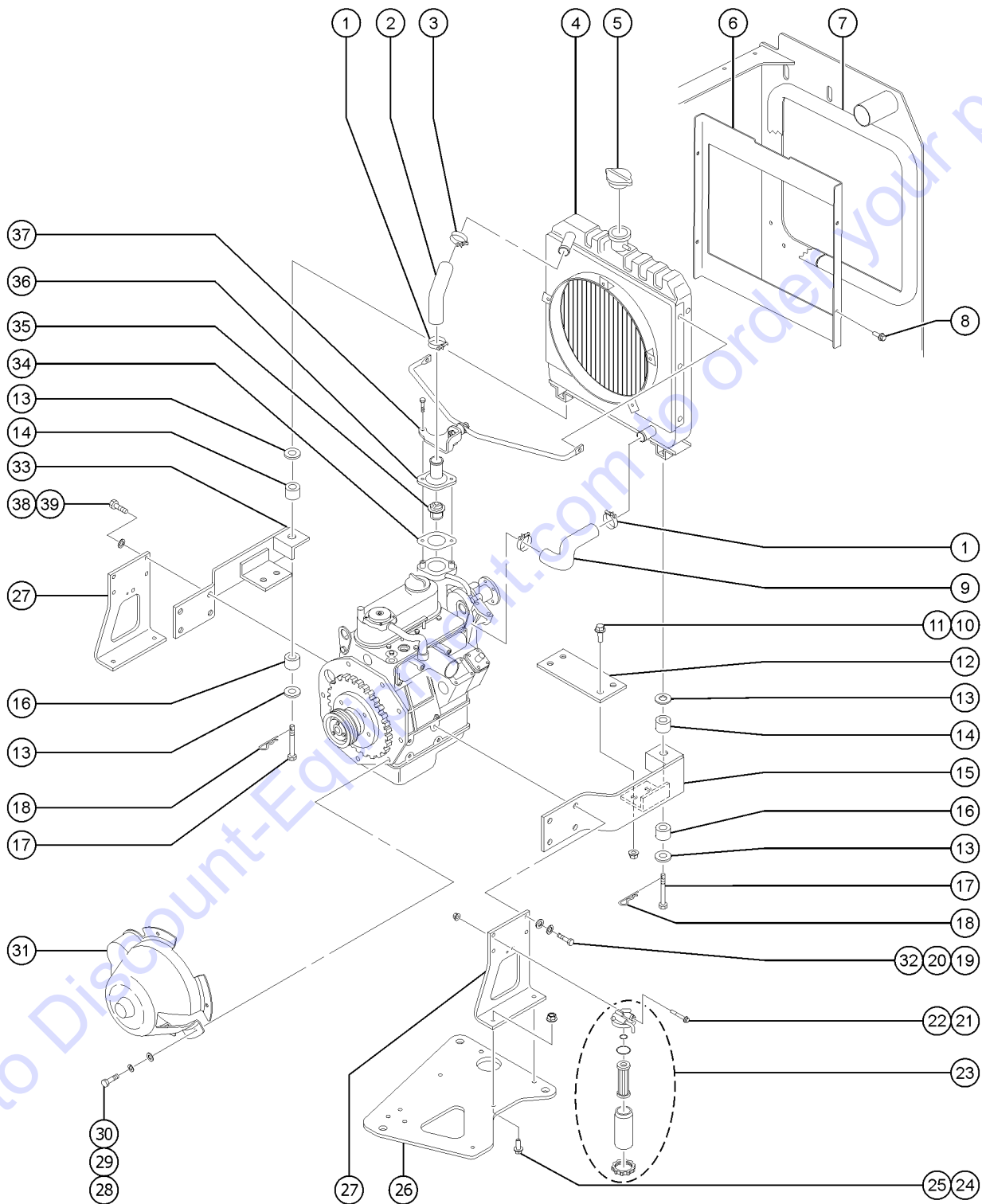
403.1 Kubota Z482 E4B, Diesel Engine, View 2



Item	Part No.	Description	Qty.
28	22956GT	ROD,CHOKE (KUBOTA)**** length approximately 6 inch / 15 cm	1
29	22446GT	SPRING,COMPRESSION .835 X 2	1
30	824027GT	NUT,TL FLG,1/4-20,G,ZAG	2
31	824078GT	SCREW,HHF,1/4-20X.75,8,ZAG	2
32	824138GT	SCREW,HHC,M10-1.25X30,DIN961,1	1
33	824142GT	WASHER,LOCK,M10,ZAB	1
34	32077GT	PETCOCK,DRAIN,KUBOTA WG750B	1
35	52836GT	DIPSTICK, KUBOTA Z482-E	1
36	52837GT	RING GEAR,KUBOTA Z482-E	1
37	52838GT	ADAPTER FLANGE-PULLEY,Z482-E	1
38	824133GT	SCREW,HHF,M8-1.25X25,DIN6921,10.9,ZAB	5
39	56068GT	BUSHING,SH 1-1/8	1
40	56067GT	BALANCER,HARMONIC,2-3V-500-SH	1
41	56064GT	BELT,3VX-280	2
42	56086GT	KEY,1/4 X 1.25	1
43	119685GT	BRACKET, AIRCLEANER MT.	1
44	52866GT	EVACUATOR VALVE-AIR CLEANER	1

Go to Discount-Equipment.com to order your parts

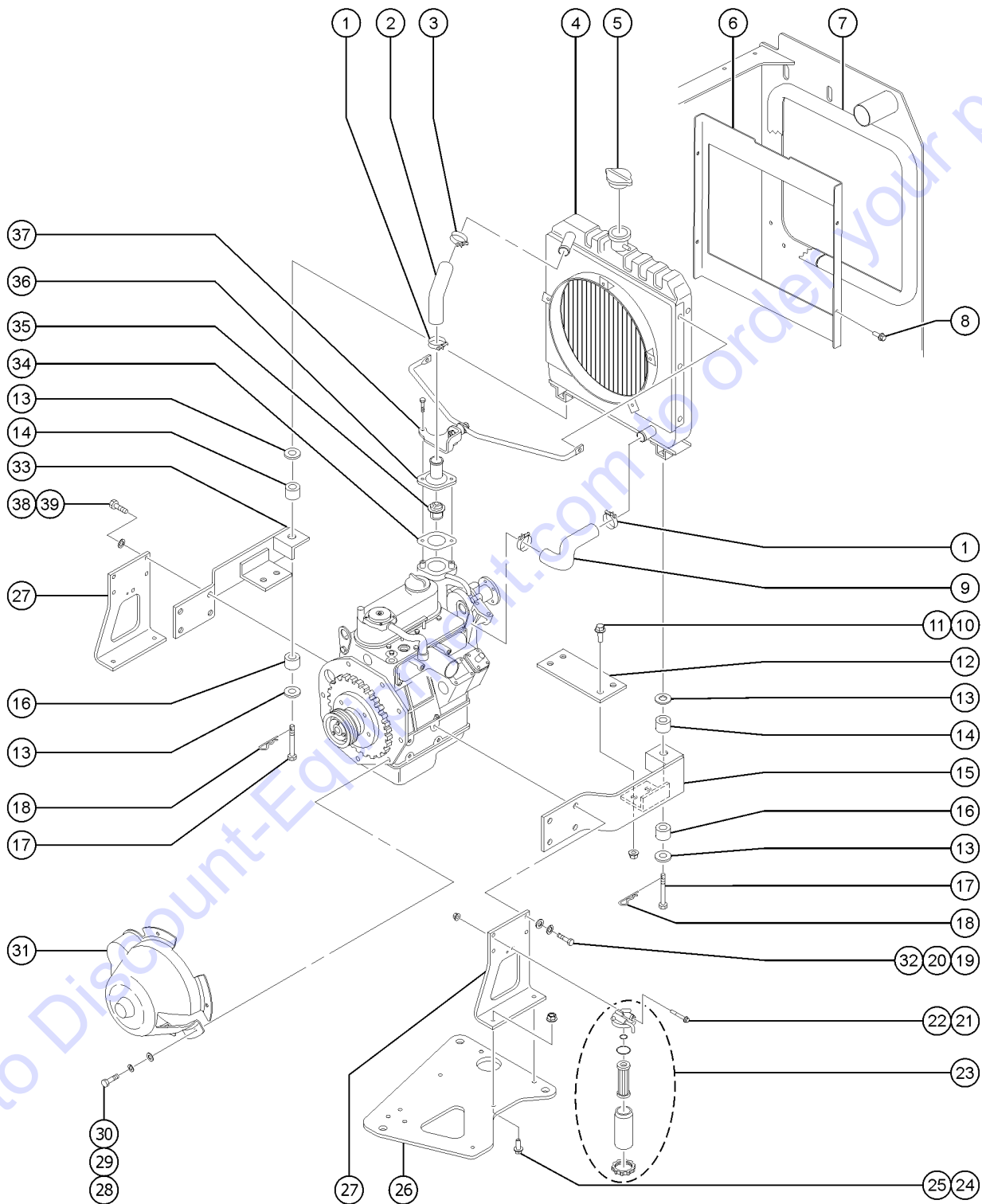
404.1 Kubota Z482 E4B, Diesel Engine, View 3



Item	Part No.	Description	Qty.
1	32066GT	CLAMP,HOSE,KUBOTA WG750	2
2	52841GT	HOSE-RADIATOR,UPPER Z482-E	1
3	32087GT	CLAMP,HOSE,KUBOTA WG750	2
4	119242GT	RADIATOR ASSY,KUBOTA Z482E AL	1
5	110523GT	CAP,RADIATOR,AL,KUBOTA DF-752	1
6	139236GT	FORMING, BI-ENERGY SHROUD	1
7	60875GT	TRIM MOLDING	50
8	237238GT	SCREW,HHF,M6-1.0X12,DIN6921,10	4
9	32090GT	HOSE,LWR RADIATOR,KUBOTA WG750	1
10	824078GT	SCREW,HHF,1/4-20X.75,8,ZAG	2
11	824027GT	NUT,TL FLG,1/4-20,G,ZAG	2
12	28963GT	RADIATOR STAY, KUBOTA 1702	1
13	52845GT	WASHER,SPRING***	4
14	865260GT	KUBOTA 15263-12370CUSHION	2
15	52847GT	BRACKET-RADIATOR SUPRT,OUTBRD	1
16	28156GT	CUSHION,RADIATOR,KUBOTA 1702**	2
17	52540GT	SCREW,RADIATOR MOUNT, KUBOTA	2
18	52541GT	CLIP,RADIATOR MOUNT, KUBOTA	2
19	824138GT	SCREW,HHC,M10-1.25X30,DIN961,1	7
20	824142GT	WASHER,LOCK,M10,ZAB	7
21	824088GT	SCREW,HHF,5/16-18X3,8,ZAG	1
22	824028GT	NUT,TL FLG,5/16-18,G,ZAG	1
23	147205GT	ASSEMBLY, FUEL FILTER, Z482	1
23-	139428GT	HOUSING, FUEL FILTER, Z482	
23-	139429GT	ELEMENT, FUEL FILTER, Z482	
23-	147206GT	CUP ASSY, FUEL FILTER, Z482	
23-		RETAINING RING, FUEL FILTER for illustration only, component not available separately	
23-	147208GT	O-RING, FUEL FILTER, Z482	



404.1 Kubota Z482 E4B, Diesel Engine, View 3

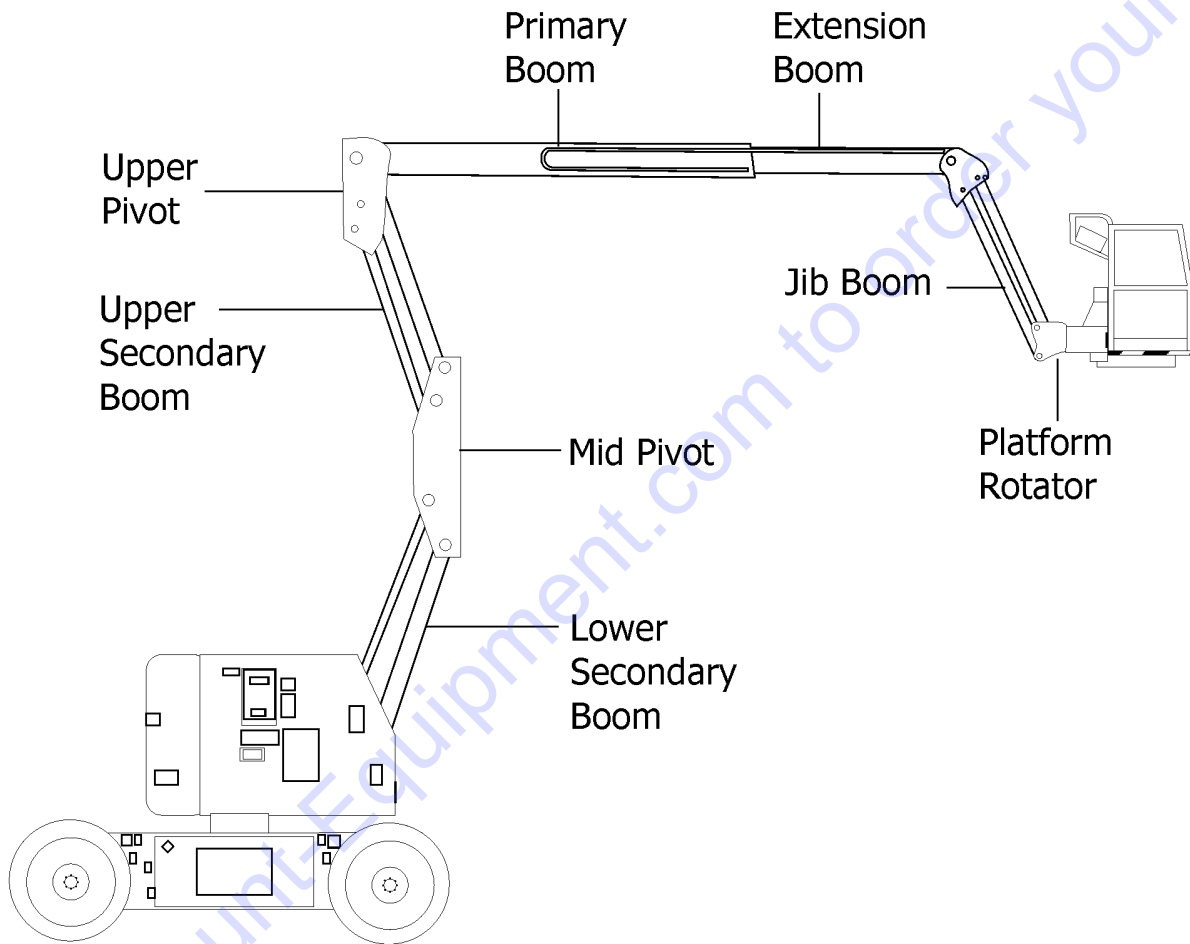


Item	Part No.	Description	Qty.
24	824091GT	SCREW, HHF, 3/8-16 X 1.25, 8, ZAG	2
25	824029GT	NUT, TL FLG, 3/8-16, G, ZAG	2
26	56089GT	PLATE, ENGINE GENERATOR MOUNT	1
27	42958GT	BRACKET, ENGINE MNT, KUBOTA 13HP	2
28	824135GT	SCREW, HHC, M8-1.25X20, DIN933, 10	8
29	824141GT	WASHER, LOCK, M8, ZAB	8
30	824144GT	WASHER, FLAT, M8, DIN125, ZAB	8
31	56106GT	COVER, BELLHOUSING	1
32	824145GT	WASHER, FLAT, M10, DIN125, ZAB	4
33	52851GT	BRACKET-RADIATOR SUPRT, INBOARD	1
34	866397GT	KUBOTA GASKET, THERMOSTAT	1
35	23473GT	THERMOSTAT ASSY, WG750B	1
36	27367GT	THERMOSTAT COVER, KUBOTA GAS	1
37	119507GT	KIT, Z482 RAD SUPPORT	1
38	22676GT	SCREW, HHC, M10 X 1.25 X 30MM**	1
39	22700GT	WASHER, LOCK, M10	1

Go to Discount-Equipment.com to order your parts



500.1 Boom Layout

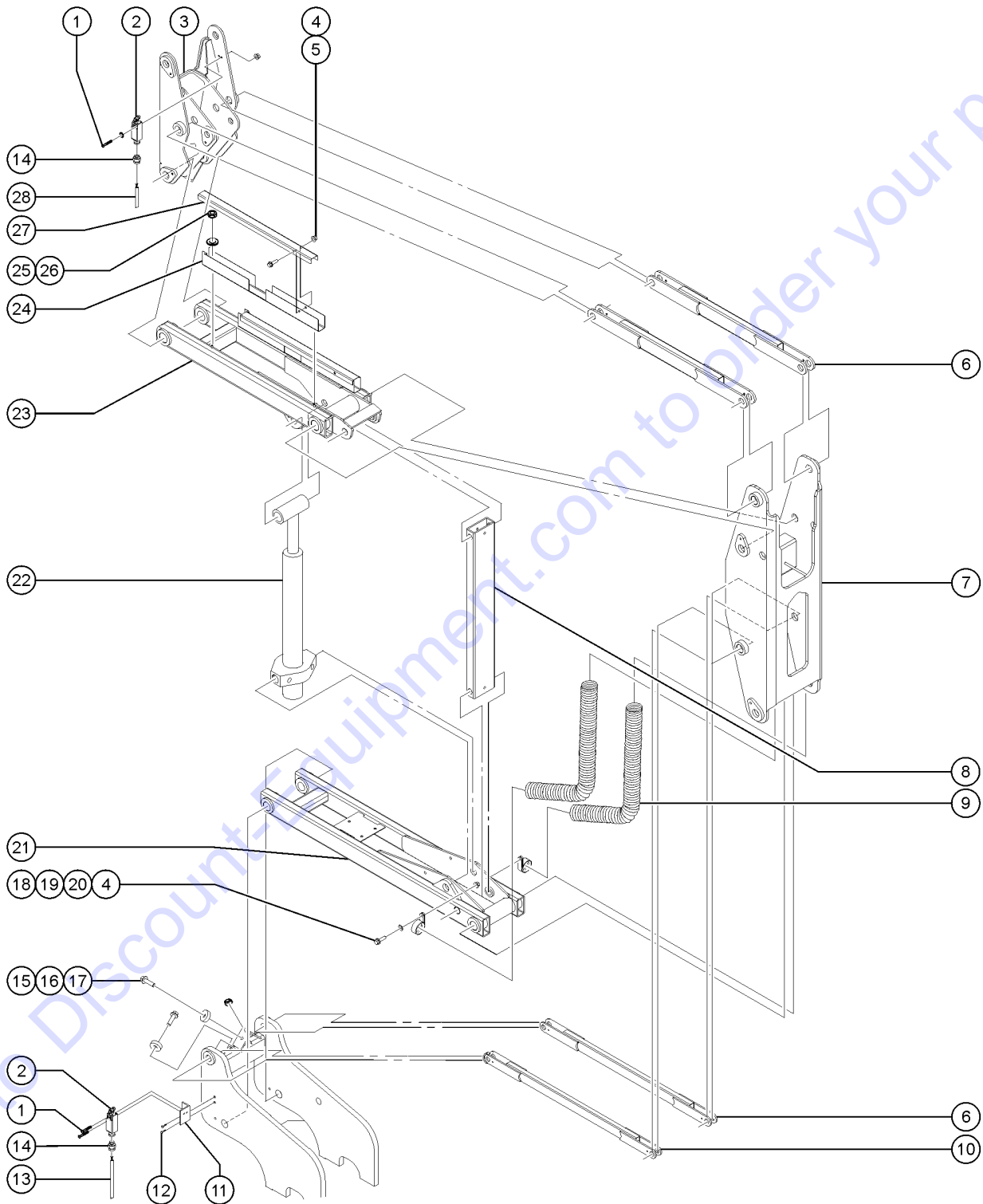


Item	Part No.	Description	Qty.
1		Extension Boom refer to 504.1	
2		Jib Boom refer to 506.1	
3		Lower Secondary Boom refer to 501.1 and 502.1	
4		Mid Pivot refer to 501.1 and 502.1	
5		Platform Rotator refer to 506.1	
6		Primary Boom refer to 504.1	
7		Upper Pivot refer to 501.1, 502.1 and 503.1	
8		Upper Secondary Boom refer to 501.1 and 502.1	

Go to Discount-Equipment.com to order your parts



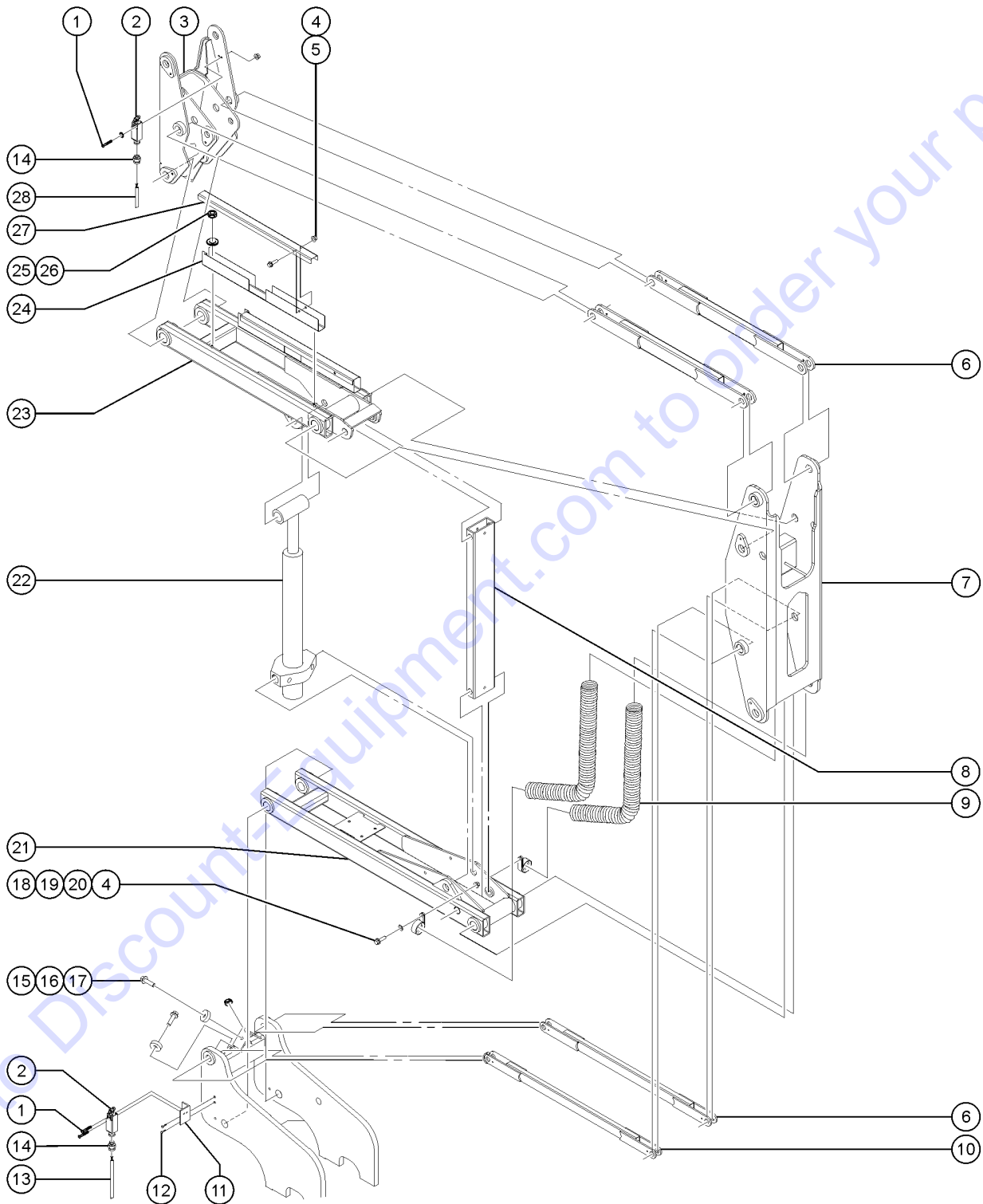
501.1 Secondary Boom, View 1



Item	Part No.	Description	Qty.
1A	1257390GT	WASHER,FLAT,#8,SAE,ZAG	2
1B	1261606GT	SCREW,PHPM,8-32X1.75,ZAG	2
1C	1255803GT	NUT,TL FLG,8-32,F,ZAG	2
2	88356-116R3GT	SWITCH,LIMIT,W/ROLLER ARM***	2
2-	106427GT	LS ROT.HEAD W/O LEVER (ZCE01)	
2-	97128GT	ROLLER ARM,LIMIT SWITCH***	
3		Ref. UPPER MIDPIVOT ASSY,Z34 & Z34N refer to 502.1	1
4	824027GT	NUT,TL FLG,1/4-20,G,ZAG	4
5	824084GT	SCREW,HHF,1/4-20X3,8,ZAG	2
6	74946GT	COMPRESSION ARM WELDMENT 56.50	3
7	40446GT	LOWER MIDPIVOT ASSY,Z34 &Z34N* refer to 502.1	1
8	74232GT	CONNECTING LINK Z30N & Z34***	1
9	42939GT	WIRE LOOM,1.88 DIA.	65
10	128635GT	WELDMENT, LWR COMPRESION ARM	1
11	42413GT	ANGLE,SWITCH MOUNT***	1
12	824078GT	SCREW,HHF,1/4-20X.75,8,ZAG	2
13	43960GT	WIRE CABLE,16/4 CON.TPE JKT	220
14	7056GT	CONN, SQZ, 1/2NPT .38-.50, SM**	2
15	824091GT	SCREW, HHF, 3/8-16 X 1.25, 8, ZAG	2
16	74085GT	REST PAD,UPPER PIVOT Z30N	2
17	824029GT	NUT,TL FLG,3/8-16,G,ZAG	2
18	824079GT	SCREW,HHF,1/4-20X1,8,ZAG	2
19	824113GT	WASHER,FLAT,USS,1/4,ZAG	2
20	27497GT	CLAMP,RUBBER CUSHIONED-2 5/32	2
21	40449GT	LOWER SECONDARY ARM ASSY,Z34	1
22	94210GT	CYLINDER,ELEVATE, Z34	1
22-	47377GT	BEARING,1.25 ID X 1.5 OD X .75	2
22-	31106GT	VALVE,CNTERBAL,CBBB-LHN@3000**	



501.1 Secondary Boom, View 1

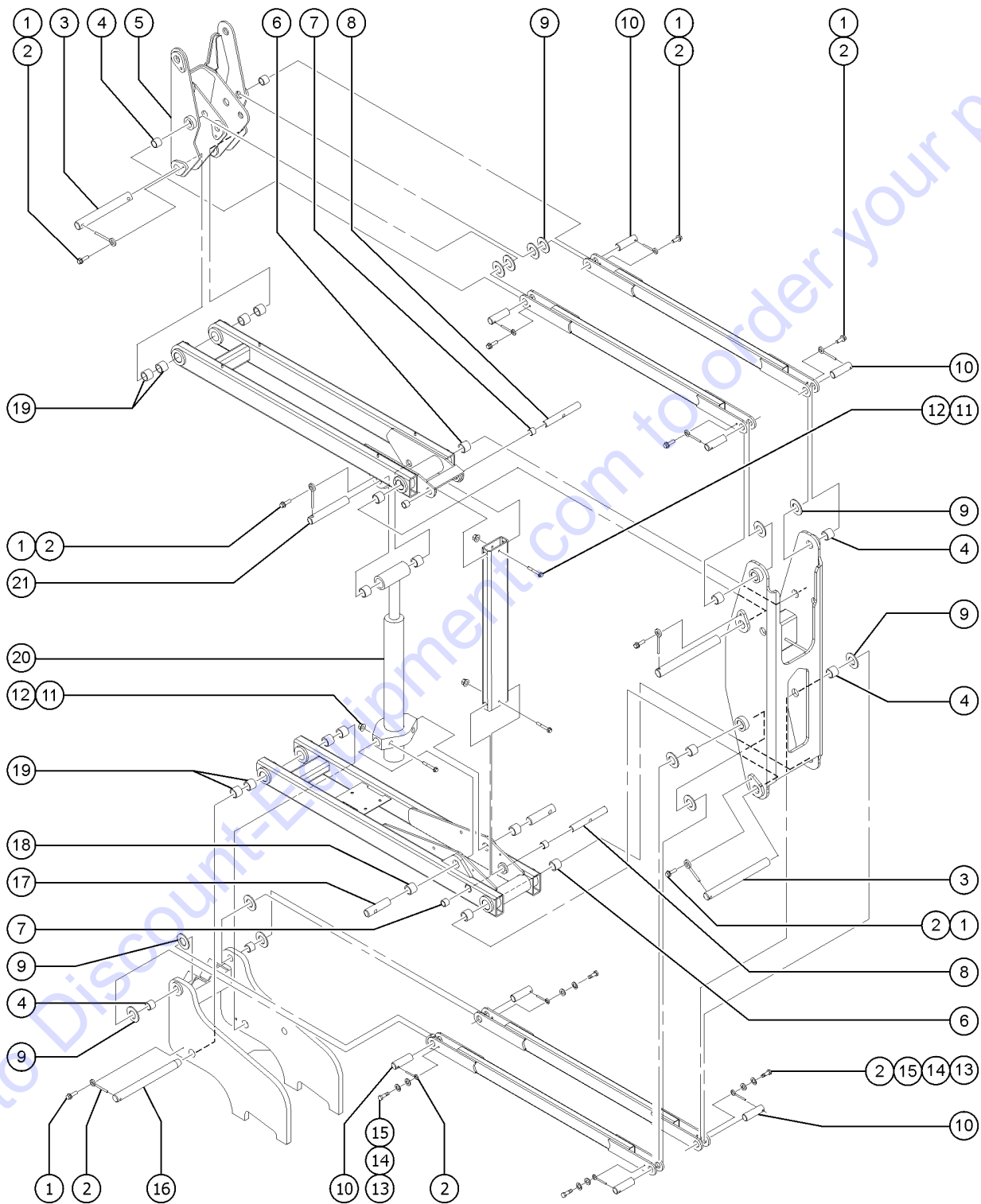


Item	Part No.	Description	Qty.
22-	94253GT	SEAL KIT, 94210	
23	74379GT	UPPER SECONDARY ARM ASSY,Z34	1
24	42612-SGT	HOSE TRACK,UPPER ARM-SERV	2
25A	824040GT	NUT, ACORN, 3/8-16, ZAG	4
		to SN 14161	
25B	1274322GT	NUT,NYLOCK FLG,3/8-16,F,ZAG	
26A	824122GT	WASHER, FLAT, .375 X 1.25 X .062, ZAG	4
		to SN 14161	
26B	825353GT	WASHER,FLAT,1/2,SAE,HRD,ZAG	
		from SN 14162	
27	42613-SGT	HOSETRACK COVER,UPPER ARM-SERV	2
28	56051GT	WIRE CABLE,16/2,WHT/BLK,SJEOW	38

Go to Discount-Equipment.com to order your parts

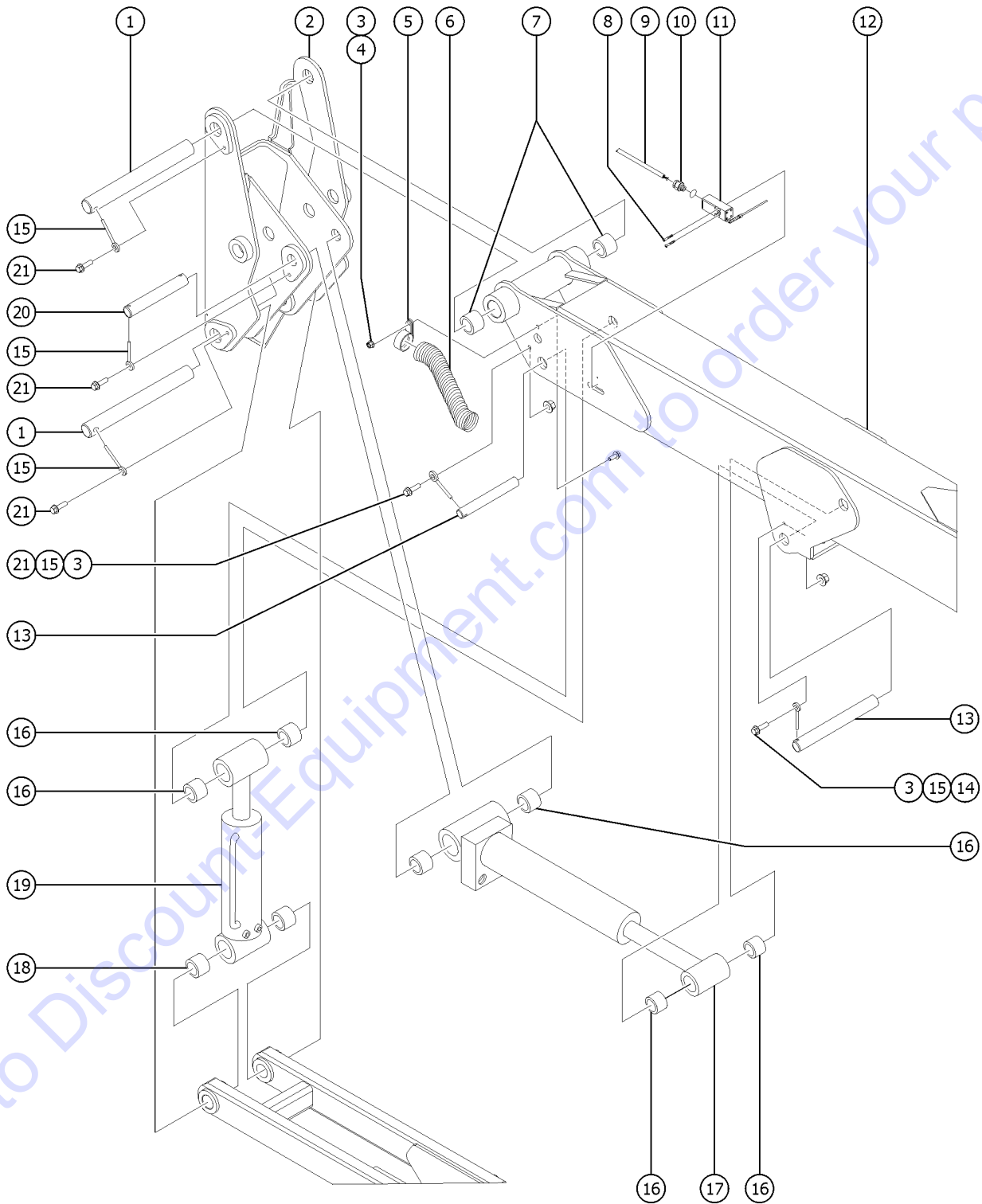


502.1 Secondary Boom, View 2



Item	Part No.	Description	Qty.
1	824091GT	SCREW, HHF, 3/8-16 X 1.25, 8, ZAG	8
2	825019GT	ROD END,.375X3.69,ZAG	12
3	36194GT	PIN,1.50DIAX15.13LG,1HOLE	3
4	34245GT	BEARING,1.25IDX1.50X1.25L	8
5	40447GT	UPPER MIDPIVOT ASSY,Z34 & Z34N includes item 4	1
6	45071GT	BEARING,1.5IDX1.75ODX1.5L	4
7	36245GT	BEARING,FL,1.00IDX1.25ODX0.84L	4
8	36202GT	PIN,1.00DIAX7.25LG,1HOLE	2
9	824151GT	WASHER,SHIM,1.270X2.130X.062,Z	12
10	36390GT	PIN,1.25DIAX3.63LG,THREADED	8
11	824094GT	SCREW, HHF, 3/8-16 X 2.75, 8, ZAG	4
12	824029GT	NUT,TL FLG,3/8-16,G,ZAG	4
13	824067GT	SCREW,HHC,3/8-16X1,8,ZAG	4
14	824110GT	WASHER,LOCK,3/8,ZAG	4
15	825358GT	WASHER,FLAT,5/16,USS,ZAG	4
16	36389GT	PIN,1.50DIAX16.13LG,1HOLE	1
17	36205GT	PIN,1.25DIAX3.00LG,THREADED	2
18	36246GT	BEARING,FL,1.25IDX1.50ODX1.09L	2
19	18396GT	BEARING,1.5IDX1.75ODX1.0L	8
20		Ref. CYLINDER,ELEVATE, Z34 refer to 501.1	
21	36200GT	PIN,1.25DIAX9.38LG,1HOLE	1

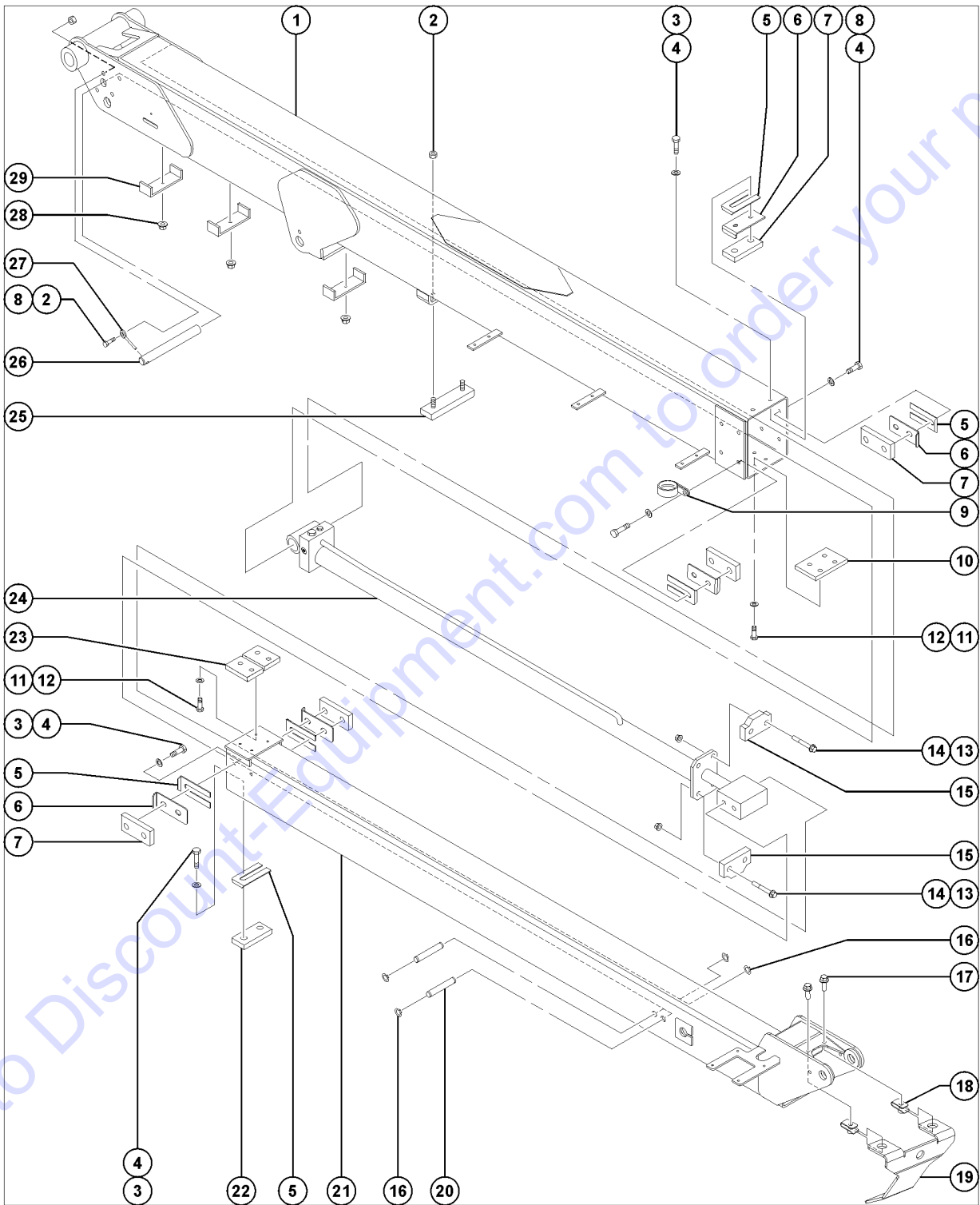
503.1 Upper Pivot



Item	Part No.	Description	Qty.
1	36194GT	PIN,1.50DIAX15.13LG,1HOLE	2
2	40447GT	UPPER MIDPIVOT ASSY,Z34 & Z34N	1
2-	34245GT	BEARING,1.25IDX1.50X1.25L	
3	824029GT	NUT,TL FLG,3/8-16,G,ZAG	3
4	1264315GT	BOLT,HEX TAP,3/8-16X2.25,8,ZAG	1
5	27497GT	CLAMP,RUBBER CUSHIONED-2 5/32	1
6	42939GT	WIRE LOOM,1.88 DIA.	24
6-	28443GT	CABLE TIE,11.5" BLACK	
7	45071GT	BEARING,1.5IDX1.75ODX1.5L	2
8	824219GT	SCREW,PHPM SEMS ET,8-32X1.25,Z	2
9	44133GT	WIRE CABLE,16/4 CON.TPE JKT*	264
10	7056GT	CONN, SQZ, 1/2NPT .38-.50, SM**	1
11	88356-127J5GT	SWITCH,LIMIT,W/6.25"SPRING ARM	1
11-	106433GT	LS SPRING WAND (ZCY91)	
12		Ref. Primary Boom Tube Assembly refer to 504.1	
13	74091GT	PIN,1.25DIAX9.13LG,1HOLE	2
14	824093GT	SCREW,HHF,3/8-16X1.75,8,ZAG	1
15	825019GT	ROD END,.375X3.69,ZAG	5
16	47377GT	BEARING,1.25 ID X 1.5 OD X .75	6
17	94215GT	CYLINDER,PRIMARY LIFT	1
		includes 16	
17-	43937GT	VALVE,CB.CBBC-LHN@3200***	2
17-	94258GT	SEAL KIT, 94215, 94430	1
18	88280GT	BEARING,1.5IDX1.75ODX0.75L	2
19	94216GT	CYLINDER,MASTER	1
		includes 16 and 18	
19-	94259GT	SEAL KIT, 94216	1
20	36198GT	PIN,1.25DIAX8.12LG,1HOLE	1
21	824092GT	SCREW, HHF, 3/8-16 X 1.5, 8, ZAG	4



504.1 Primary and Extension Booms

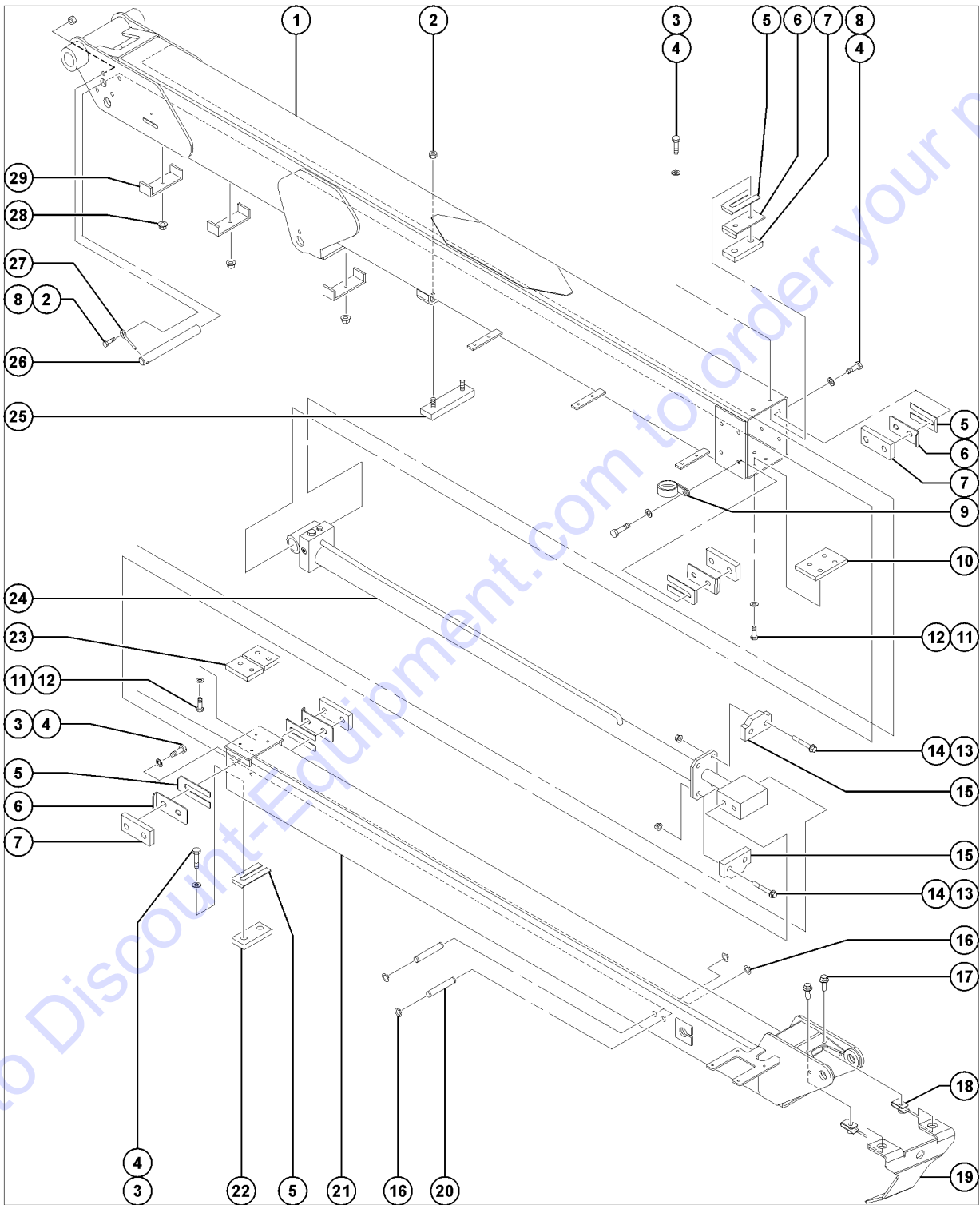


504.1 Primary and Extension Booms

Item	Part No.	Description	Qty.
1	77728GT	PRIMARY BOOM TUBE ASSY Z34IC**	1
1-	45071GT	BEARING,1.5IDX1.75ODX1.5L	2
2	824038GT	NUT, TL JAM, 3/8-16, A, ZAG	3
3	826791GT	SCREW,HHC,3/8-16X.875,8,ZAG	
4	824110GT	WASHER,LOCK,3/8,ZAG to SN Z34NF-15003	16
4B	826793GT	WASHER,FLAT,3/8,SAE,HRD,ZAG from SN Z34NF-15004	16
5	42502GT	SHIM,SIDE PAD 22GA. (quantity as needed)	
5-	29080GT	SHIM,WEAR PAD,5X 1.5 16GA	
6	38620GT	SHIM,WEAR PAD,5 X 1.5,14GA from SN Z34NF-15004 (quantity as needed)	
7	1262353GT	WEAR PAD, 5 X 1.5 X .72 W/NUTS	5
8	824067GT	SCREW,HHC,3/8-16X1,8,ZAG	
9	27497GT	CLAMP,RUBBER CUSHIONED-2 5/32	1
10	1262354GT	WEAR PAD, 4 X 4 X .72 W/NUTS	1
11	1262432GT	SCREW,HHC,1/4-20X.875,8,ZAG	8
12	824109GT	WASHER,LOCK,1/4,ZAG to SN Z34NF-15003	8
12B	824113GT	WASHER,FLAT,USS,1/4,ZAG from SN Z34NF-15004	8
13	824082GT	SCREW,HHF,1/4-20X1.75,8,ZAG	4
14	824029GT	NUT,TL FLG,3/8-16,G,ZAG	5
15	74066GT	WEAR PAD,EXT CYL ***	2
16	824163GT	SNAP RING,EXTERNAL,3/4,ZAG	4
17	824079GT	SCREW,HHF,1/4-20X1,8,ZAG	2
18	56912GT	SPRING CLIP,1/4-20,.025-.15X.54,ZAG	2
19	147079GT	BRACKET, HOSE ROUTING	1
19-	56361GT	CABLE TIE,BUTTON,BLACK,14.75LG	
20	36192GT	PIN,0.75DIAX5.51LG,2RING	2
21	147638GT	ASSY, EXT BOOM, Z34	1
21-	35675GT	BEARING,FL,1.25IDX1.5ODX1.25L	2
22	1262355GT	WEAR PAD, 4 X 2 X .45 W/NUTS to SN Z34NF-15003	1



504.1 Primary and Extension Booms



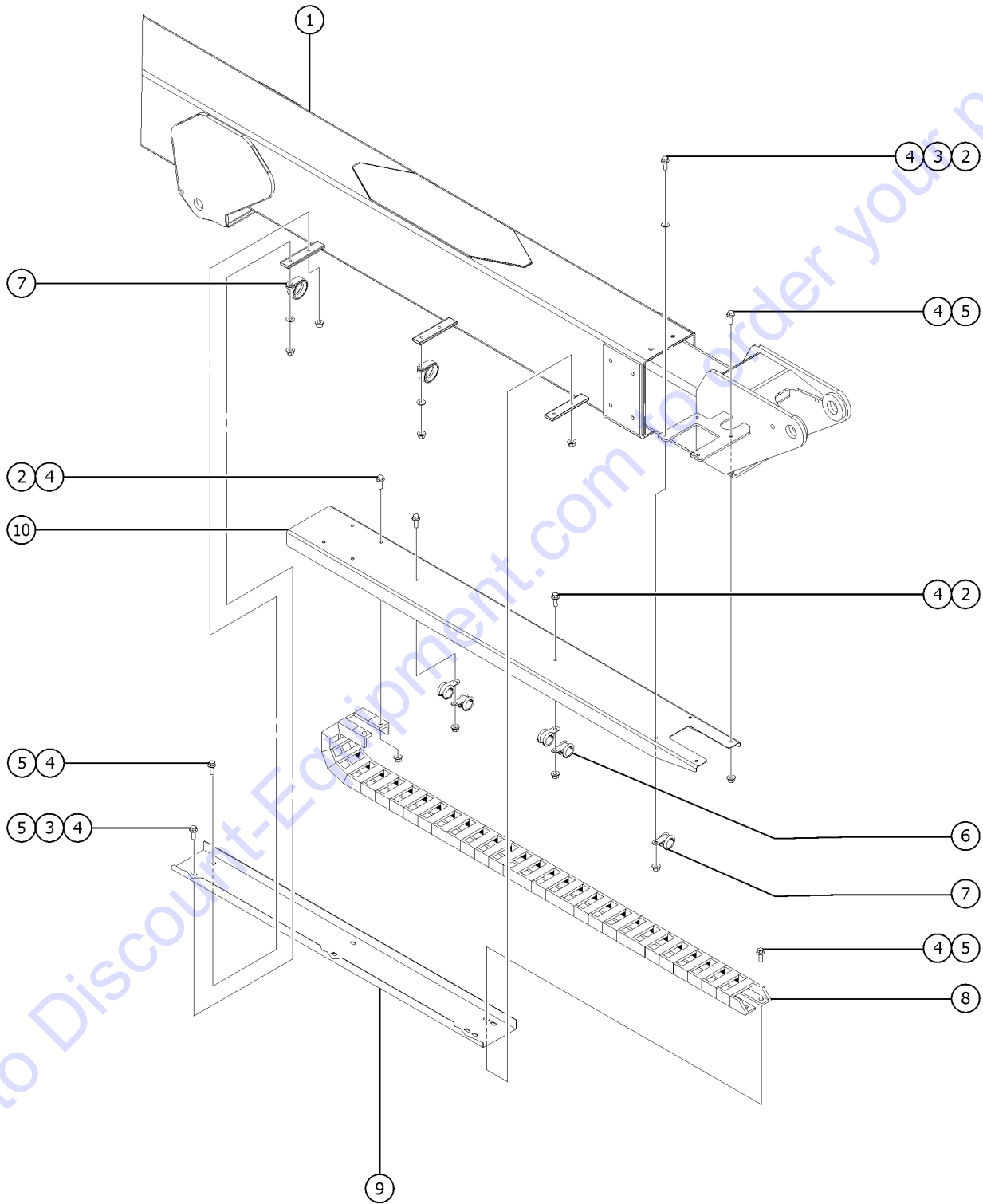
504.1 Primary and Extension Booms

Item	Part No.	Description	Qty.
22B	1262353GT	WEAR PAD, 5 X 1.5 X .72 W/NUTS from SN Z34NF-15004	1
23	45745GT	WEAR PAD,4 X 2 X.50 THK.BLACK to SN Z34NF-15003	2
23B	1262355GT	WEAR PAD, 4 X 2 X .45 W/NUTS from SN Z34NF-15004	2
24	94212GT	CYLINDER,EXTENSION	1
24-	36648GT	VALVE,COUNTERBALANCE 2500 PSI* top	
24-	74508GT	VALVE,CHECK,COBA-X*N 200PSI PO bottom	
24-	74509GT	VALVE,CHECK,CXAD-XCN,30PSI side	
24-	94255GT	SEAL KIT,94212	
25	56849GT	PAD,REST,1"THICK,W/STUDS*	1
25B	56934GT	PAD,REST,1"THICK,FLANGED CE models	
26	101557GT	PIN,1.00DIA X9.01LG,THREADED	1
27	825019GT	ROD END,.375X3.69,ZAG	1
28	824029GT	NUT,TL FLG,3/8-16,G,ZAG to SN 14180	3
28B	1274322GT	NUT,NYLOCK FLG,3/8-16,F,ZAG from SN 14181	
29	54530GT	CLAMP,HOSE,ALUMINUM	4

Go to Discount-Equipment.com to order your parts



505.1 Cable Track



Go to Discount-Equipment.com to order your parts

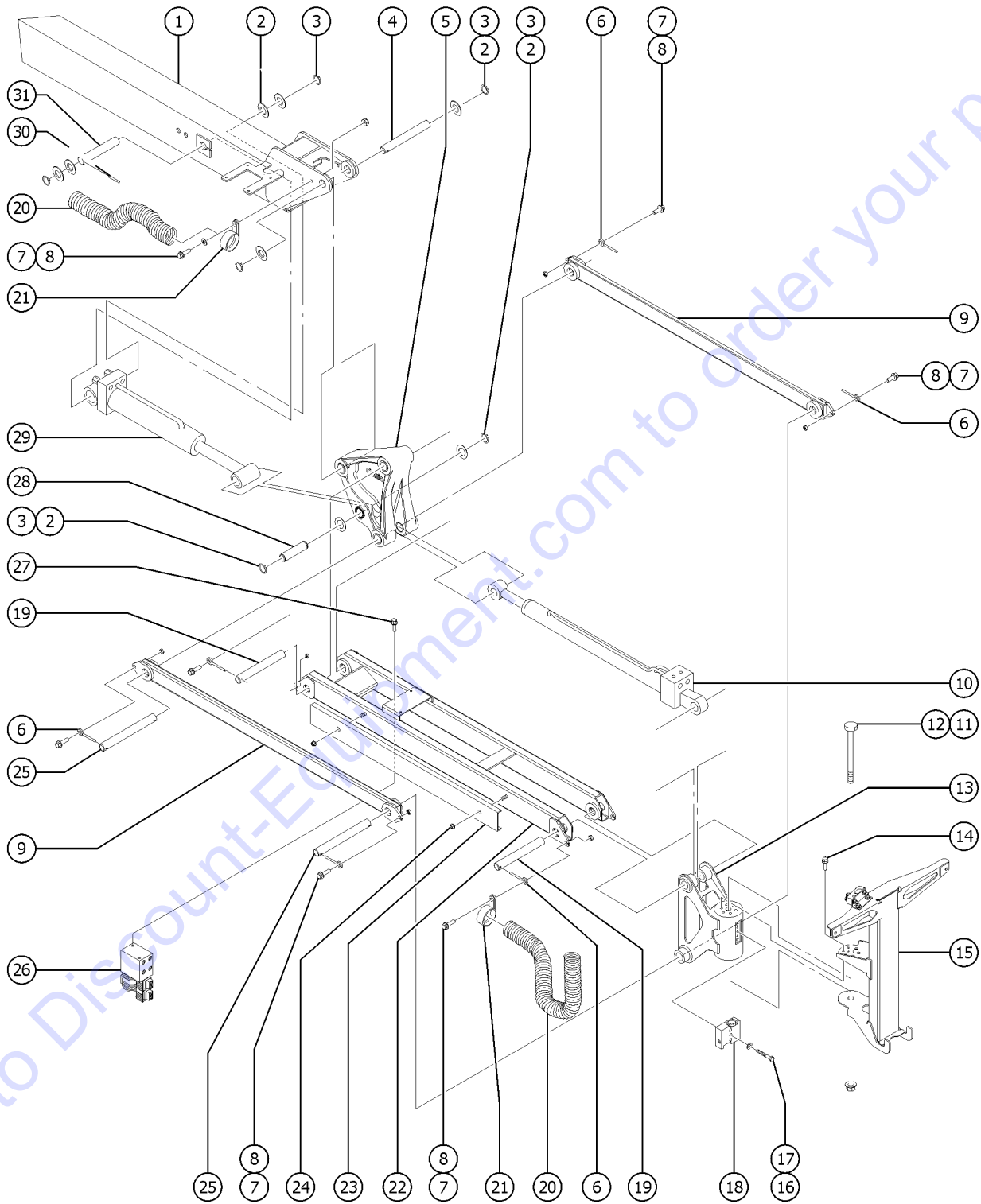
505.1 Cable Track

Item	Part No.	Description	Qty.
1		Ref. Primary and Extension Booms refer to 504.1	
2	824079GT	SCREW,HHF,1/4-20X1,8,ZAG	6
3	824113GT	WASHER,FLAT,USS,1/4,ZAG	3
4	824027GT	NUT,TL FLG,1/4-20,G,ZAG	14
5	824078GT	SCREW,HHF,1/4-20X.75,8,ZAG	8
6	6833GT	CLAMP,0.50,#8 X 1/4,RUB CUSH	4
7	27497GT	CLAMP,RUBBER CUSHIONED-2 5/32	3
8	139537GT	CABLE TRACK,NYLATRAC,26 LINK	1
8-	139540GT	REPAIR LINK,NYLATRAC,7 LINKS	
8-	139541GT	BRACKET SET,NYLATRAC,KS400	
8-	139542GT	LINK,NYLATRAC,KS400	
9	56983PGT	CHANNEL,LWR TRAY PLASTIC TK **	1
9-	27258GT	TRIM,RUBBER EDGE,5/8 (BY INCH)	
10	74119PGT	CHANNEL, CABLE TRACK, UPPER	1

Go to Discount-Equipment.com to order your parts



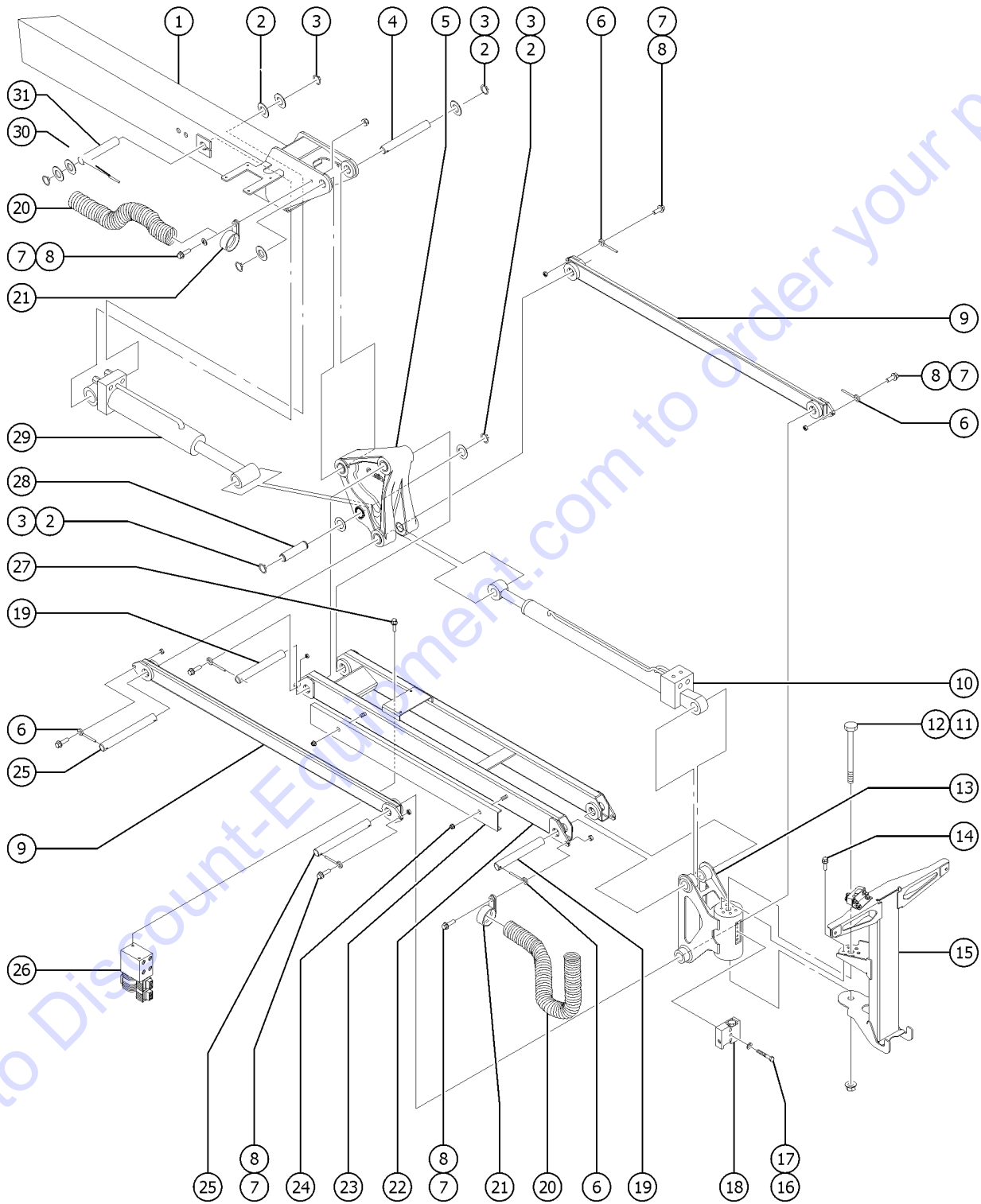
506.1 Jib Boom and Platform Rotator



Item	Part No.	Description	Qty.
1		Ref. EXTENSION BOOM refer to 504.1	
2	824151GT	WASHER,SHIM,1.270X2.130X.062,Z	8
3	824164GT	SNAP RING,EXTERNAL,1.25,ZAG	6
4	128550GT	PIN,1.25DIA X 7.64LG,2RING	1
5	74587GT	BELLCRANK ASSEMBLY, Z30N,Z34**	1
5-	74865GT	BEARING,FL,1.25IDX1.50ODX1.25L	6
5-	74866GT	BEARING,1.25IDX1.50ODX1.25L	2
6	825019GT	ROD END,.375X3.69,ZAG	6
7	824092GT	SCREW, HHF, 3/8-16 X 1.5, 8, ZAG	7
8	824025GT	NUT,TL,3/8-16,C,ZAG	6
9	36054-SGT	COMPRESSION MEMBER (BORED)***	2
10	94218GT	CYLINDER,JIB	1
10-	94261GT	SEAL KIT,94218	
10-	31106GT	VALVE,CNTERBAL,CBBB-LHN@3000** for 94218	
10-	47377GT	BEARING,1.25 ID X 1.5 OD X .75	
11	1273205GT	SCREW,HHC,3/4-10X9.5,8,ZAG	1
12A	1256863GT	WASHER,FLAT,.75,SAE,HRD,ZAG	1
12B	1257458GT	NUT,TL,3/4-10,C,ZAG	1
13	233717GT	ROTATOR,PLAT,Z30/34/Z40	1
13-	233745GT	SEAL AND BRG KIT,4.5K ROTATOR	
13-	30222GT	BEARING,FL,1.25IDX1.41ODX1.50L	
14A	1256109GT	SCREW,HHC,3/8-16X.75,8,ZAG	6
14B	826793GT	WASHER,FLAT,3/8,SAE,HRD,ZAG	6
15	56500-SGT	WELDMENT,PLATFORM SUPPORT***	1
16	824062GT	SCREW, HHC, 1/4-20 X 1.5, 8, ZAG	3
17	824109GT	WASHER,LOCK,1/4,ZAG	3
18		Ref. Platform Rotator Manifold refer to 702.1	
19	36199GT	PIN,1.25DIA.X10.38LG,1HOLE	2



506.1 Jib Boom and Platform Rotator



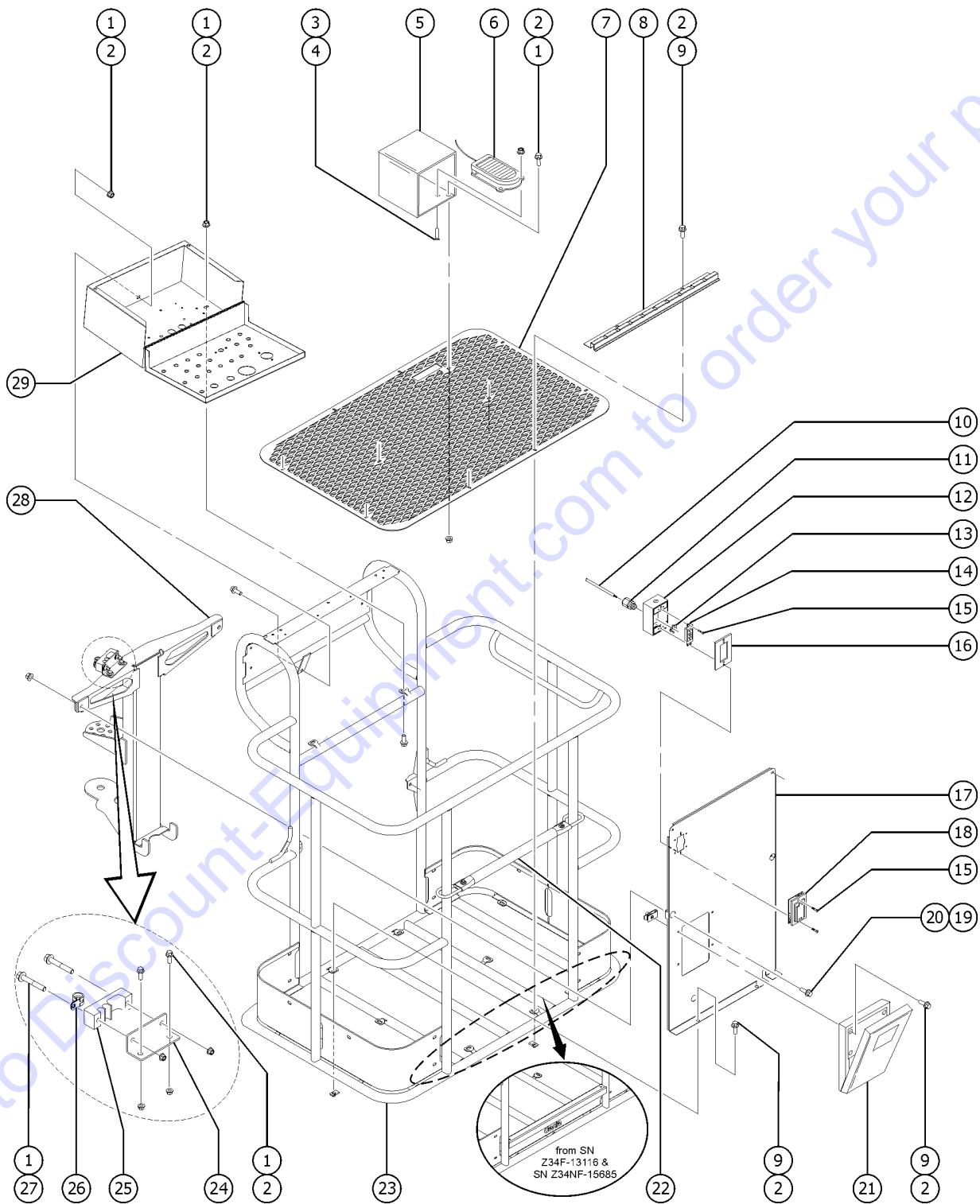
506.1 Jib Boom and Platform Rotator

Item	Part No.	Description	Qty.
20	42939GT	WIRE LOOM,1.88 DIA.	41
21	27497GT	CLAMP,RUBBER CUSHIONED-2 5/32	2
22	56976-SGT	JIB BOOM MACH***	1
23	36561-SGT	HOSE COVER,JIB BOOM**	1
24	824029GT	NUT,TL FLG,3/8-16,G,ZAG	2
25	42797GT	PIN,1.25DIAX12.50LG,2HOLE	2
26		Ref. Jib Boom Manifold refer to 702.1	
27	824077GT	SCREW, HHF, 1/4-20 X .5, 8, ZAG	2
28	139655GT	PIN,SLAVE CYLINDER	1
29	94217GT	CYLINDER,SLAVE,DONGYANG	1
29-	94260GT	SEAL KIT, 94217	
29-	74735GT	VALVE,COUNTERBALANCE	2
29-	47377GT	BEARING,1.25 ID X 1.5 OD X .75 barrel end	2
29-	35088GT	BEARING,FL,1.25IDX1.41ODX.89L rod end	2
30	10665GT	PIN,ROLL,.25 X 1.5***	1
31	50546GT	PIN,1.25DIAX6.36LG,2RING	1

Go to Discount-Equipment.com to order your parts



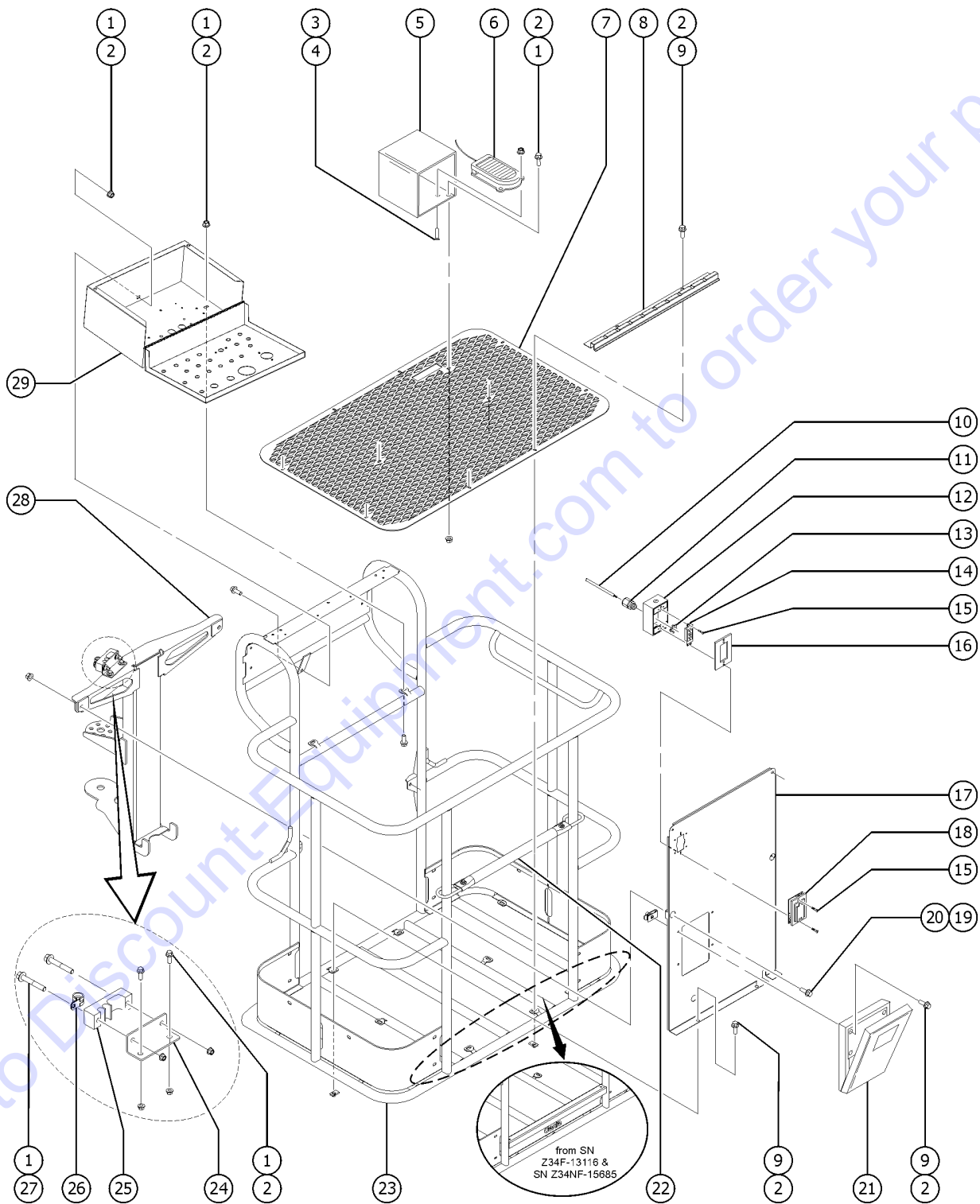
601.1 Platform



Item	Part No.	Description	Qty.
1	824027GT	NUT,TL FLG,1/4-20,G,ZAG	12
2	824078GT	SCREW,HHF,1/4-20X.75,8,ZAG	20
3	824225GT	SCREW,FHPM,10-32X.75,ZAG	4
4	824032GT	NUT,TL FLG,10-32,F,ZAG	4
5	32710GT	GUARD,FOOTSWITCH,W/DECAL STEEL	1
5-	30807P-SGT	FOOTSWITCH HOUSING,PAINTED without decal	1
6	227620GT	ASSEMBLY,FOOT SWITCH	1
6-	119058GT	CONN PLUG 4 WAY ENDCAP DT	1
6-	227564GT	FOOT SWITCH,20A IP65	1
6-	33576GT	CONN,SQZ,1/2NPT,170-.450 gray	1
6-	73739GT	BOOT,PLUG 4 WAY	1
6-	43960GT	WIRE CABLE,16/4 CON.TPE JKT	60
7	56465PGT	FLOORING,PLATFORM 46X30,PAINT	1
7B	56576PGT	FLOORING,PLATFORM,56X30,PNTD	1
8	56656GT	PLATFORM STEP *** (to SN Z34F-13115 and Z34NF-15684)	1
9	56912GT	SPRING CLIP,1/4-20,.025-.15X.54,ZAG	10
10	43956GT	WIRE CABLE,14/3 CON.TPE JKT*	600
11	7056GT	CONN, SQZ, 1/2NPT .38-.50, SM**	1
12	10775GT	T-BOX,2.75 X 4.5 X 2.0	1
13	6935GT	LOCKNUT,ELEC,1/2"	1
14	13585GT	OUTLET, 110V includes mounting fasteners; North America (shown)	1
14B	T112563GT	SVC KIT,UK RECEPT.REPLACEMENT British (not shown)	1
14B-	T112560GT	RECEPTACLE,UK,110V	1
14B-	T112561GT	PLATE,UK,POWER TO PLAT	1
14B-	66355GT	GASKET, UK & DIN PWR. TO PLAT	1
14B-	33759GT	SCREW,PHILLIPS,PHM,8-32 X.375	4
15	824214GT	SCREW,PHPM,6-32X.5,ZAG	4
16	74052GT	GASKET,COVER,GFCI,WEATHERPROOF	1



601.1 Platform



Item	Part No.	Description	Qty.
17	101980GT	DECAL PLATE ASSY,W/SYM DECALS Z34N/DC/BE symbol decals; ANSI/CE models	1
17B	231205GT	ASSY,DECAL PLATE, Z34DC AUS Z34N/DC word decals; ANSI/AUS models	1
17C	231206GT	ASSY,DECAL PLATE, Z34BE AUS Z34BE word decals; ANSI/AUS models	1
18	45437GT	COVER,GFCI,WEATHERPROOF includes mounting fasteners; North America (shown)	1
18B	10777GT	COVER,BLANK	
19	824087GT	SCREW,HHF,5/16-18X1.25,8,ZAG	2
20	824028GT	NUT,TL FLG,5/16-18,G,ZAG	2
21	44743GT	MANUAL BOX W/DECALS*** USA/Canada/Australia	1
21B	24514GT	BOX,INSTRUCTION STORAGE Europe/Asia/South America (decals required; refer to Section100)	
22	102992GT	SLIDING MIDRAIL KIT,PTD	1
22-	12443GT	MIDRAIL GUIDE (HOOK)	
22-	20973GT	WIRE LOOM,3/8 POLY SLIT	
22-	21121GT	CABLE TIE, 4" BLK, HEAT RESISTANT	
23	62514GT	PLAT.W/DECAL4'Z30N/34ALL,ANSI* ANSI/CSA models	1
23B	62518GT	PLAT.ASSY.W/DECAL 5'Z34,ANSI* ANSI/CSA models	1
23C	106546GT	4' PLAT RAILING ASSY,AUST AUS models	1
23D	106549GT	5' PLAT RAILING ASSY,AUST AUS models	1
23E	106547GT	4' PLAT RAILING ASSY,CE CE models	1
23F	106550GT	5' PLAT RAILING ASSY,CE CE models	1
23G	94745PGT	TOEBOARD,ENTRY EUROPEAN PNTD** CE, Asia and S. American models, (to SN Z34F-13115 and Z34NF-15684)	1
23H	106548GT	4' PLAT RAILING ASSY,ASIA Asia and S. American models	1
23I	106551GT	5' PLAT RAILING ASSY, ASIA Asia and S. American models	1
23J	106633GT	WELDMENT,PLATFORM 46X30	1
23K		Ref. WELDMENT SWING GATE refer to 601.2	1
24	128667GT	BRACKET, CABLE STRAIN RELIEF	1
25	128668GT	CLAMP,CABLE STRAIN RELIEF	1
26	128669GT	BACKING PLATE, PLATFORM CLAMP	1
27	824081GT	SCREW, HHF, 1/4-20 X 1.5, 8, ZAG	2

PARTS FINDER

**Search Website
by Part Number**



**Search Manual
Library For Parts
Manual & Lookup Part
Numbers – Purchase
or Request Quote**

Search Manuals

Enter your information to help us find the right parts manual for your machine.

* Brand:

* Model:

* Serial:

* Part Number:

SEARCH

**Can't Find Part or
Manual? Request Help
by Manufacturer,
Model & Description**

Parts Order Form

Please fill in the following information to help us find the right part for your machine.

Manufacturer:	<input type="text"/>
Model:	<input type="text"/>
Description:	<input type="text"/>
Part Number:	<input type="text"/>
Quantity:	<input type="text"/>
Notes:	<input type="text"/>

Submit

Discount-Equipment.com is your online resource for quality parts & equipment.

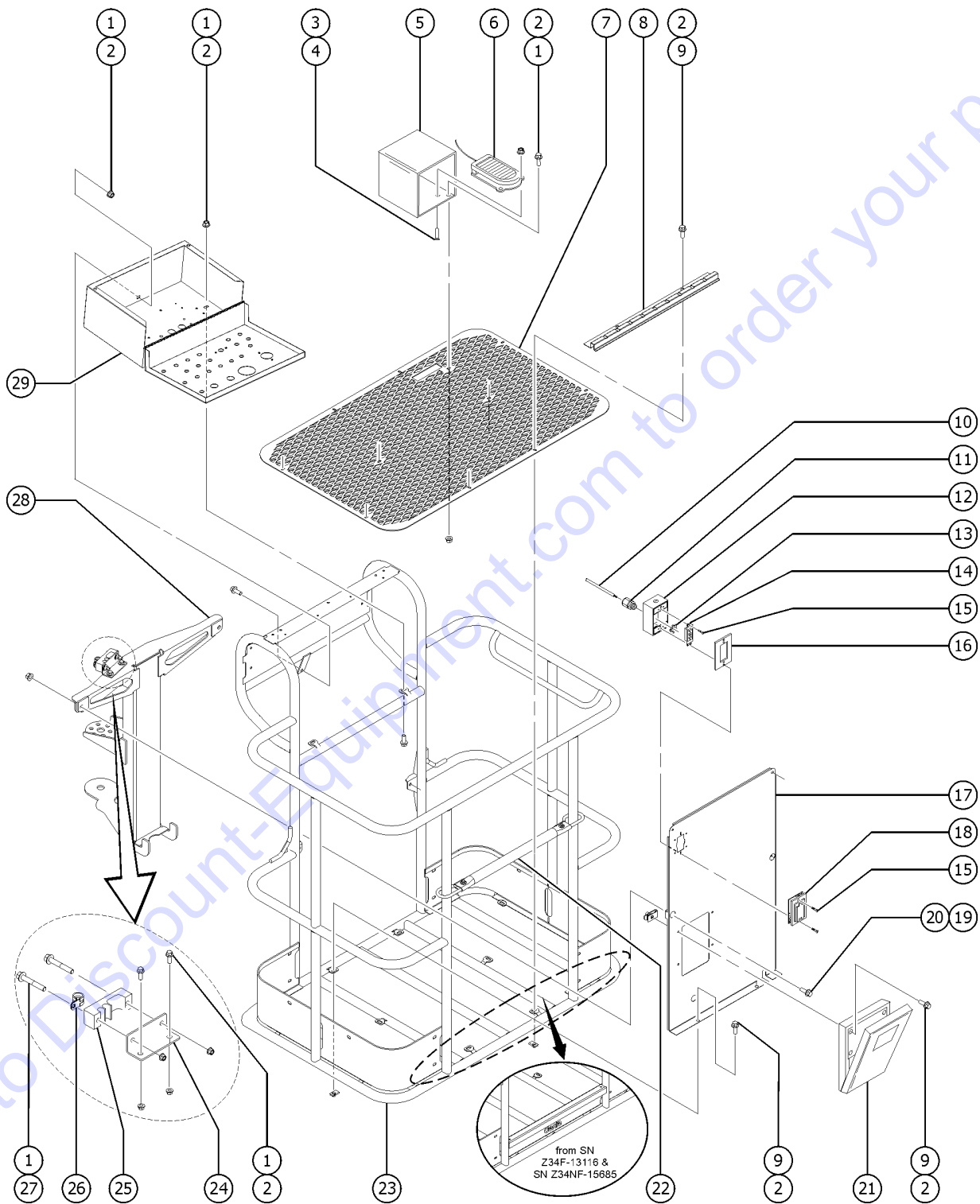
Florida: **561-964-4949** Outside Florida TOLL FREE: **877-690-3101**

Need parts?

Click on this link: <http://www.discount-equipment.com/category/5443-parts/> and choose one of the options to help get the right parts and equipment you are looking for. Please have the machine model and serial number available in order to help us get you the correct parts. If you don't find the part on the website or on one of the online manuals, please fill out the request form and one of our experienced staff members will get back to you with a quote for the right part that your machine needs.

We sell worldwide for the brands: Genie, Terex, JLG, MultiQuip, Mikasa, Essick, Whiteman, Mayco, Toro Stone, Diamond Products, Generac Magnum, Airman, Haulotte, Barreto, Power Blanket, Nifty Lift, Atlas Copco, Chicago Pneumatic, Allmand, Miller Curber, Skyjack, Lull, Skytrak, Tsurumi, Husquvarna Target, Stow, Wacker, Sakai, Mi-T-M, Sullair, Basic, Dynapac, MBW, Weber, Bartell, Bennar Newman, Haulotte, Ditch Runner, Menegotti, Morrison, Contec, Buddy, Crown, Edco, Wyco, Bomag, Laymor, EZ Trench, Bil-Jax, F.S. Curtis, Gehl Pavers, Heli, Honda, ICS/PowerGrit, IHI, Partner, Imer, Clipper, MMD, Koshin, Rice, CH&E, General Equipment, Amida, Coleman, NAC, Gradall, Square Shooter, Kent, Stanley, Tamco, Toku, Hatz, Kohler, Robin, Wisconsin, Northrock, Oztec, Toker TK, Rol-Air, APT, Wylie, Ingersoll Rand / Doosan, Innovatech, Con X, Ammann, Mecalac, Makinex, Smith Surface Prep, Small Line, Wanco, Yanmar

601.1 Platform



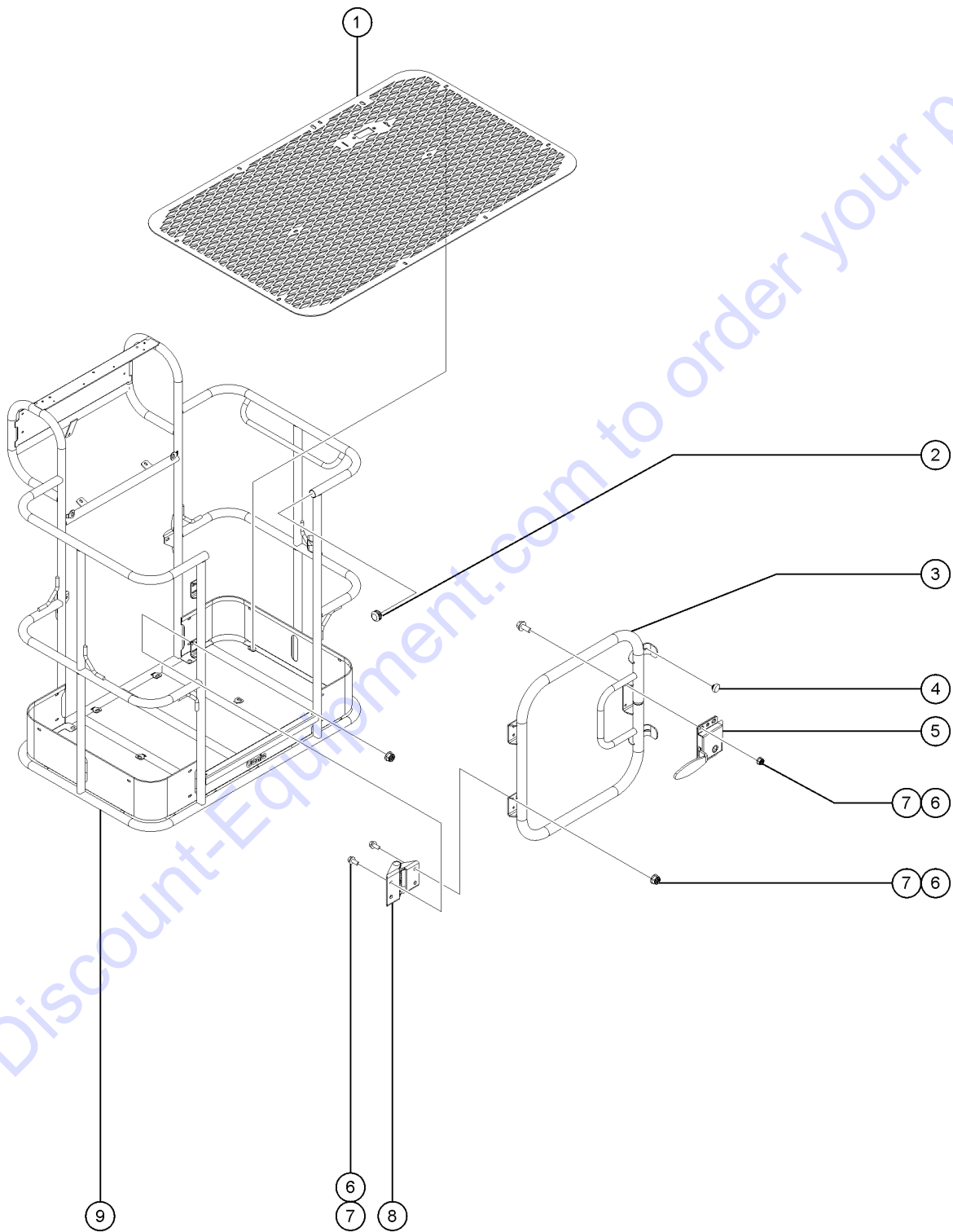
601.1 Platform

<i>Item</i>	<i>Part No.</i>	<i>Description</i>	<i>Qty.</i>
28	56500-SGT	WELDMENT,PLATFORM SUPPORT*** (to SN Z34F-13999 and Z34NF-16999)	1
28B		Ref. Platform Support, Load Sense Option refer to 812.1	1
29		Ref. Platform Control Box refer to 602.1 and 603.1	1

Go to Discount-Equipment.com to order your parts



601.2 Platform with Swing Gate (from SN Z34F-13116 and SN Z34NF-15685)



Go to Discount-Equipment.com to order your parts

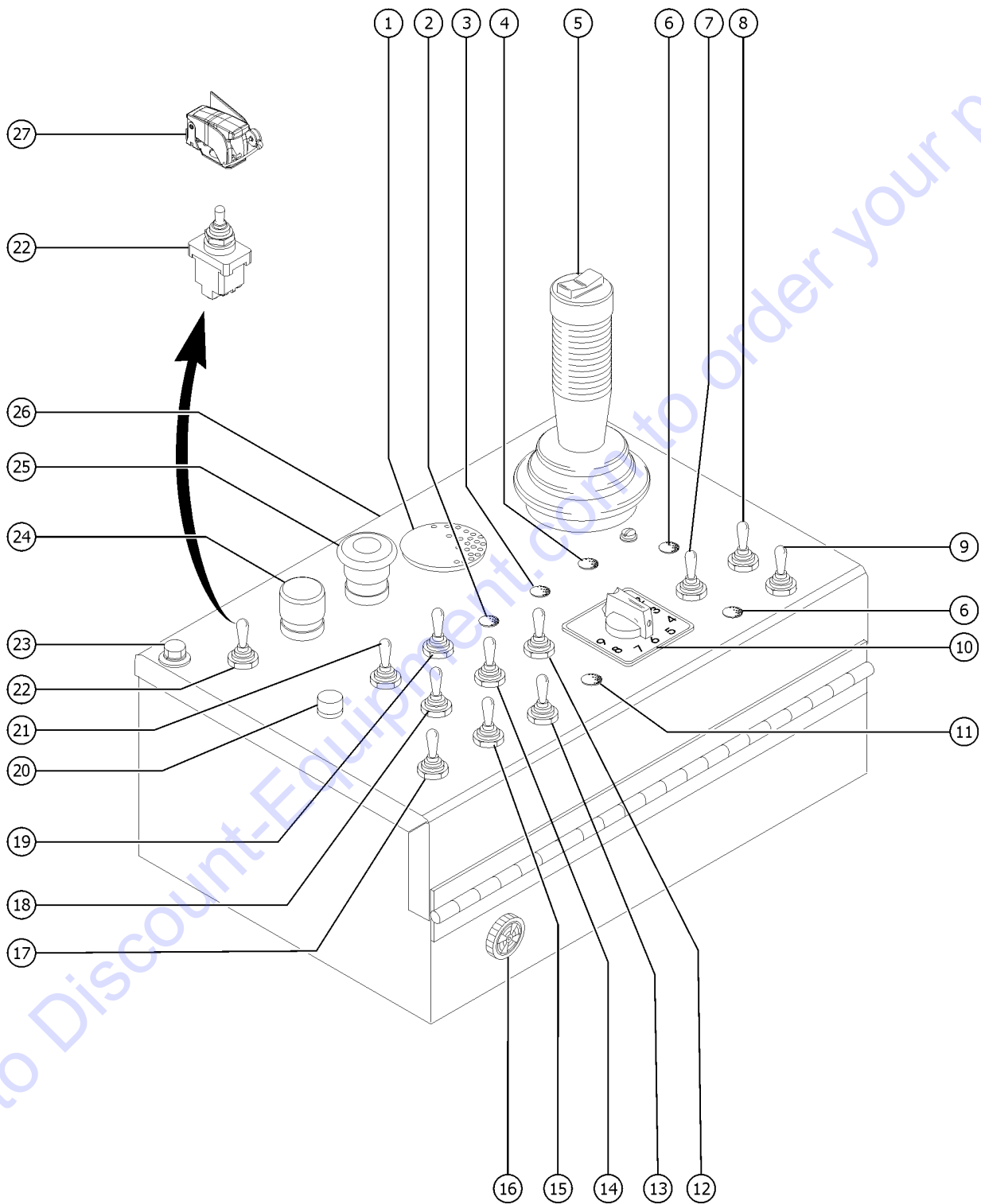
601.2 Platform with Swing Gate (from SN Z34F-13116 and SN 734NF-15685)

Item	Part No.	Description	Qty.
-	1276941GT	ASSY,4' PLAT WELDMENT W/SWING GATE (4 feet platform)	1
-	1276940GT	ASSY,5' PLAT WELDMENT W/SWING GATE (5 feet platform)	1
1	56465GT	FLOORING,PLATFORM 46X30*** (4 feet platform)	1
1B	56576GT	FLOORING,PLATFORM,56X30 (5 feet platform)	1
2	55753GT	BUMPER, PLASTIC, 1.25 O.D.	2
3	1276939GT	WELDMENT, SWING GATE, 4' & 5' PLAT	1
4	43392GT	BUMPER,BATTERY BOX & RAILS	2
5	1267747GT	LATCH, SWING GATE	1
6	1277924GT	NUT,NYLOCK FLG,1/4-20,F,ZAG	12
7	1256855GT	SCREW,HHF,1/4-20X.625,8,ZAG	12
8	104804GT	HINGE, SPRING, LONG LEG	2
9	1276938GT	WELDMENT, PLATFORM, SWING GATE, 4FT (4 feet platform)	1
9B	1276937GT	WELDMENT, PLATFORM, SWING GATE, 5FT (5 feet platform)	1

Go to Discount-Equipment.com to order your parts



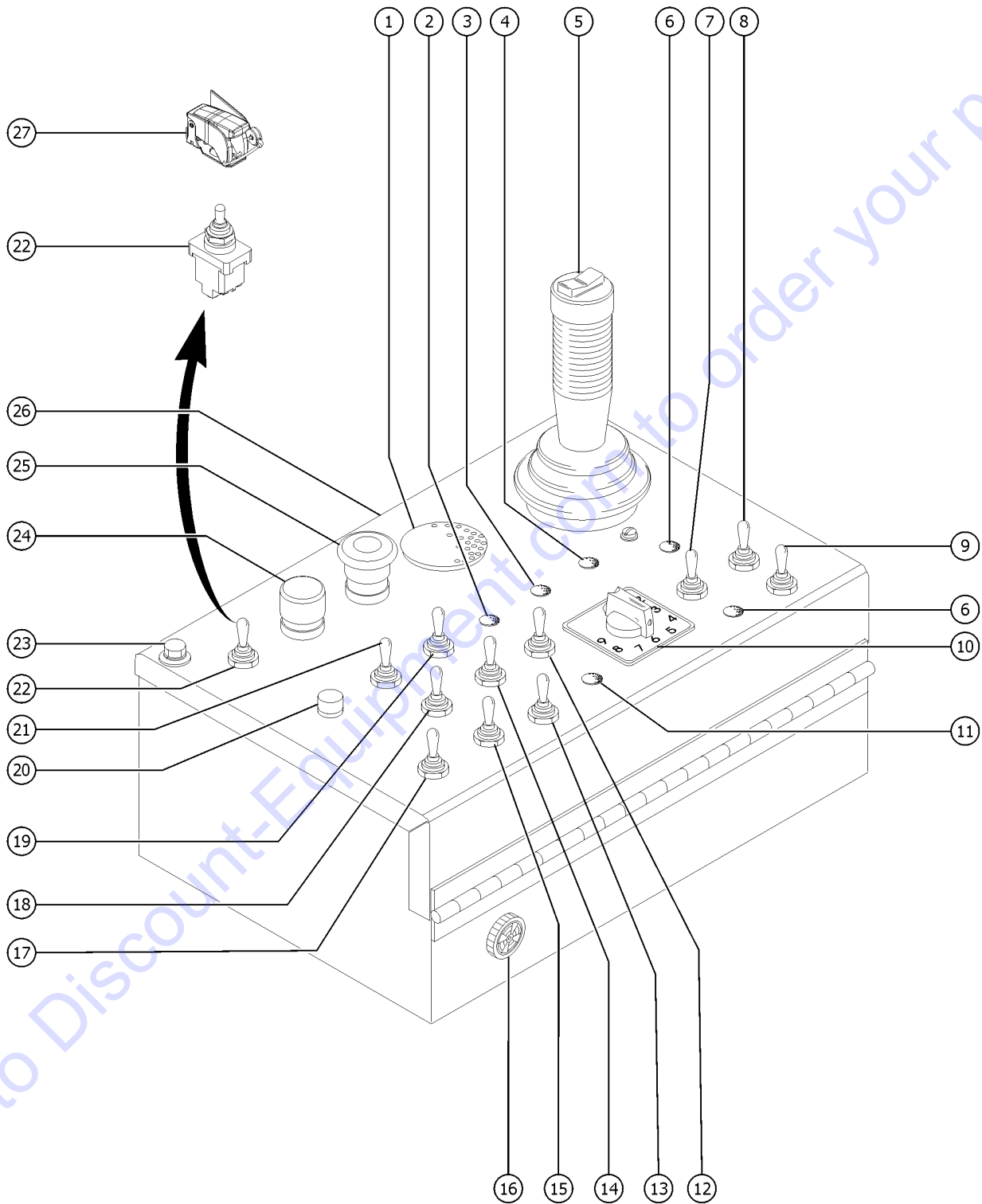
602.1 Platform Control Box, External View



Item	Part No.	Description	Qty.
A-	42781GT	PLUG, NYLON .250 BLACK DOMED	
B-	15243GT	PLUG,NYLON .875 BLACK DOMED	
C-	45782GT	DIODE,6 AMP,200 PIV,BULK	
D	128204GT	SWITCH TOGGLE ASSY SPDT 2P MNT	
		option, work lights	
1A	81900GT	PLUG,NYLON 2.093 BLACK DOMED	
1B	110651GT	LVI/BCI 36/48 VOLT ENGAGE II	
		option, battery charge or low voltage indicator	
1B-	110652GT	GASKET LVI/BCI ENGAGE II	
1B-	110653GT	BRACKET ENGAGE II	
1C	237145GT	IND,BAT CHARGE,48V LEAD-ACID	
		option, battery charger indicator	
2	128200GT	SWITCH TOGGLE ASSY SPDT 3P MOM	
		option, aircraft protection function override	
3	824878GT	LIGHT,LED IND. RED 24V NH	
		option, machine not level indicator	
4	824878GT	LIGHT,LED IND. RED 24V NH	
		option, platform overload indicator	
5		Ref. JOYSTICK	1
		refer to 604.1	
6	229567GT	PLUG, SANTOPRENE .5 BLACK DOME	
7A	128584-SGT	SWITCH TOGGLE SPDT 2P MNT SHDR	
		Z34N/DC option, platform light	
7B	128580-SGT	SWITCH TOGGLE SPDT 3P MOM SHDR	
		bi-energy engine start	
8	128580-SGT	SWITCH TOGGLE SPDT 3P MOM SHDR	
		option, glow plug	
9	128586-SGT	SWITCH TOGGLE DPDT 3P MNT SHDR	
		Z34BE, engine idle select	
10		Ref. CONTROLLER,ROTARY 24V W/RAMP	1
		refer to 605.1	
11A	128204GT	SWITCH TOGGLE ASSY SPDT 2P MNT	
		option, 110V or 120V inverter	
11B	56457-SGT	SWITCH,TOGGLE,SPDT,2 POS MAINT	
		option, 220V inverter	
12	128582-SGT	SWITCH TOGGLE DPDT 3P MOM SHDR	
		jib boom up/down	
13A	128582-SGT	SWITCH TOGGLE DPDT 3P MOM SHDR	
		secondary boom up/down	
13B	45105GT	GUARD,TOGGLE SWITCH	
		not shown	
14	128582-SGT	SWITCH TOGGLE DPDT 3P MOM SHDR	
		primary boom up/down	
15	128582-SGT	SWITCH TOGGLE DPDT 3P MOM SHDR	
		turntable rotate	
16A	45383GT	ALARM,WARBLE TONE 5-30 VDC***	1
		plastic nut not included	
16B	72326GT	NUT - PLASTIC, RING FOR ALARMS	



602.1 Platform Control Box, External View

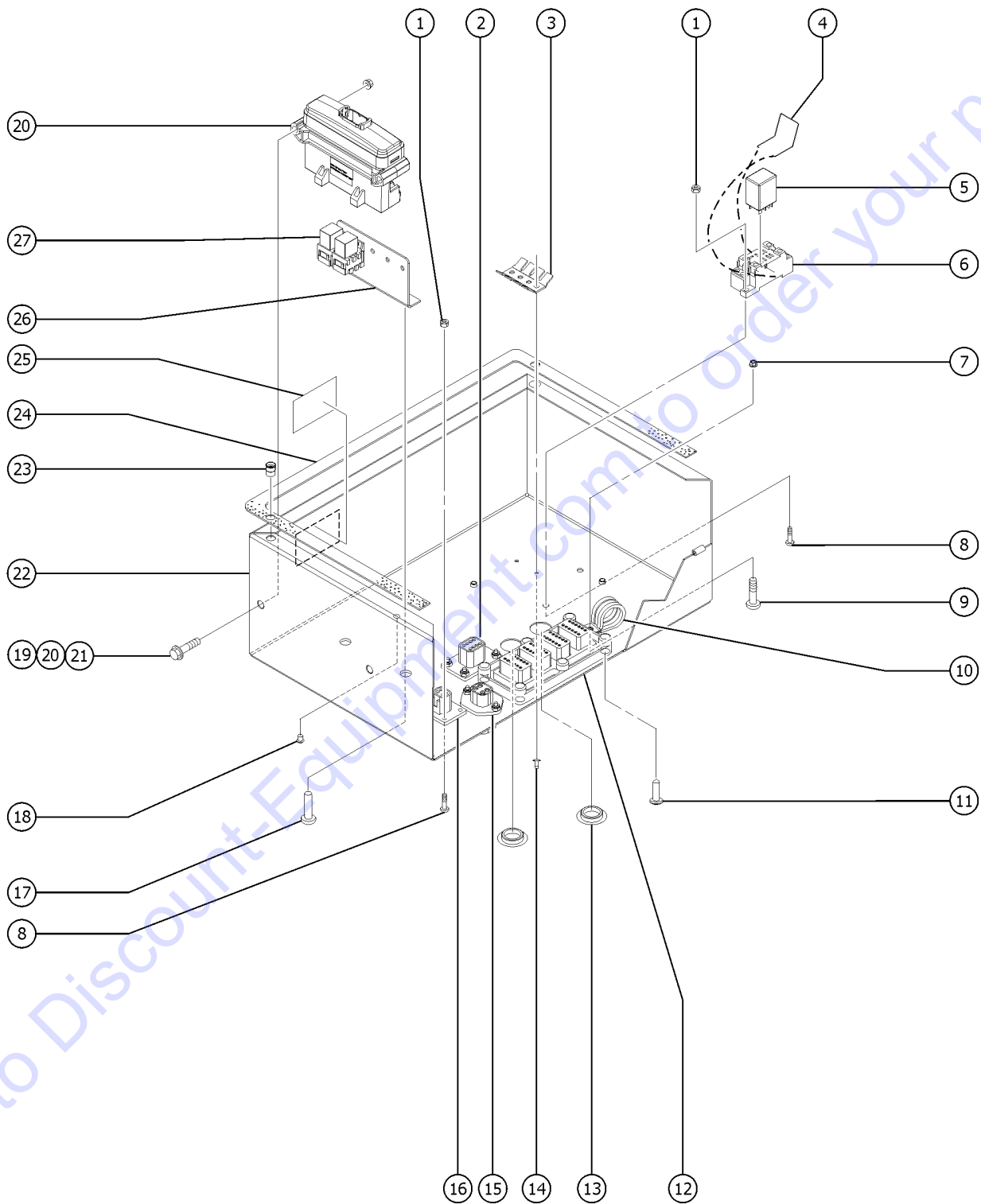


602.1 Platform Control Box, External View

Item	Part No.	Description	Qty.
17	128580-SGT	SWITCH TOGGLE SPDT 3P MOM SHDR drive enable switch	
18	128582-SGT	SWITCH TOGGLE DPDT 3P MOM SHDR platform rotate	
19	128582-SGT	SWITCH TOGGLE DPDT 3P MOM SHDR primary boom extend/retract	
20	824878GT	LIGHT,LED IND. RED 24V NH drive enable indicator	
21	128582-SGT	SWITCH TOGGLE DPDT 3P MOM SHDR platform level	
22	128581-SGT	SWITCH TOGGLE DPDT 2P MOM SHDR auxiliary power	1
23	824077GT	SCREW, HHF, 1/4-20 X .5, 8, ZAG	2
24	122513GT	KIT,HORN SVC BB&SM BOOM	1
24-	66813GT	BUTTON,PUSH,BLACK W/SEAL***	1
24-	66815GT	BASE, W/1 N.O. CONTACTS***	1
25A	66816GT	CONTACT,N.O	
25A-	66812GT	BUTTON,PUSH,RED MUSHROOM HEAD	1
25B-	146478GT	BOOT(BELLOWS),E-STOP,BLACK	1
25B-	94506GT	BASE,W/3 NC CONTACTS	1
25	66818GT	CONTACT,NC	
26		Ref. CONTROL BOX PLATFORM,PAINTED refer to 603.1	1
27	1261347GT	TOGGLE SWITCH W/GUARD ASSY CE models only	1
27-	1261346GT	TOGGLE SWITCH GUARD, RED	1
27-	1261566GT	SECURITY TIE, TOGGLE GUARD	1



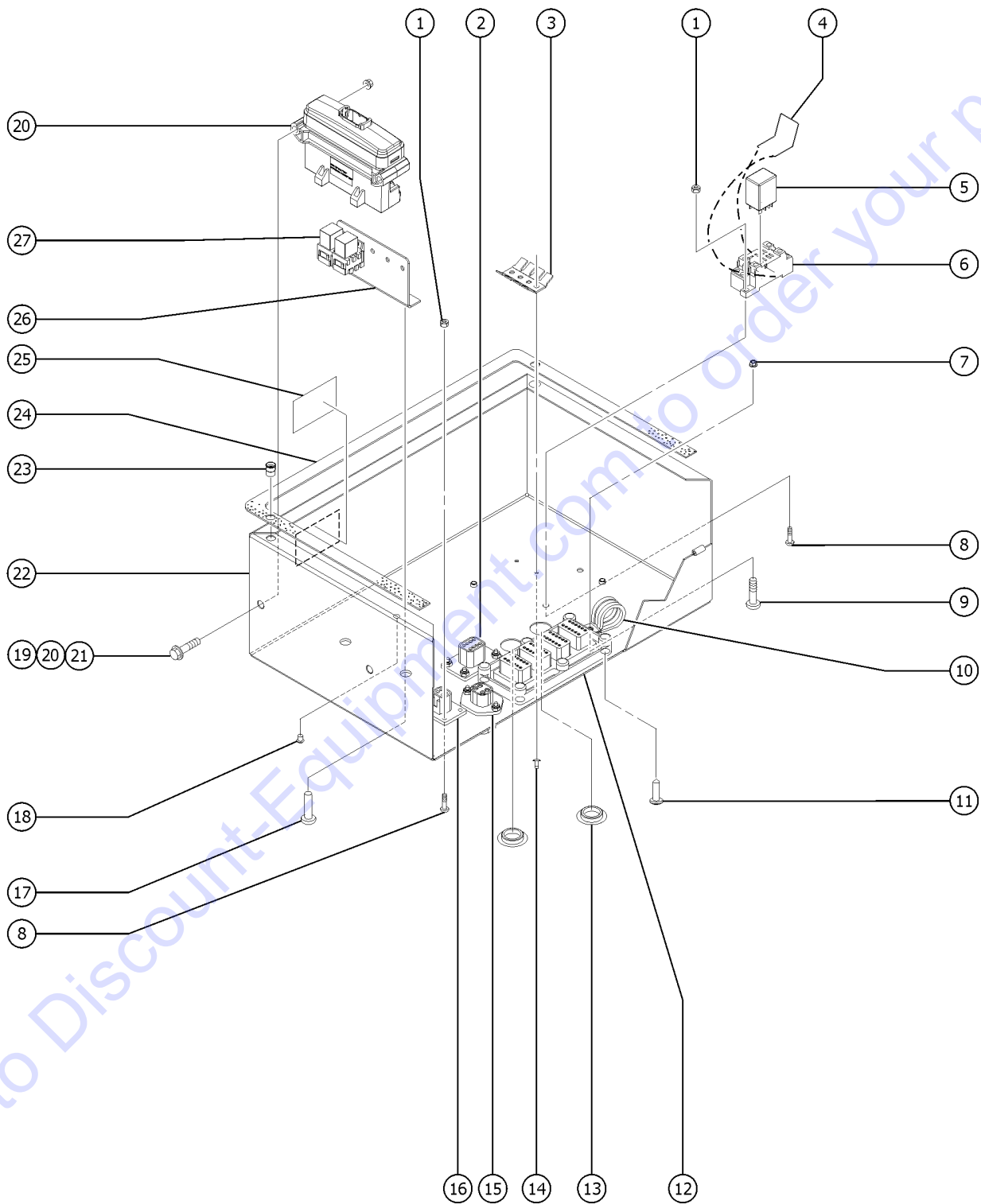
603.1 Platform Control Box, Internal View



Item	Part No.	Description	Qty.
-	147253GT	TIME DELAY RELAY,2 SEC,24VDC	
-	42781GT	PLUG, NYLON .250 BLACK DOMED	2
1	824019GT	NUT,TL,6-32,A,ZAG	
2	87755GT	CONN,RECEP 8 WAY 14-18GA,FL	1
3	56663GT	TERMINAL STRIP	1
4	42617GT	CLIP,SPRING,POTTER BRUMFIELD	1
5	42616GT	RELAY,POTTER BRUMFIELD 24V ** for work light option	1
6	61226GT	RELAY SOCKET,70AMP	1
7	824032GT	NUT,TL FLG,10-32,F,ZAG	
8	824214GT	SCREW,PHPM,6-32X.5,ZAG	
9	54365GT	SCREW,PHIL,PHM,10-32 X .5,SSTL	
10	13268GT	CLAMP,0.75,#12 X 1/4,RUB CUSH	1
11	824226GT	SCREW,PHPSH,#12-11X.75,ZAG	
12	73736GT	CONN,RECEP 48 WAY,4 X 12	1
12-	54255GT	LOCK,RECEP 12 WAY, 14-18GA	
12-	73713GT	TERM,NI PIN,S&F,16-18GA,REEL	
13	15243GT	PLUG,NYLON .875 BLACK DOMED	2
14	824206GT	RIVET,STL,STL,DOME,1/8X.25,ZAG	4
15	73717GT	CONN,RECEP 4 WAY,12-14GA FL***	1
15-	60526GT	LOCK,RECEP 4 WAY,12-14GA	
15-	73711GT	TERM,DEUTSCH, PIN #12-14	
16	73723GT	CONN RECEPT,FLANGED	1
16-	54259GT	TERM,NI PIN, 14-16GA,BULK	
16-	60443GT	LOCK, RECEP 4WAY, 14-18GA	
17	824079GT	SCREW,HHF,1/4-20X1.8,ZAG	
18	42781GT	PLUG, NYLON .250 BLACK DOMED	4
19	824083GT	SCREW,HHF,1/4-20X2.5,8,ZAG	2
20		Ref. MODULE, PLUS+1, OPA2 refer to 813.2 Lift Guard Contact Alarm	



603.1 Platform Control Box, Internal View



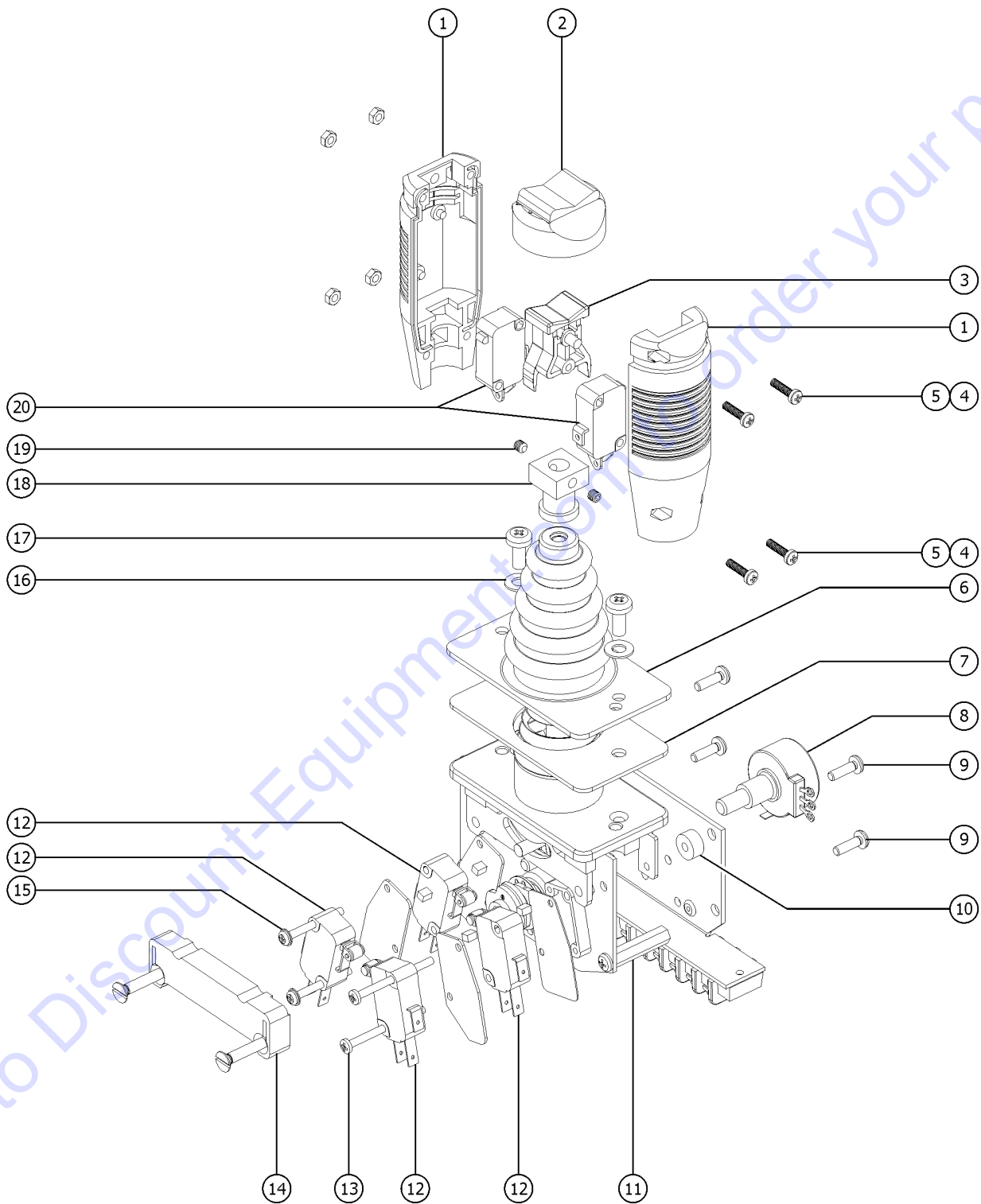
603.1 Platform Control Box, Internal View

Item	Part No.	Description	Qty.
21	1277924GT	NUT,NYLOCK FLG,1/4-20,F,ZAG	2
22	110649GT	PLATFORM CONTROL BOX W/DECAL	1
		Includes items 16, 17 and 18	
23	23404GT	NUTSERT,1/4-20,STEEL CAD PLTD	2
24	36235GT	GASKET,PLAT.CONTROL BOX	1
25	30997GT	CORROSION INHIBITOR,FOAM	1
26	T106699GT	BRACKET,RELAY MOUNT W/INSERTS	1
		includes nutserts	
27	56302GT	RELAY,24VDC,40/30A,SEALED***	2

Go to Discount-Equipment.com to order your parts



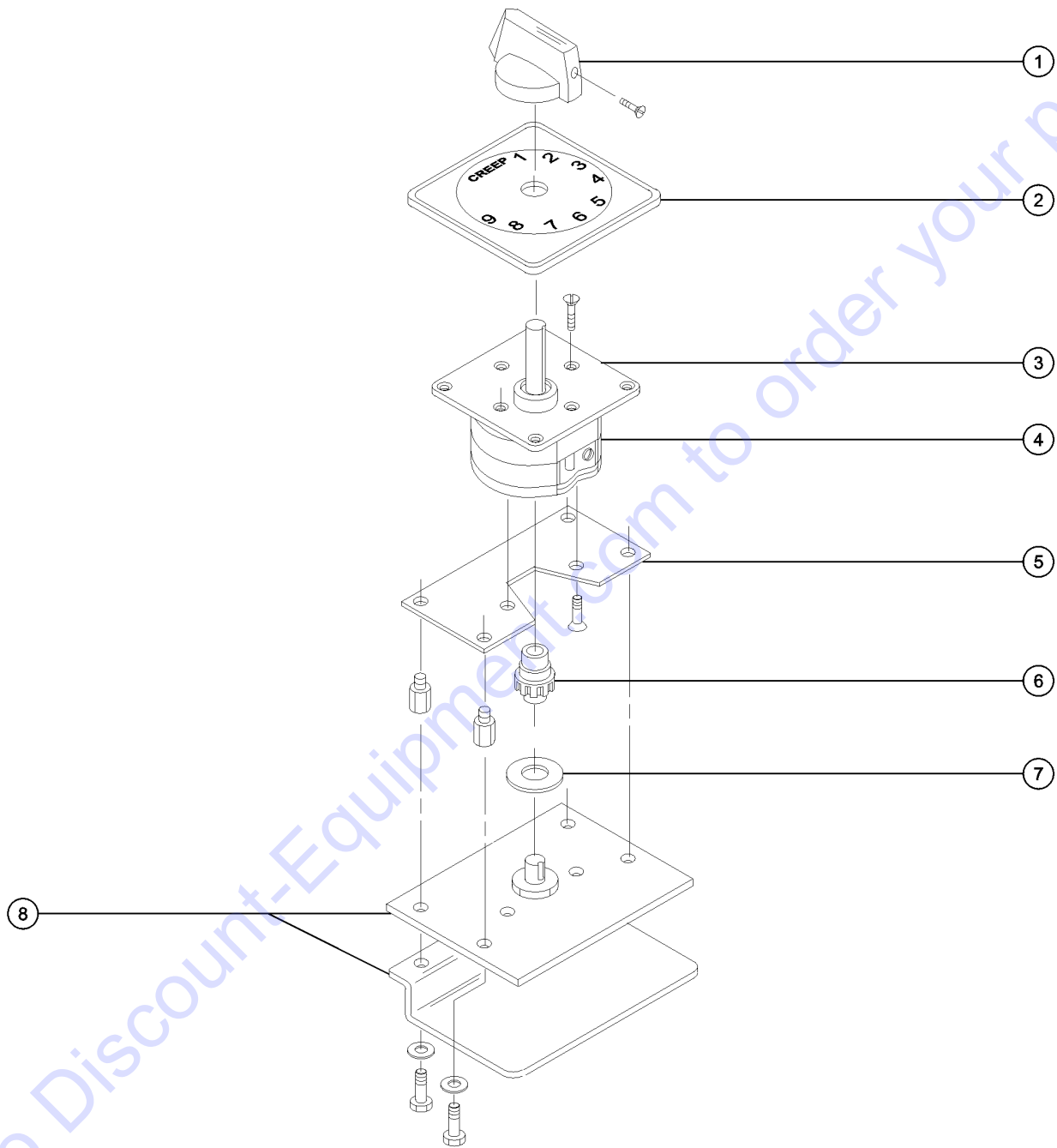
604.1 Joystick Controller, Drive/Steer Functions



604.1 Joystick Controller, Drive/Steer Functions

Item	Part No.	Description	Qty.
	234923GT	JOYSTICK,5K-0 OHM,W/RELAY	1
1	52887GT	HANDLE HALF (56274)	2
2	43038GT	BOOT-THUMB ROCKER** BLACK	1
3	65178GT	ROCKER ASSY W/ROLLPIN***	1
4	52895GT	SCREW,PHM,M3 X .5 X 12MM	4
5	52928GT	NUT-HEX,3M X 0.5MM	4
6	21427GT	BOOT,CONTROLLER**	1
7	43042GT	GASKET,JOYSTK.SHAFT36867/42032	1
8	72298GT	POTENTIOMETER (56773)	1
9	65546GT	SCREW,PHM,M3.5 X 12MM (57890)	6
10	74368GT	SPACER-POT.PLATE,JOYSTICK56773	2
11	19721GT	MICROSWITCH SPACER,45049	1
12	19712GT	MICROSWITCH,V3L-139-D8	4
13	52892GT	SCREW,PHS,4-40 X 1.5	2
14	19713GT	SPRING RETURN,HEAVY DUTY,45049	1
15		Ref. SCREW, 4-40 x 1/18"	2
		illustration purpose only	
16	74362GT	WASHER,NYLON, JOYSTICK	2
17	226383GT	SCREW	2
18	43040GT	NUT,JS,36867/42032/44988/40612	1
		coupling	
19	58985GT	SCREW,HANDLE42032,40612,36867	2
20	19722GT	MICROSWITCH-V319M***	2

605.1 Rotation Controller, Boom Function Speed



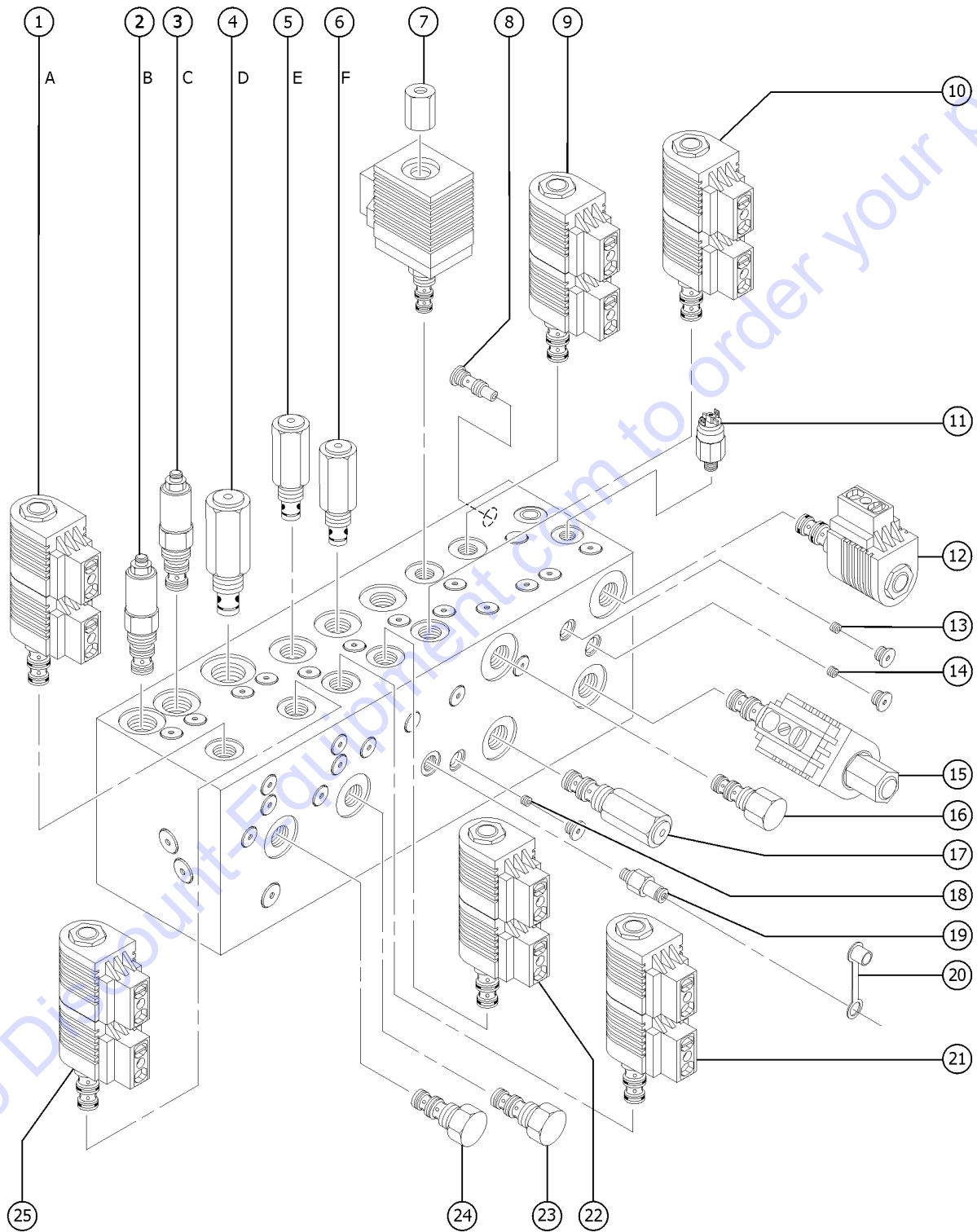
605.1 Rotation Controller, Boom Function Speed

Item	Part No.	Description	Qty.
-	56886GT	CONTROLLER,ROTARY 24V W/RAMP	1
1	35679GT	KNOB, 45048 CONTROLLER	1
2	35680GT	LEGEND,PLSTC,"CREEP TO 9"***	1
3	35678GT	MOUNTING PLATE, 45048	1
4	74356GT	SWITCH ASSEMBLY (56886)	1
5	74357GT	PLATE,ROTARY CNTRL (56886)	1
6	74358GT	COUPLING,POT SHAFT (56886)	1
7	74359GT	GASKET-ROTARY CNTRL 56886	1
8	74384GT	PRINTED CIRCUIT BOARD 56886	1

Go to Discount-Equipment.com to order your parts



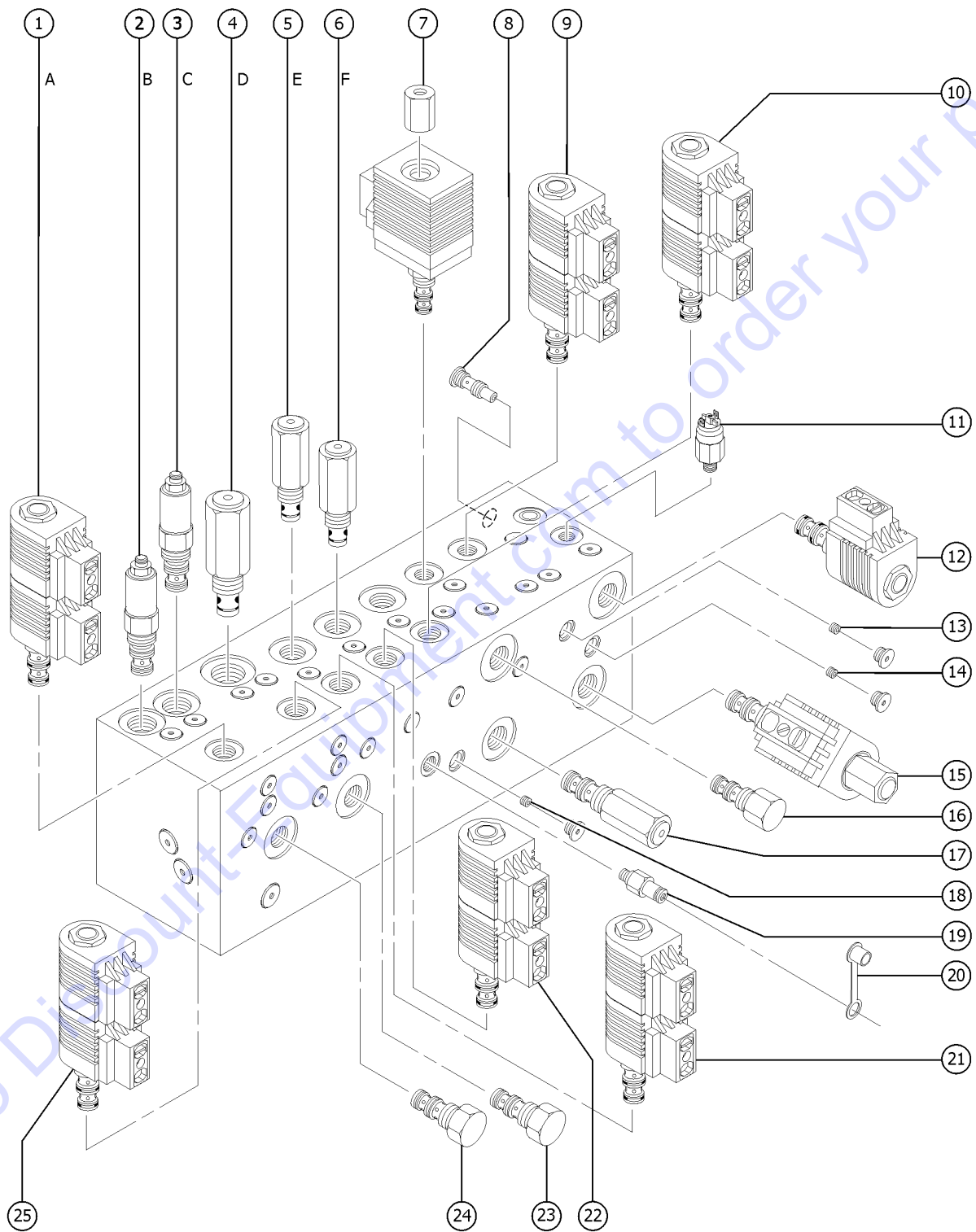
701.1 Function Manifold



Item	Part No.	Description	Qty.
A-	128444GT	MANIFOLD, FUNC, Z30N/Z34DC/BE	1
B-	49612GT	O-RING KIT (ORFS FITTINGS)	
C-	49613GT	PLUG AND CAP KIT-SERVICE, ORFS*	
D-	28750GT	O-RING KIT, FIELD SVC, ALL PROD*	
E-	33994GT	PLUG AND CAP KIT-SERVICE, 37 **	
1	52599GT	VALVE, SOLENOID, 3POS/4WAY* platform level up/down	1
1-	40413GT	COIL, SOLND, W/D, 20V SGL SPADE	
1-	52943GT	NUT SOLENOID VALVE COIL	
1-	72047GT	SEAL KIT, SOLENOID VALVE	
2	52604GT	VALVE, COUNTERBALANCE, 3000PSI platform level down	1
2-	58994GT	SEAL KIT, VALVE (48647)	
3	52604GT	VALVE, COUNTERBALANCE, 3000PSI platform level up	1
3-	58994GT	SEAL KIT, VALVE (48647)	
4	52603GT	VALVE, RELIEF, 1100PSI*** turntable rotate left/right	1
4-	110199GT	SEAL KIT, VALVE, #10	
5	52601GT	VALVE, RELIEF, 1600 PSI secondary boom down	1
5-	74902GT	SEAL KIT, VALVE	
6	52601GT	VALVE, RELIEF, 1600 PSI primary boom down	1
6-	74902GT	SEAL KIT, VALVE	
7	40410GT	VALVE, PROPORTIONAL** system flow regulating circuit	1
7-	29032GT	COIL, 24V SOLENOID VALVE	
7-	45921GT	RETAINER-N.C. PROPOR. SOLENOID	
7-	89310GT	SEAL KIT, SOLENOID VALVE	
8	43599GT	VALVE, CHECK brake circuit	1
8-	110200GT	SEAL KIT, VALVE, #4	
9	52885GT	VALVE, SOLENOID, 3POS 4WAY steer lift/right	1
9-	40413GT	COIL, SOLND, W/D, 20V SGL SPADE	
9-	52943GT	NUT SOLENOID VALVE COIL	



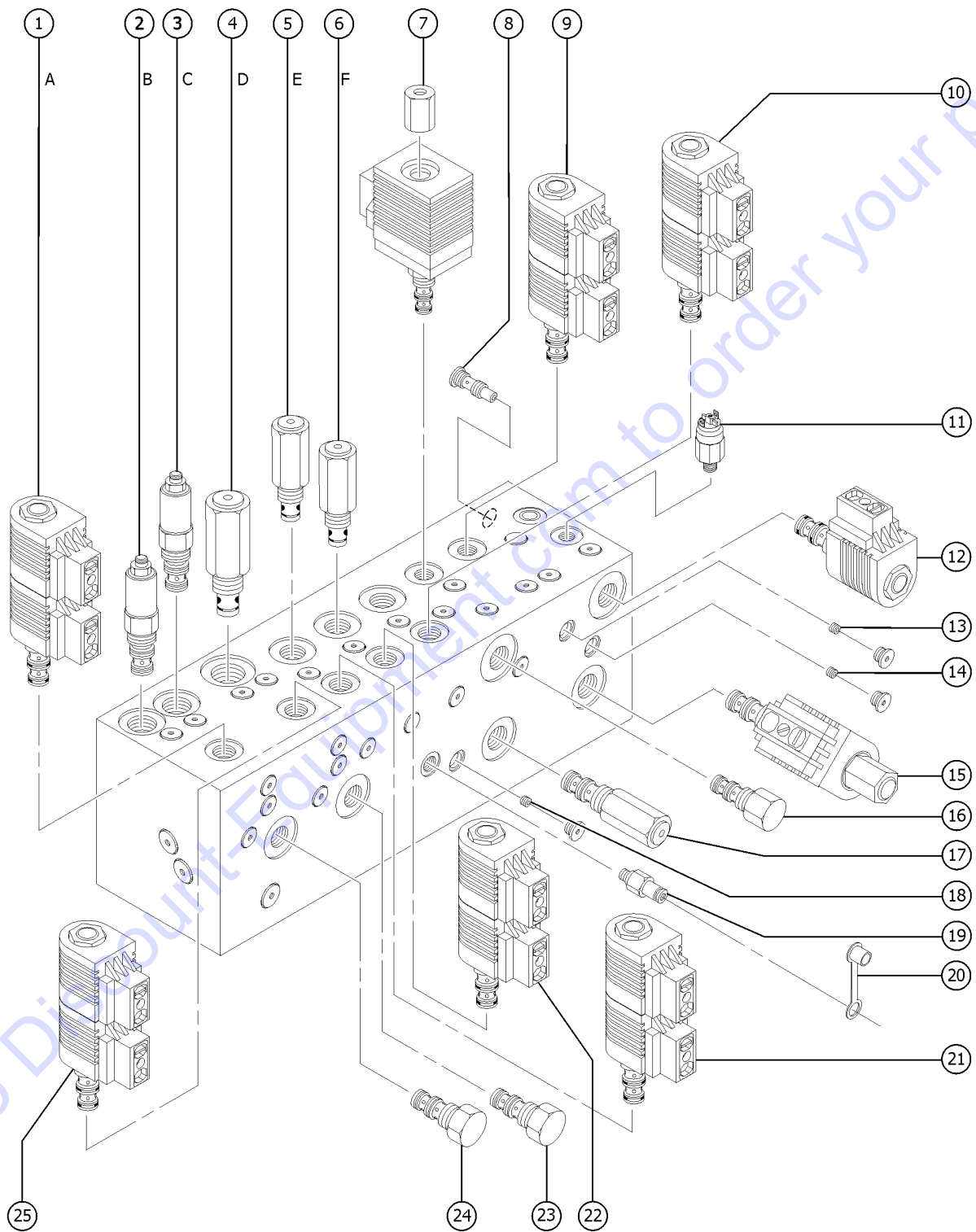
701.1 Function Manifold



Item	Part No.	Description	Qty.
9-	72047GT	SEAL KIT, SOLENOID VALVE	
10	52599GT	VALVE,SOLENOID,3POS/4WAY* primary boom extend/retract	1
10-	40413GT	COIL,SOLND,W/D,20V SGL SPADE	
10-	52943GT	NUT SOLENOID VALVE COIL	
10-	72047GT	SEAL KIT, SOLENOID VALVE	
11	1287986GT	SWITCH,PRESS,#6SAE,600 PSI brake circuit	1
12	45544GT	VALVE SOLENOID brake circuit	1
12-	74902GT	SEAL KIT, VALVE	
12-	52339GT	COIL,SOLND,W/D,20V DUAL SPADE	
12-	52943GT	NUT SOLENOID VALVE COIL	
13	19789GT	PLUG,ORIFICE-.045 brake circuit	1
14	19789GT	PLUG,ORIFICE-.045 brake and steer circuit	1
15	44956GT	VALVE,SOLENOID 20V W/DIODE brake circuit	1
15-	40413GT	COIL,SOLND,W/D,20V SGL SPADE	
15-	45921GT	RETAINER-N.C.PROPOR.SOLENOID	
15-	74902GT	SEAL KIT, VALVE	
16	74425GT	VALVE,DIFF.SENSE*** differential sensing circuit	1
16-	110197GT	SEAL KIT, VALVE, #10	
17	52715GT	VALVE,RELIEF,3200 PSI system relief	1
17-	74902GT	SEAL KIT, VALVE	
18	94019GT	ORIFICE, 0.035" (74512,74966) tank return circuit	
19	48997GT	NIPPLE,DIAGNOSTIC,#4 testing	1
19-	20224GT	DIAGNOSTIC FEMALE Q-DSCNT	
20	48880GT	CAP,DIAGNOSTIC NIPPLE	
21	52599GT	VALVE,SOLENOID,3POS/4WAY* secondary boom up/down	1
21-	40413GT	COIL,SOLND,W/D,20V SGL SPADE	
21-	52943GT	NUT SOLENOID VALVE COIL	
21-	72047GT	SEAL KIT, SOLENOID VALVE	



701.1 Function Manifold



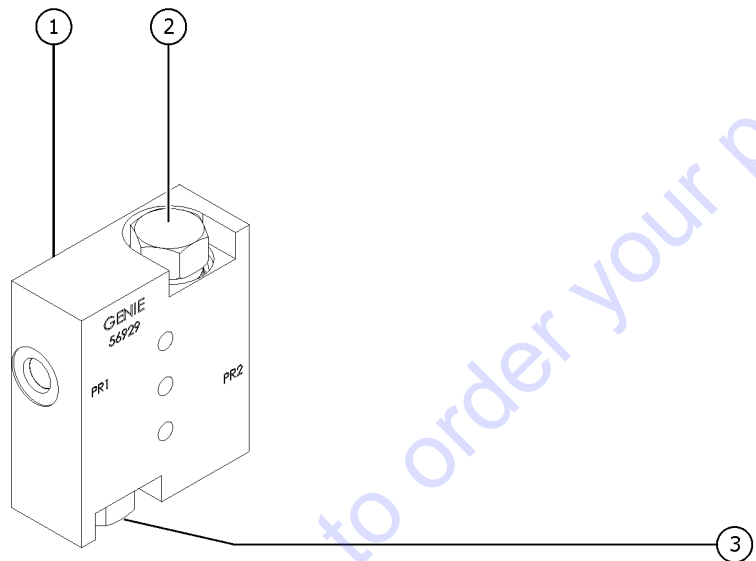
701.1 Function Manifold

Item	Part No.	Description	Qty.
22	52599GT	VALVE,SOLENOID,3POS/4WAY* primary boom up/down	1
22-	40413GT	COIL,SOLND,W/D,20V SGL SPADE	
22-	52943GT	NUT SOLENOID VALVE COIL	
22-	72047GT	SEAL KIT, SOLENOID VALVE	
23	19470GT	VALVE,FLOW REGULATOR turntable rotate circuit	1
23-	74902GT	SEAL KIT, VALVE	
24	52598GT	VALVE,FLOW REGULATOR .8 GPM jib boom and platform rotate circuit	1
24-	74902GT	SEAL KIT, VALVE	
25	52885GT	VALVE,SOLENOID,3POS 4WAY turntable rotate left/right	1
25-	40413GT	COIL,SOLND,W/D,20V SGL SPADE	
25-	52943GT	NUT SOLENOID VALVE COIL	
25-	72047GT	SEAL KIT, SOLENOID VALVE	

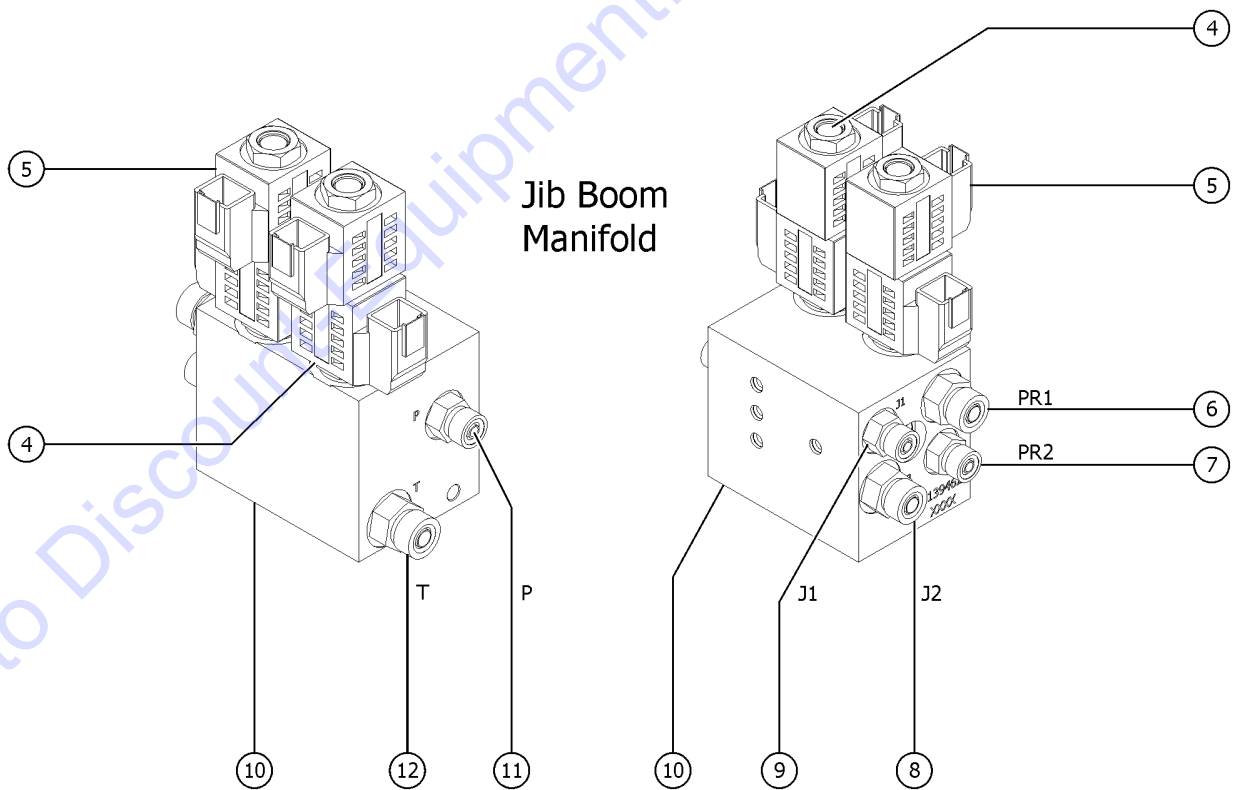
Go to Discount-Equipment.com to order your parts



702.1 Jib Boom and Platform Rotate Manifold



Platform Rotate Manifold



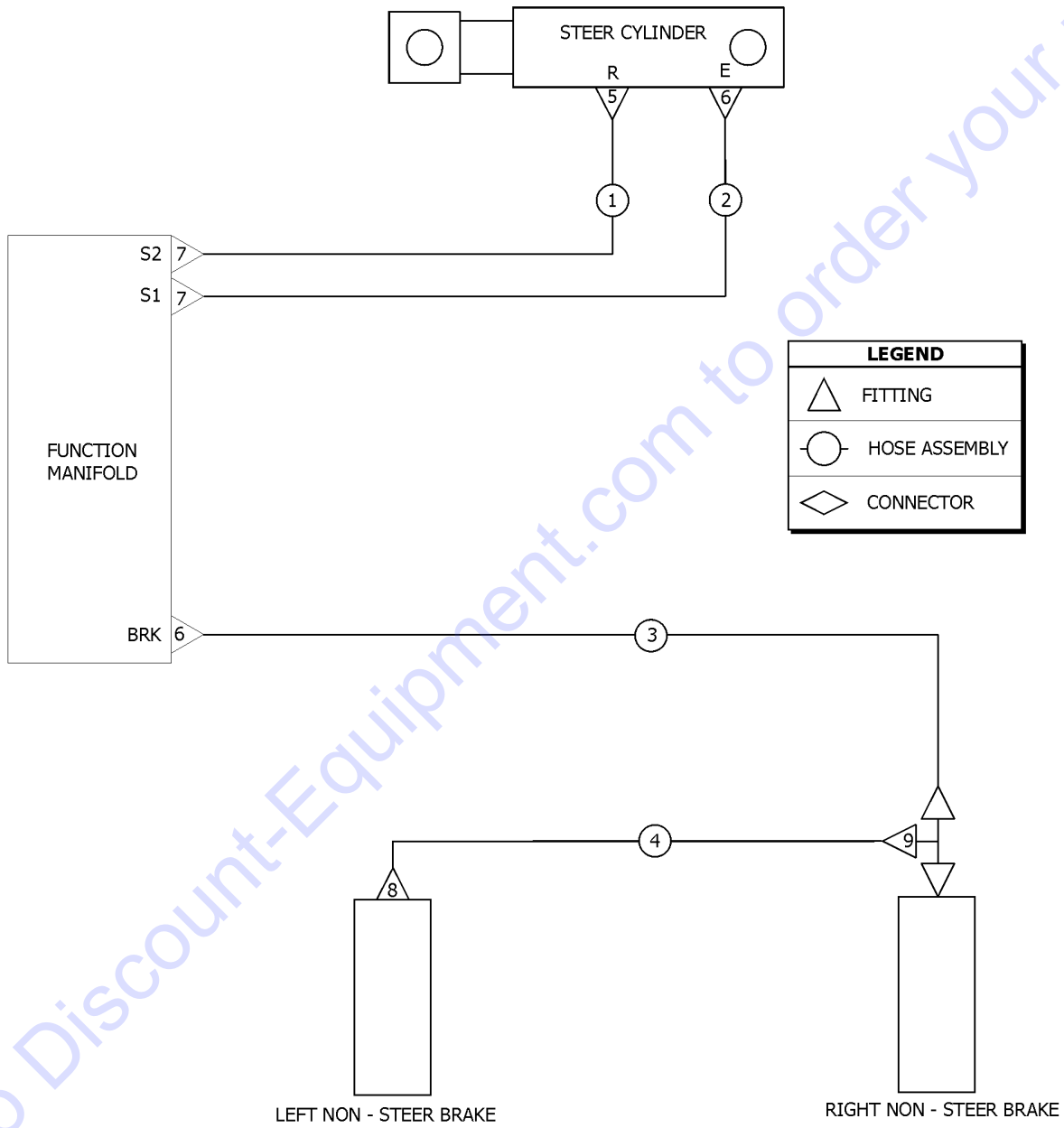
Jib Boom Manifold

702.1 Jib Boom and Platform Rotate Manifold

Item	Part No.	Description	Qty.
1	56929GT	MANIFOLD,ROTATOR,180 DEG.*** includes 2 and 3	1
1-	62507GT	O-RING, ROTATOR MANIFOLD	
2	62506GT	VALVE - COUNTERBALANCE** platform rotate right	
2-	43018GT	SEAL KIT (39345)	
3	62506GT	VALVE - COUNTERBALANCE** platform rotate left	
3-	43018GT	SEAL KIT (39345)	
4	139560GT	SOLENOID VALVE W/NUT*** jib boom up/down	
4-	139561GT	COIL, SOLENOID VALVE, 24V***	
5	139560GT	SOLENOID VALVE W/NUT*** platform rotate left/right (order coil separately)	
5-	139561GT	COIL, SOLENOID VALVE, 24V***	
6	48916GT	CONN, 520120-6	
7	48905GT	CONN,520120-4***	
8	48916GT	CONN, 520120-6	
9	48905GT	CONN,520120-4***	
10	139462GT	MANIFOLD,JIB, 24V NON RJ*** includes 4-12	1
10-	139564GT	SEAL KIT, JIB MANIFOLD, NON RJ	
11	48905GT	CONN,520120-4*** to SN Z34F-12909	
11-	1293788GT	No.4 STR ORFS W/125 MICRON SCREEN from SN Z34F-12910	
12	48916GT	CONN, 520120-6	



703.1 Drive Chassis Hoses



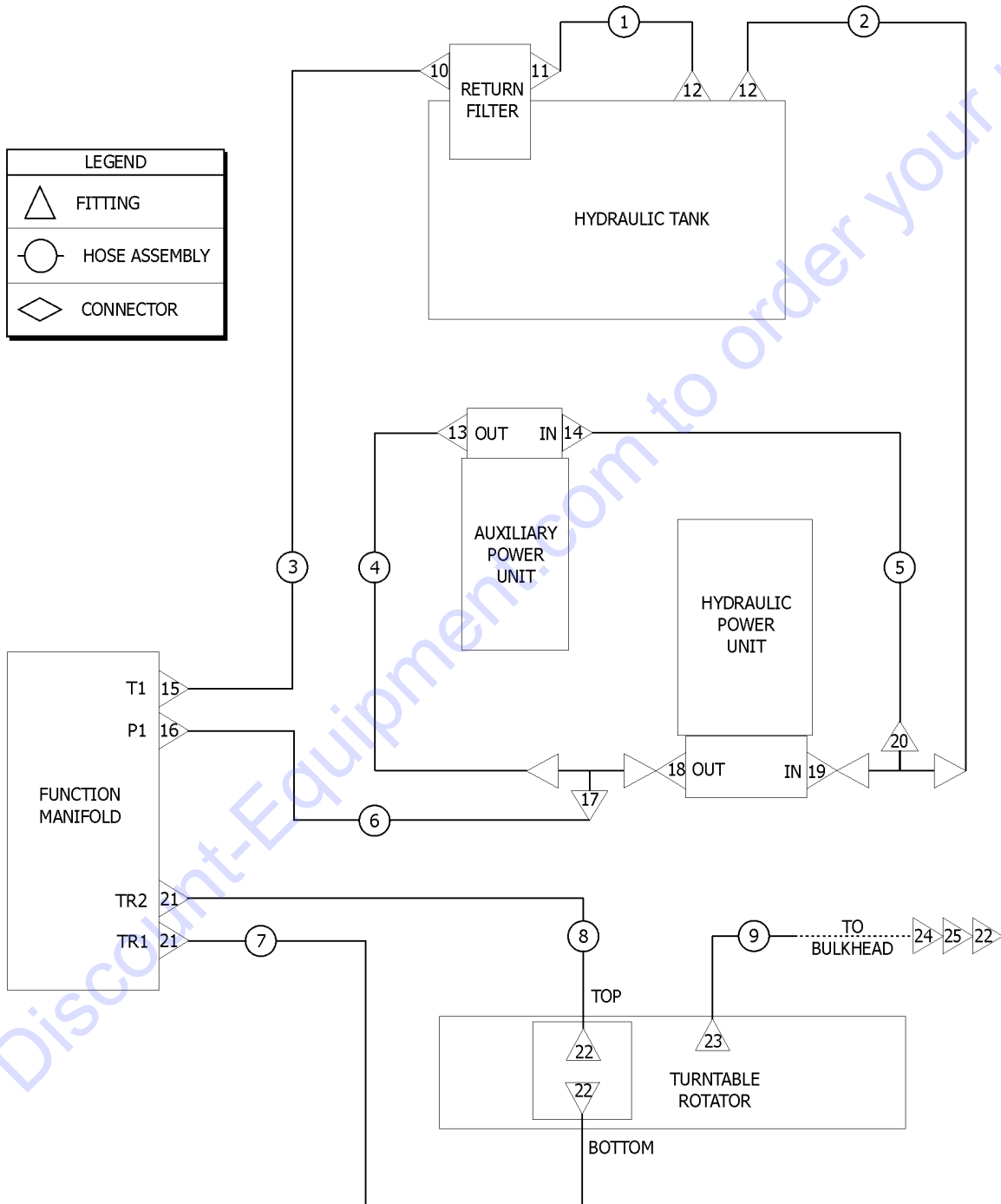
703.1 Drive Chassis Hoses

Item	Part No.	Description	Qty.
1	49119-7300GT	HOSE ASSY,1/4,STR FEM,STR FEM	1
2	49119-6600GT	ASSY, HOSE, HYD, -4, 3250, STR, STR	1
3	49117-8100GT	HOSE ASSY,1/4",81.00	1
4	49119-4100GT	HOSE ASSY, 1/4",41.00	1
		Z-34DC/BE	
4B	49119-3350GT	HOSE ASSY,1/4",33.50	1
		Z34N	
5	48911GT	ELBOW,90D,520220-4-6***	
6	48912GT	CONN,520120-4-6***	
7	49418GT	FITTING,ELBOW,45D,520320-4-6**	
8	48904GT	ELBOW,90D,520220-4-4	
9	48908GT	FITTING,TEE,RUN,SWIVEL520432-4	

Go to Discount-Equipment.com to order your parts



704.1 Turntable Hoses

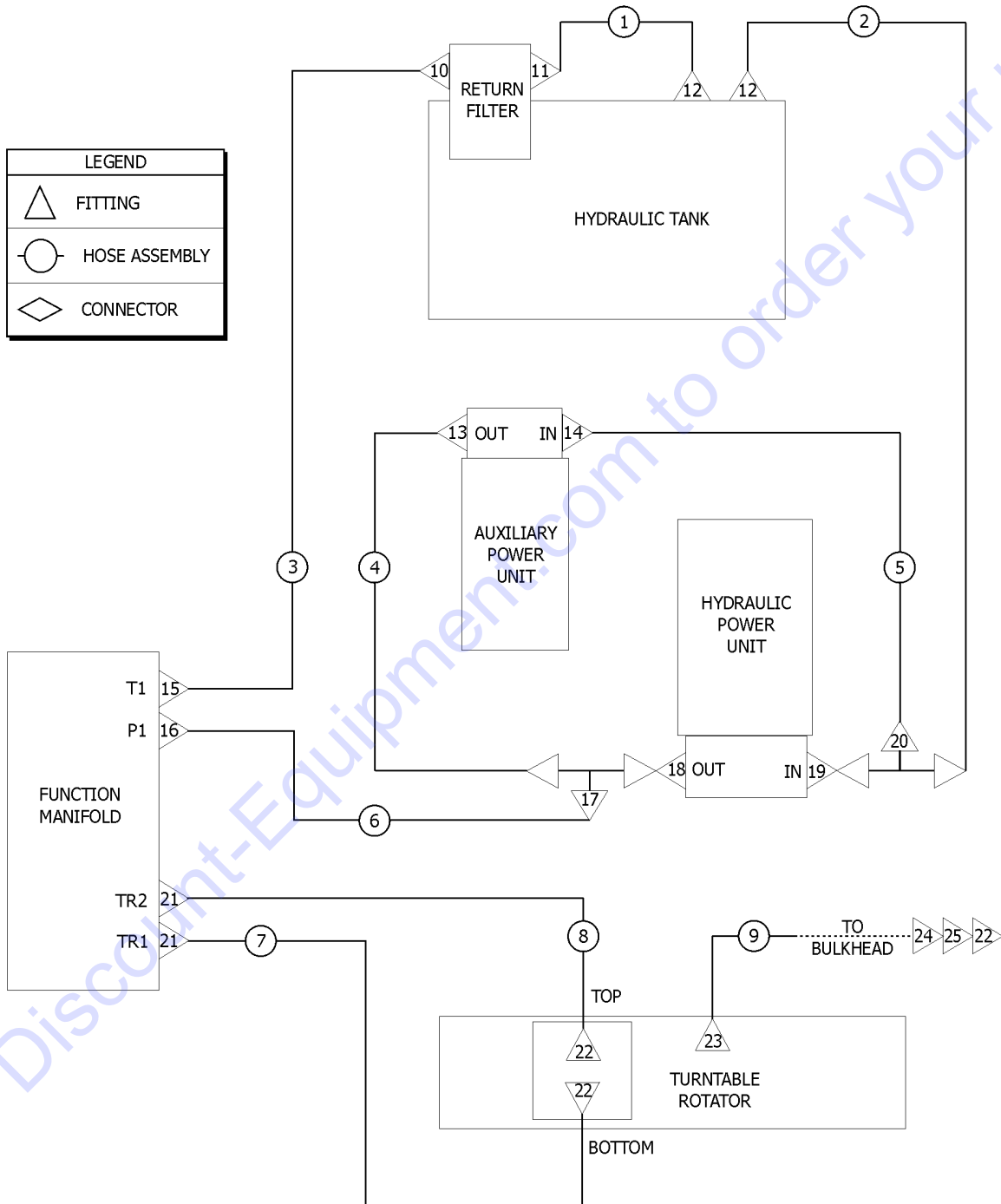


704.1 Turntable Hoses

Item	Part No.	Description	Qty.
1	81812-1188GT	ASSY, HOSE, HYD, -8, 2500, STR, STR	1
2	1290352-2487GT	HOSE ASSY, 1/2", 24.87" Z-34N and Z-34DC	1
2B	1290352-6575GT	HOSE ASSY, 1/2", 65.75" Z-34BE	1
3	81812-5400GT	HOSE ASSY, 1/2", 54.00 Z-34N and Z-34DC	1
3B	81812-3500GT	HOSE ASSY, 1/2", 35.00 Z-34BE	1
4	1290348-1700GT	HOSE ASSY, 3/8", 17.00 Z-34N and Z-34DC	1
4B	1290346-2550GT	HOSE ASSY, 3/8", 25.50 Z-34BE	1
5	1290350-2000GT	HOSE ASSY, 3/8", 20.00 Z-34N and Z-34DC	1
5B	1290350-1850GT	HOSE ASSY, 3/8", 18.50 Z-34BE	1
6	101929-3950GT	HOSE ASSY, 3/8", 39.50 Z-34N and Z-34DC	1
6B	101929-4900GT	HOSE ASSY, 3/8", 49.00 Z-34BE	1
7	49118-3150GT	HOSE ASSY, 1/4", 31.50	1
8	49118-2750GT	HOSE ASSY, 1/4", 27.50 Z-34N and Z-34DC	1
8B	49118-3400GT	HOSE ASSY, 1/4", 34.00 Z-34BE	1
9	49189-2325GT	HOSE ASSY, 1/4", 23.25 Z-34N and Z-34DC	1
9B	49189-4350GT	HOSE ASSY, 1/4", 43.50 Z-34BE	1
10	48932GT	FITTING, ELBOW, 90D, 520220-8***	
11	48937GT	ELBOW, 45D, 520320-8	
12	128811GT	ELBOW, 90D, 520201-8	
13	48915GT	ELBOW, 90D, 520220-6	
14	56003GT	ELBOW, 90D, LONG, 521520-6	
15	48933GT	CONN, 520120-8***	
16	48916GT	CONN, 520120-6	
17	48875GT	TEE, RUN, SWIVEL, 520432-6	
18	74136GT	VALVE, CHK, #8PORT-#6MALEORFS***	
19	139877GT	ELBOW, 90D, 520220-8-10	
20	48938GT	FITTING, TEE, RUN, SWIVEL, 520432-8	
21	48912GT	CONN, 520120-4-6***	



704.1 Turntable Hoses



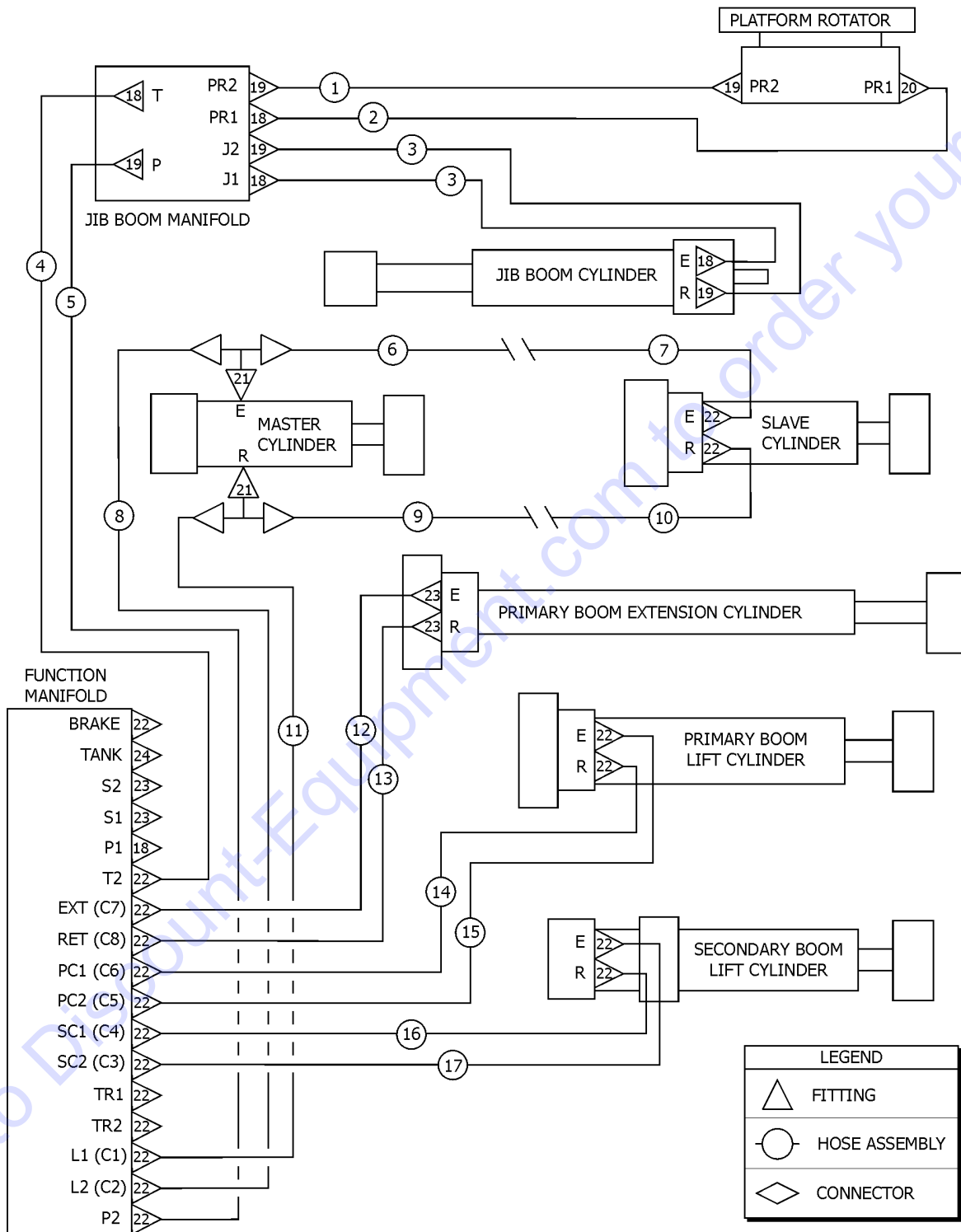
704.1 Turntable Hoses

<i>Item</i>	<i>Part No.</i>	<i>Description</i>	<i>Qty.</i>
22	48931GT	CONN,520120-6-10	
23	31194GT	ELBOW,070302-4-2	
24	45415GT	ELBOW,070221-4-4	
25	48885GT	CONNECTOR,BULKHEAD,FEMALE-4	

Go to Discount-Equipment.com to order your parts



705.1 Boom Hoses

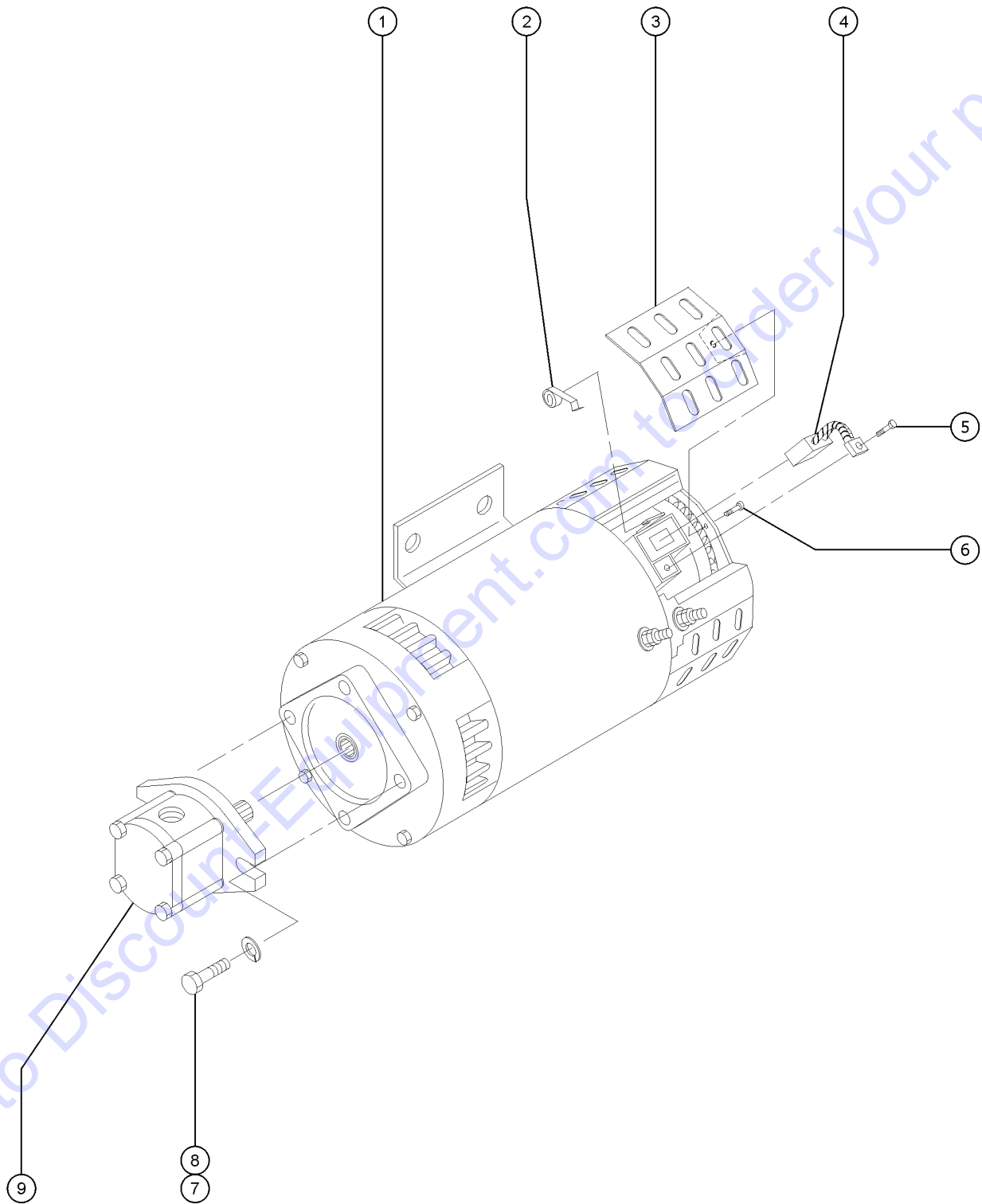


705.1 Boom Hoses

Item	Part No.	Description	Qty.
1	49117-4650GT	HOSE ASSY,1/4".46.50	1
2	49114-4650GT	HOSE ASSY, 1/4", 46.50	1
3	49120-1900GT	HOSE ASSY, 1/4", 19.00	2
4	49120-48150GT	HOSE ASSY,1/4",481.5	1
5	49119-48150GT	HOSE ASSY,1/4",481.5	1
6	49121-23900GT	HOSE ASSY, 1/4", 239.0	1
7	49120-3100GT	HOSE ASSY, 1/4", 31.00	1
8	49119-20200GT	HOSE ASSY,1/4",202.00	1
9	49119-23900GT	HJOSE ASSY,1/4",239.0	1
10	49121-3150GT	HOSE ASSY, 1/4", 31.50	1
11	49119-20200GT	HOSE ASSY,1/4",202.00	1
12	49119-23600GT	ASSY, HOSE, HYD, -4, 3250, STR, STR	1
13	49119-23600GT	ASSY, HOSE, HYD, -4, 3250, STR, STR	1
14	49119-21300GT	ASSY, HOSE, HYD, -4, 3250, STR, STR	1
15	49119-21300GT	ASSY, HOSE, HYD, -4, 3250, STR, STR	1
16	49119-8300GT	ASSY, HOSE, HYD, -4, 3250, STR, STR	1
17	49119-8300GT	ASSY, HOSE, HYD, -4, 3250, STR, STR	1
18	48916GT	CONN, 520120-6	1
19	48905GT	CONN,520120-4***	1
20	48927GT	CONN,520120-6-4	1
21	48890GT	FITTING,TEE,BRANCH,520429-4***	1
22	48912GT	CONN,520120-4-6***	1
23	49418GT	FITTING,ELBOW,45D,520320-4-6**	1
24	48933GT	CONN,520120-8***	1



706.1 Hydraulic Power Unit

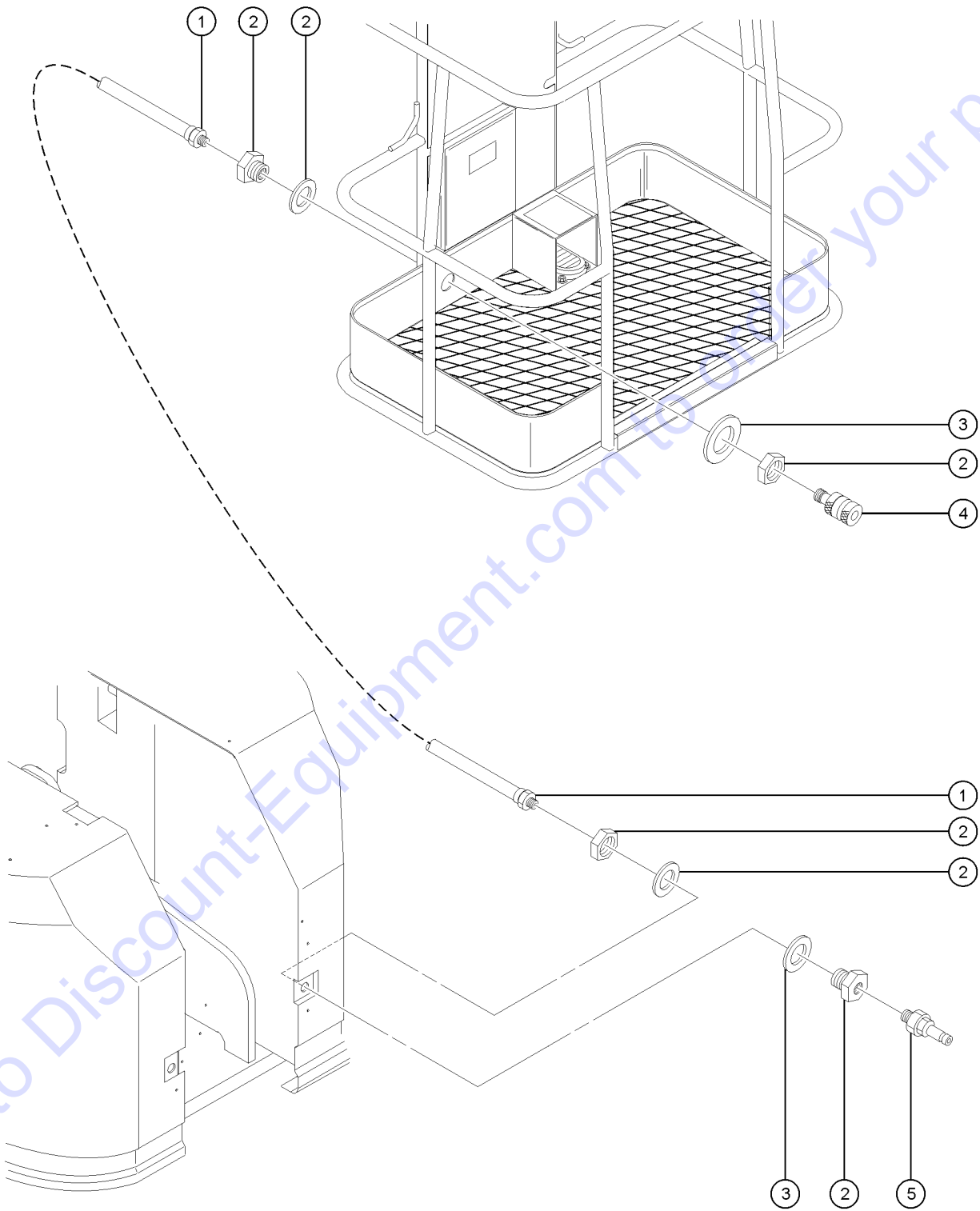


Item	Part No.	Description	Qty.
1	48504GT	MOTOR,FUNCTION,48V DC includes items 2-6	1
1-	44778GT	BEARING,MOTOR,36843,BRUSH END*	1
1-	44777GT	BEARING,MOTOR	1
1-	58934GT	BRUSH BOX ASSEMBLY includes item 2	1
1-	52915GT	BRUSH LEAD ASSEMBLY KIT(48504)	1
2	44750GT	SPRING-BRUSH,40844, SCISSORS	4
3	58936GT	BRUSH COVER -PLATE-(48504)*	4
4	58932GT	BRUSH SET 4 EA	4
5	52913GT	SCREW,HH TAPETITE THRD8-32X.50	4
6	52914GT	SCREW,HHTAPTITE THREAD8-32X.38	4
7	32317GT	SCREW,HHC,3/8-24 X 1 GR 8 YEL	2
8	6021GT	WASHER,LOCK,.375	2
9	77981GT	PUMP,LIFT,3CC,CCW*** (to SN Z34NF-15742 and SN SN Z34F-13216)	1
9-	77990GT	KIT,SEAL,3CC PUMP***	1
9B	1295585GT	PUMP, LIFT, 3CC, CCW (from SN Z34NF-15743 and SN Z34F-13217)	1
9B-	233568GT	SEAL KIT,PUMP,GRH,(231572GT)	

Go to Discount-Equipment.com to order your parts



801.1 Air Line to Platform



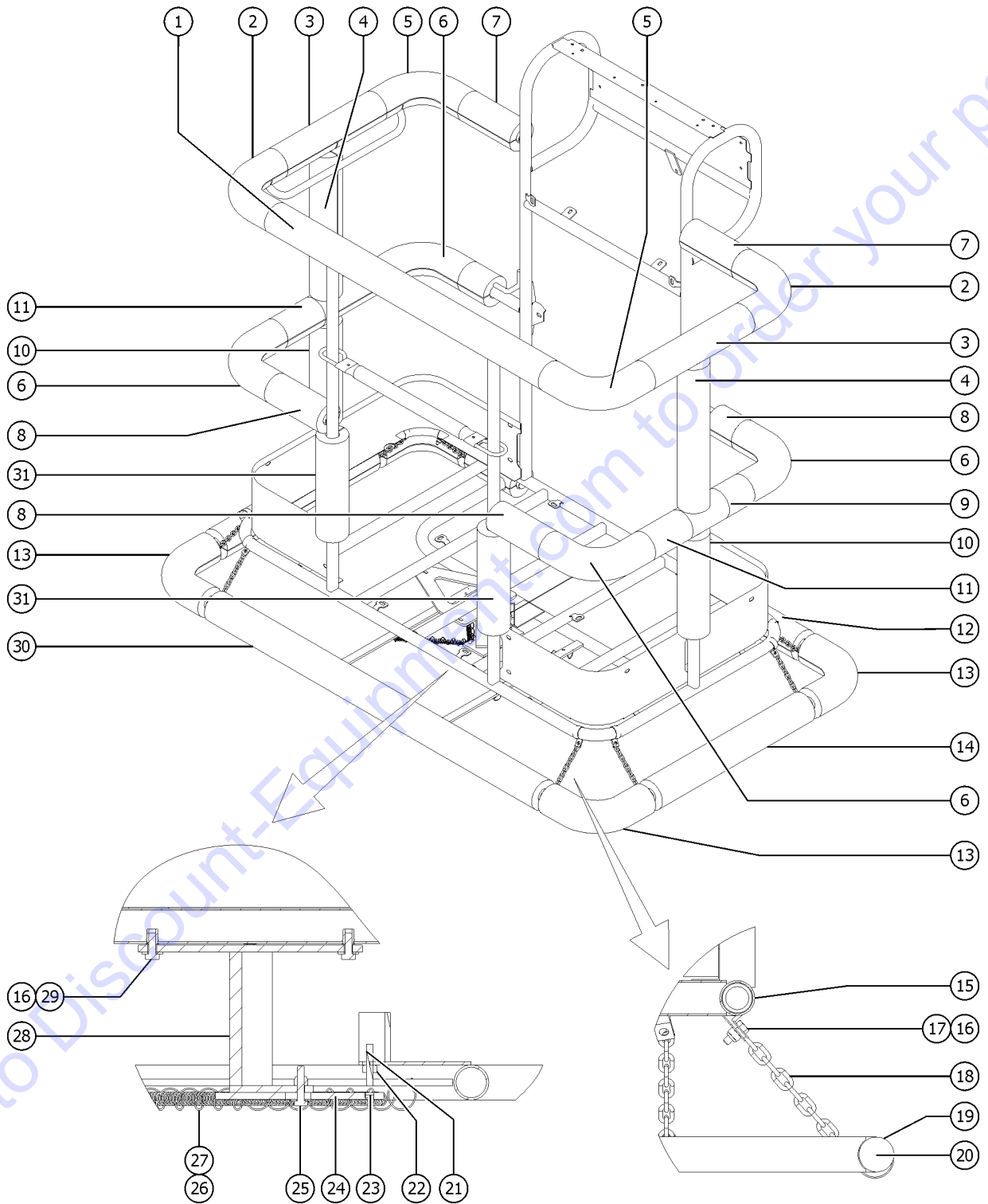
801.1 Air Line to Platform

Item	Part No.	Description	Qty.
1	52960GT	AIRLINE ASSY W/FITTINGS, Z34BE	1
2	27900GT	BULKHEAD,FEMALE X 6 X 6	2
3	824116GT	WASHER,FLAT,1.0,F436,HRD,ZAG	2
4	27895GT	COUPLER,1/4"SERIES 3/8 MPT	1
5	27894GT	PLUG,1/4"SERIES,3/8 MPT	1

Go to Discount-Equipment.com to order your parts



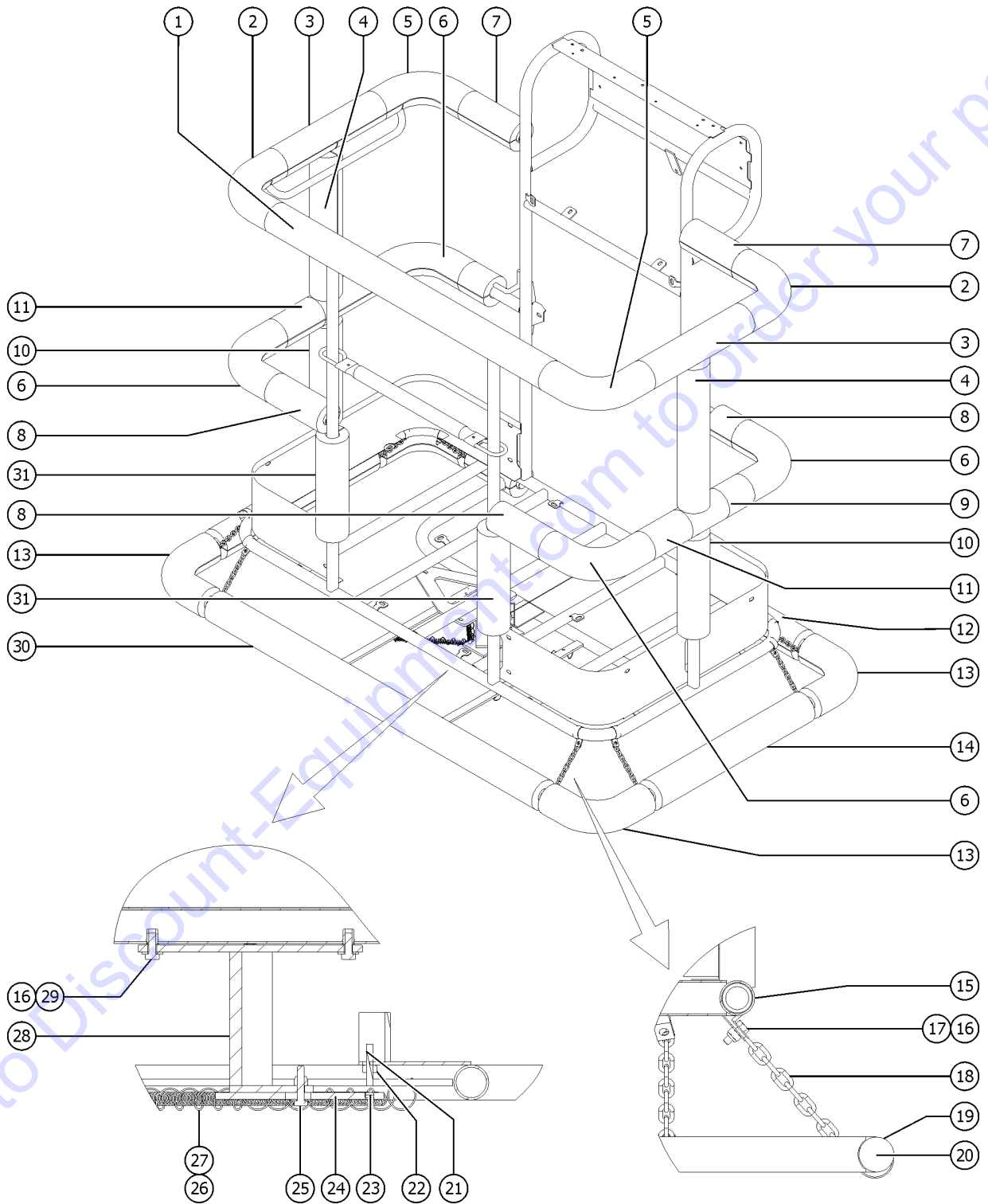
802.1 Aircraft Protection



Item	Part No.	Description	Qty.
	128200GT	SWITCH TOGGLE ASSY SPDT 3P MOM not shown; refer to 602.1	1
1A	1251590GT	BUMPER,3.5OD X 1.5ID X 30.75 4-ft platforms	1
1B	825211GT	BUMPER,3.5OD X 1.5ID X 40.75 5-ft platforms	1
2	147000GT	PADDING, FOAM 90 DEG	2
3	825207GT	BUMPER,3.5OD X 1.5ID X 14.75	2
4	825213GT	BUMPER,3.5OD X 1.5ID X 15.65	2
5	147001GT	PADDING, FOAM 90 DEG	2
6A	1252013GT	BUMPER,3.5OD X 1.5 ID 90 DEG 4-ft platforms	4
6B	56418GT	BUMPER,90 DEG ELBOW 5-ft platforms	4
7A	1251592GT	BUMPER,3.5OD X 1.5ID X 2.75 4-ft platforms	2
7B	825216GT	BUMPER,3.5OD X 1.5ID X 7.75 5-ft platforms	2
8	825215GT	BUMPER,3.5OD X 1.5ID X 3.80	8
9	1252012GT	BUMPER,3.5OD X 1.5 ID X 6.75	2
10	825212GT	BUMPER,3.5OD X 1.5ID X 12.75	2
11	1251592GT	BUMPER,3.5OD X 1.5ID X 2.75	2
12	825209GT	BUMPER,3.5OD X 1.5ID X 6.75	2
13	56418GT	BUMPER,90 DEG ELBOW	4
14	825214GT	BUMPER,3.5OD X 1.5ID X 22.70	2
15	56424GT	CLAMP,1.25X.5 RUBBER-CUSHION	16
16	824078GT	SCREW,HHF,1/4-20X.75,8,ZAG	16
17	824027GT	NUT,TL FLG,1/4-20,G,ZAG	16
18	56426-576GT	CHAIN,NO.2 (9LINKS)	8
19	56351GT	WELDMENT,FLOATING BUMPER	1
20	45385GT	PLUG,NYLON 1.12 BLACK DOMED	2
21	139643GT	HARNESS, PROX. KILL	1
21-	27391GT	PROXIMITY SENSOR***	1
21-	34052GT	RELAY,SPDT,12V(AUTO) PLUG IN**	1
21-	56302GT	RELAY,24VDC,40/30A,SEALED***	1



802.1 Aircraft Protection

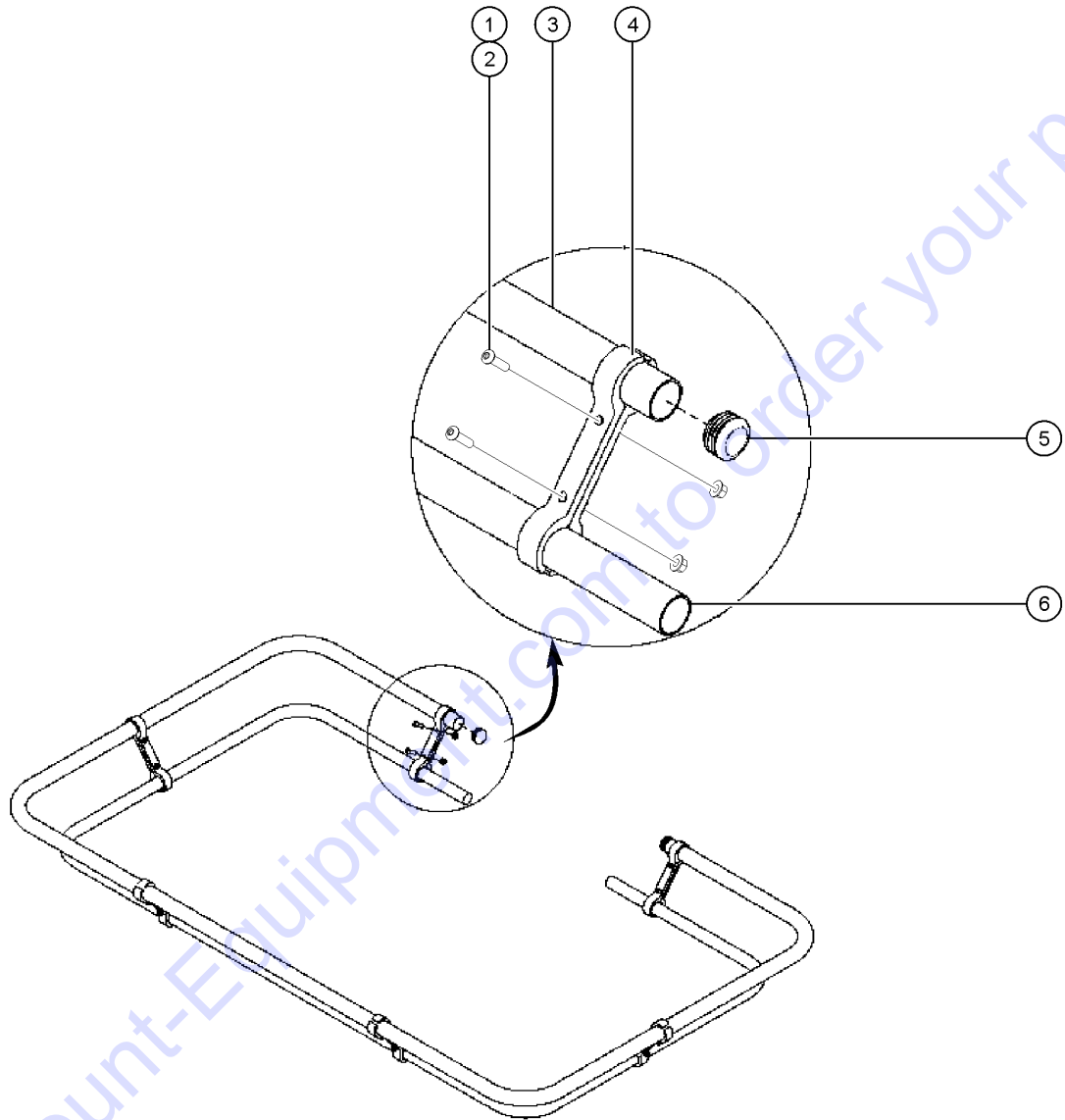


Item	Part No.	Description	Qty.
22	88390GT	NUT,HEX,M8,PLASTIC	1
23	29261GT	MAGNET,NEODYMIUM,.375 X .100	2
24	56330GT	PLATE,MAGNET MOUNT	1
25	824080GT	SCREW, HHF, 1/4-20 X 1.25, 8, ZAG	
26	88385GT	SPRING, SS, 1/2-EO500-49-4500	4
27	56425GT	SPRING,EXTENSION,.75X4.5	4
28	56328GT	WELDMENT,SENSOR BRACKET	1
29	23404GT	NUTSERT,1/4-20,STEEL CAD PLTD	1
30A	1251591GT	BUMPER,3.5OD X 1.5ID X 38.75	1
		4-ft platforms	
30B	825210GT	BUMPER,3.5OD X 1.5ID X 48.70	1
		5-ft platforms	
31	1252011GT	BUMPER,3.5OD X 1.5 ID X 9.75	1

Go to Discount-Equipment.com to order your parts



803.1 Auxiliary Rail Assembly



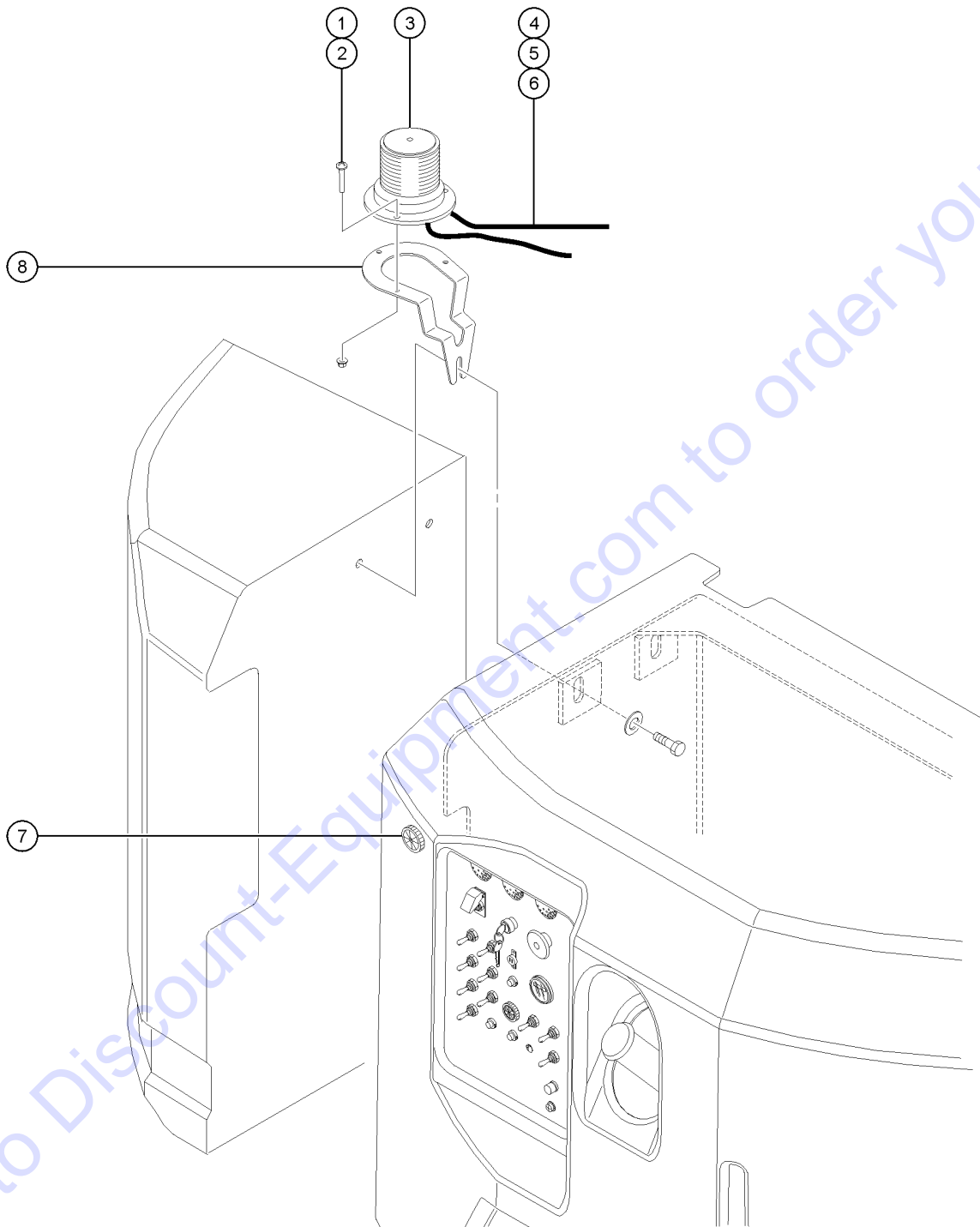
803.1 Auxiliary Rail Assembly

Item	Part No.	Description	Qty.
1	1259715GT	SCREW,BHTC,1/4-20X1,ZAG	12
2	824027GT	NUT,TL FLG,1/4-20,G,ZAG	12
3A	T112779GT	KIT, AUX. RAIL, 4' PLATFORM	1
		includes items 1, 2, 4, 5	
3B	T112780GT	KIT, AUX. RAIL, 5' PLATFORM	1
		includes items 1, 2, 4, 5	
4	122073GT	SUPPORT, RAILING	12
5	55753GT	BUMPER, PLASTIC, 1.25 O.D.	2
6		Ref. PLAT RAIL ASSY	
		refer to 601.1	

Go to Discount-Equipment.com to order your parts



804.1 Flashing Beacon and Alarm



Go to Discount-Equipment.com to order your parts

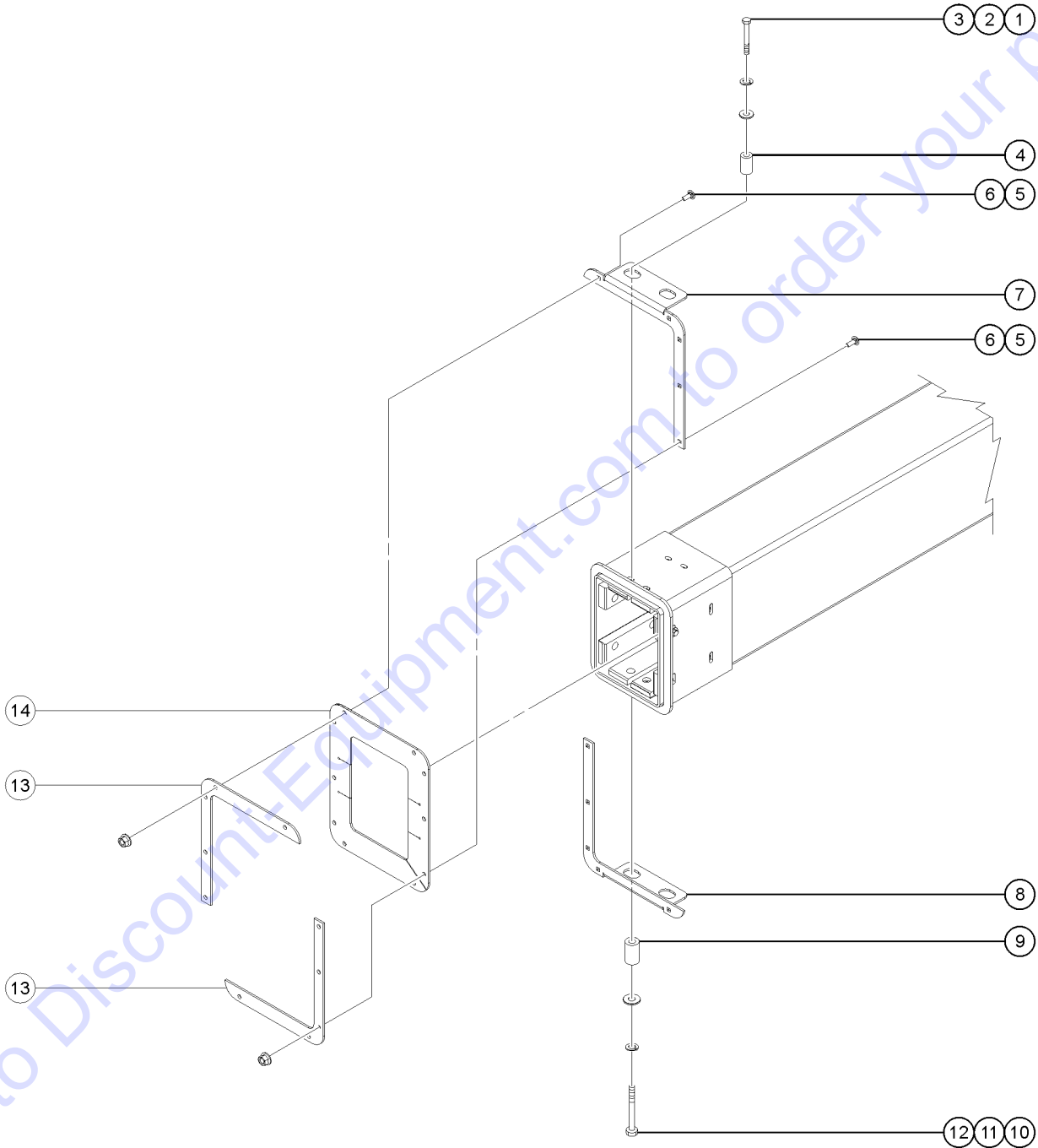
804.1 Flashing Beacon and Alarm

Item	Part No.	Description	Qty.
A-	36816-SGT	ACC. Z34 ALARM PACKAGE DC. Z34N/DC	1
B-	56879-SGT	ACCESS.ALARM PACKAGE Z34BE,IC Z34BE	1
1A	824215GT	SCREW,PHPM,10-32X.75,ZAG to SN Z34NF-14057	3
1B	826516GT	SCREW, PHPM, 10-32 X 1.0, ZAG from SN Z34NF-14058	3
2A	824032GT	NUT,TL FLG,10-32,F,ZAG to SN Z34NF-14057	3
2B	1264261GT	NUT,SERRATED,10-32,ZAG from SN Z34NF-14058	3
3	56704GT	STROBE,FIREBOLT,12-80VDC,AMB** includes red and black wire	1
4A	56051GT	WIRE CABLE,16/2,WHT/BLK,SJEOW Z34N/DC	62
4B	43960GT	WIRE CABLE,16/4 CON.TPE JKT Z34BE	79
5	13825GT	TERMINAL,COUPLER,MALE,14-16GA	
6	66684GT	TERMINAL FEMALE,1/4 BLUE,14-16	
7	18963GT	ALARM.INTERMITTENT TONE.24V plastic nut not included	1
7-	72326GT	NUT - PLASTIC, RING FOR ALARMS	1
8	62694GT	BEACON MOUNT ASSY.Z34/BE	1

Go to Discount-Equipment.com to order your parts



805.1 Hostile Environment, Wiper



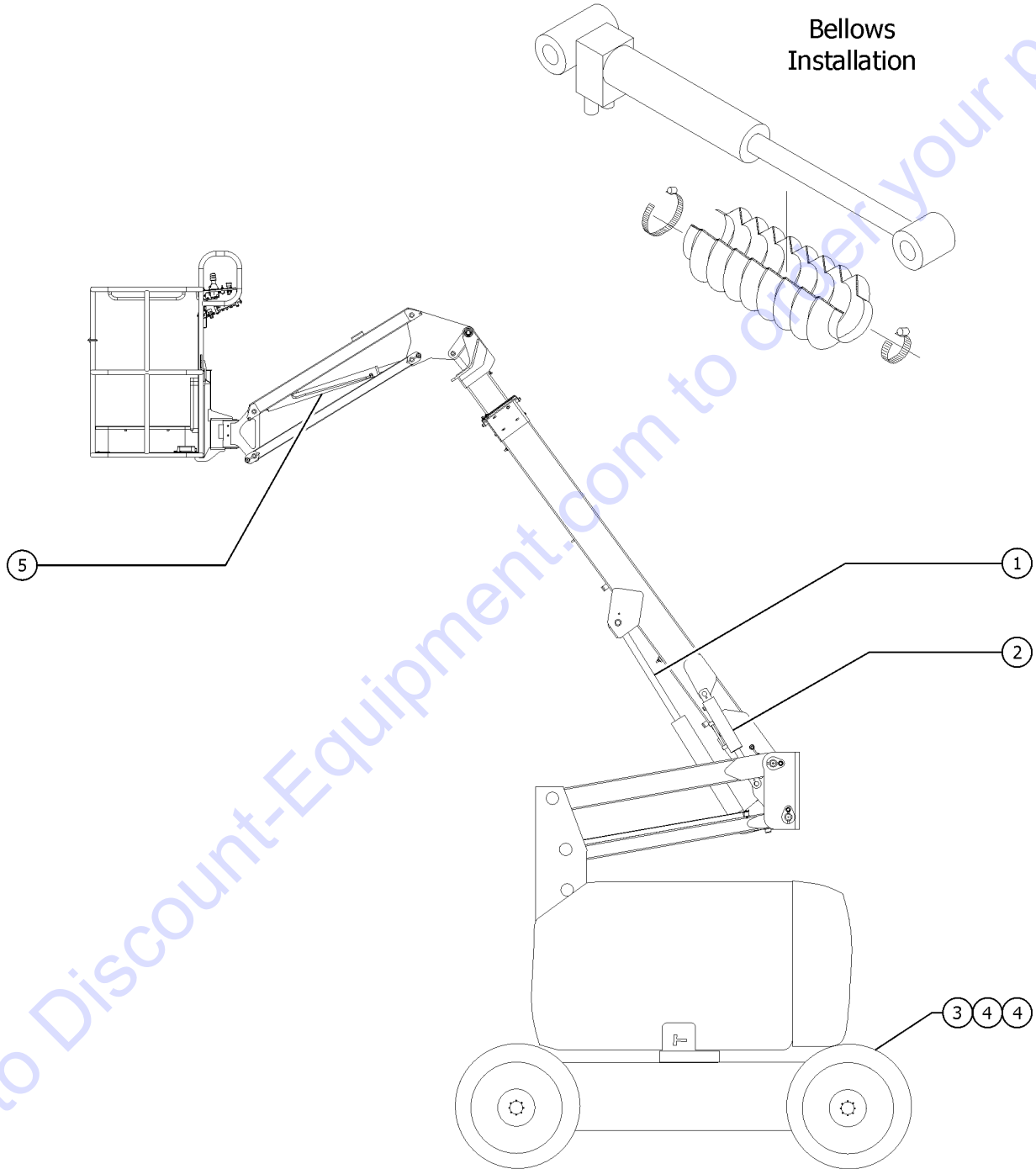
805.1 Hostile Environment, Wiper

Item	Part No.	Description	Qty.
	128677GT	KIT, WIPER	1
1	1252978GT	SCREW,HHC,3/8-16X2.25,8,ZAG	2
2	824110GT	WASHER,LOCK,3/8,ZAG	2
3	825358GT	WASHER,FLAT,5/16,USS,ZAG	2
4	128852GT	TUBE,RD,STL,DOM,.75X.438X1.25	2
5	824124GT	BOLT,CARRIAGE,1/4-20X.75,5,ZAG	10
6	824027GT	NUT,TL FLG,1/4-20,G,ZAG	10
7	128681GT	FORMING, WIPER MOUNT	1
8	128682GT	FORMING, WIPER MOUNT	1
9	119077GT	TUBE,RD,STL,DOM,.75OD X .375ID	2
10	824064GT	SCREW,HHC,1/4-20X2.25,8,ZAG	2
11	824109GT	WASHER,LOCK,1/4,ZAG	2
12	824113GT	WASHER,FLAT,USS,1/4,ZAG	2
13	128973GT	PLATE,WIPER BACKING	2
14	147181GT	WIPER,PRIMARY BOOM	1

Go to Discount-Equipment.com to order your parts



806.1 Hostile Environment, Cylinder Bellows



Go to Discount-Equipment.com to order your parts

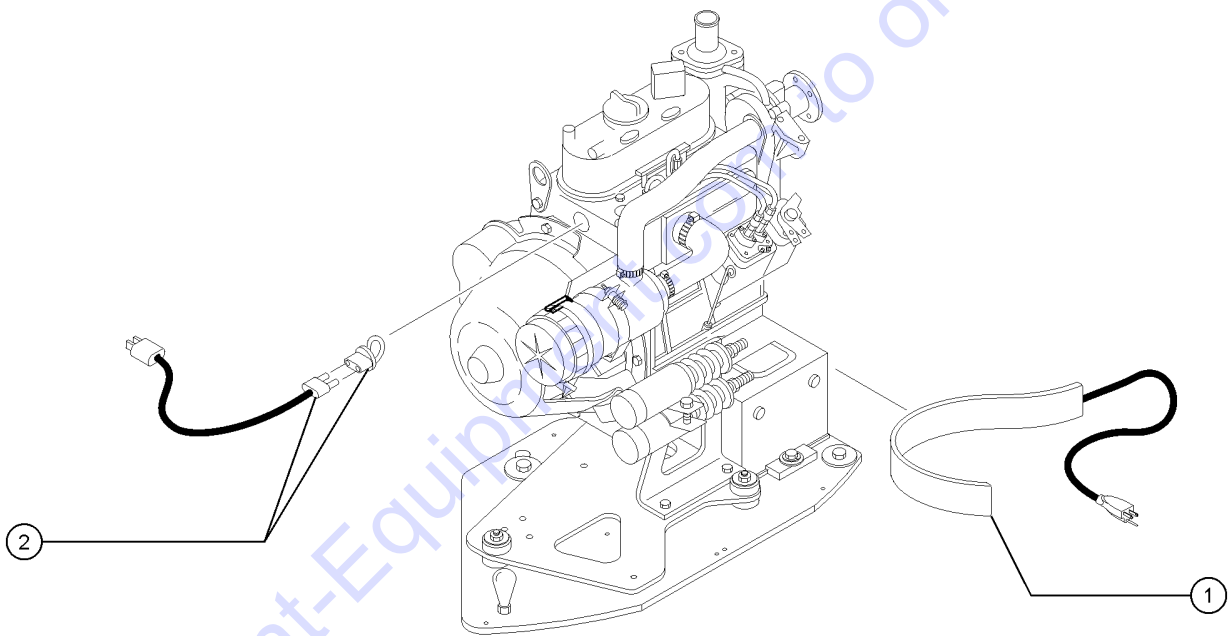
806.1 Hostile Environment, Cylinder Bellows

Item	Part No.	Description	Qty.
A	128838GT	KIT, CYLINDER BELLOWS	
A-	30577GT	COVER,PROTECTIVE,MASTER/SLAVE not shown	1
A-	30489GT	CLAMP,HOSE,3.50	5
A-	30971GT	CLAMP,HOSE,3.00"	1
A-	35434GT	CLAMP,HOSE,2.00***	6
1	94461GT	BELLOWS,PRIMARY/ELEV CYLINDER	2
2	94463GT	BELLOWS,MASTER CYLINDER	1
3	54989GT	BELLOWS,STEERING CYLINDER	1
4	1263699GT	SCREW,HHC,3/8-16X.5,8,ZAG	2
5	94462GT	BELLOWS,JIB CYLINDER	1

Go to Discount-Equipment.com to order your parts



807.1 Cold Start for Bi-Energy



PARTS FINDER

**Search Website
by Part Number**



**Search Manual
Library For Parts
Manual & Lookup Part
Numbers – Purchase
or Request Quote**

Search Manuals

Enter your information to help us find the right parts manual for your machine.

* Brand:

* Model:

* Serial:

* Part Number:

SEARCH

**Can't Find Part or
Manual? Request Help
by Manufacturer,
Model & Description**

Parts Order Form

Please fill in the following information to help us find the right part for your machine.

Manufacturer:	<input type="text"/>
Model:	<input type="text"/>
Description:	<input type="text"/>
Part Number:	<input type="text"/>
Quantity:	<input type="text"/>
Notes:	<input type="text"/>

Submit

Discount-Equipment.com is your online resource for quality parts & equipment.

Florida: **561-964-4949** Outside Florida TOLL FREE: **877-690-3101**

Need parts?

Click on this link: <http://www.discount-equipment.com/category/5443-parts/> and choose one of the options to help get the right parts and equipment you are looking for. Please have the machine model and serial number available in order to help us get you the correct parts. If you don't find the part on the website or on one of the online manuals, please fill out the request form and one of our experienced staff members will get back to you with a quote for the right part that your machine needs.

We sell worldwide for the brands: Genie, Terex, JLG, MultiQuip, Mikasa, Essick, Whiteman, Mayco, Toro Stone, Diamond Products, Generac Magnum, Airman, Haulotte, Barreto, Power Blanket, Nifty Lift, Atlas Copco, Chicago Pneumatic, Allmand, Miller Curber, Skyjack, Lull, Skytrak, Tsurumi, Husquvarna Target, Stow, Wacker, Sakai, Mi-T-M, Sullair, Basic, Dynapac, MBW, Weber, Bartell, Bennar Newman, Haulotte, Ditch Runner, Menegotti, Morrison, Contec, Buddy, Crown, Edco, Wyco, Bomag, Laymor, EZ Trench, Bil-Jax, F.S. Curtis, Gehl Pavers, Heli, Honda, ICS/PowerGrit, IHI, Partner, Imer, Clipper, MMD, Koshin, Rice, CH&E, General Equipment, Amida, Coleman, NAC, Gradall, Square Shooter, Kent, Stanley, Tamco, Toku, Hatz, Kohler, Robin, Wisconsin, Northrock, Oztec, Toker TK, Rol-Air, APT, Wylie, Ingersoll Rand / Doosan, Innovatech, Con X, Ammann, Mecalac, Makinex, Smith Surface Prep, Small Line, Wanco, Yanmar

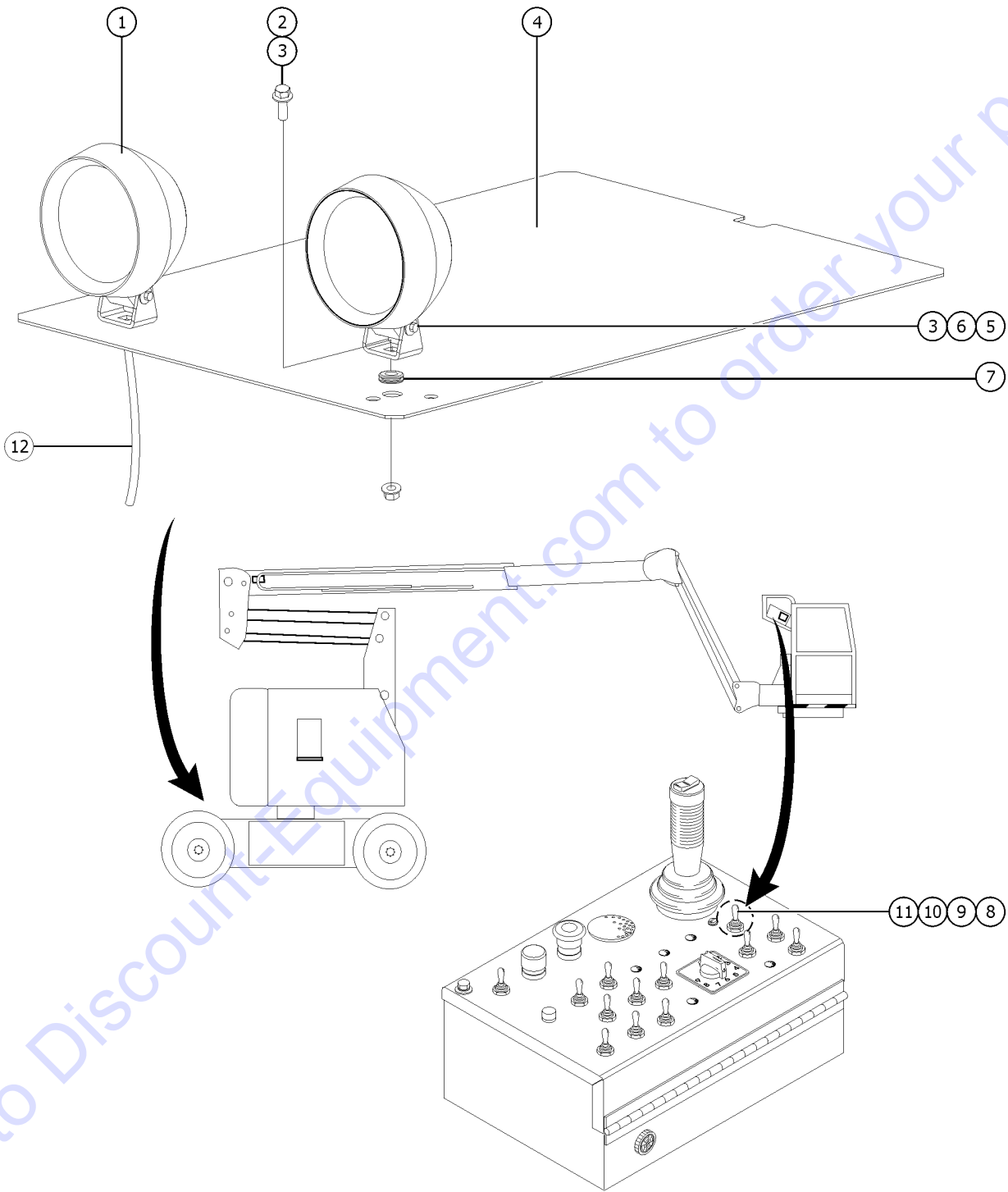
807.1 Cold Start for Bi-Energy

Item	Part No.	Description	Qty.
	70707GT	COLD START PKG,120V BI-ENERGY includes items 1 and 2	
1	28853GT	BLANKET,BATTERY	1
2	70683GT	FREEZE PLUG HEATER,Z45	1

Go to Discount-Equipment.com to order your parts



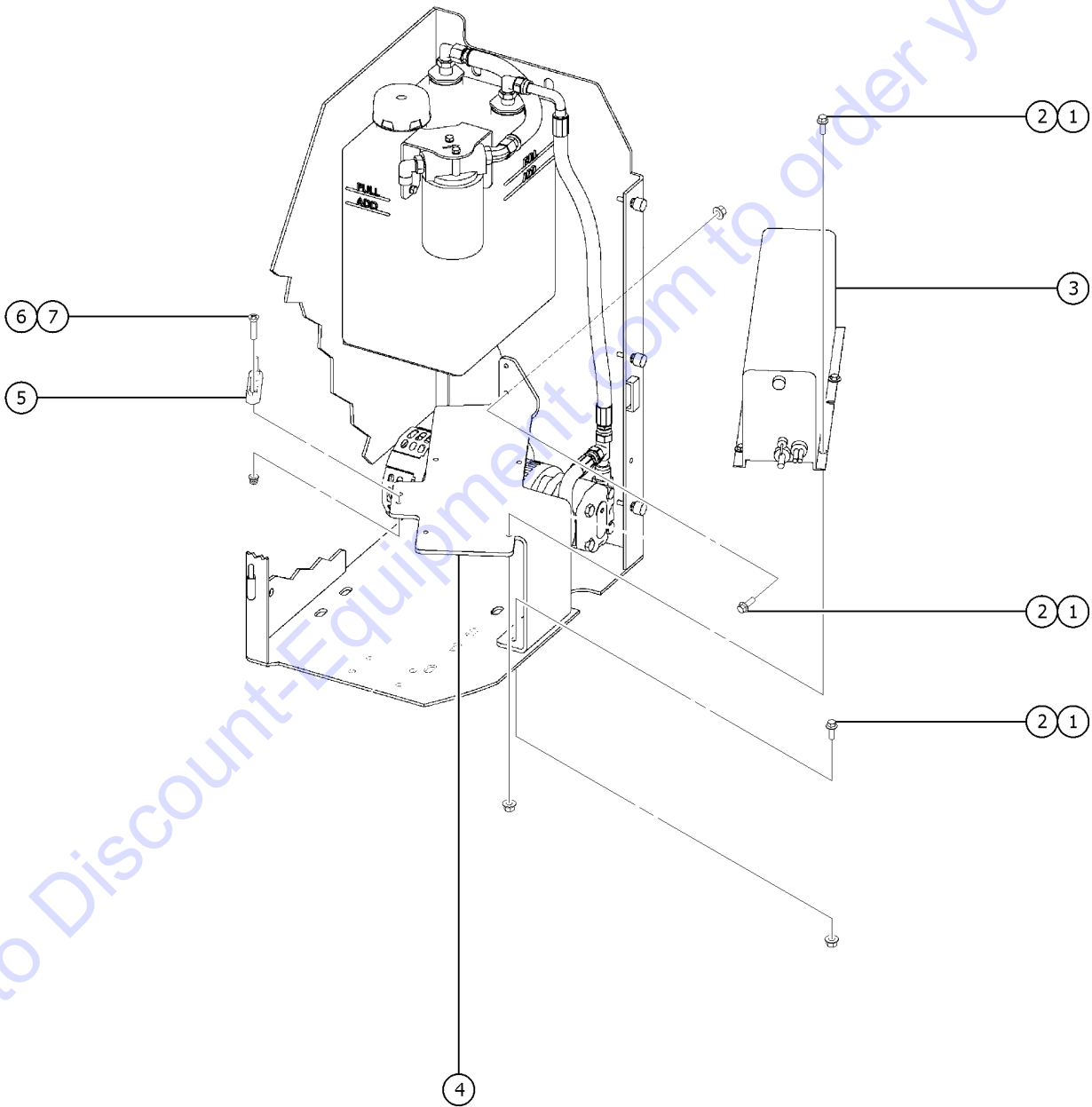
808.1 Drive Light



Item	Part No.	Description	Qty.
	823943GT	OPTION,DRIVE LIGHTS,Z30N	
1	107858GT	WORKLIGHT,48 VOLT	2
2	824085GT	SCREW, HHF, 5/16-18 X .75, 8, ZAG	2
3	824028GT	NUT,TL FLG,5/16-18,G,ZAG	4
4	128968GT	COVER, DR LIGHT OPTION	1
5	825674GT	SCREW, HHC, 5/16-18X2,8,ZAG	2
6	825358GT	WASHER,FLAT,5/16,USS,ZAG	2
7	53517GT	GROMMET,RUBBER .5 X .014 X .75	2
8	78098GT	RELAY,24VDC,40/30A,SLD W/BRKT* not shown	1
8-	54365GT	SCREW,PHIL,PHM,10-32 X .5,SSTL not shown	
8-	824032GT	NUT,TL FLG,10-32,F,ZAG not shown	
9	72867GT	DECAL,LABEL,LIGHTS*** not shown	1
10	128205GT	SWITCH TOGGLE ASSY DPDT 2P MNT	1
10-	27246GT	BOOT,TOGGLE SWITCH,SHORT*	
11	6578GT	CABLE TIE,7 3/8"	2
12	823948GT	HARNESS, DRIVE LIGHTS, 48V includes worklight	1
12-	23083-SGT	FUSE HOLDER,WATERPROOF	1
12C-	27489GT	FUSE,7 AMP	1
12C-	823226GT	POWER RELAY, 24V COIL	1



809.1 Inverter, 120V



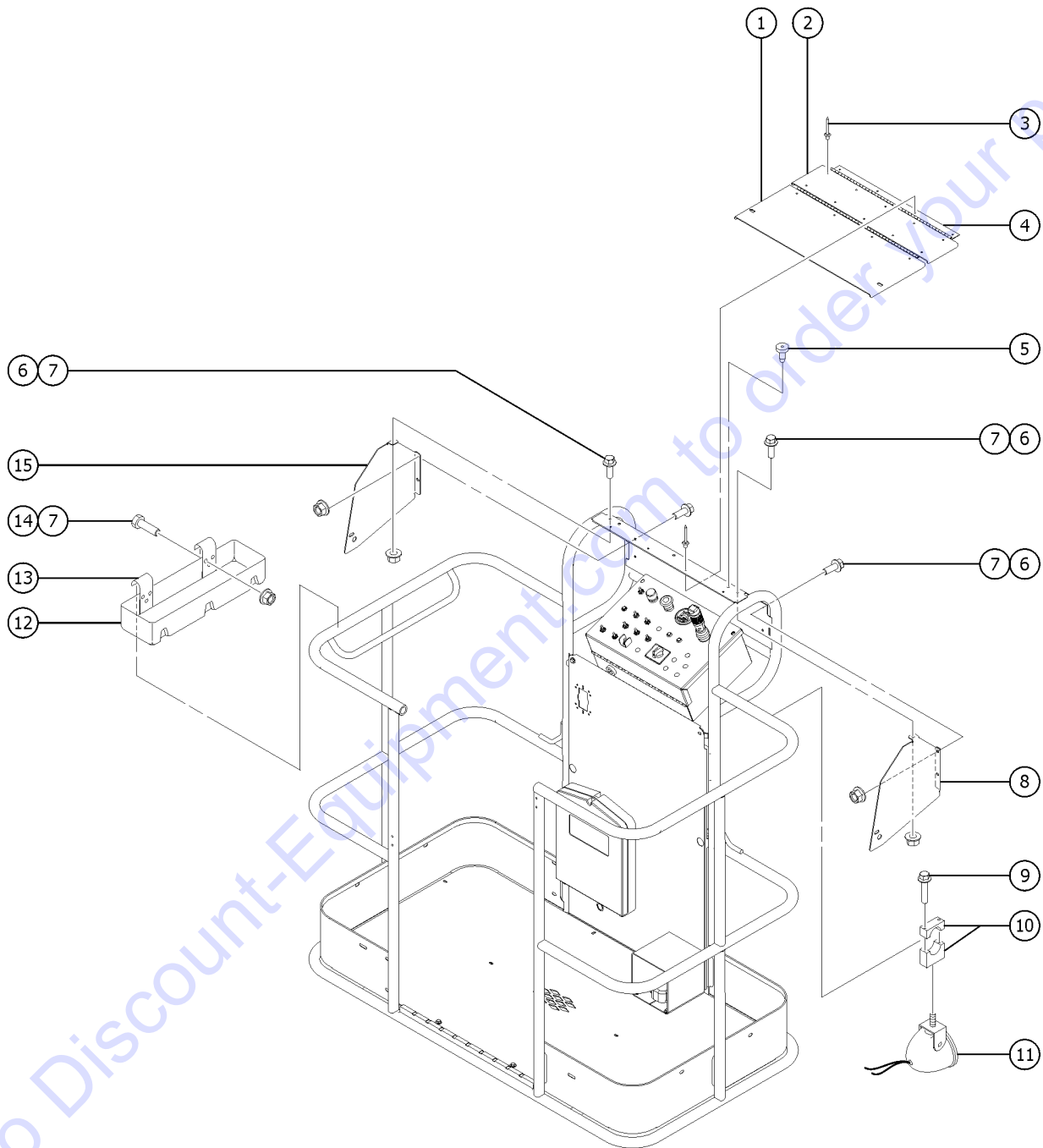
809.1 Inverter, 120V

Item	Part No.	Description	Qty.
A-	78098GT	RELAY,24VDC,40/30A,SLD W/BRKT*	1
B-	32149GT	WELDING CABLE #2 RED	72
C-	66717GT	FUSE BLOCK, ANN & ANL FUSE	1
D-	36355GT	FUSE,100 AMP,VERY FAST ACTING	1
1	824079GT	SCREW,HHF,1/4-20X1,8,ZAG	8
2	824027GT	NUT,TL FLG,1/4-20,G,ZAG	8
3	150026GT	INVERTER,48VDC,120VAC/60HZ	1
4	128102GT	FORMING, INVERTER MT.	1
5	66717GT	FUSE BLOCK, ANN & ANL FUSE	1
6	824225GT	SCREW,FHPM,10-32X.75,ZAG	2
7	23405GT	NUTSERT,10-32 STEEL CAD PLTD	2

Go to Discount-Equipment.com to order your parts



810.1 Platform Control Box Cover, Tool Tray and Work Light

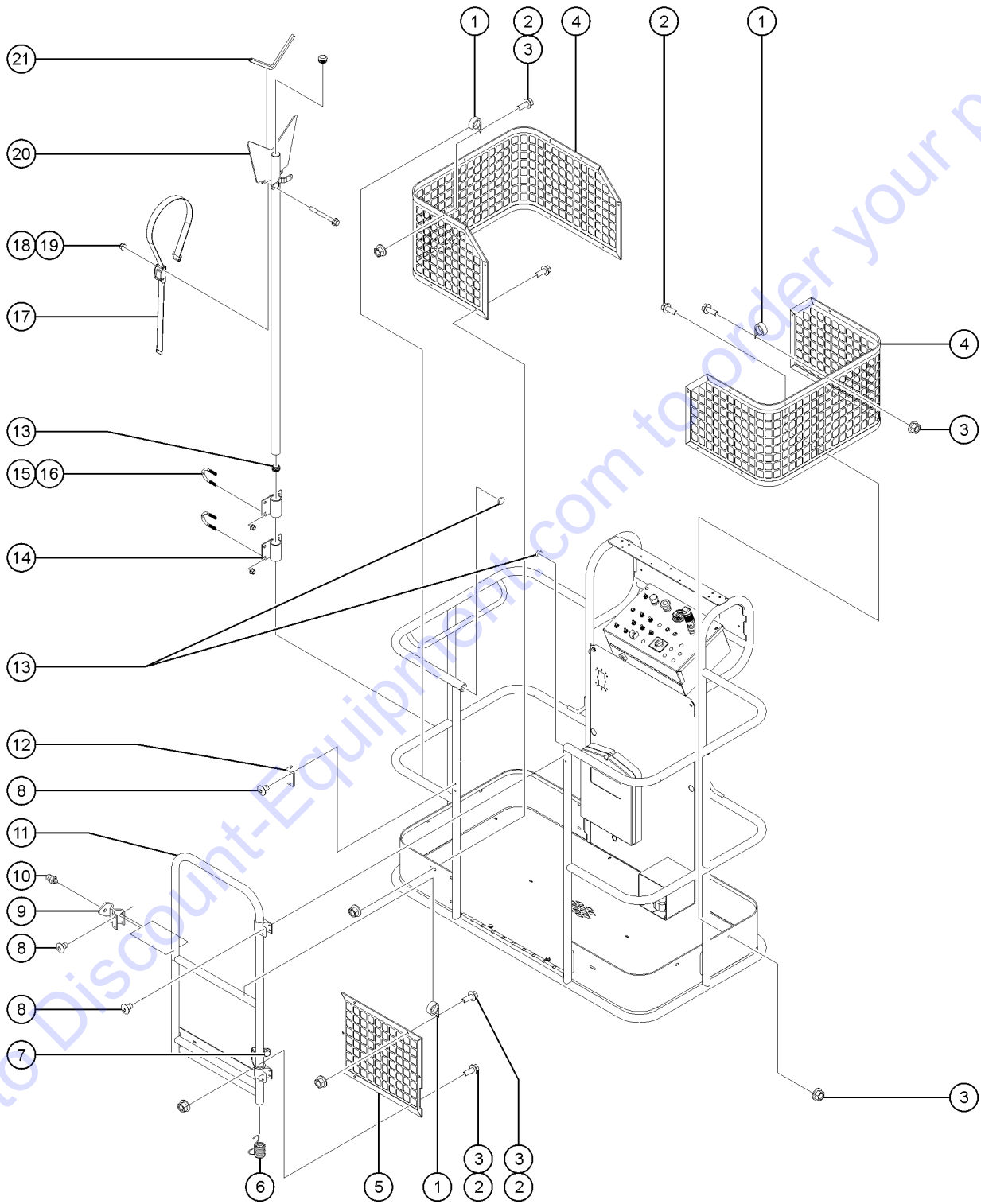


810.1 Platform Control Box Cover, Tool Tray and Work Light

Item	Part No.	Description	Qty.
A-	101649GT	OPTION,CONTROL BOX COVER includes items 1-8, 15	1
B-	823942GT	OPTION,WORKLIGHTS,48V includes items 9-11	1
C-	9599-SGT	TOOL TRAY ACCESSORY*** includes items 7, 12-14	1
1	101679GT	LID,CONTROL BOX COVER LID,CONTROL BOX COVER	1
2	101678GT	LID,CONTROL BOX COVER LID,CONTROL BOX COVER	1
3	87085GT	RIVET,ALUM,P.,188 X .25 RIVET,ALUM,P.,188 X .25	18
4	77860GT	HINGE,CONTROL BOX HINGE,CONTROL BOX	2
5	34619GT	BUMPER,RUBBER*** BUMPER,RUBBER***	6
6	824078GT	SCREW,HHF,1/4-20X.75,8,ZAG SCREW,HHF,1/4-20X.75,8,ZAG	
7	824027GT	NUT,TL FLG,1/4-20,G,ZAG NUT,TL FLG,1/4-20,G,ZAG	
8	101676GT	CONTROL BOX COVER, RH CONTROL BOX COVER, RH	1
9	824081GT	SCREW, HHF, 1/4-20 X 1.5, 8, ZAG SCREW, HHF, 1/4-20 X 1.5, 8, ZAG	2
10	35956GT	BRACKET,WORK LIGHT MOUNT 5/16" BRACKET,WORK LIGHT MOUNT 5/16"	2
11	70679GT	WORKLIGHT HOUSING, DRILLED WORKLIGHT HOUSING, DRILLED	2
11-	823226GT	POWER RELAY, 24V COIL POWER RELAY, 24V COIL	
12	9599-SGT	TOOL TRAY ACCESSORY*** TOOL TRAY ACCESSORY***	1
13	7746P-SGT	TOOL TRAY BRCKT, GRAY,SERVICE TOOL TRAY BRCKT, GRAY,SERVICE	2
14	824059GT	SCREW,HHC,1/4-20X.75,8,ZAG SCREW,HHC,1/4-20X.75,8,ZAG	6
15	101677GT	CONTROL BOX COVER, LH CONTROL BOX COVER, LH	1



811.1 Platform Half Mesh, Swing Gate and Pipe Cradle (to SN Z34F-13115 & SN 734NF-15684)

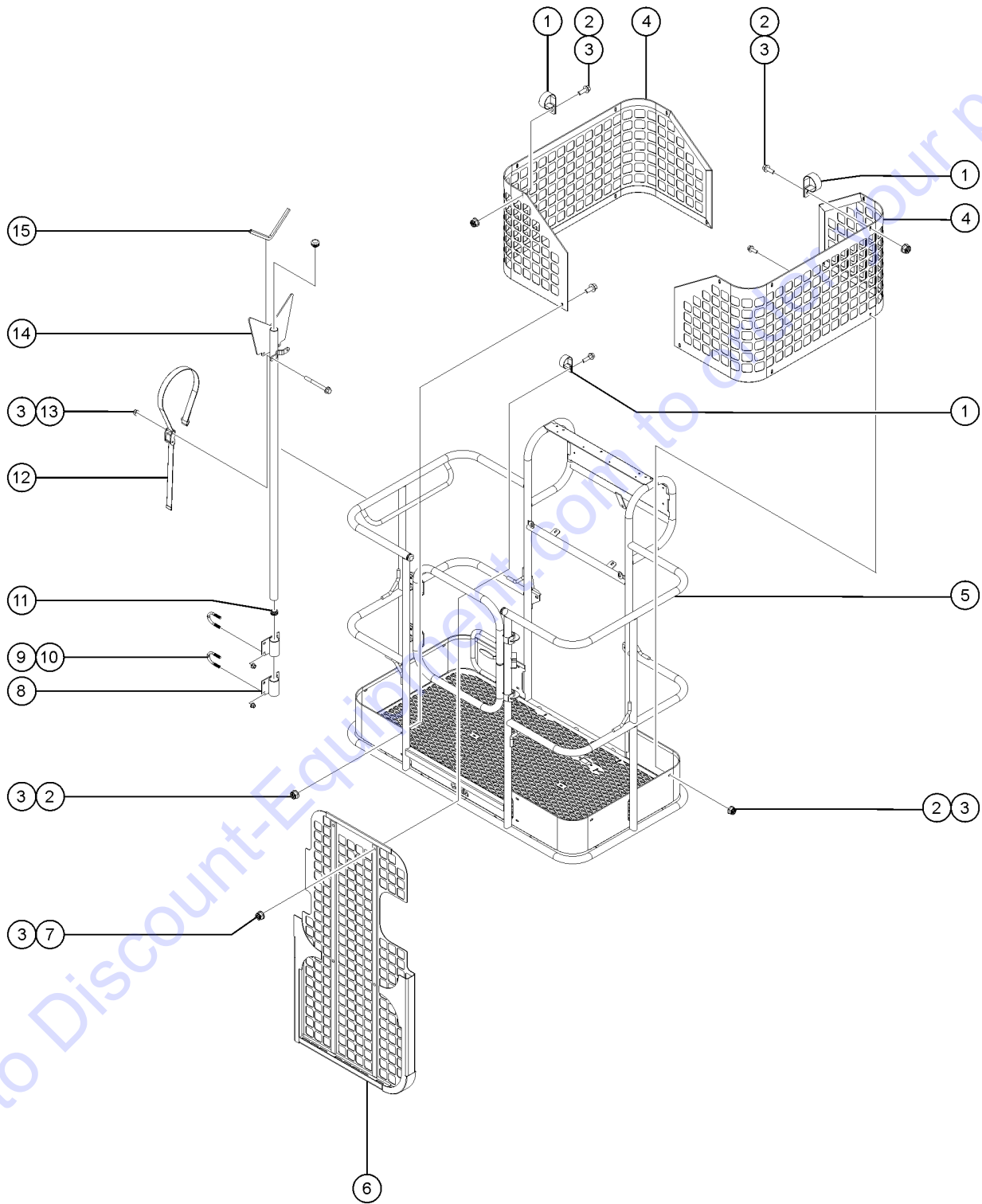


811.1 Platform Half Mesh, Swing Gate and Pipe Cradle (to SN 734F-13115 & SN 734NF-15684)

Item	Part No.	Description	Qty.
A	85300GT	PIPE CRADLE ASSY. SERV (ONE)** (ANSI & CE only) (This is a single assembly. Qty 2 of 85300GT required to complete a set)	
A-	65630GT	INSTRUCTIONS-PIPE CRADLE,BOOMS	
1	56424GT	CLAMP,1.25X.5 RUBBER-CUSHION	23
2	824078GT	SCREW,HHF,1/4-20X.75,8,ZAG	
3	824027GT	NUT,TL FLG,1/4-20,G,ZAG	
4A	74009GT	MESH,HALF HEIGHT RH,4'***	2
4B	74007GT	MESH,HALF HEIGHT,5'***	2
5	54457GT	MESH,HALF,SWING GATE***	1
6	42104GT	SPRING,SHORT PLATFORM GATE	1
7	43392GT	BUMPER,BATTERY BOX & RAILS	1
8	824207GT	RIVET,STL,STL,DOMED,1/4X.375,Z	
9	1487GT	GATE LATCH CASTING--DRILLED	1
10	33674GT	PIN,LOCK,SHORT***	1
11	1290135GT	KIT,FRONT HALF SWING GATE	
11	128368GT	KIT,SWING GATE W/SPRING	
11	128374GT	WELDMENT,SWING GATE,ALUMINUM	1
11-	9596GT	HINGE CASTING	2
12	1488GT	RAILING CATCH CASTING--DRILLED	1
13	55753GT	BUMPER, PLASTIC, 1.25 O.D.	6
14	81368GT	WELDMENT,PIPE CRADLE MOUNT	4
15	1251600GT	U-BOLT, FLATTENED, 1.5 X 3/8	8
16	1274322GT	NUT,NYLOCK FLG,3/8-16,F,ZAG	16
17	56570GT	STRAP, CONDUIT HOLDER 60'***	2
18	1277924GT	NUT,NYLOCK FLG,1/4-20,F,ZAG	4
19	824083GT	SCREW,HHF,1/4-20X2.5,8,ZAG	4
20	56525GT	WELDMENT, PIPE CRADLE	2
21	19018-1100GT	TRIMLOCK,BLACK,5/32"	2



811.2 Platform Half Mesh, Swing Gate and Pipe Cradle (from SN Z34F-13116 & SN 734NF-15685)



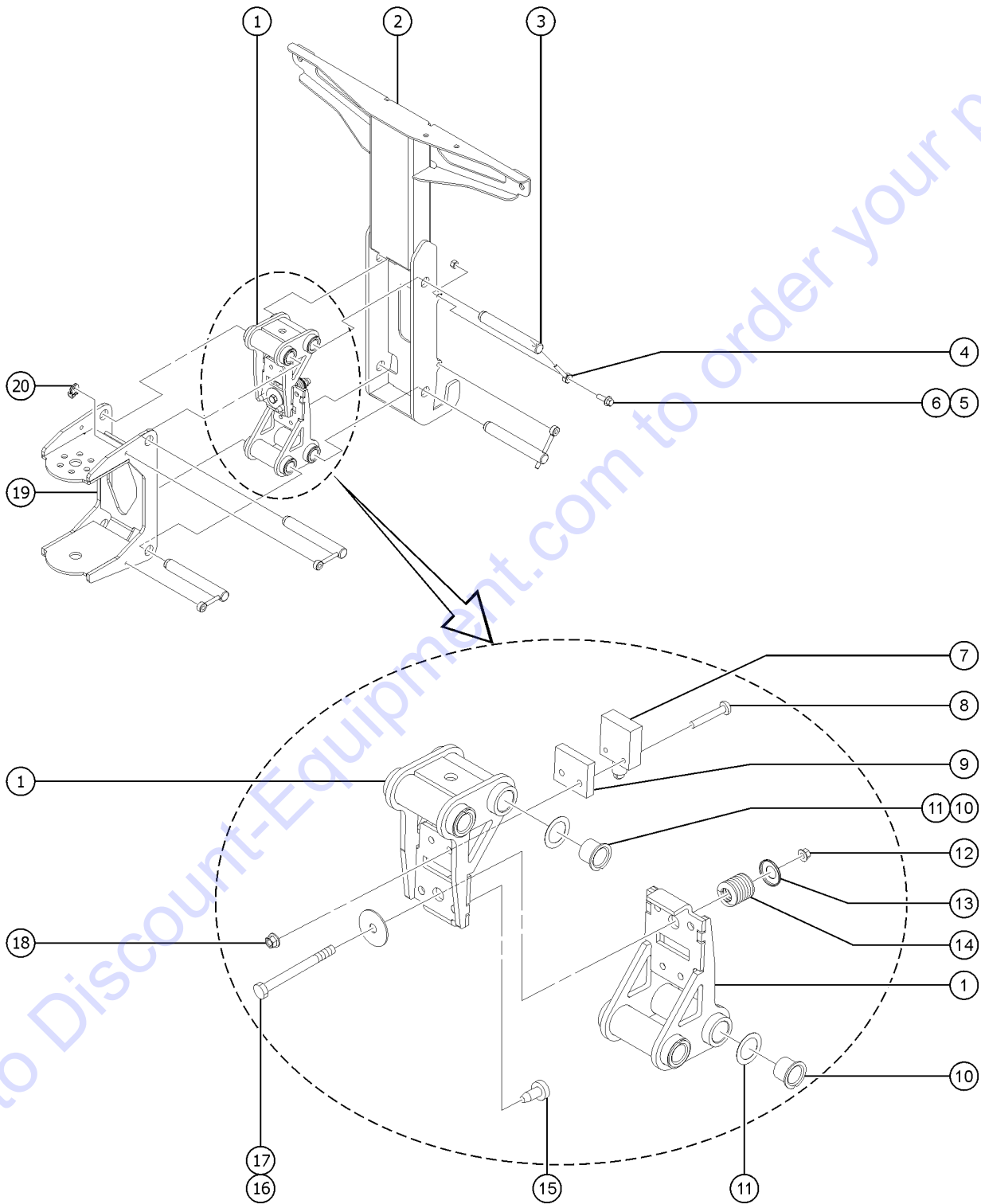
811.2 Platform Half Mesh, Swing Gate and Pipe Cradle (from SN 734F-13116 & SN 734NF-15685)

Item	Part No.	Description	Qty.
1	56424GT	CLAMP,1.25X.5 RUBBER-CUSHION	12
2	824078GT	SCREW,HHF,1/4-20X.75,8,ZAG	
3	1277924GT	NUT,NYLOCK FLG,1/4-20,F,ZAG	
4	74007GT	MESH,HALF HEIGHT,5'*** 5 Feet Platform	2
4B	74009GT	MESH,HALF HEIGHT RH,4'*** 4 Feet Platform	2
5		REF. PLATFORM (refer to 601.2)	1
6	1278793GT	WELDMENT,PLATFORM MESH GATE	1
7	824079GT	SCREW,HHF,1/4-20X1,8,ZAG	4
8	81368GT	WELDMENT,PIPE CRADLE MOUNT	4
9	1251600GT	U-BOLT, FLATTENED, 1.5 X 3/8	8
10	1274322GT	NUT,NYLOCK FLG,3/8-16,F,ZAG	16
11	55753GT	BUMPER, PLASTIC, 1.25 O.D.	4
12	56570GT	STRAP, CONDUIT HOLDER 60"***	2
13	824083GT	SCREW,HHF,1/4-20X2.5,8,ZAG	4
14	56525GT	WELDMENT, PIPE CRADLE	2
15	19018-1100GT	TRIMLOCK,BLACK,5/32"	2

Go to Discount-Equipment.com to order your parts



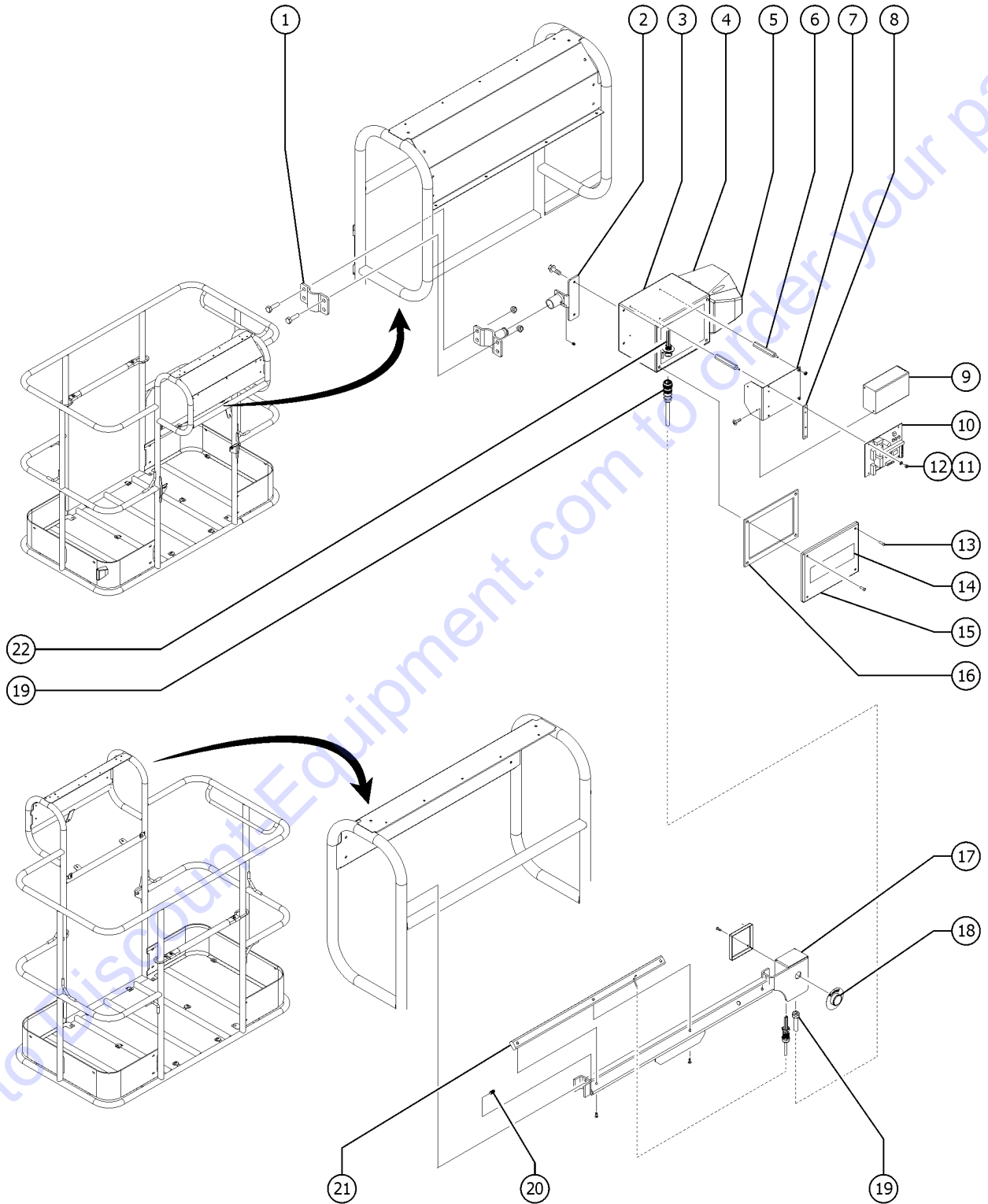
812.1 Platform Overload, CE and AUS



Item	Part No.	Description	Qty.
	121848GT	ASSY,LS,LOAD SENSE,38.5 IN	1
1	94191GT	WELDMENT,LOAD SUPPORT	2
2	94176GT	WELDMENT,PLATFORM SUPPORT	1
3	61726GT	PIN,0.75DIA X 5.75LG,CHAMFER	4
4	825020GT	ROD END, .25 X 2.75, ZAG	4
5	824079GT	SCREW,HHF,1/4-20X1,8,ZAG	4
6	824024GT	NUT,TL,1/4-20,C,ZAG	4
7	61973GT	SWITCH,ROLLER PLUNGER LIMIT	1
8	824216GT	SCREW,PHPM,10-32X1.5,ZAG	2
9	61972GT	MOUNT,SWITCH	1
10	25685GT	BEARING,GARLOCK,12FDU12	8
11	110789GT	WASHER,SHIM .0151 THK.	8
12	824029GT	NUT,TL FLG,3/8-16,G,ZAG	1
13	824208GT	RETAINER,SPRING,1.21X.375,ZAG	1
14	61974GT	SPRING,COMP,1" OD,232 LB/IN	1
15	34619GT	BUMPER,RUBBER***	2
16	824070GT	SCREW,HHC,3/8-16X3.25,8,ZAG	1
17	1268468GT	WASHER,FLAT,.406X1.50X.125,ZAG	1
18	824032GT	NUT,TL FLG,10-32,F,ZAG	2
19	94170GT	WELDMENT,ROTATOR SUPPORT	1
20	45470GT	CLAMP,0.31,#5 X 1/4,RUB CUSH	1



813.1 Operators Protection Alarm (to January 2017)

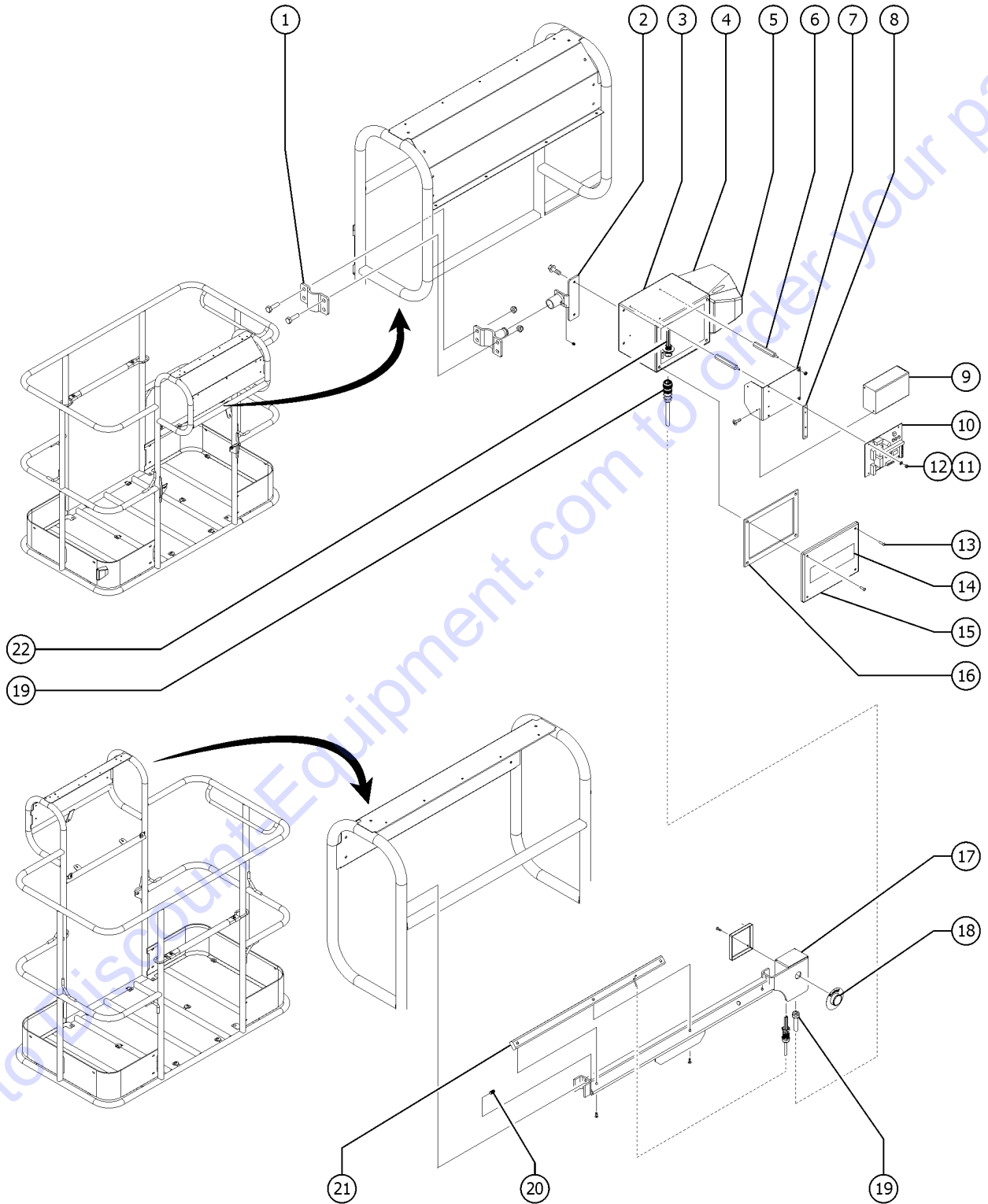


813.1 Operators Protection Alarm (to January 2017)

Item	Part No.	Description	Qty.
A	1255567GT	KIT,OPA,HW,24V,SB	1
A-	1255471GT	ASSEMBLY,OPA,4'-5' PLAT	
A-	1255030GT	PLUG,BLANKING	
A-	1255858GT	HARN,PBOX,OPA,HW,24V	
1	1256149GT	CLAMP,HAND RAIL,OPA,4'-5' includes fasteners	1
2	1255026GT	ASSY,BRKT,CNTRL BOX W/FASTNRS	1
3	1255018GT	BASE ENCLOSURE,RED,OPA	1
4	1255021GT	SOUNDER,MIDI,OPA	1
5A	1255037GT	SOUNDER LENS, OPA, BLUE (standard lens fitted to OPA)	1
5B	1270116GT	SOUNDER LENS, OPA, RED	1
5C	1270117GT	SOUNDER LENS, OPA, AMBER	1
5D	1270118GT	SOUNDER LENS, OPA, CLEAR	1
6	1255028GT	STAND OFF,CONTROL UNIT	4
7	1255024GT	BRACKET,CONTROL UNIT	1
8	1255025GT	SPACER,HEAT SINK	1
9	1255023GT	ASSY,MODULE,CONTROL UNIT,OPA	1
10	1255022GT	MODULE,CONTROL UNIT,PCB,OPA	1
11	1255067GT	NUT,M4 NYLOCK	4
12	1255066GT	WASHER,M4 NYLON	4
13	1255038GT	SCREW,M5X16 BHD	4
14	1255027GT	WASHER,M5 NYLON	4
15	1255890GT	DECAL,COSMETIC,GENIE	1
16	1255020GT	LID ENCLOSURE,RED,OPA	1
17	1255019GT	GASKET,ENCLOSURE	1
18	1255488GT	ASSEMBLY,TAPESWITCH 4-ft and 5-ft platforms; includes j-box and fasteners	1
19	1255036GT	ASSEMBLY RESET SWITCH	1
20	1255035GT	ASSEMBLY,CABLE,TAPESWITCH	1
21	1255889GT	DECAL,SYMBOL-READ THE MANUAL	1



813.1 Operators Protection Alarm (to January 2017)



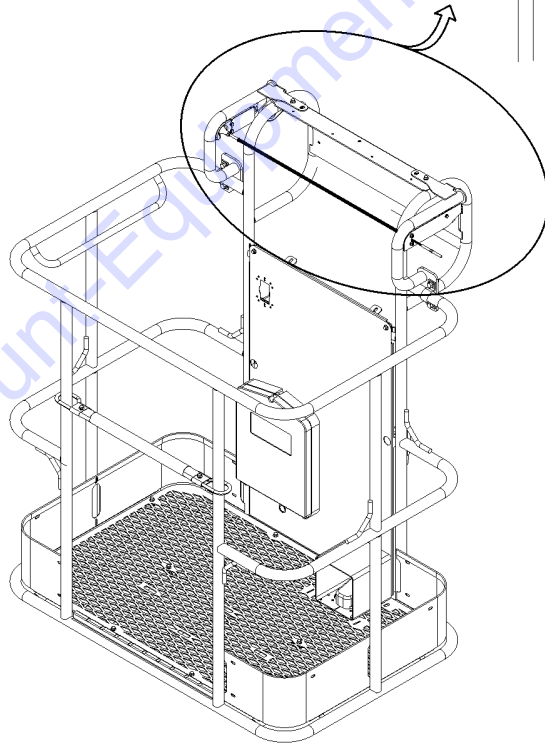
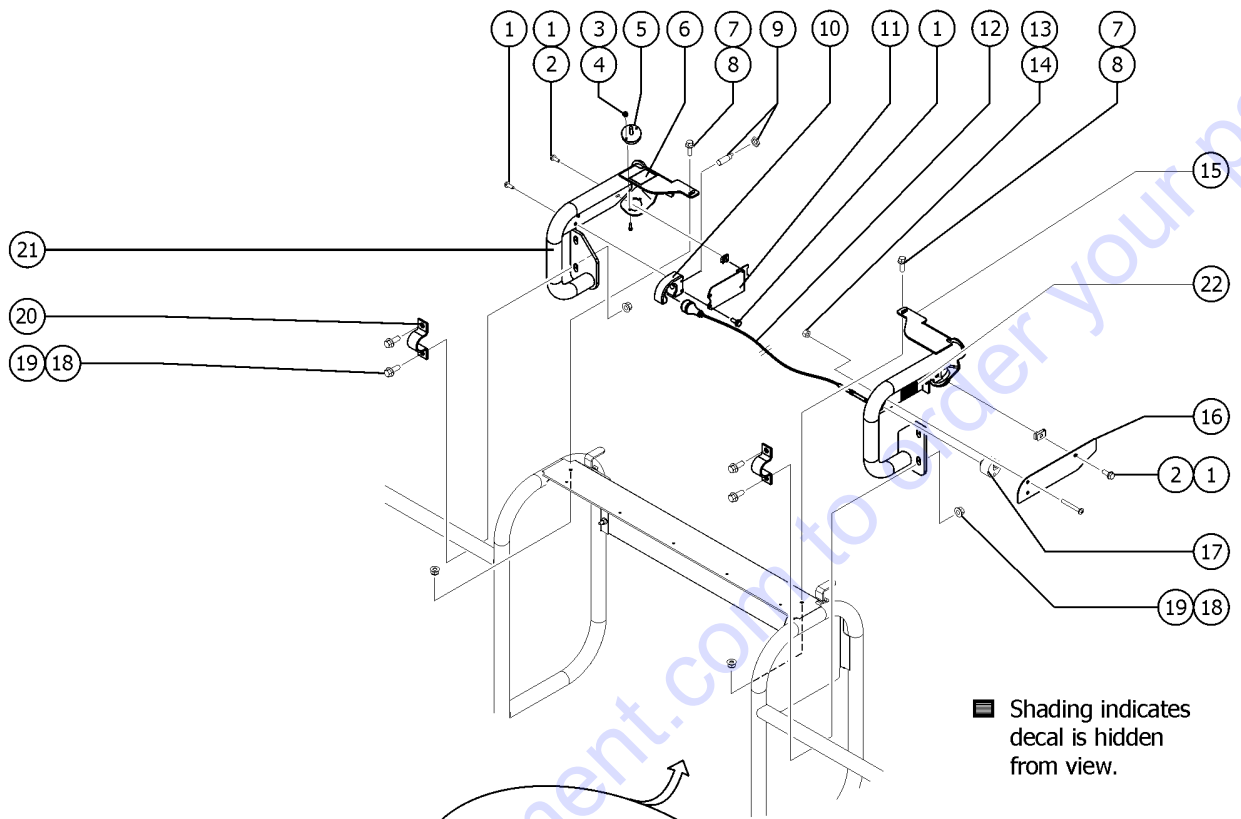
813.1 Operators Protection Alarm (to January 2017)

<i>Item</i>	<i>Part No.</i>	<i>Description</i>	<i>Qty.</i>
22	1255489GT	SENSOR,RUBBER EDGE 4-ft and 5-ft platforms	1
23	1255033GT	HARN,PIGTAIL,TAPESWITCH,OPA	1

Go to Discount-Equipment.com to order your parts



813.2 Lift Guard Contact Alarm (from January 2017)



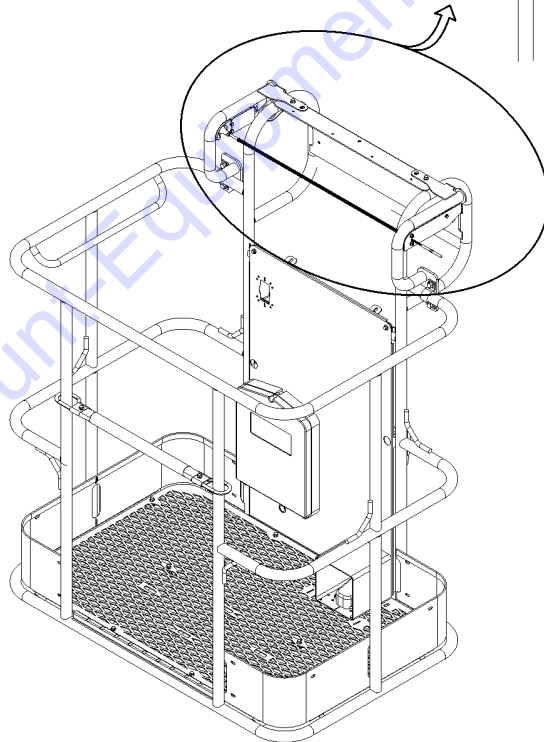
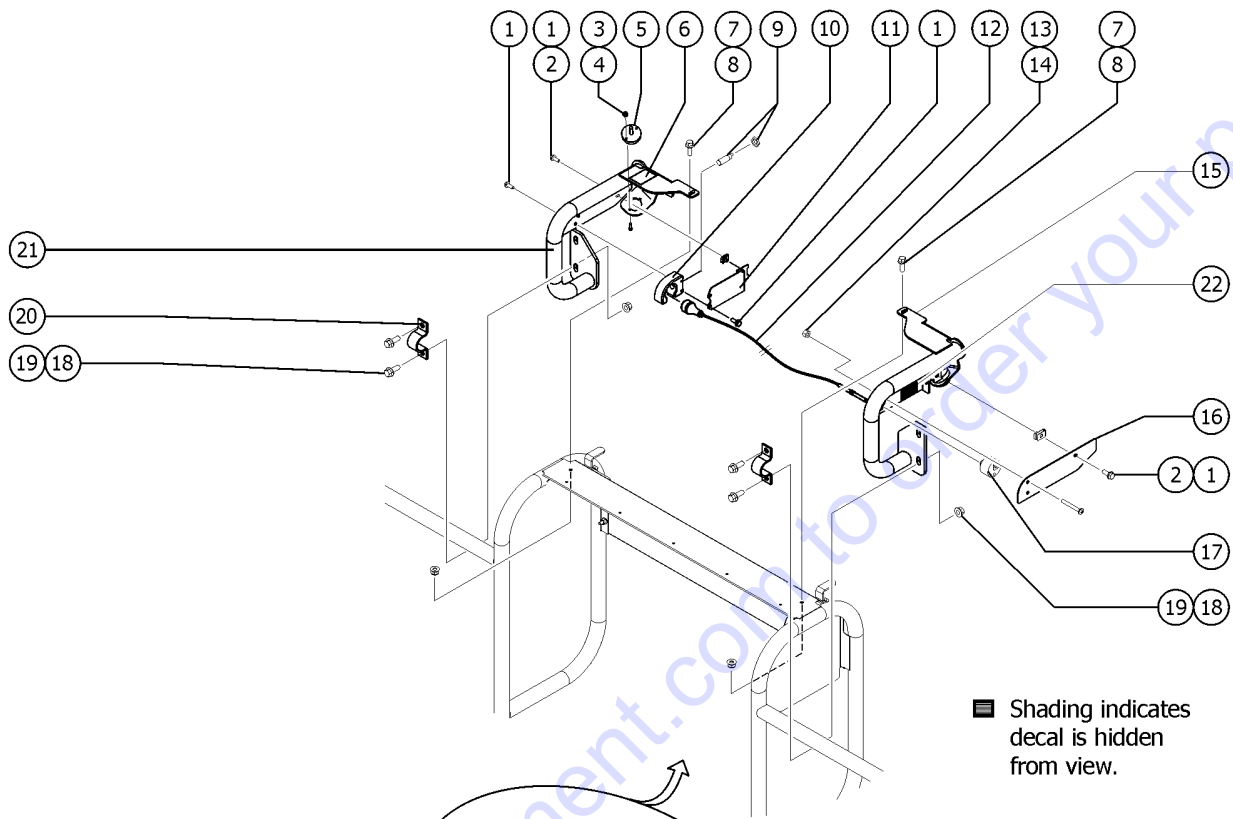
■ Shading indicates decal is hidden from view.

813.2 Lift Guard Contact Alarm (from January 2017)

Item	Part No.	Description	Qty.
A-		From January 2017, this option became a standard installation on all models unless the customer specifically request not to have it installed	
B-	1279136GT	KIT,LIFT GUARD CONTACT ALARM,4'-5' PLATFORM	
C-	1278450GT	HARNESS, CONTACT ALARM, Z30/34DC	
D-	78098GT	RELAY,24VDC,40/30A,SLD W/BRKT*	
E-	1278121GT	MODULE, PLUS+1, OPA2 located inside the Platform Control Box	
1	1264934GT	SCREW,HHF,10-24X. 5	
2	73575GT	SPRING CLIP,10-24,.025-.125X.468,ZAG	
3	12344GT	NUT,NYLOCK,6-32	
4	1256859GT	SCREW,PHPM,6-32X.875,ZAG	
5	1278111GT	ASSEMBLY, LIGHT, OPA2	2
5B	1285850GT	ASSEMBLY,AMBER LIGHTS,CONTACT	
6	1278542GT	DECAL, INSTRUCTION, CONTACT ALARM	
7	824078GT	SCREW,HHF,1/4-20X.75,8,ZAG	
8	1277924GT	NUT,NYLOCK FLG,1/4-20,F,ZAG	
9	1278119GT	ASSEMBLY, SENSOR, PROX, OPA2	1
10	1278433GT	ASSY, SENSOR W/ HOUSING (Includes holder item 1277877 and sensor part 1278119)	
10-	1277877GT	HOLDER, SENSOR	1
11	1277873GT	PLATE, SENSOR HOLDER	1
12	1278417GT	ASSEMBLY, OPA CABLE, SMALL	1
12-	1278124GT	MAGNET, 1/4-20, 15 LB. Part of assembly 1278417	
12-	1278459GT	OPA WIRE ASSY, SMALL Part of assembly 1278417	
12-	1278368GT	GRIP, CABLE Part of assembly 1278417	
12-	1261184GT	NUT,1/4-20,8,ZAG Part of assembly 1278417	
13	825352GT	SCREW,PHPM,10-32X1.25,ZAG	
14	1264261GT	NUT,SERRATED,10-32,ZAG	
15	1278175GT	WELDMENT, RIGHT OPA, SMALL	1
16	1277875GT	PLATE, CABLE AND WIRE COVER	1
17	1277876GT	GUIDE, CABLE	1



813.2 Lift Guard Contact Alarm (from January 2017)

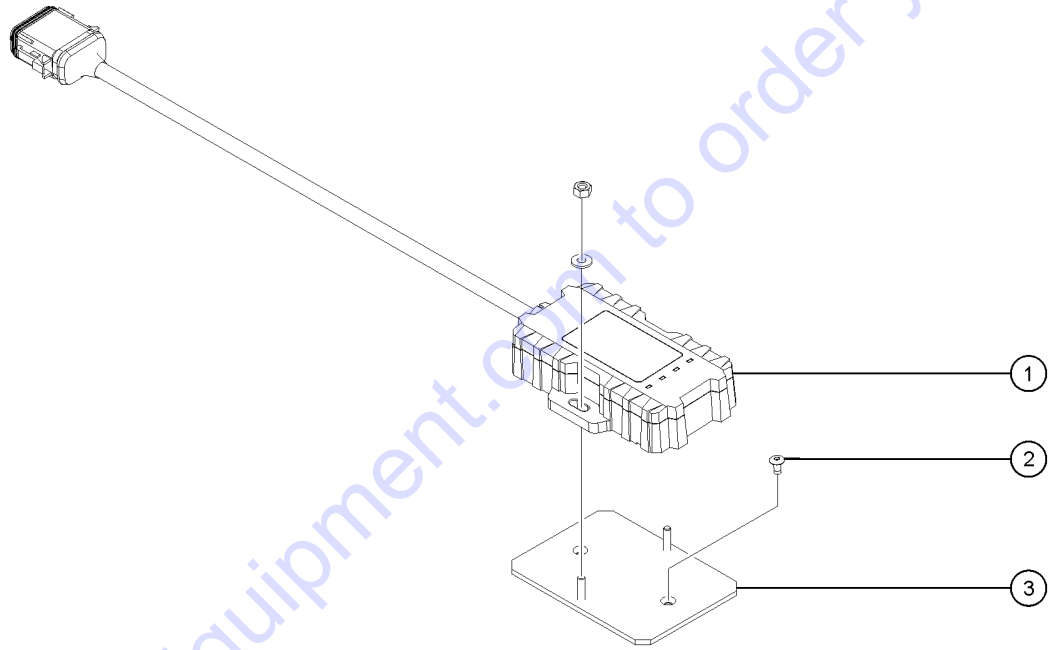


813.2 Lift Guard Contact Alarm (from January 2017)

<i>Item</i>	<i>Part No.</i>	<i>Description</i>	<i>Qty.</i>
18	1274322GT	NUT,NYLOCK FLG,3/8-16,F,ZAG	
19	824090GT	SCREW,HHF,3/8-16X1,8,ZAG	
20	1278363GT	CLAMP, 1.25 INCH TUBE	2
21	1278177GT	WELDMENT, LEFT OPA, SMALL	1
22	1278982GT	DECAL, INSTRUCTION, ACTUATOR SWITCH SOCKET	1

Go to Discount-Equipment.com to order your parts





Item	Part No.	Description	Qty.
-	1293476GT	HARNESS, RETROFIT, 24" M7 (Z-34N and Z-34 DC) for first time insulation, must order this Harness with one of the models 1289520GT, 1289521GT, 1289522GT, or 1289523GT	1
-	1292198GT	HARNESS, RETROFIT, M7 (Z-34 BE) for first time insulation, must order this Harness with one of the models 1289520GT, 1289521GT, 1289522GT, or 1289523GT	1
1	1289520GT	MODULE, TELEMATICS, ZTR, M7, NORTH AMERICA North America	1
1B	1289521GT	MODULE, TELEMATICS, ZTR, M7, EMEA/APAC EMEA/APAC	
1C	1289522GT	MODULE, TELEMATICS, ZTR, M7, APAC/ANZ APAC/ANZ	
1D	1289523GT	MODULE, TELEMATICS, ZTR, M7, JAPAN Japan	
2	824206GT	RIVET, STL, STL, DOME, 1/8X.25, ZAG (Z-34N - from SN Z34NF-15485) (Z-34 DC - from SN Z34F-12966)	2
3	1289561GT	BRACKET, TELEMATICS	1

Go to Discount-Equipment.com to order your parts



<u>Part no.</u>	<u>Page Number</u>	<u>Part no.</u>	<u>Page Number</u>	<u>Part no.</u>	<u>Page Number</u>
1268GT	11	20224GT	219	27895GT	235
1484GT	11	20776GT	149	27900GT	235
1487GT	257	20780GT	169	28125GT	137
1488GT	257	20973GT	199	28156GT	173
6021GT	233	21121GT	199	28158GT	25, 41, 59, 77
6198GT	159	21166GT	83, 87	28159GT	25, 41, 59, 77
6578GT	251	21427GT	213	28161GT	17, 19, 25, 27
6833GT	191	21465GT	123	28162GT	25, 59
6935GT	133, 149, 163, 197	21619GT	121	28164GT	17, 25, 51, 59
7056GT	115, 133, 163, 179, 185, 197	21982GT	141, 143	28165GT	21, 29
7057GT	149	22262GT	91, 99	28171GT	17, 25, 33, 41, 77
7264GT	139	22263GT	91, 99	28174GT	17, 21, 25, 29, 33, 37...
7746P-SGT	255	22446GT	171	28175GT	13, 15, 25
9596GT	257	22672GT	169	28176GT	21, 29
9599-SGT	255	22676GT	175	28177GT	21, 29
10665GT	195	22700GT	175	28181GT	19, 27
10775GT	197	22794GT	115, 163	28235GT	17, 21, 25, 29, 33, 37...
10777GT	199	22903GT	165	28236GT	21, 29, 55, 65
12344GT	267	22934GT	165	28298GT	121
12443GT	199	22956GT	171	28372GT	13, 15, 23, 47, 57
13005GT	159	23083-SGT	251	28443GT	185
13064GT	115	23404GT	97, 103, 121, 133, 141, 147...	28750GT	11, 217
13268GT	209	23405GT	253	28853GT	249
13585GT	197	23457GT	165	28963GT	173
13825GT	243	23469GT	165	29032GT	217
15243GT	149, 205, 209	23472GT	167	29080GT	187
18396GT	83, 183	23473GT	175	29261GT	239
18665GT	149	24038GT	159	29314GT	137
18963GT	135, 137, 145, 243	24514GT	199	29868GT	107
19018-1100GT	257, 259	25388GT	105, 133	30222GT	193
19018GT	119, 131	25685GT	261	30489GT	247
19246GT	105	25817GT	83, 87	30577GT	247
19247GT	105	27089GT	123, 169	30807P-SGT	197
19268GT	141	27246GT	143, 251	30971GT	247
19470GT	221	27258GT	191	30997GT	211
19506GT	141, 143	27367GT	175	31060GT	13, 15, 19, 23, 27, 47...
19520GT	111, 113	27391GT	237	31106GT	179, 193
19712GT	213	27489GT	251	31194GT	115, 229
19713GT	213	27497GT	179, 185, 187, 191, 195	31508GT	13, 15, 23, 47, 57
19721GT	213	27564GT	17, 27	31779GT	11
19722GT	213	27581GT	11	31784GT	13, 23
19789GT	219	27894GT	235	31785GT	13, 15, 23, 47, 57

<u>Part no.</u>	<u>Page Number</u>	<u>Part no.</u>	<u>Page Number</u>	<u>Part no.</u>	<u>Page Number</u>
31785JAGT	13, 15, 23	36202GT	183	37947GT	141, 143
31788GT	13, 15, 23, 47, 57	36205GT	183	38149GT	51, 59, 69
32064GT	165	36211GT	89	38620GT	187
32066GT	165, 173	36235GT	211	39223GT	123, 131
32067GT	165	36245GT	183	39469GT	161
32069GT	167	36246GT	183	39470GT	161
32077GT	171	36257GT	133	40137GT	83
32087GT	173	36355GT	91, 99, 253	40145GT	85, 87
32090GT	173	36369GT	107	40146GT	85, 87
32149GT	253	36388GT	121, 129, 139	40299GT	13, 15, 23, 47, 57
32150GT	11	36389GT	183	40300GT	13, 15, 23, 47, 57
32151GT	11	36390GT	183	40410GT	217
32200GT	167	36414GT	133	40413GT	217, 219, 221
32317GT	233	36415GT	133	40434GT	21, 29, 37, 45
32710GT	197	36421GT	133	40438GT	83, 87
32728GT	21, 37, 55, 73	36449GT	135	40446GT	179
33510GT	137	36456GT	91, 99, 131	40447GT	183, 185
33555GT	137, 159	36457GT	133	40449GT	179
33576GT	197	36555GT	11	40835GT	161
33674GT	257	36561-SGT	195	40837GT	83
33759GT	197	36570GT	133	41630GT	161
33994GT	11, 217	36574GT	135	42019GT	123, 131
34052GT	237	36575GT	133	42064GT	137
34053GT	121, 147	36648GT	189	42065GT	147
34245GT	183, 185	36673GT	105	42067GT	127
34619GT	255, 261	36676GT	87	42077GT	127
35088GT	195	36680GT	135	42104GT	257
35418GT	123	36816-SGT	243	42363GT	115
35434GT	247	36871GT	147	42413GT	179
35542GT	15	36923PGT	133	42432-SGT	83
35675GT	187	36924PGT	135	42439GT	119
35678GT	215	37052GT	21, 29	42502GT	187
35679GT	215	37053GT	13, 15, 23, 31, 39, 47...	42612-SGT	181
35680GT	215	37054GT	13, 15, 23, 31, 39, 47...	42613-SGT	181
35956GT	255	37055GT	13, 15, 23, 31, 39, 47...	42616GT	209
36054-SGT	193	37056GT	13, 15, 23, 31, 39, 47...	42617GT	209
36179GT	131, 161	37184GT	131, 161	42662GT	163
36192GT	187	37185GT	131, 161	42781GT	143, 205, 209
36194GT	183, 185	37186GT	131, 161	42797GT	195
36198GT	185	37187GT	131, 161	42939GT	179, 185, 195
36199GT	193	37191GT	131, 161	42958GT	175
36200GT	183	37192GT	131, 161	43018GT	223

<u>Part no.</u>	<u>Page Number</u>	<u>Part no.</u>	<u>Page Number</u>	<u>Part no.</u>	<u>Page Number</u>
43038GT	213	45460GT	83	49119-7300GT	225
43040GT	213	45462GT	135, 137	49119-8300GT	231
43042GT	213	45465GT	107	49119-20200GT	231
43179GT	91, 99	45470GT	261	49119-21300GT	231
43392GT	203, 257	45544GT	219	49119-23600GT	231
43595GT	13, 23	45745GT	189	49119-23900GT	231
43599GT	217	45782GT	141, 147, 159, 205	49119-48150GT	231
43937GT	185	45840GT	143	49120-1900GT	231
43956GT	133, 151, 155, 197	45873GT	85, 87	49120-3100GT	231
43960GT	115, 179, 197, 243	45921GT	217, 219	49120-48150GT	231
44133GT	185	46468GT	21, 29, 37, 45, 55, 65...	49121-3150GT	231
44160GT	161	47377GT	179, 185, 193, 195	49121-23900GT	231
44248GT	21, 29	48504GT	129, 233	49189-2325GT	227
44743GT	199	48731GT	51	49189-4350GT	227
44750GT	233	48732GT	47, 67	49418GT	225, 231
44777GT	129, 233	48875GT	227	49612GT	11, 217
44778GT	93, 101, 129, 233	48880GT	219	49613GT	11, 217
44779GT	29, 45, 65, 81	48885GT	229	49812GT	129
44788GT	11, 123, 131	48890GT	231	49878GT	163
44909GT	123	48904GT	225	50546GT	195
44956GT	219	48905GT	223, 231	51147GT	111, 113
44980GT	13, 15, 47, 67	48908GT	225	52339GT	219
44981GT	17, 21, 25, 29, 33, 37...	48911GT	225	52407GT	165
44986GT	21, 29	48912GT	225, 227, 231	52475GT	47, 57, 67, 75
45040GT	83	48915GT	227	52514GT	169
45043GT	83, 87	48916GT	223, 227, 231	52517GT	165
45071GT	87, 183, 185, 187	48927GT	231	52540GT	173
45074GT	83, 87	48931GT	229	52541GT	173
45093GT	83	48932GT	227	52598GT	221
45105GT	205	48933GT	227, 231	52599GT	217, 219, 221
45107GT	85, 87	48937GT	227	52601GT	217
45108GT	85, 87	48938GT	227	52603GT	217
45111GT	85, 87	48997GT	219	52604GT	217
45112GT	85, 87	49114-4650GT	231	52664GT	25, 59
45113GT	85, 87	49117-4650GT	231	52715GT	219
45209GT	107	49117-8100GT	225	52806GT	165
45382GT	107	49118-2750GT	227	52807GT	165
45383GT	149, 205	49118-3150GT	227	52808GT	165
45385GT	135, 143, 149, 237	49118-3400GT	227	52810GT	165
45415GT	229	49119-3350GT	225	52812GT	165
45437GT	199	49119-4100GT	225	52813GT	165
45454GT	91, 99	49119-6600GT	225	52816GT	165

<u>Part no.</u>	<u>Page Number</u>	<u>Part no.</u>	<u>Page Number</u>	<u>Part no.</u>	<u>Page Number</u>
52818GT	165	54259GT	209	56292GT	159
52819GT	167	54332GT	165	56295GT	137
52822GT	169	54365GT	209, 251	56302GT	121, 147, 211, 237
52823GT	169	54436GT	83, 87	56328GT	239
52824GT	169	54446-SGT	159	56330GT	239
52825GT	169	54457GT	257	56351GT	237
52826GT	169	54463-SGT	159	56361GT	187
52832GT	169	54530GT	189	56418GT	237
52834GT	169	54989GT	247	56424GT	237, 257, 259
52835GT	169	55753GT	203, 241, 257, 259	56425GT	239
52836GT	171	56003GT	227	56426-576GT	237
52837GT	171	56007GT	159	56457-SGT	143, 205
52838GT	171	56029GT	91, 99	56462GT	107
52841GT	173	56030GT	91, 99	56465GT	203
52845GT	173	56033GT	159	56465PGT	197
52847GT	173	56050GT	161	56500-SGT	193, 201
52851GT	175	56051GT	181, 243	56525GT	257, 259
52865GT	51, 59	56052GT	123	56561GT	91, 99
52866GT	171	56053GT	123, 127	56562GT	91, 99
52867GT	11, 169	56056GT	123	56570GT	257, 259
52885GT	217, 221	56057GT	147	56576GT	203
52887GT	213	56060GT	169	56576PGT	197
52892GT	213	56062GT	165	56656GT	197
52895GT	213	56064GT	171	56663GT	147, 209
52913GT	129, 233	56067GT	171	56704GT	243
52914GT	131, 233	56068GT	171	56784GT	119
52915GT	233	56086GT	171	56791GT	121
52928GT	213	56089GT	159, 175	56849GT	189
52943GT	217, 219, 221	56091GT	123	56879-SGT	243
52947GT	17	56093GT	161	56886GT	215
52949GT	169	56094GT	123	56912GT	83, 87, 91, 99, 105, 121...
52956GT	165	56098GT	169	56929GT	223
52958GT	165	56101GT	169	56930GT	91, 99
52960GT	235	56102GT	169	56934GT	189
52968GT	13, 15, 23, 31, 39, 47...	56106GT	175	56955-SGT	137
53517GT	251	56107GT	165	56976-SGT	195
53758-SGT	143	56110GT	169	56983PGT	191
53759-SGT	143	56117GT	139	56994GT	119
53761-SGT	143	56120GT	163	58259GT	165
54140GT	83, 93	56283GT	159	58320GT	93, 101
54234GT	83, 93	56290GT	159	58531GT	95, 103
54255GT	149, 209	56291GT	159	58932GT	131, 233

<u>Part no.</u>	<u>Page Number</u>	<u>Part no.</u>	<u>Page Number</u>	<u>Part no.</u>	<u>Page Number</u>
58933GT	129	66812GT	141, 143, 207	74256GT	115
58934GT	129, 233	66813GT	207	74266GT	91, 97, 99, 103
58936GT	129, 233	66815GT	207	74267GT	97, 103
58985GT	213	66816GT	207	74268GT	91, 99
58994GT	217	66817GT	141	74282GT	91, 97, 99, 103
60078GT	161	66818GT	141, 143, 207	74312GT	87
60429GT	115	66821GT	141	74313GT	87
60443GT	209	66900GT	107	74356GT	215
60526GT	149, 209	66901GT	107	74357GT	215
60875GT	173	70679GT	255	74358GT	215
61226GT	91, 99, 209	70683GT	249	74359GT	215
61726GT	261	70707GT	249	74362GT	213
61972GT	261	72047GT	217, 219, 221	74368GT	213
61973GT	261	72078GT	93, 101	74379GT	181
61974GT	261	72081GT	21, 37, 55, 73	74384GT	215
62085GT	159	72086GT	47, 57, 67, 75	74425GT	219
62502GT	133	72093GT	29, 45, 65, 81	74468GT	97, 103
62506GT	223	72298GT	213	74469GT	97, 103
62507GT	223	72326GT	135, 137, 143, 205, 243	74470GT	97, 103
62514GT	199	72833GT	13, 15, 23, 47, 57	74471GT	97, 103
62518GT	199	72867GT	21, 29, 37, 45, 55, 65...	74495GT	91, 99
62694GT	243	72875GT	55, 65	74496PGT	139
62695GT	97, 103	72999GT	17, 25, 51, 59, 69	74508GT	189
62696GT	97, 103	73575GT	267	74509GT	189
62706GT	137	73711GT	149, 209	74532GT	125
62924GT	23, 39, 57, 75	73713GT	149, 209	74587GT	193
62930GT	19, 27, 35, 43, 53, 63...	73714GT	115	74643GT	93, 101
62931GT	13, 31, 47, 67	73717GT	149, 209	74704PGT	107
62932GT	19, 35, 53, 71	73723GT	209	74735GT	195
62933GT	15, 31, 47, 67	73736GT	149, 209	74865GT	193
65171GT	17, 51	73739GT	197	74866GT	193
65178GT	213	73805GT	143	74902GT	217, 219, 221
65301GT	13, 23	74007GT	257, 259	74913GT	119, 147
65546GT	213	74009GT	257, 259	74917GT	119, 147
65608GT	93, 101	74052GT	197	74918GT	119
65630GT	257	74066GT	187	74946GT	179
65737GT	105	74085GT	179	75073GT	137
65872GT	93, 101	74086GT	115	77398GT	25
66355GT	197	74091GT	185	77728GT	187
66399GT	11	74119PGT	191	77860GT	255
66684GT	243	74136GT	227	77969GT	107
66717GT	253	74232GT	179	77970GT	107

<u>Part no.</u>	<u>Page Number</u>	<u>Part no.</u>	<u>Page Number</u>	<u>Part no.</u>	<u>Page Number</u>
77981GT	129, 233	88356-127J5GT	185	96008-SGT	141, 143
77990GT	129, 233	88356-12103GT	115	96317GT	83, 87
78098GT	251, 253, 267	88385GT	239	97128GT	179
78622GT	123, 131	88390GT	239	97602GT	25, 59
79452GT	95, 103	88827GT	141, 143	97815GT	37, 45, 55, 65, 73, 81
80229GT	163	88832GT	151, 155	97890GT	17, 21, 25, 29
81368GT	257, 259	89310GT	217	97893GT	21, 29
81579GT	119, 127	93500GT	11	101425PGT	107
81812-1188GT	123, 131, 227	94001GT	107	101426PGT	107
81812-3500GT	227	94019GT	219	101557GT	189
81812-5400GT	227	94020GT	83	101649GT	255
81900GT	205	94021GT	83	101676GT	255
82161GT	17, 25, 51, 59, 69	94022GT	107	101677GT	255
82240GT	41, 77	94023GT	107	101678GT	255
82366GT	17, 25, 51, 59, 69	94077GT	119, 127	101679GT	255
82472GT	33, 35, 41, 43	94170GT	261	101726GT	123
82473GT	41	94176GT	261	101929-3950GT	227
82481GT	31, 39, 67, 75	94191GT	261	101929-4900GT	227
82487GT	33, 37, 41, 45, 67, 69...	94210GT	179	101965GT	141
82544GT	33, 43	94212GT	189	101980GT	199
82548GT	37, 45	94215GT	185	102992GT	199
82592GT	17, 33, 51, 69	94216GT	185	104804GT	203
82593GT	25, 41, 59, 77	94217GT	195	106025GT	107
82601GT	37, 45	94218GT	193	106054GT	107
82602GT	37, 45	94219GT	115, 129	106055GT	107
82604GT	37, 45	94220GT	115, 129	106117GT	95, 101
82610GT	33, 69	94221GT	85	106120GT	95, 101
82611GT	37, 45, 73, 81	94253GT	181	106121GT	95, 101
82612GT	37, 45	94255GT	189	106122GT	95, 101
82942GT	31, 39	94258GT	185	106123GT	95, 101
83093GT	141, 143	94259GT	185	106124GT	95, 101
84044GT	165	94260GT	195	106125GT	95, 103
84312GT	115	94261GT	193	106126GT	95, 103
85239GT	141, 143	94427GT	129	106148GT	93, 101
85300GT	257	94461GT	247	106215GT	133
86640GT	11	94462GT	247	106216GT	133
87085GT	255	94463GT	247	106217GT	133
87755GT	209	94506GT	207	106218GT	137
88280GT	185	94512GT	141	106219GT	137
88337GT	83, 87	94745PGT	199	106241GT	107
88338GT	83, 87	94908GT	87	106427GT	179
88356-116R3GT	179	94909GT	101	106433GT	185

<u>Part no.</u>	<u>Page Number</u>	<u>Part no.</u>	<u>Page Number</u>	<u>Part no.</u>	<u>Page Number</u>
106546GT	199	114390GT	51, 55, 59, 65	128466GT	111, 113
106547GT	199	114391GT	77	128467GT	137
106548GT	199	114397GT	21, 29, 55, 65	128470GT	137
106549GT	199	119058GT	197	128550GT	193
106550GT	199	119077GT	245	128565GT	115
106551GT	199	119111GT	115	128580-SGT	205, 207
106633GT	199	119242GT	173	128581-SGT	207
107858GT	251	119403GT	133, 163	128582-SGT	205, 207
110197GT	219	119507GT	175	128584-SGT	205
110199GT	217	119618GT	121	128586-SGT	205
110200GT	217	119684GT	169	128618GT	115
110232GT	115, 151, 155	119685GT	171	128619GT	115
110233GT	151, 155	119762GT	115	128620GT	115
110236GT	151, 155	121843GT	151	128621GT	115
110240GT	151, 155	121846GT	147	128622GT	115
110242GT	151	121848GT	261	128635GT	179
110244GT	151, 155	122073GT	241	128645GT	105
110245GT	151, 155	122513GT	207	128667GT	199
110246GT	151, 155	128045GT	147	128668GT	199
110249GT	151	128048GT	157	128669GT	199
110250GT	155	128102GT	253	128677GT	245
110255GT	151, 155	128118GT	105	128681GT	245
110286GT	165	128200GT	141, 143, 205, 237	128682GT	245
110352GT	155	128202GT	141, 143, 145	128728GT	123, 131
110382GT	119, 127	128203GT	141, 145	128729GT	93, 101
110523GT	173	128204GT	205	128730GT	91, 99
110626GT	119	128205GT	251	128808GT	123, 131
110648GT	147	128291GT	137	128811GT	123, 131, 227
110649GT	211	128298GT	137	128818GT	123, 131
110651GT	205	128331GT	159	128825GT	105
110652GT	205	128335GT	91, 99	128838GT	247
110653GT	205	128336GT	91, 99	128852GT	245
110694GT	83	128368GT	257	128899GT	115
110706GT	83	128374GT	257	128902GT	159
110789GT	261	128375GT	105	128935GT	147
114224GT	17	128376GT	105	128965GT	91, 99
114248GT	73, 81	128377GT	105	128968GT	251
114249GT	31, 39, 67, 75	128444GT	217	128973GT	245
114252GT	67, 69, 71, 73, 75, 77...	128453GT	115	133067GT	69, 73, 77, 81
114258GT	59	128458GT	111, 113	133278GT	25, 59, 77
114334GT	67, 75	128459GT	111, 113	133286GT	13, 15, 23, 31, 39, 47...
114343GT	33, 41, 51, 59, 69, 77	128465GT	111, 113	139008GT	117

<u>Part no.</u>	<u>Page Number</u>	<u>Part no.</u>	<u>Page Number</u>	<u>Part no.</u>	<u>Page Number</u>
139010GT	111, 113	139429GT	11, 173	150026GT	253
139013GT	111, 113	139462GT	223	215777GT	95, 101
139015GT	111	139537GT	191	215986GT	155
139017GT	111	139540GT	191	215989GT	25
139019GT	113	139541GT	191	216790GT	147
139021GT	111	139542GT	191	216791GT	119, 147
139023GT	111, 113	139560GT	223	216793GT	119, 147
139024GT	111, 113	139561GT	223	218550GT	55, 65
139025GT	111, 113	139564GT	223	218559GT	55, 65
139026GT	111	139584GT	151, 155	218570GT	95, 103
139027GT	111	139587GT	13, 31, 47, 67	218602GT	151, 157
139028GT	111	139588GT	23, 39, 57, 75	219487GT	65
139029GT	111, 113	139590GT	15, 31, 47, 67	219847GT	55
139030GT	111, 113	139619GT	137	219954GT	73, 81
139031GT	111, 113	139620GT	137	219956GT	73, 81
139033GT	111	139643GT	237	219958GT	73, 81
139034GT	111	139655GT	195	226383GT	213
139035GT	111	139858GT	105	227213GT	17, 51
139036GT	111	139866GT	117	227427GT	21
139037GT	111	139867GT	115	227428GT	25, 29, 59
139038GT	111	139877GT	227	227564GT	197
139039GT	111	139965GT	95, 103	227620GT	197
139040GT	113	139966GT	95, 103	228947GT	105
139042GT	113	139967GT	95, 103	228973GT	105
139043GT	113	139968GT	95, 103	229567GT	141, 143, 205
139044GT	113	144161GT	105, 133	229833GT	95, 103
139045GT	113	146051GT	95	229834GT	95, 103
139046GT	113	146052GT	95, 103	230470GT	123
139235GT	161	146478GT	207	230759GT	105
139236GT	173	147000GT	237	231205GT	199
139237GT	169	147001GT	237	231206GT	199
139241GT	137	147034GT	95, 103	232486GT	95, 103
139246GT	137	147079GT	187	233568GT	129, 233
139290GT	133, 139	147093GT	143	233717GT	193
139306GT	25, 59	147094GT	119, 141, 145	233745GT	193
139318GT	105	147181GT	245	234923GT	213
139351GT	93, 101	147205GT	173	236665GT	91, 99
139353GT	93, 101	147206GT	173	237145GT	205
139354GT	93, 101	147208GT	173	237238GT	173
139355GT	93, 101	147253GT	209	237502GT	155
139423GT	165	147389GT	151, 157	237503GT	151
139428GT	173	147638GT	187	822704GT	151

<u>Part no.</u>	<u>Page Number</u>	<u>Part no.</u>	<u>Page Number</u>	<u>Part no.</u>	<u>Page Number</u>
822705GT	155	824088GT	173	824208GT	261
823226GT	91, 99, 163, 251, 255	824089GT	123, 133, 139	824214GT	147, 197, 209
823685GT	107	824090GT	85, 89, 115, 119, 125, 127	824215GT	119, 123, 127, 133, 137, 147...
823780GT	53, 63, 71, 79	824091GT	93, 101, 119, 123, 129, 159...	824216GT	261
823781GT	47, 67	824092GT	185, 193	824218GT	141, 143
823782GT	53, 71	824093GT	185	824219GT	185
823783GT	47, 67	824094GT	105, 161, 183	824222GT	147
823942GT	255	824095GT	119, 131	824225GT	197, 253
823943GT	251	824096GT	161	824226GT	149, 209
823948GT	251	824100GT	129, 161	824228GT	107
824019GT	149, 209	824102GT	115	824229GT	161
824024GT	261	824103GT	93, 101	824878GT	121, 143, 205, 207
824025GT	193	824105GT	101	825019GT	89, 183, 185, 189, 193
824027GT	105, 119, 133, 137, 159, 171...	824107GT	93	825020GT	261
824028GT	169, 173, 199, 251	824109GT	187, 193, 245	825066GT	111, 113
824029GT	105, 119, 123, 127, 131, 133, 137, 147, 197, 209...	824110GT	129, 161, 163, 167, 245	825067GT	113
824032GT	197, 209...	824113GT	85, 87, 91, 99, 179, 187...	825207GT	237
824036GT	147, 169	824115GT	161	825209GT	237
824037GT	121, 129, 139	824116GT	117, 129, 235	825210GT	239
824038GT	187	824119GT	123, 129, 133	825211GT	237
824039GT	161	824120GT	119, 123, 129, 159	825212GT	237
824040GT	181	824121GT	93, 101	825213GT	237
824041GT	169	824122GT	181	825214GT	237
824042GT	83, 87, 93, 101	824124GT	245	825215GT	237
824059GT	255	824125GT	107	825216GT	237
824062GT	193	824126GT	85, 89	825352GT	267
824064GT	245	824127GT	85, 89	825353GT	181
824066GT	107	824128GT	85, 89	825358GT	129, 161, 163, 245, 251
824067GT	183, 187	824129GT	85, 89	825674GT	251
824070GT	261	824133GT	171	826516GT	243
824074GT	117, 129	824134GT	159	826638GT	25
824077GT	107, 123, 129, 133, 143, 195	824135GT	175	826791GT	187
824078GT	83, 87, 97, 99, 105, 119	824138GT	171, 173	826793GT	187, 193
824079GT	91, 99, 133, 137, 139, 179...	824141GT	175	832128GT	165
824080GT	161, 239	824142GT	171, 173	839119GT	169
824081GT	199, 255	824144GT	175	865260GT	173
824082GT	187	824145GT	175	866397GT	175
824083GT	209, 257, 259	824151GT	183, 193	866400GT	165
824084GT	179	824163GT	187	1000043GT	21
824085GT	129, 163, 251	824164GT	193	1000045GT	25, 29
824086GT	91, 99, 169	824206GT	149, 209, 271	1251590GT	237
824087GT	199	824207GT	257	1251591GT	239

<u>Part no.</u>	<u>Page Number</u>	<u>Part no.</u>	<u>Page Number</u>	<u>Part no.</u>	<u>Page Number</u>
1251592GT	237	1256863GT	193	1267842GT	93
1251600GT	257, 259	1257390GT	179	1267843GT	93
1251757GT	97, 103, 147	1257458GT	193	1267844GT	93
1252011GT	239	1257733GT	11	1267845GT	93
1252012GT	237	1258567GT	11	1267846GT	93
1252013GT	237	1259574GT	119	1267847GT	93
1252977GT	107, 137, 159	1259715GT	241	1268468GT	261
1252978GT	245	1260643GT	151	1270116GT	263
1255018GT	263	1260887GT	151	1270117GT	263
1255019GT	263	1260928GT	151	1270118GT	263
1255020GT	263	1261184GT	267	1271770GT	157
1255021GT	263	1261185GT	155	1272242GT	51, 59, 69, 77
1255022GT	263	1261346GT	207	1272843GT	59
1255023GT	263	1261347GT	207	1273205GT	193
1255024GT	263	1261566GT	207	1274322GT	109, 181, 189, 201, 259, 269
1255025GT	263	1261606GT	179	1276937GT	203
1255026GT	263	1261749GT	155	1276938GT	203
1255027GT	263	1261750GT	155	1276939GT	203
1255028GT	263	1261751GT	155	1276940GT	203
1255030GT	153, 157, 263	1261752GT	155	1276941GT	203
1255033GT	265	1261753GT	155	1277873GT	267
1255035GT	263	1261845GT	151, 157	1277875GT	267
1255036GT	263	1262218GT	121	1277876GT	267
1255037GT	263	1262353GT	187, 189	1277877GT	267
1255038GT	263	1262354GT	187	1277924GT	121, 203, 211, 201, 259, 267
1255066GT	263	1262355GT	187, 189	1278111GT	153, 157, 267
1255067GT	263	1262432GT	187	1278119GT	153, 157, 267
1255452GT	85	1263142GT	117	1278121GT	267
1255471GT	263	1263542GT	67, 69, 75, 77	1278124GT	267
1255488GT	263	1263543GT	47, 51, 57, 59	1278175GT	267
1255489GT	265	1263699GT	247	1278177GT	269
1255567GT	263	1264130GT	25	1278363GT	269
1255758GT	135	1264261GT	243, 267	1278368GT	267
1255803GT	179	1264315GT	185	1278417GT	267
1255805GT	91, 99	1264822GT	151, 155	1278433GT	267
1255858GT	153, 157, 263	1264834GT	151, 155	1278450GT	153, 157, 267
1255889GT	263	1264934GT	267	1278459GT	267
1255890GT	263	1264937GT	17, 25	1278542GT	55, 65, 73, 81, 267
1256109GT	193	1266019GT	51, 59, 69	1278793GT	259
1256149GT	263	1267121GT	51, 59	1278982GT	55, 65, 73, 81, 269
1256855GT	203	1267397GT	93	1279136GT	267
1256859GT	267	1267747GT	203	1280665GT	105, 163

<u>Part no.</u>	<u>Page Number</u>	<u>Part no.</u>	<u>Page Number</u>	<u>Part no.</u>	<u>Page Number</u>
1280819GT	51, 59	1298274GT	151	1303489GT	31
1280820GT	61	1298510GT	47, 57, 67, 75	1303490GT	37
1281174GT	55, 65, 73, 81	1298550GT	121, 147	1303491GT	37
1281175GT	73, 81	1298625GT	155	1303691GT	23
1283776GT	11	1298626GT	155	1303692GT	23
1283904GT	157	1298837GT	55	1303693GT	29
1284189GT	117	1298838GT	55, 65	1303694GT	29
1285689GT	153, 157	1298845GT	49, 57	1303695GT	39
1285812GT	151, 157	1298846GT	57	1303696GT	39
1285850GT	153, 157, 267	1298847GT	49	1303697GT	45
1285866GT	157	1298858GT	51, 69	1303698GT	45
1285867GT	157	1298859GT	61, 77	9990074GT	95, 103
1286362GT	69, 77	1298898GT	69	T106699GT	147, 211
1286600GT	95, 101	1298942GT	151	T108887GT	93, 101
1286602GT	95, 103	1299436GT	73	T112560GT	197
1286603GT	95, 103	1299437GT	73, 81	T112561GT	197
1287986GT	219	1299573GT	67, 75	T112563GT	197
1289520GT	119, 127, 271	1299791GT	55, 65	T112773GT	21, 29, 37, 45, 55, 65...
1289521GT	119, 127, 271	1299792GT	73, 81	T112779GT	241
1289522GT	271	1299799GT	155	T112780GT	241
1289523GT	271	1299872GT	155		
1289561GT	119, 127, 271	1303337GT	47		
1290135GT	257	1303338GT	47		
1290346-2550GT	227	1303339GT	55		
1290348-1700GT	227	1303340GT	55		
1290350-1850GT	227	1303341GT	67		
1290350-2000GT	227	1303342GT	67		
1290352-2487GT	227	1303343GT	73		
1290352-6575GT	227	1303344GT	73		
1291624GT	51, 61, 69, 77	1303461GT	57		
1292198GT	271	1303462GT	57		
1292509GT	61	1303463GT	65		
1292512GT	51, 61, 69, 77	1303464GT	65		
1292513GT	51, 61, 69, 77	1303465GT	75		
1292514GT	51, 61, 69, 77	1303466GT	75		
1292515GT	51, 61, 69, 77	1303467GT	81		
1293476GT	271	1303468GT	81		
1293788GT	223	1303484GT	13, 15		
1294398GT	51, 61, 77	1303485GT	13, 15		
1295585GT	129, 233	1303486GT	21		
1296530GT	61	1303487GT	21		
1297677GT	151	1303488GT	31		

California Proposition 65

 **WARNING**

Operating, servicing and maintaining this equipment, passenger vehicle or off-highway motor vehicle can expose you to chemicals including engine exhaust, carbon monoxide, phthalates, and lead, which are known to the State of California to cause cancer and birth defects or other reproductive harm. These chemicals can be emitted from or contained in other various parts and systems, fluids and some component wear by-products. To minimize exposure, avoid breathing exhaust, do not idle the engine except as necessary, service your equipment and vehicle in a well-ventilated area and wear gloves or wash your hands frequently when servicing your equipment or vehicle and after operation. For more information go to www.P65Warnings.ca.gov/passenger-vehicle.

Breathing diesel engine exhaust exposes you to chemicals known to the State of California to cause cancer and birth defects or other reproductive harm.

- Always start and operate the engine in a well-ventilated area.
- If in an enclosed area, vent the exhaust to the outside.
- Do not modify or tamper with the exhaust system.
- Do not idle the engine except as necessary.

For more information go to www.P65warnings.ca.gov/diesel.

Distributed By:

www.GPSEquipment.com to order your parts

PARTS FINDER

**Search Website
by Part Number**



**Search Manual
Library For Parts
Manual & Lookup Part
Numbers – Purchase
or Request Quote**

Search Manuals

Enter your information to help us find the right parts manual for your machine.

* Brand:

* Model:

* Serial:

* Part Number:

SEARCH

**Can't Find Part or
Manual? Request Help
by Manufacturer,
Model & Description**

Parts Order Form

Please fill in the following information to help us find the right part for your machine.

Manufacturer:	<input type="text"/>
Model:	<input type="text"/>
Description:	<input type="text"/>
Part Number:	<input type="text"/>
Quantity:	<input type="text"/>
Notes:	<input type="text"/>

Submit

Discount-Equipment.com is your online resource for quality parts & equipment.

Florida: **561-964-4949** Outside Florida TOLL FREE: **877-690-3101**

Need parts?

Click on this link: <http://www.discount-equipment.com/category/5443-parts/> and choose one of the options to help get the right parts and equipment you are looking for. Please have the machine model and serial number available in order to help us get you the correct parts. If you don't find the part on the website or on one of the online manuals, please fill out the request form and one of our experienced staff members will get back to you with a quote for the right part that your machine needs.

We sell worldwide for the brands: Genie, Terex, JLG, MultiQuip, Mikasa, Essick, Whiteman, Mayco, Toro Stone, Diamond Products, Generac Magnum, Airman, Haulotte, Barreto, Power Blanket, Nifty Lift, Atlas Copco, Chicago Pneumatic, Allmand, Miller Curber, Skyjack, Lull, Skytrak, Tsurumi, Husquvarna Target, Stow, Wacker, Sakai, Mi-T-M, Sullair, Basic, Dynapac, MBW, Weber, Bartell, Bennar Newman, Haulotte, Ditch Runner, Menegotti, Morrison, Contec, Buddy, Crown, Edco, Wyco, Bomag, Laymor, EZ Trench, Bil-Jax, F.S. Curtis, Gehl Pavers, Heli, Honda, ICS/PowerGrit, IHI, Partner, Imer, Clipper, MMD, Koshin, Rice, CH&E, General Equipment, Amida, Coleman, NAC, Gradall, Square Shooter, Kent, Stanley, Tamco, Toku, Hatz, Kohler, Robin, Wisconsin, Northrock, Oztec, Toker TK, Rol-Air, APT, Wylie, Ingersoll Rand / Doosan, Innovatech, Con X, Ammann, Mecalac, Makinex, Smith Surface Prep, Small Line, Wanco, Yanmar