



A TEREX BRAND



Parts Manual

Serial Number Range

Z-45/25
Z-45/25J DC

from SN Z4525D-1358

Part No. 1296548GT
Rev: A
May 2020

Go to Discount-Equipment.com to order your parts

PARTS FINDER

**Search Website
by Part Number**



**Search Manual
Library For Parts
Manual & Lookup Part
Numbers – Purchase
or Request Quote**

Search Manuals

Enter your information to help us find the right parts manual for your machine.

* Brand:

* Model:

* Serial:

* Part Number:

SEARCH

**Can't Find Part or
Manual? Request Help
by Manufacturer,
Model & Description**

Parts Order Form

Please fill in the following information to help us find the right part for your machine.

Manufacturer:	<input type="text"/>
Model:	<input type="text"/>
Description:	<input type="text"/>
Part Number:	<input type="text"/>
Quantity:	<input type="text"/>
Notes:	<input type="text"/>

Submit

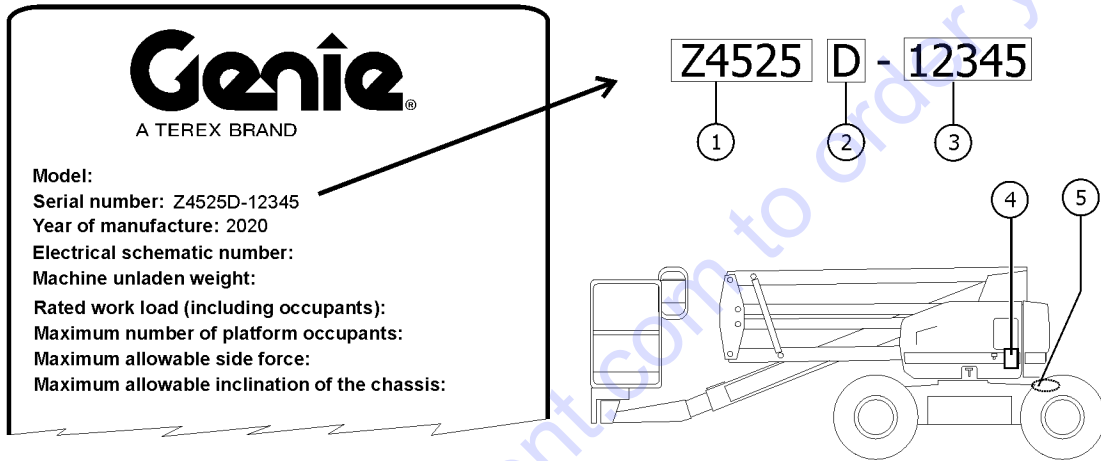
Discount-Equipment.com is your online resource for quality parts & equipment.

Florida: **561-964-4949** Outside Florida TOLL FREE: **877-690-3101**

Need parts?

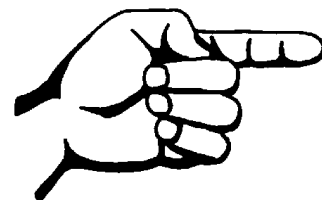
Click on this link: <http://www.discount-equipment.com/category/5443-parts/> and choose one of the options to help get the right parts and equipment you are looking for. Please have the machine model and serial number available in order to help us get you the correct parts. If you don't find the part on the website or on one of the online manuals, please fill out the request form and one of our experienced staff members will get back to you with a quote for the right part that your machine needs.

We sell worldwide for the brands: Genie, Terex, JLG, MultiQuip, Mikasa, Essick, Whiteman, Mayco, Toro Stone, Diamond Products, Generac Magnum, Airman, Haulotte, Barreto, Power Blanket, Nifty Lift, Atlas Copco, Chicago Pneumatic, Allmand, Miller Curber, Skyjack, Lull, Skytrak, Tsurumi, Husquvarna Target, Stow, Wacker, Sakai, Mi-T-M, Sullair, Basic, Dynapac, MBW, Weber, Bartell, Bennar Newman, Haulotte, Ditch Runner, Menegotti, Morrison, Contec, Buddy, Crown, Edco, Wyco, Bomag, Laymor, EZ Trench, Bil-Jax, F.S. Curtis, Gehl Pavers, Heli, Honda, ICS/PowerGrit, IHI, Partner, Imer, Clipper, MMD, Koshin, Rice, CH&E, General Equipment, Amida, Coleman, NAC, Gradall, Square Shooter, Kent, Stanley, Tamco, Toku, Hatz, Kohler, Robin, Wisconsin, Northrock, Oztec, Toker TK, Rol-Air, APT, Wylie, Ingersoll Rand / Doosan, Innovatech, Con X, Ammann, Mecalac, Makinex, Smith Surface Prep, Small Line, Wanco, Yanmar



- 1 Model
- 2 Facility code
- 3 Sequence number
- 4 Serial label (located under cover)
- 5 Serial number (stamped on chassis)

Please refer to section 001 for the Recommended Spare Parts List.



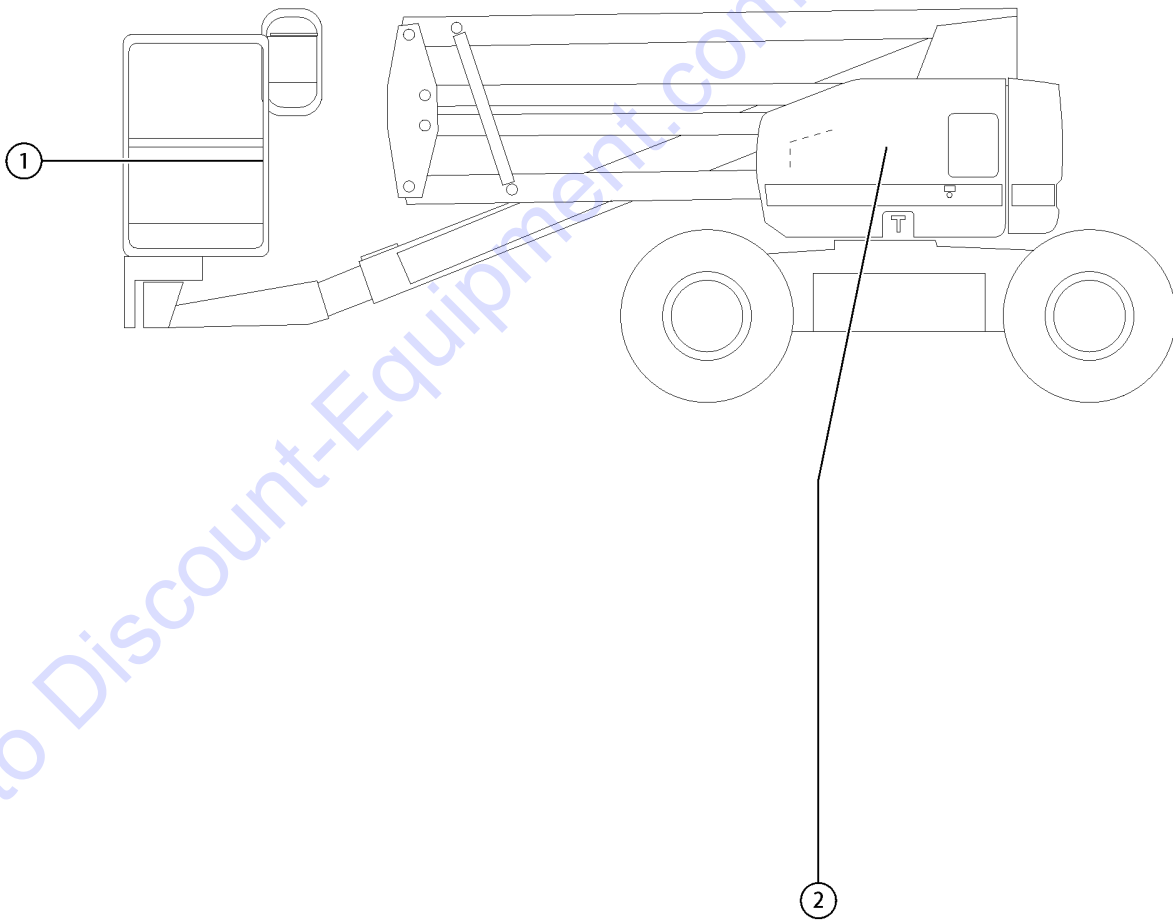
This page intentionally left blank.

Go to Discount-Equipment.com to order your parts

Description	Page
001 Parts Stocking List	10
001.1 Parts Stocking List	10
100 Decals	12
101.1 Word Decals (To May 30, 2020)	12
101.2 Word Decals (From Jun 1, 2020)	18
102.1 Symbol Decals (To May 30, 2020)	22
102.2 Symbol Decals (From Jun 1, 2020)	26
200 Drive Chassis Components.....	30
201.1 Steer End	30
202.1 Non-steer End	34
203.1 Battery Packs	42
204.1 Battery Charger	46
205.1 Power Cables	48
300 Turntable Components.....	52
301.1 Turntable Rotator	52
302.1 Turntable Components - View 1	56
303.1 Turntable Components - View 2	58
304.1 Turntable Components - View 3	62
305.1 Ground Control Box - View 1	66
306.1 Ground Control Box - View 2	74
307.1 Turntable Covers - View 1	78
308.1 Turntable Covers - View 2	80
309.1 Wire Harness Diagram	82
400 Boom Components	86
401.1 Boom Pins and Bearings	86
402.1 Secondary Linkage	88
403.1 Upper Pivot	92
404.1 Primary and Extension Booms	94
405.1 Cable Track	98
406.1 Non-Jib Platform Leveling and Rotation (Z-45/25)	100
407.1 Jib Platform Leveling (Z-45/25J)	104
408.1 Jib Platform Rotation (Z-45/25J)	108
409.1 Jib Detail (Z-45/25J)	110
500 Platform Components.....	112
501.1 Platform Configuration	112
502.1 Platform Components	114

Table of Contents

Description	Page
503.1 Platform Controls	118
504.1 Joystick Controller, Drive/Steer Functions	128
505.1 Rotational Controller	130
600 Pumps and Manifolds	132
601.1 Hydraulic Power Unit	132
602.1 Function Manifold	134
603.1 Jib Boom and Platform Rotate Manifolds	138
700 Hydraulic Hoses and Fittings.....	140
701.1 Drive and Steer Hoses	140
702.1 Turntable Components	142
703.1 Boom Components - Z-45/25	144
704.1 Boom Components - Z-45/25J (To Z45/25D-2610)	146
704.2 Boom Components - Z-45/25J (From Z45/25D-2611).....	148
800 Accessories	152
801.1 Flashing Beacon	152
802.1 Platform Options	154
803.1 Half-height Mesh and Swing Gate Options - Side Swing Gate	158
804.1 Air Line to Platform	160
805.1 Platform Overload Option	162
806.1 Hostile Environment Package - View 1	166
807.1 Hostile Environment Package - View 2	168
808.1 Drive Lights	170
809.1 Aircraft Protection Package	172
810.1 Fall Arrest Bar	176
811.1 Operators Protection Alarm (to January 2017).....	178
811.2 Lift Guard Contact Alarm (from January 2017).....	182
812.1 Operator Protective Structure	186
813.1 Auxiliary Rail Option	188
814.1 Charger Protector Option (To Z4525D-3228)	190
Part Number Index	192

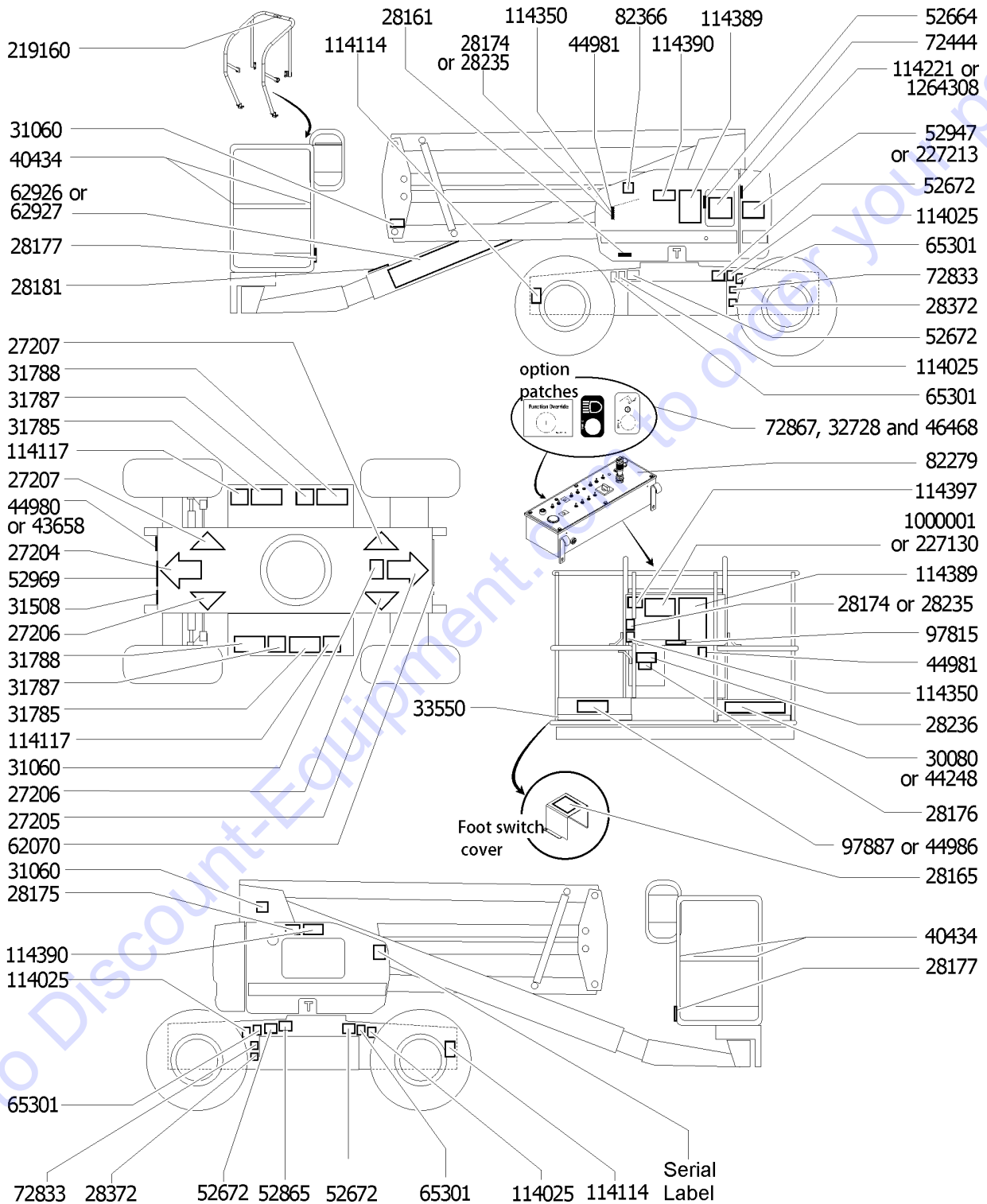


Go to Discount-Equipment.com to order your parts

Item	Part No.	Description	Qty.
A		—GENERAL SERVICE PARTS—	
--	1257733	PAINT,WET,TRAFFIC BLACK (1 GL)** 1-gallon	
--	1258567	PAINT, AEROSOL, TRAFFIC BLACK 12-ounce spray paint	
--	1268	PAINT,AEROSOL,GENIE GRAY*** 12-ounce spray paint	
--	1283776	SEAL MARKER,CROSS CHECK,BLUE,TUBE	
--	1484	PAINT,AEROSOL,BRIGHT BLUE*** 12-ounce spray paint	
--	28750	O-RING KIT,FIELD SVC,ALL PROD* O-ring kit, SAE	
--	32150	PAINT,WET,GENIE BLUE (1 GL)** 1-gallon	
--	32151	PAINT,WET,GENIE GRAY (1 GL)** 1-gallon	
--	33994	PLUG AND CAP KIT-SERVICE,37 ** Plug and cap kit, SAE	
--	36555	CHOCK,CYLINDER (SERVICE TOOL) 1-gallon	
--	49612	O-RING KIT (ORFS FITTINGS) O-ring kit, ORFS	
--	49613	PLUG AND CAP KIT-SERVICE,ORFS* Plug and cap kit, ORFS	
--	66399	GREASE,DIELECTRIC 4 OZ**	
--	93500	PARKER DIGITAL PRESSURE GAUGE	
--			
1		—MANUALS—	
1-	27581	MANUAL,AEM SAFETY	
1-	31779	MANUAL,RESPON, BOOM	
2		—HYD FILTERS—	
2-	44788	FILTER ELEMENT,10MICRON,PAPER*	
2-	78622	FILTER ASSY,SAE8,10 MIC,PAPR**	



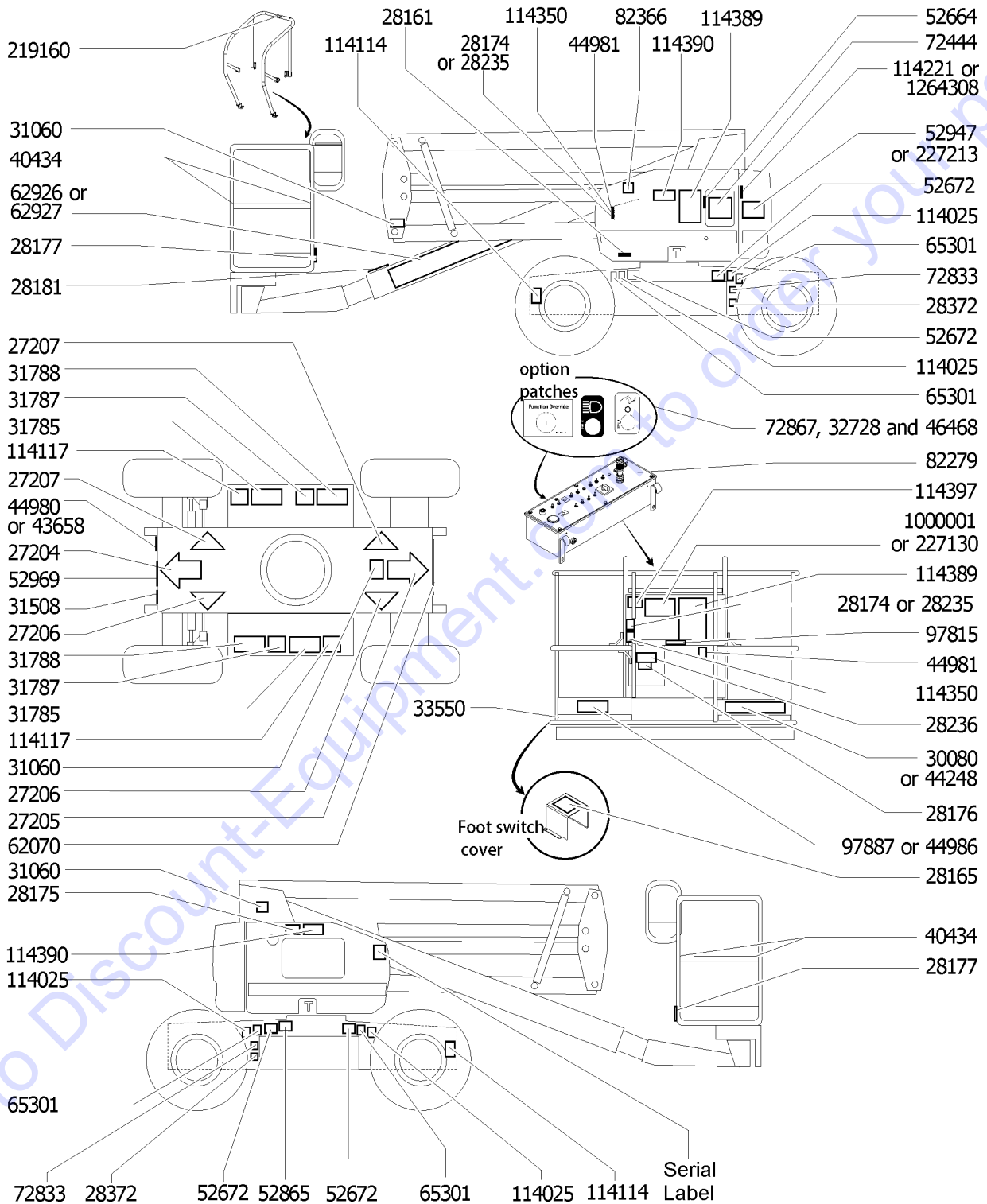
101.1 Word Decals (To May 30, 2020)



Item	Part No.	Description	Qty.
--	822005	DECAL KIT,Z45 PLAT,WORD,ANSI	
--	822006	DECAL KIT,Z45 COMP,WORD,ANSI	
--	822013	DECAL KIT,Z45 PLAT,WORD,AUS	
--	822014	DECAL KIT,Z45 COMP,WORD,AUS	
1	27204	DECAL,ARROW BLUE	1
2	27205	DECAL,ARROW YELLOW LRG 9"	1
3	27206	DECAL,TRIANGLE,BLUE	2
4	27207	DECAL,TRIANGLE,YELLOW	2
5	114390	DECAL,DANGER,ELECT HAZARD***	2
6	28161	DECAL,WARN,CRUSH HAZARD HAND	3
7	28165	DECAL,INSTRUCT,FOOTSWITCH OPER	1
8	28174	DECAL, POWER TO PLATFORM 230V**	2
9	28175	DECAL,WARNING-COMPART ACCESS	1
10	28176	DECAL,LABEL,MANUAL NOT HERE	1
11	28177	DECAL,WARN,CRUSH HAZARD PLAT	2
12	28181	DECAL,WARN,FALL HAZARD	1
13	28235	DECAL,POWER TO PLATFORM 115V	2
14	28236	DECAL,WARN,IMPROPER OPERATION	1
15	28372	DECAL,NOTICE,BATTERY CABLES	2
16	30080	DECAL,NOTICE,MAX LOAD 500 LBS	1
17	31060	DECAL,DANGER DO NOT ALTER SWTC	3
18	31508	DECAL,DANGER,ELECT HAZARD,PLUG	1
19	31785	DECAL,NOTICE,CHARGER INSTRUC	2
20	31787	DECAL,DANGER,TIP-OVER BATTERY	2
21	31788	DECAL,DANGER,BATTERY SAFETY***	2
22	32728	DECAL,OPTION GENERATOR***	1
23	33550	TAPE,WARNING,BLK/YEL, 50**** (sold by the roll. 648" per roll) (Required to be install at base of platform toeboard for Australian market)	
24	114397	DECAL,DANGER,TILT ALARM	1



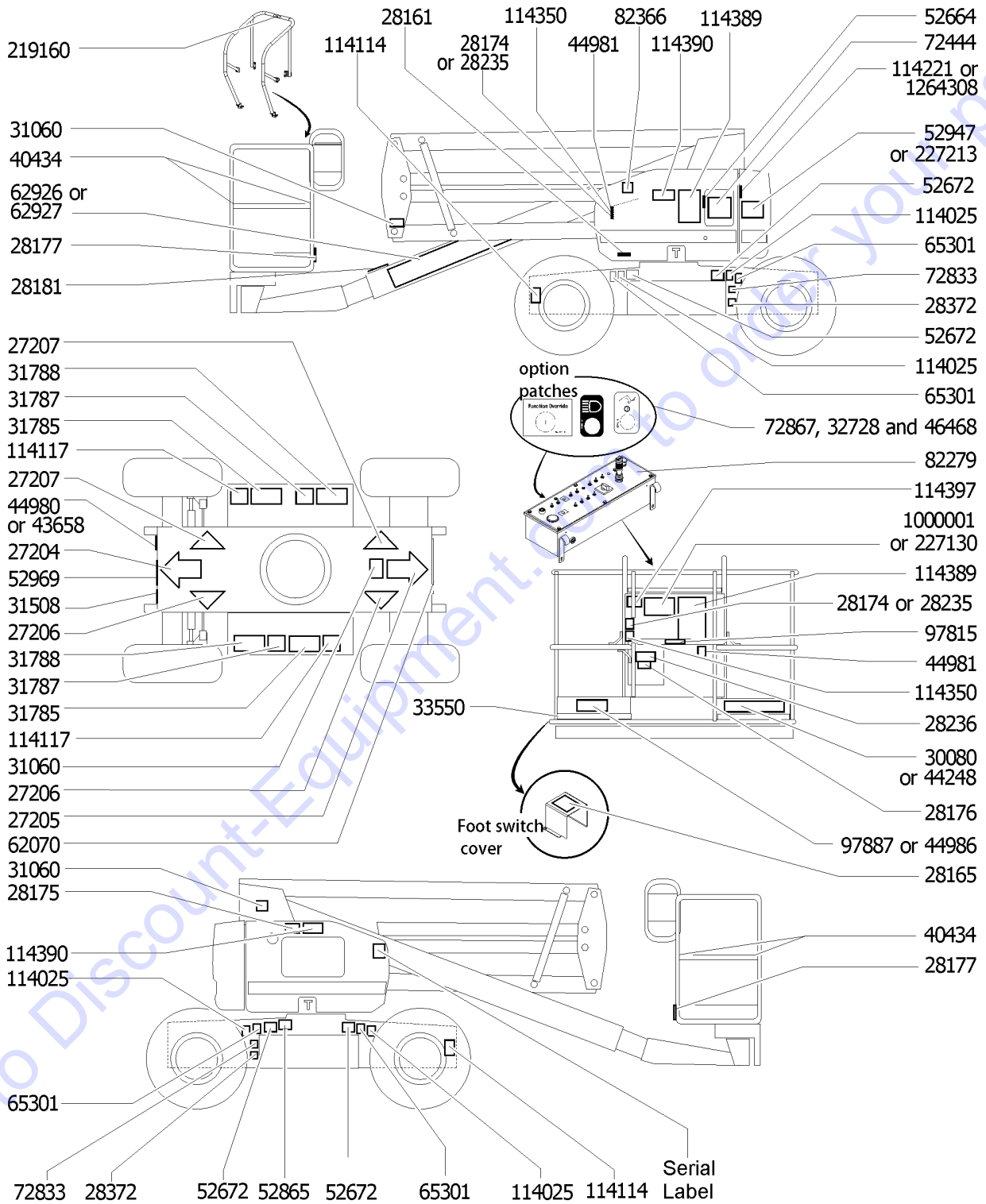
101.1 Word Decals (To May 30, 2020)



Item	Part No.	Description	Qty.
25	40434	DECAL,LANYARD ANCHORAGE POINT	8
26	43658	DECAL,LABEL,PWR TO CHARGR 230V	1
27	44248	DECAL,NOTICE,MAX CAP 440 LBS (for aircraft protection package)	1
28	44980	DECAL,LABEL,PWR TO CHARGR 115V	1
29	44981	DECAL,LABEL, AIR LINE 110 PSI	2
30	44986	DECAL,INSTR,SIDE FRC/WIND,AUS Australia models	1
31	46468	DECAL,FUNCTION OVERRIDE	1
		(for aircraft protection package)	
32	52664	DECAL,LABEL,CONTRLR STATUS LT	1
33	52672	DECAL,DANGER,TIPOVER HAZARD***	4
34	52865	DECAL,ANNUAL INSP***	1
35	52947	DECAL,OPERATING INSTR,GROUND	1
		ANSI models	
36	52969	DECAL,COSMETIC,GENIE BOOM,HORZ	1
37	62070	DECAL,COSMETIC,DC POWER	1
38	62926	DECAL,COSMETIC,GENIE Z-45/25J	1
		Jib models	
39	62927	DECAL,COSMETIC,GENIE Z-45/25	1
		Non-Jib models	
40	65301	DECAL,NOTICE,FOAM-FILLED TIRES	4
41	72444	DECAL,GROUND CONTROL PANEL	1
42	72833	DECAL,LABEL,OPEN,LATCH	2
43	72867	DECAL,LABEL,LIGHTS***	1
44	82279	DECAL,PLATFORM CONTROL PANEL	1
45	82366	DECAL,CHEVRON RANDO HD	1
46	97815	DECAL,LABEL,LOWER MIDRAIL	1
47	97887	DECAL,INSTR,MAX SIDE FRC,ANSI	1
		ANSI models	
48	114025	DECAL,LABEL,WHEEL LOAD Z4525DC	4
49	114114	DECAL,LABEL,TRANSPORT	2
50	114117	DECAL,BATT CONN DIAGRAM	2
51	114221	DECAL,LABEL,RELAYS,Z45DC,BE	1
52	114350	DECAL,AC INVERTER POWER,115V	2



101.1 Word Decals (To May 30, 2020)



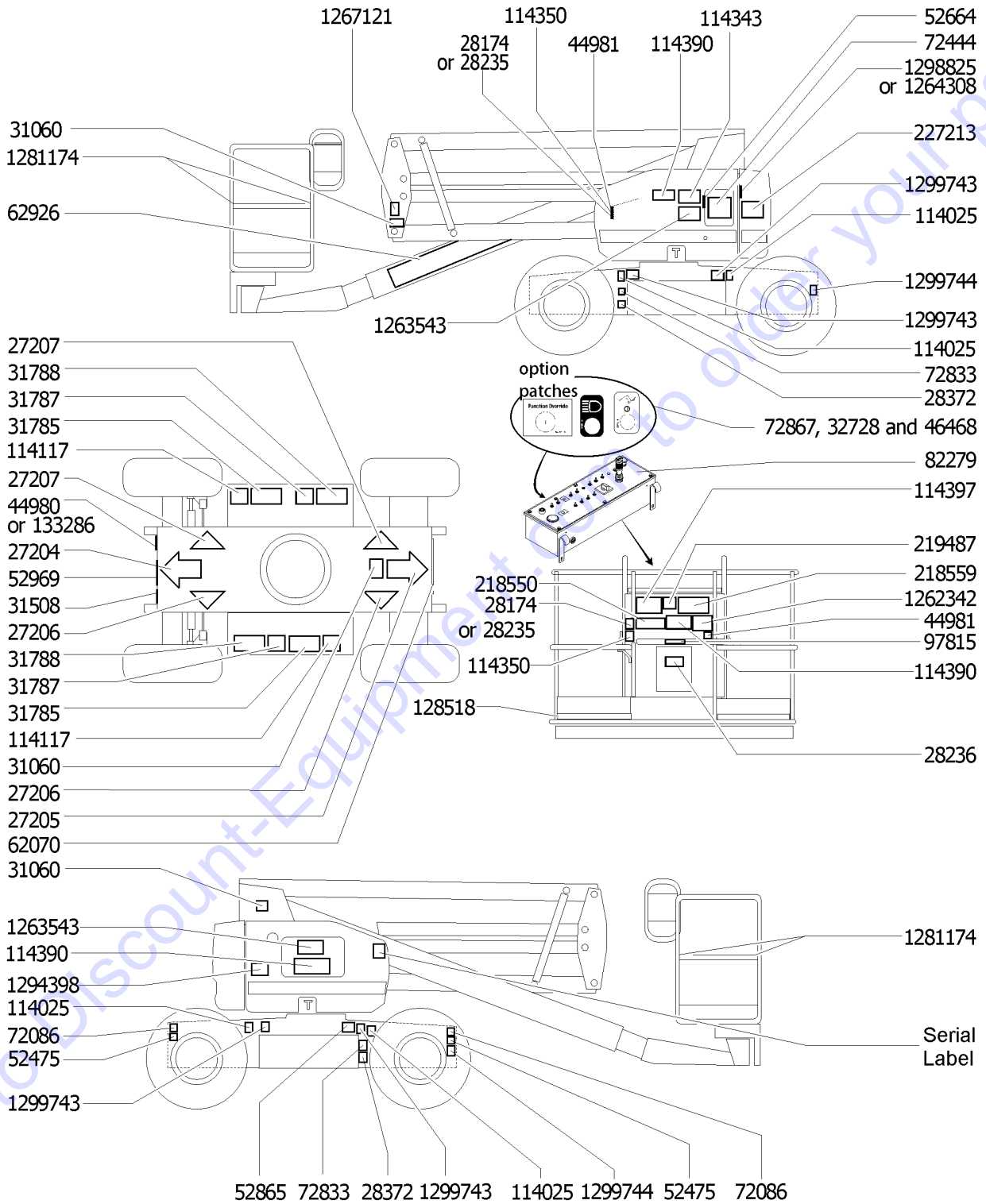
101.1 Word Decals (To May 30, 2020)

<i>Item</i>	<i>Part No.</i>	<i>Description</i>	<i>Qty.</i>
53	114389	DECAL,DANGER,GENERAL SAFETY	2
54	219160	DECAL, INSTRUCTION, OPS	1
		option	
55	227130	DECAL,OPER INST,Z45DC PLAT AUS	1
		Australia models	
56	227213	DECAL,OPER INST,DC BOOM GND AU	1
		Australia models	
57	1000001	DECAL, INSTR, OP INST,DC	2
		ANSI models	
58	1264308	DECAL,LABEL,RELAYS,Z45DC,BE	

Go to Discount-Equipment.com to order your parts



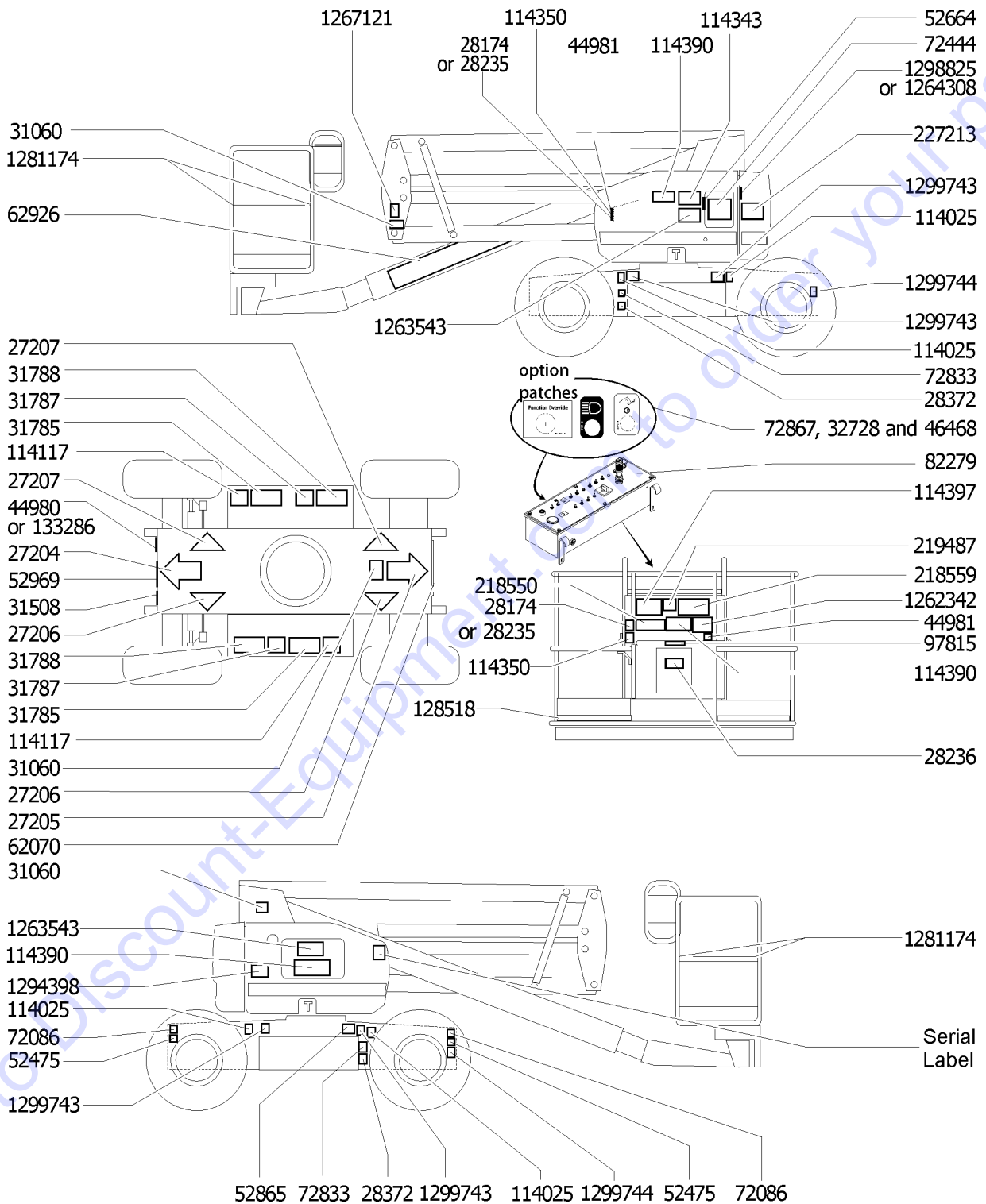
101.2 Word Decals (From Jun 1, 2020)



Item	Part No.	Description	Qty.
1	27204	DECAL,ARROW BLUE	1
2	27205	DECAL,ARROW YELLOW LRG 9"	1
3	27206	DECAL,TRIANGLE,BLUE	2
4	27207	DECAL,TRIANGLE,YELLOW	2
5	28174	DECAL, POWER TO PLATFORM 230V**	2
6	28235	DECAL,POWER TO PLATFORM 115V	2
7	28236	DECAL,WARN,IMPROPER OPERATION	1
8	28372	DECAL,NOTICE,BATTERY CABLES	2
9	31060	DECAL,DANGER DO NOT ALTER SWTC	3
10	31508	DECAL,DANGER,ELECT HAZARD,PLUG	1
11	31785	DECAL,NOTICE,CHARGER INSTRUC	2
12	31787	DECAL,DANGER,TIP-OVER BATTERY	2
13	31788	DECAL,DANGER,BATTERY SAFETY***	2
14	32728	DECAL,OPTION GENERATOR***	1
15	44980	DECAL,LABEL,PWR TO CHARGR 115V	1
16	44981	DECAL,LABEL, AIR LINE 110 PSI	2
17	46468	DECAL,FUNCTION OVERRIDE	1
		(for aircraft protection package)	
18	52475	DECAL LABEL TRANSPORT TIE DOWN*	2
19	52664	DECAL,LABEL,CONTRLR STATUS LT	1
20	52865	DECAL,ANNUAL INSP***	1
21	52969	DECAL,COSMETIC,GENIE BOOM,HORZ	1
22	62070	DECAL,COSMETIC,DC POWER	1
23	62926	DECAL,COSMETIC,GENIE Z-45/25J	1
		Jib models	
24	72086	DECAL,LABEL,LIFTING EYE	2
25	72444	DECAL,GROUND CONTROL PANEL	1
26	72833	DECAL,LABEL,OPEN,LATCH	2
27	72867	DECAL,LABEL,LIGHTS***	1
28	82279	DECAL,PLATFORM CONTROL PANEL	1



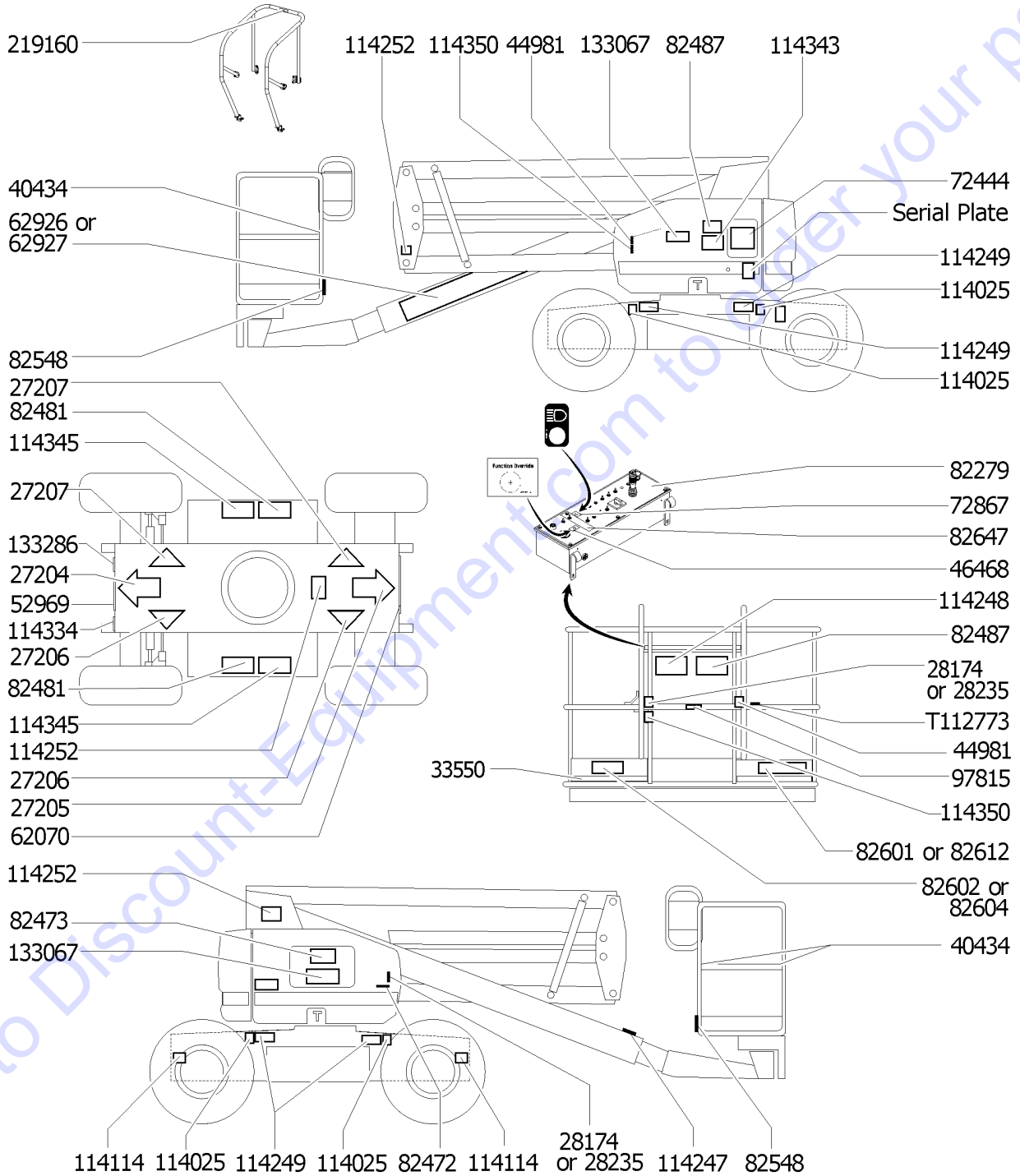
101.2 Word Decals (From Jun 1, 2020)



Item	Part No.	Description	Qty.
29	97815	DECAL,LABEL,LOWER MIDRAIL	1
30	114025	DECAL,LABEL,WHEEL LOAD Z4525DC	4
31	114117	DECAL,BATT CONN DIAGRAM	2
32	114343	DECAL,LABEL,EMERGENCY DOWN	1
33	114350	DECAL,AC INVERTER POWER,115V	2
34	114390	DECAL,DANGER,ELECT HAZARD***	3
35	114397	DECAL,DANGER,TILT ALARM	1
36	128518	TAPE,WARNING,BLK/YEL,108'***	1
37	133286	DECAL, POWER TO CHARGER, UNIV	1
38	218550	DECAL,DANGER,CAP,AUS WORD	1
39	218559	DECAL,DANGER/WARNING COMBO	1
40	219487	DECAL,PLATFORM OVERLOAD	1
41	227213	DECAL,OPER INST,DC BOOM GND AU	1
		Australia models	
42	1262342	DECAL,WORD,SLOPE RATING,S60	1
43	1263543	DECAL, IMPROPER OPERATION	2
44	1264308	DECAL,LABEL,RELAYS,Z45DC,BE	1
45	1267121	DECAL, BOOM SUPPORT	1
46	1281174	DECAL,LANYARD,FALL ARREST/FALL RESTRAINED	2
47	1294398	DECAL, ANSI/CSA COMPLIANT	1
48	1298825	DECAL, LABEL, RELAYS, Z45DC, BE	1
49	1299743	DECAL,DANGER,TIP,INDUSTRIAL TIRES	4
50	1299744	DECAL,TRANSPORT/LIFT DIAGRAM, Z-45	2



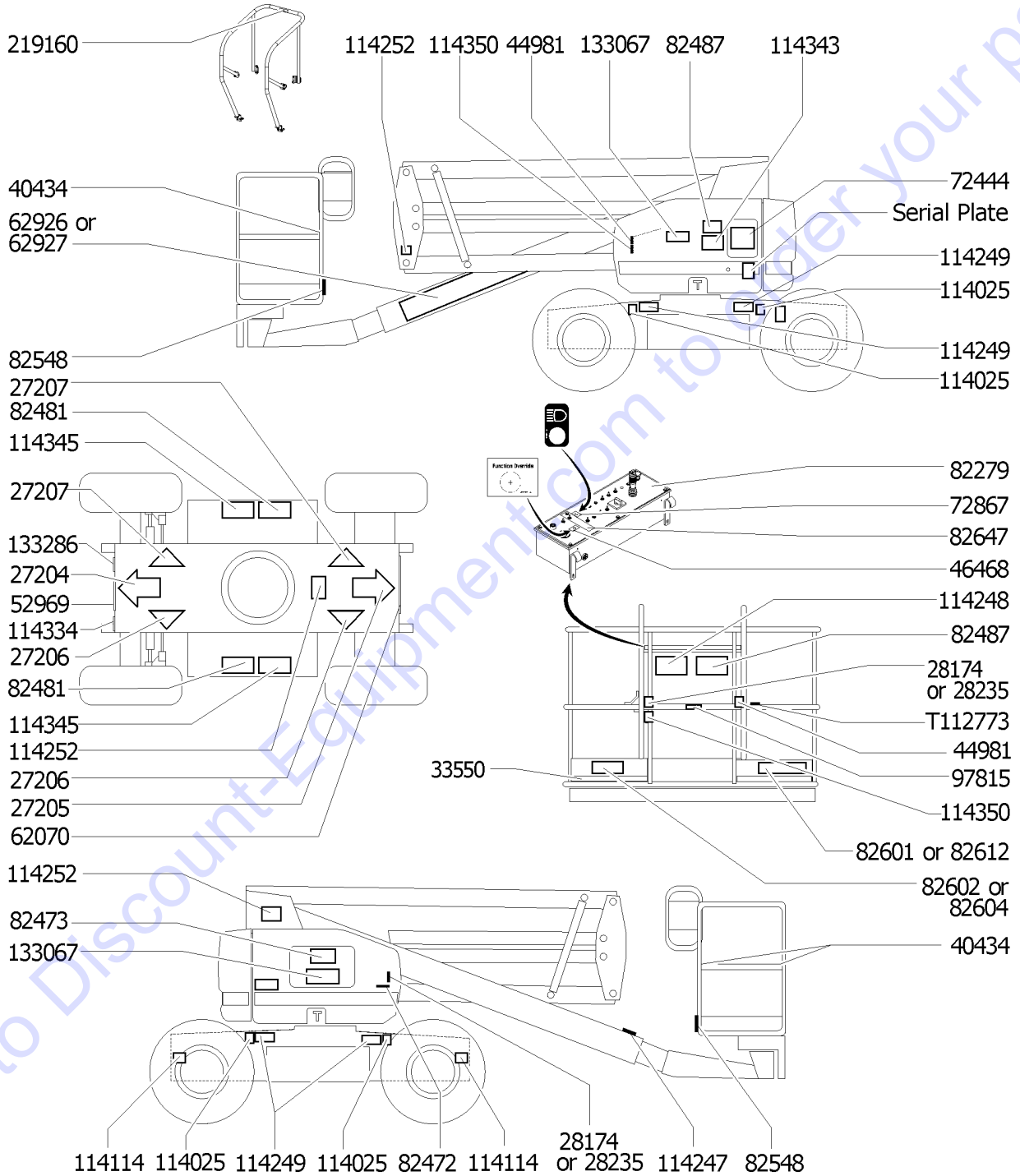
102.1 Symbol Decals (To May 30, 2020)



Item	Part No.	Description	Qty.
A	823153	DECAL KIT,Z45 PLAT,SYM,ANSI	
B	823154	DECAL KIT,Z45DC COMP,SYM,ANSI	
C	823161	DECAL KIT,Z45 PLAT,SYM,CE	
D	823162	DECAL KIT,Z45DC COMP,SYM,CE	
1	27204	DECAL,ARROW BLUE	1
2	27205	DECAL,ARROW YELLOW LRG 9"	1
3	27206	DECAL,TRIANGLE,BLUE	2
4	27207	DECAL,TRIANGLE,YELLOW	2
5	28174	DECAL, POWER TO PLATFORM 230V**	2
6	28235	DECAL,POWER TO PLATFORM 115V	2
7	33550	TAPE,WARNING,BLK/YEL, 50'*** (sold by the roll. 648" per roll) (Required to be iinstall at base of platform toeboard for CE market)	
8	40434	DECAL,LANYARD ANCHORAGE POINT	8
9	44981	DECAL,LABEL, AIR LINE 110 PSI	2
10	46468	DECAL,FUNCTION OVERRIDE	1
11	52969	DECAL,COSMETIC,GENIE BOOM,HORZ	1
12	62070	DECAL,COSMETIC,DC POWER	1
13	62926	DECAL,COSMETIC,GENIE Z-45/25J	
		jib	
14	62927	DECAL,COSMETIC,GENIE Z-45/25	1
		non-jib	
15	72444	DECAL,GROUND CONTROL PANEL	1
16	72867	DECAL,LABEL,LIGHTS***	1
17	82279	DECAL,PLATFORM CONTROL PANEL	1
18	82472	DECAL,WARNING,CRUSHING HAZARD	1
19	82473	DECAL,SYMBOL-COMP ACCESS	1
20	82481	DECAL,SYMBOL-BATTERY SAFETY	2
21	82487	DECAL, SYMBOL - READ THE MANUAL	1
22	82548	DECAL,WARN,CRUSH HAZARD PLAT	2
23	82601	DECAL,LABEL,MAX CAPACITY***	1



102.1 Symbol Decals (To May 30, 2020)

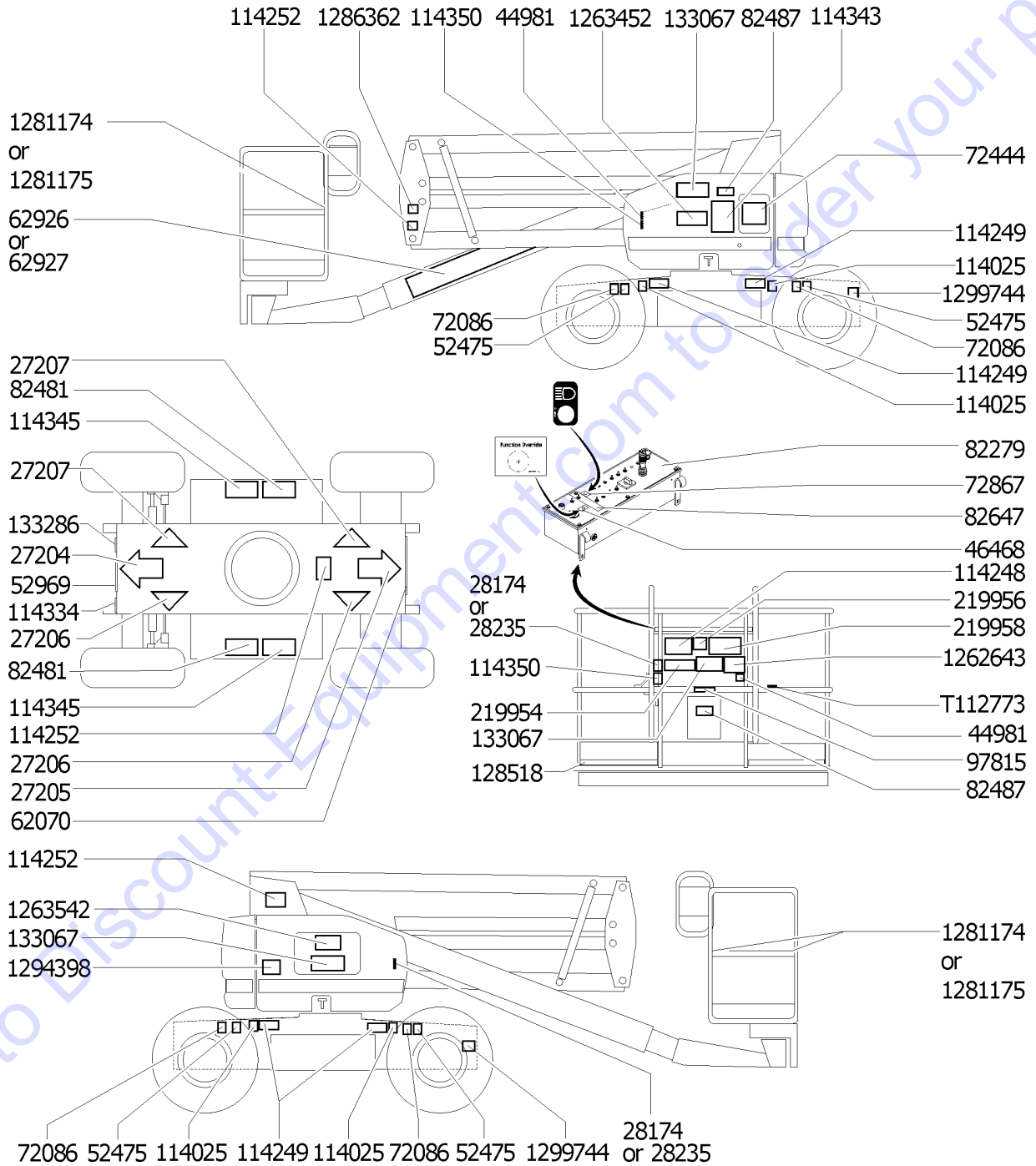


102.1 Symbol Decals (To May 30, 2020)

Item	Part No.	Description	Qty.
24	82602	DECAL,DANGER,MAX SIDE FRC,667N	1
25	82604	DECAL,DANGER,SIDE FRC 400N	1
26	82612	DECAL,DANGER,MAX CAP,200KG	1
27	82647	DECAL,DRIVE ENABLE PATCH	1
28	97815	DECAL,LABEL,LOWER MIDRAIL	1
		CE models	
30	114025	DECAL,LABEL,WHEEL LOAD Z4525DC	4
31	114114	DECAL,LABEL,TRANSPORT	2
32	114247	DECAL,LABEL,FALL HAZARD***	1
33	114248	DECAL,LABEL,TIPOVER,TILT AL SY	1
34	114249	DECAL,LABEL,TIPOVER,TIRES,SYMB	4
35	114252	DECAL,LABEL,TIP OVER LMT SWTCH	3
36	114334	DECAL,SYM-ELEC HAZARD,PLUG	1
37	114343	DECAL,LABEL,EMERGENCY DOWN	1
38	114345	DECAL,LABEL,TIPOVER,BATTERIES	2
39	114350	DECAL,AC INVERTER POWER,115V	2
40	133067	DECAL,DANGER,ELEC.HAZ.STAY CLR	2
41	133286	DECAL, POWER TO CHARGER, UNIV	1
42	219160	DECAL, INSTRUCTION, OPS	1
		option	
43	T112773GT	TAPE, PROTECTIVE MASK	2



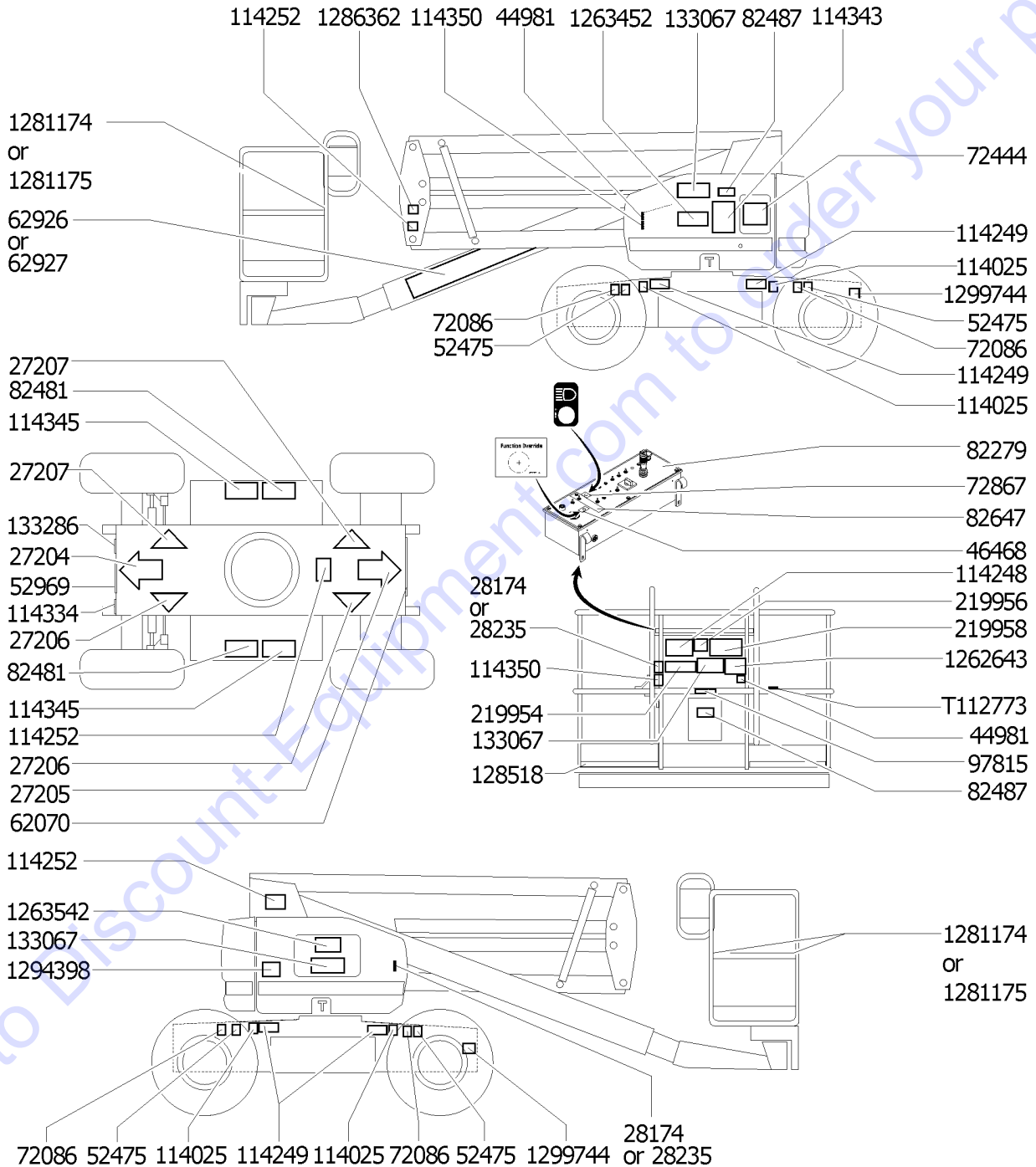
102.2 Symbol Decals (From Jun 1, 2020)



Item	Part No.	Description	Qty.
1	27204	DECAL,ARROW BLUE	1
2	27205	DECAL,ARROW YELLOW LRG 9"	1
3	27206	DECAL,TRIANGLE,BLUE	2
4	27207	DECAL,TRIANGLE,YELLOW	2
5	28174	DECAL, POWER TO PLATFORM 230V**	2
6	28235	DECAL,POWER TO PLATFORM 115V	2
7	44981	DECAL,LABEL, AIR LINE 110 PSI	2
8	46468	DECAL,FUNCTION OVERRIDE	1
9	52475	DECAL LABEL TRANSPORT TIE DOWN*	4
10	52969	DECAL,COSMETIC,GENIE BOOM,HORZ	1
11	62070	DECAL,COSMETIC,DC POWER	1
12	62926	DECAL,COSMETIC,GENIE Z-45/25J Jib	1
13	62927	DECAL,COSMETIC,GENIE Z-45/25 Non-Jib	1
14	72086	DECAL,LABEL,LIFTING EYE	4
15	72444	DECAL,GROUND CONTROL PANEL	1
16	72867	DECAL,LABEL,LIGHTS***	1
17	82279	DECAL,PLATFORM CONTROL PANEL	1
18	82481	DECAL,SYMBOL-BATTERY SAFETY	2
19	82487	DECAL, SYMBOL - READ THE MANUAL	2
20	82647	DECAL,DRIVE ENABLE PATCH	1
21	97815	DECAL,LABEL,LOWER MIDRAIL	1
22	114025	DECAL,LABEL,WHEEL LOAD Z4525DC	4
23	114248	DECAL,LABEL,TIPOVER,TILT AL SY	1
24	114249	DECAL,LABEL,TIPOVER,TIRES,SYMB	4
25	114252	DECAL,LABEL,TIP OVER LMT SWTCH	3
26	114334	DECAL,SYM-ELEC HAZARD,PLUG	1
27	114343	DECAL,LABEL,EMERGENCY DOWN	1
28	114345	DECAL,LABEL,TIPOVER,BATTERIES	2



102.2 Symbol Decals (From Jun 1, 2020)



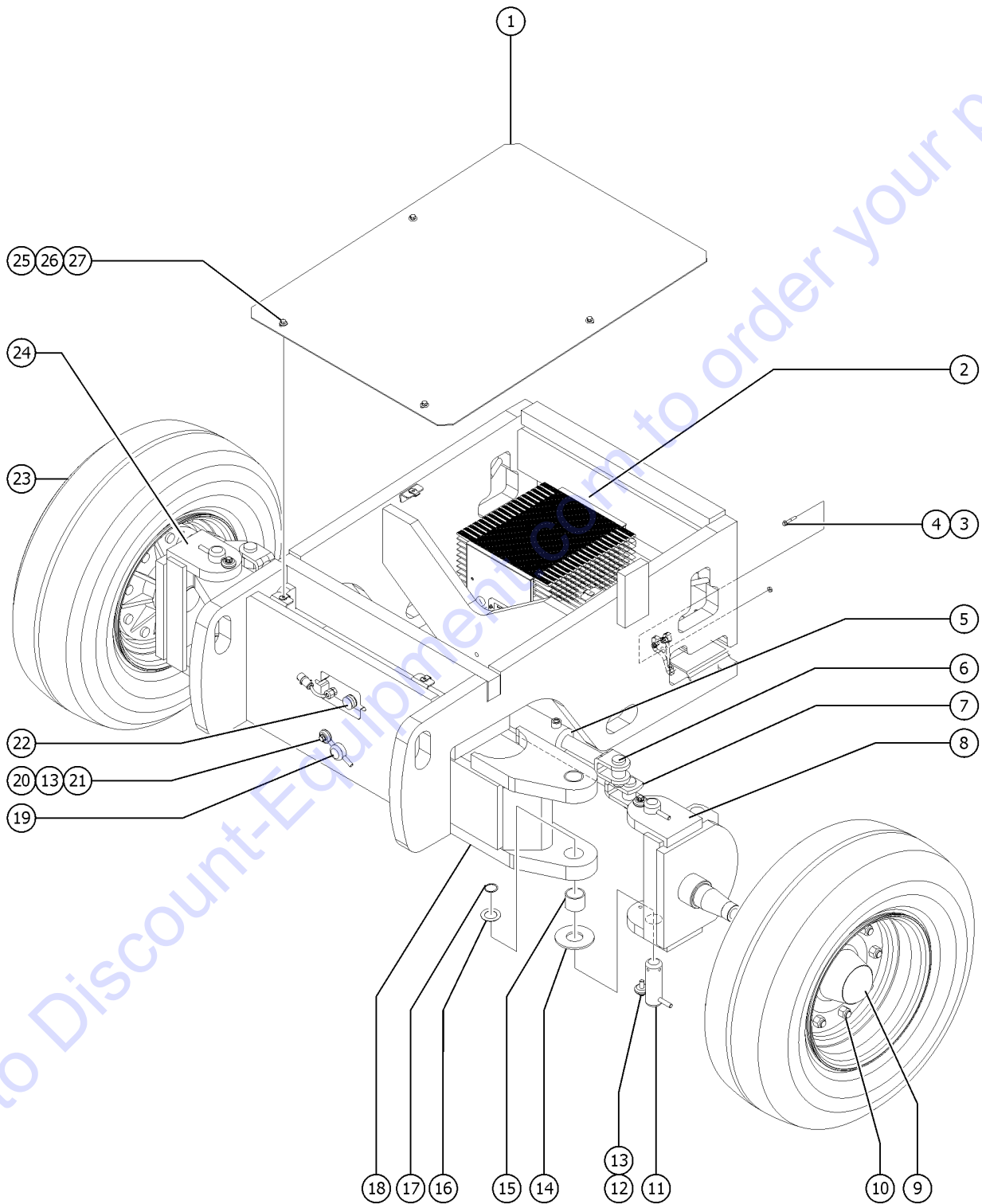
102.2 Symbol Decals (From Jun 1, 2020)

Item	Part No.	Description	Qty.
29	114350	DECAL,AC INVERTER POWER,115V	2
30	128518	TAPE,WARNING,BLK/YEL,108****	1
31	133067	DECAL,DANGER,ELEC.HAZ.STAY CLR	3
32	133286	DECAL, POWER TO CHARGER, UNIV	1
33	219954	DECAL,TIP-OVER HAZARD,CE	1
34	219956	DECAL,PLATFORM OVERLOAD	1
35	219958	DECAL,TIP-OVER,CRUSH	1
36	1262643	HARNESS, JIB, OPTION	1
37	1263452	MAP, ELECTRICAL WIRE, X-14	1
38	1263542	DECAL,IMPROPER OPERATION,SYMBOL	1
39	1281174	DECAL,LANYARD,FALL ARREST/FALL RESTRAINED	2
40	1281175	DECAL,LANYARD,FALL RESTRAINED	2
41	1286362	DECAL, BOOM SUPPORT, SYMBOL	1
42	1294398	DECAL, ANSI/CSA COMPLIANT	1
43	1299744	DECAL,TRANSPORT/LIFT DIAGRAM, Z-45	2
44	T112773GT	TAPE, PROTECTIVE MASK	1

Go to Discount-Equipment.com to order your parts



201.1 Steer End

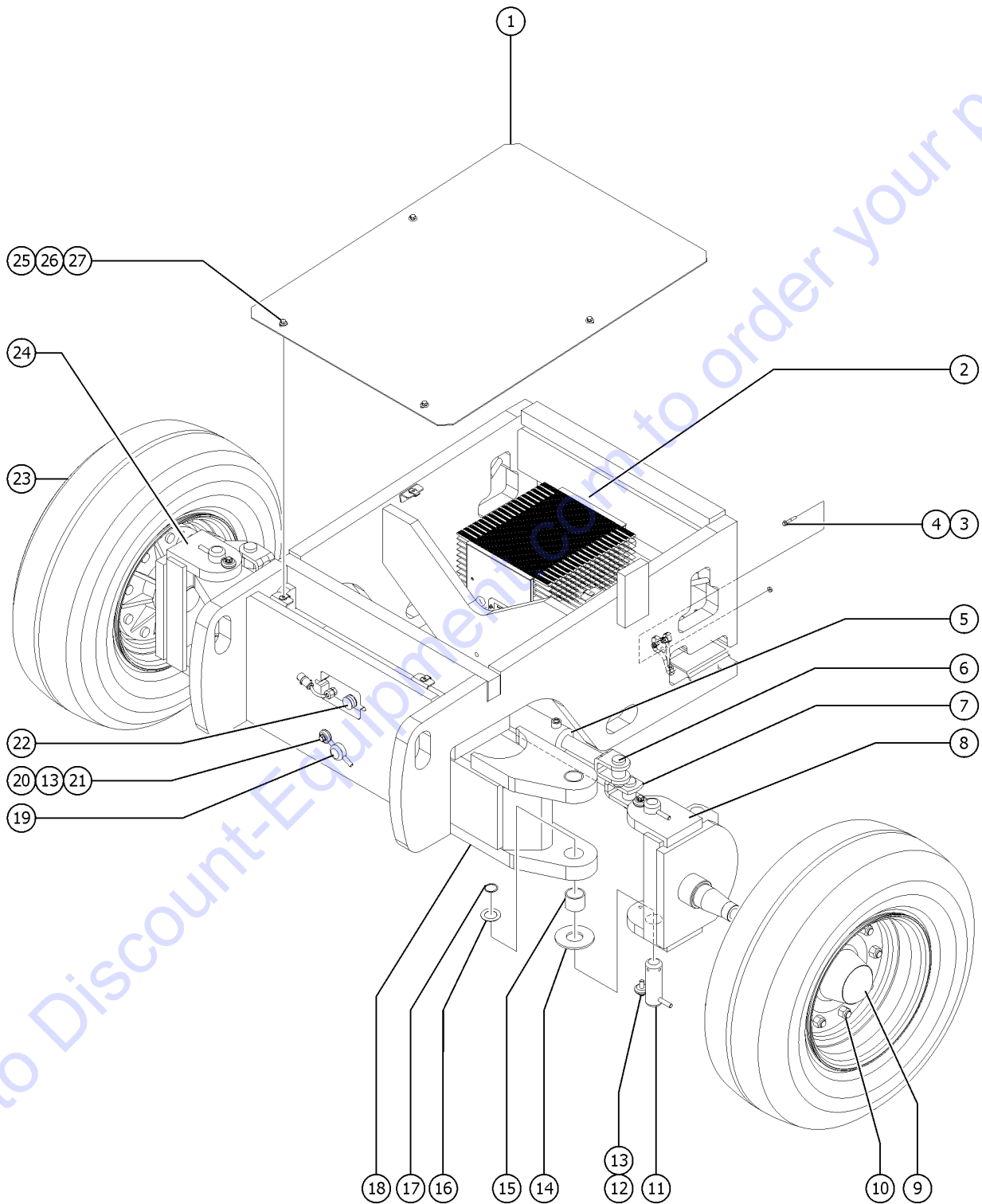


Go to Discount-Equipment.com to order your parts

Item	Part No.	Description	Qty.
A	233475	ASSEMBLY,STEER AXLE,Z45	1
B	54436	GROUND STRAP,18"LG (models with non-marking tires and/or models with EE rating)	
1	230498	COVER, DRIVE CHASSIS FRONT	1
2		Ref. Battery Charger	
		refer to 204.1	
3	824081	SCREW,HHF,1/4-20X1.5,8,ZAG	4
4	824037	NUT,HH JAM,1/4-20,A,ZAG	4
5	88337	CYLINDER,STEER	2
5-	88338	SEAL KIT, 88337	
6	824127	PIN,CLEVIS,1.0X2.41,SAE,ZAG	6
6-	824129	RUE RING,1.0,ZAG	
7	229798	TIE ROD WELDMENT, NARROW	1
8	229712	YOKE MACHINING - L.H.	1
8-	25817	BEARING,1.00IDX1.25ODX1.00L	2
8-	229714	YOKE, WELDMENT, LH	
9	54840	HUB ASSEMBLY,9 BOLT***	2
9-	45112	WASHER,SPINDLE	
9-	45113	NUT,SPINDLE,1-14	
9-	45114	PIN,COTTER,.219 X 1.75	
9-	54959	CAP,DUST (54840 HUB ASSY)	
9-	54960	SEAL-GREASE,9-BOLT HUB 54840	
9-	54961	BEARING,INNER,9 BOLT HUB***	
9-	54962	BEARING,OUTER,9 BOLT HUB***	
10	54627	NUT,LUG,5/8-18 X 90 DEGREE,Z45	18
11	88752	PIN,1.50DIA X 4.25LG,GR/H	4
12	824091	SCREW,HHF,3/8-16X1.25,8,ZAG	4
13	825019	ROD END,.375X3.69,ZAG	5
14	45074	WASHER,THRUST,1.5 X 3.5 X .187	2
15	119619	BEARING,1.5IDX1.75ODX1.5L,PTFE	6



201.1 Steer End



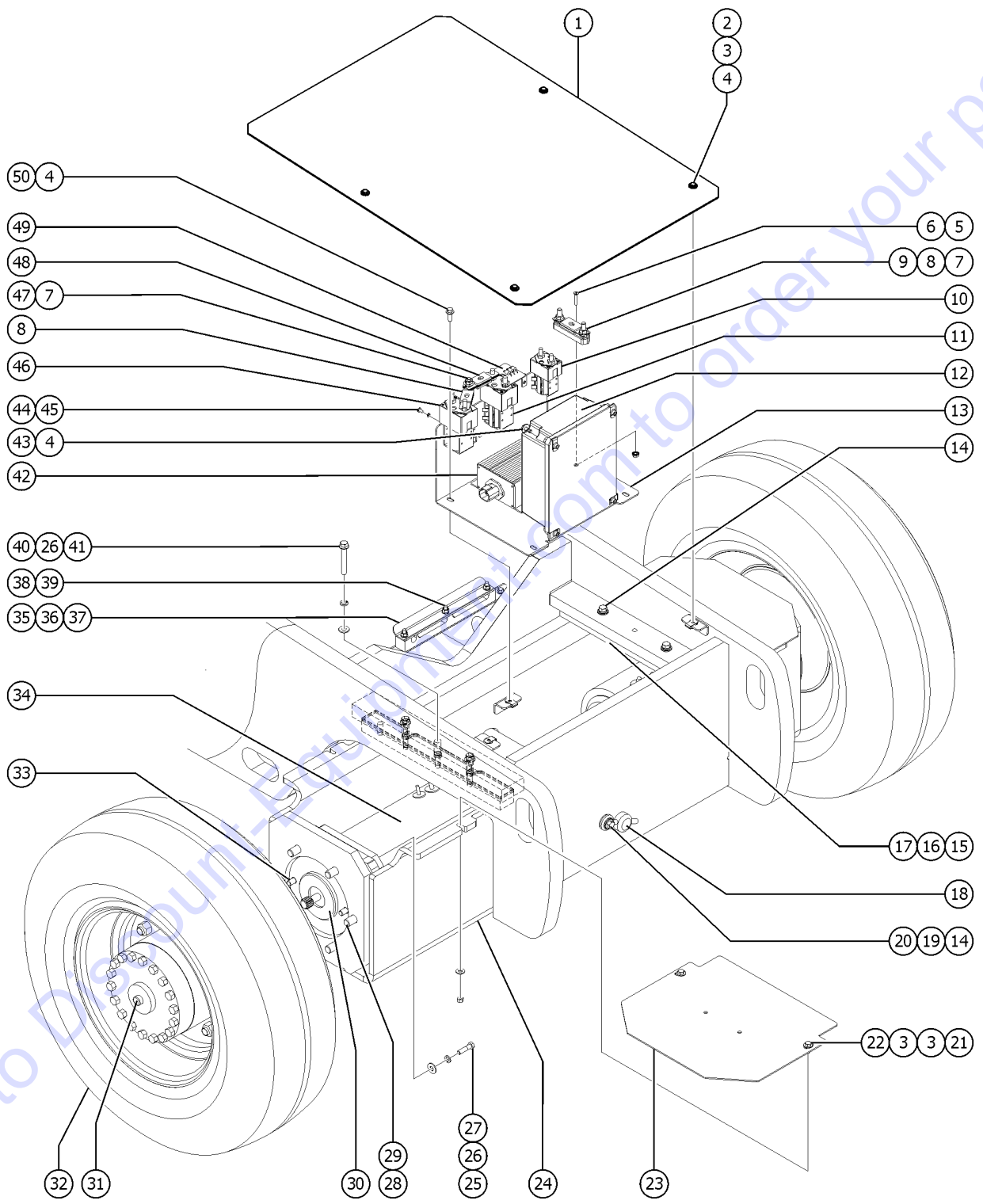
Go to Discount-Equipment.com to order your parts

Item	Part No.	Description	Qty.
16	1251565	WASHER,SHIM,1.56X2.5X.061,ZAG	6
17	825796	SNAP RING,EXTERNAL,1.50,ZAG	4
18	229314	FRONT AXLE, NARROW, MACHINED	1
18-	25817	BEARING,1.00IDX1.25ODX1.00L	2
19	54542	PIN,1.50DIAX20.00LG,CHAMFER	1
20	1256693	SCREW,HHF,3/8-16X2.25,8,ZAG	1
21	824029	NUT,TL FLG,3/8-16,G,ZAG	1
22	228973	KIT,ASSY,LED,IES CHARGER	1
		refer to 204.1	
23	1267779	TIRE/WH ASSY,9 LG,FOAM,S FRONT	2
		(steer end)	
23B	1267781	TIRE/WH ASSY,9 LG,NM,FOAM,S FR	2
		(steer end)	
23C	1267784	TIRE/WH ASSY,9 LG,REPNEU,S	2
		(steer end)	
23D	1267786	TIRE/WH ASSY,9 LG,NM,REPNEU,S	2
24	229720	YOKE MACHINING - R.H.	1
24-	25817	BEARING,1.00IDX1.25ODX1.00L	2
24-	229721	YOKE, WELDMENT, RH	
25	824060	SCREW,HHC,1/4-20X1,8,ZAG	4
26	824113	WASHER,FLAT,USS,1/4,ZAG	4
27	56912	SPRING CLIP,1/4-20,.025-.15X.54,ZAG	4

Go to Discount-Equipment.com to order your parts



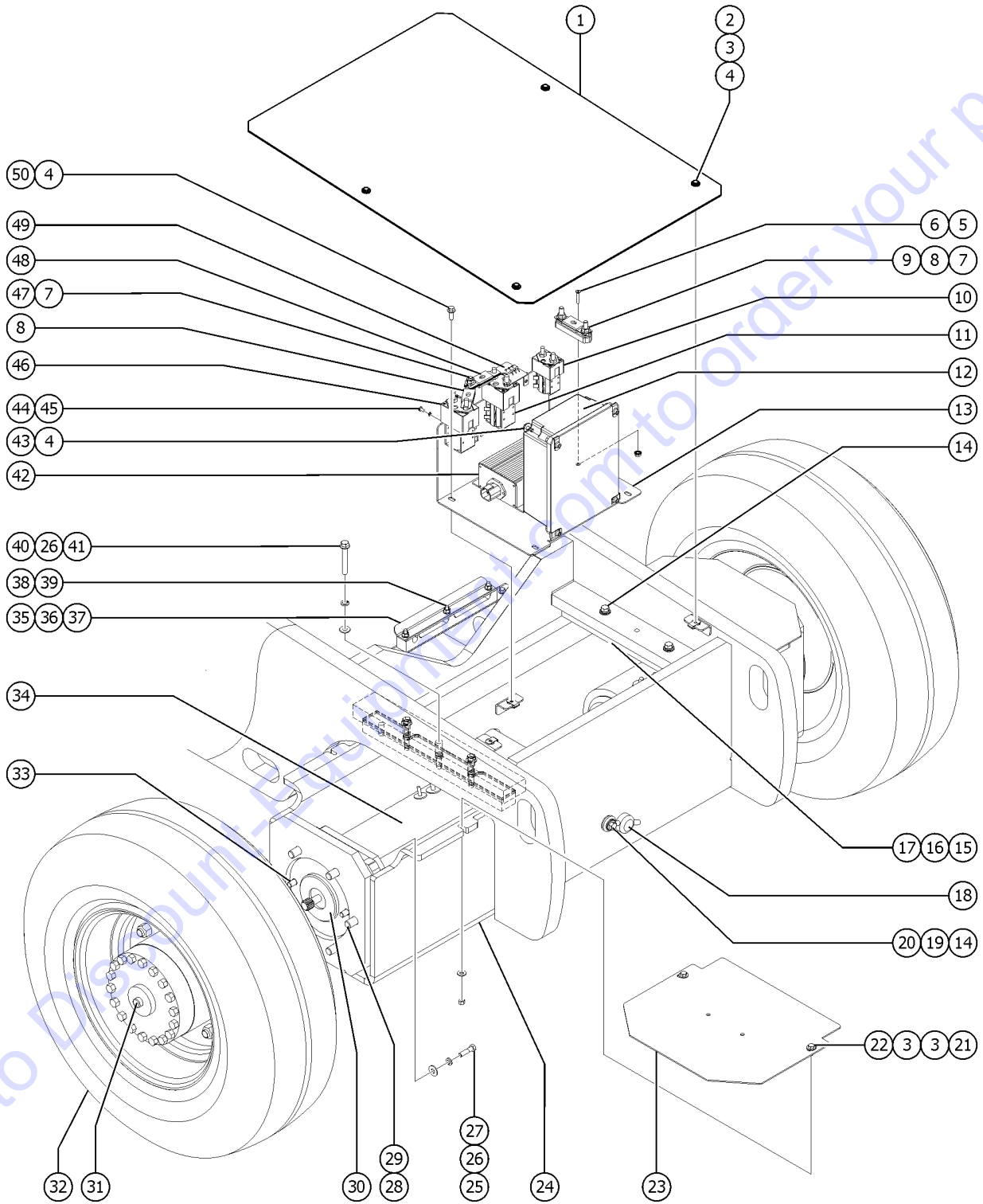
202.1 Non-steer End



Item	Part No.	Description	Qty.
A	23083	FUSE HOLDER,WATERPROOF	
-	13097	FUSE,10 AMP	
1	120267	COVER, DRIVE CHASSIS, REAR	1
2	824060	SCREW,HHC,1/4-20X1,8,ZAG	4
3	824113	WASHER,FLAT,USS,1/4,ZAG	12
4	56912	SPRING CLIP,1/4-20,.025-.15X.54,ZAG	13
5	826783	SCREW,FHPM,10-32X.1,00,ZAG	2
6	1264261	NUT,SERRATED,10-32,ZAG	2
7	1255805	NUT,SERRATED,5/16-18,8,ZAG	3
8	18576	FUSE,200 AMP	2
9	66717	FUSE BLOCK, ANN & ANL FUSE	1
10	74268	CONTACTOR,AUX PUMP 24V,80A***	1
10-	22262	CONTACT,MOVING,19549RELAY*	
10-	22263	CONTACT,STATIONARY,19549RELAY*	
10-	74495	SPRING, RETURN (FOR 74268)	
11	74267	CONTACTOR,DRIVE,24V,180A***	1
11-	74468	SPRING, RETURN (FOR 74267)	
11-	74469	FIXED CONTACT (FOR 74267)	
11-	74470	MOVING CONTACT (FOR PN 74267)	
12	128337	CONTROLLER,SEPEX MOTOR,Z45DC/BE	1
12-	1263554	PROGRAMMER, PMC 1313K-4401	
12-	128598	HARNESS RETRO 24V RELAY	
12-	56561	TOOL,TERMINAL CRIMPER,MOLEX***	
12-	56562	TOOL,TERMINAL EXTRACTOR,MOLEX	
13	229803	PLATE, CONTACTOR MOUNT	1
13-	13268	CLAMP,0.75,#12 X 1/4,RUB CUSH (not shown)	
14	1256693	SCREW,HHF,3/8-16X2.25,8,ZAG	6
15	229810	BAR, AXLE ROTATION STOP,NON-OSC	2



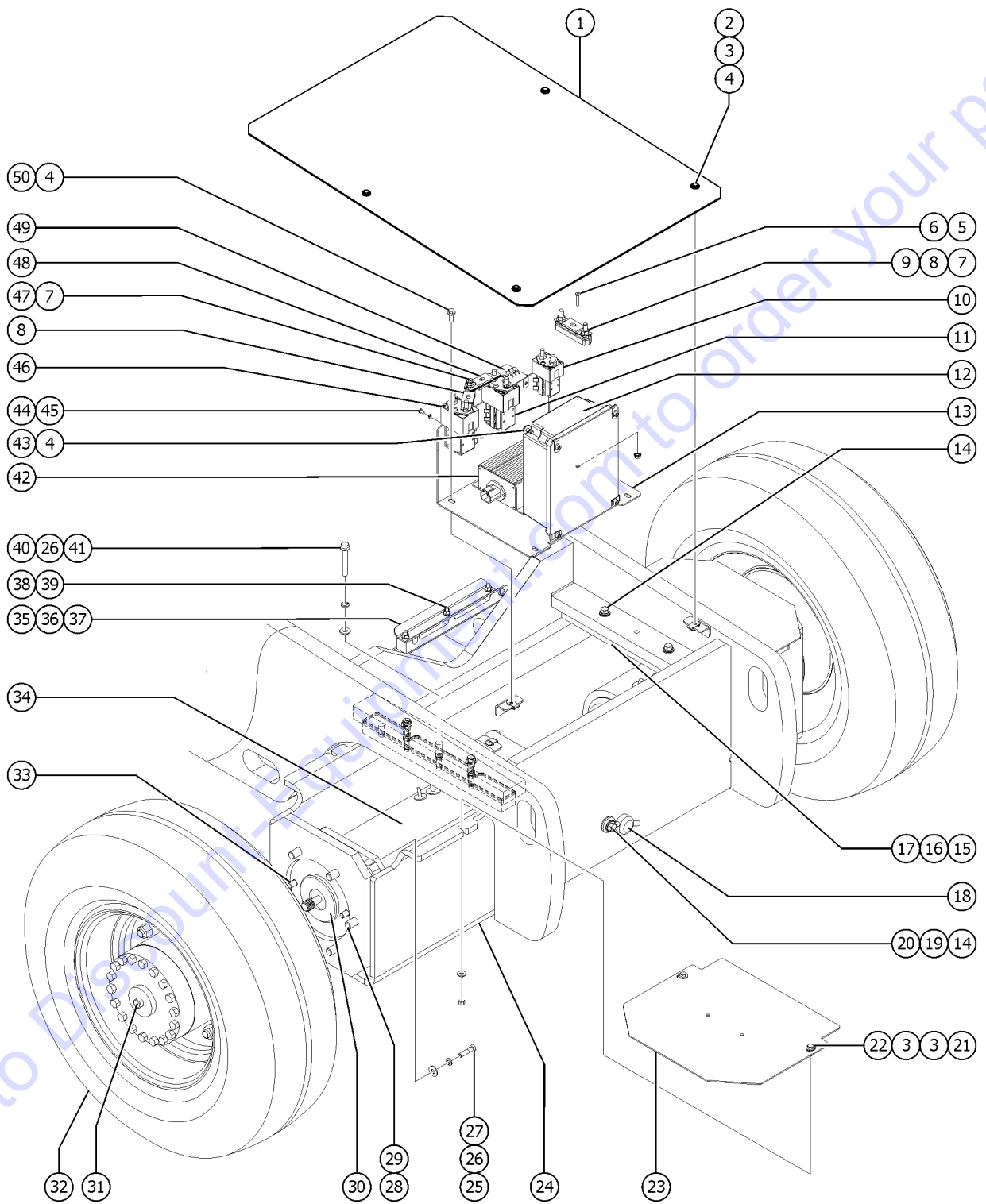
202.1 Non-steer End



Item	Part No.	Description	Qty.
16	120426	SHIM, AXLE ROTATION STOP, 2.5MM as-needed	
17	120425	SHIM, AXLE ROTATION STOP, 1MM as-needed	
18	54542	PIN,1.50DIAX20.00LG,CHAMFER	1
19	825019	ROD END,.375X3.69,ZAG	1
20	824029	NUT,TL FLG,3/8-16,G,ZAG	1
21	824061	SCREW,HHC,1/4-20X1.25,8,ZAG	4
22	824024	NUT,TL,1/4-20,C,ZAG	4
23	1283806	AXLE COVER, NARROW	2
24	229320	WELDMENT, NARROW REAR AXLE	1
24-	45071	BEARING,1.5IDX1.75ODX1.5L	2
25	1256118	SCREW,HHC,3/8-16X1.5,8,ZAG	8
26	824110	WASHER,LOCK,3/8,ZAG	9
27	1255758	WASHER,FLAT,3/8,USS,ZAG	8
28	824104	SCREW,SHC,5/8-11X1.75,A574,ZAG	12
29	1256182	WASHER,FLAT,5/8,F436,HRD,ZAG	12
30	139351	BRAKE, NEMA, 1200 IN/LB	2
30-	139353	STACK KIT, AUSCO 1200 IN/LB for 139351	
30-	139354	O-RING KIT, AUSCO 1200 IN/LB for 139351	
30-	139355	GASKET KIT, AUSCO 1200 IN/LB for 139351	
30-	233807	BRAKE REPLACEMENT KIT for 101966 brake	1
30-	65608	BEARING KIT, AUSCO*** for 139351	
30-	65618	SEAL KIT,BRAKE*** for 101966 brake	
30-	94879	LINING KIT*** for 101966 brake	
30-	94880	BEARING KIT for 101966 brake	
31	218571	WH DRV,NON-BRAKE,GENERIC, 48:1	2
31-	54627	NUT,LUG,5/8-18 X 90 DEGREE,Z45	18
32	1267780	TIRE/WH ASSY,9 LG,FOAM,NS REAR (non-steer end)	2
32B	1267782	TIRE/WH ASSY,9LG,NM,FOAM,NS RE (non-steer end)	2



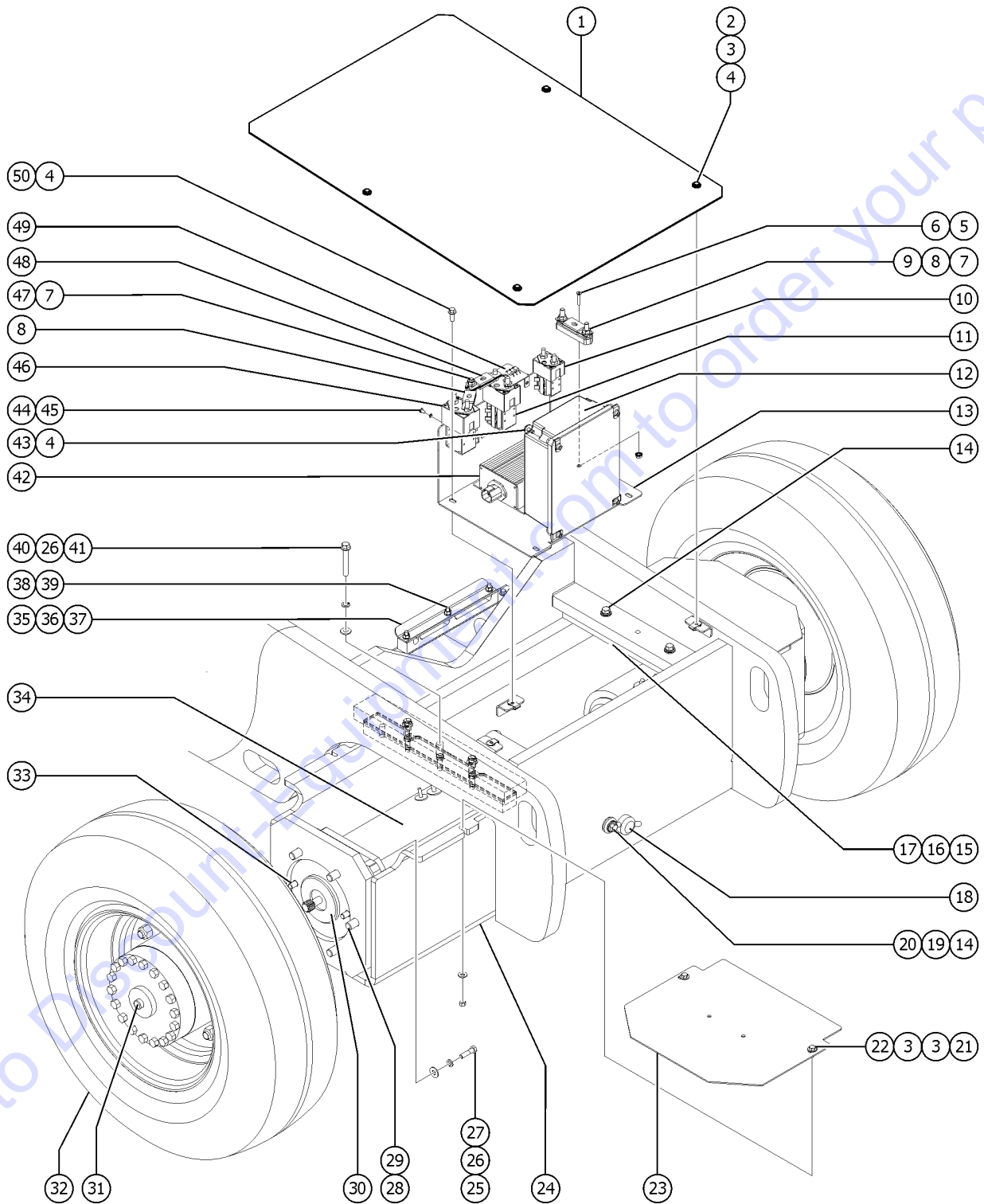
202.1 Non-steer End



Item	Part No.	Description	Qty.
32C	1267785	TIRE/WH ASSY,9 LG,REPNEU,NS (non-steer end)	2
32D	1267787	TIRE/WH ASSY,9 LG,NM,REPNEU,NS (non-steer end)	2
33	824103	SCREW,SHC,1/2-13X3,A574,ZAG	4
34	T108673GT	KIT, 24V SEP-EX DRIVE MOTORS Replacement kit for GE motor 94197; check stamp on part prior to ordering (kit contains qty 2 x 56282 motor)	
34-	147187	BRUSH KIT, DRIVE MOTOR for AMD motor 56282	
34-	37189	SPRING, BRUSH RETAINER, 36182* for AMD motor 56282	
34-	44778	BEARING,MOTOR,36843,BRUSH END* for AMD motor 56282	
34-	56282	MOTOR,SEP-EX,24V*** AMD motor; check stamp on part prior to ordering	
34-	62105	BRUSH HOLDER(56282) for AMD motor 56282	
34B	56282	MOTOR,SEP-EX,24V*** check stamp on part prior to ordering	
34B-	147187	BRUSH KIT, DRIVE MOTOR for AMD motor 56282	
34B-	22811	O-RING,MOTOR TO BRAKE*** (not shown)	2
34B-	37189	SPRING, BRUSH RETAINER, 36182* for AMD motor 56282	
34B-	44778	BEARING,MOTOR,36843,BRUSH END* for AMD motor 56282	
34B-	62105	BRUSH HOLDER(56282) for AMD motor 56282	
34C	1263609	MOTOR,FUNCTION,48V DC,XINYU	1
35	229133	PLATE,CLAMP, TOP	1
36	229132	CLAMP, CABLE	1
37	229131	BRACKET, CABLE CLAMP	1
37-	56912	SPRING CLIP,1/4-20,.025-.15X.54,ZAG	2
37-	824079	SCREW,HHF,1/4-20X1,8,ZAG	2
38	824027	NUT,TL FLG,1/4-20,G,ZAG	3
39	1268954	BOLT,CARRIAGE,1/4-20X1.75,5,ZA	3
40	824094	SCREW,HHF,3/8-16X2.75,8,ZAG	1
41	825358	WASHER,FLAT,5/16,USS,ZAG	1
42	79452	CONVERTER, DC-DC, 48-26 VOLT** (mounting hardware not included)	1
42-	1262031	SCREW,HHF,10-24X.75,ZAG (not shown)	4
42-	73575	SPRING CLIP,10-24,.025-.125X.468,ZAG (not shown)	4



202.1 Non-steer End

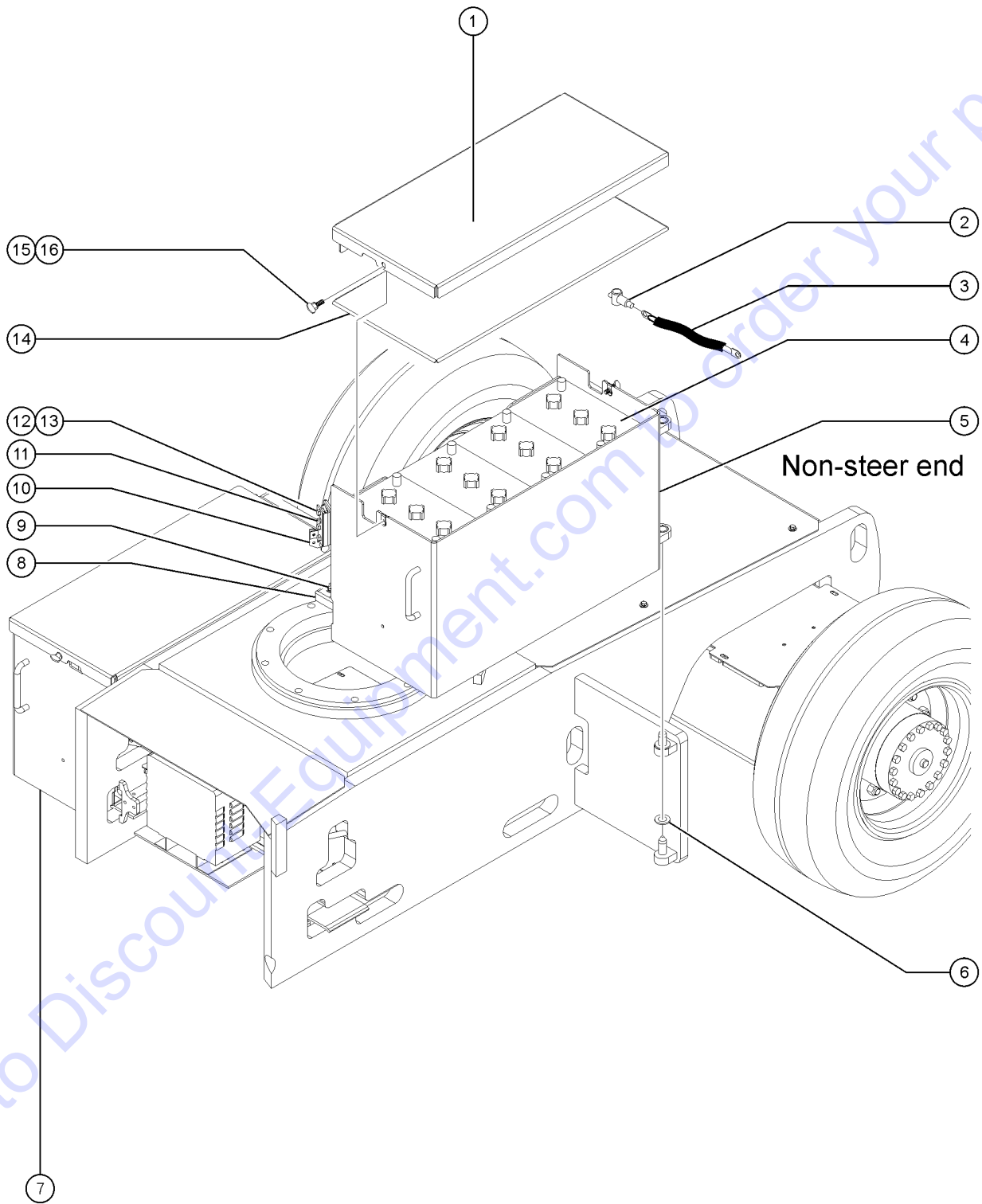


Item	Part No.	Description	Qty.
43	824080	SCREW,HHF,1/4-20X1.25,8,ZAG	4
44	825349	SCREW,PHPM,10-32X.38,ZAG	6
45	1256312	WASHER,LOCK,#10,ZAG	6
46	74266	CONTACTOR,LIFT PUMP 24V 180A**	1
46-	62695	CONTACT,STATIONARY (56434)**	
46-	62696	CONTACT-MOVEABLE (56434)**	
46-	74471	SPRING,RETURN (74266)	
47	824086	SCREW,HHF,5/16-18X1,8,ZAG	1
48	43179	FUSE,500 AMP,VERY FAST ACTING	1
49	56930	DIODE,PCB DRIVE CONTACTOR**	1
50	824078	SCREW,HHF,1/4-20X.75,8,ZAG	5

Go to Discount-Equipment.com to order your parts



203.1 Battery Packs

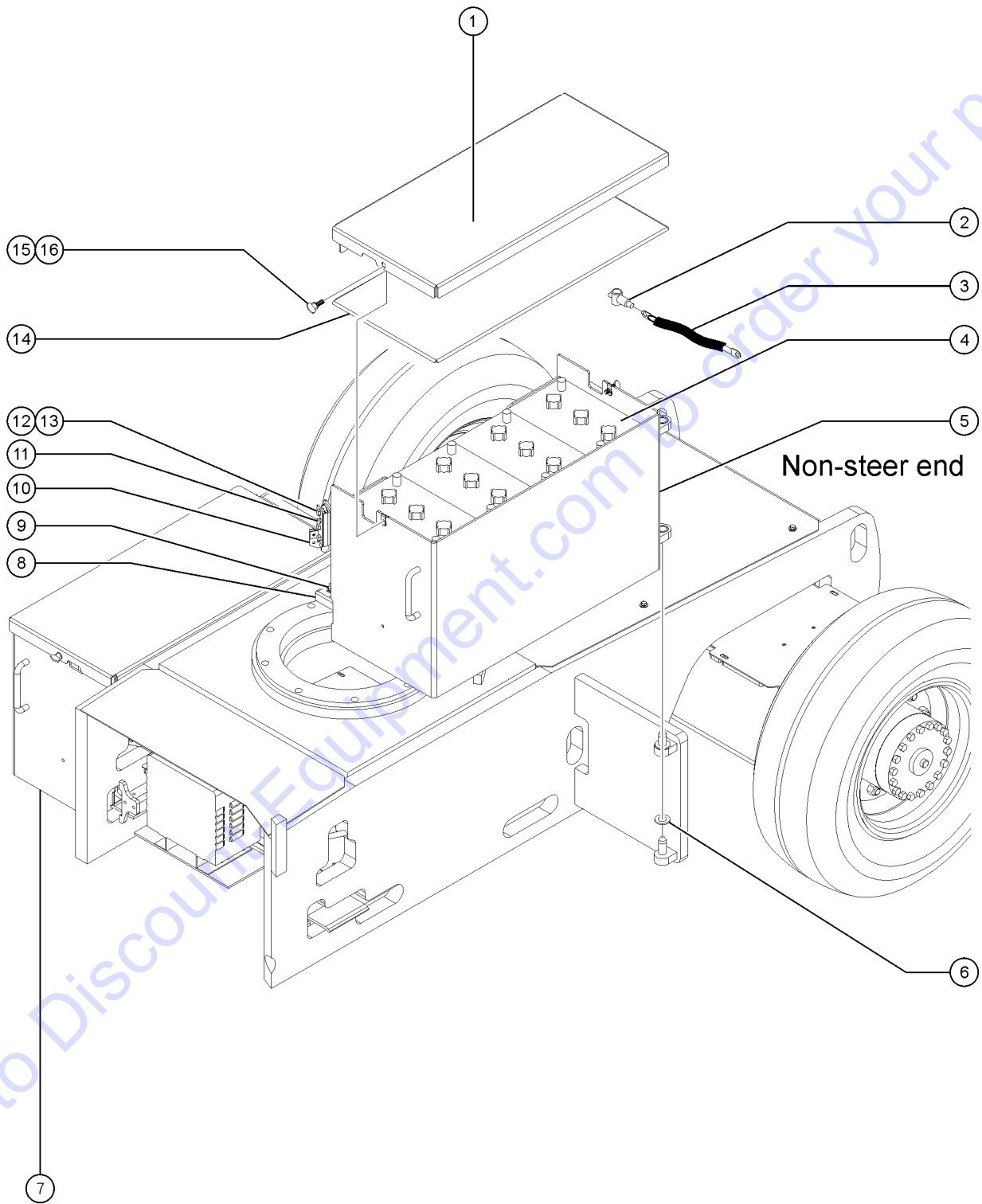


203.1 Battery Packs

Item	Part No.	Description	Qty.
A	233472	ASSEMBLY,BATTERY BOX,LH	1
B	233473	ASSEMBLY,BATTERY BOX,RH	1
1	229729	COVER,BATTERY BOX	2
2	51147	BOOT,CABLE TERMINAL,LG,RED,2/0	12
3	19520	BATTERY CABLE ASSY,9.5"JUMPER includes item 2	6
4	823684	BATTERY,AGM,6V/390A,L16	8
		models with AGM option	
4B	56461	BATTERY, 390AH L16,WET	8
4C	236819	BATTERY, AGM, 6V/390A, L16	8
4C-	1255805	NUT,SERRATED,5/16-18,8,ZAG	
4C-	57162	BATTERY TERMINAL PROTECTORS	16
4C-	824086	SCREW,HHF,5/16-18X1,8,ZAG	
5	161551	WELDMENT, BATTERY BOX, LH	1
5-	36369	BEARING,0.75IDX1.00ODX0.75L	2
5-	824027	NUT,TL FLG,1/4-20,G,ZAG	
5-	824059	SCREW,HHC,1/4-20X.75,8,ZAG	
6	36212	WASHER,THRUST,.75 X 1.38X.13	4
7	161550	WELDMENT, BATTERY BOX, RH	1
7-	36369	BEARING,0.75IDX1.00ODX0.75L	2
7-	824027	NUT,TL FLG,1/4-20,G,ZAG	
7-	824059	SCREW,HHC,1/4-20X.75,8,ZAG	
8	45209	WEAR PAD,4X2X.5 W/INSERT***	2
9	1256855	SCREW,HHF,1/4-20X.625,8,ZAG	4
10	66900	LATCH,ROTARY, W/KNOB,LEFT	1
		(shown)	
10B	66901	LATCH,ROTARY, W/KNOB,RIGHT	1
11	229805	FORMING,BATTERY BOX LATCH LH	1
11-	824029	NUT,TL FLG,3/8-16,G,ZAG	3
11-	824125	BOLT,CARRIAGE,3/8-16X1,5,ZAG	3
11B	229806	FORMING,BATTERY BOX LATCH RH	1



203.1 Battery Packs



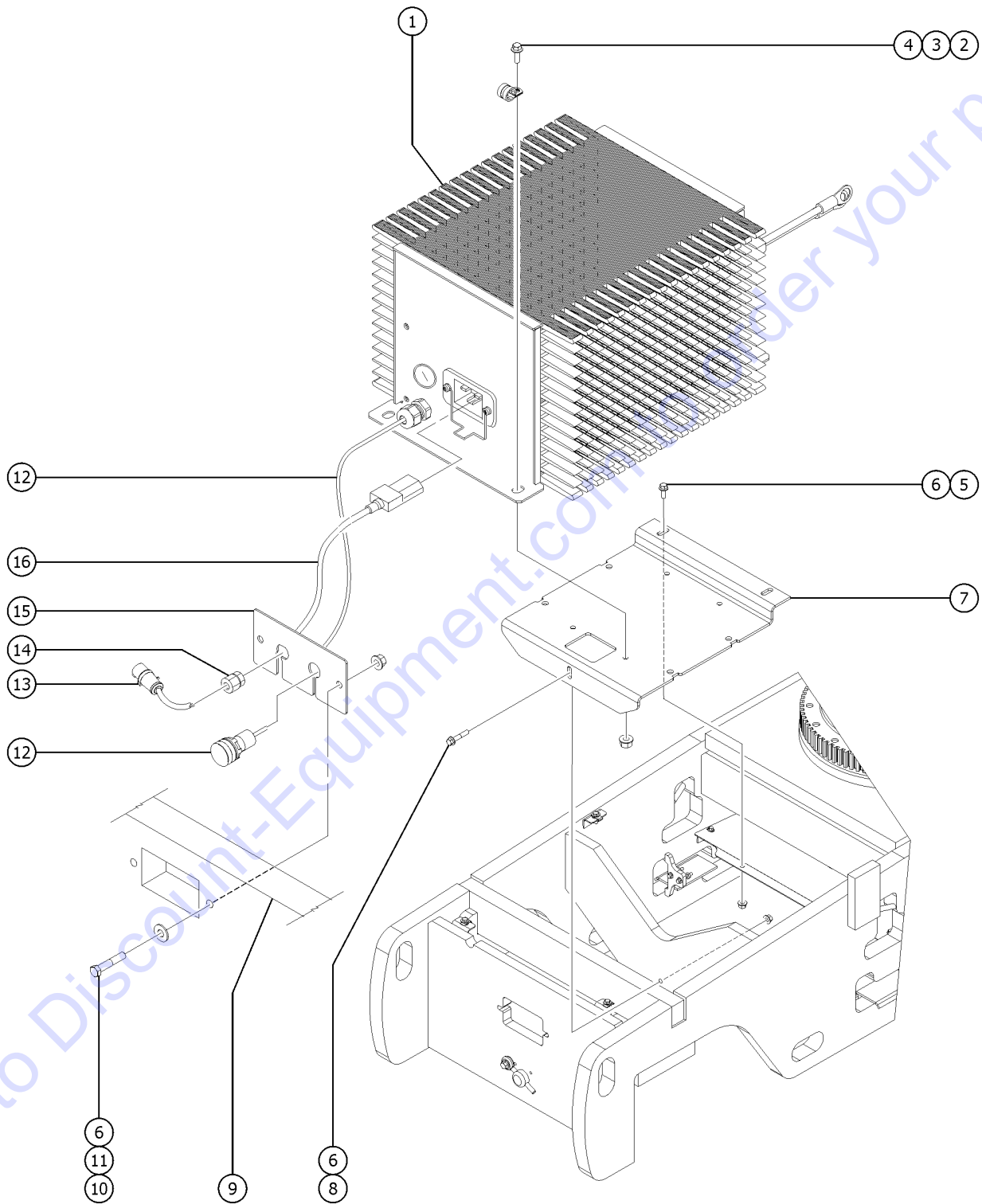
203.1 Battery Packs

<i>Item</i>	<i>Part No.</i>	<i>Description</i>	<i>Qty.</i>
11B-	824029	NUT,TL FLG,3/8-16,G,ZAG	3
11B-	824125	BOLT,CARRIAGE,3/8-16X1,5,ZAG	3
12	1255763	SCREW,HHF,5/16-18X1.5,8,ZAG	6
13	824028	NUT,TL FLG,5/16-18,G,ZAG	6
14	106241	INSULATION,48V BATT.BOX LID	2
		models with AGM option	
15	824228	SCREW,THUMB,A-REG,3/8-16X1,ZAG	4
16	29868	SPRING CLIP,3/8-16,.05-.20X.73,ZAG	4

Go to Discount-Equipment.com to order your parts



204.1 Battery Charger

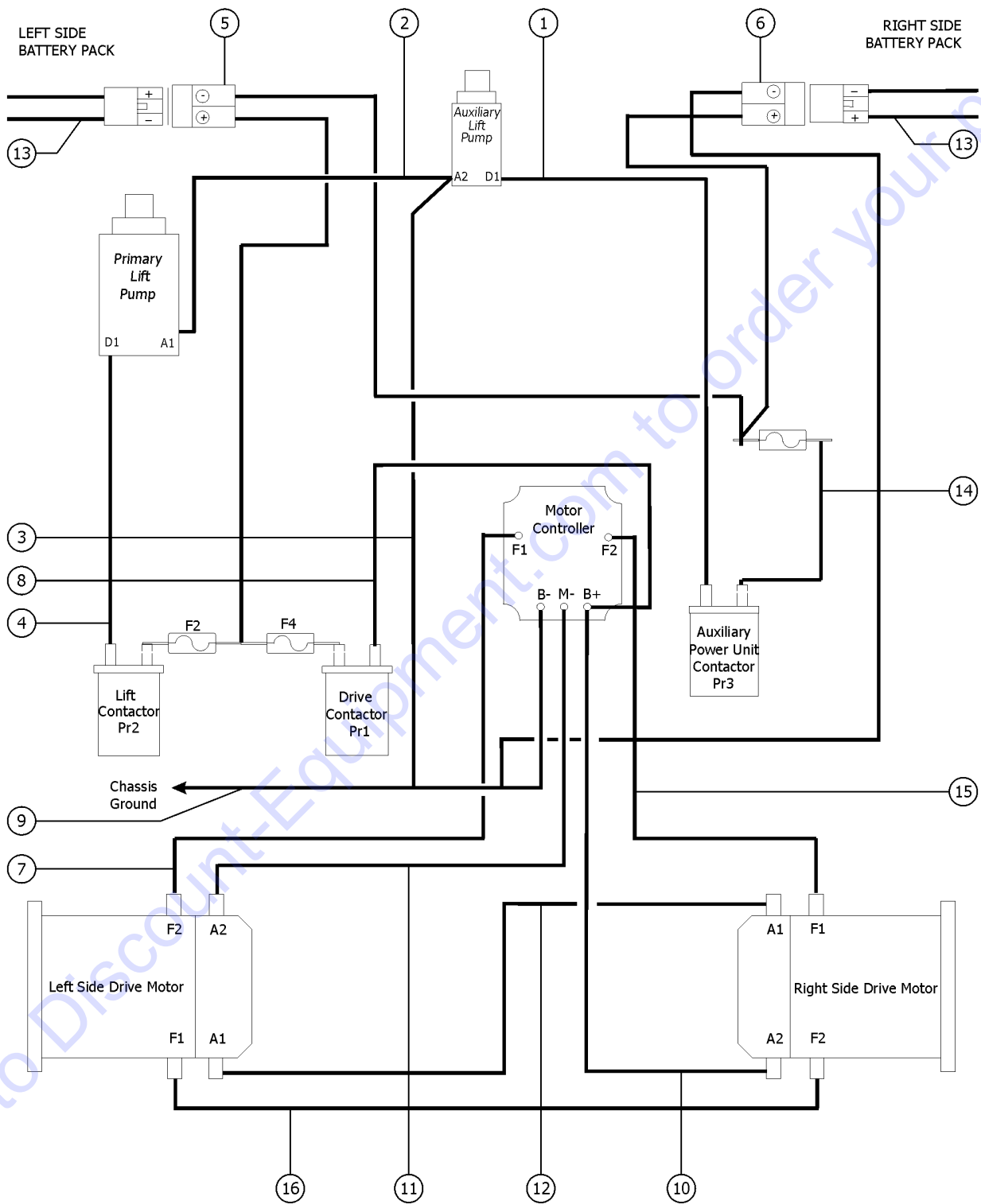


204.1 Battery Charger

Item	Part No.	Description	Qty.
A	228946	ASSY,LED,IES CHARGER	
B	228947	CLIP,RETAINING,IES CHARGER	
1	128375	CHARGER 48V/30A AUTO AC X-LED (includes item 12) (order power cord separately)	1
1-	133286	DECAL, POWER TO CHARGER, UNIV	
1-	139857	HARN.CHARGER INTERLOCK Z45 (not shown)(option)	
2	824078	SCREW,HHF,1/4-20X.75,8,ZAG	4
3	6833	CLAMP,0.50,#8 X 1/4,RUB CUSH	1
4	824027	NUT,TL FLG,1/4-20,G,ZAG	4
5	824090	SCREW,HHF,3/8-16X1,8,ZAG	2
6	824029	NUT,TL FLG,3/8-16,G,ZAG	5
7	229804	FORMING,CHARGER PLATE	1
8	1253478	SCREW,HHF,3/8-16X2,8,ZAG	1
9		Ref. Chassis	
10	1256108	SCREW,HHC,3/8-16X2,8,ZAG	2
11	1255758	WASHER,FLAT,3/8,USS,ZAG	2
12	228973	KIT,ASSY,LED,IES CHARGER	1
13	1280665	PLUG, TYPE F, 230A, 50HZ, 16A, IP44 Euro 220V	1
13B	144161	PLUG,PWR,UK,16AMP,3PIN,BLK UK 110V	1
13C	25388	PLUG,FUSED,250V,13AMP,U.K.** UK 220V	1
14	128118	BUSHING,STRAIN RELIEF,.875/.40 (domestic)	1
14B	139318	BUSHING,STRAIN RELIEF,.875/.30 (UK)	1
15	230505	BRACKET, CHARGER CORD AND LED	1
16	128645	CORD AC IEC320-C19 TO 220EU EU 220V	1
16B	128377	CORD AC IEC320-C19 TO 110US US 110V	1
16C	128376	CORD EURO AC IEC320-C19PIGTAIL EU 110V	1



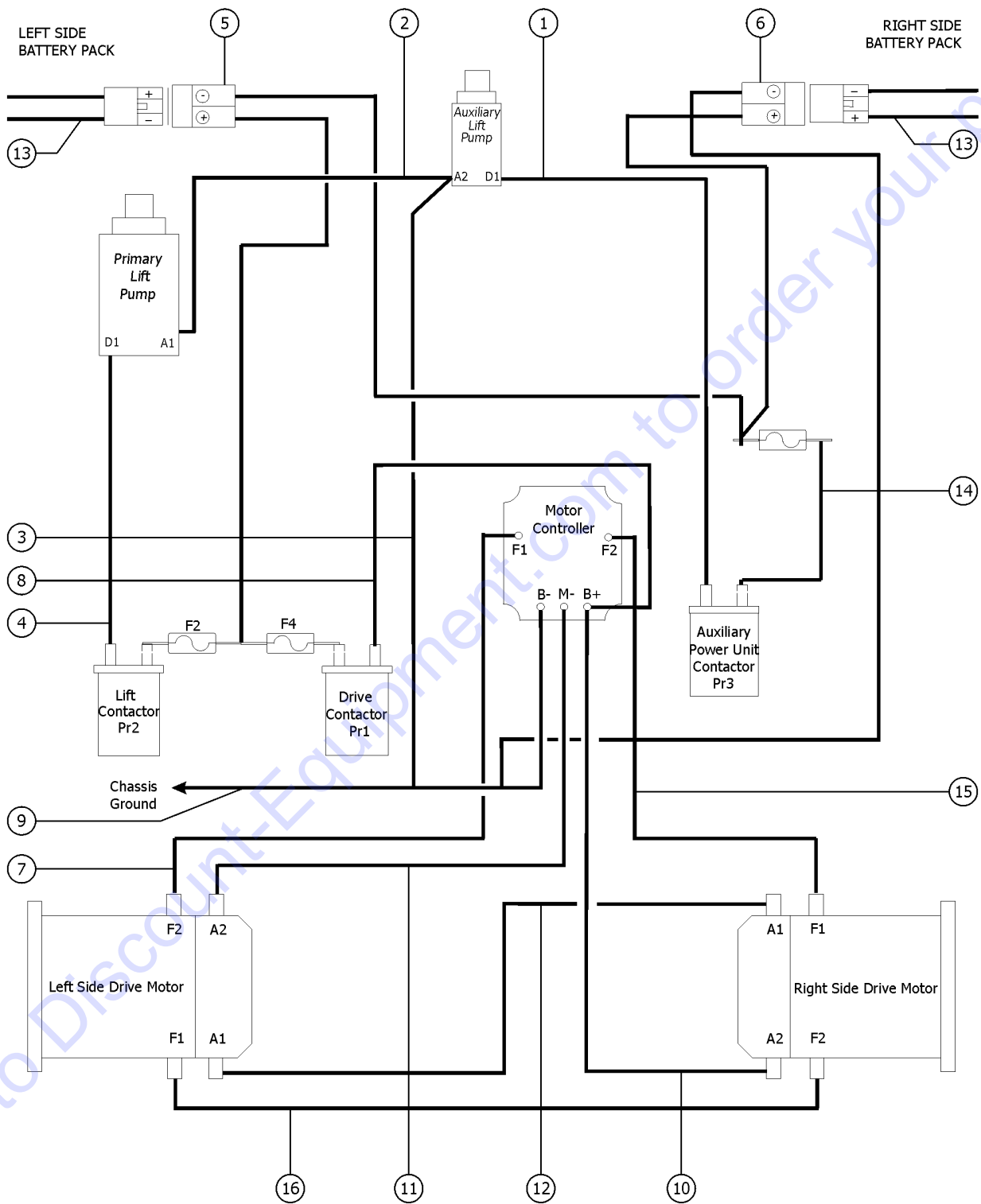
205.1 Power Cables



Item	Part No.	Description	Qty.
--	51147	BOOT,CABLE TERMINAL,LG,RED,2/0	
1	139058	CABLE ASSY #2 RED PR3/AP-DI	1
2	139049	CABLE ASSY #2 BLK AP-A2/LP-A1	1
3	139052	CABLE ASSY #2 BLK AP-A2/GND	1
4	139057	CABLE ASSY #2 RED PR2/LP-D1	1
5	139048	HARN ASSY,POWER PACK AP2 DC only	1
5-	128488	CABLE ASSY #2 RED AP1/FU1 DRIV	
5-	128489	CABLE ASSY #2 BLK AP1/AP2 DRIV	
6	139047	HARN ASSY,POWER PACK AP1	1
6-	119787PGT	FORMING,BATTERY CONN HANDLE,PT	2
6-	128490	CABLE ASSY #2 RED AP2/FU1	1
6-	128929-300GT	SHRINK TUBE, BLACK 3/4,3:1	1
6-	51147	BOOT,CABLE TERMINAL,LG,RED,2/0	2
6-	66397	QUICK DISCONNECT CASING,BATT**	1
6-	824037	NUT,HH JAM,1/4-20,A,ZAG	
6-	824049	CABLE ASSY #2 BLK AP1/AP2 DRIV	1
6-	824080	SCREW,HHF,1/4-20X1.25,8,ZAG	
7	139020	WIRE ASSY #10 RED F1/F2	1
8	139054	CABLE ASSY #2 RED B(+)/PR1	1
9	139050	CABLE ASSY #2 BLK B(-)/GND	1
10	139051	CABLE ASSY #2 BLK B(+)/A2	1
11	139055	CABLE ASSY #2 RED M(-)/A2	1
12	139056	CABLE ASSY #2 RED A1/A1	
13	139011-SGT	SERV KIT,HARN ASSY,PWR BATT PK DC only	2
13-	128465	CABLE ASSY #2 RED BATT	
13-	128466	CABLE ASSY #2 BLK AP1/AP2 BATT	
14	139053	CABLE ASSY #2 RED PR2/F2	1
15	139059	WIRE ASSY #10 RED F2/F1	1



205.1 Power Cables



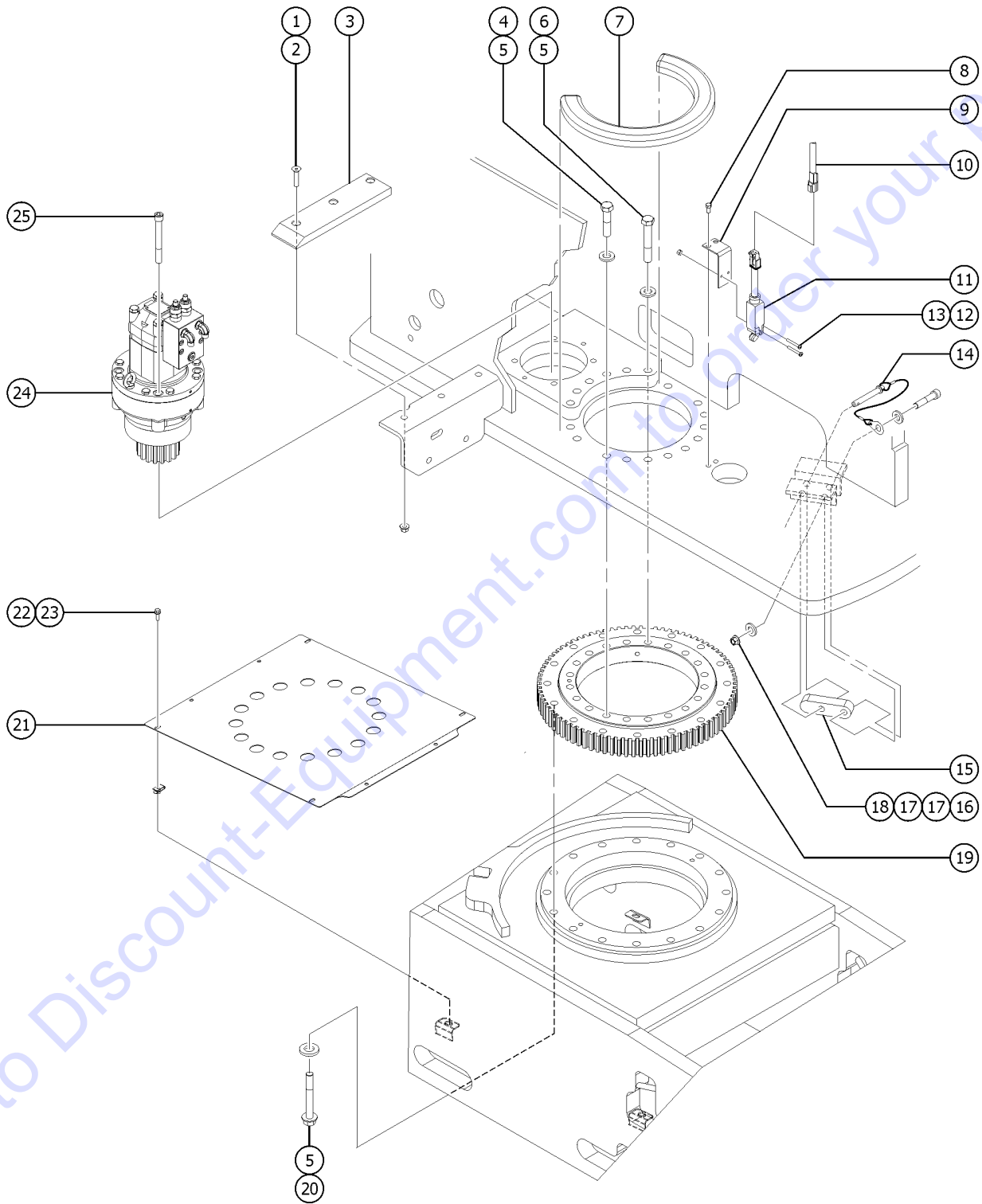
205.1 Power Cables

<i>Item</i>	<i>Part No.</i>	<i>Description</i>	<i>Qty.</i>
16	139060	WIRE ASSY #10 RED F1/F2	1

Go to Discount-Equipment.com to order your parts



301.1 Turntable Rotator



Item	Part No.	Description	Qty.
1	1259857	SCREW,FHS,3/8-16X1.75,F835,ZAG	3
2	824029	NUT,TL FLG,3/8-16,G,ZAG	3
3	50519	LOAD PAD,ENGINE TRAY SUPPORT	1
4	1263234	SCREW,HHC,5/8-11X2.75,8,ZAG	12
5	1256182	WASHER,FLAT,5/8,F436,HRD,ZAG	34
6	1256170	SCREW,HHC,5/8-11X4,8,ZAG	6
7	107651	PROTECTOR,SLEW BOLT	1
8	1256109	SCREW,HHC,3/8-16X.75,8,ZAG	2
9	120250	BRACKET,DRIVE SENSOR,ENABLE	1
10	218154	HARNESS FUNCTION MANIFOLD	
11	128816	HARN LIMIT SW DE Z45DC/BE	1
12	824216	SCREW,PHPM,10-32X1.5,ZAG	2
13	824036	NUT,TL,10-32,A,ZAG	2
14	54145-400GT	RETAINING PIN, ASSY	1
15	120251	PLATE,SWING LOCK	1
16	1251997	NUT,TL FLG,1/2-13,G,ZAG	1
17	1255760	WASHER,FLAT,1/2,USS,ZAG	2
18	824103	SCREW,SHC,1/2-13X3,A574,ZAG	1
19	101815	BEARING,SWING CHASSIS	1
19-	88635-4024GT	HOSE ASSY 1/4,STR FEM,PIPETHRE	
20	1263142	SCREW,HHC,5/8-11,4.5,8,ZAG	16
21	120269	FORMING,BELLY PAN	1
22	824078	SCREW,HHF,1/4-20X.75,8,ZAG	4
23	56912	SPRING CLIP,1/4-20,.025-.15X.54,ZAG	4
24	824050	SWING DRIVE ASSEMBLY	1
24-	48904	ELBOW,90D,520220-4-4 not included, must order separately	
24-	824051	SEAL KIT, SWING DRIVE	
24-	824052	VALVE BLOCK, SWING DRIVE	



PARTS FINDER

**Search Website
by Part Number**



**Search Manual
Library For Parts
Manual & Lookup Part
Numbers – Purchase
or Request Quote**

Search Manuals

Enter your information to help us find the right parts manual for your machine.

* Brand:

* Model:

* Serial:

* Part Number:

SEARCH

**Can't Find Part or
Manual? Request Help
by Manufacturer,
Model & Description**

Parts Order Form

Please fill in the following information to help us find the right part for your machine.

Manufacturer:	<input type="text"/>
Model:	<input type="text"/>
Description:	<input type="text"/>
Part Number:	<input type="text"/>
Quantity:	<input type="text"/>
Notes:	<input type="text"/>

Submit

Discount-Equipment.com is your online resource for quality parts & equipment.

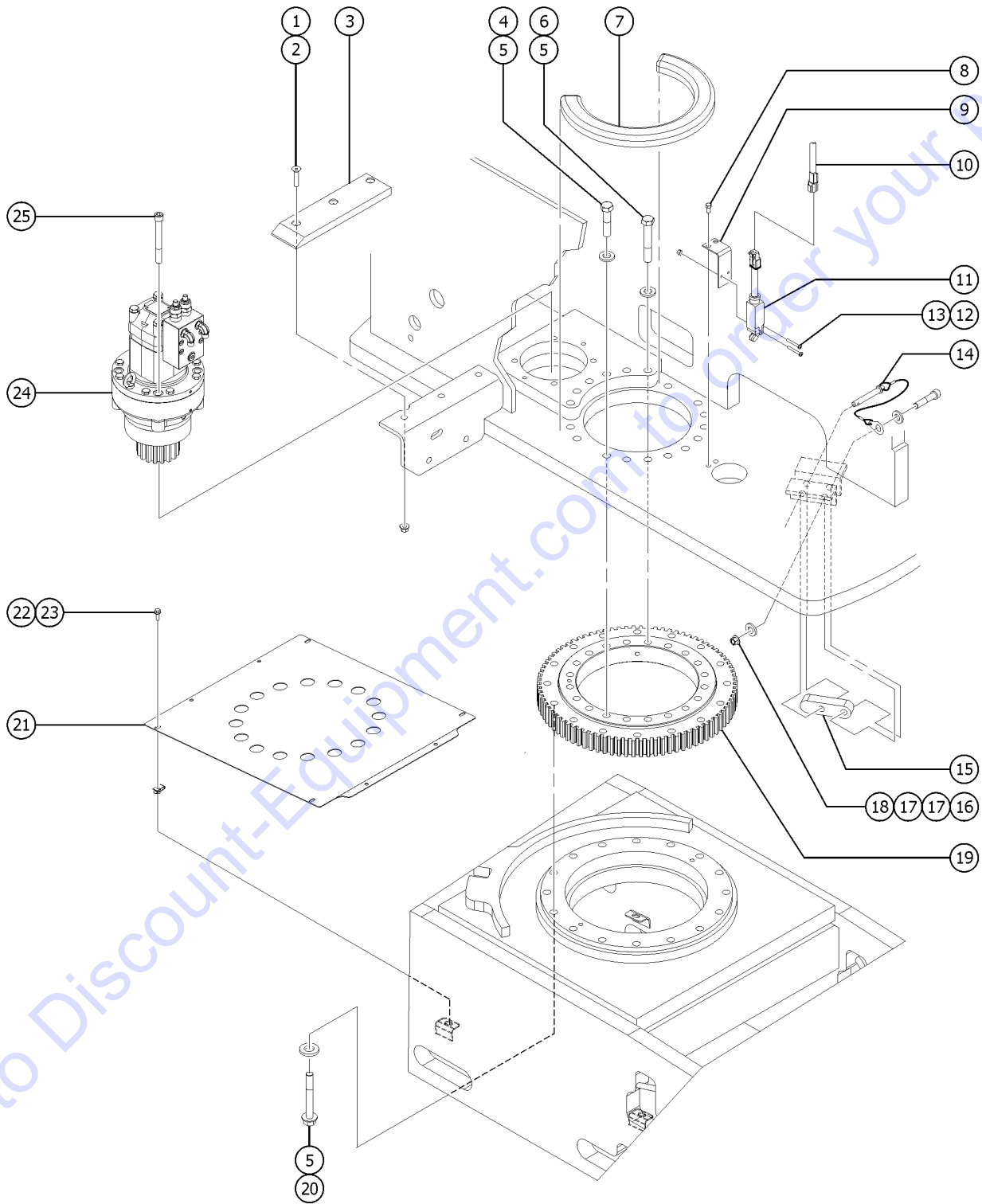
Florida: **561-964-4949** Outside Florida TOLL FREE: **877-690-3101**

Need parts?

Click on this link: <http://www.discount-equipment.com/category/5443-parts/> and choose one of the options to help get the right parts and equipment you are looking for. Please have the machine model and serial number available in order to help us get you the correct parts. If you don't find the part on the website or on one of the online manuals, please fill out the request form and one of our experienced staff members will get back to you with a quote for the right part that your machine needs.

We sell worldwide for the brands: Genie, Terex, JLG, MultiQuip, Mikasa, Essick, Whiteman, Mayco, Toro Stone, Diamond Products, Generac Magnum, Airman, Haulotte, Barreto, Power Blanket, Nifty Lift, Atlas Copco, Chicago Pneumatic, Allmand, Miller Curber, Skyjack, Lull, Skytrak, Tsurumi, Husquvarna Target, Stow, Wacker, Sakai, Mi-T-M, Sullair, Basic, Dynapac, MBW, Weber, Bartell, Bennar Newman, Haulotte, Ditch Runner, Menegotti, Morrison, Contec, Buddy, Crown, Edco, Wyco, Bomag, Laymor, EZ Trench, Bil-Jax, F.S. Curtis, Gehl Pavers, Heli, Honda, ICS/PowerGrit, IHI, Partner, Imer, Clipper, MMD, Koshin, Rice, CH&E, General Equipment, Amida, Coleman, NAC, Gradall, Square Shooter, Kent, Stanley, Tamco, Toku, Hatz, Kohler, Robin, Wisconsin, Northrock, Oztec, Toker TK, Rol-Air, APT, Wylie, Ingersoll Rand / Doosan, Innovatech, Con X, Ammann, Mecalac, Makinex, Smith Surface Prep, Small Line, Wanco, Yanmar

301.1 Turntable Rotator

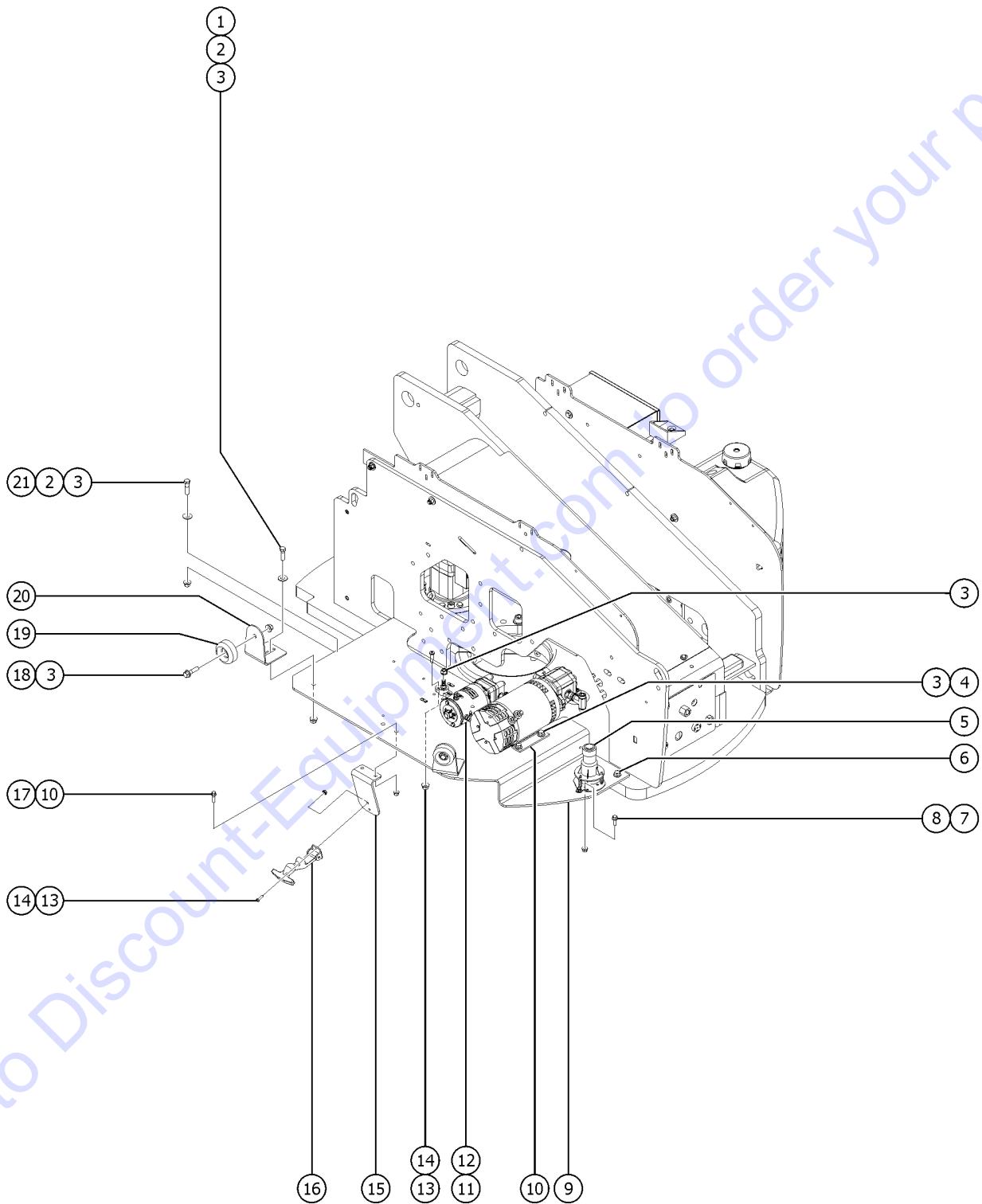


<i>Item</i>	<i>Part No.</i>	<i>Description</i>	<i>Qty.</i>
25	1263232	SCREW,SHC,1/2-13X4.5,A574,ZAG	4

Go to Discount-Equipment.com to order your parts



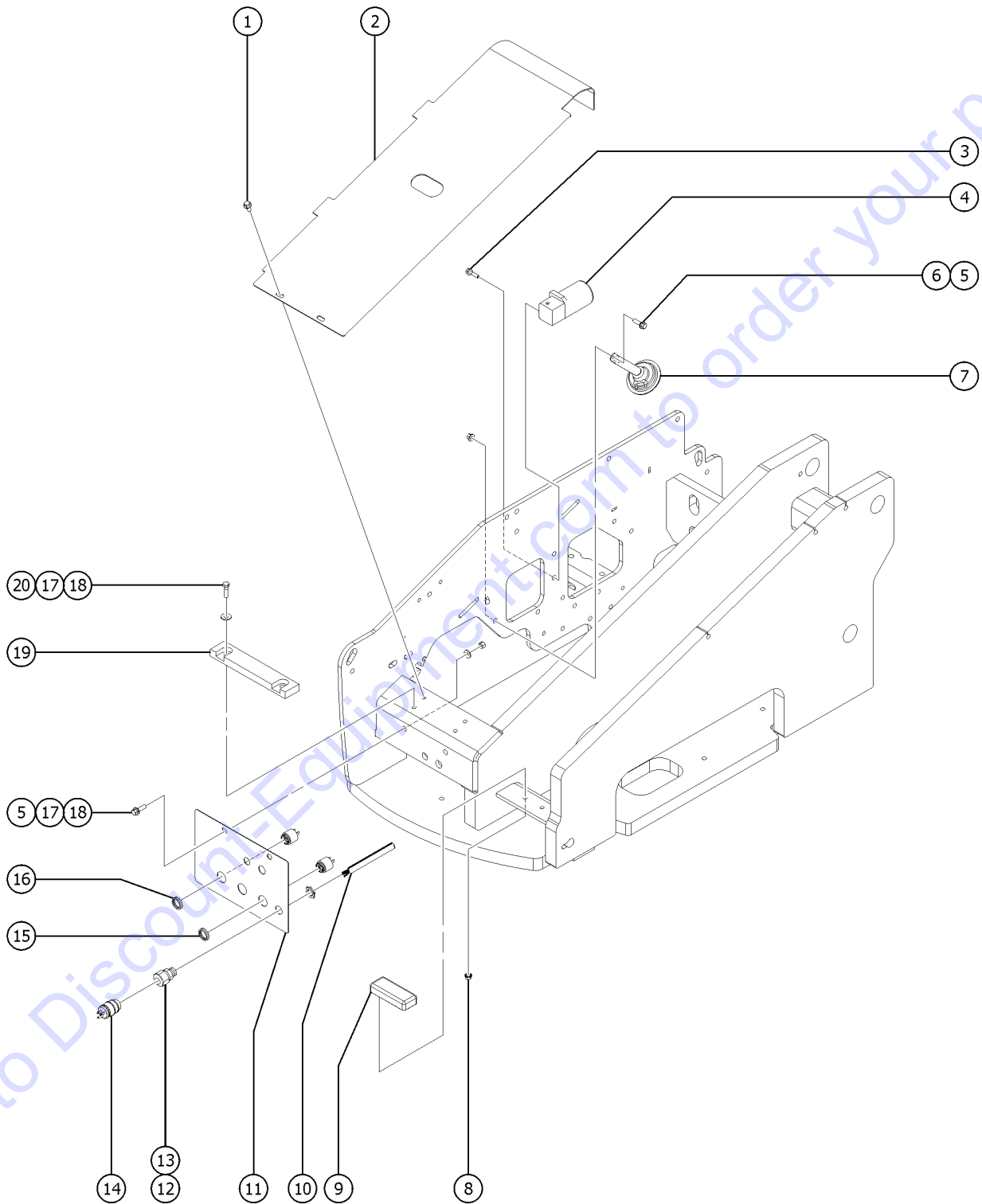
302.1 Turntable Components - View 1



Go to Discount-Equipment.com to order your parts

Item	Part No.	Description	Qty.
1	824068	SCREW,HHC,3/8-16X1.25,8,ZAG	2
2	1255758	WASHER,FLAT,3/8,USS,ZAG	4
3	824029	NUT,TL FLG,3/8-16,G,ZAG	9
4	824091	SCREW,HHF,3/8-16X1.25,8,ZAG	4
5	1263178	RL4 KICKSTAND	1
		CE	
5B	1261984	SENSOR, LEVEL, 4.5 X 4.5 DEG	1
		ANSI/CSA/Australia	
6	824090	SCREW,HHF,3/8-16X1,8,ZAG	2
7	824078	SCREW,HHF,1/4-20X.75,8,ZAG	3
8	824027	NUT,TL FLG,1/4-20,G,ZAG	5
9	229726	FORMING,SWING CHASSIS TRAY	1
10		REF. HYDRAULIC POWER UNIT	
		Refer to 601.1	
11	36179	POWER UNIT,AUX PUMP 24VDC	1
12	824085	SCREW,HHF,5/16-18X.75,8,ZAG	2
13	1264261	NUT,SERRATED,10-32,ZAG	2
14	824215	SCREW,PHPM,10-32X.75,ZAG	2
15	230502	FORMING,DRAW LATCH MOUNT	1
16	45363	LATCH,FLEXIBLE DRAW W/O KEEPER	1
17	824079	SCREW,HHF,1/4-20X1,8,ZAG	2
18	824092	SCREW,HHF,3/8-16X1.5,8,ZAG	2
19	50974	BUMPER,RUBBER,COVERS	2
20	120246	BRACKET,RUBBER BUMPER,ENGCOVER	2
21	1256118	SCREW,HHC,3/8-16X1.5,8,ZAG	2

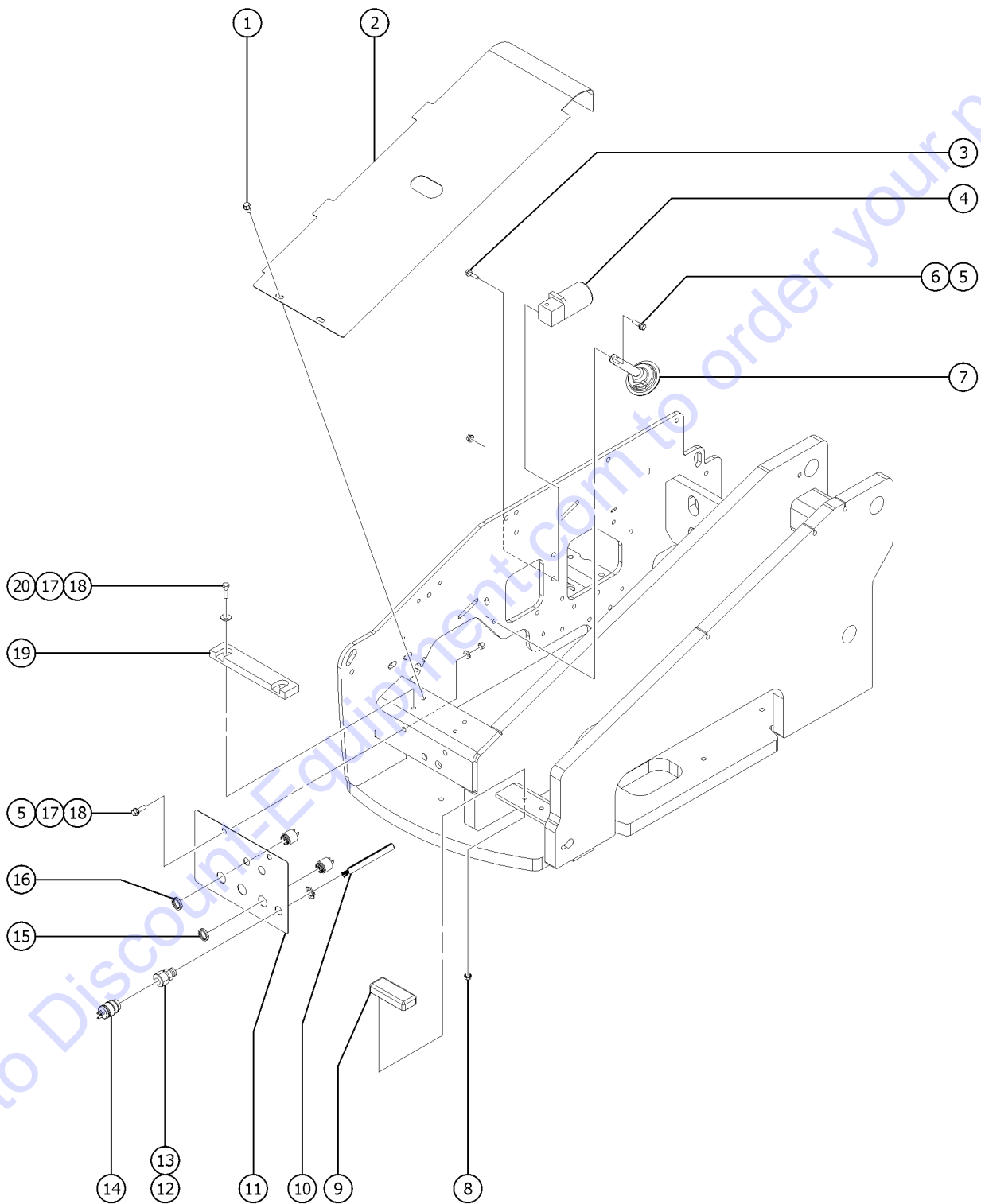
303.1 Turntable Components - View 2



Item	Part No.	Description	Qty.
1	824089	SCREW,HHF,3/8-16X.75,8,ZAG	2
2	120243	COVER,CENTER SWING CHASSIS	1
3	824087	SCREW,HHF,5/16-18X1.25,8,ZAG	2
4	36179	POWER UNIT,AUX PUMP 24VDC	1
4-	37184	MOTOR, 24V (36179)	
4-	37185	PUMP ASSEMBLY (36179)	
4-	37186	VALVE,CHECK (36179)	
4-	37187	SEAL KIT, 37185 PUMP	
4-	37191	GASKET, PUMP / MOTOR (36179)	
4-	37192	COUPLER, PUMP / MOTOR (36179)	
4-	49878	NYLON WASHER,(36179)	
5	824091	SCREW,HHF,3/8-16X1.25,8,ZAG	2
6	824029	NUT,TL FLG,3/8-16,G,ZAG	1
7	81579	HORN,24VDC,SPADE TERMINALS***	1
8	1257628	NUT,SERRATED,3/8-16,8,ZAG	2
9	56849	PAD,REST,1"THICK,W/STUDS*	1
10	30794	WIRE,12/3 SJEOW,BK-WH-GR/YL	756
11	229807	PLATE,FRONT COVER	1
12	7056	CONN,SQUEEZE,1/2NPT .38-.50,SM	1
13	6935	LOCKNUT,ELEC,1/2"	1
14	119403	CONN,PLUG 120 AC/15A DOMESTIC	1
14-		FUSE,13 AMP,220V PLUG (component no longer available) refer to BS1362 BUSS TDC180-13A	
14-	119404	CONN,RECEP 120AC/15A DOMESTIC	
14-	1280665	PLUG, TYPE F, 230A, 50HZ, 16A, IP44	
14-	144161	PLUG,PWR,UK,16AMP,3PIN,BLK	
14-	25388	PLUG,FUSED,250V,13AMP,U.K.**	
14B	128646	CORD AC IEC320-C19 TO 110UK UK	1
14B-	139318	BUSHING,STRAIN RELIEF,.875/.30	



303.1 Turntable Components - View 2

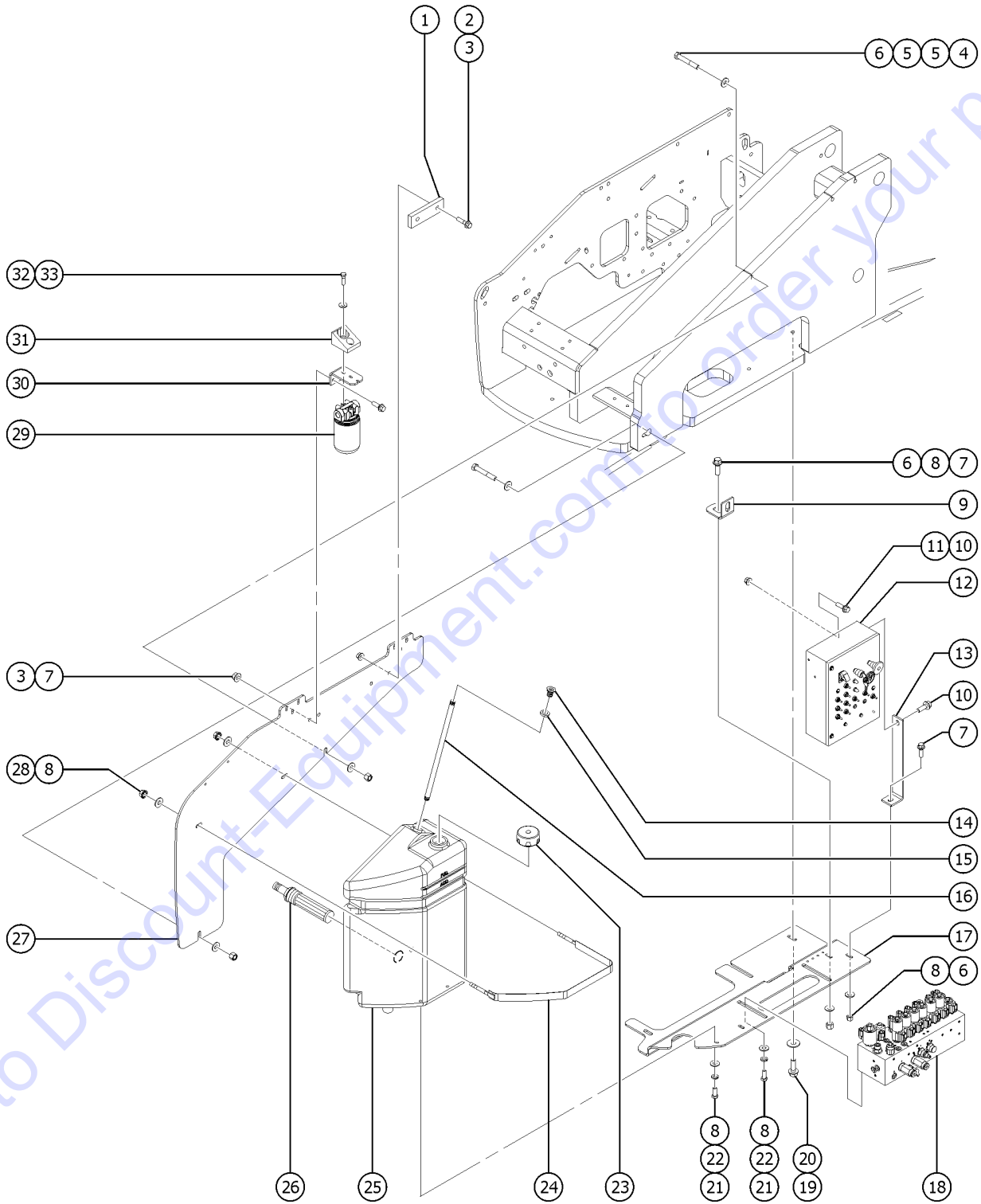


Item	Part No.	Description	Qty.
14C	128645	CORD AC IEC320-C19 TO 220EU Europe	1
14C-	139318	BUSHING,STRAIN RELIEF,.875/.30	
15	18963	ALARM,INTERMITTENT TONE 6-30V* Does not include 72326 nut	1
15-	72326	NUT - PLASTIC,RING FOR ALARMS	
16	45462	ALARM,CHIME TONE 5-25VDC*** Does not include 72326 nut	1
16-	72326	NUT - PLASTIC,RING FOR ALARMS	
17	825358	WASHER,FLAT,5/16,USS,ZAG	4
18	824025	NUT,TL,3/8-16,C,ZAG	4
19	50570	WEAR PAD,PRIMARY BOOM,NON JIB	1
20	1256118	SCREW,HHC,3/8-16X1.5,8,ZAG	2

Go to Discount-Equipment.com to order your parts



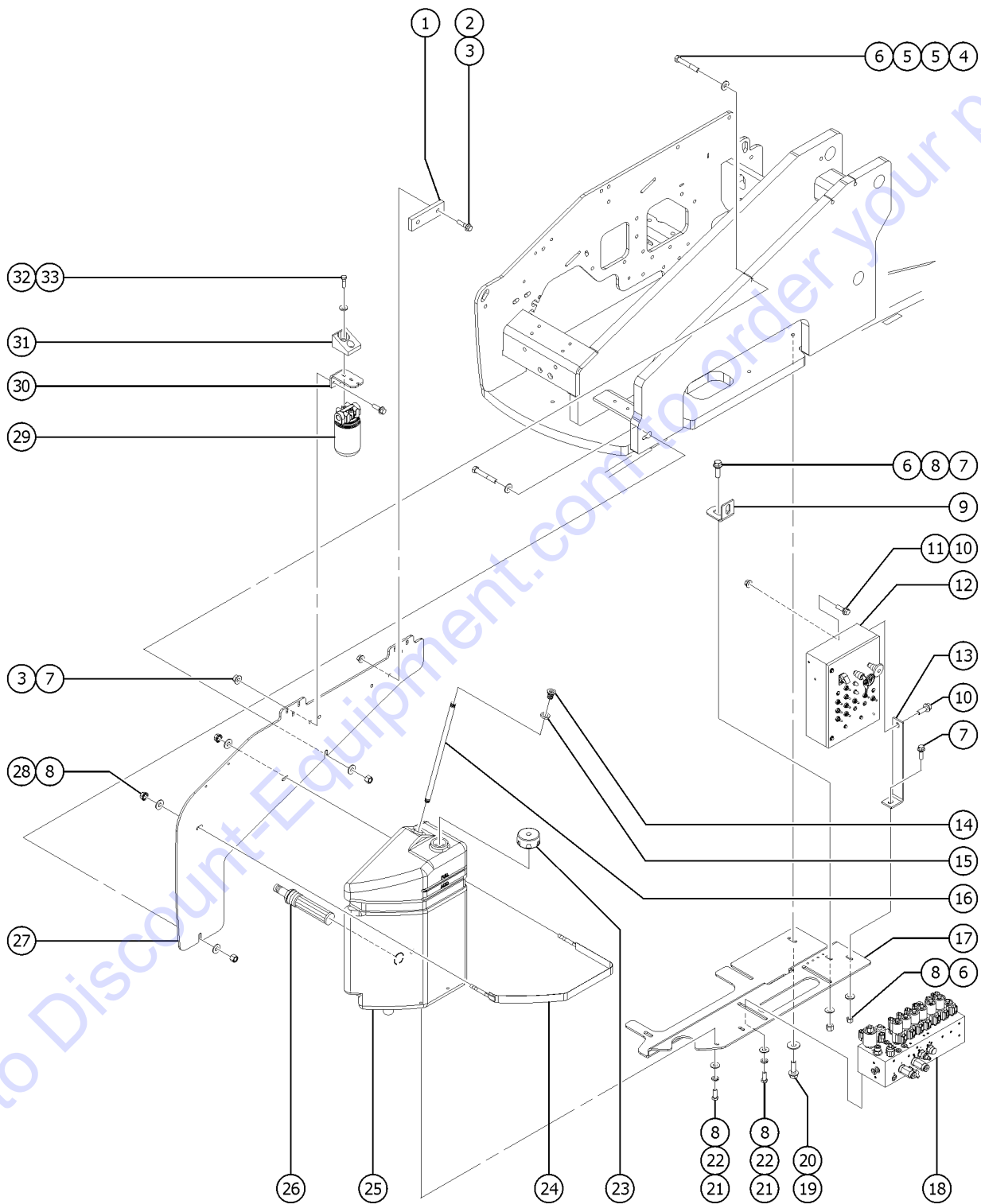
304.1 Turntable Components - View 3



Item	Part No.	Description	Qty.
1	54231GT	WEAR PAD,4.88 X 1.5 X .5	1
2	824092GT	SCREW,HHF,3/8-16X1.5,8,ZAG	2
3	824029GT	NUT,TL FLG,3/8-16,G,ZAG	4
4	824069GT	SCREW,HHC,3/8-16X2.5,8,ZAG	2
5	825358GT	WASHER,FLAT,5/16,USS,ZAG	4
6	824025GT	NUT,TL,3/8-16,C,ZAG	4
7	824091GT	SCREW,HHF,3/8-16X1.25,8,ZAG	4
8	1255758GT	WASHER,FLAT,3/8,USS,ZAG	8
9	120255GT	BRACKET,FUEL TANK TOP MOUNT	1
10	824078GT	SCREW,HHF,1/4-20X.75,8,ZAG	2
11	824027GT	NUT,TL FLG,1/4-20,G,ZAG	2
12		Ref. Ground Controls (refer to 305.1 or 306.1)	
13	229723GT	BRACKET,GROUND CONTROL BOX	1
14	39223GT	BULKHEAD FITTING,PLASTIC X 8** Includes item 15	1
15	62088GT	WASHER/BULKHEAD***	1
16	60065GT	TUBE,PLASTIC .5 NPT X 18"	1
17	229725GT	FORMING,SWING CHASSIS,RH	1
18		Ref. Function Manifold (refer to 602.1)	
19	1253498GT	SCREW,HHF,1/2-13X1.5,8,ZAG	3
20	1255760GT	WASHER,FLAT,1/2,USS,ZAG	3
21	824067GT	SCREW,HHC,3/8-16X1,8,ZAG	4
22	824110GT	WASHER,LOCK,3/8,ZAG	4
23	42019GT	TANK BREATHER,NYLON **	1
24	54479GT	STRAP ASSEMBLY,29.25LG,5/16-18	1
24B	31658GT	EXTRUSION,RUBBER BUMPER STRIP	1
25	50966GT	TANK,HYDRAULIC,8 GALLON,DC/BI	1
25-	56022GT	PLUG,3/4 MAGNETIC PIPE SQ.DRV	
26	45162GT	STRAINER ASSEMBLY,1.25" NPT***	1



304.1 Turntable Components - View 3

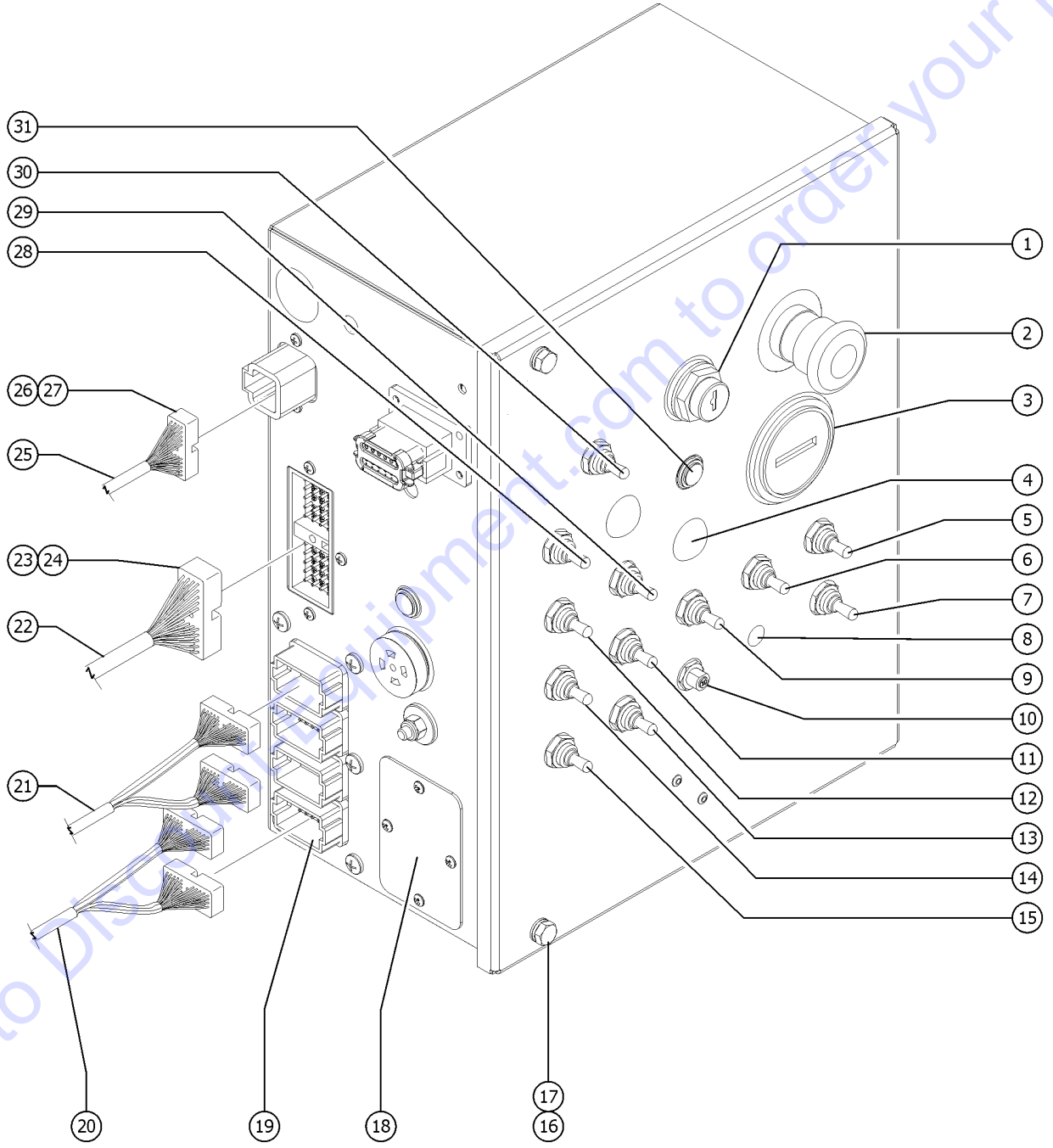


Item	Part No.	Description	Qty.
27	229722GT	BULKHEAD,SWING CHASSIS,DC/BI P	1
28	1257628GT	NUT,SERRATED,3/8-16,8,ZAG	2
29	78622GT	FILTER ASSY,SAE8,10 MIC,PAPR**	1
29-	44788GT	FILTER ELEMENT,10MICRON,PAPER*	
30	229808GT	BRACKET,RETURN FILTER	1
31	54360GT	CUP,PROP ROD,DC/BI	1
32	824060GT	SCREW,HHC,1/4-20X1,8,ZAG	2
33	824113GT	WASHER,FLAT,USS,1/4,ZAG	2

Go to Discount-Equipment.com to order your parts



305.1 Ground Control Box - View 1

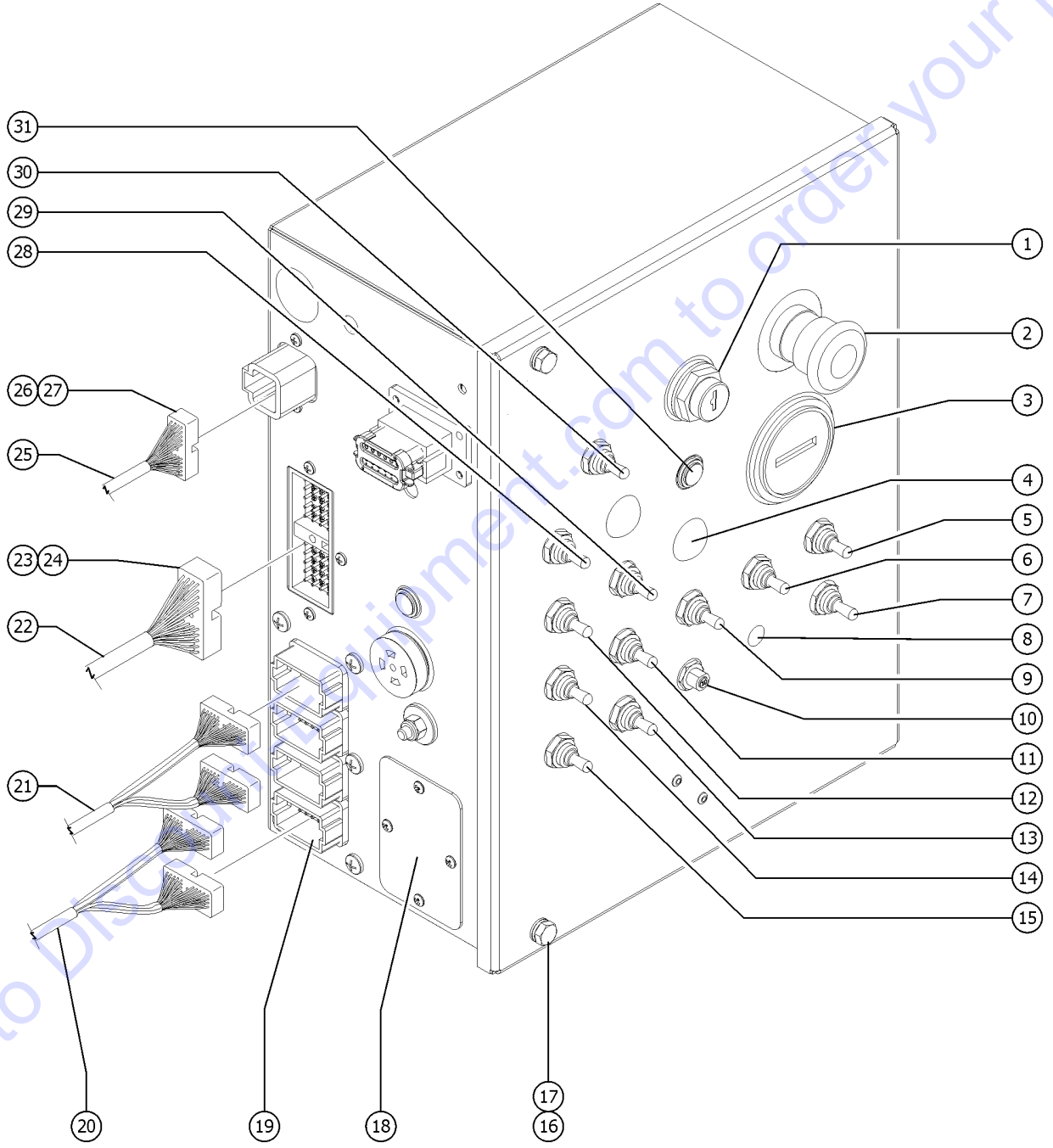


Go to DiscountEquipment.com to order your parts

Item	Part No.	Description	Qty.
1	96008-SGT	KEYSWITCH,3 POS. W/KEYS***	1
1-	21982	KEY,SINGLE***	
1-	37947	KEYS,10 PACK***	
1-	83093	KEY SINGLE*** with rubber boot	
1-	88827	GASKET,KEYSWITCH,PLASTIC***	
1-	94506	BASE,W/3 NC CONTACTS	
1-	96010	SCREW,PHILLIPS,PHM,8-32 X.25**	
1B	93131	KEYSWITCH,3 POS W/KEYS,LOCKING	1
1B-	83093	KEY SINGLE***	
1B-	85239	NUT,RETAINER (96008)	
2	66812	BUTTON,PUSH,RED MUSHROOM HEAD	1
2-	66818	CONTACT, N.C.	
2-	66821	BASE,WITHOUT CONTACTS	
3	19506	HOUR METER,10-80 VOLTS*** includes mounting bracket	1
4	229567	PLUG,SANTOPRENE .5 BLACK DOME	2
5	128200	SWITCH TOGGLE ASSY SPDT 3P MOM Glow Plug (Bi-Energy); includes boot and hardware	1
5-	128578	SCREW T-SWITCH PH/PH 6-32X1/4	
5-	128580-SGT	SWITCH TOGGLE SPDT 3P MOM SHDR	
5-	27246	BOOT,TOGGLE SWITCH,SHORT*	
5B	229567	PLUG,SANTOPRENE .5 BLACK DOME	1
6	128200	SWITCH TOGGLE ASSY SPDT 3P MOM	1
6-	128578	SCREW T-SWITCH PH/PH 6-32X1/4	
6-	128580-SGT	SWITCH TOGGLE SPDT 3P MOM SHDR	
6-	27246	BOOT,TOGGLE SWITCH,SHORT*	
6B	229567	PLUG,SANTOPRENE .5 BLACK DOME	1
7	128200	SWITCH TOGGLE ASSY SPDT 3P MOM	1
7-	128578	SCREW T-SWITCH PH/PH 6-32X1/4	
7-	128580-SGT	SWITCH TOGGLE SPDT 3P MOM SHDR	



305.1 Ground Control Box - View 1

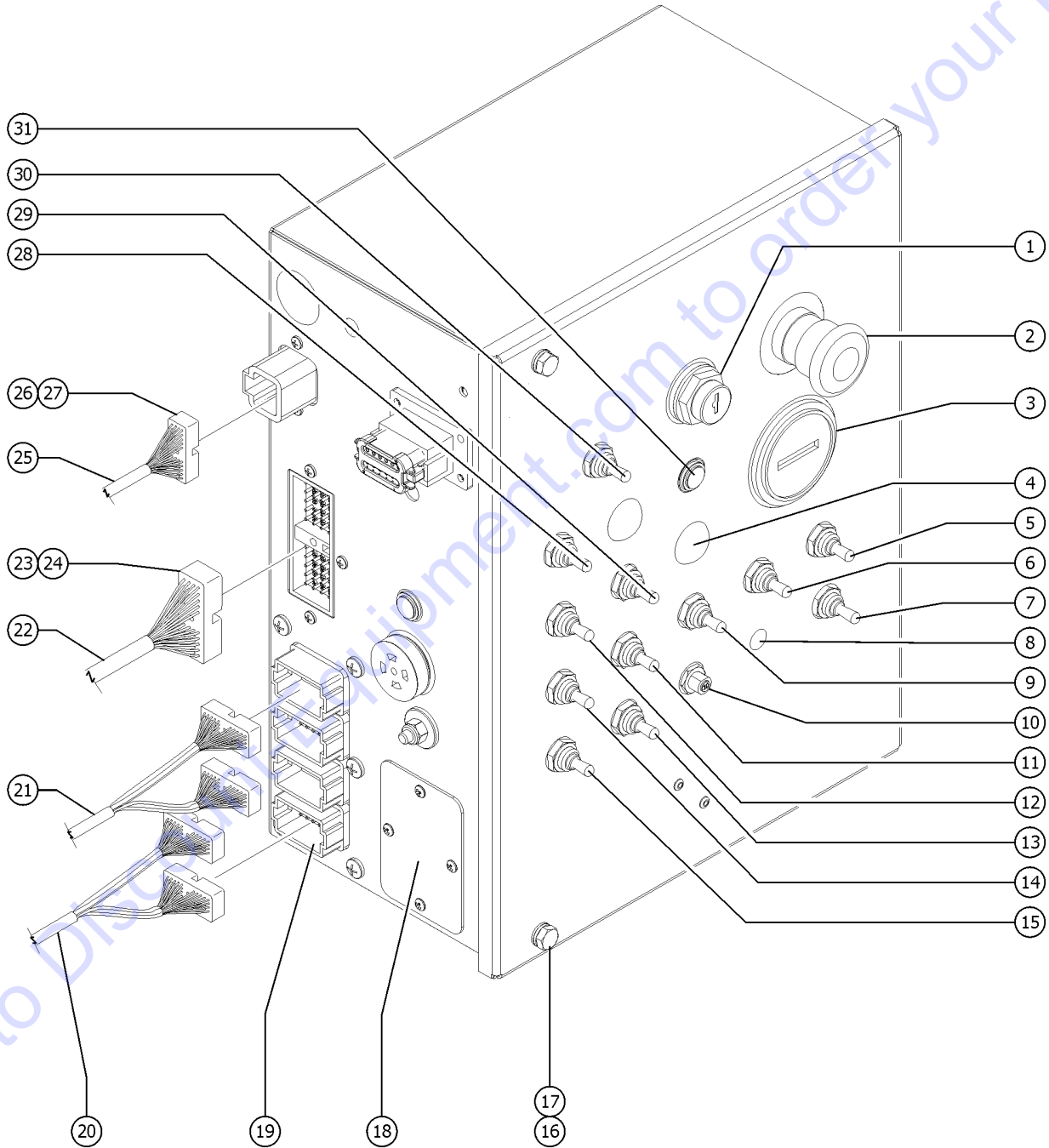


Go to DiscountEquipment.com to order your parts

Item	Part No.	Description	Qty.
7-	27246	BOOT,TOGGLE SWITCH,SHORT*	
8	21858	PLUG,NYLON .38 BLACK DOMED	1
9	128202	SWITCH TOGGLE ASSY DPDT 3P MOM Secondary Boom Up/Down; includes boot and hardware	1
9-	128578	SCREW T-SWITCH PH/PH 6-32X1/4	
9-	128582-SGT	SWITCH TOGGLE DPDT 3P MOM SHDR	
9-	27246	BOOT,TOGGLE SWITCH,SHORT*	
10	147093	ASSY, CIRCUIT BREAKER 10A includes mounting fasteners	1
10-	122994	NICKEL PLATED JAM NUT	
10-	147089	CIRCUIT BREAKER, 10A	
10-	6700	WASHER,STAR,EXTERNAL,,375	
11	229567	PLUG,SANTOPRENE .5 BLACK DOME (Z-45/25)	1
11B	128202	SWITCH TOGGLE ASSY DPDT 3P MOM	1
11B-	128578	SCREW T-SWITCH PH/PH 6-32X1/4	
11B-	128582-SGT	SWITCH TOGGLE DPDT 3P MOM SHDR	
11B-	27246	BOOT,TOGGLE SWITCH,SHORT*	
12	128202	SWITCH TOGGLE ASSY DPDT 3P MOM	1
12-	128578	SCREW T-SWITCH PH/PH 6-32X1/4	
12-	128582-SGT	SWITCH TOGGLE DPDT 3P MOM SHDR	
12-	27246	BOOT,TOGGLE SWITCH,SHORT*	
13	128202	SWITCH TOGGLE ASSY DPDT 3P MOM	1
13-	128578	SCREW T-SWITCH PH/PH 6-32X1/4	
13-	128582-SGT	SWITCH TOGGLE DPDT 3P MOM SHDR	
13-	27246	BOOT,TOGGLE SWITCH,SHORT*	
14	128202	SWITCH TOGGLE ASSY DPDT 3P MOM	1
14-	128578	SCREW T-SWITCH PH/PH 6-32X1/4	
14-	128582-SGT	SWITCH TOGGLE DPDT 3P MOM SHDR	
14-	27246	BOOT,TOGGLE SWITCH,SHORT*	
15	128202	SWITCH TOGGLE ASSY DPDT 3P MOM	1



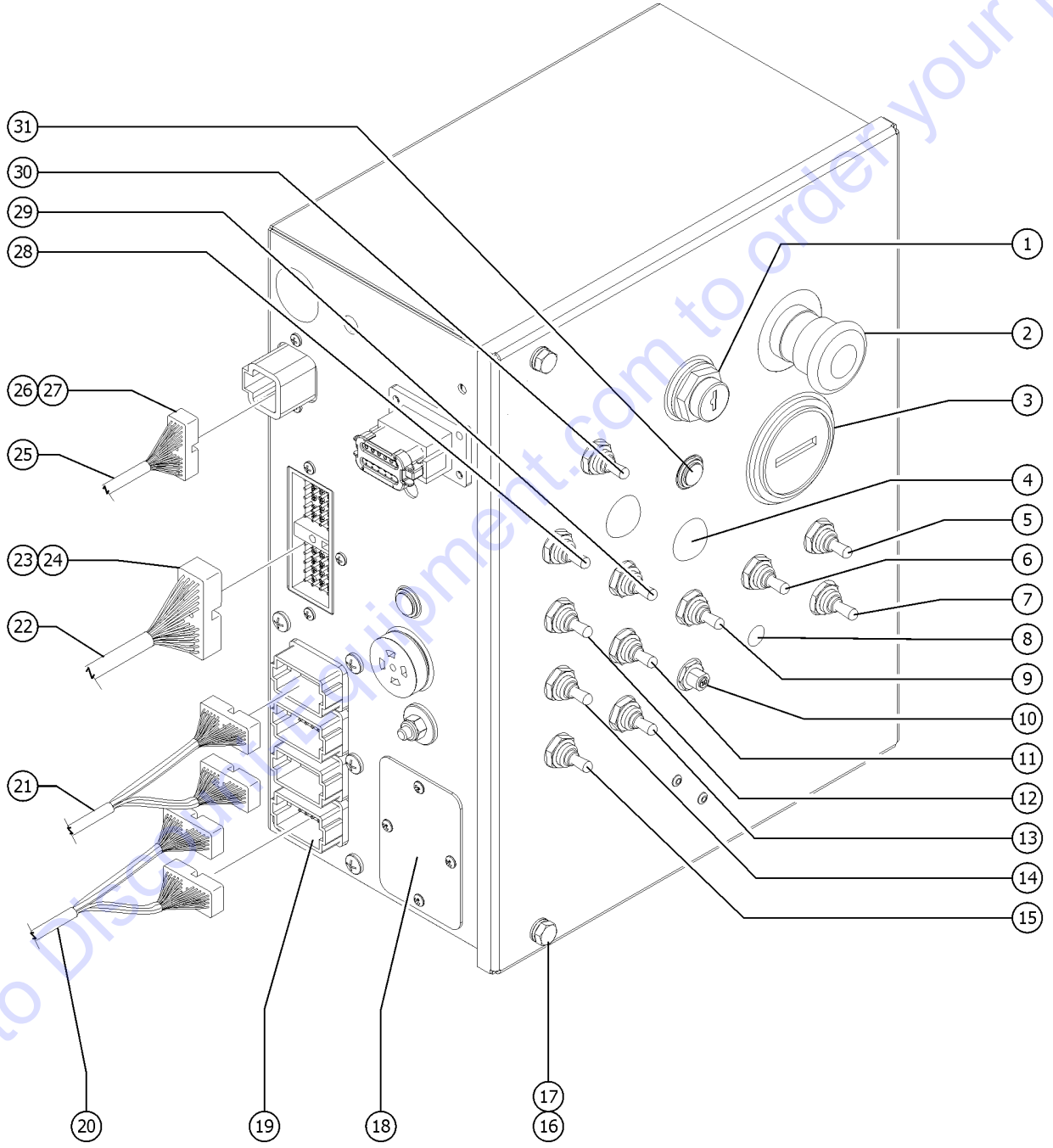
305.1 Ground Control Box - View 1



Item	Part No.	Description	Qty.
15-	128578	SCREW T-SWITCH PH/PH 6-32X1/4	
15-	128582-SGT	SWITCH TOGGLE DPDT 3P MOM SHDR	
15-	27246	BOOT,TOGGLE SWITCH,SHORT*	
16	824059	SCREW,HHC,1/4-20X.75,8,ZAG	2
17	1253185	WASHER,FLAT,#10,USS,ZAG	2
18	230501	COVER PLATE, CONNECTOR	1
		DC models	
19	73736	CONN,RECEP 48 WAY,4 X 12	1
19-	119061	CONN PLUG 12 WAY ENDCAP DT GY	
19-	119062	CONN PLUG 12 WAY ENDCAP DT BK	
19-	54255	LOCK,RECEP 12 WAY, 14-18GA	
19-	60435	LOCK,PLUG 12 WAY,14-18GA,GRN	
19-	61801	SEAL DT SERIES-12W	
19-	73713	TERM,NI PIN,S&F,16-18GA,REEL	
20	88722-72000GT	HARNESS,18/19,BOOM CABLE #2	1
		(Z-45/25); gray and black connectors	
20B	88722-70700GT	HARNESS,18/19,BOOM CABLE #2	1
		(Z-45/25J); gray and black connectors	
20B-	119063	CONN PLUG 12 WAY ENDCAP DT GR	
20B-	119064	CONN PLUG 12 WAY ENDCAP DT BR	
20B-	60435	LOCK,PLUG 12 WAY,14-18GA,GRN	
20B-	61801	SEAL DT SERIES-12W	
21	88721-72000GT	HARNESS,18/19 BOOM CABLE #1	1
		(Z-45/25); brown and green connectors	
21B	88721-70700GT	HARNESS,18/19 BOOM CABLE #1	1
		(Z-45/25J); brown and green connectors	
22	218154	HARNESS FUNCTION MANIFOLD	1
23	73751	CONN,PLUG 40 WAY,DRC SERIES	1
24	73754	CONN,RECEP 40 WAY,W/FLANGE	1
25	88723-71000GT	HARNESS,12/3,12V TO PLAT	1
		(Z-45/25)	
25B	88723-69700GT	HARNESS,PLAT,Z45DC/BI,JIB	1
		(Z-45/25J)	
26	60527	CONN,PLUG 4 WAY,12-14GA	1
26-	60528	LOCK,PLUG 4 WAY,12-14GA	



305.1 Ground Control Box - View 1



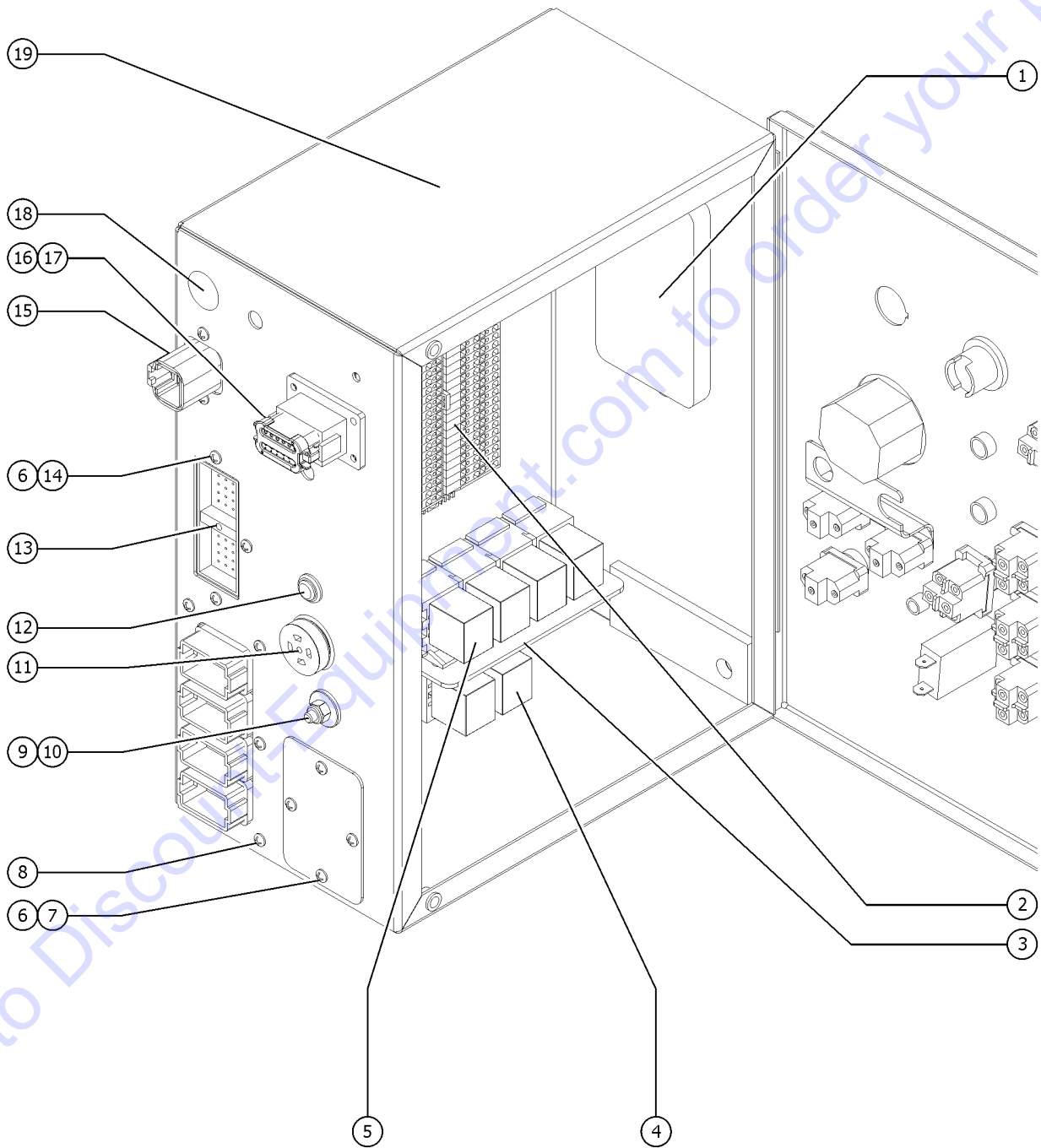
Go to DiscountEquipment.com to order your parts



Item	Part No.	Description	Qty.
27	73754	CONN,RECEP 40 WAY,W/FLANGE	1
27-	60526	LOCK,RECEP 4 WAY,12-14GA	
28	128204	SWITCH TOGGLE ASSY SPDT 2P MNT Engine Idle; includes boot and hardware	1
28-	128578	SCREW T-SWITCH PH/PH 6-32X1/4	
28-	128584-SGT	SWITCH TOGGLE SPDT 2P MNT SHDR	
28-	27246	BOOT,TOGGLE SWITCH,SHORT*	
28B	229567	PLUG,SANTOPRENE .5 BLACK DOME	1
29	128202	SWITCH TOGGLE ASSY DPDT 3P MOM Primary Boom Up/Down; includes boot and hardware	1
29-	128578	SCREW T-SWITCH PH/PH 6-32X1/4	
29-	128582-SGT	SWITCH TOGGLE DPDT 3P MOM SHDR	
29-	27246	BOOT,TOGGLE SWITCH,SHORT*	
30	128201	SWITCH TOGGLE ASSY DPDT 2P MOM Auxiliary Power; includes boot and hardware	1
30-	128578	SCREW T-SWITCH PH/PH 6-32X1/4	
30-	128581-SGT	SWITCH TOGGLE DPDT 2P MOM SHDR	
30-	25553	BOOT,TOGGLE SWITCH	
30-	27246	BOOT,TOGGLE SWITCH,SHORT*	
31	229567	PLUG,SANTOPRENE .5 BLACK DOME ANSI models	1
31B	824878	LIGHT,LED IND. RED 24V NH AUS and CE models	1



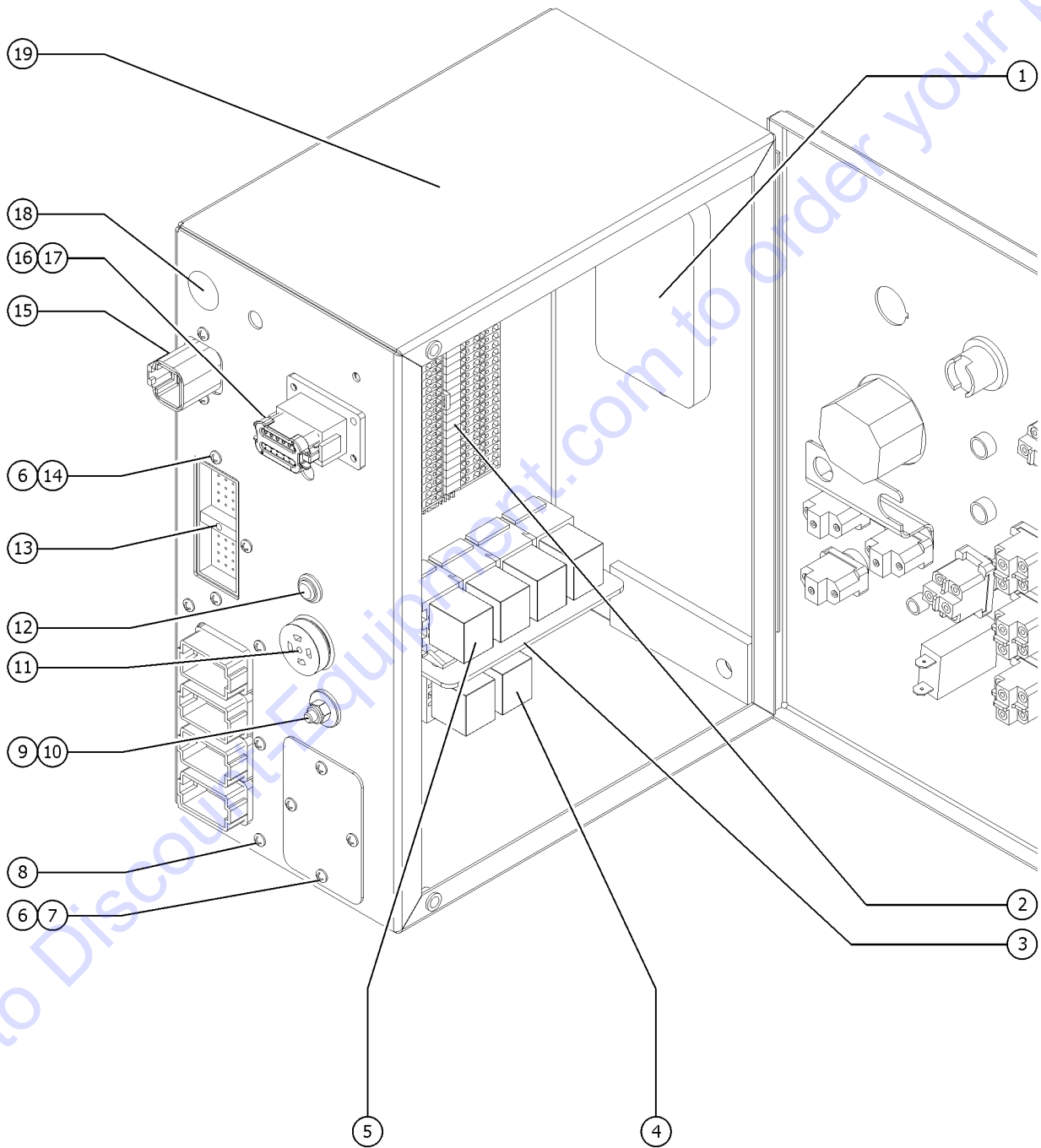
306.1 Ground Control Box - View 2



Item	Part No.	Description	Qty.
1	128045	MODULE,LOAD SENSE 2007 Australia and CE models	1
1-	1262031	SCREW,HHF,10-24X.75,ZAG CE models	2
1-	1264261	NUT,SERRATED,10-32,ZAG CE models	2
1-	824027	NUT,TL FLG,1/4-20,G,ZAG Australia models	2
1-	824078	SCREW,HHF,1/4-20X.75,8,ZAG Australia models	2
2	218083	ASSY,TERMINAL RAIL,Z45DC/BE	
2-	216791	TERMINAL BLOCK,WIELAND	28
2-	216793	TERMINAL BLOCK END PLATE	
2-	56994	DIN RAIL,11.25"	
2-	74913	END STOP, DIN RAIL,SCREW CLAMP	2
2-	74917	JUMPER COMB, 2-WAY,WIELAND	
2B	94639	ASSY,TERMINAL RAIL,Z45DC/BE	1
2B-	1251757	SCREW,PHPM,10-32X.50,ZAG	2
2B-	1264261	NUT,SERRATED,10-32,ZAG	2
2B-	56994	DIN RAIL,11.25"	
2B-	74911	TERMINAL BLOCK, WIELAND***	28
2B-	74912	TERMINAL BLOCK END PLATE **	
2B-	74913	END STOP, DIN RAIL,SCREW CLAMP	1
2B-	74917	JUMPER COMB, 2-WAY,WIELAND	
3	T106699GT	BRACKET,RELAY MOUNT W/INSERTS includes nutserts	1
3-	23404	NUTSERT,1/4-20,STEEL CAD PLTD	2
3-	824059	SCREW,HHC,1/4-20X.75,8,ZAG	2
4	56302	RELAY,24VDC,40/30A,SEALED***	6
4-	1251757	SCREW,PHPM,10-32X.50,ZAG	5
4-	34053	ASSY,RELAY SOCKET, AUTO components no longer available	
4-	824036	NUT,TL,10-32,A,ZAG	5
5	34052	RELAY,SPDT,12V(AUTO) PLUG IN**	1
6	824214	SCREW,PHPM,6-32X.5,ZAG	13



306.1 Ground Control Box - View 2

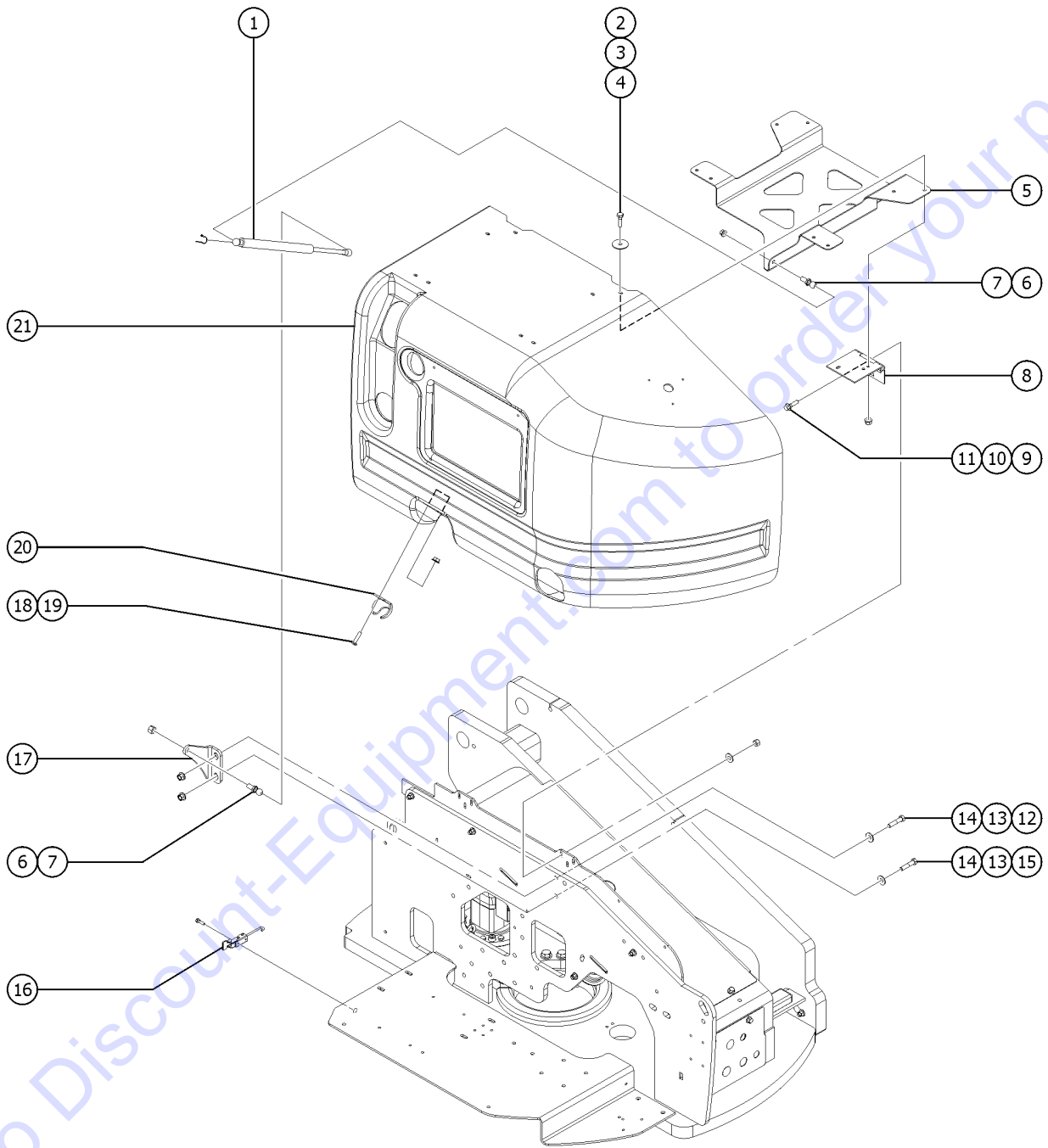


Go to DiscountEquipment.com to order your parts

Item	Part No.	Description	Qty.
7	12344	NUT,NYLOCK,6-32	4
8	824226	SCREW,PHPSH,#12-11X.75,ZAG	6
9	824079	SCREW,HHF,1/4-20X1,8,ZAG	1
10	824027	NUT,TL FLG,1/4-20,G,ZAG	1
11	45462	ALARM,CHIME TONE 5-25VDC*** Does not include 72326 nut	1
11-	72326	NUT - PLASTIC,RING FOR ALARMS	
11B	45385	PLUG,NYLON 1.12 BLACK DOMED	
12	824878	LIGHT,LED IND. RED 24V NH	
13	73754	CONN,RECEP 40 WAY,W/FLANGE	1
13-	73713	TERM,NI PIN,S&F,16-18GA,REEL	
14	824019	NUT,TL,6-32,A,ZAG	9
15	73717	CONN,RECEP 4 WAY,12-14GA FL***	1
15-	60526	LOCK,RECEP 4 WAY,12-14GA	
15-	73711	TERM,DEUTSCH, PIN #12-14	
16	1258768	CONN, PLUG 8 WAY, BLOCKED GROMMET To Z4525D-2547 (AUS), Z4525D-2810 (CE), Z4525D-2627(ANSI)	1
16B	1291360	CONN,PLUG,12 WAY,BLOCKED GROMMET From Z4525D-2548 (AUS), Z4525D-2811 (CE), Z4525D-2628(ANSI)	1
17	87755	CONN,RECEP 8 WAY 14-18GA,FL To Z4525D-2547 (AUS), Z4525D-2810 (CE), Z4525D-2627(ANSI)	
17B	73730	CONN,RECEP 12 WAY,GRY FLANGE From Z4525D-2548 (AUS), Z4525D-2811 (CE), Z4525D-2628(ANSI)	
18	15243	PLUG,NYLON .875 BLACK DOMED	1
19	120236	WELDMENT,GROUND CONTROL BOX*** To Z4525D-2547 (AUS), Z4525D-2810 (CE), Z4525D-2627(ANSI)	1
19-	42781	PLUG, NYLON .250 BLACK DOMED	
19-	6272	RIVET,STL,STL,P,.125 X .25	
19-	88637	GASKET,GROUND CONTROL BOX***	
19B	1292677	WELDMENT, GROUND CONTROL BOX From Z4525D-2548 (AUS), Z4525D-2811 (CE), Z4525D-2628(ANSI)	1



307.1 Turntable Covers - View 1

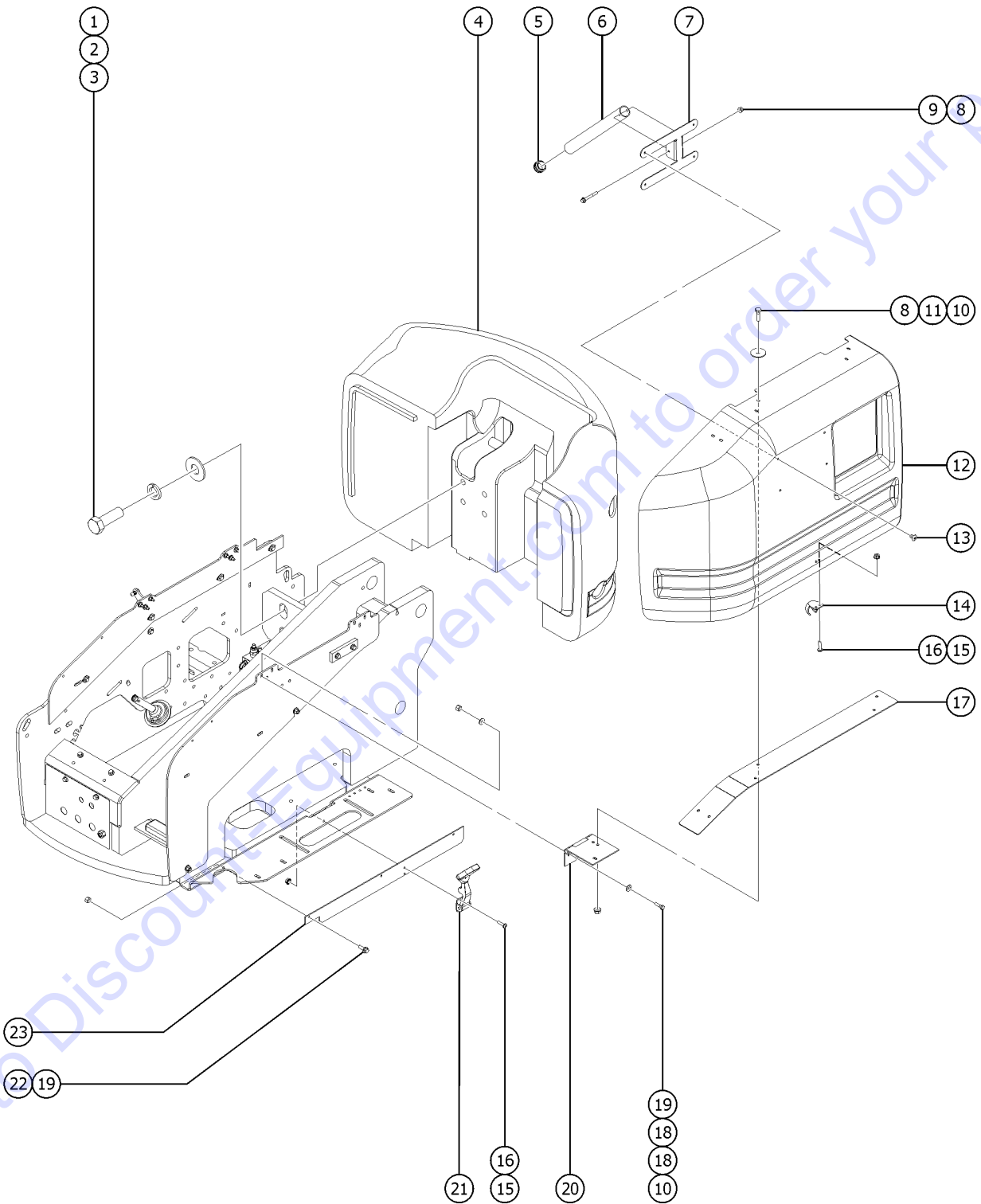


Go to Discount-Equipment.com to order your parts

Item	Part No.	Description	Qty.
1	106069	STRUT,GAS,200 LB***	1
2	824060	SCREW,HHC,1/4-20X1,8,ZAG	8
3	824119	WASHER,FLAT,.25X1.25X.062,ZAG	8
4	824027	NUT,TL FLG,1/4-20,G,ZAG	8
5	229801	FORMING, ENGINE COVER SUPPORT	1
6	33555	BALL STUD**	2
7	824028	NUT,TL FLG,5/16-18,G,ZAG	2
8	75073	HINGE,.375X.120THK.,SLOTTED	2
9	824079	SCREW,HHF,1/4-20X1,8,ZAG	6
10	824113	WASHER,FLAT,USS,1/4,ZAG	6
11	824024	NUT,TL,1/4-20,C,ZAG	6
12	1256847	SCREW,HHC,3/8-16X1.75,8,ZAG	1
13	1255758	WASHER,FLAT,3/8,USS,ZAG	4
14	824029	NUT,TL FLG,3/8-16,G,ZAG	6
15	1256118	SCREW,HHC,3/8-16X1.5,8,ZAG	1
16		Ref: LATCH,DRAW,ADJUSTABLE refer to 301.1	
17	229809	FORMING, GAS STRUT MOUNT	1
18	824215	SCREW,PHPM,10-32X.75,ZAG	2
19	1264261	NUT,SERRATED,10-32,ZAG	2
20	75076	KEEPER,LATCH (45363)	1
21	101861	COVER ASSY W/WRD DECALS,LH DC DC	1
21B	T115412GT	COVER ASSY W/SYM DECALS,LH DC	1
21C	50784	COVER,TURNTABLE,LH,DC/BE decals not included, refer to section one for decals	1



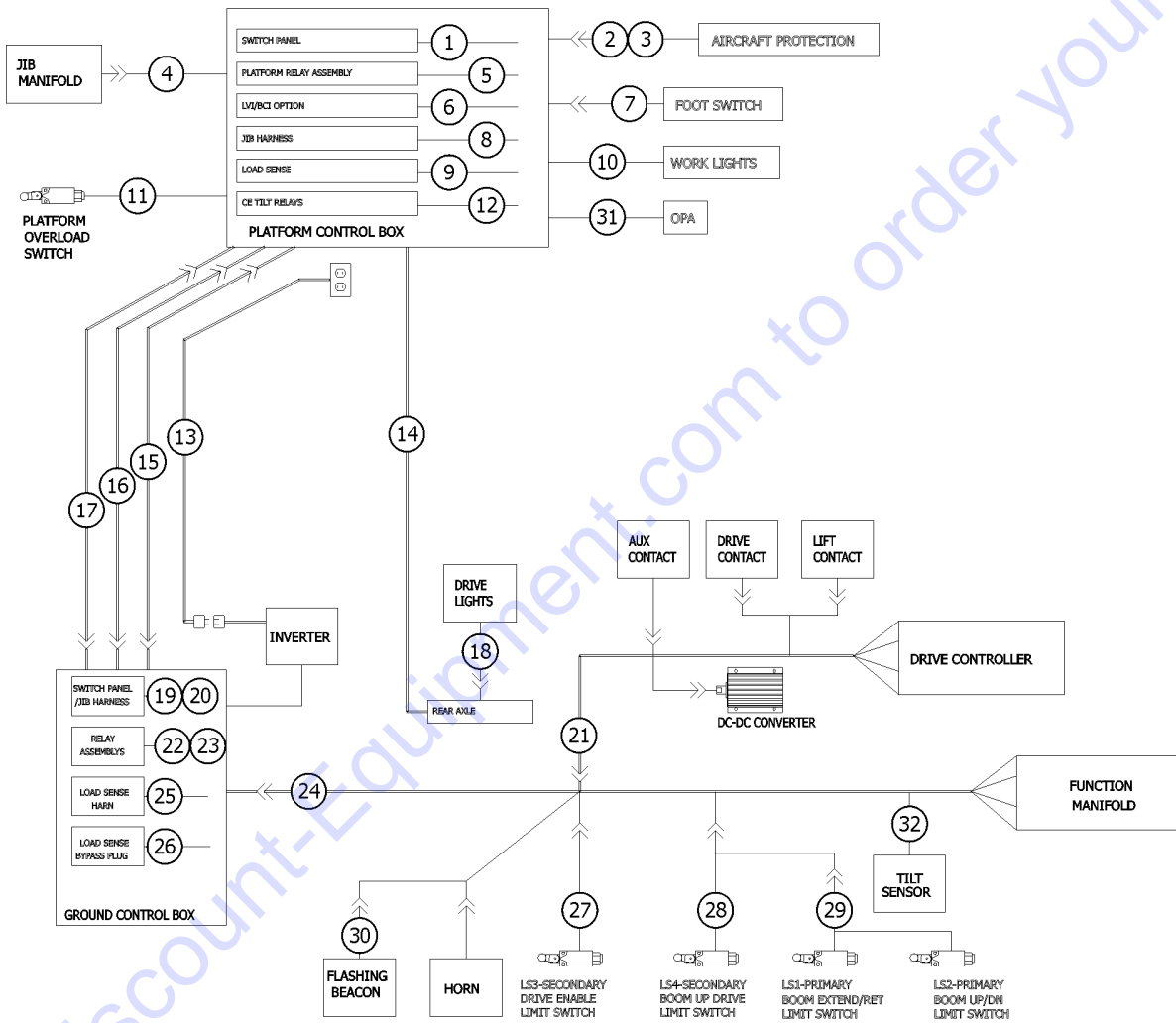
308.1 Turntable Covers - View 2



Item	Part No.	Description	Qty.
1	824074	SCREW,HHC,1-8X3,8,ZAG	4
2	1264259	WASHER,LOCK,1.0,ZAG	4
3	1256469	WASHER,FLAT,1.0,USS,ZAG	4
4	50924	COUNTERWEIGHT,CAST,Z45 DC (Z-45/25)	1
4B	60145	COUNTERWEIGHT,CAST,DC/BI,W/JIB (Z-45/25J)	1
5	44753	BUMPER, PLASTIC, 1.25 O.D	1
6	229802	ROD,PROP,COVER,SUPPORT	1
7	229800	CLEVIS, PROP ROD	1
8	824027	NUT,TL FLG,1/4-20,G,ZAG	7
9	1253485	SCREW,HHF,1/4-20X2,8,ZAG	1
10	824060	SCREW,HHC,1/4-20X1,8,ZAG	12
11	824119	WASHER,FLAT,.25X1.25X.062,ZAG	6
12	101859	COVER ASSY W/WRD DECALS,RH DC DC	1
12B	101862	COVER ASSY W/SYM DECLS,RH BIDC Bi-Energy and DC	1
12C	77032	COVER,TANK SIDE,DC/BI decals not included, refer to section 1 for decals	1
13	824207	RIVET, STL, STL, DOME, 1/4 X .375, ZAG	4
14	75076	KEEPER,LATCH (45363)	1
15	824215	SCREW,PHPM,10-32X.75,ZAG	4
16	1264261	NUT,SERRATED,10-32,ZAG	4
17	229728	DOUBLER, BENT, COVER,DC/BI, RH	1
18	824113	WASHER,FLAT,USS,1/4,ZAG	12
19	824024	NUT,TL,1/4-20,C,ZAG	9
20	75073	HINGE,.375X.120THK.,SLOTTED	2
21	45363	LATCH,FLEXIBLE DRAW W/O KEEPER	1
22	824078	SCREW,HHF,1/4-20X.75,8,ZAG	3
23	229811	PLATE, DRAW LATCH MOUNT	1



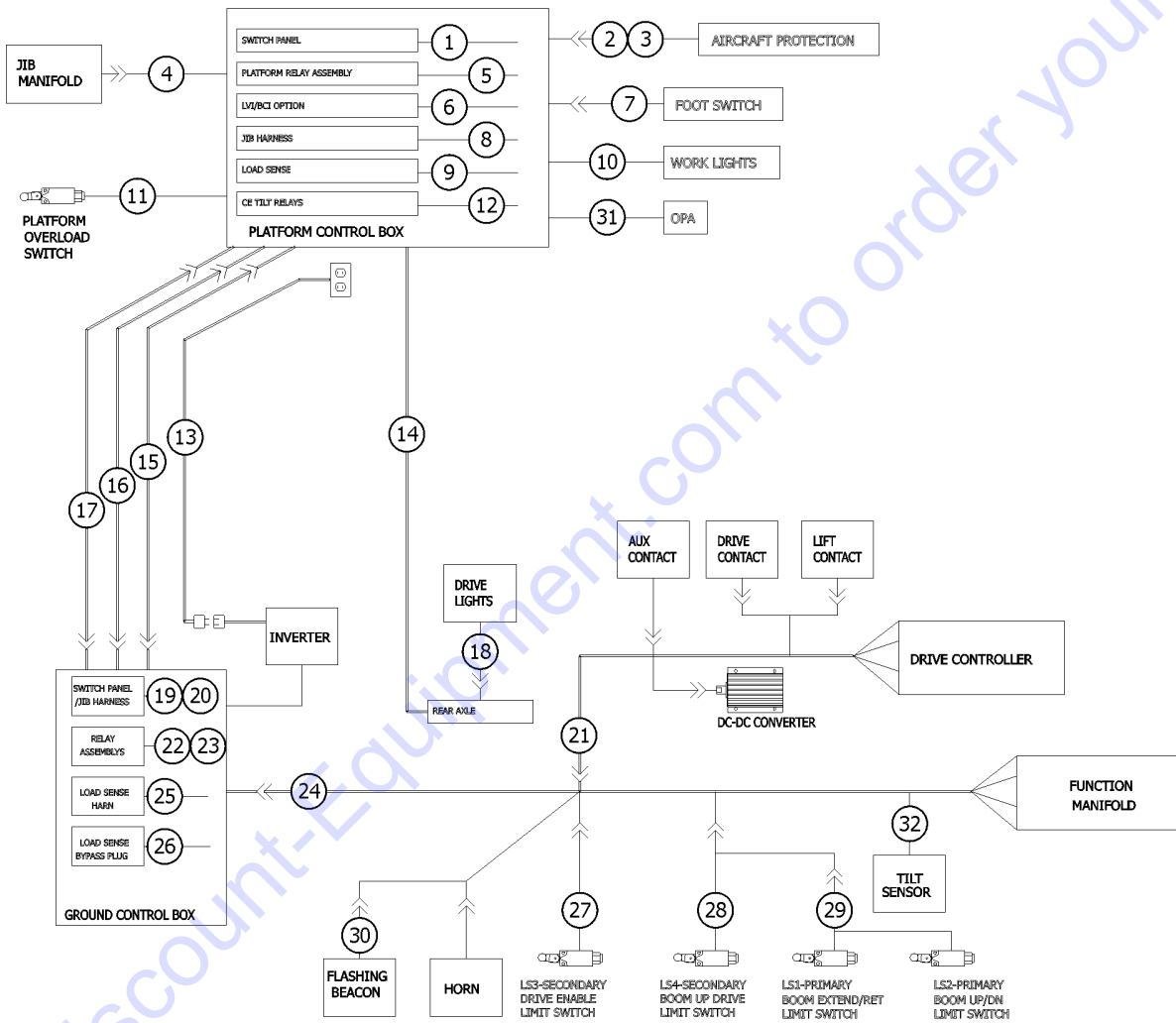
309.1 Wire Harness Diagram



Item	Part No.	Description	Qty.
A	1264822	KIT, TRC RETROFIT, STNDRD Telematics (includes 1264834)	
A-	1264834	INSTRN, TRC RETROFIT, STNDRD	
1	1262220	HARNESS, PBOX, Z45DC/BE	1
2	139882	HARN, AC PROTECTION BYPASS option, aircraft protection	1
3	81532	HARNESS, PROX. KILL option, aircraft protection	1
3-	27391	PROXIMITY SENSOR***	
3-	78098	RELAY,24VDC,40/30A,SLD W/BRKT*	
4	101080	HARNESS,JIB SELECT MANIFOLD	1
5	1261221	HARN,RELAY Z45DC/BE,PBOX	1
6	128941	HARNESS LVI/BCI ENGAGE II	1
6B	1296496	HARNESS, BCI ENGAGE, CN option, BCI/LVI option	1
7		REF: Foot Switch refer to 501.1	1
8	1284282	HARNESS,PLAT,Z45DC/BI,JIB	1
8-	56445	DIODE,6 AMP 200 PIV,REEL	
9	216769	HARNESS,JUMPER,LOAD SENSE	1
10	823774	HARNESS, 48V DRIVE LIGHTS option	1
11	121848	ASSY,LS,LOAD SENSE,38.5 IN	1
12	1262223	HARNESS,RELAY,PBOX,Z45DC,CE CE models	1
13	30794	WIRE,12/3 SJEOW,BK-WH-GR/YL non-jib models	756
13B	30794	WIRE,12/3 SJEOW,BK-WH-GR/YL jib models	732
14	823774	HARNESS, 48V DRIVE LIGHTS option	1
15	88723-71000GT	HARNESS,12/3,12V TO PLAT non-jib models	1
15B	88723-69700GT	HARNESS,PLAT,Z45DC/BI,JIB jib models	1
16	88722-72000GT	HARNESS,18/19,BOOM CABLE #2 non-jib models; gray and black connectors	1
16B	88722-70700GT	HARNESS,18/19,BOOM CABLE #2 jib models; gray and black connectors	1
17	88721-72000GT	HARNESS,18/19 BOOM CABLE #1 non-jib models; brown and green connectors	1
17B	88721-70700GT	HARNESS,18/19 BOOM CABLE #1 jib models	1
18	823774	HARNESS, 48V DRIVE LIGHTS option	1



309.1 Wire Harness Diagram

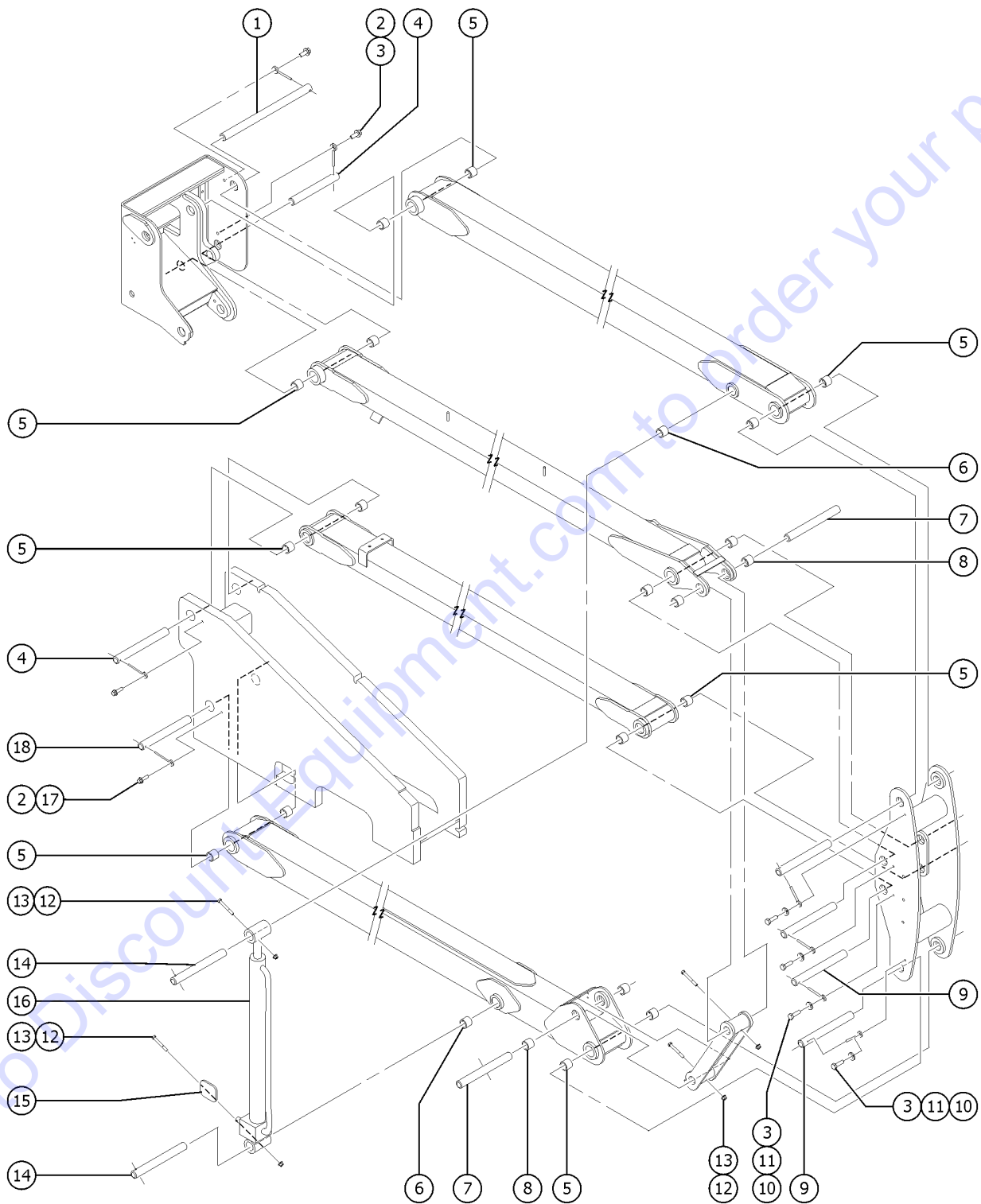


309.1 Wire Harness Diagram

Item	Part No.	Description	Qty.
19	1259322	HARNESS,BASE BOX Z45DC DC models	1
20	1262512	HARNESS, JIB, BASE BOX jib models	1
21	822777	HARNESS, DRIVE CHASSIS, Z45DC DC models	1
22	1259639	HARN,GBOX Z45DC/BE RELAY ASSY	1
23	1261899	HARNESS,Z45DC,TELEMATICS READY DC models; To Z4525D-2547 (AUS), Z4525D-2810 (CE), Z4525D-2627(ANSI)	1
23B	1292362	HARNESS, Z45DC, TELEMATICS, RELAY From Z4525D-2548 (AUS), Z4525D-2811 (CE), Z4525D-2628(ANSI)	1
24	218154	HARNESS FUNCTION MANIFOLD	1
25	1260173	HARNESS ASSY, RELAY, CE CE models	1
26	88832	HARNESS,PLUG,NON-LOAD WEIGHING	1
27	128816	HARN LIMIT SW DE Z45DC/BE	1
28	88724	HARNESS,LS,PRIM/EXT/SEC	1
29	88725	HARNESS,LS,PRIM/EXT	1
30		REF: Flashing Beacon refer to 801.1	1
31	1255858	HARN,PBOX,OPA,HW,24V option, to Z4525D-1136	1
31B	1255030	PLUG,BLANKING To Z4525D-1136	1
32	1261845	HARNESS,TILT 24V,CSA PROD for CSA models	
32B	1285812	KIT,TILT ALARM,DC AND BI-ENERGY MODELS	
32B-	1285689	INSTRUCTIONS,INSTALL (LEVEL SENSOR ALARM) for kit 1285812	



401.1 Boom Pins and Bearings

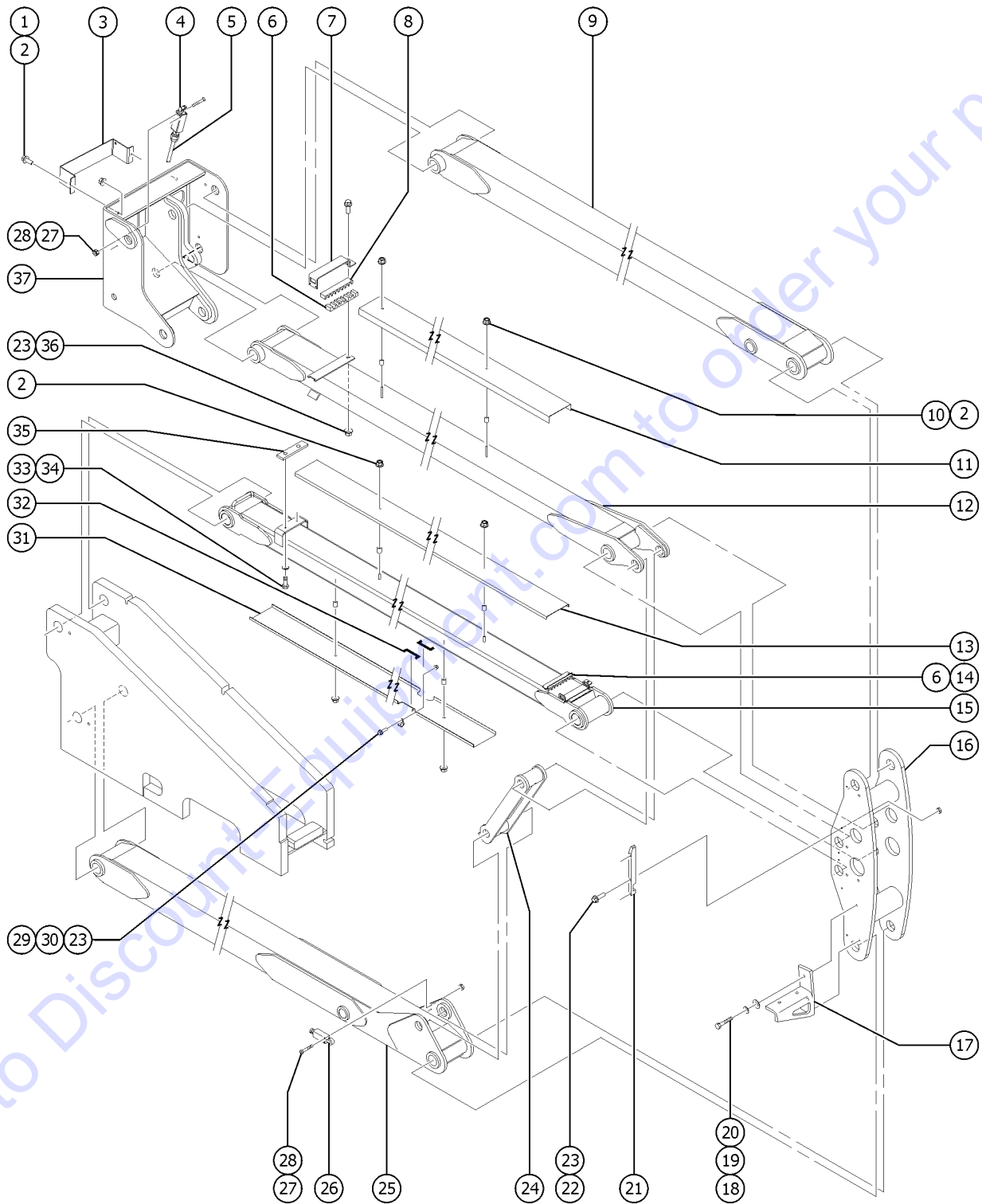


401.1 Boom Pins and Bearings

Item	Part No.	Description	Qty.
1	88676	PIN,2.00DIAX24.00LG,CHAMFER***	1
2	1253498	SCREW,HHF,1/2-13X1.5,8,ZAG	4
3	1256267	ROD END,.5 X 3.75,ZAG	6
4	107859	PIN,2.00DIAX12.88LG,CHAMFER***	2
5	18720	BEARING,2.0IDX2.25ODX1.50L	16
6	45071	BEARING,1.5IDX1.75ODX1.5L	4
7	107727	PIN,1.50DIAX7.50LG,1HOLE***	2
8	54156	BEARING,FL,1.5IDX1.75ODX1.10LG	4
9	107588	PIN,2.00DIAX10.88LG,CHAMFER	4
10	1256844	SCREW,HHC,1/2-13X1.5,8,ZAG	4
11	824111	WASHER,LOCK,1/2,ZAG	4
12	1274322	NUT,NYLOCK FLG,3/8-16,F,ZAG	6
13	1260940	SCREW,HHC,3/8-16X3,8,ZAG	6
14	50455	PIN,1.50DIAX13.88LG,2HOLE	2
15	54726	WEAR PAD,SECONDARY CYL,NON/JIB	1
16	88203	CYLINDER,ELEVATE,Z45/25***	2
16-	77303	VALVE, CNTRBAL 3500 PSI, ATM VEN	
16-	77521	SEAL KIT,ELEVATE (88203)	
17	1256267	ROD END,.5 X 3.75,ZAG	2
18	107590	PIN,2.00DIAX12.88LG,CHAMFER***	1



402.1 Secondary Linkage

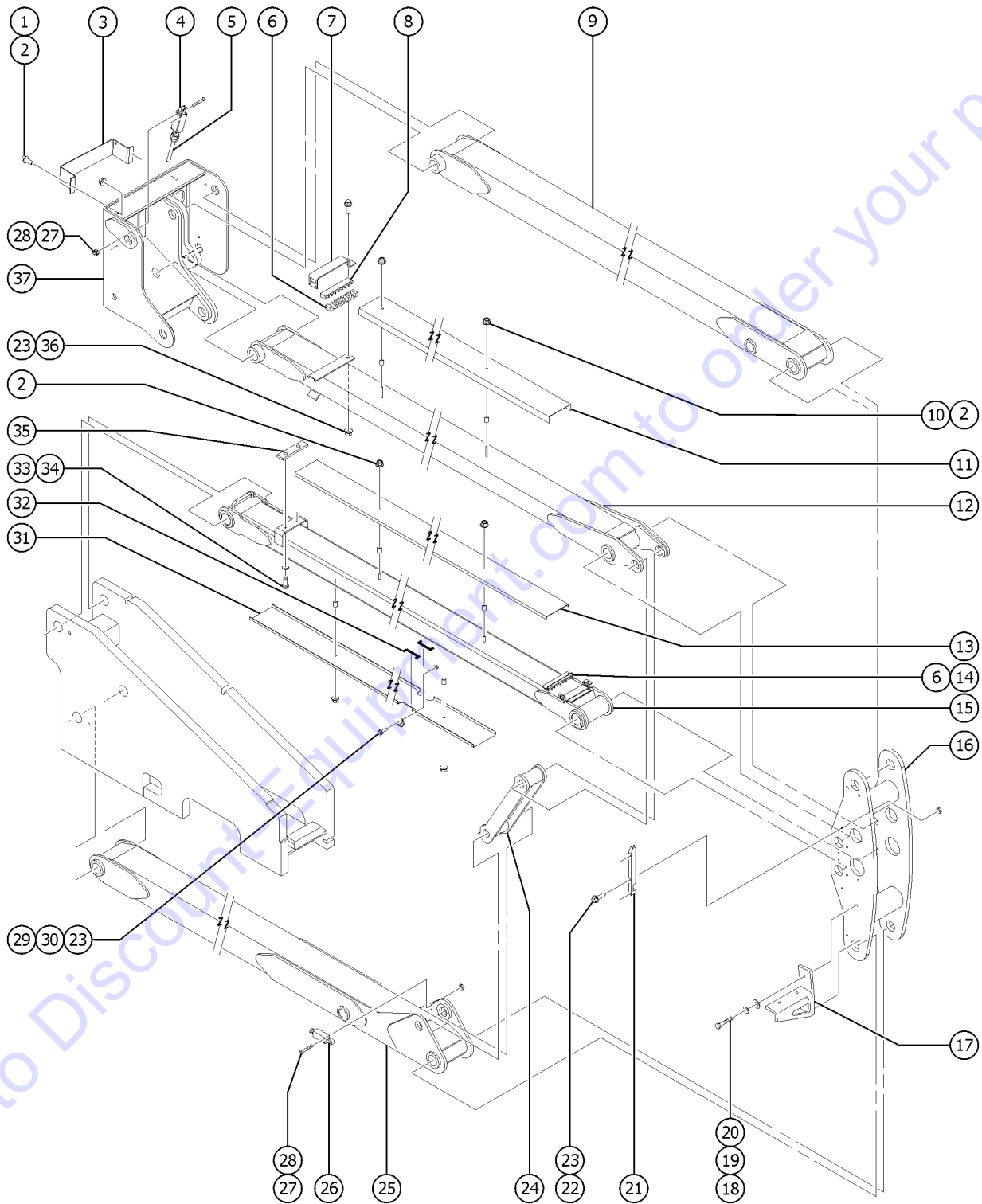


402.1 Secondary Linkage

Item	Part No.	Description	Qty.
1	824092	SCREW,HHF,3/8-16X1.5,8,ZAG	2
2	1274322	NUT,NYLOCK FLG,3/8-16,F,ZAG	12
3	237688	COVER, UPPER PIVOT	1
4	88356-11163GT	SWITCH,LIMIT,W/RLLR ARM,NO/NC*	1
4-	106427	LS ROT.HEAD W/O LEVER (ZCE01)	
4-	97128	ROLLER ARM,LIMIT SWITCH***	
5	43960	WIRE CABLE,16/4 CON.TPE JKT	360
6	94529	CLAMPING BLOCK,HOSE***	2
7	94531PGT	BRACKET,HOSE CLAMP PAINTED***	1
8	128998	CLAMPING BLOCK, CABLE, Z45/51	1
9	106983	WELDMENT,UPPER SECONDARY***	1
10	42941	HOSE,3/8",FUEL,30R7	10
11	88370PGT	HOSE COVER,UPPER ARM,PAINTED	1
12	106986	WELDMENT,UPPER LEVELING ARM***	1
13	50517-SGT	HOSE COVER,LOWER LEVEL, TOP,PAI	1
14	70685	FORMING, HOSE CLAMP	1
15	106974	WELDMENT,LOWER LEVELING ARM	1
16	110310	MIDPIVOT ASSY Z45IC*** USA/Canada/Australian	1
16B	106972	WELDMENT,MID PIVOT,MACHINED*** Europe/Asia/ South America	
17		Ref., WEAR PAD refer to 404.1	
17B	50952	WELDMENT,BOOM REST**** Z-45/25J	1
18	1257454	SCREW,HHF,1/2-13X.75,8,ZAG Z-45/25	2
18B	1256844	SCREW,HHC,1/2-13X1.5,8,ZAG Z-45/25J	2
19	824111	WASHER,LOCK,1/2,ZAG Z-45/25J	2
20	1255760	WASHER,FLAT,1/2,USS,ZAG Z-45/25J	2
21	107881	WEAR PAD,MID PIVOT*** Z-45/25	2
21B	107881	WEAR PAD,MID PIVOT*** Z-45/25J	1
22	824082	SCREW,HHF,1/4-20X1.75,8,ZAG	



402.1 Secondary Linkage



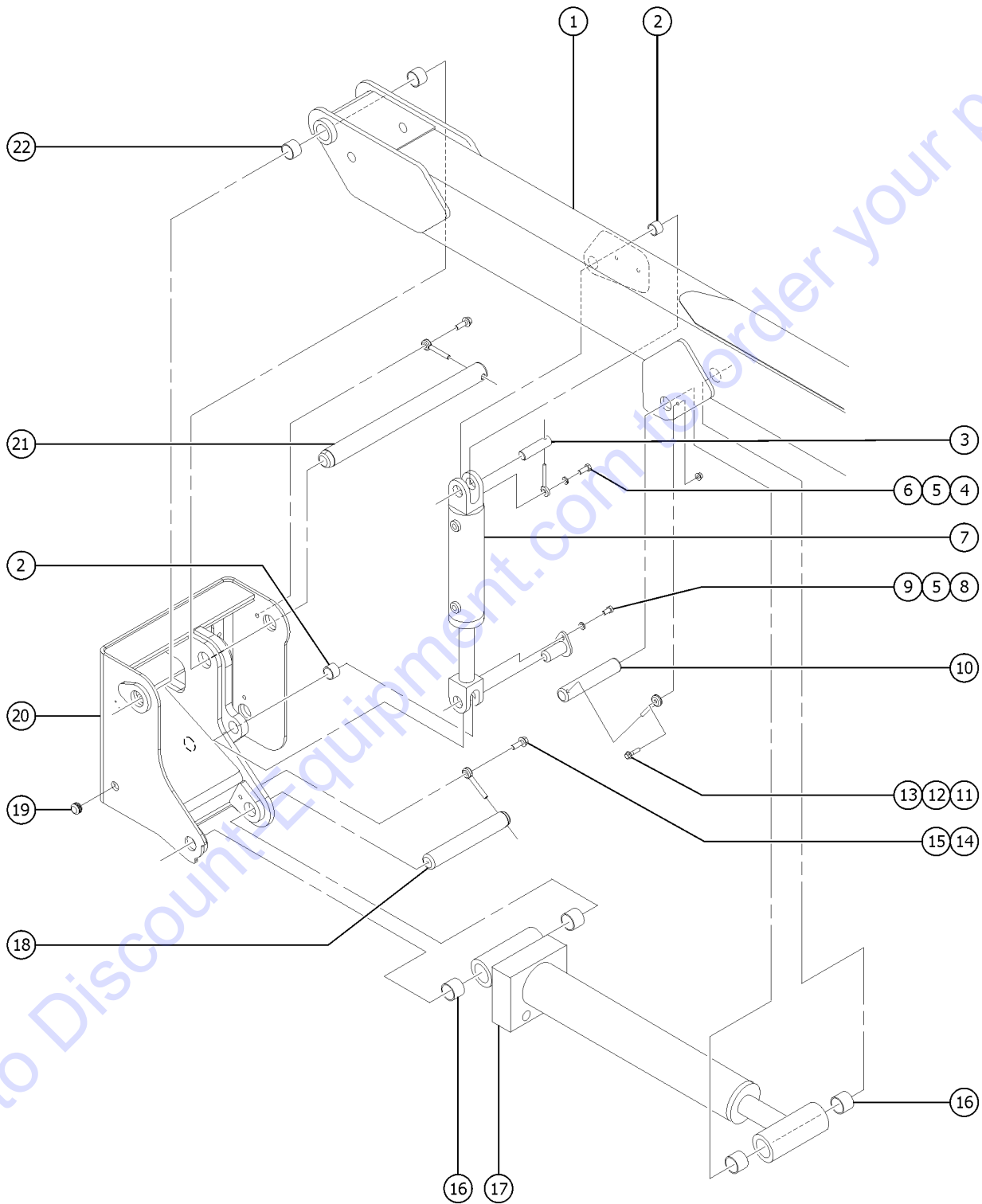
402.1 Secondary Linkage

Item	Part No.	Description	Qty.
23	1277924	NUT,NYLOCK FLG,1/4-20,F,ZAG	
24	50479	CONNECTING LINK,MACHINED ***	1
24-	50635	CONNECTING LINK (WELDMENT)	
25	106976	WELDMENT,LOWER,SECONDARY***	1
26	88356-11205GT	SWITCH,LIMIT,W/RLLR ARM NO/NC	1
26-	89756	NECK/HEAD-LIMIT SWITCH (88356)	
26-	97128	ROLLER ARM,LIMIT SWITCH***	
27	1256177	SCREW,PHPM,10-32X1.75,ZAG	4
28	6178	NUT, NYLOCK, 10-32	4
29	1256855	SCREW,HHF,1/4-20X.625,8,ZAG	2
30	1295211	CLAMPING BLOCK, HOSE	4
31	50548PGT	HOSE COVER,LOWER LEVEL,BOT,PAI	1
32	1697-400GT	TRIMLOCK,BLACK,3/16 X 4 INCHES	2
33	1256109	SCREW,HHC,3/8-16X.75,8,ZAG	2
34	824110	WASHER,LOCK,3/8,ZAG	2
35	49772	WEAR PAD,6 X 1.5 X.50,W/INSERT	1
36	824078	SCREW,HHF,1/4-20X.75,8,ZAG	2
37		Ref. Upper Pivot Assembly	
		refer to 403.1	

Go to Discount-Equipment.com to order your parts



403.1 Upper Pivot

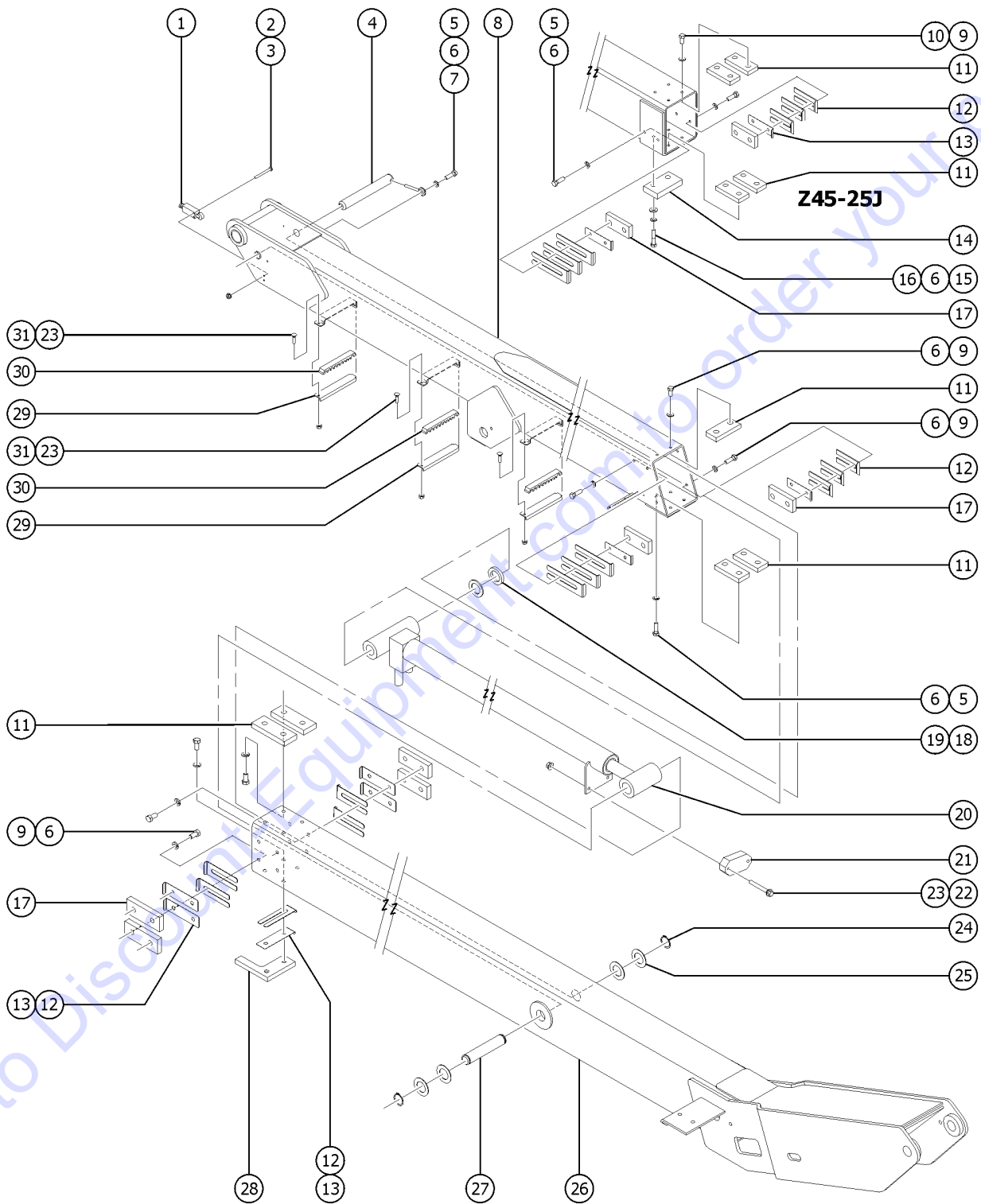


Go to DiscountEquipment.com to order your parts

Item	Part No.	Description	Qty.
1		Ref. Primary Boom Tube Assembly (refer to 404.1)	
2	30370	BEARING,1.25IDX1.5ODX1.00L	2
3	34276	PIN,1.25DIAX3.37LG,1HOLE	1
4	824067	SCREW,HHC,3/8-16X1,8,ZAG	1
5	824110	WASHER,LOCK,3/8,ZAG	2
6	1255452	ROD END,.375 X 2.25,ZAG	1
7	77362	CYLINDER,MASTER,Z45***	1
--	77364	SEAL KIT,MASTER & SLAVE CYL	
8	1256109	SCREW,HHC,3/8-16X.75,8,ZAG	1
9	70671	PIN,1.25 DIA X 3.19 LG, PLATE	1
10	50542	PIN,1.75DIAX9.25LG,1HOLE	1
11	824092	SCREW,HHF,3/8-16X1.5,8,ZAG	1
12	825019	ROD END,.375X3.69,ZAG	1
13	1274322	NUT,NYLOCK FLG,3/8-16,F,ZAG	1
14	1253498	SCREW,HHF,1/2-13X1.5,8,ZAG	1
15	1256267	ROD END,.5 X 3.75,ZAG	1
16	1262633	BEARING,POLYGON,BM5120	4
17	1263056	CYLINDER,PRIM LIFT NON JIB,Z45	1
		Z-45/25	
17B	1263057	CYLINDER,PRIM LIFT JIB,Z45	1
		Z-45/25J	
17B-	77014	VALVE,COUNTERBALANCE,3800 PSI	2
		for 77188, 1263057, 1263056	
17B-	77189	SEAL KIT,CYL,Z45 (77187&77188)	1
		for 77188, 1263057, 1263056	
18	70534	PIN,1.75DIAX11.88LG,CHAMFER	1
19	55753	BUMPER, PLASTIC, 1.25 O.D	
20	70589	UPPER PIVOT,MACHINING***	1
20-	70588	WELDMENT,UPPER PIVOT***	
21		REF. PIN	1
		Refer to 401.1	
22	18270	BEARING,2.0IDX2.25ODX1.50L	2



404.1 Primary and Extension Booms

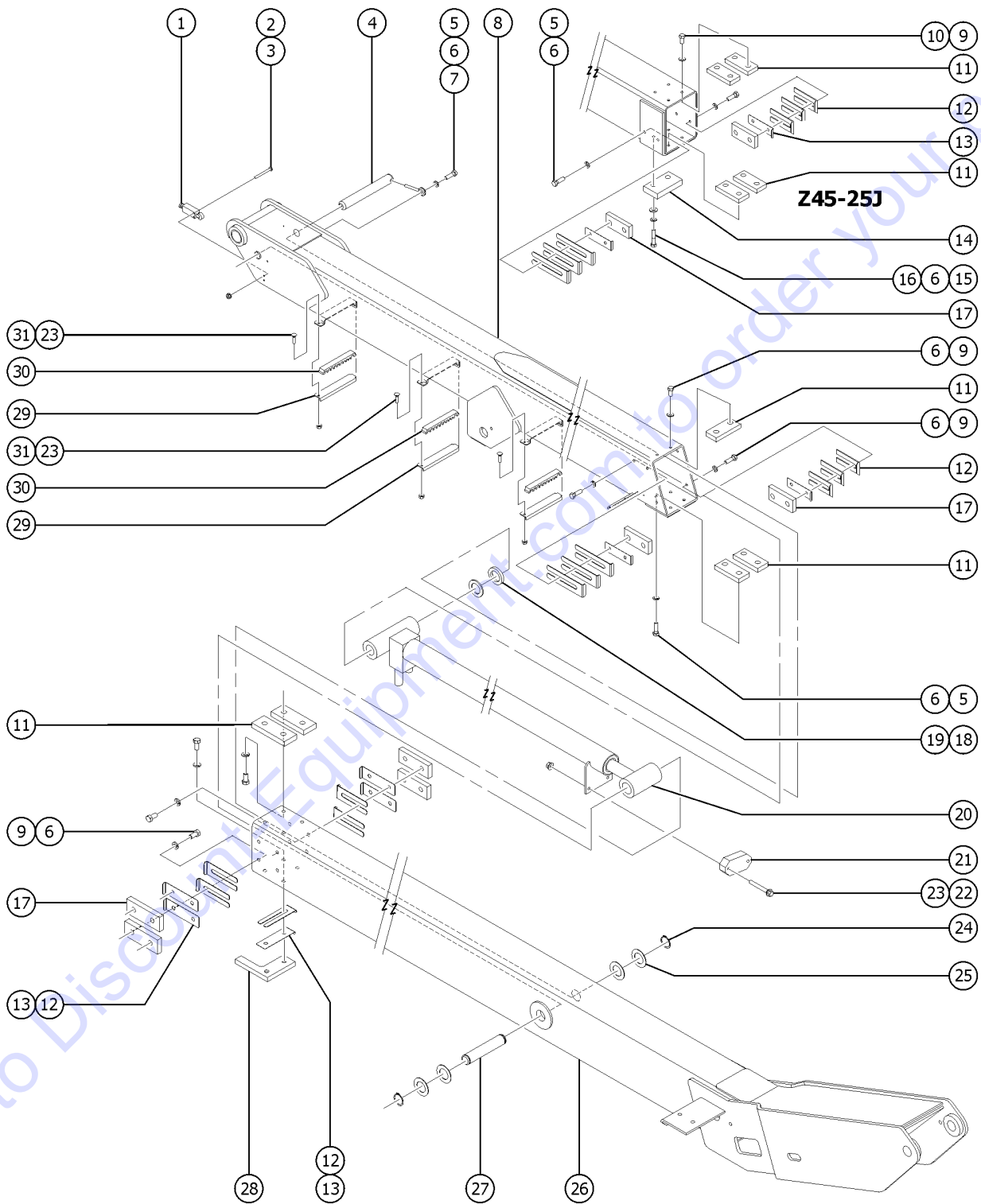


404.1 Primary and Extension Booms

Item	Part No.	Description	Qty.
--	150103	WIRE LOOM,1.25"NYLON,HIGH TEMP	129
1	88356-11205GT	SWITCH,LIMIT,W/RLLR ARM NO/NC	1
1-	97128	ROLLER ARM,LIMIT SWITCH***	
2	1256922	SCREW,PHPM,10-32X2.25,ZAG	2
		Z-45/25	
2B	1265481	SCREW,PHPM,10-32X2,ZAG	2
		Z-45/25J	
3	1264261	NUT,SERRATED,10-32,ZAG	2
4	50584	PIN,1.25DIA X 9.38LG,THREADED	1
5	824068	SCREW,HHC,3/8-16X1.25,8,ZAG	5
		Z-45/25	
5B	824068	SCREW,HHC,3/8-16X1.25,8,ZAG	11
		Z-45/25J	
6	824110	WASHER,LOCK,3/8,ZAG	29
		Z-45/25	
6B	824110	WASHER,LOCK,3/8,ZAG	27
		Z-45/25J	
7	825019	ROD END,.375X3.69,ZAG	1
8	128603	WELDMENT,PRIMARY BOOM,Z45NJ	1
		Z-45/25	
8B	128301	WELDMENT,PRIMARY BOOM,Z45 JIB	1
		Z-45/25J	
9	1256109	SCREW,HHC,3/8-16X.75,8,ZAG	24
		Z-45/25	
9B	1256109	SCREW,HHC,3/8-16X.75,8,ZAG	18
		Z-45/25J	
10	824113	WASHER,FLAT,USS,1/4,ZAG	4
		Z-45/25J only	
11	34125	WEAR PAD,5 X 1.5 X .75 W/NUTS	5
		Z-45/25	
11B	34125	WEAR PAD,5 X 1.5 X .75 W/NUTS	6
		Z-45/25J	
12	1283888	SHIM,WEAR PAD,5X 1.5 16GA	
13	1283887	SHIM,WEAR PAD,5 X 1.5,14GA, HOLE	9
		First use	
13B	1287821	SHIM,WEAR PAD,5X 1.5,14GA,HOLE	9
		First use	
14	1295098	WEAR PAD W/BUSHING,PRIMARY BOOM,JIB	1
		Z-45/25J only	
15	1256847	SCREW,HHC,3/8-16X1.75,8,ZAG	2
		Z-45/25J only	
16	825358	WASHER,FLAT,5/16,USS,ZAG	2
		Z-45/25J only	
17	30138	WEAR PAD,5 X 1.5 X .625 W/NUTS	8
18	77375	SPACER,NYLON,2.01 X 1.28 X.135	1
19	77376	SPACER,NYLON,2.00 X 1.33 X.310	1



404.1 Primary and Extension Booms

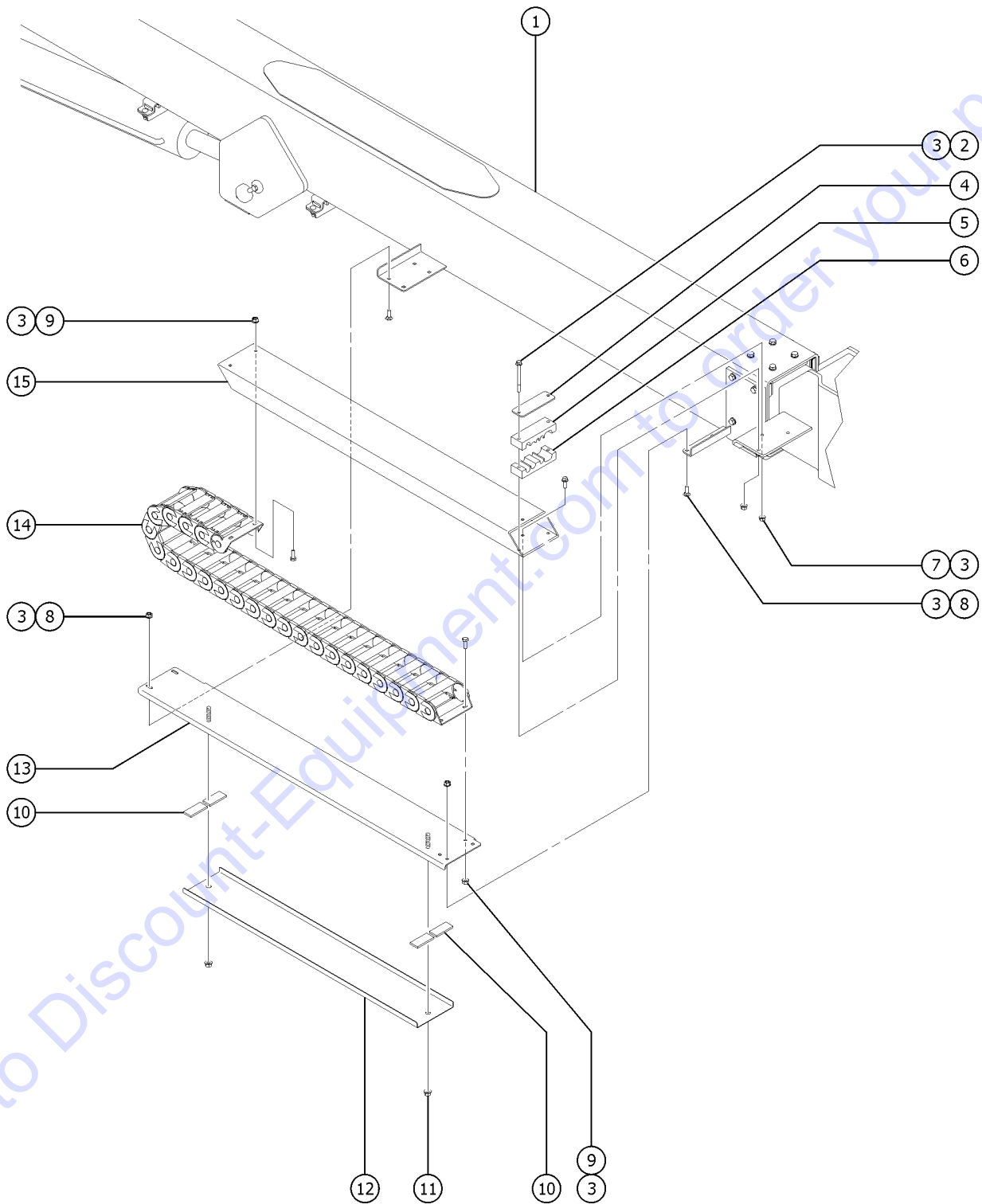


404.1 Primary and Extension Booms

Item	Part No.	Description	Qty.
20	54570	CYLINDER,EXTEND,Z45 NON JIB Z-45/25	1
20-	54063	VALVE,CB.CBBC-LHN@1000***	
20-	65788	SEAL KIT CYL Z45 (54570)	
20-	77410	VALVE,COUNTERBALNCE,1500 PSI**	
20B	54569	CYLINDER,EXTEND,Z45J*** Z-45/25J	1
20B-	54063	VALVE,CB.CBBC-LHN@1000***	
20B-	65790	SEAL KIT CYL.Z45(54569)	
20B-	77410	VALVE,COUNTERBALNCE,1500 PSI**	
21	50698	WEAR PAD,EXTENSION CYLINDER	1
22	824082	SCREW,HHF,1/4-20X1.75,8,ZAG Z-45/25	2
22B	824063	SCREW,HHC,1/4-20X1.75,8,ZAG Z-45/25J	2
23	1277924	NUT,NYLOCK FLG,1/4-20,F,ZAG	5
24	824164	SNAP RING,EXTERNAL,1.25,ZAG	2
25	824151	WASHER,SHIM,1.270X2.130X.062,Z	
26	128605	WELDMENT, EXT. BOOM,Z45 NJ Z-45/25	1
26B	128304	WELDMENT,EXT. BOOM,Z45 JIB Z-45/25J	1
27	50546	PIN,1.25DIAX6.36LG,2RING	1
28	50552	WEAR PAD,EXTENSION BOOM	1
29	128995	FORMING, HOSE CLAMP RETAINER	3
30	128601	CLAMP, PRI, HOSE/CABLE, Z45/51	3
31	824124	BOLT,CARRIAGE,1/4-20X.75,5,ZAG Z-45/25	3
31B	1256127	BOLT,CARRIAGE,1/4-20X1.5,ZAG Z-45/25J	3



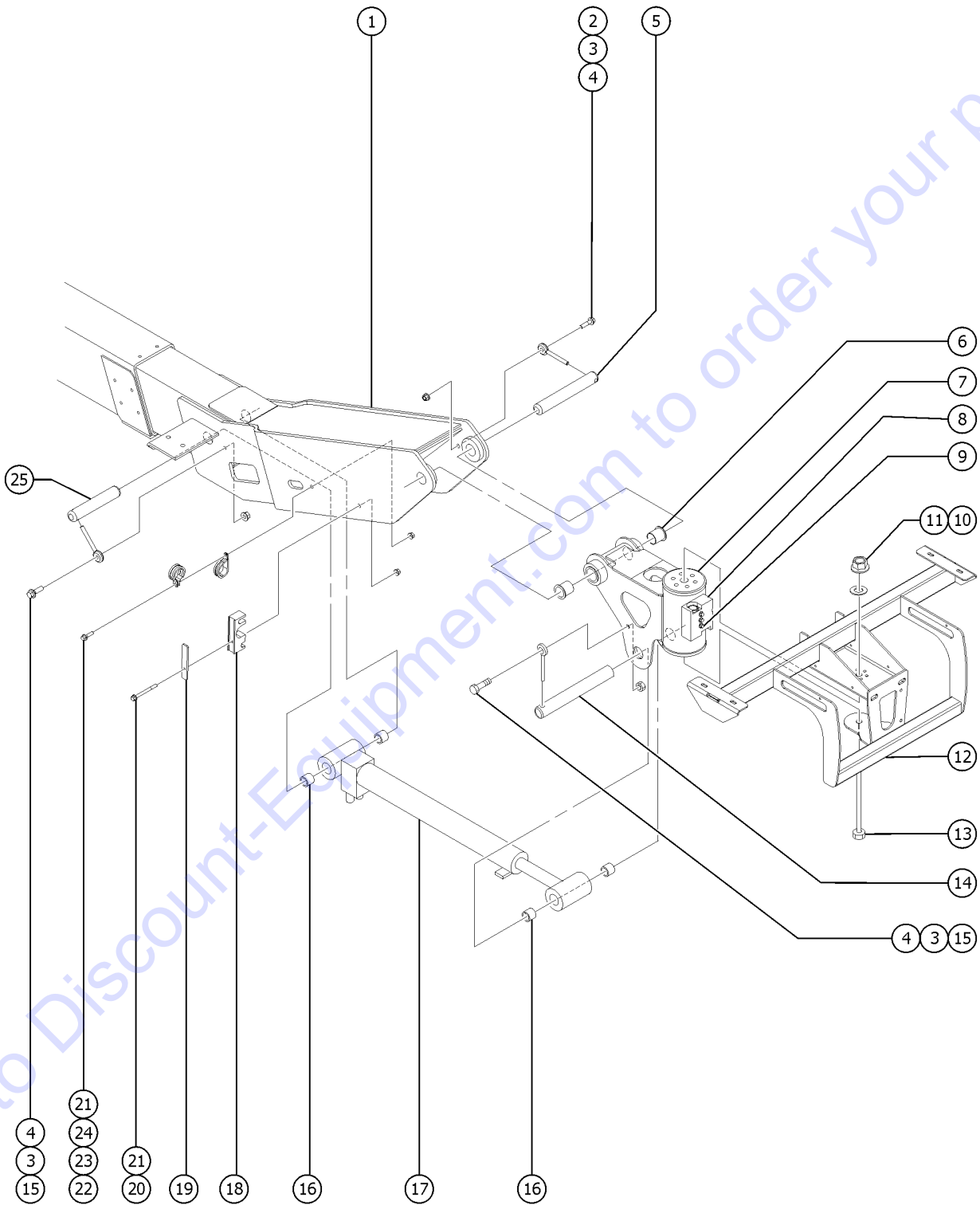
405.1 Cable Track



Item	Part No.	Description	Qty.
1		Ref. PRIMARY BOOM ASSY refer to section 404.1	
2	1256231	SCREW,HHF,1/4-20X2.75,8,ZAG Z-45/25	2
2B	1256803	SCREW,HHC,1/4-20X2.75,8,ZAG Z-45/25J	2
3	1277924	NUT,NYLOCK FLG,1/4-20,F,ZAG Z-45/25	11
4	128862	BACKING PLATE, PULLTUBE	1
5	128310	CLAMP, JIB HOSE/CABLE, Z45/51	1
6	128311	CLAMP, JIB HOSE/CABLE, Z45/51	1
7	824079	SCREW,HHF,1/4-20X1,8,ZAG Z-45/25	1
7B	824078	SCREW,HHF,1/4-20X.75,8,ZAG Z-45/25J	1
8	824124	BOLT,CARRIAGE,1/4-20X.75,5,ZAG	4
9	824059	SCREW,HHC,1/4-20X.75,8,ZAG	4
10	54271	SPACER,HOSE CLAMP,RUBBER	4
11	1274322	NUT,NYLOCK FLG,3/8-16,F,ZAG	2
12	128596	COVER, CABLETRACK TRAY, Z51 Z-45/25	1
12B	128308	COVER,CABLETRACK TRAY,Z40/45 Z-45/25J	1
13	139779	WELDMENT, CABLETRACK TRAY Z-45/25	1
13B	139781	WELDMENT, CABLETRACK TRAY Z-45/25J	1
14	139701	CABLE TRACK, NP400, 31 LINK Z-45/25	1
14-	111051	REPAIR LINK,7 LINKS NP400-7*** for 139701	
14-	111052	REPAIR LINK,NP400-7*** for 139701	
14-	111053	REPAIR END BRKT SET,NP400-7*** for 139701	
14B	139702	CABLE TRACK, NP400, 23 LINK Z-45/25J	1
14B-	111051	REPAIR LINK,7 LINKS NP400-7*** for 139702	
14B-	111052	REPAIR LINK,NP400-7***	
14B-	111053	REPAIR END BRKT SET,NP400-7***	
15	128597	TUBE, CABLETRACK ARM, Z51 Z-45/25	1
15B	128309	TUBE, CABLETRACK ARM, Z40/45 Z-45/25J	1



406.1 Non-Jib Platform Leveling and Rotation (Z-45/25)

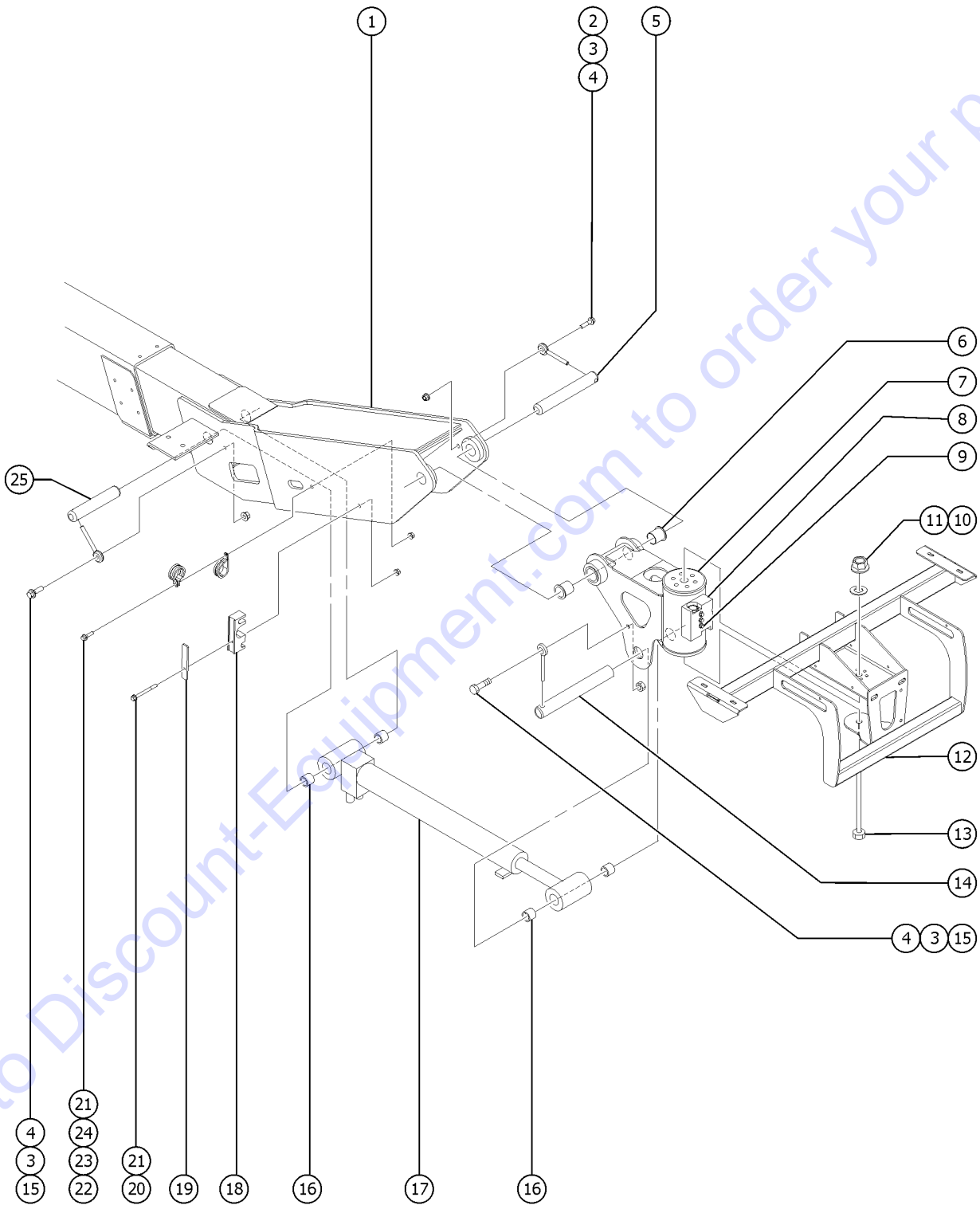


406.1 Non-Jib Platform Leveling and Rotation (Z-45/25)

Item	Part No.	Description	Qty.
--	150103	WIRE LOOM,1.25"NYLON,HIGH TEMP	129
1		Ref. Primary Boom Tube Assembly	
		(refer to 404.1)	
2	824092	SCREW,HHF,3/8-16X1.5,8,ZAG	1
3	825019	ROD END,.375X3.69,ZAG	3
4	1274322	NUT,NYLOCK FLG,3/8-16,F,ZAG	3
5	50543	PIN,1.25DIAx8.88LG,1HOLE	1
6	30222	BEARING,FL,1.25IDX1.41ODX1.50L	2
7	233716	ROTATOR,PLAT,Z45	1
		includes item 6; non-jib units	
7-	233745	SEAL AND BRG KIT,4.5K ROTATOR	
		for 233716	
8	73807	MANIFOLD,ROTATOR,CB***	1
9	824081	SCREW,HHF,1/4-20X1.5,8,ZAG	3
10	1274173	NUT,NYLOCK,3/4-10,C,ZAG	1
11	1256863	WASHER,FLAT,.75,SAE,HRD,ZAG	1
12	54520-SGT	WELDMNT,PLATFRM SUPPORT,NJIB**	1
		non-jib models	
13	824073	SCREW,HHC,3/4-10X9,8,ZAG	1
14	T108075GT	PIN,1.25DIAx5.25LG,1HOLE	1
15	824091	SCREW,HHF,3/8-16X1.25,8,ZAG	1
16	47377	BEARING,1.25 ID X 1.5 OD X .75	4
17	77363	CYLINDER,SLAVE,Z45***	1
		includes item 16	
17-	54065	VALVE,COUNTERBALANCE,3500***	
17-	77364	SEAL KIT,MASTER & SLAVE CYL	
18	139687	CLAMP,#4 HOSE, AIR AND LOOM	1
19	139688	BRACKET, HOSE CLAMP SUPPORT	1
20	1256231	SCREW,HHF,1/4-20X2.75,8,ZAG	1
21	1277924	NUT,NYLOCK FLG,1/4-20,F,ZAG	2
22	824079	SCREW,HHF,1/4-20X1,8,ZAG	1
23	21618	CLAMP,1.13,#18 X 1/4,RUB CUSH	1
24	21619	CLAMP,1.50,#24 X 1/4,RUB CUSH	1



406.1 Non-Jib Platform Leveling and Rotation (Z-45/25)



PARTS FINDER

**Search Website
by Part Number**



**Search Manual
Library For Parts
Manual & Lookup Part
Numbers – Purchase
or Request Quote**

Search Manuals

Enter your information to help us find the right parts manual for your machine.

* Brand:

* Model:

* Serial:

* Part Number:

SEARCH

**Can't Find Part or
Manual? Request Help
by Manufacturer,
Model & Description**

Parts Order Form

Please fill in the following information to help us find the right part for your machine.

Manufacturer:	<input type="text"/>
Model:	<input type="text"/>
Description:	<input type="text"/>
Part Number:	<input type="text"/>
Quantity:	<input type="text"/>
Notes:	<input type="text"/>

Discount-Equipment.com is your online resource for quality parts & equipment.

Florida: **561-964-4949** Outside Florida TOLL FREE: **877-690-3101**

Need parts?

Click on this link: <http://www.discount-equipment.com/category/5443-parts/> and choose one of the options to help get the right parts and equipment you are looking for. Please have the machine model and serial number available in order to help us get you the correct parts. If you don't find the part on the website or on one of the online manuals, please fill out the request form and one of our experienced staff members will get back to you with a quote for the right part that your machine needs.

We sell worldwide for the brands: Genie, Terex, JLG, MultiQuip, Mikasa, Essick, Whiteman, Mayco, Toro Stone, Diamond Products, Generac Magnum, Airman, Haulotte, Barreto, Power Blanket, Nifty Lift, Atlas Copco, Chicago Pneumatic, Allmand, Miller Curber, Skyjack, Lull, Skytrak, Tsurumi, Husquvarna Target, Stow, Wacker, Sakai, Mi-T-M, Sullair, Basic, Dynapac, MBW, Weber, Bartell, Bennar Newman, Haulotte, Ditch Runner, Menegotti, Morrison, Contec, Buddy, Crown, Edco, Wyco, Bomag, Laymor, EZ Trench, Bil-Jax, F.S. Curtis, Gehl Pavers, Heli, Honda, ICS/PowerGrit, IHI, Partner, Imer, Clipper, MMD, Koshin, Rice, CH&E, General Equipment, Amida, Coleman, NAC, Gradall, Square Shooter, Kent, Stanley, Tamco, Toku, Hatz, Kohler, Robin, Wisconsin, Northrock, Oztec, Toker TK, Rol-Air, APT, Wylie, Ingersoll Rand / Doosan, Innovatech, Con X, Ammann, Mecalac, Makinex, Smith Surface Prep, Small Line, Wanco, Yanmar

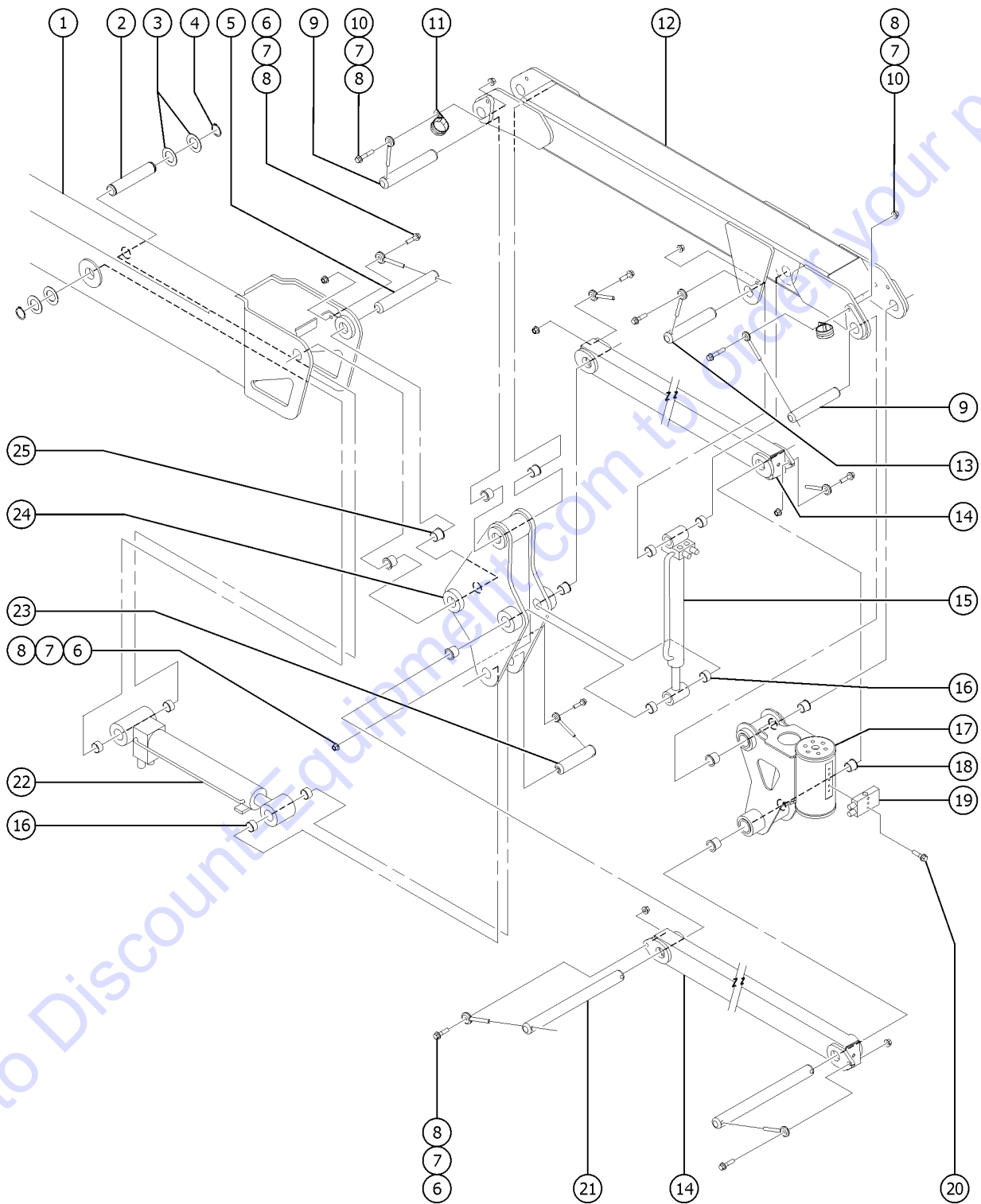
406.1 Non-Jib Platform Leveling and Rotation (Z-45/25)

<i>Item</i>	<i>Part No.</i>	<i>Description</i>	<i>Qty.</i>
25	T107884GT	PIN,1.25DIAX7.00LG,1HOLE	1

Go to Discount-Equipment.com to order your parts



407.1 Jib Platform Leveling (Z-45/25J)

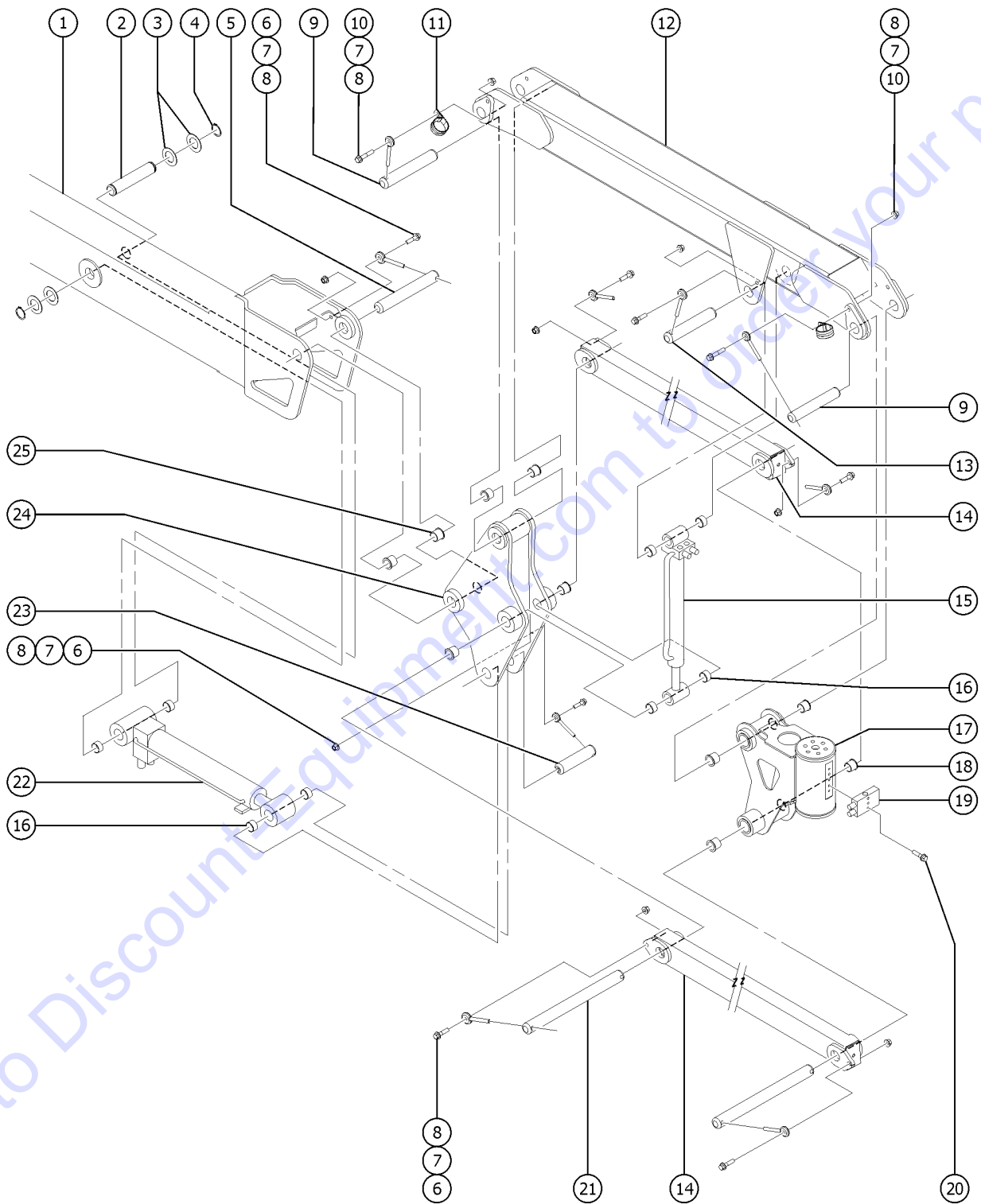


407.1 Jib Platform Leveling (Z-45/25J)

Item	Part No.	Description	Qty.
--	150103	WIRE LOOM,1.25"NYLON,HIGH TEMP	129
1		Ref. Primary and Extension Booms	
		(refer to 404.1)	
2	50546	PIN,1.25DIAX6.36LG,2RING	1
3	824151	WASHER,SHIM,1.270X2.130X.062,Z	4
4	824164	SNAP RING,EXTERNAL,1.25,ZAG	2
5	50543	PIN,1.25DIAX8.88LG,1HOLE	1
6	824092	SCREW,HHF,3/8-16X1.5,8,ZAG	7
7	825019	ROD END,.375X3.69,ZAG	9
8	1274322	NUT,NYLOCK FLG,3/8-16,F,ZAG	9
9	T107883GT	PIN,1.25DIAX7.88LG,1HOLE	2
10	1253478	SCREW,HHF,3/8-16X2,8,ZAG	2
11	77181	CLAMP,1.63,#26 X 3/8,RUB CUSH	2
12		SERVICE KIT, 5FT JIB	1
		Refer to section 409.1 for jib detail	
13	T107884GT	PIN,1.25DIAX7.00LG,1HOLE	1
14	61306-SGT	COMPR.LINK,MACHINED,GND CONTR*	2
14-	61306-SGT	COMPR.LINK,MACHINED,GND CONTR*	
15	54994	CYLINDER,JIB,Z45,#4 PORTS***	1
		includes item 16	
15-	50480	VALVE,COUNTERBALANCE,3800 PSI*	
15-	65789	SEAL KIT (54994)	
		for 54994	
16	47377	BEARING,1.25 ID X 1.5 OD X .75	8
17		REF: Jib Platform rotator	1
		Refer to section 408.1 for jib rotator; includes item 18	
18	30222	BEARING,FL,1.25IDX1.41ODX1.50L	4
19		Ref. Counterbalance Manifold	
		(refer to 603.1)	
20	824081	SCREW,HHF,1/4-20X1.5,8,ZAG	3
21	81175	PIN,1.25DIAX14.45LG,2HOLE	2
22	77363	CYLINDER,SLAVE,Z45***	1
		includes item 16	
22-	54065	VALVE,COUNTERBALANCE,3500***	
22-	77364	SEAL KIT,MASTER & SLAVE CYL	



407.1 Jib Platform Leveling (Z-45/25J)



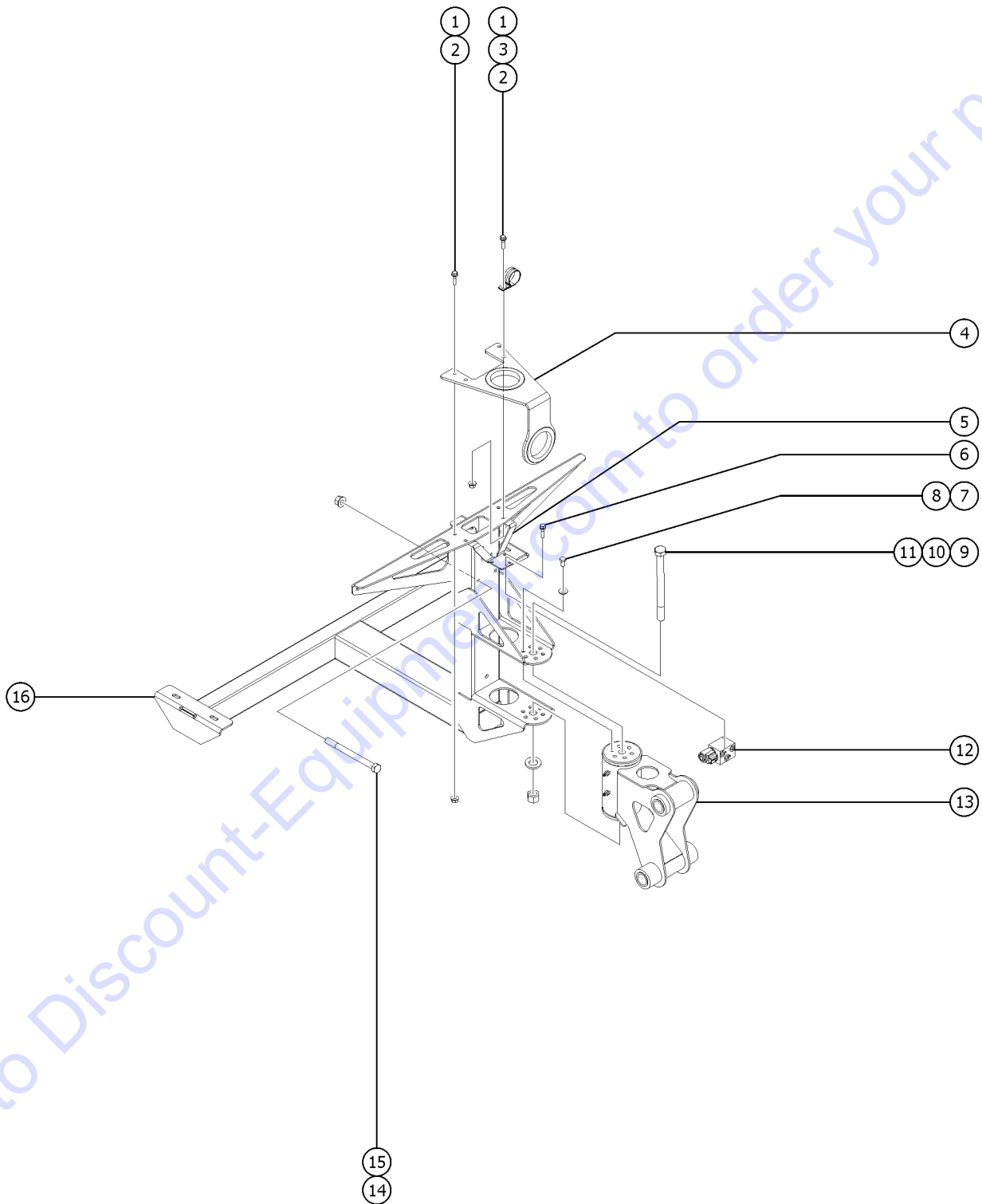
407.1 Jib Platform Leveling (Z-45/25J)

<i>Item</i>	<i>Part No.</i>	<i>Description</i>	<i>Qty.</i>
23	T108075GT	PIN,1.25DIAX5.25LG,1HOLE	1
24	50466-SGT	BELLCRANK,JIB,WELD/Z45/25***	1
25	35675	BEARING,FL,1.25IDX1.5ODX1.25L	6

Go to Discount-Equipment.com to order your parts



408.1 Jib Platform Rotation (Z-45/25J)

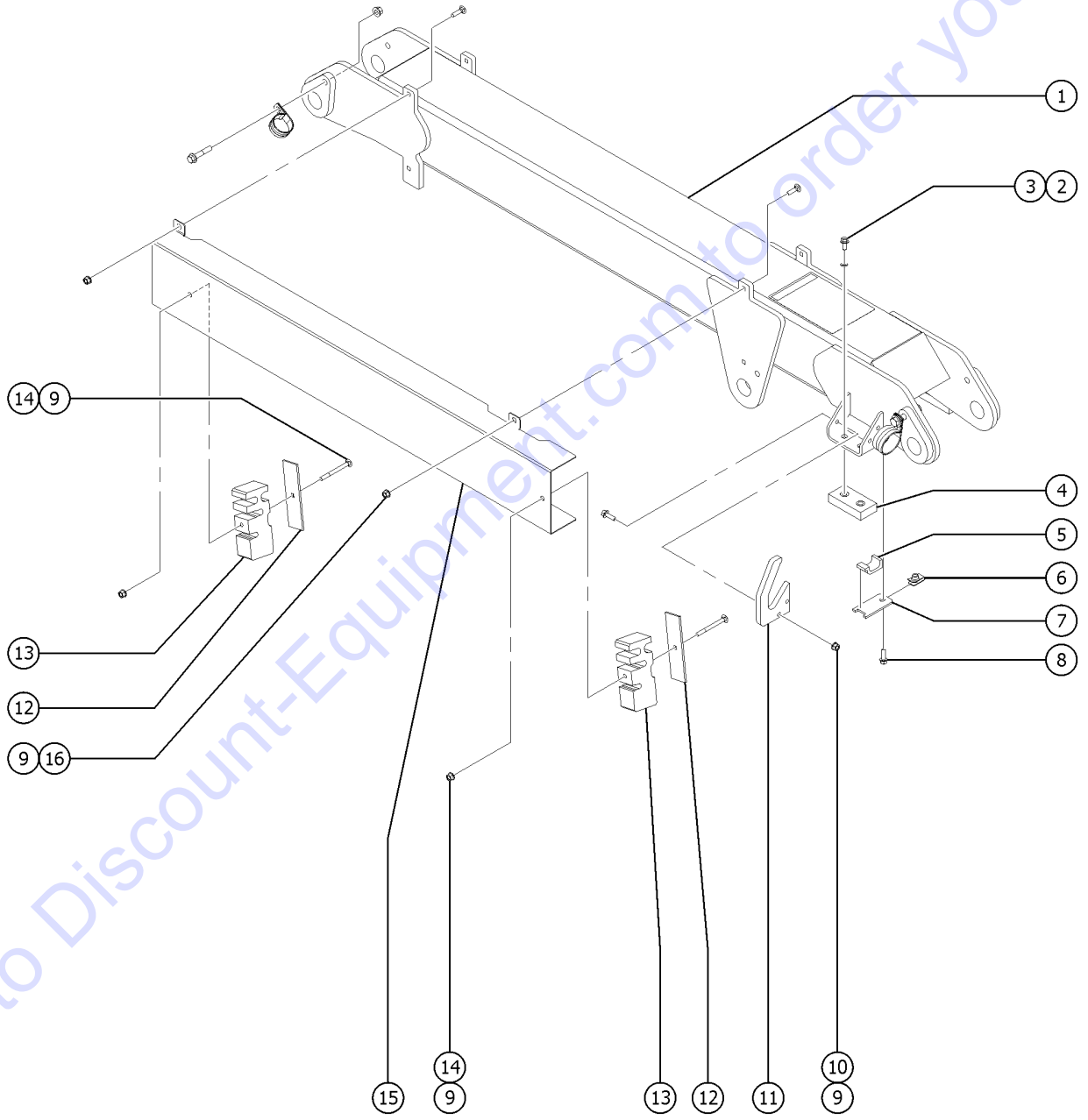


408.1 Jib Platform Rotation (Z-45/25J)

Item	Part No.	Description	Qty.
1	824087	SCREW,HHF,5/16-18X1.25,8,ZAG	4
2	1274167	NUT,NYLOCK FLG,5/16-18,F,ZAG	4
3	77181	CLAMP,1.63,#26 X 3/8,RUB CUSH	1
4	106163	FORMING,CABLE GUIDE order 55067 grommet separately	1
4-	55067	GROMMET,RUBBER 3 X .19 X 3.5	2
5	120373	PLATE,JIB/ROTATE MANIFOLD	1
6	824078	SCREW,HHF,1/4-20X.75,8,ZAG	2
7	1256109	SCREW,HHC,3/8-16X.75,8,ZAG	6
8	826793	WASHER,FLAT,3/8,SAE,HRD,ZAG	6
9	1273205	SCREW,HHC,3/4-10X9.5,8,ZAG	1
10	1256863	WASHER,FLAT,.75,SAE,HRD,ZAG	
11	1274173	NUT,NYLOCK,3/4-10,C,ZAG	1
12		Ref. Jib Manifold (refer to 603.1)	
13	233715	ROTATOR,PLAT,Z45J/Z51J replacement for 94401	1
13-	233745	SEAL AND BRG KIT,4.5K ROTATOR for 233715	
13-	30222	BEARING,FL,1.25IDX1.41ODX1.50L for 233715	4
13-	88516	SCREW,BLEEDER,M5X0.8 for 233715	2
14	1256803	SCREW,HHC,1/4-20X2.75,8,ZAG	1
15	1277924	NUT,NYLOCK FLG,1/4-20,F,ZAG	1
16	54510-SGT	WELDMENT,PLATFORM SUPPORT for models with the Platform Overload option, refer to 805.1	1



409.1 Jib Detail (Z-45/25J)

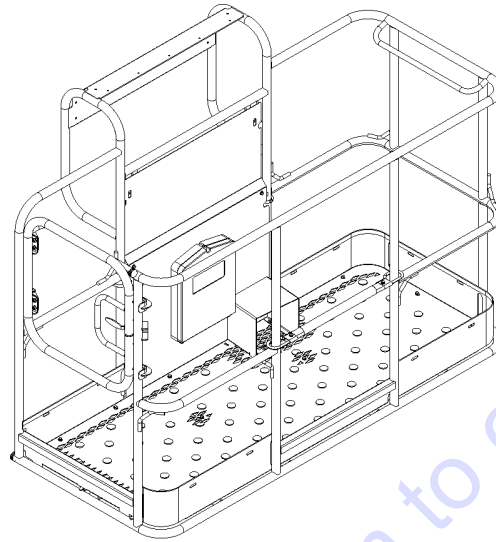


Item	Part No.	Description	Qty.
1	128534	JIB BOOM ASSY W/WORD DECAL	1
2	824089	SCREW,HHF,3/8-16X.75,8,ZAG	4
3	824110	WASHER,LOCK,3/8,ZAG	42
4	81640	WEAR PAD,3 X 1.5 X.625 W/NUTS	7
5	119542	CLAMP,TWO HOSE	1
6	56912	SPRING CLIP,1/4-20,.025-.15X.54,ZAG	1
7	119536PGT	BRACKET,HOSE CLAMP,PAINTED	1
8	824078	SCREW,HHF,1/4-20X.75,8,ZAG	1
9	1277924	NUT,NYLOCK FLG,1/4-20,F,ZAG	8
10	824080	SCREW,HHF,1/4-20X1.25,8,ZAG	2
11	128482	HOSE GUIDE, JIB	1
12	128483	BACKING PLATE, HOSE BLOCK, JIB	2
13	128997	CLAMPING BLOCK, CABLE, Z45/51	2
14	1256180	BOLT,CARRIAGE,1/4-20X2.75,5,ZAG	2
15	128454	COVER, JIB HOSES/CABLES**	1
16	1256127	BOLT,CARRIAGE,1/4-20X1.5,ZAG	4

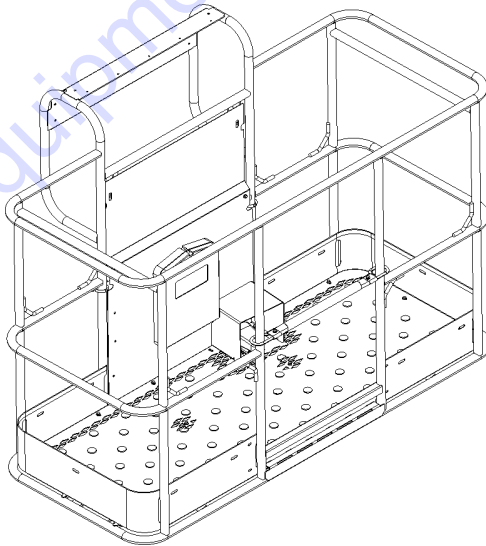
Go to Discount-Equipment.com to order your parts



501.1 Platform Configuration



(1) Side Swing Gate Platform



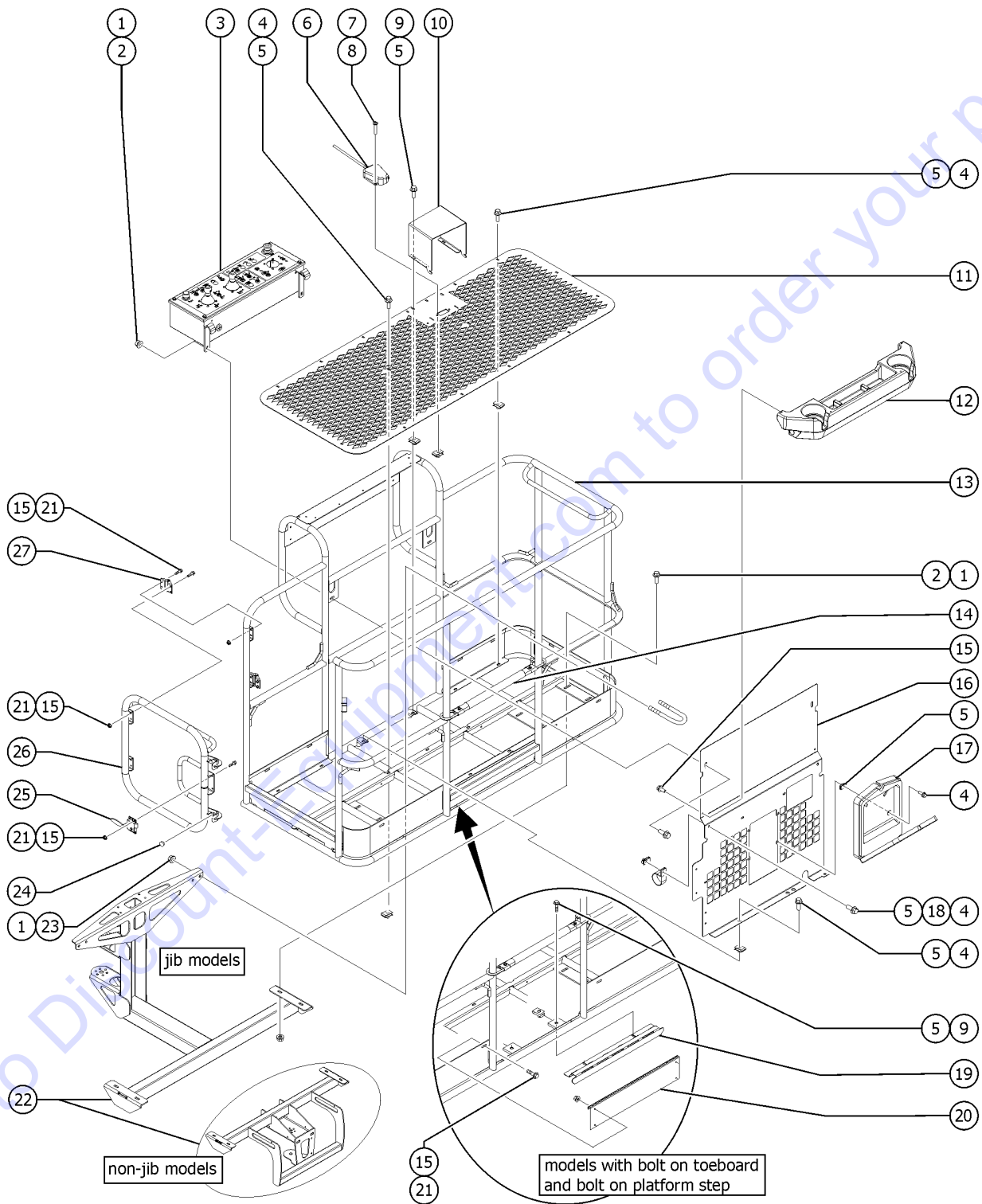
(2) Front Single Entry Platform

Item	Part No.	Description	Qty.
A		Complete Platform Assemblies with Decals	
A-		
A-	1275393	PLAT ASSY,6' W/SIDE GATE,Z45DC/BI ANSI WORD USA and Canadian models	
A-	1275395	PLAT ASSY,6' W/SIDE GATE,Z45/51 CE European models	
A-	1275396	PLAT ASSY,6' W/SIDE GATE,Z45/51 ANSI SYM Asia/South America models	
A-	1275397	PLAT ASSY,6' W/SIDE GATE,Z45DC/BI AUS Australian models	
B		Complete Platform Assemblies and Platform Weldments without Decals (Warning tape & .. decals not included, refer to section 100 for decals)	
B-		
1	1267750	ASSEMBLY, SIDE ENTRY PLATFORM, 6' flooring and decal plate not included	
2	120188	WELDMNT,RAILING,6' PLATFORM flooring and decal plate not included	

Go to Discount-Equipment.com to order your parts



502.1 Platform Components

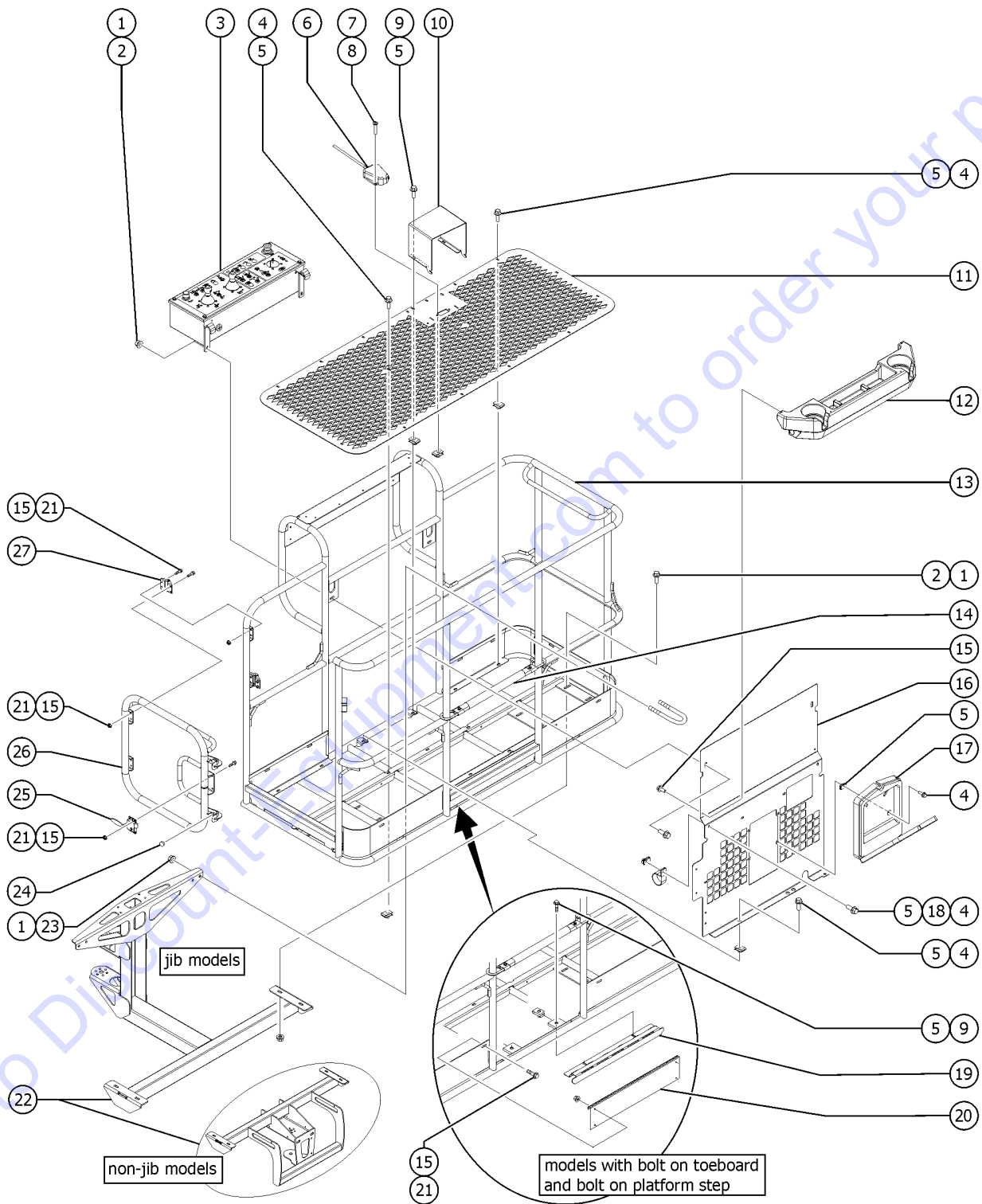


502.1 Platform Components

Item	Part No.	Description	Qty.
1	1274322	NUT,NYLOCK FLG,3/8-16,F,ZAG	
2	824090	SCREW,HHF,3/8-16X1,8,ZAG	
3		Ref. Platform Control Box	
		(refer to 502.1 and 503.1)	
4	824078	SCREW,HHF,1/4-20X.75,8,ZAG	
5	56912	SPRING CLIP,1/4-20,.025-.15X.54,ZAG	
6	1254874	ASSEMBLY, FOOT SWITCH, S60	1
6-	119058	CONN PLUG 4 WAY ENDCAP DT	
6-	1257248	SCREW, SHC, M4-0.7X8, DIN912	
6-	1257249	WASHER, LOCK, M4, SS	
6-	227564	FOOT SWITCH,20A IP65	
6-	43960-6950GT	WIRE CABLE,16GA/4 CON.TPE JKT*	
6-	73739	BOOT,PLUG 4 WAY	
7	1256460	SCREW,PHPM,10-24X1,ZAG	2
8	73575	SPRING CLIP,10-24,.025-.125X.468,ZAG	2
9	824079	SCREW,HHF,1/4-20X1,8,ZAG	
10	147121	COVER, FOOT SWITCH, LARGE	1
11	1267746	FLOORING, 6FT PLAT,SIDE	1
		(sold seperately)	
11B	73477PGT	FLOORING, 6'FT PLATFORM	1
		For front single entry platform	
12	1275089	PLATFORM WORK TRAY	1
		For side swing gate platform, from Z4525D-2106	
13		Ref. Platform Weldment	1
		(refer to 501.1)	
14	102992	SLIDING MIDRAIL KIT,PTD	1
		(includes fasteners)	
15	1256855	SCREW,HHF,1/4-20X.625,8,ZAG	
16	73574-SGT	DECAL PLATE ASSEMBLY	1
		(decals not included, refer to section 100), To Z4525D-2105	
16B	1275088	FORMING, ALUM. DECAL PLATE	1
		From Z4525D-2106	
17	24514	BOX,INSTRUCTION STORAGE	1
		(decals not included, refer to section 100)	
18	56424	CLAMP,1.25X.5 RUBBER-CUSHION	2
19	73610PGT	STEP PLATFORM ENTRY PAINTED***	1
		only for front single entry platform	
20	94745	TOEBOARD,ENTRY EUROPEAN PNTD**	1
		only for front single entry platform	



502.1 Platform Components

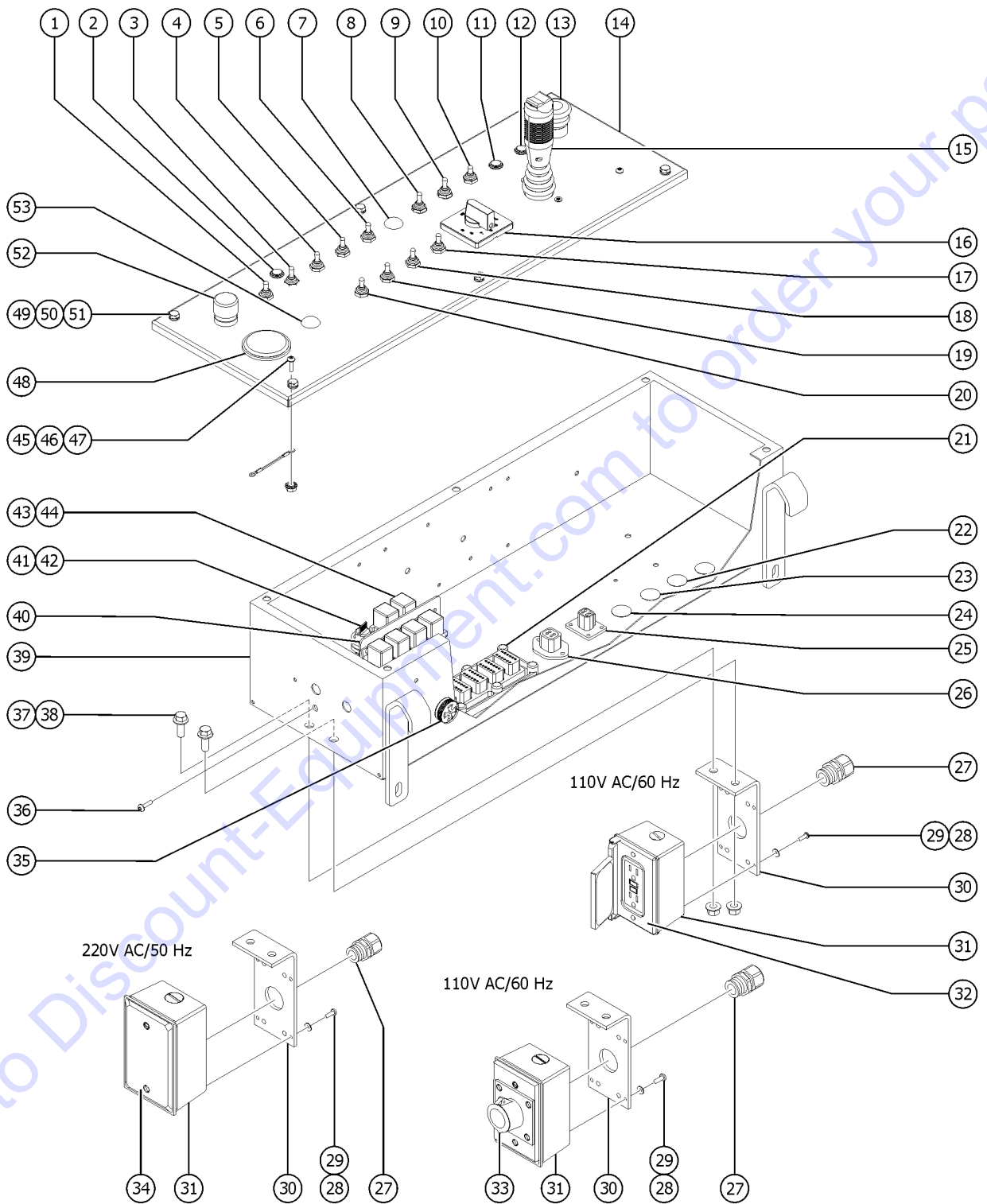


Item	Part No.	Description	Qty.
21	1277924	NUT,NYLOCK FLG,1/4-20,F,ZAG	
22		WELDMENT,PLATFORM SUPPORT	1
		(refer to 408.1) (jib models)	
22B		Ref. Platform Support	1
		(refer to 805.1) (models with platform overload option)	
23	1251600	U-BOLT, FLATTENED, 1.5 X 3/8 UNC,ZAG	
24	43392	BUMPER,BATTERY BOX & RAILS	2
25	1267747	LATCH, SWING GATE	1
26	1272307	ASSY,SIDE SWING GATE	1
27	14804	HINGE, SPRING, LONG LEG	2

Go to Discount-Equipment.com to order your parts



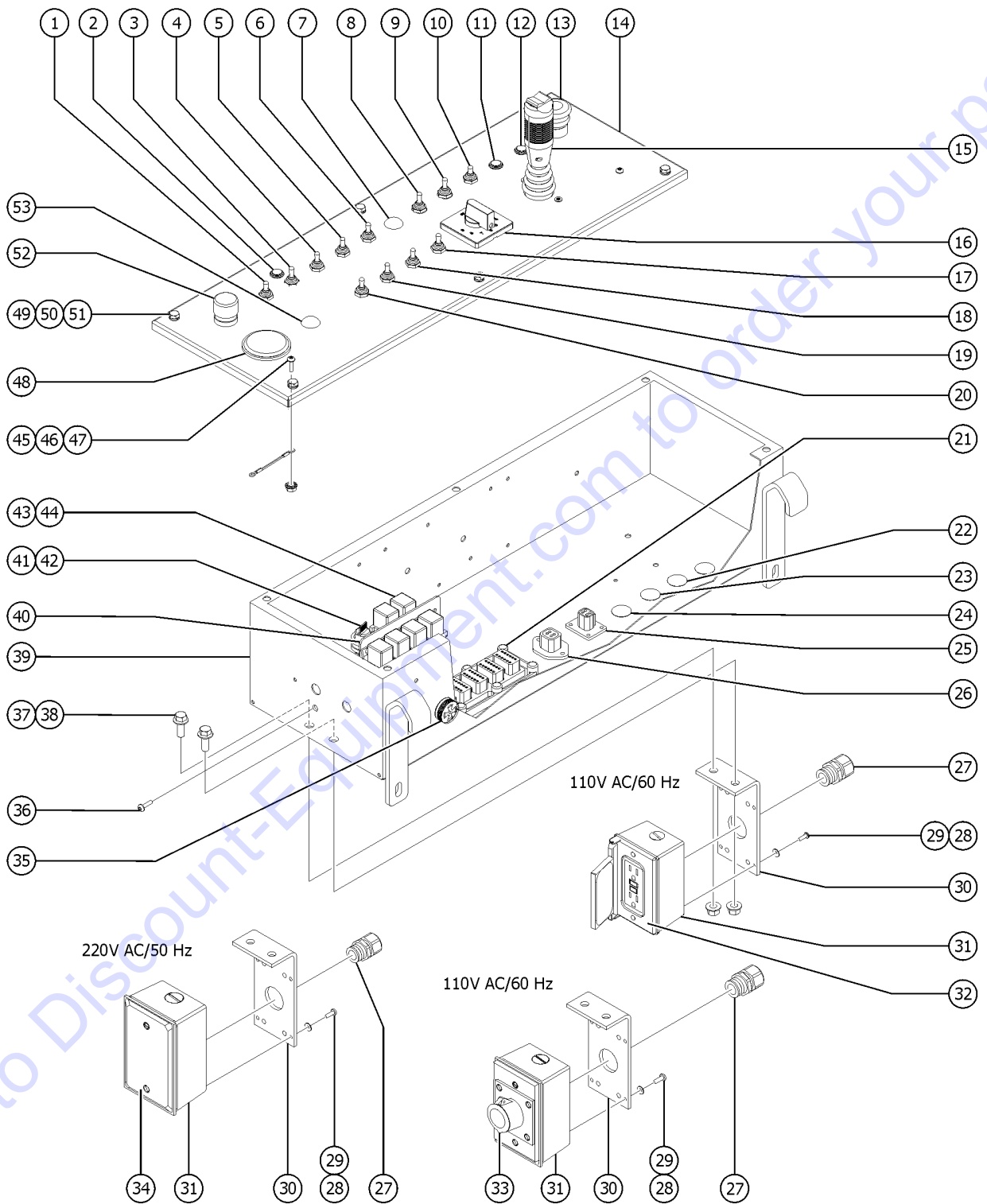
503.1 Platform Controls



Item	Part No.	Description	Qty.
A	147253	TIME DELAY RELAY,2 SEC,24VDC	1
1	128201	SWITCH TOGGLE ASSY DPDT 2P MOM Auxiliary Power; includes boot and hardware	1
1-	128578	SCREW T-SWITCH PH/PH 6-32X1/4	
1-	128581-SGT	SWITCH TOGGLE DPDT 2P MOM SHDR	
1-	27246	BOOT,TOGGLE SWITCH,SHORT*	
2	824878	LIGHT,LED IND. RED 24V NH	1
3	128200	SWITCH TOGGLE ASSY SPDT 3P MOM Drive Enable; includes boot and hardware	1
3-	128578	SCREW T-SWITCH PH/PH 6-32X1/4	
3-	128580-SGT	SWITCH TOGGLE SPDT 3P MOM SHDR	
3-	27246	BOOT,TOGGLE SWITCH,SHORT*	
4	229567	PLUG,SANTOPRENE .5 BLACK DOME (Z-45/25)	1
5	128202	SWITCH TOGGLE ASSY DPDT 3P MOM "Platform Rotate; includes boot and hardware"	1
5-	128578	SCREW T-SWITCH PH/PH 6-32X1/4	
5-	128582-SGT	SWITCH TOGGLE DPDT 3P MOM SHDR	
5-	27246	BOOT,TOGGLE SWITCH,SHORT*	
6	128202	SWITCH TOGGLE ASSY DPDT 3P MOM Platform Level; includes boot and hardware	1
6-	128578	SCREW T-SWITCH PH/PH 6-32X1/4	
6-	128582-SGT	SWITCH TOGGLE DPDT 3P MOM SHDR	
6-	27246	BOOT,TOGGLE SWITCH,SHORT*	
7	229567	PLUG,SANTOPRENE .5 BLACK DOME	1
8	128200	SWITCH TOGGLE ASSY SPDT 3P MOM (BE) Glow Plug; includes boot and hardware	1
8-	128578	SCREW T-SWITCH PH/PH 6-32X1/4	
8-	128580-SGT	SWITCH TOGGLE SPDT 3P MOM SHDR	
8-	27246	BOOT,TOGGLE SWITCH,SHORT*	
8B	229567	PLUG,SANTOPRENE .5 BLACK DOME (DC)	1
9	128200	SWITCH TOGGLE ASSY SPDT 3P MOM "(BE) Engine Start; includes boot and hardware"	1
9-	128578	SCREW T-SWITCH PH/PH 6-32X1/4	
9-	128580-SGT	SWITCH TOGGLE SPDT 3P MOM SHDR	



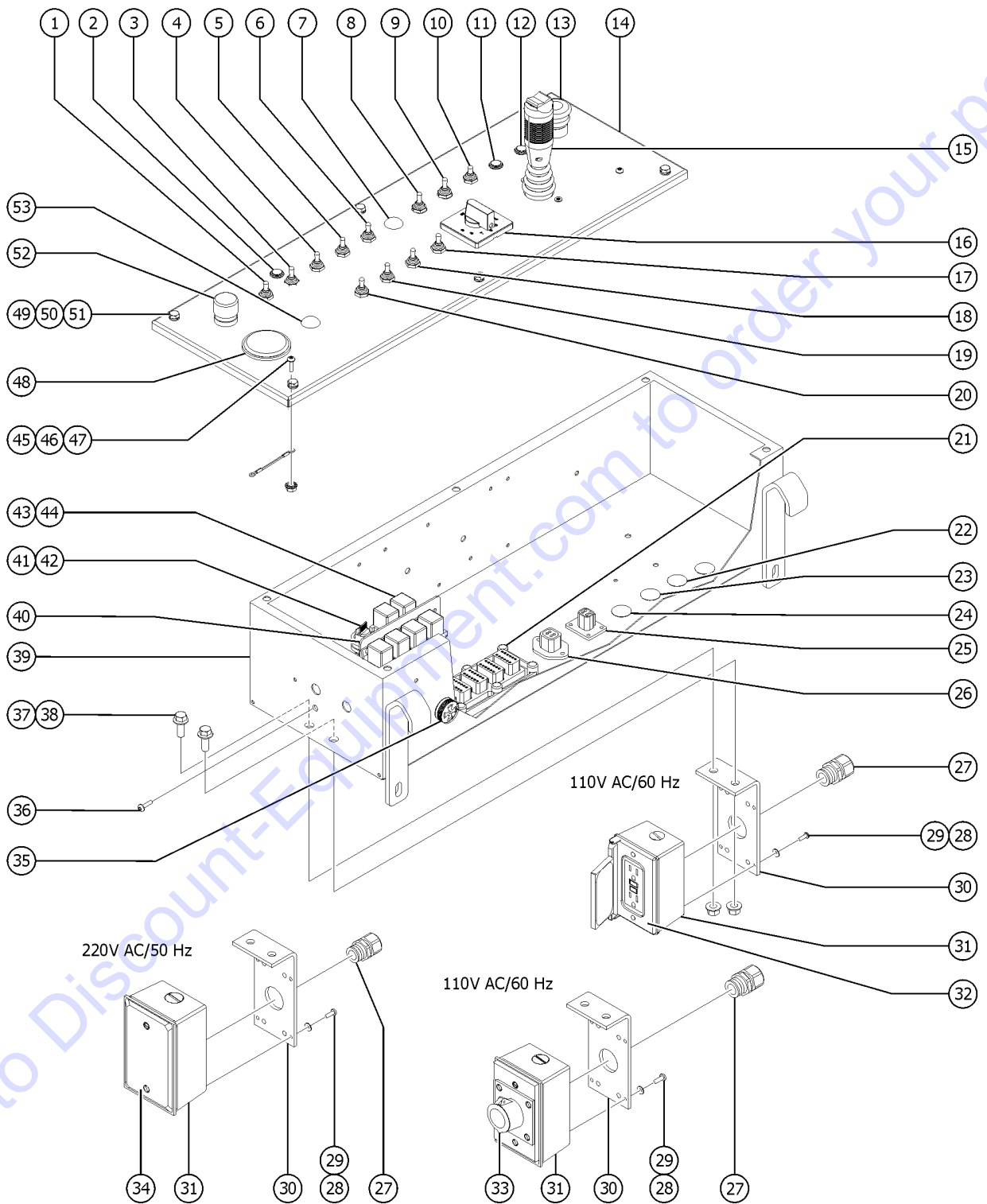
503.1 Platform Controls



Item	Part No.	Description	Qty.
9-	27246	BOOT,TOGGLE SWITCH,SHORT*	
9B	229567	PLUG,SANTOPRENE .5 BLACK DOME 1 (DC)	
10	128206	SWITCH TOGGLE ASSY DPDT 3P MNT 1 (BE)	
10B	229567	PLUG,SANTOPRENE .5 BLACK DOME 1 (DC)	
11	824878	LIGHT,LED IND. RED 24V NH 1 Australia and CE	
11B	229567	PLUG,SANTOPRENE .5 BLACK DOME 1 ANSI	
12	824878	LIGHT,LED IND. RED 24V NH 1	
13	122514	KIT,ESTOP SVC BB&SM BOOM 1	
13-	146478	BOOT(BELLOWS),E-STOP,BLACK	
13-	66812	BUTTON,PUSH,RED MUSHROOM HEAD	
13-	66818	CONTACT, N.C.	
13-	66821	BASE,WITHOUT CONTACTS	
14	229812	PLAT. CONTROL BOX LID, DC/BE 1	
14-	81488	GASKET,PLATFORM CONTROL BOX 1	
15		Ref. Joystick, Drive/Steer refer to 504.1	
16	36557	ROTATIONAL CONTROLLER,24V*** 1	
17	128202	SWITCH TOGGLE ASSY DPDT 3P MOM 1 Primary Boom Ext/Ret; includes boot and hardware	
17-	128578	SCREW T-SWITCH PH/PH 6-32X1/4	
17-	128582-SGT	SWITCH TOGGLE DPDT 3P MOM SHDR	
17-	27246	BOOT,TOGGLE SWITCH,SHORT*	
18	128202	SWITCH TOGGLE ASSY DPDT 3P MOM 1 Primary Boom Up/Down; includes boot and hardware	
18-	128578	SCREW T-SWITCH PH/PH 6-32X1/4	
18-	128582-SGT	SWITCH TOGGLE DPDT 3P MOM SHDR	
18-	27246	BOOT,TOGGLE SWITCH,SHORT*	
19	128202	SWITCH TOGGLE ASSY DPDT 3P MOM 1 Secondary Boom Up/Down; includes boot and hardware	
19-	128578	SCREW T-SWITCH PH/PH 6-32X1/4	
19-	128582-SGT	SWITCH TOGGLE DPDT 3P MOM SHDR	
19-	27246	BOOT,TOGGLE SWITCH,SHORT*	



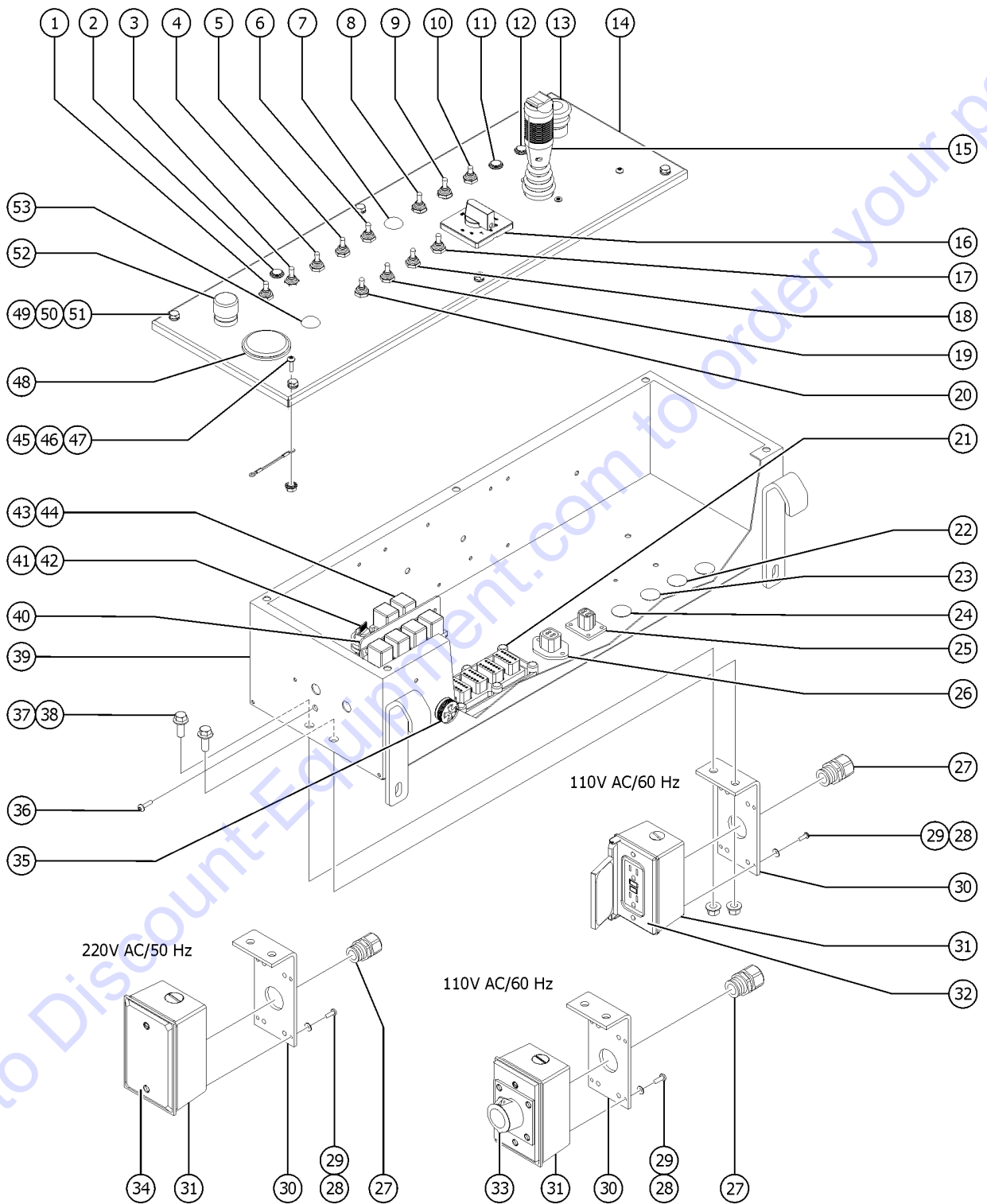
503.1 Platform Controls



Item	Part No.	Description	Qty.
20	128202	SWITCH TOGGLE ASSY DPDT 3P MOM Turntable Rotate; includes boot and hardware	1
20-	128578	SCREW T-SWITCH PH/PH 6-32X1/4	
20-	128582-SGT	SWITCH TOGGLE DPDT 3P MOM SHDR	
20-	27246	BOOT,TOGGLE SWITCH,SHORT*	
21	73736	CONN,RECEP 48 WAY,4 X 12	1
21-	54255	LOCK,RECEP 12 WAY, 14-18GA	
21-	73713	TERM,NI PIN,S&F,16-18GA,REEL	
21-	824226	SCREW,PHPSH,#12-11X.75,ZAG	
22	15243	PLUG,NYLON .875 BLACK DOMED	1
23	15243	PLUG,NYLON .875 BLACK DOMED	1
24	15243	PLUG,NYLON .875 BLACK DOMED (Z-45/25)	1
25	73723	CONN RECEP,FLANGED	1
25-	60443	LOCK,RECEP 4 WAY,14-18GA	
25-	73713	TERM,NI PIN,S&F,16-18GA,REEL	
25-	824019	NUT,TL,6-32,A,ZAG	
25-	824214	SCREW,PHPM,6-32X.5,ZAG	
26	73717	CONN,RECEP 4 WAY,12-14GA FL***	1
26-	60526	LOCK,RECEP 4 WAY,12-14GA	
26-	73711	TERM,DEUTSCH, PIN #12-14	
26-	824019	NUT,TL,6-32,A,ZAG	
26-	824214	SCREW,PHPM,6-32X.5,ZAG	
27	7056	CONN,SQUEEZE,1/2NPT .38-.50,SM	
27-	6935	LOCKNUT,ELEC,1/2"	
28	1257296	SCREW,PHPM-ST,8-32X.50,TYPE F,ZAG	4
29	1257390	WASHER,FLAT,#8,SAE,ZAG	4
30	120300	BRACKET,POWER TO PLAT,DOM	1
31	10775	T-BOX,2.75 X 4.5 X 2.0	
32	13585	OUTLET, 110V USA/Canada	



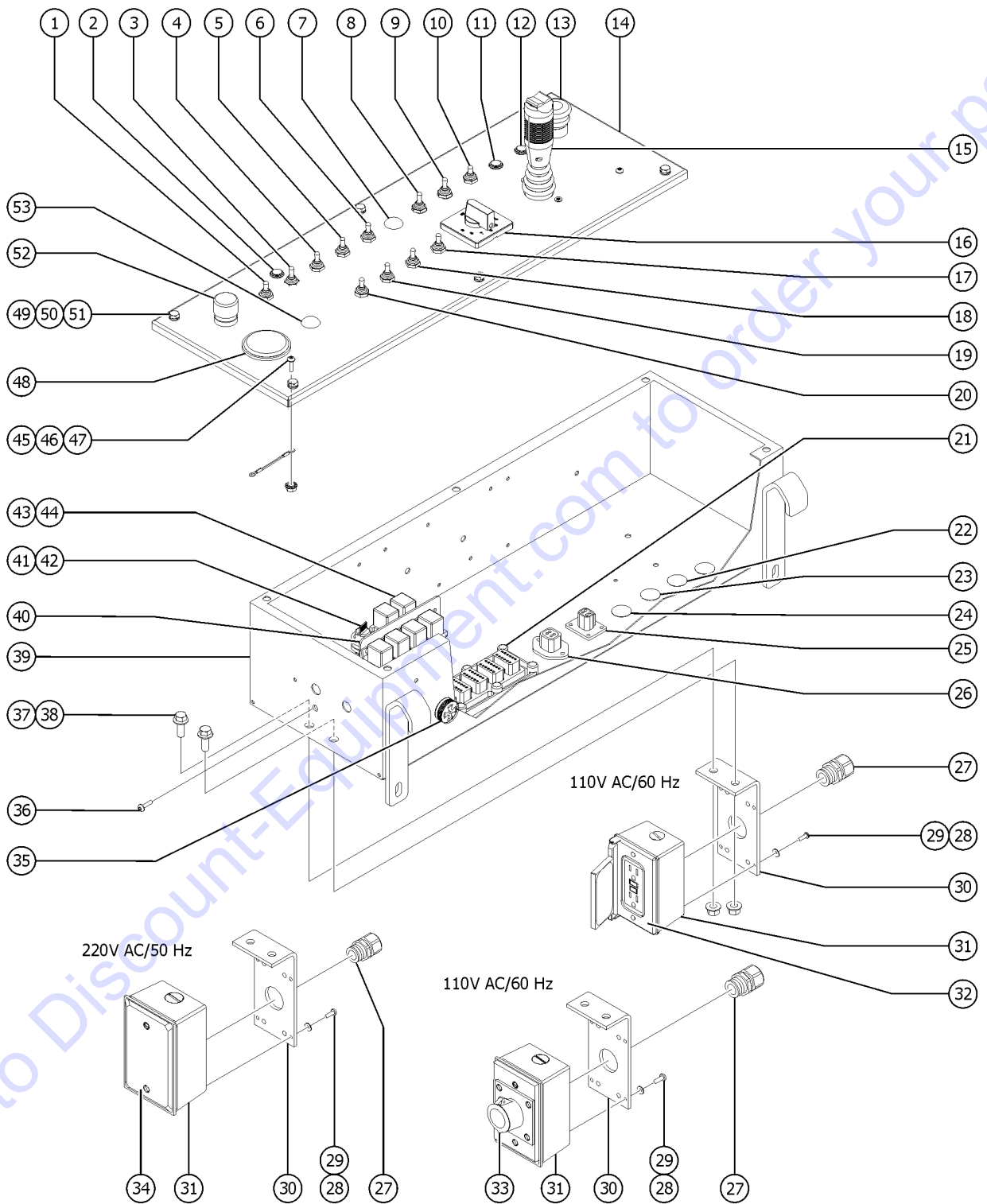
503.1 Platform Controls



Item	Part No.	Description	Qty.
32-	74006	COVER,GFCI,HORIZONTAL,WEATHER USA/Canada	
33	T112560GT	RECEPTACLE,UK,110V	1
34	10777	COVER,BLANK	1
34-	33724	KIT,GASKET,UK POWER TO PLAT	
34-	49820	SCREW,PHILLIPS,PHM,6-32 X .5	
34-	81458	GASKET, UK POWER TO PLAT	
35	45383	ALARM,WARBLE TONE 5-30 VDC*** does not include 72326 nut	1
35-	72326	NUT - PLASTIC,RING FOR ALARMS must order separately	
36	824090	SCREW,HHF,3/8-16X1,8,ZAG	1
37	824029	NUT,TL FLG,3/8-16,G,ZAG	2
38	824029	NUT,TL FLG,3/8-16,G,ZAG	2
39	120297	WELDMENT,PLATFORM CONTROL BOX	1
39-	1257227	SCREW,PHPM,10-32X.625,ZAG	
39-	30996	PLUG,NYLON .313 BLACK DOMED	
39-	42288	PLUG,NYLON .188 BLACK DOMED	
39-	42781	PLUG, NYLON .250 BLACK DOMED	
40	T106699GT	BRACKET,RELAY MOUNT W/INSERTS	1
40-	1251757	SCREW,PHPM,10-32X.50,ZAG	
40-	824036	NUT,TL,10-32,A,ZAG	
40-	824078	SCREW,HHF,1/4-20X.75,8,ZAG	
41	43181	CAPACITOR,TIME DELAY	
42	13268	CLAMP,0.75,#12 X 1/4,RUB CUSH	
43	56302	RELAY,24VDC,40/30A,SEALED***	6
44	34053	ASSY,RELAY SOCKET, AUTO	6
45	54365	SCREW,PHIL,PHM,10-32 X .5,SSTL	4
46	77351	LANYARD,PLATFORM CONTROL BOX	2
47	1264261	NUT,SERRATED,10-32,ZAG	4
48	237145	IND,BAT CHARGE,48V LEAD-ACID (models with battery charge indicator)	1



503.1 Platform Controls



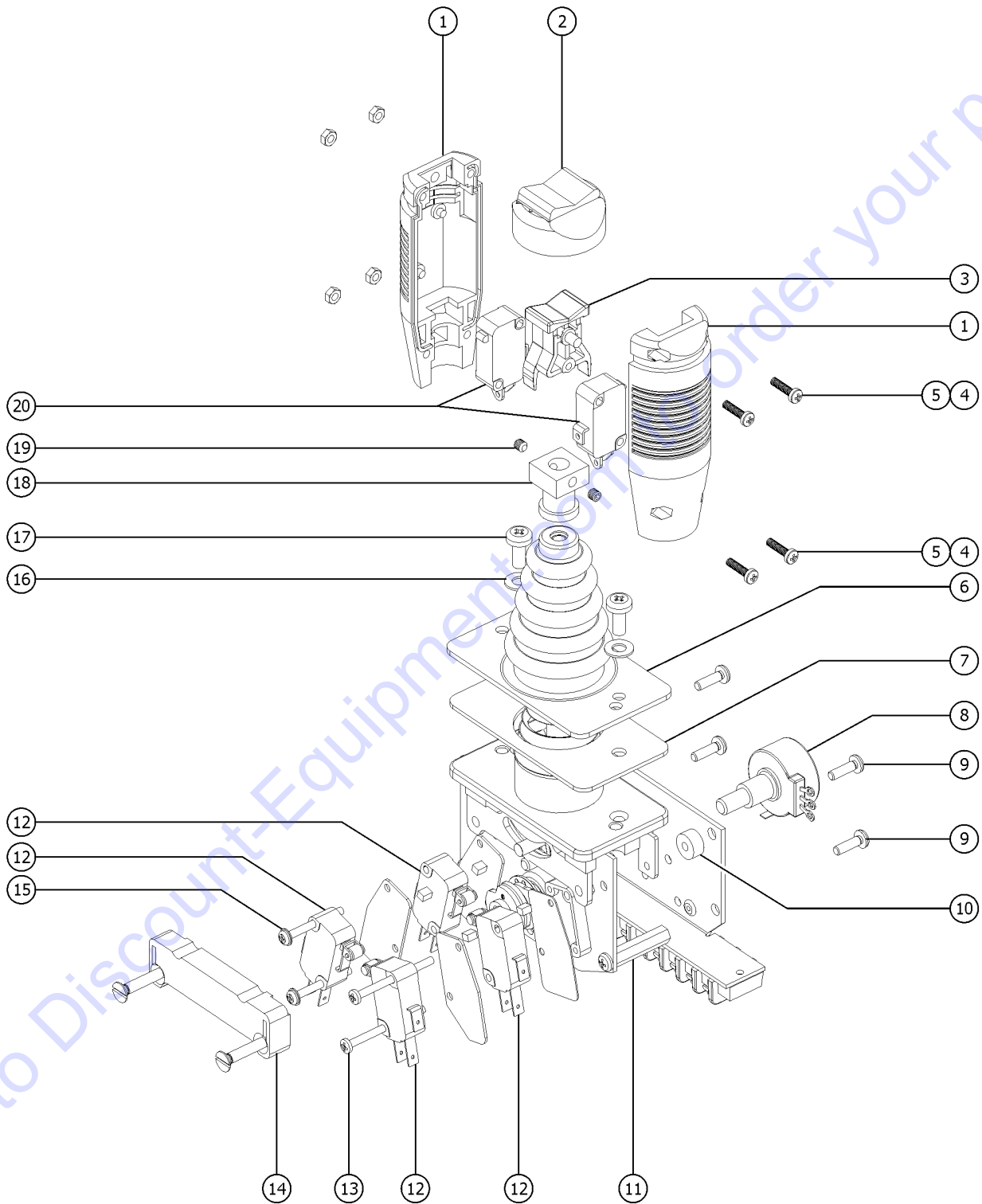
503.1 Platform Controls

<i>Item</i>	<i>Part No.</i>	<i>Description</i>	<i>Qty.</i>
48B	110651	LVI/BCI 36/48 VOLT ENGAGE II "(models with low voltage indicator/battery charge indicator) "	1
48C	45840	PLUG,NYLON 2.00 BLACK DOMED	1
49	824059	SCREW,HHC,1/4-20X.75,8,ZAG	6
50	824109	WASHER,LOCK,1/4,ZAG	6
51	1253185	WASHER,FLAT,#10,USS,ZAG	6
52	122513	KIT,HORN SVC BB&SM BOOM	
52-	66813	BUTTON,PUSH,BLACK W/SEAL ***	
52-	66815	BASE, W/1 N.O. CONTACTS***	
53	229567	PLUG,SANTOPRENE .5 BLACK DOME	1

Go to Discount-Equipment.com to order your parts



504.1 Joystick Controller, Drive/Steer Functions

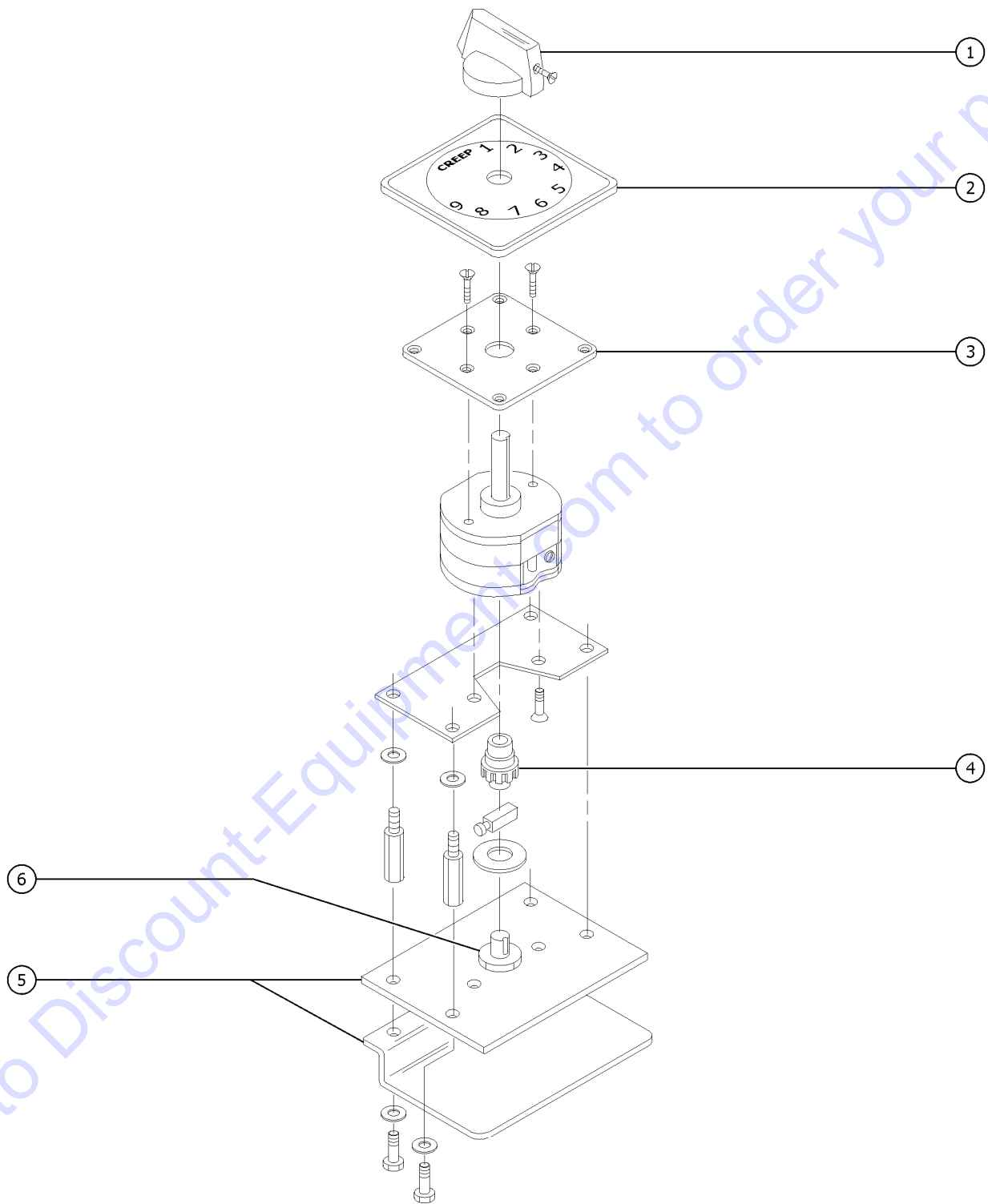


504.1 Joystick Controller, Drive/Steer Functions

Item	Part No.	Description	Qty.
A	234923	JOYSTICK,5K-0 OHM,W/RELAY	1
1	52887	HANDLE HALF (56274)	2
2	46038	BOOT-THUMB ROCKER** BLACK	1
3	65178	ROCKER ASSY W/ROLLPIN***	1
4	52895	SCREW,PHM,M3 X .5 X 12MM	4
5	52928	NUT-HEX,3M X 0.5MM	4
6	21427	BOOT,CONTROLLER**	1
7	43042	GASKET,JOYSTK.SHAFT36867/42032	1
8	72298	POTENTIOMETER (56773)	1
9	65546	SCREW,PHM,M3.5 X 12MM (57890)	6
10	74368	SPACER-POT.PLATE,JOYSTICK56773	2
11	19721	MICROSWITCH SPACER,45049	1
12	19712	MICROSWITCH,V3L-139-D8	4
13	52892	SCREW,PHS,4-40 X 1.5	2
14	19713	SPRING RETURN,HEAVY DUTY,45049	1
15		Ref. SCREW, 4-40 x 1/18"	2
		illustration purpose only	
16	74362	WASHER,NYLON, JOYSTICK	2
17	226383	SCREW	2
18	43040	NUT,JS,36867/42032/44988/40612	1
		coupling	
19	58985	SCREW,HANDLE42032,40612,36867	2
20	19722	MICROSWITCH-V319M***	2



505.1 Rotational Controller



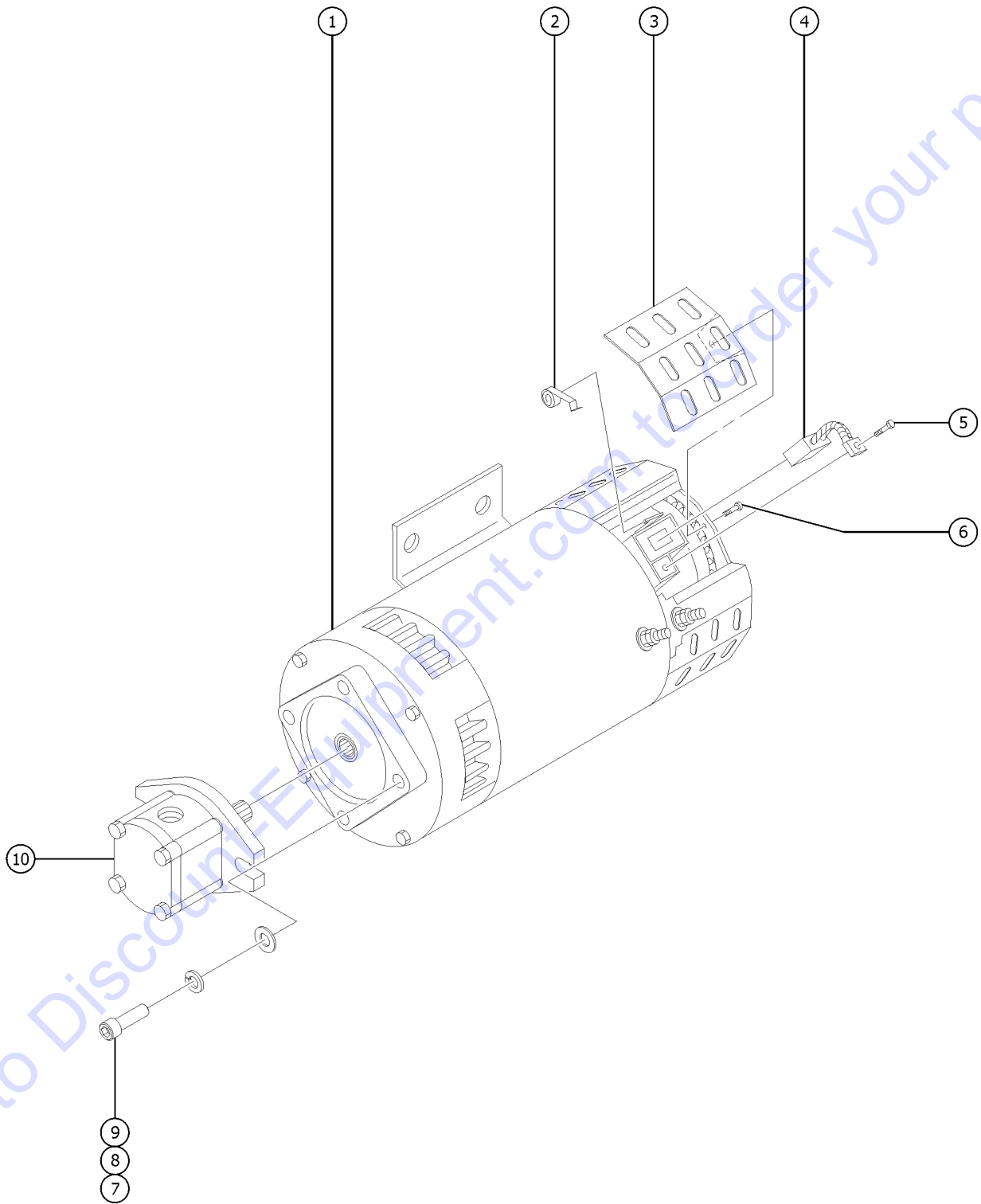
505.1 Rotational Controller

Item	Part No.	Description	Qty.
--	36557	ROTATIONAL CONTROLLER,24V***	
1	35679	KNOB, 45048 CONTROLLER	1
2	35680	LEGEND,PLSTC,"CREEP TO 9"***	1
3	35678	MOUNTING PLATE, 45048	1
4	19731	GEAR, SLAVE, MS4,45048	1
5	40433	PCB,ROTATOR CONTROLLER 36557* includes item 6	1
6	19729	POTENTIOMETER,56886	1

Go to Discount-Equipment.com to order your parts



601.1 Hydraulic Power Unit

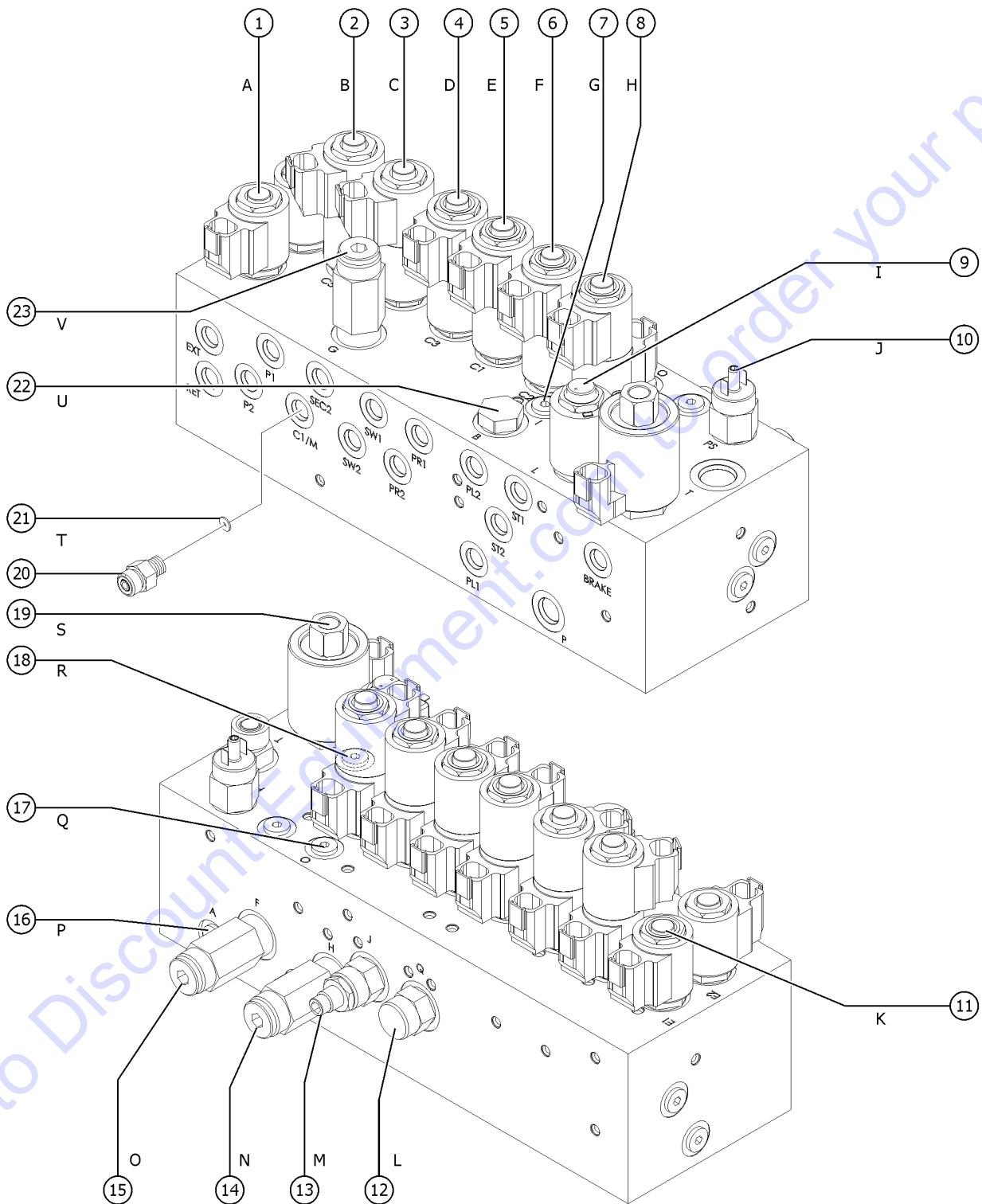


Item	Part No.	Description	Qty.
1	48504	MOTOR,FUNCTION,48V DC	1
1B	1263609	MOTOR,FUNCTION,48V DC,XINYU	1
2	44750	SPRING-BRUSH,40844, SCISSORS	
		For 48504	
3	58936	BRUSH COVER -PLATE-(48504)*	1
		For 48504	
4	58932	BRUSH SET 4 EA	1
		For 48504	
5	52913	SCREW,HH TAPETITE THRD8-32X.50	
		For 48504	
6	82914	SCREW,HHTAPTITE THREAD8-32X.38	
		For 48504	
7	824100	SCREW,SHC,3/8-24X1.25,A574,ZAG	2
8	824110	WASHER,LOCK,3/8,ZAG	2
9	826793	WASHER,FLAT,3/8,SAE,HRD,ZAG	2
10	77981	PUMP,LIFT,3CC,CCW***	1
10-	77990	KIT,SEAL,3CC PUMP***	

Go to Discount-Equipment.com to order your parts



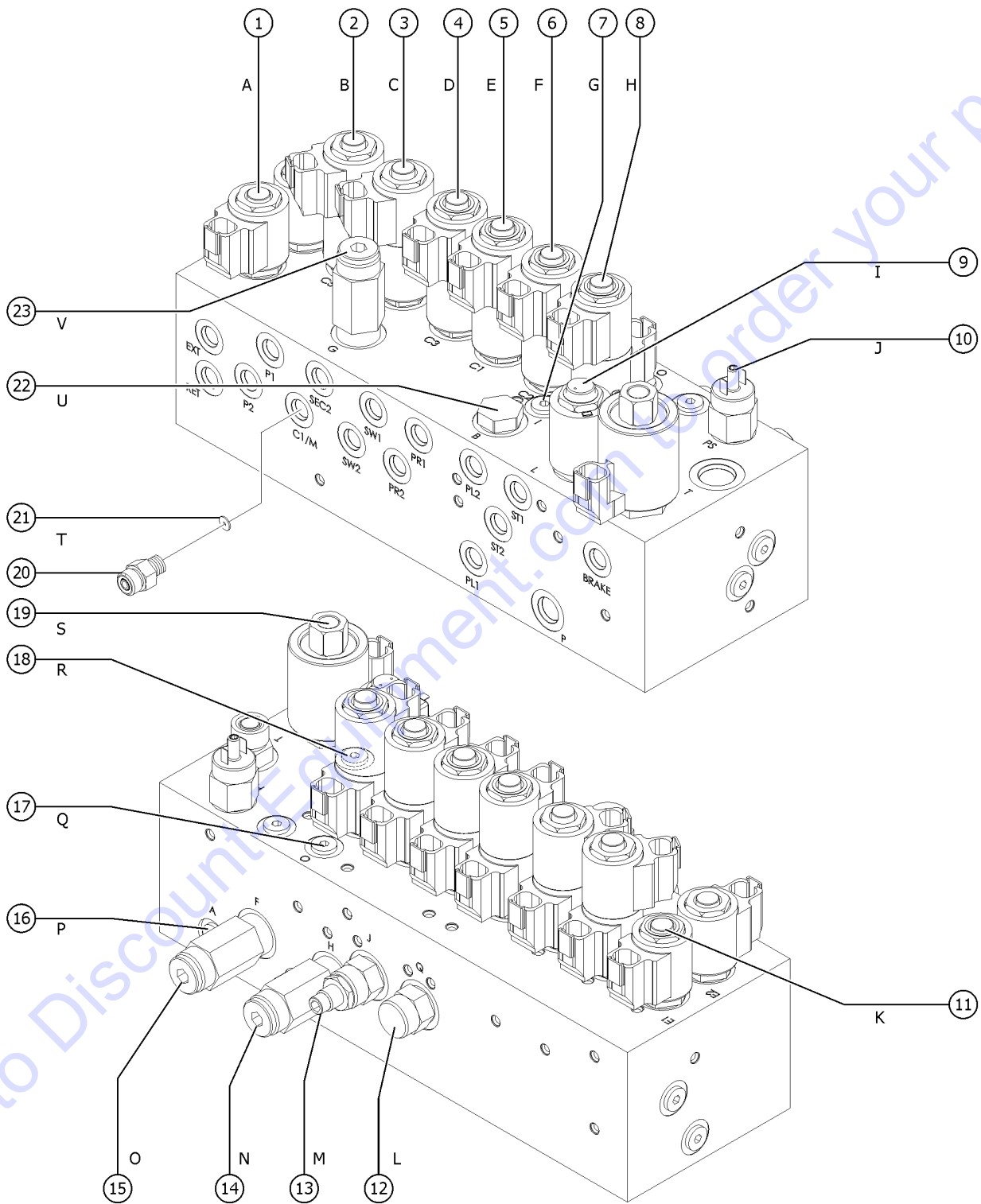
602.1 Function Manifold



Item	Part No.	Description	Qty.
A	94860	MANIFOLD,FUNCTION DC/BI***	
1	52897	VALVE,SOLENOID, 2POS/3WAY*** A, Primary boom retract	
1-	52371	SEAL KIT, VALVE	
1-	77709	COIL,#8 20VDC,DEUTSCH W/DIOD	
2	39346	VALVE,SOLENOID 3 POS.4 WAY*** B, Primary boom up/down	
2-	44229	SEAL KIT, VALVE	
2-	44236	SPACER-DUAL COIL,#8***	
2-	77709	COIL,#8 20VDC,DEUTSCH W/DIOD	
3	39346	VALVE,SOLENOID 3 POS.4 WAY*** C, Secondary boom up/down	
3-	44229	SEAL KIT, VALVE	
3-	44236	SPACER-DUAL COIL,#8***	
3-	77709	COIL,#8 20VDC,DEUTSCH W/DIOD	
4	39346	VALVE,SOLENOID 3 POS.4 WAY*** D, Turntable rotate left/right	
4-	44229	SEAL KIT, VALVE	
4-	44236	SPACER-DUAL COIL,#8***	
4-	77709	COIL,#8 20VDC,DEUTSCH W/DIOD	
5	39346	VALVE,SOLENOID 3 POS.4 WAY*** E, Platform rotate left/right and jib	
5-	44229	SEAL KIT, VALVE	
5-	44236	SPACER-DUAL COIL,#8***	
5-	77709	COIL,#8 20VDC,DEUTSCH W/DIOD boom up and down	
6	39346	VALVE,SOLENOID 3 POS.4 WAY*** F, Platform level up/down	
6-	44229	SEAL KIT, VALVE	
6-	44236	SPACER-DUAL COIL,#8***	
6-	77709	COIL,#8 20VDC,DEUTSCH W/DIOD	
7	826779	VALVE,SHUTTLE G, Platform level circuit	
8	52912	VALVE,3POSITION,4WAY* H, Steer left/right	
8-	44229	SEAL KIT, VALVE	
8-	44236	SPACER-DUAL COIL,#8***	



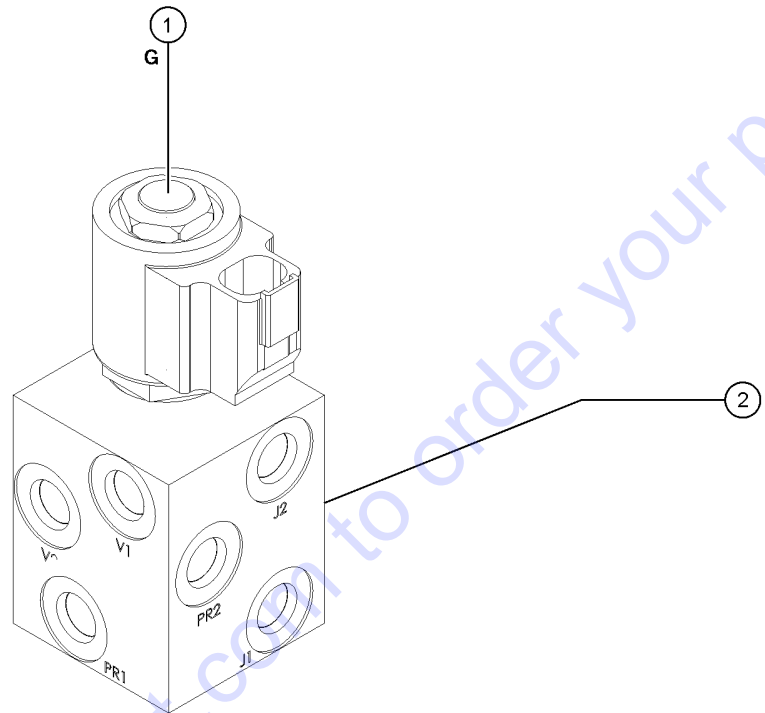
602.1 Function Manifold



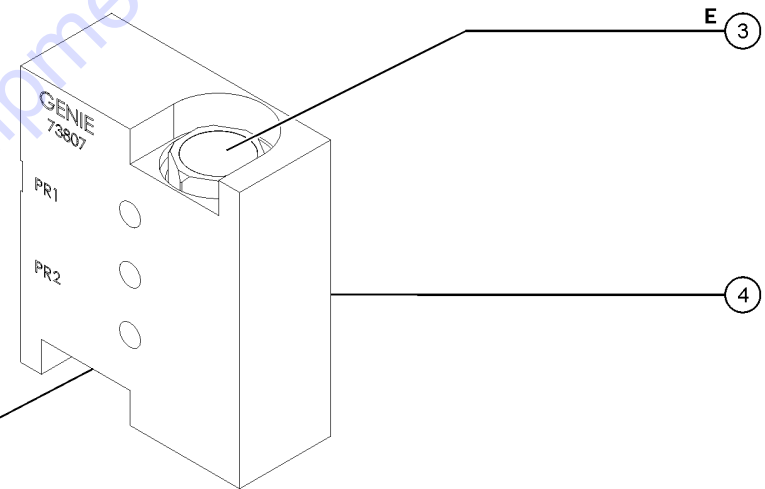
Item	Part No.	Description	Qty.
8-	77709	COIL,#8 20VDC,DEUTSCH W/DIODE	
9	101057	VALVE,PRESS COMP,PROP DIRECT	
		I, Controls flow to functions	
9-	119825	COIL, 24V, DEUTSCH NO DIODE	
10	1287986	SWITCH,PRESS,#6SAE,600 PSI	
		J, Brake circuit	
11	52897	VALVE,SOLENOID, 2POS/3WAY***	
		K, Primary boom extend	
11-	77709	COIL,#8 20VDC,DEUTSCH W/DIODE	
12	94618	VALVE,FLOW CONTROL,.4 GPM	
		L, Platform rotate and turntable rotate circuits	
13	101055	VALVE,NEEDLE,FINE ADJUSTMENT**	
		M, Platform level circuit	
14	101114	VALVE RELIEF,2500PSI(88513)**	
		N, Platform level circuit (to SN 58175)	
14-	44227	SEAL KIT, VALVE	
14B	52374	VALVE,RELIEF,3000PSI,GS68PUMP1	
		N, Platform level circuit (from SN 58176)	
14B-	44227	SEAL KIT, VALVE	
15	52906	VALVE-RELIEF,3200 PSI	
		O, System relief	
16	52907	VALVE-CHECK, #4 SAE, 5 PSI*	
		P, Brake circuit	
17	52910	ORIFICE PLUG, 0.060	
		Q, Steer circuit	
18	101067	ORIFICE PLUG,030,1/16-27 NPT	
		R, Proportional valve circuit	
18B	1297587	ORIFICE DISK, .025#6101025	
		From Z4525D-3229, used in Chinese market	
19	101056	VALVE,DIRECTIONAL,2-WAY,3 POS	
		S, Brake circuit (coil not included, order separately)	
19-	101069	ORIFICE DISK,.030	
		S, Brake circuit	
19-	46258	NUT, CARTRIDGE VALVE	
19-	84385	COIL,20VDC DEUTCSH W/DIODE	
		S, Brake circuit	
20	129021	ORIFICE PLATE,0.037"	
		U	
20B	48912	CONN,520120-4-6***	
		T	
21	47010	ORIFICE DISC,.037",BLACK *	
		T	
21B	75453	VALVE,CHECK,DUAL PILOT***	
		V, Platform level circuit	
22	101277	VALVE,RELIEF,2100 PSI***	
		W, Secondary boom down circuit	
22B	75453	VALVE,CHECK,DUAL PILOT***	
		U, Platform level circuit	
23	101277	VALVE,RELIEF,2100 PSI***	
		V, Secondary boom down circuit	



603.1 Jib Boom and Platform Rotate Manifolds



Jib Manifold



Platform Rotate Manifold

5 F

Go to Discount-Equipment.com to order your parts

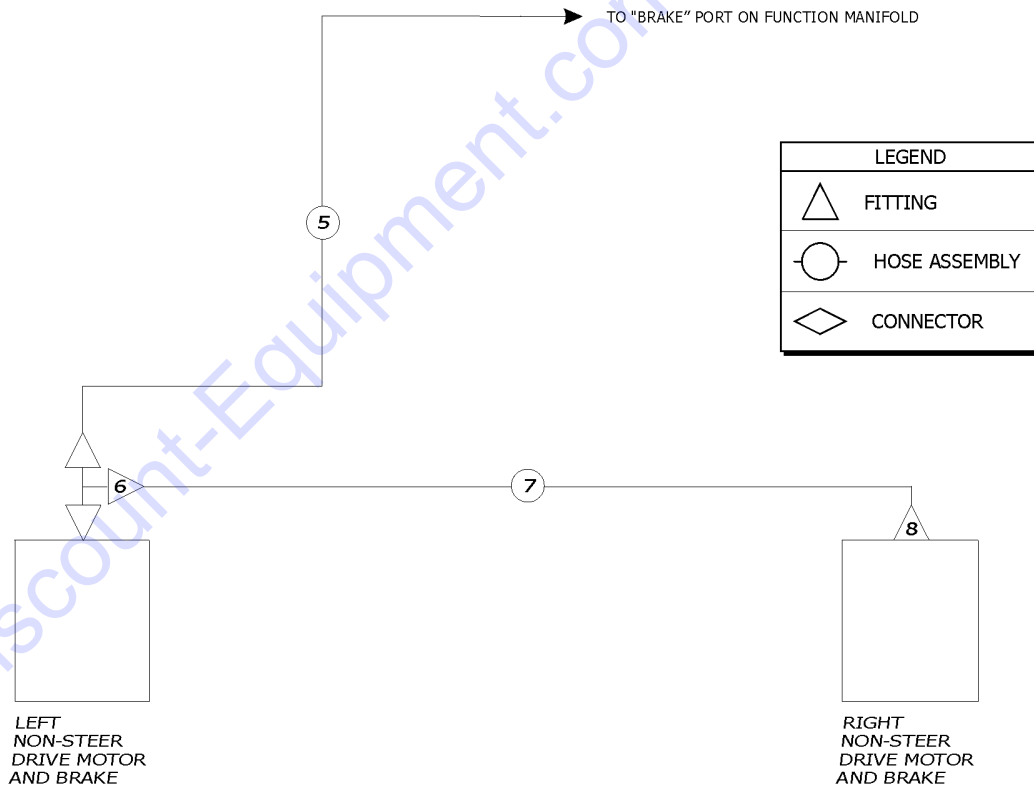
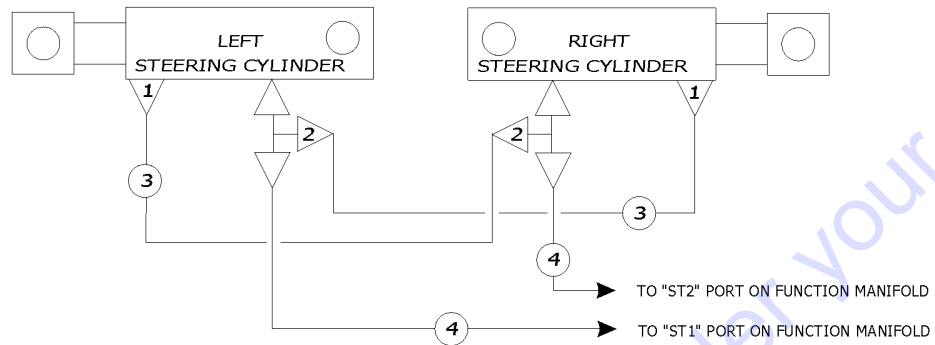
603.1 Jib Boom and Platform Rotate Manifolds

Item	Part No.	Description	Qty.
1	52897	VALVE,SOLENOID, 2POS/3WAY*** G, Jib boom / platform rotate select	
1-	44174	NUT-COIL SHORT	
1-	52371	SEAL KIT, VALVE	
1-	77709	COIL,#8 20VDC,DEUTSCH W/DIOD	
2	1267570	MANIFOLD,JIB SELECT,20V***	
2-	44174	NUT-COIL SHORT	
2-	52371	SEAL KIT, VALVE	
2-	52897	VALVE,SOLENOID, 2POS/3WAY***	
2-	77709	COIL,#8 20VDC,DEUTSCH W/DIOD	
3	62506	VALVE - COUNTERBALANCE** E, Platform Rotate Right Circuit	
3-	43018	SEAL KIT (39345)	
4	73807	MANIFOLD,ROTATOR,CB***	
4-	62507	O-RING, ROTATOR MANIFOLD Manifold to Platform Rotator	
5	62506	VALVE - COUNTERBALANCE** F, Platform Rotate Left Circuit	
5-	43018	SEAL KIT (39345)	

Go to Discount-Equipment.com to order your parts



701.1 Drive and Steer Hoses

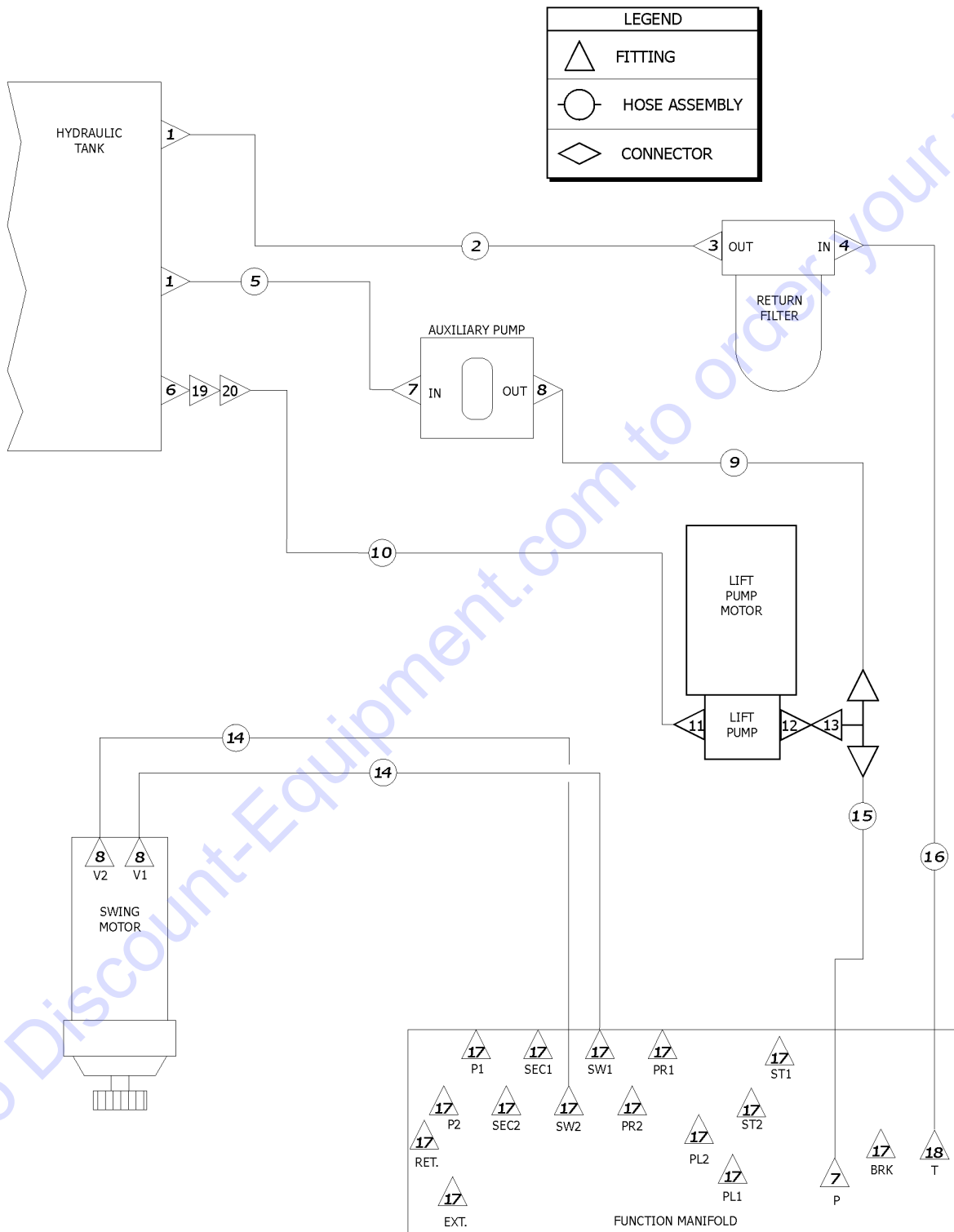


Item	Part No.	Description	Qty.
--	28750	O-RING KIT,FIELD SVC,ALL PROD*	
--	33994	PLUG AND CAP KIT-SERVICE,37 **	
--	49612	O-RING KIT (ORFS FITTINGS)	
--	49613	PLUG AND CAP KIT-SERVICE,ORFS*	
1	48904	ELBOW,90D,520220-4-4	2
2	48906	TEE,RUN,520428-4	2
3	49119-2078	HOSE ASSY,1/4,STR FEM,STR FEM*	2
4	49117-11091	HOSE ASSY,1/4,90 FEM,STR FEM	2
5	49117-9991	HOSE ASSY,1/4,90 FEM,STR FEM	1
6	48890	FITTING,TEE,BRANCH,520429-4***	1
7	49117-4691	HOSE ASSY,1/4,90 FEM,STR FEM	1
8	48904	ELBOW,90D,520220-4-4	1

Go to Discount-Equipment.com to order your parts





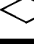
702.1 Turntable Components

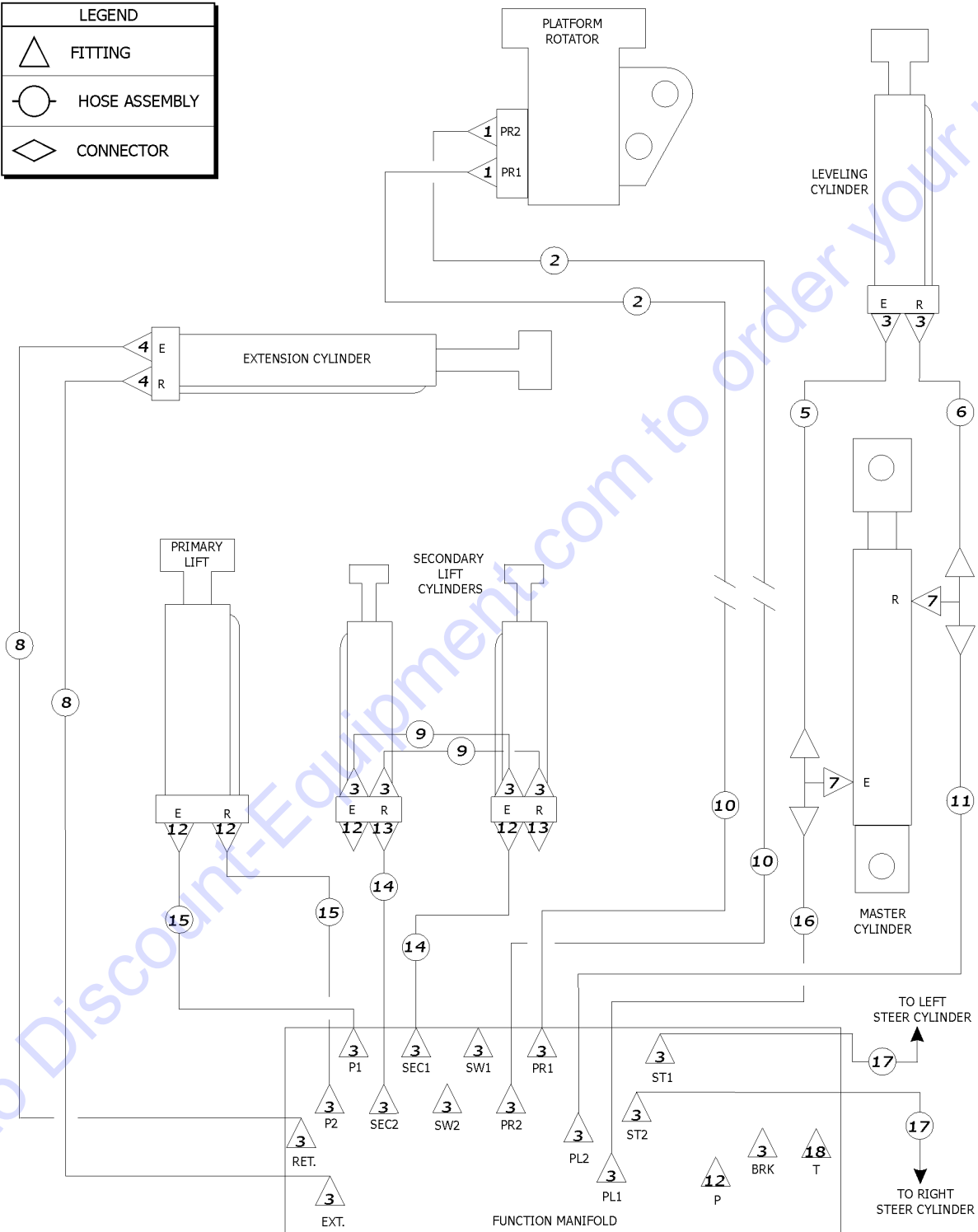


Item	Part No.	Description	Qty.
A	28750	O-RING KIT,FIELD SVC,ALL PROD*	
B	33994	PLUG AND CAP KIT-SERVICE,37 **	
C	49612	O-RING KIT (ORFS FITTINGS)	
D	49613	PLUG AND CAP KIT-SERVICE,ORFS*	
1	48944	CONN,520102-8-8	2
2	49143-2535GT	HOSE ASSY,1/2,90 FEM,STR FEM	1
3	48947	ELBOW,90D,520220-8-12	1
4	48948	CONN,520120-8-12	1
5	77059-2986GT	HOSE ASSY,MULTI USE***	1
6	45162	STRAINER ASSEMBLY,1.25" NPT***	
7	48916	CONN, 520120-6	2
8	48911	ELBOW,90D,520220-4-6***	3
9	T115351GT	HOSE ASSY,1/4,STR FEM,STR FEM	1
10	1264688	HOSE ASSY, 3/4, 45D, STR FEM	1
11	1264690	CONN,520220-12-10,90D	1
12	48999	VALVE,CHK,#8PORT-#8MALEORFS	1
13	48939	TEE,BRANCH,520433-8	1
14	49119-3378GT	HOSE ASSY,1/4,STR FEM,STR FEM	2
15	214814	HOSE ASSY, 1/2, 39.25	1
		DC only	
16	48143-2029GT	HOSE ASSY,1/2,90 FEM,STR FEMM*	1
17	48912	CONN,520120-4-6***	15
18	48942	ELBOW,90D,520220-8-6	1
19	48966	CONN,520102-12	1
20	1264689	CONN,520221-12,45D	1



703.1 Boom Components - Z-45/25

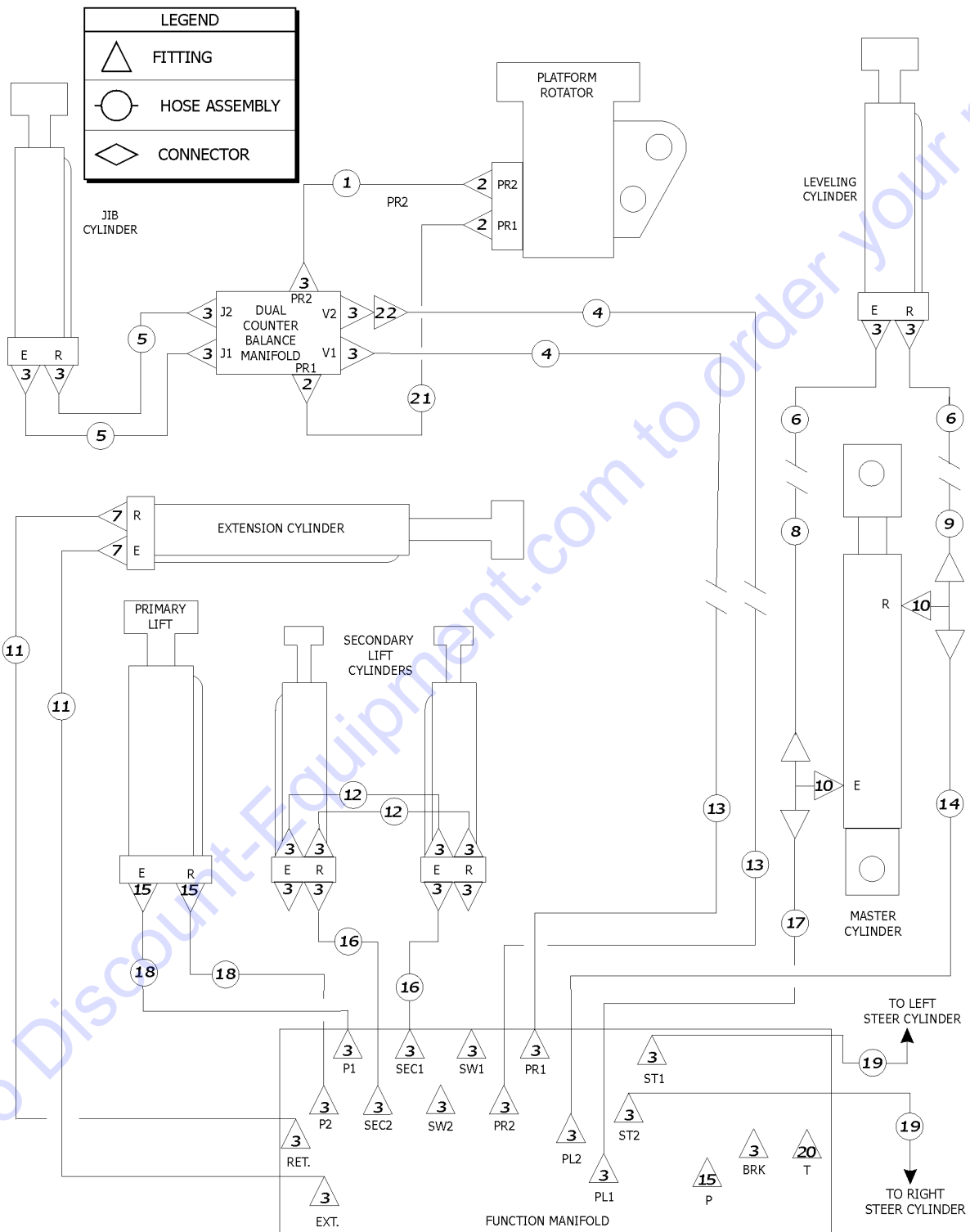
LEGEND	
	FITTING
	HOSE ASSEMBLY
	CONNECTOR



Item	Part No.	Description	Qty.
A	28678	SLEEVE,NYLON,2" I.D.,BULK(100') protective hose sleeve, 2.00" diameter	18
B	28750	O-RING KIT,FIELD SVC,ALL PROD*	
C	33994	PLUG AND CAP KIT-SERVICE,37 **	
D	48767	SLEEVE,NYLON,1.42 ID protective hose sleeve, 1.42" diameter	33
E	49612	O-RING KIT (ORFS FITTINGS)	
F	49613	PLUG AND CAP KIT-SERVICE,ORFS*	
G	77103	SLEEVE,NYLON,3.13 ID protective hose sleeve, 3.13" diameter	48
1	48904	ELBOW,90D,520220-4-4	2
2	49121-25688GT	HOSE ASSY 1/4,STR FEM,STR MALE	2
3	48912	CONN,520120-4-6***	21
4	48917	CONN,LONG,520122-6	2
5	49119-26078GT	HOSE ASSY,1/4,STR FEM,STR FEM	1
6	49119-27478GT	HOSE ASSY,1/4,STR FEM,STR FEM	1
7	48919	TEE,BRANCH,520429-6	2
8	49120-33381GT	HOSE ASSY 1/4, STR FEM,STR FEM	2
9	49119-2178GT	HOSE ASSY,1/4,STR FEM,STR FEM	2
10	49119-39378GT	HOSE ASSY,1/4,STR FEM,STR FEM	2
11	49119-34378GT	HOSE ASSY,1/4,STR FEM,STR FEM	1
12	48916	CONN, 520120-6	5
13	48923	PLUG,090109A-6	2
14	49119-13978GT	HOSE ASSY,1/4,STR FEM,STR FEM	2
15	49119-36378GT	HOSE ASSY,1/4,STR FEM,STR FEM	2
16	49119-35678GT	HOSE ASSY,1/4,STR FEM,STR FEM	1
17		Ref. Hose Assembly refer to 701.1	1
18	48942	ELBOW,90D,520220-8-6	1



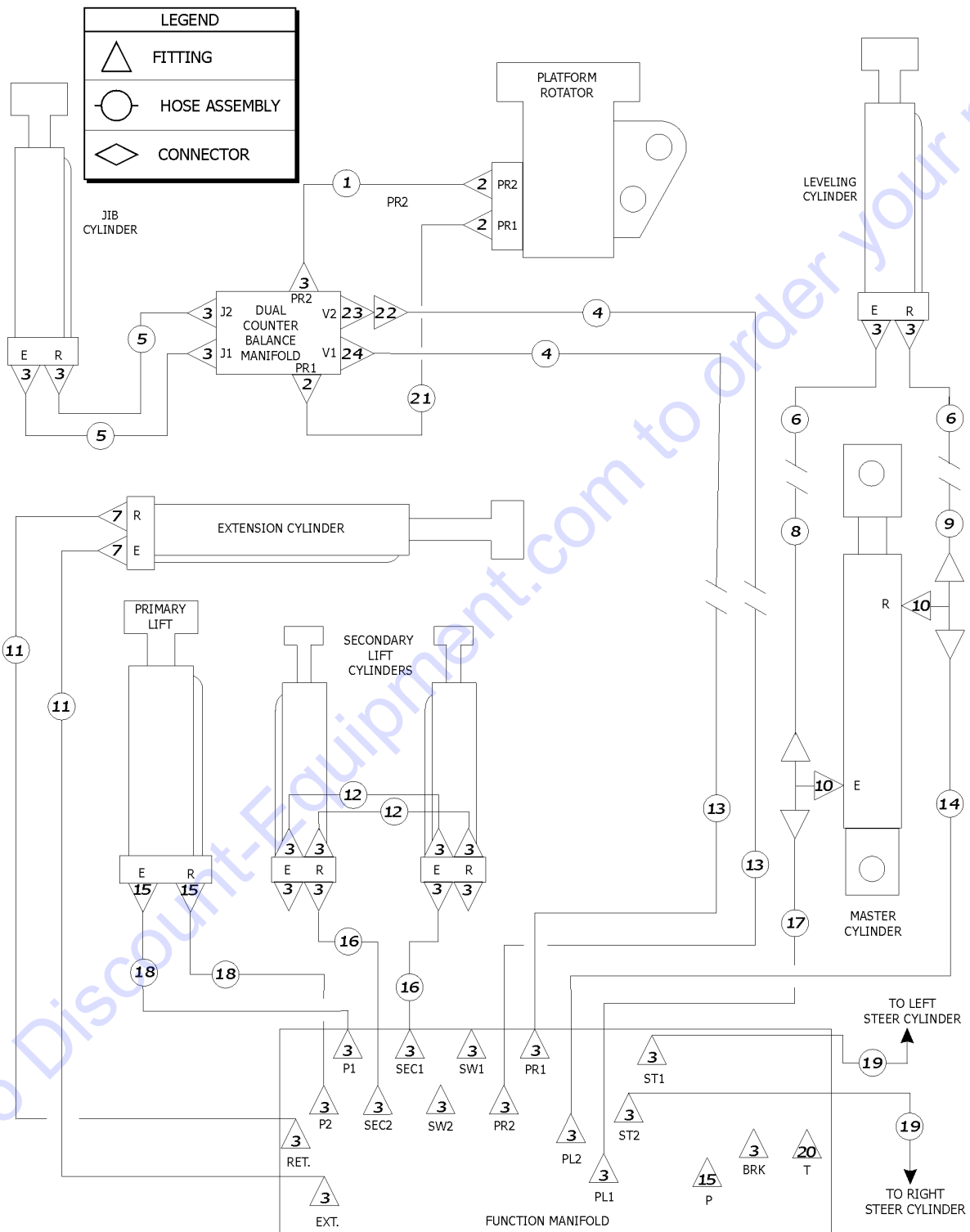
704.1 Boom Components - Z-45/25J (To Z45/25D-2610)



Item	Part No.	Description	Qty.
A	228678-2250GT	SLEEVE,NYLON, 2" ID	
B	28750	O-RING KIT,FIELD SVC,ALL PROD*	
C	33994	PLUG AND CAP KIT-SERVICE,37 **	
D	48767-700GT	SLEEVE,NYLON,1.42 ID	
E	49612	O-RING KIT (ORFS FITTINGS)	
F	49613	PLUG AND CAP KIT-SERVICE,ORFS*	
1	139099	HOSE ASSY, 1/4", 22.00	1
2	48907	ELBOW,45D,520320-4	3
3	48905	CONN,520120-4***	32
4	49121-27788GT	HOSE ASSY 1/4,STR FEM,STR MALE	2
5	49119-4178GT	HOSE ASSY,1/4,STR FEM,STR FEM	2
6	49121-2088GT	HOSE ASSY 1/4,STR FEM,STR MALE	2
7	48917	CONN,LONG,520122-6	2
8	49119-20578GT	HOSE ASSY,1/4,STR FEM,STR FEM	1
9	49119-21878GT	HOSE ASSY,1/4,STR FEM,STR FEM	1
10	48890	FITTING,TEE,BRANCH,520429-4***	2
11	49120-33381GT	HOSE ASSY 1/4, STR FEM,STR FEM	2
12	49119-2178GT	HOSE ASSY,1/4,STR FEM,STR FEM	2
13	49119-37978GT	HOSE ASSY,1/4,STR FEM,STR FEM	2
14	49119-34378GT	HOSE ASSY,1/4,STR FEM,STR FEM	1
15	48916	CONN, 520120-6	2
16	49119-13978GT	HOSE ASSY,1/4,STR FEM,STR FEM	2
17	49119-35678GT	HOSE ASSY,1/4,STR FEM,STR FEM	1
18	49119-36378GT	HOSE ASSY,1/4,STR FEM,STR FEM	2
19	49117-11091GT	HOSE ASSY,1/4,90 FEM,STR FEM	1
20	48942	ELBOW,90D,520220-8-6	1
21	232575	HOSE ASSY, 1/4", 21.24"	1
22	54132	ELBOW,SWIVEL 90D, 520221-4	1



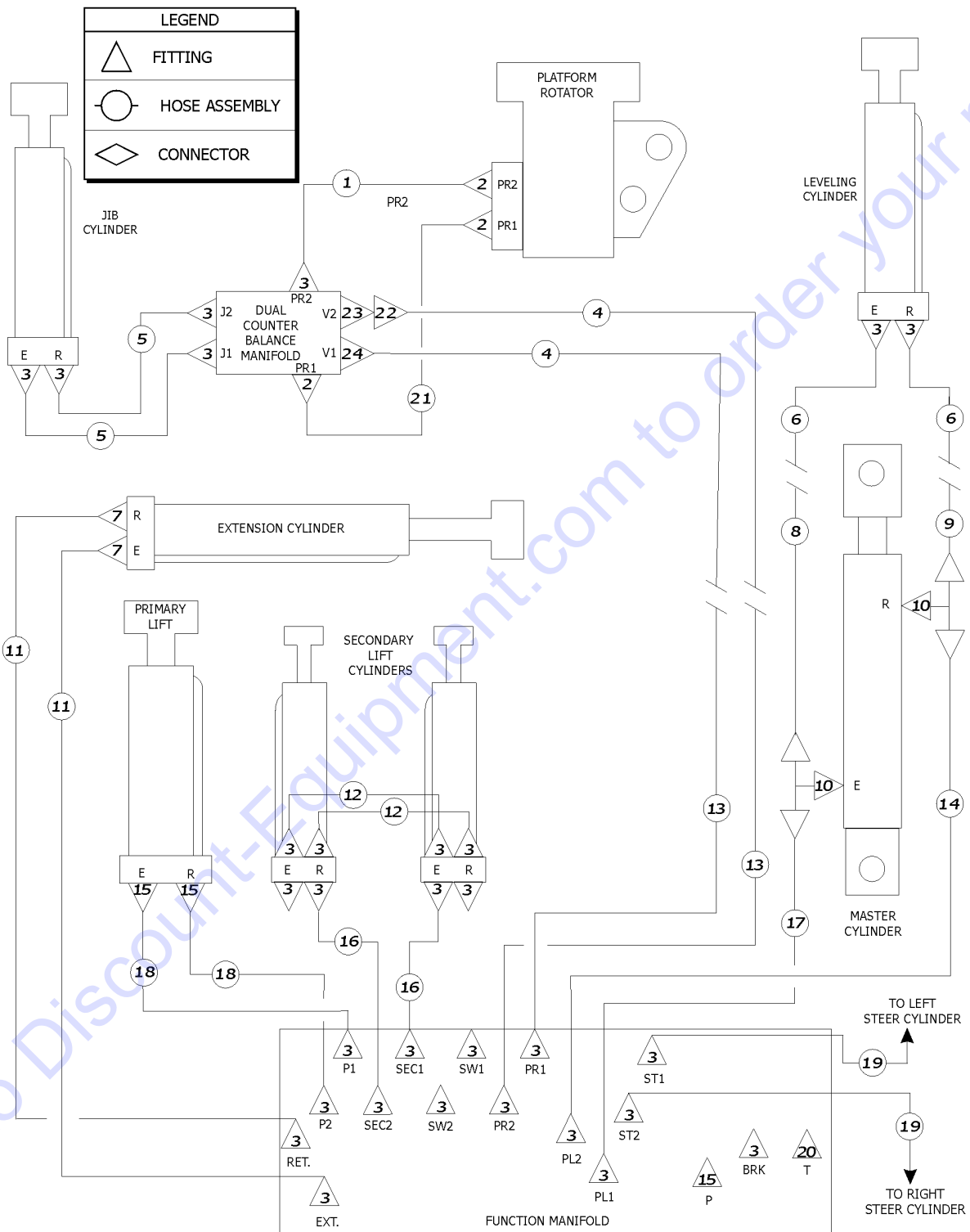
704.2 Boom Components - Z-45/25J (From Z45/25D-2611)



Item	Part No.	Description	Qty.
A	228678-2250GT	SLEEVE,NYLON, 2" ID	
B	28750	O-RING KIT,FIELD SVC,ALL PROD*	
C	33994	PLUG AND CAP KIT-SERVICE,37 **	
D	48767-700GT	SLEEVE,NYLON,1.42 ID	
E	49612	O-RING KIT (ORFS FITTINGS)	
F	49613	PLUG AND CAP KIT-SERVICE,ORFS*	
1	139099	HOSE ASSY, 1/4", 22.00	1
2	48907	ELBOW,45D,520320-4	3
3	48905	CONN,520120-4***	31
4	49121-27788GT	HOSE ASSY 1/4,STR FEM,STR MALE	2
5	49119-4178GT	HOSE ASSY,1/4,STR FEM,STR FEM	2
6	49121-2088GT	HOSE ASSY 1/4,STR FEM,STR MALE	2
7	48917	CONN,LONG,520122-6	2
8	49119-20578GT	HOSE ASSY,1/4,STR FEM,STR FEM	1
9	49119-21878GT	HOSE ASSY,1/4,STR FEM,STR FEM	1
10	48890	FITTING,TEE,BRANCH,520429-4***	2
11	49120-33381GT	HOSE ASSY 1/4, STR FEM,STR FEM	2
12	49119-2178GT	HOSE ASSY,1/4,STR FEM,STR FEM	2
13	49119-37978GT	HOSE ASSY,1/4,STR FEM,STR FEM	2
14	49119-34378GT	HOSE ASSY,1/4,STR FEM,STR FEM	1
15	48916	CONN, 520120-6	2
16	49119-13978GT	HOSE ASSY,1/4,STR FEM,STR FEM	2
17	49119-35678GT	HOSE ASSY,1/4,STR FEM,STR FEM	1
18	49119-36378GT	HOSE ASSY,1/4,STR FEM,STR FEM	2
19	49117-11091GT	HOSE ASSY,1/4,90 FEM,STR FEM	1
20	48942	ELBOW,90D,520220-8-6	1
21	232575	HOSE ASSY, 1/4", 21.24"	1
22	54132	ELBOW,SWIVEL 90D, 520221-4	1



704.2 Boom Components - Z-45/25J (From Z45/25D-2611)



704.2 Boom Components - Z-45/25J (From Z45/25D-2611)

<i>Item</i>	<i>Part No.</i>	<i>Description</i>	<i>Qty.</i>
23	1293788	No.4 STR ORFS W/125 MICRON SCREEN From Z4525D-2611	1
24	1293787	No.4 90DEG ORFS W/125 MICRON SCREEN From Z4525D-2611	1

Go to Discount-Equipment.com to order your parts



PARTS FINDER

**Search Website
by Part Number**



**Search Manual
Library For Parts
Manual & Lookup Part
Numbers – Purchase
or Request Quote**

Search Manuals

Enter your information to search for a parts manual or lookup a part number.

* Brand:

* Model:

* Serial:

* Part Number:

SEARCH

**Can't Find Part or
Manual? Request Help
by Manufacturer,
Model & Description**

Parts Order Form

Please fill in the following information to request help finding a part or manual.

Manufacturer:

Model:

Description:

Quantity:

Part Number:

Part Name:

Part Description:

Part Category:

Part Location:

Part Status:

Part Condition:

Part Material:

Part Color:

Part Weight:

Part Dimensions:

Part Notes:

Submit

Discount-Equipment.com is your online resource for quality parts & equipment.

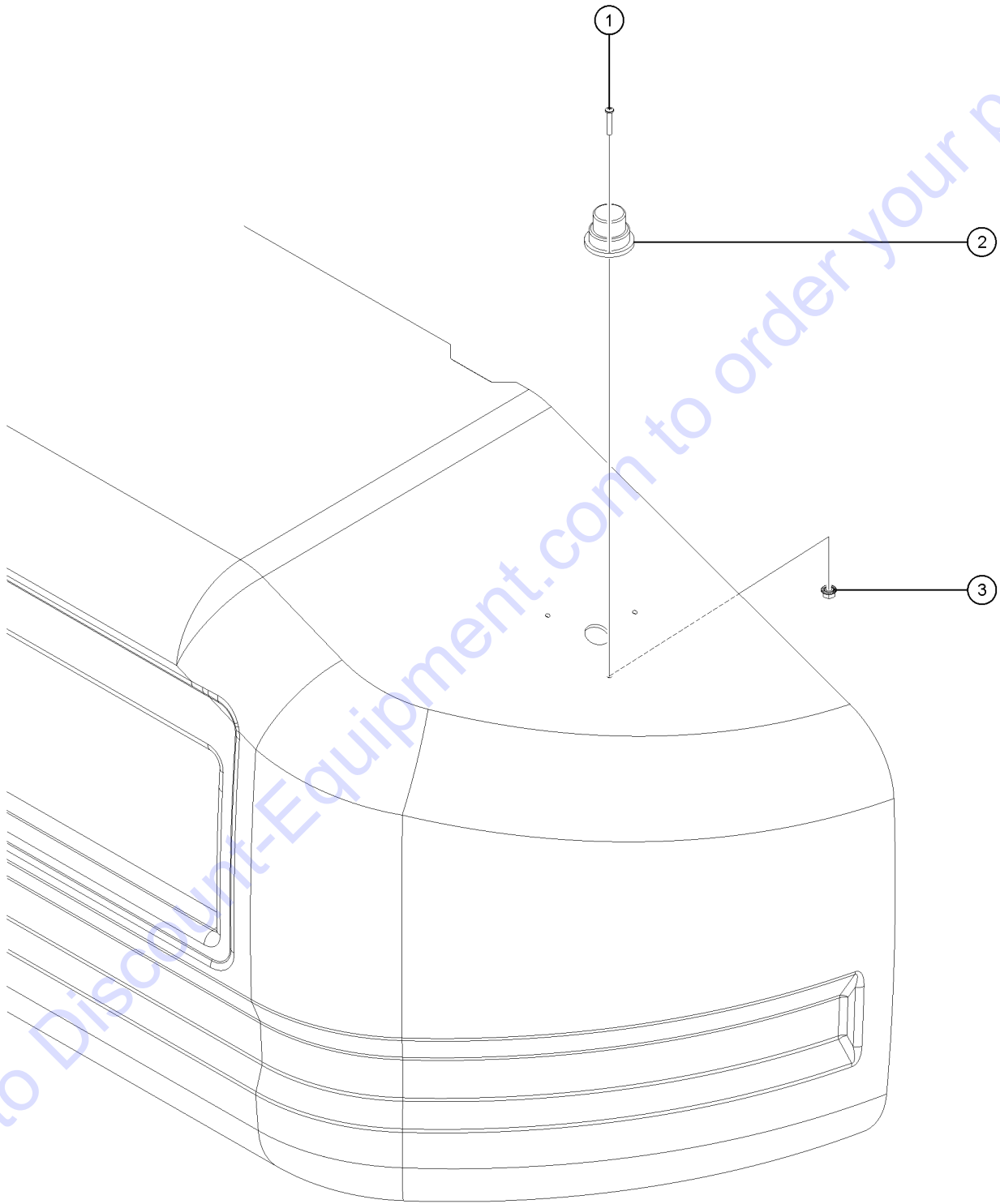
Florida: **561-964-4949** Outside Florida TOLL FREE: **877-690-3101**

Need parts?

Click on this link: <http://www.discount-equipment.com/category/5443-parts/> and choose one of the options to help get the right parts and equipment you are looking for. Please have the machine model and serial number available in order to help us get you the correct parts. If you don't find the part on the website or on one of the online manuals, please fill out the request form and one of our experienced staff members will get back to you with a quote for the right part that your machine needs.

We sell worldwide for the brands: Genie, Terex, JLG, MultiQuip, Mikasa, Essick, Whiteman, Mayco, Toro Stone, Diamond Products, Generac Magnum, Airman, Haulotte, Barreto, Power Blanket, Nifty Lift, Atlas Copco, Chicago Pneumatic, Allmand, Miller Curber, Skyjack, Lull, Skytrak, Tsurumi, Husquvarna Target, Stow, Wacker, Sakai, Mi-T-M, Sullair, Basic, Dynapac, MBW, Weber, Bartell, Bennar Newman, Haulotte, Ditch Runner, Menegotti, Morrison, Contec, Buddy, Crown, Edco, Wyco, Bomag, Laymor, EZ Trench, Bil-Jax, F.S. Curtis, Gehl Pavers, Heli, Honda, ICS/PowerGrit, IHI, Partner, Imer, Clipper, MMD, Koshin, Rice, CH&E, General Equipment, Amida, Coleman, NAC, Gradall, Square Shooter, Kent, Stanley, Tamco, Toku, Hatz, Kohler, Robin, Wisconsin, Northrock, Oztec, Toker TK, Rol-Air, APT, Wylie, Ingersoll Rand / Doosan, Innovatech, Con X, Ammann, Mecalac, Makinex, Smith Surface Prep, Small Line, Wanco, Yanmar

801.1 Flashing Beacon



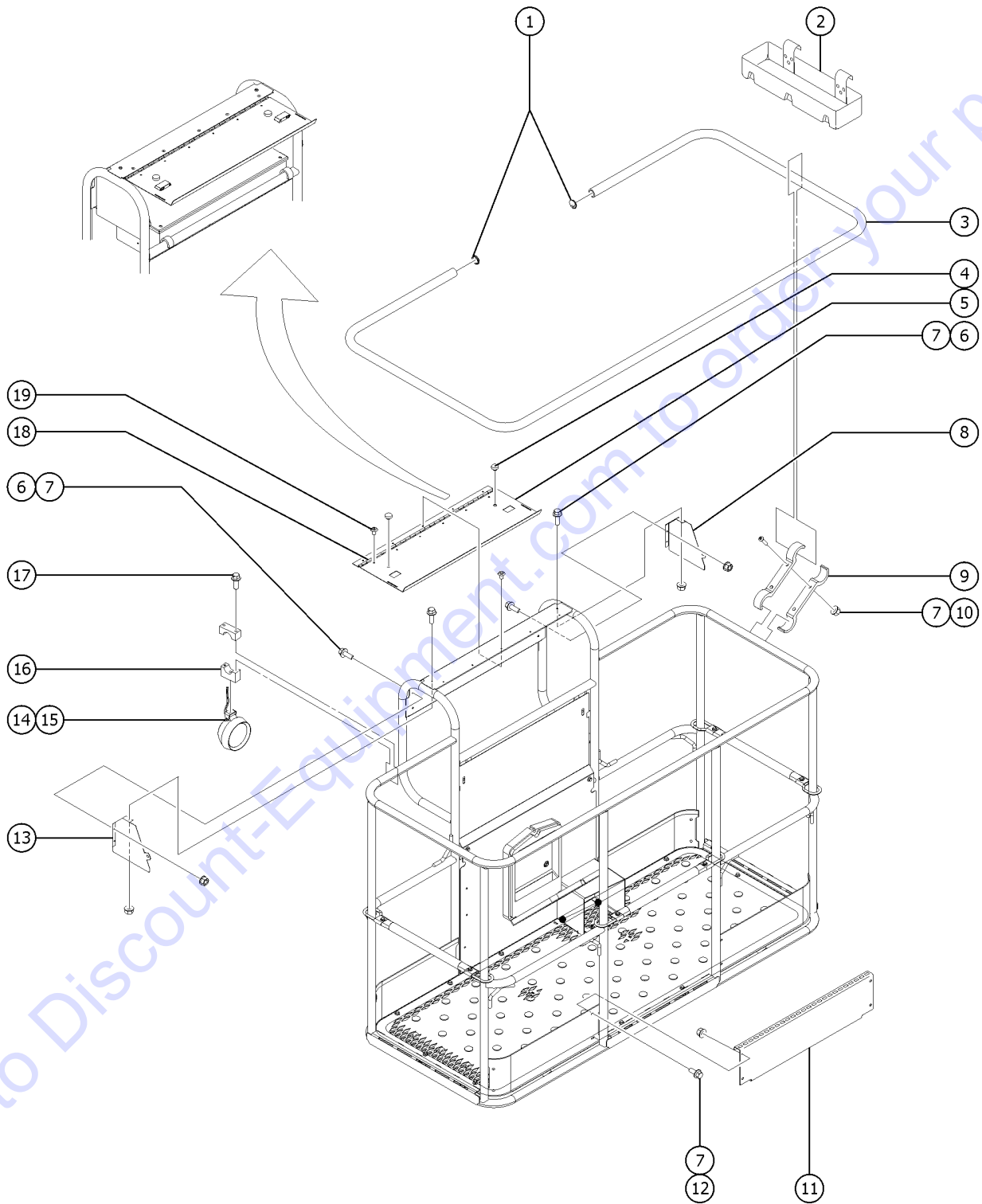
801.1 Flashing Beacon

Item	Part No.	Description	Qty.
1	825352GT	SCREW,PHPM,10-32X1.25,ZAG	3
2	56704GT	STROBE,FIREBOLT,12-80VDC,AMB** (replaced 20189)	1
2-	122019GT	FLASHTUBE,U SHAPED,360DEG,BULB	
2-	226393GT	FLASHTUBE,STRAIGHT,360DEG,BULB	
2-	72282GT	LENS,AMBER,STROBE,FIREBOLT	
3	1264261GT	NUT,SERRATED,10-32,ZAG	3

Go to Discount-Equipment.com to order your parts



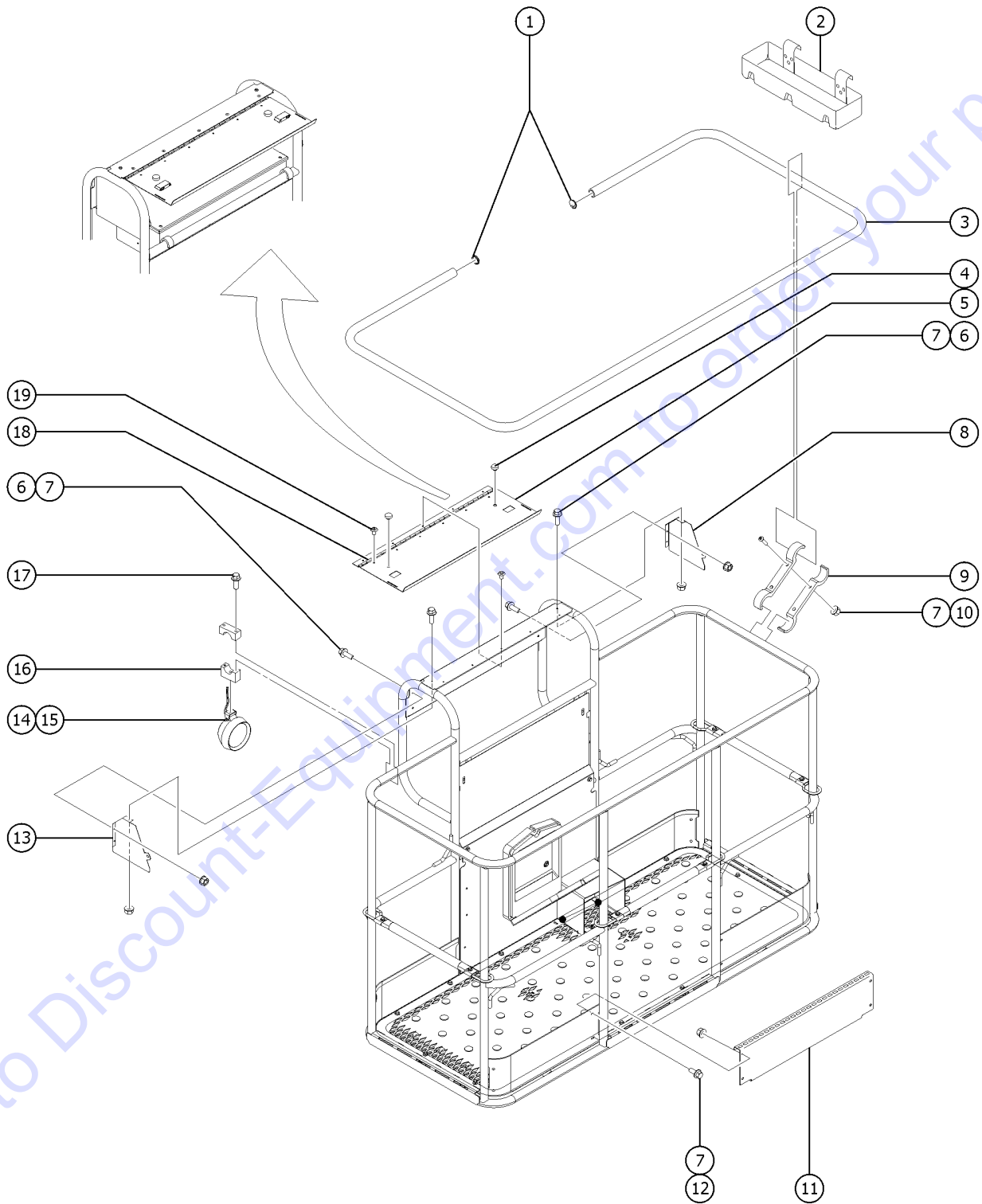
802.1 Platform Options



Item	Part No.	Description	Qty.
A	122278	AUX TOP RAIL,6',SWG GT, SRV	
B	122279	AUX TOP RAIL,8',SWG GT, SRV	
C	28322	OPTION,PLAT.PINCH GUARD,5 FT.	
D	28323	OPTION,PLAT.PINCH GUARD,4 FT.	
E	53157-SGT	PINCH GUARD,6'(1.31")SERVICE**	
F	53807-SGT	AUX TOP RAIL,8'(1.25")SERVICE	
G	53808-SGT	AUX TOP RAIL,6'(1.25")SERVICE	
H	60922	OPTION,EURO TOEBOARD	
		includes item 11	
1	55753	BUMPER, PLASTIC, 1.25 O.D	2
2	9599-SGT	TOOL TRAY ACCESSORY***	1
2-	7746	BRACKET-TOOL TRAY MOUNTING	2
3		Ref. RAILING,PINCH GAURD,4 FT	1
		(tri-entry platform) (refer to 813.1)	
3B		Ref. RAILING,PINCH GAURD,5 FT	1
		(tri-entry platform) (refer to 813.1)	
4	43392	BUMPER,BATTERY BOX & RAILS	2
5	102785PGT	CONTROL BOX COVER,LID,PTD	1
5-	102786PGT	FORMING,LATCH,CTRL BOX LID PTD	
		(not included - sold seperately)	
5-	30468	LATCH,SLIDE, FLUSH MOUNT STYLE	
		(not included - sold seperately)	
6	824078	SCREW,HHF,1/4-20X.75,8,ZAG	8
7	1277924	NUT,NYLOCK FLG,1/4-20,F,ZAG	32
8	88606	COVER,CONTROL BOX RIGHT SIDE**	1
9	122073	SUPPORT, RAILING	20
10	824227	SCREW, BHC, 1/4-20 X 1, ZAG	20
11	94745PGT	TOEBOARD,ENTRY EUROPEAN PNTD**	1
12	1256855	SCREW,HHF,1/4-20X.625,8,ZAG	4
13	88607PGT	COVER,CONTROL BOX LEFT SIDE***	1
14	107857	LIGHT, 12 VOLT	
14-		REF: Harness, Z45 Drive Lights	
		refer to 309.1	
14-	35960	BULB,WORKLIGHT,12V 35W	



802.1 Platform Options

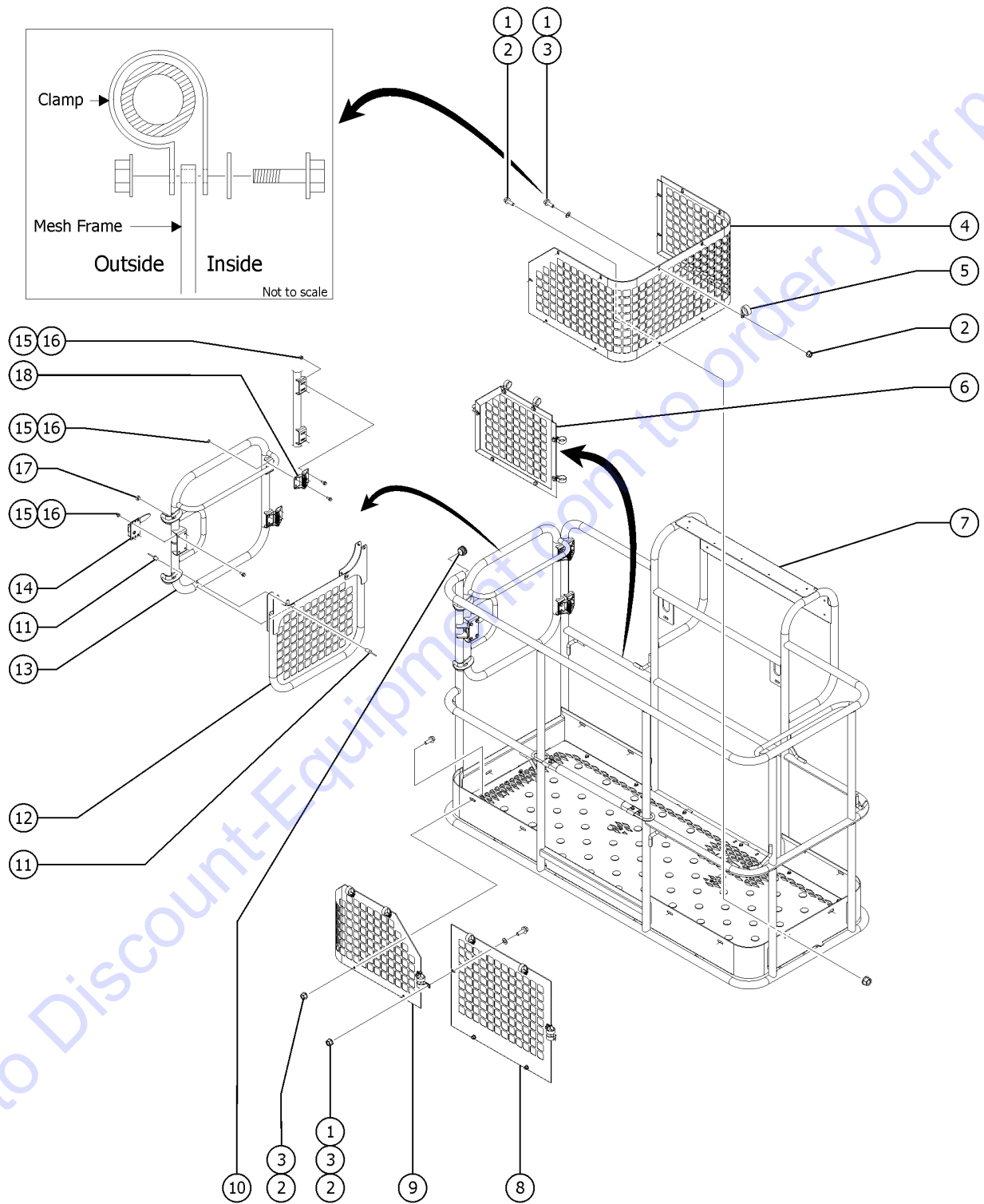


Item	Part No.	Description	Qty.
14B	107858	WORKLIGHT,48 VOLT	
14B-		REF: Harness, Z45 Drive Lights	
		refer to 309.1	
15	824085	SCREW,HHF,5/16-18X.75,8,ZAG	2
16	35956	BRACKET,WORK LIGHT MOUNT 5/16"	2
17	824081	SCREW,HHF,1/4-20X1.5,8,ZAG	4
18	111526	HINGE,PLAT CONTROL BOX COVER	1
19	54486	RIVET,ALUM,ALUM,3/16BUTTONHEAD	1

Go to Discount-Equipment.com to order your parts



803.1 Half-height Mesh and Swing Gate Options - Side Swing Gate



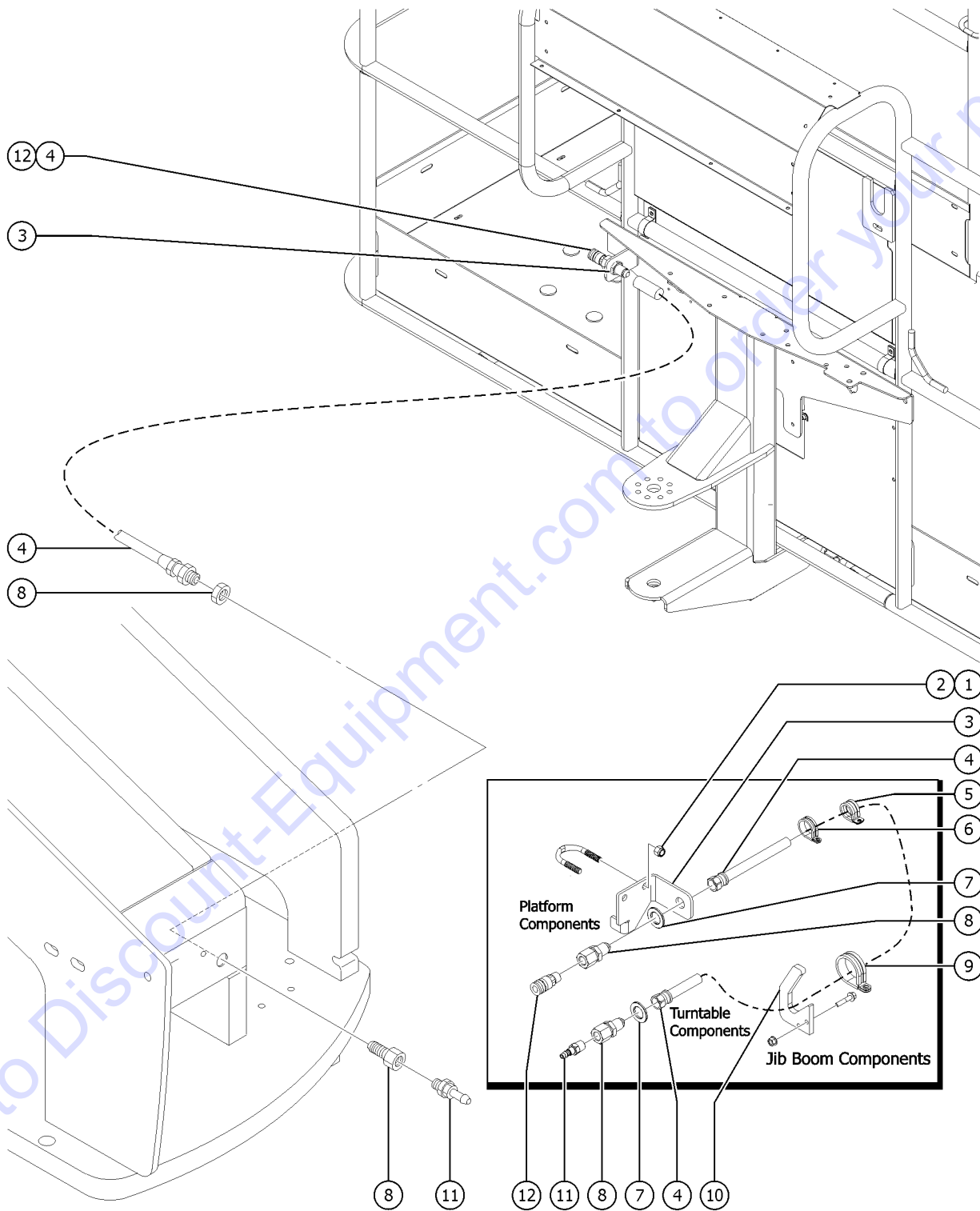
803.1 Half-height Mesh and Swing Gate Options - Side Swing Gate

Item	Part No.	Description	Qty.
1	1264101	SCREW,HHC,5/16-18X1,8,ZAG	
2	1274167	NUT,NYLOCK FLG,5/16-18,F,ZAG	
3	825358	WASHER,FLAT,5/16,USS,ZAG	
4	1240313	PANEL, HALF MESH	1
5	56424	CLAMP,1.25X.5 RUBBER-CUSHION	22
6	1270314	PANEL, HALF MESH	1
7		Ref. Platform Assembly (refer to 501.1)	
8	1271061	PANEL, HALF MESH	1
9	1270316	PANEL, HALF MESH	1
10	55753	BUMPER, PLASTIC, 1.25 O.D	1
11	824207	RIVET, STL, STL, DOME, 1/4 X .375, ZAG	
12	1285700	WELDMENT,SWING GATE PANEL	1
13	1265397	WELDMENT,SWING GATE	1
14	1267747	LATCH, SWING GATE	1
15	1277924	NUT,NYLOCK FLG,1/4-20,F,ZAG	
16	1256855	SCREW,HHF,1/4-20X.625,8,ZAG	
17	43392	BUMPER,BATTERY BOX & RAILS	2
18	104804	HINGE, SPRING, LONG LEG	2

Go to Discount-Equipment.com to order your parts



804.1 Air Line to Platform

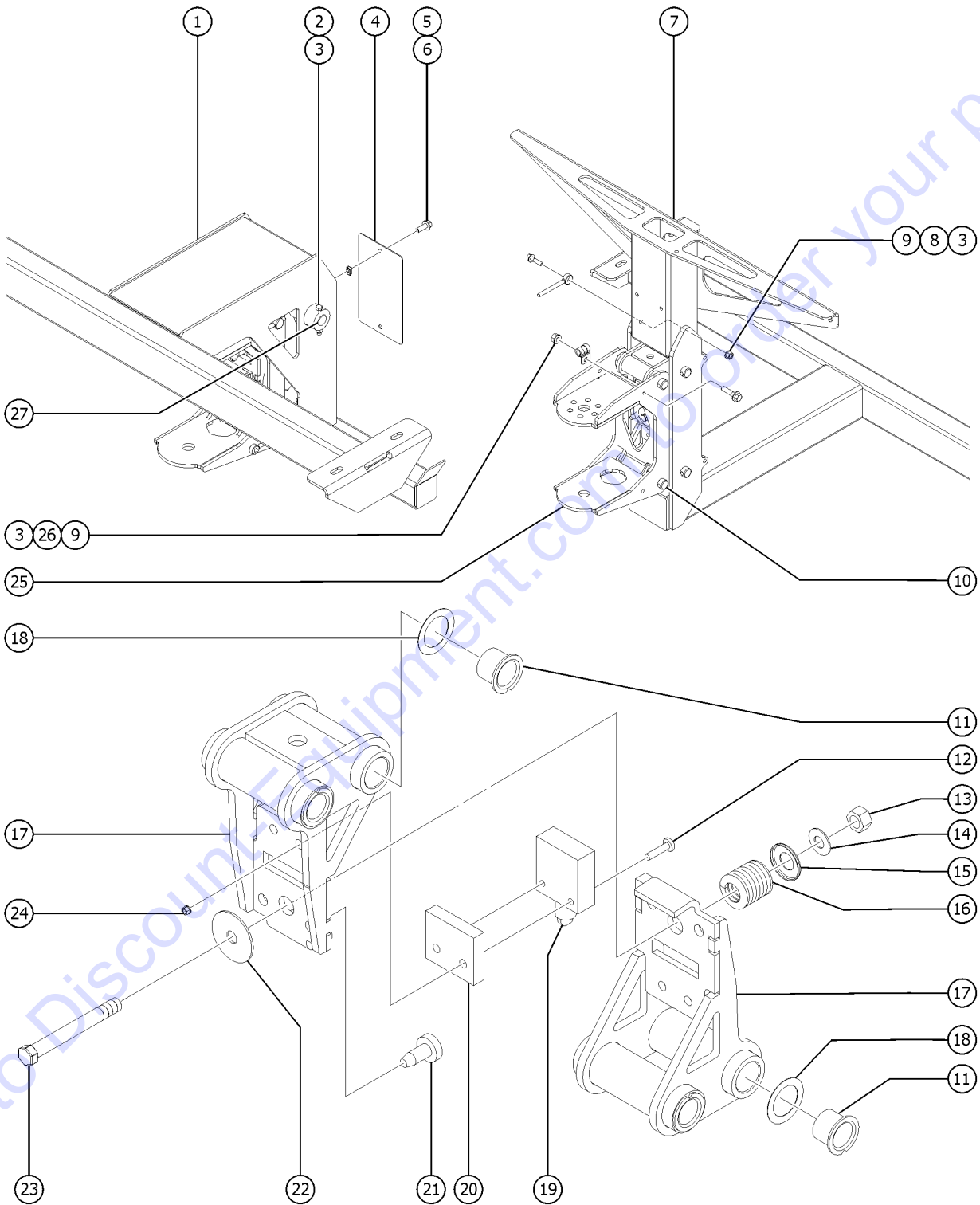


Item	Part No.	Description	Qty.
1	1274322	NUT,NYLOCK FLG,3/8-16,F,ZAG	2
2	1251600	U-BOLT, FLATTENED, 1.5 X 3/8 UNC,ZAG	1
3	70642	BRACKET,AIR HOSE TO PLAT PAINT	1
4	70644-75792GT	HOSE ASSY,3/8 STR FEM STR FEM*	1
4-	16073	CLAMP,0.63,#10 X 1/4,RUB CUSH	
5	45454	CLAMP,RUB CUSH,0.75,#12 X 3/8*	6
6	13268	CLAMP,0.75,#12 X 1/4,RUB CUSH	6
7	1256863	WASHER,FLAT,.75,SAE,HRD,ZAG	2
8	49212	FEMALE BULKHEAD CONNECTOR-8	2
9	66031	CLAMP,1.88,#30 X 3/8,RUB CUSH	2
		Jib models only	
10		REF. HOSE GUIDE, JIB	1
		Refer to 409.1	
11	49214	MALE PIPE THD,1/4" SER,3/8"X18	1
12	49215	MPT,CPLR,1/4"SER,3/8"X18	1

Go to Discount-Equipment.com to order your parts



805.1 Platform Overload Option

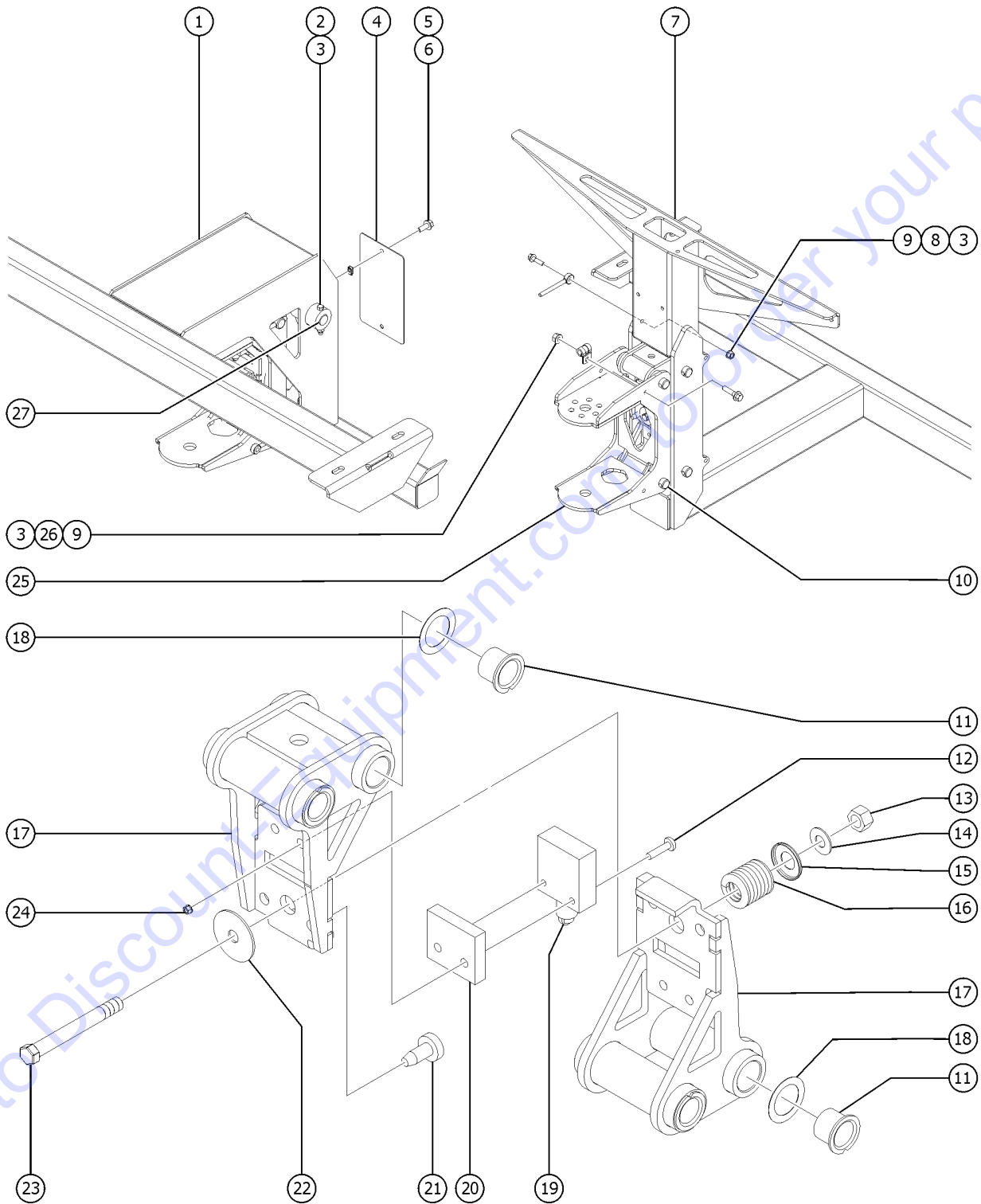


805.1 Platform Overload Option

Item	Part No.	Description	Qty.
A	147509	KIT,LOAD SENSE MECH,Z45 JIB	
B	128045	MODULE,LOAD SENSE 2007	
1	98154	WELDMENT,PLAT SUPPORT,LS non-jib models with platform overload option	1
2	1253485	SCREW,HHF,1/4-20X2,8,ZAG	2
3	1277924	NUT,NYLOCK FLG,1/4-20,F,ZAG	
4	94492PGT	PANEL,ACCESS PAINTED	1
5	824078	SCREW,HHF,1/4-20X.75,8,ZAG	2
6	56912	SPRING CLIP,1/4-20,.025-.15X.54,ZAG	2
7	61998	WELDMENT,PLATFORM SUPPORT jib models with platform overload option	1
8	825020	ROD END, .25 X 2.75, ZAG	4
9	824079	SCREW,HHF,1/4-20X1,8,ZAG	5
10	61726	PIN,0.75DIAX5.75LG,CHAMFER	4
10-	94643	ZERK,GREASE,5/16-24,STRAIT	
11	25685	BEARING,GARLOCK,12FDU12	8
12	824216	SCREW,PHPM,10-32X1.5,ZAG	2
13	1274166	NUT,NYLOCK,3/8-16,C,ZAG	1
14	1255758	WASHER,FLAT,3/8,USS,ZAG	1
15	61975	RETAINER,SPRING,1.21 X .375	1
16	61974	SPRING,COMP,1" OD,232 LB/IN	1
17	101512	LOAD SUPPORT WITH BEARINGS includes items 11 and 18	2
17-	94191	WELDMENT,LOAD SUPPORT	
18	110789	WASHER,SHIM .0151 THK	as -n ee ded
19	121848	ASSY,LS,LOAD SENSE,38.5 IN	1
20	61972	MOUNT,SWITCH	1
21	34619	BUMPER,RUBBER***	2
22	824122	WASHER,FLAT,.375X1.25X.062,ZAG	1
23	824070	SCREW,HHC,3/8-16X3.25,8,ZAG	1



805.1 Platform Overload Option



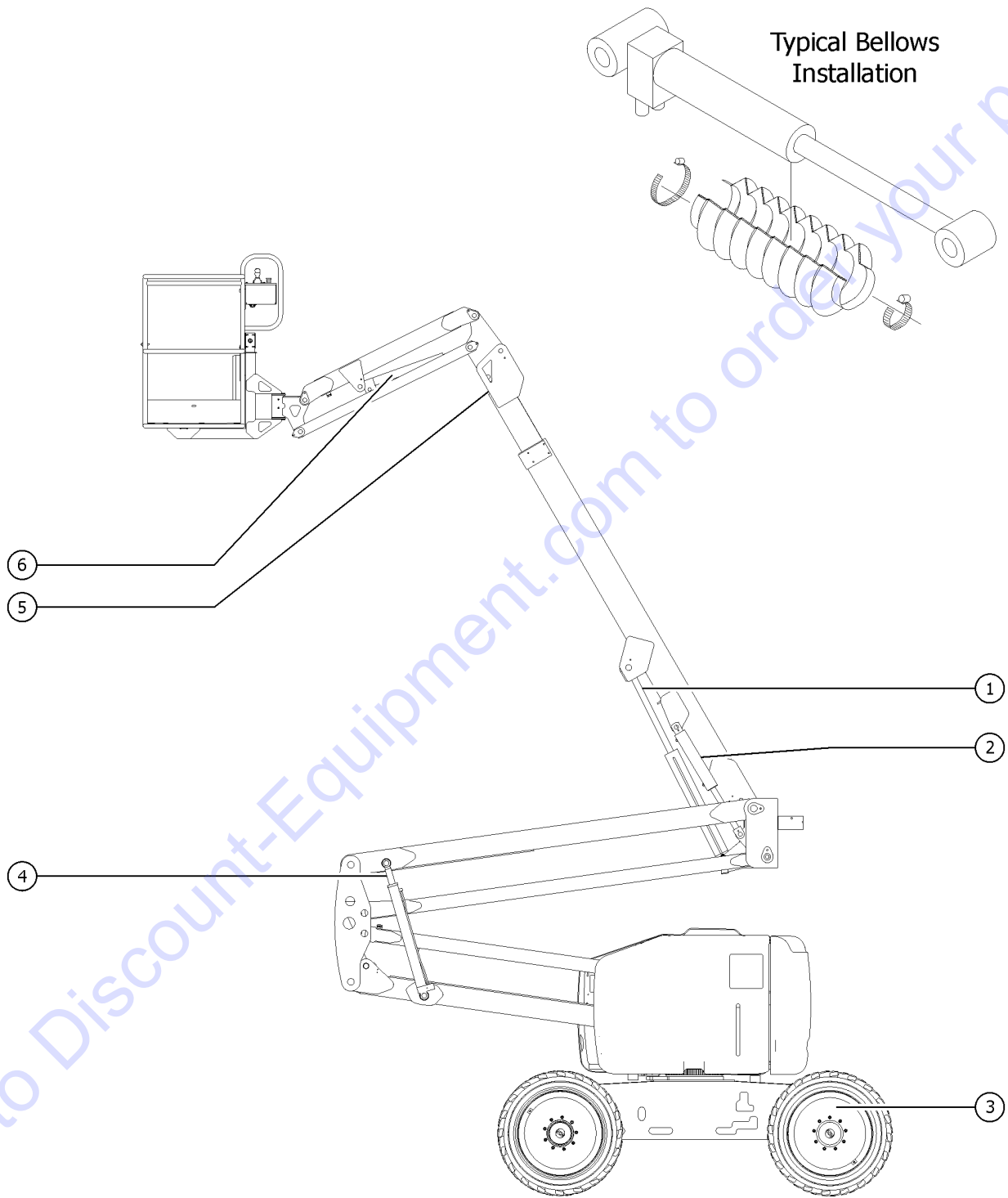
805.1 Platform Overload Option

<i>Item</i>	<i>Part No.</i>	<i>Description</i>	<i>Qty.</i>
24	1264261	NUT,SERRATED,10-32,ZAG	2
25	61987	WELDMENT,ROTATOR MOUNT	1
26	45470	CLAMP,0.31,#5 X 1/4,RUB CUSH	1
27	99174	PIN,0.75DIA X 8.75LG,CHAMFER	2
		(Z45/25)	
27-	94643	ZERK,GREASE,5/16-24,STRAIT	

Go to Discount-Equipment.com to order your parts



806.1 Hostile Environment Package - View 1

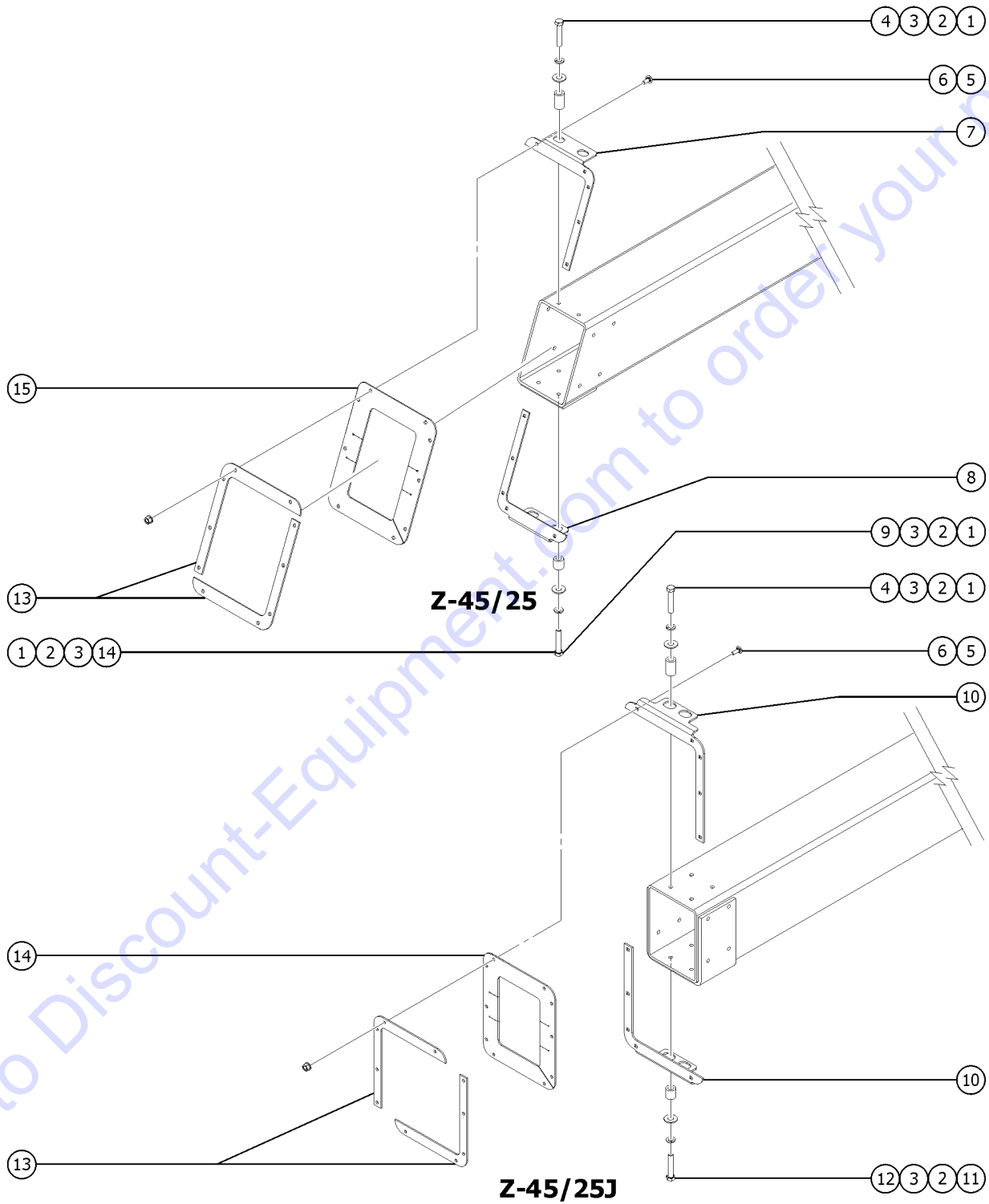


Item	Part No.	Description	Qty.
A	54884	BELLOWS,CYLINDER KIT,Z45 N/JIB	
B	54883	BELLOWS,CYL.KIT,Z45&Z51 JIB	
		Z-45/25J	
1	54637	BELLOWS,PRIMARY CYLINDER,N/JIB	1
1B	54638	BELLOWS,PRIMARY CYLINDER,JIB	1
		Z-45/25J	
2	54640	BELLOWS,MASTER CYLINDER	1
3	54989	BELLOWS,STEERING CYLINDER	2
4	1298967	BELLOWS,SECONDARY,ELEVATE CYL	2
5	54639	BELLOWS,SLAVE CYLINDER	1
6	54883	BELLOWS,CYL.KIT,Z45&Z51 JIB	1
		Z-45/25J	

Go to Discount-Equipment.com to order your parts



807.1 Hostile Environment Package - View 2

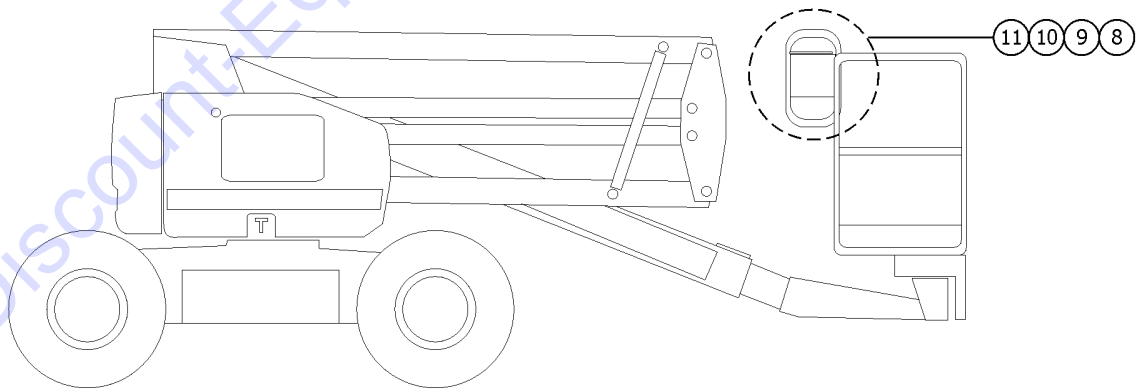
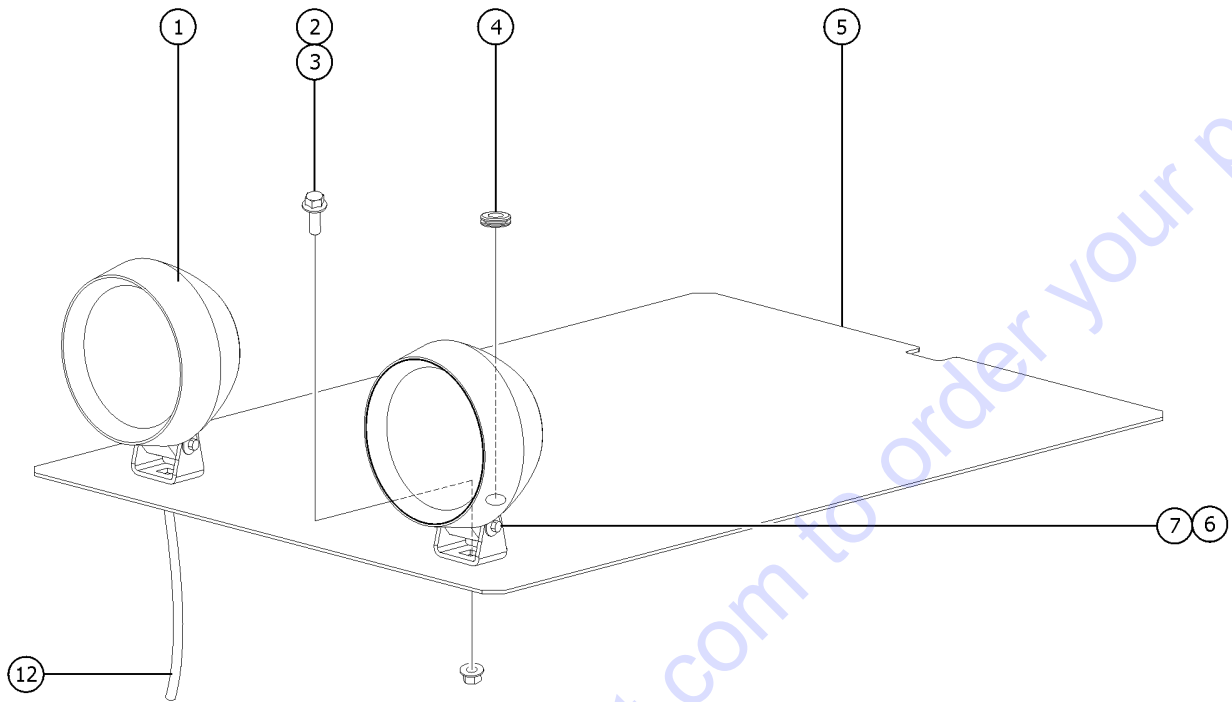


Item	Part No.	Description	Qty.
A	147183	KIT, WIPER, Z-45/25	1
B	147184	KIT, WIPER, Z-45/25J	1
1	1256108	SCREW,HHC,3/8-16X2,8,ZAG	
2	824110	WASHER,LOCK,3/8,ZAG	4
3	1255758	WASHER,FLAT,3/8,USS,ZAG	4
4	128852	TUBE,RD,STL,DOM,.75X.438X1.25	2
5	824124	BOLT,CARRIAGE,1/4-20X.75,5,ZAG	10
6	1277924	NUT,NYLOCK FLG,1/4-20,F,ZAG	10
7	147042	FORMING WIPER MOUNT	1
8	147043	FORMING WIPER MOUNT	1
9	101932	TUBE,RD,STL,DOM,.75X.38X.78	2
10	147041	FORMING WIPER MOUNT	2
11	1256847	SCREW,HHC,3/8-16X1.75,8,ZAG	2
12	1301754	SPACER TUBE,.50 LG	2
13	128973	PLATE,WIPER BACKING	2
14	147181	WIPER,PRIMARY BOOM	1
15	147044	WIPER,PRIMARY BOOM	1

Go to Discount-Equipment.com to order your parts



808.1 Drive Lights



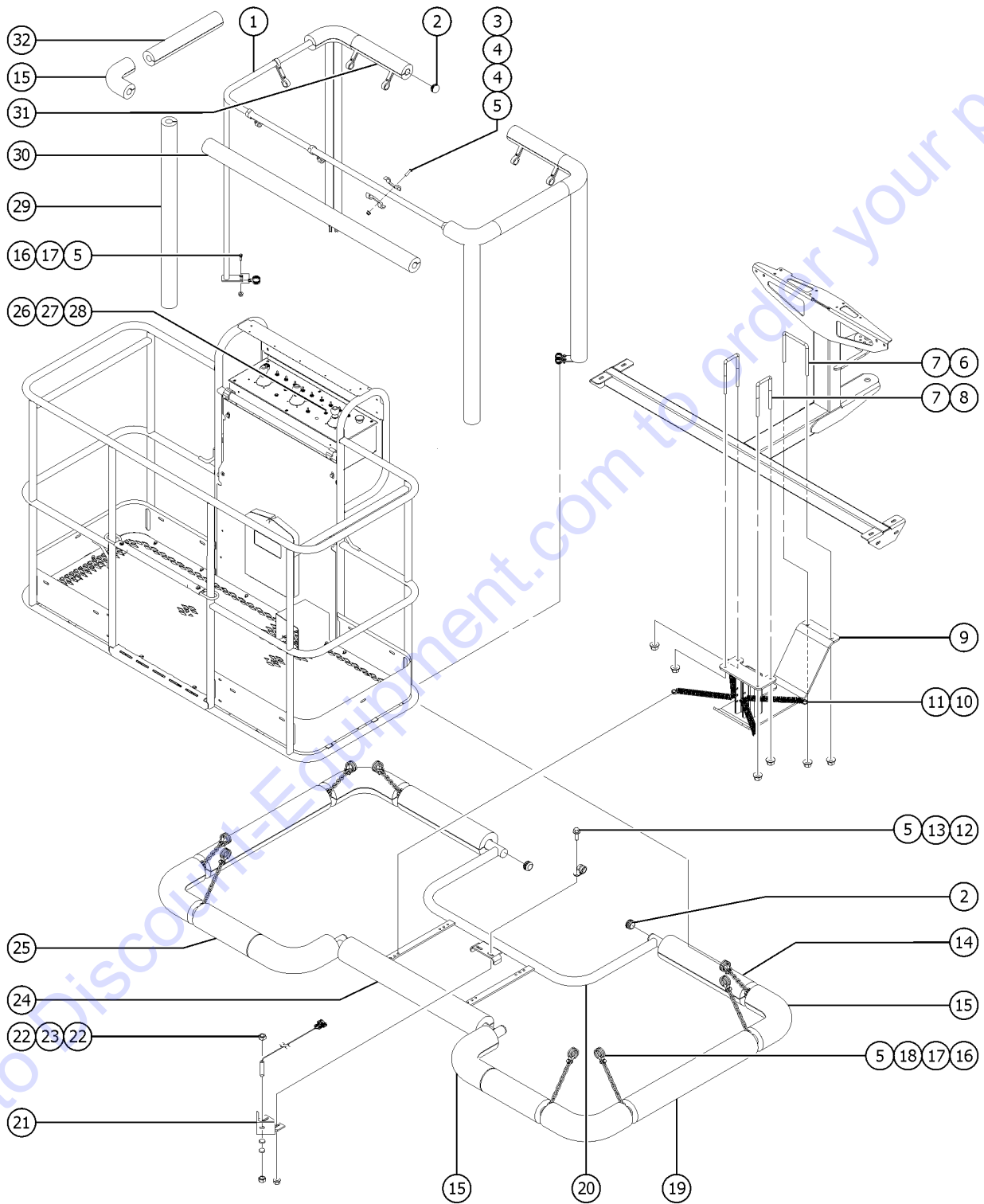
808.1 Drive Lights

Item	Part No.	Description	Qty.
1	107858	WORKLIGHT,48 VOLT includes items 2-3 and 6-7	2
2	824090	SCREW,HHF,3/8-16X1,8,ZAG	2
3	1274322	NUT,NYLOCK FLG,3/8-16,F,ZAG	2
4	53517	GROMMET,RUBBER .5 X .014 X .75	2
5	1289956	COVER, DRIVE, DRIVE LIGHT OPT	1
6	824085	SCREW,HHF,5/16-18X.75,8,ZAG	2
7	1274167	NUT,NYLOCK FLG,5/16-18,F,ZAG	2
8	823223	POWER RELAY, 24V COIL	1
8-	54365	SCREW,PHIL,PHM,10-32 X .5,SSTL	
8-	6178	NUT, NYLOCK, 10-32	
9	72867	DECAL,LABEL,LIGHTS***	1
10	128204	SWITCH TOGGLE ASSY SPDT 2P MNT	1
10-	27246	BOOT,TOGGLE SWITCH,SHORT*	
11	6578	CABLE TIE,7 3/8"	5
12		REF: Harness, Z45 Drive Lights refer to 310.1	1

Go to Discount-Equipment.com to order your parts



809.1 Aircraft Protection Package

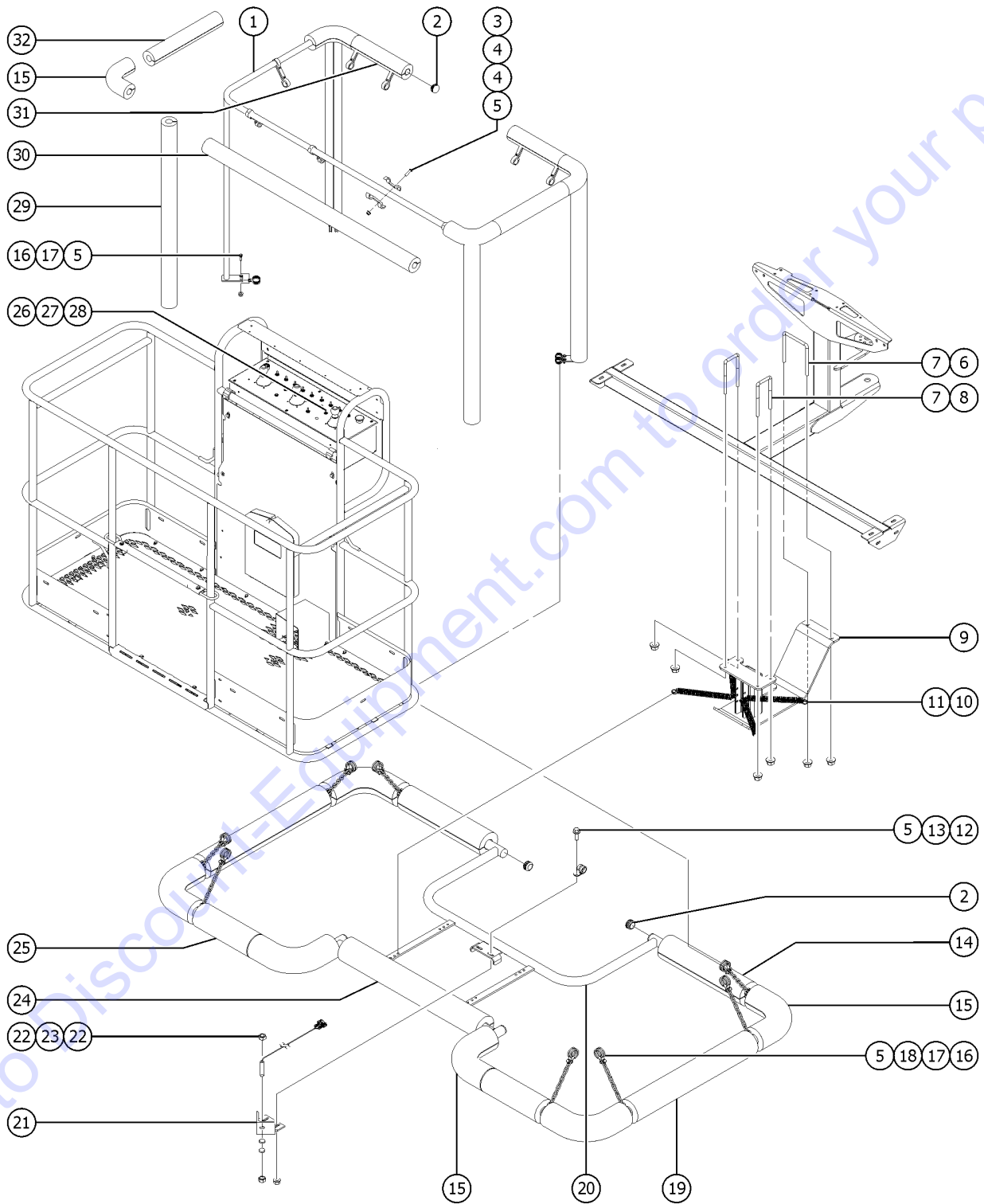


809.1 Aircraft Protection Package

Item	Part No.	Description	Qty.
1	46188	WELDMENT, AIRCRAFT TOP BUMPER	1
2	55753	BUMPER, PLASTIC, 1.25 O.D	6
3	82422	SCREW, BHC, 1/4-20 X 1, ZAG	20
4	122073	SUPPORT, RAILING	20
5	1277924	NUT,NYLOCK FLG,1/4-20,F,ZAG	46
6	106044	U-BOLT,3/8-16X4X4.63X3.00	1
7	1274322	NUT,NYLOCK FLG,3/8-16,F,ZAG	6
8	66472	U-BOLT, SQR, 3/8-16X2X5, PLTD	2
9	822764	WDMT,SKID PLATE	1
10	822769	SPRING,EXTENSION,1.92LB/IN	4
11	88385	SPRING, SS, 1/2-EO500-49-4500	
12	824079	SCREW,HHF,1/4-20X1,8,ZAG	2
13	6833	CLAMP,0.50,#8 X 1/4,RUB CUSH	1
14	75617-1550GT	PADDING,FOAM 3.5"OD X 1.50"ID	2
15	75636	PADDING,FOAM,3.0"X1.50ID 90DEG	10
16	824078	SCREW,HHF,1/4-20X.75,8,ZAG	24
17	21618	CLAMP,1.13,#18 X 1/4,RUB CUSH	24
18	56426-700GT	CHAIN,NO.2 (11 LINKS)	8
19	75617-2275GT	PADDING,FOAM 3.5"OD X 1.50"ID	2
20	822759	WDMT,AIRCRAFT SENSOR BUMPER	1
21	77797	WELDMENT, SENSOR MOUNT	1
22	88390	NUT,HEX,M8,PLASTIC	2
23	1261292	HARNESS ASSY,PCON,PROX KILL	1
		includes 27391 proximity sensor	
23-	27391	PROXIMITY SENSOR***	
24	822768	FOAM,AIRCRAFT PROTECTION	1
25	75617-1025GT	PADDING,FOAM 3.5"OD X 1.50"ID	2
26	128203	SWITCH TOGGLE ASSY SPDT 2P MOM	
		includes item 27	
26-	139882	HARN, AC PROTECTION BYPASS	



809.1 Aircraft Protection Package



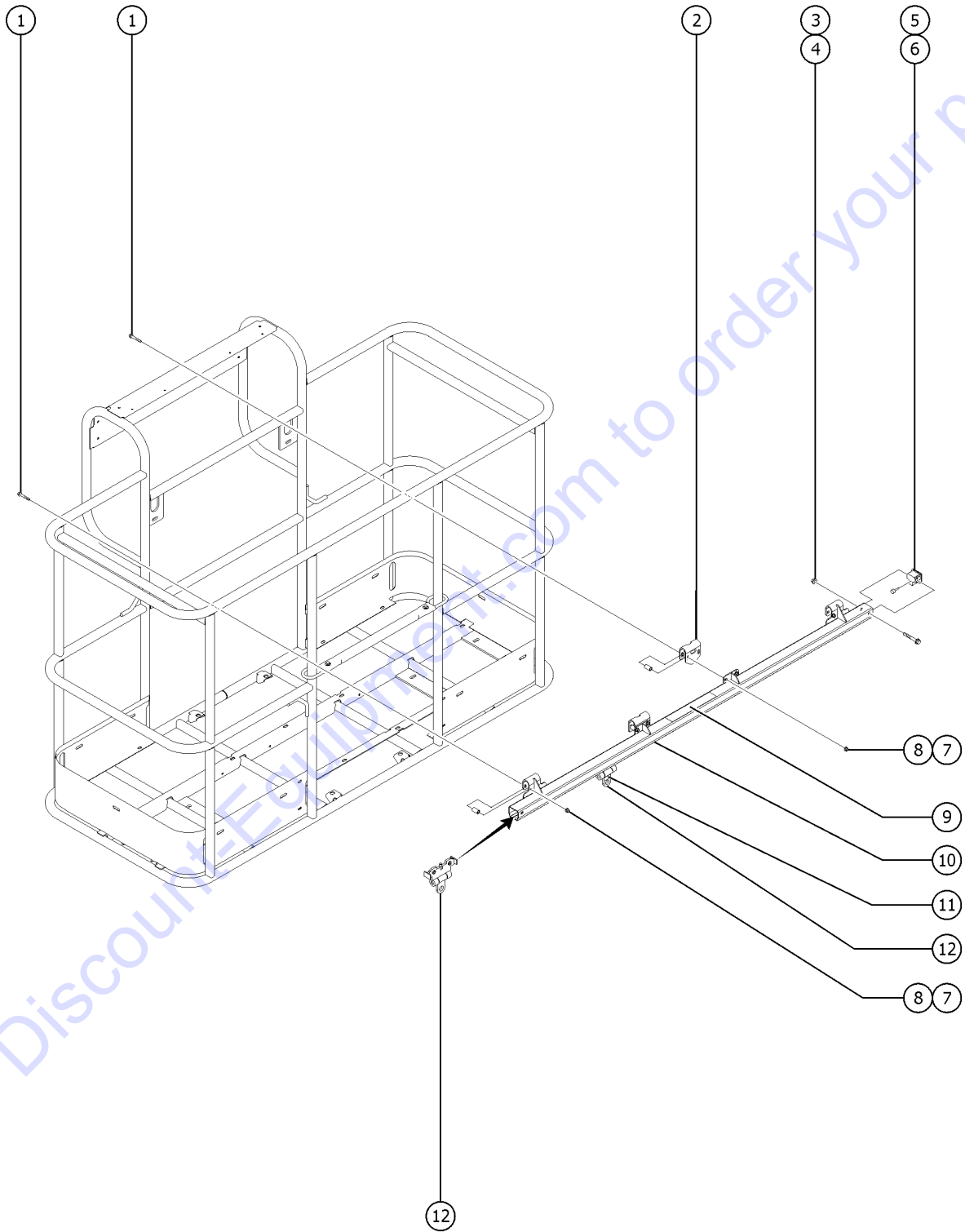
809.1 Aircraft Protection Package

Item	Part No.	Description	Qty.
27	27246	BOOT,TOGGLE SWITCH,SHORT*	
28		Ref. DECAL,FUNCTION OVERRIDE	
		(refer to 101.1 or 103.1)	
29	1259329	PADDING, FOAM, 46.5"	4
30	75617-6275GT	PADDING,FOAM 3.5"OD X 1.50"ID	1
31	1278629	PADDING,FOAM, 10.0"	2
32	75617-2075GT	PADDING,FOAM 3.5"OD X 1.50"ID	2

Go to Discount-Equipment.com to order your parts



810.1 Fall Arrest Bar



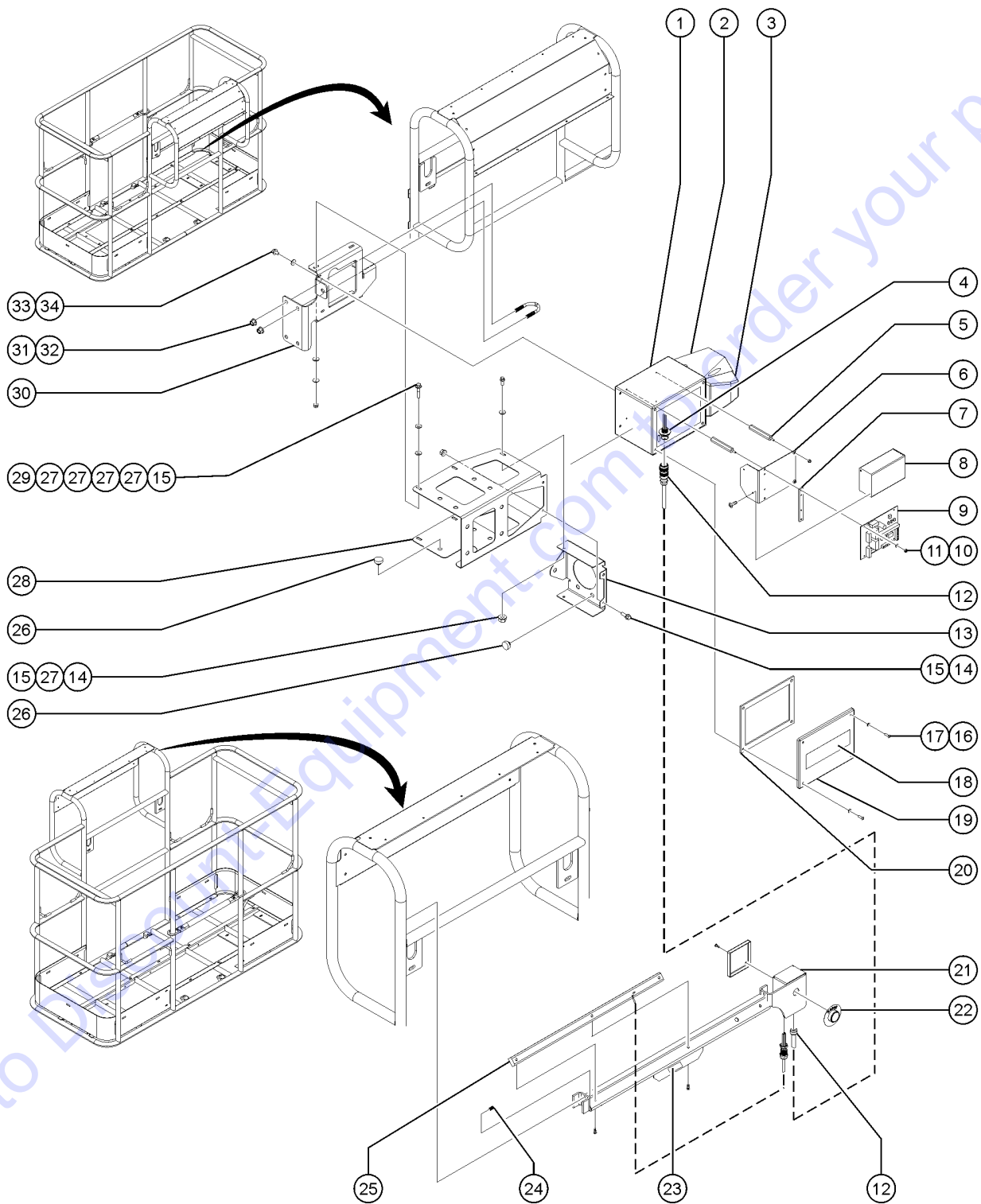
Go to DiscountEquipment.com to order your parts

810.1 Fall Arrest Bar

Item	Part No.	Description	Qty.
1	1256856	SCREW,HHF,3/8-16X2.5,8,ZAG	4
2	1256389	FORMING,INNER HANGER	2
3	1251997	NUT,TL FLG,1/2-13,G,ZAG	2
4	1256851	SCREW,HHF,1/2-13X3.5,8,ZAG	2
5	1260892	END STOP,TRACK,FALL ARREST BAR	2
6	36388	BUMPER,RUBBER,.75 X .50H,STUD	2
7	1274322	NUT,NYLOCK FLG,3/8-16,F,ZAG	8
8	1256481	SPACER, HANGER BRACKET	8
9	1256400	DECAL,TRACK,FALL ARREST BAR,WORD	1
9B	1260910	DECAL,TRACK,FALL ARREST BAR,SYMBOL	1
9C	1256400FRGT	DECAL,TRACK,FALL ARREST BAR,WORD FR	1
10	1256378	ACC,FALL ARREST BAR,6FT WORD includes instructions and decals	1
10-	1256380	ASSY,TRACK,FALL ARREST BAR,6FT WORD includes decals	
10B	1261023	ACC,FALL ARREST BAR,6FT SYM includes instructions and decals	1
10B-	1261025	ASSY,TRACK,FALL ARREST BAR,6FT SYM includes decals	
10C	1261019	ACC,FALL ARREST BAR,6FT FR includes instructions and decals	1
10C-	1261021	ASSY,TRACK,FALL ARREST BAR,6FT FR includes decals	
11	40434	DECAL,LANYARD ANCHORAGE POINT	1
12	1256439	TROLLEY, TRACK, FALL ARREST BAR	1



811.1 Operators Protection Alarm (to January 2017)

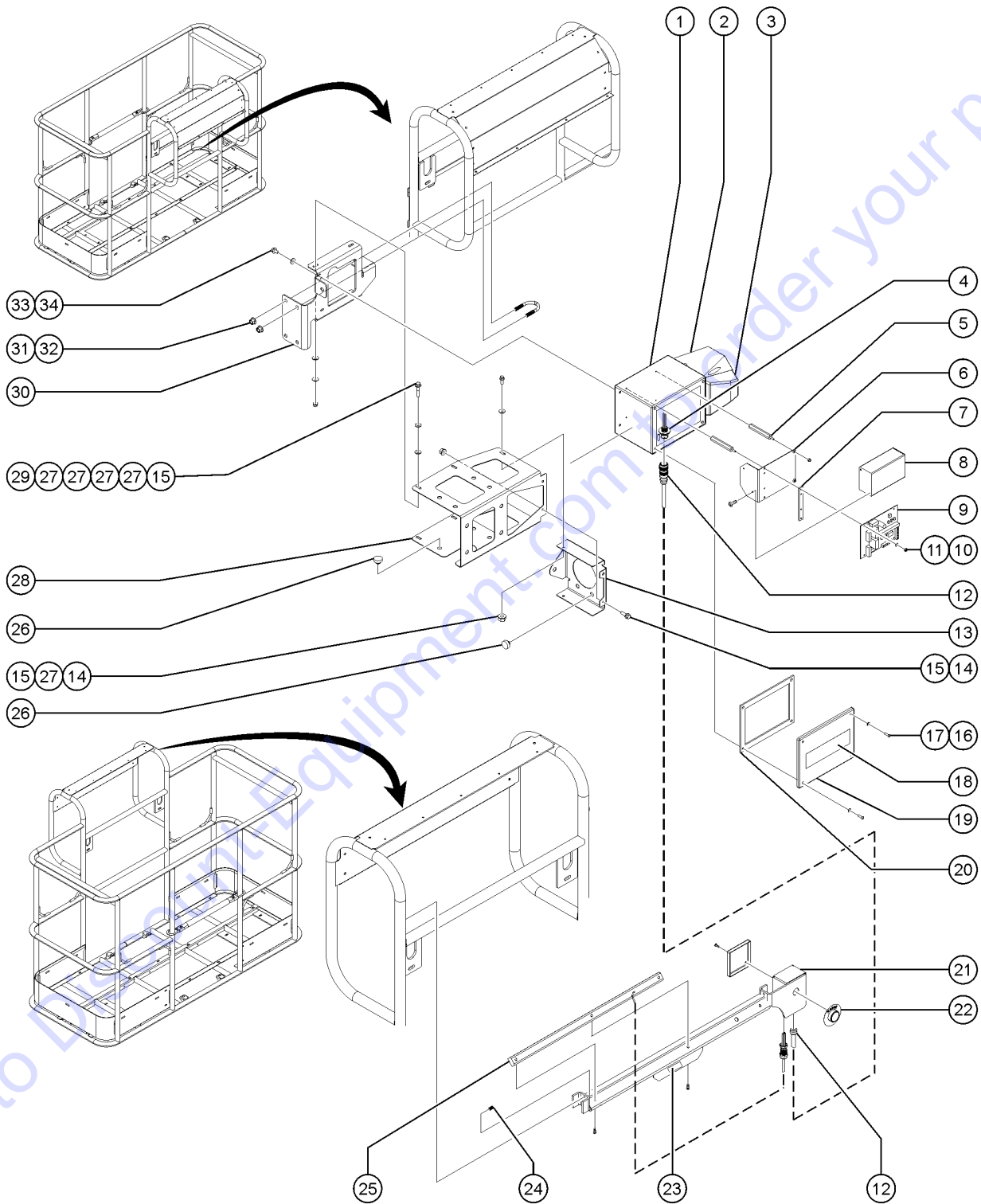


811.1 Operators Protection Alarm (to January 2017)

Item	Part No.	Description	Qty.
B	1275537	ASSEMBLY, OPA PROTECTION CAGE	1
1	1255018	BASE ENCLOSURE,RED,OPA	1
2	1255021	SOUNDER,MIDI,OPA	1
3	1255037	SOUNDER LENS, OPA, BLUE (standard lens fitted to OPA)	1
3B	1270116	SOUNDER LENS, OPA, RED	1
3C	1270117	SOUNDER LENS, OPA, AMBER	1
3D	1270118	SOUNDER LENS, OPA, CLEAR	1
4	1255033	HARN,PIGTAIL,TAPESWITCH,OPA	1
5	1255028	STAND OFF,CONTROL UNIT	4
6	1255024	BRACKET,CONTROL UNIT	1
7	1255025	SPACER,HEAT SINK	1
8	1255023	ASSY,MODULE,CONTROL UNIT,OPA	1
9	1255022	MODULE,CONTROL UNIT,PCB,OPA	1
10	1255067	NUT,M4 NYLOCK	4
11	1255066	WASHER,M4 NYLON	4
12	1255035	ASSEMBLY,CABLE,TAPESWITCH	1
13	1275539	FORMING, OPA CAP	1
14	824078	SCREW,HHF,1/4-20X.75,8,ZAG	5
15	1277924	NUT,NYLOCK FLG,1/4-20,F,ZAG	9
16	1255038	SCREW,M5X16 BHD	4
17	1255027	WASHER,M5 NYLON	4
18	1255890	DECAL,COSMETIC,GENIE	1
19	1255020	LID ENCLOSURE,RED,OPA	1
20	1255019	GASKET,ENCLOSURE	1
21	1255029	ASSEMBLY,TAPESWITCH (6/8' platforms) (includes j-box and fasteners)	1
22	1255036	ASSEMBLY RESET SWITCH	1
23	1255889	DECAL,SYMBOL-READ THE MANUAL	1
24	1255068	SCREW,M6X8	2



811.1 Operators Protection Alarm (to January 2017)



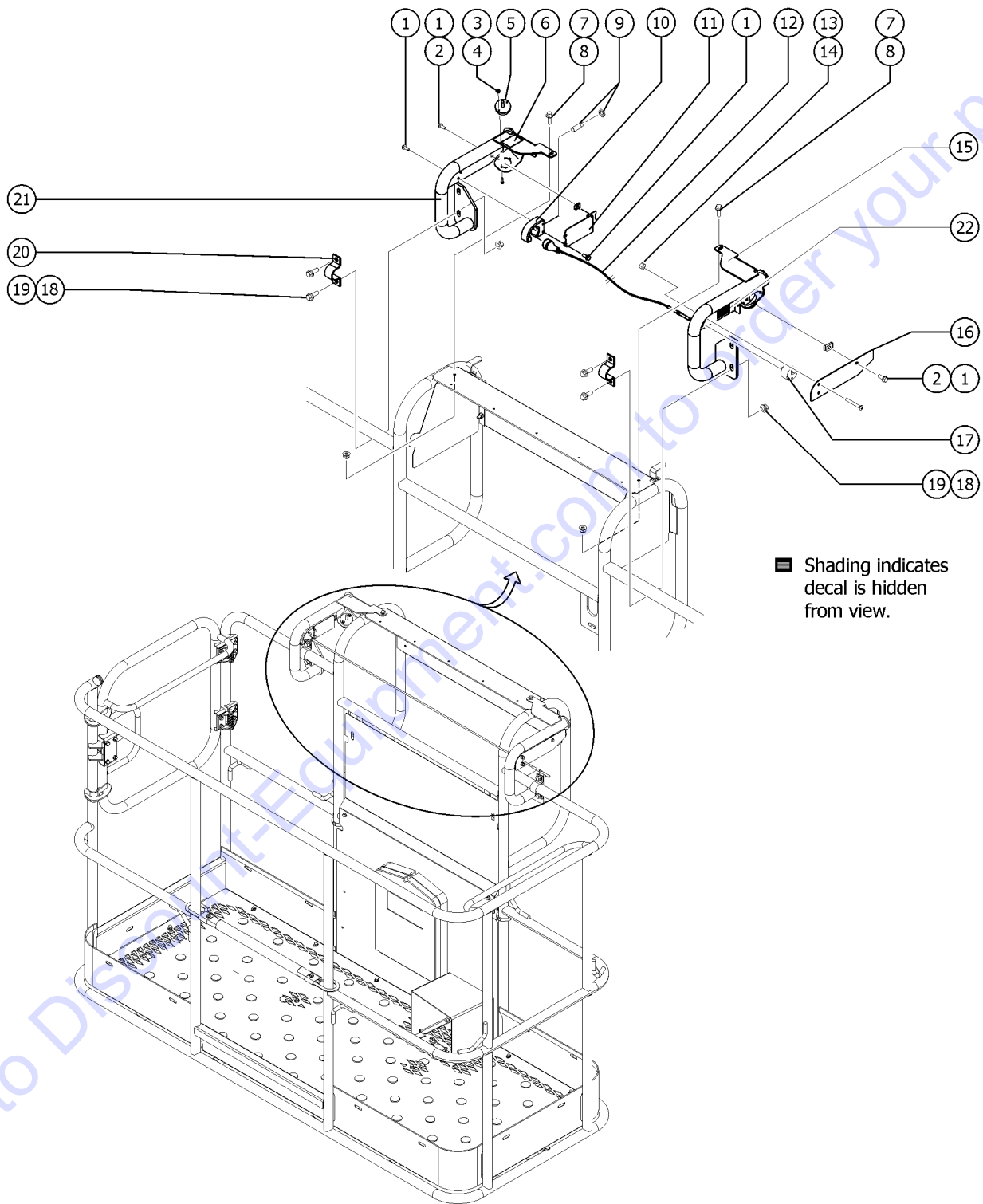
811.1 Operators Protection Alarm (to January 2017)

Item	Part No.	Description	Qty.
25	1255047	SENSOR,RUBBER EDGE (6'8' platforms)	1
26	43392	BUMPER,BATTERY BOX & RAILS	17
27	824113	WASHER,FLAT,USS,1/4,ZAG	19
28	1275538	FORMING, OPA CAGE	1
29	824080	SCREW,HHF,1/4-20X1.25,8,ZAG	4
30	1275540	FORMING, OPA, BRACKET	1
31	1274322	NUT,NYLOCK FLG,3/8-16,F,ZAG	4
32	1251600	U-BOLT, FLATTENED, 1.5 X 3/8 UNC,ZAG	2
33	237238	SCREW,HHF,M6-1.0X12,DIN6921,10	2
34	1257389	WASHER, FLAT, M6X18X1.6,DIN9021,ZAB	2

Go to Discount-Equipment.com to order your parts



811.2 Lift Guard Contact Alarm (from January 2017)

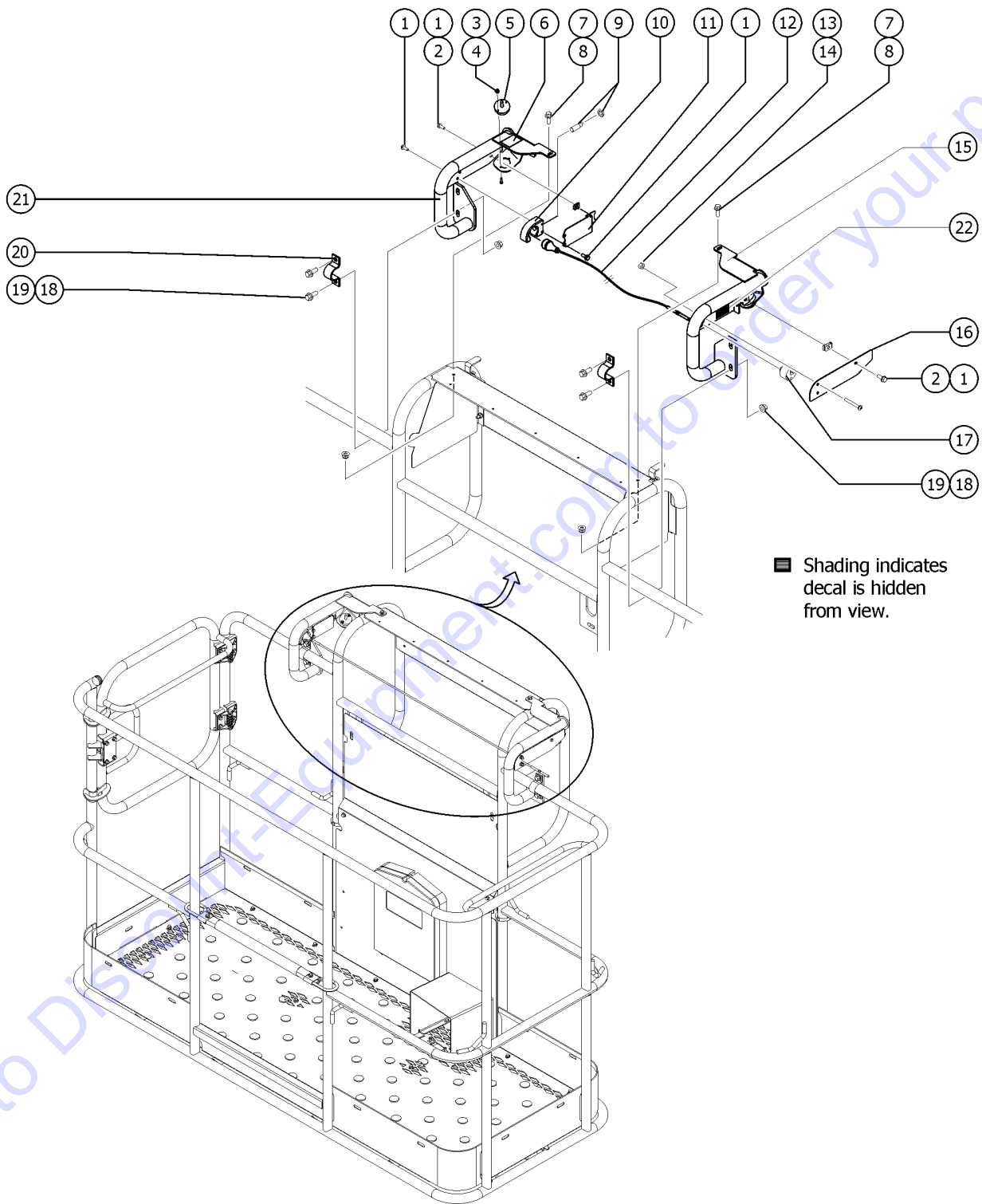


811.2 Lift Guard Contact Alarm (from January 2017)

Item	Part No.	Description	Qty.
--		From January 2017, this option became a standard installation on all models unless the customer specifically request not to have it installed	
--	1279135	KIT, LIFT GUARD CONTACT ALARM,6'-8' PLATFORM,NON-ALC1000 measure platform before ordering - for 5', 6', and 8' platforms only	
--	1278452	HARNESS, OPA2, Z45DC/BE	
--	78098	RELAY,24VDC,40/30A,SLD W/BRKT*	
--	1278121	MODULE, PLUS+1, CONTACT ALARM located inside the Platform Control Box	
1	1264934	SCREW,HHF,10-24X.5	
2	73575	SPRING CLIP,10-24,.025-.125X.468,ZAG	
3	12344	NUT,NYLOCK,6-32	
4	1256859	SCREW,PHPM,6-32X.875,ZAG	
5	1278111	ASSEMBLY, LIGHT, CONTACT ALARM	2
6	1278542	DECAL, INSTRUCTION, CONTACT ALARM	
7	824078	SCREW,HHF,1/4-20X.75,8,ZAG	
8	1277924	NUT,NYLOCK FLG,1/4-20,F,ZAG	
9	1278119	ASSEMBLY, SENSOR, PROX, CONTACT ALARM	1
10	1278433	ASSY, SENSOR W/HOUSING (Includes holder item 1277877 and sensor part 1278119)	
10-	1277877	HOLDER, SENSOR	1
11	1277873	FORMING, SENSOR HOLDER	1
12	1278416	ASSEMBLY,CONTACT ALARM CABLE, LARGE	1
12-	1261184	NUT,1/4-20,8,ZAG Part of assembly 1278416	
12-	1278124	MAGNET, 1/4-20, 15 LB. Part of assembly 1278416	
12-	1278368	GRIP, CABLE Part of assembly 1278416	
12-	1278458	CONTACT ALARM WIRE ASSY, LARGE Part of assembly 1278416	
13	825352	SCREW,PHPM,10-32X1.25,ZAG	
14	1264261	NUT,SERRATED,10-32,ZAG	
15	1278138	WELDMENT, RIGHT CONTACT ALARM, LARGE	1
16	1277875	PLATE, CABLE AND WIRE COVER	1
17	1277876	GUIDE, CABLE	1



811.2 Lift Guard Contact Alarm (from January 2017)



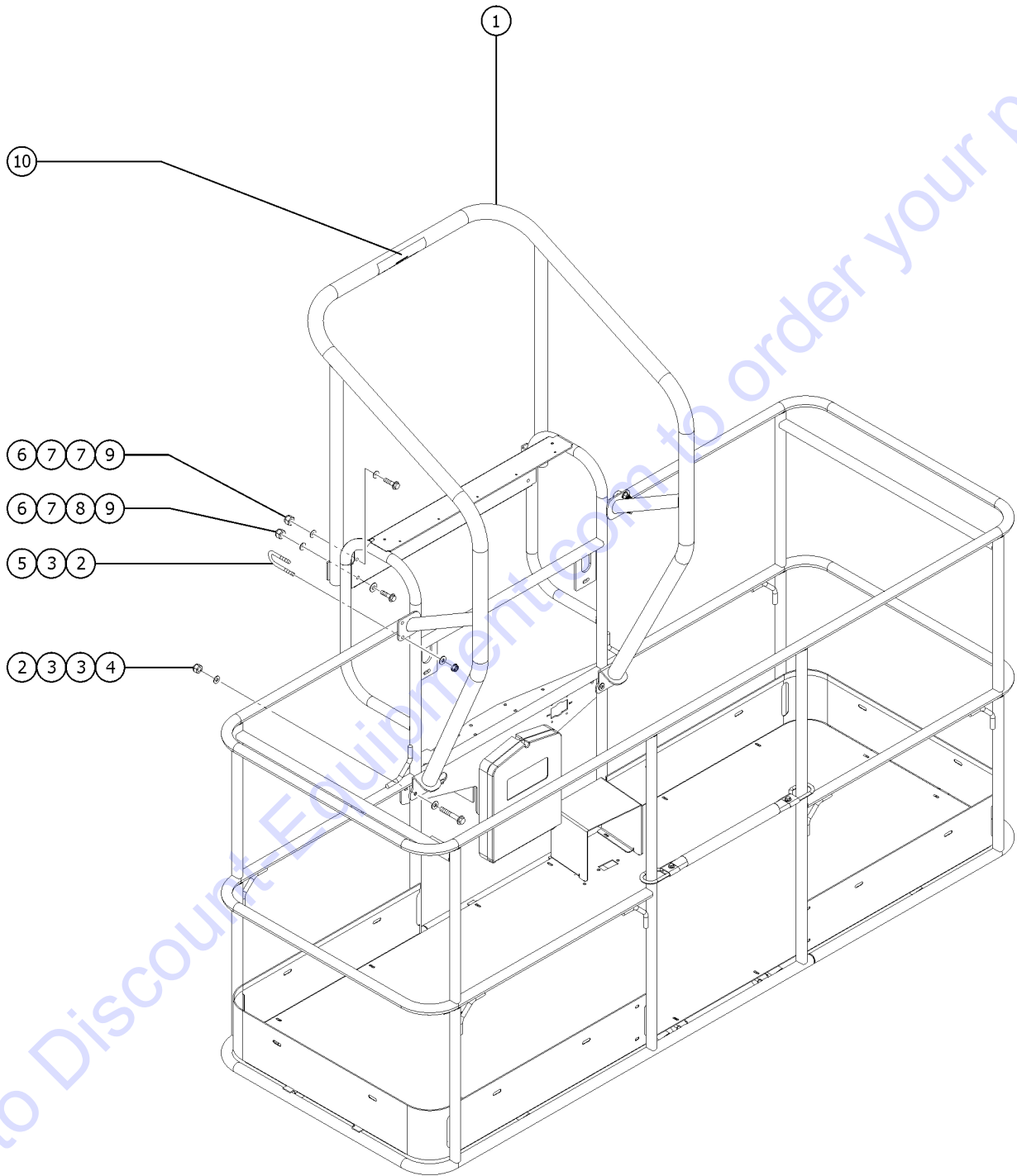
811.2 Lift Guard Contact Alarm (from January 2017)

<i>Item</i>	<i>Part No.</i>	<i>Description</i>	<i>Qty.</i>
18	1274322	NUT,NYLOCK FLG,3/8-16,F,ZAG	
19	824090	SCREW,HHF,3/8-16X1,8,ZAG	
20	1278363	CLAMP, 1.25 INCH TUBE	2
21	1278144	WELDMENT, LEFT CONTACT ALARM, LARGE	1
22	1278982	DECAL, INSTRUCTION, ACTUATOR SWITCH SOCKET	1

Go to Discount-Equipment.com to order your parts



812.1 Operator Protective Structure



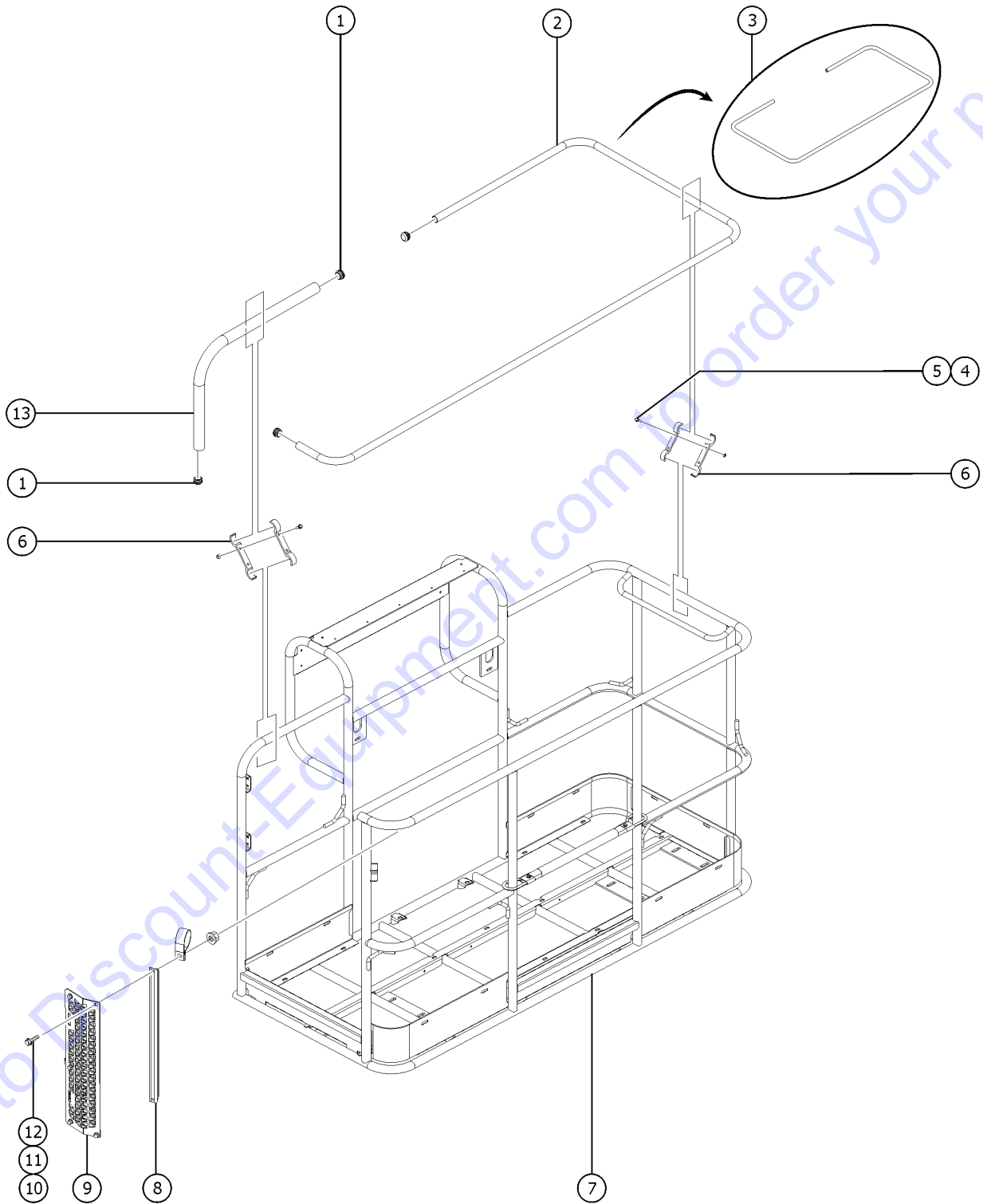
812.1 Operator Protective Structure

Item	Part No.	Description	Qty.
A		Fits all 6' and 8' Booms	
1	219158	ACCESSORY, OPERATOR PROT STRUCT (Complete) includes all fasteners	1
2	1256468	NUT, 3/8-16, 8, ZAG	8
3	1255758	WASHER, FLAT, 3/8, USS, ZAG	12
4	824069	SCREW, HHC, 3/8-16X2.5, 8, ZAG	4
5	1251600	U-BOLT, FLATTENED, 1.5 X 3/8 UNC, ZAG	4
6	1261184	NUT, 1/4-20, 8, ZAG	4
7	824113	WASHER, FLAT, USS, 1/4, ZAG	6
8	824120	WASHER, FLAT, .375X1.50X.125, ZAG	2
		Use only with the platform control box cover option	
9	824060	SCREW, HHC, 1/4-20X1, 8, ZAG	4
10		Ref. DECAL, INSTRUCTION, OPS	1
		Refer to Section 100	

Go to Discount-Equipment.com to order your parts



813.1 Auxiliary Rail Option



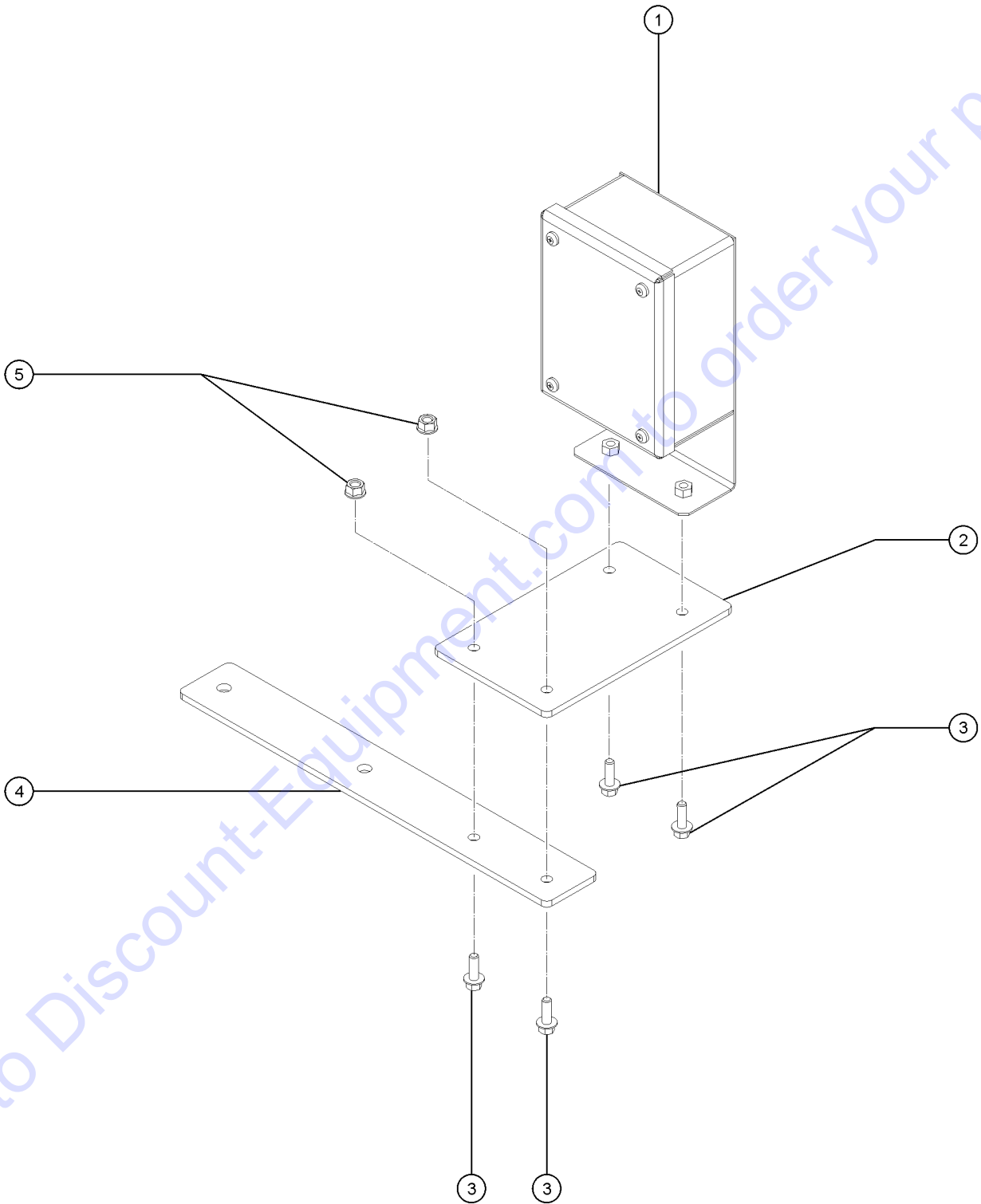
813.1 Auxiliary Rail Option

Item	Part No.	Description	Qty.
A	1279765	KIT,LATCH GUARD	1
1	55753	BUMPER, PLASTIC, 1.25 O.D	4
2	1270570	AUX RAIL, 6' PLAT, SIDE ENTRY	1
3	28329	RAILING,PINCH GAURD,4 FT (tri-entry with sliding mid-rails platform)	1
3B	28328	RAILING,PINCH GAURD,5 FT (tri-entry with sliding mid-rails platform)	1
4	824079	SCREW,HHF,1/4-20X1,8,ZAG	22
5	1277924	NUT,NYLOCK FLG,1/4-20,F,ZAG	22
6	122073	SUPPORT, RAILING	22
7		Ref.WELDMENT, PLATFORM	1
		(refer to 502.1)	
8	1277966	TUBE,SQ,STL, 1.00 x 1.00 x .120	1
9	1277952	GUARD, SWING GATE	1
10	824086	SCREW,HHF,5/16-18X1,8,ZAG	5
11	56424	CLAMP,1.25X.5 RUBBER-CUSHION	5
12	1274167	NUT,NYLOCK FLG,5/16-18,F,ZAG	5
13	1270571	AUX RAIL, 6' PLAT, SIDE ENTRY	1

Go to Discount-Equipment.com to order your parts



814.1 Charger Protector Option (To Z4525D-3228)



814.1 Charger Protector Option (To Z4525D-3228)

Item	Part No.	Description	Qty.
1	1272235GT	ASSY, VOLTAGE PROTECTOR BOX, Z30/34	1
2	1296946GT	PLATE,CHARGER PROTECTOR MT	1
3	824078GT	SCREW,HHF,1/4-20X.75,8,ZAG	4
4	1272250GT	PLATE, CHARGER PROTECTOR MT, Z45DC	1
5	824027GT	NUT,TL FLG,1/4-20,G,ZAG	2

Go to Discount-Equipment.com to order your parts



<u>Part no.</u>	<u>Page Number</u>	<u>Part no.</u>	<u>Page Number</u>	<u>Part no.</u>	<u>Page Number</u>
1268	11	23404	75	31787	13, 19
1484	11	24514	115	31788	13, 19
1697-400GT	91	25388	47, 59	32150	11
6178	91, 171	25553	73	32151	11
6272	77	25685	163	32728	13, 19
6578	171	25817	31, 33	33550	13, 23
6700	69	27204	13, 19, 23, 27	33555	79
6833	47, 173	27205	13, 19, 23, 27	33724	125
6935	59, 123	27206	13, 19, 23, 27	33994	11, 141, 143, 145, 147, 149
7056	59, 123	27207	13, 19, 23, 27	34052	75
7746	155	27246	67, 69, 71, 73, 119, 121	34053	75, 125
9599-SGT	155	27391	83, 173	34125	95
10775	123	27581	11	34276	93
10777	125	28161	13	34619	163
12344	77, 183	28165	13	35675	107
13097	35	28174	13, 19, 23, 27	35678	131
13268	35, 125, 161	28175	13	35679	131
13585	123	28176	13	35680	131
14804	117	28177	13	35956	157
15243	77, 123	28181	13	35960	155
16073	161	28235	13, 19, 23, 27	36179	57, 59
18270	93	28236	13, 19	36212	43
18576	35	28322	155	36369	43
18720	87	28323	155	36388	177
18963	61	28328	189	36555	11
19506	67	28329	189	36557	121, 131
19520	43	28372	13, 19	37184	59
19712	129	28678	145	37185	59
19713	129	28750	11, 141, 143, 145, 147, 149	37186	59
19721	129	29868	45	37187	59
19722	129	30080	13	37189	39
19729	131	30138	95	37191	59
19731	131	30222	101, 105, 109	37192	59
21427	129	30370	93	37947	67
21618	101, 173	30468	155	39223GT	63
21619	101	30794	59, 83	39346	135
21858	69	30996	125	40433	131
21982	67	31060	13, 19	40434	15, 23, 177
22262	35	31508	13, 19	42019GT	63
22263	35	31658GT	63	42288	125
22811	39	31779	11	42781	77, 125
23083	35	31785	13, 19	42941	89

<u>Part no.</u>	<u>Page Number</u>	<u>Part no.</u>	<u>Page Number</u>	<u>Part no.</u>	<u>Page Number</u>
43018	139	47377	101, 105	49121-2088GT	147, 149
43040	129	48143-2029GT	143	49121-25688GT	145
43042	129	48504	133	49121-27788GT	147, 149
43179	41	48767	145	49143-2535GT	143
43181	125	48767-700GT	147, 149	49212	161
43392	117, 155, 159, 181	48890	141, 147, 149	49214	161
43658	15	48904	53, 141, 145	49215	161
43960	89	48905	147, 149	49612	11, 141, 143, 145, 147,
43960-6950GT	115	48906	141	49613	14 ⁹ , 141, 143, 145, 147,
44174	139	48907	147, 149	49772	149
44227	137	48911	143	49772	91
44229	135	48912	137, 143, 145	49820	125
44236	135	48916	143, 145, 147, 149	49878	59
44248	15	48917	145, 147, 149	50455	87
44750	133	48919	145	50466-SGT	107
44753	81	48923	145	50479	91
44778	39	48939	143	50480	105
44788	11	48942	143, 145, 147, 149	50517-SGT	89
44788GT	65	48944	143	50519	53
44980	15, 19	48947	143	50542	93
44981	15, 19, 23, 27	48948	143	50543	101, 105
44986	15	48966	143	50546	97, 105
45071	37, 87	48999	143	50548PGT	91
45074	31	49117-4691	141	50552	97
45112	31	49117-9991	141	50570	61
45113	31	49117-11091	141	50584	95
45114	31	49117-11091GT	147, 149	50635	91
45162	143	49119-2078	141	50698	97
45162GT	63	49119-2178GT	145, 147, 149	50784	79
45209	43	49119-3378GT	143	50924	81
45363	57, 81	49119-4178GT	147, 149	50952	89
45383	125	49119-13978GT	145, 147, 149	50966GT	63
45385	77	49119-20578GT	147, 149	50974	57
45454	161	49119-21878GT	147, 149	51147	43, 49
45462	61, 77	49119-26078GT	145	52371	135, 139
45470	165	49119-27478GT	145	52374	137
45840	127	49119-34378GT	145, 147, 149	52475	19, 27
46038	129	49119-35678GT	145, 147, 149	52664	15, 19
46188	173	49119-36378GT	145, 147, 149	52672	15
46258	137	49119-37978GT	147, 149	52865	15, 19
46468	15, 19, 23, 27	49119-39378GT	145	52887	129
47010	137	49120-33381GT	145, 147, 149	52892	129
				52895	129

<u>Part no.</u>	<u>Page Number</u>	<u>Part no.</u>	<u>Page Number</u>	<u>Part no.</u>	<u>Page Number</u>
52897	135, 137, 139	54961	31	62105	39
52906	137	54962	31	62506	139
52907	137	54989	167	62507	139
52910	137	54994	105	62695	41
52912	135	55067	109	62696	41
52913	133	55753	93, 155, 159, 173, 189	62926	15, 19, 23, 27
52928	129	56022GT	63	62927	15, 23, 27
52947	15	56282	39	65178	129
52969	15, 19, 23, 27	56302	75, 125	65301	15
53157-SGT	155	56424	115, 159, 189	65546	129
53517	171	56426-700GT	173	65608	37
53807-SGT	155	56445	83	65618	37
53808-SGT	155	56461	43	65788	97
54063	97	56561	35	65789	105
54065	101, 105	56562	35	65790	97
54132	147, 149	56704GT	153	66031	161
54145-400GT	53	56849	59	66397	49
54156	87	56912	33, 35, 39, 53, 111, 115	66399	11
54231GT	63	56930	41	66472	173
54255	71, 123	56994	75	66717	35
54271	99	57162	43	66812	67, 121
54360GT	65	58932	133	66813	127
54365	125, 171	58936	133	66815	127
54436	31	58985	129	66818	67, 121
54479GT	63	60065GT	63	66821	67, 121
54486	157	60145	81	66900	43
54510-SGT	109	60435	71	66901	43
54520-SGT	101	60443	123	70534	93
54542	33, 37	60526	73, 77, 123	70588	93
54569	97	60527	71	70589	93
54570	97	60528	71	70642	161
54627	31, 37	60922	155	70644-75792GT	161
54637	167	61306-SGT	105	70671	93
54638	167	61726	163	70685	89
54639	167	61801	71	72086	19, 27
54640	167	61972	163	72282GT	153
54726	87	61974	163	72298	129
54840	31	61975	163	72326	61, 77, 125
54883	167	61987	165	72444	15, 19, 23, 27
54884	167	61998	163	72833	15, 19
54959	31	62070	15, 19, 23, 27	72867	15, 19, 23, 27, 171
54960	31	62088GT	63	73477PGT	115

<u>Part no.</u>	<u>Page Number</u>	<u>Part no.</u>	<u>Page Number</u>	<u>Part no.</u>	<u>Page Number</u>
73574-SGT	115	77189	93	88203	87
73575	39, 115, 183	77303	87	88337	31
73610PGT	115	77351	125	88338	31
73711	77, 123	77362	93	88356-11163GT	89
73713	71, 77, 123	77363	101, 105	88356-11205GT	91, 95
73717	77, 123	77364	93, 101, 105	88370PGT	89
73723	123	77375	95	88385	173
73730	77	77376	95	88390	173
73736	71, 123	77410	97	88516	109
73739	115	77521	87	88606	155
73751	71	77709	135, 137, 139	88607PGT	155
73754	71, 73, 77	77797	173	88635-4024GT	53
73807	101, 139	77981	133	88637	77
74006	125	77990	133	88676	87
74266	41	78098	83, 183	88721-70700GT	71, 83
74267	35	78622	11	88721-72000GT	71, 83
74268	35	78622GT	65	88722-70700GT	71, 83
74362	129	79452	39	88722-72000GT	71, 83
74368	129	81175	105	88723-69700GT	71, 83
74468	35	81458	125	88723-71000GT	71, 83
74469	35	81488	121	88724	85
74470	35	81532	83	88725	85
74471	41	81579	59	88752	31
74495	35	81640	111	88827	67
74911	75	82279	15, 19, 23, 27	88832	85
74912	75	82366	15	89756	91
74913	75	82422	173	93131	67
74917	75	82472	23	93500	11
75073	79, 81	82473	23	94191	163
75076	79, 81	82481	23, 27	94492PGT	163
75453	137	82487	23, 27	94506	67
75617-1025GT	173	82548	23	94529	89
75617-1550GT	173	82601	23	94531PGT	89
75617-2075GT	175	82602	25	94618	137
75617-2275GT	173	82604	25	94639	75
75617-6275GT	175	82612	25	94643	163, 165
75636	173	82647	25, 27	94745	115
77014	93	82914	133	94745PGT	155
77032	81	83093	67	94860	135
77059-2986GT	143	84385	137	94879	37
77103	145	85239	67	94880	37
77181	105, 109	87755	77	96008-SGT	67

<u>Part no.</u>	<u>Page Number</u>	<u>Part no.</u>	<u>Page Number</u>	<u>Part no.</u>	<u>Page Number</u>
96010	67	110310	89	120269	53
97128	89, 91, 95	110651	127	120297	125
97815	15, 21, 25, 27	110789	163	120300	123
97887	15	111051	99	120373	109
98154	163	111052	99	120425	37
99174	165	111053	99	120426	37
101055	137	111526	157	121848	83, 163
101056	137	114025	15, 21, 25, 27	122019GT	153
101057	137	114114	15, 25	122073	155, 173, 189
101067	137	114117	15, 21	122278	155
101069	137	114221	15	122279	155
101080	83	114247	25	122513	127
101114	137	114248	25, 27	122514	121
101277	137	114249	25, 27	122994	69
101512	163	114252	25, 27	128045	75, 163
101815	53	114334	25, 27	128118	47
101859	81	114343	21, 25, 27	128200	67, 119
101861	79	114345	25, 27	128201	73, 119
101862	81	114350	15, 21, 25, 29	128202	69, 73, 119, 121, 123
101932	169	114389	17	128203	173
102785PGT	155	114390	13, 21	128204	73, 171
102786PGT	155	114397	13, 21	128206	121
102992	115	119058	115	128301	95
104804	159	119061	71	128304	97
106044	173	119062	71	128308	99
106069	79	119063	71	128309	99
106163	109	119064	71	128310	99
106241	45	119403	59	128311	99
106427	89	119404	59	128337	35
106972	89	119536PGT	111	128375	47
106974	89	119542	111	128376	47
106976	91	119619	31	128377	47
106983	89	119787PGT	49	128454	111
106986	89	119825	137	128465	49
107588	87	120188	113	128466	49
107590	87	120236	77	128482	111
107651	53	120243	59	128483	111
107727	87	120246	57	128488	49
107857	155	120250	53	128489	49
107858	157, 171	120251	53	128490	49
107859	87	120255GT	63	128518	21, 29
107881	89	120267	35	128534	111

<u>Part no.</u>	<u>Page Number</u>	<u>Part no.</u>	<u>Page Number</u>	<u>Part no.</u>	<u>Page Number</u>
128578	67, 69, 71, 73, 119, 121	139318	47, 59, 61	219487	21
128580-SGT	67, 119	139351	37	219954	29
128581-SGT	73, 119	139353	37	219956	29
128582-SGT	69, 71, 73, 119, 121, 123	139354	37	219958	29
128584-SGT	73	139355	37	226383	129
128596	99	139687	101	226393GT	153
128597	99	139688	101	227130	17
128598	35	139701	99	227213	17, 21
128601	97	139702	99	227564	115
128603	95	139779	99	228678-2250GT	147, 149
128605	97	139781	99	228946	47
128645	47, 61	139857	47	228947	47
128646	59	139882	83, 173	228973	33, 47
128816	53, 85	144161	47, 59	229131	39
128852	169	146478	121	229132	39
128862	99	147041	169	229133	39
128929-300GT	49	147042	169	229314	33
128941	83	147043	169	229320	37
128973	169	147044	169	229567	67, 69, 73, 119, 121, 127
128995	97	147089	69	229712	31
128997	111	147093	69	229714	31
128998	89	147121	115	229720	33
129021	137	147181	169	229721	33
133067	25, 29	147183	169	229722GT	65
133286	21, 25, 29, 47	147184	169	229723GT	63
139011-SGT	49	147187	39	229725GT	63
139020	49	147253	119	229726	57
139047	49	147509	163	229728	81
139048	49	150103	95, 101, 105	229729	43
139049	49	161550	43	229798	31
139050	49	161551	43	229800	81
139051	49	214814	143	229801	79
139052	49	216769	83	229802	81
139053	49	216791	75	229803	35
139054	49	216793	75	229804	47
139055	49	218083	75	229805	43
139056	49	218154	53, 71, 85	229806	43
139057	49	218550	21	229807	59
139058	49	218559	21	229808GT	65
139059	49	218571	37	229809	79
139060	51	219158	187	229810	35
139099	147, 149	219160	17, 25	229811	81

<u>Part no.</u>	<u>Page Number</u>	<u>Part no.</u>	<u>Page Number</u>	<u>Part no.</u>	<u>Page Number</u>
229812	121	824029GT	63	824111	87, 89
230498	31	824036	53, 75, 125	824113	33, 35, 79, 81, 95, 181
230501	71	824037	31, 49	824113GT	65
230502	57	824049	49	824119	79, 81
230505	47	824050	53	824120	187
232575	147, 149	824051	53	824122	163
233472	43	824052	53	824124	97, 99, 169
233473	43	824059	43, 71, 75, 99, 127	824125	43, 45
233475	31	824060	33, 35, 79, 81, 187	824127	31
233715	109	824060GT	65	824129	31
233716	101	824061	37	824151	97, 105
233745	101, 109	824063	97	824164	97, 105
233807	37	824067	93	824207	81, 159
234923	129	824067GT	63	824214	75, 123
236819	43	824068	57, 95	824215	57, 79, 81
237145	125	824069	187	824216	53, 163
237238	181	824069GT	63	824226	77, 123
237688	89	824070	163	824227	155
822005	13	824073	101	824228	45
822006	13	824074	81	824878	73, 77, 119, 121
822013	13	824078	41, 47, 53, 57, 75, 81...	825019	31, 37, 93, 95, 101, 105
822014	13	824078GT	63, 191	825020	163
822759	173	824079	39, 57, 77, 79, 99, 101	825349	41
822764	173	824080	41, 49, 111, 181	825352	183
822768	173	824081	31, 101, 105, 157	825352GT	153
822769	173	824082	89, 97	825358	39, 61, 95, 159
822777	85	824085	57, 157, 171	825358GT	63
823153	23	824086	41, 43, 189	825796	33
823154	23	824087	59, 109	826779	135
823161	23	824089	59, 111	826783	35
823162	23	824090	47, 57, 115, 125, 171, 185	826793	109, 133
823223	171	824091	31, 57, 59, 101	1000001	17
823684	43	824091GT	63	1240313	159
823774	83	824092	57, 89, 93, 101, 105	1251565	33
824019	77, 123	824092GT	63	1251600	117, 161, 181, 187
824024	37, 79, 81	824094	39	1251757	75, 125
824025	61	824100	133	1251997	53, 177
824025GT	63	824103	39, 53	1253185	71, 127
824027	39, 43, 47, 57, 75, 77...	824104	37	1253478	47, 105
824027GT	63, 191	824109	127	1253485	81, 163
824028	45, 79	824110	37, 91, 93, 95, 111, 122	1253498	87, 93
824029	33, 37, 43, 45, 47, 53...	824110GT	63	1253498GT	63

<u>Part no.</u>	<u>Page Number</u>	<u>Part no.</u>	<u>Page Number</u>	<u>Part no.</u>	<u>Page Number</u>
1254874	115	1256312	41	1261021	177
1255018	179	1256378	177	1261023	177
1255019	179	1256380	177	1261025	177
1255020	179	1256389	177	1261184	183, 187
1255021	179	1256400	177	1261221	83
1255022	179	1256400FRGT	177	1261292	173
1255023	179	1256439	177	1261845	85
1255024	179	1256460	115	1261899	85
1255025	179	1256468	187	1261984	57
1255027	179	1256469	81	1262031	39, 75
1255028	179	1256481	177	1262220	83
1255029	179	1256693	33, 35	1262223	83
1255030	85	1256803	99, 109	1262342	21
1255033	179	1256844	87, 89	1262512	85
1255035	179	1256847	79, 95, 169	1262633	93
1255036	179	1256851	177	1262643	29
1255037	179	1256855	43, 91, 115, 155, 159	1263056	93
1255038	179	1256856	177	1263057	93
1255047	181	1256859	183	1263142	53
1255066	179	1256863	101, 109, 161	1263178	57
1255067	179	1256922	95	1263232	55
1255068	179	1257227	125	1263234	53
1255452	93	1257248	115	1263452	29
1255758	37, 47, 57, 79, 163, 169	1257249	115	1263542	29
1255758GT	63	1257296	123	1263543	21
1255760	53, 89	1257389	181	1263554	35
1255760GT	63	1257390	123	1263609	39, 133
1255763	45	1257454	89	1264101	159
1255805	35, 43	1257628	59	1264259	81
1255858	85	1257628GT	65	1264261	35, 57, 75, 79, 81, 95...
1255889	179	1257733	11	1264261GT	153
1255890	179	1258567	11	1264308	17, 21
1256108	47, 169	1258768	77	1264688	143
1256109	53, 91, 93, 95, 109	1259322	85	1264689	143
1256118	37, 57, 61, 79	1259329	175	1264690	143
1256127	97, 111	1259639	85	1264822	83
1256170	53	1259857	53	1264834	83
1256177	91	1260173	85	1264934	183
1256180	111	1260892	177	1265397	159
1256182	37, 53	1260910	177	1265481	95
1256231	99, 101	1260940	87	1267121	21
1256267	87, 93	1261019	177	1267570	139

<u>Part no.</u>	<u>Page Number</u>	<u>Part no.</u>	<u>Page Number</u>	<u>Part no.</u>	<u>Page Number</u>
1267746	115	1277924	91, 97, 99, 101, 109, 111	1295211	91
1267747	117, 159	1277952	189	1296496	83
1267750	113	1277966	189	1296946GT	191
1267779	33	1278111	183	1297587	137
1267780	37	1278119	183	1298825	21
1267781	33	1278121	183	1298967	167
1267782	37	1278124	183	1299743	21
1267784	33	1278138	183	1299744	21, 29
1267785	39	1278144	185	1301754	169
1267786	33	1278363	185	T106699GT	75, 125
1267787	39	1278368	183	T107883GT	105
1268954	39	1278416	183	T107884GT	103, 105
1270116	179	1278433	183	T108075GT	101, 107
1270117	179	1278452	183	T108673GT	39
1270118	179	1278458	183	T112560GT	125
1270314	159	1278542	183	T112773GT	25, 29
1270316	159	1278629	175	T115351GT	143
1270570	189	1278982	185	T115412GT	79
1270571	189	1279135	183		
1271061	159	1279765	189		
1272235GT	191	1280665	47, 59		
1272250GT	191	1281174	21, 29		
1272307	117	1281175	29		
1273205	109	1283776	11		
1274166	163	1283806	37		
1274167	109, 159, 171, 189	1283887	95		
1274173	101, 109	1283888	95		
1274322	87, 89, 93, 99, 101, 105	1284282	83		
1275088	115	1285689	85		
1275089	115	1285700	159		
1275393	113	1285812	85		
1275395	113	1286362	29		
1275396	113	1287821	95		
1275397	113	1287986	137		
1275537	179	1289956	171		
1275538	181	1291360	77		
1275539	179	1292362	85		
1275540	181	1292677	77		
1277873	183	1293787	151		
1277875	183	1293788	151		
1277876	183	1294398	21, 29		
1277877	183	1295098	95		

California Proposition 65

 **WARNING**

Operating, servicing and maintaining this equipment, passenger vehicle or off-highway motor vehicle can expose you to chemicals including engine exhaust, carbon monoxide, phthalates, and lead, which are known to the State of California to cause cancer and birth defects or other reproductive harm. These chemicals can be emitted from or contained in other various parts and systems, fluids and some component wear by-products. To minimize exposure, avoid breathing exhaust, do not idle the engine except as necessary, service your equipment and vehicle in a well-ventilated area and wear gloves or wash your hands frequently when servicing your equipment or vehicle and after operation. For more information go to www.P65Warnings.ca.gov/passenger-vehicle.

Breathing diesel engine exhaust exposes you to chemicals known to the State of California to cause cancer and birth defects or other reproductive harm.

- Always start and operate the engine in a well-ventilated area.
- If in an enclosed area, vent the exhaust to the outside.
- Do not modify or tamper with the exhaust system.
- Do not idle the engine except as necessary.

For more information go to www.P65warnings.ca.gov/diesel.

Distributed By:

www.GPSEquipment.com to order your parts

PARTS FINDER

**Search Website
by Part Number**



**Search Manual
Library For Parts
Manual & Lookup Part
Numbers – Purchase
or Request Quote**

Search Manuals

Enter your information to help us find the right parts manual for your machine.

* Brand:

* Model:

* Serial:

* Part Number:

SEARCH

**Can't Find Part or
Manual? Request Help
by Manufacturer,
Model & Description**

Parts Order Form

Please fill in the following information to help us find the right part for your machine.

MANUFACTURER:

MODEL:

DESCRIPTION:

SEARCH

Discount-Equipment.com is your online resource for quality parts & equipment.

Florida: **561-964-4949** Outside Florida TOLL FREE: **877-690-3101**

Need parts?

Click on this link: <http://www.discount-equipment.com/category/5443-parts/> and choose one of the options to help get the right parts and equipment you are looking for. Please have the machine model and serial number available in order to help us get you the correct parts. If you don't find the part on the website or on one of the online manuals, please fill out the request form and one of our experienced staff members will get back to you with a quote for the right part that your machine needs.

We sell worldwide for the brands: Genie, Terex, JLG, MultiQuip, Mikasa, Essick, Whiteman, Mayco, Toro Stone, Diamond Products, Generac Magnum, Airman, Haulotte, Barreto, Power Blanket, Nifty Lift, Atlas Copco, Chicago Pneumatic, Allmand, Miller Curber, Skyjack, Lull, Skytrak, Tsurumi, Husquvarna Target, Stow, Wacker, Sakai, Mi-T-M, Sullair, Basic, Dynapac, MBW, Weber, Bartell, Bennar Newman, Haulotte, Ditch Runner, Menegotti, Morrison, Contec, Buddy, Crown, Edco, Wyco, Bomag, Laymor, EZ Trench, Bil-Jax, F.S. Curtis, Gehl Pavers, Heli, Honda, ICS/PowerGrit, IHI, Partner, Imer, Clipper, MMD, Koshin, Rice, CH&E, General Equipment, Amida, Coleman, NAC, Gradall, Square Shooter, Kent, Stanley, Tamco, Toku, Hatz, Kohler, Robin, Wisconsin, Northrock, Oztec, Toker TK, Rol-Air, APT, Wylie, Ingersoll Rand / Doosan, Innovatech, Con X, Ammann, Mecalac, Makinex, Smith Surface Prep, Small Line, Wanco, Yanmar