



A TEREX BRAND



Parts Manual

Serial Number Range

Z-60/34

to SN 1089

Part No. 30103

Rev E2

November 2018

Go to Discount-Equipment.com to order your parts

PARTS FINDER

**Search Website
by Part Number**



**Search Manual
Library For Parts
Manual & Lookup Part
Numbers – Purchase
or Request Quote**

Search Manuals

Enter your information to help us find the right parts manual for your machine.

* Brand:

* Model:

* Serial:

* Part Number:

SEARCH

**Can't Find Part or
Manual? Request Help
by Manufacturer,
Model & Description**

Parts Order Form

Please fill in the following information to help us find the right part for your machine.

Manufacturer:	<input type="text"/>
Model:	<input type="text"/>
Description:	<input type="text"/>
Part Number:	<input type="text"/>
Quantity:	<input type="text"/>
Notes:	<input type="text"/>

Submit

Discount-Equipment.com is your online resource for quality parts & equipment.

Florida: **561-964-4949** Outside Florida TOLL FREE: **877-690-3101**

Need parts?

Click on this link: <http://www.discount-equipment.com/category/5443-parts/> and choose one of the options to help get the right parts and equipment you are looking for. Please have the machine model and serial number available in order to help us get you the correct parts. If you don't find the part on the website or on one of the online manuals, please fill out the request form and one of our experienced staff members will get back to you with a quote for the right part that your machine needs.

We sell worldwide for the brands: Genie, Terex, JLG, MultiQuip, Mikasa, Essick, Whiteman, Mayco, Toro Stone, Diamond Products, Generac Magnum, Airman, Haulotte, Barreto, Power Blanket, Nifty Lift, Atlas Copco, Chicago Pneumatic, Allmand, Miller Curber, Skyjack, Lull, Skytrak, Tsurumi, Husquvarna Target, Stow, Wacker, Sakai, Mi-T-M, Sullair, Basic, Dynapac, MBW, Weber, Bartell, Bennar Newman, Haulotte, Ditch Runner, Menegotti, Morrison, Contec, Buddy, Crown, Edco, Wyco, Bomag, Laymor, EZ Trench, Bil-Jax, F.S. Curtis, Gehl Pavers, Heli, Honda, ICS/PowerGrit, IHI, Partner, Imer, Clipper, MMD, Koshin, Rice, CH&E, General Equipment, Amida, Coleman, NAC, Gradall, Square Shooter, Kent, Stanley, Tamco, Toku, Hatz, Kohler, Robin, Wisconsin, Northrock, Oztec, Toker TK, Rol-Air, APT, Wylie, Ingersoll Rand / Doosan, Innovatech, Con X, Ammann, Mecalac, Makinex, Smith Surface Prep, Small Line, Wanco, Yanmar



A TEREX BRAND

Model: Z-60/34
Serial number: Z6006-12345
Model year: 2006 **Manufacture date:** 01/05/06
Electrical schematic number: ES0423
Machine unladen weight:

Rated work load (including occupants): 500 lb / 227 kg
Maximum number of platform occupants: 2
Maximum allowable side force : 150 lb / 670 N
Maximum allowable inclination of the chassis:
0 deg
Maximum wind speed : 28 mph/ 12.5 m/s
Maximum platform height : 60 ft 4 in/ 18.3 m
Maximum platform reach : 34 ft / 10.4 m
Gradeability: N/A
Country of manufacture: USA
This machine complies with:
ANSI A92.5
CAN B.354.4



11111111

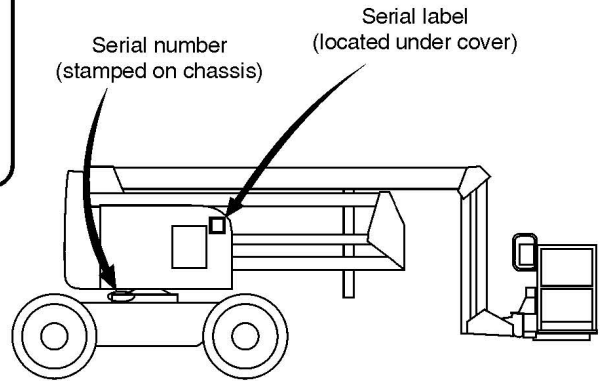
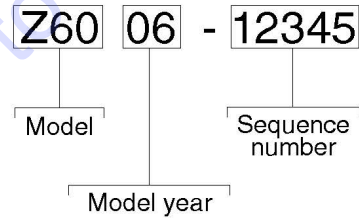


Table of Contents

This manual is updated frequently. For the most up-to-date parts information, visit www.discount-equipment.com

How to Read Your Serial Number.....	3
Parts Stocking List.....	7

Electronic Version

Click on any page number to view the figure.

100 Decals

101.1 Decals - Profile Views.....	10
102.1 Decals - End Views.....	12
103.1 Decals and Paint - Top View and Platform.....	14

200 2WD Drive Chassis Components

201.1 Steer Linkage - non-oscillating Axle.....	16
202.1 2WD Steer Linkage - Oscillating Axle.....	18
203.1 2WD Steer Axle - Non-oscillating.....	20
204.1 2WD Steer Axle - Oscillating.....	22
205.1 2WD Steer Manifold and Steer / Oscillation Manifold.....	24
206.1 2WD Drive Manifold (to SN 670).....	26
206.2 2WD Drive Manifold (from SN 671).....	28
207.1 2WD Non-steer Axle (to SN 670).....	30
207.2 2WD Non-steer Axle (to SN 670).....	32
208.1 2WD Hydraulic Hoses and Fittings - Non-oscillating Axle (to SN 909).....	34
208.2 2WD Hydraulic Hoses and Fittings - Non-oscillating Axle (from SN 910).....	38
209.1 2WD Hydraulic Hoses and Fittings - Oscillating Axle.....	42

300 4WD Drive Chassis Components

301.1 4WD Steer Linkage - Oscillating Axle.....	46
302.1 4WD Steer Axle - Oscillating.....	48
303.1 4WD Steer / Oscillation Manifold.....	50
304.1 4WD Drive Manifold (to SN 670).....	52
304.2 4WD Drive Manifold (from SN 671).....	54
305.1 4WD Non-steer Axle.....	56
306.1 4WD Hydraulic Hoses and Fittings - Oscillating Axle.....	58

400 Engine Components

401.1 Ford Gasoline/LPG Engine - View 1.....	62
402.1 Ford Gasoline/LPG Engine - View 2.....	64
403.1 Ford Gasoline/LPG Engine - View 3.....	66
404.1 Deutz Diesel Engine - View 1.....	68
405.1 Deutz Diesel Engine - View 2.....	70

500 Turntable Components

501.1 Function Manifold / Auxiliary Power Unit.....	72
502.1 Hydraulic and Fuel Tanks.....	74
503.1 Function Manifold.....	76
504.1 Turntable Rotator and Hydraulic and Electrical Rotary Couplers.....	80
505.1 Ground Controls - View 1.....	82
506.1 Ground Controls - View 2 (to serial number 456).....	84
506.2 Ground Controls - View 2 (from serial number 457).....	86
507.1 Turntable Covers.....	88
508.1 Hydraulic Hoses and Fittings.....	90

600 Boom Components

601.1 Secondary Boom - View 1.....	94
602.1 Secondary Boom - View 2.....	96
603.1 Upper Mid-pivot.....	98
604.1 Upper Mid-pivot and Primary Boom Rests.....	100
605.1 Primary and Extension Booms.....	102
606.1 Cable Track.....	104
607.1 Jib Boom and Platform Rotator.....	106
608.1 Hydraulic Hoses and Fittings.....	110

700 Platform Components

701.1 Platform Installation - View 1.....	112
702.1 Platform Installation - View 2.....	114
703.1 Platform Controls - View 1.....	116
704.1 Platform Controls - View 2.....	118
705.1 Joystick Controller - Drive / Steer.....	120
706.1 Joystick Controller - Boom Functions, Dual Axis.....	122
707.1 Joystick Controller - Boom Functions, Single Axis.....	124

Indices

Part Number Index.....	126
Part Description Index.....	130

Cross References

Fittings Cross Reference.....	136
-------------------------------	-----

Required Parts

The following parts are required to perform maintenance procedures as outlined in the Genie Z-60/34 Service Manual.

Ford Models:

Description	Part No.
Pre-Filter, Fuel	52179
Filter - Fuel Pressure Regulator	58967
Filter - Engine Oil	28656
Element - Air Filter	77295
Serpentine Belt	52580
Valve - PCV	33957
Spark Plug	28647

Deutz Models:

Description	Part No.
Element - Air Filter	62420
Filter - Fuel/water Separator	29560
Filter - Engine Oil	49924
V-Belt	32698
Manual - Workshop, Deutz 1011F	52229

Recommended Parts

Description	Part No.
Genie Blue Paint, 1 Gallon	32150
Genie Blue Paint, 12 Ounce Aerosol.....	1484
Genie Gray Paint, 1 Gallon.....	32151
Genie Gray Paint, 12 Ounce Aerosol	1268

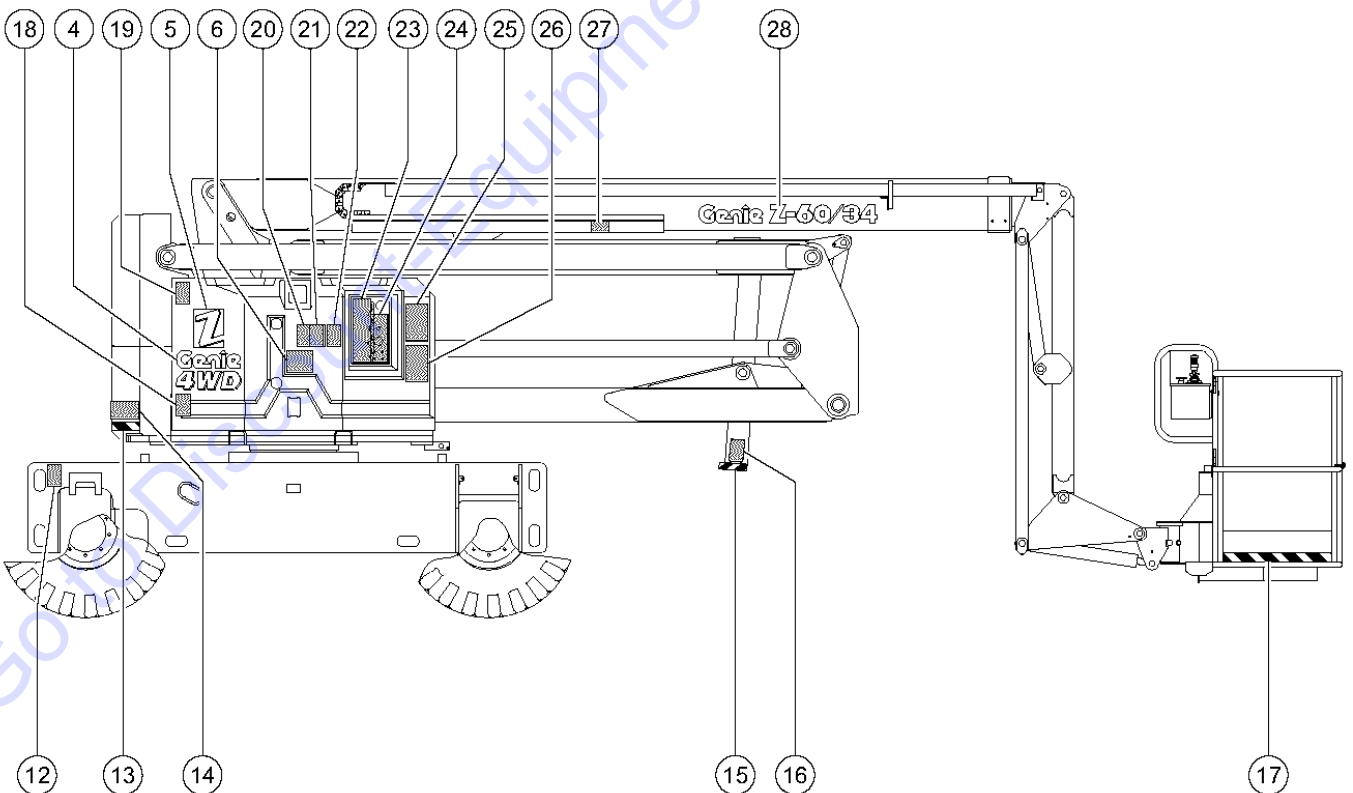
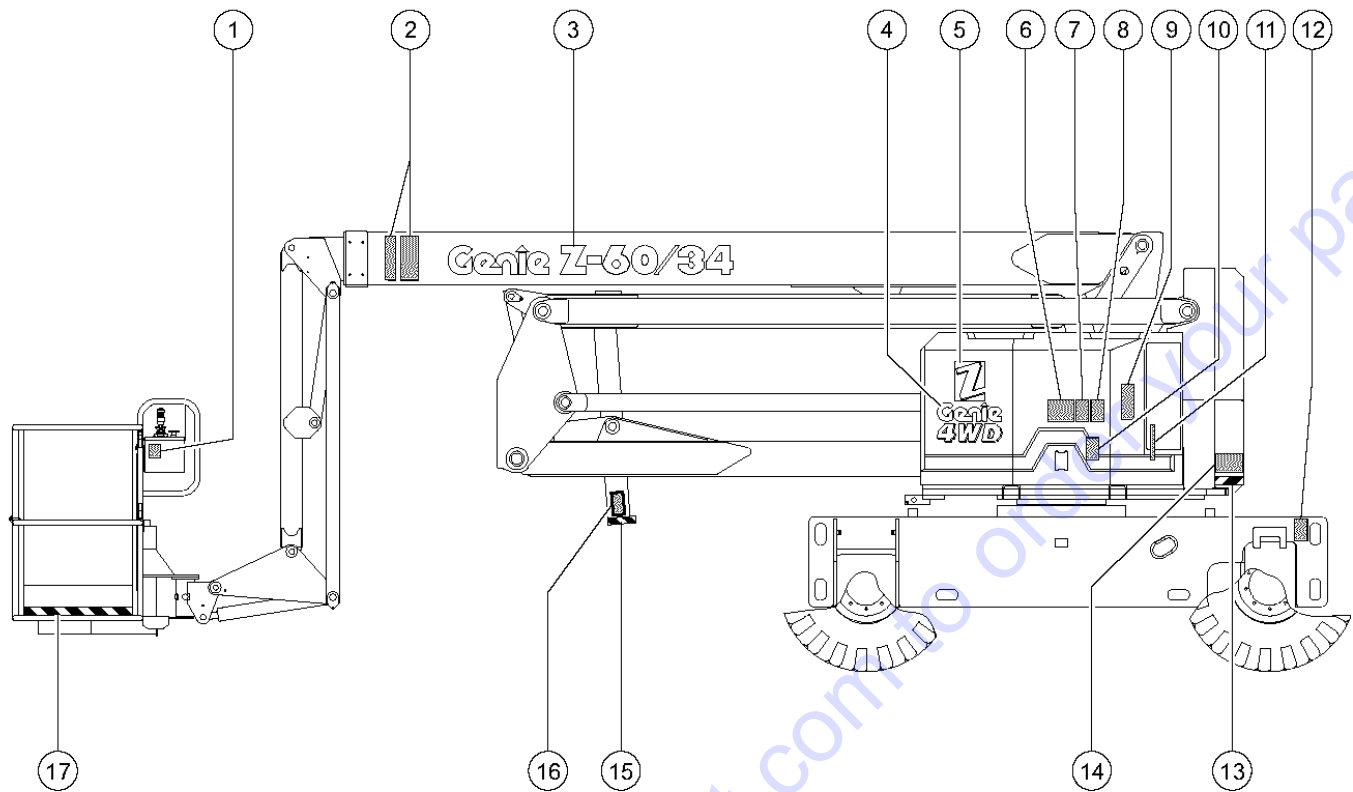
Manuals

Genie Industries offers the following support documents for these models:

EMI Safety Manual	27581
Manual of Responsibilities ANSI A92.5	31779

Go to Discount-Equipment.com to order your parts

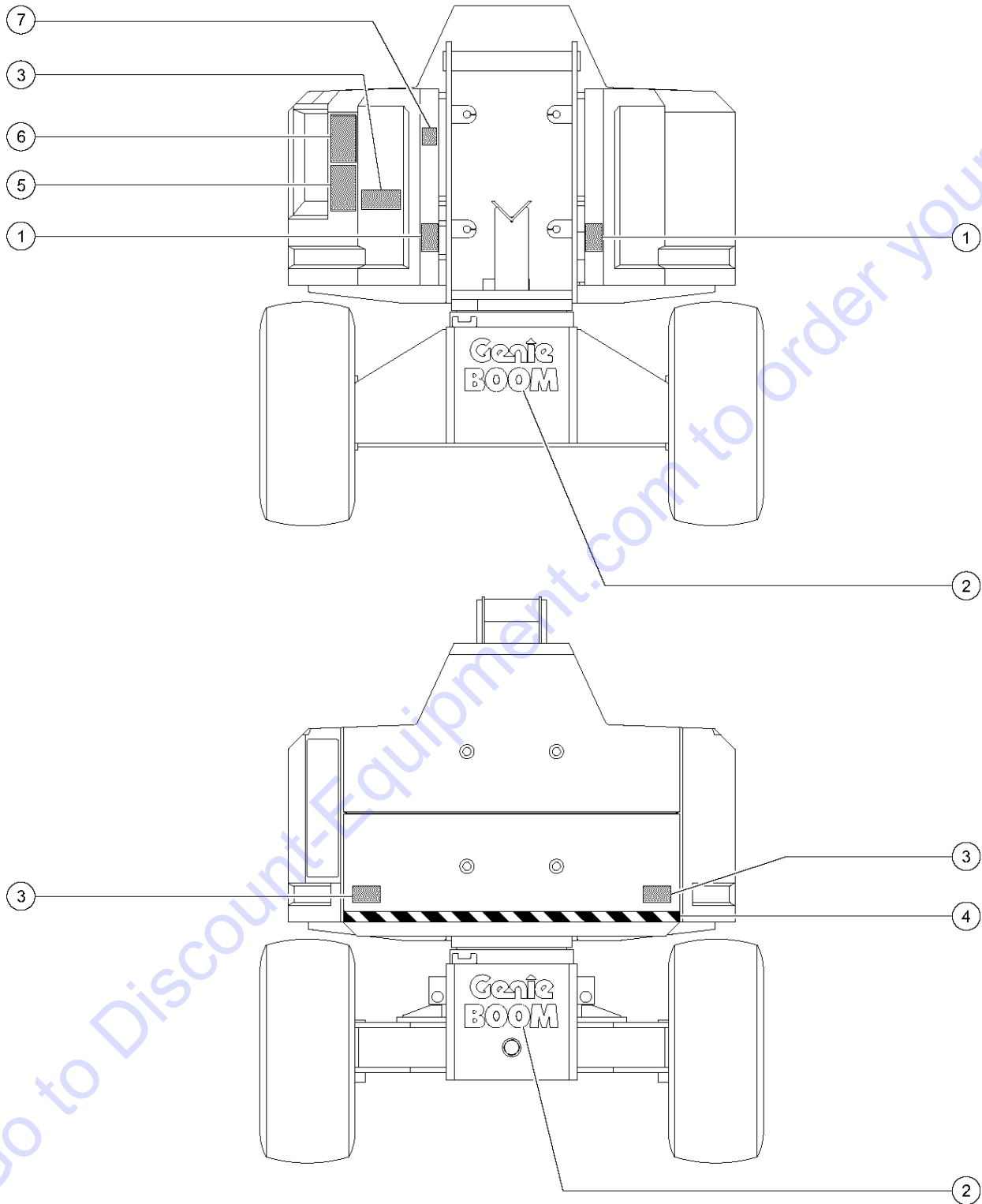
101.1 Decals - Profile Views



101.1 Decals - Profile Views

Item	Part No.	Description	Qty.
--	30106GT	DECAL KIT,INSTRUCTIONAL, Z60	
--	30107GT	DECAL KIT,COSMETIC, Z60	
1	28235GT	DECAL,POWER TO PLATFORM 115V...1	
--	28174GT	DECAL, POWER TO PLATFORM 230V**.....1	
2	31160GT	DECAL,STRIPE (10").....1	
3	31158GT	DECAL,GENIE Z60/34.....1	
4	30407GT	DECAL,GENIE 4 WD, WHITE.....2	
--	30406GT	DECAL"GENIE 2 WD" WHITE.....2	
5	31163GT	DECAL,Z, Z45MP.....2	
6	28175GT	DECAL,WARNING-COMPART ACCESS.....2	
7	28164GT	DECAL,NOTICE,HAZARDOUS MAT'LS*.....1	
8	30082GT	DECAL,NOTICE TIRE PRESSURE.....1	
9	28238GT	DECAL,NOTICE,ENG.SPECS,FORD423.1	
9	29780GT	DECAL,NOTICE,DEUTZ ENGINE SPEC.....3	
10	28162GT	DECAL,WARNING,CRUSHING.....1	
11	28170GT	DECAL,DANGER,BATT SAFE BOOM....1	
12	28161GT	DECAL,WARN,CRUSH HAZARD HAND.....2	
13	33550GT	TAPE,WARNING,BLK/YEL, 50***	
14	25980GT	DECAL,ELECTROCUTION HAZARD....2	
15	33550GT	TAPE,WARNING,BLK/YEL, 50***	
16	31059GT	DECAL,WARNING COLLISION HAZARD.....2	
17	33550GT	TAPE,WARNING,BLK/YEL, 50***	
18	28160GT	DECAL,LABEL,LIQUID PROPANE.....1	
19	28157GT	DECAL,USE DEXRON***.....1	
20	28158GT	DECAL,LABEL,UNLEADED GAS ONLY.....2	
--	28159GT	DECAL,DIESEL.....2	
21	28171GT	DECAL,DANGER,NO SMOKING ***.....1	
22	25994GT	DECAL,NOTICE,SHUTOFF VALVES.....1	
23	30078GT	DECAL,DANGER,GEN.SAFETY RULES.....1	
24	30084GT	DECAL,GROUND CONTROL PANEL....1	
25	29791GT	DECAL,NOTICE,PRE-OPERATION.....1	
26	30079GT	DECAL,OPERATING INSTRUCTIONS...1	
27	31060GT	DECAL,DANGER DO NOT ALTER SWTC.....1	
28	31159GT	DECAL,GENIE Z60/34.....1	

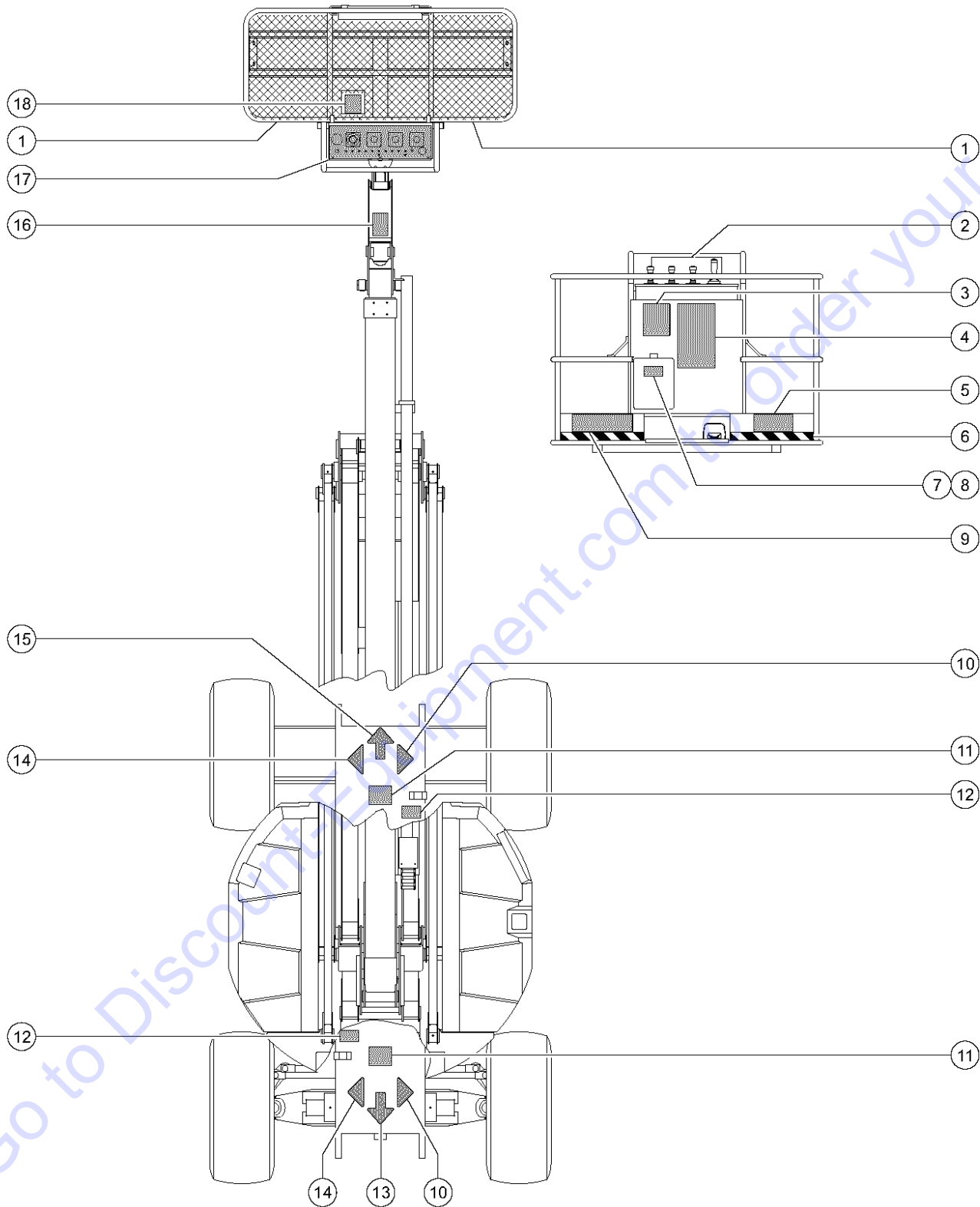
102.1 Decals - End Views



Item	Part No.	Description	Qty.
1	28161GT	DECAL,WARN,CRUSH HAZARD HAND.....	2
2	31162GT	DECAL,GENIE BOOM (17").....	2
3	25980GT	DECAL,ELECTROCUTION HAZARD....	3
4	33550GT	TAPE,WARNING,BLK/YEL, 50***	
5	30079GT	DECAL,OPERATING INSTRUCTIONS...	1
6	29791GT	DECAL,NOTICE,PRE-OPERATION.....	1
7	28235GT	DECAL,POWER TO PLATFORM 115V...	1
--	28174GT	DECAL, POWER TO PLATFORM 230V**.....	1

Go to Discount-Equipment.com to order your parts

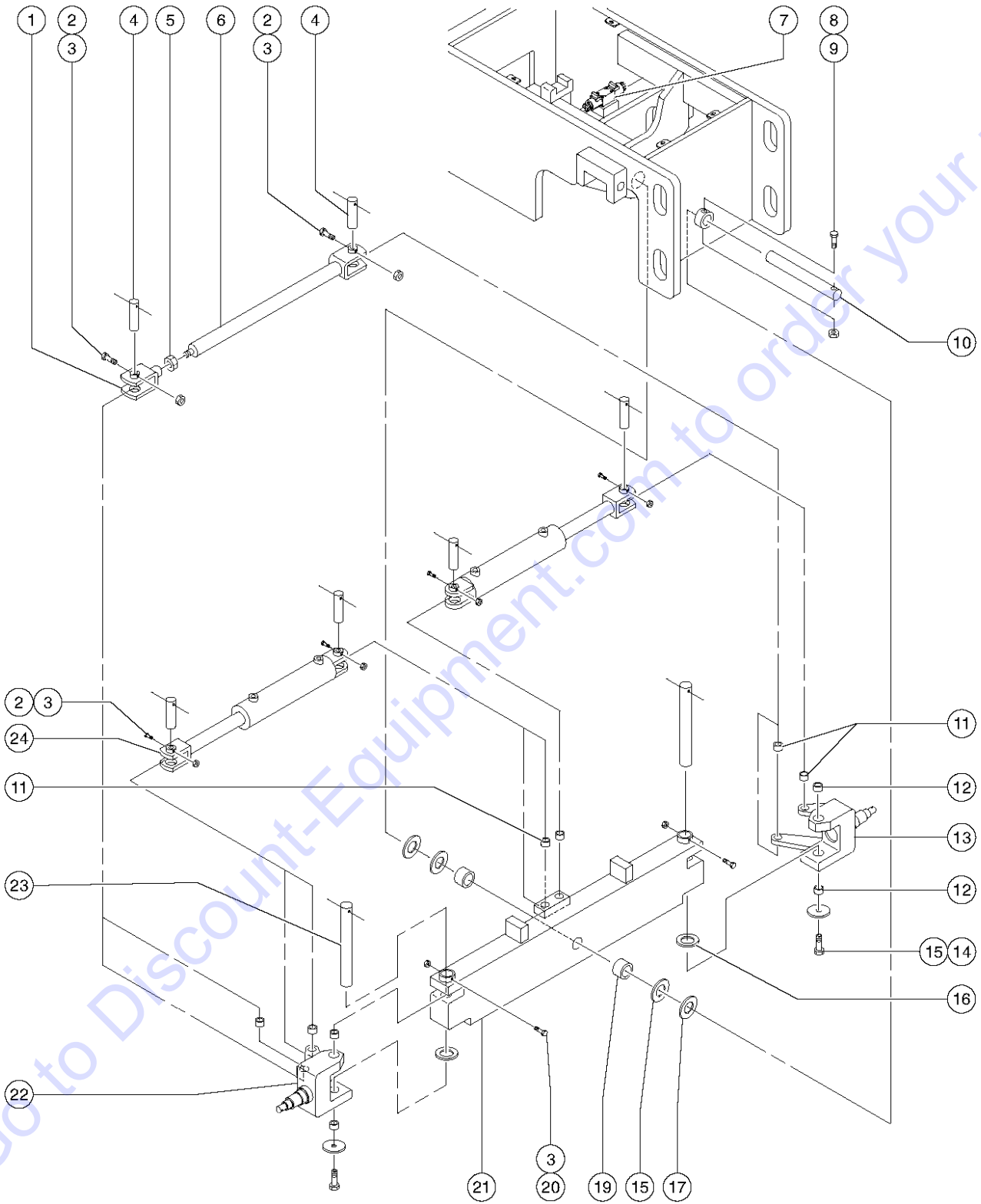
103.1 Decals and Paint - Top View and Platform



103.1 Decals and Paint - Top View and Platform

Item	Part No.	Description	Qty.
1	28177GT	DECAL,WARN,CRUSH HAZARD PLAT.....	2
2	29492GT	DECAL,NOTICE,OP.INST(PLAT) S60.....	1
3	29791GT	DECAL,NOTICE,PRE-OPERATION.....	1
4	30078GT	DECAL,DANGER,GEN.SAFETY RULES.....	1
5	97887GT	DECAL,INSTR,MAX SIDE FRC,ANSI.....	1
6	33550GT	TAPE,WARNING,BLK/YEL, 50'***	
7	28236GT	DECAL,WARN,IMPROPER OPERATION.....	1
8	28176GT	DECAL,LABEL,MANUAL NOT HERE.....	1
9	30080GT	DECAL,NOTICE,MAX LOAD 500 LBS.....	1
10	27206GT	DECAL,TRIANGLE,BLUE.....	2
11	28175GT	DECAL,WARNING-COMPART ACCESS.....	2
12	28178GT	DECAL,WARN,SHEAR TURNTABLE.....	2
13	27204GT	DECAL,ARROW BLUE.....	1
14	27207GT	DECAL,TRIANGLE,YELLOW.....	2
15	27205GT	DECAL,ARROW YELLOW LRG 9".....	1
16	28181GT	DECAL,WARN,FALL HAZARD.....	1
17	30083GT	DECAL,PLATFORM CTRL PANEL.....	1
18	28165GT	DECAL,INSTRUCT,FOOTSWITCH OPER.....	1

201.1 Steer Linkage - non-oscillating Axle



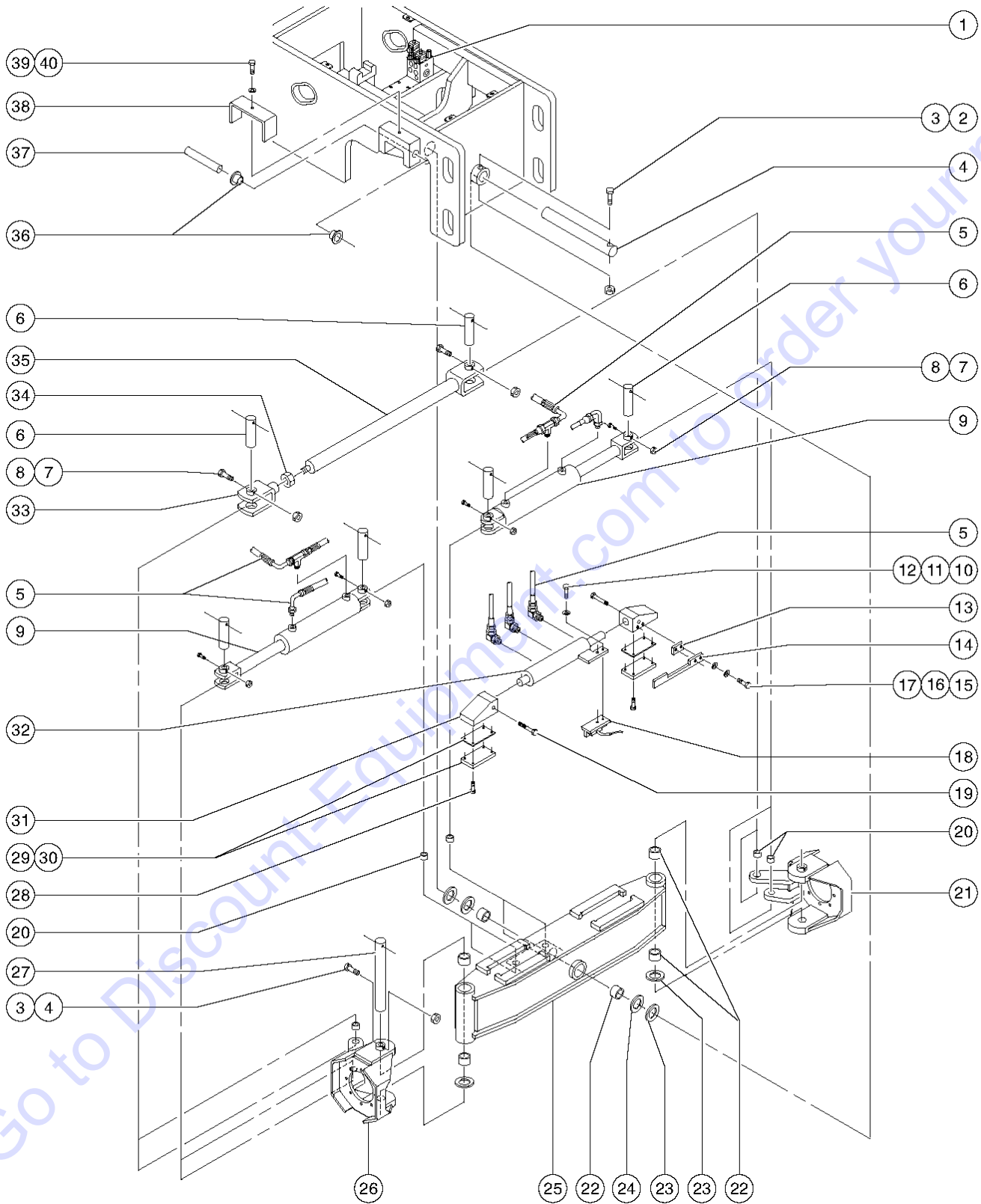
201.1 Steer Linkage - non-oscillating Axle

Item	Part No.	Description	Qty.
1	58101GT	TIE ROD ENHANCEMENT KIT.....1	
--	63238GT	TIE ROD END WELD,SERVICE,Z60.....1	
2	6708GT	SCREW,HHC,3/8-16 X 2.25.....6	
3	4828GT	NUT,NYLOCK,3/8-16.....8	
4	25419GT	PIN,STEER.....6	
5	27953GT	NUT,HEX,JAM,1.25-7.....1	
6	31093GT	TIE ROD, WELD.NON-OSC,Z60.....1	
7		Ref. 2WD Steer Manifold (refer to figure 205.1).....1	
8	8220GT	SCREW,HHC,1/2-13 X 4.....1	
9	6198GT	NUT,NYLOCK,1/2-13.....1	
10	36370GT	PIN,2.50DIAX15.00LG,1HOLE.....1	
11	30370GT	BEARING,1.25IDX1.5ODX1.00L.....6	
12	30431GT	BEARING, GARLOCK,GM2832-32.....4	
13	31091GT	YOKE ASSY,2WD LF.SIDE,Z60.....1 <i>includes index numbers 11 and 12</i>	
14	6175GT	SCREW,HHC,3/8-16 X 1.....2	
15	24039GT	WASHER,3/8 PLATE (3/8X2X3/16TK....2	
16	30257GT	WASHER,THRUST 1.75 ID.....2	
17	29746GT	WASHER,FLAT,2.5 X 4 X .062.....2 1	
18	25436GT	WASHER,THRUST,2.56 X 4.0 X .18.....2	
19	27698GT	BEARING,2.50IDX2.75ODX2.00L.....2	
20	21604GT	SCREW,HHC,3/8-16 X 3.25.....2	
21	31092GT	NON-OSCILLATING AXLE,Z60.....1 <i>includes 2 each index numbers 11 and 19; to SN 909</i>	
--	46965GT	NON-OSCILLATING AXLE Z60/1997 <i>includes 2 each index numbers 11 and 19; from SN 910</i>	
22	31090GT	YOKE ASSY,2WD RT.SIDE,Z60.....1 <i>includes index numbers 11 and 12</i>	
23	30185GT	PIN,KING,HI-STEER ANGLE,Z60.....2 <i>to SN 909</i>	
--	44089GT	PIN,1.75DIAX12.50LG,THREADED <i>from SN 910</i>	
24	53462GT	STEER. CYL. RETRO FIT KIT Z60.....2	
--	29183GT	SEAL KIT,25212,25217,25372,S60.....2	

Footnotes

1: Quantity listed for this item is approximate.
Actual quantity may vary, to ensure proper fit.

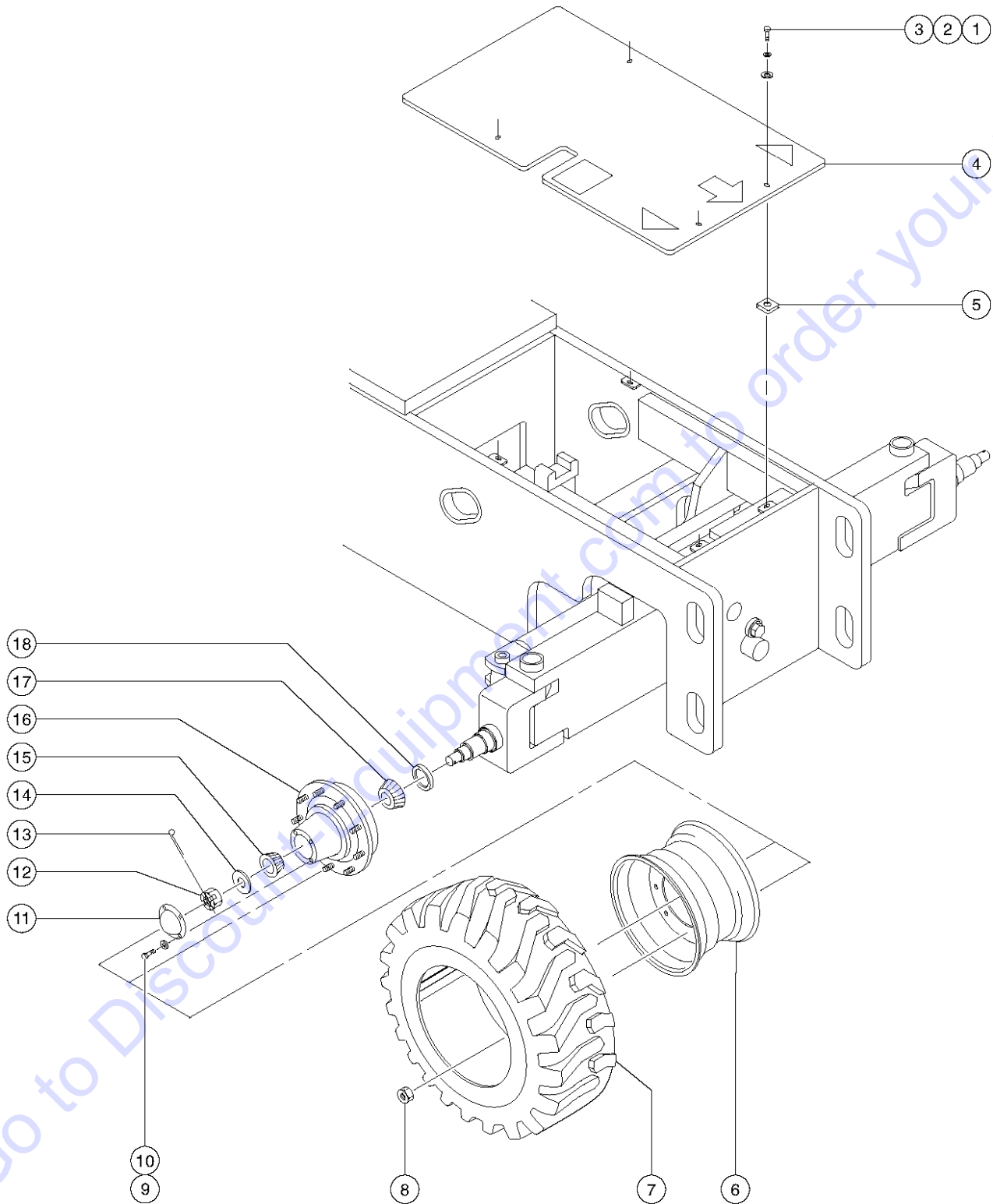
202.1 2WD Steer Linkage - Oscillating Axle



202.1 2WD Steer Linkage - Oscillating Axle

Item	Part No.	Description	Qty.	Item	Part No.	Description	Qty.
1		Ref. 2WD Steer / Oscillation Manifold (refer to figure 205.1)		30	31547GT	SHIM,OSCILLATING AXLE.....2 1	
2	8220GT	SCREW,HHC,1/2-13 X 4.....5		31	25404GT	BLOCK,WEDGE,OSC.AXLE.....2	
3	6198GT	NUT,NYLOCK,1/2-13.....3		32	63216GT	CYLINDER, OSCILLATING AXLE.....1	
4	25417GT	PIN,AXLE PIVOT**.....1 to SN 909		--	29186GT	SEAL KIT,25373 OSC.CYL,S60.....1	
--	36370GT	PIN,2.50DIA X 15.00LG,1HOLE.....1 from SN 910		33	29211GT	WELDMENT,ROD END.....1	
5		Ref. Hydraulic Hoses & Fittings (refer to figure 208.1).....1		34	27953GT	NUT,HEX,JAM,1.25-7.....1	
6	25419GT	PIN,STEER.....6		35	29210GT	TIE ROD, WELD. S60.....1	
7	4828GT	NUT,NYLOCK,3/8-16.....6		36	27695GT	BEARING,FL,1.75IDX1.94ODX1.50L....4	
8	6708GT	SCREW,HHC,3/8-16 X 2.25.....6		37	25769GT	PIN,OSCILLATING,ROLLR,8 X 1.75.....2	
9	53462GT	STEER. CYL. RETRO FIT KIT Z60.....2		38	27656PGT	RETAINER,AXLE ROLLER PIN,PAI.....2	
--	29183GT	SEAL KIT,25212,25217,25372,S60.....2		39	10587GT	SCREW,HHC,1/2-13 X.75.....2	
10	45645GT	SCREW,RHM,8-32 X .75.....2		40	6033GT	WASHER,LOCK,0.5".....2	
11	6607GT	WASHER,LOCK,#10 PLTD.....2		Footnotes			
12	18605GT	NUT,NYLOCK,8-32.....2		1: Quantity listed for this item is approximate. Actual Quantity may vary, to ensure proper fit.			
13	29855PGT	BRACKET,PUSH ROD SWITCH,PAIN...1					
14	31266GT	ACTUATOR ASSY,PROX.SWITCH.....1					
15	7339GT	SCREW,HHC,1/4-20 X .5.....2					
16	6356GT	WASHER,LOCK,.25.....2					
17	6638GT	WASHER,FLAT,USS,1/4"Y.....2					
18	33627GT	PROX SWITCH W/INSTALL INST.....1					
19	8357GT	SCREW,HHC,1/2-13 X 3.5.....2					
20	27694GT	BEARING,1.25 ID X 1.41 OD X 1".....6					
21	29213GT	YOKE ASSY,2/4WD,L.S.,S60/Z60.....1 includes index numbers 20 and 22; to SN 909					
--	46966GT	YOKE ASSY 2/4WD,L.S.,Z60 from SN 910					
22	27698GT	BEARING,2.50IDX2.75ODX2.00L.....6					
23	25436GT	WASHER,THRUST,2.56 X 4.0 X.18.....4					
24	29746GT	WASHER,FLAT,2.5 X 4 X .062.....2					
25	29212GT	FRONT AXLE ASSY,S60,Z60.....1 includes index numbers 20 and 22; to SN 909					
26	29214GT	YOKE ASSY,2/4WD,R.S.,S60/Z60.....1 includes 2 each index number 20					
--	46967GT	YOKE ASSY 2/4WD,R.S.,Z60 from SN 910					
27	25418GT	PIN,KING.....2 to SN 909					
--	44086GT	PIN,2.50DIA X 15.75LG,1HOLE from SN 910					
28	16439GT	SCREW,FHS,3/8-16 X 1.....8					
29	25416GT	WEAR PAD,OSCILLATING AXLE, S60...2					

203.1 2WD Steer Axle - Non-oscillating



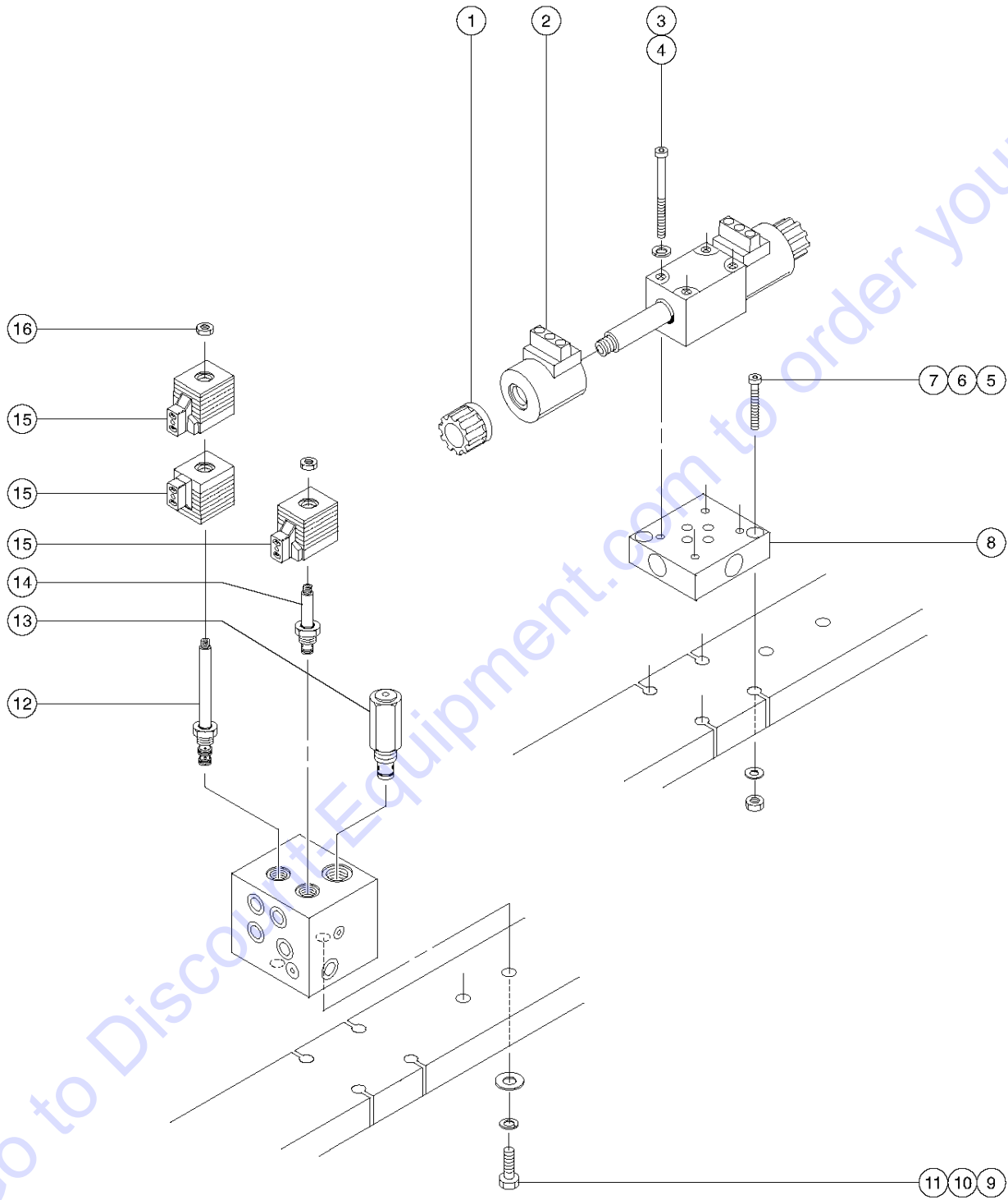
203.1 2WD Steer Axle - Non-oscillating

Item	Part No.	Description	Qty.
1	6090GT	SCREW,HHC,1/4-20 X .75.....	4
2	6356GT	WASHER,LOCK,.25.....	4
3	6638GT	WASHER,FLAT,USS,1/4"Y.....	4
4	31088GT	COVER ASSY,DRIVE CHASSIS,STEER.....	1
5	56912GT	SPRING CLIP,1/4-20,.025-.15X.54,ZAG.....	4
6	30124GT	WHEEL,SPLIT RIM.....	2
--	30458GT	ASSY,TIRE & WHEEL,FOAM FILLED <i>industrial tire assembly</i>	
--	73257GT	TIRE & WHEEL ASSY: AIR..... <i>left side</i>	2
--	73258GT	TIRE & WHEEL ASSY: AIR..... <i>right side</i>	2
--	73259GT	WHEEL,19.5 X 11.75***.....	2
--	73260GT	TIRE & WHEEL ASSY,FOAM***..... <i>left side</i>	2
--	73261GT	TIRE & WHEEL ASSY,FOAM***..... <i>right side</i>	2
7	30403GT	TIRE,32 X 12 - 15 NHS..... <i>industrial tire</i>	2
--	30404GT	INNER TUBE.....	2
--	30420GT	WHEEL RIM, FLAP.....	2
--	73185GT	TIRE,38/65D-19.5,16PLY,OTR*.....	2
8	54627GT	NUT,LUG,5/8-18 X 90 DEGREE,Z45.....	18
9	13002GT	SCREW,HHC,5/16-18 X 1 GR5.....	8
10	6886GT	WASHER,LOCK,.313.....	8
11	53985GT	CAP, DUST.....	2
12	53989GT	NUT,CASTLE, 1-1/4 - 12 UNF.....	2
13	53990GT	PIN, COTTER, 732 DIA.....	2
14	53988GT	WASHER, PLATE.....	2
15	53987GT	OUTER BEARING.....	1
16		Contact Discount-equipment.....	2
--	53993GT	KIT,BEARING, Z60	
--	53994GT	STUD, HUB, 5/8-18 X 2 1/2	
17	53986GT	INNER BEARING.....	1
18	53991GT	SEAL, GREASE.....	1

204.1 2WD Steer Axle - Oscillating

Item	Part No.	Description	Qty.
1	6090GT	SCREW,HHC,1/4-20 X .75.....	4
2	6356GT	WASHER,LOCK,.25.....	4
3	6638GT	WASHER,FLAT,USS,1/4"Y.....	4
4	31088GT	COVER ASSY,DRIVE CHASSIS,STEER.....	1
5	56912GT	SPRING CLIP,1/4-20,.025-.15X.54,ZAG.....	4
6	30124GT	WHEEL,SPLIT RIM.....	2
--	30458GT	ASSY,TIRE & WHEEL,FOAM FILLED <i>industrial tire assembly</i>	
--	73257GT	TIRE & WHEEL ASSY: AIR..... <i>left side</i>	2
--	73258GT	TIRE & WHEEL ASSY: AIR..... <i>right side</i>	2
--	73259GT	WHEEL,19.5 X 11.75***.....	2
--	73260GT	TIRE & WHEEL ASSY,FOAM***..... <i>left side</i>	2
--	73261GT	TIRE & WHEEL ASSY,FOAM***..... <i>right side</i>	2
7	30403GT	TIRE,32 X 12 - 15 NHS..... <i>industrial tire</i>	2
--	30404GT	INNER TUBE.....	2
--	30420GT	WHEEL RIM, FLAP.....	2
--	73185GT	TIRE,38/65D-19.5,16PLY,OTR*.....	2
8	54627GT	NUT,LUG,5/8-18 X 90 DEGREE,Z45.....	18
9	13002GT	SCREW,HHC,5/16-18 X 1 GR5.....	8
10	6886GT	WASHER,LOCK,.313.....	8
11	53985GT	CAP, DUST.....	2
12	53989GT	NUT,CASTLE, 1-1/4 - 12 UNF.....	2
13	53990GT	PIN, COTTER, 732 DIA.....	2
14	53988GT	WASHER, PLATE.....	2
15	53987GT	OUTER BEARING.....	1
16		Contact Discount-equipment.....	2
--	53993GT	KIT,BEARING, Z60	
--	53994GT	STUD, HUB, 5/8-18 X 2 1/2	
17	53986GT	INNER BEARING.....	1
18	53991GT	SEAL, GREASE.....	1
19	29891-SGT	SPINDLE WELDMENT.....	2
20	45066GT	SCREW,SHC,5/8-11 X 2.25.....	24
21	13064GT	WASHER,FLAT,.625 HARDENED.....	24

205.1 2WD Steer Manifold and Steer / Oscillation Manifold

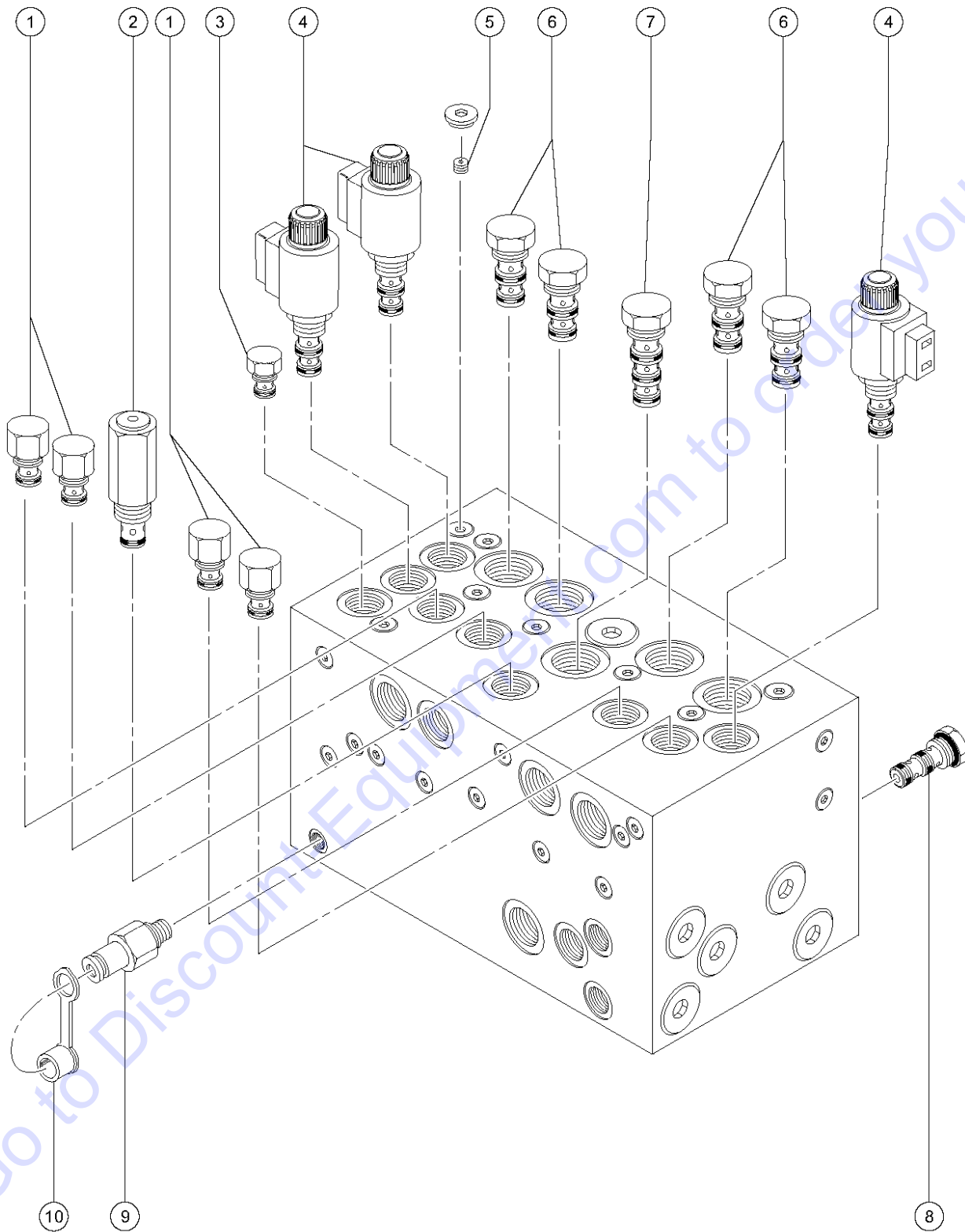


Go to DiscoverGenie.com to order your parts

205.1 2WD Steer Manifold and Steer / Oscillation Manifold

Item	Part No.	Description	Qty.
--	28750GT	O-RING KIT,FIELD SVC,ALL PROD*	
--	31778GT	STEER MANIFOLD ASSEMBLY <i>includes index numbers 1-4 and 8</i>	
--	32636GT	MANIFOLD,STEER/OSCILLATION*** <i>includes index numbers 12-16</i>	
--	49612GT	O-RING KIT (ORFS FITTINGS)	
--	49613GT	PLUG AND CAP KIT-SERVICE,ORFS*	
1	48649GT	NUT-D03 COIL.....	2
2	223763GT	COIL WITH DE CONNECTOR.....	2
3	43255GT	SCREW,SHC,10-24 X 2.....	4
4	6607GT	WASHER,LOCK,#10 PLTD.....	4
5	30444GT	SCREW,SHC,1/4-20 X 2.....	2
6	6638GT	WASHER,FLAT,USS,1/4"Y.....	2
7	6091GT	NUT,NYLOCK,1/4-20.....	2
8	24675GT	SUB PLATE (SPOOL VALVE).....	1
9	6175GT	SCREW,HHC,3/8-16 X 1.....	2
10	6021GT	WASHER,LOCK,.375.....	2
11	5397GT	WASHER,FLAT,USS,5/16",Y.....	2
12	48684GT	VALVE, SOLENOID, 10V.....	1
13	65443GT	VALVE-RELIEF, 250 PSI (32636).....	1
14	52034GT	VALVE,SOLENOID,2 POS-4 WAY-10V....	1
15	29744GT	COIL,10V.....	3
16	52943GT	NUT,SOLENOID VALVE COIL.....	2

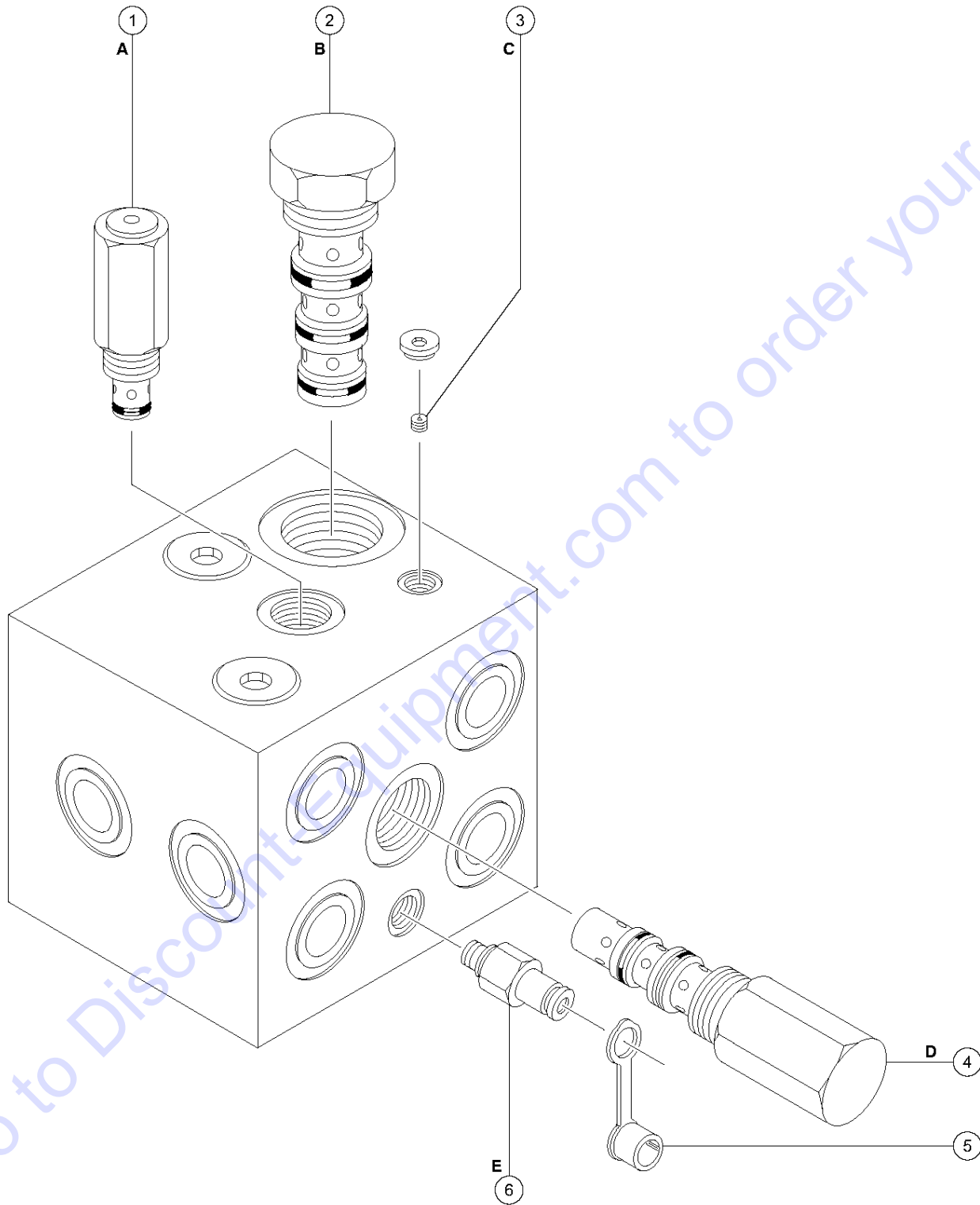
206.1 2WD Drive Manifold (to SN 670)



206.1 2WD Drive Manifold (to SN 670)

Item	Part No.	Description	Qty.
--	25375GT	KIT, O-RING	
--	25506GT	MANIFOLD, TRACTION, 2WD <i>Complete to SN 670</i>	
1	27766GT	VALVE, FLOW REGULATOR.....	4
--	110194GT	SEAL KIT, VALVE, #10	
2	27760GT	VALVE, RELIEF.....	1
3	27759GT	VALVE, CHECK.....	1
4	29066GT	VALVE, SOLENOID, 10V, 2POS 3WAY**.....	3
--	27814GT	COIL, SOLENOID, 10V.....	3
--	45912GT	NUT, SOLENOID VALVE 2P3W.....	3
5	29294GT	PLUG, ORIFICE, .025".....	1
6	27763GT	VALVE, PILOT TO OPEN CHECK.....	4
7	27761GT	VALVE, SHUTTLE.....	1
8	45483GT	VALVE, SHUTTLE***.....	1
9	48997GT	NIPPLE, DIAGNOSTIC, #4.....	1
--	20224GT	DIAGNOSTIC FEMALE Q-DSCNT.....	1
10	48880GT	CAP, DIAGNOSTIC NIPPLE.....	1

206.2 2WD Drive Manifold (from SN 671)

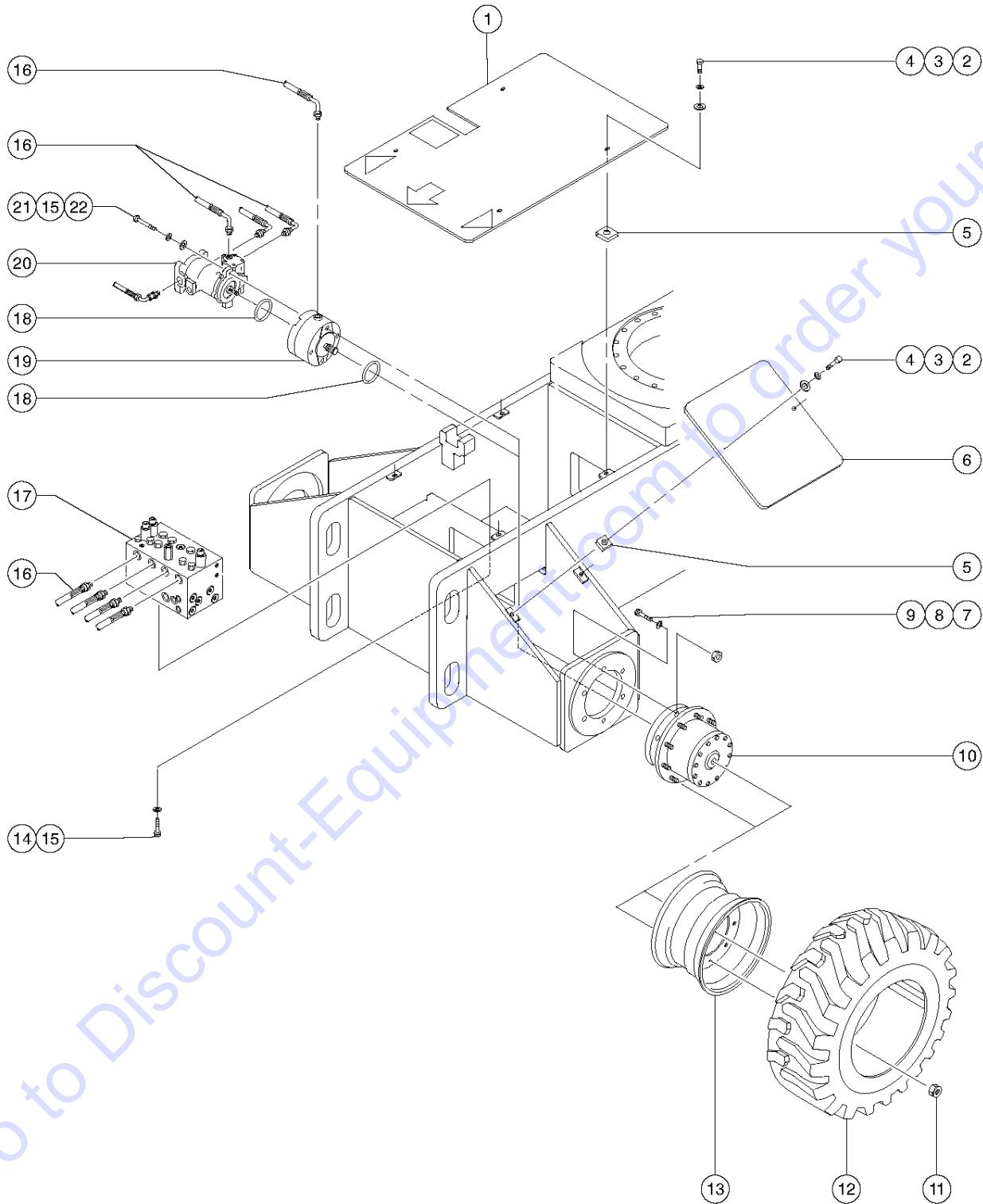


Go to DiscountEquipment.com to order your parts

206.2 2WD Drive Manifold (from SN 671)

Item	Part No.	Description	Qty.
A		Relief Valve <i>Charge Pressure Circuit</i>	
B		Flow Divider/Combiner Valve <i>Controls Flow to Drive Motors in Forward and Reverse</i>	
C		Orifice - Plug, 0.070 inch (1.38 cm) <i>Drive Circuit</i>	
D		Valve - Shuttle, 3 position 3 way <i>Charge Pressure, Hot Oil Shuttle</i>	
E		Diagnostic Fitting <i>Testing</i>	
--	28750GT	O-RING KIT,FIELD SVC,ALL PROD*	
--	34448GT	TRACTION MANIFOLD,2WD*** <i>includes index numbers 1 through 4</i>	
--	49612GT	O-RING KIT (ORFS FITTINGS)	
--	49613GT	PLUG AND CAP KIT-SERVICE,ORFS*	
1	43597GT	VALVE,RELIEF,210 PSI.....	1
2	52726GT	VALVE,FLOW DIVIDER/COMBINER.....	1
3	33520GT	PLUG,ORIFICE,0.070.....	1
4	27761GT	VALVE,SHUTTLE.....	1
5	48880GT	CAP,DIAGNOSTIC NIPPLE.....	1
6	48997GT	NIPPLE,DIAGNOSTIC,#4.....	1
--	20224GT	DIAGNOSTIC FEMALE Q-DSCNT.....	1

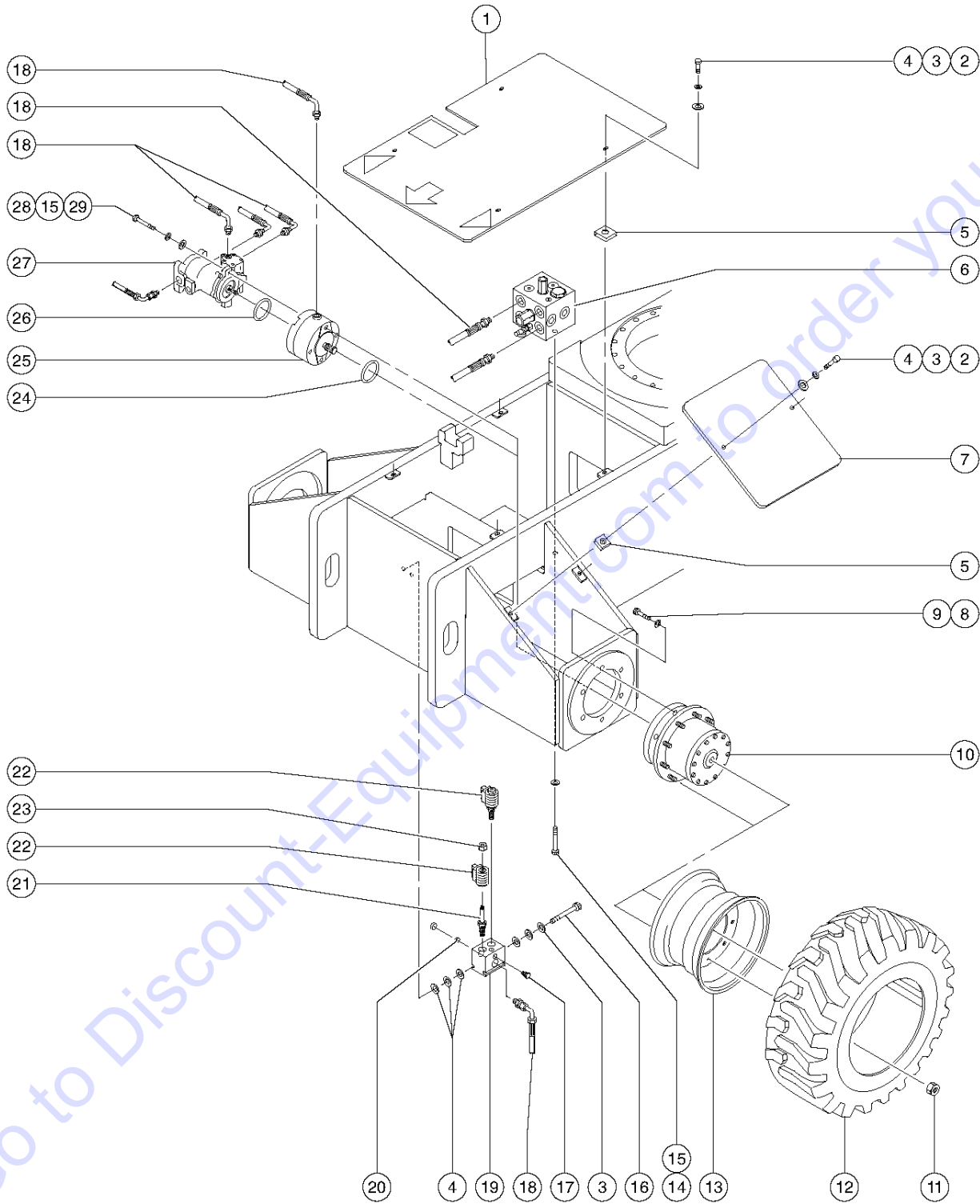
207.1 2WD Non-steer Axle (to SN 670)



207.1 2WD Non-steer Axle (to SN 670)

Item	Part No.	Description	Qty.	Item	Part No.	Description	Qty.
1	31089GT	COVER ASSY, CHASSIS,DRIVE.....	1	--	29739GT	SEAL KIT,SAUER-DANFOSS M46***.....	2
2	6090GT	SCREW,HHC,1/4-20 X .75.....	8	21	22786GT	SCREW,HHC,1/2-13 X 5.5.....	4
3	6356GT	WASHER,LOCK,.25.....	8	22	13066GT	WASHER,FLAT,5 HARDENED.....	4
4	6638GT	WASHER,FLAT,USS,1/4"Y.....	8				
5	56912GT	SPRING CLIP,1/4-20,.025-.15X.54,ZAG.....	8				
6	30302PGT	COVER,DRIVE CHASS,AXLE,PAINT.....	2				
7	45495GT	SCREW,SHC,5/8-11 X 3.00,A574.....	12				
8	13064GT	WASHER,FLAT,625 HARDENED.....	12				
9	45076GT	NUT,HEX,JAM,5/8-11.....	12				
10	29231GT	TORQUE HUB,49:1.....	2				
--	21166GT	LUG BOLT,5/8-18,WHEEL HUB***.....	2				
--	226099GT	THRUST WASHER (29231)					
--	226100GT	BEARING NUT (29231)					
--	29288GT	SEAL KIT,FAIRFIELD,W2B2.....	2				
11	54627GT	NUT,LUG,5/8-18 X 90 DEGREE,Z45.....	18				
12	73185GT	TIRE,38/65D-19.5,16PLY,OTR*.....	2				
--	30403GT	TIRE,32 X 12 - 15 NHS..... <i>industrial tire</i>	2				
--	30404GT	INNER TUBE.....	2				
--	30420GT	WHEEL RIM, FLAP.....	2				
--	30458GT	ASSY,TIRE & WHEEL,FOAM FILLED..... <i>industrial tire assembly</i>	2				
--	73257GT	TIRE & WHEEL ASSY: AIR..... <i>left side</i>	2				
--	73258GT	TIRE & WHEEL ASSY: AIR..... <i>right side</i>	2				
--	73260GT	TIRE & WHEEL ASSY,FOAM***..... <i>left side</i>	2				
--	73261GT	TIRE & WHEEL ASSY,FOAM***..... <i>right side</i>	2				
13	73259GT	WHEEL,19.5 X 11.75***.....	2				
14	10597GT	SCREW,HHC,1/2-13 X 1.25 GR5.....	3				
15	6033GT	WASHER,LOCK,0.5".....	7				
16		Ref. Hydraulic Hoses & Fittings (refer to figures 208.1 or 209.1).....	7				
17		Ref. 2WD Drive Manifold (refer to figure 206.1 or 206.2).....	7				
18	22811GT	O-RING,MOTOR TO BRAKE***.....	4				
19	29230PGT	BRAKE,MICO,PAINTED-S60 DRIVE..... <i>includes index number 18</i>	2				
--	29291GT	SEAL KIT,MICO.....	2				
--	29292GT	BRAKE,LINING KIT,MICO.....	2				
--	29293GT	BEARING KIT,MICO.....	2				
20	29280GT	DRIVE MOTOR REAR,2WD/11 DEGREE..... <i>includes index number 18</i>	2				

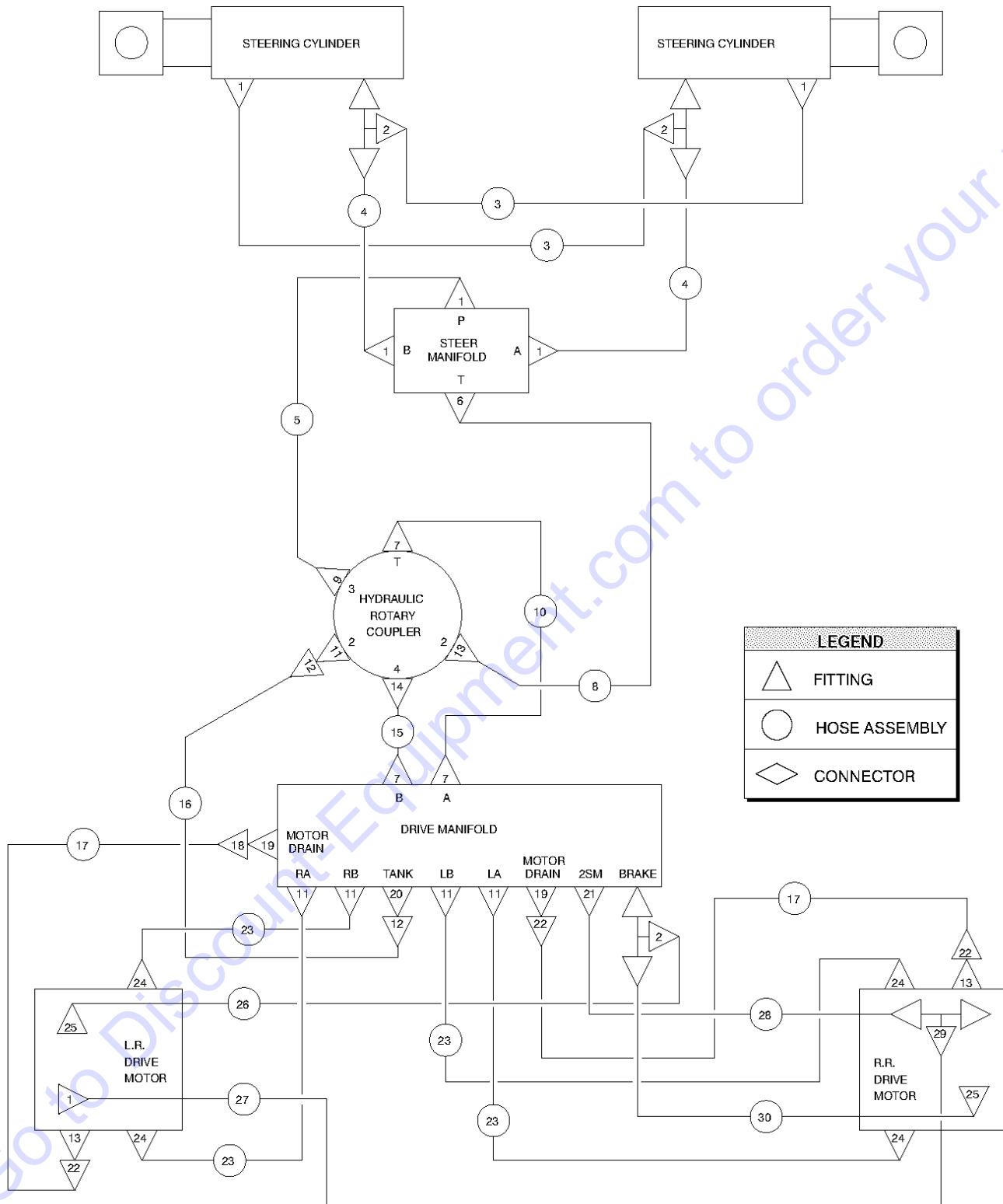
207.2 2WD Non-steer Axle (to SN 670)



207.2 2WD Non-steer Axle (to SN 670)

Item	Part No.	Description	Qty.	Item	Part No.	Description	Qty.
1	31089GT	COVER ASSY, CHASSIS,DRIVE.....	1	17	43599GT	VALVE,CHECK.....	1
2	6090GT	SCREW,HHC,1/4-20 X .75.....	8	--	110200GT	SEAL KIT, VALVE, #4	
3	6356GT	WASHER,LOCK,.25.....	10	18		Ref. Hydraulic Hoses and Fittings (refer to Figure 207.1 or 208.1).....	1
4	6638GT	WASHER,FLAT,USS,1/4"Y.....	18	19	42157GT	MANIFOLD,BRAKE/MOTOR SHIFT.....	1
5	56912GT	SPRING CLIP,1/4-20,.025-.15X.54,ZAG.....	8			<i>includes index numbers 17 and 20 through 23</i>	
6	34448GT	TRACTION MANIFOLD,2WD***.....	8	20	32669GT	ORIFICE PLUG,.025 (30551).....	1
7	30302P-SGT	COVER,DRIVE CHASSIS,AXLE,PAINT.....	2	21	65766GT	VALVE,SOLENOID,10V W/DIODE***.....	2
8	45495GT	SCREW,SHC,5/8-11 X 3.00,A574.....	12			<i>includes index numbers 22 and 23</i>	
9	42191GT	WASHER,FLAT,.640X1.160X.09.....	12	22	43601GT	COIL,SOLENOID VLV,10V W/ DIODE.....	2
10	21144GT	CAP,DISENGAGE-45553 TORQUE HUB.....	2	23	52943GT	NUT,SOLENOID VALVE COIL.....	2
10	21145GT	DISCONNECT ROD-45553 TQ.HUB.....	2	24	52087GT	O-RING,2-044 BUNA***.....	2
10	21146GT	COVER CAP,TORQUE HUB***.....	2	25	41914GT	BRAKE,MICO,1400 IN.LBS. **.....	2
10	21149GT	LUG,WHEEL STUD,5/8-18,W1/4HB**.....	2	25	41918GT	LINING KIT,MICO BRAKE.....	2
10	29231GT	TORQUE HUB,49:1.....	2	25	41921GT	SEAL KIT,BRAKE,MICO.....	2
10	29288GT	SEAL KIT,FAIRFIELD,W2B2.....	2	25	41922GT	BEARING KIT,BRAKE,MICO.....	2
10	65445GT	BEARING & RACE KIT(29231)/Z60.....	2	26	22811GT	O-RING,MOTOR TO BRAKE***.....	2
10	65446GT	COVER - END,TORQUE HUB (29231).....	2	27	29280GT	DRIVE MOTOR REAR,2WD/11 DEGREE.....	2
10	65447GT	O-RING - TORQUE HUB END COVER.....	2	27	29739GT	SEAL KIT,SAUER-DANFOSS M46***.....	2
10	65448GT	WASHER,THRUST-TORQUE HUB-29231.....	2	28	22786GT	SCREW,HHC,1/2-13 X 5.5.....	4
--	226099GT	THRUST WASHER (29231)		29	13066GT	WASHER,FLAT,5 HARDENED.....	4
--	226100GT	BEARING NUT (29231)					
11	54627GT	NUT,LUG,5/8-18 X 90 DEGREE,Z45.....	18				
12	30403GT	TIRE,32 X 12 - 15 NHS.....	2				
		<i>industrial tire</i>					
12	30404GT	INNER TUBE.....	2				
12	30420GT	WHEEL RIM, FLAP.....	2				
12	30458GT	ASSY,TIRE & WHEEL,FOAM FILLED.....	2				
		<i>industrial tire assembly</i>					
12	73185GT	TIRE,38/65D-19.5,16PLY,OTR*.....	2				
12	73257GT	TIRE & WHEEL ASSY: AIR.....	2				
		<i>left side</i>					
12	73258GT	TIRE & WHEEL ASSY: AIR.....	2				
		<i>right side</i>					
12	73260GT	TIRE & WHEEL ASSY,FOAM***.....	2				
		<i>left side</i>					
12	73261GT	TIRE & WHEEL ASSY,FOAM***.....	2				
		<i>right side</i>					
13	30124GT	WHEEL,SPLIT RIM.....	2				
13	73259GT	WHEEL,19.5 X 11.75***.....	2				
14	10597GT	SCREW,HHC,1/2-13 X 1.25 GR5.....	2				
15	6033GT	WASHER,LOCK,0.5".....	6				
16	6115GT	SCREW,HHC,1/4-20 X 3.5.....	2				

208.1 2WD Hydraulic Hoses and Fittings - Non-oscillating Axle (to SN 909)



208.1 2WD Hydraulic Hoses and Fittings - Non-oscillating Axle (to SN 909)

Item	Part No.	Description	Qty.	Item	Part No.	Description	Qty.
1	13120GT	ELBOW,070220-6-6.....	6				
2	28444GT	TEE,RUN,070428-6-6.....	3				
3	30440GT	HOSE ASSY,22".....	2				
		1					
4	30442GT	HOSE ASSY,16".....	2				
		2					
5	30443GT	HOSE ASSY,46".....	1				
		2					
6	45412GT	CONNECTOR,070120-6-6.....	1				
7	27164GT	CONNECTOR,070120-12-16.....	3				
8	30441GT	HOSE ASSY,47".....	1				
		3					
9	28448GT	ELBOW,070220-6-8.....	1				
10	31468GT	HOSE ASSY,42".....	1				
		4					
11	19687GT	CONNECTOR,070120-12-12.....	5				
12	45170GT	HOSE END,BARBED,SWIVEL,-12-12....	2				
13	25951GT	ELBOW,070220-8-12.....	3				
14	22099GT	ELBOW,070320-12-12.....	1				
15	31463GT	HOSE ASSY,23".....	1				
		5					
16	31460GT	HOSE,47".....	1				
		6					
17	31461GT	HOSE,31".....	2				
		7					
18	28597GT	HOSE END,BARBED,SWIVEL,90DEG-8.....	1				
19	45703GT	CONNECTOR,070120-8-8.....	2				
20	20925GT	ELBOW,070220-12-12.....	1				
21	45412GT	CONNECTOR,070120-6-6.....	1				
22	20324GT	HOSE END,BARBED,SWIVEL,-8-8.....	3				
23	30436GT	HOSE ASSY,32".....	4				
		7					
24	20332GT	ELBOW,070220-12-16.....	4				
25	13921GT	ELBOW,070220-4-4.....	2				
26	31458GT	HOSE ASSY,46".....	1				
		8					
27	31459GT	HOSE ASSY,50".....	1				
		9					
28	31462GT	HOSE ASSY,33".....	1				
		10					
29	23802GT	TEE,RUN,070428-4-4.....	1				
30	31457GT	HOSE ASSY,38".....	1				
		10					

208.1 2WD Hydraulic Hoses and Fittings - Non-oscillating Axle (to SN 909)
(continued)

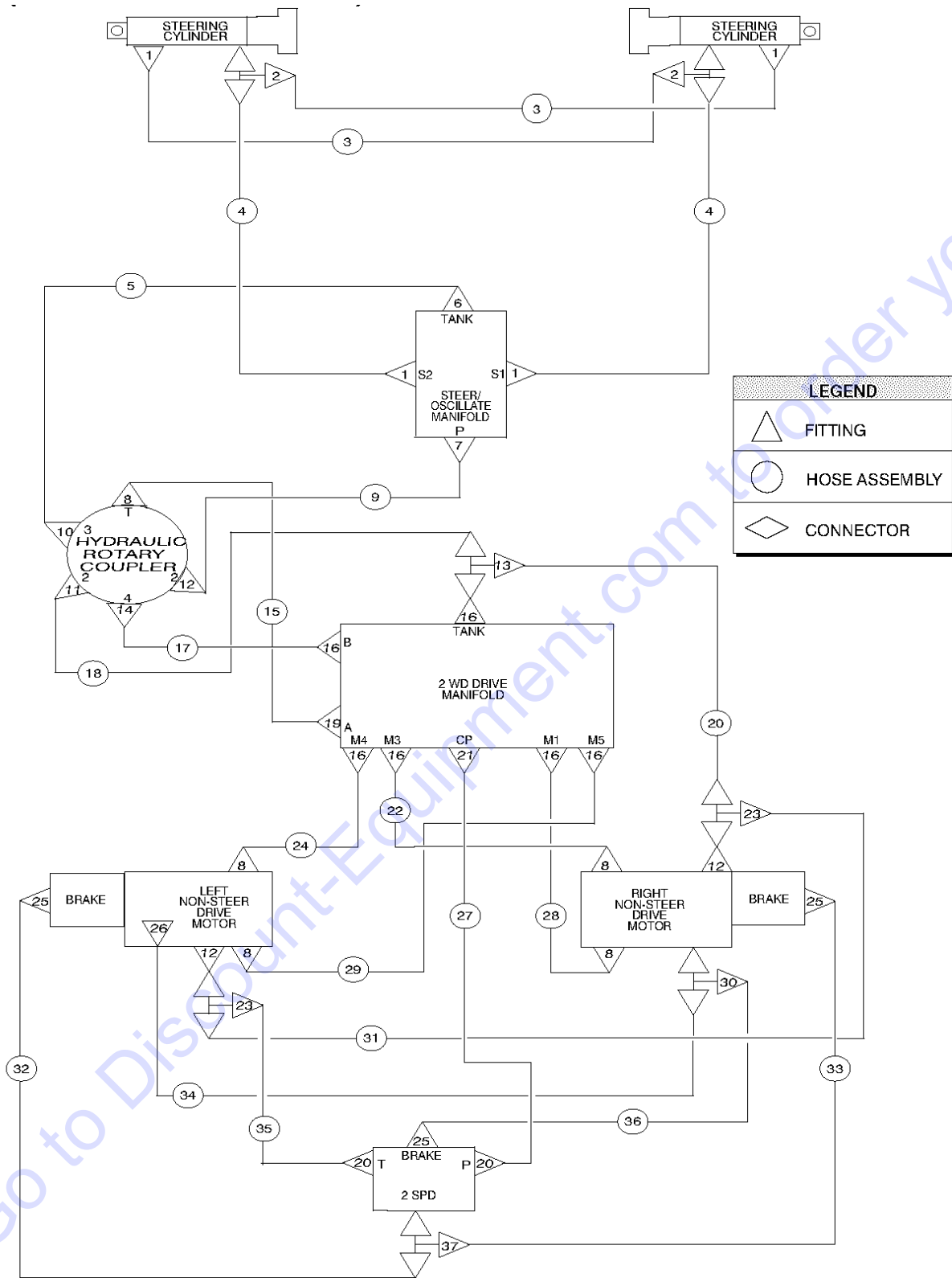
Item	Part No.	Description	Qty.	Item	Part No.	Description	Qty.
------	----------	-------------	------	------	----------	-------------	------

Go to Discount-Equipment.com to order your parts

208.1 2WD Hydraulic Hoses and Fittings - Non-oscillating Axle (to SN 909)

Item	Part No.	Description	Qty.	Item	Part No.	Description	Qty.
Footnotes							
		1: Hose End - Female JIC Swivel, 6-6 (Synflex 3903-06546), Hose End - Female JIC Swivel, 6-6 (Synflex 3903-06546) and Hose - 3/8" Thermoplastic Medium Pressure (Synflex 3130-06)				1/4" Thermoplastic Medium Pressure (Synflex 3130-04)	
		2: Hose End - Female JIC Swivel, 6-6 (Synflex 3903-06546), Hose End - 90o Female JIC Swivel, 6-6 (Synflex 3903-06646) and Hose - 3/8" Thermoplastic Medium Pressure (Synflex 3130-06)					
		3: Hose End - Female JIC Swivel, 6-6 (Synflex 3903-06546), Hose End - Female JIC Swivel, 6-8 (Synflex 3903-06548) and Hose - 3/8" Thermoplastic Medium Pressure (Synflex 3130-06)					
		4: Hose End - Female JIC Swivel, 12-12 (Weatherhead 43012E-612), Hose End - 90o Female JIC Swivel, 12-12 (Weatherhead 43012E-672) and Hose - 3/4" 4 Spiral High Pressure (Weatherhead H43012)					
		5: Hose End - Female JIC Swivel, 12-12 (Weatherhead 43012E-612), Hose End - Female JIC Swivel, 12-12 (Weatherhead 43012E-612) and Hose - 3/4" 4 Spiral High Pressure (Weatherhead H43012)					
		6: Hose - 3/4" Push On (Weatherhead H20112)					
		7: Hose - 1/2" Push On (Weatherhead H20108)					
		8: Hose End - Female JIC Swivel, 4 (Synflex 3903-04544), Hose End - Female JIC Swivel, 6-4 (Synflex 3903-06544) and Hose - 1/4" Thermoplastic Medium Pressure (Synflex 3130-04)					
		9: Hose End - Female JIC Swivel, 6-4 (Synflex 3903-06544), Hose End - Female JIC Swivel, 6-4 (Synflex 3903-06544) and Hose - 1/4" Thermoplastic Medium Pressure (Synflex 3130-04)					
		10: Hose End - Female JIC Swivel, 6-4 (Synflex 3903-06544), Hose End - 90o Female JIC Swivel, 6-4 (Synflex 3903-06644) and Hose -					

208.2 2WD Hydraulic Hoses and Fittings - Non-oscillating Axle (from SN 910)



208.2 2WD Hydraulic Hoses and Fittings - Non-oscillating Axle (from SN 910)

Item	Part No.	Description	Qty.	Item	Part No.	Description	Qty.
--	49612GT	O-RING KIT (ORFS FITTINGS)		29	491564006 SGT	HOSE ASSY,3/4,90 FEM,STR FEM.....1	8
--	49613GT	PLUG AND CAP KIT-SERVICE,ORFS*		30	48918GT	TEE,RUN,520428-6.....1	
1	48915GT	ELBOW,90D,520220-6.....4		31	491434029 SGT	HOSE ASSY,1/2,90 FEM,STR FEM.....1	9
2	48919GT	TEE,BRANCH,520429-6.....2		32	491193028 SGT	HOSE ASSY,1/4,STR FEM,STR FEM.....1	10
3	49128-2709GT	HOSE ASSEMBLY,3/8.....2		33	491192978 SGT	HOSE ASSY 1/4,STR FEM,STR FEM.....1	10
		1		34	491203581 SGT	HOSE ASSY(2SPD TO L.R.DRV	
4	49130-2957GT	HOSE ASSEMBLY,3/8.....2				MOTR.....1	11
		2		35	491641943 SGT	HOSE ASSEMBLY,1/4.....1	12
5	49135-4664GT	HOSE ASSEMBLY,3/8.....1		36	491182858 SGT	HOSE ASSEMBLY,1/4.....1	12
		3		37	48908GT	FITTING,TEE,RUN,SWIVEL520432-4.....1	
6	48942GT	ELBOW,90D,520220-8-6.....1					
7	48916GT	CONN, 520120-6.....5					
8	48977GT	CONN,520120-12-16.....4					
9	49167-3029GT	HOSE ASSEMBLY,1/2.....1					
		4					
10	48929GT	FITTING,ELBOW,90D,520220-6-8.....2					
11	48959GT	FITTING,ELBOW,90D,520220-12.....1					
12	48947GT	ELBOW,90D,520220-8-12.....3					
13	48964GT	FITTING,TEE,RUN,SWIVEL52043212.....1					
14	48963GT	FITTING,ELBOW,45D,520320-12***.....1					
15	491564506 SGT	HOSE ASSY,3/4,90 FEM,STR FEM.....1					
		5					
16	48960GT	FITTING,CONN,520120-12***.....14					
17	491563056 SGT	HOSE ASSY,3/4,90 FEM,STR FEM.....1					
		5					
18	491512323 SGT	HOSE ASSY,3/4,STR FEM,STR FEM.....1					
		6					
19	48959GT	FITTING,ELBOW,90D,520220-12.....2					
20	48905GT	CONN,520120-4***.....3					
21	491424087 SGT	HOSE ASSEMBLY,1/2".....1					
		7					
22	491562975 SGT	HOSE ASSY,3/4,90 FEM,STR FEM.....1					
		7					
23	48938GT	FITTING,TEE,RUN,SWIVEL520432-8.....2					
24	491562656 SGT	HOSE ASSY,3/4,90 FEM,STR FEM.....1					
		7					
25	48904GT	ELBOW,90D,520220-4-4.....3					
26	48911GT	ELBOW,90D,520220-4-6***.....1					
27	491182358 SGT	HOSE ASSEMBLY,1/4.....1					
		8					
28	491563331 SGT	HOSE ASSY,3/4,90 FEM,STR FEM.....1					
		8					

208.2 2WD Hydraulic Hoses and Fittings - Non-oscillating Axle (from SN 910)
(continued)

Item	Part No.	Description	Qty.	Item	Part No.	Description	Qty.
------	----------	-------------	------	------	----------	-------------	------

Go to Discount-Equipment.com to order your parts

208.2 2WD Hydraulic Hoses and Fittings - Non-oscillating Axle (from SN 910)

Item	Part No.	Description	Qty.	Item	Part No.	Description	Qty.
Footnotes							
		1: Hose End - Female, Swivel, 90°, ORFS (Parker No. 1J943-6), Hose End - Female, Swivel, ORFS (Parker No. 1JC43-6) and Hose, 3/8 inch (Parker No. 451TC-6)		11: Hose End - Female, Swivel, ORFS (Parker No. 1JC43-6-4), Hose End - Female, Swivel, ORFS (Parker No. 1JC43-4) and Hose, 1/2 inch (Parker No. 481-8)			
		2: Hose End - Female, Swivel, ORFS (Parker No. 1JC43-6), Hose End - Female, Swivel, ORFS (Parker No. 1JC43-6) and Hose, 3/8 inch (Parker No. 451TC-6)		12: Hose End - Female, Swivel, ORFS (Parker No. 1JC43-6-4), Hose End - Female, Swivel, 90°, ORFS (Parker No. 1J943-4) and Hose, 1/4 inch (Parker No. 451TC-4)			
		3: Hose End - Female, Swivel, ORFS (Parker No. 1JC43-8-6), Hose End - Female, Swivel, ORFS (Parker No. 1JC43-6) and Hose, 3/8 inch (Parker No. 451TC-6)					
		4: Hose End - Female, Swivel, 90°, ORFS (Parker No. 1J943-8), Hose End - Female, Swivel, ORFS (Parker No. 1JC43-8) and Hose, 1/2 inch (Parker No. 481-8)					
		5: Hose End - Female, Swivel, 90°, ORFS (Parker No. 1J971-12), Hose End - Female, Swivel, ORFS (Parker No. 1JC71-12) and Hose, 3/4 inch (Parker No. 772-12)					
		6: Hose End - Female, Swivel, ORFS (Parker No. 1JC43-12), Hose End - Female, Swivel, ORFS (Parker No. 1JC43-12) and Hose, 3/4 inch (Parker No. 481-12)					
		7: Hose End - Female, Swivel, 90°, ORFS (Parker No. 1J943-12-8), Hose End - Female, Swivel, ORFS (Parker No. 1JC43-8) and Hose, 1/2 inch (Parker No. 451TC-8)					
		8: Hose End - Female, Swivel, 90°, ORFS (Parker No. 1J943-6-4), Hose End - Female, Swivel, ORFS (Parker No. 1JC43-4) and Hose, 1/4 inch (Parker No. 451TC-4)					
		9: Hose End - Female, Swivel, 90°, ORFS (Parker No. 1J943-8), Hose End - Female, Swivel, ORFS (Parker No. 1JC43-8) and Hose, 1/2 inch (Parker No. 451TC-8)					
		10: Hose End - Female, Swivel, ORFS (Parker No. 1JC43-4), Hose End - Female, Swivel, ORFS (Parker No. 1JC43-4) and Hose, 1/4 inch (Parker No. 451TC-4)					

209.1 2WD Hydraulic Hoses and Fittings - Oscillating Axle

Item	Part No.	Description	Qty.	Item	Part No.	Description	Qty.
1	13120GT	ELBOW,070220-6-6.....	5	31	31459GT	HOSE ASSY,50".....	1
2	20923GT	CONNECTOR,070120-8-6.....	2	8			
3	28597GT	HOSE END,BARBED,SWIVEL,90DEG-8.....	2	32	31462GT	HOSE ASSY,33".....	1
4	30449GT	HOSE ASSY,40".....	2	9			
		1		33	23802GT	TEE,RUN,070428-4-4.....	1
5	30452GT	HOSE ASSY,18".....	1	34	31457GT	HOSE ASSY,38".....	1
		2		9			
6	45705GT	TEE,BRANCH,070429-6-6.....	2				
7	30450GT	HOSE ASSY,26".....	2				
		3					
8	30448GT	HOSE ASSY,28".....	2				
		3					
9	20324GT	HOSE END,BARBED,SWIVEL,-8-8.....	6				
10	20328GT	TEE,BRANCH,070433-8.....	1				
11	45412GT	CONNECTOR,070120-6-6.....	6				
12	30451GT	HOSE ASSY,42".....	1				
		3					
13	27164GT	CONNECTOR,070120-12-16.....	3				
14	28034GT	HOSE,55".....	1				
		3					
15	31468GT	HOSE ASSY,42".....	1				
		4					
16	28448GT	ELBOW,070220-6-8.....	1				
17	19687GT	CONNECTOR,070120-12-12.....	5				
18	45170GT	HOSE END,BARBED,SWIVEL,-12-12.....	2				
19	25951GT	ELBOW,070220-8-12.....	3				
20	22099GT	ELBOW,070320-12-12.....	1				
21	31463GT	HOSE ASSY,23".....	1				
		5					
22	31460GT	HOSE,47".....	1				
		6					
23	31461GT	HOSE,31".....	2				
		6					
24	45703GT	CONNECTOR,070120-8-8.....	2				
25	20925GT	ELBOW,070220-12-12.....	1				
26	28444GT	TEE,RUN,070428-6-6.....	1				
27	30436GT	HOSE ASSY,32".....	4				
		6					
28	20332GT	ELBOW,070220-12-16.....	4				
29	13921GT	ELBOW,070220-4-4.....	2				
30	31458GT	HOSE ASSY,46".....	1				
		7					

209.1 2WD Hydraulic Hoses and Fittings - Oscillating Axle
(continued)

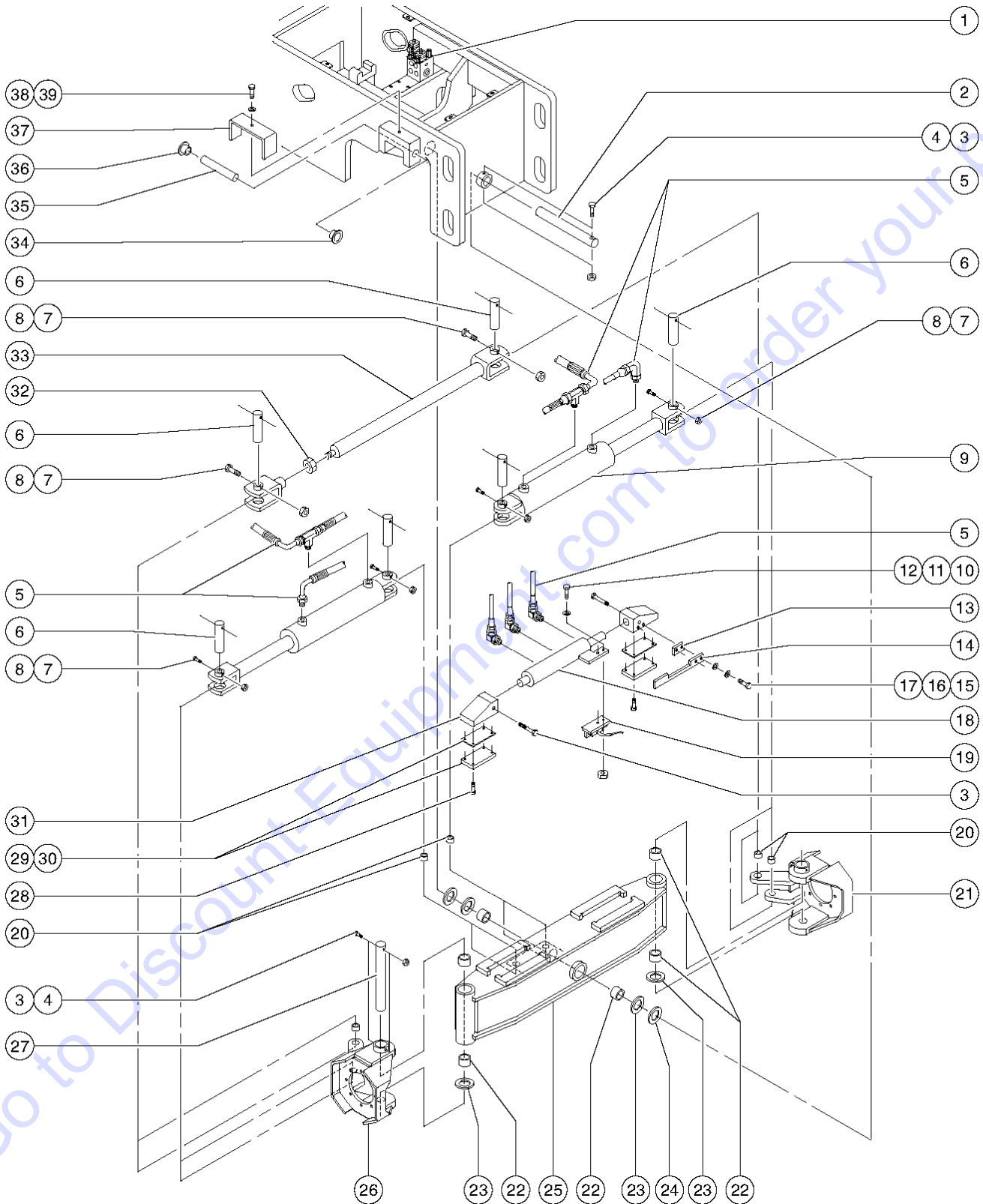
Item	Part No.	Description	Qty.
Footnotes			
1:		Hose End - Female JIC Swivel, 6-6 (Synflex 3903-06546), Hose End - Female JIC Swivel, 6-6 (Synflex 3903-06546) and Hose - 3/8" Thermoplastic Medium Pressure (Synflex 3130-06)	
2:		Hose - 1/2" Push On (Weatherhead H20108)	
3:		Hose End - Female JIC Swivel, 6-6 (Synflex 3903-06546), Hose End - 90o Female JIC Swivel, 6-6 (Synflex 3903-06646) and Hose - 3/8" Thermoplastic Medium Pressure (Synflex 3130-06)	
4:		Hose End - Female JIC Swivel, 12-12 (Weatherhead 43012E-612), Hose End - 90o Female JIC Swivel, 12-12 (Weatherhead 43012E-672) and Hose - 3/4" 4 Spiral High Pressure (Weatherhead H43012)	
5:		Hose End - Female JIC Swivel, 12-12 (Weatherhead 43012E-612), Hose End - Female JIC Swivel, 12-12 (Weatherhead 43012E-612) and Hose - 3/4" 4 Spiral High Pressure (Weatherhead H43012)	
6:		Hose - 3/4" Push On (Weatherhead H20112)	
7:		Hose End - Female JIC Swivel, 4 (Synflex 3903-04544), Hose End - Female JIC Swivel, 6-4 (Synflex 3903-06544) and Hose - 1/4" Thermoplastic Medium Pressure (Synflex 3130-04)	
8:		Hose End - Female JIC Swivel, 6-4 (Synflex 3903-06544), Hose End - Female JIC Swivel, 6-4 (Synflex 3903-06544) and Hose - 1/4" Thermoplastic Medium Pressure (Synflex 3130-04)	
9:		Hose End - Female JIC Swivel, 6-4 (Synflex 3903-06544), Hose End - 90o Female JIC Swivel, 6-4 (Synflex 3903-06644) and Hose - 1/4" Thermoplastic Medium Pressure (Synflex 3130-04)	

209.1 2WD Hydraulic Hoses and Fittings - Oscillating Axle
(continued)

This Page Intentionally Left Blank

Go to Discount-Equipment.com to order your parts

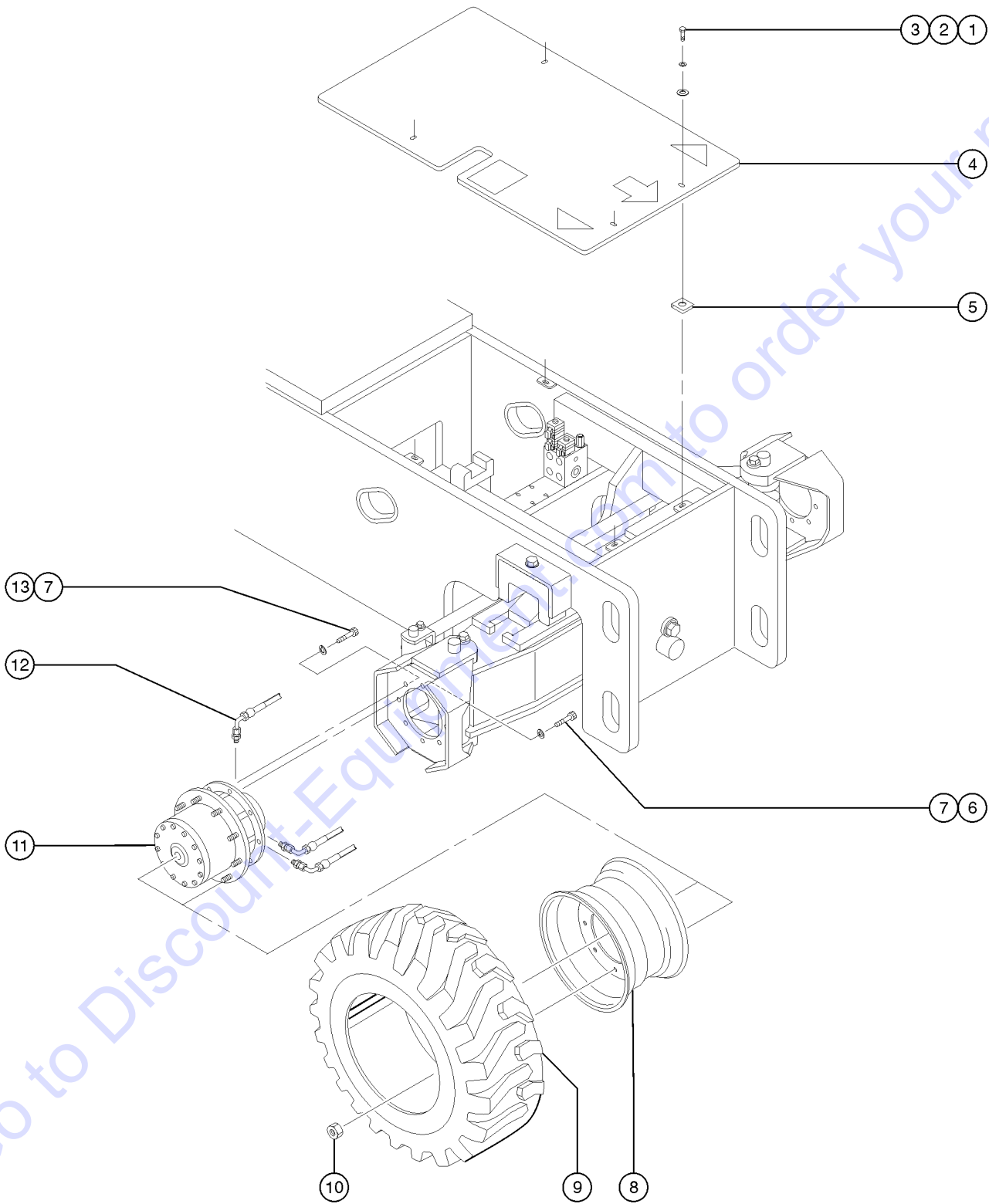
301.1 4WD Steer Linkage - Oscillating Axle



301.1 4WD Steer Linkage - Oscillating Axle

Item	Part No.	Description	Qty.	Item	Part No.	Description	Qty.
1		Ref. 4WD Steer / Oscillation Manifold (refer to figure 303.1)		30	31547GT	SHIM,OSCILLATING AXLE.....2 1	
2	36370GT	PIN,2.50DIAX15.00LG,1HOLE.....1		31	25404GT	BLOCK,WEDGE,OSC.AXLE.....2	
3	8220GT	SCREW,HHC,1/2-13 X 4.....5		32	27953GT	NUT,HEX,JAM,1.25-7.....1	
4	6198GT	NUT,NYLOCK,1/2-13.....3		33	29211GT	WELDMENT,ROD END.....1	
5		Ref. Hydraulic Hoses & Fittings (refer to figure 306.1).....3		34	29210GT	TIE ROD, WELD. S60.....1	
6	25419GT	PIN,STEER.....6		35	27695GT	BEARING,FL,1.75IDX1.94ODX1.50L.....4	
7	4828GT	NUT,NYLOCK,3/8-16.....6		36	25769GT	PIN,OSCILLATING,ROLLER,8 X 1.75.....2	
8	6708GT	SCREW,HHC,3/8-16 X 2.25.....6		37	27656PGT	RETAINER,AXLE ROLLER PIN,PAI.....2	
9	29183GT	SEAL KIT,25212,25217,25372,S60.....2		38	10587GT	SCREW,HHC,1/2-13 X.75.....2	
9	53462GT	STEER. CYL. RETRO FIT KIT Z60.....2		39	6033GT	WASHER,LOCK,0.5".....2	
10	45645GT	SCREW,RHM,8-32 X .75.....2		Footnotes			
11	6607GT	WASHER,LOCK,#10 PLTD.....2		1: Quantity listed for this item is approximate. Actual Quantity may vary, to ensure proper fit.			
12	18605GT	NUT,NYLOCK,8-32.....2					
13	29855PGT	BRACKET,PUSH ROD SWITCH,PAI...1					
14	31266GT	ACTUATOR ASSY,PROX.SWITCH.....1					
15	6888GT	SCREW,HHC,1/4-20 X 1.....2					
16	6356GT	WASHER,LOCK,.25.....2					
17	6638GT	WASHER,FLAT,USS,1/4"Y.....2					
18	63216GT	CYLINDER, OSCILLATING AXLE.....1					
--	29186GT	SEAL KIT,25373 OSC.CYL,S60.....1					
19	33627GT	PROX SWITCH W/INSTALL INST.....1					
--	37741GT	BRACKET,PUSH ROD SWITCH.....1					
--	6091GT	NUT,NYLOCK,1/4-20.....2					
20	27694GT	BEARING,1.25 ID X 1.41 OD X 1".....6					
21	29213GT	YOKE ASSY,2/4WD,L.S.,S60/Z60.....1 <i>to SN 909</i>					
--	46966GT	YOKE ASSY 2/4WD,L.S.,Z60 <i>from SN 910</i>					
22	27698GT	BEARING,2.50IDX2.75ODX2.00L.....6					
23	25436GT	WASHER,THRUST,2.56 X 4.0 X.18.....4					
24	29746GT	WASHER,FLAT,2.5 X 4 X .062.....2					
25	29212GT	FRONT AXLE ASSY,S60,Z60.....1 <i>includes index numbers 20 and 22</i>					
26	29214GT	YOKE ASSY,2/4WD,R.S.,S60/Z60.....1 <i>to SN 909</i>					
--	46967GT	YOKE ASSY 2/4WD,R.S.,Z60 <i>from SN 910</i>					
27	25418GT	PIN,KING.....2 <i>used with part 29213 and 29214; to SN 909</i>					
--	44086GT	PIN,2.50DIAX15.75LG,1HOLE <i>used with part 46966 and 46967; from SN 910</i>					
28	16439GT	SCREW,FHS,3/8-16 X 1.....8					
29	25416GT	WEAR PAD,OSCILLATING AXLE, S60...2					

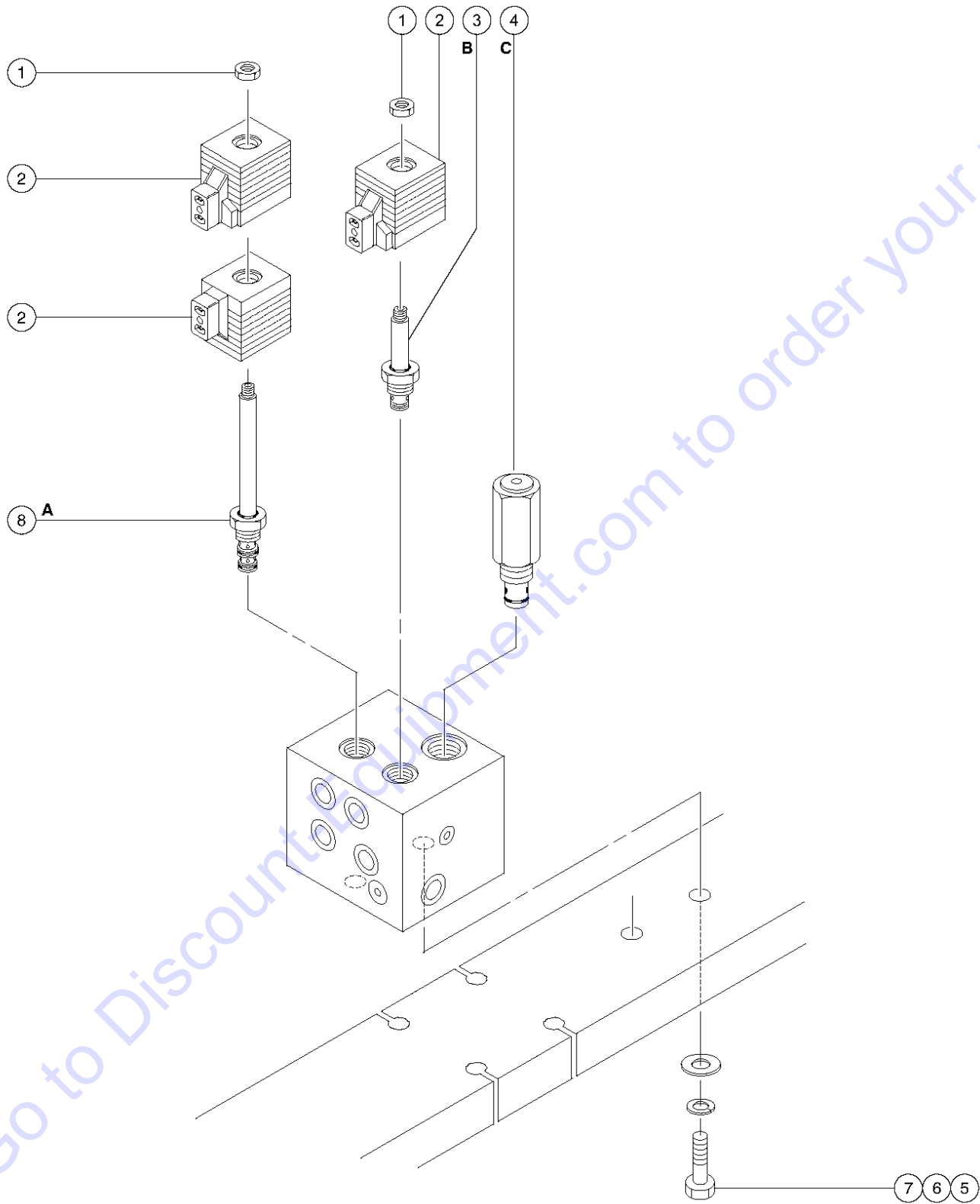
302.1 4WD Steer Axle - Oscillating



302.1 4WD Steer Axle - Oscillating

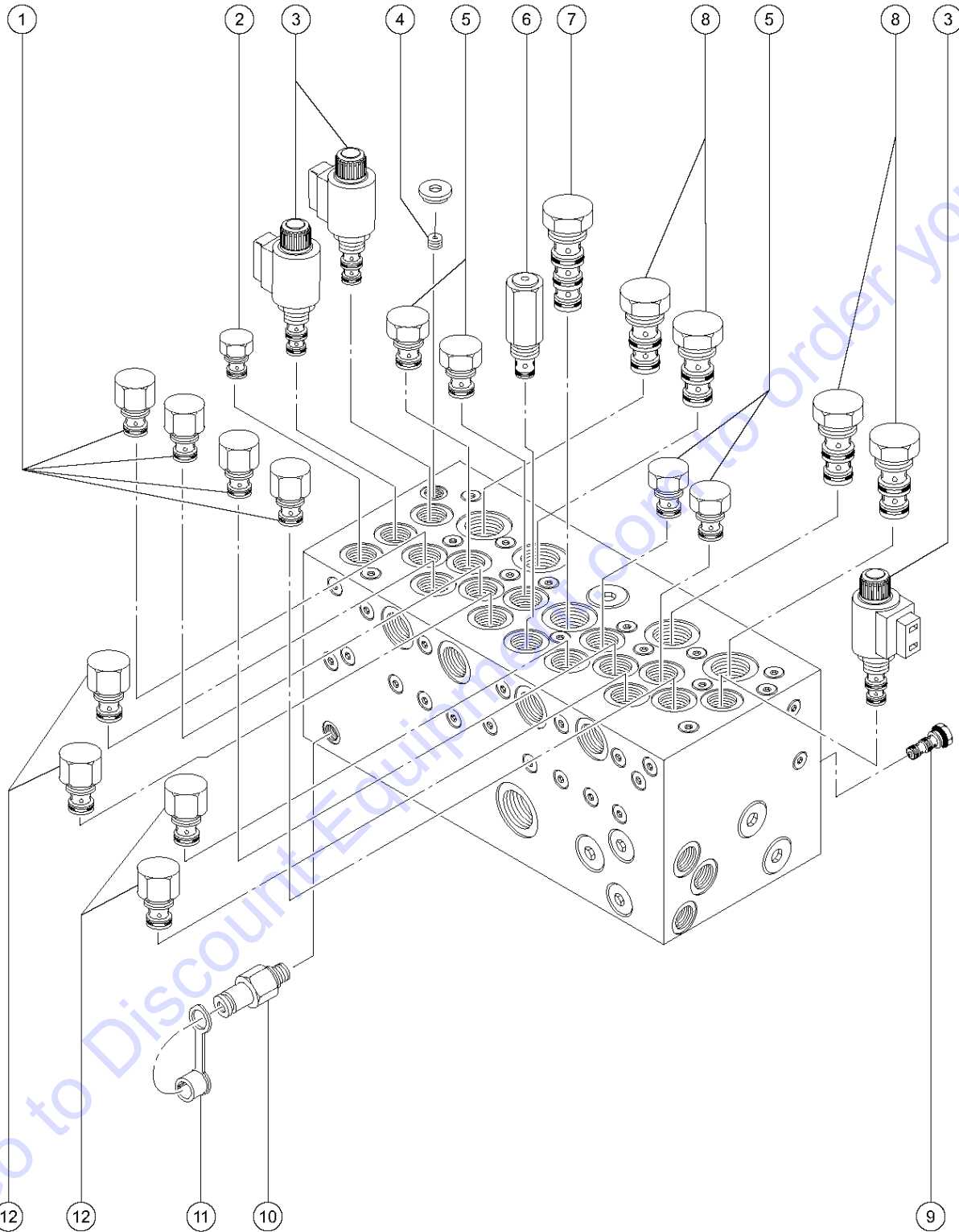
Item	Part No.	Description	Qty.
1	6090GT	SCREW,HHC,1/4-20 X .75.....	4
2	6356GT	WASHER,LOCK,.25.....	4
3	6638GT	WASHER,FLAT,USS,1/4"Y.....	4
4	31088GT	COVER ASSY,DRIVE CHASSIS,STEER.....	1
5	56912GT	SPRING CLIP,1/4-20,.025-.15X.54,ZAG.....	4
6	28117GT	SCREW,SHC,5/8-11 X 1.5.....	12
7	13064GT	WASHER,FLAT,.625 HARDENED.....	14
8	73259GT	WHEEL,19.5 X 11.75***.....	2
--	25765GT	TIRE & WHEEL ASSY,FOAM,RIGHT....	2
--	25768GT	TIRE & WHEEL ASSY,AIR,LEFT.....	2
9	27464GT	TIRE,RT,SGL,15-19.5NHS,12PLY.....	2
10	54627GT	NUT,LUG,5/8-18 X 90 DEGREE,Z45....	18
11	28833GT	MTR/TORQUE HUB,FRT,WM2-33.8:1*...2	
--	21166GT	LUG BOLT,5/8-18,WHEEL HUB***.....	2
--	226101GT	SEAL KIT (28833).....	2
12		Ref. Hydraulic Hoses & Fittings (refer to figure 306.1).....	18
13	29883GT	SCREW,HHC,5/8-11 X 1.75 GRD.8.....	2

303.1 4WD Steer / Oscillation Manifold



Item	Part No.	Description	Qty.
A		Valve - Solenoid <i>Steer Left/Right</i>	
B		Valve - Solenoid <i>Oscillating Circuit</i>	
C		Valve - Relief <i>Oscillating Circuit</i>	
--	28750GT	O-RING KIT,FIELD SVC,ALL PROD*	
--	32636GT	MANIFOLD,STEER/OSCILLATION***	
--	49612GT	O-RING KIT (ORFS FITTINGS)	
--	49613GT	PLUG AND CAP KIT-SERVICE,ORFS*	
1	52943GT	NUT,SOLENOID VALVE COIL.....	2
2	29744GT	COIL,10V.....	3
3	52034GT	VALVE,SOLENOID,2 POS-4 WAY-10V....	1
4	65443GT	VALVE-RELIEF, 250 PSI (32636).....	1
5	6175GT	SCREW,HHC,3/8-16 X 1.....	2
6	6021GT	WASHER,LOCK,.375.....	2
7	5397GT	WASHER,FLAT,USS,5/16",Y.....	2
8	48684GT	VALVE, SOLENOID, 10V.....	1

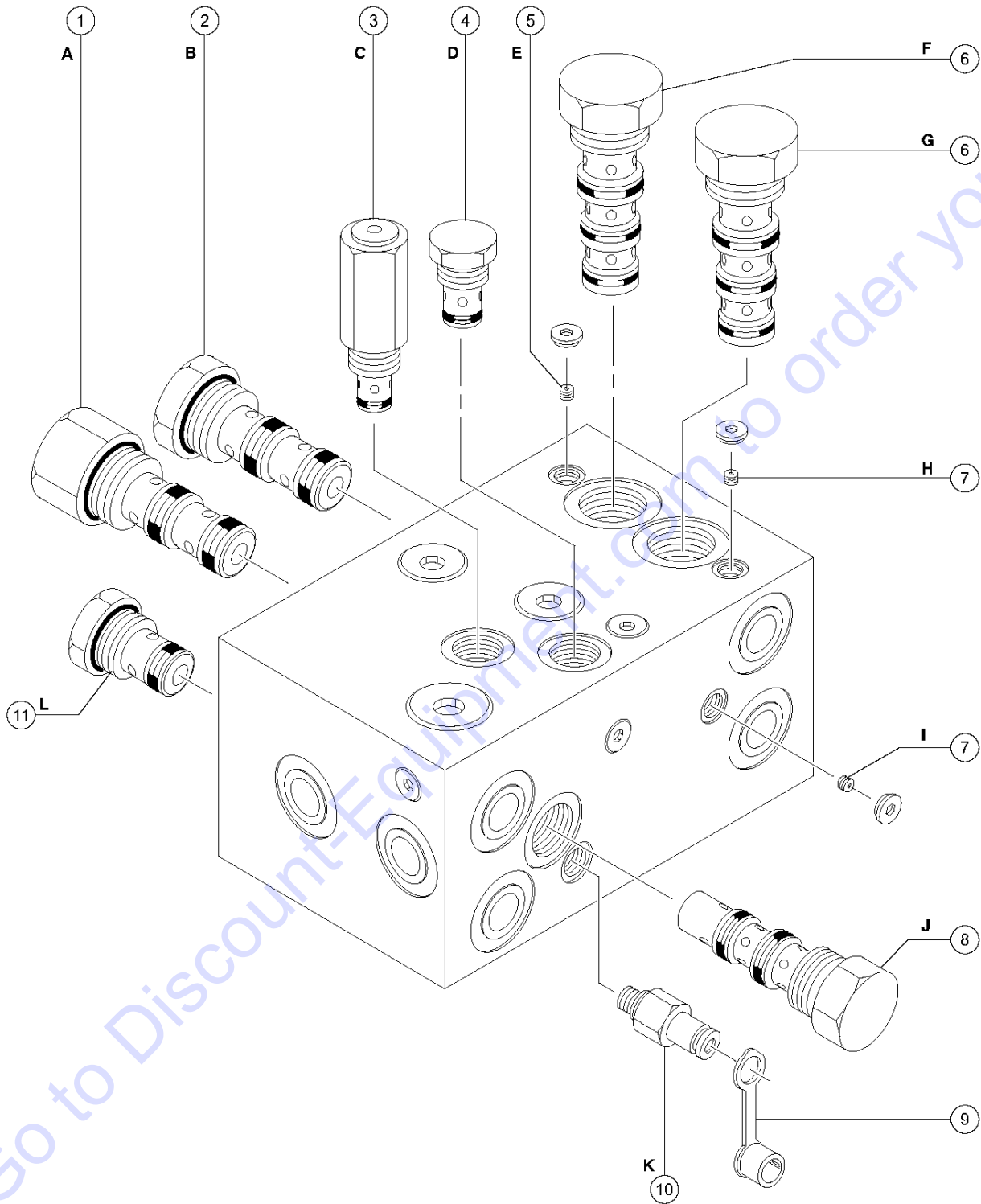
304.1 4WD Drive Manifold (to SN 670)



304.1 4WD Drive Manifold (to SN 670)

Item	Part No.	Description	Qty.
--	25375GT	KIT, O-RING	
--	25505GT	MANIFOLD, TRACTION, 4WD <i>Complete</i>	
1	27764GT	VALVE, FLOW REGULATOR.....	4
2	27759GT	VALVE, CHECK.....	1
3	29066GT	VALVE, SOLENOID, 10V, 2POS 3WAY**.....	3
--	27814GT	COIL, SOLENOID, 10V.....	3
--	45912GT	NUT, SOLENOID VALVE 2P3W.....	3
4	29294GT	PLUG, ORIFICE, .025".....	1
5	20318GT	VALVE, CHECK CP100-2-B-O-005.....	4
6	27760GT	VALVE, RELIEF.....	1
7	27761GT	VALVE, SHUTTLE.....	1
8	27763GT	VALVE, PILOT TO OPEN CHECK.....	4
9	45483GT	VALVE, SHUTTLE***.....	1
10	48997GT	NIPPLE, DIAGNOSTIC, #4.....	1
--	20224GT	DIAGNOSTIC FEMALE Q-DSCNT.....	1
11	48880GT	CAP, DIAGNOSTIC NIPPLE.....	1
12		VALVE, FLOW REGULATOR (29065)..... <i>component no longer available</i>	4

304.2 4WD Drive Manifold (from SN 671)



PARTS FINDER

**Search Website
by Part Number**



**Search Manual
Library For Parts
Manual & Lookup Part
Numbers – Purchase
or Request Quote**

Search Manuals

Enter your information to help us find the right parts manual for your equipment.

* Brand:

* Model:

* Serial:

* Part Number:

SEARCH

**Can't Find Part or
Manual? Request Help
by Manufacturer,
Model & Description**

Parts Order Form

Please fill in the following information to help us find the right part for your equipment.

Manufacturer:	<input type="text"/>
Model:	<input type="text"/>
Description:	<input type="text"/>
Part Number:	<input type="text"/>
Quantity:	<input type="text"/>
Notes:	<input type="text"/>

Submit

Discount-Equipment.com is your online resource for quality parts & equipment.

Florida: **561-964-4949** Outside Florida TOLL FREE: **877-690-3101**

Need parts?

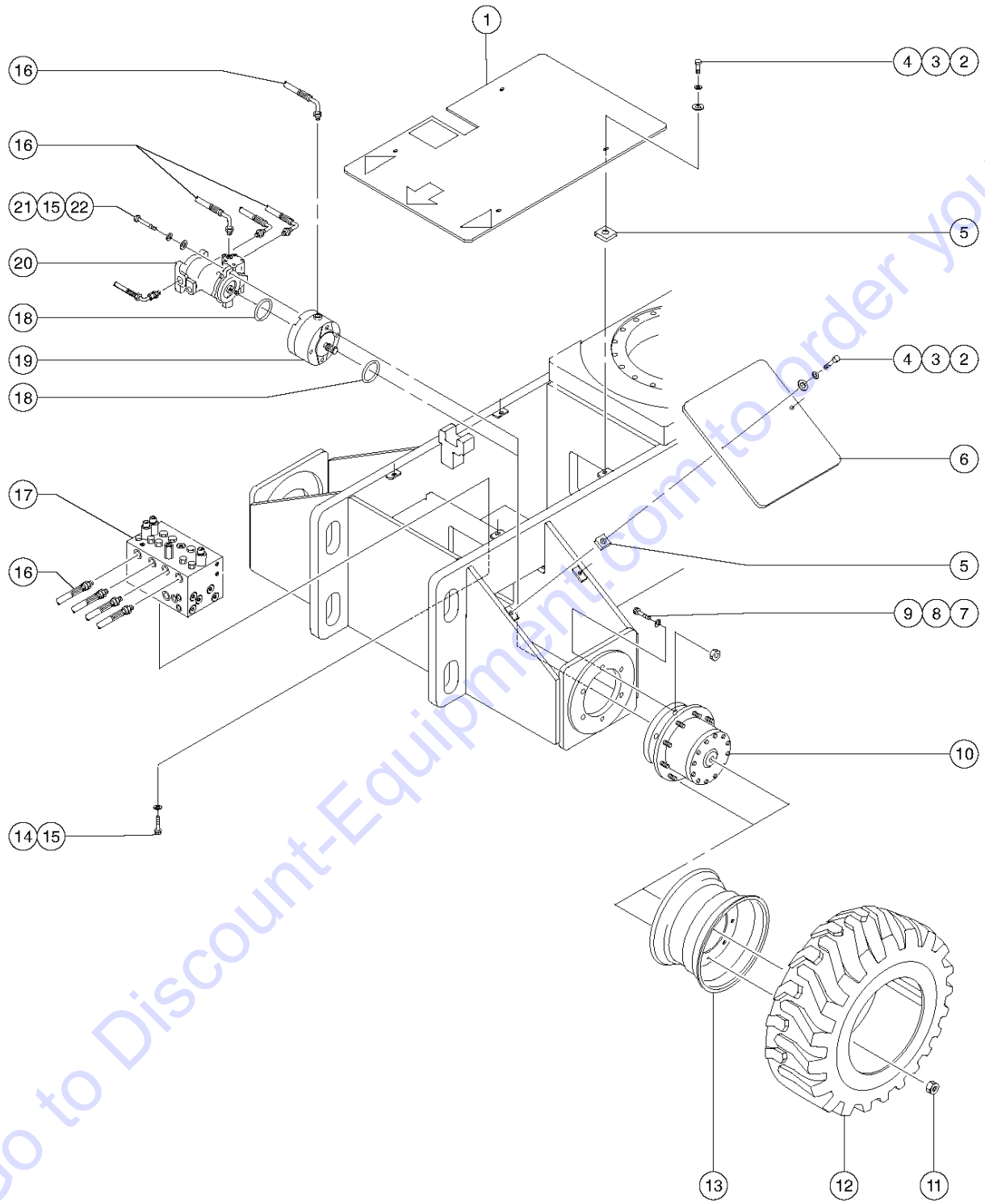
Click on this link: <http://www.discount-equipment.com/category/5443-parts/> and choose one of the options to help get the right parts and equipment you are looking for. Please have the machine model and serial number available in order to help us get you the correct parts. If you don't find the part on the website or on one of the online manuals, please fill out the request form and one of our experienced staff members will get back to you with a quote for the right part that your machine needs.

We sell worldwide for the brands: Genie, Terex, JLG, MultiQuip, Mikasa, Essick, Whiteman, Mayco, Toro Stone, Diamond Products, Generac Magnum, Airman, Haulotte, Barreto, Power Blanket, Nifty Lift, Atlas Copco, Chicago Pneumatic, Allmand, Miller Curber, Skyjack, Lull, Skytrak, Tsurumi, Husquvarna Target, Stow, Wacker, Sakai, Mi-T-M, Sullair, Basic, Dynapac, MBW, Weber, Bartell, Bennar Newman, Haulotte, Ditch Runner, Menegotti, Morrison, Contec, Buddy, Crown, Edco, Wyco, Bomag, Laymor, EZ Trench, Bil-Jax, F.S. Curtis, Gehl Pavers, Heli, Honda, ICS/PowerGrit, IHI, Partner, Imer, Clipper, MMD, Koshin, Rice, CH&E, General Equipment, Amida, Coleman, NAC, Gradall, Square Shooter, Kent, Stanley, Tamco, Toku, Hatz, Kohler, Robin, Wisconsin, Northrock, Oztec, Toker TK, Rol-Air, APT, Wylie, Ingersoll Rand / Doosan, Innovatech, Con X, Ammann, Mecalac, Makinex, Smith Surface Prep, Small Line, Wanco, Yanmar

304.2 4WD Drive Manifold (from SN 671)

Item	Part No.	Description	Qty.
A		Valve - Directional <i>Divider Bypass Control</i>	
B		Valve - Flow Divider <i>Drive Circuit</i>	
C		Valve - Relief <i>Charge Pressure Circuit</i>	
D		Valve - Check <i>Divider Bypass Circuit</i>	
E		Plug - Orifice, 0.052 inch (1.32 mm) <i>Front Drive Motor Orifice</i>	
F		Valve - Flow Divider <i>Front Wheel Drive Circuit</i>	
G		Valve - Flow Divider <i>Rear Wheel Drive Circuit</i>	
H		Plug - Orifice, 0.07 inch (1.78 mm) <i>Rear Drive Motor Orifice</i>	
I		Plug - Orifice, 0.07 inch (1.78 mm) <i>Drive Circuit Orifice</i>	
J		Valve - Shuttle <i>Hot Oil Shuttle</i>	
K		Diagnostic Nipple <i>Testing</i>	
L		Valve - Check <i>Divider Bypass Circuit</i>	
--	28750GT	O-RING KIT,FIELD SVC,ALL PROD*	
--	40033GT	MANIFOLD,TRCN W/BYPASS,4WD*** <i>includes index numbers 1-8 and 11</i>	
--	49612GT	O-RING KIT (ORFS FITTINGS)	
--	49613GT	PLUG AND CAP KIT-SERVICE,ORFS*	
1	48658GT	VALVE,DIRECT. CONTROL,4WD S60....1	
2	33521GT	VALVE,FLOW DIVIDER/COMBINER.....1	
3	43597GT	VALVE,RELIEF,210 PSI.....1	
4	33562GT	VALVE,CHECK,PILOT OPERATED.....1	
5	65449GT	PLUG,ORIFICE, 0.052 (40033).....1	
6	52726GT	VALVE,FLOW DIVIDER/COMBINER.....2	
7	33520GT	PLUG,ORIFICE,0.070.....2	
8	27761GT	VALVE,SHUTTLE.....1	
9	48880GT	CAP,DIAGNOSTIC NIPPLE.....1	
10	48997GT	NIPPLE,DIAGNOSTIC,#4.....1	
--	20224GT	DIAGNOSTIC FEMALE Q-DSCNT.....1	
11	23938GT	VALVE,CHECK 45027,20419.....1	

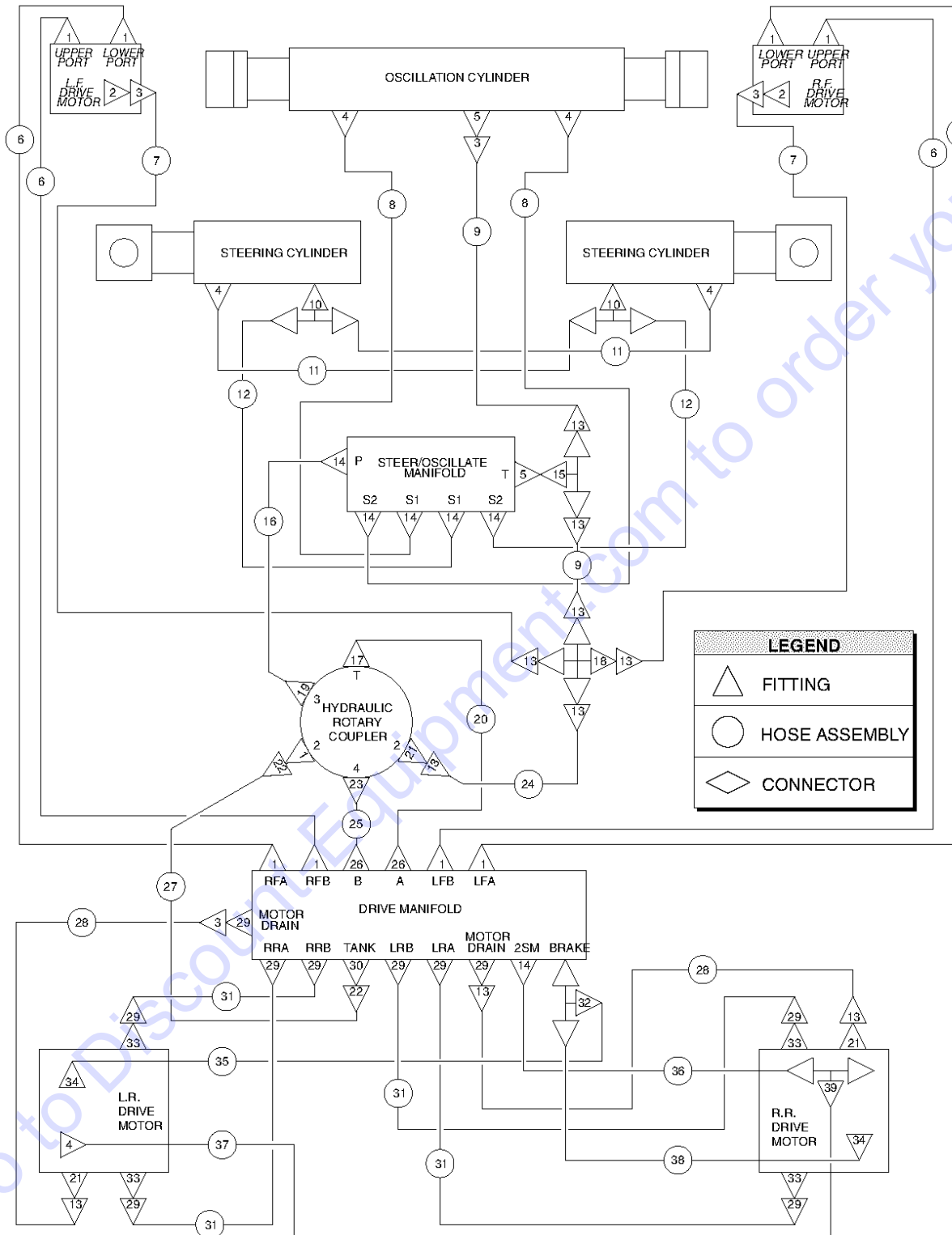
305.1 4WD Non-steer Axle



Go to Discount-Equipment.com to order your parts

Item	Part No.	Description	Qty.
1	31089GT	COVER ASSY, CHASSIS,DRIVE.....	1
2	6090GT	SCREW,HHC,1/4-20 X .75.....	8
3	6356GT	WASHER,LOCK,.25.....	8
4	6638GT	WASHER,FLAT,USS,1/4"Y.....	8
5	56912GT	SPRING CLIP,1/4-20,.025-.15X.54,ZAG.....	8
6	30302PGT	COVER,DRIVE CHASS,AXLE,PAINT....	2
7	45076GT	NUT,HEX,JAM,5/8-11.....	12
8	13064GT	WASHER,FLAT,.625 HARDENED.....	12
9	45495GT	SCREW,SHC,5/8-11 X 3.00,A574.....	12
10	29231GT	TORQUE HUB,49:1.....	2
--	21166GT	LUG BOLT,5/8-18,WHEEL HUB***.....	2
--	226099GT	THRUST WASHER (29231)	
--	226100GT	BEARING NUT (29231)	
--	29288GT	SEAL KIT,FAIRFIELD,W2B2.....	2
11	54627GT	NUT,LUG,5/8-18 X 90 DEGREE,Z45....	18
12	27464GT	TIRE,RT,SGL,15-19.5NHS,12PLY.....	2
--	25765GT	TIRE & WHEEL ASSY,FOAM,RIGHT....	2
--	25768GT	TIRE & WHEEL ASSY,AIR,LEFT.....	2
13	73259GT	WHEEL,19.5 X 11.75***.....	2
14	10597GT	SCREW,HHC,1/2-13 X 1.25 GR5.....	3
15	6033GT	WASHER,LOCK,0.5".....	7
16		Ref. Hydraulic Hoses & Fittings (refer to figure 306.1).....	2
17		Ref. 4WD Drive Manifold (refer to figure 304.1).....	2
18	22811GT	O-RING,MOTOR TO BRAKE***.....	4
19	29230PGT	BRAKE,MICO,PAINTED-S60 DRIVE.... <i>includes index number 18</i>	2
--	29291GT	SEAL KIT,MICO.....	2
--	29292GT	BRAKE,LINING KIT,MICO.....	2
--	29293GT	BEARING KIT,MICO.....	2
20	24667GT	DRVE MOTOR REAR,4WD/1DEGREE... <i>includes index number 18</i>	2
--	49897GT	GASKET,TURTLE,DRV MTR,EDC	
--	65865GT	SEAL KIT, SUNSTRAND.....	2
--	83081GT	COVER, SERVO (24667)	
21	22786GT	SCREW,HHC,1/2-13 X 5.5.....	4
22	13066GT	WASHER,FLAT,.5 HARDENED.....	4

306.1 4WD Hydraulic Hoses and Fittings - Oscillating Axle



306.1 4WD Hydraulic Hoses and Fittings - Oscillating Axle

Item	Part No.	Description	Qty.	Item	Part No.	Description	Qty.
1	19687GT	CONNECTOR,070120-12-12.....	9	31	30363GT	HOSE ASSY,32".....	4
2	22665GT	CONNECTOR,070120-8-10.....	2			7	
3	28597GT	HOSE END,BARBED,SWIVEL,90DEG-8.....	4	32	28444GT	TEE,RUN,070428-6-6.....	1
4	13120GT	ELBOW,070220-6-6.....	5	33	27242GT	ADAPTER,O-RING,G6410-16-8.....	4
5	20923GT	CONNECTOR,070120-8-6.....	2	34	13921GT	ELBOW,070220-4-4.....	2
6	30364GT	HOSE ASSY,104".....	4	35	31458GT	HOSE ASSY,46".....	1
		1				8	
7	30365GT	HOSE ASSY,67".....	2	36	31462GT	HOSE ASSY,33".....	1
		2				9	
8	30449GT	HOSE ASSY,40".....	2	37	31459GT	HOSE ASSY,50".....	1
		3				10	
9	30452GT	HOSE ASSY,18".....	2	38	31457GT	HOSE ASSY,38".....	1
		3				10	
10	45705GT	TEE,BRANCH,070429-6-6.....	2	39	23802GT	TEE,RUN,070428-4-4.....	1
11	30450GT	HOSE ASSY,26".....	2				
		4					
12	30448GT	HOSE ASSY,28".....	2				
		4					
13	20324GT	HOSE END,BARBED,SWIVEL,-8-8.....	10				
14	45412GT	CONNECTOR,070120-6-6.....	6				
15	20328GT	TEE,BRANCH,070433-8.....	1				
16	30451GT	HOSE ASSY,42".....	1				
		4					
17	27164GT	CONNECTOR,070120-12-16.....	1				
18	30352GT	CROSS,070501-8-8.....	1				
19	28448GT	ELBOW,070220-6-8.....	1				
20	31468GT	HOSE ASSY,42".....	1				
		4					
21	25951GT	ELBOW,070220-8-12.....	3				
22	45170GT	HOSE END,BARBED,SWIVEL,-12-12....	2				
23	22099GT	ELBOW,070320-12-12.....	1				
24	31461GT	HOSE,31".....	1				
		4					
25	31463GT	HOSE ASSY,23".....	1				
		5					
26	27164GT	CONNECTOR,070120-12-16.....	2				
27	31460GT	HOSE,47".....	1				
		6					
28	31461GT	HOSE,31".....	2				
		6					
29	45703GT	CONNECTOR,070120-8-8.....	10				
30	20925GT	ELBOW,070220-12-12.....	1				

306.1 4WD Hydraulic Hoses and Fittings - Oscillating Axle
(continued)

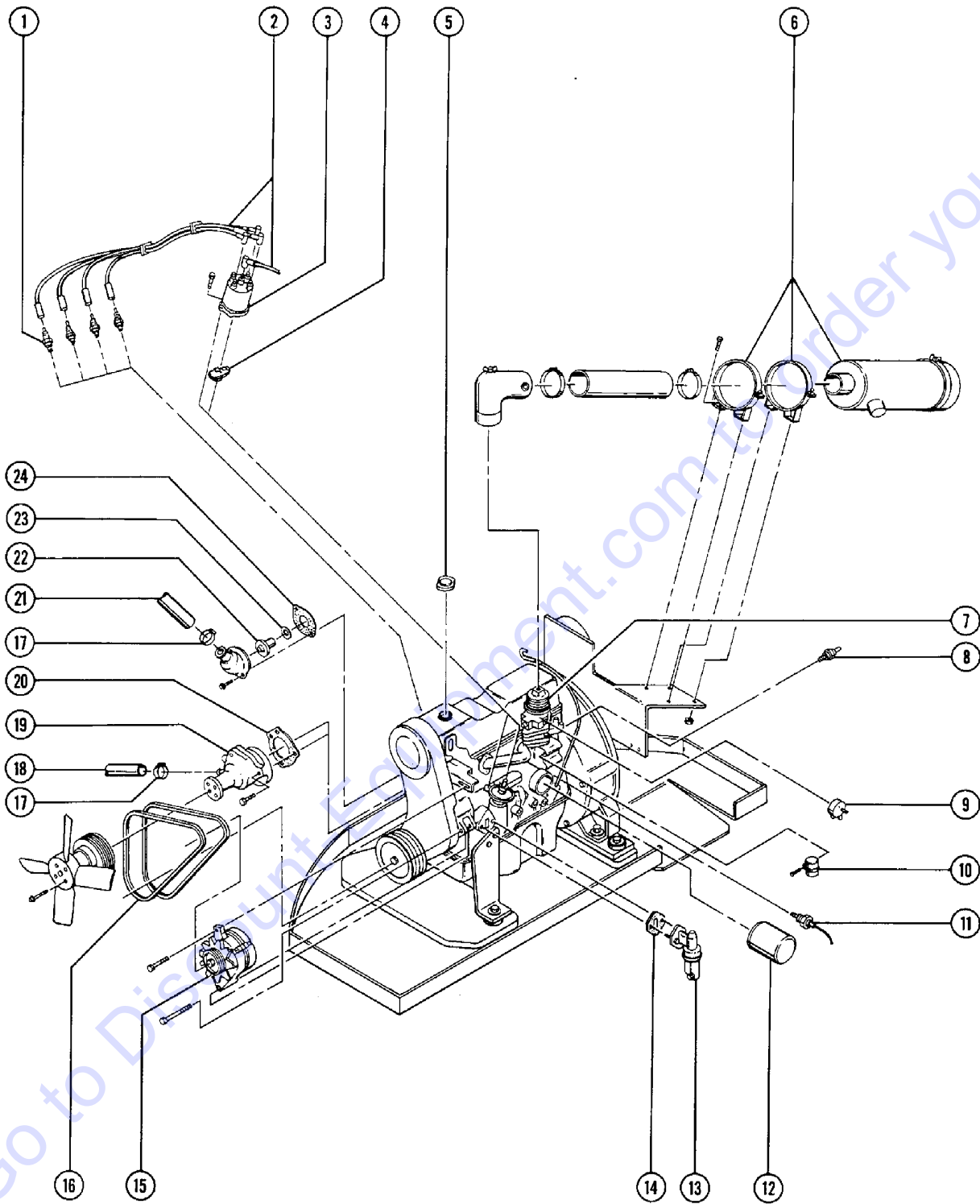
Item	Part No.	Description	Qty.	Item	Part No.	Description	Qty.
------	----------	-------------	------	------	----------	-------------	------

Go to Discount-Equipment.com to order your parts

306.1 4WD Hydraulic Hoses and Fittings - Oscillating Axle

Item	Part No.	Description	Qty.	Item	Part No.	Description	Qty.
Footnotes							
		1: Hose End - Female JIC Swivel, 12-12 (Weatherhead 12U-612), Hose End - 90o Female JIC Swivel, 12-12 (Weatherhead 12U-672) and Hose - 3/4" 4 Spiral High Pressure (Weatherhead H43012)				1/4" Thermoplastic Medium Pressure (Synflex 3130-04)	
		2: Hose - 1/2" Push On (Weatherhead H20108)					
		3: Hose End - Female JIC Swivel, 6-6 (Synflex 3903-06546), Hose End - Female JIC Swivel, 6-6 (Synflex 3903-06546) and Hose - 3/8" Thermoplastic Medium Pressure (Synflex 3130-06)					
		4: Hose End - Female JIC Swivel, 6-6 (Synflex 3903-06546), Hose End - 90o Female JIC Swivel, 6-6 (Synflex 3903-06646) and Hose - 3/8" Thermoplastic Medium Pressure (Synflex 3130-06)					
		5: Hose End - Female JIC Swivel, 12-12 (Weatherhead 12U-612), Hose End - Female JIC Swivel, 12-12 (Weatherhead 12U-612) and Hose - 3/4" 4 Spiral High Pressure (Weatherhead H43012)					
		6: Hose - 3/4" Push On (Weatherhead H20112)					
		7: Hose End - Female JIC Swivel, 8-8 (Synflex 3903-08548), Hose End - 90o Female JIC Swivel, 8-8 (Synflex 3903-08648) and Hose - 1/2" Thermoplastic High Pressure (Synflex 3800-08)					
		8: Hose End - Female JIC Swivel,4 (Synflex 3903-04544), Hose End - Female JIC Swivel,6-4 (Synflex 3903-06544) and Hose - 1/4" Thermoplastic Medium Pressure (Synflex 3130-04)					
		9: Hose End - Female JIC Swivel,6-4 (Synflex 3903-06544), Hose End - 90o Female JIC Swivel, 6-4 (Synflex 3903-06644) and Hose - 1/4" Thermoplastic Medium Pressure (Synflex 3130-04)					
		10: Hose End - Female JIC Swivel,6-4 (Synflex 3903-06544), Hose End - Female JIC Swivel,6-4 (Synflex 3903-06544) and Hose -					

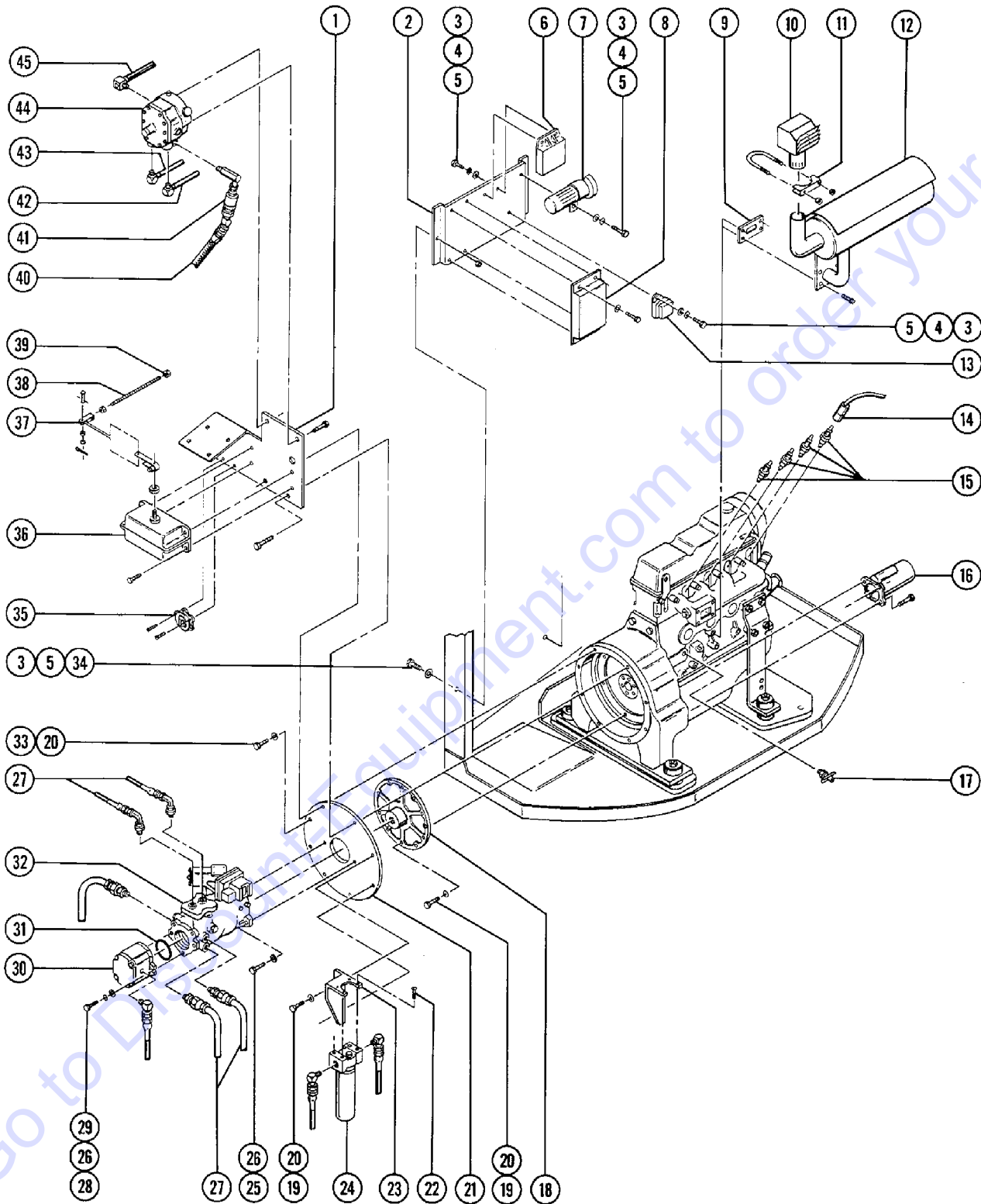
401.1 Ford Gasoline/LPG Engine - View 1



401.1 Ford Gasoline/LPG Engine - View 1

Item	Part No.	Description	Qty.
--	27153GT	ADAPTER,CARB,FORD	
--	37016GT	KIT,FUEL,LP	
1	28647GT	SPARK PLUG,FORD.....	4
2	28648GT	SPARK PLUG WIRE SET, LSG 423..... <i>Genie genuine part</i>	1
--	1259056GT	SPARK PLUG WIRE SET, LSG 423 <i>Genie aftermarket</i>	
3	28650GT	CAP,DISTRIBUTOR,FORD.....	1
4	28649GT	ROTOR,DISTRIBUTOR,FORD.....	1
5	28658GT	CAP, OIL FILLER, FORD LSG423.....	1
6	27915GT	AIR CLEANER..... <i>does NOT include mounting bands</i>	1
--	27916GT	FILTER,AIR,ELEMENT***.....	1
--	53952GT	BRKT,AIR CLEANER ORIENTATION**	
--	65815GT	CLAMP, AIR CLEANER (27915)**..... <i>clamp that holds the end cap on</i>	1
7	28714GT	CARB REPAIR KIT, LSG/LRG-423.....	1
8	28651GT	SOLENOID, ANTI-DIESELING.....	1
9	29439GT	COIL, AUTOMATIC CHOKE,.....	1
10	28662GT	FILTER,FUEL,LRG-423,SCREW-IN.....	1
11	29269GT	SWITCH,WATER TEMP,S60..... <i>includes gauge</i>	1
12	28656GT	FILTER,OIL,FORD..... <i>Genie genuine part</i>	1
--	1259054GT	FILTER, OIL, FORD <i>Genie aftermarket</i>	
13		PUMP,FUEL,FORD (28665)..... <i>manual pump (component no longer available)</i>	1
13A	46164GT	FUEL PUMP KIT,FORD LRG 423*** <i>electric pump kit (existing pump seals engine; do not remove from engine)</i>	
14	28659GT	GASKET,FUEL PUMP,FORD.....	1
15	28716GT	ALTERNATOR,FORD LSG-423***.....	1
16	28652GT	BELT,V, FAN/ALT,FORD LSG423.....	2
17	45171GT	CLAMP,HOSE,1.75,LINED.....	2
18	28769GT	HOSE,BOTTOM RADIATOR,FORD.....	1
19	28666GT	PUMP,WATER,FORD.....	1
20	28660GT	GASKET,WATER PUMP,FORD.....	1
21	28770GT	HOSE, TOP RADIATOR, FORD.....	1
22		THERMOSTAT & SEAL,FORD..... <i>no longer available from supplier</i>	1
23	28654GT	SEAL,THERMOSTAT,FORD.....	1
24	28653GT	GASKET,WATER OUTLET,FORD.....	1

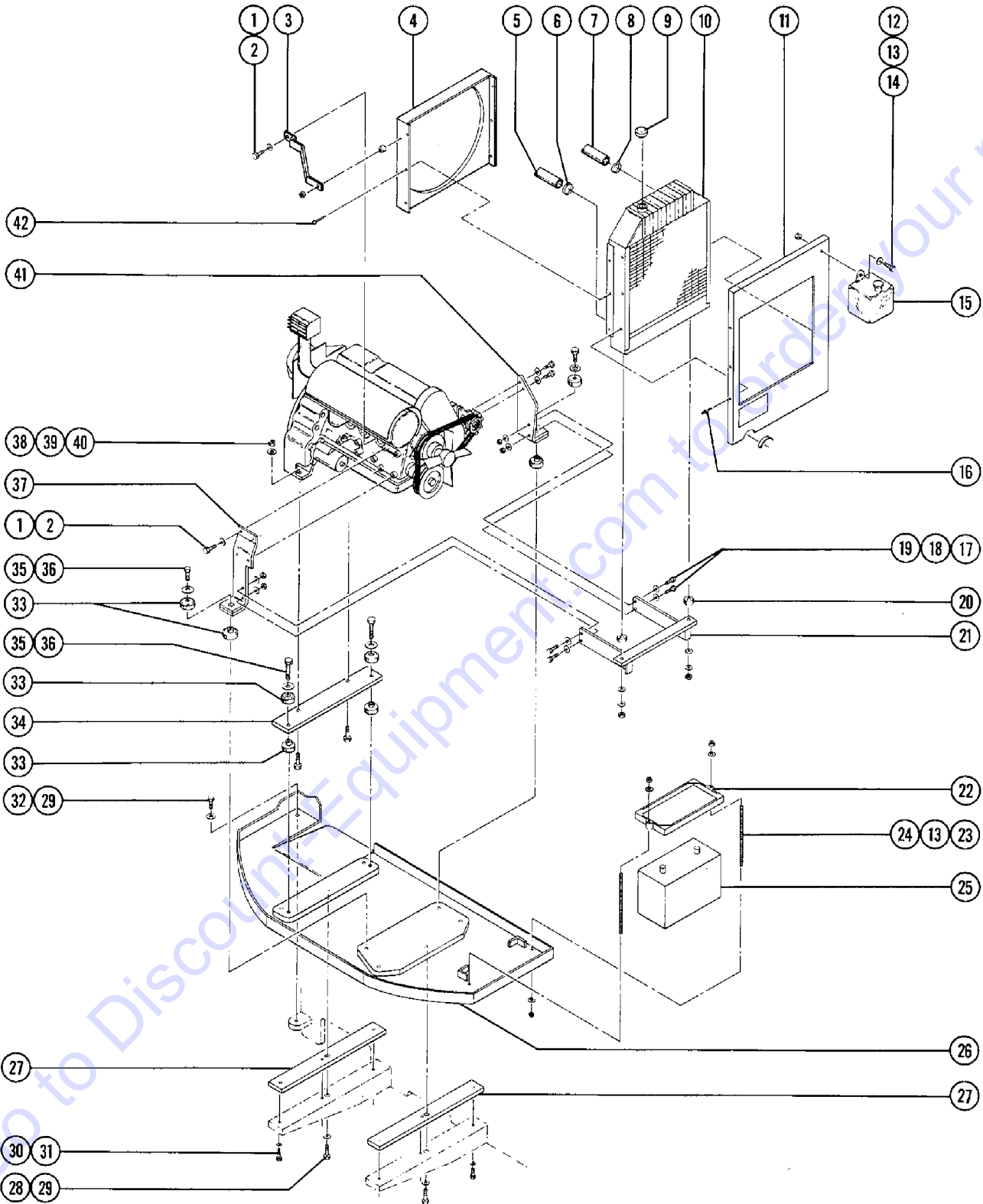
402.1 Ford Gasoline/LPG Engine - View 2



402.1 Ford Gasoline/LPG Engine - View 2

Item	Part No.	Description	Qty.	Item	Part No.	Description	Qty.
--	28718GT	BELT,TIMING,FORD LSG-423**		28	10597GT	SCREW,HHC,1/2-13 X 1.25 GR5.....	2
1	30224PGT	BRACKET,LP REG/AIR FILTER,PNTD....	1	29	13066GT	WASHER,FLAT,.5 HARDENED.....	2
2	31250GT	IGNITION MODULE MTG.PLATE ASSY.....	1	30	53961GT	PUMP,LIFT 1.025 C.I.***.....	1
3	8914GT	SCREW,HHC,1/4-20 X .625.....	13	--	31249GT	SEAL KIT,LIFT PUMP** (for pump 31248)	
4	6356GT	WASHER,LOCK,.25.....	11	--	77990GT	KIT,SEAL,3CC PUMP***.....	1
5	6638GT	WASHER,FLAT,USS,1/4"Y.....	8	31	29436GT	O-RING***.....	1
6	27922GT	IGNITION, ELECTRONIC, FORD.....	1	32	46674GT	PUMP,VAR.PISTON M46 2.8 CIQVP*.....	1
7	28664GT	COIL, IGNITION,FORD.....	1	--	29739GT	SEAL KIT,SAUER-DANFOSS M46***.....	1
8	27908GT	GOVERNOR,CNTRLR,FORD,LSG 423.....	1	33	6175GT	SCREW,HHC,3/8-16 X 1.....	2
9	27142GT	GASKET,EXHAUST***.....	1	34	6091GT	NUT,NYLOCK,1/4-20.....	2
10	30493GT	EXHAUST,TAIPIPE,DEUTZ,Z60.....	1	35	22278GT	SWITCH,VACUUM.....	1
11	30438GT	CLAMP,MUFFLER,2 1/4" ID.....	1	36	27917GT	GOVERNOR,MECHNCL,FORD LSG423.....	1
12	48439GT	MUFFLER,EXH,FORD,BIG BOOMS***.....	1	37	21130GT	CLEVIS YOKE-1/4-28,PLTD W/PIN..... includes clevis pin	1
13	27919GT	REGULATOR, VOLTAGE, Z45GP91.....	1	38	30785-1500GT	THREADED ROD,1/4-28 X 15 IN***.....	1
14	28648GT	SPARK PLUG WIRE SET, LSG 423..... Genie genuine part	1	39	21496GT	NUT,HEX,1/4-28.....	2
--	1259056GT	SPARK PLUG WIRE SET, LSG 423 Genie aftermarket		40	30275GT	HOSE ASSEMBLY,LP. 137".....	1
15	28647GT	SPARK PLUG,FORD.....	4	41	27010GT	VALVE,LOCK OFF,BEAM #FL-418.....	1
16	29616GT	STARTER,ENGINE,FORD LSG/LRG***.....	1	42		Ref. Hose -3/8 x 19.5 inches (50cm), Regulator to Water Pump.....	1
17	28717GT	VALVE,DRAIN,FORD,BLOCK,RAD.....	1	43		Ref. Hose -3/8 x 25 inches (63.5cm), Regulator to Intake Manifold.....	1
18	28819GT	COUPLER,FLEX PLATE,GRDEX,FORD.....	1	44	24551GT	REGULATOR,LPG,BEAM #120A.....	1
--	29747GT	COUPLER,FLEX PLATE,13T,FORD*.....	1	45		Ref. Hose -5/8 x 9.5 inches (24cm), Regulator to Carburetor Venturi.....	1
19	6019GT	SCREW,HHC,3/8-16 X 1.25 GRD 5.....	8				
20	6021GT	WASHER,LOCK,.375.....	14				
21	25571P-SGT	PLATE,PUMP MOUNT,FORD,PAINTED.....	1				
22	21019GT	SCREW,PHIL,PHM,10-24 X.5,SEMS.....	4				
23	30230PGT	FILTER MOUNT BRACKET.....	1				
24		FILTER ASY,M PRESS,SAE8,WOIND* (77139)..... component no longer available	1				
--	20880GT	FILTER ELEMENT-10 MIC.***..... for 20879 (no longer available)	1				
--	60857GT	FILTER,ELEMENT,BETA(5)=1000 for 77139					
24A	1267807GT	ASSY, MED. PRESS. FILTER, SAE8					
--	1268229GT	ELEMENT-5 MIC, PAPER, W/ BYPASS for 1267807					
25	8177GT	SCREW,HHC,1/2-13 X 1.5.....	2				
26	6033GT	WASHER,LOCK,0.5".....	4				
27		Ref. Hydraulic Hoses & Fittings..... (refer to figure 508.1)	4				

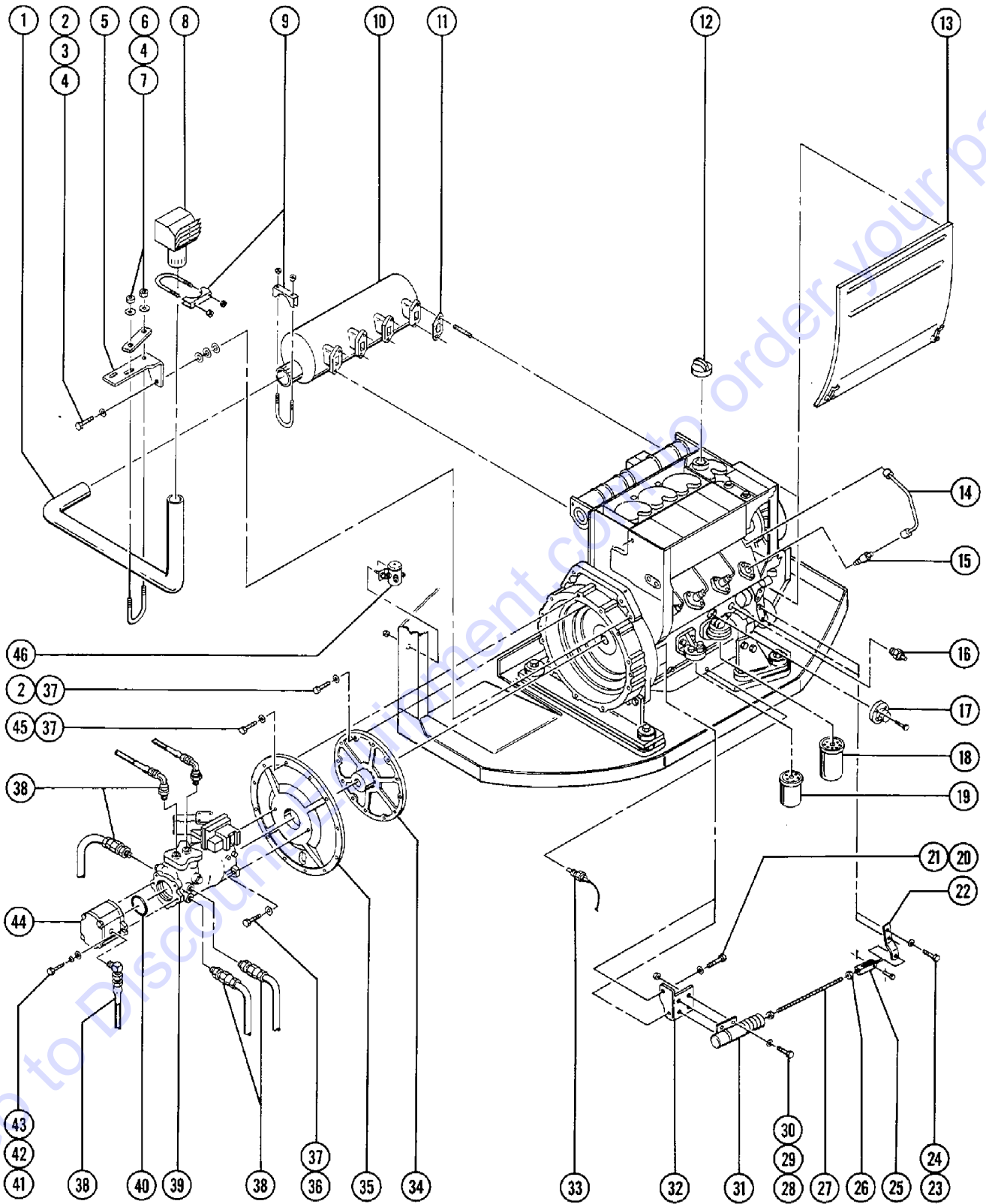
403.1 Ford Gasoline/LPG Engine - View 3



403.1 Ford Gasoline/LPG Engine - View 3

Item	Part No.	Description	Qty.	Item	Part No.	Description	Qty.
1	27034GT	SCREW,HHC,M10 X 25MM,GR 8.8.....	7	41	29297GT	WELDMENT,FORD ENG.MNT,INBOARD.....	1
2	22700GT	WASHER,LOCK,M10.....	7	42	21018GT	SCREW,PHIL,PHM,10-24 X.38,SEMS....	6
3	27022PGT	MOUNT,RAD.SUPPT.,RH,PAINTED.....	1				
4	27639PGT	RADIATOR SHROUD,PAINTED.....	1				
5	28769GT	HOSE,BOTTOM RADIATOR,FORD.....	1				
6	13014GT	CLAMP,HOSE,2.25" DIA.....	1				
7	28770GT	HOSE, TOP RADIATOR,FORD.....	1				
8	45171GT	CLAMP,HOSE,1.75,LINED.....	1				
9	27943GT	CAP,RADIATOR,FORD***.....	1				
10	27942GT	RADIATOR,FORD (LSG).....	1				
--	28717GT	VALVE,DRAIN,FORD,BLOCK,RAD.....	1				
11	31244GT	RADIATOR SHROUD ASSY,FORD Z60.....	1				
12	6888GT	SCREW,HHC,1/4-20 X 1.....	1				
13	6638GT	WASHER,FLAT,USS,1/4"Y.....	5				
14	6091GT	NUT,NYLOCK,1/4-20.....	1				
15	1279268GT	BOTTLE, COOLANT RECOVERY, 2QT.....	1				
16	8920GT	RIVET,ALUM,ALUM,P.156 X .375.....	6				
17	8516GT	SCREW, HCC, 3/8-16 X 1.50.....	4				
18	6097GT	WASHER,FLAT,USS,3/8",Y.....	8				
19	4828GT	NUT,NYLOCK,3/8-16.....	4				
20	24038GT	SHOCK MOUNT,SMALL.....	2				
21	27640GT	WELDMENT,RADIATOR MOUNT.....	1				
22	30144GT	BATTERY HOLD DOWN,GROUP 31.....	1				
23	18385GT	THREADED ROD,(1/4-20),10.5".....	2				
24	18504GT	NUT,LOCKING-LG.FLANGE,1/4-20.....	4				
25	30143GT	BATTERY,12V,1000 CCA GRP 31.....	1				
26	75650-SGT	WELDMENT PLATE ENGINE TANK.....	1				
27	30271GT	PAD,ENGINE SLIDE.....	2				
28	19418GT	SCREW,SHC,5/8-11 X 1.75.....	2				
29	13064GT	WASHER,FLAT,.625 HARDENED.....	3				
30	6090GT	SCREW,HHC,1/4-20 X .75.....	6				
31	6356GT	WASHER,LOCK,.25.....	6				
32	29883GT	SCREW,HHC,5/8-11 X 1.75 GRD.8.....	1				
33	28076GT	ISOLATOR,VIBRATION,LG,RD&WH***.....	4				
34	28234P-SGT	PLATE,ENGINE MOUNT,PAINTED.....	1				
35	13003GT	SCREW,HHC,5/8-11 X 3.5 GRD.8.....	4				
36	6035GT	WASHER,FLAT,USS,5/8",Y.....	4				
37	29296GT	WELDMENT,FORD ENG.MNT,OUTBOARD.....	1				
38	6198GT	NUT,NYLOCK,1/2-13.....	2				
39	6095GT	WASHER,FLAT,USS,1/2",Y.....	2				
40	10598GT	SCREW,HHC,1/2-13 X 3.....	2				

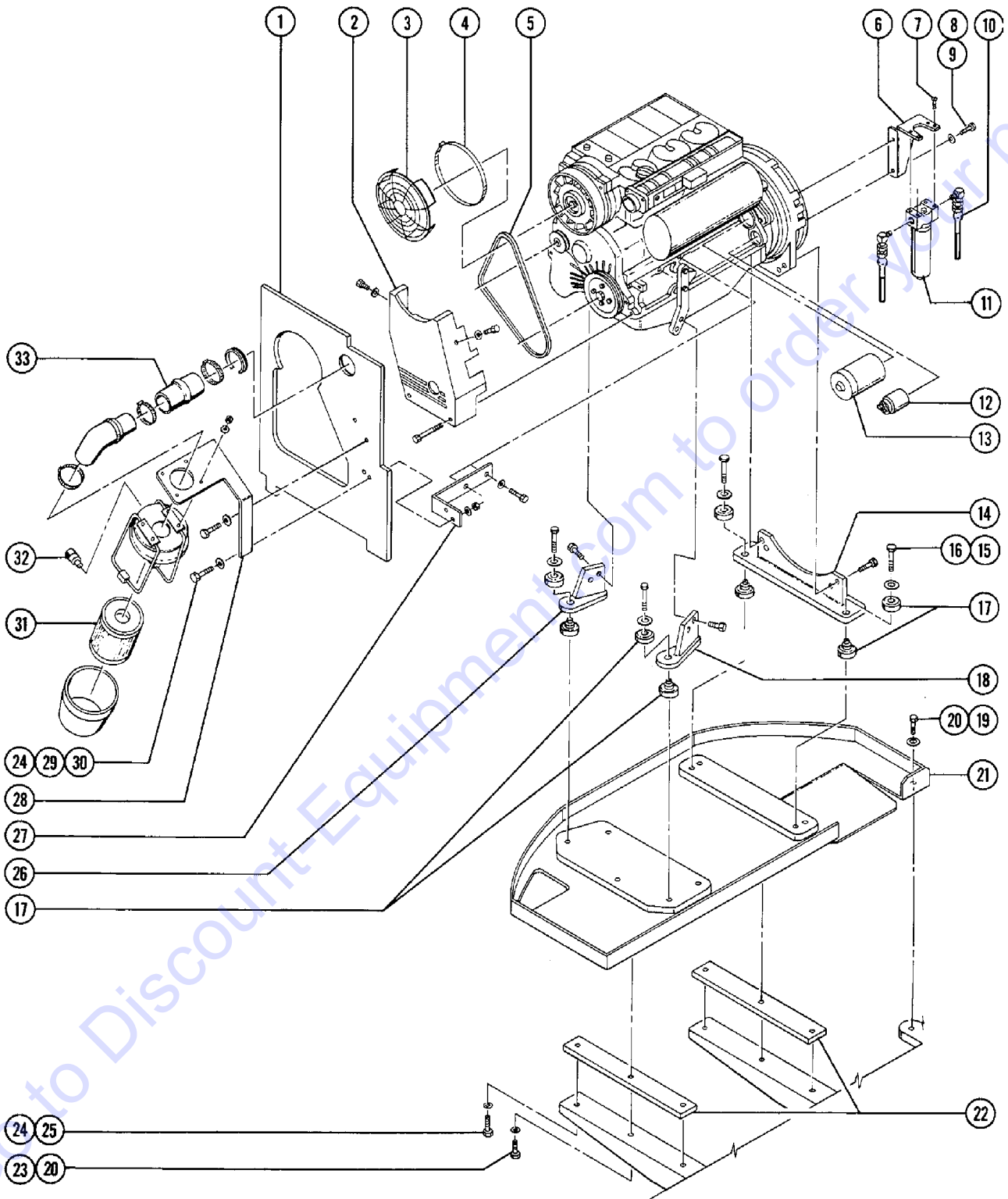
404.1 Deutz Diesel Engine - View 1



404.1 Deutz Diesel Engine - View 1

Item	Part No.	Description	Qty.	Item	Part No.	Description	Qty.
1	30493GT	EXHAUST, TAILPIPE, DEUTZ, Z60.....	1	36	6605GT	SCREW, HHC, 3/8-16 X 3.5, GR5.....	2
2	6019GT	SCREW, HHC, 3/8-16 X 1.25 GRD 5.....	14	37	6021GT	WASHER, LOCK, .375.....	23
3	6021GT	WASHER, LOCK, .375.....	2	38		Ref. Hydraulic Hoses & Fittings (refer to figure 508.1).....	23
4	5397GT	WASHER, FLAT, USS, 5/16", Y.....	8	39	46674GT	PUMP, VAR. PISTON M46 2.8 CIQVP*.....	1
5	27329PGT	BRACKET, EXHAUST SUPPRT, PAINT.....	1	--	29739GT	SEAL KIT, SAUER-DANFOSS M46***.....	1
6	6002GT	NUT, LP NYLOCK, 5/16-18.....	2	--	37003GT	COUPLER, HUB, 15 TOOTH 7/16BOLT*	
7	16584GT	U-BOLT, KIT 5/16-18 X 2.5 ***.....	1	40	29436GT	O-RING***.....	1
8	30493GT	EXHAUST, TAILPIPE, DEUTZ, Z60.....	1	41	10597GT	SCREW, HHC, 1/2-13 X 1.25 GR5.....	2
9	30438GT	CLAMP, MUFFLER, 2 1/4" ID.....	2	42	6033GT	WASHER, LOCK, 0.5".....	2
10	29558GT	MUFFLER**.....	1	43	13066GT	WASHER, FLAT, .5 HARDENED.....	2
--	53867GT	SCRUBBER MUFFLER, DEUTZ, F4L1011		44	53961GT	PUMP, LIFT 1.025 C.I.***.....	1
11	29559GT	GASKET, EXHAUST.....	4			<i>use in place of previous pump 31248</i>	
12	29557GT	CAP, OIL FILLER, DEUTZ, DIESEL***.....	1	--	31249GT	SEAL KIT, LIFT PUMP**	
13	29556GT	COVER, SIDE ENGINE.....	1			<i>use with pump 31248</i>	
14	29564GT	INJECTOR, FUEL LINE DEUTZ DSL.....	4	--	53962GT	SEAL KIT, LIFT PUMP (53961)***.....	1
15	29563GT	INJECTOR.....	4			<i>use with pump 53961</i>	
16	29565GT	SWITCH/SENDER, OIL TEMPERATURE.....	1	45	6175GT	SCREW, HHC, 3/8-16 X 1.....	12
17	29562GT	PUMP ASSY, FUEL, DEUTZ DIESEL.....	1	46	27155GT	SOLENOID, 12V CONTINUOUS***.....	1
18	29561GT	FILTER, OIL.....	1				
19	29560GT	FILTER, FUEL/WTR SEP, DTZ 1008.....	1				
		<i>Genie Genuine Part. See PN 1254826 for compatible aftermarket replacement.</i>					
--	1254826GT	FUEL FILTER W/SEP, DEUTZ, 1008.....	1				
		<i>Genie Aftermarket Part. Filter for Deutz F3L 1011F Engine.</i>					
20	23057GT	SCREW, HHC, M8 X 20MM.....	2				
21	6886GT	WASHER, LOCK, .313.....	2				
22	30479PGT	BRACKET, ACTUATOR ARM PAINTED.....	1				
23	22578GT	SCREW, HHC, M6 X 20MM, GR8.8.....	2				
24	6356GT	WASHER, LOCK, .25.....	2				
25	21130GT	CLEVIS YOKE-1/4-28, PLTD W/PIN.....	1				
		<i>includes clevis pin</i>					
26	21496GT	NUT, HEX, 1/4-28.....	2				
27	30785-1500GT	THREADED ROD, 1/4-28 X 15 IN***.....	1				
28	6090GT	SCREW, HHC, 1/4-20 X .75.....	4				
29	6638GT	WASHER, FLAT, USS, 1/4"Y.....	4				
30	6091GT	NUT, NYLOCK, 1/4-20.....	4				
31	29073GT	SOLENOID, THROTTLE,.....	1				
32	30478PGT	BRACKET, SOLENOID MTG PAINTED.....	1				
33	29269GT	SWITCH, WATER TEMP, S60.....	1				
		<i>includes gauge</i>					
34	30386GT	FLYWHEEL COUPLING, TYPE FL.....	1				
--	29747GT	COUPLER, FLEX PLATE, 13T, FORD*.....	1				
35	30806GT	FLYWHEEL COVER, CASTING***.....	1				

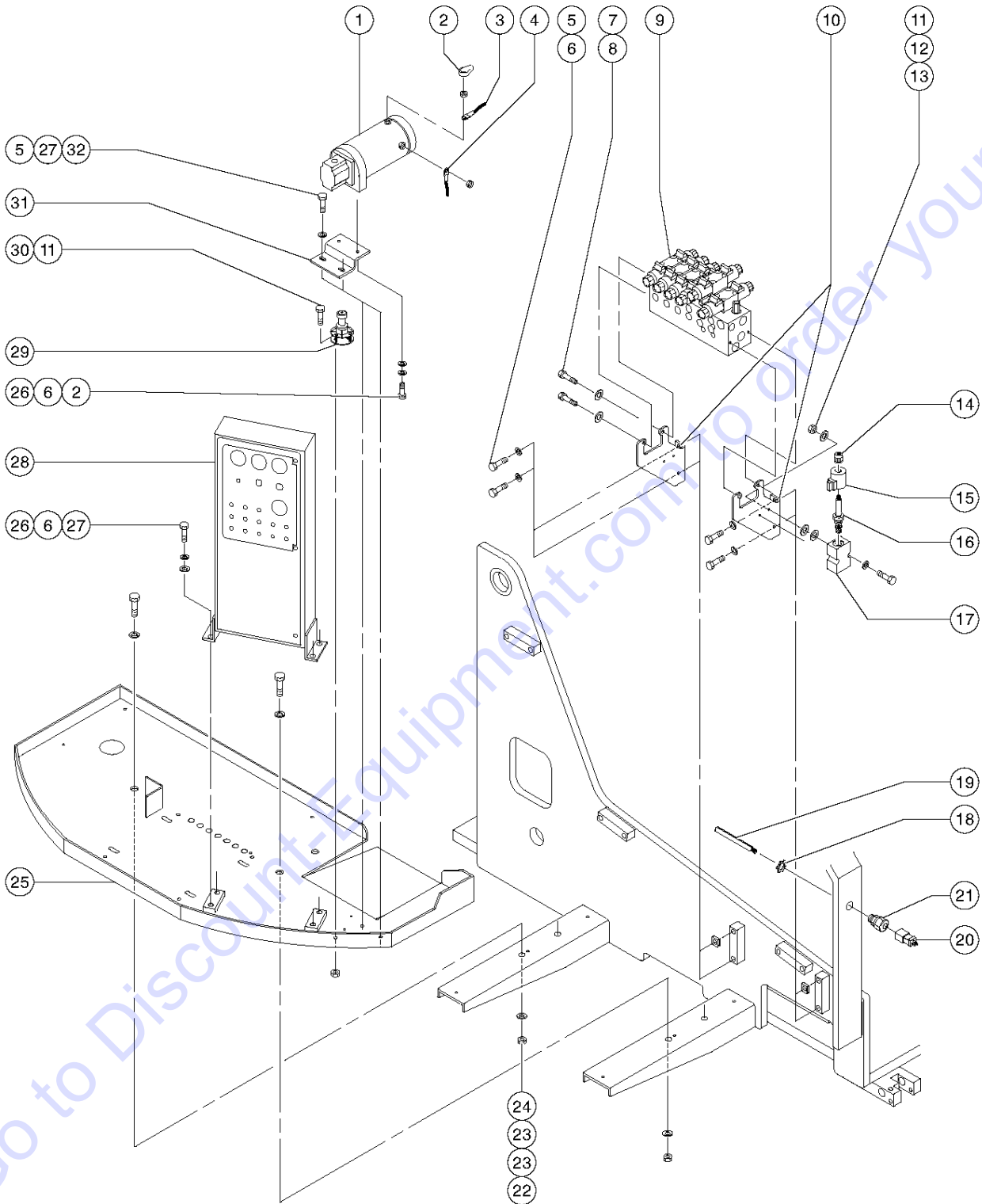
405.1 Deutz Diesel Engine - View 2



405.1 Deutz Diesel Engine - View 2

Item	Part No.	Description	Qty.
1	30483PGT	WELDMENT,HEAT SHIELD PAINTED....1	
2	29555GT	COVER,FRONT DEUTZ ENGINE.....1	
3	31522GT	GUARD,FAN,DEUTZ F4L1011.....1	
4	31523GT	CLAMP,HOSE,8.50 DIA***.....1	
5	32698GT	BELT,V, DEUTZ DIESEL ENGINE.....1	
6	30230PGT	FILTER MOUNT BRACKET.....1	
7	21019GT	SCREW,PHIL,PHM,10-24 X.5,SEMS....4	
8	6019GT	SCREW,HHC,3/8-16 X 1.25 GRD 5.....2	
9	6021GT	WASHER,LOCK,.375.....2	
10		Ref. Hydraulic Hoses & Fittings (refer to figure 508.1).....2	
11		FILTER ASY,M PRESS,SAE8,WOIND* (77139).....1 <i>component no longer available</i>	
--	20880GT	FILTER ELEMENT-10 MIC.***.....1 <i>for 77139</i>	
11A	1267807GT	ASSY, MED. PRESS. FILTER, SAE8	
--	1268229GT	ELEMENT-5 MIC, PAPER, W/ BYPASS <i>for 1267807</i>	
12	29552GT	STARTER SOLENOID, DEUTZ 25484....1	
13	29551GT	STARTER ASSY - PRE 8/14/95.....1 <i>includes index number 12</i>	
14	29550GT	WELDMENT,DEUTZ ENGINE MOUNT...1	
15	13003GT	SCREW,HHC,5/8-11 X 3.5 GRD.8.....4	
16	13775GT	WASHER,FLAT,1.063 X 2 X .134.....4	
17	28076GT	ISOLATOR,VIBRATION,LG,RD&WH***...4	
18	29548GT	WELDMENT,ENGINE MOUNT INBOARD.....1	
19	29883GT	SCREW,HHC,5/8-11 X 1.75 GRD.8.....1	
20	13064GT	WASHER,FLAT,.625 HARDENED.....3	
21	75650-SGT	WELDMENT PLATE ENGINE TANK.....1	
22	30271GT	PAD,ENGINE SLIDE.....2	
23	19418GT	SCREW,SHC,5/8-11 X 1.75.....2	
24	6090GT	SCREW,HHC,1/4-20 X .75.....8	
25	6356GT	WASHER,LOCK,.25.....6	
26	29549GT	WELDMENT,ENGINE MOUNT,OUTBOARD.....1	
27	30477PGT	BRACKET,HEAT SHEILD SUPP,PAINT.....1	
28		Part is no longer available.....1	
29	6638GT	WASHER,FLAT,USS,1/4"Y.....2	
30	6091GT	NUT,NYLOCK,1/4-20.....2	
31	29553GT	AIR FILTER.....1	
32	31505GT	INDICATOR,AIR FILTER CONDITION....1	
33	30476GT	STRAIGHT,HUMP,RBR BUTT 3" I.D.....1	

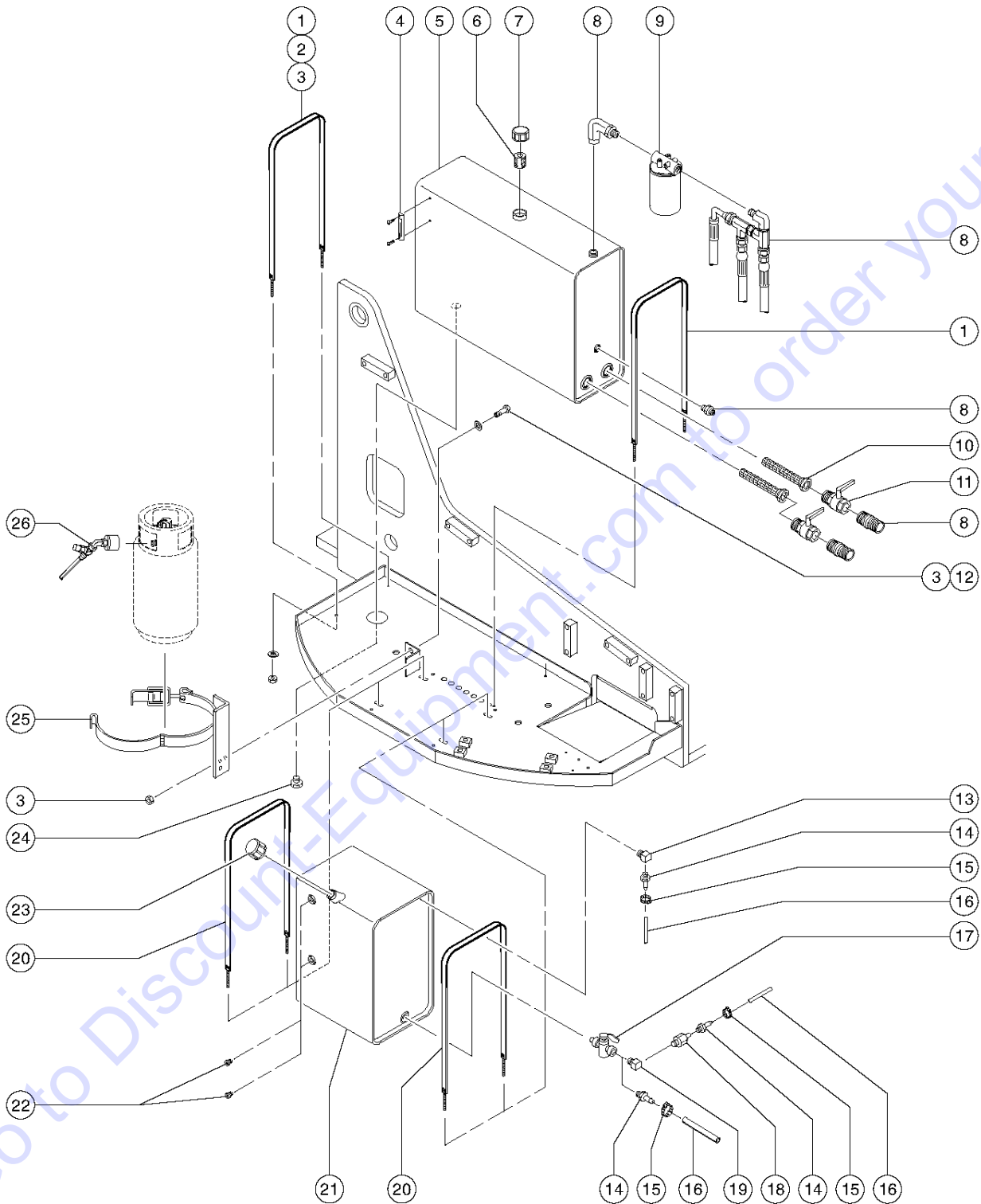
501.1 Function Manifold / Auxiliary Power Unit



501.1 Function Manifold / Auxiliary Power Unit

Item	Part No.	Description	Qty.	Item	Part No.	Description	Qty.
1	89617GT	POWER UNIT,AUX PUMP 12VDC.....1 to SN 314	1	26	6175GT	SCREW,HHC,3/8-16 X 1.....6	6
--	27914GT	MOTOR,12V DC (24573).....1 use with APU 27648; to SN 314	1	27	6097GT	WASHER,FLAT,USS,3/8",Y.....10	10
--	29417GT	PUMP ASSY.(27648)*****.....1 use with APU 27648 and 32811	1	28		Ref Ground Controls (refer to figures 505.1, 506.1 and 506.2).....10	10
--	29418GT	COUPLER - 27648 POWER UNIT.....1 use with APU 27648 and 32811	1	29	44586GT	SENSOR,LEVEL 4.5***.....1	1
--	29428GT	VALVE,CHECK.....1 use with APU 27648 and 32811	1	30	6888GT	SCREW,HHC,1/4-20 X 1.....2	2
--	29429GT	VALVE,RELIEF.....1 use with APU 27648 and 32811	1	31	25855PGT	BRACKET,AUX PUMP MOUNT,PAINT....1	1
--	32811GT	POWER UNIT,AUX PUMP 12VDC**.....1 from SN 315	1	32	4828GT	NUT,NYLOCK,3/8-16.....2	2
--	32949GT	MOTOR,12V DC (32810/32811)APU....1 use with APU 32811; from SN 315	1				
2	8910GT	BOOT,CABLE TERM,MED.RED,4/0.....1	1				
3	29226GT	CABLE ASSEMBLY,23.0".....1	1				
4	29305GT	CABLE ASSY,70".....1	1				
5	6019GT	SCREW,HHC,3/8-16 X 1.25 GRD 5.....6	6				
6	6021GT	WASHER,LOCK,.375.....10	10				
7	13002GT	SCREW,HHC,5/16-18 X 1 GR5.....4	4				
8	6886GT	WASHER,LOCK,.313.....4	4				
9	146169GT	MANIFOLD,FUNCTION.....1	1				
10	30229PGT	BRACKET,FUNCTION MANIF,PAINT....2	2				
11	6091GT	NUT,NYLOCK,1/4-20.....4	4				
12	6638GT	WASHER,FLAT,USS,1/4"Y.....4	4				
13	4266GT	SCREW,HHC,1/4-20 X 2.....2	2				
14	52943GT	NUT,SOLENOID VALVE COIL.....1	1				
15	29744GT	COIL,10V.....1	1				
16	29066GT	VALVE,SOLENOID,10V,2POS 3WAY**.....1 includes index numbers 14 and 15	1				
17	30369GT	SOLENOID VALVE,N.C. 2POS. 3WAY....1 includes index numbers 14-16	1				
18	6935GT	LOCKNUT,ELEC,1/2".....1	1				
19	43956GT	WIRE CABLE,14/3 CON.TPE JKT*					
20	6595GT	PLUG,ELECTRICAL,DOMESTIC.....1	1				
--	1280665GT	PLUG, TYPE F, 230A, 50HZ, 16A, IP44.....1	1				
--	144161GT	PLUG,PWR,UK,16AMP,3PIN,BLK.....1	1				
21	7056GT	CONN,SQUEEZE,1/2NPT .38-.50,SM...1	1				
22	6198GT	NUT,NYLOCK,1/2-13.....3	3				
23	6095GT	WASHER,FLAT,USS,1/2",Y.....6	6				
24	8177GT	SCREW,HHC,1/2-13 X 1.5.....3	3				
25	30184PGT	WLDMNT,HYD.TANK MODULE PLATE**.....1	1				

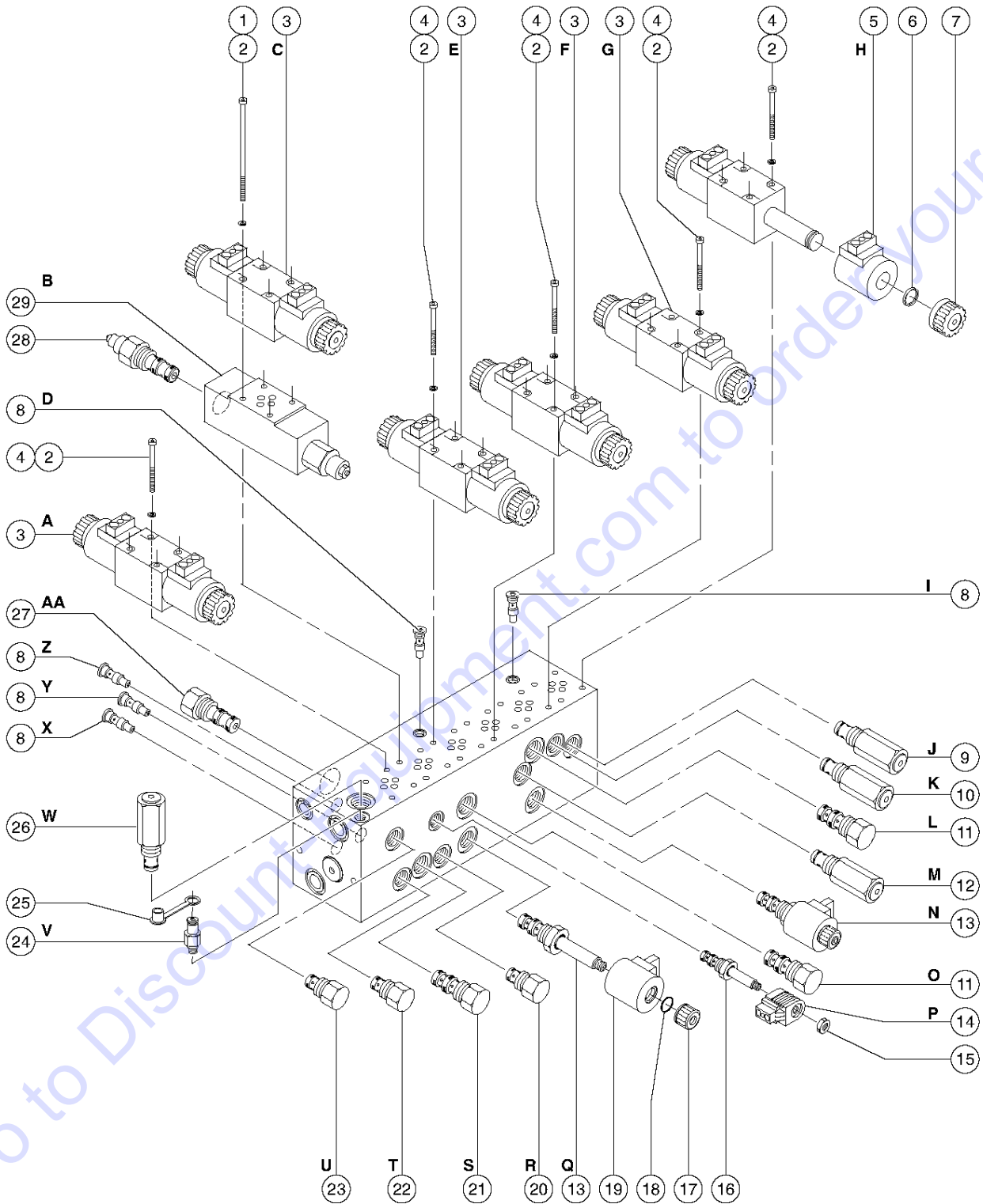
502.1 Hydraulic and Fuel Tanks



502.1 Hydraulic and Fuel Tanks

Item	Part No.	Description	Qty.
1	31524GT	STRAP ASSY,TANK, 66 INCH.....	2
2	4828GT	NUT,NYLOCK,3/8-16.....	12
3	6097GT	WASHER,FLAT,USS,3/8",Y.....	12
4	21141GT	GAUGE-SIGHT,LHA-LGTB***..... <i>includes mounting fasteners</i>	1
5	53353GT	TANK,HYDRAULIC,45 GALLON***..... <i>includes index number 6 and 24</i>	1
6	31506GT	STRAINER,FILLER NECK.....	1
7		Breather Cap..... <i>Part is no longer available</i>	1
8		Ref. Hydraulic Hoses & Fittings (refer to figure 508.1).....	1
9	29908GT	FILTER ASSY W/INDICATOR LH.....	1
--	20293GT	FILTER ELEMENT-10MICRON.**.....	1
10	45161GT	STRAINER ASSEMBLY,1.5" NPT.....	2
11	30347GT	VALVE,BALL,1" MPT X FPT.....	2
12	6175GT	SCREW,HHC,3/8-16 X 1.....	4
13	18218GT	PLUG,PIPE,HEX HEAD,STL,1/4NPT..... <i>Gasoline/LPG models</i>	1
13	19363GT	ELBOW,130239-4-4..... <i>Deutz Diesel models</i>	1
14	29137GT	HOSE END,MALE.25 X .25 MPT***..... <i>Deutz Diesel models</i>	2
--	29137GT	HOSE END,MALE.25 X .25 MPT***..... <i>Gasoline/LPG models</i>	1
15	21465GT	CLAMP,HOSE,.25" - .63" X .3125..... <i>Deutz Diesel models</i>	2
--	21465GT	CLAMP,HOSE,.25" - .63" X .3125..... <i>Gasoline/LPG models</i>	1
16	30490GT	HOSE,1/4 FUEL LINE,SAE 30R7 <i>Deutz Diesel models</i>	
--	30490GT	HOSE,1/4 FUEL LINE,SAE 30R7 <i>Gasoline/LPG models</i>	
17	19487GT	VALVE, FUEL LOCK.....	1
18	139898GT	SOLENOID-GASOLINE FUEL..... <i>Gasoline/LPG models</i>	1
19	19606GT	ELBOW,130339-4-4..... <i>Gasoline/LPG models</i>	1
20	30179GT	TANK STRAP,BOLT STYLE,62".....	2
21	30090PGT	FUEL TANK,20 GAL,PAINTED.....	1
22	30128GT	VIEW GAUGE 3/4 MPT.....	2
23	25567GT	CAP,FUEL,GREEN*..... <i>Deutz Diesel models</i>	1
--	28829GT	CAP,FUEL,RED***..... <i>Gasoline/LPG models</i>	1
24	31507GT	PLUG,SQUARE HEAD,3/4 MPT.....	1
25	30256GT	WELDMENT,LP TANK BRACKET**.....	1
26	30275GT	HOSE ASSEMBLY,LP. 137".....	1

503.1 Function Manifold



503.1 Function Manifold

Item	Part No.	Description	Qty.	Item	Part No.	Description	Qty.
A		D03 Valve <i>Jib Boom Up/Down and Platform Rotate Left/Right</i>		X		Check Valve <i>Differential Sensing Circuit, Jib Boom Down/Platform Rotate Right</i>	
B		Counterbalance Valve <i>Platform Level Up/Down</i>		Y		Check Valve <i>Differential Sensing Circuit, Jib Boom Up/Platform Rotate Left</i>	
C		D03 Valve <i>Platform Level Up/Down</i>		Z		Check Valve <i>Differential Sensing Circuit, Platform Level</i>	
D		Check Valve <i>Differential Sensing Circuit, Turntable Rotate Left/Right and Primary Boom Extend/Retract</i>		AA		Priority Flow Regulator Valve, 3 gpm (11.4 l/min) <i>Steer Left/Right Circuit</i>	
E		D03 Valve <i>Turntable Rotate Left/Right</i>		--	146169GT	MANIFOLD,FUNCTION <i>does not include index numbers 24 and 25</i>	
F		D03 Valve <i>Secondary Boom Up/Down</i>		--	28750GT	O-RING KIT,FIELD SVC,ALL PROD*	
G		D03 Valve <i>Primary Boom Up/Down</i>		--	33994GT	PLUG AND CAP KIT-SERVICE,37 **	
H		D03 Valve <i>Primary Boom Extend/Retract</i>		--	49612GT	O-RING KIT (ORFS FITTINGS)	
I		Check Valve <i>Differential Sensing Circuit, Primary and Secondary Boom</i>		--	49613GT	PLUG AND CAP KIT-SERVICE,ORFS*	
J		Relief Valve, 1200 psi (83 bar) <i>Primary Boom Extend</i>		1	40617GT	SCREW,SHC,10-24 X 4.....4	
K		Relief Valve, 1800 psi (124 bar) <i>Primary Boom Down</i>		2	6607GT	WASHER,LOCK,#10 PLTD.....24	
L		Flow Regulator <i>Primary and Secondary Boom Circuit</i>		3	146165GT	VALVE KIT,D03.....6 <i>includes index numbers 5, 6 and 7. kit comes with two inch screws, if customer needs four inch screws refer to 40617.</i>	
M		Relief Valve, 1600 psi (110 bar) <i>Secondary Boom Down</i>		4	43255GT	SCREW,SHC,10-24 X 2.....20	
N		Proportional Solenoid Valve <i>Primary and Secondary Boom Up/Down</i>		5	223763GT	COIL WITH DE CONNECTOR.....12 <i>Previous coil part 41771 is no longer available, must upgrade original valve with a newer valve part 146165.</i>	
O		Flow Regulator <i>Turntable Rotate Left/Right and Primary Boom Extend/Retract Circuit</i>		6	48648GT	O-RING, D03 COIL.....12	
P		Solenoid Valve - N.C. 2 position 2way <i>Platform Level Circuit</i>		7	48649GT	NUT-D03 COIL.....12	
Q		Proportional Solenoid Valve <i>Turntable Rotate Left/Right and Primary Boom Extend/Retract</i>		8	27807GT	VALVE,CHECK***5	
R		Flow Regulator Valve, 0.6 gpm (2.3 l/min) <i>Platform Level Circuit</i>		--	110200GT	SEAL KIT, VALVE, #4.....5	
S		Differential Sensing Valve <i>Meters flow to functions</i>		9	27805GT	VALVE,RELIEF.....1	
T		Flow Regulator Valve, 1.5 gpm (5.7 l/min) <i>Platform Rotate/Jib Boom Circuit</i>		10	31527GT	VALVE,RELIEF 1800 PSI.....1	
U		Flow Regulator Valve, 0.1 gpm (0.4 l/min) <i>Bleeds off differential sensing valves to tank</i>		11	27802GT	VALVE,DIFFERENTIAL SENSING***2	
V		Diagnostic Nipple <i>Testing</i>		12	31528GT	VALVE,RELIEF 1600 PSI.....1	
W		Relief Valve, 2400 psi (166 bar) <i>System Relief</i>		13	27801GT	VALVE,PROPORTIONAL SOLENOID***2 <i>includes index numbers 17, 18 and 19</i>	
				14	21444GT	COIL,12 VOLT (21299 MANIFOLD).....1	
				15	52943GT	NUT,SOLENOID VALVE COIL.....1	
				16	19995GT	VALVE,SOLENOID,2 WAY,12V.....1 <i>includes index numbers 14 and 15</i>	
				17	45921GT	RETAINER-N.C.PROPOR.SOLENOID....2	
				18	45914GT	O-RING, DO1 VALVE.....2	
				19	21935GT	COIL, 12V, 19972/21623/29069.....2	
				20	31100GT	VALVE,FLOW REGULATOR 0.6GPM.....1	
				21	27804GT	VALVE,DIFFERENTIAL SENSING***1	

503.1 Function Manifold
(continued)

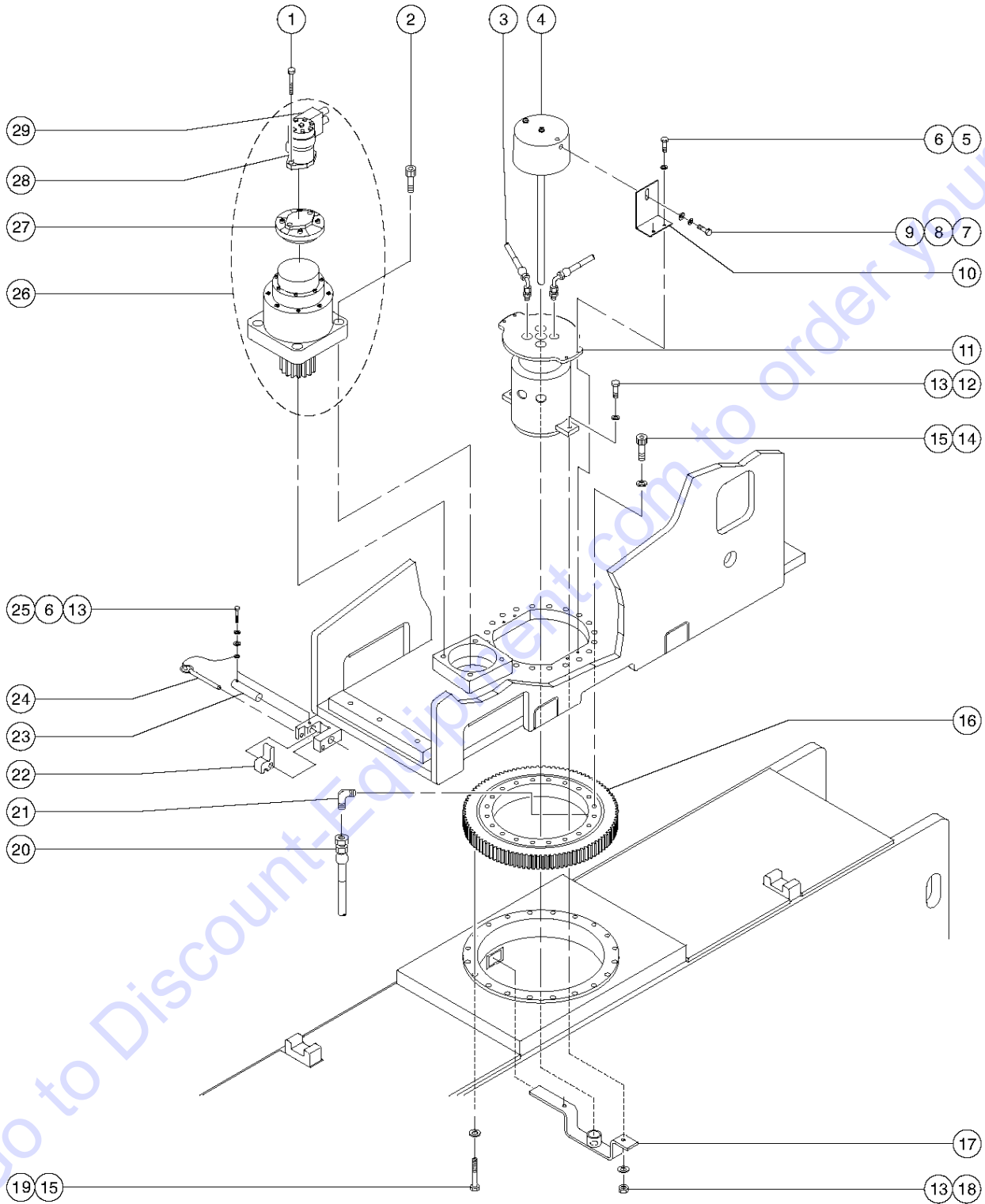
Item	Part No.	Description	Qty.
22	19470GT	VALVE,FLOW REGULATOR.....	1
23	32975GT	VALVE,FLOW REGULATOR 0.1 GPM.....	1
24	48997GT	NIPPLE,DIAGNOSTIC,#4.....	1
--	20224GT	DIAGNOSTIC FEMALE Q-DSCNT.....	1
25	48880GT	CAP,DIAGNOSTIC NIPPLE.....	1
26	31529GT	VALVE,RELIEF 2400 PSI***.....	1
27	31102GT	VALVE,FLOW REGULATOR.....	1
28	65462GT	VALVE,COUNTERBALANCE (65461).....	2
29	65461GT	COUNTERBLNCE SANDWICH(30283)..1 <i>includes index number 28</i>	

Go to Discount-Equipment.com to order your parts

This Page Intentionally Left Blank

Go to Discount-Equipment.com to order your parts

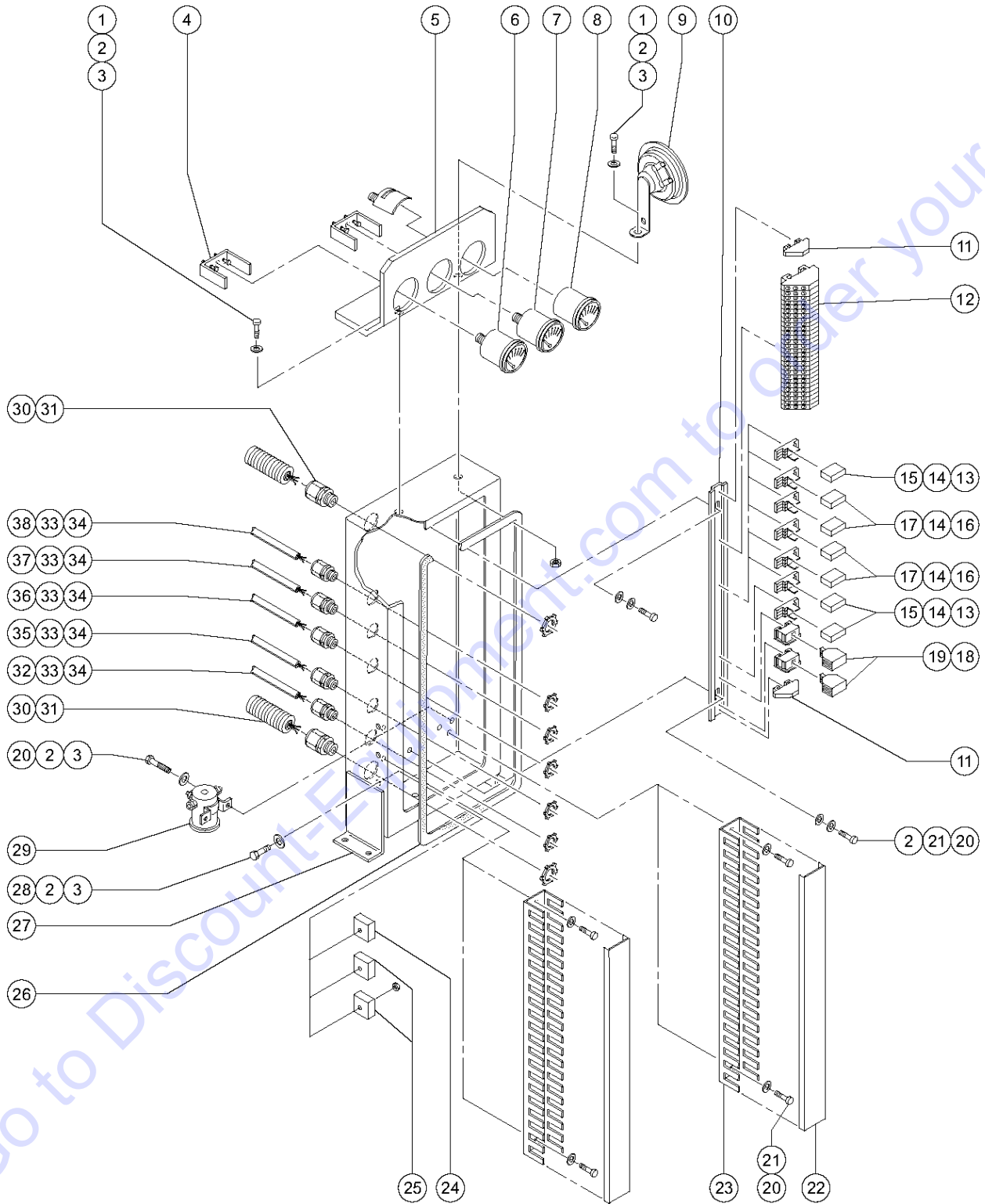
504.1 Turntable Rotator and Hydraulic and Electrical Rotary Couplers



504.1 Turntable Rotator and Hydraulic and Electrical Rotary Couplers

Item	Part No.	Description	Qty.	Item	Part No.	Description	Qty.
1	56843GT	SCREW,SHC,1/2-13 X 1.50,A574.....	4	--	58916GT	SEAL,SHAFT use with 94920	
2	73455GT	SCREW,HHC,5/8-11 X 2.25 GR8.....	4	--	75677GT	SHAFT,OUTPUT,PINION,TURNTABLE use with 89885	
3		Ref. Hydraulic Hoses & Fittings (refer to figure 508.1).....	4	--	94920GT	TORQUE HUB-SWING*** Does not include brake assembly, swing motor, or manifold, not part of 89800	
4	25225GT	COUPLER,ELECTRIC ROTARY.....	1	27	73918GT	BRAKE,SWING,2800 IN/LB.....	1
--	29419GT	BRUSH & HOLDER ASSY,25225 SWIV.....	1			not part of 89885	
--	29733GT	HARNESS,WIRE,ROTARY/MANIFOLD...1		--	19794GT	GASKET,BRAKE ASSY.....	1
--	29734GT	HARNESS,WIRE,ROTARY/CNTRL.BOX.1		--	31499GT	LINING KIT,MICO.....	1
--	29735GT	MICROSWITCH,ELECTRIC ROTARY.....1		--	31500GT	BEARING KIT,MICO.....	1
5	6019GT	SCREW,HHC,3/8-16 X 1.25 GRD 5.....	2	--	31501GT	SEAL KIT,MICO.....	1
6	6021GT	WASHER,LOCK,.375.....	4	--	31502GT	SPRING KIT,MICO.....	1
7	10587GT	SCREW,HHC,1/2-13 X.75.....	1	--	62466GT	SEAL KIT,BRAKE,TURNTABLE ROT**...1 use with 75686	
8	6033GT	WASHER,LOCK,0.5".....	1	--	75682GT	DISC KIT DRIVE TURNTABLE Z-60*....1 use with 75686	
9	13066GT	WASHER,FLAT,5 HARDENED.....	3	--	75683GT	SPRING,DRIVE TURNTABLE***.....1 use with 75686	
10	27654PGT	ELEC.SWIVEL LOCK ANGLE,PAINT.....1		--	75686GT	BRAKE ASSEMBLY,TURNTABLE ROT** use with 89885	
11	44369GT	HYDRAULIC SWIVEL,4 PORT,Z60.....1		28	58958GT	MOTOR,SWING DRIVE (53147).....	1
--	29419GT	BRUSH & HOLDER ASSY,25225 SWIV.....	1	--	62081GT	SEAL KIT, 58958 SWING MOTOR.....	1
--	29420GT	SEAL KIT,SWIVEL***.....	1	--	75684GT	MOTOR,TURNTABLE ROTATION***.....1 part of 89885	
--	29733GT	HARNESS,WIRE,ROTARY/MANIFOLD...1		--	75685GT	SEAL KIT,MOTOR TURNTABLE***.....1 use with 75684	
--	29734GT	HARNESS,WIRE,ROTARY/CNTRL.BOX.1		29	31494GT	MANIFOLD ASSY,TURNTABLE ROT.....1	
--	29735GT	MICROSWITCH,ELECTRIC ROTARY.....1		--	31082GT	VALVE,COUNTERBALANCE 2500 PSI*.....	2
--	37406GT	SEAL KIT,HYD SWIVEL (37403).....	1	--	31519GT	O-RING (2-114).....	1
--	44613GT	SEAL KIT,SWIVEL (44369).....	1	--	37218GT	SCREW,HHC,5/16-18 X 3.00.....	1
12	13918GT	SCREW,HHC,3/8-16 X 1.75,GRD.8.....	2	--	40983GT	VALVE,COUNTERBALANCE,1500 PSI.....	1
13	5397GT	WASHER,FLAT,USS,5/16",Y.....	6	--	45483GT	VALVE,SHUTTLE***.....	1
14	45066GT	SCREW,SHC,5/8-11 X 2.25.....	20	--	75119GT	SEAL KIT,CB VALVE MANIFOLD***.....1 use with 89800	
15	13064GT	WASHER,FLAT,625 HARDENED.....	40	--	89800GT	MANIFOLD,TURNTABLE ROTATION***.....	1
16	111648GT	BEARING,SERIES 3000.....	1			part of 89885	
17	30262-SGT	WELDMENT,SWIVEL LOCK.....	1				
18	4828GT	NUT,NYLOCK,3/8-16.....	2				
19	21175GT	SCREW,SHC,5/8-11 X 4,A574.....	20				
20	4918543SGT	HOSE ASSEMBLY,1/4.....	1				
21	49520GT	FITTING,070302-4.....	1				
22	30327PGT	PLATE,ROTATION LOCK.....	1				
23	27728GT	PIN,1.00DIA X 4.63LG,1HOLE.....	1				
24	31281GT	ROTATION LOCK RETAINER PIN ASY.....	1				
25	6708GT	SCREW,HHC,3/8-16 X 2.25.....	1				
26	89885GT	SWING DRIVE ASSEMBLY,S40/Z60**....1					
--	22973GT	SEAL KIT,TORQUE HUB (S07) use with 94920					
--	31493GT	PINION GEAR use with 94920					

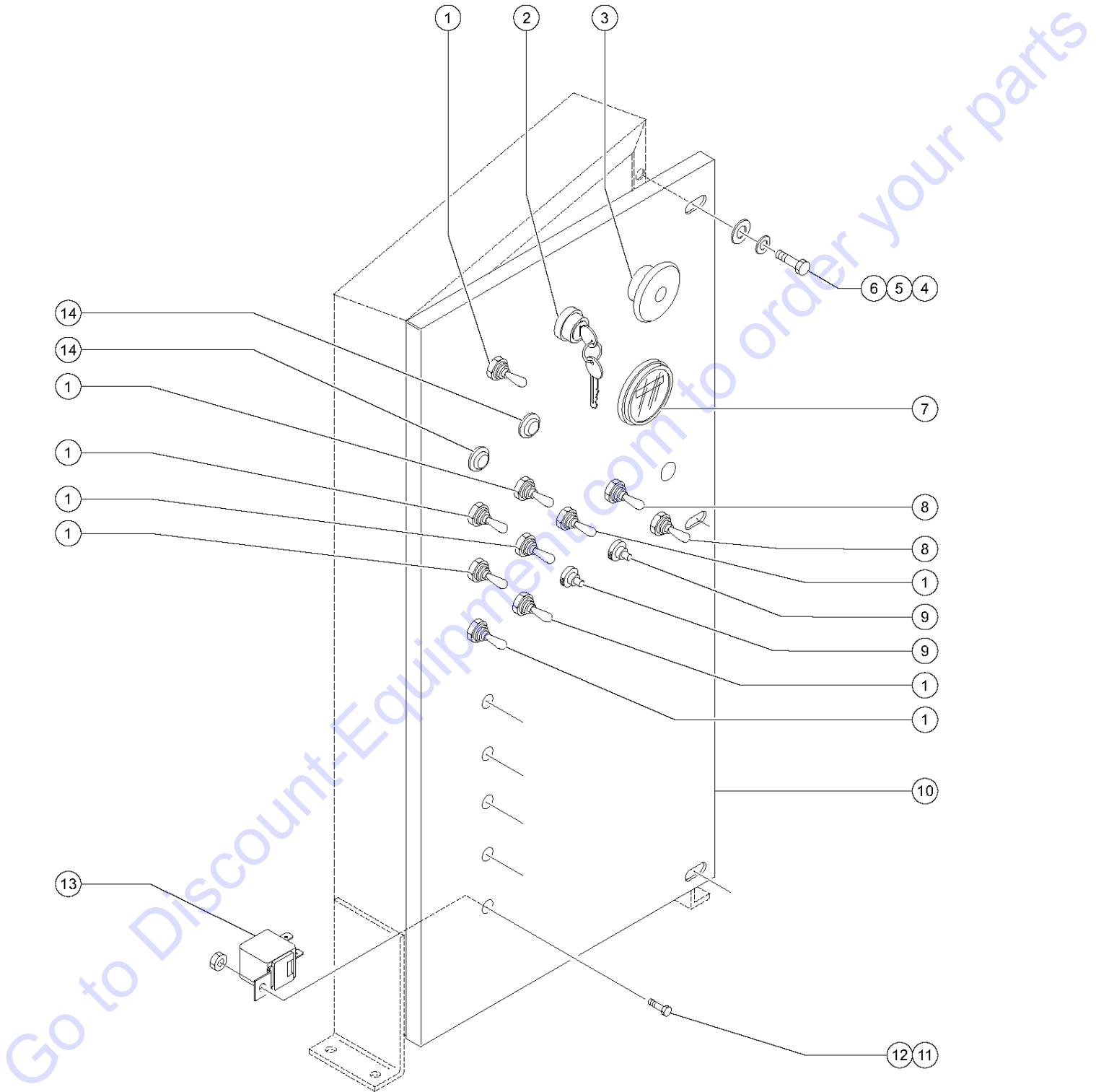
505.1 Ground Controls - View 1



505.1 Ground Controls - View 1

Item	Part No.	Description	Qty.	Item	Part No.	Description	Qty.
1	6888GT	SCREW,HHC,1/4-20 X 1.....	2	37	30794GT	WIRE,12/3 SJEOW,BK-WH-GR/YL.....	1032-inches
2	6638GT	WASHER,FLAT,USS,1/4"Y.....	9	38	35934GT	WIRE CABLE,18/19 CON.TPRJKT.....	1032-inches
3	6889GT	NUT,LP NYLOCK,1/4-20.....	6				
4	30435GT	HOSE ASSY,OIL PRESS.GAUGE.....	1				
5	28112PGT	BRACKET,ENGINE GAUGES,PAINTED.....	1				
6	29262GT	GAUGE, OIL,S60.....	1				
7	29269GT	SWITCH,WATER TEMP,S60.....	1				
		<i>includes sensing probe</i>					
8	29270GT	VOLT METER,12VDC,S60.....	1				
9	81578GT	HORN,12VDC,SPADE TERMINALS***.....	1				
10	28310GT	DIN RAIL,23.75".....	1				
11	25974GT	PLASTIC END STOP.....	2				
12	25836GT	TERMINAL BLOCK(SINGLE),WAGO***.....	50				
13	24118GT	RELAY,DPDT,12VDC.....	3				
14	24343GT	RELAY HOLD DOWN.....	14				
15	24119GT	RELAY SOCKET,DPDT,SCREW TERM.....	3				
16	25563GT	RELAY,SPDT,12VDC.....	4				
17	20813GT	SOCKET,RELAY.....	4				
18	25807GT	DIODE BLOCK SUPPRESSION.....	2				
19	25808GT	CARRIER TERMINAL(5 PER BLOCK)....	2				
20	7339GT	SCREW,HHC,1/4-20 X .5.....	8				
21	6356GT	WASHER,LOCK,.25.....	6				
22	29607GT	WIRING DUCT/COVER, 1 X 72 IN**					
23	29607GT	WIRING DUCT/COVER, 1 X 72 IN**					
24	110154GT	RELAY,TIME DELAY,1 SECOND***.....	1				
		<i>Deutz Diesel models</i>					
25	147421GT	KIT, RELAY, TIME DELAY 4 SEC.....	2				
		<i>includes installation instructions</i>					
26	28689GT	GASKET,GROUND CONTROL BOX.....	1				
27	31084GT	CONTROL BOX W/LID&DECAL,GRND.....	1				
		<i>includes index number 26</i>					
28	8915GT	SCREW,HHC,1/4-20 X 1.25.....	2				
29	27155GT	SOLENOID,12V CONTINUOUS***.....	1				
30	20776GT	CABLE SQUEEZE CONN.....	2				
31	18665GT	LOCKNUT,ELECTRIC,1" NPT.....	2				
32	29734GT	HARNESS,WIRE,ROTARY/CNTRL.BOX.1					
33	12960GT	CABLE SQUEEZE CONN.,XTRA LRG...5					
34	14041GT	LOCKNUT,ELECTRIC,3/4".....	5				
35	35934GT	WIRE CABLE,18/19 CON.TPRJKT.....	72-inches				
36	35934GT	WIRE CABLE,18/19 CON.TPRJKT.....	1032-inches				

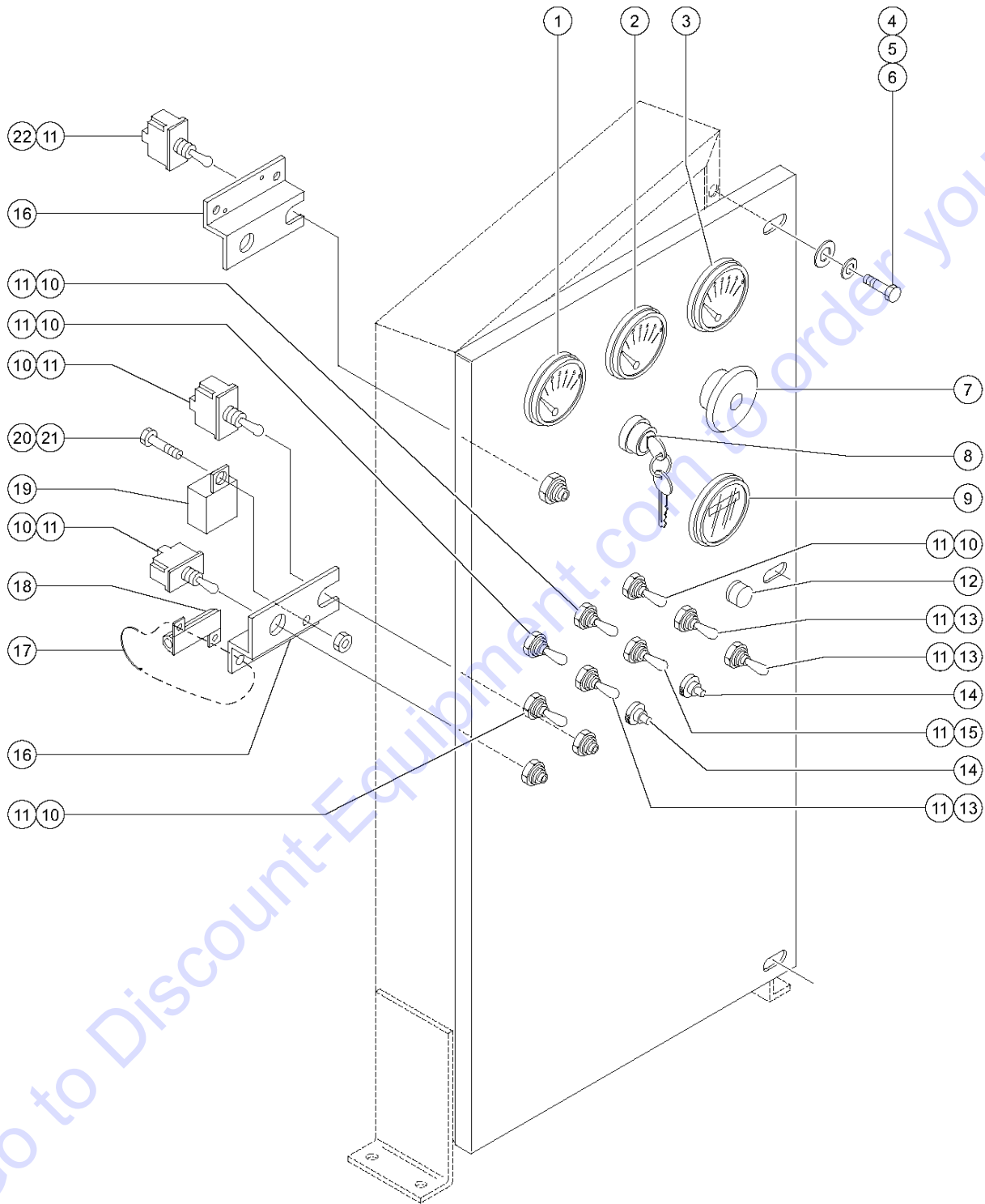
506.1 Ground Controls - View 2 (to serial number 456)



506.1 Ground Controls - View 2 (to serial number 456)

Item	Part No.	Description	Qty.
--	27246GT	BOOT,TOGGLE SWITCH,SHORT*	
--	27287GT	RESISTOR,10 OHM,25 WATT	
--	54525GT	BRACKET-PANEL-WIRE MOUNTING 99	
1	128202GT	SWITCH TOGGLE ASSY DPDT 3P MOM.....8 <i>includes mounting fasteners</i>	
2	122512GT	KIT,KEYSWITCH SVC BB & SM BOOM.....1 <i>(ANSI, CSA and Australia models), includes parts 66811, 66821, 66816and 122366KEYSWITCH,CONTACTS LOCK</i>	
--	122366GT	KEYSWITCH,CONTACTS LOCK.....1	
--	122606GT	KIT,KEYSWITCH SVC BB&SM CE.....1 <i>(CE models)</i>	
--	66811GT	KEYSWITCH,3POS.MNTND.DR WKEY**1 <i>includes keyswitch and two keys, not included: base and contacts.</i>	
--	66816GT	CONTACT,N.O.***.....1	
--	66821GT	BASE,WITHOUT CONTACTS.....1	
3	122514GT	KIT,ESTOP SVC BB&SM BOOM.....1	
--	146478GT	BOOT(BELLOWS),E-STOP,BLACK	
--	66812GT	BUTTON,PUSH,RED MUSHROOM HEAD	
--	66818GT	CONTACT, N.C.	
--	66821GT	BASE,WITHOUT CONTACTS	
4	6090GT	SCREW,HHC,1/4-20 X .75.....3	
5	6356GT	WASHER,LOCK,.25.....3	
6	6638GT	WASHER,FLAT,USS,1/4"Y.....3	
7	19506GT	HOUR METER,10-80 VOLTS***1 <i>includes mounting bracket</i>	
8	128200GT	SWITCH TOGGLE ASSY SPDT 3P MOM.....2 <i>includes mounting fasteners</i>	
9	147094GT	ASSY, CIRCUIT BREAKER 15A.....2 <i>includes mounting fasteners</i>	
10	31084GT	CONTROL BOX W/LID&DECAL,GRND.....1	
--	54525GT	BRACKET-PANEL-WIRE MOUNTING 99.....2	
11	5094GT	SCREW,RHM,10-32 X .5.....5	
12	6178GT	NUT,NYLOCK,10-32.....5	
13	19274GT	RELAY,SPDT,12V(AUTO)**5	
14	23506GT	NEON LIGHT W/RESISTOR, 110V.....2	

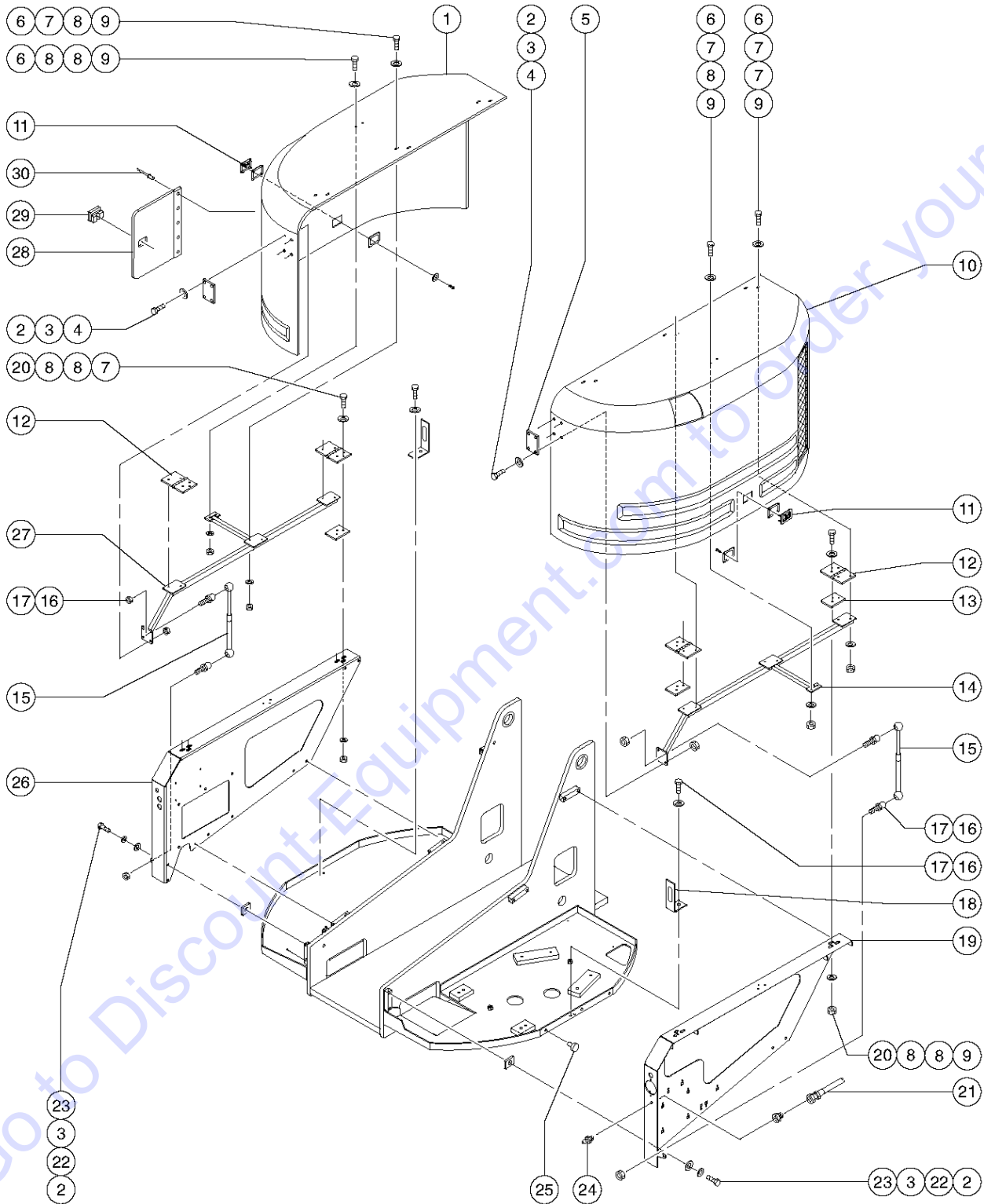
506.2 Ground Controls - View 2 (from serial number 457)



506.2 Ground Controls - View 2 (from serial number 457)

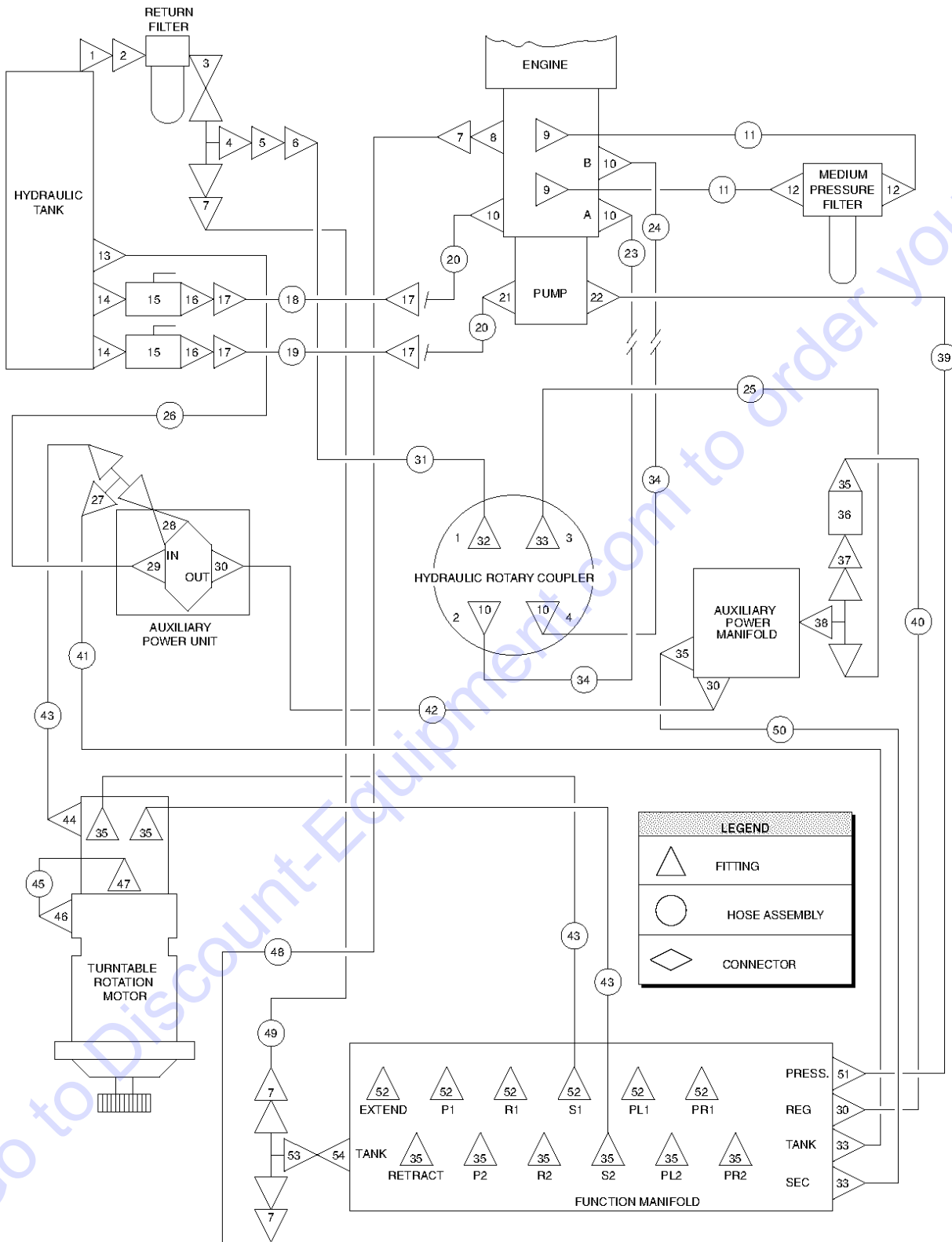
Item	Part No.	Description	Qty.	Item	Part No.	Description	Qty.
1	53759-SGT	GAUGE,WATER TEMP.....1 <i>includes mounting bracket and fasteners; Gasoline/LPG Models</i>	1	13	128202GT	SWITCH TOGGLE ASSY DPDT 3P MOM.....3 1 <i>includes mounting fasteners</i>	3
--	53760-SGT	GAUGE,OIL TEMP.....1 <i>includes mounting bracket fasteners; Diesel Models</i>	1	14	147094GT	ASSY, CIRCUIT BREAKER 15A.....2 <i>includes mounting fasteners</i>	2
2	53758-SGT	GAUGE,OIL PRESSURE W/O SENDER.....1 <i>includes mounting bracket and fasteners</i>	1	15	128205GT	SWITCH TOGGLE ASSY DPDT 2P MNT.....1 <i>includes mounting fasteners; Gasoline/LPG Models</i>	1
3	53761-SGT	GAUGE,VOLTAGE.....1 <i>includes mounting bracket and fasteners</i>	1	--	229567GT	PLUG,SANTOPRENE .5 BLACK DOME.....1 <i>Diesel Models</i>	1
4	6090GT	SCREW,HHC,1/4-20 X .75.....3	3	16	53820GT	BRACKET, PANEL WIRE MOUNTING....2	2
5	6356GT	WASHER,LOCK,.25.....3	3	17	21121GT	CABLE TIE,4" BLK,HEAT RESISTNT....2	2
6	6638GT	WASHER,FLAT,USS,1/4"Y.....3	3	18	27287GT	RESISTOR,10 OHM,25 WATT.....1	1
7	122514GT	KIT,ESTOP SVC BB&SM BOOM.....1	1	19	19274GT	RELAY,SPDT,12V(AUTO)**.....1	1
--	146478GT	BOOT(BELLOWS),E-STOP,BLACK		20	54365GT	SCREW,PHIL,PHM,10-32 X .5,SSTL.....1	1
--	66812GT	BUTTON,PUSH,RED MUSHROOM HEAD.....1	1	21	6178GT	NUT,NYLOCK,10-32.....1	1
--	66818GT	CONTACT, N.C.....1 <i>includes N.C. contacts</i>	1	22	128201GT	SWITCH TOGGLE ASSY DPDT 2P MOM.....1 <i>includes mounting fasteners</i>	1
--	66821GT	BASE,WITHOUT CONTACTS.....1	1	Footnotes			
8	122512GT	KIT,KEYSWITCH SVC BB & SM BOOM.....1 <i>(ANSI, CSA and Australia models), includes parts 66811, 66821, 66816and 122366KEYSWITCH,CONTACTS LOCK</i>	1	1: Quantity listed may not reflect specific model configuration requirements.			
--	122366GT	KEYSWITCH,CONTACTS LOCK.....1	1				
--	122606GT	KIT,KEYSWITCH SVC BB&SM CE.....1 <i>(CE models)</i>	1				
--	66811GT	KEYSWITCH,3POS.MNTND.DR WKEY**.....1 <i>includes keyswitch and two keys, not included: base and contacts.</i>	1				
--	66816GT	CONTACT,N.O.***.....1	1				
--	66821GT	BASE,WITHOUT CONTACTS.....1	1				
9	19506GT	HOUR METER,10-80 VOLTS***.....1 <i>includes mounting bracket</i>	1				
10	128202GT	SWITCH TOGGLE ASSY DPDT 3P MOM.....6 <i>includes mounting fasteners</i>	6				
11	27246GT	BOOT,TOGGLE SWITCH,SHORT*.....11 1	11				
12	824879GT	LIGHT,LED IND. RED 12V NH.....1 <i>Gasoline/LPG Models</i>	1				
--	1	1				
--	128200GT	SWITCH TOGGLE ASSY SPDT 3P MOM.....1 <i>includes mounting fasteners; Diesel Models</i>	1				
--	229567GT	PLUG,SANTOPRENE .5 BLACK DOME.....1 <i>Diesel Models</i>	1				

507.1 Turntable Covers



Item	Part No.	Description	Qty.
1		COVER ASSY,TANK SIDE,T.TABLE (31255).....1 <i>component no longer available</i>	
2	6019GT	SCREW,HHC,3/8-16 X 1.25 GRD 5.....8	
3	5397GT	WASHER,FLAT,USS,5/16",Y.....8	
4	4828GT	NUT,NYLOCK,3/8-16.....16	
5	30378P-SGT	PLATE,REINFORCEMENT,PAINTED....2	
6	6888GT	SCREW,HHC,1/4-20 X 1.....16	
7	6638GT	WASHER,FLAT,USS,1/4"Y.....16	
8	12906GT	WASHER,FENDER,.25 X 1.25 X.062....12	
9	6091GT	NUT,NYLOCK,1/4-20.....34	
10	31246GT	COVER ASSY, ENGINE, DEUTZ.....1 <i>includes index numbers 11 and 12</i>	
11	28125GT	LATCH,FLUSH CUP***2	
--	28471GT	PLATE,SWING COVER LATCH.....4	
--	29314GT	KEY,LATCH, 1 PAIR (28125).....2	
12	75073GT	HINGE,.375X.120THK.,SLOTTED.....4	
13	53707GT	HINGE SPACER.....4	
14	30375-SGT	WLDMNT.,CVR. REINFORCEMENT RH.....1	
15	30391GT	GAS STRUT,200 LBS.FORCE.....2	
--	27377GT	RETAINER,GAS SPRING***2	
16	27114GT	BALL STUD,1/2" BALL,3/8-16X1.2.....4	
17	6002GT	NUT,LP NYLOCK,5/16-18.....8	
18	30277PGT	COVER LATCH ANGLE,PAINTED.....2	
19	89625GT	WELDMENT,BULKHEAD,RT SIDE.....1	
--	30398-SGT	TAP BLOCK,PLATE HINGE.....6	
20	6145GT	SCREW,HHC,1/4-20 X 1.5.....18	
21	31478GT	HOSE ASSY,54".....1	
22	6021GT	WASHER,LOCK,.375.....14	
23	29868GT	SPRING CLIP,3/8-16,.05-.20X.73,ZAG.....12	
24	30430GT	BULKHEAD,FEMALE X 4.....1	
--	28646GT	ZERK,GREASE,1/8 NPT.....1	
25	34619GT	BUMPER,RUBBER***6	
26	82629GT	DECAL,LABEL,WHEEL LOAD S-45.....1	
27	30376-SGT	COVER REINFORCEMENT LH.....1	
28	31503GT	COVER ASSY,GROUND CONTROL.....1 <i>includes index number 29</i>	
29	30468GT	LATCH,SLIDE, FLUSH MOUNT STYLE.....1	
--	49534GT	DOOR LATCH,BASE CONTROL BOX	
30	53189GT	RIVET,ALUM,ALUM,P,.25X.375.....7	

508.1 Hydraulic Hoses and Fittings



508.1 Hydraulic Hoses and Fittings

Item	Part No.	Description	Qty.	Item	Part No.	Description	Qty.
1	30342GT	ELBOW,140238-16-16.....	1	31	31475GT	HOSE ASSY,68.5".....	1
2	30343GT	NIPPLE,HEX,140137-16.....	1			5	
3	27202GT	ELBOW,070202-12-16.....	1	32	27164GT	CONNECTOR,070120-12-16.....	1
4	20326GT	TEE,RUN,070432-12.....	1	33	18687GT	CONNECTOR,070120-6-8.....	3
5	20022GT	ELBOW,070221-12-12.....	1	34	31464GT	HOSE ASSY,55".....	2
6	45359GT	HOSE END,BARBED,SWIVEL,-12-12....	1			6	
7	45170GT	HOSE END,BARBED,SWIVEL,-12-12....	4	35	45412GT	CONNECTOR,070120-6-6.....	10
8	20925GT	ELBOW,070220-12-12.....	1	36	31968GT	KIT,HOSE,FUNCTION MANIFOLD.....	1
9	22665GT	CONNECTOR,070120-8-10.....	2	37	30392GT	ADAPTER,6402-6-6.....	1
10	20709GT	CONNECTOR,070120-16-16.....	5	38	45705GT	TEE,BRANCH,070429-6-6.....	1
11	31491GT	HOSE ASSY,50".....	2	39	31490GT	HOSE ASSY,73".....	1
		1				6	
12	25951GT	ELBOW,070220-8-12.....	2	40	31465GT	HOSE ASSY,14".....	1
13	10355GT	CONNECTOR,070102-6-6.....	1			6	
14	45161GT	STRAINER ASSEMBLY,1.5" NPT.....	2	41	31467GT	HOSE ASSY,12".....	1
15	30347GT	VALVE,BALL,1" MPT X FPT.....	2			6	
16	30344GT	CONNECTOR,070102-16-16.....	2	42	31479GT	HOSE ASSY,22".....	1
17	21250GT	HOSE END,BARBED,SWIVEL,-16-16....	4			6	
18	28011GT	HOSE,48",1"SAE 100R4.....	1	43	31474GT	HOSE ASSY,46".....	3
		2 Gasoline/ LPG models				6	
--	65866GT	FUEL KIT, DEUTZ DIESEL.....	1	44	13756GT	CONNECTOR,070120-4-6.....	1
		2 Deutz Diesel models		45	31477GT	HOSE ASSY,16".....	1
19	31489GT	HOSE,38".....	1			7	
		2 Gasoline/ LPG models		46	13921GT	ELBOW,070220-4-4.....	1
--	65866GT	FUEL KIT, DEUTZ DIESEL.....	1	47	13755GT	CONNECTOR,070120-4-4.....	1
		2 Deutz Diesel models		48	31476GT	HOSE,70".....	1
20	30204GT	TUBE ASSY., PUMP SUCTION.....	2			8	
		Gasoline/ LPG models		49	31471GT	HOSE,15".....	1
--	20922GT	ELBOW,070320-16-16.....	1			8	
		Deutz Diesel models		50	31467GT	HOSE ASSY,12".....	1
--	30488GT	ELBOW,070321-16-16.....	1			8	
		Deutz Diesel models		51	45357GT	ELBOW,070220-8-8***.....	1
21	20710GT	CONNECTOR,070120-16-12.....	1	52	45412GT	CONNECTOR,070120-6-6.....	6
22	27767GT	ELBOW,070220-8-10.....	1	53	30358GT	TEE,BRANCH,070429-12-12.....	1
23	30205GT	TUBE ASSY., PUMP PRESSURE.....	1	54	30357GT	ADAPTER,O-RING,G6410-8-12.....	1
24	30206GT	TUBE ASSY., PUMP PRESSURE.....	1				
25	31474GT	HOSE ASSY,46".....	1				
		3					
26	31466GT	HOSE ASSY,27".....	1				
		4					
27	45366GT	TEE,RUN,070432-6-6.....	1				
28	45411GT	ELBOW,070320-6-6.....	1				
29	28448GT	ELBOW,070220-6-8.....	1				
30	13120GT	ELBOW,070220-6-6.....	3				

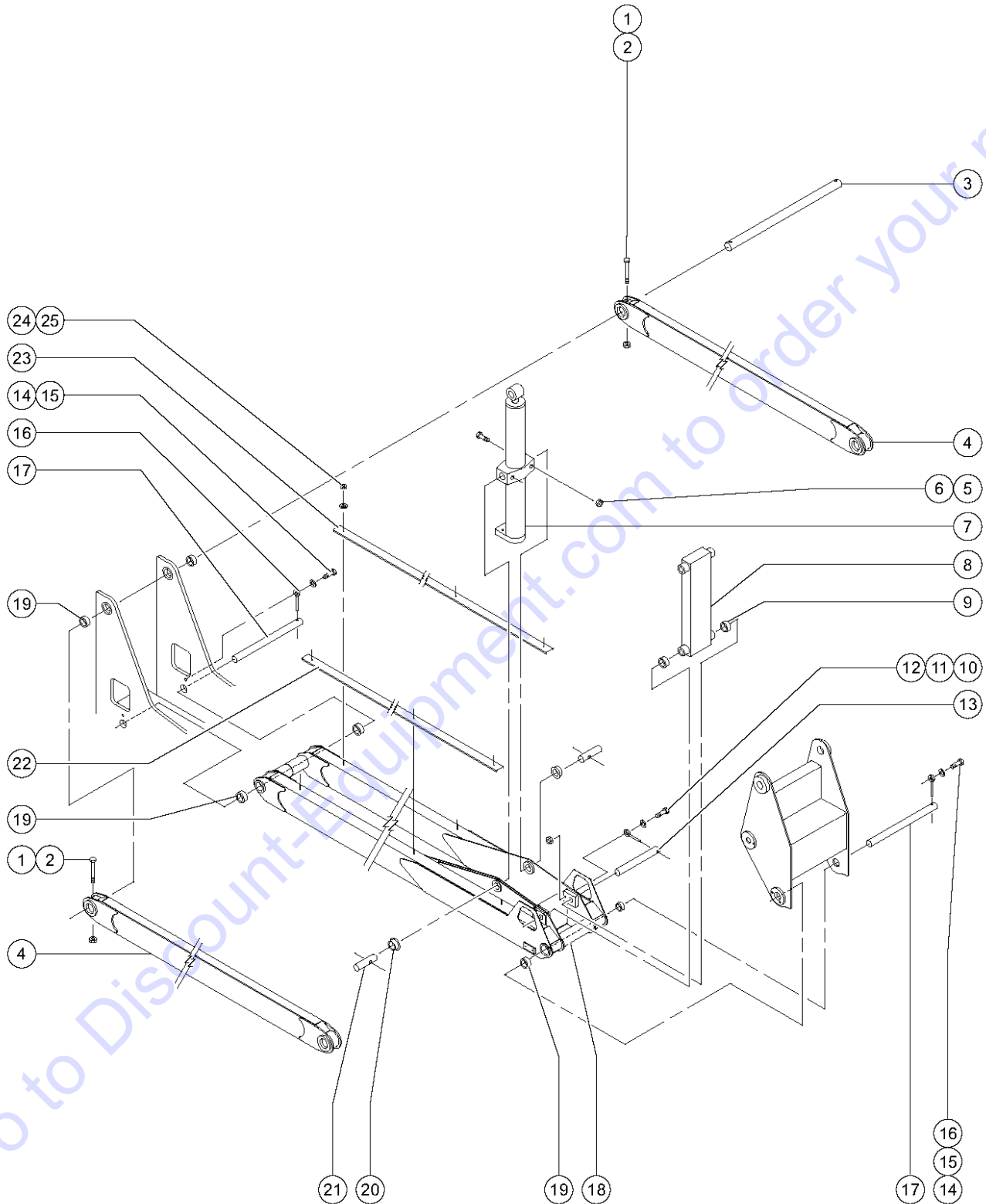
508.1 Hydraulic Hoses and Fittings
(continued)

Item	Part No.	Description	Qty.
Footnotes			
1:		Hose End - Female JIC Swivel, 8-8 (Synflex 3903-08548), Hose End - 90o Female JIC Swivel, 8-8 (Synflex 3903-08648) and Hose - 1/2" Thermoplastic High Pressure (Synflex 3800-08)	
2:		Hose - 1.0" Suction (Weatherhead H03916)	
3:		Hose End - Female JIC Swivel, 6-6 (Synflex 3903-06546), Hose End - 90o Female JIC Swivel, 6-6 (Synflex 3903-06646) and Hose - 3/8" Thermoplastic Medium Pressure (Synflex 3130-06)	
4:		Hose End - Female JIC Swivel, 6-6 (Synflex 3903-06546), Hose End - Female JIC Swivel, 6-6 (Synflex 3903-06546) and Hose - 3/8" Thermoplastic Medium Pressure (Synflex 3130-06)	
5:		Hose End - 90o Female JIC Swivel, 12-12 (Weatherhead 12U-672) and Hose - 3-4" Suction (Weatherhead H03912)	
6:		Hose End - Female JIC Swivel, 16-16 (Weatherhead 43016E-616), Hose End - 90o Female JIC Swivel, 16-16 (Weatherhead 43016E-676) and Hose - 1.0" 4 Spiral High Pressure (Weatherhead H43016)	
7:		Hose End - Female JIC Swivel, 4 (Synflex 3903-04544), Hose End - 90o Female JIC Swivel, 4 JIC (Synflex 3903-04644) and Hose - 1/4" Thermoplastic Medium Pressure (Synflex 3130-04)	
8:		Hose - 3/4" Push On (Weatherhead H20112)	

This Page Intentionally Left Blank

Go to Discount-Equipment.com to order your parts

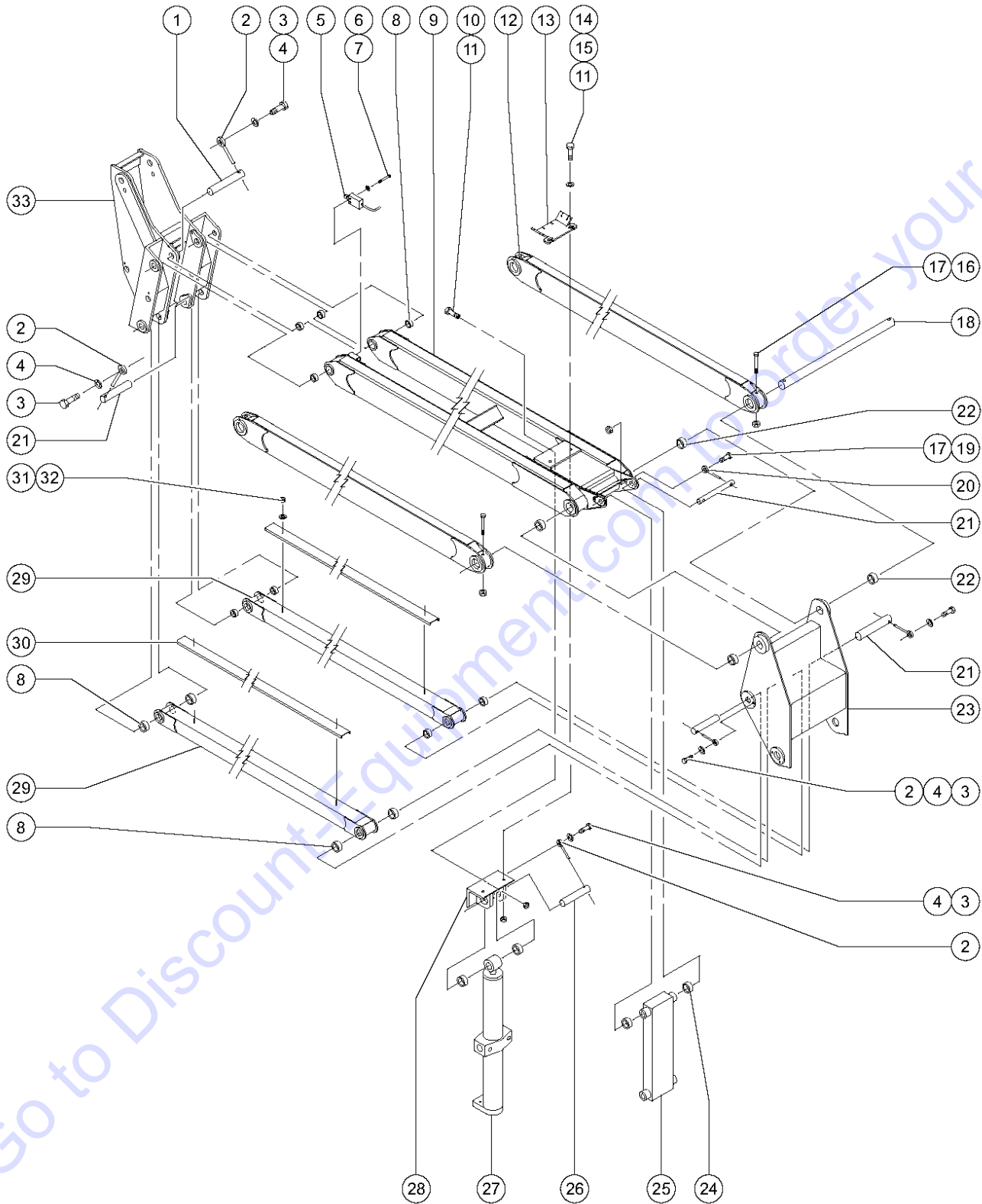
601.1 Secondary Boom - View 1



601.1 Secondary Boom - View 1

Item	Part No.	Description	Qty.	Item	Part No.	Description	Qty.
1	5387GT	SCREW,HHC,3/8-16 X 4.....	2	24	6091GT	NUT,NYLOCK,1/4-20.....	10
2	4828GT	NUT,NYLOCK,3/8-16.....	2	25	6638GT	WASHER,FLAT,USS,1/4"Y.....	10
3	30198GT	PIN,2.25DIAX31.75LG,2HOLE.....	2				
4	30050-SGT	LOWER TENSION MEMBER WELDMENT.....	1				
5	7713GT	NUT, LP NYLOCK, 3/8-16.....	2				
6	12981GT	SCREW,HHC,3/8-16 X 4.5.....	2				
7		CYLINDER, SECONDARY LIFT Z60..... <i>previous cylinders 30044, 63208 and 121854 are no longer available. For replacement order cylinder part 1264387</i>	1				
--	1262633GT	BEARING,POLYGON,BM5120 <i>used with cylinder 126438</i>					
--	1264387GT	CYLINDER, SECONDARY LIFT Z60					
--	31079GT	SEAL KIT,HYDRAULIC CYLINDER..... <i>used with cylinder 30044</i>	1				
--	31106GT	VALVE,CNTERBAL,CBBB-LHN@3000**. <i>used with cylinder 30044 and 63208</i>	1				
--	31310GT	BEARING,GARLOCK,28DU24..... <i>used with cylinder 30044, 63208 and 121854</i>	1				
--	32722GT	VALVE,COUNTERBAL.CBCG-LJN@3000. <i>used with cylinder 121854 and 1264387 (Retract)</i>	1				
--	40405GT	VALVE,CNTERBAL.CBBB-LHN@3000**. <i>used with cylinder 121854 and 1264387 (Extend)</i>	1				
--	63348GT	SEAL KIT,CYL,Z60 (63208) <i>used with cylinders 63208, 121854 and 126438</i>					
8	31306GT	CONNECTING LINK ASSY..... <i>includes index number 9</i>	1				
9	30222GT	BEARING,FL,1.25IDX1.41ODX1.50L.....	4				
10	6326GT	SCREW,HHC,3/8-16 X 3.....	1				
11	5397GT	WASHER,FLAT,USS,5/16",Y.....	1				
12	825019GT	ROD END,.375X3.69,ZAG.....	1				
13	30202GT	PIN,1.25DIAX14.12LG,1HOLE.....	1				
14	10597GT	SCREW,HHC,1/2-13 X 1.25 GR5.....	2				
15	6033GT	WASHER,LOCK,0.5".....	2				
16	1256267GT	ROD END,.5 X 3.75,ZAG.....	2				
17	30201GT	PIN,2.25DIAX24.63LG,1HOLE.....	2				
18	31305GT	LOWER SECONDARY BOOM ASSY..... <i>includes index number 19 and 20</i>	1				
19	18722GT	BEARING,2.25IDX2.50ODX1.50L***.....	6				
20	27695GT	BEARING,FL,1.75IDX1.94ODX1.50L.....	2				
21	30199GT	PIN,1.75 DIAX4.50LG,THREADED.....	2				
22	30341P-SGT	COVER,CABLE..... <i>ground controls/tank side</i>	1				
23	30340P-SGT	COVER,CABLE..... <i>engine side</i>	1				

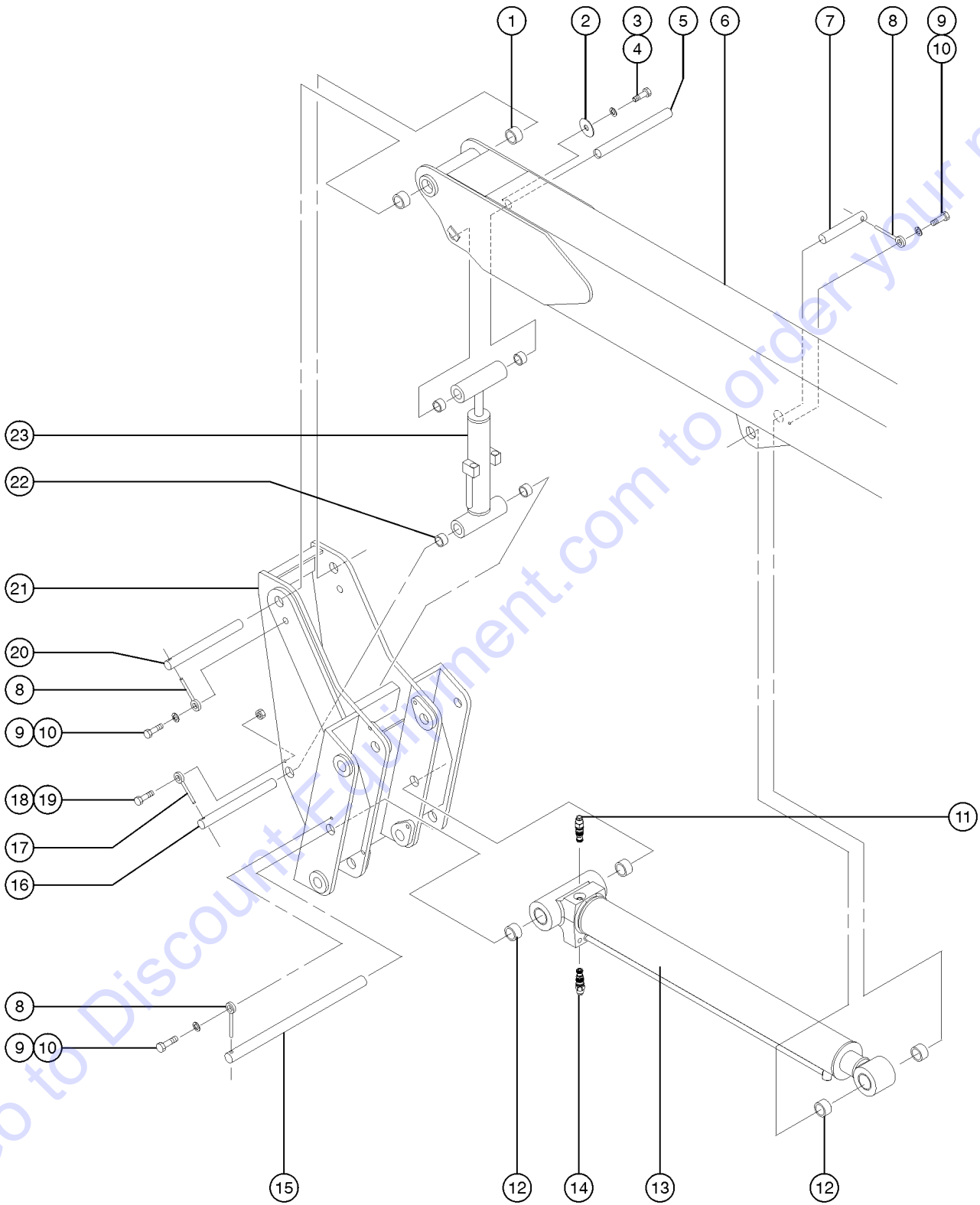
602.1 Secondary Boom - View 2



602.1 Secondary Boom - View 2

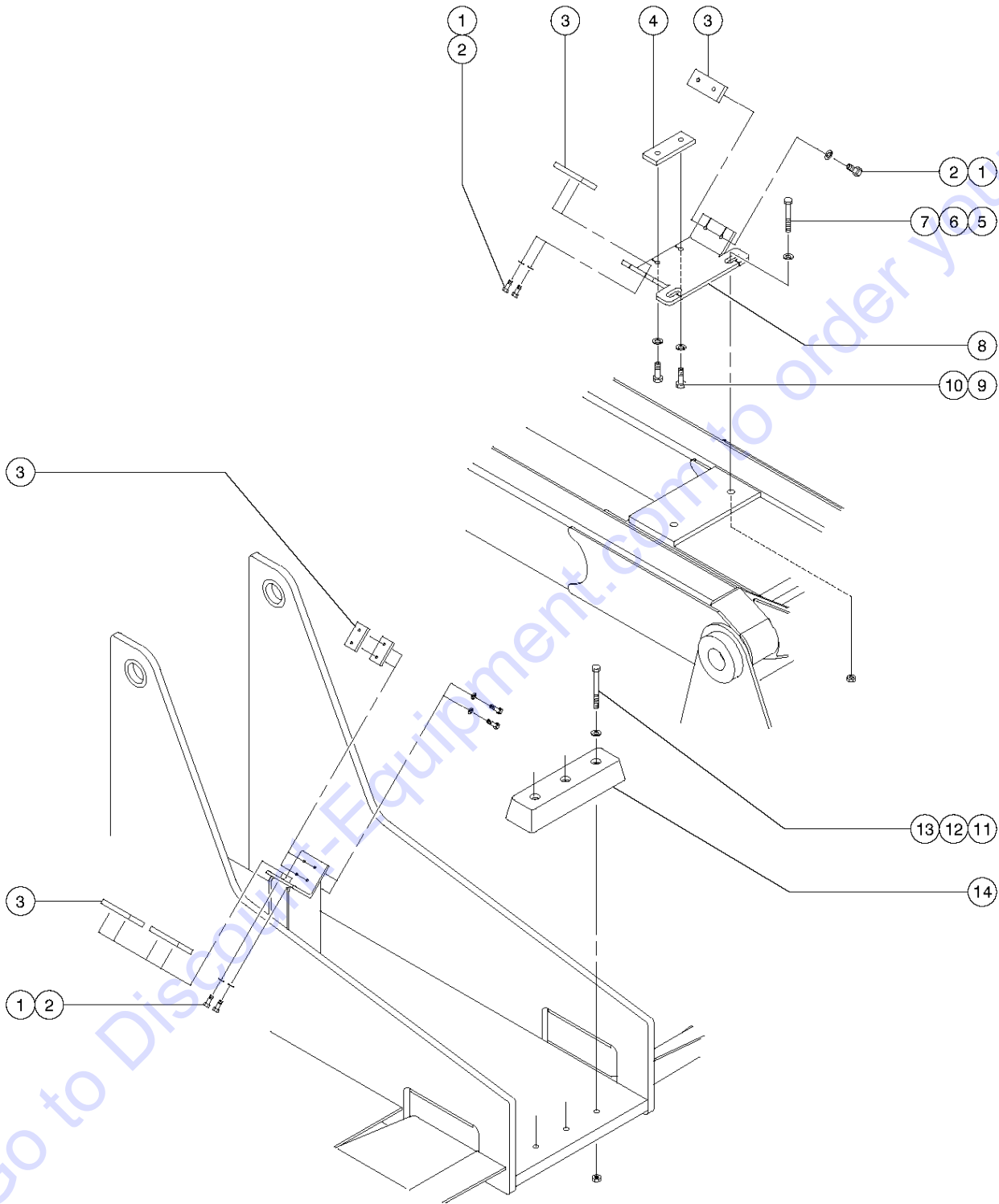
Item	Part No.	Description	Qty.
1	30193GT	PIN,1.75DIAX8.50LG,1HOLE.....	1
2	1256267GT	ROD END,.5 X 3.75,ZAG.....	5
3	10597GT	SCREW,HHC,1/2-13 X 1.25 GR5.....	5
4	6033GT	WASHER,LOCK,0.5".....	5
5	88356-127J5GT	SWITCH,LIMIT,W/6.25"SPRING ARM.....	1
		<i>Oscillating Models</i>	
--	106433GT	LS SPRING WAND (ZCY91).....	1
--	19491GT	CONTACTOR,LIMIT SWITCH.....	1
6	22541GT	SCREW,RHM,10-32 X 1.5.....	2
7	6607GT	WASHER,LOCK,#10 PLTD.....	2
8	119620GT	BEARING,1.75IDX2.00ODX1.50L.....	12
9	31308GT	UPPER SECONDARY BOOM ASSY.....	1
		<i>includes index number 8 and 22</i>	
10	29883GT	SCREW,HHC,5/8-11 X 1.75 GRD.8.....	2
11	6024GT	NUT,NYLOCK,5/8-11.....	4
12	30050-SGT	LOWER TENSION MEMBER WELDMENT.....	1
13		Ref Primary Boom Rest (refer to Figure 604.1).....	1
14	13003GT	SCREW,HHC,5/8-11 X 3.5 GRD.8.....	2
15	13064GT	WASHER,FLAT,.625 HARDENED.....	2
16	5387GT	SCREW,HHC,3/8-16 X 4.....	4
17	4828GT	NUT,NYLOCK,3/8-16.....	5
18	30198GT	PIN,2.25DIAX31.75LG,2HOLE.....	2
19	13918GT	SCREW,HHC,3/8-16 X 1.75,GRD.8.....	1
20	825019GT	ROD END,.375X3.69,ZAG.....	1
21	30193GT	PIN,1.75DIAX8.50LG,1HOLE.....	5
22	18722GT	BEARING,2.25IDX2.50ODX1.50L ***.....	4
23	31309GT	LOWER MIDPIVOT ASSY,Z60.....	1
		<i>includes 2 of index number 22</i>	
24	30222GT	BEARING,FL,1.25IDX1.41ODX1.50L.....	4
25	31306GT	CONNECTING LINK ASSY.....	1
		<i>includes index number 24</i>	
26	30328GT	PIN,1.75DIAX6.00LG,1HOLE.....	1
27		Ref CYLINDER, SECONDARY LIFT Z60.....	1
		<i>Ref CYLINDER, SECONDARY LIFT Z60 (refer to Figure 601.1)</i>	
28	30180-SGT	WELDMENT, CYLINDER MOUNTING....	1
29	31307GT	UPPER LEVELING LINK ASSY.....	2
		<i>includes index number 8</i>	
30	30339P-SGT	COVER,CABLE,UPR TNSN ARM,PTD...2	
31	6091GT	NUT,NYLOCK,1/4-20.....	6
32	6638GT	WASHER,FLAT,USS,1/4"Y.....	8
33	30052PGT	UPPER PIVOT WELDMENT,PAINTED....	1

603.1 Upper Mid-pivot



Item	Part No.	Description	Qty.
1	119620GT	BEARING,1.75IDX2.00ODX1.50L.....	2
2	12906GT	WASHER,FENDER,.25 X 1.25 X.062....	1
3	7339GT	SCREW,HHC,1/4-20 X .5.....	1
4	6356GT	WASHER,LOCK,.25.....	1
5	30192GT	PIN,MASTER CYLINDER.....	1
6		Ref. PRIMARY BOOM TUBE ASSY (refer to 605.1)	
7	30194GT	PIN,1.75DIAX5.25LG,1HOLE.....	1
8	1256267GT	ROD END,.5 X 3.75,ZAG.....	3
9	10597GT	SCREW,HHC,1/2-13 X 1.25 GR5.....	3
10	6033GT	WASHER,LOCK,0.5".....	3
11	32722GT	VALVE,COUNTERBAL.CBCG-LJN@3000 <i>use with cylinder part 121853 and 1264388</i>	
12	31310GT	BEARING,GARLOCK,28DU24.....	4
		<i>use with cylinder part 63207 and 121853</i>	
--	1262633GT	BEARING,POLYGON,BM5120 <i>use with cylinder part 1264388</i>	
13		CYLINDER, LIFT <i>Previous cylinders part 63207 and 121853 are no longer available. For replacement order cylinder part 1264388</i>	
--	1264388GT	CYLINDER, PRIMARY LIFT Z60	
--	63347GT	SEAL KIT CYL.Z60(63207)	
14	31106GT	VALVE,CNTERBAL,CBBB-LHN@3000** <i>(not shown) use with cylinder part 63207</i>	
--	40405GT	VALVE,CNTERBAL,CBBB-LHN@3000** <i>use with cylinder part 121853 and 1264388</i>	
15	30195GT	PIN,1.75DIAX18.13LG,1HOLE.....	1
16	30196GT	PIN,1.25DIAX11.50LG,1HOLE.....	1
17	825019GT	ROD END,.375X3.69,ZAG.....	1
18	8516GT	SCREW, HCC, 3/8-16 X 1.50.....	1
19	4828GT	NUT,NYLOCK,3/8-16.....	1
20	30191GT	PIN,1.75DIAX13.50LG,1HOLE.....	1
21	30052P-SGT	UPPER PIVOT WELDMENT,PAINTED....	1
22	65463GT	BEARING,GARLOCK 20DU12.....	4
23	63211GT	CYLINDER, MASTER.....	1
		<i>includes index number 20</i>	
--	63351GT	SEAL KIT,CYL,Z60 (63211) <i>for 63211</i>	

604.1 Upper Mid-pivot and Primary Boom Rests

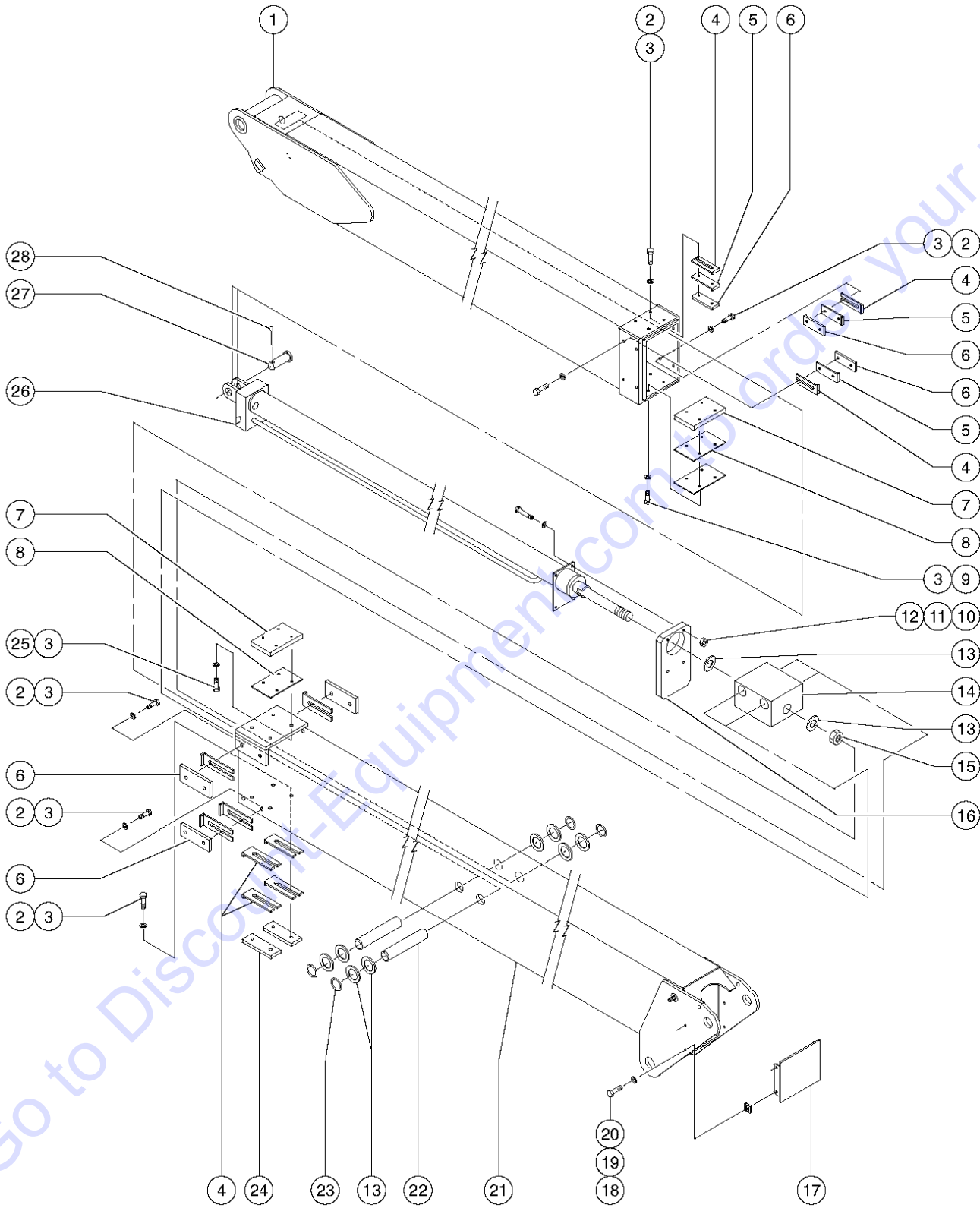


604.1 Upper Mid-pivot and Primary Boom Rests

Item	Part No.	Description	Qty.
1	6090GT	SCREW,HHC,1/4-20 X .75.....	8
2	6356GT	WASHER,LOCK,.25.....	12
3	45209GT	WEAR PAD,4X2X.5 W/INSERT***.....	6
4	53811GT	WEAR PAD,5X1.5X1 W/INSERTS.....	2
5	13003GT	SCREW,HHC,5/8-11 X 3.5 GRD.8.....	2
6	13064GT	WASHER,FLAT,.625 HARDENED.....	2
7	6024GT	NUT,NYLOCK,5/8-11.....	2
8	30333PGT	PRIMARY BOOM REST,PAINTED.....	1
9	6175GT	SCREW,HHC,3/8-16 X 1.....	2
10	6021GT	WASHER,LOCK,.375.....	2
11	8357GT	SCREW,HHC,1/2-13 X 3.5.....	3
12	6095GT	WASHER,FLAT,USS,1/2",Y.....	3
13	6086GT	NUT,LP NYLOCK,1/2-13.....	3
14A	30424GT	REST PAD, LOWER ARM.....	1
14B	49510GT	SPACER,REST PAD,Z60.....	1

Go to Discount-Equipment.com to order your parts

605.1 Primary and Extension Booms



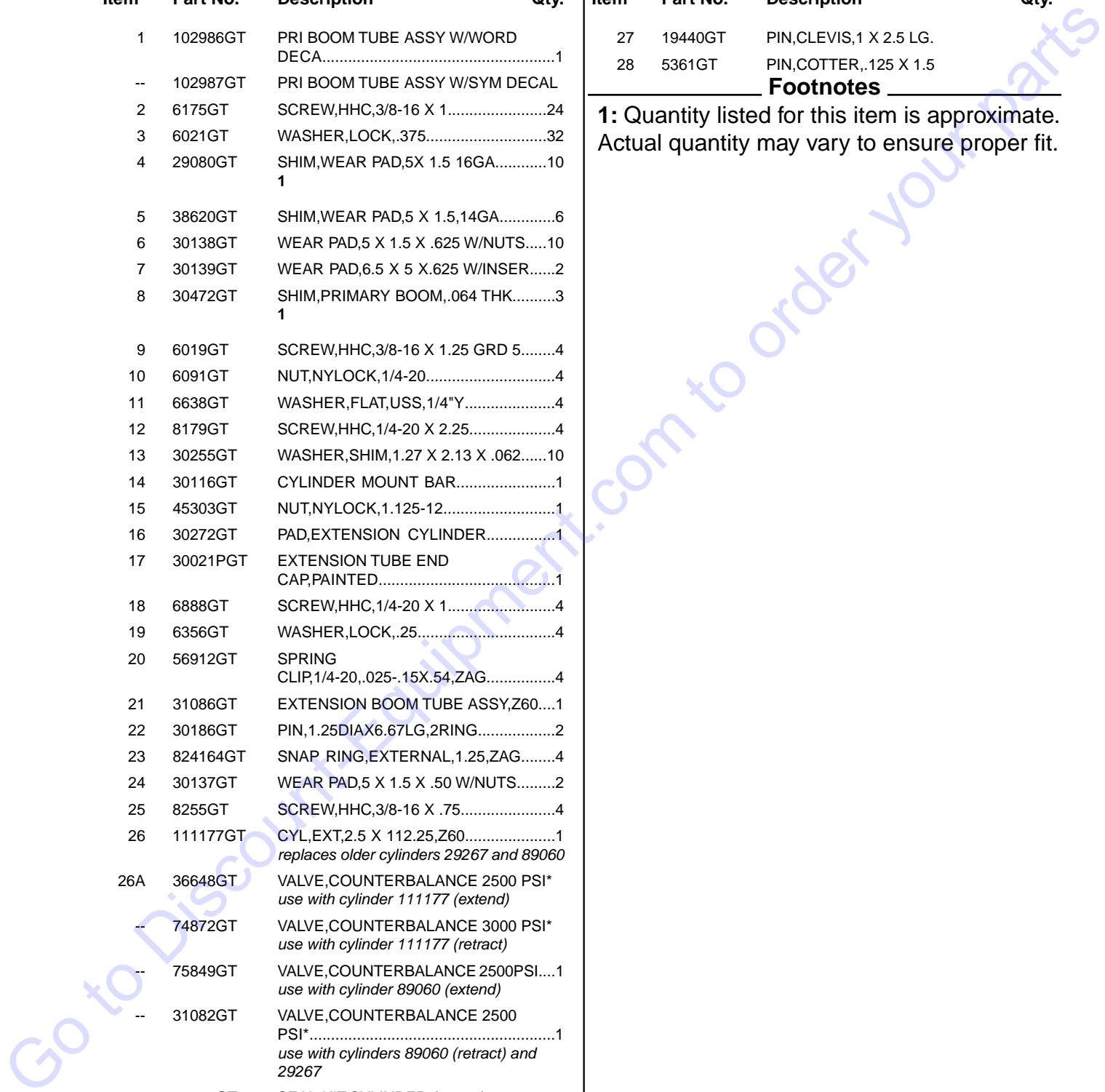
605.1 Primary and Extension Booms

Item	Part No.	Description	Qty.
1	102986GT	PRI BOOM TUBE ASSY W/WORD DECA.....	1
--	102987GT	PRI BOOM TUBE ASSY W/SYM DECAL	
2	6175GT	SCREW,HHC,3/8-16 X 1.....	24
3	6021GT	WASHER,LOCK,.375.....	32
4	29080GT	SHIM,WEAR PAD,5X 1.5 16GA.....	10
		1	
5	38620GT	SHIM,WEAR PAD,5 X 1.5,14GA.....	6
6	30138GT	WEAR PAD,5 X 1.5 X .625 W/NUTS.....	10
7	30139GT	WEAR PAD,6.5 X 5 X .625 W/INSER.....	2
8	30472GT	SHIM,PRIMARY BOOM,.064 THK.....	3
		1	
9	6019GT	SCREW,HHC,3/8-16 X 1.25 GRD 5.....	4
10	6091GT	NUT,NYLOCK,1/4-20.....	4
11	6638GT	WASHER,FLAT,USS,1/4"Y.....	4
12	8179GT	SCREW,HHC,1/4-20 X 2.25.....	4
13	30255GT	WASHER,SHIM,1.27 X 2.13 X .062.....	10
14	30116GT	CYLINDER MOUNT BAR.....	1
15	45303GT	NUT,NYLOCK,1.125-12.....	1
16	30272GT	PAD,EXTENSION CYLINDER.....	1
17	30021PGT	EXTENSION TUBE END CAP,PAINTED.....	1
18	6888GT	SCREW,HHC,1/4-20 X 1.....	4
19	6356GT	WASHER,LOCK,.25.....	4
20	56912GT	SPRING CLIP,1/4-20,.025-.15X.54,ZAG.....	4
21	31086GT	EXTENSION BOOM TUBE ASSY,Z60....	1
22	30186GT	PIN,1.25DIA X 6.67LG,2RING.....	2
23	824164GT	SNAP RING,EXTERNAL,1.25,ZAG.....	4
24	30137GT	WEAR PAD,5 X 1.5 X .50 W/NUTS.....	2
25	8255GT	SCREW,HHC,3/8-16 X .75.....	4
26	111177GT	CYL,EXT,2.5 X 112.25,Z60.....	1
		<i>replaces older cylinders 29267 and 89060</i>	
26A	36648GT	VALVE,COUNTERBALANCE 2500 PSI* <i>use with cylinder 111177 (extend)</i>	
--	74872GT	VALVE,COUNTERBALANCE 3000 PSI* <i>use with cylinder 111177 (retract)</i>	
--	75849GT	VALVE,COUNTERBALANCE 2500PSI.... <i>use with cylinder 89060 (extend)</i>	1
--	31082GT	VALVE,COUNTERBALANCE 2500 PSI*..... <i>use with cylinders 89060 (retract) and 29267</i>	1
--	89296GT	SEAL KIT,CYLINDER (89060)..... <i>use with cylinders 89060 and 111177</i>	1
--	29183GT	SEAL KIT,25212,25217,25372,S60 <i>use with cylinder 29267</i>	

Item	Part No.	Description	Qty.
27	19440GT	PIN,CLEVIS,1 X 2.5 LG.	
28	5361GT	PIN,COTTER,.125 X 1.5	

Footnotes

1: Quantity listed for this item is approximate. Actual quantity may vary to ensure proper fit.



PARTS FINDER

**Search Website
by Part Number**



**Search Manual
Library For Parts
Manual & Lookup Part
Numbers – Purchase
or Request Quote**

Search Manuals

Enter your information to help us find the right parts manual for your machine.

* Brand:

* Model:

* Serial:

* Part Number:

SEARCH

**Can't Find Part or
Manual? Request Help
by Manufacturer,
Model & Description**

Parts Order Form

Please fill in the following information to help us find the right part for your machine.

Manufacturer:	<input type="text"/>
Model:	<input type="text"/>
Description:	<input type="text"/>
Part Number:	<input type="text"/>
Quantity:	<input type="text"/>
Notes:	<input type="text"/>

Submit

Discount-Equipment.com is your online resource for quality parts & equipment.

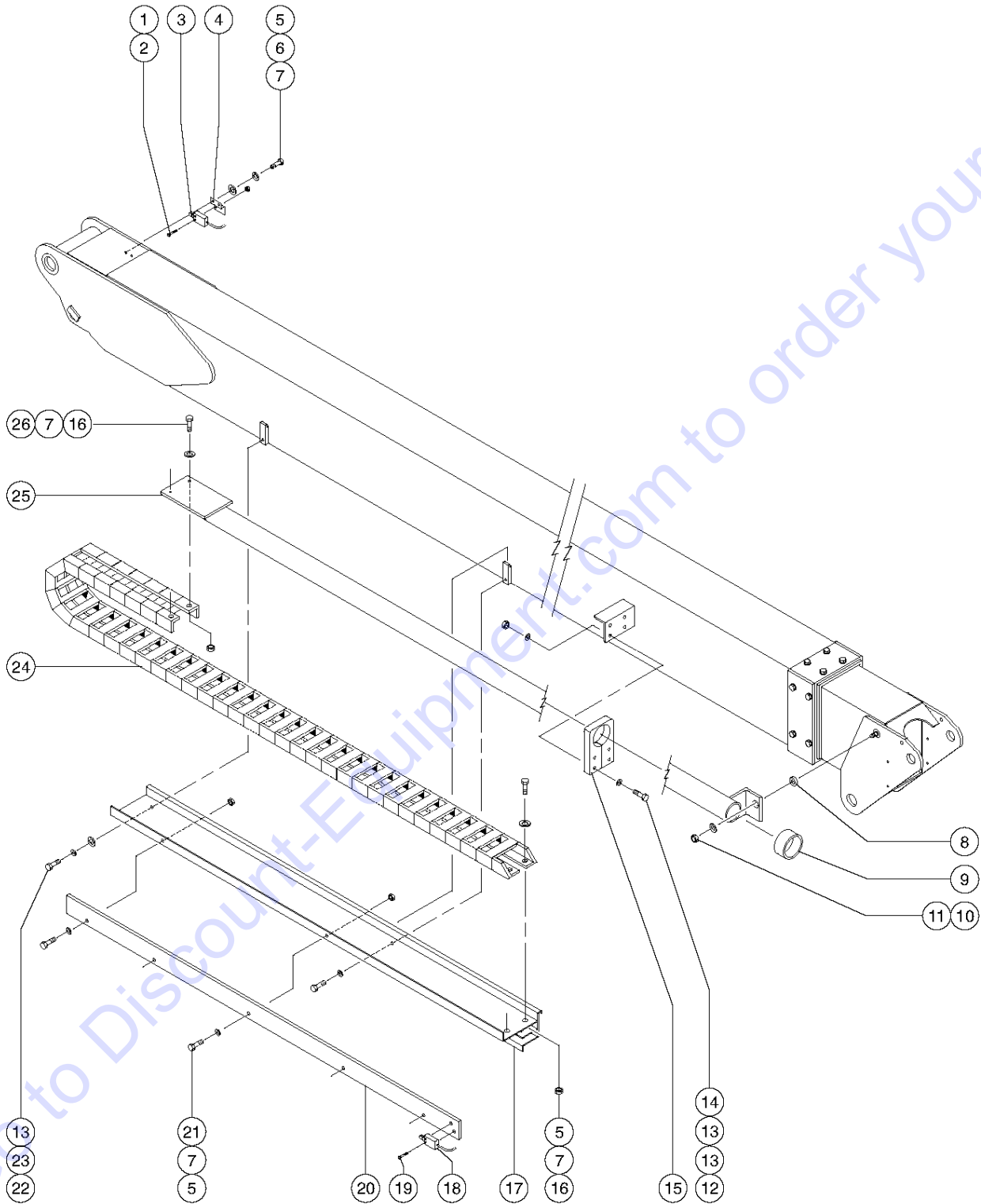
Florida: **561-964-4949** Outside Florida TOLL FREE: **877-690-3101**

Need parts?

Click on this link: <http://www.discount-equipment.com/category/5443-parts/> and choose one of the options to help get the right parts and equipment you are looking for. Please have the machine model and serial number available in order to help us get you the correct parts. If you don't find the part on the website or on one of the online manuals, please fill out the request form and one of our experienced staff members will get back to you with a quote for the right part that your machine needs.

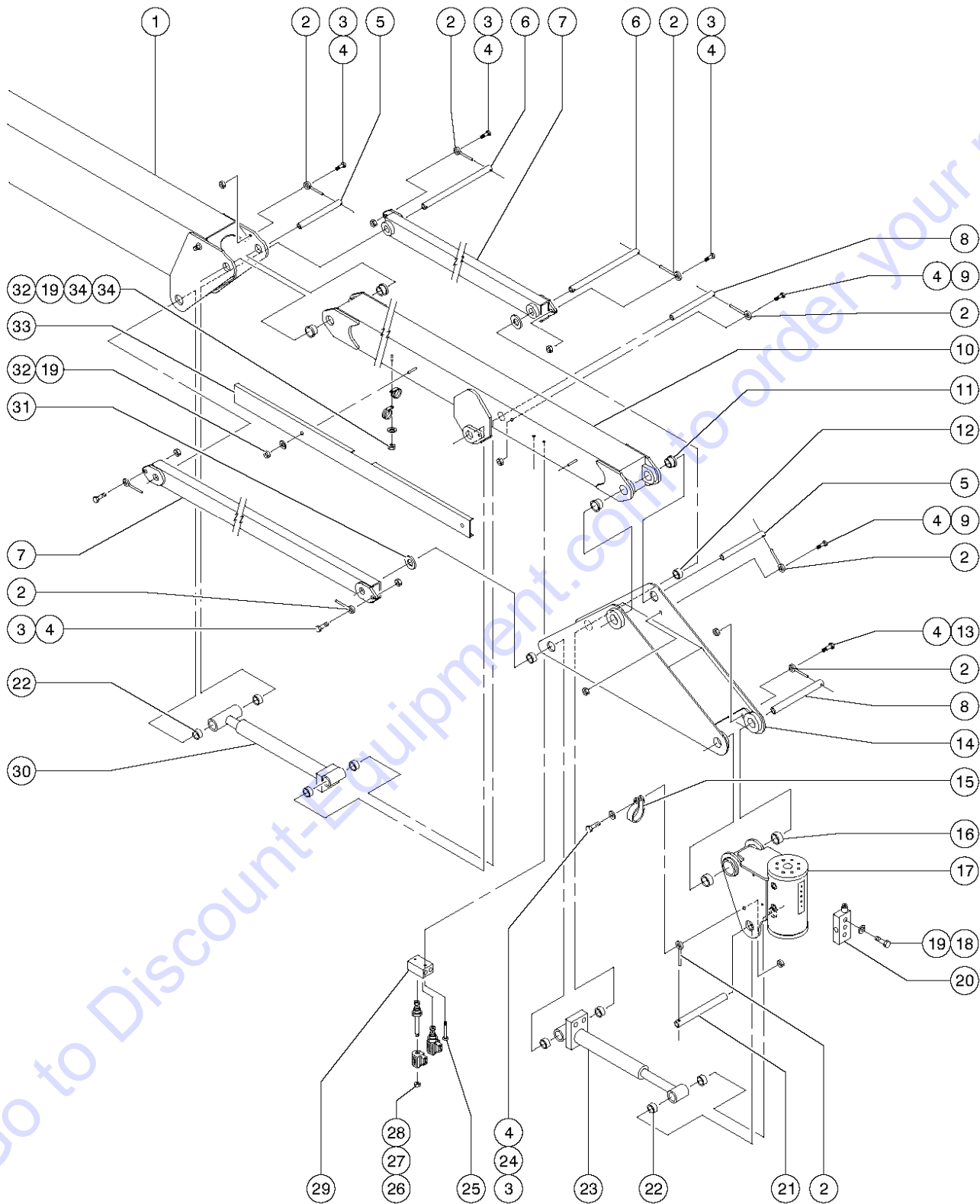
We sell worldwide for the brands: Genie, Terex, JLG, MultiQuip, Mikasa, Essick, Whiteman, Mayco, Toro Stone, Diamond Products, Generac Magnum, Airman, Haulotte, Barreto, Power Blanket, Nifty Lift, Atlas Copco, Chicago Pneumatic, Allmand, Miller Curber, Skyjack, Lull, Skytrak, Tsurumi, Husquvarna Target, Stow, Wacker, Sakai, Mi-T-M, Sullair, Basic, Dynapac, MBW, Weber, Bartell, Bennar Newman, Haulotte, Ditch Runner, Menegotti, Morrison, Contec, Buddy, Crown, Edco, Wyco, Bomag, Laymor, EZ Trench, Bil-Jax, F.S. Curtis, Gehl Pavers, Heli, Honda, ICS/PowerGrit, IHI, Partner, Imer, Clipper, MMD, Koshin, Rice, CH&E, General Equipment, Amida, Coleman, NAC, Gradall, Square Shooter, Kent, Stanley, Tamco, Toku, Hatz, Kohler, Robin, Wisconsin, Northrock, Oztec, Toker TK, Rol-Air, APT, Wylie, Ingersoll Rand / Doosan, Innovatech, Con X, Ammann, Mecalac, Makinex, Smith Surface Prep, Small Line, Wanco, Yanmar

606.1 Cable Track



Item	Part No.	Description	Qty.
1	22541GT	SCREW,RHM,10-32 X 1.5.....	2
2	6178GT	NUT,NYLOCK,10-32.....	2
3	88356-146R5GT	SWITCH,LIMIT,W/ROLLER HEAD***	1
--	19491GT	CONTACTOR,LIMIT SWITCH	
4	46002PGT	UPPR. LIMIT SWITCH BRKT.,BLUE.....	1
5	8914GT	SCREW,HHC,1/4-20 X .625.....	9
6	6356GT	WASHER,LOCK,.25.....	2
7	6638GT	WASHER,FLAT,USS,1/4"Y.....	11
8	30388GT	PIVOT TUBE/SPACER Z60.....	2
9	30387GT	CABLE PROTECTOR.....	1
10	6198GT	NUT,NYLOCK,1/2-13.....	1
11	6095GT	WASHER,FLAT,USS,1/2",Y.....	1
12	13918GT	SCREW,HHC,3/8-16 X 1.75,GRD.8.....	4
13	5397GT	WASHER,FLAT,USS,5/16",Y.....	10
14	7713GT	NUT, LP NYLOCK, 3/8-16.....	4
15	30389GT	TRACK TUBE GUIDE.....	1
16	6091GT	NUT,NYLOCK,1/4-20.....	4
17	31492GT	CABLE TRACK CHANNEL ASSY.....	1
18	88356-127J5GT	SWITCH,LIMIT,W/6.25"SPRING ARM.....	1
--	106433GT	LS SPRING WAND (ZCY91).....	1
--	19491GT	CONTACTOR,LIMIT SWITCH.....	1
19	30469GT	SCREW,FHM,10-32 X 1.5.....	2
20	30390-SGT	COVER,CABLE TRACK TRAY,DRILLED.....	1
21	6889GT	NUT,LP NYLOCK,1/4-20.....	5
22	8255GT	SCREW,HHC,3/8-16 X .75.....	2
23	6021GT	WASHER,LOCK,.375.....	2
24	30377GT	TRACK,PLASTIC CABLE,43 LINKS.....	1
--	29480GT	TRACK REPAIR,7 LINK (25706).....	1
--	58920GT	REPAIR LINK END SET (42763)*.....	1
25	30315GT	TRACK TUBE WELDMENT.....	1
26	6888GT	SCREW,HHC,1/4-20 X 1.....	2

607.1 Jib Boom and Platform Rotator



607.1 Jib Boom and Platform Rotator

Item	Part No.	Description	Qty.	Item	Part No.	Description	Qty.
1	31086GT	EXTENSION BOOM TUBE ASSY,Z60....1		19	6638GT	WASHER,FLAT,USS,1/4"Y.....6	
2	825019GT	ROD END,.375X3.69,ZAG.....9		20	35611GT	MANIFOLD,DUAL COUNTERBALANCE.....1	
3	8516GT	SCREW, HCC, 3/8-16 X 1.50.....6		--	37090GT	VALVE,COUNTERBALANCE 2000PSI....1	
4	4828GT	NUT,NYLOCK,3/8-16.....10		21	T108075GT	PIN,1.25DIAX5.25LG,1HOLE.....1	
5	30188GT	PIN,1.25DIAX8.50LG,1HOLE.....2		22	47377GT	BEARING,1.25 ID X 1.5 OD X .75.....8	
6	30189GT	PIN,1.25DIAX13.75LG,2HOLE.....2		23	226537GT	CYLINDER,SLAVE.....1 <i>replaces previous cylinder 63212 (no longer available), includes item 22</i>	
7	53258GT	COMPRESSION MEMBER WELD,MACH.....2		--	29083GT	VALVE,COUNTERBALANCE,2500 PSI* <i>use with cylinder 63212</i>	
8	27326GT	PIN,1.25 X 7.57 IN,1HOLE.....2		--	63352GT	SEAL KIT CYL.Z60(63212) <i>use with cylinder 63212 or 226537</i>	
9	13918GT	SCREW,HHC,3/8-16 X 1.75,GRD.8.....2		--	74872GT	VALVE,COUNTERBALANCE 3000 PSI* <i>use with cylinder 226537</i>	
10	31094GT	JIB BOOM ASSEMBLY.....1 <i>includes index number 11</i>		24	5397GT	WASHER,FLAT,USS,5/16",Y.....1	
11	30219GT	BEARING,FL,1.25ID X 1.41OD X 1.....4		25	21604GT	SCREW,HHC,3/8-16 X 3.25.....2	
12	30220GT	BEARING,1.25ID X 1.5OD X 0.69L.....4		26	29066GT	VALVE,SOLENOID,10V,2POS 3WAY**.....2	
13	6019GT	SCREW,HHC,3/8-16 X 1.25 GRD 5.....1		--	62262GT	VALVE,SOLENOID N/O (LONG)***.....2	
14	31095GT	PLATFORM LEVELING ASSEMBLY.....1 <i>includes 2 each of index number 12</i>		--	62267GT	VALVE,SOLENOID N/C (SHORT)***.....2	
15	27497GT	CLAMP,RUBBER CUSHIONED-2 5/32....1		--	75847GT	VALVE - SOLENOID, 2 POS 2 WAY.....2	
16	30370GT	BEARING,1.25ID X 1.5OD X 1.00L.....2 <i>use with rotator part number 63509 or 94399</i>		--	75848GT	VALVE - SOLENOID 2 POS 2 WAY.....2	
--	65799GT	BUSHING,FLANGE,ROTATOR 1" <i>use with rotator part number 31096 and 35612</i>		27	27814GT	COIL,SOLENOID,10V.....2	
17	94399GT	ROTATOR ASSMBLY.....1 <i>includes item 16, previous rotator 63509 is no longer available, order rotator 94399 for replacement</i>		--	62273GT	COIL,GREEN W/ 2 PIN CONNECTOR*.....2	
--	106421GT	SEAL KIT,ARCTIC,ROTATOR 8.2K** <i>use with rotator part number 63509</i>		28	45912GT	NUT,SOLENOID VALVE 2P3W.....2	
--	106422GT	KIT,SEAL& BEARING,ARC,ROT.9K**.....1 <i>use with rotator part number 35612</i>		--	52943GT	NUT,SOLENOID VALVE COIL.....2	
--	122944GT	SEAL KIT,8K ROTATOR*** <i>use with rotator part number 77876</i>		29	75700GT	MANIFOLD,MACHINED,JIB & ROTATE.....1	
--	31498GT	BEARING KIT,ROTATOR,9K***.....1 <i>use with rotator part number 31096 and 35612</i>		--	75849GT	VALVE,COUNTERBALANCE 2500PSI....1	
--	62417GT	SEAL KIT,PLAT ROTATE***.....1 <i>use with rotator part number 63509</i>		30	63214GT	CYLINDER,JIB,Z60.....1 <i>includes 4 each index number 22</i>	
--	65842GT	SEAL KIT,UNIVERSAL,9K ROTATOR*.....1 <i>use with rotator part number 35612</i>		--	29083GT	VALVE,COUNTERBALANCE,2500 PSI*.....1 <i>for 30047 cylinder</i>	
--	75395GT	BEARING KIT,PLAT ROTATOR,SUPER.....1 <i>use with rotator part number 63509</i>		--	31078GT	SEAL KIT,HYDRAULIC CYLINDER***.....1 <i>for 30047 cylinder</i>	
--	77876GT	ROTATOR ASSEMBLY KIT Z60.....1 <i>includes item 16 and rotator 94399, previous rotators 31096, 35612 and 63509 are no longer available, order kit 77876 for first time replacement</i>		--	31106GT	VALVE,CNTERBAL,CBBB-LHN@3000**..1 <i>for 63214 cylinder</i>	
18	6145GT	SCREW,HHC,1/4-20 X 1.5.....3		--	63354GT	SEAL KIT CYL.Z60(63214).....1 <i>for 63214 cylinder</i>	
				31	30255GT	WASHER,SHIM,1.27 X 2.13 X .062.....8 1	
				32	6091GT	NUT,NYLOCK,1/4-20.....3	
				33	30411-SGT	COVER,CABLE,JIB PAINTED.....1	
				34	18666GT	CLAMP,1.00,#16 X 1/4,RUB CUSH.....2	

607.1 Jib Boom and Platform Rotator
(continued)

Item	Part No.	Description	Qty.
------	----------	-------------	------

Footnotes

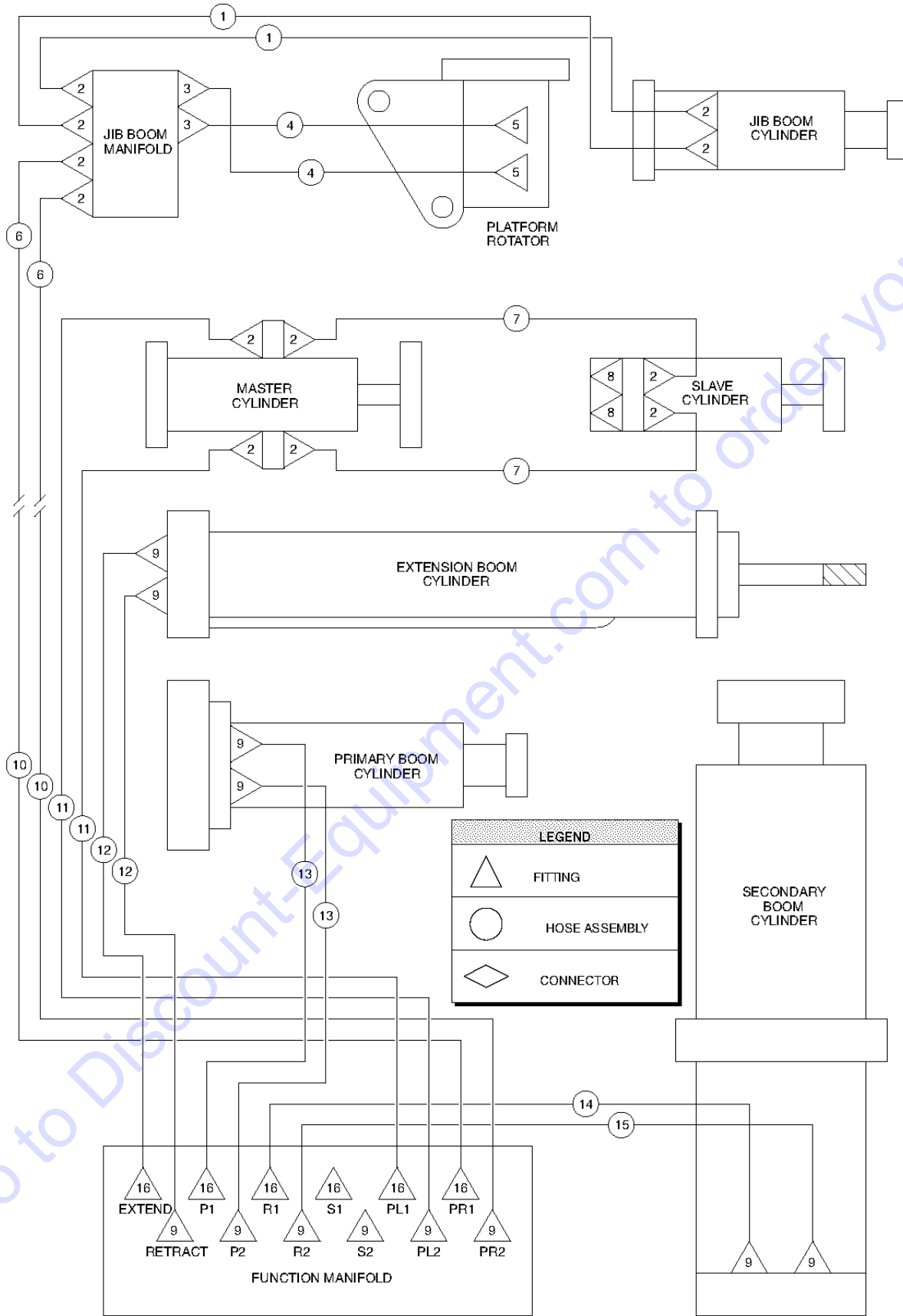
1: Quantity listed for this item is approximate.
Actual quantity may vary to ensure proper fit.

Go to Discount-Equipment.com to order your parts

This Page Intentionally Left Blank

Go to Discount-Equipment.com to order your parts

608.1 Hydraulic Hoses and Fittings



608.1 Hydraulic Hoses and Fittings

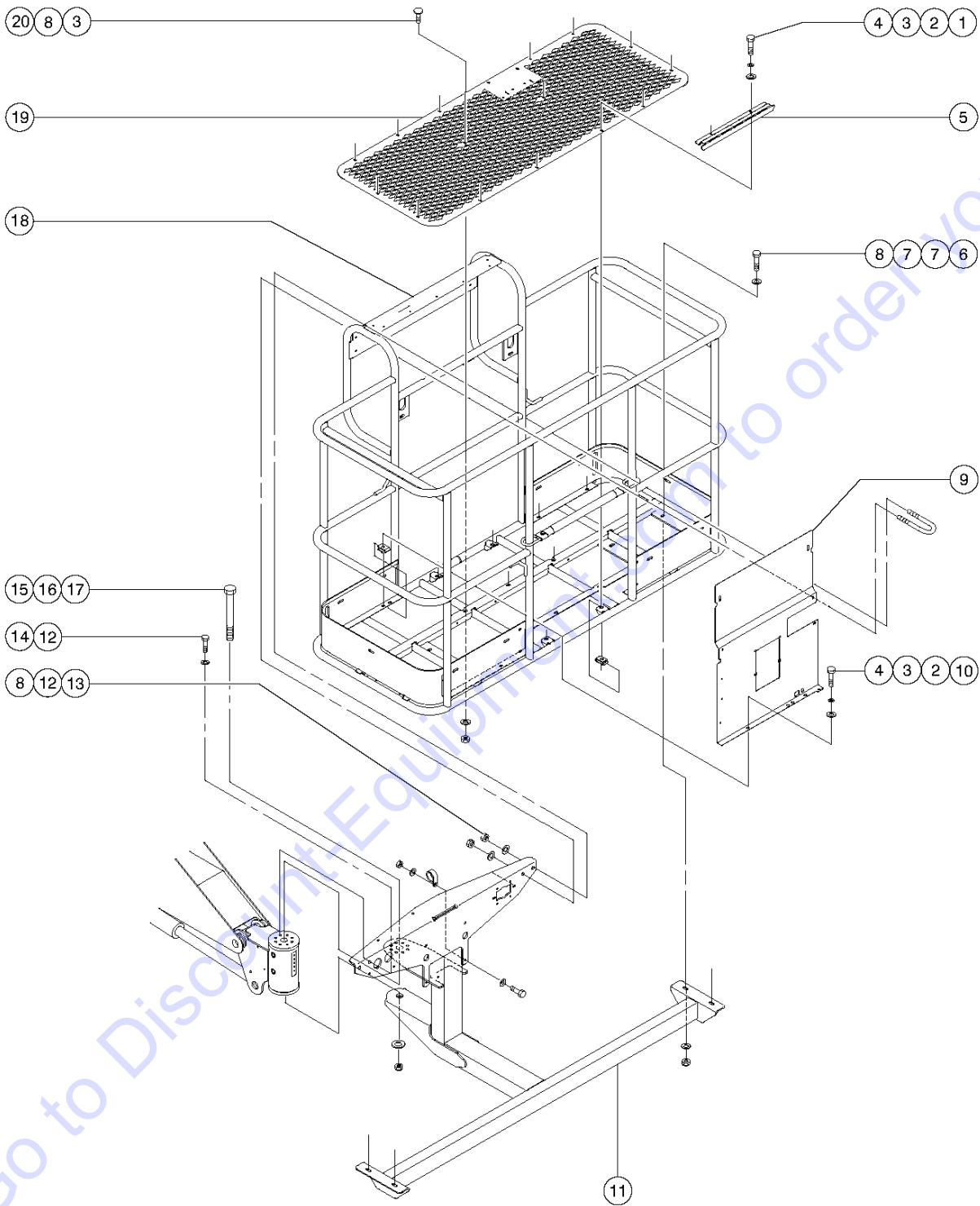
Item	Part No.	Description	Qty.
1	31473GT	HOSE ASSY,13".....	2
		1	
2	37868GT	FITTING-4 W/.030 ORIFICE.....	13
--	13756GT	CONNECTOR,070120-4-6.....	13
3	37868GT	FITTING-4 W/.030 ORIFICE.....	2
--	13756GT	CONNECTOR,070120-4-6.....	2
4	31470GT	HOSE ASSY,53".....	2
		1	
5	13921GT	ELBOW,070220-4-4.....	2
6	31488GT	HOSE ASSY,447".....	2
		2	
7	31487GT	HOSE ASSY,540".....	2
		2	
8	28890GT	NIPPLE,DIAGNOSTIC,#6 PORT.....	2
--	20224GT	DIAGNOSTIC FEMALE Q-DSCNT.....	2
--	48880GT	CAP,DIAGNOSTIC NIPPLE.....	2
9	45412GT	CONNECTOR,070120-6-6.....	12
10	31486GT	HOSE ASSY,422".....	2
		3	
11	31485GT	HOSE ASSY,409".....	2
		4	
12	31481GT	HOSE ASSY,435".....	2
		5	
13	31482GT	HOSE ASSY,408".....	2
		6	
14	31484GT	HOSE ASSY,219".....	1
		7	
15	31483GT	HOSE ASSY,236".....	1
		7	
16	45412GT	CONNECTOR,070120-6-6.....	6

Item	Part No.	Description	Qty.
------	----------	-------------	------

Footnotes

- 1:** Hose End - Female JIC Swivel, 4 (Synflex 3903-04544), Hose End - Female JIC Swivel, 4 (Synflex 3903-04544) and Hose - 1/4" Thermoplastic Medium Pressure (Synflex 3130-04)
- 2:** Hose End - Female JIC Swivel, 4 (Synflex 3903-04544), Hose End - Female Swivel, 6-4 JIC (Synflex 3903-06544) and Hose - 1/4" Thermoplastic Medium Pressure (Synflex 3130-04)
- 3:** Hose End - Male JIC, 4-4 (Synflex 3903-04504), Hose End - 90o Female JIC Swivel, 6-4 (Synflex 3903-06644) and Hose - 1/4" Thermoplastic Medium Pressure (Synflex 3130-04)
- 4:** Hose End - Female JIC Swivel, 4 (Synflex 3903-04544), Hose End - 90o Female JIC Swivel, 6-4 (Synflex 3903-06644) and Hose - 1/4" Thermoplastic Medium Pressure (Synflex 3130-04)
- 5:** Hose End - Female JIC Swivel, 6-6 (Synflex 3903-06546), Hose End - 90o Female JIC Swivel, 6-6 (Synflex 3903-06646) and Hose - 3/8" Thermoplastic Medium Pressure (Synflex 3130-06)
- 6:** Hose End - Female Swivel, 6-4 JIC (Synflex 3903-06544), Hose End - 90o Female JIC Swivel, 6-4 (Synflex 3903-06644) and Hose - 1/4" Thermoplastic Medium Pressure (Synflex 3130-04)
- 7:** Hose End - Female JIC Swivel, 6-6 (Synflex 3903-06546), Hose End - 90o Female JIC Swivel, 6-6 (Synflex 3903-06646) and Hose - 1/4" Thermoplastic Medium Pressure (Synflex 3130-04)

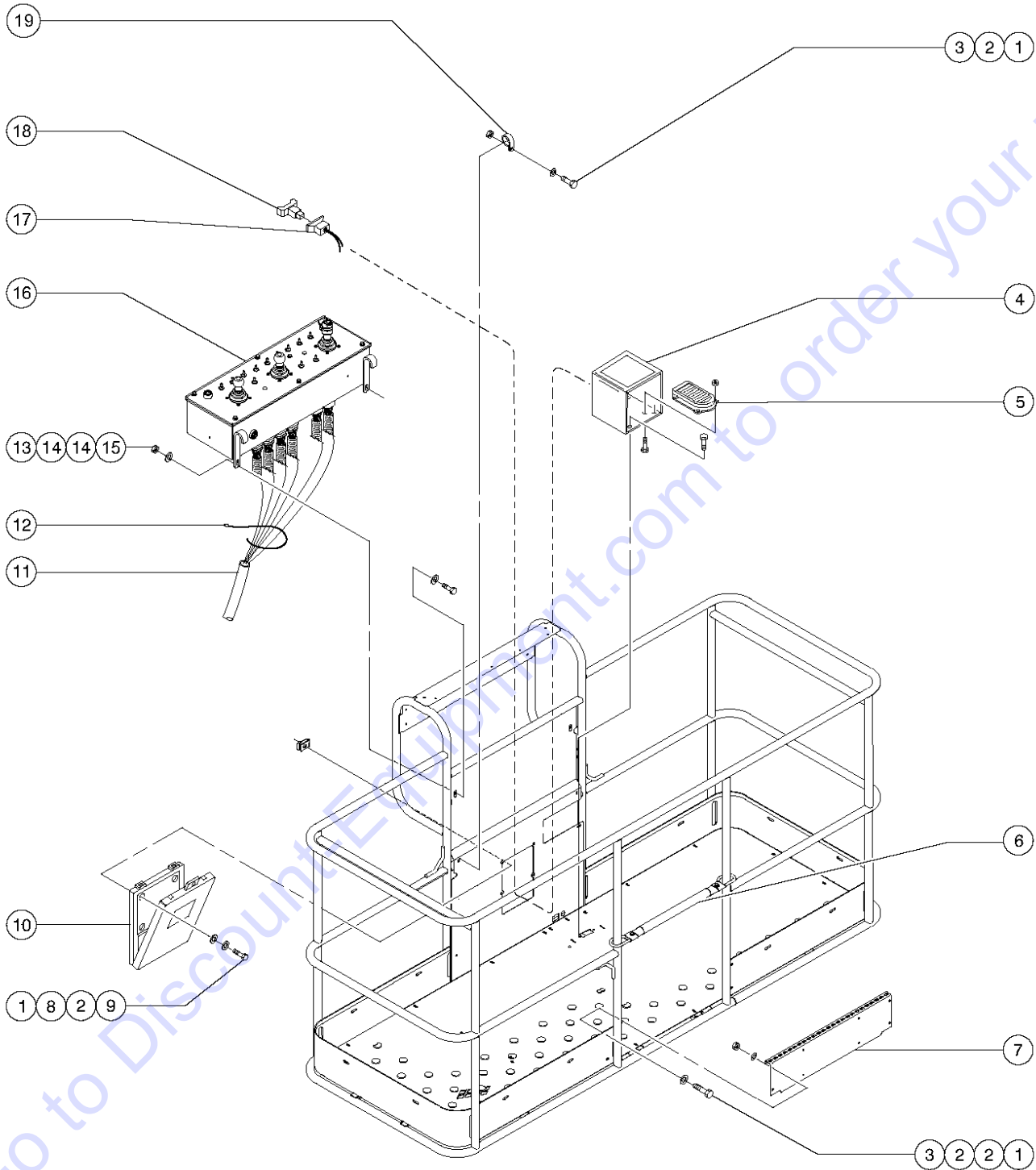
701.1 Platform Installation - View 1



701.1 Platform Installation - View 1

Item	Part No.	Description	Qty.
1	6090GT	SCREW,HHC,1/4-20 X .75.....	23
--	6090GT	SCREW,HHC,1/4-20 X .75.....	25
2	6356GT	WASHER,LOCK,.25.....	17
--	6356GT	WASHER,LOCK,.25.....	19
3	6638GT	WASHER,FLAT,USS,1/4"Y.....	26
--	6638GT	WASHER,FLAT,USS,1/4"Y.....	28
4	56912GT	SPRING CLIP,1/4-20,.025-.15X.54,ZAG.....	17
--	56912GT	SPRING CLIP,1/4-20,.025-.15X.54,ZAG.....	19
5	73610PGT	STEP PLATFORM ENTRY PAINTED***.....	1
6	6019GT	SCREW,HHC,3/8-16 X 1.25 GRD 5.....	8
7	6097GT	WASHER,FLAT,USS,3/8",Y.....	8
8	4828GT	NUT,NYLOCK,3/8-16.....	4
9	75516-SGT	DECAL PLATE ASSEMBLY.....	1
10	6090GT	SCREW,HHC,1/4-20 X .75.....	4
11	50144-SGT	PLATFORM SUPPORT WELDMENT***.....	4
12	57201GT	WASHER,FLAT,313, HARDENED.....	12
13	6550GT	U-BOLT,3/8 X 1 YZ.....	2
14	77692GT	SCREW,HHC,3/8-16 X 1 GRD 8.....	8
15	73928GT	SCREW,HHC,1-8 X 11,GRD 5***.....	1
16	122079GT	WASHER,FLAT,1.000,HARDENED.....	1
17	29764GT	NUT,NYLOCK,1-8.....	1
18	75675-SGT	PLATFORM ASSEMBLY Z-60 6FT.....	1
--	75676-SGT	PLATFORM ASSEMBLY Z-60 6FT***.....	1
--	75679-SGT	PLATFORM ASSEMBLY 8FT Z-60.....	1
--	75680-SGT	PLATFORM ASSEMBLY 8FT Z-60.....	1
19	73478PGT	FLOORING,8 FT PLATFORM**.....	1
--	60954-SGT	FLOORING,6 FT PLATFORM,SERVIC...1	
--	73478PGT	FLOORING,8 FT PLATFORM**.....	1
20	54274GT	SCREW,STEP BOLT,1/4-20 X .75.....	3

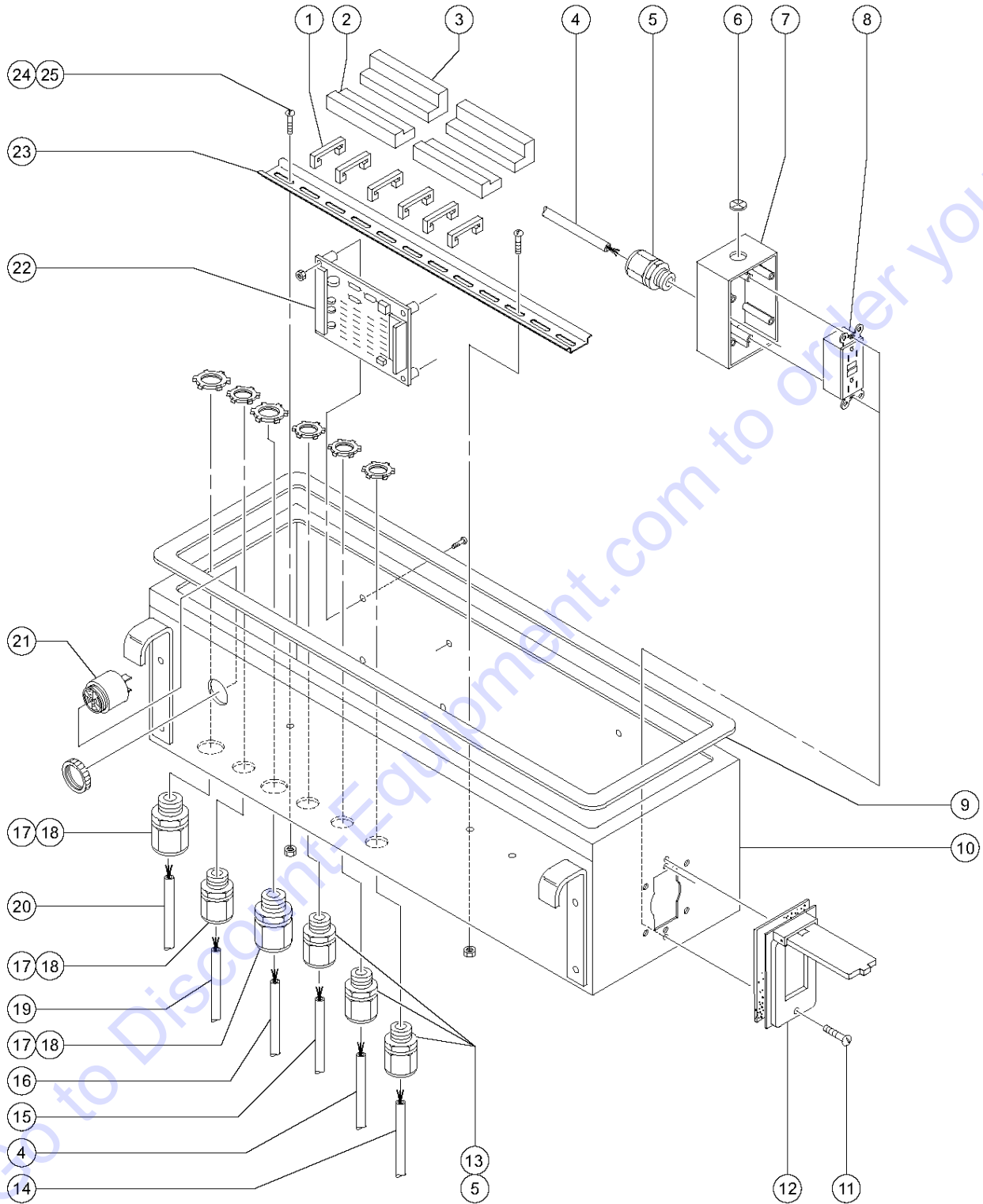
702.1 Platform Installation - View 2



702.1 Platform Installation - View 2

Item	Part No.	Description	Qty.	Item	Part No.	Description	Qty.
1	6090GT	SCREW,HHC,1/4-20 X .75.....	9	19	56244GT	HOSE ASSY,T2 TO JIB JUNCTION.....	2
2	6638GT	WASHER,FLAT,USS,1/4"Y.....	9				
3	6091GT	NUT,NYLOCK,1/4-20.....	9				
4	27528GT	FOOT SWITCH GUARD W/DECALZ45...1					
5	13482GT	FOOT SWITCH***.....1 <i>includes mounting fasteners</i>					
6	102992GT	SLIDING MIDRAIL KIT,PTD.....1 <i>includes index 2 and 3</i>					
--	12443GT	MIDRAIL GUIDE (HOOK).....1					
--	139451GT	TUBE,SLIDING MIDRAIL,PAINTED.....1					
--	20973GT	WIRE LOOM,3/8 POLY SLIT.....1					
--	21121GT	CABLE TIE,4" BLK,HEAT RESISTNT....1					
--	6888GT	SCREW,HHC,1/4-20 X 1.....1					
7	94745PGT	TOEBOARD,ENTRY EUROPEAN PNTD**.....1					
--	54817P-SGT	TOEBOARD,PLTFM ENTRY EUR,PNTD*.....1					
8	6356GT	WASHER,LOCK,.25.....4					
9	73575GT	SPRING CLIP,10-24,.025-.125X.468,ZAG.....4					
10A	44743GT	MANUAL BOX W/DECALS***.....1 <i>USA/Canada/Australia</i>					
10B	24514GT	BOX,INSTRUCTION STORAGE <i>Europe/Asia/South America (decal required; refer to Section100)</i>					
11	49219GT	SLEEVE,NYLON,2.19 ID,BULK					
12	28443GT	CABLE TIE,11.5" BLACK.....3					
13	7713GT	NUT, LP NYLOCK, 3/8-16.....4					
14	5397GT	WASHER,FLAT,USS,5/16",Y.....4					
15	6019GT	SCREW,HHC,3/8-16 X 1.25 GRD 5.....8					
16		Ref. Platform Controls (refer to figures 703.1 and 704.1).....8					
17	29431GT	CONNECTOR ASSEMBLY,FOOTSWITCH.....1					
--	22431GT	TERMINAL,ANDERSON,30A 12-16 GA.....1					
--	22432GT	ANDERSON HOUSING,15-45 AMP BLK.....1					
--	22433GT	ANDERSON HOUSING,15-45,AMP,WHT.....1					
--	22434GT	ANDERSON HOUSING,15-45 AMP RED.....1					
--	45139GT	RECEPT.,SNAP-IN,4 POLE ANDERSN.....1					
--	45201GT	SPACER,LONG ANDERSON.....1					
--	45202GT	PIN,ROLL,.094 X .875.....1					
18	31256GT	FOOTSWITCH WIRE ASSY,Z60.....1					
--	45313GT	PLUG,W/LATCH,4 POLE,ANDERSON...1					

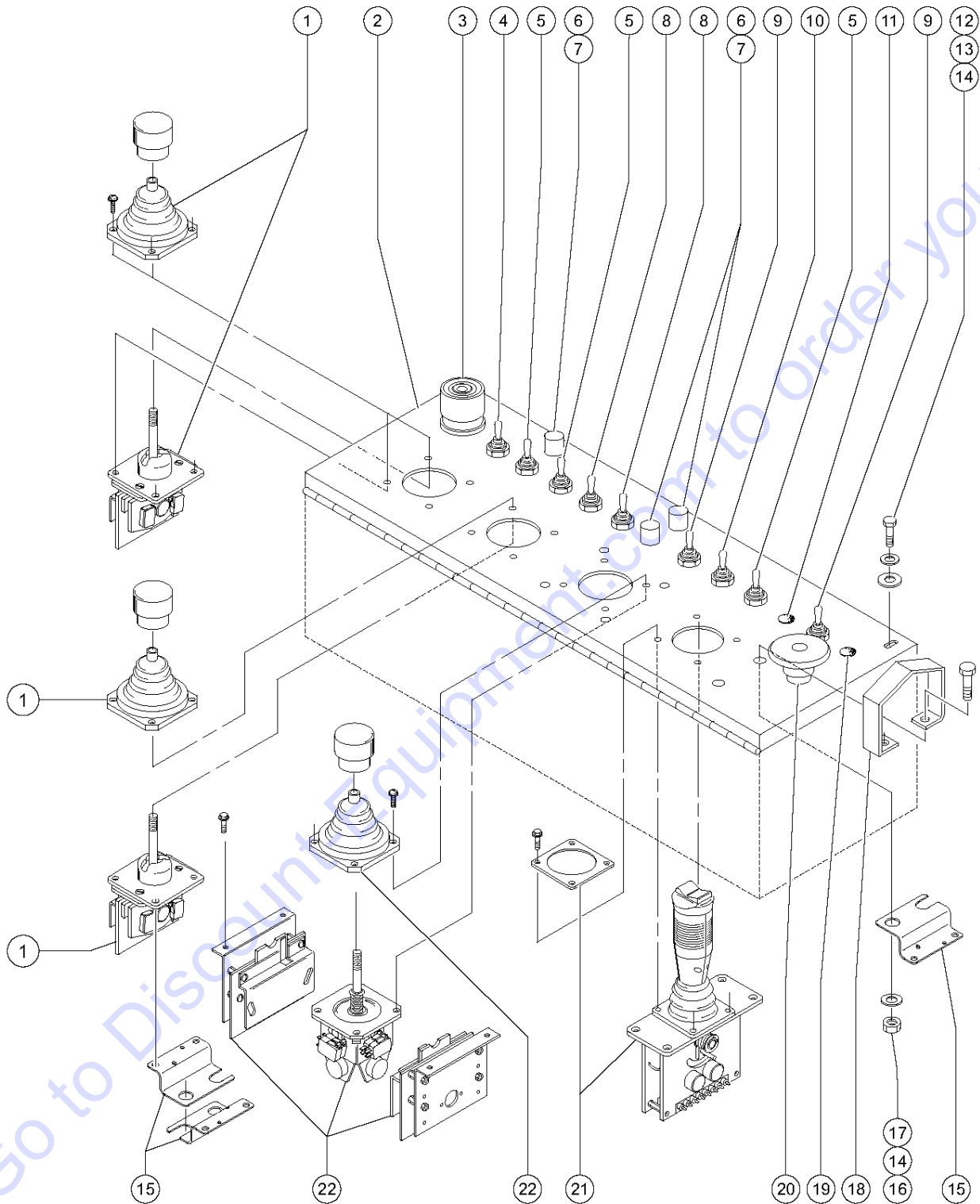
703.1 Platform Controls - View 1



703.1 Platform Controls - View 1

Item	Part No.	Description	Qty.
1	25838GT	MOUNTING ADAPTOR.....	6
2	25834GT	QUICK DISCONNECT MALE.....	2
3	28308GT	QUICK DISCONNECT,FEMALE**.....	2
4	6599GT	WIRE CABLE,14/3 SO,BULK.....	1032-inches
5	7056GT	CONN,SQUEEZE,1/2NPT .38-.50,SM....	4
--	6935GT	LOCKNUT,ELEC,1/2".....	4
6	8843GT	COVER,KNOCK OUT HOLE,4 PER BAG.....	4
7	10775GT	T-BOX,2.75 X 4.5 X 2.0.....	1
8	6599GT	WIRE CABLE,14/3 SO,BULK.....	1032-inches
--	T112563GT	SVC KIT,UK RECEPT.REPLACEMENT.....	1
9	27115GT	GASKET,UPPER CONTROL BOX.....	1
10	31259GT	PLAT.CNTRL.BOX W/DECALS,Z60.....	1
		<i>includes index number 9</i>	
11	12348GT	SCREW,RHM,6-32 X .75.....	2
12	45437GT	COVER,GFCI,WEATHERPROOF.....	1
		<i>includes mounting fasteners</i>	
13	6935GT	LOCKNUT,ELEC,1/2".....	4
14	6562GT	WIRE CABLE,16/4 SJO,BULK...97-inches	
15	31256GT	FOOTSWITCH WIRE ASSY,Z60.....	1
16	35934GT	WIRE CABLE,18/19 CON.TPRJKT.....	1032-inches
17	12960GT	CABLE SQUEEZE CONN.,XTRA LRG...3	
18	14041GT	LOCKNUT,ELECTRIC,3/4".....	3
19	30794GT	WIRE,12/3 SJEOW,BK-WH-GR/YL.....	1032-inches
20	35934GT	WIRE CABLE,18/19 CON.TPRJKT.....	1032-inches
21	45383GT	ALARM,WARBLE TONE 5-30 VDC***.....	1
		<i>Does not include 72326 nut</i>	
--	72326GT	NUT - PLASTIC,RING FOR ALARMS....	1
22	22052GT	LIMITER PC BOARD, HORSEPOWER...1	
		<i>includes mounting fasteners</i>	
--	39591GT	SPACER,NYLON,.375.....	4
		<i>sold separately</i>	
23	25839GT	DIN RAIL,19.75".....	1
24	49820GT	SCREW,PHILLIPS,PHM,6-32 X .5.....	2
25	12344GT	NUT,NYLOCK,6-32.....	2

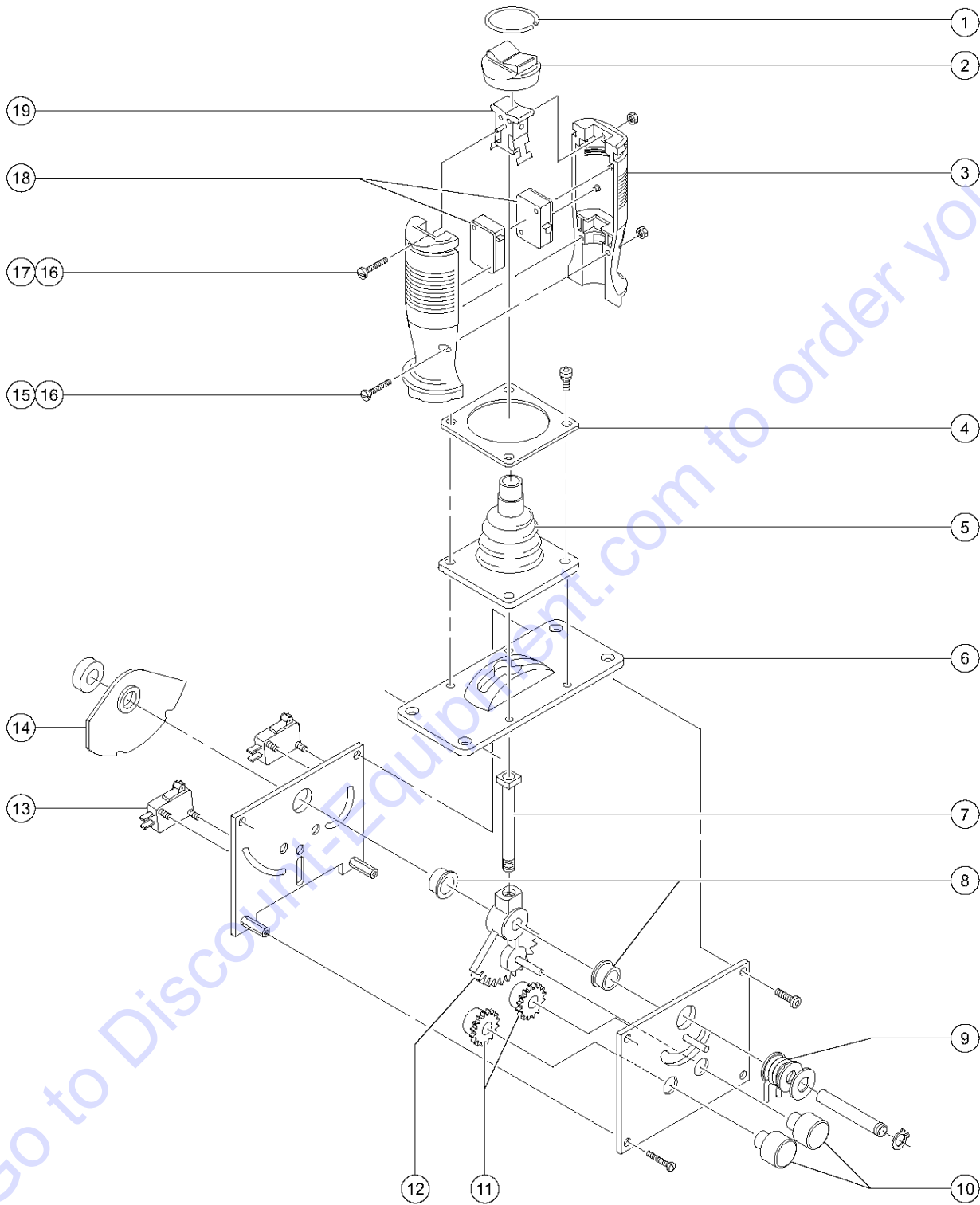
704.1 Platform Controls - View 2



704.1 Platform Controls - View 2

Item	Part No.	Description	Qty.	Item	Part No.	Description	Qty.
--	128578GT	SCREW T-SWITCH PH/PH 6-32X1/4		21		Ref., JOYSTICK CONTROLLER,12V.....1 <i>refer to 705.1</i>	
--	27246GT	BOOT,TOGGLE SWITCH,SHORT*		22		Ref., JOYSTICK CONTROLLER,12V <i>refer to 706.1</i>	
1		Ref., JOYSTICK CONTROLLER,12V.....2 <i>refer to 707.1</i>					
2	31259GT	PLAT.CNTRL.BOX W/DECALS,Z60.....1					
3	122513GT	KIT,HORN SVC BB&SM BOOM.....1					
--	66813GT	BUTTON,PUSH,BLACK W/SEAL***.....1					
--	66815GT	BASE, W/1 N.O. CONTACTS***.....1					
4	128201GT	SWITCH TOGGLE ASSY DPDT 2P MOM.....1 <i>includes mounting fasteners</i>					
5	128200GT	SWITCH TOGGLE ASSY SPDT 3P MOM.....3 <i>includes mounting fasteners</i>					
6	22777GT	LIGHTBULB,T 1.75,14V(10PACK).....3					
7	22776GT	SOCKET,IND.LITE,W/RED LENS.....3					
8	128202GT	SWITCH TOGGLE ASSY DPDT 3P MOM.....2 <i>includes mounting fasteners</i>					
9	128205GT	SWITCH TOGGLE ASSY DPDT 2P MNT.....2 <i>includes mounting fasteners</i>					
10	128206GT	SWITCH TOGGLE ASSY DPDT 3P MNT.....1 <i>includes mounting fasteners</i>					
11	229567GT	PLUG,SANTOPRENE .5 BLACK DOME.....1 <i>Gasoline/LPG models</i>					
--	229567GT	PLUG,SANTOPRENE .5 BLACK DOME.....2 <i>Deutz Diesel models</i>					
12	6090GT	SCREW,HHC,1/4-20 X .75.....2					
13	6356GT	WASHER,LOCK,.25.....2					
14	6638GT	WASHER,FLAT,USS,1/4"Y.....4					
15	54525GT	BRACKET-PANEL-WIRE MOUNTING 99.....3					
--	27116GT	RESISTOR,100 OHM,25 WATT.....1					
--	27117GT	RESISTOR,250 OHM,5 WATT.....1					
16	6091GT	NUT,NYLOCK,1/4-20.....2					
17	8914GT	SCREW,HHC,1/4-20 X .625.....2					
18	27033P-SGT	SUPPORT,WRIST,PAINTED-BLUE.....1					
19	15243GT	PLUG,NYLON .875 BLACK DOMED.....1					
20	122514GT	KIT,ESTOP SVC BB&SM BOOM.....1					
--	146478GT	BOOT(BELLOWS),E-STOP,BLACK					
--	66812GT	BUTTON,PUSH,RED MUSHROOM HEAD.....1					
--	66818GT	CONTACT, N.C.....1					
--	66821GT	BASE,WITHOUT CONTACTS.....1					

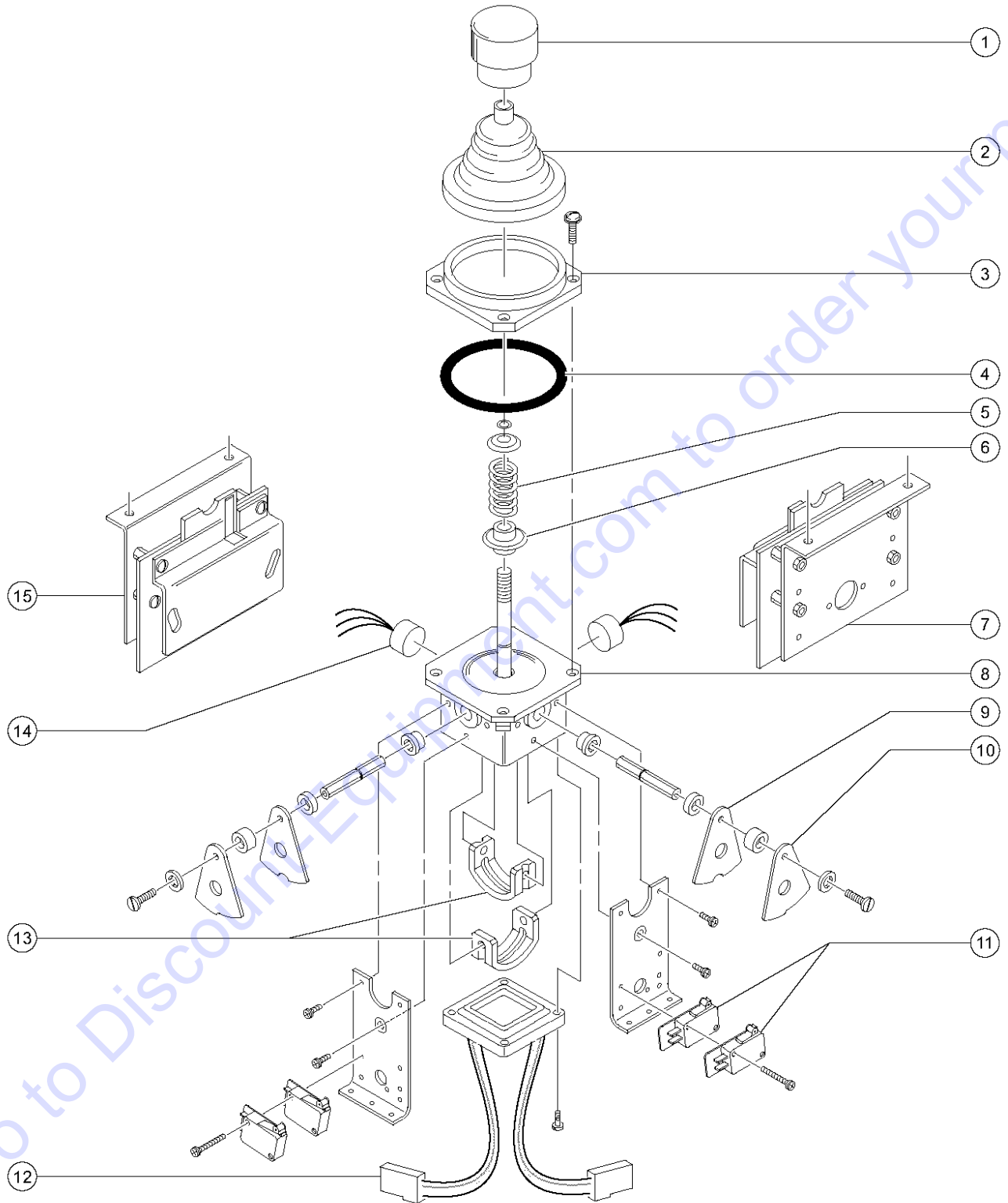
705.1 Joystick Controller - Drive / Steer



705.1 Joystick Controller - Drive / Steer

Item	Part No.	Description	Qty.
--	20424GT	JOYSTICK CONTROLLER,12V.....1 <i>OEM joystick, contains all shown service parts</i>	
--	20424HGT	JOYSTICK CONTROLLER,12V <i>aftermarket joystick replacement</i>	
1	25882GT	LOCK RING.....1	
2	25881GT	BOOT,THUMB 20424 JOYSTICK.....1	
3	25883GT	HANDLE HALF,JOYSTICK (20424).....2	
--	49887GT	NUT & BOLT KIT (25883).....1	
--	72245GT	KIT, JOYSTICK HANDLE <i>includes handles, rocker and nut/bolt kit</i>	
4	44221GT	COLLAR, BOOT RETAINING.....1	
5	22368GT	BOOT (20424).....1	
6	25884GT	COVER CASTING,20424 CONTROLLER.....1	
7	44211GT	SHAFT,W/NF STYL BLOCK,(20424)*.....1	
8	52778GT	BEARING,FLANGED,.376ID (20424)....2	
9	58209GT	SPRING,RETURN***.....1	
10	22364GT	POTENTIOMETER (20424).....2	
11	22367GT	SPUR GEAR (20424).....2	
12	44212GT	GEAR CASTING,20424 CONTROLLER*.....1	
13	22365GT	SWITCH (20424).....2	
14	22366GT	CAM ASSY (20424).....1	
15	52776GT	SCREW,HEX,M4X0.7X10MM (20424)*...2	
16	52777GT	NUT,HEX,M4 X 0.7 MM (20424)***.....3	
17	52775GT	SCREW,HEX,M4X0.7X30MM (20424)*...1	
18	23680GT	SWITCH,HANDLE,20424.....2	
19	23688GT	ROCKER ASSY,HANDLE (20424)***.....1	

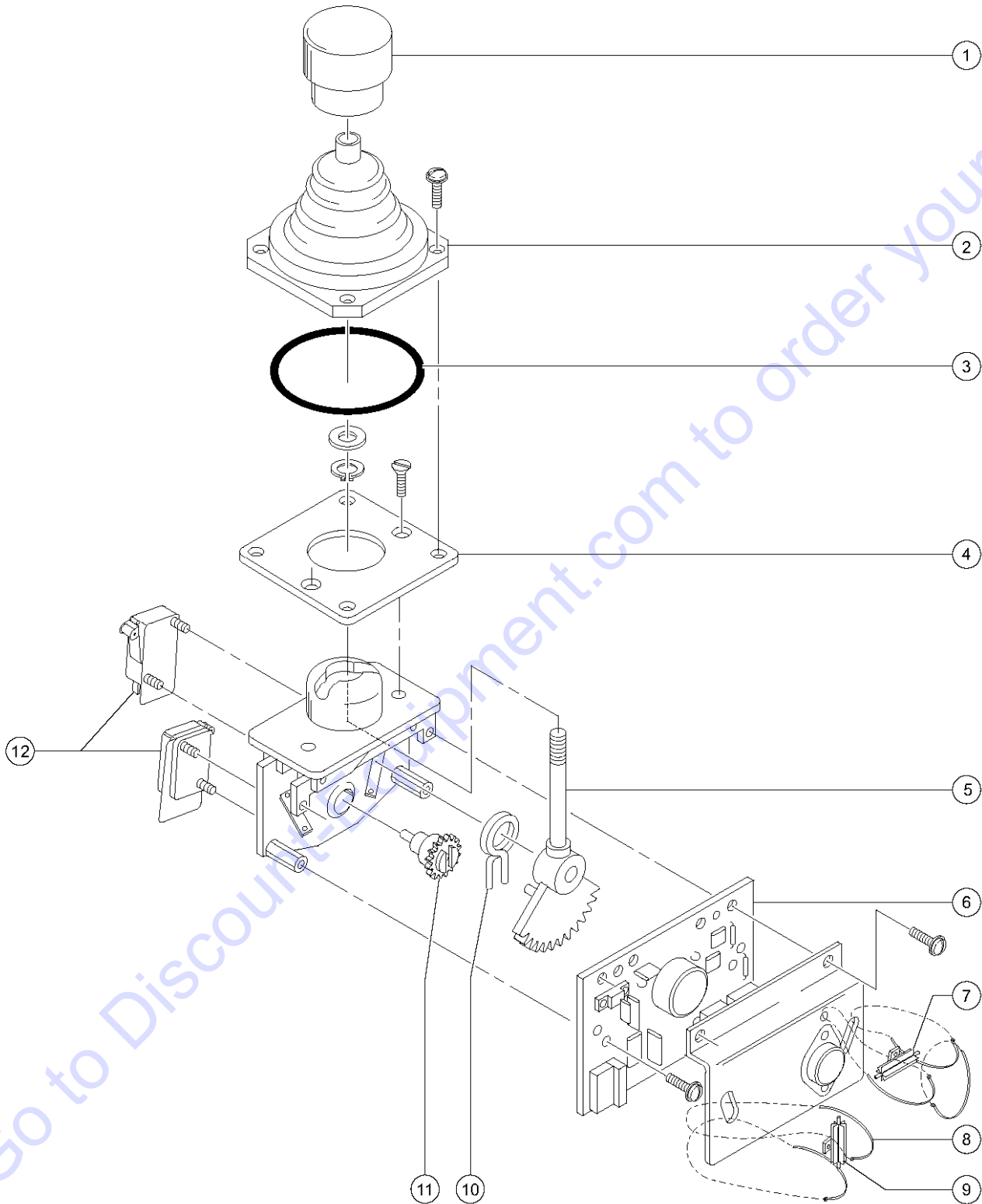
706.1 Joystick Controller - Boom Functions, Dual Axis



706.1 Joystick Controller - Boom Functions, Dual Axis

Item	Part No.	Description	Qty.
--	53073GT	JOYSTICK,MULT AXIS CONT,OEM*** <i>OEM joystick, contains all shown service parts</i>	
--	53073HGT	JOYSTICK,MULT AXIS CONT <i>aftermarket joystick replacement</i>	
1	27133GT	HANDLE,CAP,CONTROLLER.....1	
2	27134GT	BOOT,CONTROLLER.....1 <i>includes 46272 flange</i>	
3	46272GT	FLANGE-JOYSTICK MOUNTING,44988.....1	
4	31526GT	O-RING,BOOT,CONTROLLER.....1	
5	27511GT	SPRING,24493 CONTROLLER.....1	
6	31283GT	BUSHING,SPRING SEAT.....1	
7	52585GT	PCB,11179CD,(LIFT)***.....1	
8	52587GT	SHAFT & HOUSING ASSY.....1	
9	52588GT	DRIVE GEAR - INSIDE #53073.....2	
9A	58477GT	SHAFT (53073)***.....2	
10	52589GT	DRIVE GEAR - OUTSIDE #53073.....2	
11	19712GT	MICROSWITCH,V3L-139-D8.....4	
12	58923GT	SADDLE BRCKT40613,34419,53073*....1 <i>harness shown for illustration purpose only</i>	
13	37948GT	SADDLES-SET(24493,40613,53073*....1	
14	52591GT	POTENTIOMETER-JOYSTCK(53073)....2	
14	65827GT	ADAPTER (53073,52591) **.....2	
15	52586GT	PCB,11179AB, (SWING)***.....1	

707.1 Joystick Controller - Boom Functions, Single Axis



707.1 Joystick Controller - Boom Functions, Single Axis

Item	Part No.	Description	Qty.
--	24495GT	JOYSTICK,SINGLE AXIS PROPORT <i>OEM joystick, contains index numbers 1 - 6 and 10 - 12</i>	
--	24495HGT	JOYSTICK,SINGLE AXIS PROPORT <i>aftermarket joystick replacement</i>	
1	27133GT	HANDLE,CAP,CONTROLLER.....	1
2	27134GT	BOOT,CONTROLLER.....	1
3	31526GT	O-RING,BOOT,CONTROLLER.....	1
4	19720GT	CASTING,45049, 40612.....	1
5	27135GT	SHAFT W/GEAR.....	1
6	27524GT	PCB,ASSY,24495.....	1
--	49870GT	POTENTIOMETER (24493).....	1
7	27116GT	RESISTOR,100 OHM,25 WATT.....	1
8	21121GT	CABLE TIE,4" BLK,HEAT RESISTNT....	5
9	27117GT	RESISTOR,250 OHM,5 WATT.....	1
10	21434GT	SPRING & BUSHING KIT,RETURN***....	1
11	19731GT	GEAR, SLAVE, MS4,45048.....	1
12	19712GT	MICROSWITCH,V3L-139-D8.....	2

Go to Discount-Equipment.com to order your parts

Part Number Index

The Part Number Index is a numeric index of all part numbers included in this manual. The index shows what page(s) the part is used on.

Part Number	Page	Part Number	Page	Part Number	Page	Part Number	Page
102986GT	103	16584GT	69	22541GT	97, 105	27155GT	69, 83
102987GT	103	18218GT	75	22578GT	69	27164GT	35, 43, 59, 91
102992GT	115	18385GT	67	226099GT	31, 33, 57	27202GT	91
10355GT	91	18504GT	67	226100GT	31, 33, 57	27204GT	15
10587GT	19, 47, 81	18605GT	19, 47	226101GT	49	27205GT	15
10597GT	31, 33, 57, 65, 69, 95, 97, 99	18665GT	83	226537GT	107	27206GT	15
10598GT	67	18666GT	107	22665GT	59, 91	27207GT	15
106421GT	107	18687GT	91	22700GT	67	27242GT	59
106422GT	107	18722GT	95, 97	22776GT	119	27246GT	85, 87, 119
106433GT	97, 105	19274GT	85, 87	22777GT	119	27287GT	85, 87
10775GT	117	19363GT	75	22786GT	31, 33, 57	27326GT	107
110154GT	83	19418GT	67, 71	22811GT	31, 33, 57	27329PGT	69
110194GT	27	19440GT	103	229567GT	87, 119	27377GT	89
110200GT	33, 77-78	19470GT	78	22973GT	81	27464GT	49, 57
111177GT	103	19487GT	75	23057GT	69	27497GT	107
111648GT	81	19491GT	97, 105	23506GT	85	27511GT	123
119620GT	97, 99	19506GT	85, 87	23680GT	121	27524GT	125
122079GT	113	19606GT	75	23688GT	121	27528GT	115
122366GT	85, 87	19687GT	35, 43, 59	23802GT	35, 43, 59	27639PGT	67
122512GT	85, 87	19712GT	123, 125	23938GT	55	27640GT	67
122513GT	119	19720GT	125	24038GT	67	27654PGT	81
122514GT	85, 87, 119	19731GT	125	24039GT	17	27656PGT	19, 47
122606GT	85, 87	19794GT	81	24118GT	83	27694GT	19, 47
122944GT	107	19995GT	77-78	24119GT	83	27695GT	19, 47, 95
12344GT	117	20022GT	91	24343GT	83	27698GT	17, 19, 47
12348GT	117	20224GT	27, 29, 53, 55, 78, 111	24495GT	125	27728GT	81
12443GT	115	20293GT	75	24495HGT	125	27759GT	27, 53
1254826GT	69	20318GT	53	24514GT	115	27760GT	27, 53
1256267GT	95, 97, 99	20324GT	35, 43, 59	24551GT	65	27761GT	27, 29, 53, 55
1259054GT	63	20326GT	91	24667GT	57	27763GT	27, 53
1259056GT	63, 65	20328GT	43, 59	24675GT	25	27764GT	53
1262633GT	95, 99	20332GT	35, 43	25225GT	81	27766GT	27
1264387GT	95	20424GT	121	25375GT	27, 53	27767GT	91
1264388GT	99	20424HGT	121	25404GT	19, 47	27801GT	77-78
1267807GT	65, 71	20709GT	91	25416GT	19, 47	27802GT	77-78
1268229GT	65, 71	20710GT	91	25417GT	19	27804GT	77-78
1279268GT	67	20776GT	83	25418GT	19, 47	27805GT	77-78
1280665GT	73	20776GT	83	25419GT	17, 19, 47	27807GT	77-78
128200GT	85, 87, 119	20813GT	83	25436GT	17, 19, 47	27814GT	27, 53, 107
128201GT	87, 119	20880GT	65, 71	25505GT	53	27908GT	65
128202GT	85, 87, 119	20922GT	91	25506GT	27	27914GT	73
128205GT	87, 119	20923GT	43, 59	25563GT	83	27915GT	63
128206GT	119	20925GT	35, 43, 59, 91	25567GT	75	27916GT	63
128578GT	119	20973GT	115	25571P-SGT	65	27917GT	65
12906GT	89, 99	21018GT	67	25765GT	49, 57	27919GT	65
12960GT	83, 117	21019GT	65, 71	25768GT	49, 57	27922GT	65
12981GT	95	21121GT	87, 115, 125	25769GT	19, 47	27942GT	67
13002GT	21, 23, 73	21130GT	65, 69	25807GT	83	27943GT	67
13003GT	67, 71, 97, 101	21141GT	75	25808GT	83	27953GT	17, 19, 47
13014GT	67	21144GT	33	25834GT	117	28011GT	91
13064GT	23, 31, 49, 57, 67, 71, 81, 97, 101	21145GT	33	25836GT	83	28034GT	43
13066GT	31, 33, 57, 65, 69, 81	21146GT	33	25838GT	117	28076GT	67, 71
13120GT	35, 43, 59, 91	21149GT	33	25839GT	117	28112PGT	83
13482GT	115	21166GT	31, 49, 57	25855PGT	73	28117GT	49
13755GT	91	21175GT	81	25881GT	121	28125GT	89
13756GT	91, 111	21250GT	91	25882GT	121	28157GT	11
13775GT	71	21434GT	125	25883GT	121	28158GT	11
13918GT	81, 97, 105, 107	21444GT	77-78	25884GT	121	28159GT	11
13921GT	35, 43, 59, 91, 111	21465GT	75	25951GT	35, 43, 59, 91	28160GT	11
139451GT	115	21496GT	65, 69	25974GT	83	28161GT	11, 13
139898GT	75	21604GT	17, 107	25980GT	11, 13	28162GT	11
14041GT	83, 117	21935GT	77-78	25994GT	11	28164GT	11
144161GT	73	22052GT	117	27010GT	65	28165GT	15
146165GT	77-78	22099GT	35, 43, 59	27022PGT	67	28170GT	11
146169GT	73, 77-78	22278GT	65	27033P-SGT	119	28171GT	11
146478GT	85, 87, 119	22364GT	121	27034GT	67	28174GT	11, 13
147094GT	85, 87	22365GT	121	27114GT	89	28175GT	11, 15
147421GT	83	22366GT	121	27115GT	117	28176GT	15
15243GT	119	22367GT	121	27116GT	119, 125	28177GT	15
16439GT	19, 47	22368GT	121	27117GT	119, 125	28178GT	15
		223763GT	25, 77-78	27133GT	123, 125	28181GT	15
		22431GT	115	27134GT	123, 125	28234P-SGT	67
		22432GT	115	27135GT	125	28235GT	11, 13
		22433GT	115	27142GT	65	28236GT	15
		22434GT	115	27153GT	63	28238GT	11

Part Number	Page	Part Number	Page	Part Number	Page	Part Number	Page
28308GT	117	29549GT	71	30222GT	95, 97	30488GT	91
28310GT	83	29550GT	71	30224PGT	65	30490GT	75
28443GT	115	29551GT	71	30229PGT	73	30493GT	65, 69
28444GT	35, 43, 59	29552GT	71	30230PGT	65, 71	30785-1500GT	65, 69
28448GT	35, 43, 59, 91	29553GT	71	30255GT	103, 107	30794GT	83, 117
28471GT	89	29555GT	71	30256GT	75	30806GT	69
28597GT	35, 43, 59	29556GT	69	30257GT	17	31059GT	11
28646GT	89	29557GT	69	30262-SGT	81	31060GT	11
28647GT	63, 65	29558GT	69	30271GT	67, 71	31078GT	107
28648GT	63, 65	29559GT	69	30272GT	103	31079GT	95
28649GT	63	29560GT	69	30275GT	65, 75	31082GT	81, 103
28650GT	63	29561GT	69	30277PGT	89	31084GT	83, 85
28651GT	63	29562GT	69	30302P-SGT	33	31086GT	103, 107
28652GT	63	29563GT	69	30302PGT	31, 57	31088GT	21, 23, 49
28653GT	63	29564GT	69	30315GT	105	31089GT	31, 33, 57
28654GT	63	29565GT	69	30327PGT	81	31090GT	17
28656GT	63	29607GT	83	30328GT	97	31091GT	17
28658GT	63	29616GT	65	30333PGT	101	31092GT	17
28659GT	63	29733GT	81	30339P-SGT	97	31093GT	17
28660GT	63	29734GT	81, 83	30340P-SGT	95	31094GT	107
28662GT	63	29735GT	81	30341P-SGT	95	31095GT	107
28664GT	65	29739GT	31, 33, 65, 69	30342GT	91	31100GT	77-78
28666GT	63	29744GT	25, 51, 73	30343GT	91	31102GT	78
28689GT	83	29746GT	17, 19, 47	30344GT	91	31106GT	95, 99, 107
28714GT	63	29747GT	65, 69	30347GT	75, 91	31158GT	11
28716GT	63	29764GT	113	30352GT	59	31159GT	11
28717GT	65, 67	29780GT	11	30357GT	91	31160GT	11
28718GT	65	29791GT	11, 13, 15	30358GT	91	31162GT	13
28750GT	25, 29, 51, 55, 77-78	29855PGT	19, 47	30363GT	59	31163GT	11
28769GT	63, 67	29868GT	89	30364GT	59	31244GT	67
28770GT	63, 67	29883GT	49, 67, 71, 97	30365GT	59	31246GT	89
28819GT	65	29891-SGT	23	30369GT	73	31249GT	65, 69
28829GT	75	29908GT	75	30370GT	17, 107	31250GT	65
28833GT	49	30021PGT	103	30375-SGT	89	31256GT	115, 117
28890GT	111	30050-SGT	95, 97	30376-SGT	89	31259GT	117, 119
29066GT	27, 53, 73, 107	30052P-SGT	99	30377GT	105	31266GT	19, 47
29073GT	69	30052PGT	97	30378P-SGT	89	31281GT	81
29080GT	103	30078GT	11, 15	30386GT	69	31283GT	123
29083GT	107	30079GT	11, 13	30387GT	105	31305GT	95
29137GT	75	30080GT	15	30388GT	105	31306GT	95, 97
29183GT	17, 19, 47, 103	30082GT	11	30389GT	105	31307GT	97
29186GT	19, 47	30083GT	15	30390-SGT	105	31308GT	97
29210GT	19, 47	30084GT	11	30391GT	89	31309GT	97
29211GT	19, 47	30090PGT	75	30392GT	91	31310GT	95, 99
29212GT	19, 47	30106GT	11	30398-SGT	89	31457GT	35, 43, 59
29213GT	19, 47	30107GT	11	30403GT	21, 23, 31, 33	31458GT	35, 43, 59
29214GT	19, 47	30116GT	103	30404GT	21, 23, 31, 33	31459GT	35, 43, 59
29226GT	73	30124GT	21, 23, 33	30406GT	11	31460GT	35, 43, 59
29230PGT	31, 57	30128GT	75	30407GT	11	31461GT	35, 43, 59
29231GT	31, 33, 57	30137GT	103	30411-SGT	107	31462GT	35, 43, 59
29262GT	83	30138GT	103	30420GT	21, 23, 31, 33	31463GT	35, 43, 59
29269GT	63, 69, 83	30139GT	103	30424GT	101	31464GT	91
29270GT	83	30143GT	67	30430GT	89	31465GT	91
29280GT	31, 33	30144GT	67	30431GT	17	31466GT	91
29288GT	31, 33, 57	30179GT	75	30435GT	83	31467GT	91
29291GT	31, 57	30180-SGT	97	30436GT	35, 43	31468GT	35, 43, 59
29292GT	31, 57	30184PGT	73	30438GT	65, 69	31470GT	111
29293GT	31, 57	30185GT	17	30440GT	35	31471GT	91
29294GT	27, 53	30186GT	103	30441GT	35	31473GT	111
29296GT	67	30188GT	107	30442GT	35	31474GT	91
29297GT	67	30189GT	107	30443GT	35	31475GT	91
29305GT	73	30191GT	99	30444GT	25	31476GT	91
29314GT	89	30192GT	99	30448GT	43, 59	31477GT	91
29417GT	73	30193GT	97	30449GT	43, 59	31478GT	89
29418GT	73	30194GT	99	30450GT	43, 59	31479GT	91
29419GT	81	30195GT	99	30451GT	43, 59	31481GT	111
29420GT	81	30196GT	99	30452GT	43, 59	31482GT	111
29428GT	73	30198GT	95, 97	30458GT	21, 23, 31, 33	31483GT	111
29429GT	73	30199GT	95	30468GT	89	31484GT	111
29431GT	115	30201GT	95	30469GT	105	31485GT	111
29436GT	65, 69	30202GT	95	30472GT	103	31486GT	111
29439GT	63	30204GT	91	30476GT	71	31487GT	111
29480GT	105	30205GT	91	30477PGT	71	31488GT	111
29492GT	15	30206GT	91	30478PGT	69	31489GT	91
29548GT	71	30219GT	107	30479PGT	69	31490GT	91
		30220GT	107	30483PGT	71	31491GT	91

Part Number Index (continued)

Part Number	Page	Part Number	Page	Part Number	Page	Part Number	Page
31492GT	105	44743GT	115	49156-2656-SGT	39	56843GT	81
31493GT	81	45066GT	23, 81	49156-2975-SGT	39	56912GT	21, 23, 31, 33,
31494GT	81	45076GT	31, 57	49156-3056-SGT	39		49, 57, 103, 113
31498GT	107	45139GT	115	49156-3331-SGT	39	57201GT	113
31499GT	81	45161GT	75, 91	49156-4006-SGT	39	58101GT	17
31500GT	81	45170GT	35, 43, 59, 91	49156-4506-SGT	39	58209GT	121
31501GT	81	45171GT	63, 67	49164-1943-SGT	39	58477GT	123
31502GT	81	45201GT	115	49167-3029GT	39	58916GT	81
31503GT	89	45202GT	115	49189-5438-SGT	81	58920GT	105
31505GT	71	45209GT	101	49219GT	115	58923GT	123
31506GT	75	45303GT	103	49510GT	101	58958GT	81
31507GT	75	45313GT	115	49520GT	81	6002GT	69, 89
31519GT	81	45357GT	91	49534GT	89	6019GT	65, 69, 71, 73,
31522GT	71	45359GT	91	49612GT	25, 29, 39, 51,		
31523GT	71	45366GT	91		55, 77-78		81, 89, 103, 107,
31524GT	75	45383GT	117	49613GT	25, 29, 39, 51,		
31526GT	123, 125	45411GT	91		55, 77-78		113, 115
31527GT	77-78	45412GT	35, 43, 59, 91,				
31528GT	77-78		111	49820GT	117	6021GT	25, 51, 65, 69,
31529GT	78	45437GT	117	49870GT	125		71, 73, 81, 89,
31547GT	19, 47	45483GT	27, 53, 81	49887GT	121		101, 103, 105
31778GT	25	45495GT	31, 33, 57	49897GT	57	6024GT	97, 101
31968GT	91	45645GT	19, 47	50144-SGT	113	6033GT	19, 31, 33, 47,
32636GT	25, 51	45703GT	35, 43, 59	5094GT	85		57, 65, 69, 81,
32669GT	33	45705GT	43, 59, 91	52034GT	25, 51	6035GT	95, 97, 99
32698GT	71	45912GT	27, 53, 107	52087GT	33	6085GT	67
32722GT	95, 99	45914GT	77-78	52585GT	123	6086GT	101
32811GT	73	45921GT	77-78	52586GT	123	6090GT	21, 23, 31, 33,
32949GT	73	46002PGT	105	52587GT	123		49, 57, 67, 69,
32975GT	78	46164GT	63	52588GT	123		71, 85, 87, 101,
33520GT	29, 55	46272GT	123	52589GT	123		113, 115, 119
33521GT	55	46674GT	65, 69	52591GT	123	6091GT	25, 47, 65, 67,
33550GT	11, 13, 15	46965GT	17	52726GT	29, 55		69, 71, 73, 89,
33562GT	55	46966GT	19, 47	52775GT	121		95, 97, 103, 105,
33627GT	19, 47	46967GT	19, 47	52776GT	121		107, 115, 119
33994GT	77-78	47377GT	107	52777GT	121	60954-SGT	113
34448GT	29, 33	4828GT	17, 19, 47, 67,				
34619GT	89		73, 75, 81, 89,	52778GT	121	6095GT	67, 73, 101, 105
35611GT	107		95, 97, 99, 107,	52943GT	25, 33, 51, 73,		
35934GT	83, 117		113		77-78, 107	6097GT	67, 73, 75, 113
36370GT	17, 19, 47	48439GT	65	53073GT	123	6115GT	33
36648GT	103	48648GT	77-78	53073HGT	123	6145GT	89, 107
37003GT	69	48649GT	25, 77-78	53189GT	89	6175GT	17, 25, 51, 65,
37016GT	63	48658GT	55	53258GT	107		69, 73, 75, 101,
37090GT	107	48684GT	25, 51	53353GT	75	6178GT	85, 87, 105
37218GT	81	48880GT	27, 29, 53, 55,				
37406GT	81		78, 111	53462GT	17, 19, 47	6198GT	17, 19, 47, 67,
37741GT	47	48904GT	39	5361GT	103		73, 105
37868GT	111	48905GT	39	53707GT	89	62081GT	81
37948GT	123	48908GT	39	53758-SGT	87	62262GT	107
38620GT	103	48911GT	39	53759-SGT	87	62267GT	107
39591GT	117	48915GT	39	53760-SGT	87	62273GT	107
40033GT	55	48916GT	39	53761-SGT	87	62417GT	107
40405GT	95, 99	48918GT	39	53811GT	101	62466GT	81
40617GT	77-78	48919GT	39	53820GT	87	63211GT	99
40983GT	81	48929GT	39	53867GT	69	63214GT	107
41914GT	33	48938GT	39	5387GT	95, 97	63216GT	19, 47
41918GT	33	48942GT	39	53952GT	63	63238GT	17
41921GT	33	48947GT	39	53961GT	65, 69	6326GT	95
41922GT	33	48959GT	39	53962GT	69	63347GT	99
42157GT	33	48960GT	39	5397GT	25, 51, 69, 81,		
42191GT	33	48963GT	39		89, 95, 105, 107,	63348GT	95
4266GT	73	48964GT	39		115	63351GT	99
43255GT	25, 77-78	48977GT	39	53985GT	21, 23	63352GT	107
43597GT	29, 55	48997GT	27, 29, 53, 55, 78	53986GT	21, 23	63354GT	107
43599GT	33	49118-2358-SGT	39	53987GT	21, 23	6356GT	19, 21, 23, 31,
43601GT	33	49118-2858-SGT	39	53988GT	21, 23		33, 47, 49, 57,
43956GT	73	49119-2978-SGT	39	53989GT	21, 23		65, 67, 69, 71,
44086GT	19, 47	49119-3028-SGT	39	53990GT	21, 23		83, 85, 87, 99,
44089GT	17	49120-3581-SGT	39	53991GT	21, 23		101, 103, 105,
44211GT	121	49128-2709GT	39	53993GT	21, 23		113, 115, 119
44212GT	121	49130-2957GT	39	53994GT	21, 23	65443GT	25, 51
44221GT	121	49135-4664GT	39	54274GT	113	65445GT	33
44369GT	81	49142-4087-SGT	39	54365GT	87	65446GT	33
44586GT	73	49143-4029-SGT	39	54525GT	85, 119	65447GT	33
44613GT	81	49151-2323-SGT	39	54627GT	21, 23, 31, 33,		
					49, 57	65448GT	33
				54817P-SGT	115	65449GT	55
				56244GT	115	65461GT	78
						65462GT	78
						65463GT	99
						6550GT	113

Part Number	Page	Part Number	Page
6562GT	117	8179GT	103
65766GT	33	8220GT	17, 19, 47
65799GT	107	824164GT	103
65815GT	63	824879GT	87
65827GT	123	825019GT	95, 97, 99, 107
65842GT	107	8255GT	103, 105
65865GT	57	82629GT	89
65866GT	91	83081GT	57
6595GT	73	8357GT	19, 101
6599GT	117	8516GT	67, 99, 107
6605GT	69	88356-127J5GT	97, 105
6607GT	19, 25, 47, 77- 78, 97	88356-146R5GT	105
6638GT	19, 21, 23, 25, 31, 33, 47, 49, 57, 65, 67, 69, 71, 73, 83, 85, 87, 89, 95, 97, 103, 105, 107, 113, 115, 119	8843GT	117
66811GT	85, 87	8910GT	73
66812GT	85, 87, 119	8914GT	65, 105, 119
66813GT	119	8915GT	83
66815GT	119	8920GT	67
66816GT	85, 87	89296GT	103
66818GT	85, 87, 119	89617GT	73
66821GT	85, 87, 119	89625GT	89
6708GT	17, 19, 47, 81	89800GT	81
6886GT	21, 23, 69, 73	89885GT	81
6888GT	47, 67, 73, 83, 89, 103, 105, 115	94399GT	107
6889GT	83, 105	94745PGT	115
6935GT	73, 117	94920GT	81
7056GT	73, 117	97887GT	15
72245GT	121	T108075GT	107
72326GT	117	T112563GT	117
73185GT	21, 23, 31, 33		
73257GT	21, 23, 31, 33		
73258GT	21, 23, 31, 33		
73259GT	21, 23, 31, 33, 49, 57		
73260GT	21, 23, 31, 33		
73261GT	21, 23, 31, 33		
7339GT	19, 83, 99		
73455GT	81		
73478PGT	113		
73575GT	115		
73610PGT	113		
73918GT	81		
73928GT	113		
74872GT	103, 107		
75073GT	89		
75119GT	81		
75395GT	107		
75516-SGT	113		
75650-SGT	67, 71		
75675-SGT	113		
75676-SGT	113		
75677GT	81		
75679-SGT	113		
75680-SGT	113		
75682GT	81		
75683GT	81		
75684GT	81		
75685GT	81		
75686GT	81		
75700GT	107		
75847GT	107		
75848GT	107		
75849GT	103, 107		
7713GT	95, 105, 115		
77692GT	113		
77876GT	107		
77990GT	65		
81578GT	83		
8177GT	65, 73		

Part Description Index

The Part Description Index is an alphabetical index of all part descriptions included in this manual. The index shows what page(s) the part is used on.

A

ACTUATOR ASSY,PROX.SWITCH.....19, 47
 ADAPTER (53073,52591) **.....123
 ADAPTER,6402-6-6.....91
 ADAPTER,CARB,FORD.....63
 ADAPTER,O-RING,G6410-16-8.....59
 ADAPTER,O-RING,G6410-8-12.....91
 AIR CLEANER.....63
 AIR FILTER.....71
 ALARM,WARBLE TONE 5-30 VDC***117
 ALTERNATOR,FORD LSG-423***63
 ANDERSON HOUSING,15-45 AMP BLK....115
 ANDERSON HOUSING,15-45 AMP RED...115
 ANDERSON HOUSING,15-45,AMP,WHT...115
 ASSY, CIRCUIT BREAKER 15A.....85, 87
 ASSY, MED. PRESS. FILTER, SAE8.....65, 71
 ASSY,TIRE & WHEEL,FOAM FILLED.....21, 23, 31, 33

B

BALL STUD,1/2" BALL,3/8-16X1.2.....89
 BASE, W/1 N.O. CONTACTS***.....119
 BASE,WITHOUT CONTACTS.....85, 87, 119
 BATTERY HOLD DOWN,GROUP 31.....67
 BATTERY,12V,1000 CCA GRP 31.....67
 BEARING & RACE KIT(29231)/Z60.....33
 BEARING KIT,BRAKE,MICO.....33
 BEARING KIT,MICO.....31, 57, 81
 BEARING KIT,PLAT ROTATOR,SUPER.....107
 BEARING KIT,ROTATOR,9K***107
 BEARING NUT (29231).....31, 33, 57
 BEARING, GARLOCK,GM2832-32.....17
 BEARING,1.25 ID X 1.41 OD X 1".....19, 47
 BEARING,1.25 ID X 1.5 OD X .75.....107
 BEARING,1.25ID X 1.5OD X 0.69L.....107
 BEARING,1.25IDX1.5ODX1.00L.....17, 107
 BEARING,1.75IDX2.00ODX1.50L.....97, 99
 BEARING,2.25IDX2.50ODX1.50L***.....95, 97
 BEARING,2.50IDX2.75ODX2.00L.....17, 19, 47
 BEARING,FL,1.25ID X 1.41OD X 1".....107
 BEARING,FL,1.25IDX1.41ODX1.50L.....95, 97
 BEARING,FL,1.75IDX1.94ODX1.50L.....19, 47, 95
 BEARING,FLANGED,.376ID (20424).....121
 BEARING,GARLOCK 20DU12.....99
 BEARING,GARLOCK,28DU24.....95, 99
 BEARING,POLYGON,BM5120.....95, 99
 BEARING,SERIES 3000.....81
 BELT,TIMING,FORD LSG-423**.....65
 BELT,V, DEUTZ DIESEL ENGINE.....71
 BELT,V, FAN/ALT,FORD LSG423.....63
 BLOCK,WEDGE,OSC.AXLE.....19, 47
 BOOT (20424).....121
 BOOT(BELLOWS),E-STOP,BLACK.....85, 87, 119
 BOOT,CABLE TERM,MED.RED,4/0.....73
 BOOT,CONTROLLER.....123, 125
 BOOT,THUMB 20424 JOYSTICK.....121
 BOOT,TOGGLE SWITCH,SHORT*.....85, 87, 119
 BOTTLE, COOLANT RECOVERY, 2QT.....67
 BOX,INSTRUCTION STORAGE.....115
 BRACKET, PANEL WIRE MOUNTING.....87
 BRACKET,ACTUATOR ARM PAINTED.....69
 BRACKET,AUX PUMP MOUNT,PAINT.....73

BRACKET,ENGINE GAUGES,PAINTED.....83
 BRACKET,EXHAUST SUPPRT,PAINT.....69
 BRACKET,FUNCTION MANIF,PAINT.....73
 BRACKET,HEAT SHEILD SUPP,PAINT.....71
 BRACKET,LP REG/AIR FILTER,PNTD.....65
 BRACKET,PUSH ROD SWITCH.....47
 BRACKET,PUSH ROD SWITCH,PAIN.....19, 47
 BRACKET,SOLENOID MTG PAINTED.....69
 BRACKET-PANEL-WIRE MOUNTING 99.....85, 119
 BRAKE ASSEMBLY,TURNTABLE ROT**.....81
 BRAKE,LINING KIT,MICO.....31, 57
 BRAKE,MICO,1400 IN.LBS. **.....33
 BRAKE,MICO,PAINTED-S60 DRIVE.....31, 57
 BRAKE,SWING,2800 IN/LB.....81
 Breather Cap.....75
 BRKT,AIR CLEANER ORIENTATION**.....63
 BRUSH & HOLDER ASSY,25225 SWIV.....81
 BULKHEAD,FEMALE X 4.....89
 BUMPER,RUBBER***.....89
 BUSHING,FLANGE,ROTATOR 1".....107
 BUSHING,SPRING SEAT.....123
 BUTTON,PUSH,BLACK W/SEAL***.....119
 BUTTON,PUSH,RED MUSHROOM HEAD.....85, 87, 119

C

CABLE ASSEMBLY,23.0".....73
 CABLE ASSY,70".....73
 CABLE PROTECTOR.....105
 CABLE SQUEEZE CONN.....83
 CABLE SQUEEZE CONN.,XTRA LRG.....83, 117
 CABLE TIE,11.5" BLACK.....115
 CABLE TIE,4" BLK,HEAT RESISTNT.....87, 115, 125
 CABLE TRACK CHANNEL ASSY.....105
 CAM ASSY (20424).....121
 CAP, DUST.....21, 23
 CAP, OIL FILLER, FORD LSG423.....63
 CAP,DIAGNOSTIC NIPPLE.....27, 29, 53, 55, 78, 111
 CAP,DISENGAGE-45553 TORQUE HUB.....33
 CAP,DISTRIBUTOR,FORD.....63
 CAP,FUEL,GREEN*.....75
 CAP,FUEL,RED***.....75
 CAP,OIL FILLER,DEUTZ,DIESEL***.....69
 CAP,RADIATOR,FORD***.....67
 CARB REPAIR KIT, LSG/LRG-423.....63
 CARRIER TERMINAL(5 PER BLOCK).....83
 CASTING,45049, 40612.....125
 Check Valve.....77-78
 CLAMP, AIR CLEANER (27915)**.....63
 CLAMP,1.00,#16 X 1/4,RUB CUSH.....107
 CLAMP,HOSE,.25" - .63" X .3125.....75
 CLAMP,HOSE,1.75,LINED.....63, 67
 CLAMP,HOSE,2.25" DIA.....67
 CLAMP,HOSE,8.50 DIA***.....71
 CLAMP,MUFFLER,2 1/4" ID.....65, 69
 CLAMP,RUBBER CUSHIONED-2 5/32.....107
 CLEVIS YOKE-1/4-28,PLTD W/PIN.....65, 69
 COIL WITH DE CONNECTOR.....25, 77-78
 COIL, 12V, 19972/21623/29069.....77-78
 COIL, AUTOMATIC CHOKE,.....63
 COIL, IGNITION,FORD.....65

COIL,10V.....25, 51, 73
 COIL,12 VOLT (21299 MANIFOLD).....77-78
 COIL, GREEN W/ 2 PIN CONNECTOR*.....107
 COIL,SOLENOID VLV,10V W/ DIODE.....33
 COIL,SOLENOID,10V.....27, 53, 107
 COLLAR, BOOT RETAINING.....121
 COMPRESSION MEMBER WELD,MACH.....107
 CONN, 520120-6.....39
 CONN,520120-12-16.....39
 CONN,520120-4***.....39
 CONN,SQUEEZE,1/2NPT .38-.50,SM.....73, 117
 CONNECTING LINK ASSY.....95, 97
 C O N N E C T O R ASSEMBLY,FOOTSWITCH.....115
 CONNECTOR,070102-16-16.....91
 CONNECTOR,070102-6-6.....91
 CONNECTOR,070120-12-12.....35, 43, 59
 CONNECTOR,070120-12-16.....35, 43, 59, 91
 CONNECTOR,070120-16-12.....91
 CONNECTOR,070120-16-16.....91
 CONNECTOR,070120-4-4.....91
 CONNECTOR,070120-4-6.....91, 111
 CONNECTOR,070120-6-6.....35, 43, 59, 91, 111
 CONNECTOR,070120-6-8.....91
 CONNECTOR,070120-8-10.....59, 91
 CONNECTOR,070120-8-6.....43, 59
 CONNECTOR,070120-8-8.....35, 43, 59
 Contact Discount-equipment.21, 23
 CONTACT, N.C.....85, 87, 119
 CONTACT,N.O.***.....85, 87
 CONTACTOR,LIMIT SWITCH.....97, 105
 CONTROL BOX W/LID&DECAL,GRND.....83, 85
 Counterbalance Valve.....77-78
 COUNTERBLNCE SANDWICH(30283).....78
 COUPLER - 27648 POWER UNIT.....73
 COUPLER,ELECTRIC ROTARY.....81
 COUPLER,FLEX PLATE,13T,FORD*.....65, 69
 COUPLER,FLEX PLATE,GRDEX,FORD.....65
 COUPLER,HUB,15 TOOTH 7/16BOLT*.....69
 COVER - END,TORQUE HUB (29231).....33
 COVER ASSY, CHASSIS,DRIVE.....31, 33, 57
 COVER ASSY, ENGINE, DEUTZ.....89
 COVER ASSY,DRIVE CHASSIS,STEER....21, 23, 49
 COVER ASSY,GROUND CONTROL.....89
 COVER ASSY,TANK SIDE,T.TABLE (31255).....89
 COVER CAP,TORQUE HUB***.....33
 COVER CASTING,20424 CONTROLLER...121
 COVER LATCH ANGLE,PAINTED.....89
 COVER REINFORCEMENT LH.....89
 COVER, SERVO (24667).....57
 COVER,CABLE.....95
 COVER,CABLE TRACK TRAY,DRILLED.....105
 COVER,CABLE,JIB PAINTED.....107
 COVER,CABLE,UPR TNSN ARM,PTD.....97
 COVER,DRIVE CHASS,AXLE,PAINT.....31, 57
 COVER,DRIVE CHASSIS,AXLE,PAINT.....33
 COVER,FRONT DEUTZ ENGINE.....71
 COVER,GFCI,WEATHERPROOF.....117
 COVER,KNOCK OUT HOLE,4 PER BAG...117
 COVER,SIDE ENGINE.....69
 CROSS,070501-8-8.....59

CYL,EXT,2.5 X 112.25,Z60.....103
 CYLINDER MOUNT BAR.....103
 CYLINDER, LIFT.....99
 CYLINDER, MASTER.....99
 CYLINDER, OSCILLATING AXLE.....19, 47
 CYLINDER, PRIMARY LIFT Z60.....99
 CYLINDER, SECONDARY LIFT Z60.....95
 CYLINDER,JIB,Z60.....107
 CYLINDER,SLAVE.....107

D

D03 Valve.....77-78
 DECAL KIT,COSMETIC, Z60.....11
 DECAL KIT,INSTRUCTIONAL, Z60.....11
 DECAL PLATE ASSEMBLY.....113
 DECAL"GENIE 2 WD" WHITE.....11
 DECAL, POWER TO PLATFORM 230V**.....11, 13
 DECAL,ARROW BLUE.....15
 DECAL,ARROW YELLOW LRG 9".....15
 DECAL,DANGER DO NOT ALTER SWTC.....11
 DECAL,DANGER,BATT SAFE BOOM.....11
 DECAL,DANGER,GEN.SAFETY RULES.....11, 15
 DECAL,DANGER,NO SMOKING ***.....11
 DECAL,DIESEL.....11
 DECAL,ELECTROCUTION HAZARD.....11, 13
 DECAL,GENIE 4 WD, WHITE.....11
 DECAL,GENIE BOOM (17").....13
 DECAL,GENIE Z60/34.....11
 DECAL,GROUND CONTROL PANEL.....11
 DECAL,INSTR,MAX SIDE FRC,ANSI.....15
 DECAL,INSTRUCT,FOOTSWITCH OPER.....15
 DECAL,LABEL,LIQUID PROPANE.....11
 DECAL,LABEL,MANUAL NOT HERE.....15
 DECAL,LABEL,UNLEADED GAS ONLY.....11
 DECAL,LABEL,WHEEL LOAD S-45.....89
 DECAL,NOTICE TIRE PRESSURE.....11
 DECAL,NOTICE,DEUTZ ENGINE SPEC.....11
 DECAL,NOTICE,ENG.SPECS,FORD423.....11
 DECAL,NOTICE,HAZARDOUS MAT'LS*.....11
 DECAL,NOTICE,MAX LOAD 500 LBS.....15
 DECAL,NOTICE,OP,INST(PLAT) S60.....15
 DECAL,NOTICE,PRE-OPERATION.....11, 13, 15
 DECAL,NOTICE,SHUTOFF VALVES.....11
 DECAL,OPERATING INSTRUCTIONS.....11, 13
 DECAL,PLATFORM CTRL PANEL.....15
 DECAL,POWER TO PLATFORM 115V.....11, 13
 DECAL,STRIPE (10").....11
 DECAL,TRIANGLE,BLUE.....15
 DECAL,TRIANGLE,YELLOW.....15
 DECAL,USE DEXRON***.....11
 DECAL,WARN,CRUSH HAZARD HAND.....11, 13
 DECAL,WARN,CRUSH HAZARD PLAT.....15
 DECAL,WARN,FALL HAZARD.....15
 DECAL,WARN,IMPROPER OPERATION.....15
 DECAL,WARN,SHEAR TURNTABLE.....15
 DECAL,WARNING COLLISION HAZARD.....11
 DECAL,WARNING,CRUSHING.....11
 DECAL,WARNING-COMPART ACCESS.....11, 15
 DECAL,Z, Z45MP.....11
 DIAGNOSTIC FEMALE Q-DSCNT.....27, 29, 53, 55, 78, 111
 Diagnostic Fitting.....29

Diagnostic Nipple.....55, 77-78
 Differential Sensing Valve.....77-78
 DIN RAIL,19.75".....117
 DIN RAIL,23.75".....83
 DIODE BLOCK SUPPRESSION.....83
 DISC KIT DRIVE TURNTABLE Z-60*.....81
 DISCONNECT ROD-45553 TQ.HUB.....33
 DOOR LATCH,BASE CONTROL BOX.....89
 DRIVE GEAR - INSIDE #53073.....123
 DRIVE GEAR - OUTSIDE #53073.....123
 DRIVE MOTOR REAR,2WD/11 DEGREE...31, 33
 DRVE MOTOR REAR,4WD/1DEGREE.....57

E

ELBOW,070202-12-16.....91
 ELBOW,070220-12-12.....35, 43, 59, 91
 ELBOW,070220-12-16.....35, 43
 ELBOW,070220-4-4.....35, 43, 59, 91, 111
 ELBOW,070220-6-6.....35, 43, 59, 91
 ELBOW,070220-6-8.....35, 43, 59, 91
 ELBOW,070220-8-10.....91
 ELBOW,070220-8-12.....35, 43, 59, 91
 ELBOW,070220-8-8***.....91
 ELBOW,070221-12-12.....91
 ELBOW,070320-12-12.....35, 43, 59
 ELBOW,070320-16-16.....91
 ELBOW,070320-6-6.....91
 ELBOW,070321-16-16.....91
 ELBOW,130239-4-4.....75
 ELBOW,130339-4-4.....75
 ELBOW,140238-16-16.....91
 ELBOW,90D,520220-4-4.....39
 ELBOW,90D,520220-4-6***.....39
 ELBOW,90D,520220-6.....39
 ELBOW,90D,520220-8-12.....39
 ELBOW,90D,520220-8-6.....39
 ELEC.SWIVEL LOCK ANGLE,PAINT.....81
 ELEMENT-5 MIC, PAPER, W/ BYPASS.....65, 71
 EXHAUST,TAILPIPE,DEUTZ,Z60.....65, 69
 EXTENSION BOOM TUBE ASSY,Z60.....103, 107
 EXTENSION TUBE END CAP,PAINTED.....103

F

FILTER ASSY W/INDICATOR LH.....75
 FILTER ASSY,M PRESS,SAE8,WOIND* (77139).....65, 71
 FILTER ELEMENT-10 MIC.***.....65, 71
 FILTER ELEMENT-10MICRON.**.....75
 FILTER MOUNT BRACKET.....65, 71
 FILTER, OIL, FORD.....63
 FILTER,AIR,ELEMENT***.....63
 FILTER,ELEMENT,BETA(5)=1000.....65
 FILTER,FUEL,LRG-423,SCREW-IN.....63
 FILTER,FUEL/WTR SEP, DTZ 1008.....69
 FILTER,OIL.....69
 FILTER,OIL,FORD.....63
 FITTING,070302-4.....81
 FITTING,CONN,520120-12***.....39
 FITTING,ELBOW,45D,520320-12***.....39
 FITTING,ELBOW,90D,520220-12.....39
 FITTING,ELBOW,90D,520220-6-8.....39
 FITTING,TEE,RUN,SWIVEL520432-4.....39
 FITTING,TEE,RUN,SWIVEL520432-8.....39
 FITTING,TEE,RUN,SWIVEL52043212.....39
 FITTING-4 W/.030 ORIFICE.....111

FLANGE-JOYSTICK MOUNTING,44988....123
 FLOORING,6 FT PLATFORM,SERVIC.....113
 FLOORING,8 FT PLATFORM***.....113
 Flow Divider/Combiner Valve.....29
 Flow Regulator.....77-78
 Flow Regulator Valve, 0.1 gpm (0.4 l/min)...77-78
 Flow Regulator Valve, 0.6 gpm (2.3 l/min)...77-78
 Flow Regulator Valve, 1.5 gpm (5.7 l/min)...77-78
 FLYWHEEL COUPLING, TYPE FL.....69
 FLYWHEEL COVER,CASTING***.....69
 FOOT SWITCH GUARD W/DECALZ45.....115
 FOOT SWITCH***.....115
 FOOTSWITCH WIRE ASSY,Z60.....115, 117
 FRONT AXLE ASSY,S60,Z60.....19, 47
 FUEL FILTER W/SEP,DEUTZ,1008.....69
 FUEL KIT, DEUTZ DIESEL.....91
 FUEL PUMP KIT,FORD LRG 423***.....63
 FUEL TANK,20 GAL,PAINTED.....75

G

GAS STRUT,200 LBS.FORCE.....89
 GASKET,BRAKE ASSY.....81
 GASKET,EXHAUST.....69
 GASKET,EXHAUST***.....65
 GASKET,FUEL PUMP,FORD.....63
 GASKET,GROUND CONTROL BOX.....83
 GASKET,TURTLE,DRV MTR,EDC.....57
 GASKET,UPPER CONTROL BOX.....117
 GASKET,WATER OUTLET,FORD.....63
 GASKET,WATER PUMP,FORD.....63
 GAUGE, OIL,S60.....83
 GAUGE,OIL PRESSURE W/O SENDER.....87
 GAUGE,OIL TEMP.....87
 GAUGE,VOLTAGE.....87
 GAUGE,WATER TEMP.....87
 GAUGE-SIGHT,LHA-LGTB***.....75
 GEAR CASTING,20424 CONTROLLER*.....121
 GEAR, SLAVE, MS4,45048.....125
 GOVERNOR,CNTRLR,FORD,LSG 423.....65
 GOVERNOR,MECHNCL,FORD LSG423.....65
 GUARD,FAN,DEUTZ F4L1011.....71

H

HANDLE HALF,JOYSTICK (20424).....121
 HANDLE,CAP,CONTROLLER.....123, 125
 HARNESS,WIRE,ROTARY/CNTRL.BOX.....81, 83
 HARNESS,WIRE,ROTARY/MANIFOLD.....81
 HINGE SPACER.....89
 HINGE,,375X.120THK.,SLOTTED.....89
 HORN,12VDC,SPADE TERMINALS***.....83
 HOSE ASSEMBLY,1/2.....39
 HOSE ASSEMBLY,1/2".....39
 HOSE ASSEMBLY,1/4.....39, 81
 HOSE ASSEMBLY,3/8.....39
 HOSE ASSEMBLY,LP. 137".....65, 75
 HOSE ASSY 1/4,STR FEM,STR FEM.....39
 HOSE ASSY(2SPD TO L.R.DRV MOTR.....39
 HOSE ASSY,1/2,90 FEM,STR FEM.....39
 HOSE ASSY,1/4,STR FEM,STR FEM.....39
 HOSE ASSY,104".....59
 HOSE ASSY,12".....91
 HOSE ASSY,13".....111
 HOSE ASSY,14".....91
 HOSE ASSY,16".....35, 91

Part Description Index (continued)

HOSE ASSY,18".....43, 59
 HOSE ASSY,219".....111
 HOSE ASSY,22".....35, 91
 HOSE ASSY,23".....35, 43, 59
 HOSE ASSY,236".....111
 HOSE ASSY,26".....43, 59
 HOSE ASSY,27".....91
 HOSE ASSY,28".....43, 59
 HOSE ASSY,3/4,90 FEM,STR FEM.....39
 HOSE ASSY,3/4,STR FEM,STR FEM.....39
 HOSE ASSY,32".....35, 43, 59
 HOSE ASSY,33".....35, 43, 59
 HOSE ASSY,38".....35, 43, 59
 HOSE ASSY,40".....43, 59
 HOSE ASSY,408".....111
 HOSE ASSY,409".....111
 HOSE ASSY,42".....35, 43, 59
 HOSE ASSY,422".....111
 HOSE ASSY,435".....111
 HOSE ASSY,447".....111
 HOSE ASSY,46".....35, 43, 59, 91
 HOSE ASSY,47".....35
 HOSE ASSY,50".....35, 43, 59, 91
 HOSE ASSY,53".....111
 HOSE ASSY,54".....89
 HOSE ASSY,540".....111
 HOSE ASSY,55".....91
 HOSE ASSY,67".....59
 HOSE ASSY,68.5".....91
 HOSE ASSY,73".....91
 HOSE ASSY,OIL PRESS.GAUGE.....83
 HOSE ASSY,T2 TO JIB JUNCTION.....115
 HOSE END,BARBED,SWIVEL,-12-12.....35, 43, 59, 91
 HOSE END,BARBED,SWIVEL,-16-16.....91
 HOSE END,BARBED,SWIVEL,-8-8.....35, 43, 59
 HOSE END,BARBED,SWIVEL,90DEG-8.....35, 43, 59
 HOSE END,MALE .25 X .25 MPT***.....75
 HOSE,1/4 FUEL LINE,SAE 30R7.....75
 HOSE,15".....91
 HOSE,31".....35, 43, 59
 HOSE,38".....91
 HOSE,47".....35, 43, 59
 HOSE,48",1"SAE 100R4.....91
 HOSE,55".....43
 HOSE,70".....91
 HOSE,BOTTOM RADIATOR,FORD.....63, 67
 HOSE, TOP RADIATOR,FORD.....63, 67
 HOUR METER,10-80 VOLTS***.....85, 87
 HYDRAULIC SWIVEL,4 PORT,Z60.....81

I

IGNITION MODULE MTG.PLATE ASSY.....65
 IGNITION, ELECTRONIC, FORD.....65
 INDICATOR,AIR FILTER CONDITION.....71
 INJECTOR.....69
 INJECTOR, FUEL LINE DEUTZ DSL.....69
 INNER BEARING.....21, 23
 INNER TUBE.....21, 23, 31, 33
 ISOLATOR,VIBRATION,LG,RD&WH***.....67, 71

J

JIB BOOM ASSEMBLY.....107
 JOYSTICK CONTROLLER,12V.....121
 JOYSTICK,MULT AXIS CONT.....123

JOYSTICK,MULT AXIS CONT,OEM***.....123
 JOYSTICK,SINGLE AXIS PROPORT.....125

K

KEY,LATCH, 1 PAIR (28125).....89
 KEYSWITCH,3POS.MNTND.DR WKEY**.....85, 87
 KEYSWITCH,CONTACTS LOCK.....85, 87
 KIT, JOYSTICK HANDLE.....121
 KIT, O-RING.....27, 53
 KIT, RELAY, TIME DELAY 4 SEC.....83
 KIT,BEARING, Z60.....21, 23
 KIT,ESTOP SVC BB&SM BOOM.....85, 87, 119
 KIT,FUEL,LP.....63
 KIT,HORN SVC BB&SM BOOM.....119
 KIT,HOSE,FUNCTION MANIFOLD.....91
 KIT,KEYSWITCH SVC BB & SM BOOM.....85, 87
 KIT,KEYSWITCH SVC BB&SM CE.....85, 87
 KIT,SEAL& BEARING,ARC,ROT.9K**.....107
 KIT,SEAL,3CC PUMP***.....65

L

LATCH,FLUSH CUP***.....89
 LATCH,SLIDE, FLUSH MOUNT STYLE.....89
 LIGHT,LED IND. RED 12V NH.....87
 LIGHTBULB,T 1.75,14V(10PACK).....119
 LIMITER PC BOARD, HORSEPOWER.....117
 LINING KIT,MICO.....81
 LINING KIT,MICO BRAKE.....33
 LOCK RING.....121
 LOCKNUT,ELEC,1/2".....73, 117
 LOCKNUT,ELECTRIC,1" NPT.....83
 LOCKNUT,ELECTRIC,3/4".....83, 117
 LOWER MIDPIVOT ASSY,Z60.....97
 LOWER SECONDARY BOOM ASSY.....95
 LOWER TENSION MEMBER WELDMENT.....95, 97
 LS SPRING WAND (ZCY91).....97, 105
 LUG BOLT,5/8-18,WHEEL HUB***.....31, 49, 57
 LUG,WHEEL STUD,5/8-18,W1/4HB**.....33

M

MANIFOLD ASSY,TURNTABLE ROT.....81
 MANIFOLD,BRAKE/MOTOR SHIFT.....33
 MANIFOLD,DUAL COUNTERBALANCE.....107
 MANIFOLD,FUNCTION.....73, 77-78
 MANIFOLD,MACHINED,JIB & ROTATE.....107
 MANIFOLD,STEER/OSCILLATION***.....25, 51
 MANIFOLD,TRACTION,2WD.....27
 MANIFOLD,TRACTION,4WD.....53
 MANIFOLD,TRCN W/BYPASS,4WD***.....55
 MANIFOLD,TURNTABLE ROTATION***.....81
 MANUAL BOX W/DECALS***.....115
 MICROSWITCH,ELECTRIC ROTARY.....81
 MICROSWITCH,V3L-139-D8.....123, 125
 MIDRAIL GUIDE (HOOK).....115
 MOTOR,12V DC (24573).....73
 MOTOR,12V DC (32810/32811)APU.....73
 MOTOR,SWING DRIVE (53147).....81
 MOTOR,TURNTABLE ROTATION***.....81
 MOUNT,RAD.SUPPT.,RH,PAINTED.....67
 MOUNTING ADAPTOR.....117
 MTR/TORQUE HUB,FRT,WM2-33.8:1*.....49
 MUFFLER**.....69
 MUFFLER,EXH,FORD,BIG BOOMS***.....65

N

NEON LIGHT W/RESISTOR, 110V.....85
 NIPPLE,DIAGNOSTIC,#4.....27, 29, 53, 55, 78
 NIPPLE,DIAGNOSTIC,#6 PORT.....111
 NIPPLE,HEX,140137-16.....91
 NON-OSCILAT'G AXLE Z60/1997.....17
 NON-OSCILLATING AXLE,Z60.....17
 NUT & BOLT KIT (25883).....121
 NUT - PLASTIC,RING FOR ALARMS.....117
 NUT, LP NYLOCK, 3/8-16.....95, 105, 115
 NUT,CASTLE, 1-1/4 - 12 UNF.....21, 23
 NUT,HEX,1/4-28.....65, 69
 NUT,HEX,JAM,1.25-7.....17, 19, 47
 NUT,HEX,JAM,5/8-11.....31, 57
 NUT,HEX,M4 X 0.7 MM (20424)***.....121
 NUT,LOCKING-LG.FLANGE,1/4-20.....67
 NUT,LP NYLOCK,1/2-13.....101
 NUT,LP NYLOCK,1/4-20.....83, 105
 NUT,LP NYLOCK,5/16-18.....69, 89
 NUT,LUG,5/8-18 X 90 DEGREE,Z45.....21, 23, 31, 33, 49, 57
 NUT,NYLOCK,1-8.....113
 NUT,NYLOCK,1.125-12.....103
 NUT,NYLOCK,1/2-13.....17, 19, 47, 67, 73, 105
 NUT,NYLOCK,1/4-20.....25, 47, 65, 67, 69, 71, 73, 89, 95, 97, 103, 105, 107, 115, 119
 NUT,NYLOCK,10-32.....85, 87, 105
 NUT,NYLOCK,3/8-16.....17, 19, 47, 67, 73, 75, 81, 89, 95, 97, 99, 107, 113
 NUT,NYLOCK,5/8-11.....97, 101
 NUT,NYLOCK,6-32.....117
 NUT,NYLOCK,8-32.....19, 47
 NUT,SOLENOID VALVE 2P3W.....27, 53, 107
 NUT,SOLENOID VALVE COIL.....25, 33, 51, 73, 77-78, 107
 NUT-D03 COIL.....25, 77-78

O

O-RING (2-114).....81
 O-RING - TORQUE HUB END COVER.....33
 O-RING KIT (ORFS FITTINGS).....25, 29, 39, 51, 55, 77-78
 O-RING KIT,FIELD SVC,ALL PROD*.....25, 29, 51, 55, 77-78
 O-RING***.....65, 69
 O-RING, D03 COIL.....77-78
 O-RING, DO1 VALVE.....77-78
 O-RING,2-044 BUNA***.....33
 O-RING,BOOT,CONTROLLER.....123, 125
 O-RING,MOTOR TO BRAKE***.....31, 33, 57
 Orifice - Plug, 0.070 inch (1.38 cm).....29
 ORIFICE PLUG,.025 (30551).....33
 OUTER BEARING.....21, 23

P

PAD,ENGINE SLIDE.....67, 71
 PAD,EXTENSION CYLINDER.....103
 Part is no longer available.....71
 PCB,11179AB,(SWING)***.....123
 PCB,11179CD,(LIFT)***.....123
 PCB,ASSY,24495.....125
 PIN, COTTER, 732 DIA.....21, 23
 PIN,1.00DIA X 4.63LG,1HOLE.....81
 PIN,1.25 X 7.57 IN,1HOLE.....107
 PIN,1.25DIA X 11.50LG,1HOLE.....99
 PIN,1.25DIA X 13.75LG,2HOLE.....107
 PIN,1.25DIA X 14.12LG,1HOLE.....95
 PIN,1.25DIA X 5.25LG,1HOLE.....107

PIN,1.25DIAX6.67LG,2RING.....103	PUMP,VAR.PISTON M46 2.8 CIQVP*.....65, 69	SCREW,HHC,1/4-20 X .625.....65, 105, 119
PIN,1.25DIAX8.50LG,1HOLE.....107	PUMP,WATER,FORD.....63	SCREW,HHC,1/4-20 X .75.....21, 23, 31, 33, 49, 57, 67, 69, 71, 85, 87, 101, 113, 115, 119
PIN,1.75 DIAX4.50LG,THREADED.....95		SCREW,HHC,1/4-20 X 1.....47, 67, 73, 83, 89, 103, 105, 115
PIN,1.75DIAX12.50LG,THREADED.....17		SCREW,HHC,1/4-20 X 1.25.....83
PIN,1.75DIAX13.50LG,1HOLE.....99		SCREW,HHC,1/4-20 X 1.5.....89, 107
PIN,1.75DIAX18.13LG,1HOLE.....99		SCREW,HHC,1/4-20 X 2.....73
PIN,1.75DIAX5.25LG,1HOLE.....99		SCREW,HHC,1/4-20 X 2.25.....103
PIN,1.75DIAX6.00LG,1HOLE.....97		SCREW,HHC,1/4-20 X 3.5.....33
PIN,1.75DIAX8.50LG,1HOLE.....97		SCREW,HHC,3/8-16 X .75.....103, 105
PIN,2.25DIAX24.63LG,1HOLE.....95		SCREW,HHC,3/8-16 X 1.....17, 25, 51, 65, 69, 73, 75, 101, 103
PIN,2.25DIAX31.75LG,2HOLE.....95, 97		SCREW,HHC,3/8-16 X 1 GRD 8.....113
PIN,2.50DIAX15.00LG,1HOLE.....17, 19, 47		SCREW,HHC,3/8-16 X 1.25 GRD 5.....65, 69, 71, 73, 81, 89, 103, 107, 113, 115
PIN,2.50DIAX15.75LG,1HOLE.....19, 47		SCREW,HHC,3/8-16 X 1.75,GRD.8.....81, 97, 105, 107
PIN,AXLE PIVOT**.....19		SCREW,HHC,3/8-16 X 2.25.....17, 19, 47, 81
PIN,CLEVIS,1 X 2.5 LG.....103		SCREW,HHC,3/8-16 X 3.....95
PIN,COTTER, .125 X 1.5.....103		SCREW,HHC,3/8-16 X 3.25.....17, 107
PIN,KING.....19, 47		SCREW,HHC,3/8-16 X 3.5,GR5.....69
PIN,KING,HI-STEER ANGLE,Z60.....17		SCREW,HHC,3/8-16 X 4.....95, 97
PIN,MASTER CYLINDER.....99		SCREW,HHC,3/8-16 X 4.5.....95
PIN,OSCILLATING,ROLLR,8 X 1.75.....19, 47		SCREW,HHC,5/16-18 X 1 GR5.....21, 23, 73
PIN,ROLL, .094 X .875.....115		SCREW,HHC,5/16-18 X 3.00.....81
PIN,STEER.....17, 19, 47		SCREW,HHC,5/8-11 X 1.75 GRD.8.....49, 67, 71, 97
PINION GEAR.....81		SCREW,HHC,5/8-11 X 2.25 GR8.....81
PIVOT TUBE/SPACER Z60.....105		SCREW,HHC,5/8-11 X 3.5 GRD.8.....67, 71, 97, 101
PLASTIC END STOP.....83		SCREW,HHC,M10 X 25MM,GR 8.8.....67
PLAT.CNTRL.BOX W/DECALS,Z60.....117, 119		SCREW,HHC,M6 X 20MM,GR8.8.....69
PLATE,ENGINE MOUNT,PAINTED.....67		SCREW,HHC,M8 X 20MM.....69
PLATE,PUMP MOUNT,FORD,PAINTED.....65		SCREW,PHIL,PHM,10-24 X.38,SEMS.....67
PLATE,REINFORCEMENT,PAINTED.....89		SCREW,PHIL,PHM,10-24 X.5,SEMS.....65, 71
PLATE,ROTATION LOCK.....81		SCREW,PHIL,PHM,10-32 X .5,SSTL.....87
PLATE,SWING COVER LATCH.....89		SCREW,PHILLIPS,PHM,6-32 X .5.....117
PLATFORM ASSEMBLY 8FT Z-60.....113		SCREW,RHM,10-32 X .5.....85
PLATFORM ASSEMBLY Z-60 6FT.....113		SCREW,RHM,10-32 X 1.5.....97, 105
PLATFORM ASSEMBLY Z-60 6FT***.....113		SCREW,RHM,6-32 X .75.....117
PLATFORM LEVELING ASSEMBLY.....107		SCREW,RHM,8-32 X .75.....19, 47
PLATFORM SUPPORT WELDMENT***.....113		SCREW,SHC,1/2-13 X 1.50,A574.....81
Plug - Orifice, 0.052 inch (1.32 mm).....55		SCREW,SHC,1/4-20 X 2.....25
Plug - Orifice, 0.07 inch (1.78 mm).....55		SCREW,SHC,10-24 X 2.....25, 77-78
PLUG AND CAP KIT-SERVICE,37 **.....77-78		SCREW,SHC,10-24 X 4.....77-78
PLUG AND CAP KIT-SERVICE,ORFS*.....25, 29, 39, 51, 55, 77-78		SCREW,SHC,5/8-11 X 1.5.....49
PLUG, TYPE F, 230A, 50HZ, 16A, IP44.....73		SCREW,SHC,5/8-11 X 1.75.....67, 71
PLUG,ELECTRICAL,DOMESTIC.....73		SCREW,SHC,5/8-11 X 2.25.....23, 81
PLUG,NYLON .875 BLACK DOMED.....119		SCREW,SHC,5/8-11 X 3.00,A574.....31, 33, 57
PLUG,ORIFICE, 0.052 (40033).....55		SCREW,SHC,5/8-11 X 4,A574.....81
PLUG,ORIFICE,.025".....27, 53		SCREW,STEP BOLT,1/4-20 X .75.....113
PLUG,ORIFICE,0.070.....29, 55		SCRUBBER MUFFLER,DEUTZ,F4L1011.....69
PLUG,PIPE,HEX HEAD,STL,1/4NPT.....75		SEAL KIT (28833).....49
PLUG,PWR,UK,16AMP,3PIN,BLK.....73		SEAL KIT CYL.Z60(63207).....99
PLUG,SANTOPRENE .5 BLACK DOME.....87, 119		SEAL KIT CYL.Z60(63212).....107
PLUG,SQUARE HEAD,3/4 MPT.....75		SEAL KIT CYL.Z60(63214).....107
PLUG,W/LATCH,4 POLE,ANDERSON.....115		SEAL KIT, 58958 SWING MOTOR.....81
POTENTIOMETER (20424).....121		SEAL KIT, SUNSTRAND.....57
POTENTIOMETER (24493).....125		SEAL KIT, VALVE, #10.....27
POTENTIOMETER-JOYSTCK(53073).....123		SEAL KIT, VALVE, #4.....33, 77-78
POWER UNIT,AUX PUMP 12VDC.....73		SEAL KIT,25212,25217,25372,S60.....17, 19, 47, 103
POWER UNIT,AUX PUMP 12VDC**.....73		SEAL KIT,25373 OSC.CYL,S60.....19, 47
PRI BOOM TUBE ASSY W/SYM DECAL....103		SEAL KIT,8K ROTATOR***.....107
PRI BOOM TUBE ASSY W/WORD DECA...103		SEAL KIT,ARCTIC,ROTATOR 8.2K**.....107
PRIMARY BOOM REST,PAINTED.....101		SEAL KIT,BRAKE,MICO.....33
Priority Flow Regulator Valve, 3 gpm (11.4 l/min).....77-78		SEAL KIT,BRAKE,TURNTABLE ROT**.....81
Proportional Solenoid Valve.....77-78		SEAL KIT,CB VALVE MANIFOLD***.....81
PROX SWITCH W/INSTALL INST.....19, 47		
PUMP ASSY, FUEL, DEUTZ DIESEL.....69		
PUMP ASSY.(27648)*****.....73		
PUMP,FUEL,FORD (28665).....63		
PUMP,LIFT 1.025 C.I.**.....65, 69		

Q

QUICK DISCONNECT MALE.....117
 QUICK DISCONNECT,FEMALE**.....117

R

RADIATOR SHROUD ASSY,FORD Z60.....67
 RADIATOR SHROUD,PAINTED.....67
 RADIATOR,FORD (LSG).....67
 RECEPT.,SNAP-IN,4 POLE ANDERSN.....115
 Ref CYLINDER, SECONDARY LIFT Z60.....97
 Ref Ground Controls (refer to figures 505.1, 506.1 and 506.2).....73
 Ref Primary Boom Rest (refer to Figure 604.1).....97
 REGULATOR, VOLTAGE, Z45GP91.....65
 REGULATOR,LPG,BEAM #120A.....65
 RELAY HOLD DOWN.....83
 RELAY SOCKET,DPDT,SCREW TERM.....83
 RELAY,DPDT,12VDC.....83
 RELAY,SPDT,12V(AUTO)**.....85, 87
 RELAY,SPDT,12VDC.....83
 RELAY,TIME DELAY,1 SECOND***.....83
 Relief Valve.....29
 Relief Valve, 1200 psi (83 bar).....77-78
 Relief Valve, 1600 psi (110 bar).....77-78
 Relief Valve, 1800 psi (124 bar).....77-78
 Relief Valve, 2400 psi (166 bar).....77-78
 REPAIR LINK END SET (42763)*.....105
 RESISTOR,10 OHM,25 WATT.....85, 87
 RESISTOR,100 OHM,25 WATT.....119, 125
 RESISTOR,250 OHM,5 WATT.....119, 125
 REST PAD, LOWER ARM.....101
 RETAINER,AXLE ROLLER PIN,PAI.....19, 47
 RETAINER,GAS SPRING***.....89
 RETAINER-N.C.PROPOR.SOLENOID.....77-78
 RIVET,ALUM,ALUM,P.156 X .375.....67
 RIVET,ALUM,ALUM,P.25X.375.....89
 ROCKER ASSY,HANDLE (20424)***.....121
 ROD END,.375X3.69,ZAG.....95, 97, 99, 107
 ROD END,.5 X 3.75,ZAG.....95, 97, 99
 ROTATION LOCK RETAINER PIN ASY.....81
 ROTATOR ASSEMBLY KIT Z60.....107
 ROTATOR ASSMBLY.....107
 ROTOR,DISTRIBUTOR,FORD.....63

S

SADDLE BRCKT40613,34419,53073*.....123
 SADDLES-SET(24493,40613,53073*.....123
 SCREW T-SWITCH PH/PH 6-32X1/4.....119
 SCREW, HCC, 3/8-16 X 1.50.....67, 99, 107
 SCREW,FHM,10-32 X 1.5.....105
 SCREW,FHS,3/8-16 X 1.....19, 47
 SCREW,HEX,M4X0.7X10MM (20424)*.....121
 SCREW,HEX,M4X0.7X30MM (20424)*.....121
 SCREW,HHC,1-8 X 11,GRD 5***.....113
 SCREW,HHC,1/2-13 X 1.25 GR5.....31, 33, 57, 65, 69, 95, 97, 99
 SCREW,HHC,1/2-13 X 1.5.....65, 73
 SCREW,HHC,1/2-13 X 3.....67
 SCREW,HHC,1/2-13 X 3.5.....19, 101
 SCREW,HHC,1/2-13 X 4.....17, 19, 47
 SCREW,HHC,1/2-13 X 5.5.....31, 33, 57
 SCREW,HHC,1/2-13 X.75.....19, 47, 81
 SCREW,HHC,1/4-20 X .5.....19, 83, 99

Part Description Index (continued)

SEAL KIT,CYL,Z60 (63208).....95	STRAP ASSY,TANK, 66 INCH.....75	TUBE ASSY., PUMP SUCTION.....91
SEAL KIT,CYL,Z60 (63211).....99	STUD, HUB, 5/8-18 X 2 1/2.....21, 23	TUBE,SLIDING MIDRAIL,PAINTED.....115
SEAL KIT,CYLINDER (89060).....103	SUB PLATE (SPOOL VALVE).....25	
SEAL KIT,FAIRFIELD,W2B2.....31, 33, 57	SUPPORT,WRIST,PAINTED-BLUE.....119	
SEAL KIT,HYD SWIVEL (37403).....81	SVC KIT,UK RECEPT.REPLACEMENT.....117	U
SEAL KIT,HYDRAULIC CYLINDER.....95	SWING DRIVE ASSEMBLY,S40/Z60***.....81	U-BOLT, KIT 5/16-18 X 2.5 ***.....69
SEAL KIT,HYDRAULIC CYLINDER***.....107	SWITCH (20424).....121	U-BOLT,3/8 X 1 YZ.....113
SEAL KIT,LIFT PUMP (53961)***.....69	SWITCH TOGGLE ASSY DPDT 2P MNT...87,	UPPER LEVELING LINK ASSY.....97
SEAL KIT,LIFT PUMP**.....65, 69	119	UPPER PIVOT WELDMENT,PAINTED.....97,
SEAL KIT,MICO.....31, 57, 81	SWITCH TOGGLE ASSY DPDT 2P MOM..87,	99
SEAL KIT,MOTOR TURNTABLE***.....81	119	UPPER SECONDARY BOOM ASSY.....97
SEAL KIT,PLAT ROTATE***.....107	SWITCH TOGGLE ASSY DPDT 3P MNT...119	UPPR. LIMIT SWITCH BRKT.,BLUE.....105
SEAL KIT,SAUER-DANFOSS M46***.....31, 33,	SWITCH TOGGLE ASSY DPDT 3P MOM..85,	
65, 69	87, 119	
SEAL KIT,SWIVEL (44369).....81	SWITCH TOGGLE ASSY SPDT 3P MOM...85,	
SEAL KIT,SWIVEL***.....81	87, 119	V
SEAL KIT,TORQUE HUB (S07).....81	SWITCH,HANDLE,20424.....121	Valve - Check.....55
SEAL KIT,UNIVERSAL,9K ROTATOR*.....107	SWITCH,LIMIT,W/6.25"SPRING ARM.....97,	Valve - Directional.....55
SEAL, GREASE.....21, 23	105	Valve - Flow Divider.....55
SEAL,SHAFT.....81	SWITCH,LIMIT,W/ROLLER HEAD***.....105	Valve - Relief.....51, 55
SEAL,THERMOSTAT,FORD.....63	SWITCH,VACUUM.....65	Valve - Shuttle.....55
SENSOR,LEVEL 4.5***.....73	SWITCH,WATER TEMP,S60.....63, 69, 83	Valve - Shuttle, 3 position 3 way.....29
SHAFT & HOUSING ASSY.....123	SWITCH/SENDER, OIL TEMPERATURE.....69	Valve - Solenoid.....51
SHAFT (53073)***.....123		VALVE - SOLENOID 2 POS 2 WAY.....107
SHAFT W/GEAR.....125		VALVE - SOLENOID, 2 POS 2 WAY.....107
SHAFT,OUTPUT,PINION,TURNTABLE.....81	T	VALVE KIT,D03.....77-78
SHAFT,W/NF STYL BLOCK,(20424)*.....121	T-BOX,2.75 X 4.5 X 2.0.....117	VALVE, FUEL LOCK.....75
SHIM,OSCILLATING AXLE.....19, 47	TANK STRAPBOLT STYLE,62".....75	VALVE, SOLENOID, 10V.....25, 51
SHIM,PRIMARY BOOM, .064 THK.....103	TANK,HYDRAULIC,45 GALLON***.....75	VALVE,BALL,1" MPT X FPT.....75, 91
SHIM,WEAR PAD,5 X 1.5,14GA.....103	TAP BLOCK,PLATE HINGE.....89	VALVE,CHECK.....27, 33, 53, 73
SHIM,WEAR PAD,5X 1.5 16GA.....103	TAPE,WARNING,BLK/YEL, 50***.....11, 13, 15	VALVE,CHECK 45027,20419.....55
SHOCK MOUNT,SMALL.....67	TEE,BRANCH,070429-12-12.....91	VALVE,CHECK CP100-2-B-O-005.....53
SLEEVE,NYLON,2.19 ID,BULK.....115	TEE,BRANCH,070429-6-6.....43, 59, 91	VALVE,CHECK***.....77-78
SLIDING MIDRAIL KIT,PTD.....115	TEE,BRANCH,070433-8.....43, 59	VALVE,CHECK,PILOT OPERATED.....55
SNAP RING,EXTERNAL,1.25,ZAG.....103	TEE,BRANCH,520429-6.....39	VALVE,CNTERBAL,CBBB-LHN@3000**.....95,
SOCKET,IND.LITE,W/RED LENS.....119	TEE,RUN,070428-4-4.....35, 43, 59	99, 107
SOCKET,RELAY.....83	TEE,RUN,070428-6-6.....35, 43, 59	VALVE,CNTERBAL,CBBB-LHN@3000**.....95,
Solenoid Valve - N.C. 2 position 2way.....77-78	TEE,RUN,070432-12.....91	99
SOLENOID VALVE,N.C. 2POS. 3WAY.....73	TEE,RUN,070432-6-6.....91	VALVE,COUNTERBAL.CBCG-LJN@3000..95,
SOLENOID, ANTI-DIESELING.....63	TEE,RUN,520428-6.....39	99
SOLENOID,12V CONTINUOUS***.....69, 83	TERMINAL BLOCK(SINGLE),WAGO***.....83	VALVE,COUNTERBALANCE (65461).....78
SOLENOID,THROTTLE.....69	TERMINAL,ANDERSON,30A 12-16 GA.....115	VALVE,COUNTERBALANCE 2000PSI.....107
SOLENOID-GASOLINE FUEL.....75	THERMOSTAT & SEAL,FORD.....63	VALVE,COUNTERBALANCE 2500 PSI*.....81,
SPACER,LONG ANDERSON.....115	THREADED ROD,(1/4-20),10.5".....67	103
SPACER,NYLON,375.....117	THREADED ROD,1/4-28 X 15 IN***.....65, 69	VALVE,COUNTERBALANCE 2500PSI.....103,
SPACER,REST PAD,Z60.....101	THRUST WASHER (29231).....31, 33, 57	107
SPARK PLUG WIRE SET, LSG 423.....63, 65	TIE ROD END WELD,SERVICE,Z60.....17	VALVE,COUNTERBALANCE 3000 PSI*...103,
SPARK PLUG,FORD.....63, 65	TIE ROD ENHANCEMENT KIT.....17	107
SPINDLE WELDMENT.....23	TIE ROD, WELD. S60.....19, 47	VALVE,COUNTERBALANCE,1500 PSI.....81
SPRING & BUSHING KIT,RETURN***.....125	TIE ROD, WELD.NON-OSC,Z60.....17	VALVE,COUNTERBALANCE,2500 PSI*.....107
SPRING CLIP,1/4-20,.025-.15X.54,ZAG.....21,	TIRE & WHEEL ASSY,AIR,LEFT.....49, 57	VALVE,DIFFERENTIAL SENSING***.....77-78
23, 31, 33, 49, 57, 103, 113	TIRE & WHEEL ASSY,FOAM***.....21, 23, 31,	VALVE,DIRECT. CONTROL,4WD S60.....55
SPRING CLIP,10-24,.025-.125X.468,ZAG...115	33	VALVE,DRAIN,FORD,BLOCK,RAD.....65, 67
SPRING CLIP,3/8-16,.05-.20X.73,ZAG.....89	TIRE & WHEEL ASSY,FOAM,RIGHT.....49, 57	VALVE,FLOW DIVIDER/COMBINER.....29, 55
SPRING KIT,MICO.....81	TIRE & WHEEL ASSY:AIR.....21, 23, 31, 33	VALVE,FLOW REGULATOR.....27, 53, 78
SPRING,24493 CONTROLLER.....123	TIRE,32 X 12 - 15 NHS.....21, 23, 31, 33	VALVE,FLOW REGULATOR (29065).....53
SPRING,DRIVE TURNTABLE***.....81	TIRE,38/65D-19.5,16PLY,OTR*.....21, 23, 31,	VALVE,FLOW REGULATOR 0.1 GPM.....78
SPRING,RETURN***.....121	33	VALVE,FLOW REGULATOR 0.6GPM.....77-78
SPUR GEAR (20424).....121	TIRE,RT,SGL,15-19.5NHS,12PLY.....49, 57	VALVE,LOCK OFF,BEAM #FL-418.....65
STARTER ASSY - PRE 8/14/95.....71	TOEBOARD,ENTRY EUROPEAN	VALVE,PILOT TO OPEN CHECK.....27, 53
STARTER SOLENOID, DEUTZ 25484.....71	PNTD**.....115	VALVE,PROPORTIONAL SOLENOID***.....77-
STARTER,ENGINE,FORD LSG/LRG***.....65	TOEBOARD,PLTFM ENTRY EUR,PNTD*...115	78
STEER MANIFOLD ASSEMBLY.....25	TORQUE HUB,49:1.....31, 33, 57	VALVE,RELIEF.....27, 53, 73, 77-78
STEER. CYL. RETRO FIT KIT Z60.....17, 19,	TORQUE HUB-SWING***.....81	VALVE,RELIEF 1600 PSI.....77-78
47	TRACK REPAIR,7 LINK (25706).....105	VALVE,RELIEF 1800 PSI.....77-78
STEP PLATFORM ENTRY PAINTED***.....113	TRACK TUBE GUIDE.....105	VALVE,RELIEF 2400 PSI***.....78
STRAIGHT,HUMP,RBR BUTT 3" I.D.....71	TRACK TUBE WELDMENT.....105	VALVE,RELIEF,210 PSI.....29, 55
STRAINER ASSEMBLY,1.5" NPT.....75, 91	TRACK,PLASTIC CABLE,43 LINKS.....105	VALVE,SHUTTLE.....27, 53, 55
STRAINER,FILLER NECK.....75	TRACTION MANIFOLD,2WD***.....29, 33	VALVE,SHUTTLE***.....27, 53, 81
	TUBE ASSY., PUMP PRESSURE.....91	VALVE,SOLENOID N/C (SHORT)***.....107
		VALVE,SOLENOID N/O (LONG)***.....107

VALVE,SOLENOID,10V W/DIODE***.....33
 VALVE,SOLENOID,10V,2POS 3WAY**.....27,
 53, 73, 107
 VALVE,SOLENOID,2 POS-4 WAY-10V.....25,
 51
 VALVE,SOLENOID,2 WAY,12V.....77-78
 VALVE-RELIEF, 250 PSI (32636).....25, 51
 VIEW GAUGE 3/4 MPT.....75
 VOLT METER,12VDC,S60.....83

W

WASHER, PLATE.....21, 23
 WASHER,3/8 PLATE (3/8X2X3/16TK.....17
 WASHER,FENDER,.25 X 1.25 X.062.....89, 99
 WASHER,FLAT,5 HARDENED.....31, 33, 57,
 65, 69, 81
 WASHER,FLAT,625 HARDENED.....23, 31,
 49, 57, 67, 71, 81, 97, 101
 WASHER,FLAT,640X1.160X.09.....33
 WASHER,FLAT,1.000,HARDENED.....113
 WASHER,FLAT,1.063 X 2 X .134.....71
 WASHER,FLAT,2.5 X 4 X .062.....17, 19, 47
 WASHER,FLAT,313, HARDENED.....113
 WASHER,FLAT,USS,1/2",Y.....67, 73, 101, 105
 WASHER,FLAT,USS,1/4"Y.....19, 21, 23, 25,
 31, 33, 47, 49, 57, 65, 67, 69, 71, 73, 83, 85,
 87, 89, 95, 97, 103, 105, 107, 113, 115, 119
 WASHER,FLAT,USS,3/8",Y.....67, 73, 75, 113
 WASHER,FLAT,USS,5/16",Y.....25, 51, 69, 81,
 89, 95, 105, 107, 115
 WASHER,FLAT,USS,5/8",Y.....67
 WASHER,LOCK,#10 PLTD.....19, 25, 47, 77-
 78, 97
 WASHER,LOCK,.25.....19, 21, 23, 31, 33, 47,
 49, 57, 65, 67, 69, 71, 83, 85, 87, 99, 101, 103,
 105, 113, 115, 119
 WASHER,LOCK,.313.....21, 23, 69, 73
 WASHER,LOCK,.375.....25, 51, 65, 69, 71, 73,
 81, 89, 101, 103, 105
 WASHER,LOCK,0.5".....19, 31, 33, 47, 57, 65,
 69, 81, 95, 97, 99
 WASHER,LOCK,M10.....67
 WASHER,SHIM,1.27 X 2.13 X .062.....103, 107
 WASHER,THRUST 1.75 ID.....17
 WASHER,THRUST,2.56 X 4.0 X.18.....17, 19,
 47
 WASHER,THRUST-TORQUE HUB-29231.....33
 WEAR PAD,4X2X.5 W/INSERT***.....101
 WEAR PAD,5 X 1.5 X .50 W/NUTS.....103
 WEAR PAD,5 X 1.5 X .625 W/NUTS.....103
 WEAR PAD,5X1.5X1 W/INSERTS.....101
 WEAR PAD,6.5 X 5 X.625 W/INSER.....103
 WEAR PAD,OSCILLATING AXLE, S60.....19,
 47
 WELDMENT PLATE ENGINE TANK.....67, 71
 WELDMENT, CYLINDER MOUNTING.....97
 WELDMENT,BULKHEAD,RT SIDE.....89
 WELDMENT,DEUTZ ENGINE MOUNT.....71
 WELDMENT,ENGINE MOUNT INBOARD.....71
 W E L D M E N T , E N G I N E
 MOUNT,OUTBOARD.....71
 WELDMENT,FORD ENG.MNT,INBOARD.....67
 W E L D M E N T , F O R D
 ENG.MNT,OUTBOARD.....67
 WELDMENT,HEAT SHIELD PAINTED.....71
 WELDMENT,LP TANK BRACKET**.....75
 WELDMENT,RADIATOR MOUNT.....67
 WELDMENT,ROD END.....19, 47
 WELDMENT,SWIVEL LOCK.....81

WHEEL RIM, FLAP.....21, 23, 31, 33
 WHEEL,19.5 X 11.75***.....21, 23, 31, 33, 49,
 57
 WHEEL,SPLIT RIM.....21, 23, 33
 WIRE CABLE,14/3 CON.TPE JKT*.....73
 WIRE CABLE,14/3 SO,BULK.....117
 WIRE CABLE,16/4 SJO,BULK.....117
 WIRE CABLE,18/19 CON.TPRJKT.....83, 117
 WIRE LOOM,3/8 POLY SLIT.....115
 WIRE,12/3 SJEOW,BK-WH-GR/YL.....83, 117
 WIRING DUCT/COVER, 1 X 72 IN**.....83
 WLDMNT,HYD.TANK MODULE PLATE**.....73
 WLDMNT.,CVR. REINFORCEMENT RH.....89

Y

YOKE ASSY 2/4WD,L.S.,Z60.....19, 47
 YOKE ASSY 2/4WD,R.S.,Z60.....19, 47
 YOKE ASSY,2/4WD,L.S.,S60/Z60.....19, 47
 YOKE ASSY,2/4WD,R.S.,S60/Z60.....19, 47
 YOKE ASSY,2WD LF.SIDE,Z60.....17
 YOKE ASSY,2WD RT.SIDE,Z60.....17

Z

ZERK,GREASE,1/8 NPT.....89

Fitting Cross References

Genie PN	Parker PN	Description	Genie PN	Parker PN	Description
12342	6-4 F5OX-S	CONNECTOR,STRAIGHT THREAD TO FLARE TUBE	42794	1 CR-S	ELBOW,90°,MALE PIPE
13757	4 R6X-S	RUN TEE,SWIVEL NUT,ORFS	42795	BV-0839	BALL VALVE
19685	12-10 C5OX-S	ELBOW,90°,STRAIGHT THREAD TO FLARE TUBE	42796	BV-0838	BALL VALVE
22664	12-10 C5OX	ELBOW,90°,STRAIGHT THREAD TO FLARE TUBE	42874	6-8 CLO-S	ELBOW,90°,MALE PIPE TO ORFS
27431	8-12 F5OX-S	CONNECTOR,STRAIGHT THREAD TO FLARE TUBE	42912	13943-6-4	HOSE END,90° FEMALE SWIVEL,JIC
28678	AS-B-33	SLEEVE,NYLON,1.81" ID	42920	BV-0840	BALL VALVE,90°
39871	6 WETX-WLN-S	UNION,90° BULKHEAD W/NUT,FLARE TUBE	42932	AS-B-17	SLEEVE,NYLON,1.22" ID
39872	4 R5OX-S	RUN TEE,STRAIGHT THREAD	42936	10243-2-4	HOSE END,FEMALE PIPE
39873	6 C5OX-S	ELBOW,90°,STRAIGHT THREAD TO FLARE TUBE	42953	1/2 DD-S	ELBOW,90°,FEMALE PIPE
39874	8-6 C5OX-S	ELBOW,90°,STRAIGHT THREAD TO FLARE TUBE	42956	6 WELO-WLNL-S	UNION,90° BULKHEAD W/NUT,ORFS
39875	4-6 C5OX-S	ELBOW,90°,STRAIGHT THREAD TO FLARE TUBE	45349	8 V5OX-S	ELBOW,45°,STRAIGHT THREAD TO FLARE TUBE
39876	6-8 C5OX-S	ELBOW,90°,STRAIGHT THREAD TO FLARE TUBE	45351	4 V5OX-S	ELBOW,45°,STRAIGHT THREAD TO FLARE TUBE
39877	4 F5OX-S	CONNECTOR,STRAIGHT THREAD TO FLARE TUBE	47223	10343-6-6	HOSE END,MALE,JIC
39878	6 F5OX-S	CONNECTOR,STRAIGHT THREAD TO FLARE TUBE	47419	PS690503-6-6	SWIVEL,90°,STRAIGHT THREAD TO 37° FLARE
39879	4-8 F5OX-S	CONNECTOR,STRAIGHT THREAD TO FLARE TUBE	48750	421-4	HOSE,1/4 INCH ID
39880	6-10 F5OX-S	CONNECTOR,STRAIGHT THREAD TO FLARE TUBE	48751	481TC-4	HOSE,1/4 INCH ID
39881	4-6 F5OX-S	CONNECTOR,STRAIGHT THREAD TO FLARE TUBE	48752	482TC-4	HOSE,1/4 INCH ID
39882	4-HP5ON-S	PLUG,STRAIGHT THREAD	48753	451TC-6	HOSE,3/8 INCH ID
39883	8-8 FTX-S	CONNECTOR,MALE PIPE TO FLARE TUBE	48754	482TC-6	HOSE,3/8 INCH ID
39885	269HB 12-12	ELBOW,90°,BEADED HOSE BARB TO MALE PIPE	48755	381-6	HOSE,3/8 INCH ID
39886	431-6	HOSE,3/8 INCH ID	48756	451TC-8	HOSE,1/2 INCH ID
39887	540N-2	HOSE,1/8 INCH ID	48757	482TC-8	HOSE,1/2 INCH ID
39888	801-8	HOSE,1/2 INCH ID	48758	381-8	HOSE,1/2 INCH ID
39889	801-12	HOSE,3/4 INCH ID	48759	381-10	HOSE,5/8 INCH ID
39890	10643-6-6	HOSE END,FEMALE SWIVEL,JIC	48760	451TC-10	HOSE,5/8 INCH ID
39891	13943-6-6	HOSE END,90° FEMALE SWIVEL,JIC	48761	482TC-12	HOSE,3/4 INCH ID
39892	13743-6-6	HOSE END,45° FEMALE SWIVEL,JIC	48762	451TC-12	HOSE,3/4 INCH ID
39894	30682-8-8	HOSE END,FEMALE SWIVEL,JIC	48763	772-12	HOSE,3/4 INCH ID
39895	30682-10-12	HOSE END,FEMALE SWIVEL,JIC	48764	881-16	HOSE,1 INCH ID
42286	8-8 CTX-S	ELBOW,90°,MALE PIPE TO FLARE TUBE	48765	772-16	HOSE,1 INCH ID
42756	8-12 CLO-S	ELBOW,90,MALE PIPE TO ORFS	48766	AS-B-15	SLEEVE,NYLON,1.06" ID
42757	8-12 FLO-S	CONNECTOR,MALE PIPE TO ORFS	48767	AS-B-22	SLEEVE,NYLON,1.42" ID
42758	4 JLO-S	UNION TEE,ORFS	48770	881-8	HOSE,1/2 INCH ID
42759	4-4 FLO-S	CONNECTOR,MALE PIPE TO ORFS			
42760	6-8 FLO-S	CONNECTOR,MALE PIPE TO ORFS			
42761	1J143-6-4	HOSE END,90° FEMALE SWIVEL,SEAL LOK			
42762	1J743-6-4	HOSE END,45° FEMALE SWIVEL,SEAL LOK			
42768	1JO43-4-4	HOSE END,MALE,SEAL LOK			
42776	801-8	HOSE,1/2 INCH ID			
42777	1J743-16-16	HOSE END,45° FEMALE SWIVEL,SEAL LOK			
42786	16 CLO-S	ELBOW,90°,MALE PIPE TO ORFS			
42787	16 R6LO-S	RUN TEE,SWIVEL NUT,ORFS			
42788	16-8 TRLO-BL-S	REDUCER,TUBE END TO SWIVEL,ORFS			
42789	6-6 CLO-S	ELBOW,90°,MALE PIPE TO ORFS			
42790	8-10 V5OLO-S	ELBOW,45°,STRAIGHT THREAD TO ORFS			
42791	3/4 CD-S	ELBOW,90°,MALE TO FEMALE PIPE			
42792	3/4 X 1/2 PTR-S	REDUCER,MALE TO FEMALE PIPE			
42793	1/2 CR-S	ELBOW,90°,MALE PIPE			

Fitting Cross References (Continued)

Genie PN	Parker PN	Description	Genie PN	Parker PN	Description
48771	881-10	HOSE,5/8 INCH ID	48847	13943-12-12	HOSE END,90° FEMALE SWIVEL,JIC
48772	381-4	HOSE,1/4 INCH ID	48848	10543-12-12	HOSE END,MALE,STRAIGHT THREAD
48773	AS-B-13	SLEEVE,NYLON,.86" ID	48849	1JC71-12-12	HOSE END,FEMALE SWIVEL,SEAL LOK
48800	1JC43-4-4	HOSE END,FEMALE SWIVEL,SEAL LOK	48850	1JS71-12-12	HOSE END,FEMALE SWIVEL,SEAL LOK
48801	1J743-4-4	HOSE END,45° FEMALE SWIVEL,SEAL LOK	48851	1J171-12-12	HOSE END,90° FEMALE SWIVEL,SEAL LOK
48802	1J943-4-4	HOSE END,90° FEMALE SWIVEL,SEAL LOK	48852	1J771-12-12	HOSE END,45° FEMALE SWIVEL,SEAL LOK
48804	1JM43-4-4	HOSE END,MALE,SEAL LOK, NO O-RING	48853	1J971-12-12	HOSE END,90° FEMALE SWIVEL,SEAL LOK
48805	10643-4-4	HOSE END,FEMALE SWIVEL,JIC	48854	1JC43-16-16	HOSE END,FEMALE SWIVEL,SEAL LOK
48806	13943-4-4	HOSE END,90° FEMALE SWIVEL,JIC	48855	1J943-16-16	HOSE END,90° FEMALE SWIVEL,SEAL LOK
48807	1JS43-4-4	HOSE END,FEMALE SWIVEL,SEAL LOK	48856	1J171-16-16	HOSE END,90° FEMALE SWIVEL,SEAL LOK
48808	3JC82-8-8	HOSE END,FEMALE SWIVEL,SEAL LOK	48857	1J971-16-16	HOSE END,90° FEMALE SWIVEL,SEAL LOK
48809	3JC82-12-12	HOSE END,FEMALE SWIVEL,SEAL LOK	48859	1JS43-8-4	HOSE END,FEMALE SWIVEL,SEAL LOK
48810	1JC43-6-4	HOSE END,FEMALE SWIVEL,SEAL LOK	48867	PD36BTL	DIAGNOSTIC NIPPLE,SEAL-LOK SWIVEL
48811	1J943-6-4	HOSE END,90° FEMALE SWIVEL,SEAL LOK	48873	6 PNLO-S	PLUG,TUBE END,ORFS
48812	1JC43-6-6	HOSE END,FEMALE SWIVEL,SEAL LOK	48874	6 PNTX-S	PLUG,FLARE TUBE
48813	1J143-6-6	HOSE END,90° FEMALE SWIVEL,SEAL LOK	48875	6 R6LO-S	RUN TEE,SWIVEL NUT,ORFS
48814	1J543-6-6	HOSE END,90° FEMALE SWIVEL,SEAL LOK	48877	4 F5OLO-SW/.025	CONNECTOR,STRAIGHT THREAD TO ORFS, W/.025 ORI
48815	1J743-6-6	HOSE END,45° FEMALE SWIVEL,SEAL LOK	48878	16-12 C5OLO-S	ELBOW,90°,STRAIGHT THREAD TO ORFS
48816	1J943-6-6	HOSE END,90° FEMALE SWIVEL,SEAL LOK	48879	8 C6LO-S	ELBOW,90°,SWIVEL NUT ORFS
48817	1JS43-6-8	HOSE END,FEMALE SWIVEL,SEAL LOK	48880	PD6-285	CAP,DIAGNOSTIC NIPPLE
48818	1J943-8-4	HOSE END,90° FEMALE SWIVEL,SEAL LOK	48881	6 HLO-S	UNION,ORFS
48819	1JC43-8-6	HOSE END,FEMALE SWIVEL,SEAL LOK	48883	8 P5ON-S	PLUG,STRAIGHT THREAD
48820	1J743-8-6	HOSE END,45° FEMALE SWIVEL,SEAL LOK	48884	8M18F87OMLO-S	CONNECTOR,METRIC,STRAIGHT THREAD TO ORFS
48821	1J943-8-6	HOSE END,90° FEMALE SWIVEL,SEAL LOK	48885	4 WGTX-WLN-S	CONNECTOR,BULKHEAD,FEMALE PIPE TO FLARE TUBE
48822	1JC43-8-8	HOSE END,FEMALE SWIVEL,SEAL LOK	48886	4 F5OLO-SW/2MM	CONNECTOR,MACHINED STRAIGHT THREAD TO ORFS
48823	1JS43-8-8	HOSE END,FEMALE SWIVEL,SEAL LOK	48887	4 CTX-S	ELBOW,90°,MALE PIPE TO FLARE TUBE
48824	1J143-8-8	HOSE END,90° FEMALE SWIVEL,SEAL LOK	48888	10-12 V5OLO-S	ELBOW,45°,STRAIGHT THREAD TO ORFS
48825	1J543-8-8	HOSE END,90° FEMALE SWIVEL,SEAL LOK	48890	4 S5OLO-S	BRANCH TEE,STRAIGHT THREAD TO ORFS
48826	1J743-8-8	HOSE END,45° FEMALE SWIVEL,SEAL LOK	48891	4 S6LO-S	BRANCH TEE,SWIVEL NUT TO ORFS
48827	1J943-8-8	HOSE END,90° FEMALE SWIVEL,SEAL LOK			
48828	1JC43-10-8	HOSE END,FEMALE SWIVEL,SEAL LOK			
48829	1JS43-10-8	HOSE END,FEMALE SWIVEL,SEAL LOK			
48830	1J743-10-8	HOSE END,45° FEMALE SWIVEL,SEAL LOK			
48831	1J943-10-8	HOSE END,90° FEMALE SWIVEL,SEAL LOK			
48833	1JC43-10-10	HOSE END,FEMALE SWIVEL,SEAL LOK			
48834	1J943-10-10	HOSE END,90° FEMALE SWIVEL,SEAL LOK			
48835	1JS43-10-12	HOSE END,FEMALE SWIVEL,SEAL LOK			
48836	1JC43-12-8	HOSE END,FEMALE SWIVEL,SEAL LOK			
48837	1JS43-12-8	HOSE END,FEMALE SWIVEL,SEAL LOK			
48838	1J743-12-8	HOSE END,45° FEMALE SWIVEL,SEAL LOK			
48839	1J943-12-8	HOSE END,90° FEMALE SWIVEL,SEAL LOK			
48840	1J943-12-10	HOSE END,90° FEMALE SWIVEL,SEAL LOK			
48841	1JC43-12-12	HOSE END,FEMALE SWIVEL,SEAL LOK			
48842	1JO43-12-12	HOSE END,MALE,SEAL LOK			
48843	1J143-12-12	HOSE END,90° FEMALE SWIVEL,SEAL LOK			
48844	1J543-12-12	HOSE END,90° FEMALE SWIVEL,SEAL LOK			
48845	1J743-12-12	HOSE END,45° FEMALE SWIVEL,SEAL LOK			
48846	1J943-12-12	HOSE END,90° FEMALE SWIVEL,SEAL LOK			

Fitting Cross References (Continued)

Genie PN	Parker PN	Description	Genie PN	Parker PN	Description
48892	6 C6LO-S	ELBOW,90°,SWIVEL NUT ORFS	48938	8 R6LO-S	RUN TEE,SWIVEL NUT,ORFS
48893	6 F5OHAO-S	UNION,STRAIGHT THREAD	48939	8 S6LO-S	BRANCH TEE,SWIVEL NUT TO ORFS
48894	8 WLO-WLNL-S	UNION,BULKHEAD,ORFS	48940	8 WJLO-WLNL-S	RUN TEE, BULKHEAD,ORFS
48895	DT-370-MSMO-5	VALVE,CHECK	48941	8-4 TRLO-S	REDUCER,TUBE END TO SWIVEL,ORFS
48896	6 JLO-S	UNION,TEE,ORFS	48942	8-6 C5OLO-S	ELBOW,90°,STRAIGHT THREAD TO ORFS
48897	DT-750-MSMS-5	VALVE,CHECK	48943	8-6 F5OLO-S	CONNECTOR,STRAIGHT THREAD TO ORFS
48898	DT-750-MOMS-5	VALVE,CHECK	48944	8-8 FLO-S	CONNECTOR,MALE PIPE TO ORFS
48899	DT-620-MOMS-5	VALVE,CHECK	48945	8 FTX-S	CONNECTOR,MALE PIPE TO FLARE TUBE
48900	4-6 F5OLO-SW/.035	CONNECTOR,STRAIGHT THREAD TO ORFS, W/.035 ORI	48946	8-10 F5OLO-S	CONNECTOR,STRAIGHT THREAD TO ORFS
48902	16-1 AOE4G-S	ELBOW,90° LONG,FEMALE PIPE TO STRAIGHT THREAD	48947	8-12 C5OLO-S	ELBOW,90°,STRAIGHT THREAD TO ORFS
48903	1 FF-S	NIPPLE,PIPE	48948	8-12 F5OLO-S	CONNECTOR,STRAIGHT THREAD TO ORFS
48904	4 C5OLO-S	ELBOW,90°,STRAIGHT THREAD TO ORFS	48949	8-16 F5OLO-S	CONNECTOR,STRAIGHT THREAD TO ORFS
48905	4 F5OLO-S	CONNECTOR,STRAIGHT THREAD TO ORFS	48950	10 C5OLO-S	ELBOW,90°,STRAIGHT THREAD TO ORFS
48906	4 R5OLO-S	RUN TEE,STRAIGHT THREAD	48951	10 CC5OLO-S	ELBOW,90° LONG,STRAIGHT THREAD TO ORFS
48907	4 V5OLO-S	ELBOW,45°,STRAIGHT THREAD TO ORFS	48952	10 F5OLO-S	CONNECTOR,STRAIGHT THREAD TO ORFS
48908	4 R6LO-S	RUN TEE,SWIVEL NUT,ORFS	48953	10 R5OLO-S	RUN TEE,STRAIGHT THREAD
48909	4 WJLO-WLNL-S	RUN TEE, BULKHEAD,ORFS	48954	10 S5OLO-S	BRANCH TEE,STRAIGHT THREAD TO ORFS
48910	4 GTX-S W/.030	CONNECTOR,FEMALE PIPE TO FLARE TUBE	48955	10 R6LO-S	RUN TEE,SWIVEL NUT,ORFS
48911	4-6 C5OLO-S	ELBOW,90°,STRAIGHT THREAD TO ORFS	48956	10-4 TRLO-BL-S	REDUCER,TUBE END TO SWIVEL,ORFS
48912	4-6 F5OLO-S	CONNECTOR,STRAIGHT THREAD TO ORFS	48957	10-6 TRLO-BL-S	REDUCER,TUBE END TO SWIVEL,ORFS
48913	4-6 F5OLO-SW/.030	CONNECTOR,STRAIGHT THREAD TO ORFS, W/.030 ORI	48958	10-12 F5OLO-S	CONNECTOR,STRAIGHT THREAD TO ORFS
48914	4-8 F5OLO-S	CONNECTOR,STRAIGHT THREAD TO ORFS	48959	12 C5OLO-S	ELBOW,90°,STRAIGHT THREAD TO ORFS
48915	6 C5OLO-S	ELBOW,90°,STRAIGHT THREAD TO ORFS	48960	12 F5OLO-S	CONNECTOR,STRAIGHT THREAD TO ORFS
48916	6 F5OLO-S	CONNECTOR,STRAIGHT THREAD TO ORFS	48961	12 R5OLO-S	RUN TEE,STRAIGHT THREAD
48917	6 FF5OLO-S	CONNECTOR,LONG,STRAIGHT THREAD TO ORFS	48962	12 S5OLO-S	BRANCH TEE,STRAIGHT THREAD TO ORFS
48918	6 R5OLO-S	RUN TEE,STRAIGHT THREAD	48963	12 V5OLO-S	ELBOW,45°,STRAIGHT THREAD TO ORFS
48919	6 S5OLO-S	BRANCH TEE,STRAIGHT THREAD TO ORFS	48964	12 R6LO-S	RUN TEE,SWIVEL NUT,ORFS
48920	6 V5OLO-S	ELBOW,45°,STRAIGHT THREAD TO ORFS	48965	12 CLO-S	ELBOW,90°,MALE PIPE TO ORFS
48921	6 FLO-S	CONNECTOR,MALE PIPE TO ORFS	48966	12 FLO-S	CONNECTOR,MALE PIPE TO ORFS
48922	6-6 FLO-S	CONNECTOR,MALE PIPE TO ORFS	48967	12 JLO-S	UNION TEE,ORFS
48923	6 P5ON-S	PLUG,STRAIGHT THREAD	48968	12 WLO-WLNL-S	UNION,BULKHEAD,ORFS
48925	6 WELO-S	UNION,90° BULKHEAD,ORFS	48969	12 WJLO-WLNL-S	RUN TEE, BULKHEAD,ORFS
48926	6-4 C5OLO-S	ELBOW,90°,STRAIGHT THREAD TO ORFS	48970	12 WELO-WLNL-S	UNION,90° BULKHEAD W/NUT,ORFS
48927	6-4 F5OLO-S	CONNECTOR,STRAIGHT THREAD TO ORFS			
48928	6-4 V5OLO-S	ELBOW,45°,STRAIGHT THREAD TO ORFS			
48929	6-8 C5OLO-S	ELBOW,90°,STRAIGHT THREAD TO ORFS			
48930	6-8 F5OLO-S	CONNECTOR,STRAIGHT THREAD TO ORFS			
48931	6-10 F5OLO-S	CONNECTOR,STRAIGHT THREAD TO ORFS			
48932	8 C5OLO-S	ELBOW,90°,STRAIGHT THREAD TO ORFS			
48933	8 F5OLO-S	CONNECTOR,STRAIGHT THREAD TO ORFS			
48934	8 FF5OLO-S	CONNECTOR,LONG,STRAIGHT THREAD TO ORFS			
48935	8 R5OLO-S	RUN TEE,STRAIGHT THREAD			
48936	8 S5OLO-S	BRANCH TEE,STRAIGHT THREAD TO ORFS			
48937	8 V5OLO-S	ELBOW,45°,STRAIGHT THREAD TO ORFS			

Fitting Cross References (Continued)

Genie PN	Parker PN	Description	Genie PN	Parker PN	Description
48971	12 G5G5JG5-S	TEE,FEMALE STRAIGHT THREAD	49612	PKT02586	O-RING KIT (ORFS FITTINGS)
48972	12 XHL6-S	ADAPTER, 37° MALE TO SWIVEL ORFS	49613	PKT06276	PLUG AND CAP KIT-SERVICE,ORFS
48973	12-1/2 F5OG-S	ADAPTER,FEMALE PIPE TO STRAIGHT THREAD	49728	10143-12-12	HOSE END, MALE PIPE
48974	12-10 C5OLO-S	ELBOW,90°,STRAIGHT THREAD TO ORFS	49729	16-1 F5OG-S	ADAPTER,FEMALE PIPE TO STRAIGHT THREAD
48975	12-10 F5OLO-S	CONNECTOR,STRAIGHT THREAD TO ORFS	49814	12-8 FLO-S	CONNECTOR,MALE PIPE TO ORFS
48976	12-16 C5OLO-S	ELBOW,90°,STRAIGHT THREAD TO ORFS	49829	DT-500-MOMF-5	VALVE,CHECK
48977	12-16 F5OLO-S	CONNECTOR,STRAIGHT THREAD TO ORFS	49831	881-12	HOSE,3/4 INCH ID
48978	12-16 V5OLO-S	ELBOW,45°,STRAIGHT THREAD TO ORFS	49834	16 JLO-S	UNION TEE,ORFS
48980	12-16 FLO-S	CONNECTOR,MALE PIPE TO ORFS	49838	12-8 TRLO-BL-S	REDUCER,TUBE END TO SWIVEL,ORFS
48983	16 C5OLO-S	ELBOW,90°,STRAIGHT THREAD TO ORFS	49840	8 JLO-S	UNION TEE,ORFS
48984	16 F5OLO-S	CONNECTOR,STRAIGHT THREAD TO ORFS	49844	10-8 TRLO-BL-S	REDUCER,TUBE END TO SWIVEL,ORFS
48985	16 V5OLO-S	ELBOW,45°,STRAIGHT THREAD TO ORFS	49854	8 P5ON-S	PLUG,STRAIGHT THREAD
48986	16 FLO-S	CONNECTOR,MALE PIPE TO ORFS	49855	1JC43-16-12	HOSE END,FEMALE SWIVEL,SEAL LOK
48988	16 CD45-S	ELBOW,45°,MALE TO FEMALE PIPE	49859	4 P5ON-S	PLUG,STRAIGHT THREAD
48989	12 CD45-S	ELBOW,45°,MALE TO FEMALE PIPE	49861	4 FF5OLO-S	CONNECTOR, LONG, STRAIGHT THREAD TO ORFS
48990	8 CD45-S	ELBOW,45°,MALE TO FEMALE PIPE	49867	12-3/4 F5OG-S	ADAPTER,FEMALE PIPE TO STRAIGHT THREAD
48991	16-12 FLO-S	CONNECTOR,MALE PIPE TO ORFS	51152	6 R6X-S	RUN TEE,SWIVEL NUT,ORFS
48992	16-12 V5OLO-S	ELBOW,45°,STRAIGHT THREAD TO ORFS	51153	6-4 TRTX-S	REDUCER,TUBE END TO SWIVEL,ORFS
48993	XV501-12	BALL VALVE	51154	4-4 GTX	CONNECTOR,FEMALE PIPE TO FLARE TUBE
48994	XV501-16	BALL VALVE	51264	881-12	HOSE,3/4 INCH ID
48995	XV510P-12	BALL VALVE	51265	8 JLO-S	UNION TEE,ORFS
48996	XV510P-16	BALL VALVE	51508	6 BTX-S	NUT,FLARE TUBE
48997	PD341	DIAGNOSTIC NIPPLE, STRAIGHT THREAD	51580	12-8 TRLO-BL-S	TUBE END REDUCER,ORFS
48998	PD 361	DIAGNOSTIC NIPPLE, STRAIGHT THREAD	51628	6 R6X-S	RUN TEE,SWIVEL NUT,ORFS
48999	DT-500-MOMS-5	VALVE,CHECK	51735	3/8 HHP	PLUG,PIPE THREAD
49201	10 V5OLO-S	ELBOW,45°,STRAIGHT THREAD TO ORFS	51803	1J943-6-8	HOSE END,90° FEMALE SWIVEL,SEAL LOK
49202	1JC43-12-10	HOSE END,FEMALE SWIVEL,SEAL LOK	53023	125HBL-5-4	FITTING,HOSE BARB TO MALE PIPE
49203	10-8 V5OLO-S	ELBOW,45°,STRAIGHT THREAD TO ORFS	53497	PKT02585	O-RING KIT
49205	6 F5OHAO-S	UNION,STRAIGHT THREAD	53499	1JC71-16-16	HOSE END,FEMALE SWIVEL,SEAL LOK
49207	PD34BTL	DIAGNOSTIC NIPPLE,SEAL-LOK SWIVEL	53500	3-904	O-RING,STRAIGHT THREAD,-4
49209	8M18F870MX-S	CONNECTOR,METRIC,STRAIGHT THREAD TO FLARE TUBE	53501	3-906	O-RING,STRAIGHT THREAD,-6
49212	8 WGTX-WLN-S	CONNECTOR,BULKHEAD,FEMALE PIPE TO FLARE TUBE	53502	3-908	O-RING,STRAIGHT THREAD,-8
49213	30682-8-8	HOSE END,FEMALE SWIVEL,JIC	53503	3-910	O-RING,STRAIGHT THREAD,-10
49216	831-8	HOSE,1/2 INCH ID			
49217	33982-8-8	HOSE END,90° FEMALE SWIVEL,JIC			
49219	PS-B-35	SLEEVE,NYLON,2.19" ID			
49418	4-6 V5OLO-S	ELBOW,45°,STRAIGHT THREAD TO ORFS			
49511	DT370-MOMS-5	VALVE,CHECK			
49512	1 DD-S	ELBOW,90°,FEMALE PIPE			
49513	1 FF-S	NIPPLE,PIPE			
49514	10 HP5ON-S	PLUG,STRAIGHT THREAD			
49515	12-16 CLO-S	ELBOW,90°,MALE PIPE TO ORFS			
49517	6 HP5ON-S	PLUG,STRAIGHT THREAD			
49519	16-12 F5OLO-S	CONNECTOR,STRAIGHT THREAD TO ORFS			
49520	4 VTX-S	ELBOW,45°,MALE PIPE TO FLARE TUBE			
49530	16 C6LO-S	ELBOW,90°,SWIVEL NUT ORFS			

Fitting Cross References (Continued)

Genie PN	Parker PN	Description	Genie PN	Parker PN	Description
53535	3-912	O-RING,STRAIGHT THREAD,-12	61083	24 F5OLO-S	CONNECTOR,STRAIGHT THREAD TO ORFS
53536	4-PNLO-S	PLUG,TUBE END,ORFS	61086	20 R5OLO-S	RUN TEE,STRAIGHT THREAD
53537	6 PNLO-S	PLUG,TUBE END,ORFS	61090	24-20 F5OLO-S	CONNECTOR,STRAIGHT THREAD TO ORFS
53538	8 PNLO-S	PLUG,TUBE END,ORFS	61091	1J943 24-24	HOSE END,90° FEMALE SWIVEL,SEAL LOK
53539	10 PNLO-S	PLUG,TUBE END,ORFS	61093	1J978-12-12	HOSE END,90° FEMALE SWIVEL,JIC
53540	12 PNLO-S	PLUG,TUBE END,ORFS	61095	1JS43-20-16	HOSE END,FEMALE SWIVEL,SEAL LOK
53946	129HB-5-4	FITTING,90° HOSE BARB TO MALE PIPE	61100	811-24	HOSE,11/2 INCH ID
53951	8-1/4F50G-S	ADAPTER,FEMALE PIPE TO STRAIGHT THREAD	61130	1JS43-24-24	HOSE END,FEMALE SWIVEL,SEAL LOK
53980	6 S6LO-S	BRANCH TEE,SWIVEL NUT TO ORFS	61131	1JS78 12-12	HOSE END,FEMALE SWIVEL,SEAL LOK
54132	4 C6LO-S	ELBOW,90°,SWIVEL NUT ORFS	61132	1J778-12-12	HOSE END,45° FEMALE SWIVEL,JIC
54135	11343-16-16	HOSE END,MALE SWIVEL,PIPE	61152	139HB-6-4	ELBOW,45°,BARB TO MALE PIPE
54283	8-10 C5OLO-S	ELBOW,90°,STRAIGHT THREAD TO ORFS	61251	BV-0750	BALL VALVE
54428	8M18C870MLO-S	ELBOW, 90° METRIC, STRAIGHT THREAD TO ORFS	61259	4 CC5OLO-S	ELBOW,90° LONG,STRAIGHT THREAD TO ORFS
54803	FS-F-16-10	SLEEVE,FIRE,-.96" ID	61260	20-12 TRLO-BL	REDUCER,TUBE END TO SWIVEL,ORFS
54954	10143-2-4	HOSE END, MALE PIPE	61262	12 C6LO-S	ELBOW,90°,SWIVEL NUT ORFS
55190	3/8 HP-S	PLUG,PIPE THREAD	61263	20 F5OHAO-S	UNION,STRAIGHT THREAD
55448	8 HLO-S	UNION,ORFS	61264	6-10 C5OLO-S	ELBOW,90°,STRAIGHT THREAD TO ORFS
55839	6 F65OX-S	CONNECTOR,STRAIGHT THREAD TO 37° SWIVEL	61265	6 WNLO-WLNL-S	UNION,BULKHEAD 45°,ORFS
55968	10 C5OX-S	ELBOW,90°,STRAIGHT THREAD TO FLARE TUBE	61268	4 WNLO-WLNL-S	UNION,BULKHEAD 45°,ORFS
56003	6 CC5OLO-S	ELBOW,90° LONG,STRAIGHT THREAD TO ORFS	61269	4 WLO-WLNL-S	UNION,BULKHEAD,ORFS
56166	BV-0837	BALL VALVE,90°	61272	12 AOEL6	ELBOW,90°,STRAIGHT THREAD TO ORFS SWIVEL
56188	10143-8-6	HOSE END, MALE PIPE	61316	482TC-16	HOSE,1 INCH ID
56233	2-011	O-RING,ORFS,-4	61321	6 JLO-S	UNION TEE,ORFS
56234	2-012	O-RING,ORFS,-6	61327	782-12	HOSE,3/4 INCH ID
56235	2-014	O-RING,ORFS,-8	61328	881-24	HOSE,11/2 INCH ID
56236	2-016	O-RING,ORFS,-10	61336	11943-20-24	HOSE END,90° FLANGE HEAD
56237	2-018	O-RING,ORFS,-12	61345	12 WJLO-WLNL-S	RUN TEE, BULKHEAD,ORFS
56238	2-021	O-RING,ORFS,-16	61346	8 WNLO-WLNL-S 4	UNION,BULKHEAD 45°,ORFS
56352	6 WLNL-S	LOCKNUT,BULKHEAD	61569	33782-8-8	HOSE END,45° FEMALE SWIVEL,JIC
56353	3J782-12-12	HOSE END,45° FEMALE SWIVEL,SEAL LOK	61610	12 FF5OLO-S	CONNECTOR,LONG,STRAIGHT THREAD TO ORFS
56354	3J982-12-12	HOSE END,90° FEMALE SWIVEL,SEAL LOK	61742	1/8 X 1.5 FFF	NIPPLE,PIPE
56604	10-8 F5OLO-S	CONNECTOR,STRAIGHT THREAD TO ORFS	63426	8 PNTX-S	PLUG,FLARE TUBE
56639	3JC82-10-10	HOSE END,FEMALE SWIVEL,SEAL LOK			
56640	3J982-10-10	HOSE END,90° FEMALE SWIVEL,SEAL LOK			
56655	3JC82-8-10	HOSE END,FEMALE SWIVEL,SEAL LOK			
56676	10-8 C5OLO-S	ELBOW,90°,STRAIGHT THREAD TO ORFS			
56776	471TC-6	HOSE,3/8 INCH ID			
56777	471TC-8	HOSE,1/2 INCH ID			
56789	811-16	HOSE,1 INCH ID			
57884	3/8 FF	NIPPLE,PIPE			
59335	6 FNL-S	CAP,TUBE END			
59342	4 FNL-S	CAP,TUBE END			
59371	8 HP5ON-S	PLUG,STRAIGHT THREAD			
60653	BV-0751	BALL VALVE			
60806	125HB-3-4	FITTING,HOSE BARB TO MALE PIPE			
61064	5-1/4 F50G-S	ADAPTER,FEMALE PIPE TO STRAIGHT THREAD			
61079	4 WELO-WLNL-S	UNION,90° BULKHEAD W/NUT,ORFS			
61080	6 WLO-WLNL-S	UNION,BULKHEAD,ORFS			

Fitting Cross References (Continued)

Genie PN	Parker PN	Description	Genie PN	Parker PN	Description
64271	4 WLO-WLNL-S	UNION,BULKHEAD,ORFS	75631	801-6	HOSE,3/8 INCH ID
64272	6 WLO-WLNL-S	UNION,BULKHEAD,ORFS	75654	20 F5OLO-S	CONNECTOR,STRAIGHT THREAD TO ORFS
65776	8 F65OL-S	CONNECTOR,STRAIGHT THREAD TO ORFS SWIVEL	75655	1J943-20-20	HOSE END,90° FEMALE SWIVEL,SEAL LOK
65880	6001012	O-RING KIT	75656	881-20	HOSE,1-1/4 INCH ID
66154	6 WTX-WLNS	UNION,BULKHEAD,FLARE TUBE	75971	8 F5OHAO-S	UNION,STRAIGHT THREAD
66155	6 WETX-S	UNION,BULKHEAD 90°,FLARE TUBE	77307	1JB43-8-8	HOSE END,BULKHEAD,SEAL LOK
66156	6 WLN-S	BULKHEAD LOCKNUT	77309	8 WLNL-S	BULKHEAD LOCKNUT
66389	6-8 F5OX-S	CONNECTOR,STRAIGHT THREAD TO FLARE TUBE	77379	8M18C87OMX-S	ELBOW,90° METRIC,STRAIGHT THREAD TO FLARE TUBE
66392	6 R5OX-S	RUN TEE,STRAIGHT THREAD	77703	3J982-8-8	HOSE END,90° FEMALE SWIVEL,SEAL LOK
66396	811-12	HOSE,3/4 INCH ID	77711	801-10	HOSE,5/8 INCH ID
66829	H3174PP	CLAMP,TUBE	77758	12 WNLO-WLNL-S	UNION,BULKHEAD 45°,ORFS
67217	4 KLO-S	UNION,CROSS,ORFS	78091	6 C6X-S	ELBOW,90°,SWIVEL NUT TO FLARE TUBE
67339	10-6 F5OX-S	CONNECTOR,STRAIGHT THREAD TO FLARE TUBE	78684	30582-8-8B	HOSE END,PUSH LOK,MALE
67357	13943-8-6	HOSE END,90° FEMALE SWIVEL,JIC	78852	549-2	HOSE,1/8 INCH ID
67358	10 HP5ON-S	PLUG,STRAIGHT THREAD	78855	10657-4-2	HOSE END,FEMALE SWIVEL,JIC
67371	12 S6LO-S	BRANCH TEE,SWIVEL NUT TO ORFS	79138	PS-B-37	SLEEVE,NYLON,2.38" ID
67498	4 FNL-S	CAP, TUBE END	79476	1JS43-6-8	HOSE END,FEMALE SWIVEL,SEAL LOK
67906	DC-370-F0F0-5	VALVE,CHECK	79847	12-3/4 A0EG-S	ELBOW,90°,STRAIGHT THREAD TO FEMALE PIPE
69316	8 FLO-S	CONNECTOR,MALE PIPE TO ORFS	80044	8 CLO-S	ELBOW,90°,MALE PIPE TO ORFS
69333	H3174PP	CLAMP,HYDRAULIC HOSE	80502	8 F5OX-S	CONNECTOR,STRAIGHT THREAD TO FLARE TUBE
69503	4 F65OX-S	CONNECTOR,STRAIGHT THREAD TO 37° SWIVEL	80503	8 C5OX-S	ELBOW,90°,STRAIGHT THREAD TO FLARE TUBE
69775	8 FNL-S	CAP, TUBE END	81010	AS-B-27	SLEEVE,NYLON,1.63" ID
71038	1/4X1/4F3HG-S	ADAPTER,CONVERSION	83052	821-6	HOSE,3/8 INCH ID
71196	12-8 F5OLO-S	CONNECTOR,STRAIGHT THREAD TO ORFS	83053	821-8	HOSE,1/2 INCH ID
71383	1/4 CD45-S	ELBOW,45°,MALE TO FEMALE PIPE	83054	821-12	HOSE,3/4 INCH ID
72270	12FNL-S	CAP, TUBE END	83055	30682-6-6	HOSE END,FEMALE SWIVEL,JIC
73436	60C-4	SLEEVE,COMPRESSION	83056	30682-12-12	HOSE END,FEMALE SWIVEL,JIC
73437	61C-4	NUT,COMPRESSION	83057	33782-6-6	HOSE END,45° FEMALE SWIVEL,JIC
73438	33482-4-4B	HOSE END,PUSH LOK,MALE	83058	33982-6-6	HOSE END,90° FEMALE SWIVEL,JIC
73767	1CD-S	ELBOW,90°,MALE TO FEMALE PIPE	83060	33982-12-12	HOSE END,90° FEMALE SWIVEL,JIC
73768	20-16-F5OG5-S	ADAPTER,FEMALE PIPE TO STRAIGHT THREAD	83063	13743-4-4	HOSE END,45° FEMALE SWIVEL,JIC
73769	16-20 F5OLO-S	CONNECTOR,STRAIGHT THREAD TO ORFS			
74660	6-8 F42EDMLO-S	CONNECTOR,MALE BSPP TO ORFS			
74661	8-8 F42EDMLO-S	CONNECTOR,MALE BSPP TO ORFS			
75007	4 FLO-S	CONNECTOR,MALE PIPE TO ORFS			
75008	1/8 HP-S	PLUG,PIPE THREAD			
75014	1/2 HP-S	PLUG,PIPE THREAD			
75042	8 WELO-WLNL-S	UNION,90° BULKHEAD W/NUT,ORFS			
75043	3/4 FF-S	NIPPLE,PIPE			
75254	24 F5OHAO-S	UNION,STRAIGHT THREAD			
75255	12 F5OHAO-S	UNION,STRAIGHT THREAD			
75256	XV506P-24	BALL VALVE			
75574	4 WLNL-S	BULKHEAD LOCKNUT			
75612	8 WJLO-WLNL-S	RUN TEE, BULKHEAD,ORFS			
75613	12-8 F5OG5-S	ADAPTER,FEMALE PIPE TO STRAIGHT THREAD			
75614	8 CC5OLO-S	ELBOW,90° LONG,STRAIGHT THREAD TO ORFS			
75628	1JB43-4-4	HOSE END,BULKHEAD,SEAL LOK			

Fitting Cross References (Continued)

Genie PN	Parker PN	Description	Genie PN	Parker PN	Description
83064	13743-8-8	HOSE END,45° FEMALE SWIVEL,JIC	89449	6 WJLO-WLNL-S	RUN TEE, BULKHEAD,ORFS
83065	13743-12-12	HOSE END,45° FEMALE SWIVEL,JIC	89489	4 WJMLO-S	BRANCH TEE,BULKHEAD,ORFS
83066	13943-8-8	HOSE END,90° FEMALE SWIVEL,JIC	89551	1JB43-6-6	HOSE END,BULKHEAD,SEAL LOK
83067	14143-6-6	HOSE END,90° FEMALE SWIVEL,JIC	89552	1JB43-8-8	HOSE END,BULKHEAD,SEAL LOK
83068	14143-8-8	HOSE END,90° FEMALE SWIVEL,JIC	89593	20 C5OLO-S	ELBOW,90°,STRAIGHT THREAD TO ORFS
83069	14143-12-12	HOSE END,90° FEMALE SWIVEL,JIC	94161	8-8 CLO-S	ELBOW,90°,MALE PIPE TO ORFS
83070	772-8	HOSE,1/2 INCH ID	94358	351TC-12	HOSE,3/4 INCH ID
83071	10671-8-8	HOSE END,FEMALE SWIVEL,JIC	94418	20 FLO-S	CONNECTOR,MALE PIPE TO ORFS
83072	10671-12-12	HOSE END,FEMALE SWIVEL,JIC	96358	12 TX-S	SLEEVE,FLARE TUBE
83073	13771-8-8	HOSE END,45° FEMALE SWIVEL,JIC	96359	12 BTX-S	NUT,FLARE TUBE
83074	13771-12-12	HOSE END,45° FEMALE SWIVEL,JIC	96397	8 F5OX-S	CONNECTOR,STRAIGHT THREAD TO FLARE TUBE
83075	13971-8-8	HOSE END,90° FEMALE SWIVEL,JIC	96398	12-8 F5OX-S	CONNECTOR,STRAIGHT THREAD TO FLARE TUBE
83076	13971-12-12	HOSE END,90° FEMALE SWIVEL,JIC	96402	10343-6-6	HOSE END,MALE,JIC
83077	14171-8-8	HOSE END,90° FEMALE SWIVEL,JIC	96407	30382-6-6B	HOSE END,MALE,JIC
83078	14171-12-12	HOSE END,90° FEMALE SWIVEL,JIC			
83080	13943-16-16	HOSE END,90° FEMALE SWIVEL,JIC			
83103	10671-16-12	HOSE END,FEMALE SWIVEL,JIC			
83104	10671-10-12	HOSE END,FEMALE SWIVEL,JIC			
83112	1JC71-8-8	HOSE END,FEMALE SWIVEL,SEAL LOK			
83113	1JS71-16-12	HOSE END,FEMALE SWIVEL,SEAL LOK			
83114	1JS71-10-12	HOSE END,FEMALE SWIVEL,SEAL LOK			
83115	1J971-8-8	HOSE END,90° FEMALE SWIVEL,SEAL LOK			
83116	1J171-8-8	HOSE END,90° FEMALE SWIVEL,SEAL LOK			
83117	1J771-8-8	HOSE END,45° FEMALE SWIVEL,SEAL LOK			
83127	1J543-6-8	HOSE END,90° FEMALE SWIVEL,JIC			
83128	1JC43-6-8	HOSE END,FEMALE SWIVEL,SEAL LOK			
87033	12-6 TRLO-S	REDUCER,TUBE END TO SWIVEL,ORFS			
87034	3J782-8-8	HOSE END,45° FEMALE SWIVEL,SEAL LOK			
87172	12 HP5ON-S	PLUG,STRAIGHT THREAD			
87185	8 WNLO-WLNL-S	UNION,BULKHEAD 45°,ORFS			
87246	4 C6X-S	ELBOW,90°,SWIVEL NUT TO FLARE TUBE			
87679	6 LHP-S	FLANGE SEAL FITTING, MALE			
87681	6PLS N0702	BONDED SEAL			
88100	SR88100	ADAPTER,OIL DRAIN,GM 3.0L			
88311	1JS43-20-20	HOSE END,FEMALE SWIVEL,SEAL LOK			
88353	20 V5OLO-S	ELBOW,45°,STRAIGHT THREAD TO ORFS			
88474	10081-20	Crimp Shell, 1.25"			
88475	1988-20-24	HOSE END,90° FLANGE HEAD			
88476	JS88-24-24	HOSE END,FEMALE SWIVEL,SEAL LOK			
88477	1JC88-20-20	HOSE END,FEMALE SWIVEL,SEAL LOK			
88478	811-20	HOSE,11/4 INCH ID			
88936	20-16 F5OLO-S	CONNECTOR,STRAIGHT THREAD TO ORFS			
88937	20-16 FLO-S	CONNECTOR,MALE PIPE TO ORFS			
88938	1JC88-16-16	HOSE END,FEMALE SWIVEL,SEAL LOK			
88939	1J988-16-16	HOSE END,90° FEMALE SWIVEL,ORFS			
88940	811-16	HOSE,1 INCH ID			
88944	1J988-20-20	HOSE END,90° FEMALE SWIVEL,ORFS			
89403	16 VLO-S	ELBOW,45°,MALE PIPE TO ORFS			

California Proposition 65



Operating, servicing and maintaining this equipment can expose you to chemicals including engine exhaust, carbon monoxide, phthalates, and lead, which are known to the State of California to cause cancer and birth defects or other reproductive harm. These chemicals can be emitted from or contained in other various parts and systems, fluids and some component wear by-products. To minimize exposure, avoid breathing exhaust, do not idle the engine except as necessary, service your equipment and vehicle in a well-ventilated area and wear gloves or wash your hands frequently when servicing your equipment or vehicle and after operation. For more information go to www.P65Warnings.ca.gov/passenger-vehicle.

Breathing diesel engine exhaust exposes you to chemicals known to the State of California to cause cancer and birth defects or other reproductive harm.

- Always start and operate the engine in a well-ventilated area.
- If in an enclosed area, vent the exhaust to the outside.
- Do not modify or tamper with the exhaust system.
- Do not idle the engine except as necessary.

For more information go to

www.P65warnings.ca.gov/diesel.

Distributed By:

www.P65Warnings.ca.gov to order your parts

PARTS FINDER

**Search Website
by Part Number**



**Search Manual
Library For Parts
Manual & Lookup Part
Numbers – Purchase
or Request Quote**

**Can't Find Part or
Manual? Request Help
by Manufacturer,
Model & Description**

Discount-Equipment.com is your online resource for quality parts & equipment.

Florida: **561-964-4949** Outside Florida TOLL FREE: **877-690-3101**

Need parts?

Click on this link: <http://www.discount-equipment.com/category/5443-parts/> and choose one of the options to help get the right parts and equipment you are looking for. Please have the machine model and serial number available in order to help us get you the correct parts. If you don't find the part on the website or on one of the online manuals, please fill out the request form and one of our experienced staff members will get back to you with a quote for the right part that your machine needs.

We sell worldwide for the brands: Genie, Terex, JLG, MultiQuip, Mikasa, Essick, Whiteman, Mayco, Toro Stone, Diamond Products, Generac Magnum, Airman, Haulotte, Barreto, Power Blanket, Nifty Lift, Atlas Copco, Chicago Pneumatic, Allmand, Miller Curber, Skyjack, Lull, Skytrak, Tsurumi, Husquvarna Target, Stow, Wacker, Sakai, Mi-T-M, Sullair, Basic, Dynapac, MBW, Weber, Bartell, Bennar Newman, Haulotte, Ditch Runner, Menegotti, Morrison, Contec, Buddy, Crown, Edco, Wyco, Bomag, Laymor, EZ Trench, Bil-Jax, F.S. Curtis, Gehl Pavers, Heli, Honda, ICS/PowerGrit, IHI, Partner, Imer, Clipper, MMD, Koshin, Rice, CH&E, General Equipment, Amida, Coleman, NAC, Gradall, Square Shooter, Kent, Stanley, Tamco, Toku, Hatz, Kohler, Robin, Wisconsin, Northrock, Oztec, Toker TK, Rol-Air, APT, Wylie, Ingersoll Rand / Doosan, Innovatech, Con X, Ammann, Mecalac, Makinex, Smith Surface Prep, Small Line, Wanco, Yanmar