



A TEREX BRAND



Parts Manual

Serial Number Range

Z-45/25

from SN 9996 to 26999

Z-45/25J

**DC and
Bi-Energy**

Part No. 52853

Rev E3

November 2018

Go to Discount-Equipment.com to order your parts

PARTS FINDER

**Search Website
by Part Number**



**Search Manual
Library For Parts
Manual & Lookup Part
Numbers – Purchase
or Request Quote**

Search Manuals

Enter your information to help us find the right parts manual for your machine.

* Brand:

* Model:

* Serial:

* Part Number:

SEARCH

**Can't Find Part or
Manual? Request Help
by Manufacturer,
Model & Description**

Parts Order Form

Please fill in the following information to help us find the right part for your machine.

MANUFACTURER:

MODEL:

DESCRIPTION:

DATE:

TIME:

PHONE:

EMAIL:

ADDRESS:

CITY:

STATE:

ZIP:

NAME:

COMPANY:

PHONE:

EMAIL:

REQUEST FOR QUOTE

Discount-Equipment.com is your online resource for quality parts & equipment.

Florida: **561-964-4949** Outside Florida TOLL FREE: **877-690-3101**

Need parts?

Click on this link: <http://www.discount-equipment.com/category/5443-parts/> and choose one of the options to help get the right parts and equipment you are looking for. Please have the machine model and serial number available in order to help us get you the correct parts. If you don't find the part on the website or on one of the online manuals, please fill out the request form and one of our experienced staff members will get back to you with a quote for the right part that your machine needs.

We sell worldwide for the brands: Genie, Terex, JLG, MultiQuip, Mikasa, Essick, Whiteman, Mayco, Toro Stone, Diamond Products, Generac Magnum, Airman, Haulotte, Barreto, Power Blanket, Nifty Lift, Atlas Copco, Chicago Pneumatic, Allmand, Miller Curber, Skyjack, Lull, Skytrak, Tsurumi, Husquvarna Target, Stow, Wacker, Sakai, Mi-T-M, Sullair, Basic, Dynapac, MBW, Weber, Bartell, Bennar Newman, Haulotte, Ditch Runner, Menegotti, Morrison, Contec, Buddy, Crown, Edco, Wyco, Bomag, Laymor, EZ Trench, Bil-Jax, F.S. Curtis, Gehl Pavers, Heli, Honda, ICS/PowerGrit, IHI, Partner, Imer, Clipper, MMD, Koshin, Rice, CH&E, General Equipment, Amida, Coleman, NAC, Gradall, Square Shooter, Kent, Stanley, Tamco, Toku, Hatz, Kohler, Robin, Wisconsin, Northrock, Oztec, Toker TK, Rol-Air, APT, Wylie, Ingersoll Rand / Doosan, Innovatech, Con X, Ammann, Mecalac, Makinex, Smith Surface Prep, Small Line, Wanco, Yanmar



A TEREX BRAND

Model: Z-45/25
Serial number: Z452505-12345
Model year: 2005 **Manufacture date:** 04/12/05
Electrical schematic number: ES0274
Machine unladen weight:

Rated work load (including occupants): 500 lb / 227 kg
Maximum number of platform occupants: 2
Maximum allowable side force : 150 lb / 670 N
Maximum allowable inclination of the chassis:
 0 deg
Maximum wind speed : 28 mph/ 12.5 m/s
Maximum platform height : 45 ft 6 in/ 13.8 m
Maximum platform reach : 25 ft 3 in/ 7.7 m
Gradeability: N/A
Country of manufacture: USA
This machine complies with:
 ANSI A92.5
 CAN B.354.4



11111111

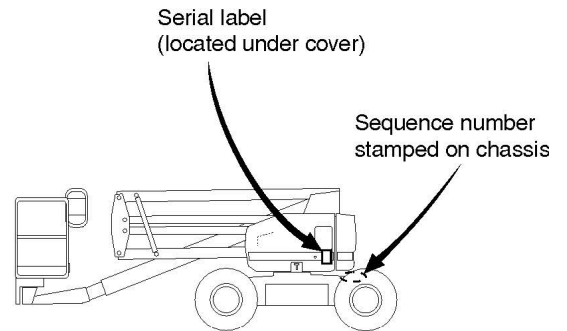
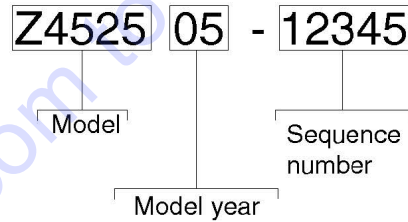


Table of Contents

This manual is updated frequently. For the most up-to-date parts information, visit www.discount-equipment.com

How to Read Your Serial Number.....	3
Parts Stocking List.....	7

Electronic Version

Click on any page number to view the figure.

100 Decals

101.1 Decals (to SN 22050).....	10
102.1 Word Decals (from SN 22051).....	12
103.1 Symbol Decals (from SN 22051).....	14

200 Drive Chassis Components

201.1 Steer End.....	16
202.1 Non-steer End.....	18
203.1 Battery Packs.....	22
204.1 Battery Charger.....	24
205.1 Power Cables.....	26

300 Engine Components

301.1 Engine Pivot Plate Components.....	28
302.1 Kubota Z482-E Engine, View 1 (to SN 26676).....	30
302.2 Kubota Z482 E2B-GNI Engine, View 1 (from SN 26677).....	32
303.1 Kubota Z482-E Engine, View 2 (to SN 26676).....	34
303.2 Kubota Z482 E2B-GNI Engine, View 2 (from SN 26677).....	36
304.1 Kubota Z482-E Engine, View 3 (to SN 26676).....	38
304.2 Kubota Z482 E2B-GNI Engine, View 3 (from SN 26677).....	40

400 Turntable Components

401.1 Turntable Rotator.....	42
402.1 Bi-Energy Fuel Tank.....	44
403.1 Turntable Center Components.....	46
404.1 Turntable Components - Ground Controls Side.....	48
405.1 Ground Control Box - View 1 (to SN 22050).....	50
406.1 Ground Control Box - View 2 (to SN 22050).....	52
407.1 Ground Control Box - View 1 (from SN 22051).....	54

408.1 Ground Control Box - View 2 (from SN 22051).....	58
409.1 Engine (Non-Ground Controls) Side Turntable Cover.....	60
410.1 Ground Controls Side Turntable Cover.....	62

500 Boom Components

501.1 Secondary Linkage Pins and Bearings.....	64
502.1 Secondary Linkage.....	66
503.1 Upper Pivot.....	68
504.1 Primary and Extension Booms.....	70
505.1 Cable Track.....	72
506.1 Non-Jib Platform Leveling and Rotation.....	74
507.1 Jib Platform Leveling.....	76
508.1 Jib Platform Rotation.....	78
509.1 Jib Detail.....	80

600 Platform Components

601.1 Platform Configuration.....	82
602.1 Platform Components.....	84
603.1 Platform Controls - View 1 (to SN 22050).....	86
604.1 Platform Controls - View 2 (to SN 22050).....	88
605.1 Platform Controls (from SN 22051).....	90
606.1 Joystick Controller, Drive/Steer Functions (to SN 14078).....	94
607.1 Joystick Controller, Drive/Steer Functions (from SN 14079).....	96
608.1 Rotational Controller.....	98

700 Pumps and Manifolds

701.1 Hydraulic Power Unit.....	100
702.1 Function Manifold (to SN 17840).....	102
703.1 Function Manifold (from SN 17841 to 20379).....	104
703.2 Function Manifold (from SN 17841 to 20379).....	106
704.1 Function Manifold (from SN 20380 to 22565).....	108
705.1 Function Manifold (from SN 22566).....	110
706.1 Jib Manifold.....	112

800 Hydraulic Hoses and Fittings

801.1 Drive and Steer Hoses.....	114
802.1 Turntable Components.....	116
803.1 Boom Components.....	118
804.1 Boom Components.....	120

900 Accessories

901.1 Flashing Beacon.....	122
902.1 Platform Options.....	124
903.1 Half-height Mesh, Swing Gate and Pipe Cradle.....	126
904.1 Airline to Platform.....	128
905.1 Cold Start Package.....	130

906.1 Platform Overload Option.....132
907.1 Fall Arrest Bar.....134

Indices

Part Number Index.....136
Part Description Index.....141

Cross References

Fittings Cross Reference.....150

Go to Discount-Equipment.com to order your parts

Required Parts

The following parts are required to perform maintenance procedures as outlined in the Genie Z-45/25 and Z-45/25J DC and Bi-Energy Service Manual.

Part No.	Description
62087	Filter Element, 10 Micron
22106	Engine Oil Filter
52877	Fuel Filter Element
52867	Air Cleaner Element
52816	V-Belt
60112	Belt - Alternator

Recommended Parts

Part No.	Description
32150	Genie Blue Paint, 1 Gallon
1484	Genie Blue Paint, 12 Ounce Aerosol
32151	Genie Gray Paint, 1 Gallon
1268	Genie Gray Paint, 12 Ounce Aerosol

Recommended Parts

Description	Part No.
Genie Blue Paint, 1 Gallon	32150
Genie Blue Paint, 12 Ounce Aerosol	1484
Genie Gray Paint, 1 Gallon.....	32151
Genie Gray Paint, 12 Ounce Aerosol	1268

Manuals

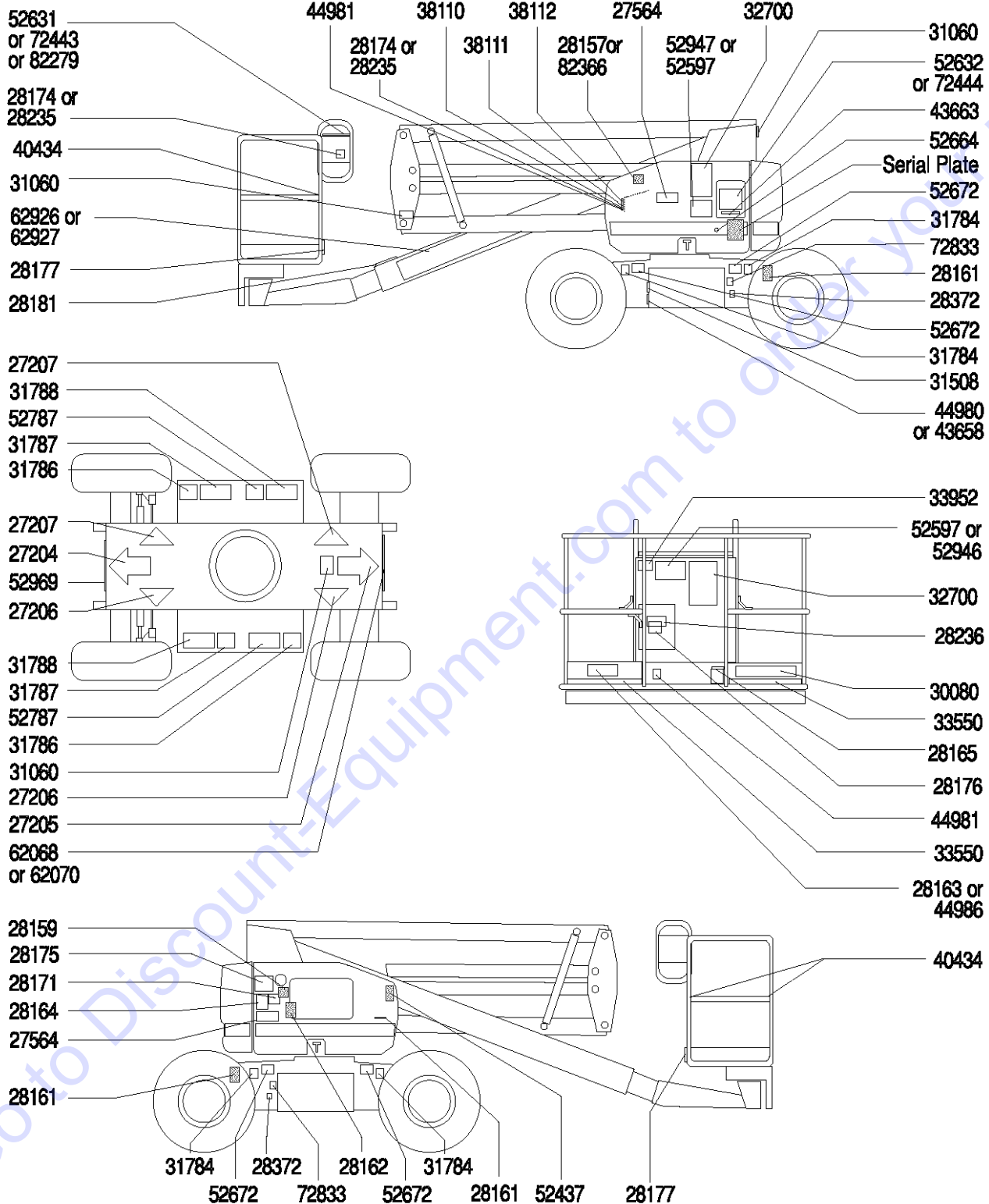
Genie Industries offers the following support documents for these models:

Title	Part No.
EMI Safety Manual	27581
Manual of Responsibilities	
ANSI A92.5	31779

Go to Discount-Equipment.com to order your parts



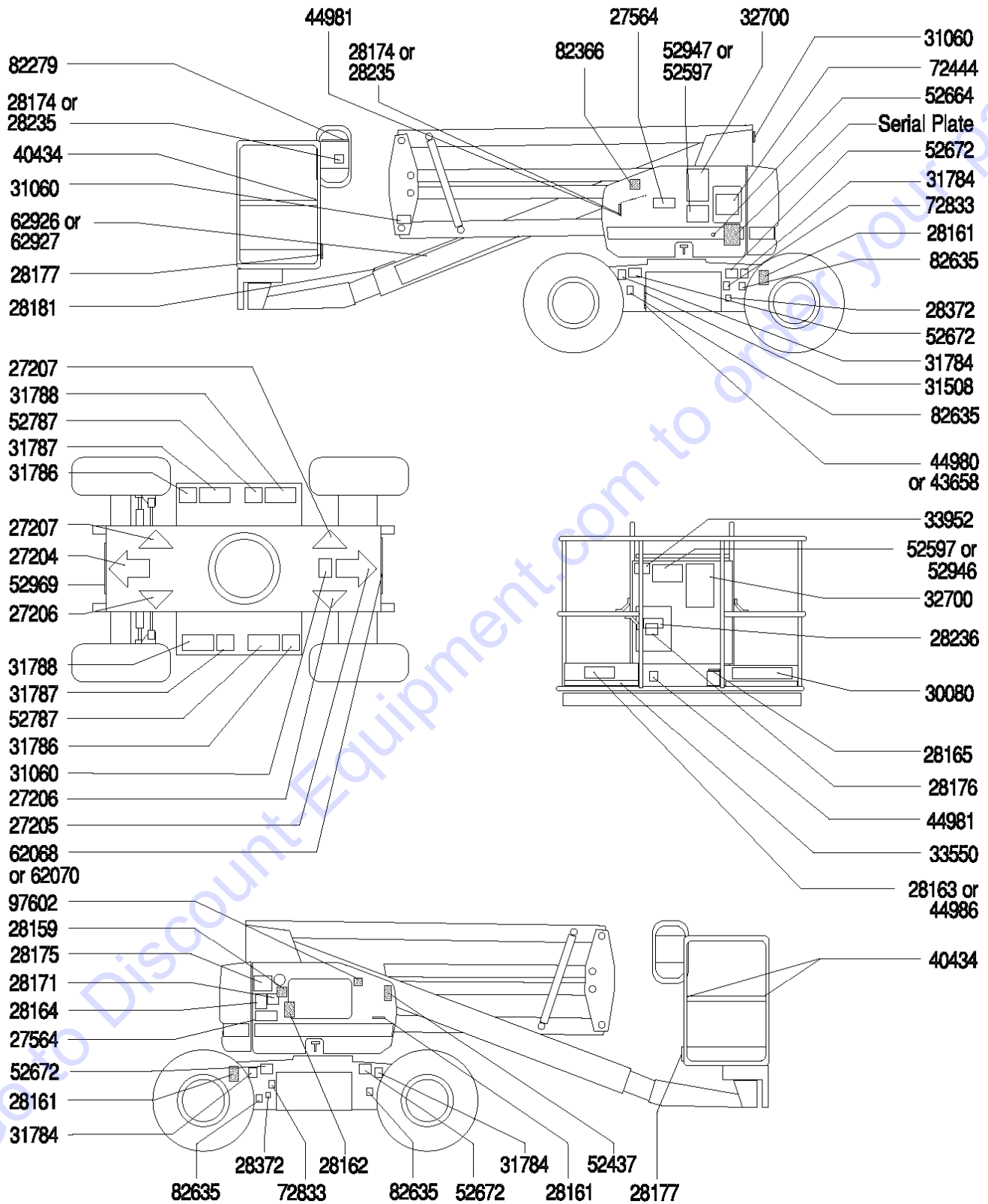
101.1 Decals (to SN 22050)



101.1 Decals (to SN 22050)

Item	Part No.	Description	Qty.	Item	Part No.	Description	Qty.
A	822005GT	DECAL KIT,Z45 PLAT,WORD,ANSI		31	38110GT	DECAL,LABEL,TRAVEL ALARM***.....	1
B	822038GT	DECAL KIT,Z45 PLAT,WORD,AUS		32	38111GT	DECAL,WARNING,BRAKE RELEASE***.....	1
1	27204GT	DECAL,ARROW BLUE.....	1	33	38112GT	DECAL,CAUTION,BRAKE RELEASE***.....	1
2	27205GT	DECAL,ARROW YELLOW LRG 9".....	1	34	40434GT	DECAL,LANYARD ANCHORAGE POINT.....	8
3	27206GT	DECAL,TRIANGLE,BLUE.....	2	35	43658GT	DECAL,LABEL,PWR TO CHARGR 230V.....	1
4	27207GT	DECAL,TRIANGLE,YELLOW.....	2	36	43663GT	DECAL,NOTICE,FUNCTION ENABLE*.....	1
5	27564GT	DECAL,DANGER,ELEC.HAZ.STAY CLR.....	2	37	44980GT	DECAL,LABEL,PWR TO CHARGR 115V.....	1
6	28157GT	DECAL,USE DEXRON***..... <i>to SN 20925</i>	1	38	44981GT	DECAL,LABEL,AIR LINE 110 PSI.....	2
--	82366GT	DECAL,CHEVRON RANDO HD..... <i>from SN 20926</i>	1	39	44986GT	DECAL,INSTR,SIDE FRC/WIND,AUS.....	1
7	28159GT	DECAL,DIESEL.....	1	40	52437GT	DECAL,NOTICE,KUBOTA ENG SPEC....	1
8	28161GT	DECAL,WARN,CRUSH HAZARD HAND.....	3	41	52597GT	DECAL,NOTICE,OPER INST BE.....	1
9	28162GT	DECAL,WARNING,CRUSHING.....	1	42	52631GT	DECAL,PLATFORM CTRL PANL,BI/DC..... <i>to SN 16867</i>	1
10	97887GT	DECAL,INSTR,MAX SIDE FRC,ANSI.....	1	--	72443GT	DECAL,PLATFORM CONTROL PANEL..... <i>from SN 16868 to 21179</i>	1
11	28164GT	DECAL,NOTICE,HAZARDOUS MAT'LS*.....	1	--	82279GT	DECAL,PLATFORM CONTROL PANEL..... <i>from SN 21180</i>	1
12	28165GT	DECAL,INSTRUCT,FOOTSWITCH OPER.....	1	43	52632GT	DECAL,GROUND CONTROL PANEL,BI.....	1
13	28171GT	DECAL,DANGER,NO SMOKING ***.....	1	44	52664GT	DECAL,LABEL,CONTRLR STATUS LT.....	1
14	28174GT	DECAL,POWER TO PLATFORM 230V**.....	2	45	52672GT	DECAL,DANGER,TIPOVER HAZARD***.....	4
15	28175GT	DECAL,WARNING-COMPART ACCESS.....	1	46	52787GT	DECAL,NOTICE,CHARGER INSTRU...2	
16	28176GT	DECAL,LABEL,MANUAL NOT HERE.....	1	47	52946GT	DECAL,NOTICE,OP INST,PLAT,Z45D.....	1
17	28177GT	DECAL,WARN,CRUSH HAZARD PLAT.....	2	48	52947GT	DECAL,OPERATING INSTR,GROUND.....	1
18	28181GT	DECAL,WARN,FALL HAZARD.....	1	49	52969GT	DECAL,COSMETIC,GENIE BOOM,HORZ.....	1
19	28235GT	DECAL,POWER TO PLATFORM 115V...2		50	62068GT	DECAL,COSMETIC,BI-ENERGY.....	1
20	28236GT	DECAL,WARN,IMPROPER OPERATION.....	1	51	62070GT	DECAL,COSMETIC,DC POWER.....	1
21	30080GT	DECAL,NOTICE,MAX LOAD 500 LBS....	1	52A	62927GT	DECAL,COSMETIC,GENIE Z-45/25.....	1
22	31060GT	DECAL,DANGER DO NOT ALTER SWTC.....	3	52B	62926GT	DECAL,COSMETIC,GENIE Z-45/25J.....	1
23	31508GT	DECAL,DANGER,ELECT HAZARD,PLUG.....	1	53	72444GT	DECAL,GROUND CONTROL PANEL.....	1
24	31784GT	DECAL,NOTICE,TIRE SPECS,Z34DC...4		54	72833GT	DECAL,LABEL,OPEN,LATCH.....	2
25	31786GT	DECAL,NOTICE,BATT CONNECTION...2					
26	31787GT	DECAL,DANGER,TIP-OVER BATTERY.....	2				
27	31788GT	DECAL,DANGER,BATTERY SAFETY***.....	2				
28	97890GT	DECAL,DANGER,GEN SAFETY RULES.....	2				
29	33550GT	TAPE,WARNING,BLK/YEL, 50***.....	2				
30	33952GT	DECAL,DANGER,TILT ALARM.....	1				

102.1 Word Decals (from SN 22051)

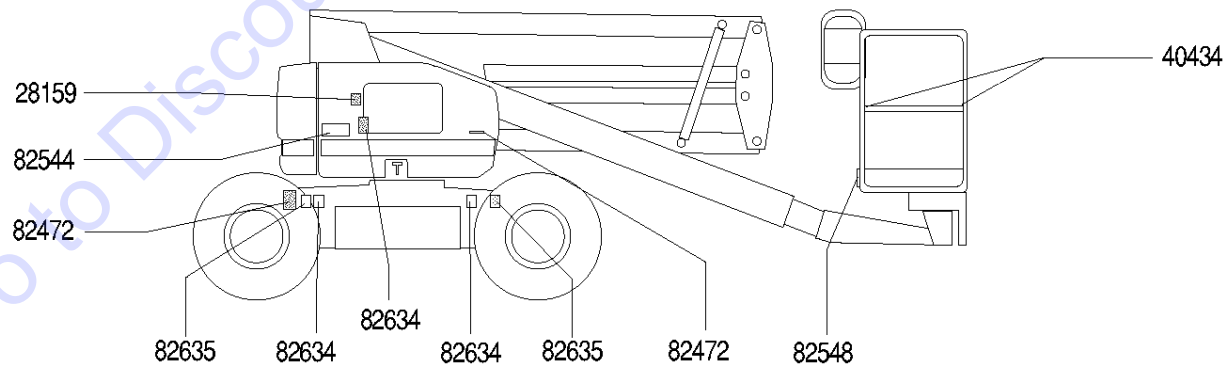
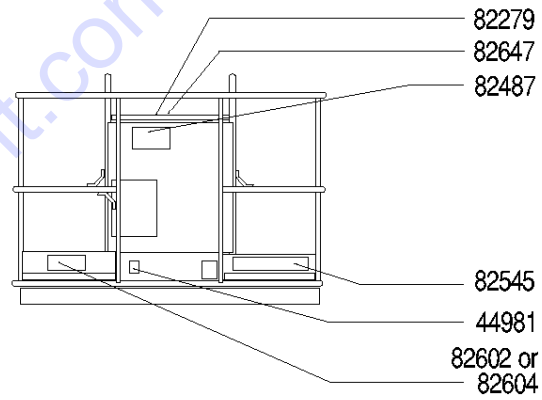
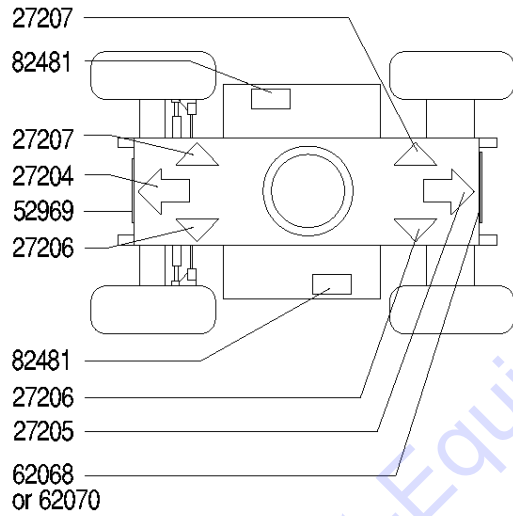
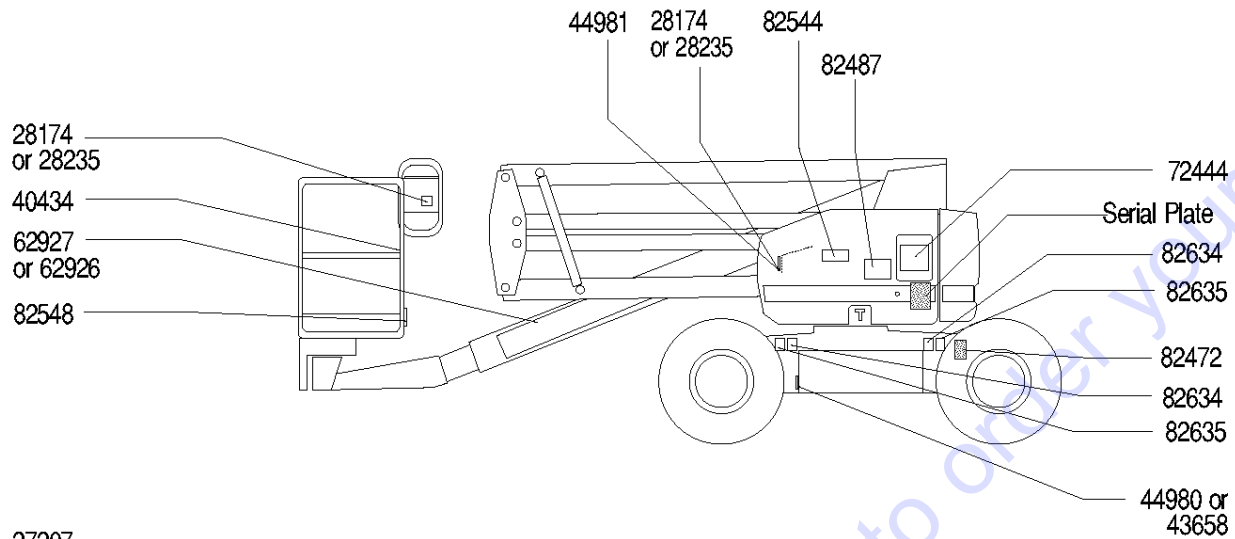


102.1 Word Decals (from SN 22051)

Item	Part No.	Description	Qty.	Item	Part No.	Description	Qty.
A	822005GT	DECAL KIT,Z45 PLAT,WORD,ANSI		31	44981GT	DECAL,LABEL, AIR LINE 110 PSI.....	2
B	822038GT	DECAL KIT,Z45 PLAT,WORD,AUS		32	44986GT	DECAL,INSTR,SIDE FRC/WIND,AUS.....	1
1	27204GT	DECAL,ARROW BLUE.....	1	33	52437GT	DECAL,NOTICE,KUBOTA ENG SPEC.....	1
2	27205GT	DECAL,ARROW YELLOW LRG 9".....	1	34	52597GT	DECAL,NOTICE,OPER INST BE.....	1
3	27206GT	DECAL,TRIANGLE,BLUE.....	2	35	52664GT	DECAL,LABEL,CONTRLR STATUS LT.....	1
4	27207GT	DECAL,TRIANGLE,YELLOW.....	2	36	52672GT	DECAL,DANGER,TIPOVER HAZARD***.....	4
5	27564GT	DECAL,DANGER,ELEC.HAZ.STAY CLR.....	2	37	52787GT	DECAL,NOTICE,CHARGER INSTRUC...2	
6	28161GT	DECAL,WARN,CRUSH HAZARD HAND.....	3	38	52946GT	DECAL,NOTICE,OP INST,PLAT,Z45D.....	1
7	28162GT	DECAL,WARNING,CRUSHING.....	1	39	52947GT	DECAL,OPERATING INSTR,GROUND.....	1
8	97887GT	DECAL,INSTR,MAX SIDE FRC,ANSI.....	1	40	52969GT	DECAL,COSMETIC,GENIE BOOM,HORZ.....	1
9	28164GT	DECAL,NOTICE,HAZARDOUS MAT'LS*.....	1	41	62068GT	DECAL,COSMETIC,BI-ENERGY.....	1
10	28165GT	DECAL,INSTRUCT,FOOTSWITCH OPER.....	1	42	62070GT	DECAL,COSMETIC,DC POWER.....	1
11	28171GT	DECAL,DANGER,NO SMOKING ***.....	1	43A	62927GT	DECAL,COSMETIC,GENIE Z-45/25.....	1
12	28174GT	DECAL, POWER TO PLATFORM 230V**.....	2	43B	62926GT	DECAL,COSMETIC,GENIE Z-45/25J.....	1
13	28175GT	DECAL,WARNING-COMPART ACCESS.....	1	44	72444GT	DECAL,GROUND CONTROL PANEL.....	1
14	28176GT	DECAL,LABEL,MANUAL NOT HERE.....	1	45	82279GT	DECAL,PLATFORM CONTROL PANEL.....	1
15	28177GT	DECAL,WARN,CRUSH HAZARD PLAT.....	2	46	82366GT	DECAL,CHEVRON RANDO HD.....	1
16	28181GT	DECAL,WARN,FALL HAZARD.....	1	47	82635GT	DECAL,LABEL,WHEEL LOAD Z4525DC.....	4
17	28235GT	DECAL,POWER TO PLATFORM 115V...2		48	97602GT	DECAL,EXPLOSION HAZARD.....	2
18	28236GT	DECAL,WARN,IMPROPER OPERATION.....	1				
19	30080GT	DECAL,NOTICE,MAX LOAD 500 LBS...1					
20	31060GT	DECAL,DANGER DO NOT ALTER SWTC.....	3				
21	31508GT	DECAL,DANGER,ELECT HAZARD,PLUG.....	1				
22	31784GT	DECAL,NOTICE,TIRE SPECS,Z34DC...4					
23	31786GT	DECAL,NOTICE,BATT CONNECTION...2					
24	31787GT	DECAL,DANGER,TIP-OVER BATTERY.....	2				
25	31788GT	DECAL,DANGER,BATTERY SAFETY***.....	2				
26	97890GT	DECAL,DANGER,GEN SAFETY RULES.....	2				
27	33952GT	DECAL,DANGER,TILT ALARM.....	1				
28	40434GT	DECAL,LANYARD ANCHORAGE POINT.....	8				
29	43658GT	DECAL,LABEL,PWR TO CHARGR 230V.....	1				
30	44980GT	DECAL,LABEL,PWR TO CHARGR 115V.....	1				



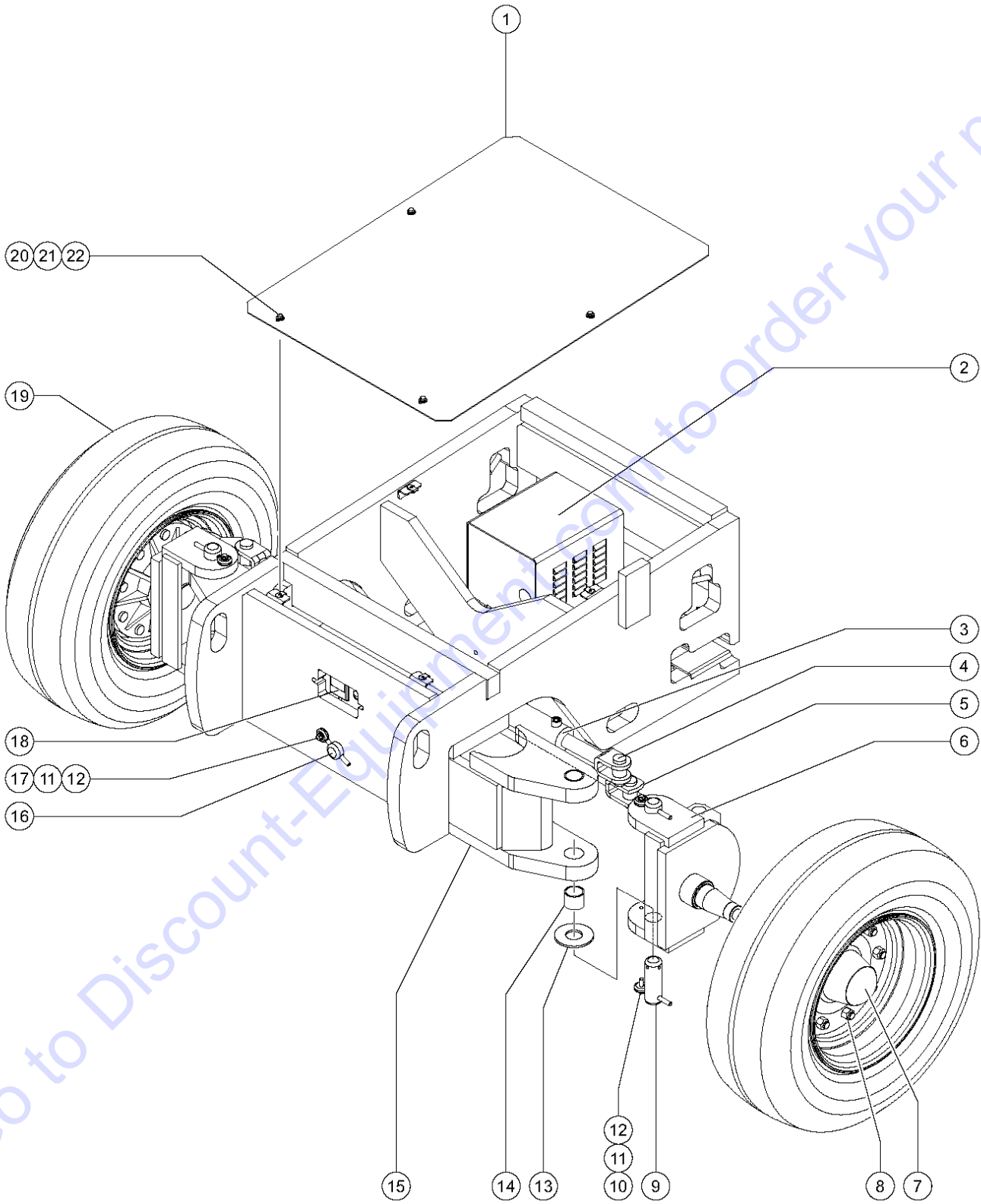
103.1 Symbol Decals (from SN 22051)



103.1 Symbol Decals (from SN 22051)

Item	Part No.	Description	Qty.
A	823153GT	DECAL KIT,Z45 PLAT,SYM,ANSI	
B	823161GT	DECAL KIT,Z45 PLAT,SYM,CE	
1	97815GT	DECAL,LABEL,LOWER MIDRAIL.....1	1
2	27204GT	DECAL,ARROW BLUE.....1	1
3	27205GT	DECAL,ARROW YELLOW LRG 9".....1	1
4	27206GT	DECAL,TRIANGLE,BLUE.....2	2
5	27207GT	DECAL,TRIANGLE,YELLOW.....2	2
6	28159GT	DECAL,DIESEL.....1	1
7	28174GT	DECAL, POWER TO PLATFORM 230V**.....2	2
8	28235GT	DECAL,POWER TO PLATFORM 115V...2	2
9	40434GT	DECAL,LANYARD ANCHORAGE POINT.....3	3
10	43658GT	DECAL,LABEL,PWR TO CHARGR 230V.....1	1
11	44980GT	DECAL,LABEL,PWR TO CHARGR 115V.....1	1
12	44981GT	DECAL,LABEL, AIR LINE 110 PSI.....2	2
13	52969GT	DECAL,COSMETIC,GENIE BOOM,HORZ.....1	1
14	62068GT	DECAL,COSMETIC,BI-ENERGY.....1	1
15	62070GT	DECAL,COSMETIC,DC POWER.....1	1
16A	62927GT	DECAL,COSMETIC,GENIE Z-45/25.....1	1
16B	62926GT	DECAL,COSMETIC,GENIE Z-45/25J.....1	1
17	72444GT	DECAL,GROUND CONTROL PANEL.....1	1
18	82279GT	DECAL,PLATFORM CONTROL PANEL.....1	1
19	82472GT	DECAL,WARNING,CRUSHING HAZARD.....3	3
20	82473GT	DECAL,SYMBOL-COMP ACCESS.....1	1
21	82481GT	DECAL,SYMBOL-BATTERY SAFETY....2	2
22	82487GT	DECAL, SYMBOL - READ THE MANUAL.....2	2
23	82544GT	DECAL,DANGER,ELEC.HAZ.STAY CLR.....3	3
24	82545GT	DECAL,DANGER,MAX LOAD 227 KG**.....1	1
25	82548GT	DECAL,WARN,CRUSH HAZARD PLAT.....2	2
26	82602GT	DECAL,DANGER,MAX SIDE FRC,667N.....1	1
27	82604GT	DECAL,DANGER,SIDE FRC 400N.....1	1
28	82634GT	DECAL,LABEL,TIRE PRESS Z45DCBI...4	4
29	82635GT	DECAL,LABEL,WHEEL LOAD Z4525DC.....4	4
30	82647GT	DECAL,DRIVE ENABLE PATCH.....1	1

201.1 Steer End

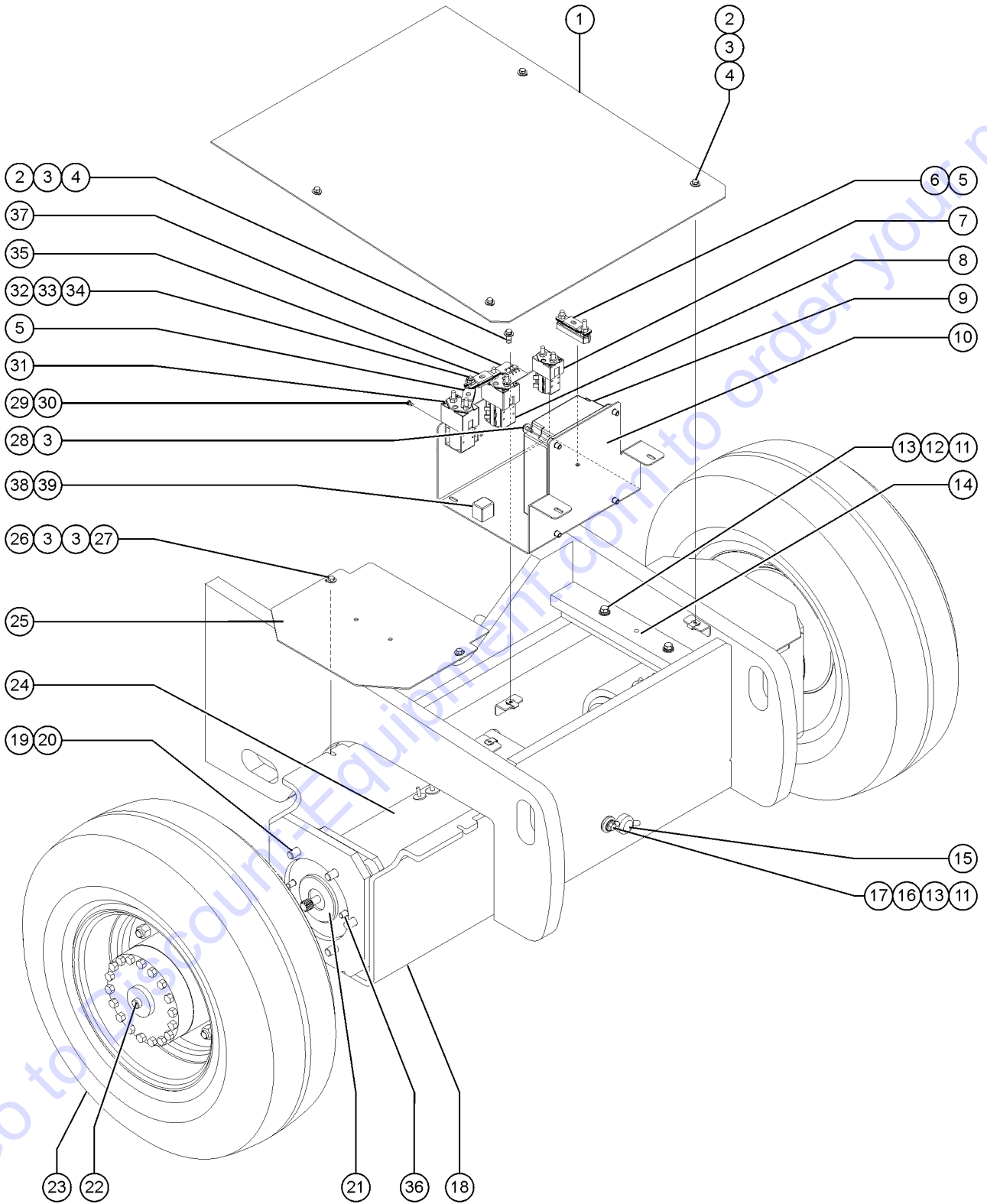


Go to Discount-Equipment.com to order your parts

201.1 Steer End

Item	Part No.	Description	Qty.	Item	Part No.	Description	Qty.
1	77434GT	COVER W/DECALS,STEER,NON OSC		18	46337GT	AMMETER, 39243/47906/66412	
2		Ref. Battery Charger (refer to 204.1).....1		19A	54136GT	TIRE/WHL ASSY,8 ON 8 BC 72# to SN 16127	
3	88337GT	CYLINDER,STEER		--	54138GT	WHEEL,14.5 X 7 (8 ON 8 BC) 31#	
--	59169GT	SEAL KIT,2" BORE,1" ROD*** for cylinder 59156, 59301 and 59341		--	54140GT	TUBELESS PNEUMATIC TIRE,9-14LT	
--	88338GT	SEAL KIT, 88337		--	54142GT	TIRE & WHEEL ASSY,8 ON 8,FOAM	
4	19440GT	PIN,CLEVIS,1 X 2.5 LG.		--	54234GT	TUBELESS TIRE,9-14.5,NON-M 47#	
4	5361GT	PIN,COTTER,.125 X 1.5		--	54237GT	TIRE ASSY,8 ON 8,N/MARK,FOAM	
5	229798GT	TIE ROD WELDMENT, NARROW.....1		--	54238GT	TIRE ASSY,8 ON 8.5,N/MARK,79#	
6A	52733-SGT	YOKE ASSY.LH'2WD'Z45IC.....1 left front (shown)		19B	54137GT	TIRE/WHL ASSY,9 ON 9.5 BC 74# from SN 16128 to 26999	
--	25817GT	BEARING,1.00IDX1.25ODX1.00L		--	1267779GT	TIRE/WH ASSY,9 LG,FOAM,S FRONT...2 (steer end)	
6B	52734-SGT	YOKE ASSY.RH'2WD'Z45IC right front		--	1267781GT	TIRE/WH ASSY,9 LG,NM,FOAM,S FR (steer end)	
--	25817GT	BEARING,1.00IDX1.25ODX1.00L		--	54139GT	WHEEL,14.5 X 7	
7A	45043GT	HUB ASSEMBLY MODEL#60-8***		--	54140GT	TUBELESS PNEUMATIC TIRE,9-14LT	
--	21166GT	LUG BOLT,5/8-18,WHEEL HUB***.....6 for 45043		--	54234GT	TUBELESS TIRE,9-14.5,NON-M 47#	
--	45107GT	INNER CONE - MODEL 60-8 large bearing race not included		--	54235GT	TIRE ASSY,9 ON 9.5,N/MARK,78**	
--	45108GT	OUTER CONE - MODEL 60-8 small bearing race not included		20	6888GT	SCREW,HHC,1/4-20 X 1	
--	45110GT	SEAL-GREASE,MODEL 60-8		21	6356GT	WASHER,LOCK,.25	
--	45111GT	CAP,DUST,45873 HUB KIT		22	56912GT	SPRING CLIP,1/4-20,.025-.15X.54,ZAG	
--	45873GT	SEAL/BEARING KIT (45043,54840)					
7B	54840GT	HUB ASSEMBLY,9 BOLT***					
--	54959GT	CAP,DUST (54840 HUB ASSY)					
--	54960GT	SEAL-GREASE,9-BOLT HUB 54840					
--	54961GT	BEARING,INNER,9 BOLT HUB***					
--	54962GT	BEARING,OUTER,9 BOLT HUB***					
8	21166GT	LUG BOLT,5/8-18,WHEEL HUB***					
--	54627GT	NUT,LUG,5/8-18 X 90 DEGREE,Z45					
9	88752GT	PIN,1.50DIAX4.25LG,GR/H					
--	825796GT	SNAP RING,EXTERNAL,1.50,ZAG					
10	6019GT	SCREW,HHC,3/8-16 X 1.25 GRD 5					
11	6021GT	WASHER,LOCK,.375					
12	825019GT	ROD END,.375X3.69,ZAG					
13	45074GT	WASHER,THRUST,1.5 X 3.5 X .187					
14	45071GT	BEARING,1.5IDX1.75ODX1.5L					
15	52735GT	FRONT AXLE ASSY,NRRW,Z45/25 includes item 14					
--	25817GT	BEARING,1.00IDX1.25ODX1.00L					
16	54542GT	PIN,1.50DIAX20.00LG,CHAMFER					
--	30255GT	WASHER,SHIM,1.27 X 2.13 X .062					
17	6175GT	SCREW,HHC,3/8-16 X 1					

202.1 Non-steer End



202.1 Non-steer End

Item	Part No.	Description	Qty.	Item	Part No.	Description	Qty.
1	52707-SGT	COVR W/DECALS, NON-STEER Z45/25		--	65608GT	BEARING KIT, AUSCO*** for 139351	
2	6090GT	SCREW, HHC, 1/4-20 X .75		--	52833GT	LINING KIT-AUSCO BRK (56272)** For brake 54861; check stamp on part prior to ordering	
3	6638GT	WASHER, FLAT, USS, 1/4"Y		--	52900GT	BEARING KIT-AUSCO(56272)*** For brake 54861; check stamp on part prior to ordering	
4	56912GT	SPRING CLIP, 1/4-20, .025-.15X.54, ZAG		--	83022GT	SEAL KIT, 54861 For brake 54861; check stamp on part prior to ordering	
5	18576GT	FUSE, 200 AMP		--	233807GT	BRAKE REPLACEMENT KIT For brake 94877; check stamp on part prior to ordering	
6	66717GT	FUSE BLOCK, ANN & ANL FUSE		--	65618GT	SEAL KIT, BRAKE*** For brake 94877; check stamp on part prior to ordering	
7	74268GT	CONTACTOR, AUX PUMP 24V, 80A***		--	94879GT	LINING KIT*** For brake 94877; check stamp on part prior to ordering	
--	22262GT	CONTACT, MOVING, 19549RELAY*		--	94880GT	BEARING KIT For brake 94877; check stamp on part prior to ordering	
--	22263GT	CONTACT, STATIONARY, 19549RELAY*		--	233807GT	BRAKE REPLACEMENT KIT.....1 For brake 101966; check stamp on part prior to ordering	
--	74495GT	SPRING, RETURN (FOR 74268)		--	65618GT	SEAL KIT, BRAKE*** For brake 101966; check stamp on part prior to ordering	
8	74267GT	CONTACTOR, DRIVE, 24V, 180A***		--	94879GT	LINING KIT*** For brake 101966; check stamp on part prior to ordering	
--	74468GT	SPRING, RETURN (FOR 74267)		--	94880GT	BEARING KIT For brake 101966; check stamp on part prior to ordering	
--	74469GT	FIXED CONTACT (FOR 74267)		22A	56338GT	TORQUE HUB, 47:1 W1 "B" MOUNT** to SN 13253	
--	74470GT	MOVING CONTACT (FOR PN 74267)		--	1286606GT	SEAL KIT, TORQUE HUB (20193)	
9	128337GT	CONTROLLER, SEPEX MOTOR, Z45DC/BE		--	21143GT	BEARING KIT (45553) TORQUE HUB	
--	54628GT	RETROFIT KIT, SEPEX CONTROLLER		--	21144GT	CAP, DISENGAGE-45553 TORQUE HUB	
--	56030GT	TERMINAL, MOLEX 16 GAUGE***		--	21145GT	DISCONNECT ROD-45553 TQ.HUB	
--	56561GT	TOOL, TERMINAL CRIMPER, MOLEX***		--	21146GT	COVER CAP, TORQUE HUB***	
--	56562GT	TOOL, TERMINAL EXTRACTOR, MOLEX		--	21148GT	WASHER, THRUST, TORQUE HUB	
10	54496-SGT	PLATE, CONTACTOR MNT, W/SERT, PNT to SN 17543		--	21149GT	LUG, WHEEL STUD, 5/8-18, W1/4HB**	
--	70657PGT	PLATE, CONTACTOR MOUNT, Z45, PTD from SN 17544		--	37097GT	O-RING, TORQUE HUB	
11	6708GT	SCREW, HHC, 3/8-16 X 2.25		--	58448GT	KIT, TORQUE HUB COVER (45553)**	
12	6021GT	WASHER, LOCK, .375		22B	56338GT	TORQUE HUB, 47:1 W1 "B" MOUNT** from SN 21100 to SN 22501	
13	5397GT	WASHER, FLAT, USS, 5/16", Y		--	1286606GT	SEAL KIT, TORQUE HUB (20193) for 56338	
14	50668-SGT	BAR, AXLE ROTATION STOP		--	21143GT	BEARING KIT (45553) TORQUE HUB	
--	119210GT	SHIM, AXLE ROTATION STOP, 12GA		--	21144GT	CAP, DISENGAGE-45553 TORQUE HUB	
--	50669GT	SHIM, AXLE ROTATION STOP, 22GA		--	21145GT	DISCONNECT ROD-45553 TQ.HUB	
15	54542GT	PIN, 1.50DIAX20.00LG, CHAMFER		--	21146GT	COVER CAP, TORQUE HUB***	
16	825019GT	ROD END, .375X3.69, ZAG.....1		--	21148GT	WASHER, THRUST, TORQUE HUB	
17	4828GT	NUT, NYLOCK, 3/8-16		--	21149GT	LUG, WHEEL STUD, 5/8-18, W1/4HB**	
18	52732GT	AXLE ASSY, NON-STR, NARROW BASE to SN 17543		--	37097GT	O-RING, TORQUE HUB	
--	45071GT	BEARING, 1.5IDX1.75ODX1.5L		--	58448GT	KIT, TORQUE HUB COVER (45553)**	
--	77302GT	AXLE ASSY, NON-STR, NARROW BASE from SN 17544		22B	56338GT	TORQUE HUB, 47:1 W1 "B" MOUNT** from SN 21100 to SN 22501	
19	19418GT	SCREW, SHC, 5/8-11 X 1.75		--	1286606GT	SEAL KIT, TORQUE HUB (20193) for 56338	
20	13064GT	WASHER, FLAT, .625 HARDENED		--	21143GT	BEARING KIT (45553) TORQUE HUB	
21	139351GT	BRAKE, NEMA, 1200 IN/LB					
--	139353GT	STACK KIT, AUSCO 1200 IN/LB for 139351					
--	139354GT	O-RING KIT, AUSCO 1200 IN/LB for 139351					
--	139355GT	GASKET KIT, AUSCO 1200 IN/LB for 139351					

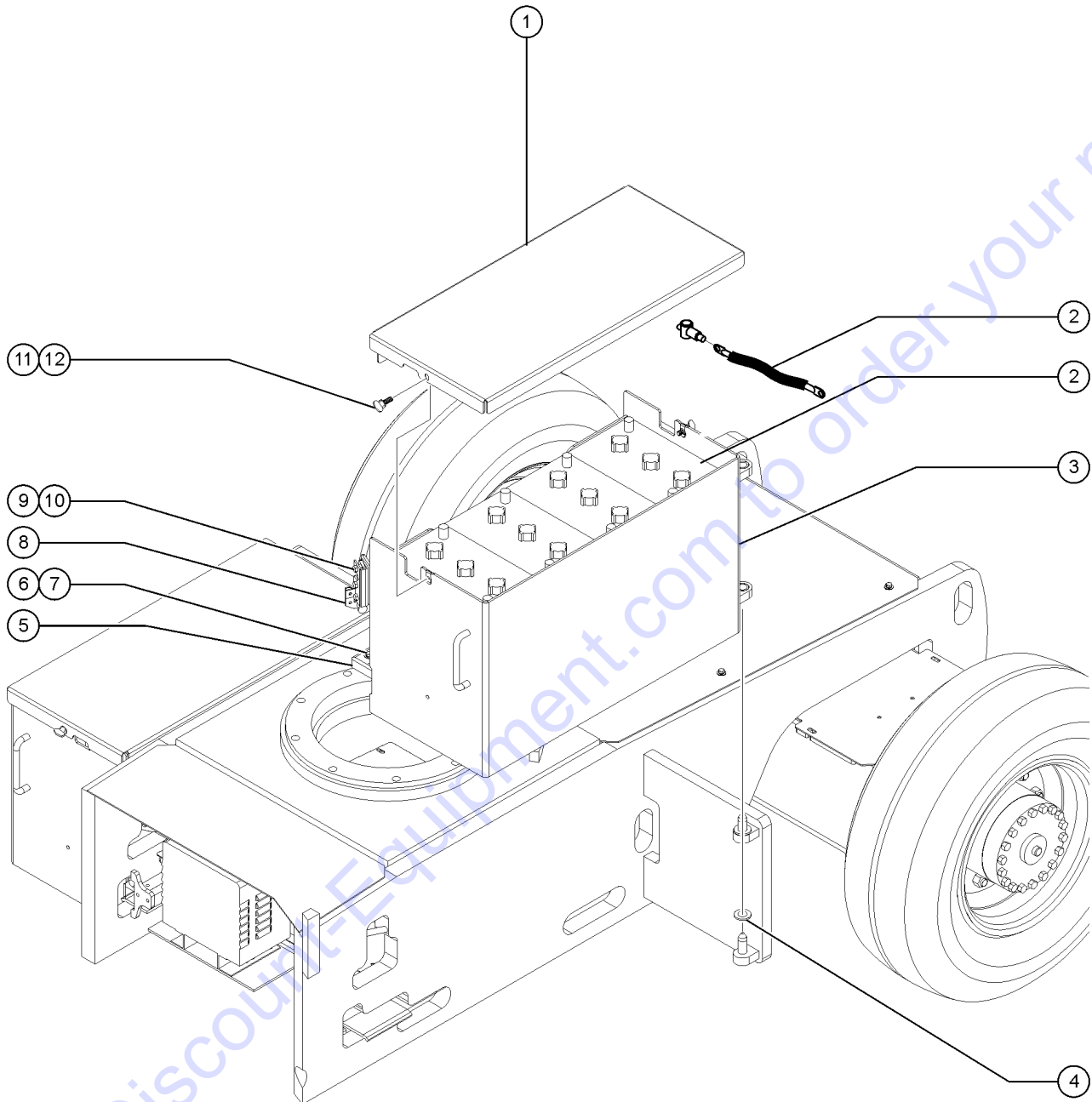
202.1 Non-steer End
(continued)

Item	Part No.	Description	Qty.	Item	Part No.	Description	Qty.
--	21144GT	CAP,DISENGAGE-45553 TORQUE HUB		--	106121GT	ROD,DISCONNECT 4HP/4HB*** <i>for 106148</i>	
--	21145GT	DISCONNECT ROD-45553 TQ.HUB		--	106122GT	CAP,DISENGAGE,4HP/4HB*** <i>for 106148</i>	
--	21146GT	COVER CAP,TORQUE HUB***		--	106123GT	O-RING,END COVER,4HP/4HB*** <i>for 106148</i>	
--	21148GT	WASHER,THRUST,TORQUE HUB		--	106124GT	LINING KIT, BRAKE, 4HP*** <i>for 106148</i>	
--	21149GT	LUG,WHEEL STUD,5/8-18,W1/4HB**		--	106125GT	SEAL KIT, BRAKE, 4HP <i>for 106148 (inventory limited to stock on hand as component is no longer available)</i>	
--	37097GT	O-RING, TORQUE HUB		--	106126GT	BEARING KIT,4HP <i>for 106148 (inventory limited to stock on hand as component is no longer available)</i>	
--	58438GT	KIT,COVER,TORQUE HUB,45553***		--	1286600GT	SEAL KIT,WHEEL DRIVE (106148/106445/107712) <i>for 106148 (inventory limited to stock on hand as component is no longer available)</i>	
--	58448GT	KIT,TORQUE HUB COVER (45553)**		--	1286602GT	SEAL KIT,WHEEL DRIVE W/BRAKE (101584/101585) <i>for 106148</i>	
--	74099GT	DISCONNECT ROD (56338)		--	1286603GT	BEARING KIT,WHEEL DRIVE W/BRAKE (101584/101585) <i>for 106148</i>	
22C		WHEEL DRIVE,EW1,48:1"B" MOUNT <i>from SN 17093 to SN 21099 (order 106148; see item 22E below)</i>		--	146051GT	BEARING NUT*** <i>for 106148</i>	
--	106122GT	CAP,DISENGAGE,4HP/4HB***		--	146052GT	SET SCREW*** <i>for 146051</i>	
--	1286601GT	BEARING KIT,WHEEL DRIVE (106148/106445/107712)		--	215777GT	INPUT CARRIER, SUB-ASSEMBLY <i>for 106148</i>	
--	21146GT	COVER CAP,TORQUE HUB***		--	232486GT	SNAP RING,WHEEL DRIVE <i>for 106148</i>	
--	21149GT	LUG,WHEEL STUD,5/8-18,W1/4HB**		--	58320GT	KIT,TORQUE HUB COVER(101584)** <i>for 106148</i>	
--	37097GT	O-RING, TORQUE HUB		--	9990074GT	COUPLING <i>for 106148 (brake coupler)</i>	
--	58237GT	PLUG,TORQUE HUB,DRAIN***		23	54137GT	TIRE/WHL ASSY,9 ON 9.5 BC 74#	
--	58428GT	DISCONNECT ROD (74097)		--	1267780GT	TIRE/WH ASSY,9 LG,FOAM,NS REAR.....2 <i>(steer end)</i>	
--	58438GT	KIT,COVER,TORQUE HUB,45553***		--	1267782GT	TIRE/WH ASSY,9LG,NM,FOAM,NS RE <i>(non-steer end)</i>	
--	58448GT	KIT,TORQUE HUB COVER (45553)**		--	54139GT	WHEEL,14.5 X 7	
--	72307GT	SEAL KIT, TORQUE HUB(74097)*		--	54140GT	TUBELESS PNEUMATIC TIRE,9-14LT	
--	74375GT	WASHER,THRUST,TORQUE HUB,74097		--	54234GT	TUBELESS TIRE,9-14.5,NON-M 47#	
--	74714GT	BEARING KIT-74097 TORQUE HUB** <i>(inventory limited to stock on hand as component is no longer available)</i>		--	54235GT	TIRE ASSY,9 ON 9.5,N/MARK,78**	
22D		WHEEL DRIVE,EW1,48:1"B" MOUNT <i>from SN 22502 to SN 23764 (order 106148; see item 22E below)</i>		24	56282GT	MOTOR,SEP-EX,24V***.....2 <i>AMD motor; check stamp on part prior to ordering</i>	
--	106122GT	CAP,DISENGAGE,4HP/4HB***		--	147187GT	BRUSH KIT, DRIVE MOTOR <i>for AMD motor 56282</i>	
--	21149GT	LUG,WHEEL STUD,5/8-18,W1/4HB**		--	37189GT	SPRING, BRUSH RETAINER, 36182* <i>for AMD motor 56282</i>	
--	37097GT	O-RING, TORQUE HUB					
--	58237GT	PLUG,TORQUE HUB,DRAIN***					
--	58428GT	DISCONNECT ROD (74097)					
--	58438GT	KIT,COVER,TORQUE HUB,45553***					
--	58448GT	KIT,TORQUE HUB COVER (45553)**					
--	72307GT	SEAL KIT, TORQUE HUB(74097)*					
--	74375GT	WASHER,THRUST,TORQUE HUB,74097					
--	74714GT	BEARING KIT-74097 TORQUE HUB**					
--	83110GT	COVER END,TORQUE HUB (74097)					
22E	106148GT	WHEEL DRIVE,4HB,48:1*** <i>from SN 23765</i>					
--	106117GT	O-RING,2-010,VITON <i>for 106148 (Mating O-ring for Brake Port)(Extremely small)</i>					
--	106120GT	WHEEL STUD, 4HP, 5/8-18*** <i>for 106148</i>					

202.1 Non-steer End
(continued)

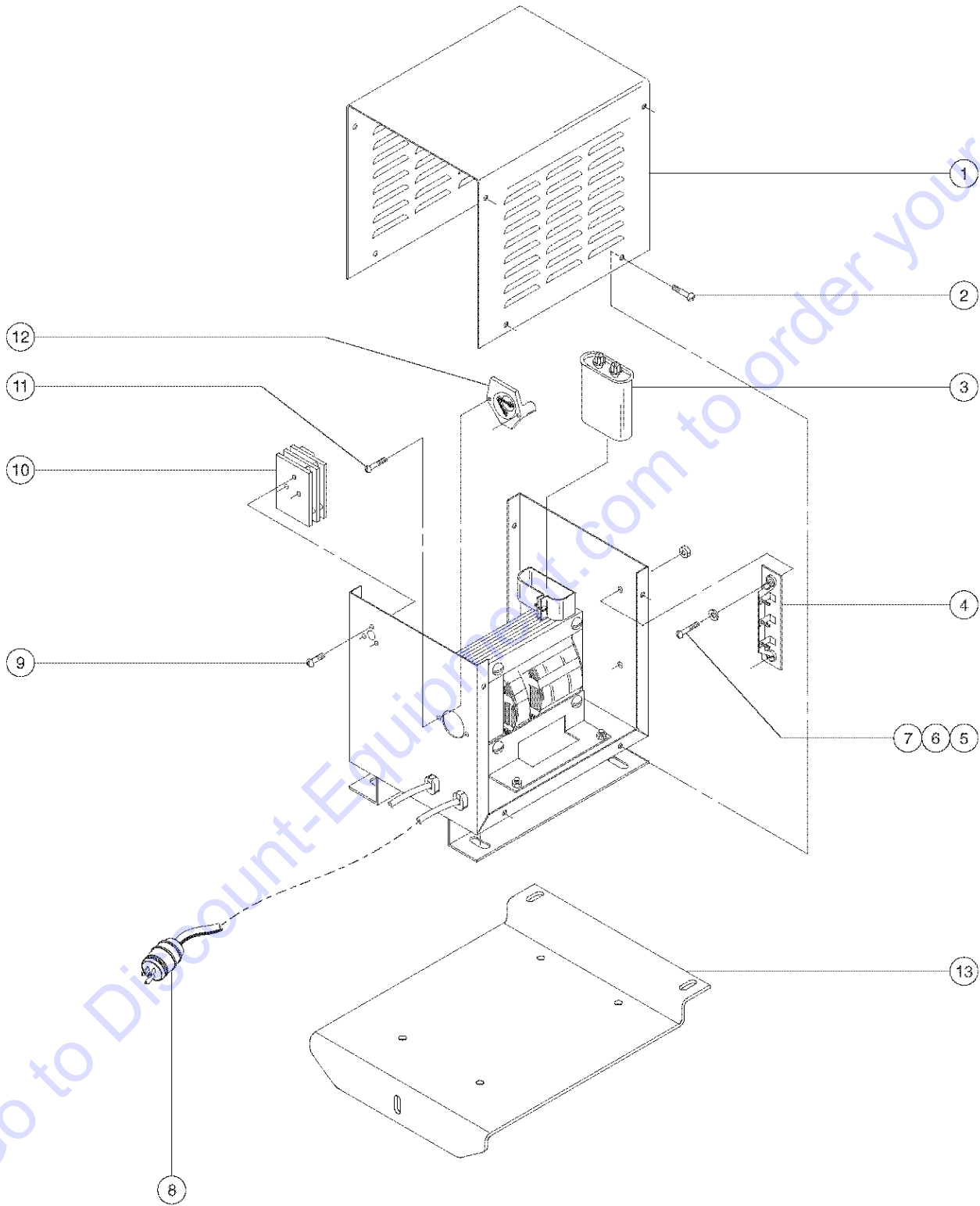
Item	Part No.	Description	Qty.
--	44778GT	BEARING,MOTOR,36843,BRUSH END* <i>for AMD motor 56282</i>	
--	62105GT	BRUSH HOLDER(56282) <i>for AMD motor 56282</i>	
--	T108673GT	KIT, 24V SEP-EX DRIVE MOTORS <i>Replacement kit for GE motor 94197; check stamp on part prior to ordering (kit contains qty 2 x 56282 motor)</i>	
24B	94315GT	BRUSH KIT,GE DRIVE MOTOR*** <i>for GE motor 94197; check stamp on part prior to ordering</i>	
24B	94316GT	BRUSH RETAINING SPRING,DR MTR <i>for GE motor 94197; check stamp on part prior to ordering</i>	
24B	94317GT	BEARING KIT,GE DRIVE MOTOR*** <i>for GE motor 94197; check stamp on part prior to ordering</i>	
25	50768-SGT	PLATE, COVER REAR AXLE STANDAR	
--	70655GT	AXLE COVER, NARROW	
--	77024GT	COVER,FORMED REAR AXLE,NRRW	
26	8915GT	SCREW,HHC,1/4-20 X 1.25	
27	6091GT	NUT,NYLOCK,1/4-20	
28	8914GT	SCREW,HHC,1/4-20 X .625	
29	49818GT	SCREW,PHILLIPS,PHM,10-32 X .38	
30	6607GT	WASHER,LOCK,#10 PLTD	
31	74266GT	CONTACTOR,LIFT PUMP 24V 180A**	
--	62695GT	CONTACT,STATIONARY (56434)**	
--	62696GT	CONTACT-MOVEABLE (56434)**	
--	74471GT	SPRING,RETURN (74266)	
32	13002GT	SCREW,HHC,5/16-18 X 1 GR5	
33	6886GT	WASHER,LOCK,.313	
34	18503GT	NUT,LOCKING-LG.FLANGE,5/16-18	
35	43179GT	FUSE,500 AMP,VERY FAST ACTING	
36	74137GT	SCREW,SHC,1/2-13 X 3.25 <i>to SN 23209</i>	
--	50576GT	SCREW,SHC,1/2-13 X 3.00 <i>from SN 23210</i>	
37	56930GT	DIODE,PCB DRIVE CONTACTOR**.....1	
38	823226GT	POWER RELAY, 24V COIL.....1 <i>models with drive lights</i>	
39	61226GT	RELAY SOCKET,70AMP.....1 <i>models with drive lights</i>	

203.1 Battery Packs



Item	Part No.	Description	Qty.
1	52924-SGT	COVER, BATTERY BOX W/DECALS <i>to SN 21539</i>	
--	94001GT	LID-BATTERY BOX W/DECALS** <i>from SN 21540</i>	
2	56461GT	BATTERY, 390AH L16,WET.....	8
2A	19520GT	BATTERY CABLE ASSY,9.5"JUMPER...	6
--	51147GT	BOOT,CABLE TERMINAL,LG,RED,2/0	
2B	139011-SGT	SERV KIT,HARN ASSY,PWR BATT PK..... <i>DC and Bi-energy, tank side (two cables)</i>	2
--	128465GT	CABLE ASSY #2 RED BATT	
--	128466GT	CABLE ASSY #2 BLK AP1/AP2 BATT	
--	51147GT	BOOT,CABLE TERMINAL,LG,RED,2/0	
2C	139041GT	HARN ASSY, POWER PACK AP2..... <i>Bi-energy, controls side (two cables, one jumper wire)</i>	1
--	128465GT	CABLE ASSY #2 RED BATT	
--	128466GT	CABLE ASSY #2 BLK AP1/AP2 BATT	
--	51147GT	BOOT,CABLE TERMINAL,LG,RED,2/0	
3A	52921-SGT	BATT.BOX W/DECALS,GRD.CTL.SIDE <i>to SN 21539</i>	
--	36369GT	BEARING,0.75IDX1.00ODX0.75L	
--	94003GT	BATTERY BOX ASSY,CONTRL SIDE** <i>from SN 21540</i>	
3B	52920-SGT	BATT.BOX W/DECALS,CONTROL SIDE <i>to SN 21539</i>	
--	36369GT	BEARING,0.75IDX1.00ODX0.75L	
--	94002GT	BATTERY BOX ASSY,TANK SIDE*** <i>from SN 21540</i>	
4	36212GT	WASHER,THRUST,.75 X 1.38X.13	
5	45209GT	WEAR PAD,4X2X.5 W/INSERT***	
6	6888GT	SCREW,HHC,1/4-20 X 1	
7	6638GT	WASHER,FLAT,USS,1/4"Y	
8A	66901GT	LATCH,ROTARY, W/KNOB,RIGHT <i>(shown) installed on LEFT side of chassis</i>	
8B	66900GT	LATCH,ROTARY, W/KNOB,LEFT <i>installed on RIGHT side of chassis</i>	
9	13000GT	SCREW,HHC,5/16-18 X 1.25	
10	6002GT	NUT,LP NYLOCK,5/16-18	
11	36424GT	THUMB SCREW W/SHOULDER 3/8-16	
12	29868GT	SPRING CLIP,3/8-16,.05-.20X.73,ZAG	

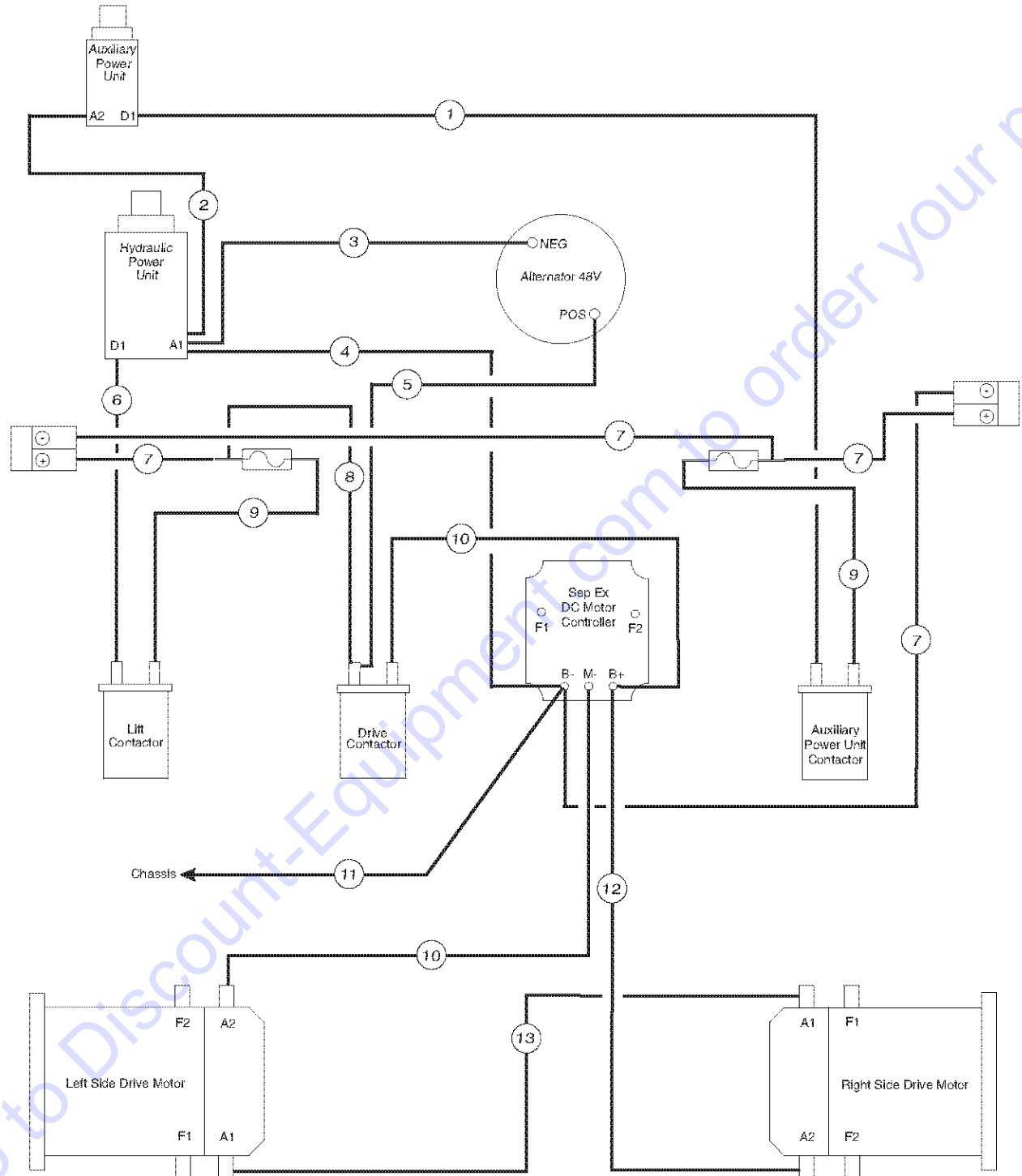
204.1 Battery Charger



204.1 Battery Charger

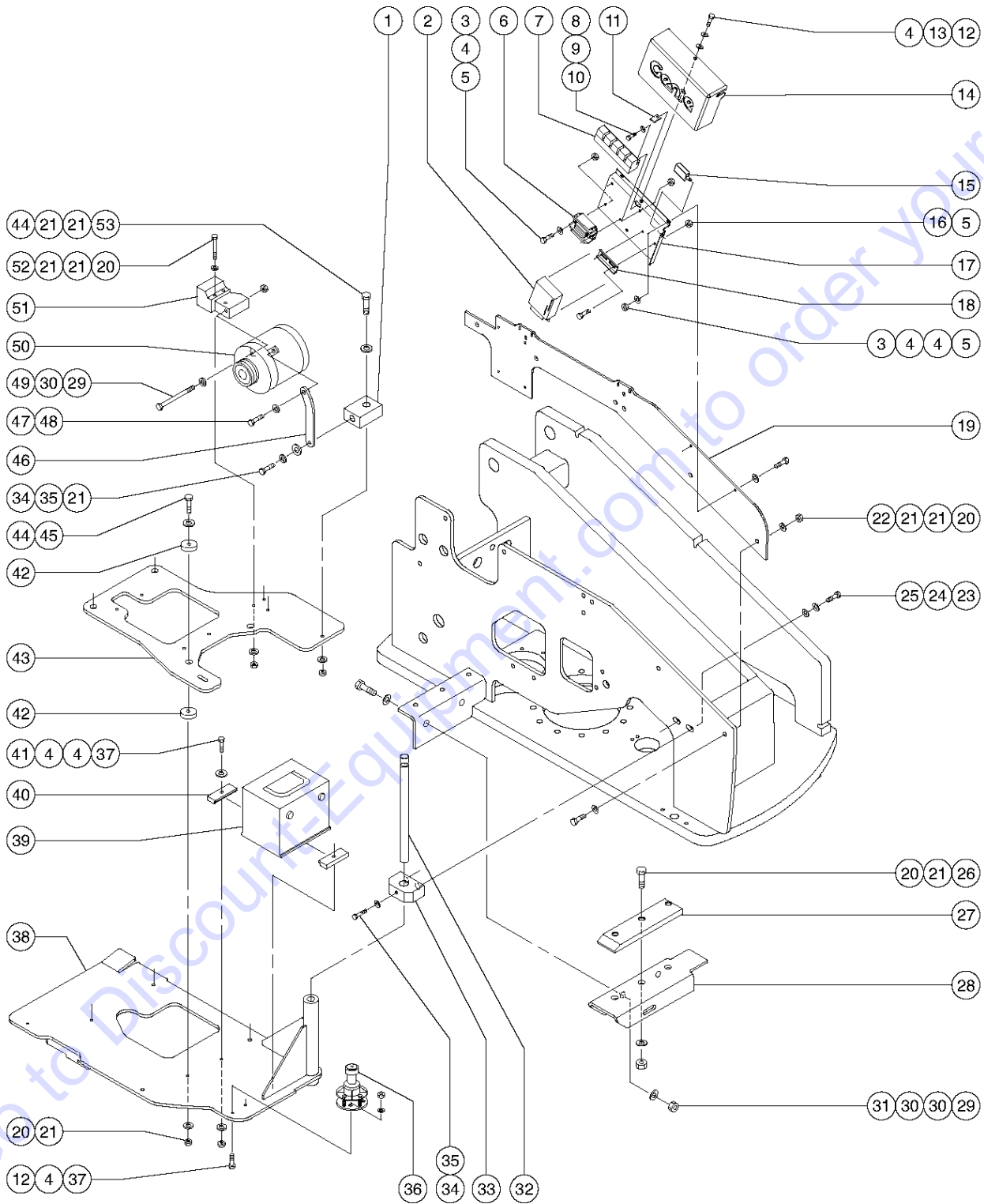
Item	Part No.	Description	Qty.
--	128375GT	CHARGER 48V/30A AUTO AC X-LED <i>(order power cord separately)</i>	
--	133286GT	DECAL, POWER TO CHARGER, UNIV <i>(from SN Z4525-10000 to Z4525-38701)</i>	
--	139720GT	KIT,UNIV CHRGR UPGRADE,Z40/Z45 <i>(from SN Z4525-10000 to Z4525-38701)</i>	
--	54794GT	CHARGER,48V,110VAC,60H,25A	
--	54795GT	CHARGER,48V,200-250VAC,50H,25A	
--	54796GT	CHARGER,48V,200-250VAC,60H,25A	
--	54797GT	CHARGER,48V,100-125VAC,60H,25A	
--	58494GT	CHARGER,48V,110/60,12A,EERATNG	
1	40532GT	CASE COVER ONLY 18710/18720	
2	52916GT	SCREW,10ABX.50",PNHD,ST(41896)	
3	13008-3GT	CAPACITOR,6 MFD,660VAC-CHARGR*	
4	27262GT	HEATSINK ASSY W/DIODES (23442)	
5	52918GT	SCREW,HH,10-32 X 3/4"(41896)	
6	6146GT	WASHER,FLAT,MS,#10,Y	
7	6178GT	NUT,NYLOCK,10-32	
8	119403GT	CONN,PLUG 120 AC/15A DOMESTIC	
--	1280665GT	PLUG, TYPE F, 230A, 50HZ, 16A, IP44	
--	144161GT	PLUG,PWR,UK,16AMP,3PIN,BLK	
--	25388GT	PLUG,FUSED,250V,13AMP,U.K.**	
9	52917GT	SCREW,8ABX3/8",PNHD-S.T(41896)	
10A	27263GT	TIMER (23442)(41896)(36314) <i>for Genie part 54794</i>	
--	18078GT	RELAY,CHARGER TIMER**	
10B	27830GT	TIMER(24059,41897,41898,41899) <i>for Genie parts 54795, 54796, 54797</i>	
--	19533GT	RELAY,CHARGER .TIMER(19531/32)	
11	52919GT	SCREW,PHM, NO.7X0.625"(41896)	
12	13008-6GT	FUSE ASSY-BOOM CHARGER	
13	60060-SGT	FORMING,CHARGER PLATE,PAINTED	

205.1 Power Cables



Item	Part No.	Description	Qty.
1	62090-SGT	CABLE ASSY - 100" RED (45/25)	
2	62091-SGT	CABLE ASSY - 7" BLACK (45/25)	
3	62092-SGT	CABLE ASSY/38" BLK (BI-E ONLY)	
4	62093-SGT	CABLE ASSY/100" BLK (45/25)	
5	62094-SGT	CABLE ASSY/84" RED (BI-E ONLY)	
6	62095-SGT	CABLE ASSY/100" RED (45/25)	
7A	62096-SGT	BATTERY CABLE CONNECTOR 45/25 DC	
7B	62096-SGT	BATTERY CABLE CONNECTOR 45/25 Bi-Energy	
--	128138GT	CONN HOUSING SBX175, BATT	
--	62097-SGT	WIRE ASSY-PWR PAN TO ENG HARN	
8	62098-SGT	CABLE ASSY/20" RED (45/25)	
9	62099-SGT	CABLE ASSY-13" RED (45/25)	
10	62100-SGT	CABLE ASSY-17" RED (45/25)	
11	54305-SGT	STRAP ASSEMBLY, CHASSIS GROUND	
12	62101-SGT	CABLE ASSY-14" BLK (45/25)	
13	62102-SGT	CABLE ASSY-31" RED (45/25)	

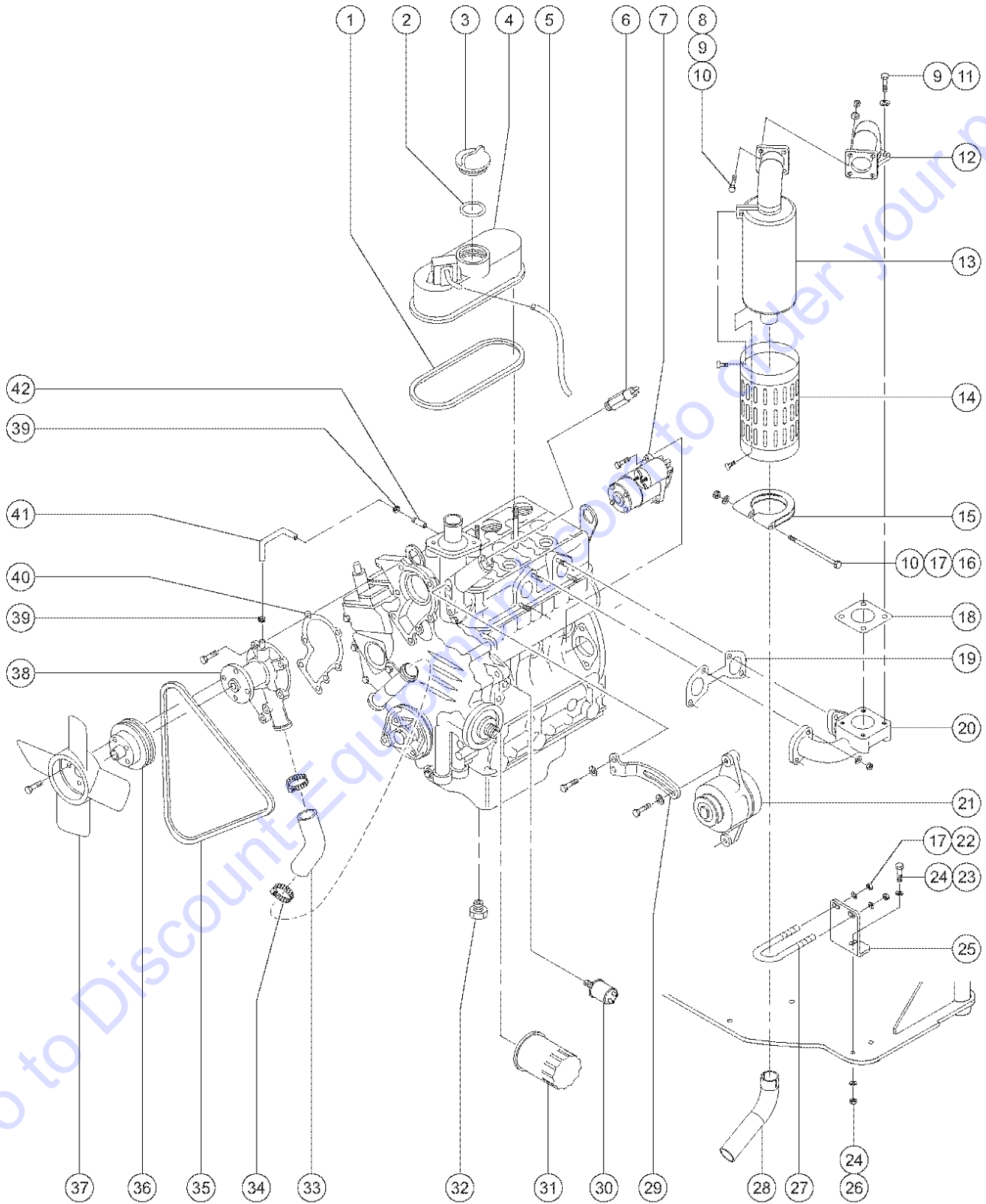
301.1 Engine Pivot Plate Components



301.1 Engine Pivot Plate Components

Item	Part No.	Description	Qty.	Item	Part No.	Description	Qty.
1	54193GT	PLATE,ALTERNATOR ADJUSTMENT		37	6889GT	NUT,LP NYLOCK,1/4-20	
2	56057GT	MODULE,IGNITION/START,12/24V		38	60091-SGT	WELDMENT,ENGINE TRAY,BI-ENERGY to SN 25436	
3	6888GT	SCREW,HHC,1/4-20 X 1		--	107826GT	ASSEMBLY,ENGINE TRAY,BI-ENERGY from SN 25437	
4	6638GT	WASHER,FLAT,USS,1/4"Y		39	56050GT	BATTERY,450 CCA***	
5	6091GT	NUT,NYLOCK,1/4-20		40	60078GT	BATTERY HOLD DOWN	
6	62085GT	REGULATOR-VOLTAGE(Z482-E)		41	6145GT	SCREW,HHC,1/4-20 X 1.5	
7A	56302GT	RELAY,24VDC,40/30A,SEALED***.....5		42	24038GT	SHOCK MOUNT,SMALL	
7B	823226GT	POWER RELAY, 24V COIL.....1		43	60092-SGT	PLATE,ENGINE MOUNT PAINTED	
8	49826GT	SCREW,PHILLIPS,PHM,10-32 X.625		44	14033GT	SCREW,HHC,3/8-16 X 2.75	
9	6146GT	WASHER,FLAT,MS,#10,Y		45	15086GT	WASHER,FLAT,.375 X 1.5 X .125	
10	6178GT	NUT,NYLOCK,10-32		46	60096-SGT	BRACKET,ALTERNATOR ADJ.PAINTED	
11	56912GT	SPRING CLIP,1/4-20,.025-.15X.54,ZAG		47	10597GT	SCREW,HHC,1/2-13 X 1.25 GR5	
12	6090GT	SCREW,HHC,1/4-20 X .75		48	6033GT	WASHER,LOCK,0.5"	
13	6356GT	WASHER,LOCK,.25		49	13005GT	SCREW,HHC,1/2-13 X 6,GRD.8	
14	60146GT	RELAY PANEL COVER		50	54463-SGT	ALTRNTR,48VDC 100A,SERV VERS**	
15	147094GT	ASSY, CIRCUIT BREAKER 15A includes mounting fasteners		--	45782GT	DIODE,6 AMP,200 PIV,BULK	
16	7339GT	SCREW,HHC,1/4-20 X .5		--	54446GT	REGULATOR,48 VOLTAGE,BI ENERGY	
17	60136-SGT	PANEL,RELAY PAINTED		--	54449GT	KIT,REPLACE VOLTAGE REGULATOR*	
18	42315GT	DIN RAIL,6.38"		--	56283GT	PULLEY,3.15 OD	
19	60000-SGT	BULKHEAD,SWING CHASSIS,LH,PAIN		--	56290GT	NUT,LOCK,5/8-18	
20	4828GT	NUT,NYLOCK,3/8-16		--	56291GT	WASHER,HARDENED,5/8	
21	5397GT	WASHER,FLAT,USS,5/16",Y		--	56292GT	KEY,WOODRUFF,5/32X3/4 KEY #506	
22	8516GT	SCREW, HCC, 3/8-16 X 1.50		51	56007GT	BRACKET,ALTERNATOR MOUNT	
23	19418GT	SCREW,SHC,5/8-11 X 1.75.....2		52	21604GT	SCREW,HHC,3/8-16 X 3.25	
24	6036GT	WASHER,LOCK,.625 PLTD		53	7713GT	NUT, LP NYLOCK, 3/8-16	
25	13064GT	WASHER,FLAT,.625 HARDENED.....2					
26	17712GT	SCREW,FHS,3/8-16 X 1.75					
27	50519GT	LOAD PAD,ENGINE TRAY SUPPORT					
28	60100-SGT	BRACKET,ENGINE PLATE REST PTD.					
29	6198GT	NUT,NYLOCK,1/2-13					
30	6095GT	WASHER,FLAT,USS,1/2",Y					
31	22788GT	SCREW,HHC,1/2-13 X 1.75					
32	107803GT	PIN,1.00DIAX15.56LG,CHAMFER					
33	50427-SGT	EAR,ENGINE TRAY PIVOT,PAINTED					
34	6175GT	SCREW,HHC,3/8-16 X 1					
35	6021GT	WASHER,LOCK,.375					
36	1260219GT	HARNES, TILT ALARM,24V,CSA.....1 for CSA models from SN 19812					
36	1261450GT	ASSY,RECEP,24V,CSA TILT.....1 for CSA models from SN 19812					
36	44586GT	SENSOR,LEVEL 4.5***					
--	23083-SGT	FUSE HOLDER,WATERPROOF					
--	27488GT	FUSE,1 AMP					

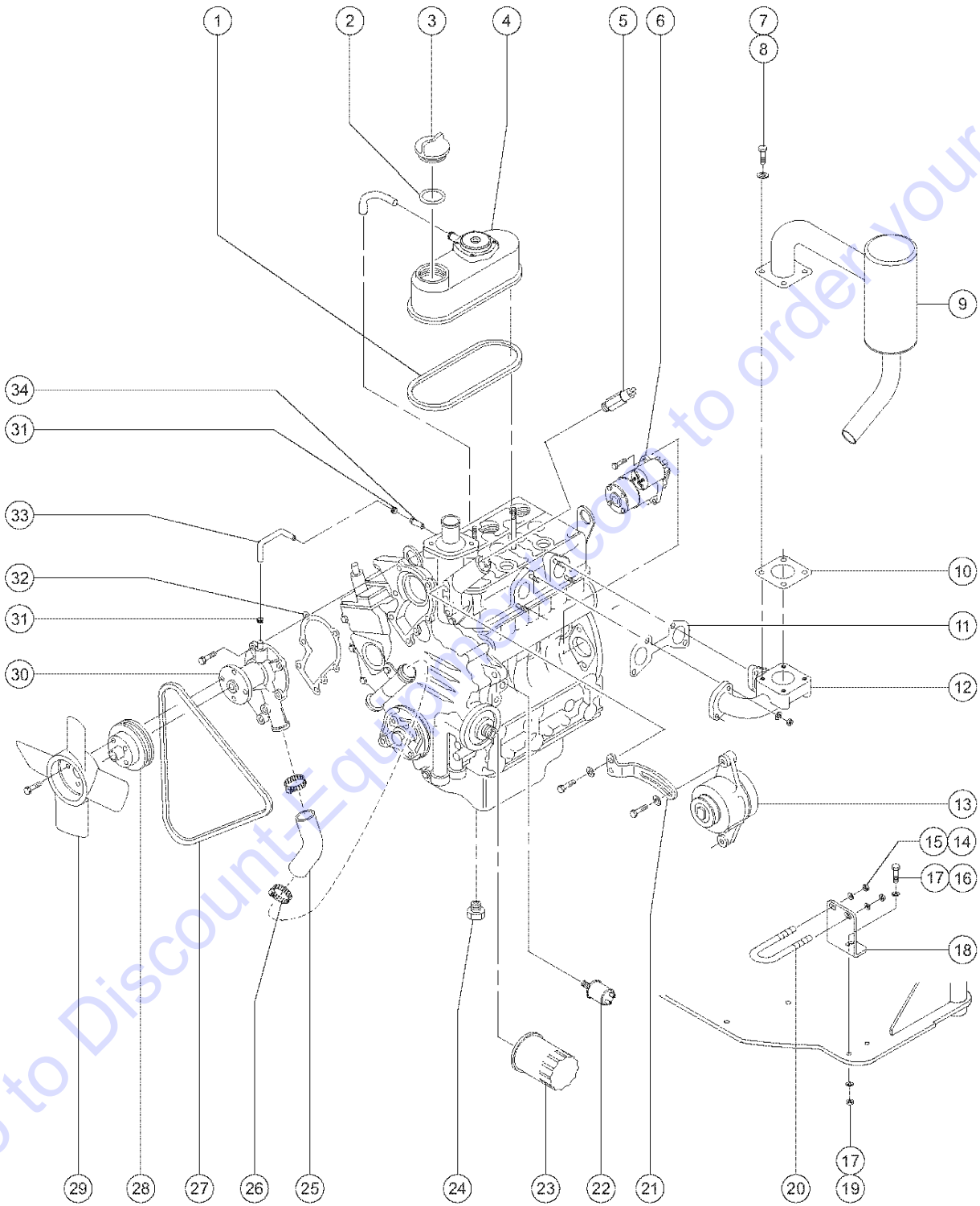
302.1 Kubota Z482-E Engine, View 1 (to SN 26676)



302.1 Kubota Z482-E Engine, View 1 (to SN 26676)

Item	Part No.	Description	Qty.	Item	Part No.	Description	Qty.
1	52806GT	GASKET-VALVE COVER Z482-E		--	52517GT	GASKET-OIL DRAIN, DF750	
2	22903GT	O-RING,OIL FILLER PLUG,KUBOTA*		33	32067GT	HOSE,WATER PUMP,KUBOTA**	
3	52808GT	PLUG,OIL FILLER Z482,Z34/22BE*		34	32066GT	CLAMP,HOSE,KUBOTA WG750	
4	52807GT	COVER-VALVE Z482, Z34/22BE		35	52816GT	BELT,FAN,KUBOTA DF972/Z482-E	
5	52809GT	PIPE-BREATHER Z482, Z34/22BE		36	23469GT	PULLEY,FAN,WG750B***	
6	56085GT	SENDING UNIT,WATER TEMP***		37	52818GT	FAN, KUBOTA Z482-E	
7	52810GT	STARTER MOTOR Z482, Z34/22BE		--	54323GT	GUARD,FAN,2 CYL.KUBOTA	
--	23457GT	SOLENOID,STARTER,WG750B		38	52819GT	PUMP-WATER, KUBOTA Z482-E	
8	13000GT	SCREW,HHC,5/16-18 X 1.25		39	32069GT	CLAMP,HOSE,KUBOTA WG750	
9	6886GT	WASHER,LOCK,.313		40	23472GT	GASKET,WATER PUMPWG750B/Z482-E	
10	6002GT	NUT,LP NYLOCK,5/16-18		41	62129GT	HOSE,WATER PUMP RETURN (Z482)	
11	23057GT	SCREW,HHC,M8 X 20MM		42	62130GT	PIPE,WATER RETURN (Z482-E)	
12	60111GT	EXHAUST EXTENSION WELDMENT to SN 14563					
--	54603GT	MUFFLER, KUBOTA, Z45 BE from SN 14564					
13	62040GT	MUFFLER-Z482-E (Z45) to SN 14563					
14	62041GT	MUFFLER COVER (62040)*** to SN 14563					
15	866803GT	KUBOTA BAND, MUFFLER.....2 to SN 14563 (clamp)					
16	52927GT	SCREW,HHC,5/16-18 X 2.5",GR 5 to SN 14563					
17	5397GT	WASHER,FLAT,USS,5/16",Y					
18	832128GT	GASKET,MUFFLER,KUBOTA D905/11					
19	52812GT	GASKET-EXHAUST MANIFOLD Z482					
20	52813GT	EXHAUST MANIFOLD, Z482-E					
21	84043GT	ALTERNATOR,30 A***					
22	4828GT	NUT,NYLOCK,3/8-16 to SN 14562					
--	6782GT	NUT,NYLOCK,5/16-18 from SN 14563					
23	6019GT	SCREW,HHC,3/8-16 X 1.25 GRD 5					
24	6097GT	WASHER,FLAT,USS,3/8",Y					
25	60114-SGT	ANGLE,EXHAUST SUPPORT PAINTED to SN 14563					
--	54605GT	BRACKET,EXHAUST,Z45 BI from SN 14564					
26	7713GT	NUT, LP NYLOCK, 3/8-16					
27	6550GT	U-BOLT,3/8 X 1 YZ					
28	60113GT	TAILPIPE, EXHAUST, BI-ENERGY to SN 14563					
29	44184GT	ALTERNATOR STAY,WG750***					
30	52815GT	SENDING UNIT-OIL PRES. Z482-E					
31	866400GT	KUBOTA OIL FILTER.....1					
32	52532GT	PLUG,ENGINE OIL DRAIN,D-905***					

302.2 Kubota Z482 E2B-GNI Engine, View 1 (from SN 26677)

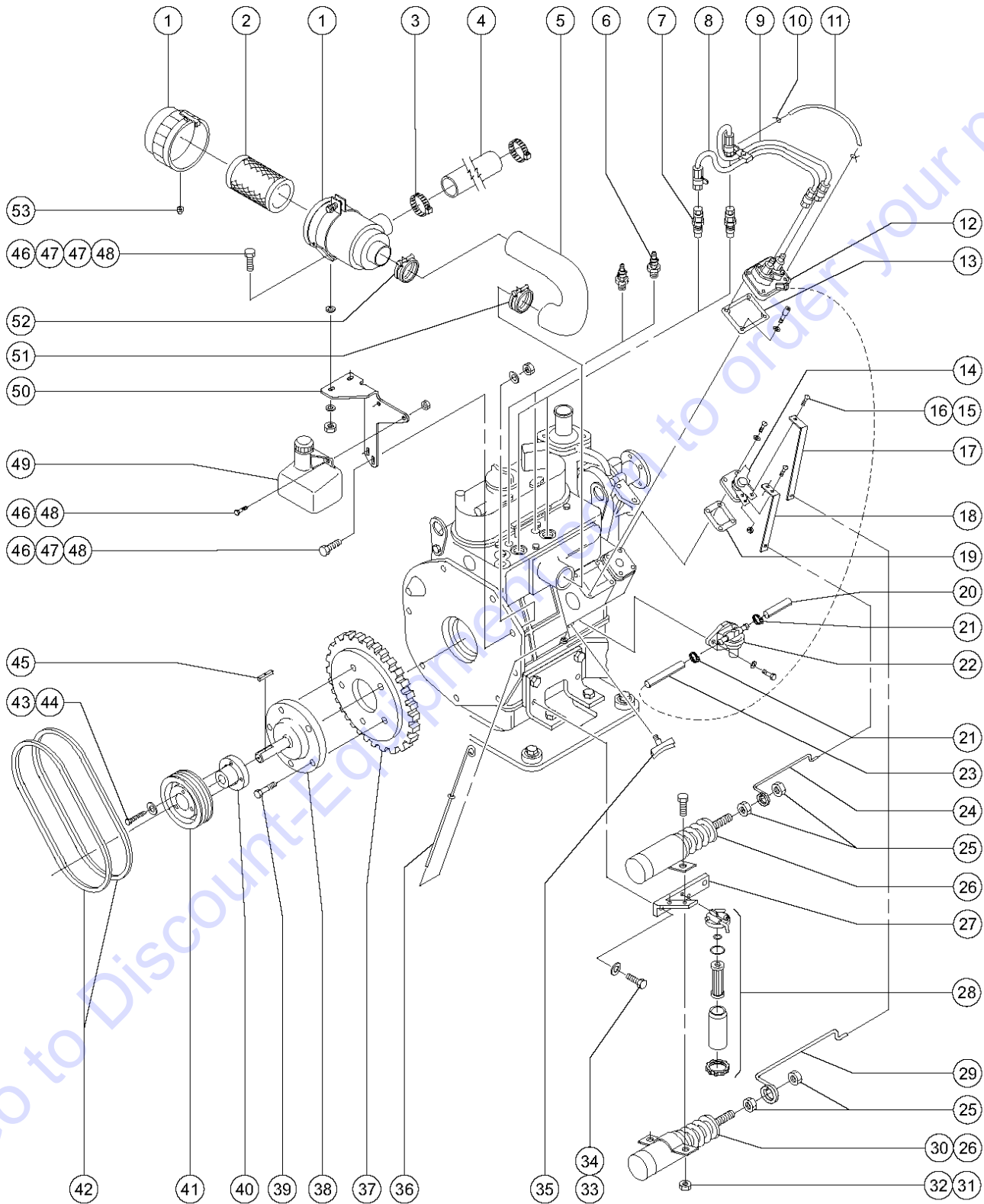


Go to DiscountEquipt.com to order your parts

302.2 Kubota Z482 E2B-GNI Engine, View 1 (from SN 26677)

Item	Part No.	Description	Qty.
1	52806GT	GASKET-VALVE COVER Z482-E.....1	1
2	22903GT	O-RING,OIL FILLER PLUG,KUBOTA*.....1	1
3	52808GT	PLUG,OIL FILLER Z482,Z34/22BE*.....1	1
4	52807GT	COVER-VALVE Z482, Z34/22BE.....1	1
5	54332GT	SWITCH,WATER TEMP.....1	1
6	52810GT	STARTER MOTOR Z482, Z34/22BE.....1	1
--	23457GT	SOLENOID,STARTER,WG750B	
7	23057GT	SCREW,HHC,M8 X 20MM	
8	49408GT	WASHER,LOCK,M8	
9	54603GT	MUFFLER, KUBOTA, Z45 BE.....1	1
10	832128GT	GASKET,MUFFLER,KUBOTA D905/11.....1	1
11	52812GT	GASKET-EXHAUST MANIFOLD Z482....1	1
12	52813GT	EXHAUST MANIFOLD, Z482-E.....1	1
13	110286GT	ALTERNATOR,KUBOTA,Z482.....1	1
14	6782GT	NUT,NYLOCK,5/16-18	
15	5397GT	WASHER,FLAT,USS,5/16",Y	
16	6019GT	SCREW,HHC,3/8-16 X 1.25 GRD 5	
17	6097GT	WASHER,FLAT,USS,3/8",Y	
18	54605GT	BRACKET,EXHAUST,Z45 BI.....1	1
19	7713GT	NUT, LP NYLOCK, 3/8-16	
20	6550GT	U-BOLT,3/8 X 1 YZ	
21	84044GT	STAY,ALTERNATOR***.....1	1
22	22934GT	SWITCH,OIL,PRESSURE,KUBOTA.....1	1
23	866400GT	KUBOTA OIL FILTER.....1	1
24	52532GT	PLUG,ENGINE OIL DRAIN,D-905***.....1	1
--	52517GT	GASKET-OIL DRAIN, DF750	
25	32067GT	HOSE,WATER PUMP,KUBOTA**.....1	1
26	32066GT	CLAMP,HOSE,KUBOTA WG750	
27	52816GT	BELT,FAN,KUBOTA DF972/Z482-E.....1	1
28	23469GT	PULLEY,FAN,WG750B***.....1	1
29	52818GT	FAN, KUBOTA Z482-E.....1	1
--	54323GT	GUARD,FAN,2 CYL.KUBOTA	
30	52819GT	PUMP-WATER, KUBOTA Z482-E.....1	1
31	32069GT	CLAMP,HOSE,KUBOTA WG750	
32	23472GT	GASKET,WATER PUMPWG750B/Z482-E.....1	1
33	62129GT	HOSE,WATER PUMP RETURN (Z482).....1	1
34	62130GT	PIPE,WATER RETURN (Z482-E).....1	1

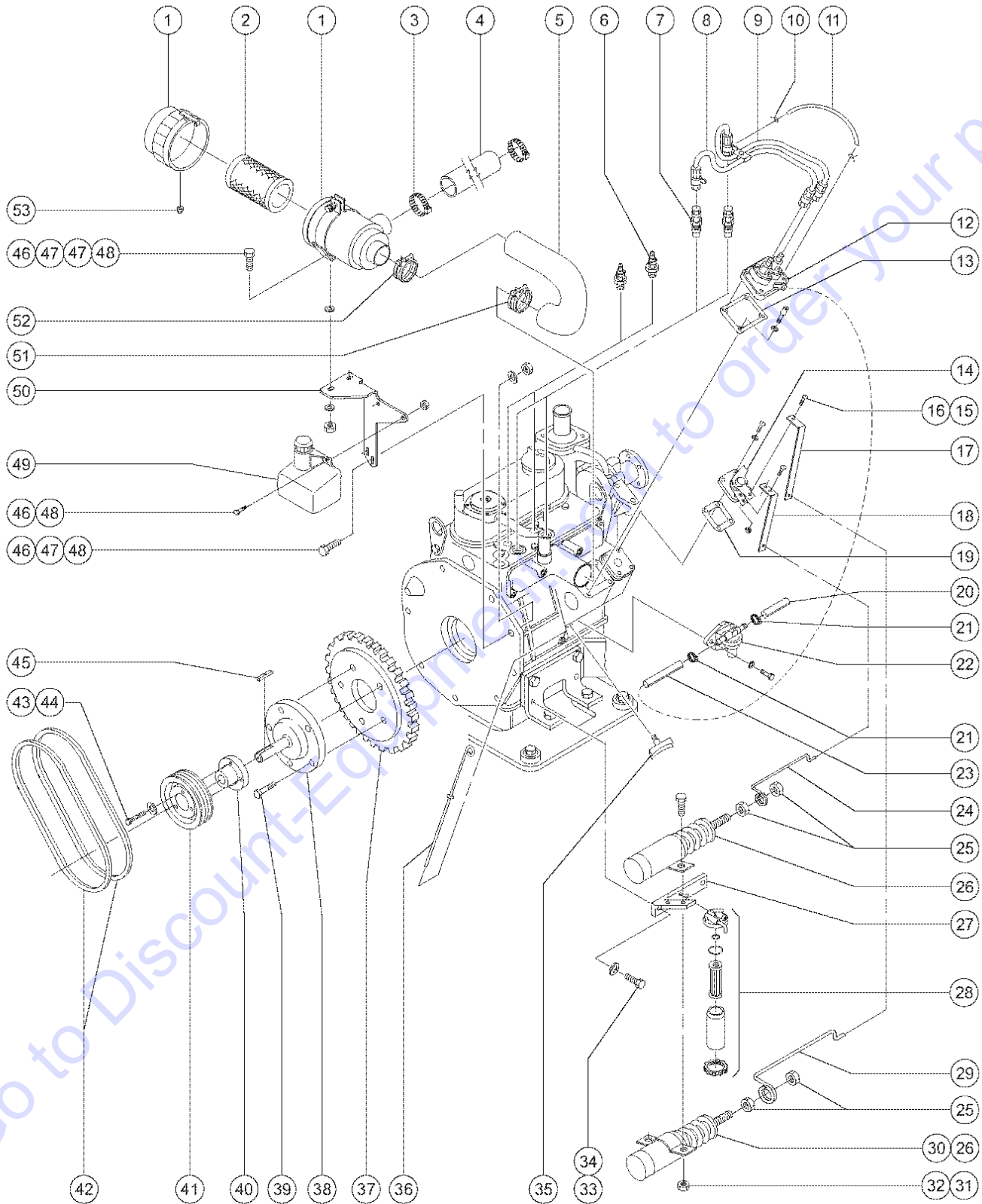
303.1 Kubota Z482-E Engine, View 2 (to SN 26676)



303.1 Kubota Z482-E Engine, View 2 (to SN 26676)

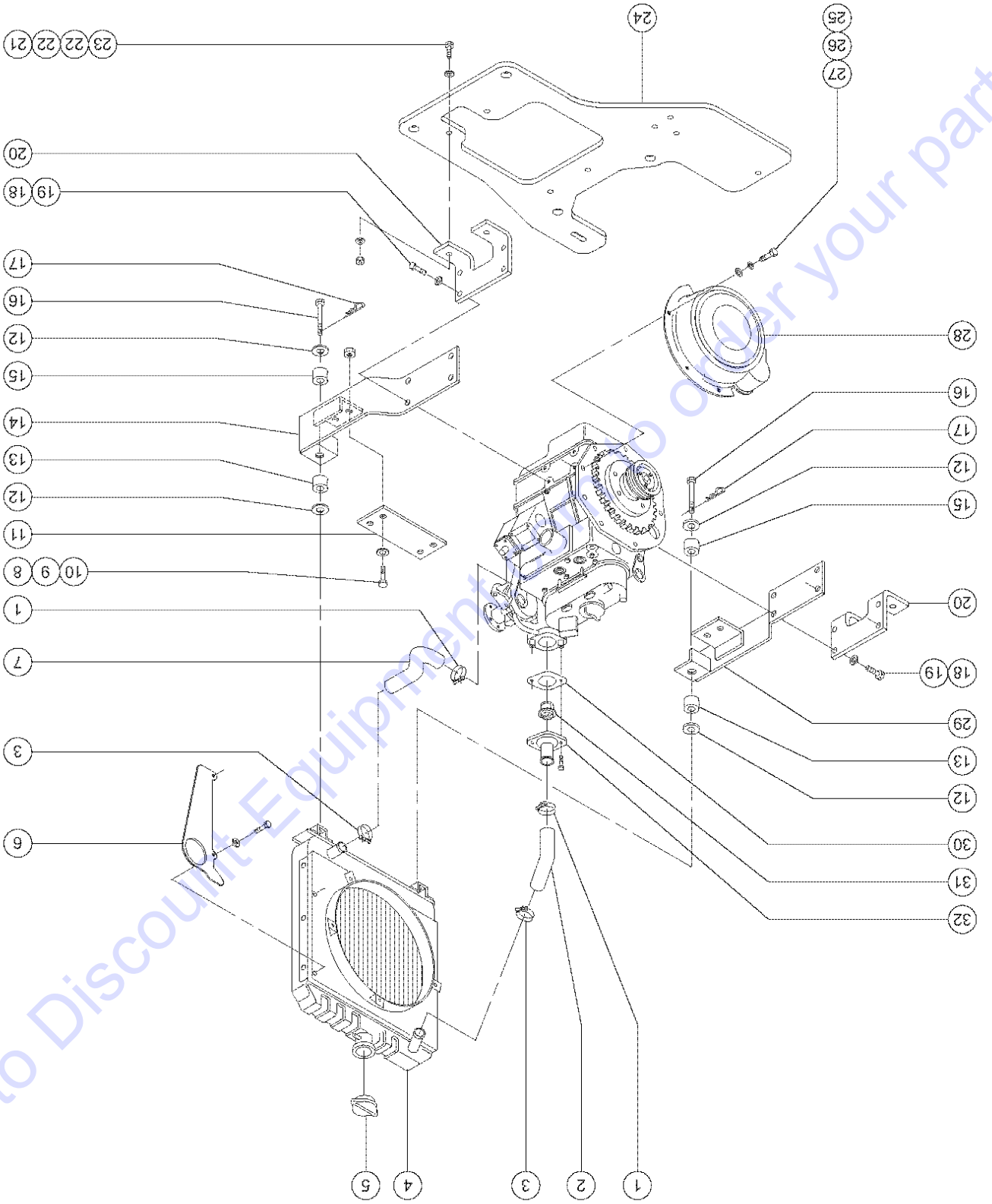
Item	Part No.	Description	Qty.	Item	Part No.	Description	Qty.
1	119684GT	AIRCLEANER ASSEMBLY <i>includes items 2 and 53</i>		35	32077GT	PETCOCK,DRAIN,KUBOTA WG750B	
1	119685GT	BRACKET, AIRCLEANER MT.		36	52836GT	DIPSTICK, KUBOTA Z482-E	
2	52867GT	FILTER,AIR***		37	52837GT	RING GEAR,KUBOTA Z482-E	
3	22672GT	CLAMP,HOSE,1.75		38	52838GT	ADAPTER FLANGE-PULLEY,Z482-E	
4	60108GT	HOSE,AIR CLEANER INTAKE		39	23057GT	SCREW,HHC,M8 X 20MM	
5	60107GT	HOSE,AIR CLEANER TO ENGINE		40	56068GT	BUSHING,SH 1-1/8	
6	839119GT	KUBOTA GLOW PLUG.....2 <i>(replaced PN 52941)</i>		41	56067GT	BALANCER,HARMONIC,2-3V-500-SH	
7	52822GT	INJECTOR,KUBOTA Z482-E		42	60112GT	ALTERNATOR BELT.....2	
8	52824GT	PIPE, INJECTOR 2 KUBOTA Z482-E		43	8915GT	SCREW,HHC,1/4-20 X 1.25	
9	52823GT	PIPE, INJECTOR 1 KUBOTA Z482-E		44	6356GT	WASHER,LOCK,.25	
10	62043GT	CLAMP-OVERFLOW PIPE(Z482-E)		45	56086GT	KEY,1/4 X 1.25	
11	62044GT	PIPE ASSY-OVERFLOW (Z482-E) <i>includes item number 10</i>		46	13002GT	SCREW,HHC,5/16-18 X 1 GR5	
12	52825GT	PUMP-INJECTION, KUBOTA Z482-E		47	5397GT	WASHER,FLAT,USS,5/16",Y	
13	52826GT	GASKET-INJECTION PUMP, Z482-E		48	6002GT	NUT,LP NYLOCK,5/16-18	
14	52949GT	SPEED CONTROL ASSEMBLY**		49	42662GT	COOLANT RECOVERY BOTTLE1.5 QT*	
15	5094GT	SCREW,RHM,10-32 X .5		--	227833GT	HOSE,PVC,CLEAR,36.00" <i>not included with coolant bottle</i>	
16	6178GT	NUT,NYLOCK,10-32		50	54243-SGT	BRKT,AIRCLEAN,COOLRES.MNT,PNTD	
17	56101GT	BRACKET,STOP LEVER		51	62133GT	HOSE CLAMP-AIR CLEANER/LOWER	
18	56102GT	BRACKET,IDLE LEVER		52	32084GT	CLAMP,AIR CLEANER HOSE,WG750**	
19	52832GT	GASKET-SPEED CONTROL ASSEMBLY		53	52866GT	EVACUATOR VALVE-AIR CLEANER	
20	27089GT	HOSE,5/16 FUEL,SAE 30R7					
21	52834GT	CLAMP-HOSE, .375, FUEL PUMP					
22	52835GT	PUMP ASSY-FUEL, KUBOTA Z482-E					
23	27089GT	HOSE,5/16 FUEL,SAE 30R7					
24	56110GT	ROD,ENGINE IDLE & STOP					
25	21496GT	NUT,HEX,1/4-28					
26	20780GT	SOLENOID,2 SPEED TROMBETTA***					
--	52514GT	BOOT,THROTTLE SOLENOID					
27	60105-SGT	BRACKET,SOLENOID MOUNT PAINTED					
28	147205GT	ASSEMBLY, FUEL FILTER, Z482.....1					
--	52875GT	O-RING,FUEL FILTER,UPPER Z482E					
--	52876GT	O-RING,FILTER,LOWER Z482-E					
--	52877GT	FILTER,FUEL FILTER Z482-E					
--	52880GT	RING-RETAINING,FUEL FILTER					
--	52886GT	HOUSING,FUEL FILTER ELEMENT					
29	22956GT	ROD,CHOKE (KUBOTA)****					
30	22446GT	SPRING,COMPRESSION .835 X 2					
31	6091GT	NUT,NYLOCK,1/4-20					
32	6090GT	SCREW,HHC,1/4-20 X .75					
33	6175GT	SCREW,HHC,3/8-16 X 1					
34	6886GT	WASHER,LOCK,.313					

303.2 Kubota Z482 E2B-GNI Engine, View 2 (from SN 26677)



303.2 Kubota Z482 E2B-GNI Engine, View 2 (from SN 26677)

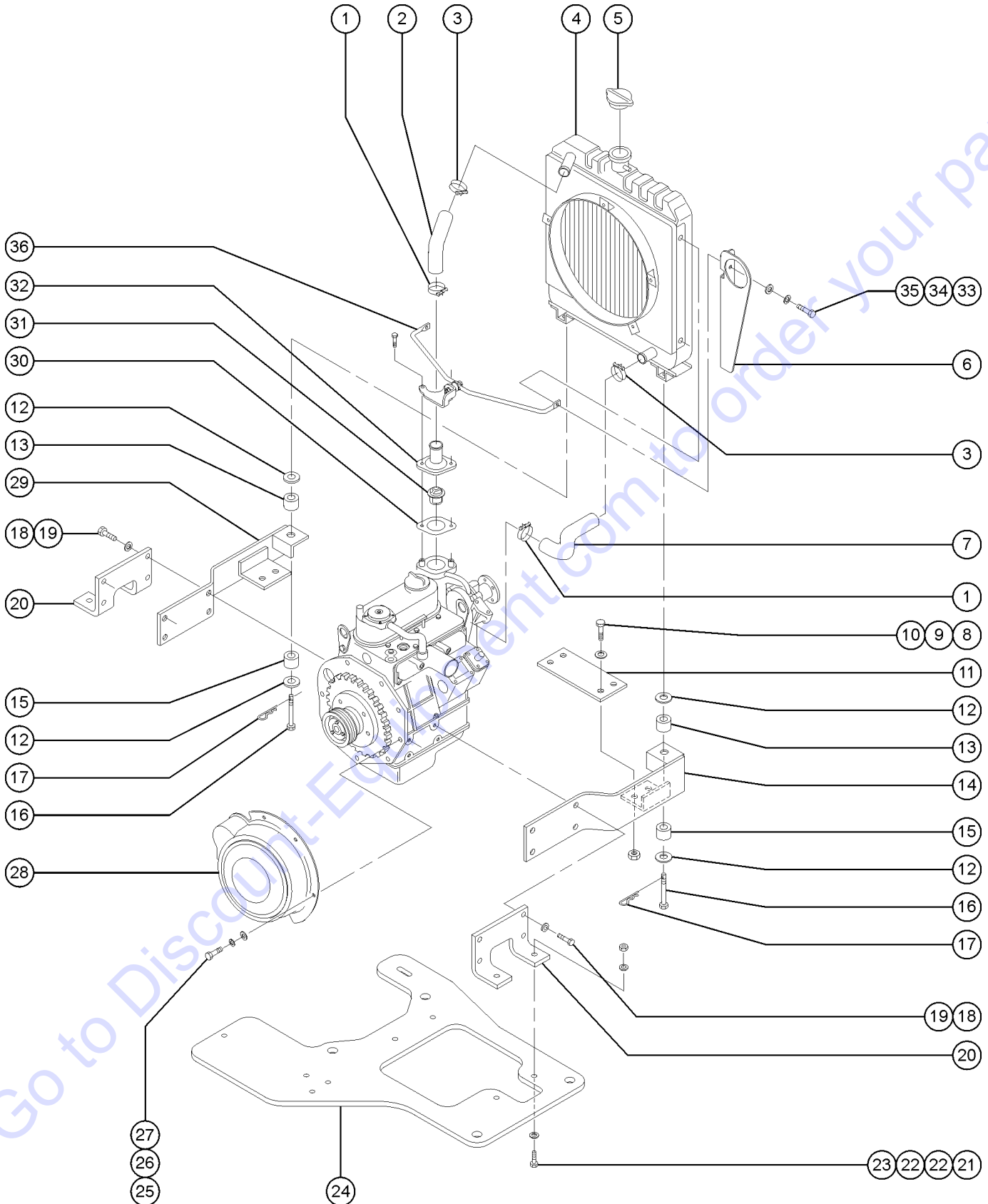
Item	Part No.	Description	Qty.	Item	Part No.	Description	Qty.
1	119684GT	AIRCLEANER ASSEMBLY.....1 <i>includes items 2 and 53</i>	1	34	6886GT	WASHER,LOCK,.313	
1	119685GT	BRACKET, AIRCLEANER MT.		35	32077GT	PETCOCK,DRAIN,KUBOTA WG750B.....1	1
2	52867GT	FILTER,AIR***.....1	1	36	52836GT	DIPSTICK, KUBOTA Z482-E.....1	1
3	22672GT	CLAMP,HOSE,1.75		37	52837GT	RING GEAR,KUBOTA Z482-E.....1	1
4	60108GT	HOSE,AIR CLEANER INTAKE.....1	1	38	52838GT	ADAPTER FLANGE-PULLEY,Z482-E.....1	1
5	60107GT	HOSE,AIR CLEANER TO ENGINE.....1	1	39	23057GT	SCREW,HHC,M8 X 20MM	
6	839119GT	KUBOTA GLOW PLUG.....1	1	40	56068GT	BUSHING,SH 1-1/8.....1	1
7	52822GT	INJECTOR,KUBOTA Z482-E.....1	1	41	56067GT	BALANCER,HARMONIC,2-3V-500-SH...1	1
8	52824GT	PIPE, INJECTOR 2 KUBOTA Z482-E.....1	1	42	60112GT	ALTERNATOR BELT.....2	2
9	52823GT	PIPE, INJECTOR 1 KUBOTA Z482-E.....1	1	43	8915GT	SCREW,HHC, 1/4-20 X 1.25	
10	62043GT	CLAMP-OVERFLOW PIPE(Z482-E).....1	1	44	6356GT	WASHER,LOCK,.25	
11	62044GT	PIPE ASSY-OVERFLOW (Z482-E).....1 <i>includes item 10</i>	1	45	56086GT	KEY,1/4 X 1.25	
12	52825GT	PUMP-INJECTION, KUBOTA Z482-E.....1	1	46	13002GT	SCREW,HHC,5/16-18 X 1 GR5	
13	52826GT	GASKET-INJECTION PUMP, Z482-E.....1	1	47	5397GT	WASHER,FLAT,USS,5/16",Y	
14	52949GT	SPEED CONTROL ASSEMBLY**.....1	1	48	6002GT	NUT,LP NYLOCK,5/16-18	
15	5094GT	SCREW,RHM,10-32 X .5		49	42662GT	COOLANT RECOVERY BOTTLE1.5 QT*.....1	1
16	6178GT	NUT,NYLOCK,10-32		--	227833GT	HOSE,PVC,CLEAR,36.00" <i>not included with coolant bottle</i>	
17	56101GT	BRACKET,STOP LEVER.....1	1	50	54243-SGT	BRKT,AIRCLEAN,COOLRES.MNT,PNTD.1	1
18	56102GT	BRACKET,IDLE LEVER.....1	1	51	62133GT	HOSE CLAMP-AIR CLEANER/LOWER.....1	1
19	52832GT	GASKET-SPEED CONTROL ASSEMBLY.....1	1	52	32084GT	CLAMP,AIR CLEANER HOSE,WG750**.....1	1
20	27089GT	HOSE,5/16 FUEL,SAE 30R7		53	52866GT	EVACUATOR VALVE-AIR CLEANER.....1	1
21	52834GT	CLAMP-HOSE, .375, FUEL PUMP					
22	52835GT	PUMP ASSY-FUEL, KUBOTA Z482-E.....1	1				
23	27089GT	HOSE,5/16 FUEL,SAE 30R7					
24	56110GT	ROD,ENGINE IDLE & STOP.....1	1				
25	21496GT	NUT,HEX,1/4-28					
26	20780GT	SOLENOID,2 SPEED TROMBETTA***.....1	1				
--	52514GT	BOOT,THROTTLE SOLENOID					
27	60105-SGT	BRACKET,SOLENOID MOUNT PAINTED.....1	1				
28	147205GT	ASSEMBLY, FUEL FILTER, Z482.....1	1				
--	52875GT	O-RING,FUEL FILTER,UPPER Z482E					
--	52876GT	O-RING,FILTER,LOWER Z482-E					
--	52877GT	FILTER,FUEL FILTER Z482-E					
--	52880GT	RING-RETAINING,FUEL FILTER					
--	52886GT	HOUSING,FUEL FILTER ELEMENT					
29	22956GT	ROD,CHOKE (KUBOTA)****.....1	1				
30	22446GT	SPRING,COMPRESSION .835 X 2.....1	1				
31	6091GT	NUT,NYLOCK,1/4-20					
32	6090GT	SCREW,HHC,1/4-20 X .75					
33	6175GT	SCREW,HHC,3/8-16 X 1					



304.1 Kubota Z482-E Engine, View 3 (to SN 26676)

Item	Part No.	Description	Qty.
1	32066GT	CLAMP,HOSE,KUBOTA WG750	
2	52841GT	HOSE-RADIATOR,UPPER Z482-E	
3	32087GT	CLAMP,HOSE,KUBOTA WG750	
4	119242GT	RADIATOR ASSY,KUBOTA Z482E AL	
5	110523GT	CAP,RADIATOR,AL,KUBOTA DF-752	
6	60109-SGT	PLATE,AIR INTAKE HOSE PAINTED	
7	32090GT	HOSE,LWR RADIATOR,KUBOTA WG750	
8	6090GT	SCREW,HHC,1/4-20 X .75	
9	6356GT	WASHER,LOCK,.25	
10	6091GT	NUT,NYLOCK,1/4-20	
11	28963GT	RADIATOR STAY, KUBOTA 1702	
12	52539GT	WASHER,RADIATOR CUSHION,KUBOTA	
13	865260GT	KUBOTA 15263-12370CUSHION	
14	52847GT	BRACKET-RADIATOR SUPRT,OUTBRD	
15	28156GT	CUSHION,RADIATOR,KUBOTA 1702**	
16	52540GT	SCREW,RADIATOR MOUNT, KUBOTA	
17	52541GT	CLIP,RADIATOR MOUNT, KUBOTA	
18	22676GT	SCREW,HHC,M10 X 1.25 X 30MM**	
19	22700GT	WASHER,LOCK,M10	
20	60088-SGT	BRACKET,ENGINE MNT,KUBOTA 13HP	
21	8516GT	SCREW, HCC, 3/8-16 X 1.50	
22	6097GT	WASHER,FLAT,USS,3/8",Y	
23	4828GT	NUT,NYLOCK,3/8-16	
24	60092-SGT	PLATE,ENGINE MOUNT PAINTED	
25	23057GT	SCREW,HHC,M8 X 20MM	
26	49408GT	WASHER,LOCK,M8	
27	33277GT	WASHER,FLAT,M8,YELLOW ZINC	
28	54316GT	COVER,FLYWHEEL,2 CYL.KUBOTA	
29	52851GT	BRACKET-RADIATOR SUPRT,INBOARD	
30	866397GT	KUBOTA GASKET,THERMOSTAT	
31	23473GT	THERMOSTAT ASSY, WG750B	
32	27367GT	THERMOSTAT COVER,KUBOTA GAS	

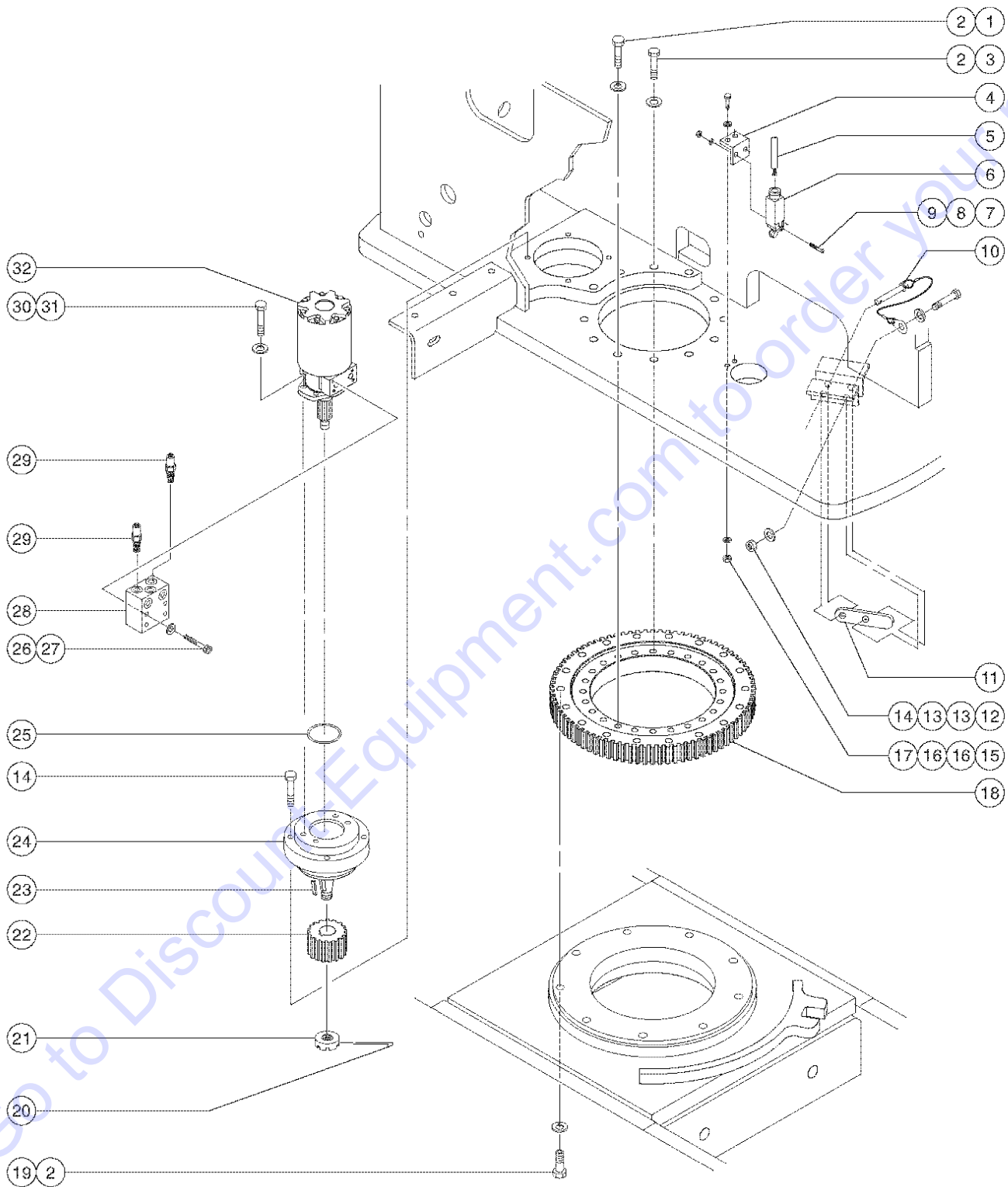
304.2 Kubota Z482 E2B-GNI Engine, View 3 (from SN 26677)



304.2 Kubota Z482 E2B-GNI Engine, View 3 (from SN 26677)

Item	Part No.	Description	Qty.
1	32066GT	CLAMP,HOSE,KUBOTA WG750.....	1
2	52841GT	HOSE-RADIATOR,UPPER Z482-E.....	1
3	32087GT	CLAMP,HOSE,KUBOTA WG750.....	1
4	119242GT	RADIATOR ASSY,KUBOTA Z482E AL.....	1
5	110523GT	CAP,RADIATOR,AL,KUBOTA DF-752.....	1
6	110749GT	BRACKET,AIR INTAKE.....	1
7	32090GT	HOSE,LWR RADIATOR,KUBOTA WG750.....	1
8	6090GT	SCREW,HHC,1/4-20 X .75	
9	6356GT	WASHER,LOCK,.25	
10	6091GT	NUT,NYLOCK,1/4-20	
11	28963GT	RADIATOR STAY, KUBOTA 1702.....	1
12	52539GT	WASHER,RADIATOR CUSHION,KUBOTA	
13	865260GT	KUBOTA 15263-12370CUSHION.....	2
14	52847GT	BRACKET-RADIATOR SUPRT,OUTBRD.....	1
15	28156GT	CUSHION,RADIATOR,KUBOTA 1702**.....	2
16	52540GT	SCREW,RADIATOR MOUNT, KUBOTA	
17	52541GT	CLIP,RADIATOR MOUNT, KUBOTA	
18	22676GT	SCREW,HHC,M10 X 1.25 X 30MM**	
19	22700GT	WASHER,LOCK,M10	
20	60088-SGT	BRACKET,ENGINE MNT,KUBOTA 13HP.....	1
21	8516GT	SCREW, HCC, 3/8-16 X 1.50	
22	6097GT	WASHER,FLAT,USS,3/8",Y	
23	4828GT	NUT,NYLOCK,3/8-16	
24	60092-SGT	PLATE,ENGINE MOUNT PAINTED.....	1
25	23057GT	SCREW,HHC,M8 X 20MM	
26	49408GT	WASHER,LOCK,M8	
27	33277GT	WASHER,FLAT,M8,YELLOW ZINC	
28	54316GT	COVER,FLYWHEEL,2 CYL.KUBOTA.....	1
29	52851GT	BRACKET-RADIATOR SUPRT,INBOARD.....	1
30	866397GT	KUBOTA GASKET,THERMOSTAT.....	1
31	23473GT	THERMOSTAT ASSY, WG750B.....	1
32	27367GT	THERMOSTAT COVER,KUBOTA GAS.....	1
33	49375GT	SCREW,HHC,M6 X 16	
34	49407GT	WASHER,LOCK,M6	
35	25926GT	WASHER,FLAT,M6 PLTD.	
36	119507GT	KIT,Z482 RAD SUPPORT.....	1

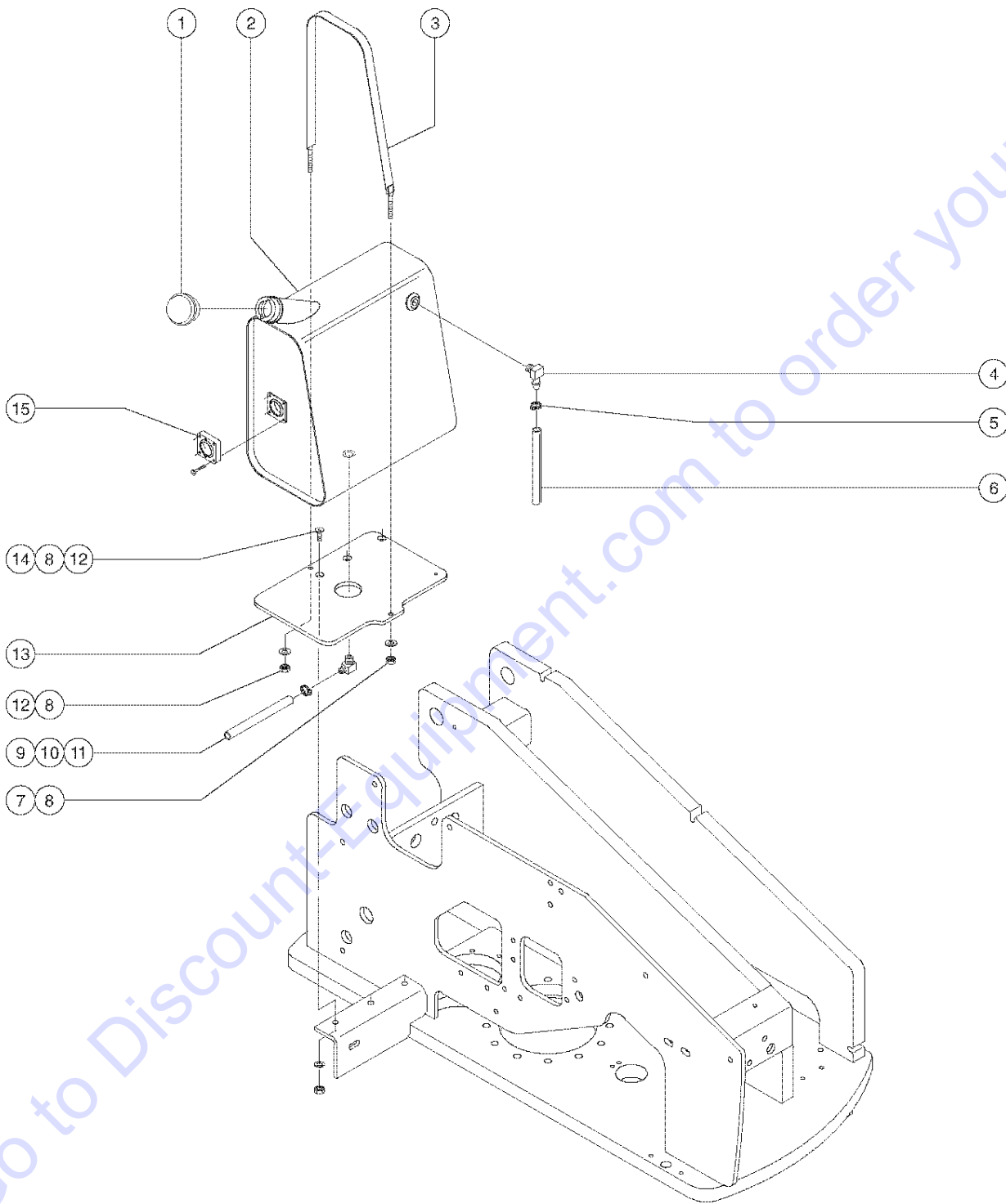
401.1 Turntable Rotator



401.1 Turntable Rotator

Item	Part No.	Description	Qty.	Item	Part No.	Description	Qty.
1	21175GT	SCREW,SHC,5/8-11 X 4,A574.....	4	--	43018GT	SEAL KIT (39345)	
--	21175GT	SCREW,SHC,5/8-11 X 4,A574.....	6	29	33428GT	VALVE,COUNTERBALANCE	
2	13064GT	WASHER,FLAT,.625 HARDENED.....	21	30A	54177GT	SCREW,HHC,1/2-13 X 1.5 GRD 8.....	4
--	13064GT	WASHER,FLAT,.625 HARDENED.....	36			to SN 18366	
3	56900GT	SCREW,SHC,5/8-11 X 2.5 BLK.....	8	30B	56680GT	SCREW,SHC,1/2-13 X 4.50 ZINC.....	4
--	56900GT	SCREW,SHC,5/8-11 X 2.5 BLK.....	14			from SN 18367	
4	50469GT	BRACKET,DRIVE SENSOR,ENABLE		31	6033GT	WASHER,LOCK,0.5"	
5	106278GT	HARNESS,LS,D.E. Z45BE		32A	50413GT	MOTOR,TURNTABLE ROTATE,29.1.....	1
6	88356-11103GT	SWITCH,LIMIT,W/RLR ARM,NO/NC**....	1	--	52783GT	SEAL KIT,TRNTBLE ROT MTR(50413	
--	19491GT	CONTACTOR,LIMIT SWITCH				for 50413	
--	97128GT	ROLLER ARM,LIMIT SWITCH***		32B		Ref: Swing Drive Assy	
7	49825GT	SCREW,PHILLIPS,PHM,8-32 X 1.5				(from SN 18367) (not shown) 77082 is no	
8	6607GT	WASHER,LOCK,#10 PLTD				longer available, order PN 824050	
9	18605GT	NUT,NYLOCK,8-32		--	128446GT	MANIFOLD,TURNTABLE ROTATION***	
10	54145-800GT	RETAINING PIN, ASSY				for 77082	
11	50776-SGT	PLATE,SWING LOCK,PAINTED		--	220255GT	SEAL KIT,MANIFOLD TO MOTOR	
12	6198GT	NUT,NYLOCK,1/2-13				for 128446	
13	6095GT	WASHER,FLAT,USS,1/2",Y		--	48904GT	ELBOW,90D,520220-4-4	
14	50576GT	SCREW,SHC,1/2-13 X 3.00				not included, must order seperately	
--	56680GT	SCREW,SHC,1/2-13 X 4.50 ZINC		--	77246GT	SEAL KIT,SWING MOTOR***	
15	6889GT	NUT,LP NYLOCK,1/4-20				for 77082	
16	6638GT	WASHER,FLAT,USS,1/4"Y		32C		SWING DRIVE ASSY***	
17	4266GT	SCREW,HHC,1/4-20 X 2				(not shown) 147209 is no longer available,	
18	50411GT	BEARING,SWING CHASSIS		--	147210GT	SEAL KIT,SWING DRIVE***	
--	101815GT	BEARING,SWING CHASSIS.....	1			for 147209	
19	25068GT	SCREW,SHC,5/8-11 X 4.5,A574.....	9	--	147211GT	BRAKE KIT, SWING DRIVE	
--	25068GT	SCREW,SHC,5/8-11 X 4.5,A574.....	16			for 147209	
20	42079GT	PIN,COTTER,.156 X 2.5		--	147212GT	MANIFOLD KIT, SW DRIVE	
21	52767GT	NUT-CASTLE (50414)				for 147209	
22	50412GT	PINION GEAR		--	220255GT	SEAL KIT,MANIFOLD TO MOTOR	
		(to SN 18366) (for motor 50413 and brake				for 147212	
		50414 only, identify swing drive assembly		--	48904GT	ELBOW,90D,520220-4-4	
		before ordering)				not included, must order seperately	
23	52766GT	KEY-WOODRUFF (50414)		32D	824050GT	SWING DRIVE ASSEMBLY.....	1
24	50414GT	BRAKE,MICO,12000 IN/LB***				replaces PNs 77082 & 147209, use from	
--	44828GT	SEAL KIT,BRAKE,MICO***				SN 18367	
--	44829GT	BEARING,BRK,MICO **		--	48904GT	ELBOW,90D,520220-4-4	
--	52770GT	LINING KIT-MICO BRAKE (50414)				not included, must order seperately	
--	52772GT	SPRING KIT-MICO BRAKE (50414)		--	824051GT	SEAL KIT, SWING DRIVE	
25	43683GT	O-RING,2-042 N674-70***				for 824050	
26	50175GT	SCREW,HHC,5/16-18 X 2.75 GR5		--	824052GT	VALVE BLOCK, SWING DRIVE	
27	6886GT	WASHER,LOCK,.313				for 824050	
28	50447GT	MANIFOLD,DUAL COUNTERBALANCE					
		includes item 29; to SN 18366					

402.1 Bi-Energy Fuel Tank

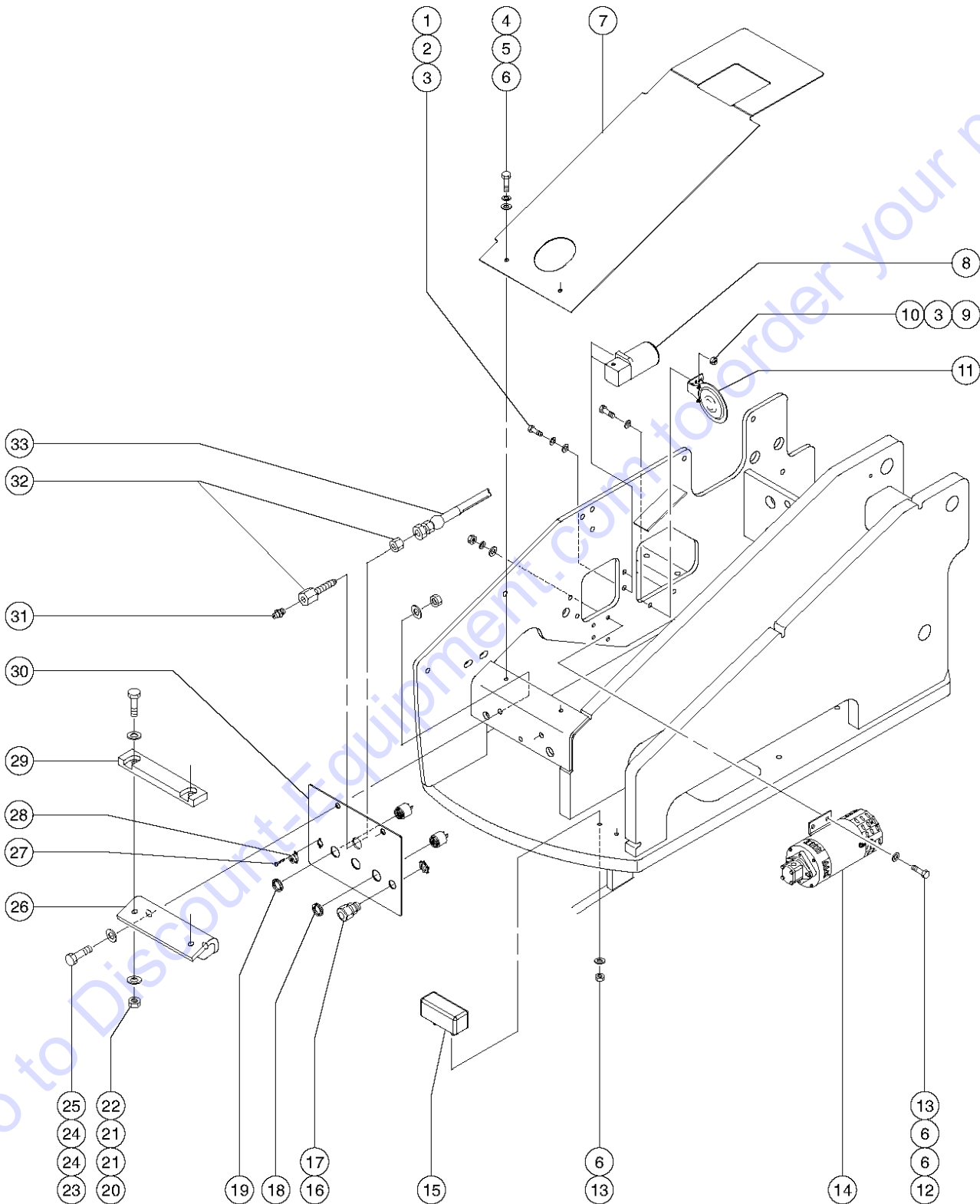


Go to DiscountEquipment.com to order your parts

Item	Part No.	Description	Qty.
1	54694GT	FUEL CAP,BI-ENERGY,Z45***%%	
2	62131-SGT	FUEL TANK ASSY W/DECAL(Z45/25)	
3	1282314GT	STRAP ASSY, 44LG, W/RUBBER	
4	54206GT	HOSE END,BARB,1/4 MNPTX3/16,90	
5	31982GT	CLAMP,HOSE,1 EAR, 15/32	
6	54286GT	HOSE,3/16,FUEL,SAE 30R7,103"	
7	7713GT	NUT, LP NYLOCK, 3/8-16	
8	5397GT	WASHER,FLAT,USS,5/16",Y	
9	54287GT	HOSE,5/16,FUEL,SAE 30R7,86"	
10	54123GT	CLAMP,HOSE,1 EAR, 5/8	
11	54205GT	HOSE END,BARB,1/4 MNPTX5/16,90	
12	4828GT	NUT,NYLOCK,3/8-16	
13	60102-SGT	PLATE,FUEL TANK,PAINTED	
14	17712GT	SCREW,FHS,3/8-16 X 1.75	
15	60170GT	GAUGE,FUEL,SIDE MOUNT Z45 <i>includes mounting fasteners</i>	

Go to Discount-Equipment.com to order your parts

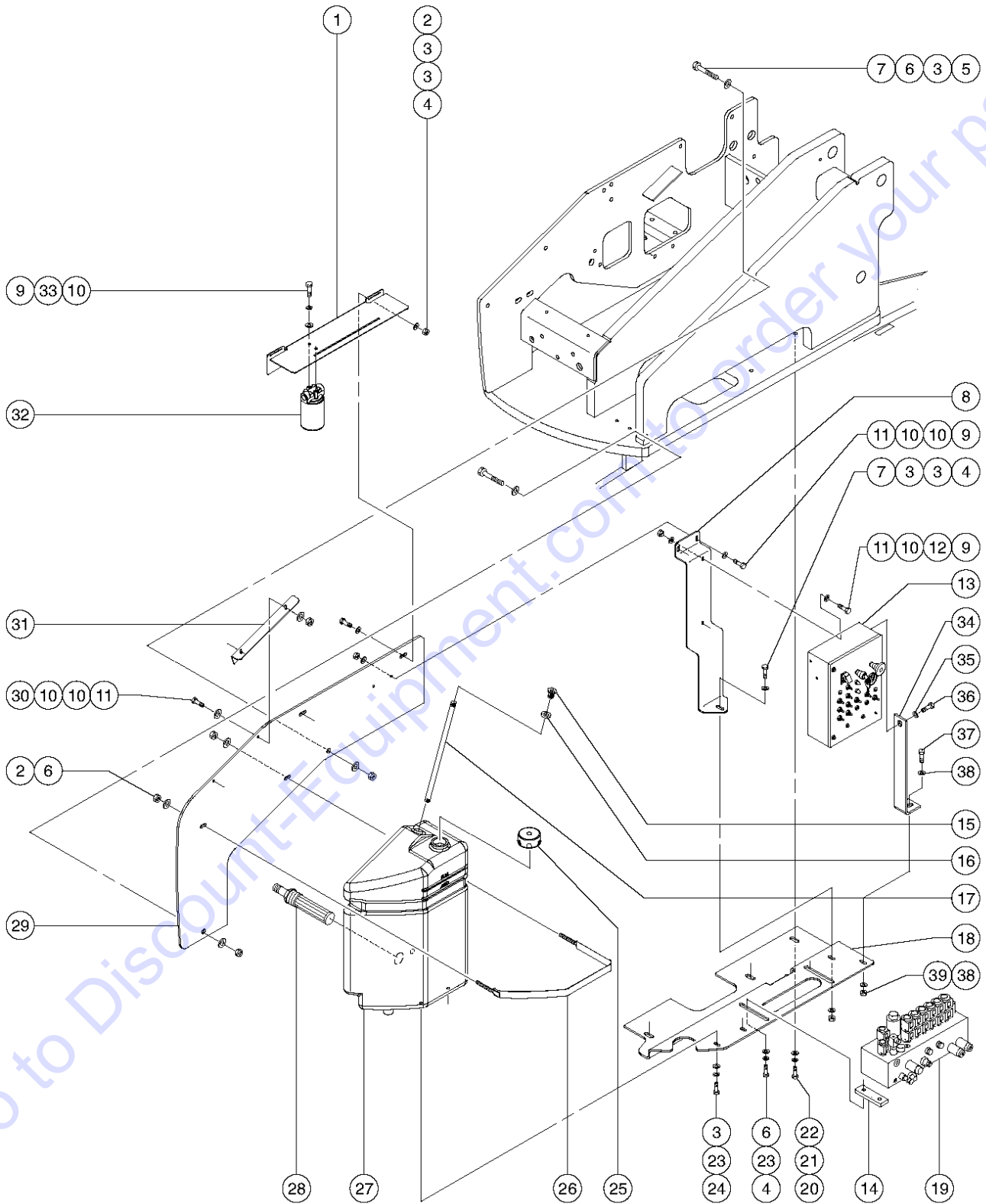
403.1 Turntable Center Components



403.1 Turntable Center Components

Item	Part No.	Description	Qty.	Item	Part No.	Description	Qty.
1	13002GT	SCREW,HHC,5/16-18 X 1 GR5		25B	4828GT	NUT,NYLOCK,3/8-16 (Z45/25J)	
2	6886GT	WASHER,LOCK,.313		26	50569-SGT	ANGLE,PRI. BOOM REST,NON-JIB	
3	6638GT	WASHER,FLAT,USS,1/4"Y		27	6272GT	RIVET,STL,STL,P,.125 X .25	
4	8255GT	SCREW,HHC,3/8-16 X .75		28	13511GT	RECEPTICAL,SNAP-IN (1450G1)*** to SN 22050	
5	6021GT	WASHER,LOCK,.375		29	50570GT	WEAR PAD,PRIMARY BOOM,NON JIB	
6	5397GT	WASHER,FLAT,USS,5/16",Y		30	60005-SGT	PLATE,FRONT COVER,PAINTED	
7	60079-SGT	COVER,SWING CHASSIS CENTER,PAI		31	28648GT	SPARK PLUG WIRE SET, LSG 423.....1 <i>Genie genuine part</i>	
8	36179GT	POWER UNIT,AUX PUMP 24VDC		--	1259056GT	SPARK PLUG WIRE SET, LSG 423 <i>Genie aftermarket</i>	
--	37184GT	MOTOR, 24V (36179)		32	1259056GT	SPARK PLUG WIRE SET, LSG 423 <i>Genie aftermarket</i>	
--	37185GT	PUMP ASSEMBLY (36179)		32	48885GT	CONNECTOR,BULKHEAD,FEMALE-4	
--	37186GT	VALVE,CHECK (36179)		33	54083-3438SGT	HOSE ASSY,1/4",100R1,FEM/FEM to SN 16391	
--	37187GT	SEAL KIT, 37185 PUMP		--	54953-3408GT	HOSE ASSY,LUBE RINGGEBEARING from SN 16392	
--	37191GT	GASKET, PUMP / MOTOR (36179)					
--	37192GT	COUPLER, PUMP / MOTOR (36179)					
--	49878GT	NYLON WASHER,(36179)					
9	6782GT	NUT,NYLOCK,5/16-18					
10	13000GT	SCREW,HHC,5/16-18 X 1.25					
11	81579GT	HORN,24VDC,SPADE TERMINALS*** to SN 19816					
--	81579GT	HORN,24VDC,SPADE TERMINALS*** from SN 19817					
12	8516GT	SCREW, HCC, 3/8-16 X 1.50					
13	4828GT	NUT,NYLOCK,3/8-16					
14		Ref. Hydraulic Power Unit (refer to 701.1)					
15	56927GT	PAD,REST,2"THICK,W/STUDS*					
16	54120GT	CONN,STRAIN RELIEF,LP,1/2 NPT					
17	62086GT	LOCKNUT-ELECTRIC, 1/2"(54120)					
18	18963GT	ALARM,INTERMITTENT TONE 6-30V* <i>Does not include 72326 nut</i>					
--	72326GT	NUT - PLASTIC,RING FOR ALARMS					
19	45462GT	ALARM,CHIME TONE 5-25VDC*** <i>Does not include 72326 nut</i>					
--	72326GT	NUT - PLASTIC,RING FOR ALARMS					
20	4828GT	NUT,NYLOCK,3/8-16					
21	5397GT	WASHER,FLAT,USS,5/16",Y					
22	6019GT	SCREW,HHC,3/8-16 X 1.25 GRD 5					
23A	22788GT	SCREW,HHC,1/2-13 X 1.75 (Z45/25)					
23B	6019GT	SCREW,HHC,3/8-16 X 1.25 GRD 5 (Z45/25J)					
24A	6095GT	WASHER,FLAT,USS,1/2",Y (Z45/25)					
24B	5397GT	WASHER,FLAT,USS,5/16",Y (Z45/25J)					
25A	6198GT	NUT,NYLOCK,1/2-13 (Z45/25)					

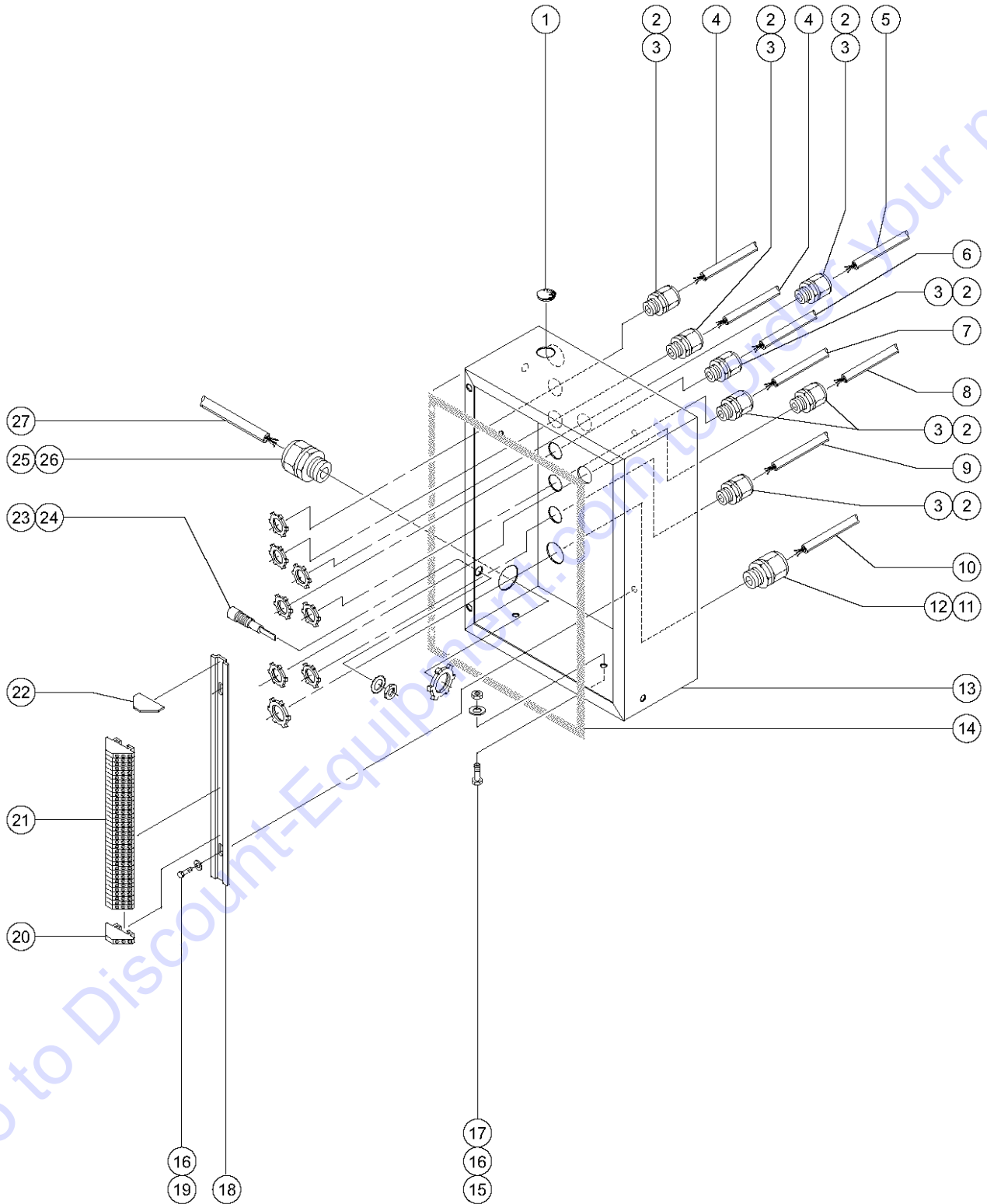
404.1 Turntable Components - Ground Controls Side



404.1 Turntable Components - Ground Controls Side

Item	Part No.	Description	Qty.	Item	Part No.	Description	Qty.
1	50744-SGT	BRACKET, RETURN FILTER		--	44788GT	FILTER ELEMENT,10MICRON,PAPER*	
2	4828GT	NUT,NYLOCK,3/8-16		33	6886GT	WASHER,LOCK,.313	
3	5397GT	WASHER,FLAT,USS,5/16",Y		34	88557GT	BRACKET,GROUND CONTROL BOX <i>from SN 21181</i>	
4	6175GT	SCREW,HHC,3/8-16 X 1		35	6638GT	WASHER,FLAT,USS,1/4"Y <i>from SN 21181</i>	
5	14033GT	SCREW,HHC,3/8-16 X 2.75		36	6090GT	SCREW,HHC,1/4-20 X .75 <i>from SN 21181</i>	
6	6097GT	WASHER,FLAT,USS,3/8",Y		37	6175GT	SCREW,HHC,3/8-16 X 1 <i>from SN 21181</i>	
7	7713GT	NUT, LP NYLOCK, 3/8-16		38	5397GT	WASHER,FLAT,USS,5/16",Y <i>from SN 21181</i>	
8	60004GT	FORMING,LOWER CNTRL BOX MOUNT <i>to SN 21180</i>		39	7713GT	NUT, LP NYLOCK, 3/8-16 <i>from SN 21181</i>	
9	6090GT	SCREW,HHC,1/4-20 X .75					
10	6638GT	WASHER,FLAT,USS,1/4"Y					
11	6091GT	NUT,NYLOCK,1/4-20					
12	6356GT	WASHER,LOCK,.25					
13		Ref. Ground Controls (refer to 405.1, 406.1, 407.1 or 408.1)					
14	54231GT	WEAR PAD,4.88 X 1.5 X .5					
15	39223GT	BULKHEAD FITTING,PLASTIC X 8** <i>Includes item 16</i>					
16	62088GT	WASHER/BULKHEAD***					
17	60065GT	TUBE,PLASTIC .5 NPT X 18"					
18	50959-SGT	FORMING,SWING CHASSIS,RH,PAINT					
19		Ref. Function Manifold (refer to 702.1, 703.1 or 704.1)					
20	10597GT	SCREW,HHC,1/2-13 X 1.25 GR5					
21	6033GT	WASHER,LOCK,0.5"					
22	6095GT	WASHER,FLAT,USS,1/2",Y					
23	6021GT	WASHER,LOCK,.375					
24	8255GT	SCREW,HHC,3/8-16 X .75					
25	42019GT	TANK BREATHER,NYLON **					
26	77435GT	STRAP ASSY,29.25LG,W/RUBBER					
27	50966GT	TANK,HYDRAULIC,8 GALLON,DC/BI					
--	56022GT	PLUG,3/4 MAGNETIC PIPE SQ.DRV					
28	60131GT	STRAINER ASSY.PLASTIC,1.25 MPT					
29	50957-SGT	BULKHEAD,SWING CHASSIS,RH,PAIN <i>to SN 18466</i>					
--	54443GT	BULKHEAD,SWING,RIGHT,Z45 DC/BE <i>from SN 18467</i>					
30	6888GT	SCREW,HHC,1/4-20 X 1					
31	60007-SGT	ANGLE,COVER SUPPORT,PAINTED <i>to SN 18466</i>					
--	54456GT	ANGLE,COVER SUPPORT,DC/BI <i>from SN 18467</i>					
32A	49815GT	FILTER ASSY SAE12,10MIC,PARP <i>to SN 20364</i>					
--	62087GT	FILTER ELEMENT 10 MIC 49815					
32B	78622GT	FILTER ASSY,SAE8,10 MIC,PAPR** <i>from SN 20365</i>					

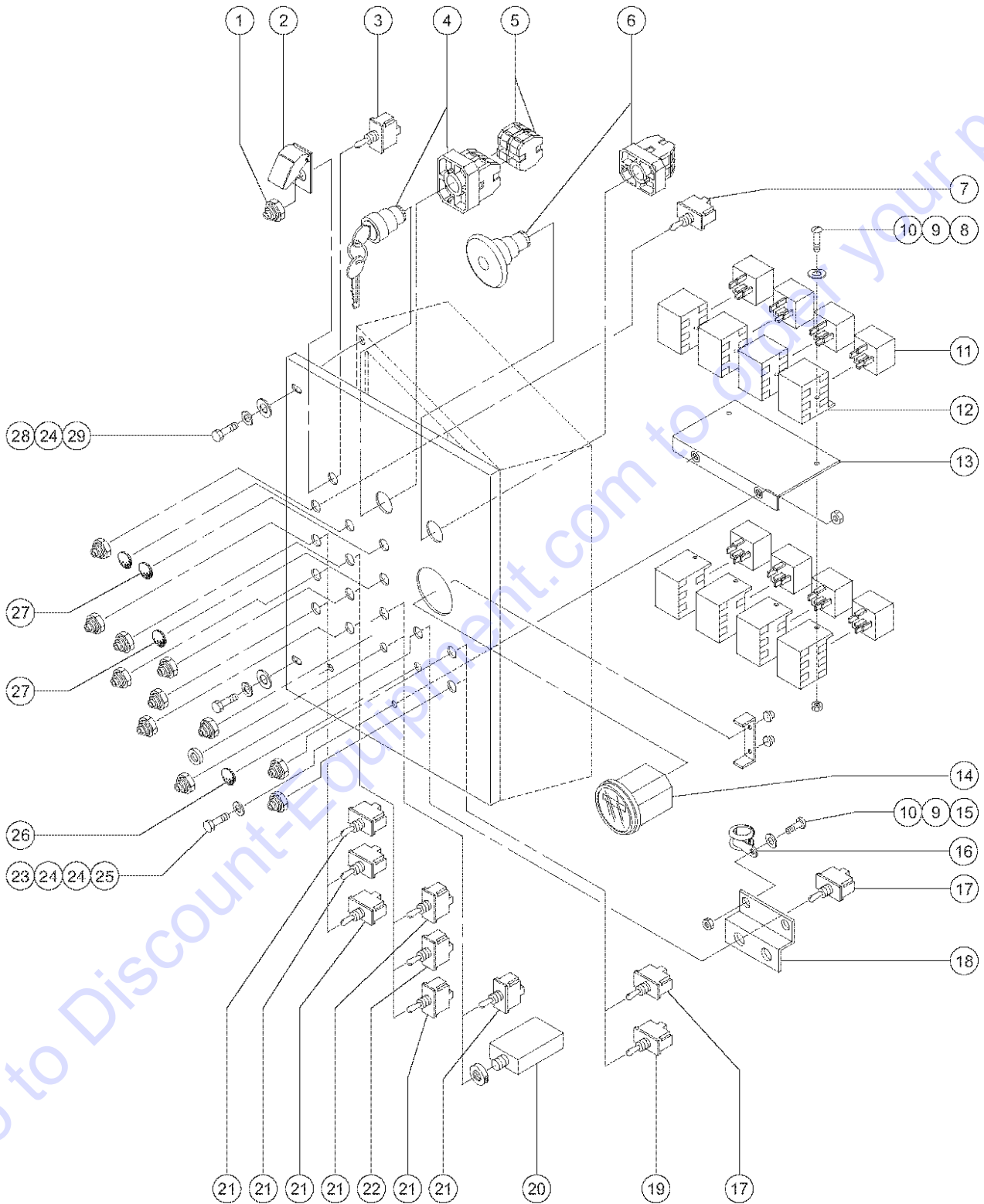
405.1 Ground Control Box - View 1 (to SN 22050)



405.1 Ground Control Box - View 1 (to SN 22050)

Item	Part No.	Description	Qty.
1	45384GT	PLUG,NYLON .50 BLACK DOMED	
2	7057GT	CONN. SQZ,1/2NPT .39-.56 MED.	
3	6935GT	LOCKNUT,ELEC,1/2"	
4	43960GT	WIRE CABLE,16/4 CON.TPE JKT.....361-inches	
5	43960GT	WIRE CABLE,16/4 CON.TPE JKT.....396-inches	
6	35934GT	WIRE CABLE,18/19 CON.TPRJKT.....804-inches	
7	35934GT	WIRE CABLE,18/19 CON.TPRJKT.....804-inches	
8	43960GT	WIRE CABLE,16/4 CON.TPE JKT.....86-inches	
9	35934GT	WIRE CABLE,18/19 CON.TPRJKT.....733-inches	
10	77140GT	HARNESS,MANIFOLD,Z45 BI/DC	
11	12960GT	CABLE SQUEEZE CONN.,XTRA LRG	
12	14041GT	LOCKNUT,ELECTRIC,3/4"	
13	77118GT	SERVICE KIT, IC GROUND BOX <i>includes item 14; to SN 19374</i>	
--	77522GT	CONTROL,BOX ASSY-GRND Z45 IC <i>includes item 14; from SN 19375 to SN 22050</i>	
14	50572GT	GASKET,GROUND CONTROL BOX <i>to SN 19374</i>	
--	88637GT	GASKET,GROUND CONTROL BOX*** <i>from SN 19375 to SN 22050</i>	
15	6090GT	SCREW,HHC,1/4-20 X .75	
16	6638GT	WASHER,FLAT,USS,1/4"Y	
17	6091GT	NUT,NYLOCK,1/4-20	
18	36871GT	DIN RAIL,14.75" **	
19	7339GT	SCREW,HHC,1/4-20 X .5	
20	25837GT	TERMINAL STRIP END PLATE.....1	
21	25836GT	TERMINAL BLOCK(SINGLE),WAGO***50	
22	25974GT	PLASTIC END STOP.....1	
23	824878GT	LIGHT,LED IND. RED 24V NH <i>includes mounting fastener</i>	
24	6700GT	WASHER,STAR,EXTERNAL,.375	
25	20776GT	CABLE SQUEEZE CONN.	
26	18665GT	LOCKNUT,ELECTRIC,1" NPT	
27	54304GT	HARNESS,CHASSIS,Z45 BI ENERGY	

406.1 Ground Control Box - View 2 (to SN 22050)



406.1 Ground Control Box - View 2 (to SN 22050)

Item	Part No.	Description	Qty.	Item	Part No.	Description	Qty.
1	27246GT	BOOT,TOGGLE SWITCH,SHORT*		--	128580-SGT	SWITCH TOGGLE SPDT 3P MOM SHDR	
2	13471GT	COVER, AUXILIARY POWER SWITCH		--	27246GT	BOOT,TOGGLE SWITCH,SHORT*	
3	128201GT	SWITCH TOGGLE ASSY DPDT 2P MOM		17B	45384GT	PLUG,NYLON .50 BLACK DOMED (DC)	
--	128578GT	SCREW T-SWITCH PH/PH 6-32X1/4		18	54525GT	BRACKET-PANEL-WIRE MOUNTING 99	
--	128581-SGT	SWITCH TOGGLE DPDT 2P MOM SHDR		19	128200GT	SWITCH TOGGLE ASSY SPDT 3P MOM	
--	27246GT	BOOT,TOGGLE SWITCH,SHORT*		--	128578GT	SCREW T-SWITCH PH/PH 6-32X1/4	
4	122512GT	KIT,KEYSWITCH SVC BB & SM BOOM		--	128580-SGT	SWITCH TOGGLE SPDT 3P MOM SHDR	
--	122366GT	KEYSWITCH,CONTACTS LOCK		--	27246GT	BOOT,TOGGLE SWITCH,SHORT*	
--	21982GT	KEY,SINGLE***		20	147093GT	ASSY, CIRCUIT BREAKER 10A	
--	37947GT	KEYS,10 PACK***		21	128202GT	SWITCH TOGGLE ASSY DPDT 3P MOM	
--	66811GT	KEYSWITCH,3POS.MNTND.DR WKEY** <i>includes keyswitch and two keys, not included: base and contacts.</i>		--	128578GT	SCREW T-SWITCH PH/PH 6-32X1/4	
5	66821GT	BASE,WITHOUT CONTACTS		--	128582-SGT	SWITCH TOGGLE DPDT 3P MOM SHDR	
--	66816GT	CONTACT,N.O.***		--	27246GT	BOOT,TOGGLE SWITCH,SHORT*	
6	122514GT	KIT,ESTOP SVC BB&SM BOOM		--	27246GT	BOOT,TOGGLE SWITCH,SHORT*	
--	66812GT	BUTTON,PUSH,RED MUSHROOM HEAD		22A	45384GT	PLUG,NYLON .50 BLACK DOMED (Z45/25)	
--	66818GT	CONTACT, N.C.		22B	128202GT	SWITCH TOGGLE ASSY DPDT 3P MOM (Z45/25J)	
--	66821GT	BASE,WITHOUT CONTACTS		--	128578GT	SCREW T-SWITCH PH/PH 6-32X1/4	
7A	128205GT	SWITCH TOGGLE ASSY DPDT 2P MNT (Bi-Energy)		--	128582-SGT	SWITCH TOGGLE DPDT 3P MOM SHDR	
--	128578GT	SCREW T-SWITCH PH/PH 6-32X1/4		23	8914GT	SCREW,HHC,1/4-20 X .625	
--	128585GT	SWITCH TOGGLE DPDT 2P MNT SHDR		24	6356GT	WASHER,LOCK,.25	
--	27246GT	BOOT,TOGGLE SWITCH,SHORT*		25	23404GT	NUTSERT,1/4-20,STEEL CAD PLTD	
7B	45384GT	PLUG,NYLON .50 BLACK DOMED (DC)		26	21858GT	PLUG,NYLON .38 BLACK DOMED	
8	49826GT	SCREW,PHILLIPS,PHM,10-32 X.625		27	45384GT	PLUG,NYLON .50 BLACK DOMED	
9	6146GT	WASHER,FLAT,MS,#10,Y		28	6090GT	SCREW,HHC,1/4-20 X .75	
10	6178GT	NUT,NYLOCK,10-32		29	6638GT	WASHER,FLAT,USS,1/4"Y	
11	56302GT	RELAY,24VDC,40/30A,SEALED***					
12	34053GT	ASSY,RELAY SOCKET, AUTO					
--		RELAY SOCKET,AUTO,RETAINER*** <i>component of 34053</i>					
--	34054GT	TERM,RELAY N-INSULATED 10-12 G					
--	34055GT	TERM RELAY,N-INSULATE 14-16 GA					
--	34056GT	TERM,RELAY,N-INSULATE 18-20 GA					
13	34057GT	ANGLE,RELAY MOUNTING					
14	56100GT	HOUR METER,LCD,9-60 VDC*** <i>to SN 19374</i>					
--	19506GT	HOUR METER,10-80 VOLTS*** <i>from SN 19375</i>					
15	49819GT	SCREW,PHILLIPS,PHM,10-32 X .5					
16	13268GT	CLAMP,0.75,#12 X 1/4,RUB CUSH					
17A	128200GT	SWITCH TOGGLE ASSY SPDT 3P MOM (Bi-Energy)					
--	128578GT	SCREW T-SWITCH PH/PH 6-32X1/4					

PARTS FINDER

**Search Website
by Part Number**



**Search Manual
Library For Parts
Manual & Lookup Part
Numbers – Purchase
or Request Quote**

Search Manuals

Enter your information to help us find the right parts manual for your machine.

* Brand:

* Model:

* Serial:

* Part Number:

SEARCH

**Can't Find Part or
Manual? Request Help
by Manufacturer,
Model & Description**

Parts Order Form

Please fill in the following information to help us find the right part for your machine.

Manufacturer:	<input type="text"/>
Model:	<input type="text"/>
Description:	<input type="text"/>
Part Number:	<input type="text"/>
Quantity:	<input type="text"/>
Notes:	<input type="text"/>

Submit

Discount-Equipment.com is your online resource for quality parts & equipment.

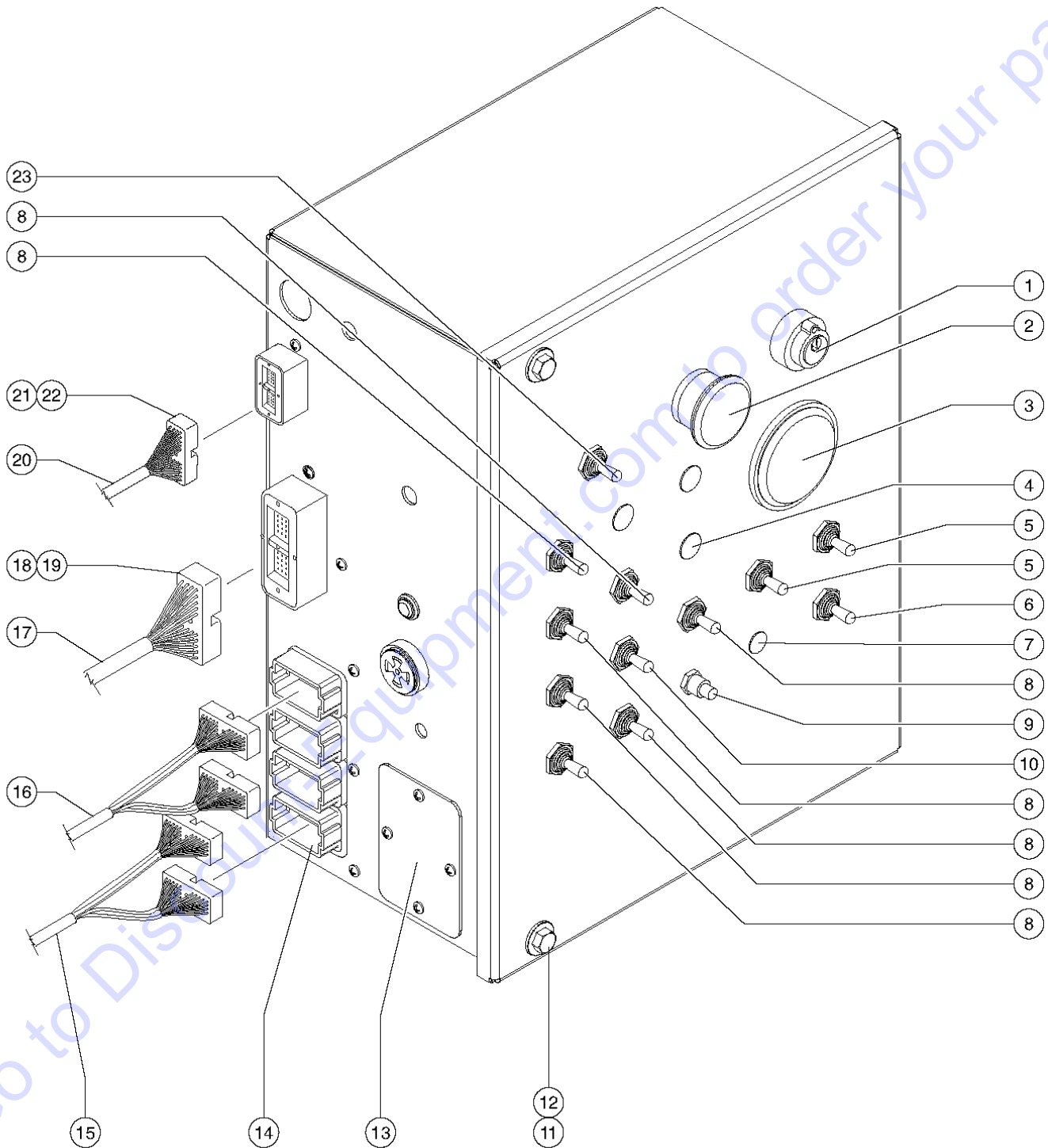
Florida: **561-964-4949** Outside Florida TOLL FREE: **877-690-3101**

Need parts?

Click on this link: <http://www.discount-equipment.com/category/5443-parts/> and choose one of the options to help get the right parts and equipment you are looking for. Please have the machine model and serial number available in order to help us get you the correct parts. If you don't find the part on the website or on one of the online manuals, please fill out the request form and one of our experienced staff members will get back to you with a quote for the right part that your machine needs.

We sell worldwide for the brands: Genie, Terex, JLG, MultiQuip, Mikasa, Essick, Whiteman, Mayco, Toro Stone, Diamond Products, Generac Magnum, Airman, Haulotte, Barreto, Power Blanket, Nifty Lift, Atlas Copco, Chicago Pneumatic, Allmand, Miller Curber, Skyjack, Lull, Skytrak, Tsurumi, Husquvarna Target, Stow, Wacker, Sakai, Mi-T-M, Sullair, Basic, Dynapac, MBW, Weber, Bartell, Bennar Newman, Haulotte, Ditch Runner, Menegotti, Morrison, Contec, Buddy, Crown, Edco, Wyco, Bomag, Laymor, EZ Trench, Bil-Jax, F.S. Curtis, Gehl Pavers, Heli, Honda, ICS/PowerGrit, IHI, Partner, Imer, Clipper, MMD, Koshin, Rice, CH&E, General Equipment, Amida, Coleman, NAC, Gradall, Square Shooter, Kent, Stanley, Tamco, Toku, Hatz, Kohler, Robin, Wisconsin, Northrock, Oztec, Toker TK, Rol-Air, APT, Wylie, Ingersoll Rand / Doosan, Innovatech, Con X, Ammann, Mecalac, Makinex, Smith Surface Prep, Small Line, Wanco, Yanmar

407.1 Ground Control Box - View 1 (from SN 22051)



407.1 Ground Control Box - View 1 (from SN 22051)

Item	Part No.	Description	Qty.	Item	Part No.	Description	Qty.
1	96008-SGT	KEYSWITCH,3 POS. W/KEYS***		--	88718GT	HARNESS,ENGINE,Z45BI <i>Bi-Energy models</i>	
--	21982GT	KEY,SINGLE***		13A	88691GT	COVER PLATE,CONNECTOR <i>DC models shown</i>	
--	37947GT	KEYS,10 PACK***		13B	88718GT	HARNESS,ENGINE,Z45BI <i>Bi-Energy models</i>	
--	83093GT	KEY SINGLE***		--	73749GT	CONN,PLUG 24 WAY,DRC SERIES	
--	88827GT	GASKET,KEYSWITCH,PLASTIC***		--	73753GT	CONN,RECEP 24 WAY,W/FLANGE	
--	94506GT	BASE,W/3 NC CONTACTS		14	73736GT	CONN,RECEP 48 WAY,4 X 12	
2	66812GT	BUTTON,PUSH,RED MUSHROOM HEAD		--	61801GT	SEAL DT SERIES-12W	
--	66818GT	CONTACT, N.C.		15A	88722-7200GT	HARNESS,18/19,BOOM CABLE #2 <i>Z-45/25 non-jib (gray and black connectors)</i>	
--	73805GT	BASE,W/2 NC CONTACTS*** <i>includes 2 each N.C. contacts</i>		--	60434GT	CONN,PLUG 12 WAY,14-18GA,GRAY	
3	19506GT	HOUR METER,10-80 VOLTS*** <i>includes mounting bracket</i>		--	60435GT	LOCK,PLUG 12 WAY,14-18GA,GRN	
4	45384GT	PLUG,NYLON .50 BLACK DOMED		--	61801GT	SEAL DT SERIES-12W	
5A	128200GT	SWITCH TOGGLE ASSY SPDT 3P MOM <i>Bi-Energy models</i>		--	73746GT	CONN,PLUG 12 WAY,BLACK	
--	128578GT	SCREW T-SWITCH PH/PH 6-32X1/4		15B	88722-7070GT	HARNESS,18/19,BOOM CABLE #2 <i>Z-45/25 (gray and black connectors)</i>	
--	128580-SGT	SWITCH TOGGLE SPDT 3P MOM SHDR		--	60434GT	CONN,PLUG 12 WAY,14-18GA,GRAY	
--	27246GT	BOOT,TOGGLE SWITCH,SHORT*		--	60435GT	LOCK,PLUG 12 WAY,14-18GA,GRN	
5B	45384GT	PLUG,NYLON .50 BLACK DOMED.....2 <i>DC models</i>		--	73746GT	CONN,PLUG 12 WAY,BLACK	
6	128200GT	SWITCH TOGGLE ASSY SPDT 3P MOM		16A	88721-7200GT	HARNESS,18/19 BOOM CABLE #1 <i>Z-45/25 non-jib (green and brown connectors)</i>	
--	128578GT	SCREW T-SWITCH PH/PH 6-32X1/4		--	60435GT	LOCK,PLUG 12 WAY,14-18GA,GRN	
--	128580-SGT	SWITCH TOGGLE SPDT 3P MOM SHDR		--	61801GT	SEAL DT SERIES-12W	
--	27246GT	BOOT,TOGGLE SWITCH,SHORT*		--	73747GT	CONN,PLUG 12 WAY,GREEN	
7	21858GT	PLUG,NYLON .38 BLACK DOMED		--	73748GT	CONN,PLUG 12 WAY,BROWN	
8	128202GT	SWITCH TOGGLE ASSY DPDT 3P MOM		16B	88721-7070GT	HARNESS,18/19 BOOM CABLE #1 <i>Z-45/25J (green and brown connectors)</i>	
--	128578GT	SCREW T-SWITCH PH/PH 6-32X1/4		--	60435GT	LOCK,PLUG 12 WAY,14-18GA,GRN	
--	128582-SGT	SWITCH TOGGLE DPDT 3P MOM SHDR		--	61801GT	SEAL DT SERIES-12W	
--	27246GT	BOOT,TOGGLE SWITCH,SHORT*		--	73747GT	CONN,PLUG 12 WAY,GREEN	
9	147094GT	ASSY, CIRCUIT BREAKER 15A <i>includes mounting fasteners</i>		--	73748GT	CONN,PLUG 12 WAY,BROWN	
--	56234GT	O-RING,ORFS,-6		17	88719GT	HARNESS,FUNCTION,Z45 DC/BI	
--	77061GT	BOOT,CIRCUIT BREAKER PROTECTOR		18	73751GT	CONN,PLUG 40 WAY,DRC SERIES	
--	27246GT	BOOT,TOGGLE SWITCH,SHORT*		19	73754GT	CONN,RECEP 40 WAY,W/FLANGE	
10A	45384GT	PLUG,NYLON .50 BLACK DOMED <i>Z-45/25</i>		20A	88723-7100GT	HARNESS,12/3,12V TO PLAT <i>(Z45/25)</i>	
10B	128202GT	SWITCH TOGGLE ASSY DPDT 3P MOM <i>Z-45/25J</i>		20B	88723-6970GT	HARNESS,PLAT,Z45DC/BI,JIB <i>(Z45/25J)</i>	
--	128578GT	SCREW T-SWITCH PH/PH 6-32X1/4		21	60527GT	CONN,PLUG 4 WAY,12-14GA	
--	128582-SGT	SWITCH TOGGLE DPDT 3P MOM SHDR		--	60528GT	LOCK,PLUG 4 WAY,12-14GA	
11	6090GT	SCREW,HHC,1/4-20 X .75		22	73754GT	CONN,RECEP 40 WAY,W/FLANGE	
12	6638GT	WASHER,FLAT,USS,1/4"Y		--	60526GT	LOCK,RECEP 4 WAY,12-14GA	
13	88691GT	COVER PLATE,CONNECTOR <i>DC models shown</i>		23	128201GT	SWITCH TOGGLE ASSY DPDT 2P MOM	
--	73749GT	CONN,PLUG 24 WAY,DRC SERIES					
--	73753GT	CONN,RECEP 24 WAY,W/FLANGE					

407.1 Ground Control Box - View 1 (from SN 22051)
(continued)

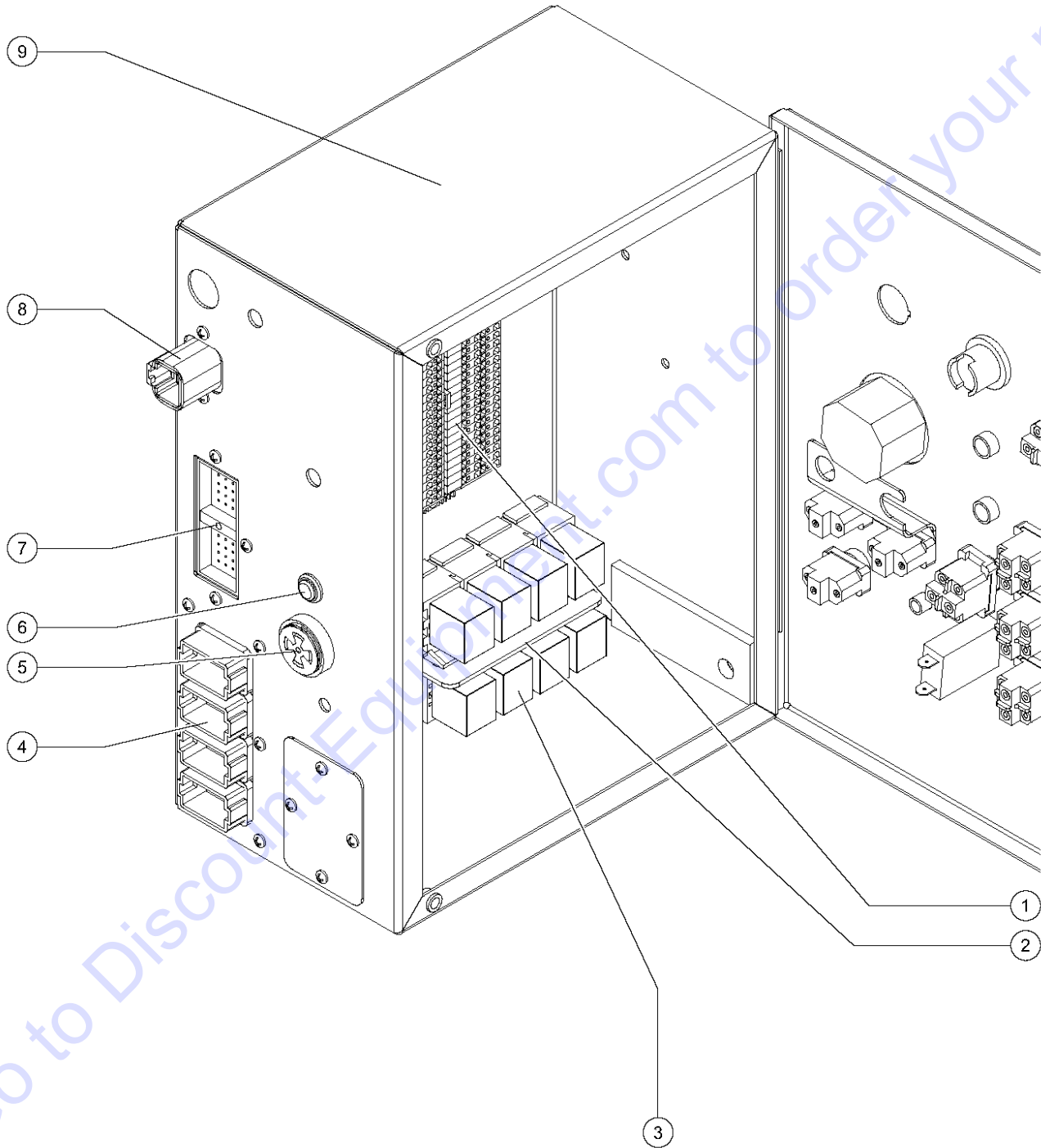
Item	Part No.	Description	Qty.
--	128578GT	SCREW T-SWITCH PH/PH 6-32X1/4	
--	128581-SGT	SWITCH TOGGLE DPDT 2P MOM SHDR	
--	27246GT	BOOT,TOGGLE SWITCH,SHORT*	

Go to Discount-Equipment.com to order your parts

This Page Intentionally Left Blank

Go to Discount-Equipment.com to order your parts

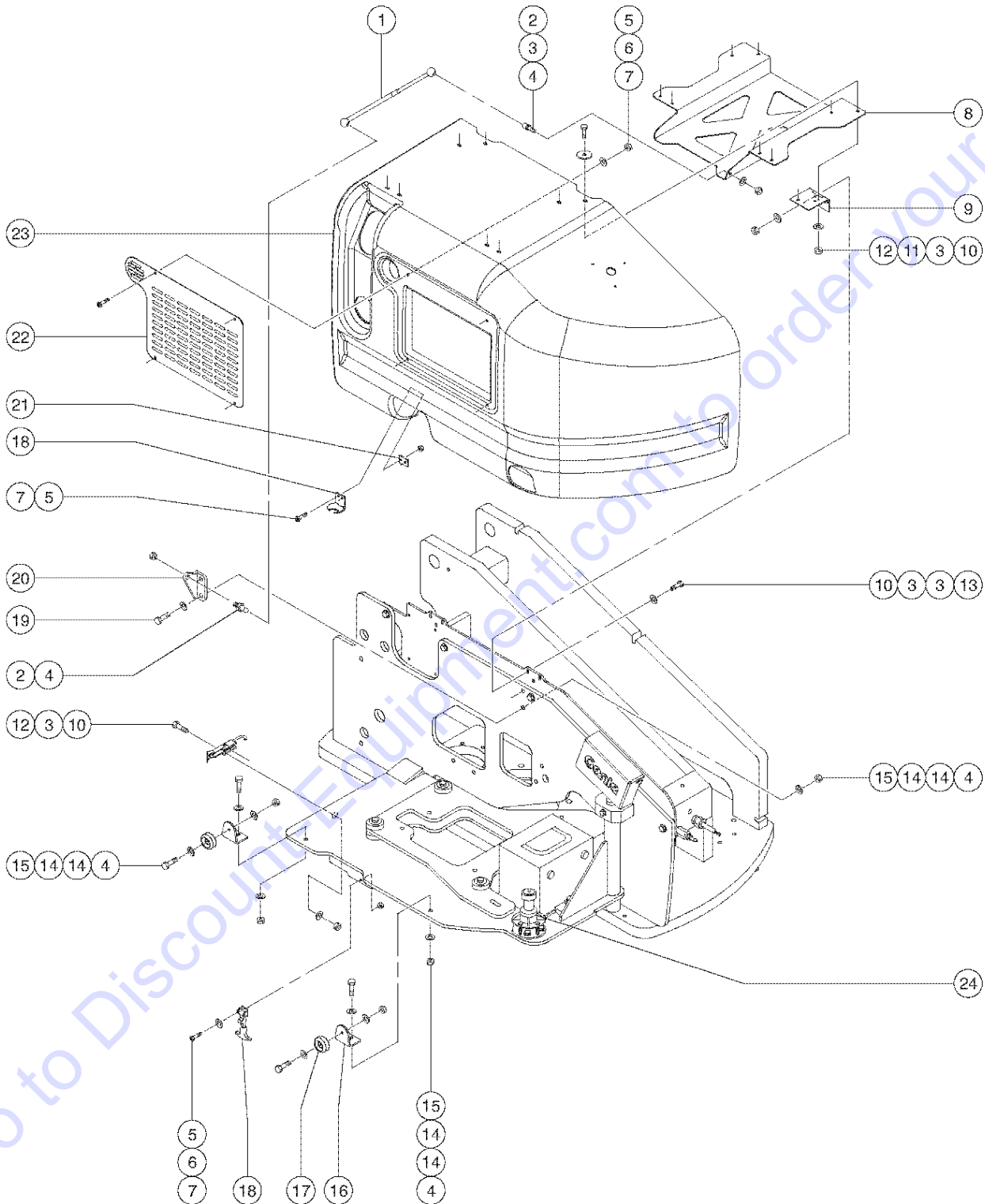
408.1 Ground Control Box - View 2 (from SN 22051)



408.1 Ground Control Box - View 2 (from SN 22051)

Item	Part No.	Description	Qty.
1A		ASSY,TERMINAL RAIL,Z45DC/BE.....1 <i>94639 no longer available</i>	
--	216793GT	TERMINAL BLOCK END PLATE <i>for 94639</i>	
--	56994GT	DIN RAIL,11.25" <i>for 94639</i>	
--	74911GT	TERMINAL BLOCK, WIELAND*** <i>for 94639</i>	
1B	217046GT	KIT, TERMINAL BLOCK.....1 <i>replaces 94639</i>	
--	216791GT	TERMINAL BLOCK,WIELAND.....28 <i>for 2216791</i>	
--	74917GT	JUMPER COMB, 2-WAY,WIELAND <i>for 2216791</i>	
2	54534GT	ANGLE,RELAY MNT,W/NUTSERTS,PNT <i>includes nutserts</i>	
--	23404GT	NUTSERT,1/4-20,STEEL CAD PLTD	
3	56302GT	RELAY,24VDC,40/30A,SEALED***	
--	34053GT	ASSY,RELAY SOCKET, AUTO	
4	73736GT	CONN,RECEP 48 WAY,4 X 12	
--	54255GT	LOCK,RECEP 12 WAY, 14-18GA	
5	45462GT	ALARM,CHIME TONE 5-25VDC*** <i>(does not include 72326 nut)</i>	
--	72326GT	NUT - PLASTIC,RING FOR ALARMS	
6	824878GT	LIGHT,LED IND. RED 24V NH.....1 <i>original component no longer available</i>	
7	73754GT	CONN,RECEP 40 WAY,W/FLANGE	
8	73717GT	CONN,RECEP 4 WAY,12-14GA FL***	
--	60526GT	LOCK,RECEP 4 WAY,12-14GA	
9	101844GT	GROUND CONTROL BOX ASSY W/DEC*	
--	88637GT	GASKET,GROUND CONTROL BOX***	

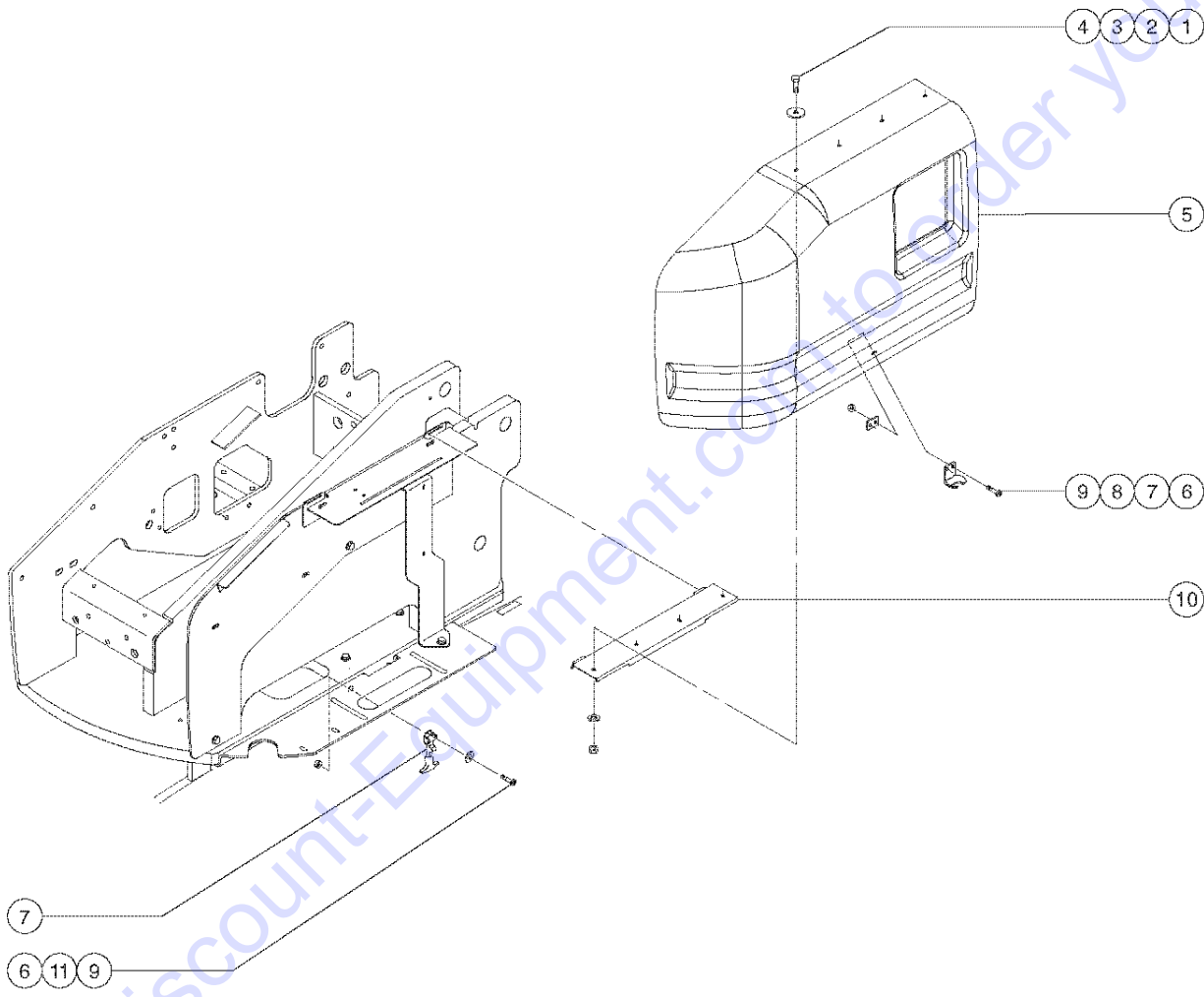
409.1 Engine (Non-Ground Controls) Side Turntable Cover



409.1 Engine (Non-Ground Controls) Side Turntable Cover

Item	Part No.	Description	Qty.
1A	28301GT	GAS STRUT,250 LBS FORCE***.....2 <i>to SN 24864</i>	
--	27377GT	RETAINER,GAS SPRING***.....2	
--	72256GT	GAS STRUT,CONNECTOR (28301)	
1B	106069GT	STRUT,GAS,200 LB***2 <i>from SN 24865</i>	
--	33555GT	BALL STUD**.....2	
2	27114GT	BALL STUD,1/2" BALL,3/8-16X1.2	
3	6638GT	WASHER,FLAT,USS,1/4"Y	
4	4828GT	NUT,NYLOCK,3/8-16	
5	6178GT	NUT,NYLOCK,10-32	
6	6146GT	WASHER,FLAT,MS,#10,Y	
7	49816GT	SCREW,PHILLIPS,PHM,10-32 X .75	
8	50990-SGT	FORMING,ENG.COVER SUPPORT,PNTD	
9	75073GT	HINGE,.375X.120THK.,SLOTTED	
10	6091GT	NUT,NYLOCK,1/4-20	
11	12906GT	WASHER,FENDER,.25 X 1.25 X.062	
12	8915GT	SCREW,HHC,1/4-20 X 1.25	
13	6888GT	SCREW,HHC,1/4-20 X 1	
14	5397GT	WASHER,FLAT,USS,5/16",Y	
15	8516GT	SCREW, HCC, 3/8-16 X 1.50	
16	54363GT	BRACKET,RUBBER BUMPER,ENGCOVER	
17	50974GT	BUMPER,RUBBER,COVERS	
18	45363GT	LATCH,FLEXIBLE DRAW W/O KEEPER	
18	75076GT	KEEPER,LATCH (45363)	
19	13918GT	SCREW,HHC,3/8-16 X 1.75,GRD.8.....1	
20	60002-SGT	FORMING,GAS STRUT MOUNT,PAINTE <i>to SN 24864</i>	
--	107594GT	FORMING,GAS STRUT MOUNT,PNTD** <i>from SN 24865</i>	
21	50790GT	PLATE,COVER LATCH BACKING	
22	60126-SGT	COVER PLATE,AIR INTAKE,GRAY	
23A	62107-SGT	COVER ASSY-ENG.SIDE(BI)Z45/25 <i>to SN 22049</i>	
--	101863GT	COVER ASSY W/SYM DECLS,LH DC <i>from SN 22050</i>	
--	10186GT	FLATBAR-HOOK SUPT(GRAY)-12.188 <i>from SN 22050</i>	
23B	62108-SGT	COVER ASSY-NONTANKSIDE(DC)Z45 <i>to SN 22049</i>	
--	101861GT	COVER ASSY W/WRD DECALS,LH DC <i>from SN 22050</i>	
--	101864GT	COVER ASSY W/SYM DECALS,LH <i>from SN 22050</i>	
24	94077GT	SENSOR,LEVEL,4.5 DEG.....1	

410.1 Ground Controls Side Turntable Cover

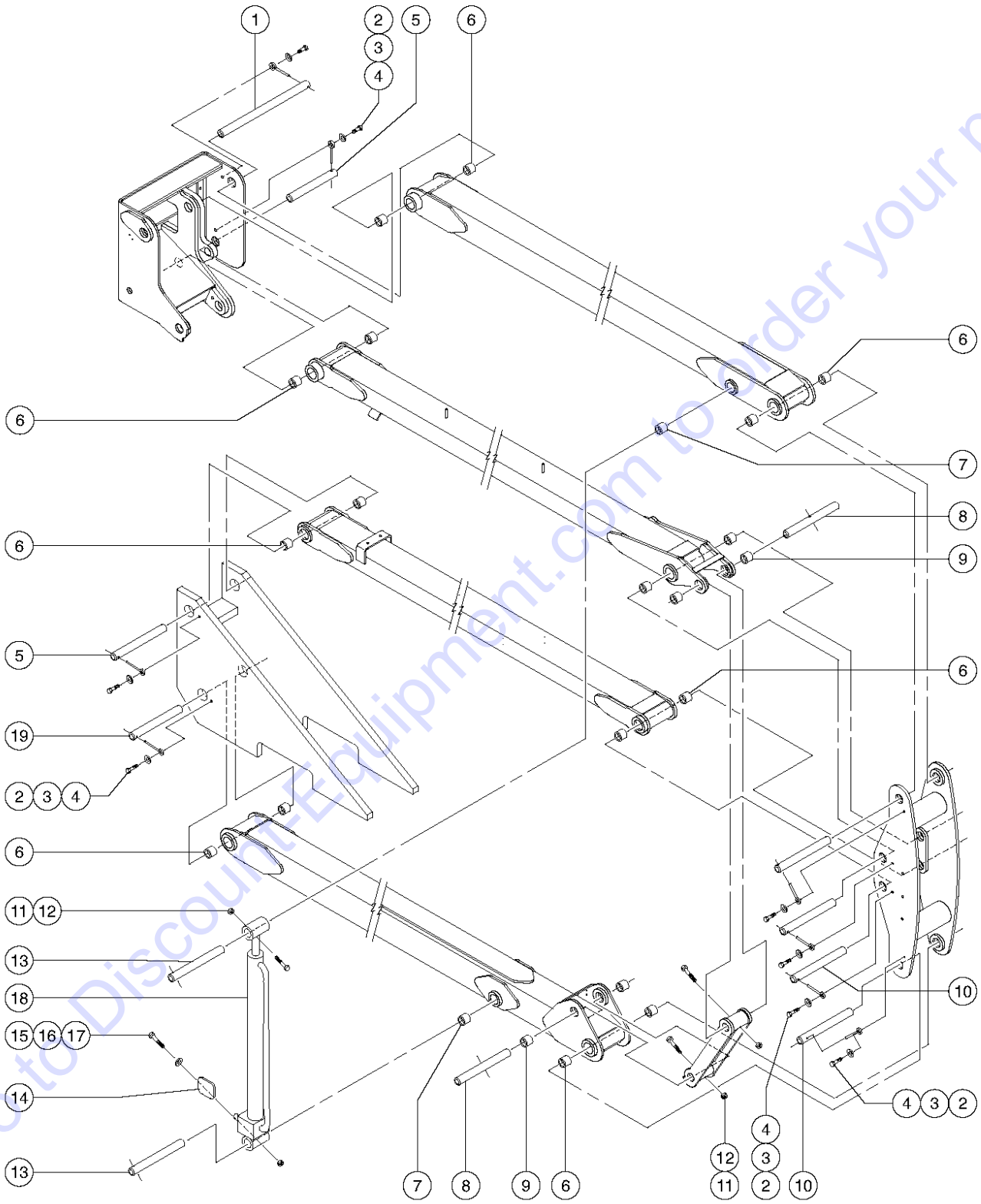


Go to Discount-Equipment.com to order your parts

410.1 Ground Controls Side Turntable Cover

Item	Part No.	Description	Qty.
1	6090GT	SCREW,HHC,1/4-20 X .75	
2	12906GT	WASHER,FENDER,.25 X 1.25 X.062	
3	6638GT	WASHER,FLAT,USS,1/4"Y	
4	6091GT	NUT,NYLOCK,1/4-20	
5	62109-SGT	COVER ASSY/TANKSIDE(Z45DC/BI) to SN 22049	
--	101858GT	COVER ASSY W/WRD DECALS,RH BI from SN 22050	
--	101859GT	COVER ASSY W/WRD DECALS,RH DC from SN 22050	
--	101862GT	COVER ASSY W/SYM DECLS,RH BIDC from SN 22050	
6	49816GT	SCREW,PHILLIPS,PHM,10-32 X .75	
7	45363GT	LATCH,FLEXIBLE DRAW W/O KEEPER	
7	75076GT	KEEPER,LATCH (45363)	
8	50790GT	PLATE,COVER LATCH BACKING	
9	6178GT	NUT,NYLOCK,10-32	
10	54445-SGT	PLATE,HINGE COVER SUPPORT,PAIN to SN 18466	
--	77524GT	TUBE,PROP ROD,18.63",W/CAP	
11	6146GT	WASHER,FLAT,MS,#10,Y	

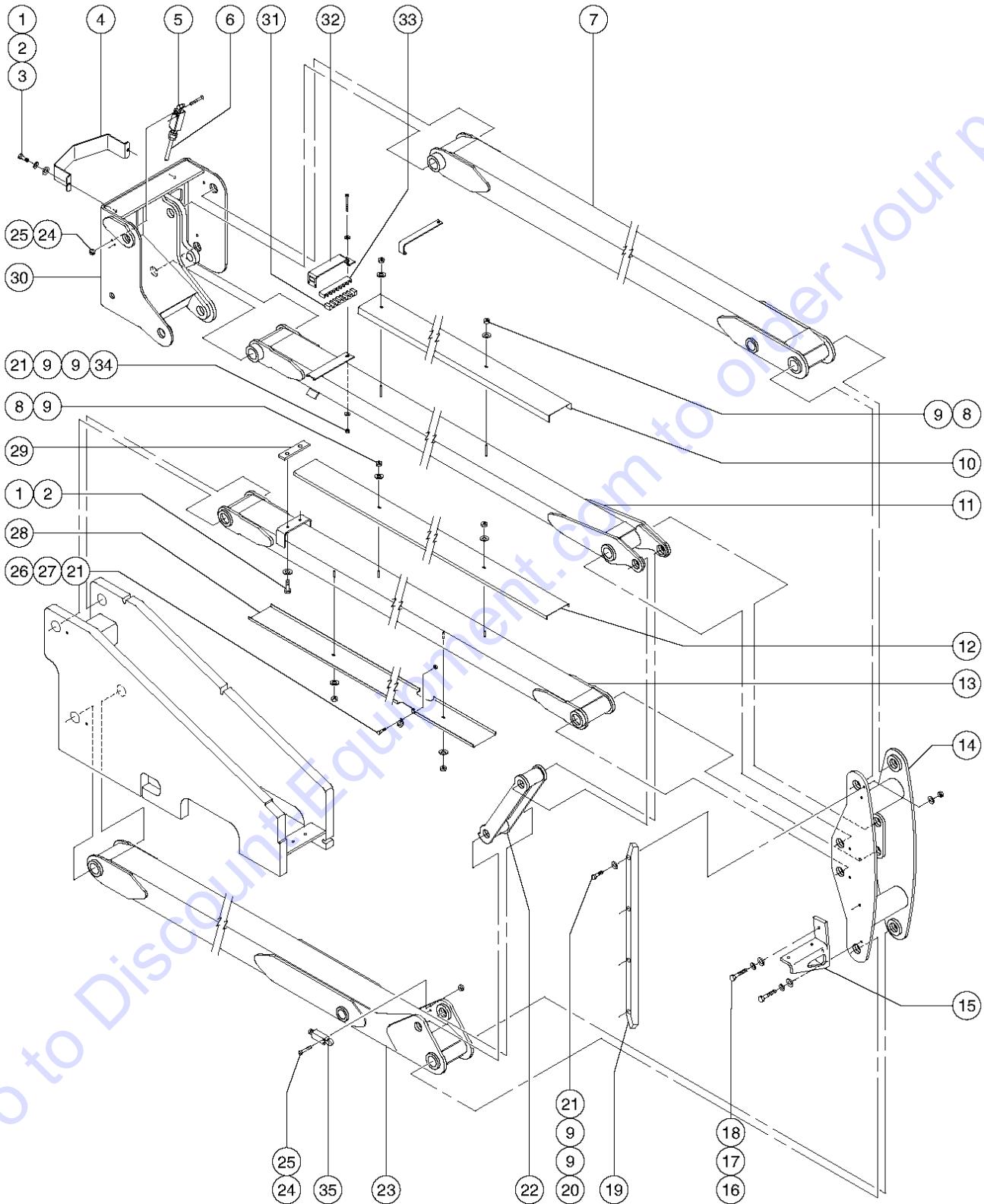
501.1 Secondary Linkage Pins and Bearings



501.1 Secondary Linkage Pins and Bearings

Item	Part No.	Description	Qty.
1	54331GT	PIN,1.75DIAX23.57LG,CHAMFER***	
2	8177GT	SCREW,HHC,1/2-13 X 1.5	
3	6033GT	WASHER,LOCK,0.5"	
4	1256267GT	ROD END,.5 X 3.75,ZAG	
5	54738GT	PIN,1.75DIAX12.25LG,CHAMFER	
6	30221GT	BEARING,1.75IDX2.0OODX1.50LG	
7	45071GT	BEARING,1.5IDX1.75ODX1.5L	
8	107727GT	PIN,1.50DIAX7.50LG,1HOLE***	
9	54156GT	BEARING,FL,1.5IDX1.75ODX1.10LG	
10	54302GT	PIN,1.75DIAX11.63LG,CHAMFER	
11	4828GT	NUT,NYLOCK,3/8-16	
12	6326GT	SCREW,HHC,3/8-16 X 3	
13	50455GT	PIN,1.50DIAX13.88LG,2HOLE	
14	54726GT	WEAR PAD,SECONDARY CYL,NON/JIB	
15	6605GT	SCREW,HHC,3/8-16 X 3.5,GR5	
16	5397GT	WASHER,FLAT,USS,5/16",Y	
17	7713GT	NUT, LP NYLOCK, 3/8-16	
18	88203GT	CYLINDER,ELEVATE,Z45/25*** <i>for cylinder 88203; check stamp on cylinder prior to ordering</i>	
--	128142GT	SERV KIT,CAP,SERIES 1CB VALVE	
--	43018GT	SEAL KIT (39345) <i>for 50481</i>	
--	50481GT	VALVE,COUNTERBALANCE,3500 PSI <i>for cylinders 59410, 59166 and 50302; chcek stamp on cylinder prior to ordering</i>	
--	52758GT	SEAL KIT,50302 CYLINDER <i>for cylinder 50302; check stamp on cylinder prior to ordering</i>	
--	59444GT	SEAL KIT, Z45 ELEV%% <i>for cylinder 59410, 59166 and 59254; check stamp on cylinder prior to ordering</i>	
--	77303GT	VALVE, CNTRBAL 3500 PSI, ATM VEN <i>for cylinder 88203; check stamp on cylinder prior to ordering</i>	
--	77521GT	SEAL KIT,ELEVATE (88203) <i>for cylinder 88203; check stamp on cylinder prior to ordering</i>	
19	50460GT	PIN,1.75DIAX12.13LG,CHAMFER	

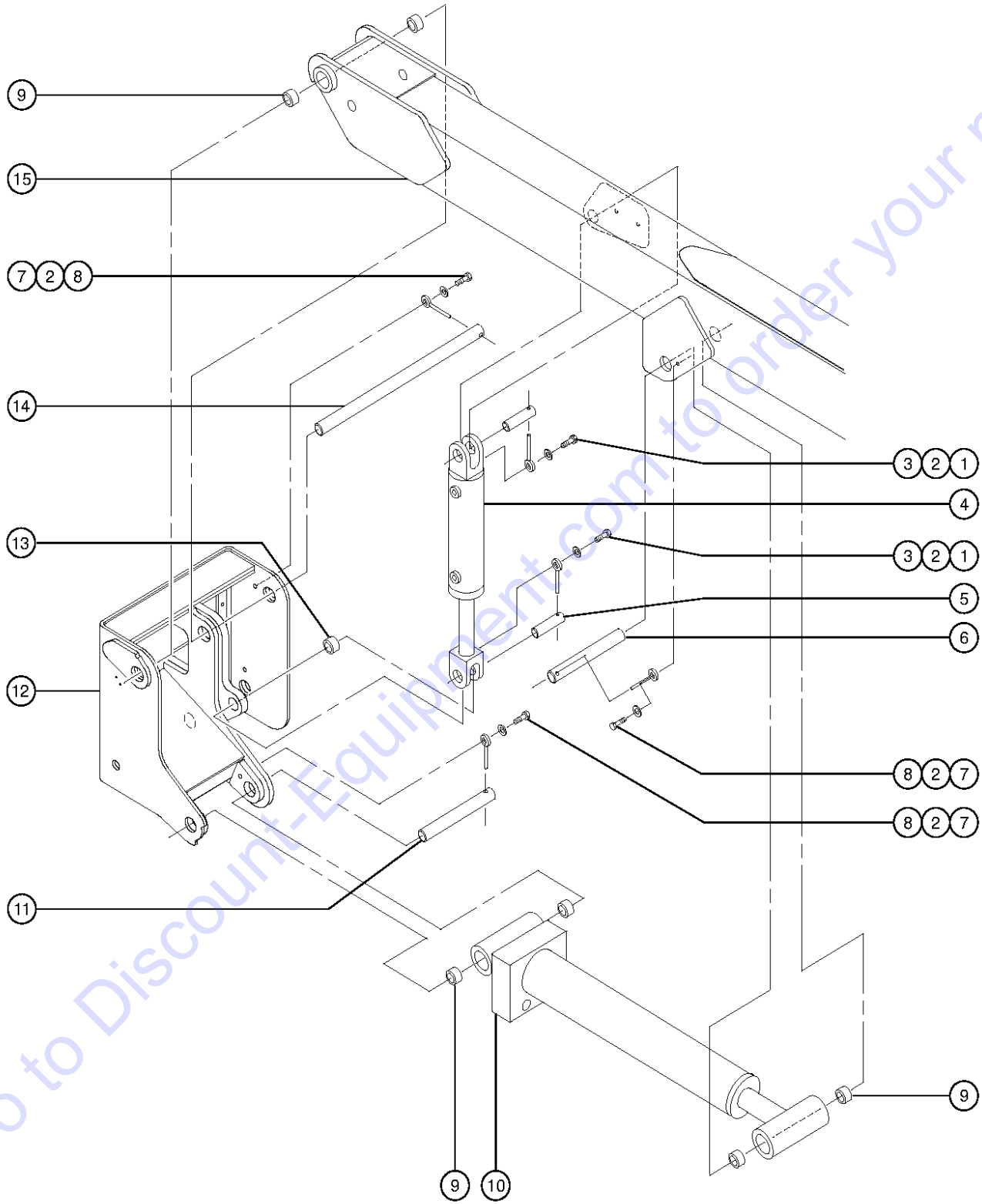
502.1 Secondary Linkage



502.1 Secondary Linkage

Item	Part No.	Description	Qty.	Item	Part No.	Description	Qty.
1	6175GT	SCREW,HHC,3/8-16 X 1		27	6833GT	CLAMP,0.50,#8 X 1/4,RUB CUSH	
2	6021GT	WASHER,LOCK, .375		28	50548PGT	HOSE COVER,LOWER LEVEL,BOT,PAI	
3	6097GT	WASHER,FLAT,USS,3/8",Y		29	49772GT	WEAR PAD,6 X 1.5 X .50,W/INSERT	
4	60074PGT	COVER BRACE,UPPER PIVOT,REAR,P		30	52728GT	UPPER PIVOT W/BEARING-Z45/25	
5	88356 11163GT	SWITCH,LIMIT,W/RLLR ARM,NO/NC*		31	94529GT	CLAMPING BLOCK,HOSE***	
--	60442GT	CONN,RECEP 4 WAY, 14-18GA		31	94530GT	CLAMPING BLOCK,CABLE (to SN 15073)	
--	60443GT	LOCK,RECEP 4 WAY,14-18GA		--	94529GT	CLAMPING BLOCK,HOSE*** (from SN 15074)	
--	73713GT	TERM,NI PIN,S&F,16-18GA,REEL		--	94531PGT	BRACKET,HOSE CLAMP PAINTED***	
--	73725GT	BOOT,DTSCH,DTP4-BT		33	94529GT	CLAMPING BLOCK,HOSE*** (to SN 15073)	
--	97128GT	ROLLER ARM,LIMIT SWITCH***		33	94530GT	CLAMPING BLOCK,CABLE	
6	43960GT	WIRE CABLE,16/4 CON.TPE JKT.....396-inches		--	94530GT	CLAMPING BLOCK,CABLE (from SN 15074)	
7	52729GT	UPPER SECONDARY ARM ASSY-Z45		34	8179GT	SCREW,HHC,1/4-20 X 2.25 (to SN 22174)	
8	6889GT	NUT,LP NYLOCK,1/4-20 (to SN 15073)		--	6888GT	SCREW,HHC,1/4-20 X 1 (from SN 22175)	
--	7713GT	NUT, LP NYLOCK, 3/8-16 (from SN 15074)		35	88356 11205GT	SWITCH,LIMIT,W/RLLR ARM NO/NC	
9	6638GT	WASHER,FLAT,USS,1/4"Y (to SN 15073)		--	60428GT	CONN,PLUG 4 WAY,14-18GA	
--	6097GT	WASHER,FLAT,USS,3/8",Y (from SN 15074)		--	60429GT	LOCK,PLUG 4 WAY,14-18GA	
10	88370PGT	HOSE COVER,UPPER ARM,PAINTED		--	60442GT	CONN,RECEP 4 WAY, 14-18GA	
11	52740GT	UPPER LEVEL ARM ASSY,SERV		--	60443GT	LOCK,RECEP 4 WAY,14-18GA	
12	50517-SGT	HOSE COVER,LOWER LEVEL,TOP,PAI		--	73713GT	TERM,NI PIN,S&F,16-18GA,REEL	
13	52741GT	LOWER LEVEL ARM ASSY		--	73714GT	TERM,NI SOC,S&F,16-18GA,REEL	
14	52738GT	MIDPIVOT ASSY Z45IC USA/Canada/Australian models		--	73725GT	BOOT,DTSCH,DTP4-BT	
--	50266GT	WELDMENT,MID PIVOT,MACHINED CE/Asia/South American models		--	97128GT	ROLLER ARM,LIMIT SWITCH***	
15	50952-SGT	BOOM REST WELDMENT					
16A	10587GT	SCREW,HHC,1/2-13 X.75 (Z45/25)					
16B	8177GT	SCREW,HHC,1/2-13 X 1.5 (Z45/25J)					
17	6033GT	WASHER,LOCK,0.5" (Z45/25J)					
18	6095GT	WASHER,FLAT,USS,1/2",Y (Z45/25J)					
19	54168GT	WEAR PAD,MID PIVOT,PERIMETER					
20	4266GT	SCREW,HHC,1/4-20 X 2					
21	6091GT	NUT,NYLOCK,1/4-20					
22	50479-SGT	CONNECTING LINK, Z45/25					
23	52742GT	LOWER SECONDARY ARM ASSY includes bearings					
24	54239GT	SCREW,PHILLIPS,PHM,10-32 X 2.0					
25	6178GT	NUT,NYLOCK,10-32					
26	7339GT	SCREW,HHC,1/4-20 X .5					

503.1 Upper Pivot

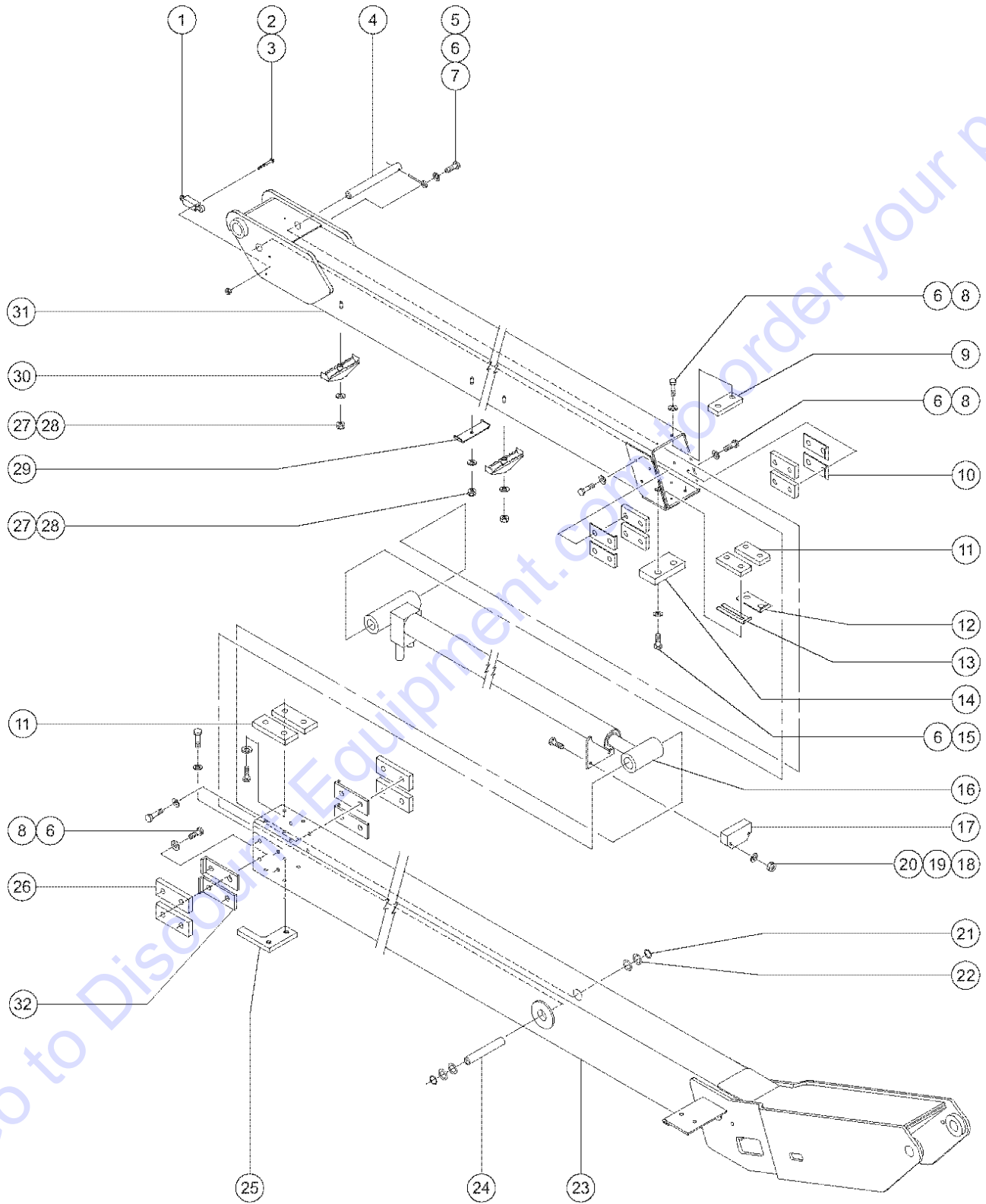


503.1 Upper Pivot

Item	Part No.	Description	Qty.	Item	Part No.	Description	Qty.
1	6175GT	SCREW,HHC,3/8-16 X 1		--	77014GT	VALVE,COUNTERBALANCE,3800 PSI.....2	
2	6021GT	WASHER,LOCK,.375				<i>for 77188, 1263057</i>	
3	1255452GT	ROD END,.375 X 2.25,ZAG		--	77189GT	SEAL KIT,CYL,Z45 (77187&77188).....1	
4A	139599GT	KIT,CYLINDER REPLACEMENT,Z-45* <i>to SN 19867; Upgrade Service Kit required for first-time replacement (includes master and slave cylinders). After first-time replacement, refer to 77362 below.</i>				<i>for 77188, 1263057</i>	
--	52745GT	SEAL KIT,50337,50353 CYLINDER <i>for cylinder 50337</i>		11	54738GT	PIN,1.75DIAX12.25LG,CHAMFER	
--	59263GT	SEAL KIT-3" BORE X 1.5" ROD <i>for cylinders 59132 and 59340</i>		12	52728GT	UPPER PIVOT W/BEARING-Z45/25 <i>includes 1 of item 13</i>	
--	59445GT	SEAL KIT,3" BORE,1.5" RD <i>for cylinder 59389</i>		13	30370GT	BEARING,1.25IDX1.5ODX1.00L	
4B	77362GT	CYLINDER,MASTER,Z45*** <i>from SN 19868</i>		14	54331GT	PIN,1.75DIAX23.57LG,CHAMFER***	
--	77364GT	SEAL KIT,MASTER & SLAVE CYL <i>for cylinder 77362</i>		15		Ref. Primary Boom Tube Assembly (refer to Figure 504.1)	
5	34276GT	PIN,1.25DIAX3.37LG,1HOLE					
6	50542GT	PIN,1.75DIAX9.25LG,1HOLE					
7	6175GT	SCREW,HHC,3/8-16 X 1					
8	825019GT	ROD END,.375X3.69,ZAG					
9	1262633GT	BEARING,POLYGON,BM5120					
10A		CYLINDER,LIFT,NON-JIB,Z45***.....1 <i>check manufacture stamp (1346127 or 50392) before ordering seal kit</i>					
--	52744GT	SEAL KIT,50287,50392 CYLINDER.....1 <i>for cylinder 50392</i>					
--	77014GT	VALVE,COUNTERBALANCE,3800 PSI.....2 <i>for cylinder 50392</i>					
10B	1263056GT	CYLINDER,PRIM LIFT NON JIB,Z45.....1 <i>check manufacture stamp (83L130-A) before ordering seal kit</i>					
--	77014GT	VALVE,COUNTERBALANCE,3800 PSI.....2 <i>for cylinder 77187, 1263056</i>					
--	77189GT	SEAL KIT,CYL,Z45 (77187&77188).....1 <i>for cylinder 77187, 1263056</i>					
10C		CYLINDER,LIFT,JIB,Z45***.....1 <i>check manufacture stamp (1345892 or 50287) before ordering seal kit</i>					
--	52744GT	SEAL KIT,50287,50392 CYLINDER.....1 <i>for cylinder 50287</i>					
--	77014GT	VALVE,COUNTERBALANCE,3800 PSI.....2 <i>for cylinder 50287</i>					
10D	1263057GT	CYLINDER,PRIM LIFT JIB,Z45.....1 <i>check manufacture stamp (83L129-0) before ordering seal kit</i>					



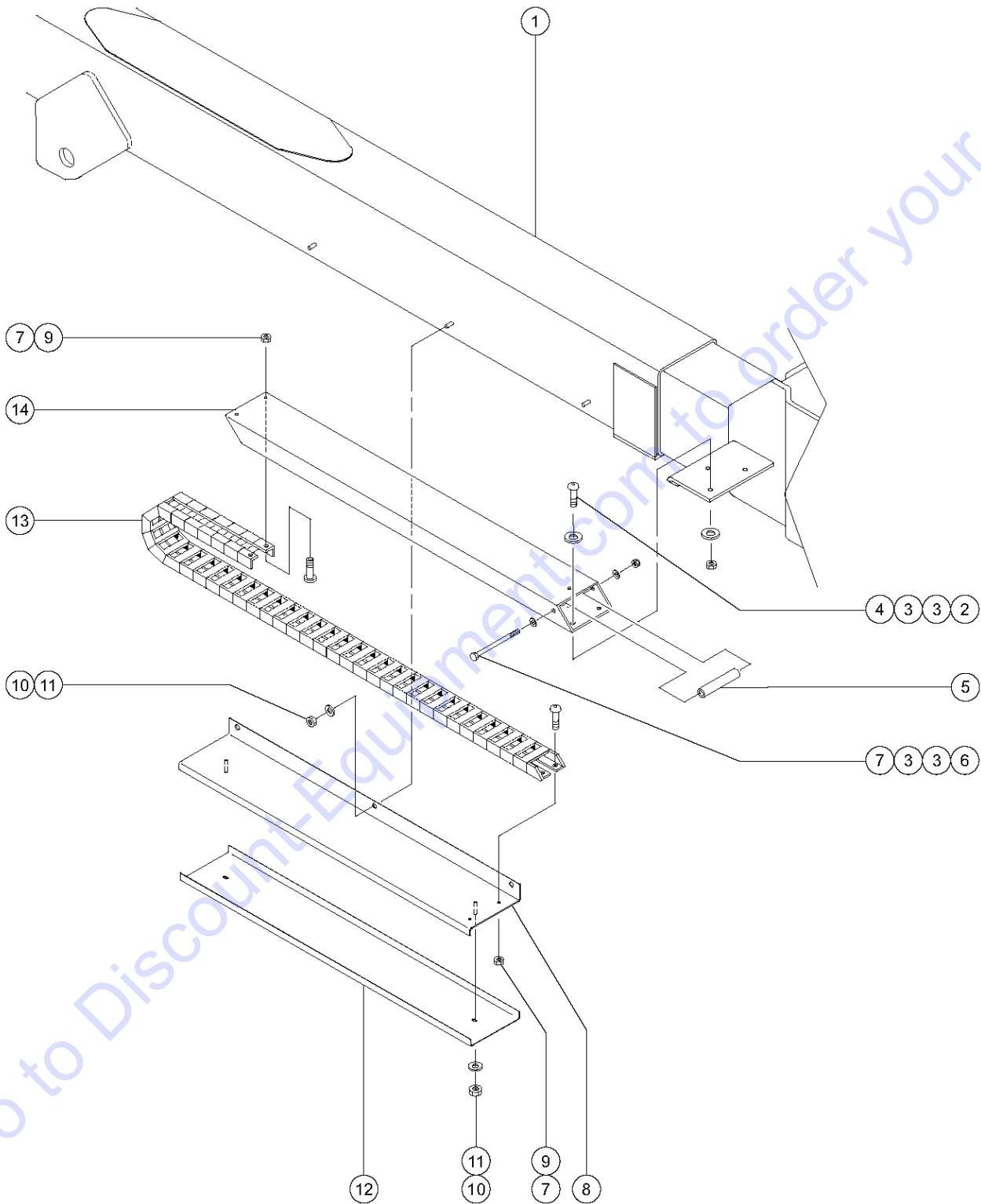
504.1 Primary and Extension Booms



504.1 Primary and Extension Booms

Item	Part No.	Description	Qty.	Item	Part No.	Description	Qty.
--	150103GT	WIRE LOOM,1.25"NYLON,HIGH TEMP.....129-inches		--	52757GT	SEAL KIT,50699,50260,50321 CYL.....1 for cylinder 50260	1
1A	88356-11103GT	SWITCH,LIMIT,W/RLR ARM,NO/NC**....1 to SN 23764	1	--	54063GT	VALVE,CB.CBBC-LHN@1000*** for cylinder 50260; extend	1
--	19491GT	CONTACTOR,LIMIT SWITCH.....1	1	--	77410GT	VALVE,COUNTERBALNCE,1500 PSI** for cylinder 50260; retract	1
--	97128GT	ROLLER ARM,LIMIT SWITCH***.....1	1	16D	54569GT	CYLINDER,EXTEND,Z45J*** check manufacture stamp (83E117-0) before ordering seal kit	1
1B	88356-11205GT	SWITCH,LIMIT,W/RLLR ARM NO/NC.....1 from SN 23765	1	--	54063GT	VALVE,CB.CBBC-LHN@1000*** for cylinder 54569; extend	1
--	19491GT	CONTACTOR,LIMIT SWITCH		--	65790GT	SEAL KIT CYL.Z45(54569) for cylinder 54569	
--	97128GT	ROLLER ARM,LIMIT SWITCH***.....1	1	--	77410GT	VALVE,COUNTERBALNCE,1500 PSI** for cylinder 54569; retract	
2	49775GT	SCREW,PHILLIPS,PHM,10-32X 1.75		17	50698GT	WEAR PAD,EXTENSION CYLINDER	
3	6178GT	NUT,NYLOCK,10-32		18	6091GT	NUT,NYLOCK,1/4-20	
4	50584GT	PIN,1.25DIAX9.38LG,THREADED		19	6638GT	WASHER,FLAT,USS,1/4"Y	
5	6019GT	SCREW,HHC,3/8-16 X 1.25 GRD 5		20	6637GT	SCREW,HHC,1/4-20 X 1.75	
6	6021GT	WASHER,LOCK,.375		21	824164GT	SNAP RING,EXTERNAL,1.25,ZAG	
7	825019GT	ROD END,.375X3.69,ZAG		22	30255GT	WASHER,SHIM,1.27 X 2.13 X .062	
8	8255GT	SCREW,HHC,3/8-16 X .75		23	50304GT	EXTENSION BOOM WELDMNT,JIB,Z45	
9A	34125GT	WEAR PAD,5 X 1.5 X .75 W/NUTS Z45/25		24	50546GT	PIN,1.25DIAX6.36LG,2RING	
9B	54131GT	WEAR PAD,PRIMARY BOOM,TOP 6.25X1.5X1.13 Z45/25J		25	50552GT	WEAR PAD,EXTENSION BOOM	
10	38620GT	SHIM,WEAR PAD,5 X 1.5,14GA		26	30138GT	WEAR PAD,5 X 1.5 X .625 W/NUTS	
11	34125GT	WEAR PAD,5 X 1.5 X .75 W/NUTS		27	4828GT	NUT,NYLOCK,3/8-16	
12	38620GT	SHIM,WEAR PAD,5 X 1.5,14GA		28	6097GT	WASHER,FLAT,USS,3/8",Y	
13	29080GT	SHIM,WEAR PAD,5X 1.5 16GA		29	54530GT	CLAMP,HOSE,ALUMINUM	
14	54157GT	WEAR PAD,PRIMARY BOOM,JIB		30	77106GT	CLAMP,CABLE & HOSE,PLASTIC	
15	13918GT	SCREW,HHC,3/8-16 X 1.75,GRD.8		31A	65633GT	PRIMARY BOOM ASSY,STD,Z45/25**	
16A		CYLINDER,EXT,Z45 STANDARD *.....1 check manufacture stamp (50321) before ordering seal kit	1	31B	65634GT	PRIMARY BOOM ASSY,JIB,Z45/25J	
--	52757GT	SEAL KIT,50699,50260,50321 CYL.....1 for cylinder 50321	1	32	38620GT	SHIM,WEAR PAD,5 X 1.5,14GA as needed	
--	54063GT	VALVE,CB.CBBC-LHN@1000***.....1 for cylinder 50321; extend	1				
--	77410GT	VALVE,COUNTERBALNCE,1500 PSI**.....1 for cylinder 50321; retract	1				
16B	54570GT	CYLINDER,EXTEND,Z45 NON JIB.....1 check manufacture stamp (83E116-0) before ordering seal kit	1				
--	54063GT	VALVE,CB.CBBC-LHN@1000*** for cylinder 54570; extend					
--	65788GT	SEAL KIT CYL Z45 (54570) for cylinder 54570					
--	77410GT	VALVE,COUNTERBALNCE,1500 PSI** for cylinder 54570; retract					
16C		CYLINDER,EXTEND,JIB,Z45*.....1 check manufacture stamp (50260) before ordering seal kit	1				

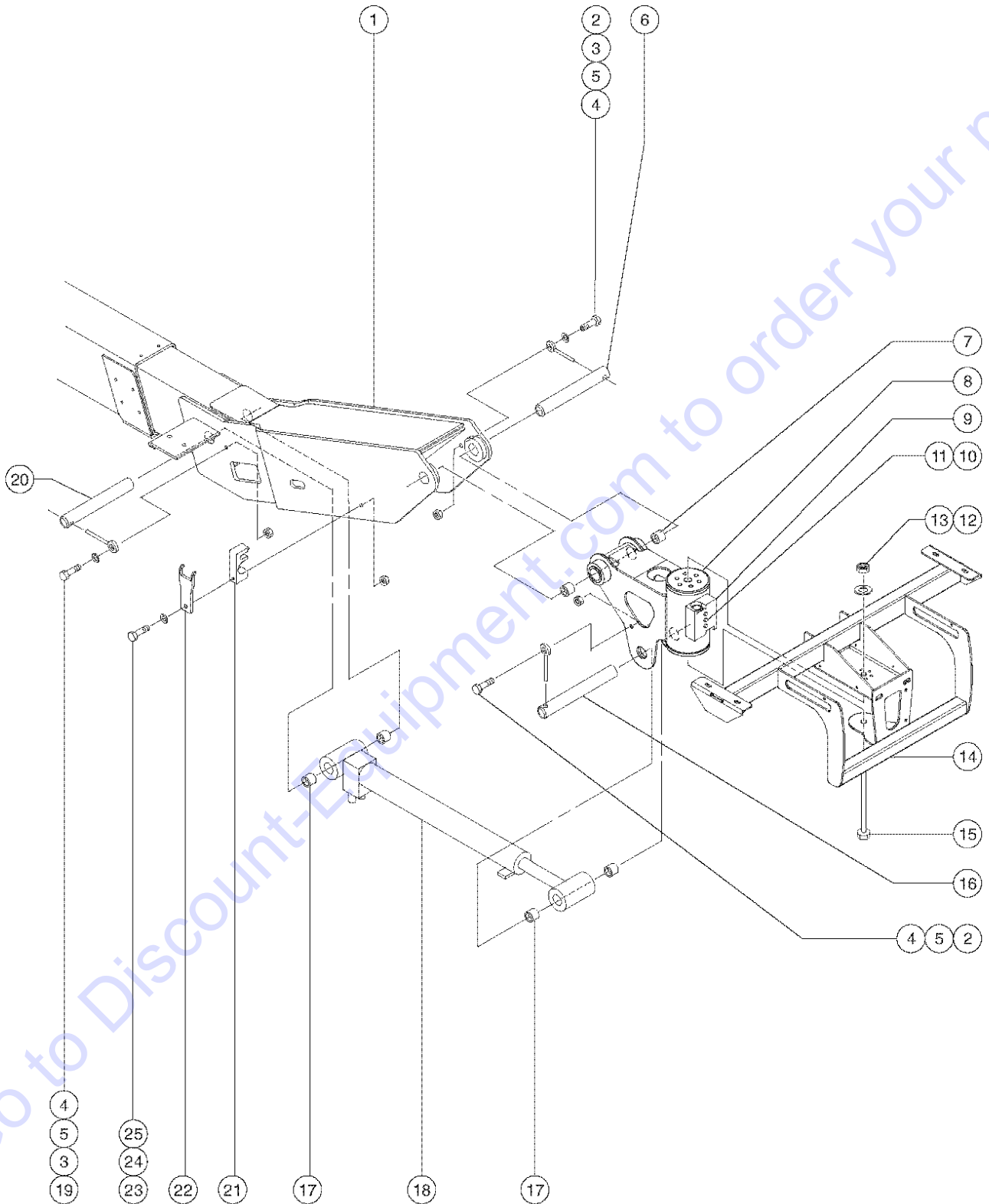
505.1 Cable Track



Go to DiscountEquipment.com to order your parts

Item	Part No.	Description	Qty.
1		Ref. Primary Boom Tube Assembly (refer to Figure 504.1)	
2	54830GT	SCREW,BHSC,1/4-20 X .88,Y/ZINC	
3	6638GT	WASHER,FLAT,USS,1/4"Y	
4	18504GT	NUT,LOCKING-LG.FLANGE,1/4-20	
5	48751-463GT	HOSE,1/4" HIGH PRESSURE,4.63LG	
6	77036GT	SCREW,HHC,1/4-20 X 5.50,G5,CLZ	
7	6091GT	NUT,NYLOCK,1/4-20	
8A	54981GT	WELDMNT,CABLE TRACK TRAY,NJIB	
8B	54983GT	WLDMNT,CABLE TRACK TRAY,JIB	
9	12011GT	SCREW,BHHS,1/4-20 X .5,Y/ZINC	
10	7713GT	NUT, LP NYLOCK, 3/8-16	
11	5397GT	WASHER,FLAT,USS,5/16",Y	
12A	54985PGT	CHANNEL,CABLE TRACK COV,NONJ,P	
12B	54984PGT	CHANNEL,CABLE TRK COVER,JIB,PA	
13A	50452GT	CABLE TRACK,PLASTIC,35 LINK Z-45/25	
--	58919GT	REPAIR LINK,7 LINKS***	
--	58920GT	REPAIR LINK END SET (42763)*	
--	58927GT	LINK,NYLATRAC KS6-5.4***	
13B	50451GT	CABLE TRACK,PLASTIC,26 LINK* Z-45/25J	
--	58919GT	REPAIR LINK,7 LINKS***	
--	58920GT	REPAIR LINK END SET (42763)*	
--	58927GT	LINK,NYLATRAC KS6-5.4***	
14A	54460GT	TUBE,CABLE TRACK ARM NON-JIB	
14B	54461GT	TUBE,CABLE TRACK ARM,JIB	

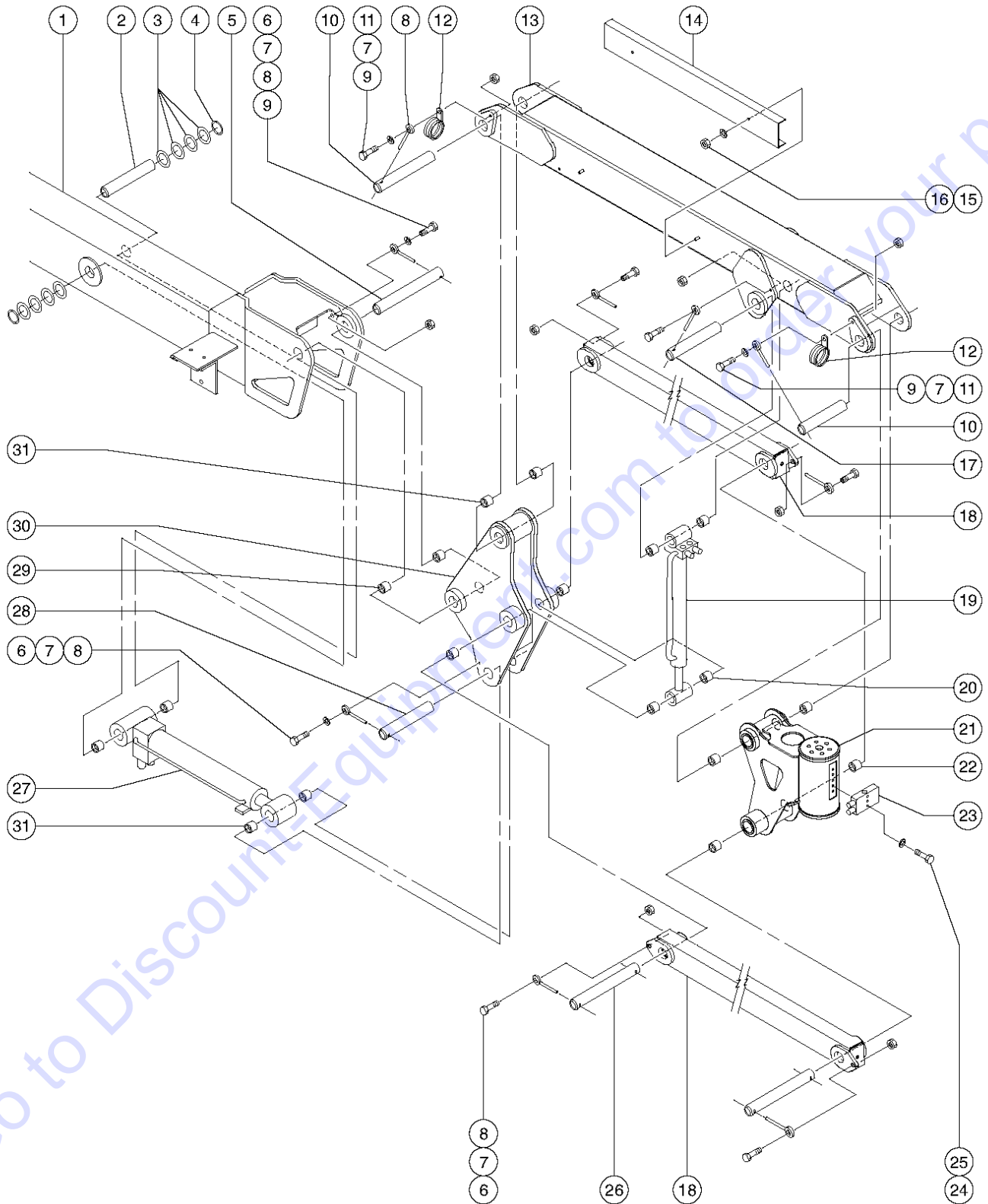
506.1 Non-Jib Platform Leveling and Rotation



506.1 Non-Jib Platform Leveling and Rotation

Item	Part No.	Description	Qty.	Item	Part No.	Description	Qty.
--	150103GT	WIRE LOOM,1.25"NYLON,HIGH TEMP.....129-inches		17	25683GT	BEARING,POLYGON,20DU12	
1		Ref. Primary Extension Boom (refer to Figure 504.1)		18A	139599GT	KIT,CYLINDER REPLACEMENT,Z-45* to SN 19867; Upgrade Service Kit required for first-time replacement (includes master and slave cylinders). After first-time replacement, refer to 77363 below.	
2	8516GT	SCREW, HCC, 3/8-16 X 1.50		--	52745GT	SEAL KIT,50337,50353 CYLINDER for cylinder 50353	
3	5397GT	WASHER,FLAT,USS,5/16",Y		--	54065GT	VALVE,COUNTERBALANCE,3500***	
4	7713GT	NUT, LP NYLOCK, 3/8-16		18B	77363GT	CYLINDER,SLAVE,Z45*** from SN 19868 (includes item 17)	
5	825019GT	ROD END,.375X3.69,ZAG		--	54065GT	VALVE,COUNTERBALANCE,3500***	
6	50543GT	PIN,1.25DIAX8.88LG,1HOLE		--	77364GT	SEAL KIT,MASTER & SLAVE CYL for cylinder 77363	
7	30219GT	BEARING,FL,1.25ID X 1.41OD X 1		19	6019GT	SCREW,HHC,3/8-16 X 1.25 GRD 5	
8A	50457GT	ROTATOR,PLAT,NON/JIB,Z45/25.....1 includes 2 each of index number 7; to SN 19934 (limited inventory; component no longer available)		20	T107884GT	PIN,1.25DIAX7.00LG,1HOLE	
--	13852GT	VALVE ASSY,BLEED***		21	106526GT	CLAMP,HOSE ROUTE,2X#4,LOOM.....1	
--	31498GT	BEARING KIT,ROTATOR,9K***		22	107595GT	BRACKET,HOSE CLAMP SUPPORT.....1	
--	65842GT	SEAL KIT,UNIVERSAL,9K ROTATOR* for 50457		23	36294GT	SCREW,HHC,1/4-20 X 2.75	
8B	233716GT	ROTATOR,PLAT,Z45.....1 includes 2 each of index number 7; from SN 16935 to 26999		24	6638GT	WASHER,FLAT,USS,1/4"Y	
--	13852GT	VALVE ASSY,BLEED***		25	6091GT	NUT,NYLOCK,1/4-20	
--	147369GT	SEAL AND BRG KIT,4.5K ROTATOR* for rotator 94402 (no longer available)					
--	233745GT	SEAL AND BRG KIT,4.5K ROTATOR for rotator 233716					
--	62509GT	SEAL KIT,ROTATOR*** for rotator 54808 (no longer available)					
--	83042GT	BEARING KIT,ROTATOR,4.5K***					
8C	62509GT	SEAL KIT,ROTATOR*** for rotator 54808 (no longer available)					
8D	65842GT	SEAL KIT,UNIVERSAL,9K ROTATOR* for rotator 54808 (no longer available)					
8E	147369GT	SEAL AND BRG KIT,4.5K ROTATOR* for rotator 94402 (no longer available)					
8F	83042GT	BEARING KIT,ROTATOR,4.5K***.....1					
9		Ref. Counterbalance Manifold (refer to 704.1)					
10	6145GT	SCREW,HHC,1/4-20 X 1.5					
11	6356GT	WASHER,LOCK,.25					
12	77051GT	NUT,NYLOCK,3/4-10,GRD.8.....1					
13	33278GT	WASHER,FLAT,.75 HARDENED.....1					
14A	52743-SGT	PLAT SUPPORT ASSY,NON-JIB*** from SN 9996 to 16961					
14B	54520-SGT	WELDMNT,PLATFRM SUPPORT,NJIB** from SN 16962 to 26999					
15	56925GT	SCREW,HHC,3/4-10 X 9.5 GR 8 YE.....1					
16	T108075GT	PIN,1.25DIAX5.25LG,1HOLE					

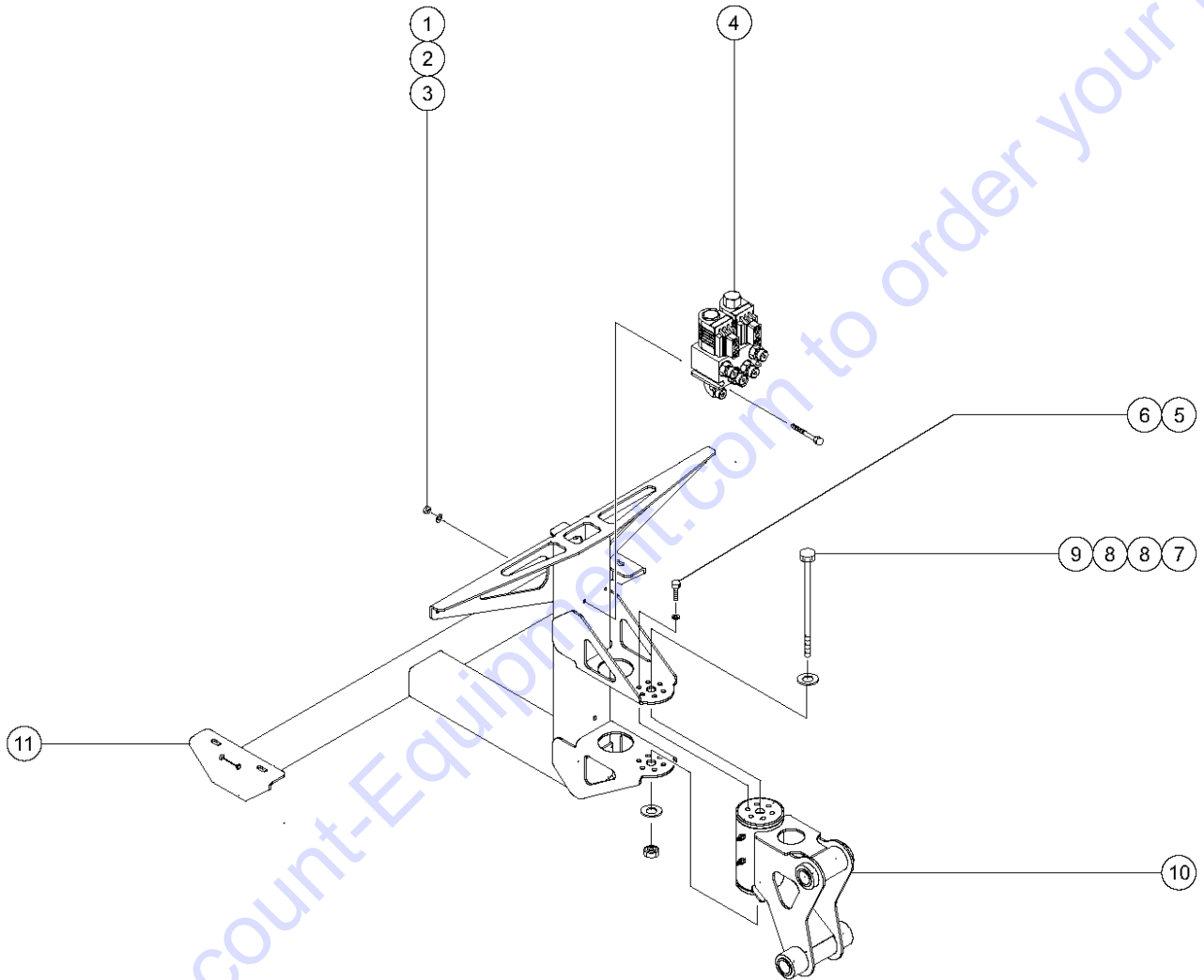
507.1 Jib Platform Leveling



507.1 Jib Platform Leveling

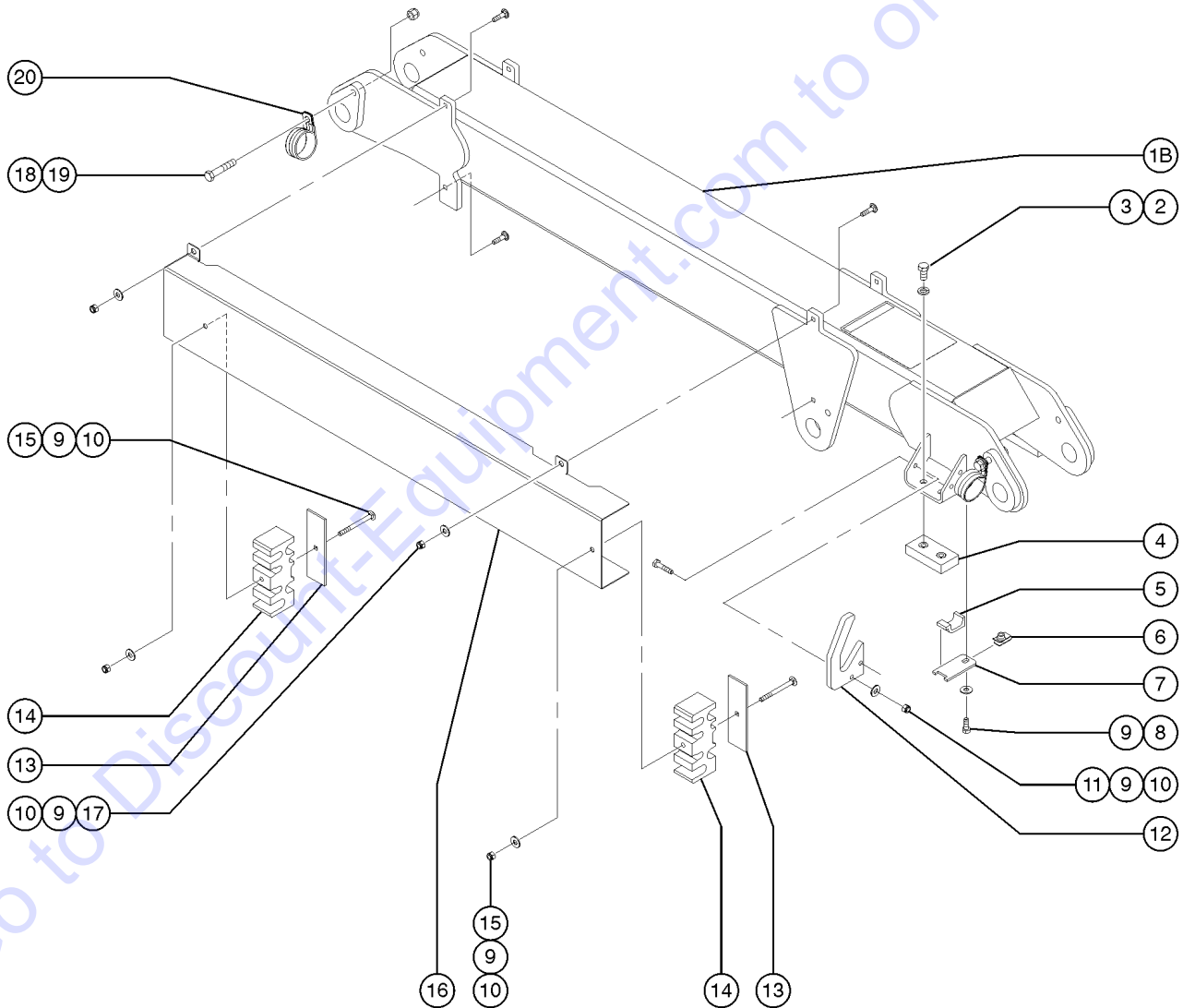
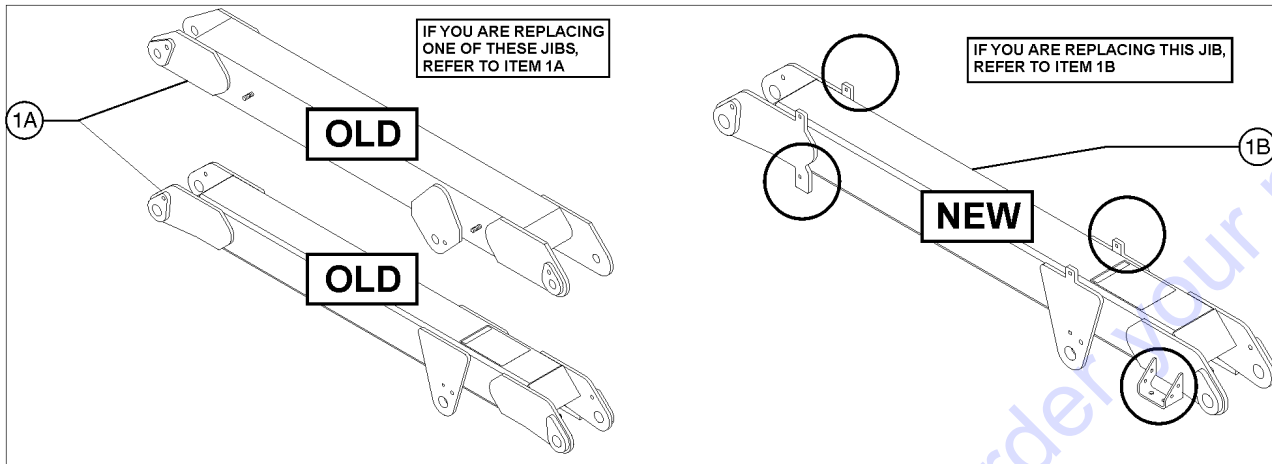
Item	Part No.	Description	Qty.	Item	Part No.	Description	Qty.
--	150103GT	WIRE LOOM,1.25"NYLON,HIGH TEMP.....129-inches		--	13852GT	VALVE ASSY,BLEED***.....1 for 54368	1
1		Ref. Primary and Extension Booms (refer to Figure 504.1)		--	147369GT	SEAL AND BRG KIT,4.5K ROTATOR*.....1 for 94401	1
2	50546GT	PIN,1.25DIAX6.36LG,2RING		--	233745GT	SEAL AND BRG KIT,4.5K ROTATOR for 233745	
3	30255GT	WASHER,SHIM,1.27 X 2.13 X .062		--	62509GT	SEAL KIT,ROTATOR***.....1 for 54368	1
4	824164GT	SNAP RING,EXTERNAL,1.25,ZAG		--	83042GT	BEARING KIT,ROTATOR,4.5K***.....1 for 54368	1
5	50543GT	PIN,1.25DIAX8.88LG,1HOLE		--	88516GT	SCREW,BLEEDER,M5X0.8 for 233745	
6	6019GT	SCREW,HHC,3/8-16 X 1.25 GRD 5		22	30222GT	BEARING,FL,1.25IDX1.41ODX1.50L.....4	4
7	5397GT	WASHER,FLAT,USS,5/16",Y		23A	43166GT	MANIFOLD,ASSY DUAL CNTRBAL.....1 to SN 15944	1
8	825019GT	ROD END,.375X3.69,ZAG		--	39345GT	VALVE,COUNTERBAL,CBCA-LHN@3000.2	
9	4828GT	NUT,NYLOCK,3/8-16		--	43018GT	SEAL KIT (39345).....1	1
10	T107883GT	PIN,1.25DIAX7.88LG,1HOLE		23B	56929GT	MANIFOLD,ROTATOR,180 DEG.***.....1 from SN 15945 to SN 19756	1
11	8516GT	SCREW, HCC, 3/8-16 X 1.50		--	43018GT	SEAL KIT (39345).....1	1
12	27497GT	CLAMP,RUBBER CUSHIONED-2 5/32		--	62506GT	VALVE - COUNTERBALANCE**.....2	2
13		SERVICE KIT, 5FT JIB refer to section 509.1 for jib detail		23C	73807GT	MANIFOLD,ROTATOR,CB***.....1 from SN 19757	1
14A	54527-SGT	CABLE COVER,JIB***.....1 to SN Z452505-24286	1	--	43018GT	SEAL KIT (39345).....1	1
14B	106589GT	KIT,CABLE COVER,Z45 JIB***.....1 use to replace 54527-S, to SN Z452505-24286	1	--	62506GT	VALVE - COUNTERBALANCE**.....2	2
14C	106540GT	CABLE COVER,JIB.....1 from SN Z452505-24287	1	24	8915GT	SCREW,HHC,1/4-20 X 1.25	
--	106581GT	CLAMP,JIB HOSE Z45.....2 sold seperately or with kit 106589	2	25	6356GT	WASHER,LOCK,.25	
15	6091GT	NUT,NYLOCK,1/4-20		26	81175GT	PIN,1.25DIAX14.45LG,2HOLE	
16	6638GT	WASHER,FLAT,USS,1/4"Y		27A	77363GT	CYLINDER,SLAVE,Z45*** to SN 19867; Upgrade Service Kit required for first-time replacement (includes master and slave cylinders). After first-time replacement, refer to 77363 below.	
17	T107884GT	PIN,1.25DIAX7.00LG,1HOLE		--	52745GT	SEAL KIT,50337,50353 CYLINDER for cylinder 50353	
18	61306-SGT	COMPR.LINK,MACHINED,GND CONTR*		--	54065GT	VALVE,COUNTERBALANCE,3500***	
19	54994GT	CYLINDER,JIB,Z45,#4 PORTS*** includes item 20		27B	77363GT	CYLINDER,SLAVE,Z45*** from SN 19868 (includes item 31)	
--	147283GT	SEAL KIT,147259 for 147259		--	54065GT	VALVE,COUNTERBALANCE,3500***	
--	43018GT	SEAL KIT (39345) for 50480		--	77364GT	SEAL KIT,MASTER & SLAVE CYL for cylinder 77363	
--	50480GT	VALVE,COUNTERBALANCE,3800 PSI*		28	T108075GT	PIN,1.25DIAX5.25LG,1HOLE	
--	65789GT	SEAL KIT (54994) for 54994		29	34245GT	BEARING,1.25IDX1.50X1.25L	
20	25683GT	BEARING,POLYGON,20DU12		30	50466-SGT	BELLCRANK,JIB,WELD/Z45/25*** includes item 29	
21A	50676GT	ROTATOR,PLAT,JIB,Z45/25J***.....1 includes item 22; to SN 16934 (limited inventory; component no longer available)	1	31	25683GT	BEARING,POLYGON,20DU12	
--	13852GT	VALVE ASSY,BLEED***.....1	1				
--	31498GT	BEARING KIT,ROTATOR,9K***.....1	1				
--	65842GT	SEAL KIT,UNIVERSAL,9K ROTATOR*.....1 for 50676	1				
21B	233715GT	ROTATOR,PLAT,Z45J/Z51J.....1 includes item 22; from SN 16935 to 26999	1				

508.1 Jib Platform Rotation



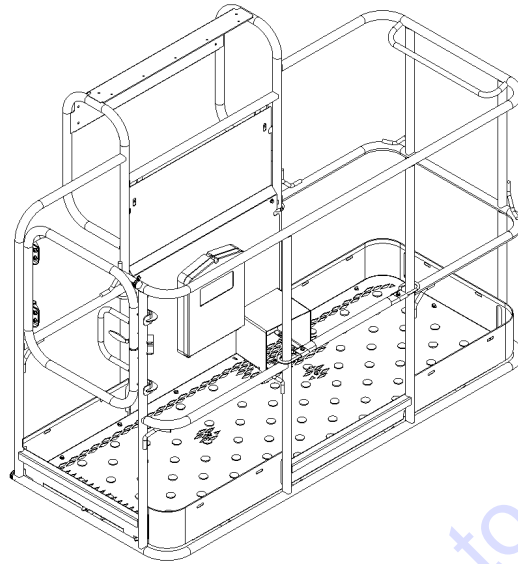
Item	Part No.	Description	Qty.
1	6091GT	NUT,NYLOCK,1/4-20	
2	6638GT	WASHER,FLAT,USS,1/4"Y	
3	36294GT	SCREW,HHC,1/4-20 X 2.75	
4		Ref. Jib Manifold (refer to 704.1)	
5	77692GT	SCREW,HHC,3/8-16 X 1 GRD 8.....8	
6	6021GT	WASHER,LOCK,.,375	
7	56925GT	SCREW,HHC,3/4-10 X 9.5 GR 8 YE.....1	
8	33278GT	WASHER,FLAT,.,75 HARDENED	
9	77051GT	NUT,NYLOCK,3/4-10,GRD.8	
10		Ref., Jib Platform Rotator (refer to 507.1)	
11A	50293-SGT	WELD. PLAT. SUPPORT,JIB** <i>from SN 9996 to 16934</i>	
11B	54510-SGT	WELDMENT,PLATFORM SUPPORT <i>from SN 16935 to 26999; for models with the Load Sense option, refer to 907.1</i>	

509.1 Jib Detail

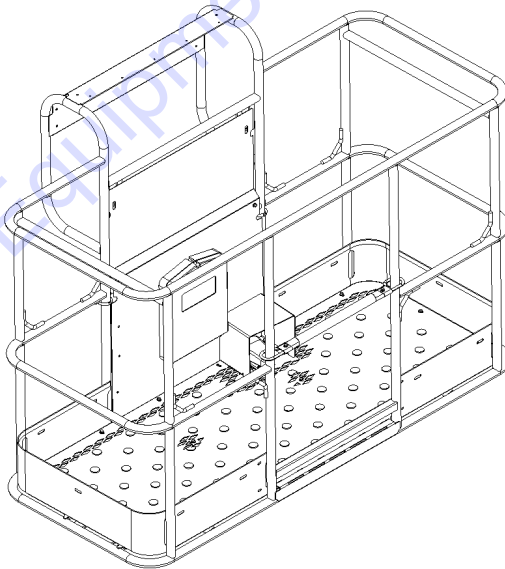


Item	Part No.	Description	Qty.
1A	128513GT	SERVICE KIT,5FT JIB <i>required for first time replacement (includes part number 128534)</i>	
1B	128534GT	JIB BOOM ASSY W/WORD DECAL.....1 <i>use ONLY if service kit 128513 has been installed on the machine</i>	
2	8255GT	SCREW,HHC,3/8-16 X .75	
3	6021GT	WASHER,LOCK,.375	
4	81640GT	WEAR PAD,3 X 1.5 X.625 W/NUTS.....1	
5	119542GT	CLAMP,TWO HOSE.....1	
6	56912GT	SPRING CLIP,1/4-20,.025-.15X.54,ZAG.....1	
7	119536PGT	BRACKET,HOSE CLAMP,PAINTED.....1	
8	6090GT	SCREW,HHC,1/4-20 X .75	
9	6638GT	WASHER,FLAT,USS,1/4"Y	
10	6091GT	NUT,NYLOCK,1/4-20	
11	8915GT	SCREW,HHC,1/4-20 X 1.25	
12	128482GT	HOSE GUIDE, JIB.....1	
13	128483GT	BACKING PLATE, HOSE BLOCK, JIB....2	
14	128510GT	CLAMP,JIB HOSE/CABLE,Z45/51.....2	
15	128724GT	BOLT,CARRIAGE,1/4-20 X 2.75,G2	
16	128454PGT	COVER, JIB HOSES/CABLES.....1	
17	79456GT	BOLT,CARRIAGE,1/4-20 X 1.00,G2	
18	5224GT	SCREW,HHC,3/8-16 X 2	
19	4828GT	NUT,NYLOCK,3/8-16	
20	77181GT	CLAMP,1.63,#26 X 3/8,RUB CUSH.....2	

601.1 Platform Configuration



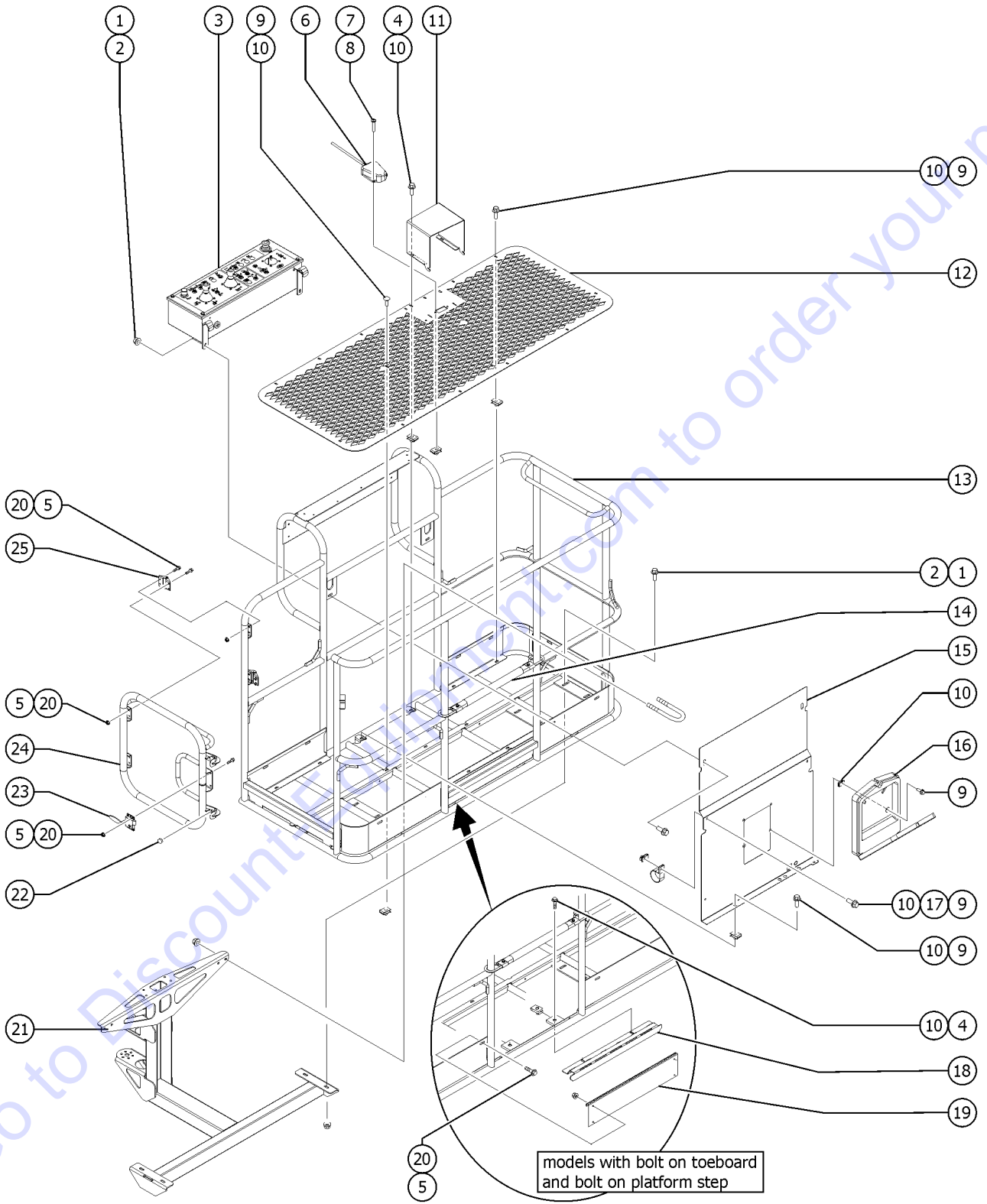
(1) Side Swing Gate Platform



(2) Front Single Entry Platform

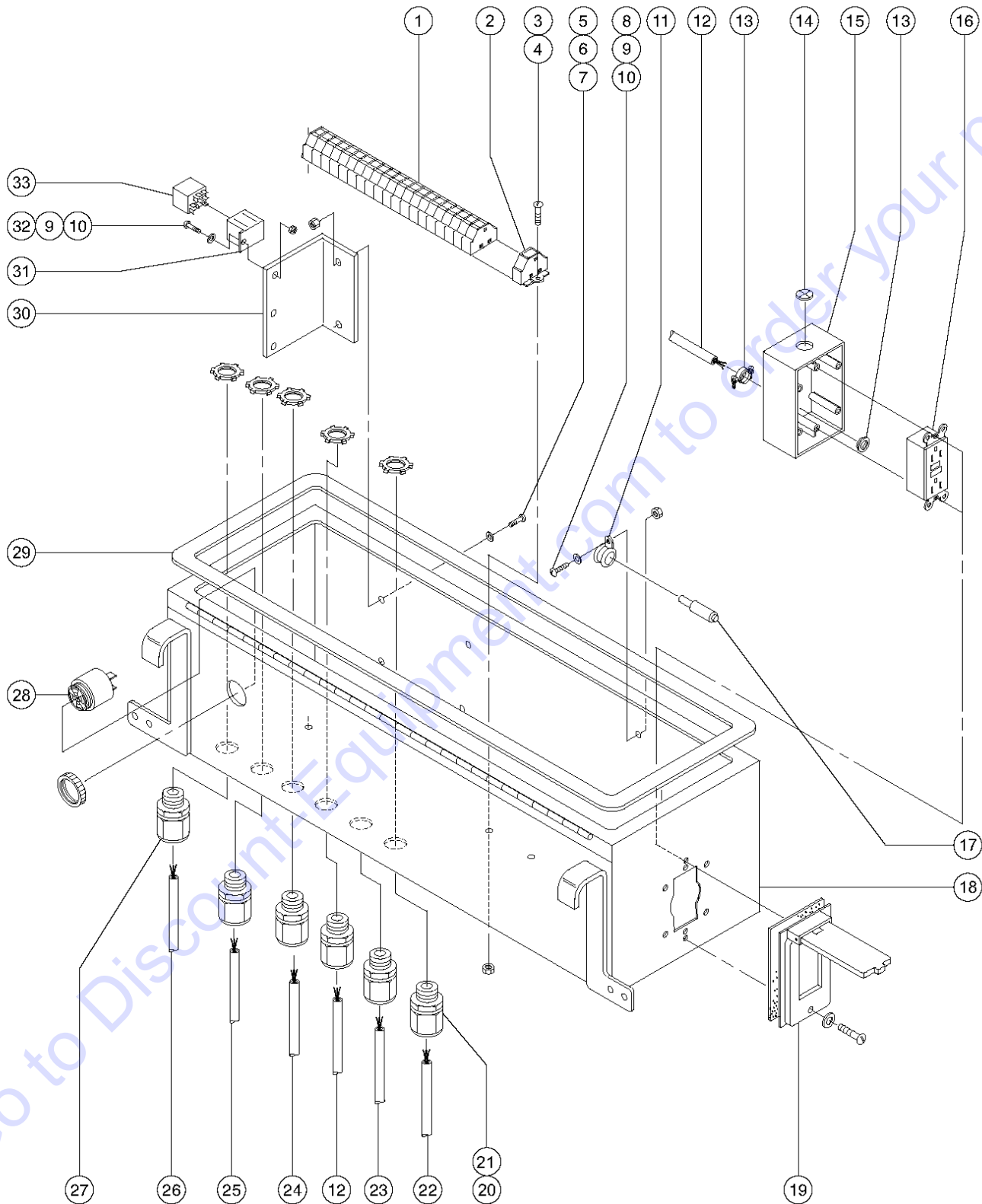
Item	Part No.	Description	Qty.
A		<i>Complete Platform Assemblies with Decals</i>	
--			
--	1275393GT	PLAT ASSY,6' W/SIDE GATE,Z45DC/BI ANSI WORD <i>USA and Canadian models</i>	
--	1275394GT	PLAT ASSY,6' W/SIDE GATE,Z45DC/BI AUS <i>Australian models</i>	
--	1275395GT	PLAT ASSY,6' W/SIDE GATE,Z45/51 CE <i>European models</i>	
--	1275396GT	PLAT ASSY,6' W/SIDE GATE,Z45/51 ANSI SYM <i>Asia/South America models</i>	
B		<i>Complete Platform Assemblies and Platform Weldments without Decals (Warning tape & decals not included, refer to section 100 for decals)</i>	
--			
1A	1272303GT	ASSY,6FT PLAT DUAL LG,BLANK W/SIDE SWING GATE	
--	1274858GT	ASSY,6' PLAT WELDMNT W/SIDE GATE <i>flooring and decal plate not included</i>	
2A	161541GT	ASSY,4FT PLATFORM, NO DECALS <i>Single entry</i>	
--	60042GT	WELDMNT,4 FT PLATFORM <i>flooring and decal plate not included</i>	
2B	161542GT	ASSY,5FT PLATFORM, NO DECALS <i>Single entry</i>	
--	50294GT	WELDMNT,5 FT PLATFORM <i>flooring and decal plate not included</i>	
2C	160809GT	ASSY,6FT PLATFORM,NO DECALS <i>Single entry</i>	
--	73900GT	WELDMNT,6 FT PLATFORM <i>flooring and decal plate not included</i>	

602.1 Platform Components



Item	Part No.	Description	Qty.
1	824029GT	NUT,TL FLG,3/8-16,G,ZAG	
2	824090GT	SCREW,HHF,3/8-16X1,8,ZAG	
3		Ref. Platform Control Box (refer to 602.1 and 603.1)	
4	824124GT	BOLT,CARRIAGE,1/4-20X.75,5,ZAG	
5	824027GT	NUT,TL FLG,1/4-20,G,ZAG	
6	73233GT	ASSEMBLY,FOOT SWITCH***	
--	20262GT	MICROSWITCH,13482 FOOTSWITCH	
--	43960GT	WIRE CABLE,16/4 CON.TPE JKT.....61-inches	
--	60428GT	CONN,PLUG 4 WAY,14-18GA	
--	73739GT	BOOT,PLUG 4 WAY	
7	1256460GT	SCREW,PHPM,10-24X1,ZAG.....2	
8	73575GT	SPRING CLIP,10-24,.025-.125X.468,ZAG.....2	
9	824078GT	SCREW,HHF,1/4-20X.75,8,ZAG	
10	56912GT	SPRING CLIP,1/4-20,.025-.15X.54,ZAG	
11	147121GT	COVER, FOOT SWITCH, LARGE.....1	
12A	1267746GT	FLOORING, 6FT PLAT,SIDE.....1	
12B	73477PGT	FLOORING, 6'FT PLATFORM.....1 (for single entry)	
12C	54247PGT	FLOORING,5 FT PLATFORM,PAINTED.....1	
12D	60160PGT	FLOORING,4 FT PLATFORM,PAINTED.....1	
13		Ref. Platform Weldment.....1 (refer to 601.1)	
14	102992GT	SLIDING MIDRAIL KIT,PTD.....1 (includes fasteners)	
15	73574-SGT	DECAL PLATE ASSEMBLY.....1 (decals not included, refer to section 100)	
16	24514GT	BOX,INSTRUCTION STORAGE.....1 (decals not included, refer to section 100)	
17	56424GT	CLAMP,1.25X.5 RUBBER-CUSHION....2	
18	73610PGT	STEP PLATFORM ENTRY PAINTED***.....1	
19	94745GT	TOEBOARD,ENTRY EUROPEAN PNTD**.....1	
20	1256855GT	SCREW,HHF,1/4-20X.625,8,ZAG	
21A		Ref. Platform Support.....1 (refer to 508.1) (jib models)	
21B		Ref. Platform Support.....1 (refer to 506.1) (non-jib models)	
22	43392GT	BUMPER,BATTERY BOX & RAILS.....2	
23	1267747GT	LATCH, SWING GATE.....1	
24	1272307GT	ASSY,SIDE SWING GATE.....1	
25	104804GT	HINGE, SPRING, LONG LEG.....2	

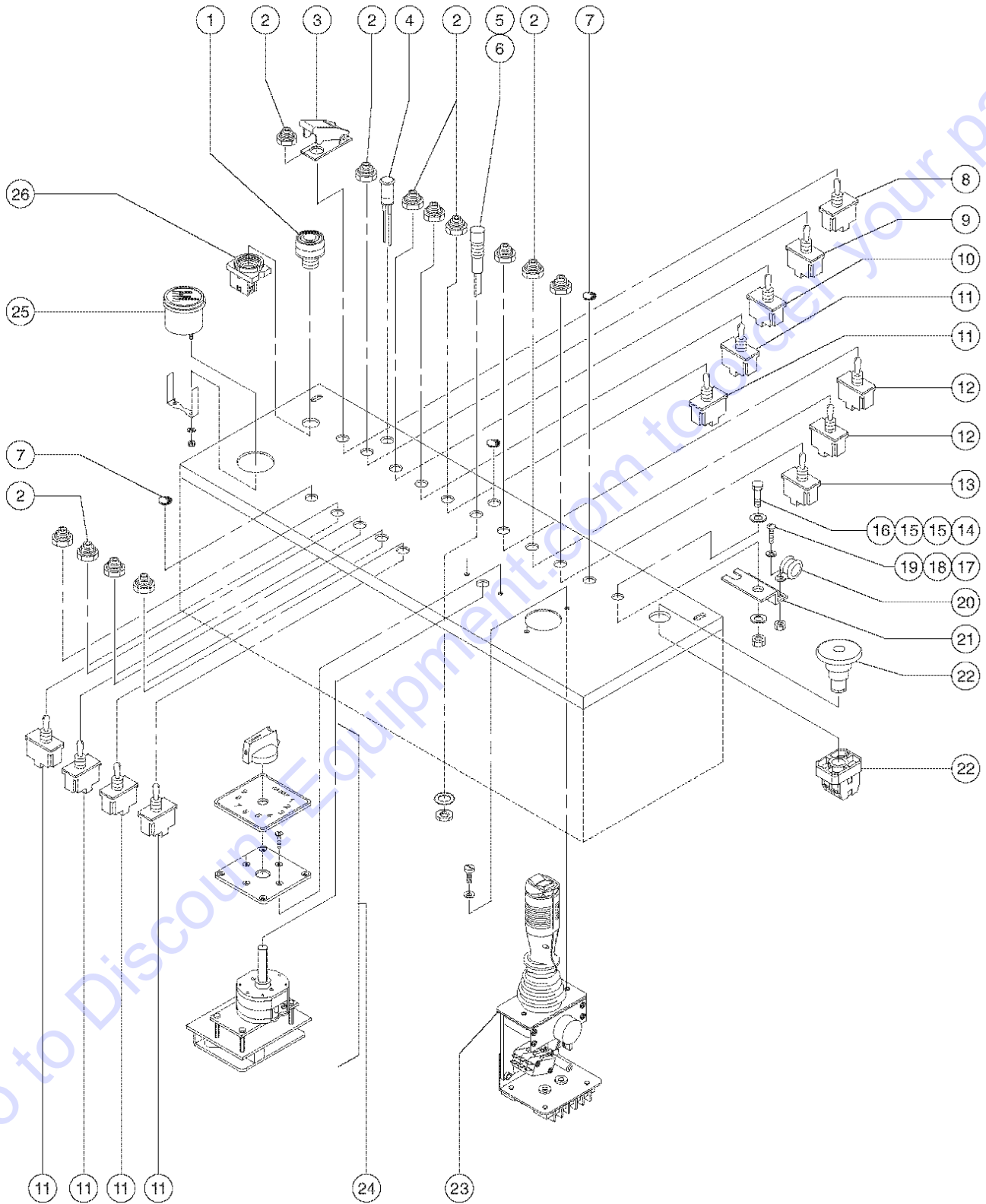
603.1 Platform Controls - View 1 (to SN 22050)



603.1 Platform Controls - View 1 (to SN 22050)

Item	Part No.	Description	Qty.	Item	Part No.	Description	Qty.
A	119867GT	WIRING KIT,JIB TIME DELAY IC		29	27115GT	GASKET,UPPER CONTROL BOX	
--	19274GT	RELAY,SPDT,12V(AUTO)**		30	52945-SGT	RELAY MOUNT ASSY <i>includes item 7</i>	
--	43181GT	CAPACITOR,TIME DELAY		31	34053GT	ASSY,RELAY SOCKET, AUTO	
1	32637GT	TERMINAL BLOCK,WAGO.....43		--	34054GT	TERM,RELAY N-INSULATED 10-12 G	
--	32638GT	TERMINAL BLOCK,WAGO.....2		--	34055GT	TERM RELAY,N-INSULATE 14-16 GA	
2	32639GT	END PLATE,WAGO.....1		--	34056GT	TERM,RELAY,N-INSULATE 18-20 GA	
3	49820GT	SCREW,PHILLIPS,PHM,6-32 X .5		32	49826GT	SCREW,PHILLIPS,PHM,10-32 X.625	
4	12344GT	NUT,NYLOCK,6-32		33	56302GT	RELAY,24VDC,40/30A,SEALED***	
5	8914GT	SCREW,HHC,1/4-20 X .625					
6	6356GT	WASHER,LOCK,.25					
7	23404GT	NUTSERT,1/4-20,STEEL CAD PLTD					
8	49819GT	SCREW,PHILLIPS,PHM,10-32 X .5					
9	6146GT	WASHER,FLAT,MS,#10,Y					
10	6178GT	NUT,NYLOCK,10-32					
11	13268GT	CLAMP,0.75,#12 X 1/4,RUB CUSH					
12	43956GT	WIRE CABLE,14/3 CON.TPE JKT*778-inches					
13	6622GT	GROUND CONNECTOR,1/2"					
14	8843GT	COVER,KNOCK OUT HOLE,4 PER BAG					
15	10775GT	T-BOX,2.75 X 4.5 X 2.0					
16	13585GT	OUTLET, 110V					
--	33629GT	PLATE,UK POWER TO PLATFORM					
--	33724GT	KIT,GASKET,UK POWER TO PLAT.					
17	43181GT	CAPACITOR,TIME DELAY					
18	62134-SGT	CONTROL BOX ASSY/PLAT-45/25 <i>includes item 29</i>					
19	45437GT	COVER,GFCI,WEATHERPROOF <i>includes mounting fasteners</i>					
20	7057GT	CONN. SQZ,1/2NPT .39-.56 MED.					
21	6935GT	LOCKNUT,ELEC,1/2"					
22	43957-8300GT	WIRE CABLE,14GA/4 CON.TPE JKT					
23A	15243GT	PLUG,NYLON .875 BLACK DOMED (Z45/25)					
23B	43956GT	WIRE CABLE,14/3 CON.TPE JKT*778-inches (Z45/25J)					
24	35934GT	WIRE CABLE,18/19 CON.TPRJKT733-inches (Z45/25J)					
25	35934GT	WIRE CABLE,18/19 CON.TPRJKT804-inches					
26	35934GT	WIRE CABLE,18/19 CON.TPRJKT804-inches					
27	12960GT	CABLE SQUEEZE CONN.,XTRA LRG					
28	45383GT	ALARM,WARBLE TONE 5-30 VDC*** <i>(does not include 72326 nut)</i>					
--	72326GT	NUT - PLASTIC,RING FOR ALARMS					

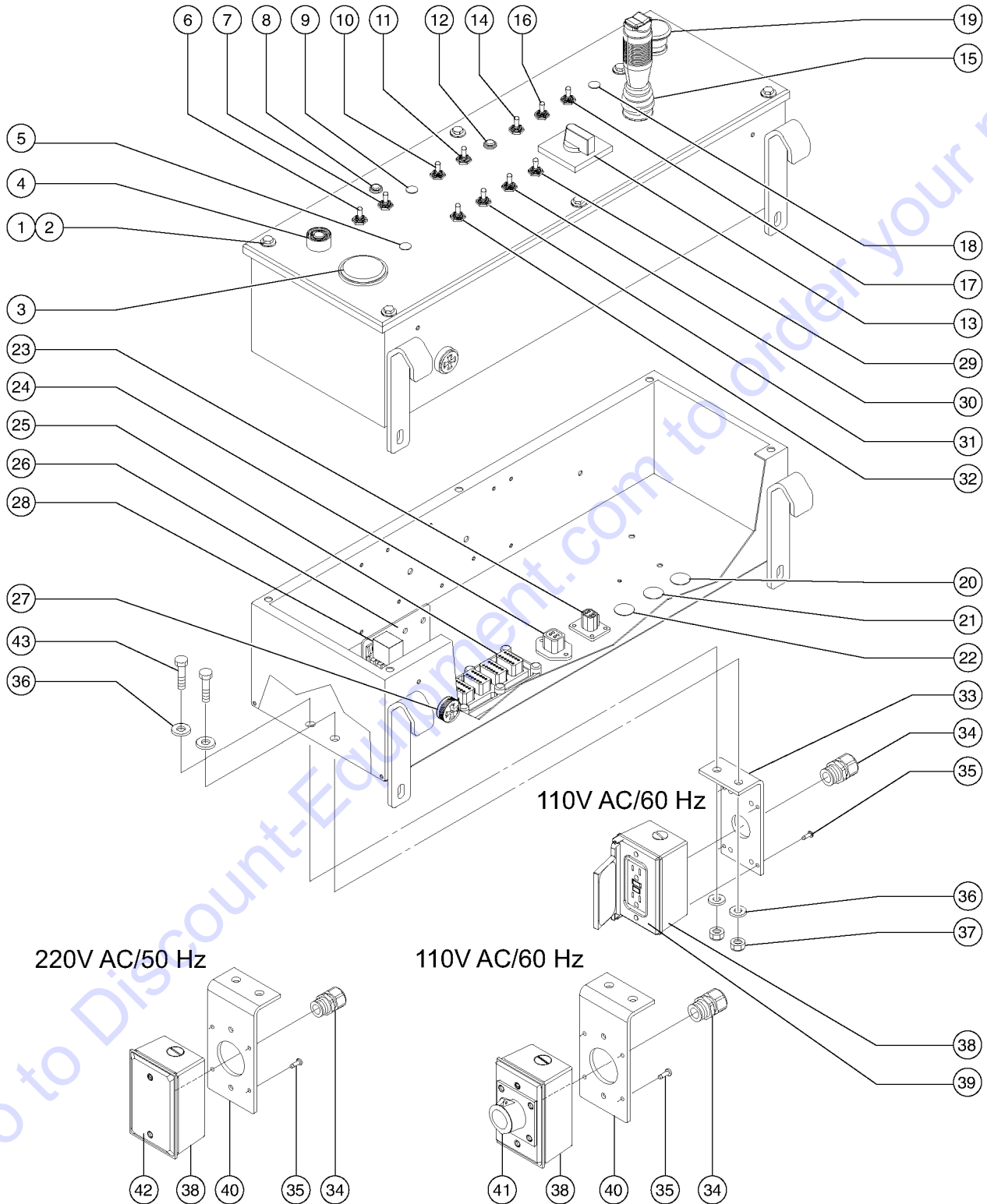
604.1 Platform Controls - View 2 (to SN 22050)



604.1 Platform Controls - View 2 (to SN 22050)

Item	Part No.	Description	Qty.	Item	Part No.	Description	Qty.
1	122513GT	KIT,HORN SVC BB&SM BOOM		18	6146GT	WASHER,FLAT,MS,#10,Y	
2	27246GT	BOOT,TOGGLE SWITCH,SHORT*		19	6178GT	NUT,NYLOCK,10-32	
3	13471GT	COVER, AUXILIARY POWER SWITCH		20	13268GT	CLAMP,0.75,#12 X 1/4,RUB CUSH	
4	42725GT	LIGHT,INDICATOR,RED 28V (includes mounting fasteners)		21	54525GT	BRACKET-PANEL-WIRE MOUNTING 99	
5	824878GT	LIGHT,LED IND. RED 24V NH (includes mounting fasteners)		22	122514GT	KIT,ESTOP SVC BB&SM BOOM	
5	82487GT	DECAL, SYMBOL - READ THE MANUAL (includes mounting fasteners)		--	66812GT	BUTTON,PUSH,RED MUSHROOM HEAD	
6	6700GT	WASHER,STAR,EXTERNAL,,375		--	66818GT	CONTACT, N.C.	
7	45384GT	PLUG,NYLON .50 BLACK DOMED		--	66821GT	BASE,WITHOUT CONTACTS	
8	128201GT	SWITCH TOGGLE ASSY DPDT 2P MOM		23		Ref., JOYSTICK from SN 14079 to 22050; refer to 606.1	
--	128578GT	SCREW T-SWITCH PH/PH 6-32X1/4		24		Ref., ROTATIONAL CONTROLLER,24V*** (refer to 607.1)	
--	128581-SGT	SWITCH TOGGLE DPDT 2P MOM SHDR		24	36557GT	ROTATIONAL CONTROLLER,24V*** refer to 607.1	
--	27246GT	BOOT,TOGGLE SWITCH,SHORT*		25	237145GT	IND,BAT CHARGE,48V LEAD-ACID includes mounting bracket	
9	128200GT	SWITCH TOGGLE ASSY SPDT 3P MOM		26	66815GT	BASE, W/1 N.O. CONTACTS***	
--	128578GT	SCREW T-SWITCH PH/PH 6-32X1/4		--	66816GT	CONTACT,N.O.***	
--	128580-SGT	SWITCH TOGGLE SPDT 3P MOM SHDR					
--	128582-SGT	SWITCH TOGGLE DPDT 3P MOM SHDR					
--	27246GT	BOOT,TOGGLE SWITCH,SHORT*					
10A	45384GT	PLUG,NYLON .50 BLACK DOMED (Z45/25)					
10B	128202GT	SWITCH TOGGLE ASSY DPDT 3P MOM (Z45/25J)					
--	128578GT	SCREW T-SWITCH PH/PH 6-32X1/4					
--	128582-SGT	SWITCH TOGGLE DPDT 3P MOM SHDR					
--	27246GT	BOOT,TOGGLE SWITCH,SHORT*					
11	128202GT	SWITCH TOGGLE ASSY DPDT 3P MOM					
--	128578GT	SCREW T-SWITCH PH/PH 6-32X1/4					
--	128582-SGT	SWITCH TOGGLE DPDT 3P MOM SHDR					
--	27246GT	BOOT,TOGGLE SWITCH,SHORT*					
12	128200GT	SWITCH TOGGLE ASSY SPDT 3P MOM (Bi-Energy only)					
--	128578GT	SCREW T-SWITCH PH/PH 6-32X1/4					
--	128580-SGT	SWITCH TOGGLE SPDT 3P MOM SHDR					
--	27246GT	BOOT,TOGGLE SWITCH,SHORT*					
13	128206GT	SWITCH TOGGLE ASSY DPDT 3P MNT (Bi-Energy only)					
--	128578GT	SCREW T-SWITCH PH/PH 6-32X1/4					
--	128586GT	SWITCH TOGGLE DPDT 3P MNT SHDR					
--	27246GT	BOOT,TOGGLE SWITCH,SHORT*					
14	8914GT	SCREW,HHC,1/4-20 X .625					
15	6638GT	WASHER,FLAT,USS,1/4"Y					
16	6889GT	NUT,LP NYLOCK,1/4-20					
17	49819GT	SCREW,PHILLIPS,PHM,10-32 X .5					

605.1 Platform Controls (from SN 22051)



605.1 Platform Controls (from SN 22051)

Item	Part No.	Description	Qty.	Item	Part No.	Description	Qty.
A	101579GT	PLAT. CONTROL BOX W/DECAL		14	128202GT	SWITCH TOGGLE ASSY DPDT 3P MOM.....1 <i>Glow Plug (Bi-Energy Models)</i>	1
B	119867GT	WIRING KIT,JIB TIME DELAY IC		--	128578GT	SCREW T-SWITCH PH/PH 6-32X1/4	
--	19274GT	RELAY,SPDT,12V(AUTO)**		--	128582-SGT	SWITCH TOGGLE DPDT 3P MOM SHDR	
--	43181GT	CAPACITOR,TIME DELAY		--	27246GT	BOOT,TOGGLE SWITCH,SHORT*	
1	8914GT	SCREW,HHC,1/4-20 X .625		15		JOYSTICK,5K-0 OHM** <i>Refer to 606.1</i>	
2	6638GT	WASHER,FLAT,USS,1/4"Y		16A	128200GT	SWITCH TOGGLE ASSY SPDT 3P MOM.....1 <i>Engine Start (Bi-Energy Models)</i>	1
3	237145GT	IND,BAT CHARGE,48V LEAD-ACID.....1 <i>includes mounting bracket</i>		--	128578GT	SCREW T-SWITCH PH/PH 6-32X1/4	
4	66813GT	BUTTON,PUSH,BLACK W/SEAL***		--	128580-SGT	SWITCH TOGGLE SPDT 3P MOM SHDR	
--	66815GT	BASE, W/1 N.O. CONTACTS*** <i>includes 1 N.O. Contact</i>		--	27246GT	BOOT,TOGGLE SWITCH,SHORT*	
--	66816GT	CONTACT,N.O.***		16B	45384GT	PLUG,NYLON .50 BLACK DOMED <i>(DC Models)</i>	
5	45384GT	PLUG,NYLON .50 BLACK DOMED.....3		17	128200GT	SWITCH TOGGLE ASSY SPDT 3P MOM.....1 <i>Engine Idle Select (Bi-Energy Models)</i>	1
6	128201GT	SWITCH TOGGLE ASSY DPDT 2P MOM.....1 <i>Power Switch</i>		--	128578GT	SCREW T-SWITCH PH/PH 6-32X1/4	
--	128578GT	SCREW T-SWITCH PH/PH 6-32X1/4		--	128580-SGT	SWITCH TOGGLE SPDT 3P MOM SHDR	
--	128581-SGT	SWITCH TOGGLE DPDT 2P MOM SHDR		--	27246GT	BOOT,TOGGLE SWITCH,SHORT*	
--	27246GT	BOOT,TOGGLE SWITCH,SHORT*		18	45384GT	PLUG,NYLON .50 BLACK DOMED	
7	128200GT	SWITCH TOGGLE ASSY SPDT 3P MOM.....1 <i>Drive Enable</i>		19	122514GT	KIT,ESTOP SVC BB&SM BOOM	
--	128578GT	SCREW T-SWITCH PH/PH 6-32X1/4		20	45385GT	PLUG,NYLON 1.12 BLACK DOMED	
--	128580-SGT	SWITCH TOGGLE SPDT 3P MOM SHDR		21	45385GT	PLUG,NYLON 1.12 BLACK DOMED	
--	27246GT	BOOT,TOGGLE SWITCH,SHORT*		22	43957-8300GT	WIRE CABLE,14GA/4 CON.TPE JKT	
8	42725GT	LIGHT,INDICATOR,RED 28V.....1		22	45385GT	PLUG,NYLON 1.12 BLACK DOMED	
--	27246GT	BOOT,TOGGLE SWITCH,SHORT*		23	73723GT	CONN RECEPT,FLANGED	
9A	45384GT	PLUG,NYLON .50 BLACK DOMED		--	54259GT	TERM,NI PIN, 14-16GA,BULK	
9B	128202GT	SWITCH TOGGLE ASSY DPDT 3P MOM.....1 <i>Jib Up/Down</i>		--	60443GT	LOCK,RECEP 4 WAY,14-18GA	
--	128578GT	SCREW T-SWITCH PH/PH 6-32X1/4		--	73233GT	ASSEMBLY,FOOT SWITCH***	
--	128582-SGT	SWITCH TOGGLE DPDT 3P MOM SHDR		24	73717GT	CONN,RECEP 4 WAY,12-14GA FL***	
10	128202GT	SWITCH TOGGLE ASSY DPDT 3P MOM.....1 <i>Platform Rotate</i>		--	60526GT	LOCK,RECEP 4 WAY,12-14GA	
--	128578GT	SCREW T-SWITCH PH/PH 6-32X1/4		--	73711GT	TERM,DEUTSCH, PIN #12-14	
--	128582-SGT	SWITCH TOGGLE DPDT 3P MOM SHDR		--	88723-71000GT	HARNESS,12/3,12V TO PLAT	
--	27246GT	BOOT,TOGGLE SWITCH,SHORT*		--	88723-72700GT	HARNESS,12/3,12V TO PLAT	
11	128202GT	SWITCH TOGGLE ASSY DPDT 3P MOM.....1 <i>Platform Level</i>		25	73736GT	CONN,RECEP 48 WAY,4 X 12.....1	
--	128578GT	SCREW T-SWITCH PH/PH 6-32X1/4		--	54255GT	LOCK,RECEP 12 WAY, 14-18GA	
--	128582-SGT	SWITCH TOGGLE DPDT 3P MOM SHDR		--	73713GT	TERM,NI PIN,S&F,16-18GA,REEL	
--	27246GT	BOOT,TOGGLE SWITCH,SHORT*		--	88721-70700GT	HARNESS,18/19 BOOM CABLE #1 <i>(green and brown connectors)</i>	
12	824878GT	LIGHT,LED IND. RED 24V NH		--	88721-72000GT	HARNESS,18/19 BOOM CABLE #1.....1 <i>non-jib (green and brown connectors)</i>	1
13	36557GT	ROTATIONAL CONTROLLER,24V***		--	88722-70700GT	HARNESS,18/19,BOOM CABLE #2 <i>(gray and black connectors)</i>	
				--	88722-72000GT	HARNESS,18/19,BOOM CABLE #2.....1 <i>non-jib (gray and black connectors)</i>	1

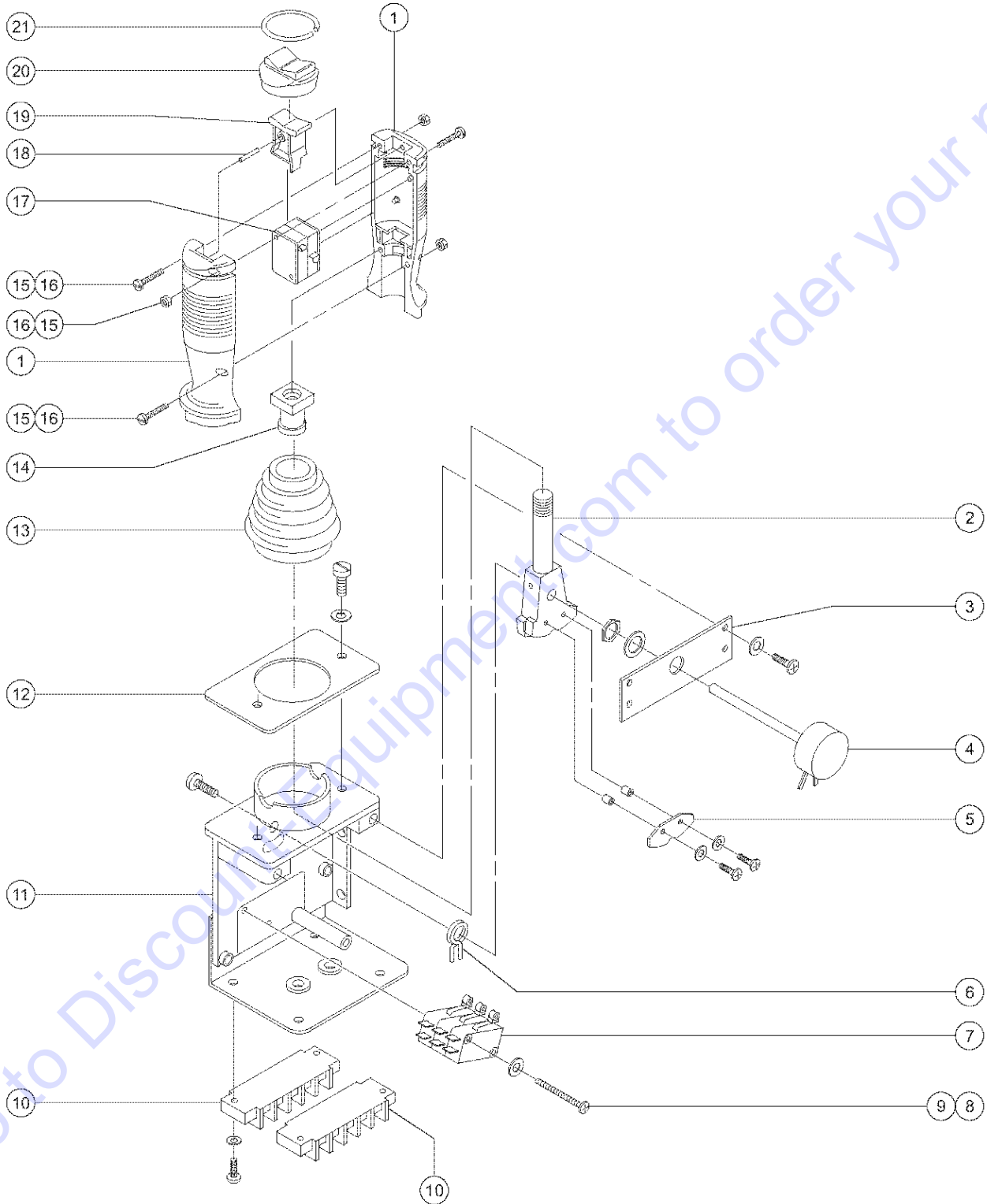
605.1 Platform Controls (from SN 22051)
(continued)

Item	Part No.	Description	Qty.	Item	Part No.	Description	Qty.
26	54534GT	ANGLE,RELAY MNT,W/NUTSERTS,PNT.....1	1	--	T112561GT	PLATE,UK,POWER TO PLAT	
27	45383GT	ALARM,WARBLE TONE 5-30 VDC***1 <i>Does not include 72326 nut</i>	1	42	10777GT	COVER,BLANK.....1	1
--	72326GT	NUT - PLASTIC,RING FOR ALARMS		--	33724GT	KIT,GASKET,UK POWER TO PLAT.	
28	56302GT	RELAY,24VDC,40/30A,SEALED***1	1	--	81458GT	GASKET, UK POWER TO PLAT	
29	128202GT	SWITCH TOGGLE ASSY DPDT 3P MOM.....1 <i>Primary Boom Extend/Retract</i>	1	43	6019GT	SCREW,HHC,3/8-16 X 1.25 GRD 5	
--	128578GT	SCREW T-SWITCH PH/PH 6-32X1/4					
--	128582-SGT	SWITCH TOGGLE DPDT 3P MOM SHDR					
--	27246GT	BOOT,TOGGLE SWITCH,SHORT*					
30	128202GT	SWITCH TOGGLE ASSY DPDT 3P MOM.....1 <i>Primary Boom Up/Down</i>	1				
--	128578GT	SCREW T-SWITCH PH/PH 6-32X1/4					
--	128582-SGT	SWITCH TOGGLE DPDT 3P MOM SHDR					
--	27246GT	BOOT,TOGGLE SWITCH,SHORT*					
31	128202GT	SWITCH TOGGLE ASSY DPDT 3P MOM.....1 <i>Secondary Boom Up/Down</i>	1				
--	128578GT	SCREW T-SWITCH PH/PH 6-32X1/4					
--	128582-SGT	SWITCH TOGGLE DPDT 3P MOM SHDR					
--	27246GT	BOOT,TOGGLE SWITCH,SHORT*					
32	128202GT	SWITCH TOGGLE ASSY DPDT 3P MOM.....1 <i>Turntable Rotate</i>	1				
--	128578GT	SCREW T-SWITCH PH/PH 6-32X1/4					
--	128582-SGT	SWITCH TOGGLE DPDT 3P MOM SHDR					
--	27246GT	BOOT,TOGGLE SWITCH,SHORT*					
33	81096GT	BRACKET,POWER TO PLAT, DOM.....1	1				
34	7056GT	CONN,SQUEEZE,1/2NPT .38-.50,SM....2	2				
--	6935GT	LOCKNUT,ELEC,1/2"					
35	57075GT	SCREW,PHIL,8-32X.50,SELF TAP					
36	5397GT	WASHER,FLAT,USS,5/16",Y					
37	4828GT	NUT,NYLOCK,3/8-16					
38	10775GT	T-BOX,2.75 X 4.5 X 2.0.....1	1				
39	74006GT	COVER,GFCI,HORIZONTAL,WEATHER.1	1				
--	13585GT	OUTLET, 110V <i>USA/Canada</i>					
--	80543GT	RECEPTACLE, 120VAC, 20A, GFCI <i>USA/Canada</i>					
40	81570GT	BRACKET,POWER TO PLAT, UK.....1	1				
41	T112563GT	SVC KIT,UK RECEPT.REPLACEMENT.....1 <i>Europe</i>	1				
--	33724GT	KIT,GASKET,UK POWER TO PLAT.					
--	81458GT	GASKET, UK POWER TO PLAT					

This Page Intentionally Left Blank

Go to Discount-Equipment.com to order your parts

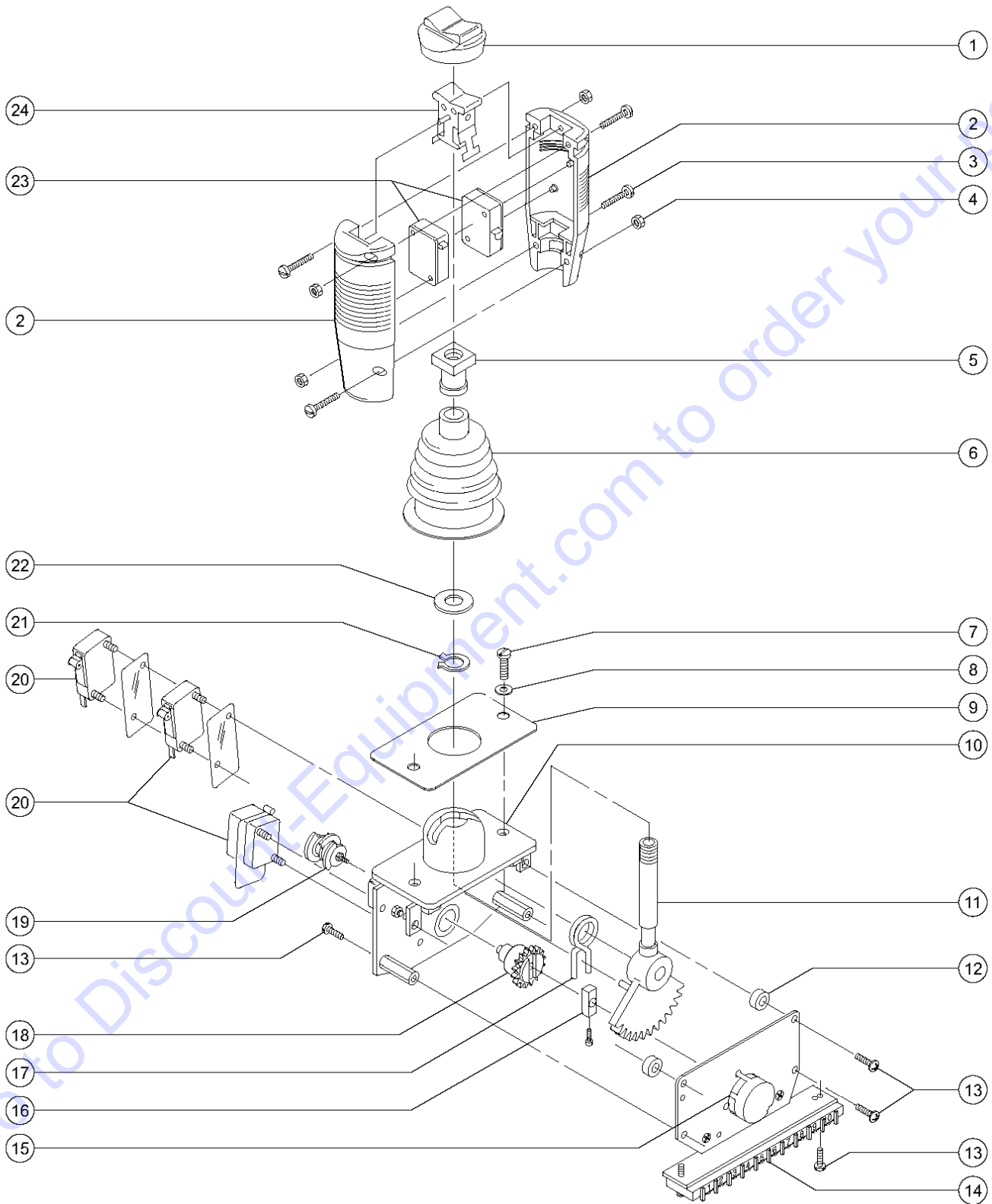
606.1 Joystick Controller, Drive/Steer Functions (to SN 14078)



606.1 Joystick Controller, Drive/Steer Functions (to SN 14078)

Item	Part No.	Description	Qty.
--	54831GT	KIT,UPGRADE JOYSTICK,DC/BI	
--	56773GT	JOYSTICK,5K-0 OHM <i>also requires 54831 for first-time replacement, order separately</i>	
1	52887GT	HANDLE HALF (56274)	
2	52525GT	SHAFT ASSY,JOYSTICK	
3	52527GT	POTENTIOMETER MOUNT PLATE	
4	72298GT	POTENTIOMETER (56773)	
5	52890GT	CAM-SHAFT ASSEMBLY (56274)	
6	21434GT	SPRING & BUSHING KIT,RETURN***	
7	19712GT	MICROSWITCH,V3L-139-D8	
8	52892GT	SCREW,PHS,4-40 X 1.5	
9	52891GT	WASHER-LOCK, 4-40	
10	52524GT	TERMINAL STRIP,10 POLE,JOYSTK	
11	52894GT	HOUSING-SHAFT ASSY (56274)	
12	43042GT	GASKET,JOYSTK.SHAFT36867/42032	
13	21427GT	BOOT,CONTROLLER**	
14	43040GT	NUT,JS,36867/42032/44988/40612	
15	52895GT	SCREW,PHM,M3 X .5 X 12MM	
16	52928GT	NUT-HEX,3M X 0.5MM	
17	19722GT	MICROSWITCH-V319M***	
18	65178GT	ROCKER ASSY W/ROLLPIN***	
19	52930GT	ROCKER ASSY (56274)	
20	43038GT	BOOT-THUMB ROCKER** BLACK	
21	25882GT	LOCK RING	

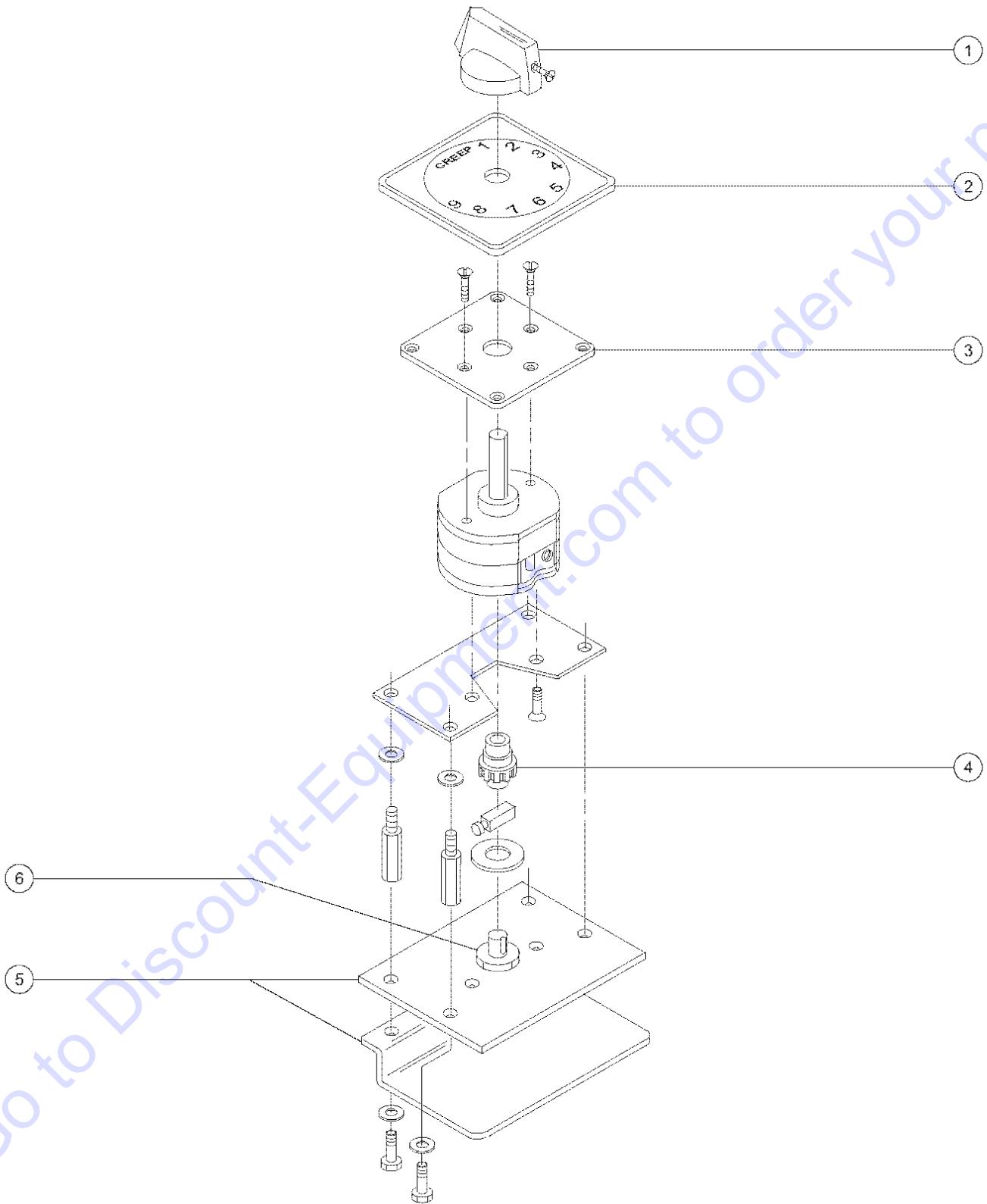
607.1 Joystick Controller, Drive/Steer Functions (from SN 14079)



607.1 Joystick Controller, Drive/Steer Functions (from SN 14079)

Item	Part No.	Description	Qty.
Z	1269501GT	KIT, ISOLATION, 3 JOYSTICK <i>from SN 21180</i>	
--	56773GT	JOYSTICK,5K-0 OHM	
1	43038GT	BOOT-THUMB ROCKER** BLACK	
2	52887GT	HANDLE HALF (56274)	
3	52895GT	SCREW,PHM,M3 X .5 X 12MM	
4	52928GT	NUT-HEX,3M X 0.5MM	
5	43040GT	NUT,JS,36867/42032/44988/40612	
6	21427GT	BOOT,CONTROLLER**	
7	49816GT	SCREW,PHILLIPS,PHM,10-32 X .75	
8	74362GT	WASHER,NYLON, JOYSTICK	
9	43042GT	GASKET,JOYSTK.SHAFT36867/42032	
10	58987GT	CASTING 42032	
11	46227GT	SHAFT ASSY, JOYSTICK*** <i>includes gear</i>	
12	74368GT	SPACER-POT.PLATE,JOYSTICK56773	
13	65546GT	SCREW,PHM,M3.5 X 12MM (57890)	
14	74367GT	TERM.BUSS,10POLE,JOYSTICK56773	
15	72298GT	POTENTIOMETER (56773)	
16	65529GT	COUPLING-POT,JOYSTICK (56579)	
17	21434GT	SPRING & BUSHING KIT,RETURN***	
18	19731GT	GEAR, SLAVE, MS4,45048	
19	74364GT	CAM ASSEMBLY, JOYSTICK(42032)	
20	19712GT	MICROSWITCH,V3L-139-D8	
21	74365GT	C-CLIP, SHAFT, JOYSTICK	
22	74366GT	WASHER, FLAT, SHAFT, JOYSTICK	
23	19722GT	MICROSWITCH-V319M***	
24	58986GT	ROCKER ASSY (42032)***	
--	65178GT	ROCKER ASSY W/ROLLPIN***	

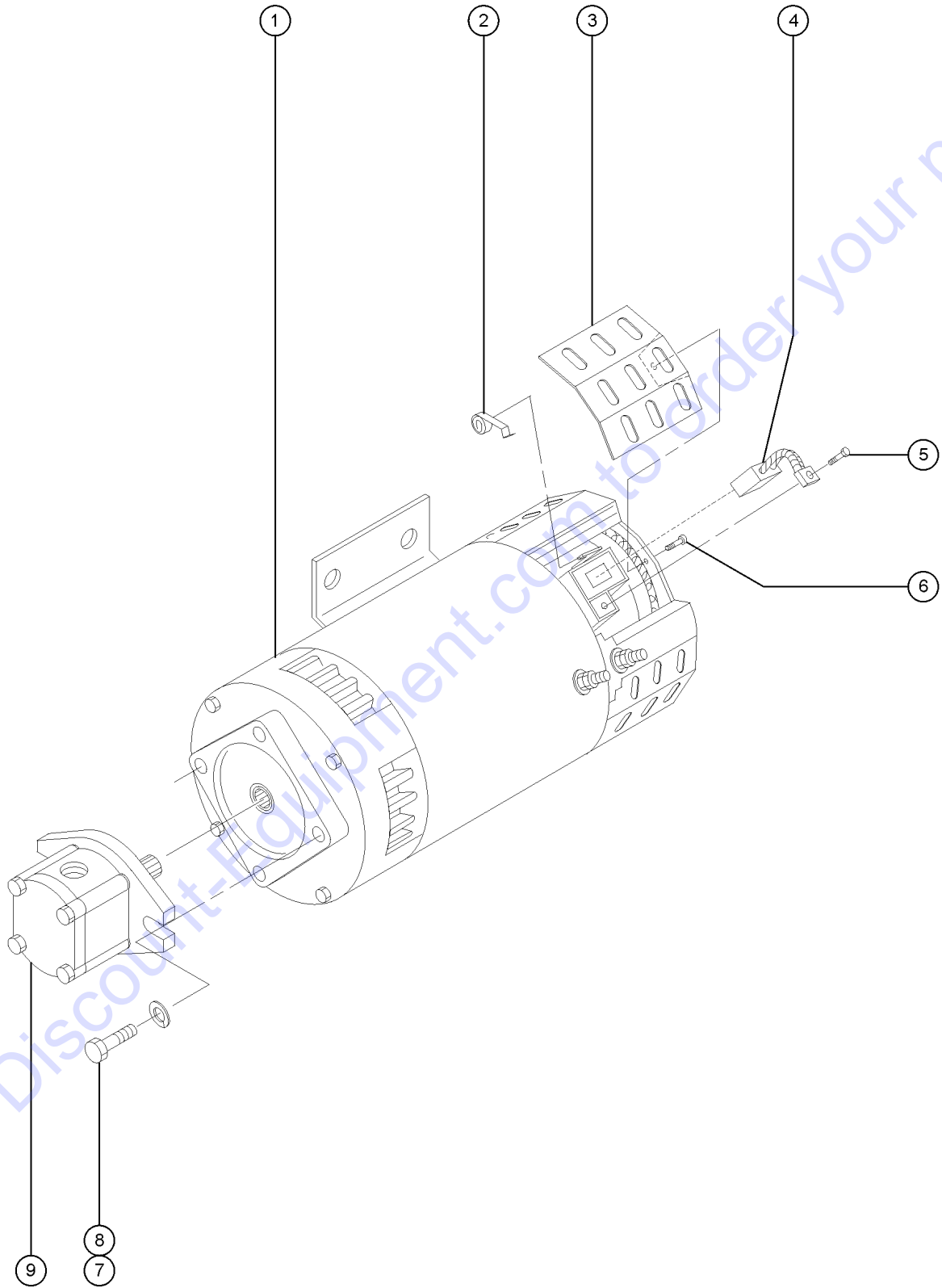
608.1 Rotational Controller



Item	Part No.	Description	Qty.
--	36557GT	ROTATIONAL CONTROLLER,24V***	
1	35679GT	KNOB, 45048 CONTROLLER	
2	35680GT	LEGEND,PLSTC,"CREEP TO 9"***	
3	35678GT	MOUNTING PLATE, 45048	
4	19731GT	GEAR, SLAVE, MS4,45048	
5	40433GT	PCB,ROTATOR CONTROLLER 36557* <i>includes item 6</i>	
6	19729GT	POTENTIOMETER,56886	

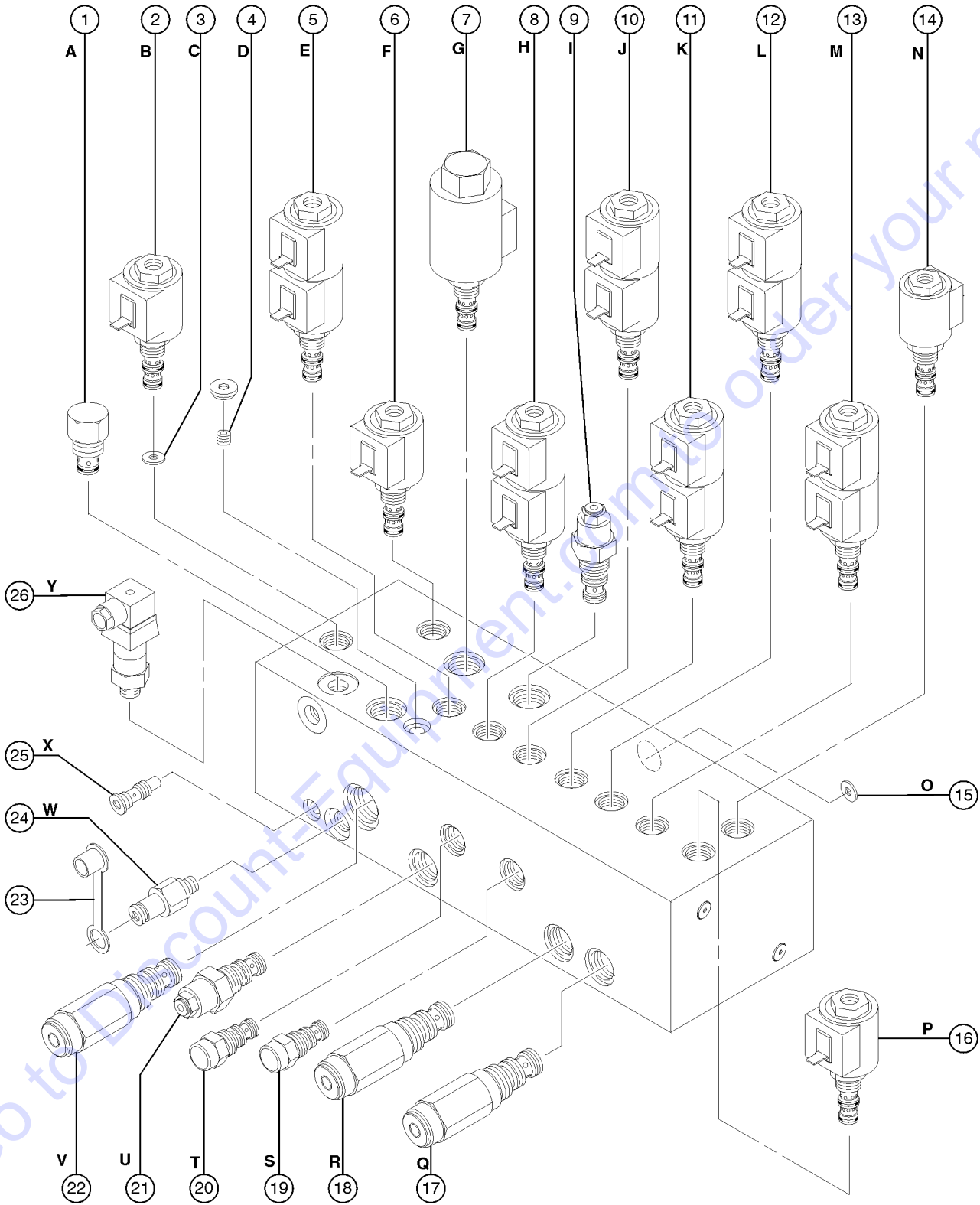
Go to Discount-Equipment.com to order your parts

701.1 Hydraulic Power Unit



Item	Part No.	Description	Qty.
1A	48504GT	MOTOR,FUNCTION,48V DC <i>includes items 2 through 6</i>	
--	44777GT	BEARING,MOTOR <i>for 48504</i>	
--	44778GT	BEARING,MOTOR,36843,BRUSH END* <i>for 48504</i>	
--	52915GT	BRUSH LEAD ASSEMBLY KIT(48504) <i>for 48504</i>	
--	58934GT	BRUSH BOX ASSEMBLY <i>includes item 2 (for 48504)</i>	
2	44750GT	SPRING-BRUSH,40844, SCISSORS	
3	58936GT	BRUSH COVER -PLATE-(48504)*	
4	58932GT	BRUSH SET 4 EA	
5	52913GT	SCREW,HH TAPETITE THRD8-32X.50	
6	52914GT	SCREW,HHTAPTITE THREAD8-32X.38	
7	32317GT	SCREW,HHC,3/8-24 X 1 GR 8 YEL	
8	6021GT	WASHER,LOCK,.375	
9	77981GT	PUMP,LIFT,3CC,CCW***	
--	43685GT	SEAL KIT,LIFT PUMP,BARNES** <i>for pump 39563 (check part label prior to ordering)</i>	
--	77990GT	KIT,SEAL,3CC PUMP***	

702.1 Function Manifold (to SN 17840)



PARTS FINDER

**Search Website
by Part Number**



**Search Manual
Library For Parts
Manual & Lookup Part
Numbers – Purchase
or Request Quote**

Search Manuals

Enter your information to search for a manual or to purchase a manual or parts.

* Brand:

* Model:

* Serial:

* Part Number:

SEARCH

**Can't Find Part or
Manual? Request Help
by Manufacturer,
Model & Description**

Parts Order Form

Please fill in the following information:

Manufacturer:

Model:

Description:

Quantity:

Part Number:

Part Name:

Part Description:

Part Category:

Part Location:

Part Status:

Part Condition:

Part Material:

Part Color:

Part Weight:

Part Dimensions:

Part Price:

Part Notes:

Submit

Discount-Equipment.com is your online resource for quality parts & equipment.

Florida: **561-964-4949** Outside Florida TOLL FREE: **877-690-3101**

Need parts?

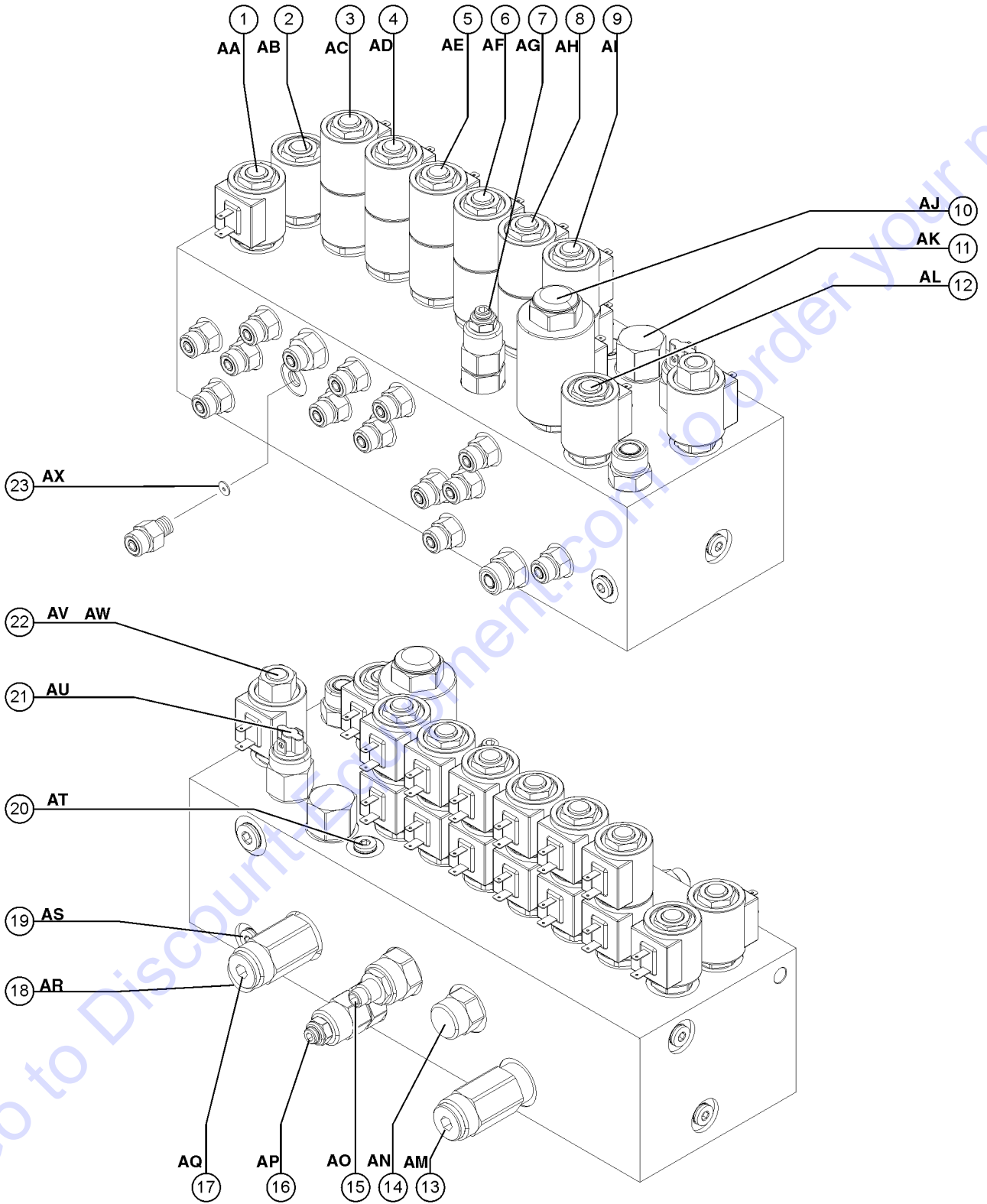
Click on this link: <http://www.discount-equipment.com/category/5443-parts/> and choose one of the options to help get the right parts and equipment you are looking for. Please have the machine model and serial number available in order to help us get you the correct parts. If you don't find the part on the website or on one of the online manuals, please fill out the request form and one of our experienced staff members will get back to you with a quote for the right part that your machine needs.

We sell worldwide for the brands: Genie, Terex, JLG, MultiQuip, Mikasa, Essick, Whiteman, Mayco, Toro Stone, Diamond Products, Generac Magnum, Airman, Haulotte, Barreto, Power Blanket, Nifty Lift, Atlas Copco, Chicago Pneumatic, Allmand, Miller Curber, Skyjack, Lull, Skytrak, Tsurumi, Husquvarna Target, Stow, Wacker, Sakai, Mi-T-M, Sullair, Basic, Dynapac, MBW, Weber, Bartell, Bennar Newman, Haulotte, Ditch Runner, Menegotti, Morrison, Contec, Buddy, Crown, Edco, Wyco, Bomag, Laymor, EZ Trench, Bil-Jax, F.S. Curtis, Gehl Pavers, Heli, Honda, ICS/PowerGrit, IHI, Partner, Imer, Clipper, MMD, Koshin, Rice, CH&E, General Equipment, Amida, Coleman, NAC, Gradall, Square Shooter, Kent, Stanley, Tamco, Toku, Hatz, Kohler, Robin, Wisconsin, Northrock, Oztec, Toker TK, Rol-Air, APT, Wylie, Ingersoll Rand / Doosan, Innovatech, Con X, Ammann, Mecalac, Makinex, Smith Surface Prep, Small Line, Wanco, Yanmar

702.1 Function Manifold (to SN 17840)

Item	Part No.	Description	Qty.	Item	Part No.	Description	Qty.
--	28750GT	O-RING KIT,FIELD SVC,ALL PROD*		--	39347GT	COIL,20V W/DIODE,#8 (SCI)***	
--	33994GT	PLUG AND CAP KIT-SERVICE,37 **		--	44174GT	NUT-COIL SHORT	
--	49612GT	O-RING KIT (ORFS FITTINGS)		--	44229GT	SEAL KIT, VALVE	
--	49613GT	PLUG AND CAP KIT-SERVICE,ORFS*		13	39346GT	VALVE,SOLENOID 3 POS.4 WAY***1 <i>Primary boom up/down</i>	
--	54303GT	HARNESS,MANIFOLD,Z45 BI/DC		--	39347GT	COIL,20V W/DIODE,#8 (SCI)***	
--	54444GT	MANIFOLD,FUNCTION,Z45 DC/BI***		--	44174GT	NUT-COIL SHORT	
1	52911GT	VALVE-LOAD SENSING.....1 <i>All functions</i>		--	44229GT	SEAL KIT, VALVE	
2	44997GT	VALVE,SOLENOID,2POS 2WAY N.O.*1 <i>Brake circuit</i>		14	52897GT	VALVE,SOLENOID, 2POS/3WAY***1 <i>Primary boom extend</i>	
--	39347GT	COIL,20V W/DIODE,#8 (SCI)***		--	39347GT	COIL,20V W/DIODE,#8 (SCI)***	
--	44174GT	NUT-COIL SHORT		--	44174GT	NUT-COIL SHORT	
3	52909GT	ORIFICE DISC,0.030*** <i>Brake circuit</i>		--	52371GT	SEAL KIT, VALVE	
4	52910GT	ORIFICE PLUG, 0.060 <i>Steer circuit</i>		15	47092GT	ORIFICE DISC,.046",GREEN <i>Secondary boom up</i>	
5	52912GT	VALVE,3POSITION,4WAY*1 <i>Steer left/right</i>		16	52897GT	VALVE,SOLENOID, 2POS/3WAY***1 <i>Primary boom retract</i>	
--	39347GT	COIL,20V W/DIODE,#8 (SCI)***		--	39347GT	COIL,20V W/DIODE,#8 (SCI)***	
--	44174GT	NUT-COIL SHORT		--	44174GT	NUT-COIL SHORT	
6	52902GT	VALVE-SOLENOID,2POS/2WAY.....1 <i>Brake circuit</i>		--	52371GT	SEAL KIT, VALVE	
--	39347GT	COIL,20V W/DIODE,#8 (SCI)***		17	52904GT	VALVE-RELIEF,2300 PSI.....1 <i>Primary boom down</i>	
--	44174GT	NUT-COIL SHORT		18	52905GT	VALVE-RELIEF,1800 PSI.....1 <i>Secondary boom down</i>	
--	44229GT	SEAL KIT, VALVE		19	52903GT	VALVE,FLOW REGULATOR,0.6 GPM.....1 <i>Turntable rotate left/right (prevents overflowing the proportional valve)</i>	
7	52901GT	VALVE,PROPORTIONAL,24V-N.C.....1 <i>All functions</i>		20	52903GT	VALVE,FLOW REGULATOR,0.6 GPM.....1 <i>Platform rotate left/right and jib boom up/down (Z-45/25J)</i>	
--	52466GT	NUT,PROPORN.L. COIL,52372,GS68		21	54065GT	VALVE,COUNTERBALANCE,3500***1 <i>Platform level up/down</i>	
--	52896GT	COIL,24VDC,DUAL SPADE,SIZE 10		22	52906GT	VALVE-RELIEF,3200 PSI.....1 <i>System relief</i>	
8	39346GT	VALVE,SOLENOID 3 POS.4 WAY***1 <i>Platform level up/down</i>		23	48880GT	CAP,DIAGNOSTIC NIPPLE	
--	39347GT	COIL,20V W/DIODE,#8 (SCI)***		24	48997GT	NIPPLE,DIAGNOSTIC,#4 <i>Testing</i>	
--	44229GT	SEAL KIT, VALVE		--	48997GT	NIPPLE,DIAGNOSTIC,#4	
9	54065GT	VALVE,COUNTERBALANCE,3500***1 <i>Platform level up</i>		25	52907GT	VALVE-CHECK, #4 SAE, 5 PSI*1 <i>Pressure switch circuit</i>	
10	39346GT	VALVE,SOLENOID 3 POS.4 WAY***1 <i>Platform rotate left/right and jib boom up/down (Z-45/25J)</i>		26	1287986GT	SWITCH,PRESS,#6SAE,600 PSI.....1 <i>Brake circuit</i>	
--	39347GT	COIL,20V W/DIODE,#8 (SCI)***					
--	44174GT	NUT-COIL SHORT					
--	44229GT	SEAL KIT, VALVE					
11	39346GT	VALVE,SOLENOID 3 POS.4 WAY***1 <i>Turntable rotate left/right</i>					
--	39347GT	COIL,20V W/DIODE,#8 (SCI)***					
--	44174GT	NUT-COIL SHORT					
--	44229GT	SEAL KIT, VALVE					
12	39346GT	VALVE,SOLENOID 3 POS.4 WAY***1 <i>Secondary boom up/down</i>					

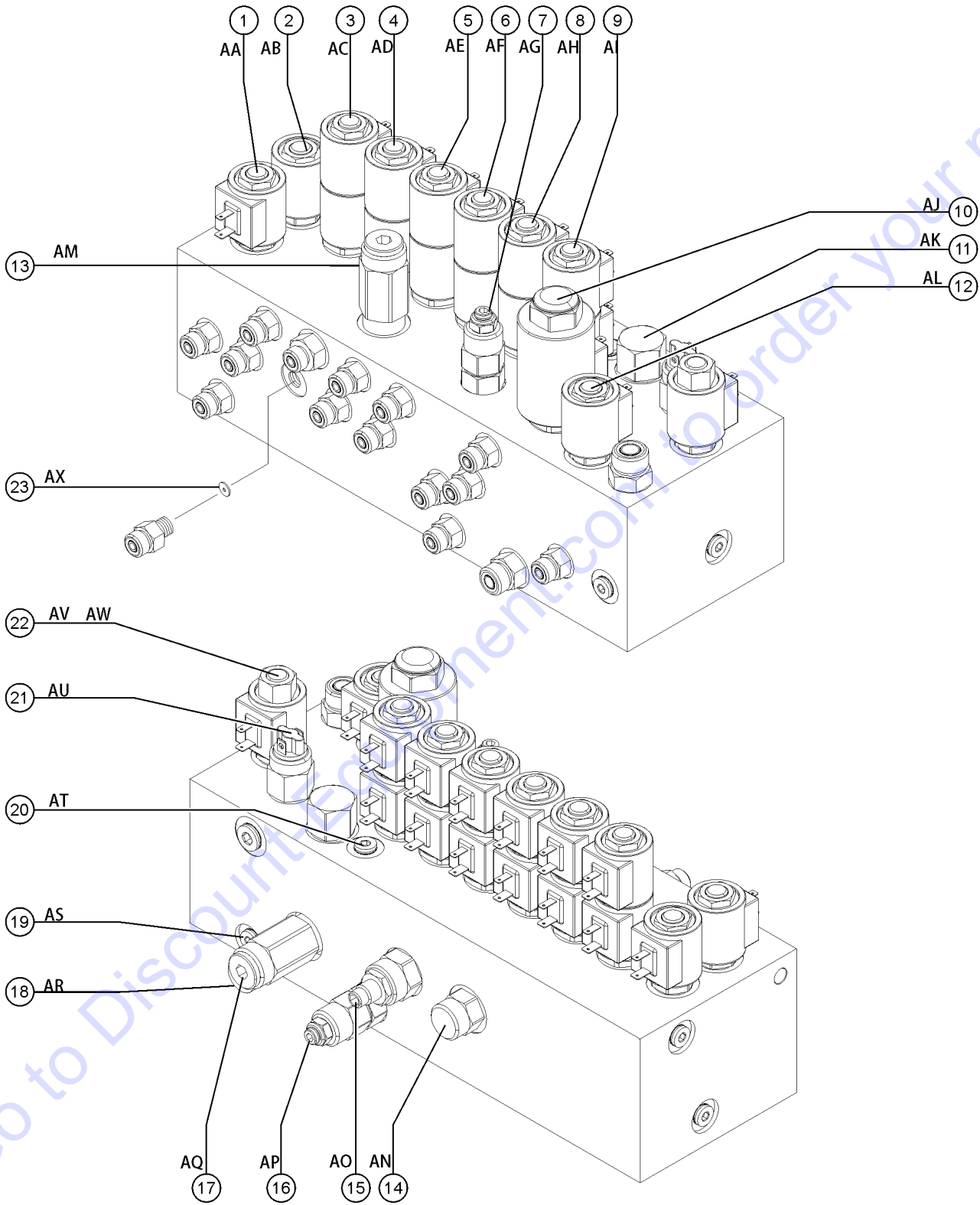
703.1 Function Manifold (from SN 17841 to 20379)



703.1 Function Manifold (from SN 17841 to 20379)

Item	Part No.	Description	Qty.	Item	Part No.	Description	Qty.
--		MANIFOLD, FUNC (77007 no longer available replaced by 77305, refer to 703.2)		--	52594GT	COIL,20V DS W/DIODE	
--	28750GT	O-RING KIT,FIELD SVC,ALL PROD*		10	52901GT	VALVE,PROPORTIONAL,24V-N.C.....1 <i>Controls flow to functions</i>	
--	33994GT	PLUG AND CAP KIT-SERVICE,37 **		--	52896GT	COIL,24VDC,DUAL SPADE,SIZE 10	
--	49612GT	O-RING KIT (ORFS FITTINGS)		11	52911GT	VALVE-LOAD SENSING.....1 <i>All functions</i>	
--	49613GT	PLUG AND CAP KIT-SERVICE,ORFS*		12	101934GT	VALVE,SOLENOID,2 POS 2 WAY.....1 <i>Brake circuit</i>	
--	77140GT	HARNESS,MANIFOLD,Z45 BI/DC		--	52594GT	COIL,20V DS W/DIODE	
1	52897GT	VALVE,SOLENOID, 2POS/3WAY***.....1 <i>Primary boom retract</i>		13	52905GT	VALVE-RELIEF,1800 PSI.....1 <i>Secondary boom down</i>	
--	52371GT	SEAL KIT, VALVE		14	52903GT	VALVE,FLOW REGULATOR,0.6 GPM.....1 <i>Platform rotate, turntable rotate and jib boom circuits (Z-45/25J)</i>	
--	52594GT	COIL,20V DS W/DIODE		--	44228GT	SEAL KIT, VALVE	
2	52897GT	VALVE,SOLENOID, 2POS/3WAY***.....1 <i>Primary boom extend</i>		15	77053GT	VALVE,FLOW CONTROL,0.1GPM,ADJ.....1 <i>Platform level circuit</i>	
--	52371GT	SEAL KIT, VALVE		16	54839GT	VALVE,COUNTERBALANCE,3500 PSI <i>Platform level down</i>	
--	52594GT	COIL,20V DS W/DIODE		17	52906GT	VALVE-RELIEF,3200 PSI.....1 <i>System relief</i>	
3	39346GT	VALVE,SOLENOID 3 POS.4 WAY***.....1 <i>Primary boom up/down</i>		18	48997GT	NIPPLE,DIAGNOSTIC,#4 <i>Testing</i>	
--	44174GT	NUT-COIL SHORT		--	45643GT	CAP,DUST,DIAGNOSTIC NIPPLE***	
--	44229GT	SEAL KIT, VALVE		--	48997GT	NIPPLE,DIAGNOSTIC,#4	
--	52594GT	COIL,20V DS W/DIODE		19	52907GT	VALVE-CHECK, #4 SAE, 5 PSI*.....1 <i>Brake circuit</i>	
4	39346GT	VALVE,SOLENOID 3 POS.4 WAY***.....1 <i>Secondary boom up/down</i>		--	62341GT	SEAL KIT,52907,SIZE 4, 2 WAY	
--	44174GT	NUT-COIL SHORT		20	52910GT	ORIFICE PLUG, 0.060 <i>Steer circuit</i>	
--	44229GT	SEAL KIT, VALVE		21	1287986GT	SWITCH,PRESS,#6SAE,600 PSI.....1 <i>Brake circuit</i>	
--	52594GT	COIL,20V DS W/DIODE		22	52909GT	ORIFICE DISC,0.030*** <i>Brake circuit</i>	
5	39346GT	VALVE,SOLENOID 3 POS.4 WAY***.....1 <i>Turntable rotate left/right</i>		--	44997GT	VALVE,SOLENOID,2POS 2WAY N.O.*.....1	
--	44174GT	NUT-COIL SHORT		--	52594GT	COIL,20V DS W/DIODE	
--	44229GT	SEAL KIT, VALVE		23	47092GT	ORIFICE DISC,.046",GREEN <i>Secondary boom up</i>	
--	52594GT	COIL,20V DS W/DIODE					
6	39346GT	VALVE,SOLENOID 3 POS.4 WAY***.....1 <i>Platform rotate left/right and jib boom up/down (Z-45/25J)</i>					
--	44174GT	NUT-COIL SHORT					
--	44229GT	SEAL KIT, VALVE					
7	54839GT	VALVE,COUNTERBALANCE,3500 PSI.....1 <i>Platform level up</i>					
8	39346GT	VALVE,SOLENOID 3 POS.4 WAY***.....1 <i>Platform level up/down</i>					
--	44174GT	NUT-COIL SHORT					
--	44229GT	SEAL KIT, VALVE					
--	52594GT	COIL,20V DS W/DIODE					
9	52912GT	VALVE,3POSITION,4WAY*.....1 <i>Steer left/right</i>					
--	44229GT	SEAL KIT, VALVE					

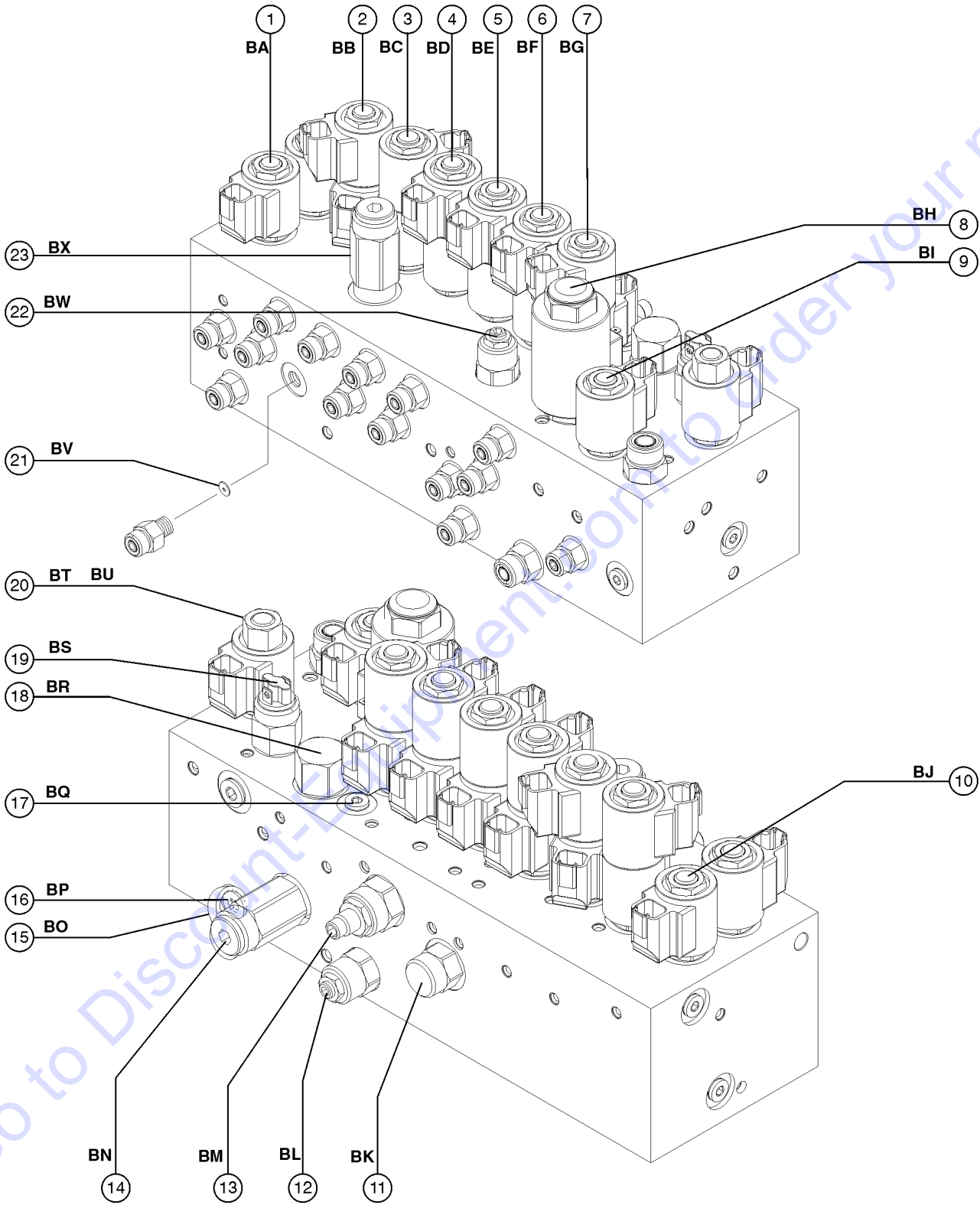
703.2 Function Manifold (from SN 17841 to 20379)



703.2 Function Manifold (from SN 17841 to 20379)

Item	Part No.	Description	Qty.	Item	Part No.	Description	Qty.
--	77305GT	MANIFOLD,FUNC,DC/BI,DS,ADJ****		10	52901GT	VALVE,PROPORTIONAL,24V-N.C.....1 <i>Controls flow to functions</i>	1
--	77140GT	HARNESS,MANIFOLD,Z45 BI/DC		--	52896GT	COIL,24VDC,DUAL SPADE,SIZE 10	
--	28750GT	O-RING KIT,FIELD SVC,ALL PROD*		11	52911GT	VALVE-LOAD SENSING.....1 <i>All functions</i>	1
--	49612GT	O-RING KIT (ORFS FITTINGS)		12	101934GT	VALVE,SOLENOID,2 POS 2 WAY.....1 <i>Brake circuit</i>	1
--	33994GT	PLUG AND CAP KIT-SERVICE,37 **		--	52594GT	COIL,20V DS W/DIODE	
--	49613GT	PLUG AND CAP KIT-SERVICE,ORFS*		13	52905GT	VALVE-RELIEF,1800 PSI.....1 <i>Secondary boom down</i>	1
1	52897GT	VALVE,SOLENOID, 2POS/3WAY***.....1 <i>Primary boom retract</i>	1	14	52903GT	VALVE,FLOW REGULATOR,0.6 GPM.....1 <i>Platform rotate, turntable rotate and jib boom circuits (Z-45/25J)</i>	1
--	52371GT	SEAL KIT, VALVE		--	44228GT	SEAL KIT, VALVE	
--	52594GT	COIL,20V DS W/DIODE		15	77231GT	VALVE,NEEDLE/CHECK,FINE THRD.....1 <i>Platform level circuit</i>	1
2	52897GT	VALVE,SOLENOID, 2POS/3WAY***.....1 <i>Primary boom extend</i>	1	16	54839GT	VALVE,COUNTERBALANCE,3500 PSI <i>Platform level down</i>	
--	52371GT	SEAL KIT, VALVE		17	52906GT	VALVE-RELIEF,3200 PSI.....1 <i>System relief</i>	1
--	52594GT	COIL,20V DS W/DIODE		18	48997GT	NIPPLE,DIAGNOSTIC,#4 <i>Testing</i>	
3	39346GT	VALVE,SOLENOID 3 POS.4 WAY***.....1 <i>Primary boom up/down</i>	1	--	45643GT	CAP,DUST,DIAGNOSTIC NIPPLE***	
--	44174GT	NUT-COIL SHORT		--	48997GT	NIPPLE,DIAGNOSTIC,#4	
--	44229GT	SEAL KIT, VALVE		19	52907GT	VALVE-CHECK, #4 SAE, 5 PSI*.....1 <i>Brake circuit</i>	1
--	52594GT	COIL,20V DS W/DIODE		--	62341GT	SEAL KIT,52907,SIZE 4, 2 WAY	
4	39346GT	VALVE,SOLENOID 3 POS.4 WAY***.....1 <i>Secondary boom up/down</i>	1	20	52910GT	ORIFICE PLUG, 0.060 <i>Steer circuit</i>	
--	44174GT	NUT-COIL SHORT		21	1287986GT	SWITCH,PRESS,#6SAE,600 PSI.....1 <i>Brake circuit</i>	1
--	44229GT	SEAL KIT, VALVE		22	52909GT	ORIFICE DISC,0.030*** <i>Brake circuit</i>	
--	52594GT	COIL,20V DS W/DIODE		--	44997GT	VALVE,SOLENOID,2POS 2WAY N.O.*....1	1
5	39346GT	VALVE,SOLENOID 3 POS.4 WAY***.....1 <i>Turntable rotate left/right</i>	1	--	52594GT	COIL,20V DS W/DIODE	
--	44174GT	NUT-COIL SHORT		23	47092GT	ORIFICE DISC,.046",GREEN <i>Secondary boom up</i>	
--	44229GT	SEAL KIT, VALVE					
--	52594GT	COIL,20V DS W/DIODE					
6	39346GT	VALVE,SOLENOID 3 POS.4 WAY***.....1 <i>Platform rotate left/right and jib boom up/down (Z-45/25J)</i>	1				
--	44174GT	NUT-COIL SHORT					
--	44229GT	SEAL KIT, VALVE					
--	52594GT	COIL,20V DS W/DIODE					
7	54839GT	VALVE,COUNTERBALANCE,3500 PSI.....1 <i>Platform level up</i>	1				
8	39346GT	VALVE,SOLENOID 3 POS.4 WAY***.....1 <i>Platform level up/down</i>	1				
--	44174GT	NUT-COIL SHORT					
--	44229GT	SEAL KIT, VALVE					
--	52594GT	COIL,20V DS W/DIODE					
9	52912GT	VALVE,3POSITION,4WAY*.....1 <i>Steer left/right</i>	1				
--	44229GT	SEAL KIT, VALVE					
--	52594GT	COIL,20V DS W/DIODE					

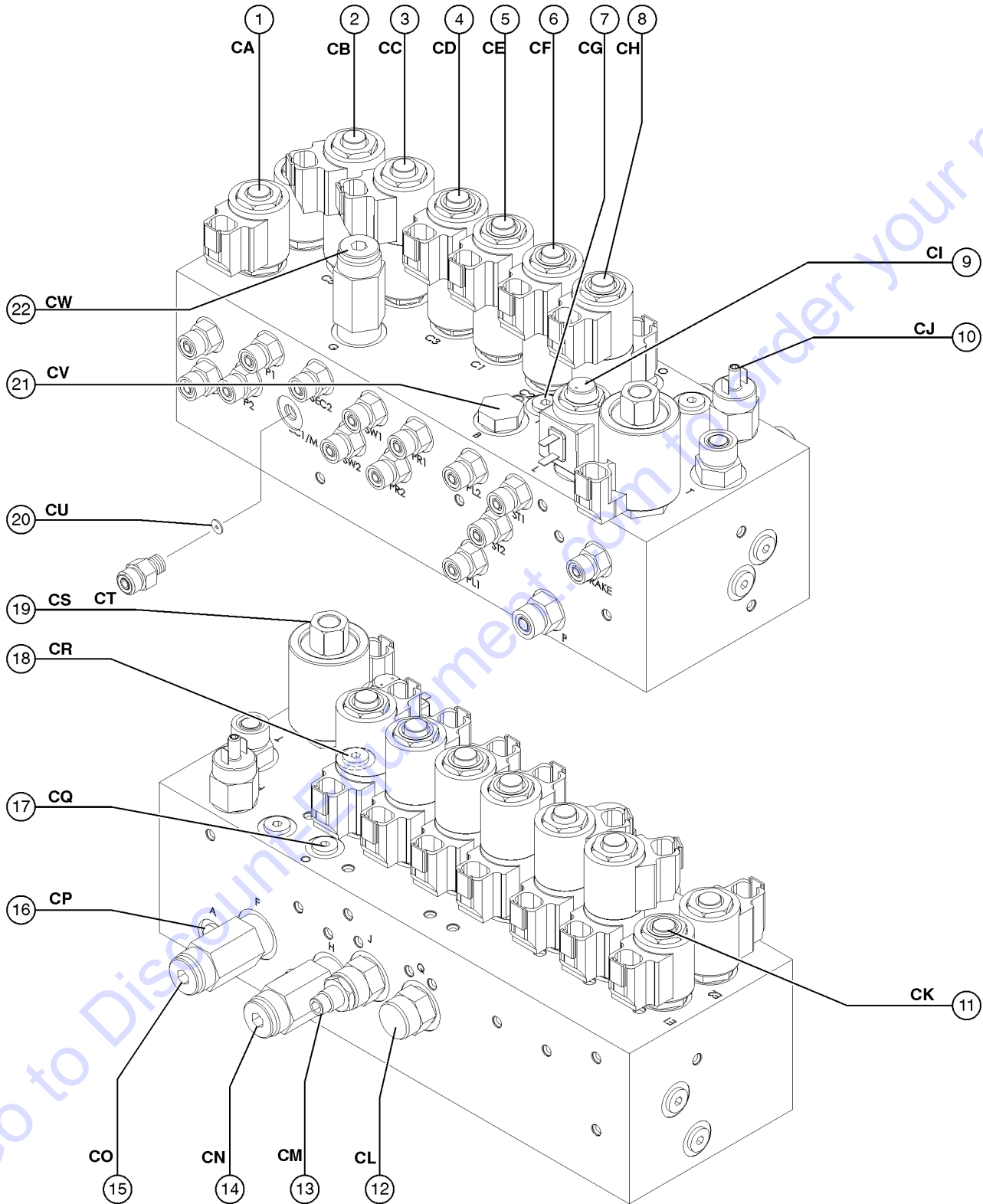
704.1 Function Manifold (from SN 20380 to 22565)



704.1 Function Manifold (from SN 20380 to 22565)

Item	Part No.	Description	Qty.	Item	Part No.	Description	Qty.
--	28750GT	O-RING KIT,FIELD SVC,ALL PROD*		--	44228GT	SEAL KIT, VALVE	
--	33994GT	PLUG AND CAP KIT-SERVICE,37 **		12	77303GT	VALVE, CNTRBAL 3500 PSI, ATM VEN.....1 <i>Platform level down</i>	1
--	49612GT	O-RING KIT (ORFS FITTINGS)		13	77231GT	VALVE,NEEDLE/CHECK,FINE THRD.....1 <i>Platform level circuit</i>	1
--	49613GT	PLUG AND CAP KIT-SERVICE,ORFS*		14	52906GT	VALVE-RELIEF,3200 PSI.....1 <i>System relief</i>	1
--	77140GT	HARNESS,MANIFOLD,Z45 BI/DC		15	48997GT	NIPPLE,DIAGNOSTIC,#4.....1 <i>Testing</i>	1
--	88699GT	MANIFOLD,FUNCTION DC/BI***		--	45643GT	CAP,DUST,DIAGNOSTIC NIPPLE***	
1	52897GT	VALVE,SOLENOID, 2POS/3WAY***1 <i>Primary boom retract</i>	1	--	48997GT	NIPPLE,DIAGNOSTIC,#4	
--	52371GT	SEAL KIT, VALVE		16	52907GT	VALVE-CHECK, #4 SAE, 5 PSI*.....1 <i>Brake circuit</i>	1
--	77709GT	COIL,#8 20VDC,DEUTSCH W/DIOD		--	52341GT	PARKING BRAKE SYSTEM	
2	39346GT	VALVE,SOLENOID 3 POS.4 WAY***1 <i>Primary boom up/down</i>	1	17	52910GT	ORIFICE PLUG, 0.060.....1 <i>Steer circuit</i>	1
--	44229GT	SEAL KIT, VALVE		18	52911GT	VALVE-LOAD SENSING.....1 <i>All functions</i>	1
--	77709GT	COIL,#8 20VDC,DEUTSCH W/DIOD		19	1287986GT	SWITCH,PRESS,#6SAE,600 PSI.....1 <i>Brake circuit</i>	1
3	39346GT	VALVE,SOLENOID 3 POS.4 WAY***1 <i>Secondary boom up/down</i>	1	20	44997GT	VALVE,SOLENOID,2POS 2WAY N.O.*1 <i>Brake circuit</i>	1
--	44229GT	SEAL KIT, VALVE		--	52909GT	ORIFICE DISC,0.030***	
--	77709GT	COIL,#8 20VDC,DEUTSCH W/DIOD		21	47092GT	ORIFICE DISC,.046",GREEN.....1 <i>Secondary boom up</i>	1
4	39346GT	VALVE,SOLENOID 3 POS.4 WAY***1 <i>Turntable rotate left/right</i>	1	22	52909GT	ORIFICE DISC,0.030***1 <i>Platform level up</i>	1
--	44229GT	SEAL KIT, VALVE		23	52905GT	VALVE-RELIEF,1800 PSI.....1 <i>Secondary boom down</i>	1
--	77709GT	COIL,#8 20VDC,DEUTSCH W/DIOD					
5	39346GT	VALVE,SOLENOID 3 POS.4 WAY***1 <i>Platform rotate left/right and jib boom up/down (Z-45/25J)</i>	1				
--	44229GT	SEAL KIT, VALVE					
--	77709GT	COIL,#8 20VDC,DEUTSCH W/DIOD					
6	39346GT	VALVE,SOLENOID 3 POS.4 WAY***1 <i>Platform level up/down</i>	1				
--	44229GT	SEAL KIT, VALVE					
--	77709GT	COIL,#8 20VDC,DEUTSCH W/DIOD					
7	52912GT	VALVE,3POSITION,4WAY*1 <i>Steer left/right</i>	1				
--	44229GT	SEAL KIT, VALVE					
--	77709GT	COIL,#8 20VDC,DEUTSCH W/DIOD					
8	52901GT	VALVE,PROPORTIONAL,24V-N.C.....1 <i>Controls flow to functions</i>	1				
--	101933GT	COIL,DUAL SPADE,24V DC					
9	101934GT	VALVE,SOLENOID,2 POS 2 WAY.....1 <i>Brake circuit</i>	1				
--	77709GT	COIL,#8 20VDC,DEUTSCH W/DIOD					
10	52897GT	VALVE,SOLENOID, 2POS/3WAY***1 <i>Primary boom extend</i>	1				
--	52371GT	SEAL KIT, VALVE					
--	77709GT	COIL,#8 20VDC,DEUTSCH W/DIOD					
11	52903GT	VALVE,FLOW REGULATOR,0.6 GPM.....1 <i>Platform rotate and turntable rotate circuits</i>	1				

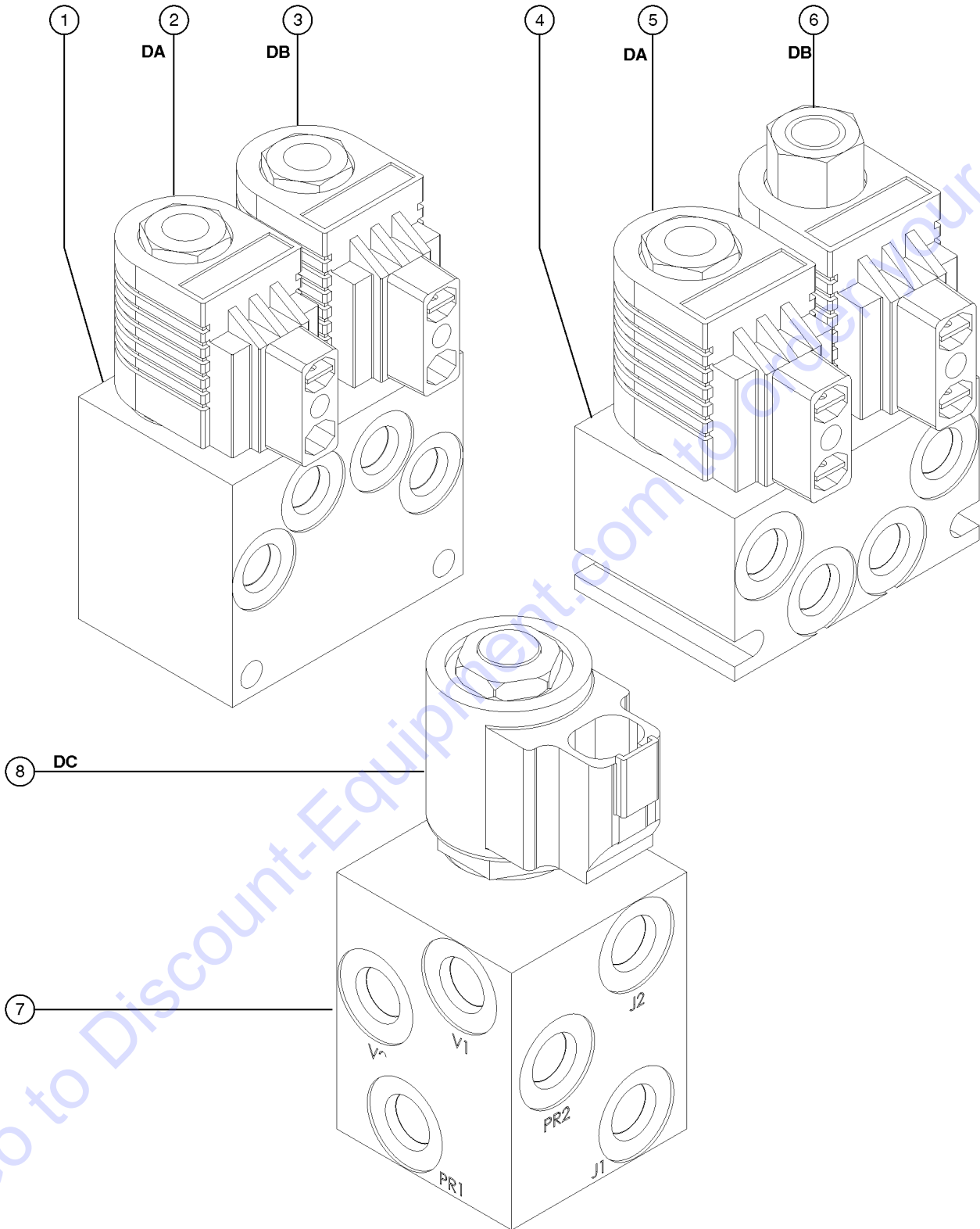
705.1 Function Manifold (from SN 22566)



705.1 Function Manifold (from SN 22566)

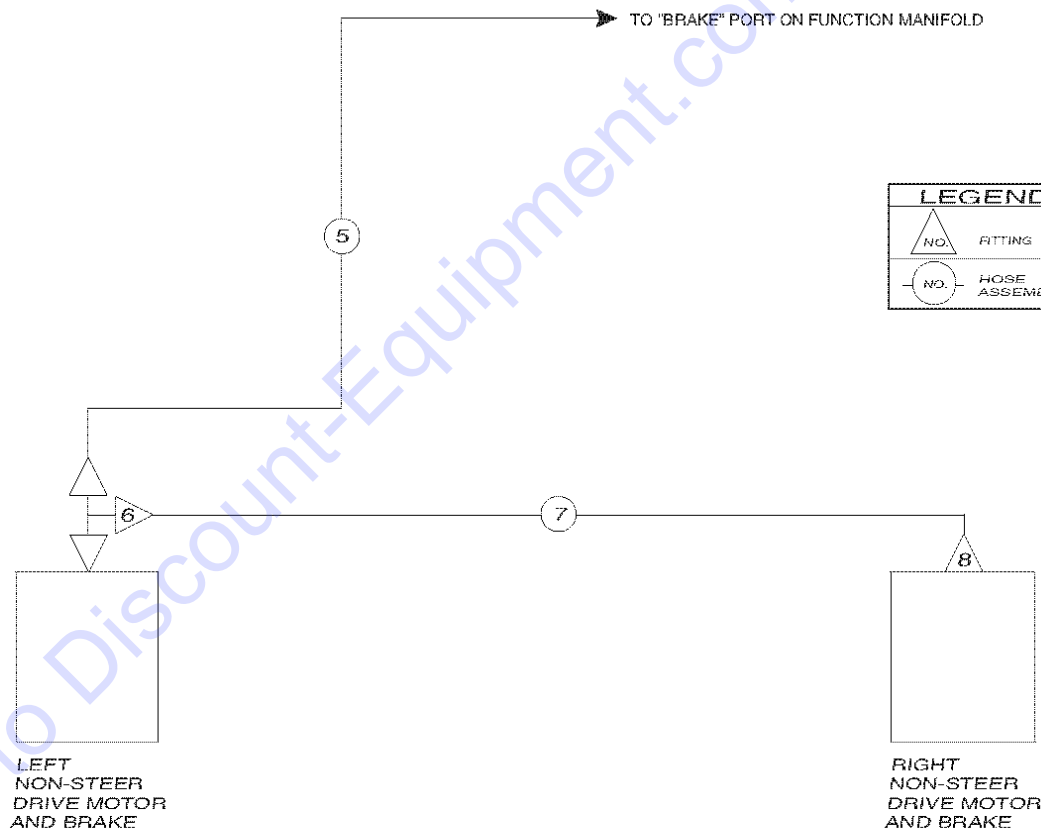
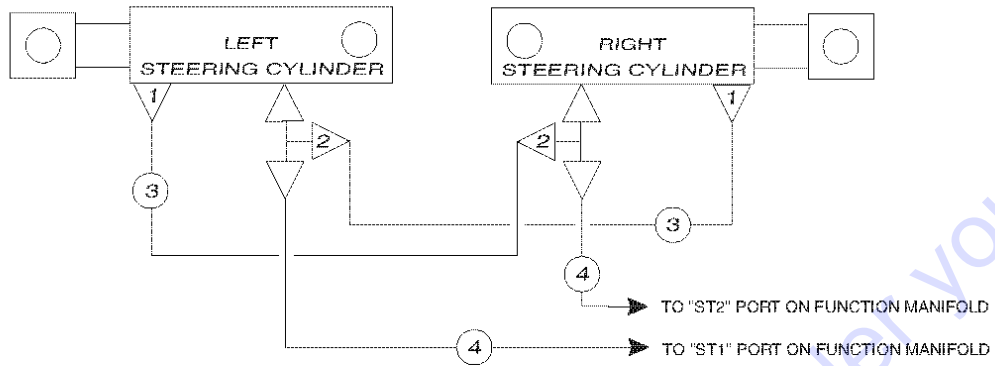
Item	Part No.	Description	Qty.	Item	Part No.	Description	Qty.
--	101914GT	MANIFOLD,FUNCTION W/O ORIFICE* (from SN 22629 to 23235)		13	101055GT	VALVE,NEEDLE,FINE ADJUSTMENT**.....1 Platform level circuit	1
--	94860GT	MANIFOLD,FUNCTION DC/BI*** (from SN 22566 to 22628)		14	101114GT	VALVE RELIEF,2500PSI(88513)**.....1 Platform level circuit	1
1	52897GT	VALVE,SOLENOID, 2POS/3WAY***.....1 Primary boom retract	1	15	52906GT	VALVE-RELIEF,3200 PSI.....1 System relief	1
--	52371GT	SEAL KIT, VALVE		16	52907GT	VALVE-CHECK, #4 SAE, 5 PSI*.....1 Brake circuit	1
--	77709GT	COIL,#8 20VDC,DEUTSCH W/DIOD		--	52341GT	PARKING BRAKE SYSTEM	
2	39346GT	VALVE,SOLENOID 3 POS.4 WAY***.....1 Primary boom up/down	1	17	52910GT	ORIFICE PLUG, 0.060.....1 Steer circuit	1
--	44229GT	SEAL KIT, VALVE		18	101067GT	ORIFICE PLUG,030,1/16-27 NPT.....1 Proportional valve circuit	1
--	77709GT	COIL,#8 20VDC,DEUTSCH W/DIOD		19	101056GT	VALVE,DIRECTIONAL,2-WAY,3 POS.....1 Brake circuit (coil not included, order separately)	1
3	39346GT	VALVE,SOLENOID 3 POS.4 WAY***.....1 Secondary boom up/down	1	--	101069GT	ORIFICE DISK,.030	
--	44229GT	SEAL KIT, VALVE		--	84385GT	COIL,20VDC DEUTCSH W/DIODE	
--	77709GT	COIL,#8 20VDC,DEUTSCH W/DIOD		20	52907GT	VALVE-CHECK, #4 SAE, 5 PSI*	
4	39346GT	VALVE,SOLENOID 3 POS.4 WAY***.....1 Turntable rotate left/right	1	--	62341GT	SEAL KIT,52907,SIZE 4, 2 WAY	
--	44229GT	SEAL KIT, VALVE		21	75453GT	VALVE,CHECK,DUAL PILOT***.....1 Platform level circuit	1
--	77709GT	COIL,#8 20VDC,DEUTSCH W/DIOD		--	44229GT	SEAL KIT, VALVE	
5	39346GT	VALVE,SOLENOID 3 POS.4 WAY***.....1 Platform rotate left/right and jib boom up/down (Z-45/25J)	1	22	101277GT	VALVE,RELIEF,2100 PSI***.....1 Secondary boom down	1
--	44229GT	SEAL KIT, VALVE					
--	77709GT	COIL,#8 20VDC,DEUTSCH W/DIOD					
6	39346GT	VALVE,SOLENOID 3 POS.4 WAY***.....1 Platform level up/down	1				
--	44229GT	SEAL KIT, VALVE					
--	77709GT	COIL,#8 20VDC,DEUTSCH W/DIOD					
7	826779GT	VALVE,SHUTTLE.....1 Platform level circuit	1				
8	52912GT	VALVE,3POSITION,4WAY*.....1 Steer left/right	1				
--	44229GT	SEAL KIT, VALVE					
--	77709GT	COIL,#8 20VDC,DEUTSCH W/DIOD					
9	101057GT	VALVE,PRESS COMP,PROP DIRECT....1 Controls flow to functions	1				
--	101058GT	COIL,24 VDC DUAL SPADE,#8					
10	1287986GT	SWITCH,PRESS,#6SAE,600 PSI.....1 Brake circuit	1				
11	52897GT	VALVE,SOLENOID, 2POS/3WAY***.....1 Primary boom extend	1				
--	52897GT	VALVE,SOLENOID, 2POS/3WAY***					
--	77709GT	COIL,#8 20VDC,DEUTSCH W/DIOD					
12	94618GT	VALVE,FLOW CONTROL,.4 GPM.....1 Platform rotate, turntable rotate and jib boom circuits (Z-45/25J)	1				

706.1 Jib Manifold



Item	Part No.	Description	Qty.
1	54702GT	MANIFOLD,JIB,ROTATE 20V W/FITT (to SN 16962)	
2	44998GT	VALVE,SOLENOID,2POS 2WAY N.O.* <i>Jib boom platform rotate select</i>	
--	77264GT	COIL,SOLENOID,8 DSD 20V,W/DIOD	
3	44998GT	VALVE,SOLENOID,2POS 2WAY N.O.* <i>Jib boom platform rotate select</i>	
--	77264GT	COIL,SOLENOID,8 DSD 20V,W/DIOD	
4	77009GT	MANIFOLD,JIB,ROTATE 20V,W/FIT* (from SN 16963 to 19756)	
--	77251GT	MANIFOLD,JIB,ROTATE 20V,W/FIT* (from SN 19757 to 22565)	
5	44998GT	VALVE,SOLENOID,2POS 2WAY N.O.*	
--	77264GT	COIL,SOLENOID,8 DSD 20V,W/DIOD <i>Jib boom platform rotate select</i>	
6	83111GT	VALVE,SOLENOID (77009)	
--	77264GT	COIL,SOLENOID,8 DSD 20V,W/DIOD <i>Jib boom platform rotate select</i>	
7	94859GT	MANIFOLD,JIB SELECT,20V*** (from SN 22566)	
8	89862GT	VALVE-SOLENOID,2POS 3WAY,JIB** <i>Jib boom / platform rotate select</i>	
--	77709GT	COIL,#8 20VDC,DEUTSCH W/DIOD	

801.1 Drive and Steer Hoses

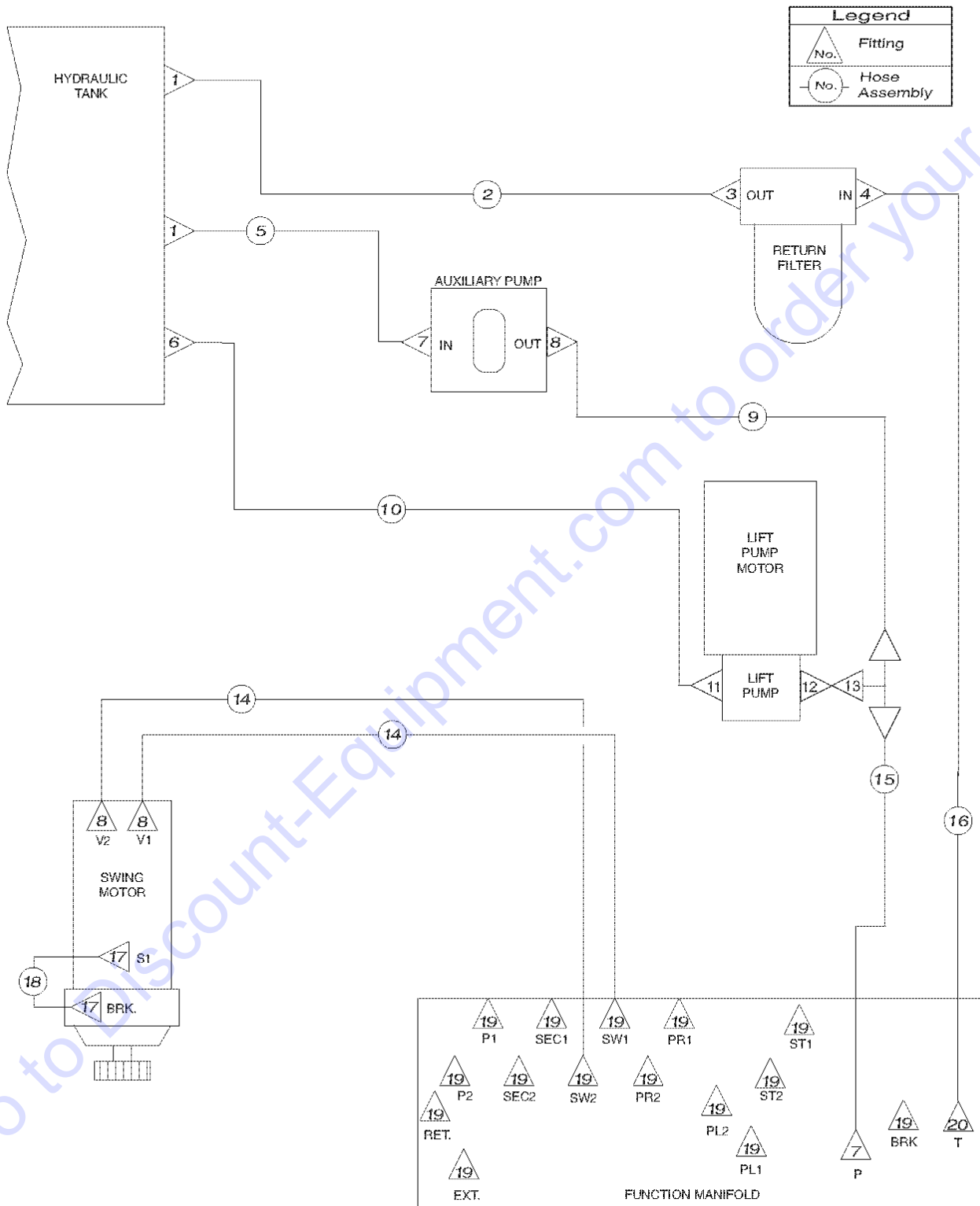


LEGEND	
	FITTING
	HOSE ASSEMBLY

Item	Part No.	Description	Qty.
--	28750GT	O-RING KIT,FIELD SVC,ALL PROD*	
--	33994GT	PLUG AND CAP KIT-SERVICE,37 **	
--	49612GT	O-RING KIT (ORFS FITTINGS)	
--	49613GT	PLUG AND CAP KIT-SERVICE,ORFS*	
1	48904GT	ELBOW,90D,520220-4-4	
2	48906GT	TEE,RUN,520428-4	
3	49119-2078GT	HOSE ASSY,1/4,STR FEM,STR FEM*	
4	49117-11091GT	HOSE ASSY,1/4,90 FEM,STR FEM	
5	49117-9991GT	HOSE ASSY,1/4,90 FEM,STR FEM	
6	48890GT	FITTING,TEE,BRANCH,520429-4***	
7	49117-4691GT	HOSE ASSY,1/4,90 FEM,STR FEM	
8	48904GT	ELBOW,90D,520220-4-4	

Go to Discount-Equipment.com to order your parts

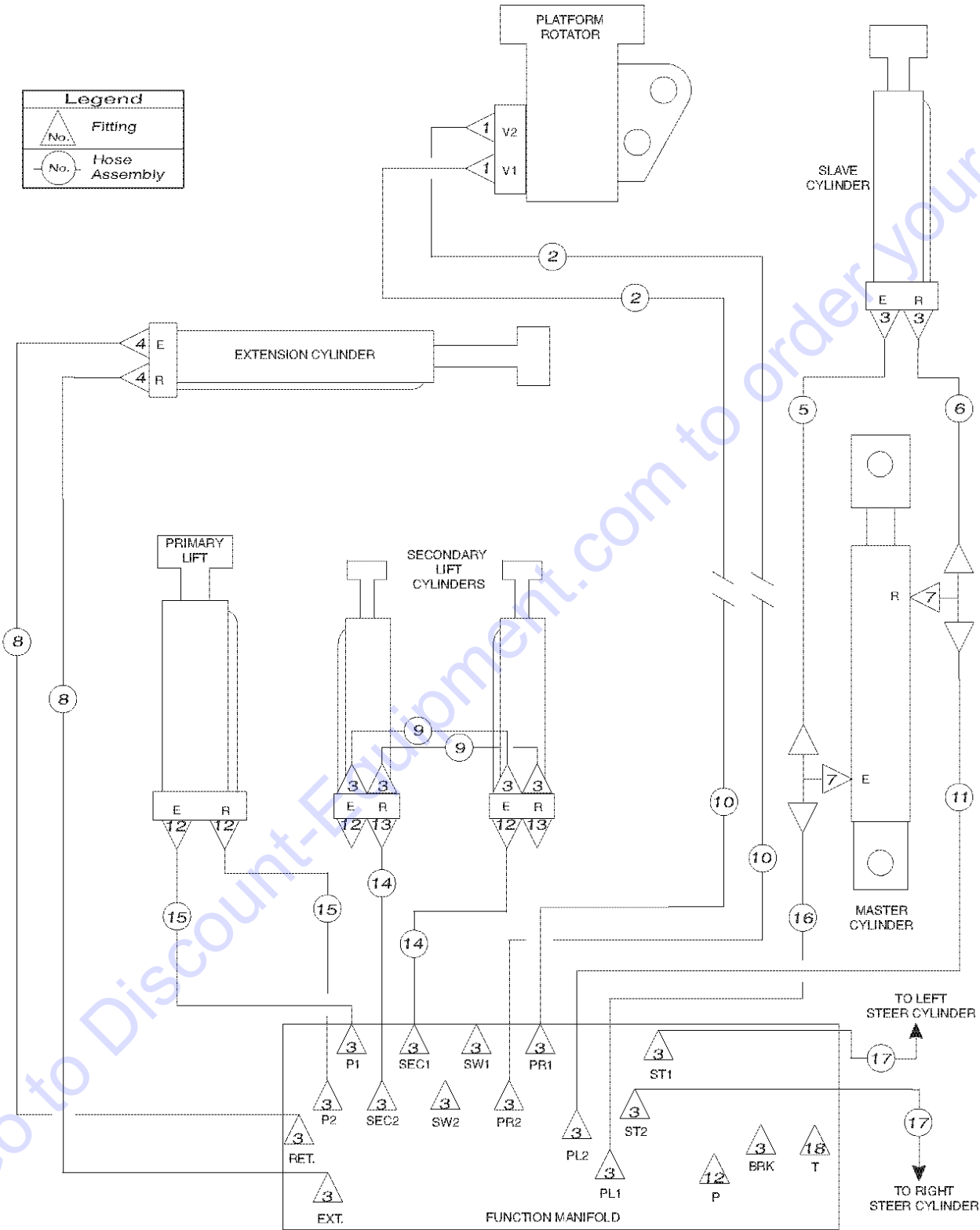
802.1 Turntable Components



Item	Part No.	Description	Qty.
--	28750GT	O-RING KIT,FIELD SVC,ALL PROD*	
--	33994GT	PLUG AND CAP KIT-SERVICE,37 **	
--	49612GT	O-RING KIT (ORFS FITTINGS)	
--	49613GT	PLUG AND CAP KIT-SERVICE,ORFS*	
1	48944GT	CONN,520102-8-8	
2	49143-2535GT	HOSE ASSY,1/2,90 FEM,STR FEM	
3	48947GT	ELBOW,90D,520220-8-12	
4	48948GT	CONN,520120-8-12	
5	77059-2986GT	HOSE ASSY,MULTI USE***	
6	60131GT	STRAINER ASSY.PLASTIC,1.25 MPT	
7	48916GT	CONN, 520120-6	
8	48911GT	ELBOW,90D,520220-4-6***	
9	49164-2043GT	HOSE ASSY 1/4,90 DEG FEM,STR F	
10	77059-4086GT	HOSE ASSY,LIFT PUMP/F.MANIF***	
11	48975GT	CONN,520120-12-10	
12	48999GT	VALVE,CHK,#8PORT-#8MALEORFS	
13	48939GT	TEE,BRANCH,520433-8	
14	49119-3378GT	HOSE ASSY,1/4,STR FEM,STR FEM	
15	77059-2986GT	HOSE ASSY,MULTI USE***	
16	49143-2135GT	HOSE ASSY,1/2,90 FEM,STR FEMD*	
17	48905GT	CONN,520120-4***	
18	54319-1404SGT	HOSE ASSY,1/4",100R1,90F/90F <i>component part of swing motor after SN 18265</i>	
19	48912GT	CONN,520120-4-6***	
20	48942GT	ELBOW,90D,520220-8-6	

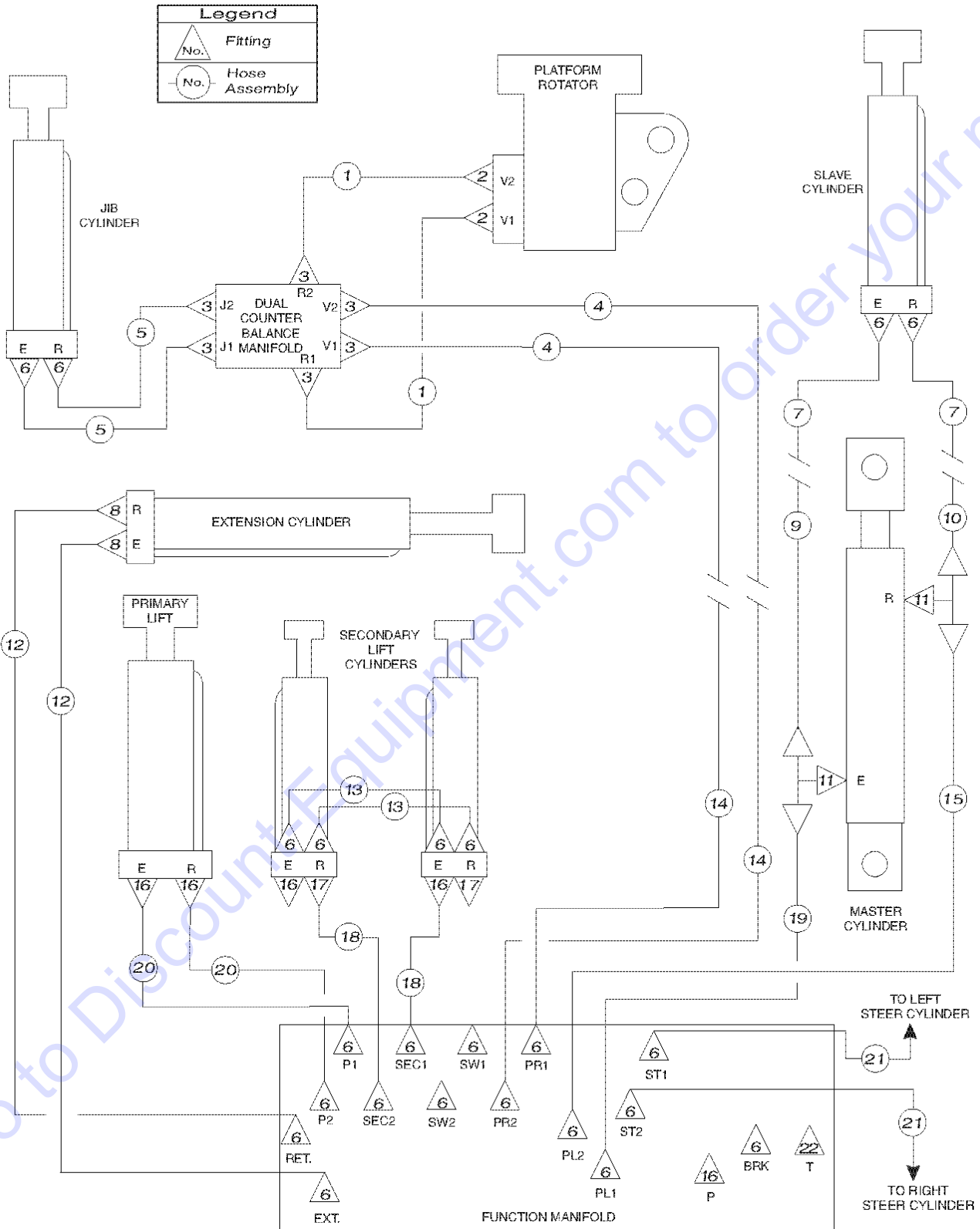
803.1 Boom Components

Legend	
	Fitting
	Hose Assembly



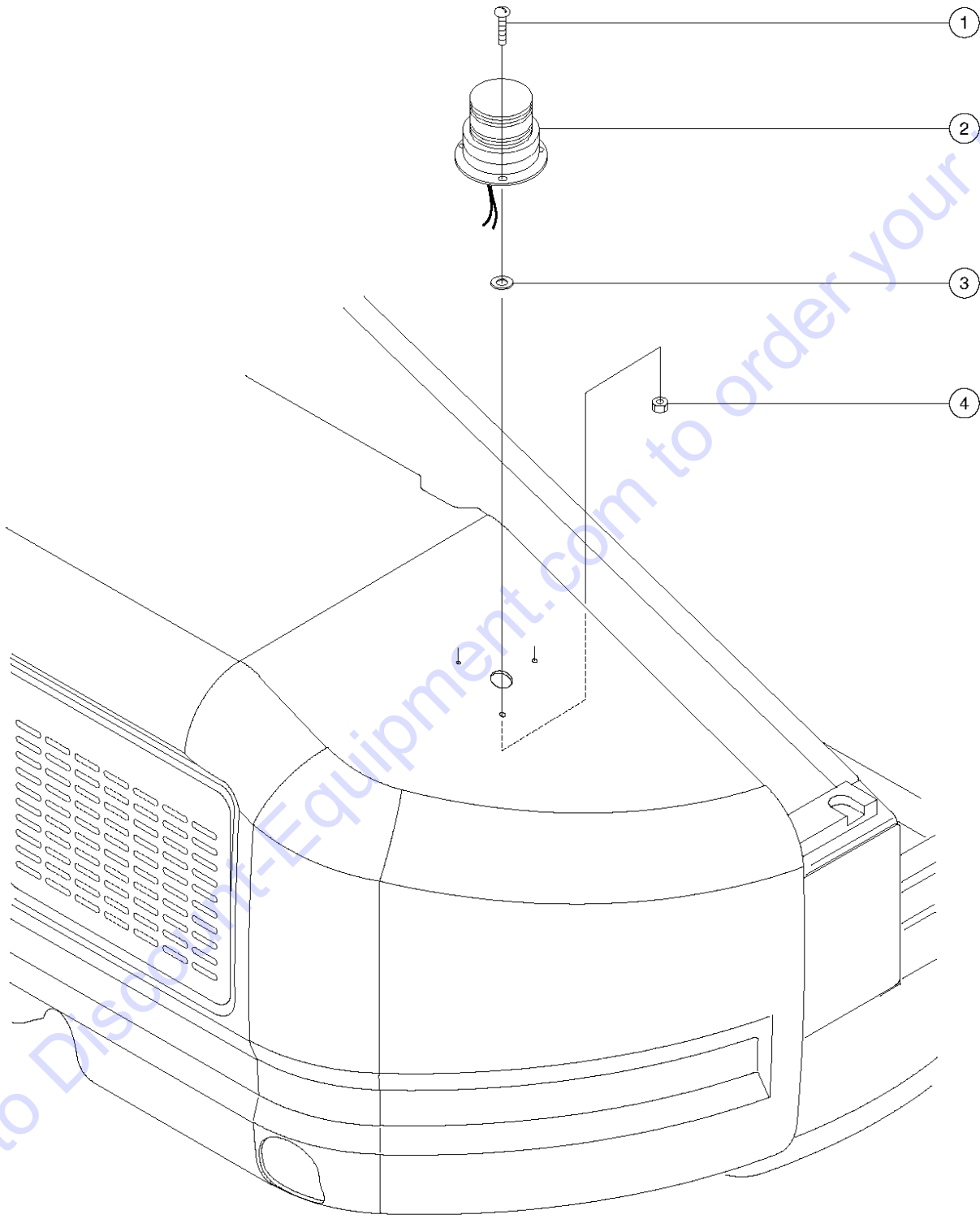
Item	Part No.	Description	Qty.
--	28750GT	O-RING KIT,FIELD SVC,ALL PROD*	
--	33994GT	PLUG AND CAP KIT-SERVICE,37 **	
--	49612GT	O-RING KIT (ORFS FITTINGS)	
--	49613GT	PLUG AND CAP KIT-SERVICE,ORFS*	
1	48904GT	ELBOW,90D,520220-4-4	
2	49119-27978GT	HOSE ASSY,1/4,STR FEM,STR FEMM	
3	48912GT	CONN,520120-4-6***	
4	48917GT	CONN,LONG,520122-6	
5	49119-21978GT	HOSE ASSY,1/4,STR FEM,STR FEM	
6	49119-23478GT	HOSE ASSY,1/4,STR FEM,STR FEM	
7	48919GT	TEE,BRANCH,520429-6	
8	49120-33381GT	HOSE ASSY 1/4, STR FEM,STR FEM	
9	49119-2078GT	HOSE ASSY,1/4,STR FEM,STR FEM*	
10	49119-37978GT	HOSE ASSY 1/4,STR FEM,STR FEM	
11	49119-34378GT	HOSE ASSY 1/4, STR FEM,STR FEM	
12	48916GT	CONN, 520120-6	
13	48923GT	PLUG,090109A-6	
14	49119-13978GT	HOSE ASSY,1/4,STR FEM,STR FEM	
15	49119-36378GT	HOSE ASSY,1/4,STR FEM,STR FEM size 4 fittings	
--	48927GT	CONN,520120-6-4 cylinder and manifold may be size 6 fitting	
16	49119-35678GT	HOSE ASSY,1/4,STR FEM,STR FEM	
17		Ref Hose Assembly (refer to 801.1)	
18	48942GT	ELBOW,90D,520220-8-6	

804.1 Boom Components



Item	Part No.	Description	Qty.
--	28750GT	O-RING KIT,FIELD SVC,ALL PROD*	
--	33994GT	PLUG AND CAP KIT-SERVICE,37 **	
--	49612GT	O-RING KIT (ORFS FITTINGS)	
--	49613GT	PLUG AND CAP KIT-SERVICE,ORFS*	
1	49119-2078GT	HOSE ASSY,1/4,STR FEM,STR FEM*	
2	48904GT	ELBOW,90D,520220-4-4	
3	48905GT	CONN,520120-4***	
4	49119-27978GT	HOSE ASSY,1/4,STR FEM,STR FEMM	
5	49119-3878GT	HOSE ASSY,1/4,STR FEM,STR FEM	
6	48912GT	CONN,520120-4-6***	
7	49121-2088GT	HOSE ASSY 1/4,STR FEM,STR MALE	
8	48917GT	CONN,LONG,520122-6	
9	49119-21978GT	HOSE ASSY,1/4,STR FEM,STR FEM	
10	49119-23478GT	HOSE ASSY,1/4,STR FEM,STR FEM	
11	48919GT	TEE,BRANCH,520429-6	
12	49119-13978GT	HOSE ASSY,1/4,STR FEM,STR FEM	
13	49119-2078GT	HOSE ASSY,1/4,STR FEM,STR FEM*	
14	49119-37978GT	HOSE ASSY 1/4,STR FEM,STR FEM	
15	49119-34378GT	HOSE ASSY 1/4,STR FEM,STR FEM	
16	48923GT	PLUG,090109A-6	
17	48916GT	CONN, 520120-6	
18	49119-13978GT	HOSE ASSY,1/4,STR FEM,STR FEM	
19	49119-36678GT	HOSE ASSY,1/4,STR FEM,STR FEM	
20	49119-36378GT	HOSE ASSY,1/4,STR FEM,STR FEM	
21		Ref Hose Assembly (refer to 801.1)	
22	48942GT	ELBOW,90D,520220-8-6	

901.1 Flashing Beacon

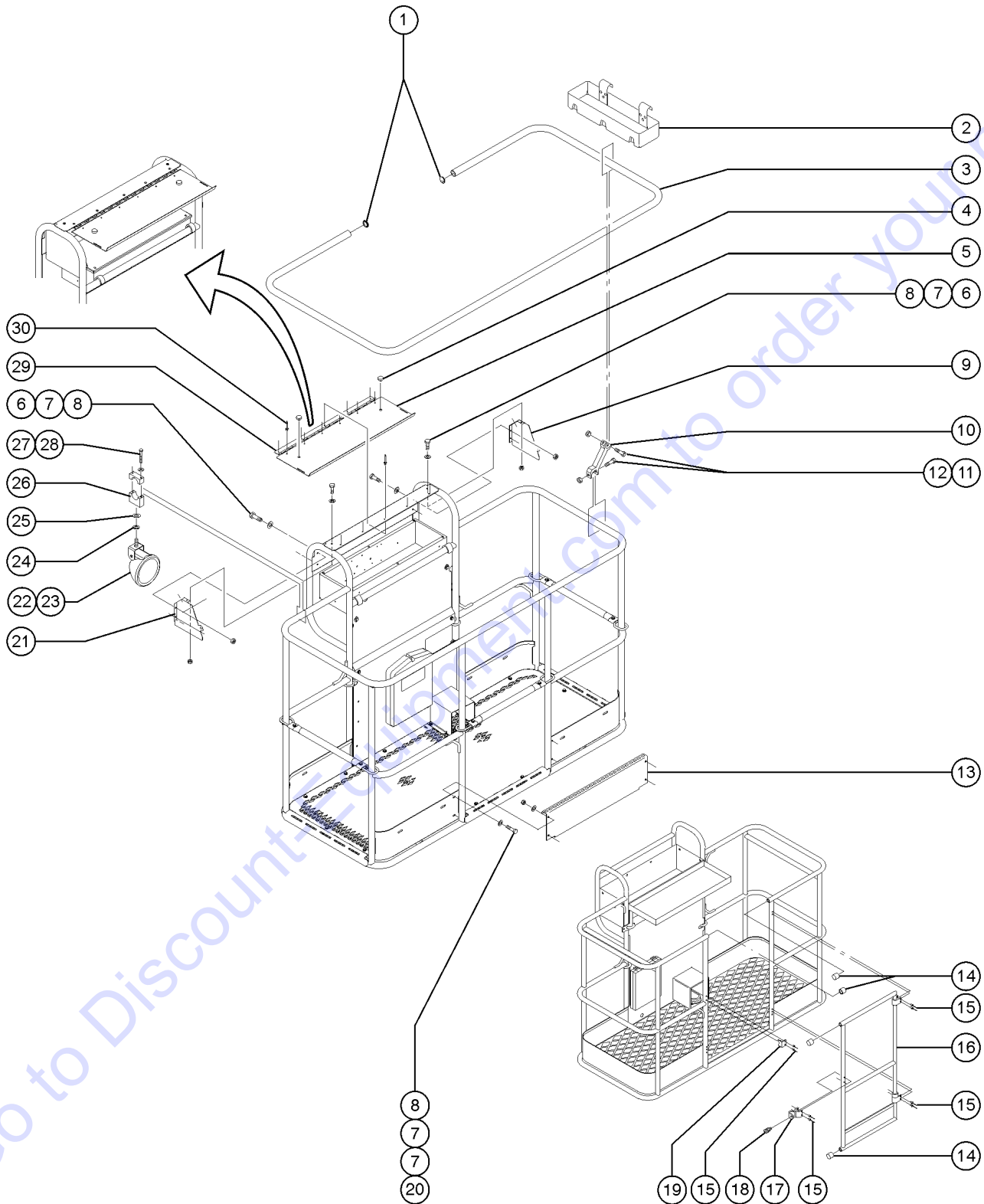


901.1 Flashing Beacon

Item	Part No.	Description	Qty.
--	77067GT	HARNES,ALARM OPTION,Z45	
1	49821GT	SCREW,PHILLIPS,PHM,8-32 X 1.25	
2	56704GT	STROBE,FIREBOLT,12-80VDC,AMB** (replaced 20189)	
--	122019GT	FLASHTUBE,U SHAPED,360DEG,BULB	
--	226393GT	FLASHTUBE,STRAIGHT,360DEG,BULB	
--	72282GT	LENS,AMBER,STROBE,FIREBOLT	
3	35461GT	WASHER,FLAT,MS,#8,Y	
4	18605GT	NUT,NYLOCK,8-32	

Go to Discount-Equipment.com to order your parts

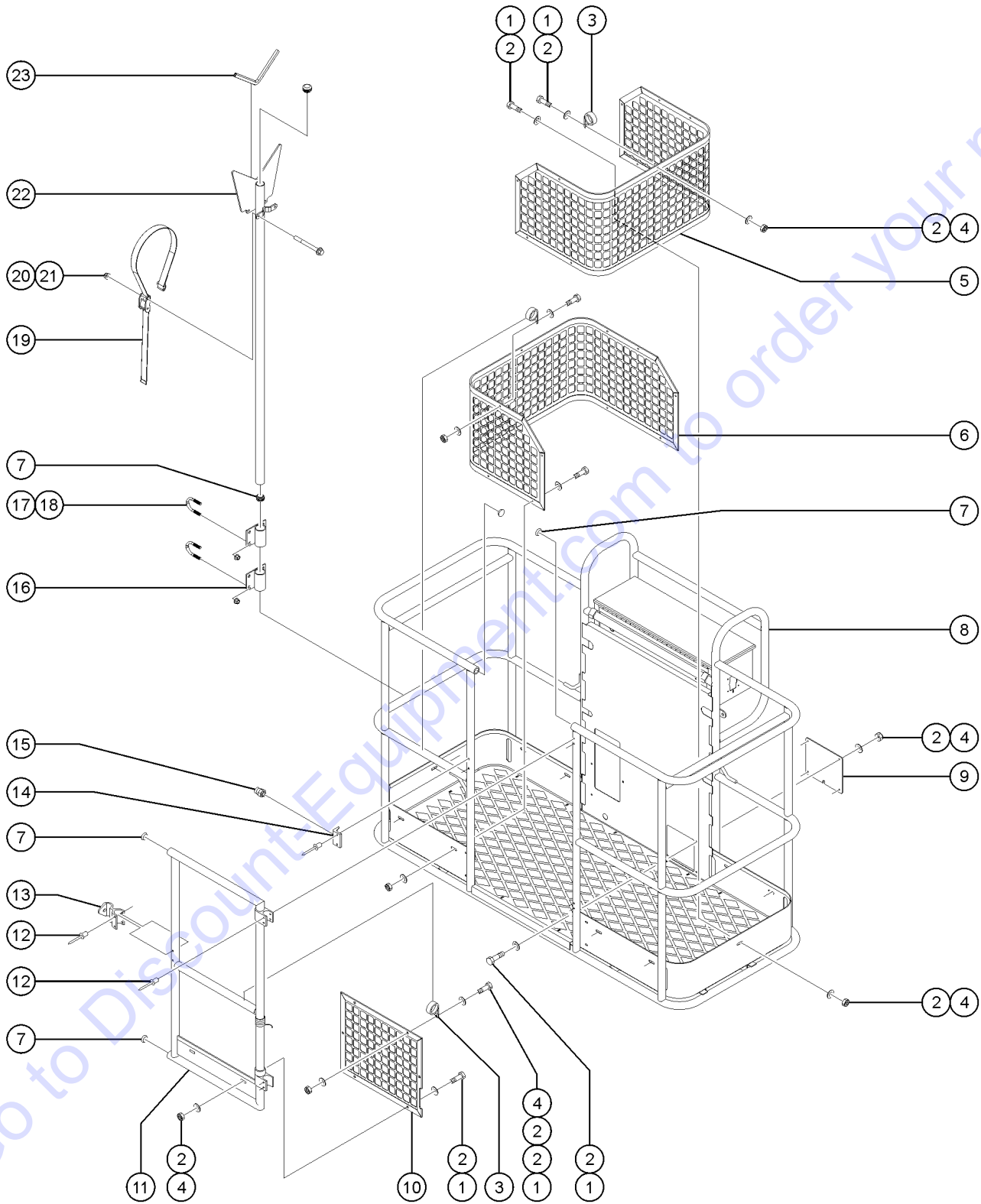
902.1 Platform Options



902.1 Platform Options

Item	Part No.	Description	Qty.	Item	Part No.	Description	Qty.
--	53157-SGT	PINCH GUARD,6'(1.31")SERVICE**		--	102786PGT	FORMING,LATCH,CTRL BOX LID PTD.....2 <i>(not included - sold seperately)</i>	2
--	28322GT	OPTION,PLAT.PINCH GUARD,5 FT.		--	30468GT	LATCH,SLIDE, FLUSH MOUNT STYLE.....2 <i>(not included - sold seperately)</i>	2
--	28323GT	OPTION,PLAT.PINCH GUARD,4 FT.		--	43392GT	BUMPER,BATTERY BOX & RAILS.....2 <i>(not included - sold seperately)</i>	2
--	73433-SGT	OPTION,SWING GATE,BOOMS***		--	88606PGT	COVER,CONTROL BOX RIGHT SIDE**.....1 <i>(not included - sold seperately)</i>	1
--	53157-SGT	PINCH GUARD,6'(1.31")SERVICE**		--	88607PGT	COVER,CONTROL BOX LEFT SIDE***.....1 <i>(not included - sold seperately)</i>	1
--	53808-SGT	AUX TOP RAIL,6'(1.25")SERVICE		22	107858GT	WORKLIGHT,48 VOLT.....2	2
--	119795GT	KIT,CONTROL BOX COVER to SN 21290		23	13002GT	SCREW,HHC,5/16-18 X 1 GR5	
--	88609-SGT	CONTROL BOX COVER ASSY*** from SN 21291		24	6886GT	WASHER,LOCK,.313	
--	T109328GT	ACC,PLAT CONTROL COVER, SERV <i>(cover assembly with latch)</i>		25	5397GT	WASHER,FLAT,USS,5/16",Y	
1	55753GT	BUMPER, PLASTIC, 1.25 O.D.....2	2	26	35956GT	BRACKET,WORK LIGHT MOUNT 5/16".....2	2
2	9599-SGT	TOOL TRAY ACCESSORY***.....1	1	27	6145GT	SCREW,HHC,1/4-20 X 1.5	
--	7746PGT	TOOL TRAY BRACKET (GRAY) **.....2	2	28	6356GT	WASHER,LOCK,.25	
3	28329GT	RAILING,PINCH GAURD,4 FT.....1	1	29	111526GT	HINGE,PLAT CONTROL BOX COVER...1	1
--	28328GT	RAILING,PINCH GAURD,5 FT.		30	54486GT	RIVET,ALUM,ALUM,3/16BUTTONHEAD	
4	34619GT	BUMPER,RUBBER***.....2	2				
5	102785PGT	CONTROL BOX COVER,LID,PTD.....1	1				
6	7339GT	SCREW,HHC,1/4-20 X .5					
7	6638GT	WASHER,FLAT,USS,1/4"Y					
8	6091GT	NUT,NYLOCK,1/4-20					
9	88606PGT	COVER,CONTROL BOX RIGHT SIDE**.....1	1				
10	28807GT	SUPPORT,RAILING.....6	6				
11	4266GT	SCREW,HHC,1/4-20 X 2					
12	6889GT	NUT,LP NYLOCK,1/4-20					
13	94745PGT	TOEBOARD,ENTRY EUROPEAN PNTD**.....1	1				
14	31120GT	PLUG,NYLON 1.187 BLACK DOMED....2	2				
15	7265GT	RIVET,STEEL,P,.25 X .375					
16	119950GT	KIT,FIELD INSTALL,SWING GATE <i>includes</i> <i>128368, 1487, 1488, and 33674</i>					
--	128368GT	KIT,SWING GATE W/SPRING <i>includes 42104</i>					
--	42104GT	SPRING,SHORT PLATFORM GATE					
--	9596GT	HINGE CASTING <i>Special welding requirements for installation</i> <i>of this component. Strongly suggest ordering</i> <i>128368 OR contact Discount-equipment for</i> <i>welding requirements.</i>					
17	1487GT	GATE LATCH CASTING--DRILLED.....1	1				
18	12161GT	SNAP PIN,(RD.NOSE)-GATE LATCH....1	1				
19	1488GT	RAILING CATCH CASTING--DRILLED...1	1				
20	8914GT	SCREW,HHC,1/4-20 X .625					
21	102785PGT	CONTROL BOX COVER,LID,PTD.....1	1				

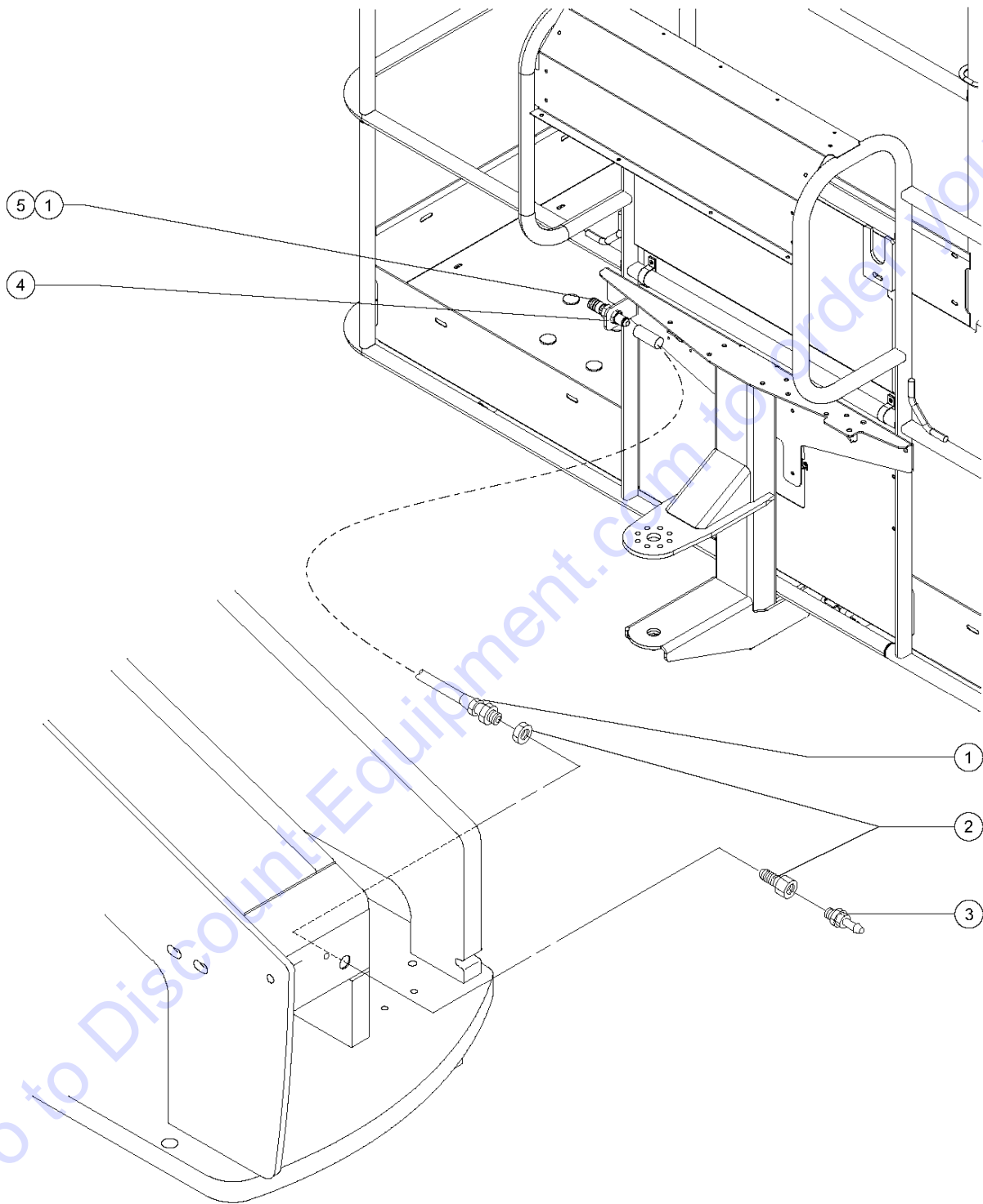
903.1 Half-height Mesh, Swing Gate and Pipe Cradle



903.1 Half-height Mesh, Swing Gate and Pipe Cradle

Item	Part No.	Description	Qty.
A	85300GT	PIPE CRADLE ASSY. SERV (ONE)** (ANSI & CE only) (This is a single assembly. Qty 2 of 85300GT required to complete a set)	
--	65630GT	INSTRUCTIONS-PIPE CRADLE,BOOMS	
1	8914GT	SCREW,HHC,1/4-20 X .625	
2	6638GT	WASHER,FLAT,USS,1/4"Y	
3	54932GT	CLAMP,1.25,#20 X 1/4,RUB CUSH	
4	6091GT	NUT,NYLOCK,1/4-20	
5A	54458GT	MESH,HALF,LH,6'PLATFORM	
5B	101852GT	MESH,HALF,LH 5' PLATFORM	
6A	54465GT	MESH,HALF,RH,6'PLATFORM	
6B	101853GT	MESH,HALF,RH 5' PLATFORM	
7	55753GT	BUMPER, PLASTIC, 1.25 O.D.	
8A	52752-SGT	PLATFORM,1/2 MESH W/GATE,ANSI*	
8B	52753-SGT	PLAT.ASSY,6FT,1/2 MESH, CE	
9	54165GT	PLATE,FOOT SWITCH COVER	
10	54457GT	MESH,HALF,SWING GATE***	
11		KIT,HALF SWING GATE*** (component no longer available)	
12	7265GT	RIVET,STEEL,P, .25 X .375	
13	1487GT	GATE LATCH CASTING--DRILLED	
14	1488GT	RAILING CATCH CASTING--DRILLED	
15	63311GT	SNAP PIN	
16	81368GT	WELDMENT,PIPE CRADLE MOUNT.....4	
17	1251600GT	U-BOLT, FLATTENED, 1.5 X 3/8 UNC,ZAG.....8	
18	1274322GT	NUT,NYLOCK FLG,3/8-16,F,ZAG.....16	
19	56570GT	STRAP, CONDUIT HOLDER 60****.....2	
20	1277924GT	NUT,NYLOCK FLG,1/4-20,F,ZAG.....4	
21	824083GT	SCREW,HHF,1/4-20X2.5,8,ZAG.....4	
22	56525GT	WELDMENT, PIPE CRADLE.....2	
23	19018-1100GT	TRIMLOCK,BLACK,5/32".....2	

904.1 Airline to Platform

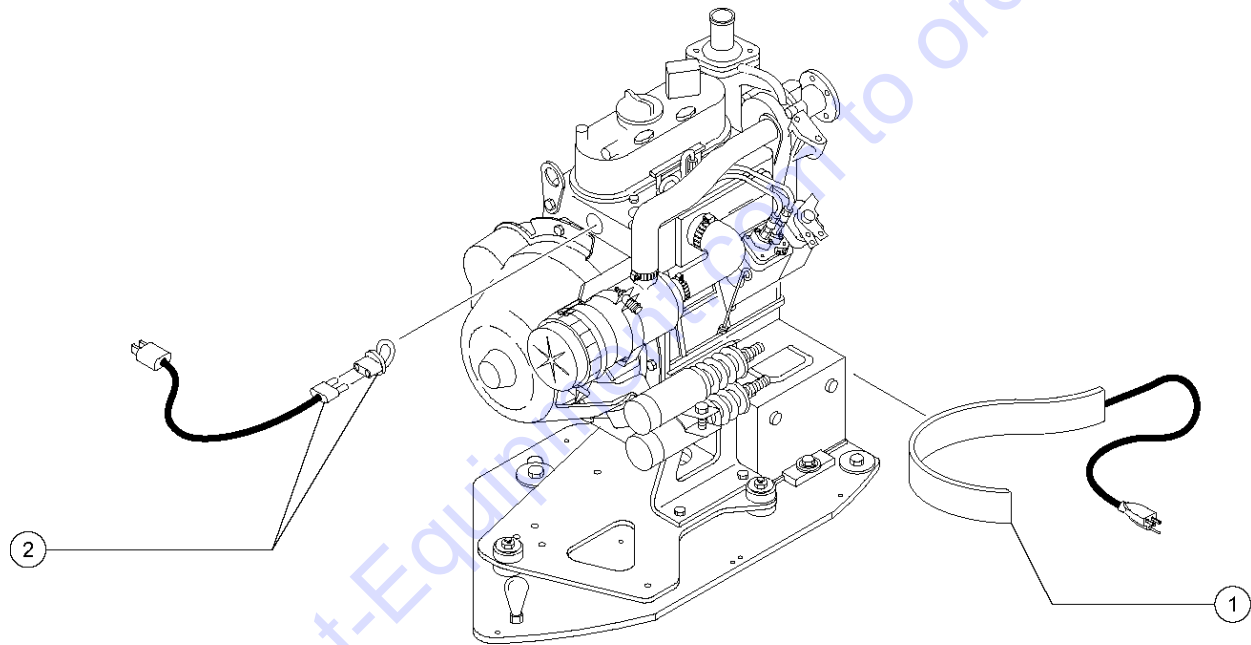


904.1 Airline to Platform

Item	Part No.	Description	Qty.
--	27887GT	OPTION,AIRLINE TO PLATFORM	
1	106142GT	HOSE,AIRLINE TO PLATFORM Z45.....1	
--	16073GT	CLAMP,0.63,#10 X 1/4,RUB CUSH	
2	27900GT	BULKHEAD,FEMALE X 6 X 6.....2	
3	27895GT	COUPLER,1/4"SERIES 3/8 MPT.....1	
4	60886PGT	BRACKET,AIRLINE TO PLATFORM.....1	
5	27894GT	PLUG,1/4"SERIES,3/8 MPT.....1	

Go to Discount-Equipment.com to order your parts

905.1 Cold Start Package

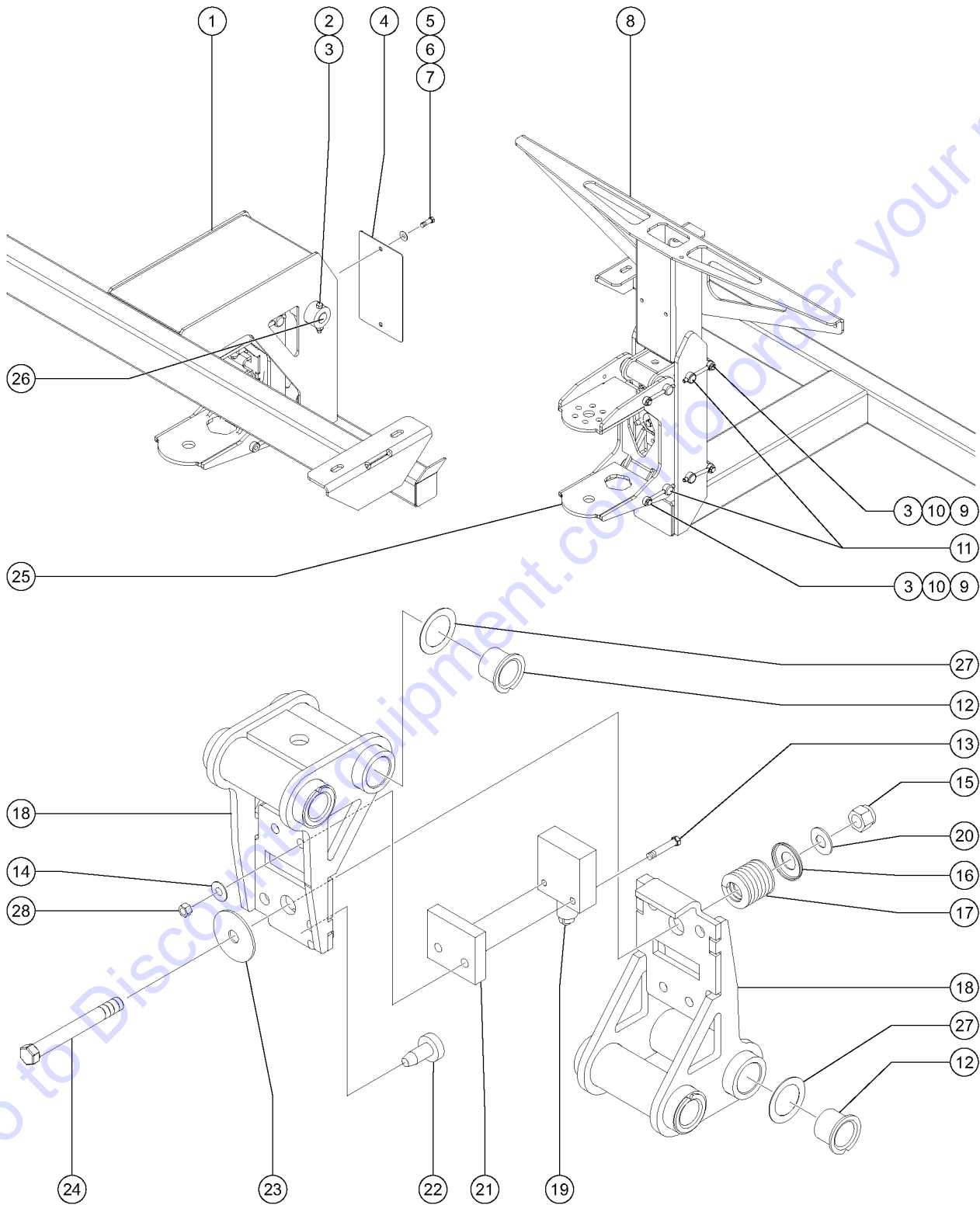


Item	Part No.	Description	Qty.
--	42488GT	OPTION,COLD START,Z34DSL	
--	70707GT	COLD START PKG,120V BI-ENERGY	
1	28853GT	BLANKET,BATTERY.....	1
2	70683GT	FREEZE PLUG HEATER,Z45	

Go to Discount-Equipment.com to order your parts



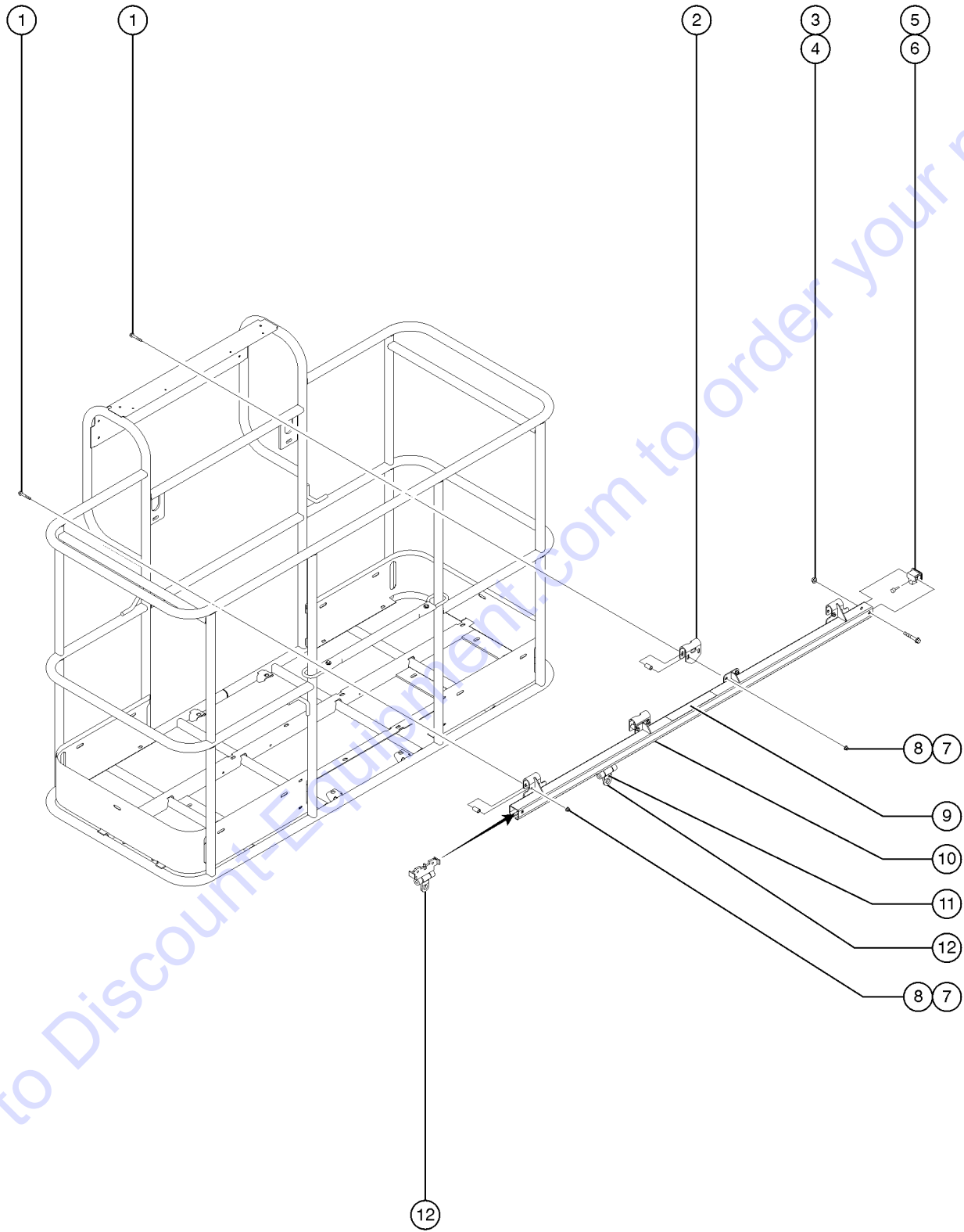
906.1 Platform Overload Option



906.1 Platform Overload Option

Item	Part No.	Description	Qty.
--	128045GT	MODULE,LOAD SENSE 2007	
1	98154GT	WELDMENT,PLAT SUPPORT,LS.....1	
2	4266GT	SCREW,HHC,1/4-20 X 2	
3	6091GT	NUT,NYLOCK,1/4-20	
4	94492PGT	PANEL,ACCESS PAINTED.....1	
5	6090GT	SCREW,HHC,1/4-20 X .75	
6	6638GT	WASHER,FLAT,USS,1/4"Y	
7	56912GT	SPRING CLIP,1/4-20,.025-.15X.54,ZAG	
8	61998GT	WELDMENT,PLATFORM SUPPORT.....1	
9	6888GT	SCREW,HHC,1/4-20 X 1	
10	45748GT	ROD END,.250 X 2.75 LG	
11	61726GT	PIN,0.75DIAX5.75LG,CHAMFER.....4	
--	94643GT	ZERK,GREASE,5/16-24,STRAIT	
12	25685GT	BEARING,GARLOCK,12FDU12.....4	
13	73634GT	SCREW,PHIL,PHM,10-24X1.5 ZINC	
14	6146GT	WASHER,FLAT,MS,#10,Y	
15	4828GT	NUT,NYLOCK,3/8-16	
16	61975GT	RETAINER,SPRING,1.21 X .375	
17	61974GT	SPRING,COMP,1" OD,232 LB/IN	
18	101512GT	LOAD SUPPORT WITH BEARINGS.....1 <i>includes item 12</i>	
19	94549GT	SWITCH,LOAD LIMIT	
19	94642GT	SWITCH,LOAD LIMIT	
20	6097GT	WASHER,FLAT,USS,3/8",Y	
21	61972GT	MOUNT,SWITCH.....1	
22	34619GT	BUMPER,RUBBER***.....2	
23	15086GT	WASHER,FLAT,.375 X 1.5 X .125	
24	21604GT	SCREW,HHC,3/8-16 X 3.25	
25	61987GT	WELDMENT,ROTATOR MOUNT.....1	
26	99174GT	PIN,0.75DIAX8.75LG,CHAMFER.....2	
--	94643GT	ZERK,GREASE,5/16-24,STRAIT	
27	110789GT	WASHER,SHIM .0151 THK.....as needed	
28	5365GT	NUT,NYLOCK,10-24	

907.1 Fall Arrest Bar



Go to DiscountEquipment.com to order your parts

Item	Part No.	Description	Qty.
1	1256856GT	SCREW,HHF,3/8-16X2.5,8,ZAG.....	4
2	1256389GT	FORMING,INNER HANGER.....	2
3	1251997GT	NUT,TL FLG,1/2-13,G,ZAG.....	2
4	1256851GT	SCREW,HHF,1/2-13X3.5,8,ZAG.....	2
5	1260892GT	END STOP,TRACK,FALL ARREST BAR.....	2
6	36388GT	BUMPER,RUBBER,.75 X .50H,STUD....	2
7	1274322GT	NUT,NYLOCK FLG,3/8-16,F,ZAG.....	8
8	1256481GT	SPACER, HANGER BRACKET.....	8
9A	1256400GT	DECAL,TRACK,FALL ARREST BAR,WORD.....	1
9B	1260910GT	DECAL,TRACK,FALL ARREST BAR,SYMBOL.....	1
9C	1256400FRGT	DECAL,TRACK,FALL ARREST BAR,WORD FR.....	1
10A	1256378GT	ACC,FALL ARREST BAR,6FT WORD....	1
--	1256380GT	ASSY,TRACK,FALL ARREST BAR,6FT WORD <i>includes decals</i>	
10B	1261023GT	ACC,FALL ARREST BAR,6FT SYM.....	1
--	1261025GT	ASSY,TRACK,FALL ARREST BAR,6FT SYM <i>includes decals</i>	
10C	1261019GT	ACC,FALL ARREST BAR,6FT FR.....	1
--	1261021GT	ASSY,TRACK,FALL ARREST BAR,6FT FR <i>includes decals</i>	
11	40434GT	DECAL,LANYARD ANCHORAGE POINT.....	1
12	1256439GT	TROLLEY, TRACK, FALL ARREST BAR.....	1

Part Number Index

The Part Number Index is a numeric index of all part numbers included in this manual. The index shows what page(s) the part is used on.

Part Number	Page	Part Number	Page	Part Number	Page	Part Number	Page
101055GT	111	122513GT	89	128581-SGT	53, 56, 89, 91-92	19520GT	23
101056GT	111	122514GT	53, 89, 91-92	128582-SGT	53, 55-56, 89, 91-92	19533GT	25
101057GT	111	12344GT	87	128585GT	53	19712GT	95, 97
101058GT	111	1251600GT	127	128586GT	89	19722GT	95, 97
101067GT	111	1251997GT	135	1286600GT	20-21	19729GT	99
101069GT	111	1255452GT	69	1286601GT	20-21	19731GT	97, 99
101114GT	111	1256267GT	65	1286602GT	20-21	20262GT	85
101277GT	111	1256378GT	135	1286603GT	20-21	20776GT	51
101512GT	133	1256380GT	135	1286606GT	19-21	20780GT	35, 37
101579GT	91-92	1256389GT	135	128724GT	81	21143GT	19-21
101815GT	43	1256400FRGT	135	1287986GT	103, 105, 107, 109, 111	21144GT	19-21
101844GT	59	1256400GT	135	12906GT	61, 63	21145GT	19-21
101852GT	127	1256439GT	135	12960GT	51, 87	21146GT	19-21
101853GT	127	1256460GT	85	13000GT	23, 31, 47	21148GT	19-21
101858GT	63	1256481GT	135	13002GT	21, 35, 37, 47, 125	21149GT	19-21
101859GT	63	1256851GT	135	13005GT	29	21166GT	17
101861GT	61	1256855GT	85	13008-3GT	25	21175GT	43
101862GT	63	1256856GT	135	13008-6GT	25	21427GT	95, 97
101863GT	61	1259056GT	47	13064GT	19-21, 29, 43	21434GT	95, 97
101864GT	61	1260219GT	29	13268GT	53, 87, 89	21496GT	35, 37
10186GT	61	1260892GT	135	133286GT	25	215777GT	20-21
101914GT	111	1260910GT	135	13471GT	53, 89	21604GT	29, 133
101933GT	109	1261019GT	135	13511GT	47	216791GT	59
101934GT	105, 107, 109	1261021GT	135	13585GT	87, 92	216793GT	59
102785PGT	125	1261023GT	135	13852GT	75, 77	217046GT	59
102786PGT	125	1261025GT	135	139011-SGT	23	21858GT	53, 55-56
102992GT	85	1261450GT	29	139041GT	23	21982GT	53, 55-56
104804GT	85	1262633GT	69	13918GT	61, 71	220255GT	43
10587GT	67	1263056GT	69	13918GT	61, 71	22262GT	19-21
10597GT	29, 49	1263057GT	69	139351GT	19-21	22263GT	19-21
106069GT	61	1267746GT	85	139353GT	19-21	22446GT	35, 37
106117GT	20-21	1267747GT	85	139354GT	19-21	226393GT	123
106120GT	20-21	1267779GT	17	139355GT	19-21	22672GT	35, 37
106121GT	20-21	1267780GT	20-21	139599GT	69, 75	22676GT	39, 41
106122GT	20-21	1267781GT	17	139720GT	25	22700GT	39, 41
106123GT	20-21	1267782GT	20-21	14033GT	29, 49	227833GT	35, 37
106124GT	20-21	1269501GT	97	14041GT	51	22788GT	29, 47
106125GT	20-21	1272303GT	83	144161GT	25	22903GT	31, 33
106126GT	20-21	1272307GT	85	146051GT	20-21	22934GT	33
106142GT	129	1274322GT	127, 135	146052GT	20-21	22956GT	35, 37
106148GT	20-21	1274858GT	83	147093GT	53	229798GT	17
106278GT	43	1275393GT	83	147094GT	29, 55-56	23057GT	31, 33, 35, 37, 39, 41
106526GT	75	1275394GT	83	147121GT	85	23083-SGT	29
106540GT	77	1275395GT	83	147187GT	20-21	232486GT	20-21
106581GT	77	1275396GT	83	147205GT	35, 37	233715GT	77
106589GT	77	1277924GT	127	147210GT	43	233716GT	75
107594GT	61	128045GT	133	147211GT	43	233745GT	75, 77
107595GT	75	1280665GT	25	147212GT	43	233807GT	19-21
107727GT	65	128138GT	27	147283GT	77	23404GT	53, 59, 87
10775GT	87, 92	128142GT	65	147369GT	75, 77	23457GT	31, 33
10777GT	92	128200GT	53, 55-56, 89, 91-92	1487GT	125, 127	23469GT	31, 33
107803GT	29	128201GT	53, 55-56, 89, 91-92	1488GT	125, 127	23472GT	31, 33
107826GT	29	128202GT	53, 55-56, 89, 91-92	150103GT	71, 75, 77	23473GT	39, 41
107858GT	125	128205GT	53	15086GT	29, 133	237145GT	89, 91-92
110286GT	33	128206GT	89	15243GT	87	24038GT	29
110523GT	39, 41	1282314GT	45	16073GT	129	24514GT	85
110749GT	41	128337GT	19-21	160809GT	83	25068GT	43
110789GT	133	128368GT	125	161541GT	83	25388GT	25
111526GT	125	128375GT	25	161542GT	83	25683GT	75, 77
119210GT	19-21	128446GT	43	17712GT	29, 45	25685GT	133
119242GT	39, 41	128454PGT	81	18078GT	25	25817GT	17
119403GT	25	128465GT	23	18503GT	21	25836GT	51
119507GT	41	128466GT	23	18504GT	73	25837GT	51
119536PGT	81	128482GT	81	18576GT	19-21	25882GT	95
119542GT	81	128483GT	81	18605GT	43, 123	25926GT	41
119684GT	35, 37	128510GT	81	18665GT	51	25974GT	51
119685GT	35, 37	128513GT	81	18963GT	47	27089GT	35, 37
119795GT	125	128534GT	81	19018-1100GT	127	27114GT	61
119867GT	87, 91-92	128578GT	53, 55-56, 89, 91-92	19274GT	87, 91-92	27115GT	87
119950GT	125	128580-SGT	53, 55-56, 89, 91-92	19418GT	19-21, 29	27204GT	11, 13, 15
12011GT	73			19440GT	17	27205GT	11, 13, 15
12161GT	125			19491GT	43, 71	27206GT	11, 13, 15
122019GT	123			19506GT	53, 55-56	27207GT	11, 13, 15
122366GT	53						
122512GT	53						

Part Number	Page	Part Number	Page	Part Number	Page	Part Number	Page
27246GT	53, 55-56, 89, 91-92	33629GT	87	44229GT	103, 105, 107, 109, 111	49119-35678GT	119, 121
27262GT	25	33724GT	87, 92	44586GT	29	49119-36378GT	119, 121
27263GT	25	33952GT	11, 13	44750GT	101	49119-37978GT	119, 121
27367GT	39, 41	33994GT	103, 105, 107, 109, 115, 117, 119, 121	44777GT	101	49119-3878GT	121
27377GT	61			44778GT	21, 101	49120-33381GT	119
27488GT	29	34053GT	53, 59, 87	44788GT	49	49121-2088GT	121
27497GT	77	34054GT	53, 87	44828GT	43	49143-2135GT	117
27564GT	11, 13	34055GT	53, 87	44829GT	43	49143-2535GT	117
27830GT	25	34056GT	53, 87	44980GT	11, 13, 15	49164-2043GT	117
27887GT	129	34057GT	53	44981GT	11, 13, 15	49375GT	41
27894GT	129	34125GT	71	44986GT	11, 13	49407GT	41
27895GT	129	34245GT	77	44997GT	103, 105, 107, 109	49408GT	33, 39, 41
27900GT	129	34276GT	69	44998GT	113	49612GT	103, 105, 107, 109, 115, 117, 119, 121
28156GT	39, 41	34619GT	125, 133	45043GT	17	49613GT	103, 105, 107, 109, 115, 117, 119, 121
28157GT	11	35461GT	123	45071GT	17, 19-21, 65		
28159GT	11, 15	35678GT	99	45074GT	17		
28161GT	11, 13	35679GT	99	45107GT	17	49772GT	67
28162GT	11, 13	35680GT	99	45108GT	17	49775GT	71
28164GT	11, 13	35934GT	51, 87	45110GT	17	49815GT	49
28165GT	11, 13	35956GT	125	45111GT	17	49816GT	61, 63, 97
28171GT	11, 13	36179GT	47	45209GT	23	49818GT	21
28174GT	11, 13, 15	36212GT	23	45363GT	61, 63	49819GT	53, 87, 89
28175GT	11, 13	36294GT	75, 79	45383GT	87, 92	49820GT	87
28176GT	11, 13	36369GT	23	45384GT	51, 53, 55-56, 89, 91-92	49821GT	123
28177GT	11, 13	36388GT	135	45385GT	91-92	49825GT	43
28181GT	11, 13	36424GT	23	45437GT	87	49826GT	29, 53, 87
28235GT	11, 13, 15	36557GT	89, 91-92, 99	45462GT	47, 59	49878GT	47
28236GT	11, 13	36871GT	51	45643GT	105, 107, 109	50175GT	43
28301GT	61	37097GT	19-21	45748GT	133	50266GT	67
28322GT	125	37184GT	47	45782GT	29	50293-SGT	79
28323GT	125	37185GT	47	45873GT	17	50294GT	83
28328GT	125	37186GT	47	46227GT	97	50304GT	71
28329GT	125	37187GT	47	46337GT	17	50411GT	43
28648GT	47	37189GT	20-21	47092GT	103, 105, 107, 109	50412GT	43
28750GT	103, 105, 107, 109, 115, 117, 119, 121	37191GT	47	4828GT	19-21, 29, 31, 39, 41, 45, 47, 49, 61, 65, 71, 77, 81, 92, 133	50413GT	43
		37192GT	47			50414GT	43
		37947GT	53, 55-56	48504GT	101	50427-SGT	29
28807GT	125	38110GT	11	48751-463GT	73	50447GT	43
28853GT	131	38111GT	11	48880GT	103	50451GT	73
28963GT	39, 41	38112GT	11	48885GT	47	50452GT	73
29080GT	71	38620GT	71	48890GT	115	50455GT	65
29868GT	23	39223GT	49	48904GT	43, 115, 119, 121	50457GT	75
30080GT	11, 13	39345GT	77	48905GT	117, 121	50460GT	65
30138GT	71	39346GT	103, 105, 107, 109, 111	48906GT	115	50466-SGT	77
30219GT	75	39347GT	103	48911GT	117	50469GT	43
30221GT	65	40433GT	99	48912GT	117, 119, 121	50479-SGT	67
30222GT	77	40434GT	11, 13, 15, 135	48916GT	117, 119, 121	50480GT	77
30255GT	17, 71, 77	40532GT	25	48917GT	119, 121	50481GT	65
30370GT	69	42019GT	49	48919GT	119, 121	50517-SGT	67
30468GT	125	42079GT	43	48923GT	119, 121	50519GT	29
31060GT	11, 13	42104GT	125	48927GT	119	50542GT	69
31120GT	125	42315GT	29	48939GT	117	50543GT	75, 77
31498GT	75, 77	42488GT	131	48942GT	117, 119, 121	50546GT	71, 77
31508GT	11, 13	42662GT	35, 37	48944GT	117	50548PGT	67
31784GT	11, 13	42666GT	43, 67, 125, 133	48947GT	117	50552GT	71
31786GT	11, 13	42725GT	89, 91-92	48948GT	117	50569-SGT	47
31787GT	11, 13	43018GT	43, 65, 77	48975GT	117	50570GT	47
31788GT	11, 13	43038GT	95, 97	48997GT	103, 105, 107, 109	50572GT	51
31982GT	45	43040GT	95, 97	48999GT	117	50576GT	21, 43
32066GT	31, 33, 39, 41	43042GT	95, 97	49117-11091GT	115	50584GT	71
32067GT	31, 33	43166GT	77	49117-4691GT	115	50668-SGT	19-21
32069GT	31, 33	43179GT	21	49117-9991GT	115	50669GT	19-21
32077GT	35, 37	43181GT	87, 91-92	49119-13978GT	119, 121	50676GT	77
32084GT	35, 37	43182GT	87, 91-92	49119-2078GT	115, 119, 121	50698GT	71
32087GT	39, 41	43392GT	85, 125	49119-21978GT	119, 121	50744-SGT	49
32090GT	39, 41	43658GT	11, 13, 15	49119-23478GT	119, 121	50768-SGT	21
32317GT	101	43663GT	11	49119-27978GT	119, 121	50776-SGT	43
32637GT	87	43683GT	43	49119-3378GT	117	50790GT	61, 63
32638GT	87	43685GT	101	49119-34378GT	119, 121	5094GT	35, 37
32639GT	87	43956GT	87			50952-SGT	67
33277GT	39, 41	43957-8300GT	87, 91-92			50957-SGT	49
33278GT	75, 79	43960GT	51, 67, 85			50959-SGT	49
33428GT	43	44174GT	103, 105, 107			50966GT	49
33550GT	11	44184GT	31			50974GT	61
33555GT	61	44228GT	105, 107, 109				

Part Number Index (continued)

Part Number	Page	Part Number	Page	Part Number	Page	Part Number	Page
50990-SGT	61	52876GT	35, 37	54165GT	127	54985PGT	73
51147GT	23	52877GT	35, 37	54168GT	67	54994GT	77
5224GT	81	52880GT	35, 37	54177GT	43	55753GT	125, 127
52341GT	109, 111	52886GT	35, 37	54193GT	29	56007GT	29
52371GT	103, 105, 107, 109, 111	52887GT	95, 97	54205GT	45	56022GT	49
52437GT	11, 13	52890GT	95	54206GT	45	56030GT	19-21
52466GT	103	52891GT	95	54231GT	49	56050GT	29
52514GT	35, 37	52892GT	95	54234GT	17, 20-21	56057GT	29
52517GT	31, 33	52894GT	95	54235GT	17, 20-21	56067GT	35, 37
52524GT	95	52895GT	95, 97	54237GT	17	56068GT	35, 37
52525GT	95	52896GT	103, 105, 107	54238GT	17	56085GT	31
52527GT	95	52897GT	103, 105, 107, 109, 111	54239GT	67	56086GT	35, 37
52532GT	31, 33	52900GT	19-21	54243-SGT	35, 37	56100GT	53
52539GT	39, 41	52901GT	103, 105, 107, 109	54247PGT	85	56101GT	35, 37
52540GT	39, 41	52902GT	103	54255GT	59, 91-92	56102GT	35, 37
52541GT	39, 41	52903GT	103, 105, 107, 109	54259GT	91-92	56110GT	35, 37
52594GT	105, 107	52904GT	103	54286GT	45	56234GT	55-56
52597GT	11, 13	52905GT	103, 105, 107, 109	54287GT	45	56282GT	20-21
52631GT	11	52906GT	103, 105, 107, 109, 111	54302GT	65	56283GT	29
52632GT	11	52907GT	103, 105, 107, 109, 111	54303GT	103	56290GT	29
52664GT	11, 13	52909GT	103, 105, 107, 109	54304GT	51	56291GT	29
52672GT	11, 13	52910GT	103, 105, 107, 109, 111	54305-SGT	27	56292GT	29
52707-SGT	19-21	52911GT	103, 105, 107, 109	54316GT	39, 41	56302GT	29, 53, 59, 87, 92
52728GT	67, 69	52912GT	103, 105, 107, 109, 111	54319-1404-SGT	117	56338GT	19-21
52729GT	67	52913GT	101	54323GT	31, 33	56424GT	85
52732GT	19-21	52914GT	101	54331GT	65, 69	56461GT	23
52733-SGT	17	52915GT	101	54332GT	33	56525GT	127
52734-SGT	17	52916GT	25	54363GT	61	56561GT	19-21
52735GT	17	52917GT	25	54443GT	49	56562GT	19-21
52738GT	67	52918GT	25	54444GT	103	56570GT	127
52740GT	67	52919GT	25	54445-SGT	63	56680GT	43
52741GT	67	52920-SGT	23	54446GT	29	56704GT	123
52742GT	67	52921-SGT	23	54449GT	29	56773GT	95, 97
52743-SGT	75	52922-SGT	23	54456GT	49	56900GT	43
52744GT	69	52927GT	31	54457GT	127	56912GT	17, 19-21, 29, 81, 85, 133
52745GT	69, 75, 77	52928GT	95, 97	54458GT	127	56925GT	75, 79
52752-SGT	127	52930GT	95	54460GT	73	56927GT	47
52753-SGT	127	52945-SGT	87	54461GT	73	56929GT	77
52757GT	71	52946GT	11, 13	54463-SGT	29	56930GT	21
52758GT	65	52947GT	11, 13	54465GT	127	56994GT	59
52766GT	43	52949GT	35, 37	54486GT	125	57075GT	92
52767GT	43	52969GT	11, 13, 15	54496-SGT	19-21	58237GT	20-21
52770GT	43	53157-SGT	125	54510-SGT	79	58320GT	20-21
52772GT	43	5361GT	17	54520-SGT	75	58428GT	20-21
52783GT	43	5365GT	133	54525GT	53, 89	58438GT	20-21
52787GT	11, 13	53808-SGT	125	54527-SGT	77	58448GT	19-21
52806GT	31, 33	5397GT	19-21, 29, 31, 33, 35, 37, 45, 47, 49, 61, 65, 73, 75, 77, 92, 125	54530GT	71	58494GT	25
52807GT	31, 33	54063GT	71	54534GT	59, 92	58919GT	73
52808GT	31, 33	54065GT	75, 77, 103	54542GT	17, 19-21	58920GT	73
52809GT	31	54088-3438-SGT	47	54569GT	71	58927GT	73
52810GT	31, 33	54120GT	47	54570GT	71	58932GT	101
52812GT	31, 33	54123GT	45	54603GT	31, 33	58934GT	101
52813GT	31, 33	54131GT	71	54605GT	31, 33	58936GT	101
52815GT	31	54136GT	17	54627GT	17	58986GT	97
52816GT	31, 33	54137GT	17, 20-21	54628GT	19-21	58987GT	97
52818GT	31, 33	54138GT	17	54694GT	45	59169GT	17
52819GT	31, 33	54139GT	17, 20-21	54702GT	113	59263GT	69
52822GT	35, 37	54140GT	17, 20-21	54726GT	65	59444GT	65
52823GT	35, 37	54142GT	17	54738GT	65, 69	59445GT	69
52824GT	35, 37	54145-800GT	43	54794GT	25	60000-SGT	29
52825GT	35, 37	54156GT	65	54795GT	25	60002-SGT	61
52826GT	35, 37	54157GT	71	54796GT	25	60004GT	49
52832GT	35, 37	54158GT	71	54797GT	25	60005-SGT	47
52833GT	19-21	54159GT	17	54830GT	73	60007-SGT	49
52834GT	35, 37	54160GT	17	54831GT	95	6002GT	23, 31, 35, 37
52835GT	35, 37	54165GT	127	54839GT	105, 107	60042GT	83
52836GT	35, 37	54168GT	67	54840GT	17	60060-SGT	25
52837GT	35, 37	54177GT	43	54932GT	127	60065GT	49
52838GT	35, 37	54193GT	29	54953-3408GT	47	60074PGT	67
52841GT	39, 41	54205GT	45	54959GT	17	60078GT	29
52847GT	39, 41	54206GT	45	54960GT	17	60079-SGT	47
52851GT	39, 41	54231GT	49	54962GT	17	60088-SGT	39, 41
52851GT	39, 41	54234GT	17, 20-21	54981GT	73	60091-SGT	29
52866GT	35, 37	54235GT	17, 20-21	54983GT	73	60092-SGT	29, 39, 41
52867GT	35, 37	54237GT	17	54984PGT	73	60096-SGT	29
52875GT	35, 37	54238GT	17				

Part Number	Page	Part Number	Page	Part Number	Page	Part Number	Page
60100-SGT	29	62093-SGT	27	6935GT	51, 87, 92	77106GT	71
60102-SGT	45	62094-SGT	27	7056GT	92	77118GT	51
60105-SGT	35, 37	62095-SGT	27	7057GT	51, 87	7713GT	29, 31, 33, 45, 49, 65, 67, 73, 75
60107GT	35, 37	62096-SGT	27	70655GT	21	77140GT	51, 105, 107, 109
60108GT	35, 37	62097-SGT	27	70657PGT	19-21	77181GT	81
60109-SGT	39	62098-SGT	27	70683GT	131	77189GT	69
60111GT	31	62099-SGT	27	70707GT	131	77231GT	107, 109
60112GT	35, 37	62100-SGT	27	72256GT	61	77246GT	43
60113GT	31	62101-SGT	27	72282GT	123	77251GT	113
60114-SGT	31	62102-SGT	27	72298GT	95, 97	77264GT	113
60126-SGT	61	62105GT	21	72307GT	20-21	77302GT	19-21
60131GT	49, 117	62107-SGT	61	72326GT	47, 59, 87, 92	77303GT	65, 109
60136-SGT	29	62108-SGT	61	72443GT	11	77305GT	107
60146GT	29	62109-SGT	63	72444GT	11, 13, 15	77362GT	69
60160PGT	85	62129GT	31, 33	7265GT	125, 127	77363GT	75, 77
60170GT	45	62130GT	31, 33	72833GT	11	77364GT	69, 75, 77
6019GT	17, 31, 33, 47, 71, 75, 77, 92	62131-SGT	45	73233GT	85, 91-92	77410GT	71
6021GT	17, 19-21, 29, 47, 49, 67, 69, 71, 79, 81, 101	62133GT	35, 37	7339GT	29, 51, 67, 125	77434GT	17
6033GT	29, 43, 49, 65, 67	62134-SGT	87	73433-SGT	125	77435GT	49
6036GT	29	62341GT	105, 107, 111	73477PGT	85	7746PGT	125
60428GT	67, 85	62506GT	77	73574-SGT	85	77521GT	65
60429GT	67	62509GT	75, 77	73575GT	85	77522GT	51
60434GT	55-56	62695GT	21	73610PGT	85	77524GT	63
60435GT	55-56	62696GT	21	73634GT	133	77692GT	79
60442GT	67	6272GT	47	73711GT	91-92	77709GT	109, 111, 113
60443GT	67, 91-92	62926GT	11, 13, 15	73713GT	67, 91-92	77981GT	101
60526GT	55-56, 59, 91-92	62927GT	11, 13, 15	73714GT	67	77990GT	101
60527GT	55-56	6326GT	65	73717GT	59, 91-92	78622GT	49
60528GT	55-56	63311GT	127	73723GT	91-92	79456GT	81
60886PGT	129	6356GT	17, 29, 35, 37, 39, 41, 49, 53, 75, 77, 87, 125	73725GT	67	80543GT	92
6090GT	19-21, 29, 35, 37, 39, 41, 49, 51, 53, 55-56, 63, 81, 133	65178GT	95, 97	73736GT	55-56, 59, 91-92	81096GT	92
6091GT	21, 29, 35, 37, 39, 41, 49, 51, 61, 63, 67, 71, 73, 75, 77, 79, 81, 125, 127, 133	6550GT	31, 33	73739GT	85	81175GT	77
6095GT	29, 43, 47, 49, 67	65529GT	97	73746GT	55-56	81368GT	127
6097GT	31, 33, 39, 41, 49, 67, 71, 133	65546GT	97	73747GT	55-56	81458GT	92
61226GT	21	65608GT	19-21	73748GT	55-56	81570GT	92
61306-SGT	77	65618GT	19-21	73749GT	55-56	81579GT	47
6145GT	29, 75, 125	65630GT	127	73751GT	55-56	81640GT	81
6146GT	25, 29, 53, 61, 63, 87, 89, 133	65633GT	71	73753GT	55-56	8177GT	65, 67
61726GT	133	65634GT	71	73754GT	55-56, 59	8179GT	67
6175GT	17, 29, 35, 37, 49, 67, 69	65788GT	71	73805GT	55-56	822005GT	11, 13
6178GT	25, 29, 35, 37, 53, 61, 63, 67, 71, 87, 89	65789GT	77	73807GT	77	822038GT	11, 13
61801GT	55-56	65790GT	71	73900GT	83	82279GT	11, 13, 15
61972GT	133	65842GT	75, 77	74006GT	92	823153GT	15
61974GT	133	6605GT	65	74099GT	20-21	823161GT	15
61975GT	133	6607GT	21, 43	74137GT	21	823226GT	21, 29
61987GT	133	6622GT	87	74266GT	21	82366GT	11, 13
6198GT	29, 43, 47	6637GT	71	74267GT	19-21	824027GT	85
61998GT	133	6638GT	19-21, 23, 29, 43, 47, 49, 51, 53, 55-56, 61, 63, 67, 71, 73, 75, 77, 79, 81, 89, 91-92, 125, 127, 133	74268GT	19-21	824029GT	85
62040GT	31	66717GT	19-21	74362GT	97	824050GT	43
62041GT	31	66811GT	53	74364GT	97	824051GT	43
62043GT	35, 37	66812GT	53, 55-56, 89	74366GT	97	824052GT	43
62044GT	35, 37	66813GT	91-92	74367GT	97	824078GT	85
62068GT	11, 13, 15	66815GT	89, 91-92	74368GT	97	824083GT	127
62070GT	11, 13, 15	66816GT	53, 89, 91-92	74375GT	20-21	824090GT	85
62085GT	29	66818GT	53, 55-56, 89	74468GT	19-21	824124GT	85
62086GT	47	66821GT	53, 89	74469GT	19-21	824164GT	71, 77
62087GT	49	66900GT	23	74470GT	19-21	82472GT	15
62088GT	49	66901GT	23	74471GT	21	82473GT	15
62090-SGT	27	6700GT	51, 89	74495GT	19-21	82481GT	15
62091-SGT	27	6708GT	19-21	74714GT	20-21	824878GT	51, 59, 89, 91-92
62092-SGT	27	6782GT	31, 33, 47	74911GT	59	82487GT	15, 89
		6833GT	67	74917GT	59	825019GT	17, 19-21, 69, 71, 75, 77
		6886GT	21, 31, 35, 37, 43, 47, 49, 125	75073GT	61	82544GT	15
		6888GT	17, 23, 29, 49, 61, 67, 133	75076GT	61, 63	82545GT	15
		6889GT	29, 43, 67, 89, 125	75453GT	111	82548GT	15
				77009GT	113	8255GT	47, 49, 71, 81
				77014GT	69	825796GT	17
				77024GT	21	82602GT	15
				77036GT	73	82604GT	15
				77051GT	75, 79	82634GT	15
				77053GT	105	82635GT	13, 15
				77059-2986GT	117	82647GT	15
				77059-4086GT	117	826779GT	111
				77061GT	55-56	83022GT	19-21
				77067GT	123		

Part Number Index (continued)

Part Number	Page	Part Number	Page
83042GT	75, 77	97887GT	11, 13
83093GT	55-56	97890GT	11, 13
83110GT	20-21	98154GT	133
83111GT	113	99174GT	133
832128GT	31, 33	9990074GT	20-21
839119GT	35, 37	T107883GT	77
84043GT	31	T107884GT	75, 77
84044GT	33	T108075GT	75, 77
84385GT	111	T108673GT	21
8516GT	29, 39, 41, 47, 61, 75, 77	T109328GT	125
85300GT	127	T112561GT	92
865260GT	39, 41	T112563GT	92
866397GT	39, 41		
866400GT	31, 33		
866803GT	31		
88203GT	65		
88337GT	17		
88338GT	17		
88356-11103GT	43, 71		
88356-11163GT	67		
88356-11205GT	67, 71		
88370PGT	67		
8843GT	87		
88516GT	77		
88557GT	49		
88606PGT	125		
88607PGT	125		
88609-SGT	125		
88637GT	51, 59		
88691GT	55-56		
88699GT	109		
88718GT	55-56		
88719GT	55-56		
88721-70700GT	55-56, 91-92		
88721-72000GT	55-56, 91-92		
88722-70700GT	55-56, 91-92		
88722-72000GT	55-56, 91-92		
88723-69700GT	55-56		
88723-71000GT	55-56, 91-92		
88723-72700GT	91-92		
88752GT	17		
88827GT	55-56		
8914GT	21, 53, 87, 89, 91-92, 125, 127		
8915GT	21, 35, 37, 61, 77, 81		
89862GT	113		
94001GT	23		
94002GT	23		
94003GT	23		
94077GT	61		
94315GT	21		
94316GT	21		
94317GT	21		
94492PGT	133		
94506GT	55-56		
94529GT	67		
94530GT	67		
94531PGT	67		
94549GT	133		
94618GT	111		
94642GT	133		
94643GT	133		
94745GT	85		
94745PGT	125		
94859GT	113		
94860GT	111		
94879GT	19-21		
94880GT	19-21		
9596GT	125		
9599-SGT	125		
96008-SGT	55-56		
97128GT	43, 67, 71		
97602GT	13		
97815GT	15		

The Part Description Index is an alphabetical index of all part descriptions included in this manual. The index shows what page(s) the part is used on.

A

ACC,FALL ARREST BAR,6FT FR.....135
 ACC,FALL ARREST BAR,6FT SYM.....135
 ACC,FALL ARREST BAR,6FT WORD.....135
 ACC,PLAT CONTROL COVER, SERV.....125
 ADAPTER FLANGE-PULLEY,Z482-E.....35, 37
 AIRCLEANER ASSEMBLY.....35, 37
 ALARM,CHIME TONE 5-25VDC***.....47, 59
 ALARM,INTERMITTENT TONE 6-30V*.....47
 ALARM,WARBLE TONE 5-30 VDC***.....87, 92
 ALTERNATOR BELT.....35, 37
 ALTERNATOR STAY,WG750***.....31
 ALTERNATOR,30 A***.....31
 ALTERNATOR,KUBOTA,Z482.....33
 ALTRNTR,48VDC 100A,SERV VERS**.....29
 AMMETER, 39243/47906/66412.....17
 ANGLE,COVER SUPPORT,DC/BI.....49
 ANGLE,COVER SUPPORT,PAINTED.....49
 ANGLE,EXHAUST SUPPORT PAINTED.....31
 ANGLE,PRI. BOOM REST,NON-JIB.....47
 ANGLE,RELAY MNT,W/NUTSERTS,PNT...59, 92
 ANGLE,RELAY MOUNTING.....53
 ASSEMBLY, FUEL FILTER, Z482.....35, 37
 ASSEMBLY,ENGINE TRAY,BI-ENERGY.....29
 ASSEMBLY,FOOT SWITCH***.....85, 91-92
 ASSY, CIRCUIT BREAKER 10A.....53
 ASSY, CIRCUIT BREAKER 15A.....29, 55-56
 ASSY,4FT PLATFORM, NO DECALS.....83
 ASSY,5FT PLATFORM, NO DECALS.....83
 ASSY,6' PLAT WELDMENT W/SIDE GATE.....83
 ASSY,6FT PLAT DUAL LG,BLANK W/SIDE SWING GATE.....83
 ASSY,6FT PLATFORM,NO DECALS.....83
 ASSY,RECEP,24V,CSA TILT.....29
 ASSY,RELAY SOCKET, AUTO.....53, 59, 87
 ASSY,SIDE SWING GATE.....85
 ASSY,TERMINAL RAIL,Z45DC/BE.....59
 ASSY,TRACK,FALL ARREST BAR,6FT FR.....135
 ASSY,TRACK,FALL ARREST BAR,6FT SYM.....135
 ASSY,TRACK,FALL ARREST BAR,6FT WORD.....135
 AUX TOP RAIL,6'(1.25")SERVICE.....125
 AXLE ASSY,NON-STR,NARROW BASE....19-21
 AXLE COVER, NARROW.....21

B

BACKING PLATE, HOSE BLOCK, JIB.....81
 BALANCER,HARMONIC,2-3V-500-SH.....35, 37
 BALL STUD**.....61
 BALL STUD,1/2" BALL,3/8-16X1.2.....61
 BAR, AXLE ROTATION STOP.....19-21
 BASE, W/1 N.O. CONTACTS***.....89, 91-92
 BASE,W/2 NC CONTACTS***.....55-56
 BASE,W/3 NC CONTACTS.....55-56
 BASE,WITHOUT CONTACTS.....53, 89
 BATT.BOX W/DECALS,CONTROL SIDE.....23
 BATT.BOX W/DECALS,GRD.CTL.SIDE.....23
 BATTERY BOX ASSY,CONTRL SIDE**.....23
 BATTERY BOX ASSY,TANK SIDE**.....23

BATTERY CABLE ASSY,9.5"JUMPER.....23
 BATTERY CABLE CONNECTOR 45/25.....27
 BATTERY HOLD DOWN.....29
 BATTERY, 390AH L16,WET.....23
 BATTERY,450 CCA***.....29
 BEARING KIT.....19-21
 BEARING KIT (45553) TORQUE HUB.....19-21
 BEARING KIT, AUSCO***.....19-21
 BEARING KIT,4HP.....20-21
 BEARING KIT,GE DRIVE MOTOR***.....21
 BEARING KIT,ROTATOR,4.5K***.....75, 77
 BEARING KIT,ROTATOR,9K***.....75, 77
 BEARING KIT,WHEEL DRIVE (106148/106445/107712).....20-21
 BEARING KIT,WHEEL DRIVE W/BRAKE (101584/101585).....20-21
 BEARING KIT-74097 TORQUE HUB*.....20-21
 BEARING KIT-AUSCO(56272)***.....19-21
 BEARING NUT***.....20-21
 BEARING,0.75IDX1.00ODX0.75L.....23
 BEARING,1.00IDX1.25ODX1.00L.....17
 BEARING,1.25IDX1.50X1.25L.....77
 BEARING,1.25IDX1.50DX1.00L.....69
 BEARING,1.5IDX1.75ODX1.5L.....17, 19-21, 65
 BEARING,1.75IDX2.00ODX1.50LG.....65
 BEARING,BRK,MICO **.....43
 BEARING,FL,1.25ID X 1.41OD X 1.....75
 BEARING,FL,1.25IDX1.41ODX1.50L.....77
 BEARING,FL,1.5IDX1.75ODX1.10LG.....65
 BEARING,GARLOCK,12FDU12.....133
 BEARING,INNER,9 BOLT HUB***.....17
 BEARING,MOTOR.....101
 BEARING,MOTOR,36843,BRUSH END*.....21, 101
 BEARING,OUTER,9 BOLT HUB***.....17
 BEARING,POLYGON,20DU12.....75, 77
 BEARING,POLYGON,BM5120.....69
 BEARING,SWING CHASSIS.....43
 BEARING,SWING CHASSIS RINGGEAR.....43
 BELLCRANK,JIB,WELD/Z45/25***.....77
 BELT,FAN,KUBOTA DF972/Z482-E.....31, 33
 BLANKET,BATTERY.....131
 BOLT,CARRIAGE,1/4-20 X 1.00,G2.....81
 BOLT,CARRIAGE,1/4-20 X 2.75,G2.....81
 BOLT,CARRIAGE,1/4-20X.75,5,ZAG.....85
 BOOM REST WELDMENT.....67
 BOOT,CABLE TERMINAL,LG,RED,2/0.....23
 BOOT,CIRCUIT BREAKER PROTECTOR.....55-56
 BOOT,CONTROLLER**.....95, 97
 BOOT,DTSCH,DTP4-BT.....67
 BOOT,PLUG 4 WAY.....85
 BOOT,THROTTLE SOLENOID.....35, 37
 BOOT,TOGGLE SWITCH,SHORT*.....53, 55-56, 89, 91-92
 BOOT-THUMB ROCKER** BLACK.....95, 97
 BOX,INSTRUCTION STORAGE.....85
 BRACKET, AIRCLEANER MT.....35, 37
 BRACKET, RETURN FILTER.....49
 BRACKET,AIR INTAKE.....41
 BRACKET,AIRLINE TO PLATFORM.....129
 BRACKET,ALTERNATOR ADJ.PAINTED.....29
 BRACKET,ALTERNATOR MOUNT.....29
 BRACKET,DRIVE SENSOR,ENABLE.....43

BRACKET,ENGINE MNT,KUBOTA 13HP.....39, 41
 BRACKET,ENGINE PLATE REST PTD.....29
 BRACKET,EXHAUST,Z45 BI.....31, 33
 BRACKET,GROUND CONTROL BOX.....49
 BRACKET,HOSE CLAMP PAINTED***.....67
 BRACKET,HOSE CLAMP SUPPORT.....75
 BRACKET,HOSE CLAMP,PAINTED.....81
 BRACKET,IDLE LEVER.....35, 37
 BRACKET,POWER TO PLAT, DOM.....92
 BRACKET,POWER TO PLAT, UK.....92
 B R A C K E T , R U B B E R BUMPER,ENGCOVER.....61
 BRACKET,SOLENOID MOUNT PAINTED.....35, 37
 BRACKET,STOP LEVER.....35, 37
 BRACKET,WORK LIGHT MOUNT 5/16".....125
 BRACKET-PANEL-WIRE MOUNTING 99.....53, 89
 B R A C K E T - R A D I A T O R SUPRT,INBOARD.....39, 41
 BRACKET-RADIATOR SUPRT,OUTBRD....39, 41
 BRAKE KIT, SWING DRIVE.....43
 BRAKE REPLACEMENT KIT.....19-21
 BRAKE, NEMA, 1200 IN/LB.....19-21
 BRAKE,MICO,12000 IN/LB***.....43
 BRKT,AIRCLEAN,COOLRES.MNT,PNTD...35, 37
 BRUSH BOX ASSEMBLY.....101
 BRUSH COVER -PLATE-(48504)*.....101
 BRUSH HOLDER(56282).....21
 BRUSH KIT, DRIVE MOTOR.....20-21
 BRUSH KIT,GE DRIVE MOTOR***.....21
 BRUSH LEAD ASSEMBLY KIT(48504).....101
 BRUSH RETAINING SPRING,DR MTR.....21
 BRUSH SET 4 EA.....101
 BULKHEAD FITTING,PLASTIC X 8**.....49
 BULKHEAD,FEMALE X 6 X 6.....129
 BULKHEAD,SWING CHASSIS,LH,PAIN.....29
 BULKHEAD,SWING CHASSIS,RH,PAIN.....49
 BULKHEAD,SWING,RIGHT,Z45 DC/BE.....49
 BUMPER, PLASTIC, 1.25 O.D.....125, 127
 BUMPER,BATTERY BOX & RAILS.....85, 125
 BUMPER,RUBBER***.....125, 133
 BUMPER,RUBBER,.75 X .50H,STUD.....135
 BUMPER,RUBBER,COVERS.....61
 BUSHING,SH 1-1/8.....35, 37
 BUTTON,PUSH,BLACK W/SEAL***.....91-92
 BUTTON,PUSH,RED MUSHROOM HEAD.....53, 55-56, 89

C

C-CLIP, SHAFT, JOYSTICK.....97
 CABLE ASSY #2 BLK AP1/AP2 BATT.....23
 CABLE ASSY #2 RED BATT.....23
 CABLE ASSY - 100" RED (45/25).....27
 CABLE ASSY - 7" BLACK (45/25).....27
 CABLE ASSY-13" RED (45/25).....27
 CABLE ASSY-14" BLK (45/25).....27
 CABLE ASSY-17" RED (45/25).....27
 CABLE ASSY-31" RED (45/25).....27
 CABLE ASSY/100" BLK (45/25).....27
 CABLE ASSY/100" RED (45/25).....27
 CABLE ASSY/20" RED (45/25).....27
 CABLE ASSY/38" BLK (BI-E ONLY).....27

Part Description Index (continued)

CABLE ASSY/84" RED (BI-E ONLY).....27	CONN HOUSING SBX175, BATT.....27	COVER PLATE,AIR INTAKE,GRAY.....61
CABLE COVER,JIB.....77	CONN RECEPT,FLANGED.....91-92	COVER PLATE,CONNECTOR.....55-56
CABLE COVER,JIB***.....77	CONN, 520120-6.....117, 119, 121	COVER W/DECALS,STEER, NON OSC.....17
CABLE SQUEEZE CONN.....51	CONN,520102-8-8.....117	COVER, AUXILIARY POWER SWITCH.....53, 89
CABLE SQUEEZE CONN.,XTRA LRG.....51, 87	CONN,520120-12-10.....117	COVER, BATTERY BOX W/DECALS.....23
CABLE TRACK,PLASTIC,26 LINK*.....73	CONN,520120-4***.....117, 121	COVER, FOOT SWITCH, LARGE.....85
CABLE TRACK,PLASTIC,35 LINK.....73	CONN,520120-4-6***.....117, 119, 121	COVER, JIB HOSES/CABLES.....81
CAM ASSEMBLY, JOYSTICK(42032).....97	CONN,520120-6-4.....119	COVER,BLANK.....92
CAM-SHAFT ASSEMBLY (56274).....95	CONN,520120-8-12.....117	COVER,CONTROL BOX LEFT SIDE***.....125
CAP,DIAGNOSTIC NIPPLE.....103	CONN,LONG,520122-6.....119, 121	COVER,CONTROL BOX RIGHT SIDE**.....125
CAP,DISENGAGE,4HP/4HB***.....20-21	CONN,PLUG 12 WAY,14-18GA,GRAY.....55-56	COVER,FLYWHEEL,2 CYL.KUBOTA.....39, 41
CAP,DISENGAGE-45553 TORQUE HUB.....19-21	CONN,PLUG 12 WAY,BLACK.....55-56	COVER,FORMED REAR AXLE,NRRW.....21
CAP,DUST (54840 HUB ASSY).....17	CONN,PLUG 12 WAY,BROWN.....55-56	COVER,GFCI,HORIZONTAL,WEATHER.....92
CAP,DUST,45873 HUB KIT.....17	CONN,PLUG 12 WAY,GREEN.....55-56	COVER,GFCI,WEATHERPROOF.....87
CAP,DUST,DIAGNOSTIC NIPPLE***.....105, 107, 109	CONN,PLUG 120 AC/15A DOMESTIC.....25	COVER,KNOCK OUT HOLE,4 PER BAG.....87
CAP,RADIATOR,AL,KUBOTA DF-752.....39, 41	CONN,PLUG 24 WAY,DRC SERIES.....55-56	COVER,SWING CHASSIS CENTER,PAI.....47
CAPACITOR,6 MFD,660VAC-CHARGR*.....25	CONN,PLUG 4 WAY,12-14GA.....55-56	COVER-VALVE Z482, Z34/22BE.....31, 33
CAPACITOR,TIME DELAY.....87, 91-92	CONN,PLUG 4 WAY,14-18GA.....67, 85	COVR W/DECALS, NON-STEER Z45/25.....19-21
CASE COVER ONLY 18710/18720.....25	CONN,PLUG 40 WAY,DRC SERIES.....55-56	CUSHION,RADIATOR,KUBOTA 1702**.....39, 41
CASTING 42032.....97	CONN,RECEP 24 WAY,W/FLANGE.....55-56	CYLINDER,ELEVATE,Z45/25***.....65
CHANNEL,CABLE TRACK COV,NONJ,P.....73	CONN,RECEP 4 WAY,14-18GA.....67	CYLINDER,EXT,Z45 STANDARD *.....71
CHANNEL,CABLE TRK COVER,JIB,PA.....73	CONN,RECEP 4 WAY,12-14GA FL***.....59, 91-92	CYLINDER,EXTEND,JIB,Z45*.....71
CHARGER 48V/30A AUTO AC X-LED.....25	CONN,RECEP 40 WAY,W/FLANGE.....55-56, 59	CYLINDER,EXTEND,Z45 NON JIB.....71
CHARGER,48V,100-125VAC,60H,25A.....25	CONN,RECEP 48 WAY,4 X 12.....55-56, 59, 91-92	CYLINDER,EXTEND,Z45J***.....71
CHARGER,48V,110/60,12A,EERATNG.....25	CONN,SQUEEZE,1/2NPT .38-.50,SM.....92	CYLINDER,JIB,Z45,#4 PORTS***.....77
CHARGER,48V,110VAC,60H,25A.....25	CONN,STRAIN RELIEF,LP,1/2 NPT.....47	CYLINDER,LIFT,JIB,Z45***.....69
CHARGER,48V,200-250VAC,50H,25A.....25	CONN.SQZ,1/2NPT .39-.56 MED.....51, 87	CYLINDER,LIFT,NON-JIB,Z45***.....69
CHARGER,48V,200-250VAC,60H,25A.....25	CONNECTING LINK, Z45/25.....67	CYLINDER,MASTER,Z45***.....69
CLAMP,0.50,#8 X 1/4,RUB CUSH.....67	CONNECTOR,BULKHEAD,FEMALE-4.....47	CYLINDER,PRIM LIFT JIB,Z45.....69
CLAMP,0.63,#10 X 1/4,RUB CUSH.....129	CONTACT, N.C.....53, 55-56, 89	CYLINDER,PRIM LIFT NON JIB,Z45.....69
CLAMP,0.75,#12 X 1/4,RUB CUSH.....53, 87, 89	CONTACT,MOVING,19549RELAY*.....19-21	CYLINDER,SLAVE,Z45***.....75, 77
CLAMP,1.25,#20 X 1/4,RUB CUSH.....127	CONTACT,N.O.***.....53, 89, 91-92	CYLINDER,STEER.....17
CLAMP,1.25X.5 RUBBER-CUSHION.....85	CONTACT,STATIONARY (56434)**.....21	
CLAMP,1.63,#26 X 3/8,RUB CUSH.....81	CONTACT,STATIONARY,19549RELAY*.....19-21	
CLAMP,AIR CLEANER HOSE,WG750**.....35, 37	CONTACT-MOVEABLE (56434)**.....21	
CLAMP,CABLE & HOSE,PLASTIC.....71	CONTACTOR,AUX PUMP 24V,80A***.....19-21	
CLAMP,HOSE ROUTE,2X#4,LOOM.....75	CONTACTOR,DRIVE,24V,180A***.....19-21	
CLAMP,HOSE,1 EAR, 15/32.....45	CONTACTOR,LIFT PUMP 24V 180A**.....21	
CLAMP,HOSE,1 EAR, 5/8.....45	CONTACTOR,LIMIT SWITCH.....43, 71	
CLAMP,HOSE,1.75.....35, 37	CONTROL BOX ASSY/PLAT-45/25.....87	
CLAMP,HOSE,ALUMINUM.....71	CONTROL BOX COVER ASSY***.....125	
CLAMP,HOSE,KUBOTA WG750.....31, 33, 39, 41	CONTROL BOX COVER,LID,PTD.....125	
CLAMP,JIB HOSE Z45.....77	CONTROL,BOX ASSY-GRND Z45 IC.....51	
CLAMP,JIB HOSE/CABLE,Z45/51.....81	C O N T R O L L E R , S E P E X	
CLAMP,RUBBER CUSHIONED-2 5/32.....77	MOTOR,Z45DC/BE.....19-21	
CLAMP,TWO HOSE.....81	COOLANT RECOVERY BOTTLE1.5 QT*.....35, 37	
CLAMP-HOSE, .375, FUEL PUMP.....35, 37	COUPLER, PUMP / MOTOR (36179).....47	
CLAMP-OVERFLOW PIPE(Z482-E).....35, 37	COUPLER,1/4"SERIES 3/8 MPT.....129	
CLAMPING BLOCK,CABLE.....67	COUPLING.....20-21	
CLAMPING BLOCK,HOSE***.....67	COUPLING-POT,JOYSTICK (56579).....97	
CLIP,RADIATOR MOUNT, KUBOTA.....39, 41	COVER ASSY W/SYM DECALS,LH.....61	
COIL,#8 20VDC,DEUTSCH W/DIOD.....109, 111, 113	COVER ASSY W/SYM DECLS,LH DC.....61	
COIL,20V DS W/DIODE.....105, 107	COVER ASSY W/SYM DECLS,RH BIDC.....63	
COIL,20V W/DIODE,#8 (SCI)***.....103	COVER ASSY W/WRD DECALS,LH DC.....61	
COIL,20VDC DEUTCSH W/DIODE.....111	COVER ASSY W/WRD DECALS,RH BI.....63	
COIL,24 VDC DUAL SPADE,#8.....111	COVER ASSY W/WRD DECALS,RH DC.....63	
COIL,24VDC,DUAL SPADE,SIZE 10.....103, 105, 107	COVER ASSY-ENG.SIDE(BI)Z45/25.....61	
COIL,DUAL SPADE,24V DC.....109	COVER ASSY-NONTANKSIDE(DC)Z45.....61	
COIL,SOLENOID,8 DSD 20V,W/DIOD.....113	COVER ASSY/TANKSIDE(Z45DC/BI).....63	
COLD START PKG,120V BI-ENERGY.....131	COVER BRACE,UPPER PIVOT,REAR,P.....67	
COMPR.LINK,MACHINED,GND CONTR*.....77	COVER CAP,TORQUE HUB***.....19-21	
	COVER END,TORQUE HUB (74097).....20-21	

D

DECAL KIT,Z45 PLAT,SYM,ANSI.....15
DECAL KIT,Z45 PLAT,SYM,CE.....15
DECAL KIT,Z45 PLAT,WORD,ANSI.....11, 13
DECAL KIT,Z45 PLAT,WORD,AUS.....11, 13
DECAL PLATE ASSEMBLY.....85
DECAL, PLATFORM CONTROL PANEL.....11
DECAL, POWER TO CHARGER, UNIV.....25
DECAL, POWER TO PLATFORM 230V**.....11, 13, 15
DECAL, SYMBOL - READ THE MANUAL...15, 89
DECAL,ARROW BLUE.....11, 13, 15
DECAL,ARROW YELLOW LRG 9".....11, 13, 15
DECAL,CAUTION,BRAKE RELEASE***.....11
DECAL,CHEVRON RANDO HD.....11, 13
DECAL,COSMETIC,BI-ENERGY.....11, 13, 15
DECAL,COSMETIC,DC POWER.....11, 13, 15
D E C A L , C O S M E T I C , G E N I E
BOOM,HORZ.....11, 13, 15
DECAL,COSMETIC,GENIE Z-45/25.....11, 13, 15
DECAL,COSMETIC,GENIE Z-45/25J....11, 13, 15
DECAL,DANGER DO NOT ALTER SWTC.....11, 13
DECAL,DANGER,BATTERY SAFETY***.....11, 13
DECAL,DANGER,ELEC.HAZ.STAY CLR....11, 13, 15
D E C A L , D A N G E R , E L E C T
HAZARD,PLUG.....11, 13

DECAL,DANGER,GEN SAFETY RULES.....11, 13	DECAL,USE DEXRON***.....11	FUSE,1 AMP.....29
DECAL,DANGER,MAX LOAD 227 KG**.....15	DECAL,WARN,CRUSH HAZARD HAND.....11, 13	FUSE,200 AMP.....19-21
DECAL,DANGER,MAX SIDE FRC,667N.....15	DECAL,WARN,CRUSH HAZARD PLAT.....11, 13, 15	FUSE,500 AMP,VERY FAST ACTING.....21
DECAL,DANGER,NO SMOKING ***.....11, 13	DECAL,WARN,FALL HAZARD.....11, 13	
DECAL,DANGER,SIDE FRC 400N.....15	DECAL,WARN,IMPROPER OPERATION...11, 13	G
DECAL,DANGER,TILT ALARM.....11, 13	DECAL,WARNING,BRAKE RELEASE***.....11	GAS STRUT,250 LBS FORCE***.....61
DECAL,DANGER,TIP-OVER BATTERY.....11, 13	DECAL,WARNING,CRUSHING.....11, 13	GAS STRUT,CONNECTOR (28301).....61
DECAL,DANGER,TIPOVER HAZARD***.....11, 13	DECAL,WARNING,CRUSHING HAZARD.....15	GASKET KIT, AUSCO 1200 IN/LB.....19-21
DECAL,DIESEL.....11, 15	DECAL,WARNING-COMPART ACCESS.....11, 13	GASKET, PUMP / MOTOR (36179).....47
DECAL,DRIVE ENABLE PATCH.....15	DIN RAIL,11.25".....59	GASKET, UK POWER TO PLAT.....92
DECAL,EXPLOSION HAZARD.....13	DIN RAIL,14.75" **.....51	GASKET,GROUND CONTROL BOX.....51
DECAL,GROUND CONTROL PANEL.....11, 13, 15	DIN RAIL,6.38".....29	GASKET,GROUND CONTROL BOX***.....51, 59
DECAL,GROUND CONTROL PANEL,BI.....11	DIODE,6 AMP,200 PIV,BULK.....29	GASKET,JOYSTK.SHAFT36867/42032.....95, 97
DECAL,INSTR,MAX SIDE FRC,ANSI.....11, 13	DIODE,PCB DRIVE CONTACTOR**.....21	GASKET,KEYSWITCH,PLASTIC***.....55-56
DECAL,INSTR,SIDE FRC/WIND,AUS.....11, 13	DIPSTICK, KUBOTA Z482-E.....35, 37	GASKET,MUFFLER,KUBOTA D905/11.....31, 33
DECAL,INSTR,STRUCT,FOOTSWITCH OPER.....11, 13	DISCONNECT ROD (56338).....20-21	GASKET,UPPER CONTROL BOX.....87
DECAL,LABEL, AIR LINE 110 PSI.....11, 13, 15	DISCONNECT ROD (74097).....20-21	G A S K E T , W A T E R P U M P W G 7 5 0 B / Z 4 8 2 - E 3 1 , 3 3
DECAL,LABEL,CONTRLR STATUS LT.....11, 13	DISCONNECT ROD-45553 TQ.HUB.....19-21	GASKET-EXHAUST MANIFOLD Z482.....31, 33
DECAL,LABEL,LOWER MIDRAIL.....15		GASKET-INJECTION PUMP, Z482-E.....35, 37
DECAL,LABEL,MANUAL NOT HERE.....11, 13	E	GASKET-OIL DRAIN, DF750.....31, 33
DECAL,LABEL,OPEN,LATCH.....11	EAR,ENGINE TRAY PIVOT,PAINTED.....29	GASKET-SPEED CONTROL ASSEMBLY...35, 37
DECAL,LABEL,PWR TO CHARGR 115V.....11, 13, 15	ELBOW,90D,520220-4-4.....43, 115, 119, 121	GASKET-VALVE COVER Z482-E.....31, 33
DECAL,LABEL,PWR TO CHARGR 230V.....11, 13, 15	ELBOW,90D,520220-4-6***.....117	GATE LATCH CASTING--DRILLED.....125, 127
DECAL,LABEL,TIRE PRESS Z45DCBI.....15	ELBOW,90D,520220-8-12.....117	GAUGE,FUEL,SIDE MOUNT Z45.....45
DECAL,LABEL,TRAVEL ALARM***.....11	ELBOW,90D,520220-8-6.....117, 119, 121	GEAR, SLAVE, MS4,45048.....97, 99
DECAL,LABEL,WHEEL LOAD Z4525DC.....13, 15	END PLATE,WAGO.....87	GROUND CONNECTOR,1/2".....87
DECAL,LANYARD ANCHORAGE POINT...11, 13, 15, 135	END STOP,TRACK,FALL ARREST BAR.....135	GROUND CONTROL BOX ASSY W/DEC*...59
DECAL,NOTICE, FUNCTION ENABLE*.....11	EVACUATOR VALVE-AIR CLEANER.....35, 37	GUARD,FAN,2 CYL.KUBOTA.....31, 33
DECAL,NOTICE,BATT CONNECTION.....11, 13	EXHAUST EXTENSION WELDMNT.....31	
DECAL,NOTICE,CHARGER INSTRUC.....11, 13	EXHAUST MANIFOLD, Z482-E.....31, 33	
DECAL,NOTICE,HAZARDOUS MAT'LS*.....11, 13	EXTENSION BOOM WELDMNT,JIB,Z45.....71	
DECAL,NOTICE,KUBOTA ENG SPEC.....11, 13		F
DECAL,NOTICE,MAX LOAD 500 LBS.....11, 13	FAN, KUBOTA Z482-E.....31, 33	FAN, KUBOTA Z482-E.....31, 33
DECAL,NOTICE,OP INST,PLAT,Z45D.....11, 13	FILTER ASSY SAE12,10MIC,PARP.....49	FILTER ASSY SAE12,10MIC,PARP.....49
DECAL,NOTICE,OPER INST BE.....11, 13	FILTER ASSY,SAE8,10 MIC,PAPR**.....49	FILTER ELEMENT 10 MIC 49815.....49
DECAL,NOTICE,TIRE SPECS,Z34DC.....11, 13	FILTER ELEMENT,10MICRON,PAPER*.....49	FILTER ELEMENT,10MICRON,PAPER*.....49
DECAL,OPERATING INSTR,GROUND.....11, 13	FILTER,AIR***.....35, 37	FILTER,AIR***.....35, 37
DECAL,PLATFORM CONTROL PANEL.....11, 13, 15	FILTER,FUEL FILTER Z482-E.....35, 37	FILTER,FUEL FILTER Z482-E.....35, 37
DECAL,PLATFORM CTRL PANL,BI/DC.....11	FITTING,TEE,BRANCH,520429-4***.....115	FITTING,TEE,BRANCH,520429-4***.....115
DECAL,POWER TO PLATFORM 115V.....11, 13, 15	FIXED CONTACT (FOR 74267).....19-21	FIXED CONTACT (FOR 74267).....19-21
DECAL,SYMBOL-BATTERY SAFETY.....15	FLASH TUBE,STRAIGHT,360DEG,BULB...123	FLASH TUBE,STRAIGHT,360DEG,BULB...123
DECAL,SYMBOL-COMP ACCESS.....15	FLASH TUBE,U SHAPED,360DEG,BULB...123	FLASH TUBE,U SHAPED,360DEG,BULB...123
DECAL,TRACK,FALL ARREST BAR,SYMBOL.....135	FLATBAR-HOOK SUPT(GRAY)-12.188.....61	FLATBAR-HOOK SUPT(GRAY)-12.188.....61
DECAL,TRACK,FALL ARREST BAR,WORD.....135	FLOORING, 6'FT PLATFORM.....85	FLOORING, 6'FT PLATFORM.....85
DECAL,TRACK,FALL ARREST BAR,WORD FR.....135	FLOORING, 6FT PLAT,SIDE.....85	FLOORING, 6FT PLAT,SIDE.....85
DECAL,TRIANGLE,BLUE.....11, 13, 15	FLOORING,4 FT PLATFORM,PAINTED.....85	FLOORING,4 FT PLATFORM,PAINTED.....85
DECAL,TRIANGLE,YELLOW.....11, 13, 15	FLOORING,5 FT PLATFORM,PAINTED.....85	FLOORING,5 FT PLATFORM,PAINTED.....85
	FORMING,CHARGER PLATE,PAINTED.....25	FORMING,CHARGER PLATE,PAINTED.....25
	FORMING,ENG COVER SUPPORT,PNTD...61	FORMING,ENG COVER SUPPORT,PNTD...61
	FORMING,GAS STRUT MOUNT,PAINTE.....61	FORMING,GAS STRUT MOUNT,PAINTE.....61
	FORMING,GAS STRUT MOUNT,PNTD**.....61	FORMING,GAS STRUT MOUNT,PNTD**.....61
	FORMING,INNER HANGER.....135	FORMING,INNER HANGER.....135
	FORMING,LATCH,CTRL BOX LID PTD.....125	FORMING,LATCH,CTRL BOX LID PTD.....125
	FORMING,LOWER CNTRL BOX MOUNT.....49	FORMING,LOWER CNTRL BOX MOUNT.....49
	FORMING,SWING CHASSIS,RH,PAINT.....49	FORMING,SWING CHASSIS,RH,PAINT.....49
	FREEZE PLUG HEATER,Z45.....131	FREEZE PLUG HEATER,Z45.....131
	FRONT AXLE ASSY,NRRW,Z45/25.....17	FRONT AXLE ASSY,NRRW,Z45/25.....17
	FUEL CAP,BI-ENERGY,Z45***%.....45	FUEL CAP,BI-ENERGY,Z45***%.....45
	FUEL TANK ASSY W/DECAL(Z45/25).....45	FUEL TANK ASSY W/DECAL(Z45/25).....45
	FUSE ASSY-BOOM CHARGER.....25	FUSE ASSY-BOOM CHARGER.....25
	FUSE BLOCK, ANN & ANL FUSE.....19-21	FUSE BLOCK, ANN & ANL FUSE.....19-21
	FUSE HOLDER,WATERPROOF.....29	FUSE HOLDER,WATERPROOF.....29
		HANDLE HALF (56274).....95, 97
		HARN ASSY, POWER PACK AP2.....23
		HARNASS,12/3,12V TO PLAT.....55-56, 91-92
		HARNASS,18/19 BOOM CABLE #1.....55-56, 91-92
		HARNASS,18/19,BOOM CABLE #2.....55-56, 91-92
		HARNASS,ALARM OPTION,Z45.....123
		HARNASS,CHASSIS,Z45 BI ENERGY.....51
		HARNASS,ENGINE,Z45BI.....55-56
		HARNASS,FUNCTION,Z45 DC/BI.....55-56
		HARNASS,LS,D.E. Z45BE.....43
		HARNASS,MANIFOLD,Z45 BI/DC.....51, 103, 105, 107, 109
		HARNASS,PLAT,Z45DC/BI,JIB.....55-56
		HARNASS,TILT ALARM,24V,CSA.....29
		HEATSINK ASSY W/DIODES (23442).....25
		HINGE CASTING.....125
		HINGE, SPRING, LONG LEG.....85
		HINGE, .375X.120THK., SLOTTED.....61
		HINGE,PLAT CONTROL BOX COVER.....125
		HORN,24VDC,SPADE TERMINALS***.....47
		HOSE ASSY 1/4, STR FEM,STR FEM.....119, 121
		HOSE ASSY 1/4,90 DEG FEM,STR F.....117
		HOSE ASSY 1/4,STR FEM,STR FEM.....119, 121
		HOSE ASSY 1/4,STR FEM,STR MALE.....121
		HOSE ASSY,1/2,90 FEM,STR FEM.....117
		HOSE ASSY,1/2,90 FEM,STR FEMD*.....117
		HOSE ASSY,1/4",100R1,90F/90F.....117
		HOSE ASSY,1/4",100R1,FEM/FEM.....47

Part Description Index (continued)

HOSE ASSY,1/4,90 FEM,STR FEM.....115
 HOSE ASSY,1/4,STR FEM,STR FEM.....117,
 119, 121
 HOSE ASSY,1/4,STR FEM,STR FEM*.....115,
 119, 121
 HOSE ASSY,1/4,STR FEM,STR FEMM.....119,
 121
 HOSE ASSY,LIFT PUMP/F.MANIF***.....117
 HOSE ASSY,LUBE RINGGEBEARING.....47
 HOSE ASSY,MULTI USE***.....117
 HOSE CLAMP-AIR CLEANER/LOWER.....35,
 37
 HOSE COVER,LOWER LEVEL,BOT,PAI.....67
 HOSE COVER,LOWER LEVEL,TOP,PAI.....67
 HOSE COVER,UPPER ARM,PAINTED.....67
 HOSE END,BARB,1/4 MNPTX3/16,90.....45
 HOSE END,BARB,1/4 MNPTX5/16,90.....45
 HOSE GUIDE, JIB.....81
 HOSE,1/4" HIGH PRESSURE,4.63LG.....73
 HOSE,3/16,FUEL,SAE 30R7,103".....45
 HOSE,5/16 FUEL,SAE 30R7.....35, 37
 HOSE,5/16,FUEL,SAE 30R7,86".....45
 HOSE,AIR CLEANER INTAKE.....35, 37
 HOSE,AIR CLEANER TO ENGINE.....35, 37
 HOSE,AIRLINE TO PLATFORM Z45.....129
 HOSE,LWR RADIATOR,KUBOTA
 WG750.....39, 41
 HOSE,PVC,CLEAR,36.00".....35, 37
 HOSE,WATER PUMP RETURN (Z482).....31,
 33
 HOSE,WATER PUMP,KUBOTA**.....31, 33
 HOSE-RADIATOR,UPPER Z482-E.....39, 41
 HOUR METER,10-80 VOLTS***.....53, 55-56
 HOUR METER,LCD,9-60 VDC***.....53
 HOUSING,FUEL FILTER ELEMENT.....35, 37
 HOUSING-SHAFT ASSY (56274).....95
 HUB ASSEMBLY MODEL#60-8***.....17
 HUB ASSEMBLY,9 BOLT***.....17

I

IND,BAT CHARGE,48V LEAD-ACID.....89, 91-
 92
 INJECTOR,KUBOTA Z482-E.....35, 37
 INNER CONE - MODEL 60-8.....17
 INPUT CARRIER, SUB-ASSEMBLY.....20-21
 INSTRUCTIONS-PIPE CRADLE,BOOMS...127

J

JIB BOOM ASSY W/WORD DECAL.....81
 JOYSTICK,5K-0 OHM.....95, 97
 JOYSTICK,5K-0 OHM**.....91-92
 JUMPER COMB, 2-WAY,WIELAND.....59

K

KEEPER,LATCH (45363).....61, 63
 KEY SINGLE***.....55-56
 KEY,1/4 X 1.25.....35, 37
 KEY,SINGLE***.....53, 55-56
 KEY,WOODRUFF,5/32X3/4 KEY #506.....29
 KEY-WOODRUFF (50414).....43
 KEYS,10 PACK***.....53, 55-56
 KEYSWITCH,3 POS. W/KEYS***.....55-56
 KEYSWITCH,3POS.MNTND.DR WKEY**.....53
 KEYSWITCH,CONTACTS LOCK.....53
 KIT, 24V SEP-EX DRIVE MOTORS.....21
 KIT, ISOLATION, 3 JOYSTICK.....97
 KIT, TERMINAL BLOCK.....59
 KIT,CABLE COVER,Z45 JIB***.....77

KIT,CONTROL BOX COVER.....125
 KIT,COVER,TORQUE HUB,45553***.....20-21
 KIT,CYLINDER REPLACEMENT,Z-45*.....69,
 75
 KIT,ESTOP SVC BB&SM BOOM.....53, 89, 91-
 92
 KIT,FIELD INSTALL,SWING GATE.....125
 KIT,GASKET,UK POWER TO PLAT.....87, 92
 KIT,HALF SWING GATE***.....127
 KIT,HORN SVC BB&SM BOOM.....89
 KIT,KEYSWITCH SVC BB & SM BOOM.....53
 KIT,REPLACE VOLTAGE REGULATOR*.....29
 KIT,SEAL,3CC PUMP***.....101
 KIT,SWING GATE W/SPRING.....125
 KIT,TORQUE HUB COVER (45553)**.....19-21
 KIT,TORQUE HUB COVER(101584)**.....20-
 21
 KIT,UNIV CHRGR UPGRADE,Z40/Z45.....25
 KIT,UPGRADE JOYSTICK,DC/BI.....95
 KIT,Z482 RAD SUPPORT.....41
 KNOB, 45048 CONTROLLER.....99
 KUBOTA 15263-12370CUSHION.....39, 41
 KUBOTA BAND, MUFFLER.....31
 KUBOTA GASKET,THERMOSTAT.....39, 41
 KUBOTA GLOW PLUG.....35, 37
 KUBOTA OIL FILTER.....31, 33

L

LATCH, SWING GATE.....85
 LATCH,FLEXIBLE DRAW W/O KEEPER.....61,
 63
 LATCH,ROTARY, W/KNOB,LEFT.....23
 LATCH,ROTARY, W/KNOB,RIGHT.....23
 LATCH,SLIDE, FLUSH MOUNT STYLE.....125
 LEGEND,PLSTC,"CREEP TO 9"***.....99
 LENS,AMBER,STROBE,FIREBOLT.....123
 LID-BATTERY BOX W/DECALS**.....23
 LIGHT,INDICATOR,RED 28V.....89, 91-92
 LIGHT,LED IND. RED 24V NH.....51, 59, 89,
 91-92
 LINING KIT***.....19-21
 LINING KIT, BRAKE, 4HP***.....20-21
 LINING KIT-AUSCO BRK (56272)**.....19-21
 LINING KIT-MICO BRAKE (50414).....43
 LINK,NYLATRAC KS6-5.4***.....73
 LOAD PAD,ENGINE TRAY SUPPORT.....29
 LOAD SUPPORT WITH BEARINGS.....133
 LOCK RING.....95
 LOCK,PLUG 12 WAY,14-18GA,GRN.....55-56
 LOCK,PLUG 4 WAY,12-14GA.....55-56
 LOCK,PLUG 4 WAY,14-18GA.....67
 LOCK,RECEP 12 WAY, 14-18GA.....59, 91-92
 LOCK,RECEP 4 WAY,12-14GA.....55-56, 59,
 91-92
 LOCK,RECEP 4 WAY,14-18GA.....67, 91-92
 LOCKNUT,ELEC,1/2".....51, 87, 92
 LOCKNUT,ELECTRIC,1" NPT.....51
 LOCKNUT,ELECTRIC,3/4".....51
 LOCKNUT-ELECTRIC, 1/2"(54120).....47
 LOWER LEVEL ARM ASSY.....67
 LOWER SECONDARY ARM ASSY.....67
 LUG BOLT,5/8-18,WHEEL HUB***.....17
 LUG,WHEEL STUD,5/8-18,W1/4HB**.....19-21

M

MANIFOLD KIT, SW DRIVE.....43
 MANIFOLD, FUNC (77007 no longer available
 replaced by 77305, refer to 703.2).....105

MANIFOLD,ASSY DUAL CNTRBAL.....77
 MANIFOLD,DUAL COUNTERBALANCE.....43
 MANIFOLD,FUNC,DC/BI,DS,ADJ****.....107
 MANIFOLD,FUNCTION DC/BI***.....109, 111
 MANIFOLD,FUNCTION W/O ORIFICE*.....111
 MANIFOLD,FUNCTION,Z45 DC/BI***.....103
 MANIFOLD,JIB SELECT,20V***.....113
 MANIFOLD,JIB,ROTATE 20V W/FIT*.....113
 MANIFOLD,JIB,ROTATE 20V,W/FIT*.....113
 MANIFOLD,ROTATOR,180 DEG.***.....77
 MANIFOLD,ROTATOR,CB***.....77
 MANIFOLD,TURNTABLE ROTATION***.....43
 MESH,HALF,LH 5' PLATFORM.....127
 MESH,HALF,LH,6'PLATFORM.....127
 MESH,HALF,RH 5' PLATFORM.....127
 MESH,HALF,RH,6'PLATFORM.....127
 MESH,HALF,SWING GATE***.....127
 MICROSWITCH,13482 FOOTSWITCH.....85
 MICROSWITCH,V3L-139-D8.....95, 97
 MICROSWITCH-V319M***.....95, 97
 MIDPIVOT ASSY Z45IC.....67
 MODULE,IGNITION/START,12/24V.....29
 MODULE,LOAD SENSE 2007.....133
 MOTOR, 24V (36179).....47
 MOTOR,FUNCTION,48V DC.....101
 MOTOR,SEP-EX,24V***.....20-21
 MOTOR,TURNTABLE ROTATE,29.1.....43
 MOUNT,SWITCH.....133
 MOUNTING PLATE, 45048.....99
 MOVING CONTACT (FOR PN 74267).....19-21
 MUFFLER COVER (62040)***.....31
 MUFFLER, KUBOTA, Z45 BE.....31, 33
 MUFFLER-Z482-E (Z45).....31

N

NIPPLE,DIAGNOSTIC,#4.....103, 105, 107, 109
 NUT - PLASTIC,RING FOR ALARMS...47, 59,
 87, 92
 NUT, LP NYLOCK, 3/8-16...29, 31, 33, 45, 49,
 65, 67, 73, 75
 NUT,HEX,1/4-28.....35, 37
 NUT,JS,36867/42032/44988/40612.....95, 97
 NUT,LOCK,5/8-18.....29
 NUT,LOCKING-LG.FLANGE,1/4-20.....73
 NUT,LOCKING-LG.FLANGE,5/16-18.....21
 NUT,LP NYLOCK,1/4-20.....29, 43, 67, 89, 125
 NUT,LP NYLOCK,5/16-18.....23, 31, 35, 37
 NUT,LUG,5/8-18 X 90 DEGREE,Z45.....17
 NUT,NYLOCK FLG,1/4-20,F,ZAG.....127
 NUT,NYLOCK FLG,3/8-16,F,ZAG.....127, 135
 NUT,NYLOCK,1/2-13.....29, 43, 47
 NUT,NYLOCK,1/4-20.....21, 29, 35, 37, 39, 41,
 49, 51, 61, 63, 67, 71, 73, 75, 77, 79, 81, 125,
 127, 133
 NUT,NYLOCK,10-24.....133
 NUT,NYLOCK,10-32.....25, 29, 35, 37, 53, 61,
 63, 67, 71, 87, 89
 NUT,NYLOCK,3/4-10,GRD.8.....75, 79
 NUT,NYLOCK,3/8-16.....19-21, 29, 31, 39, 41,
 45, 47, 49, 61, 65, 71, 77, 81, 92, 133
 NUT,NYLOCK,5/16-18.....31, 33, 47
 NUT,NYLOCK,6-32.....87
 NUT,NYLOCK,8-32.....43, 123
 NUT,PROPORTNL. COIL,52372,GS68.....103
 NUT,TL FLG,1/2-13,G,ZAG.....135
 NUT,TL FLG,1/4-20,G,ZAG.....85
 NUT,TL FLG,3/8-16,G,ZAG.....85
 NUT-CASTLE (50414).....43
 NUT-COIL SHORT.....103, 105, 107

NUT-HEX,3M X 0.5MM.....95, 97
 NUTSERT,1/4-20,STEEL CAD PLTD....53, 59,
 87
 NYLON WASHER,(36179).....47

O

O-RING KIT (ORFS FITTINGS).....103, 105,
 107, 109, 115, 117, 119, 121
 O-RING KIT, AUSCO 1200 IN/LB.....19-21
 O-RING KIT,FIELD SVC,ALL PROD*.....103,
 105, 107, 109, 115, 117, 119, 121
 O-RING, TORQUE HUB.....19-21
 O-RING,2-010,VITON.....20-21
 O-RING,2-042 N674-70***.....43
 O-RING,END COVER,4HP/4HB***.....20-21
 O-RING,FILTER,LOWER Z482-E.....35, 37
 O-RING,FUEL FILTER,UPPER Z482E.....35,
 37
 O-RING,OIL FILLER PLUG,KUBOTA*.....31, 33
 O-RING,ORFS,-6.....55-56
 OPTION,AIRLINE TO PLATFORM.....129
 OPTION,COLD START,Z34DSL.....131
 OPTION,PLAT.PINCH GUARD,4 FT.....125
 OPTION,PLAT.PINCH GUARD,5 FT.....125
 OPTION,SWING GATE,BOOMS***.....125
 ORIFICE DISC,.046",GREEN.....103, 105, 107,
 109
 ORIFICE DISC,0.030***.....103, 105, 107, 109
 ORIFICE DISK,.030.....111
 ORIFICE PLUG, 0.060.....103, 105, 107, 109,
 111
 ORIFICE PLUG,030,1/16-27 NPT.....111
 OUTER CONE - MODEL 60-8.....17
 OUTLET, 110V.....87, 92

P

PAD,REST,2"THICK,W/STUDS*.....47
 PANEL,ACCESS PAINTED.....133
 PANEL,RELAY PAINTED.....29
 PARKING BRAKE SYSTEM.....109, 111
 PCB,ROTATOR CONTROLLER 36557*.....99
 PETCOCK,DRAIN,KUBOTA WG750B.....35, 37
 PIN,0.75DIAX5.75LG,CHAMFER.....133
 PIN,0.75DIAX8.75LG,CHAMFER.....133
 PIN,1.00DIAX15.56LG,CHAMFER.....29
 PIN,1.25DIAX14.45LG,2HOLE.....77
 PIN,1.25DIAX3.37LG,1HOLE.....69
 PIN,1.25DIAX5.25LG,1HOLE.....75, 77
 PIN,1.25DIAX6.36LG,2RING.....71, 77
 PIN,1.25DIAX7.00LG,1HOLE.....75, 77
 PIN,1.25DIAX7.88LG,1HOLE.....77
 PIN,1.25DIAX8.88LG,1HOLE.....75, 77
 PIN,1.25DIAX9.38LG,THREADED.....71
 PIN,1.50DIAX13.88LG,2HOLE.....65
 PIN,1.50DIAX20.00LG,CHAMFER.....17, 19-21
 PIN,1.50DIAX4.25LG,GR/H.....17
 PIN,1.50DIAX7.50LG,1HOLE***.....65
 PIN,1.75DIAX11.63LG,CHAMFER.....65
 PIN,1.75DIAX12.13LG,CHAMFER.....65
 PIN,1.75DIAX12.25LG,CHAMFER.....65, 69
 PIN,1.75DIAX23.57LG,CHAMFER***.....65, 69
 PIN,1.75DIAX9.25LG,1HOLE.....69
 PIN,CLEVIS,1 X 2.5 LG.....17
 PIN,COTTER,,125 X 1.5.....17
 PIN,COTTER,,156 X 2.5.....43
 PINCH GUARD,6"(1.31")SERVICE*.....125
 PINION GEAR.....43
 PIPE ASSY-OVERFLOW (Z482-E).....35, 37

PIPE CRADLE ASSY. SERV (ONE)**.....127
 PIPE, INJECTOR 1 KUBOTA Z482-E.....35, 37
 PIPE, INJECTOR 2 KUBOTA Z482-E.....35, 37
 PIPE,WATER RETURN (Z482-E).....31, 33
 PIPE-BREATHER Z482, Z34/22BE.....31
 PLASTIC END STOP.....51
 PLAT ASSY,6' W/SIDE GATE,Z45/51 ANSI
 SYM.....83
 PLAT ASSY,6' W/SIDE GATE,Z45/51 CE.....83
 PLAT ASSY,6' W/SIDE GATE,Z45DC/BI ANSI
 WORD.....83
 PLAT ASSY,6' W/SIDE GATE,Z45DC/BI
 AUS.....83
 PLAT SUPPORT ASSY,NON-JIB***.....75
 PLAT. CONTROL BOX W/DECAL.....91-92
 PLAT.ASSY,6FT,1/2 MESH, CE.....127
 PLATE, COVER REAR AXLE STANDAR.....21
 PLATE,AIR INTAKE HOSE PAINTED.....39
 PLATE,ALTERNATOR ADJUSTMENT.....29
 P L A T E , C O N T A C T O R
 MNT,W/SERT,PNT.....19-21
 PLATE,CONTACTOR MOUNT,Z45,PTD.....19-
 21
 PLATE,COVER LATCH BACKING.....61, 63
 PLATE,ENGINE MOUNT PAINTED.....29, 39,
 41
 PLATE,FOOT SWITCH COVER.....127
 PLATE,FRONT COVER,PAINTED.....47
 PLATE,FUEL TANK,PAINTED.....45
 PLATE,HINGE COVER SUPPORT,PAIN.....63
 PLATE,SWING LOCK,PAINTED.....43
 PLATE,UK POWER TO PLATFORM.....87
 PLATE,UK,POWER TO PLAT.....92
 PLATFORM,1/2 MESH W/GATE,ANSI*.....127
 PLUG AND CAP KIT-SERVICE,37 **.....103,
 105, 107, 109, 115, 117, 119, 121
 PLUG AND CAP KIT-SERVICE,ORFS*.....103,
 105, 107, 109, 115, 117, 119, 121
 PLUG, TYPE F, 230A, 50HZ, 16A, IP44.....25
 PLUG,090109A-6.....119, 121
 PLUG,1/4"SERIES,3/8 MPT.....129
 PLUG,3/4 MAGNETIC PIPE SQ.DRV.....49
 PLUG,ENGINE OIL DRAIN,D-905***.....31, 33
 PLUG,FUSED,250V,13AMP,U.K.**.....25
 PLUG,NYLON .38 BLACK DOMED.....53, 55-
 56
 PLUG,NYLON .50 BLACK DOMED.....51, 53,
 55-56, 89, 91-92
 PLUG,NYLON .875 BLACK DOMED.....87
 PLUG,NYLON 1.12 BLACK DOMED.....91-92
 PLUG,NYLON 1.187 BLACK DOMED.....125
 PLUG,OIL FILLER Z482,Z34/22BE*.....31, 33
 PLUG,PWR,UK,16AMP,3PIN,BLK.....25
 PLUG,TORQUE HUB,DRAIN***.....20-21
 POTENTIOMETER (56773).....95, 97
 POTENTIOMETER MOUNT PLATE.....95
 POTENTIOMETER,56886.....99
 POWER RELAY, 24V COIL.....21, 29
 POWER UNIT,AUX PUMP 24VDC.....47
 PRIMARY BOOM ASSY,JIB,Z45/25J.....71
 PRIMARY BOOM ASSY,STD,Z45/25*.....71
 PULLEY,3.15 OD.....29
 PULLEY,FAN,WG750B***.....31, 33
 PUMP ASSEMBLY (36179).....47
 PUMP ASSY-FUEL, KUBOTA Z482-E.....35, 37
 PUMP,LIFT,3CC,CCW***.....101
 PUMP-INJECTION, KUBOTA Z482-E.....35, 37
 PUMP-WATER, KUBOTA Z482-E.....31, 33

R

RADIATOR ASSY,KUBOTA Z482E AL.....39,
 41
 RADIATOR STAY, KUBOTA 1702.....39, 41
 RAILING CATCH CASTING--DRILLED.....125,
 127
 RAILING,PINCH GAURD,4 FT.....125
 RAILING,PINCH GAURD,5 FT.....125
 RECEPTACLE, 120VAC, 20A, GFCI.....92
 RECEPICAL,SNAP-IN (1450G1)***.....47
 Ref Hose Assembly (refer to 801.1).....119, 121
 Ref: Swing Drive Assy.....43
 REGULATOR,48 VOLTAGE,BI ENERGY.....29
 REGULATOR-VOLTAGE(Z482-E).....29
 RELAY MOUNT ASSY.....87
 RELAY PANEL COVER.....29
 RELAY SOCKET,70AMP.....21
 RELAY SOCKET,AUTO,RETAINER***.....53
 RELAY,24VDC,40/30A,SEALED***.....29, 53,
 59, 87, 92
 RELAY,CHARGER .TIMER(19531/32).....25
 RELAY,CHARGER TIMER**.....25
 RELAY,SPDT,12V(AUTO)**.....87, 91-92
 REPAIR LINK END SET (42763)*.....73
 REPAIR LINK,7 LINKS***.....73
 RETAINER,GAS SPRING***.....61
 RETAINER,SPRING,1.21 X .375.....133
 RETAINING PIN, ASSY.....43
 RETROFIT KIT,SEPEX CONTROLLER.....19-
 21
 RING GEAR,KUBOTA Z482-E.....35, 37
 RING-RETAINING,FUEL FILTER.....35, 37
 RIVET,ALUM,ALUM,3/16BUTTONHEAD....125
 RIVET,STEEL,P .25 X .375.....125, 127
 RIVET,STL,STL,P.125 X .25.....47
 ROCKER ASSY (42032)***.....97
 ROCKER ASSY (56274).....95
 ROCKER ASSY W/ROLLPIN***.....95, 97
 ROD END,.250 X 2.75 LG.....133
 ROD END,.375 X 2.25,ZAG.....69
 ROD END,.375X3.69,ZAG.....17, 19-21, 69,
 71, 75, 77
 ROD END,.5 X 3.75,ZAG.....65
 ROD,CHOKE (KUBOTA)***.....35, 37
 ROD,DISCONNECT 4HP/4HB***.....20-21
 ROD,ENGINE IDLE & STOP.....35, 37
 ROLLER ARM,LIMIT SWITCH***.....43, 67, 71
 ROTATIONAL CONTROLLER,24V***.....89, 91-
 92, 99
 ROTATOR,PLAT,JIB,Z45/25J***.....77
 ROTATOR,PLAT,NON/JIB,Z45/25.....75
 ROTATOR,PLAT,Z45.....75
 ROTATOR,PLAT,Z45J/Z51J.....77

S

SCREW T-SWITCH PH/PH 6-32X1/4....53, 55-
 56, 89, 91-92
 SCREW, HCC, 3/8-16 X 1.50.....29, 39, 41, 47,
 61, 75, 77
 SCREW,10ABX.50",PNHD,ST(41896).....25
 SCREW,8ABX3/8",PNHD-S.T(41896).....25
 SCREW,BHHS,1/4-20 X .5,Y/ZINC.....73
 SCREW,BHSC,1/4-20 X .88,Y/ZINC.....73
 SCREW,BLEEDER,M5X0.8.....77
 SCREW,FHS,3/8-16 X 1.75.....29, 45
 SCREW,HH TAPETITE THRD8-32X.50.....101
 SCREW,HH,10-32 X 3/4"(41896).....25
 SCREW,HHC,1/2-13 X 1.25 GR5.....29, 49

Part Description Index (continued)

SCREW,HHC,1/2-13 X 1.5.....65, 67	SCREW,PHS,4-40 X 1.5.....95	SET SCREW***.....20-21
SCREW,HHC,1/2-13 X 1.5 GRD 8.....43	SCREW,RADIATOR MOUNT, KUBOTA.....39, 41	SHAFT ASSY, JOYSTICK***.....97
SCREW,HHC,1/2-13 X 1.75.....29, 47	SCREW,RHM,10-32 X .5.....35, 37	SHAFT ASSY,JOYSTICK.....95
SCREW,HHC,1/2-13 X 6,GRD.8.....29	SCREW,SHC,1/2-13 X 3.00.....21, 43	SHIM,AXLE ROTATION STOP,12GA.....19-21
SCREW,HHC,1/2-13 X 7.5.....67	SCREW,SHC,1/2-13 X 3.25.....21	SHIM,AXLE ROTATION STOP,22GA.....19-21
SCREW,HHC,1/4-20 X .5.....29, 51, 67, 125	SCREW,SHC,1/2-13 X 4.50 ZINC.....43	SHIM,WEAR PAD,5 X 1.5,14GA.....71
SCREW,HHC,1/4-20 X .625.....21, 53, 87, 89, 91-92, 125, 127	SCREW,SHC,5/8-11 X 1.75.....19-21, 29	SHIM,WEAR PAD,5X 1.5 16GA.....71
SCREW,HHC,1/4-20 X .75.....19-21, 29, 35, 37, 39, 41, 49, 51, 53, 55-56, 63, 81, 133	SCREW,SHC,5/8-11 X 2.5 BLK.....43	SHOCK MOUNT,SMALL.....29
SCREW,HHC,1/4-20 X 1.....17, 23, 29, 49, 61, 67, 133	SCREW,SHC,5/8-11 X 4.5,A574.....43	SLIDING MIDRAIL KIT,PTD.....85
SCREW,HHC,1/4-20 X 1.25.....21, 35, 37, 61, 77, 81	SEAL AND BRG KIT,4.5K ROTATOR.....75, 77	SNAP PIN.....127
SCREW,HHC,1/4-20 X 1.5.....29, 75, 125	SEAL AND BRG KIT,4.5K ROTATOR*.....75, 77	SNAP PIN,(RD.NOSE)-GATE LATCH.....125
SCREW,HHC,1/4-20 X 1.75.....71	SEAL DT SERIES-12W.....55-56	SNAP RING,EXTERNAL,1.25,ZAG.....71, 77
SCREW,HHC,1/4-20 X 2.....43, 67, 125, 133	SEAL KIT (39345).....43, 65, 77	SNAP RING,EXTERNAL,1.50,ZAG.....17
SCREW,HHC,1/4-20 X 2.25.....67	SEAL KIT (54994).....77	SNAP RING,WHEEL DRIVE.....20-21
SCREW,HHC,1/4-20 X 2.75.....75, 79	SEAL KIT CYL Z45 (54570).....71	SOLENOID,2 SPEED TROMBETTA***.....35, 37
SCREW,HHC,1/4-20 X 5.50,G5,CLZ.....73	SEAL KIT CYL.Z45(54569).....71	SOLENOID,STARTER,WG750B.....31, 33
SCREW,HHC,3/4-10 X 9.5 GR 8 YE.....75, 79	SEAL KIT,37185 PUMP.....47	SPACER, HANGER BRACKET.....135
SCREW,HHC,3/8-16 X .75.....47, 49, 71, 81	SEAL KIT, 54861.....19-21	SPACER-POT.PLATE,JOYSTICK56773.....97
SCREW,HHC,3/8-16 X 1.....17, 29, 35, 37, 49, 67, 69	SEAL KIT, 88337.....17	SPARK PLUG WIRE SET, LSG 423.....47
SCREW,HHC,3/8-16 X 1 GRD 8.....79	SEAL KIT, BRAKE, 4HP.....20-21	SPEED CONTROL ASSEMBLY**.....35, 37
SCREW,HHC,3/8-16 X 1.25 GRD 5.....17, 31, 33, 47, 71, 75, 77, 92	SEAL KIT, SWING DRIVE.....43	SPRING & BUSHING KIT,RETURN***.....95, 97
SCREW,HHC,3/8-16 X 1.75,GRD.8.....61, 71	SEAL KIT, TORQUE HUB(74097)*.....20-21	SPRING CLIP,1/4-20,.025-.15X.54,ZAG.....17, 19-21, 29, 81, 85, 133
SCREW,HHC,3/8-16 X 2.....81	SEAL KIT, VALVE.....103, 105, 107, 109, 111	SPRING CLIP,10-24,.025-.125X.468,ZAG.....85
SCREW,HHC,3/8-16 X 2.25.....19-21	SEAL KIT, Z45 ELEV%.....65	SPRING CLIP,3/8-16,.05-.20X.73,ZAG.....23
SCREW,HHC,3/8-16 X 2.75.....29, 49	SEAL KIT,147259.....77	SPRING KIT-MICO BRAKE (50414).....43
SCREW,HHC,3/8-16 X 3.....65	SEAL KIT,2" BORE,1" ROD***.....17	SPRING, BRUSH RETAINER, 36182*.....20-21
SCREW,HHC,3/8-16 X 3.25.....29, 133	SEAL KIT,3" BORE,1.5" RD.....69	SPRING, RETURN (FOR 74267).....19-21
SCREW,HHC,3/8-16 X 3.5,GR5.....65	SEAL KIT,50287,50392 CYLINDER.....69	SPRING, RETURN (FOR 74268).....19-21
SCREW,HHC,3/8-24 X 1 GR 8 YEL.....101	SEAL KIT,50302 CYLINDER.....65	SPRING,COMP,1" OD,232 LB/IN.....133
SCREW,HHC,5/16-18 X 1 GR5.....21, 35, 37, 47, 125	SEAL KIT,50337,50353 CYLINDER.....69, 75, 77	SPRING,COMPRESSION .835 X 2.....35, 37
SCREW,HHC,5/16-18 X 1.25.....23, 31, 47	SEAL KIT,50699,50260,50321 CYL.....71	SPRING,RETURN (74266).....21
SCREW,HHC,5/16-18 X 2.5",GR 5.....31	SEAL KIT,52907,SIZE 4, 2 WAY.....105, 107, 111	SPRING,SHORT PLATFORM GATE.....125
SCREW,HHC,5/16-18 X 2.75 GR5.....43	SEAL KIT,BRAKE***.....19-21	SPRING-BRUSH,40844, SCISSORS.....101
SCREW,HHC,M10 X 1.25 X 30MM**.....39, 41	SEAL KIT,BRAKE,MICO***.....43	STACK KIT, AUSCO 1200 IN/LB.....19-21
SCREW,HHC,M6 X 16.....41	SEAL KIT,CYL,Z45 (77187&77188).....69	STARTER MOTOR Z482, Z34/22BE.....31, 33
SCREW,HHC,M8 X 20MM.....31, 33, 35, 37, 39, 41	SEAL KIT,ELEVATE (88203).....65	STAY,ALTERNATOR***.....33
SCREW,HHF,1/2-13X3.5,8,ZAG.....135	SEAL KIT,LIFT PUMP,BARNES**.....101	STEP PLATFORM ENTRY PAINTED***.....85
SCREW,HHF,1/4-20X.625,8,ZAG.....85	SEAL KIT,MANIFOLD TO MOTOR.....43	STRAINER ASSY,PLASTIC,1.25 MPT.....49, 117
SCREW,HHF,1/4-20X.75,8,ZAG.....85	SEAL KIT,MASTER & SLAVE CYL.....69, 75, 77	STRAP ASSEMBLY, CHASSIS GROUND.....27
SCREW,HHF,1/4-20X2.5,8,ZAG.....127	SEAL KIT,ROTATOR***.....75, 77	STRAP ASSY, 44LG, W/RUBBER.....45
SCREW,HHF,3/8-16X1.8,ZAG.....85	SEAL KIT,SWING DRIVE***.....43	STRAP ASSY,29.25LG,W/RUBBER.....49
SCREW,HHF,3/8-16X2.5,8,ZAG.....135	SEAL KIT,SWING MOTOR***.....43	STRAP, CONDUIT HOLDER 60****.....127
SCREW,HHTAPTITE THREAD8-32X.38.....101	SEAL KIT,TORQUE HUB (20193).....19-21	STROBE,FIREBOLT,12-80VDC,AMB**.....123
SCREW,PHIL,8-32X.50,SELF TAP.....92	SEAL KIT,TRNTBLE ROT MTR(50413).....43	STRUT,GAS,200 LB***.....61
SCREW,PHIL,PHM,10-24X1.5 ZINC.....133	SEAL KIT,UNIVERSAL,9K ROTATOR*.....75, 77	SUPPORT,RAILING.....125
SCREW,PHILLIPS,PHM,10-32 X .38.....21	SEAL KIT,WHEEL DRIVE (106148/106445/107712).....20-21	SVC KIT,UK RECEPT.REPLACEMENT.....92
SCREW,PHILLIPS,PHM,10-32 X .5.....53, 87, 89	SEAL KIT,WHEEL DRIVE W/BRAKE (101584/101585).....20-21	SWING DRIVE ASSEMBLY.....43
SCREW,PHILLIPS,PHM,10-32 X .75.....61, 63, 97	SEAL KIT-3" BORE X 1.5" ROD.....69	SWING DRIVE ASSY***.....43
SCREW,PHILLIPS,PHM,10-32 X 2.0.....67	SEAL-GREASE,9-BOLT HUB 54840.....17	SWITCH TOGGLE ASSY DPDT 2P MNT.....53
SCREW,PHILLIPS,PHM,10-32 X.625.....29, 53, 87	SEAL-GREASE,MODEL 60-8.....17	SWITCH TOGGLE ASSY DPDT 2P MOM..53, 55-56, 89, 91-92
SCREW,PHILLIPS,PHM,10-32X 1.75.....71	SEAL/BEARING KIT (45043,54840).....17	SWITCH TOGGLE ASSY DPDT 3P MNT.....89
SCREW,PHILLIPS,PHM,6-32 X .5.....87	SENDING UNIT,WATER TEMP***.....31	SWITCH TOGGLE ASSY DPDT 3P MOM..53, 55-56, 89, 91-92
SCREW,PHILLIPS,PHM,8-32 X 1.25.....123	SENDING UNIT-OIL PRES. Z482-E.....31	SWITCH TOGGLE ASSY SPDT 3P MOM...53, 55-56, 89, 91-92
SCREW,PHILLIPS,PHM,8-32 X 1.5.....43	SENSOR,LEVEL 4.5***.....29	SWITCH TOGGLE DPDT 2P MNT SHDR.....53
SCREW,PHM, NO.7X0.625"(41896).....25	SENSOR,LEVEL,4.5 DEG.....61	SWITCH TOGGLE DPDT 2P MOM SHDR.....53, 56, 89, 91-92
SCREW,PHM,M3 X .5 X 12MM.....95, 97	SERV KIT,CAP,SERIES 1CB VALVE.....65	SWITCH TOGGLE DPDT 3P MNT SHDR.....89
SCREW,PHM,M3 X 5 X 12MM.....95, 97	SERV KIT,HARN ASSY,PWR BATT PK.....23	SWITCH TOGGLE DPDT 3P MOM SHDR.....53, 55-56, 89, 91-92
SCREW,PHM,M3.5 X 12MM (57890).....97	SERVICE KIT, 5FT JIB.....77	SWITCH TOGGLE SPDT 3P MOM SHDR.....53, 55-56, 89, 91-92
SCREW,PHPM,10-24X1,ZAG.....85	SERVICE KIT, IC GROUND BOX.....51	SWITCH, LIMIT,W/RLLR ARM NO/NC.....67, 71
	SERVICE KIT,5FT JIB.....81	

SWITCH,LIMIT,W/RLLR ARM,NO/NC*.....67
 SWITCH,LIMIT,W/RLLR ARM,NO/NC**.....43, 71
 SWITCH,LOAD LIMIT.....133
 SWITCH,OIL,PRESSURE,KUBOTA.....33
 SWITCH,PRESS,#6SAE,600 PSI.....103, 105, 107, 109, 111
 SWITCH,WATER TEMP.....33

T

T-BOX,2.75 X 4.5 X 2.0.....87, 92
 TAILPIPE, EXHAUST, BI-ENERGY.....31
 TANK BREATHER,NYLON **.....49
 TANK,HYDRAULIC,8 GALLON,DC/BI.....49
 TAPE,WARNING,BLK/YEL, 50***.....11
 TEE,BRANCH,520429-6.....119, 121
 TEE,BRANCH,520433-8.....117
 TEE,RUN,520428-4.....115
 TERM RELAY,N-INSULATE 14-16 GA.....53, 87
 TERM,DEUTSCH, PIN #12-14.....91-92
 TERM,NI PIN, 14-16GA,BULK.....91-92
 TERM,NI PIN,S&F,16-18GA,REEL.....67, 91-92
 TERM,NI SOC,S&F,16-18GA,REEL.....67
 TERM,RELAY N-INSULATED 10-12 G.....53, 87
 TERM,RELAY,N-INSULATE 18-20 GA.....53, 87
 TERM,BUSS,10POLE,JOYSTICK56773.....97
 TERMINAL BLOCK END PLATE.....59
 TERMINAL BLOCK(SINGLE),WAGO***.....51
 TERMINAL BLOCK, WIELAND***.....59
 TERMINAL BLOCK,WAGO.....87
 TERMINAL BLOCK,WIELAND.....59
 TERMINAL STRIP END PLATE.....51
 TERMINAL STRIP,10 POLE,JOYSTK.....95
 TERMINAL,MOLEX 16 GAUGE***.....19-21
 THERMOSTAT ASSY, WG750B.....39, 41
 THERMOSTAT COVER,KUBOTA GAS.....39, 41
 THUMB SCREW W/SHOULDER 3/8-16.....23
 TIE ROD WELDMENT, NARROW.....17
 TIMER (23442)(41896)(36314).....25
 TIMER(24059,41897,41898,41899).....25
 TIRE & WHEEL ASSY,8 ON 8,FOAM.....17
 TIRE ASSY,8 ON 8,N/MARK,FOAM.....17
 TIRE ASSY,8 ON 8.5,N/MARK,79#.....17
 TIRE ASSY,9 ON 9.5,N/MARK,78*.....17, 20-21
 TIRE/WH ASSY,9 LG,FOAM,NS REAR.....20-21
 TIRE/WH ASSY,9 LG,FOAM,S FRONT.....17
 TIRE/WH ASSY,9 LG,NM,FOAM,S FR.....17
 TIRE/WH ASSY,9LG,NM,FOAM,NS RE.....20-21
 TIRE/WHL ASSY,8 ON 8 BC 72#.....17
 TIRE/WHL ASSY,9 ON 9.5 BC 74#.....17, 20-21
 TOEBOARD,ENTRY EUROPEAN
 PNTD**.....85, 125
 TOOL TRAY ACCESSORY***.....125
 TOOL TRAY BRACKET (GRAY) **.....125
 TOOL,TERMINAL CRIMPER,MOLEX***.....19-21
 TOOL,TERMINAL EXTRACTOR,MOLEX...19-21
 TORQUE HUB,47:1 W1 "B" MOUNT**.....19-21
 TRIMLOCK,BLACK,5/32".....127

TROLLEY, TRACK, FALL ARREST BAR.....135
 TUBE,CABLE TRACK ARM NON-JIB.....73
 TUBE,CABLE TRACK ARM,JIB.....73
 TUBE,PLASTIC .5 NPT X 18".....49
 TUBE,PROP ROD,18.63",W/CAP.....63
 TUBELESS PNEUMATIC TIRE,9-14LT.....17, 20-21
 TUBELESS TIRE,9-14.5,NON-M 47#.....17, 20-21

U

U-BOLT, FLATTENED, 1.5 X 3/8
 UNC,ZAG.....127
 U-BOLT,3/8 X 1 YZ.....31, 33
 UPPER LEVEL ARM ASSY,SERV.....67
 UPPER PIVOT W/BEARING-Z45/25.....67, 69
 UPPER SECONDARY ARM ASSY-Z45.....67

V

VALVE - COUNTERBALANCE**.....77
 VALVE ASSY,BLEED***.....75, 77
 VALVE BLOCK, SWING DRIVE.....43
 VALVE RELIEF,2500PSI(88513)**.....111
 VALVE, CNTRBAL 3500 PSI, ATM VEN.....65, 109
 VALVE,3POSITION,4WAY*.....103, 105, 107, 109, 111
 VALVE,CB.CBBC-LHN@1000***.....71
 VALVE,CHECK (36179).....47
 VALVE,CHECK,DUAL PILOT**.....111
 VALVE,CHK,#8PORT-#8MALEORFS.....117
 VALVE,COUNTERBAL.CBCA-LHN@3000...77
 VALVE,COUNTERBALANCE.....43
 VALVE,COUNTERBALANCE,3500 PSI.....65, 105, 107
 VALVE,COUNTERBALANCE,3500***.....75, 77, 103
 VALVE,COUNTERBALANCE,3800 PSI.....69
 VALVE,COUNTERBALANCE,3800 PSI*.....77
 VALVE,COUNTERBALANCE,1500 PSI**.....71
 VALVE,DIRECTIONAL,2-WAY,3 POS.....111
 VALVE,FLOW CONTROL,.4 GPM.....111
 VALVE,FLOW CONTROL,0.1GPM,ADJ.....105
 VALVE,FLOW REGULATOR,0.6 GPM.....103, 105, 107, 109
 VALVE,NEEDLE,FINE ADJUSTMENT**.....111
 VALVE,NEEDLE/CHECK,FINE THRD.....107, 109
 VALVE,PRESS COMP,PROP DIRECT.....111
 VALVE,PROPORTIONAL,24V-N.C.....103, 105, 107, 109
 VALVE,RELIEF,2100 PSI***.....111
 VALVE,SHUTTLE.....111
 VALVE,SOLENOID (77009).....113
 VALVE,SOLENOID 3 POS.4 WAY***.....103, 105, 107, 109, 111
 VALVE,SOLENOID, 2POS/3WAY***.....103, 105, 107, 109, 111
 VALVE,SOLENOID,2 POS 2 WAY.....105, 107, 109
 VALVE,SOLENOID,2POS 2WAY N.O.*.....103, 105, 107, 109, 113
 VALVE-CHECK, #4 SAE, 5 PSI*.....103, 105, 107, 109, 111
 VALVE-LOAD SENSING.....103, 105, 107, 109
 VALVE-RELIEF,1800 PSI.....103, 105, 107, 109
 VALVE-RELIEF,2300 PSI.....103

VALVE-RELIEF,3200 PSI.....103, 105, 107, 109, 111
 VALVE-SOLENOID,2POS 3WAY,JIB**.....113
 VALVE-SOLENOID,2POS/2WAY.....103

W

WASHER, FLAT, SHAFT, JOYSTICK.....97
 WASHER,FENDER,.25 X 1.25 X.062.....61, 63
 WASHER,FLAT,.375 X 1.5 X .125.....29, 133
 WASHER,FLAT,625 HARDENED.....19-21, 29, 43
 WASHER,FLAT,75 HARDENED.....75, 79
 WASHER,FLAT,M6 PLTD.....41
 WASHER,FLAT,M8,YELLOW ZINC.....39, 41
 WASHER,FLAT,MS,#10,Y.....25, 29, 53, 61, 63, 87, 89, 133
 WASHER,FLAT,MS,#8,Y.....123
 WASHER,FLAT,USS,1/2",Y.....29, 43, 47, 49, 67
 WASHER,FLAT,USS,1/4"Y.....19-21, 23, 29, 43, 47, 49, 51, 53, 55-56, 61, 63, 67, 71, 73, 75, 77, 79, 81, 89, 91-92, 125, 127, 133
 WASHER,FLAT,USS,3/8",Y.....31, 33, 39, 41, 49, 67, 71, 133
 WASHER,FLAT,USS,5/16",Y.....19-21, 29, 31, 33, 35, 37, 45, 47, 49, 61, 65, 73, 75, 77, 92, 125
 WASHER,HARDENED,5/8.....29
 WASHER,LOCK,#10 PLTD.....21, 43
 WASHER,LOCK,.25.....17, 29, 35, 37, 39, 41, 49, 53, 75, 77, 87, 125
 WASHER,LOCK,.313.....21, 31, 35, 37, 43, 47, 49, 125
 WASHER,LOCK,.375.....17, 19-21, 29, 47, 49, 67, 69, 71, 79, 81, 101
 WASHER,LOCK,.625 PLTD.....29
 WASHER,LOCK,0.5".....29, 43, 49, 65, 67
 WASHER,LOCK,M10.....39, 41
 WASHER,LOCK,M6.....41
 WASHER,LOCK,M8.....33, 39, 41
 WASHER,NYLON, JOYSTICK.....97
 W A S H E R , R A D I A T O R
 CUSHION,KUBOTA.....39, 41
 WASHER,SHIM .0151 THK.....133
 WASHER,SHIM,1.27 X 2.13 X .062.....17, 71, 77
 WASHER,STAR,EXTERNAL,.375.....51, 89
 WASHER,THRUST,.75 X 1.38X.13.....23
 WASHER,THRUST,1.5 X 3.5 X .187.....17
 WASHER,THRUST,TORQUE HUB.....19-21
 W A S H E R , T H R U S T , T O R Q U E
 HUB,74097.....20-21
 WASHER-LOCK, 4-40.....95
 WASHER/BULKHEAD***.....49
 WEAR PAD,3 X 1.5 X.625 W/NUTS.....81
 WEAR PAD,4.88 X 1.5 X .5.....49
 WEAR PAD,4X2X.5 W/INSERT**.....23
 WEAR PAD,5 X 1.5 X .625 W/NUTS.....71
 WEAR PAD,5 X 1.5 X .75 W/NUTS.....71
 WEAR PAD,6 X 1.5 X.50,W/INSERT.....67
 WEAR PAD,EXTENSION BOOM.....71
 WEAR PAD,EXTENSION CYLINDER.....71
 WEAR PAD,MID PIVOT,PERIMETER.....67
 WEAR PAD,PRIMARY BOOM,JIB.....71
 WEAR PAD,PRIMARY BOOM,NON JIB.....47
 WEAR PAD,PRIMARY BOOM, TOP
 6.25X1.5X1.13.....71
 WEAR PAD,SECONDARY CYL,NON/JIB.....65
 WELD. PLAT. SUPPORT,JIB**.....79

Part Description Index (continued)

WELDMENT, PIPE CRADLE.....127
 WELDMENT,4 FT PLATFORM.....83
 WELDMENT,5 FT PLATFORM.....83
 WELDMENT,CABLE TRACK TRAY,NJIB.....73
 WELDMENT,ENGINE TRAY,BI-ENERGY.....29
 WELDMENT,MID PIVOT,MACHINED.....67
 WELDMENT,PIPE CRADLE MOUNT.....127
 WELDMENT,PLAT SUPPORT,LS.....133
 WELDMENT,PLATFORM SUPPORT.....79, 133
 WELDMENT,ROTATOR MOUNT.....133
 WELDMNT,6 FT PLATFORM.....83
 WELDMNT,PLATFRM SUPPORT,NJIB**75
 WHEEL DRIVE,4HB,48:1***.....20-21
 WHEEL DRIVE,EW1,48:1"B"MOUNT.....20-21
 WHEEL STUD, 4HP, 5/8-18**.....20-21
 WHEEL,14.5 X 7.....17, 20-21
 WHEEL,14.5 X 7 (8 ON 8 BC) 31#.....17
 WIRE ASSY-PWR PAN TO ENG HARN.....27
 WIRE CABLE,14/3 CON.TPE JKT*.....87
 WIRE CABLE,14GA/4 CON.TPE JKT...87, 91-
 92
 WIRE CABLE,16/4 CON.TPE JKT....51, 67, 85
 WIRE CABLE,18/19 CON.TPRJKT.....51, 87
 WIRE LOOM,1.25"NYLON,HIGH TEMP.....71,
 75, 77
 WIRING KIT,JIB TIME DELAY IC.....87, 91-92
 WLDMNT,CABLE TRACK TRAY,JIB.....73
 WORKLIGHT,48 VOLT.....125

Y

YOKE ASSY.LH'2WD'Z45IC.....17
 YOKE ASSY.RH'2WD'Z45IC.....17

Z

ZERK,GREASE,5/16-24,STRAIT.....133

This Page Intentionally Left Blank

Go to Discount-Equipment.com to order your parts

Fitting Cross References

Genie PN	Parker PN	Description	Genie PN	Parker PN	Description
12342	6-4 F5OX-S	CONNECTOR,STRAIGHT THREAD TO FLARE TUBE	42794	1 CR-S	ELBOW,90°,MALE PIPE
13757	4 R6X-S	RUN TEE,SWIVEL NUT,ORFS	42795	BV-0839	BALL VALVE
19685	12-10 C5OX-S	ELBOW,90°,STRAIGHT THREAD TO FLARE TUBE	42796	BV-0838	BALL VALVE
22664	12-10 C5OX	ELBOW,90°,STRAIGHT THREAD TO FLARE TUBE	42874	6-8 CLO-S	ELBOW,90°,MALE PIPE TO ORFS
27431	8-12 F5OX-S	CONNECTOR,STRAIGHT THREAD TO FLARE TUBE	42912	13943-6-4	HOSE END,90° FEMALE SWIVEL,JIC
28678	AS-B-33	SLEEVE,NYLON,1.81" ID	42920	BV-0840	BALL VALVE,90°
39871	6 WETX-WLN-S	UNION,90° BULKHEAD W/NUT,FLARE TUBE	42932	AS-B-17	SLEEVE,NYLON,1.22" ID
39872	4 R5OX-S	RUN TEE,STRAIGHT THREAD	42936	10243-2-4	HOSE END,FEMALE PIPE
39873	6 C5OX-S	ELBOW,90°,STRAIGHT THREAD TO FLARE TUBE	42953	1/2 DD-S	ELBOW,90°,FEMALE PIPE
39874	8-6 C5OX-S	ELBOW,90°,STRAIGHT THREAD TO FLARE TUBE	42956	6 WELO-WLNL-S	UNION,90° BULKHEAD W/NUT,ORFS
39875	4-6 C5OX-S	ELBOW,90°,STRAIGHT THREAD TO FLARE TUBE	45349	8 V5OX-S	ELBOW,45°,STRAIGHT THREAD TO FLARE TUBE
39876	6-8 C5OX-S	ELBOW,90°,STRAIGHT THREAD TO FLARE TUBE	45351	4 V5OX-S	ELBOW,45°,STRAIGHT THREAD TO FLARE TUBE
39877	4 F5OX-S	CONNECTOR,STRAIGHT THREAD TO FLARE TUBE	47223	10343-6-6	HOSE END,MALE,JIC
39878	6 F5OX-S	CONNECTOR,STRAIGHT THREAD TO FLARE TUBE	47419	PS690503-6-6	SWIVEL,90°,STRAIGHT THREAD TO 37° FLARE
39879	4-8 F5OX-S	CONNECTOR,STRAIGHT THREAD TO FLARE TUBE	48750	421-4	HOSE,1/4 INCH ID
39880	6-10 F5OX-S	CONNECTOR,STRAIGHT THREAD TO FLARE TUBE	48751	481TC-4	HOSE,1/4 INCH ID
39881	4-6 F5OX-S	CONNECTOR,STRAIGHT THREAD TO FLARE TUBE	48752	482TC-4	HOSE,1/4 INCH ID
39882	4-HP5ON-S	PLUG,STRAIGHT THREAD	48753	451TC-6	HOSE,3/8 INCH ID
39883	8-8 FTX-S	CONNECTOR,MALE PIPE TO FLARE TUBE	48754	482TC-6	HOSE,3/8 INCH ID
39885	269HB 12-12	ELBOW,90°,BEADED HOSE BARB TO MALE PIPE	48755	381-6	HOSE,3/8 INCH ID
39886	431-6	HOSE,3/8 INCH ID	48756	451TC-8	HOSE,1/2 INCH ID
39887	540N-2	HOSE,1/8 INCH ID	48757	482TC-8	HOSE,1/2 INCH ID
39888	801-8	HOSE,1/2 INCH ID	48758	381-8	HOSE,1/2 INCH ID
39889	801-12	HOSE,3/4 INCH ID	48759	381-10	HOSE,5/8 INCH ID
39890	10643-6-6	HOSE END,FEMALE SWIVEL,JIC	48760	451TC-10	HOSE,5/8 INCH ID
39891	13943-6-6	HOSE END,90° FEMALE SWIVEL,JIC	48761	482TC-12	HOSE,3/4 INCH ID
39892	13743-6-6	HOSE END,45° FEMALE SWIVEL,JIC	48762	451TC-12	HOSE,3/4 INCH ID
39894	30682-8-8	HOSE END,FEMALE SWIVEL,JIC	48763	772-12	HOSE,3/4 INCH ID
39895	30682-10-12	HOSE END,FEMALE SWIVEL,JIC	48764	881-16	HOSE,1 INCH ID
42286	8-8 CTX-S	ELBOW,90°,MALE PIPE TO FLARE TUBE	48765	772-16	HOSE,1 INCH ID
42756	8-12 CLO-S	ELBOW,90,MALE PIPE TO ORFS	48766	AS-B-15	SLEEVE,NYLON,1.06" ID
42757	8-12 FLO-S	CONNECTOR,MALE PIPE TO ORFS	48767	AS-B-22	SLEEVE,NYLON,1.42" ID
42758	4 JLO-S	UNION TEE,ORFS	48770	881-8	HOSE,1/2 INCH ID
42759	4-4 FLO-S	CONNECTOR,MALE PIPE TO ORFS			
42760	6-8 FLO-S	CONNECTOR,MALE PIPE TO ORFS			
42761	1J143-6-4	HOSE END,90° FEMALE SWIVEL,SEAL LOK			
42762	1J743-6-4	HOSE END,45° FEMALE SWIVEL,SEAL LOK			
42768	1JO43-4-4	HOSE END,MALE,SEAL LOK			
42776	601-8	HOSE,1/2 INCH ID			
42777	1J743-16-16	HOSE END,45° FEMALE SWIVEL,SEAL LOK			
42786	16 CLO-S	ELBOW,90°,MALE PIPE TO ORFS			
42787	16 R6LO-S	RUN TEE,SWIVEL NUT,ORFS			
42788	16-8 TRLO-BL-S	REDUCER,TUBE END TO SWIVEL,ORFS			
42789	6-6 CLO-S	ELBOW,90°,MALE PIPE TO ORFS			
42790	8-10 V5OLO-S	ELBOW,45°,STRAIGHT THREAD TO ORFS			
42791	3/4 CD-S	ELBOW,90°,MALE TO FEMALE PIPE			
42792	3/4 X 1/2 PTR-S	REDUCER,MALE TO FEMALE PIPE			
42793	1/2 CR-S	ELBOW,90°,MALE PIPE			

Fitting Cross References (Continued)

Genie PN	Parker PN	Description	Genie PN	Parker PN	Description
48771	881-10	HOSE,5/8 INCH ID	48847	13943-12-12	HOSE END,90° FEMALE SWIVEL,JIC
48772	381-4	HOSE,1/4 INCH ID	48848	10543-12-12	HOSE END,MALE,STRAIGHT THREAD
48773	AS-B-13	SLEEVE,NYLON,.86" ID	48849	1JC71-12-12	HOSE END,FEMALE SWIVEL,SEAL LOK
48800	1JC43-4-4	HOSE END,FEMALE SWIVEL,SEAL LOK	48850	1JS71-12-12	HOSE END,FEMALE SWIVEL,SEAL LOK
48801	1J743-4-4	HOSE END,45° FEMALE SWIVEL,SEAL LOK	48851	1J171-12-12	HOSE END,90° FEMALE SWIVEL,SEAL LOK
48802	1J943-4-4	HOSE END,90° FEMALE SWIVEL,SEAL LOK	48852	1J771-12-12	HOSE END,45° FEMALE SWIVEL,SEAL LOK
48804	1JM43-4-4	HOSE END,MALE,SEAL LOK, NO O-RING	48853	1J971-12-12	HOSE END,90° FEMALE SWIVEL,SEAL LOK
48805	10643-4-4	HOSE END,FEMALE SWIVEL,JIC	48854	1JC43-16-16	HOSE END,FEMALE SWIVEL,SEAL LOK
48806	13943-4-4	HOSE END,90° FEMALE SWIVEL,JIC	48855	1J943-16-16	HOSE END,90° FEMALE SWIVEL,SEAL LOK
48807	1JS43-4-4	HOSE END,FEMALE SWIVEL,SEAL LOK	48856	1J171-16-16	HOSE END,90° FEMALE SWIVEL,SEAL LOK
48808	3JC82-8-8	HOSE END,FEMALE SWIVEL,SEAL LOK	48857	1J971-16-16	HOSE END,90° FEMALE SWIVEL,SEAL LOK
48809	3JC82-12-12	HOSE END,FEMALE SWIVEL,SEAL LOK	48859	1JS43-8-4	HOSE END,FEMALE SWIVEL,SEAL LOK
48810	1JC43-6-4	HOSE END,FEMALE SWIVEL,SEAL LOK	48867	PD36BTL	DIAGNOSTIC NIPPLE,SEAL-LOK SWIVEL
48811	1J943-6-4	HOSE END,90° FEMALE SWIVEL,SEAL LOK	48873	6 PNLO-S	PLUG,TUBE END,ORFS
48812	1JC43-6-6	HOSE END,FEMALE SWIVEL,SEAL LOK	48874	6 PNTX-S	PLUG,FLARE TUBE
48813	1J143-6-6	HOSE END,90° FEMALE SWIVEL,SEAL LOK	48875	6 R6LO-S	RUN TEE,SWIVEL NUT,ORFS
48814	1J543-6-6	HOSE END,90° FEMALE SWIVEL,SEAL LOK	48877	4 F5OLO-SW/.025	CONNECTOR,STRAIGHT THREAD TO ORFS, W/.025 ORI
48815	1J743-6-6	HOSE END,45° FEMALE SWIVEL,SEAL LOK	48878	16-12 C5OLO-S	ELBOW,90°,STRAIGHT THREAD TO ORFS
48816	1J943-6-6	HOSE END,90° FEMALE SWIVEL,SEAL LOK	48879	8 C6LO-S	ELBOW,90°,SWIVEL NUT ORFS
48817	1JS43-6-8	HOSE END,FEMALE SWIVEL,SEAL LOK	48880	PD6-285	CAP,DIAGNOSTIC NIPPLE
48818	1J943-8-4	HOSE END,90° FEMALE SWIVEL,SEAL LOK	48881	6 HLO-S	UNION,ORFS
48819	1JC43-8-6	HOSE END,FEMALE SWIVEL,SEAL LOK	48883	8 P5ON-S	PLUG,STRAIGHT THREAD
48820	1J743-8-6	HOSE END,45° FEMALE SWIVEL,SEAL LOK	48884	8M18F87OMLO-S	CONNECTOR,METRIC,STRAIGHT THREAD TO ORFS
48821	1J943-8-6	HOSE END,90° FEMALE SWIVEL,SEAL LOK	48885	4 WGTX-WLN-S	CONNECTOR,BULKHEAD,FEMALE PIPE TO FLARE TUBE
48822	1JC43-8-8	HOSE END,FEMALE SWIVEL,SEAL LOK	48886	4 F5OLO-SW/2MM	CONNECTOR,MACHINED STRAIGHT THREAD TO ORFS
48823	1JS43-8-8	HOSE END,FEMALE SWIVEL,SEAL LOK	48887	4 CTX-S	ELBOW,90°,MALE PIPE TO FLARE TUBE
48824	1J143-8-8	HOSE END,90° FEMALE SWIVEL,SEAL LOK	48888	10-12 V5OLO-S	ELBOW,45°,STRAIGHT THREAD TO ORFS
48825	1J543-8-8	HOSE END,90° FEMALE SWIVEL,SEAL LOK	48890	4 S5OLO-S	BRANCH TEE,STRAIGHT THREAD TO ORFS
48826	1J743-8-8	HOSE END,45° FEMALE SWIVEL,SEAL LOK	48891	4 S6LO-S	BRANCH TEE,SWIVEL NUT TO ORFS
48827	1J943-8-8	HOSE END,90° FEMALE SWIVEL,SEAL LOK			
48828	1JC43-10-8	HOSE END,FEMALE SWIVEL,SEAL LOK			
48829	1JS43-10-8	HOSE END,FEMALE SWIVEL,SEAL LOK			
48830	1J743-10-8	HOSE END,45° FEMALE SWIVEL,SEAL LOK			
48831	1J943-10-8	HOSE END,90° FEMALE SWIVEL,SEAL LOK			
48833	1JC43-10-10	HOSE END,FEMALE SWIVEL,SEAL LOK			
48834	1J943-10-10	HOSE END,90° FEMALE SWIVEL,SEAL LOK			
48835	1JS43-10-12	HOSE END,FEMALE SWIVEL,SEAL LOK			
48836	1JC43-12-8	HOSE END,FEMALE SWIVEL,SEAL LOK			
48837	1JS43-12-8	HOSE END,FEMALE SWIVEL,SEAL LOK			
48838	1J743-12-8	HOSE END,45° FEMALE SWIVEL,SEAL LOK			
48839	1J943-12-8	HOSE END,90° FEMALE SWIVEL,SEAL LOK			
48840	1J943-12-10	HOSE END,90° FEMALE SWIVEL,SEAL LOK			
48841	1JC43-12-12	HOSE END,FEMALE SWIVEL,SEAL LOK			
48842	1JO43-12-12	HOSE END,MALE,SEAL LOK			
48843	1J143-12-12	HOSE END,90° FEMALE SWIVEL,SEAL LOK			
48844	1J543-12-12	HOSE END,90° FEMALE SWIVEL,SEAL LOK			
48845	1J743-12-12	HOSE END,45° FEMALE SWIVEL,SEAL LOK			
48846	1J943-12-12	HOSE END,90° FEMALE SWIVEL,SEAL LOK			

Fitting Cross References (Continued)

Genie PN	Parker PN	Description	Genie PN	Parker PN	Description
48892	6 C6LO-S	ELBOW,90°,SWIVEL NUT ORFS	48938	8 R6LO-S	RUN TEE,SWIVEL NUT,ORFS
48893	6 F5OHAO-S	UNION,STRAIGHT THREAD	48939	8 S6LO-S	BRANCH TEE,SWIVEL NUT TO ORFS
48894	8 WLO-WLNL-S	UNION,BULKHEAD,ORFS	48940	8 WJLO-WLNL-S	RUN TEE, BULKHEAD,ORFS
48895	DT-370-MSMO-5	VALVE,CHECK	48941	8-4 TRLO-S	REDUCER,TUBE END TO SWIVEL,ORFS
48896	6 JLO-S	UNION,TEE,ORFS	48942	8-6 C5OLO-S	ELBOW,90°,STRAIGHT THREAD TO ORFS
48897	DT-750-MSMS-5	VALVE,CHECK	48943	8-6 F5OLO-S	CONNECTOR,STRAIGHT THREAD TO ORFS
48898	DT-750-MOMS-5	VALVE,CHECK	48944	8-8 FLO-S	CONNECTOR,MALE PIPE TO ORFS
48899	DT-620-MOMS-5	VALVE,CHECK	48945	8 FTX-S	CONNECTOR,MALE PIPE TO FLARE TUBE
48900	4-6 F5OLO-SW/.035	CONNECTOR,STRAIGHT THREAD TO ORFS, W/.035 ORI	48946	8-10 F5OLO-S	CONNECTOR,STRAIGHT THREAD TO ORFS
48902	16-1 AOE4G-S	ELBOW,90° LONG,FEMALE PIPE TO STRAIGHT THREAD	48947	8-12 C5OLO-S	ELBOW,90°,STRAIGHT THREAD TO ORFS
48903	1 FF-S	NIPPLE,PIPE	48948	8-12 F5OLO-S	CONNECTOR,STRAIGHT THREAD TO ORFS
48904	4 C5OLO-S	ELBOW,90°,STRAIGHT THREAD TO ORFS	48949	8-16 F5OLO-S	CONNECTOR,STRAIGHT THREAD TO ORFS
48905	4 F5OLO-S	CONNECTOR,STRAIGHT THREAD TO ORFS	48950	10 C5OLO-S	ELBOW,90°,STRAIGHT THREAD TO ORFS
48906	4 R5OLO-S	RUN TEE,STRAIGHT THREAD	48951	10 CC5OLO-S	ELBOW,90° LONG,STRAIGHT THREAD TO ORFS
48907	4 V5OLO-S	ELBOW,45°,STRAIGHT THREAD TO ORFS	48952	10 F5OLO-S	CONNECTOR,STRAIGHT THREAD TO ORFS
48908	4 R6LO-S	RUN TEE,SWIVEL NUT,ORFS	48953	10 R5OLO-S	RUN TEE,STRAIGHT THREAD
48909	4 WJLO-WLNL-S	RUN TEE, BULKHEAD,ORFS	48954	10 S5OLO-S	BRANCH TEE,STRAIGHT THREAD TO ORFS
48910	4 GTX-S W/.030	CONNECTOR,FEMALE PIPE TO FLARE TUBE	48955	10 R6LO-S	RUN TEE,SWIVEL NUT,ORFS
48911	4-6 C5OLO-S	ELBOW,90°,STRAIGHT THREAD TO ORFS	48956	10-4 TRLO-BL-S	REDUCER,TUBE END TO SWIVEL,ORFS
48912	4-6 F5OLO-S	CONNECTOR,STRAIGHT THREAD TO ORFS	48957	10-6 TRLO-BL-S	REDUCER,TUBE END TO SWIVEL,ORFS
48913	4-6 F5OLO-SW/.030	CONNECTOR,STRAIGHT THREAD TO ORFS, W/.030 ORI	48958	10-12 F5OLO-S	CONNECTOR,STRAIGHT THREAD TO ORFS
48914	4-8 F5OLO-S	CONNECTOR,STRAIGHT THREAD TO ORFS	48959	12 C5OLO-S	ELBOW,90°,STRAIGHT THREAD TO ORFS
48915	6 C5OLO-S	ELBOW,90°,STRAIGHT THREAD TO ORFS	48960	12 F5OLO-S	CONNECTOR,STRAIGHT THREAD TO ORFS
48916	6 F5OLO-S	CONNECTOR,STRAIGHT THREAD TO ORFS	48961	12 R5OLO-S	RUN TEE,STRAIGHT THREAD
48917	6 FF5OLO-S	CONNECTOR,LONG,STRAIGHT THREAD TO ORFS	48962	12 S5OLO-S	BRANCH TEE,STRAIGHT THREAD TO ORFS
48918	6 R5OLO-S	RUN TEE,STRAIGHT THREAD	48963	12 V5OLO-S	ELBOW,45°,STRAIGHT THREAD TO ORFS
48919	6 S5OLO-S	BRANCH TEE,STRAIGHT THREAD TO ORFS	48964	12 R6LO-S	RUN TEE,SWIVEL NUT,ORFS
48920	6 V5OLO-S	ELBOW,45°,STRAIGHT THREAD TO ORFS	48965	12 CLO-S	ELBOW,90°,MALE PIPE TO ORFS
48921	6 FLO-S	CONNECTOR,MALE PIPE TO ORFS	48966	12 FLO-S	CONNECTOR,MALE PIPE TO ORFS
48922	6-6 FLO-S	CONNECTOR,MALE PIPE TO ORFS	48967	12 JLO-S	UNION TEE,ORFS
48923	6 P5ON-S	PLUG,STRAIGHT THREAD	48968	12 WLO-WLNL-S	UNION,BULKHEAD,ORFS
48925	6 WELO-S	UNION,90° BULKHEAD,ORFS	48969	12 WJLO-WLNL-S	RUN TEE, BULKHEAD,ORFS
48926	6-4 C5OLO-S	ELBOW,90°,STRAIGHT THREAD TO ORFS	48970	12 WELO-WLNL-S	UNION,90° BULKHEAD W/NUT,ORFS
48927	6-4 F5OLO-S	CONNECTOR,STRAIGHT THREAD TO ORFS			
48928	6-4 V5OLO-S	ELBOW,45°,STRAIGHT THREAD TO ORFS			
48929	6-8 C5OLO-S	ELBOW,90°,STRAIGHT THREAD TO ORFS			
48930	6-8 F5OLO-S	CONNECTOR,STRAIGHT THREAD TO ORFS			
48931	6-10 F5OLO-S	CONNECTOR,STRAIGHT THREAD TO ORFS			
48932	8 C5OLO-S	ELBOW,90°,STRAIGHT THREAD TO ORFS			
48933	8 F5OLO-S	CONNECTOR,STRAIGHT THREAD TO ORFS			
48934	8 FF5OLO-S	CONNECTOR,LONG,STRAIGHT THREAD TO ORFS			
48935	8 R5OLO-S	RUN TEE,STRAIGHT THREAD			
48936	8 S5OLO-S	BRANCH TEE,STRAIGHT THREAD TO ORFS			
48937	8 V5OLO-S	ELBOW,45°,STRAIGHT THREAD TO ORFS			

Fitting Cross References (Continued)

Genie PN	Parker PN	Description	Genie PN	Parker PN	Description
48971	12 G5G5JG5-S	TEE,FEMALE STRAIGHT THREAD	49612	PKT02586	O-RING KIT (ORFS FITTINGS)
48972	12 XHL6-S	ADAPTER, 37° MALE TO SWIVEL ORFS	49613	PKT06276	PLUG AND CAP KIT-SERVICE,ORFS
48973	12-1/2 F5OG-S	ADAPTER,FEMALE PIPE TO STRAIGHT THREAD	49728	10143-12-12	HOSE END, MALE PIPE
48974	12-10 C5OLO-S	ELBOW,90°,STRAIGHT THREAD TO ORFS	49729	16-1 F5OG-S	ADAPTER,FEMALE PIPE TO STRAIGHT THREAD
48975	12-10 F5OLO-S	CONNECTOR,STRAIGHT THREAD TO ORFS	49814	12-8 FLO-S	CONNECTOR,MALE PIPE TO ORFS
48976	12-16 C5OLO-S	ELBOW,90°,STRAIGHT THREAD TO ORFS	49829	DT-500-MOMF-5	VALVE,CHECK
48977	12-16 F5OLO-S	CONNECTOR,STRAIGHT THREAD TO ORFS	49831	881-12	HOSE,3/4 INCH ID
48978	12-16 V5OLO-S	ELBOW,45°,STRAIGHT THREAD TO ORFS	49834	16 JLO-S	UNION TEE,ORFS
48980	12-16 FLO-S	CONNECTOR,MALE PIPE TO ORFS	49838	12-8 TRLO-BL-S	REDUCER,TUBE END TO SWIVEL,ORFS
48983	16 C5OLO-S	ELBOW,90°,STRAIGHT THREAD TO ORFS	49840	8 JLO-S	UNION TEE,ORFS
48984	16 F5OLO-S	CONNECTOR,STRAIGHT THREAD TO ORFS	49844	10-8 TRLO-BL-S	REDUCER,TUBE END TO SWIVEL,ORFS
48985	16 V5OLO-S	ELBOW,45°,STRAIGHT THREAD TO ORFS	49854	8 P5ON-S	PLUG,STRAIGHT THREAD
48986	16 FLO-S	CONNECTOR,MALE PIPE TO ORFS	49855	1JC43-16-12	HOSE END,FEMALE SWIVEL,SEAL LOK
48988	16 CD45-S	ELBOW,45°,MALE TO FEMALE PIPE	49859	4 P5ON-S	PLUG,STRAIGHT THREAD
48989	12 CD45-S	ELBOW,45°,MALE TO FEMALE PIPE	49861	4 FF5OLO-S	CONNECTOR, LONG, STRAIGHT THREAD TO ORFS
48990	8 CD45-S	ELBOW,45°,MALE TO FEMALE PIPE	49867	12-3/4 F5OG-S	ADAPTER,FEMALE PIPE TO STRAIGHT THREAD
48991	16-12 FLO-S	CONNECTOR,MALE PIPE TO ORFS	51152	6 R6X-S	RUN TEE,SWIVEL NUT,ORFS
48992	16-12 V5OLO-S	ELBOW,45°,STRAIGHT THREAD TO ORFS	51153	6-4 TRTX-S	REDUCER,TUBE END TO SWIVEL,ORFS
48993	XV501-12	BALL VALVE	51154	4-4 GTX	CONNECTOR,FEMALE PIPE TO FLARE TUBE
48994	XV501-16	BALL VALVE	51264	881-12	HOSE,3/4 INCH ID
48995	XV510P-12	BALL VALVE	51265	8 JLO-S	UNION TEE,ORFS
48996	XV510P-16	BALL VALVE	51508	6 BTX-S	NUT,FLARE TUBE
48997	PD341	DIAGNOSTIC NIPPLE, STRAIGHT THREAD	51580	12-8 TRLO-BL-S	TUBE END REDUCER,ORFS
48998	PD 361	DIAGNOSTIC NIPPLE, STRAIGHT THREAD	51628	6 R6X-S	RUN TEE,SWIVEL NUT,ORFS
48999	DT-500-MOMS-5	VALVE,CHECK	51735	3/8 HHP	PLUG,PIPE THREAD
49201	10 V5OLO-S	ELBOW,45°,STRAIGHT THREAD TO ORFS	51803	1J943-6-8	HOSE END,90° FEMALE SWIVEL,SEAL LOK
49202	1JC43-12-10	HOSE END,FEMALE SWIVEL,SEAL LOK	53023	125HBL-5-4	FITTING,HOSE BARB TO MALE PIPE
49203	10-8 V5OLO-S	ELBOW,45°,STRAIGHT THREAD TO ORFS	53497	PKT02585	O-RING KIT
49205	6 F5OHAO-S	UNION,STRAIGHT THREAD	53499	1JC71-16-16	HOSE END,FEMALE SWIVEL,SEAL LOK
49207	PD34BTL	DIAGNOSTIC NIPPLE,SEAL-LOK SWIVEL	53500	3-904	O-RING,STRAIGHT THREAD,-4
49209	8M18F870MX-S	CONNECTOR,METRIC,STRAIGHT THREAD TO FLARE TUBE	53501	3-906	O-RING,STRAIGHT THREAD,-6
49212	8 WGTX-WLN-S	CONNECTOR,BULKHEAD,FEMALE PIPE TO FLARE TUBE	53502	3-908	O-RING,STRAIGHT THREAD,-8
49213	30682-8-8	HOSE END,FEMALE SWIVEL,JIC	53503	3-910	O-RING,STRAIGHT THREAD,-10
49216	831-8	HOSE,1/2 INCH ID			
49217	33982-8-8	HOSE END,90° FEMALE SWIVEL,JIC			
49219	PS-B-35	SLEEVE,NYLON,2.19" ID			
49418	4-6 V5OLO-S	ELBOW,45°,STRAIGHT THREAD TO ORFS			
49511	DT370-MOMS-5	VALVE,CHECK			
49512	1 DD-S	ELBOW,90°,FEMALE PIPE			
49513	1 FF-S	NIPPLE,PIPE			
49514	10 HP5ON-S	PLUG,STRAIGHT THREAD			
49515	12-16 CLO-S	ELBOW,90°,MALE PIPE TO ORFS			
49517	6 HP5ON-S	PLUG,STRAIGHT THREAD			
49519	16-12 F5OLO-S	CONNECTOR,STRAIGHT THREAD TO ORFS			
49520	4 VTX-S	ELBOW,45°,MALE PIPE TO FLARE TUBE			
49530	16 C6LO-S	ELBOW,90°,SWIVEL NUT ORFS			

Fitting Cross References (Continued)

Genie PN	Parker PN	Description	Genie PN	Parker PN	Description
53535	3-912	O-RING,STRAIGHT THREAD,-12	61083	24 F5OLO-S	CONNECTOR,STRAIGHT THREAD TO ORFS
53536	4-PNLO-S	PLUG,TUBE END,ORFS	61086	20 R5OLO-S	RUN TEE,STRAIGHT THREAD
53537	6 PNLO-S	PLUG,TUBE END,ORFS	61090	24-20 F5OLO-S	CONNECTOR,STRAIGHT THREAD TO ORFS
53538	8 PNLO-S	PLUG,TUBE END,ORFS	61091	1J943 24-24	HOSE END,90° FEMALE SWIVEL,SEAL LOK
53539	10 PNLO-S	PLUG,TUBE END,ORFS	61093	1J978-12-12	HOSE END,90° FEMALE SWIVEL,JIC
53540	12 PNLO-S	PLUG,TUBE END,ORFS	61095	1JS43-20-16	HOSE END,FEMALE SWIVEL,SEAL LOK
53946	129HB-5-4	FITTING,90° HOSE BARB TO MALE PIPE	61100	811-24	HOSE,11/2 INCH ID
53951	8-1/4F50G-S	ADAPTER,FEMALE PIPE TO STRAIGHT THREAD	61130	1JS43-24-24	HOSE END,FEMALE SWIVEL,SEAL LOK
53980	6 S6LO-S	BRANCH TEE,SWIVEL NUT TO ORFS	61131	1JS78 12-12	HOSE END,FEMALE SWIVEL,SEAL LOK
54132	4 C6LO-S	ELBOW,90°,SWIVEL NUT ORFS	61132	1J778-12-12	HOSE END,45° FEMALE SWIVEL,JIC
54135	11343-16-16	HOSE END,MALE SWIVEL,PIPE	61152	139HB-6-4	ELBOW,45°,BARB TO MALE PIPE
54283	8-10 C5OLO-S	ELBOW,90°,STRAIGHT THREAD TO ORFS	61251	BV-0750	BALL VALVE
54428	8M18C870MLO-S	ELBOW, 90° METRIC, STRAIGHT THREAD TO ORFS	61259	4 CC5OLO-S	ELBOW,90° LONG,STRAIGHT THREAD TO ORFS
54803	FS-F-16-10	SLEEVE,FIRE,-.96" ID	61260	20-12 TRLO-BL	REDUCER,TUBE END TO SWIVEL,ORFS
54954	10143-2-4	HOSE END, MALE PIPE	61262	12 C6LO-S	ELBOW,90°,SWIVEL NUT ORFS
55190	3/8 HP-S	PLUG,PIPE THREAD	61263	20 F5OHAO-S	UNION,STRAIGHT THREAD
55448	8 HLO-S	UNION,ORFS	61264	6-10 C5OLO-S	ELBOW,90°,STRAIGHT THREAD TO ORFS
55839	6 F65OX-S	CONNECTOR,STRAIGHT THREAD TO 37° SWIVEL	61265	6 WNLO-WLNL-S	UNION,BULKHEAD 45°,ORFS
55968	10 C5OX-S	ELBOW,90°,STRAIGHT THREAD TO FLARE TUBE	61268	4 WNLO-WLNL-S	UNION,BULKHEAD 45°,ORFS
56003	6 CC5OLO-S	ELBOW,90° LONG,STRAIGHT THREAD TO ORFS	61269	4 WLO-WLNL-S	UNION,BULKHEAD,ORFS
56166	BV-0837	BALL VALVE,90°	61272	12 AOEL6	ELBOW,90°,STRAIGHT THREAD TO ORFS SWIVEL
56188	10143-8-6	HOSE END, MALE PIPE	61316	482TC-16	HOSE,1 INCH ID
56233	2-011	O-RING,ORFS,-4	61321	6 JLO-S	UNION TEE,ORFS
56234	2-012	O-RING,ORFS,-6	61327	782-12	HOSE,3/4 INCH ID
56235	2-014	O-RING,ORFS,-8	61328	881-24	HOSE,11/2 INCH ID
56236	2-016	O-RING,ORFS,-10	61336	11943-20-24	HOSE END,90° FLANGE HEAD
56237	2-018	O-RING,ORFS,-12	61345	12 WJLO-WLNL-S	RUN TEE, BULKHEAD,ORFS
56238	2-021	O-RING,ORFS,-16	61346	8 WNLO-WLNL-S 4	UNION,BULKHEAD 45°,ORFS
56352	6 WLNL-S	LOCKNUT,BULKHEAD	61569	33782-8-8	HOSE END,45° FEMALE SWIVEL,JIC
56353	3J782-12-12	HOSE END,45° FEMALE SWIVEL,SEAL LOK	61610	12 FF5OLO-S	CONNECTOR,LONG,STRAIGHT THREAD TO ORFS
56354	3J982-12-12	HOSE END,90° FEMALE SWIVEL,SEAL LOK	61742	1/8 X 1.5 FFF	NIPPLE,PIPE
56604	10-8 F5OLO-S	CONNECTOR,STRAIGHT THREAD TO ORFS	63426	8 PNTX-S	PLUG,FLARE TUBE
56639	3JC82-10-10	HOSE END,FEMALE SWIVEL,SEAL LOK			
56640	3J982-10-10	HOSE END,90° FEMALE SWIVEL,SEAL LOK			
56655	3JC82-8-10	HOSE END,FEMALE SWIVEL,SEAL LOK			
56676	10-8 C5OLO-S	ELBOW,90°,STRAIGHT THREAD TO ORFS			
56776	471TC-6	HOSE,3/8 INCH ID			
56777	471TC-8	HOSE,1/2 INCH ID			
56789	811-16	HOSE,1 INCH ID			
57884	3/8 FF	NIPPLE,PIPE			
59335	6 FNL-S	CAP,TUBE END			
59342	4 FNL-S	CAP,TUBE END			
59371	8 HP50N-S	PLUG,STRAIGHT THREAD			
60653	BV-0751	BALL VALVE			
60806	125HB-3-4	FITTING,HOSE BARB TO MALE PIPE			
61064	5-1/4 F50G-S	ADAPTER,FEMALE PIPE TO STRAIGHT THREAD			
61079	4 WELO-WLNL-S	UNION,90° BULKHEAD W/NUT,ORFS			
61080	6 WLO-WLNL-S	UNION,BULKHEAD,ORFS			

Fitting Cross References (Continued)

Genie PN	Parker PN	Description	Genie PN	Parker PN	Description
64271	4 WLO-WLNL-S	UNION,BULKHEAD,ORFS	75631	801-6	HOSE,3/8 INCH ID
64272	6 WLO-WLNL-S	UNION,BULKHEAD,ORFS	75654	20 F5OLO-S	CONNECTOR,STRAIGHT THREAD TO ORFS
65776	8 F65OL-S	CONNECTOR,STRAIGHT THREAD TO ORFS SWIVEL	75655	1J943-20-20	HOSE END,90° FEMALE SWIVEL,SEAL LOK
65880	6001012	O-RING KIT	75656	881-20	HOSE,1-1/4 INCH ID
66154	6 WTX-WLNS	UNION,BULKHEAD,FLARE TUBE	75971	8 F5OHAO-S	UNION,STRAIGHT THREAD
66155	6 WETX-S	UNION,BULKHEAD 90°,FLARE TUBE	77307	1JB43-8-8	HOSE END,BULKHEAD,SEAL LOK
66156	6 WLN-S	BULKHEAD LOCKNUT	77309	8 WLNL-S	BULKHEAD LOCKNUT
66389	6-8 F5OX-S	CONNECTOR,STRAIGHT THREAD TO FLARE TUBE	77379	8M18C87OMX-S	ELBOW,90° METRIC,STRAIGHT THREAD TO FLARE TUBE
66392	6 R5OX-S	RUN TEE,STRAIGHT THREAD	77703	3J982-8-8	HOSE END,90° FEMALE SWIVEL,SEAL LOK
66396	811-12	HOSE,3/4 INCH ID	77711	801-10	HOSE,5/8 INCH ID
66829	H3174PP	CLAMP,TUBE	77758	12 WNLO-WLNL-S	UNION,BULKHEAD 45°,ORFS
67217	4 KLO-S	UNION,CROSS,ORFS	78091	6 C6X-S	ELBOW,90°,SWIVEL NUT TO FLARE TUBE
67339	10-6 F5OX-S	CONNECTOR,STRAIGHT THREAD TO FLARE TUBE	78684	30582-8-8B	HOSE END,PUSH LOK,MALE
67357	13943-8-6	HOSE END,90° FEMALE SWIVEL,JIC	78852	549-2	HOSE,1/8 INCH ID
67358	10 HP5ON-S	PLUG,STRAIGHT THREAD	78855	10657-4-2	HOSE END,FEMALE SWIVEL,JIC
67371	12 S6LO-S	BRANCH TEE,SWIVEL NUT TO ORFS	79138	PS-B-37	SLEEVE,NYLON,2.38" ID
67498	4 FNL-S	CAP, TUBE END	79476	1JS43-6-8	HOSE END,FEMALE SWIVEL,SEAL LOK
67906	DC-370-F0F0-5	VALVE,CHECK	79847	12-3/4 A0EG-S	ELBOW,90°,STRAIGHT THREAD TO FEMALE PIPE
69316	8 FLO-S	CONNECTOR,MALE PIPE TO ORFS	80044	8 CLO-S	ELBOW,90°,MALE PIPE TO ORFS
69333	H3174PP	CLAMP,HYDRAULIC HOSE	80502	8 F5OX-S	CONNECTOR,STRAIGHT THREAD TO FLARE TUBE
69503	4 F65OX-S	CONNECTOR,STRAIGHT THREAD TO 37° SWIVEL	80503	8 C5OX-S	ELBOW,90°,STRAIGHT THREAD TO FLARE TUBE
69775	8 FNL-S	CAP, TUBE END	81010	AS-B-27	SLEEVE,NYLON,1.63" ID
71038	1/4X1/4F3HG-S	ADAPTER,CONVERSION	83052	821-6	HOSE,3/8 INCH ID
71196	12-8 F5OLO-S	CONNECTOR,STRAIGHT THREAD TO ORFS	83053	821-8	HOSE,1/2 INCH ID
71383	1/4 CD45-S	ELBOW,45°,MALE TO FEMALE PIPE	83054	821-12	HOSE,3/4 INCH ID
72270	12FNL-S	CAP, TUBE END	83055	30682-6-6	HOSE END,FEMALE SWIVEL,JIC
73436	60C-4	SLEEVE,COMPRESSION	83056	30682-12-12	HOSE END,FEMALE SWIVEL,JIC
73437	61C-4	NUT,COMPRESSION	83057	33782-6-6	HOSE END,45° FEMALE SWIVEL,JIC
73438	33482-4-4B	HOSE END,PUSH LOK,MALE	83058	33982-6-6	HOSE END,90° FEMALE SWIVEL,JIC
73767	1CD-S	ELBOW,90°,MALE TO FEMALE PIPE	83060	33982-12-12	HOSE END,90° FEMALE SWIVEL,JIC
73768	20-16-F5OG5-S	ADAPTER,FEMALE PIPE TO STRAIGHT THREAD	83063	13743-4-4	HOSE END,45° FEMALE SWIVEL,JIC
73769	16-20 F5OLO-S	CONNECTOR,STRAIGHT THREAD TO ORFS			
74660	6-8 F42EDMLO-S	CONNECTOR,MALE BSPP TO ORFS			
74661	8-8 F42EDMLO-S	CONNECTOR,MALE BSPP TO ORFS			
75007	4 FLO-S	CONNECTOR,MALE PIPE TO ORFS			
75008	1/8 HP-S	PLUG,PIPE THREAD			
75014	1/2 HP-S	PLUG,PIPE THREAD			
75042	8 WELO-WLNL-S	UNION,90° BULKHEAD W/NUT,ORFS			
75043	3/4 FF-S	NIPPLE,PIPE			
75254	24 F5OHAO-S	UNION,STRAIGHT THREAD			
75255	12 F5OHAO-S	UNION,STRAIGHT THREAD			
75256	XV506P-24	BALL VALVE			
75574	4 WLNL-S	BULKHEAD LOCKNUT			
75612	8 WJLO-WLNL-S	RUN TEE, BULKHEAD,ORFS			
75613	12-8 F5OG5-S	ADAPTER,FEMALE PIPE TO STRAIGHT THREAD			
75614	8 CC5OLO-S	ELBOW,90° LONG,STRAIGHT THREAD TO ORFS			
75628	1JB43-4-4	HOSE END,BULKHEAD,SEAL LOK			

Fitting Cross References (Continued)

Genie PN	Parker PN	Description	Genie PN	Parker PN	Description
83064	13743-8-8	HOSE END,45° FEMALE SWIVEL,JIC	89449	6 WJLO-WLNL-S	RUN TEE, BULKHEAD,ORFS
83065	13743-12-12	HOSE END,45° FEMALE SWIVEL,JIC	89489	4 WJMLO-S	BRANCH TEE,BULKHEAD,ORFS
83066	13943-8-8	HOSE END,90° FEMALE SWIVEL,JIC	89551	1JB43-6-6	HOSE END,BULKHEAD,SEAL LOK
83067	14143-6-6	HOSE END,90° FEMALE SWIVEL,JIC	89552	1JB43-8-8	HOSE END,BULKHEAD,SEAL LOK
83068	14143-8-8	HOSE END,90° FEMALE SWIVEL,JIC	89593	20 C5OLO-S	ELBOW,90°,STRAIGHT THREAD TO ORFS
83069	14143-12-12	HOSE END,90° FEMALE SWIVEL,JIC	94161	8-8 CLO-S	ELBOW,90°,MALE PIPE TO ORFS
83070	772-8	HOSE,1/2 INCH ID	94358	351TC-12	HOSE,3/4 INCH ID
83071	10671-8-8	HOSE END,FEMALE SWIVEL,JIC	94418	20 FLO-S	CONNECTOR,MALE PIPE TO ORFS
83072	10671-12-12	HOSE END,FEMALE SWIVEL,JIC	96358	12 TX-S	SLEEVE,FLARE TUBE
83073	13771-8-8	HOSE END,45° FEMALE SWIVEL,JIC	96359	12 BTX-S	NUT,FLARE TUBE
83074	13771-12-12	HOSE END,45° FEMALE SWIVEL,JIC	96397	8 F5OX-S	CONNECTOR,STRAIGHT THREAD TO FLARE TUBE
83075	13971-8-8	HOSE END,90° FEMALE SWIVEL,JIC	96398	12-8 F5OX-S	CONNECTOR,STRAIGHT THREAD TO FLARE TUBE
83076	13971-12-12	HOSE END,90° FEMALE SWIVEL,JIC	96402	10343-6-6	HOSE END,MALE,JIC
83077	14171-8-8	HOSE END,90° FEMALE SWIVEL,JIC	96407	30382-6-6B	HOSE END,MALE,JIC
83078	14171-12-12	HOSE END,90° FEMALE SWIVEL,JIC			
83080	13943-16-16	HOSE END,90° FEMALE SWIVEL,JIC			
83103	10671-16-12	HOSE END,FEMALE SWIVEL,JIC			
83104	10671-10-12	HOSE END,FEMALE SWIVEL,JIC			
83112	1JC71-8-8	HOSE END,FEMALE SWIVEL,SEAL LOK			
83113	1JS71-16-12	HOSE END,FEMALE SWIVEL,SEAL LOK			
83114	1JS71-10-12	HOSE END,FEMALE SWIVEL,SEAL LOK			
83115	1J971-8-8	HOSE END,90° FEMALE SWIVEL,SEAL LOK			
83116	1J171-8-8	HOSE END,90° FEMALE SWIVEL,SEAL LOK			
83117	1J771-8-8	HOSE END,45° FEMALE SWIVEL,SEAL LOK			
83127	1J543-6-8	HOSE END,90° FEMALE SWIVEL,JIC			
83128	1JC43-6-8	HOSE END,FEMALE SWIVEL,SEAL LOK			
87033	12-6 TRLO-S	REDUCER,TUBE END TO SWIVEL,ORFS			
87034	3J782-8-8	HOSE END,45° FEMALE SWIVEL,SEAL LOK			
87172	12 HP5ON-S	PLUG,STRAIGHT THREAD			
87185	8 WNLO-WLNL-S	UNION,BULKHEAD 45°,ORFS			
87246	4 C6X-S	ELBOW,90°,SWIVEL NUT TO FLARE TUBE			
87679	6 LHP-S	FLANGE SEAL FITTING, MALE			
87681	6PLS N0702	BONDED SEAL			
88100	SR88100	ADAPTER,OIL DRAIN,GM 3.0L			
88311	1JS43-20-20	HOSE END,FEMALE SWIVEL,SEAL LOK			
88353	20 V5OLO-S	ELBOW,45°,STRAIGHT THREAD TO ORFS			
88474	10081-20	Crimp Shell, 1.25"			
88475	1988-20-24	HOSE END,90° FLANGE HEAD			
88476	JS88-24-24	HOSE END,FEMALE SWIVEL,SEAL LOK			
88477	1JC88-20-20	HOSE END,FEMALE SWIVEL,SEAL LOK			
88478	811-20	HOSE,11/4 INCH ID			
88936	20-16 F5OLO-S	CONNECTOR,STRAIGHT THREAD TO ORFS			
88937	20-16 FLO-S	CONNECTOR,MALE PIPE TO ORFS			
88938	1JC88-16-16	HOSE END,FEMALE SWIVEL,SEAL LOK			
88939	1J988-16-16	HOSE END,90° FEMALE SWIVEL,ORFS			
88940	811-16	HOSE,1 INCH ID			
88944	1J988-20-20	HOSE END,90° FEMALE SWIVEL,ORFS			
89403	16 VLO-S	ELBOW,45°,MALE PIPE TO ORFS			

California Proposition 65



Operating, servicing and maintaining this equipment can expose you to chemicals including engine exhaust, carbon monoxide, phthalates, and lead, which are known to the State of California to cause cancer and birth defects or other reproductive harm. These chemicals can be emitted from or contained in other various parts and systems, fluids and some component wear by-products. To minimize exposure, avoid breathing exhaust, do not idle the engine except as necessary, service your equipment and vehicle in a well-ventilated area and wear gloves or wash your hands frequently when servicing your equipment or vehicle and after operation. For more information go to www.P65Warnings.ca.gov/passenger-vehicle.

Breathing diesel engine exhaust exposes you to chemicals known to the State of California to cause cancer and birth defects or other reproductive harm.

- Always start and operate the engine in a well-ventilated area.
- If in an enclosed area, vent the exhaust to the outside.
- Do not modify or tamper with the exhaust system.
- Do not idle the engine except as necessary.

For more information go to

www.P65warnings.ca.gov/diesel.

Distributed By:

www.P65Warnings.ca.gov to order your parts

PARTS FINDER

**Search Website
by Part Number**



**Search Manual
Library For Parts
Manual & Lookup Part
Numbers – Purchase
or Request Quote**

Search Manuals

Enter your information to help us find the right part for your machine.

* Brand:

* Model:

* Serial:

* Part Number:

SEARCH

**Can't Find Part or
Manual? Request Help
by Manufacturer,
Model & Description**

Parts Order Form

Please fill in the following information to help us find the right part for your machine.

Manufacturer:	<input type="text"/>
Model:	<input type="text"/>
Description:	<input type="text"/>
Part Number:	<input type="text"/>
Quantity:	<input type="text"/>
Notes:	<input type="text"/>

Submit

Discount-Equipment.com is your online resource for quality parts & equipment.

Florida: **561-964-4949** Outside Florida TOLL FREE: **877-690-3101**

Need parts?

Click on this link: <http://www.discount-equipment.com/category/5443-parts/> and choose one of the options to help get the right parts and equipment you are looking for. Please have the machine model and serial number available in order to help us get you the correct parts. If you don't find the part on the website or on one of the online manuals, please fill out the request form and one of our experienced staff members will get back to you with a quote for the right part that your machine needs.

We sell worldwide for the brands: Genie, Terex, JLG, MultiQuip, Mikasa, Essick, Whiteman, Mayco, Toro Stone, Diamond Products, Generac Magnum, Airman, Haulotte, Barreto, Power Blanket, Nifty Lift, Atlas Copco, Chicago Pneumatic, Allmand, Miller Curber, Skyjack, Lull, Skytrak, Tsurumi, Husquvarna Target, Stow, Wacker, Sakai, Mi-T-M, Sullair, Basic, Dynapac, MBW, Weber, Bartell, Bennar Newman, Haulotte, Ditch Runner, Menegotti, Morrison, Contec, Buddy, Crown, Edco, Wyco, Bomag, Laymor, EZ Trench, Bil-Jax, F.S. Curtis, Gehl Pavers, Heli, Honda, ICS/PowerGrit, IHI, Partner, Imer, Clipper, MMD, Koshin, Rice, CH&E, General Equipment, Amida, Coleman, NAC, Gradall, Square Shooter, Kent, Stanley, Tamco, Toku, Hatz, Kohler, Robin, Wisconsin, Northrock, Oztec, Toker TK, Rol-Air, APT, Wylie, Ingersoll Rand / Doosan, Innovatech, Con X, Ammann, Mecalac, Makinex, Smith Surface Prep, Small Line, Wanco, Yanmar