



A TEREX BRAND



Parts Manual

Serial Number Range

Z-34/22 IC

from Z3415D-101 to Z3416D-279,
from Z34D-280

Part No. 1285597GT

Rev A3

November 2018

Go to Discount-Equipment.com to order your parts

PARTS FINDER

**Search Website
by Part Number**



**Search Manual
Library For Parts
Manual & Lookup Part
Numbers – Purchase
or Request Quote**

Search Manuals

Enter your information to help us find the right parts manual for your machine.

* Brand:

* Model:

* Serial:

* Part Number:

SEARCH

**Can't Find Part or
Manual? Request Help
by Manufacturer,
Model & Description**

Parts Order Form

Please fill in the following information to help us find the right part for your machine.

Manufacturer:	<input type="text"/>
Model:	<input type="text"/>
Description:	<input type="text"/>
Part Number:	<input type="text"/>
Quantity:	<input type="text"/>
Notes:	<input type="text"/>

Submit

Discount-Equipment.com is your online resource for quality parts & equipment.

Florida: **561-964-4949** Outside Florida TOLL FREE: **877-690-3101**

Need parts?

Click on this link: <http://www.discount-equipment.com/category/5443-parts/> and choose one of the options to help get the right parts and equipment you are looking for. Please have the machine model and serial number available in order to help us get you the correct parts. If you don't find the part on the website or on one of the online manuals, please fill out the request form and one of our experienced staff members will get back to you with a quote for the right part that your machine needs.

We sell worldwide for the brands: Genie, Terex, JLG, MultiQuip, Mikasa, Essick, Whiteman, Mayco, Toro Stone, Diamond Products, Generac Magnum, Airman, Haulotte, Barreto, Power Blanket, Nifty Lift, Atlas Copco, Chicago Pneumatic, Allmand, Miller Curber, Skyjack, Lull, Skytrak, Tsurumi, Husquvarna Target, Stow, Wacker, Sakai, Mi-T-M, Sullair, Basic, Dynapac, MBW, Weber, Bartell, Bennar Newman, Haulotte, Ditch Runner, Menegotti, Morrison, Contec, Buddy, Crown, Edco, Wyco, Bomag, Laymor, EZ Trench, Bil-Jax, F.S. Curtis, Gehl Pavers, Heli, Honda, ICS/PowerGrit, IHI, Partner, Imer, Clipper, MMD, Koshin, Rice, CH&E, General Equipment, Amida, Coleman, NAC, Gradall, Square Shooter, Kent, Stanley, Tamco, Toku, Hatz, Kohler, Robin, Wisconsin, Northrock, Oztec, Toker TK, Rol-Air, APT, Wylie, Ingersoll Rand / Doosan, Innovatech, Con X, Ammann, Mecalac, Makinex, Smith Surface Prep, Small Line, Wanco, Yanmar

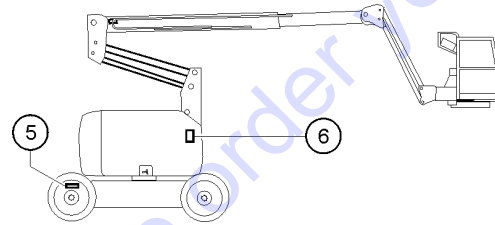
To August 31, 2016

Genie
A TEREX BRAND

Model:
Serial number: Z34N16D-12345
Manufacture date: 1/2/16 **Model year:** 2016
Electrical schematic number:
Machine unladen weight:
Rated work load (including occupants):
Maximum number of platform occupants:
Maximum allowable side force:
Maximum allowable inclination of the chassis:

Z34 16 D - 12345

① ② ③ ④



- 1 Model
- 2 Model year
- 3 Facility code

- 4 Sequence number
- 5 Serial number (stamped on chassis)
- 6 Serial label (located under cover)

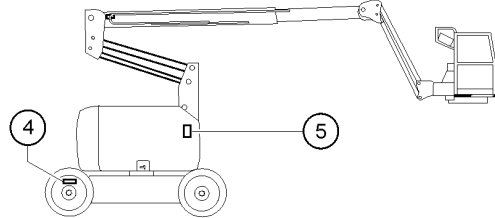
From September 1, 2016

Genie
A TEREX BRAND

Model:
Serial number: Z34D-12345
Year of manufacture: 2016
Electrical schematic number:
Machine unladen weight:
Rated work load (including occupants):
Maximum number of platform occupants:
Maximum allowable side force:
Maximum allowable inclination of the chassis:

Z34 D - 12345

① ② ③



- 1 Model
- 2 Facility code
- 3 Sequence number

- 4 Serial number (stamped on chassis)
- 5 Serial label (located under cover)

Table of Contents

This manual is updated frequently. For the most up-to-date parts information, visit www.discount-equipment.com

How to Read Your Serial Number.....	3
Parts Stocking List.....	7

Electronic Version

Click on any page number to view the figure.

001 Parts Stocking List

001.1 Parts Stocking List.....	10
--------------------------------	----

100 Decals

101.1 Word Decals, ANSI & AUS, Chassis.....	12
102.1 Word Decals, ANSI & AUS, Turntable.....	14
103.1 Word Decals, ANSI & AUS, Boom.....	16
104.1 Word Decals, ANSI & AUS, Platform.....	18
105.1 Symbol Decals, ANSI & CE, Chassis.....	20
106.1 Symbol Decals, ANSI & CE, Turntable.....	22
107.1 Symbol Decals, ANSI & CE, Boom.....	24
108.1 Symbol Decals, ANSI & CE, Platform.....	26

200 Drive Chassis Components

201.1 Steer End (2WD).....	28
202.1 Steer End (4WD).....	30
203.1 Non-Steer End (2WD).....	32
204.1 Non-Steer End (4WD).....	34

300 Turntable Components

301.1 Turntable Rotator.....	36
302.1 Ground Control Side, View 1.....	38
303.1 Ground Control Side, View 2.....	40
304.1 Ground Control Box, External View.....	42
305.1 Ground Control Box, Internal View.....	44
306.1 Turntable Covers.....	46
307.1 Wire Harness Diagram.....	48

400 Engine Components

401.1 Kubota WG972 (gas), View 1.....	50
402.1 Kubota WG972 (gas), View 2.....	52

403.1 Kubota WG972 (gas), View 3.....	54
404.1 Kubota WG972 (gas), View 4.....	56
405.1 Kubota D-1105 (diesel), View 1.....	58
406.1 Kubota D-1105 (diesel), View 2.....	60
407.1 Kubota D-1105 (diesel), View 3.....	62
408.1 Kubota D-1105 (diesel), View 4.....	64
409.1 Kubota D-1105 (diesel), View 5.....	66
410.1 GM .998L, View 1.....	68
411.1 GM .998L, View 2.....	70
412.1 GM .998L, View 3.....	72
413.1 GM .998L, View 3.....	74

500 Boom Components

500.1 Boom Layout.....	76
501.1 Secondary Boom, View 1.....	78
502.1 Secondary Boom, View 2.....	80
503.1 Upper Pivot.....	82
504.1 Primary and Extension Booms.....	84
505.1 Cable Track.....	86
506.1 Jib Boom and Platform Rotator.....	88

600 Platform Components

601.1 Platform.....	90
602.1 Platform Control Box, External View.....	92
603.1 Platform Control Box, Internal View.....	94
604.1 Joystick Controller, Drive/Steer Functions.....	96
605.1 Rotation Controller, Boom Function Speed.....	98

700 Hydraulic Components

701.1 Traction and Brake/2-speed Manifolds, 2WD.....	100
702.1 Traction and Brake/2-speed Manifolds, 4WD.....	102
703.1 Function Manifold.....	104
704.1 Jib Boom and Platform Rotate Manifold.....	106
705.1 Drive Chassis and Turntable Hoses, 2WD, View 1...108	
706.1 Drive Chassis and Turntable Hoses, 2WD, View 2...110	
707.1 Drive Chassis and Turntable, 4WD Hoses, View 1...112	
708.1 Drive Chassis and Turntable, 4WD Hoses, View 2...114	
709.1 Fuel Hoses.....	116
710.1 Boom Hoses.....	118

800 Accessories

801.1 Air Line to Platform.....	120
802.1 Aircraft Protection.....	122
803.1 Auxiliary Rail Assembly.....	124
804.1 Flashing Beacon and Alarm.....	126
805.1 Hostile Environment, Wiper.....	128
806.1 Hostile Environment, Cylinder Bellows.....	130
807.1 Cold Start.....	132

808.1 Drive Light.....134
809.1 Inverter, 120V.....136
810.1 Platform Control Box Cover, Tool Tray and Work
Light.....138
811.1 Platform Half Mesh, Swing Gate and Pipe Cradle....140
812.1 Platform Overload, CE and AUS.....142
813.1 Operators Protection Alarm (to January 2017).....144
813.2 Lift Guard Contact Alarm (from January 2017).....146
814.1 2000 Watt Generator.....148

Indices

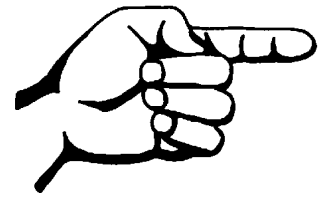
Part Number Index.....150
Part Description Index.....155

Cross References

Fittings Cross Reference.....164

Go to Discount-Equipment.com to order your parts

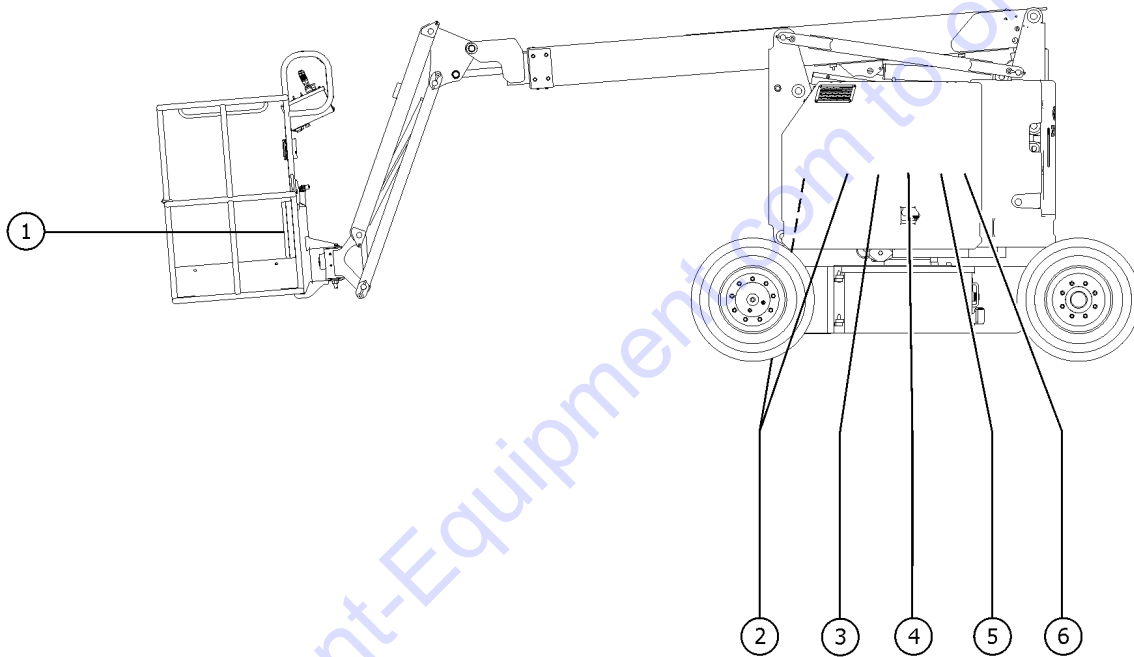
Please refer to section 001 for the Recommended Spare Parts List.



This page intentionally left blank.

Go to Discount-Equipment.com to order your parts

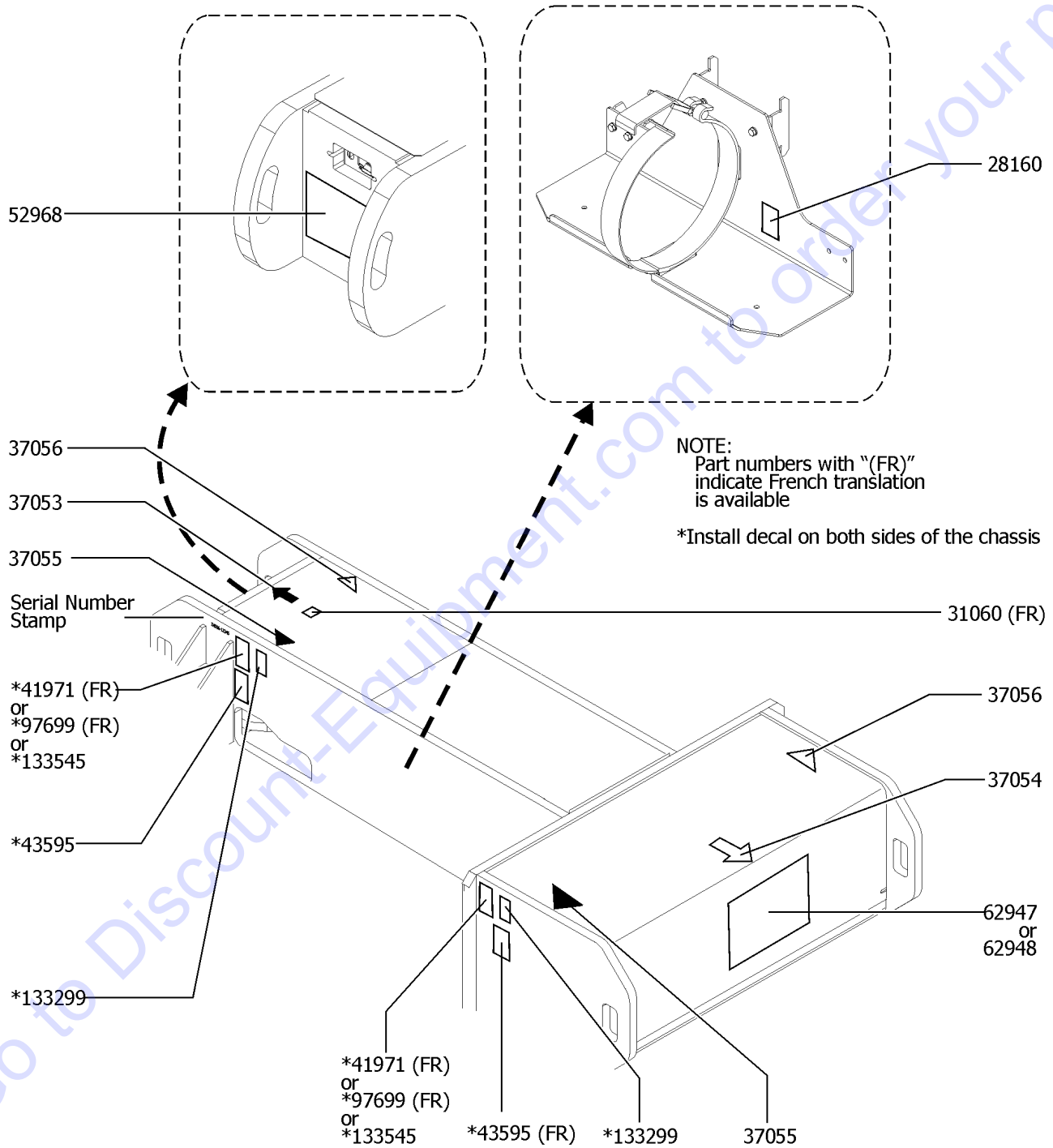
001.1 Parts Stocking List



Go to Discount-Equipment.com to order your parts

Item	Part No.	Description	Qty.	Item	Part No.	Description	Qty.
A		— GENERAL SERVICE PARTS —		--	52867GT	FILTER,AIR***	
--	1257733GT	PAINT,WET,TRAFFIC BLACK (1 GL)** <i>1-gallon</i>					
--	1258567GT	PAINT, AEROSOL, TRAFFIC BLACK <i>12-ounce spray paint</i>					
--	1268GT	PAINT,AEROSOL,GENIE GRAY*** <i>12-ounce spray paint</i>					
--	1283776GT	SEAL MARKER,CROSS CHECK,BLUE,TUBE					
--	1484GT	PAINT,AEROSOL,BRIGHT BLUE*** <i>12-ounce spray paint</i>					
--	28750GT	O-RING KIT,FIELD SVC,ALL PROD* <i>O-ring kit, SAE</i>					
--	32150GT	PAINT,WET,GENIE BLUE (1 GL)** <i>1-gallon</i>					
--	32151GT	PAINT,WET,GENIE GRAY (1 GL)** <i>1-gallon</i>					
--	33994GT	PLUG AND CAP KIT-SERVICE,37 ** <i>Plug and cap kit, SAE</i>					
--	36555GT	CHOCK,CYLINDER (SERVICE TOOL)					
--	49612GT	O-RING KIT (ORFS FITTINGS) <i>O-ring kit, ORFS</i>					
--	49613GT	PLUG AND CAP KIT-SERVICE,ORFS* <i>Plug and cap kit, ORFS</i>					
--	66399GT	GREASE,DIELECTRIC 4 OZ**					
--	93500GT	PARKER DIGITAL PRESSURE GAUGE					
--							
1		— MANUALS —					
--	27581GT	MANUAL,AEM SAFETY					
--	31779GT	MANUAL,RESPON,A92.5 BOOM					
2		— HYD FILTERS —					
--	1268229GT	ELEMENT-5 MIC, PAPER, W/ BYPASS					
--	44207GT	FILTER ELEMENT,BETA(10)=200					
--	60857GT	FILTER,ELEMENT,BETA(5)=1000					
3		— KUBOTA WG972 MODELS —					
--	52816GT	BELT,FAN,KUBOTA DF972/Z482-E					
--	866127GT	ELEMENT,AIR CLEANER,KUBOTA					
--	866400GT	KUBOTA OIL FILTER					
4		— KUBOTA D1105 MODELS —					
--	31745GT	FILTER,AIR,D905					
--	32196GT	BELT,V, KUBOTA D905					
--	42767GT	SEPARATOR/FILTER ELEMENT,FUEL*					
--	866050GT	FILTER,OIL,KUBOTA					
6		— GM .998L MODELS —					
--	1272019GT	FILTER, FUEL					
--	1272828GT	OIL FILTER, GM .998L					
--	1272829GT	SPARK PLUG, GM .998L					

101.1 Word Decals, ANSI & AUS, Chassis



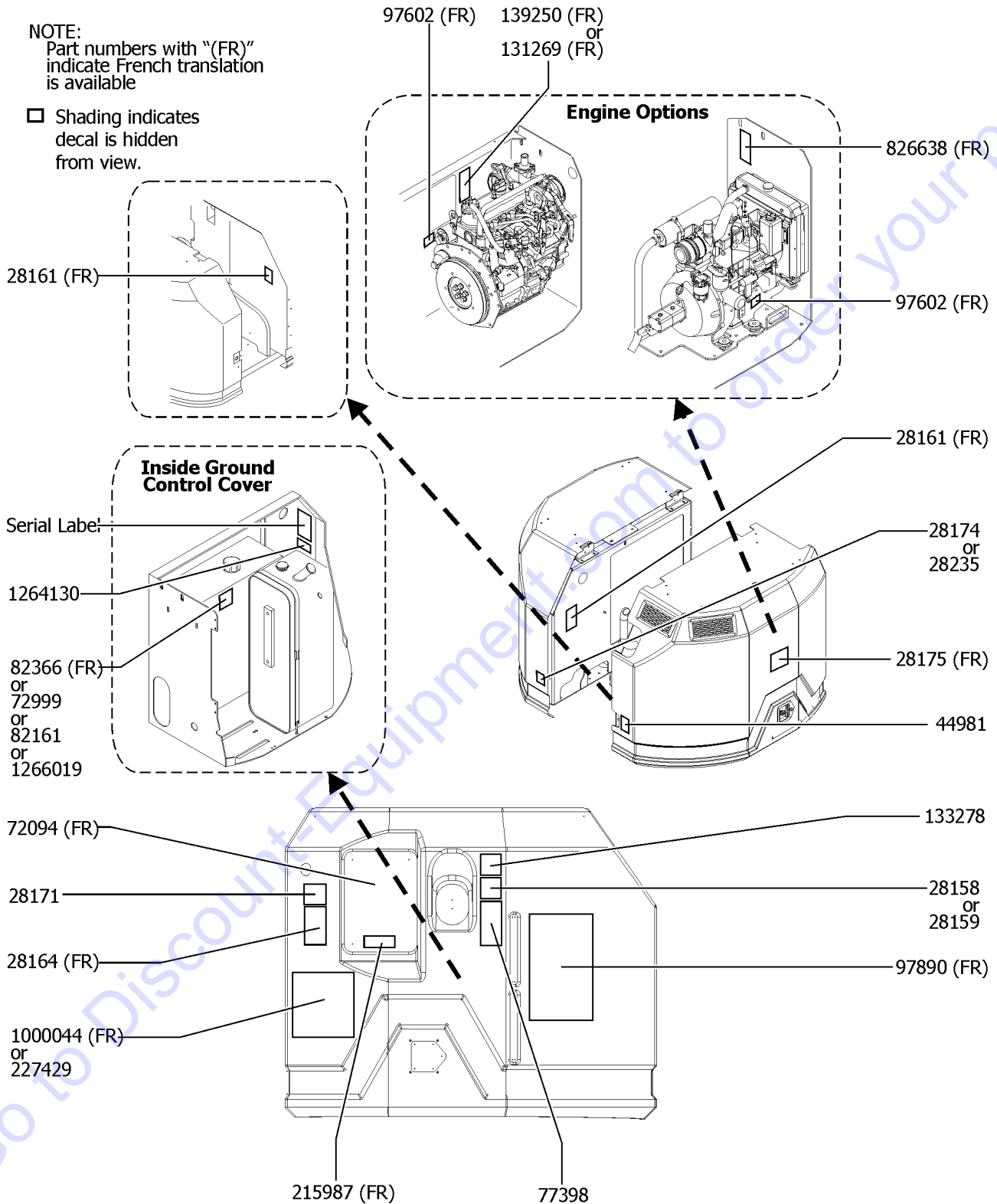
101.1 Word Decals, ANSI & AUS, Chassis

Item	Part No.	Description	Qty.
1	28160GT	DECAL,LABEL,LIQUID PROPANE.....1	1
2	31060GT	DECAL,DANGER DO NOT ALTER SWTC.....1	1
3	37053GT	DECAL,ARROW,BLUE.....1	1
4	37054GT	DECAL,ARROW,YELLOW SM 5-3/8".....1	1
5	37055GT	DECAL,TRIANGLE,BLUE.....2	2
6	37056GT	DECAL,TRIANGLE,YELLOW.....2	2
7	41971GT	DECAL,NOTICE,TIRE SPEC,34BI/IC....4 ANSI	4
8	43595GT	DECAL,DANGER,TIP-OVER,TIRES***...4 AUS	4
9	52968GT	DECAL,COSMETIC,GENIE BOOM,VERT.....1	1
10	62947GT	DECAL,COSMETIC,IC POWER 4 X 2.....1 <i>option, 2WD</i>	1
11	62948GT	DECAL,COSMETIC,IC POWER 4 X 4.....1 <i>option, 4WD</i>	1
12	97699GT	DECAL,NOTICE,HI FLOAT TIRES.....4 ANSI	4
13	133299GT	DECAL,LABEL,WHEEL LOAD Z34IC**...4	4
14	133545GT	DECAL,NOTICE, TIRE SPEC, FF.....4 AUS	4

102.1 Word Decals, ANSI & AUS, Turntable

NOTE:
Part numbers with "(FR)"
indicate French translation
is available

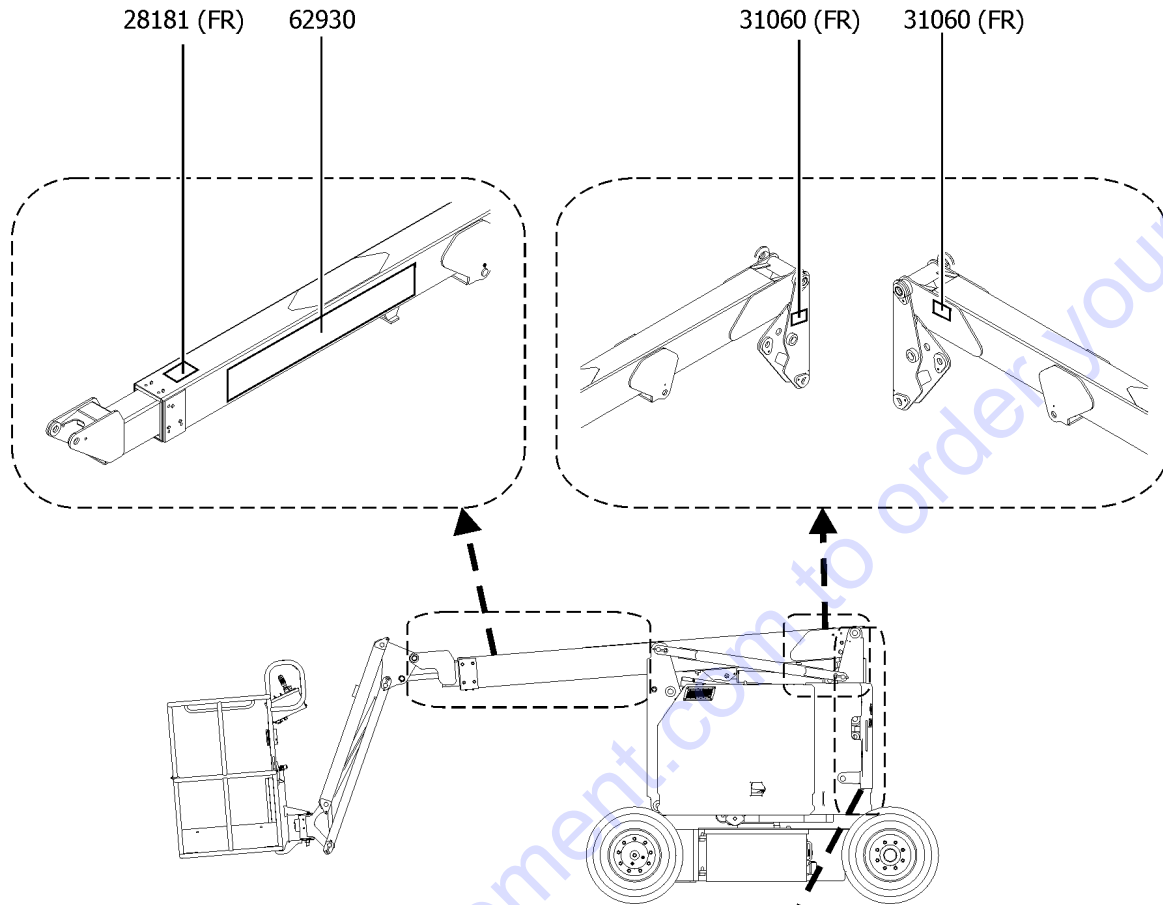
☐ Shading indicates
decal is hidden
from view.



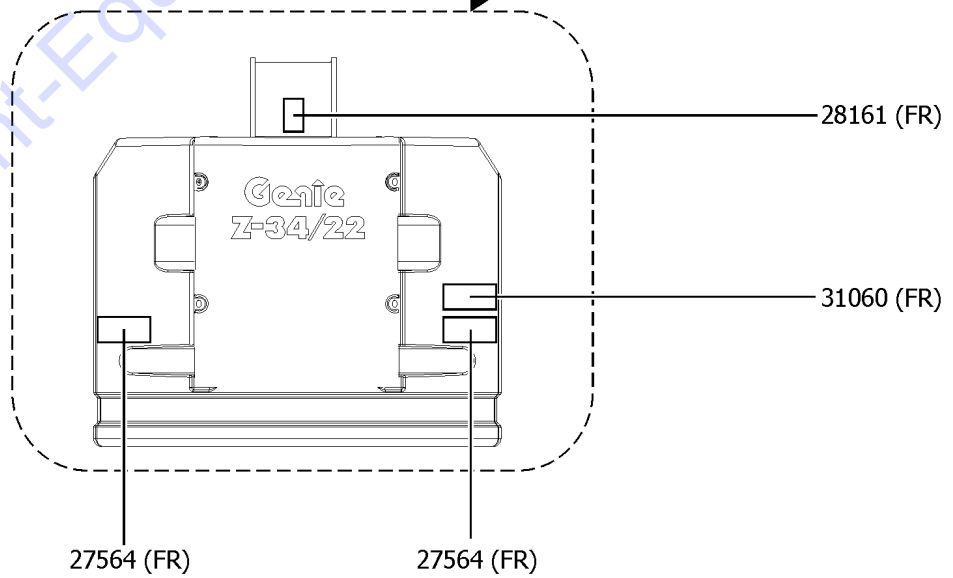
102.1 Word Decals, ANSI & AUS, Turntable

Item	Part No.	Description	Qty.
1	28158GT	DECAL,LABEL,UNLEADED GAS ONLY.....1 <i>option, fuel</i>	1
2	28159GT	DECAL,DIESEL.....1 <i>option, fuel</i>	1
3	28161GT	DECAL,WARN,CRUSH HAZARD HAND.....2	2
4	28164GT	DECAL,NOTICE,HAZARDOUS MAT'LS*.....1	1
5	28171GT	DECAL,DANGER,NO SMOKING ***.....1	1
6	28174GT	DECAL, POWER TO PLATFORM 230V**.....1	1
7	28175GT	DECAL,WARNING-COMPART ACCESS.....1	1
8	28235GT	DECAL,POWER TO PLATFORM 115V...1	1
9	44981GT	DECAL,LABEL, AIR LINE 110 PSI.....1 <i>option, airline to platform</i>	1
10	72094GT	DECAL,GROUND CONTROL PANEL....1	1
11	72999GT	DECAL,LABEL,PETRO CANADA***.....1 <i>option, hydraulic oil</i>	1
12	77398GT	DECAL,TIRE SEALANT,3.25 X 7.5.....1 <i>option, tire sealant</i>	1
13	82161GT	DECAL,LABEL,UCON HYDROLUBE....1 <i>option, hydraulic oil</i>	1
14	82366GT	DECAL,CHEVRON RANDO HD.....1 <i>option, hydraulic oil</i>	1
15	97602GT	DECAL,EXPLOSION HAZARD.....1 <i>diesel engines only</i>	1
16	97890GT	DECAL,DANGER,GEN SAFETY RULES.....1	1
17	131269GT	DECAL,KUBOTA D1105,SPECS.....1 <i>diesel models</i>	1
18	133278GT	DECAL,LOW/ULTRA LOW SULFR FUEL.....1 <i>diesel models</i>	1
19	139250GT	DECAL,KUBOTA WG972/DF972 SPEC.....1 <i>gas models</i>	1
20	215987GT	DECAL,RELAY LABEL,Z34IC.....1	1
21	227429GT	DECAL, OPERATING INSTRUCTIONS.....1 <i>AUS models</i>	1
22	826638GT	DECAL,ENGINE SPEC,PERKINS 403D/F.....1	1
23	1000044GT	DECAL,NOTICE,OPER INST.Z34IC.....1 <i>ANSI models</i>	1
24	1264130GT	DECAL,WG972,CARB,EPA CERT 2015.....1 <i>gas models</i>	1
25	1266019GT	DECAL, LABEL, SHELL TELLUS.....1 <i>option, cold weather</i>	1

103.1 Word Decals, ANSI & AUS, Boom



NOTE:
Part numbers with "(FR)"
indicates French translation
is available

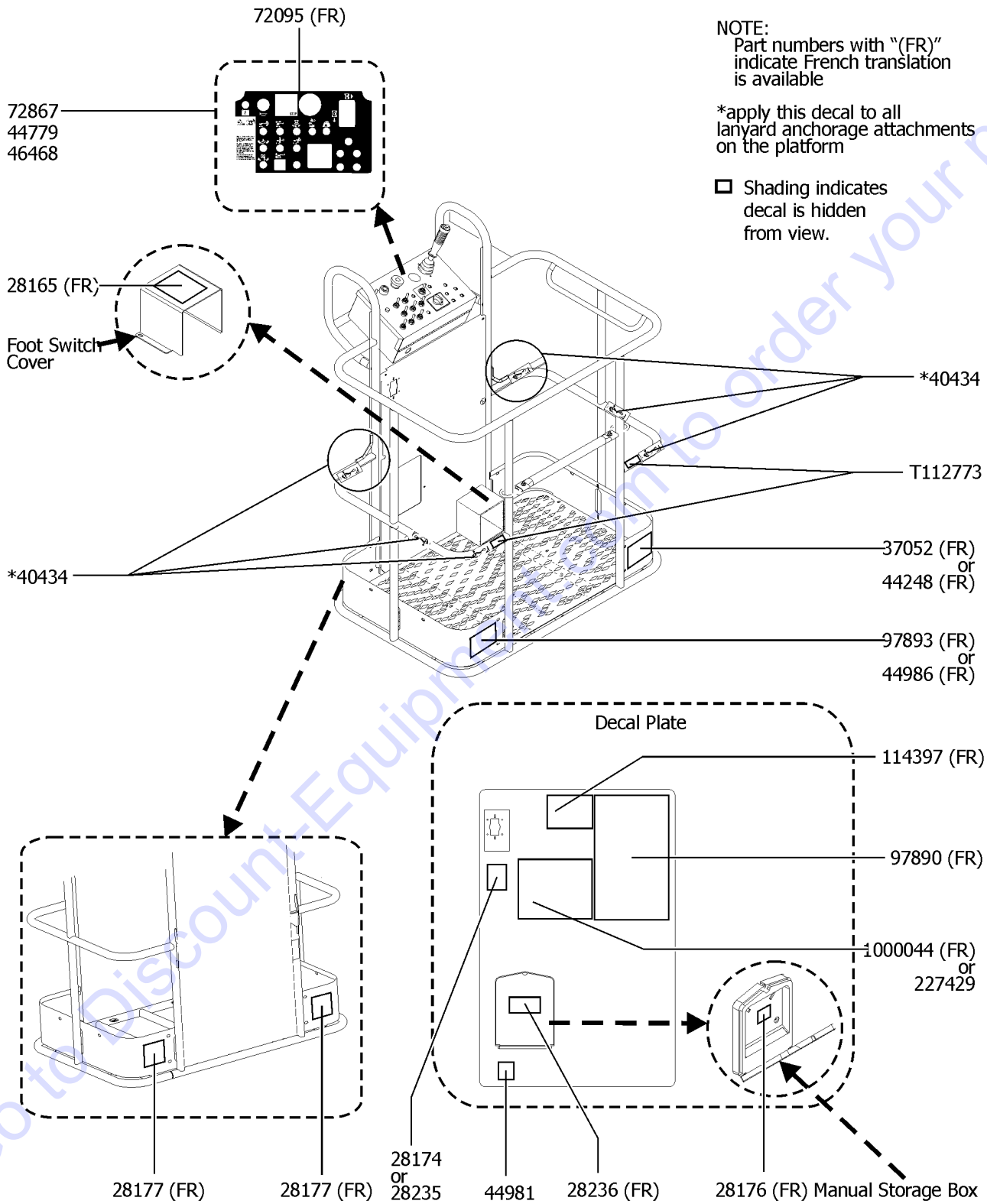


103.1 Word Decals, ANSI & AUS, Boom

Item	Part No.	Description	Qty.
1	27564GT	DECAL,DANGER,ELEC.HAZ.STAY CLR.....	2
2	28161GT	DECAL,WARN,CRUSH HAZARD HAND.....	1
3	28181GT	DECAL,WARN,FALL HAZARD.....	1
4	31060GT	DECAL,DANGER DO NOT ALTER SWTC.....	3
5	62930GT	DECAL,COSMETIC,GENIE Z-34/22.....	1

Go to Discount-Equipment.com to order your parts

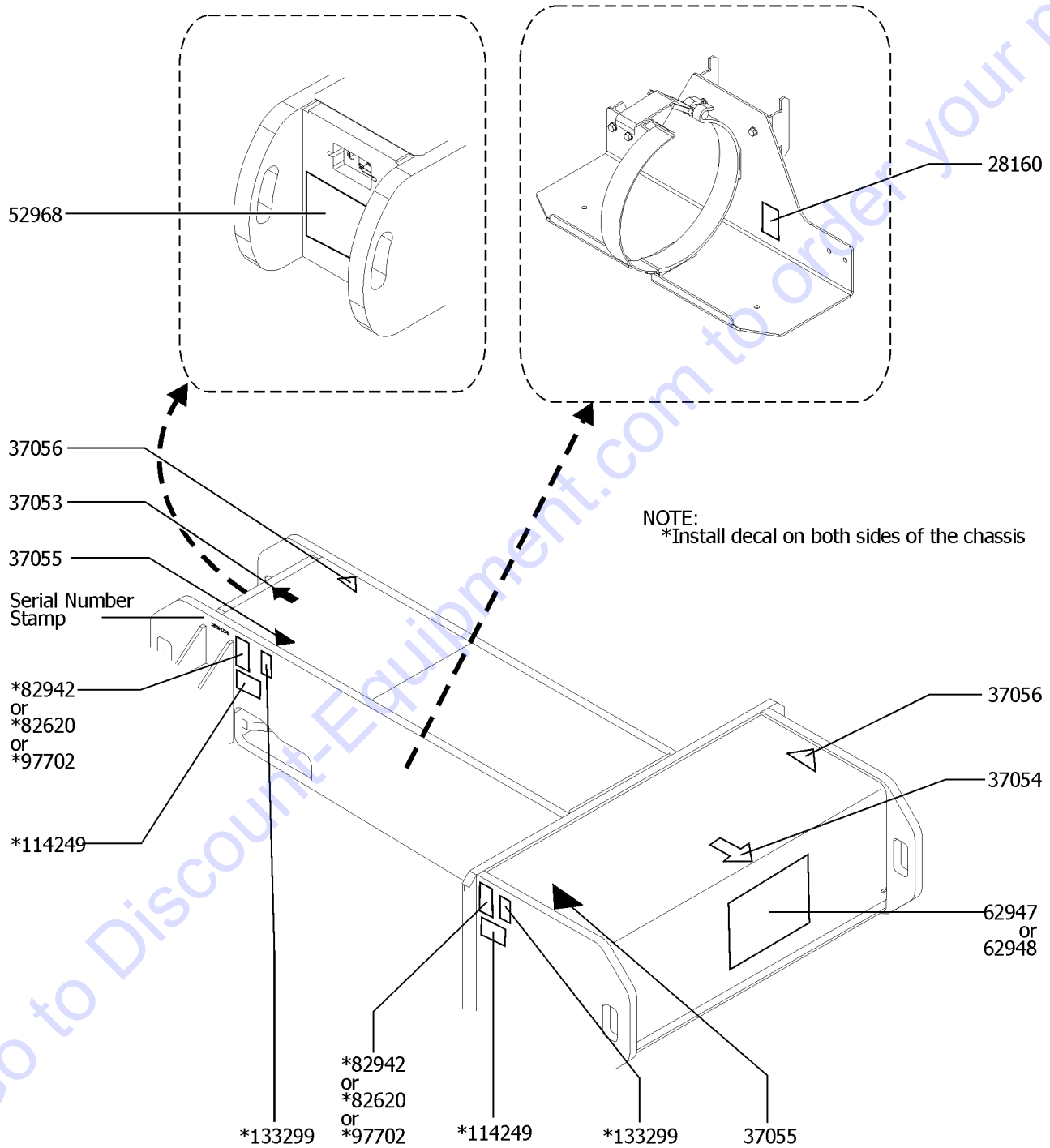
104.1 Word Decals, ANSI & AUS, Platform



104.1 Word Decals, ANSI & AUS, Platform

Item	Part No.	Description	Qty.
1	28165GT	DECAL,INSTRUCT,FOOTSWITCH OPER.....	1
2	28174GT	DECAL, POWER TO PLATFORM 230V**.....	1
3	28176GT	DECAL,LABEL,MANUAL NOT HERE.....	1
4	28177GT	DECAL,WARN,CRUSH HAZARD PLAT.....	2
5	28235GT	DECAL,POWER TO PLATFORM 115V.....	1
6	28236GT	DECAL,WARN,IMPROPER OPERATION.....	1
7	37052GT	DECAL,NOTICE,MAX LOAD 500 LBS.....	1
8	40434GT	DECAL,LANYARD ANCHORAGE POINT.....	6
9	44248GT	DECAL,NOTICE,MAX CAP 440 LBS..... <i>option, aircraft protection</i>	1
10	44779GT	DECAL,GENERATOR OPTION..... <i>option, generator</i>	1
11	44981GT	DECAL,LABEL, AIR LINE 110 PSI..... <i>option, airline to platform</i>	1
12	44986GT	DECAL,INSTR,SIDE FRC/WIND,AUS..... <i>AUS models</i>	1
13	46468GT	DECAL,FUNCTION OVERRIDE..... <i>option, aircraft protection</i>	1
14	72095GT	DECAL,PLATFORM CONTROL PANEL.....	1
15	72867GT	DECAL,LABEL,LIGHTS***..... <i>option, work lights</i>	1
16	97890GT	DECAL,DANGER,GEN SAFETY RULES.....	1
17	97893GT	DECAL,NOTICE,SIDE FRC/WINDANSI..... <i>ANSI models</i>	1
18	114397GT	DECAL,DANGER,TILT ALARM.....	1
19	227429GT	DECAL, OPERATING INSTRUCTIONS..... <i>AUS models</i>	1
20	1000044GT	DECAL,NOTICE,OPER INST.Z34IC..... <i>ANSI models</i>	1
21	T112773GT	TAPE, PROTECTIVE MASK.....	2

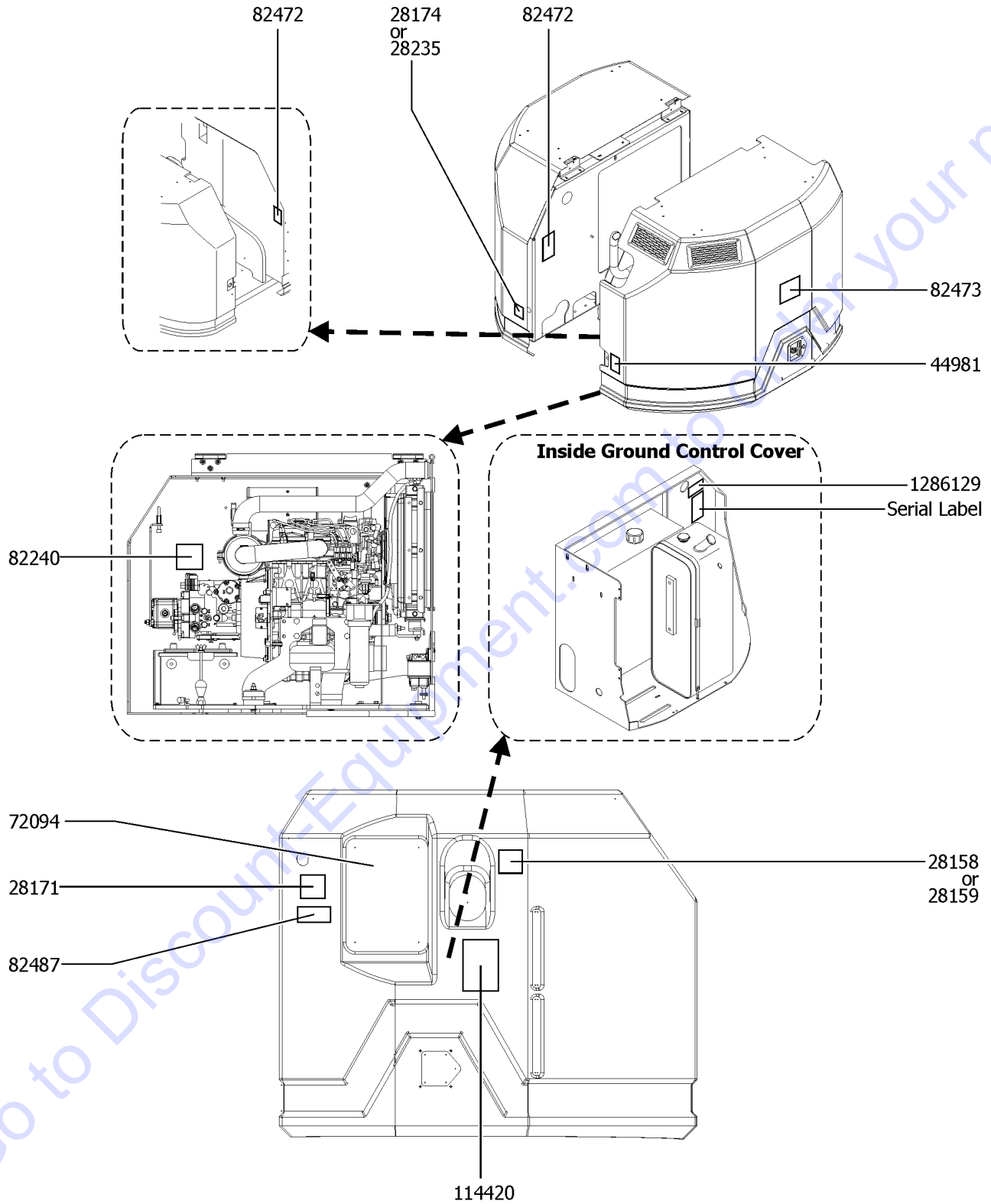
105.1 Symbol Decals, ANSI & CE, Chassis



105.1 Symbol Decals, ANSI & CE, Chassis

Item	Part No.	Description	Qty.
1	28160GT	DECAL,LABEL,LIQUID PROPANE.....1	1
2	37053GT	DECAL,ARROW,BLUE.....1	1
3	37054GT	DECAL,ARROW,YELLOW SM 5-3/8".....1	1
4	37055GT	DECAL,TRIANGLE,BLUE.....2	2
5	37056GT	DECAL,TRIANGLE,YELLOW.....2	2
6	52968GT	DECAL,COSMETIC,GENIE BOOM,VERT.....1	1
7	62947GT	DECAL,COSMETIC,IC POWER 4 X 2.....1 <i>option, 2WD</i>	1
8	62948GT	DECAL,COSMETIC,IC POWER 4 X 4.....1 <i>option, 4WD</i>	1
9	82620GT	DECAL,LABEL,TIRE PRESS,Z-34RT.....4 <i>ANSI only</i>	4
10	82942GT	DECAL,LABEL,TIRE PRESS,Z-34/22.....4 <i>ANSI only</i>	4
11	97702GT	DECAL,HIFLOT TIRE PRESS,Z34IC.....4 <i>ANSI only</i>	4
12	114249GT	DECAL,LABEL,TIPOVER,TIRES,SYMB.4 <i>CE only</i>	4
13	133299GT	DECAL,LABEL,WHEEL LOAD Z34IC**...4	4

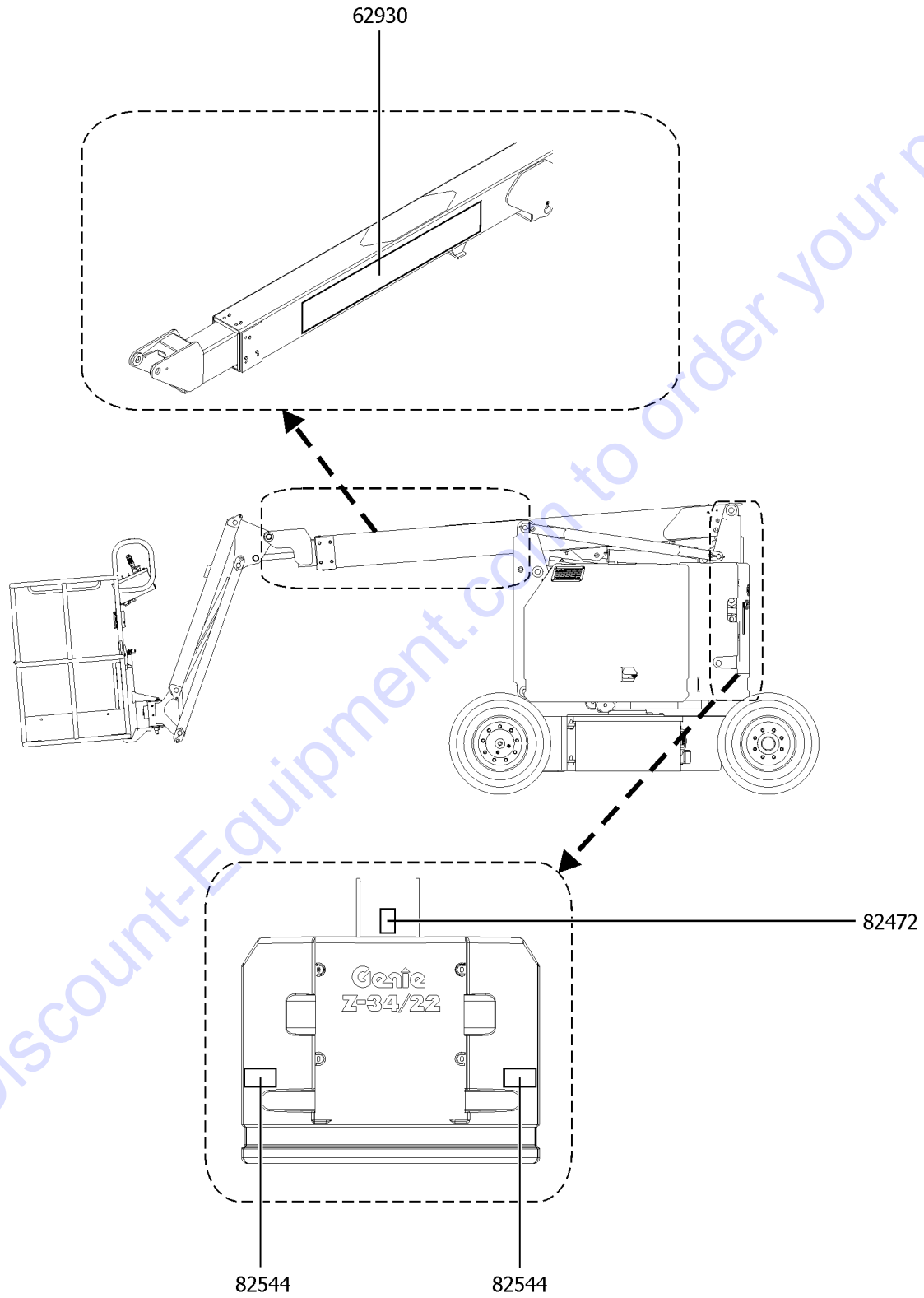
106.1 Symbol Decals, ANSI & CE, Turntable



106.1 Symbol Decals, ANSI & CE, Turntable

Item	Part No.	Description	Qty.
1	28158GT	DECAL,LABEL,UNLEADED GAS ONLY.....1 <i>option, fuel</i>	1
2	28159GT	DECAL,DIESEL.....1 <i>option, fuel</i>	1
3	28171GT	DECAL,DANGER,NO SMOKING ***.....1	1
4	28174GT	DECAL, POWER TO PLATFORM 230V**.....1	1
5	28235GT	DECAL,POWER TO PLATFORM 115V...1	1
6	44981GT	DECAL,LABEL, AIR LINE 110 PSI.....1 <i>option, airline to platform</i>	1
7	72094GT	DECAL,GROUND CONTROL PANEL.....1	1
8	82240GT	DECAL,LABEL,105 DB.....1 <i>CE only</i>	1
9	82472GT	DECAL,WARNING,CRUSHING HAZARD.....2	2
10	82473GT	DECAL,SYMBOL-COMP ACCESS.....1	1
11	82487GT	DECAL, SYMBOL - READ THE MANUAL.....1	1
12	114420GT	DECAL,EMERGENCY LOWERING IC...1	1
13	1286129GT	DECAL, Z34IC EMISSION INFO, CHINA III.....1 <i>Only China models</i>	1

107.1 Symbol Decals, ANSI & CE, Boom

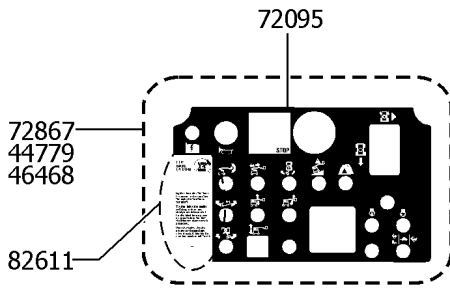


107.1 Symbol Decals, ANSI & CE, Boom

Item	Part No.	Description	Qty.
1	62930GT	DECAL,COSMETIC,GENIE Z-34/22.....1	
2	82472GT	DECAL,WARNING,CRUSHING HAZARD.....1	
3	82544GT	DECAL,DANGER,ELEC.HAZ.STAY CLR.....2	

Go to Discount-Equipment.com to order your parts

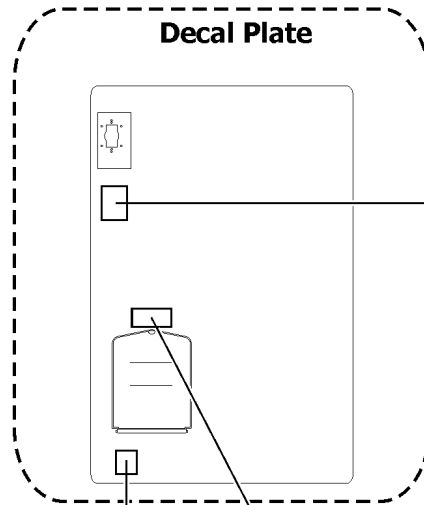
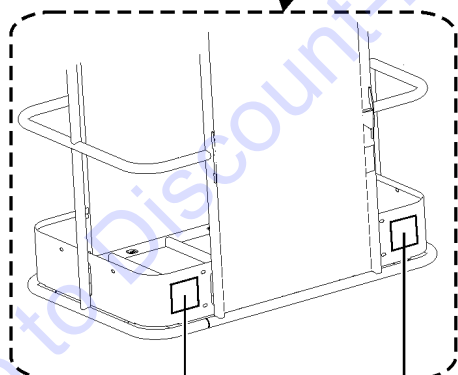
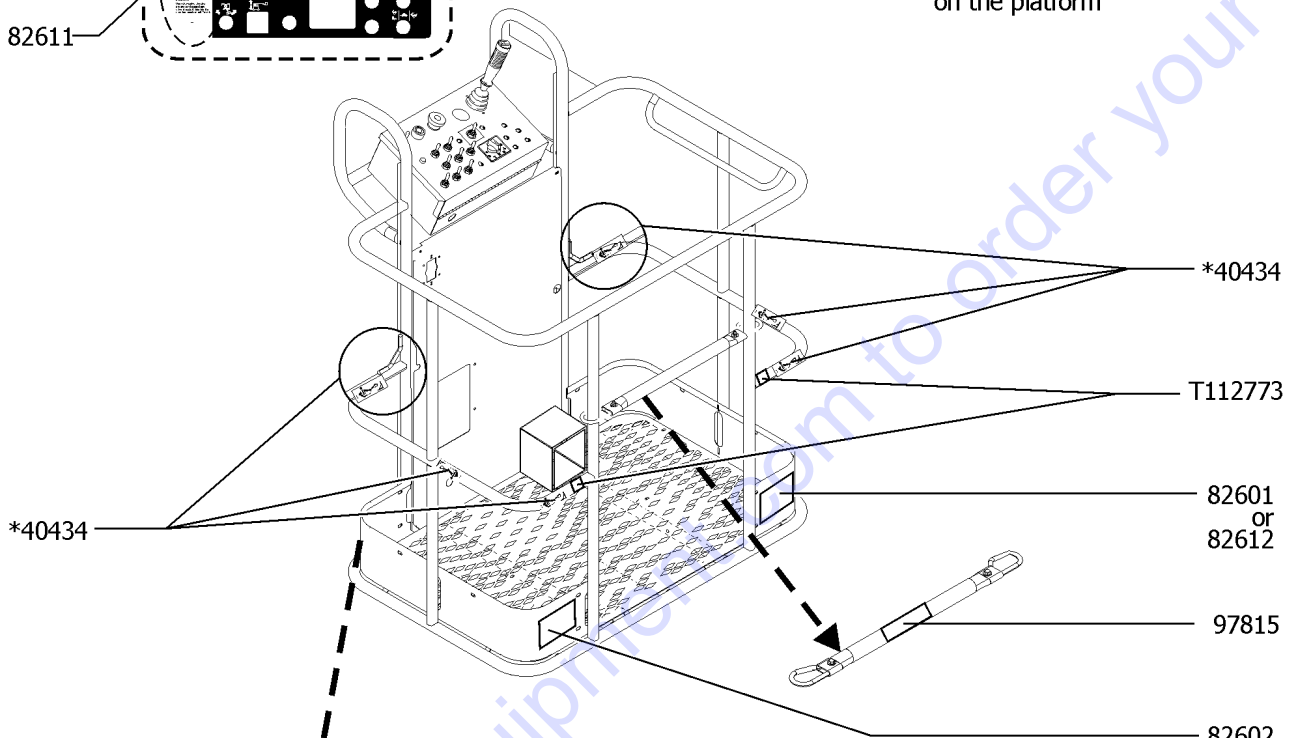
108.1 Symbol Decals, ANSI & CE, Platform



NOTE:

☐ Shading indicates decal is hidden from view.

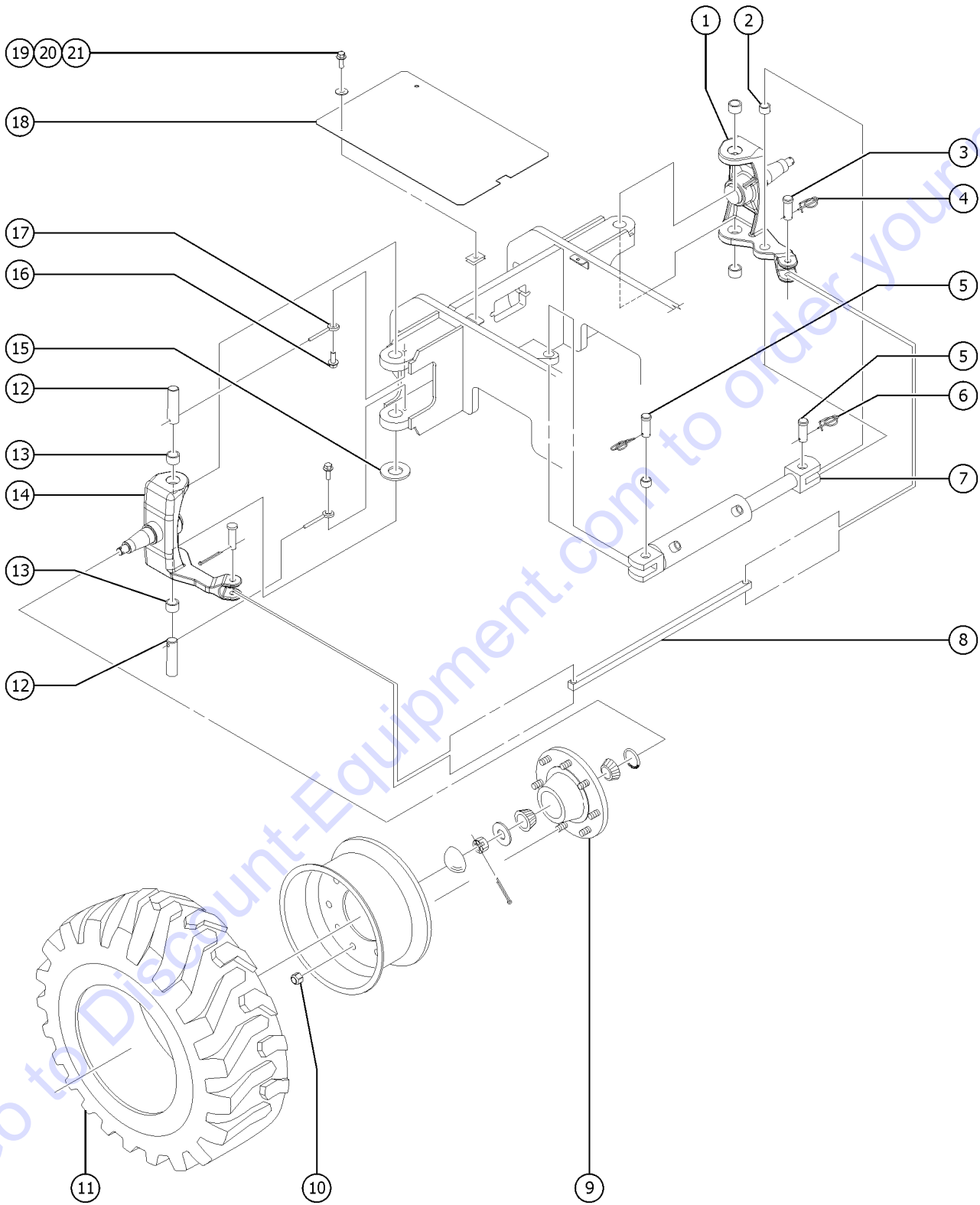
*apply this decal to all lanyard anchorage attachments on the platform



108.1 Symbol Decals, ANSI & CE, Platform

Item	Part No.	Description	Qty.
1	28174GT	DECAL, POWER TO PLATFORM 230V**.....	1
2	28235GT	DECAL,POWER TO PLATFORM 115V...1	1
3	40434GT	DECAL,LANYARD ANCHORAGE POINT.....	6
4	44779GT	DECAL,GENERATOR option..... <i>option, generator</i>	1
5	44981GT	DECAL,LABEL, AIR LINE 110 PSI..... <i>option, airline to platform</i>	1
6	46468GT	DECAL,FUNCTION OVERRIDE..... <i>option, aircraft protection</i>	1
7	72095GT	DECAL,PLATFORM CONTROL PANEL.....	1
8	72867GT	DECAL,LABEL,LIGHTS***..... <i>option, work lights</i>	1
9	82487GT	DECAL, SYMBOL - READ THE MANUAL.....	1
10	82548GT	DECAL,WARN,CRUSH HAZARD PLAT.....	2
11	82601GT	DECAL,LABEL,MAX CAPACITY***.....	1
12	82602GT	DECAL,DANGER,MAX SIDE FRC,667N..... <i>ANSI models</i>	1
13	82604GT	DECAL,DANGER,SIDE FRC 400N..... <i>CE models</i>	1
14	82611GT	DECAL,DRIVE ENABLE PATCH.....	1
15	82612GT	DECAL,DANGER,MAX CAP,200KG..... <i>option, aircraft protection</i>	1
16	97815GT	DECAL,LABEL,LOWER MIDRAIL.....	1
17	T112773GT	TAPE, PROTECTIVE MASK.....	2

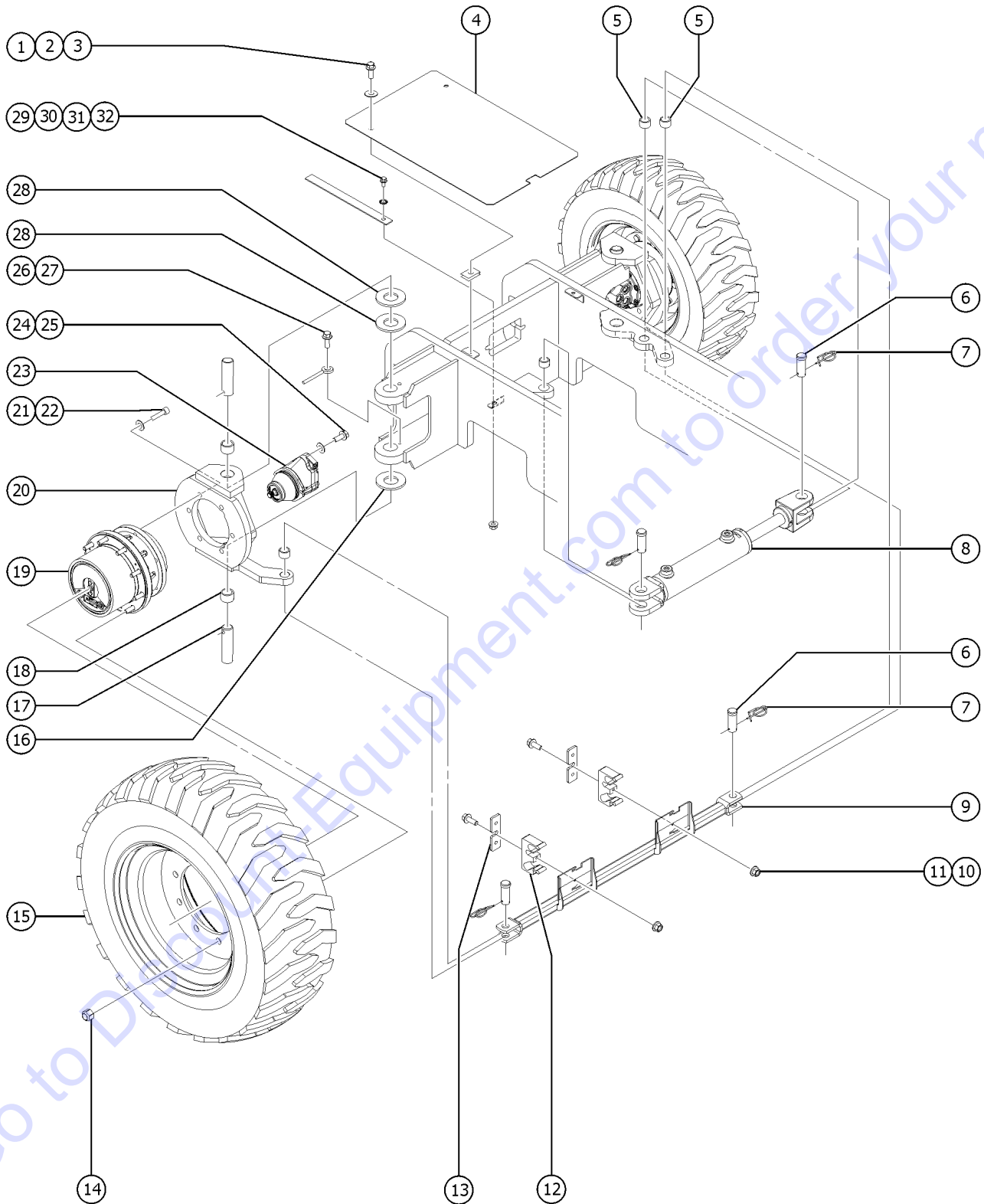
201.1 Steer End (2WD)



201.1 Steer End (2WD)

Item	Part No.	Description	Qty.	Item	Part No.	Description	Qty.
1	94020GT	YOKE ASSY, Z34 2WD RIGHT <i>includes items 2 and 13</i>		--	139411GT	TIRE,SGL,51S3D1-16.5,8 PLY	
2	25817GT	BEARING,1.00IDX1.25ODX1.00L.....1	1	--	42146GT	WHEEL,16.5 X 8.25,8 HOLE/8 BC	
3	824126GT	PIN,CLEVIS,3/4X3,ZAG.....1	1	11G	45460GT	WHEEL ASSY, INDUSTRIAL, FF.....2 <i>foam-filled tire; 8-hole wheel</i>	2
4	824128GT	RUE RING,3/4,ZAG.....1	1	11H	40137GT	WHEEL ASSY, INDUSTRIAL, AF NM.....2 <i>non-marking foam-filled tire; 8-hole wheel</i>	2
5	824127GT	PIN,CLEVIS,1.0X2.41,SAE,ZAG.....4	4	11I	139473GT	ASSY,TIRE&WHEEL,FRONT,FF RH RT.....1 <i>right side foam-filled RT tire; 8-hole wheel</i>	1
6	824129GT	RUE RING,1.0,ZAG.....4	4	11J	139474GT	ASSY,TIRE&WHEEL,FRONT,FF LH RT.....1 <i>left side foam-filled RT tire; 8-hole wheel</i>	1
7	88337GT	CYLINDER,STEER.....1	1	11K	139479GT	ASSY,TIRE&WHL,SEALANT,LF2WD.....1 <i>ANSI/CSA; left front air-filled RT tire with sealant; 8-hole wheel</i>	1
--	88338GT	SEAL KIT, 88337		11L	139480GT	ASSY,TIRE&WHL,SEALANT,RF2WD.....1 <i>ANSI/CSA; right front air-filled RT tire with sealant; 8-hole wheel</i>	1
8	74719GT	ROD-TIE		12	36211GT	PIN,1.50DIA X3.25LG,1HOLE.....4	4
9	45043GT	HUB ASSEMBLY MODEL#60-8***.....2	2	13	18396GT	BEARING,1.51DX1.75ODX1.0L.....4	4
--	21166GT	LUG BOLT,5/8-18,WHEEL HUB***		14	94021GT	YOKE ASSY, Z34 2WD LEFT <i>includes item 13</i>	
--	40145GT	BEARING RACE (LARGE) (45873).....2 <i>inner cone not included</i>	2	15	45074GT	WASHER,THRUST,1.5 X 3.5 X .187	
--	40146GT	BEARING RACE (SMALL) (45873).....2 <i>outer cone not included</i>	2	16	824090GT	SCREW,HHF,3/8-16X1.8,ZAG.....2	2
--	45107GT	INNER CONE - MODEL 60-8 <i>large bearing race not included</i>		17	825019GT	ROD END,.375X3.69,ZAG.....4	4
--	45108GT	OUTER CONE - MODEL 60-8 <i>small bearing race not included</i>		18	40438GT	COVR W/DECALS DR CHAS STR END*.....1	1
--	45110GT	SEAL-GREASE,MODEL 60-8		19	824078GT	SCREW,HHF,1/4-20X.75,8,ZAG.....2	2
--	45111GT	CAP,DUST,45873 HUB KIT		20	824113GT	WASHER,FLAT,USS,1/4,ZAG.....2	2
--	45112GT	WASHER,SPINDLE		21	56912GT	SPRING CLIP,1/4-20,.025-.15X.54,ZAG.....2	2
--	45113GT	NUT,SPINDLE,1-14					
--	45873GT	SEAL/BEARING KIT (45043,54840)					
10	824042GT	NUT,LUG,5/8-18X90 DEG,ZAG.....16	16				
11A	45093GT	WHEEL ASSY, INDUSTRIAL, AF.....2 <i>ANSI/CSA; air-filled tire; 8-hole wheel</i>	2				
--	45040GT	RIM,Z45,14.5 X 7(8 HOLE ON 8BC					
--	54140GT	TUBELESS PNEUMATIC TIRE,9-14LT					
11B	40137GT	WHEEL ASSY, INDUSTRIAL, AF NM.....2 <i>ANSI/CSA; non-marking air filled tire; 8-hole wheel</i>	2				
--	45040GT	RIM,Z45,14.5 X 7(8 HOLE ON 8BC					
--	54234GT	TUBELESS TIRE,9-14.5,NON-M 47#					
11C	110694GT	WHEEL ASSY, IND.W/SEALANT.....2 <i>ANSI/CSA; air-filled tire with sealant; 8-hole wheel</i>	2				
11D	110706GT	WHEEL ASSY, IND.W/SEALANT NM.....2 <i>ANSI/CSA; non-marking air filled tire with sealant; 8-hole wheel</i>	2				
11E	139471GT	ASSY,TIRE&WHEEL,LF,2WD.....1 <i>ANSI/CSA; left front air filled RT tire; 8-hole wheel</i>	1				
--	139411GT	TIRE,SGL,51S3D1-16.5,8 PLY					
--	42146GT	WHEEL,16.5 X 8.25,8 HOLE/8 BC					
11F	139472GT	ASSY,TIRE&WHEEL,RF,2WD.....1 <i>ANSI/CSA; right front air-filled rough terrain tire; 8-hole wheel</i>	1				

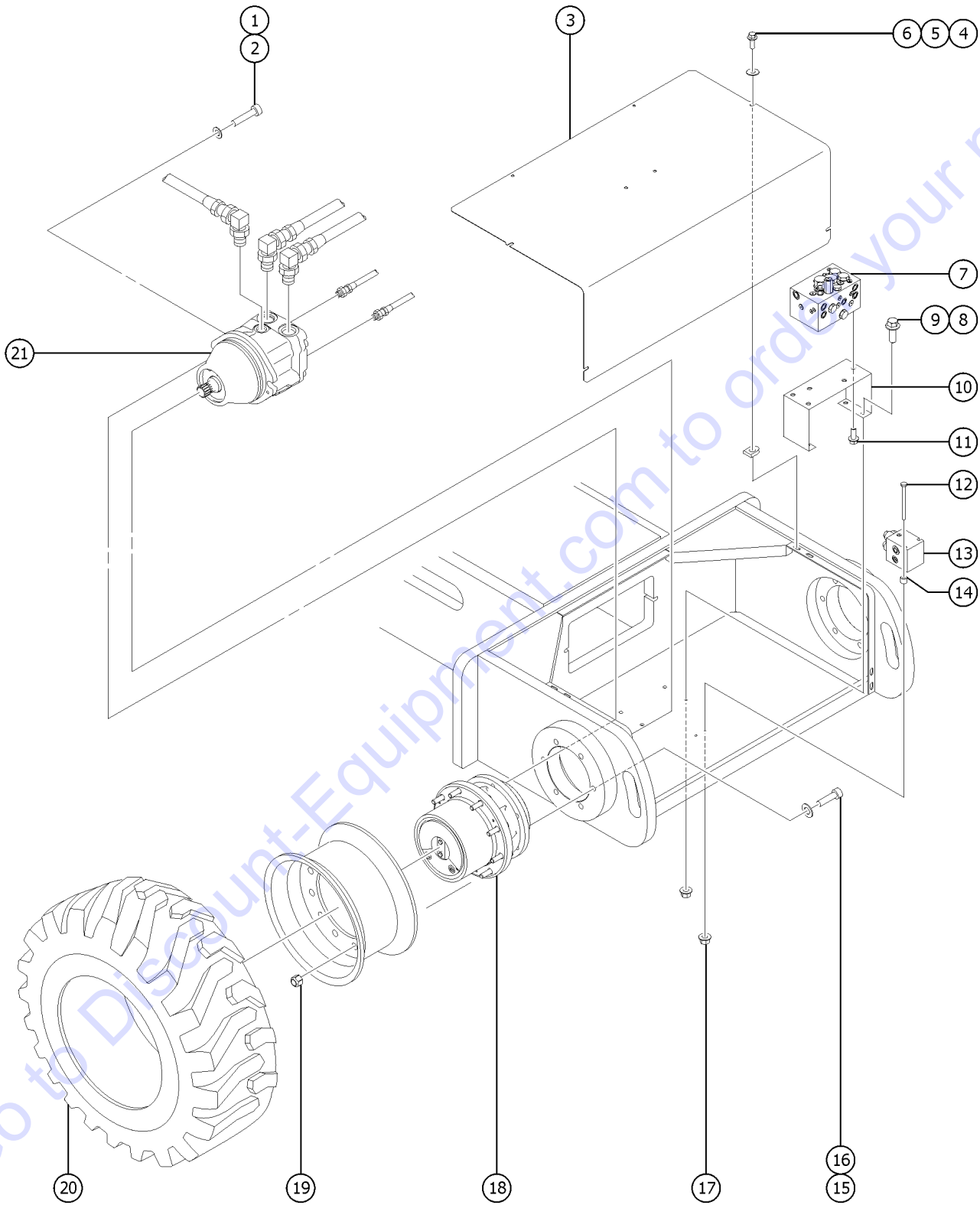
202.1 Steer End (4WD)



202.1 Steer End (4WD)

Item	Part No.	Description	Qty.	Item	Part No.	Description	Qty.
1	824078GT	SCREW,HHF,1/4-20X.75,8,ZAG.....	2	--	106126GT	BEARING KIT,4HP <i>for 101585 (inventory limited to stock on hand as component is no longer available)</i>	
2	824113GT	WASHER,FLAT,USS,1/4,ZAG.....	2	--	1286603GT	BEARING KIT,WHEEL DRIVE W/BRAKE (101584/101585) <i>for 101585</i>	
3	56912GT	SPRING CLIP,1/4-20,.025-.15X.54,ZAG.....	2	--	128839GT	PIPE PLUG,.563 MAG*** <i>for 101585</i>	
4	40438GT	COVR W/DECALS DR CHAS STR END*.....	1	--	232486GT	SNAP RING,WHEEL DRIVE <i>for 101585</i>	
5	25817GT	BEARING,1.00IDX1.25ODX1.00L.....	4	20A	58029GT	YOKE ASSY,GRD CONT,SIDE PARKER.....	1
6	824127GT	PIN,CLEVIS,1.0X2.41,SAE,ZAG.....	4			<i>includes items 5 and 19</i>	
7	824129GT	RUE RING,1.0,ZAG.....	4	20B	58090GT	YOKE ASSY,ENGINE SIDE,PARKER.....	1
8	88337GT	CYLINDER,STEER.....	1			<i>includes items 5 and 19</i>	
--	88338GT	SEAL KIT, 88337		21	824104GT	SCREW,SHC,5/8-11X1.75,A574,ZAG...	12
9	119854GT	WELDMENT TIE ROD.....	1	22	824121GT	WASHER,FLAT,.688X1.160X.09,HRD...	12
10	824027GT	NUT,TL FLG,1/4-20,G,ZAG.....	2	23	101586GT	MOTOR,PISTON,LC25,6.5 DEG,13T....	2
11	824083GT	SCREW,HHF,1/4-20X2.5,8,ZAG.....	2	--	106098GT	SEAL KIT,MOTOR,LC/KC***	
12	110271GT	CLAMP, DRIVE HOSE.....	2	--	106118GT	O-RING,2-157,VITON***	
13	106517PGT	CLAMP TOP,HOSE ROUTING PAINTED.....	2	24	824072GT	SCREW,HHC,7/16-14X1.25,ZAG.....	2
14	824042GT	NUT,LUG,5/8-18X90 DEG,ZAG.....	16	25	824117GT	WASHER,FLAT,7/16,SAE,HRD,ZAG.....	2
15A	131340GT	ASSY,TIRE&WHEEL,FF.RH.....	4	26	824090GT	SCREW,HHF,3/8-16X1.8,ZAG.....	2
		<i>right side foam-filled RT tire; 9-hole wheel</i>		27	825019GT	ROD END,.375X3.69,ZAG.....	2
15B	131341GT	ASSY,TIRE&WHEEL,FF.LH.....	4	28	1251565GT	WASHER,SHIM,1.56X2.5X.061,ZAG....	4
		<i>left side foam-filled RT tire; 9-hole wheel</i>		29	96317GT	GROUND STRAP,12"LG***.....	1
15C	1279191GT	ASSY.TIRE AND WHEEL.NM FORM.LF.....	1	30	6700GT	WASHER,STAR,EXTERNAL,.375.....	1
15D	1279192GT	ASSY.TIRE AND WHEEL.NM FORM.RF.....	1	31	824029GT	NUT,TL FLG,3/8-16,G,ZAG.....	1
16	45074GT	WASHER,THRUST,1.5 X 3.5 X .187.....	2	32	824089GT	SCREW,HHF,3/8-16X.75,8,ZAG.....	1
17	94221GT	PIN,1.50DIA X3.75LG,1HOLE.....	4				
18	18396GT	BEARING,1.5IDX1.75ODX1.0L.....	4				
19	101585GT	WHEEL DRIVE,4HP 48:1.....	2				
--	106117GT	O-RING,2-010,VITON <i>for 101585 (Mating O-ring for Brake Port)(Extremely small)</i>					
--	106119GT	SEAL KIT, GEARBOX, 4HP <i>for 101585</i>					
--	106120GT	WHEEL STUD, 4HP, 5/8-18*** <i>for 101585</i>					
--	106121GT	ROD,DISCONNECT 4HP/4HB*** <i>for 101585</i>					
--	106122GT	CAP,DISENGAGE,4HP/4HB*** <i>for 101585</i>					
--	106123GT	O-RING,END COVER,4HP/4HB*** <i>for 101585</i>					
--	106124GT	LINING KIT, BRAKE, 4HP*** <i>for 101585</i>					
--	106125GT	SEAL KIT, BRAKE, 4HP <i>for 101585</i>					

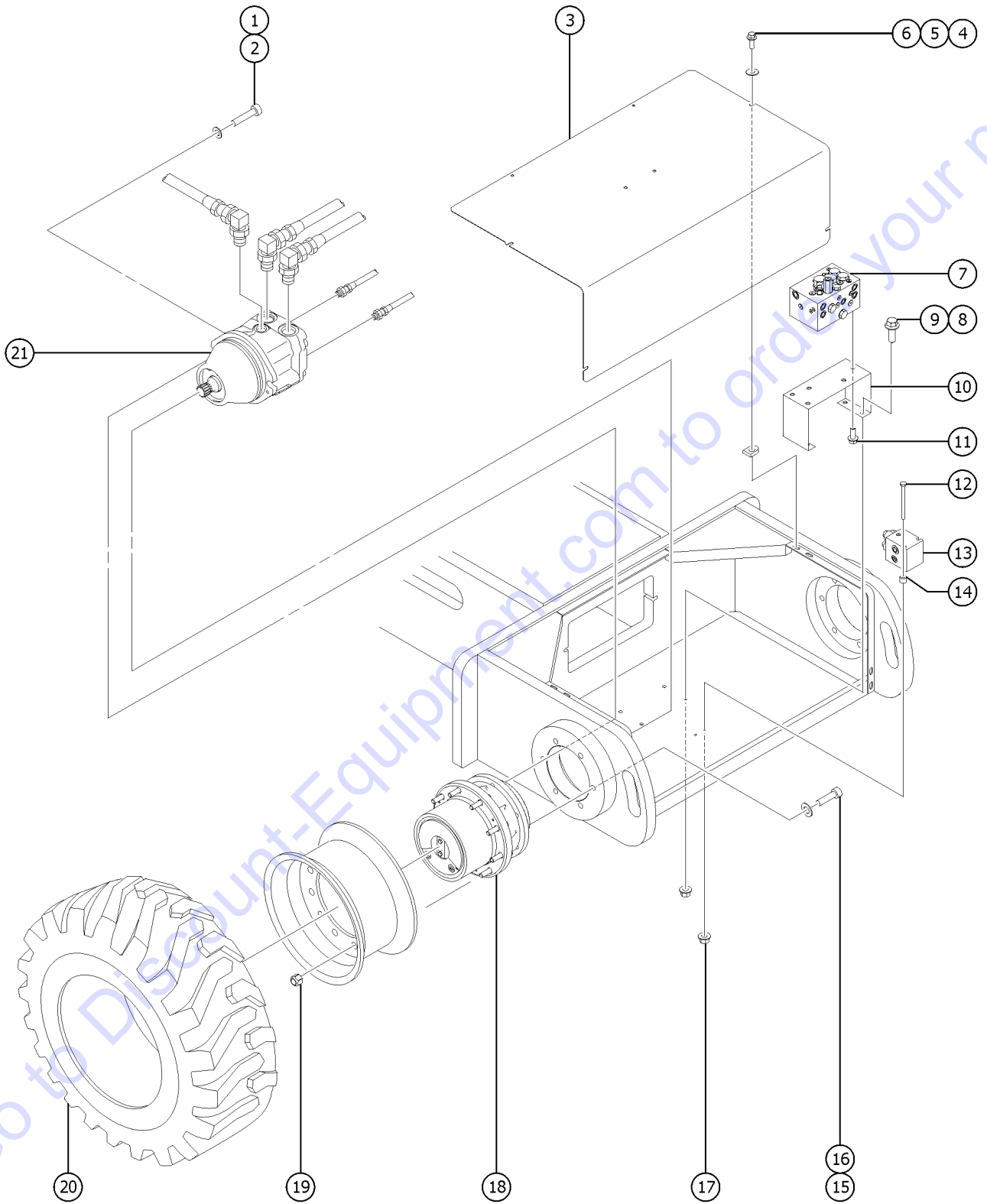
203.1 Non-Steer End (2WD)



203.1 Non-Steer End (2WD)

Item	Part No.	Description	Qty.	Item	Part No.	Description	Qty.
1	824072GT	SCREW,HHC,7/16-14X1.25,ZAG.....	4	--	146051GT	BEARING NUT*** for 101584	
2	824117GT	WASHER,FLAT,7/16,SAE,HRD,ZAG.....	4	--	146052GT	SET SCREW*** for 146051	
3	128729GT	COVER, DRIVE CHASSIS, Z34.....	1	--	215777GT	INPUT CARRIER, SUB-ASSEMBLY for 101584	
4	824078GT	SCREW,HHF,1/4-20X.75,8,ZAG.....	2	--	58320GT	KIT,TORQUE HUB COVER(101584)** for 101584	
5	824113GT	WASHER,FLAT,USS,1/4,ZAG.....	2	19	824042GT	NUT,LUG,5/8-18X90 DEG,ZAG.....	18
6	56912GT	SPRING CLIP,1/4-20,.025-.15X.54,ZAG.....	2	20A	1267846GT	WHEEL ASSY, INDUSTRIAL, AF.....	2
7		Ref. TRACTION MANIFOLD 2WD refer to 701.1		--	1267397GT	WHEEL, 14.5 X 7	
8	824091GT	SCREW,HHF,3/8-16X1.25,8,ZAG.....	4	--	54140GT	TUBELESS PNEUMATIC TIRE,9-14LT	
9	824029GT	NUT,TL FLG,3/8-16,G,ZAG.....	4	20B	1267844GT	WHEEL ASSY, INDUSTRIAL, AF NM.....	2
10	42068GT	BRACKET,MANIFOLD MOUNT.....	1	--	1267397GT	WHEEL, 14.5 X 7	
11	824089GT	SCREW,HHF,3/8-16X.75,8,ZAG.....	2	--	54234GT	TUBELESS TIRE,9-14.5, NON-M 47#	
12	824065GT	SCREW,HHC,1/4-20X4,8,ZAG.....	2	20C	139467GT	ASSY,TIRE&WHEEL,LR,2/4WD.....	1
13		Ref. MANIFOLD,BRAKE/MOTOR SHIFT**	1	--	139411GT	TIRE,SGL,51S3D1-16.5,8 PLY	
14	45400GT	SPACER TUBE,.50 LG.....	2	--	42145GT	WHEEL,16.5 X 8.25,9 HOLE/9.5BC	
15	824106GT	SCREW,SHC,5/8-11X2.75,A574,ZAG...	12	20D	139468GT	ASSY,TIRE&WHEEL,RR,2/4WD.....	1
16	824121GT	WASHER,FLAT,.688X1.160X.09,HRD...	12	--	139411GT	TIRE,SGL,51S3D1-16.5,8 PLY	
17	824027GT	NUT,TL FLG,1/4-20,G,ZAG.....	2	--	42145GT	WHEEL,16.5 X 8.25,9 HOLE/9.5BC	
18	101584GT	WHEEL DRIVE W/BRAKE 57:1.....	2	20E	1267842GT	WHEEL ASSY, IND. W/SEALANT.....	2
--	106117GT	O-RING,2-010,VITON for 101584 (Mating O-ring for Brake Port) (small)		20F	1267843GT	WHEEL ASSY, IND. W/SEALANT NM.....	2
--	106119GT	SEAL KIT, GEARBOX, 4HP for 101584		20G	139476GT	ASSY,TIRE&WHL,SEALANT,LR.....	1
--	106120GT	WHEEL STUD, 4HP, 5/8-18*** for 101584		20H	139478GT	ASSY,TIRE&WHL,SEALANT,RR.....	1
--	106121GT	ROD,DISCONNECT 4HP/4HB*** for 101584		20I	1267847GT	WHEEL ASSY, INDUSTRIAL, FF.....	2
--	106122GT	CAP,DISENGAGE,4HP/4HB*** for 101584		20J	1267845GT	WHEEL ASSY, INDUSTRIAL, FF NM.....	2
--	106123GT	O-RING,END COVER,4HP/4HB*** for 101584		20K	139469GT	ASSY,TIRE&WHEEL,DRIVE,FF RH RT	1
--	106124GT	LINING KIT, BRAKE, 4HP*** for 101584		20L	139470GT	ASSY,TIRE&WHEEL,DRIVE,FF LH RT...	1
--	106125GT	SEAL KIT, BRAKE, 4HP for 101584 (inventory limited to stock on hand as component is no longer available)		21	101586GT	MOTOR,PISTON,LC25,6.5 DEG,13T.....	2
--	106126GT	BEARING KIT,4HP for 101584 (inventory limited to stock on hand as component is no longer available)		--	106098GT	SEAL KIT,MOTOR,LC/KC***	
--	1286602GT	SEAL KIT,WHEEL DRIVE W/BRAKE (101584/101585) for 101584					
--	1286603GT	BEARING KIT,WHEEL DRIVE W/BRAKE (101584/101585) for 101584					

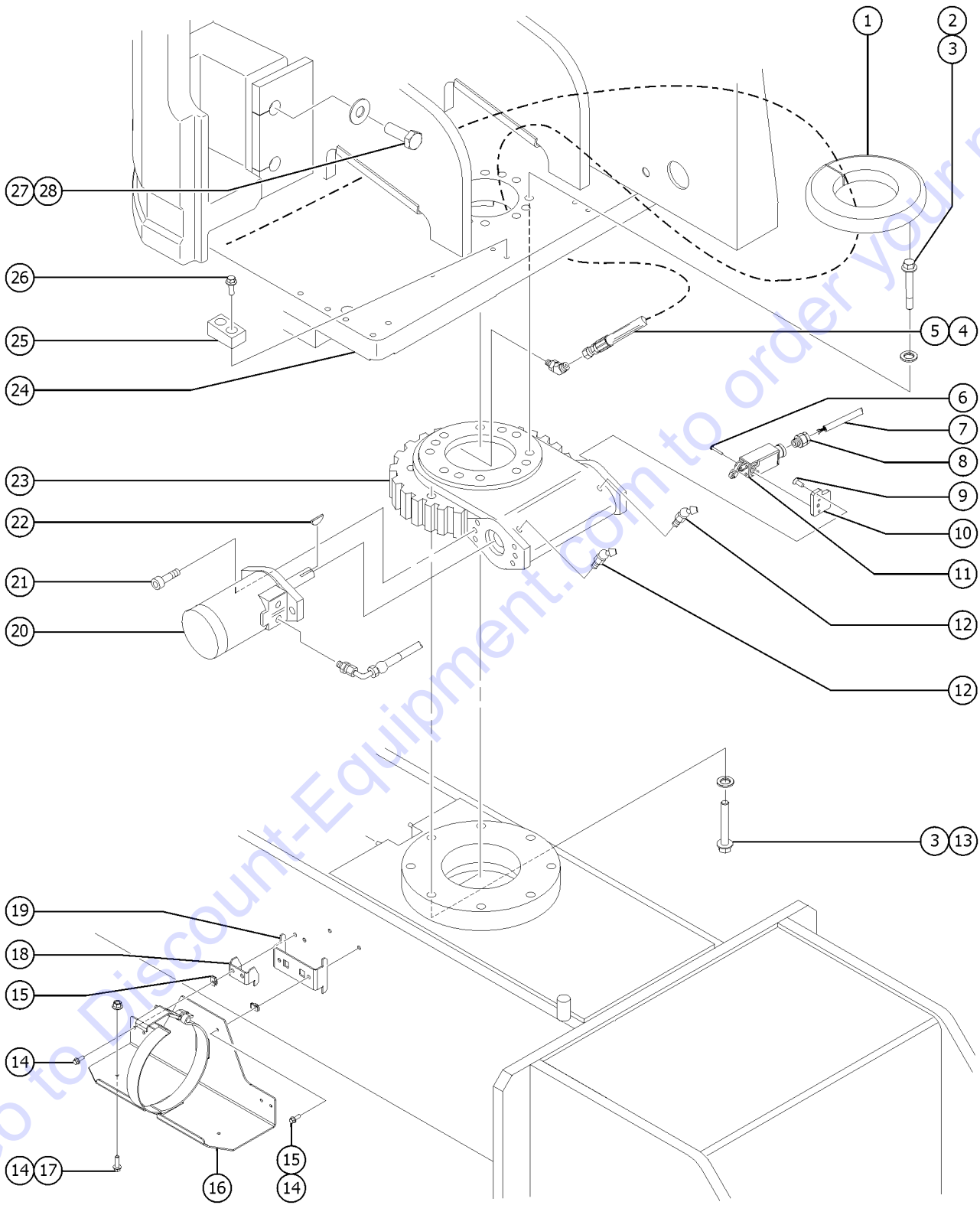
204.1 Non-Steer End (4WD)



204.1 Non-Steer End (4WD)

Item	Part No.	Description	Qty.
1	824072GT	SCREW,HHC,7/16-14X1.25,ZAG.....	4
2	824117GT	WASHER,FLAT,7/16,SAE,HRD,ZAG.....	4
3	128729GT	COVER, DRIVE CHASSIS, Z34..... <i>decals not included, refer to section 100</i>	1
4	824078GT	SCREW,HHF,1/4-20X.75,8,ZAG.....	2
5	824113GT	WASHER,FLAT,USS,1/4,ZAG.....	2
6	56912GT	SPRING CLIP,1/4-20,.025-.15X.54,ZAG.....	2
7		Ref. TRACTION MANIFOLD 4WD <i>refer to 702.1</i>	
8	824091GT	SCREW,HHF,3/8-16X1.25,8,ZAG.....	4
9	824029GT	NUT,TL FLG,3/8-16,G,ZAG.....	4
10	42068GT	BRACKET,MANIFOLD MOUNT.....	1
11	824089GT	SCREW,HHF,3/8-16X.75,8,ZAG.....	2
12	824065GT	SCREW,HHC,1/4-20X4,8,ZAG.....	2
13		Ref. MANIFOLD,BRAKE/MOTOR SHIFT** <i>refer to 702.1</i>	1
14	45400GT	SPACER TUBE,.50 LG.....	2
15	824106GT	SCREW,SHC,5/8-11X2.75,A574,ZAG...	12
16	824121GT	WASHER,FLAT,.688X1.160X.09,HRD...	12
17	824027GT	NUT,TL FLG,1/4-20,G,ZAG.....	2
18		Ref. WHEEL DRIVE,4HP 48:1 <i>refer to 202.1</i>	
19	824042GT	NUT,LUG,5/8-18X90 DEG,ZAG.....	18
20A	139469GT	ASSY,TIRE&WHEEL,DRIVE,FF RH RT <i>right rear foam-filled RT tire; 9-hole wheel</i>	1
20B	139470GT	ASSY,TIRE&WHEEL,DRIVE,FF LH RT... <i>left rear foam-filled RT tire; 9-hole wheel</i>	1
20C	1279193GT	ASSY.TIRE AND WHEEL.NM FORM.LR.....	1
20D	1279194GT	ASSY.TIRE AND WHEEL.NM FORM.RR.....	1
21	101586GT	MOTOR,PISTON,LC25,6.5 DEG,13T....	2
--	106098GT	SEAL KIT,MOTOR,LC/KC***	

301.1 Turntable Rotator



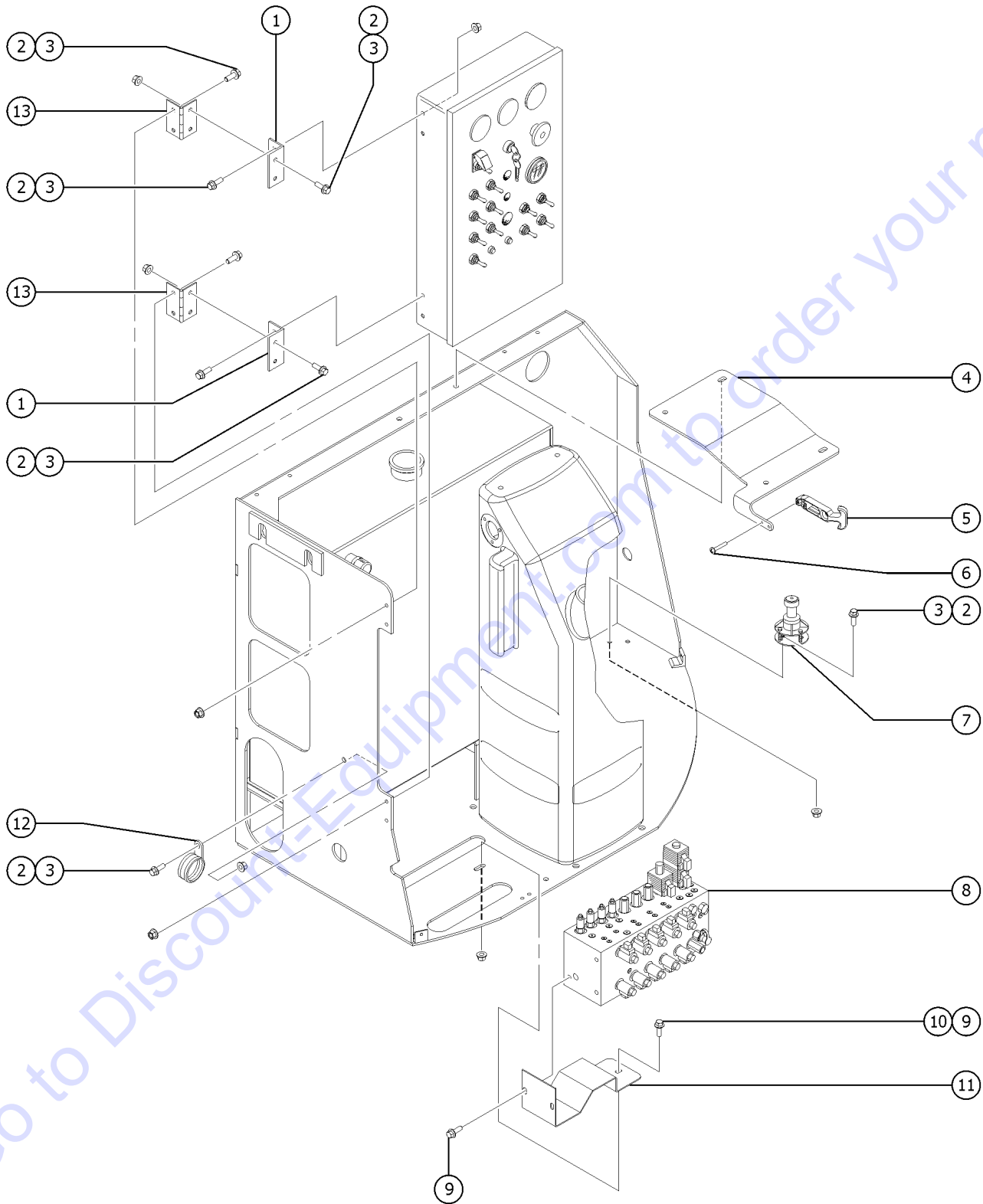
301.1 Turntable Rotator

Item	Part No.	Description	Qty.	Item	Part No.	Description	Qty.
1	42363GT	RING,HOSE PROTECTOR.....	1	--	128899GT	SHAFT,WORM GEAR*** for 119111	
2	1263142GT	SCREW,HHC,5/8-11,4.5,8,ZAG.....	12	--	139008GT	SNAP RING,INT,2.88 DIA*** for 119111	
3	1256182GT	WASHER,FLAT,5/8,F436,HRD,ZAG.....	20	24	94220GT	WELDMENT,SWING CHASSIS Z34.....	1
4	139100GT	HOSE ASSY, 1/4", 43.50.....	1	25	74086GT	REST PAD, LOWER ARM REST.....	2
5	31194GT	ELBOW,070302-4-2.....	1	26	824090GT	SCREW,HHF,3/8-16X1.8,ZAG.....	4
6	824223GT	SCREW,PHPM SEMS ET,10-32X1.25,....	2	27	824074GT	SCREW,HHC,1-8X3,8,ZAG.....	2
7	43960GT	WIRE CABLE,16/4 CON.TPE JKT.....	71-inches	28	824116GT	WASHER, FLAT, F436, 1.0, ZAG.....	2
8		CONNECTOR..... included with item 11	1				
9	824224GT	SCREW,FHPM,10-32X.5,ZAG.....	2				
10	119917GT	PLATE, TURNTABLE LS. MT.					
11	110232GT	HARNES LS3 OP DRIVE ENABLE..... includes item 7	1				
--	119762GT	CONN PLUG 4 WAY EXTEND DT.....	1				
--	60429GT	LOCK,PLUG 4 WAY,14-18GA.....	1				
--	73714GT	TERM,NI SOC,S&F,16-18GA,REEL.....	4				
--	88356-12103GT	SWITCH,LIMIT,W/ROLLER ARM***.....	1				
12	22794GT	ZERK,GREASE,1/8 NPT,45DEG.....	2				
13	1263141GT	SCREW,HHC,5/8-11X5.5,8,ZAG.....	8				
14	824092GT	SCREW,HHF,3/8-16X1.5,8,ZAG.....	6				
15	29868GT	SPRING CLIP,3/8-16,.05-.20X.73,ZAG....	4				
16	147337GT	WELDMENT,LP TANK MOUNT.....	1				
17	824029GT	NUT,TL FLG,3/8-16,G,ZAG.....	2				
18	147342GT	FORMING,LP TANK MNT. BRACKET.....	1				
19	147340GT	FORMING,LP TANK MNT. BRACKET.....	1				
20	27372GT	MOTOR,TURNTABLE O-RING PORTS.....	1				
		includes item 22					
--	27275GT	SEAL KIT (21172)					
21	824102GT	SCREW,SHC,1/2-13X1.5,A574,ZAG.....	2				
22	32224GT	KEY-WOODRUFF.....	2				
23	119111GT	ROTATOR TURNTABLE ASSEMBLY***.....	1				
--	1284189GT	CASE COVER,ROTATOR,Z30/34 (119111) for 119111					
--	128565GT	SHIM KIT,TURNTABLE*** for 119111					
--	128618GT	SEAL KIT*** for 119111					
--	128619GT	ZERK,GREASE,1/8 NPT,67.5 DEG** for 119111					
--	128620GT	ZERK,GREASE,1/8 NPT,45 DEG*** for 119111					
--	128621GT	BEARING,CUP*** for 119111					
--	128622GT	BEARING,CONE*** for 119111					

302.1 Ground Control Side, View 1

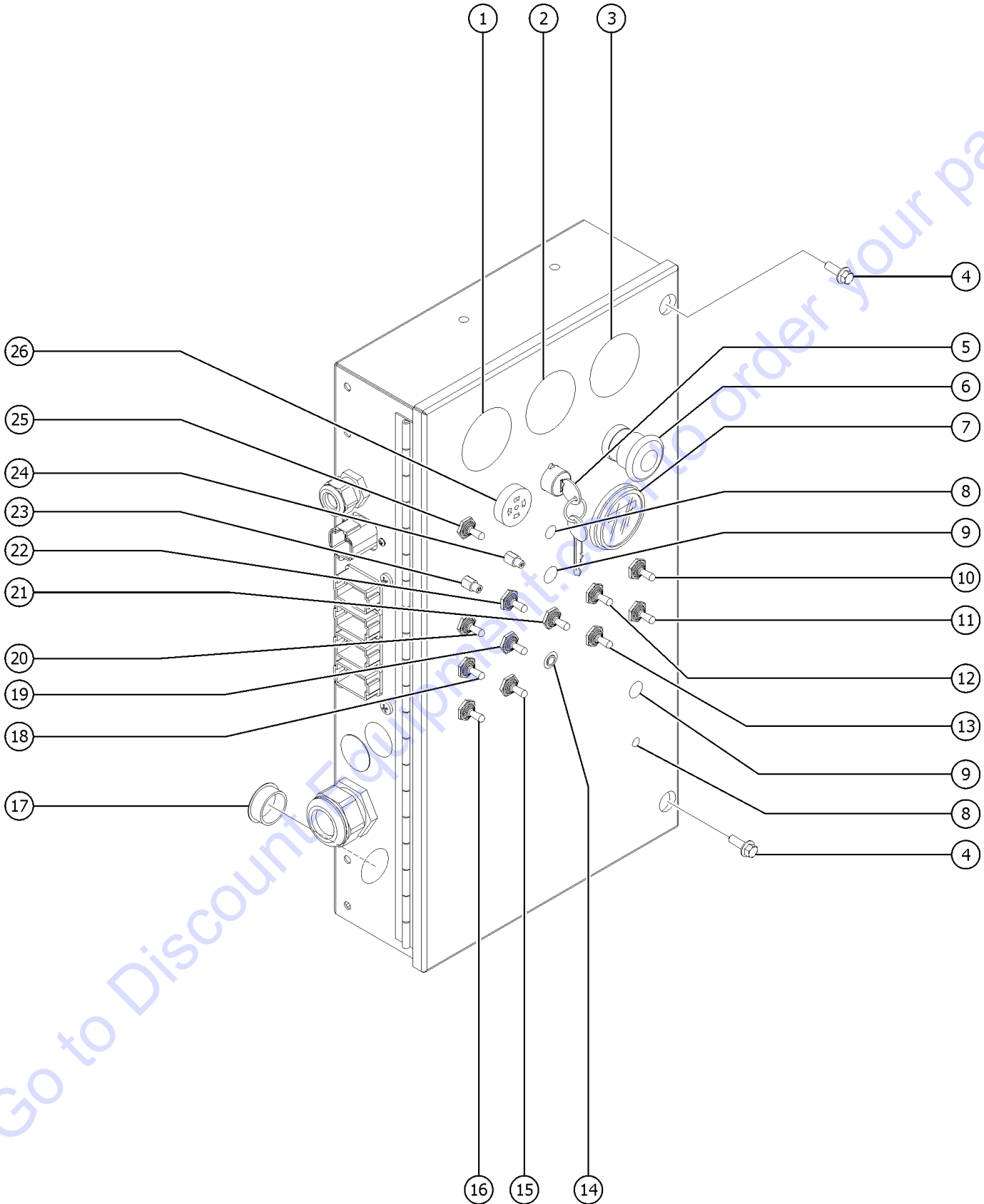
Item	Part No.	Description	Qty.
1	824077GT	SCREW, HHF, 1/4-20 X .5, 8, ZAG.....	3
2	56091GT	FUEL LINES,BULKHEAD..... <i>(plastic fuel tanks only)</i>	1
3	824089GT	SCREW,HHF,3/8-16X.75,8,ZAG.....	4
4	56052GT	BRACKET,FUEL TANK..... <i>(Deisel models) (shown)</i>	1
5	230470GT	FUEL TANK ASSY, DIESEL..... <i>(plastic fuel tank) (shown)</i>	1
--	101726GT	CAP,FUEL,DIESEL,1/8"VENT(GRN)..... <i>(not included with tank)</i>	1
--	55067GT	GROMMET,RUBBER 3 X .19 X 3.5..... <i>(under tank)</i>	1
--	56044GT	TANK,FUEL PLASTIC***.....	1
--	56056GT	SPACER,PLASTIC.....	1
--	56091GT	FUEL LINES,BULKHEAD.....	1
--	56094GT	GASKET.....	1
6		Ref. WELDMENT,LP BOTTLE BRACKET..... <i>(refer to 301.1)</i>	1
7		Ref. SCREW,HHF,3/8-16X1,8,ZAG <i>(refer to 301.1)</i>	
8	824091GT	SCREW,HHF,3/8-16X1.25,8,ZAG.....	2
9	1268468GT	WASHER,FLAT,.406X1.50X.125,ZAG....	2
10	824029GT	NUT,TL FLG,3/8-16,G,ZAG.....	6
11	81578GT	HORN,12VDC,SPADE TERMINALS***....	1
12	36388GT	BUMPER,RUBBER,.75 X .50H,STUD....	4
13	74956GT	WELDMENT,TANK COMPARTMENT IC.....	1
14	21141GT	GAUGE-SIGHT,LHA-LGTB***..... <i>(includes mounting fasteners)</i>	1
15	45161GT	STRAINER ASSEMBLY,1.5" NPT.....	1
16	45162GT	STRAINER ASSEMBLY,1.25" NPT***....	1
17	1281794GT	ASSY,TANK,HYDRAULIC,19GAL,Z34..... <i>(includes gauge item 14)</i>	1
--	1281778GT	TANK,HYDRAULIC,19 GAL..... <i>(gauge not included)</i>	1
18	42070GT	TANK STRAP,BOLT STYLE,38.5".....	1
19	56653GT	FILTER,RETURN,ASSY,BETA 10.....	1
--	139788GT	KIT,Z34IC RETURN FILTER	
20	31506GT	STRAINER,FILLER NECK.....	1
21	53534GT	FILTER SCREEN,TANK BREATHER..... <i>(includes item 20)</i>	1
22	28646GT	ZERK,GREASE,1/8 NPT.....	1
23	48885GT	CONNECTOR,BULKHEAD,FEMALE-4...1	1
24	70602GT	BRACKET, ANGLE.....	1
25	139100GT	HOSE ASSY, 1/4", 43.50.....	1
26	74532GT	COUNTERWEIGHT,CAST.....	1

303.1 Ground Control Side, View 2



Item	Part No.	Description	Qty.
1	42067GT	ANGLE,CONTROL BOX MOUNTING.....	2
2	824078GT	SCREW,HHF,1/4-20X.75,8,ZAG.....	15
3	824027GT	NUT,TL FLG,1/4-20,G,ZAG.....	15
5	56053GT	LATCH,FLEXIBLE DRAW.....	1
6	824215GT	SCREW,PHPM,10-32X.75,ZAG	
7A	94077GT	SENSOR,LEVEL,4.5 DEG..... <i>ANSI/AUS models, to SN Z34D-380</i>	1
7B	110382GT	LEVEL SENSOR,LS60,YL,2.5X4.5..... <i>CE models, to SN Z34D-380</i>	1
7C	1261984GT	SENSOR, LEVEL, 4.5 X 4.5 DEG..... <i>ANSI/AUS models, from SN Z34D-381</i>	1
7D	1263187GT	SENSOR, LEVEL,2.5 X 4.5 DEG..... <i>CE models, from SN Z34D-381</i>	1
8		Ref. FUNCTION MANIFOLD..... <i>refer to 703.1</i>	1
9	824090GT	SCREW,HHF,3/8-16X1,8,ZAG.....	3
10	824029GT	NUT,TL FLG,3/8-16,G,ZAG.....	3
11	56365GT	MANIFOLD MOUNT BRACKET.....	1
12	21619GT	CLAMP,1.50,#24 X 1/4,RUB CUSH.....	1
13	42077GT	HINGE, 2 X 1.50.....	2

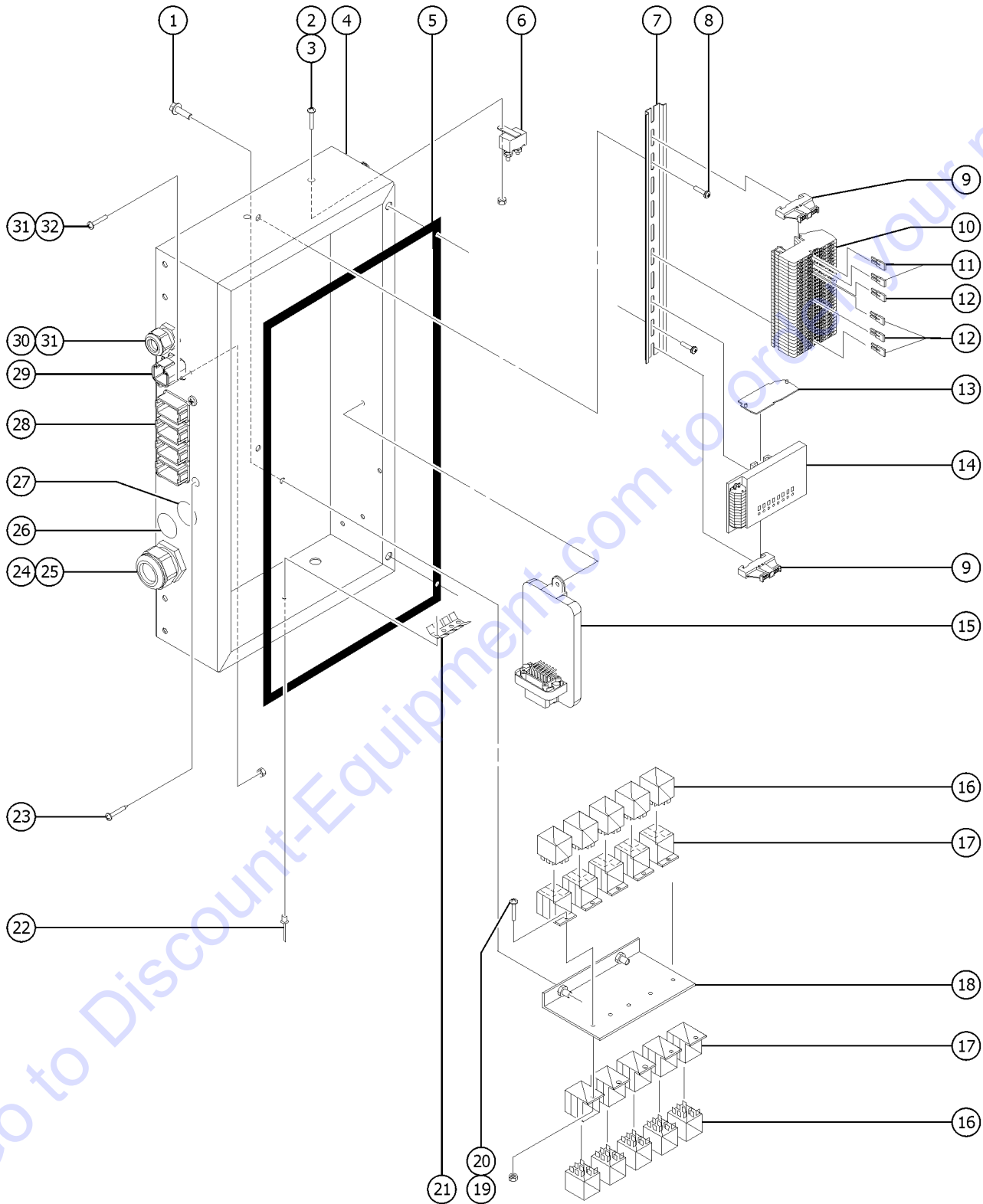
304.1 Ground Control Box, External View



304.1 Ground Control Box, External View

Item	Part No.	Description	Qty.	Item	Part No.	Description	Qty.
--	81900GT	PLUG,NYLON 2.093 BLACK DOMED.....	3	18	128582-SGT	SWITCH TOGGLE DPDT 3P MOM SHDR.....	1
1	53759-SGT	GAUGE,WATER TEMP <i>(includes mounting bracket and fasteners)</i>				<i>(primary rotate switch)</i>	
2	53758-SGT	GAUGE,OIL PRESSURE W/O SENDER <i>(includes mounting bracket and fasteners)</i>		19	128582-SGT	SWITCH TOGGLE DPDT 3P MOM SHDR.....	1
3	53761-SGT	GAUGE,VOLTAGE <i>(includes mounting bracket and fasteners)</i>				<i>(primary boom up/down switch)</i>	
4	824077GT	SCREW, HHF, 1/4-20 X .5, 8, ZAG.....	2	20	128582-SGT	SWITCH TOGGLE DPDT 3P MOM SHDR.....	1
5	96008-SGT	KEYSWITCH,3 POS. W/KEYS*** <i>(includes pair of keys)</i>	1			<i>(platform level switch)</i>	
--	824218GT	SCREW,PHPM SEMS ET,8-32X.25,ZA		21	128582-SGT	SWITCH TOGGLE DPDT 3P MOM SHDR.....	1
--	83093GT	KEY SINGLE*** <i>(with rubber boot)</i>				<i>(jib boom up/down switch)</i>	
--	88827GT	GASKET,KEYSWITCH,PLASTIC***		22	128582-SGT	SWITCH TOGGLE DPDT 3P MOM SHDR.....	1
--	94506GT	BASE,W/3 NC CONTACTS				<i>(primary boom extend/retract switch)</i>	
6	66812GT	BUTTON,PUSH,RED MUSHROOM HEAD.....	1	23	147094GT	ASSY, CIRCUIT BREAKER 15A.....	1
--	66818GT	CONTACT, N.C.				<i>(includes mounting fasteners)</i>	
--	66821GT	BASE,WITHOUT CONTACTS		24	147093GT	ASSY, CIRCUIT BREAKER 10A.....	1
7A	19506GT	HOUR METER,10-80 VOLTS*** <i>for Kubota and Perkins engines (includes mounting bracket)</i>	1			<i>(includes mounting fasteners)</i>	
7B	1271076GT	DISPLAY,DIAGNOSTIC,J1939 <i>for GM .998L engine only</i>		25	128583-SGT	SWITCH TOGGLE SPDT 2P MOM SHDR	
8	42781GT	PLUG, NYLON .250 BLACK DOMED.....	3	26	45383GT	ALARM,WARBLE TONE 5-30 VDC***	1
9A	56111GT	PLUG,NYLON .687 BLACK DOMED.....	3			<i>(plastic nut not included)</i>	
9B	218167GT	LIGHT,INDICATOR,AMBER 12V ENGINE.....	1	--	72326GT	NUT - PLASTIC,RING FOR ALARMS	
		<i>(for Pekins 403F engine) (check engine)</i>					
10	128580-SGT	SWITCH TOGGLE SPDT 3P MOM SHDR.....	1				
		<i>(gas/LPG choke switch or diesel glow plug)</i>					
11	128580-SGT	SWITCH TOGGLE SPDT 3P MOM SHDR.....	1				
		<i>(function enable switch)</i>					
12	128580-SGT	SWITCH TOGGLE SPDT 3P MOM SHDR.....	1				
		<i>(engine start switch)</i>					
13	128584-SGT	SWITCH TOGGLE SPDT 2P MNT SHDR.....	1				
		<i>(gas/LPG fuel select switch)</i>					
14	824879GT	LIGHT,LED IND. RED 12V NH.....	1				
		<i>(option, platform overload indicator)</i>					
15	128582-SGT	SWITCH TOGGLE DPDT 3P MOM SHDR.....	1				
		<i>(primary boom extend/retract switch)</i>					
16	128582-SGT	SWITCH TOGGLE DPDT 3P MOM SHDR.....	1				
		<i>(turntable rotate switch)</i>					
17	45385GT	PLUG,NYLON 1.12 BLACK DOMED.....	1				

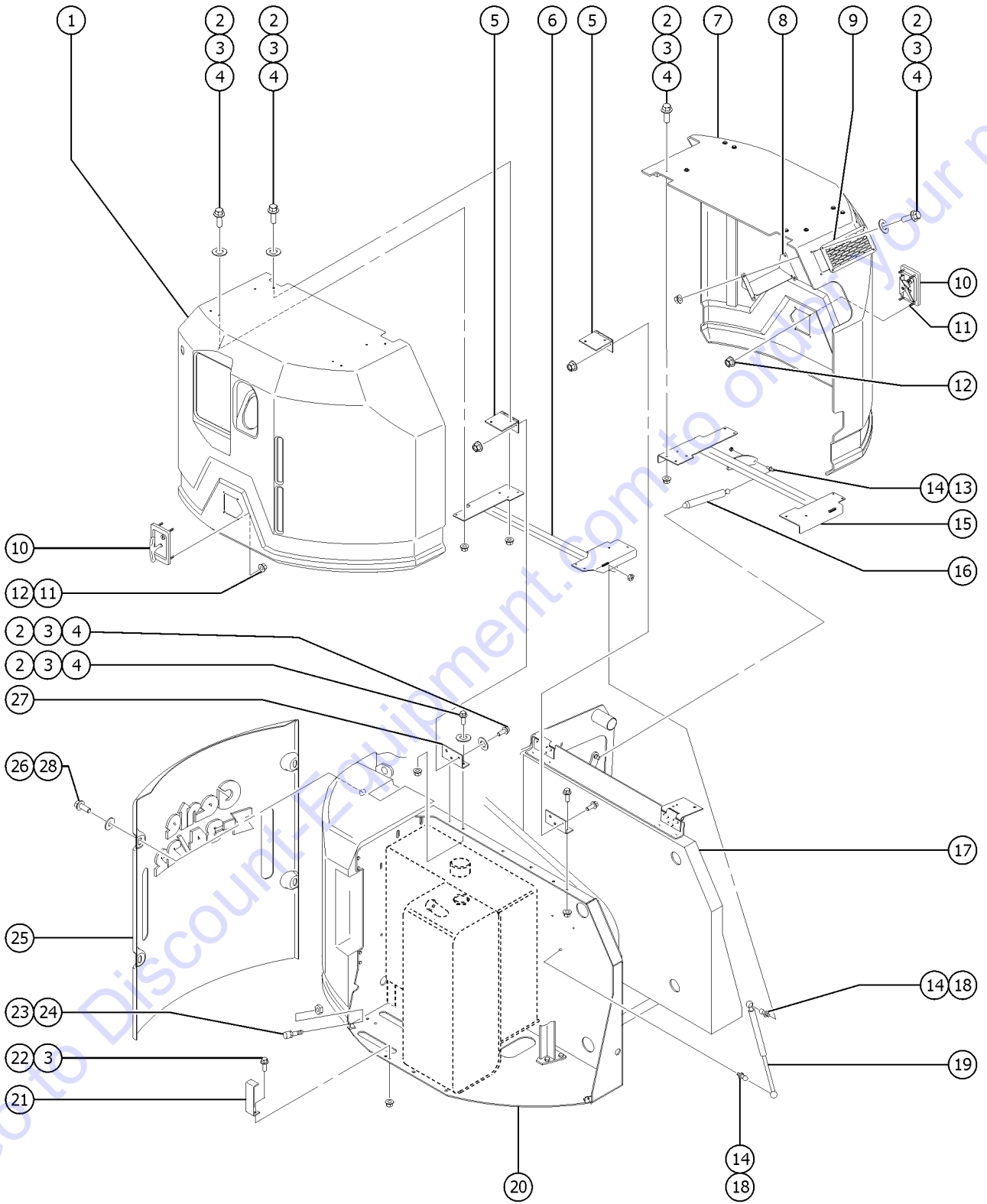
305.1 Ground Control Box, Internal View



305.1 Ground Control Box, Internal View

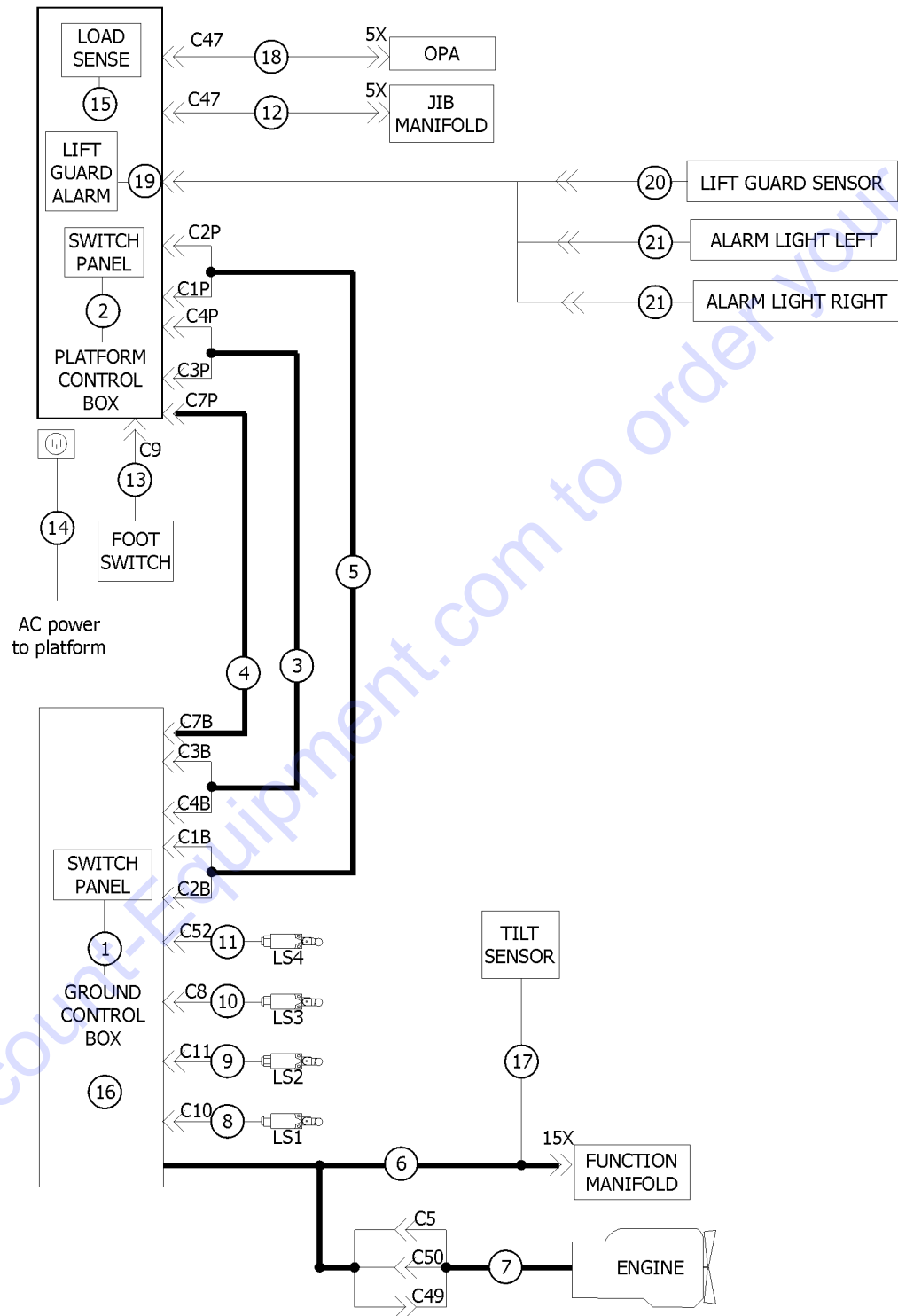
Item	Part No.	Description	Qty.	Item	Part No.	Description	Qty.
A	216789GT	ASSY,TERMINAL RAIL,Z34IC		24	18665GT	LOCKNUT,ELECTRIC,1" NPT.....	1
B	121846GT	RELAY,TIME DELAY,2 SEC,10A		25	45385GT	PLUG,NYLON 1.12 BLACK DOMED.....	1
1	824078GT	SCREW,HHF,1/4-20X.75,8,ZAG.....	2	26	15243GT	PLUG,NYLON .875 BLACK DOMED.....	1
2	824215GT	SCREW,PHPM,10-32X.75,ZAG.....	1	27	73736GT	CONN,RECEP 48 WAY,4 X 12.....	1
3	824032GT	NUT,TL FLG,10-32,F,ZAG.....	1	--	54255GT	LOCK,RECEP 12 WAY, 14-18GA	
--	23404GT	NUTSERT,1/4-20,STEEL CAD PLTD		--	73713GT	TERM,NI PIN,S&F,16-18GA,REEL	
5	42065GT	GASKET,GROUND CONTROL BOX.....	1	28	73717GT	CONN,RECEP 4 WAY,12-14GA FL***.....	1
6	128935GT	CIRCUIT BKR 10A TYPE 2 METAL.....	1	--	60526GT	LOCK,RECEP 4 WAY,12-14GA	
7	36871GT	DIN RAIL,14.75" **.....	1	--	73711GT	TERM,DEUTSCH, PIN #12-14	
8	824222GT	SCREW,PHPM SEMS ET,10-32X.625,....	2	29	7057GT	CONN. SQZ,1/2NPT .39-.56 MED.....	1
9	74913GT	END STOP, DIN RAIL,SCREW CLAMP.....	2	30	6935GT	LOCKNUT,ELEC,1/2".....	1
--	217046GT	KIT, TERMINAL BLOCK <i>(use if replacing a jumpered terminal block)</i>		31	824214GT	SCREW,PHPM,6-32X.5,ZAG.....	2
10	216791GT	TERMINAL BLOCK,WIELAND		32	824019GT	NUT,TL,6-32,A,ZAG.....	2
11	74917GT	JUMPER COMB, 2-WAY,WIELAND.....	2				
		<i>(models with diesel engines)</i>					
12	216793GT	TERMINAL BLOCK END PLATE.....	1				
13	56057GT	MODULE,IGNITION/START,12/24V.....	1				
14	128045GT	MODULE,LOAD SENSE 2007.....	1				
--	824032GT	NUT,TL FLG,10-32,F,ZAG					
--	824215GT	SCREW,PHPM,10-32X.75,ZAG					
15A	34052GT	RELAY,SPDT,12V(AUTO) PLUG IN**.....	10				
		<i>(Kubota gas)</i>					
15B	34052GT	RELAY,SPDT,12V(AUTO) PLUG IN**.....	8				
		<i>(Kubota diesel)</i>					
16A	58318GT	RELAY SOCKET,AUTO.....	8				
--	34054GT	TERM,RELAY N-INSULATED 10-12 G					
--	34055GT	TERM RELAY,N-INSULATE 14-16 GA					
--	34056GT	TERM,RELAY,N-INSULATE 18-20 GA					
--	58319GT	RELAY SOCKET,AUTO,RETAINER***					
16B	34053GT	ASSY,RELAY SOCKET, AUTO.....	10				
		<i>(Kubota gas)</i>					
16C	34053GT	ASSY,RELAY SOCKET, AUTO.....	8				
		<i>(Kubota diesel)</i>					
17A	T106699GT	BRACKET,RELAY MOUNT W/INSERTS.....	1				
		<i>(mounting holes for 5 relays)</i>					
17B	54534GT	ANGLE,RELAY MNT,W/NUTSERTS,PNT.....	1				
		<i>(mounting holes for 4 relays)</i>					
18	49819GT	SCREW,PHILLIPS,PHM,10-32 X .5.....	5				
19	6178GT	NUT,NYLOCK,10-32.....	5				
20	56663GT	TERMINAL STRIP.....	1				
21	824206GT	RIVET,STL,STL,DOME,1/8X.25,ZAG.....	1				
22	824226GT	SCREW,PHPSH,#12-11X.75,ZAG.....	4				
23	20776GT	CABLE SQUEEZE CONN.....	1				

306.1 Turntable Covers



Item	Part No.	Description	Qty.
1A	106380GT	COVER ASSY,W/WORD DEC,GC,34IC.....1 (ANSI/AUS models)	1
1B	106377GT	COVER ASSY,W/SYM DEC,GC,34IC.....1 (CE models)	1
2	824079GT	SCREW,HHF,1/4-20X1,8,ZAG	
3	824027GT	NUT,TL FLG,1/4-20,G,ZAG	
4	824119GT	WASHER,FLAT,.25X1.25X.062,ZAG	
5	75073GT	HINGE,.375X.120THK.,SLOTTED.....2	2
6	56955GT	COVER REINFORCEMENT LH***.....1	1
7A	139814GT	COVER ASSY,W/WORD DECALS.....1 (ANSI/AUS models)	1
7B	139815GT	COVER ASSY,W/SYMBOL DECALS.....1 (CE models)	1
8	139246GT	BAFFLE,ENGINE COVER.....2	2
9	128467GT	PLATE, COVER, IC VENT.....2	2
10	74245GT	LATCH,FLUSH CUP LEFT HAND.....2	2
11	824215GT	SCREW,PHPM,10-32X.75,ZAG	
12	824032GT	NUT,TL FLG,10-32,F,ZAG	
13	33555GT	BALL STUD**.....1	1
14	1252977GT	NUT,TL JAM,5/16-18,A,ZAG	
15A	128470GT	WDMT, COVER REINFORC, RH.....1 (use with 139814GT & 139815GT)	1
15B	56955-SGT	COVER REINFORCEMENT LH***.....1 (use with 106380GT & 106377GT)	1
16	139241GT	STRUT,GAS,14",200LBS.....1	1
17	128291GT	WDMT, ENGINE COMPARTMENT.....1	1
18	62706GT	BALL STUD,5/16-18 (56295).....2	2
19	56295GT	STRUT,GAS***.....1	1
20	74956GT	WELDMENT,TANK COMPARTMENT IC.....1	1
21	42064GT	BRACKET, LATCH.....1	1
22	824078GT	SCREW,HHF,1/4-20X.75,8,ZAG	
23	36388GT	BUMPER,RUBBER,.75 X .50H,STUD....2	2
24	824037GT	NUT,HH JAM,1/4-20,A,ZAG	
25	139290GT	COVER,COUNTERWEIGHT,Z34.....1	1
26	824089GT	SCREW,HHF,3/8-16X.75,8,ZAG	
27	74496PGT	FORMING,HINGE SUPPORT PAINTED.....2	2
28	1255758GT	WASHER,FLAT,3/8,USS,ZAG.....4	4

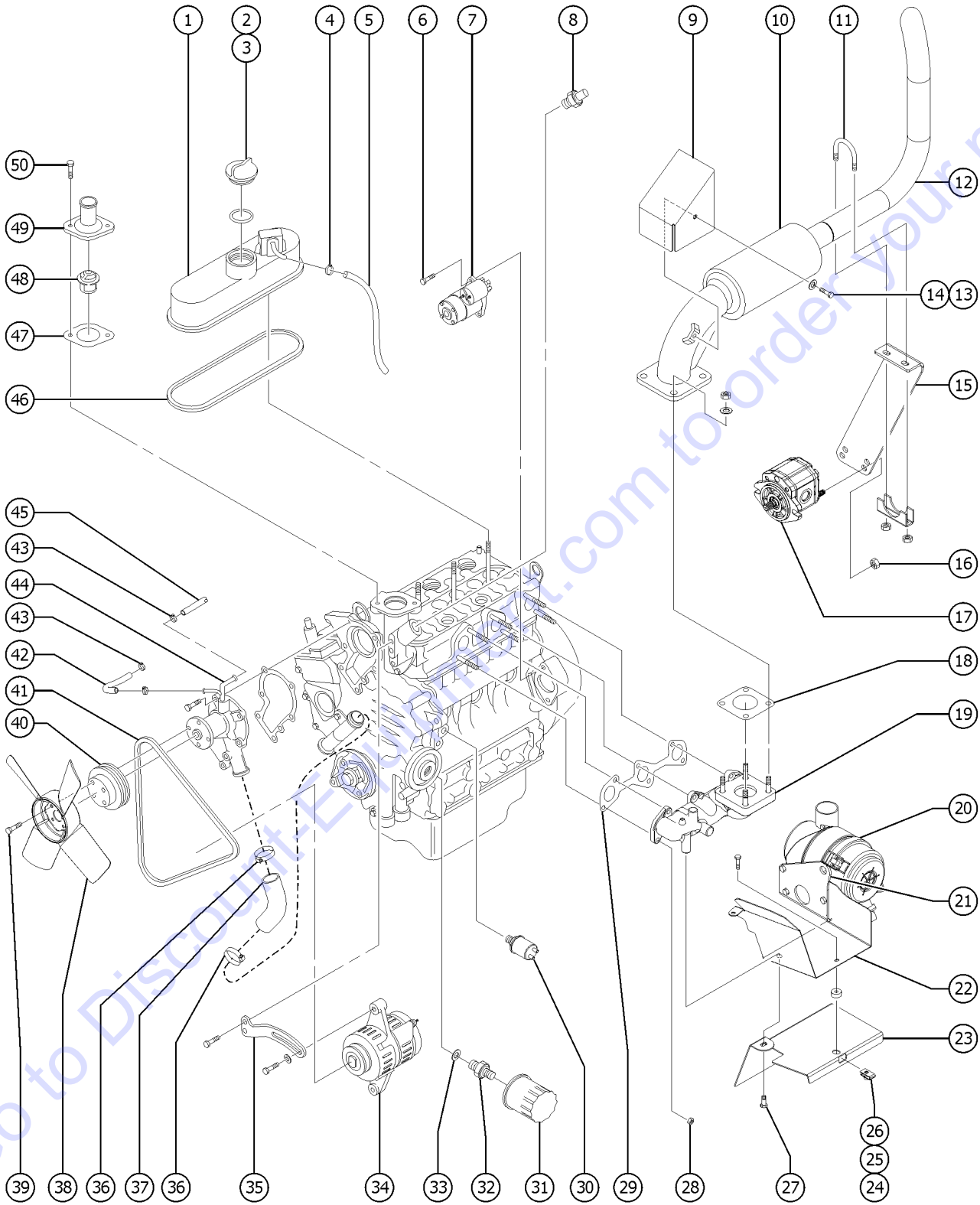
307.1 Wire Harness Diagram



307.1 Wire Harness Diagram

Item	Part No.	Description	Qty.	Item	Part No.	Description	Qty.
A	58253GT	KIT,REPAIR,DEUTSCH PLUG,W/TUBE <i>(small kit)</i>		16	237506GT	ASSEMBLY,RELAY,Z34IC,DIESEL.....	1
B	83129GT	KIT,REPAIR,DEUTSH CONNECTORS** <i>(large kit)</i>		--	34052GT	RELAY,SPDT,12V(AUTO) PLUG IN**.....	8
C	61794GT	CRIMPER,DEUTSCH,LIGHT DUTY*** <i>(tool)</i>		--	34053GT	ASSY,RELAY SOCKET, AUTO.....	8
D	1262029GT	CABLE, AUX PUMP, POS.....	1	--	34054GT	TERM,RELAY N-INSULATED 10-12 G.....	14
E	1262030GT	CABLE, AUX PUMP, NEG.....	1	--	34055GT	TERM RELAY,N-INSULATE 14-16 GA.....	17
F	1264822GT	KIT, TRC RETROFIT, STNDRD <i>Telematics (includes 1264834)</i>		--	45782GT	DIODE,6 AMP,200 PIV,BULK.....	2
--	1264834GT	INSTRN, TRC RETROFIT, STNDRD		17A	1260218GT	HARNESS,TILT ALARM,12V..... <i>CSA models only; to Z3415-10370</i>	1
1A	110146GT	HARNESS BASE BOX IC..... <i>ANSI; Kubota (D1105, WG972); Use items 824220, 1253185, and 5365 in place of #10 nutsert for IC BASE BOX 110146 terminal rail mount</i>	1	17B	1261844GT	HARNESS, TILT, 12V, CSA PROD..... <i>CSA models only; from Z3415-10371</i>	1
--	1253185GT	WASHER,FLAT,#10,USS,ZAG		18A	1255555GT	HARN,PBOX,OPA,HW,12V.....	1
--	5365GT	NUT,NYLOCK,10-24		18B	1255030GT	PLUG,BLANKING.....	1
--	824220GT	SCREW, PHPM SEMS ET, 10-24 X .5, ZAG		19	1278451GT	HARNESS, OPA2, Z34IC <i>models with Lift Guard Alarm</i>	
1B	110640GT	HARNESS BASE BOX IC..... <i>AUS; Kubota (D1105, WG972)</i>	1	20	1278119GT	ASSEMBLY, SENSOR, PROX, CONTACT ALARM	
1C	1260992GT	HARNESS,GBOX,KUBOTA,CE..... <i>CE; Kubota (D1105, WG972)</i>	1	21	1278111GT	ASSEMBLY, LIGHT, CONTACT ALARM	
2	110645GT	HARNESS, PLAT BOX Z34IC.....	1				
3	110240GT	HARNESS CABLE1 18/19 COND..... <i>green & brown connectors</i>	1				
4	110233GT	HARNESS CABLE2 12/3 COND.....	1				
5	110236GT	HARNESS CABLE3 18/19 COND..... <i>gray & black connectors</i>	1				
6	215985GT	HARNESS, FUNC.MANIFOLD,Z34IC.....	1				
7A	110253GT	HARN.ENGINE KUB DSL D905/1105..... <i>Kubota D1105</i>	1				
7B	230333GT	HARNESS, ENGINE, KUBOTA WG972..... <i>Kubota WG972</i>	1				
7C	1273584GT	HARNESS, DUAL FUEL ENGINE, PSI <i>GM .998L</i>					
8	110244GT	HARNESS LS1 OP EXT/RET.....	1				
9	110245GT	HARNESS LS2 OP PRIMARY.....	1				
10	110232GT	HARNESS LS3 OP DRIVE ENABLE.....	1				
11	110246GT	HARNESS LS4 OP SECONDARY.....	1				
12	139584GT	HARNESS,JIB MANIFOLD,NON RJ.....	1				
13	227620GT	ASSEMBLY,FOOT SWITCH.....	1				
14	43956GT	WIRE CABLE,14/3 CON.TPE JKT*.....	600-inches				
15A	147251GT	HARNESS, LOAD SENSE <i>CE models only</i>					
15B	217371GT	HARNESS,LOAD SENSE RECOVERY <i>AUS models only</i>					

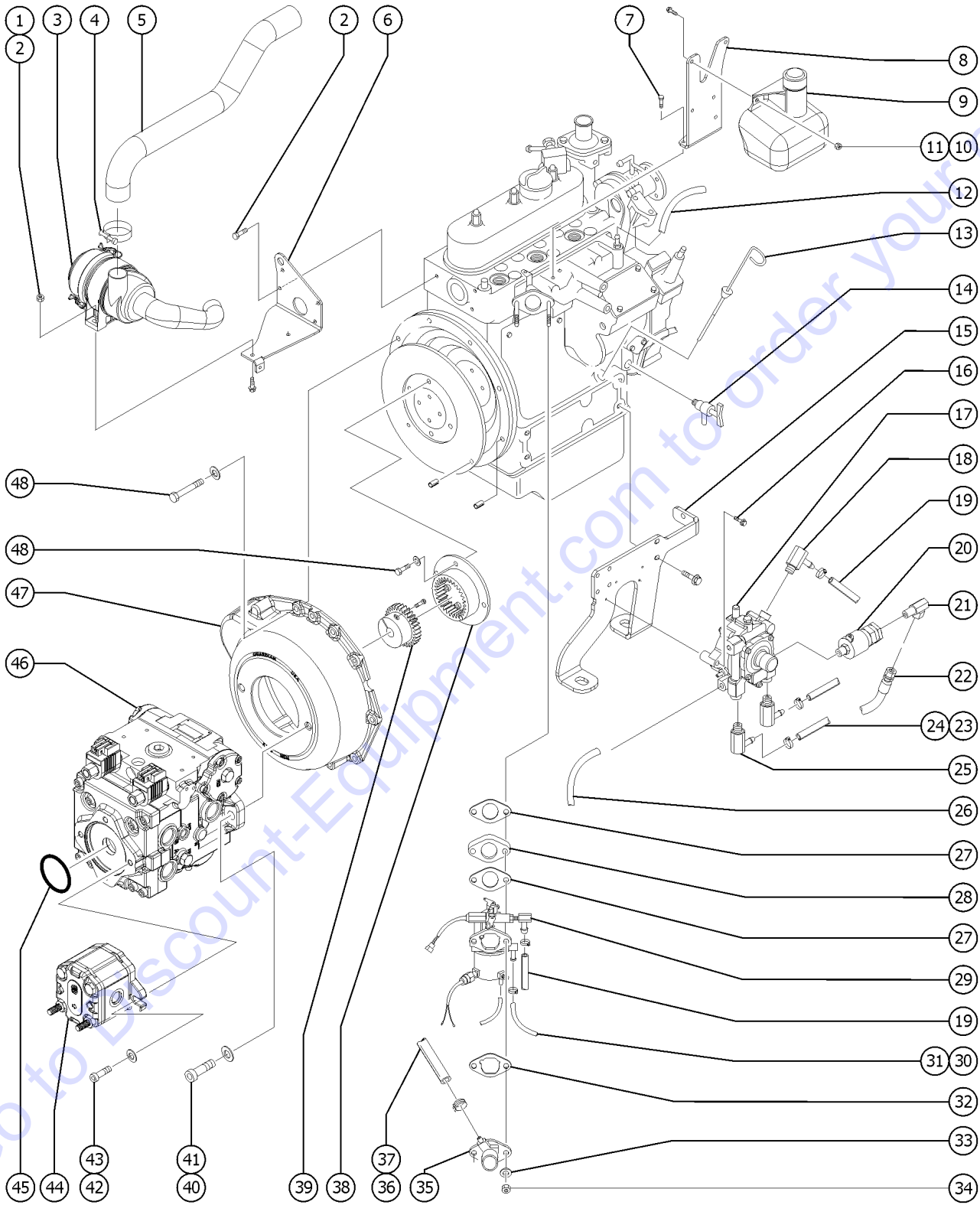
401.1 Kubota WG972 (gas), View 1



401.1 Kubota WG972 (gas), View 1

Item	Part No.	Description	Qty.	Item	Part No.	Description	Qty.
--	230798GT	ENGINE KIT, KUBOTA WG972 3-cylinder; gas/LPG; includes bellhousing kit and LPG regulator		35	44184GT	ALTERNATOR STAY,WG750***.....1	1
1	235499GT	VALVE COVER, WG972.....1	1	36	32092GT	CLAMP,HOSE,KUBOTA WG750	
2	235500GT	ORING, OIL FILLER PLUG, WG972.....1	1	37	32067GT	HOSE,WATER PUMP,KUBOTA**.....1	1
3	52808GT	PLUG,OIL FILLER Z482,Z34/22BE*.....1	1	38	23479GT	FAN,COOLING DF750.....1	1
4	32069GT	CLAMP,HOSE,KUBOTA WG750		39	235509GT	BOLT, FAN, WG972	
5	235501GT	PIPE, BREATHER JOINT, WG972.....1	1	40	23469GT	PULLEY,FAN,WG750B***.....1	1
6	235502GT	BOLT, M8X30MM, KUBOTA		41	52816GT	BELT,FAN,KUBOTA DF972/Z482-E.....1	1
7	139191GT	STARTER MOTOR, KUBOTA, DF972.....1	1	42	27903GT	HOSE,LOW PRESSURE,.375 ID,BLK sold by the inch	
--	139192GT	SOLENOID, KUBOTA,DF972		43	32069GT	CLAMP,HOSE,KUBOTA WG750	
--	72295GT	RING GEAR (51108)-DF750,DF752		44	139196GT	WATER PUMP, DF972.....1	1
8	34058GT	SENDING UNIT,TMP,FRD,GM,PRK704.....1	1	45	32068GT	HOSE,WATER PUMP RETURN,WG750**.....1	1
9	227593GT	COVER,MUFFLER,FLANGE,DF-972.....1	1	46	235512GT	GASKET, VALVE COVER, WG972.....1	1
10	T114655GT	CATALYTIC MUFFLER,DF-972.....1	1	47	28092GT	GASKET,THERMOSTAT-28091.....1	1
11	62160GT	CLAMP,TAILPIPE, 1 1/2"***.....1 includes mounting fasteners	1	48	139278GT	THERMOSTAT.....1	1
12	106602GT	PIPE,EXHAUST,Z34 KUBOTA***.....1	1	49	139200GT	THERMOSTAT HOUSING, DF972.....1	1
13	235503GT	BOLT, MUFFLER COVER, WG972		50	235513GT	BOLT, THERMOSTAT COVER, WG972	
14	235504GT	WASHER, MUFFLER COVER, WG972					
15	110285GT	BRACKET,Z34IC DIESEL TAILPIPE.....1	1				
16	4828GT	NUT,NYLOCK,3/8-16					
17		Ref. PUMP,PIGGYBACK refer to 402.1					
18	832128GT	GASKET,MUFFLER,KUBOTA D905/11.....1	1				
19	139202GT	EXHAUST MANIFOLD, DF972.....1	1				
20		Ref. ASSY,AIR CLEANER,DF-972 refer to 402.1					
21		Ref. BRACKET, AIR CLEANER refer to 402.1					
22	228915GT	FORMING, EXHAUST HEAT SHIELD.....1	1				
23	228916GT	FORMING, STARTER HEAT SHIELD.....1	1				
24	56912GT	SPRING CLIP,1/4-20,.025-.15X.54,ZAG.....1	1				
25	44723GT	SPACER,OUTRIGGER PIN***.....1	1				
26	824080GT	SCREW,HHF,1/4-20X1.25,8,ZAG					
27	824131GT	SCREW,HHF,M6-1.0X16,DIN6921,10,9,ZAB					
28	235506GT	NUT, EXH. MAN., WG972					
29	235552GT	GASKET, EXH. MANIFOLD, WG972.....1	1				
30	30810GT	SENDING UNIT,OIL PRESSURE***.....1	1				
31	866400GT	KUBOTA OIL FILTER.....1	1				
32	84039GT	JOINT-PIPE.....1	1				
33	84040GT	WASHER-PLAIN					
34	139197GT	ALTERNATOR-30AMP, DF972.....1	1				

402.1 Kubota WG972 (gas), View 2



402.1 Kubota WG972 (gas), View 2

Item	Part No.	Description	Qty.	Item	Part No.	Description	Qty.
1	824028GT	NUT,TL FLG,5/16-18,G,ZAG		31	46131GT	CLAMP,HOSE,.63" - 1.0" X .5"	
2	824086GT	SCREW,HHF,5/16-18X1,8,ZAG		32	52427GT	GASKET,AIR CLEANER, DF-750.....1	
3	866127GT	ELEMENT,AIR CLEANER,KUBOTA.....1		33	52535GT	WASHER,LOCK,GOV.LEVER,DF750***	
4	22672GT	CLAMP,HOSE,1.75.....1		34	52850GT	NUT-SELF LOCKING, M8X1.25MM	
5	139141GT	HOSE,AIR INTAKE,KUBOTA.....1		35		Ref. FLANGE, AIR CLEANER.....1 <i>component not available</i>	
6	128332GT	BRACKET, AIR CLEANER.....1		36	235522GT	PIPE, BREATHER JOINT, WG972.....1	
7	824131GT	SCREW,HHF,M6-1.0X16,DIN6921,10.9,ZAB		37	32069GT	CLAMP,HOSE,KUBOTA WG750	
8	139162GT	FORMING, COOLANT BOTTLE MOUNT.....1		38	161193GT	ADAPTER,FLANGE,FLYWHEEL.....1	
9	42662GT	COOLANT RECOVERY BOTTLE1.5 QT*.....1		39	161071GT	HUB, SAE B-B SPLINE, 42 TEETH.....1	
--	72284GT	CAP,COOLANT RECOV.BOTTLE.....1		40	824102GT	SCREW,SHC,1/2-13X1.5,A574,ZAG	
10	824027GT	NUT,TL FLG,1/4-20,G,ZAG		41	825353GT	WASHER,FLAT,1/2,SAE,HRD,ZAG	
11	824078GT	SCREW,HHF,1/4-20X.75,8,ZAG		42	1256350GT	SCREW,SHC,3/8-16X1,A574,ZAG	
12	51495GT	HOSE,1/8" VACUUM <i>sold by the inch</i>		43	89807GT	WASHER,FLAT 3/8 INCH	
13	139193GT	DIP STICK, DF972.....1		44A	74492GT	PUMP,PIGGYBACK,SUNSTR,4CC***.....1	
14	235521GT	PETCOCK, DRAIN, WG972.....1		--	77990GT	KIT,SEAL,3CC PUMP***	
15		Ref. BRKT,ENGINE SUPPORT,RH <i>refer to 403.1</i>		44B	74635GT	PUMP,PIGGYBACK,SAUER,6CC 10-8....1 <i>for 230V generator option</i>	
16	824082GT	SCREW,HHF,1/4-20X1.75,8,ZAG		--	77990GT	KIT,SEAL,3CC PUMP***	
17	97482GT	REGULATOR,LPG,KUBOTA,DF-752***.....1		45	43683GT	O-RING,2-042 N674-70***.....1	
18	31821GT	ELBOW,90DEG.3/8MPT-1/2 BARB.....1		46	101238GT	PUMP,DRIVE,42CC W/NFPE CONTR**.....1	
19	235487GT	HOSE ASSY, LP GAS.....1 <i>LPG regulator to carburetor</i>		47	161192GT	KIT,BELLHOUSING,WG972.....1 <i>includes items 38, 39 and 48</i>	
20	81633GT	VALVE,LP LOCKOUT W/O CONNECTOR.....1		--	219239GT	BELL HOUSING,GUARDIAN,WG972	
21	19861GT	ELBOW,010302-6-4.....1		48	161366GT	KIT,HARDWARE,WG972.....1 <i>includes item 47</i>	
22	235487GT	HOSE ASSY, LP GAS.....1 <i>LPG tank to regulator</i>					
23A	27089GT	HOSE,5/16 FUEL,SAE 30R7 <i>sold by the inch</i>					
23B	233585GT	HOSE,FUEL.....1					
24	21465GT	CLAMP,HOSE,.25" - .63" X .3125.....3					
25	31817GT	ELBOW,90DEG.1/4MPT-3/8 BARB.....2					
26	51495GT	HOSE,1/8" VACUUM.....1					
27	52425GT	GASKET,CARBURETOR,KUBOTA DF750.....2					
28	23467GT	FLANGE,CARBURETOR,WG750B***.....1					
29A	T114657GT	CARBURATOR ASSY,DF-972.....1					
29B	161209GT	JET KIT,KUB,WG972,CARB,1000M					
29C	218604GT	JET KIT,KUB,WG972,CARB,2000M					
30A	233586GT	HOSE,FUEL <i>from carburetor to fuel pump</i>					
30B	231323GT	HOSE,FUEL <i>from fuel pump to filter</i>					
30C	231323GT	HOSE,FUEL <i>from fuel filter to engine</i>					

PARTS FINDER

**Search Website
by Part Number**



**Search Manual
Library For Parts
Manual & Lookup Part
Numbers – Purchase
or Request Quote**

Search Manuals

Enter your information to help us find the right parts manual for your machine.

* Brand:

* Model:

* Serial:

* Part Number:

SEARCH

**Can't Find Part or
Manual? Request Help
by Manufacturer,
Model & Description**

Parts Order Form

Please fill in the following information to help us find the right part for your machine.

Manufacturer:	<input type="text"/>
Model:	<input type="text"/>
Description:	<input type="text"/>
Part Number:	<input type="text"/>
Quantity:	<input type="text"/>
Notes:	<input type="text"/>

Submit

Discount-Equipment.com is your online resource for quality parts & equipment.

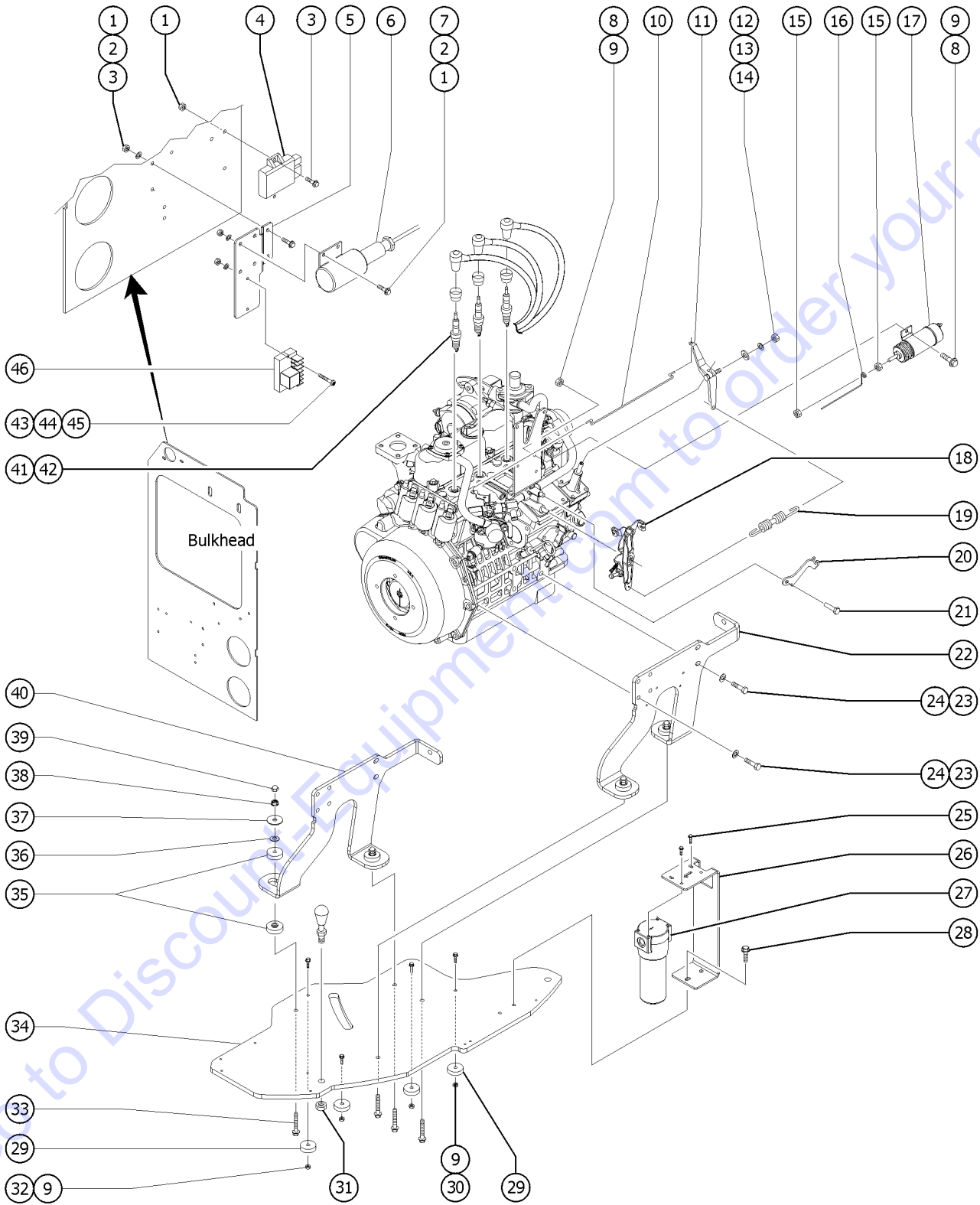
Florida: **561-964-4949** Outside Florida TOLL FREE: **877-690-3101**

Need parts?

Click on this link: <http://www.discount-equipment.com/category/5443-parts/> and choose one of the options to help get the right parts and equipment you are looking for. Please have the machine model and serial number available in order to help us get you the correct parts. If you don't find the part on the website or on one of the online manuals, please fill out the request form and one of our experienced staff members will get back to you with a quote for the right part that your machine needs.

We sell worldwide for the brands: Genie, Terex, JLG, MultiQuip, Mikasa, Essick, Whiteman, Mayco, Toro Stone, Diamond Products, Generac Magnum, Airman, Haulotte, Barreto, Power Blanket, Nifty Lift, Atlas Copco, Chicago Pneumatic, Allmand, Miller Curber, Skyjack, Lull, Skytrak, Tsurumi, Husquvarna Target, Stow, Wacker, Sakai, Mi-T-M, Sullair, Basic, Dynapac, MBW, Weber, Bartell, Bennar Newman, Haulotte, Ditch Runner, Menegotti, Morrison, Contec, Buddy, Crown, Edco, Wyco, Bomag, Laymor, EZ Trench, Bil-Jax, F.S. Curtis, Gehl Pavers, Heli, Honda, ICS/PowerGrit, IHI, Partner, Imer, Clipper, MMD, Koshin, Rice, CH&E, General Equipment, Amida, Coleman, NAC, Gradall, Square Shooter, Kent, Stanley, Tamco, Toku, Hatz, Kohler, Robin, Wisconsin, Northrock, Oztec, Toker TK, Rol-Air, APT, Wylie, Ingersoll Rand / Doosan, Innovatech, Con X, Ammann, Mecalac, Makinex, Smith Surface Prep, Small Line, Wanco, Yanmar

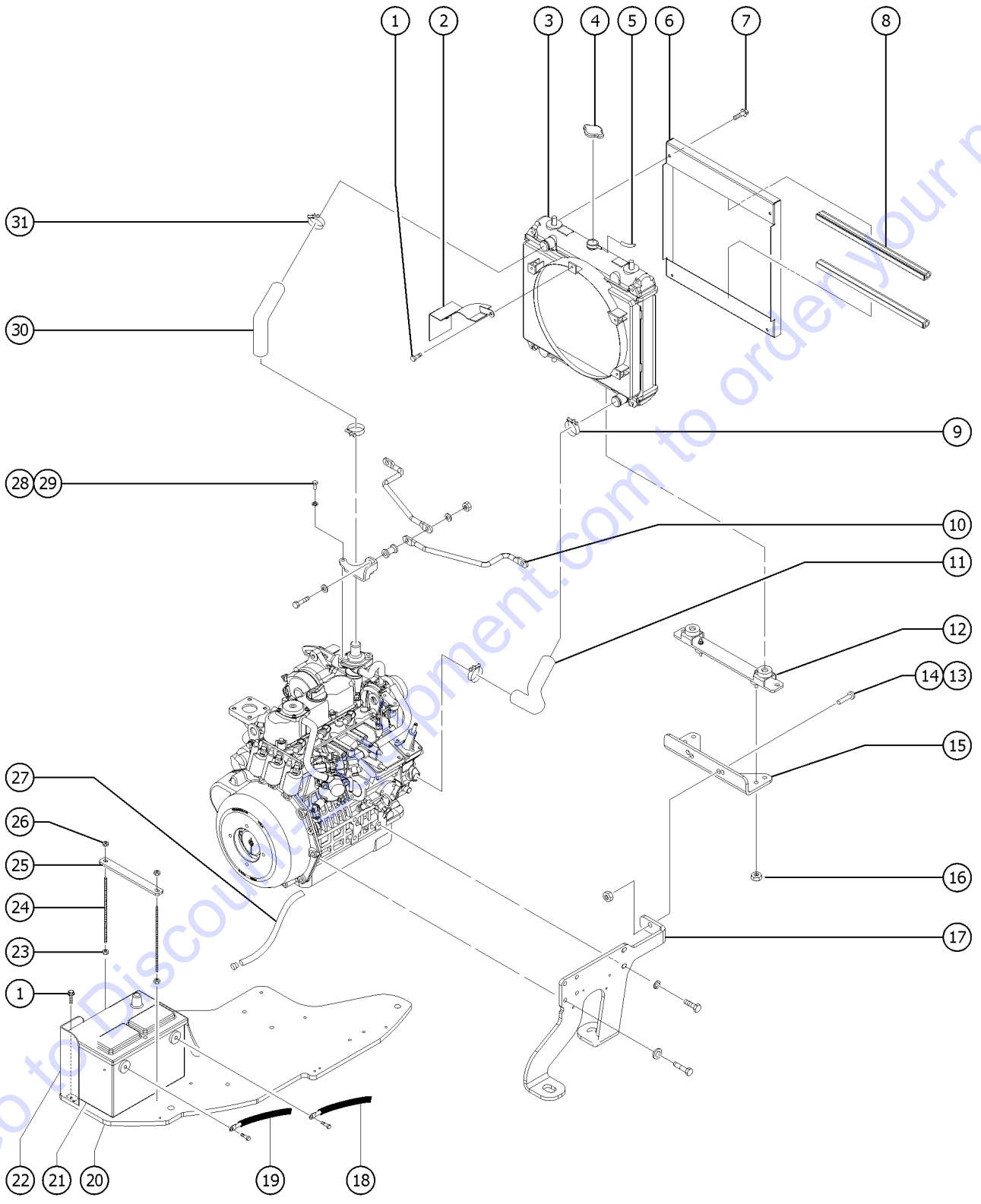
403.1 Kubota WG972 (gas), View 3



403.1 Kubota WG972 (gas), View 3

Item	Part No.	Description	Qty.	Item	Part No.	Description	Qty.
1	6091GT	NUT,NYLOCK,1/4-20		36	825358GT	WASHER,FLAT,5/16,USS,ZAG.....	4
2	6638GT	WASHER,FLAT,USS,1/4"Y		37	824123GT	WASHER,FLAT,.625X2.25X.188,ZAG....	4
3	6888GT	SCREW,HHC,1/4-20 X 1		38	824029GT	NUT,TL FLG,3/8-16,G,ZAG.....	4
4	128350GT	IGNITION MODULE, DF972.....	1	39	824040GT	NUT, ACORN, 3/8-16, ZAG.....	4
5	228914GT	FORMING, THROTTLE SOLENOID MT.....	1	40	128327GT	BRKT,ENGINE SUPPORT,LH.....	1
6	229071GT	SOLENOID,THROTTLE W/CABLE.....	1	41	139203GT	SPARK PLUG, DF972.....	3
7	6090GT	SCREW,HHC,1/4-20 X .75		42	128516GT	CAP, SPARK PLUG.....	3
8	824027GT	NUT,TL FLG,1/4-20,G,ZAG		43	48921GT	CONN,520102-6.....	2
9	824078GT	SCREW,HHF,1/4-20X.75,8,ZAG.....	6	44	35461GT	WASHER,FLAT,MS,#8,Y	
10	235525GT	SPRING, GOVERNOR, WG972.....	1	45	18605GT	NUT,NYLOCK,8-32	
11	84053GT	LEVER,GOVERNOR,DF***.....	1	46	89997GT	RELAY MODULE(89996,89998).....	1
12	52521GT	NUT,TAILPIPE,KUBOTA, 2668					
13	52535GT	WASHER,LOCK,GOV.LEVER,DF750***					
14	52536GT	WASHER,FLAT,GOV.LEVER, DF750					
15	824041GT	NUT,1/4-28,8,ZAG					
16	51510GT	CHOKE LINKAGE GS68.....	1				
17	20780GT	SOLENOID,2 SPEED TROMBETTA***.....	1				
18	235523GT	ASSY, PLATE CONTROL, WG972.....	1				
19	44190GT	SPRING,GOVERNOR,LOWER, WG750**.....	1				
20	229243GT	BRACKET, THROTTLE END RETAINER.....	1				
21	235526GT	BOLT, THROTTLE RET., WG972					
22	128326GT	BRKT,ENGINE SUPPORT,RH.....	1				
23	824138GT	SCREW,HHC,M10-1.25X30,DIN961,1					
24	824145GT	WASHER,FLAT,M10,DIN125,ZAB					
25	824077GT	SCREW, HHF, 1/4-20 X .5, 8, ZAG					
26	56423GT	BRACKET, MEDIUM PRESSURE FILTER.....	1				
27		FILTER ASY,M PRESS,SAE8,WIND* (77139).....	1				
		<i>component no longer available</i>					
--	60857GT	FILTER,ELEMENT,BETA(5)=1000 for 77139					
27A	1267807GT	ASSY, MED. PRESS. FILTER, SAE8					
--	1268229GT	ELEMENT-5 MIC, PAPER, W/ BYPASS for 1267807					
28	824089GT	SCREW,HHF,3/8-16X.75,8,ZAG					
29	56093GT	WEAR PAD ROUND.....	4				
30	18504GT	NUT,LOCKING-LG.FLANGE,1/4-20.....	4				
31	62290GT	LOCK PIN ASSY,3.25".....	1				
32	18504GT	NUT,LOCKING-LG.FLANGE,1/4-20.....	4				
33	824096GT	SCREW,HHF,3/8-16X3.5,8,ZAG.....	4				
34	128295GT	PLATE, ENGINE SWING-OUT.....	1				
35	24037GT	SHOCK MOUNT,LARGE**.....	4				

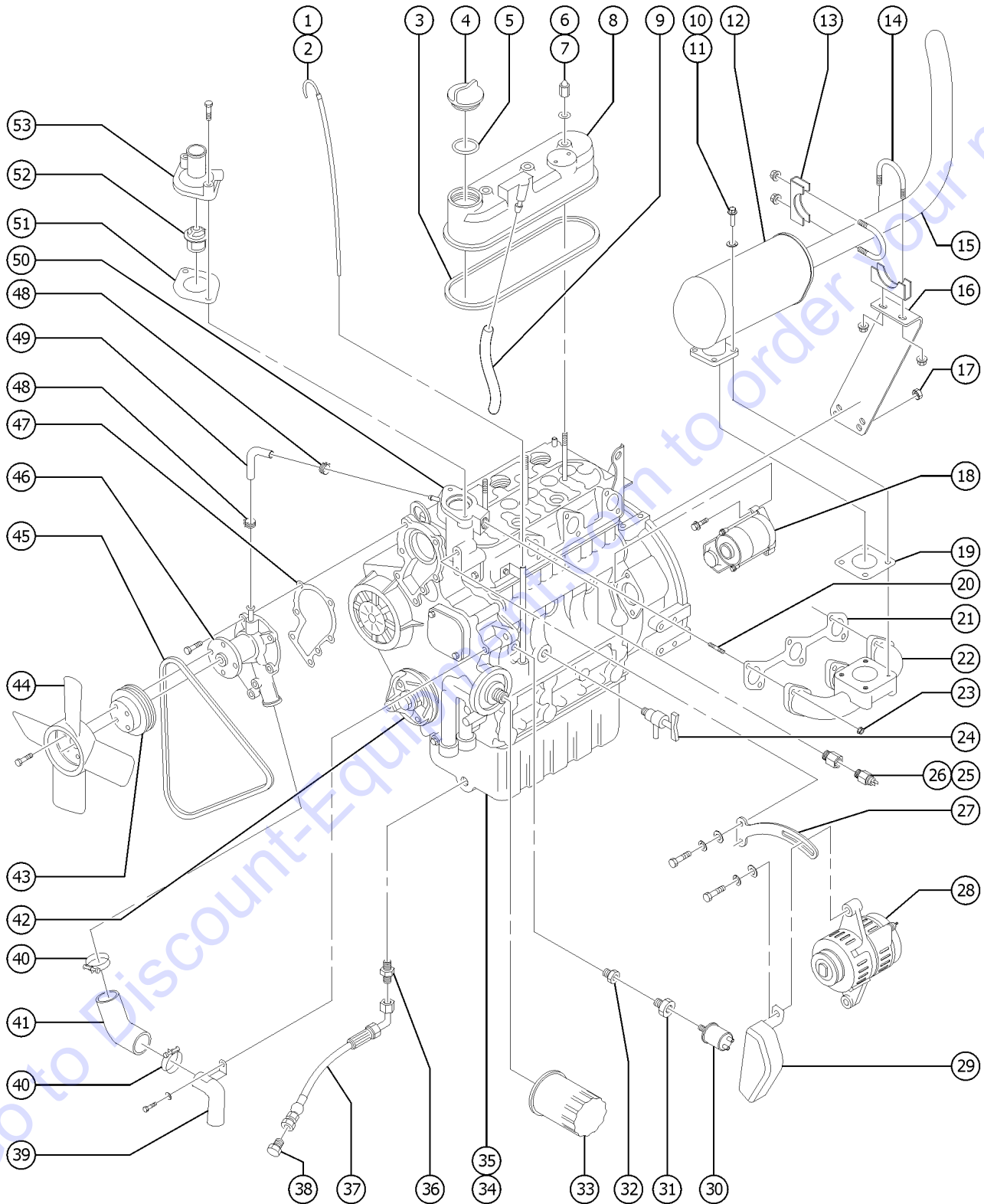
404.1 Kubota WG972 (gas), View 4



404.1 Kubota WG972 (gas), View 4

Item	Part No.	Description	Qty.
1	824078GT	SCREW,HHF,1/4-20X.75,8,ZAG	
2	228917GT	FORMING,RAD SHROUD EXTENSION.....1	1
3	227591GT	RADIATOR ASSY,DF-972,STAGE 3.....1	1
4	139215GT	RADIATOR CAP, DF972.....1	1
5	161232GT	HOSE,5/16",PVC CLEAR,BULK.....5	5
6	139173GT	SHROUD, RADIATOR.....1	1
7	824131GT	SCREW,HHF,M6-1.0X16,DIN6921,10.9,ZAB.4	
8	233933GT	SEAL, RUBBER STRAIGHT BULB, 15...4	4
9	235528GT	CLAMP, LWR. RAD. HOSE, WG972.....4	4
10	235529GT	SUPPORT, KIT RADIATOR, WG972.....1	1
11	32090GT	HOSE,LWR RADIATOR,KUBOTA WG750.....1	1
12	139214GT	RADIATOR SUPPORT KIT, DF972.....1	1
13	824091GT	SCREW,HHF,3/8-16X1.25,8,ZAG	
14	824029GT	NUT,TL FLG,3/8-16,G,ZAG	
15	128338GT	FORMING, RADIATOR SUPPORT.....1	1
16	235531GT	NUT, RADIATOR 8MM, WG972	
17		Ref. BRKT,ENGINE SUPPORT,RH <i>refer to 403.1</i>	
18	54252GT	BATTERY CABLE,SIDE MOUNT,NEG....1	1
19	238379GT	BATTERY CABLE,SIDE MOUNT.....1	1
20	128295GT	PLATE, ENGINE SWING-OUT.....1	1
21	36872GT	BATTERY, 12V,900 CCA.....1	1
22	74461GT	HEAT, SHIELD.....1	1
23	824096GT	SCREW,HHF,3/8-16X3.5,8,ZAG.....2	2
24	824209GT	ROD,THREADED,1/4-20X8.5,ZAG.....2	2
25	T107827GT	BATTERY HOLD DOWN.....1	1
26	824027GT	NUT,TL FLG,1/4-20,G,ZAG.....2	2
27	139168GT	HOSE ASSY, 3/8",21.00.....1	1
28	235532GT	SCREW, 8MMX1.25X30MM, WG972	
29	235533GT	WASHER, LOCK, 8MM, WG972	
30	32088GT	HOSE,UPR RADIATOR,KUBOTA WG750.....1	1
31	235527GT	CLAMP, UP. RAD. HOSE, WG972	

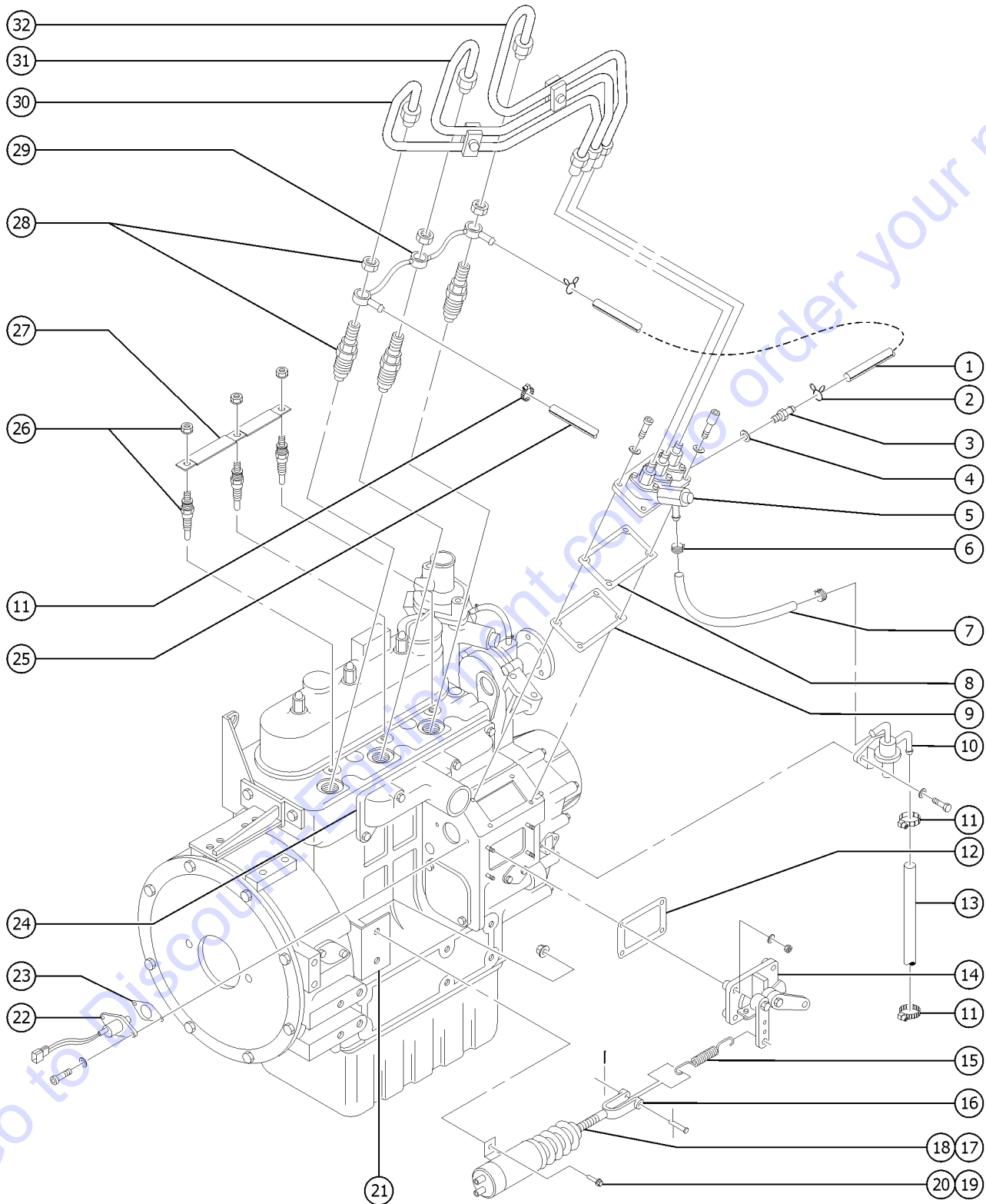
405.1 Kubota D-1105 (diesel), View 1



405.1 Kubota D-1105 (diesel), View 1

Item	Part No.	Description	Qty.	Item	Part No.	Description	Qty.
--	161621GT	KIT,ENGINE,KUBOTA D1105		38	1268180GT	FITTING,PLUG,JIC,#6.....	1
--	131379GT	MANUAL,OPER,KUBOTA DIESEL****		39	32195GT	HOSE,LOWER RADIATOR,DF752.....	1
1	231226GT	DIPSTICK,D-1105.....	1	40	32185GT	CLAMP,HOSE.....	2
2	231227GT	DIPSTICK GUIDE,D-1105.....	1	41	32067GT	HOSE,WATER PUMP,KUBOTA**.....	1
		<i>not shown</i>		42	101200GT	FAN DRIVE PULLEY,KUBOTA.....	1
3	32189GT	GASKET,VALVE COVER,KUBOTA D905.....	1	43	52531GT	PULLEY,FAN,KUBOTA, D-905,GS68.....	1
4	32190GT	PLUG,OIL FILLER,KUBOTA D905***.....	1	44A	139276GT	FAN, COOLING.....	1
5	22903GT	O-RING,OIL FILLER PLUG,KUBOTA*.....	1			<i>4-blades</i>	
6	44193GT	NUT,VALVE COVER CAP, D905.....	1	44B	231232GT	RAD. FAN,7-BLADE,D-1105.....	1
7	44192GT	GASKET,VALVE COVER CAP, D905.....	1			<i>7-blades</i>	
8	44191GT	VALVE COVER, D905.....	1	45	32196GT	BELT,V, KUBOTA D905.....	1
9	44194GT	PIPE,BREATHER JOINT, D905.....	1	46	101201GT	WATER PUMP ASSY,KUBOTA.....	1
10	824136GT	SCREW,HHC,M8-1.25X25,DIN933,10		47	32199GT	GASKET,WATER PUMP.....	1
11	824141GT	WASHER,LOCK,M8,ZAB		48	32069GT	CLAMP,HOSE,KUBOTA WG750.....	2
12	131378GT	MUFFLER ASSEMBLY.....	1	49	32200GT	HOSE,WATER PUMP RETURN,D905....	1
13	62160GT	CLAMP,TAIPIPE, 1 1/2***.....	1	50	139277GT	COMP. WATER FLANGE.....	1
14	32064GT	CLAMP,MUFFLER,1.75 INCH.....	1	51	866397GT	KUBOTA GASKET,THERMOSTAT.....	1
15	139238GT	EXHAUST PIPE, Z34 D1105.....	1	52	139278GT	THERMOSTAT.....	1
16	110285GT	BRACKET,Z34IC DIESEL TAILPIPE.....	1	53	139279GT	THERMOSTAT COVER.....	1
17	232951GT	NUT, TL, M10-1.5,DIN980, ZAB.....	2				
18	65837GT	STARTER,KUBOTA D905 VERS 2***.....	1				
--	32194GT	SOLENOID,32193 STARTER,D905					
19	832128GT	GASKET,MUFFLER,KUBOTA D905/11.....	1				
20	101208GT	STUD,EXHAUST MANIFOLD.....	6				
21	32191GT	GASKET,EXHAUST MANIFOLD,D905....	1				
22	32192GT	MANIFOLD, EXHAUST, KUBOTA.....	1				
23	101209GT	NUT,EXHAUST MANIFOLD.....	6				
24	32077GT	PETCOCK,DRAIN,KUBOTA WG750B....	1				
25	34058GT	SENDING UNIT,TMP,FRD,GM,PRK704.....	1				
26	28607GT	ADAPTER,140139-8-6.....	1				
27	44195GT	ALTERNATOR STAY, D905.....	1				
28	101203GT	ALTERNATOR,40 AMP,INT REG.....	1				
29	148099GT	COVER,V-BELT,D1105,KUBOTA.....	1				
30	22934GT	SWITCH,OIL,PRESSURE,KUBOTA.....	1				
31	42248GT	ADAPTER,140139-4-2.....	1				
32	42324GT	ADAPTER, NPT-F-BSPT-M 2-2.....	1				
33	866050GT	FILTER,OIL,KUBOTA.....	1				
34	139280GT	OIL PAN.....	1				
35	139282GT	INNER OIL FILTER.....	1				
		<i>not shown, inside oil pan</i>					
36	1268179GT	FITTING,TRANSITION,JIC,#6.....	1				
37	139168GT	HOSE ASSY, 3/8",21.00.....	1				
		<i>Includes items 36 and 38</i>					

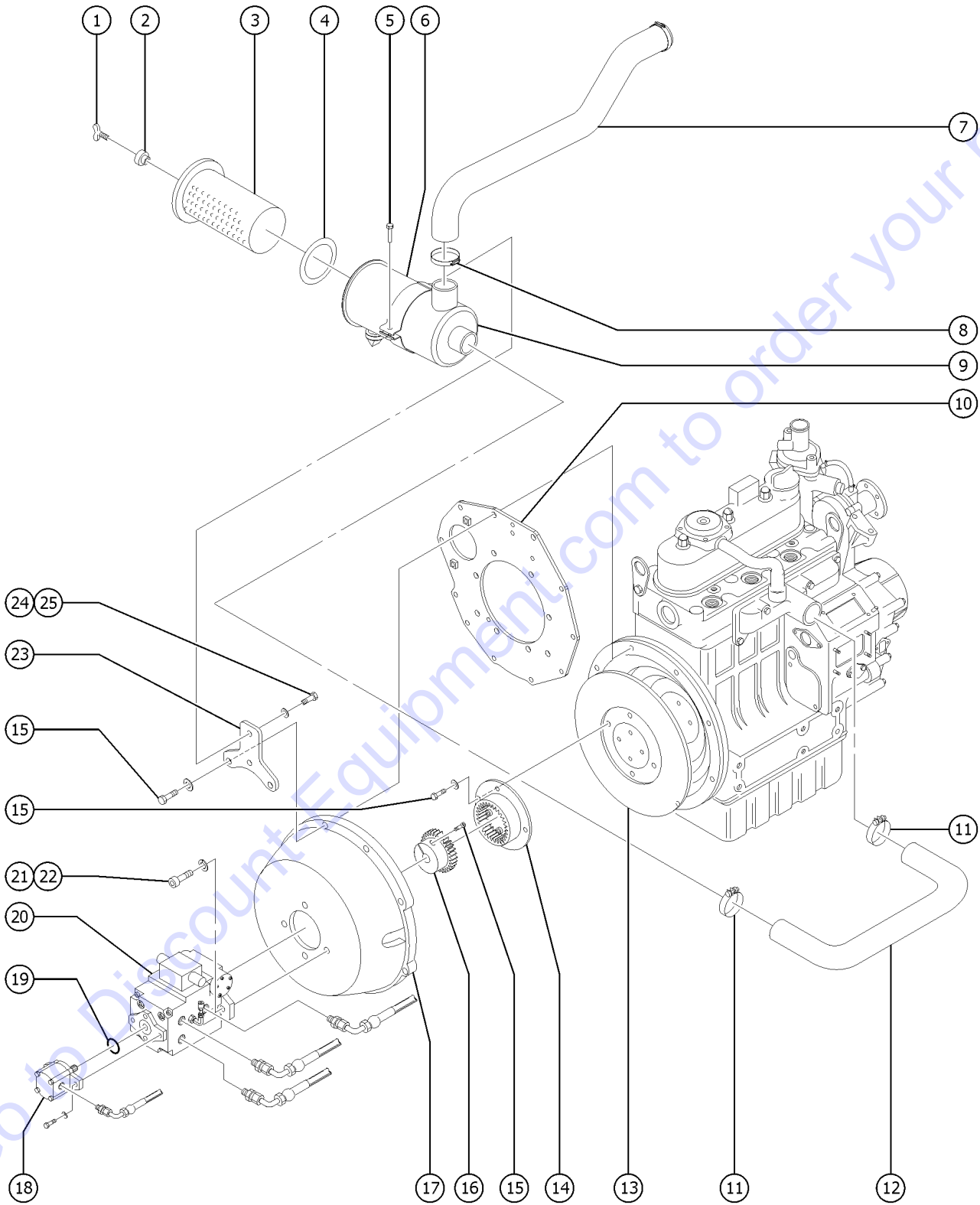
406.1 Kubota D-1105 (diesel), View 2



406.1 Kubota D-1105 (diesel), View 2

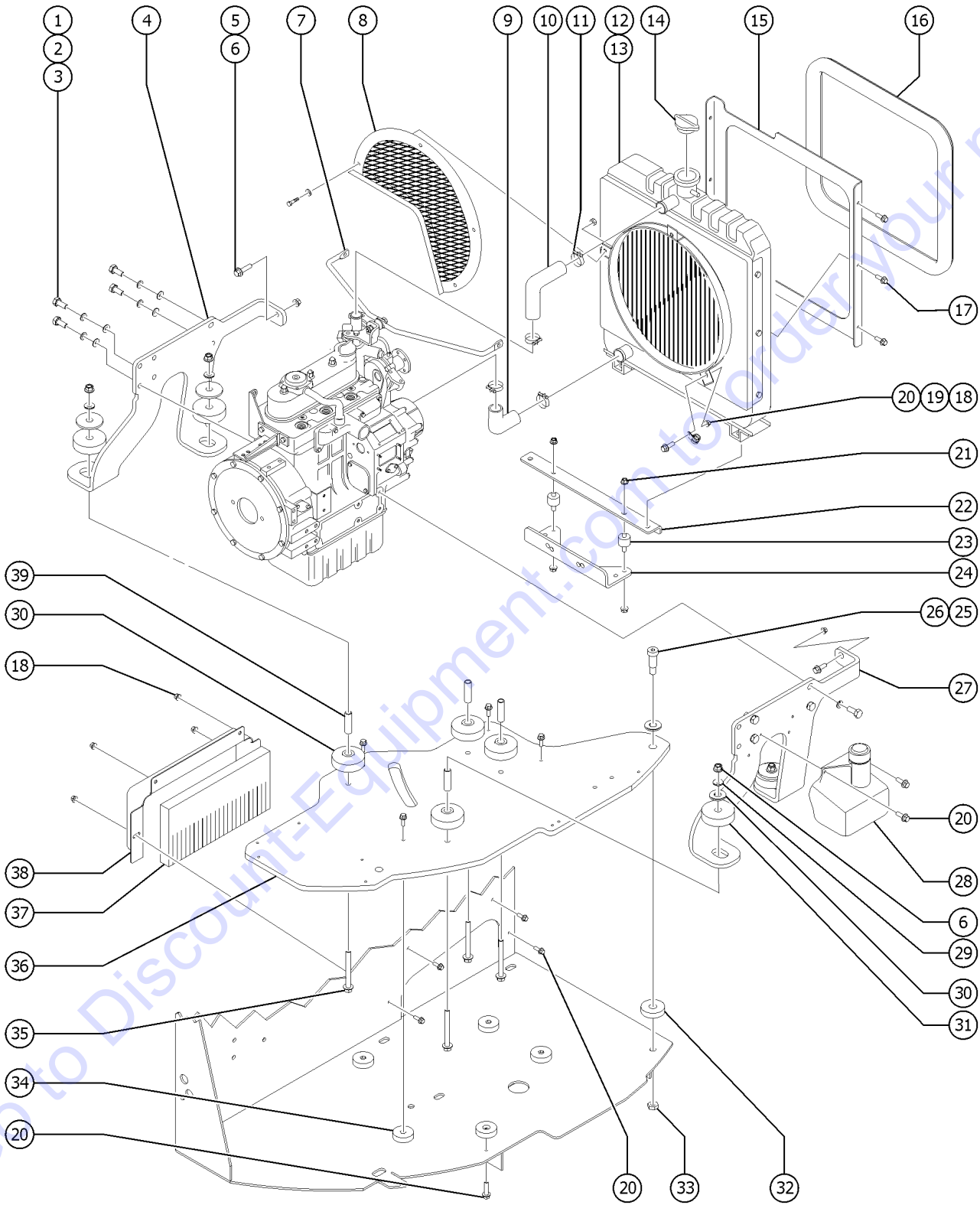
Item	Part No.	Description	Qty.
1	62044GT	PIPE ASSY-OVERFLOW (Z482-E).....1	1
2	62043GT	CLAMP-OVERFLOW PIPE(Z482-E).....2	2
3	62119GT	SCREW-AIR BREATHER, D905.....1	1
4	44181GT	GASKET,VALVE COVER CAP, WG750.....1	1
5	839149GT	KUBOTA INJECTOR PUMP, D1105.....1	1
6	52834GT	CLAMP-HOSE, .375, FUEL PUMP.....2	2
7	27089GT	HOSE,5/16 FUEL,SAE 30R7.....3-inches	3
8	32103GT	GASKET,INJECTION PUMP.....1	1
9	32182GT	GASKET,INJECTION PUMP.....1	1
10	866070GT	FUEL PUMP, MECHANICAL.....1	1
--	839233GT	KUBOTA FUEL PUMP GASKET.....1	1
11	44909GT	CLAMP,HOSE,.35"-.86" X .3125".....3	3
12	44202GT	GASKET,SPEED CONTROL ASSY,D905.....1	1
13	27089GT	HOSE,5/16 FUEL,SAE 30R7.....14-inches	14
14	44200GT	SPEED CONTROL ASSY, D905.....1	1
--	44201GT	SPRING,RETURN,SPEED CONTR,D905	
15	31379GT	SPRING,TENSION-1.25 X.438 DIA.....1	1
16	21130GT	CLEVIS YOKE-1/4-28,PLTD W/PIN.....1	1
17	20780GT	SOLENOID,2 SPEED TROMBETTA***.....1	1
--	52514GT	BOOT,THROTTLE SOLENOID	
18	22446GT	SPRING,COMPRESSION .835 X 2.....1	1
19	824078GT	SCREW,HHF,1/4-20X.75,8,ZAG	
20	824027GT	NUT,TL FLG,1/4-20,G,ZAG	
21	31375GT	ANGLE,SOLENOID MOUNT.....1	1
22	99199GT	SOLENOID,KUBOTA D9/1105 SHTDWN	
23	866040GT	GASKET,SOLENOID,KUBOTA.....1	1
24	139273GT	MANIFOLD, INLET.....1	1
25	35418GT	HOSE,FUEL,3/16,SAE 30R7.....94-inches	94
26	839119GT	KUBOTA GLOW PLUG.....3	3
27	62118GT	JUMPER-GLOW PLUG.....1	1
28	62116GT	INJECTOR,FUEL,D905**.....3	3
29	62117GT	PIPE ASSY-OVERFLOW-D905.....1	1
30	44196GT	PIPE,INJECTOR 1,D905,D1105.....1	1
31	44197GT	PIPE,INJECTOR 2,D905,D1105.....1	1
32	44198GT	PIPE,INJECTOR 3,D905,D1105.....1	1

407.1 Kubota D-1105 (diesel), View 3



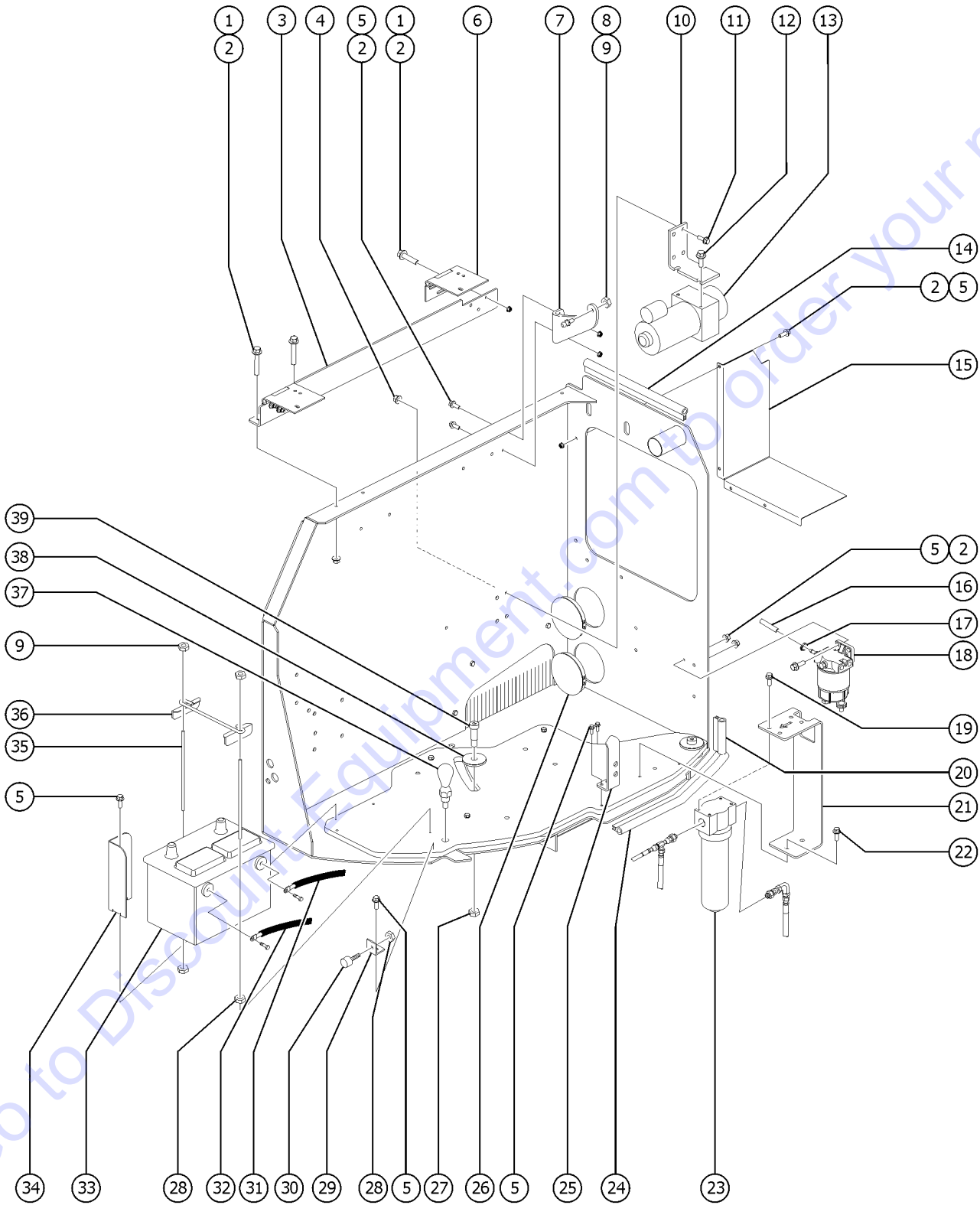
Item	Part No.	Description	Qty.
--	161070GT	KIT, BELLHOUSING, D1105 <i>includes items 14B, 15, 16B & 17B</i>	
1	44203GT	BOLT,WING,FILTER ELEMENT, D905....1	
2	44204GT	WASHER ASSY,FILTER ELEMNT,D905.....1	
3	31745GT	FILTER,AIR,D905.....1	
4	839081GT	KUBOTA 15221-11170 GASKET A/C....1	
5	62296GT	SCREW,M8 X 35MM.....1	
6	101204GT	AIR CLEANER STAY.....1	
7	139141GT	HOSE,AIR INTAKE,KUBOTA.....1	
8	22672GT	CLAMP,HOSE,1.75.....1	
9	32184GT	AIR CLEANER KIT,KUBOTA D905.....1	
10	139275GT	REAR END PLATE.....1	
11	62114GT	CLAMP-HOSE, AIR CLEANER.....2	
12	43700GT	PIPE,INLET, D905.....1	
13	139274GT	COMP. FLYWHEEL.....1	
--	99882GT	BOLT,FLYWHEEL,KUBOTA D905	
14	94688GT	ADAPTER, FLANGE GEAR, 3 HOLE....1	
15	104367GT	HARDWARE KIT, BELLHSING KUBOTA.....1	
16	161071GT	HUB, SAE B-B SPLINE, 42 TEETH.....1	
17	161069GT	BELLHOUSING, D1105.....1	
18	74492GT	PUMP,PIGGYBACK,SUNSTR,4CC***.....1	
--	77990GT	KIT,SEAL,3CC PUMP***	
19	43683GT	O-RING,2-042 N674-70***.....1	
20	101237GT	PUMP,M42 W/4CC W/PIGGYBACK.....1	
--	101238GT	PUMP,DRIVE,42CC W/NFPE CONTR**	
--	119025GT	SOLENOID VALVE ASSY,M42 PUMP**.....2	
--	147334GT	SEAL KIT,SHAFT,M42 PUMP***	
--	29436GT	O-RING***	
21	824101GT	SCREW,SHC, 1/2-13X1.25,A574,ZAG....2	
22	824111GT	WASHER,LOCK, 1/2,ZAG.....2	
23	74544GT	BRKT. AIR CLEANER MOUNT.....1	
24	824135GT	SCREW,HHC,M8-1.25X20,DIN933,10....2	
25	824121GT	WASHER,FLAT,688X1.160X.09,HRD....2	

408.1 Kubota D-1105 (diesel), View 4



Item	Part No.	Description	Qty.
1	824138GT	SCREW,HHC,M10-1.25X30,DIN961,1....8	
2	824142GT	WASHER,LOCK,M10,ZAB.....8	
3	824145GT	WASHER,FLAT,M10,DIN125,ZAB.....8	
4	128327GT	BRKT,ENGINE SUPPORT,LH.....1	
5	824091GT	SCREW,HHF,3/8-16X1.25,8,ZAG.....2	
6	824029GT	NUT,TL FLG,3/8-16,G,ZAG.....6	
7	112500GT	KIT,D-905 RADIATOR SUPPORT.....1	
8	131373GT	COVER, FAN.....1	
9	32195GT	HOSE,LOWER RADIATOR,DF752.....1	
10	32205GT	HOSE,UPPR RADIATOR,KUBOTA D905.....1	
11	32185GT	CLAMP,HOSE.....4	
12	112531GT	RADIATOR ASSY,ALUM.D-905.....1	
13	131581GT	HOSE,RAD.OVERFLOW,KD-1105,50"....1	
14	110523GT	CAP,RADIATOR,AL,KUBOTA DF-752....1	
15	128328GT	BRKT, BAFFLE, RADIATOR.....1	
16	60875GT	TRIM MOLDING.....96-inches	
17	237238GT	SCREW,HHF,M6-1.0X12,DIN6921,10....6	
18	824027GT	NUT,TL FLG,1/4-20,G,ZAG.....8	
19	6833GT	CLAMP,0.50,#8 X 1/4,RUB CUSH.....1	
20	824078GT	SCREW,HHF,1/4-20X.75,8,ZAG	
21	824028GT	NUT,TL FLG,5/16-18,G,ZAG.....4	
22	139129GT	MOUNT, RADIATOR, D1105.....1	
23	219437GT	ISOLATOR, VIBRATION.....2	
24	128338GT	FORMING, RADIATOR SUPPORT.....1	
25	824229GT	BOLT,SSHS,5/8X1.25X1/2-13,ZAG.....2	
26	824115GT	WASHER, FLAT, USS, 5/8, ZAG.....1	
27	128326GT	BRKT,ENGINE SUPPORT,RH.....1	
28	42662GT	COOLANT RECOVERY BOTTLE1.5 QT*.....1	
29	825358GT	WASHER,FLAT,5/16,USS,ZAG.....4	
30	824123GT	WASHER,FLAT,.625X2.25X.188,ZAG....4	
31	24037GT	SHOCK MOUNT,LARGE**.....8	
32	42123GT	WEAR PAD,2" ROUND.....2	
33	824039GT	NUT,TL JAM,1/2-13,A,ZAG.....1	
34	56093GT	WEAR PAD ROUND.....5	
35	824094GT	SCREW,HHF,3/8-16X2.75,8,ZAG.....4	
36	128295GT	PLATE, ENGINE SWING-OUT.....1	
37	139254GT	GASKET,FOAM,HEATSHIELD.....1	
38	128970GT	BAFFLE,BULKHEAD.....1	
39	139230GT	SPACER, SHOCK MOUNT.....4	

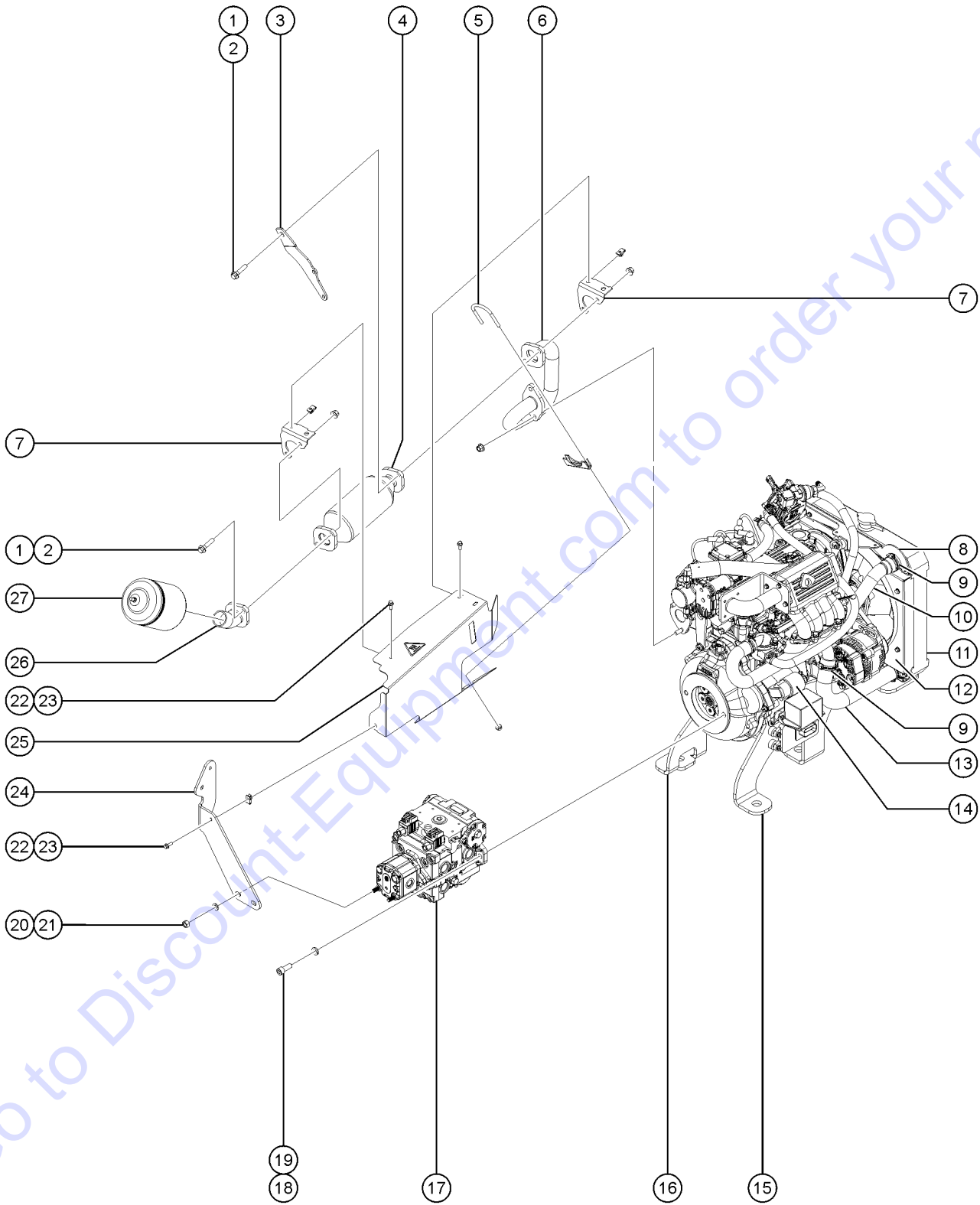
409.1 Kubota D-1105 (diesel), View 5



409.1 Kubota D-1105 (diesel), View 5

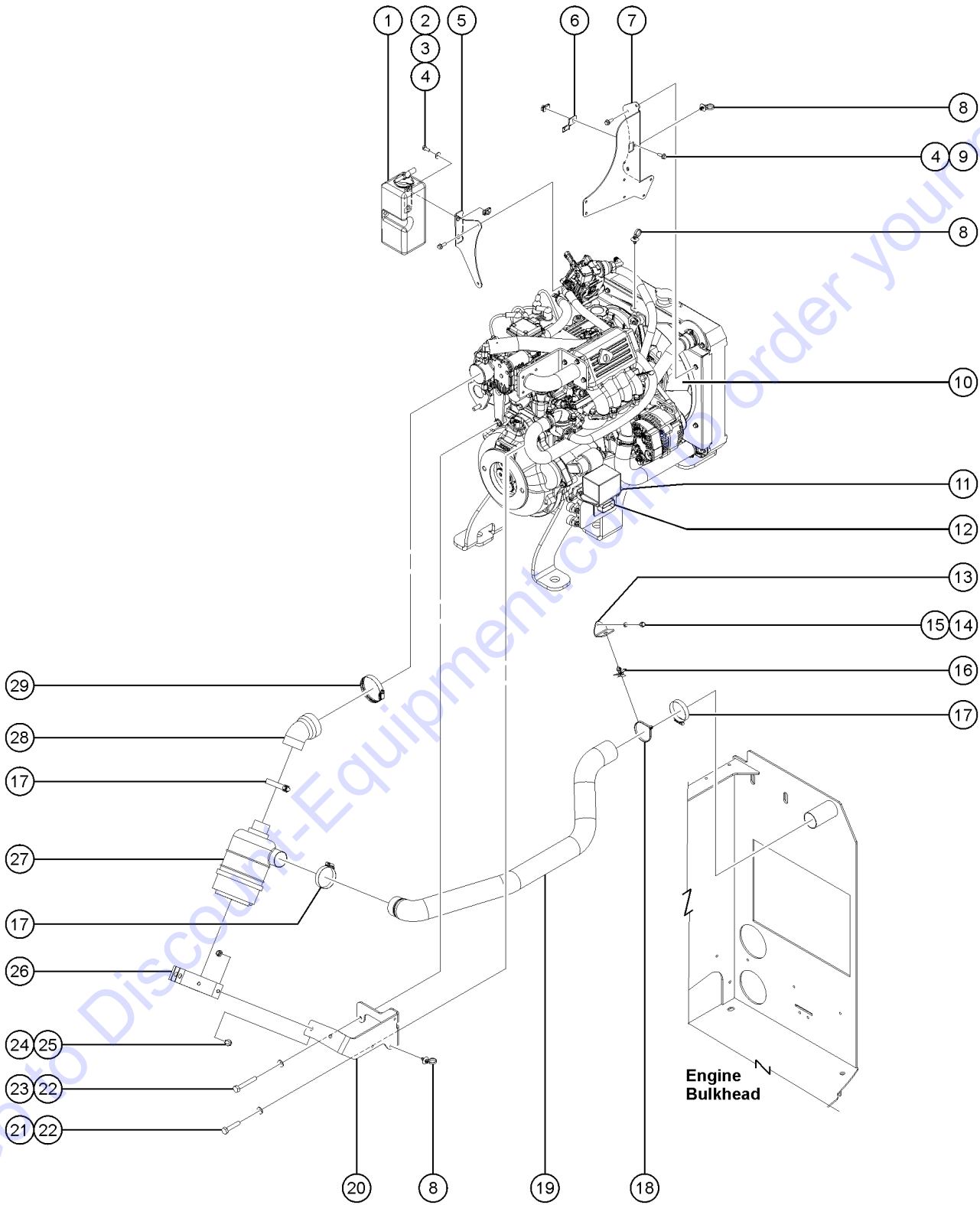
Item	Part No.	Description	Qty.	Item	Part No.	Description	Qty.
1	824079GT	SCREW,HHF,1/4-20X1,8,ZAG.....	7	29	42359GT	ANGLE, BUMPER, MOUNT.....	1
2	824027GT	NUT,TL FLG,1/4-20,G,ZAG.....	14	30	36388GT	BUMPER,RUBBER,.75 X .50H,STUD.....	1
3	128298GT	FORMING, HING SUPPORT, LONG.....	1	31	54252GT	BATTERY CABLE,SIDE MOUNT,NEG.....	1
4	824029GT	NUT,TL FLG,3/8-16,G,ZAG.....	4	32	29203GT	BATTERY CABLE,SIDE MOUNT,POS.....	1
5	824078GT	SCREW,HHF,1/4-20X.75,8,ZAG		33	36872GT	BATTERY, 12V,900 CCA.....	1
6	75073GT	HINGE, .375X.120THK.,SLOTTED.....	2	34	74461GT	HEAT, SHIELD.....	1
7	128902GT	BRACKET,ANCHOR,GAS STRUT.....	1	35	824209GT	ROD,THREADED,1/4-20X8.5,ZAG.....	2
8	1252977GT	NUT,TL JAM,5/16-18,A,ZAG.....	1	36	T107827GT	BATTERY HOLD DOWN.....	1
9	33555GT	BALL STUD**.....	1	37	62290GT	LOCK PIN ASSY,3.25".....	1
10	42190GT	BRACKET,AUX.PUMP ATTACHMENT....	1	38	824115GT	WASHER, FLAT, USS, 5/8, ZAG.....	2
11	824090GT	SCREW,HHF,3/8-16X1,8,ZAG.....	7	39	824229GT	BOLT,SSHS,5/8X1.25X1/2-13,ZAG.....	2
12	824085GT	SCREW,HHF,5/16-18X.75,8,ZAG.....	5				
13	112379GT	POWER UNIT,12VDC AUX***.....	1				
--	112308GT	SOLENOID,12V,APU					
--	38156GT	VALVE,RELIEF KIT,MONARCH**					
--	43678GT	COVER ASSY. ENGINE SIDE,ANSI**					
--	43688GT	PUMP ASSY (42185)					
14	139261GT	TRIM,EDGE,3/16X3/4 END BULB.....	13-inches				
15	128331GT	BAFFLE, RADIATOR.....	1				
16	30490GT	HOSE,1/4 FUEL LINE,SAE 30R7.....	14-inches				
17	21465GT	CLAMP,HOSE,.25" - .63" X .3125.....	2				
18A	42766GT	SEPARATOR/FILTER,FUEL DIESEL**....	1				
18B	42767GT	SEPARATOR/FILTER ELEMENT,FUEL*.....	1				
19	824077GT	SCREW, HHF, 1/4-20 X .5, 8, ZAG.....	2				
20	139261GT	TRIM,EDGE,3/16X3/4 END BULB.....	3.5-inches				
21	56423GT	BRACKET, MEDIUM PRESSURE FILTER.....	1				
22	824089GT	SCREW,HHF,3/8-16X.75,8,ZAG.....	2				
23A		FILTER ASY,M PRESS,SAE8,WIND* (77139).....	1				
		<i>component no longer available</i>					
--	60857GT	FILTER,ELEMENT,BETA(5)=1000 for 77139					
23B	1267807GT	ASSY, MED. PRESS. FILTER, SAE8.....	1				
--	1268229GT	ELEMENT-5 MIC, PAPER, W/ BYPASS for 1267807					
24	139261GT	TRIM,EDGE,3/16X3/4 END BULB.....	16.75-inches				
25	42064GT	BRACKET, LATCH.....	1				
26	80229GT	CAP, PLASTIC, 4".....	2				
27	824039GT	NUT,TL JAM,1/2-13,A,ZAG.....	2				
28	824037GT	NUT,HH JAM,1/4-20,A,ZAG.....	3				

410.1 GM .998L, View 1



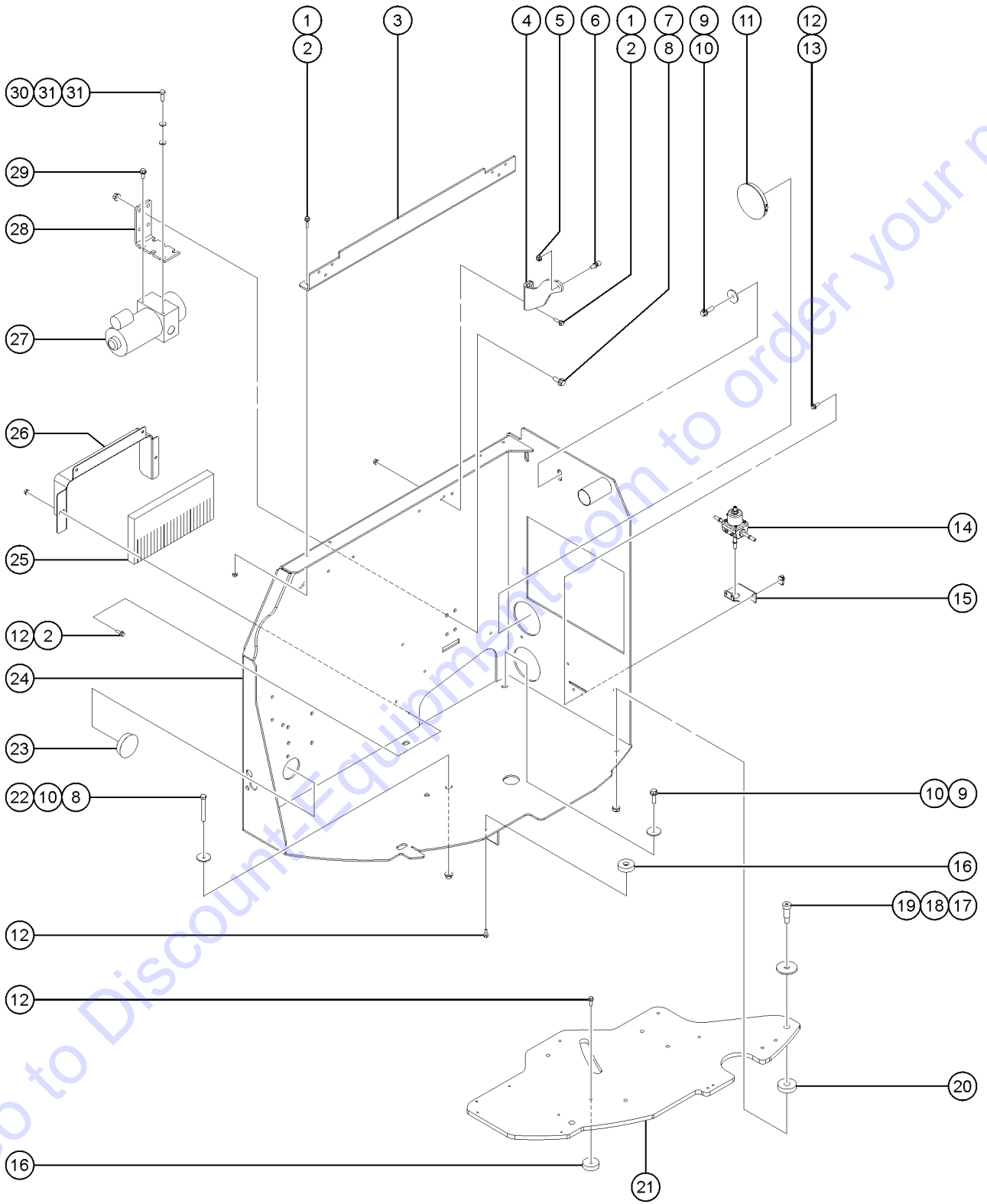
Item	Part No.	Description	Qty.	Item	Part No.	Description	Qty.
A	1273017GT	KIT,ENGINE ASSY,GM .998L,Z34		27	1274877GT	MUFFLER, SPARK ARRESTOR, 3", 7 DISCS.....	1
--	1272019GT	FILTER, FUEL.....	1	27A	32064GT	CLAMP,MUFFLER,1.75 INCH.....	1
--	1272828GT	OIL FILTER, GM .998L.....	1				
--	1272829GT	SPARK PLUG, GM .998L.....	4				
1	215706GT	SCREW,HHF,M10-1.5X45,DIN6921,10.9,ZAB.4					
2	231529GT	NUT,TL FLG,M10-1.5,DIN6927,10,ZAB.....	6				
3	1273594GT	FORMING, CATALYTIC BRACE.....	1				
4	1273604GT	CATALYST, INLINE 2015 & LATER.....	1				
--	1271874GT	GASKET, EXHAUST CATALYST, 3.0					
5	824210GT	CLAMP,SADDLE,1.5,ZAG.....	1				
6	1271252GT	WELDMENT,CAT PIPE,GM .998,Z34.....	1				
--	1271874GT	GASKET, EXHAUST CATALYST, 3.0					
7	1273078GT	FORMING, EXHAUST SHIELD MOUNT.....	2				
8	1269154GT	FORMING,RADIATOR TOP,GM .998L.....	1				
9	1271730GT	CLAMP, HOSE S-20 1 1/2".....	4				
10	1271753GT	HOSE, UPPER RAD .998L.....	1				
11	1271731GT	RADIATOR, GENSET SSI.....	1				
12	1271732GT	SHROUD, SSI RADIATOR .97L.....	1				
13	1271752GT	HOSE, LOWER RAD .998L.....	1				
14	1271878GT	STARTER, .998L.....	1				
15	1272958GT	WELDMENT, ENG LEG RT, GM .998L.....	1				
16	1272959GT	WELDMENT, ENG LEG LT, GM .998L.....	1				
17A	1256356GT	ASSY,DRIVE PUMP W/4CC FUNC.					
--	101237GT	PUMP,M42 W/4CC W/PIGGYBACK..... <i>for 1256356</i>	1				
--	29436GT	O-RING***.....	1				
--	48880GT	CAP,DIAGNOSTIC NIPPLE.....	1				
--	74492GT	PUMP,PIGGYBACK,SUNSTR,4CC***.....	1				
--	74635GT	PUMP,PIGGYBACK,SAUER,6CC 10-8..... <i>(for 230V generator option)</i>	1				
--	77990GT	KIT,SEAL,3CC PUMP***					
17B	101238GT	PUMP,DRIVE,42CC W/NFPE CONTR**					
18	824101GT	SCREW,SHC, 1/2-13X1.25,A574,ZAG.....	2				
19	824111GT	WASHER,LOCK, 1/2,ZAG.....	2				
20	232951GT	NUT, TL, M10-1.5,DIN980, ZAB.....	2				
21	824145GT	WASHER,FLAT,M10,DIN125,ZAB.....	2				
22	824078GT	SCREW,HHF, 1/4-20X.75,8,ZAG.....	4				
23	56912GT	SPRING CLIP,1/4-20,.025-.15X.54,ZAG.....	4				
24	1271255GT	FORMING,EXH SPRT,GM .998,Z34.....	1				
25	1269189GT	FORMING,HEAT SHIELD,GM .998L.....	1				
26	1271254GT	WELDMENT, TAILPIPE,GM .998,Z34.....	1				
--	1271874GT	GASKET, EXHAUST CATALYST, 3.0					

411.1 GM .998L, View 2



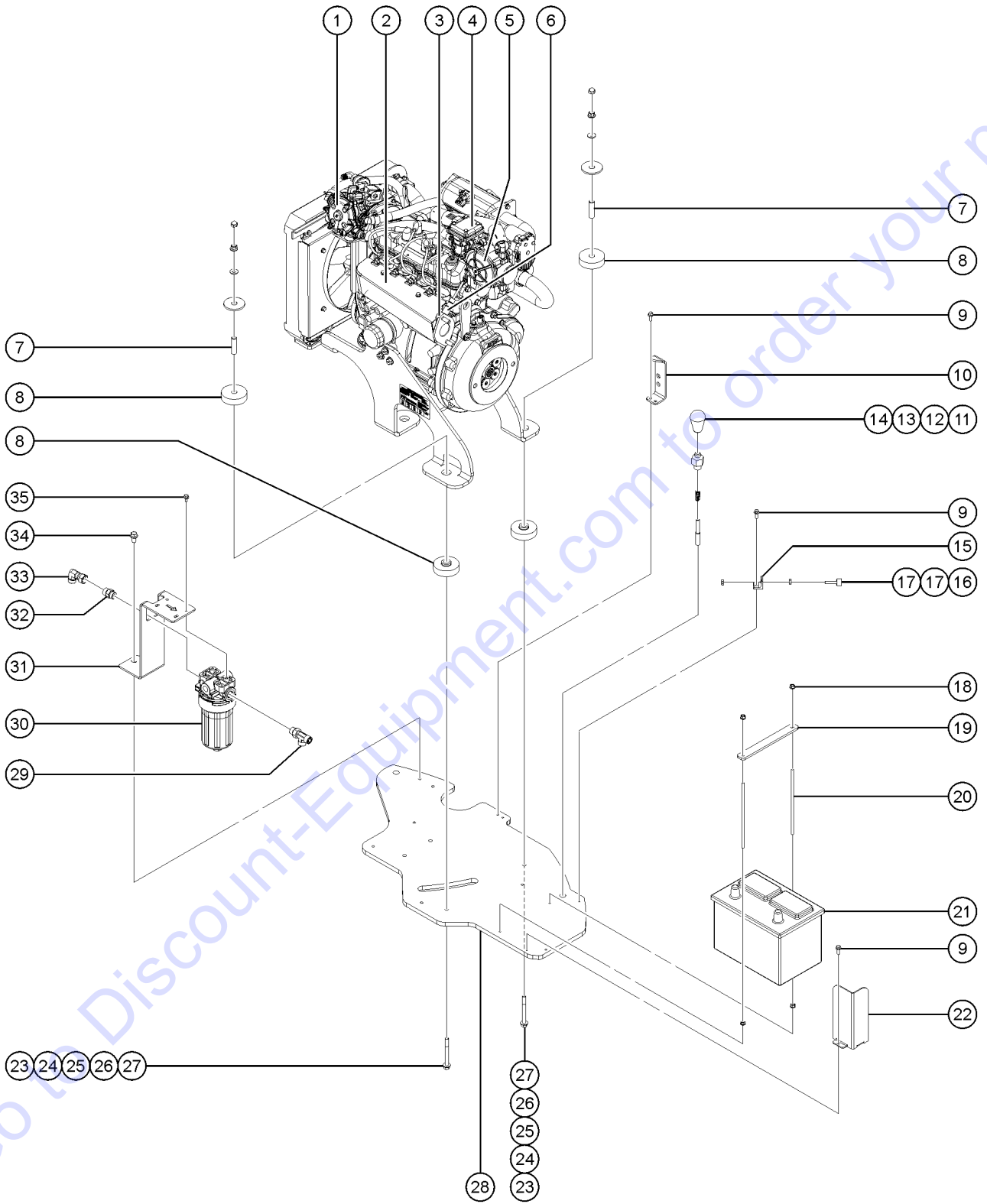
Item	Part No.	Description	Qty.
1	94532GT	BOTTLE,COOLANT RECOVERY,1.4***	1
2	824059GT	SCREW,HHC,1/4-20X.75,8,ZAG	2
3	824113GT	WASHER,FLAT,USS,1/4,ZAG	2
4	56912GT	SPRING CLIP,1/4-20,.025-.15X.54,ZAG	3
5	1272963GT	FORMING, COOLANT BOTTLE MOUNT	1
6	99346GT	CLIP, METAL MOUNTING	1
7	1272964GT	FORMING, FAN GUARD RIGHT	1
8	110149GT	CABLE TIE,DFT MOUNT,BLK,6.5"	7
9	824078GT	SCREW,HHF,1/4-20X.75,8,ZAG	1
10A	1271867GT	FAN, PULLER 12.25" 30 DEG	1
10B	1281807GT	ALTERNATOR,GM .998L,PSI,Z34	1
11	1271828GT	BRACKET, FUSE BOX .998L	1
12	1271825GT	ECM, SSI .79L / .97L	1
13	1273080GT	FORMING, INTAKE HOSE GUIDE	1
14	826001GT	SCREW,HHF,M6-1.0X10,DIN6921,10.9,ZAB	1
15	825355GT	WASHER,FLAT,M6,DIN125,ZAB	1
16	105214GT	CABLE TIE MOUNT, WINGED	1
17	35434GT	CLAMP,HOSE,2.00***	3
18	28443GT	CABLE TIE,11.5" BLACK	1
19	1271540GT	HOSE,RAW AIR,Z34 GM .998L	1
20	1269187GT	FORMING,INTAKE SPRT,GM .998L	1
21	1272952GT	SCREW, HHC, M10 X 1.25 X 50MM	1
22	824145GT	WASHER,FLAT,M10,DIN125,ZAB	2
23	1272953GT	SCREW, HHC, M10 X 1.25 X 70MM	1
24	824085GT	SCREW,HHF,5/16-18X.75,8,ZAG	2
25	1255805GT	NUT,SERRATED,5/16-18,8,ZAG	2
26	119685GT	BRACKET, AIRCLEANER MT	1
27	119684GT	AIRCLEANER ASSEMBLY	1
--	52867GT	FILTER,AIR***	
28	1271541GT	HOSE,AIR IN,Z34 GM .998L	1
29	45435GT	CLAMP,HOSE,2.50****	1

412.1 GM .998L, View 3



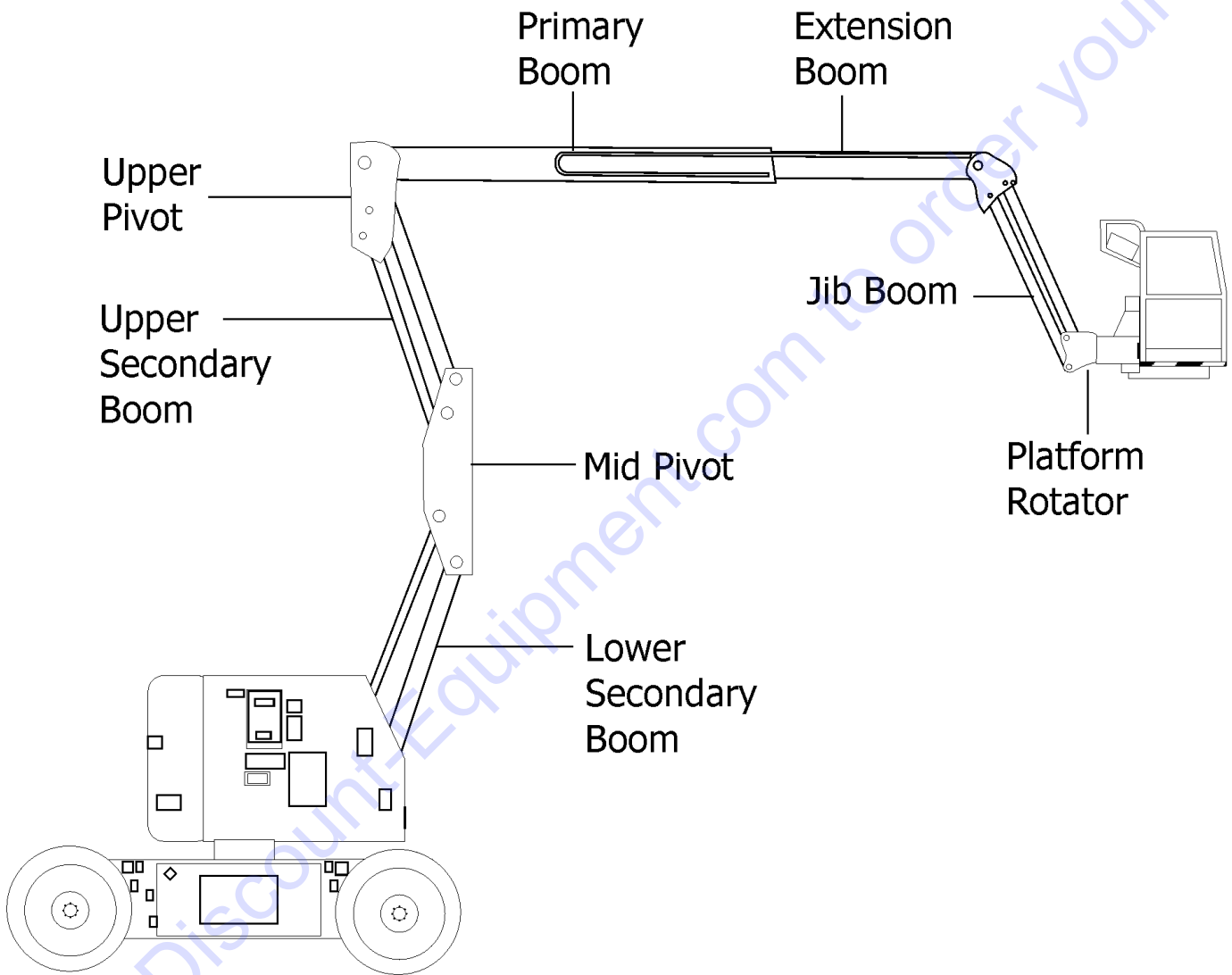
Item	Part No.	Description	Qty.
1	824079GT	SCREW,HHF,1/4-20X1,8,ZAG.....	6
2	824027GT	NUT,TL FLG,1/4-20,G,ZAG.....	10
3	128298GT	FORMING, HING SUPPORT, LONG.....	1
4	128902GT	BRACKET,ANCHOR,GAS STRUT.....	1
5	1255805GT	NUT,SERRATED,5/16-18,8,ZAG.....	1
6	33555GT	BALL STUD**.....	1
7	824090GT	SCREW,HHF,3/8-16X1,8,ZAG.....	4
8	824029GT	NUT,TL FLG,3/8-16,G,ZAG.....	6
9	824091GT	SCREW,HHF,3/8-16X1.25,8,ZAG.....	3
10	1268468GT	WASHER,FLAT,406X1.50X.125,ZAG....	5
11	80229GT	CAP, PLASTIC, 4".....	2
12	824078GT	SCREW,HHF,1/4-20X.75,8,ZAG.....	11
13	56912GT	SPRING CLIP,1/4-20,.025-.15X.54,ZAG.....	2
14	1272020GT	REGULATOR, FUEL, GM .998L.....	1
15	1273326GT	FORMING, FUEL REGULATOR MOUNT.....	1
16	56093GT	WEAR PAD ROUND.....	5
--	18504GT	NUT,LOCKING-LG.FLANGE,1/4-20.....	5
17	824229GT	BOLT,SSHS,5/8X1.25X1/2-13,ZAG.....	2
18	824115GT	WASHER, FLAT, USS, 5/8, ZAG.....	2
19	824039GT	NUT,TL JAM,1/2-13,A,ZAG.....	2
20	42123GT	WEAR PAD,2" ROUND.....	1
21		Ref. PLATE,ENGINE TRAY, SWING OUT..... (refer to 418.1)	1
22	1260940GT	SCREW,HHC,3/8-16X3,8,ZAG.....	2
23	39640GT	PLUG,NYLON 2.50 BLACK DOMED.....	2
24	1269544GT	WELDMENT,ENGINE BULKHEAD,DF....	1
25	139254GT	GASKET,FOAM,HEATSHIELD.....	1
26	128970GT	BAFFLE,BULKHEAD.....	1
27	112379GT	POWER UNIT,12VDC AUX***.....	1
--	13083GT	DIODE, 3 AMP	
--	38156GT	VALVE,RELIEF KIT,MONARCH**	
--	43687GT	MOTOR,12VDC (42185).....	1
--	43688GT	PUMP ASSY (42185).....	1
28	42190GT	BRACKET,AUX.PUMP ATTACHMENT....	1
29	824085GT	SCREW,HHF,5/16-18X.75,8,ZAG.....	2
30	13002GT	SCREW,HHC,5/16-18 X 1 GR5.....	1
31	6638GT	WASHER,FLAT,USS,1/4"Y.....	2

413.1 GM .998L, View 3



Item	Part No.	Description	Qty.
1	1271817GT	REGULATOR, LD DSR LPG.....	1
--	1271809GT	VALVE, LOCK-OFF W/FILTER NO CO....	1
2	1271852GT	SHIELD, EXHAUST .998L.....	1
3	1271849GT	MANIFOLD, EXHAUST .998L.....	1
--	1271851GT	GASKET, EXHAUST MANIFOLD .998L	
4	1271841GT	D19 EPR, MOBILE ENGINE / 2010.....	1
5	1271844GT	MIXER, E100 3.0 LP CERT MOBILE....	1
6	1271824GT	SENSOR, O2 GOLD TERMINALS.....	1
7	139230GT	SPACER, SHOCK MOUNT.....	4
8	24037GT	SHOCK MOUNT,LARGE**.....	8
9	824078GT	SCREW,HHF,1/4-20X.75,8,ZAG.....	5
10	42064GT	BRACKET, LATCH.....	1
11	40835GT	KNOB,OVAL TAPERED.....	1
12	41630GT	HOUSING, LOCK PIN.....	1
13	39469GT	SPRING,COMPRESSION.485 X1.75**....	1
14	56464GT	LOCK PIN.....	1
15	42359GT	ANGLE, BUMPER, MOUNT.....	1
16	36388GT	BUMPER,RUBBER,.75 X .50H,STUD....	1
17	824037GT	NUT,HH JAM,1/4-20,A,ZAG.....	2
18	824027GT	NUT,TL FLG,1/4-20,G,ZAG.....	4
19	T107827GT	BATTERY HOLD DOWN.....	1
20	824209GT	ROD,THREADED,1/4-20X8.5,ZAG.....	2
21	36872GT	BATTERY, 12V,900 CCA.....	1
22	74461GT	HEAT, SHIELD.....	1
23	824096GT	SCREW,HHF,3/8-16X3.5,8,ZAG.....	4
24	824123GT	WASHER,FLAT,.625X2.25X.188,ZAG....	4
25	825358GT	WASHER,FLAT,5/16,USS,ZAG.....	4
26	824029GT	NUT,TL FLG,3/8-16,G,ZAG.....	4
27	824040GT	NUT, ACORN, 3/8-16, ZAG.....	2
28	1269539GT	PLATE, ENGINE TRAY, SWING OUT.....	1
29	48935GT	TEE,RUN,520428-8.....	1
30	1267807GT	ASSY, MED. PRESS. FILTER, SAE8.....	1
--	1268229GT	ELEMENT-5 MIC, PAPER, W/ BYPASS	
31	1269191GT	FORMING, FILTER MOUNT, GM .998L.....	1
32	48933GT	CONN,520120-8***.....	1
33	48879GT	ELBOW,SWIVEL 90D, 520221-8.....	1
34	824089GT	SCREW,HHF,3/8-16X.75,8,ZAG.....	2
35	824077GT	SCREW, HHF, 1/4-20 X .5, 8, ZAG.....	4

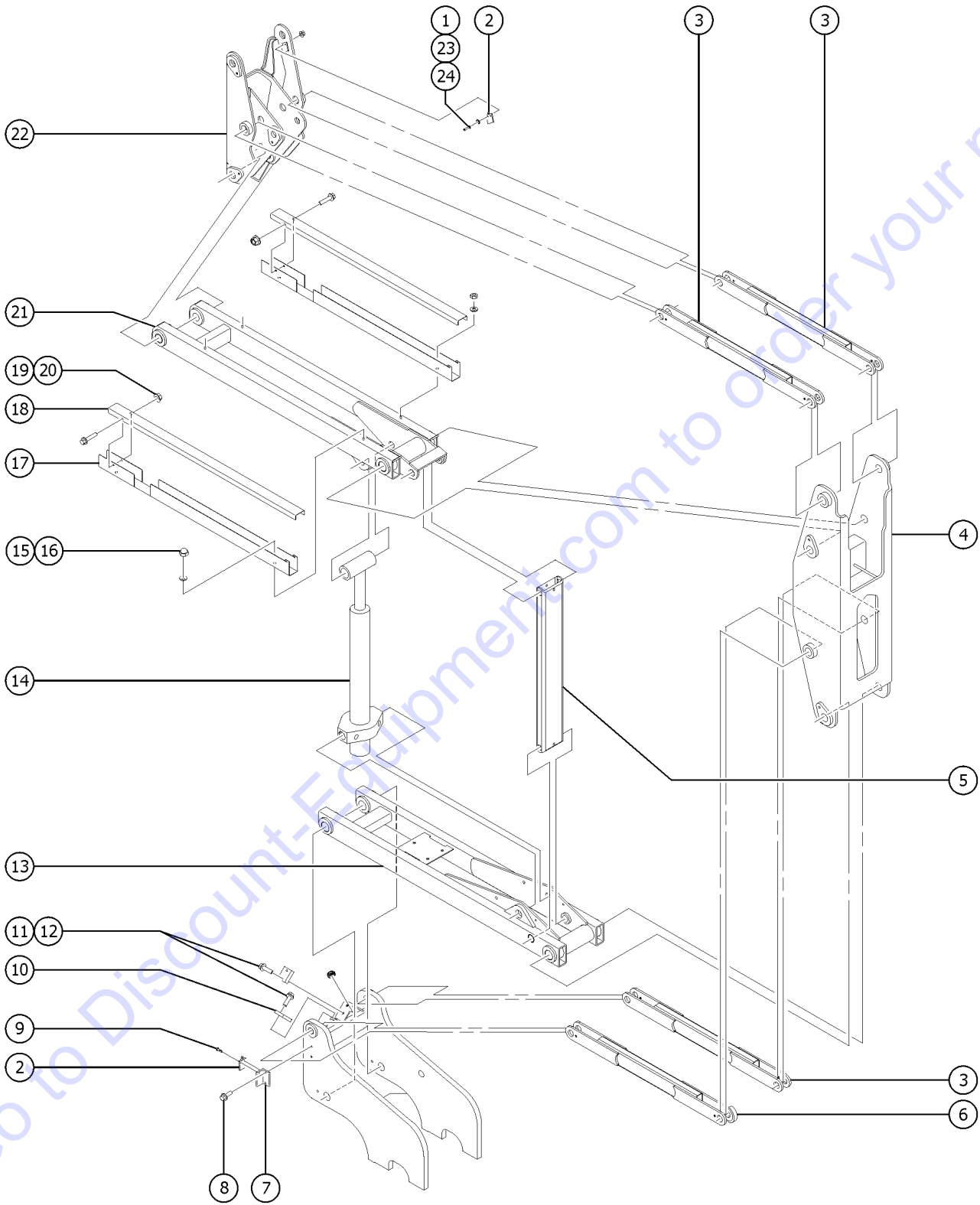
500.1 Boom Layout



Item	Part No.	Description	Qty.
1		Extension Boom <i>refer to 504.1</i>	
2		Jib Boom <i>refer to 506.1</i>	
3		Lower Secondary Boom <i>refer to 501.1 and 502.1</i>	
4		Mid Pivot <i>refer to 501.1 and 502.1</i>	
5		Platform Rotator <i>refer to 506.1</i>	
6		Primary Boom <i>refer to 504.1</i>	
7		Upper Pivot <i>refer to 501.1, 502.1 and 503.1</i>	
8		Upper Secondary Boom <i>refer to 501.1 and 502.1</i>	

Go to Discount-Equipment.com to order your parts

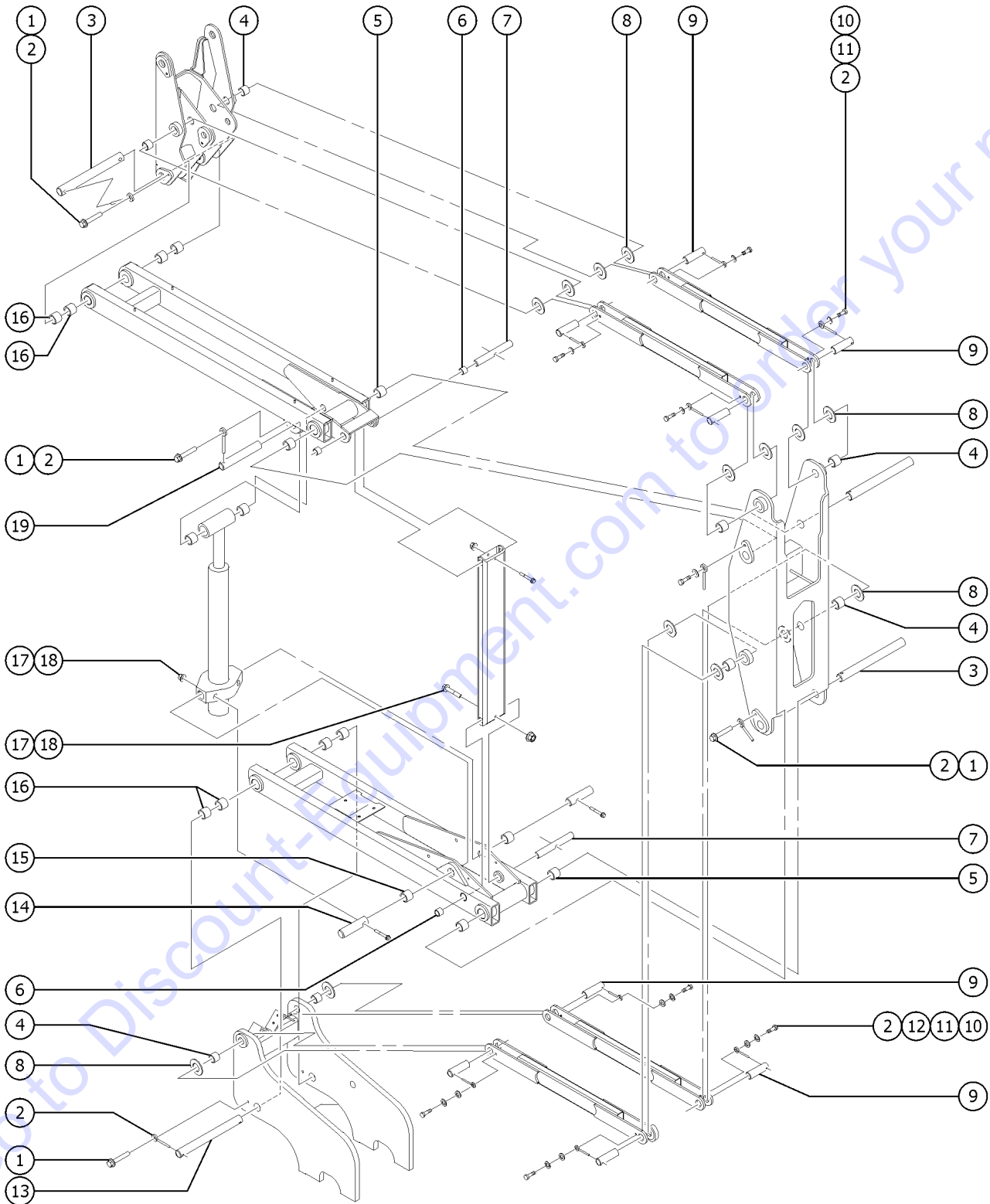
501.1 Secondary Boom, View 1



501.1 Secondary Boom, View 1

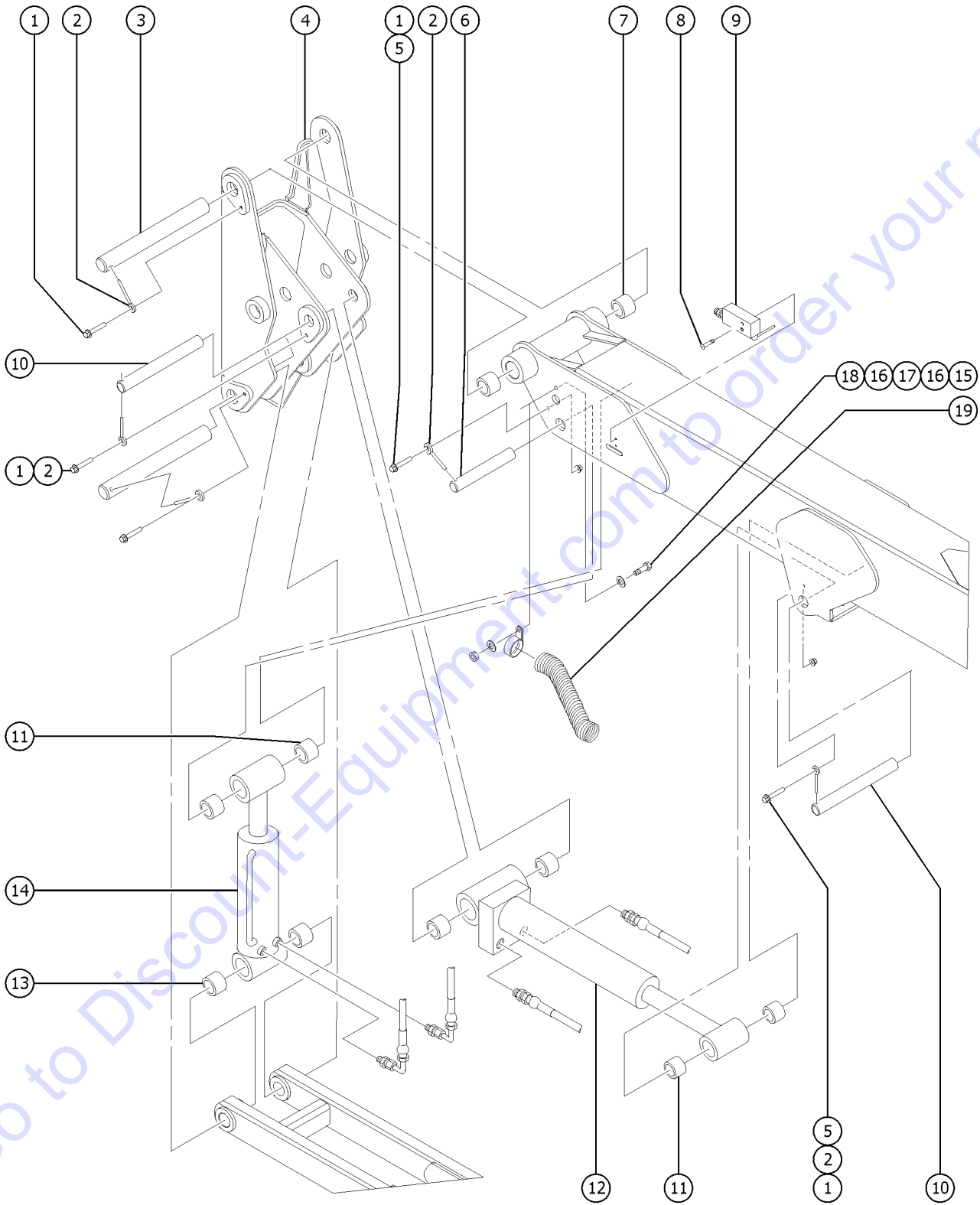
Item	Part No.	Description	Qty.
1A	1261606GT	SCREW,PHPM,8-32X1.75,ZAG.....	2
1B	1255803GT	NUT,TL FLG,8-32,F,ZAG.....	2
2	88366-116R3GT	SWITCH,LIMIT,W/ROLLER ARM***.....	2
--	19491GT	CONTACTOR,LIMIT SWITCH	
3	74946GT	COMPRESSION ARM WELDMENT 56.50.....	3
4	40446GT	LOWER MIDPIVOT ASSY,Z34 &Z34N*.....	1
5	74232GT	CONNECTING LINK Z30N & Z34***.....	1
6	128635GT	WELDMENT, LWR COMPRESION ARM.....	1
7	42413GT	ANGLE,SWITCH MOUNT***.....	1
8	824078GT	SCREW,HHF,1/4-20X.75,8,ZAG.....	2
9	824223GT	SCREW,PHPM SEMS ET,10-32X1.25,....	2
10	74086GT	REST PAD, LOWER ARM REST.....	2
11	824091GT	SCREW,HHF,3/8-16X1.25,8,ZAG.....	4
12	824122GT	WASHER,FLAT,.375X1.25X.062,ZAG....	4
13	40449GT	LOWER SECONDARY ARM ASSY,Z34.....	1
14	94210GT	CYLINDER,ELEVATE, Z34.....	1
--	31106GT	VALVE,CNTERBAL,CBBB-LHN@3000**.	1
--	47377GT	BEARING,1.25 ID X 1.5 OD X .75.....	2
--	94253GT	SEAL KIT, 94210	
15	824040GT	NUT, ACORN, 3/8-16, ZAG.....	4
16	824029GT	NUT,TL FLG,3/8-16,G,ZAG.....	4
17	42612-SGT	HOSE TRACK,UPPER ARM-SERV.....	2
18	42613-SGT	HOSETRACK COVER,UPPER ARM-SERV.....	2
19	824083GT	SCREW,HHF,1/4-20X2.5,8,ZAG.....	4
20	824027GT	NUT,TL FLG,1/4-20,G,ZAG.....	4
21	74379GT	UPPER SECONDARY ARM ASSY,Z34.....	1
22		Ref. UPPER MIDPIVOT <i>refer to 503.1</i>	
23	1257390GT	WASHER,FLAT,#8,SAE,ZAG.....	2
24	1271081GT	NUT,NYLOCK,8-32,8,ZAG.....	2

502.1 Secondary Boom, View 2



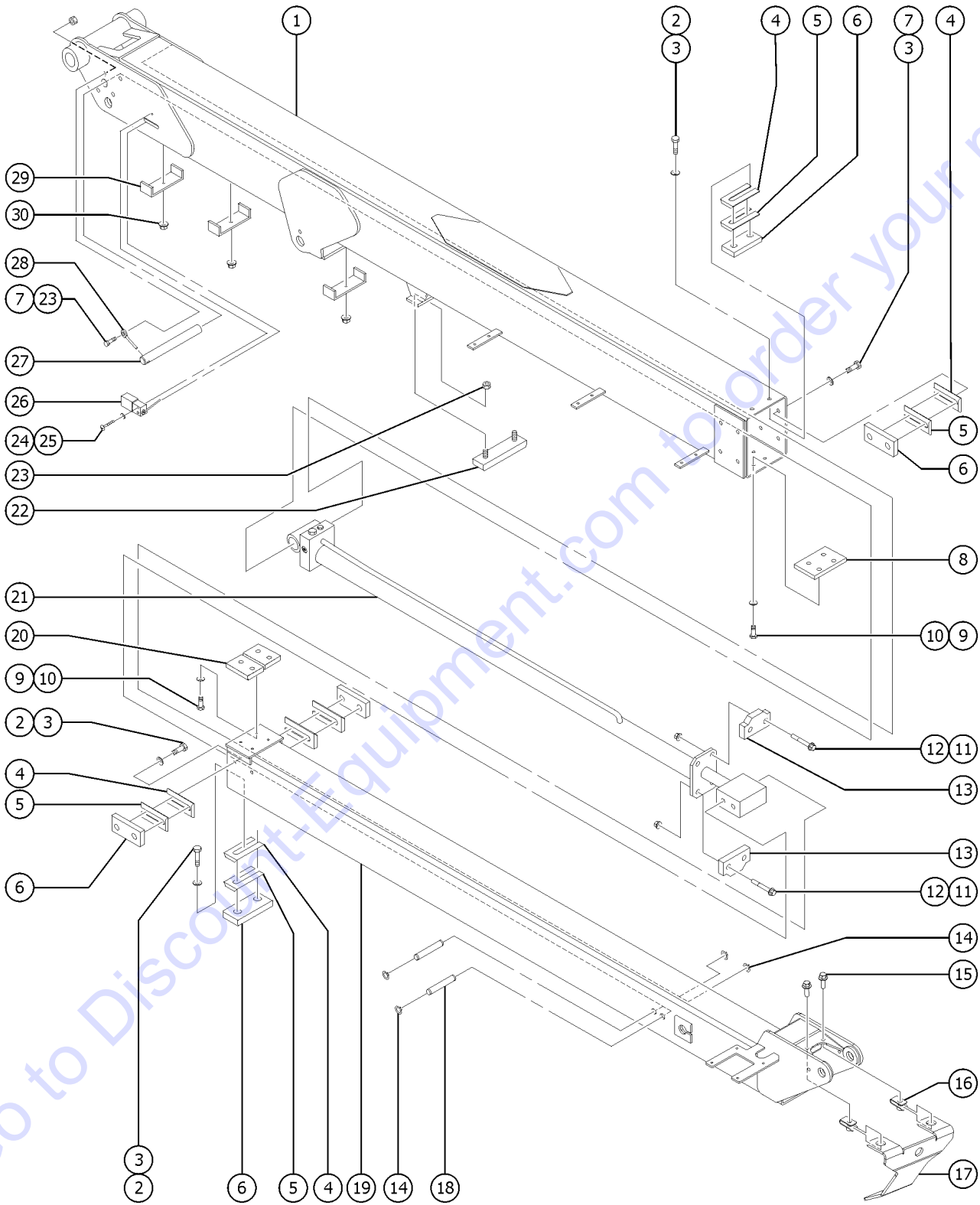
Item	Part No.	Description	Qty.
1	824091GT	SCREW,HHF,3/8-16X1.25,8,ZAG.....	5
2	825019GT	ROD END,.375X3.69,ZAG.....	13
3	36194GT	PIN,1.50DIAX15.13LG,1HOLE.....	3
4	34245GT	BEARING,1.25IDX1.50X1.25L.....	8
5	45071GT	BEARING,1.5IDX1.75ODX1.5L.....	4
6	36245GT	BEARING,FL,1.00IDX1.25ODX0.84L....	4
7	36202GT	PIN,1.00DIAX7.25LG,1HOLE.....	2
8	824151GT	WASHER,SHIM,1.270X2.130X.062,Z...	12
9	36390GT	PIN,1.25DIAX3.63LG,THREADED.....	8
10	824067GT	SCREW,HHC,3/8-16X1,8,ZAG.....	8
11	824110GT	WASHER,LOCK,3/8,ZAG.....	8
12	825358GT	WASHER,FLAT,5/16,USS,ZAG.....	4
13	36389GT	PIN,1.50DIAX16.13LG,1HOLE.....	1
14	36205GT	PIN,1.25DIAX3.00LG,THREADED.....	2
15	36246GT	BEARING,FL,1.25IDX1.50ODX1.09L....	2
16	18396GT	BEARING,1.5IDX1.75ODX1.0L.....	2
17	824094GT	SCREW,HHF,3/8-16X2.75,8,ZAG.....	2
18	824029GT	NUT,TL FLG,3/8-16,G,ZAG.....	2
19	36200GT	PIN,1.25DIAX9.38LG,1HOLE.....	1

503.1 Upper Pivot



Item	Part No.	Description	Qty.
1	824092GT	SCREW,HHF,3/8-16X1.5,8,ZAG.....	4
2	825019GT	ROD END,.375X3.69,ZAG.....	5
3	36194GT	PIN,1.50DIA X 15.13LG,1HOLE.....	2
4	40447GT	UPPER MIDPIVOT ASSY,Z34 & Z34N....	1
--	34245GT	BEARING,1.25IDX1.50X1.25L	
5	824029GT	NUT,TL FLG,3/8-16,G,ZAG.....	2
6	74091GT	PIN,1.25DIA X 9.13LG,1HOLE.....	2
7	45071GT	BEARING,1.5IDX1.75ODX1.5L.....	2
8	824219GT	SCREW, PHPM SEMS ET, 8-32 X 1.25, ZAG.....	2
9	88356 127J5GT	SWITCH,LIMIT,W/6.25"SPRING ARM....	1
--	106433GT	LS SPRING WAND (ZCY91)	
--	19491GT	CONTACTOR,LIMIT SWITCH	
10	74091GT	PIN,1.25DIA X 9.13LG,1HOLE.....	2
11	47377GT	BEARING,1.25 ID X 1.5 OD X .75.....	4
12	94215GT	CYLINDER,PRIMARY LIFT..... <i>includes item 11</i>	1
--	43937GT	VALVE,CB.CBBC-LHN@3200***.....	2
--	94258GT	SEAL KIT, 94215, 94430.....	1
13	88280GT	BEARING,1.5IDX1.75ODX0.75L.....	2
14	94216GT	CYLINDER,MASTER..... <i>includes items 11 and 13</i>	1
--	94259GT	SEAL KIT, 94216	
15	1264315GT	BOLT,HEX TAP,3/8-16X2.25,8,ZAG.....	1
16	1288080GT	CLAMP,RUBBER CUSHIONED-2 5/32....	1
17	1255758GT	WASHER,FLAT,3/8,USS,ZAG.....	2
18	824092GT	SCREW,HHF,3/8-16X1.5,8,ZAG.....	1
19	42939GT	WIRE LOOM,1.88 DIA.....	1

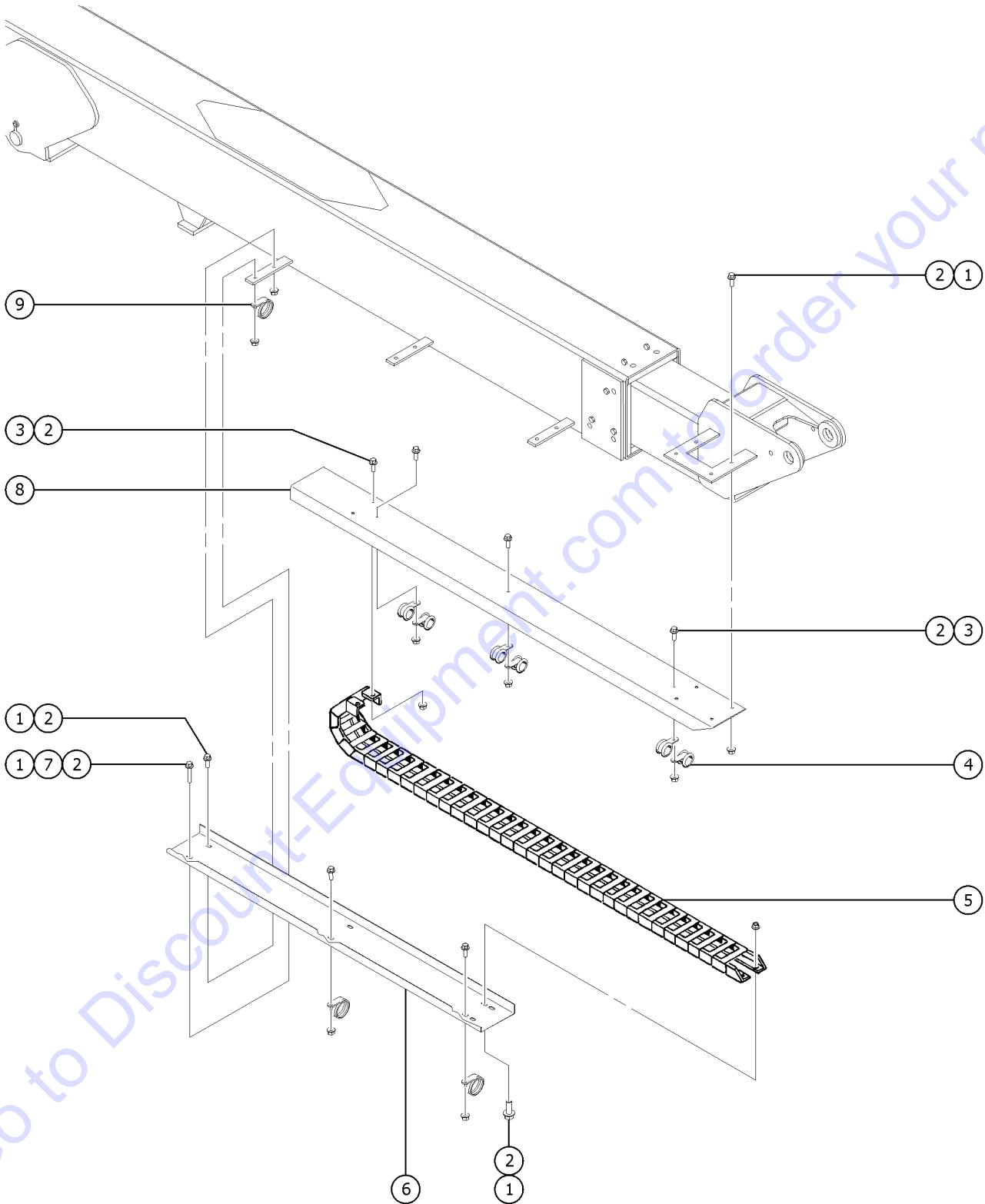
504.1 Primary and Extension Booms



504.1 Primary and Extension Booms

Item	Part No.	Description	Qty.
1	77728GT	PRIMARY BOOM TUBE ASSY Z34IC**	1
--	45071GT	BEARING,1.5IDX1.75ODX1.5L.....	2
2	824067GT	SCREW,HHC,3/8-16X1,8,ZAG	
3	824110GT	WASHER,LOCK,3/8,ZAG.....	12
4	29080GT	SHIM,WEAR PAD,5X 1.5 16GA	
5	42502GT	SHIM,SIDE PAD 22GA (quantity as needed)	
6	1262353GT	WEAR PAD,5 X 1.5 X .75 W/NUTS.....	7
7	824068GT	SCREW,HHC,3/8-16X1.25,8,ZAG.....	5
8	1262354GT	WEAR PAD,4 X 4 X .75 W/NUTS.....	1
9	824060GT	SCREW,HHC,1/4-20X1,8,ZAG.....	9
10	824109GT	WASHER,LOCK,1/4,ZAG.....	8
11	824082GT	SCREW,HHF,1/4-20X1.75,8,ZAG	
12	824029GT	NUT,TL FLG,3/8-16,G,ZAG.....	5
13	74066GT	WEAR PAD,EXT CYL***.....	2
14	824163GT	SNAP RING,EXTERNAL,3/4,ZAG.....	4
15	824079GT	SCREW,HHF,1/4-20X1,8,ZAG.....	2
16	56912GT	SPRING CLIP,1/4-20,.025-.15X.54,ZAG	
17	147079GT	BRACKET, HOSE ROUTING.....	1
--	56361GT	CABLE TIE,BUTTON,BLACK,14.75LG	
18	36192GT	PIN,0.75DIA X 5.51LG,2RING.....	2
19	147638GT	ASSY, EXT BOOM, Z34.....	1
--	35675GT	BEARING,FL,1.25IDX1.5ODX1.25L.....	2
20	1262355GT	WEAR PAD,4 X 2 X .45 W/NUTS.....	2
21	94212GT	CYLINDER,EXTENSION.....	1
--	36648GT	VALVE,COUNTERBALANCE 2500 PSI*	
--	74508GT	VALVE,CHECK,COBA-X*N 200PSI PO	
--	74509GT	VALVE,CHECK,CXAD-XCN,30PSI	
--	94255GT	SEAL KIT,94212	
22	56849GT	PAD,REST,1"THICK,W/STUDS*.....	1
23	824038GT	NUT, TL JAM, 3/8-16, A, ZAG.....	3
24	49821GT	SCREW,PHILLIPS,PHM,8-32 X 1.25	
25	6607GT	WASHER,LOCK,#10 PLTD	
26	88356-127J5GT	SWITCH,LIMIT,W/6.25"SPRING ARM.....	1
--	106433GT	LS SPRING WAND (ZCY91)	
--	19491GT	CONTACTOR,LIMIT SWITCH	
27	101557GT	PIN,1.00DIA X 9.01LG,THREADED.....	1
28	825019GT	ROD END,.375X3.69,ZAG.....	1
29	54530GT	CLAMP,HOSE,ALUMINUM.....	3
30	824029GT	NUT,TL FLG,3/8-16,G,ZAG.....	3

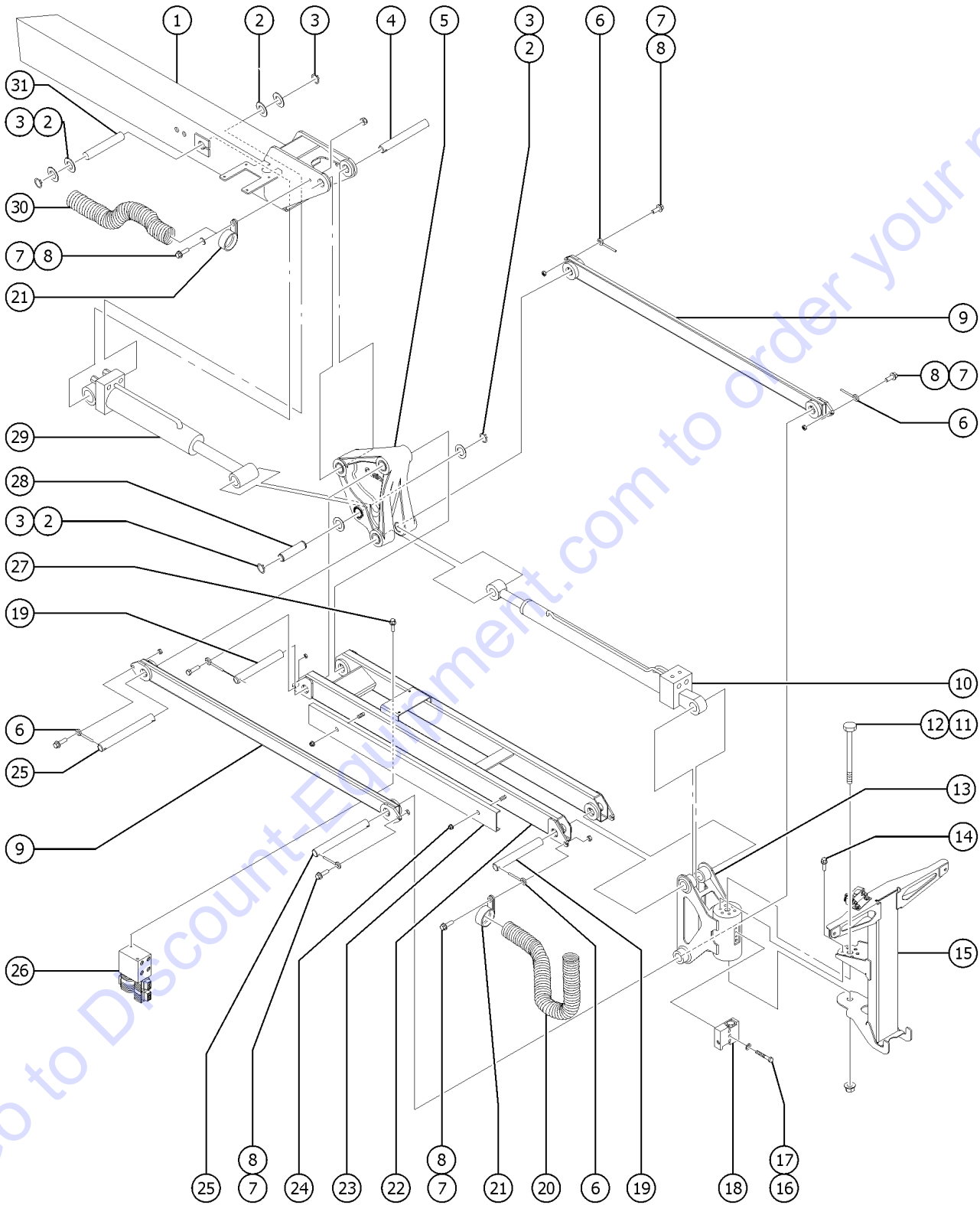
505.1 Cable Track



Item	Part No.	Description	Qty.
1	824078GT	SCREW,HHF,1/4-20X.75,8,ZAG	
2	824027GT	NUT,TL FLG,1/4-20,G,ZAG	
3	824079GT	SCREW,HHF,1/4-20X1,8,ZAG	
4	6833GT	CLAMP,0.50,#8 X 1/4,RUB CUSH.....6	
5	139537GT	CABLE TRACK,NYLATRAC,26 LINK.....1	
--	139540GT	REPAIR LINK,NYLATRAC,7 LINKS	
--	139541GT	BRACKET SET,NYLATRAC,KS400	
--	139542GT	LINK,NYLATRAC,KS400	
6	56983PGT	CHANNEL,LWR TRAY PLASTIC TK **	
7	824113GT	WASHER,FLAT,USS,1/4,ZAG	
8	74119PGT	CHANNEL, CABLE TRACK, UPPER	
9	1288080GT	CLAMP,RUBBER CUSHIONED-2 5/32....3	

Go to Discount-Equipment.com to order your parts

506.1 Jib Boom and Platform Rotator

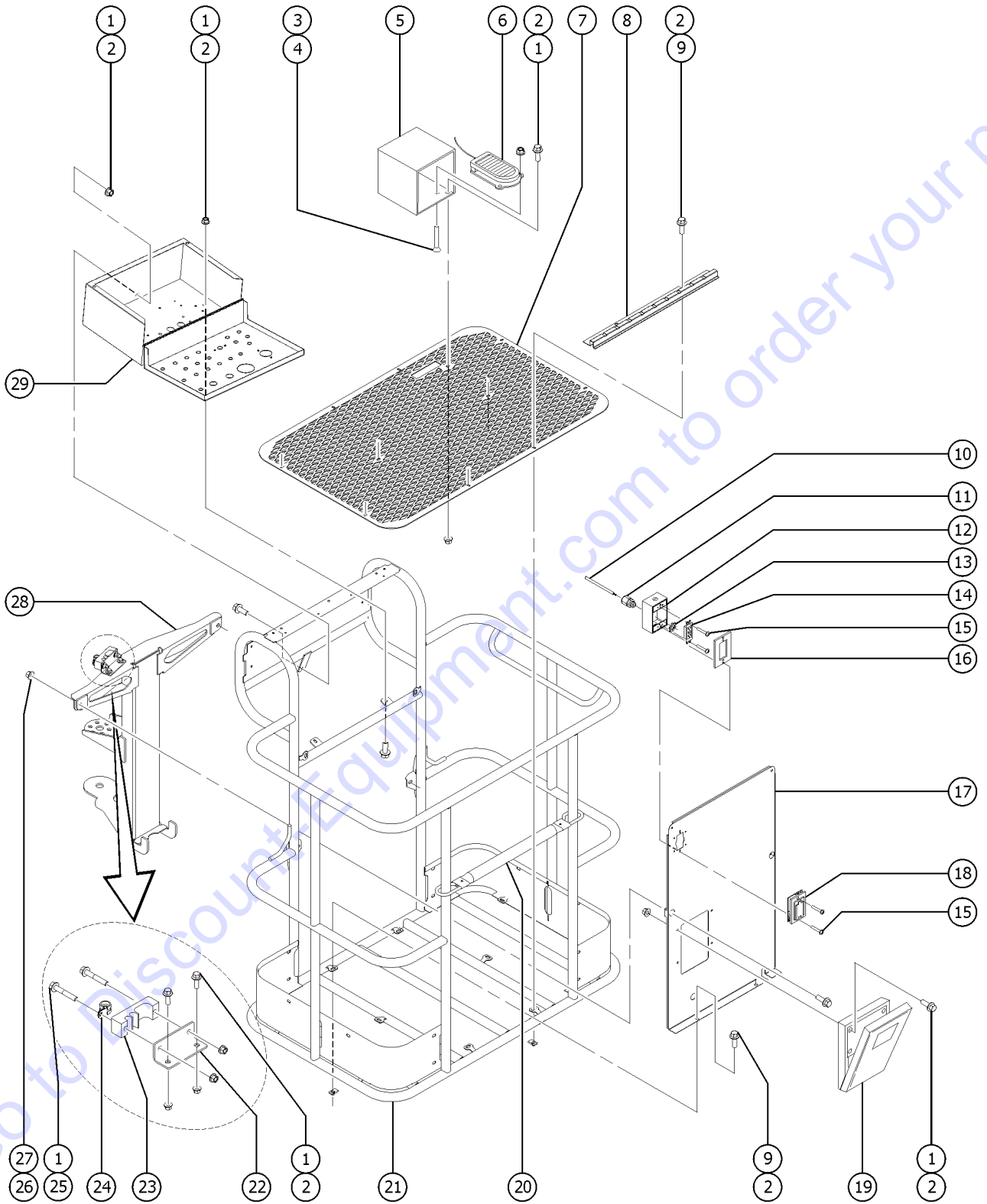


Go to Discount-Equipment.com to order your parts

506.1 Jib Boom and Platform Rotator

Item	Part No.	Description	Qty.	Item	Part No.	Description	Qty.
1		Ref. EXTENSION BOOM <i>refer to 504.1</i>		--	74735GT	VALVE,COUNTERBALANCE.....	2
2	824151GT	WASHER,SHIM,1.270X2.130X.062,Z.....	6	--	94260GT	SEAL KIT, 94217	
3	824164GT	SNAP RING,EXTERNAL,1.25,ZAG.....	3	30	42939-5400GT	WIRE LOOM,1.88 DIA.....	54-inches
4	128550GT	PIN,1.25DIA X 7.64LG,2RING.....	1	31	50546GT	PIN,1.25DIA X 6.36LG,2RING	
5	74587GT	BELLCRANK ASSEMBLY, Z30N,Z34**...	1				
--	74865GT	BEARING,FL,1.25IDX1.50ODX1.25L.....	6				
--	74866GT	BEARING,1.25IDX1.50ODX1.25L.....	2				
6	825019GT	ROD END,.375X3.69,ZAG.....	8				
7	824092GT	SCREW,HHF,3/8-16X1.5,8,ZAG					
8	824025GT	NUT,TL,3/8-16,C,ZAG					
9	36054-SGT	COMPRESSION MEMBER (BORED)**.....	2				
10	94218GT	CYLINDER,JIB.....	1				
--	31106GT	VALVE,CNTERBAL,CBBB-LHN@3000** <i>for 94218</i>					
--	47377GT	BEARING,1.25 ID X 1.5 OD X .75					
--	94261GT	SEAL KIT,94218					
11	824073GT	SCREW,HHC,3/4-10X9,8,ZAG.....	1				
12	824038GT	NUT, TL JAM, 3/8-16, A, ZAG.....	1				
13	233717GT	ROTATOR,PLAT,Z30/34/Z40.....	1				
--	233745GT	SEAL AND BRG KIT,4.5K ROTATOR					
--	30222GT	BEARING,FL,1.25IDX1.41ODX1.50L					
14	824089GT	SCREW,HHF,3/8-16X.75,8,ZAG					
15	56500-SGT	WELDMENT,PLATFORM SUPPORT***					
16	824062GT	SCREW,HHC,1/4-20X1.5,8,ZAG					
17	824109GT	WASHER,LOCK,1/4,ZAG					
18		Ref. Platform Rotator Manifold <i>refer to 704.1</i>					
19	36199GT	PIN,1.25DIA.X10.38LG,1HOLE.....	2				
20	42939-12000GT	WIRE LOOM,1.88 DIA.....	120-inches				
21	1288080GT	CLAMP,RUBBER CUSHIONED-2 5/32....	1				
22	56976-SGT	JIB BOOM MACH***					
23	36561-SGT	HOSE COVER,JIB BOOM**					
24	824029GT	NUT,TL FLG,3/8-16,G,ZAG					
25	42797GT	PIN,1.25DIA X 12.50LG,2HOLE.....	2				
26		Ref. Jib Boom Manifold <i>refer to 704.1</i>					
27	824077GT	SCREW, HHF, 1/4-20 X .5, 8, ZAG					
28	139655GT	PIN,SLAVE CYLINDER.....	1				
29	94217GT	CYLINDER,SLAVE,DONGYANG.....	1				
--	35088GT	BEARING,FL,1.25IDX1.41ODX.89L.....	2				
		<i>rod end</i>					
--	47377GT	BEARING,1.25 ID X 1.5 OD X .75.....	2				
		<i>barrel end</i>					

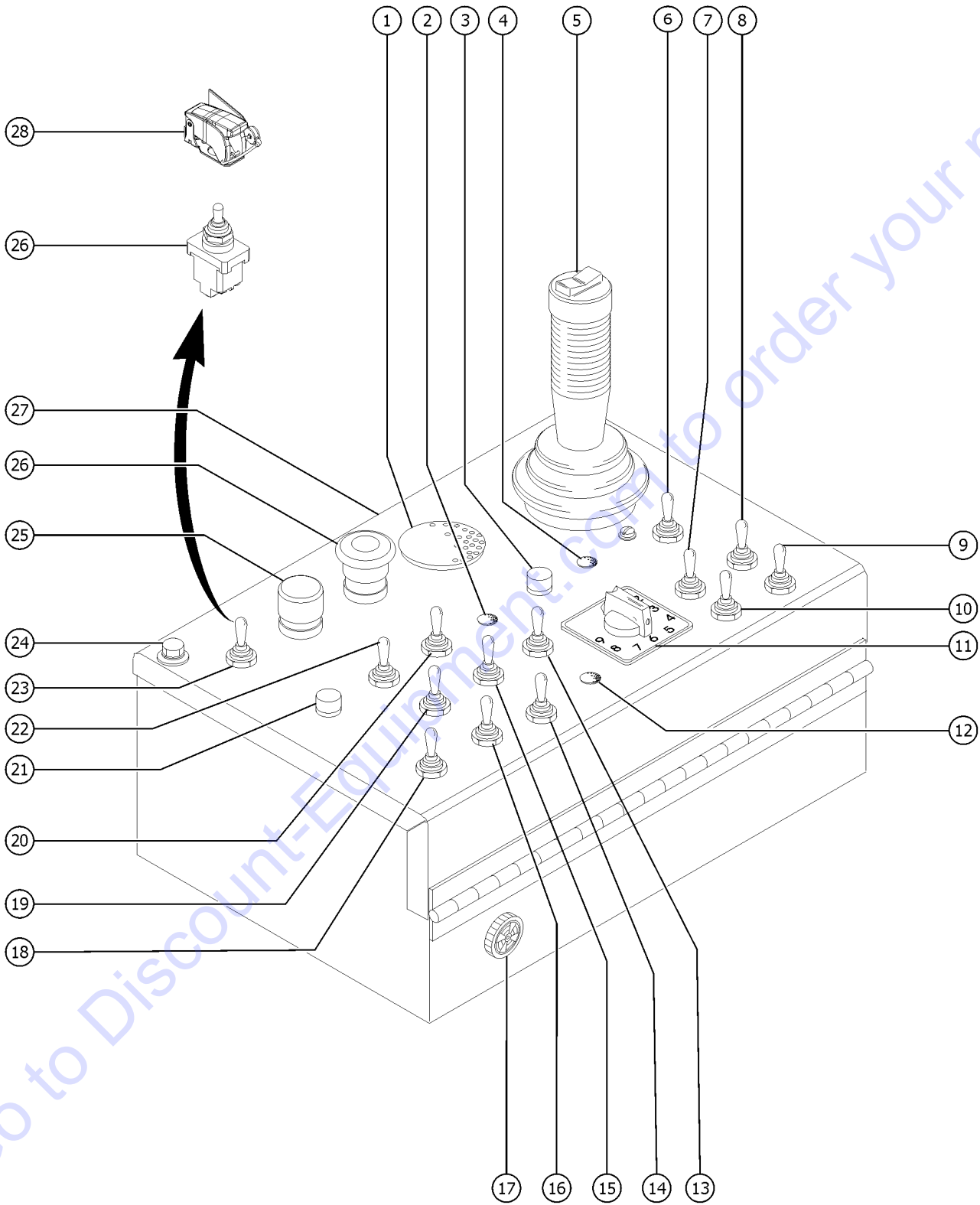
601.1 Platform



601.1 Platform

Item	Part No.	Description	Qty.	Item	Part No.	Description	Qty.
--	107926GT	PLAT ASSY 4'W/WORD DECAL,USA ANSI/CSA models; 4-ft complete platform assembly		14	13585GT	OUTLET, 110V.....1 includes mounting fasteners; North America	1
--	107927GT	PLAT ASSY 4'W/WORD DECAL,AUS AUS models; 4-ft complete platform assembly		--	33629GT	PLATE,UK POWER TO PLATFORM	
--	107928GT	PLAT ASSY 4'W/SYMB DECAL,EURO CE models; 4-ft complete platform assembly		--	T112563GT	SVC KIT,UK RECEPT.REPLACEMENT British	
--	107929GT	PLAT ASSY 4'SYM DECAL,ASIA/SA ASIA/S. America models; 4-ft complete platform assembly		15	824214GT	SCREW,PHPM,6-32X.5,ZAG	
--	62518GT	PLAT.ASSY.W/DECAL 5'Z34,ANSI* ANSI/CSA models; 5-ft complete platform assembly		16	74052GT	GASKET,COVER,GFCI,WEATHERPROOF.1	1
--	107930GT	PLAT ASSY 5'W/WORD DECAL,AUS AUS models; 5-ft complete platform assembly		17	1274873GT	FORMING,DECAL PLATE.....1	1
--	107931GT	PLAT ASSY 5'W/SYMB DECAL,EURO CE models; 5-ft platform assembly		18	45437GT	COVER,GFCI,WEATHERPROOF.....1 includes mounting fasteners; North America	1
--	107932GT	PLAT ASSY 5'SYM DECAL,ASIA/SA Asia/S. America models; 5-ft platform assembly		--	10777GT	COVER,BLANK	
1	824027GT	NUT,TL FLG,1/4-20,G,ZAG		19A	44743GT	MANUAL BOX W/DECALS***1 USA/Canada/Australia	1
2	824078GT	SCREW,HHF,1/4-20X.75,8,ZAG		19B	24514GT	BOX,INSTRUCTION STORAGE Europe/Asia/South America (decals required; refer to Section 100)	
3	824225GT	SCREW,FHPM,10-32X.75,ZAG		20	102992GT	SLIDING MIDRAIL KIT,PTD.....1	1
4	824032GT	NUT,TL FLG,10-32,F,ZAG		--	12443GT	MIDRAIL GUIDE (HOOK)	
5A	32710GT	GUARD,FOOTSWITCH,W/DECAL STEEL.....1 ANSI/CSA models	1	--	20973GT	WIRE LOOM,3/8 POLY SLIT	
5B	30807P-SGT	FOOTSWITCH HOUSING,PAINTED.....1 CE models	1	--	21121GT	CABLE TIE,4" BLK,HEAT RESISTNT	
6	227620GT	ASSEMBLY,FOOT SWITCH.....1	1	21A	101981GT	PLAT RAIL ASSY 4'ANSI/CSA.....1 ANSI/CSA models	1
--	119058GT	CONN PLUG 4 WAY ENDCAP DT.....1	1	21B	101983GT	PLAT RAIL ASSY 4' AUS.....1 AUS models	1
--	227564GT	FOOT SWITCH,20A IP65.....1	1	21C	101982GT	PLAT RAIL ASSY, 4' CE.....1 CE models	1
--	33576GT	CONN,SQZ,BLK,1/2NPT,.38-.50,SM.....1 gray	1	21D	101984GT	PLAT RAIL ASSY 4' ASIA/S.AMER.....1 Asia/S. America models	1
--	43960GT	WIRE CABLE,16/4 CON.TPE JKT.....60-inches		21E	74360GT	PLAT.W/DECAL,5FT,Z34N&DC,ANSI*....1 ANSI/CSA models	1
--	73739GT	BOOT,PLUG 4 WAY1	1	21F	106549GT	5' PLAT RAILING ASSY,AUST.....1 AUS models	1
7A	56465PGT	FLOORING,PLATFORM 46X30,PAINT...1	1	21G	106550GT	5' PLAT RAILING ASSY,CE.....1 CE models	1
7B	56576PGT	FLOORING,PLATFORM,56X30,PNTD....1	1	21H	106551GT	5' PLAT RAILING ASSY, ASIA.....1 Asia/S. America models	1
8	56656PGT	PLATFORM STEP * PAINTED.....1	1	22	128667GT	BRACKET, CABLE STRAIN RELIEF.....1	1
9	56912GT	SPRING CLIP,1/4-20,.025-.15X.54,ZAG		23	128668GT	CLAMP,CABLE STRAIN RELIEF.....1	1
10	43956GT	WIRE CABLE,14/3 CON.TPE JKT*.....600-inches		24	128669GT	BACKING PLATE, PLATFORM CLAMP.....1	1
11	7056GT	CONN,SQUEEZE,1/2NPT .38-.50,SM....1	1	25	824081GT	SCREW,HHF,1/4-20X1.5,8,ZAG	
12	10775GT	T-BOX,2.75 X 4.5 X 2.0.....1	1	26	824028GT	NUT,TL FLG,5/16-18,G,ZAG	
13	6935GT	LOCKNUT,ELEC,1/2".....1	1	27	824087GT	SCREW,HHF,5/16-18X1.25,8,ZAG	
				28	56500-SGT	WELDMNT,PLATFORM SUPPORT***.....1 for models with Platform Overload option, refer to 812.1	1
				29		Ref. Platform Control Box with Lid and Decal refer to 603.1	

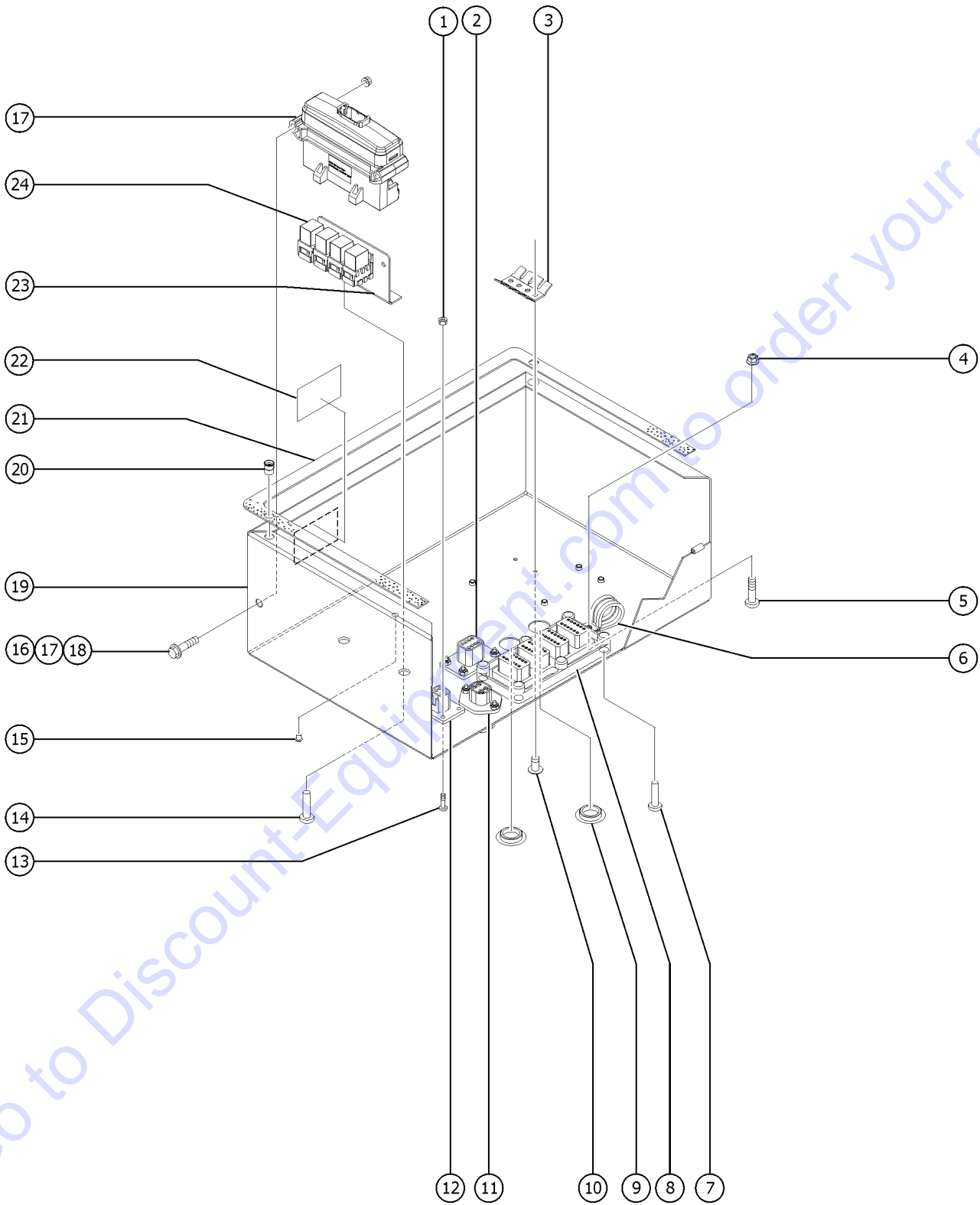
602.1 Platform Control Box, External View



602.1 Platform Control Box, External View

Item	Part No.	Description	Qty.	Item	Part No.	Description	Qty.
1A	81900GT	PLUG,NYLON 2.093 BLACK DOMED		18	128580-SGT	SWITCH TOGGLE SPDT 3P MOM SHDR.....1	1
1B	110651GT	LVI/BCI 36/48 VOLT ENGAGE II option, battery charge or low voltage indicator				<i>drive enable switch</i>	
--	110652GT	GASKET LVI/BCI ENGAGE II		19	128582-SGT	SWITCH TOGGLE DPDT 3P MOM SHDR.....1	1
--	110653GT	BRACKET ENGAGE II				<i>platform rotate</i>	
1C	237145GT	IND,BAT CHARGE,48V LEAD-ACID option, battery charger indicator		20	128582-SGT	SWITCH TOGGLE DPDT 3P MOM SHDR.....1	1
2	229567GT	PLUG,SANTOPRENE .5 BLACK DOME				<i>primary boom extend/retract</i>	
3	824879GT	LIGHT,LED IND. RED 12V NH option, machine not level indicator		21	824879GT	LIGHT,LED IND. RED 12V NH.....1	1
4	824879GT	LIGHT,LED IND. RED 12V NH option, platform overload indicator				<i>drive enable indicator</i>	
5		Ref. JOYSTICK.....1 refer to 604.1	1	22	128582-SGT	SWITCH TOGGLE DPDT 3P MOM SHDR.....1	1
6	128584-SGT	SWITCH TOGGLE SPDT 2P MNT SHDR.....1	1			<i>platform level</i>	
		<i>drive speed select</i>		23	128581-SGT	SWITCH TOGGLE DPDT 2P MOM SHDR.....1	1
7	128580-SGT	SWITCH TOGGLE SPDT 3P MOM SHDR.....1	1			<i>auxiliary power</i>	
		<i>engine start switch</i>		24	824077GT	SCREW, HHF, 1/4-20 X .5, 8, ZAG.....2	2
8	128580-SGT	SWITCH TOGGLE SPDT 3P MOM SHDR.....1	1	25	122513GT	KIT,HORN SVC BB&SM BOOM.....1	1
		<i>choke switch</i>		--	66813GT	BUTTON,PUSH,BLACK W/SEAL***.....1	1
9	128586-SGT	SWITCH TOGGLE DPDT 3P MNT SHDR engine idle select		--	66815GT	BASE, W/1 N.O. CONTACTS***.....1	1
10	128584-SGT	SWITCH TOGGLE SPDT 2P MNT SHDR.....1	1	26	122514GT	KIT,ESTOP SVC BB&SM BOOM.....1	1
		<i>gas/LPG selector</i>		--	66812GT	BUTTON,PUSH,RED MUSHROOM HEAD.....1	1
11		Ref. CONTROLLER,ROTARY 24V W/RAMP.....1 refer to 605.1	1	--	66818GT	CONTACT, N.C.....1	1
12	229567GT	PLUG,SANTOPRENE .5 BLACK DOME option, function override, aircraft protection		--	66821GT	BASE,WITHOUT CONTACTS.....1	1
13A	128582-SGT	SWITCH TOGGLE DPDT 3P MOM SHDR.....1	1	27		Ref. CONTROL BOX PLATFORM,PAINTED.....1 refer to 603.1	1
		<i>jib boom up/down</i>		28	1261347GT	TOGGLE SWITCH W/GUARD ASSY.....1	1
13B	45105GT	GUARD,TOGGLE SWITCH not shown		--	1261346GT	TOGGLE SWITCH GUARD,RED.....1	1
14	128582-SGT	SWITCH TOGGLE DPDT 3P MOM SHDR.....1	1	--	1261566GT	SECURITY TIE,TOGGLE GUARD.....1	1
		<i>secondary boom up/down</i>					
15	128582-SGT	SWITCH TOGGLE DPDT 3P MOM SHDR.....1	1				
		<i>primary boom up/down</i>					
16	128582-SGT	SWITCH TOGGLE DPDT 3P MOM SHDR.....1	1				
		<i>turntable rotate</i>					
17A	45383GT	ALARM,WARBLE TONE 5-30 VDC***.....1 plastic nut not included	1				
17B	72326GT	NUT - PLASTIC,RING FOR ALARMS.....1	1				

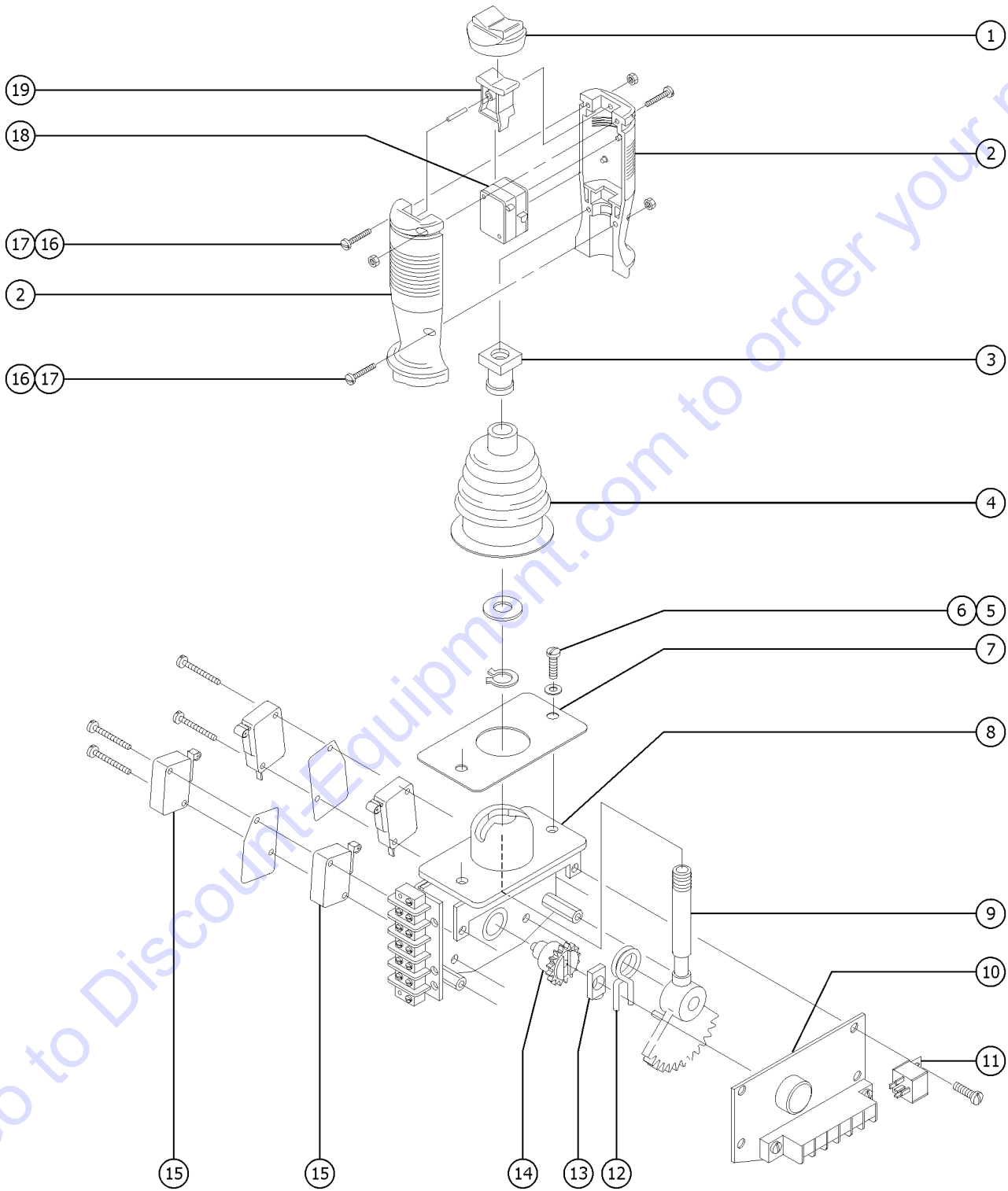
603.1 Platform Control Box, Internal View



603.1 Platform Control Box, Internal View

Item	Part No.	Description	Qty.
--	121847GT	RELAY,TIME DELAY,2 SEC,30A	
--	42781GT	PLUG, NYLON .250 BLACK DOMED.....2	
1	824019GT	NUT,TL,6-32,A,ZAG	
2	87755GT	CONN,RECEP 8 WAY 14-18GA,FL.....1	
3	56663GT	TERMINAL STRIP.....1	
4	824032GT	NUT,TL FLG,10-32,F,ZAG.....1	
5	824215GT	SCREW,PHPM,10-32X.75,ZAG.....1	
6	13268GT	CLAMP,0.75,#12 X 1/4,RUB CUSH.....1	
7	824226GT	SCREW,PHPSH,#12-11X.75,ZAG	
8	73736GT	CONN,RECEP 48 WAY,4 X 12.....1	
--	54255GT	LOCK,RECEP 12 WAY, 14-18GA	
--	73713GT	TERM,NI PIN,S&F,16-18GA,REEL	
9	15243GT	PLUG, NYLON .875 BLACK DOMED.....2	
10	824206GT	RIVET,STL,STL,DOME,1/8X.25,ZAG....4	
11	73717GT	CONN,RECEP 4 WAY,12-14GA FL***.....1	
--	60526GT	LOCK,RECEP 4 WAY,12-14GA	
--	73711GT	TERM,DEUTSCH, PIN #12-14	
12	73723GT	CONN RECEP,FLANGED.....1	
--	54259GT	TERM,NI PIN, 14-16GA,BULK	
--	60443GT	LOCK,RECEP 4 WAY,14-18GA	
13	824214GT	SCREW,PHPM,6-32X.5,ZAG	
14	824079GT	SCREW,HHF,1/4-20X1,8,ZAG <i>CE models</i>	
15	42781GT	PLUG, NYLON .250 BLACK DOMED.....4	
16	824083GT	SCREW,HHF,1/4-20X2.5,8,ZAG.....2	
17		Ref. MODULE, PLUS+1, OPA2 <i>refer to 813.2 Lift Guard Contact Alarm</i>	
18	1277924GT	NUT,NYLOCK FLG,1/4-20,F,ZAG.....2	
19	110649GT	PLATFORM CONTROL BOX W/DECAL.....1 <i>Includes items 16, 17 and 18</i>	
20	23404GT	NUTSERT,1/4-20,STEEL CAD PLTD	
21	36235GT	GASKET,PLAT.CONTROL BOX.....1	
22	30997GT	CORROSION INHIBITOR,FOAM.....1	
23	T106699GT	BRACKET,RELAY MOUNT W/INSERTS.....1 <i>CE models; includes nutserts</i>	
24	19274GT	RELAY,SPDT,12V(AUTO)**.....4 <i>CE models</i>	

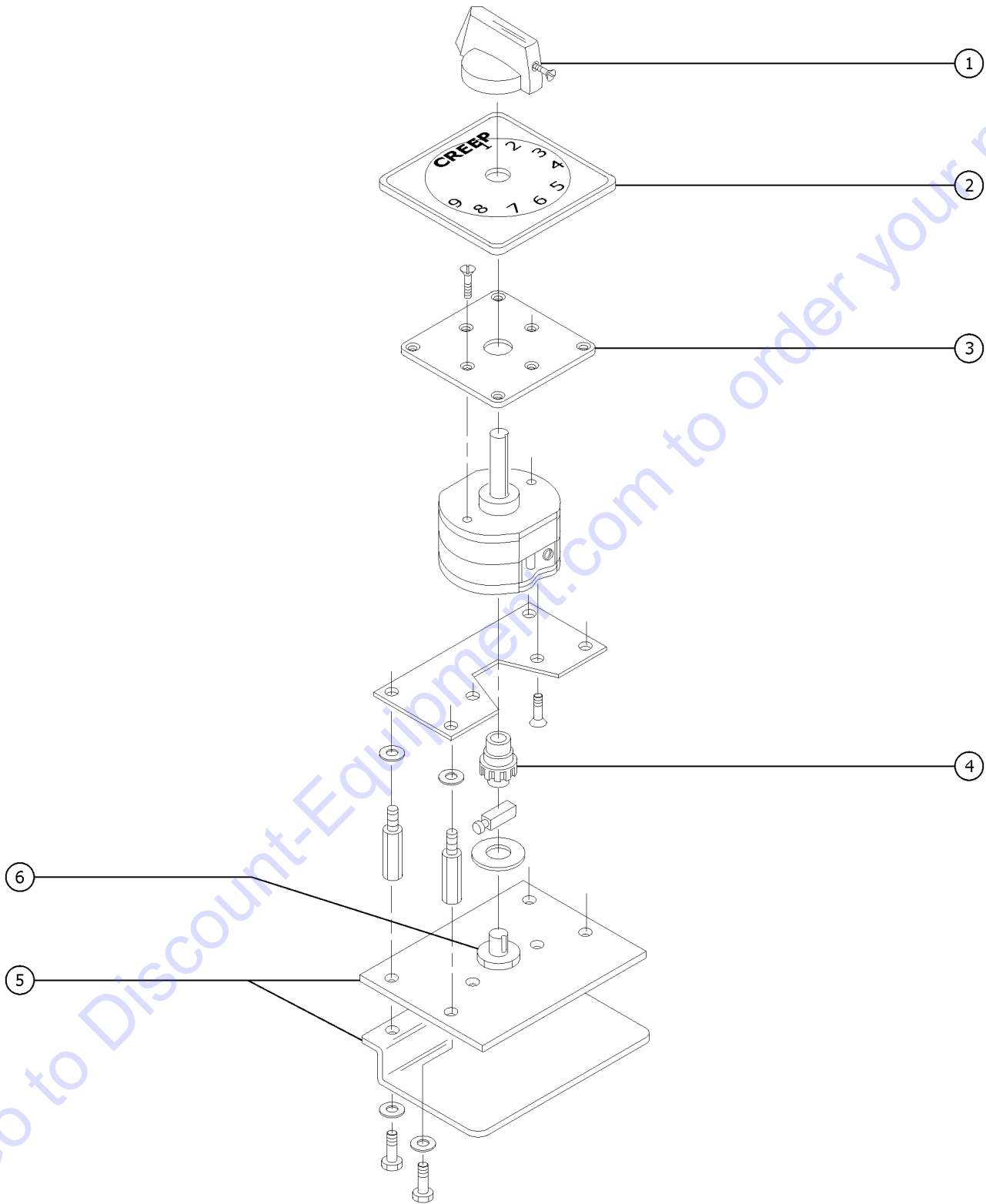
604.1 Joystick Controller, Drive/Steer Functions



604.1 Joystick Controller, Drive/Steer Functions

Item	Part No.	Description	Qty.
--	216135GT	JOYSTICK,DRIVE,NFPE PUMP,W/RLY	
1	43038GT	BOOT-THUMB ROCKER** BLACK.....1	1
2	52887GT	HANDLE HALF (56274).....2	2
3	226382GT	NUT.....1	1
4	21427GT	BOOT,CONTROLLER**.....1	1
5	226383GT	SCREW.....2	2
6	74362GT	WASHER,NYLON, JOYSTICK.....2	2
7	43042GT	GASKET,JOYSTK.SHAFT36867/42032..1	1
8	19720GT	CASTING,45049, 40612.....1	1
--	52524GT	TERMINAL STRIP,10 POLE,JOYSTK	
9	46227GT	SHAFT ASSY, JOYSTICK***1 <i>includes gear</i>	1
10	65527GT	P.C. BOARD-JOYSTICK (56579).....1	1
11	19274GT	RELAY,SPDT,12V(AUTO)**.....1	1
12	226384GT	SPRING.....1	1
13	65529GT	COUPLING-POT,JOYSTICK (56579)....1	1
14	19731GT	GEAR, SLAVE, MS4,45048.....1	1
15	19712GT	MICROSWITCH,V3L-139-D8.....4	4
16	52776GT	SCREW,HEX,M4X0.7X10MM (20424)*	
17		NUT <i>included with kit</i>	
--	226385GT	KIT, SCREW.....1 <i>includes 4 screws and 4 nuts</i>	1
18	226386GT	MICROSWITCH.....1	1
19	58986GT	ROCKER ASSY (42032)***1	1

605.1 Rotation Controller, Boom Function Speed

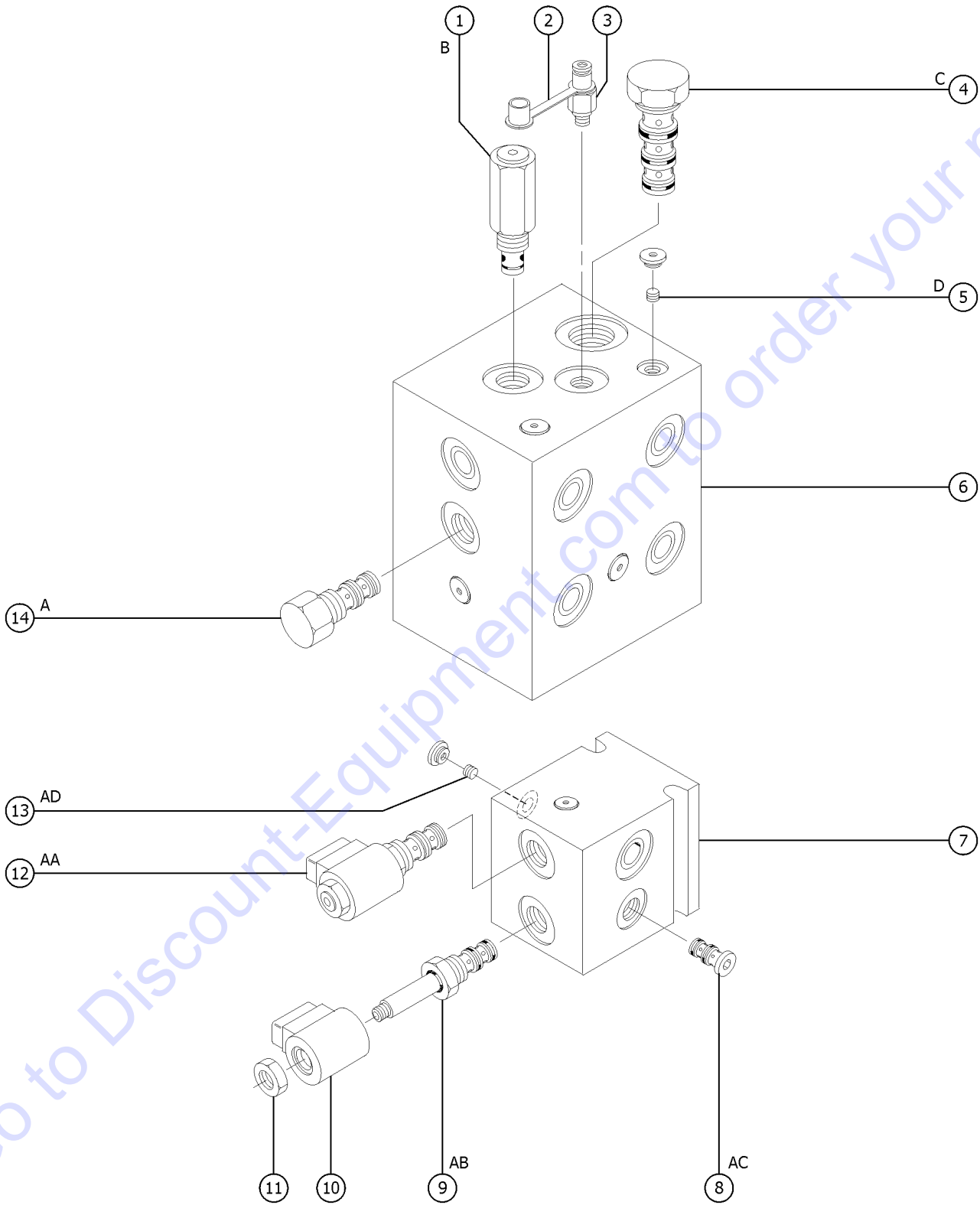


605.1 Rotation Controller, Boom Function Speed

Item	Part No.	Description	Qty.
--	29643GT	ROTATION, CNTRLR, DUAL RNG.....	1
1	35679GT	KNOB, 45048 CONTROLLER.....	1
2	35680GT	LEGEND,PLSTC,"CREEP TO 9"***	1
3	35678GT	MOUNTING PLATE, 45048.....	1
4	19731GT	GEAR, SLAVE, MS4,45048.....	1
5	29943GT	PCB,ASSY,29643 CONTROLLER %%....	1
6	19729GT	POTENTIOMETER,56886.....	1

Go to Discount-Equipment.com to order your parts

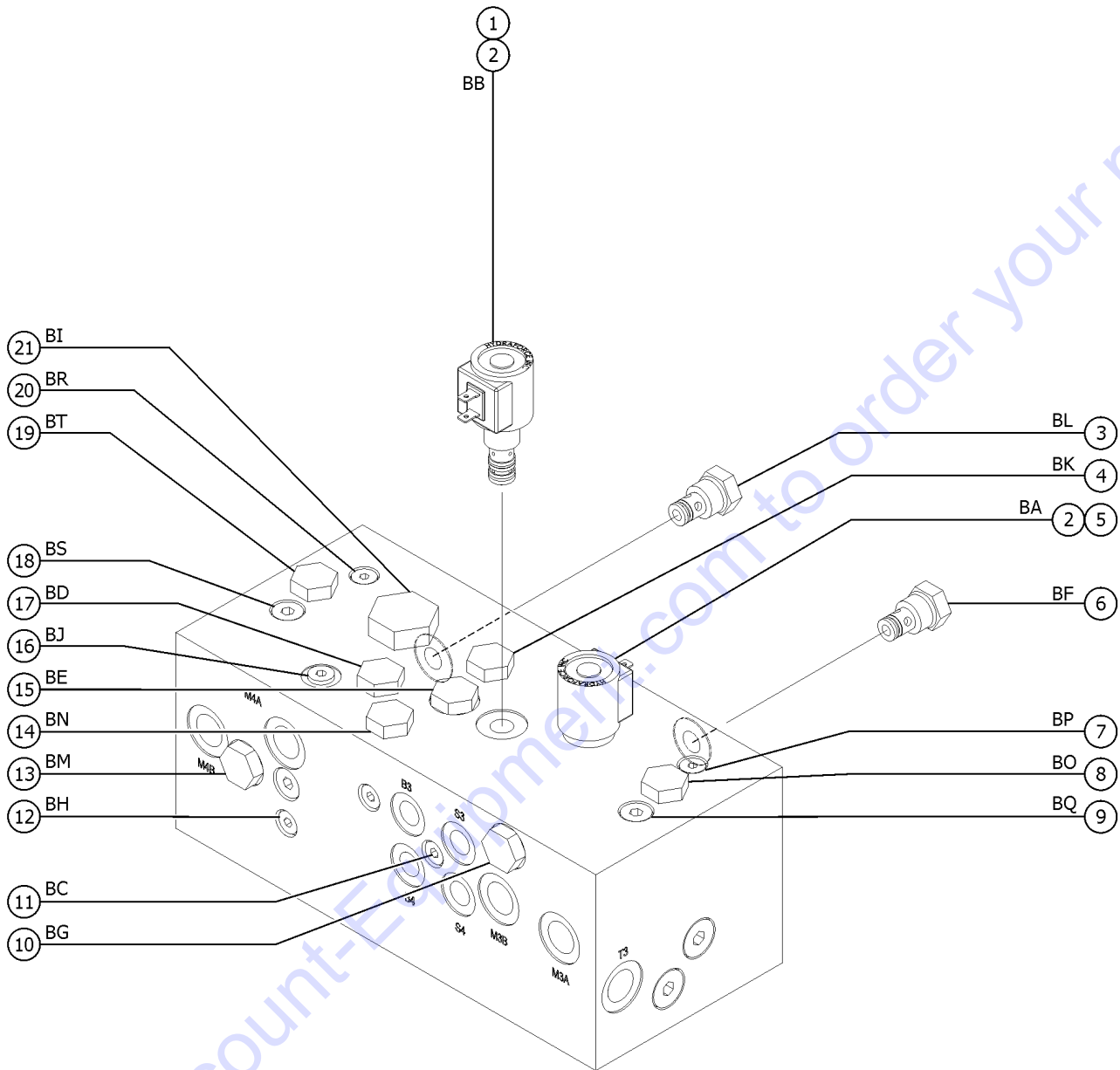
701.1 Traction and Brake/2-speed Manifolds, 2WD



701.1 Traction and Brake/2-speed Manifolds, 2WD

Item	Part No.	Description	Qty.
--	49612GT	O-RING KIT (ORFS FITTINGS)	
--	49613GT	PLUG AND CAP KIT-SERVICE,ORFS*	
--	28750GT	O-RING KIT,FIELD SVC,ALL PROD*	
--	33994GT	PLUG AND CAP KIT-SERVICE,37 **	
1	43597GT	VALVE,RELIEF,210 PSI <i>B, charge pressure circuit</i>	
--	110194GT	SEAL KIT, VALVE, #10	
2	48880GT	CAP,DIAGNOSTIC NIPPLE	
3	48997GT	NIPPLE,DIAGNOSTIC,#4	
--	20224GT	DIAGNOSTIC FEMALE Q-DSCNT	
4	43598GT	VALVE,FLOW DIVIDER/COMBINER <i>C, controls flow to drive motors in forward/reverse</i>	
5	33520GT	PLUG,ORIFICE,0.070 <i>D, drive circuit</i>	
6	56721GT	TRACTION MANIFOLD 2WD <i>includes items 1, 4, 5 and 14</i>	
7	42157GT	MANIFOLD,BRAKE/MOTOR SHIFT <i>includes items 8-13</i>	
8	43599GT	VALVE,CHECK <i>AC, pressure circuit</i>	
--	110200GT	SEAL KIT, VALVE, #4	
9	65766GT	VALVE,SOLENOID,10V W/DIODE*** <i>AB, 2-speed motor shift; includes items 10 and 11</i>	
--	72043GT	SEAL KIT,SOLENOID VALVE	
10	43601GT	COIL,SOLENOID VLV,10V W/ DIODE	
11	45912GT	NUT,SOLENOID VALVE 2P3W	
12	65766GT	VALVE,SOLENOID,10V W/DIODE*** <i>AA, brake circuit; includes items 10 and 11</i>	
--	72043GT	SEAL KIT,SOLENOID VALVE	
13	32669GT	ORIFICE PLUG,.025 (30551) <i>AD, tank return circuit</i>	
14	43596GT	VALVE,SHUTTLE <i>A, charge pressure circuit that gets hot oil out of low pressure side of drive pump and allows low pressure flow path for brake release and 2-speed motor shift</i>	
--	84137GT	SEAL KIT, VALVE 84129	

702.1 Traction and Brake/2-speed Manifolds, 4WD



Go to Discount-Equipment.com to order your parts

PARTS FINDER

**Search Website
by Part Number**



**Search Manual
Library For Parts
Manual & Lookup Part
Numbers – Purchase
or Request Quote**

Search Manuals

Enter your information to help us find the right parts manual for your machine.

* Brand:

* Model:

* Serial:

* Part Number:

SEARCH

**Can't Find Part or
Manual? Request Help
by Manufacturer,
Model & Description**

Parts Order Form

Please fill in the following information to help us find the right part for your machine.

Manufacturer:	<input type="text"/>
Model:	<input type="text"/>
Description:	<input type="text"/>
Part Number:	<input type="text"/>
Quantity:	<input type="text"/>
Notes:	<input type="text"/>

Discount-Equipment.com is your online resource for quality parts & equipment.

Florida: **561-964-4949** Outside Florida TOLL FREE: **877-690-3101**

Need parts?

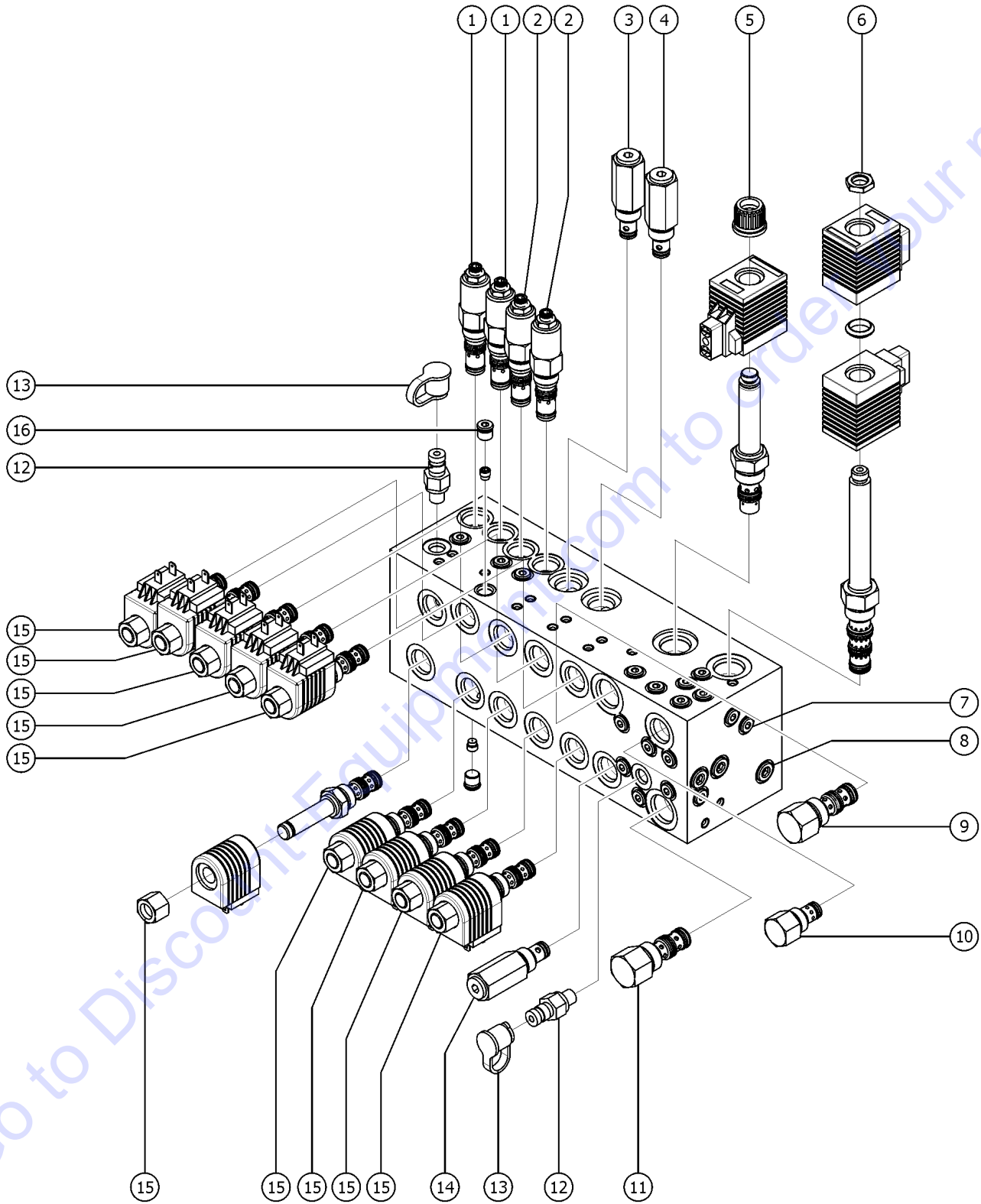
Click on this link: <http://www.discount-equipment.com/category/5443-parts/> and choose one of the options to help get the right parts and equipment you are looking for. Please have the machine model and serial number available in order to help us get you the correct parts. If you don't find the part on the website or on one of the online manuals, please fill out the request form and one of our experienced staff members will get back to you with a quote for the right part that your machine needs.

We sell worldwide for the brands: Genie, Terex, JLG, MultiQuip, Mikasa, Essick, Whiteman, Mayco, Toro Stone, Diamond Products, Generac Magnum, Airman, Haulotte, Barreto, Power Blanket, Nifty Lift, Atlas Copco, Chicago Pneumatic, Allmand, Miller Curber, Skyjack, Lull, Skytrak, Tsurumi, Husquvarna Target, Stow, Wacker, Sakai, Mi-T-M, Sullair, Basic, Dynapac, MBW, Weber, Bartell, Bennar Newman, Haulotte, Ditch Runner, Menegotti, Morrison, Contec, Buddy, Crown, Edco, Wyco, Bomag, Laymor, EZ Trench, Bil-Jax, F.S. Curtis, Gehl Pavers, Heli, Honda, ICS/PowerGrit, IHI, Partner, Imer, Clipper, MMD, Koshin, Rice, CH&E, General Equipment, Amida, Coleman, NAC, Gradall, Square Shooter, Kent, Stanley, Tamco, Toku, Hatz, Kohler, Robin, Wisconsin, Northrock, Oztec, Toker TK, Rol-Air, APT, Wylie, Ingersoll Rand / Doosan, Innovatech, Con X, Ammann, Mecalac, Makinex, Smith Surface Prep, Small Line, Wanco, Yanmar

702.1 Traction and Brake/2-speed Manifolds, 4WD

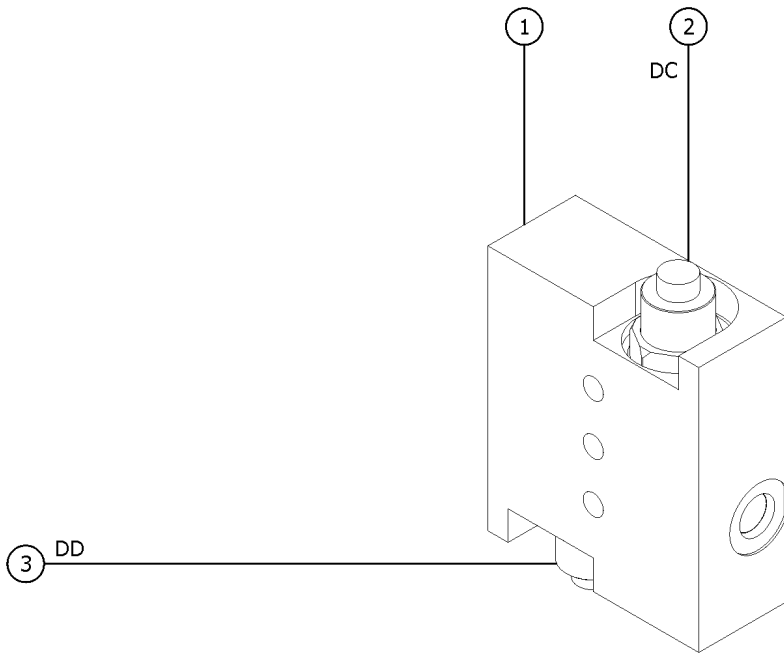
Item	Part No.	Description	Qty.	Item	Part No.	Description	Qty.
--	74665GT	MANIFOLD,DRIVE		--	44228GT	SEAL KIT, VALVE	
--	49612GT	O-RING KIT (ORFS FITTINGS)		15	46216GT	VALVE,CHECK,IWP-S/CWP PWR ASSI BE, drive motor anti-cavitation	
--	49613GT	PLUG AND CAP KIT-SERVICE,ORFS*		--	44228GT	SEAL KIT, VALVE	
--	28750GT	O-RING KIT,FIELD SVC,ALL PROD*		16	77986GT	ORIFICE, 2.0MM (74665 MAN.) BJ, equalizes pressure on both sides of flow divider/combiner valve BI	
--	33994GT	PLUG AND CAP KIT-SERVICE,37 **		17	77987GT	VALVE,RELIEF#8 (74665 MAN.) BD, charge pressure circuit	
1	62815GT	VALVE,SOLENOID,2POS 3 WAY*** BB, brake circuit		18	77985GT	ORIFICE, 1.0MM (74665 MAN.) BS, equalizes pressure on both sides of flow divider/combiner valve BT	
--	44174GT	NUT-COIL SHORT		19	77988GT	FLOW DIVIDER/COMBINER,#10** BT, controls flow to left side drive motors in forward and reverse	
--	44236GT	SPACER-DUAL COIL,#8***		20	77985GT	ORIFICE, 1.0MM (74665 MAN.) BR, equalizes pressure on both sides of flow divider/combiner valve BT	
--	52371GT	SEAL KIT, VALVE		21	77989GT	#12 FLOW DIVIDER/COMBINER ** BI, controls flow to flow divider/ combiner valve BO and BT	
2	69257GT	COIL, 12V DC, PSL					
3	46216GT	VALVE,CHECK,IWP-S/CWP PWR ASSI BL, drive motor anti-cavitation					
--	44228GT	SEAL KIT, VALVE					
4	43596GT	VALVE,SHUTTLE BK, charge pressure circuit that directs hot oil out of low pressure side of drive pump and allows low pressure flow path for brake release and 2-speed motor shift					
--	84137GT	SEAL KIT, VALVE 84129					
5	62815GT	VALVE,SOLENOID,2POS 3 WAY*** BA, 2-speed drive motor shift					
--	44174GT	NUT-COIL SHORT					
--	44236GT	SPACER-DUAL COIL,#8***					
--	52371GT	SEAL KIT, VALVE					
6	46216GT	VALVE,CHECK,IWP-S/CWP PWR ASSI BF, drive motor anti-cavitation					
--	44228GT	SEAL KIT, VALVE					
7	77985GT	ORIFICE, 1.0MM (74665 MAN.) BP, equalizes pressure on both sides of flow divider/combiner valve BO					
8	77988GT	FLOW DIVIDER/COMBINER,#10** BO, controls flow to right side drive motors in forward and reverse					
9	77985GT	ORIFICE, 1.0MM (74665 MAN.) BQ, equalizes pressure on both sides of flow divider/combiner valve BO					
10	46216GT	VALVE,CHECK,IWP-S/CWP PWR ASSI BG, drive motor anti-cavitation					
--	44228GT	SEAL KIT, VALVE					
11	77984GT	ORIFICE, 0.8MM (74665 MAN.) BC, brake circuit					
12	77986GT	ORIFICE, 2.0MM (74665 MAN.) BH, equalizes pressure on both sides of flow divider/combiner valve BI					
13	46216GT	VALVE,CHECK,IWP-S/CWP PWR ASSI BM, drive motor anti-cavitation					
--	44228GT	SEAL KIT, VALVE					
14	46216GT	VALVE,CHECK,IWP-S/CWP PWR ASSI BN, drive motor anti-cavitation					

703.1 Function Manifold

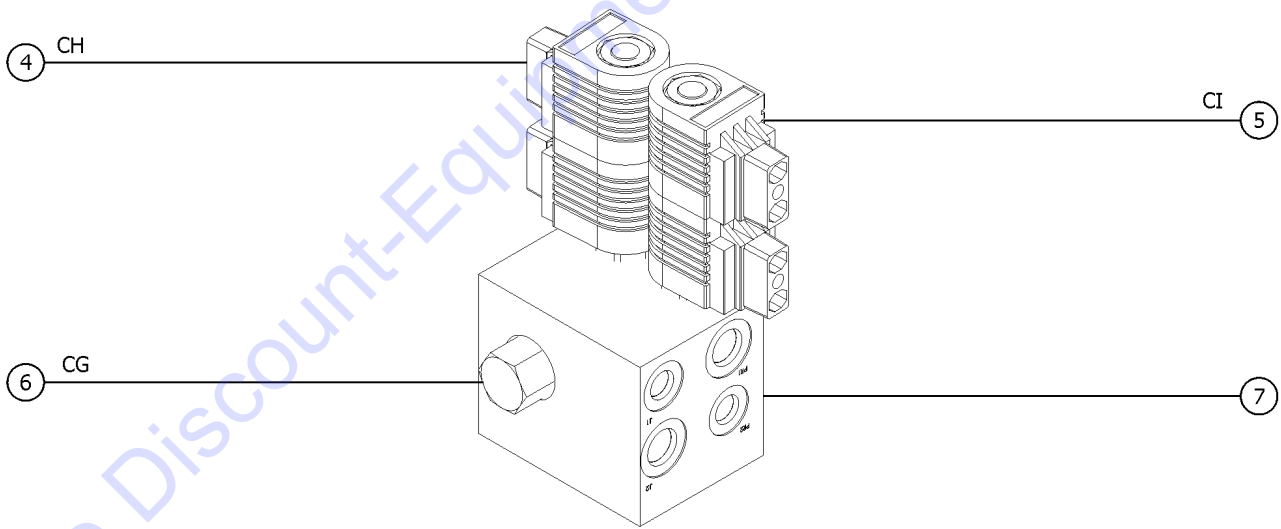


Item	Part No.	Description	Qty.
--	128445GT	MANIFOLD,FUNCTION,Z34 IC.....	1
1	37079GT	VALVE,COUNTERBALANCE 3000 PSI.....	2
2	65522GT	VALVE,COUNTERBALANCE 1500 PSI.....	2
3	31528GT	VALVE,RELIEF 1600 PSI.....	1
4	40412GT	VALVE,RELIEF 1400PSI.....	1
5	43612GT	VALVE,PROPORTIONAL 12V.....	1
--	52710GT	COIL,SOLENOID VALVE, 12V.....	1
--	62276GT	NUT, SOLENOID VALVE COIL.....	1
6	43609GT	VALVE,SOLENOID 3P4W.....	1
--	110196GT	SEAL KIT, VALVE, #10.....	1
--	43610GT	COIL,SOLENOID VLV,10V W/DIODE.....	2
--	52943GT	NUT,SOLENOID VALVE COIL.....	1
--	74907GT	VALVE,SOLENOID 3P4W W/O COIL.....	1
--	89854GT	SPACER,SOLENOID VALVE COIL.....	1
7	69550GT	PLUG,ORB #4.....	26
8	109802GT	PLUG,ORB #6.....	10
9	27050GT	VALVE,DIFFERENTIAL SENSING.....	1
10	32975GT	VALVE,FLOW REGULATOR 0.1 GPM.....	1
11	33452GT	VALVE,FLOW REGULATOR 1.0 GPM.....	1
12	48997GT	NIPPLE,DIAGNOSTIC,#4.....	2
13	48880GT	CAP,DIAGNOSTIC NIPPLE.....	2
14	52715GT	VALVE,RELIEF 3200 PSI.....	1
15	43607GT	VALVE,SOLENOID 2P3W.....	10
--	43601GT	COIL,SOLENOID VLV,10V W/ DIODE	
--	45912GT	NUT,SOLENOID VALVE 2P3W	
--	48342GT	VALVE, SOLENOID 2P3W W/O COIL	
16	89300GT	PLUG, .042 ORIFICE, 1/16 NPT.....	2

704.1 Jib Boom and Platform Rotate Manifold



Platform Rotate Manifolds

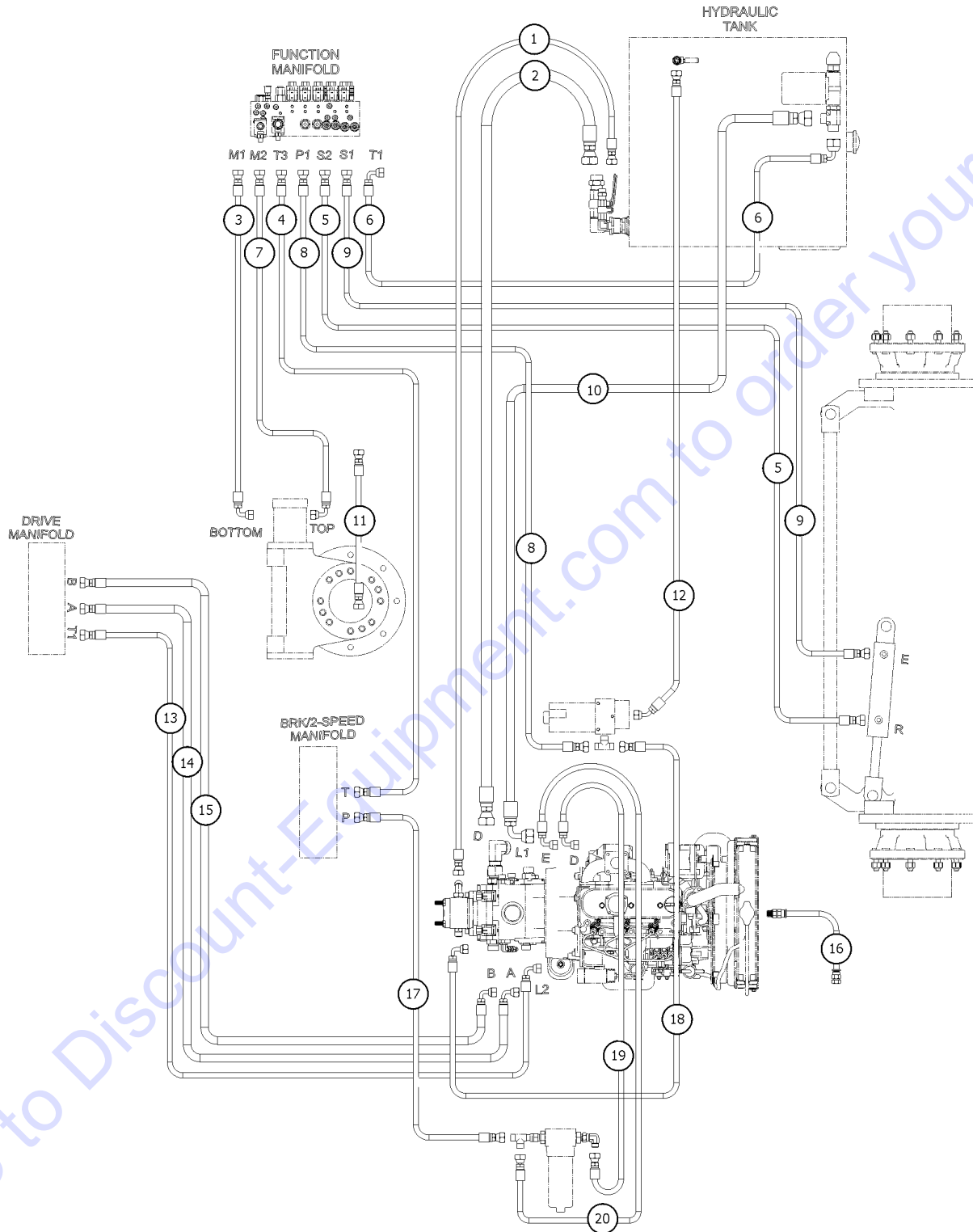


Jib Boom Manifolds

704.1 Jib Boom and Platform Rotate Manifold

Item	Part No.	Description	Qty.
A	49612GT	O-RING KIT (ORFS FITTINGS)	
B	49613GT	PLUG AND CAP KIT-SERVICE,ORFS*	
C	28750GT	O-RING KIT,FIELD SVC,ALL PROD*	
D	33994GT	PLUG AND CAP KIT-SERVICE,37 **	
1	56929GT	MANIFOLD,ROTATOR,180 DEG.***.....1 <i>includes items 2 and 3</i>	
--	62507GT	O-RING, ROTATOR MANIFOLD	
2	62506GT	VALVE - COUNTERBALANCE**.....1 <i>DC, platform rotate right</i>	
--	43018GT	SEAL KIT (39345)	
3	62506GT	VALVE - COUNTERBALANCE**.....1 <i>DD, platform rotate left</i>	
--	43018GT	SEAL KIT (39345)	
4	139560GT	SOLENOID VALVE W/NUT***.....1 <i>CH, jib boom up/down</i>	
--	139562GT	COIL, SOLENOID VALVE, 12V***	
5	139560GT	SOLENOID VALVE W/NUT***.....1 <i>CI, platform rotate left/right (order coil separately)</i>	
--	139562GT	COIL, SOLENOID VALVE, 12V***	
6	139563GT	VALVE, FLOW CTRL, PRES COMP***.....1 <i>CG, platform rotate circuit</i>	
7	139464GT	MANIFOLD,JIB, 12V NON RJ***.....1 <i>includes items 4-6</i>	

705.1 Drive Chassis and Turntable Hoses, 2WD, View 1

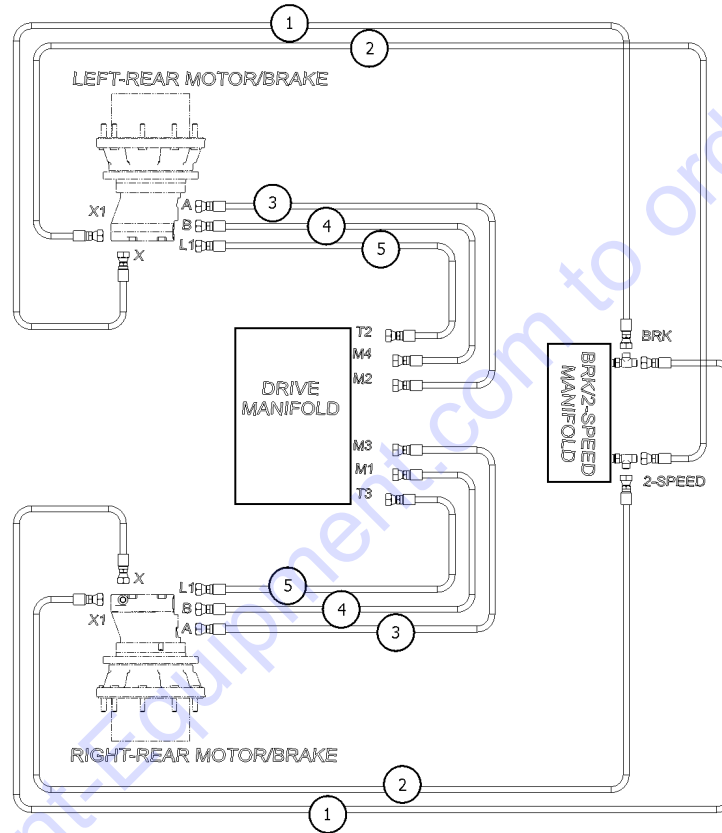


705.1 Drive Chassis and Turntable Hoses, 2WD, View 1

Item	Part No.	Description	Qty.
1	94159GT	HOSE ASSY, 1/2", 67.75.....	1
2	94158GT	HOSE ASSY, 1", 64.00.....	1
3	42895GT	HOSE ASSY,1/4",38.50.....	1
4	42878GT	HOSE ASSY, 1/4", 75.50.....	1
5	139084GT	HOSE ASSY,1/4",86.00.....	1
6	56620GT	HOSE ASSY, 1/2", 25.00.....	1
7	42892GT	HOSE ASSY,1/4",34.00.....	1
8	56723GT	HOSE ASSY,3/8",46.00.....	1
9	42879GT	HOSE ASSY,1/4",86.00.....	1
10	56584GT	HOSE ASSY, 3/4", 79.00.....	1
11	139100GT	HOSE ASSY, 1/4", 43.50.....	1
12	74144GT	HOSE ASSY,3/8",44.00.....	1
13	56581GT	HOSE ASSY, 5/8", 100.00.....	1
14	139103GT	HOSE ASSY, 3/4", 102.00.....	1
15	139087GT	HOSE ASSY,3/4",102.00.....	1
16	139168GT	HOSE ASSY, 3/8",21.00.....	1
17	74666GT	HOSE ASSY, 1/4", 77.50.....	1
18	74148GT	HOSE ASSY,3/8",38.00.....	1
19	74403GT	HOSE ASSY, 1/2", 47.00.....	1
20	74396GT	HOSE ASSY, 1/2", 33.00.....	1

Go to Discount-Equipment.com to order your parts

706.1 Drive Chassis and Turntable Hoses, 2WD, View 2



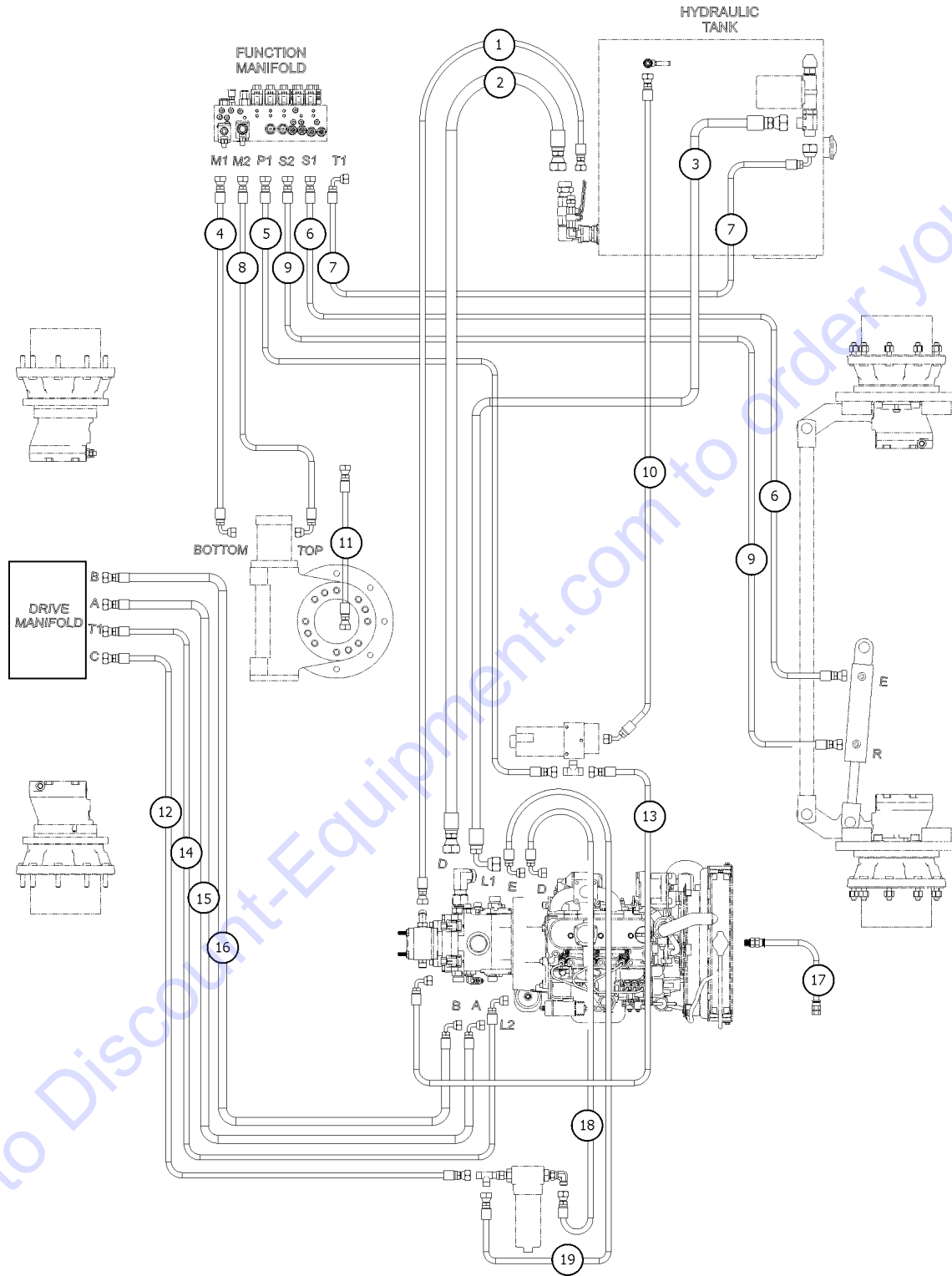
Go to DiscountEquipment.com to order your parts

706.1 Drive Chassis and Turntable Hoses, 2WD, View 2

Item	Part No.	Description	Qty.
1	139099GT	HOSE ASSY, 1/4", 22.00.....	2
2	139098GT	HOSE ASSY, 1/4", 17.50.....	2
3	139101GT	HOSE ASSY, 1/2", 27.00.....	2
4	56583GT	HOSE ASSY, 1/2", 23.50.....	2
5	139102GT	HOSE ASSY, 1/2", 24.50.....	2

Go to Discount-Equipment.com to order your parts

707.1 Drive Chassis and Turntable, 4WD Hoses, View 1

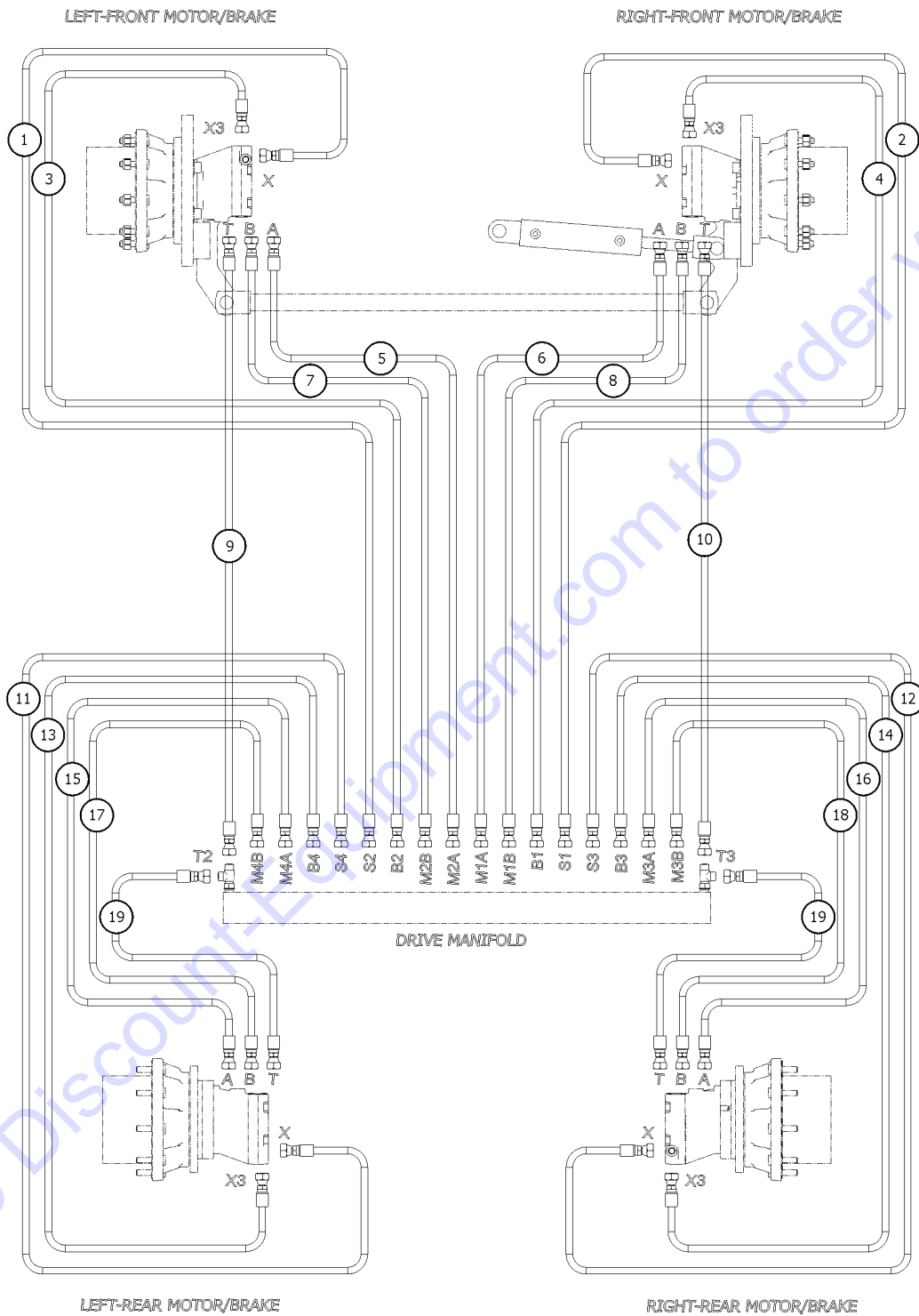


707.1 Drive Chassis and Turntable, 4WD Hoses, View 1

Item	Part No.	Description	Qty.
1	94159GT	HOSE ASSY, 1/2", 67.75.....	1
2	94158GT	HOSE ASSY, 1", 64.00.....	1
3	56584GT	HOSE ASSY, 3/4", 79.00.....	1
4	42895GT	HOSE ASSY,1/4",38.50.....	1
5	56723GT	HOSE ASSY,3/8",46.00.....	1
6	42879GT	HOSE ASSY,1/4",86.00.....	1
7	56620GT	HOSE ASSY, 1/2", 25.00.....	1
8	42892GT	HOSE ASSY,1/4",34.00.....	1
9	139084GT	HOSE ASSY,1/4",86.00.....	1
10	74144GT	HOSE ASSY,3/8",44.00.....	1
11	139100GT	HOSE ASSY, 1/4", 43.50.....	1
12	74666GT	HOSE ASSY, 1/4", 77.50.....	1
13	74148GT	HOSE ASSY,3/8",38.00.....	1
14	56581GT	HOSE ASSY, 5/8", 100.00.....	1
15	139103GT	HOSE ASSY, 3/4", 102.00.....	1
16	139087GT	HOSE ASSY,3/4",102.00.....	1
17	139168GT	HOSE ASSY, 3/8",21.00.....	1
18	74403GT	HOSE ASSY, 1/2", 47.00.....	1
19	74396GT	HOSE ASSY, 1/2", 33.00.....	1

Go to Discount-Equipment.com to order your parts

708.1 Drive Chassis and Turntable, 4WD Hoses, View 2

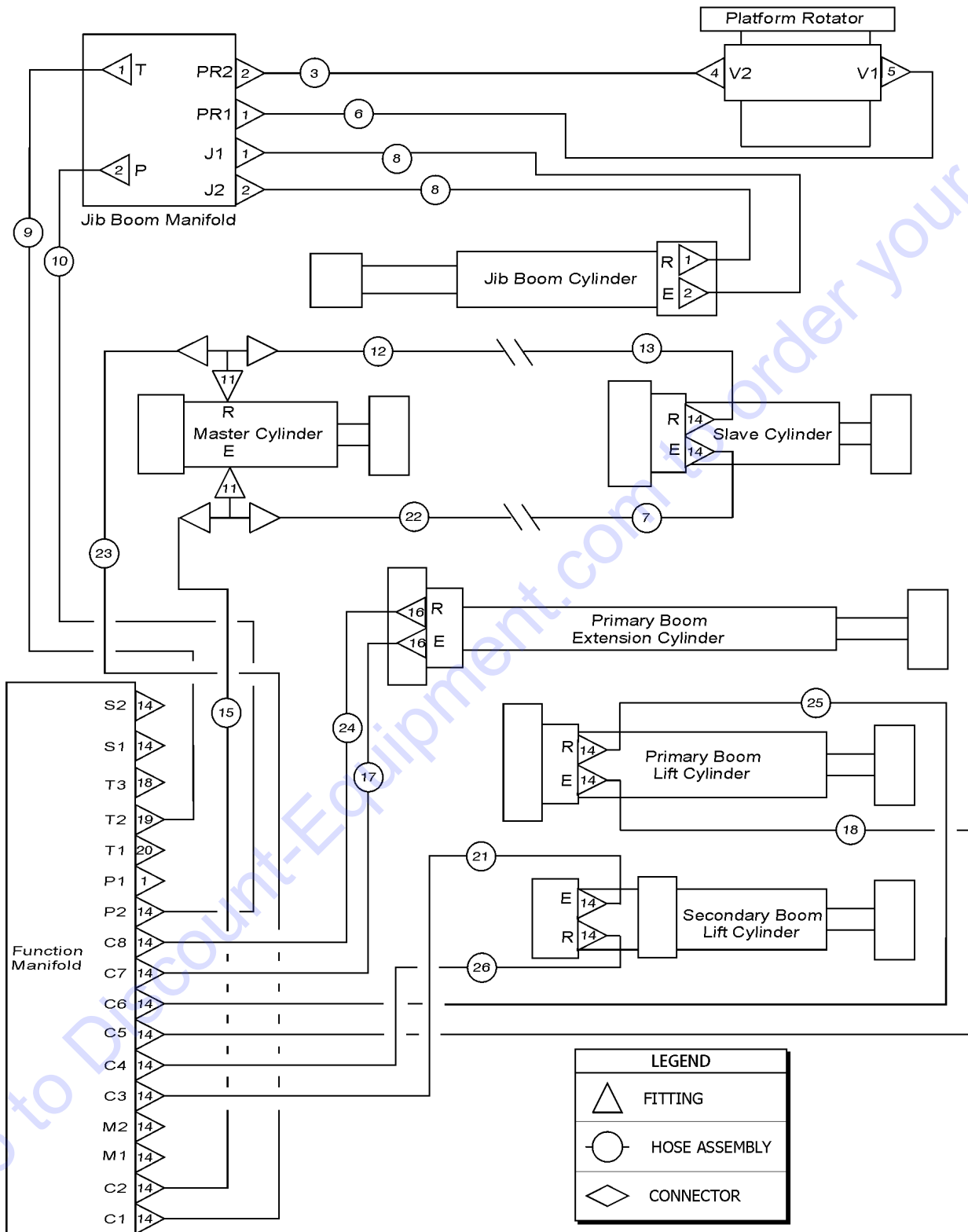


708.1 Drive Chassis and Turntable, 4WD Hoses, View 2

Item	Part No.	Description	Qty.
1	139107GT	HOSE ASSY, 1/4", 89.00.....	1
2	139177GT	HOSE ASSY,1/4",87.00.....	1
3	139106GT	HOSE ASSY, 1/4", 87.00.....	1
4	139176GT	HOSE ASSY,1/4",87.00.....	1
5	139114GT	HOSE ASSY, 1/2", 83.50.....	1
6	139111GT	HOSE ASSY, 1/2", 83.50.....	1
7	139113GT	HOSE ASSY, 1/2", 83.50.....	1
8	139112GT	HOSE ASSY, 1/2", 83.50.....	1
9	139094GT	HOSE ASSY, 1/2", 85.00.....	1
10	139095GT	HOSE ASSY, 1/2", 85.00.....	1
11	139092GT	HOSE ASSY, 1/4", 27.00.....	1
12	139090GT	HOSE ASSY,1/4",27.00.....	1
13	139174GT	HOSE ASSY,1/4",27.00.....	1
14	139093GT	HOSE ASSY, 1/4", 27.00.....	1
15	139108GT	HOSE ASSY, 1/2", 21.50.....	1
16	139110GT	HOSE ASSY, 1/2", 21.50.....	1
17	139096GT	HOSE ASSY, 1/2", 21.50.....	1
18	139109GT	HOSE ASSY, 1/2", 21.50.....	1
19	139118GT	HOSE ASSY, 1/2", 22.00.....	2

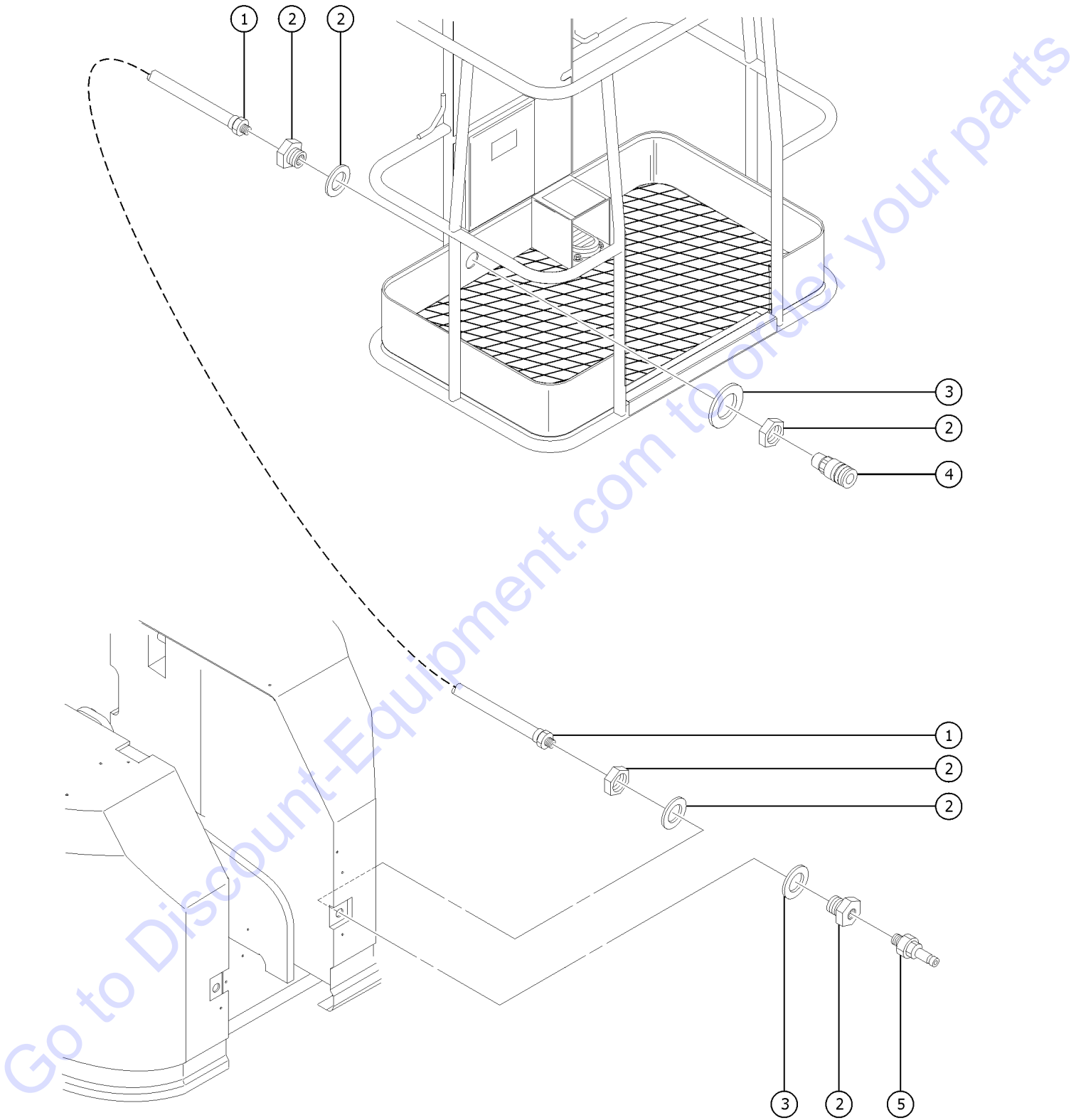
Item	Part No.	Description	Qty.
1	35418GT	HOSE,FUEL,3/16,SAE 30R7.....70-inches (models with Kubota diesel)	
2	27089GT	HOSE,5/16 FUEL,SAE 30R7.....54-inches (models with Kubota diesel)	
3	27089GT	HOSE,5/16 FUEL,SAE 30R7.....16-inches (models with Kubota diesel)	
4	1263243GT	HOSE, FUEL, 1/4" ID, 10.00" LG.....1 (models with Kubota or GM gasoline)	
5	1263242GT	HOSE,FUEL, 1/2"ID, 12.00"LG.....1 (models with Kubota or GM gasoline)	
6	233586GT	HOSE,FUEL.....1 (models with Kubota gasoline)	
7	231323GT	HOSE,FUEL.....2 (models with Kubota gasoline)	
8	233585GT	HOSE,FUEL.....1 (models with Kubota gasoline)	
9	35418GT	HOSE,FUEL,3/16,SAE 30R7.....29 (models with Kubota gasoline)	
10	235487GT	HOSE ASSY, LP GAS.....1 (models with Kubota or GM gasoline)	
11	74514GT	HOSE LPG 1/2" ID X 11.25" LG.....1 (models with Kubota gasoline)	
12	42941GT	HOSE,3/8",FUEL,30R7.....21.5 (models with Kubota gasoline)	
13	42941GT	HOSE,3/8",FUEL,30R7.....26.5 (models with Kubota gasoline)	
14	1274015GT	HOSE, FUEL VENT.....1 (models with GM gasoline)	
15	1274014GT	ASSEMBLY,FUEL HOSE,5/16" FI.....62-inches (models with GM gasoline)	
16	1274013GT	ASSEMBLY,FUEL HOSE,5/16" FI.....35-inches (models with GM gasoline)	
17	822606-1800GT	TUBING,VINYL,3/8 CLEAR.....1 (models with GM gasoline)	
18	1274010GT	ASSEMBLY,FUEL HOSE,5/16" FI.....8-inches (models with GM gasoline)	
19	1274012GT	ASSEMBLY,FUEL HOSE,5/16" FI.....47-inches (models with GM gasoline)	
20	1274011GT	ASSEMBLY,FUEL HOSE,5/16" FI.....3-inches (models with GM gasoline)	

710.1 Boom Hoses



Item	Part No.	Description	Qty.
1	48916GT	CONN, 520120-6.....	5
2	48905GT	CONN,520120-4***.....	3
3	74308GT	HOSE ASSY, 1/4", 46.50.....	1
4	48904GT	ELBOW,90D,520220-4-4.....	1
5	48926GT	FITTING,ELBOW,90D,520220-6-4.....	1
6	74309GT	HOSE ASSY, 1/4", 46.50.....	1
7	42818-SGT	HOSE ASSY-'J'I' TO JIB CYL CAP.....	1
--	56945GT	HOSE ASSY, 1/4", 31.00.....	1
--	74983GT	HOSE ASSY, 1/4", 19.00	
8	74983GT	HOSE ASSY, 1/4", 19.00.....	1
--	74983GT	HOSE ASSY, 1/4", 19.00.....	2
9	94101GT	HOSE ASSY,1/4",474.00.....	1
10	94102GT	HOSE ASSY,1/4",474.00.....	1
11	48890GT	FITTING,TEE,BRANCH,520429-4***.....	2
12	42863-SGT	HOSE ASSY-MASTER CYL-SLAVE CYL.....	2
--	74480GT	HOSE ASSY, 1/4", 239.0.....	1
13	42817GT	HOSE ASSY, 1/4", 31.50.....	1
--	56233GT	O-RING,ORFS,-4	
14	48912GT	CONN,520120-4-6***.....	19
15	42894-SGT	HOSE ASSY-C2/C1 TO MAST CYL.....	1
16	48905GT	CONN,520120-4***.....	3
17	42890GT	HOSE ASSY-C8/C7 TO EXT.CYL.....	2
--	42859GT	HOSE ASSY,1/4",236.00.....	1
18	42889-SGT	HOSE ASSY-C6/C5 TO LIFT CYL.....	2
--	74839GT	HOSE ASSY,1/4",218.00.....	1
19	48900GT	CONN,520120-4-6,.035,ORI.....	1
20	48933GT	CONN,520120-8***.....	1
21	42891-SGT	HOSE ASSY-C4/C3 TO SEC LIFT CY.....	2
--	74845GT	HOSE ASSY,1/4",88.50.....	1
22	74481GT	HOSE ASSY,1/4",239.0.....	1
23	139079GT	HOSE ASSY,1/4",202.00.....	1
24	139128GT	HOSE ASSY,1/4",236.00.....	1
25	139078GT	HOSE ASSY,1/4",218.00.....	1
26	139085GT	HOSE ASSY,1/4",88.50.....	1

801.1 Air Line to Platform

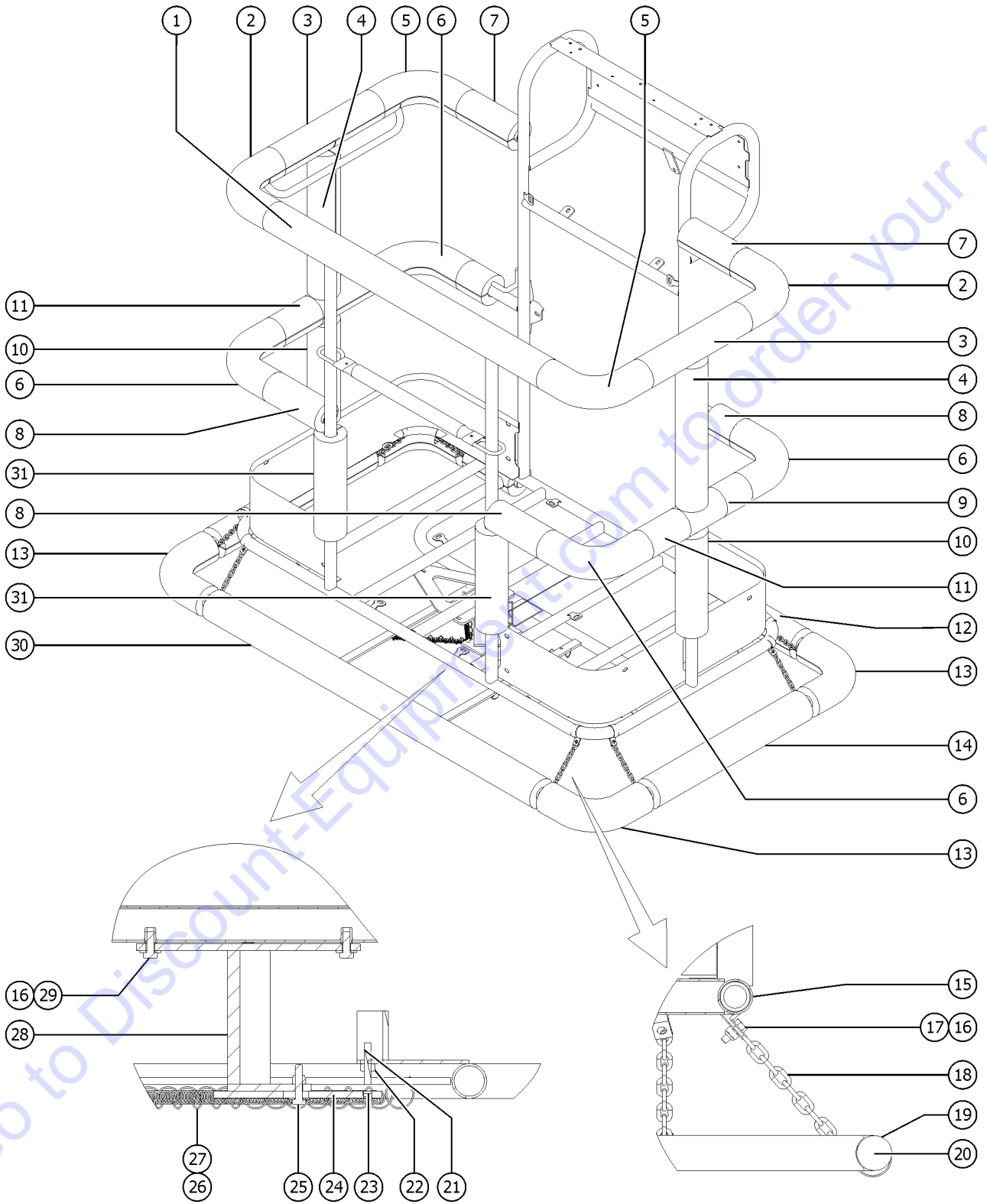


801.1 Air Line to Platform

Item	Part No.	Description	Qty.
1	52960GT	AIRLINE ASSY W/FITTINGS, Z34BE.....	1
2	27900GT	BULKHEAD,FEMALE X 6 X 6.....	2
3	824116GT	WASHER, FLAT, F436, 1.0, ZAG.....	2
4	49215GT	MPT,CPLR,1/4"SER,3/8"X18.....	1
5	27894GT	PLUG,1/4"SERIES,3/8 MPT.....	1

Go to Discount-Equipment.com to order your parts

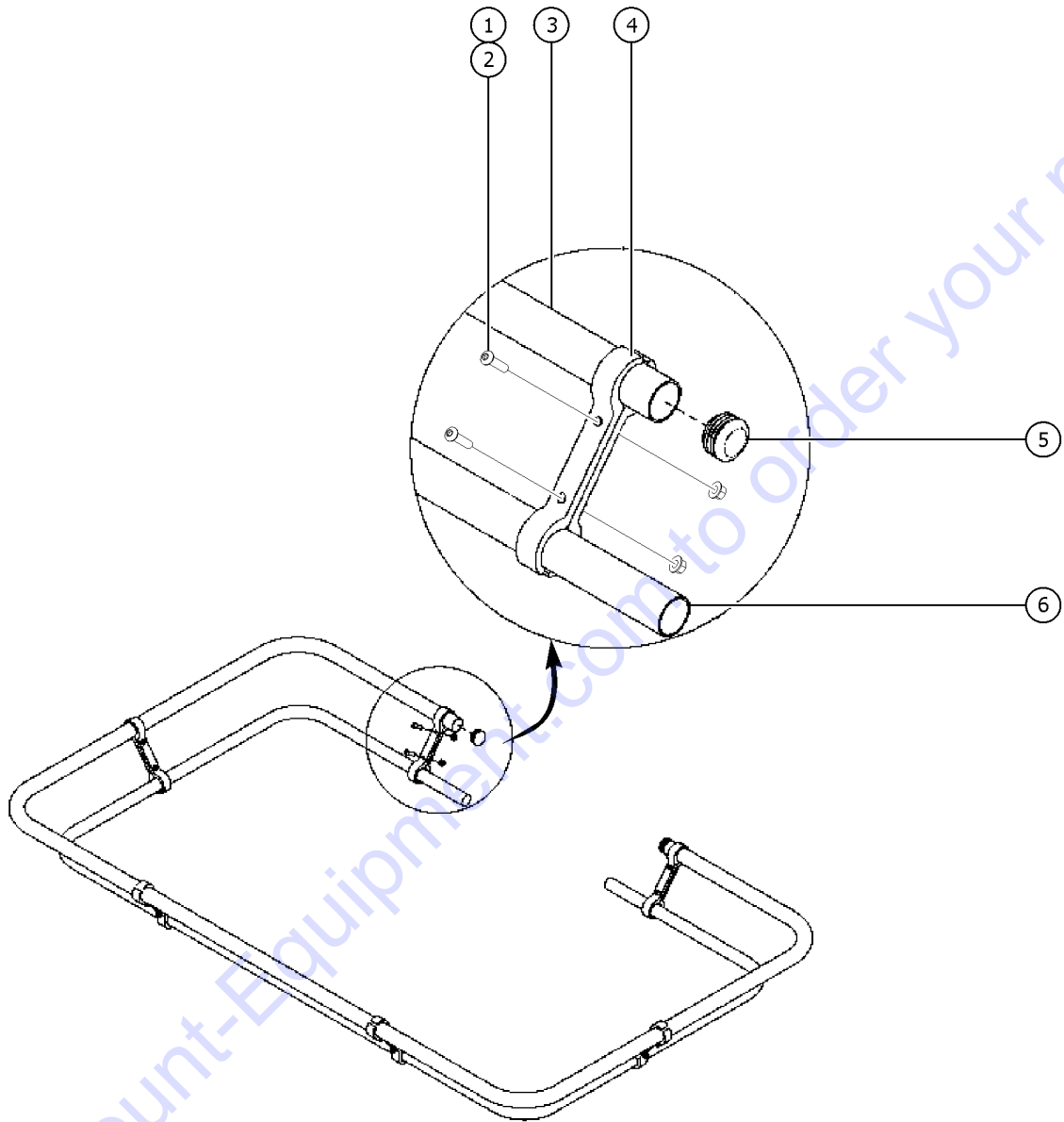
802.1 Aircraft Protection



802.1 Aircraft Protection

Item	Part No.	Description	Qty.	Item	Part No.	Description	Qty.
--	128200GT	SWITCH TOGGLE ASSY SPDT 3P MOM.....1 <i>not shown; refer to 602.1</i>	1	31	1252011GT	BUMPER,3.5OD X 1.5 ID X 9.75.....1	1
1A	1251590GT	BUMPER,3.5OD X 1.5ID X 30.75.....1 <i>4-ft platform</i>	1				
1B	825211GT	BUMPER,3.5OD X 1.5ID X 40.75.....1 <i>5-ft platform</i>	1				
2	147000GT	PADDING, FOAM 90 DEG.....2	2				
3	825207GT	BUMPER,3.5OD X 1.5ID X 14.75.....2	2				
4	825213GT	BUMPER,3.5OD X 1.5ID X 15.65.....2	2				
5	147001GT	PADDING, FOAM 90 DEG.....2	2				
6A	1252013GT	BUMPER,3.5OD X 1.5 ID 90 DEG.....4 <i>4-ft platform</i>	4				
6B	56418GT	BUMPER,90 DEG ELBOW.....4 <i>5-ft platform</i>	4				
7A	1251592GT	BUMPER,3.5OD X 1.5ID X 2.75.....2 <i>4-ft platform</i>	2				
7B	825216GT	BUMPER,3.5OD X 1.5ID X 7.75.....2 <i>5-ft platform</i>	2				
8	825215GT	BUMPER,3.5OD X 1.5ID X 3.80.....8	8				
9	1252012GT	BUMPER,3.5OD X 1.5 ID X 6.75.....2	2				
10	825212GT	BUMPER,3.5OD X 1.5ID X 12.75.....2	2				
11	1251592GT	BUMPER,3.5OD X 1.5ID X 2.75.....2	2				
12	825209GT	BUMPER,3.5OD X 1.5ID X 6.75.....2	2				
13	56418GT	BUMPER,90 DEG ELBOW.....4	4				
14	825214GT	BUMPER,3.5OD X 1.5ID X 22.70.....2	2				
15	56424GT	CLAMP,1.25X.5 RUBBER-CUSHION....16	16				
16	824078GT	SCREW,HHF,1/4-20X.75,8,ZAG.....16	16				
17	824027GT	NUT,TL FLG,1/4-20,G,ZAG.....16	16				
18	56426-576GT	CHAIN,NO.2 (9LINKS).....8	8				
19	56351GT	WELDMENT,FLOATING BUMPER.....1	1				
20	45385GT	PLUG,NYLON 1.12 BLACK DOMED.....2	2				
21	139643GT	HARNES, PROX. KILL.....1	1				
--	27391GT	PROXIMITY SENSOR***.....1	1				
22	88390GT	NUT,HEX,M8,PLASTIC.....1	1				
23	29261GT	MAGNET,NEODYMIUM,.375 X .100.....2	2				
24	56330GT	PLATE,MAGNET MOUNT.....1	1				
25	824080GT	SCREW,HHF,1/4-20X1.25,8,ZAG.....1	1				
26	88385GT	SPRING, SS, 1/2-EO500-49-4500.....4	4				
27	56425GT	SPRING,EXTENSION,.75X4.5.....4	4				
28	56328GT	WELDMENT,SENSOR BRACKET.....1	1				
29	23404GT	NUTSERT,1/4-20,STEEL CAD PLTD.....1	1				
30A	1251591GT	BUMPER,3.5OD X 1.5ID X 38.75.....1 <i>4-ft platform</i>	1				
30B	825210GT	BUMPER,3.5OD X 1.5ID X 48.70.....1 <i>5-ft platform</i>	1				

803.1 Auxiliary Rail Assembly

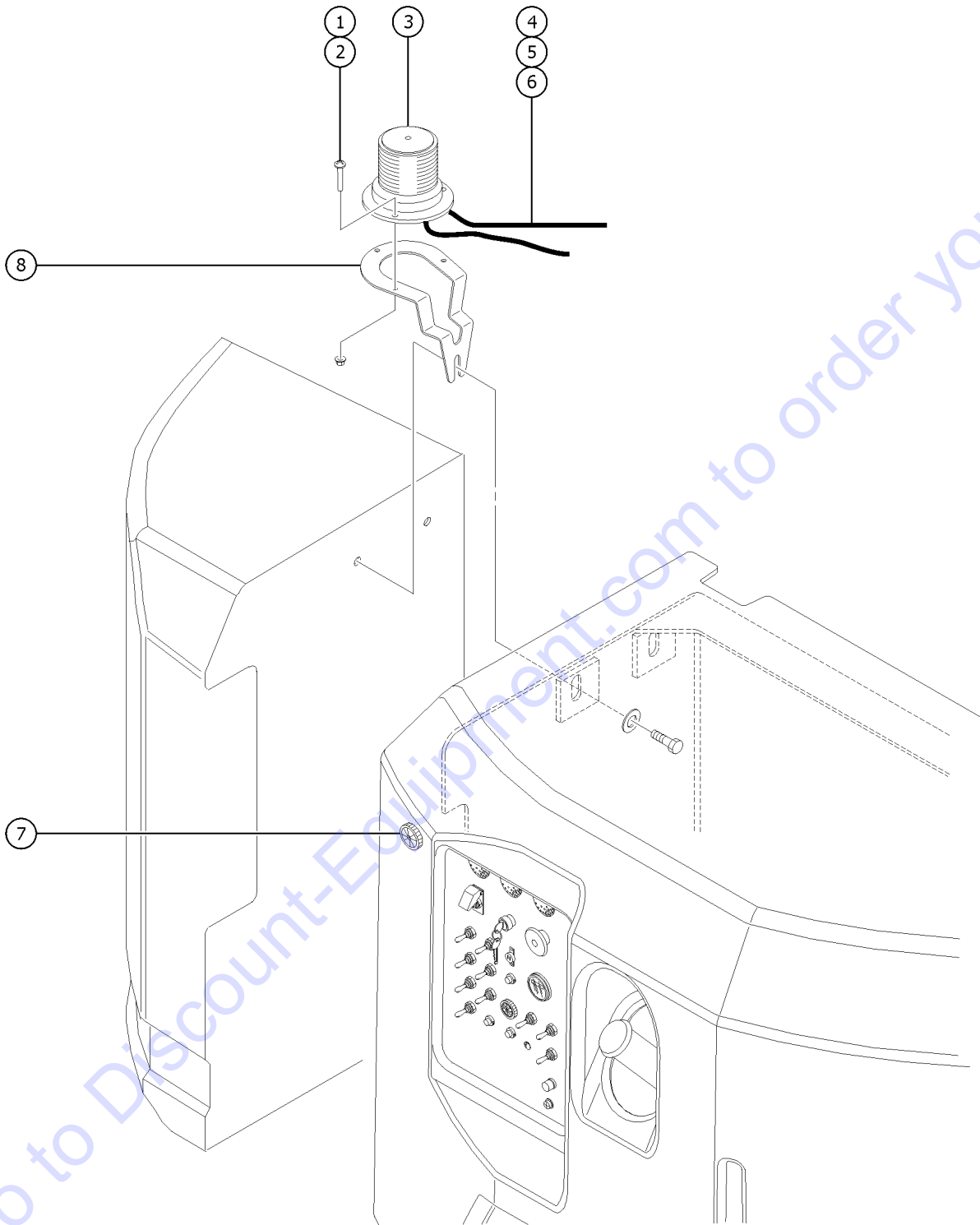


803.1 Auxiliary Rail Assembly

Item	Part No.	Description	Qty.
1	1259715GT	SCREW,BHTC,1/4-20X1,ZAG.....	12
2	824027GT	NUT,TL FLG,1/4-20,G,ZAG.....	12
3A	T112779GT	KIT, AUX. RAIL, 4' PLATFORM..... <i>includes 1, 2, 4 and 5</i>	1
3B	T112780GT	KIT, AUX. RAIL, 5' PLATFORM..... <i>includes 1, 2, 4 and 5</i>	1
4	122073GT	SUPPORT, RAILING.....	12
5	55753GT	BUMPER, PLASTIC, 1.25 O.D.....	2
6		Ref. PLAT RAIL ASSY <i>refer to 601.1</i>	

Go to Discount-Equipment.com to order your parts

804.1 Flashing Beacon and Alarm



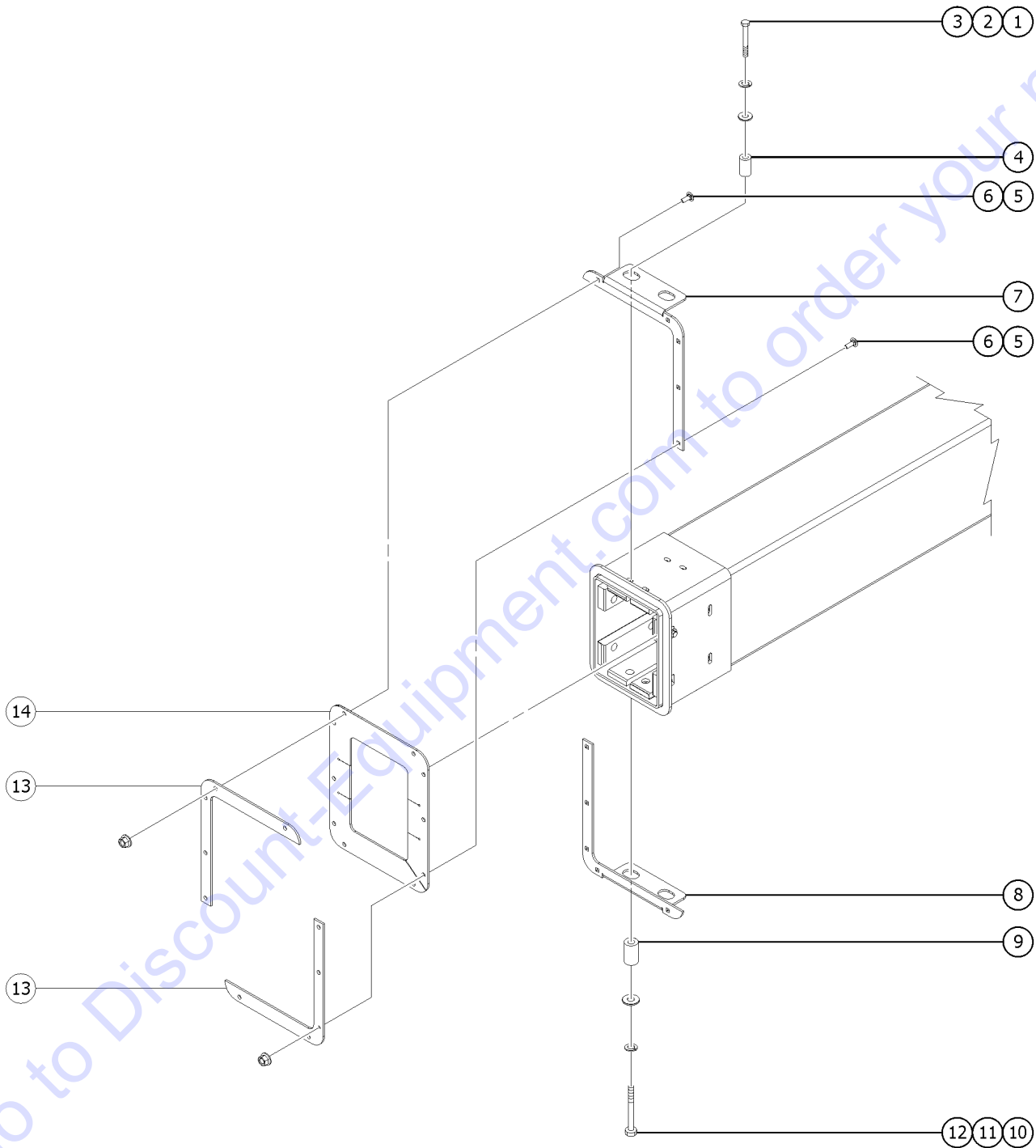
Go to Discount-Equipment.com to order your parts

804.1 Flashing Beacon and Alarm

Item	Part No.	Description	Qty.
--	56879-SGT	ACCESS.ALARM PACKAGE Z34BE,IC.....	1
1	824215GT	SCREW,PHPM,10-32X.75,ZAG.....	3
2	824032GT	NUT,TL FLG,10-32,F,ZAG.....	3
3	56704GT	STROBE,FIREBOLT,12-80VDC,AMB**...1	
--	122019GT	FLASHTUBE,U SHAPED,360DEG,BULB	
--	226393GT	FLASHTUBE,STRAIGHT,360DEG,BULB	
--	72282GT	LENS,AMBER,STROBE,FIREBOLT	
4	56051GT	WIRE CABLE,16/2,WHT/BLK,SJEOW.26-inches	
5	13825GT	TERMINAL,COUPLER,MALE,14-16GA..1	
6	66684GT	TERMINAL FEMALE,1/4 BLUE,14-16.....1	
7	18963GT	ALARM,INTERMITTENT TONE 6-30V*...1 <i>plastic nut not included</i>	
--	72326GT	NUT - PLASTIC,RING FOR ALARMS	
8	56289GT	BRACKET,BEACON LIGHT.....	1

Go to Discount-Equipment.com to order your parts

805.1 Hostile Environment, Wiper

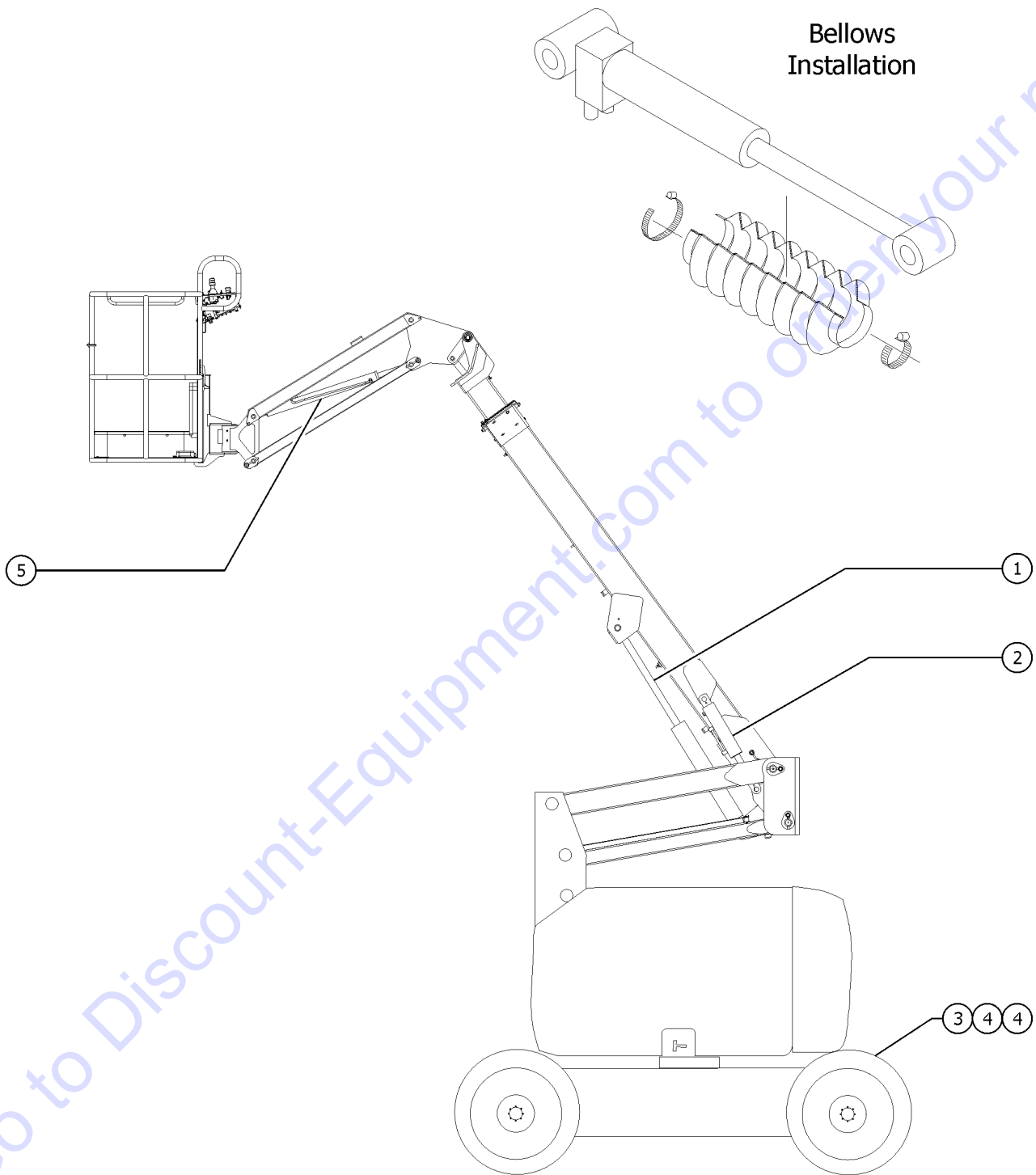


805.1 Hostile Environment, Wiper

Item	Part No.	Description	Qty.
--	128677GT	KIT, WIPER.....	1
1	1252978GT	SCREW,HHC,3/8-16X2.25,8,ZAG.....	2
2	824110GT	WASHER,LOCK,3/8,ZAG.....	2
3	825358GT	WASHER,FLAT,5/16,USS,ZAG.....	2
4	128852GT	TUBE,RD,STL,DOM,,.75X.438X1.25.....	2
5	824124GT	BOLT,CARRIAGE,1/4-20X.75,5,ZAG.....	10
6	824027GT	NUT,TL FLG,1/4-20,G,ZAG.....	10
7	128681GT	FORMING, WIPER MOUNT.....	1
8	128682GT	FORMING, WIPER MOUNT.....	1
9	119077GT	TUBE,RD,STL,DOM,,.75OD X .375ID.....	2
10	824064GT	SCREW,HHC,1/4-20X2.25,8,ZAG.....	2
11	824109GT	WASHER,LOCK,1/4,ZAG.....	2
12	824113GT	WASHER,FLAT,USS,1/4,ZAG.....	2
13	128973GT	PLATE,WIPER BACKING.....	2
14	147181GT	WIPER,PRIMARY BOOM.....	1

Go to Discount-Equipment.com to order your parts

806.1 Hostile Environment, Cylinder Bellows



Go to Discount-Equipment.com to order your parts

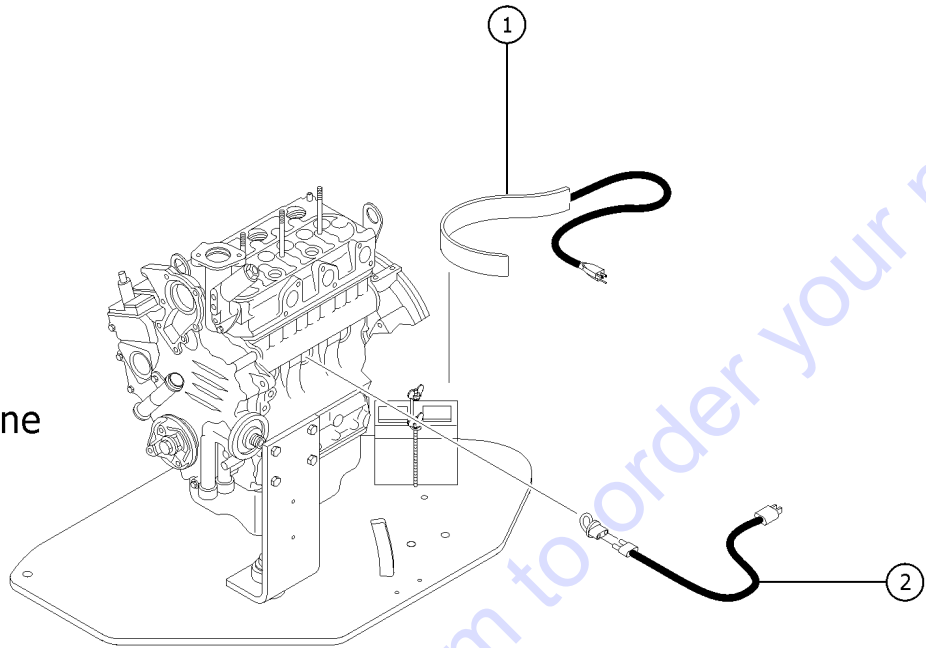
806.1 Hostile Environment, Cylinder Bellows

Item	Part No.	Description	Qty.
A	128838GT	KIT, CYLINDER BELLOWS	
--	30489GT	CLAMP,HOSE,3.50.....5 <i>not shown</i>	
--	30577GT	COVER,PROTECTIVE,MASTER/SLAVE.1 <i>not shown</i>	
--	30971GT	CLAMP,HOSE,3.00".....1 <i>not shown</i>	
--	35434GT	CLAMP,HOSE,2.00***.....6 <i>not shown</i>	
1	94461GT	BELLOWS,PRIMARY/ELEV CYLINDER.....2	
2	94463GT	BELLOWS,MASTER CYLINDER.....1	
3	54989GT	BELLOWS,STEERING CYLINDER.....1 <i>not shown</i>	
4	1263699GT	SCREW,HHC,3/8-16X.5,8,ZAG.....2	
5	94462GT	BELLOWS,JIB CYLINDER.....1	

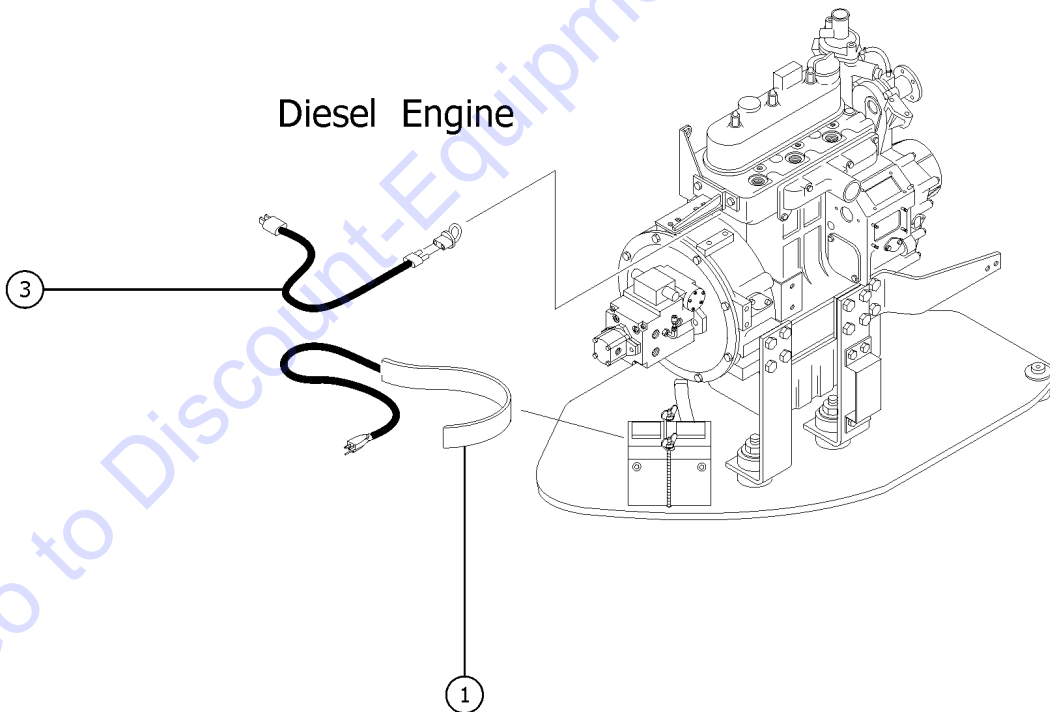
Go to Discount-Equipment.com to order your parts

807.1 Cold Start

Gasoline Engine



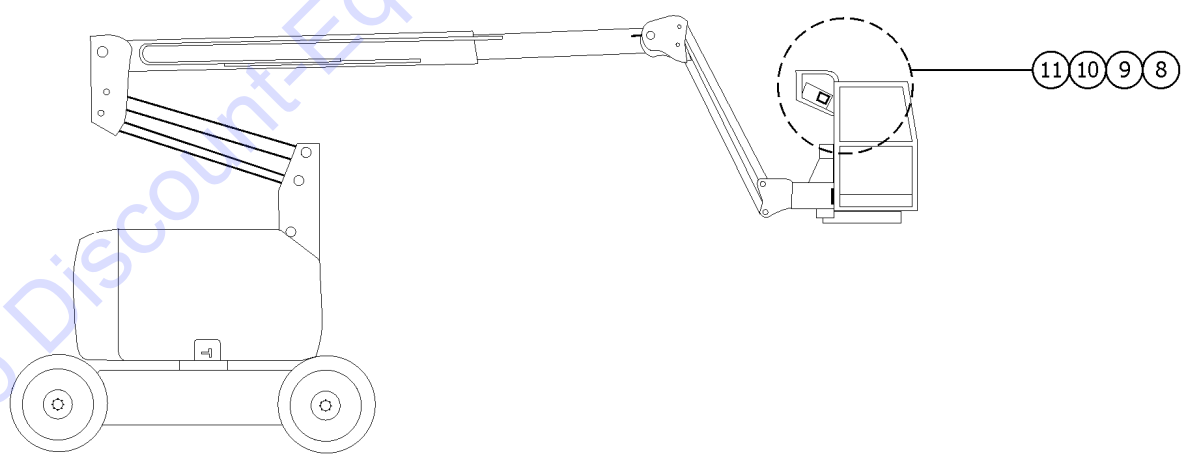
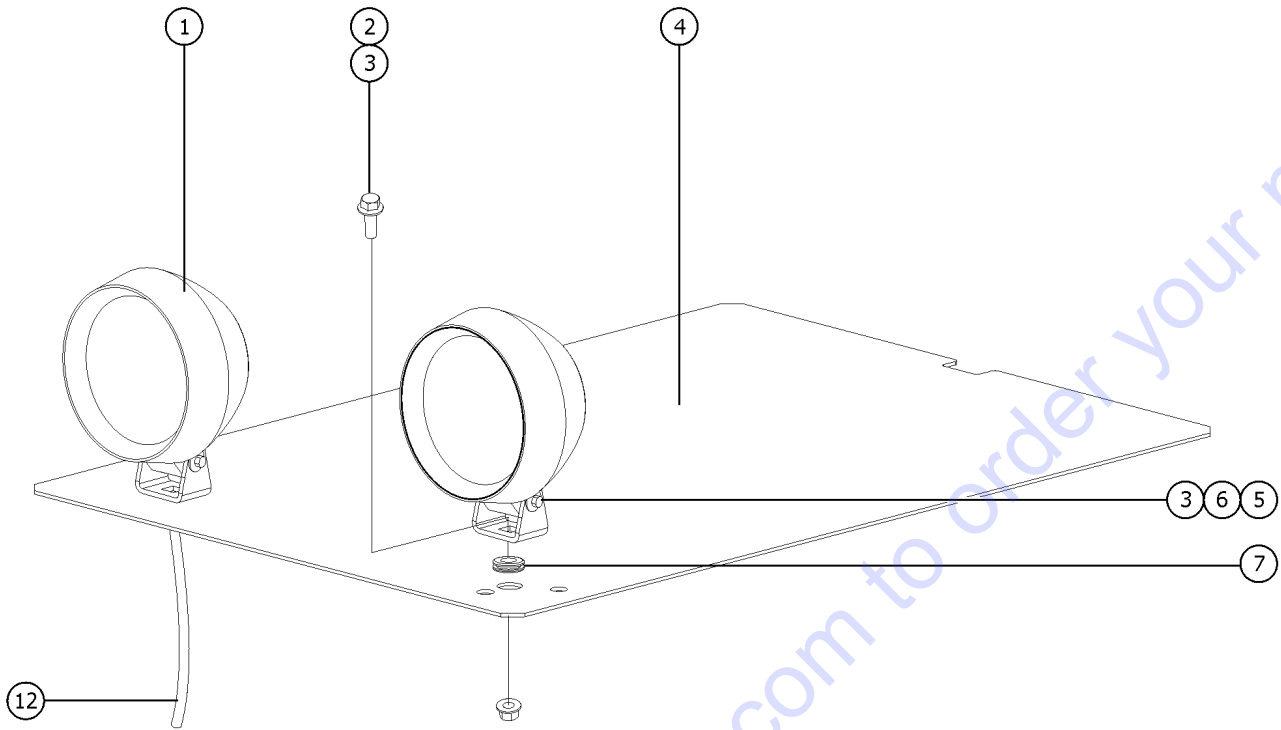
Diesel Engine



Item	Part No.	Description	Qty.
--	128146GT	OIL,ENG 5W-40 SYN***.....	12
1	28853GT	BLANKET,BATTERY.....	1
2	139247GT	FREEZE PLUG HEATER,DF972,Z34..... <i>Kubota Gas</i>	1
3	42489GT	FREEZE PLUG HEATER,Z34IC/BE <i>Kubota Diesel</i>	

Go to Discount-Equipment.com to order your parts

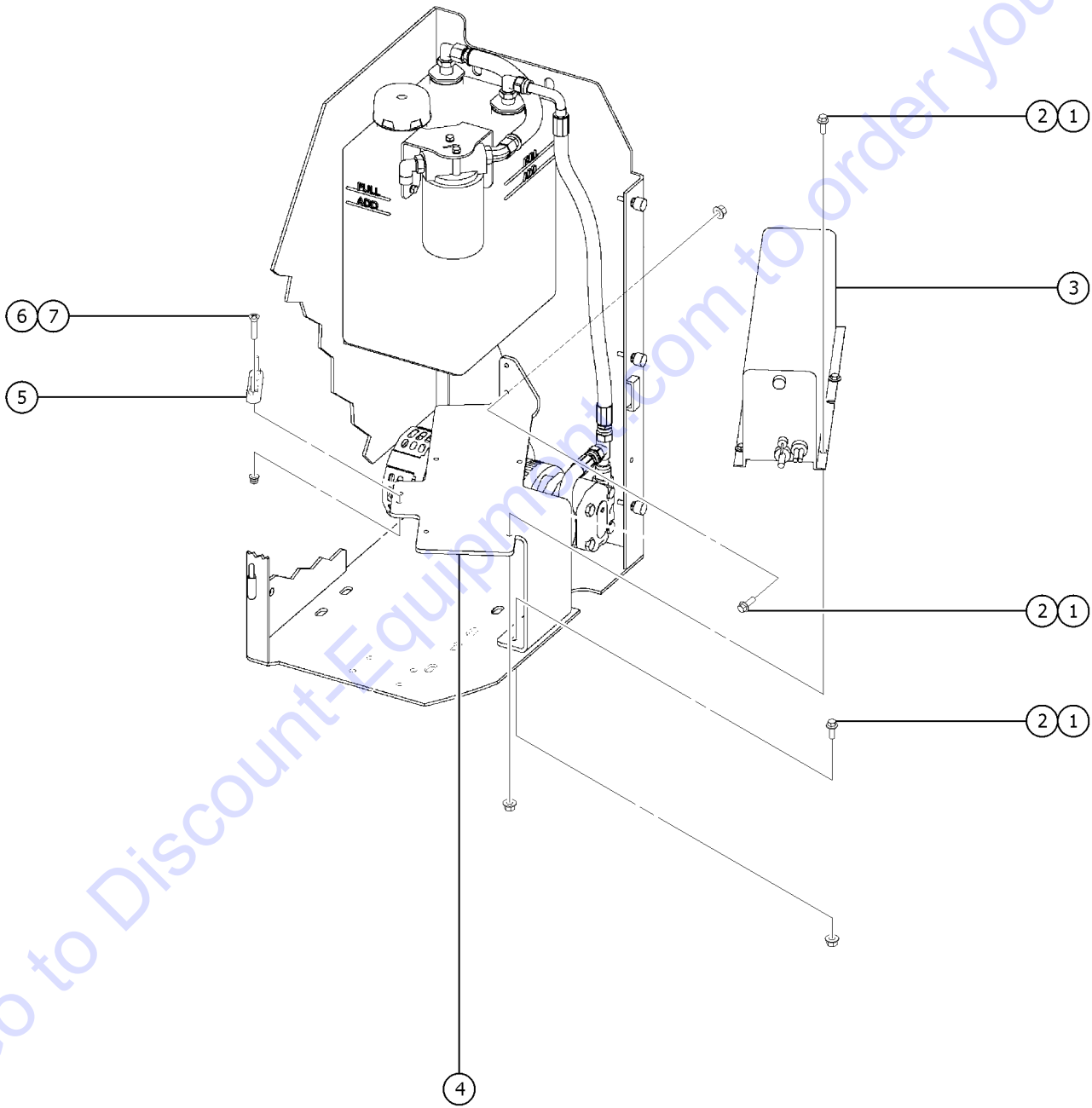
808.1 Drive Light



Item	Part No.	Description	Qty.
--	147492GT	HARNESS, DRIVE LIGHTS, 12V	
1	107857GT	LIGHT, 12 VOLT.....2 <i>includes items 2-3 and 5-6</i>	
2	824085GT	SCREW,HHF,5/16-18X.75,8,ZAG.....2	
3	824028GT	NUT,TL FLG,5/16-18,G,ZAG.....4	
4	128968GT	COVER, DR LIGHT OPTION.....1	
5	825674GT	SCREW, HHC, 5/16-18X2,8,ZAG.....2	
6	825358GT	WASHER,FLAT,5/16,USS,ZAG.....2	
7	53517GT	GROMMET,RUBBER .5 X .014 X .75....2	
8	19274GT	RELAY,SPDT,12V(AUTO)**.....1	
--	54365GT	SCREW,PHIL,PHM,10-32 X .5,SSTL	
--	824032GT	NUT,TL FLG,10-32,F,ZAG	
9	72867GT	DECAL,LABEL,LIGHTS***.....1	
10	128205GT	SWITCH TOGGLE ASSY DPDT 2P MNT.....1	
--	27246GT	BOOT,TOGGLE SWITCH,SHORT*	
11	6578GT	CABLE TIE,7 3/8".....2	
12	128270GT	HARNESS, DRIVE LIGHTS, 12V.....1	

Go to Discount-Equipment.com to order your parts

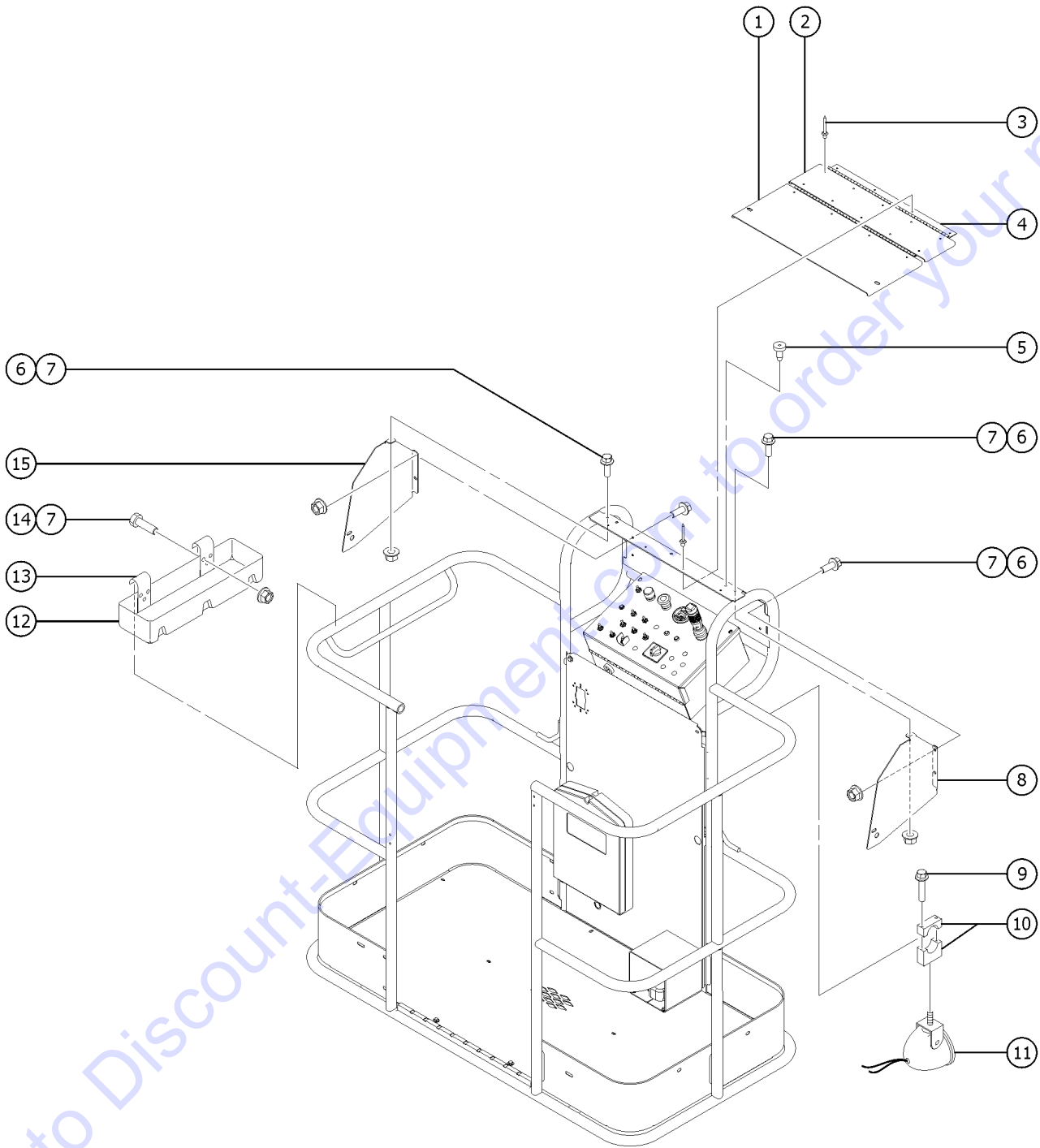
809.1 Inverter, 120V



Item	Part No.	Description	Qty.
--	78098GT	RELAY,24VDC,40/30A,SLD W/BRKT*.....1	
--	32149GT	WELDING CABLE #2 RED.....72-inches	
--	66717GT	FUSE BLOCK, ANN & ANL FUSE.....1	
--	36355GT	FUSE,100 AMP,VERY FAST ACTING.....1	
1	824079GT	SCREW,HHF,1/4-20X1,8,ZAG.....8	
2	824027GT	NUT,TL FLG,1/4-20,G,ZAG.....8	
3	150026GT	INVERTER,48VDC,120VAC/60HZ.....1	
4	128102GT	FORMING, INVERTER MT.....1	
5	66717GT	FUSE BLOCK, ANN & ANL FUSE.....1	
6	824225GT	SCREW,FHPM,10-32X.75,ZAG.....2	
7	23405GT	NUTSERT,10-32 STEEL CAD PLTD.....2	

Go to Discount-Equipment.com to order your parts

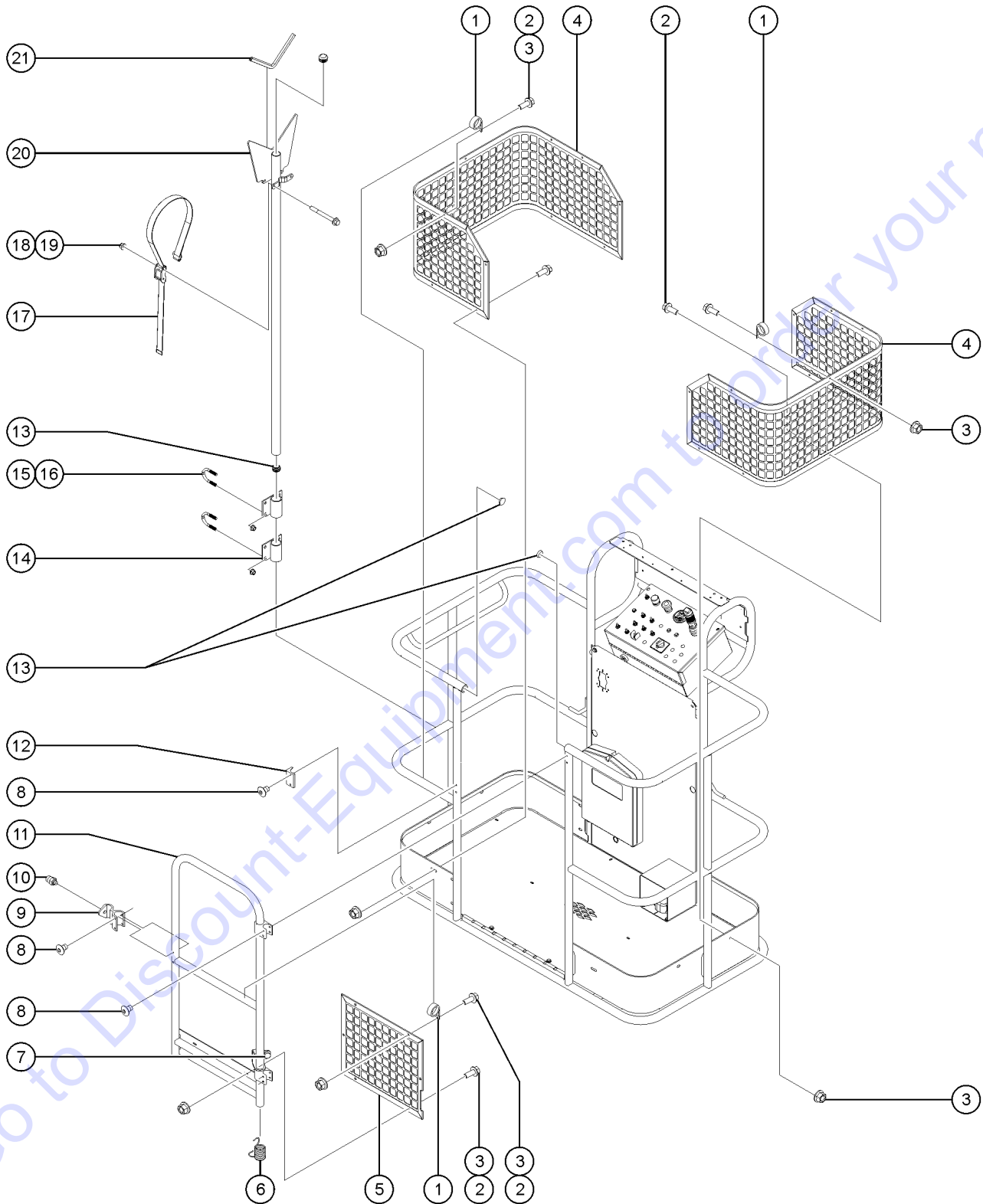
810.1 Platform Control Box Cover, Tool Tray and Work Light



810.1 Platform Control Box Cover, Tool Tray and Work Light

Item	Part No.	Description	Qty.
--	101649GT	OPTION,CONTROL BOX COVER.....1 <i>includes items 1-8, 15</i>	1
--	823942GT	OPTION,WORKLIGHTS,48V.....1 <i>includes items 9-11</i>	1
--	9599-SGT	TOOL TRAY ACCESSORY***.....1 <i>includes items 7, 12-14</i>	1
1	101679GT	LID,CONTROL BOX COVER.....1	1
2	101678GT	LID,CONTROL BOX COVER.....1	1
3	87085GT	RIVET,ALUM,P,.188 X .25.....18	18
4	77860GT	HINGE,CONTROL BOX.....2	2
5	34619GT	BUMPER,RUBBER***.....6	6
6	824078GT	SCREW,HHF,1/4-20X.75,8,ZAG	
7	824027GT	NUT,TL FLG,1/4-20,G,ZAG	
8	101676GT	CONTROL BOX COVER, RH.....1	1
9	824081GT	SCREW,HHF,1/4-20X1.5,8,ZAG.....2	2
10	35956GT	BRACKET,WORK LIGHT MOUNT 5/16".....2	2
11	107858GT	WORKLIGHT,48 VOLT.....2	2
--	823226GT	POWER RELAY, 24V COIL	
12	9599-SGT	TOOL TRAY ACCESSORY***.....1	1
13	7746P-SGT	TOOL TRAY BRCKT, GRAY,SERVICE.....2	2
14	824059GT	SCREW,HHC,1/4-20X.75,8,ZAG.....6	6
15	101677GT	CONTROL BOX COVER, LH.....1	1

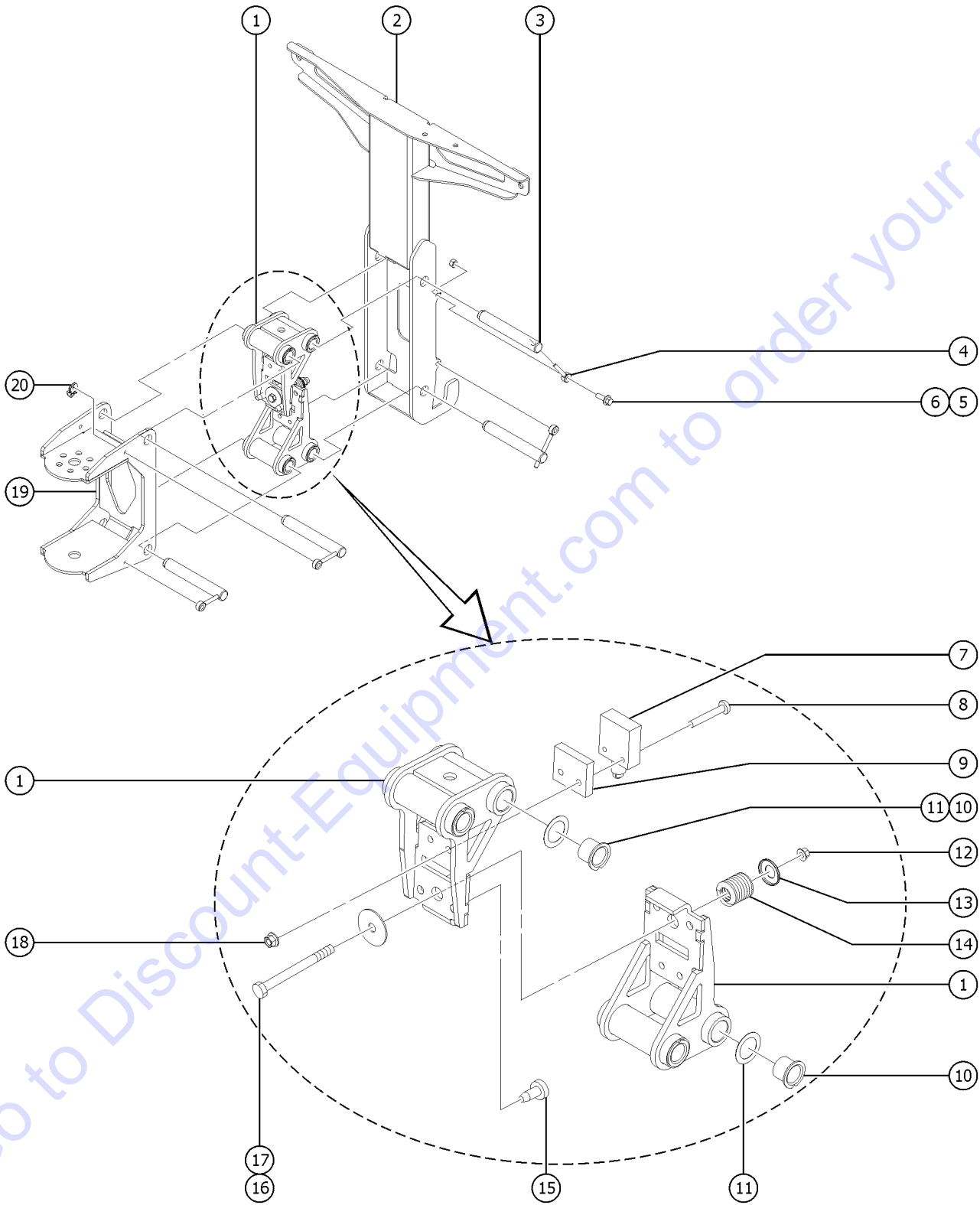
811.1 Platform Half Mesh, Swing Gate and Pipe Cradle



811.1 Platform Half Mesh, Swing Gate and Pipe Cradle

Item	Part No.	Description	Qty.
A	85300GT	PIPE CRADLE ASSY. SERV (ONE)** (ANSI & CE only) (This is a single assembly. Qty 2 of 85300GT required to complete a set)	
--	65630GT	INSTRUCTIONS-PIPE CRADLE,BOOMS	
B	119950GT	KIT,FIELD INSTALL,SWING GATE.....1 includes items 6-13	
1	56424GT	CLAMP,1.25X.5 RUBBER-CUSHION....23	
2	824078GT	SCREW,HHF,1/4-20X.75,8,ZAG	
3	824027GT	NUT,TL FLG,1/4-20,G,ZAG	
4A	74009GT	MESH,HALF HEIGHT RH,4***.....2	
4B	74007GT	MESH,HALF HEIGHT,5***.....2	
5	54457GT	MESH,HALF,SWING GATE***.....1	
6	42104GT	SPRING,SHORT PLATFORM GATE.....1	
7	43392GT	BUMPER,BATTERY BOX & RAILS.....1	
8	824207GT	RIVET, STL, STL, DOME, 1/4 X .375, ZAG	
9	1487GT	GATE LATCH CASTING--DRILLED.....1	
10	33674GT	PIN,LOCK,SHORT***.....1	
11	128374GT	WELDMENT,SWING GATE,ALUMINUM.....1	
--	9596GT	HINGE CASTING.....2	
12	1488GT	RAILING CATCH CASTING--DRILLED...1	
13	55753GT	BUMPER, PLASTIC, 1.25 O.D.....6	
14	81368GT	WELDMENT,PIPE CRADLE MOUNT....4	
15	1251600GT	U-BOLT, FLATTENED, 1.5 X 3/8 UNC,ZAG.....8	
16	1274322GT	NUT,NYLOCK FLG,3/8-16,F,ZAG.....16	
17	56570GT	STRAP, CONDUIT HOLDER 60****.....2	
18	1277924GT	NUT,NYLOCK FLG,1/4-20,F,ZAG.....4	
19	824083GT	SCREW,HHF,1/4-20X2.5,8,ZAG.....4	
20	56525GT	WELDMENT, PIPE CRADLE.....2	
21	19018-1100GT	TRIMLOCK,BLACK,5/32".....2	

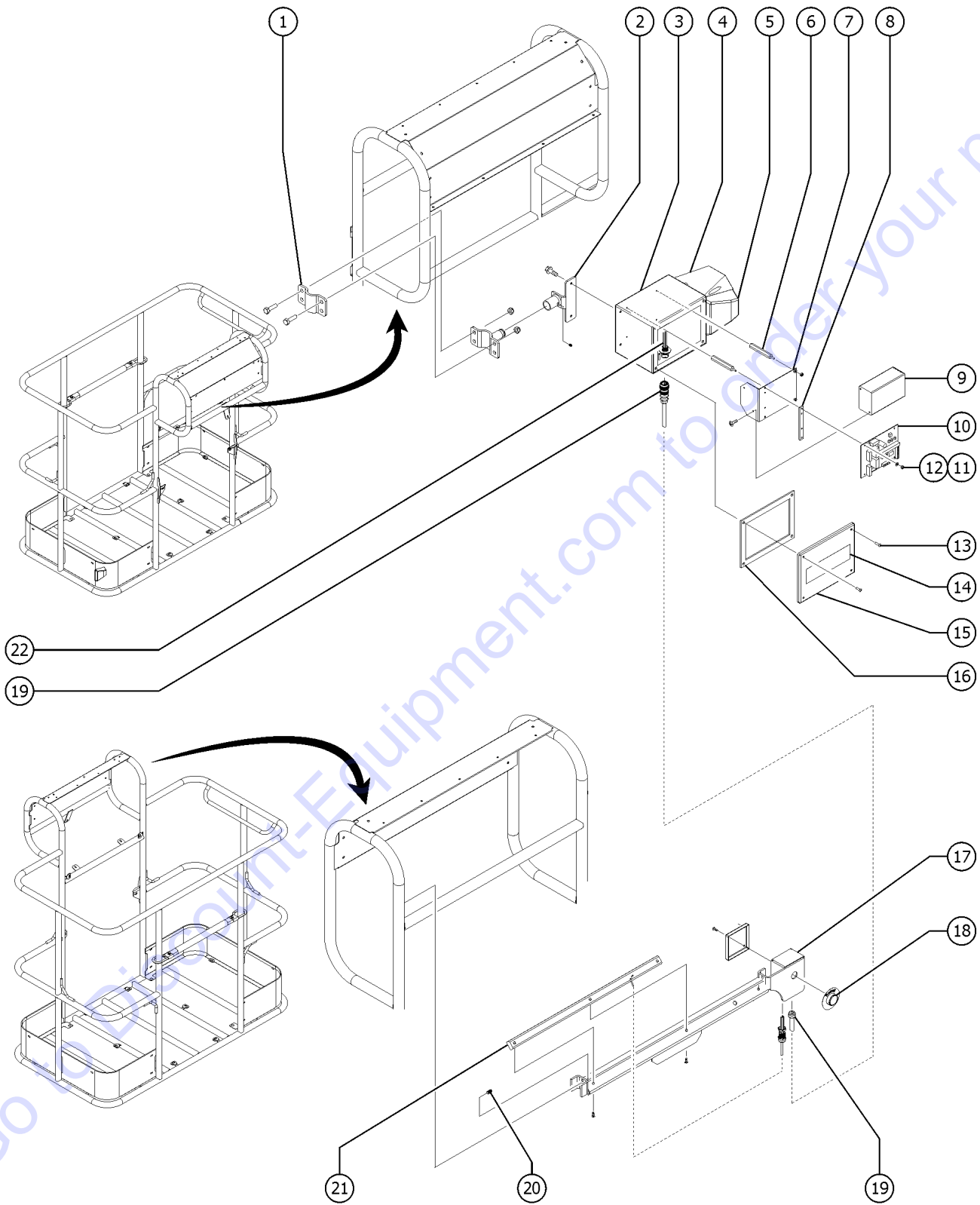
812.1 Platform Overload, CE and AUS



812.1 Platform Overload, CE and AUS

Item	Part No.	Description	Qty.
--	121848GT	ASSY,LS,LOAD SENSE,38.5 IN.....	1
1	94191GT	WELDMENT,LOAD SUPPORT.....	2
2	94176GT	WELDMENT,PLATFORM SUPPORT.....	1
3	61726GT	PIN,0.75DIAX5.75LG,CHAMFER.....	4
4	825020GT	ROD END, .25 X 2.75, ZAG.....	4
5	824079GT	SCREW,HHF,1/4-20X1,8,ZAG.....	4
6	824024GT	NUT,TL,1/4-20,C,ZAG.....	4
7	121848GT	ASSY,LS,LOAD SENSE,38.5 IN.....	1
8	824216GT	SCREW,PHPM,10-32X1.5,ZAG.....	2
9	61972GT	MOUNT,SWITCH.....	1
10	25685GT	BEARING,GARLOCK,12FDU12.....	8
11	110789GT	WASHER,SHIM .0151 THK.....	8
12	824029GT	NUT,TL FLG,3/8-16,G,ZAG.....	1
13	824208GT	RETAINER,SPRING,1.21X.375,ZAG.....	1
14	61974GT	SPRING,COMP,1" OD,232 LB/IN.....	1
15	34619GT	BUMPER,RUBBER***.....	2
16	824070GT	SCREW,HHC,3/8-16X3.25,8,ZAG.....	1
17	1268468GT	WASHER,FLAT,.406X1.50X.125,ZAG.....	1
18	824032GT	NUT,TL FLG,10-32,F,ZAG.....	2
19	94170GT	WELDMENT,ROTATOR SUPPORT.....	1
20	45470GT	CLAMP,0.31,#5 X 1/4,RUB CUSH.....	1

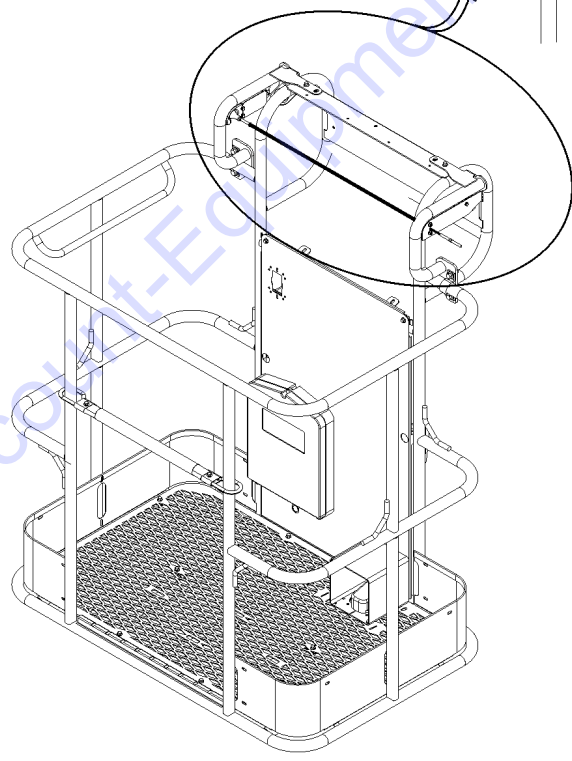
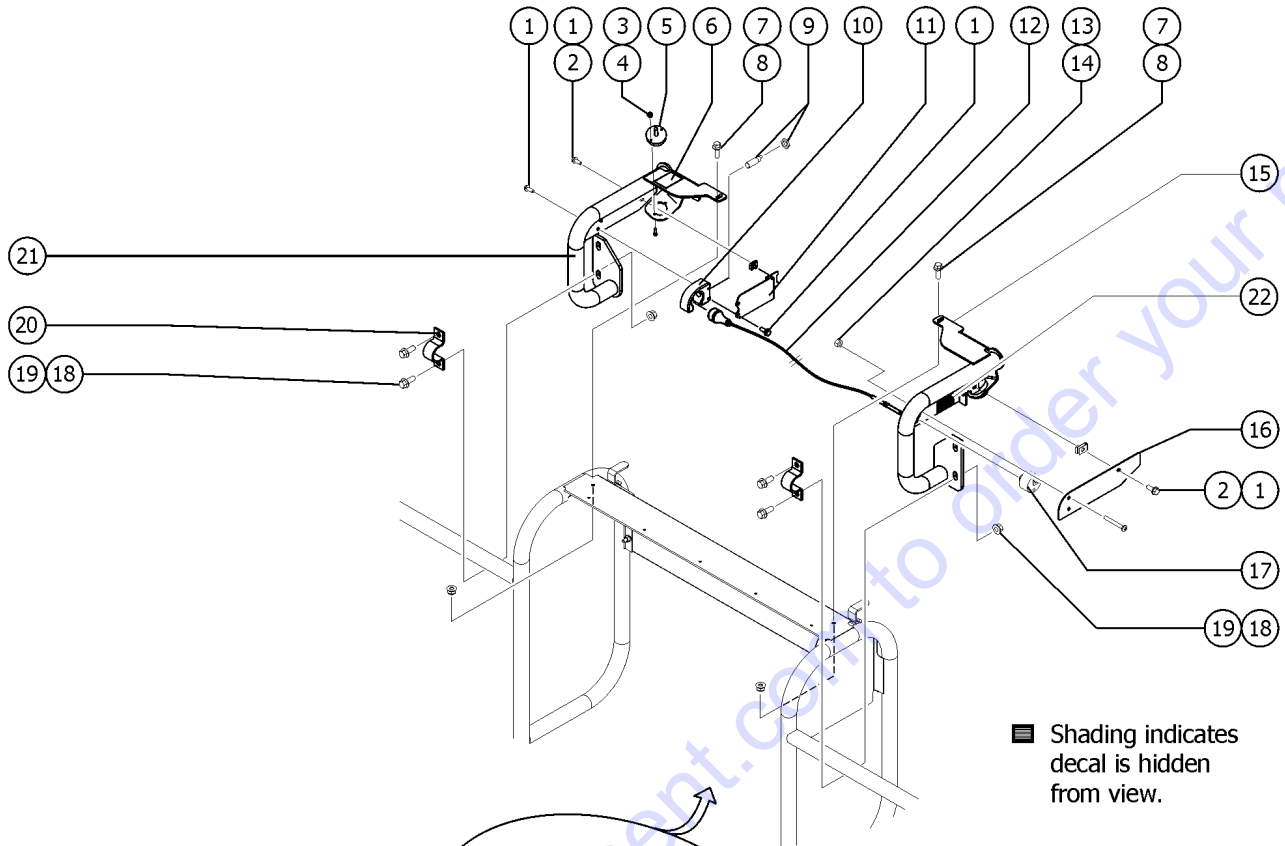
813.1 Operators Protection Alarm (to January 2017)



813.1 Operators Protection Alarm (to January 2017)

Item	Part No.	Description	Qty.
1	1256149GT	CLAMP,HAND RAIL,OPA,4'-5'.....1 <i>includes fasteners</i>	1
2	1255026GT	ASSY,BRKT,CNTRL BOX W/FASTNRS.....1	1
3	1255018GT	BASE ENCLOSURE,RED,OPA.....1	1
4	1255021GT	SOUNDER,MIDI,OPA.....1	1
5A	1255037GT	SOUNDER LENS, OPA, BLUE.....1 <i>(standard lens fitted to OPA)</i>	1
5B	1270116GT	SOUNDER LENS, OPA, RED	
5C	1270117GT	SOUNDER LENS, OPA, AMBER	
5D	1270118GT	SOUNDER LENS, OPA, CLEAR	
6	1255028GT	STAND OFF,CONTROL UNIT.....1	1
7	1255024GT	BRACKET,CONTROL UNIT.....1	1
8	1255025GT	SPACER,HEAT SINK.....1	1
9	1255023GT	ASSY,MODULE,CONTROL UNIT,OPA....1	1
10	1255022GT	MODULE,CONTROL UNIT,PCB,OPA....1	1
11	1255067GT	NUT,M4 NYLOCK.....4	4
12	1255066GT	WASHER,M4 NYLON.....4	4
13	1255038GT	SCREW,M5X16 BHD.....4	4
14	1255890GT	DECAL,COSMETIC,GENIE.....1	1
15	1255020GT	LID ENCLOSURE,RED,OPA.....1	1
16	1255019GT	GASKET,ENCLOSURE.....1	1
17	1255488GT	ASSEMBLY,TAPESWITCH.....1 <i>4ft or 5ft platforms; includes j-box and fasteners</i>	1
18	1255036GT	ASSEMBLY RESET SWITCH.....1	1
19	1255035GT	ASSEMBLY,CABLE,TAPESWITCH.....1	1
20	1255068GT	SCREW,M6X8.....2	2
21	1255489GT	SENSOR,RUBBER EDGE.....1 <i>4ft or 5ft platforms</i>	1
22	1255033GT	HARN,PIGTAIL,TAPESWITCH,OPA.....1	1

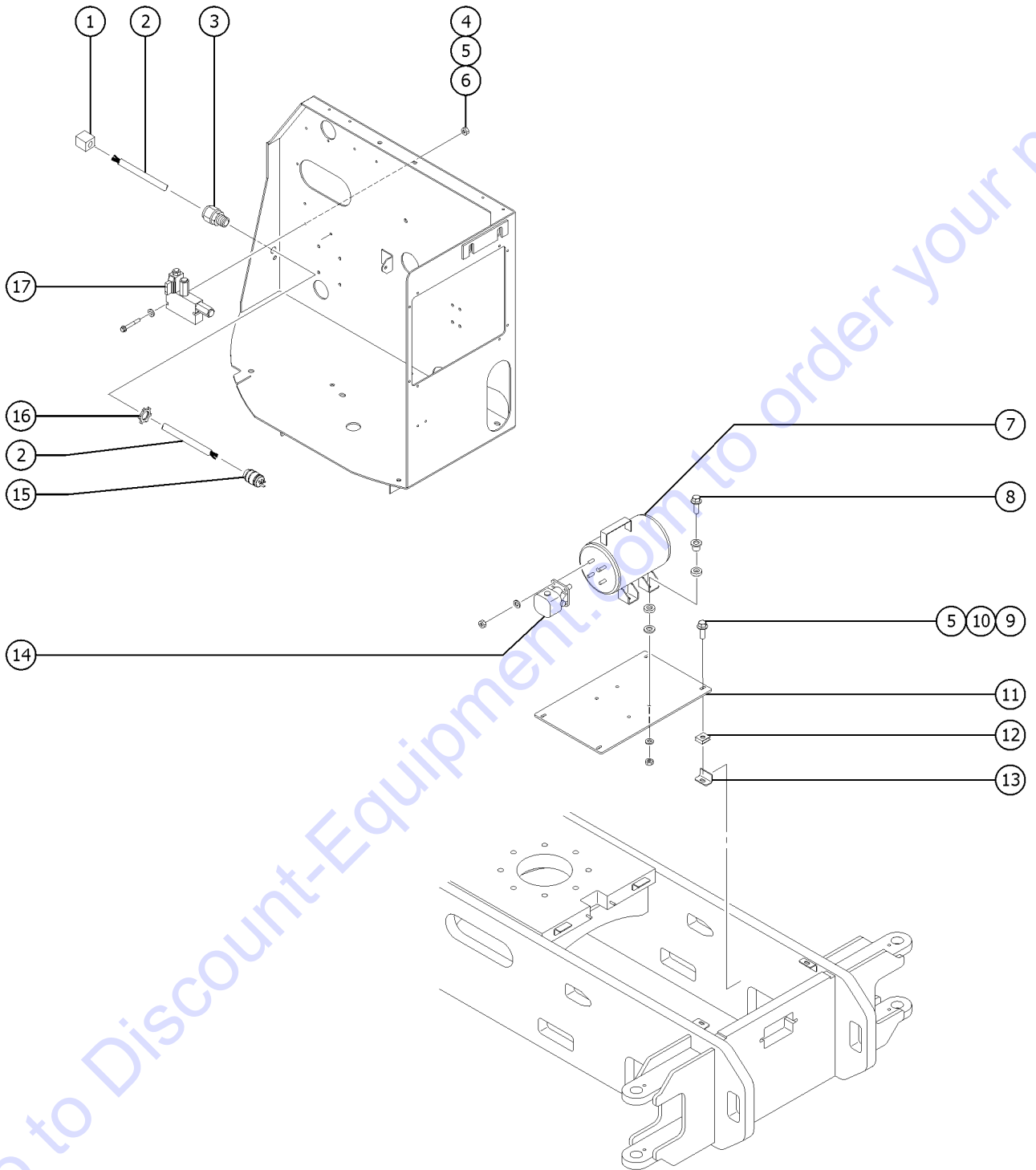
813.2 Lift Guard Contact Alarm (from January 2017)



813.2 Lift Guard Contact Alarm (from January 2017)

Item	Part No.	Description	Qty.
--		From January 2017, this option became a standard installation on all models unless the customer specifically request not to have it installed."	
--	1279136GT	KIT,LIFT GUARD CONTACT ALARM,4'-5' PLATFORM	
--	1278451GT	HARNESS, OPA2, Z34IC	
--	19274GT	RELAY,SPDT,12V(AUTO)**	
--	1278121GT	MODULE, PLUS+1, CONTACT ALARM <i>located inside the Platform Control Box</i>	
1	1264934GT	SCREW,HHF,10-24X.5	
2	73575GT	SPRING CLIP,10-24,.025-.125X.468,ZAG	
3	12344GT	NUT,NYLOCK,6-32	
4	1256859GT	SCREW,PHPM,6-32X.875,ZAG	
5	1278111GT	ASSEMBLY, LIGHT, CONTACT ALARM.....	2
6	1278542GT	DECAL, INSTRUCTION, CONTACT ALARM	
7	824078GT	SCREW,HHF,1/4-20X.75,8,ZAG	
8	1277924GT	NUT,NYLOCK FLG,1/4-20,F,ZAG	
9	1278119GT	ASSEMBLY, SENSOR, PROX, CONTACT ALARM.....	1
10	1278433GT	ASSY, SENSOR W/HOUSING <i>(Includes holder item 1277877 and sensor part 1278119)</i>	
--	1277877GT	HOLDER, SENSOR.....	1
11	1277873GT	FORMING, SENSOR HOLDER.....	1
12	1278417GT	ASSEMBLY, OPA CABLE, SMALL.....	1
--	1261184GT	NUT,1/4-20,8,ZAG <i>Part of assembly 1278417</i>	
--	1278124GT	MAGNET, 1/4-20, 15 LB. <i>Part of assembly 1278417</i>	
--	1278368GT	GRIP, CABLE <i>Part of assembly 1278417</i>	
--	1278459GT	OPA WIRE ASSY, SMALL <i>Part of assembly 1278417</i>	
13	825352GT	SCREW,PHPM,10-32X1.25,ZAG	
14	1264261GT	NUT,SERRATED,10-32,ZAG	
15	1278175GT	WELDMENT, RIGHT OPA, SMALL.....	1
16	1277875GT	PLATE, CABLE AND WIRE COVER.....	1
17	1277876GT	GUIDE, CABLE.....	1
18	1274322GT	NUT,NYLOCK FLG,3/8-16,F,ZAG	
19	824090GT	SCREW,HHF,3/8-16X1.8,ZAG	
20	1278363GT	CLAMP, 1.25 INCH TUBE.....	2
21	1278177GT	WELDMENT, LEFT OPA, SMALL.....	1
22	1278982GT	DECAL, INSTRUCTION, ACTUATOR SWITCH SOCKET.....	1

814.1 2000 Watt Generator



Go to Discount-Equipment.com to order your parts

Item	Part No.	Description	Qty.
1	119404GT	CONN,RECEP 120AC/15A DOMESTIC.....	1
2	43956GT	WIRE CABLE,14/3 CON.TPE JKT*.....	96-inches
--	20973GT	WIRE LOOM,3/8 POLY SLIT.....	12-inches
3	7056GT	CONN,SQUEEZE,1/2NPT .38-.50,SM....	1
4	6091GT	NUT,NYLOCK,1/4-20	
5	6638GT	WASHER,FLAT,USS,1/4"Y	
6	4266GT	SCREW,HHC,1/4-20 X 2	
7	56258GT	GENERATOR,2000W,110VAC,60HZ.....	1
8	13918GT	SCREW,HHC,3/8-16 X 1.75,GRD.8	
9	6888GT	SCREW,HHC,1/4-20 X 1	
10	6356GT	WASHER,LOCK,.25	
11	56164GT	PLATE,GENERATOR MOUNTING.....	1
12	56912GT	SPRING CLIP,1/4-20,.025-.15X.54,ZAG	
13	25847GT	ANGLE,CHASSIS COVER MOUNT.....	4
14	56260GT	MOTOR,.194IN3/REV,BARNES GC.....	4
15	119403GT	CONN,PLUG 120 AC/15A DOMESTIC...1	
16	6935GT	LOCKNUT,ELEC,1/2".....	1
17	56156GT	MANIFOLD,GENERATOR.....	1

Part Number Index

The Part Number Index is a numeric index of all part numbers included in this manual. The index shows what page(s) the part is used on.

Part Number	Page	Part Number	Page	Part Number	Page	Part Number	Page
100044GT	15, 19	110645GT	49	1256350GT	53	1271844GT	75
101200GT	59	110649GT	95	1256356GT	69	1271849GT	75
101201GT	59	110651GT	93	1256859GT	147	1271851GT	75
101203GT	59	110652GT	93	1257390GT	79	1271852GT	75
101204GT	63	110653GT	93	1257733GT	11	1271867GT	71
101208GT	59	110694GT	29	1258567GT	11	1271874GT	69
101209GT	59	110706GT	29	1259715GT	125	1271878GT	69
101237GT	63, 69	110789GT	143	1260218GT	49	1272019GT	11, 69
101238GT	53, 63, 69	112308GT	67	1260940GT	73	1272020GT	73
101557GT	85	112379GT	67, 73	1260992GT	49	1272828GT	11, 69
101584GT	33	112500GT	65	1261184GT	147	1272829GT	11, 69
101585GT	31	112531GT	65	1261346GT	93	1272952GT	71
101586GT	31, 33, 35	114249GT	21	1261347GT	93	1272953GT	71
101649GT	139	114397GT	19	1261566GT	93	1272958GT	69
101676GT	139	114420GT	23	1261606GT	79	1272959GT	69
101677GT	139	119025GT	63	1261844GT	49	1272963GT	71
101678GT	139	119058GT	91	1261984GT	41	1272964GT	71
101679GT	139	119077GT	129	1262029GT	49	1273017GT	69
101726GT	39	119111GT	37	1262030GT	49	1273078GT	69
101981GT	91	119403GT	149	1262353GT	85	1273080GT	71
101982GT	91	119404GT	149	1262354GT	85	1273326GT	73
101983GT	91	119684GT	71	1262355GT	85	1273584GT	49
101984GT	91	119685GT	71	1263141GT	37	1273594GT	69
102992GT	91	119762GT	37	1263142GT	37	1273604GT	69
104367GT	63	119854GT	31	1263187GT	41	1274010GT	117
105214GT	71	119917GT	37	1263242GT	117	1274011GT	117
106098GT	31, 33, 35	119950GT	141	1263243GT	117	1274012GT	117
106117GT	31, 33	121846GT	45	1263699GT	131	1274013GT	117
106118GT	31	121847GT	95	1264130GT	15	1274014GT	117
106119GT	31, 33	121848GT	143	1264261GT	147	1274015GT	117
106120GT	31, 33	122019GT	127	1264315GT	83	1274322GT	141, 147
106121GT	31, 33	122073GT	125	1264822GT	49	1274873GT	91
106122GT	31, 33	122513GT	93	1264834GT	49	1274877GT	69
106123GT	31, 33	122514GT	93	1264934GT	147	1277873GT	147
106124GT	31, 33	12344GT	147	1266019GT	15	1277875GT	147
106125GT	31, 33	12443GT	91	1267397GT	33	1277876GT	147
106126GT	31, 33	1251565GT	31	1267807GT	55, 67, 75	1277877GT	147
106377GT	47	1251590GT	123	1267842GT	33	1277924GT	95, 141, 147
106380GT	47	1251591GT	123	1267843GT	33	1278111GT	49, 147
106433GT	83, 85	1251592GT	123	1267844GT	33	1278119GT	49, 147
106517PGT	31	1251600GT	141	1267845GT	33	1278121GT	147
106549GT	91	1252011GT	123	1267846GT	33	1278124GT	147
106550GT	91	1252012GT	123	1267847GT	33	1278175GT	147
106551GT	91	1252013GT	123	1268179GT	59	1278177GT	147
106602GT	51	1252977GT	47, 67	1268180GT	59	1278363GT	147
10775GT	91	1252978GT	129	1268229GT	11, 55, 67, 75	1278368GT	147
10777GT	91	1253185GT	49	1268468GT	39, 73, 143	1278417GT	147
107857GT	135	1255018GT	145	1268GT	11	1278433GT	147
107858GT	139	1255019GT	145	1269154GT	69	1278451GT	49, 147
107926GT	91	1255020GT	145	1269187GT	71	1278459GT	147
107927GT	91	1255021GT	145	1269189GT	69	1278542GT	147
107928GT	91	1255022GT	145	1269191GT	75	1278982GT	147
107929GT	91	1255023GT	145	1269539GT	75	1279136GT	147
107930GT	91	1255024GT	145	1269544GT	73	1279191GT	31
107931GT	91	1255025GT	145	1270116GT	145	1279192GT	31
107932GT	91	1255026GT	145	1270117GT	145	1279193GT	35
109802GT	105	1255028GT	145	1270118GT	145	1279194GT	35
110146GT	49	1255030GT	49	1271076GT	43	128045GT	45
110149GT	71	1255033GT	145	1271081GT	79	128102GT	137
110194GT	101	1255035GT	145	1271252GT	69	128146GT	133
110196GT	105	1255036GT	145	1271254GT	69	1281778GT	39
110200GT	101	1255037GT	145	1271255GT	69	1281794GT	39
110232GT	37, 49	1255038GT	145	1271540GT	71	1281807GT	71
110233GT	49	1255066GT	145	1271541GT	71	128200GT	123
110236GT	49	1255067GT	145	1271730GT	69	128205GT	135
110240GT	49	1255068GT	145	1271731GT	69	128270GT	135
110244GT	49	1255488GT	145	1271732GT	69	128291GT	47
110245GT	49	1255489GT	145	1271752GT	69	128295GT	55, 57, 65
110246GT	49	1255555GT	49	1271753GT	69	128298GT	67, 73
110253GT	49	1255758GT	47, 83	1271809GT	75	128326GT	55, 65
110271GT	31	1255803GT	79	1271817GT	75	128327GT	55, 65
110285GT	51, 59	1255805GT	71, 73	1271824GT	75	128328GT	65
110382GT	41	1255890GT	145	1271825GT	71	128331GT	67
110523GT	65	1256149GT	145	1271828GT	71	128332GT	53
110640GT	49	1256182GT	37	1271841GT	75	128338GT	57, 65

Part Number	Page	Part Number	Page	Part Number	Page	Part Number	Page
128350GT	55	139107GT	115	147000GT	123	227564GT	91
128374GT	141	139108GT	115	147001GT	123	227591GT	57
1283776GT	11	139109GT	115	147079GT	85	227593GT	51
1284189GT	37	139110GT	115	147093GT	43	227620GT	49, 91
128445GT	105	139111GT	115	147094GT	43	22794GT	37
128467GT	47	139112GT	115	147181GT	129	228914GT	55
128470GT	47	139113GT	115	147251GT	49	228915GT	51
128516GT	55	139114GT	115	147334GT	63	228916GT	51
128550GT	89	139118GT	115	147337GT	37	228917GT	57
128565GT	37	139128GT	119	147340GT	37	22903GT	59
128580-SGT	43, 93	139129GT	65	147342GT	37	229071GT	55
128581-SGT	93	139141GT	53, 63	147492GT	135	229243GT	55
128582-SGT	43, 93	139162GT	53	147638GT	85	22934GT	59
128583-SGT	43	139168GT	57, 59, 109, 113	148099GT	59	229567GT	93
128584-SGT	43, 93	139173GT	57	1484GT	11	230333GT	49
128586-SGT	93	139174GT	115	1487GT	141	230470GT	39
1286129GT	23	139176GT	115	1488GT	141	230798GT	51
128618GT	37	139177GT	115	150026GT	137	231226GT	59
128619GT	37	13918GT	149	15243GT	45, 95	231227GT	59
128620GT	37	139191GT	51	161069GT	63	231232GT	59
128621GT	37	139192GT	51	161070GT	63	231323GT	53, 117
128622GT	37	139193GT	53	161071GT	53, 63	231529GT	69
128635GT	79	139196GT	51	161192GT	53	232486GT	31
1286602GT	33	139197GT	51	161193GT	53	232951GT	59, 69
1286603GT	31, 33	139200GT	51	161209GT	53	233585GT	53, 117
128667GT	91	139202GT	51	161232GT	57	233586GT	53, 117
128668GT	91	139203GT	55	161366GT	53	233717GT	89
128669GT	91	139214GT	57	161621GT	59	233745GT	89
128677GT	129	139215GT	57	18396GT	29, 31, 81	233933GT	57
128681GT	129	139230GT	65, 75	18504GT	55, 73	23404GT	45, 95, 123
128682GT	129	139238GT	59	18605GT	55	23405GT	137
128729GT	33, 35	139241GT	47	18665GT	45	23467GT	53
1288080GT	83, 87, 89	139246GT	47	18963GT	127	23469GT	51
128838GT	131	139247GT	133	19018-1100GT	141	23479GT	51
128839GT	31	139250GT	15	19274GT	95, 97, 135, 147	235487GT	53, 117
128852GT	129	139254GT	65, 73	19491GT	79, 83, 85	235499GT	51
128899GT	37	139261GT	67	19506GT	43	235500GT	51
128902GT	67, 73	139273GT	61	19712GT	97	235501GT	51
128935GT	45	139274GT	63	19720GT	97	235502GT	51
128968GT	135	139275GT	63	19729GT	99	235503GT	51
128970GT	65, 73	139276GT	59	19731GT	97, 99	235504GT	51
128973GT	129	139277GT	59	19861GT	53	235506GT	51
13002GT	73	139278GT	51, 59	20224GT	101	235509GT	51
13083GT	73	139279GT	59	20776GT	45	235512GT	51
131269GT	15	139280GT	59	20780GT	55, 61	235513GT	51
131340GT	31	139282GT	59	20973GT	91, 149	235521GT	53
131341GT	31	139290GT	47	21121GT	91	235522GT	53
131373GT	65	139411GT	29, 33	21130GT	61	235523GT	55
131378GT	59	139464GT	107	21141GT	39	235525GT	55
131379GT	59	139467GT	33	21166GT	29	235526GT	55
131581GT	65	139468GT	33	21427GT	97	235527GT	57
13268GT	95	139469GT	33, 35	21465GT	53, 67	235528GT	57
133278GT	15	139470GT	33, 35	215706GT	69	235529GT	57
133299GT	13, 21	139471GT	29	215777GT	33	235531GT	57
133545GT	13	139472GT	29	215985GT	49	235532GT	57
13585GT	91	139473GT	29	215987GT	15	235533GT	57
13825GT	127	139474GT	29	216135GT	97	235552GT	51
139008GT	37	139476GT	33	21619GT	41	237145GT	93
139078GT	119	139478GT	33	216789GT	45	237238GT	65
139079GT	119	139479GT	29	216791GT	45	237506GT	49
139084GT	109, 113	139480GT	29	216793GT	45	238379GT	57
139085GT	119	139537GT	87	217046GT	45	24037GT	55, 65, 75
139087GT	109, 113	139540GT	87	217371GT	49	24514GT	91
139090GT	115	139541GT	87	218167GT	43	25685GT	143
139092GT	115	139542GT	87	218604GT	53	25817GT	29, 31
139093GT	115	139560GT	107	219239GT	53	25847GT	149
139094GT	115	139562GT	107	219437GT	65	27050GT	105
139095GT	115	139563GT	107	22446GT	61	27089GT	53, 61, 117
139096GT	115	139584GT	49	226382GT	97	27246GT	135
139098GT	111	139643GT	123	226383GT	97	27275GT	37
139099GT	111	139655GT	89	226384GT	97	27372GT	37
139100GT	37, 39, 109, 113	139788GT	39	226385GT	97	27391GT	123
139101GT	111	139814GT	47	226386GT	97	27564GT	17
139102GT	111	139815GT	47	226393GT	127	27581GT	11
139103GT	109, 113	146051GT	33	22672GT	53, 63	27894GT	121
139106GT	115	146052GT	33	227429GT	15, 19	27900GT	121

PARTS FINDER

**Search Website
by Part Number**



**Search Manual
Library For Parts
Manual & Lookup Part
Numbers – Purchase
or Request Quote**

Search Manuals

Enter your information to help us find the right parts manual for your machine.

* Brand:

* Model:

* Serial:

* Part Number:

SEARCH

**Can't Find Part or
Manual? Request Help
by Manufacturer,
Model & Description**

Parts Order Form

Please fill in the following information to help us find the right part for your machine.

Manufacturer:	<input type="text"/>
Model:	<input type="text"/>
Description:	<input type="text"/>
Part Number:	<input type="text"/>
Quantity:	<input type="text"/>
Notes:	<input type="text"/>

Submit

Discount-Equipment.com is your online resource for quality parts & equipment.

Florida: **561-964-4949** Outside Florida TOLL FREE: **877-690-3101**

Need parts?

Click on this link: <http://www.discount-equipment.com/category/5443-parts/> and choose one of the options to help get the right parts and equipment you are looking for. Please have the machine model and serial number available in order to help us get you the correct parts. If you don't find the part on the website or on one of the online manuals, please fill out the request form and one of our experienced staff members will get back to you with a quote for the right part that your machine needs.

We sell worldwide for the brands: Genie, Terex, JLG, MultiQuip, Mikasa, Essick, Whiteman, Mayco, Toro Stone, Diamond Products, Generac Magnum, Airman, Haulotte, Barreto, Power Blanket, Nifty Lift, Atlas Copco, Chicago Pneumatic, Allmand, Miller Curber, Skyjack, Lull, Skytrak, Tsurumi, Husquvarna Target, Stow, Wacker, Sakai, Mi-T-M, Sullair, Basic, Dynapac, MBW, Weber, Bartell, Bennar Newman, Haulotte, Ditch Runner, Menegotti, Morrison, Contec, Buddy, Crown, Edco, Wyco, Bomag, Laymor, EZ Trench, Bil-Jax, F.S. Curtis, Gehl Pavers, Heli, Honda, ICS/PowerGrit, IHI, Partner, Imer, Clipper, MMD, Koshin, Rice, CH&E, General Equipment, Amida, Coleman, NAC, Gradall, Square Shooter, Kent, Stanley, Tamco, Toku, Hatz, Kohler, Robin, Wisconsin, Northrock, Oztec, Toker TK, Rol-Air, APT, Wylie, Ingersoll Rand / Doosan, Innovatech, Con X, Ammann, Mecalac, Makinex, Smith Surface Prep, Small Line, Wanco, Yanmar

Part Number Index (continued)

Part Number	Page	Part Number	Page	Part Number	Page	Part Number	Page
27903GT	51	33452GT	105	42190GT	67, 73	44743GT	91
28092GT	51	33520GT	101	42248GT	59	44779GT	19, 27
28158GT	15, 23	33555GT	47, 67, 73	42324GT	59	44909GT	61
28159GT	15, 23	33576GT	91	42359GT	67, 75	44981GT	15, 19, 23, 27
28160GT	13, 21	33629GT	91	42363GT	37	44986GT	19
28161GT	15, 17	33674GT	141	42413GT	79	45040GT	29
28164GT	15	33994GT	11, 101, 103, 107	42489GT	133	45043GT	29
28165GT	19	34052GT	45, 49	42502GT	85	45071GT	81, 83, 85
28171GT	15, 23	34053GT	45, 49	42612-SGT	79	45074GT	29, 31
28174GT	15, 19, 23, 27	34054GT	45, 49	42613-SGT	79	45093GT	29
28175GT	15	34055GT	45, 49	42662GT	53, 65	45105GT	93
28176GT	19	34056GT	45	4266GT	149	45107GT	29
28177GT	19	34058GT	51, 59	42766GT	67	45108GT	29
28181GT	17	34245GT	81, 83	42767GT	11, 67	45110GT	29
28235GT	15, 19, 23, 27	34619GT	139, 143	42781GT	43, 95	45111GT	29
28236GT	19	35088GT	89	42797GT	89	45112GT	29
28443GT	71	35418GT	61, 117	42817GT	119	45113GT	29
28607GT	59	35434GT	71, 131	42818-SGT	119	45161GT	39
28646GT	39	35461GT	55	42859GT	119	45162GT	39
28750GT	11, 101, 103, 107	35675GT	85	42863-SGT	119	45383GT	43, 93
28853GT	133	35678GT	99	42878GT	109	45385GT	43, 45, 123
29080GT	85	35679GT	99	42879GT	109, 113	45400GT	33, 35
29203GT	67	35680GT	99	42889-SGT	119	45435GT	71
29261GT	123	35956GT	139	42890GT	119	45437GT	91
29436GT	63, 69	36054-SGT	89	42891-SGT	119	45460GT	29
29643GT	99	36192GT	85	42892GT	109, 113	45470GT	143
29868GT	37	36194GT	81, 83	42894-SGT	119	45782GT	49
29943GT	99	36199GT	89	42895GT	109, 113	45873GT	29
30222GT	89	36200GT	81	42939-12000GT	89	45912GT	101, 105
30489GT	131	36202GT	81	42939-5400GT	89	46131GT	53
30490GT	67	36205GT	81	42939GT	83	46216GT	103
30577GT	131	36211GT	29	42941GT	117	46227GT	97
30807P-SGT	91	36235GT	95	43018GT	107	46468GT	19, 27
30810GT	51	36245GT	81	43038GT	97	47377GT	79, 83, 89
30971GT	131	36246GT	81	43042GT	97	4828GT	51
30997GT	95	36355GT	137	43392GT	141	48342GT	105
31060GT	13, 17	36388GT	39, 47, 67, 75	43595GT	13	48879GT	75
31106GT	79, 89	36389GT	81	43596GT	101, 103	48880GT	69, 101, 105
31194GT	37	36390GT	81	43597GT	101	48885GT	39
31375GT	61	36555GT	11	43598GT	101	48890GT	119
31379GT	61	36561-SGT	89	43599GT	101	48900GT	119
31506GT	39	36648GT	85	43601GT	101, 105	48904GT	119
31528GT	105	36871GT	45	43607GT	105	48905GT	119
31745GT	11, 63	36872GT	57, 67, 75	43609GT	105	48912GT	119
31779GT	11	37052GT	19	43610GT	105	48916GT	119
31817GT	53	37053GT	13, 21	43612GT	105	48921GT	55
31821GT	53	37054GT	13, 21	43678GT	67	48926GT	119
32064GT	59, 69	37055GT	13, 21	43683GT	53, 63	48933GT	75, 119
32067GT	51, 59	37056GT	13, 21	43687GT	73	48935GT	75
32068GT	51	37079GT	105	43688GT	67, 73	48997GT	101, 105
32069GT	51, 53, 59	38156GT	67, 73	43700GT	63	49215GT	121
32077GT	59	39469GT	75	43937GT	83	49612GT	11, 101, 103, 107
32088GT	57	39640GT	73	43956GT	49, 91, 149	49613GT	11, 101, 103, 107
32090GT	57	40137GT	29	43960GT	37, 91	49819GT	45
32092GT	51	40145GT	29	44174GT	103	49821GT	85
32103GT	61	40146GT	29	44181GT	61	50546GT	89
32149GT	137	40412GT	105	44184GT	51	51495GT	53
32150GT	11	40434GT	19, 27	44190GT	55	51510GT	55
32151GT	11	40438GT	29, 31	44191GT	59	52371GT	103
32182GT	61	40446GT	79	44192GT	59	52425GT	53
32184GT	63	40447GT	83	44193GT	59	52427GT	53
32185GT	59, 65	40449GT	79	44194GT	59	52514GT	61
32189GT	59	40835GT	75	44195GT	59	52521GT	55
32190GT	59	41630GT	75	44196GT	61	52524GT	97
32191GT	59	41971GT	13	44197GT	61	52531GT	59
32192GT	59	42064GT	47, 67, 75	44198GT	61	52535GT	53, 55
32194GT	59	42065GT	45	44200GT	61	52536GT	55
32195GT	59, 65	42067GT	41	44201GT	61	52710GT	105
32196GT	11, 59	42068GT	33, 35	44202GT	61	52715GT	105
32199GT	59	42070GT	39	44203GT	63	52776GT	97
32200GT	59	42077GT	41	44204GT	63	52808GT	51
32205GT	65	42104GT	141	44207GT	11	52816GT	11, 51
32224GT	37	42123GT	65, 73	44228GT	103	52834GT	61
32669GT	101	42145GT	33	44236GT	103	52850GT	53
32710GT	91	42146GT	29	44248GT	19	52867GT	11, 71
32975GT	105	42157GT	101	44723GT	51	52887GT	97

Part Number Index (continued)

Part Number	Page	Part Number	Page	Part Number	Page	Part Number	Page
52943GT	105	58090GT	31	73714GT	37	824027GT	31, 33, 35, 41,
52960GT	121	58253GT	49	73717GT	45, 95		47, 53, 55, 57,
52968GT	13, 21	58318GT	45	73723GT	95		61, 65, 67, 73,
53517GT	135	58319GT	45	73736GT	45, 95		75, 79, 87, 91,
53534GT	39	58320GT	33	73739GT	91		123, 125, 129,
5365GT	49	58986GT	97	74007GT	141		137, 139, 141
53758-SGT	43	60429GT	37	74009GT	141	824028GT	53, 65, 91, 135
53759-SGT	43	60443GT	95	74052GT	91	824029GT	31, 33, 35, 37,
53761-SGT	43	60526GT	45, 95	74066GT	85		39, 41, 55, 57,
54140GT	29, 33	60857GT	11, 55, 67	74086GT	37, 79		65, 67, 73, 75,
54234GT	29, 33	60875GT	65	74091GT	83		79, 81, 83, 85,
54252GT	57, 67	6090GT	55	74119PGT	87		89, 143
54255GT	45, 95	6091GT	55, 149	74144GT	109, 113	824032GT	45, 47, 91, 95,
54259GT	95	61726GT	143	74148GT	109, 113		127, 135, 143
54365GT	135	6178GT	45	74232GT	79	824037GT	47, 67, 75
54457GT	141	61794GT	49	74245GT	47	824038GT	85, 89
54530GT	85	61972GT	143	74308GT	119	824039GT	65, 67, 73
54534GT	45	61974GT	143	74309GT	119	824040GT	55, 75, 79
54989GT	131	62043GT	61	74360GT	91	824041GT	55
55067GT	39	62044GT	61	74362GT	97	824042GT	29, 31, 33, 35
55753GT	125, 141	62114GT	63	74379GT	79	824059GT	71, 139
56044GT	39	62116GT	61	74396GT	109, 113	824060GT	85
56051GT	127	62117GT	61	74403GT	109, 113	824062GT	89
56052GT	39	62118GT	61	74461GT	57, 67, 75	824064GT	129
56053GT	41	62119GT	61	74480GT	119	824065GT	33, 35
56056GT	39	62160GT	51, 59	74481GT	119	824067GT	81, 85
56057GT	45	62276GT	105	74492GT	53, 63, 69	824068GT	85
56091GT	39	62290GT	55, 67	74496PGT	47	824070GT	143
56093GT	55, 65, 73	62296GT	63	74508GT	85	824072GT	31, 33, 35
56094GT	39	62506GT	107	74509GT	85	824073GT	89
56111GT	43	62507GT	107	74514GT	117	824074GT	37
56156GT	149	62518GT	91	74532GT	39	824077GT	39, 43, 55, 67,
56164GT	149	62706GT	47	74544GT	63		75, 89, 93
56233GT	119	62815GT	103	74587GT	89	824078GT	29, 31, 33, 35,
56258GT	149	62930GT	17, 25	74635GT	53, 69		41, 45, 47, 53,
56260GT	149	62947GT	13, 21	74665GT	103		55, 57, 61, 65,
56289GT	127	62948GT	13, 21	74666GT	109, 113		67, 69, 71, 73,
56295GT	47	6356GT	149	74719GT	29		75, 79, 87, 91,
56328GT	123	65522GT	105	74735GT	89		123, 139, 141,
56330GT	123	65527GT	97	74839GT	119		147
56351GT	123	65529GT	97	74845GT	119	824079GT	47, 67, 73, 85,
56361GT	85	65630GT	141	74865GT	89		87, 95, 137, 143
56365GT	41	65766GT	101	74866GT	89	824080GT	51, 123
56418GT	123	6578GT	135	74907GT	105	824081GT	91, 139
56423GT	55, 67	65837GT	59	74913GT	45	824082GT	53, 85
56424GT	123, 141	6607GT	85	74917GT	45	824083GT	31, 79, 95, 141
56425GT	123	6638GT	55, 73, 149	74946GT	79	824085GT	67, 71, 73, 135
56426-576GT	123	66399GT	11	74956GT	39, 47	824086GT	53
56464GT	75	66684GT	127	74983GT	119	824087GT	91
56465PGT	91	66717GT	137	75073GT	47, 67	824089GT	31, 33, 35, 39,
56500-SGT	89, 91	66812GT	43, 93	77398GT	15		47, 55, 67, 75, 89
56525GT	141	66813GT	93	7746P-SGT	139	824090GT	29, 31, 37, 41,
56570GT	141	66815GT	93	77728GT	85		67, 73, 147
56576PGT	91	66818GT	43, 93	77860GT	139	824091GT	33, 35, 39, 57,
56581GT	109, 113	66821GT	43, 93	77984GT	103		65, 73, 79, 81
56583GT	111	6700GT	31	77985GT	103	824092GT	37, 83, 89
56584GT	109, 113	6833GT	65, 87	77986GT	103	824094GT	65, 81
56620GT	109, 113	6888GT	55, 149	77987GT	103	824096GT	55, 57, 75
56653GT	39	69257GT	103	77988GT	103	824101GT	63, 69
56656PGT	91	6935GT	45, 91, 149	77989GT	103	824102GT	37, 53
56663GT	45, 95	69550GT	105	77990GT	53, 63, 69	824104GT	31
56704GT	127	7056GT	91, 149	78098GT	137	824106GT	33, 35
56721GT	101	7057GT	45	80229GT	67, 73	824109GT	85, 89, 129
56723GT	109, 113	70602GT	39	81368GT	141	824110GT	81, 85, 129
56849GT	85	72043GT	101	81578GT	39	824111GT	63, 69
56879-SGT	127	72094GT	15, 23	81633GT	53	824113GT	29, 31, 33, 35,
56912GT	29, 31, 33, 35, 51, 69, 71, 73, 85, 91, 149	72095GT	19, 27	81900GT	43, 93		71, 87, 129
		72282GT	127	82161GT	15	824115GT	65, 67, 73
		72284GT	53	82240GT	23	824116GT	37, 121
56929GT	107	72295GT	51	822606-1800GT	117	824117GT	31, 33, 35
56945GT	119	72326GT	43, 93, 127	823226GT	139	824119GT	47
56955-SGT	47	72867GT	19, 27, 135	82366GT	15	824121GT	31, 33, 35, 63
56955GT	47	72999GT	15	823942GT	139	824122GT	79
56976-SGT	89	73575GT	147	824019GT	45, 95	824123GT	55, 65, 75
56983PGT	87	73711GT	45, 95	824024GT	143	824124GT	129
58029GT	31	73713GT	45, 95	824025GT	89	824126GT	29

Part Number Index (continued)

Part Number	Page	Part Number	Page
824127GT	29, 31	866040GT	61
824128GT	29	866050GT	11, 59
824129GT	29, 31	866070GT	61
824131GT	51, 53, 57	866127GT	11, 53
824135GT	63	866397GT	59
824136GT	59	866400GT	11, 51
824138GT	55, 65	87085GT	139
824141GT	59	87755GT	95
824142GT	65	88280GT	83
824145GT	55, 65, 69, 71	88337GT	29, 31
824151GT	81, 89	88338GT	29, 31
824163GT	85	88356-116R3GT	79
824164GT	89	88356-12103GT	37
824206GT	45, 95	88356-127J5GT	83, 85
824207GT	141	88385GT	123
824208GT	143	88390GT	123
824209GT	57, 67, 75	88827GT	43
824210GT	69	89300GT	105
824214GT	45, 91, 95	89807GT	53
824215GT	41, 45, 47, 95, 127	89854GT	105
824216GT	143	89997GT	55
824218GT	43	93500GT	11
824219GT	83	94020GT	29
824220GT	49	94021GT	29
824222GT	45	94077GT	41
824223GT	37, 79	94101GT	119
824224GT	37	94102GT	119
824225GT	91, 137	94158GT	109, 113
824226GT	45, 95	94159GT	109, 113
824229GT	65, 67, 73	94170GT	143
82472GT	23, 25	94176GT	143
82473GT	23	94191GT	143
824879GT	43, 93	94210GT	79
82487GT	23, 27	94212GT	85
825019GT	29, 31, 81, 83, 85, 89	94215GT	83
825020GT	143	94216GT	83
825207GT	123	94217GT	89
825209GT	123	94218GT	89
825210GT	123	94220GT	37
825211GT	123	94221GT	31
825212GT	123	94253GT	79
825213GT	123	94255GT	85
825214GT	123	94258GT	83
825215GT	123	94259GT	83
825216GT	123	94260GT	89
825352GT	147	94261GT	89
825353GT	53	94461GT	131
825355GT	71	94462GT	131
825358GT	55, 65, 75, 81, 129, 135	94463GT	131
82544GT	25	94506GT	43
82548GT	27	94532GT	71
825674GT	135	94688GT	63
826001GT	71	9596GT	141
82601GT	27	9599-SGT	139
82602GT	27	96008-SGT	43
82604GT	27	96317GT	31
82611GT	27	97482GT	53
82612GT	27	97602GT	15
82620GT	21	97699GT	13
826638GT	15	97702GT	21
82942GT	21	97815GT	27
83093GT	43	97890GT	15, 19
83129GT	49	97893GT	19
832128GT	51, 59	99199GT	61
839081GT	63	99346GT	71
839119GT	61	99882GT	63
839149GT	61	T106699GT	45, 95
839233GT	61	T107827GT	57, 67, 75
84039GT	51	T112563GT	91
84040GT	51	T112773GT	19, 27
84053GT	55	T112779GT	125
84137GT	101, 103	T112780GT	125
85300GT	141	T114655GT	51
		T114657GT	53

The Part Description Index is an alphabetical index of all part descriptions included in this manual. The index shows what page(s) the part is used on.

#
#12 FLOW DIVIDER/COMBINER **.....103

5
5' PLAT RAILING ASSY, ASIA.....91
5' PLAT RAILING ASSY,AUST.....91
5' PLAT RAILING ASSY,CE.....91

A
ACCESS.ALARM PACKAGE Z34BE,IC.....127
ADAPTER, FLANGE GEAR, 3 HOLE.....63
ADAPTER, NPT-F-BSPT-M 2-2.....59
ADAPTER,140139-4-2.....59
ADAPTER,140139-8-6.....59
ADAPTER,FLANGE,FLYWHEEL.....53
AIR CLEANER KIT,KUBOTA D905.....63
AIR CLEANER STAY.....63
AIRCLEANER ASSEMBLY.....71
AIRLINE ASSY W/FITTINGS, Z34BE.....121
ALARM,INTERMITTENT TONE 6-30V*.....127
ALARM,WARBLE TONE 5-30 VDC***.....43, 93
ALTERNATOR STAY, D905.....59
ALTERNATOR STAY,WG750***.....51
ALTERNATOR,40 AMP,INT REG.....59
ALTERNATOR,GM .998L,PSI,Z34.....71
ALTERNATOR-30AMP, DF972.....51
ANGLE, BUMPER, MOUNT.....67, 75
ANGLE,CHASSIS COVER MOUNT.....149
ANGLE,CONTROL BOX MOUNTING.....41
ANGLE,RELAY MNT,W/NUTSERTS,PNT.....45
ANGLE,SOLENOID MOUNT.....61
ANGLE,SWITCH MOUNT***.....79
ASSEMBLY RESET SWITCH.....145
ASSEMBLY, LIGHT, CONTACT ALARM.....49, 147
ASSEMBLY, OPA CABLE, SMALL.....147
ASSEMBLY, SENSOR, PROX, CONTACT ALARM.....49, 147
ASSEMBLY,CABLE,TAPESWITCH.....145
ASSEMBLY,FOOT SWITCH.....49, 91
ASSEMBLY,FUEL HOSE,5/16" FL.....117
ASSEMBLY,RELAY,Z34IC,DIESEL.....49
ASSEMBLY,TAPESWITCH.....145
ASSY, CIRCUIT BREAKER 10A.....43
ASSY, CIRCUIT BREAKER 15A.....43
ASSY, EXT BOOM, Z34.....85
ASSY, MED. PRESS. FILTER, SAE8.....55, 67, 75
ASSY, PLATE CONTROL, WG972.....55
ASSY, SENSOR W/HOUSING.....147
ASSY,BRKT,CNTRL BOX W/FASTNRS.....145
ASSY,DRIVE PUMP W/ACC FUNC.....69
ASSY,LS,LOAD SENSE,38.5 IN.....143
ASSY,MODULE,CONTROL UNIT,OPA.....145
ASSY,RELAY SOCKET, AUTO.....45, 49
ASSY,TANK,HYDRAULIC,19GAL,Z34.....39
ASSY,TERMINAL RAIL,Z34IC.....45
ASSY,TIRE&WHEEL,DRIVE,FF LH RT.....33, 35
ASSY,TIRE&WHEEL,DRIVE,FF RH RT.....33, 35
ASSY,TIRE&WHEEL,FF.LH.....31
ASSY,TIRE&WHEEL,FF.RH.....31
ASSY,TIRE&WHEEL,FRONT,FF LH RT.....29

ASSY,TIRE&WHEEL,FRONT,FF RH RT.....29
ASSY,TIRE&WHEEL,LF,2WD.....29
ASSY,TIRE&WHEEL,LR,2/4WD.....33
ASSY,TIRE&WHEEL,RF,2WD.....29
ASSY,TIRE&WHEEL,RR,2/4WD.....33
ASSY,TIRE&WHL,SEALANT,LF2WD.....29
ASSY,TIRE&WHL,SEALANT,LR.....33
ASSY,TIRE&WHL,SEALANT,RF2WD.....29
ASSY,TIRE&WHL,SEALANT,RR.....33
ASSY,TIRE AND WHEEL,NM FORM.LF.....31
ASSY.TIRE AND WHEEL.NM FORM.LR.....35
ASSY.TIRE AND WHEEL.NM FORM.RF.....31
ASSY.TIRE AND WHEEL.NM FORM.RR.....35

B
BACKING PLATE, PLATFORM CLAMP.....91
BAFFLE, RADIATOR.....67
BAFFLE,BULKHEAD.....65, 73
BAFFLE,ENGINE COVER.....47
BALL STUD**.....47, 67, 73
BALL STUD,5/16-18 (56295).....47
BASE ENCLOSURE,RED,OPA.....145
BASE, W/1 N.O. CONTACTS***.....93
BASE,W/3 NC CONTACTS.....43
BASE,WITHOUT CONTACTS.....43, 93
BATTERY CABLE,SIDE MOUNT.....57
BATTERY CABLE,SIDE MOUNT,NEG.....57, 67
BATTERY CABLE,SIDE MOUNT,POS.....67
BATTERY HOLD DOWN.....57, 67, 75
BATTERY, 12V,900 CCA.....57, 67, 75
BEARING KIT,4HP.....31, 33
BEARING KIT,WHEEL DRIVE W/BRAKE (101584/101585).....31, 33
BEARING NUT***.....33
BEARING RACE (LARGE) (45873).....29
BEARING RACE (SMALL) (45873).....29
BEARING,1.00IDX1.25ODX1.00L.....29, 31
BEARING,1.25 ID X 1.5 OD X .75.....79, 83, 89
BEARING,1.25IDX1.50ODX1.25L.....89
BEARING,1.25IDX1.50X1.25L.....81, 83
BEARING,1.5IDX1.75ODX0.75L.....83
BEARING,1.5IDX1.75ODX1.0L.....29, 31, 81
BEARING,1.5IDX1.75ODX1.5L.....81, 83, 85
BEARING,CONE***.....37
BEARING,CUP***.....37
BEARING,FL,1.00IDX1.25ODX0.84L.....81
BEARING,FL,1.25IDX1.41ODX.89L.....89
BEARING,FL,1.25IDX1.41ODX1.50L.....89
BEARING,FL,1.25IDX1.50ODX1.09L.....81
BEARING,FL,1.25IDX1.50ODX1.25L.....89
BEARING,FL,1.25IDX1.50DX1.25L.....85
BEARING,GARLOCK,12FDU12.....143
BELL HOUSING, GUARDIAN, WG972.....53
BELLCRANK ASSEMBLY, Z30N,Z34**.....89
BELLHOUSING, D1105.....63
BELLOW,S,JIB CYLINDER.....131
BELLOW,MASTER CYLINDER.....131
BELLOW,PRIMARY/ELEV CYLINDER.....131
BELLOW,STEERING CYLINDER.....131
BELT,FAN,KUBOTA DF972/Z482-E.....11, 51
BELT,V, KUBOTA D905.....11, 59
BLANKET,BATTERY.....133
BOLT, FAN, WG972.....51
BOLT, M8X30MM, KUBOTA.....51
BOLT, MUFFLER COVER, WG972.....51

BOLT, THERMOSTAT COVER, WG972.....51
BOLT, THROTTLE RET., WG972.....55
BOLT,CARRIAGE,1/4-20X.75,5,ZAG.....129
BOLT,FLYWHEEL,KUBOTA D905.....63
BOLT,HEX TAP,3/8-16X2.25,8,ZAG.....83
BOLT,SSHS,5/8X1.25X1/2-13,ZAG.....65, 67, 73
BOLT,WING,FILTER ELEMENT, D905.....63
BOOT,CONTROLLER**.....97
BOOT,PLUG 4 WAY.....91
BOOT,THROTTLE SOLENOID.....61
BOOT,TOGGLE SWITCH,SHORT*.....135
BOOT-THUMB ROCKER** BLACK.....97
BOTTLE,COOLANT RECOVERY,1.4***.....71
BOX,INSTRUCTION STORAGE.....91
BRACKET ENGAGE II.....93
BRACKET SET,NYLATRAC,KS400.....87
BRACKET, AIR CLEANER.....53
BRACKET, AIRCLEANER MT.....71
BRACKET, ANGLE.....39
BRACKET, CABLE STRAIN RELIEF.....91
BRACKET, FUSE BOX .998L.....71
BRACKET, HOSE ROUTING.....85
BRACKET, LATCH.....47, 67, 75
BRACKET, MEDIUM PRESSURE FILTER.....55, 67
BRACKET, THROTTLE END RETAINER.....55
BRACKET,ANCHOR,GAS STRUT.....67, 73
BRACKET,AUX.PUMP ATTACHMENT.....67, 73
BRACKET,BEACON LIGHT.....127
BRACKET,CONTROL UNIT.....145
BRACKET,FUEL TANK.....39
BRACKET,MANIFOLD MOUNT.....33, 35
BRACKET,RELAY MOUNT W/INSERTS.....45, 95
BRACKET,WORK LIGHT MOUNT 5/16".....139
BRACKET,Z34IC DIESEL TAILPIPE.....51, 59
BRKT, BAFFLE, RADIATOR.....65
BRKT,ENGINE SUPPORT,LH.....55, 65
BRKT,ENGINE SUPPORT,RH.....55, 65
BRKT, AIR CLEANER MOUNT.....63
BULKHEAD,FEMALE X 6 X 6.....121
BUMPER, PLASTIC, 1.25 O.D.....125, 141
BUMPER,3.5OD X 1.5 ID 90 DEG.....123
BUMPER,3.5OD X 1.5 ID X 6.75.....123
BUMPER,3.5OD X 1.5 ID X 9.75.....123
BUMPER,3.5OD X 1.5ID X 12.75.....123
BUMPER,3.5OD X 1.5ID X 14.75.....123
BUMPER,3.5OD X 1.5ID X 15.65.....123
BUMPER,3.5OD X 1.5ID X 2.75.....123
BUMPER,3.5OD X 1.5ID X 22.70.....123
BUMPER,3.5OD X 1.5ID X 3.80.....123
BUMPER,3.5OD X 1.5ID X 30.75.....123
BUMPER,3.5OD X 1.5ID X 38.75.....123
BUMPER,3.5OD X 1.5ID X 40.75.....123
BUMPER,3.5OD X 1.5ID X 48.70.....123
BUMPER,3.5OD X 1.5ID X 6.75.....123
BUMPER,3.5OD X 1.5ID X 7.75.....123
BUMPER,90 DEG ELBOW.....123
BUMPER,BATTERY BOX & RAILS.....141
BUMPER,RUBBER***.....139, 143
BUMPER,RUBBER,.75 X .50H,STUD...39, 47, 67, 75
BUTTON,PUSH,BLACK W/SEAL***.....93
BUTTON,PUSH,RED MUSHROOM HEAD.....43, 93

NUT, TL JAM, 3/8-16, A, ZAG.....85, 89
 NUT, TL, M10-1.5,DIN980, ZAB.....59, 69
 NUT,1/4-20,8,ZAG.....147
 NUT,1/4-28,8,ZAG.....55
 NUT,EXHAUST MANIFOLD.....59
 NUT,HEX,M8,PLASTIC.....123
 NUT,HH JAM,1/4-20,A,ZAG.....47, 67, 75
 NUT,LOCKING-LG.FLANGE,1/4-20.....55, 73
 NUT,LUG,5/8-18X90 DEG,ZAG.....29, 31, 33, 35
 NUT,M4 NYLOCK.....145
 NUT,NYLOCK FLG,1/4-20,F,ZAG.....95, 141, 147
 NUT,NYLOCK FLG,3/8-16,F,ZAG.....141, 147
 NUT,NYLOCK,1/4-20.....55, 149
 NUT,NYLOCK,10-24.....49
 NUT,NYLOCK,10-32.....45
 NUT,NYLOCK,3/8-16.....51
 NUT,NYLOCK,6-32.....147
 NUT,NYLOCK,8-32.....55
 NUT,NYLOCK,8-32,8,ZAG.....79
 NUT,SERRATED,10-32,ZAG.....147
 NUT,SERRATED,5/16-18,8,ZAG.....71, 73
 NUT,SOLENOID VALVE 2P3W.....101, 105
 NUT,SOLENOID VALVE COIL.....105
 NUT,SPINDLE,1-14.....29
 NUT,TAILPIPE,KUBOTA, 2668.....55
 NUT,TL FLG,1/4-20,G,ZAG.....31, 33, 35, 41, 47, 53, 55, 57, 61, 65, 67, 73, 75, 79, 87, 91, 123, 125, 129, 137, 139, 141
 NUT,TL FLG,10-32,F,ZAG.....45, 47, 91, 95, 127, 135, 143
 NUT,TL FLG,3/8-16,G,ZAG.....31, 33, 35, 37, 39, 41, 55, 57, 65, 67, 73, 75, 79, 81, 83, 85, 89, 143
 NUT,TL FLG,5/16-18,G,ZAG.....53, 65, 91, 135
 NUT,TL FLG,8-32,F,ZAG.....79
 NUT,TL FLG,M10-1.5,DIN6927,10,ZAB.....69
 NUT,TL JAM,1/2-13,A,ZAG.....65, 67, 73
 NUT,TL JAM,5/16-18,A,ZAG.....47, 67
 NUT,TL,1/4-20,C,ZAG.....143
 NUT,TL,3/8-16,C,ZAG.....89
 NUT,TL,6-32,A,ZAG.....45, 95
 NUT,VALVE COVER CAP, D905.....59
 NUT-COIL SHORT.....103
 NUT-SELF LOCKING, M8X1.25MM.....53
 NUTSERT,1/4-20,STEEL CAD PLTD.....45, 95, 123
 NUTSERT,10-32 STEEL CAD PLTD.....137

O

O-RING KIT (ORFS FITTINGS)..11, 101, 103, 107
 O-RING KIT,FIELD SVC,ALL PROD*.....11, 101, 103, 107
 O-RING***.....63, 69
 O-RING, ROTATOR MANIFOLD.....107
 O-RING,2-010,VITON.....31, 33
 O-RING,2-042 N674-70***.....53, 63
 O-RING,2-157,VITON***.....31
 O-RING,END COVER,4HP/4HB***.....31, 33
 O-RING,OIL FILLER PLUG,KUBOTA*.....59
 O-RING,ORFS,-4.....119
 OIL FILTER, GM .998L.....11, 69
 OIL PAN.....59
 OIL,ENG 5W-40 SYN***.....133
 OPA WIRE ASSY, SMALL.....147
 OPTION,CONTROL BOX COVER.....139
 OPTION,WORKLIGHTS,48V.....139

ORIFICE PLUG,.025 (30551).....101
 ORIFICE, 0.8MM (74665 MAN.).....103
 ORIFICE, 1.0MM (74665 MAN.).....103
 ORIFICE, 2.0MM (74665 MAN.).....103
 ORING, OIL FILLER PLUG, WG972.....51
 OUTER CONE - MODEL 60-8.....29
 OUTLET, 110V.....91

P

P.C. BOARD-JOYSTICK (56579).....97
 PAD,REST,1"THICK,W/STUDS*.....85
 PADDING, FOAM 90 DEG.....123
 PAINT, AEROSOL, TRAFFIC BLACK.....11
 PAINT,AEROSOL,BRIGHT BLUE***.....11
 PAINT,AEROSOL,GENIE GRAY***.....11
 PAINT,WET,GENIE BLUE (1 GL)**.....11
 PAINT,WET,GENIE GRAY (1 GL)**.....11
 PAINT,WET,TRAFFIC BLACK (1 GL)**.....11
 PARKER DIGITAL PRESSURE GAUGE.....11
 PCB,ASSY,29643 CONTROLLER %%.....99
 PETCOCK, DRAIN, WG972.....53
 PETCOCK,DRAIN,KUBOTA WG750B.....59
 PIN,0.75DIAX5.51LG,2RING.....85
 PIN,0.75DIAX5.75LG,CHAMFER.....143
 PIN,1.00DIAX7.25LG,1HOLE.....81
 PIN,1.00DIAX9.01LG,THREADED.....85
 PIN,1.25DIA.X10.38LG,1HOLE.....89
 PIN,1.25DIAX12.50LG,2HOLE.....89
 PIN,1.25DIAX3.00LG,THREADED.....81
 PIN,1.25DIAX3.63LG,THREADED.....81
 PIN,1.25DIAX6.36LG,2RING.....89
 PIN,1.25DIAX7.64LG,2RING.....89
 PIN,1.25DIAX9.13LG,1HOLE.....83
 PIN,1.25DIAX9.38LG,1HOLE.....81
 PIN,1.50DIAX15.13LG,1HOLE.....81, 83
 PIN,1.50DIAX16.13LG,1HOLE.....81
 PIN,1.50DIAX3.25LG,1HOLE.....29
 PIN,1.50DIAX3.75LG,1HOLE.....31
 PIN,CLEVIS,1.0X2.41,SAE,ZAG.....29, 31
 PIN,CLEVIS,3/4X3,ZAG.....29
 PIN,LOCK,SHORT***.....141
 PIN,SLAVE CYLINDER.....89
 PIPE ASSY-OVERFLOW (Z482-E).....61
 PIPE ASSY-OVERFLOW-D905.....61
 PIPE CRADLE ASSY. SERV (ONE)**.....141
 PIPE PLUG,.563 MAG***.....31
 PIPE, BREATHER JOINT, WG972.....51, 53
 PIPE,BREATHER JOINT, D905.....59
 PIPE,EXHAUST,Z34 KUBOTA***.....51
 PIPE,INJECTOR 1,D905,D1105.....61
 PIPE,INJECTOR 2,D905,D1105.....61
 PIPE,INJECTOR 3,D905,D1105.....61
 PIPE,INLET, D905.....63
 PLAT ASSY 4'SYM DECAL,ASIA/SA.....91
 PLAT ASSY 4'W/SYMB DECAL,EURO.....91
 PLAT ASSY 4'W/WORD DECAL,AUS.....91
 PLAT ASSY 4'W/WORD DECAL,USA.....91
 PLAT ASSY 5'SYM DECAL,ASIA/SA.....91
 PLAT ASSY 5'W/SYMB DECAL,EURO.....91
 PLAT ASSY 5'W/WORD DECAL,AUS.....91
 PLAT RAIL ASSY 4' ASIA/S.AMER.....91
 PLAT RAIL ASSY 4' AUS.....91
 PLAT RAIL ASSY 4'ANSI/CSA.....91
 PLAT RAIL ASSY, 4' CE.....91
 PLAT,ASSY,W/DECAL 5'Z34,ANSI*.....91
 PLAT,W/DECAL,5FT,Z34N&D,C,ANSI*.....91
 PLATE, CABLE AND WIRE COVER.....147
 PLATE, COVER, IC VENT.....47
 PLATE, ENGINE SWING-OUT.....55, 57, 65

PLATE, ENGINE TRAY, SWING OUT.....75
 PLATE, TURNTABLE LS. MT.....37
 PLATE,GENERATOR MOUNTING.....149
 PLATE,MAGNET MOUNT.....123
 PLATE,UK POWER TO PLATFORM.....91
 PLATE,WIPER BACKING.....129
 PLATFORM CONTROL BOX W/DECAL.....95
 Platform Rotator.....77
 PLATFORM STEP * PAINTED.....91
 PLUG AND CAP KIT-SERVICE,37 **.....11, 101, 103, 107
 PLUG AND CAP KIT-SERVICE,ORFS*.....11, 101, 103, 107
 PLUG, .042 ORIFICE, 1/16 NPT.....105
 PLUG, NYLON .250 BLACK DOMED.....43, 95
 PLUG,1/4"SERIES,3/8 MPT.....121
 PLUG,BLANKING.....49
 PLUG,NYLON .687 BLACK DOMED.....43
 PLUG,NYLON .875 BLACK DOMED.....45, 95
 PLUG,NYLON 1.12 BLACK DOMED.....43, 45, 123
 PLUG,NYLON 2.093 BLACK DOMED.....43, 93
 PLUG,NYLON 2.50 BLACK DOMED.....73
 PLUG,OIL FILLER Z482,Z34/22BE*.....51
 PLUG,OIL FILLER,KUBOTA D905***.....59
 PLUG,ORB #4.....105
 PLUG,ORB #6.....105
 PLUG,ORIFICE,0.070.....101
 PLUG,SANTOPRENE .5 BLACK DOME.....93
 POTENTIOMETER,56886.....99
 POWER RELAY, 24V COIL.....139
 POWER UNIT,12VDC AUX***.....67, 73
 Primary Boom.....77
 PRIMARY BOOM TUBE ASSY Z34IC**.....85
 PROXIMITY SENSOR***.....123
 PULLEY,FAN,KUBOTA, D-905,GS68.....59
 PULLEY,FAN,WG750B***.....51
 PUMP ASSY (42185).....67, 73
 PUMP,DRIVE,42CC W/NFPE CONTR**.....53, 63, 69
 PUMP,M42 W/4CC W/PIGGYBACK.....63, 69
 PUMP,PIGGYBACK,SAUER,6CC 10-8.....53, 69
 PUMP,PIGGYBACK,SUNSTR,4CC***.....53, 63, 69

R

RAD. FAN,7-BLADE,D-1105.....59
 RADIATOR ASSY,ALUM.D-905.....65
 RADIATOR ASSY,DF-972,STAGE 3.....57
 RADIATOR CAP, DF972.....57
 RADIATOR SUPPORT KIT, DF972.....57
 RADIATOR, GENSET SSI.....69
 RAILING CATCH CASTING--DRILLED.....141
 REAR END PLATE.....63
 REGULATOR, FUEL, GM .998L.....73
 REGULATOR, LD DSR LPG.....75
 REGULATOR,LPG,KUBOTA,DF-752***.....53
 RELAY MODULE(89996,89998).....55
 RELAY SOCKET,AUTO.....45
 RELAY SOCKET,AUTO,RETAINER***.....45
 RELAY,24VDC,40/30A,SLD W/BRKT*.....137
 RELAY,SPDT,12V(AUTO) PLUG IN**.....45, 49
 RELAY,SPDT,12V(AUTO)**.....95, 97, 135, 147
 RELAY,TIME DELAY,2 SEC,10A.....45
 RELAY,TIME DELAY,2 SEC,30A.....95
 REPAIR LINK,NYLATRAC,7 LINKS.....87
 REST PAD, LOWER ARM REST.....37, 79
 RETAINER,SPRING,1.21X.375,ZAG.....143

Part Description Index (continued)

RIM,Z45,14.5 X 7(8 HOLE ON 8BC.....29	SCREW,HHF,1/4-20X2.5,8,ZAG.....31, 79, 95, 141	SEAL, RUBBER STRAIGHT BULB, 15.....57
RING GEAR (51108)-DF750,DF752.....51	SCREW,HHF,10-24X.5.....147	SEAL-GREASE,MODEL 60-8.....29
RING,HOSE PROTECTOR.....37	SCREW,HHF,3/8-16X.75,8,ZAG.....31, 33, 35, 39, 47, 55, 67, 75, 89	SEAL/BEARING KIT (45043,54840).....29
RIVET, STL, STL, DOME, 1/4 X .375, ZAG.....141	SCREW,HHF,3/8-16X1.8,ZAG.....29, 31, 37, 41, 67, 73, 147	SECURITY TIE,TOGGLE GUARD.....93
RIVET,ALUM,P,188 X .25.....139	SCREW,HHF,3/8-16X1.25,8,ZAG.....33, 35, 39, 57, 65, 73, 79, 81	SENDING UNIT,OIL PRESSURE***.....51
RIVET,STL,STL,DOME,1/8X.25,ZAG.....45, 95	SCREW,HHF,3/8-16X1.5,8,ZAG.....37, 83, 89	SENDING UNIT,TMP,FRD,GM,PRK704.....51, 59
ROCKER ASSY (42032)***.....97	SCREW,HHF,3/8-16X2.75,8,ZAG.....65, 81	SENSOR, 02 GOLD TERMINALS.....75
ROD END, .25 X 2.75, ZAG.....143	SCREW,HHF,3/8-16X3.5,8,ZAG.....55, 57, 75	SENSOR, LEVEL, 4.5 X 4.5 DEG.....41
ROD END,.375X3.69,ZAG.....29, 31, 81, 83, 85, 89	SCREW,HHF,5/16-18X.75,8,ZAG.....67, 71, 73, 135	SENSOR, LEVEL,2.5 X 4.5 DEG.....41
ROD,DISCONNECT 4HP/4HB***.....31, 33	SCREW,HHF,5/16-18X1.8,ZAG.....53	SENSOR,LEVEL,4.5 DEG.....41
ROD,THREADED,1/4-20X8.5,ZAG.....57, 67, 75	SCREW,HHF,5/16-18X1.25,8,ZAG.....91	SENSOR,RUBBER EDGE.....145
ROD-TIE.....29	SCREW,HHF,M10-1.5X45,DIN6921,10.9,ZAB.69	SEPARATOR/FILTER ELEMENT,FUEL*.....11, 67
ROTATION, CNTRLR, DUAL RNG.....99	SCREW,HHF,M6-1.0X10,DIN6921,10.9,ZAB.71	SEPARATOR/FILTER,FUEL DIESEL**.....67
ROTATOR TURNTABLE ASSEMBLY***.....37	SCREW,HHF,M6-1.0X12,DIN6921,10.....65	SET SCREW***.....33
ROTATOR,PLAT,Z30/34/Z40.....89	SCREW,HHF,M6-1.0X16,DIN6921,10.9,ZAB.51, 53, 57	SHAFT ASSY, JOYSTICK***.....97
RUE RING,1.0,ZAG.....29, 31	SCREW,M5X16 BHD.....145	SHAFT,WORM GEAR***.....37
RUE RING,3/4,ZAG.....29	SCREW,M6X8.....145	SHIELD, EXHAUST .998L.....75
	SCREW,M8 X 35MM.....63	SHIM KIT,TURNTABLE***.....37
	SCREW,PHIL,PHM,10-32 X .5,SSTL.....135	SHIM,SIDE PAD 22GA.....85
	SCREW,PHILLIPS,PHM,10-32 X .5.....45	SHIM,WEAR PAD,5X 1.5 16GA.....85
	SCREW,PHILLIPS,PHM,8-32 X 1.25.....85	SHOCK MOUNT,LARGE**.....55, 65, 75
	SCREW,PHPM SEMS ET,10-32X.625.....45	SHROUD, RADIATOR.....57
	SCREW,PHPM SEMS ET,10-32X1.25.....37, 79	SHROUD, SSI RADIATOR .97L.....69
	SCREW,PHPM SEMS ET,8-32X.25,ZA.....43	SLIDING MIDRAIL KIT,PTD.....91
	SCREW,PHPM,10-32X.75,ZAG.....41, 45, 47, 95, 127	SNAP RING,EXTERNAL,1.25,ZAG.....89
	SCREW,PHPM,10-32X1.25,ZAG.....147	SNAP RING,EXTERNAL,3/4,ZAG.....85
	SCREW,PHPM,10-32X1.5,ZAG.....143	SNAP RING,INT,2.88 DIA***.....37
	SCREW,PHPM,6-32X.5,ZAG.....45, 91, 95	SNAP RING,WHEEL DRIVE.....31
	SCREW,PHPM,6-32X.875,ZAG.....147	SOLENOID VALVE ASSY,M42 PUMP**.....63
	SCREW,PHPM,8-32X1.75,ZAG.....79	SOLENOID VALVE W/NUT***.....107
	SCREW,PHPSH,#12-11X.75,ZAG.....45, 95	SOLENOID, KUBOTA,DF972.....51
	SCREW,SHC,1/2-13X1.25,A574,ZAG.....63, 69	SOLENOID,12V,APU.....67
	SCREW,SHC,1/2-13X1.5,A574,ZAG.....37, 53	SOLENOID,2 SPEED TROMBETTA***.....55, 61
	SCREW,SHC,3/8-16X1,A574,ZAG.....53	SOLENOID,32193 STARTER,D905.....59
	SCREW,SHC,5/8-11X1.75,A574,ZAG.....31	SOLENOID,KUBOTA D9/1105 SHTDWN.....61
	SCREW,SHC,5/8-11X2.75,A574,ZAG.....33, 35	SOLENOID,THROTTLE W/CABLE.....55
	SCREW-AIR BREATHER, D905.....61	SOUNDER LENS, OPA, AMBER.....145
	SEAL AND BRG KIT,4.5K ROTATOR.....89	SOUNDER LENS, OPA, BLUE.....145
	SEAL KIT (21172).....37	SOUNDER LENS, OPA, CLEAR.....145
	SEAL KIT (39345).....107	SOUNDER LENS, OPA, RED.....145
	SEAL KIT***.....37	SOUNDER,MIDI,OPA.....145
	SEAL KIT, 88337.....29, 31	SPACER TUBE, .50 LG.....33, 35
	SEAL KIT, 94210.....79	SPACER, SHOCK MOUNT.....65, 75
	SEAL KIT, 94215, 94430.....83	SPACER,HEAT SINK.....145
	SEAL KIT, 94216.....83	SPACER,OUTRIGGER PIN***.....51
	SEAL KIT, 94217.....89	SPACER,PLASTIC.....39
	SEAL KIT, BRAKE, 4HP.....31, 33	SPACER,SOLENOID VALVE COIL.....105
	SEAL KIT, GEARBOX, 4HP.....31, 33	SPACER-DUAL COIL,#8***.....103
	SEAL KIT, VALVE.....103	SPARK PLUG, DF972.....55
	SEAL KIT, VALVE 84129.....101, 103	SPARK PLUG, GM .998L.....11, 69
	SEAL KIT, VALVE, #10.....101, 105	SPEED CONTROL ASSY, D905.....61
	SEAL KIT, VALVE, #4.....101	SPRING.....97
	SEAL KIT,94212.....85	SPRING CLIP,1/4-20,.025-.15X.54,ZAG.....29, 31, 33, 35, 51, 69, 71, 73, 85, 91, 149
	SEAL KIT,94218.....89	SPRING CLIP,10-24,.025-.125X.468,ZAG...147
	SEAL KIT,MOTOR,LC/KC***.....31, 33, 35	SPRING CLIP,3/8-16,.05-20X.73,ZAG.....37
	SEAL KIT,SHAFT,M42 PUMP***.....63	SPRING, GOVERNOR, WG972.....55
	SEAL KIT,SOLENOID VALVE.....101	SPRING, SS, 1/2-EO500-49-4500.....123
	SEAL KIT,WHEEL DRIVE W/BRAKE (101584/101585).....33	SPRING,COMP,1" OD,232 LB/IN.....143
S E A L		SPRING, COMPRESSION .835 X 2.....61
C H E C K , B L U E , T U B E 1 1		SPRING, COMPRESSION.485 X 1.75***.....75
		SPRING,EXTENSION, 75X4.5.....123
		SPRING,GOVERNOR,LOWER, WG750***.....55
		SPRING,RETURN,SPEED CONTR,D905.....61
		SPRING,SHORT PLATFORM GATE.....141
		SPRING,TENSION-1.25 X.438 DIA.....61

S

SCREW.....97

SCREW, 8MMX1.25X30MM, WG972.....57
 SCREW, HHC, 5/16-18X2.8,ZAG.....135
 SCREW, HHC, M10 X 1.25 X 50MM.....71
 SCREW, HHC, M10 X 1.25 X 70MM.....71
 SCREW, HHF, 1/4-20 X .5, 8, ZAG.....39, 43, 55, 67, 75, 89, 93
 SCREW, PHPM SEMS ET, 10-24 X .5, ZAG.....49
 SCREW, PHPM SEMS ET, 8-32 X 1.25, ZAG.....83
 SCREW,BHTC,1/4-20X1,ZAG.....125
 SCREW,FHPM,10-32X.5,ZAG.....37
 SCREW,FHPM,10-32X.75,ZAG.....91, 137
 SCREW,HEX,M4X0.7X10MM (20424)*.....97
 SCREW,HHC,1-8X3.8,ZAG.....37
 SCREW,HHC,1/4-20 X .75.....55
 SCREW,HHC,1/4-20 X 1.....55, 149
 SCREW,HHC,1/4-20 X 2.....149
 SCREW,HHC,1/4-20X.75,8,ZAG.....71, 139
 SCREW,HHC,1/4-20X1.8,ZAG.....85
 SCREW,HHC,1/4-20X1.5,8,ZAG.....89
 SCREW,HHC,1/4-20X2.25,8,ZAG.....129
 SCREW,HHC,1/4-20X4,8,ZAG.....33, 35
 SCREW,HHC,3/4-10X9,8,ZAG.....89
 SCREW,HHC,3/8-16 X 1.75,GRD.8.....149
 SCREW,HHC,3/8-16X.5,8,ZAG.....131
 SCREW,HHC,3/8-16X1.8,ZAG.....81, 85
 SCREW,HHC,3/8-16X1.25,8,ZAG.....85
 SCREW,HHC,3/8-16X2.25,8,ZAG.....129
 SCREW,HHC,3/8-16X3,8,ZAG.....73
 SCREW,HHC,3/8-16X3.25,8,ZAG.....143
 SCREW,HHC,5/16-18 X 1 GR5.....73
 SCREW,HHC,5/8-11,4.5,8,ZAG.....37
 SCREW,HHC,5/8-11X5.5,8,ZAG.....37
 SCREW,HHC,7/16-14X1.25,ZAG.....31, 33, 35
 SCREW,HHC,M10-1.25X30,DIN961,1.....55, 65
 SCREW,HHC,M8-1.25X20,DIN933,10.....63
 SCREW,HHC,M8-1.25X25,DIN933,10.....59
 SCREW,HHF,1/4-20X.75,8,ZAG.....29, 31, 33, 35, 41, 45, 47, 53, 55, 57, 61, 65, 67, 69, 71, 73, 75, 79, 87, 91, 123, 139, 141, 147
 SCREW,HHF,1/4-20X1.8,ZAG.....47, 67, 73, 85, 87, 95, 137, 143
 SCREW,HHF,1/4-20X1.25,8,ZAG.....51, 123
 SCREW,HHF,1/4-20X1.5,8,ZAG.....91, 139
 SCREW,HHF,1/4-20X1.75,8,ZAG.....53, 85

STAND OFF,CONTROL UNIT.....145	TUBING,VINYL,3/8 CLEAR.....117	WASHER,FLAT,5/8,F436,HRD,ZAG.....37
STARTER MOTOR, KUBOTA, DF972.....51		WASHER,FLAT,7/16,SAE,HRD,ZAG.....31, 33, 35
STARTER, .998L.....69	U	WASHER,FLAT,GOV.LEVER, DF750.....55
STARTER,KUBOTA D905 VERS 2***.....59	U-BOLT, FLATTENED, 1.5 X 3/8	WASHER,FLAT,M10,DIN125,ZAB.....55, 65, 69, 71
STRAINER ASSEMBLY,1.25" NPT***.....39	UNC,ZAG.....141	WASHER,FLAT,M6,DIN125,ZAB.....71
STRAINER ASSEMBLY,1.5" NPT.....39	UPPER MIDPIVOT ASSY,Z34 & Z34N.....83	WASHER,FLAT,MS,#8,Y.....55
STRAINER,FILLER NECK.....39	Upper Pivot.....77	WASHER,FLAT,USS,1/4"Y.....55, 73, 149
STRAP, CONDUIT HOLDER 60****.....141	UPPER SECONDARY ARM ASSY,Z34.....79	WASHER,FLAT,USS,1/4,ZAG.....29, 31, 33, 35, 71, 87, 129
STROBE,FIREBOLT,12-80VDC,AMB**.....127	Upper Secondary Boom.....77	WASHER,LOCK,#10 PLTD.....85
STRUT,GAS***.....47		WASHER,LOCK,.25.....149
STRUT,GAS,14",200LBS.....47	V	WASHER,LOCK,1/2,ZAG.....63, 69
STUD,EXHAUST MANIFOLD.....59	VALVE - COUNTERBALANCE**.....107	WASHER,LOCK,1/4,ZAG.....85, 89, 129
SUPPORT, KIT RADIATOR, WG972.....57	VALVE COVER, D905.....59	WASHER,LOCK,3/8,ZAG.....81, 85, 129
SUPPORT, RAILING.....125	VALVE COVER, WG972.....51	WASHER,LOCK,GOV.LEVER,DF750***.....53, 55
SVC KIT,UK RECEIPT.REPLACEMENT.....91	VALVE, FLOW CTRL, PRES COMP***.....107	WASHER,LOCK,M10,ZAB.....65
SWITCH TOGGLE ASSY DPDT 2P MNT...135	VALVE, FLOW CTRL, PRES COMP***.....107	WASHER,LOCK,M8,ZAB.....59
SWITCH TOGGLE ASSY SPDT 3P MOM...123	VALVE, LOCK-OFF W/FILTER NO CO.....75	WASHER,M4 NYLON.....145
SWITCH TOGGLE DPDT 2P MOM SHDR...93	VALVE, SOLENOID 2P3W W/O COIL.....105	WASHER,NYLON, JOYSTICK.....97
SWITCH TOGGLE DPDT 3P MNT SHDR.....93	VALVE,CB,CBBC-LHN@3200***.....83	WASHER,SHIM .0151 THK.....143
SWITCH TOGGLE DPDT 3P MOM SHDR.....43, 93	VALVE,CHECK.....101	WASHER,SHIM,1.270X2.130X.062,Z.....81, 89
SWITCH TOGGLE SPDT 2P MNT SHDR...43, 93	VALVE,CHECK,COBA-X*N 200PSI PO.....85	WASHER,SHIM,1.56X2.5X.061,ZAG.....31
SWITCH TOGGLE SPDT 2P MOM SHDR...43	VALVE,CHECK,CXAD-XCN,30PSI.....85	WASHER,SPINDLE.....29
SWITCH TOGGLE SPDT 3P MOM SHDR.....43, 93	VALVE,CHECK,IWP-S/CWP PWR ASSI.....103	WASHER,STAR,EXTERNAL,.375.....31
SWITCH TOGGLE SPDT 2P MOM SHDR...43	VALVE,CNTERBAL,CBBB-LHN@3000**.....79, 89	WASHER,THRUST,1.5 X 3.5 X .187.....29, 31
SWITCH TOGGLE SPDT 3P MOM SHDR.....43, 93	VALVE,COUNTERBALANCE.....89	WASHER-PLAIN.....51
SWITCH,LIMIT,W/6.25"SPRING ARM.....83, 85	VALVE,COUNTERBALANCE 1500 PSI.....105	WATER PUMP ASSY,KUBOTA.....59
SWITCH,LIMIT,W/ROLLER ARM***.....37, 79	VALVE,COUNTERBALANCE 2500 PSI*.....85	WATER PUMP, DF972.....51
SWITCH,OIL,PRESSURE,KUBOTA.....59	VALVE,COUNTERBALANCE 3000 PSI.....105	WDMT, COVER REINFORC, RH.....47
	VALVE,DIFFERENTIAL SENSING.....105	WDMT, ENGINE COMPARTMENT.....47
T	VALVE,FLOW DIVIDER/COMBINER.....101	WEAR PAD ROUND.....55, 65, 73
T-BOX,2.75 X 4.5 X 2.0.....91	VALVE,FLOW REGULATOR 0.1 GPM.....105	WEAR PAD,2" ROUND.....65, 73
TANK STRAP,BOLT STYLE,38.5".....39	VALVE,FLOW REGULATOR 1.0 GPM.....105	WEAR PAD,4 X 2 X .45 W/NUTS.....85
TANK,FUEL PLASTIC***.....39	VALVE,LP LOCKOUT W/O CONNECTOR.....53	WEAR PAD,4 X 4 X .75 W/NUTS.....85
TANK,HYDRAULIC,19 GAL.....39	VALVE,PROPORTIONAL 12V.....105	WEAR PAD,5 X 1.5 X .75 W/NUTS.....85
TAPE, PROTECTIVE MASK.....19, 27	VALVE,RELIEF 1400PSI.....105	WEAR PAD,EXT CYL ***.....85
TEE,RUN,520428-8.....75	VALVE,RELIEF 1600 PSI.....105	WELDING CABLE #2 RED.....137
TERM RELAY,N-INSULATE 14-16 GA.....45, 49	VALVE,RELIEF 3200 PSI.....105	WELDMNT TIE ROD.....31
TERM,DEUTSCH, PIN #12-14.....45, 95	VALVE,RELIEF KIT,MONARCH**.....67, 73	WELDMNT, ENG LEG LT, GM .998L.....69
TERM,NI PIN, 14-16GA,BULK.....95	VALVE,RELIEF#8 (74665 MAN.).....103	WELDMNT, ENG LEG RT, GM .998L.....69
TERM,NI PIN,S&F,16-18GA,REEL.....45, 95	VALVE,RELIEF,210 PSI.....101	WELDMNT, LEFT OPA, SMALL.....147
TERM,NI SOC,S&F,16-18GA,REEL.....37	VALVE,SHUTTLE.....101, 103	WELDMNT, LWR COMPRESION ARM.....79
TERM,RELAY N-INSULATED 10-12 G.....45, 49	VALVE,SOLENOID 2P3W.....105	WELDMNT, PIPE CRADLE.....141
TERM,RELAY,N-INSULATE 18-20 GA.....45	VALVE,SOLENOID 3P4W.....105	WELDMNT, RIGHT OPA, SMALL.....147
TERMINAL BLOCK END PLATE.....45	VALVE,SOLENOID 3P4W W/O COIL.....105	WELDMNT, TAILPIPE,GM .998,Z34.....69
TERMINAL BLOCK,WIELAND.....45	VALVE,SOLENOID,10V W/DIODE***.....101	WELDMNT,CAT PIPE,GM .998,Z34.....69
TERMINAL FEMALE,1/4 BLUE,14-16.....127	VALVE,SOLENOID,2POS 3 WAY***.....103	WELDMNT,ENGINE BULKHEAD,DF.....73
TERMINAL STRIP.....45, 95		WELDMNT,FLOATING BUMPER.....123
TERMINAL STRIP,10 POLE,JOYSTK.....97	W	WELDMNT,LOAD SUPPORT.....143
TERMINAL,COUPLER,MALE,14-16GA.....127	WASHER ASSY,FILTER ELEMNT,D905.....63	WELDMNT,LP TANK MOUNT.....37
THERMOSTAT.....51, 59	WASHER, FLAT, F436, 1.0, ZAG.....37, 121	WELDMNT,PIPE CRADLE MOUNT.....141
THERMOSTAT COVER.....59	WASHER, FLAT, USS, 5/8, ZAG.....65, 67, 73	WELDMNT,PLATFORM SUPPORT.....143
THERMOSTAT HOUSING, DF972.....51	WASHER, LOCK, 8MM, WG972.....57	WELDMNT,PLATFORM SUPPORT***.....89, 91
TIRE,SGL,51S3D1-16.5,8 PLY.....29, 33	WASHER, MUFFLER COVER, WG972.....51	WELDMNT,ROTATOR SUPPORT.....143
TOGGLE SWITCH GUARD,RED.....93	WASHER,FLAT 3/8 INCH.....53	WELDMNT,SENSOR BRACKET.....123
TOGGLE SWITCH W/GUARD ASSY.....93	WASHER,FLAT,#10,USS,ZAG.....49	WELDMNT,SWING CHASSIS Z34.....37
TOOL TRAY ACCESSORY***.....139	WASHER,FLAT,#8,SAE,ZAG.....79	WELDMNT,SWING GATE,ALUMINUM.....141
TOOL TRAY BRCKT, GRAY,SERVICE.....139	WASHER,FLAT,.25X1.25X.062,ZAG.....47	WELDMNT,TANK COMPARTMENT IC.....39, 47
TRACTION MANIFOLD 2WD.....101	WASHER,FLAT,.375X1.25X.062,ZAG.....79	WHEEL ASSY, IND. W/SEALANT.....33
TRIM MOLDING.....65	WASHER,FLAT,.406X1.50X.125,ZAG.....39, 73, 143	WHEEL ASSY, IND. W/SEALANT NM.....33
TRIM,EDGE,3/16X3/4 END BULB.....67	WASHER,FLAT,.625X2.25X.188,ZAG.....55, 65, 75	WHEEL ASSY, IND.W/SEALANT.....29
TRIMLOCK,BLACK,5/32".....141	WASHER,FLAT,.688X1.160X.09,HRD.....31, 33, 35, 63	WHEEL ASSY, IND.W/SEALANT NM.....29
TUBE,RD,STL,DOM,.75OD X .375ID.....129	WASHER,FLAT,1/2,SAE,HRD,ZAG.....53	WHEEL ASSY, INDUSTRIAL, AF.....29, 33
TUBE,RD,STL,DOM,.75X.438X1.25.....129	WASHER,FLAT,3/8,USS,ZAG.....47, 83	WHEEL ASSY, INDUSTRIAL, AF NM.....29, 33
TUBELESS PNEUMATIC TIRE,9-14LT.....29, 33	WASHER,FLAT,5/16,USS,ZAG.....55, 65, 75, 81, 129, 135	
TUBELESS TIRE,9-14.5,NON-M 47#.....29, 33		

Part Description Index (continued)

WHEEL ASSY, INDUSTRIAL, FF.....29, 33
 WHEEL ASSY, INDUSTRIAL, FF NM.....33
 WHEEL DRIVE W/BRAKE 57:1.....33
 WHEEL DRIVE,4HP 48:1.....31
 WHEEL STUD, 4HP, 5/8-18***.....31, 33
 WHEEL, 14.5 X 7.....33
 WHEEL,16.5 X 8.25,8 HOLE/8 BC.....29
 WHEEL,16.5 X 8.25,9 HOLE/9.5BC.....33
 WIPER,PRIMARY BOOM.....129
 WIRE CABLE,14/3 CON.TPE JKT*.....49, 91,
 149
 WIRE CABLE,16/2,WHT/BLK,SJEOW.....127
 WIRE CABLE,16/4 CON.TPE JKT.....37, 91
 WIRE LOOM,1.88 DIA.....83, 89
 WIRE LOOM,3/8 POLY SLIT.....91, 149
 WORKLIGHT,48 VOLT.....139

Y

YOKE ASSY, Z34 2WD LEFT.....29
 YOKE ASSY, Z34 2WD RIGHT.....29
 YOKE ASSY,ENGINE SIDE,PARKER.....31
 YOKE ASSY,GRD CONT,SIDE PARKER.....31

Z

ZERK,GREASE,1/8 NPT.....39
 ZERK,GREASE,1/8 NPT,45 DEG***.....37
 ZERK,GREASE,1/8 NPT,45DEG.....37
 ZERK,GREASE,1/8 NPT,67.5 DEG**.....37

—

— GENERAL SERVICE PARTS —.....11
 — GM .998L MODELS—.....11
 — HYD FILTERS —.....11
 — KUBOTA D1105 MODELS —.....11
 — KUBOTA WG972 MODELS —.....11
 — MANUALS —.....11

Fitting Cross References

Genie PN	Parker PN	Description	Genie PN	Parker PN	Description
12342	6-4 F5OX-S	CONNECTOR,STRAIGHT THREAD TO FLARE TUBE	42794	1 CR-S	ELBOW,90°,MALE PIPE
13757	4 R6X-S	RUN TEE,SWIVEL NUT,ORFS	42795	BV-0839	BALL VALVE
19685	12-10 C5OX-S	ELBOW,90°,STRAIGHT THREAD TO FLARE TUBE	42796	BV-0838	BALL VALVE
22664	12-10 C5OX	ELBOW,90°,STRAIGHT THREAD TO FLARE TUBE	42874	6-8 CLO-S	ELBOW,90°,MALE PIPE TO ORFS
27431	8-12 F5OX-S	CONNECTOR,STRAIGHT THREAD TO FLARE TUBE	42912	13943-6-4	HOSE END,90° FEMALE SWIVEL,JIC
28678	AS-B-33	SLEEVE,NYLON,1.81" ID	42920	BV-0840	BALL VALVE,90°
39871	6 WETX-WLN-S	UNION,90° BULKHEAD W/NUT,FLARE TUBE	42932	AS-B-17	SLEEVE,NYLON,1.22" ID
39872	4 R5OX-S	RUN TEE,STRAIGHT THREAD	42936	10243-2-4	HOSE END,FEMALE PIPE
39873	6 C5OX-S	ELBOW,90°,STRAIGHT THREAD TO FLARE TUBE	42953	1/2 DD-S	ELBOW,90°,FEMALE PIPE
39874	8-6 C5OX-S	ELBOW,90°,STRAIGHT THREAD TO FLARE TUBE	42956	6 WELO-WLNL-S	UNION,90° BULKHEAD W/NUT,ORFS
39875	4-6 C5OX-S	ELBOW,90°,STRAIGHT THREAD TO FLARE TUBE	45349	8 V5OX-S	ELBOW,45°,STRAIGHT THREAD TO FLARE TUBE
39876	6-8 C5OX-S	ELBOW,90°,STRAIGHT THREAD TO FLARE TUBE	45351	4 V5OX-S	ELBOW,45°,STRAIGHT THREAD TO FLARE TUBE
39877	4 F5OX-S	CONNECTOR,STRAIGHT THREAD TO FLARE TUBE	47223	10343-6-6	HOSE END,MALE,JIC
39878	6 F5OX-S	CONNECTOR,STRAIGHT THREAD TO FLARE TUBE	47419	PS690503-6-6	SWIVEL,90°,STRAIGHT THREAD TO 37° FLARE
39879	4-8 F5OX-S	CONNECTOR,STRAIGHT THREAD TO FLARE TUBE	48750	421-4	HOSE,1/4 INCH ID
39880	6-10 F5OX-S	CONNECTOR,STRAIGHT THREAD TO FLARE TUBE	48751	481TC-4	HOSE,1/4 INCH ID
39881	4-6 F5OX-S	CONNECTOR,STRAIGHT THREAD TO FLARE TUBE	48752	482TC-4	HOSE,1/4 INCH ID
39882	4-HP5ON-S	PLUG,STRAIGHT THREAD	48753	451TC-6	HOSE,3/8 INCH ID
39883	8-8 FTX-S	CONNECTOR,MALE PIPE TO FLARE TUBE	48754	482TC-6	HOSE,3/8 INCH ID
39885	269HB 12-12	ELBOW,90°,BEADED HOSE BARB TO MALE PIPE	48755	381-6	HOSE,3/8 INCH ID
39886	431-6	HOSE,3/8 INCH ID	48756	451TC-8	HOSE,1/2 INCH ID
39887	540N-2	HOSE,1/8 INCH ID	48757	482TC-8	HOSE,1/2 INCH ID
39888	801-8	HOSE,1/2 INCH ID	48758	381-8	HOSE,1/2 INCH ID
39889	801-12	HOSE,3/4 INCH ID	48759	381-10	HOSE,5/8 INCH ID
39890	10643-6-6	HOSE END,FEMALE SWIVEL,JIC	48760	451TC-10	HOSE,5/8 INCH ID
39891	13943-6-6	HOSE END,90° FEMALE SWIVEL,JIC	48761	482TC-12	HOSE,3/4 INCH ID
39892	13743-6-6	HOSE END,45° FEMALE SWIVEL,JIC	48762	451TC-12	HOSE,3/4 INCH ID
39894	30682-8-8	HOSE END,FEMALE SWIVEL,JIC	48763	772-12	HOSE,3/4 INCH ID
39895	30682-10-12	HOSE END,FEMALE SWIVEL,JIC	48764	881-16	HOSE,1 INCH ID
42286	8-8 CTX-S	ELBOW,90°,MALE PIPE TO FLARE TUBE	48765	772-16	HOSE,1 INCH ID
42756	8-12 CLO-S	ELBOW,90,MALE PIPE TO ORFS	48766	AS-B-15	SLEEVE,NYLON,1.06" ID
42757	8-12 FLO-S	CONNECTOR,MALE PIPE TO ORFS	48767	AS-B-22	SLEEVE,NYLON,1.42" ID
42758	4 JLO-S	UNION TEE,ORFS	48770	881-8	HOSE,1/2 INCH ID
42759	4-4 FLO-S	CONNECTOR,MALE PIPE TO ORFS			
42760	6-8 FLO-S	CONNECTOR,MALE PIPE TO ORFS			
42761	1J143-6-4	HOSE END,90° FEMALE SWIVEL,SEAL LOK			
42762	1J743-6-4	HOSE END,45° FEMALE SWIVEL,SEAL LOK			
42768	1JO43-4-4	HOSE END,MALE,SEAL LOK			
42776	601-8	HOSE,1/2 INCH ID			
42777	1J743-16-16	HOSE END,45° FEMALE SWIVEL,SEAL LOK			
42786	16 CLO-S	ELBOW,90°,MALE PIPE TO ORFS			
42787	16 R6LO-S	RUN TEE,SWIVEL NUT,ORFS			
42788	16-8 TRLO-BL-S	REDUCER,TUBE END TO SWIVEL,ORFS			
42789	6-6 CLO-S	ELBOW,90°,MALE PIPE TO ORFS			
42790	8-10 V5OLO-S	ELBOW,45°,STRAIGHT THREAD TO ORFS			
42791	3/4 CD-S	ELBOW,90°,MALE TO FEMALE PIPE			
42792	3/4 X 1/2 PTR-S	REDUCER,MALE TO FEMALE PIPE			
42793	1/2 CR-S	ELBOW,90°,MALE PIPE			

Fitting Cross References (Continued)

Genie PN	Parker PN	Description	Genie PN	Parker PN	Description
48771	881-10	HOSE,5/8 INCH ID	48847	13943-12-12	HOSE END,90° FEMALE SWIVEL,JIC
48772	381-4	HOSE,1/4 INCH ID	48848	10543-12-12	HOSE END,MALE,STRAIGHT THREAD
48773	AS-B-13	SLEEVE,NYLON,.86" ID	48849	1JC71-12-12	HOSE END,FEMALE SWIVEL,SEAL LOK
48800	1JC43-4-4	HOSE END,FEMALE SWIVEL,SEAL LOK	48850	1JS71-12-12	HOSE END,FEMALE SWIVEL,SEAL LOK
48801	1J743-4-4	HOSE END,45° FEMALE SWIVEL,SEAL LOK	48851	1J171-12-12	HOSE END,90° FEMALE SWIVEL,SEAL LOK
48802	1J943-4-4	HOSE END,90° FEMALE SWIVEL,SEAL LOK	48852	1J771-12-12	HOSE END,45° FEMALE SWIVEL,SEAL LOK
48804	1JM43-4-4	HOSE END,MALE,SEAL LOK, NO O-RING	48853	1J971-12-12	HOSE END,90° FEMALE SWIVEL,SEAL LOK
48805	10643-4-4	HOSE END,FEMALE SWIVEL,JIC	48854	1JC43-16-16	HOSE END,FEMALE SWIVEL,SEAL LOK
48806	13943-4-4	HOSE END,90° FEMALE SWIVEL,JIC	48855	1J943-16-16	HOSE END,90° FEMALE SWIVEL,SEAL LOK
48807	1JS43-4-4	HOSE END,FEMALE SWIVEL,SEAL LOK	48856	1J171-16-16	HOSE END,90° FEMALE SWIVEL,SEAL LOK
48808	3JC82-8-8	HOSE END,FEMALE SWIVEL,SEAL LOK	48857	1J971-16-16	HOSE END,90° FEMALE SWIVEL,SEAL LOK
48809	3JC82-12-12	HOSE END,FEMALE SWIVEL,SEAL LOK	48859	1JS43-8-4	HOSE END,FEMALE SWIVEL,SEAL LOK
48810	1JC43-6-4	HOSE END,FEMALE SWIVEL,SEAL LOK	48867	PD36BTL	DIAGNOSTIC NIPPLE,SEAL-LOK SWIVEL
48811	1J943-6-4	HOSE END,90° FEMALE SWIVEL,SEAL LOK	48873	6 PNLO-S	PLUG,TUBE END,ORFS
48812	1JC43-6-6	HOSE END,FEMALE SWIVEL,SEAL LOK	48874	6 PNTX-S	PLUG,FLARE TUBE
48813	1J143-6-6	HOSE END,90° FEMALE SWIVEL,SEAL LOK	48875	6 R6LO-S	RUN TEE,SWIVEL NUT,ORFS
48814	1J543-6-6	HOSE END,90° FEMALE SWIVEL,SEAL LOK	48877	4 F5OLO-SW/.025	CONNECTOR,STRAIGHT THREAD TO ORFS, W/.025 ORI
48815	1J743-6-6	HOSE END,45° FEMALE SWIVEL,SEAL LOK	48878	16-12 C5OLO-S	ELBOW,90°,STRAIGHT THREAD TO ORFS
48816	1J943-6-6	HOSE END,90° FEMALE SWIVEL,SEAL LOK	48879	8 C6LO-S	ELBOW,90°,SWIVEL NUT ORFS
48817	1JS43-6-8	HOSE END,FEMALE SWIVEL,SEAL LOK	48880	PD6-285	CAP,DIAGNOSTIC NIPPLE
48818	1J943-8-4	HOSE END,90° FEMALE SWIVEL,SEAL LOK	48881	6 HLO-S	UNION,ORFS
48819	1JC43-8-6	HOSE END,FEMALE SWIVEL,SEAL LOK	48883	8 P5ON-S	PLUG,STRAIGHT THREAD
48820	1J743-8-6	HOSE END,45° FEMALE SWIVEL,SEAL LOK	48884	8M18F87OMLO-S	CONNECTOR,METRIC,STRAIGHT THREAD TO ORFS
48821	1J943-8-6	HOSE END,90° FEMALE SWIVEL,SEAL LOK	48885	4 WGTX-WLN-S	CONNECTOR,BULKHEAD,FEMALE PIPE TO FLARE TUBE
48822	1JC43-8-8	HOSE END,FEMALE SWIVEL,SEAL LOK	48886	4 F5OLO-SW/2MM	CONNECTOR,MACHINED STRAIGHT THREAD TO ORFS
48823	1JS43-8-8	HOSE END,FEMALE SWIVEL,SEAL LOK	48887	4 CTX-S	ELBOW,90°,MALE PIPE TO FLARE TUBE
48824	1J143-8-8	HOSE END,90° FEMALE SWIVEL,SEAL LOK	48888	10-12 V5OLO-S	ELBOW,45°,STRAIGHT THREAD TO ORFS
48825	1J543-8-8	HOSE END,90° FEMALE SWIVEL,SEAL LOK	48890	4 S5OLO-S	BRANCH TEE,STRAIGHT THREAD TO ORFS
48826	1J743-8-8	HOSE END,45° FEMALE SWIVEL,SEAL LOK	48891	4 S6LO-S	BRANCH TEE,SWIVEL NUT TO ORFS
48827	1J943-8-8	HOSE END,90° FEMALE SWIVEL,SEAL LOK			
48828	1JC43-10-8	HOSE END,FEMALE SWIVEL,SEAL LOK			
48829	1JS43-10-8	HOSE END,FEMALE SWIVEL,SEAL LOK			
48830	1J743-10-8	HOSE END,45° FEMALE SWIVEL,SEAL LOK			
48831	1J943-10-8	HOSE END,90° FEMALE SWIVEL,SEAL LOK			
48833	1JC43-10-10	HOSE END,FEMALE SWIVEL,SEAL LOK			
48834	1J943-10-10	HOSE END,90° FEMALE SWIVEL,SEAL LOK			
48835	1JS43-10-12	HOSE END,FEMALE SWIVEL,SEAL LOK			
48836	1JC43-12-8	HOSE END,FEMALE SWIVEL,SEAL LOK			
48837	1JS43-12-8	HOSE END,FEMALE SWIVEL,SEAL LOK			
48838	1J743-12-8	HOSE END,45° FEMALE SWIVEL,SEAL LOK			
48839	1J943-12-8	HOSE END,90° FEMALE SWIVEL,SEAL LOK			
48840	1J943-12-10	HOSE END,90° FEMALE SWIVEL,SEAL LOK			
48841	1JC43-12-12	HOSE END,FEMALE SWIVEL,SEAL LOK			
48842	1JO43-12-12	HOSE END,MALE,SEAL LOK			
48843	1J143-12-12	HOSE END,90° FEMALE SWIVEL,SEAL LOK			
48844	1J543-12-12	HOSE END,90° FEMALE SWIVEL,SEAL LOK			
48845	1J743-12-12	HOSE END,45° FEMALE SWIVEL,SEAL LOK			
48846	1J943-12-12	HOSE END,90° FEMALE SWIVEL,SEAL LOK			

Fitting Cross References (Continued)

Genie PN	Parker PN	Description	Genie PN	Parker PN	Description
48892	6 C6LO-S	ELBOW,90°,SWIVEL NUT ORFS	48938	8 R6LO-S	RUN TEE,SWIVEL NUT,ORFS
48893	6 F5OHAO-S	UNION,STRAIGHT THREAD	48939	8 S6LO-S	BRANCH TEE,SWIVEL NUT TO ORFS
48894	8 WLO-WLNL-S	UNION,BULKHEAD,ORFS	48940	8 WJLO-WLNL-S	RUN TEE, BULKHEAD,ORFS
48895	DT-370-MSMO-5	VALVE,CHECK	48941	8-4 TRLO-S	REDUCER,TUBE END TO SWIVEL,ORFS
48896	6 JLO-S	UNION,TEE,ORFS	48942	8-6 C5OLO-S	ELBOW,90°,STRAIGHT THREAD TO ORFS
48897	DT-750-MSMS-5	VALVE,CHECK	48943	8-6 F5OLO-S	CONNECTOR,STRAIGHT THREAD TO ORFS
48898	DT-750-MOMS-5	VALVE,CHECK	48944	8-8 FLO-S	CONNECTOR,MALE PIPE TO ORFS
48899	DT-620-MOMS-5	VALVE,CHECK	48945	8 FTX-S	CONNECTOR,MALE PIPE TO FLARE TUBE
48900	4-6 F5OLO-SW/.035	CONNECTOR,STRAIGHT THREAD TO ORFS, W/.035 ORI	48946	8-10 F5OLO-S	CONNECTOR,STRAIGHT THREAD TO ORFS
48902	16-1 AOE4G-S	ELBOW,90° LONG,FEMALE PIPE TO STRAIGHT THREAD	48947	8-12 C5OLO-S	ELBOW,90°,STRAIGHT THREAD TO ORFS
48903	1 FF-S	NIPPLE,PIPE	48948	8-12 F5OLO-S	CONNECTOR,STRAIGHT THREAD TO ORFS
48904	4 C5OLO-S	ELBOW,90°,STRAIGHT THREAD TO ORFS	48949	8-16 F5OLO-S	CONNECTOR,STRAIGHT THREAD TO ORFS
48905	4 F5OLO-S	CONNECTOR,STRAIGHT THREAD TO ORFS	48950	10 C5OLO-S	ELBOW,90°,STRAIGHT THREAD TO ORFS
48906	4 R5OLO-S	RUN TEE,STRAIGHT THREAD	48951	10 CC5OLO-S	ELBOW,90° LONG,STRAIGHT THREAD TO ORFS
48907	4 V5OLO-S	ELBOW,45°,STRAIGHT THREAD TO ORFS	48952	10 F5OLO-S	CONNECTOR,STRAIGHT THREAD TO ORFS
48908	4 R6LO-S	RUN TEE,SWIVEL NUT,ORFS	48953	10 R5OLO-S	RUN TEE,STRAIGHT THREAD
48909	4 WJLO-WLNL-S	RUN TEE, BULKHEAD,ORFS	48954	10 S5OLO-S	BRANCH TEE,STRAIGHT THREAD TO ORFS
48910	4 GTX-S W/.030	CONNECTOR,FEMALE PIPE TO FLARE TUBE	48955	10 R6LO-S	RUN TEE,SWIVEL NUT,ORFS
48911	4-6 C5OLO-S	ELBOW,90°,STRAIGHT THREAD TO ORFS	48956	10-4 TRLO-BL-S	REDUCER,TUBE END TO SWIVEL,ORFS
48912	4-6 F5OLO-S	CONNECTOR,STRAIGHT THREAD TO ORFS	48957	10-6 TRLO-BL-S	REDUCER,TUBE END TO SWIVEL,ORFS
48913	4-6 F5OLO-SW/.030	CONNECTOR,STRAIGHT THREAD TO ORFS, W/.030 ORI	48958	10-12 F5OLO-S	CONNECTOR,STRAIGHT THREAD TO ORFS
48914	4-8 F5OLO-S	CONNECTOR,STRAIGHT THREAD TO ORFS	48959	12 C5OLO-S	ELBOW,90°,STRAIGHT THREAD TO ORFS
48915	6 C5OLO-S	ELBOW,90°,STRAIGHT THREAD TO ORFS	48960	12 F5OLO-S	CONNECTOR,STRAIGHT THREAD TO ORFS
48916	6 F5OLO-S	CONNECTOR,STRAIGHT THREAD TO ORFS	48961	12 R5OLO-S	RUN TEE,STRAIGHT THREAD
48917	6 FF5OLO-S	CONNECTOR,LONG,STRAIGHT THREAD TO ORFS	48962	12 S5OLO-S	BRANCH TEE,STRAIGHT THREAD TO ORFS
48918	6 R5OLO-S	RUN TEE,STRAIGHT THREAD	48963	12 V5OLO-S	ELBOW,45°,STRAIGHT THREAD TO ORFS
48919	6 S5OLO-S	BRANCH TEE,STRAIGHT THREAD TO ORFS	48964	12 R6LO-S	RUN TEE,SWIVEL NUT,ORFS
48920	6 V5OLO-S	ELBOW,45°,STRAIGHT THREAD TO ORFS	48965	12 CLO-S	ELBOW,90°,MALE PIPE TO ORFS
48921	6 FLO-S	CONNECTOR,MALE PIPE TO ORFS	48966	12 FLO-S	CONNECTOR,MALE PIPE TO ORFS
48922	6-6 FLO-S	CONNECTOR,MALE PIPE TO ORFS	48967	12 JLO-S	UNION TEE,ORFS
48923	6 P5ON-S	PLUG,STRAIGHT THREAD	48968	12 WLO-WLNL-S	UNION,BULKHEAD,ORFS
48925	6 WELO-S	UNION,90° BULKHEAD,ORFS	48969	12 WJLO-WLNL-S	RUN TEE, BULKHEAD,ORFS
48926	6-4 C5OLO-S	ELBOW,90°,STRAIGHT THREAD TO ORFS	48970	12 WELO-WLNL-S	UNION,90° BULKHEAD W/NUT,ORFS
48927	6-4 F5OLO-S	CONNECTOR,STRAIGHT THREAD TO ORFS			
48928	6-4 V5OLO-S	ELBOW,45°,STRAIGHT THREAD TO ORFS			
48929	6-8 C5OLO-S	ELBOW,90°,STRAIGHT THREAD TO ORFS			
48930	6-8 F5OLO-S	CONNECTOR,STRAIGHT THREAD TO ORFS			
48931	6-10 F5OLO-S	CONNECTOR,STRAIGHT THREAD TO ORFS			
48932	8 C5OLO-S	ELBOW,90°,STRAIGHT THREAD TO ORFS			
48933	8 F5OLO-S	CONNECTOR,STRAIGHT THREAD TO ORFS			
48934	8 FF5OLO-S	CONNECTOR,LONG,STRAIGHT THREAD TO ORFS			
48935	8 R5OLO-S	RUN TEE,STRAIGHT THREAD			
48936	8 S5OLO-S	BRANCH TEE,STRAIGHT THREAD TO ORFS			
48937	8 V5OLO-S	ELBOW,45°,STRAIGHT THREAD TO ORFS			

Fitting Cross References (Continued)

Genie PN	Parker PN	Description	Genie PN	Parker PN	Description
48971	12 G5G5JG5-S	TEE,FEMALE STRAIGHT THREAD	49612	PKT02586	O-RING KIT (ORFS FITTINGS)
48972	12 XHL6-S	ADAPTER, 37° MALE TO SWIVEL ORFS	49613	PKT06276	PLUG AND CAP KIT-SERVICE,ORFS
48973	12-1/2 F5OG-S	ADAPTER,FEMALE PIPE TO STRAIGHT THREAD	49728	10143-12-12	HOSE END, MALE PIPE
48974	12-10 C5OLO-S	ELBOW,90°,STRAIGHT THREAD TO ORFS	49729	16-1 F5OG-S	ADAPTER,FEMALE PIPE TO STRAIGHT THREAD
48975	12-10 F5OLO-S	CONNECTOR,STRAIGHT THREAD TO ORFS	49814	12-8 FLO-S	CONNECTOR,MALE PIPE TO ORFS
48976	12-16 C5OLO-S	ELBOW,90°,STRAIGHT THREAD TO ORFS	49829	DT-500-MOMF-5	VALVE,CHECK
48977	12-16 F5OLO-S	CONNECTOR,STRAIGHT THREAD TO ORFS	49831	881-12	HOSE,3/4 INCH ID
48978	12-16 V5OLO-S	ELBOW,45°,STRAIGHT THREAD TO ORFS	49834	16 JLO-S	UNION TEE,ORFS
48980	12-16 FLO-S	CONNECTOR,MALE PIPE TO ORFS	49838	12-8 TRLO-BL-S	REDUCER,TUBE END TO SWIVEL,ORFS
48983	16 C5OLO-S	ELBOW,90°,STRAIGHT THREAD TO ORFS	49840	8 JLO-S	UNION TEE,ORFS
48984	16 F5OLO-S	CONNECTOR,STRAIGHT THREAD TO ORFS	49844	10-8 TRLO-BL-S	REDUCER,TUBE END TO SWIVEL,ORFS
48985	16 V5OLO-S	ELBOW,45°,STRAIGHT THREAD TO ORFS	49854	8 P5ON-S	PLUG,STRAIGHT THREAD
48986	16 FLO-S	CONNECTOR,MALE PIPE TO ORFS	49855	1JC43-16-12	HOSE END,FEMALE SWIVEL,SEAL LOK
48988	16 CD45-S	ELBOW,45°,MALE TO FEMALE PIPE	49859	4 P5ON-S	PLUG,STRAIGHT THREAD
48989	12 CD45-S	ELBOW,45°,MALE TO FEMALE PIPE	49861	4 FF5OLO-S	CONNECTOR, LONG, STRAIGHT THREAD TO ORFS
48990	8 CD45-S	ELBOW,45°,MALE TO FEMALE PIPE	49867	12-3/4 F5OG-S	ADAPTER,FEMALE PIPE TO STRAIGHT THREAD
48991	16-12 FLO-S	CONNECTOR,MALE PIPE TO ORFS	51152	6 R6X-S	RUN TEE,SWIVEL NUT,ORFS
48992	16-12 V5OLO-S	ELBOW,45°,STRAIGHT THREAD TO ORFS	51153	6-4 TRTX-S	REDUCER,TUBE END TO SWIVEL,ORFS
48993	XV501-12	BALL VALVE	51154	4-4 GTX	CONNECTOR,FEMALE PIPE TO FLARE TUBE
48994	XV501-16	BALL VALVE	51264	881-12	HOSE,3/4 INCH ID
48995	XV510P-12	BALL VALVE	51265	8 JLO-S	UNION TEE,ORFS
48996	XV510P-16	BALL VALVE	51508	6 BTX-S	NUT,FLARE TUBE
48997	PD341	DIAGNOSTIC NIPPLE, STRAIGHT THREAD	51580	12-8 TRLO-BL-S	TUBE END REDUCER,ORFS
48998	PD 361	DIAGNOSTIC NIPPLE, STRAIGHT THREAD	51628	6 R6X-S	RUN TEE,SWIVEL NUT,ORFS
48999	DT-500-MOMS-5	VALVE,CHECK	51735	3/8 HHP	PLUG,PIPE THREAD
49201	10 V5OLO-S	ELBOW,45°,STRAIGHT THREAD TO ORFS	51803	1J943-6-8	HOSE END,90° FEMALE SWIVEL,SEAL LOK
49202	1JC43-12-10	HOSE END,FEMALE SWIVEL,SEAL LOK	53023	125HBL-5-4	FITTING,HOSE BARB TO MALE PIPE
49203	10-8 V5OLO-S	ELBOW,45°,STRAIGHT THREAD TO ORFS	53497	PKT02585	O-RING KIT
49205	6 F5OHAO-S	UNION,STRAIGHT THREAD	53499	1JC71-16-16	HOSE END,FEMALE SWIVEL,SEAL LOK
49207	PD34BTL	DIAGNOSTIC NIPPLE,SEAL-LOK SWIVEL	53500	3-904	O-RING,STRAIGHT THREAD,-4
49209	8M18F870MX-S	CONNECTOR,METRIC,STRAIGHT THREAD TO FLARE TUBE	53501	3-906	O-RING,STRAIGHT THREAD,-6
49212	8 WGTX-WLN-S	CONNECTOR,BULKHEAD,FEMALE PIPE TO FLARE TUBE	53502	3-908	O-RING,STRAIGHT THREAD,-8
49213	30682-8-8	HOSE END,FEMALE SWIVEL,JIC	53503	3-910	O-RING,STRAIGHT THREAD,-10
49216	831-8	HOSE,1/2 INCH ID			
49217	33982-8-8	HOSE END,90° FEMALE SWIVEL,JIC			
49219	PS-B-35	SLEEVE,NYLON,2.19" ID			
49418	4-6 V5OLO-S	ELBOW,45°,STRAIGHT THREAD TO ORFS			
49511	DT370-MOMS-5	VALVE,CHECK			
49512	1 DD-S	ELBOW,90°,FEMALE PIPE			
49513	1 FF-S	NIPPLE,PIPE			
49514	10 HP5ON-S	PLUG,STRAIGHT THREAD			
49515	12-16 CLO-S	ELBOW,90°,MALE PIPE TO ORFS			
49517	6 HP5ON-S	PLUG,STRAIGHT THREAD			
49519	16-12 F5OLO-S	CONNECTOR,STRAIGHT THREAD TO ORFS			
49520	4 VTX-S	ELBOW,45°,MALE PIPE TO FLARE TUBE			
49530	16 C6LO-S	ELBOW,90°,SWIVEL NUT ORFS			

Fitting Cross References (Continued)

Genie PN	Parker PN	Description	Genie PN	Parker PN	Description
53535	3-912	O-RING,STRAIGHT THREAD,-12	61083	24 F5OLO-S	CONNECTOR,STRAIGHT THREAD TO ORFS
53536	4-PNLO-S	PLUG,TUBE END,ORFS	61086	20 R5OLO-S	RUN TEE,STRAIGHT THREAD
53537	6 PNLO-S	PLUG,TUBE END,ORFS	61090	24-20 F5OLO-S	CONNECTOR,STRAIGHT THREAD TO ORFS
53538	8 PNLO-S	PLUG,TUBE END,ORFS	61091	1J943 24-24	HOSE END,90° FEMALE SWIVEL,SEAL LOK
53539	10 PNLO-S	PLUG,TUBE END,ORFS	61093	1J978-12-12	HOSE END,90° FEMALE SWIVEL,JIC
53540	12 PNLO-S	PLUG,TUBE END,ORFS	61095	1JS43-20-16	HOSE END,FEMALE SWIVEL,SEAL LOK
53946	129HB-5-4	FITTING,90° HOSE BARB TO MALE PIPE	61100	811-24	HOSE,11/2 INCH ID
53951	8-1/4F50G-S	ADAPTER,FEMALE PIPE TO STRAIGHT THREAD	61130	1JS43-24-24	HOSE END,FEMALE SWIVEL,SEAL LOK
53980	6 S6LO-S	BRANCH TEE,SWIVEL NUT TO ORFS	61131	1JS78 12-12	HOSE END,FEMALE SWIVEL,SEAL LOK
54132	4 C6LO-S	ELBOW,90°,SWIVEL NUT ORFS	61132	1J778-12-12	HOSE END,45° FEMALE SWIVEL,JIC
54135	11343-16-16	HOSE END,MALE SWIVEL,PIPE	61152	139HB-6-4	ELBOW,45°,BARB TO MALE PIPE
54283	8-10 C5OLO-S	ELBOW,90°,STRAIGHT THREAD TO ORFS	61251	BV-0750	BALL VALVE
54428	8M18C870MLO-S	ELBOW, 90° METRIC, STRAIGHT THREAD TO ORFS	61259	4 CC5OLO-S	ELBOW,90° LONG,STRAIGHT THREAD TO ORFS
54803	FS-F-16-10	SLEEVE,FIRE,-96" ID	61260	20-12 TRLO-BL	REDUCER,TUBE END TO SWIVEL,ORFS
54954	10143-2-4	HOSE END, MALE PIPE	61262	12 C6LO-S	ELBOW,90°,SWIVEL NUT ORFS
55190	3/8 HP-S	PLUG,PIPE THREAD	61263	20 F5OHAO-S	UNION,STRAIGHT THREAD
55448	8 HLO-S	UNION,ORFS	61264	6-10 C5OLO-S	ELBOW,90°,STRAIGHT THREAD TO ORFS
55839	6 F65OX-S	CONNECTOR,STRAIGHT THREAD TO 37° SWIVEL	61265	6 WNLO-WLNL-S	UNION,BULKHEAD 45°,ORFS
55968	10 C5OX-S	ELBOW,90°,STRAIGHT THREAD TO FLARE TUBE	61268	4 WNLO-WLNL-S	UNION,BULKHEAD 45°,ORFS
56003	6 CC5OLO-S	ELBOW,90° LONG,STRAIGHT THREAD TO ORFS	61269	4 WLO-WLNL-S	UNION,BULKHEAD,ORFS
56166	BV-0837	BALL VALVE,90°	61272	12 AOEL6	ELBOW,90°,STRAIGHT THREAD TO ORFS SWIVEL
56188	10143-8-6	HOSE END, MALE PIPE	61316	482TC-16	HOSE,1 INCH ID
56233	2-011	O-RING,ORFS,-4	61321	6 JLO-S	UNION TEE,ORFS
56234	2-012	O-RING,ORFS,-6	61327	782-12	HOSE,3/4 INCH ID
56235	2-014	O-RING,ORFS,-8	61328	881-24	HOSE,11/2 INCH ID
56236	2-016	O-RING,ORFS,-10	61336	11943-20-24	HOSE END,90° FLANGE HEAD
56237	2-018	O-RING,ORFS,-12	61345	12 WJLO-WLNL-S	RUN TEE, BULKHEAD,ORFS
56238	2-021	O-RING,ORFS,-16	61346	8 WNLO-WLNL-S 4	UNION,BULKHEAD 45°,ORFS
56352	6 WLNL-S	LOCKNUT,BULKHEAD	61569	33782-8-8	HOSE END,45° FEMALE SWIVEL,JIC
56353	3J782-12-12	HOSE END,45° FEMALE SWIVEL,SEAL LOK	61610	12 FF5OLO-S	CONNECTOR,LONG,STRAIGHT THREAD TO ORFS
56354	3J982-12-12	HOSE END,90° FEMALE SWIVEL,SEAL LOK	61742	1/8 X 1.5 FFF	NIPPLE,PIPE
56604	10-8 F5OLO-S	CONNECTOR,STRAIGHT THREAD TO ORFS	63426	8 PNTX-S	PLUG,FLARE TUBE
56639	3JC82-10-10	HOSE END,FEMALE SWIVEL,SEAL LOK			
56640	3J982-10-10	HOSE END,90° FEMALE SWIVEL,SEAL LOK			
56655	3JC82-8-10	HOSE END,FEMALE SWIVEL,SEAL LOK			
56676	10-8 C5OLO-S	ELBOW,90°,STRAIGHT THREAD TO ORFS			
56776	471TC-6	HOSE,3/8 INCH ID			
56777	471TC-8	HOSE,1/2 INCH ID			
56789	811-16	HOSE,1 INCH ID			
57884	3/8 FF	NIPPLE,PIPE			
59335	6 FNL-S	CAP,TUBE END			
59342	4 FNL-S	CAP,TUBE END			
59371	8 HP50N-S	PLUG,STRAIGHT THREAD			
60653	BV-0751	BALL VALVE			
60806	125HB-3-4	FITTING,HOSE BARB TO MALE PIPE			
61064	5-1/4 F50G-S	ADAPTER,FEMALE PIPE TO STRAIGHT THREAD			
61079	4 WELO-WLNL-S	UNION,90° BULKHEAD W/NUT,ORFS			
61080	6 WLO-WLNL-S	UNION,BULKHEAD,ORFS			

Fitting Cross References (Continued)

Genie PN	Parker PN	Description	Genie PN	Parker PN	Description
64271	4 WLO-WLNL-S	UNION,BULKHEAD,ORFS	75631	801-6	HOSE,3/8 INCH ID
64272	6 WLO-WLNL-S	UNION,BULKHEAD,ORFS	75654	20 F5OLO-S	CONNECTOR,STRAIGHT THREAD TO ORFS
65776	8 F65OL-S	CONNECTOR,STRAIGHT THREAD TO ORFS SWIVEL	75655	1J943-20-20	HOSE END,90° FEMALE SWIVEL,SEAL LOK
65880	6001012	O-RING KIT	75656	881-20	HOSE,1-1/4 INCH ID
66154	6 WTX-WLNS	UNION,BULKHEAD,FLARE TUBE	75971	8 F5OHAO-S	UNION,STRAIGHT THREAD
66155	6 WETX-S	UNION,BULKHEAD 90°,FLARE TUBE	77307	1JB43-8-8	HOSE END,BULKHEAD,SEAL LOK
66156	6 WLN-S	BULKHEAD LOCKNUT	77309	8 WLNL-S	BULKHEAD LOCKNUT
66389	6-8 F5OX-S	CONNECTOR,STRAIGHT THREAD TO FLARE TUBE	77379	8M18C87OMX-S	ELBOW,90° METRIC,STRAIGHT THREAD TO FLARE TUBE
66392	6 R5OX-S	RUN TEE,STRAIGHT THREAD	77703	3J982-8-8	HOSE END,90° FEMALE SWIVEL,SEAL LOK
66396	811-12	HOSE,3/4 INCH ID	77711	801-10	HOSE,5/8 INCH ID
66829	H3174PP	CLAMP,TUBE	77758	12 WNLO-WLNL-S	UNION,BULKHEAD 45°,ORFS
67217	4 KLO-S	UNION,CROSS,ORFS	78091	6 C6X-S	ELBOW,90°,SWIVEL NUT TO FLARE TUBE
67339	10-6 F5OX-S	CONNECTOR,STRAIGHT THREAD TO FLARE TUBE	78684	30582-8-8B	HOSE END,PUSH LOK,MALE
67357	13943-8-6	HOSE END,90° FEMALE SWIVEL,JIC	78852	549-2	HOSE,1/8 INCH ID
67358	10 HP5ON-S	PLUG,STRAIGHT THREAD	78855	10657-4-2	HOSE END,FEMALE SWIVEL,JIC
67371	12 S6LO-S	BRANCH TEE,SWIVEL NUT TO ORFS	79138	PS-B-37	SLEEVE,NYLON,2.38" ID
67498	4 FNL-S	CAP, TUBE END	79476	1JS43-6-8	HOSE END,FEMALE SWIVEL,SEAL LOK
67906	DC-370-F0F0-5	VALVE,CHECK	79847	12-3/4 A0EG-S	ELBOW,90°,STRAIGHT THREAD TO FEMALE PIPE
69316	8 FLO-S	CONNECTOR,MALE PIPE TO ORFS	80044	8 CLO-S	ELBOW,90°,MALE PIPE TO ORFS
69333	H3174PP	CLAMP,HYDRAULIC HOSE	80502	8 F5OX-S	CONNECTOR,STRAIGHT THREAD TO FLARE TUBE
69503	4 F65OX-S	CONNECTOR,STRAIGHT THREAD TO 37° SWIVEL	80503	8 C5OX-S	ELBOW,90°,STRAIGHT THREAD TO FLARE TUBE
69775	8 FNL-S	CAP, TUBE END	81010	AS-B-27	SLEEVE,NYLON,1.63" ID
71038	1/4X1/4F3HG-S	ADAPTER,CONVERSION	83052	821-6	HOSE,3/8 INCH ID
71196	12-8 F5OLO-S	CONNECTOR,STRAIGHT THREAD TO ORFS	83053	821-8	HOSE,1/2 INCH ID
71383	1/4 CD45-S	ELBOW,45°,MALE TO FEMALE PIPE	83054	821-12	HOSE,3/4 INCH ID
72270	12FNL-S	CAP, TUBE END	83055	30682-6-6	HOSE END,FEMALE SWIVEL,JIC
73436	60C-4	SLEEVE,COMPRESSION	83056	30682-12-12	HOSE END,FEMALE SWIVEL,JIC
73437	61C-4	NUT,COMPRESSION	83057	33782-6-6	HOSE END,45° FEMALE SWIVEL,JIC
73438	33482-4-4B	HOSE END,PUSH LOK,MALE	83058	33982-6-6	HOSE END,90° FEMALE SWIVEL,JIC
73767	1CD-S	ELBOW,90°,MALE TO FEMALE PIPE	83060	33982-12-12	HOSE END,90° FEMALE SWIVEL,JIC
73768	20-16-F5OG5-S	ADAPTER,FEMALE PIPE TO STRAIGHT THREAD	83063	13743-4-4	HOSE END,45° FEMALE SWIVEL,JIC
73769	16-20 F5OLO-S	CONNECTOR,STRAIGHT THREAD TO ORFS			
74660	6-8 F42EDMLO-S	CONNECTOR,MALE BSPP TO ORFS			
74661	8-8 F42EDMLO-S	CONNECTOR,MALE BSPP TO ORFS			
75007	4 FLO-S	CONNECTOR,MALE PIPE TO ORFS			
75008	1/8 HP-S	PLUG,PIPE THREAD			
75014	1/2 HP-S	PLUG,PIPE THREAD			
75042	8 WELO-WLNL-S	UNION,90° BULKHEAD W/NUT,ORFS			
75043	3/4 FF-S	NIPPLE,PIPE			
75254	24 F5OHAO-S	UNION,STRAIGHT THREAD			
75255	12 F5OHAO-S	UNION,STRAIGHT THREAD			
75256	XV506P-24	BALL VALVE			
75574	4 WLNL-S	BULKHEAD LOCKNUT			
75612	8 WJLO-WLNL-S	RUN TEE, BULKHEAD,ORFS			
75613	12-8 F5OG5-S	ADAPTER,FEMALE PIPE TO STRAIGHT THREAD			
75614	8 CC5OLO-S	ELBOW,90° LONG,STRAIGHT THREAD TO ORFS			
75628	1JB43-4-4	HOSE END,BULKHEAD,SEAL LOK			

Fitting Cross References (Continued)

Genie PN	Parker PN	Description	Genie PN	Parker PN	Description
83064	13743-8-8	HOSE END,45° FEMALE SWIVEL,JIC	89449	6 WJLO-WLNL-S	RUN TEE, BULKHEAD,ORFS
83065	13743-12-12	HOSE END,45° FEMALE SWIVEL,JIC	89489	4 WJMLO-S	BRANCH TEE,BULKHEAD,ORFS
83066	13943-8-8	HOSE END,90° FEMALE SWIVEL,JIC	89551	1JB43-6-6	HOSE END,BULKHEAD,SEAL LOK
83067	14143-6-6	HOSE END,90° FEMALE SWIVEL,JIC	89552	1JB43-8-8	HOSE END,BULKHEAD,SEAL LOK
83068	14143-8-8	HOSE END,90° FEMALE SWIVEL,JIC	89593	20 C5OLO-S	ELBOW,90°,STRAIGHT THREAD TO ORFS
83069	14143-12-12	HOSE END,90° FEMALE SWIVEL,JIC	94161	8-8 CLO-S	ELBOW,90°,MALE PIPE TO ORFS
83070	772-8	HOSE,1/2 INCH ID	94358	351TC-12	HOSE,3/4 INCH ID
83071	10671-8-8	HOSE END,FEMALE SWIVEL,JIC	94418	20 FLO-S	CONNECTOR,MALE PIPE TO ORFS
83072	10671-12-12	HOSE END,FEMALE SWIVEL,JIC	96358	12 TX-S	SLEEVE,FLARE TUBE
83073	13771-8-8	HOSE END,45° FEMALE SWIVEL,JIC	96359	12 BTX-S	NUT,FLARE TUBE
83074	13771-12-12	HOSE END,45° FEMALE SWIVEL,JIC	96397	8 F5OX-S	CONNECTOR,STRAIGHT THREAD TO FLARE TUBE
83075	13971-8-8	HOSE END,90° FEMALE SWIVEL,JIC	96398	12-8 F5OX-S	CONNECTOR,STRAIGHT THREAD TO FLARE TUBE
83076	13971-12-12	HOSE END,90° FEMALE SWIVEL,JIC	96402	10343-6-6	HOSE END,MALE,JIC
83077	14171-8-8	HOSE END,90° FEMALE SWIVEL,JIC	96407	30382-6-6B	HOSE END,MALE,JIC
83078	14171-12-12	HOSE END,90° FEMALE SWIVEL,JIC			
83080	13943-16-16	HOSE END,90° FEMALE SWIVEL,JIC			
83103	10671-16-12	HOSE END,FEMALE SWIVEL,JIC			
83104	10671-10-12	HOSE END,FEMALE SWIVEL,JIC			
83112	1JC71-8-8	HOSE END,FEMALE SWIVEL,SEAL LOK			
83113	1JS71-16-12	HOSE END,FEMALE SWIVEL,SEAL LOK			
83114	1JS71-10-12	HOSE END,FEMALE SWIVEL,SEAL LOK			
83115	1J971-8-8	HOSE END,90° FEMALE SWIVEL,SEAL LOK			
83116	1J171-8-8	HOSE END,90° FEMALE SWIVEL,SEAL LOK			
83117	1J771-8-8	HOSE END,45° FEMALE SWIVEL,SEAL LOK			
83127	1J543-6-8	HOSE END,90° FEMALE SWIVEL,JIC			
83128	1JC43-6-8	HOSE END,FEMALE SWIVEL,SEAL LOK			
87033	12-6 TRLO-S	REDUCER,TUBE END TO SWIVEL,ORFS			
87034	3J782-8-8	HOSE END,45° FEMALE SWIVEL,SEAL LOK			
87172	12 HP5ON-S	PLUG,STRAIGHT THREAD			
87185	8 WNLO-WLNL-S	UNION,BULKHEAD 45°,ORFS			
87246	4 C6X-S	ELBOW,90°,SWIVEL NUT TO FLARE TUBE			
87679	6 LHP-S	FLANGE SEAL FITTING, MALE			
87681	6PLS N0702	BONDED SEAL			
88100	SR88100	ADAPTER,OIL DRAIN,GM 3.0L			
88311	1JS43-20-20	HOSE END,FEMALE SWIVEL,SEAL LOK			
88353	20 V5OLO-S	ELBOW,45°,STRAIGHT THREAD TO ORFS			
88474	10081-20	Crimp Shell, 1.25"			
88475	1988-20-24	HOSE END,90° FLANGE HEAD			
88476	JS88-24-24	HOSE END,FEMALE SWIVEL,SEAL LOK			
88477	1JC88-20-20	HOSE END,FEMALE SWIVEL,SEAL LOK			
88478	811-20	HOSE,11/4 INCH ID			
88936	20-16 F5OLO-S	CONNECTOR,STRAIGHT THREAD TO ORFS			
88937	20-16 FLO-S	CONNECTOR,MALE PIPE TO ORFS			
88938	1JC88-16-16	HOSE END,FEMALE SWIVEL,SEAL LOK			
88939	1J988-16-16	HOSE END,90° FEMALE SWIVEL,ORFS			
88940	811-16	HOSE,1 INCH ID			
88944	1J988-20-20	HOSE END,90° FEMALE SWIVEL,ORFS			
89403	16 VLO-S	ELBOW,45°,MALE PIPE TO ORFS			

California Proposition 65



Operating, servicing and maintaining this equipment can expose you to chemicals including engine exhaust, carbon monoxide, phthalates, and lead, which are known to the State of California to cause cancer and birth defects or other reproductive harm. These chemicals can be emitted from or contained in other various parts and systems, fluids and some component wear by-products. To minimize exposure, avoid breathing exhaust, do not idle the engine except as necessary, service your equipment and vehicle in a well-ventilated area and wear gloves or wash your hands frequently when servicing your equipment or vehicle and after operation. For more information go to www.P65Warnings.ca.gov/passenger-vehicle.

Breathing diesel engine exhaust exposes you to chemicals known to the State of California to cause cancer and birth defects or other reproductive harm.

- Always start and operate the engine in a well-ventilated area.
- If in an enclosed area, vent the exhaust to the outside.
- Do not modify or tamper with the exhaust system.
- Do not idle the engine except as necessary.

For more information go to www.P65warnings.ca.gov/diesel.

Distributed By:

www.P65Warnings.ca.gov to order your parts

PARTS FINDER

**Search Website
by Part Number**



**Search Manual
Library For Parts
Manual & Lookup Part
Numbers – Purchase
or Request Quote**

Search Manuals

Enter your information to help us find the right parts manual for your machine.

* Brand:

* Model:

* Serial:

* Part Number:

SEARCH

**Can't Find Part or
Manual? Request Help
by Manufacturer,
Model & Description**

Parts Order Form

Please fill in the following information to help us find the right part for your machine.

Manufacturer:	<input type="text"/>
Model:	<input type="text"/>
Description:	<input type="text"/>
Part Number:	<input type="text"/>
Quantity:	<input type="text"/>
Notes:	<input type="text"/>

Discount-Equipment.com is your online resource for quality parts & equipment.

Florida: **561-964-4949** Outside Florida TOLL FREE: **877-690-3101**

Need parts?

Click on this link: <http://www.discount-equipment.com/category/5443-parts/> and choose one of the options to help get the right parts and equipment you are looking for. Please have the machine model and serial number available in order to help us get you the correct parts. If you don't find the part on the website or on one of the online manuals, please fill out the request form and one of our experienced staff members will get back to you with a quote for the right part that your machine needs.

We sell worldwide for the brands: Genie, Terex, JLG, MultiQuip, Mikasa, Essick, Whiteman, Mayco, Toro Stone, Diamond Products, Generac Magnum, Airman, Haulotte, Barreto, Power Blanket, Nifty Lift, Atlas Copco, Chicago Pneumatic, Allmand, Miller Curber, Skyjack, Lull, Skytrak, Tsurumi, Husquvarna Target, Stow, Wacker, Sakai, Mi-T-M, Sullair, Basic, Dynapac, MBW, Weber, Bartell, Bennar Newman, Haulotte, Ditch Runner, Menegotti, Morrison, Contec, Buddy, Crown, Edco, Wyco, Bomag, Laymor, EZ Trench, Bil-Jax, F.S. Curtis, Gehl Pavers, Heli, Honda, ICS/PowerGrit, IHI, Partner, Imer, Clipper, MMD, Koshin, Rice, CH&E, General Equipment, Amida, Coleman, NAC, Gradall, Square Shooter, Kent, Stanley, Tamco, Toku, Hatz, Kohler, Robin, Wisconsin, Northrock, Oztec, Toker TK, Rol-Air, APT, Wylie, Ingersoll Rand / Doosan, Innovatech, Con X, Ammann, Mecalac, Makinex, Smith Surface Prep, Small Line, Wanco, Yanmar