



A TEREX BRAND



# Parts Manual

Serial Number Range

**ZX-135/70**

ZX135H-4001

Part No. 1263384GT  
Rev: A6  
September 2019

Go to [Discount-Equipment.com](http://Discount-Equipment.com) to order your parts

# PARTS FINDER

**Search Website  
by Part Number**



**Search Manual  
Library For Parts  
Manual & Lookup Part  
Numbers – Purchase  
or Request Quote**

**Search Manuals**

Enter your information to help us find the right part for your machine.

\* Brand:

\* Model:

\* Serial:

\* Part Number:

SEARCH

**Can't Find Part or  
Manual? Request Help  
by Manufacturer,  
Model & Description**

**Parts Order Form**

Please fill in the following information to help us find the right part for your machine.

|               |                      |
|---------------|----------------------|
| Manufacturer: | <input type="text"/> |
| Model:        | <input type="text"/> |
| Description:  | <input type="text"/> |
| Part Number:  | <input type="text"/> |
| Quantity:     | <input type="text"/> |
| Notes:        | <input type="text"/> |

Submit

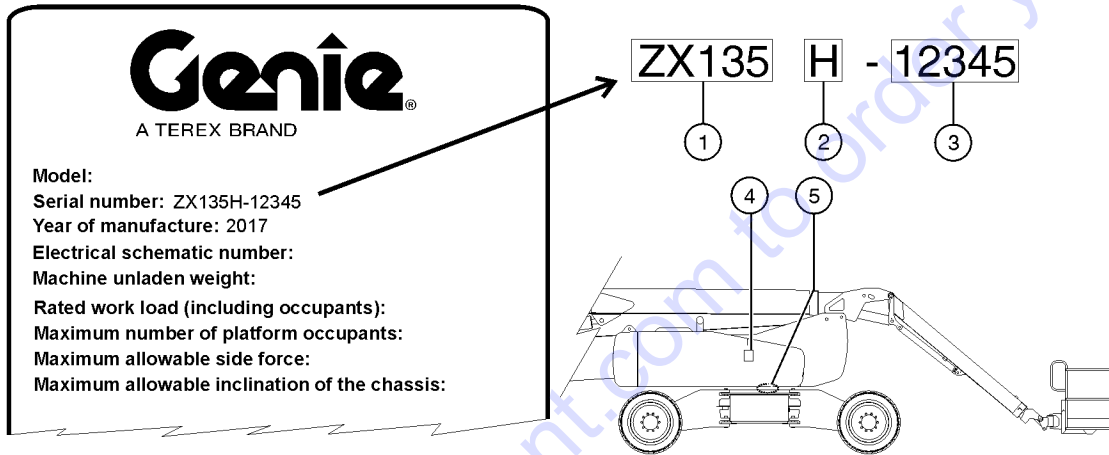
Discount-Equipment.com is your online resource for quality parts & equipment.

Florida: **561-964-4949** Outside Florida TOLL FREE: **877-690-3101**

**Need parts?**

Click on this link: <http://www.discount-equipment.com/category/5443-parts/> and choose one of the options to help get the right parts and equipment you are looking for. Please have the machine model and serial number available in order to help us get you the correct parts. If you don't find the part on the website or on one of the online manuals, please fill out the request form and one of our experienced staff members will get back to you with a quote for the right part that your machine needs.

We sell worldwide for the brands: Genie, Terex, JLG, MultiQuip, Mikasa, Essick, Whiteman, Mayco, Toro Stone, Diamond Products, Generac Magnum, Airman, Haulotte, Barreto, Power Blanket, Nifty Lift, Atlas Copco, Chicago Pneumatic, Allmand, Miller Curber, Skyjack, Lull, Skytrak, Tsurumi, Husquvarna Target, Stow, Wacker, Sakai, Mi-T-M, Sullair, Basic, Dynapac, MBW, Weber, Bartell, Bennar Newman, Haulotte, Ditch Runner, Menegotti, Morrison, Contec, Buddy, Crown, Edco, Wyco, Bomag, Laymor, EZ Trench, Bil-Jax, F.S. Curtis, Gehl Pavers, Heli, Honda, ICS/PowerGrit, IHI, Partner, Imer, Clipper, MMD, Koshin, Rice, CH&E, General Equipment, Amida, Coleman, NAC, Gradall, Square Shooter, Kent, Stanley, Tamco, Toku, Hatz, Kohler, Robin, Wisconsin, Northrock, Oztec, Toker TK, Rol-Air, APT, Wylie, Ingersoll Rand / Doosan, Innovatech, Con X, Ammann, Mecalac, Makinex, Smith Surface Prep, Small Line, Wanco, Yanmar



**Genie**  
A TEREX BRAND

Model:  
Serial number: ZX135H-12345  
Year of manufacture: 2017  
Electrical schematic number:  
Machine unladen weight:  
Rated work load (including occupants):  
Maximum number of platform occupants:  
Maximum allowable side force:  
Maximum allowable inclination of the chassis:

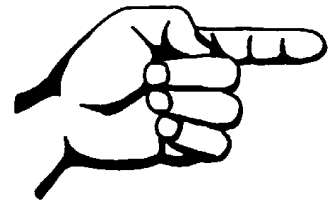
ZX135 H - 12345

1 2 3

4 5

- 1 Model
- 2 Facility code
- 3 Sequence number
- 4 Serial label (located under cover)
- 5 Serial number (stamped on chassis)

Please refer to section 001 for the Recommended  
Spare Parts List.



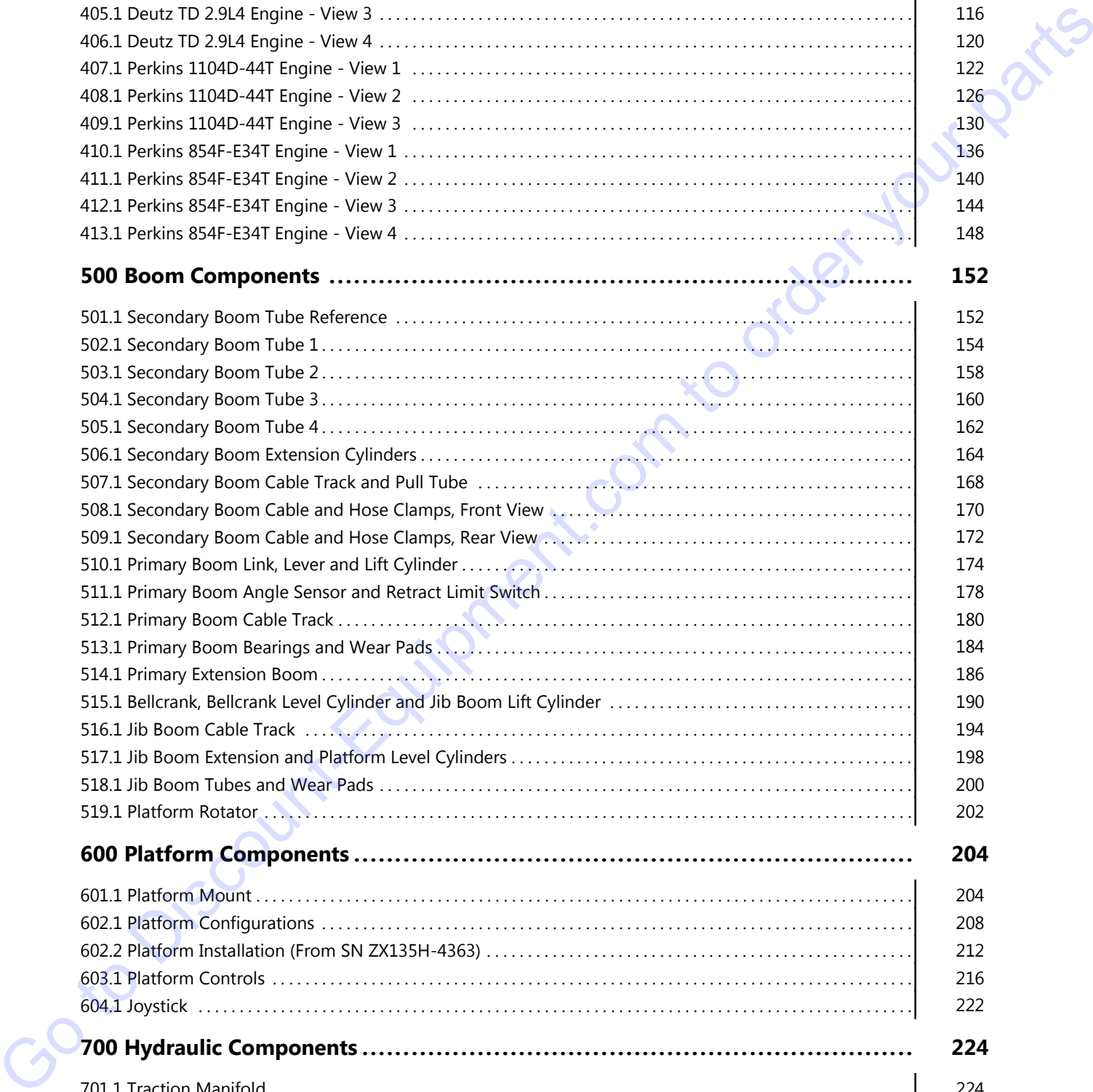
This page intentionally left blank.

Go to Discount-Equipment.com to order your parts

| <b>Description</b>   | <b>Page</b> |
|--|-------------|
| <b>001 Parts Stocking List .....</b>                           | <b>10</b>   |
| 001.1 Parts Stocking List .....                                | 10          |
| <b>100 Decals .....</b>  | <b>14</b>   |
| 101.1 Decals with Words, Hydraulic Tank Side .....             | 14          |
| 102.1 Decals with Words, Hydraulic Tank Side (chassis) .....   | 18          |
| 103.1 Decals with Words, Engine Side .....                     | 20          |
| 104.1 Decals with Words, Engine Side (chassis) .....           | 22          |
| 105.1 Decals with Words, Boom .....                            | 24          |
| 106.1 Decals with Words, Platform .....                        | 26          |
| 107.1 Decals with Symbols, Hydraulic Tank Side .....           | 28          |
| 108.1 Decals with Symbols, Hydraulic Tank Side (chassis) ..... | 30          |
| 109.1 Decals with Symbols, Engine Side .....                   | 32          |
| 110.1 Decals with Symbols, Engine Side (chassis) .....         | 34          |
| 111.1 Decals with Symbols, Boom .....                          | 36          |
| 112.1 Decals with Symbols, Platform .....                      | 38          |
| <b>200 Chassis Components .....</b>                            | <b>40</b>   |
| 201.1 Chassis Components, Top View .....                       | 40          |
| 202.1 Chassis Components, Bottom View .....                    | 42          |
| 203.1 Chassis Components, Tank Side .....                      | 46          |
| 204.1 Chassis Components, Engine Side .....                    | 50          |
| 205.1 Steer Yoke, Wheel Drive and Motor .....                  | 54          |
| <b>300 Turntable Components .....</b>                          | <b>58</b>   |
| 301.1 Tank Side Covers - View 1 .....                          | 58          |
| 302.1 Tank Side Covers - View 2 .....                          | 62          |
| 303.1 Engine Side Covers - View 1 .....                        | 64          |
| 304.1 Engine Side Covers - View 2 .....                        | 68          |
| 305.1 Hydraulic Tank Side Components - View 1 .....            | 72          |
| 306.1 Hydraulic Tank Side Components - View 2 .....            | 76          |
| 307.1 Ground Control Box .....                                 | 82          |
| 308.1 Turntable Center Components .....                        | 86          |
| 309.1 Secondary Boom Lift Cylinder .....                       | 90          |
| 310.1 Wire Harness Diagram .....                               | 92          |
| <b>400 Engine Components .....</b>                             | <b>98</b>   |
| 401.1 Deutz TD2011L04i Engine, View 1 .....                    | 98          |
| 402.1 Deutz TD2011L04i Engine, View 2 .....                    | 102         |
| 403.1 Deutz TD 2.9L4 Engine - View 1 .....                     | 108         |
| 404.1 Deutz TD 2.9L4 Engine - View 2 .....                     | 112         |

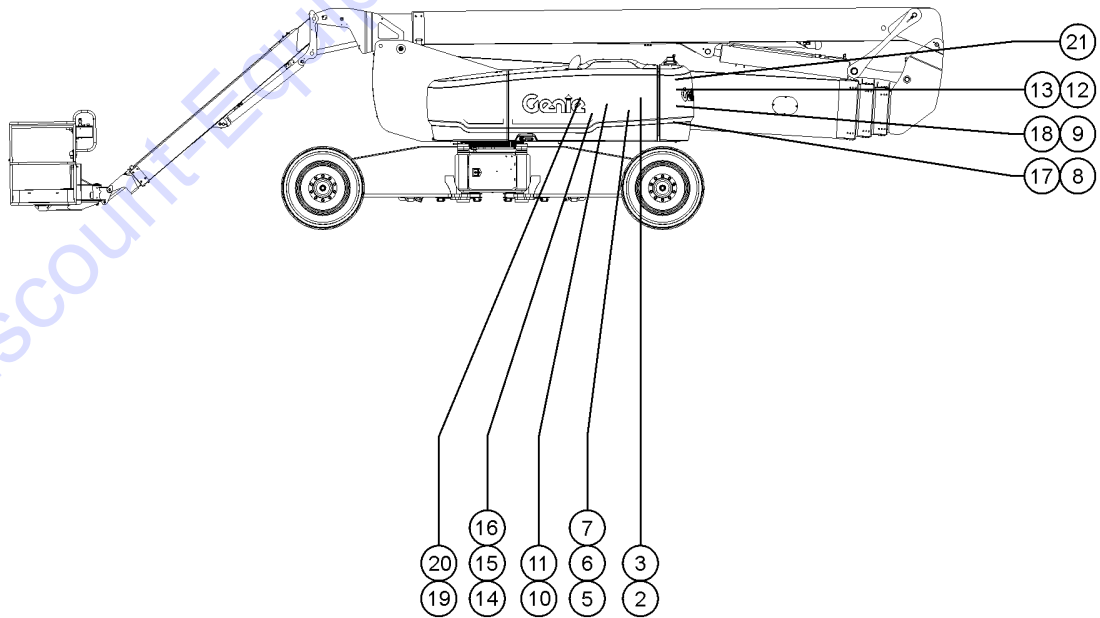
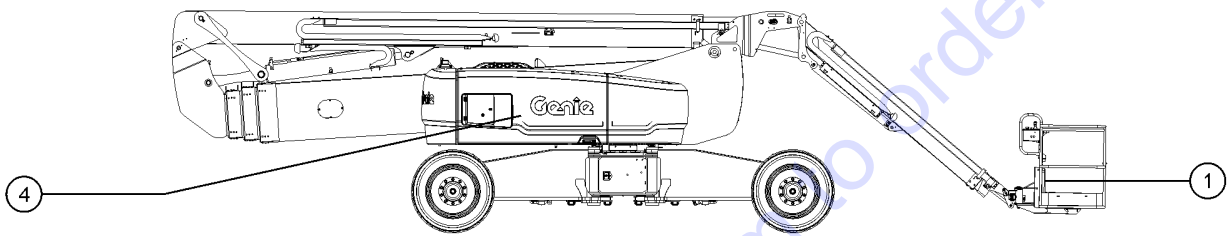
Table of Contents

| <b>Description</b>   | <b>Page</b>    |
|--|----------------|
| 405.1 Deutz TD 2.9L4 Engine - View 3 .....                                 | 116            |
| 406.1 Deutz TD 2.9L4 Engine - View 4 .....                                 | 120            |
| 407.1 Perkins 1104D-44T Engine - View 1 .....                              | 122            |
| 408.1 Perkins 1104D-44T Engine - View 2 .....                              | 126            |
| 409.1 Perkins 1104D-44T Engine - View 3 .....                              | 130            |
| 410.1 Perkins 854F-E34T Engine - View 1 .....                              | 136            |
| 411.1 Perkins 854F-E34T Engine - View 2 .....                              | 140            |
| 412.1 Perkins 854F-E34T Engine - View 3 .....                              | 144            |
| 413.1 Perkins 854F-E34T Engine - View 4 .....                              | 148            |
| <br><b>500 Boom Components</b> .....                                       | <br><b>152</b> |
| 501.1 Secondary Boom Tube Reference .....                                  | 152            |
| 502.1 Secondary Boom Tube 1 .....  | 154            |
| 503.1 Secondary Boom Tube 2 .....  | 158            |
| 504.1 Secondary Boom Tube 3 .....  | 160            |
| 505.1 Secondary Boom Tube 4 .....  | 162            |
| 506.1 Secondary Boom Extension Cylinders .....                             | 164            |
| 507.1 Secondary Boom Cable Track and Pull Tube .....                       | 168            |
| 508.1 Secondary Boom Cable and Hose Clamps, Front View .....               | 170            |
| 509.1 Secondary Boom Cable and Hose Clamps, Rear View .....                | 172            |
| 510.1 Primary Boom Link, Lever and Lift Cylinder .....                     | 174            |
| 511.1 Primary Boom Angle Sensor and Retract Limit Switch .....             | 178            |
| 512.1 Primary Boom Cable Track .....                                       | 180            |
| 513.1 Primary Boom Bearings and Wear Pads .....                            | 184            |
| 514.1 Primary Extension Boom .....   | 186            |
| 515.1 Bellcrank, Bellcrank Level Cylinder and Jib Boom Lift Cylinder ..... | 190            |
| 516.1 Jib Boom Cable Track .....   | 194            |
| 517.1 Jib Boom Extension and Platform Level Cylinders .....                | 198            |
| 518.1 Jib Boom Tubes and Wear Pads .....                                   | 200            |
| 519.1 Platform Rotator .....   | 202            |
| <br><b>600 Platform Components</b> .....                                   | <br><b>204</b> |
| 601.1 Platform Mount .....   | 204            |
| 602.1 Platform Configurations .....  | 208            |
| 602.2 Platform Installation (From SN ZX135H-4363) .....                    | 212            |
| 603.1 Platform Controls .....  | 216            |
| 604.1 Joystick .....   | 222            |
| <br><b>700 Hydraulic Components</b> .....                                  | <br><b>224</b> |
| 701.1 Traction Manifold .....  | 224            |
| 702.1 Steer/Axle Manifold .....  | 228            |
| 703.1 Jib Manifold .....   | 234            |



| <b>Description</b>   | <b>Page</b> |
|--|-------------|
| 704.1 Function Manifold .....  | 236         |
| 705.1 Function Enable Valve and Platform Rotator Manifold .....                                | 242         |
| 706.1 Platform Manifold .....  | 244         |
| 707.1 Hydraulic Hoses and Fittings, Drive System .....   | 246         |
| 708.1 Hydraulic Hoses and Fittings, Steering System .....                                      | 250         |
| 709.1 Hydraulic Hoses and Fittings, Turntable Components .....                                 | 252         |
| 710.1 Hydraulic Hoses and Fittings, Boom Components .....                                      | 258         |
| 711.1 Hydraulic Hoses and Fittings, Platform Components .....                                  | 260         |
| 712.1 Pumps .....  | 264         |
| <b>800 Accessories .....</b>   | <b>266</b>  |
| 801.1 Platform Accesories .....  | 266         |
| 802.1 Half-Mesh and Pipe Cradle Options .....  | 270         |
| 803.1 Hostile Enviroment Option - Secondary Boom Wipers .....                                  | 272         |
| 804.1 Hostile Enviroment Option - Primary and Jib Boom Wipers, Cable Track Covers .....        | 274         |
| 805.1 Hostile Enviroment Option - Bellows Installation .....                                   | 276         |
| 806.1 Hostile Environment Option - Air Cleaners - Deutz TD2011L04I and Perkins 1104D-44T ..... | 278         |
| 807.1 Hostile Environment Option - Air Cleaners - Deutz TD 2.9L4 and Perkins 854F-E34T .....   | 280         |
| 808.1 Hostile Environment DLX Option - Slew Ring Guard .....                                   | 282         |
| 809.1 Cold Start Package .....   | 284         |
| 810.1 Welder Option - Platform Components .....  | 286         |
| 811.1 Welder Option - Hydraulic Hoses and Fittings .....                                       | 290         |
| 812.1 Hydraulic Generator Option, Hydraulic Hoses and Fittings .....                           | 294         |
| 813.1 Hydraulic Generator Option, J Box, Circuit Breaker .....                                 | 296         |
| 814.1 Hydraulic Generator Option, Platform J Box, Australian Models .....                      | 298         |
| 815.1 Boom Latch Kit .....   | 300         |
| 816.1 Operator Protection Structure .....  | 302         |
| 817.1 Airline to Platform .....  | 304         |
| 818.1 Drive Light and Flashing Beacon .....  | 306         |
| 819.1 Fall Arrest Bar .....  | 308         |
| 820.1 Lift Guard Contact Alarm Option .....  | 310         |
| 821.1 Platform Recirculating Hydraulic Oil Option .....  | 314         |
| 822.1 Pass Option, Deutz TD2.9 .....   | 316         |
| <b>Part Number Index .....</b>   | <b>318</b>  |

001.1 Parts Stocking List

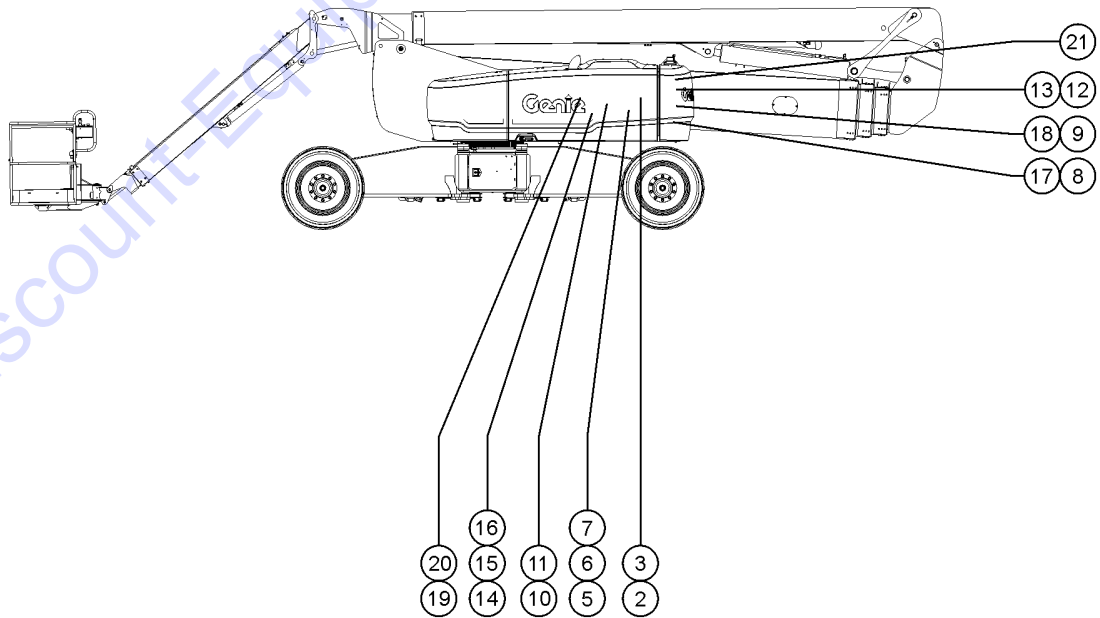
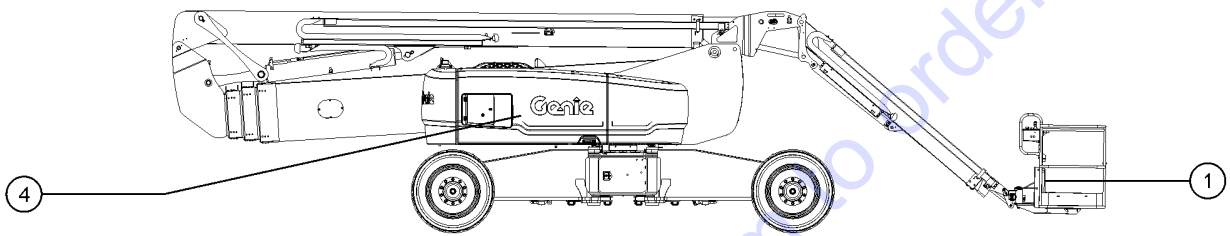




| Item | Part No.  | Description   | Qty. |
|------|-----------|---|------|
| A-   |           | --GENERAL SERVICE PARTS--                               |      |
| B-   | 1484GT    | PAINT,AEROSOL,BRIGHT BLUE***<br>12-ounce spray paint    |      |
| B-   | 1268GT    | PAINT,AEROSOL,GENIE GRAY***<br>12-ounce spray paint     |      |
| B-   | 1258567GT | PAINT, AEROSOL, TRAFFIC BLACK<br>12-ounce spray paint   |      |
| B-   | 32150GT   | PAINT,WET,GENIE BLUE (1 GL)**<br>1-gallon               |      |
| B-   | 32151GT   | PAINT,WET,GENIE GRAY (1 GL)**<br>1-gallon               |      |
| B-   | 1257733GT | PAINT,WET,TRAFFIC BLACK (1 GL)**<br>1-gallon            |      |
| B-   | 60536GT   | FUSE,20 AMP,MAXI<br>(refer to figure 303.1)             |      |
| B-   | 94327GT   | FUSE,30 AMP<br>(refer to figure 303.1)                  |      |
| B-   | 66399GT   | GREASE,DIELECTRIC 4 OZ**                                |      |
| B-   | 1283776GT | SEAL MARKER,CROSS CHECK,BLUE,TUBE                       |      |
| B-   | 93500GT   | PARKER DIGITAL PRESSURE GAUGE                           |      |
| B-   | 49612GT   | O-RING KIT (ORFS FITTINGS)<br>O-ring kit, Parker        |      |
| B-   | 28750GT   | O-RING KIT,FIELD SVC,ALL PROD*<br>O-ring kit, SAE       |      |
| B-   | 33994GT   | PLUG AND CAP KIT-SERVICE,37 **<br>Plug and cap kit, SAE |      |
|      | 1285454GT | KIT,ANNUAL INSPECTION,Z135<br>FROM ZX13513-2108         |      |
| 1    |           | --MANUALS--   |      |
| 1    | 27581GT   | MANUAL,AEM SAFETY                                       |      |
| 1-   | 31779GT   | MANUAL,RESPON,A92.5 BOOM                                |      |
| 2    |           | — HYD FILTERS —   |      |
| 2    | 60857GT   | FILTER,ELEMENT,BETA(5)=1000<br>All Models               |      |
| 3    | 131323GT  | FILTER ELEMENT,10 MICRON<br>All Models                  |      |
| 4    | 101960GT  | FILTER ELEMENT,10 MICRON<br>All Models                  |      |
| 5    |           | — Deutz TD2011-L04i Models —                            |      |



001.1 Parts Stocking List



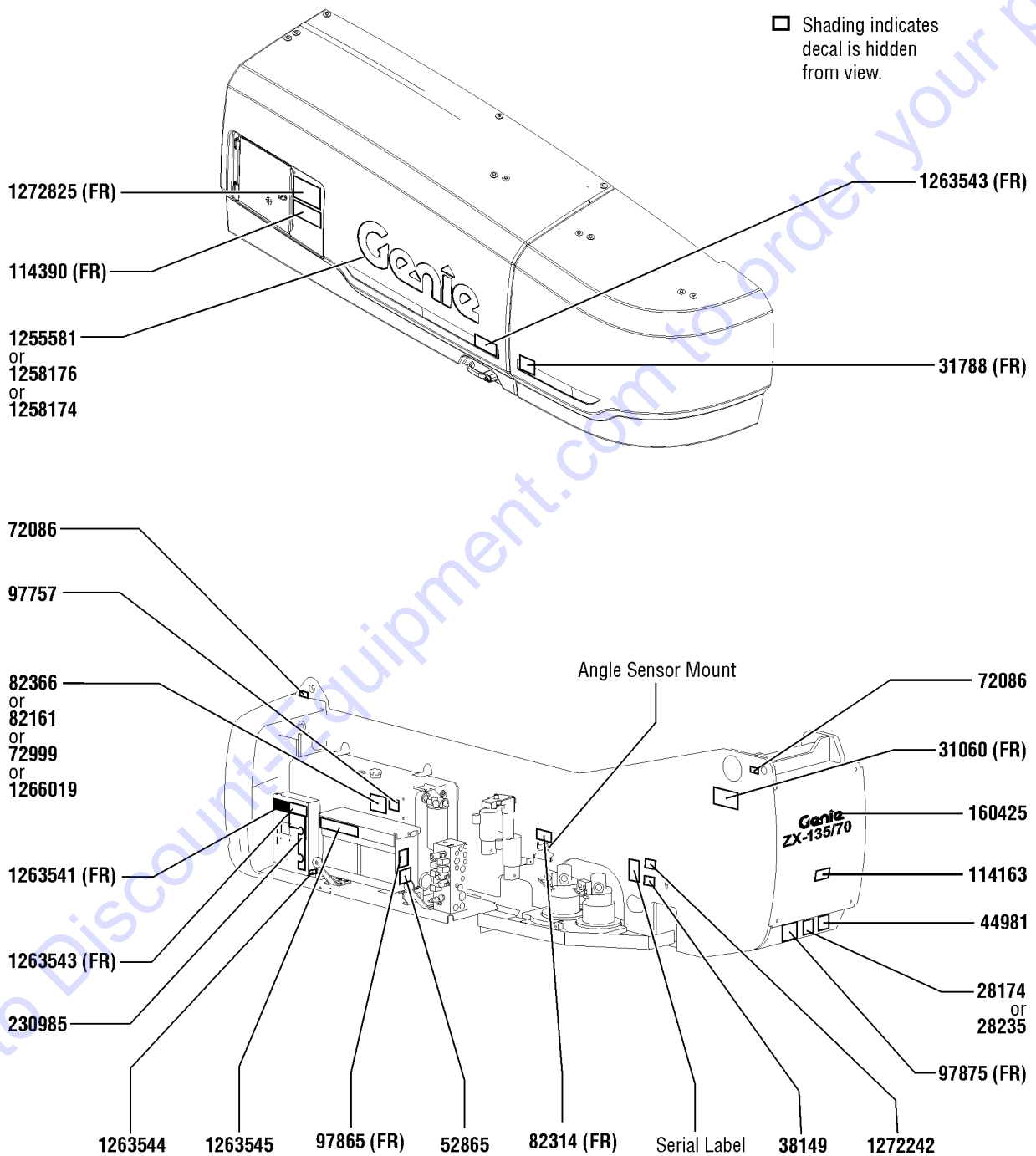
| Item | Part No.  | Description  | Qty. |
|------|-----------|--|------|
| 5    | 49924GT   | FILTER,OIL,DEUTZ F4L1011F .....<br>(refer to 402.1)      |      |
| 6    | 108543GT  | FILTER / FUEL / SPIN-ON .....<br>(refer to 402.1)        |      |
| 7    | 29560GT   | FILTER,FUEL/WTR SEP, DTZ 1008 .....<br>(refer to 402.1)  |      |
| 8    | 62425GT   | FILTER,AIR CLEANER, SUPERBOOM .....<br>(refer to 402.1)  |      |
| 9    |           | — Deutz TD 2.9L4 Models — .....                          |      |
| 9    | 62420GT   | FILTER,AIR*** .....<br>(refer to 404.1)                  |      |
| 10   | 214228GT  | FILTER, DEUTZ 2.9, FUEL .....<br>(refer to 405.1)        |      |
| 10-  | 236260GT  | PRE-FILTER,FUEL,DEUTZ TCD3.6 .....<br>(refer to 405.1)   |      |
| 11   | 49924GT   | FILTER,OIL,DEUTZ F4L1011F .....<br>(refer to 405.1)      |      |
| 12   | 1262866GT | FAN BELT, ALTERNATOR .....<br>(refer to 403.1)           |      |
| 13   | 1262487GT | BELT,AIR PUMP,PERKINS 404F-22T .....<br>(refer to 403.1) |      |
| 14   |           | — Perkins 1104D-44T Models — .....                       |      |
| 14   | 102632GT  | FILTER,OIL,PERKINS 1104C-44 .....<br>(refer to 407.1)    |      |
| 15   | 62433GT   | FILTER,ELEMENT,30 MIC,75020 .....<br>(refer to 408.1)    |      |
| 16   | 102639GT  | FILTER,FUEL, PERKINS 1104C .....<br>(refer to 407.1)     |      |
| 17   | 62425GT   | FILTER,AIR CLEANER, SUPERBOOM .....<br>(refer to 409.1)  |      |
| 18   |           | — Perkins 854F-E34T Models — .....                       |      |
| 18   | 62425GT   | FILTER,AIR CLEANER, SUPERBOOM .....<br>(refer to 411.1)  |      |
| 19   | 218811GT  | PRE-FILTER,FUEL,854E-E34TA .....<br>(refer to 412.1)     |      |
| 20   | 218835GT  | FILTER,OIL,854E-E34TA .....<br>(refer to 412.1)          |      |
| 21   | 218834GT  | BELT,DRIVE,854E-E34TA .....<br>(refer to 413.1)          |      |



101.1 Decals with Words, Hydraulic Tank Side

NOTE:  
Part numbers with "(FR)" indicates French translation is available

☐ Shading indicates decal is hidden from view.



101.1 Decals with Words, Hydraulic Tank Side

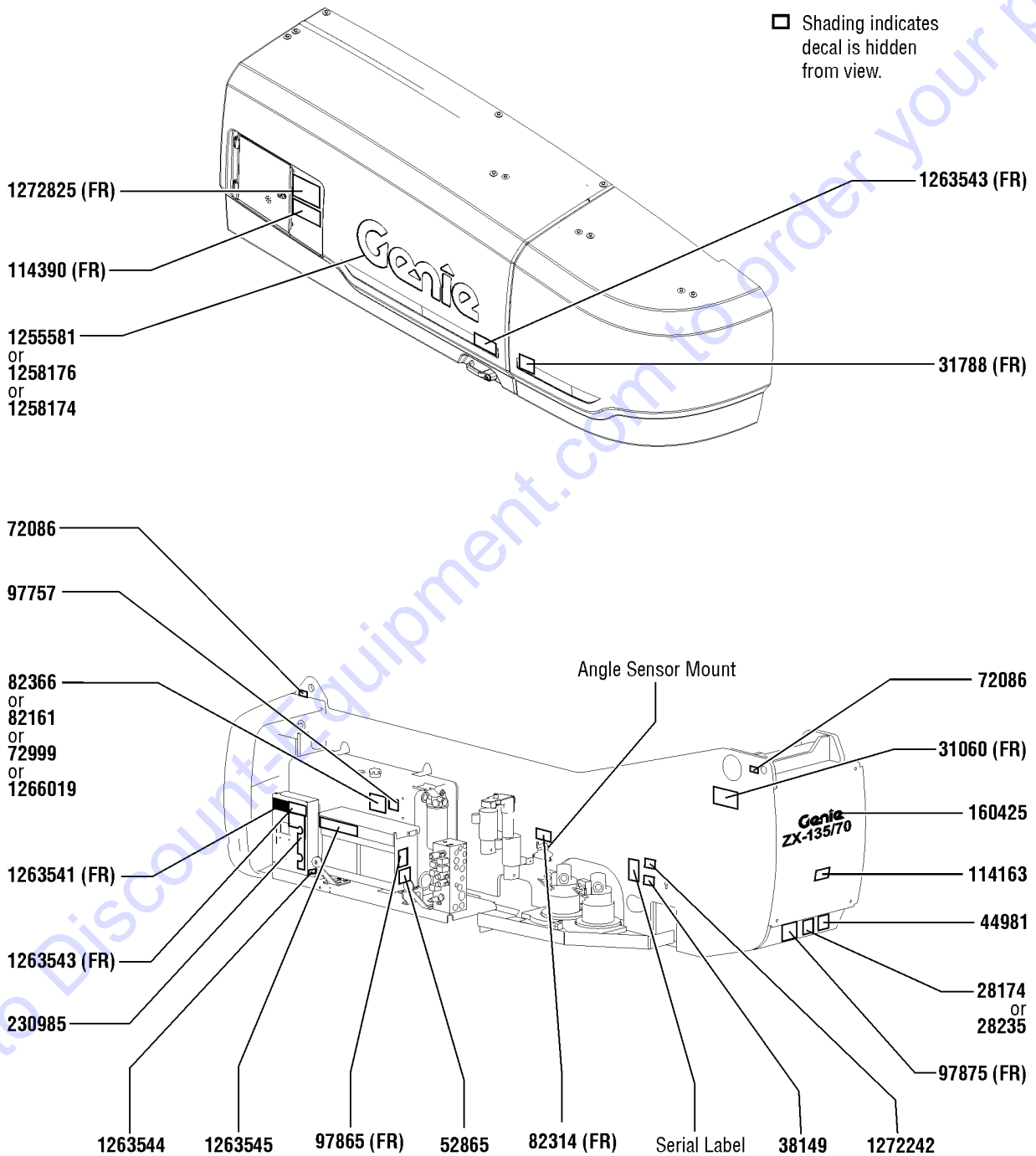
| Item | Part No.  | Description                          | Qty. |
|------|-----------|--------------------------------------|------|
| 1    | 28174GT   | DECAL,POWER TO PLATFORM 230V .....   | 1    |
| 2    | 28235GT   | DECAL,POWER TO PLATFORM 115V .....   | 1    |
| 3    | 31060GT   | DECAL,DANGER DO NOT ALTER SWTC ..... | 1    |
| 4    | 31788GT   | DECAL,DANGER,BATTERY SAFETY*** ..... | 1    |
| 5    | 38149GT   | DECAL,LABEL,PATENTS .....            | 1    |
|      |           | US only                              |      |
| 6    | 44981GT   | DECAL,LABEL,AIRLINE 110 PSI .....    | 1    |
|      |           | Option, airline to platform          |      |
| 7    | 52865GT   | DECAL,ANNUAL INSP*** .....           | 1    |
| 8    | 72086GT   | DECAL,LABEL,LIFTING EYE .....        | 2    |
| 9    | 72999GT   | DECAL,LABEL,PETRO CANADA*** .....    | 1    |
|      |           | Option, hydraulic oil                |      |
| 10   | 82161GT   | DECAL,LABEL,UCON HYDROLUBE .....     | 1    |
|      |           | Option, hydraulic oil                |      |
| 11   | 82314GT   | DECAL,DANGER,TIP-OVER .....          | 1    |
| 12   | 82366GT   | DECAL,CHEVRON RANDO HD .....         | 1    |
|      |           | Option, hydraulic oil                |      |
| 13   | 97757GT   | DECAL,LABEL,OIL LEVEL IND .....      | 1    |
| 14   | 97865GT   | DECAL,WARN,ELECTRO HAZARD .....      | 1    |
| 15   | 97875GT   | DECAL,WARN,WELD LINE INST.WORD ..... | 1    |
|      |           | Option, weld line                    |      |
| 16   | 114163GT  | DECAL,LABEL,TRADEMARKS,Z135 .....    | 1    |
| 17   | 114390GT  | DECAL,DANGER,ELECT HAZARD*** .....   | 1    |
| 18   | 160425GT  | DECAL,COSMETIC,GENIE ZX-135 .....    | 1    |
| 19   | 230985GT  | DECAL,GROUND CONTROL,Z135 .....      | 1    |
| 20   | 1255581GT | DECAL COSMETIC,10" GENIE BLUE .....  | 1    |
| 21   | 1258174GT | DECAL COSMETIC,10" GENIE WHITE ..... | 1    |
| 22   | 1258176GT | DECAL COSMETIC,10" GENIE BLACK ..... | 1    |
| 23   | 1263541GT | DECAL, TIP OVER HAZARD .....         | 1    |
| 24   | 1263543GT | DECAL,COMPARTMENT ACCESS .....       | 2    |
| 25   | 1263544GT | DECAL, BYPASS KEY SWITCH .....       | 1    |
| 26   | 1263545GT | DECAL, INSTR-BYPASS KEY SWITCH ..... | 1    |
| 27   | 1266019GT | DECAL, LABEL, SHELL TELLUS .....     | 1    |
|      |           | Option, hydraulic oil                |      |
| 28   | 1272242GT | DECAL,MACHINE REGISTRATION/OWN ..... | 1    |



101.1 Decals with Words, Hydraulic Tank Side

NOTE:  
Part numbers with "(FR)" indicates French translation is available

☐ Shading indicates decal is hidden from view.



101.1 Decals with Words, Hydraulic Tank Side

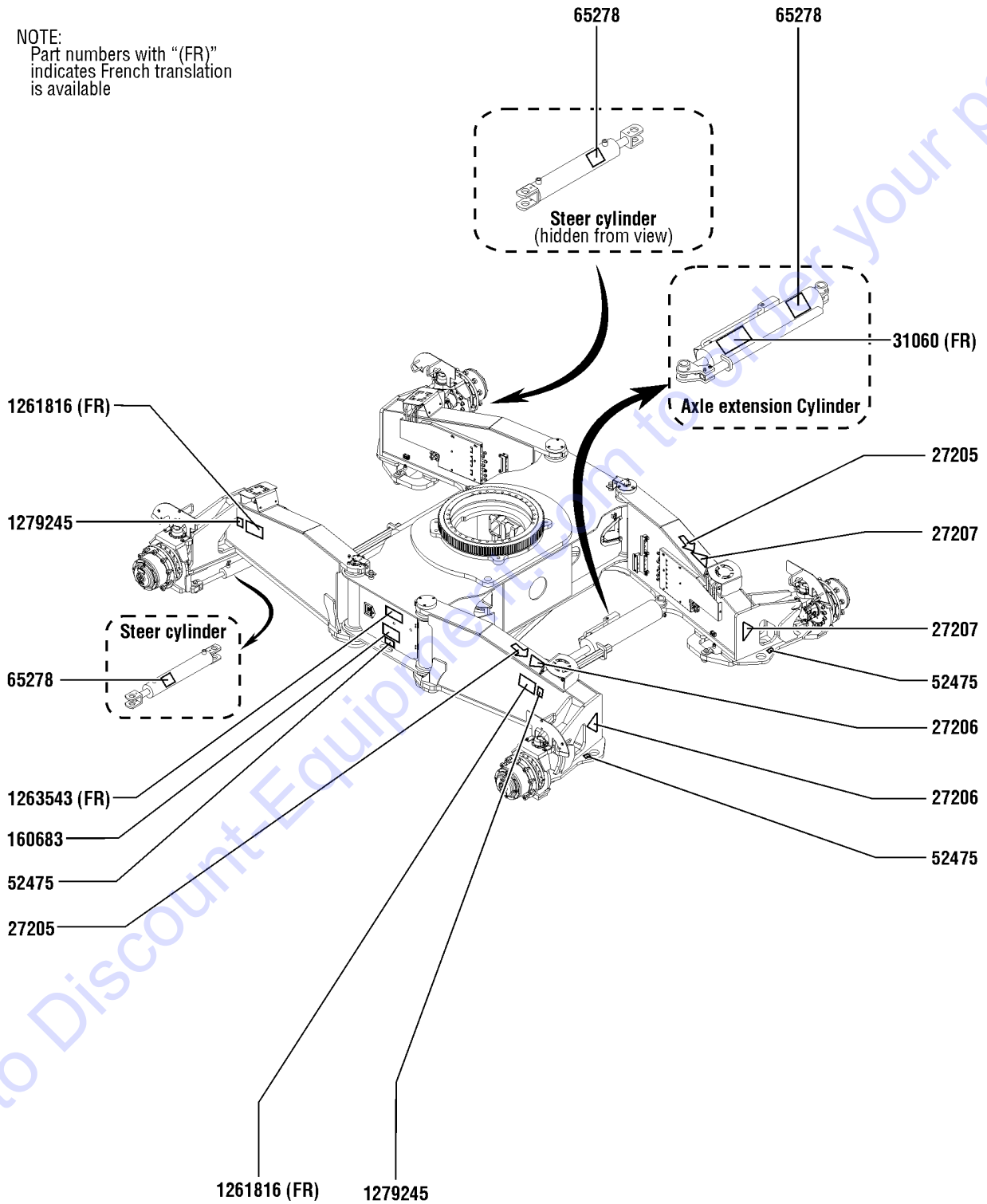
| <i>Item</i> | <i>Part No.</i> | <i>Description</i>                     | <i>Qty.</i> |
|-------------|-----------------|--|-------------|
| 29          | 1272825GT       | DECAL,OPERATOR INST, GROUND CONT ..... | 1           |

Go to Discount-Equipment.com to order your parts



102.1 Decals with Words, Hydraulic Tank Side (chassis)

NOTE:  
Part numbers with "(FR)"  
indicates French translation  
is available





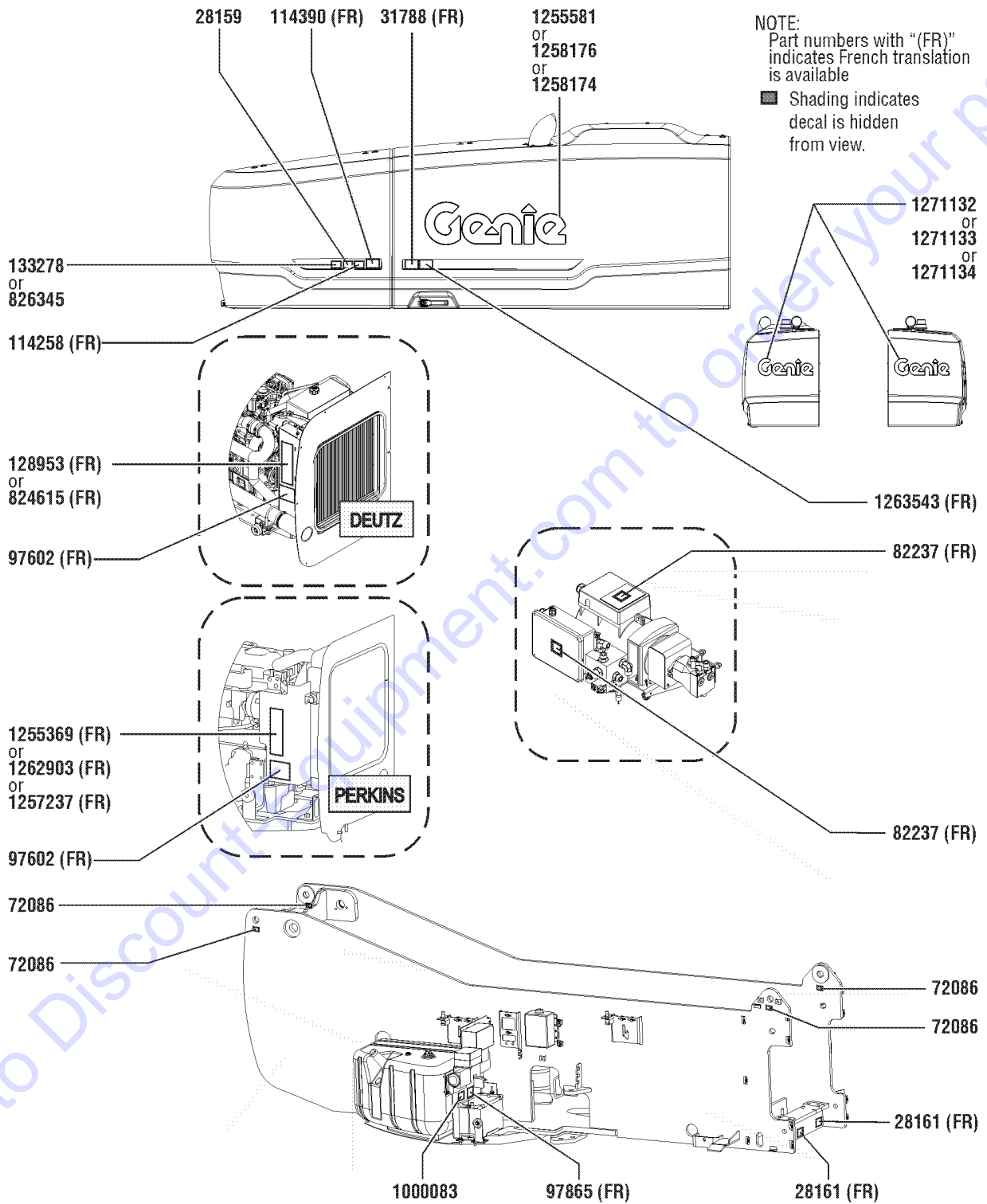
102.1 Decals with Words, Hydraulic Tank Side (chassis)

| Item | Part No.  | Description                          | Qty. |
|------|-----------|--------------------------------------|------|
| 1    | 27205GT   | DECAL,ARROW YELLOW LRG 9" .....      | 2    |
| 2    | 27206GT   | DECAL,TRIANGLE,BLUE .....            | 2    |
| 3    | 27207GT   | DECAL,TRIANGLE,YELLOW .....          | 2    |
| 4    | 31060GT   | DECAL,DANGER DO NOT ALTER SWTC ..... | 1    |
| 5    | 52475GT   | DECAL,LABEL,TRANSPORT TIEDOWN* ..... | 3    |
| 6    | 65278GT   | DECAL,CAUTION,NO STEP .....          | 3    |
| 7    | 160683GT  | DECAL, LABEL, TRANSPORT DIAGRA ..... | 1    |
| 8    | 1261816GT | DECAL,DANGER/NOTICE,TIRE SPECS ..... | 2    |
| 9    | 1263543GT | DECAL,COMPARTMENT ACCESS .....       | 1    |
| 10   | 1279245GT | DECAL, WHEEL LOAD, ZX135 .....       | 2    |

Go to Discount-Equipment.com to order your parts



103.1 Decals with Words, Engine Side



103.1 Decals with Words, Engine Side

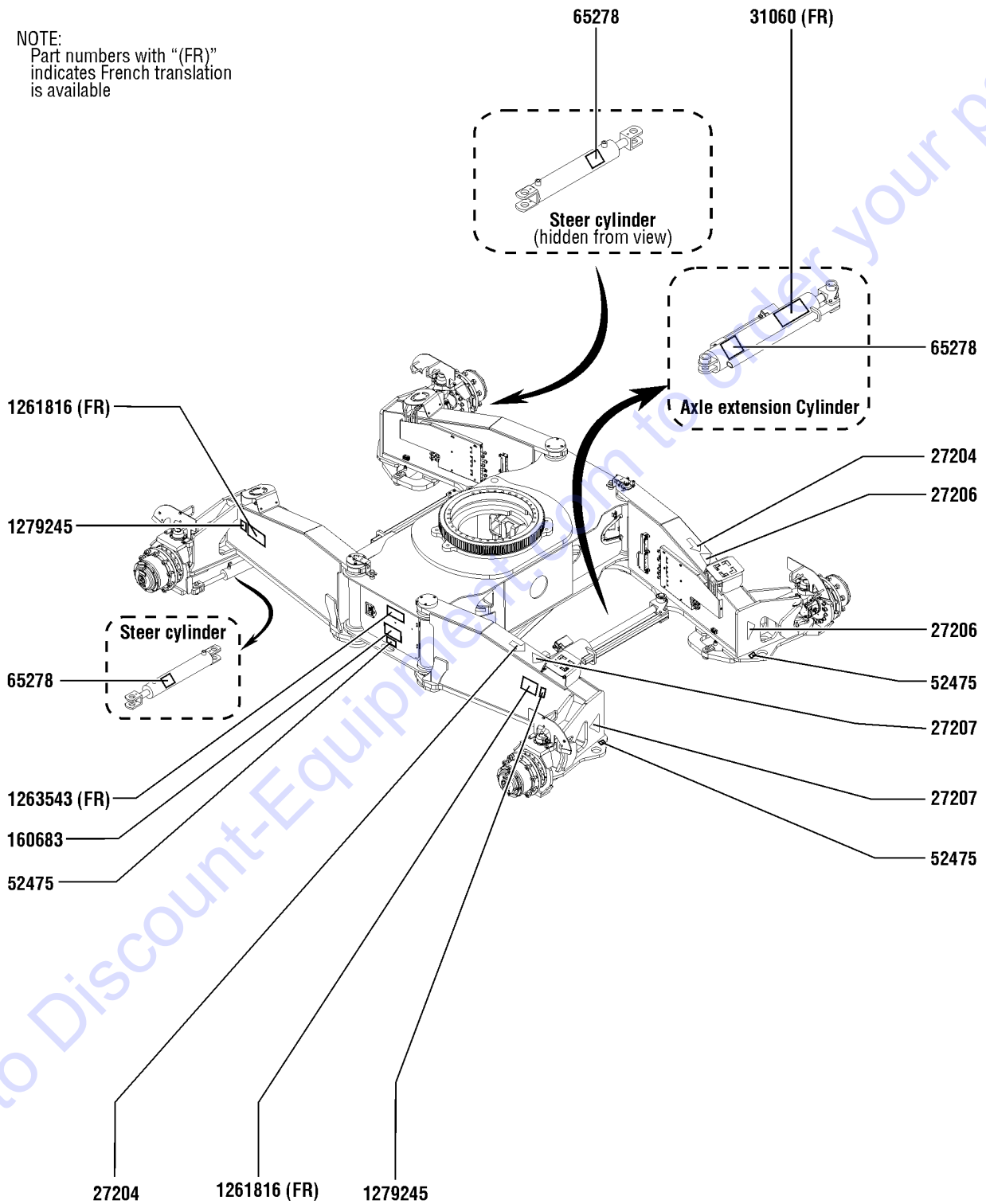
| Item | Part No.  | Description                              | Qty. |
|------|-----------|--|------|
| 10   | 128953GT  | DECAL,ENGINE SPEC,DEUTZ,TD2011 (ROW)     | 1    |
| 11   | 133278GT  | DECAL,LOW/ULTRA LOW SULFR FUEL (ROW)     | 1    |
| 12   | 824615GT  | DECAL,ENGINE SPEC,DEUTZ TD2.9 (Tier 4)   | 1    |
| 13   | 826345GT  | DECAL,ULS DIESEL ONLY,TIER 4 (Tier 4)    | 1    |
| 14   | 1000083GT | DECAL,NOTICE,START/CONTRL BATT           | 1    |
| 15   | 1255369GT | DECAL,NOTICE,PERKINS ENGINE 11 (ROW)     | 1    |
| 16   | 1255581GT | DECAL COSMETIC,10" GENIE BLUE            | 1    |
| 17   | 1257237GT | DECAL,ENGINE SPEC,854TF,TIER IV (Tier 4) | 1    |
| 18   | 1258174GT | DECAL COSMETIC,10" GENIE WHITE           | 1    |
| 19   | 1258176GT | DECAL COSMETIC,10" GENIE BLACK           | 1    |
| 20   | 1262903GT | DECAL,NOTICE,PERKINS ENGINE (ROW)        | 1    |
| 21   | 1263543GT | DECAL,COMPARTMENT ACCESS                 | 1    |
| 22   | 1271132GT | DECAL,COSMETIC,7-1/8" GENIE BLUE         | 2    |
| 23   | 1271133GT | DECAL,COSMETIC,7-1/8" GENIE BLACK        | 2    |
| 24   | 1271134GT | DECAL,COSMETIC,7-1/8" GENIE WHITE        | 2    |

Go to Discount-Equipment.com to order your parts



104.1 Decals with Words, Engine Side (chassis)

NOTE:  
Part numbers with "(FR)"  
indicates French translation  
is available



Go to Discount-Equipment.com to order your parts

104.1 Decals with Words, Engine Side (chassis)

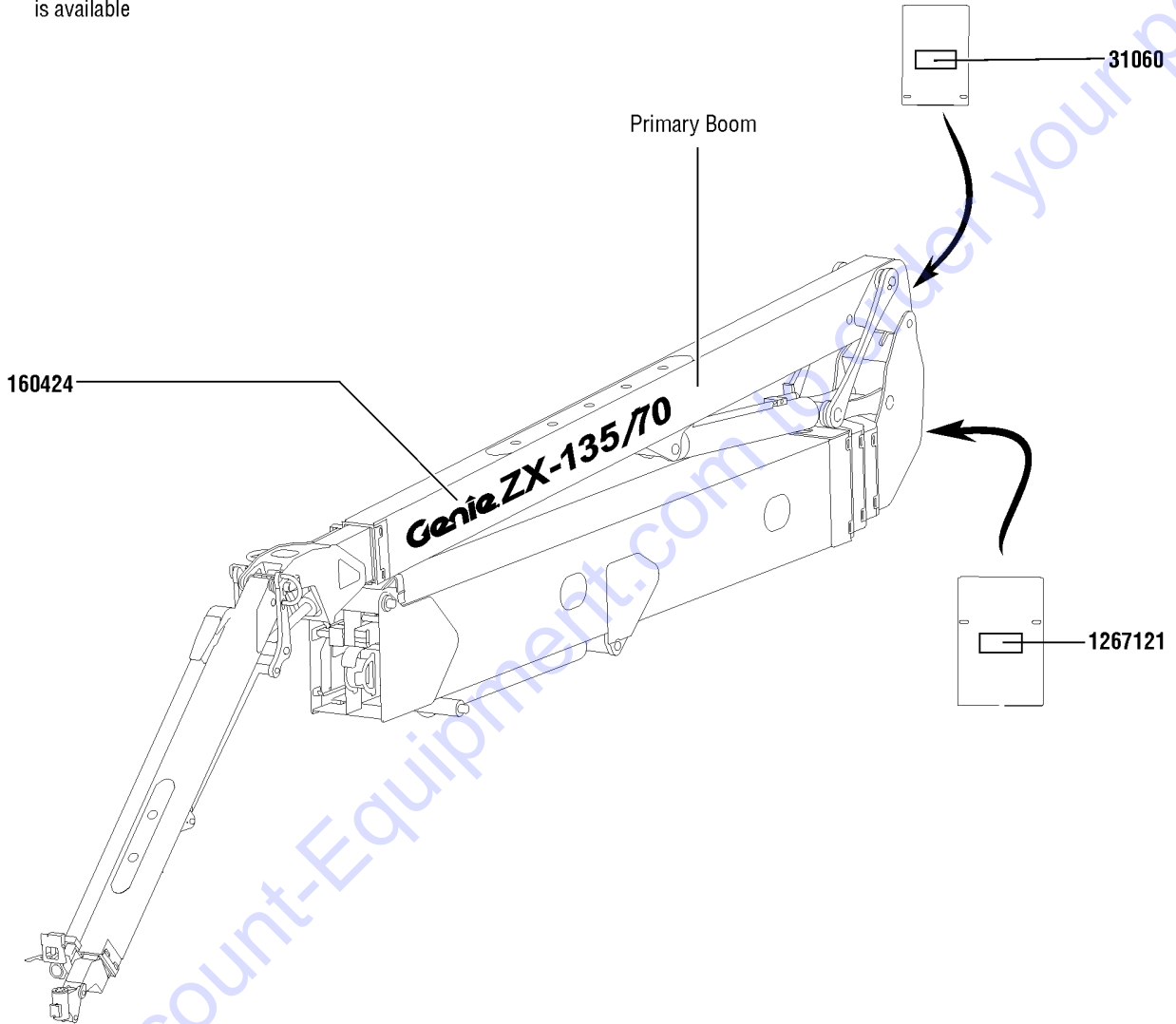
| Item | Part No.  | Description                          | Qty. |
|------|-----------|--------------------------------------|------|
| 1    | 27204GT   | DECAL,ARROW BLUE .....               | 2    |
| 2    | 27206GT   | DECAL,TRIANGLE,BLUE .....            | 2    |
| 3    | 27207GT   | DECAL,TRIANGLE,YELLOW .....          | 2    |
| 4    | 31060GT   | DECAL,DANGER DO NOT ALTER SWTC ..... | 1    |
| 5    | 52475GT   | DECAL,LABEL,TRANSPORT TIEDOWN* ..... | 3    |
| 6    | 65278GT   | DECAL,CAUTION,NO STEP .....          | 3    |
| 7    | 160683GT  | DECAL, LABEL, TRANSPORT DIAGRA ..... | 1    |
| 8    | 1261816GT | DECAL,DANGER/NOTICE,TIRE SPECS ..... | 2    |
| 9    | 1263543GT | DECAL,COMPARTMENT ACCESS .....       | 1    |
| 10   | 1279245GT | DECAL, WHEEL LOAD, ZX135 .....       | 2    |

Go to Discount-Equipment.com to order your parts



105.1 Decals with Words, Boom

NOTE:  
Part numbers with "(FR)"  
indicates French translation  
is available



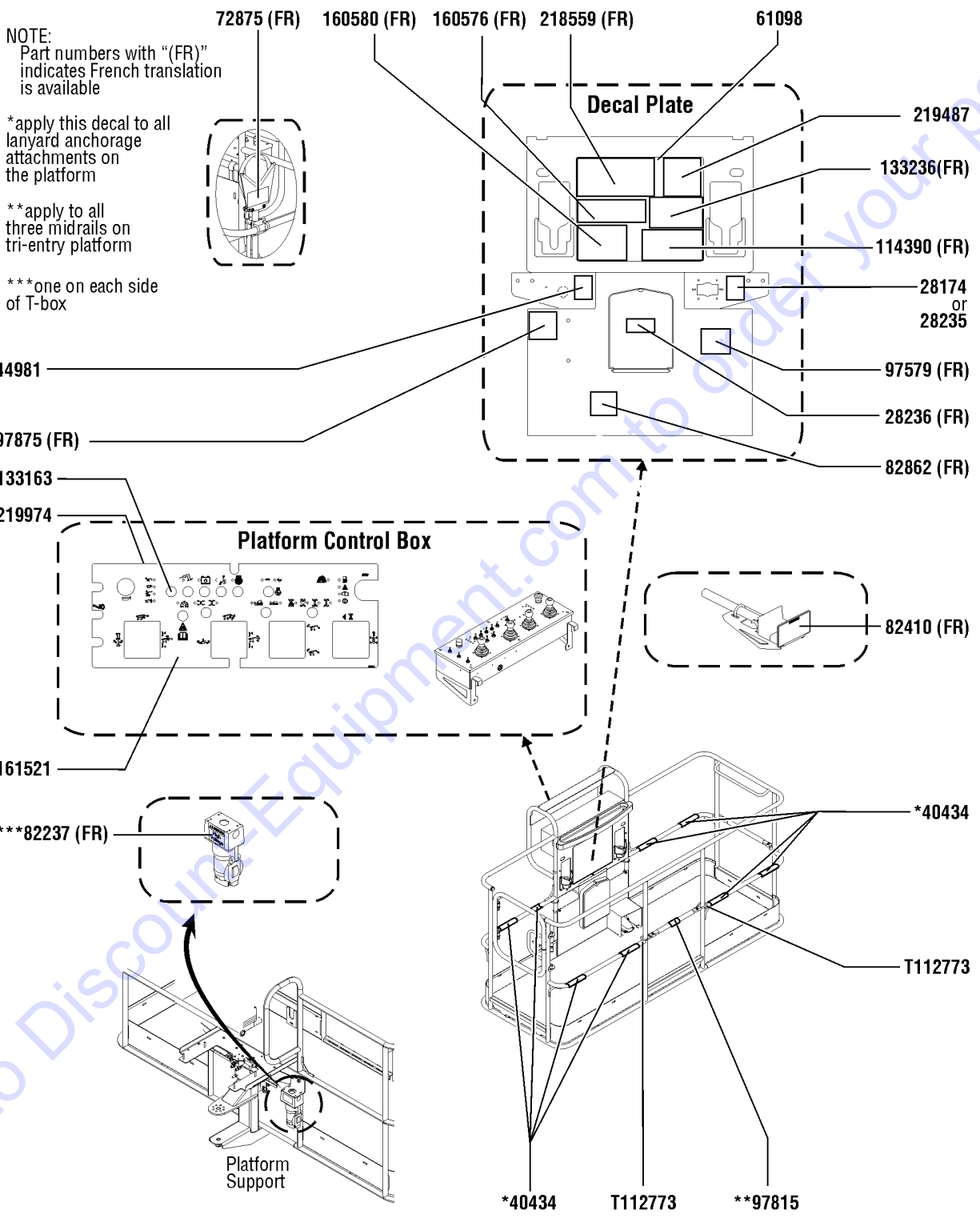
| <i>Item</i> | <i>Part No.</i> | <i>Description</i>                   | <i>Qty.</i> |
|-------------|-----------------|--------------------------------------|-------------|
| 1           | 31060GT         | DECAL,DANGER DO NOT ALTER SWTC ..... | 1           |
| 2           | 160424GT        | DECAL,COSMETIC,GENIE ZX-135/70 ..... | 1           |
| 3           | 1267121GT       | DECAL,WARNING,CRUSH HAZARD .....     | 1           |

(AUS Only)

Go to Discount-Equipment.com to order your parts



106.1 Decals with Words, Platform



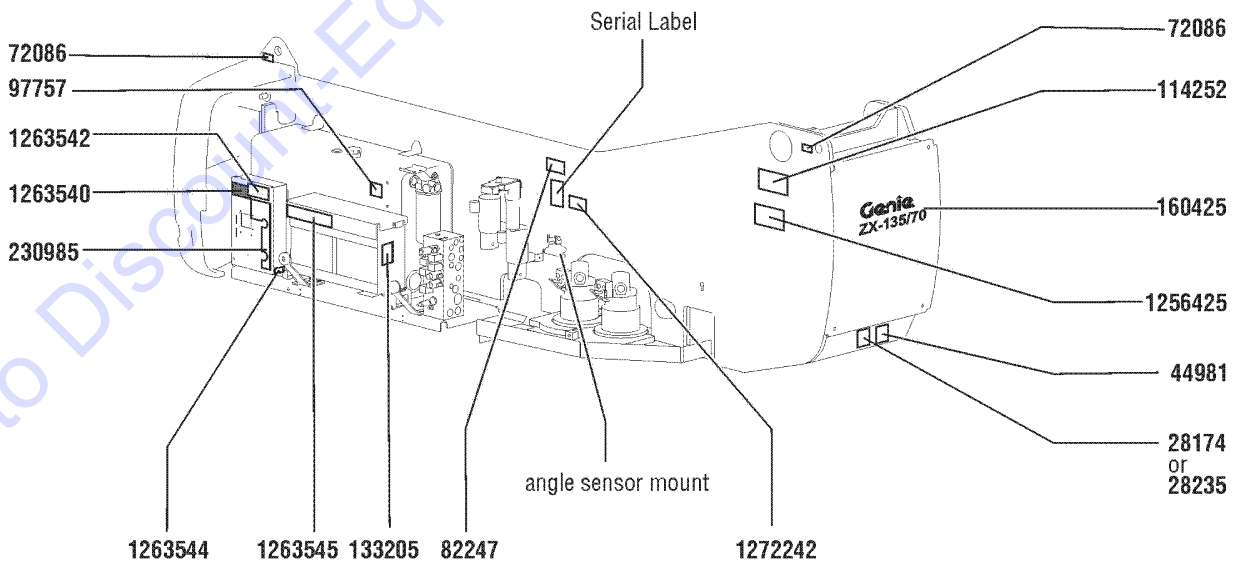
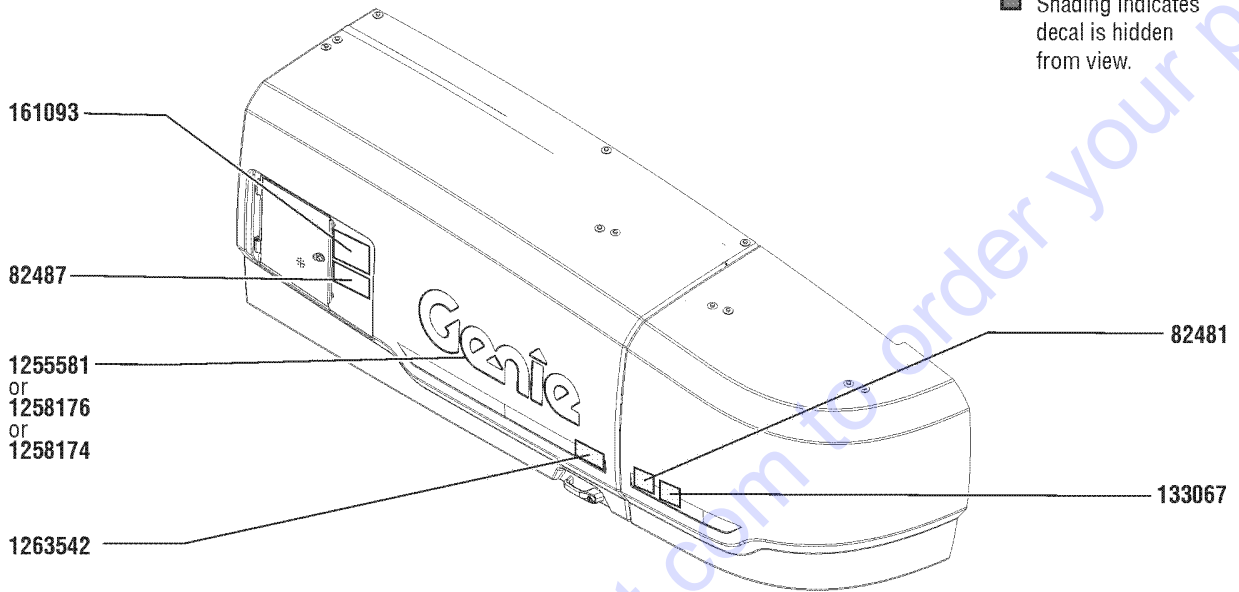
Go to DiscountEquipment.com to order your parts



| Item | Part No.  | Description                          | Qty. |
|------|-----------|--------------------------------------|------|
| 1    | 28174GT   | DECAL,POWER TO PLATFORM 230V .....   | 1    |
| 2    | 28235GT   | DECAL,POWER TO PLATFORM 115V .....   | 1    |
| 3    | 28236GT   | DECAL,WARN,IMPROPER OPERATION .....  | 1    |
| 4    | 40434GT   | DECAL,LANYARD ANCHORAGE POINT .....  | 8    |
| 5    | 44981GT   | DECAL,LABEL,AIRLINE 110 PSI .....    | 1    |
|      |           | Option, airline to platform          |      |
| 6    | 61098GT   | DECAL,BLACK,DECAL PLATE .....        | 1    |
| 7    | 72875GT   | DECAL,WARNING,PIPE CRADLE,BOOM ..... | 2    |
|      |           | Option, pipe cradle                  |      |
| 8    | 82237GT   | DECAL,DANGER,HIGH VOLTAGE .....      | 2    |
|      |           | Option, welder                       |      |
| 9    | 82410GT   | DECAL,WARNING,PANEL CRADLE .....     | 2    |
|      |           | Option, panel cradle                 |      |
| 10   | 82862GT   | DECAL,FIRE EXTINGUISHER .....        | 1    |
|      |           | Option, welder                       |      |
| 11   | 97579GT   | DECAL,DANGER,TIP-OVER,WELDER** ..... | 1    |
|      |           | Option, welder                       |      |
| 12   | 97815GT   | DECAL,LABEL,LOWER MIDRAIL .....      | 1    |
| 13   | 97875GT   | DECAL,WARN.WELD LINE INST.WORD ..... | 1    |
|      |           | Option, weld line to platform        |      |
| 14   | 114390GT  | DECAL,DANGER,ELECT HAZARD*** .....   | 1    |
| 15   | 133163GT  | DECAL,FUNCTION OVERRIDE .....        | 1    |
|      |           | Option, aircraft protection          |      |
| 16   | 133236GT  | DECAL,DANGER,TIPOVER,TILT 135* ..... | 1    |
| 17   | 160576GT  | DECAL, INSTR, MAX SIDE FRC, ZX ..... | 1    |
| 18   | 160580GT  | DECAL,WORD, SLOPE RATING, ZX13 ..... | 1    |
| 19   | 161521GT  | DECAL, PROTECTIVE COVER, ZX135 ..... | 1    |
| 20   | 218559GT  | DECAL,DANGER/WARNING COMBO .....     | 1    |
| 21   | 219487GT  | DECAL,PLATFORM OVERLOAD .....        | 1    |
|      |           | ANSI & AUS only                      |      |
| 22   | 219974GT  | DECAL, PCON, SUPER-X Z135 .....      | 1    |
| 23   | T112773GT | TAPE, PROTECTIVE MASK .....          | 2    |

107.1 Decals with Symbols, Hydraulic Tank Side

NOTE:  
■ Shading indicates decal is hidden from view.

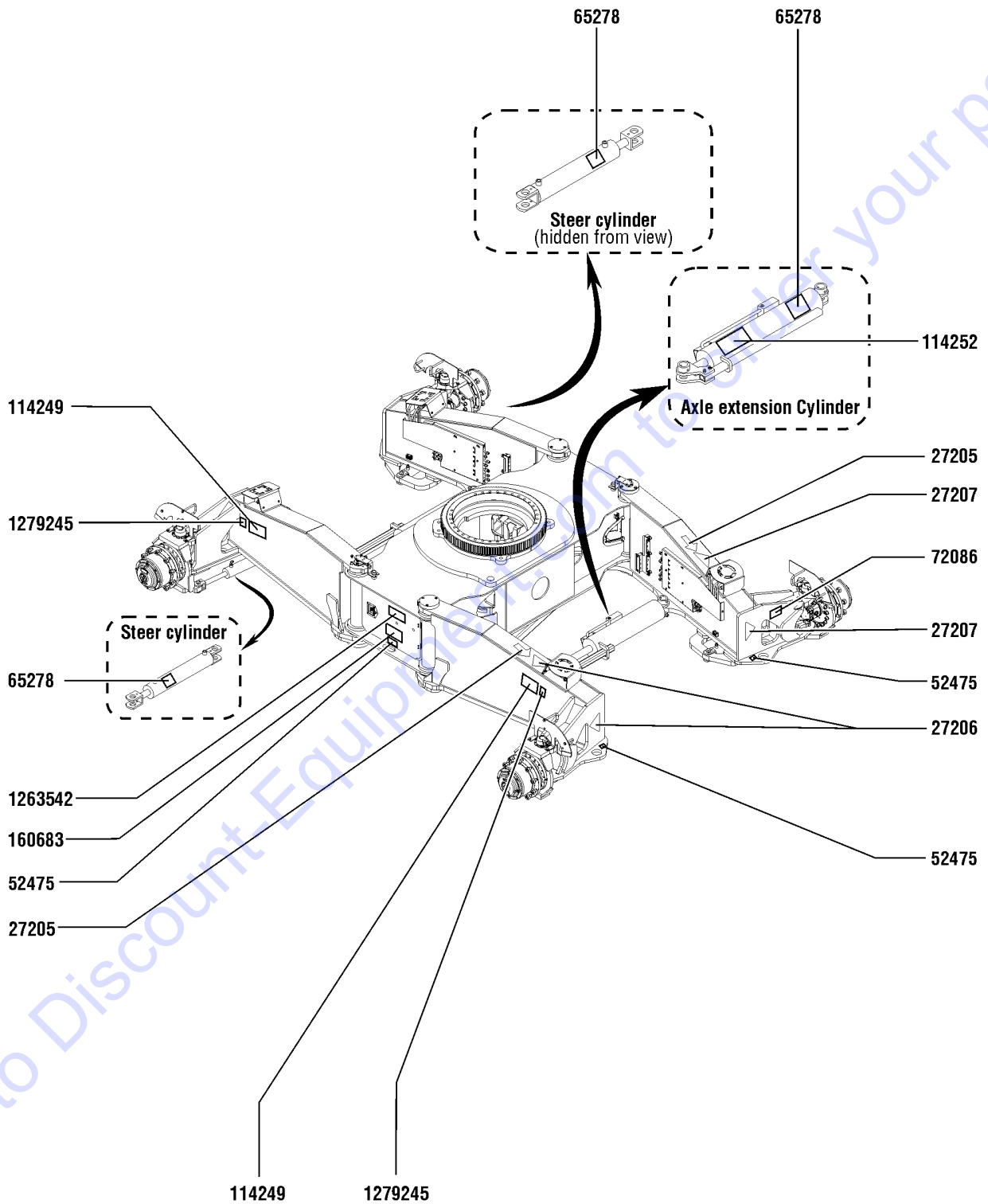


107.1 Decals with Symbols, Hydraulic Tank Side

| Item | Part No.  | Description                          | Qty. |
|------|-----------|--------------------------------------|------|
| 1    | 28174GT   | DECAL,POWER TO PLATFORM 230V .....   | 1    |
| 2    | 28235GT   | DECAL,POWER TO PLATFORM 115V .....   | 1    |
| 3    | 28236GT   | DECAL,WARN,IMPROPER OPERATION .....  | 1    |
| 4    | 40434GT   | DECAL,LANYARD ANCHORAGE POINT .....  | 8    |
| 5    | 44981GT   | DECAL,LABEL,AIRLINE 110 PSI .....    | 1    |
|      |           | Option, airline to platform          |      |
| 6    | 61098GT   | DECAL,BLACK,DECAL PLATE .....        | 1    |
| 7    | 72875GT   | DECAL,WARNING,PIPE CRADLE,BOOM ..... | 2    |
|      |           | Option, pipe cradle                  |      |
| 8    | 82237GT   | DECAL,DANGER,HIGH VOLTAGE .....      | 2    |
|      |           | Option, welder                       |      |
| 9    | 82410GT   | DECAL,WARNING,PANEL CRADLE .....     | 2    |
|      |           | Option, panel cradle                 |      |
| 10   | 82862GT   | DECAL,FIRE EXTINGUISHER .....        | 1    |
|      |           | Option, welder                       |      |
| 11   | 97579GT   | DECAL,DANGER,TIP-OVER,WELDER** ..... | 1    |
|      |           | Option, welder                       |      |
| 12   | 97815GT   | DECAL,LABEL,LOWER MIDRAIL .....      | 1    |
| 13   | 97875GT   | DECAL,WARN.WELD LINE INST.WORD ..... | 1    |
|      |           | Option, weld line to platform        |      |
| 14   | 114390GT  | DECAL,DANGER,ELECT HAZARD*** .....   | 1    |
| 15   | 133163GT  | DECAL,FUNCTION OVERRIDE .....        | 1    |
|      |           | Option, aircraft protection          |      |
| 16   | 133236GT  | DECAL,DANGER,TIPOVER,TILT 135* ..... | 1    |
| 17   | 160576GT  | DECAL, INSTR, MAX SIDE FRC, ZX ..... | 1    |
| 18   | 160580GT  | DECAL,WORD, SLOPE RATING, ZX13 ..... | 1    |
| 19   | 161521GT  | DECAL, PROTECTIVE COVER, ZX135 ..... | 1    |
| 20   | 218559GT  | DECAL,DANGER/WARNING COMBO .....     | 1    |
| 21   | 219487GT  | DECAL,PLATFORM OVERLOAD .....        | 1    |
|      |           | ANSI & AUS only                      |      |
| 22   | 219974GT  | DECAL, PCON, SUPER-X Z135 .....      | 1    |
| 23   | T112773GT | TAPE, PROTECTIVE MASK .....          | 2    |



108.1 Decals with Symbols, Hydraulic Tank Side (chassis)



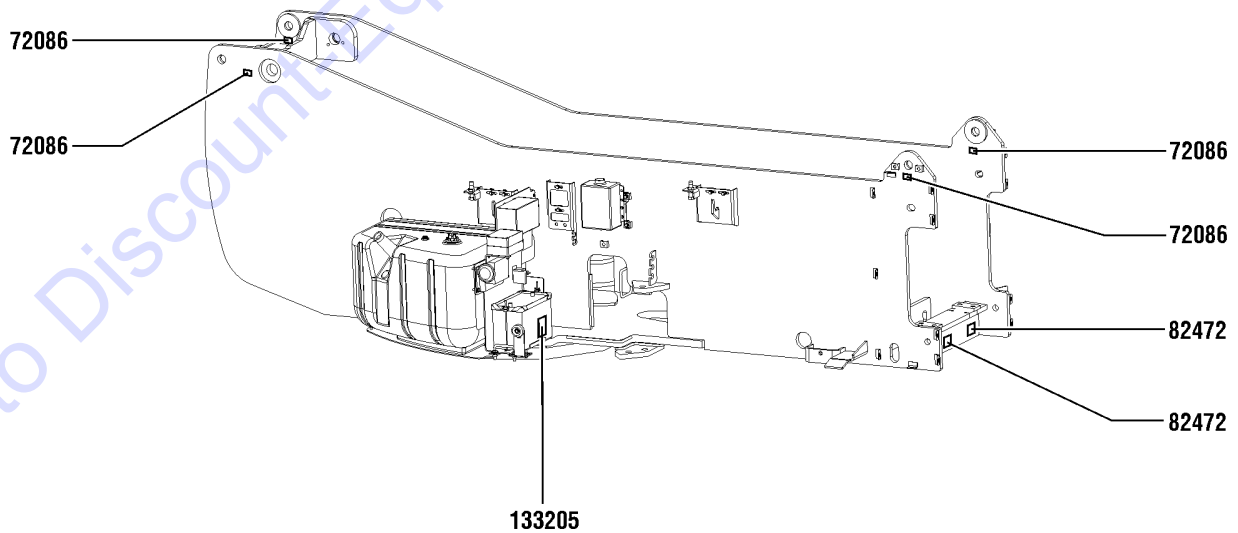
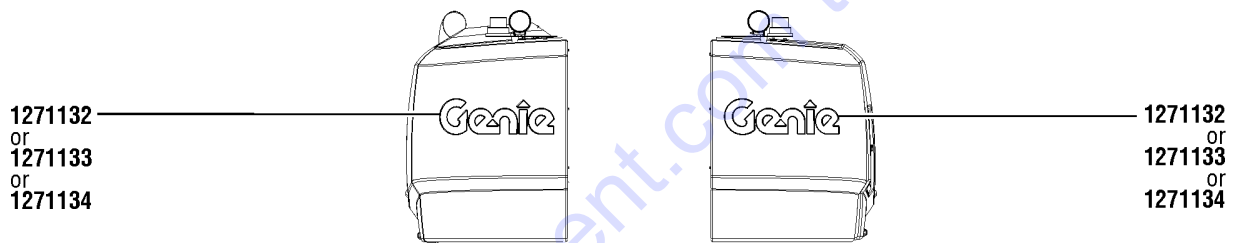
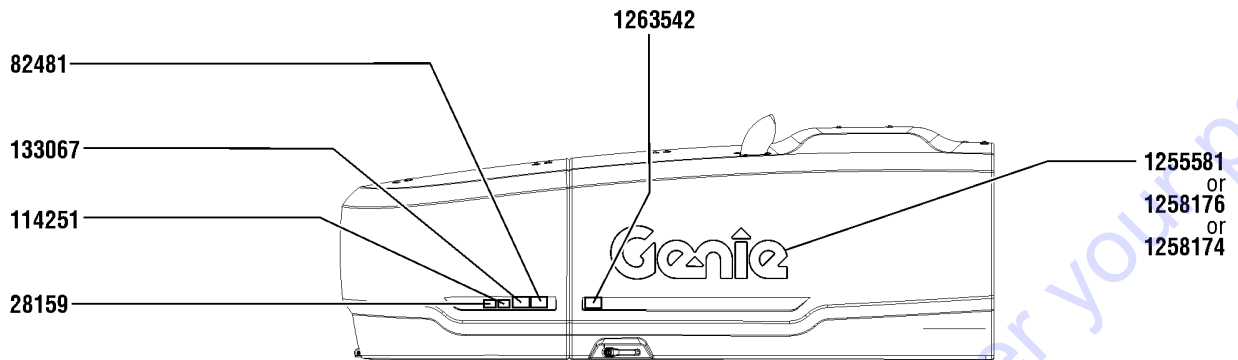
108.1 Decals with Symbols, Hydraulic Tank Side (chassis)

| Item | Part No.  | Description                          | Qty. |
|------|-----------|--------------------------------------|------|
| 1    | 27205GT   | DECAL,ARROW YELLOW LRG 9" .....      | 2    |
| 2    | 27206GT   | DECAL,TRIANGLE,BLUE .....            | 2    |
| 3    | 27207GT   | DECAL,TRIANGLE,YELLOW .....          | 2    |
| 4    | 52475GT   | DECAL,LABEL,TRANSPORT TIEDOWN* ..... | 3    |
| 5    | 65278GT   | DECAL,CAUTION,NO STEP .....          | 3    |
| 6    | 72086GT   | DECAL,LABEL,LIFTING EYE .....        | 1    |
| 7    | 114249GT  | DECAL,LABEL,TIPOVER,TIRES,SYMB ..... | 2    |
| 8    | 114252GT  | DECAL,LABEL,TIP OVER LMT SWTCH ..... | 1    |
| 9    | 160683GT  | DECAL, LABEL, TRANSPORT DIAGRA ..... | 1    |
| 10   | 1263542GT | DECAL, COMPARTMENT ACCESS .....      | 1    |
| 11   | 1279245GT | DECAL, WHEEL LOAD, ZX135 .....       | 2    |

Go to Discount-Equipment.com to order your parts



109.1 Decals with Symbols, Engine Side



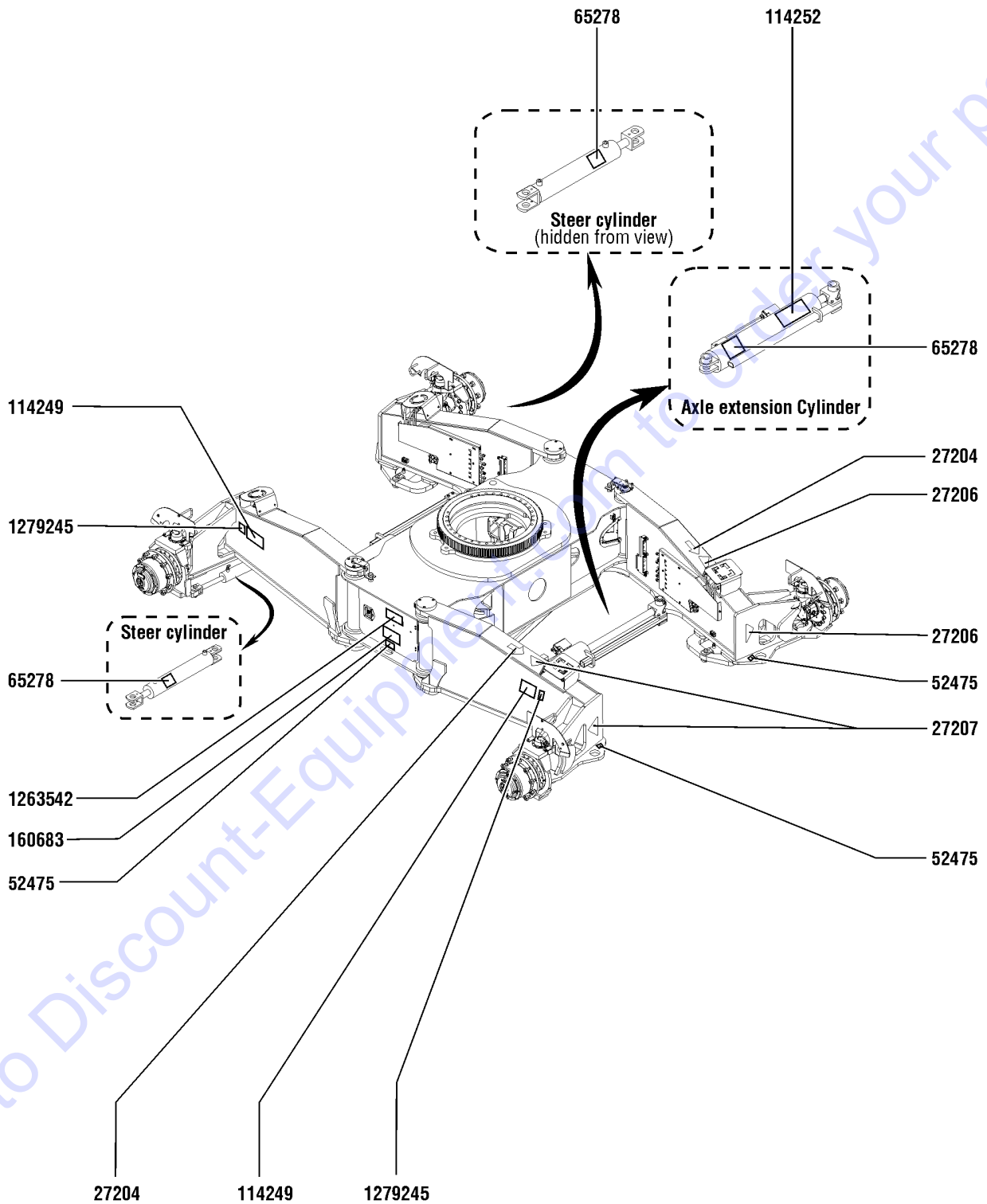
109.1 Decals with Symbols, Engine Side

| Item | Part No.  | Description                             | Qty. |
|------|-----------|---|------|
| 1    | 28159GT   | DECAL,DIESEL .....                      | 1    |
| 2    | 72086GT   | DECAL,LABEL,LIFTING EYE .....           | 4    |
| 3    | 82472GT   | DECAL,WARNING,CRUSHING HAZARD .....     | 2    |
| 4    | 82481GT   | DECAL,SYMBOL-BATTERY SAFETY .....       | 1    |
| 5    | 114251GT  | DECAL,LABEL,NO SMOKING,SYMB .....       | 1    |
| 6    | 133067GT  | DECAL,DANGER,ELEC.HAZ.STAY CLR .....    | 1    |
| 7    | 133205GT  | DECAL,LABEL, ELECTRO HAZARD .....       | 1    |
| 8    | 1255581GT | DECAL COSMETIC,10" GENIE BLUE .....     | 1    |
| 9    | 1258174GT | DECAL COSMETIC,10" GENIE WHITE .....    | 1    |
| 10   | 1258176GT | DECAL COSMETIC,10" GENIE BLACK .....    | 1    |
| 11   | 1263542GT | DECAL, COMPARTMENT ACCESS .....         | 1    |
| 12   | 1271132GT | DECAL,COSMETIC,7-1/8" GENIE BLUE .....  | 2    |
| 13   | 1271133GT | DECAL,COSMETIC,7-1/8" GENIE BLACK ..... | 2    |
| 14   | 1271134GT | DECAL,COSMETIC,7-1/8" GENIE WHITE ..... | 2    |

Go to Discount-Equipment.com to order your parts



110.1 Decals with Symbols, Engine Side (chassis)





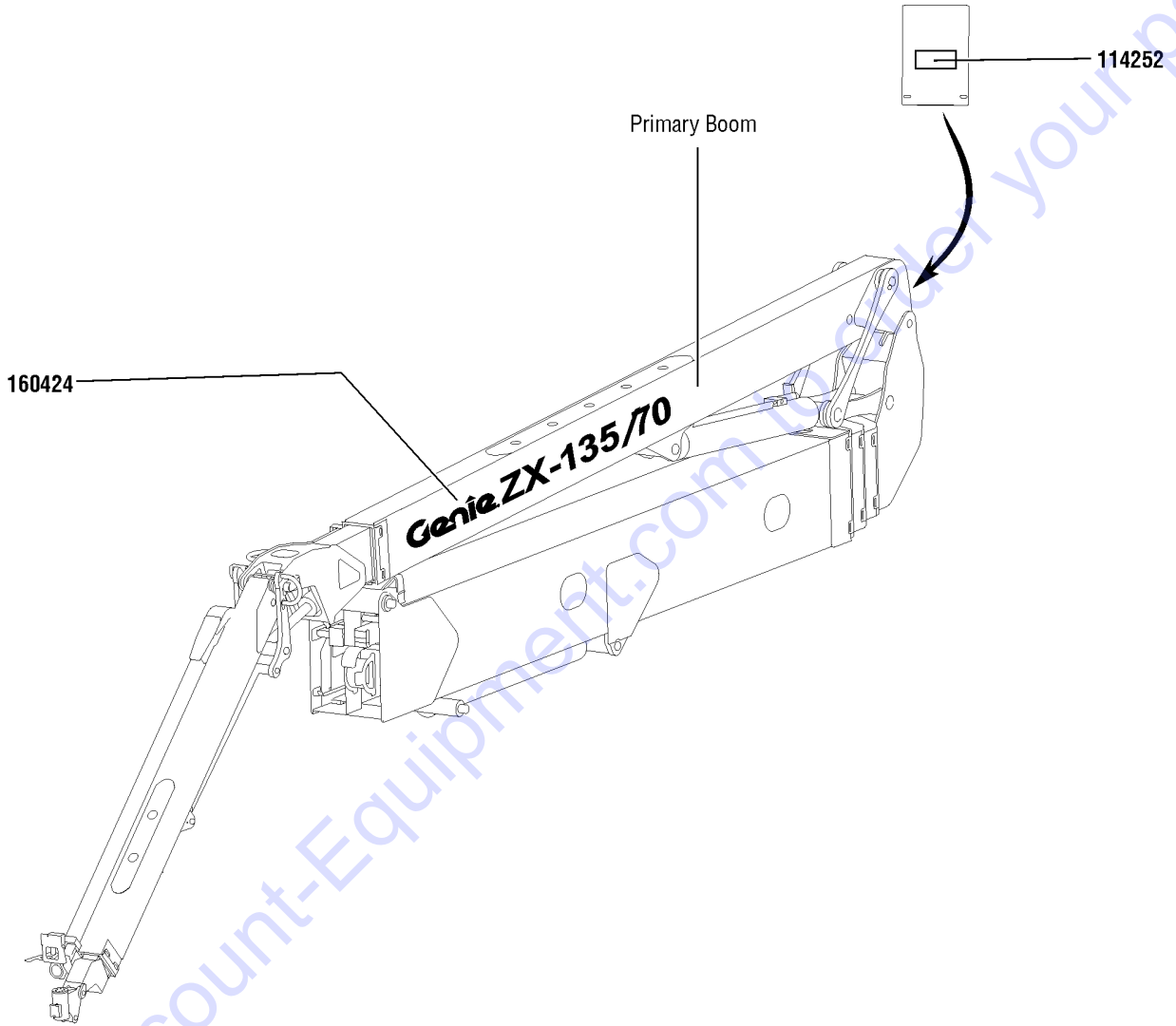
110.1 Decals with Symbols, Engine Side (chassis)

| Item | Part No.  | Description                          | Qty. |
|------|-----------|--------------------------------------|------|
| 1    | 27204GT   | DECAL,ARROW BLUE .....               | 2    |
| 2    | 27206GT   | DECAL,TRIANGLE,BLUE .....            | 2    |
| 3    | 27207GT   | DECAL,TRIANGLE,YELLOW .....          | 2    |
| 4    | 52475GT   | DECAL,LABEL,TRANSPORT TIEDOWN* ..... | 3    |
| 5    | 65278GT   | DECAL,CAUTION,NO STEP .....          | 3    |
| 6    | 114249GT  | DECAL,LABEL,TIPOVER,TIRES,SYMB ..... | 2    |
| 7    | 114252GT  | DECAL,LABEL,TIP OVER LMT SWTCH ..... | 1    |
| 8    | 160683GT  | DECAL, LABEL, TRANSPORT DIAGRA ..... | 1    |
| 9    | 1263542GT | DECAL, COMPARTMENT ACCESS .....      | 1    |
| 10   | 1279245GT | DECAL, WHEEL LOAD, ZX135 .....       | 2    |

Go to Discount-Equipment.com to order your parts



111.1 Decals with Symbols, Boom



Go to Discount-Equipment.com to order your parts

111.1 Decals with Symbols, Boom

| <i>Item</i> | <i>Part No.</i> | <i>Description</i>                   | <i>Qty.</i> |
|-------------|-----------------|--------------------------------------|-------------|
| 1           | 114252GT        | DECAL,LABEL,TIP OVER LMT SWTCH ..... | 1           |
| 2           | 160424GT        | DECAL,COSMETIC,GENIE ZX-135/70 ..... | 1           |

Go to Discount-Equipment.com to order your parts

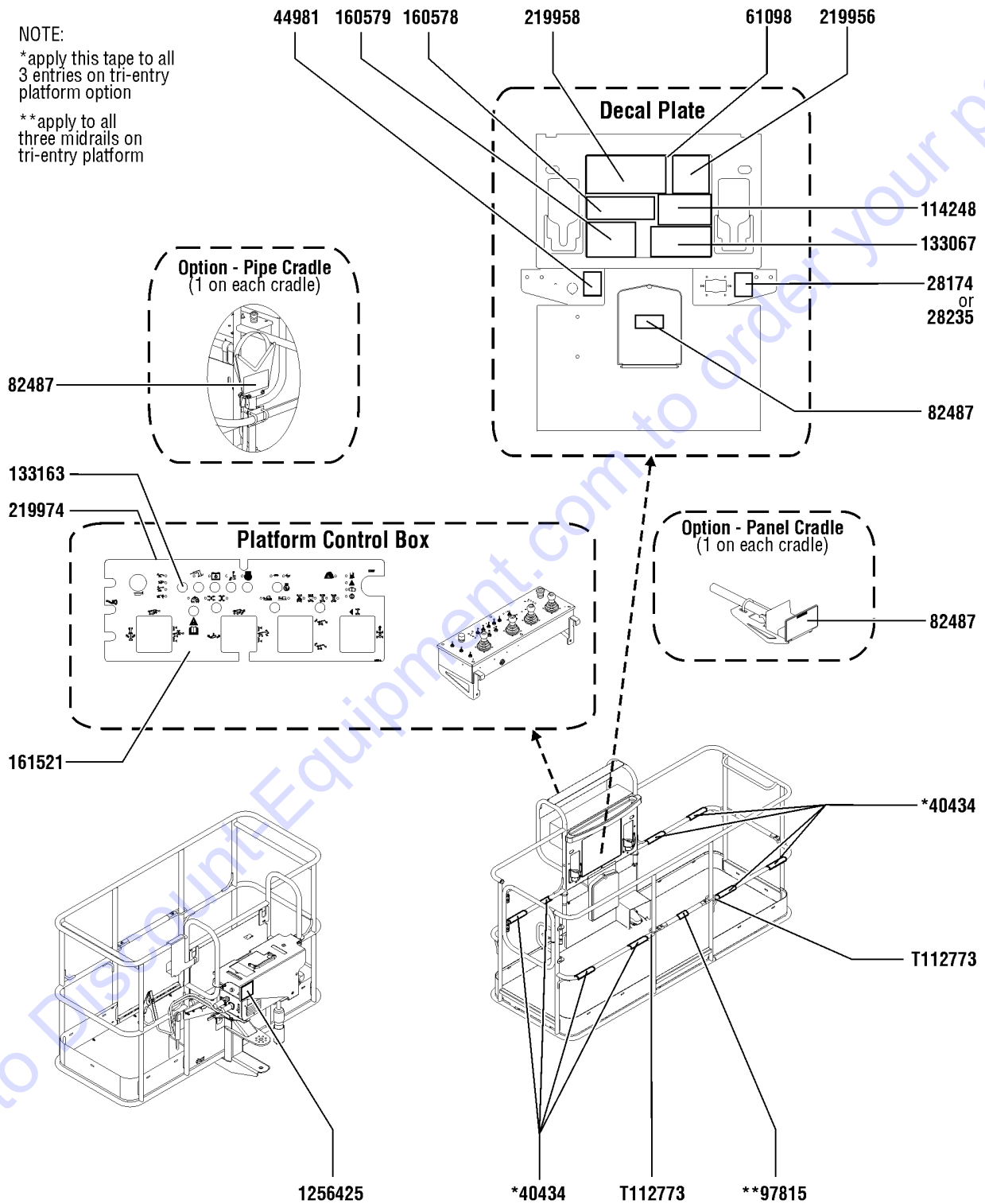


112.1 Decals with Symbols, Platform

NOTE:

\*apply this tape to all 3 entries on tri-entry platform option

\*\*apply to all three midrails on tri-entry platform



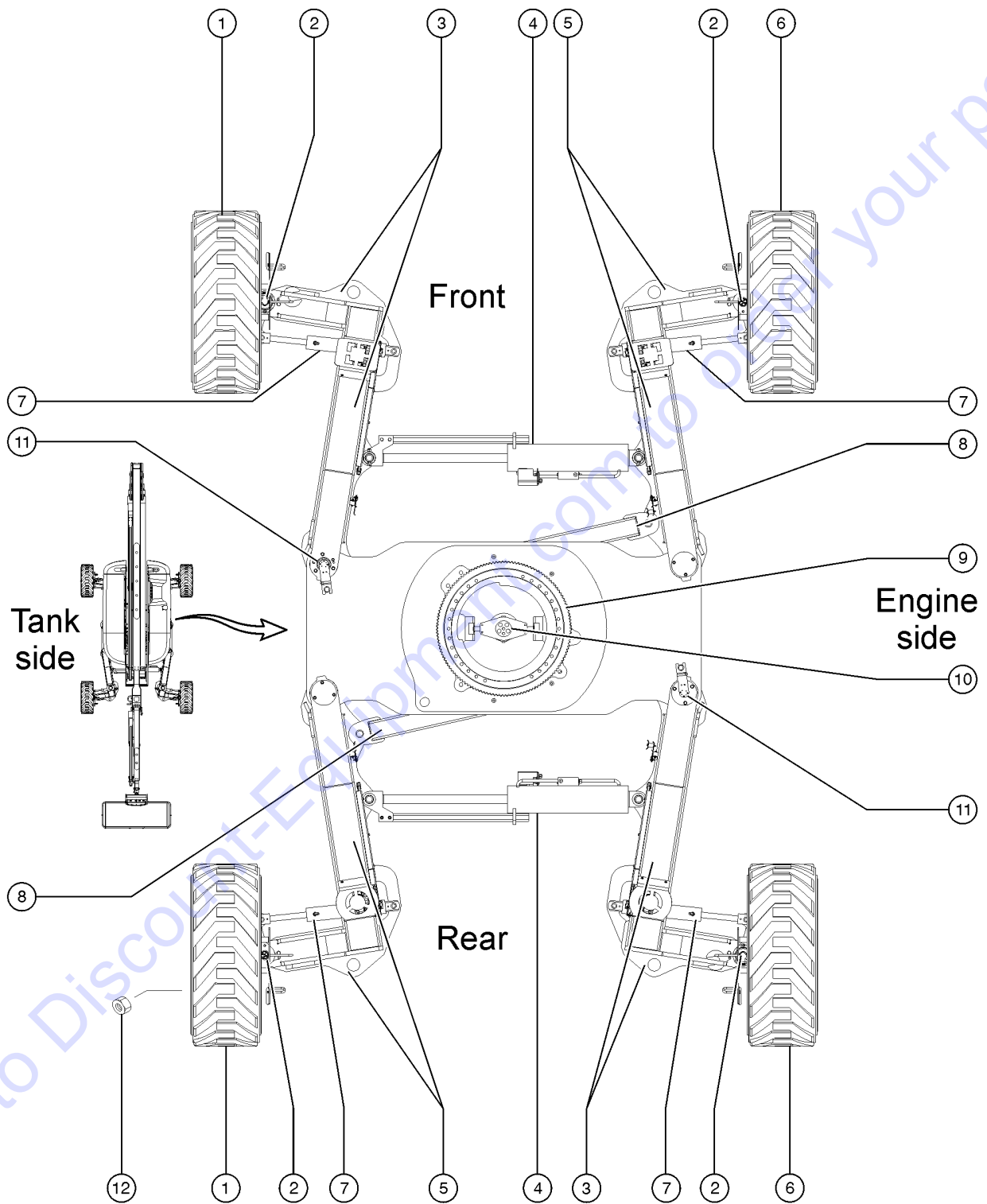
112.1 Decals with Symbols, Platform

| Item | Part No.  | Description                          | Qty. |
|------|-----------|--------------------------------------|------|
| 1    | 28174GT   | DECAL,POWER TO PLATFORM 230V .....   | 1    |
| 2    | 28235GT   | DECAL,POWER TO PLATFORM 115V .....   | 1    |
| 3    | 40434GT   | DECAL,LANYARD ANCHORAGE POINT .....  | 8    |
| 4    | 44981GT   | DECAL,LABEL,AIRLINE 110 PSI .....    | 1    |
|      |           | Option, airline to platform          |      |
| 5    | 61098GT   | DECAL,BLACK,DECAL PLATE .....        | 1    |
| 6    | 82487GT   | DECAL,SYMBOL-READ THE MANUAL .....   | 5    |
| 7    | 97815GT   | DECAL,LABEL,LOWER MIDRAIL .....      | 1    |
| 8    | 114248GT  | DECAL,LABEL,TIPOVER,TILT AL SY ..... | 1    |
| 9    | 133067GT  | DECAL,DANGER,ELEC.HAZ.STAY CLR ..... | 1    |
| 10   | 133163GT  | DECAL,FUNCTION OVERRIDE .....        | 1    |
|      |           | Option, aircraft protection          |      |
| 11   | 160578GT  | DECAL, SYMB, MAX SIDE FRC, ZX1 ..... | 1    |
| 12   | 160579GT  | DECAL, SYMB, SLOPE RATING, ZX1 ..... | 1    |
| 13   | 161521GT  | DECAL, PROTECTIVE COVER, ZX135 ..... | 1    |
| 14   | 219956GT  | DECAL,PLATFORM OVERLOAD .....        | 1    |
|      |           | CE only                              |      |
| 15   | 219958GT  | DECAL,TIP-OVER,CRUSH .....           | 1    |
| 16   | 219974GT  | DECAL, PCON, SUPER-X Z135 .....      | 1    |
| 17   | 1256425GT | DECAL, DANGER, ELECTROCUTION H ..... | 1    |
|      |           | Option, welder                       |      |
| 18   | T112773GT | TAPE, PROTECTIVE MASK .....          | 2    |

Go to Discount-Equipment.com to order your parts



201.1 Chassis Components, Top View



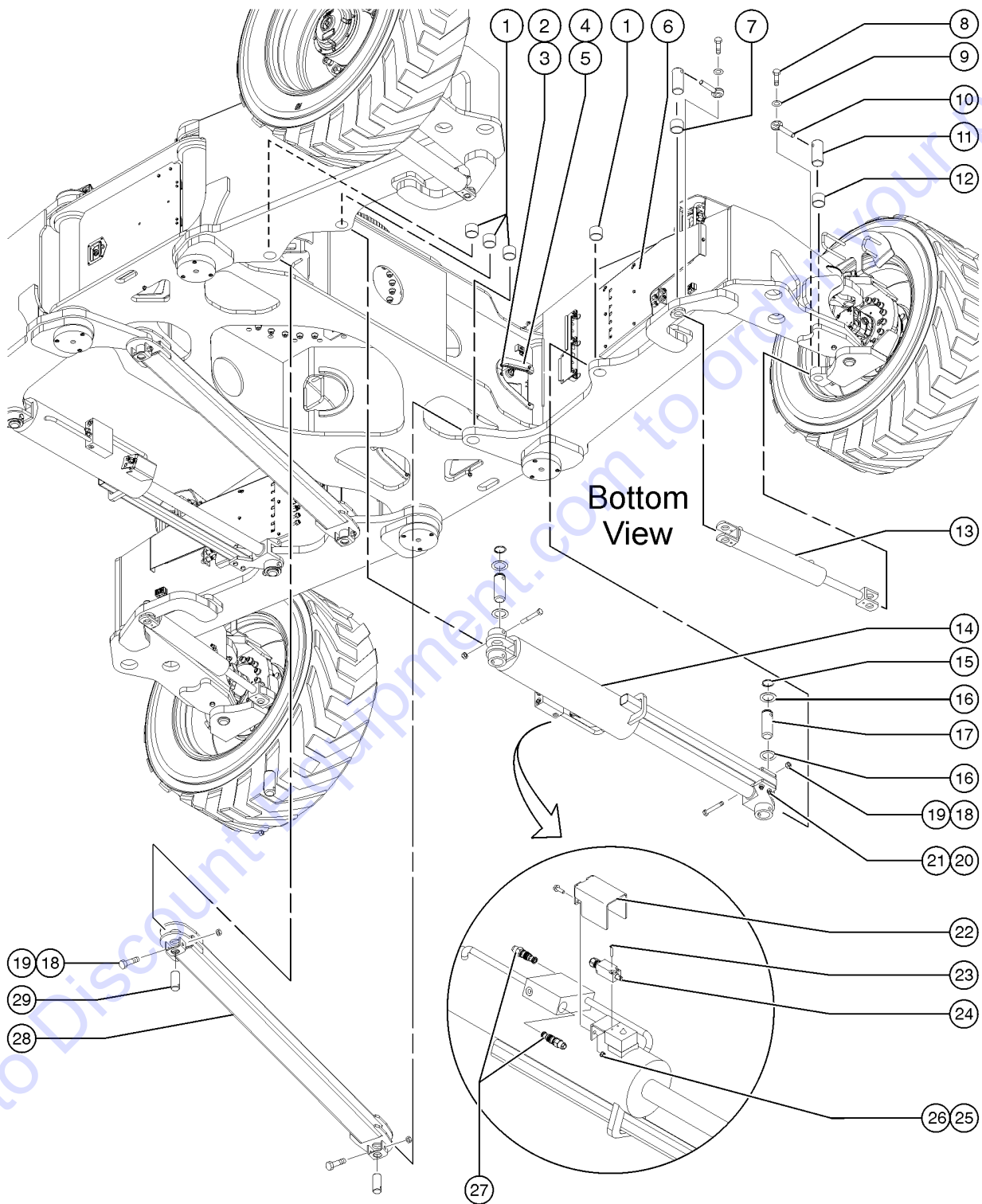
201.1 Chassis Components, Top View

| Item | Part No.  | Description   | Qty. |
|------|-----------|---|------|
| 1    | 1255639GT | ASSY,TIRE,445D50/710,HD,LH .....<br>Tank side only            | 2    |
| 1-   | T111704GT | WHEEL,28 X 15 X.875 OFFSET .....                              |      |
| 1-   | 101234GT  | TIRE,445D50/710,18PR .....                                    |      |
| 2    |           | Ref. ASSY, ANGLE SENSOR AND COVER .....<br>(Refer to 205.1)   | 4    |
| 3    | 1263488GT | ASSY,SX/ZX AXLE AND YOKE, LFRR .....                          | 2    |
| 4    |           | Ref. ASSEMBLY,CYL,AXLE EXTEND,SX/ZX .....<br>(Refer to 202.1) | 2    |
| 5    | 1263487GT | ASSY,SX/ZX AXLE AND YOKE, RFLR .....                          | 2    |
| 6    | 1275103GT | ASSY,TIRE,445D50/710,HD,CRM,RH .....<br>Engine side only      | 2    |
| 6-   | T111704GT | WHEEL,28 X 15 X.875 OFFSET .....                              |      |
| 6-   | 101234GT  | TIRE,445D50/710,18PR .....                                    |      |
| 7    |           | Ref. ASSEMBLY,CYL,STEER,SX/ZX .....<br>(Refer to 202.1)       | 4    |
| 8    |           | Ref. WELDMENT, TIMING LINK .....<br>(Refer to 202.1)          | 2    |
| 9    |           | Ref. BEARING,TURNTABLE. ....<br>(Refer to 309.1)              |      |
| 10   |           | Ref. HYDRAULIC SWIVEL .....<br>(Refer to 309.1)               | 1    |
| 11   |           | Ref. Axle sensors .....<br>(Refer to 203.1)                   | 2    |
| 12   | 1259931GT | NUT,LUG,3/4-16 X 7/8 RADIUS,ZA .....                          | 40   |

Go to Discount-Equipment.com to order your parts



202.1 Chassis Components, Bottom View

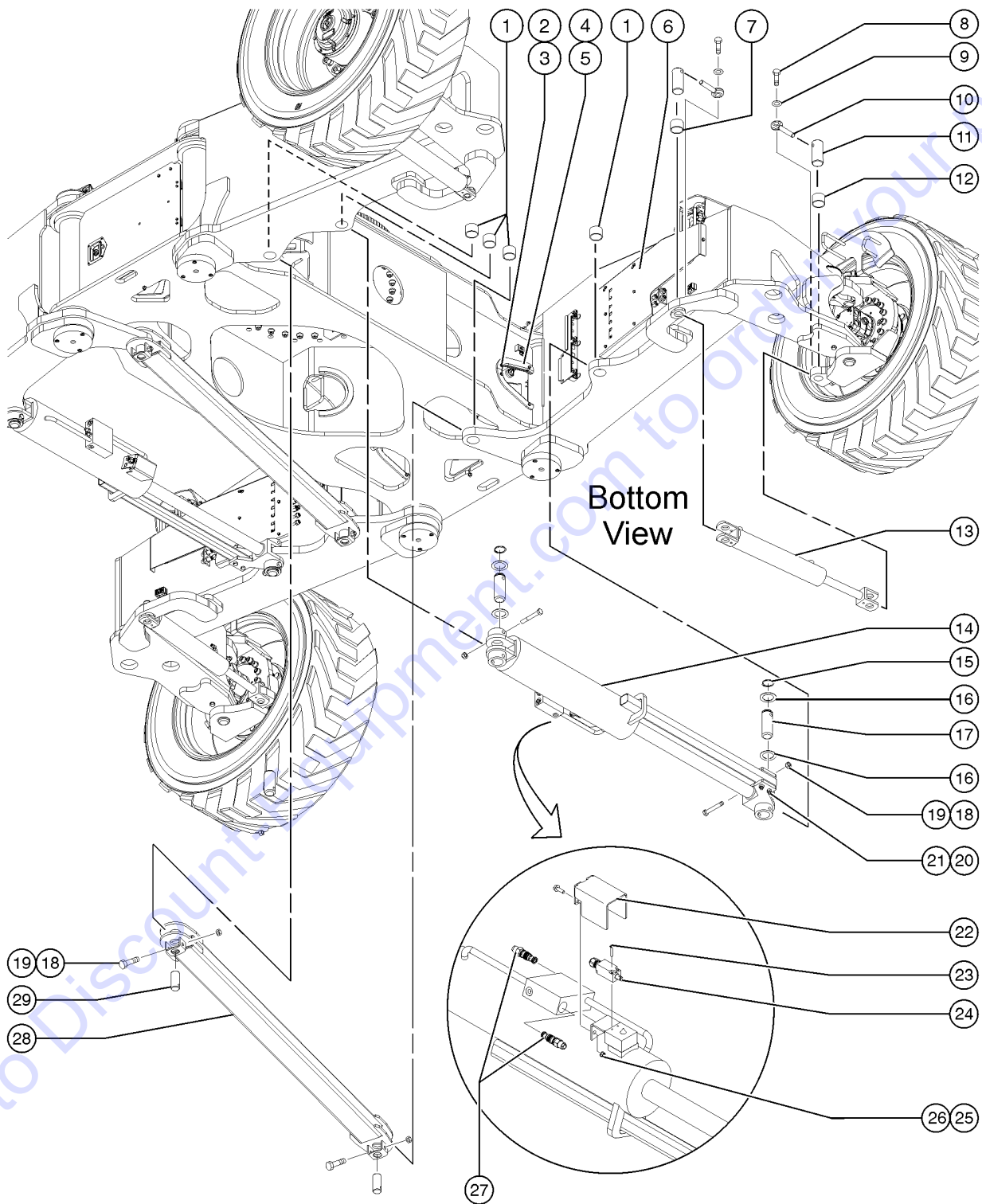




202.1 Chassis Components, Bottom View

| Item | Part No.  | Description  | Qty. |
|------|-----------|--|------|
| 1    | 229532GT  | BEARING, 50ID X 58OD X 40LG .....                      | 8    |
| 2    | 232886GT  | SCREW,HHF,M6X40,DIN6921,10.9, .....                    |      |
| 3    | 231513GT  | NUT,TL FLG,M6-1.0,DIN6927,10,Z .....                   |      |
| 4    | 217481GT  | WEAR GUARD,PLASTIC,HYD HOSE,1 .....                    | 8    |
|      |           | (Top wear guard)                                       |      |
| 5    | 217482GT  | WEAR GUARD,PLASTIC,HYD HOSE,2 .....                    | 8    |
|      |           | (Bottom wear guard)                                    |      |
| 6    |           | Ref. FORMING, HYD TUBE COVER .....                     |      |
|      |           | (Refer to 204.1)                                       |      |
| 7    | 235314GT  | BEARING, 35ID X 41OD X 52LG .....                      | 4    |
| 8    | 825351GT  | SCREW,HHC,M10-1.5X20,DIN933,10.9,ZAB .....             |      |
| 9    | 824142GT  | WASHER,LOCK,M10,ZAB .....                              |      |
| 10   | 1255452GT | ROD END,,375 X 2.25,ZAG .....                          | 8    |
| 11   | 229462GT  | PIN, 35MM X 105MM, 1 HOLE .....                        | 8    |
| 12   | 229466GT  | BEARING,35ID X 41OD X 40LG .....                       | 4    |
| 13   | 229461GT  | CYLINDER, STEER .....                                  | 4    |
| 13-  | 237819GT  | SEAL KIT .....   |      |
| 14   | 1263453GT | CYLINDER, AXLE EXTEND, SX .....                        | 2    |
| 14A- | 106742GT  | SEAL KIT,CYL (98147)*** .....                          |      |
|      |           | for cylinder 1263453                                   |      |
| 14A- | T107366GT | ASSY,LIM.SW.ACTUATOR BLOCK*** .....                    |      |
|      |           | Includes actuator part 110481 and seal kit part 110482 |      |
| 14A- | 110481GT  | LIMIT SWITCH ACTUATOR BLOCK .....                      |      |
|      |           | Block only; for T107366                                |      |
| 14A- | 110482GT  | LS ACTUATOR BLOCK SEAL KIT .....                       |      |
|      |           | Seal kit for actuator block part 110481                |      |
| 15   | 1253816GT | SNAP RING,EXTERNAL,M50,ZAB .....                       | 4    |
| 16   | 237827GT  | WASHER,FLAT,2.000X3.000X.075,Y .....                   |      |
| 17   | 229465GT  | PIN, 50MM DIA X 140MM, 1HOLE, .....                    | 4    |
| 18   | 1255658GT | NUT,TL,M14-2.0,DIN980,10,ZAB .....                     |      |
| 19   | 237828GT  | SCREW,HHC,M14X100,DIN931,8.8,Y .....                   |      |
| 20   | 49366GT   | NUT,NYLOCK,M12X1.75 .....                              |      |
| 21   | 76364GT   | SCREW,HHC,M12 X 100 .....                              |      |
| 22   | 1259989GT | FORMING,LIMIT SWITCH GUARD .....                       | 2    |
| 23   | 825352GT  | SCREW,PHPM,10-32X1.25,ZAG .....                        |      |

202.1 Chassis Components, Bottom View



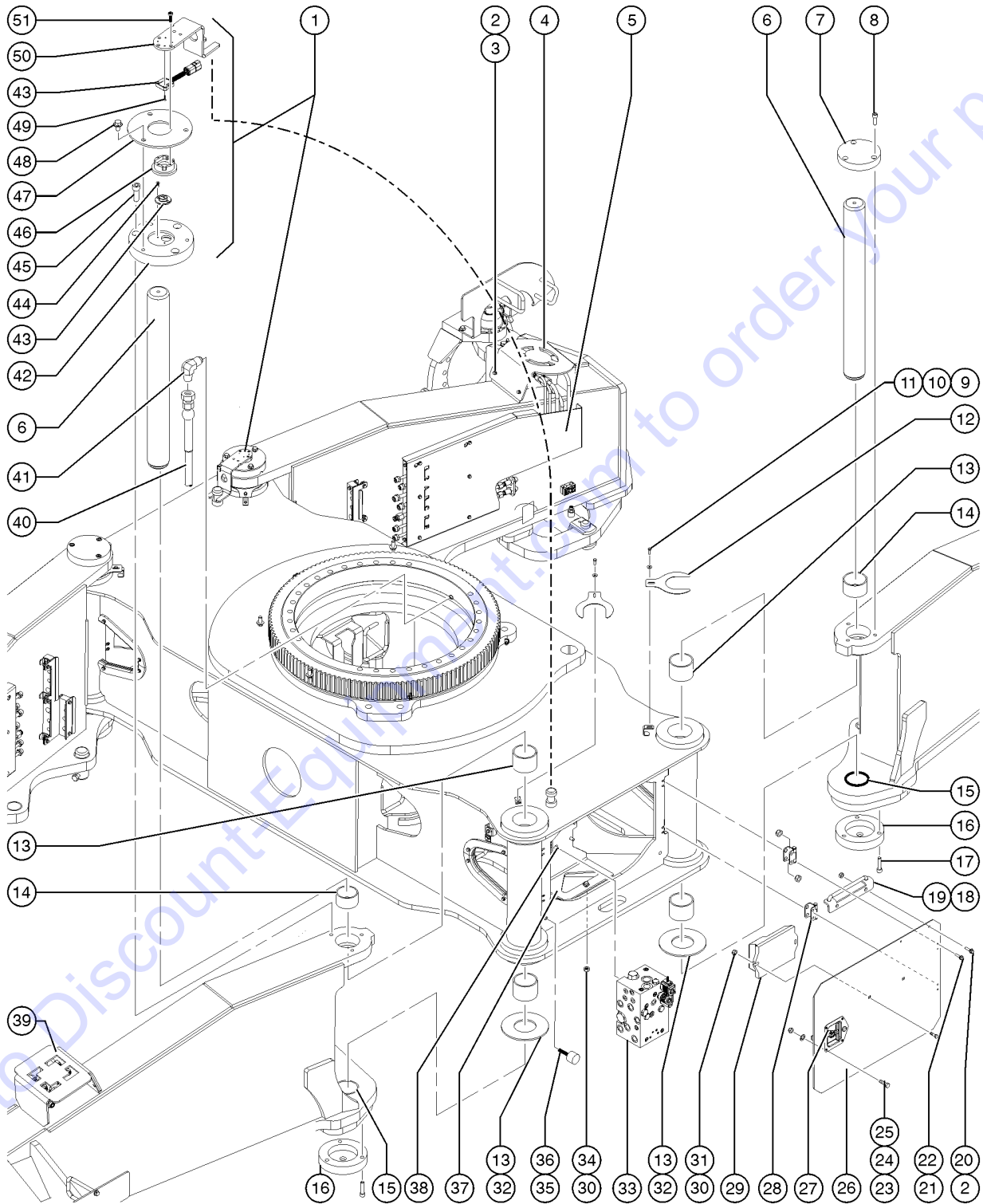
202.1 Chassis Components, Bottom View

| Item | Part No.       | Description   | Qty. |
|------|----------------|---|------|
| 24   | 236392GT       | SWITCH ASSY, AXLE SAFETY .....                          | 2    |
| 24-  | 110771-665R3GT | LIMIT SW.TAB,BLUE METAL .....                           |      |
| 24-  | 119762GT       | CONN PLUG 4 WAY EXTEND DT .....                         |      |
| 25   | 237832GT       | NUT,TL,FLG,M8-1.25,DIN6927,10, .....                    |      |
| 26   | 824133GT       | SCREW,HHF,M8-1.25X25,DIN6921,10.9,ZAB .....             |      |
| 27   | 33428GT        | VALVE,COUNTERBALANCE .....                              | 2    |
| 27-  | 43018GT        | SEAL KIT (39345)<br>Seal kit for valve part 33428 ..... |      |
| 28   | 1262851GT      | WELDMENT, TIMING LINK .....                             | 2    |
| 29   | 235317GT       | PIN, 50MM DIA X 119MM L, 1HOLE .....                    | 4    |

Go to Discount-Equipment.com to order your parts

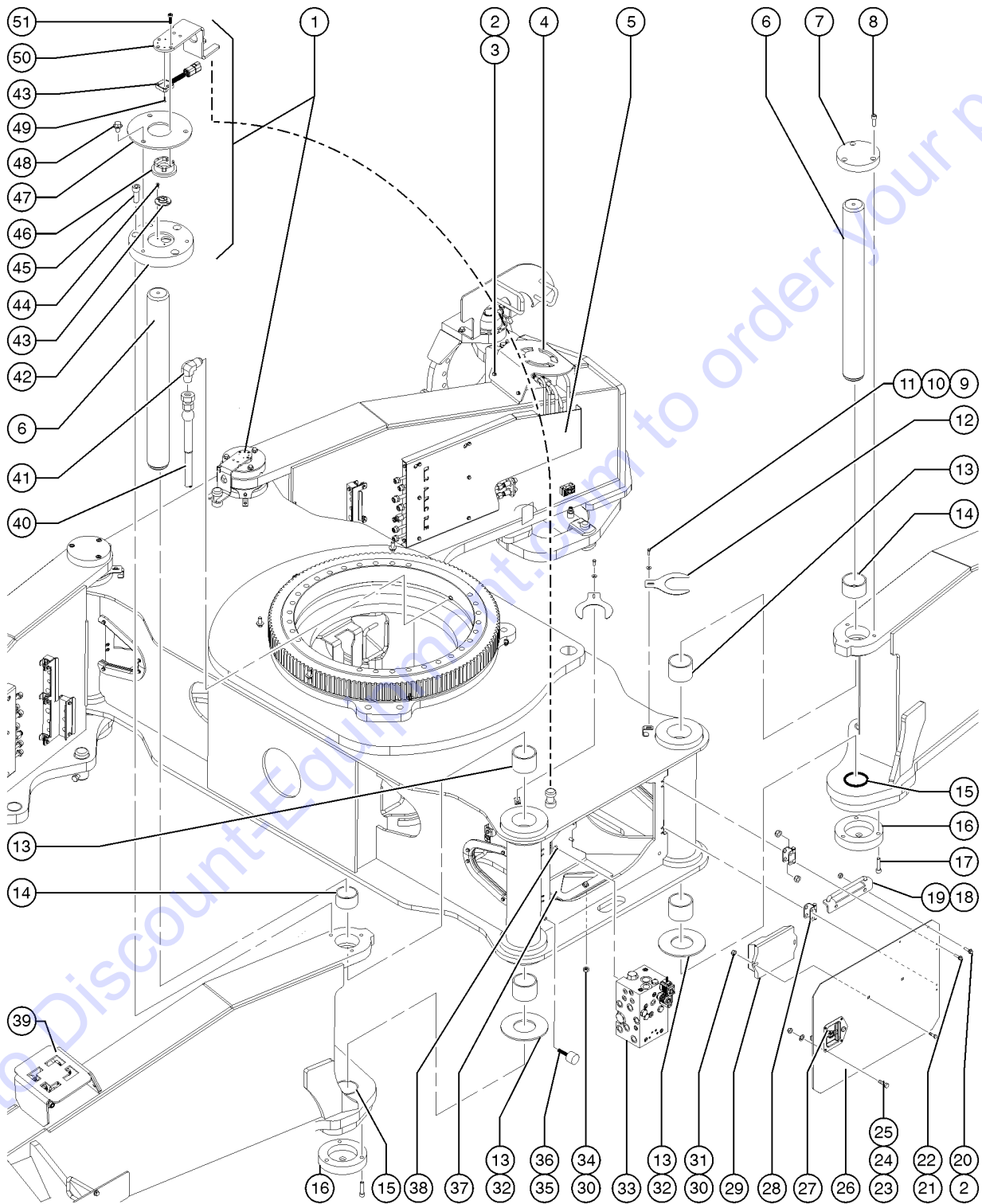


203.1 Chassis Components, Tank Side



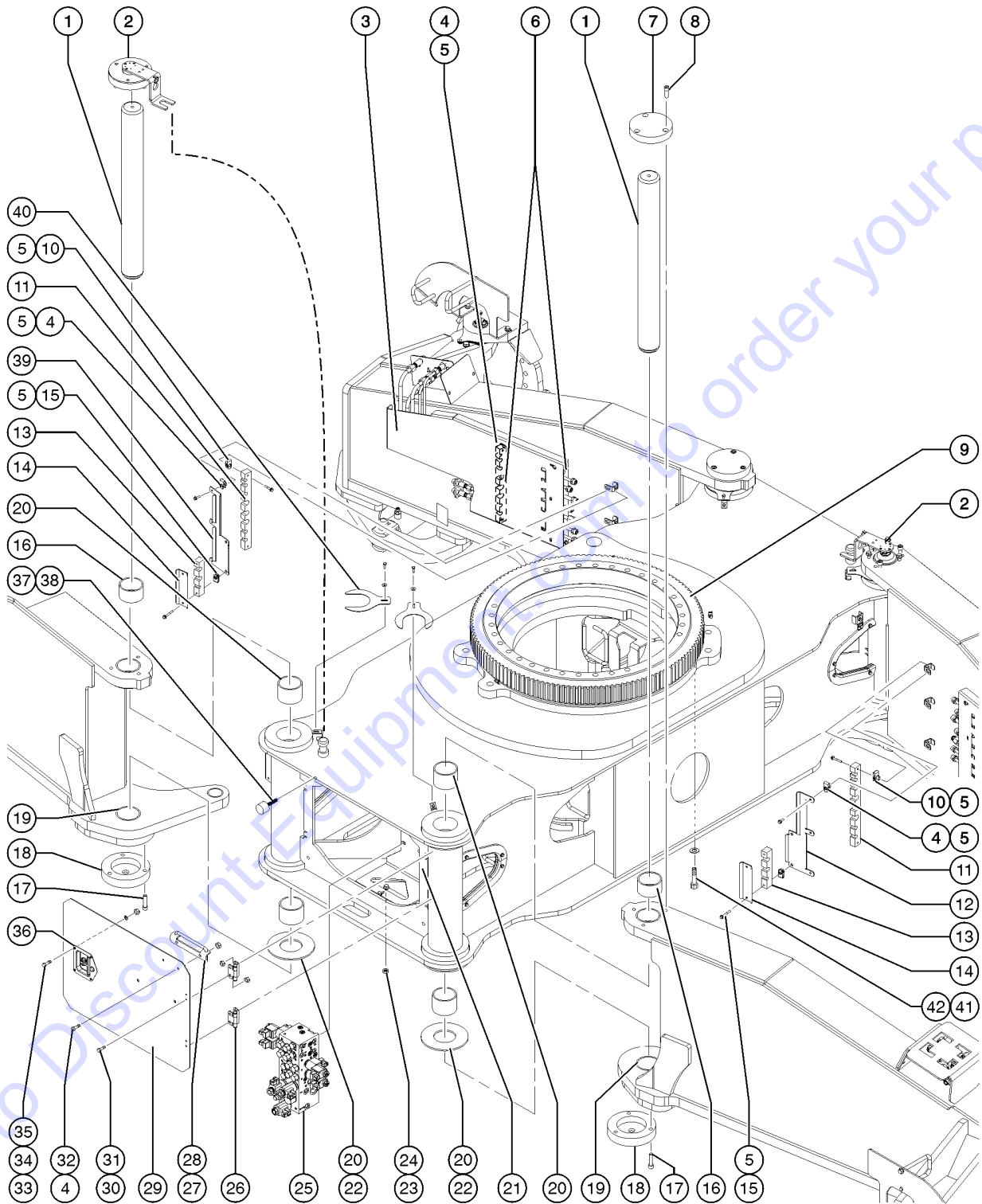
| Item | Part No.  | Description  | Qty. |
|------|-----------|--|------|
| 1    | 1267909GT | ASSY,AXLE SENSOR,SX/ZX135<br>(complete) Includes items from 42 to 51 | 2    |
| 2    | 231532GT  | SCREW,HHF,M6-1.0X20,DIN6921,10.9,ZAB                                 |      |
| 3    | 230073GT  | SPRING CLIP,M6-1.0,0.8-4MM PAN                                       |      |
| 4    | 1259975GT | FORMING,DIRECTIONAL CIRCLE   | 1    |
| 5    |           | Ref. FORMING, HYD TUBE COVER<br>(Refer to 204.1)                     |      |
| 6    | 219304GT  | PIN, 80MM X 780MM, AXLE  | 2    |
| 7    | 1259976GT | MACHINED, TOP CAP, AXLE PIN  | 2    |
| 8    | 160732GT  | SCREW, SHCS M12-1.75X35  |      |
| 9    | 1256450GT | SCREW,HHC,M6-1.0X20,DIN933,10.9,ZAB<br>to ZX135H-4058                |      |
| 9-   | 231512GT  | SCREW,HHF,M6-1.0X25,DIN6921,10.9,ZAB<br>from SN ZX135H-4059          |      |
| 10   | 1257389GT | WASHER, FLAT, M6X18X1.6,DIN9021,ZAB                                  |      |
| 11   | 231513GT  | NUT,TL FLG,M6-1.0,DIN6927,10,Z<br>(not shown); to ZX135H-4058        |      |
| 11-  | 230073GT  | SPRING CLIP,M6-1.0,0.8-4MM PAN<br>from SN ZX135H-4059                |      |
| 12   | 218112GT  | SHIM, DROP-IN, 80MM  |      |
| 13   | 235309GT  | BEARING,80ID X 90OD X 65LG   | 4    |
| 14   | 237854GT  | BEARING, 80ID X 90OD X 52LG  | 2    |
| 15   | 160502GT  | BEARING, 80ID X 90OD X 80LG  | 2    |
| 16   | 1259978GT | MACHINED, LOWER CAP, AXL PIN   | 2    |
| 17   | 160736GT  | SCREW, SHCS M12-1.75X50 GR12.9                                       |      |
| 18   | 1259986GT | FORMING,LOCK COVER BRKT  | 1    |
| 19   | 230825GT  | FORMING, COVER LOCK BAR  | 1    |
| 20   | 231513GT  | NUT,TL FLG,M6-1.0,DIN6927,10,Z                                       | -    |
| 21   | 218457GT  | SCREW,HHF,M5X12,DIN6921,10.9,Z                                       |      |
| 22   | 1255753GT | NUT,FLG,M5-0.8,DIN6923,8,ZAB   | -    |
| 23   | 235315GT  | SCREW,PHPM,M4-0.7X16,DIN7985,ZAB                                     |      |
| 24   | 825357GT  | WASHER,FLAT,M4,DIN125,ZAB  |      |
| 25   | 825686GT  | NUT, TL, M4-0.7, DIN980, 8, ZAB                                      | -    |
| 26   | 1260070GT | ASSY,CHASSIS DOOR,ZX135 SX<br>Includes items 18 - 28                 | 1    |

203.1 Chassis Components, Tank Side



| Item | Part No.     | Description  | Qty. |
|------|--------------|--|------|
| 27   | 74245GT      | LATCH,FLUSH CUP LEFT HAND<br>Includes mounting hardware and 1 pair of keys | 1    |
| 27-  | 29314GT      | KEY,LATCH, 1 PAIR (28125)  |      |
| 28   | 217477GT     | HINGE, OFFSET 12MM   | 2    |
| 29   | 101004GT     | MODULE,DCON  | 1    |
| 30   | 237832GT     | NUT,TL,FLG,M8-1.25,DIN6927,10,   |      |
| 31   | 230826GT     | BOLT,CARRIAGE,M8X35,DIN603,8.8   |      |
| 32   | 229530GT     | WASHER, THRUST   | 2    |
| 33   |              | Ref. MANIFOLD,TRACTION,4WD<br>(Refer to 701.1)                             | 1    |
| 34   | 237820GT     | SCREW,HHF,M8-1.25X40,DIN6921,10.9,ZAB                                      |      |
| 35   | 111663GT     | BUMPER,RUB,1.00DX.75X31-18X1.2   | 2    |
| 36   | 824028GT     | NUT,TL FLG,5/16-18,G,ZAG<br>(Not shown)                                    |      |
| 37   | 1259987GT    | FORMING,MANIFOLD MOUNT   | 1    |
| 38   | 237830GT     | SCREW,HHF,1/2-13X1,8,ZAG   |      |
| 39   | 1259972GT    | FORMING,DIRECTIONAL SQUARE   | 1    |
| 40   | 49189-9738GT | HOSE ASSY,1/4",STR FEM,STR FEM   | 1    |
| 41   | 48887GT      | ELBOW,90D, 070202-4  | 1    |
| 42   | 219302GT     | MACHINED, TOP CAP, AXL PIN   | 2    |
| 43   | 216058GT     | SENSOR, ANGLE, 40 DEG, CCW   | 2    |
| 44   | 237242GT     | SCREW,FHS,M3-0.5X8,DIN7991,10.9,ZAB  |      |
| 45   | 237352GT     | SCREW,HHF,M10-1.5X16,DIN6921,10.9,ZAB                                      |      |
| 46   | 226492GT     | MACHINED, ANGLE SENSOR HOLDER  | 2    |
| 47   | 1259977GT    | PLATE, RETAINER, AXL SENS  | 2    |
| 48   | 237352GT     | SCREW,HHF,M10-1.5X16,DIN6921,10.9,ZAB                                      |      |
| 49   | 237241GT     | SCREW,FHS,M3-0.5X14,DIN7991,10   |      |
| 50   | 1267910GT    | MACHINED, ROT. ARM, AXL SENS   | 2    |
| 51   | 217219GT     | SCREW,SHC,M4-0.7X14 DIN912,12.9,ZAB  |      |

204.1 Chassis Components, Engine Side



ZX135\_1263384\_2041 (Engine Side)

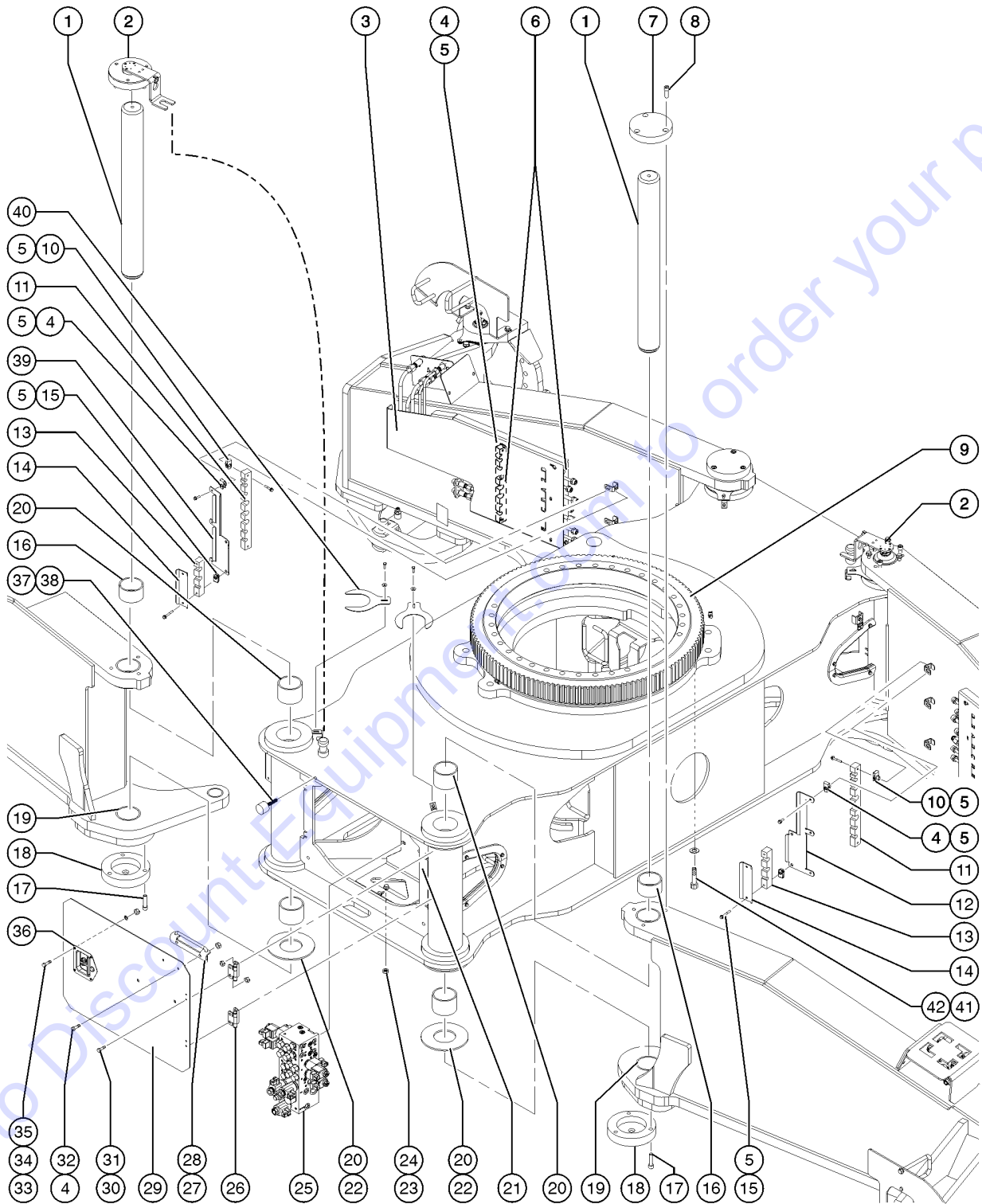




204.1 Chassis Components, Engine Side

| Item | Part No.  | Description                                 | Qty. |
|------|-----------|---|------|
| 1    | 219304GT  | PIN, 80MM X 780MM, AXLE .....               | 2    |
| 2    | 1267909GT | ASSY,AXLE SENSOR,SX/ZX135 .....             | 1    |
|      |           | Complete (refer to 203.1 item 1)            |      |
| 3    | 1263637GT | FORMING, HYD TUBE COVER, RFLR .....         | 1    |
|      |           | Right front and left rear                   |      |
| 3-   | 1263638GT | FORMING, HYD TUBE COVER, LFRR .....         | 1    |
|      |           | Left front and right rear                   |      |
| 4    | 231532GT  | SCREW,HHF,M6-1.0X20,DIN6921,10.9,ZAB .....  |      |
| 5    | 230073GT  | SPRING CLIP,M6-1.0,0.8-4MM PAN .....        |      |
| 6    | 237458GT  | CLAMP, HYD TUBE, AXLE .....                 | 4    |
| 7    | 1259976GT | MACHINED, TOP CAP, AXLE PIN .....           | 4    |
| 8    | 160732GT  | SCREW, SHCS M12-1.75X35 .....               |      |
| 9    | 101572GT  | BEARING,TURNTABLE .....                     | 1    |
|      |           | (For top bolts on swing refer to 308.1)     |      |
| 10   | 232886GT  | SCREW,HHF,M6X40,DIN6921,10.9, .....         |      |
| 11   | 229543GT  | CLAMP, PLASTIC, HYD HOSE .....              | 2    |
| 12   | 1259983GT | FORMING, HOSE CLAMP COVER,LFRR .....        | 1    |
|      |           | Left front and right rear                   |      |
| 13   | 162291GT  | CLAMP, HYD TUBE, AXLE .....                 | 2    |
| 14   | 1259979GT | FORMING, HOSE CLAMP COVER,OUTE .....        | 2    |
| 15   | 216597GT  | SCREW,HHF,M6-1.0X50,DIN6921,10.9,ZAB .....  |      |
| 16   | 237854GT  | BEARING, 80ID X 90OD X 52LG .....           | 2    |
| 17   | 160736GT  | SCREW, SHCS M12-1.75X50 GR12.9 .....        |      |
| 18   | 1259978GT | MACHINED, LOWER CAP, AXL PIN .....          | 2    |
| 19   | 160502GT  | BEARING, 80ID X 90OD X 80LG .....           | 2    |
| 20   | 235309GT  | BEARING,80ID X 90OD X 65LG .....            | 4    |
| 21   | 1259987GT | FORMING,MANIFOLD MOUNT .....                | 1    |
| 22   | 229530GT  | WASHER, THRUST .....                        | 2    |
| 23   | 237832GT  | NUT,TL,FLG,M8-1.25,DIN6927,10, .....        |      |
| 24   | 237820GT  | SCREW,HHF,M8-1.25X40,DIN6921,10.9,ZAB ..... |      |
| 25   |           | Ref. MANIFOLD,STEER/AXLE .....              | 1    |
|      |           | (Refer to 702.1)                            |      |
| 26   | 217477GT  | HINGE, OFFSET 12MM .....                    | 2    |
| 27   | 1259986GT | FORMING,LOCK COVER BRKT .....               |      |

204.1 Chassis Components, Engine Side



ZX135\_1263384\_2041 (Engine Side)



# PARTS FINDER

**Search Website  
by Part Number**



**Search Manual  
Library For Parts  
Manual & Lookup Part  
Numbers – Purchase  
or Request Quote**

**Search Manuals**

Enter your information to help us find the right parts manual for your machine.

\* Brand:

\* Model:

\* Serial:

\* Part Number:

SEARCH

**Can't Find Part or  
Manual? Request Help  
by Manufacturer,  
Model & Description**

**Parts Order Form**

Please fill in the following information to help us find the right part for your machine.

|               |                      |
|---------------|----------------------|
| Manufacturer: | <input type="text"/> |
| Model:        | <input type="text"/> |
| Description:  | <input type="text"/> |
| Part Number:  | <input type="text"/> |
| Quantity:     | <input type="text"/> |
| Notes:        | <input type="text"/> |

Submit

Discount-Equipment.com is your online resource for quality parts & equipment.

Florida: **561-964-4949** Outside Florida TOLL FREE: **877-690-3101**

**Need parts?**

Click on this link: <http://www.discount-equipment.com/category/5443-parts/> and choose one of the options to help get the right parts and equipment you are looking for. Please have the machine model and serial number available in order to help us get you the correct parts. If you don't find the part on the website or on one of the online manuals, please fill out the request form and one of our experienced staff members will get back to you with a quote for the right part that your machine needs.

We sell worldwide for the brands: Genie, Terex, JLG, MultiQuip, Mikasa, Essick, Whiteman, Mayco, Toro Stone, Diamond Products, Generac Magnum, Airman, Haulotte, Barreto, Power Blanket, Nifty Lift, Atlas Copco, Chicago Pneumatic, Allmand, Miller Curber, Skyjack, Lull, Skytrak, Tsurumi, Husquvarna Target, Stow, Wacker, Sakai, Mi-T-M, Sullair, Basic, Dynapac, MBW, Weber, Bartell, Bennar Newman, Haulotte, Ditch Runner, Menegotti, Morrison, Contec, Buddy, Crown, Edco, Wyco, Bomag, Laymor, EZ Trench, Bil-Jax, F.S. Curtis, Gehl Pavers, Heli, Honda, ICS/PowerGrit, IHI, Partner, Imer, Clipper, MMD, Koshin, Rice, CH&E, General Equipment, Amida, Coleman, NAC, Gradall, Square Shooter, Kent, Stanley, Tamco, Toku, Hatz, Kohler, Robin, Wisconsin, Northrock, Oztec, Toker TK, Rol-Air, APT, Wylie, Ingersoll Rand / Doosan, Innovatech, Con X, Ammann, Mecalac, Makinex, Smith Surface Prep, Small Line, Wanco, Yanmar

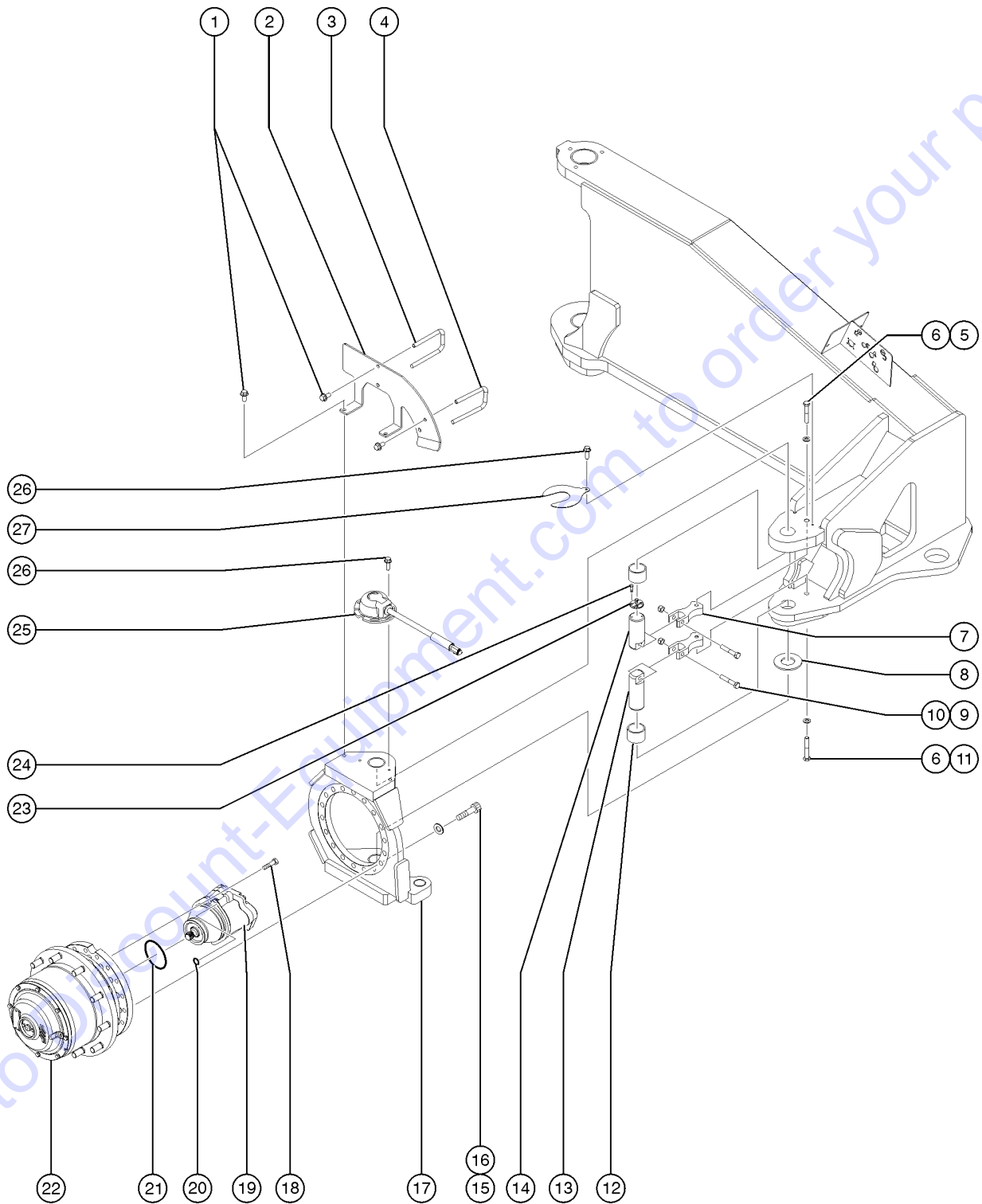
204.1 Chassis Components, Engine Side

| Item | Part No.  | Description                                   | Qty. |
|------|-----------|---|------|
| 28   | 230825GT  | FORMING, COVER LOCK BAR .....                 |      |
| 29   | 1260070GT | ASSY, CHASSIS DOOR, ZX135 SX .....            | 1    |
|      |           | Includes items 26 - 36                        |      |
| 30   | 218457GT  | SCREW, HHF, M5X12, DIN6921, 10.9, Z .....     |      |
| 31   | 1255753GT | NUT, FLG, M5-0.8, DIN6923, 8, ZAB .....       |      |
| 32   | 231513GT  | NUT, TL FLG, M6-1.0, DIN6927, 10, Z .....     |      |
| 33   | 235315GT  | SCREW, PHPM, M4-0.7X16, DIN7985, ZAB .....    |      |
| 34   | 825357GT  | WASHER, FLAT, M4, DIN125, ZAB .....           |      |
| 35   | 825686GT  | NUT, TL, M4-0.7, DIN980, 8, ZAB .....         |      |
| 36   | 74245GT   | LATCH, FLUSH CUP LEFT HAND .....              | 1    |
|      |           | Includes mounting hardware and 1 pair of keys |      |
| 36-  | 29314GT   | KEY, LATCH, 1 PAIR (28125) .....              |      |
| 37   | 111663GT  | BUMPER, RUB, 1.00DX.75X31-18X1.2 .....        | 2    |
| 38   | 824028GT  | NUT, TL FLG, 5/16-18, G, ZAG .....            |      |
|      |           | (Not shown)                                   |      |
| 39   | 1259984GT | FORMING, HOSE CLAMP COVER, RFLR .....         | 1    |
|      |           | Right front and left rear                     |      |
| 40   |           | Ref. SHIM, DROP-IN, 80MM .....                |      |
|      |           | (Refer to 203.1)                              |      |
| 41   | 1255654GT | SCREW, SHC, 5/8-11X4.75, A574, ZAG .....      | 36   |
| 42   | 825348GT  | WASHER, FLAT, M16, DIN6916, HRD, ZAB .....    | 36   |

Go to Discount-Equipment.com to order your parts

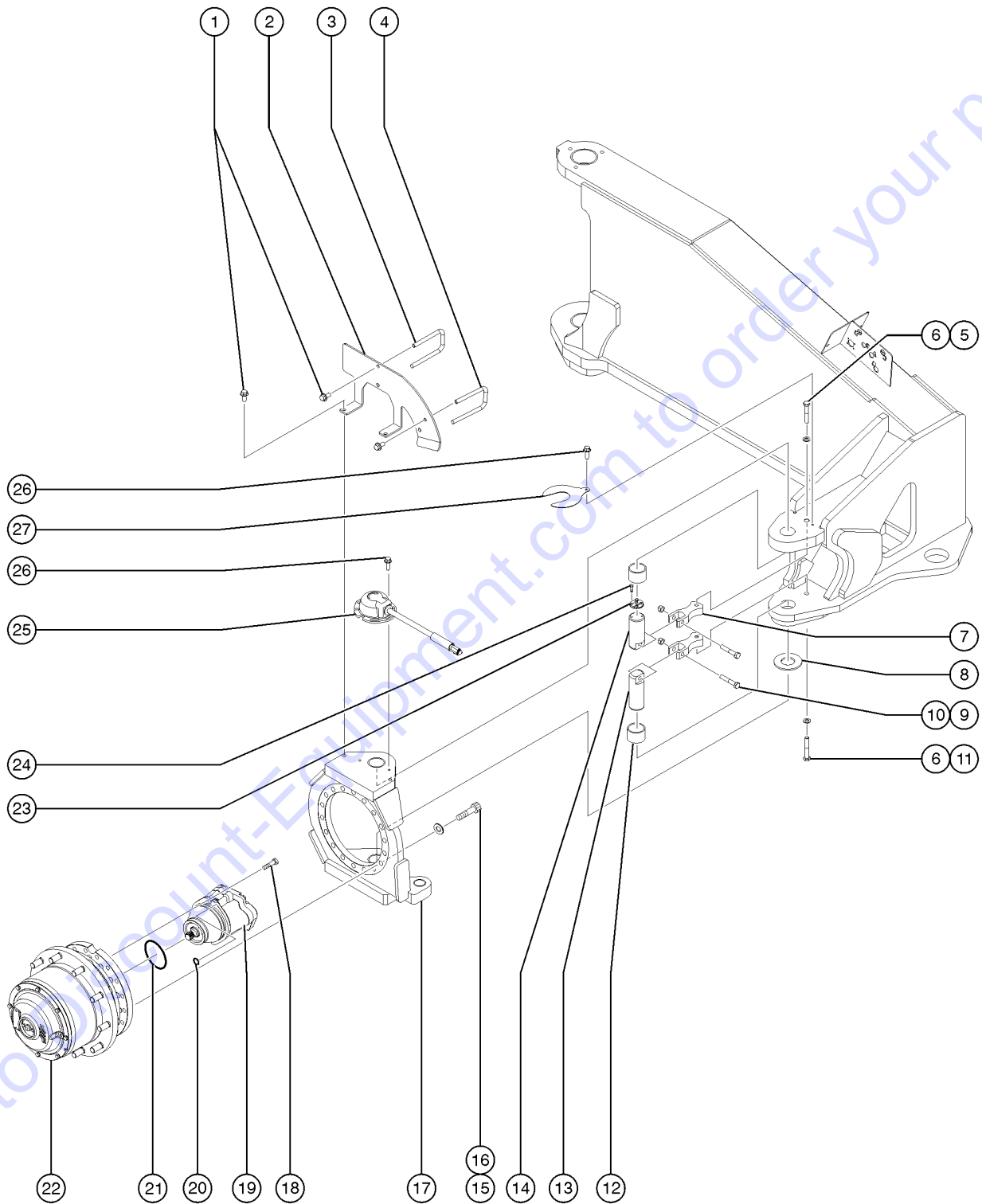


205.1 Steer Yoke, Wheel Drive and Motor



| Item | Part No.  | Description  | Qty. |
|------|-----------|--|------|
| 1    | 237352GT  | SCREW,HHF,M10-1.5X16,DIN6921,10.9,ZAB .....                              |      |
| 2    | 1259969GT | FORMING, HOSE BRACKET, AXLE 2<br>Right front and left rear (shown) ..... | 1    |
| 2-   | 1259980GT | FORMING, HOSE BRACKET, AXLE 1<br>Left front and right rear .....         |      |
| 3    | 1259971GT | BAR, HOSE GUIDE, LONG .....  | 1    |
| 4    | 1259970GT | BAR, HOSE GUIDE, SHORT .....   | 1    |
| 5    | 218456GT  | SCREW,HHC,M12X70,DIN931,10.9,Y .....                                     |      |
| 6    | 824146GT  | WASHER, FLAT, DIN125, M12, ZAB .....                                     |      |
| 7    | 217486GT  | NITRIDED, YOKE PIN LOCK .....  | 2    |
| 8    | 229526GT  | WASHER,THRUST .....  |      |
| 9    | 218456GT  | SCREW,HHC,M12X70,DIN931,10.9,Y .....                                     |      |
| 10   | 1251713GT | NUT,TL,M12-1.75,DIN980,10,ZAB .....                                      |      |
| 11   | 216159GT  | SCREW,HHC,M12-1.75X80,DIN931,10.9,ZAB .....                              |      |
| 12   | 229532GT  | BEARING, 50ID X 58OD X 40LG .....  | 2    |
| 13   | 229541GT  | PIN, KING, AXLE, BOTTOM .....  | 1    |
| 14   | 229540GT  | PIN, KING, AXLE, TOP .....   | 1    |
| 15   | 826172GT  | SCREW,SHC,M16-2.0X50,DIN912,12 .....                                     | 18   |
| 16   | 825348GT  | WASHER,FLAT,M16,DIN6916,HRD,ZAB .....                                    | 18   |
| 17   | 1260067GT | ASSY,SUPERX YOKE,RFLR,W/BRNG<br>Right front and left rear (shown) .....  | 1    |
| 17-  | 1260068GT | ASSY,SUPERX YOKE,LFRR,W/BRNG<br>Left front and right rear .....          |      |
| 18   | 1255469GT | SCREW,HHF,1/2-13X1.25,8,ZAG .....  | 2    |
| 19A  | 101070GT  | MOTOR,PISTON,2 SPEED,45CC<br>Square end (front) .....                    | 2    |
| 19A- | 106098GT  | SEAL KIT,MOTOR,LC/KC*** .....  |      |
| 19B  | 107723GT  | MOTOR,PISTON,2 SPEED,25CC<br>Circle end (rear) .....                     | 2    |
| 19B- | 106098GT  | SEAL KIT,MOTOR,LC/KC*** .....  |      |
| 20   | 106117GT  | O-RING,2-010,VITON<br>Used on motor 101070GT only .....                  | 1    |
| 21   | 106118GT  | O-RING,2-157,VITON*** .....  | 1    |
| 22A  | 107722GT  | WHEEL DRIVE W/BRAKE,113:1<br>Square end (front) .....                    | 2    |
| 22A- | 106873GT  | SEAL KIT,RWD 1700TB*** .....   |      |

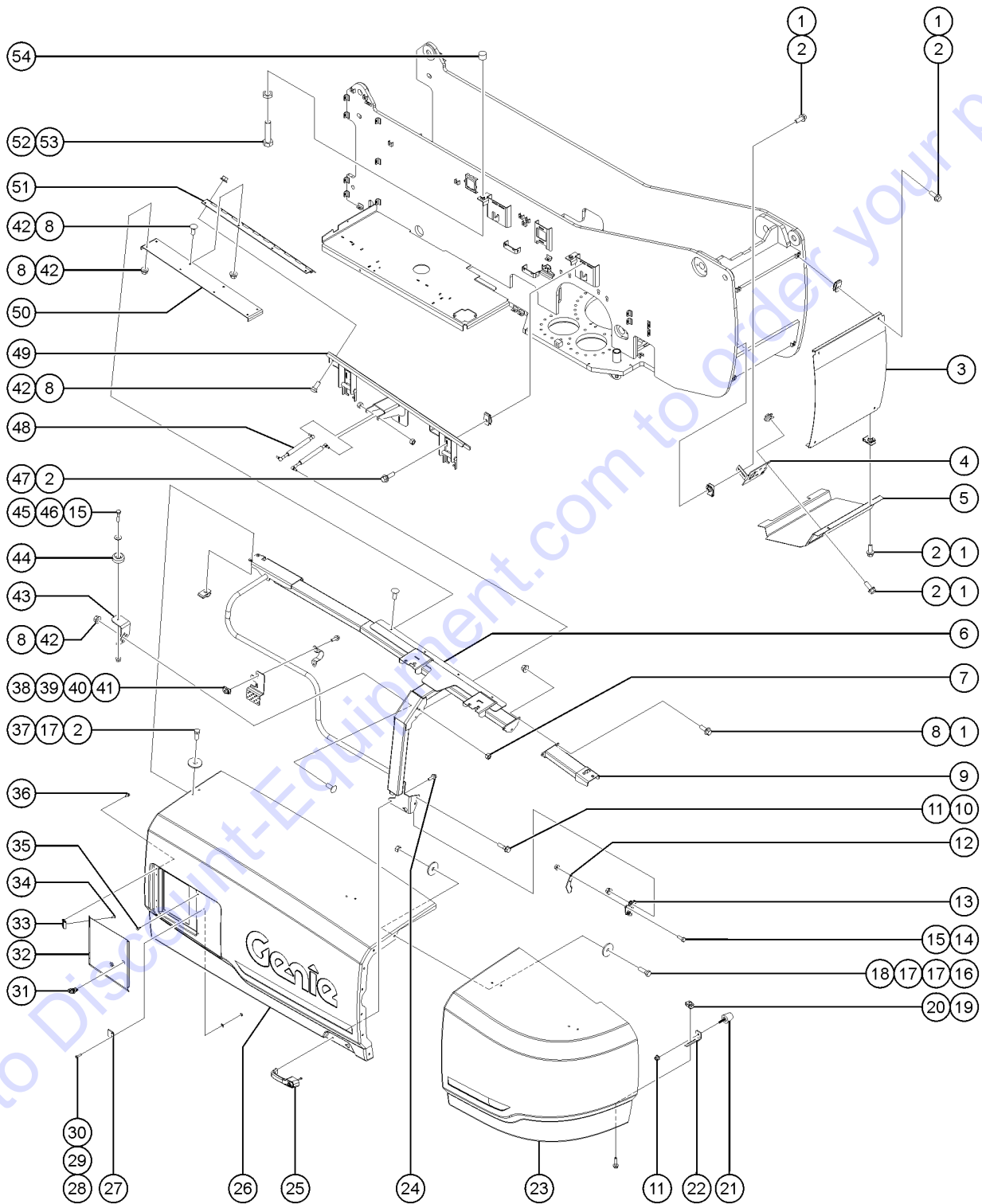
205.1 Steer Yoke, Wheel Drive and Motor



| Item | Part No.  | Description   | Qty. |
|------|-----------|---|------|
| 22A- | 106874GT  | BEARING KIT,RWD 1700TB***   |      |
| 22A- | 106875GT  | BRAKE KIT,RWD 1700TB***   |      |
| 22A- | 62478GT   | STUD, WHEEL, 3/4-16 X 3"***                                       |      |
| 22A- | 34127GT   | NUT,LUG,3/4-16 X 7/8 RADIUS                                       |      |
| 22A- | 1280068GT | HUB SUPPORT,WHEEL DRIVE(107722)<br>for 107722                     |      |
| 22A- | 1280069GT | RING,WHEEL DRIVE(107722)<br>for 107722                            |      |
| 22A- | 1280070GT | COLUMN,WHEEL DRIVE(107722)<br>for 107722                          |      |
| 22B  | 106756GT  | WHEEL DRIVE W/BRAKE,76:1<br>Circle end (rear)                     | 2    |
| 22B- | 106873GT  | SEAL KIT,RWD 1700TB***  |      |
| 22B- | 106874GT  | BEARING KIT,RWD 1700TB***   |      |
| 22B- | 106875GT  | BRAKE KIT,RWD 1700TB***   |      |
| 22B- | 62478GT   | STUD, WHEEL, 3/4-16 X 3"***                                       |      |
| 22B- | 34127GT   | NUT,LUG,3/4-16 X 7/8 RADIUS                                       |      |
| 22B- | 9990080GT | SCREW FOR 106756<br>secures gear cover over wheel stud mount      | 2    |
| 22B- | 237233GT  | HUB, WHEEL COVER,Z135 (106756)                                    |      |
| 22B- | 237232GT  | O-RING, WHEEL COVER (237233)                                      |      |
| 22B- | 102449GT  | CAP,MANUAL DISENGAGE (89212)                                      |      |
| 22B- | 7339GT    | SCREW,HHC,1/4-20 X .5<br>use 2 each on cap 102449                 |      |
| 23   | 60618GT   | ACTIVATOR,STEER SENSOR  | 1    |
| 24   | 825349GT  | SCREW,PHPM,10-32X.38,ZAG  |      |
| 25   | 232993GT  | SUBASSY, STEER SENSOR<br>(Calibration required after replacement) | 1    |
| 25-  | 219646GT  | SENSOR, MODIFIED STEER ANGLE                                      |      |
| 25-  | 60609GT   | COVER,STEERING SENSOR   |      |
| 25-  | 60746GT   | BUSHING, STRAIN RELIEF, 1"  |      |
| 26   | 231532GT  | SCREW,HHF,M6-1.0X20,DIN6921,10.9,ZAB                              |      |
| 27   | 217470GT  | SHIM, STEER YOKE  |      |



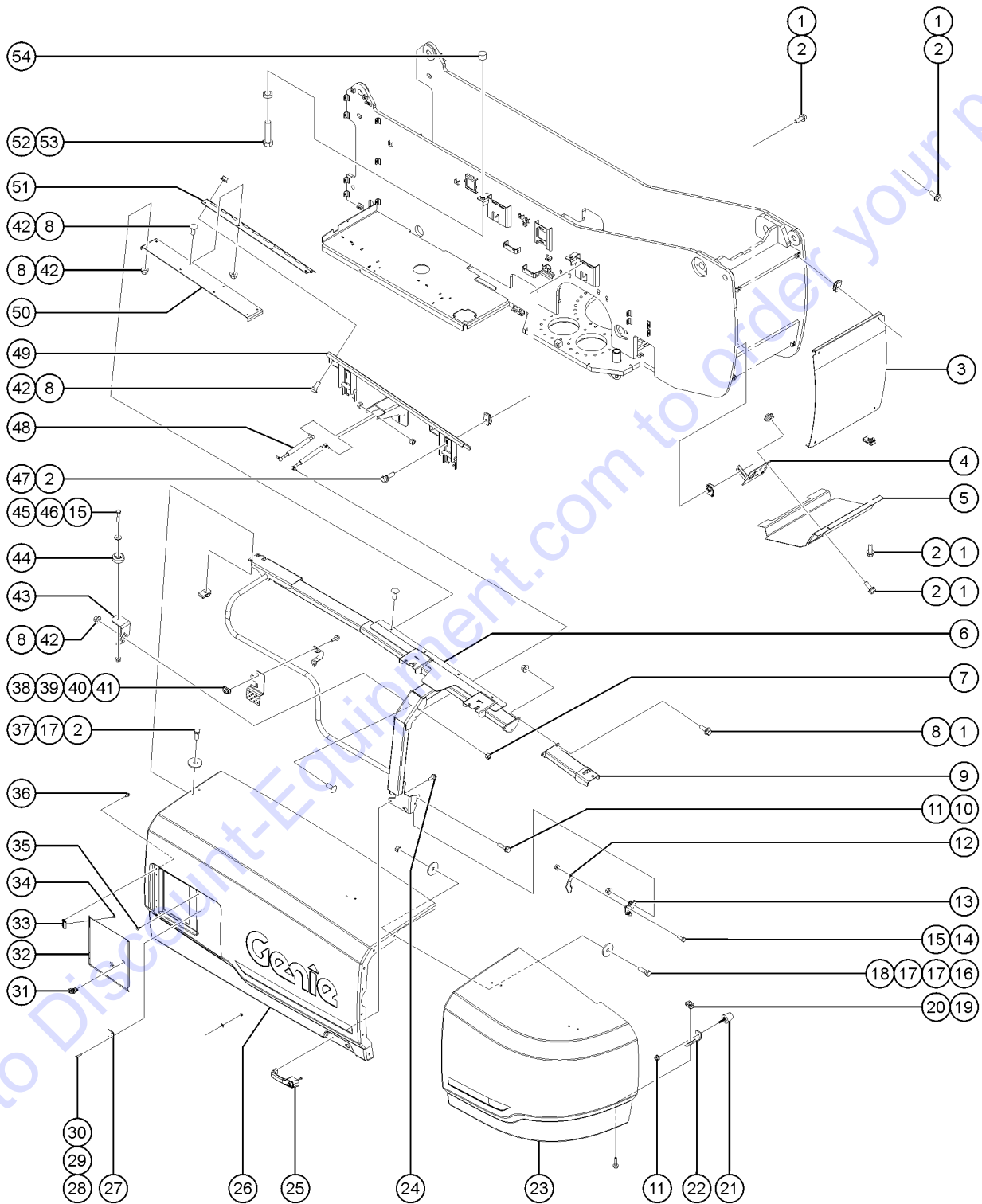
301.1 Tank Side Covers - View 1



| Item | Part No.  | Description                                | Qty. |
|------|-----------|--|------|
| 1    | 824090GT  | SCREW,HHF,3/8-16X1,8,ZAG .....             | 12   |
| 2    | 29868GT   | SPRING CLIP,3/8-16,.05-.20X.73,ZAG .....   | 23   |
| 3    | 1267269GT | FORMING, SWING COVER, TOP .....            | 1    |
| 4    | 1267407GT | FORMING, PANEL .....                       | 1    |
| 5    | 1267278GT | FORMING, SWING COVER, LOWER .....          | 1    |
| 6    | 1259037GT | WELDMENT,COVER SUPPORT,TANK .....          | 1    |
| 7    | 232951GT  | NUT, TL, M10-1.5,DIN980, ZAB .....         | 4    |
| 8    | 824029GT  | NUT,TL FLG,3/8-16,G,ZAG .....              | 17   |
| 9    | 1267183GT | WELDMENT,COVER SUPPPORT,NOSE,T .....       | 1    |
| 10   | 824087GT  | SCREW,HHF,5/16-18X1.25,8,ZAG .....         | 2    |
| 11   | 824028GT  | NUT,TL FLG,5/16-18,G,ZAG .....             | 3    |
| 12   | 1260682GT | FORMING,LATCH TRIGGER BRKT,LH .....        | 1    |
| 13   | 215254GT  | LATCH,ROTARY,ENGINE COVER .....            | 1    |
| 14   | 824059GT  | SCREW,HHC,1/4-20X.75,8,ZAG .....           | 2    |
| 15   | 824027GT  | NUT,TL FLG,1/4-20,G,ZAG .....              | 3    |
| 16   | 824068GT  | SCREW,HHC,3/8-16X1.25,8,ZAG .....          | 7    |
| 17   | 824120GT  | WASHER,FLAT,,.375X1.50X.125,ZAG .....      | 22   |
| 18   | 1256468GT | NUT,3/8-16,8,ZAG .....                     | 7    |
| 19   | 219697GT  | SPRING CLIP,M6-1.0,3.4-6.3MMX1 .....       | 2    |
| 20   | 231512GT  | SCREW,HHF,M6-1.0X25,DIN6921,10.9,ZAB ..... | 2    |
| 21   | 111580GT  | BUMPER,RUBBER,1.19DX1.5X.31-18 .....       | 1    |
| 22   | 1267187GT | FORMING,BUMPER STOP,NOSE .....             | 1    |
| 23   | 1255791GT | COVER,TURNTABLE,TANK SIDE .....            | 1    |
| 24   | 231532GT  | SCREW,HHF,M6-1.0X20,DIN6921,10.9,ZAB ..... | 2    |
| 25   | 1256054GT | HANDLE,YELLOW LOCKING,CODE 455 .....       | 1    |
| 25-  | 37947GT   | KEYS,10 PACK***<br>sold separately .....   |      |
| 25-  | 83093GT   | KEY SINGLE***<br>sold separately .....     |      |
| 26   | 1268901GT | ASSEMBLY COVER TANK MOUNT .....            | 1    |
|      |           | includes item 32                           |      |



301.1 Tank Side Covers - View 1

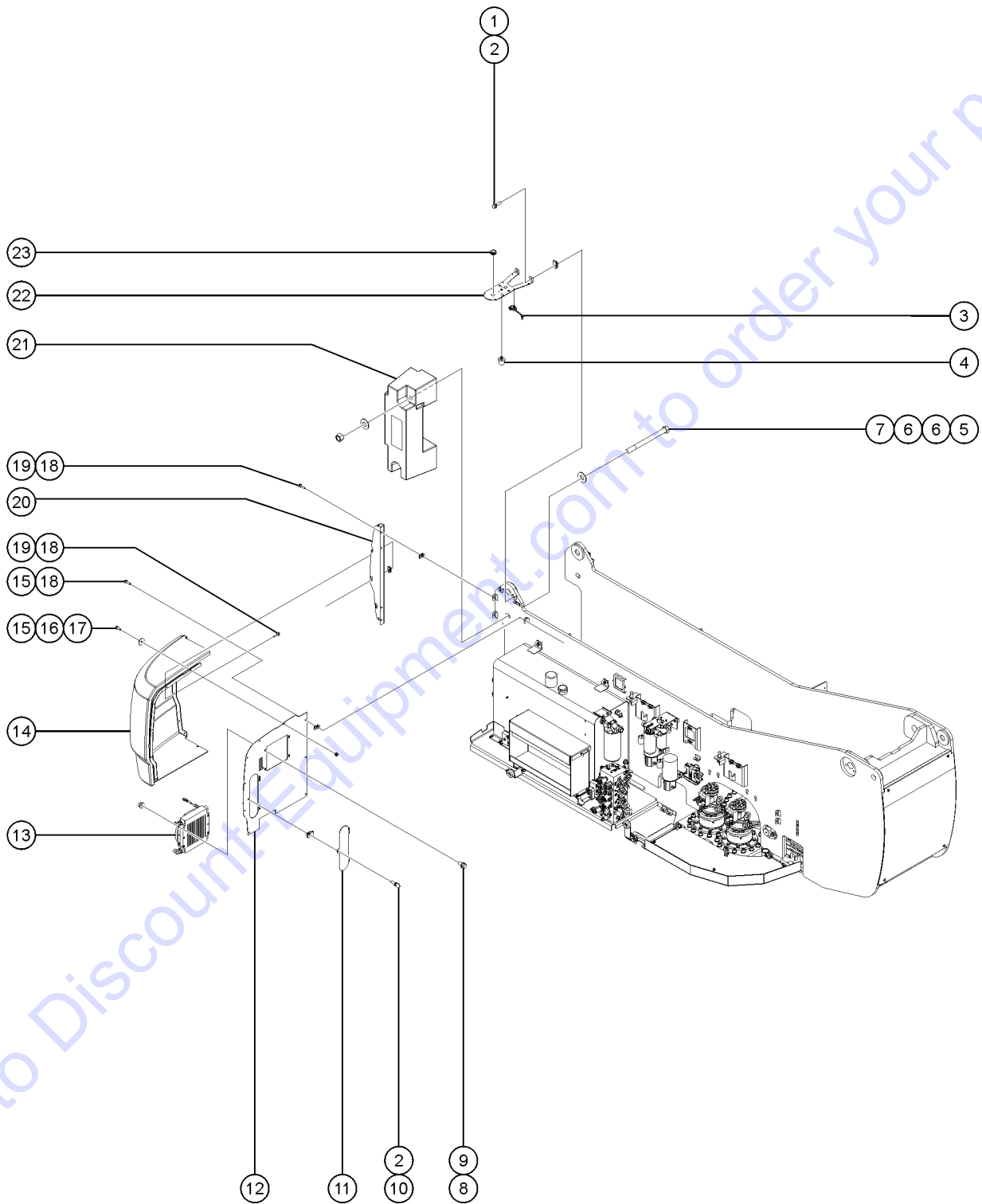


Go to Discount-Equipment.com to order your parts

| Item | Part No.  | Description                          | Qty. |
|------|-----------|--------------------------------------|------|
| 27   | 823748GT  | LATCH STRIKER .....                  | 1    |
| 28   | 824215GT  | SCREW,PHPM,10-32X.75,ZAG .....       | 2    |
| 29   | 1253185GT | WASHER,FLAT,#10,USS,ZAG .....        | 2    |
| 30   | 1256804GT | NUT,10-32,ZAG .....                  | 2    |
| 31   | 1259583GT | LATCH, PUSH BUTTON .....             | 1    |
| 32   | 1261797GT | FORMING,CONTROL COVER .....          | 1    |
| 33   | 1259584GT | HINGE, CONSTANT TORQUE .....         | 2    |
| 34   | 229845GT  | SCREW,BHSCS,M5X10,SS .....           | 4    |
| 35   | 34619GT   | BUMPER,RUBBER*** .....               | 2    |
| 36   | 218457GT  | SCREW,HHF,M5X12,DIN6921,10.9,Z ..... | 4    |
| 37   | 824067GT  | SCREW,HHC,3/8-16X1,8,ZAG .....       | 8    |
| 38   | 56912GT   | SPRING CLIP,1/4-20,.025-.15X.5 ..... | 2    |
| 39   | 1259010GT | FORMING,COVER TUBE MOUNT .....       | 1    |
| 40   | 1260158GT | CLAMP,TUBE,1 -5/16,TWO HOLE .....    | 1    |
| 41   | 824078GT  | SCREW,HHF,1/4-20X.75,8,ZAG .....     | 2    |
| 42   | 824125GT  | BOLT,CARRIAGE,3/8-16X1,5,ZAG .....   | 14   |
| 43   | 1261813GT | FORMING,BUMPER,SIDE .....            | 1    |
| 44   | 50974GT   | BUMPER,RUBBER,COVERS .....           | 1    |
| 45   | 824061GT  | SCREW,HHC,1/4-20X1.25,8,ZAG .....    | 1    |
| 46   | 824113GT  | WASHER,FLAT,1/4,USS,ZAG .....        | 1    |
| 47   | 824091GT  | SCREW,HHF,3/8-16X1.25,8,ZAG .....    | 6    |
| 48   | 1259706GT | GAS STRUT,390 LB .....               | 2    |
| 49   | 1267194GT | WELDMENT, HINGE MOUNT,TANK .....     | 1    |
| 50   | 1267202GT | FORMING, HINGE MOUNT .....           | 1    |
| 51   | 1259705GT | HINGE,COVER,40IN .....               | 1    |
| 52   | 231509GT  | SCREW,HHC,M20-2.5X80,DIN933,10 ..... | 2    |
| 53   | 231515GT  | NUT,HEX,JAM,M20-2.5,DIN439,ZAB ..... | 2    |
| 54   | 1261917GT | THREADED CAP, M20-1.5 .....          | 2    |



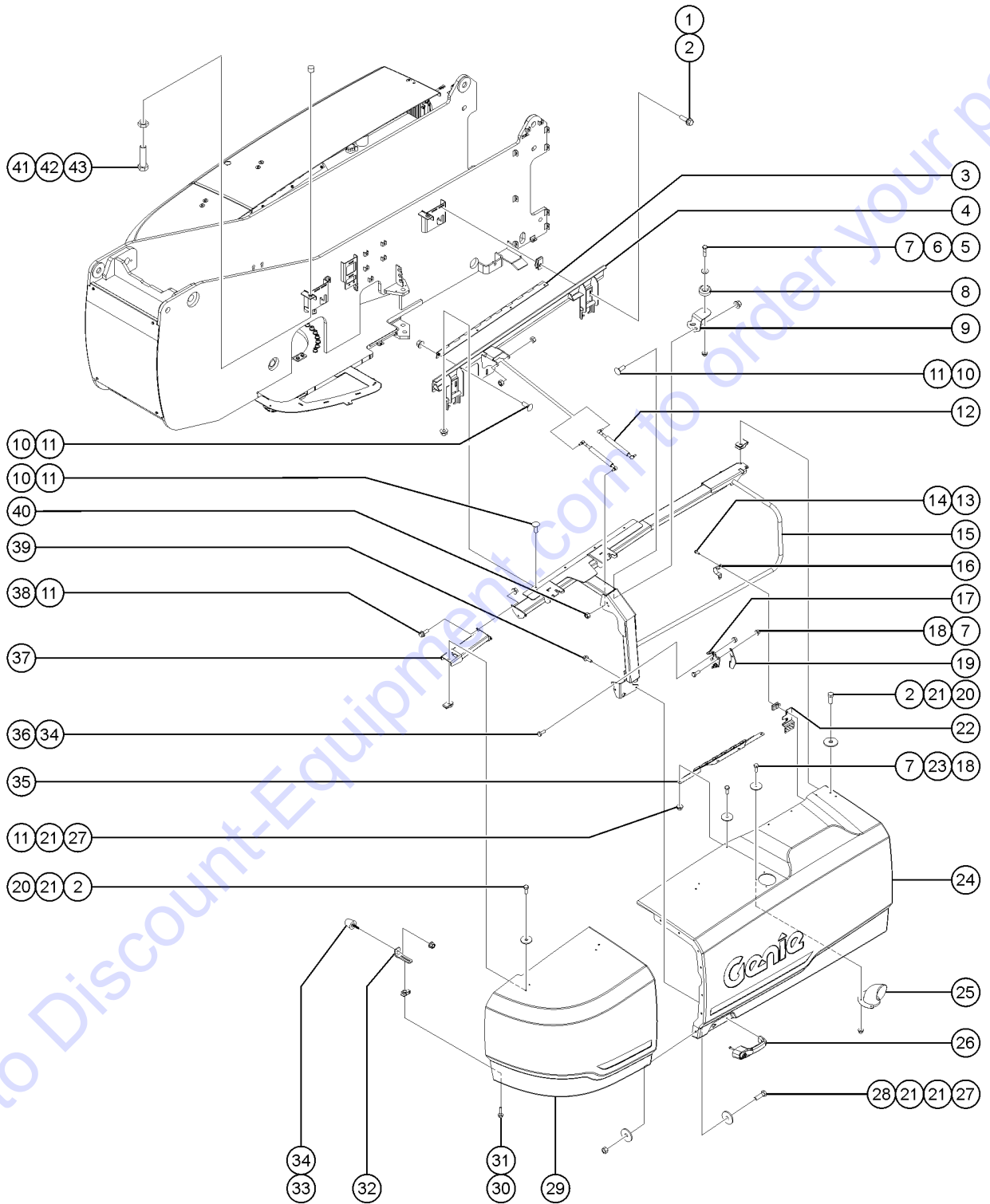
302.1 Tank Side Covers - View 2



| Item | Part No.  | Description                           | Qty. |
|------|-----------|---------------------------------------|------|
| 1    | 824091GT  | SCREW,HHF,3/8-16X1.25,8,ZAG           | 2    |
| 2    | 29868GT   | SPRING CLIP,3/8-16,.05-.20X.73,ZAG    | 3    |
| 3    | 219509GT  | CLAMP, FIXED DIA, NYLON, 5/8"         | 3    |
| 4    | 30973GT   | BUMPER,RUBBER-1 X 1.25                | 1    |
| 5    | 1255389GT | SCREW,HHC,1-8X12,5,ZAG                | 2    |
| 6    | 1256469GT | WASHER,FLAT,1.0,USS,ZAG               | 4    |
| 7    | 826794GT  | NUT,TL,1-8,C,ZAGRING                  | 2    |
| 8    | 824089GT  | SCREW,HHF,3/8-16X.75,8,ZAG            | 4    |
| 9    | 824029GT  | NUT,TL FLG,3/8-16,G,ZAG               | 4    |
| 10   | 824228GT  | SCREW,THUMB,A-REG,3/8-16X1,ZAG        | 1    |
| 11   | 1275099GT | FORMING, GROUND BOX ACCESS            | 1    |
| 12   | 1267404GT | PLATE, FRONT BULKHEAD, LEFT           | 1    |
| 13   | 1269472GT | ASSEMBLY,OIL COOLER                   | 1    |
| 13-  | 71259GT   | OIL COOLER W/FAN, 12VDC               |      |
| 13-  | 48959GT   | FITTING,ELBOW,90D,520220-12           |      |
| 14   | 1255793GT | COVER,COUNTERWEIGHT,TANK SIDE         | 1    |
| 15   | 824078GT  | SCREW,HHF,1/4-20X.75,8,ZAG            | 9    |
| 16   | 824119GT  | WASHER,FLAT,.25X1.25X.062,ZAG         | 6    |
| 17   | 824027GT  | NUT,TL FLG,1/4-20,G,ZAG               | 6    |
| 18   | 56912GT   | SPRING CLIP,1/4-20,.025-.15X.5        | 12   |
| 19   | 824079GT  | SCREW,HHF,1/4-20X1,8,ZAG              | 9    |
| 20   | 1267306GT | FORMING, Z135 COVER MT                | 1    |
| 21   | 1278415GT | COUNTERWEIGHT,SWING CHASSIS,TS,ZX-135 | 1    |
| 22   | 161879GT  | FORMING DRIVE LIGHTS                  | 1    |
| 23   | 60584GT   | GROMMET,RUBBER .75 X .19 X 1**        | 2    |



303.1 Engine Side Covers - View 1

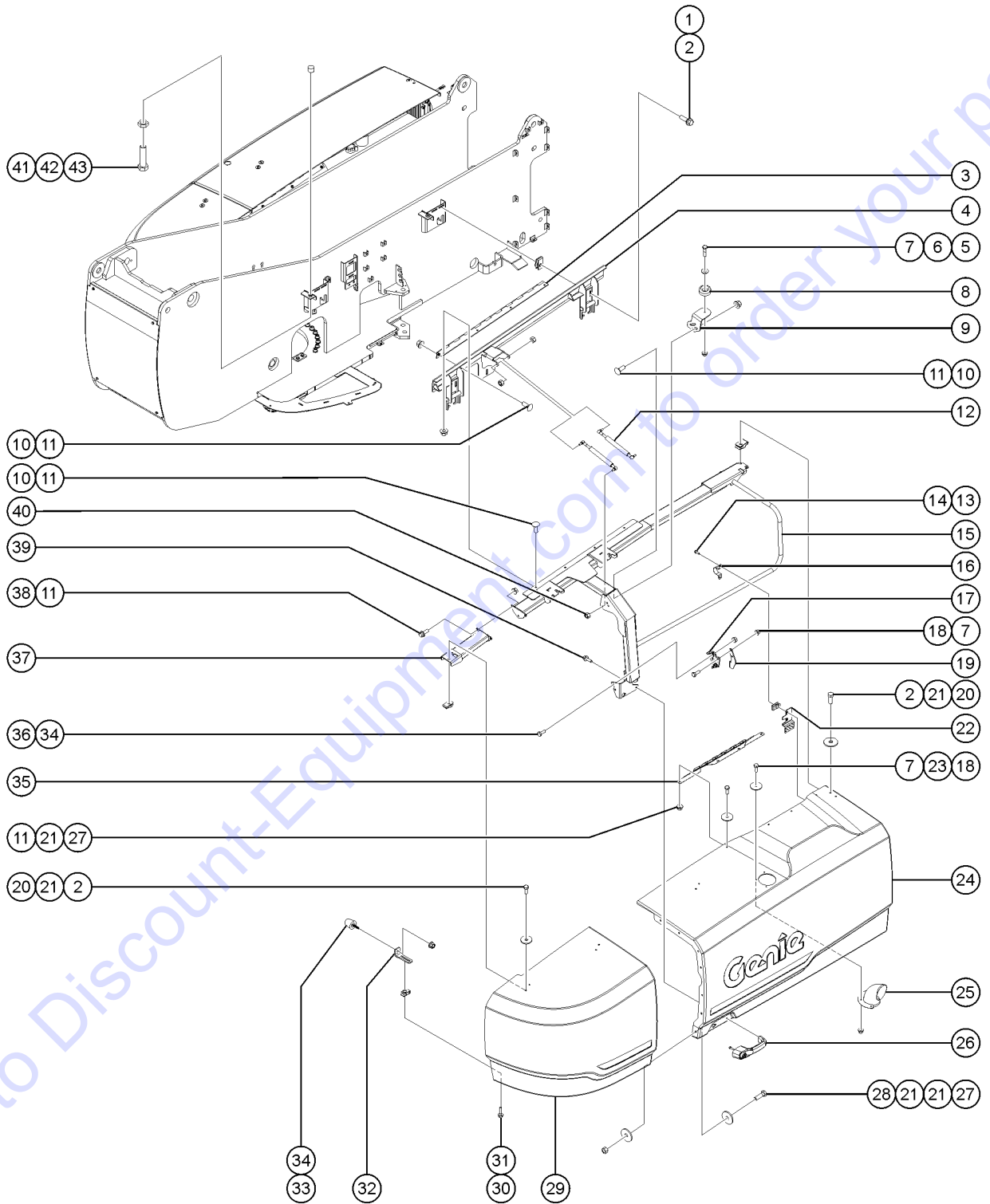


| Item | Part No.  | Description                        | Qty. |
|------|-----------|------------------------------------|------|
| 1    | 824091GT  | SCREW,HHF,3/8-16X1.25,8,ZAG        | 6    |
| 2    | 29868GT   | SPRING CLIP,3/8-16,.05-.20X.73,ZAG | 14   |
| 3    | 1259705GT | HINGE,COVER,40IN                   | 1    |
| 4    | 1267177GT | WELDMENT, HINGE MOUNT ES           | 1    |
| 5    | 824061GT  | SCREW,HHC,1/4-20X1.25,8,ZAG        | 1    |
| 6    | 824113GT  | WASHER,FLAT,1/4,USS,ZAG            | 1    |
| 7    | 824027GT  | NUT,TL FLG,1/4-20,G,ZAG            | 6    |
| 8    | 50974GT   | BUMPER,RUBBER,COVERS               | 1    |
| 9    | 1261813GT | FORMING,BUMPER,SIDE                | 1    |
| 10   | 824125GT  | BOLT,CARRIAGE,3/8-16X1.5,ZAG       | 10   |
| 11   | 824029GT  | NUT,TL FLG,3/8-16,G,ZAG            | 17   |
| 12   | 1259706GT | GAS STRUT,390 LB                   | 2    |
| 13   | 824078GT  | SCREW,HHF,1/4-20X.75,8,ZAG         | 2    |
| 14   | 56912GT   | SPRING CLIP,1/4-20,.025-.15X.5     | 2    |
| 15   | 1259038GT | WELDMENT,COVER SUPPORT,ENG         | 1    |
| 16   | 1260158GT | CLAMP,TUBE,1 -5/16,TWO HOLE        | 1    |
| 17   | 215254GT  | LATCH,ROTARY,ENGINE COVER          | 1    |
| 18   | 824059GT  | SCREW,HHC,1/4-20X.75,8,ZAG         | 5    |
| 19   | 1260683GT | FORMING,LATCH TRIGGER BRKT,RH      | 1    |
| 20   | 824067GT  | SCREW,HHC,3/8-16X1,8,ZAG           | 8    |
| 21   | 824120GT  | WASHER,FLAT,.375X1.50X.125,ZAG     | 26   |
| 22   | 1259010GT | FORMING,COVER TUBE MOUNT           | 1    |
| 23   | 824119GT  | WASHER,FLAT,.25X1.25X.062,ZAG      | 3    |
| 24   | 1255366GT | COVER,SWING CHASSIS,ENGINE SID     | 1    |
| 25   | 1260056GT | WELDMENT, EXHAUST TUBE             | 1    |
| 26   | 1256054GT | HANDLE,YELLOW LOCKING,CODE 455     | 1    |
| 26-  | 37947GT   | KEYS,10 PACK***<br>sold separately |      |
| 26-  | 83093GT   | KEY SINGLE***<br>sold separately   |      |



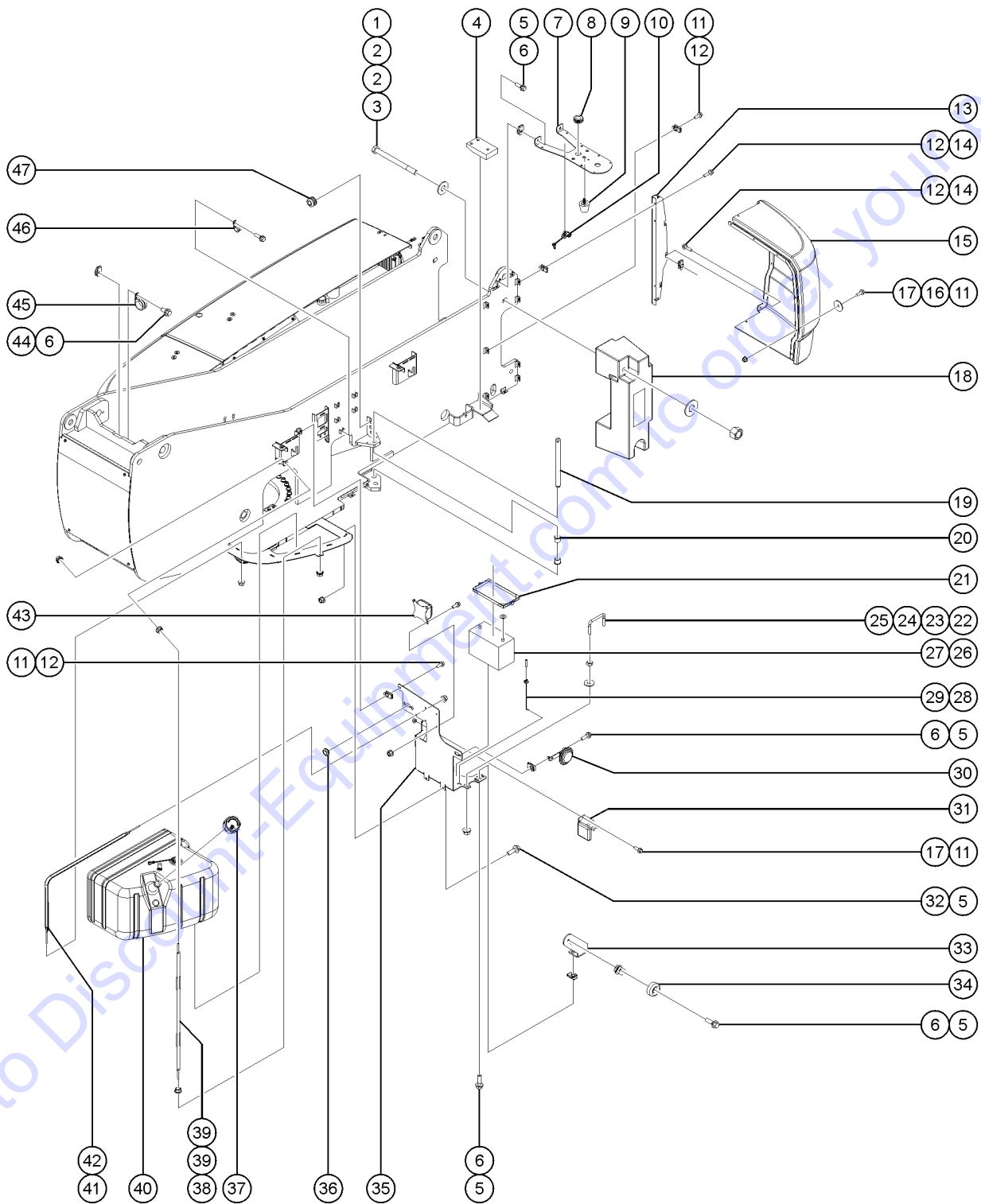


303.1 Engine Side Covers - View 1



| Item | Part No.  | Description                                | Qty. |
|------|-----------|--|------|
| 27   | 824068GT  | SCREW,HHC,3/8-16X1.25,8,ZAG .....          | 11   |
| 28   | 1256468GT | NUT,3/8-16,8,ZAG .....                     | 7    |
| 29   | 1255792GT | COVER,TURNTABLE,ENGINE SIDE .....          | 1    |
| 30   | 231512GT  | SCREW,HHF,M6-1.0X25,DIN6921,10.9,ZAB ..... | 2    |
| 31   | 219697GT  | SPRING CLIP,M6-1.0,3.4-6.3MMX1 .....       | 2    |
| 32   | 1267187GT | FORMING,BUMPER STOP,NOSE .....             | 1    |
| 33   | 111580GT  | BUMPER,RUBBER,1.19DX1.5X.31-18 .....       | 1    |
| 34   | 824028GT  | NUT,TL FLG,5/16-18,G,ZAG .....             | 3    |
| 35   | 1260058GT | FORMING,ENGINE COVER SUPPORT .....         | 1    |
| 36   | 824087GT  | SCREW,HHF,5/16-18X1.25,8,ZAG .....         | 2    |
| 37   | 1267183GT | WELDMENT,COVER SUPPPORT,NOSE,T .....       | 1    |
| 38   | 824090GT  | SCREW,HHF,3/8-16X1,8,ZAG .....             | 3    |
| 39   | 231532GT  | SCREW,HHF,M6-1.0X20,DIN6921,10.9,ZAB ..... | 2    |
| 40   | 232951GT  | NUT, TL, M10-1.5,DIN980, ZAB .....         | 4    |
| 41   | 231509GT  | SCREW,HHC,M20-2.5X80,DIN933,10 .....       | 2    |
| 42   | 231515GT  | NUT,HEX,JAM,M20-2.5,DIN439,ZAB .....       | 2    |
| 43   | 1261917GT | THREADED CAP, M20-1.5 .....                | 2    |

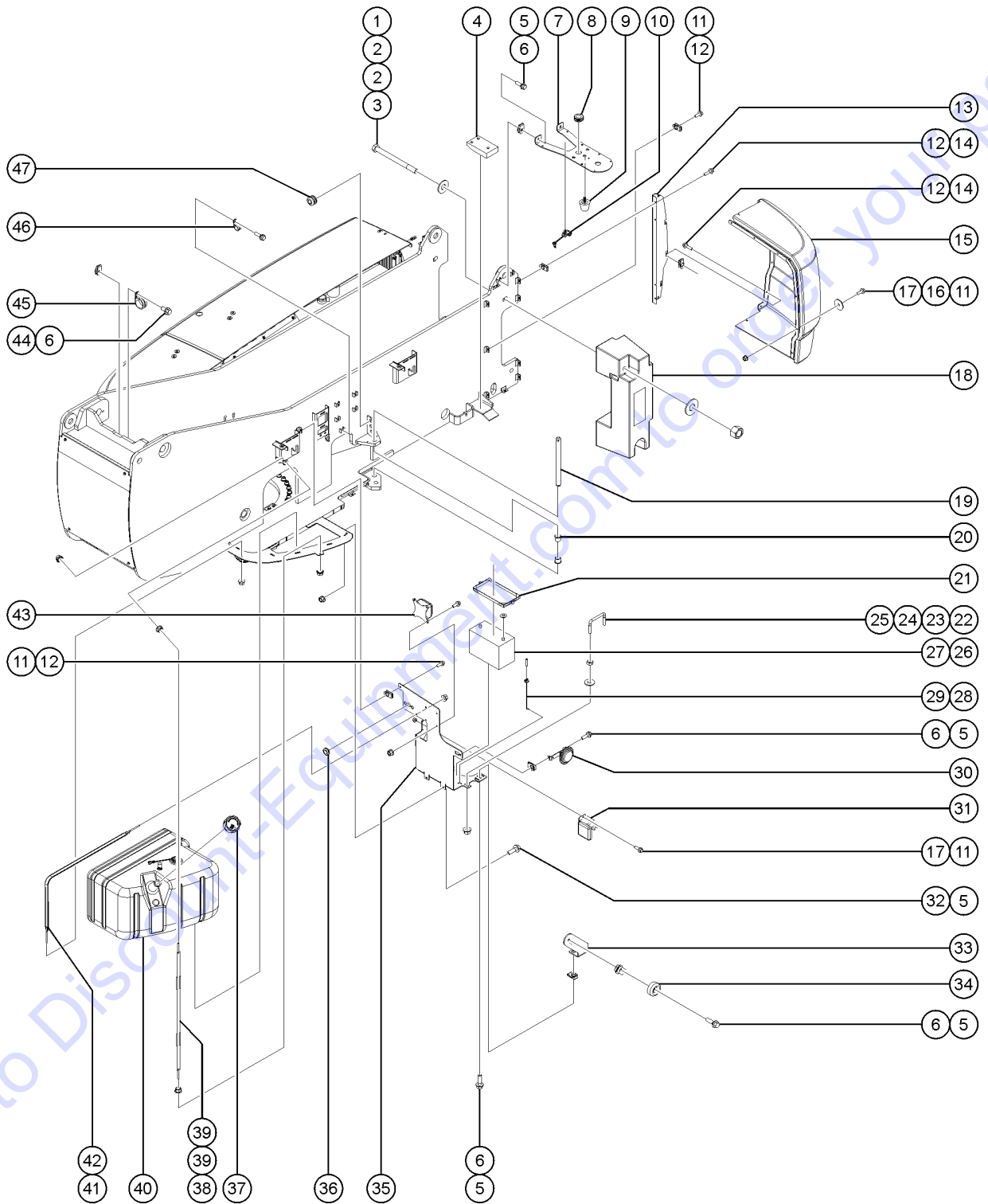
304.1 Engine Side Covers - View 2



| Item | Part No.  | Description                                 | Qty. |
|------|-----------|---|------|
| 1    | 1255389GT | SCREW,HHC,1-8X12,5,ZAG .....                | 2    |
| 2    | 1256469GT | WASHER,FLAT,1.0,USS,ZAG .....               | 4    |
| 3    | 826794GT  | NUT,TL,1-8,C,ZAGRING .....                  | 2    |
| 4    | 60637GT   | WEAR PAD,ENGINE SUPPORT .....               | 1    |
| 5    | 824091GT  | SCREW,HHF,3/8-16X1.25,8,ZAG .....           | 8    |
| 6    | 29868GT   | SPRING CLIP,3/8-16,.05-.20X.73,ZAG .....    | 7    |
| 7    | 161879GT  | FORMING DRIVE LIGHTS .....                  | 1    |
| 8    | 60584GT   | GROMMET,RUBBER .75 X .19 X 1** .....        | 2    |
| 9    | 30973GT   | BUMPER,RUBBER-1 X 1.25 .....                | 1    |
| 10   | 219509GT  | CLAMP, FIXED DIA, NYLON, 5/8" .....         | 3    |
| 11   | 824078GT  | SCREW,HHF,1/4-20X.75,8,ZAG .....            | 12   |
| 12   | 56912GT   | SPRING CLIP,1/4-20,.025-.15X.5 .....        | 13   |
| 13   | 1267305GT | FORMING, Z135 COVER MT .....                | 1    |
| 14   | 824079GT  | SCREW,HHF,1/4-20X1,8,ZAG .....              | 9    |
| 15   | 1255794GT | COVER,COUNTERWEIGHT,ENGINE SID .....        | 1    |
| 16   | 824119GT  | WASHER,FLAT,.25X1.25X.062,ZAG .....         | 6    |
| 17   | 824027GT  | NUT,TL FLG,1/4-20,G,ZAG .....               | 8    |
| 18   | 1278414GT | COUNTERWEIGHT,SWING CHASSIS,ES,ZX-135 ..... | 1    |
| 19   | 60625GT   | PIN,1.25DIA X15.63LG,CHAMFER .....          | 1    |
| 20   | 35675GT   | BEARING,FL,1.25ID X1.5OD X1.25L .....       | 2    |
| 21   | 30144GT   | BATTERY HOLD DOWN,GROUP 31 .....            | 1    |
| 22   | 1259855GT | UBOLT, 0.4724 IN D X 4.0 IN L .....         | 1    |
| 23   | 1255804GT | NUT,JAM,1/2-13,A,ZAG .....                  | 2    |
| 24   | 1255760GT | WASHER,FLAT,1/2,USS,ZAG .....               | 2    |
| 25   | 1251997GT | NUT,TL FLG,1/2-13,G,ZAG .....               | 2    |
| 26   | 30143GT   | BATTERY,12V,1000 CCA GRP 31 .....           | 1    |
| 27   | 57162GT   | BATTERY TERMINAL PROTECTORS .....           | 2    |
| 28   | 45708GT   | HOOK,BATT HOLD DOWN,10" .....               | 2    |



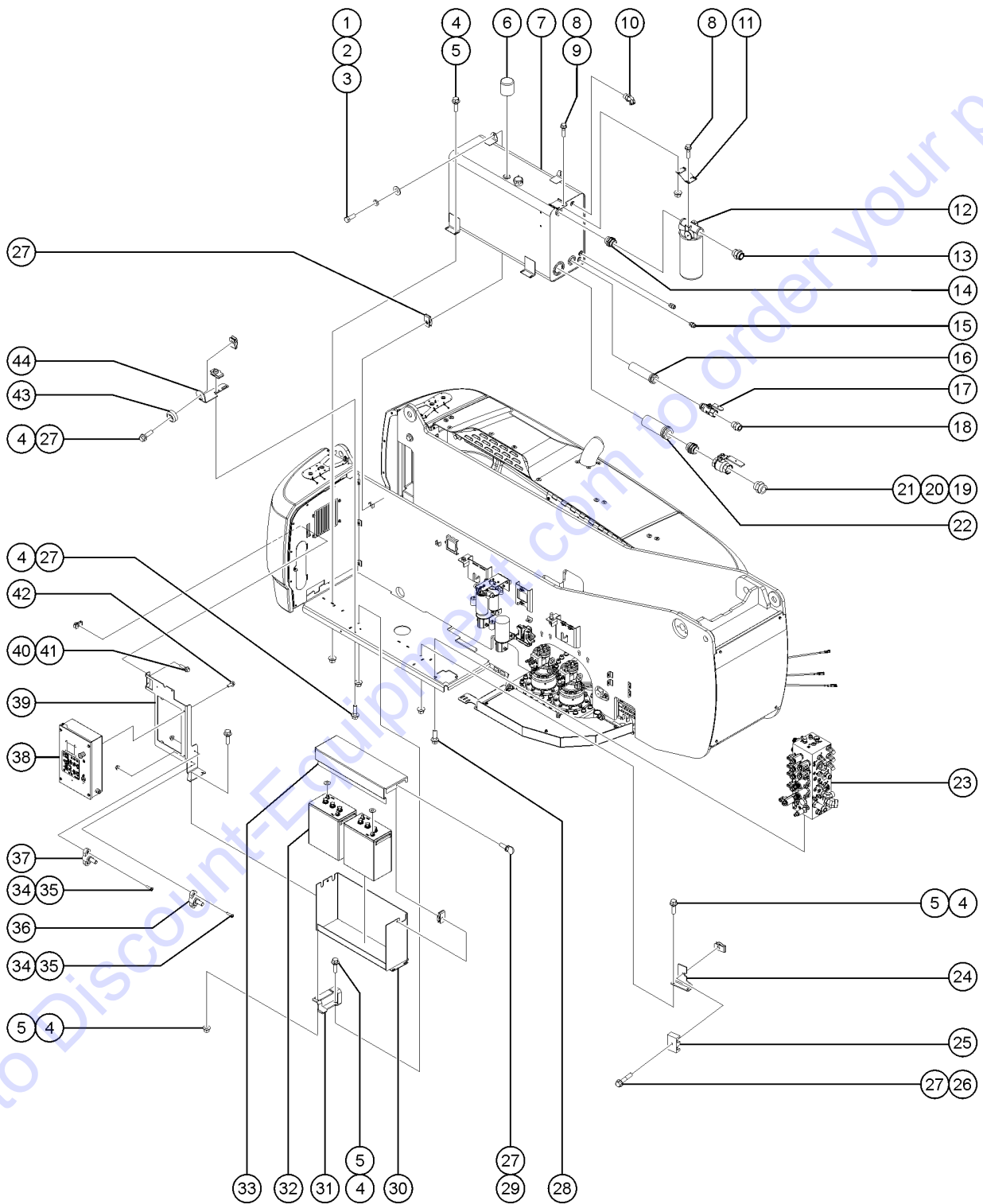
304.1 Engine Side Covers - View 2



| Item | Part No.  | Description                               | Qty. |
|------|-----------|---|------|
| 29   | 823397GT  | CAP,VINYL,0.25ID X 1.50 .....             | 2    |
| 30   | 81578GT   | HORN,12VDC,SPADE TERMINALS*** .....       | 1    |
| 31   | 237068GT  | SEPARATOR,DUAL BATTERY,100A .....         | 1    |
| 32   | 824029GT  | NUT,TL FLG,3/8-16,G,ZAG .....             | 2    |
| 33   | 1261894GT | FORMING,BUMPER STOP MID,ES .....          | 1    |
| 34   | 50974GT   | BUMPER,RUBBER,COVERS .....                | 1    |
| 35   | 1267406GT | FORMING, FUEL TANK BULKHEAD .....         | 1    |
| 36   | 1255450GT | GROMMET,RUBBER .88 X .19 X 1.2 .....      | 1    |
| 37   | 101726GT  | CAP,FUEL,DIESEL,1/8"VENT(GRN) .....       | 1    |
| 38   | 42070GT   | TANK STRAP,BOLT STYLE,38.5" .....         | 1    |
| 39   | 1257628GT | NUT,SERRATED,3/8-16,8,ZAG .....           | 4    |
| 40   | 1272872GT | ASSEMBLY, FUEL TANK, 40 GAL .....         | 1    |
| 40-  | 1271770GT | SENSOR, FUEL LEVEL, 30" DIESEL .....      |      |
| 40-  | 1253476GT | TUBE,FUEL RETURN,3/8X3/8 NPT X 20.5 ..... |      |
| 40-  | 54324GT   | FITTING,BULKHEAD,3/8NPT,FUELTK .....      |      |
| 41   | 1275309GT | STRAP ASSEMBLY, 55" .....                 | 1    |
| 42   | 237832GT  | NUT,TL,FLG,M8-1.25,DIN6927,10, .....      | 2    |
| 43   |           | REF. MODULE,FUSE&RELAY .....              | 1    |
|      |           | (Refer to 310.1)                          |      |
| 44   | 824089GT  | SCREW,HHF,3/8-16X.75,8,ZAG .....          | 1    |
| 45   | 87188GT   | CLAMP,2.38,#38 X 3/8 RUB CUSH .....       | 1    |
| 46   | 60838GT   | CLAMP,1.00,#16 X 7/16,RUB CUSH .....      | 1    |
| 47   | 61189GT   | GROMMET,RUBBER .75 X .38 X1.13 .....      | 2    |



305.1 Hydraulic Tank Side Components - View 1

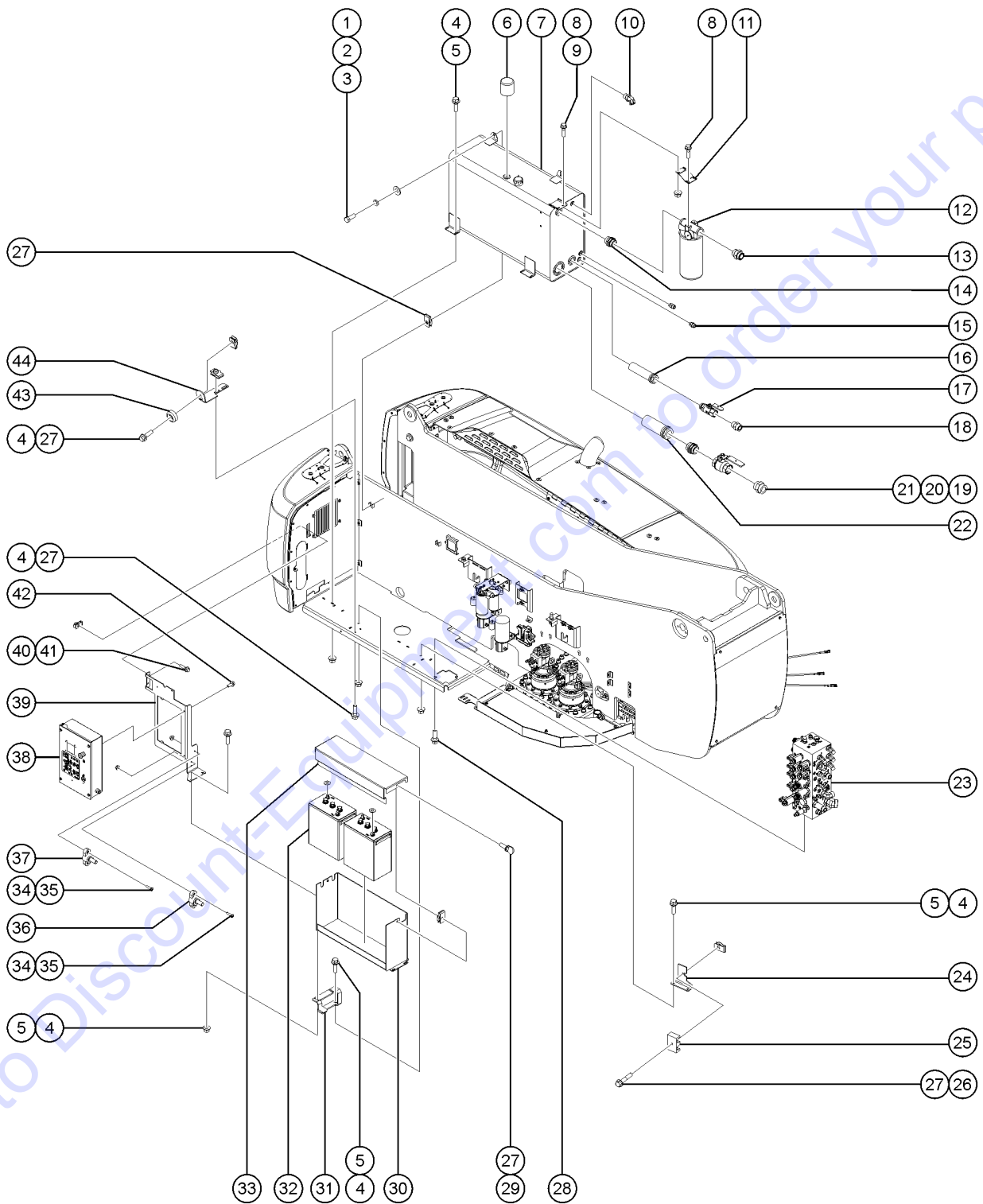


| Item | Part No.  | Description   | Qty. |
|------|-----------|---|------|
| A    | 1289561GT | BRACKET, TELEMATICS .....   |      |
| A    | 1289520GT | MODULE, TELEMATICS, ZTR, M7, NORTH AMERICA .....  |      |
| A    | 1289521GT | MODULE, TELEMATICS, ZTR, M7, EMEA/APAC .....  |      |
| 1    | 824067GT  | SCREW,HHC,3/8-16X1,8,ZAG .....  | 2    |
| 2    | 824110GT  | WASHER,LOCK,3/8,ZAG .....   | 2    |
| 3    | 1255758GT | WASHER,FLAT,3/8,USS,ZAG .....   | 2    |
| 4    | 824091GT  | SCREW,HHF,3/8-16X1.25,8,ZAG .....   | 19   |
| 5    | 824029GT  | NUT,TL FLG,3/8-16,G,ZAG .....   | 16   |
| 6    | 60559GT   | BREATHER,RESERVOIR 3 MICRON*** .....  | 1    |
| 7    | 101483GT  | TANK,HYDRAULIC,65 GALLON .....  | 1    |
| 8    | 824087GT  | SCREW,HHF,5/16-18X1.25,8,ZAG .....  | 4    |
| 9    | 824028GT  | NUT,TL FLG,5/16-18,G,ZAG .....  | 2    |
| 10   | 48963GT   | FITTING,ELBOW,45D,520320-12*** .....  | 1    |
| 11   | 119171GT  | FORMING,RETURN FILTER .....   | 1    |
| 12   | 101959GT  | FILTER,RETURN,10 MICRON,PAPER .....   | 1    |
| 12-  | 101960GT  | FILTER ELEMENT,10 MICRON<br>Genie Genuine Part. See PN 1254825 for compatible aftermarket replacement. .... |      |
| 12-  | 1254825GT | FILTER ELEMENT,10 MICRON<br>Genie Aftermarket Part. Compatible with Genie Genuine Part 101960. ....         | 1    |
| 12-  | 52768GT   | GAUGE,MED.PRESSUR FILTER,50530 .....  |      |
| 12-  | 228824GT  | FILTER,ELEMENT,BETA(10)=1000<br>Use with hydraulic fluid fire resistant option .....                        |      |
| 13   | 75654GT   | CONN,520120-20 .....  | 1    |
| 14   | 61263GT   | UNION,STR.THREAD 20 .....   | 1    |
| 15   | 48933GT   | CONN,520120-8*** .....  | 2    |
| 16   | 75253GT   | STRAINER ASSY,#16 O-RING .....  | 1    |
| 17   | 48996GT   | VALVE,BALL,16 MSAE-16 FSAE*** .....   | 1    |
| 18   | 48984GT   | CONN,520120-16 .....  | 1    |
| 19   | 61083GT   | CONN,520120-24 .....  | 1    |
| 20   | 75256GT   | VALVE BALL,24 FSAE-24 FSAE*** .....   | 1    |
| 21   | 75254GT   | UNION,STR.THREAD 24*** .....  | 1    |





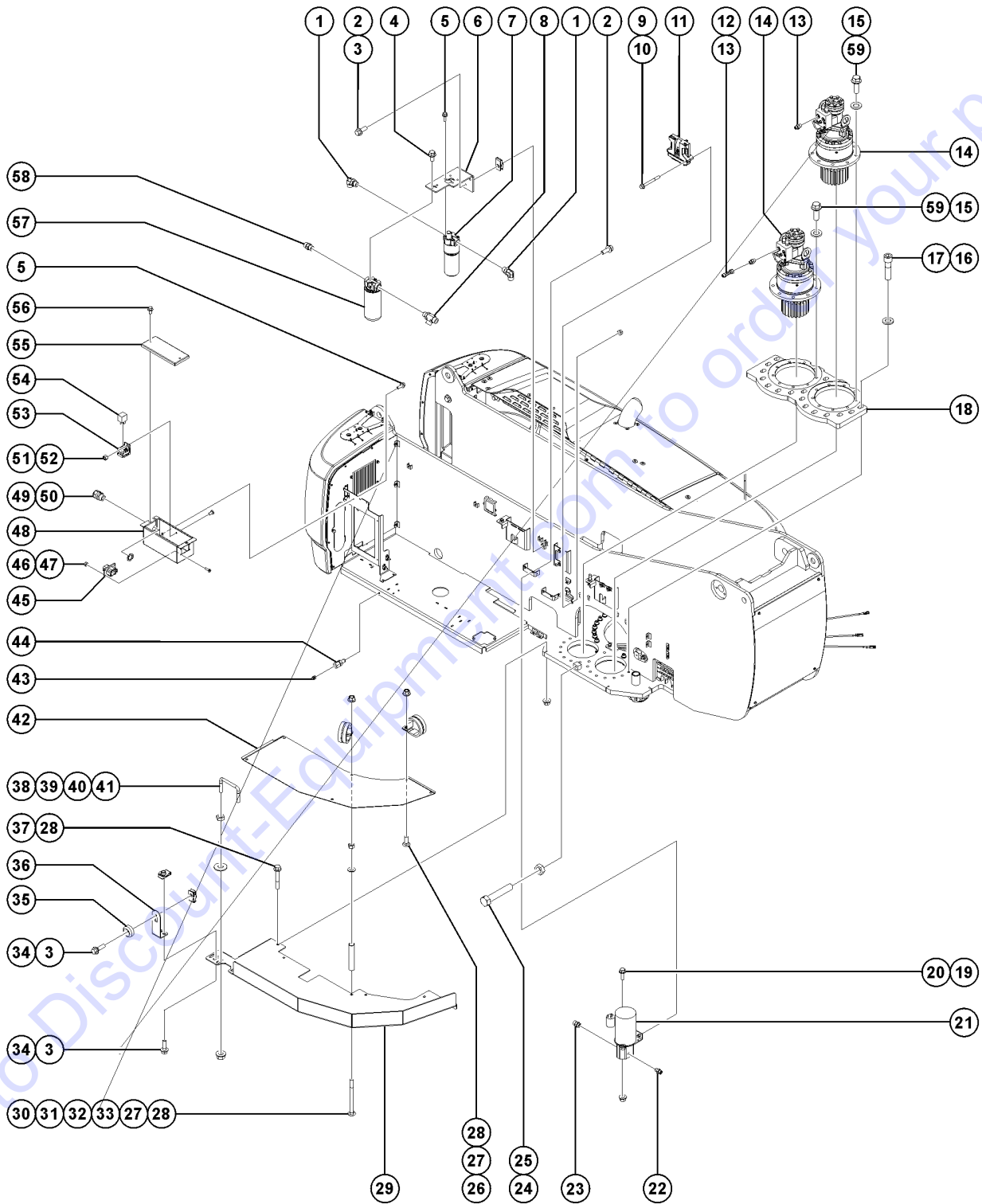
305.1 Hydraulic Tank Side Components - View 1



| Item | Part No.  | Description                              | Qty. |
|------|-----------|--|------|
| 22   | 75257GT   | STRAINER ASSY,#24 O-RING .....           | 1    |
| 23   | 1272871GT | ASSY,ZX135,FUNCTION MANIFOLD .....       | 1    |
| 24   | 1270715GT | FORMING, OIL COOLER CLAMP .....          | 2    |
| 25   | 1270714GT | CLAMP, HOSE OIL COOLER .....             | 2    |
| 26   | 1253478GT | SCREW,HHF,3/8-16X2,8,ZAG .....           | 2    |
| 27   | 29868GT   | SPRING CLIP,3/8-16,.05-.20X.73,ZAG ..... | 9    |
| 28   | 824089GT  | SCREW,HHF,3/8-16X.75,8,ZAG .....         | 2    |
| 29   | 824228GT  | SCREW,THUMB,A-REG,3/8-16X1,ZAG .....     | 2    |
| 30   | 107509GT  | WELDMENT,BATTERY BOX .....               | 1    |
| 31   | 107511GT  | FORMING,BATTERY BOX,MOUNT .....          | 2    |
| 32   | 56462GT   | BATTERY, J 305GH, 315AH .....            | 2    |
| 32-  | 57162GT   | BATTERY TERMINAL PROTECTORS .....        |      |
| 33   | 107510PGT | COVER,BATTERY BOX*** .....               | 1    |
| 34   | 824215GT  | SCREW,PHPM,10-32X.75,ZAG .....           | 4    |
| 35   | 824032GT  | NUT,TL FLG,10-32,F,ZAG .....             | 4    |
| 36   | 94982GT   | STANDOFF, 3/8" BLACK .....               | 1    |
| 37   | 94981GT   | STUD,POWER 3/8" RED .....                | 1    |
| 38   |           | REF. GROUND CONTROL BOX .....            | 1    |
|      |           | (Refer to 307.1)                         |      |
| 39   | 1267405GT | FORMING, CONTROL BOX MOUNTING .....      | 1    |
| 40   | 824079GT  | SCREW,HHF,1/4-20X1,8,ZAG .....           | 2    |
| 41   | 56912GT   | SPRING CLIP,1/4-20,.025-.15X.5 .....     | 2    |
| 42   | 1256855GT | SCREW,HHF,1/4-20X.625,8,ZAG .....        | 4    |
| 43   | 50974GT   | BUMPER,RUBBER,COVERS .....               | 1    |
| 44   | 1267268GT | FORMING, COVER STOP .....                | 1    |



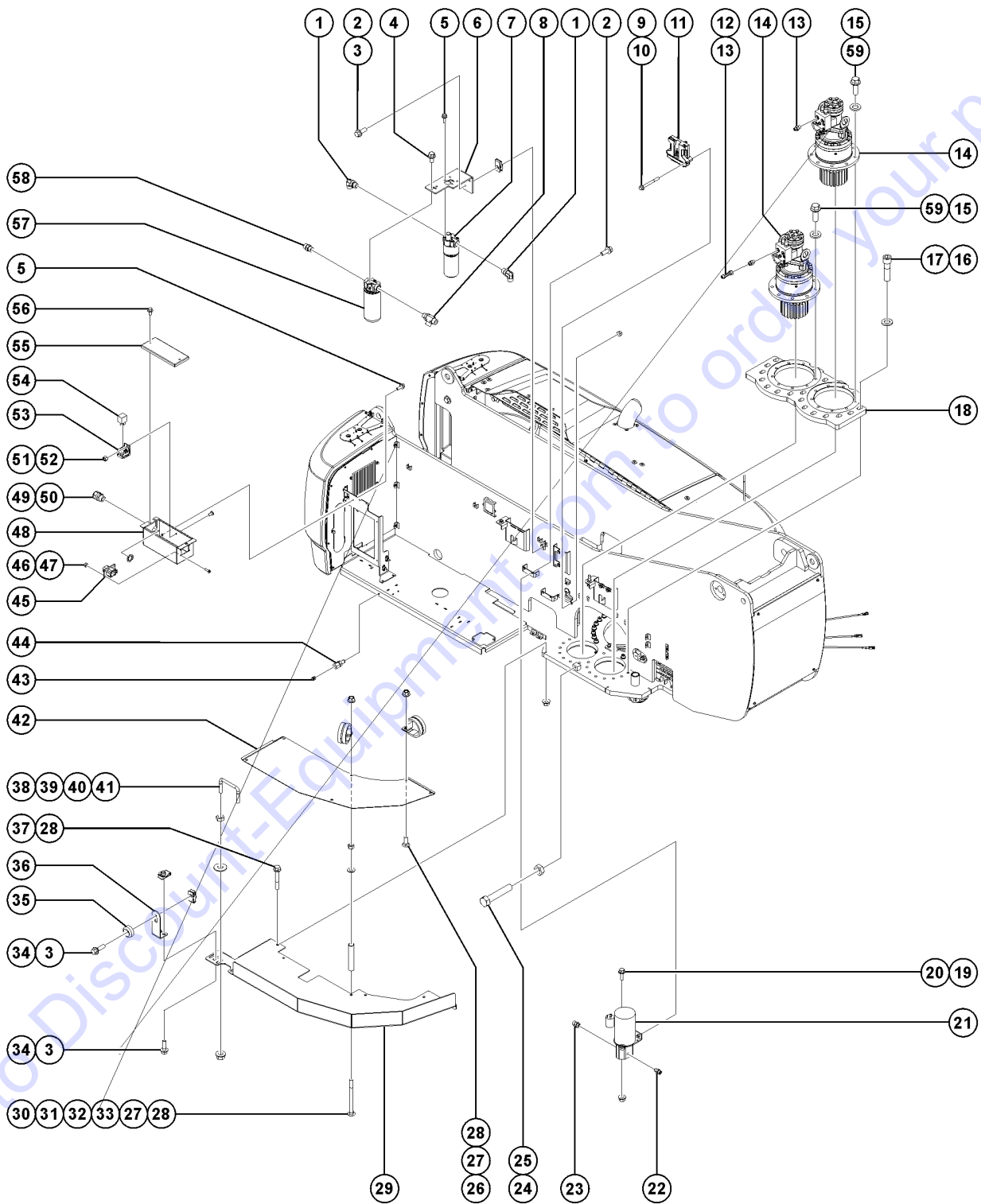
306.1 Hydraulic Tank Side Components - View 2



| Item | Part No.  | Description                              | Qty. |
|------|-----------|--|------|
| 1    | 48959GT   | FITTING,ELBOW,90D,520220-12 .....        | 2    |
| 2    | 824090GT  | SCREW,HHF,3/8-16X1,8,ZAG .....           | 7    |
| 3    | 29868GT   | SPRING CLIP,3/8-16,.05-.20X.73,ZAG ..... | 6    |
| 4    | 824089GT  | SCREW,HHF,3/8-16X.75,8,ZAG .....         | 2    |
| 5    | 824078GT  | SCREW,HHF,1/4-20X.75,8,ZAG .....         | 6    |
| 6    | 1267408GT | FORMING, MEDIUM & RETURN FILTE .....     | 1    |
| 7    | 60334GT   | FILTER ASSY,HIGH PRESS SAE-12* .....     | 1    |
| 7-   | 58222GT   | O-RING,FILTER ASSY (60334)*** .....      |      |
| 7-   | 60857GT   | FILTER,ELEMENT,BETA(5)=1000 .....        |      |
| 7-   | 58223GT   | SEAL,FILTER ASSY (60334)*** .....        |      |
| 8    | 48961GT   | TEE,RUN,520428-12 .....                  | 1    |
| 9    | 824083GT  | SCREW,HHF,1/4-20X2.5,8,ZAG .....         | 2    |
| 10   | 824027GT  | NUT,TL FLG,1/4-20,G,ZAG .....            | 2    |
| 11   | 1268784GT | MODULE, SCON, ZX135 V5.00 .....          | 1    |
| 12   | 48908GT   | FITTING,TEE,RUN,SWIVEL520432-4 .....     | 2    |
| 13   | 48912GT   | CONN,520120-4-6*** .....                 | 4    |
| 14   | 1255768GT | SWING DRIVE ASSEMBLY .....               | 2    |
| 15   | 1253498GT | SCREW,HHF,1/2-13X1.5,8,ZAG .....         | 18   |
|      |           | To SN ZX135H-4531                        |      |
| 15-  | 1256844GT | SCREW,HHC,1/2-13X1.5,8,ZAG .....         | 18   |
|      |           | From SN ZX135H-4532                      |      |
| 16   | 1256860GT | SCREW,SHC,3/4-10X3,A574,ZAG .....        | 16   |
| 17   | 1256863GT | WASHER,FLAT,.75,SAE,HRD,ZAG .....        | 16   |
| 18   | 101955GT  | MACHINED,BACKLASH ADJ.PLATE .....        | 1    |
| 19   | 824086GT  | SCREW,HHF,5/16-18X1,8,ZAG .....          | 2    |
| 20   | 824028GT  | NUT,TL FLG,5/16-18,G,ZAG .....           | 2    |
| 21   | 101361GT  | POWER UNIT,AUX PUMP 12 VDC .....         | 2    |
| 21-  | 62412GT   | SOLENOID,MOTOR START,60511,APU .....     |      |
| 21-  | 58489GT   | PUMP ASSY,AUX.POWER UNIT 89617 .....     |      |
| 22   | 48916GT   | FITTING,CONN,520120-6 .....              | 2    |



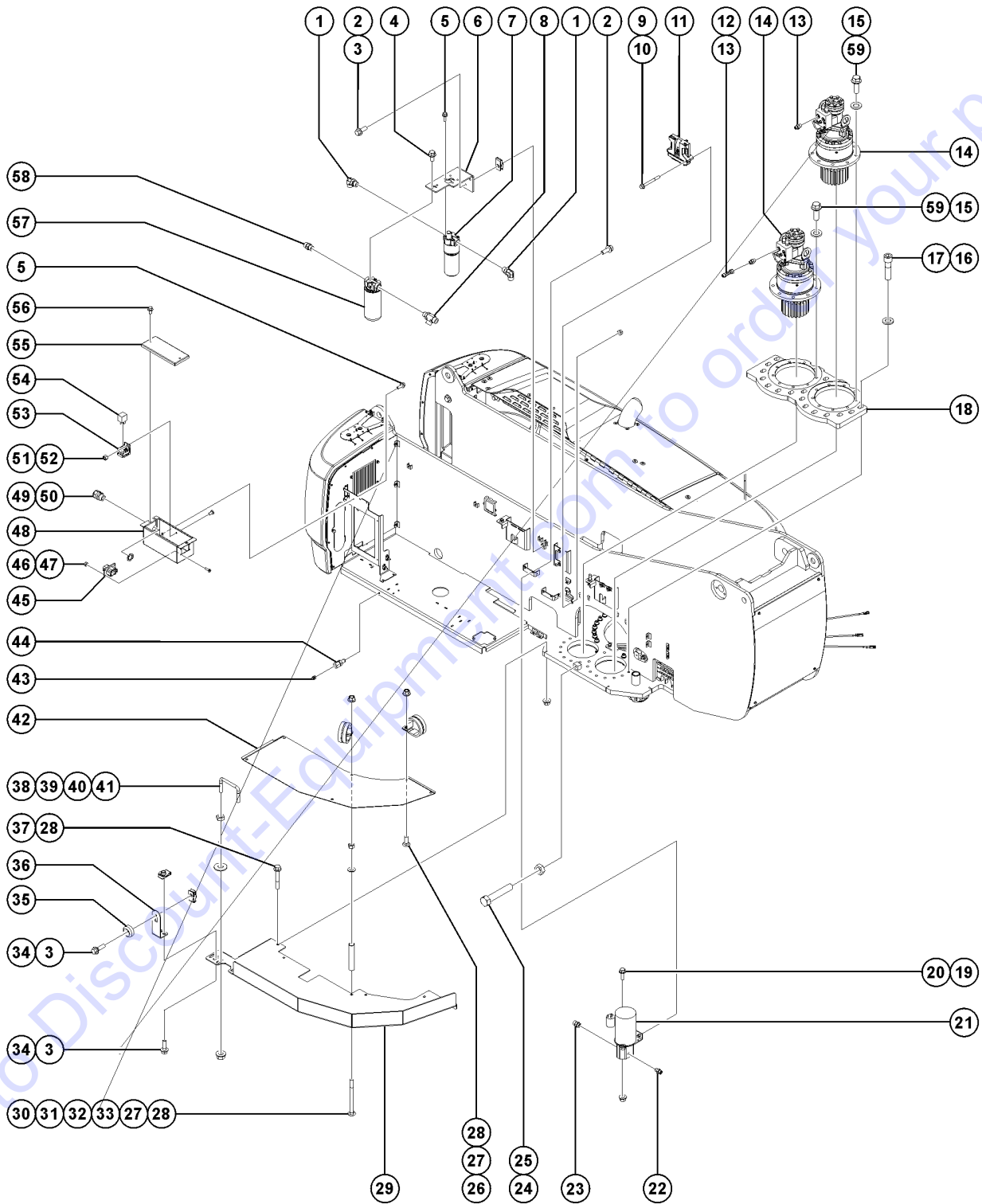
306.1 Hydraulic Tank Side Components - View 2



| Item | Part No.  | Description  | Qty. |
|------|-----------|--|------|
| 23   | 48933GT   | CONN,520120-8*** .....   | 2    |
| 24   | 1256846GT | SCREW,HEX TAP,3/4-10X4,8,ZAG .....   | 1    |
| 25   | 1256837GT | NUT,JAM,3/4-10,A, ZAG .....  | 1    |
| 26   | 824125GT  | BOLT,CARRIAGE,3/8-16X1,5,ZAG .....   | 1    |
| 27   | 87188GT   | CLAMP,2.38,#38 X 3/8 RUB CUSH .....  | 3    |
| 28   | 824029GT  | NUT,TL FLG,3/8-16,G,ZAG .....  | 9    |
| 29   | 1267304GT | FORMING, HOSE TRAY, SWING .....  | 1    |
| 30   | 824956GT  | BOLT,CARRIAGE,3/8-16X4.5,5,ZAG .....   | 5    |
| 31   | 1272267GT | HOSE TRAY COVER SPACER .....   | 5    |
| 32   | 826793GT  | WASHER,FLAT,3/8,SAE,HRD,ZAG .....  | 5    |
| 33   | 1256468GT | NUT,3/8-16,8,ZAG .....   | 5    |
| 34   | 824091GT  | SCREW,HHF,3/8-16X1.25,8,ZAG .....  | 3    |
| 35   | 50974GT   | BUMPER,RUBBER,COVERS .....   | 1    |
| 36   | 1273188GT | FORMING,BUMPER STOP .....  | 1    |
| 37   | 1256856GT | SCREW,HHF,3/8-16X2.5,8,ZAG .....   | 3    |
| 38   | 1259855GT | UBOLT, 0.4724 IN D X 4.0 IN L .....  | 1    |
| 39   | 1255804GT | NUT,JAM,1/2-13,A,ZAG .....   | 2    |
| 40   | 1255760GT | WASHER,FLAT,1/2,USS,ZAG .....  | 2    |
| 41   | 1251997GT | NUT,TL FLG,1/2-13,G,ZAG .....  | 2    |
| 42   | 1272266GT | FORMING, HOSE TRAY COVER .....   | 1    |
| 43   | 28646GT   | ZERK,GREASE,1/8 NPT .....  | 1    |
| 44   | 48885GT   | CONNECTOR,BULKHEAD,FEMALE-4 .....  | 1    |
| 45   | 87755GT   | CONN,RECEP 8 WAY 14-18GA,FL .....  | 1    |
| 46   | 824019GT  | NUT,TL,6-32,A,ZAG .....  | 4    |
| 47   | 824214GT  | SCREW,PHPM,6-32X.5,ZAG .....   | 4    |
| 48   | 1253314GT | ASSY, TELEMATICS CONN. BOX<br>(Complete) (includes items 5, 49-56) to SN ZX135H-4471 .....     |      |
| 48-  | 1290797GT | ASSY,TELEMATICS 2.0 CONN,BOX<br>(Complete) (includes items 5, 49-56) From SN ZX135H-4472 ..... |      |
| 48-  | 1253236GT | WELDMENT, TELEMATICS BOX .....   | 1    |



306.1 Hydraulic Tank Side Components - View 2



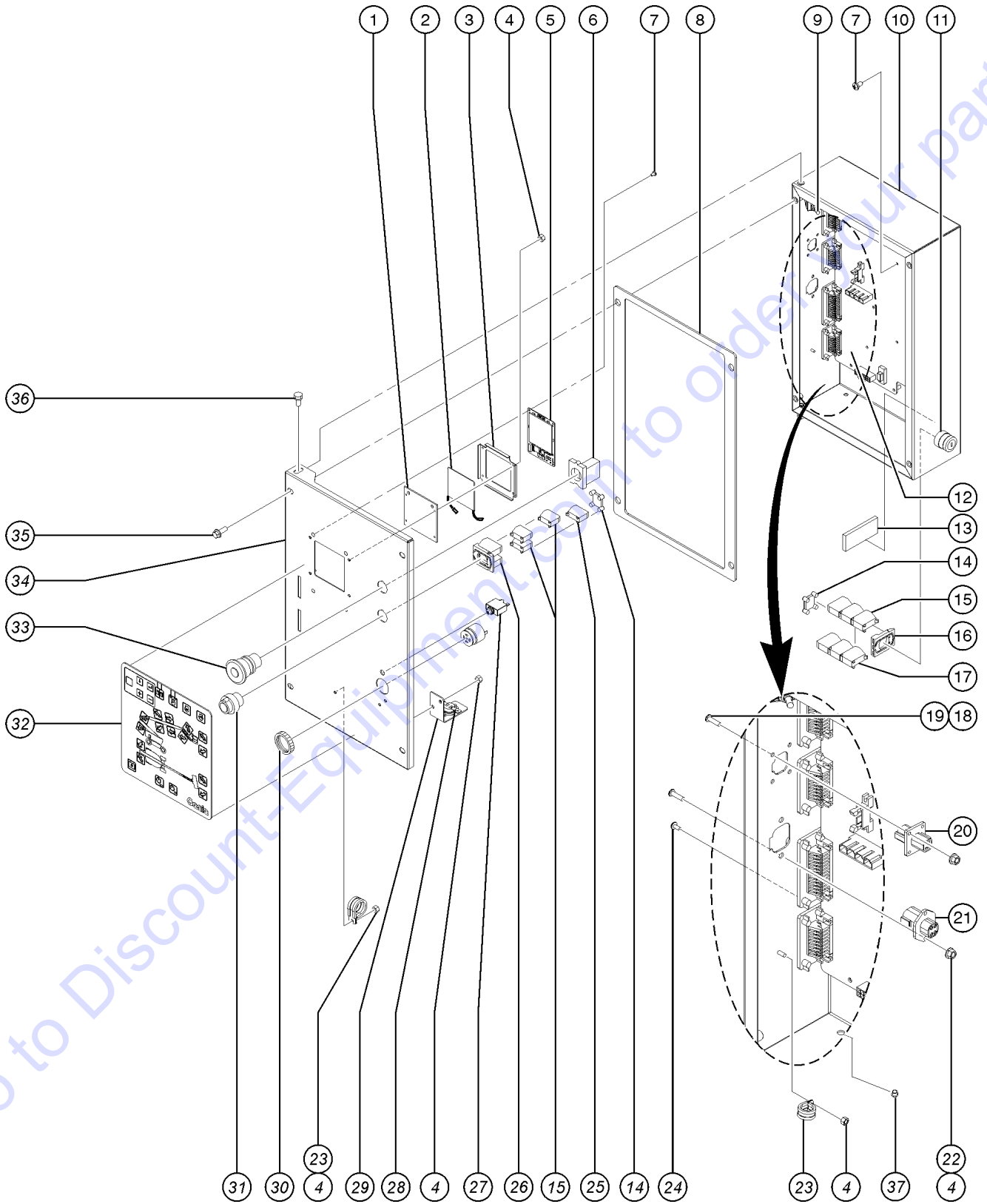
| Item | Part No.  | Description  | Qty. |
|------|-----------|--|------|
| 49   | 7057GT    | CONN. SQZ,1/2NPT .39-.56 MED. ....                 | 1    |
| 50   | 6935GT    | LOCKNUT,ELEC,1/2" ....                             | 1    |
| 51   | 824036GT  | NUT, TL, 10-32, A, ZAG ....                        | 1    |
| 52   | 825349GT  | SCREW,PHPM,10-32X.38,ZAG ....                      | 1    |
| 53   | 34053GT   | ASSY,RELAY SOCKET, AUTO ....                       | 1    |
| 54   | 34052GT   | RELAY,SPDT,12V(AUTO) PLUG IN** ....                | 1    |
| 55   | 1253238GT | WELDMENT, TELEMATICS CONN. COV ....                | 1    |
| 56   | 824077GT  | SCREW,HHF,1/4-20X.5,8,ZAG ....                     | 2    |
| 57   | 87070GT   | FILTER ASSY,SAE 12 NO INDICAT* ....                | 1    |
| 57-  | 131323GT  | FILTER ELEMENT,10 MICRON<br>Genie genuine part     |      |
| 57-  | 1259055GT | FILTER ELEMENT, 10 MICRON<br>Genie aftermarket     |      |
| 58   | 48960GT   | FITTING,CONN,520120-12 ....                        | 1    |
| 59   | 825353GT  | WASHER,FLAT,1/2,SAE,HRD,ZAG<br>From SN ZX135H-4532 | 18   |

Go to Discount-Equipment.com to order your parts



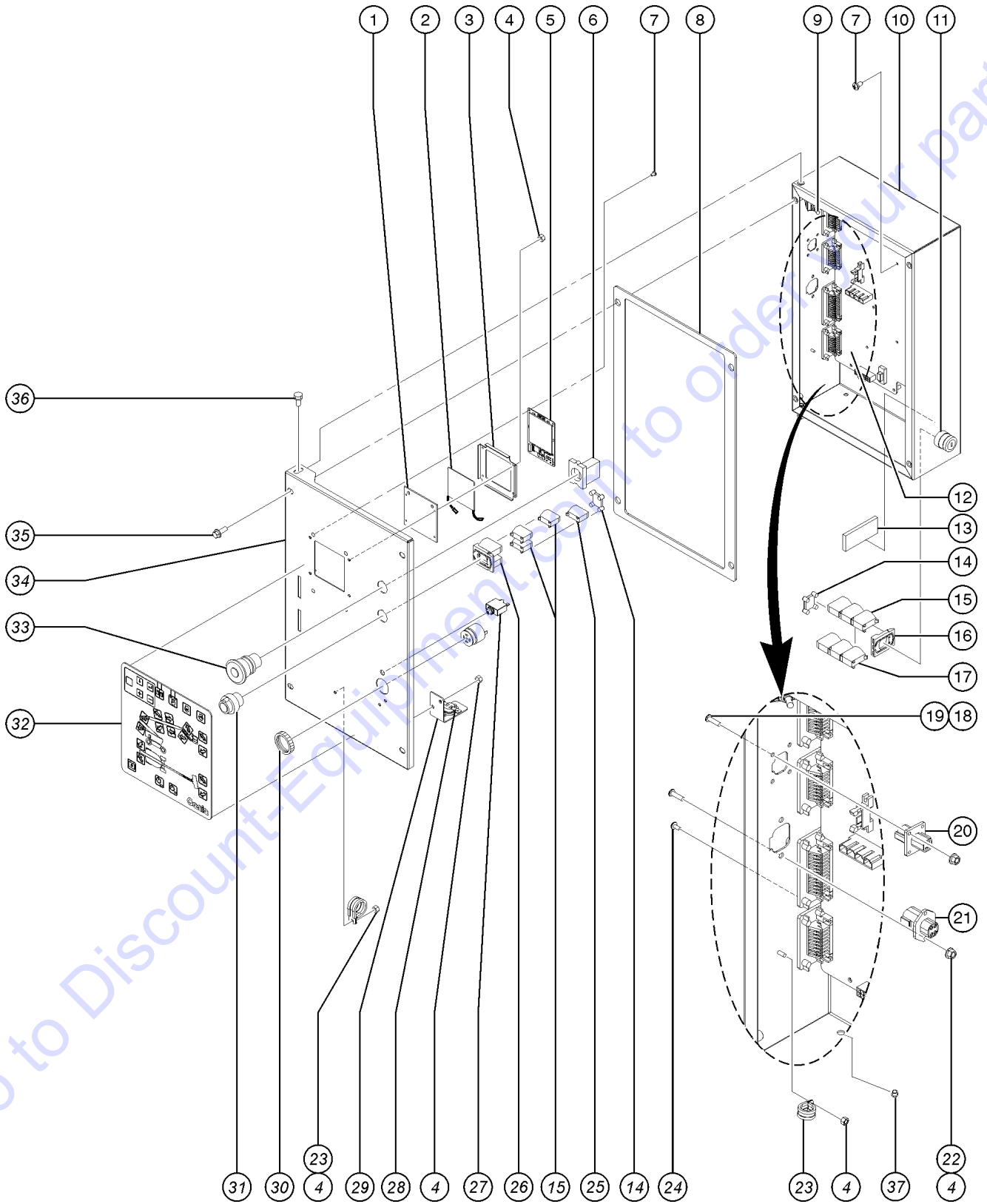


307.1 Ground Control Box



| Item | Part No.  | Description                              | Qty. |
|------|-----------|--|------|
| A-   | 1268776GT | ASSY, TCON BOX, ZX135, TIER 4 .....      | 1    |
| B-   | 1252702GT | HARNES, GROUND BOX, TIER IV, .....       |      |
| 1    | 62374GT   | LENS,LCD,GRND.CONTROL .....              | 1    |
| 2    | 122406GT  | ASSEMBLY,LCD HEATER ALC1000 .....        | 1    |
| 2-   | 231023GT  | FIELD KIT,LCD HEATER,Z80 Z135 .....      |      |
| 3    | 62375GT   | CLIP,LCD,GRND.CONTROL .....              | 1    |
| 4    | 824019GT  | NUT,TL,6-32,A,ZAG .....                  |      |
| 5    | 1253317GT | PCB,ASSY,ECM,CAN GATEWAY,Z135 .....      | 1    |
| 6    | 66817GT   | BASE WITH 1 NC CONTACT, E-STOP .....     | 1    |
| 7    | 1257402GT | SCREW,PHPM,6-32X.25,ZAG .....            | 16   |
| 8    | 88177GT   | GASKET,GROUND CONTROL BOX .....          | 1    |
| 9    | 128204GT  | SWITCH TOGGLE ASSY SPDT 2P MNT .....     | 1    |
| 10   | 1258069GT | BOX, GROUND CONTROL, SX .....            | 1    |
| 11   | 88150GT   | KEYSWITCH,3 POS.MOM.DR,W/KEY** .....     | 1    |
| 12   | 1268774GT | PCB, ASSY, ECM, GROUND, Z135 V5.00 ..... | 1    |
| 13   | 30997GT   | CORROSION INHIBITOR,FOAM .....           | 1    |
| 14   | 122366GT  | KEYSWITCH,CONTACTS LOCK .....            | 2    |
| 15   | 66818GT   | CONTACT,NC .....                         | 6    |
| 16   | 66821GT   | BASE,WITHOUT CONTACTS .....              | 1    |
| 17   | 66816GT   | CONTACT,N.O. ....                        | 3    |
| 18   | 55906GT   | SCREW,PHILLIPS,PHM,8-32 X .5 .....       | 4    |
| 19   | 1255803GT | NUT,TL FLG,8-32,F,ZAG .....              | 4    |
| 20   | 73723GT   | CONN RECEP,FLANGED .....                 | 1    |
| 21   | 73717GT   | CONN,RECEP 4 WAY,12-14GA FL *** .....    | 1    |
| 22   | 824214GT  | SCREW,PHPM,6-32X.5,ZAG .....             | 2    |
| 23   | 13268GT   | CLAMP,0.75,#12 X 1/4,RUB CUSH .....      | 2    |
| 24   | 122351GT  | SCREW,#4X1/4,HI-LO,PH PHIL,TAP .....     | 16   |
| 25   | 122367GT  | KEYSWITCH,DUMMY BLOCK .....              | 1    |

307.1 Ground Control Box



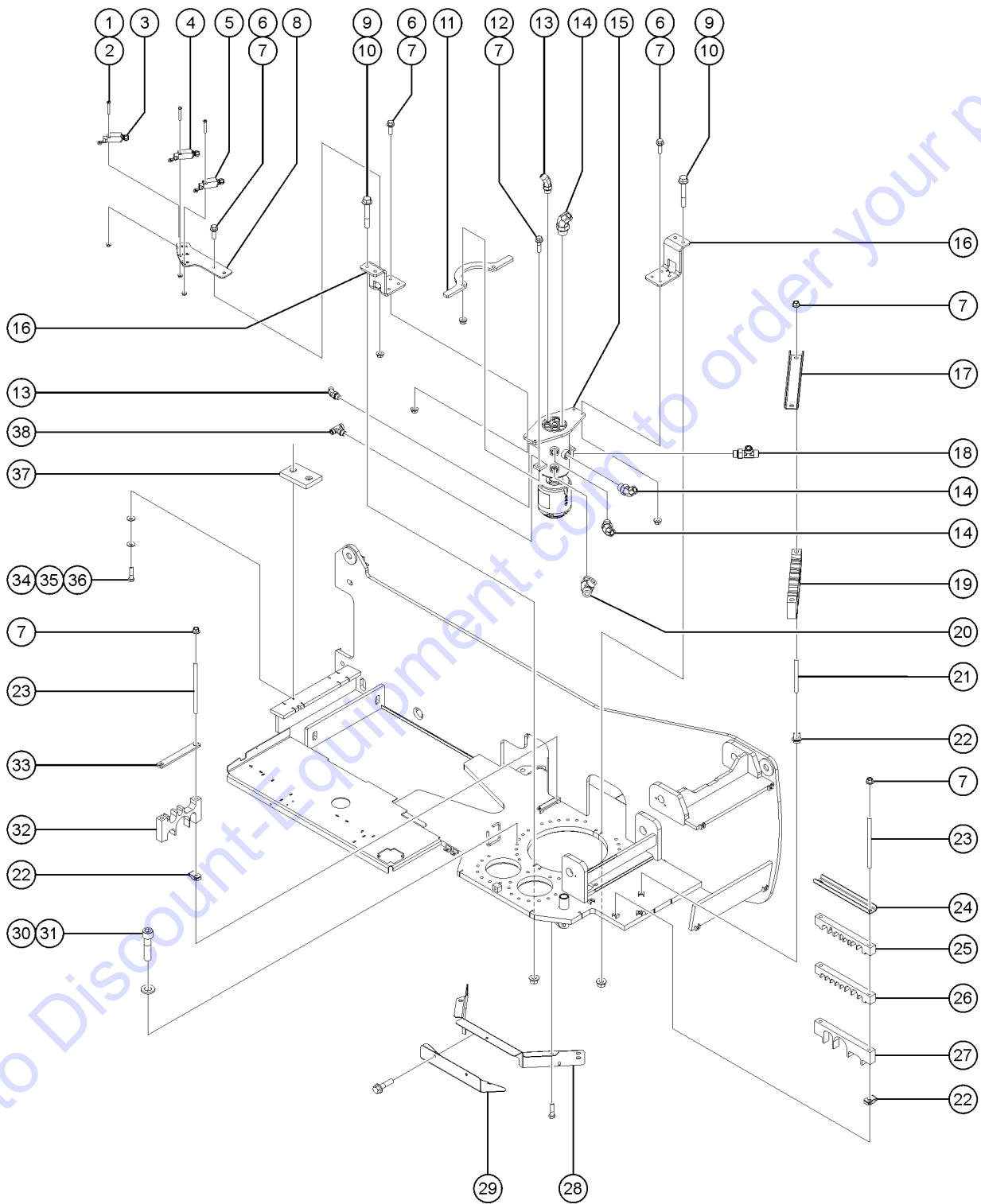
307.1 Ground Control Box

| Item | Part No.  | Description                            | Qty. |
|------|-----------|--|------|
| 26   | 73805GT   | BASE,W/2 NC CONTACTS*** .....          | 1    |
| 27   | 147095GT  | ASSY, CIRCUIT BREAKER 20A .....        | 1    |
| 28   | 122793GT  | SWITCH,THERMOSTAT 60F OPEN .....       | 1    |
| 28-  | 6272GT    | RIVET,STL,STL,P,.125 X .25 .....       |      |
| 29   | 231020GT  | ASSY,BRACKET,CONTACT BLOCK .....       | 1    |
| 30   | 62379GT   | ALARM,AUDIO,SUPERBOOM*** .....         | 1    |
| 30-  | 72326GT   | NUT - PLASTIC, RING FOR ALARMS .....   |      |
| 31   | 66811GT   | KEYSWITCH,3POS.MNTND.DR WKEY** .....   | 1    |
| 31-  | 218155GT  | KEYSWITCH, LOCKING, 3 POS, W/KEY ..... |      |
| 31-  | 218169GT  | OPT, KEY SWITCH, RETAINED .....        |      |
| 32   | 106510GT  | DECAL,MEMBRANE,GROUND CONTROL .....    | 1    |
| 33   | 66812GT   | BUTTON,PUSH,RED MUSHROOM HEAD .....    | 1    |
| 34   | 1261765GT | LID, GROUND CONTROL BOX .....          | 1    |
| 35   | 824078GT  | SCREW,HHF,1/4-20X.75,8,ZAG .....       | 4    |
| 36   | 1263233GT | BOLT,SHS,5/16X.25X1/4-20,ZAG .....     | 2    |
| 37   | 30996GT   | PLUG,NYLON .313 BLACK DOMED .....      |      |
|      |           | (from SN ZX135-)H4472                  |      |

Go to Discount-Equipment.com to order your parts



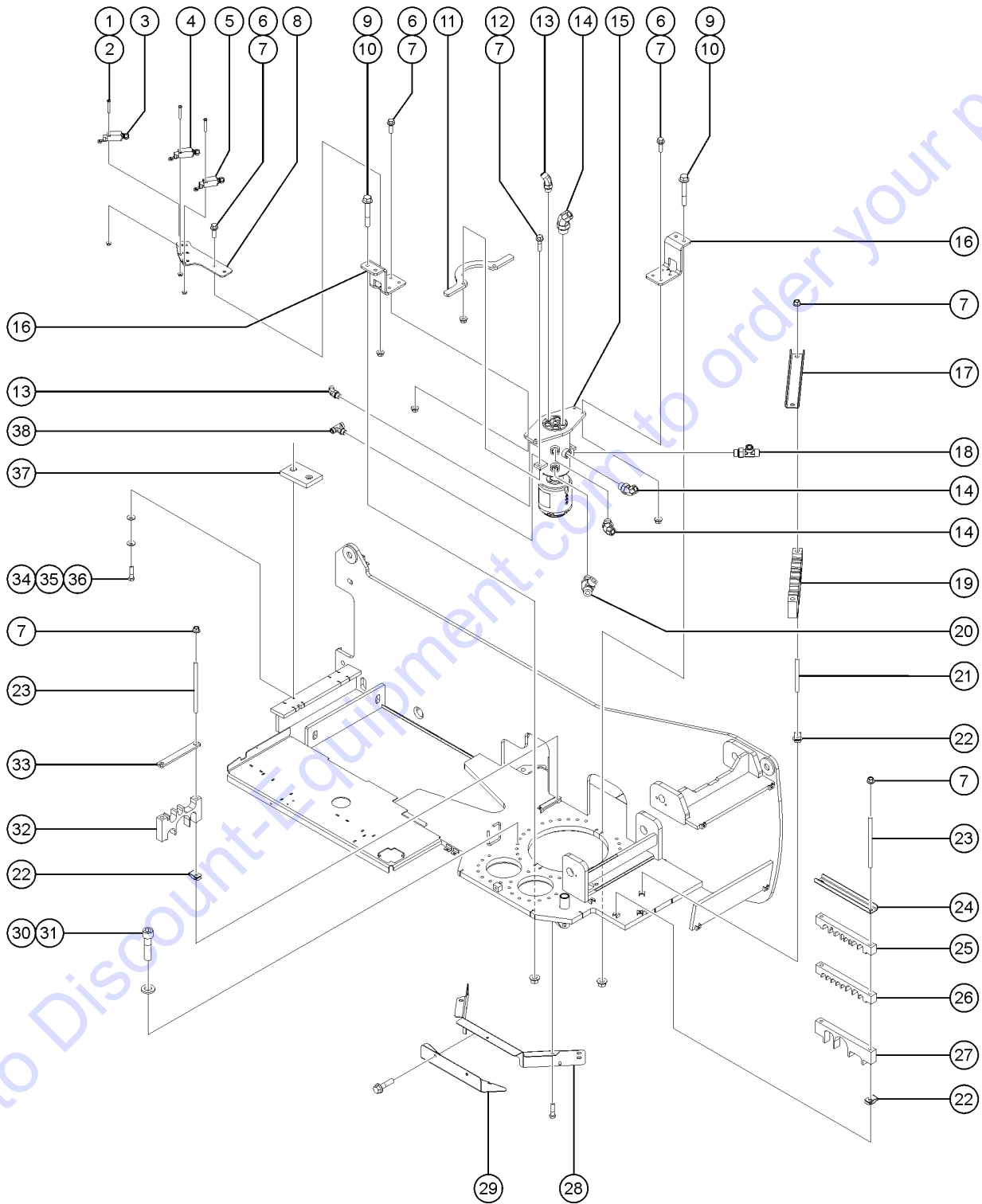
308.1 Turntable Center Components



| Item | Part No.  | Description                              | Qty. |
|------|-----------|--|------|
| 1    | 824216GT  | SCREW,PHPM,10-32X1.5,ZAG .....           | 6    |
| 2    | 824032GT  | NUT,TL FLG,10-32,F,ZAG .....             | 6    |
| 3    | 110916GT  | SWITCH ASSY,LIMIT LST1O .....            | 1    |
| 4    | 110917GT  | SWITCH ASSY,LIMIT LST1S .....            | 1    |
| 5    | 110915GT  | SWITCH ASSY,LIMIT LST10 .....            | 1    |
| 6    | 824091GT  | SCREW,HHF,3/8-16X1.25,8,ZAG .....        | 6    |
| 7    | 824029GT  | NUT,TL FLG,3/8-16,G,ZAG .....            | 14   |
| 8    | 217689GT  | BRACKET, LS, DRIVE ROT. ....             | 1    |
| 9    | 1256850GT | SCREW,HHF,1/2-13X3.25,8,ZAG .....        | 4    |
| 10   | 1251997GT | NUT,TL FLG,1/2-13,G,ZAG .....            | 4    |
| 11   | 106498GT  | HYDRAULIC SWIVEL SUPPORT .....           | 1    |
| 12   | 824092GT  | SCREW,HHF,3/8-16X1.5,8,ZAG .....         | 2    |
| 13   | 48937GT   | ELBOW,45D,520320-8 .....                 | 2    |
| 14   | 48963GT   | FITTING,ELBOW,45D,520320-12*** .....     | 6    |
| 15   | 1253702GT | ASSY, HYD/ELEC 5 PORT/10 CONT .....      | 1    |
| 16   | 60575PGT  | BRACKET,HYD.ROTATOR MOUNT MNT .....      | 2    |
| 17   | 106684PGT | FORMING,CLAMP HOLD DOWN PAINTD .....     | 1    |
| 18   | 48935GT   | TEE,RUN,520428-8 .....                   | 1    |
| 19   | 1272263GT | CLAMP, HOSE, ELEVATE .....               | 1    |
| 20   | 48961GT   | TEE,RUN,520428-12 .....                  | 1    |
| 21   | 1256838GT | ROD,THREADED,3/8-16X4.25,ZAG .....       | 2    |
| 22   | 29868GT   | SPRING CLIP,3/8-16,.05-.20X.73,ZAG ..... | 6    |
| 23   | 1256840GT | ROD,THREADED,3/8-16X6.5,ZAG .....        | 4    |
| 24   | 1272264GT | FORMING, CLAMP HOLD, TANK .....          | 1    |
| 25   | 1273015GT | CLAMP, ELECTRICAL, TANKSIDE .....        | 1    |
| 26   | 1273014GT | CLAMP, ELEVATE, TANKSIDE .....           | 1    |
| 27   | 1272265GT | CLAMP, HOSE, TANK .....                  | 1    |
| 28   | 822235GT  | FORMING, PINION GUARD .....              | 1    |



308.1 Turntable Center Components



308.1 Turntable Center Components

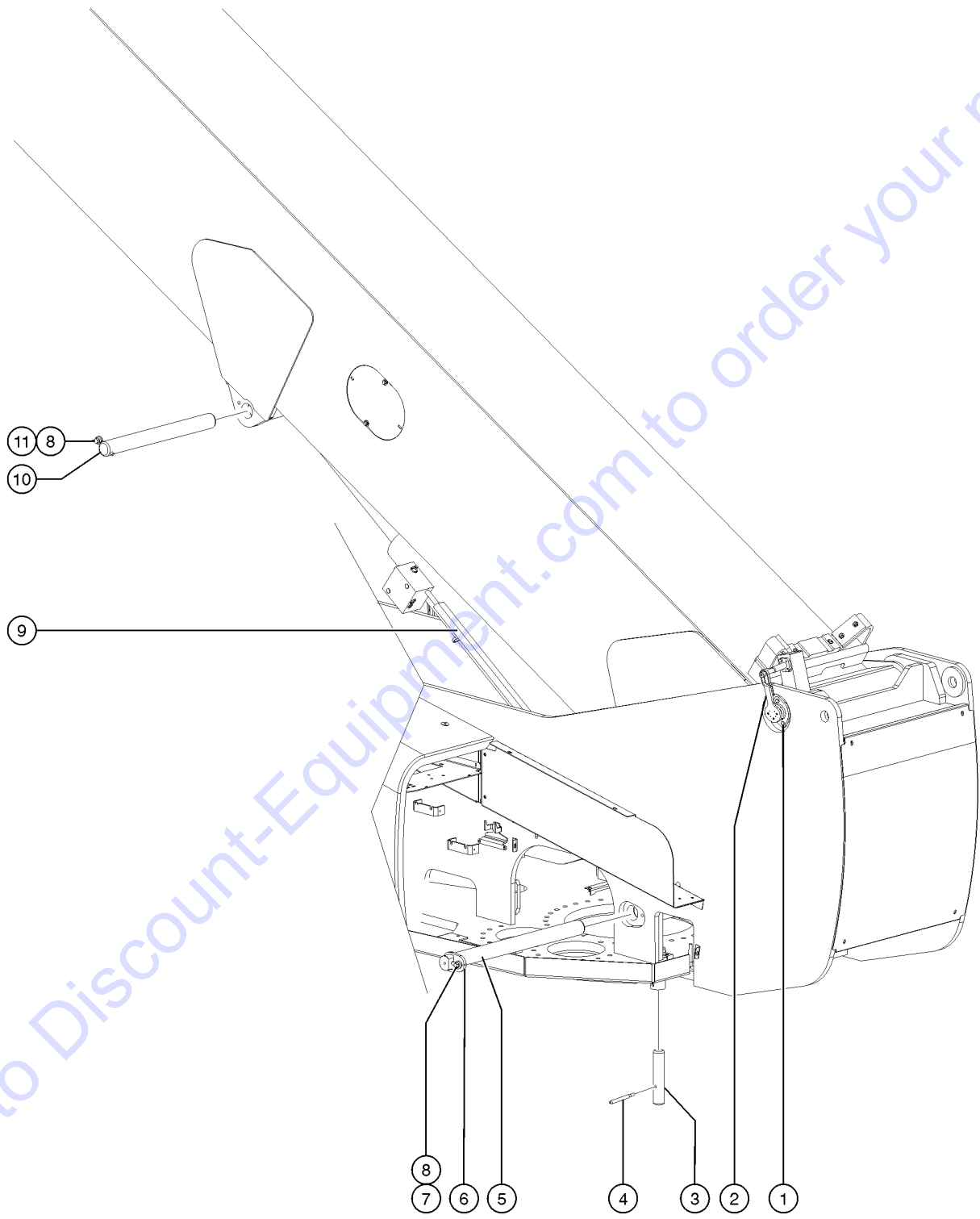
| Item | Part No.  | Description                        | Qty. |
|------|-----------|------------------------------------|------|
| 29   | 822187GT  | COVER, TURNTABLE GEARS .....       | 1    |
| 30   | 1256860GT | SCREW,SHC,3/4-10X3,A574,ZAG .....  | 28   |
| 31   | 1256863GT | WASHER,FLAT,.75,SAE,HRD,ZAG .....  | 28   |
| 32   | 1272262GT | CLAMP, HOSE, CENTER SWING .....    | 1    |
| 33   | 106830GT  | PLATE,HOSE CLAMP .....             | 1    |
| 34   | 1256118GT | SCREW,HHC,3/8-16X1.5,8,ZAG .....   | 8    |
| 35   | 824110GT  | WASHER,LOCK,3/8,ZAG .....          | 8    |
| 36   | 825358GT  | WASHER,FLAT,5/16,USS,ZAG .....     | 8    |
| 37   | 34124GT   | WEAR PAD,5 X 3 X .625 W/NUTS ..... | 4    |
| 38   | 48936GT   | TEE,BRANCH,520429-8 .....          | 1    |

Go to Discount-Equipment.com to order your parts





309.1 Secondary Boom Lift Cylinder



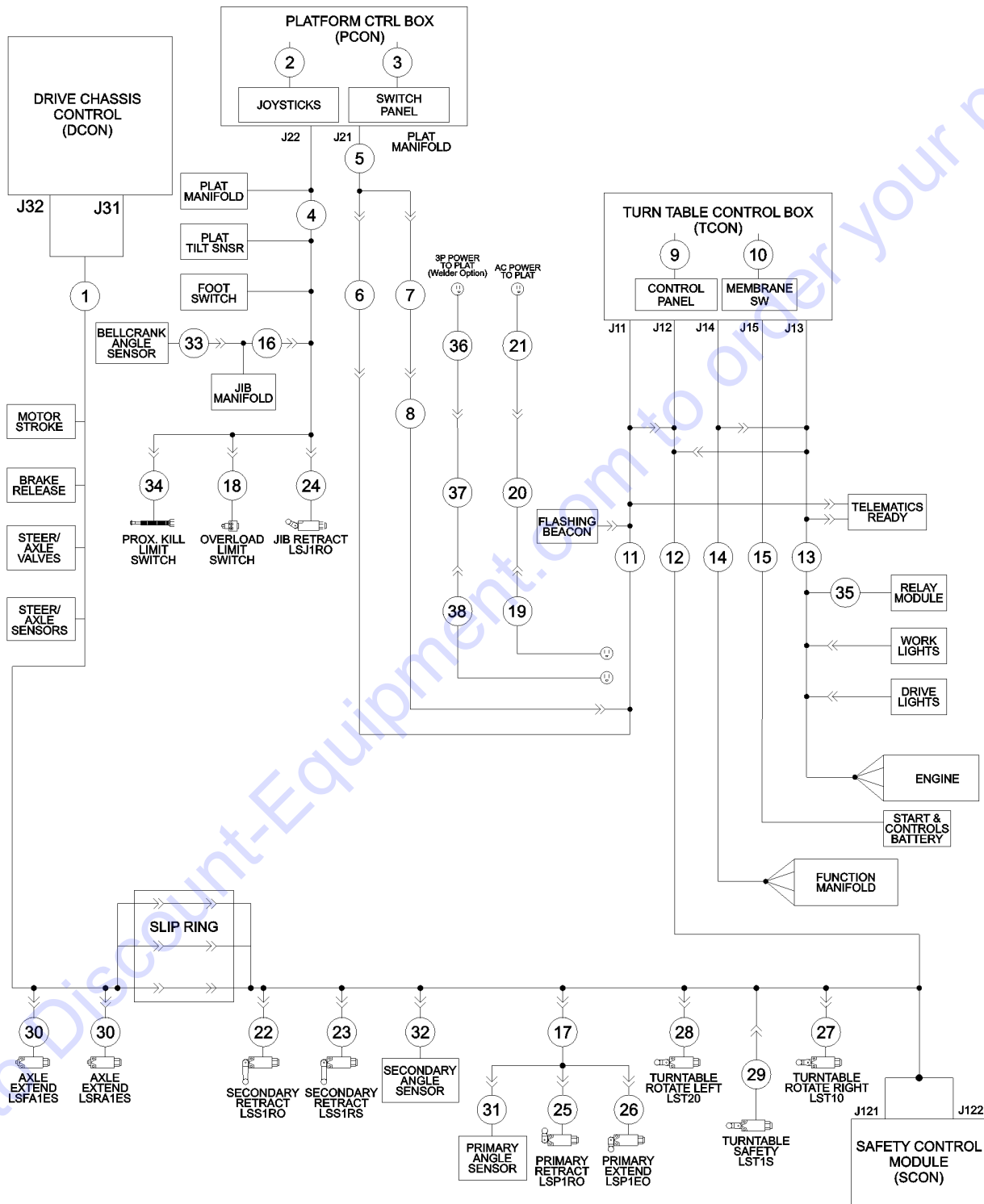
309.1 Secondary Boom Lift Cylinder

| Item | Part No.  | Description                               | Qty. |
|------|-----------|---|------|
| 1    | 1255782GT | SCREW,HHC,1/2-13X2.0,8,ZAG .....          | 1    |
| 2    | 219110GT  | WELDMENT, RISER PIVOT PIN .....           |      |
| 2-   |           | Ref. ASSY,ANGLE SEN.,Z135 SECONDARY ..... |      |
|      |           | (Refer to 502.1)                          |      |
| 3    | 61222GT   | PIN,TRANSPORT STORAGE LOCK .....          | 1    |
| 3-   | 146343GT  | SERVICE KIT,TRANSPORT PIN Z135 .....      |      |
| 4    | 61223GT   | PIN,TRANSPORT STORAGE HANDLE .....        | 1    |
| 5    | 107654GT  | PIN,SECONDARY LIFT .....                  | 1    |
| 6    | 107653GT  | PLATE,RETAINER PIN .....                  | 1    |
| 7    | 1256172GT | SCREW,HHF,1/2-13X 2,8,ZAG .....           | 1    |
| 8    | 1256267GT | ROD END,.5 X 3.75,ZAG .....               | 2    |
| 9    | 61812GT   | CYLINDER,SECONDARY LIFT*** .....          | 1    |
| 9-   | 106376GT  | SEAL KIT,CYL*** .....                     |      |
| 9-   | 106846GT  | VALVE,CB.CWCL-LGN@4000 PSI*** .....       | 1    |
| 9-   | 27697GT   | BEARING,2.50IDX2.75ODX1.50L .....         |      |
| 9-   | 76069GT   | VALVE,COUNTERBALANCE 4000 PSI .....       | 2    |
| 10   | 94818GT   | PIN,2.50DIAX25.00LG,1HOLE .....           | 1    |
| 11   | 1253498GT | SCREW,HHF,1/2-13X1.5,8,ZAG .....          | 1    |

Go to Discount-Equipment.com to order your parts

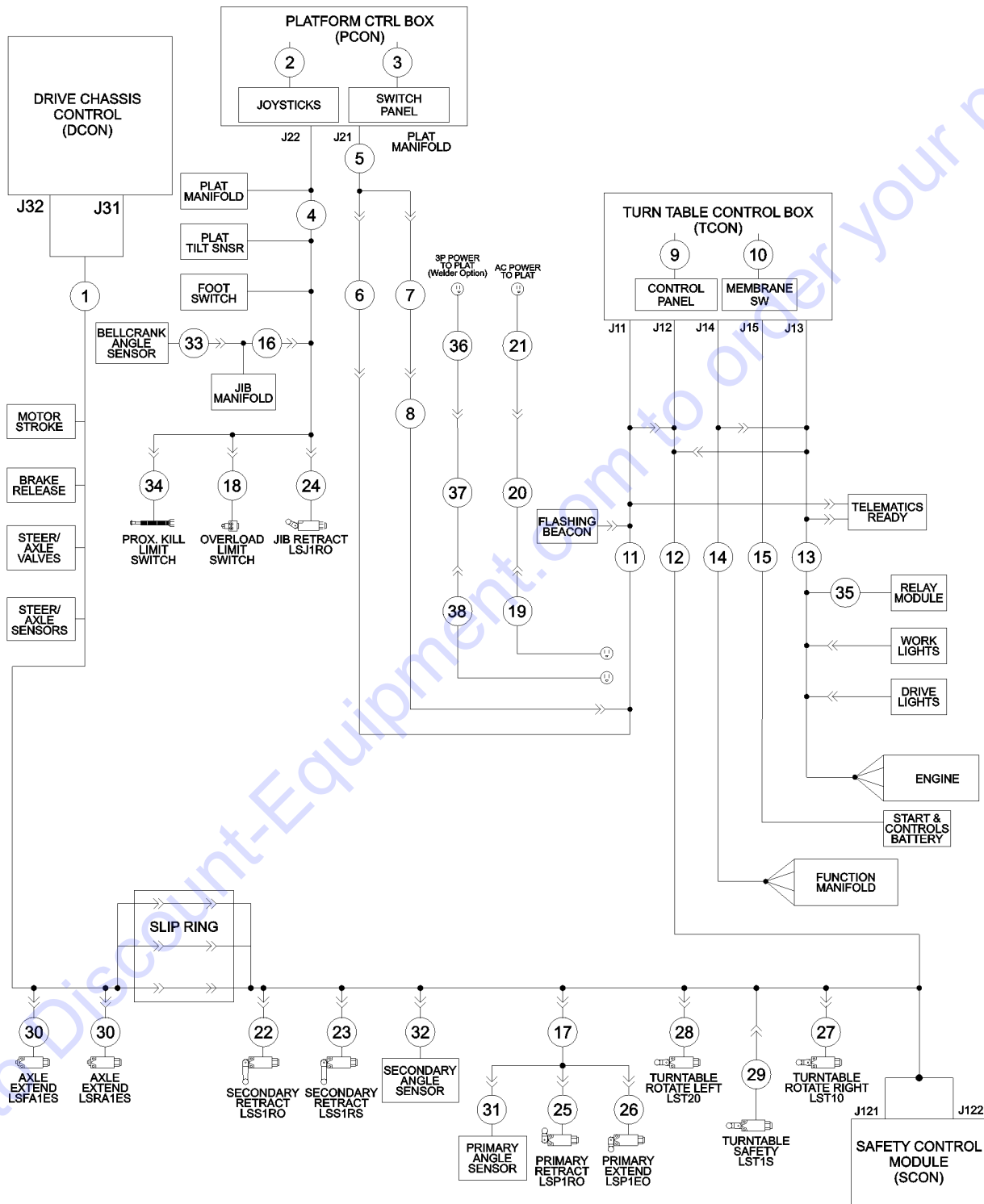


310.1 Wire Harness Diagram



| Item | Part No.  | Description  | Qty. |
|------|-----------|--|------|
| A-   | 1264824GT | KIT, TRC RETROFIT,ALC1000ML<br>Telematics (includes 1264836) | 1    |
| B-   | 1264836GT | INSTRN, TRC RETROFIT,ALC1000ML                               | 1    |
| 1    | 1271514GT | HARNESS,DRIVE CHASSIS<br>(DCon)                              | 1    |
| 2    | 1278300GT | HARNESS, PCON JOYSTICK<br>(PCon)                             | 1    |
| 3    | 214332GT  | HARNESS, PCON TOGGLE SWITCH, S                               | 1    |
| 4    | 1271518GT | HARNESS, PLAT MANIFOLD                                       | 1    |
| 5    | 1271517GT | HARNESS, BOOM CABLE, JIB                                     | 1    |
| 6    | 94961GT   | HARNESS,PRIMARY COMPOSITE***                                 | 1    |
| 7    | 94973GT   | HARNESS,DC POWER,PRIMARY                                     | 1    |
| 8    | 94972GT   | HARNESS,DC POWER,SECONDARY                                   | 1    |
| 9A   | 231003GT  | HARNESS,GROUND CONTROL,Z135                                  | 1    |
| 9B   | 1252702GT | HARNESS, GROUND BOX, TIER IV,                                | 1    |
| 10   | 106510GT  | DECAL,MEMBRANE,GROUND CONTROL                                | 1    |
| 11   | 1253744GT | HARNESS,SEC.COMPOSITE J1,ZX135                               | 1    |
| 12   | 1267866GT | HARNESS, LOWER LS/SCON, ZX135<br>(SCon)                      | 1    |
| 13A  | 1267858GT | HARNESS,ENGINE,DEUTZ J3,ZX135<br>To SN ZX135H-4471           | 1    |
| 13-  | 1291084GT | HARNESS, ENGINE, DEUTZ, Z135, TD2011<br>FROM SN ZX135H-4472  | 1    |
| 13B  | 1267860GT | HARNESS,DEUTZ 2.9,TIER4,Z135<br>To SN ZX135H-4471            | 1    |
| 13-  | 1291025GT | HARNESS, DEUTZ 2.9, TIER 4, Z135<br>FROM SN ZX135H-4472      | 1    |
| 13C  | 1267859GT | HARNESS, PERKINS 1104, ZX135<br>To SN ZX135H-4471            | 1    |
| 13-  | 1292654GT | HARNESS, PERKINS 1104,ZX135<br>FROM SN ZX135H-4472           | 1    |
| 13D  | 1267861GT | HARNESS,PERKINS 854F,ZX135<br>To SN ZX135H-4471              | 1    |
| 13-  | 1291161GT | HARNESS, PERKINS 854F, ZX135<br>FROM SN ZX135H-4472          | 1    |
| 13E  | 1258391GT | FUSE,50 AMP,MAXI<br>(harness 1267861)                        | 1    |
| 13F  | 1253210GT | CIRCUIT BRKR THERM AUTORESET 6<br>(on all engine harnesses)  | 1    |
| 14   | 94958GT   | HARNESS,FUNCTION MANIFOLD J14*                               | 1    |
| 15   | 226497GT  | HARNESS,TCON Z135<br>(Tcon)                                  | 1    |
| 16   | 1264365GT | HARNESS, JIB MANIFOLD  | 1    |

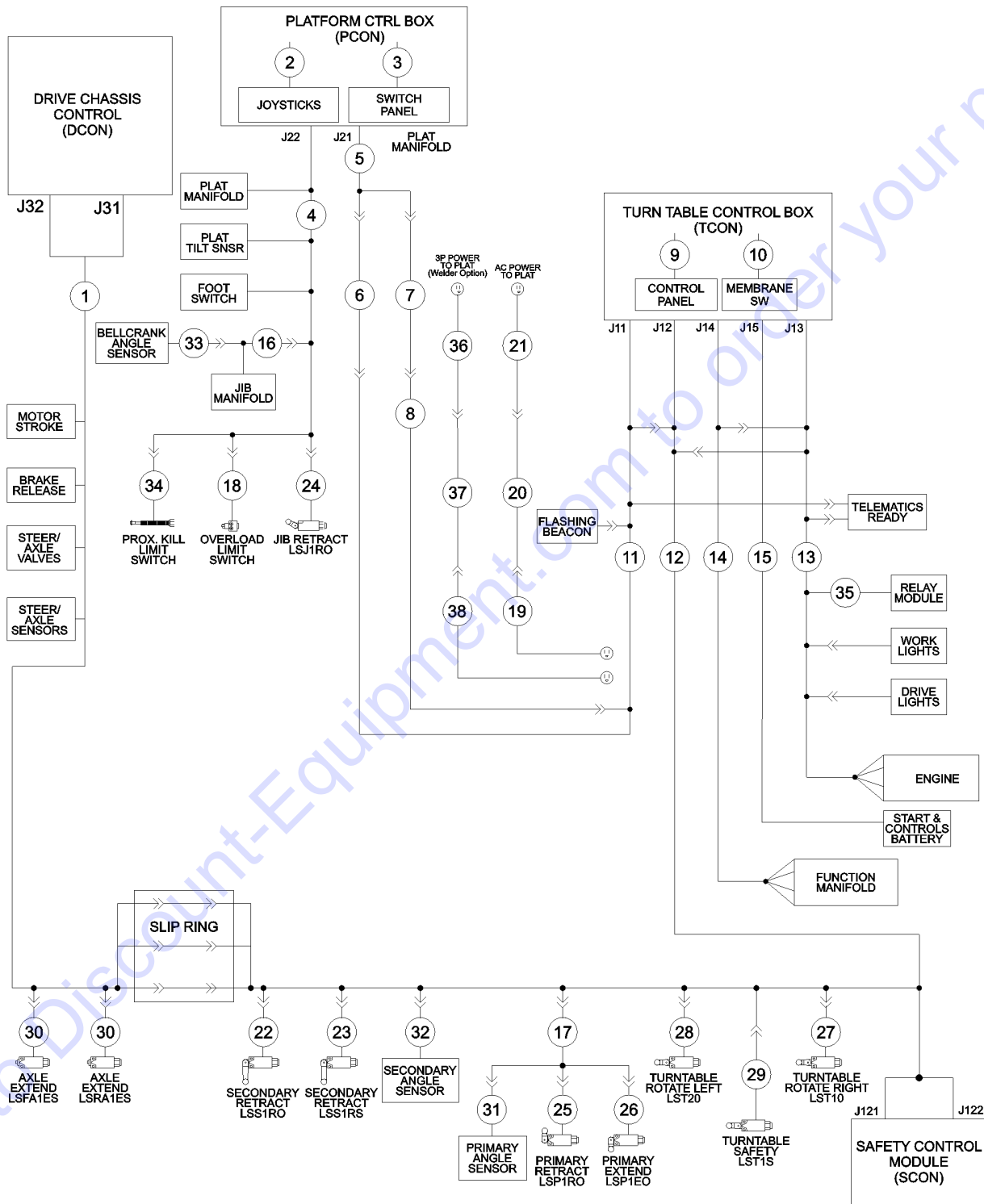
310.1 Wire Harness Diagram



| Item | Part No.  | Description                          | Qty. |
|------|-----------|--------------------------------------|------|
| 17   | 119792GT  | HARNESS UPPER LIMIT SWITCH .....     |      |
| 18   | 94444GT   | HARNESS,SWITCH,LIMIT PLUNGER .....   | 1    |
| 19   | 94969GT   | HARNESS,POWER TO PLAT,SEC. ....      | 1    |
| 20   | 94970GT   | HARNESS,POWER TO PLAT,PRI. ....      | 1    |
| 21   | 94971GT   | HARNESS,POWER TO PLAT,JIB .....      | 1    |
| 22   | 110909GT  | SWITCH ASSY,LIMIT LSS1RO .....       |      |
|      |           | (standard install)                   |      |
| 22-  | 1253488GT | HARNESS, DRIVE LIGHT, ZX135 .....    | 1    |
|      |           | (option)                             |      |
| 22-  | 1253494GT | HARNESS,LIGHTS,CABLE .....           |      |
|      |           | (option)                             |      |
| 23   | 110910GT  | SWITCH ASSY,LIMIT LSS1RS .....       |      |
|      |           | (standard install)                   |      |
| 23-  | 823813GT  | HARNESS WORKLIGHT, ZX135 .....       | 1    |
|      |           | (option)                             |      |
| 23-  | 1253495GT | HARNESS,WORKLIGHT FUSE .....         |      |
|      |           | (option)                             |      |
| 23-  | 823522GT  | HARNESS, WORK LIGHTS, SUPER X .....  |      |
| 24   | 110911GT  | SWITCH ASSY,LIMIT LSJ1RO .....       | 1    |
| 25   | 110913GT  | SWITCH ASSY,LIMIT LSP1RO .....       | 1    |
| 26   | 110914GT  | SWITCH ASSY,LIMIT LSS1EO .....       | 1    |
| 27A  | 110915GT  | SWITCH ASSY,LIMIT LST1O .....        | 1    |
| 27B  | 1255556GT | HARN,PLATFORM,OPA,ALC1000 .....      | 1    |
| 27C  | 1255030GT | PLUG,BLANKING .....                  | 1    |
| 28   | 110916GT  | SWITCH ASSY,LIMIT LST1O .....        | 1    |
| 29   | 110917GT  | SWITCH ASSY,LIMIT LST1S .....        | 1    |
| 30   | 236392GT  | SWITCH ASSY, AXLE SAFETY .....       | 1    |
| 31   | 215728GT  | ASSY,ANGLE SEN.,Z135 PRIMARY .....   | 1    |
| 32   | 217224GT  | ASSY,ANGLE SEN.,Z135 SECONDARY ..... | 1    |
| 33   | 217293GT  | ASSY,ANGLE SEN.,Z135 BELL CR .....   | 1    |
| 34   | 128504GT  | ASSY, ARCFT SENSOR, DEUTSCH .....    | 1    |
| 35   | 1264110GT | MODULE,FUSE&RELAY .....              | 1    |
|      |           | (For location, refer to 304.1)       |      |
| 35-  | 1251501GT | FUSE, ATM, 30AMP .....               | 7    |
| 35-  | 1251502GT | FUSE, ATM, 10AMP .....               | 2    |



310.1 Wire Harness Diagram



310.1 Wire Harness Diagram

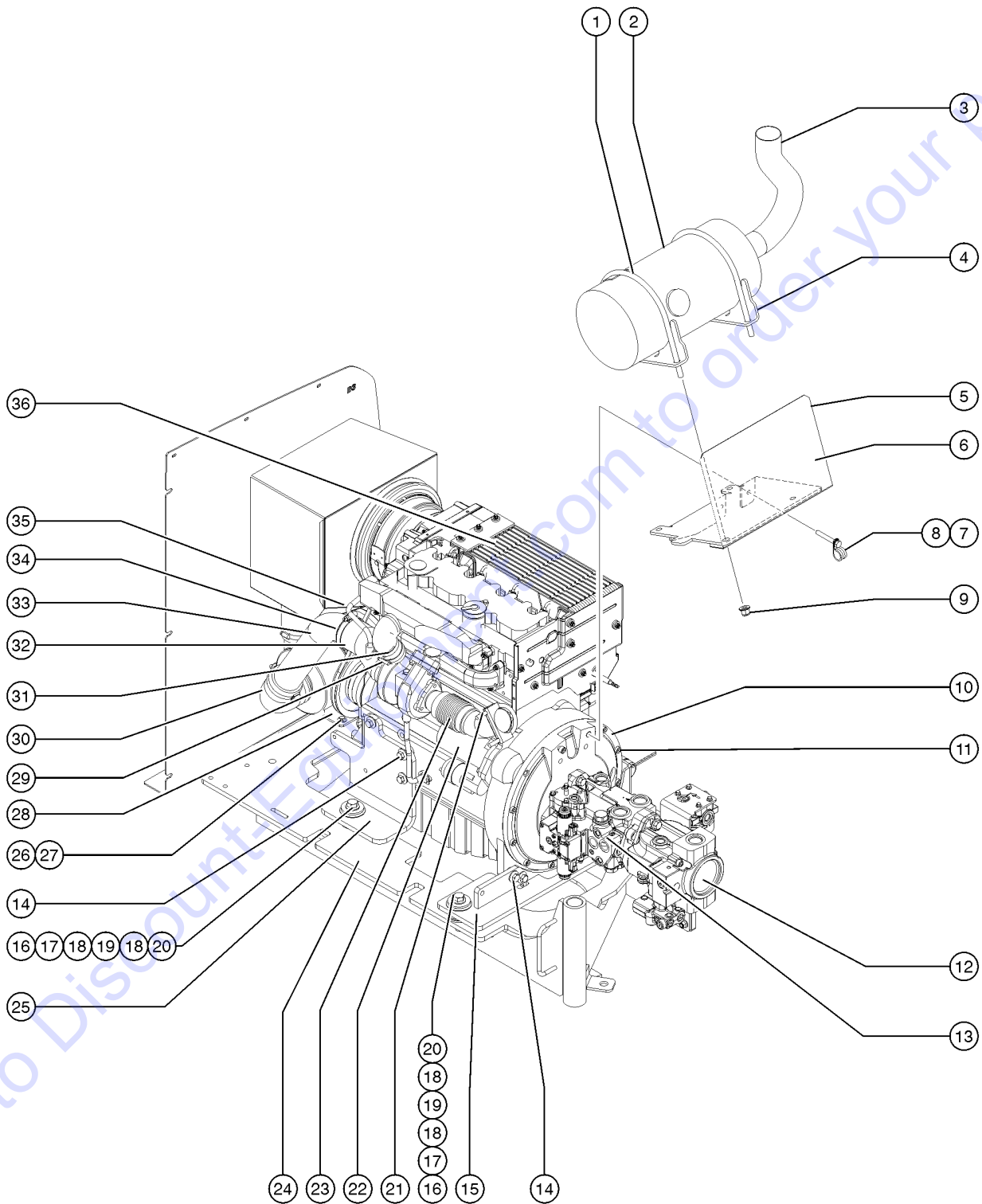
| Item | Part No.  | Description  | Qty.     |
|------|-----------|--|----------|
| 35-  | 1251503GT | RELAY, 12V MICRO, 35AMP .....                          | 4        |
| 35-  | 1251504GT | DIODE, 6A 22903-6V .....                               | 1        |
| 35-  | 1251505GT | TOOL, FUSE PULLER, ATM .....                           | 1        |
| 35-  | 1271519GT | FUSE, ATM, 2AMP .....                                  | 2        |
| 35-  | 1271520GT | RELAY,12V MICRO, 20AMP .....                           | 4        |
| 36   | 106484GT  | HARNESS,AC/3P PWR TO PLAT,JIB<br>(welder option) ..... | 351      |
| 37   | 106483GT  | HARNESS,AC/3P PWR TO PLAT,PRI<br>(welder option) ..... | 740      |
| 38   | 106482GT  | HARNESS,AC/3P PWR TO PLAT,SEC<br>(welder option) ..... | 10<br>46 |

Go to Discount-Equipment.com to order your parts



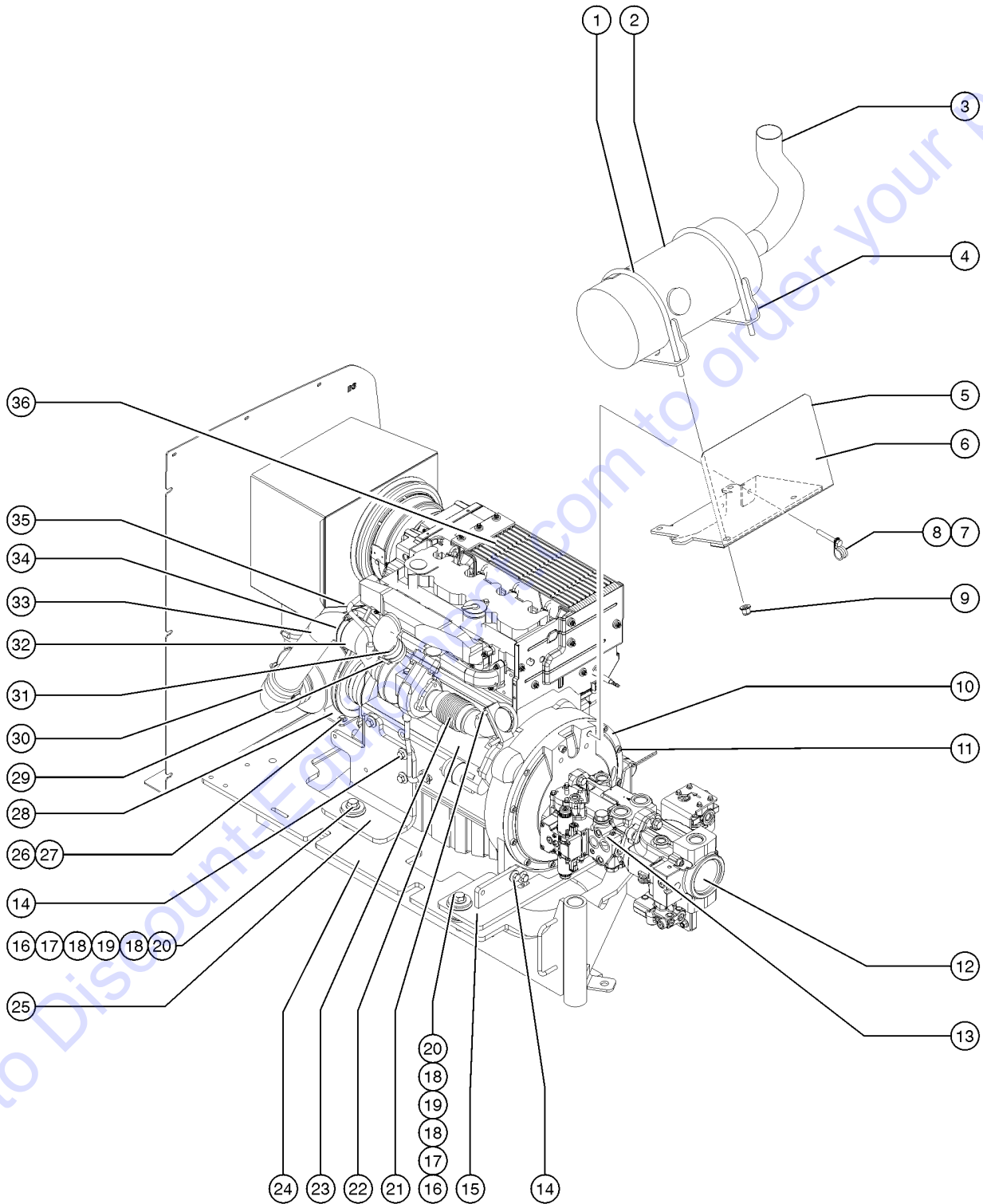


401.1 Deutz TD2011L04i Engine, View 1



| Item | Part No.  | Description  | Qty. |
|------|-----------|--|------|
| A-   |           | Verify Engine Make and Model Before Ordering .....   |      |
| B-   |           | For internal engine parts, contact engine dealer .....   |      |
| C-   | 102581GT  | PUMP,FUEL INJ,DEUTZ BF4L20<br>Class A injection pump; provide SN of engine to service to get correct injection pump (A, B, C, D) |      |
| D-   | T108732GT | PUMP,FUEL INJ,DEUTZ BF4L20<br>Class B injection pump; provide SN of engine to service to get correct injection pump (A, B, C, D) |      |
| E-   | T108733GT | PUMP,FUEL INJ,DEUTZ BF4L20<br>Class C injection pump; provide SN of engine to service to get correct injection pump (A, B, C, D) |      |
| F-   | T108734GT | PUMP,FUEL INJ,DEUTZ BF4L20<br>Class D injection pump; provide SN of engine to service to get correct injection pump (A, B, C, D) |      |
| 1    | 70449GT   | U-BOLT,1/2-13 X 8.5 .....  |      |
| 2    | 70444GT   | MUFFLER,2.5"INLET/OUTLET .....   | 1    |
| 2-   | 101634GT  | MUFFLER,CATALYTIC,2.5 I/O .....  |      |
| 3    | 70447GT   | TAIL PIPE,DEUTZ .....  | 1    |
| 3-   | 71911GT   | CLAMP,MUFFLER, 2.50 INCH .....   |      |
| 4    | 70483GT   | FORMING,8.5' MUFFLER MOUNT .....   | 2    |
| 5    | 102237PGT | FORMING,HEAT SHIELD,MUFFLER .....  | 1    |
| 6    | 70448PGT  | FORMING,MUFFLER MOUNT .....  | 1    |
| 7    | 1257706GT | SCREW,HHC,M10-1.5X70,DIN931,10 .....   |      |
| 8    | 60838GT   | CLAMP,1.00,#16 X 7/16,RUB CUSH .....   | 1    |
| 9    | 1251997GT | NUT,TL FLG,1/2-13,G,ZAG .....  |      |
| 10   | 70381GT   | COVER,FLYWHEEL CASTING .....   | 1    |
| 10-  | 128004GT  | COUPLER,15 TOOTH,FBA,SAE8*** .....   |      |
| 10-  | 237352GT  | SCREW,HHF,M10-1.5X16,DIN6921,10.9,ZAB .....  |      |
| 11   | 1255666GT | SCREW,SHC,M10-1.50X30,DIN912,12.9,ZAB .....  |      |
| 12   |           | Ref. Lift Pump .....   |      |
|      |           | (Refer to 712.1)   |      |
| 13   |           | Ref. Drive Pump .....  |      |
|      |           | (Refer to 712.1)   |      |
| 14   | 1256776GT | SCREW,HHF,M14-2.0X35,DIN6921,10.9,ZAB .....  |      |
| 15   | 70440GT   | WELDMENT,REAR ENGINE MOUNT .....   | 1    |
| 16   | 1256583GT | SCREW,HHF,5/8-11X3.5,8,ZAG .....   |      |
| 17   | 824123GT  | WASHER,FLAT,.625X2.25X.188,ZAG .....   |      |

401.1 Deutz TD2011L04i Engine, View 1



| Item | Part No.  | Description                          | Qty. |
|------|-----------|--------------------------------------|------|
| 18   | 1251565GT | WASHER,SHIM,1.56X2.5X0.061,ZAG ..... |      |
| 19   | 102045GT  | ISOLATOR,ENGINE VIBRATION .....      | 2    |
| 20   | 1253319GT | NUT,TL FLG,5/8-11,G,ZAG .....        |      |
| 21   | 71911GT   | CLAMP,MUFFLER, 2.50 INCH .....       |      |
| 22   | 139709GT  | STARTER, 12V .....                   |      |
| 22-  | 139621GT  | KIT, HEAT GUARD, DEUTZ STARTER ..... |      |
| 23   | 70445GT   | FLEX PIPE,EXHAUST,2.5" DIA .....     | 1    |
| 23-  | 71911GT   | CLAMP,MUFFLER, 2.50 INCH .....       |      |
| 23-  | 139983GT  | EXHAUST PIPE GASKET .....            |      |
| 24A  | 160359GT  | WELDMENT, ENGINE TRAY .....          |      |
|      |           | (Refer to 302.1)                     |      |
| 24B  | 35675GT   | BEARING,FL,1.25IDX1.5ODX1.25L .....  | 2    |
|      |           | for 160359                           |      |
| 25   | 70438GT   | FORMING,ENGINE MOUNT*** .....        | 1    |
| 26   | 824092GT  | SCREW,HHF,3/8-16X1.5,8,ZAG .....     |      |
| 27   | 824025GT  | NUT,TL,3/8-16,C,ZAG .....            |      |
| 28   | 102209PGT | FORMING,AIR CLEANER MOUNT PNTD ..... | 1    |
| 29   | 102593GT  | CLAMP, 3 INCH .....                  |      |
| 30   | 139455GT  | ELBOW,AIR INTAKE,RUBBER .....        | 1    |
| 31   | 226106GT  | RUBBER SLEEVES, TD 2011L041 .....    |      |
| 32   | 226103GT  | INLET REDUCER,TD 2011L04I .....      |      |
| 33   | 102208GT  | TUBE,AIR INTAKE,DEUTZ .....          | 1    |
| 34   | 30489GT   | CLAMP,HOSE,3.50 .....                | 2    |
| 35   | 226104GT  | BREATHER PIPE, TD 2011L04I .....     |      |
| 35-  | 226105GT  | GASKET,BREATHER PIPE (226104) .....  |      |

# PARTS FINDER

**Search Website  
by Part Number**



**Search Manual  
Library For Parts  
Manual & Lookup Part  
Numbers – Purchase  
or Request Quote**

**Search Manuals**

Enter your information to help us find the right parts manual for your machine.

\* Brand:

\* Model:

\* Serial:

\* Part Number:

SEARCH

**Can't Find Part or  
Manual? Request Help  
by Manufacturer,  
Model & Description**

**Parts Order Form**

Please fill in the following information to help us find the right part for your machine.

|               |                      |
|---------------|----------------------|
| Manufacturer: | <input type="text"/> |
| Model:        | <input type="text"/> |
| Description:  | <input type="text"/> |
| Part Number:  | <input type="text"/> |
| Quantity:     | <input type="text"/> |
| Notes:        | <input type="text"/> |

Submit

Discount-Equipment.com is your online resource for quality parts & equipment.

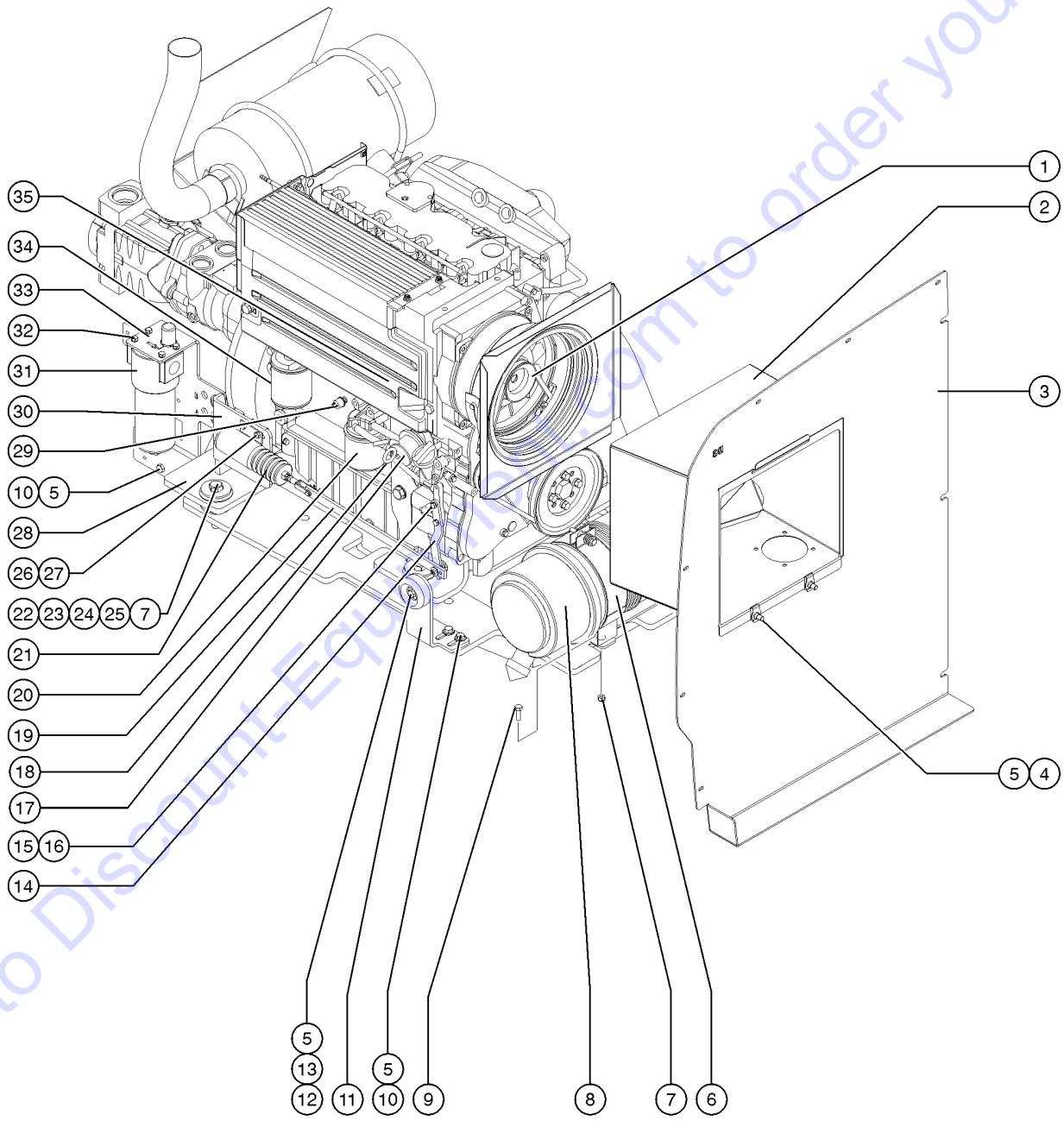
Florida: **561-964-4949** Outside Florida TOLL FREE: **877-690-3101**

**Need parts?**

Click on this link: <http://www.discount-equipment.com/category/5443-parts/> and choose one of the options to help get the right parts and equipment you are looking for. Please have the machine model and serial number available in order to help us get you the correct parts. If you don't find the part on the website or on one of the online manuals, please fill out the request form and one of our experienced staff members will get back to you with a quote for the right part that your machine needs.

We sell worldwide for the brands: Genie, Terex, JLG, MultiQuip, Mikasa, Essick, Whiteman, Mayco, Toro Stone, Diamond Products, Generac Magnum, Airman, Haulotte, Barreto, Power Blanket, Nifty Lift, Atlas Copco, Chicago Pneumatic, Allmand, Miller Curber, Skyjack, Lull, Skytrak, Tsurumi, Husquvarna Target, Stow, Wacker, Sakai, Mi-T-M, Sullair, Basic, Dynapac, MBW, Weber, Bartell, Bennar Newman, Haulotte, Ditch Runner, Menegotti, Morrison, Contec, Buddy, Crown, Edco, Wyco, Bomag, Laymor, EZ Trench, Bil-Jax, F.S. Curtis, Gehl Pavers, Heli, Honda, ICS/PowerGrit, IHI, Partner, Imer, Clipper, MMD, Koshin, Rice, CH&E, General Equipment, Amida, Coleman, NAC, Gradall, Square Shooter, Kent, Stanley, Tamco, Toku, Hatz, Kohler, Robin, Wisconsin, Northrock, Oztec, Toker TK, Rol-Air, APT, Wylie, Ingersoll Rand / Doosan, Innovatech, Con X, Ammann, Mecalac, Makinex, Smith Surface Prep, Small Line, Wanco, Yanmar

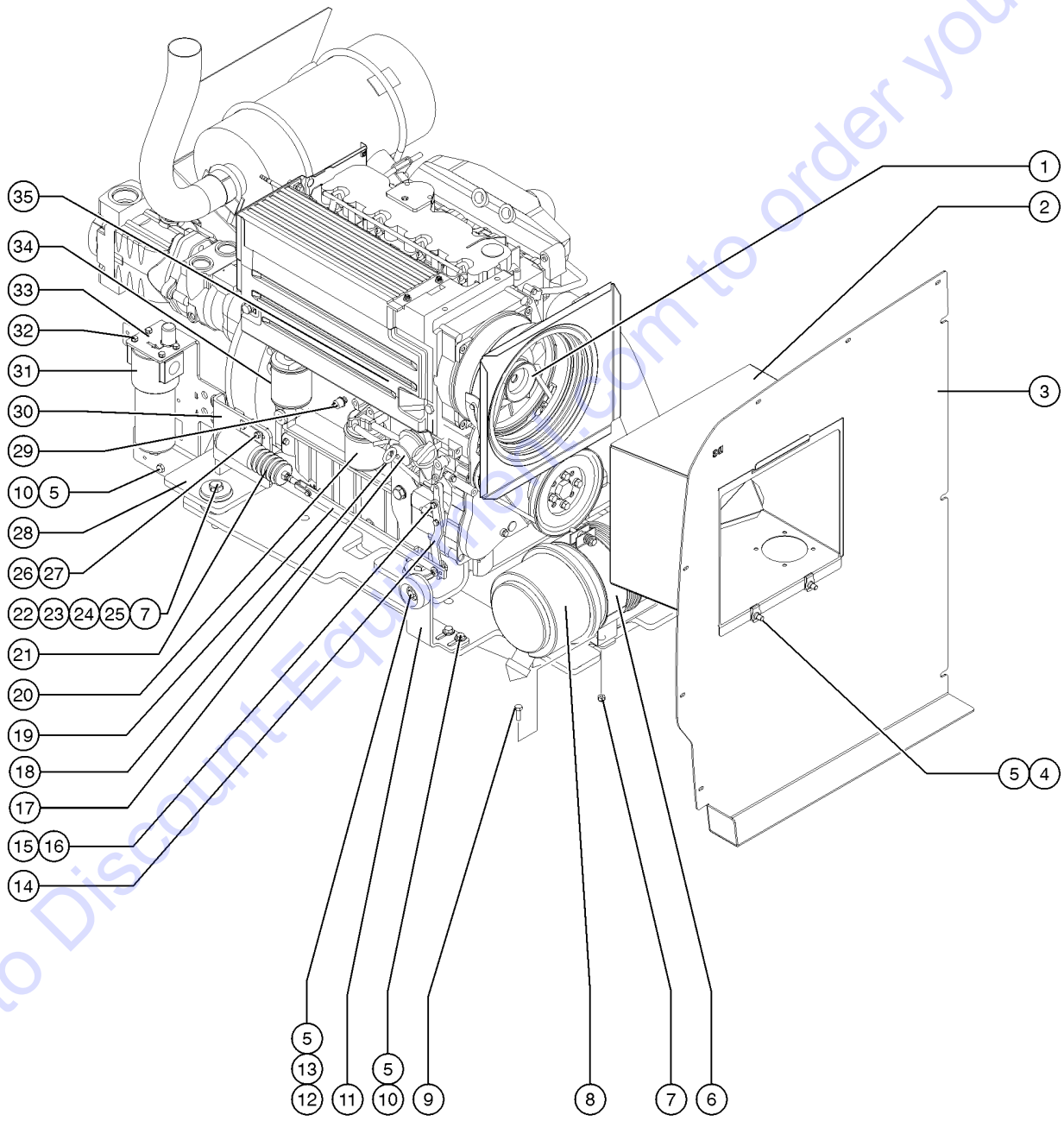
402.1 Deutz TD2011L04i Engine, View 2



Go to DiscountEquipment.com to order your parts

| Item | Part No.  | Description  | Qty. |
|------|-----------|--|------|
| A-   |           | Verify Engine Make and Model Before Ordering .....     |      |
| B-   |           | For internal engine parts, contact engine dealer ..... |      |
| C-   | 139624GT  | SWITCH, OIL PRESSURE 1.5 BAR .....                     | 1    |
| 1    | 58249GT   | ALTERNATOR, DEUTZ,BF4L2011*** .....                    | 1    |
| 1-   | 1280590GT | PULLEY,ALTERNATOR,DEUTZ BF4L2011<br>for 58249 .....    |      |
| 1-   | 1280591GT | SPACER,ALT PULLEY,DEUTZ BF4L2011<br>for 58249 .....    |      |
| 1-   | 58630GT   | V-BELT, DEUTZ TD2011LOAI .....                         |      |
| 2    | 160896GT  | WELDMENT, AIR BOX, DUETZ .....                         |      |
| 3    | 160862GT  | BULKHEAD ZX135 .....                                   |      |
| 4    | 824067GT  | SCREW,HHC,3/8-16X1,8,ZAG .....                         |      |
| 5    | 824025GT  | NUT,TL,3/8-16,C,ZAG .....                              |      |
| 6    | 81468GT   | MOUNTING BAND,AIR CLEANER .....                        | 1    |
| 7    | 824028GT  | NUT,TL FLG,5/16-18,G,ZAG .....                         |      |
| 8    | 81467GT   | AIR CLEANER,NELSON .....                               | 1    |
| 8-   | 62425GT   | FILTER,AIR CLEANER, SUPERBOOM .....                    |      |
| 9    | 824086GT  | SCREW,HHF,5/16-18X1,8,ZAG .....                        |      |
| 10   | 824092GT  | SCREW,HHF,3/8-16X1.5,8,ZAG .....                       |      |
| 11   | 60778-SGT | FORMING,COVER STOP .....                               | 1    |
| 12   | 824091GT  | SCREW,HHF,3/8-16X1.25,8,ZAG .....                      |      |
| 13   | 50974GT   | BUMPER,RUBBER,COVERS .....                             | 3    |
| 14   | 50787-SGT | LEVER, GOVERNOR ACTUATOR .....                         |      |
| 15   | 1256450GT | SCREW,HHC,M6-1.0X20,DIN933,10.9,ZAB .....              |      |
| 16   | 1256457GT | WASHER,LOCK, M6,ZAB .....                              |      |
| 17   | 111668GT  | PUMP,FUEL 2011 DEUTZ *** .....                         | 1    |
| 17-  | 119344GT  | KIT,PRIMER BULB .....                                  |      |
| 18   | 52352GT   | DIPSTICK-F3L1011F (DEUTZ) .....                        | 1    |
| 19   | 139322GT  | THROTTLE LINKAGE, DSL .....                            |      |
| 20   | 108543GT  | FILTER / FUEL / SPIN-ON .....                          | 1    |

402.1 Deutz TD2011L04i Engine, View 2



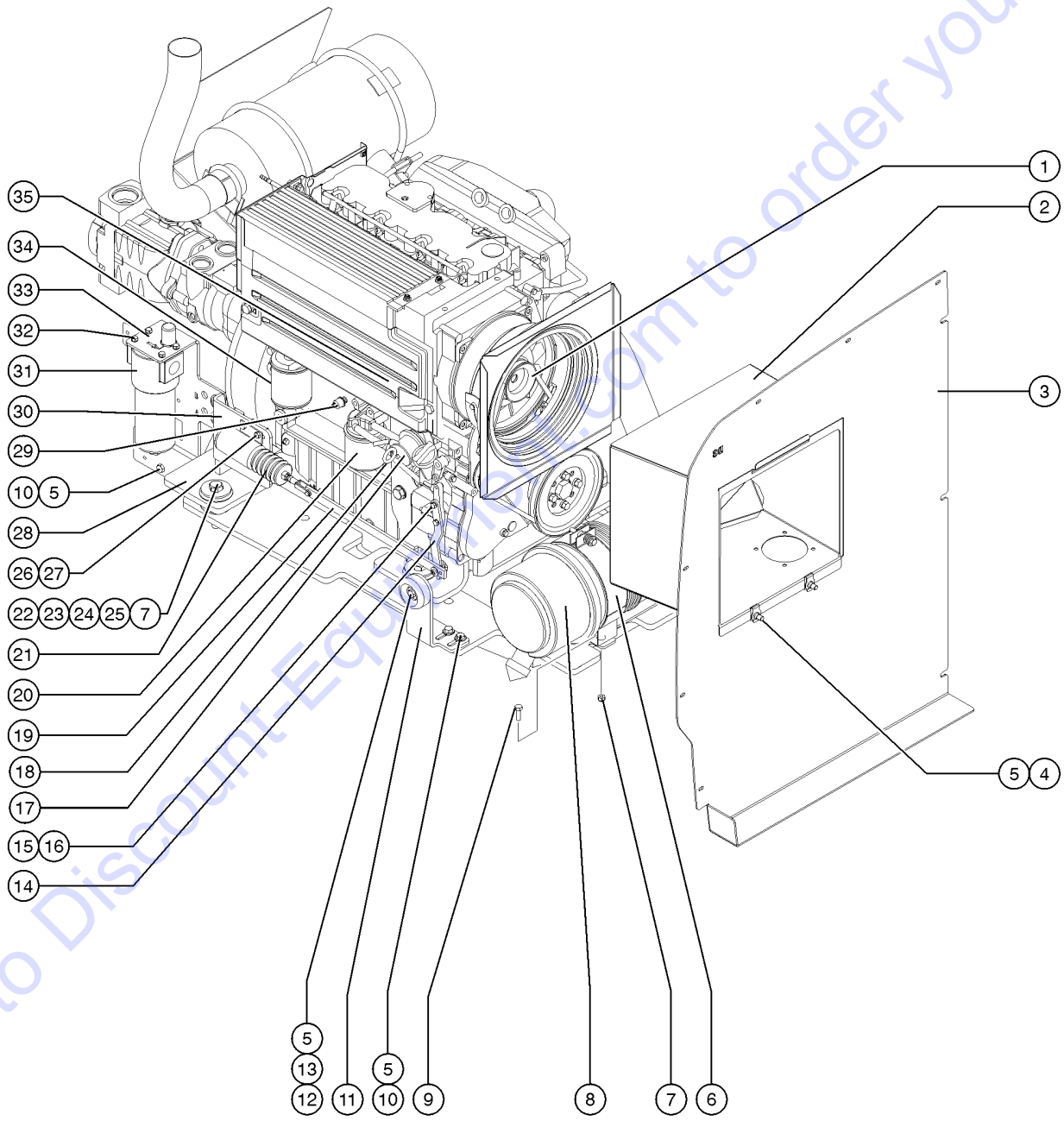
Go to DiscountEquipment.com to order your parts



| Item | Part No.  | Description  | Qty. |
|------|-----------|--|------|
| 20-  | 58566GT   | FILTER HEAD (29560) .....<br>plastic                                       |      |
| 21   | 101957GT  | SOLENOID,THROTTLE,ASSY.TROMB .....   | 1    |
| 21-  | 89998GT   | KIT,SERVICE,SOLENOID MODULE .....  |      |
| 21-  | 60525GT   | CONN,RECEP 4 WAY,12-14GA .....   |      |
| 21-  | 60526GT   | LOCK,RECEP 4 WAY,12-14GA .....   |      |
| 21-  | 60757GT   | PLUG,SEAL,12-18 GA .....   |      |
| 21-  | 73711GT   | TERM,DEUTSCH, PIN #12-14 .....   |      |
| 21-  |           | Ref. Relay Module .....  |      |
|      |           | (Refer to 303.1)   |      |
| 21-  | 21130GT   | CLEVIS YOKE-1/4-28,PLTD W/PIN .....  |      |
|      |           | Includes clevis pin and cotter pin   |      |
| 22   | 1256583GT | SCREW,HHF,5/8-11X3.5,8,ZAG .....   |      |
| 23   | 824123GT  | WASHER,FLAT,.625X2.25X.188,ZAG .....                                       |      |
| 24   | 1251565GT | WASHER,SHIM,1.56X2.5X0.061,ZAG .....                                       |      |
| 25   | 102045GT  | ISOLATOR,ENGINE VIBRATION .....  | 2    |
| 26   | 824060GT  | SCREW,HHC,1/4-20X1,8,ZAG .....   |      |
| 27   | 824024GT  | NUT,TL,1/4-20,C,ZAG .....  |      |
| 28   | 70440GT   | WELDMENT,REAR ENGINE MOUNT .....   | 1    |
| 29   | 111445GT  | SENDING UNIT,OIL TEMP SWCH,DTZ .....                                       | 1    |
| 29-  | 58299GT   | SENDING UNIT,OIL PRESS.,DEUTZ* .....                                       |      |
|      |           | Not shown  |      |
| 30   | 139321GT  | FORMING, SOLENOID MOUNT*** .....   |      |
| 31   | 1267807GT | ASSEMBLY, MED. PRESS. FILTER, .....  |      |
| 31-  | 1268229GT | ELEMENT-5 MIC, PAPER, W/ BYPASS .....                                      |      |
| 32   | 824078GT  | SCREW,HHF,1/4-20X.75,8,ZAG .....   |      |
| 33   | 128525GT  | BRCKT,MED.FILTER,TEST PORT .....   | 1    |
| 34   | 49924GT   | FILTER,OIL,DEUTZ F4L1011F .....  | 1    |
|      |           | Genie Genuine Part. See PN 1255653 for compatible aftermarket replacement. |      |
| 34-  | 1255653GT | FILTER,OIL,DEUTZ,REPLACEMENT .....   | 1    |
|      |           | Genie Aftermarket Part. Compatible with Genie Genuine Part 49924.          |      |
| 35   | T114678GT | SHUTDOWN SOLENOID,12V, DEUTZ .....   | 1    |
|      |           | (Not shown/under cover); includes o-ring                                   |      |
| 35-  | 58256GT   | SOLENOID CABLE ASSY*** .....   |      |
| 35-  | 72255GT   | CONNECTOR, DEUTZ FUEL SHUTOFF* .....                                       |      |
|      |           | Does not include 45782 DIODE   |      |



402.1 Deutz TD2011L04i Engine, View 2



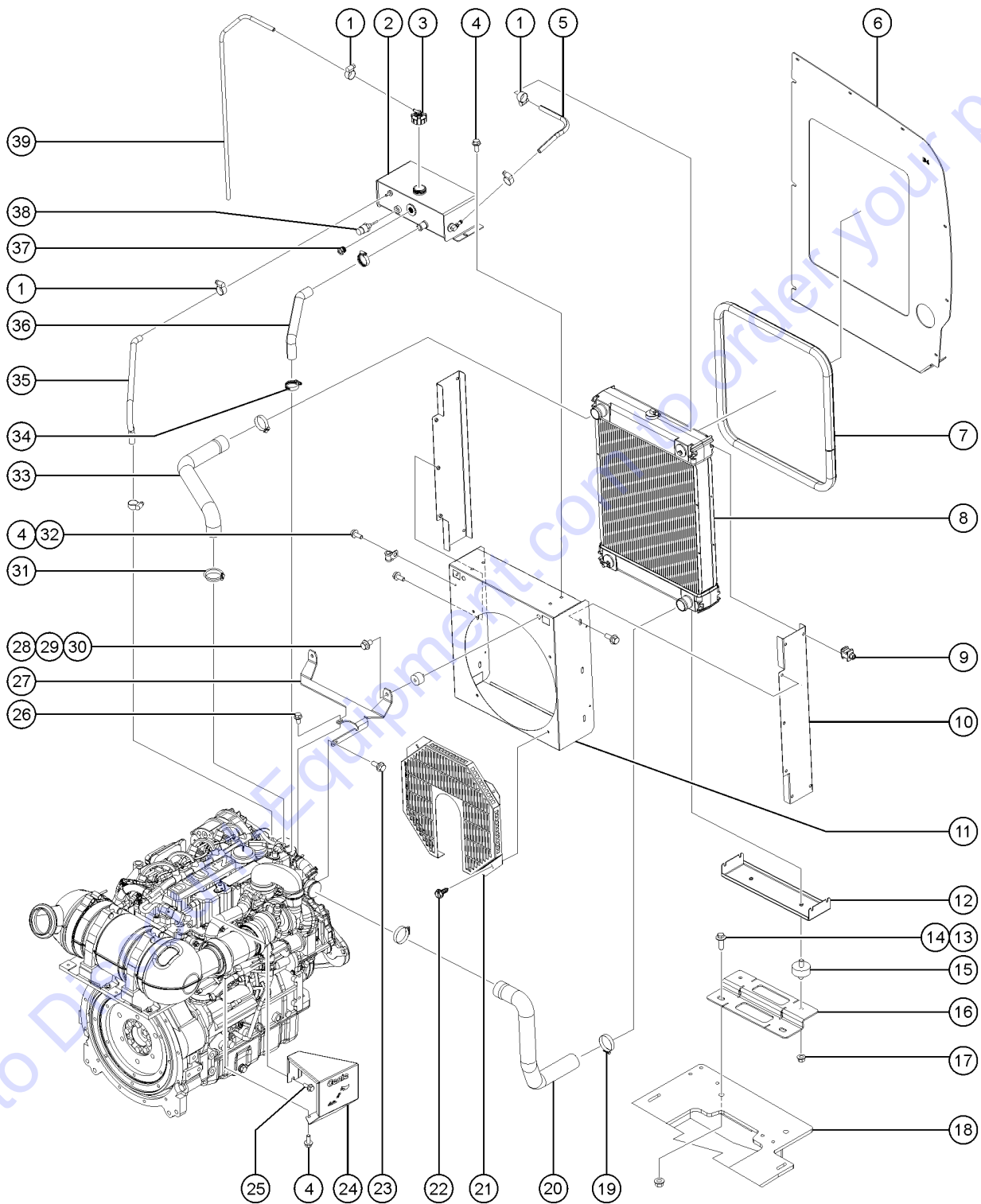
Go to DiscountEquipment.com to order your parts

| <i>Item</i> | <i>Part No.</i> | <i>Description</i>             | <i>Qty.</i> |
|-------------|-----------------|--------------------------------|-------------|
| 35-         | 45782GT         | DIODE,6 AMP,200 PIV,BULK ..... |             |

Go to Discount-Equipment.com to order your parts

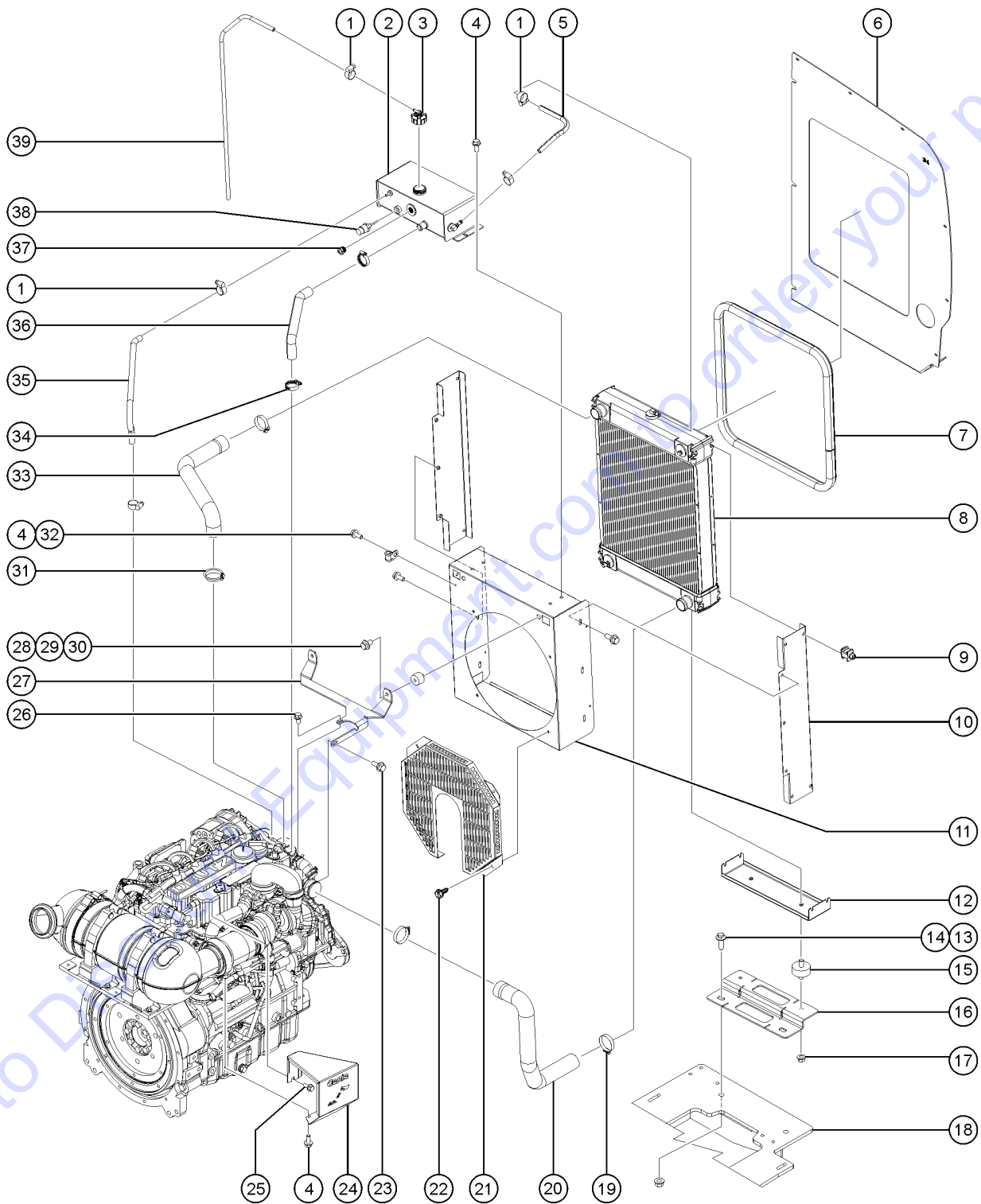


403.1 Deutz TD 2.9L4 Engine - View 1



| Item | Part No.      | Description   | Qty. |
|------|---------------|---|------|
| A-   |               | Due to Tier 4 regulations, many engine replacement parts require the engine serial number at time of order placement. When ordering engine parts please have both machine and engine serial numbers available. For internal engine parts, contact engine dealer |      |
| B-   | 237730GT      | ENGINE KIT, DEUTZ TD 2.9  |      |
| C-   | 1262866GT     | FAN BELT, ALTERNATOR  |      |
| D-   | 1262487GT     | BELT,AIR PUMP,PERKINS 404F-22T  |      |
| E-   | 1277974GT     | PINS,CONNECTOR,INJ HARNESS,D2.9   |      |
| 1    | 21465GT       | CLAMP,HOSE,SIZE .25 TO .63  | 5    |
| 2    |               | ASSY, DEGAS TANK, AL, RCP-13-077 (To SN 4478)   | 1    |
| 2-   | 1252014GT     | COOLING SYSTEM RCP-13-077 (From SN 4479)  | 1    |
| 3    | 1254081GT     | PRESSURE CAP RCP  | 1    |
| 4    | 824132GT      | SCREW,HHF,M8-1.25X20,DIN6921,10.9,ZAB   | 8    |
| 5    | 823420-1400GT | HOSE,HEATER,3/8" 14"  | 1    |
| 6    | 1267413GT     | BULKHEAD ZX135 DUETZ  | 1    |
| 7    | 60875-9600GT  | TRIM, RUBBER "D" SEAL, 3/16 96  | 1    |
| 8    | 1252015GT     | RADIATOR RCP  | 1    |
| 9    | 1253233GT     | ISOLATOR ASSY RCP RADIATOR  | 8    |
| 10   | 1253231GT     | FORMING RADIATOR SIDE MOUNT   | 2    |
| 11   | 1253230GT     | FORMING FAN SHROUD RCP 2.9T   | 1    |
| 12   | 1253232GT     | FORMING RADIATOR BOTTOM MOUNT RCP   | 1    |
| 13   | 1251894GT     | SCREW,HHF,M16-2.0X45,DIN6921,10.9,ZAB   | 2    |
| 14   | 1251893GT     | NUT,TL,FLG,M16-2.0,DIN6927,10,ZAB   | 2    |
| 15   | 1255631GT     | ISOLATOR, M10-1.50, 5/8" HIGH   | 2    |
| 16   | 1251720GT     | WELDMENT, RADIATOR MOUNT  | 1    |
| 17   | 231529GT      | NUT,TL FLG,M10-1.5,DIN6927,10,  | 2    |
| 18   |               | Ref. Engine Tray (refer to 406.1)   |      |
| 19   | 35434GT       | CLAMP,HOSE,2.00***  | 2    |
| 20   | 1252018GT     | HOSE, 20R4, LOWER   | 1    |
| 21   | 1253218GT     | FORMING FAN SHROUD RCP  | 1    |

403.1 Deutz TD 2.9L4 Engine - View 1

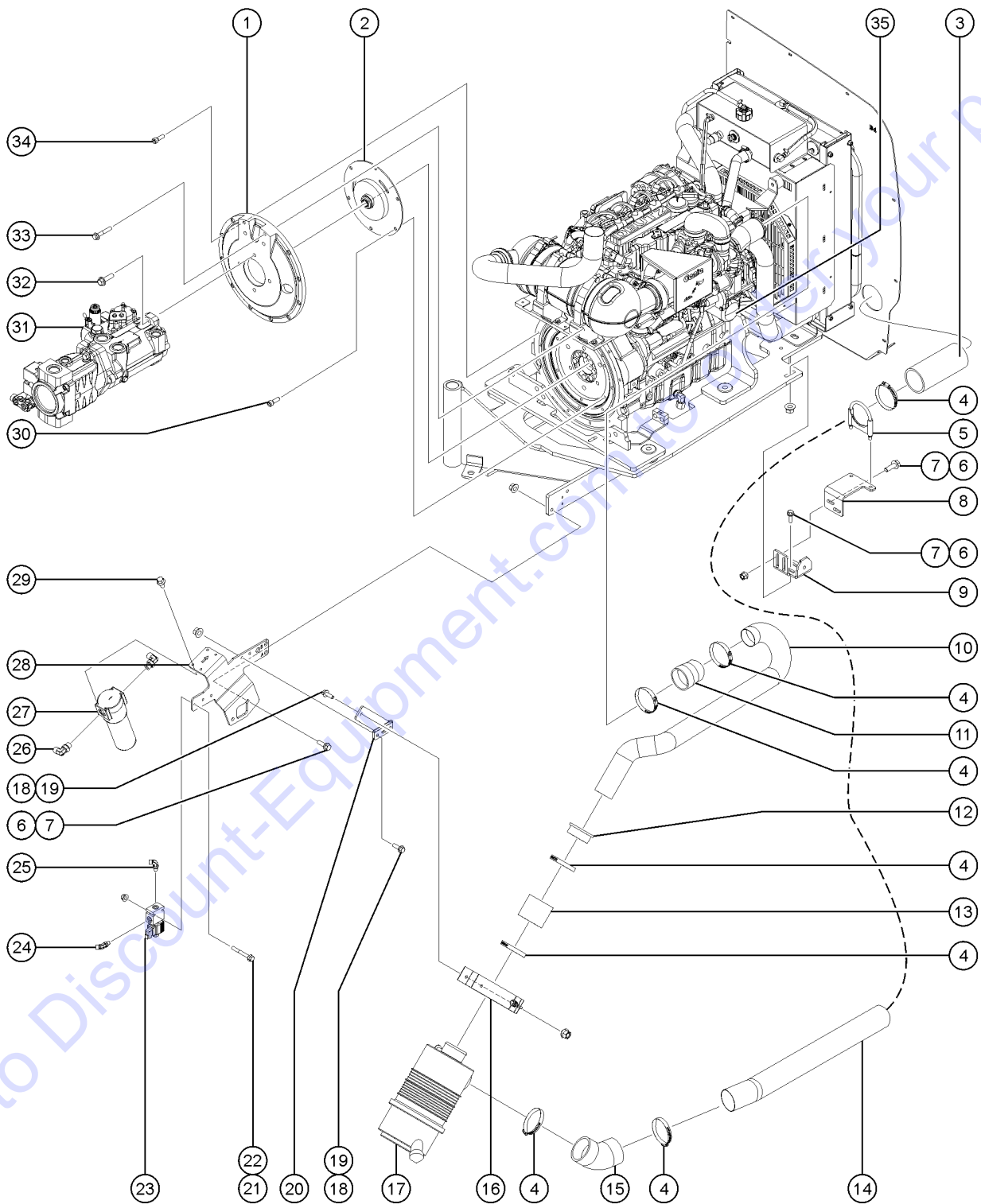


| Item | Part No.  | Description                                  | Qty. |
|------|-----------|--|------|
| 22   | 1253234GT | SCREW SHEET METAL HHF X1/2 X .18OD .....     | 4    |
| 23   | 824131GT  | SCREW,HHF,M6-1.0X16,DIN6921,10 .....         | 2    |
| 24   | 1254949GT | HEAT SHIELD,DEUTZ TD2.9L .....               | 1    |
| 25   | 824131GT  | SCREW,HHF,M6-1.0X16,DIN6921,10 .....         | 1    |
| 26   | 1251983GT | SCREW,HHF,M8-1.25X16,DIN6921,10.9,ZAB .....  | 1    |
| 27   | 1255342GT | FORMING,RADIATOR SUPPORT .....               | 1    |
| 28   | 237352GT  | SCREW,HHF,M10-1.5X16,DIN6921,10.9,ZAB .....  | 2    |
| 29   | 1255451GT | ISOLATOR, VIBRATION DAMPENER .....           | 2    |
| 30   | 230074GT  | SPRING CLIP,M10-1.5,1-6X19,ZAB .....         | 2    |
| 31   | 22672GT   | CLAMP,HOSE,1.75 .....                        | 2    |
| 32   | 1257844GT | CLAMP, TUBE/HOSE, LOOP/OFFSET, 12.7 OD ..... | 4    |
| 33   | 1252017GT | HOSE, 20R4, UPPER .....                      | 1    |
| 34   | 36208GT   | CLAMP,HOSE,1.25*** .....                     | 2    |
| 35   | 1283995GT | HEATER HOSE,1/4" .....                       | 14   |
| 36   | 1252019GT | HOSE, DEGAS RETURN, 22MM ID .....            | 1    |
| 37   | 1254418GT | SIGHT GLASS DEGAS RCP .....                  | 1    |
| 38   | 218715GT  | SENSOR,COOLANT LEVEL, DEUTZ .....            | 1    |
| 39   | 1283995GT | HEATER HOSE,1/4" .....                       | 43   |

Go to Discount-Equipment.com to order your parts



404.1 Deutz TD 2.9L4 Engine - View 2

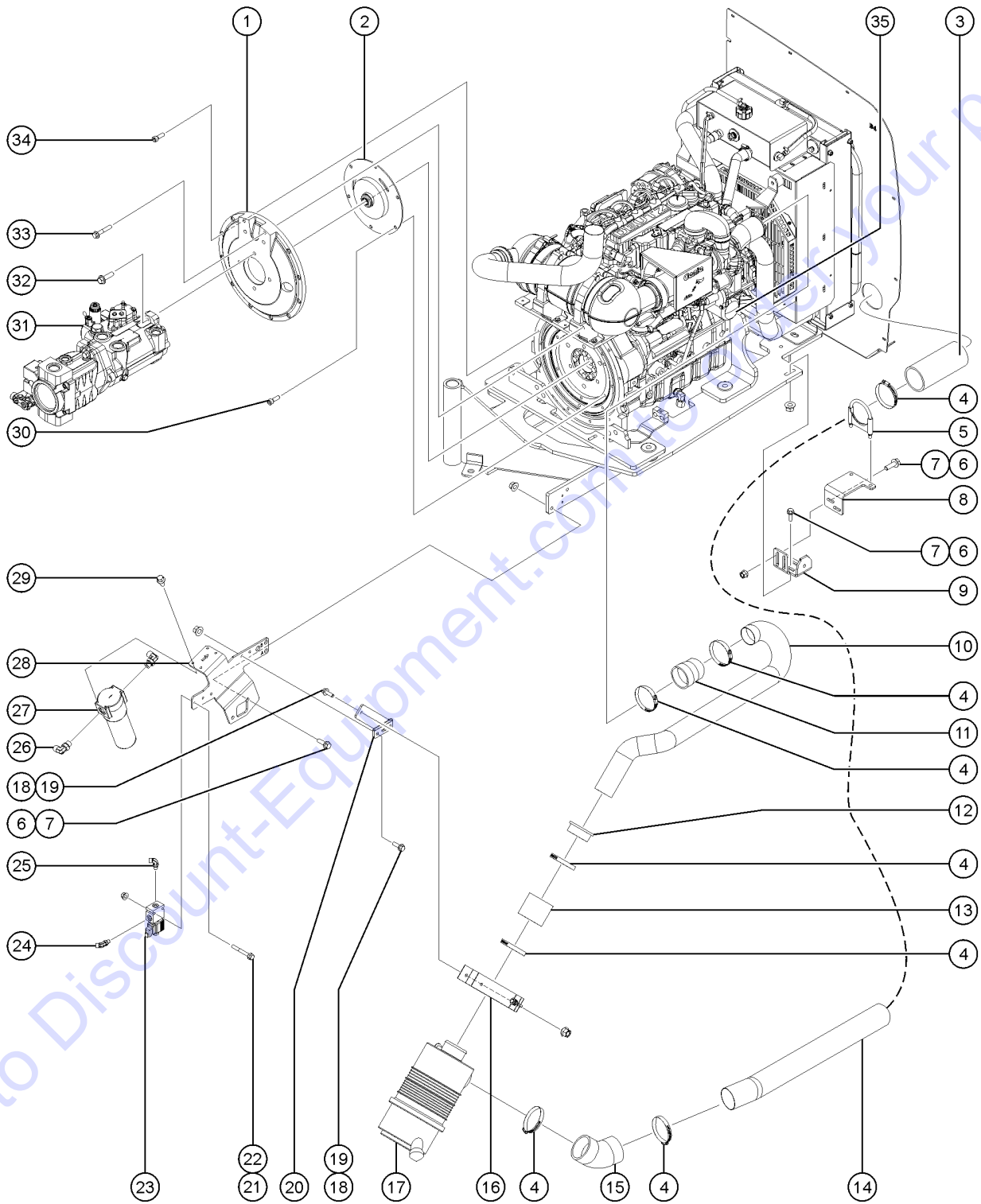




| Item | Part No.     | Description   | Qty. |
|------|--------------|---|------|
| A-   |              | Due to Tier 4 regulations, many engine replacement parts require the engine serial number at time of order placement. When ordering engine parts please have both machine and engine serial numbers available. For internal engine parts, contact engine dealer |      |
| 1    | 70381GT      | COVER,FLYWHEEL CASTING .....  | 1    |
| 2    | 128004GT     | COUPLER,15 TOOTH,FBA,SAE8*** .....  | 1    |
| 3    | 106211GT     | HOSE,RUBBER 3"ID X .25 BLACK .....  | 1    |
| 4    | 30971GT      | CLAMP,HOSE,3.00" .....  | 6    |
| 5    | 122414GT     | U-BOLT,GUILLOTINE,3" .....  | 1    |
| 6    | 232874GT     | SCREW, HHF, M10-1.5X30,DIN6921 .....  | 4    |
| 7    | 231529GT     | NUT,TL FLG,M10-1.5,DIN6927,10, .....  | 4    |
| 8    | 1257728GT    | FORMING,INTAKE SUPPORT .....  | 1    |
| 9    | 1254669GT    | FORMING, COVER STOP .....   | 1    |
| 10   | 826352GT     | TUBE,INTAKE,DEUTZ 2.9L .....  | 1    |
| 11   | 826351GT     | HOSE,REDUCER,TURBO INLET,DEUTZ .....  | 1    |
| 12   | 101640GT     | REDUCER,RUBBER 3.0 - 2.5 .....  | 1    |
| 13   | 106211-300GT | HOSE,RUBBER 3"ID X .25 BLACK .....  | 1    |
| 14   | 215512GT     | TUBE,INTAKE, FILTER .....   | 1    |
| 15   | 61270GT      | ELBOW,45 DEG,INLET .....  | 1    |
| 16   | 81468GT      | MOUNTING BAND,AIR CLEANER .....   | 1    |
| 17   | 81467GT      | AIR CLEANER,NELSON .....  | 1    |
| 17-  | 75450GT      | AIR CLEANER CLIPS, SUPERBOOM .....  |      |
| 17-  | 75451GT      | AIR CLEANER COVER, SUPERBOOM* .....   |      |
| 17-  | 52866GT      | EVACUATOR VALVE-AIR CLEANER .....   |      |
| 17-  | 62425GT      | FILTER,AIR CLEANER, SUPERBOOM .....   |      |
| 17-  | 62420GT      | FILTER,AIR*** .....   |      |
| 18   | 824133GT     | SCREW,HHF,M8-1.25X25,DIN6921,10.9,ZAB .....   | 2    |
| 19   | 237832GT     | NUT,TL,FLG,M8-1.25,DIN6927,10, .....  | 2    |
| 20   | 1251708GT    | FORMINNG AIR CLEANER .....  | 1    |
| 21   | 216597GT     | SCREW,HHF,M6-1.0X50,DIN6921,10.9,ZAB .....  | 2    |



404.1 Deutz TD 2.9L4 Engine - View 2

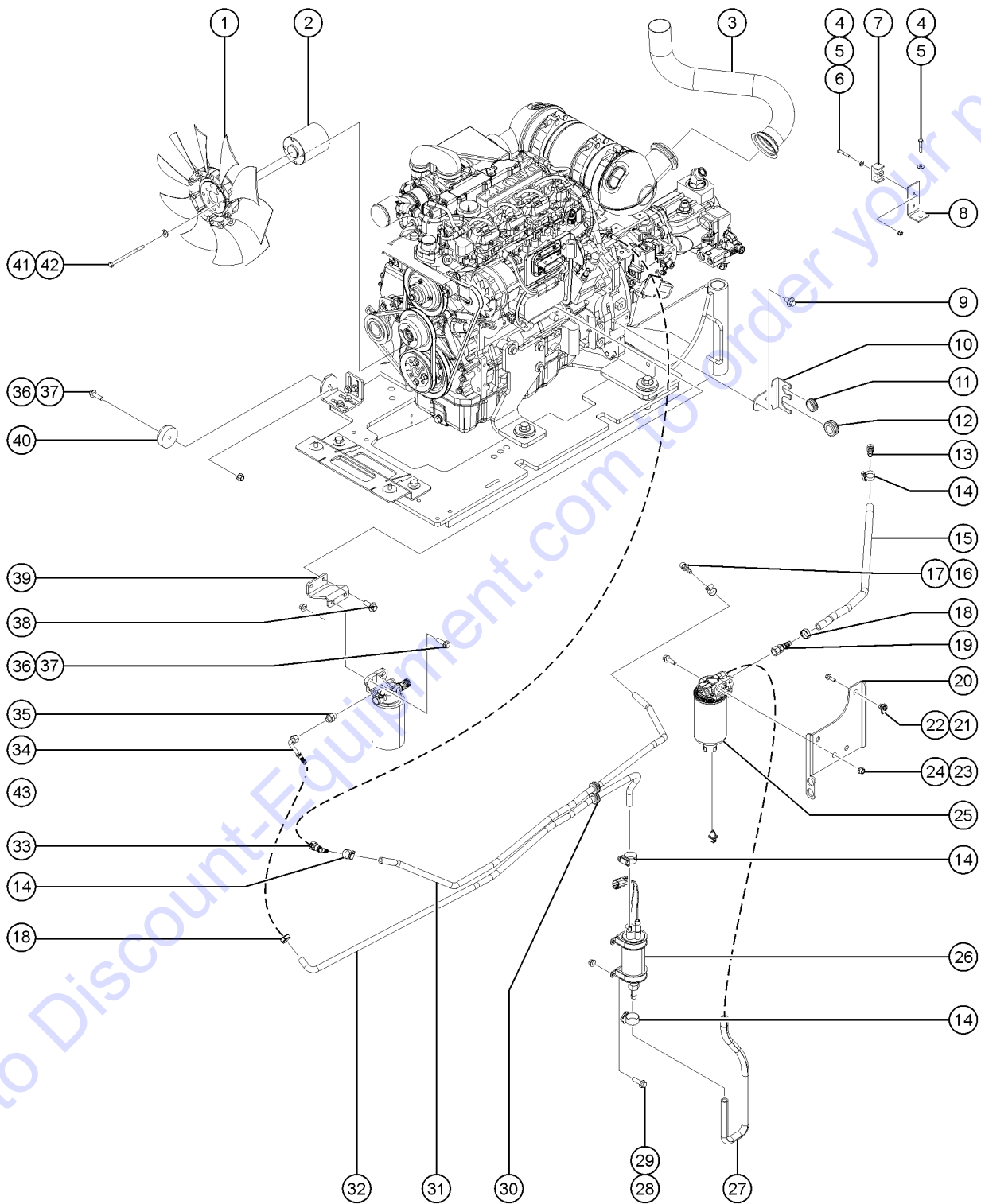


| Item | Part No.  | Description                                 | Qty. |
|------|-----------|---|------|
| 22   | 231513GT  | NUT,TL FLG,M6-1.0,DIN6927,10,Z .....        | 2    |
| 23   |           | Ref. VALVE, FUNCTION ENABLE .....           | 1    |
|      |           | (Refer to 705.1)                            |      |
| 24   | 48907GT   | ELBOW,45D,520320-4 .....                    | 1    |
| 25   | 48904GT   | ELBOW,90D,520220-4-4 .....                  | 1    |
| 26   | 48932GT   | FITTING,ELBOW,90D,520220-8*** .....         | 2    |
| 27   | 1267807GT | ASSEMBLY, MED. PRESS. FILTER, .....         |      |
| 27-  | 1268229GT | ELEMENT-5 MIC, PAPER, W/ BYPASS .....       |      |
| 28   | 215517GT  | FORMING, CHARGE FILTER MOUNT .....          | 1    |
| 29   | 824077GT  | SCREW,HHF,1/4-20X.5,8,ZAG .....             | 2    |
| 30   | 1255665GT | SCREW,SHC,M10-1.5X20,DIN912,12.9,ZAB .....  | 6    |
| 31   |           | Ref. Pump Assembly .....                    |      |
|      |           | (Refer to 712.1)                            |      |
| 32   | 1253498GT | SCREW,HHF,1/2-13X1.5,8,ZAG .....            | 4    |
| 33   | 216036GT  | SCREW,HHF,M10-1.5X60,DIN6921,10.9,ZAB ..... | 4    |
| 34   | 1255666GT | SCREW,SHC,M10-1.50X30,DIN912,12.9,ZAB ..... | 10   |
| 35   | 49924GT   | FILTER,OIL,DEUTZ F4L1011F .....             |      |

Go to Discount-Equipment.com to order your parts



405.1 Deutz TD 2.9L4 Engine - View 3

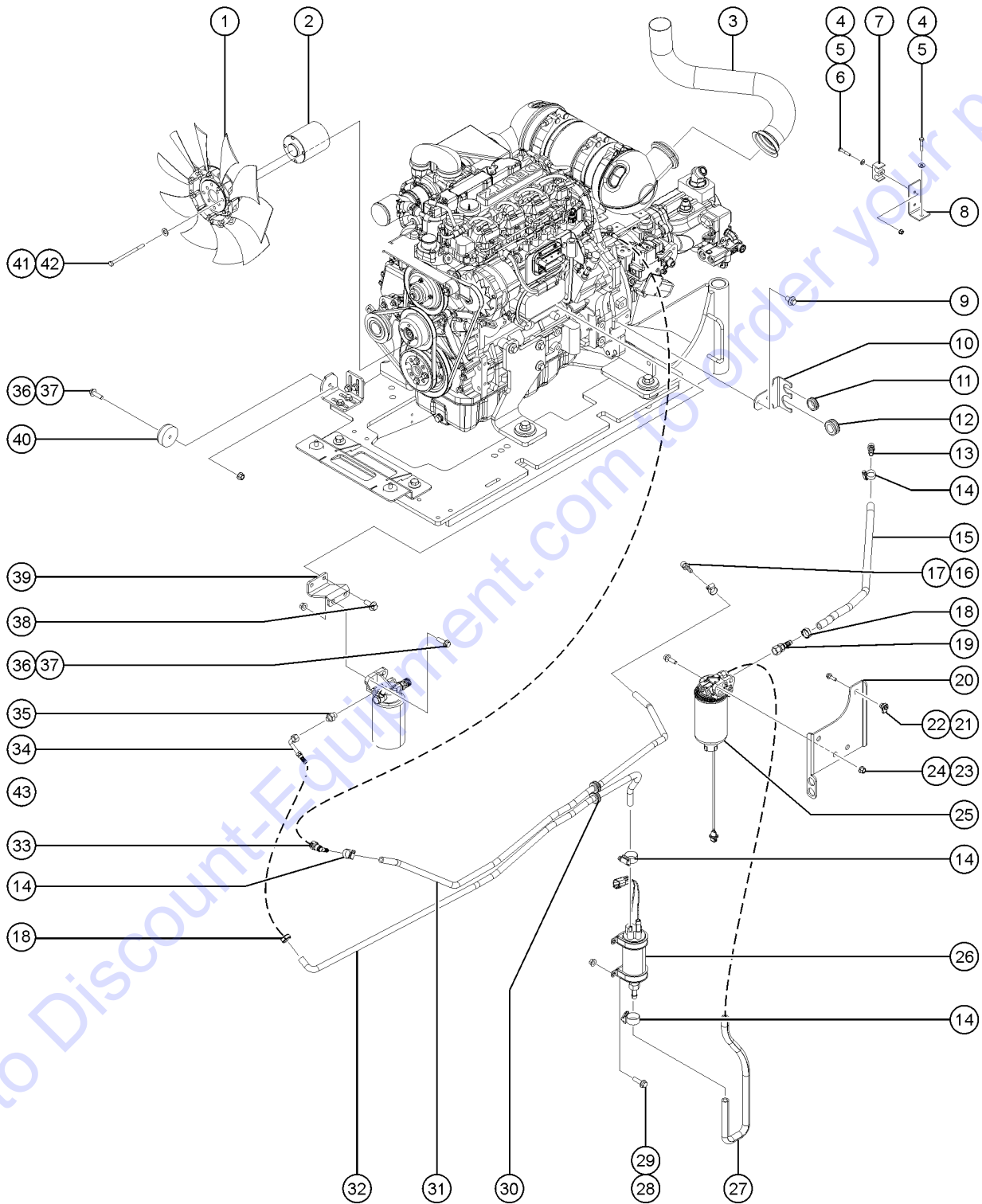


Go to Discount-Equipment.com to order your parts

| Item | Part No.      | Description   | Qty. |
|------|---------------|---|------|
| A-   |               | Due to Tier 4 regulations, many engine replacement parts require the engine serial number at time of order placement. When ordering engine parts please have both machine and engine serial numbers available. For internal engine parts, contact engine dealer |      |
| 1    | 1251496GT     | FAN,10 BLADE,17",DEUTZ 2.9L   | 1    |
| 2    | 1257753GT     | FAN SPACER,DEUTZ 2.9L   | 1    |
| 3    | 826348GT      | EXHAUST PIPE, 2.9L DEUTZ  | 3    |
| 3-   | 825015GT      | CLAMP, 50MM V   |      |
| 4    | 824062GT      | SCREW,HHC,1/4-20X1.5,8,ZAG  | 2    |
| 5    | 824113GT      | WASHER,FLAT,1/4,USS,ZAG   | 2    |
| 6    | 824027GT      | NUT,TL FLG,1/4-20,G,ZAG   | 2    |
| 7    | 70289GT       | CLAMP,LINK,LH WELD WIRE   | 1    |
| 8    | 70535GT       | BRACKET,BATTERY CABLE   | 1    |
| 9    | 1255806GT     | SCREW,HHF,M12-1.75X20,DIN6921,10.9,ZAB  | 1    |
| 10   | 1257888GT     | FORMING, ENGINE HARNESS SUPPORT   | 1    |
| 11   | 124962GT      | GROMMET,RUBBER,1.0 X 1.25X1.5   | 1    |
| 12   | 106923GT      | GROMMET,RUBBER .38X1.38X1.0   | 1    |
| 13   | 824471GT      | FITTING,3/8 NPT TO 1/2 BARB   | 1    |
| 14   | 46131GT       | CLAMP,HOSE,.63  | 4    |
| 15   | 823421-2700GT | HOSE, FUEL, 1/2, GATES RLA 27"  | 1    |
| 16   | 27901GT       | HOSE END,BARBED,RIGID,-6-6  | 1    |
| 17   | 21465GT       | CLAMP,HOSE,SIZE .25 TO .63  | 1    |
| 18   | 822087GT      | CLAMP,HOSE,1EAR,25/32   | 2    |
| 19   | 824635GT      | FITTING,STR,1/2 HS X 3/4-16,JI  | 1    |
| 20   | 825052GT      | BRACKET,FUEL SYSTEM,DEUTZ 2.9L  | 1    |
| 21   | 29868GT       | SPRING CLIP,3/8-16,.05-.20X.73,ZAG  | 2    |
| 22   | 824089GT      | SCREW,HHF,3/8-16X.75,8,ZAG  | 2    |
| 23   | 824029GT      | NUT,TL FLG,3/8-16,G,ZAG   | 2    |
| 24   | 824091GT      | SCREW,HHF,3/8-16X1.25,8,ZAG   | 2    |
| 25   | 1261239GT     | ASSY,FUEL PREFILTER,DEUTZ 2.9   | 1    |

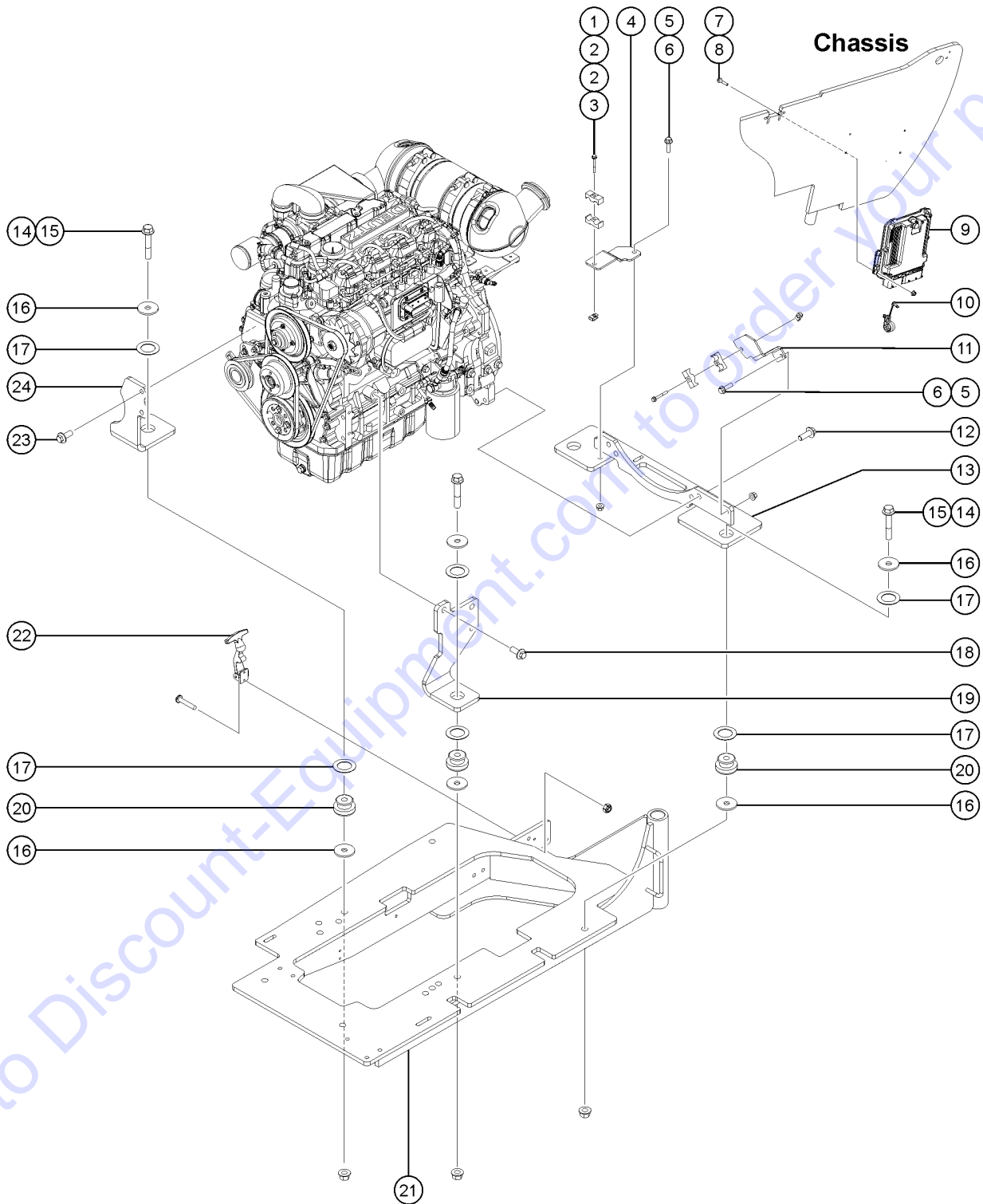


405.1 Deutz TD 2.9L4 Engine - View 3



| Item | Part No.       | Description                                 | Qty. |
|------|----------------|---|------|
| 25-  | 236260GT       | PRE-FILTER,FUEL,DEUTZ TCD3.6 .....          | 1    |
| 25-  | 07.4501.0291GT | SENSOR .....                                |      |
| 26   | 236259GT       | LIFT PUMP,FUEL,DEUTZ .....                  | 1    |
| 27   | 823421-2400GT  | HOSE, FUEL, 1/2, GATES RLA 24" .....        | 1    |
| 27-  | 162207GT       | FITTING,ELBOW,8GS-8FJX90S .....             |      |
| 27-  | 162209GT       | FITTING,CONN,16MM-8MJ .....                 |      |
| 28   | 218458GT       | SCREW,HHF,M5-0.8X20,DIN6921,10.9,ZAB .....  | 4    |
| 29   | 1255753GT      | NUT,FLG,M5-0.8,DIN6923,8,ZAB .....          | 4    |
| 30   | 60584GT        | GROMMET,RUBBER .75 X .19 X 1** .....        | 2    |
| 31   | 823420-5700GT  | HOSE,FUEL,3/8,GATES RLA 57" .....           | 1    |
| 32   | 823420-6000GT  | HOSE,FUEL,3/8,GATES RLA 60" .....           | 1    |
| 33   | 826000GT       | CONNECTOR, SAE10, QUICK CONN .....          | 1    |
| 34   | 162206GT       | FITTING,ELBOW,6GS-6FJX90S .....             | 1    |
| 35   | 162208GT       | FITTING,CONN,16MM-6MJ .....                 | 1    |
| 36   | 231533GT       | SCREW,HHF,M10-1.5X35,DIN6921,10.9,ZAB ..... | 3    |
| 37   | 231529GT       | NUT,TL FLG,M10-1.5,DIN6927,10, .....        | 3    |
| 38   | 231088GT       | SCREW,HHF,M10-1.5X20,DIN6921,1 .....        | 2    |
| 39   | 1256911GT      | FORMING FUEL FILTER DEUTZ .....             | 1    |
| 40   | 50974GT        | BUMPER,RUBBER,COVERS .....                  | 1    |
| 41   | 1257774GT      | SCREW,HHC,M8-1.25X95,DIN931,10 .....        |      |
| 42   | 824144GT       | WASHER,FLAT,M8,DIN125,ZAB .....             | 4    |
| 43   | 1261236GT      | ASSY,FUEL FILTER,DEUTZ 2.9 .....            |      |
|      |                | Includes filter 214228                      |      |
| 43-  | 214228GT       | FILTER, DEUTZ 2.9, FUEL .....               |      |

406.1 Deutz TD 2.9L4 Engine - View 4

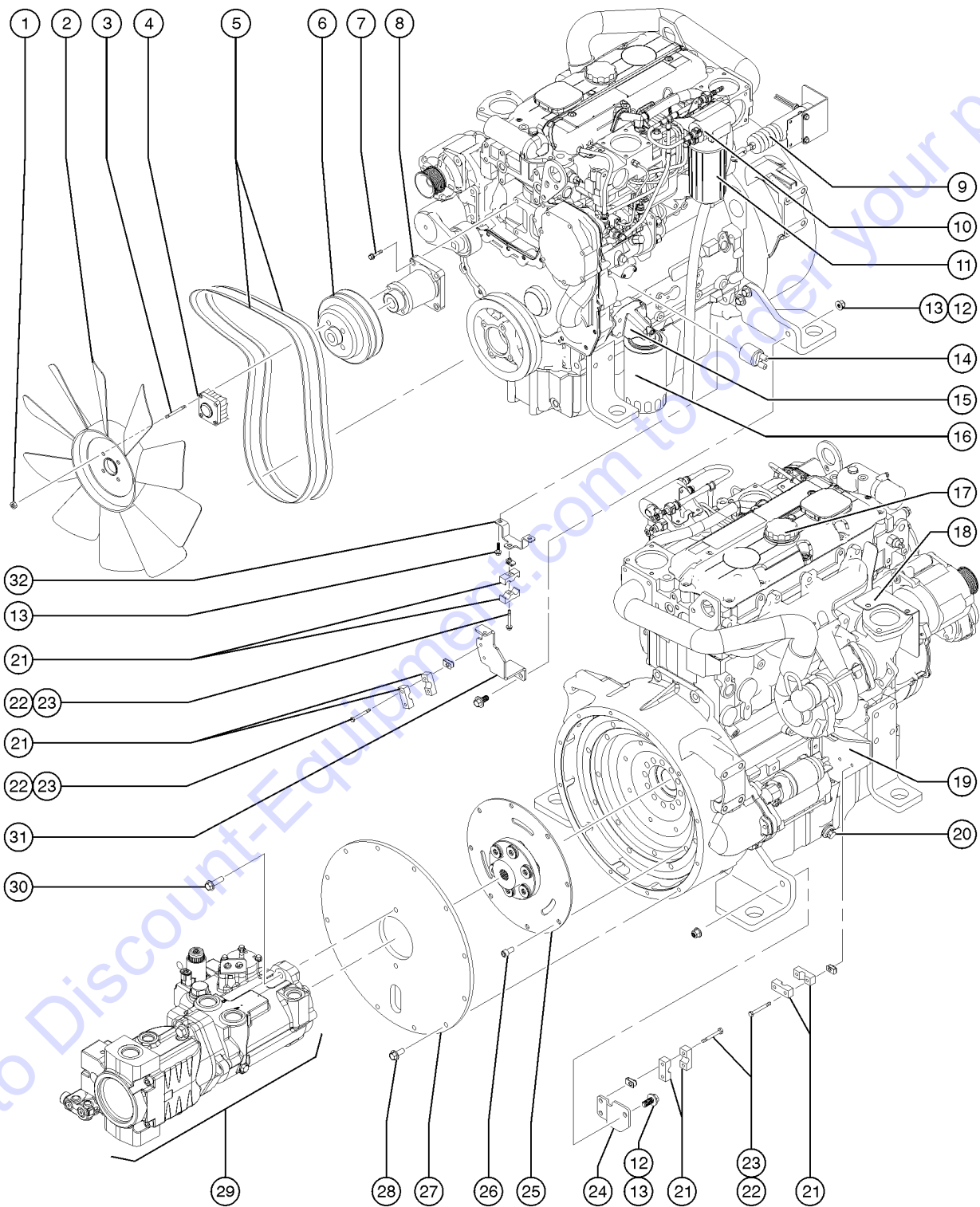




| Item | Part No.  | Description   | Qty. |
|------|-----------|---|------|
| A-   |           | Due to Tier 4 regulations, many engine replacement parts require the engine serial number at time of order placement. When ordering engine parts please have both machine and engine serial numbers available. For internal engine parts, contact engine dealer |      |
| 1    | 216597GT  | SCREW,HHF,M6-1.0X50,DIN6921,10.9,ZAB .....  | 1    |
| 2    | 217460GT  | CLAMP,BATTERY CABLE .....   | 2    |
| 3    | 219697GT  | SPRING CLIP,M6-1.0,3.4-6.3MMX1 .....  | 4    |
| 4    | 217458GT  | FORMING, BATTERY CABLE GUIDE .....  | 2    |
| 5    | 231533GT  | SCREW,HHF,M10-1.5X35,DIN6921,10.9,ZAB .....   | 2    |
| 6    | 231529GT  | NUT,TL FLG,M10-1.5,DIN6927,10, .....  | 2    |
| 7    | 231531GT  | SCREW,HHF,M6-1.0X30,DIN6921,10.9,ZAB .....  | 4    |
| 8    | 231513GT  | NUT,TL FLG,M6-1.0,DIN6927,10,Z .....  | 4    |
| 9    |           | Ref. ECM, DEUTZ D2.9<br>Models with Deutz D2.9L4 engines (This part is serialized, contact Discount-equipment with full model and SN of both the unit and engine)   | 1    |
| 10   | 121603GT  | CLAMP,FIXED DIA.NYLON,.875" .....   | 2    |
| 11   | 217457GT  | FORMING, BATTERY CABLE MOUNT .....  | 1    |
| 12   | 1251899GT | SCREW,HHF,M14-2.0 X 40,DIN 692 .....  | 4    |
| 13   | 70440GT   | WELDMENT,REAR ENGINE MOUNT .....  | 1    |
| 14   | 1256583GT | SCREW,HHF,5/8-11X3.5,8,ZAG .....  | 4    |
| 15   | 1253319GT | NUT,TL FLG,5/8-11,G,ZAG .....   | 4    |
| 16   | 824123GT  | WASHER,FLAT,.625X2.25X.188,ZAG .....  | 8    |
| 17   | 1251565GT | WASHER,SHIM,1.56X2.5X0.061,ZAG .....  | 8    |
| 18   | 1256776GT | SCREW,HHF,M14-2.0X35,DIN6921,10.9,ZAB .....   | 3    |
| 19   | 1256805GT | MOUNT,ENGINE,LEFT SIDE .....  | 1    |
| 20   | 217500GT  | ISOLATOR, ENGINE VIBRATION .....  | 4    |
| 21A  | 160359GT  | WELDMENT, ENGINE TRAY .....   | 1    |
| 21B  | 35675GT   | BEARING,FL,1.25IDX1.5ODX1.25L<br>for 160359 .....   | 2    |
| 22   | 45363GT   | LATCH,FLEXIBLE .....  | 1    |
| 23   | 824134GT  | SCREW,HHF,M12-1.75X30,DIN6921, .....  | 2    |
| 24   | 1251720GT | WELDMENT, RADIATOR MOUNT .....  | 1    |



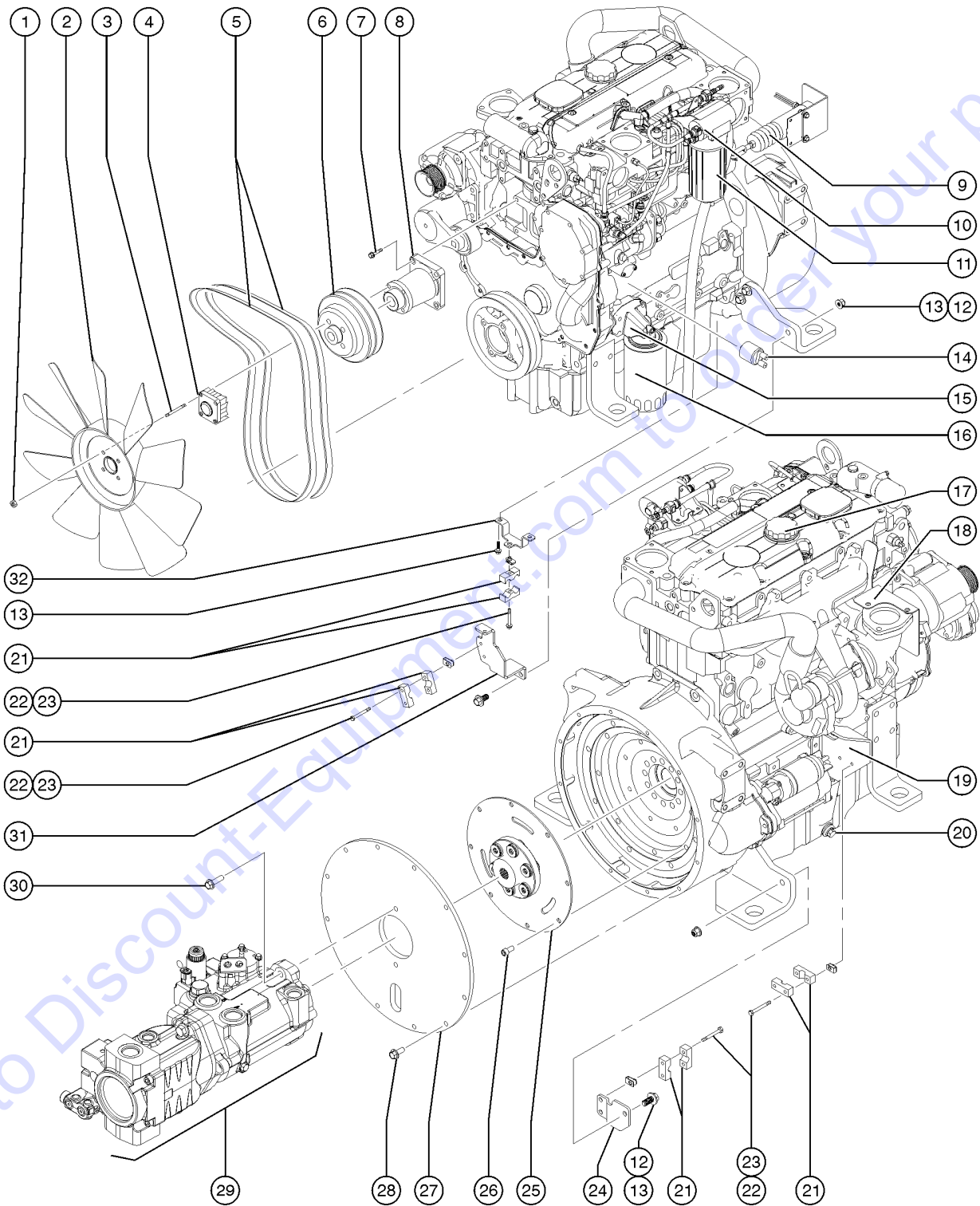
407.1 Perkins 1104D-44T Engine - View 1



| Item | Part No.  | Description   | Qty. |
|------|-----------|---|------|
| A-   |           | Verify Engine Make and Model Before Ordering .....            |      |
| B-   |           | For internal engine parts, contact engine dealer .....        |      |
| C-   | 227897GT  | WATER PUMP KIT<br>Includes gasket part 102644 .....           |      |
| D-   | 102644GT  | GASKET-PUMP WATE,PERK 1104C-44 .....                          |      |
| 1    | 75326GT   | NUT,FAN BLADE,PERKINS 1004-42 .....                           |      |
| 2    | 75328GT   | FAN,PULLER,PERKINS,1004-42 .....                              | 1    |
| 3    | 75327GT   | STUD,FAN SPACR,PERKINS 1004-42 .....                          | 4    |
| 4    | 130187GT  | FAN SPACER,PERKINS,1.5" .....                                 | 1    |
| 5    | 102598GT  | BELT,V,(2) PERKINS 1104C-44 .....                             | 2    |
|      |           | Serviced in pairs   |      |
| 6    | 75330GT   | PULLEY,FAN,PERKINS 1004-42 .....                              | 1    |
| 7    | 75304GT   | SCREW,PERKINS 1004-42 .....                                   | 4    |
| 8    | 123351GT  | FAN DRIVE HOUSING .....                                       | 1    |
| 9    |           | Ref. THROTTLE SOLENOID ASSY, TROMB.<br>(Refer to 408.1) ..... | 1    |
| 10   | 102638GT  | ADAPTER-FUEL FILTER, PERK 1104 .....                          |      |
| 11   | 102639GT  | FILTER,FUEL, PERKINS 1104C .....                              |      |
| 12   | 231529GT  | NUT,TL FLG,M10-1.5,DIN6927,10, .....                          |      |
| 13   | 231533GT  | SCREW,HHF,M10-1.5X35,DIN6921,10.9,ZAB .....                   |      |
| 14   | 102348GT  | SENDING UNIT,OIL PRESS PERKINS .....                          | 1    |
| 15   | 123084GT  | HEAD / OIL FILTER .....                                       | 1    |
| 16   | 102632GT  | FILTER,OIL,PERKINS 1104C-44 .....                             | 1    |
| 17   | T114346GT | CAP,VALVE COVER,OIL FILLER,PRK .....                          |      |
| 18   | 216286GT  | FORMING, HEAT SHIELD, 1104D-44 .....                          | 1    |
| 19   | 217459GT  | FORMING,BATTERY CABLE,STARTER .....                           | 1    |
| 20   | 75342GT   | PLUG,ENGINE OIL,PERKIN 1004-42 .....                          | 1    |
| 21   | 217460GT  | CLAMP,BATTERY CABLE .....                                     | 6    |
| 22   | 216597GT  | SCREW,HHF,M6-1.0X50,DIN6921,10.9,ZAB .....                    |      |
| 23   | 230073GT  | SPRING CLIP,M6-1.0,0.8-4MM PAN .....                          |      |
| 24   | 217458GT  | FORMING, BATTERY CABLE GUIDE .....                            | 1    |



407.1 Perkins 1104D-44T Engine - View 1

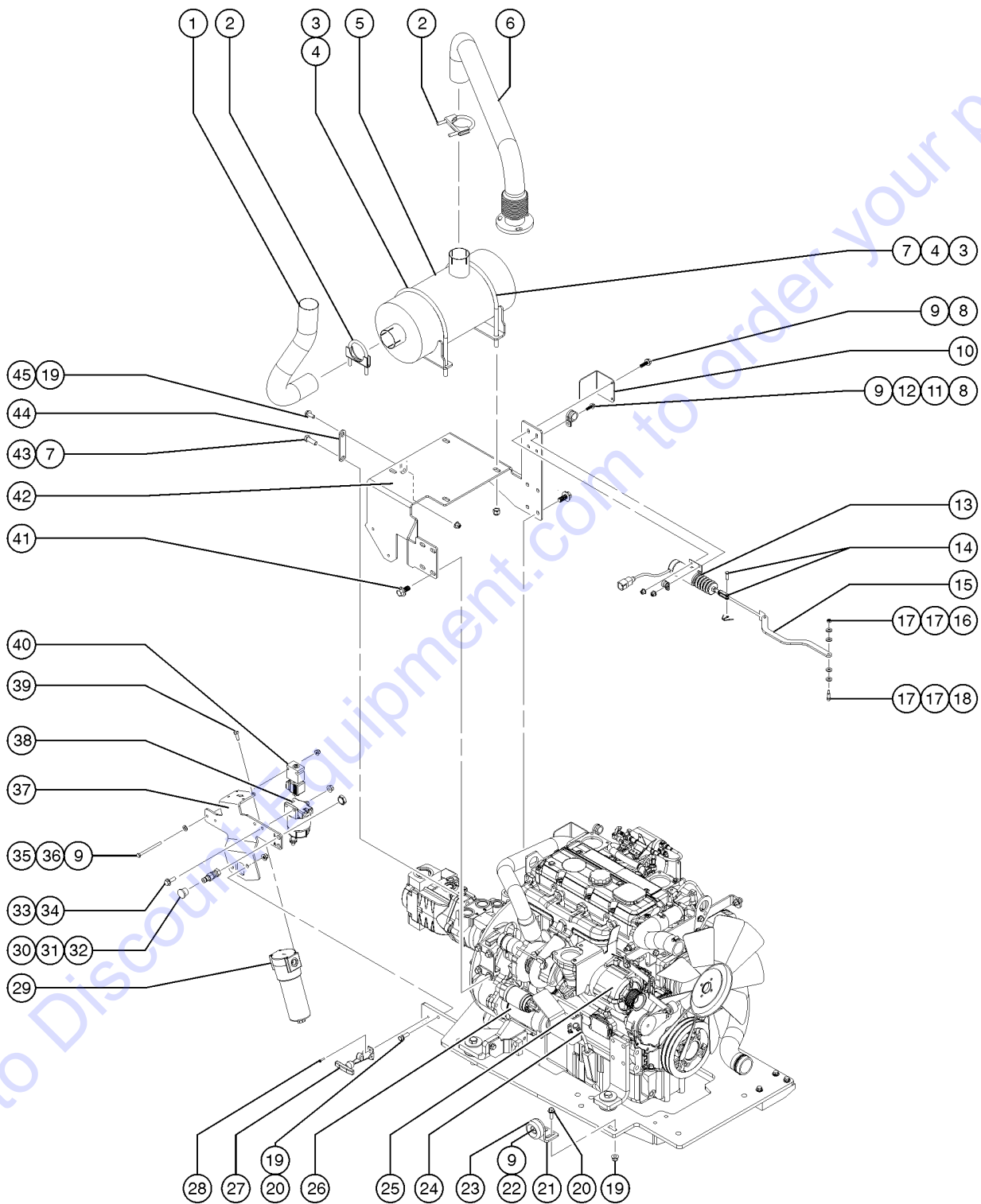


| Item | Part No.  | Description                                 | Qty. |
|------|-----------|---|------|
| 25   | 216564GT  | FLYWHEEL, COUPLER 15 TOOTH SAE 10 .....     | 1    |
| 26   | 1256444GT | SCREW,SHC,3/8-24X.75,A574,ZAG .....         |      |
| 27   | 60322-SGT | PLATE,PUMP MOUNT .....                      | 1    |
| 28   | 231530GT  | SCREW,HHF,M10-1.5X25,DIN6921,10.9,ZAB ..... | 12   |
| 29   |           | Ref. PUMP, DRIVE, AND FUNCTION, .....       |      |
|      |           | (Refer to 712.1)                            |      |
| 30   | 1253498GT | SCREW,HHF,1/2-13X1.5,8,ZAG .....            |      |
| 31   | 217457GT  | FORMING, BATTERY CABLE MOUNT .....          | 1    |
| 32   | 161970GT  | BRACKET, POSITIVE BATTERY .....             |      |

Go to Discount-Equipment.com to order your parts



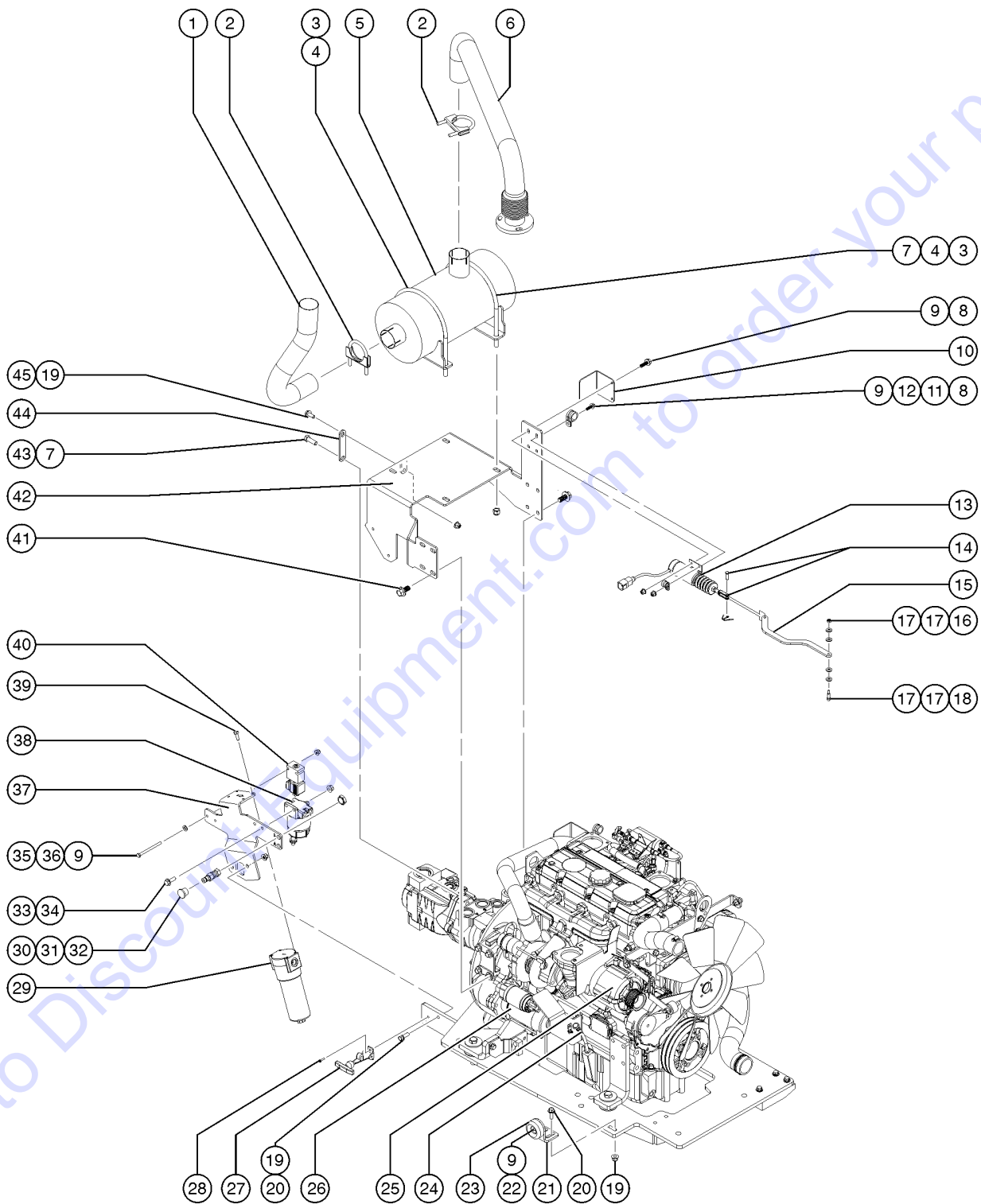
408.1 Perkins 1104D-44T Engine - View 2



| Item | Part No.  | Description  | Qty. |
|------|-----------|--|------|
| A-   |           | Verify Engine Make and Model Before Ordering .....                         |      |
| B-   |           | For internal engine parts, contact engine dealer .....                     |      |
| 1    | 215496GT  | TAIL PIPE,PERKINS 1104 .....   | 1    |
| 2    | 71911GT   | CLAMP,MUFFLER, 2.50 INCH .....   |      |
| 3    | 70449GT   | U-BOLT,1/2-13 X 8.5 .....  | 2    |
| 4    | 70483GT   | FORMING,8.5' MUFFLER MOUNT .....   | 2    |
| 5    | 70444GT   | MUFFLER,2.5"INLET/OUTLET .....   |      |
| 6    | 215500GT  | WELDMENT,HEADER PIPE, PERKINS .....  | 1    |
| 7    | 1251997GT | NUT,TL FLG,1/2-13,G,ZAG .....  |      |
| 8    | 231532GT  | SCREW,HHF,M6-1.0X20,DIN6921,10.9,ZAB .....                                 |      |
| 9    | 231513GT  | NUT,TL FLG,M6-1.0,DIN6927,10,Z .....                                       |      |
| 10   | 215513GT  | FORMING,HEAT SHIELD .....  | 1    |
| 11   | 18666GT   | CLAMP,1.00,#16 X 1/4,RUB CUSH .....  | 1    |
| 12   | 6833GT    | CLAMP,0.50,#8 X 1/4,RUB CUSH .....   | 1    |
| 13   | 101957GT  | SOLENOID,THROTTLE,ASSY.TROMB .....   | 1    |
| 14   | 21130GT   | CLEVIS YOKE-1/4-28,PLTD W/PIN<br>Includes clevis, pin and cotter pin ..... | 1    |
| 15   | 216758GT  | THROTTLE LINKAGE, PERKINS 1104 .....                                       | 1    |
| 16   | 1251566GT | NUT, TL, 10-24, A, ZAG .....   |      |
| 17   | 82295GT   | WASHER,RIVETING .....  |      |
| 18   | 1257076GT | BOLT,SHS,1/4-28X4,ZAG .....  |      |
| 19   | 231529GT  | NUT,TL FLG,M10-1.5,DIN6927,10, .....                                       |      |
| 20   | 232874GT  | SCREW, HHF, M10-1.5X30,DIN6921 .....                                       |      |
| 21   | 60729GT   | FORMING,COVER STOP*** .....  | 1    |
| 22   | 231532GT  | SCREW,HHF,M6-1.0X20,DIN6921,10.9,ZAB .....                                 |      |
| 23   | 50974GT   | BUMPER,RUBBER,COVERS .....   | 1    |
| 24   | 130341GT  | DIPSTICK,OIL,PERKINS 1104C-44T .....                                       |      |
| 24-  | 123081GT  | ASSY / OIL TUBE<br>Includes tube and nut only .....                        |      |
| 25   | 102646GT  | ALTERNATOR,PERKINS 1104C-44 .....  |      |



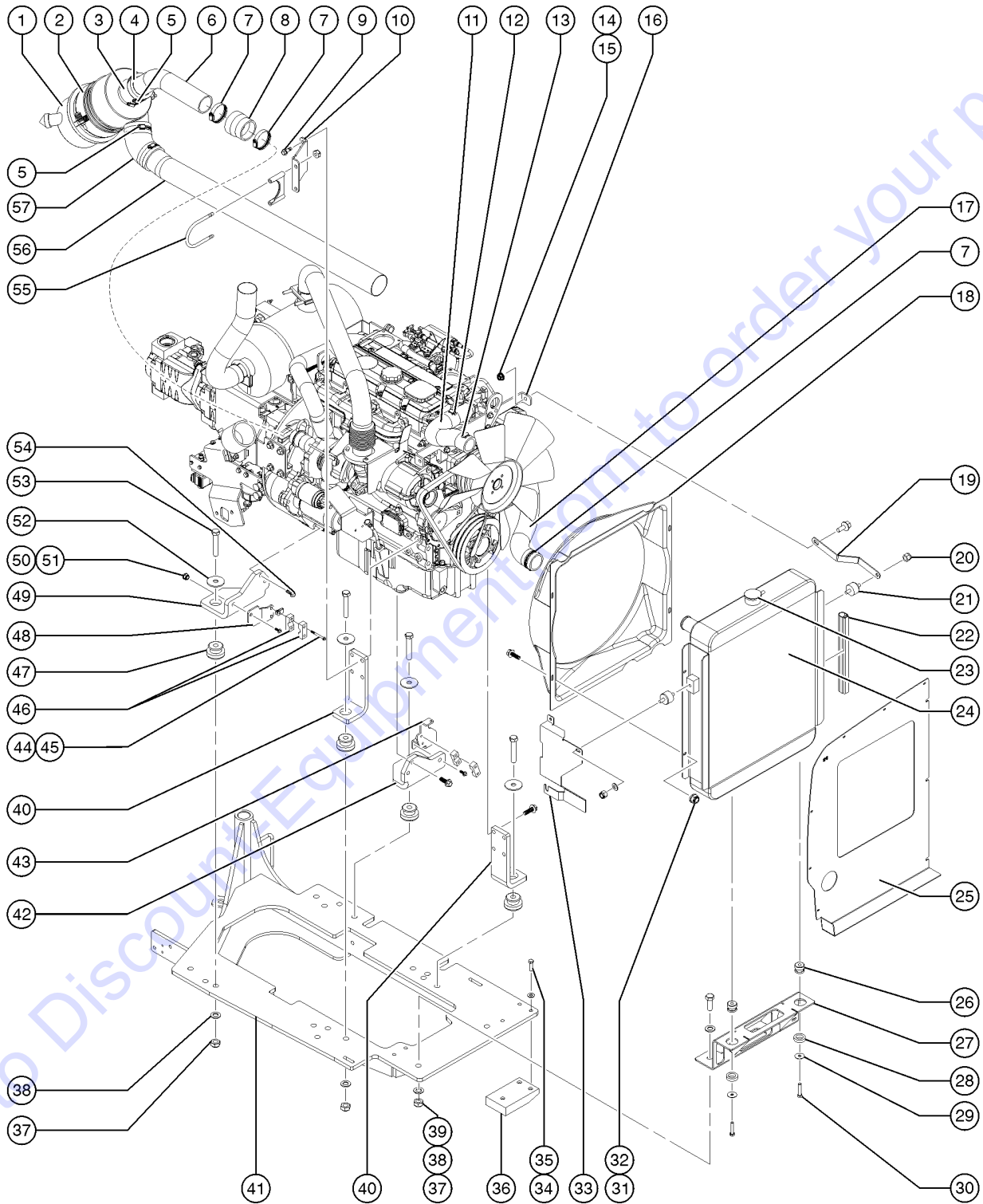
408.1 Perkins 1104D-44T Engine - View 2





| Item | Part No.  | Description                                 | Qty. |
|------|-----------|---|------|
| 26   | 226627GT  | STARTER,ENG,PERK T3 6/8/10K .....           |      |
| 27   | 45363GT   | LATCH,FLEXIBLE .....                        | 1    |
| 28   | 1256460GT | SCREW,PHPM,10-24X1,ZAG .....                |      |
| 29   | 1267807GT | ASSEMBLY, MED. PRESS. FILTER, .....         |      |
| 29-  | 1268229GT | ELEMENT-5 MIC, PAPER, W/ BYPASS .....       |      |
| 30   | 48880GT   | CAP,DIAGNOSTIC NIPPLE .....                 | 2    |
| 31   | 49207GT   | NIPPLE,DIAGNOSTIC,ORFS,FM,SWIV .....        | 2    |
| 32   | 77308GT   | NUT,BULKHEAD,ORFS-4 .....                   | 2    |
| 33   | 824133GT  | SCREW,HHF,M8-1.25X25,DIN6921,10.9,ZAB ..... |      |
| 34   | 237832GT  | NUT,TL,FLG,M8-1.25,DIN6927,10, .....        |      |
| 35   | 825581GT  | SCREW,HHC,M6-1.0X85,DIN931,10.9,ZAB .....   |      |
| 36   | 825355GT  | WASHER,FLAT,M6,DIN125,ZAB .....             |      |
| 37   | 215517GT  | FORMING, CHARGE FILTER MOUNT .....          |      |
| 38   | 75020GT   | SEPRTR/FLTR,FUEL DSL,15GPH,,30 .....        |      |
| 38-  | 62433GT   | FILTER,ELEMENT,30 MIC,75020 .....           |      |
| 39   | 824080GT  | SCREW,HHF,1/4-20X1.25,8,ZAG .....           |      |
| 40   |           | Ref. VALVE, FUNCTION ENABLE .....           | 1    |
|      |           | (Refer to 705.1)                            |      |
| 41   | 231087GT  | SCREW,HHF,M12 X 1.75 X 25 .....             |      |
| 42   | 215509GT  | WELDMENT, MUFFLER MOUNT .....               | 1    |
| 43   | 1253498GT | SCREW,HHF,1/2-13X1.5,8,ZAG .....            |      |
| 44   | 215510GT  | PLATE,PUMP STRUT .....                      | 1    |
| 45   | 231530GT  | SCREW,HHF,M10-1.5X25,DIN6921,10.9,ZAB ..... | 1    |

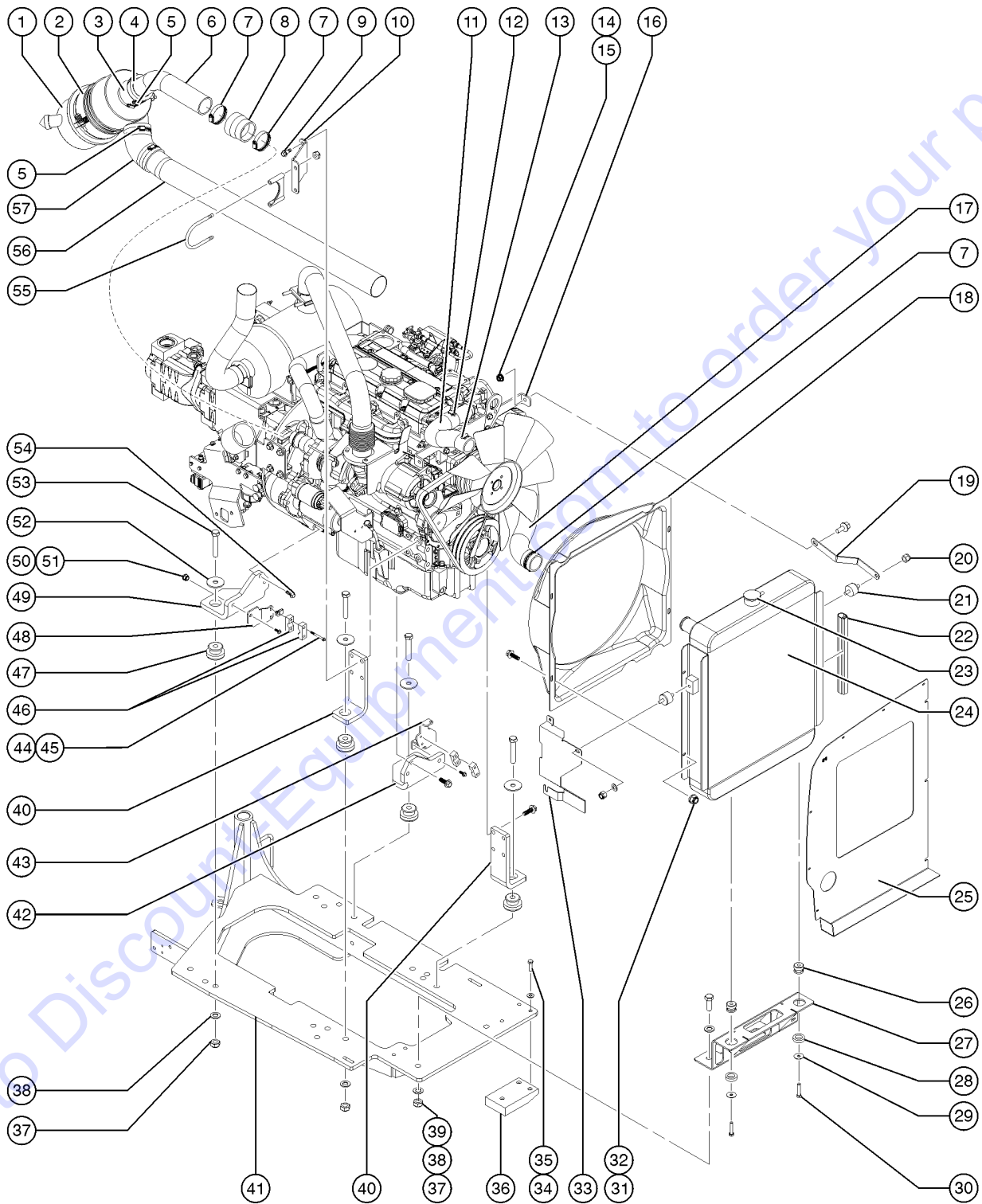
409.1 Perkins 1104D-44T Engine - View 3



| Item | Part No.     | Description  | Qty. |
|------|--------------|--|------|
| A-   |              | Verify Engine Make and Model Before Ordering .....     |      |
| B-   |              | For internal engine parts, contact engine dealer ..... |      |
| 1    | 81467GT      | AIR CLEANER,NELSON .....                               | 1    |
| 1-   | 62425GT      | FILTER,AIR CLEANER, SUPERBOOM .....                    |      |
| 2    | 81468GT      | MOUNTING BAND,AIR CLEANER .....                        | 1    |
| 3    | 106211-300GT | HOSE,RUBBER 3"ID X .25 BLACK .....                     | 1    |
| 4    | 101640GT     | REDUCER,RUBBER 3.0 - 2.5 .....                         | 1    |
| 5    | 30489GT      | CLAMP,HOSE,3.50 .....                                  | 2    |
| 6    | 215511GT     | TUBE,INTAKE, FILTER TO TURBO .....                     | 1    |
| 7    | 45435GT      | CLAMP,HOSE,2.50" .....                                 | 4    |
| 8    | 215918GT     | REDUCER, RUBBER, 2.5 TO 2.25 .....                     | 1    |
| 9    | 121431GT     | SCREW,HHF,M12X30 GR12.9 .....                          |      |
| 10   | 215514GT     | FORMING,INTAKE TUBE MOUNT .....                        | 1    |
| 11   | 60576GT      | RADIATOR HOSE,UPPER-PERKINS .....                      | 1    |
| 12   | 35434GT      | CLAMP,HOSE,2.00*** .....                               | 1    |
| 13   | 22672GT      | CLAMP,HOSE,1.75 .....                                  | 1    |
| 14   | 231529GT     | NUT,TL FLG,M10-1.5,DIN6927,10, .....                   |      |
| 15   | 231530GT     | SCREW,HHF,M10-1.5X25,DIN6921,10.9,ZAB .....            |      |
| 16   | 215515GT     | FORMING,RADIATOR SUPPORT .....                         | 1    |
| 17   | 75555GT      | RADIATOR HOSE,LOWER-PERKINS .....                      | 1    |
| 18   | 60649GT      | SHROUD,FAN (FIBERGLASS) .....                          | 1    |
| 19   | 215516GT     | PLATE,RADIATOR,STRUT .....                             | 1    |
| 20   | 824029GT     | NUT,TL FLG,3/8-16,G,ZAG .....                          |      |
| 21   | 75260GT      | ISOLATOR,FLEX-BOLT SANDWICH*** .....                   | 2    |
| 22   | 60875GT      | TRIM MOLDING .....                                     |      |
| 23   | 65473GT      | CAP,RADIATOR,PERKINS/FORD .....                        | 1    |
| 24   | 70518GT      | RADIATOR .....   | 1    |
| 25   | 217988GT     | PLATE FRONT BULKHEAD RIGHT .....                       |      |



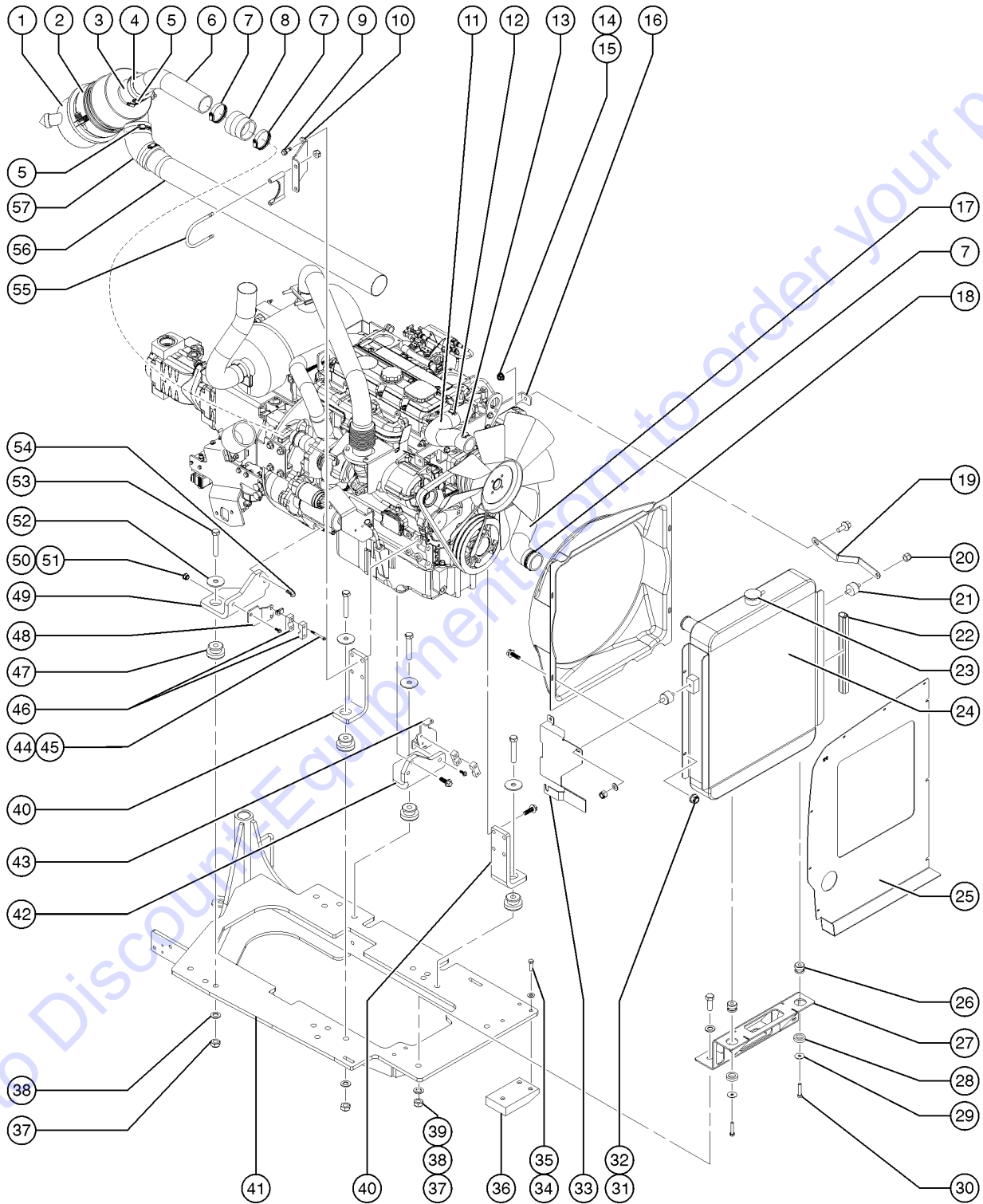
409.1 Perkins 1104D-44T Engine - View 3



Go to DiscountEquipment.com to order your parts

| Item | Part No.  | Description                                 | Qty. |
|------|-----------|---|------|
| 26   | 75259GT   | ISOLATOR,CENTER BONDED .....                | 2    |
| 27   | 75297GT   | WELDMENT,RADIATOR MOUNT** .....             | 1    |
| 28   | 75274GT   | TUBE,RADIATOR MOUNT .....                   | 2    |
| 29   | 824122GT  | WASHER, FLAT, .375 X 1.25 X .062, ZAG ..... |      |
| 30   | 824093GT  | SCREW,HHF,3/8-16X1.75,8,ZAG .....           |      |
| 31   | 231513GT  | NUT,TL FLG,M6-1.0,DIN6927,10,Z .....        |      |
| 32   | 231532GT  | SCREW,HHF,M6-1.0X20,DIN6921,10.9,ZAB .....  |      |
| 33   | 822811GT  | BELT GUARD 1104 PERKINS .....               | 1    |
| 34   | 6019GT    | SCREW,HHC,3/8-16 X 1.25 GRD 5 .....         |      |
| 35   | 5397GT    | WASHER,FLAT,USS,5/16",Y .....               |      |
| 36   | 60637GT   | WEAR PAD,ENGINE SUPPORT .....               |      |
| 37   | 1253319GT | NUT,TL FLG,5/8-11,G,ZAG .....               |      |
| 38   | 1256182GT | WASHER,FLAT,5/8,F436,HRD,ZAG .....          |      |
| 39   | 29883GT   | SCREW,HHC,5/8-11 X 1.75 GRD.8 .....         |      |
| 40   | 60564GT   | BRACKET,ENG.MOUNT,FRT.PERKINS .....         | 2    |
| 41   |           | Ref. Engine Tray .....                      |      |
|      |           | (Refer to 413.1)                            |      |
| 42   | 101930PGT | MOUNT,PERKINS 1104 LF PAINTED .....         | 1    |
| 43   | 217457GT  | FORMING, BATTERY CABLE MOUNT .....          | 1    |
| 44   | 216597GT  | SCREW,HHF,M6-1.0X50,DIN6921,10.9,ZAB .....  |      |
| 45   | 230073GT  | SPRING CLIP,M6-1.0,0.8-4MM PAN .....        |      |
| 46   | 217460GT  | CLAMP,BATTERY CABLE .....                   | 4    |
| 47   | 217500GT  | ISOLATOR, ENGINE VIBRATION .....            | 4    |
| 48   | 217458GT  | FORMING, BATTERY CABLE GUIDE .....          | 1    |
| 49   | 101931PGT | MOUNT,PERKINS 1104 RH PAINTED .....         | 1    |
| 50   | 231529GT  | NUT,TL FLG,M10-1.5,DIN6927,10, .....        |      |
| 51   | 231533GT  | SCREW,HHF,M10-1.5X35,DIN6921,10.9,ZAB ..... |      |
| 52   | 824123GT  | WASHER,FLAT,.625X2.25X.188,ZAG .....        |      |
| 53   | 1256583GT | SCREW,HHF,5/8-11X3.5,8,ZAG .....            |      |

409.1 Perkins 1104D-44T Engine - View 3



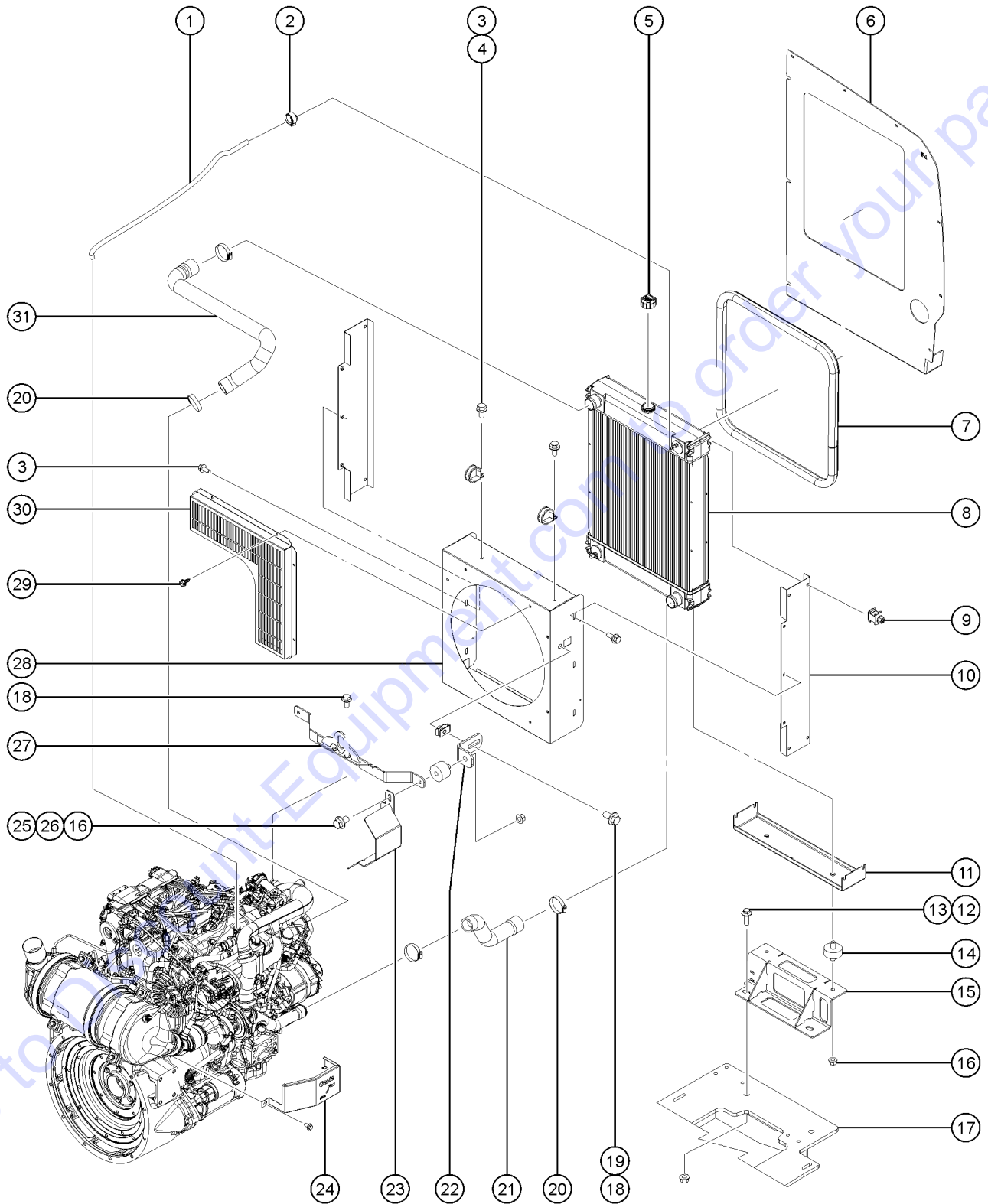
Go to DiscountEquipment.com to order your parts

| Item | Part No. | Description                                  | Qty. |
|------|----------|--|------|
| 54   | 231511GT | SCREW,HHF,M12-1.75X35,DIN6921,10.9,ZAB ..... |      |
| 55   | 122414GT | U-BOLT,GUILLOTINE,3" .....                   | 1    |
| 56   | 215512GT | TUBE,INTAKE, FILTER .....                    | 1    |
| 57   | 61270GT  | ELBOW,45 DEG,INLET .....                     | 1    |

Go to Discount-Equipment.com to order your parts



410.1 Perkins 854F-E34T Engine - View 1

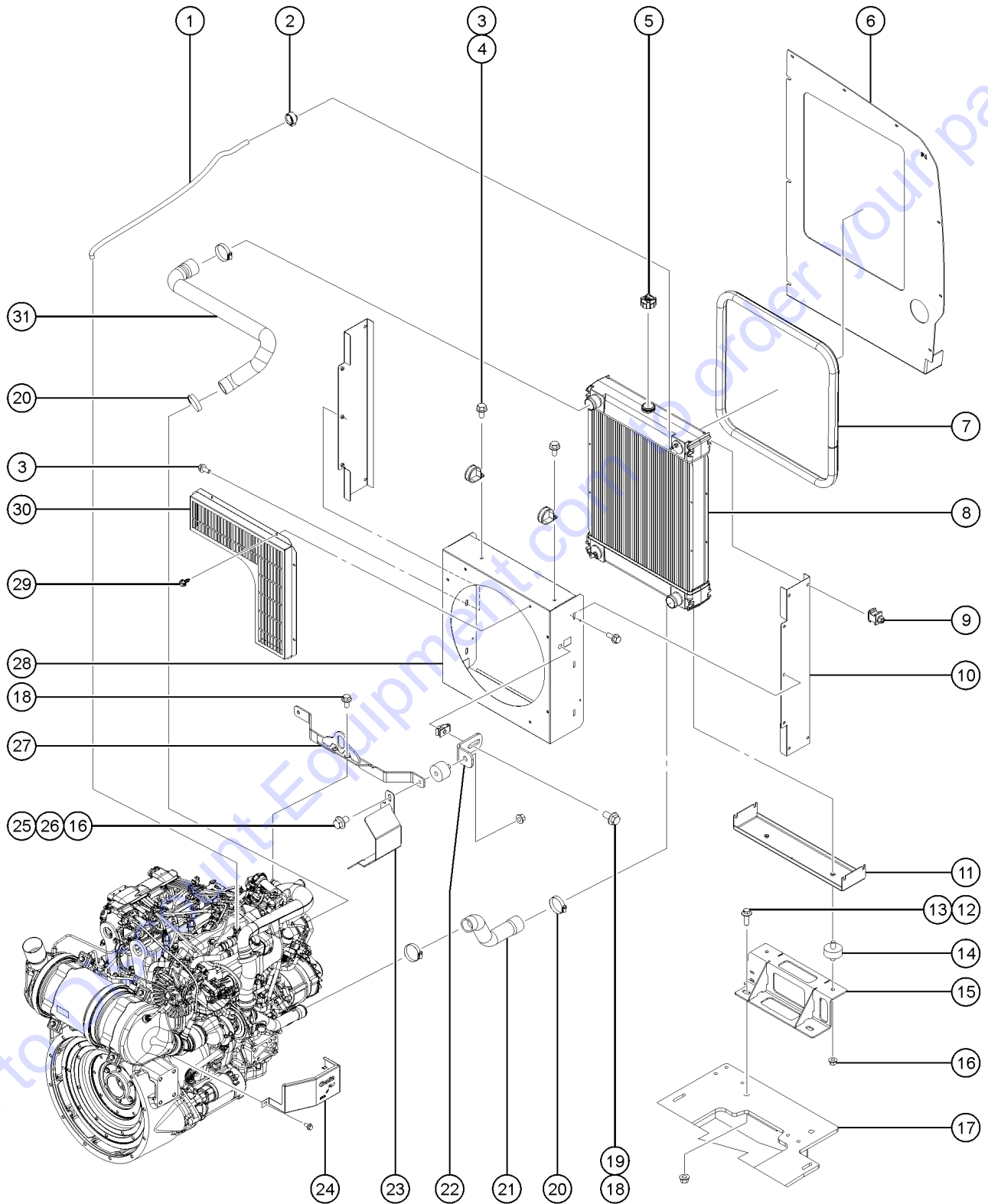




| Item | Part No.     | Description   | Qty. |
|------|--------------|---|------|
| A-   |              | Due to Tier 4 regulations, many engine replacement parts require the engine serial number at time of order placement. When ordering engine parts please have both machine and engine serial numbers available. For internal engine parts, contact engine dealer |      |
| B-   | 823604GT     | KIT, PERKINS 854TF TIER IV  | 1    |
| C-   | 1252707GT    | HARNES,PERKINS 854F,ZX135   | 1    |
| D-   | 1253308GT    | COOLING SYSTEM RCP 854<br>(includes items 3-5, 8-11, 21 and 28-31)  | 1    |
| 1    | 1258503GT    | 1/4" ID SILICON HOSE GTH3051  | 1    |
| 2    | 1258923GT    | CLAMP,HOSE,1 EAR,13.3 MM  | 1    |
| 3    | 1251983GT    | SCREW,HHF,M8-1.25X16,DIN6921,10.9,ZAB   | 2    |
| 4    | 1254095GT    | P CLAMP CUSH  | 2    |
| 5    | 1254081GT    | PRESSURE CAP RCP  | 1    |
| 6    | 1254087GT    | PLATE FRONT BULKHEAD RIGHT  | 1    |
| 7    | 60875-9600GT | TRIM, RUBBER "D" SEAL, 3/16 96  | 1    |
| 8    | 1254075GT    | RADIATOR RCP  | 1    |
| 9    | 1253233GT    | ISOLATOR ASSY RCP RADIATOR  | 8    |
| 10   | 1253231GT    | FORMING RADIATOR SIDE MOUNT   | 2    |
| 11   | 1254074GT    | FORMING BOTTOM MOUNT  | 1    |
| 12   | 1251894GT    | SCREW,HHF,M16-2.0X45,DIN6921,10.9,ZAB   | 2    |
| 13   | 1251893GT    | NUT,TL,FLG,M16-2.0,DIN6927,10,ZAB   | 2    |
| 14   | 1255631GT    | ISOLATOR, M10-1.50, 5/8" HIGH   | 2    |
| 15   | 1256445GT    | WELDMENT, RADIATOR MOUNT  | 1    |
| 16   | 231529GT     | NUT,TL FLG,M10-1.5,DIN6927,10,  | 4    |
| 17   |              | Ref. Engine Tray<br>(Refer to 413.1)  |      |
| 18   | 231088GT     | SCREW,HHF,M10-1.5X20,DIN6921,1  | 4    |
| 19   | 230074GT     | SPRING CLIP,M10-1.5,1-6X19,ZAB  | 2    |
| 20   | 35434GT      | CLAMP,HOSE,2.00***  | 4    |
| 21   | 1254090GT    | HOSE, RADIATOR LOWER  | 1    |
| 22   | 1256271GT    | FORMING RADIATOR SUPPORT  | 2    |
| 23   | 1260289GT    | FORMING,PERKINS ALTERNATOR GUARD  | 1    |



410.1 Perkins 854F-E34T Engine - View 1

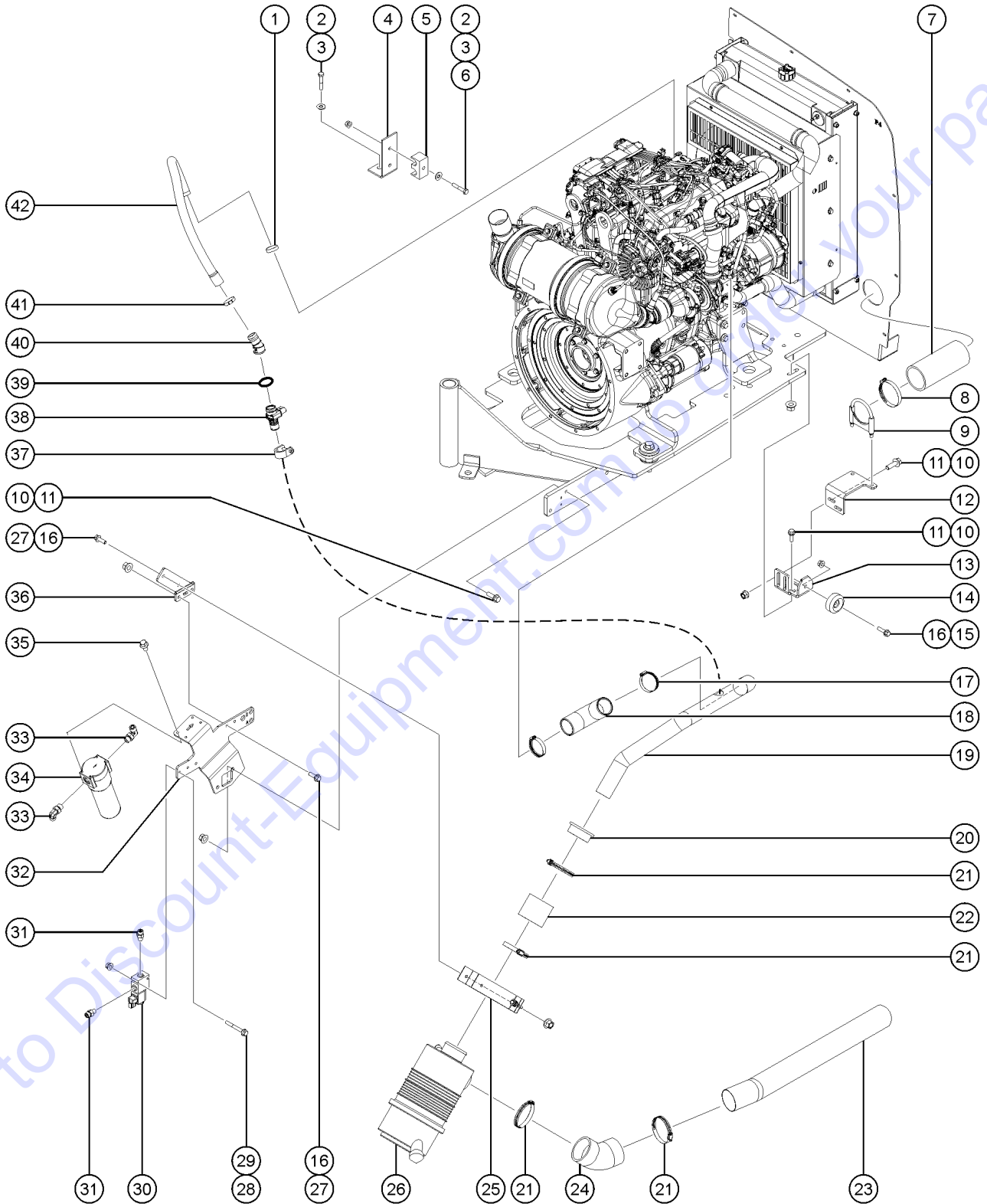


| <i>Item</i> | <i>Part No.</i> | <i>Description</i>                          | <i>Qty.</i> |
|-------------|-----------------|---|-------------|
| 24          | 1256391GT       | HEAT SHIELD,PERKINS 854TF .....             | 1           |
| 25          | 237352GT        | SCREW,HHF,M10-1.5X16,DIN6921,10.9,ZAB ..... | 2           |
| 26          | 1255451GT       | ISOLATOR, VIBRATION DAMPENER .....          | 2           |
| 27          | 1253411GT       | BRACKET,RAD SUPPORT,854TF .....             | 1           |
| 28          | 1253307GT       | FORMING FAN SHROUD RCP 854 .....            | 1           |
| 29          | 1253234GT       | SCREW SHEET METAL HHF X1/2 X .18OD .....    | 4           |
| 30          | 1254080GT       | FORMING FAN GUARD .....                     | 1           |
| 31          | 1254092GT       | HOSE, RADIATOR UPPER .....                  | 1           |

Go to Discount-Equipment.com to order your parts



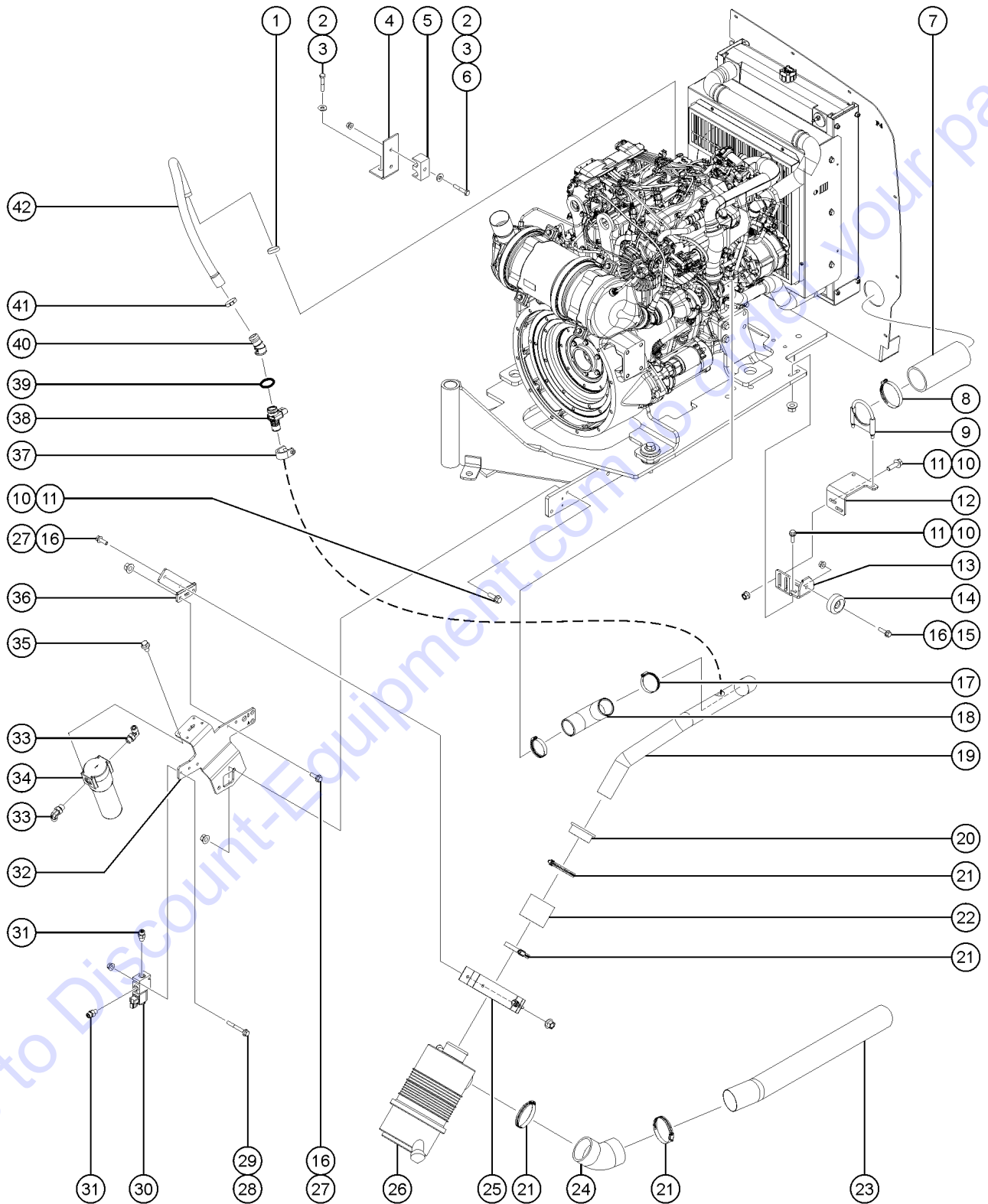
411.1 Perkins 854F-E34T Engine - View 2



| Item | Part No.     | Description   | Qty. |
|------|--------------|---|------|
| A-   |              | Due to Tier 4 regulations, many engine replacement parts require the engine serial number at time of order placement. When ordering engine parts please have both machine and engine serial numbers available. For internal engine parts, contact engine dealer |      |
| 1    | 1258525GT    | CLAMP 28.6 GTH3087  | 1    |
| 2    | 824062GT     | SCREW,HHC,1/4-20X1.5,8,ZAG  | 2    |
| 3    | 824113GT     | WASHER,FLAT,1/4,USS,ZAG   | 2    |
| 4    | 70535GT      | BRACKET,BATTERY CABLE   | 1    |
| 5    | 70289GT      | CLAMP,LINK,LH WELD WIRE   | 1    |
| 6    | 824027GT     | NUT,TL FLG,1/4-20,G,ZAG   | 1    |
| 7    | 106211-800GT | HOSE,RUBBER 3"ID X .25 X 8" BLACK   | 1    |
| 8    | 30971GT      | CLAMP,HOSE,3.00"  | 1    |
| 9    | 122414GT     | U-BOLT,GUILLOTINE,3"  | 1    |
| 10   | 232874GT     | SCREW, HHF, M10-1.5X30,DIN6921  | 6    |
| 11   | 231529GT     | NUT,TL FLG,M10-1.5,DIN6927,10,  | 6    |
| 12   | 1257728GT    | FORMING,INTAKE SUPPORT  | 1    |
| 13   | 1254669GT    | FORMING, COVER STOP   | 1    |
| 14   | 50974GT      | BUMPER,RUBBER,COVERS  | 1    |
| 15   | 1255537GT    | SCREW,HHF,M8-1.25X30,DIN6921,10.9,ZAB   | 1    |
| 16   | 237832GT     | NUT,TL,FLG,M8-1.25,DIN6927,10,  | 5    |
| 17   | T114379GT    | CLAMP,HOSE,2 3/4,PERKINS 127HP  | 2    |
| 18   | 1258465GT    | 2" 90 DEGREE ELBOW GTH3016  | 1    |
| 19   | 1251724GT    | PIPE,AIR CLEANER-TO-TURBO,854T  | 1    |
| 20   | 218806GT     | ADAPTER,PIPE,2"-3"  | 1    |
| 21   | 30489GT      | CLAMP,HOSE,3.50   | 4    |
| 22   | 106211-300GT | HOSE,RUBBER 3"ID X .25 BLACK  | 1    |
| 23   | 215512GT     | TUBE,INTAKE, FILTER   | 1    |
| 24   | 61270GT      | ELBOW,45 DEG,INLET  | 1    |
| 25   | 81468GT      | MOUNTING BAND,AIR CLEANER   | 1    |
| 26   | 81467GT      | AIR CLEANER,NELSON  | 1    |



411.1 Perkins 854F-E34T Engine - View 2

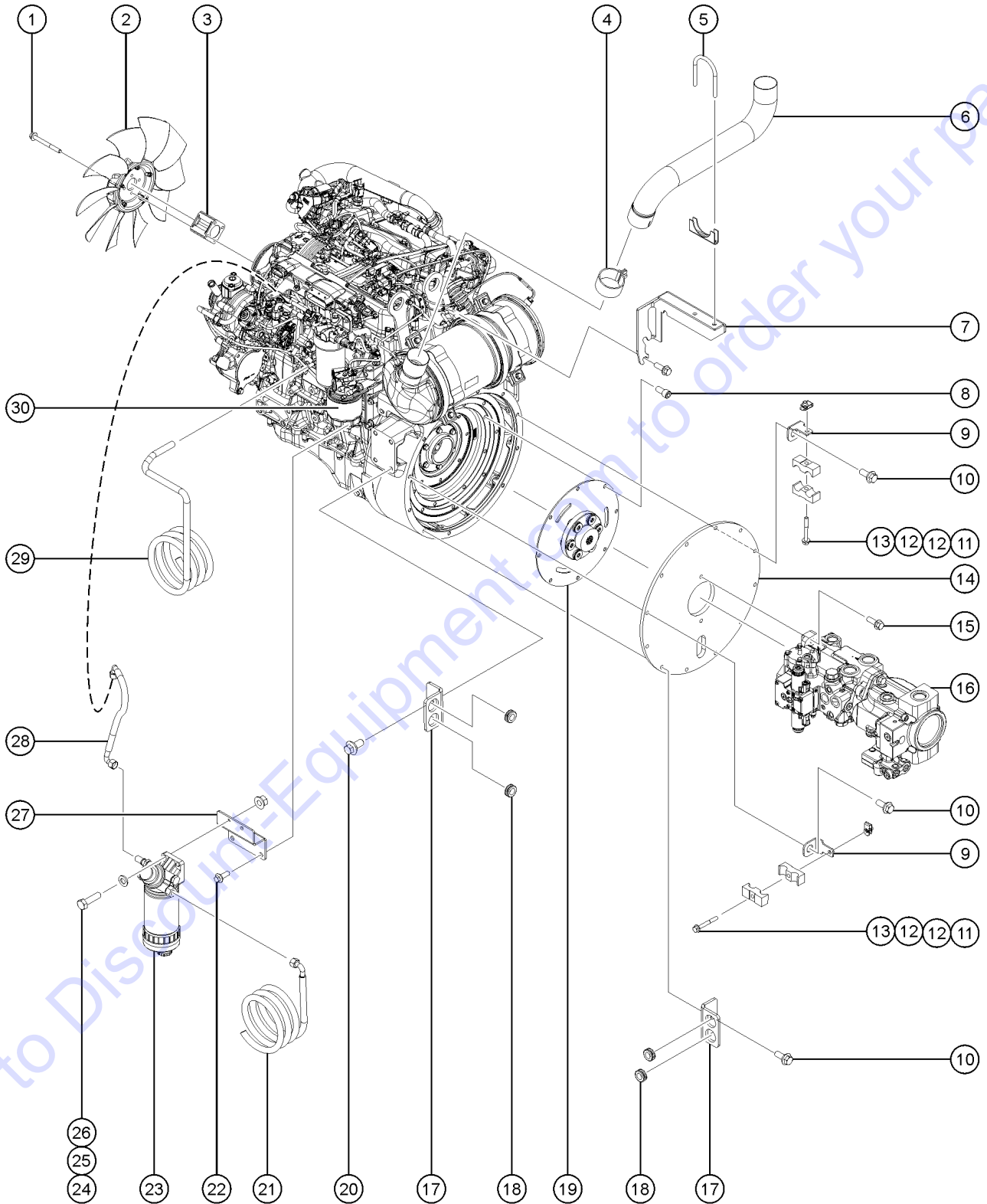


| Item | Part No.  | Description                                 | Qty. |
|------|-----------|---|------|
| 26-  | 62425GT   | FILTER,AIR CLEANER, SUPERBOOM .....         |      |
| 27   | 824133GT  | SCREW,HHF,M8-1.25X25,DIN6921,10.9,ZAB ..... | 4    |
| 28   | 216597GT  | SCREW,HHF,M6-1.0X50,DIN6921,10.9,ZAB .....  | 2    |
| 29   | 231513GT  | NUT,TL FLG,M6-1.0,DIN6927,10,Z .....        | 2    |
| 30   | 218144GT  | VALVE, FUNCTION ENABLE .....                | 1    |
| 31   | 48905GT   | CONN,520120-4*** .....                      | 2    |
| 32   | 215517GT  | FORMING, CHARGE FILTER MOUNT .....          | 1    |
| 33   | 48932GT   | FITTING,ELBOW,90D,520220-8*** .....         | 2    |
| 34   | 1267807GT | ASSEMBLY, MED. PRESS. FILTER, .....         |      |
| 34-  | 1268229GT | ELEMENT-5 MIC, PAPER, W/ BYPASS .....       |      |
| 35   | 824077GT  | SCREW,HHF,1/4-20X.5,8,ZAG .....             | 4    |
| 36   | 1251708GT | FORMINNG AIR CLEANER .....                  | 1    |
| 37   | 219188GT  | CLAMP,T-BOLT,27-29MM .....                  | 1    |
| 38   | 1258541GT | PERKINS_BREATHER_HEATER .....               | 1    |
| 39   | 1258542GT | 3.5X22 METRIC O-RING BUNA-70 G .....        | 1    |
| 40   | 1258540GT | CONNECTOR, BREATHER HEATER .....            | 1    |
| 41   | 1258538GT | CLAMP OETIKER 31.6MM GTH3088 .....          | 1    |
| 42   | 1258504GT | 3/4 ID HOSE 25FT R .....                    | 1    |

Go to Discount-Equipment.com to order your parts



412.1 Perkins 854F-E34T Engine - View 3

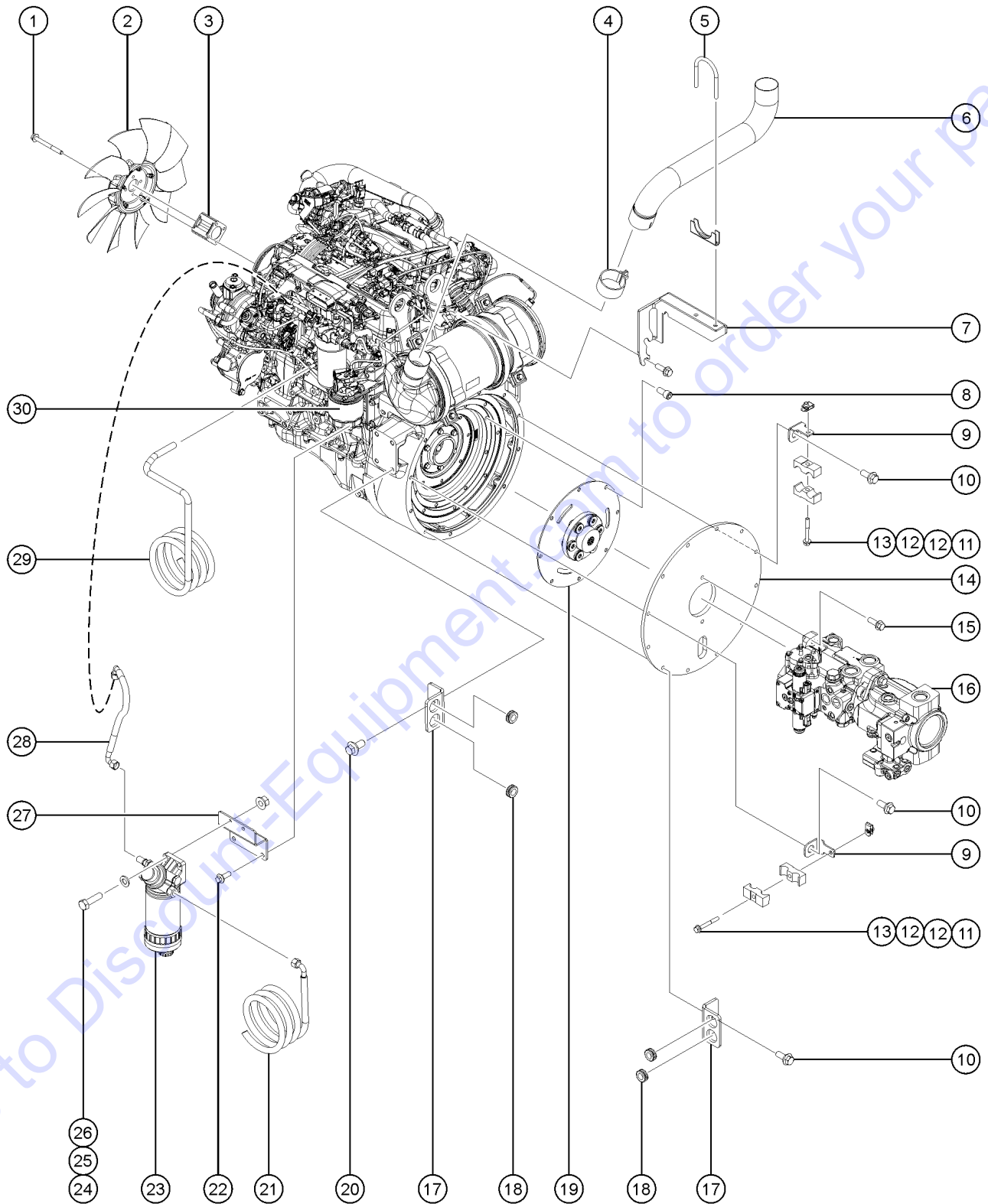




| Item | Part No.  | Description   | Qty. |
|------|-----------|---|------|
| A-   |           | Due to Tier 4 regulations, many engine replacement parts require the engine serial number at time of order placement. When ordering engine parts please have both machine and engine serial numbers available. For internal engine parts, contact engine dealer |      |
| 1    | 1257419GT | SCREW,HHF,M8-1.25X80,DIN6921,10.9,ZAB .....   | 4    |
| 2    | 1252047GT | FAN,10 BLADE,17",PERKINS .....  | 1    |
| 3    | 1258817GT | SPACER,RAD. FAN,2.5",854F .....   | 1    |
| 4    | 219130GT  | CLAMP,EXHAUST,854E-E34TA .....  | 1    |
| 5    | 71911GT   | CLAMP,MUFFLER, 2.50 INCH .....  | 1    |
| 6    | 823958GT  | EXHAUST PIPE 854 PERKINS .....  | 1    |
| 7    | 1253806GT | WELDMENT, EXHAUST SUPPORT .....   | 1    |
| 8    | 1256444GT | SCREW,SHC,3/8-24X.75,A574,ZAG .....   | 8    |
| 9    | 1256480GT | FORMING, WIRE LOOM SUPPORT .....  | 2    |
| 10   | 231530GT  | SCREW,HHF,M10-1.5X25,DIN6921,10.9,ZAB .....   | 12   |
| 11   | 216597GT  | SCREW,HHF,M6-1.0X50,DIN6921,10.9,ZAB .....  | 2    |
| 12   | 217460GT  | CLAMP,BATTERY CABLE .....   | 4    |
| 13   | 230073GT  | SPRING CLIP,M6-1.0,0.8-4MM PAN .....  | 2    |
| 14   | 60322-SGT | PLATE,PUMP MOUNT .....  | 1    |
| 15   | 1253498GT | SCREW,HHF,1/2-13X1.5,8,ZAG .....  | 2    |
| 16   |           | Ref. Pump Assembly<br>(Refer to 712.1) .....  |      |
| 17   | 217505GT  | BRACKET, CABLE MOUNT .....  | 2    |
| 18   | 60584GT   | GROMMET,RUBBER .75 X .19 X 1** .....  | 4    |
| 19   | 216564GT  | FLYWHEEL, COUPLER 15 TOOTH SAE 10 .....   | 1    |
| 20   | 231087GT  | SCREW,HHF,M12 X 1.75 X 25 .....   | 2    |
| 21   | 1258459GT | SUPPLY FUEL LINE ASSEMBLY GTH3072 .....   | 1    |
| 22   | 1255806GT | SCREW,HHF,M12-1.75X20,DIN6921,10.9,ZAB .....  | 2    |
| 23   | 218811GT  | PRE-FILTER,FUEL,854E-E34TA .....  | 1    |
| 24   | 1255538GT | SCREW,HHC,M8-1.25X30,DIN933,10.9,ZAB .....  | 2    |
| 25   | 824144GT  | WASHER,FLAT,M8,DIN125,ZAB .....   | 2    |
| 26   | 237832GT  | NUT,TL,FLG,M8-1.25,DIN6927,10, .....  | 2    |



412.1 Perkins 854F-E34T Engine - View 3



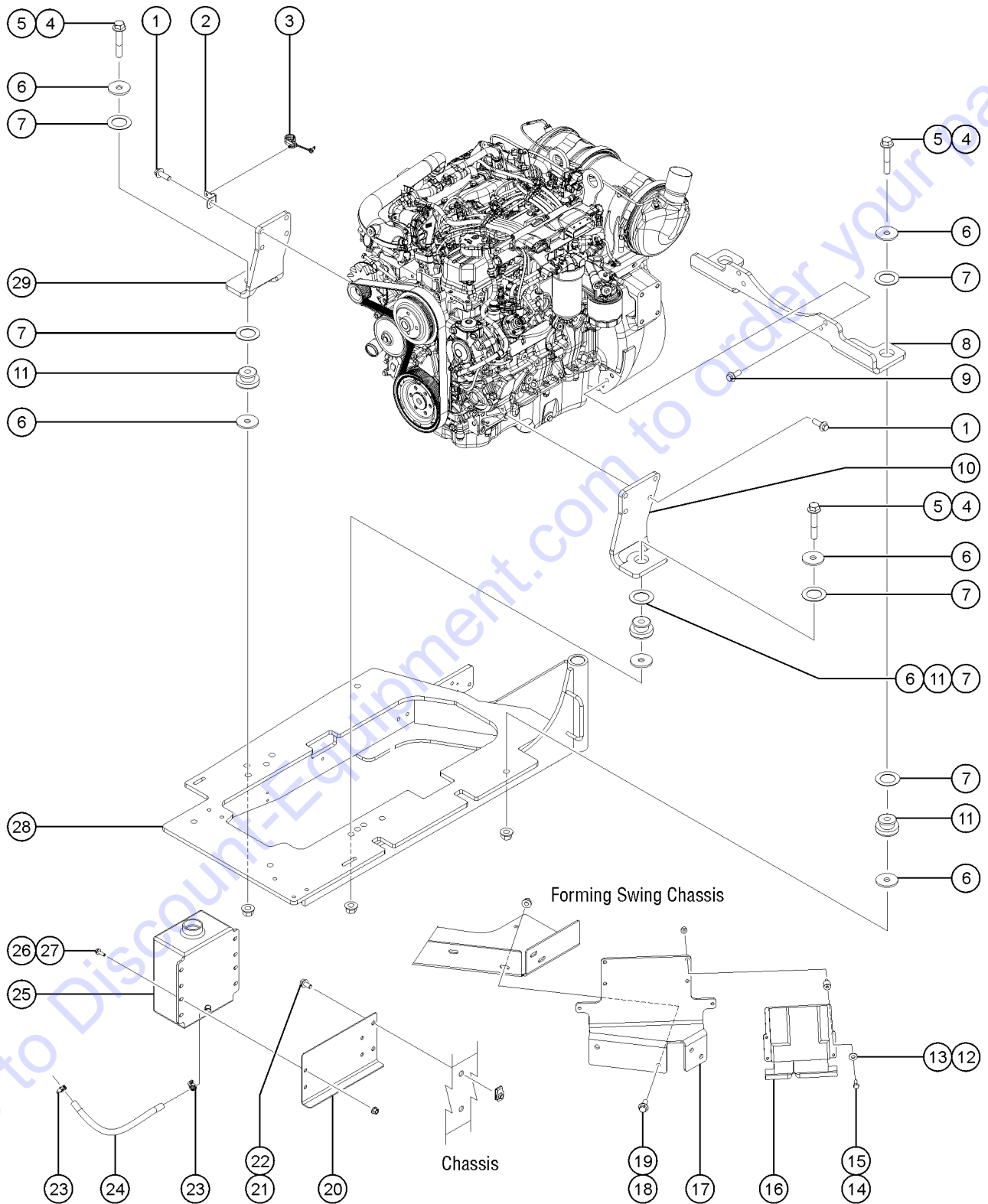
Go to Discount-Equipment.com to order your parts

| <i>Item</i> | <i>Part No.</i> | <i>Description</i>                      | <i>Qty.</i> |
|-------------|-----------------|---|-------------|
| 27          | 219030GT        | ASSEMBLY,FUEL FILTER BRACKET .....      | 1           |
| 28          | 1258464GT       | FUEL LINE ASSY. FILTER XFER PU .....    | 1           |
| 29          | 1258458GT       | RETURN FUEL LINE ASSEMBLY GTH3073 ..... | 1           |
| 30          | 218835GT        | FILTER,OIL,854E-E34TA .....             | 1           |

Go to Discount-Equipment.com to order your parts



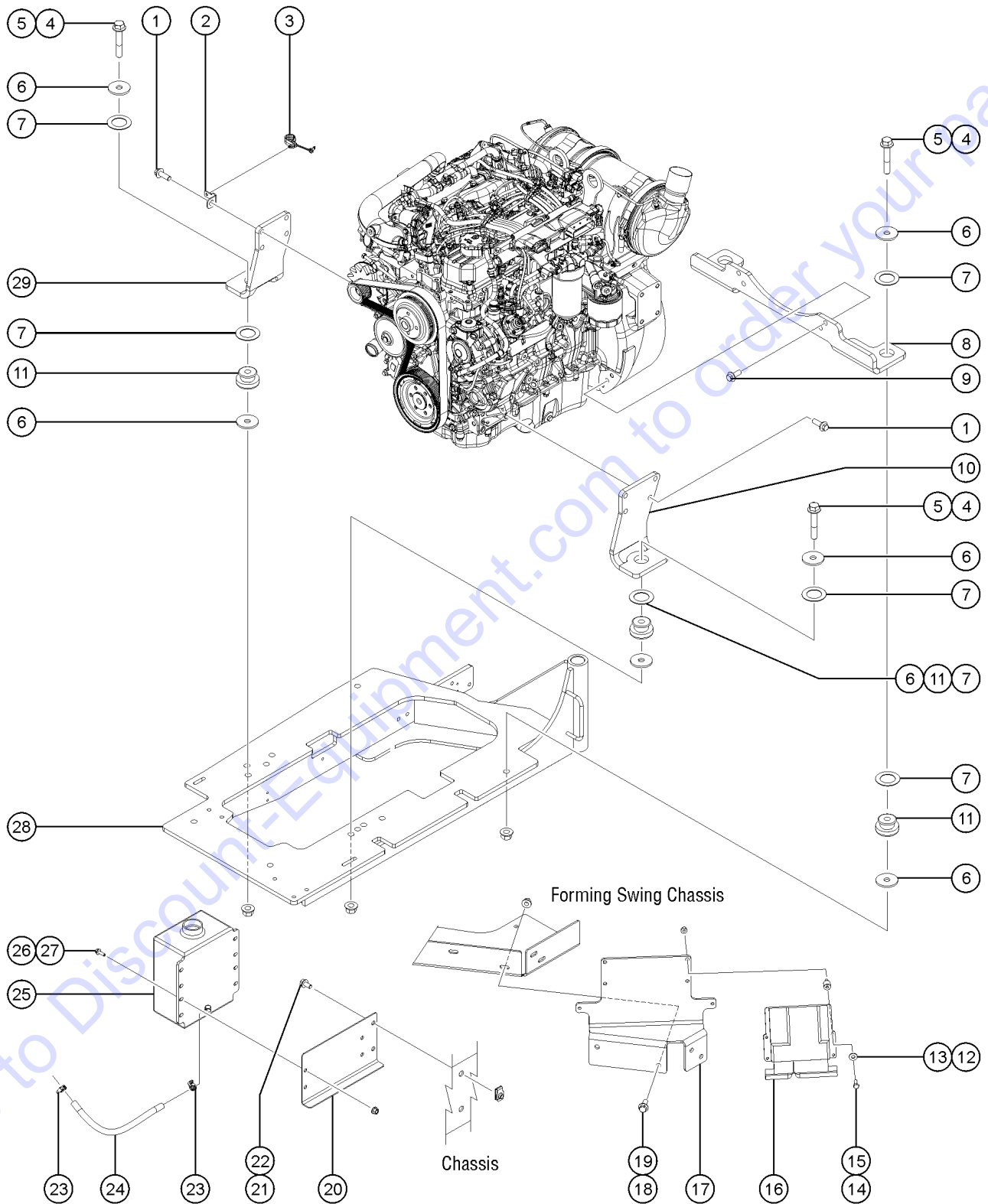
413.1 Perkins 854F-E34T Engine - View 4



| Item | Part No.  | Description   | Qty. |
|------|-----------|---|------|
| A-   |           | Due to Tier 4 regulations, many engine replacement parts require the engine serial number at time of order placement. When ordering engine parts please have both machine and engine serial numbers available. For internal engine parts, contact engine dealer |      |
| B-   | 218834GT  | BELT,DRIVE,854E-E34TA   |      |
| 1    | 231511GT  | SCREW,HHF,M12-1.75X35,DIN6921,10.9,ZAB  | 8    |
| 2    | 1256480GT | FORMING, WIRE LOOM SUPPORT  | 1    |
| 3    | 121601GT  | CLAMP,FIXED DIA.,NYLON,1/2"   | 1    |
| 4    | 1256583GT | SCREW,HHF,5/8-11X3.5,8,ZAG  | 4    |
| 5    | 1253319GT | NUT,TL FLG,5/8-11,G,ZAG   | 4    |
| 6    | 824123GT  | WASHER,FLAT,.625X2.25X.188,ZAG  | 8    |
| 7    | 1251565GT | WASHER,SHIM,1.56X2.5X0.061,ZAG  | 8    |
| 8    | 1253199GT | FORMING ENGINE MOUNT  | 1    |
| 9    | 824134GT  | SCREW,HHF,M12-1.75X30,DIN6921,  | 4    |
| 10   | 824236GT  | ENGINE MOUNT PERKINS 854  | 1    |
| 11   | 102045GT  | ISOLATOR,ENGINE VIBRATION   | 4    |
| 12   | 824113GT  | WASHER,FLAT,1/4,USS,ZAG   | 4    |
| 13   | 1259490GT | ISOLATOR, VIBRATION DAMPENER  | 4    |
| 14   | 824059GT  | SCREW,HHC,1/4-20X.75,8,ZAG  | 4    |
| 15   | 824027GT  | NUT,TL FLG,1/4-20,G,ZAG   | 4    |
| 16   | 218812GT  | ECM,854E-E34TA  | 1    |
| 17   | 1262182GT | FORMING, ECM MOUNTNG  | 1    |
| 18   | 231530GT  | SCREW,HHF,M10-1.5X25,DIN6921,10.9,ZAB   | 4    |
| 19   | 231529GT  | NUT,TL FLG,M10-1.5,DIN6927,10,  | 4    |
| 20   | 107515GT  | FORMING,WATER BOTTLE MOUNT  | 1    |
| 21   | 824089GT  | SCREW,HHF,3/8-16X.75,8,ZAG  | 2    |
| 22   | 29868GT   | SPRING CLIP,3/8-16,.05-.20X.73,ZAG  | 2    |
| 23   | 21465GT   | CLAMP,HOSE,SIZE .25 TO .63  | 2    |
| 24   | 27089GT   | HOSE,5/16 FUEL,SAE 30R7   | 105  |
| 25   | 60721GT   | COOLANT,RECOVERY BOTTLE, 4 QT*  | 1    |



413.1 Perkins 854F-E34T Engine - View 4



Go to Discount-Equipment.com to order your parts

# PARTS FINDER

**Search Website  
by Part Number**



**Search Manual  
Library For Parts  
Manual & Lookup Part  
Numbers – Purchase  
or Request Quote**

**Search Manuals**

Enter your information to help us find the right parts manual for your machine.

\* Brand:

\* Model:

\* Serial:

\* Part Number:

SEARCH

**Can't Find Part or  
Manual? Request Help  
by Manufacturer,  
Model & Description**

**Parts Order Form**

Please fill in the following information to help us find the right part for your machine.

|               |                      |
|---------------|----------------------|
| Manufacturer: | <input type="text"/> |
| Model:        | <input type="text"/> |
| Description:  | <input type="text"/> |
| Part Number:  | <input type="text"/> |
| Quantity:     | <input type="text"/> |
| Notes:        | <input type="text"/> |

Submit

Discount-Equipment.com is your online resource for quality parts & equipment.

Florida: **561-964-4949** Outside Florida TOLL FREE: **877-690-3101**

**Need parts?**

Click on this link: <http://www.discount-equipment.com/category/5443-parts/> and choose one of the options to help get the right parts and equipment you are looking for. Please have the machine model and serial number available in order to help us get you the correct parts. If you don't find the part on the website or on one of the online manuals, please fill out the request form and one of our experienced staff members will get back to you with a quote for the right part that your machine needs.

We sell worldwide for the brands: Genie, Terex, JLG, MultiQuip, Mikasa, Essick, Whiteman, Mayco, Toro Stone, Diamond Products, Generac Magnum, Airman, Haulotte, Barreto, Power Blanket, Nifty Lift, Atlas Copco, Chicago Pneumatic, Allmand, Miller Curber, Skyjack, Lull, Skytrak, Tsurumi, Husquvarna Target, Stow, Wacker, Sakai, Mi-T-M, Sullair, Basic, Dynapac, MBW, Weber, Bartell, Bennar Newman, Haulotte, Ditch Runner, Menegotti, Morrison, Contec, Buddy, Crown, Edco, Wyco, Bomag, Laymor, EZ Trench, Bil-Jax, F.S. Curtis, Gehl Pavers, Heli, Honda, ICS/PowerGrit, IHI, Partner, Imer, Clipper, MMD, Koshin, Rice, CH&E, General Equipment, Amida, Coleman, NAC, Gradall, Square Shooter, Kent, Stanley, Tamco, Toku, Hatz, Kohler, Robin, Wisconsin, Northrock, Oztec, Toker TK, Rol-Air, APT, Wylie, Ingersoll Rand / Doosan, Innovatech, Con X, Ammann, Mecalac, Makinex, Smith Surface Prep, Small Line, Wanco, Yanmar

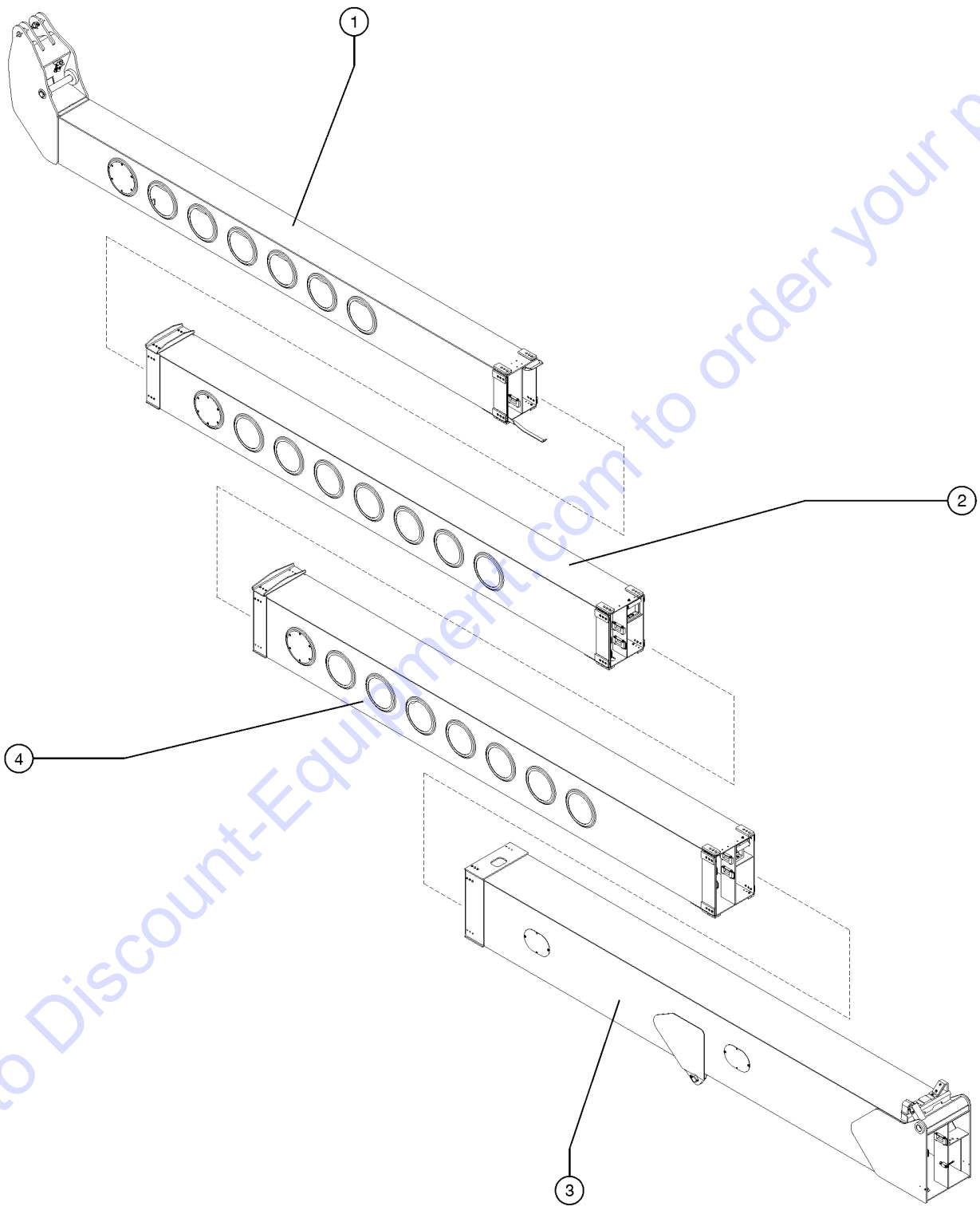
| Item | Part No. | Description                                       | Qty. |
|------|----------|---|------|
| 25-  | 75121GT  | CAP, COOLANT RET SYS(60721) .....                 |      |
| 26   | 231532GT | SCREW,HHF,M6-1.0X20,DIN6921,10.9,ZAB .....        | 4    |
| 27   | 231513GT | NUT,TL FLG,M6-1.0,DIN6927,10,Z .....              | 4    |
| 28   | 160359GT | WELDMENT, ENGINE TRAY .....                       | 1    |
| 28B  | 35675GT  | BEARING,FL,1.25IDX1.5ODX1.25L<br>for 160359 ..... | 2    |
| 29   | 824234GT | ENGINE MOUNT PERKINS 854 .....                    | 1    |

Go to Discount-Equipment.com to order your parts





501.1 Secondary Boom Tube Reference



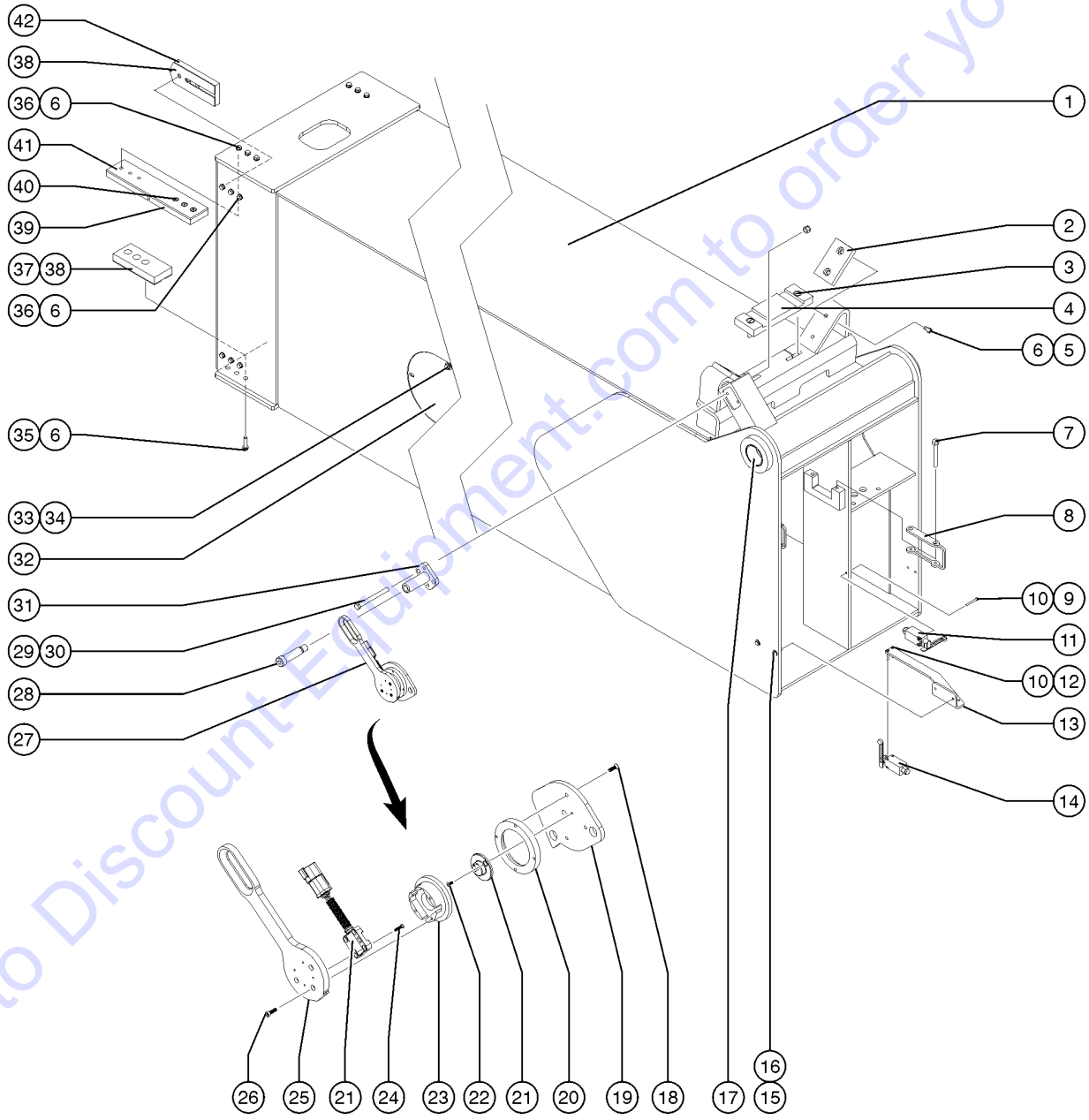
501.1 Secondary Boom Tube Reference

| <i>Item</i> | <i>Part No.</i> | <i>Description</i>                                   | <i>Qty.</i> |
|-------------|-----------------|--|-------------|
| 1           |                 | Ref., Secondary Boom Tube #4 .....<br>Refer to 505.1 |             |
| 2           |                 | Ref., Secondary Boom Tube #3 .....<br>Refer to 504.1 |             |
| 3           |                 | Ref., Secondary Boom Tube #1 .....<br>Refer to 502.1 |             |
| 4           |                 | Ref., Secondary Boom Tube #2 .....<br>Refer to 503.1 |             |

Go to Discount-Equipment.com to order your parts



502.1 Secondary Boom Tube 1

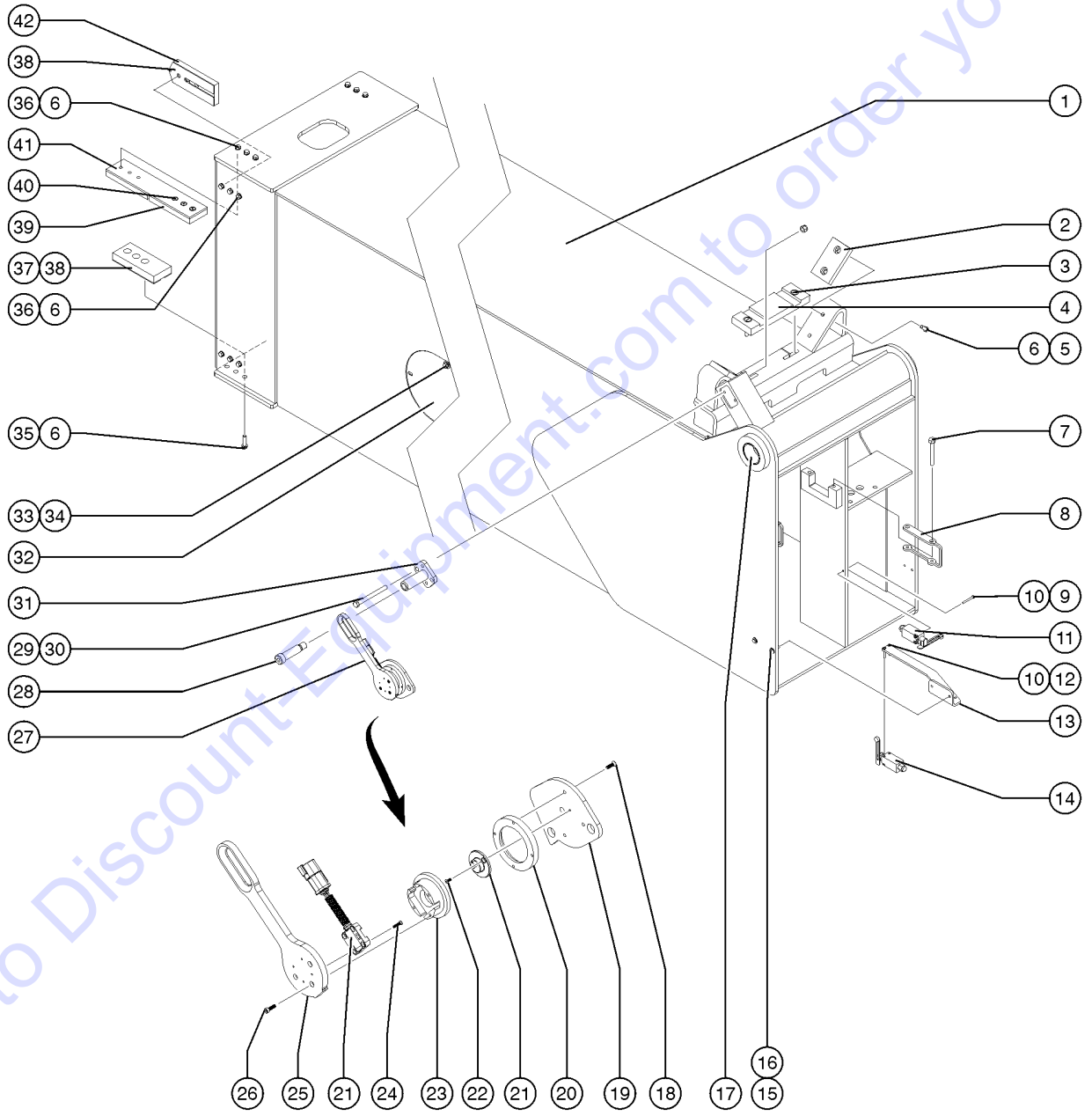


Go to DiscountEquipment.com to order your parts

| Item | Part No.       | Description                                   | Qty. |
|------|----------------|---|------|
| 1    | 119848GT       | ASSEMBLY,RISER BOOM #1***<br>Includes item 17 | 1    |
| 2    | 34124GT        | WEAR PAD,5 X 3 X .625 W/NUTS                  | 2    |
| 3    | 1256842GT      | SCREW,FHS,3/8-16X2.25,F835,ZAG                |      |
| 4    | 106810GT       | REST PAD,RISER #1                             | 1    |
| 5    | 824067GT       | SCREW,HHC,3/8-16X1,8,ZAG                      |      |
| 6    | 824110GT       | WASHER,LOCK,3/8,ZAG                           |      |
| 7    | 824070GT       | SCREW,HHC,3/8-16X3.25,8,ZAG                   |      |
| 8    | 106281PGT      | BRACKET,RISER CYL MOUNT PAINTD                | 2    |
| 9    | 1256177GT      | SCREW,PHPM,10-32X1.75,ZAG                     |      |
| 10   | 824032GT       | NUT,TL FLG,10-32,F,ZAG                        |      |
| 11   | 110909GT       | SWITCH ASSY,LIMIT LSS1RO                      | 1    |
| 11-  | 110771-64463GT | SWITCH,LIMIT W/ROLLER NO/NO                   |      |
| 11-  | 43960GT        | WIRE CABLE,16/4 CON.TPE JKT<br>inches         | 76   |
| 11-  | 119067GT       | CONN,RECEP 4 WAY ENDCAP DT                    |      |
| 11-  | 60443GT        | LOCK, RECEP 4WAY, 14-18GA                     |      |
| 11-  | 73713GT        | TERM,NI PIN,S&F,16-18GA,REEL                  |      |
| 12   | 824216GT       | SCREW,PHPM,10-32X1.5,ZAG                      |      |
| 13   | 119247PGT      | BRACKET, RISER EXT L/S, PTD                   | 1    |
| 14   | 110910GT       | SWITCH ASSY,LIMIT LSS1RS                      | 1    |
| 14-  | 110771-44463GT | SWITCH,LIMIT W/ROLLER NO/NC                   |      |
| 14-  | 43960GT        | WIRE CABLE,16/4 CON.TPE JKT<br>inches         | 88   |
| 14-  | 119762GT       | CONN PLUG 4 WAY EXTEND DT                     |      |
| 14-  | 60429GT        | LOCK,PLUG 4 WAY,14-18GA                       |      |
| 14-  | 73714GT        | TERM,NI SOC,S&F,16-18GA,REEL                  |      |
| 15   | 824080GT       | SCREW,HHF,1/4-20X1.25,8,ZAG                   |      |
| 16   | 824027GT       | NUT,TL FLG,1/4-20,G,ZAG                       |      |
| 17   | 27697GT        | BEARING,2.50IDX2.75ODX1.50L                   | 2    |
| 18   | 217217GT       | SCREW,FHSCS,M4-0.7X14 CL10.9                  |      |

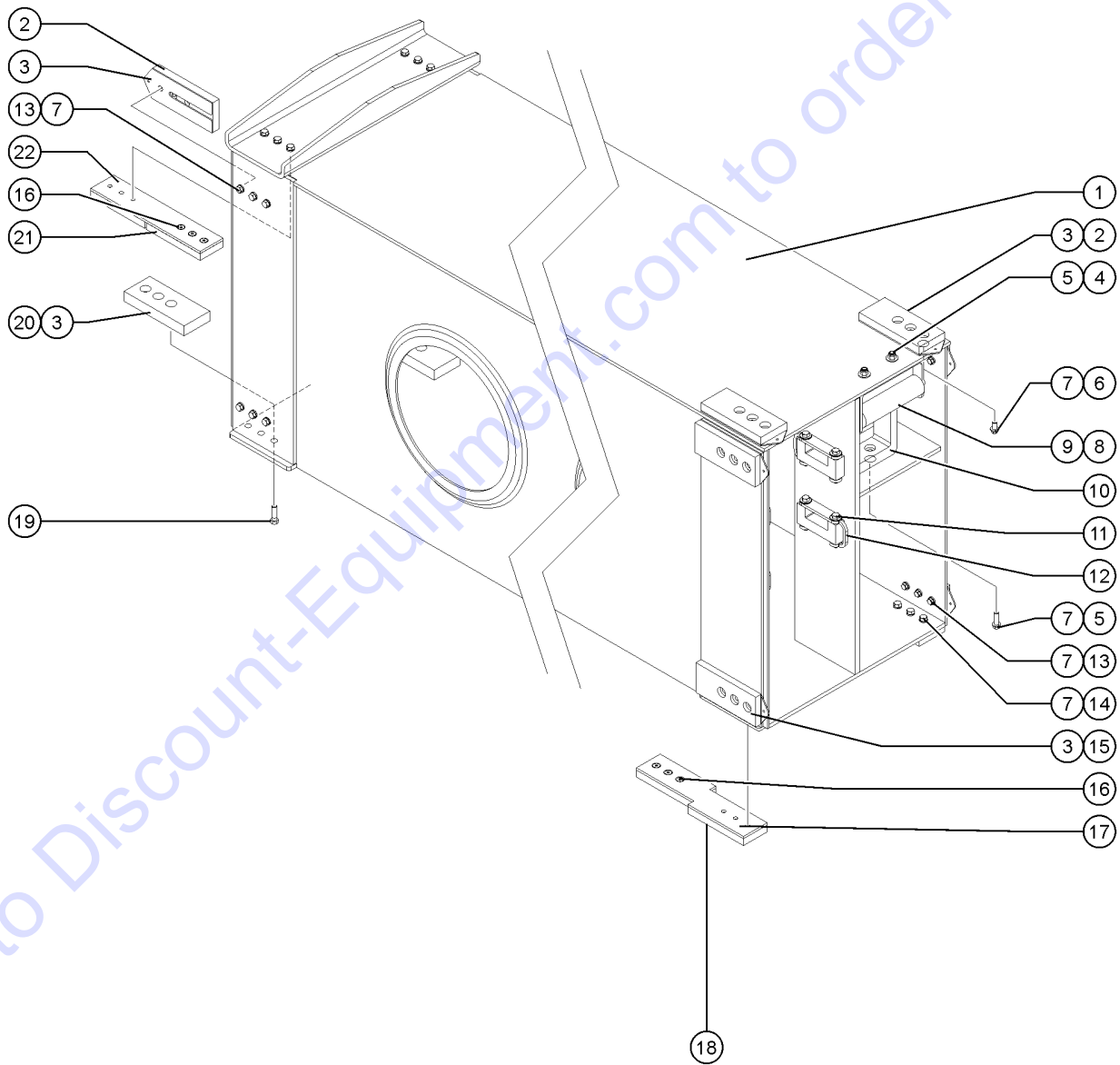


502.1 Secondary Boom Tube 1



| Item | Part No.  | Description  | Qty. |
|------|-----------|--|------|
| 19   | 226493GT  | MACHINED, SECONDARY SEN. BASE .....  |      |
| 20   | 226491GT  | MACHINED, ANGLE SENSOR RACE .....  |      |
| 21   | 216061GT  | SENSOR, ANGLE, 180 DEG, CW<br>Sensor and magnet are matched and must be replaced at the same time. Machine<br>calibration is required after installation. .... |      |
| 22   | 237242GT  | SCREW,FHS,M3-0.5X8,DIN7991,10.9,ZAB .....  |      |
| 23   | 226492GT  | MACHINED, ANGLE SENSOR HOLDER .....  |      |
| 24   | 237241GT  | SCREW,FHS,M3-0.5X14,DIN7991,10 .....   |      |
| 25   | 233116GT  | MACHINED, SENSOR ARM .....   |      |
| 26   | 217219GT  | SCREW,SHC,M4-0.7X14 DIN912,12.9,ZAB .....  |      |
| 27   | 217224GT  | ASSY,ANGLE SEN.,Z135 SECONDARY<br>(Complete) Includes items 18 to 26; Calibration required after replacement .....   |      |
| 28   | 217236GT  | SCREW,SHS,3/4X2.25X5/8-11,ZAG .....  |      |
| 29   | 1256122GT | SCREW,HHC,3/8-16X4,8,ZAG .....   |      |
| 30   | 824029GT  | NUT,TL FLG,3/8-16,G,ZAG .....  |      |
| 31   | 233117GT  | WLDT, SENSOR ROTATOR #1 .....  |      |
| 32   | 60177GT   | COVER,BOOM SIDE*** .....   | 4    |
| 33   | 824038GT  | NUT,TL JAM,3/8-16,A,ZAG .....  |      |
| 34   | 1256835GT | BOLT,CARRIAGE,3/8-16X.75,5,ZAG .....   |      |
| 35   | 1256118GT | SCREW,HHC,3/8-16X1.5,8,ZAG .....   |      |
| 36   | 824068GT  | SCREW,HHC,3/8-16X1.25,8,ZAG .....  |      |
| 37   | 88022GT   | WEAR PAD,7 X 3 X 1 W/NUTS .....  | 2    |
| 38   | 60304GT   | SHIM,WEAR PAD,7 X 3,12GA<br>as-needed .....  |      |
| 39   | 106796GT  | WEAR PAD,7 X 3 X 0.5 W/INSERT .....  | 8    |
| 40   | 1256841GT | SCREW,FHS,3/8-16X.625,F835,ZAG .....   |      |
| 41   | 107503GT  | PLATE,WEARPAD MOUNT .....  | 2    |
| 42   | 50245GT   | WEAR PAD,7 X 3 X.75 W/NUTS .....   | 4    |

503.1 Secondary Boom Tube 2

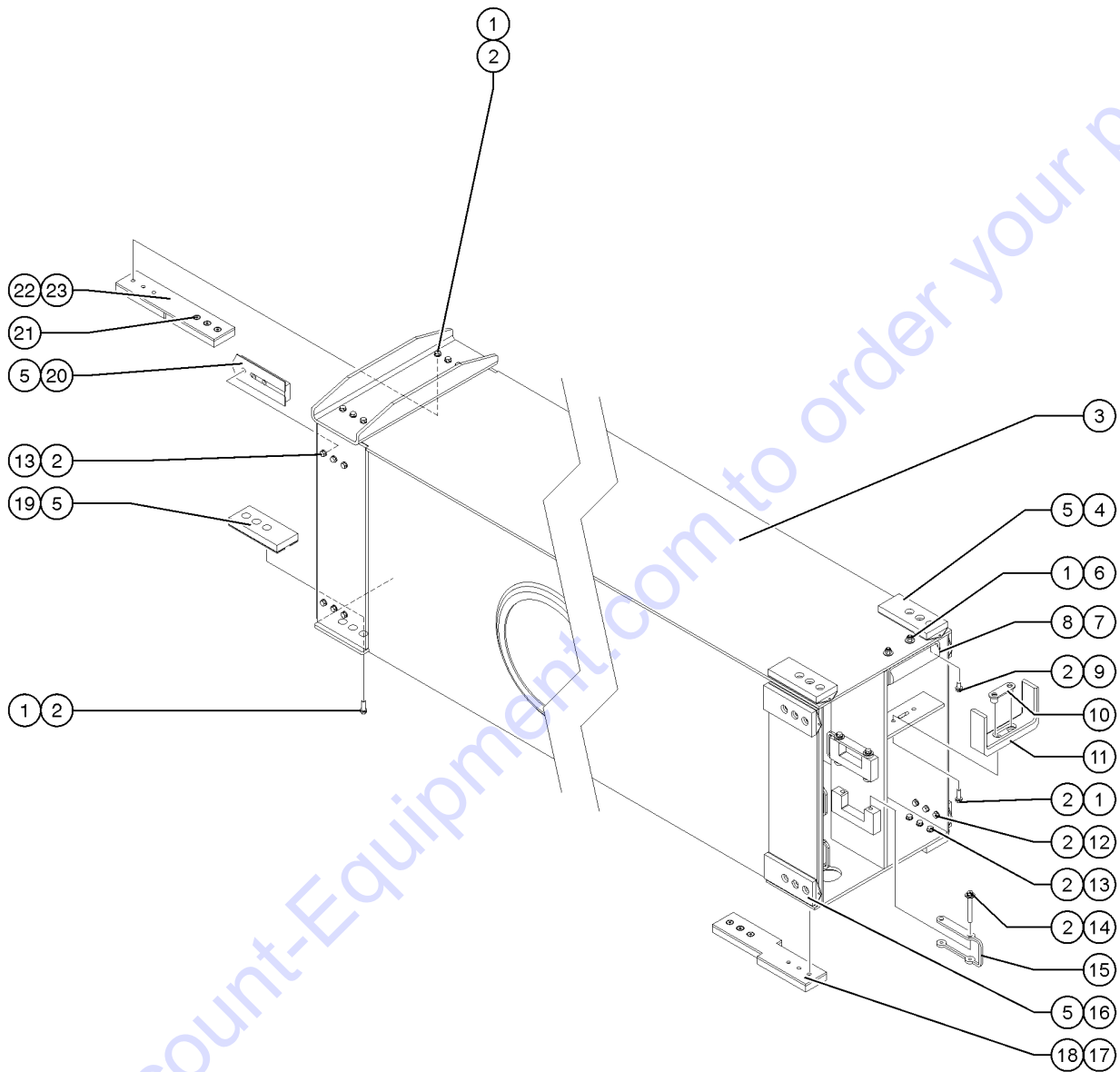


| Item | Part No.  | Description  | Qty. |
|------|-----------|--|------|
| 1    | 107850GT  | WELDMENT,RISER BOOM #2***  |      |
| 2    | 50245GT   | WEAR PAD,7 X 3 X.75 W/NUTS   | 8    |
| 3    | 60304GT   | SHIM,WEAR PAD,7 X 3,12GA<br>as-needed                                |      |
| 4    | 824029GT  | NUT,TL FLG,3/8-16,G,ZAG  |      |
| 5    | 1255393GT | SCREW,BHC,3/8-16X1,F835,ZAG  |      |
| 6    | 1256109GT | SCREW,HHC,3/8-16X.75,8,ZAG   |      |
| 7    | 824110GT  | WASHER,LOCK,3/8,ZAG  |      |
| 8    | 107823GT  | ROLLER, NYLON  | 1    |
| 9    | 107833PGT | FORMING, ROLLER #2, PAINTED  | 1    |
| 10   | 101920GT  | GUIDE,ALUMINUM EXTRUSION   | 1    |
| 10-  | 106729GT  | WELDMENT, GUIDE BRKT<br>Not shown, order separately (refer to 504.1) |      |
| 11   | 824070GT  | SCREW,HHC,3/8-16X3.25,8,ZAG  |      |
| 12   | 106281PGT | BRACKET,RISER CYL MOUNT PAINTD                                       | 4    |
| 13   | 826791GT  | SCREW,HHC,3/8-16X.875,8,ZAG  |      |
| 14   | 824067GT  | SCREW,HHC,3/8-16X1,8,ZAG   |      |
| 15   | 88648GT   | WEAR PAD,7X3X.625 W/NUTS   | 4    |
| 16   | 107661GT  | SCREW,FHS,3/8-16 X .625,ZINC   |      |
| 17   | 107501GT  | PLATE,WEARPAD MOUNT,LH   | 2    |
| 18   | 106797GT  | WEAR PAD,7X3X.75 W/INSERT  | 4    |
| 19   | 1256118GT | SCREW,HHC,3/8-16X1.5,8,ZAG   |      |
| 20   | 88022GT   | WEAR PAD,7 X 3 X 1 W/NUTS  | 2    |
| 21   | 106796GT  | WEAR PAD,7 X 3 X 0.5 W/INSERT  | 4    |
| 22   | 107503GT  | PLATE,WEARPAD MOUNT  | 2    |





504.1 Secondary Boom Tube 3

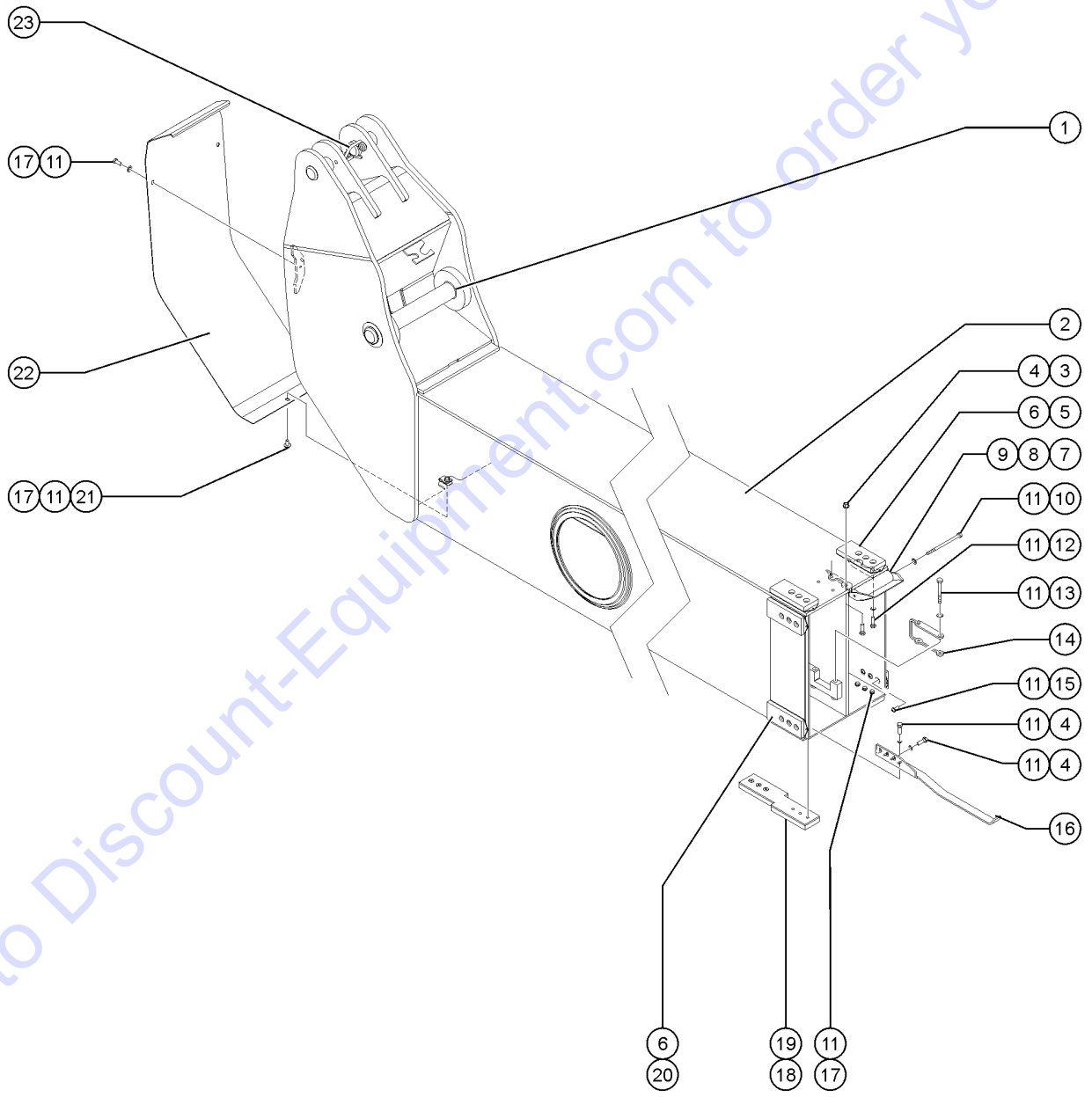


Go to Discount-Equipment.com to order your parts

| Item | Part No.  | Description                           | Qty. |
|------|-----------|---------------------------------------|------|
| 1    | 1255393GT | SCREW,BHC,3/8-16X1,F835,ZAG           | 2    |
| 2    | 824110GT  | WASHER,LOCK,3/8,ZAG                   |      |
| 3    | 107851GT  | WELDMENT,RISE BOOM #3***              |      |
| 4    | 50245GT   | WEAR PAD,7 X 3 X.75 W/NUTS            | 2    |
| 5    | 60304GT   | SHIM,WEAR PAD,7 X 3,12GA<br>as-needed |      |
| 5B   | 60840GT   | SHIM,WEAR PAD,7 X 3,16GA<br>as-needed |      |
| 6    | 824029GT  | NUT,TL FLG,3/8-16,G,ZAG               |      |
| 7    | 107823GT  | ROLLER, NYLON                         | 1    |
| 8    | 110756PGT | FORMING, ROLLER #3, PAINTED           | 1    |
| 9    | 1256109GT | SCREW,HHC,3/8-16X.75,8,ZAG            |      |
| 10   | 106729GT  | WELDMENT, GUIDE BRKT                  |      |
| 11   | 101921GT  | GUIDE,ALUMINUM EXTRUSION              | 1    |
| 12   | 826791GT  | SCREW,HHC,3/8-16X.875,8,ZAG           |      |
| 13   | 824067GT  | SCREW,HHC,3/8-16X1,8,ZAG              |      |
| 14   | 824070GT  | SCREW,HHC,3/8-16X3.25,8,ZAG           |      |
| 15   | 106281PGT | BRACKET,RISER CYL MOUNT PAINTD        | 4    |
| 16   | 88648GT   | WEAR PAD,7X3X.625 W/NUTS              | 4    |
| 17   | 107501GT  | PLATE,WEARPAD MOUNT,LH                | 2    |
| 18   | 106797GT  | WEAR PAD,7X3X.75 W/INSERT             | 4    |
| 19   | 88022GT   | WEAR PAD,7 X 3 X 1 W/NUTS             | 2    |
| 20   | 106539GT  | WEAR PAD,7 X 2 X.75 W/NUTS            | 4    |
| 21   | 1256841GT | SCREW,FHS,3/8-16X.625,F835,ZAG        |      |
| 22   | 107503GT  | PLATE,WEARPAD MOUNT                   | 2    |
| 23   | 106796GT  | WEAR PAD,7 X 3 X 0.5 W/INSERT         | 4    |



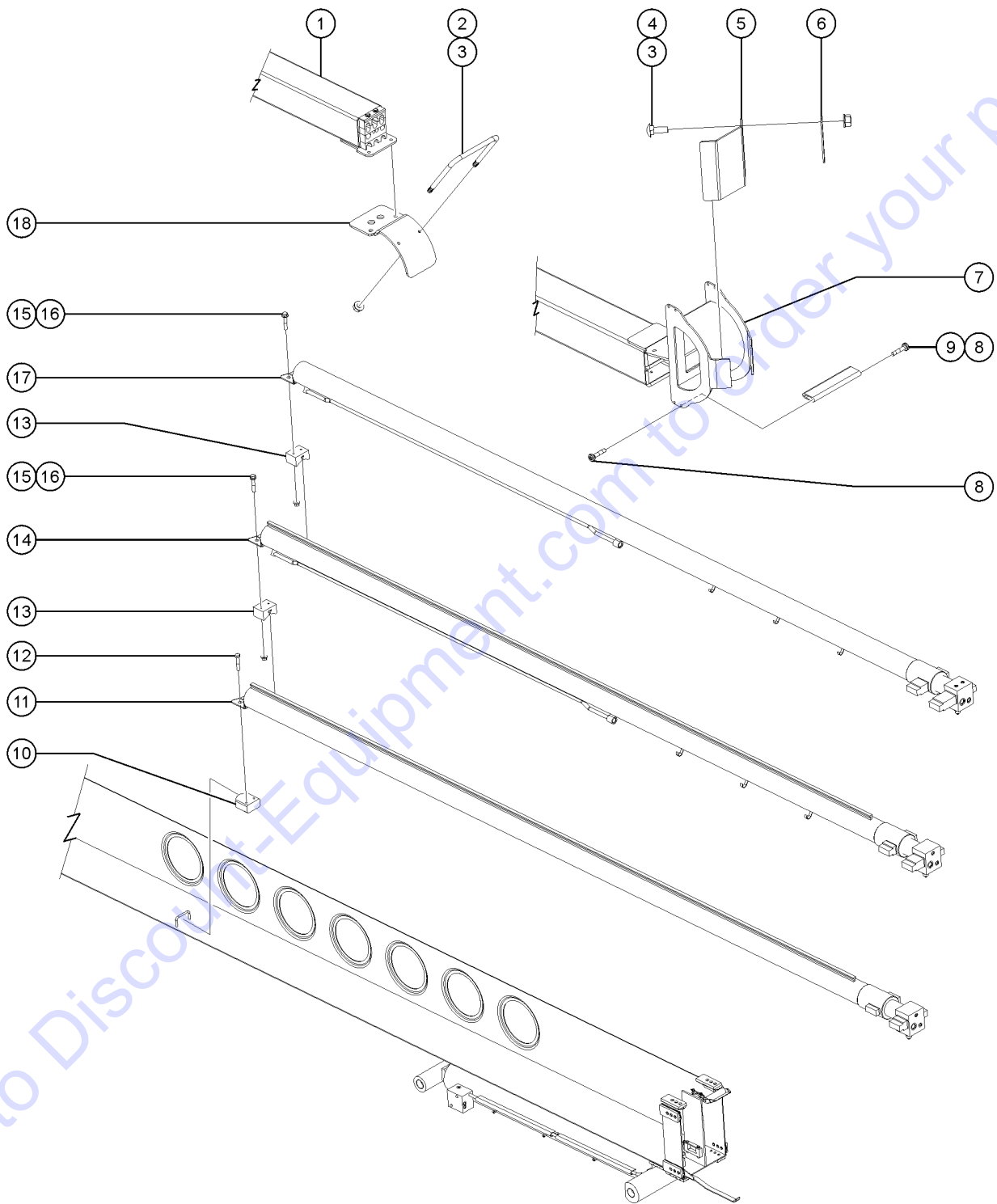
505.1 Secondary Boom Tube 4



Go to Discount-Equipment.com to order your parts

| Item | Part No.  | Description  | Qty. |
|------|-----------|--|------|
| 1    | 27698GT   | BEARING,2.50IDX2.75ODX2.00L .....                        | 2    |
| 2    | 119849GT  | ASSEMBLY,RISER BOOM #4***<br>Includes item 1 .....       | 1    |
| 3    | 824029GT  | NUT,TL FLG,3/8-16,G,ZAG .....                            |      |
| 4    | 824068GT  | SCREW,HHC,3/8-16X1.25,8,ZAG .....                        |      |
| 5    | 50245GT   | WEAR PAD,7 X 3 X.75 W/NUTS .....                         | 2    |
| 6    | 60304GT   | SHIM,WEAR PAD,7 X 3,12GA<br>as-needed .....              |      |
| 7    | 107818GT  | WELDMENT, ROLLER #4 .....                                | 1    |
| 8    | 107823GT  | ROLLER, NYLON .....                                      | 1    |
| 9    | 107832GT  | SPACER, ROLLER .....                                     | 1    |
| 10   | 1256849GT | SCREW,HHC,3/8-16X7.5,8,ZAG .....                         |      |
| 11   | 824110GT  | WASHER,LOCK,3/8,ZAG .....                                |      |
| 12   | 1256118GT | SCREW,HHC,3/8-16X1.5,8,ZAG .....                         |      |
| 13   | 824070GT  | SCREW,HHC,3/8-16X3.25,8,ZAG .....                        |      |
| 14   | 106281PGT | BRACKET,RISER CYL MOUNT PAINTD .....                     | 2    |
| 15   | 1255393GT | SCREW,BHC,3/8-16X1,F835,ZAG .....                        |      |
| 16   | 119248PGT | FORMING,RISER EXT L/S RAMP,PTD<br>(Refer to 502.1) ..... | 1    |
| 17   | 824067GT  | SCREW,HHC,3/8-16X1,8,ZAG .....                           |      |
| 18   | 106797GT  | WEAR PAD,7X3X.75 W/INSERT .....                          | 4    |
| 19   | 107501GT  | PLATE,WEARPAD MOUNT,LH .....                             | 2    |
| 20   | 88648GT   | WEAR PAD,7X3X.625 W/NUTS .....                           | 4    |
| 21   | 29868GT   | SPRING CLIP,3/8-16,.05-.20X.73,ZAG .....                 |      |
| 22   | 61952PGT  | COVER,SECONDARY RISER .....                              | 1    |
| 23   | 106571GT  | WELDMENT,CABLE STAY .....                                | 1    |

506.1 Secondary Boom Extension Cylinders

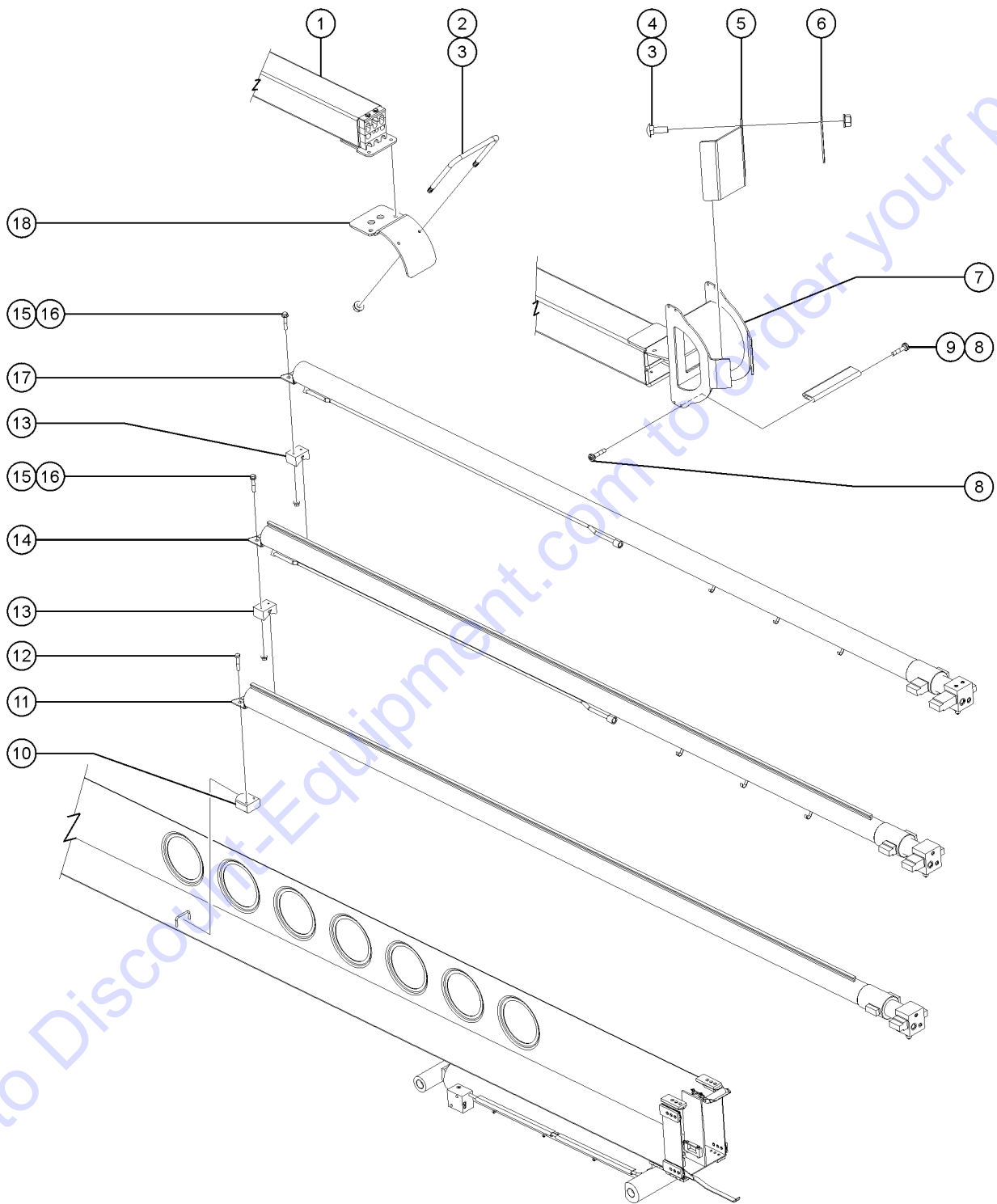


506.1 Secondary Boom Extension Cylinders

| Item | Part No.  | Description  | Qty. |
|------|-----------|--|------|
| A    | 236284GT  | ASSY,HOSE GUARD,RISER PULLTUBE<br>Hose guard kit includes items 6 and 9 with fasteners | 1    |
| 1    |           | REF. WELDMENT,TRAY CABLETRACK***<br>(Refer to 507.1)                                   | 1    |
| 2    | 1256862GT | U-BOLT,1/4-20,3.5X3.5,ZAG  | 1    |
| 3    | 824027GT  | NUT,TL FLG,1/4-20,G,ZAG  | 4    |
| 4    | 824124GT  | BOLT, CARRIAGE, 1/4-20 X .75, 5, ZAG   | 2    |
| 5    | 236282GT  | FORMING,HOSE GUARD   | 1    |
| 6    | 236283GT  | PLATE,HOSE GUARD CLAMP   | 1    |
| 7    |           | REF. WELDMENT, PULL TUBE<br>(Refer to 507.1)   | 1    |
| 8    | 1272968GT | SCREW,PH,TORX,10-24X.818,THREA   | 8    |
| 9    | 1272955GT | ALUMINUM GUIDE   | 2    |
| 10   | 101919GT  | WEAR PAD,RISER EXTENSION CYL.  | 1    |
| 11   | 101509GT  | CYLINDER,SECONDARY EXTEND #3   | 1    |
| 11-  | 101510GT  | SEAL KIT   |      |
| 11-  | 106848GT  | VALVE,CB.CBGA-LHN@2500 PSI***  |      |
| 11-  | 107716GT  | SEAL KIT,CB VALVE***<br>For 106848   |      |
| 12   | 1256108GT | SCREW,HHC,3/8-16X2,8,ZAG   | 2    |
| 13   | 101918GT  | WEAR PAD,RISER EXTENSION CYL.  | 2    |
| 14   | 101508GT  | CYLINDER,SECONDARY EXTEND #2   | 1    |
| 14-  | 101510GT  | SEAL KIT   |      |
| 14-  | 106847GT  | VALVE,CB.CAGK-LHN@2500 PSI***  |      |
| 14-  | 106848GT  | VALVE,CB.CBGA-LHN@2500 PSI***  |      |
| 14-  | 107716GT  | SEAL KIT,CB VALVE***<br>For 106847 and 106848  |      |
| 15   | 1253478GT | SCREW,HHF,3/8-16X2,8,ZAG   | 4    |
| 16   | 824029GT  | NUT,TL FLG,3/8-16,G,ZAG  | 4    |
| 17   | 101507GT  | CYLINDER,SECONDARY EXTEND #1   | 1    |
| 17-  | 101510GT  | SEAL KIT   |      |
| 17-  | 106847GT  | VALVE,CB.CAGK-LHN@2500 PSI***  |      |
| 17-  | 106848GT  | VALVE,CB.CBGA-LHN@2500 PSI***  |      |



506.1 Secondary Boom Extension Cylinders



Go to Discount-Equipment.com to order your parts

506.1 Secondary Boom Extension Cylinders

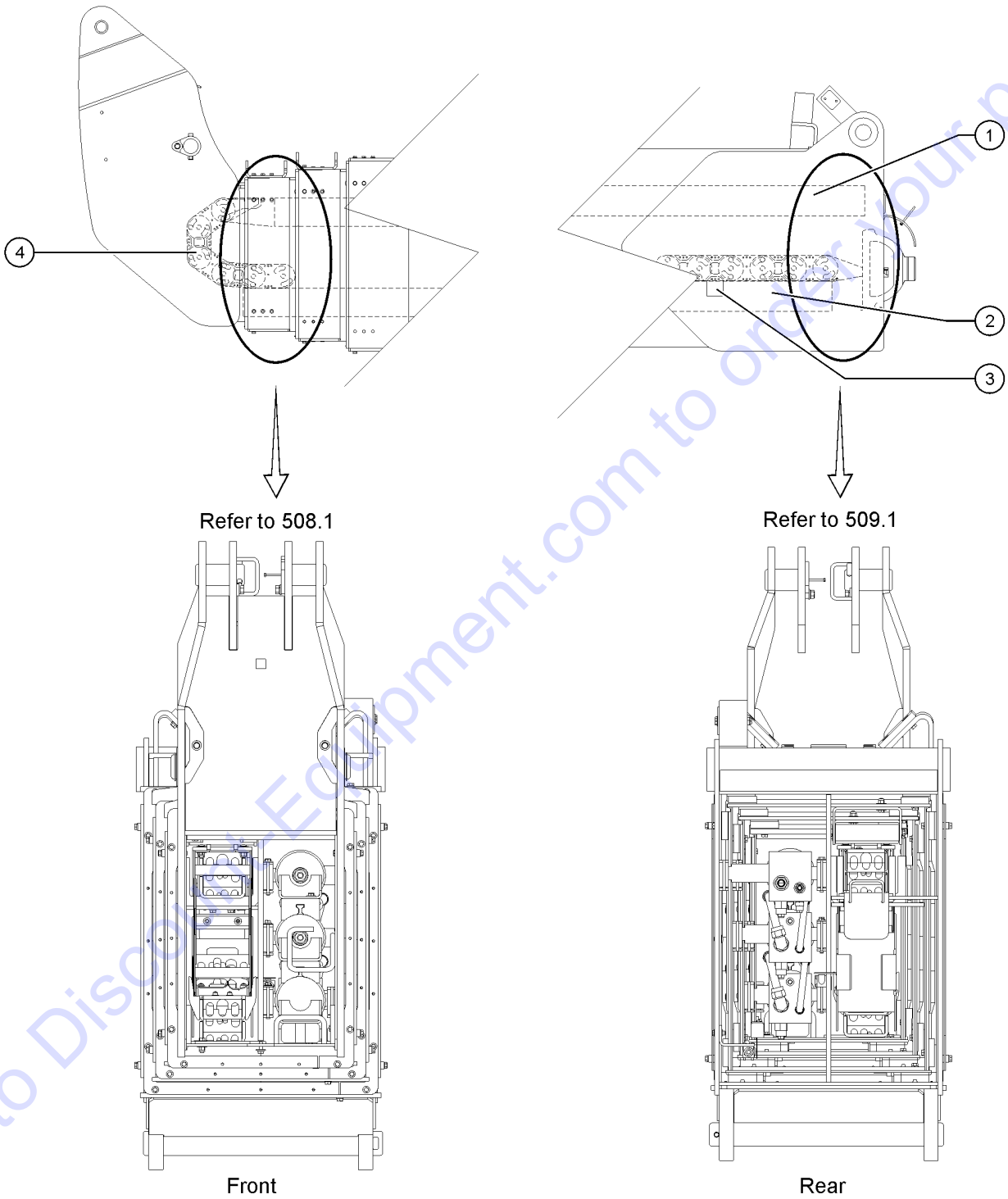
| Item | Part No. | Description                                   | Qty. |
|------|----------|---|------|
| 17-  | 107716GT | SEAL KIT,CB VALVE***<br>For 106847 and 106848 |      |
| 17-  | 43018GT  | SEAL KIT (39345)<br>For 74872                 |      |
| 17-  | 74872GT  | VALVE,COUNTERBALANCE 3000 PSI*                |      |
| 18   |          | REF. PLATE,HOSE GUIDE<br>(Refer to 509.1)     | 1    |

Go to Discount-Equipment.com to order your parts





507.1 Secondary Boom Cable Track and Pull Tube



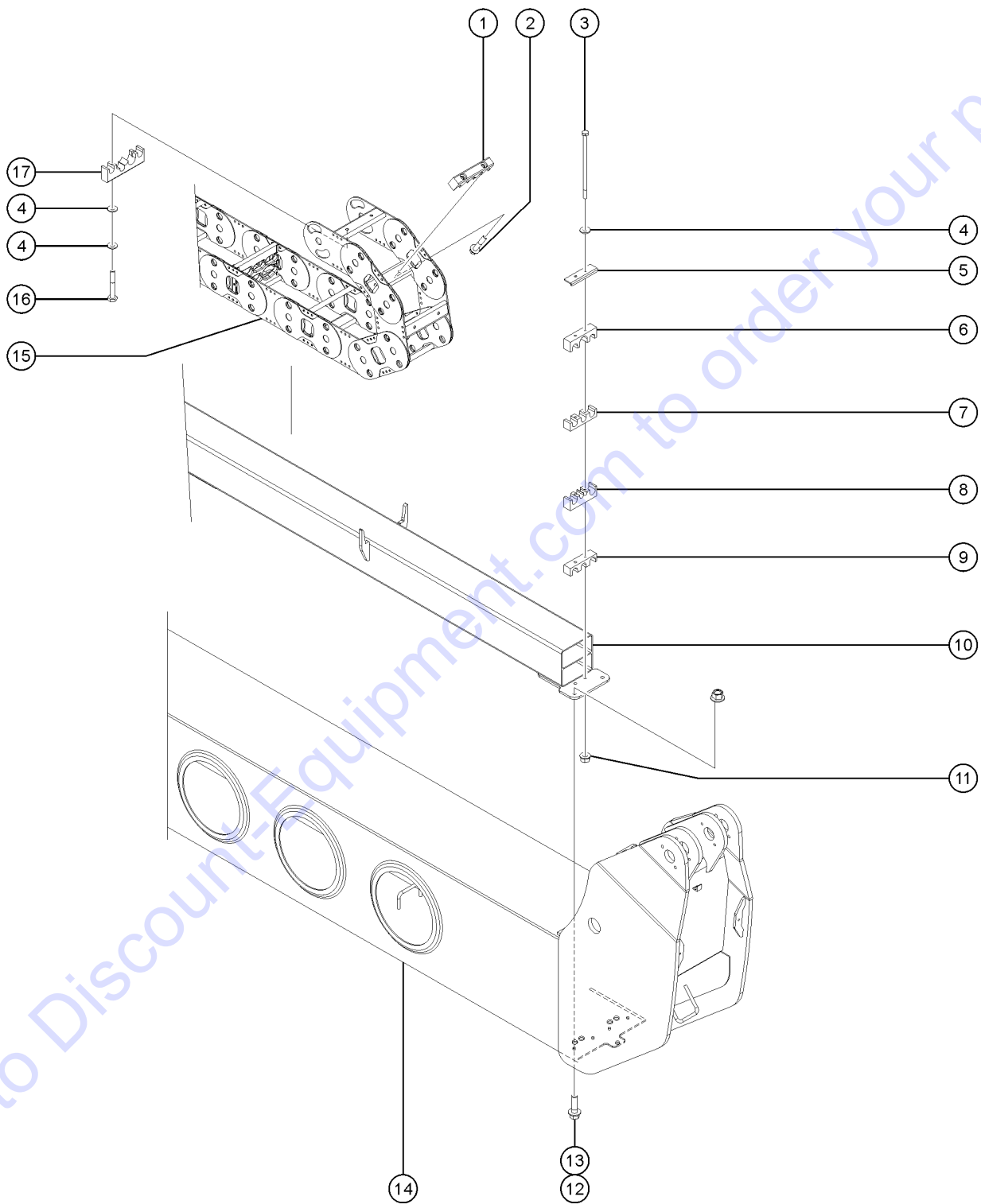
507.1 Secondary Boom Cable Track and Pull Tube

| Item | Part No.  | Description                           | Qty. |
|------|-----------|---------------------------------------|------|
| -    | 1273575GT | COVER, HOSES & CABLES .....           |      |
| 1    | 217431GT  | WELDMENT, TRAY CABLETRACK*** .....    |      |
| 1-   | 1255393GT | SCREW, BHC, 3/8-16X1, F835, ZAG ..... | 4    |
| 1-   | 825358GT  | WASHER, FLAT, 5/16, USS, ZAG .....    | 8    |
| 1-   | 824038GT  | NUT, TL JAM, 3/8-16, A, ZAG .....     | 4    |
| 2    | 1272934GT | WELDMENT, PULL TUBE .....             | 1    |
| 3    | 119106GT  | GUIDE, RISER LINK .....               | 2    |
| 3-   | 824032GT  | NUT, TL FLG, 10-32, F, ZAG .....      |      |
| 3-   | 826516GT  | SCREW, PHPM, 10-32 X 1.0, ZAG .....   |      |
| 4    | 236168GT  | CABLE TRACK, STEEL 57 LINKS*** .....  | 1    |
| 4-   | 107717GT  | ASSY, FOUR LINK CABLE TRACK*** .....  |      |
| 4-   | 107719GT  | KIT, PIN & RING*** .....              |      |
| 4-   | 107802GT  | KIT, SERVICE PART RISER CARRIER ..... |      |
| 4-   | 146019GT  | CROSS BAR, ALUM, WITH PEM NUTS .....  |      |
| 4-   | 146020GT  | CROSS BAR, ALUM, WITH HOLES .....     |      |
| 4-   | 237229GT  | MOVING END, BRACKET KIT .....         |      |
| 4-   | 237230GT  | FIXED END, BRACKET KIT .....          |      |

Go to Discount-Equipment.com to order your parts



508.1 Secondary Boom Cable and Hose Clamps, Front View



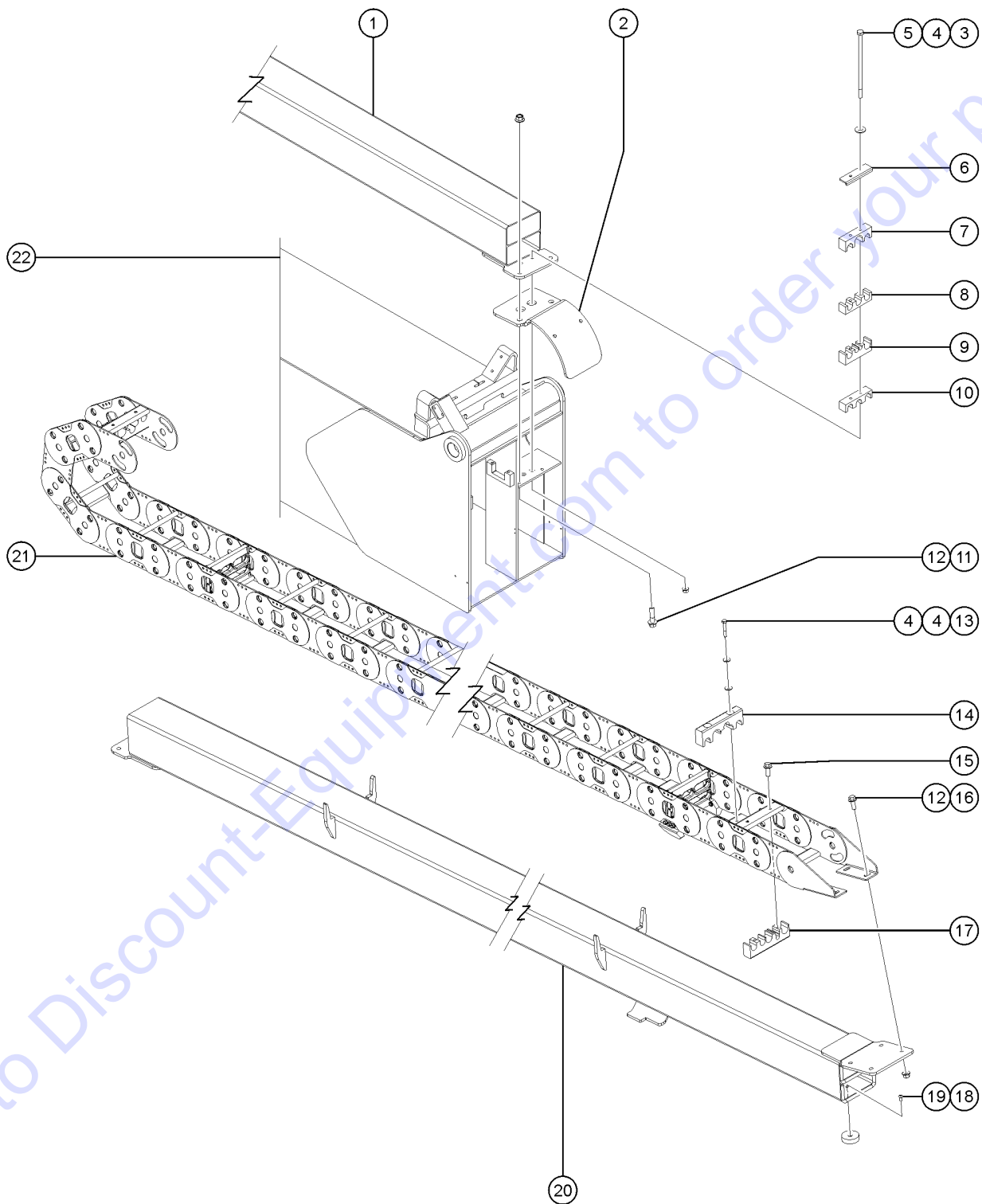
508.1 Secondary Boom Cable and Hose Clamps, Front View

| Item | Part No.  | Description                              | Qty. |
|------|-----------|--|------|
| 1    | 107530GT  | CLAMP,INSIDE RAD.REAR,RISER .....        | 1    |
| 2    | 824081GT  | SCREW,HHF,1/4-20X1.5,8,ZAG .....         | 2    |
| 3    | 1256854GT | SCREW,HHF,1/4-20X5.5,8,ZAG .....         | 2    |
| 4    | 824113GT  | WASHER,FLAT,1/4,USS,ZAG .....            | 6    |
| 5    | 107868GT  | PLATE,REINFORCED CLAMP STACK** .....     | 1    |
| 6    | 101786GT  | CABLE STAY, TOP .....                    | 1    |
| 7    | 101787GT  | CABLE STAY, TOP .....                    | 1    |
| 8    | 101788GT  | CABLE STAY .....                         | 1    |
| 9    | 101315GT  | CABLE STAY .....                         | 1    |
| 10   |           | REF. WELDMENT, PULL TUBE .....           | 1    |
|      |           | (Refer to 507.1)                         |      |
| 11   | 824027GT  | NUT,TL FLG,1/4-20,G,ZAG .....            | 2    |
| 12   | 824091GT  | SCREW,HHF,3/8-16X1.25,8,ZAG .....        | 2    |
| 13   | 824029GT  | NUT,TL FLG,3/8-16,G,ZAG .....            | 2    |
| 14   | 107852GT  | WELDMENT,RISER BOOM #4*** .....          | 1    |
| 15   |           | REF. CABLE TRACK,STEEL 57 LINKS*** ..... | 1    |
|      |           | (Refer to 507.1)                         |      |
| 16   | 824063GT  | SCREW, HHC, 1/4-20 X 1.75, 8, ZAG .....  | 2    |
| 17   | 106853GT  | CLAMP,RISER CABLE,OUTSIDE .....          | 1    |

Go to Discount-Equipment.com to order your parts



509.1 Secondary Boom Cable and Hose Clamps, Rear View

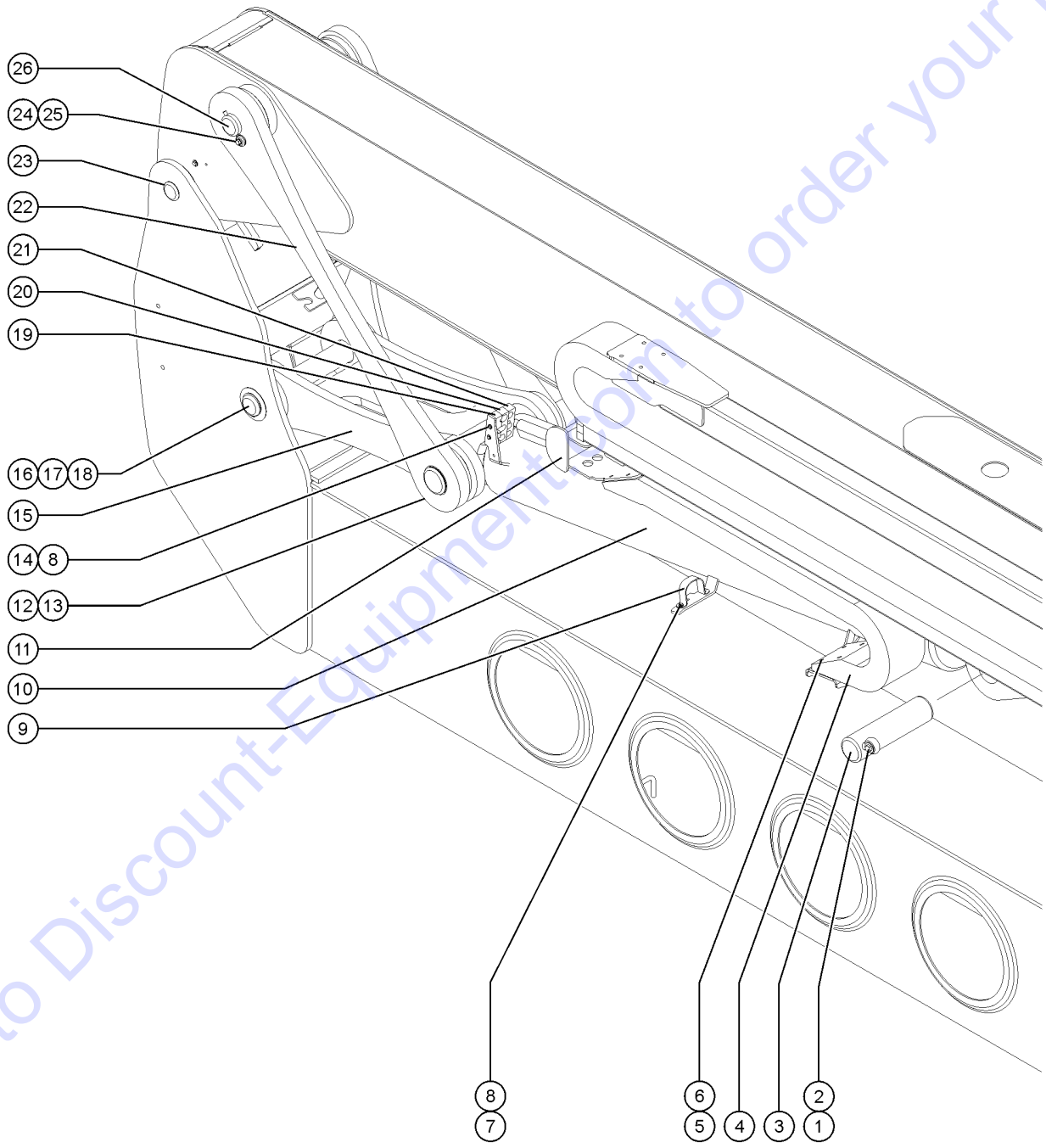


509.1 Secondary Boom Cable and Hose Clamps, Rear View

| Item | Part No.  | Description  | Qty. |
|------|-----------|--|------|
| 1    |           | REF. WELDMENT,TRAY CABLETRACK***<br>(refer to 507.1)   | 1    |
| 2    | 106772GT  | PLATE,HOSE GUIDE                                       | 1    |
| 3    | 1256854GT | SCREW,HHF,1/4-20X5.5,8,ZAG                             | 2    |
| 4    | 824113GT  | WASHER,FLAT,1/4,USS,ZAG                                | 6    |
| 5    | 824027GT  | NUT,TL FLG,1/4-20,G,ZAG                                | 2    |
| 6    | 107868GT  | PLATE,REINFORCED CLAMP STACK**                         | 1    |
| 7    | 101786GT  | CABLE STAY, TOP  | 1    |
| 8    | 101787GT  | CABLE STAY, TOP  | 1    |
| 9    | 101788GT  | CABLE STAY   | 1    |
| 10   | 101315GT  | CABLE STAY   | 1    |
| 11   | 824092GT  | SCREW,HHF,3/8-16X1.5,8,ZAG                             | 2    |
| 12   | 824029GT  | NUT,TL FLG,3/8-16,G,ZAG                                | 6    |
| 13   | 824063GT  | SCREW, HHC, 1/4-20 X 1.75, 8, ZAG                      | 2    |
| 14   | 106853GT  | CLAMP,RISER CABLE,OUTSIDE                              | 1    |
| 15   | 824081GT  | SCREW,HHF,1/4-20X1.5,8,ZAG                             | 2    |
| 16   | 824090GT  | SCREW,HHF,3/8-16X1,8,ZAG                               | 4    |
| 17   | 106862GT  | CLAMP,RISER CABLE TRACK,INSIDE<br>to SN ZX135H-4030    |      |
| 17-  | 107530GT  | CLAMP,INSIDE RAD.REAR,RISER<br>from SN ZX135H-4031     | 1    |
| 18   | 12011GT   | SCREW,BHHS,1/4-20 X .5,Y/ZINC                          | 1    |
| 19   | 56093GT   | WEAR PAD ROUND   | 1    |
| 20   |           | REF. WELDMENT, PULL TUBE<br>(refer to 507.1)           | 1    |
| 21   |           | REF. CABLE TRACK,STEEL 57 LINKS***<br>(refer to 507.1) | 1    |
| 22   | 61820GT   | WELDMENT,RISER BOOM #1                                 | 1    |



510.1 Primary Boom Link, Lever and Lift Cylinder



Go to Discount-Equipment.com to order your parts

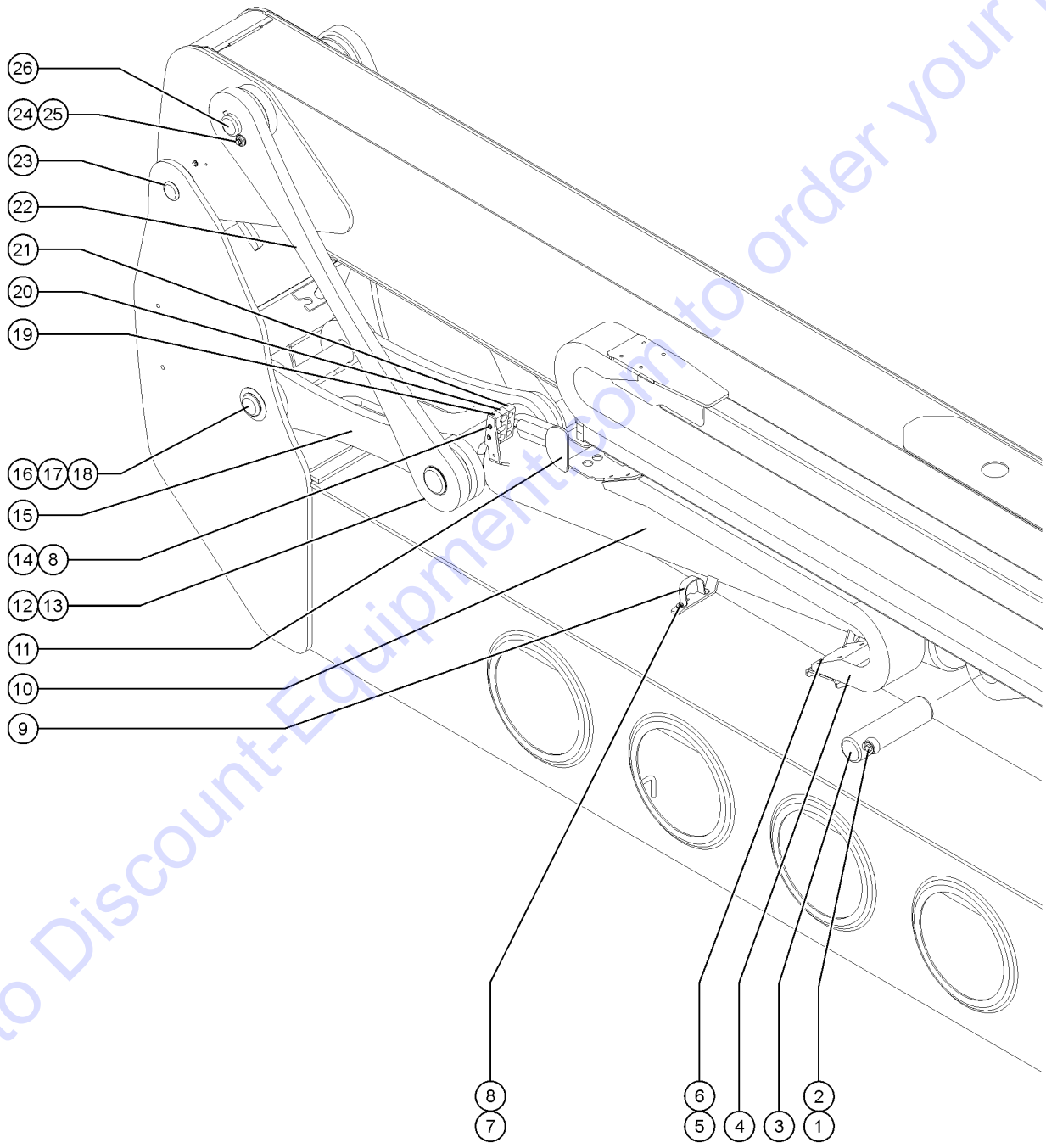
510.1 Primary Boom Link, Lever and Lift Cylinder

| Item | Part No.  | Description  | Qty. |
|------|-----------|--|------|
| A    | 107521GT  | COVER,HOSE & CABLE, 100 INCH<br>Protects hoses between the primary and secondary booms |      |
| 1    | 1256845GT | SCREW,HHC,3/4-10X2,8,ZAG   |      |
| 2    | 1256308GT | ROD END,.75 X 5,ZAG  |      |
| 3    | 94810GT   | PIN,3.00DIAX11.50LG,1HOLE  | 1    |
| 4    | 106574GT  | CABLE TRACK,STEEL 11 LINKS   | 1    |
| 5    | 824091GT  | SCREW,HHF,3/8-16X1.25,8,ZAG  |      |
| 6    | 824029GT  | NUT,TL FLG,3/8-16,G,ZAG  |      |
| 7    | 824078GT  | SCREW,HHF,1/4-20X.75,8,ZAG   |      |
| 8    | 824027GT  | NUT,TL FLG,1/4-20,G,ZAG  |      |
| 9    | 106580PGT | BRACKET,RISER CYL MOUNT PAINTD   | 1    |
| 10   | 61814GT   | CYLINDER,PRIMARY BOOM LIFT   | 1    |
| 10-  | 88279GT   | BEARING,3.00IDX3.50ODX1.50L  |      |
| 10-  | 101562GT  | BEARING,3.25IDX3.75ODX2.00L  |      |
| 10-  | 33428GT   | VALVE,COUNTERBALANCE   |      |
| 10-  | 106378GT  | SEAL KIT, Z135 LIFT (61814)  |      |
| 11   |           | Ref. Cable Track Support<br>(Refer to 512.1)   |      |
| 12   | 94811GT   | PIN,3.25DIAX19.00LG,2RING  | 1    |
| 13   | 1253814GT | SNAP RING,EXTERNAL,3.25,ZAG  | 2    |
| 14   | 1256803GT | SCREW,HHC,1/4-20X2.75,8,ZAG  |      |
| 15   | 106552GT  | LINK ASSEMBLY,PRIMARY BOOM   | 1    |
| 15-  | 101566GT  | BEARING,FL,2.50IDX2.75ODX1.36L   |      |
| 15-  | 101567GT  | BEARING,3.25IDX3.50ODX1.50L  |      |
| 16   | 119108GT  | PIN,2.50DIAX18.68LG,2RING  | 1    |
| 17   | 1256111GT | WASHER,SHIM,2.5X4X.062,ZAG   |      |
| 18   | 825760GT  | SNAP RING,EXTERNAL,2.50,ZAG  | 2    |
| 19   | 101110GT  | CABLE STAY   | 1    |
| 20   | 101315GT  | CABLE STAY   | 1    |
| 21   | 101106GT  | CLAMP ASSY.OPTIONS BLOCK W/NUT   | 1    |





510.1 Primary Boom Link, Lever and Lift Cylinder



Go to Discount-Equipment.com to order your parts

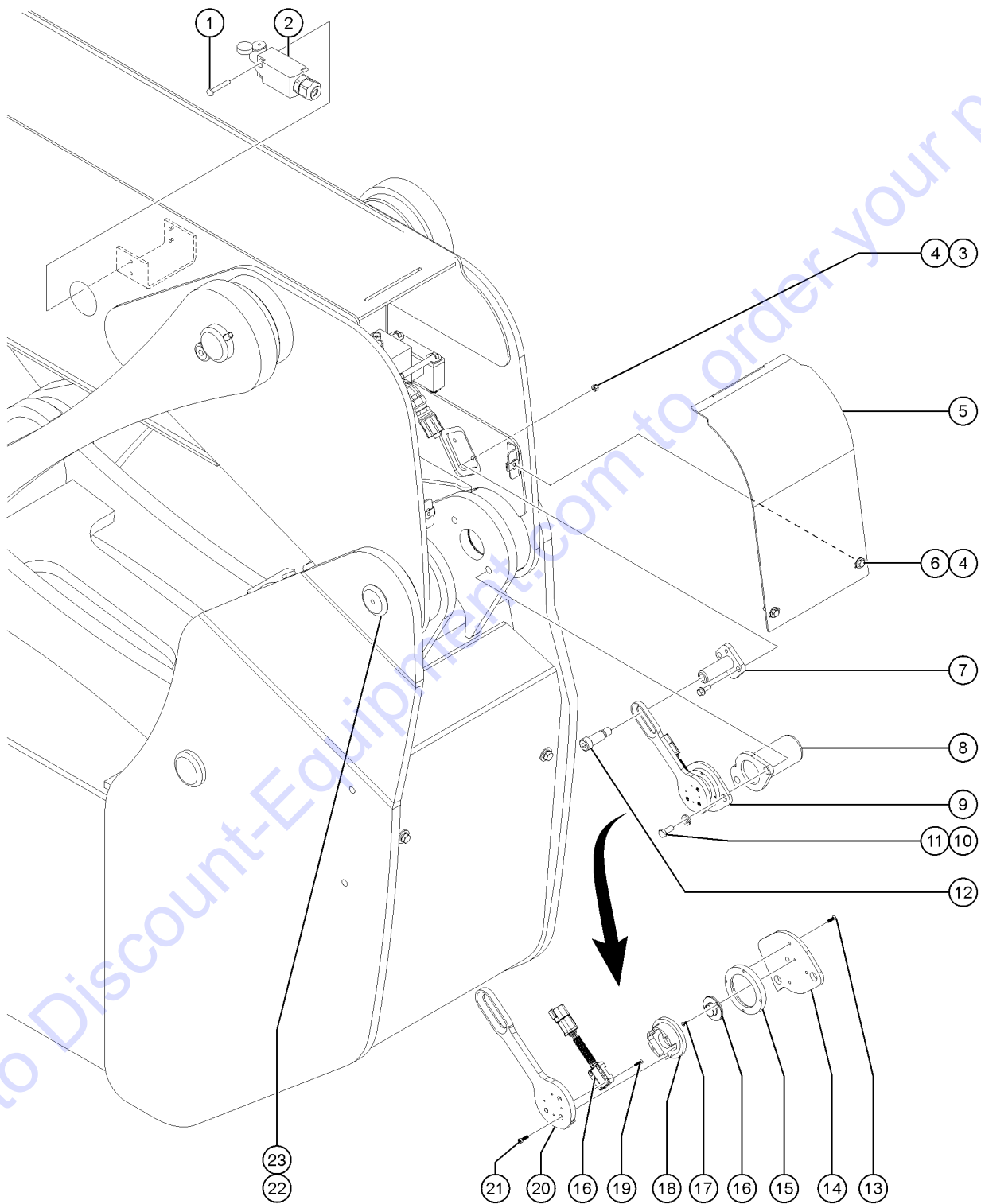
510.1 Primary Boom Link, Lever and Lift Cylinder

| Item | Part No. | Description                       | Qty. |
|------|----------|-----------------------------------|------|
| 22   | 106553GT | LEVER ASSEMBLY,PRIMARY BOOM ..... | 2    |
| 23   |          | Ref. Angle Sensor Pivot Pin ..... |      |
|      |          | (Refer to 511.1)                  |      |
| 24   | 824092GT | SCREW,HHF,3/8-16X1.5,8,ZAG .....  |      |
| 25   | 825019GT | ROD END,.375X3.69,ZAG .....       |      |
| 26   | 94809GT  | PIN,2.50DIAX19.56LG,2HOLE .....   | 1    |

Go to Discount-Equipment.com to order your parts



511.1 Primary Boom Angle Sensor and Retract Limit Switch



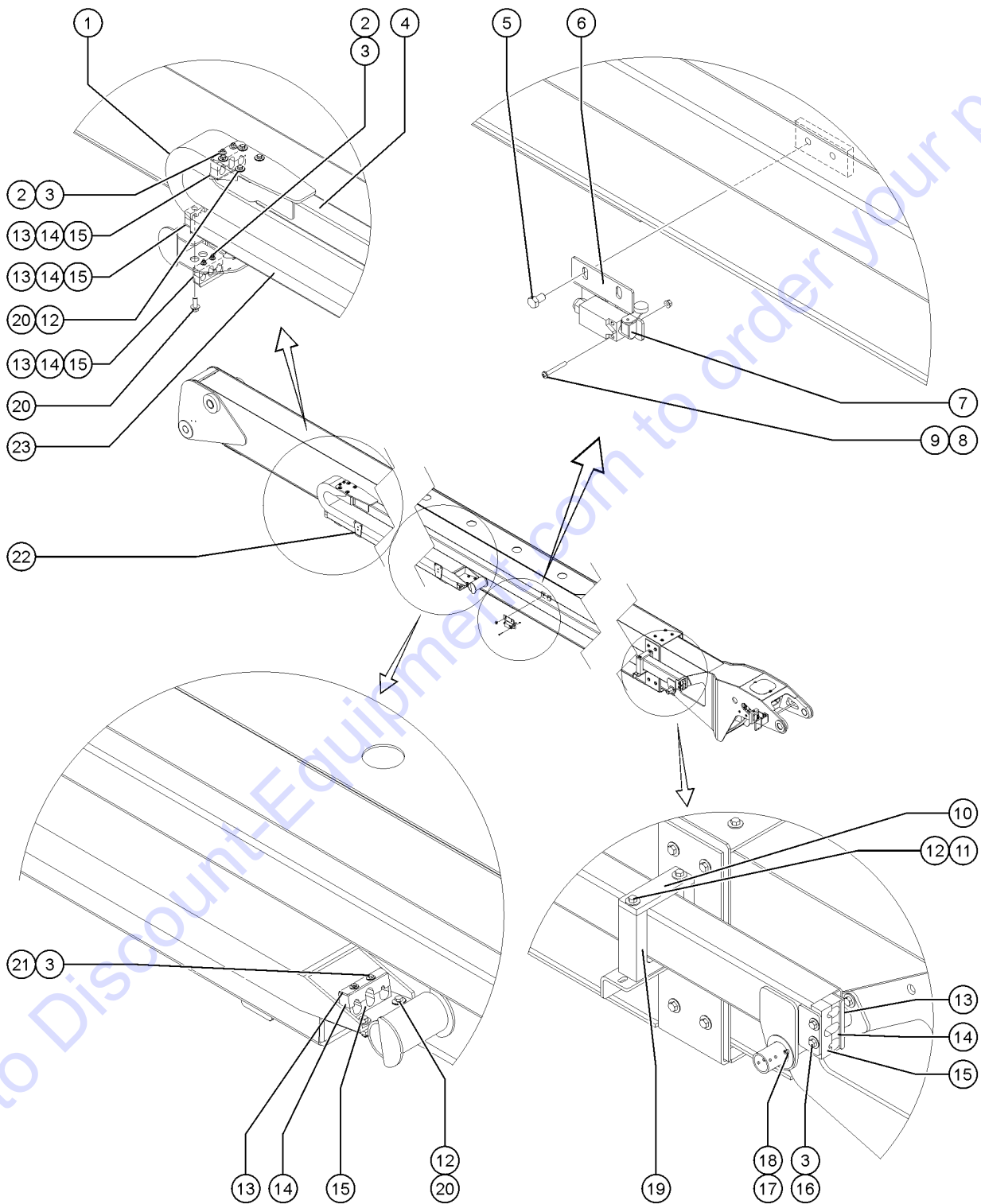
Go to Discount-Equipment.com to order your parts

511.1 Primary Boom Angle Sensor and Retract Limit Switch

| Item | Part No.       | Description  | Qty. |
|------|----------------|--|------|
| 1    | 825352GT       | SCREW,PHPM,10-32X1.25,ZAG .....  |      |
| 2    | 110913GT       | SWITCH ASSY,LIMIT LSP1RO .....   | 1    |
| 2-   | 110771-42163GT | SWITCH,LIMIT W/ROLLER NO/NC .....  |      |
| 2-   | 43960GT        | WIRE CABLE,16/4 CON.TPE JKT .....  | 29   |
|      |                | inches   |      |
| 2-   | 119067GT       | CONN,RECEP 4 WAY ENDCAP DT .....   |      |
| 2-   | 60443GT        | LOCK, RECEP 4WAY, 14-18GA .....  |      |
| 2-   | 73713GT        | TERM,NI PIN,S&F,16-18GA,REEL .....   |      |
| 3    | 6091GT         | NUT,NYLOCK,1/4-20 .....  |      |
| 4    | 824078GT       | SCREW,HHF,1/4-20X.75,8,ZAG .....   |      |
| 5    | 106277PGT      | COVER,PRIMARY BOOM,PAINTED .....   |      |
| 6    | 56912GT        | SPRING CLIP,1/4-20,.025-.15X.5 .....   |      |
| 7    | 233118GT       | WLDT, SENSOR ROTATOR #2 .....  |      |
| 8    | 218757GT       | WLDT., PRIMARY SENSOR PIN .....  |      |
| 9    | 215728GT       | ASSY,ANGLE SEN.,Z135 PRIMARY .....   |      |
|      |                | (Complete) Includes items 13 to 21; Calibration required after replacement   |      |
| 10   | 1256843GT      | SCREW,HHC,1/2-13X1.25,8,ZAG .....  |      |
| 11   | 824111GT       | WASHER,LOCK,1/2,ZAG .....  |      |
| 12   | 217235GT       | SCREW,SHS,3/4X1.5X5/8-11,ZAG .....   |      |
| 13   | 217217GT       | SCREW,FHSCS,M4-0.7X14 CL10.9 .....   |      |
| 14   | 226489GT       | MACHINED, PRIMARY SENSOR BASE .....  |      |
| 15   | 226491GT       | MACHINED, ANGLE SENSOR RACE .....  |      |
| 16   | 216061GT       | SENSOR, ANGLE, 180 DEG, CW .....   |      |
|      |                | Sensor and magnet are matched and must be replaced at the same time. Machine calibration is required after installation. |      |
| 17   | 237242GT       | SCREW,FHS,M3-0.5X8,DIN7991,10.9,ZAB .....  |      |
| 18   | 226492GT       | MACHINED, ANGLE SENSOR HOLDER .....  |      |
| 19   | 237241GT       | SCREW,FHS,M3-0.5X14,DIN7991,10 .....   |      |
| 20   | 233116GT       | MACHINED, SENSOR ARM .....   |      |
| 21   | 217219GT       | SCREW,SHC,M4-0.7X14 DIN912,12.9,ZAB .....  |      |
| 22   | 94814GT        | PIN,2.25 DIA X 5.10LG,THREADED .....   | 1    |
| 23   | 1257080GT      | WASHER,FLAT,2.27X3.5X.06,ZAG .....   |      |



512.1 Primary Boom Cable Track

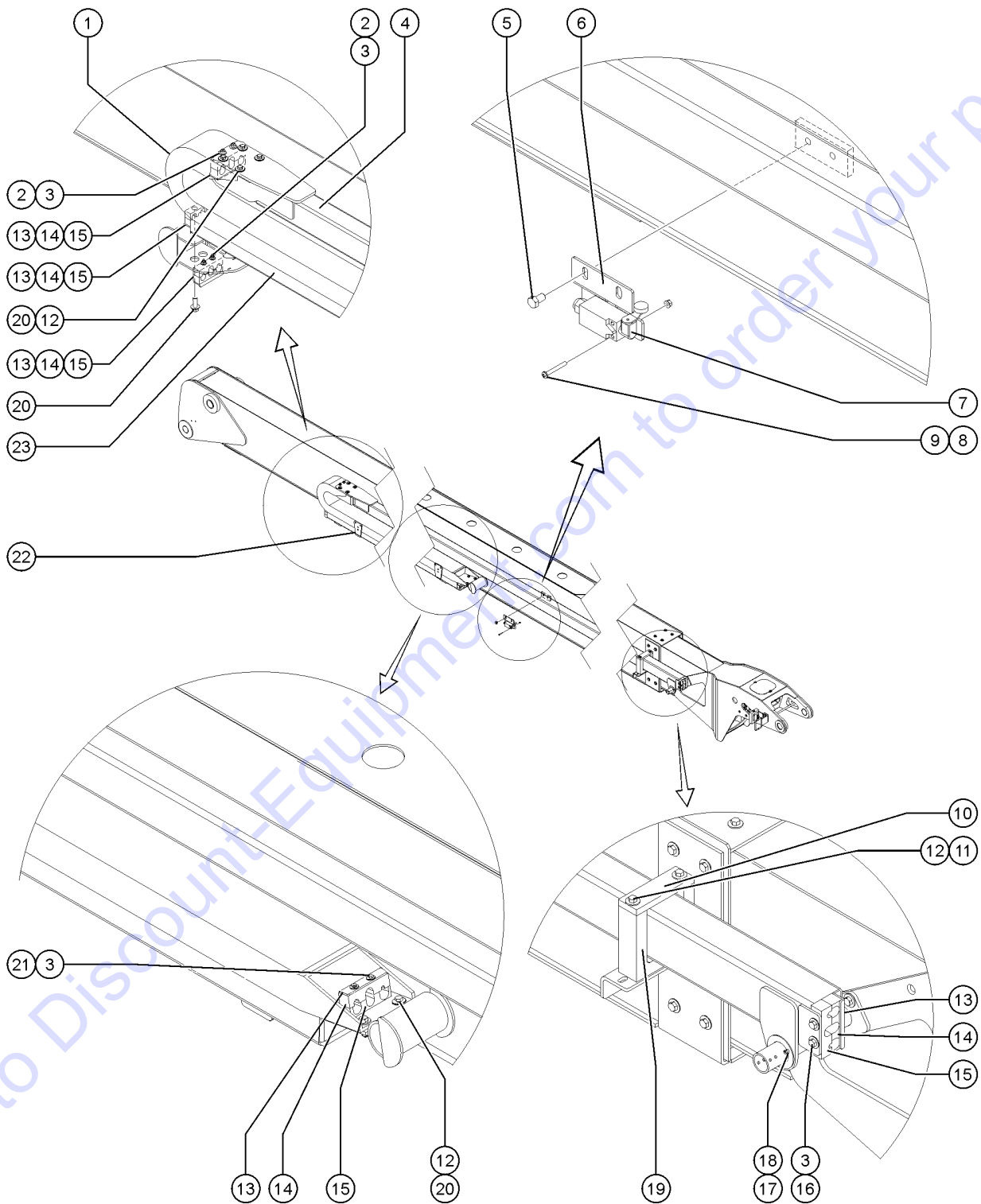


512.1 Primary Boom Cable Track

| Item | Part No.       | Description                          | Qty. |
|------|----------------|--------------------------------------|------|
| 1    | 61852GT        | CABLE TRACK,STEEL 27 LINKS .....     | 1    |
| 1-   | 77896GT        | ASSY,FOUR LINK CABLE TRACK*** .....  |      |
| 1-   | 102216GT       | BRACKET,CABLE TRACK,MOVING END ..... |      |
| 1-   | 106154GT       | KIT,PIN & RING*** .....              |      |
| 1-   | 58308GT        | ROLLER,ALUM TUBE,ST.TRK*** .....     |      |
| 1-   | 58309GT        | ROLLER,POLY,STEEL TRACK*** .....     |      |
| 2    | 824095GT       | SCREW,HHF,3/8-16X3,8,ZAG .....       |      |
| 3    | 824027GT       | NUT,TL FLG,1/4-20,G,ZAG .....        |      |
| 4    | 101098GT       | WELDMENT,PRIMARY PULL TUBE .....     | 1    |
| 5    | 1257489GT      | SCREW,HHC,3/8-16X.625,8,ZAG .....    |      |
| 6    | 88019PGT       | FORMING,LIMIT SWITCH MOUNT .....     | 1    |
| 7    | 110914GT       | SWITCH ASSY,LIMIT LSS1EO .....       | 1    |
| 7-   | 110771-44163GT | SWITCH LIMIT W/RLLR NO/NC GOLD ..... |      |
| 7-   | 43960GT        | WIRE CABLE,16/4 CON.TPE JKT .....    | 340  |
|      |                | inches                               |      |
| 7-   | 119065GT       | CONN,RECEP 2 WAY ENDCAP DT .....     |      |
| 7-   | 60439GT        | LOCK,RECEP 2 WAY, 14-18GA .....      |      |
| 7-   | 73713GT        | TERM,NI PIN,S&F,16-18GA,REEL .....   |      |
| 8    | 824216GT       | SCREW,PHPM,10-32X1.5,ZAG .....       |      |
| 9    | 824032GT       | NUT,TL FLG,10-32,F,ZAG .....         |      |
| 10   | 81342GT        | WEAR PAD,5.5 X 1.75 X .5 .....       | 1    |
| 11   | 1255391GT      | SCREW,HHC,3/8-16X7,8,ZAG .....       |      |
| 12   | 824029GT       | NUT,TL FLG,3/8-16,G,ZAG .....        |      |
| 13   | 107868PGT      | PLATE,REINF.CLAMP STACK,PTD .....    | 5    |
| 14   | 101110GT       | CABLE STAY .....                     | 5    |
| 15   | 101315GT       | CABLE STAY .....                     | 5    |
| 16   | 1256803GT      | SCREW,HHC,1/4-20X2.75,8,ZAG .....    |      |
| 17   | 1256181GT      | WASHER,FLAT,1.56X2.5X.061,ZAG .....  |      |
| 18   | 42079GT        | PIN,COTTER,.156 X 2.5 .....          |      |



512.1 Primary Boom Cable Track



Go to Discount-Equipment.com to order your parts

512.1 Primary Boom Cable Track

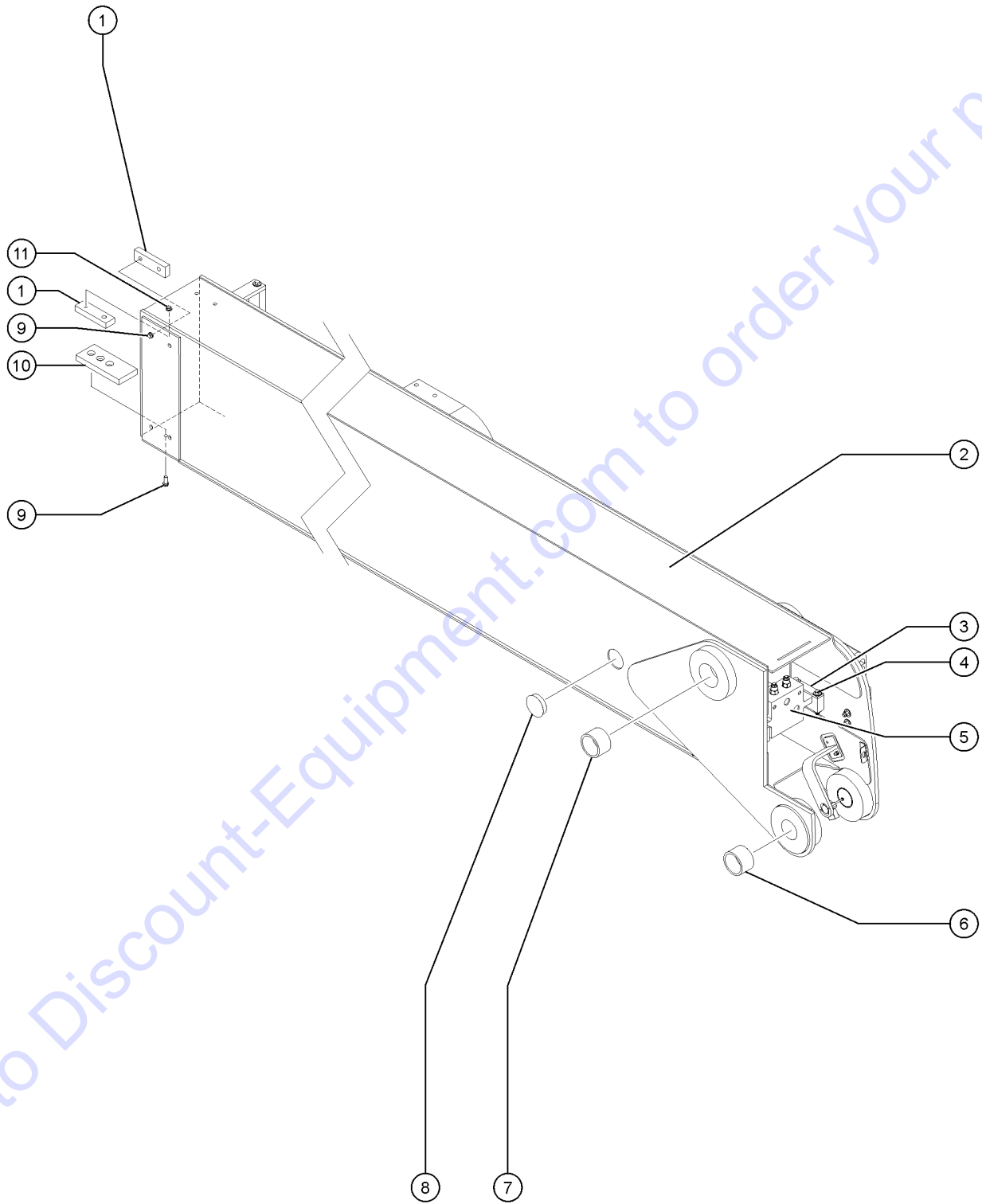
| Item | Part No. | Description                          | Qty. |
|------|----------|--------------------------------------|------|
| 19   | 81341GT  | WEAR PAD,CABLE TRACK PULL TUBE ..... | 1    |
| 20   | 824091GT | SCREW,HHF,3/8-16X1.25,8,ZAG .....    |      |
| 21   | 824065GT | SCREW,HHC,1/4-20X4,8,ZAG .....       |      |
| 22   | 70264GT  | CABLE TRACK GUIDE TRIANGLE .....     | 4    |
|      |          | to SN ZX135H-4248                    |      |
| 22-  | 39317GT  | STOP PLATFORM ROLLER .....           |      |
|      |          | to SN ZX135H-4248                    |      |
| 23   | 94592GT  | WELDMENT,CABLE TRACK SUPPORT .....   | 1    |

Go to Discount-Equipment.com to order your parts





513.1 Primary Boom Bearings and Wear Pads



513.1 Primary Boom Bearings and Wear Pads

| Item | Part No.  | Description   | Qty. |
|------|-----------|---|------|
| 1    | 34125GT   | WEAR PAD,5 X 1.5 X .75 W/NUTS .....                               | 6    |
| 2    | 107762GT  | ASSY,PRIMARY BOOM W/DECAL ***<br>Includes items 6, 7, and 8 ..... | 1    |
| 3    | 106281PGT | BRACKET,RISER CYL MOUNT PAINTD .....                              | 2    |
| 4    | 1256848GT | SCREW,HHC,3/8-16X2.75,8,ZAG .....                                 |      |
| 5    | 61815GT   | CYLINDER,PRIMARY BOOM EXTEND .....                                | 1    |
| 5-   | 106538GT  | SEAL KIT,Z135 PEXT (61815)*** .....                               |      |
| 5-   | 88667GT   | VALVE,CB.CBCA-LHN@1500PSI*** .....                                |      |
| 5-   | 74872GT   | VALVE,COUNTERBALANCE 3000 PSI* .....                              |      |
| 5-   | 60239GT   | WEAR PAD,7 X 3 X .625 W/INSERT .....                              | 4    |
| 6    | 101561GT  | BEARING,2.25IDX2.50ODX2.25L .....                                 | 2    |
| 7    | 101559GT  | BEARING,FL,2.50IDX2.75ODX1.61L .....                              | 2    |
| 8    | 39640GT   | PLUG,NYLON 2.50 BLACK DOMED .....                                 | 1    |
| 9    | 824090GT  | SCREW,HHF,3/8-16X1,8,ZAG .....                                    |      |
| 10   | 50245GT   | WEAR PAD,7 X 3 X .75 W/NUTS .....                                 | 2    |
| 11   | 826791GT  | SCREW,HHC,3/8-16X.875,8,ZAG .....                                 |      |

Go to Discount-Equipment.com to order your parts



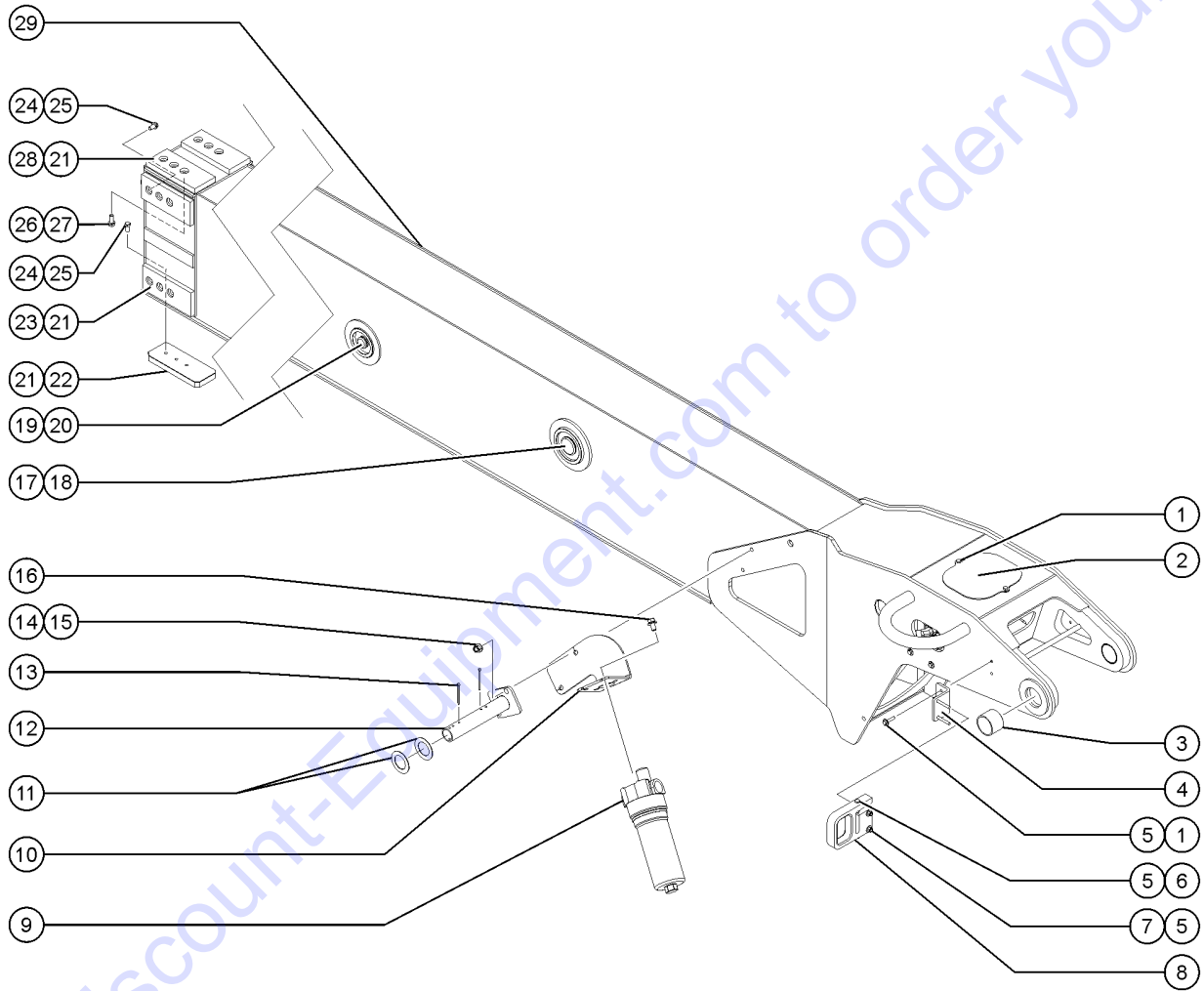


514.1 Primary Extension Boom

| Item | Part No.  | Description                                 | Qty. |
|------|-----------|---|------|
| 1    | 824080GT  | SCREW,HHF,1/4-20X1.25,8,ZAG .....           |      |
| 2    | 106081PGT | COVER, TOP, PRIMARY EXT. PAINTED .....      | 1    |
| 3    | 101560GT  | BEARING,2.00IDX2.25ODX1.63L .....           | 2    |
| 4    | 106165GT  | FORMING,CABLE GUIDE,PRIMARY .....           | 1    |
| 5    | 824027GT  | NUT,TL FLG,1/4-20,G,ZAG .....               |      |
| 6    | 1256853GT | SCREW,HHF,1/4-20X4.5,8,ZAG .....            |      |
| 7    | 824082GT  | SCREW,HHF,1/4-20X1.75,8,ZAG .....           |      |
| 8    | 106135GT  | CLAMP,PRIMARY .....                         | 1    |
| 9    | 60334GT   | FILTER ASSY,HIGH PRESS SAE-12* .....        |      |
| 9-   | 60857GT   | FILTER,ELEMENT,BETA(5)=1000 .....           |      |
| 10   | 1268499GT | FORMING, FILTER BRACKET .....               |      |
| 11   | 1256181GT | WASHER,FLAT,1.56X2.5X.061,ZAG .....         |      |
| 12   | 81347GT   | WELDMENT,TRACK PULL TUBE PIVOT .....        | 1    |
| 13   | 42079GT   | PIN,COTTER,.156 X 2.5 .....                 | 2    |
| 14   | 824029GT  | NUT,TL FLG,3/8-16,G,ZAG .....               |      |
| 15   | 824093GT  | SCREW,HHF,3/8-16X1.75,8,ZAG .....           |      |
| 16   | 1256857GT | SCREW,HHF,3/8-16X.625,8,ZAG .....           |      |
| 17   | 94806GT   | PIN,2.00DIA X 8.77LG,2RING .....            | 1    |
| 18   | 1253815GT | SNAP RING,EXTERNAL,2.00,ZAG .....           | 2    |
| 19   | 88345GT   | PIN,1.25DIA X 8.26LG,2RING .....            | 1    |
| 20   | 824164GT  | SNAP RING,EXTERNAL,1.25,ZAG .....           | 1    |
| 21   | 60304GT   | SHIM,WEAR PAD,7 X 3,12GA<br>as-needed ..... |      |
| 21B  | 60840GT   | SHIM,WEAR PAD,7 X 3,16GA<br>as-needed ..... |      |
| 22   | 107586GT  | WEAR PAD,7X3X.50 W/NUTS .....               | 2    |
| 23   | 107586GT  | WEAR PAD,7X3X.50 W/NUTS .....               | 4    |
| 24   | 824110GT  | WASHER,LOCK,3/8,ZAG .....                   |      |
| 25   | 1256109GT | SCREW,HHC,3/8-16X.75,8,ZAG .....            |      |
| 26   | 824068GT  | SCREW,HHC,3/8-16X1.25,8,ZAG .....           |      |



514.1 Primary Extension Boom



Go to Discount-Equipment.com to order your parts

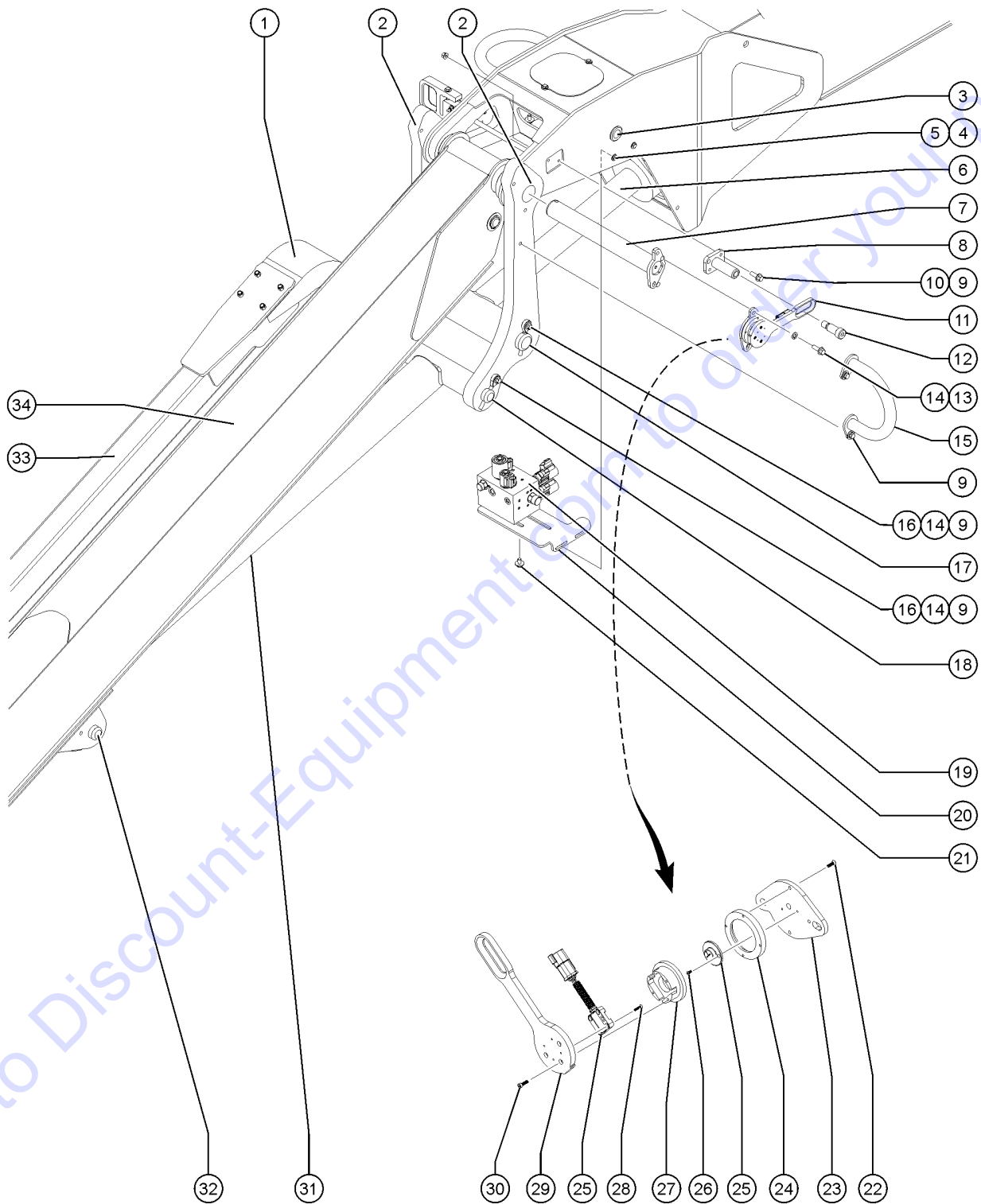
514.1 Primary Extension Boom

| Item | Part No. | Description   | Qty. |
|------|----------|---|------|
| 27   | 824110GT | WASHER,LOCK,3/8,ZAG .....                             |      |
| 28   | 88648GT  | WEAR PAD,7X3X.625 W/NUTS .....                        | 2    |
| 29   | 119847GT | ASSEMBLY,PRIMARY EXT.BOOM***<br>Includes item 3 ..... | 1    |

Go to Discount-Equipment.com to order your parts



515.1 Bellcrank, Bellcrank Level Cylinder and Jib Boom Lift Cylinder



Go to Discount-Equipment.com to order your parts

515.1 Bellcrank, Bellcrank Level Cylinder and Jib Boom Lift Cylinder

| Item | Part No. | Description  | Qty. |
|------|----------|--|------|
| A    | 107522GT | COVER,HOSE & CABLE, 70 INCH<br>Protects hoses between the primary and jib booms                            |      |
| 1    |          | Ref. Jib Boom Cable Track<br>(Refer to 516.1)  |      |
| 2    | 61920PGT | Jib Boom Bellcrank   | 2    |
| 3    | 106923GT | GROMMET,RUBBER .38X1.38X1.0  | 2    |
| 4    | 824080GT | SCREW,HHF,1/4-20X1.25,8,ZAG  |      |
| 5    | 824027GT | NUT,TL FLG,1/4-20,G,ZAG  |      |
| 6    | 106519GT | CYLINDER,BELLCRANK LEVELING  | 1    |
| 6-   | 106532GT | SEAL KIT,CYL.106519  |      |
| 6-   | 33428GT  | VALVE,COUNTERBALANCE   |      |
| 6-   | 4201GT   | BEARING,2.00IDX2.25ODX2.00L  |      |
| 7    | 219114GT | WELDMENT, BELLCRANK PIN  |      |
| 8    | 233118GT | WLDT, SENSOR ROTATOR #2  |      |
| 9    | 824091GT | SCREW,HHF,3/8-16X1.25,8,ZAG  |      |
| 10   | 824029GT | NUT,TL FLG,3/8-16,G,ZAG  |      |
| 11   | 217293GT | ASSY,ANGLE SEN.,Z135 BELL CR<br>(Complete) Includes items 22 to 30; Calibration required after replacement |      |
| 12   | 217234GT | SCREW,SHS,3/4X1.25X5/8-11,ZAG  |      |
| 13   | 824090GT | SCREW,HHF,3/8-16X1,8,ZAG   |      |
| 14   | 824110GT | WASHER,LOCK,3/8,ZAG  |      |
| 15   | 106688GT | WELDMENT,PROTECTION BAR  | 1    |
| 16   | 825019GT | ROD END,.375X3.69,ZAG  |      |
| 17   | 94804GT  | PIN,2.00DIAX17.06LG,2HOLE  | 1    |
| 18   | 94803GT  | PIN,1.50DIAX17.06LG,2HOLE  | 1    |
| 19   |          | Ref. Jib Boom Manifold<br>(Refer to 703.1)   |      |
| 20   | 106074GT | BRACKET,MANIFOLD,EXT.BOOM  | 1    |
| 21   | 94195GT  | SCREW,HHC,3/8-16 X .75,GR 8  |      |
| 22   | 217217GT | SCREW,FHSCS,M4-0.7X14 CL10.9   |      |
| 23   | 226487GT | MACHINED, BELL CR SEN. BASE  |      |
| 24   | 226491GT | MACHINED, ANGLE SENSOR RACE  |      |







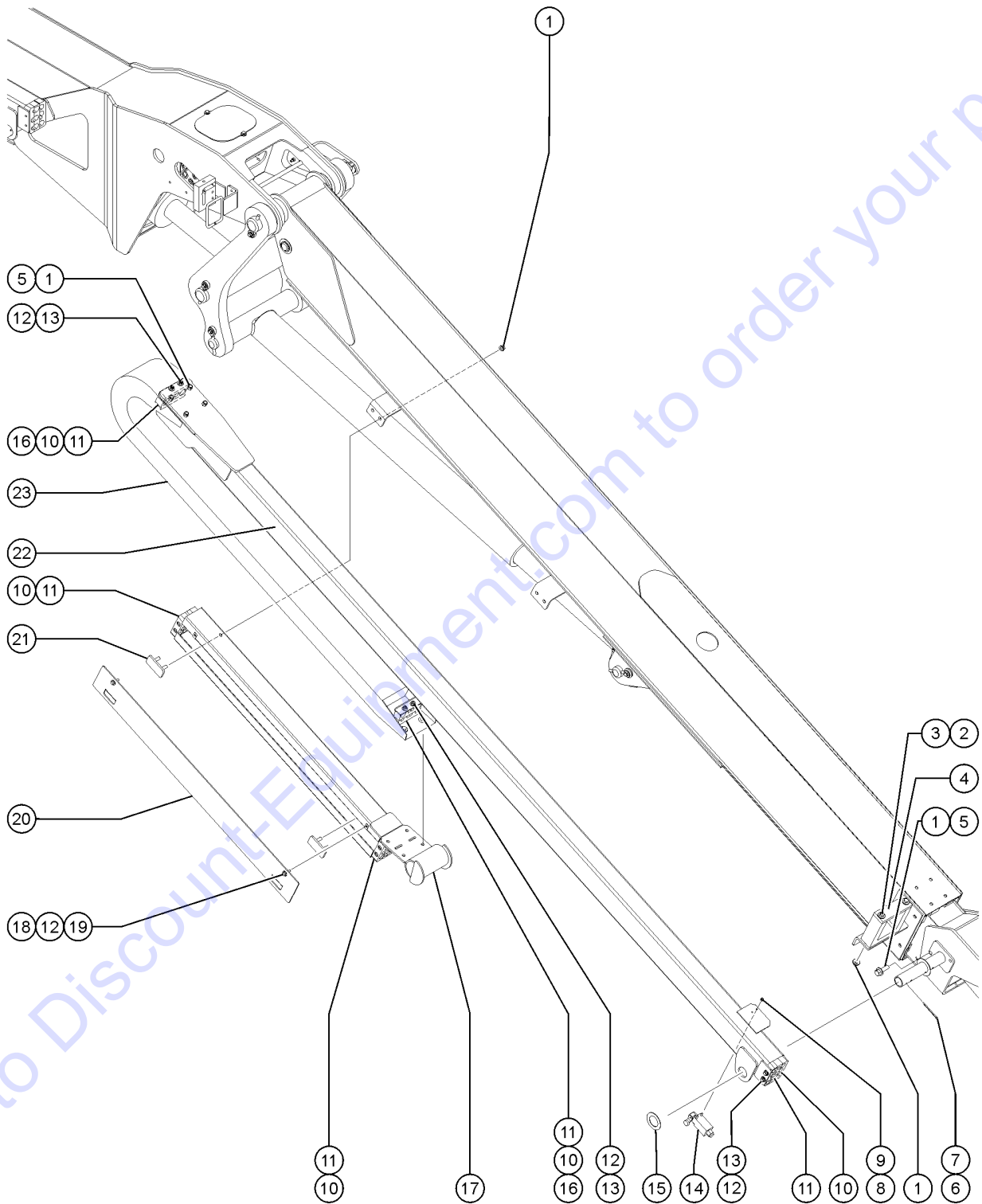
515.1 Bellcrank, Bellcrank Level Cylinder and Jib Boom Lift Cylinder

| Item | Part No. | Description  | Qty.  |
|------|----------|--|-------|
| 25   | 216061GT | SENSOR, ANGLE, 180 DEG, CW<br>Sensor and magnet are matched and must be replaced at the same time. Machine calibration is required after installation. | ..... |
| 26   | 237242GT | SCREW,FHS,M3-0.5X8,DIN7991,10.9,ZAB .....  |       |
| 27   | 226492GT | MACHINED, ANGLE SENSOR HOLDER .....  |       |
| 28   | 237241GT | SCREW,FHS,M3-0.5X14,DIN7991,10 .....   |       |
| 29   | 233116GT | MACHINED, SENSOR ARM .....   |       |
| 30   | 217219GT | SCREW,SHC,M4-0.7X14 DIN912,12.9,ZAB .....  |       |
| 31   | 61817GT  | CYLINDER,LIFT,JIB BOOM .....   | 1     |
| 31-  | 94203GT  | SEAL KIT,CYL .....   |       |
| 31-  | 61602GT  | VALVE,COUNTERBAL.CBBB-LHN@3500 .....   |       |
| 31-  | 88280GT  | BEARING,1.5IDX1.75ODX0.75L .....   |       |
| 32   | 47666GT  | PIN,1.50DIAX9.13LG,1HOLE .....   | 1     |
| 33   |          | Ref. Jib Cable Track Pull Tube .....   |       |
|      |          | (Refer to 516.1)   |       |
| 34   | 106674GT | JIB PRIMARY TUBE ASSEMBLY***<br>Includes bearings  | ..... |
|      |          |  | 1     |

Go to Discount-Equipment.com to order your parts



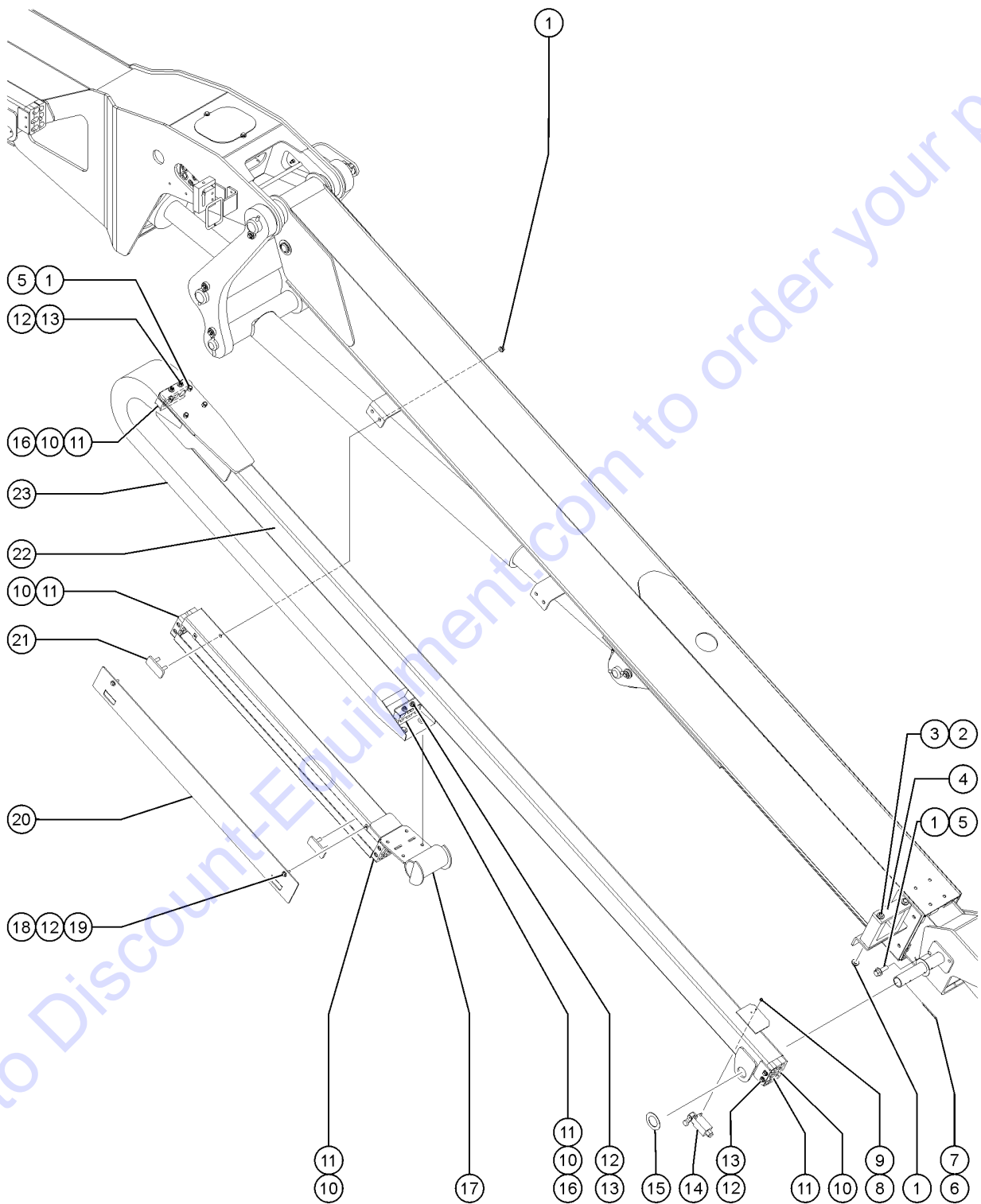
516.1 Jib Boom Cable Track



| Item | Part No.       | Description                          | Qty. |
|------|----------------|--------------------------------------|------|
| 1    | 824029GT       | NUT,TL FLG,3/8-16,G,ZAG .....        |      |
| 2    | 1255391GT      | SCREW,HHC,3/8-16X7,8,ZAG .....       |      |
| 3    | 825358GT       | WASHER,FLAT,5/16,USS,ZAG .....       |      |
| 4    | 81342GT        | WEAR PAD,5.5 X 1.75 X .5 .....       | 1    |
| 4-   | 81341GT        | WEAR PAD,CABLE TRACK PULL TUBE ..... | 1    |
| 5    | 824091GT       | SCREW,HHF,3/8-16X1.25,8,ZAG .....    |      |
| 6    | 42079GT        | PIN,COTTER,.156 X 2.5 .....          |      |
| 7    | 81347GT        | WELDMENT,TRACK PULL TUBE PIVOT ..... |      |
| 8    | 824032GT       | NUT,TL FLG,10-32,F,ZAG .....         |      |
| 9    | 824216GT       | SCREW,PHPM,10-32X1.5,ZAG .....       |      |
| 10   | 101108GT       | CABLE STAY,BOTTOM .....              | 4    |
| 11   | 101109GT       | CABLE STAY,TOP .....                 | 4    |
| 12   | 1256803GT      | SCREW,HHC,1/4-20X2.75,8,ZAG .....    |      |
| 13   | 824027GT       | NUT,TL FLG,1/4-20,G,ZAG .....        |      |
| 14   | 110911GT       | SWITCH ASSY,LIMIT LSJ1RO .....       | 1    |
| 14-  | 110771-42223GT | SWITCH,LIMIT, W/ROLLER NO/NC .....   |      |
| 14-  | 43960GT        | WIRE CABLE,16/4 CON.TPE JKT .....    | 40   |
| 14-  | 119065GT       | CONN,RECEP 2 WAY ENDCAP DT .....     |      |
| 14-  | 60439GT        | LOCK,RECEP 2 WAY, 14-18GA .....      |      |
| 14-  | 73713GT        | TERM,NI PIN,S&F,16-18GA,REEL .....   |      |
| 15   | 1256181GT      | WASHER,FLAT,1.56X2.5X.061,ZAG .....  |      |
| 16   | 107868PGT      | PLATE,REINF.CLAMP STACK,PTD .....    | 2    |
| 17   | 101099GT       | WELDMENT,CABLE TRACK SUPPORT .....   | 1    |
| 18   | 824078GT       | SCREW,HHF,1/4-20X.75,8,ZAG .....     |      |
| 19   | 56912GT        | SPRING CLIP,1/4-20,.025-.15X.5 ..... |      |
| 20   | 101772GT       | PLATE,CABLE TRACK COVER .....        | 1    |
| 21   | 101104GT       | PLATE,CABLE TRACK MOUNT .....        | 2    |
| 21-  | 1255757GT      | BOLT,CARRIAGE,3/8-16X1.25,5,ZA ..... |      |



516.1 Jib Boom Cable Track



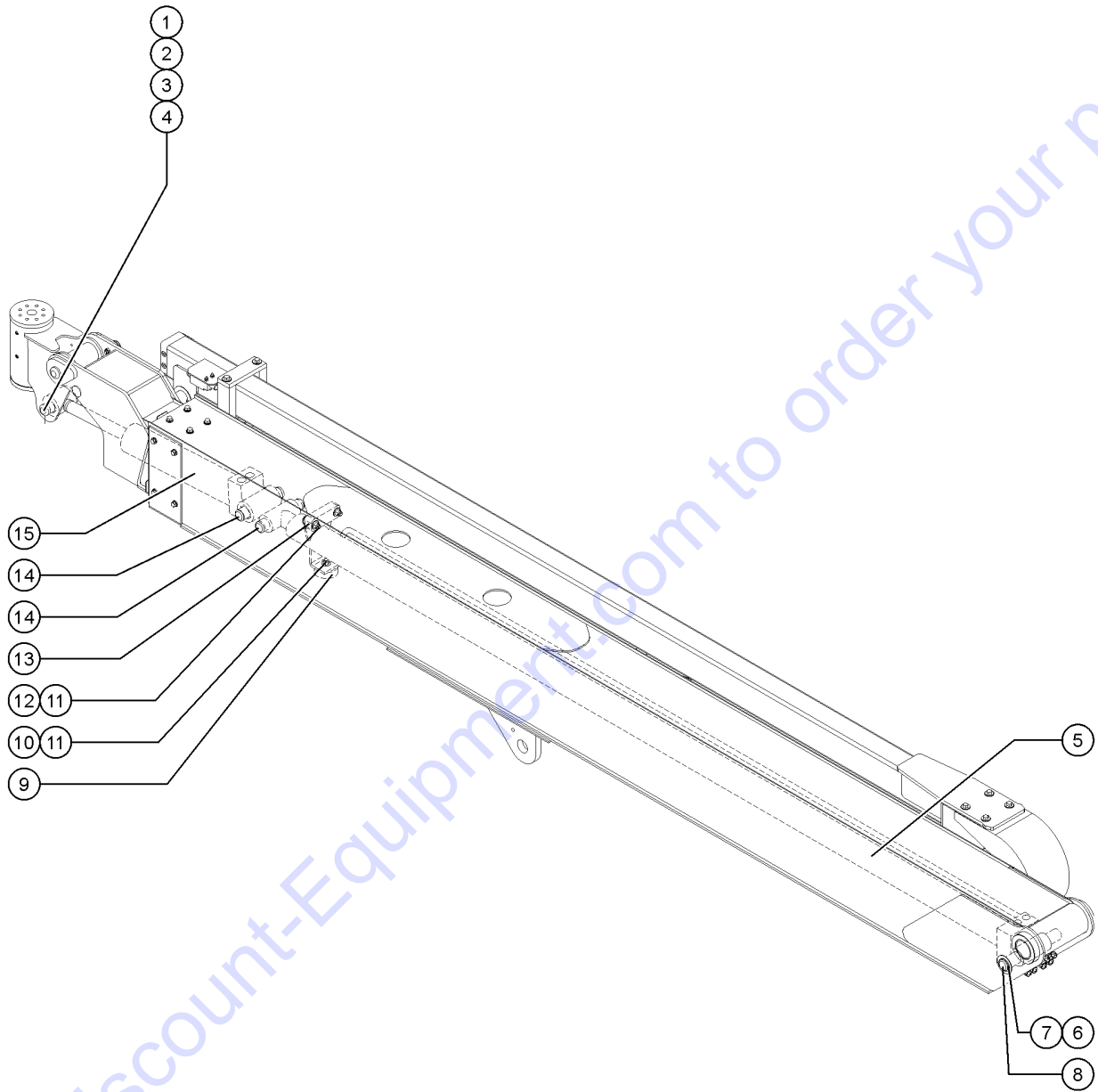
516.1 Jib Boom Cable Track

| <i>Item</i> | <i>Part No.</i> | <i>Description</i>               | <i>Qty.</i> |
|-------------|-----------------|----------------------------------|-------------|
| 22          | 101112GT        | WELDMENT,JIB PULL TUBE .....     | 1           |
| 23          | 94775GT         | CABLE TRACK,STEEL 15 LINKS ..... | 1           |

Go to Discount-Equipment.com to order your parts



517.1 Jib Boom Extension and Platform Level Cylinders



517.1 Jib Boom Extension and Platform Level Cylinders

| Item | Part No.  | Description                          | Qty. |
|------|-----------|--------------------------------------|------|
| 1    | T108075GT | PIN,1.25DIAX5.25LG,1HOLE .....       | 1    |
| 2    | 1255452GT | ROD END,.375 X 2.25,ZAG .....        | 1    |
| 3    | 824067GT  | SCREW,HHC,3/8-16X1,8,ZAG .....       |      |
| 4    | 824038GT  | NUT,TL JAM,3/8-16,A,ZAG .....        |      |
| 5    | 94653GT   | CYLINDER,JIB EXTENSION .....         | 1    |
| 5-   | 94194GT   | SEAL KIT,Z135 JEXT (94653) .....     |      |
| 5-   | 54063GT   | VALVE,CB.CBBC-LHN@1000*** .....      |      |
| 5-   | 50701GT   | VALVE,COUNTERBALANCE,2:1 3000 .....  |      |
| 6    | 824164GT  | SNAP RING,EXTERNAL,1.25,ZAG .....    |      |
| 7    | 824151GT  | WASHER,SHIM,1.270X2.130X.062,Z ..... |      |
| 8    | T108079GT | PIN,1.25DIAX8.30LG,2RING .....       | 1    |
| 9    | 74085GT   | REST PAD,UPPER PIVOT Z30N .....      | 1    |
| 10   | 824092GT  | SCREW,HHF,3/8-16X1.5,8,ZAG .....     |      |
| 11   | 824029GT  | NUT,TL FLG,3/8-16,G,ZAG .....        |      |
| 12   | 1253478GT | SCREW,HHF,3/8-16X2,8,ZAG .....       |      |
| 13   | 71858GT   | WEAR PAD,4.25 X 1.5 X 1 .....        | 1    |
| 14   | 50546GT   | PIN,1.25DIAX6.36LG,2RING .....       | 2    |
| 15   | 110580GT  | CYLINDER,PLATFORM LEVELING*** .....  | 1    |
| 15-  | 94193GT   | SEAL KIT,CYL .....                   |      |
| 15-  | 61602GT   | VALVE,COUNTERBAL.CBBB-LHN@3500 ..... | 2    |
| 15-  | 47377GT   | BEARING,1.25 ID X 1.5 OD X .75 ..... | 4    |

Go to DiscountEquipment.com to order your parts





# PARTS FINDER

**Search Website  
by Part Number**



**Search Manual  
Library For Parts  
Manual & Lookup Part  
Numbers – Purchase  
or Request Quote**

**Search Manuals**

Enter your information to help us find the right parts manual for your machine.

\* Brand:

\* Model:

\* Serial:

\* Part Number:

SEARCH

**Can't Find Part or  
Manual? Request Help  
by Manufacturer,  
Model & Description**

**Parts Order Form**

Please fill in the following information to help us find the right part for your machine.

|               |                      |
|---------------|----------------------|
| Manufacturer: | <input type="text"/> |
| Model:        | <input type="text"/> |
| Description:  | <input type="text"/> |
| Part Number:  | <input type="text"/> |
| Quantity:     | <input type="text"/> |
| Notes:        | <input type="text"/> |

Submit

Discount-Equipment.com is your online resource for quality parts & equipment.

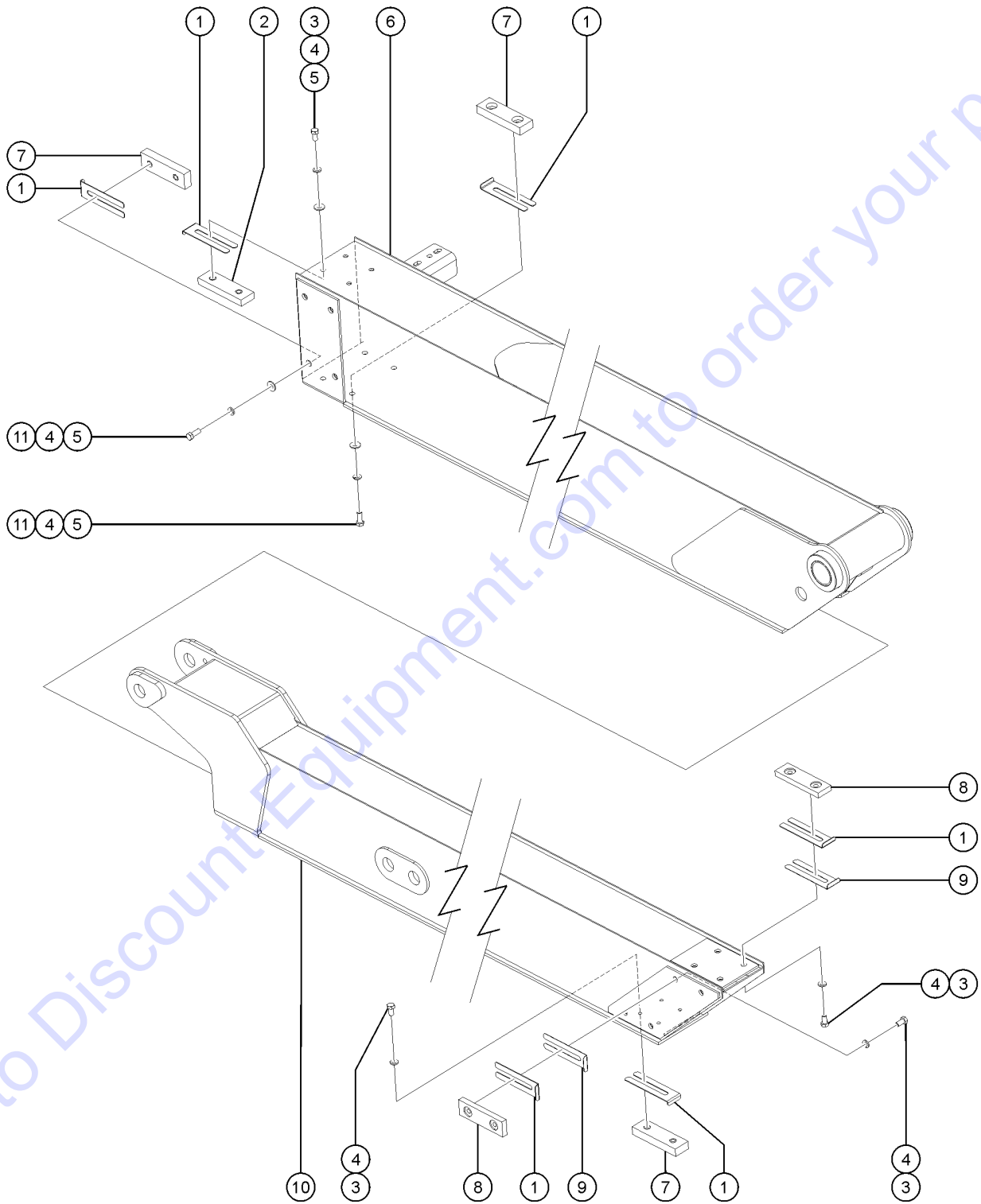
Florida: **561-964-4949** Outside Florida TOLL FREE: **877-690-3101**

**Need parts?**

Click on this link: <http://www.discount-equipment.com/category/5443-parts/> and choose one of the options to help get the right parts and equipment you are looking for. Please have the machine model and serial number available in order to help us get you the correct parts. If you don't find the part on the website or on one of the online manuals, please fill out the request form and one of our experienced staff members will get back to you with a quote for the right part that your machine needs.

We sell worldwide for the brands: Genie, Terex, JLG, MultiQuip, Mikasa, Essick, Whiteman, Mayco, Toro Stone, Diamond Products, Generac Magnum, Airman, Haulotte, Barreto, Power Blanket, Nifty Lift, Atlas Copco, Chicago Pneumatic, Allmand, Miller Curber, Skyjack, Lull, Skytrak, Tsurumi, Husquvarna Target, Stow, Wacker, Sakai, Mi-T-M, Sullair, Basic, Dynapac, MBW, Weber, Bartell, Bennar Newman, Haulotte, Ditch Runner, Menegotti, Morrison, Contec, Buddy, Crown, Edco, Wyco, Bomag, Laymor, EZ Trench, Bil-Jax, F.S. Curtis, Gehl Pavers, Heli, Honda, ICS/PowerGrit, IHI, Partner, Imer, Clipper, MMD, Koshin, Rice, CH&E, General Equipment, Amida, Coleman, NAC, Gradall, Square Shooter, Kent, Stanley, Tamco, Toku, Hatz, Kohler, Robin, Wisconsin, Northrock, Oztec, Toker TK, Rol-Air, APT, Wylie, Ingersoll Rand / Doosan, Innovatech, Con X, Ammann, Mecalac, Makinex, Smith Surface Prep, Small Line, Wanco, Yanmar

518.1 Jib Boom Tubes and Wear Pads



Go to DiscountEquipment.com to order your parts

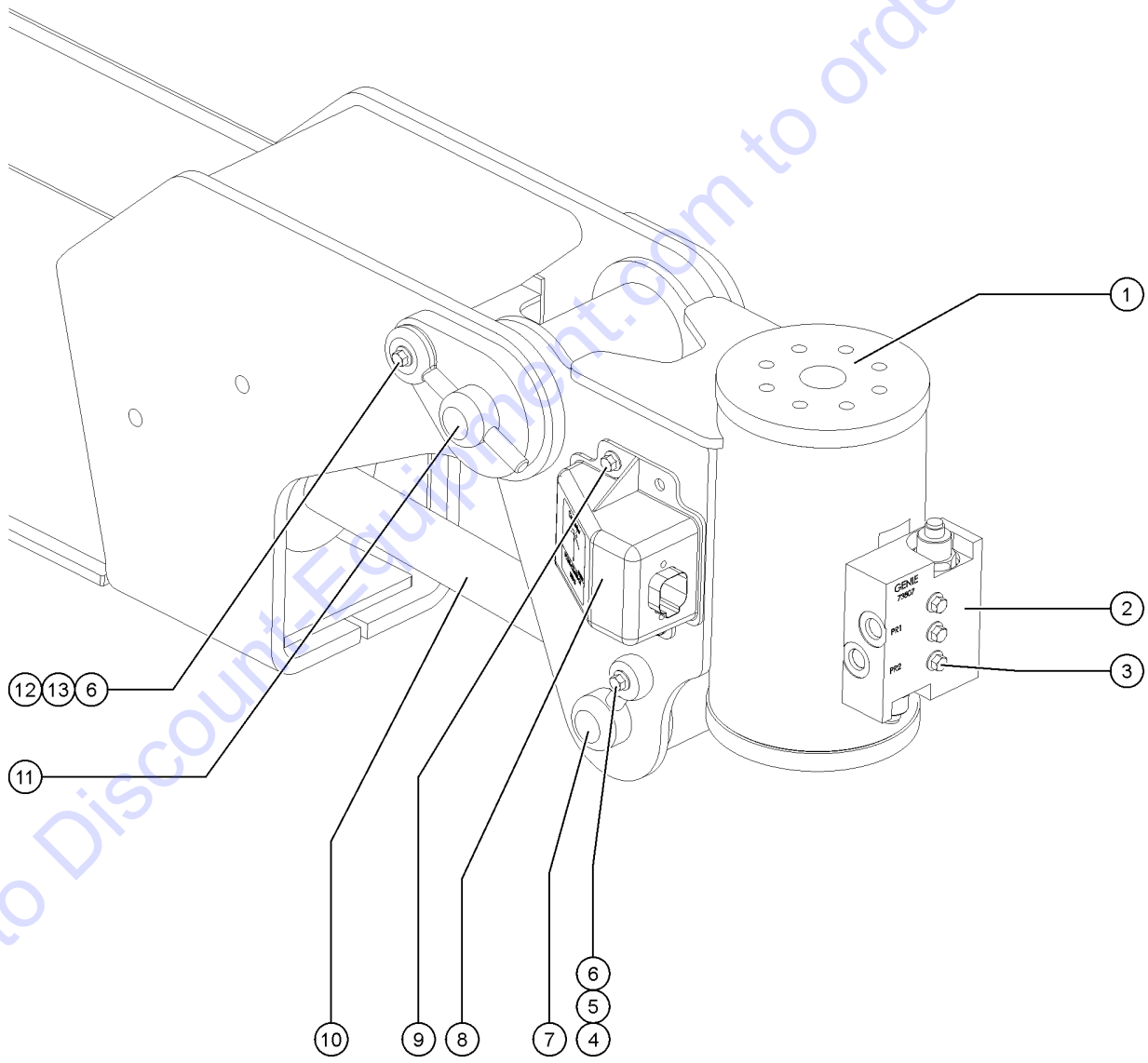
518.1 Jib Boom Tubes and Wear Pads

| Item | Part No.  | Description   | Qty. |
|------|-----------|---|------|
| 1    | 29080GT   | SHIM,WEAR PAD,5X 1.5 16GA .....                         | 12   |
| 2    | 30138GT   | WEAR PAD,5 X 1.5 X .625 W/NUTS .....                    | 2    |
| 3    | 1256109GT | SCREW,HHC,3/8-16X.75,8,ZAG .....                        | 20   |
| 4    | 824110GT  | WASHER,LOCK,3/8,ZAG .....                               | 32   |
| 5    | 825358GT  | WASHER,FLAT,5/16,USS,ZAG .....                          | 16   |
| 6    | 106674GT  | JIB PRIMARY TUBE ASSEMBLY***<br>Includes bearings ..... | 1    |
| 7    | 34125GT   | WEAR PAD,5 X 1.5 X .75 W/NUTS .....                     | 8    |
| 8    | 30137GT   | WEAR PAD,5 X 1.5 X .50 W/NUTS .....                     | 6    |
| 9    | 42502GT   | SHIM,SIDE PAD 22GA. ....                                | 4    |
| 10   | 110581GT  | WELDMENT,JIB EXTENSION .....                            | 1    |
| 11   | 824067GT  | SCREW,HHC,3/8-16X1,8,ZAG .....                          | 12   |

Go to Discount-Equipment.com to order your parts



519.1 Platform Rotator

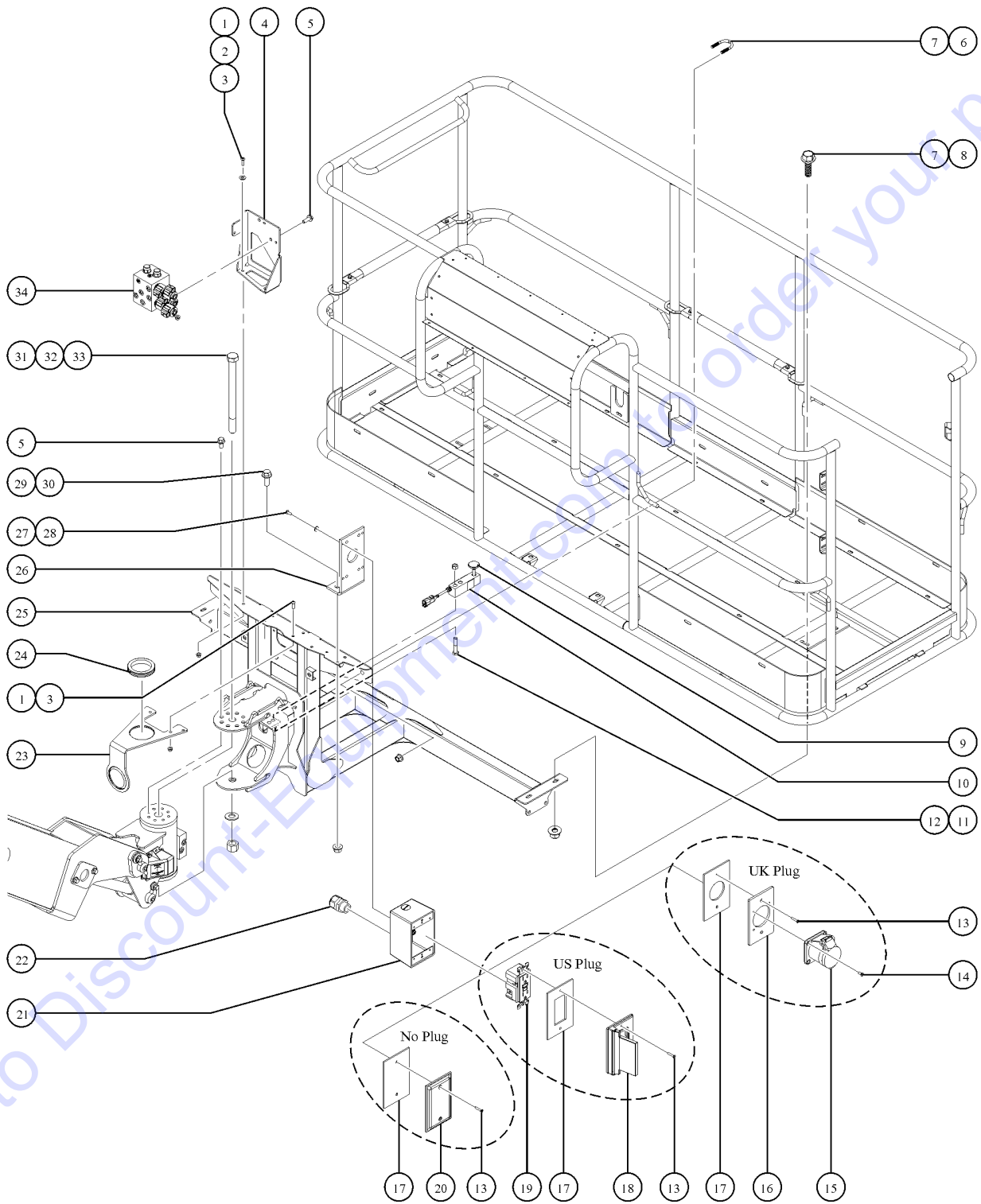


| Item | Part No.  | Description  | Qty. |
|------|-----------|--|------|
| 1    | 88576GT   | ROTATOR, NON-JIB<br>88576 is the correct rotator for the ZX-135. | 1    |
| 1-   | 122944GT  | SEAL KIT, 8K ROTATOR***  |      |
| 2    |           | Ref. Counterbalance Manifold<br>(Refer to 705.1)                 |      |
| 3    | 824081GT  | SCREW, HHF, 1/4-20X1.5, 8, ZAG                                   |      |
| 4    | 824090GT  | SCREW, HHF, 3/8-16X1, 8, ZAG                                     |      |
| 5    | 1255452GT | ROD END, .375 X 2.25, ZAG  |      |
| 6    | 824029GT  | NUT, TL FLG, 3/8-16, G, ZAG                                      |      |
| 7    | T108075GT | PIN, 1.25DIA X 5.25LG, 1HOLE                                     | 1    |
| 8    | 50813GT   | SENSOR, TILT, PCON (PLASTIC)****                                 | 1    |
| 9    | 824077GT  | SCREW, HHF, 1/4-20X.5, 8, ZAG                                    |      |
| 10   |           | Ref. Platform Level Cylinder<br>(Refer to 517.1)                 |      |
| 11   | T107883GT | PIN, 1.25DIA X 7.88LG, 1HOLE                                     | 1    |
| 12   | 39478GT   | SCREW, HHC, 3/8-16 X 2 FULL THRD                                 |      |
| 13   | 825019GT  | ROD END, .375X3.69, ZAG  |      |

Go to Discount-Equipment.com to order your parts

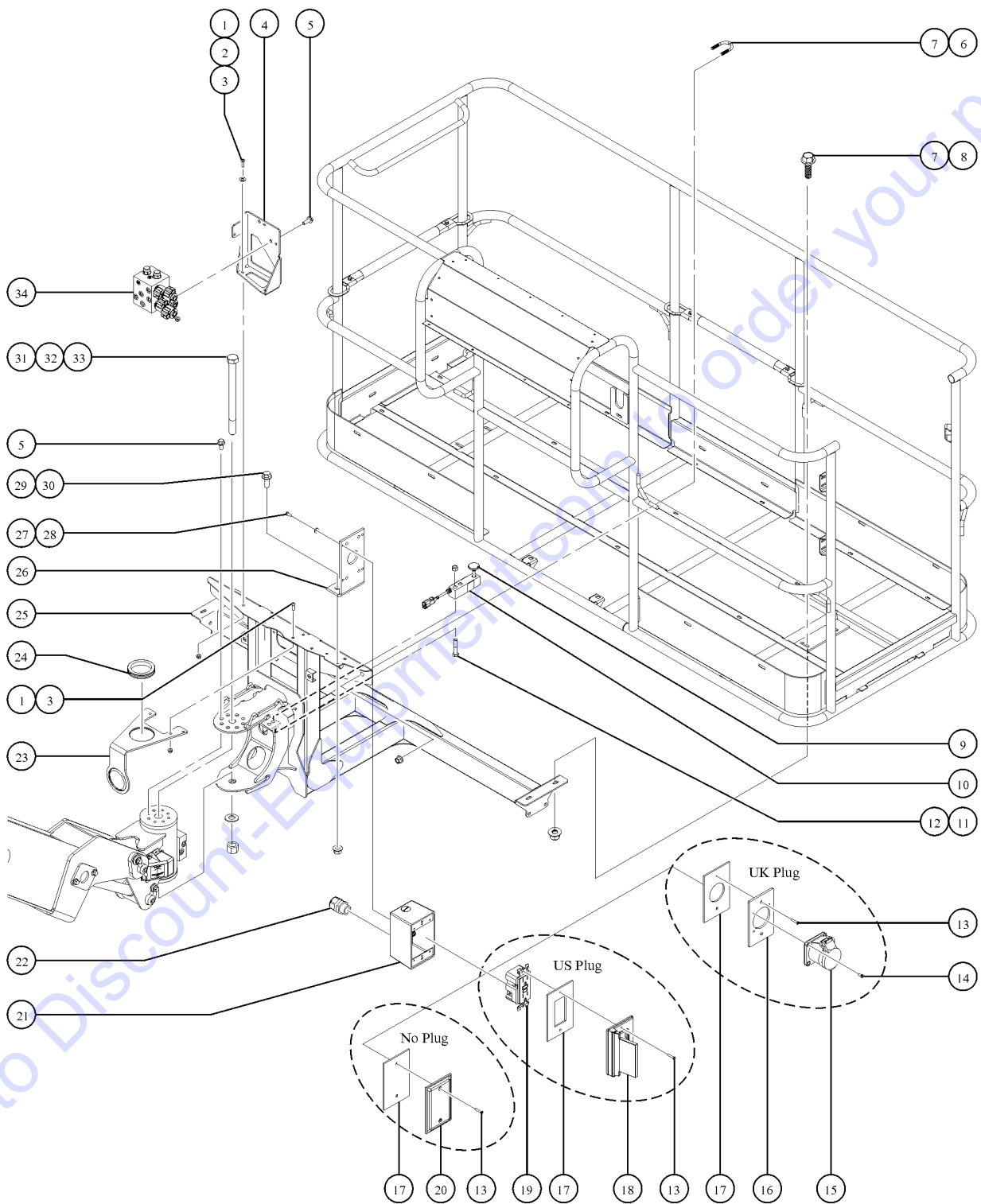


601.1 Platform Mount



| Item | Part No.  | Description   | Qty. |
|------|-----------|---|------|
| -    | 119403GT  | CONN,PLUG 120 AC/15A DOMESTIC (US Plug)                               | 1    |
| -    | 144161GT  | PLUG,PWR,UK,16AMP,3PIN,BLK (UK Plug)                                  | 1    |
| 1    | 1291194GT | SCREW,5/16-18X1.25,SECURITY TO  |      |
| 2    | 825358GT  | WASHER,FLAT,5/16,USS,ZAG  |      |
| 3    | 1274167GT | NUT,NYLOCK FLG,5/16-18,G,ZAG  |      |
| 4    | 1260641GT | WELDMENT,MANIFOLD MOUNT   | 1    |
| 5    | 824089GT  | SCREW,HHF,3/8-16X.75,8,ZAG  |      |
| 6    | 1251600GT | U-BOLT, FLATTENED, 1.5 X 3/8  | 2    |
| 7    | 824029GT  | NUT,TL FLG,3/8-16,G,ZAG   |      |
| 8    | 824091GT  | SCREW,HHF,3/8-16X1.25,8,ZAG   |      |
| 9    | 1270337GT | LEVELING MOUNT, SWIVEL, 1/2-20  | 1    |
| 10   | 1270278GT | LOAD CELL,J1939,650KG/1433LB (Calibration required after replacement) | 1    |
| 11   | 1257464GT | SCREW,HHC,1/2-13X2.5,8,ZAG  |      |
| 12   | 1259106GT | NUT,1/2-13,8,ZAG  |      |
| 13   | 1253489GT | SCREW,FHPM,6-32 X .75,ZAG   | 4    |
| 14   | 1255788GT | SCREW,FHPM,8-32X.375,ZAG  | 8    |
| 15   | T112560GT | RECEPTACLE,UK,110V  | 2    |
| 16   | T112561GT | PLATE,UK,POWER TO PLAT  | 2    |
| 17   | 74052GT   | GASKET,COVER,GFCI,WEATHERPROOF  | 2    |
| 18   | 74006GT   | COVER,GFCI,HORIZONTAL,WEATHER   | 2    |
| 19   | 13585GT   | OUTLET,110V GFCI***   | 2    |
| 20   | 10777GT   | COVER,BLANK   | 2    |
| 21   | 75069GT   | T-BOX 2.75 X 4.5 X 2.5  | 2    |
| 22   | 7057GT    | CONN. SQZ,1/2NPT .39-.56 MED.   |      |
| 22-  | 6935GT    | LOCKNUT,ELEC,1/2"   |      |
| 23   | 110531GT  | KIT, CABLE GUIDE  | 1    |
| 24   | 55067GT   | GROMMET,RUBBER 3 X .19 X 3.5  | 2    |
| 25   | 1273431GT | WELDMENT,PLAT SUPPORT,8.2K,LS   | 1    |

601.1 Platform Mount



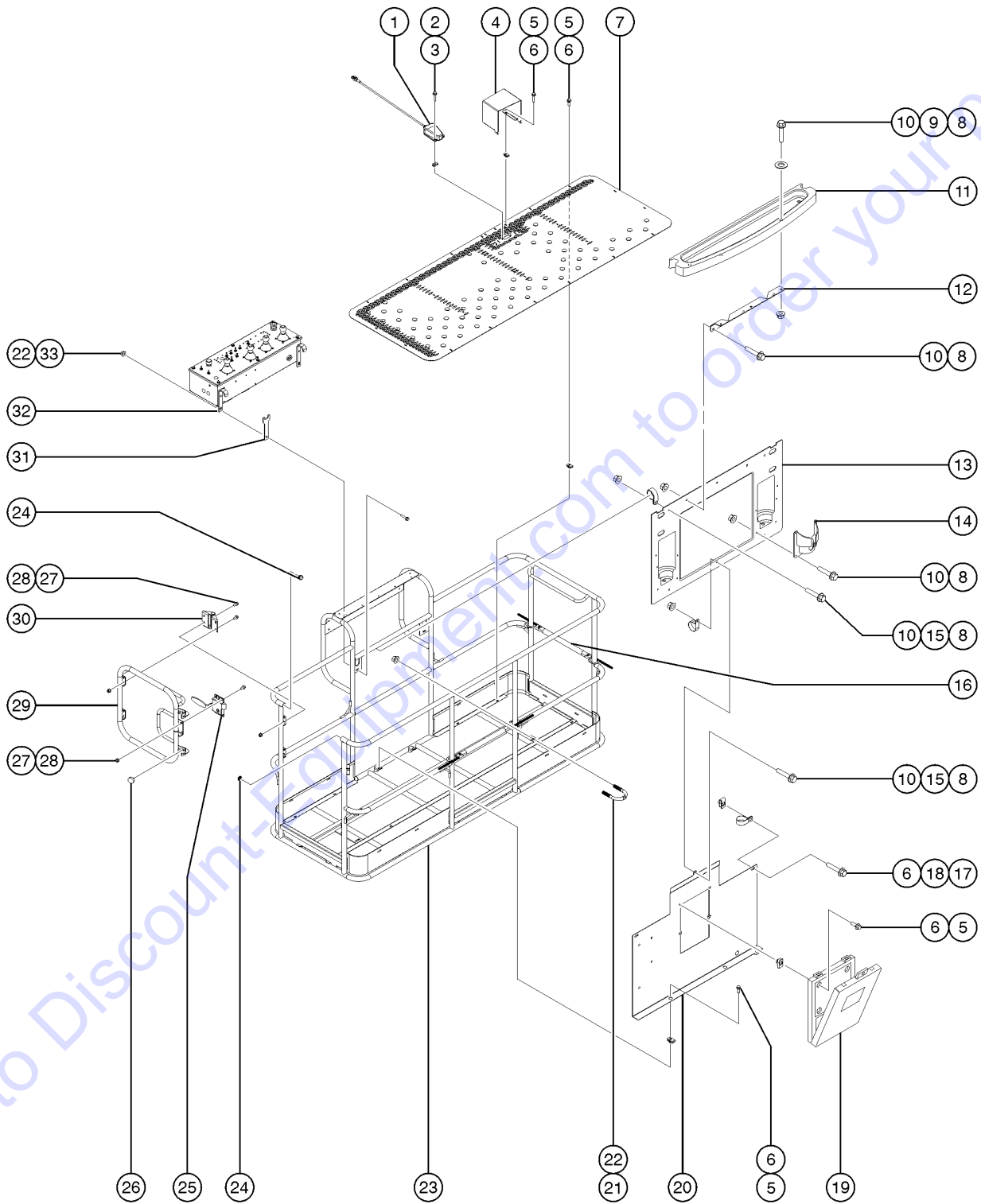


| Item | Part No.  | Description                                       | Qty. |
|------|-----------|---|------|
| 26   | 81096GT   | BRACKET,POWER TO PLAT, DOM. ....                  | 1    |
| 27   | 1257296GT | SCREW,PHPM-ST,8.32X.50,TYPE F, ....               | 4    |
| 28   | 1257390GT | WASHER,FLAT,#8,SAE,ZAG ....                       | 4    |
| 29   | 824090GT  | SCREW,HHF,3/8-16X1,8,ZAG ....                     | 2    |
| 30   | 1274322GT | NUT,NYLOCK FLG,3/8-16,G,ZAG ....                  | 2    |
| 31   | 826792GT  | SCREW,HHC,1-8X11,5,ZAG ....                       | 1    |
| 32   | 824116GT  | WASHER,FLAT,1.0,F436,HRD,ZAG ....                 | 1    |
| 33   | 826794GT  | NUT,TL,1-8,C,ZAGRING ....                         | 1    |
| 34   |           | Ref. MANIFOLD, PLATFORM<br>(Refer to 706.1) ..... |      |

Go to Discount-Equipment.com to order your parts

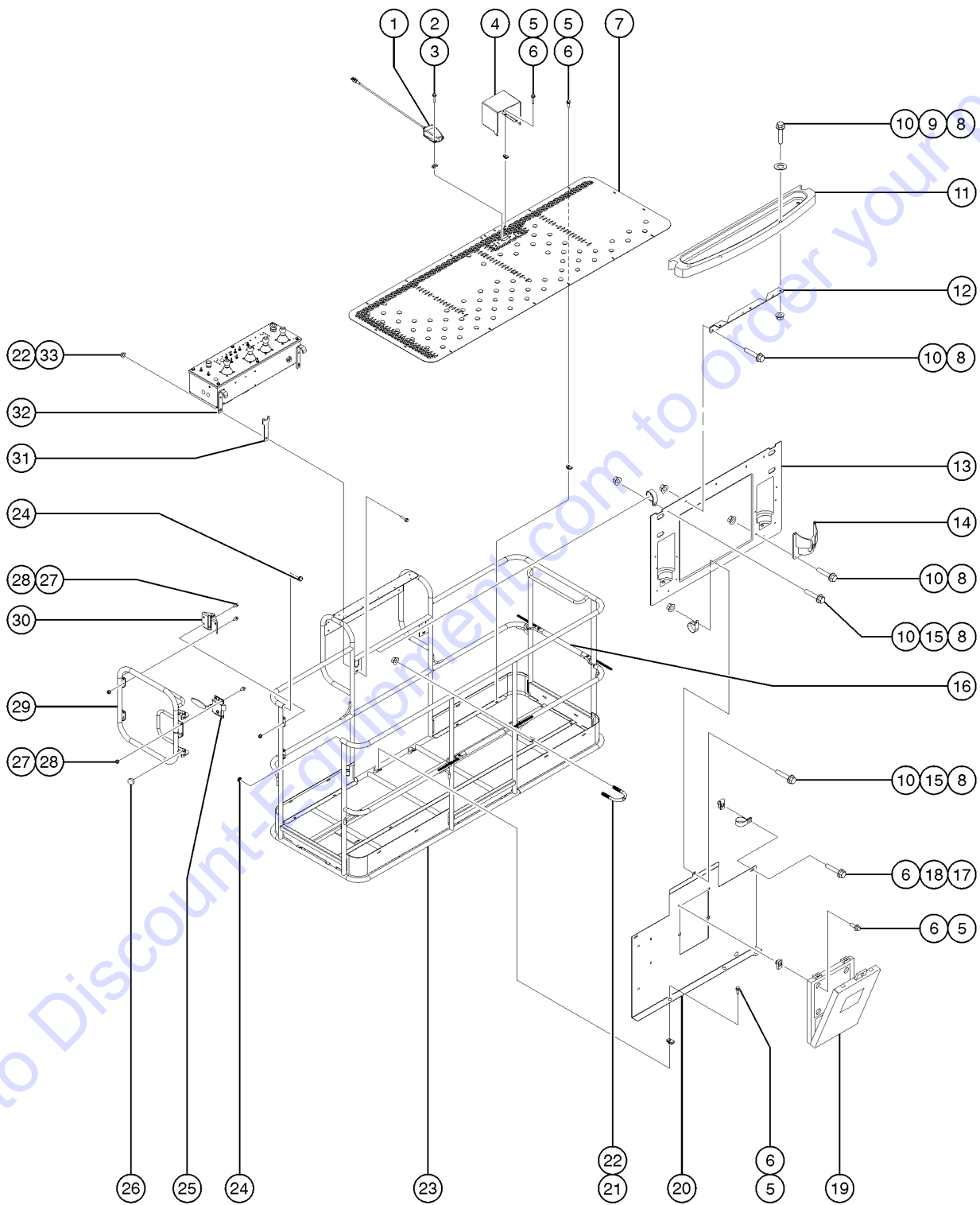


602.1 Platform Configurations



| Item | Part No.  | Description  | Qty. |
|------|-----------|--|------|
| A    | 1272306GT | ASSY,8FT PLAT TRI XL,BLANK W/SIDE SWING GATE<br>Warning tape & decals not included, refer to section 100 Decals  | 1    |
| B    | 1272305GT | ASSY,6FT PLAT DUAL XL,BLANK W/SIDE SWING GATE<br>Warning tape & decals not included, refer to section 100 Decals | 1    |
| 1    | 227515GT  | ASSEMBLY,FOOT SWITCH   | 1    |
| 2    | 1269641GT | SCREW,HHF-S,10-24X1.5,ZAG  | 2    |
| 3    | 73575GT   | SPRING CLIP,10-24,ZINC   | 2    |
| 4    | 147121GT  | COVER, FOOT SWITCH, LARGE  | 1    |
| 5    | 824078GT  | SCREW,HHF,1/4-20X.75,8,ZAG   | 27   |
| 6    | 56912GT   | SPRING CLIP,1/4-20,.025-.15X.5   | 29   |
| 7A   | 73478GT   | FLOORING, 8 FT PLATFORM***<br>for 8' platform  | 1    |
| 7B   | 1267746GT | FLOORING, 72X30 PLATFORM<br>for 6' platform  | 1    |
| 8    | 1262031GT | SCREW,HHF-S,10-24X.75,ZAG  | 20   |
| 9    | 1253185GT | WASHER,FLAT,#10,USS,ZAG  | 2    |
| 10   | 1256467GT | NUT,TL FLG,10-24,F,ZAG   | 20   |
| 11   | 60476GT   | TOOL HOLDER,PLASTIC  | 1    |
| 12   | 60475GT   | GUSSET,TOOL HOLDER,PLASTIC   | 1    |
| 13   | 60477GT   | PLATE,DECAL,PLASTIC  | 1    |
| 14   | 60474GT   | CUP HOLDER,PLASTIC   | 2    |
| 15   | 60478GT   | CLAMP,1.25"DIA NON-CUSHIONED   | 7    |
| 16A  | 102992GT  | SLIDING MIDRAIL KIT,PTD<br>for 8' platform   | 2    |
| 16B  | 102992GT  | SLIDING MIDRAIL KIT,PTD<br>for 6' platform   | 1    |
| 17   | 824079GT  | SCREW,HHF,1/4-20X1.8,ZAG   | 2    |
| 18   | 56424GT   | CLAMP,1.25X.5 RUBBER-CUSHION   | 2    |
| 19   | 24514GT   | BOX,INSTRUCTION STORAGE  | 1    |
| 20   | 75537PGT  | PLATE,DOCUMENT BOX MOUNT,PAINT   | 1    |
| 21   | 1251600GT | U-BOLT, FLATTENED, 1.5 X 3/8   | 2    |
| 22   | 824029GT  | NUT,TL FLG,3/8-16,G,ZAG  | 6    |
| 23A  | 1274859GT | ASSY,8' PLAT WELDMNT W/SIDE GATE<br>for 8' platform (includes item 16)A (order floor separately)                 | 1    |
| 23B  | 1274858GT | ASSY,6' PLAT WELDMNT W/SIDE GATE<br>for 6' platform (includes item 16B)  | 1    |

602.1 Platform Configurations



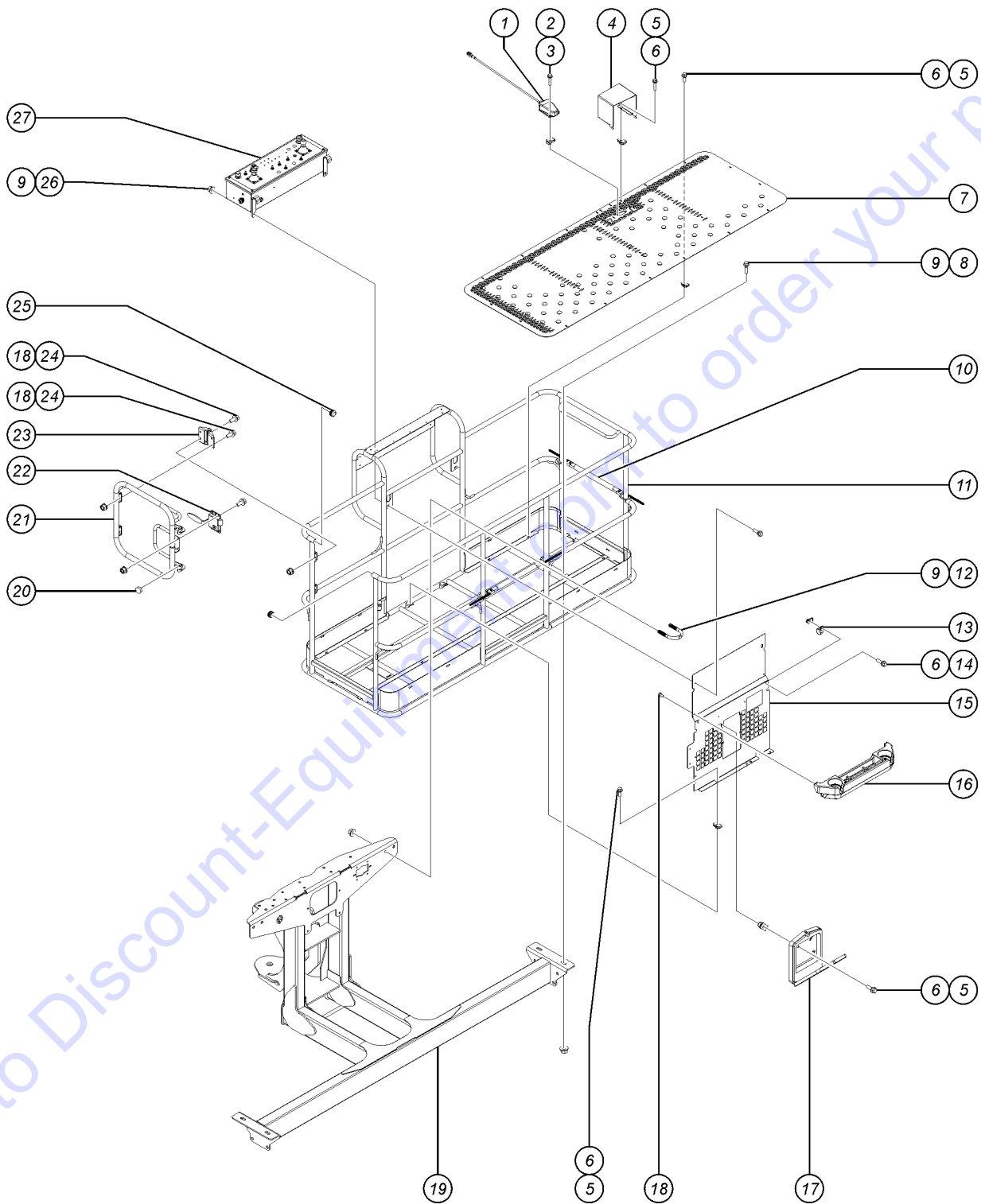
602.1 Platform Configurations

| Item | Part No.  | Description   | Qty. |
|------|-----------|---|------|
| 24   | 55753GT   | BUMPER, PLASTIC, 1.25 O.D. ....   | 2    |
| 25   | 1267747GT | LATCH, SWING GATE .....   | 1    |
| 26   | 43392GT   | BUMPER,BATTERY BOX & RAILS .....  | 2    |
| 27   | 824027GT  | NUT,TL FLG,1/4-20,G,ZAG .....   | 12   |
| 28   | 1256855GT | SCREW,HHF,1/4-20X.625,8,ZAG .....   | 12   |
| 29   | 1272307GT | ASSY,SIDE SWING GATE<br>Complete side swing gate assembly (includes items 25 -30) ..... |      |
| 29-  | 1265397GT | WELDMENT, SWING GATE .....  | 1    |
| 30   | 104804GT  | HINGE, SPRING, LONG LEG .....   | 2    |
| 31   | 107860GT  | PLATE,PLAT.CONTROL BOX SPACER .....   | 2    |
| 32   |           | REF. PLATFORM CONTROL BOX ASSEMBLY .....  | 1    |
|      |           | (Refer to 603.1)  |      |
| 33   | 824092GT  | SCREW,HHF,3/8-16X1.5,8,ZAG .....  | 2    |

Go to Discount-Equipment.com to order your parts

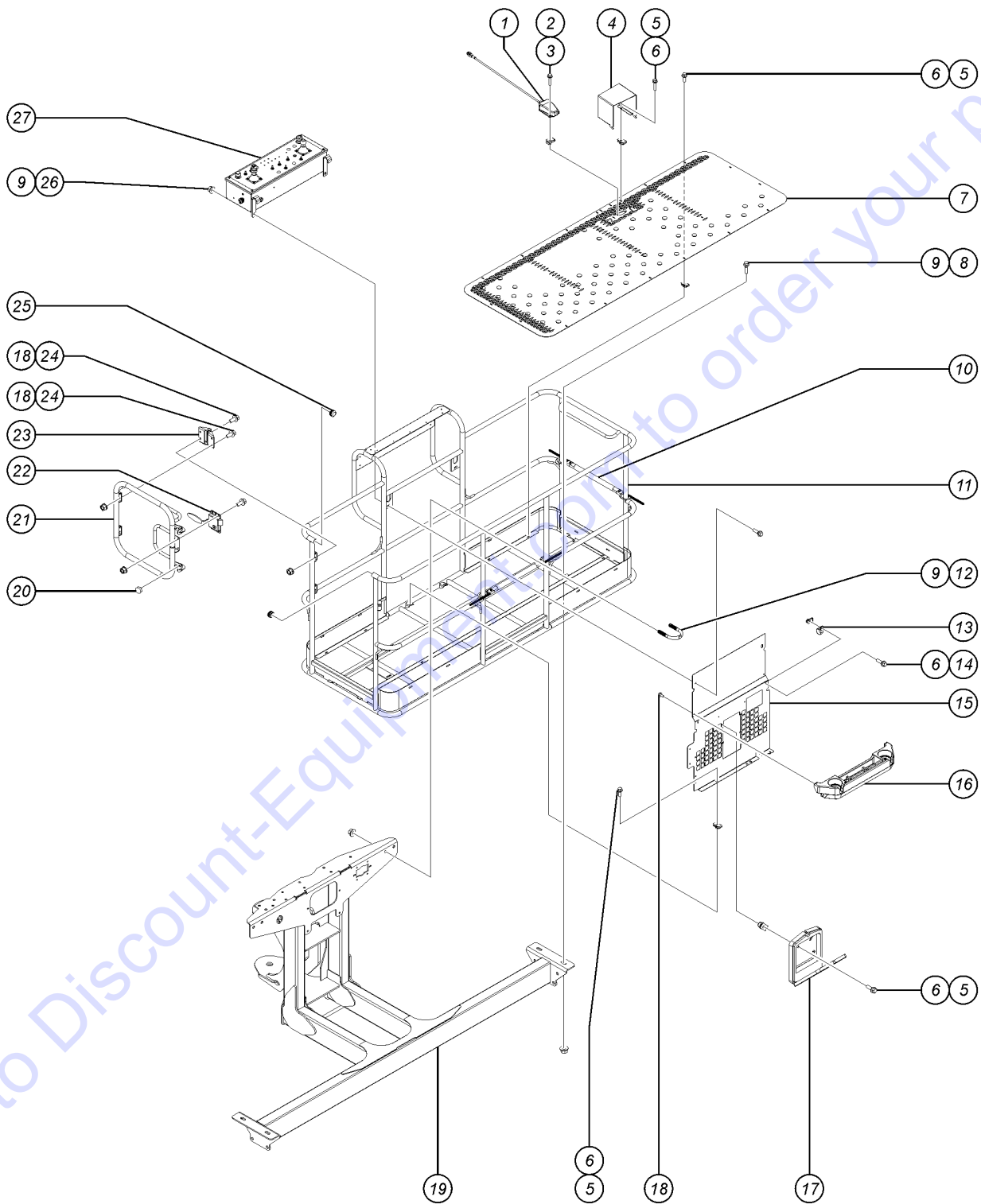


602.2 Platform Installation (From SN ZX135H-4363)



| Item | Part No.  | Description  | Qty. |
|------|-----------|--|------|
| A    | 1269113GT | OPTION, 8' PLATFORM W/SIDE SWING GATE .....<br>(8 feet platform)             |      |
| B    | 1272303GT | ASSY, 6FT PLAT DUAL LG,BLANK W/SIDE SWING GATE .....<br>(6 feet platform)    |      |
| 1    | 227515GT  | ASSEMBLY,FOOT SWITCH .....   | 1    |
| 2    | 1269641GT | SCREW,HHF-S,10-24X1.5,ZAG .....  | 2    |
| 3    | 73575GT   | SPRING CLIP,10-24,ZINC .....   | 2    |
| 4    | 147121GT  | COVER, FOOT SWITCH, LARGE .....  | 1    |
| 5    | 824078GT  | SCREW,HHF,1/4-20X.75,8,ZAG .....   |      |
| 6    | 56912GT   | SPRING CLIP,1/4-20,.025-.15X.5 .....   |      |
| 7    | 73478GT   | FLOORING, 8 FT PLATFORM*** .....<br>(8 feet platform)                        | 1    |
| 7B   | 1267746GT | FLOORING, 72X30 PLATFORM .....<br>(6 feet platform)                          | 1    |
| 8    | 824091GT  | SCREW,HHF,3/8-16X1.25,8,ZAG .....  | 4    |
| 9    | 824029GT  | NUT,TL FLG,3/8-16,G,ZAG .....  | 10   |
| 10   | 12448GT   | SLIDING MIDRAIL ASSY-STD .....<br>(8 feet platform)                          | 2    |
| 10B  | 12448GT   | SLIDING MIDRAIL ASSY-STD .....<br>(6 feet platform)                          | 1    |
| 11   | 1265372GT | WELDMENT, 96X36, TRI ENTRY PLA .....<br>(8 feet platform) (includes item 10) | 1    |
| 11B  | 1265826GT | WELDMENT, 72X30, DUAL ENTRY PL .....<br>(6 feet platform) (includes item 10) | 1    |
| 12   | 1251600GT | U-BOLT, FLATTENED, 1.5 X 3/8 .....   | 2    |
| 13   | 56424GT   | CLAMP,1.25X.5 RUBBER-CUSHION .....   | 2    |
| 14   | 824079GT  | SCREW,HHF,1/4-20X1.8,ZAG .....   | 2    |
| 15   | 1275088GT | FORMING, ALUM. DECAL PLATE .....   | 1    |
| 16   | 1289552GT | KIT, PLATFORM WORK TRAY .....  | 1    |
| 17   | 24514GT   | BOX,INSTRUCTION STORAGE .....  | 1    |
| 18   | 1256855GT | SCREW,HHF,1/4-20X.625,8,ZAG .....  | 16   |
| 19   |           | Ref. PLATFORM SUPPORT .....<br>(refer to 601.1)                              | 1    |
| 20   | 43392GT   | BUMPER,BATTERY BOX & RAILS .....   | 2    |
| 21   | 1265397GT | WELDMENT, SWING GATE .....   | 1    |
| 22   | 1267747GT | LATCH, SWING GATE .....  | 1    |
| 23   | 104804GT  | HINGE, SPRING, LONG LEG .....  | 2    |

602.2 Platform Installation (From SN ZX135H-4363)





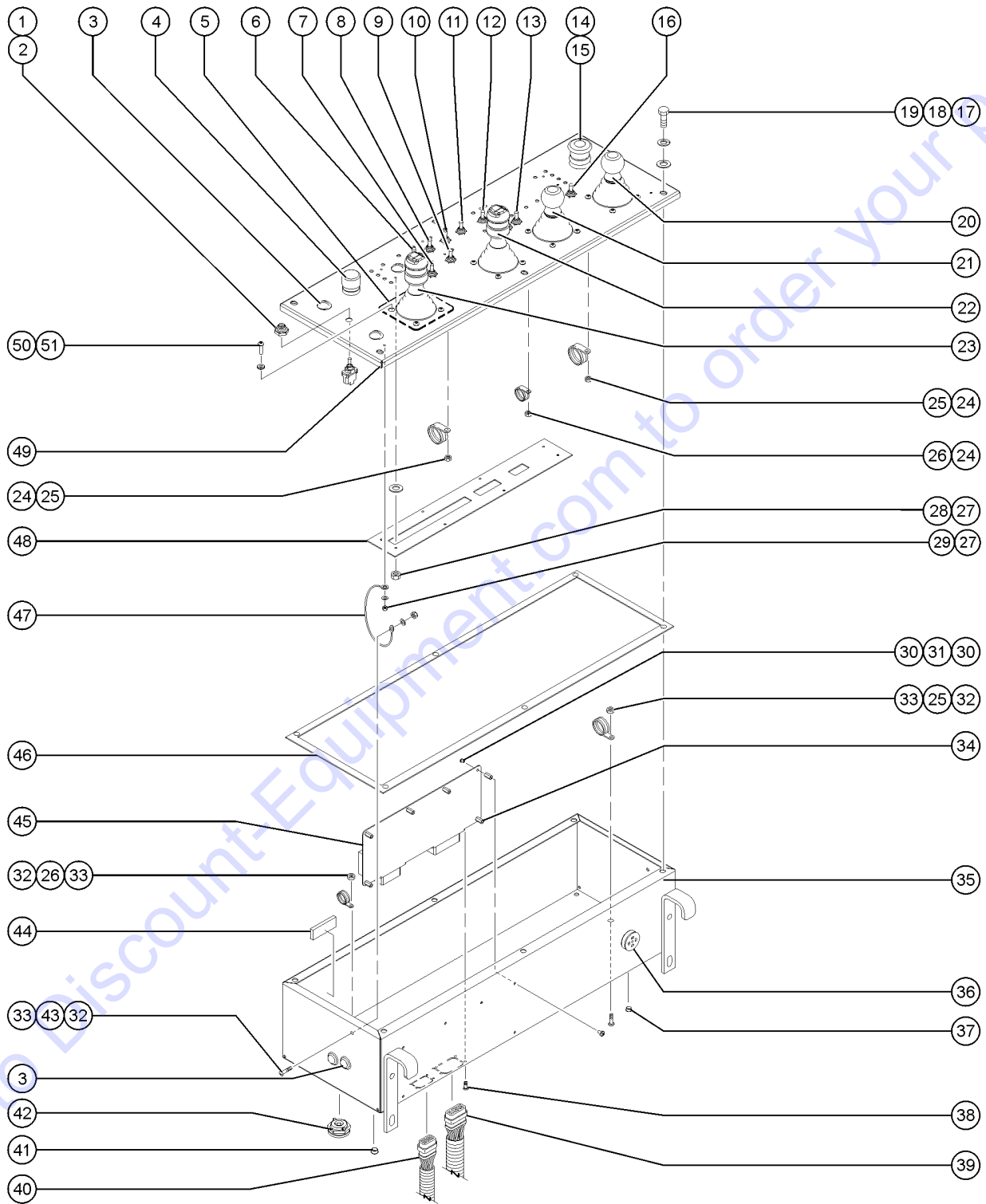
602.2 Platform Installation (From SN ZX135H-4363)

| Item | Part No.  | Description                       | Qty. |
|------|-----------|-----------------------------------|------|
| 24   | 1277924GT | NUT,NYLOCK FLG,1/4-20,F,ZAG ..... | 12   |
| 25   | 55753GT   | BUMPER, PLASTIC, 1.25 O.D. ....   | 2    |
| 26   | 824092GT  | SCREW,HHF,3/8-16X1.5,8,ZAG .....  | 2    |
| 27   |           | Ref. PLATFORM CONTROL BOX .....   |      |
|      |           | (refer to 603.1)                  |      |

Go to Discount-Equipment.com to order your parts



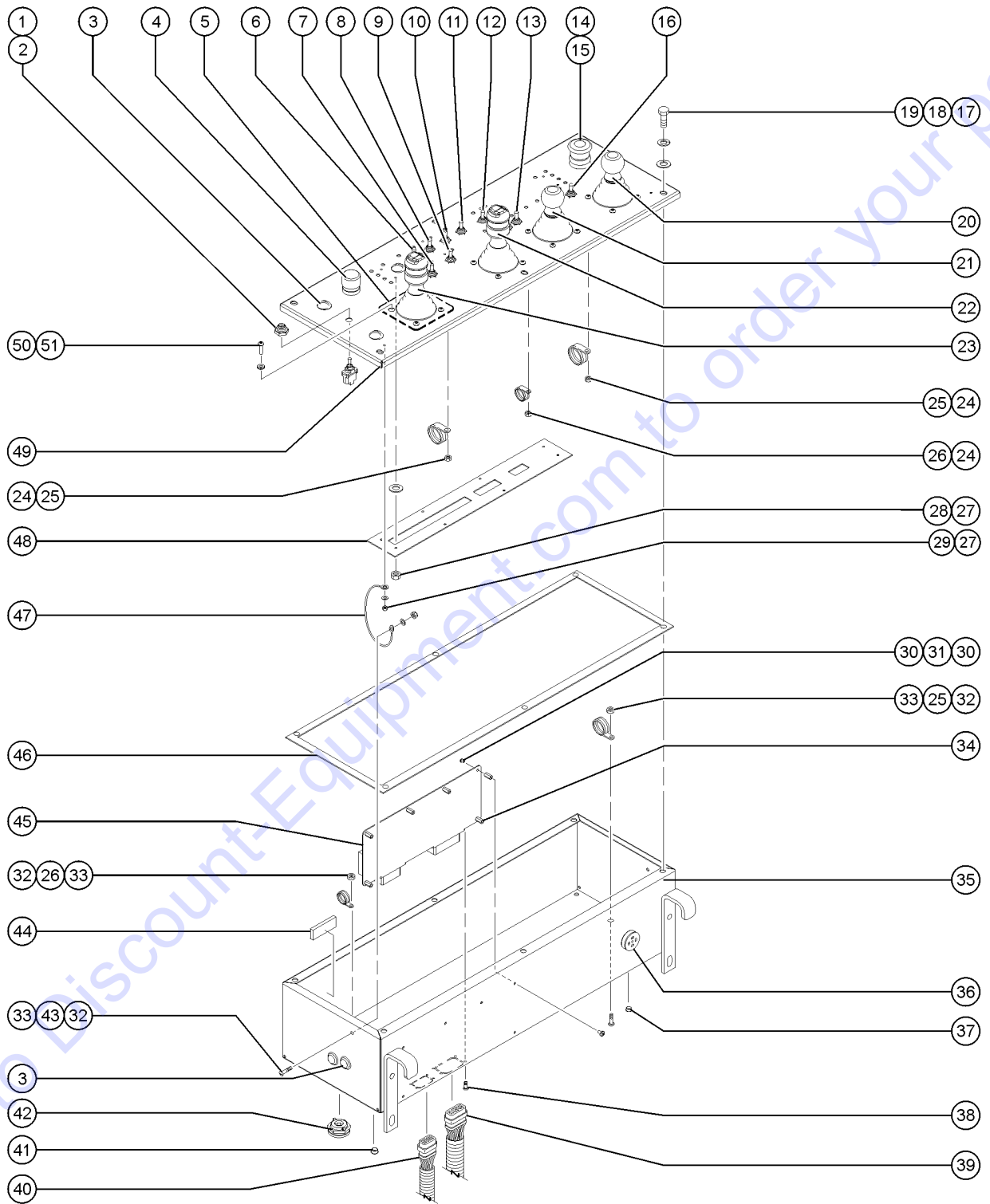
603.1 Platform Controls



| Item | Part No.  | Description   | Qty. |
|------|-----------|---|------|
| -    | 1268780GT | ASSY, PCON BOX, ZX135 TIER 3<br>(complete) Contact the Discount-equipment to order according to your model, serial number, and software revision  | ..   |
| -    | 1268781GT | ASSY, PCON BOX, ZX135 TIER 4<br>(complete) Contact the Discount-equipment to order according to your model, serial number, and software revision  | ..   |
| 1    | 128200GT  | SWITCH TOGGLE ASSY SPDT 3P MOM .....<br>Platform Rotate Toggle Switch   |      |
| 2    | 27246GT   | BOOT, TOGGLE SWITCH, SHORT* .....<br>Part of toggle switch 128200   | 1    |
| 3    | 229567GT  | PLUG, SANTOPRENE .5 BLACK DOME .....  | 5    |
| 4    | 66813GT   | BUTTON, PUSH, BLACK W/SEAL *** .....  | 1    |
| 4-   | 66815GT   | BASE, W/1 N.O. CONTACTS *** .....   |      |
| 5    | 1269497GT | GASKET, ISOLATION, JOYSTICK .....   | 4    |
| 6-   | 229567GT  | PLUG, SANTOPRENE .5 BLACK DOME .....<br>Standard (not shown)  |      |
| 6    | 128200GT  | SWITCH TOGGLE ASSY SPDT 3P MOM .....<br>Generator ON/OFF Toggle Switch (option)   |      |
| 7    | 128200GT  | SWITCH TOGGLE ASSY SPDT 3P MOM .....<br>Drive Enable Toggle Switch  |      |
| 8    | 128200GT  | SWITCH TOGGLE ASSY SPDT 3P MOM .....<br>Auxiliary Power Toggle Switch   |      |
| 9    | 128200GT  | SWITCH TOGGLE ASSY SPDT 3P MOM .....<br>Axle Extend/Retract Toggle Switch   |      |
| 10   | 128200GT  | SWITCH TOGGLE ASSY SPDT 3P MOM .....<br>Start Assist (Glow Plug) Toggle Switch; For T3 engine (PCON BOX 1268780GT)  |      |
| 10-  | 229567GT  | PLUG, SANTOPRENE .5 BLACK DOME .....<br>For T4 engine (PCON BOX 1268781GT)  |      |
| 11   | 128200GT  | SWITCH TOGGLE ASSY SPDT 3P MOM .....<br>Engine Start Toggle Switch  |      |
| 12   | 128200GT  | SWITCH TOGGLE ASSY SPDT 3P MOM .....<br>Hi/Low RPM Toggle Switch  |      |
| 13   | 128200GT  | SWITCH TOGGLE ASSY SPDT 3P MOM .....<br>Drive Speed Toggle Switch   |      |
| 14   | 66812GT   | BUTTON, PUSH, RED MUSHROOM HEAD .....   | 1    |
| 14-  | 66817GT   | BASE WITH 1 NC CONTACT, E-STOP .....  |      |
| 15   | 146478GT  | BOOT(BELLOWS), E-STOP, BLACK .....  | 1    |
| 16   | 128200GT  | SWITCH TOGGLE ASSY SPDT 3P MOM .....<br>Steer Mode Toggle Switch  |      |
| 17   | 6090GT    | SCREW, HHC, 1/4-20 X .75 .....  |      |
| 18   | 6356GT    | WASHER, LOCK, .25 .....   |      |
| 19   | 6638GT    | WASHER, FLAT, USS, 1/4"Y .....  |      |
| 20A  | 1275248GT | JOYSTICK, ISOLATED, 2 AXIS<br>OEM joystick (calibration required after replacement); includes Gasket part 1269497 and<br>Shoulder Washer part 1269498 (refer to 603.1), optional        | .. 1 |
| 20B  | 1275258GT | JOYSTICK, ISOLATED, 1 AXIS ROCKER<br>OEM joystick (calibration required after replacement); includes Gasket part 1269497 and<br>Shoulder Washer part 1269498 (refer to 603.1), optional | .. 1 |

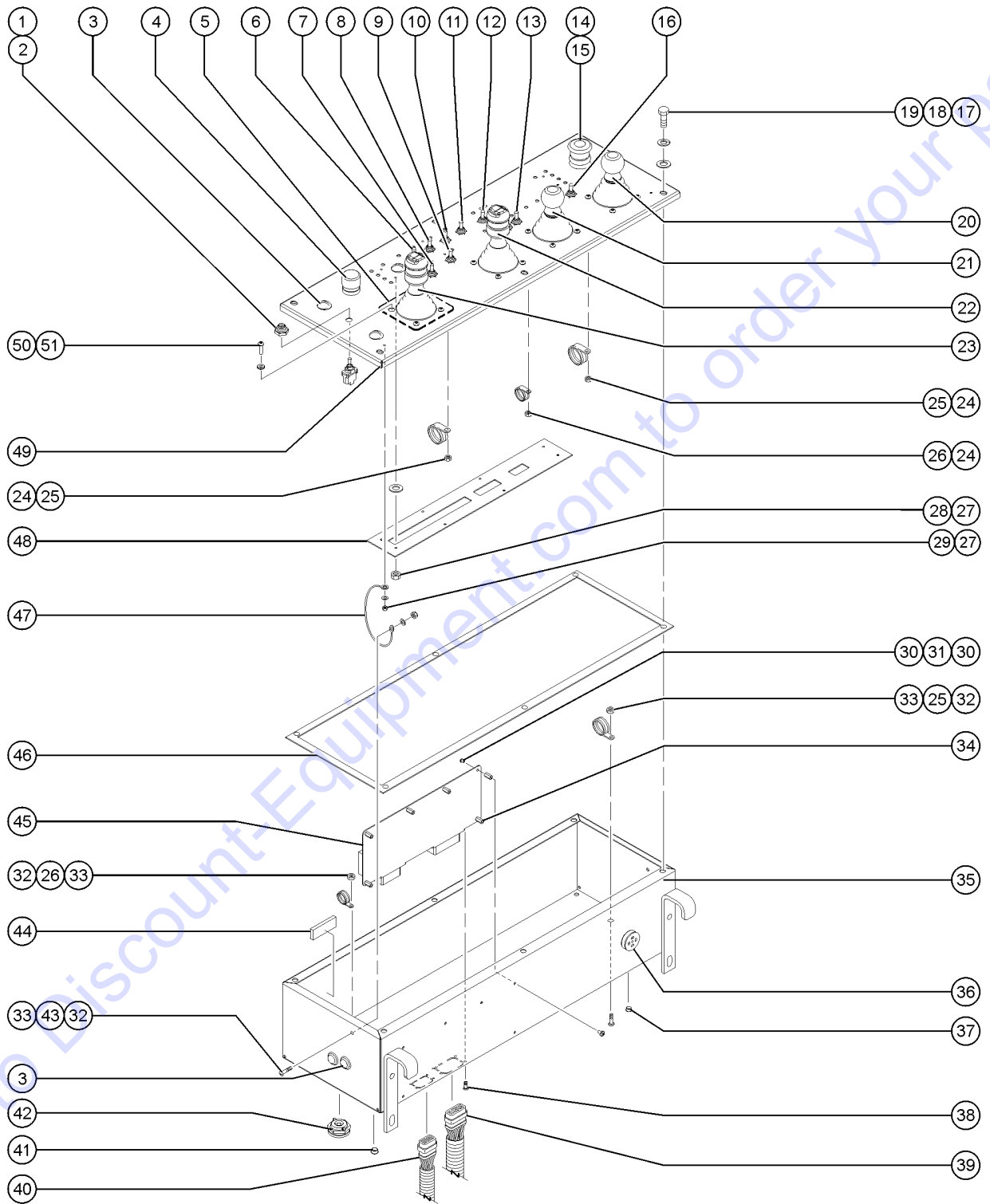


603.1 Platform Controls



| Item | Part No.  | Description   | Qty. |
|------|-----------|---|------|
| 21   | 1275260GT | JOYSTICK, ISOLATED, 1 AXIS<br>OEM joystick (calibration required after replacement); includes Gasket part 1269497 and<br>Shoulder Washer part 1269498 (refer to 603.1)        | 1    |
| 22   | 1275259GT | JOYSTICK, ISOLATED, 2 AXIS ROCKER<br>OEM joystick (calibration required after replacement); includes Gasket part 1269497 and<br>Shoulder Washer part 1269498 (refer to 603.1) | 1    |
| 23   | 1275259GT | JOYSTICK, ISOLATED, 2 AXIS ROCKER<br>OEM joystick (calibration required after replacement); includes Gasket part 1269497 and<br>Shoulder Washer part 1269498 (refer to 603.1) | 1    |
| 24   | 104030GT  | NUT HEX M5-0.8 CLASS 8 ZINC   | 4    |
| 25   | 13268GT   | CLAMP,0.75,#12 X 1/4,RUB CUSH   | 3    |
| 26   | 6833GT    | CLAMP,0.50,#8 X 1/4,RUB CUSH  | 2    |
| 27   | 12344GT   | NUT,NYLOCK,6-32   |      |
| 28   | 822224GT  | WASHER, NYLON #10, 0.093  |      |
| 29   | 35461GT   | WASHER,FLAT,MS,#8,Y   |      |
| 30   | 81551GT   | SCREW,PHIL,PHM,6-32 X 1/4 SS  |      |
| 31   | 110229GT  | STANDOFF,6-32X1/2LX1/4 HEX NYL<br>(Top row)   | 4    |
| 32   | 6178GT    | NUT,NYLOCK,10-32  |      |
| 33   | 54365GT   | SCREW,PHIL,PHM,10-32 X .5,SSTL  |      |
| 34   | 88287GT   | STANDOFF,6-32 X 1/2L X 1/4 HEX  | 2    |
| 35   | 822477GT  | WELDMENT, PLATFORM CONTROL BOX<br>(Empty control box only)  |      |
| 36   | 62379GT   | ALARM,AUDIO,SUPERBOOM***<br>Includes plastic ring part 72326  |      |
| 36-  | 72326GT   | NUT - PLASTIC, RING FOR ALARMS  |      |
| 37   | 42288GT   | PLUG,NYLON .188 BLACK DOMED   | 1    |
| 38   | 122351GT  | SCREW,#4X1/4,HI-LO,PH PHIL,TAP  | 8    |
| 39   | 1271518GT | HARNESS, PLAT MANIFOLD  |      |
| 40   | 94962GT   | HARNESS,JIB COMPOSITE   |      |
| 41   | 21858GT   | PLUG,NYLON .38 BLACK DOMED  |      |
| 42   | 106495GT  | PLUG,1/2" HUBBLE  | 1    |
| 43   | 6146GT    | WASHER,FLAT,MS,#10,Y  |      |
| 44   | 30997GT   | CORROSION INHIBITOR,FOAM  | 1    |
| 45   | 1268779GT | PCB, ASSY, ECM, PLATFORM, ZX135 V5.00<br>To order provide model, serial number and software revision  | 1    |
| 46   | 81488GT   | GASKET,PLATFORM CONTROL BOX   | 1    |

603.1 Platform Controls



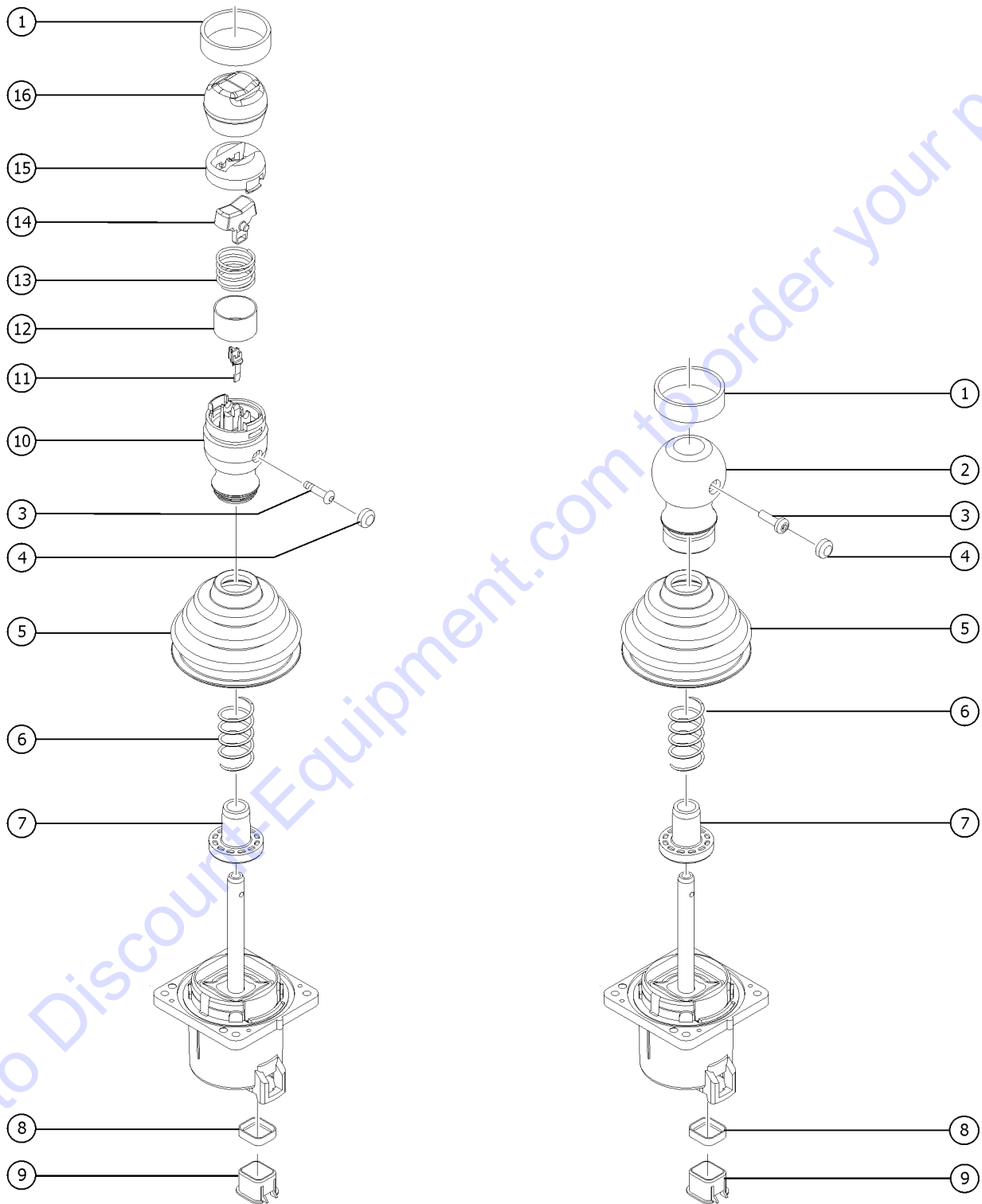
603.1 Platform Controls

| <i>Item</i> | <i>Part No.</i> | <i>Description</i>                   | <i>Qty.</i> |
|-------------|-----------------|--------------------------------------|-------------|
| 47          | 77351GT         | LANYARD,PLATFORM CONTROL BOX .....   | 2           |
| 48          | 232975GT        | PCB, LED/TOGGLE SWITCH, ALC100 ..... | 1           |
| 49          | 1277174GT       | LID,PLATFORM BOX,4 JOYSTICK .....    |             |
|             |                 | (Excluding all items from 1 to 51)   |             |
| 50          | 139338GT        | SCREW PH M5-0.8X20 DIN 7500CE .....  | 16          |
| 51          | 1269498GT       | SHOULDER WASHER, NYLON .....         |             |

Go to Discount-Equipment.com to order your parts



604.1 Joystick

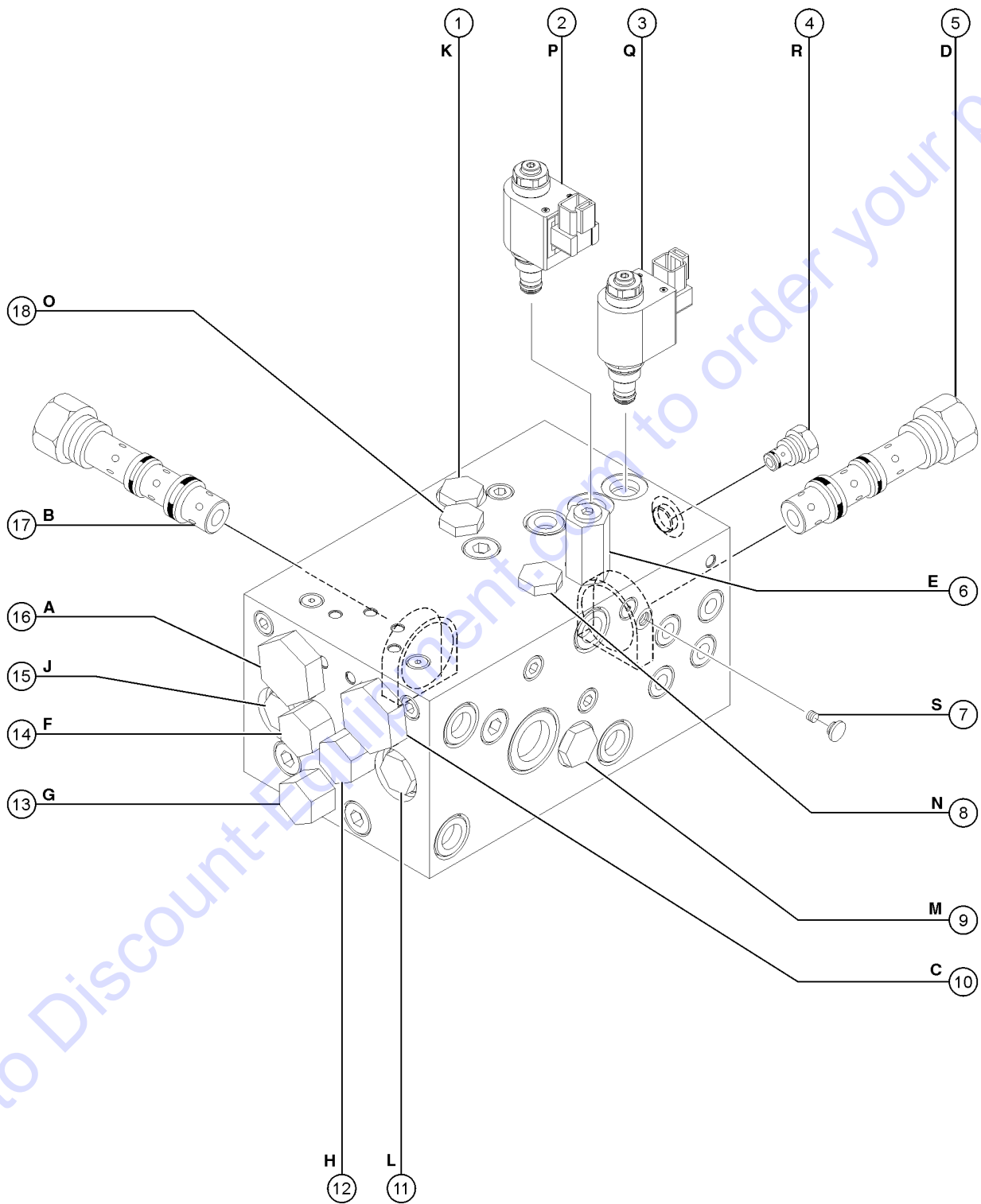




| Item | Part No.  | Description  | Qty. |
|------|-----------|--|------|
| A-   |           | If joystick handle is marked with blue band it is "isolated" and must be replaced with isolated joystick   |      |
| B-   | 1275259GT | JOYSTICK, ISOLATED, 2 AXIS ROCKER<br>OEM joystick (calibration required after replacement); includes Gasket part 1269497 and Shoulder Washer part 1269498 (refer to 603.1)           | 1    |
| C-   | 1275260GT | JOYSTICK, ISOLATED, 1 AXIS<br>OEM joystick (calibration required after replacement); includes Gasket part 1269497 and Shoulder Washer part 1269498 (refer to 603.1)                  | 1    |
| D-   | 1275248GT | JOYSTICK, ISOLATED, 2 AXIS<br>OEM joystick (calibration required after replacement); includes Gasket part 1269497 and Shoulder Washer part 1269498 (refer to 603.1), optional        | 1    |
| E-   | 1275258GT | JOYSTICK, ISOLATED, 1 AXIS ROCKER<br>OEM joystick (calibration required after replacement); includes Gasket part 1269497 and Shoulder Washer part 1269498 (refer to 603.1), optional | 1    |
| F-   | 83098GT   | TERM,AMP MTE,SOC,22-26 GA BULK   |      |
| 1    | 1271713GT | SHRINK TUBE, BLU, 3:1, 40MM  | 2    |
| 2    | 62392GT   | KNOB,JOYSTICK, 62390/62391   | 1    |
| 3    | T112626GT | SCREW, PHM, #6-32 X .625 ZINC  | 1    |
| 4    | 1269499GT | PLUG, JOYSTICK HANDLE  | 2    |
| 5    | 139598GT  | BOOT,JOYSTICK  | 1    |
| 6    |           | SPRING,JOYSTK CENTR,62390/91<br>no longer available from supplier  |      |
| 7    | 119915GT  | COLLAR,JOYSTICK,CENTER   | 1    |
| 8    | 128000GT  | SEAL, CONNECTOR (DT JOYSTICKS)   | 1    |
| 9    | 128001GT  | SLEEVE,CONNECTOR,DT JOYSTICKS  | 1    |
| 10   | 75449GT   | KNOB,ROCKER JOYSTICK 75565   | 1    |
| 11   | 75448GT   | SUPPORT,SENSOR,JOYSTICK  | 1    |
| 12   | 75447GT   | SWITCH SHIELD,ROCK JOYSTK75565   | 1    |
| 13   | 75446GT   | SPRING,SWITCH CENTERING,75565  | 1    |
| 14   | 75445GT   | ROCKER ASSY.,MAGNETIC 75565  | 1    |
| 15   | 75444GT   | ROCKER,RETAINER, 75565   | 1    |
| 16   | 75443GT   | BOOT, ROCKER JOYSTICK 75565  | 1    |



701.1 Traction Manifold

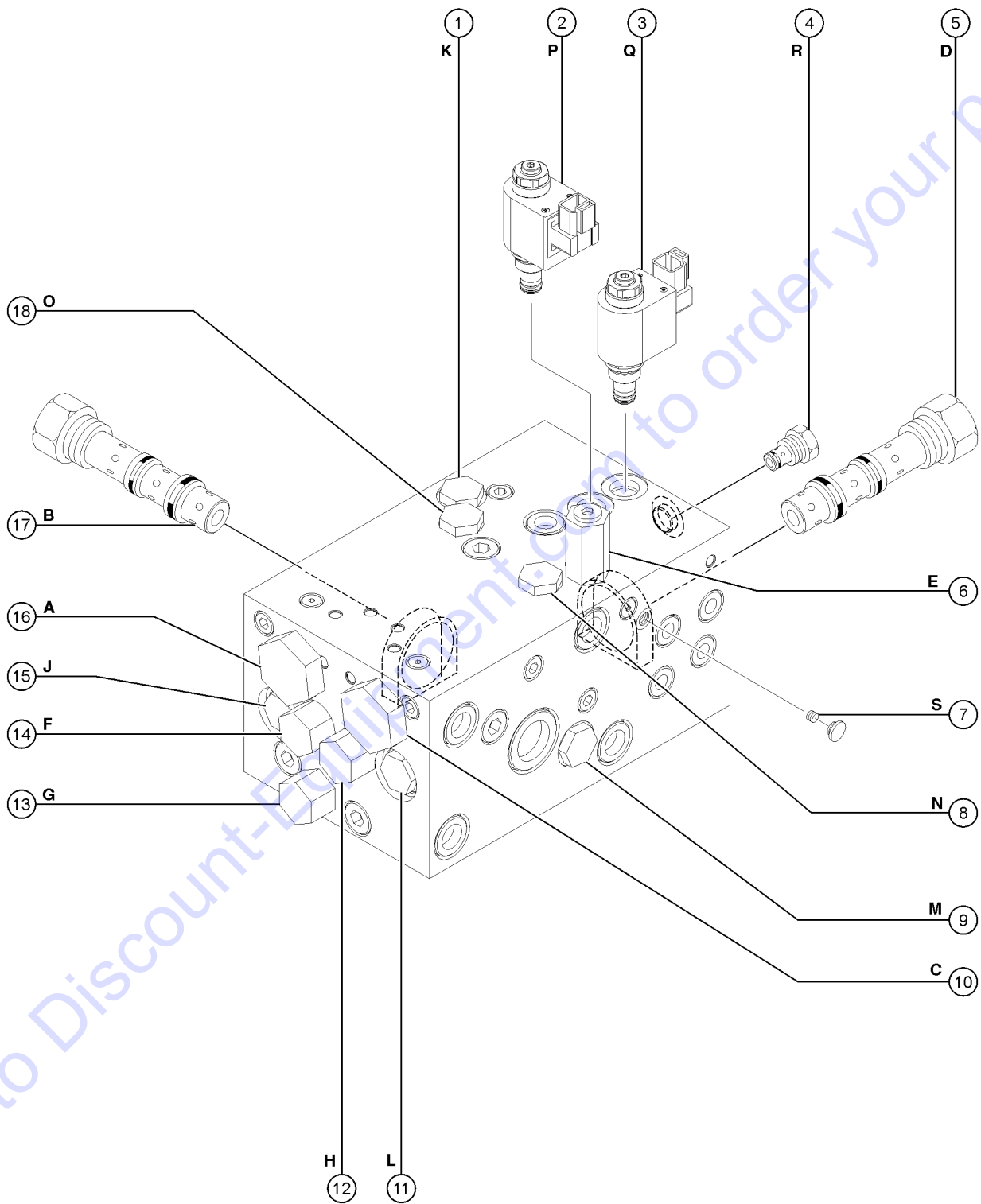


Go to Discount-Equipment.com to order your parts

| Item | Part No. | Description  | Qty. |
|------|----------|--|------|
| -    | 217503GT | TRACTION MANIFOLD .....  |      |
| 1    | 27836GT  | VALVE,CHECK,5 PSI<br>K, Drive motor anti-cavitation .....  |      |
| 1-   | 110194GT | SEAL KIT, VALVE, #10 .....   |      |
| 2    | 161534GT | VALVE, SOLENOID, 2 POS 3 WAY<br>P, 2 speed drive motor shift (includes valve and coil) .....         |      |
| 2-   | 122148GT | COIL, SOLENOID VALVE, 20W<br>Coil only .....   |      |
| 2-   | 237236GT | SEAL KIT,VALVE .....   |      |
|      | 237235GT | NUT KIT W/O-RINGS .....  |      |
| 3    | 161534GT | VALVE, SOLENOID, 2 POS 3 WAY<br>Q, Brake Release (includes valve and coil) .....                     |      |
| 3-   | 122148GT | COIL, SOLENOID VALVE, 20W<br>Coil only .....   |      |
| 3-   | 237236GT | SEAL KIT,VALVE .....   |      |
| 3-   | 237235GT | NUT KIT W/O-RINGS .....  |      |
| 4    | 231037GT | CHECK VALVE,BALL TYPE,NORMAL<br>R, Brake circuit .....   |      |
| 4-   | 74902GT  | SEAL KIT .....   |      |
| 5    | 27761GT  | VALVE,SHUTTLE<br>D, Hot oil shuttle (charge pressure) .....  |      |
| 5-   | 84134GT  | SEAL KIT, VALVE .....  |      |
| 6    | 62253GT  | VALVE,RELIEF,250 PSI<br>E, Charge pressure circute .....   |      |
| 6-   | 74902GT  | SEAL KIT .....   |      |
| 7    | 102496GT | ORIFICE,PLUG 0.030<br>S, Brake release and 2 - speed motor shift circute .....                       |      |
| 8    | 231037GT | CHECK VALVE,BALL TYPE,NORMAL<br>N, Drive motor anti-cavitation .....                                 |      |
| 8-   | 74902GT  | SEAL KIT .....   |      |
| 9    | 27836GT  | VALVE,CHECK,5 PSI<br>M, Drive motor anti-cavitation .....  |      |
| 9-   | 110194GT | SEAL KIT, VALVE, #10 .....   |      |
| 10   | 62252GT  | VALVE, FLOW DIVIDER COMBINER<br>C, Controls flow to square end. Drive motors in forw. and rev. ....  |      |
| 10-  | 84135GT  | SEAL KIT, VALVE .....  |      |
| 11   | 231037GT | CHECK VALVE,BALL TYPE,NORMAL<br>L, Drive motor anti-cavitation .....                                 |      |
| 11-  | 74902GT  | SEAL KIT .....   |      |
| 12   | 52723GT  | VALVE-FLOW REGULATOR 2 GPM<br>H, Equalizes pressure on both sides of flow divider/combiner (C) ..... |      |
| 12-  | 84133GT  | SEAL KIT, VALVE 84131 .....  |      |



701.1 Traction Manifold



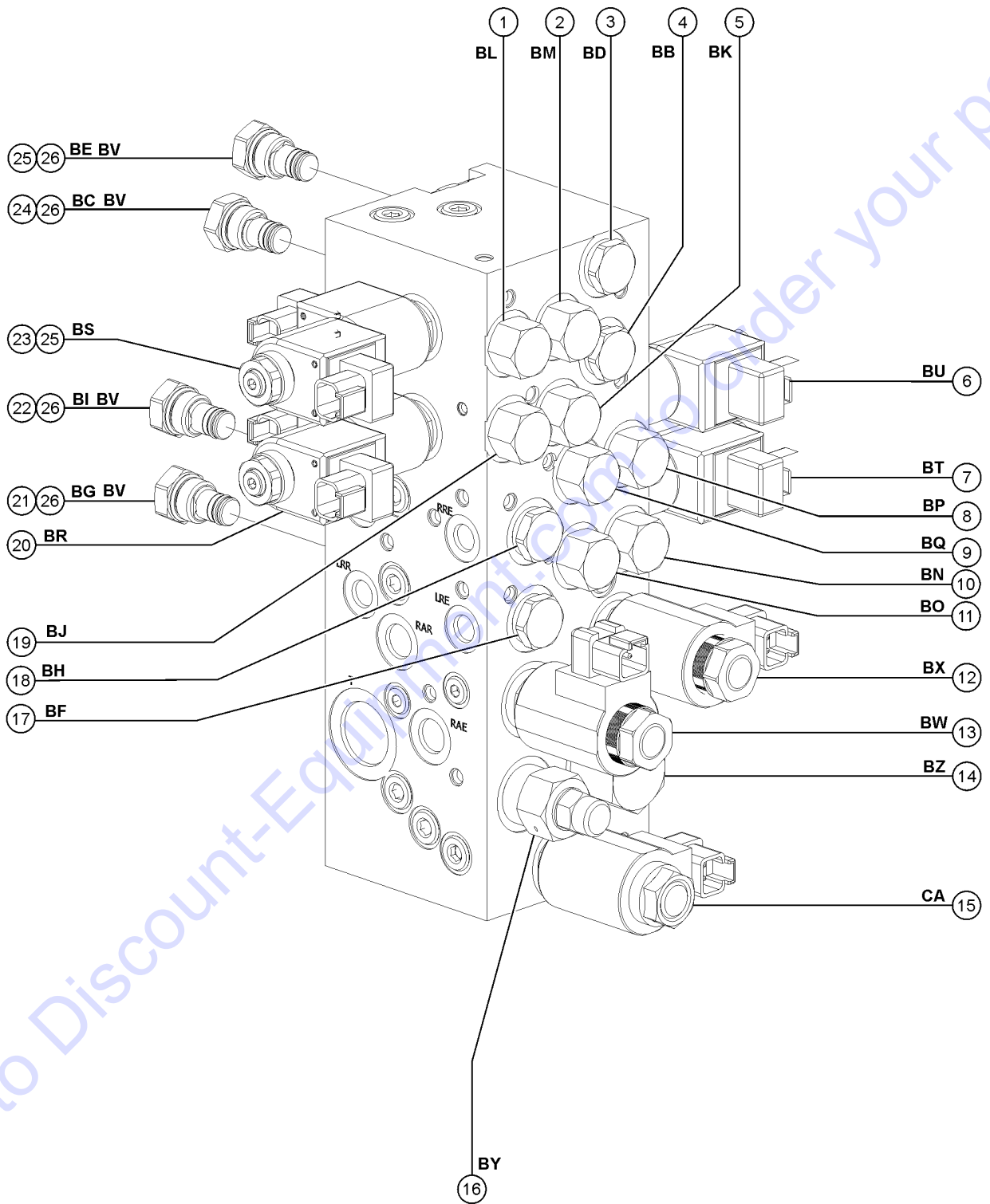
Go to Discount-Equipment.com to order your parts

| Item | Part No. | Description   | Qty. |
|------|----------|---|------|
| 13   | 161537GT | VALVE, FLOW REGULATOR 2.2 GPM<br>G, Equalizes pressure on both sides of flow divider/combiner (B) |      |
| 13-  | 89310GT  | SEAL KIT, SOLENOID VALVE  |      |
| 14   | 161536GT | VALVE, FLOW REGULATOR 4 GPM<br>F, Equalizes pressure on both sides of flow divider/combiner (A)   |      |
| 14-  | 89310GT  | SEAL KIT, SOLENOID VALVE  |      |
| 15   | 231037GT | CHECK VALVE,BALL TYPE,NORMAL<br>J, Drive motor anti-cavitation                                    |      |
| 15-  | 74902GT  | SEAL KIT  |      |
| 16   | 107729GT | VALVE, FLOW DIVIDER/COMBINER<br>A, Controls flow to circle end. Drive motors in forw. and rev.    |      |
| 16-  | 84135GT  | SEAL KIT, VALVE   |      |
| 17   | 161535GT | VALVE, FLOW DIVIDER/COMBINER<br>B, Controls flow to flow divider / combiner vavle                 |      |
| 17-  | 84135GT  | SEAL KIT, VALVE   |      |
| 18   | 231037GT | CHECK VALVE,BALL TYPE,NORMAL<br>O, Drive motor anti-cavitation                                    |      |
| 18-  | 74902GT  | SEAL KIT  |      |

Go to Discount-Equipment.com to order your parts



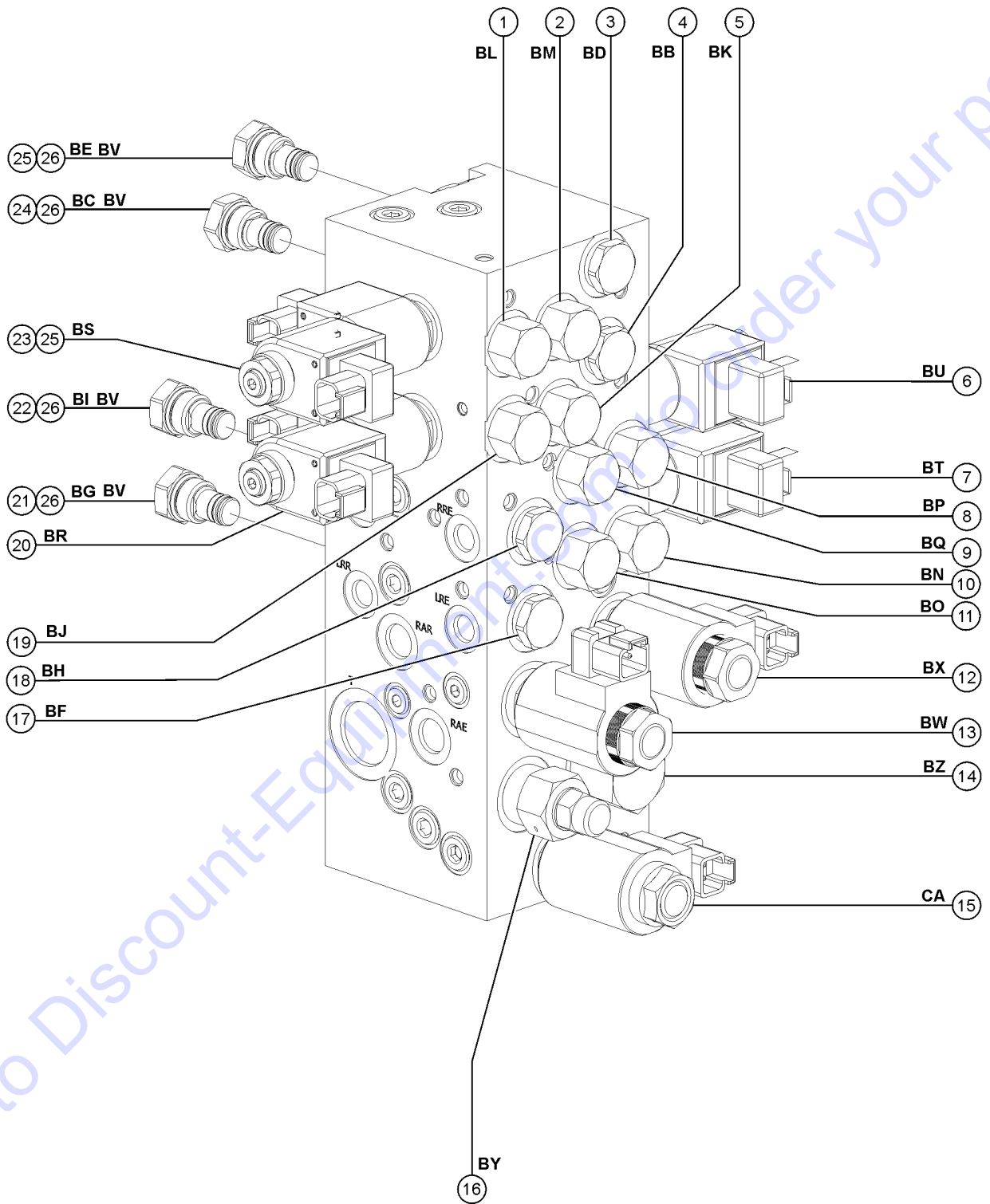
702.1 Steer/Axle Manifold



| Item | Part No.  | Description   | Qty. |
|------|-----------|---|------|
| A-   | 1271347GT | MANIFOLD,STEER/AXLE,X CHASSIS (Complete)  |      |
| 1    | 107734GT  | VALVE, FLOW CONTROL 2.1GPM<br>BL, Right front steer cylinder extend circuit                   |      |
| 1-   | 74902GT   | SEAL KIT  |      |
| 2    | 107731GT  | VALVE, FLOW CONTROL 1.5GPM<br>BM, Right front steer cylinder retract circuit                  |      |
| 2-   | 74902GT   | SEAL KIT  |      |
| 3    | 161538GT  | VALVE, CHECK, 65 PSI<br>BD, Prevents right front steer cylinder from moving when not steering |      |
| 3-   | 74902GT   | SEAL KIT  |      |
| 4    | 161538GT  | VALVE, CHECK, 65 PSI<br>BB, Prevents left front steer cylinder from moving when not steering  |      |
| 4-   | 74902GT   | SEAL KIT  |      |
| 5    | 107731GT  | VALVE, FLOW CONTROL 1.5GPM<br>BK, Left front steer cylinder retract circuit                   |      |
| 5-   | 74902GT   | SEAL KIT  |      |
| 6    | 122121GT  | SOLENOID VALVE<br>BU, Steer left/right, right rear steer cylinder                             |      |
| 6-   | 122120GT  | SEAL KIT, SOLENOID VALVE  |      |
| 6-   | 122148GT  | COIL, SOLENOID VALVE, 20W   |      |
| 6-   | 52943GT   | NUT SOLENOID VALVE COIL   |      |
| 7    | 122121GT  | SOLENOID VALVE<br>BT, Steer left/right, left rear steer cylinder                              |      |
| 7-   | 122120GT  | SEAL KIT, SOLENOID VALVE  |      |
| 7-   | 122148GT  | COIL, SOLENOID VALVE, 20W   |      |
| 7-   | 52943GT   | NUT SOLENOID VALVE COIL   |      |
| 8    | 107734GT  | VALVE, FLOW CONTROL 2.1GPM<br>BP, Right rear steer cylinder extend circuit                    |      |
| 8-   | 74902GT   | SEAL KIT  |      |
| 9    | 107731GT  | VALVE, FLOW CONTROL 1.5GPM<br>BQ, Right rear steer cylinder retract circuit                   |      |
| 9-   | 74902GT   | SEAL KIT  |      |
| 10   | 107734GT  | VALVE, FLOW CONTROL 2.1GPM<br>BN, Left rear steer cylinder extend circuit                     |      |
| 10-  | 74902GT   | SEAL KIT  |      |
| 11   | 107731GT  | VALVE, FLOW CONTROL 1.5GPM<br>BO, Left rear steer cylinder retract circuit                    |      |
| 11-  | 74902GT   | SEAL KIT  |      |
| 12   | 1291059GT | VALVE, SOLENOID, 2 POS 3 WAY<br>BX, Axle retract  |      |



702.1 Steer/Axle Manifold



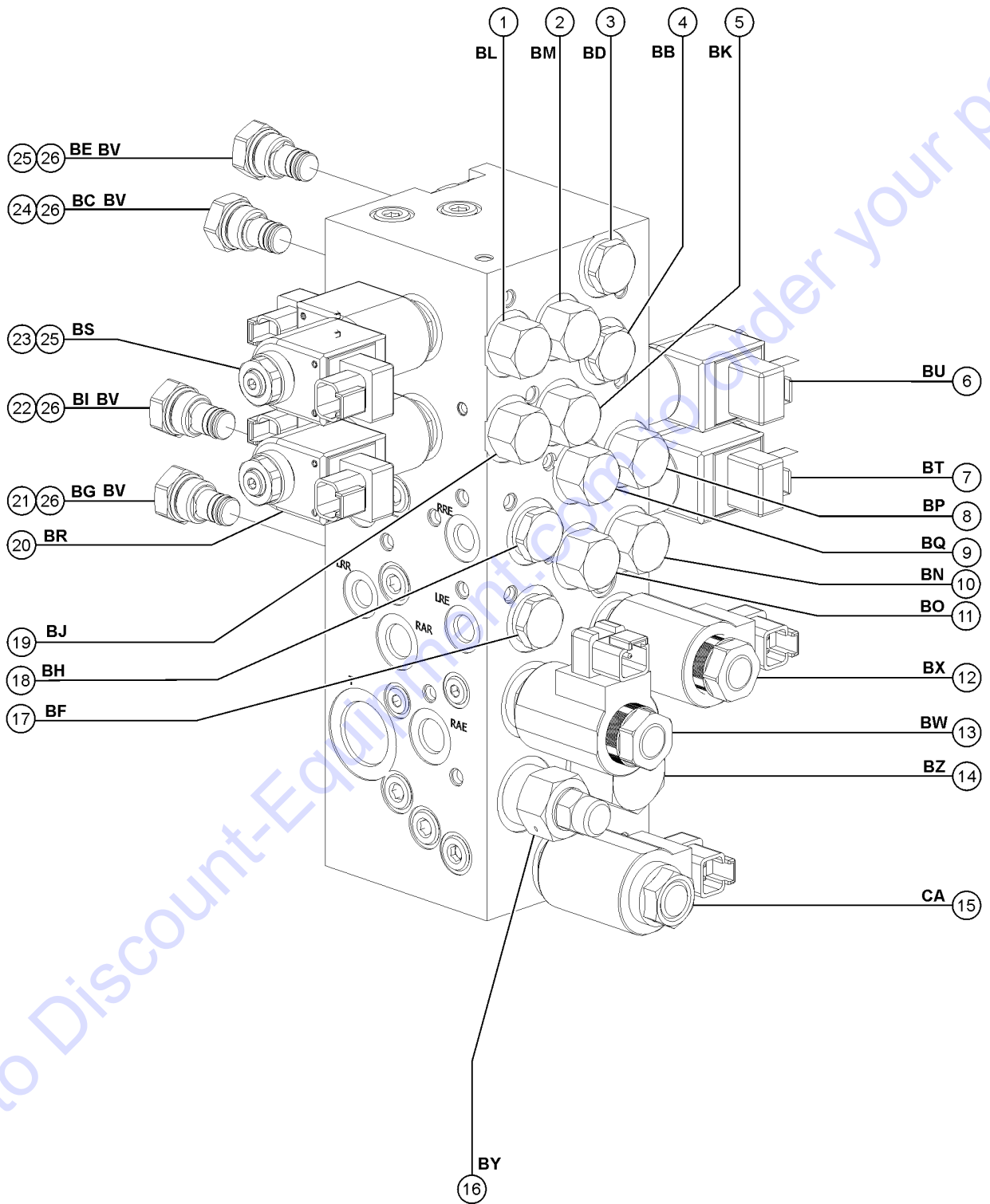
Go to Discount-Equipment.com to order your parts



| Item | Part No.  | Description  | Qty. |
|------|-----------|--|------|
| 12-  | 89310GT   | SEAL KIT, SOLENOID VALVE .....                                       |      |
| 12-  | 119112GT  | COIL, 12V, DEUTSCH .....   |      |
| 12-  | 119116GT  | NUT,COIL (107745) .....  |      |
| 13   | 1291059GT | VALVE, SOLENOID, 2 POS 3 WAY .....                                   |      |
|      |           | BW, Axle extend  |      |
| 13-  | 89310GT   | SEAL KIT, SOLENOID VALVE .....                                       |      |
| 13-  | 119112GT  | COIL, 12V, DEUTSCH .....   |      |
| 13-  | 119116GT  | NUT,COIL (107745) .....  |      |
| 14   | 1256314GT | VALVE, FLOW CONTROL, 9.0GPM .....                                    |      |
|      |           | BZ, Axle extend/retract circuit                                      |      |
| 14-  | 110195GT  | SEAL KIT, VALVE, #12 .....   |      |
| 15   | 1274833GT | VALVE, SOLENOID .....  |      |
|      |           | CA, Axle retract enable valve  |      |
| 15-  | 1274870GT | SEAL KIT, VALVE .....  |      |
| 15-  | 119112GT  | COIL, 12V, DEUTSCH .....   |      |
| 15-  | 119116GT  | NUT,COIL (107745) .....  |      |
| 16   | 161539GT  | VALVE, PRESS REDUCING, 2400PSI .....                                 |      |
|      |           | BY, Axle extend/retract circuit                                      |      |
| 16-  | 161923GT  | SEAL KIT, VALVE .....  |      |
| 17   | 161538GT  | VALVE, CHECK, 65 PSI .....   |      |
|      |           | BF, Prevents left rear steer cylinder from moving when not steering  |      |
| 17-  | 74902GT   | SEAL KIT .....   |      |
| 18   | 161538GT  | VALVE, CHECK, 65 PSI .....   |      |
|      |           | BH, Prevents right rear steer cylinder from moving when not steering |      |
| 18-  | 74902GT   | SEAL KIT .....   |      |
| 19   | 107734GT  | VALVE, FLOW CONTROL 2.1GPM .....                                     |      |
|      |           | BJ, Left front steer cylinder extend circuit                         |      |
| 19-  | 74902GT   | SEAL KIT .....   |      |
| 20   | 122121GT  | SOLENOID VALVE .....   |      |
|      |           | BR, Steer left/right, left front steer cylinder                      |      |
| 20-  | 122120GT  | SEAL KIT, SOLENOID VALVE .....                                       |      |
| 20-  | 122148GT  | COIL, SOLENOID VALVE, 20W .....                                      |      |
| 20-  | 52943GT   | NUT SOLENOID VALVE COIL .....  |      |
| 21   | 161538GT  | VALVE, CHECK, 65 PSI .....   |      |
|      |           | BG, Prevents left rear steer cylinder from moving when not steering  |      |
| 21-  | 74902GT   | SEAL KIT .....   |      |
| 22   | 161538GT  | VALVE, CHECK, 65 PSI .....   |      |
|      |           | BI, Prevents right rear steer cylinder from moving when not steering |      |



702.1 Steer/Axle Manifold

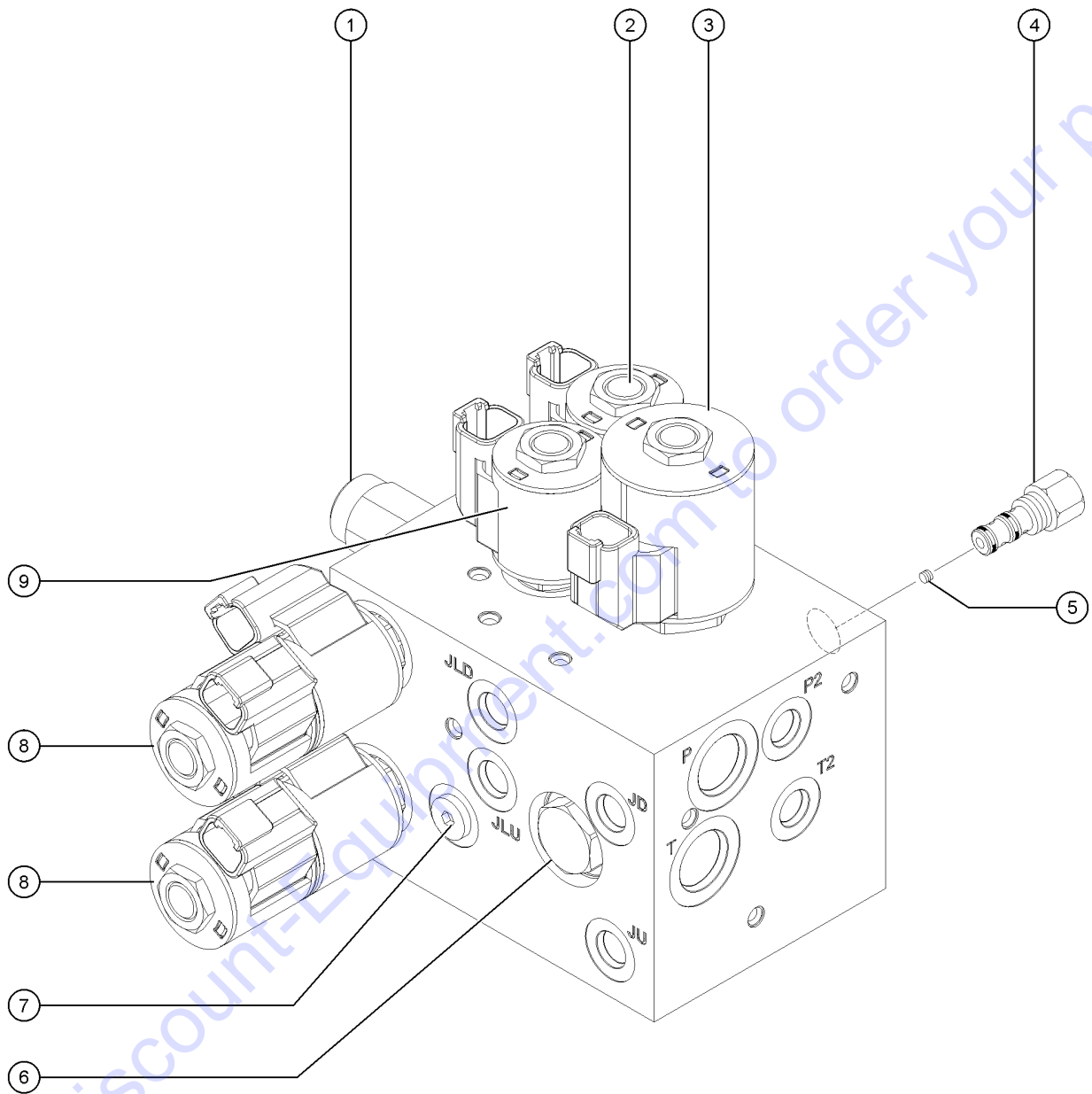


| Item | Part No. | Description   | Qty. |
|------|----------|---|------|
| 22-  | 74902GT  | SEAL KIT .....  |      |
| 23   | 122121GT | SOLENOID VALVE<br>BS, Steer left/right, right front steer cylinder .....                            |      |
| 23-  | 122120GT | SEAL KIT, SOLENOID VALVE .....  |      |
| 23-  | 122148GT | COIL, SOLENOID VALVE, 20W .....   |      |
| 23-  | 52943GT  | NUT SOLENOID VALVE COIL .....   |      |
| 24   | 161538GT | VALVE, CHECK, 65 PSI<br>BC, Prevents left front steer cylinder from moving when not steering .....  |      |
| 24-  | 74902GT  | SEAL KIT .....  |      |
| 25   | 161538GT | VALVE, CHECK, 65 PSI<br>BE, Prevents right front steer cylinder from moving when not steering ..... |      |
| 25-  | 74902GT  | SEAL KIT .....  |      |
| 26   | 107733GT | PISTON, PILOT OPERATED CHECK<br>BV, (not shown) PO CHECK .....                                      |      |

Go to Discount-Equipment.com to order your parts



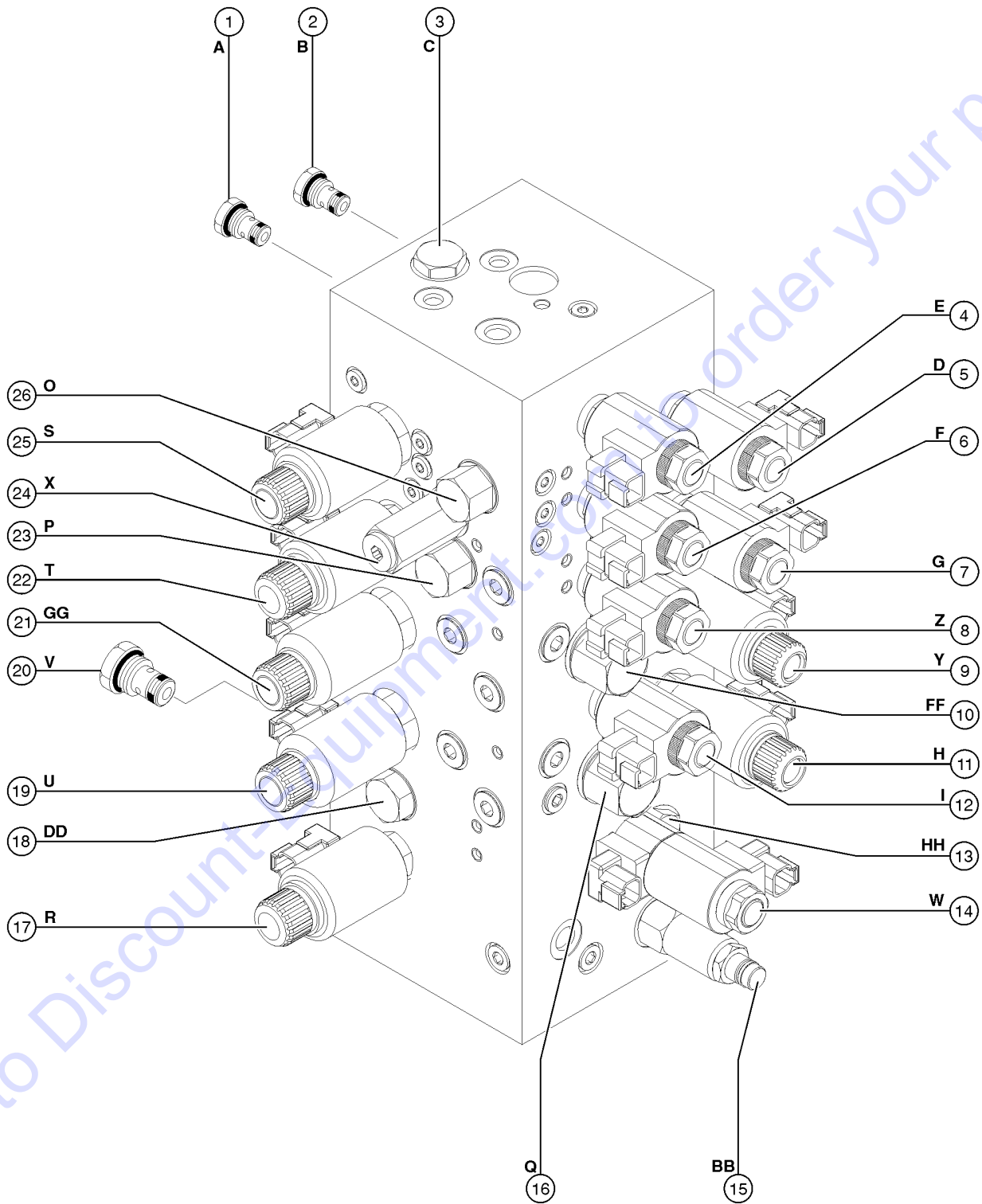
703.1 Jib Manifold



| Item | Part No.  | Description   | Qty. |
|------|-----------|---|------|
| -    | 1261770GT | MANIFOLD,ZX135 JIB .....                                      |      |
| 1    | 107738GT  | VALVE, DIFFERENTIAL SENSING .....                             | 1    |
| 2    | 62815GT   | VALVE,SOLENOID,2POS 3 WAY***<br>(does not include coil) ..... | 1    |
| 2-   | 104759GT  | COIL,12VDC #8 DTSCH IP69 ECOIL .....                          |      |
|      |           | (not a component of 62815)                                    |      |
| 2-   | 44174GT   | NUT-COIL SHORT .....  |      |
| 2-   | 52371GT   | SEAL KIT, VALVE .....   |      |
| 3    | 107739GT  | VALVE, DIRECTIONAL VALVE .....                                | 1    |
| 3-   | 104760GT  | COIL,12VDC #10DTSCH IP69 ECOIL .....                          |      |
| 3-   | 44174GT   | NUT-COIL SHORT .....  |      |
| 3-   | 44229GT   | SEAL KIT, VALVE .....   |      |
| 4    | 94618GT   | VALVE,FLOW CONTROL,.4 GPM .....                               | 1    |
| 5    | 46288GT   | ORIFICE DISC,.040" .....                                      | 1    |
| 6    | 107740GT  | VALVE, CHECK 25 PSI .....                                     | 1    |
| 6-   | 44227GT   | SEAL KIT, VALVE .....   |      |
| 7    | 44216GT   | VALVE,SHUTTLE .....   | 1    |
| 7-   | 44235GT   | SEAL KIT-FOR PN.44216 & 826779 .....                          |      |
| 8    | 107788GT  | VALVE,PROPORTIONAL 3 POS 4 WY .....                           | 2    |
| 8-   | 107768GT  | COIL,12VDC #8 DTSCH W/O DIODE .....                           |      |
| 8-   | 97372GT   | E-COIL WASHER,#8,DUAL COIL .....                              |      |
| 8-   | 44174GT   | NUT-COIL SHORT .....  |      |
| 8-   | 44229GT   | SEAL KIT, VALVE .....   |      |
| 9    | 44170GT   | VALVE-SOLENOID N.O.(SCISSORS)* .....                          | 1    |
| 9-   | 228866GT  | COIL,SOLENOID VALVE .....                                     |      |
| 9-   | 44228GT   | SEAL KIT, VALVE .....   |      |
| 9-   | 44174GT   | NUT-COIL SHORT .....  |      |



704.1 Function Manifold

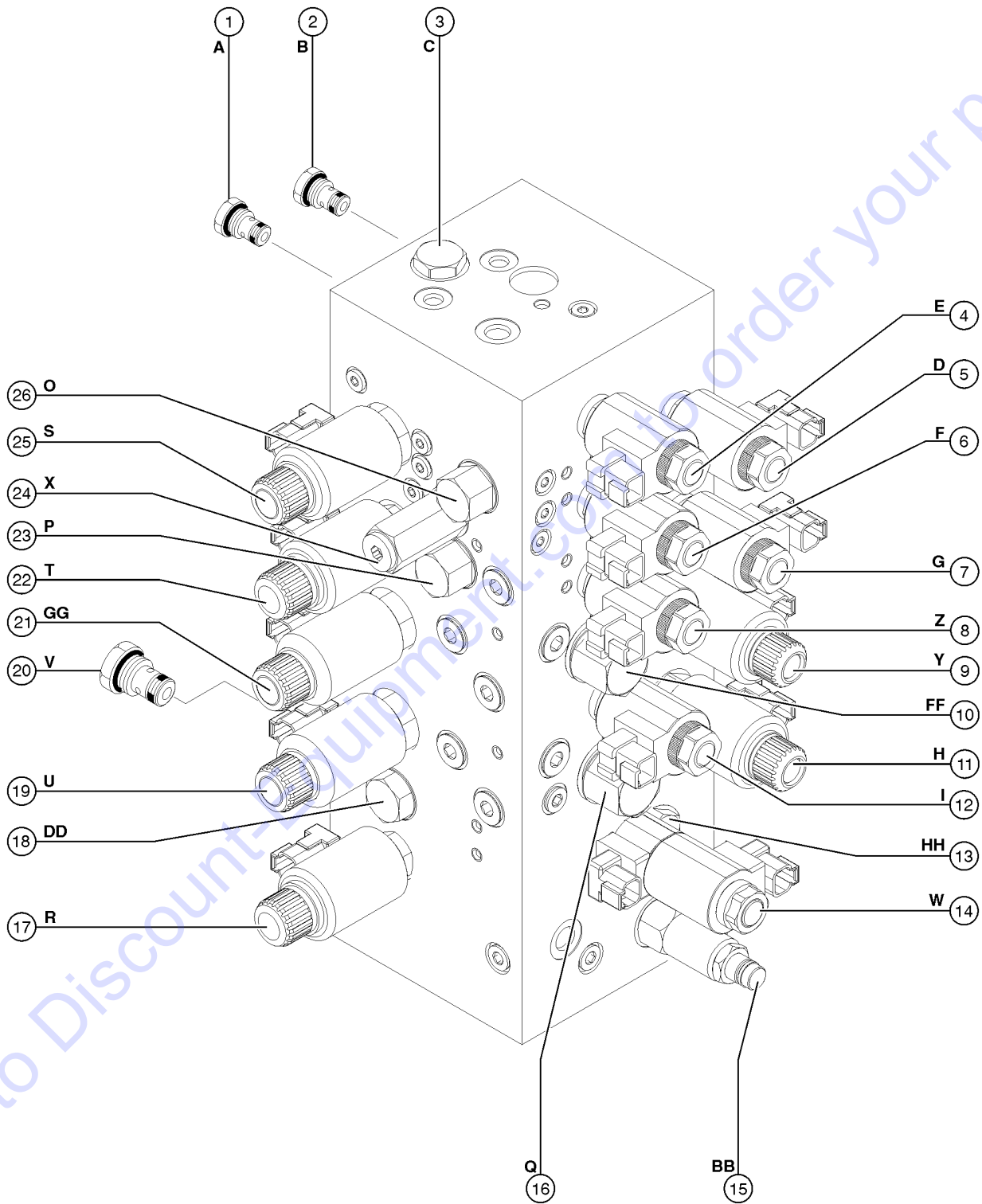


Go to DiscountEquipment.com to order your parts

| Item | Part No. | Description  | Qty. |
|------|----------|--|------|
| -    | 218143GT | MANIFOLD, FUNCTION, ZX135 Complete                   |      |
| 1    | 107747GT | VALVE,CHECK,5 PSI A, Auxiliary Power Unit            |      |
| 1-   | 56236GT  | O-RING,ORFS,-10                                      |      |
| 2    | 107747GT | VALVE,CHECK,5 PSI B, Auxiliary Power Unit            |      |
| 2-   | 56236GT  | O-RING,ORFS,-10                                      |      |
| 3    | 27836GT  | VALVE,CHECK,5 PSI C, Pressure circuit                |      |
| 3-   | 110194GT | SEAL KIT, VALVE, #10                                 |      |
| 4    | 107745GT | VALVE,SOLENOID 2 POS 3 WAY E, Primary boom down      |      |
| 4-   | 119112GT | COIL, 12V, DEUTSCH                                   |      |
| 4-   | 119116GT | NUT,COIL (107745)                                    |      |
| 4-   | 89310GT  | SEAL KIT, SOLENOID VALVE                             |      |
| 5    | 107745GT | VALVE,SOLENOID 2 POS 3 WAY D, Primary boom up        |      |
| 5-   | 119112GT | COIL, 12V, DEUTSCH                                   |      |
| 5-   | 119116GT | NUT,COIL (107745)                                    |      |
| 5-   | 89310GT  | SEAL KIT, SOLENOID VALVE                             |      |
| 6    | 107745GT | VALVE,SOLENOID 2 POS 3 WAY F, Primary boom extend    |      |
| 6-   | 119112GT | COIL, 12V, DEUTSCH                                   |      |
| 6-   | 119116GT | NUT,COIL (107745)                                    |      |
| 6-   | 89310GT  | SEAL KIT, SOLENOID VALVE                             |      |
| 7    | 107745GT | VALVE,SOLENOID 2 POS 3 WAY G, Primary boom retract   |      |
| 7-   | 119112GT | COIL, 12V, DEUTSCH                                   |      |
| 7-   | 119116GT | NUT,COIL (107745)                                    |      |
| 7-   | 89310GT  | SEAL KIT, SOLENOID VALVE                             |      |
| 8    | 107745GT | VALVE,SOLENOID 2 POS 3 WAY Z, Secondary boom retract |      |
| 8-   | 119112GT | COIL, 12V, DEUTSCH                                   |      |
| 8-   | 119116GT | NUT,COIL (107745)                                    |      |
| 8-   | 89310GT  | SEAL KIT, SOLENOID VALVE                             |      |
| 9    | 107743GT | VALVE,SOLENOID 2 POS 3 WAY Y, Secondary boom extend  |      |



704.1 Function Manifold



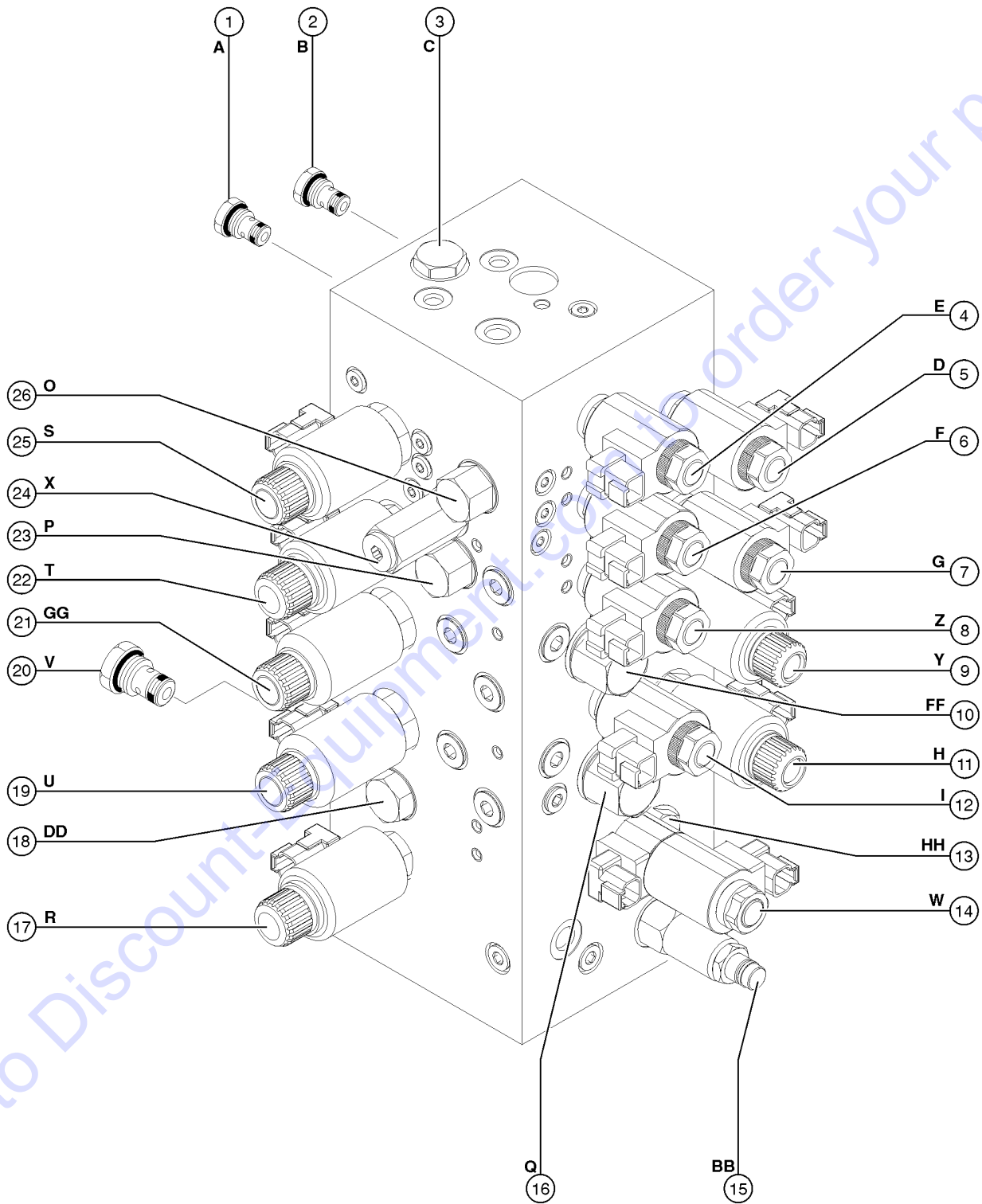
Go to DiscountEquipment.com to order your parts



| Item | Part No. | Description  | Qty. |
|------|----------|--|------|
| 9-   | 119113GT | COIL,12V DEUTSCH .....   |      |
| 9-   | 45921GT  | RETAINER-N.C.PROPOR.SOLENOID .....                                       |      |
| 9-   | 110198GT | SEAL KIT, VALVE, #12 .....   |      |
| 10   | 32741GT  | VALVE,DIFF SENSING,150 PSI<br>FF, Secondary extend/retract circuit ..... |      |
| 10-  | 110198GT | SEAL KIT, VALVE, #12 .....   |      |
| 11   | 107743GT | VALVE,SOLENOID 2 POS 3 WAY<br>H, Secondary boom up .....                 |      |
| 11-  | 119113GT | COIL,12V DEUTSCH .....   |      |
| 11-  | 45921GT  | RETAINER-N.C.PROPOR.SOLENOID .....                                       |      |
| 11-  | 110198GT | SEAL KIT, VALVE, #12 .....   |      |
| 12   | 107745GT | VALVE,SOLENOID 2 POS 3 WAY<br>I, Secondary boom down .....               |      |
| 12-  | 119112GT | COIL, 12V, DEUTSCH .....   |      |
| 12-  | 119116GT | NUT,COIL (107745) .....  |      |
| 12-  | 89310GT  | SEAL KIT, SOLENOID VALVE .....   |      |
| 13   | 110342GT | VALVE, CHECK<br>HH, Tank return circuit .....                            |      |
| 13-  | 29029GT  | SEAL KIT,19920 HAND PUMP .....   |      |
| 14   | 107746GT | VALVE,SOLENOID 3 POS 4 WAY<br>W, Turntable rotate .....                  |      |
| 14-  | 119112GT | COIL, 12V, DEUTSCH .....   |      |
| 14-  | 119115GT | NUT, COIL (107746) .....   |      |
| 15   | 110343GT | VALVE, RELIEF<br>BB, System relief .....                                 |      |
| 15-  | 110194GT | SEAL KIT, VALVE, #10 .....   |      |
| 16   | 32741GT  | VALVE,DIFF SENSING,150 PSI<br>Q, Secondary up/down circuit .....         |      |
| 16-  | 110198GT | SEAL KIT, VALVE, #12 .....   |      |
| 17   | 107753GT | VALVE,PROPORTIONAL<br>R, Turntable rotate circuit .....                  |      |
| 17-  | 58303GT  | COIL,VALVE,PROPORTIONAL *** .....  |      |
| 17-  | 45921GT  | RETAINER-N.C.PROPOR.SOLENOID .....                                       |      |
| 17-  | 89310GT  | SEAL KIT, SOLENOID VALVE .....   |      |
| 18   | 27802GT  | VALVE,DIFFERENTIAL SENSING***<br>DD, Turntable rotate circuit .....      |      |
| 18-  | 110197GT | SEAL KIT, VALVE, #10 .....   |      |



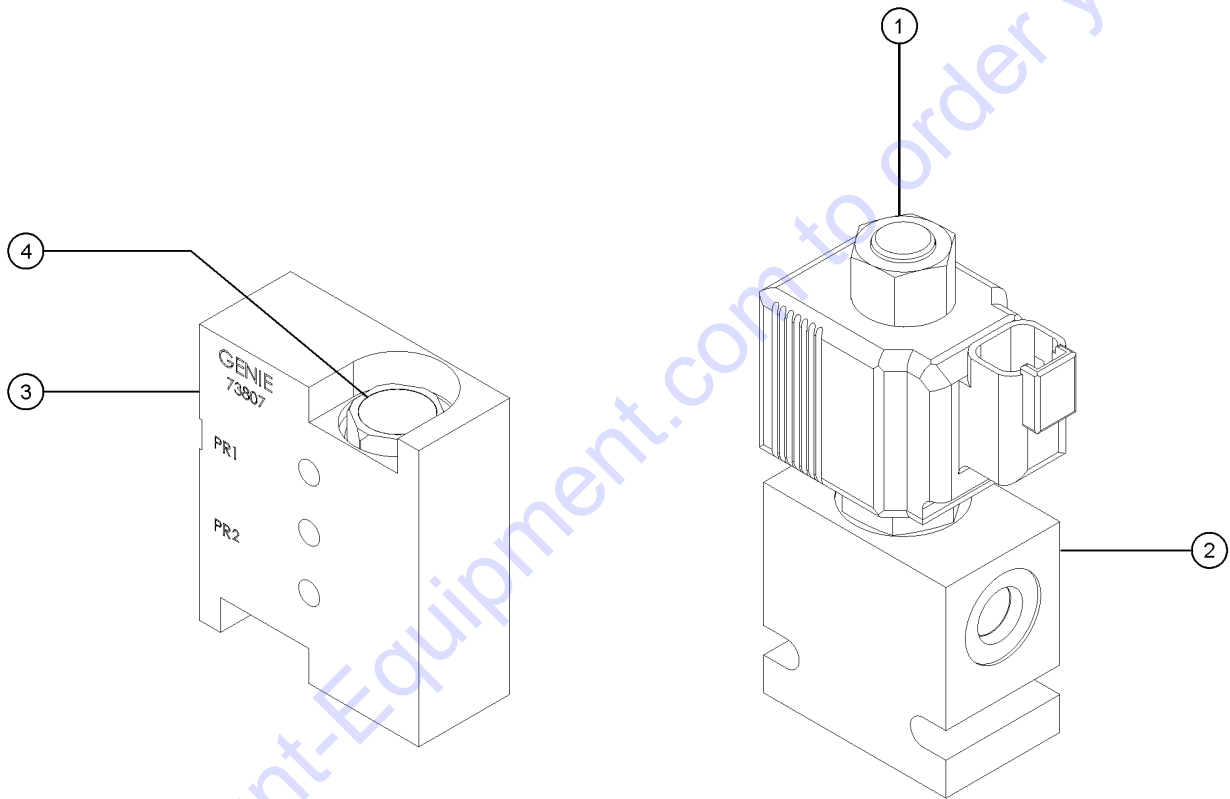
704.1 Function Manifold



Go to DiscountEquipment.com to order your parts

| Item | Part No. | Description  | Qty. |
|------|----------|--|------|
| 19   | 107750GT | VALVE,PROPORTIONAL<br>U, Secondary up/down circuit   |      |
| 19-  | 58303GT  | COIL,VALVE,PROPORTIONAL***   |      |
| 19-  | 45912GT  | NUT,SOLENOID VALVE 2P3W  |      |
| 19-  | 110198GT | SEAL KIT, VALVE, #12   |      |
| 20   | 107751GT | VALVE, CHECK, 5 PSI<br>V, Prevents hydraulic pressure from flowing back into function pump |      |
| 20-  | 29029GT  | SEAL KIT,19920 HAND PUMP   |      |
| 21   | 107752GT | VALVE,PROPORTIONAL<br>GG, Secondary extend/retract circuit                                 |      |
| 21-  | 58303GT  | COIL,VALVE,PROPORTIONAL***   |      |
| 21-  | 45912GT  | NUT,SOLENOID VALVE 2P3W  |      |
| 21-  | 110198GT | SEAL KIT, VALVE, #12   |      |
| 22   | 107753GT | VALVE,PROPORTIONAL<br>T, Primary extend/retract circuit                                    |      |
| 22-  | 58303GT  | COIL,VALVE,PROPORTIONAL***   |      |
| 22-  | 45921GT  | RETAINER-N.C.PROPOR.SOLENOID   |      |
| 22-  | 89310GT  | SEAL KIT, SOLENOID VALVE   |      |
| 23   | 27802GT  | VALVE,DIFFERENTIAL SENSING***<br>P, Primary extend/retract circuit                         |      |
| 23-  | 110197GT | SEAL KIT, VALVE, #10   |      |
| 24   | 107749GT | VALVE, RELIEF, 2600 PSI<br>X, Primary extend/retract circuit                               |      |
| 24-  | 74902GT  | SEAL KIT   |      |
| 25   | 107754GT | VALVE,PROPORTIONAL<br>S, Primary up/down circuit   |      |
| 25-  | 58303GT  | COIL,VALVE,PROPORTIONAL***   |      |
| 25-  | 45912GT  | NUT,SOLENOID VALVE 2P3W  |      |
| 25-  | 110198GT | SEAL KIT, VALVE, #12   |      |
| 26   | 27802GT  | VALVE,DIFFERENTIAL SENSING***<br>O, Primary up/down circuit                                |      |
| 26-  | 110197GT | SEAL KIT, VALVE, #10   |      |

705.1 Function Enable Valve and Platform Rotator Manifold



Platform Rotator Manifold

Function Enable Valve

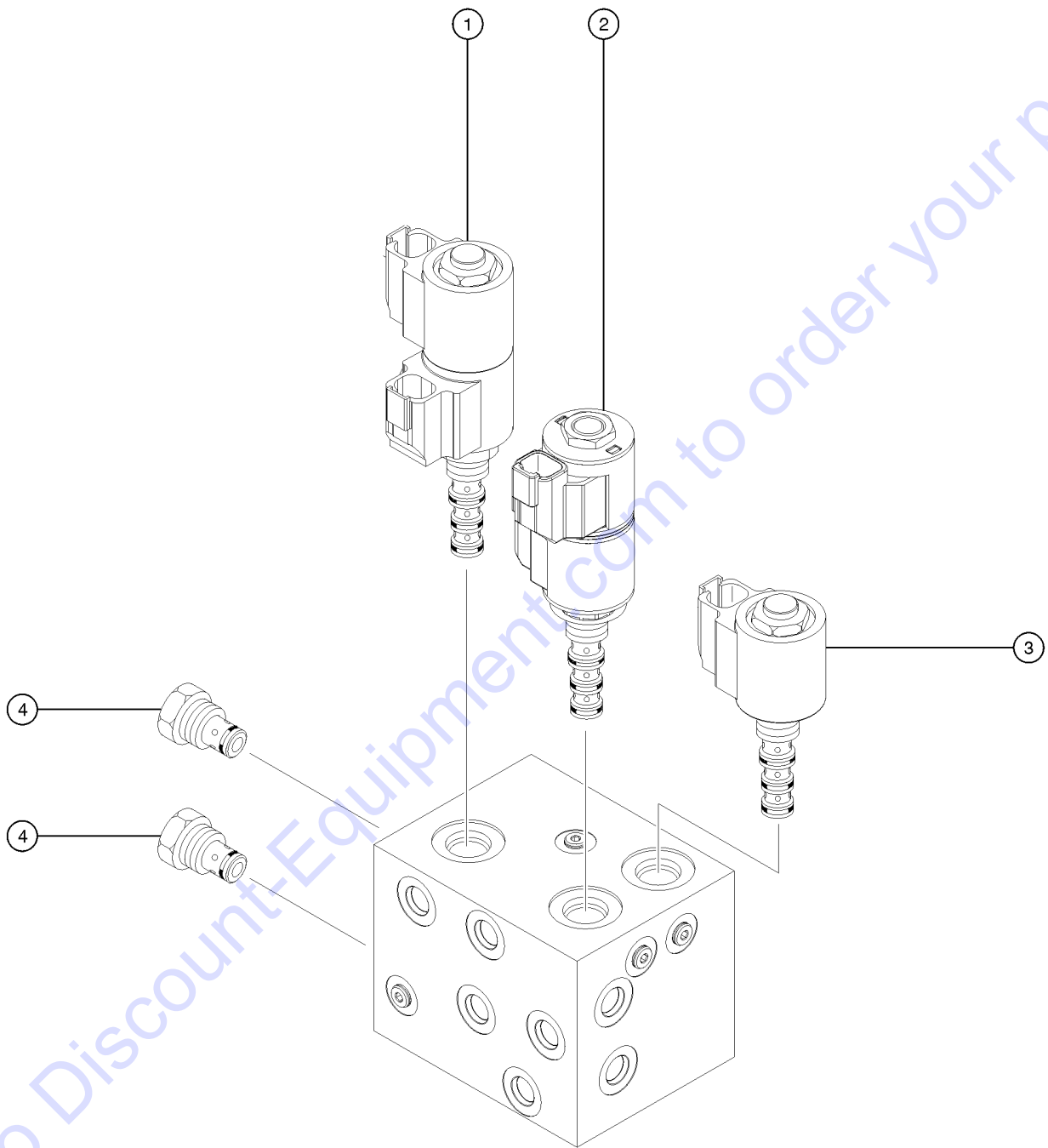
705.1 Function Enable Valve and Platform Rotator Manifold

| Item | Part No. | Description                        | Qty. |
|------|----------|------------------------------------|------|
| 1    | 161533GT | VALVE, SOLENOID, 2 POS 2 WAY ..... | 1    |
| 1-   | 89733GT  | COIL SOLENOID VALVE*** .....       |      |
| 1-   | 89770GT  | SEAL KIT, SOLENOID VALVE .....     |      |
| 2    | 218144GT | VALVE, FUNCTION ENABLE .....       | 1    |
|      |          | Includes item 1                    |      |
| 3    | 73807GT  | MANIFOLD, ROTATOR, CB*** .....     | 1    |
|      |          | Includes item 4                    |      |
| 3-   | 62507GT  | O-RING, ROTATOR MANIFOLD .....     |      |
| 4    | 62506GT  | VALVE - COUNTERBALANCE** .....     | 2    |
| 4-   | 43018GT  | SEAL KIT (39345) .....             |      |

Go to Discount-Equipment.com to order your parts



706.1 Platform Manifold



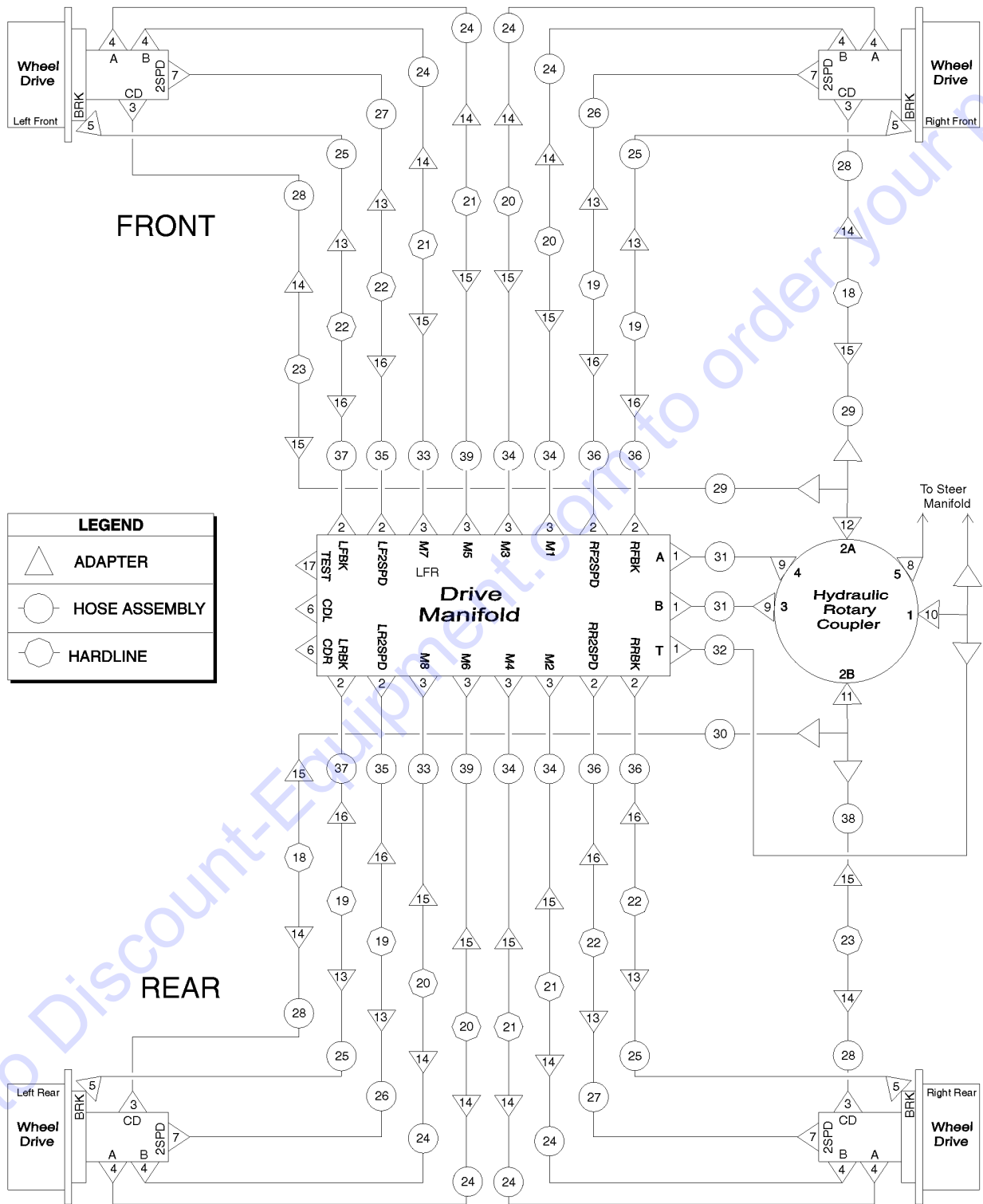
Go to Discount-Equipment.com to order your parts

| Item | Part No.  | Description                          | Qty. |
|------|-----------|--------------------------------------|------|
| -    | 1260663GT | MANIFOLD,PLATFORM .....              |      |
| 1    | 39346GT   | VALVE,SOLENOID 3 POS.4 WAY*** .....  | 1    |
| 1-   | 104759GT  | COIL,12VDC #8 DTSCH IP69 ECOIL ..... |      |
| 1-   | 97372GT   | E-COIL WASHER,#8,DUAL COIL .....     |      |
| 1-   | 44174GT   | NUT-COIL SHORT .....                 |      |
| 1-   | 44229GT   | SEAL KIT, VALVE .....                |      |
| 2    | 107816GT  | VALVE,PROPORTIONAL 3 POS 4 WY* ..... | 1    |
| 2-   | 107768GT  | COIL,12VDC #8 DTSCH W/O DIODE .....  |      |
| 2-   | 97372GT   | E-COIL WASHER,#8,DUAL COIL .....     |      |
| 2-   | 44174GT   | NUT-COIL SHORT .....                 |      |
| 2-   | 44229GT   | SEAL KIT, VALVE .....                |      |
| 3    | 44170GT   | VALVE-SOLENOID N.O.(SCISSORS)* ..... | 1    |
| 3-   | 228866GT  | COIL,SOLENOID VALVE .....            |      |
| 3-   | 44228GT   | SEAL KIT, VALVE .....                |      |
| 3-   | 44174GT   | NUT-COIL SHORT .....                 |      |
| 4    | 107741GT  | VALVE, FLOW REGULATOR .....          | 2    |
| 4-   | 44228GT   | SEAL KIT, VALVE .....                |      |

Go to Discount-Equipment.com to order your parts



707.1 Hydraulic Hoses and Fittings, Drive System



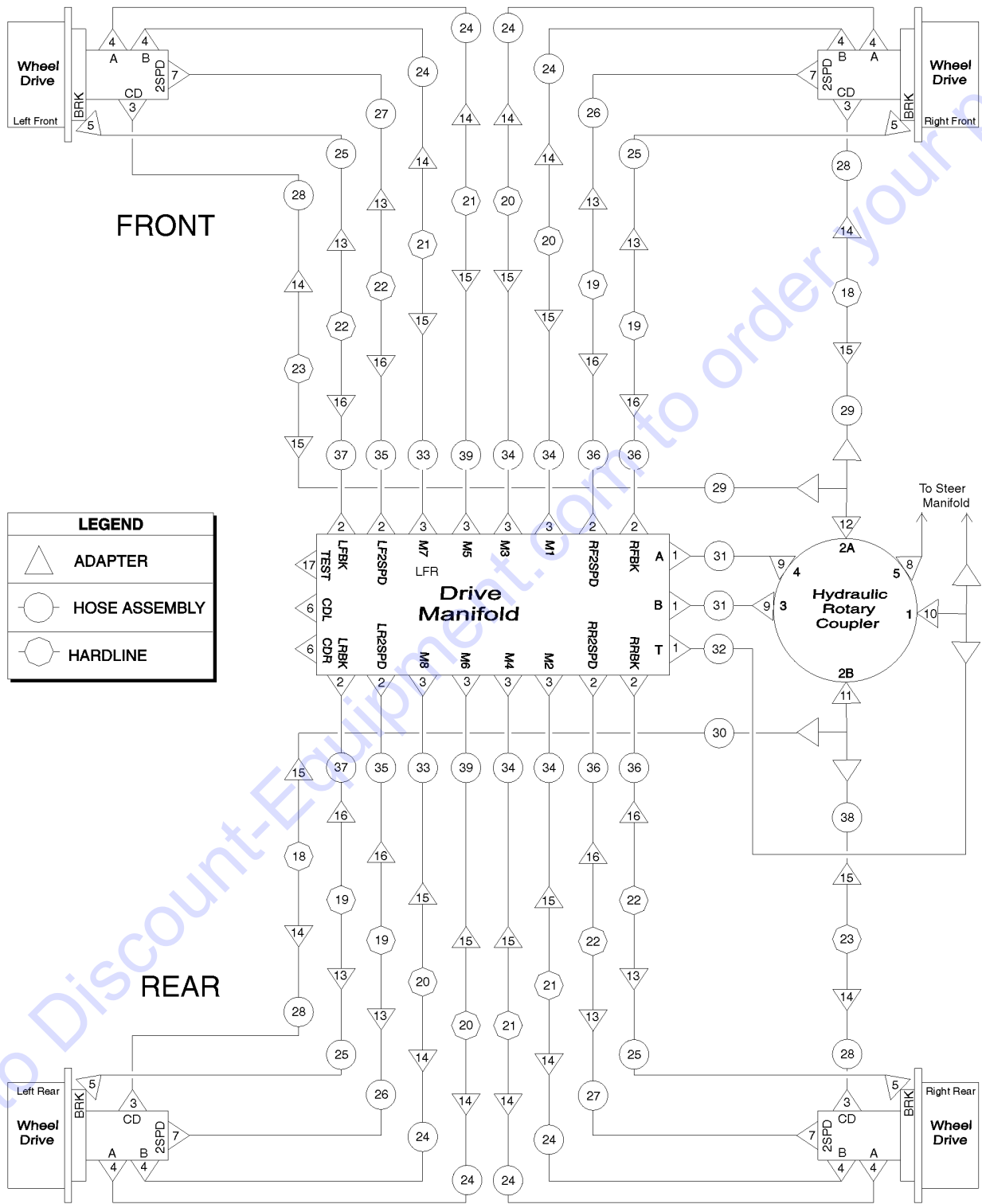


707.1 Hydraulic Hoses and Fittings, Drive System

| Item | Part No.     | Description   | Qty. |
|------|--------------|---|------|
| 1    | 48960GT      | FITTING,CONN,520120-12 .....  | 3    |
| 2    | 48905GT      | CONN,520120-4*** .....  | 8    |
| 3    | 48933GT      | CONN,520120-8*** .....  | 12   |
| 4    | 48948GT      | CONN,520120-8-12 .....  | 4    |
| 5    | 48912GT      | CONN,520120-4-6*** .....  | 4    |
| 6    | 59371GT      | PLUG, HEX SOCKET, 090109B-8* .....  | 2    |
| 7    | 48911GT      | ELBOW,90D,520220-4-6*** .....   | 4    |
| 8    | 48937GT      | ELBOW,45D,520320-8 .....  | 1    |
|      |              | (Refer to 708.1)  |      |
| 9    | 48963GT      | FITTING,ELBOW,45D,520320-12*** .....  | 2    |
| 10   | 48961GT      | TEE,RUN,520428-12 .....   | 1    |
|      |              | (Refer to 708.1)  |      |
| 11   | 48935GT      | TEE,RUN,520428-8 .....  | 1    |
| 12   | 48936GT      | TEE,BRANCH,520429-8 .....   | 1    |
| 13   | 48924GT      | CONN,BULKHEAD,520601-6 .....  | 8    |
| 14   | 48894GT      | CONN,BULKHEAD,520601-8 .....  | 12   |
| 15   | 104186GT     | SEAL, ORFS TUBE FLANGE, 8PLS .....  | 12   |
| 16   | 214345GT     | SEAL,ORING-6 .....  | 8    |
| 17   | 48998GT      | NIPPLE,DIAGNOSTIC,#6 PORT*** .....  | 1    |
| 18   | 1263411GT    | HYD TUBE, CASE RF, LR .....   | 2    |
| 19   | 1263409GT    | HYD TUBE, BRAKE 2 SP RF, LR .....   | 4    |
| 20   | 1263410GT    | HYD TUBE, DRIVE A&B RF, LR .....  | 4    |
| 21   | 1263464GT    | HYD TUBE, DRIVE A&B LF, RR .....  | 4    |
| 22   | 1263463GT    | HYD TUBE, BRAKE 2 SP LF, RR .....   | 4    |
| 23   | 1263465GT    | HYD TUBE, CASE LF, RR .....   | 2    |
| 24   | 81812-5792GT | HOSE ASSY,1/2,STR FEM,STR FEM<br>Components: 48822, 48822 and 56777 @ 56 inches .....   | 8    |
| 25   | 49181-5990GT | HOSE ASSY.1/4",45,FEM STR FEM<br>Components: 48801, 48810 and 48751 @ 57.5 inches ..... | 4    |
| 26   | 49120-6381GT | HOSE ASSY,1/4" STR FEM STR FEM<br>Components: 48800, 48810 and 48751 @ 62 inches .....  | 2    |
| 27   | 49163-6994GT | HOSE ASSY,1/4,90D FEM/STR FEM<br>Components: 48802, 48810 and 48751 @ 68 inches .....   | 2    |
| 28   | 49141-5863GT | HOSE ASSY,1/2,45 FEM,STR FEM**<br>Components: 48822, 48826 and 48756 @ 56 inches .....  | 4    |



707.1 Hydraulic Hoses and Fittings, Drive System



# PARTS FINDER

**Search Website  
by Part Number**



**Search Manual  
Library For Parts  
Manual & Lookup Part  
Numbers – Purchase  
or Request Quote**

**Search Manuals**

Enter your information to help us find the right parts manual for your machine.

\* Brand:

\* Model:

\* Serial:

\* Part Number:

SEARCH

**Can't Find Part or  
Manual? Request Help  
by Manufacturer,  
Model & Description**

**Parts Order Form**

Please fill in the following information to help us find the right part for your machine.

|               |                      |
|---------------|----------------------|
| Manufacturer: | <input type="text"/> |
| Model:        | <input type="text"/> |
| Description:  | <input type="text"/> |
| Part Number:  | <input type="text"/> |
| Quantity:     | <input type="text"/> |
| Notes:        | <input type="text"/> |

Submit

Discount-Equipment.com is your online resource for quality parts & equipment.

Florida: **561-964-4949** Outside Florida TOLL FREE: **877-690-3101**

**Need parts?**

Click on this link: <http://www.discount-equipment.com/category/5443-parts/> and choose one of the options to help get the right parts and equipment you are looking for. Please have the machine model and serial number available in order to help us get you the correct parts. If you don't find the part on the website or on one of the online manuals, please fill out the request form and one of our experienced staff members will get back to you with a quote for the right part that your machine needs.

We sell worldwide for the brands: Genie, Terex, JLG, MultiQuip, Mikasa, Essick, Whiteman, Mayco, Toro Stone, Diamond Products, Generac Magnum, Airman, Haulotte, Barreto, Power Blanket, Nifty Lift, Atlas Copco, Chicago Pneumatic, Allmand, Miller Curber, Skyjack, Lull, Skytrak, Tsurumi, Husquvarna Target, Stow, Wacker, Sakai, Mi-T-M, Sullair, Basic, Dynapac, MBW, Weber, Bartell, Bennar Newman, Haulotte, Ditch Runner, Menegotti, Morrison, Contec, Buddy, Crown, Edco, Wyco, Bomag, Laymor, EZ Trench, Bil-Jax, F.S. Curtis, Gehl Pavers, Heli, Honda, ICS/PowerGrit, IHI, Partner, Imer, Clipper, MMD, Koshin, Rice, CH&E, General Equipment, Amida, Coleman, NAC, Gradall, Square Shooter, Kent, Stanley, Tamco, Toku, Hatz, Kohler, Robin, Wisconsin, Northrock, Oztec, Toker TK, Rol-Air, APT, Wylie, Ingersoll Rand / Doosan, Innovatech, Con X, Ammann, Mecalac, Makinex, Smith Surface Prep, Small Line, Wanco, Yanmar

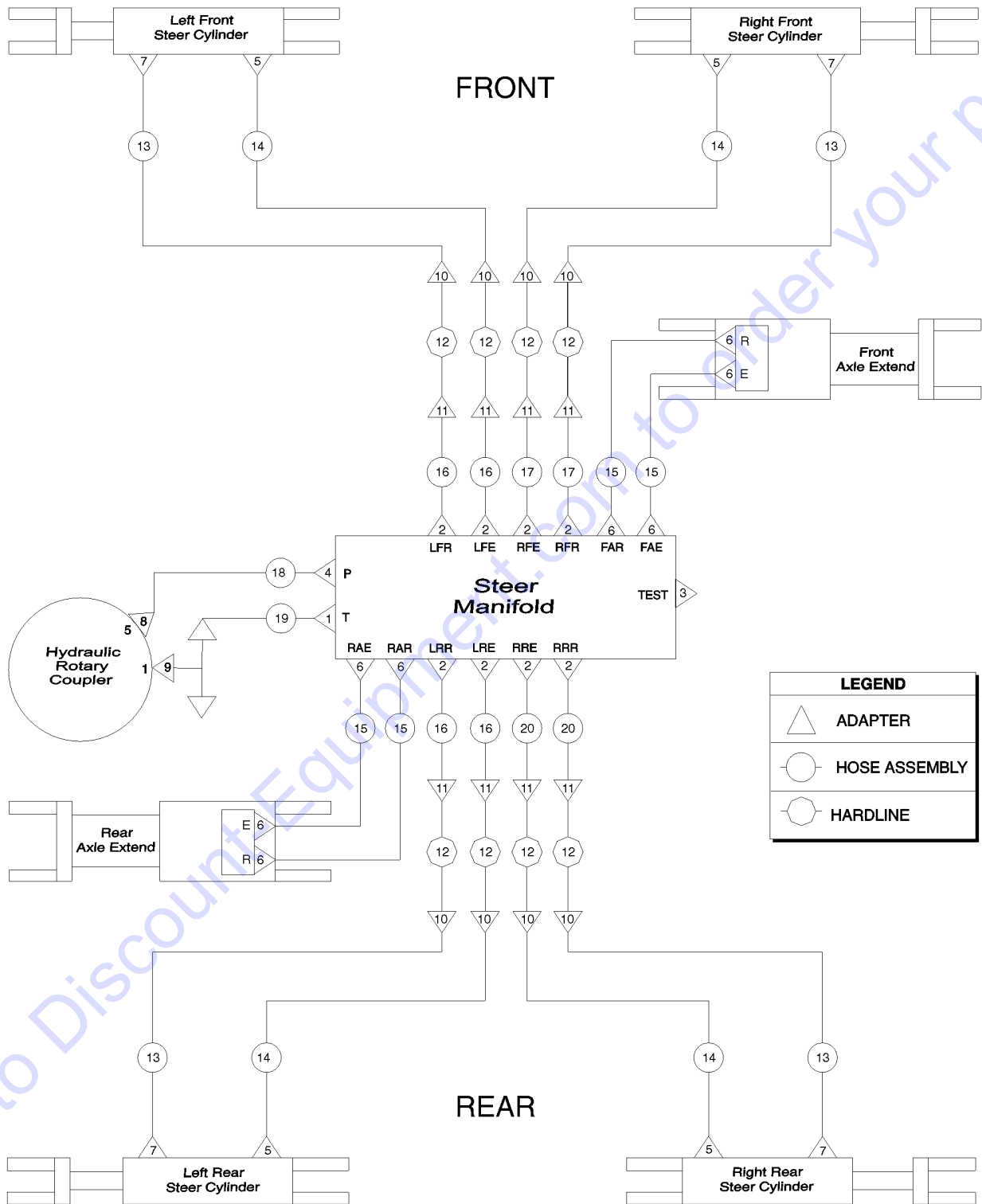
707.1 Hydraulic Hoses and Fittings, Drive System

| Item | Part No.      | Description   | Qty. |
|------|---------------|---|------|
| 29   | 216247-6684GT | HOSE ASSY,1/2,45 FEM, STR MALE<br>Components: 106815, 48826 and 48756 @ 64 inches | 4    |
| 30   | 106819-7013GT | HOSE ASSY,1/2,STR FEM STR MALE<br>Components: 48822, 106815 and 48756 @ 68 inches | 1    |
| 31   | 94374-6030GT  | HOSE ASSY,3/4,90 FEM,STR FEM<br>Components: 48841, 48846 and 94358 @ 57 inches    | 2    |
| 32   | 61072-4326GT  | HOSE ASSY,3/4,45 FEM,STR FEM<br>Components: 48841, 48845 and 48762 @ 40 inches    | 1    |
| 33   | 81812-3692GT  | HOSE ASSY,1/2,STR FEM,STR FEM<br>Components: 48822, 48822 and 56777 @ 35 inches   | 2    |
| 34   | 81812-11292GT | HOSE ASSY,1/2,STR FEM,STR FEM<br>Components: 48822, 48822 and 56777 @ 111 inches  | 4    |
| 35   | 49120-3881GT  | HOSE ASSEMBLY-1/4"****<br>Components: 48800, 48810 and 48751 @ 37 inches          | 2    |
| 36   | 49120-11381GT | HOSE ASSY,1/4" STR FEM STR FEM<br>Components: 48800, 48810 and 48751 @ 112 inches | 4    |
| 37   | 49120-3781GT  | HOSE ASSY,1/4" STR FEM STR FEM<br>Components: 48800, 48810 and 48751 @ 36 inches  | 2    |
| 38   | 106819-6213GT | HOSE ASSY,1/2,STR FEM STR MALE<br>Components: 48822, 106815 and 48756 @ 60 inches | 1    |
| 39   | 81812-3592GT  | HOSE ASSY,1/2,STR FEM,STR FEM<br>Components: 48822, 48822 and 56777 @ 4 inches    | 2    |

Go to Discount-Equipment.com to order your parts



708.1 Hydraulic Hoses and Fittings, Steering System

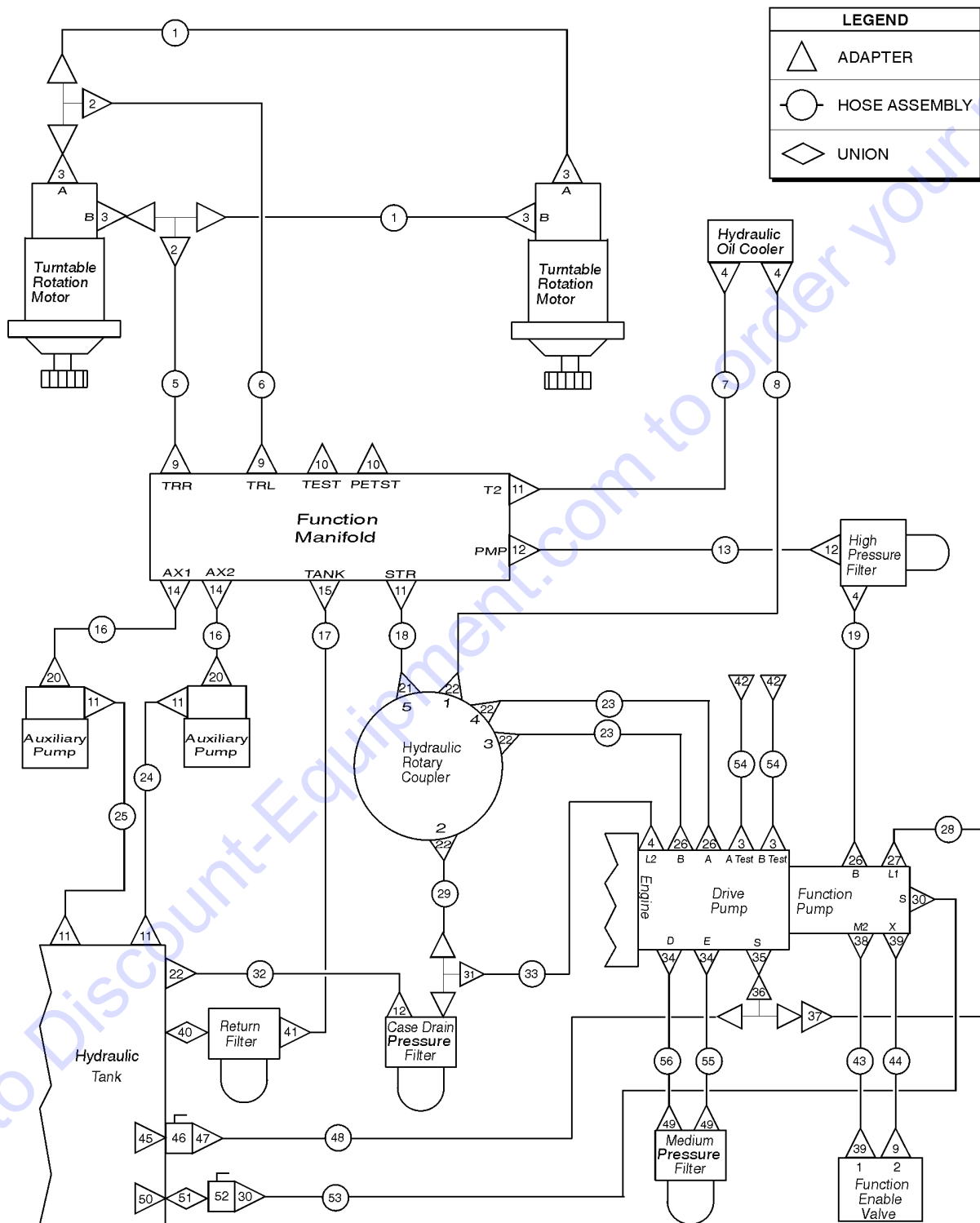


708.1 Hydraulic Hoses and Fittings, Steering System

| Item | Part No.      | Description   | Qty. |
|------|---------------|---|------|
| 1    | 48960GT       | FITTING,CONN,520120-12 .....  | 1    |
| 2    | 48905GT       | CONN,520120-4*** .....  | 8    |
| 3    | 48998GT       | NIPPLE,DIAGNOSTIC,#6 PORT*** .....  | 1    |
| 4    | 48948GT       | CONN,520120-8-12 .....  | 1    |
| 5    | 48912GT       | CONN,520120-4-6*** .....  | 4    |
| 6    | 48916GT       | FITTING,CONN,520120-6 .....   | 8    |
| 7    | 48911GT       | ELBOW,90D,520220-4-6*** .....   | 4    |
| 8    | 48937GT       | ELBOW,45D,520320-8 .....  | 1    |
| 9    | 48961GT       | TEE,RUN,520428-12 .....   | 1    |
| 10   | 48924GT       | CONN,BULKHEAD,520601-6 .....  | 8    |
| 11   | 214345GT      | SEAL,ORING-6 .....  | 8    |
| 12   | 1263412GT     | HYD TUBE, STEER .....   | 8    |
| 13   | 49181-3440GT  | HOSE ASSY.1/4",45,FEM STR FEM<br>Components: 48801, 48810 and 48751 @ 32 inches .....   | 4    |
| 14   | 49120-1481GT  | HOSE ASSY, 1/4", STR<br>Components: 48800, 48810 and 48751 @ 13 inches .....            | 4    |
| 15   | 49130-5482GT  | HOSE ASSY, 3/8,STR FEM,STR FEM<br>Components: 48812, 48812 and 48751 @ 53 inches .....  | 4    |
| 16   | 49120-10981GT | HOSE ASSY,1/4" STR FEM STR FEM<br>Components: 48800, 48810 and 48751 @ 108 inches ..... | 4    |
| 17   | 49120-4181GT  | HOSE ASSY,1/4" STR FEM STR FEM<br>Components: 48800, 48810 and 48751 @ 40 inches .....  | 2    |
| 18   | 49183-5992GT  | HOSE ASSY,1/2,STR FEM,STR FEM<br>Components: 48822, 48822 and 48756 @ 58 inches .....   | 1    |
| 19   | 61074-5528GT  | HOSE ASSY,3/4,STR FEM,STR FEM<br>Components: 48841, 48841 and 48762 @ 53 inches .....   | 1    |
| 20   | 49120-3881GT  | HOSE ASSEMBLY-1/4"***<br>Components: 48800, 48810 and 48751 @ 37 inches .....           | 2    |



709.1 Hydraulic Hoses and Fittings, Turntable Components



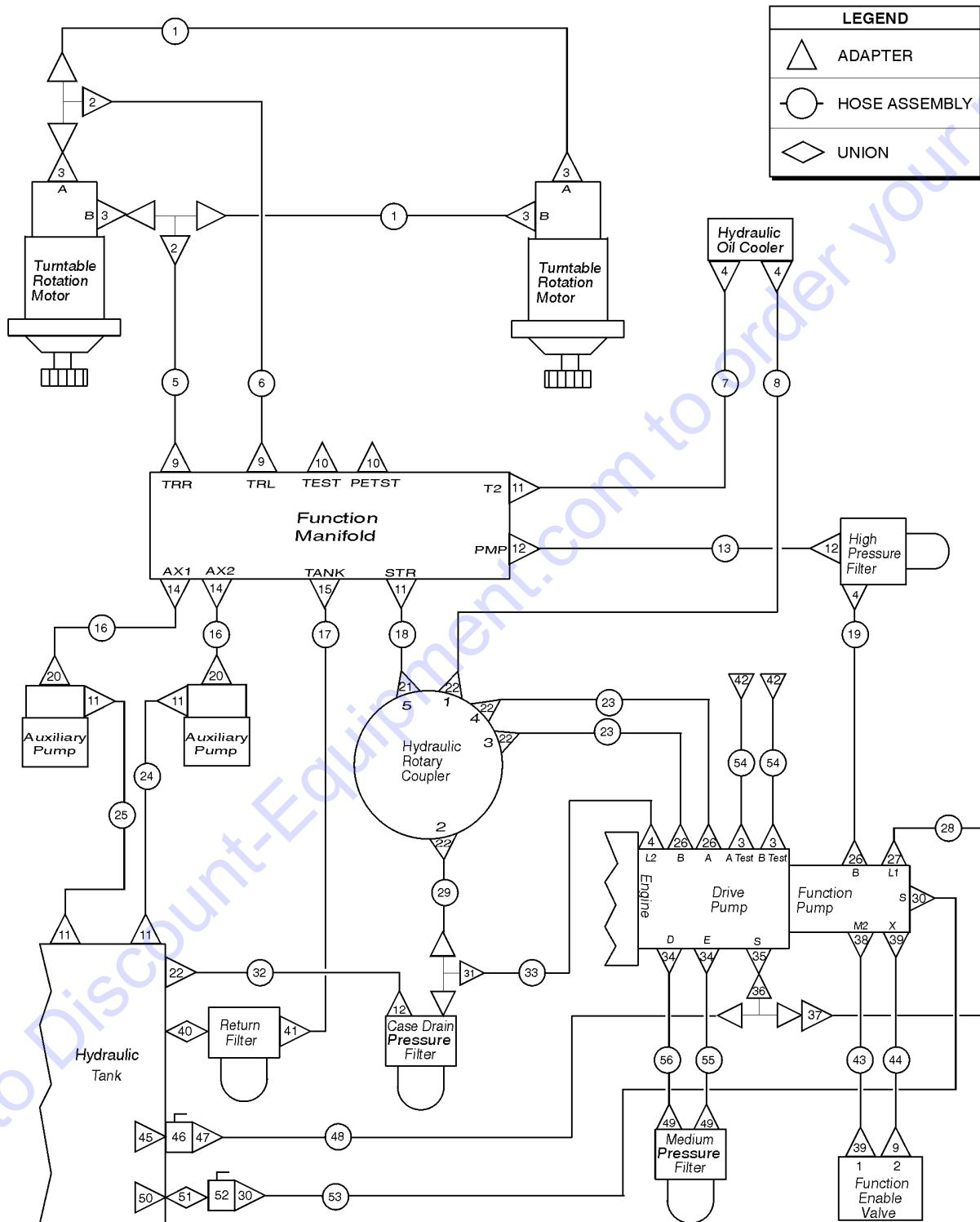
709.1 Hydraulic Hoses and Fittings, Turntable Components

| Item | Part No.      | Description  | Qty. |
|------|---------------|--|------|
| 1    | 49119-2078GT  | HOSE ASSY,1/4,STR FEM,STR FEM* .....   | 2    |
| 2    | 48908GT       | FITTING,TEE,RUN,SWIVEL520432-4 .....   | 2    |
| 3    | 48912GT       | CONN,520120-4-6*** .....   | 4    |
| 4    | 48959GT       | FITTING,ELBOW,90D,520220-12 .....  | 4    |
| 5    | 49119-3478GT  | HOSE ASSY,1/4,STR FEM,STR FEM<br>Components: 48800, 48800 and 48751 @ 33 inches .....    |      |
| 6    | 49119-3678GT  | HOSE ASSY,1/4,STR FEM,STR FEM<br>Components: 48800, 48800 and 48751 @ 35 inches .....    |      |
| 7    | 49150-10230GT | HOSE ASSY,3/4,90 FEM,STR FEM<br>Components: 48841, 48846 and 48761 @ 99 inches .....     | 1    |
| 8    | 49151-9398GT  | HOSE ASSY,3/4,STR FEM,STR FEM<br>Components: 48841, 48841 and 48761 @ 137 inches .....   | 1    |
| 9    | 48905GT       | CONN,520120-4*** .....   | 3    |
| 10   | 48998GT       | NIPPLE,DIAGNOSTIC,#6 PORT*** .....   | 4    |
| 10-  | 48880GT       | CAP,DIAGNOSTIC NIPPLE .....  |      |
| 11   | 48933GT       | CONN,520120-8*** .....   | 6    |
| 12   | 48960GT       | FITTING,CONN,520120-12 .....   | 3    |
| 13   | 61074-3428GT  | HOSE ASSY, 3/4, STR FEM, STR FEM<br>Components: 48841, 48841 and 48762 @ 32 inches ..... | 1    |
| 14   | 48927GT       | CONN,520120-6-4 .....  | 2    |
| 15   | 88353GT       | ELBOW,45D,520320-20 .....  | 1    |
| 16   | 49128-2709GT  | HOSE ASSEMBLY 3/8<br>Components: 48812, 48816 and 48753 @ 25 inches .....                |      |
| 17   | 88441-4140GT  | HOSE ASSY,1 1/4"STR FEM,STR FE<br>Components: 88477, 88477 and 88478 @ 38 inches .....   | 1    |
| 18   | 49183-5092GT  | HOSE ASSY,1/2,STR FEM,STR FEM*<br>Components: 48822, 48822 and 48756 @ 49 inches .....   | 1    |
| 19   | 94374-17730GT | HOSE ASSY,3/4,90 FEM,STR FEM<br>Components: 48841, 48846 and 94358 @ 174 inches .....    | 1    |
| 20   | 48916GT       | FITTING,CONN,520120-6 .....  | 2    |
| 21   | 48937GT       | ELBOW,45D,520320-8 .....   | 1    |
| 22   | 48963GT       | FITTING,ELBOW,45D,520320-12*** .....   | 5    |
| 23   | 94374-5930GT  | HOSE ASSY,3/4,90 FEM,STR FEM**<br>Components: 48841, 48846 and 94358 @ 56 inches .....   | 2    |
| 24   | 73772-2192GT  | HOSE ASSY,1/2,STR FEM,STR FEM<br>Components: 48822, 48822 and 48757 @ 20 inches .....    | 1    |
| 25   | 73772-1692GT  | HOSE ASSY,1/2,STR FEM,STR FEM<br>Components: 48822, 48822 and 48757 @ 15 inches .....    | 1    |
| 26   | 48978GT       | ELBOW,45D,520320-12-16 .....   | 3    |
| 27   | 48946GT       | CONN,520120-8-10 .....   | 1    |





709.1 Hydraulic Hoses and Fittings, Turntable Components

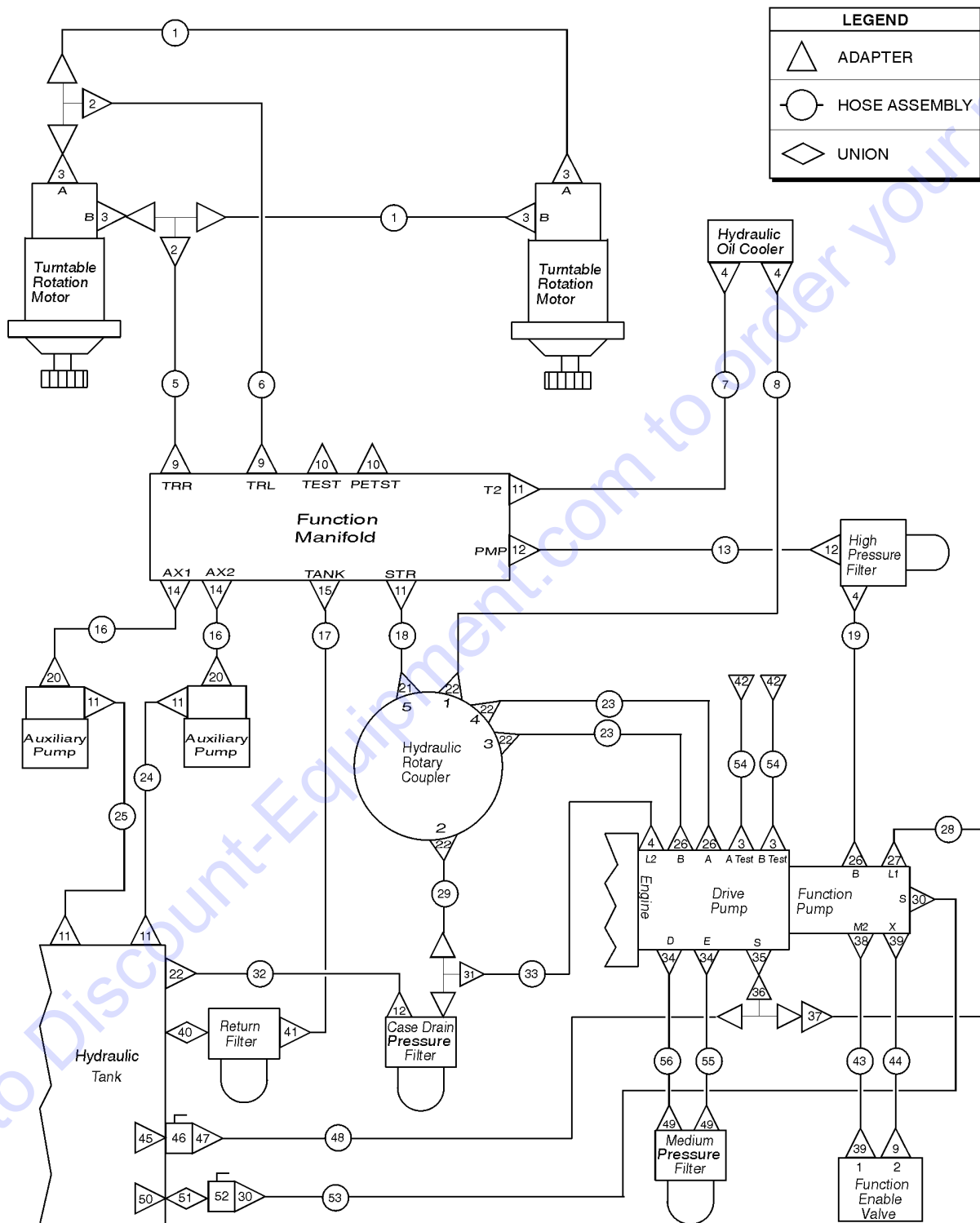


709.1 Hydraulic Hoses and Fittings, Turntable Components

| Item | Part No.       | Description   | Qty. |
|------|----------------|---|------|
| 28   | 49167-2229GT   | HOSE ASSEMBLY,1/2 100R1<br>Components: 48822, 48822 and 48757@ 20 inches                  | 1    |
| 29   | 49150-6730GT   | ASSY, HOSE, HYD, -12, 1750, STR, 90<br>Components: 48841, 48846 and 48761@ 64 inches      | 1    |
| 30   | 61083GT        | CONN,520120-24  | 2    |
| 31   | 48961GT        | TEE,RUN,520428-12   | 1    |
| 32   | 49151-1548GT   | HOSE ASSY,3/4,STR FEM,STR FEM<br>Components: 48841, 48841 and 48761@ 13 inches            | 1    |
| 33   | 49150-19130GT  | HOSE ASSY,3/4,90 FEM,STR FEM<br>Components: 48841, 48846 and 48761@ 188 inches            | 1    |
| 34   | 56604GT        | CONN,520120-10-8  | 2    |
| 35   | 106382GT       | CONN,520120-16 LONG   | 1    |
| 36   | 42787GT        | TEE,RUN,SWIVEL,520432-16  | 1    |
| 37   | 42788GT        | REDUCER,520123-16-8   | 1    |
| 38   | 49418GT        | FITTING,ELBOW,45D,520320-4-6**  | 1    |
| 39   | 48904GT        | ELBOW,90D,520220-4-4  | 2    |
| 40   | 61263GT        | UNION,STR.THREAD 20   | 1    |
| 41   | 75654GT        | CONN,520120-20  | 1    |
| 42   | 49207GT        | NIPPLE,DIAGNOSTIC,ORFS,FM,SWIV  | 2    |
| 42-  | 48880GT        | CAP,DIAGNOSTIC NIPPLE   |      |
| 43   | 49119-2378GT   | HOSE ASSY,1/4,STR FEM,STR FEM<br>Components: 48800, 48800 and 48751@ 22 inches            | 1    |
| 44   | 49119-1678GT   | HOSE ASSY, 1/4,STR FEM,STR FEM<br>Components: 48800, 48800 and 48751@ 15 inches           | 1    |
| 45   | 75253GT        | STRAINER ASSY,#16 O-RING  | 1    |
| 46   | 48996GT        | VALVE,BALL,16 MSAE-16 FSAE***   | 1    |
| 47   | 48984GT        | CONN,520120-16  | 1    |
| 48   | 88942-15954GT  | HOSE ASSY, 1", 90 FEM, STR FEM<br>Components: 88938, 88939,88941 and 88940@ 156 inches    | 1    |
| 49   | 48932GT        | FITTING,ELBOW,90D,520220-8***   | 2    |
| 50   | 75257GT        | STRAINER ASSY,#24 O-RING  | 1    |
| 51   | 75254GT        | UNION,STR.THREAD 24***  | 1    |
| 52   | 75256GT        | VALVE BALL,24 FSAE-24 FSAE***   | 1    |
| 53   | 106820-16053GT | HOSE ASSY,2",90D FEM STR FEM<br>Components: 106159, 106801, 106159 and 106160@ 154 inches | 1    |
| 54   | 101793-2573GT  | HOSE ASSY,1/4,STR FEM,STR MAL<br>Components: 48800, 75628 and 1287113@ 23 inches          | 2    |



709.1 Hydraulic Hoses and Fittings, Turntable Components






709.1 Hydraulic Hoses and Fittings, Turntable Components

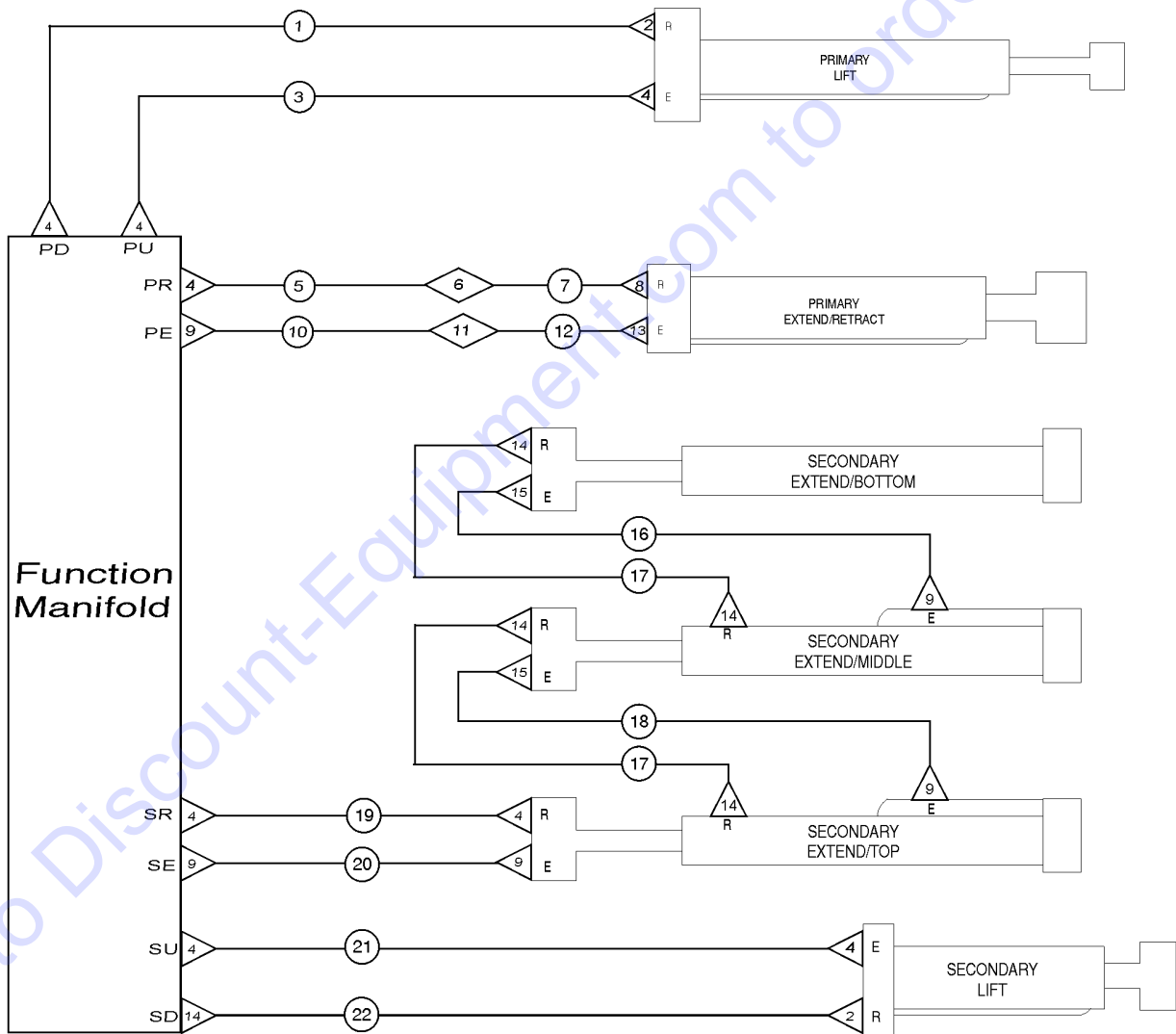
| Item | Part No.     | Description  | Qty. |
|------|--------------|--|------|
| 55A  | 49141-2863GT | HOSE ASSY,1/2,45 FEM,STR FEM<br>(Deutz models) Components: 48822, 48826 and 48756@ 26 inches     | 2    |
| 55B  | 49143-2529GT | HOSE ASSY,1/2,90 FEM,STR FEM**<br>(Perkins models) Components: 48822, 48827 and 48756@ 23 inches |      |
| 56A  | 49141-2863GT | HOSE ASSY,1/2,45 FEM,STR FEM<br>(Deutz models) Components: 48822, 48826 and 48756@ 26 inches     | 2    |
| 56B  | 49143-1729GT | HOSE ASSY,1/2",90 FEM,STR FEM<br>(Perkins models) Components: 48822, 48827 and 48756@ 15 inches  |      |

Go to Discount-Equipment.com to order your parts



710.1 Hydraulic Hoses and Fittings, Boom Components

| LEGEND  |               |
|---|---------------|
|  | FITTING       |
|  | HOSE ASSEMBLY |
|  | UNION         |

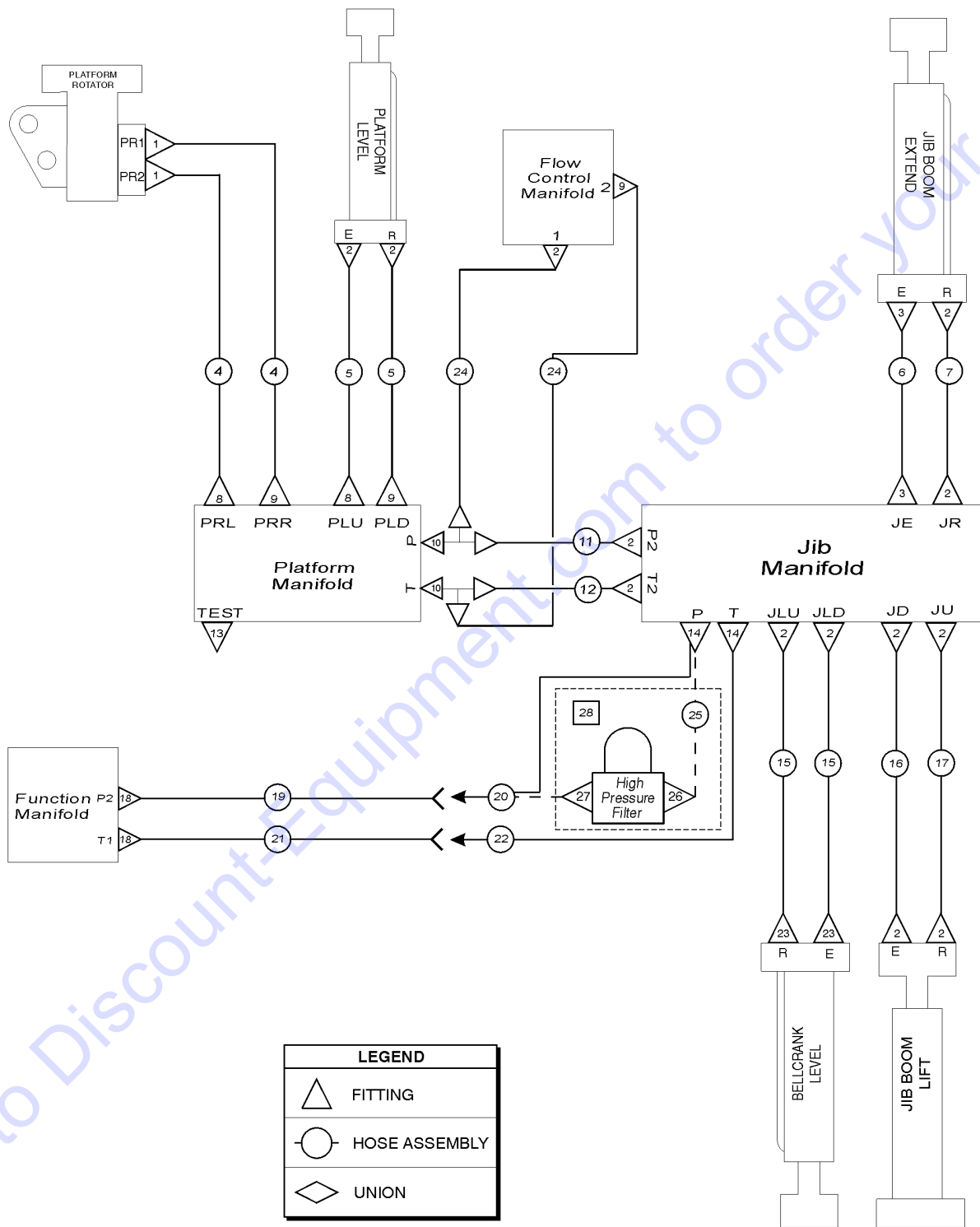


710.1 Hydraulic Hoses and Fittings, Boom Components

| Item | Part No.        | Description  | Qty. |
|------|-----------------|--|------|
| 1    | 106822-109026GT | HOSE ASSY,1/2,STR FEM STR FEM<br>Components: 106814, 106814 and 106811 @ 1088 inches |      |
| 2    | 48943GT         | FITTING,CONN,520120-8-6  | 2    |
| 3    | 106822-108826GT | HOSE ASSY,1/2,STR FEM STR FEM<br>Components: 106814, 106814 and 106811 @ 1086 inches |      |
| 4    | 48933GT         | CONN,520120-8***   | 7    |
| 5    | 106822-105026GT | HOSE ASSY,1/2 STR FEM STR FEM<br>Components: 106814, 106814 and 106811 @ 1048 inches |      |
| 6    | 48894GT         | CONN,BULKHEAD,520601-8   |      |
| 7    | 49141-3213GT    | HOSE ASSY,1/2,45 FEM,STR FEM<br>Components: 48822, 48826 and 48756 @ 29.5 inches     |      |
| 8    | 48937GT         | ELBOW,45D,520320-8   | 1    |
| 9    | 48960GT         | FITTING,CONN,520120-12   | 5    |
| 10   | 61074-105228GT  | HOSE ASSY,3/4,STR FEM STR FEM  |      |
| 11   | 48968GT         | CONN,BULKHEAD,520601-12  | 1    |
| 12   | 61072-3293GT    | HOSE ASSY,3/4,45 FEM,STR FEM<br>Components: 48841, 48845 and 48762 @ 29.5 inches     | 1    |
| 13   | 48963GT         | FITTING,ELBOW,45D,520320-12***   | 1    |
| 14   | 48916GT         | FITTING,CONN,520120-6  | 5    |
| 15   | 48959GT         | FITTING,ELBOW,90D,520220-12  | 2    |
| 16   | 106817-8829GT   | HOSE ASSY,3/4,90D FEM STR FEM<br>Components: 48841, 48843 and 48762 @ 85 inches      | 1    |
| 17   | 49130-1307GT    | HOSE ASSY,3/8"STR FEM,STR FEM<br>Components: 48812, 48812 and 48753 @ 11.25 inches   | 2    |
| 18   | 106817-9629GT   | HOSE ASSY,3/4,90D FEM STR FEM<br>Components: 48841, 48843 and 48762 @ 93 inches      | 1    |
| 19   | 49183-13192GT   | HOSE ASSY,1/2,STR FEM,STR FEM<br>Components: 48822, 48822 and 48756 @ 130 inches     | 1    |
| 20   | 61074-13248GT   | HOSE ASSEMBLY 3/4" STR-STR<br>Components: 48841, 48841 and 48762 @ 130 inches        | 1    |
| 21   | 49183-14992GT   | HOSE ASSY,1/2,STR FEM,STR FEM<br>Components: 48822, 48822 and 48756 @ 148 inches     | 1    |
| 22   | 49130-14682GT   | HOSE ASSY,3/8"STR FEM, STR FEM<br>Components: 48812, 48812 and 48753 @ 145 inches    | 1    |



711.1 Hydraulic Hoses and Fittings, Platform Components



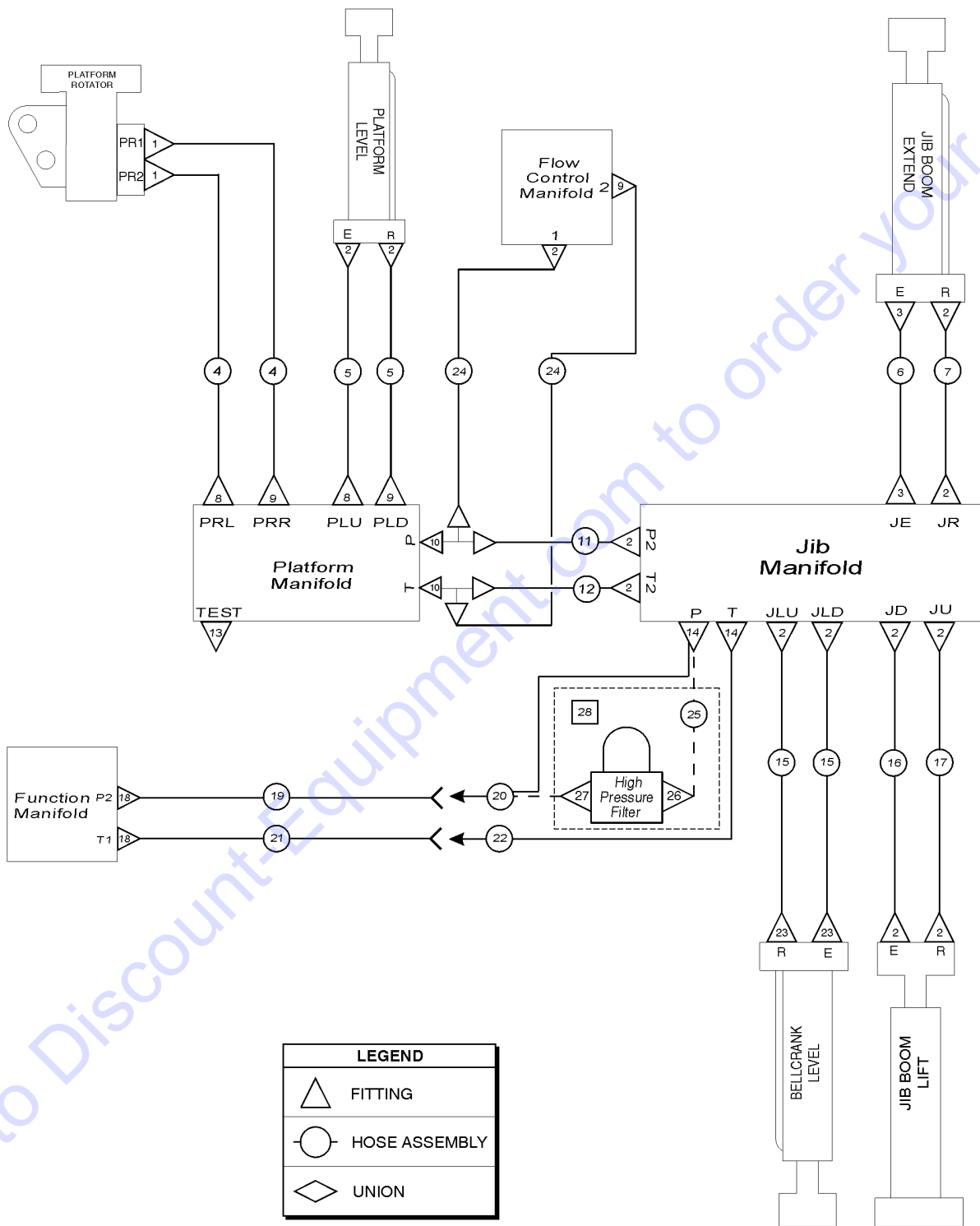
711.1 Hydraulic Hoses and Fittings, Platform Components

| Item | Part No.        | Description   | Qty. |
|------|-----------------|---|------|
| 1    | 48907GT         | ELBOW,45D,520320-4  | 2    |
| 2    | 48905GT         | CONN,520120-4***  | 12   |
| 3    | 48916GT         | FITTING,CONN,520120-6   | 2    |
| 4    | 49119-3378GT    | HOSE ASSY,1/4,STR FEM,STR FEM<br>Components: 48800, 48800 and 48751 @ 32 inches   | 2    |
| 5    | 49119-5378GT    | HOSE ASSY,1/4,STR FEM,STR FEM<br>Components: 48800, 48800 and 48751 @ 52 inches   | 2    |
| 6    | 49126-2283GT    | HOSE ASSY,3/8,45 FEM,STR FEM<br>Components: 48815, 48812 and 48753 @ 20.5 inches  | 1    |
| 7    | 49116-2387GT    | HOSE ASSY,1/4,45 FEM,STR FEM<br>Components: 48801, 48800 and 48751 @ 21.5 inches  | 1    |
| 8    | 61259GT         | ELBOW,90D,LONG,521520-4   | 2    |
| 9    | 48904GT         | ELBOW,90D,520220-4-4  | 3    |
| 10   | 48904GT         | ELBOW,90D,520220-4-4  |      |
| 11   | 49119-34378GT   | HOSE ASSY 1/4, STR FEM,STR FEM<br>Components: 48800, 48800 and 48751 @ 342 inches   |      |
| 12   | 49119-34178GT   | HOSE ASSY,1/4,STR FEM,STR FEM<br>Components: 48800, 48800 and 48751 @ 340 inches  |      |
| 13   | 48997GT         | NIPPLE,DIAGNOSTIC,#4  |      |
| 13-  | 48880GT         | CAP,DIAGNOSTIC NIPPLE   |      |
| 14   | 48937GT         | ELBOW,45D,520320-8  | 2    |
| 15   | 49119-4178GT    | HOSE ASSY,1/4,STR FEM,STR FEM<br>Components: 48800, 48800 and 48751 @ 40 inches   | 2    |
| 16   | 49119-12778GT   | HOSE ASSY,1/4,STR FEM,STR FEM<br>Components: 48800, 48800 and 48751 @ 126 inches  | 1    |
| 17   | 49119-12478GT   | HOSE ASSY,1/4,STR FEM,STR FEM<br>Components: 48800, 48800 and 48751 @ 123 inches  | 1    |
| 18   | 48933GT         | CONN,520120-8***  | 2    |
| 19   | 106822-101726GT | HOSE ASSY,1/2 STR FEM STR FEM<br>Components: 106814, 106814 and 106811 @ 1015 inches  |      |
| 20   | 106818-67047GT  | HOSE ASSY,1/2,STR FEM STR MALE<br>Components: 106814, 106813 and 106811 @ 668 inches  |      |
| 21   | 73772-101592GT  | HOSE ASSY,1/2,STR FEM STR FEM<br>Components: 48822, 48822 and 48757 @ 1014 inches   | 1    |
| 22   | 106819-67413GT  | HOSE ASSY,1/2,STR FEM STR MALE<br>Components: 48822, 106815 and 48757 @ 672 inches  |      |
| 23   | 48912GT         | CONN,520120-4-6***  | 2    |
| 24   | 1261517GT       | HOSE ASSY,1/4,90 FEM,STR FEM<br>Components: 48802, 48800 and 48751 @ 6.25 inches  | 2    |
| 25   | 81812-2292GT    | HOSE ASSY,1/2,STR FEM,STR FEM<br>Components: 48822, 48822 and 56777 @ 21.00 inches.(Included in JIB FILTRATION kit 1268830) |      |
| 26   | 48948GT         | CONN,520120-8-12<br>(Included in JIB FILTRATION kit 1268830)  |      |
| 27   | 48947GT         | ELBOW,90D,520220-8-12<br>(Included in JIB FILTRATION kit 1268830)   |      |





711.1 Hydraulic Hoses and Fittings, Platform Components



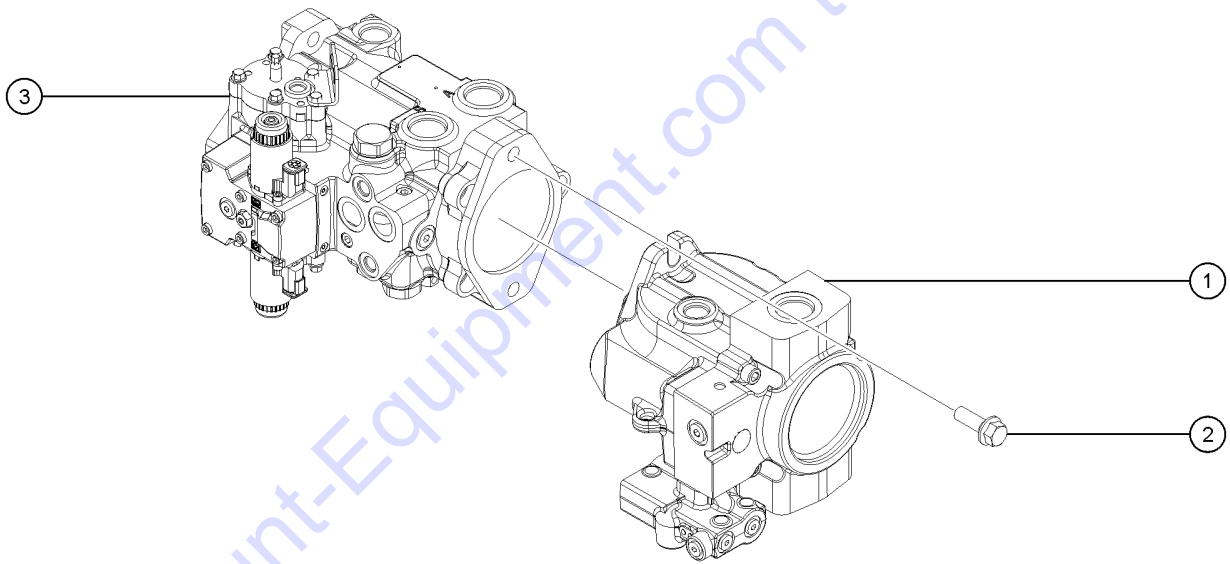
711.1 Hydraulic Hoses and Fittings, Platform Components

| <i>Item</i> | <i>Part No.</i> | <i>Description</i>   | <i>Qty.</i> |
|-------------|-----------------|--|-------------|
| 28          |                 | KIT, JIB FILTRATION<br>(Refer to 514.1) includes items 25, 26 and 27 ..... |             |

Go to Discount-Equipment.com to order your parts



712.1 Pumps

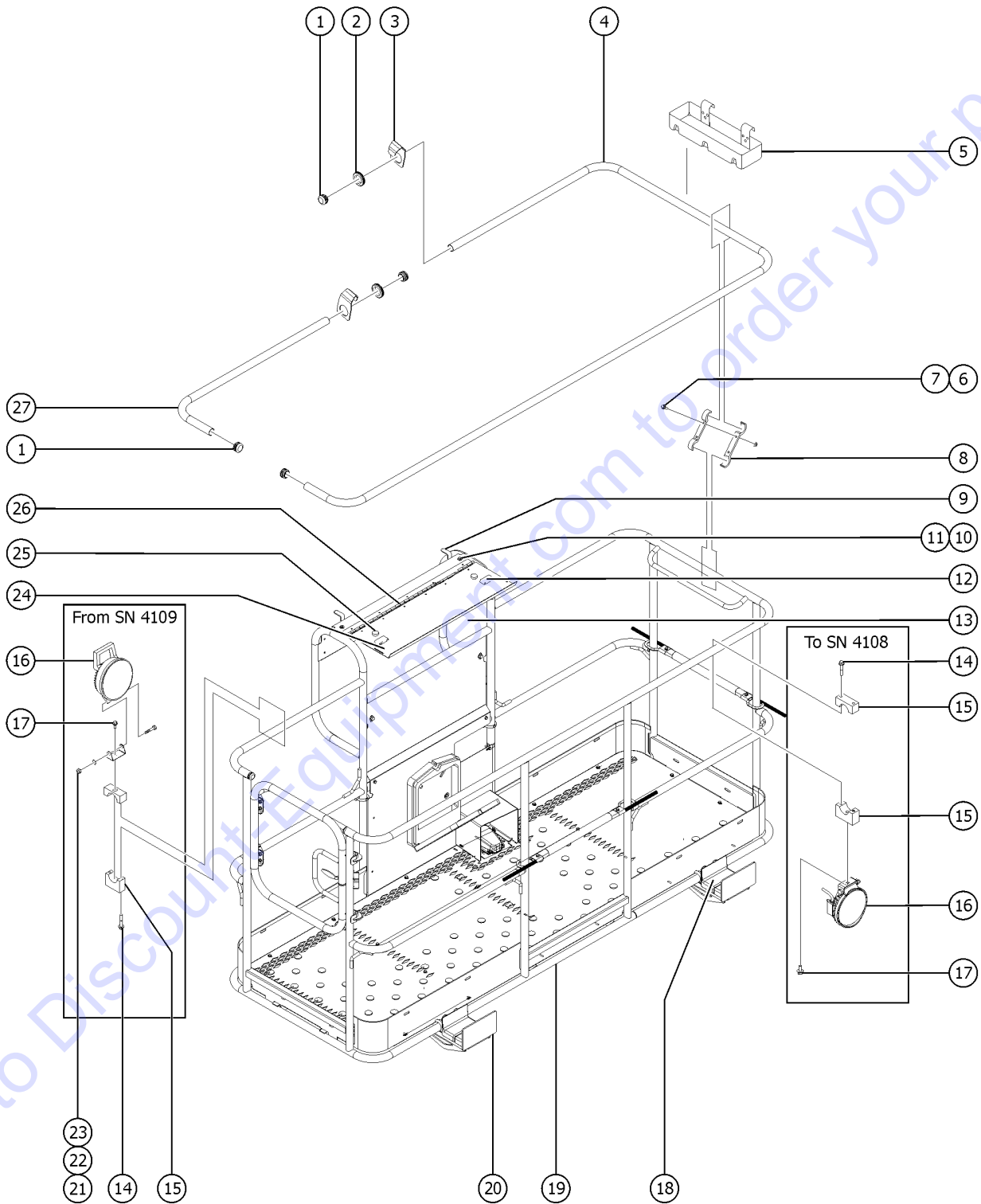


| Item | Part No.  | Description  | Qty. |
|------|-----------|--|------|
| 1    | 1272553GT | PUMP,FUNCTION,45CC .....   |      |
| 2    | 1253498GT | SCREW,HHF,1/2-13X1.5,8,ZAG .....                                 |      |
| 3    | 1270946GT | PUMP, DRIVE, M46 HC .....  |      |
| 3-   | 29739GT   | SEAL KIT,SAUER-DANFOSS M46*** .....                              |      |
| 3-   | 1272536GT | KIT, EDC REPLACEMENT, SAUER M46 .....                            |      |
| 3-   | 52087GT   | O-RING,2-044 BUNA***<br>(between Drive and Function pumps) ..... |      |

Go to Discount-Equipment.com to order your parts



801.1 Platform Accessories

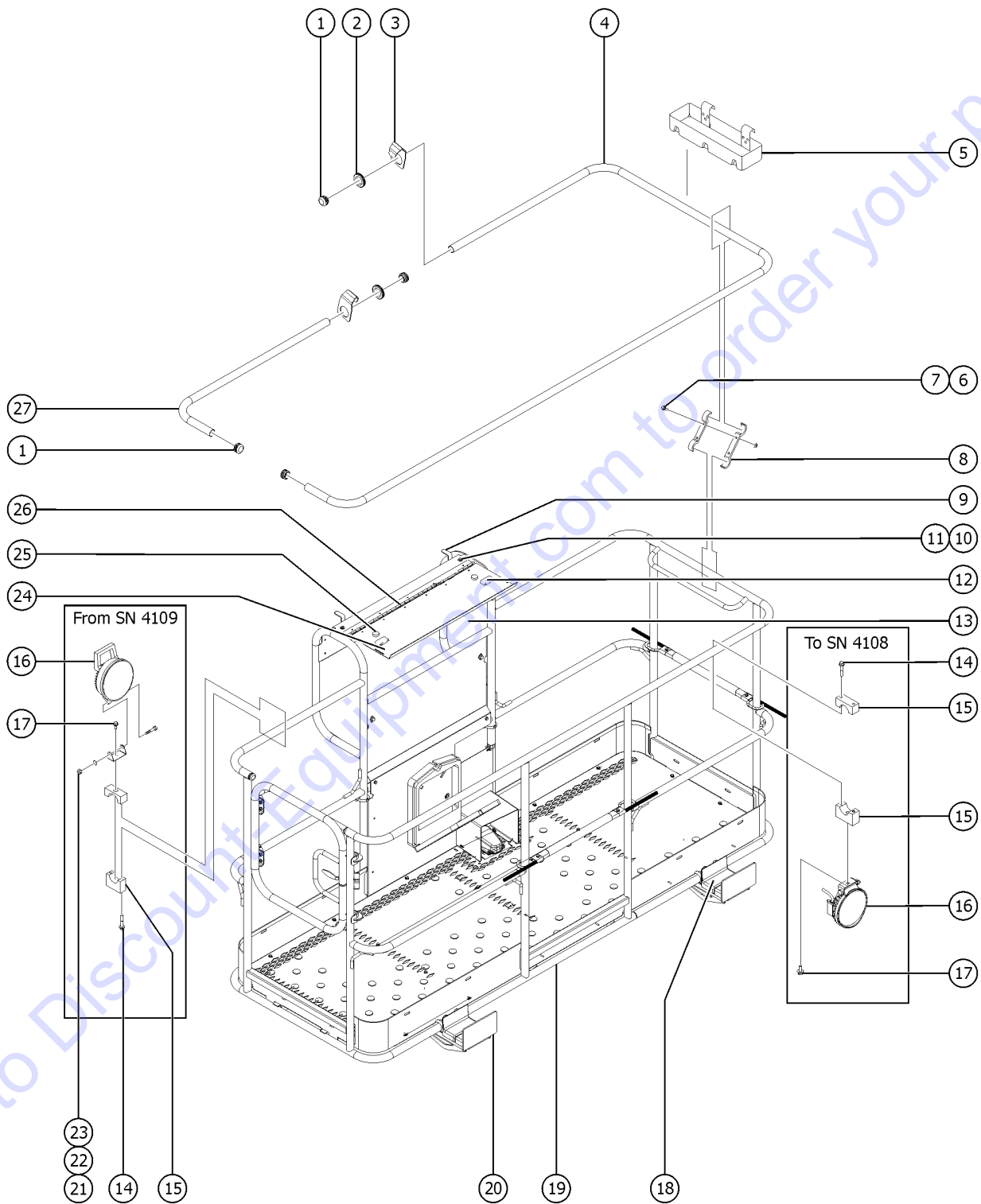


801.1 Platform Accessories

| Item | Part No.  | Description   | Qty. |
|------|-----------|---|------|
| 1    | 55753GT   | BUMPER, PLASTIC, 1.25 O.D. ....   | 4    |
| 2    | 1256202GT | GROMMET, 1-1/4"IDx1.88OD<br>for 6' platform only                        | 2    |
| 3    | 1273076GT | FORMING, BRACKET, AUX RAIL<br>for 6' platform only                      | 2    |
| 4A   | 1271077GT | AUX RAIL, 8' PLAT., TRI ENTRY<br>for 8' platform                        | 1    |
| 4B   | 1270570GT | AUX RAIL, 6' PLAT, SIDE ENTRY<br>for 6' platform                        | 1    |
| 5    | 9599-SGT  | TOOL TRAY ACCESSORY***<br>(refer to 802.1)                              | 1    |
| 6A   | 824079GT  | SCREW,HHF,1/4-20X1,8,ZAG<br>for 8' platform                             | 26   |
| 6B   | 824079GT  | SCREW,HHF,1/4-20X1,8,ZAG<br>for 6' platform                             | 20   |
| 7A   | 824027GT  | NUT,TL FLG,1/4-20,G,ZAG<br>for 8' platform                              | 26   |
| 7B   | 824027GT  | NUT,TL FLG,1/4-20,G,ZAG<br>for 6' platform                              | 20   |
| 8A   | 122073GT  | SUPPORT, RAILING<br>for 8' platform                                     | 26   |
| 8B   | 122073GT  | SUPPORT, RAILING<br>for 6' platform                                     | 20   |
| 9    | 102786PGT | FORMING,LATCH,CTRL BOX LID PTD  |      |
| 9-   | 824060GT  | SCREW,HHC,1/4-20X1,8,ZAG  |      |
| 10   | 824078GT  | SCREW,HHF,1/4-20X.75,8,ZAG  | 4    |
| 11   | 1260224GT | NUT,TL JAM,1/4-20,A,ZAG   | 4    |
| 12   | 30468GT   | LATCH,SLIDE, FLUSH MOUNT STYLE  |      |
| 13   | 88606PGT  | COVER,CONTROL BOX RIGHT SIDE**  |      |
| 13-  | 31120GT   | PLUG,NYLON 1.187 BLACK DOMED  |      |
| 13-  | 88607PGT  | COVER,CONTROL BOX LEFT SIDE***  |      |
| 14   | 824081GT  | SCREW,HHF,1/4-20X1.5,8,ZAG  | 4    |
| 15   | 35956GT   | BRACKET,WORK LIGHT MOUNT 5/16"  | 2    |
| 16A  | 1282993GT | ASSY, WORK LIGHT, 12V LED<br>to SN ZX135H-4108                          | 2    |
| 16A- | 22571GT   | NUT,HEX,M8 X 1.25<br>to SN ZX135H-4108                                  |      |
| 16A- | 49408GT   | WASHER,LOCK,M8<br>to SN ZX135H-4108                                     |      |
| 16A- | 75185GT   | SCREW,HHC,M8X1.25X 70MM,GR8.8<br>to SN ZX135H-4108                      |      |
| 16B  | 1282993GT | ASSY, WORK LIGHT, 12V LED<br>from SN ZX135H-4109 (includes 21, 22 & 23) | 2    |
| 17   | 824085GT  | SCREW,HHF,5/16-18X.75,8,ZAG   | 2    |



801.1 Platform Accessories



Go to DiscountEquipment.com to order your parts

801.1 Platform Accessories

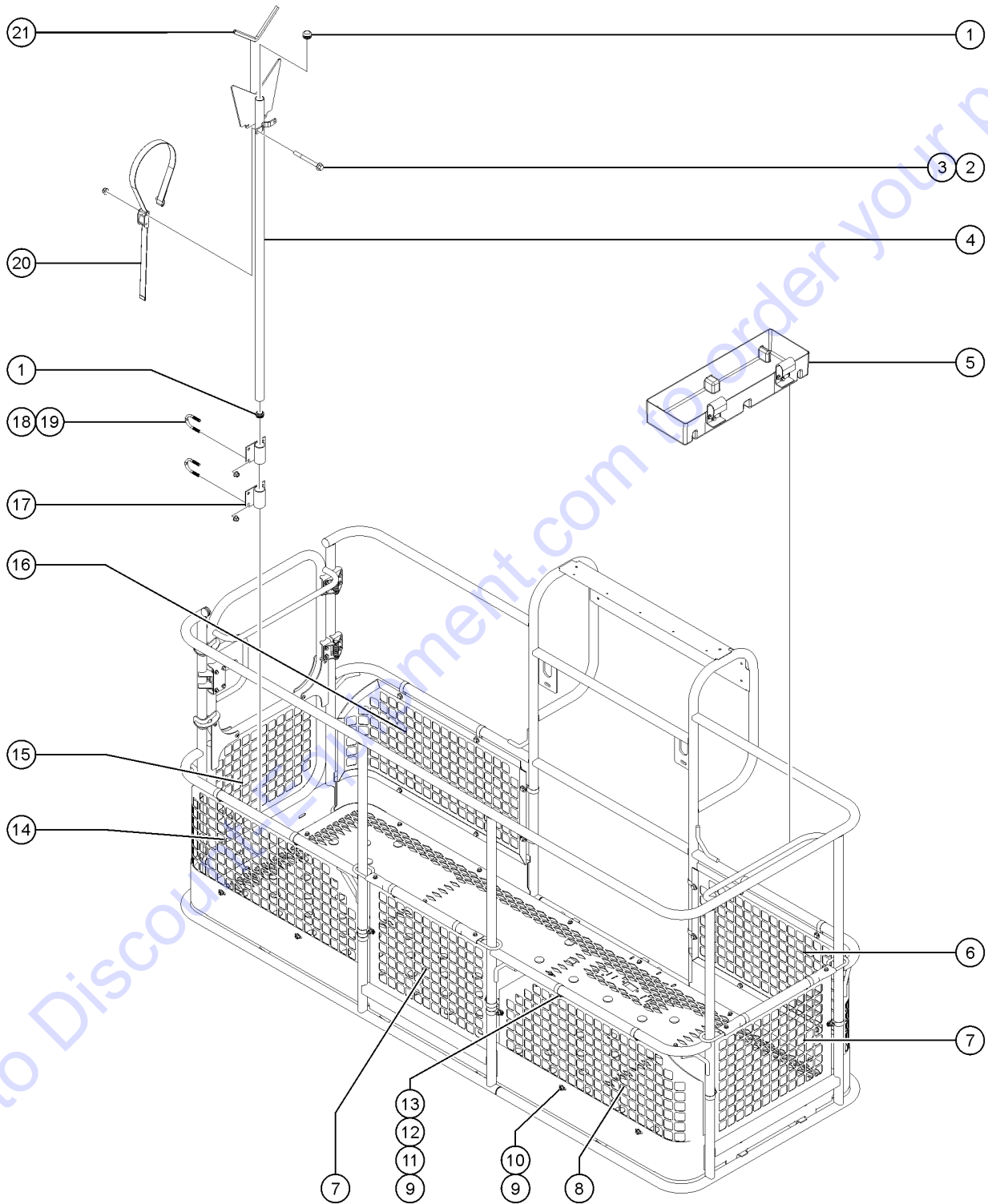
| Item | Part No.  | Description                          | Qty. |
|------|-----------|--------------------------------------|------|
| 18   | 56934GT   | PAD,REST,1"THICK,FLANGED .....       | 4    |
| 19   |           | Ref.WELDMENT, PLATFORM .....         | 1    |
|      |           | (refer to 602.2)                     |      |
| 20A  | 233992GT  | KIT,PANEL CRADLE BRACKET,WORD .....  | 2    |
|      |           | (ANSI models)                        |      |
| 20B  | 233993GT  | KIT,PANEL CRADLE BRACKET,SYMBL ..... | 2    |
|      |           | (CE)                                 |      |
| 21   | 22571GT   | NUT,HEX,M8 X 1.25 .....              | 2    |
| 22   | 49408GT   | WASHER,LOCK,M8 .....                 | 2    |
| 23   | 75185GT   | SCREW,HHC,M8X1.25X 70MM,GR8.8 .....  | 2    |
| 24   | 102785GT  | CONTROL BOX COVER,LID .....          |      |
|      |           | (With latch)                         |      |
| 25   | 43392GT   | BUMPER,BATTERY BOX & RAILS .....     |      |
| 26   | 111526GT  | HINGE,PLAT CONTROL BOX COVER .....   | 1    |
| 27A  | 1271078GT | AUX RAIL, 8' PLAT., TRI ENTRY .....  | 1    |
|      |           | for 8' platform                      |      |
| 27B  | 1270571GT | AUX RAIL, 6' PLAT, SIDE ENTRY .....  | 1    |
|      |           | for 6' platform                      |      |

Go to Discount-Equipment.com to order your parts





802.1 Half-Mesh and Pipe Cradle Options



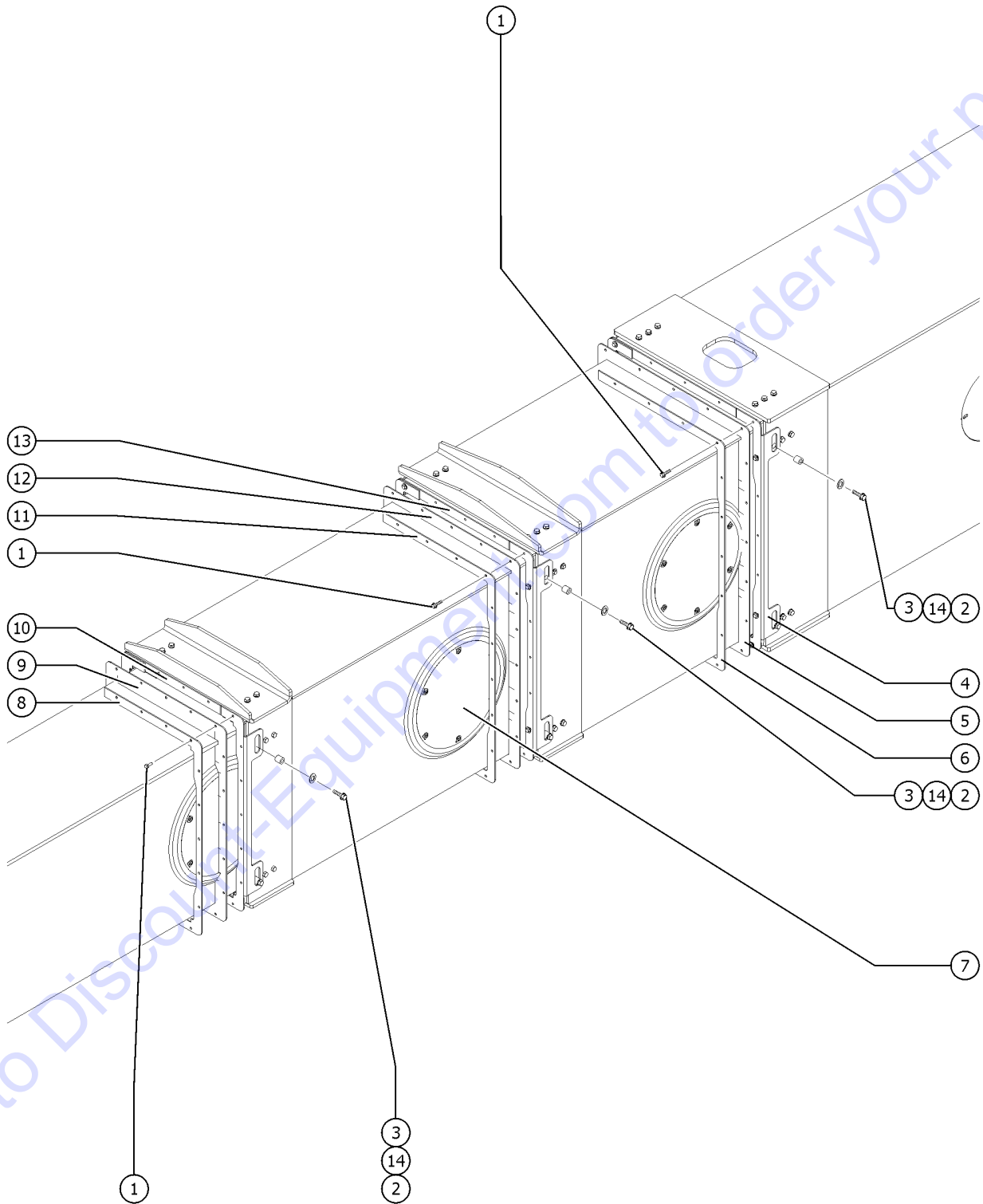
Go to DiscoverGenie.com to order your parts

802.1 Half-Mesh and Pipe Cradle Options

| Item | Part No.     | Description  | Qty. |
|------|--------------|--|------|
| A    | 85300GT      | PIPE CRADLE ASSY. SERV (ONE)**<br>(ANSI & CE only) (This is a single assembly. Qty 2 of 85300GT required to complete a set)  |      |
| A-   | 65630GT      | INSTRUCTIONS-PIPE CRADLE,BOOMS .....   |      |
| 1    | 55753GT      | BUMPER, PLASTIC, 1.25 O.D. ....  | 4    |
| 2    | 824083GT     | SCREW,HHF,1/4-20X2.5,8,ZAG .....   | 4    |
| 3    | 1277924GT    | NUT,NYLOCK FLG,1/4-20,F,ZAG .....  | 4    |
| 4    | 56525GT      | WELDMENT, PIPE CRADLE .....  | 2    |
| 5    | 9599-SGT     | TOOL TRAY ACCESSORY*** .....   | 1    |
| 5-   | 7746GT       | BRACKET-TOOL TRAY MOUNTING .....   |      |
| 6    | 1271019GT    | PANEL, HALF MESH .....   | 1    |
|      |              | (8 foot Platform)  |      |
| 7    | 1271061GT    | PANEL, HALF MESH .....   | 1    |
|      |              | (8 and 6 foot Platform)  |      |
| 8    | 1271018GT    | PANEL, HALF MESH .....   | 1    |
|      |              | (8 foot Platform)  |      |
| 8-   | 1270313GT    | PANEL, HALF MESH .....   |      |
|      |              | (6 foot Platform)  |      |
| 9    | 824028GT     | NUT,TL FLG,5/16-18,G,ZAG .....   |      |
| 10   | 824085GT     | SCREW,HHF,5/16-18X.75,8,ZAG .....  |      |
| 11   | 56424GT      | CLAMP,1.25X.5 RUBBER-CUSHION .....   |      |
| 12   | 825358GT     | WASHER,FLAT,5/16,USS,ZAG .....   |      |
| 13   | 1264101GT    | SCREW,HHC,5/16-18X1,8,ZAG .....  |      |
| 14   | 1271040GT    | PANEL, HALF MESH .....   | 1    |
|      |              | (8 foot Platform)  |      |
| 14-  | 1270316GT    | PANEL, HALF MESH .....   |      |
|      |              | (6 foot Platform)  |      |
| 15   | 1285700GT    | WELDMENT,SWING GATE PANEL<br>(used on 6' and 8' side entry platforms) (models from SN ZX135H-4081 to ZX135H-4132<br>required to order Swing Gate Weldment, refer to 602.1) |      |
| 15-  | 55753GT      | BUMPER, PLASTIC, 1.25 O.D. ....  | 2    |
| 16   | 1270994GT    | PANEL, HALF MESH .....   | 1    |
|      |              | (8 foot Platform)  |      |
| 16-  | 1270314GT    | PANEL, HALF MESH .....   |      |
|      |              | (6 foot Platform)  |      |
| 17   | 81368GT      | WELDMENT,PIPE CRADLE MOUNT .....   | 4    |
| 18   | 1251600GT    | U-BOLT, FLATTENED, 1.5 X 3/8 .....   | 8    |
| 19   | 1274322GT    | NUT,NYLOCK FLG,3/8-16,G,ZAG .....  | 16   |
| 20   | 56570GT      | STRAP, CONDUIT HOLDER 60"**** .....  | 2    |
| 21   | 19018-1100GT | TRIMLOCK,BLACK,5/32" .....   | 2    |



803.1 Hostile Environment Option - Secondary Boom Wipers



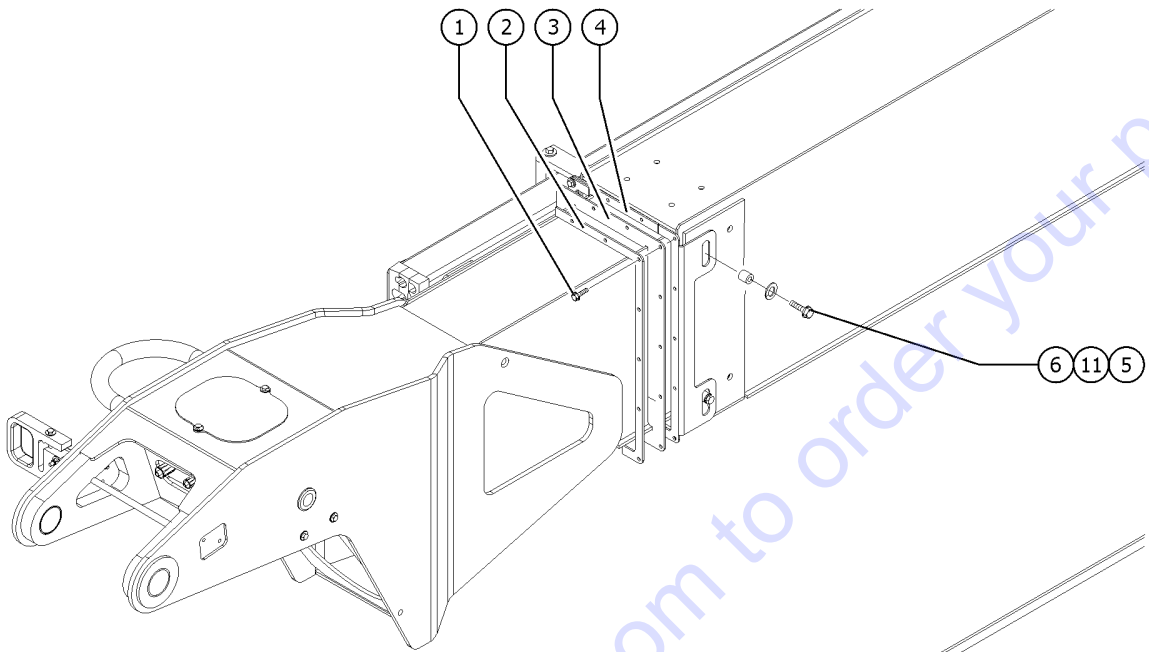
803.1 Hostile Environment Option - Secondary Boom Wipers

| Item | Part No.  | Description   | Qty. |
|------|-----------|---|------|
| 1    | 1256855GT | SCREW,HHF,1/4-20X.625,8,ZAG .....   |      |
| 2    | 1252978GT | SCREW,HHC,3/8-16X2.25,8,ZAG .....   |      |
| 3    | 101932GT  | TUBE,RD,STL,DOM,.75X.38X.78 .....   | 12   |
| 4    | 101733GT  | BRACKET,WIPER #1 TO #2 .....  | 2    |
| 5    | 106145GT  | WIPER,#1 TO #2 .....  | 1    |
| 6    | 101734GT  | PLATE,WIPER BACKING #1 TO #2 .....  | 2    |
| 7    | 106105GT  | COVER,RISER SIDE HOLES .....  | 46   |
| 7-   | 53189GT   | RIVET,ALUM,ALUM,P,.25X.375<br>Sold separately (6 each per cover, holds cover 106105 in place) ..... | 276  |
| 7-   | 106106GT  | CLIP, RISER SIDE HOLE<br>Sold separately (6 each per cover, holds cover 106105 in place) .....      | 276  |
| 8    | 101740PGT | PLATE,WIPER BACKING #3TO#4 PTD .....  | 2    |
| 9    | 101738GT  | WIPER,#3 TO #4 .....  | 1    |
| 10   | 101739PGT | BRACKET,WIPER #3 TO #4 PAINTED .....  | 2    |
| 11   | 101737GT  | PLATE,WIPER BACKING #2 TO #3 .....  | 2    |
| 12   | 101735GT  | WIPER,#2 TO #3 .....  | 1    |
| 13   | 101736GT  | BRACKET,WIPER #2 TO #3 .....  | 2    |
| 14   | 824110GT  | WASHER,LOCK,3/8,ZAG .....   | 20   |

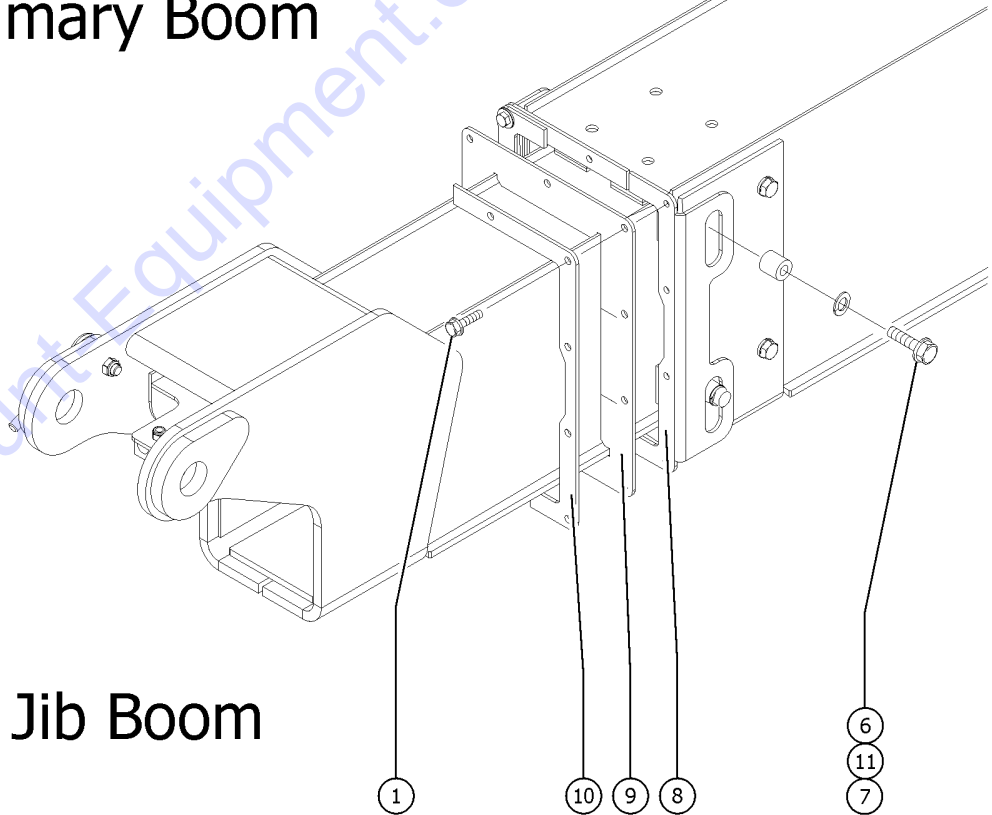
Go to Discount-Equipment.com to order your parts



804.1 Hostile Environment Option - Primary and Jib Boom Wipers, Cable Track Covers



Primary Boom



Jib Boom

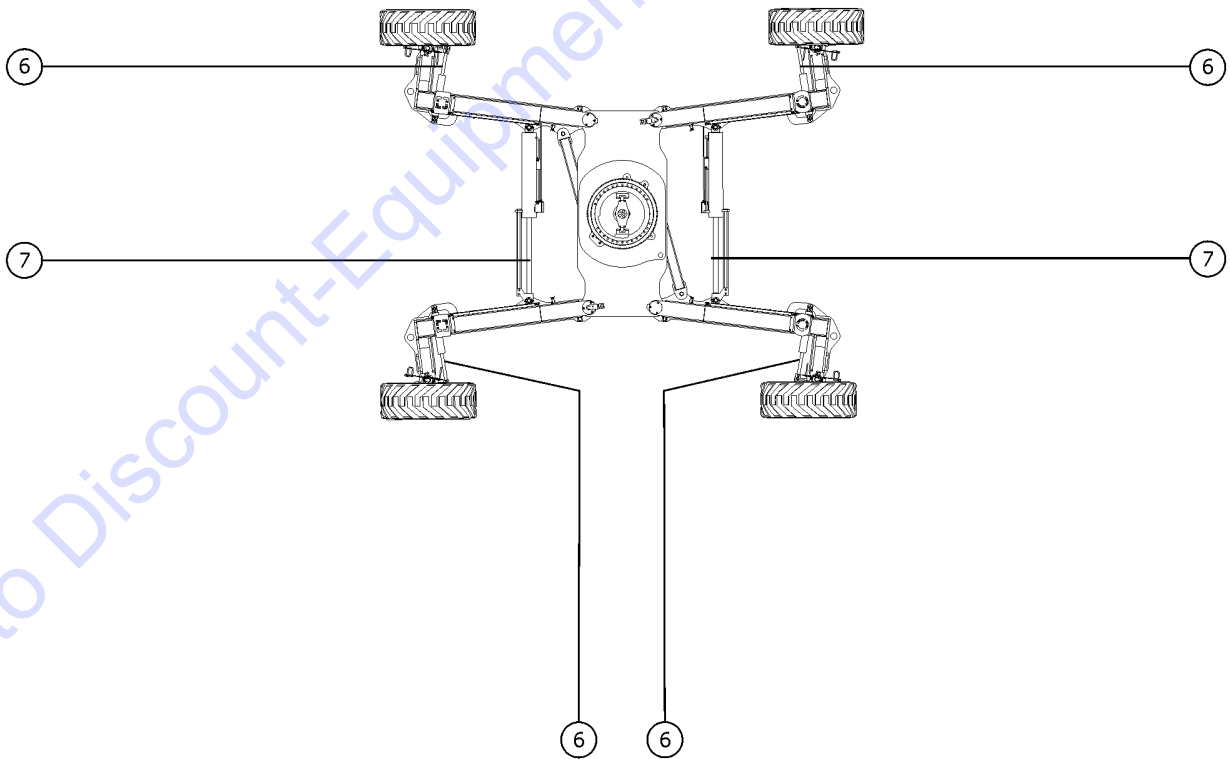
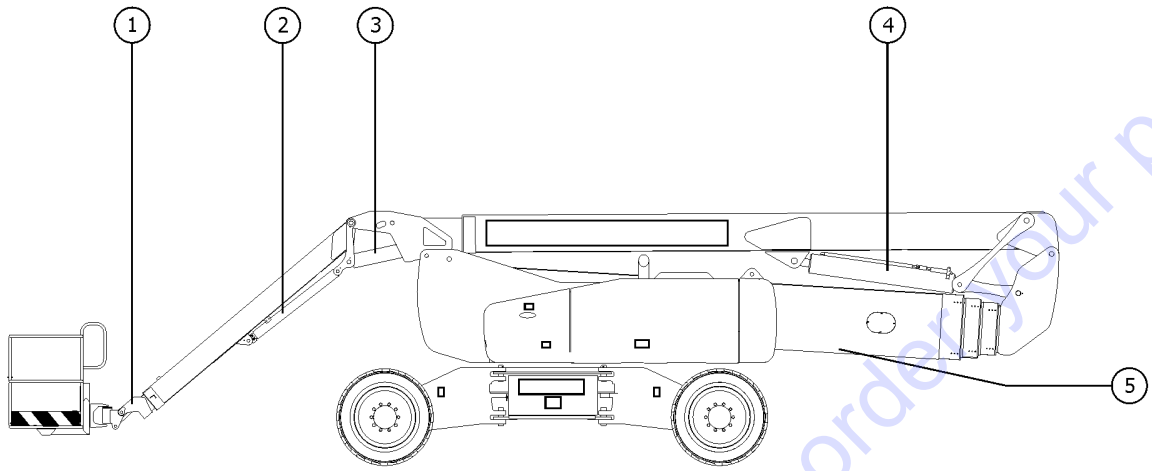
804.1 Hostile Environment Option - Primary and Jib Boom Wipers, Cable Track Covers  
Track Covers Qty.

| Item | Part No.  | Description                         | Qty. |
|------|-----------|-------------------------------------|------|
| A-   | 106161GT  | COVER,CABLE TRACK,15 LINK .....     |      |
| B-   | 106162GT  | COVER,CABLE TRACK,27 LINK .....     |      |
| C-   | 106733GT  | COVER,CABLE TRACK,11 LINK .....     |      |
| 1    | 1256855GT | SCREW,HHF,1/4-20X.625,8,ZAG .....   |      |
| 2    | 101743PGT | PLATE,WIPER BACKING PRI.EXT.P ..... | 2    |
| 3    | 101741GT  | WIPER,PRI.-PRI EXT. ....            | 1    |
| 4    | 101742PGT | BRACKET,WIPER PRI-PRI EXT.PTD ..... | 2    |
| 5    | 1256847GT | SCREW,HHC,3/8-16X1.75,8,ZAG .....   |      |
| 6    | 101932GT  | TUBE,RD,STL,DOM,,.75X.38X.78 .....  | 8    |
| 7    | 1256118GT | SCREW,HHC,3/8-16X1.5,8,ZAG .....    |      |
| 8    | 101745GT  | BRACKET,WIPER JIB-JIB EXT. ....     | 2    |
| 9    | 101744GT  | WIPER, JIB-JIB EXTENSION .....      | 1    |
| 10   | 101746GT  | BRACKET,WIPER BACKING JIB EXT. .... | 2    |
| 11   | 824110GT  | WASHER,LOCK,3/8,ZAG .....           |      |

Go to Discount-Equipment.com to order your parts



805.1 Hostile Environment Option - Bellows Installation



805.1 Hostile Environment Option - Bellows Installation

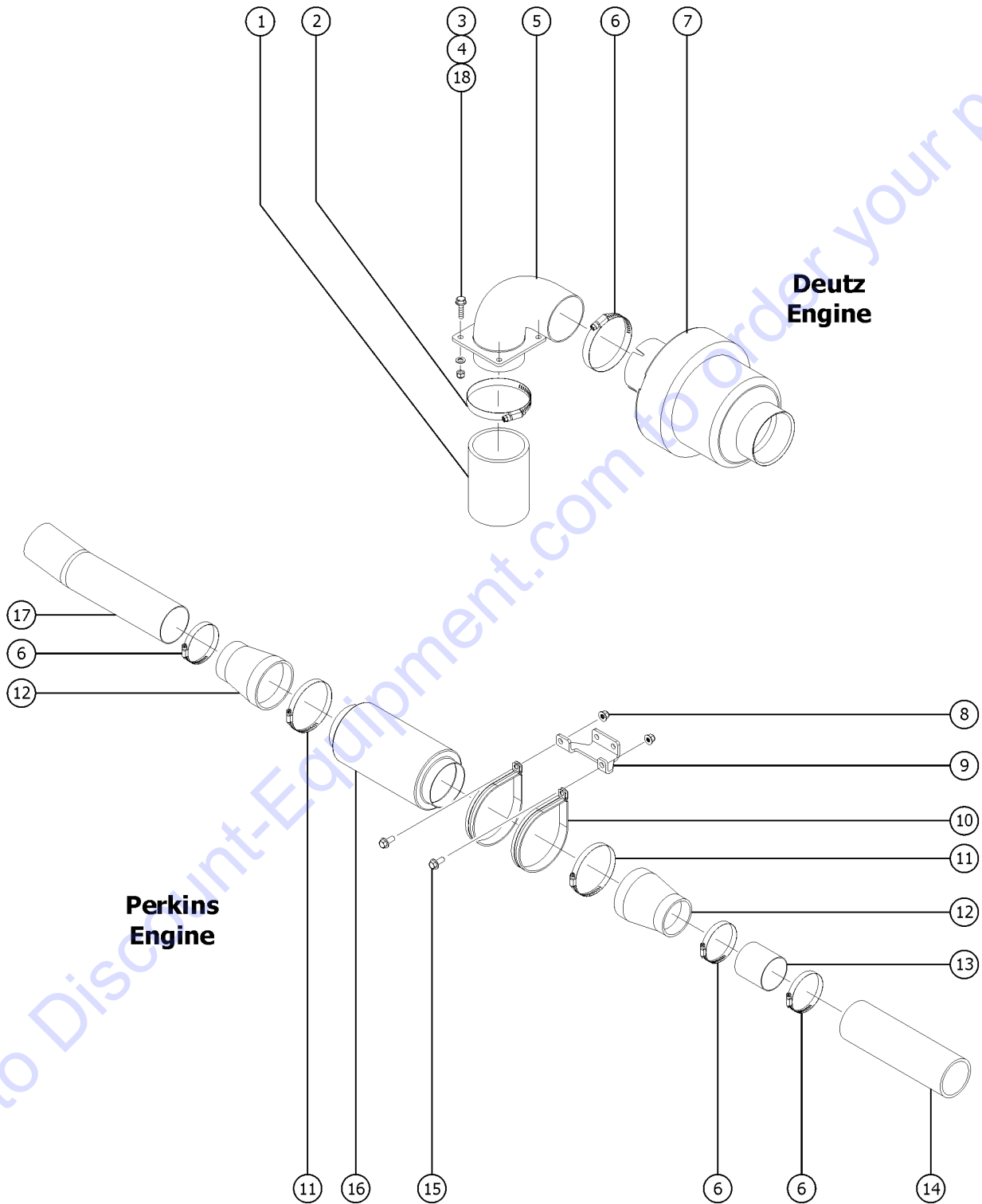
| Item | Part No. | Description                    | Qty. |
|------|----------|--------------------------------|------|
| 1    | 101810GT | BELLOWS,CYL,PLATFORM LEVEL***  | 1    |
| 1-   | 30971GT  | CLAMP,HOSE,3.00"               |      |
| 1-   | 36208GT  | CLAMP,HOSE,1.25***             |      |
| 2    | 101846GT | BELLOWS,JIB LIFT CYLINDER***   | 1    |
| 2-   | 34955GT  | CLAMP,HOSE,5.00                |      |
| 2-   | 30971GT  | CLAMP,HOSE,3.00"               |      |
| 3    | 106732GT | BELLOWS,BELLCRANK LEVEL CYL*** | 1    |
| 3-   | 35432GT  | CLAMP,HOSE,6.50                |      |
| 3-   | 30971GT  | CLAMP,HOSE,3.00"               |      |
| 4    | 101847GT | BELLOWS,PRIMARY LIFT CYLINDER  | 1    |
| 4-   | 31523GT  | CLAMP,HOSE,8.50 DIA***         |      |
| 4-   | 30489GT  | CLAMP,HOSE,3.50                |      |
| 5    | 106182GT | BELLOWS,RISER LIFT CYLINDER*** | 1    |
| 5-   | 31523GT  | CLAMP,HOSE,8.50 DIA***         |      |
| 5-   | 35432GT  | CLAMP,HOSE,6.50                |      |
| 6    | 229467GT | BELLOWS,STEER CYLINDER         | 4    |
| 6-   | 22672GT  | CLAMP,HOSE,1.75                |      |
| 6-   | 30489GT  | CLAMP,HOSE,3.50                |      |
| 7    | 229464GT | BELLOWS,AXLE EXTEND CYLINDER   | 2    |
| 7-   | 35432GT  | CLAMP,HOSE,6.50                |      |
| 7-   | 45435GT  | CLAMP,HOSE,2.50"               |      |

Go to DiscountEquipment.com to order your parts





806.1 Hostile Environment Option - Air Cleaners - Deutz TD2011L04I and Perkins 1104D-44T



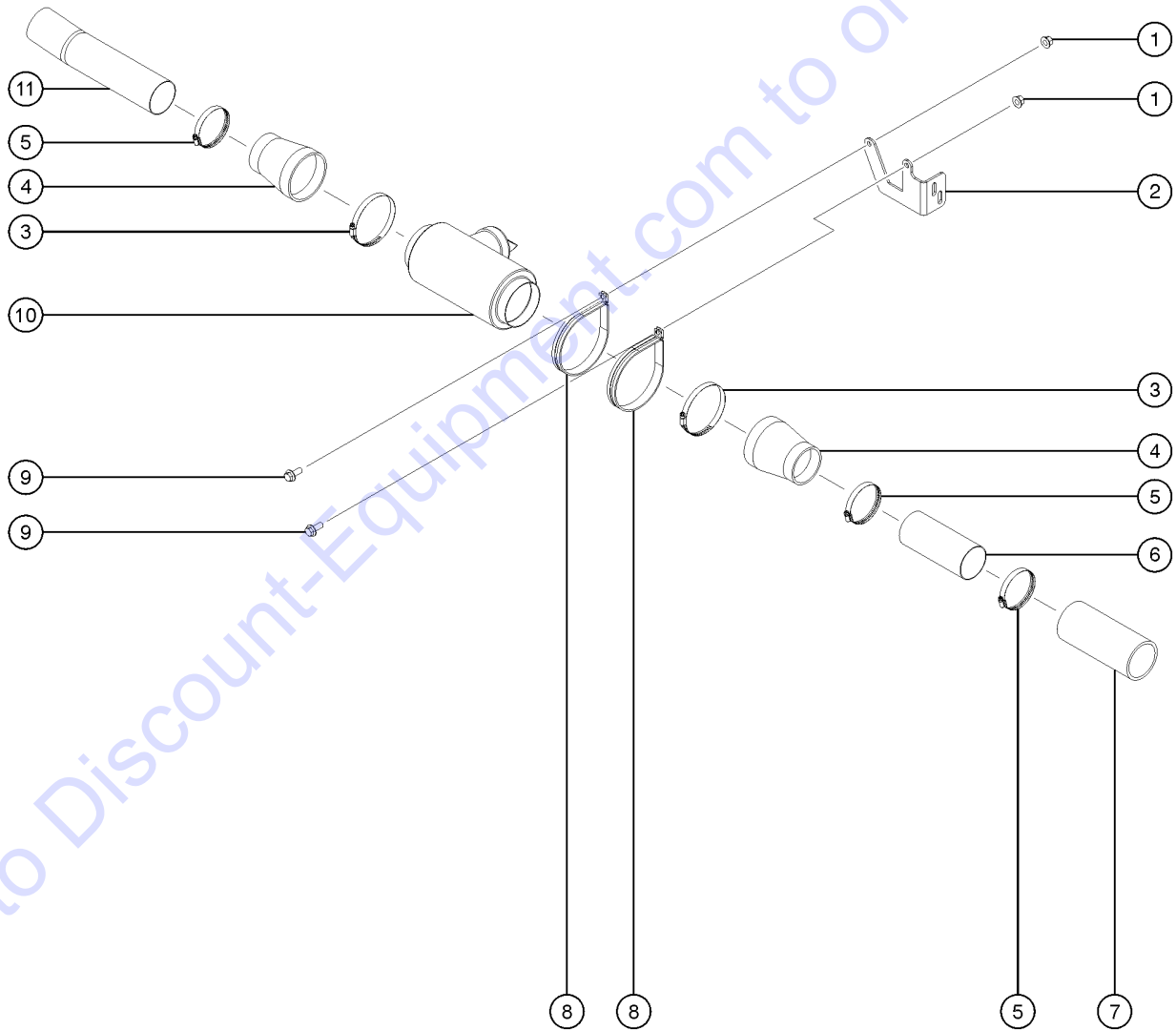
806.1 Hostile Environment Option - Air Cleaners - Deutz TD2011L04I and Perkins 1104D-44T

| Item | Part No.      | Description                                 | Qty. |
|------|---------------|---|------|
| 1    | 106211-400GT  | HOSE,RUBBER 3"ID X .25 BLACK .....          | 1    |
| 2    | 30489GT       | CLAMP,HOSE,3.50 .....                       | 4    |
| 3    | 824059GT      | SCREW,HHC,1/4-20X.75,8,ZAG .....            |      |
| 4    | 824113GT      | WASHER,FLAT,1/4,USS,ZAG .....               |      |
| 5    | 1284979GT     | WLDT, PRECLEANER MT, ZX135 .....            | 1    |
| 6    | 30971GT       | CLAMP,HOSE,3.00" .....                      | 4    |
| 7    | 89959GT       | PRECLEANER,INLINE 3" .....                  | 2    |
| 8    | 231529GT      | NUT,TL FLG,M10-1.5,DIN6927,10, .....        |      |
| 9    | 217230GT      | FORMING, PREFILTER BRACKET .....            | 1    |
| 10   | 101639GT      | CLAMP,5.38,#86 X 3/8,RUB CUSH .....         | 2    |
| 11   | 34955GT       | CLAMP,HOSE,5.00 .....                       | 2    |
| 12   | 122432GT      | REDUCER,RUBBER,4.0 X 3.0 .....              | 2    |
| 13   | 217233GT      | TUBE,INTAKE, ADAPTER .....                  | 1    |
| 14   | 106211-1150GT | HOSE,RUBBER 3"ID X .25 X 11.5" .....        | 1    |
| 15   | 231530GT      | SCREW,HHF,M10-1.5X25,DIN6921,10.9,ZAB ..... |      |
| 16   | 88493GT       | PRECLEANER,AIR INTAKE .....                 | 1    |
| 17   | 217231GT      | TUBE,INTAKE, FILTER .....                   | 1    |
| 18   | 1274165GT     | NUT,NYLOCK,1/4-20,C,ZAG .....               |      |

Go to Discount-Equipment.com to order your parts



807.1 Hostile Environment Option - Air Cleaners - Deutz TD 2.9L4 and Perkins  
854F-F34T



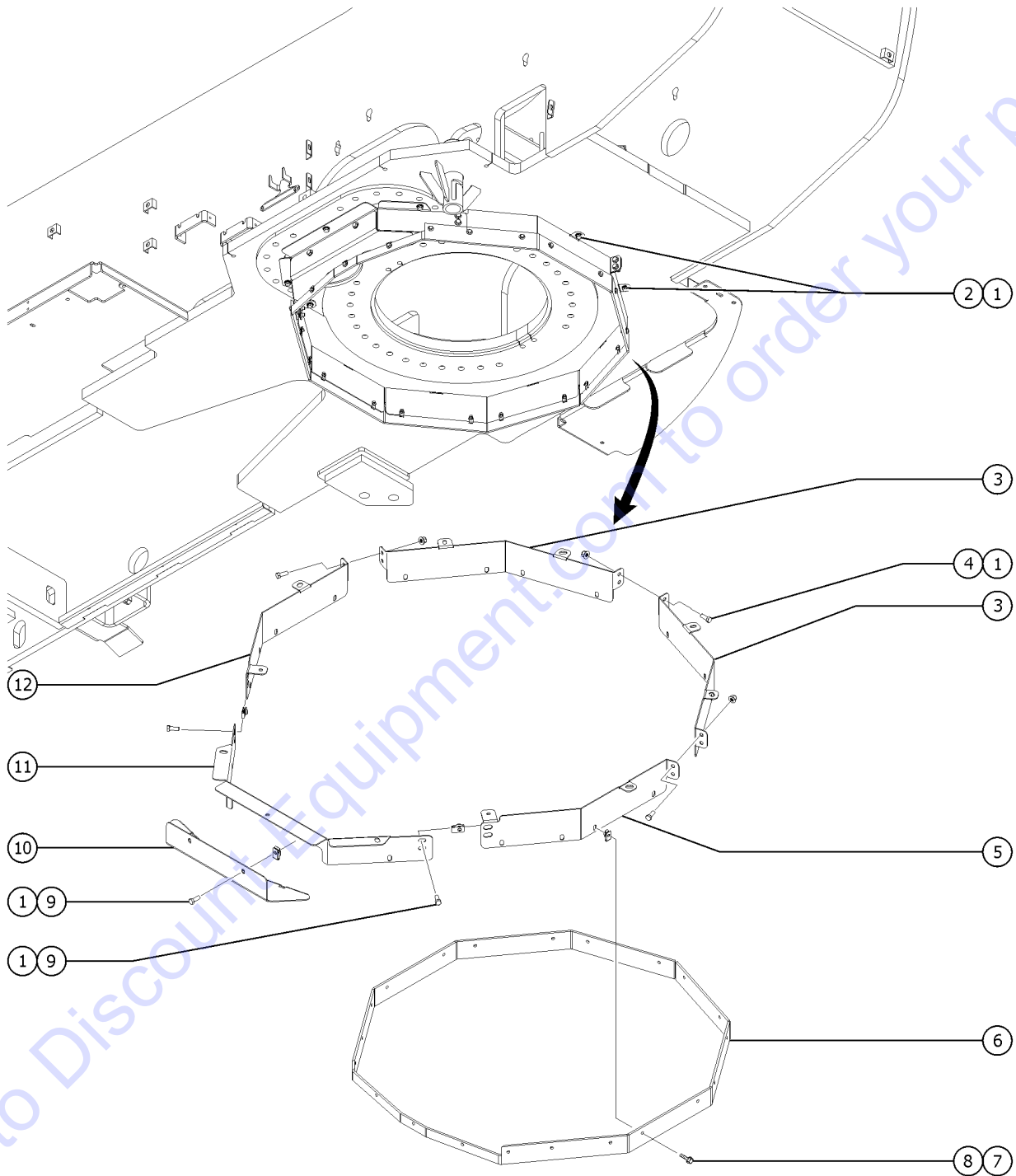
807.1 Hostile Environment Option - Air Cleaners - Deutz TD 2.9L4 and Perkins 854F-F34T

| Item | Part No.     | Description                                 | Qty. |
|------|--------------|---|------|
| 1    | 231529GT     | NUT,TL FLG,M10-1.5,DIN6927,10, .....        | 2    |
| 2    | 1254694GT    | FORMING, PRECLEANER .....                   | 1    |
| 3    | 34955GT      | CLAMP,HOSE,5.00 .....                       | 2    |
| 4    | 122432GT     | REDUCER,RUBBER,4.0 X 3.0 .....              | 2    |
| 5    | 30489GT      | CLAMP,HOSE,3.50 .....                       | 3    |
| 6    | 1254685GT    | TUBE,INTAKE, ADAPTER .....                  | 1    |
| 7    | 106211-800GT | HOSE,RUBBER 3"ID X .25 X 8" BLACK .....     | 1    |
| 8    | 101639GT     | CLAMP,5.38,#86 X 3/8,RUB CUSH .....         | 2    |
| 9    | 231530GT     | SCREW,HHF,M10-1.5X25,DIN6921,10.9,ZAB ..... | 2    |
| 10   | 88493GT      | PRECLEANER,AIR INTAKE .....                 | 1    |
| 11   | 1254686GT    | TUBE,INTAKE, FILTER .....                   | 1    |

Go to Discount-Equipment.com to order your parts



808.1 Hostile Environment DLX Option - Slew Ring Guard



808.1 Hostile Environment DLX Option - Slew Ring Guard

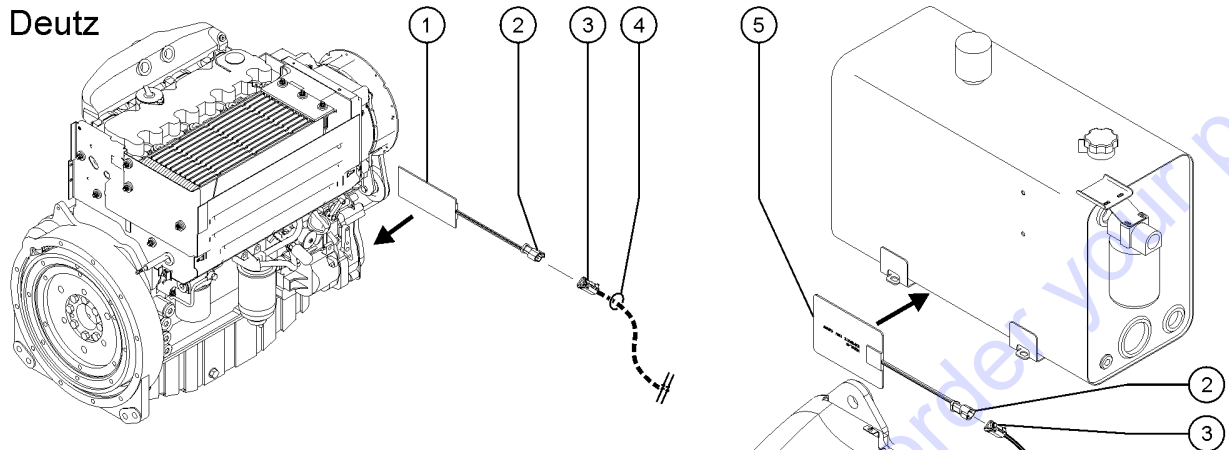
| Item | Part No.  | Description                              | Qty. |
|------|-----------|--|------|
| -    | 106161GT  | COVER,CABLE TRACK,15 LINK .....          | 1    |
| -    | 106162GT  | COVER,CABLE TRACK,27 LINK .....          |      |
| -    | 106733GT  | COVER,CABLE TRACK,11 LINK .....          |      |
| -    | 823714GT  | ASSY. SLEW RING GUARD .....              |      |
| 1    | 824089GT  | SCREW,HHF,3/8-16X.75,8,ZAG .....         |      |
| 2    | 824113GT  | WASHER,FLAT,1/4,USS,ZAG .....            |      |
| 3    | 1277921GT | FORMING,WIPER GUARD,BACK .....           | 2    |
| 4    | 824029GT  | NUT,TL FLG,3/8-16,G,ZAG .....            |      |
| 5    | 1277922GT | FORMING,WIPER GUARD,RH .....             | 1    |
| 6    | 162302GT  | WIPER, SLEW RING .....                   | 1    |
| 7    | 824078GT  | SCREW,HHF,1/4-20X.75,8,ZAG .....         |      |
| 8    | 56912GT   | SPRING CLIP,1/4-20,.025-.15X.5 .....     |      |
| 9    | 29868GT   | SPRING CLIP,3/8-16,.05-.20X.73,ZAG ..... |      |
| 10   | 1279865GT | COVER, TURNTABLE GEARS, NDL .....        | 1    |
| 11   | 1279864GT | FORMING, PINION GUARD, NDL .....         | 1    |
| 12   | 1277923GT | FORMING,WIPER GUARD,LH .....             | 1    |

Go to Discount-Equipment.com to order your parts

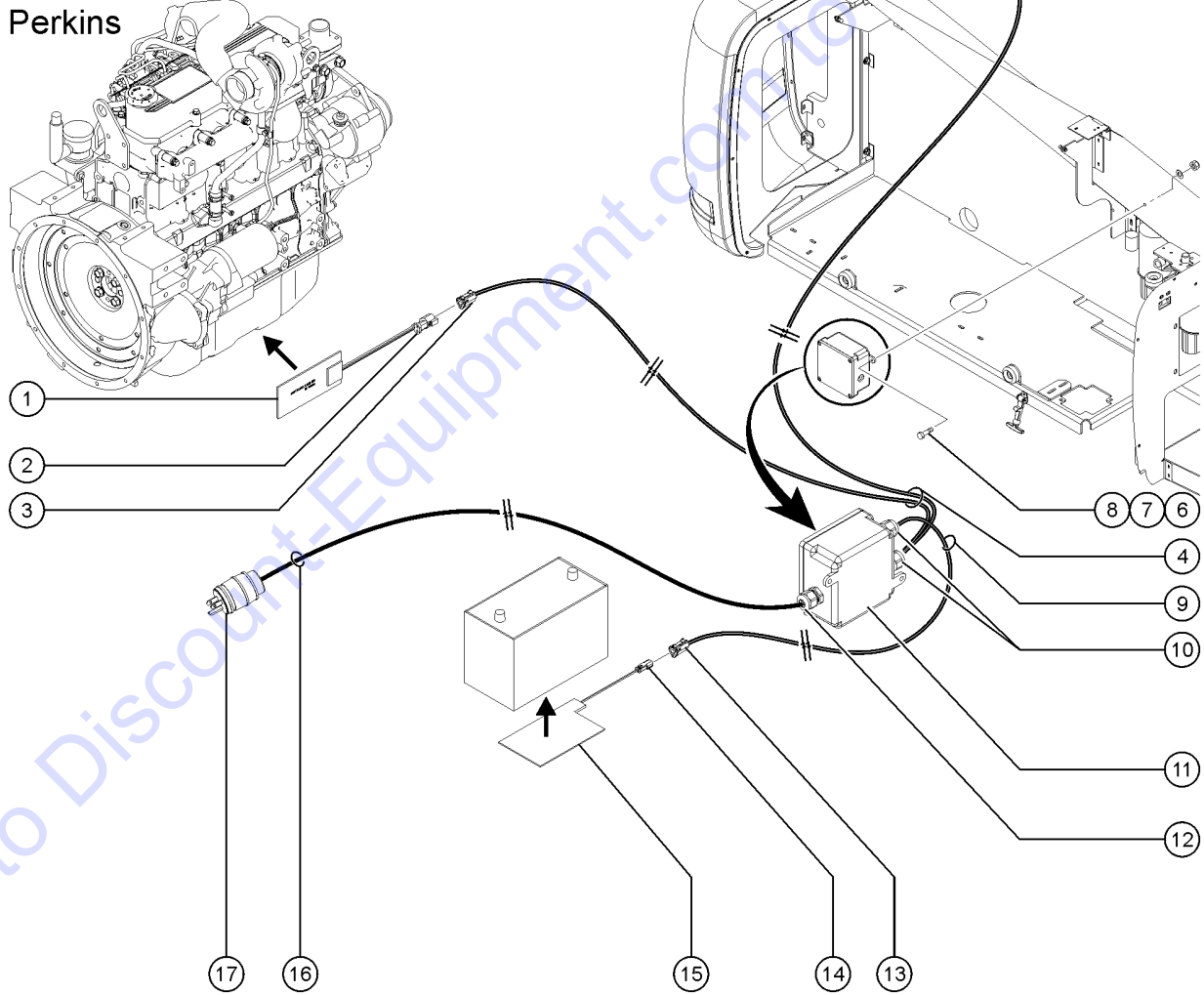


809.1 Cold Start Package

Deutz



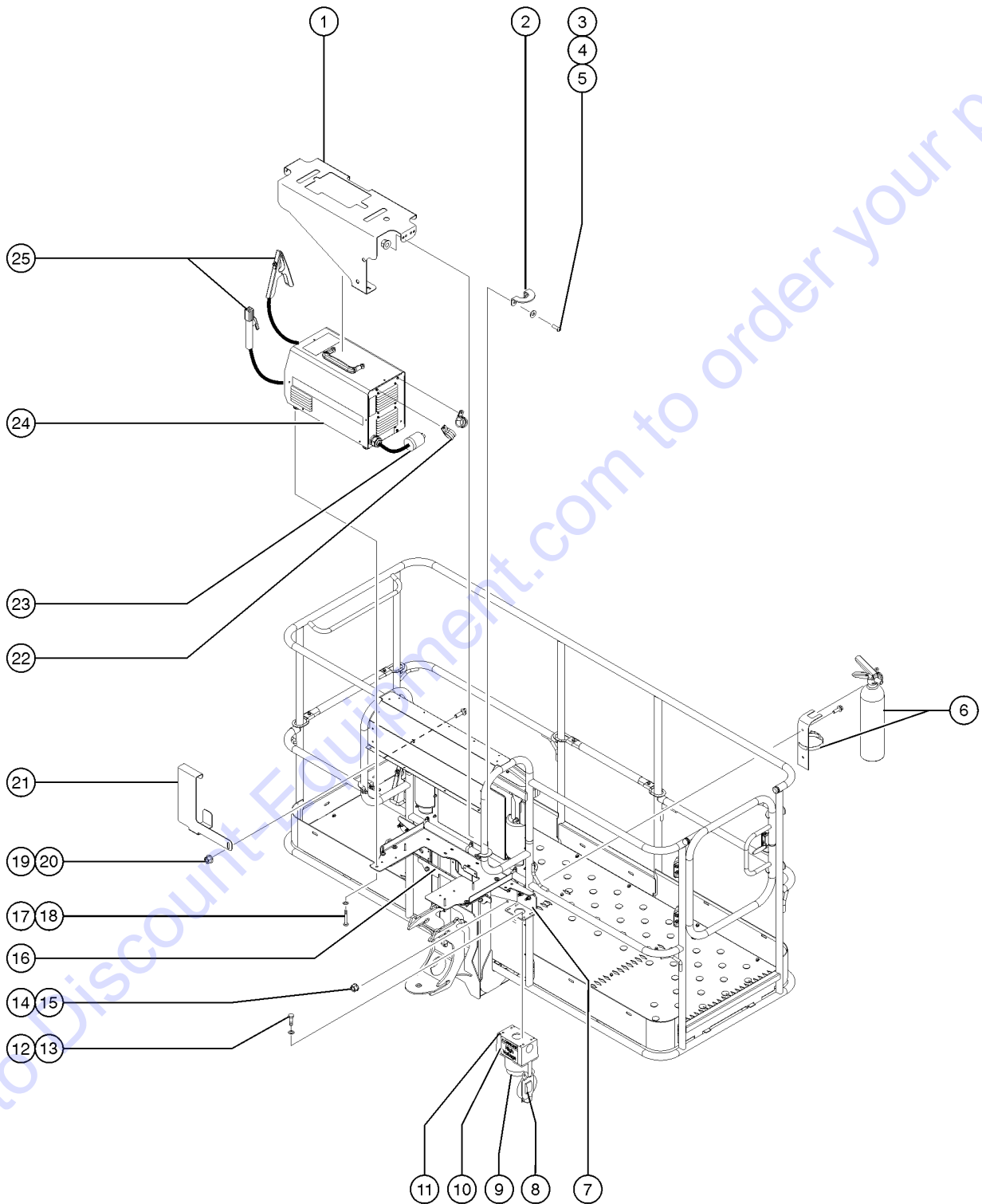
Perkins



| Item | Part No.  | Description  | Qty. |
|------|-----------|--|------|
| 1A   | 1259661GT | ASSY,ENGINE HEATER,120V<br>(120V) Only Deutz TD 2.9L4 models, includes two adhesive pads |      |
| 1B-  | 216615GT  | ASSY HEATER, MODEL 18, 120V<br>(120V)  | 1    |
| 1C-  | 1259708GT | ASSY,ENGINE HEATER,240V<br>(240V) Only Deutz TD 2.9L4 models, includes two adhesive pads |      |
| 1D-  | 216616GT  | ASSY HEATER, MODEL 18, 240V<br>(240V)  |      |
| 2    | 119066GT  | CONN,RECEP 3 WAY ENDCAP DT<br>Part of heater assembly                                    |      |
| 3    | 119057GT  | CONN PLUG 3 WAY ENDCAP DT<br>Part of wire harness  |      |
| 4    | 216664GT  | HARNESS,ENG/HYD HEATER,120V<br>(120V)  | 1    |
| 4-   | 216685GT  | HARNESS, ENG/HYD HEATER, 240V<br>(240V)  |      |
| 5    | 216612GT  | ASSY,120V HEATER, HYD TANK<br>(120V)   | 1    |
| 5-   | 216611GT  | ASSY,240V HEATER, HYD TANK<br>(240V)   |      |
| 6    | 826516GT  | SCREW, PHPM, 10-32 X 1.0, ZAG  |      |
| 7    | 1253185GT | WASHER,FLAT,#10,USS,ZAG  |      |
| 8    | 824032GT  | NUT,TL FLG,10-32,F,ZAG   |      |
| 9    | 216658GT  | HARNESS, BATT CABLE, 120V<br>(120V)  | 1    |
| 9-   | 216679GT  | HARNESS, BATT CABLE, 240V<br>(240V)  |      |
| 10   | 99778GT   | CABLE SQUEEZE CONN,4 WIRE<br>Part of of wire harness                                     | 1    |
| 10-  | 238123GT  | HUBBLE NUT, PG11   |      |
| 11   | 214249GT  | COLD WEATHER 120V J BOX ASSY<br>(120V)   | 1    |
| 11-  | 237711GT  | COLD WEATHER 240V J BOX ASSY<br>(240V)   |      |
| 12   | 214536GT  | SQUEEZE CONN W/NUT, 2WIRE, 4MM<br>Part of of wire harness                                | 2    |
| 13   | 119056GT  | CONN PLUG 2 WAY ENDCAP DT  | 1    |
| 14   | 119065GT  | CONN,RECEP 2 WAY ENDCAP DT   | 1    |
| 15   | 216617GT  | ASSY, BATTERY HEATER, 120V<br>(120V)   | 1    |
| 15-  | 216618GT  | ASSY, BATTERY HEATER, 240V<br>(240V)   |      |
| 16   | 216649GT  | HARNESS, 120V POWER CORD, 108"<br>(120V) includes items 12 and 17                        | 1    |
| 16-  | 216650GT  | HARNESS, 240V POWER CORD, 108"<br>(240V) includes item 12 only                           |      |
| 17   | 119403GT  | CONN,PLUG 120 AC/15A DOMESTIC<br>Part of wire harness                                    |      |



810.1 Welder Option - Platform Components

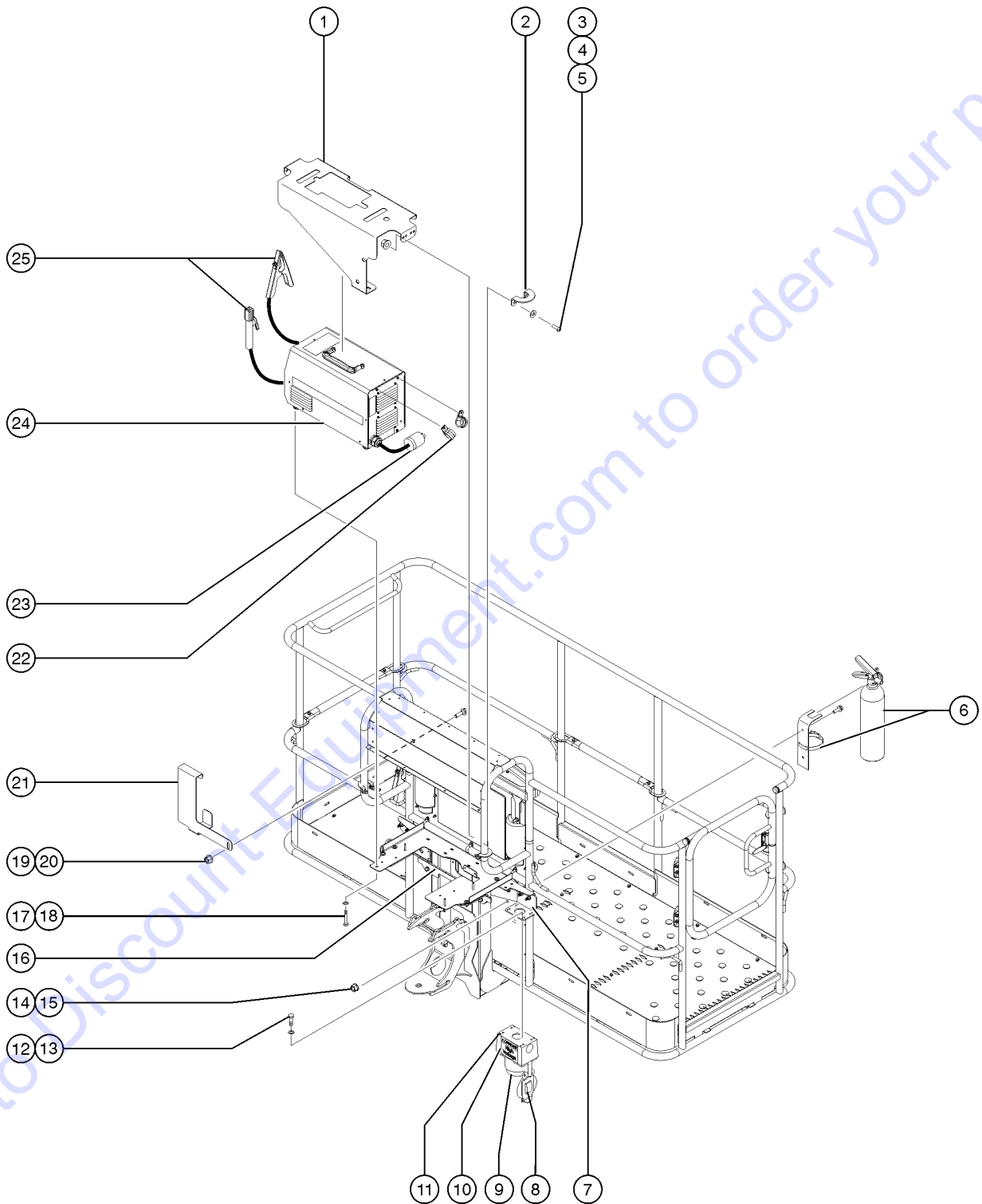


810.1 Welder Option - Platform Components

| Item | Part No.      | Description   | Qty. |
|------|---------------|---|------|
| A    | 110276-1700GT | FIRE SLEEVE, 1.25" (Qty of 1)   | 17   |
| B    | 110277-2600GT | FIRE SLEEVE, 2.0" (Qty of 1)  | 26   |
| C    | 110276-2600GT | FIRE SLEEVE, 1.25" (Qty of 1)   | 22   |
| D    | 28443GT       | CABLE TIE, 11.5" BLACK  |      |
| E    | 128323GT      | BIT, TORX SOCKET, SECURITY  | 1    |
| 1    | 101547PGT     | BRACKET, WELDER SUPPORT, PNT  | 1    |
| 2    | 217366GT      | BRACKET, WELDER TOP   | 2    |
| 3    | 128322GT      | SCREW, 5/16-18X1.00, SECURITY TO  | 5    |
| 4    | 825358GT      | WASHER, FLAT, 5/16, USS, ZAG  | 5    |
| 5    | 824028GT      | NUT, TL FLG, 5/16-18, G, ZAG  | 5    |
| 6    | 88406GT       | FIRE EXTINGUISHER   | 1    |
| 7    | 101731PGT     | BRACKET, POWER TO PLAT TBOX, PNT  | 1    |
| 7-   | 4828GT        | NUT, NYLOCK, 3/8-16   |      |
| 7-   | 5397GT        | WASHER, FLAT, USS, 5/16", Y   |      |
| 7-   | 122755GT      | UBOLT, FLATTENED, 1.5DIAX3/8 UNC  |      |
| 8    | 101732GT      | COVER, WEATHERPROOF 3-PHASE   | 1    |
| 9    | 106111GT      | RECEPTCL, LOCK 3-PH, 50A, 4 WIRE<br>Used only on 12 KW Generator Option | 1    |
| 10   | 82237GT       | DECAL, DANGER, HIGH VOLTAGE   | 2    |
| 11   | 106110GT      | T-BOX, 2.75X4.5X2.63, 3PH   | 1    |
| 12   | 47363GT       | SCREW, RHM, 8-32 X .50  |      |
| 13   | 35461GT       | WASHER, FLAT, MS, #8, Y   |      |
| 14   | 824027GT      | NUT, TL FLG, 1/4-20, G, ZAG   | 2    |
| 15   | 824078GT      | SCREW, HHF, 1/4-20X.75, 8, ZAG  | 2    |
| 16   | 1274025GT     | FORMING, WELDER MOUNT SUPPORT   | 1    |
| 17   | 106141GT      | SCREW, SECURITY, 1/4-20 X 1.75LG  |      |
| 18   | 824113GT      | WASHER, FLAT, 1/4, USS, ZAG   |      |
| 19   | 824029GT      | NUT, TL FLG, 3/8-16, G, ZAG   | 1    |
| 20   | 824092GT      | SCREW, HHF, 3/8-16X1.5, 8, ZAG  | 1    |



810.1 Welder Option - Platform Components



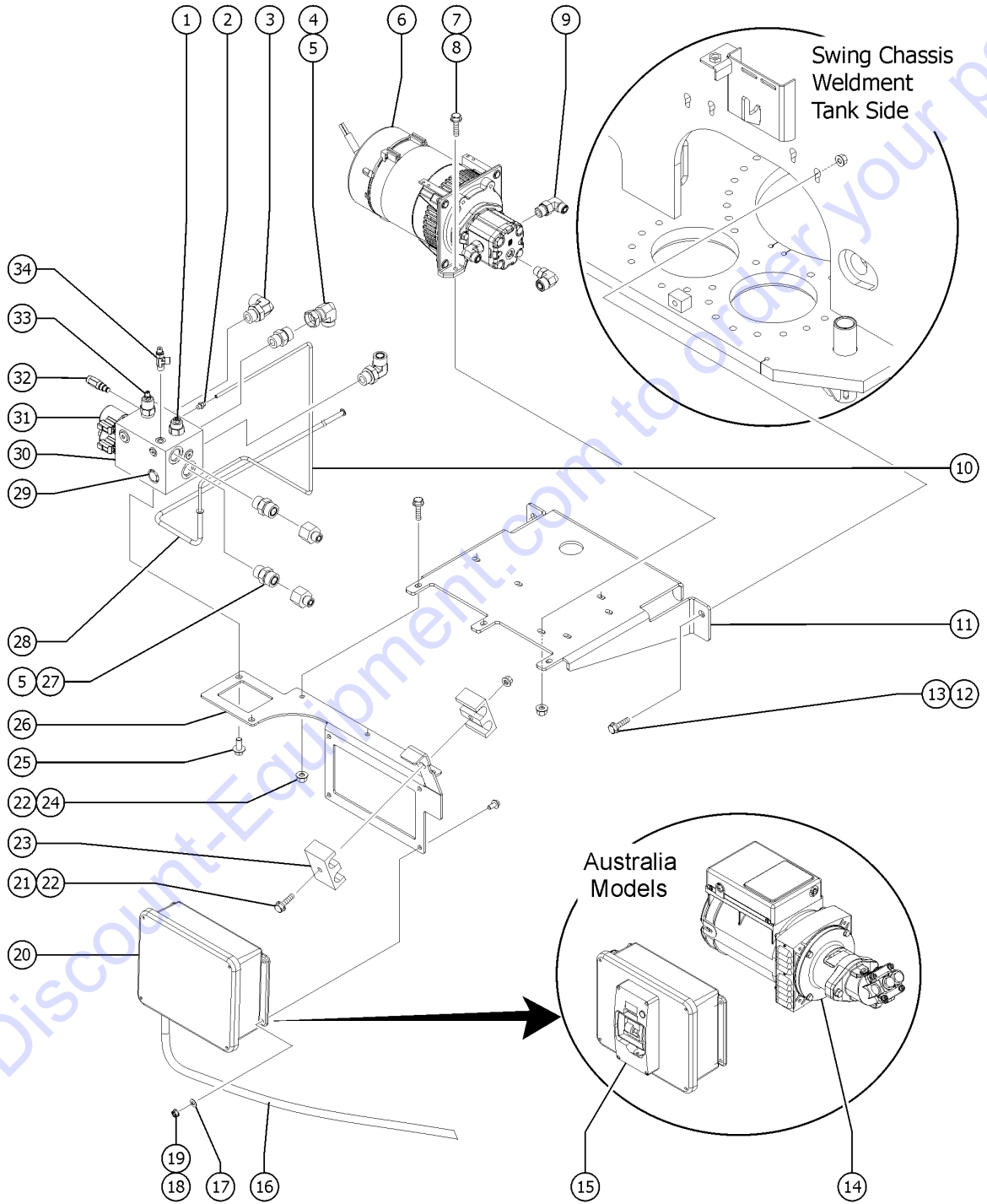
810.1 Welder Option - Platform Components

| Item | Part No.  | Description   | Qty. |
|------|-----------|---|------|
| 21   | 106204PGT | BRACKET,V275S WELD LEADS .....  | 1    |
| 22   | 18666GT   | CLAMP,1.00,#16 X 1/4,RUB CUSH .....   | 2    |
| 23A  | 214623GT  | PLUG, 3P,30A, 4 WIRE, MALE,<br>Used only on 7.5 KW Generator Option .....   | 1    |
| 23A- | 1257211GT | SOCKET,3P,30A,4 WIRE,SEALED<br>Used only on 7.5 KW Generator Option (femal plug, connects to weld cable from swing) ..... | 1    |
| 23B  | 106112GT  | PLUG,4-WIRE,3-PHASE,50A,MALE<br>Used only on 12 KW Generator Option .....   | 1    |
| 24A  | 101525GT  | WELDER,INVERTEC V275-S .....  | 1    |
| 24A- | 106183GT  | FUSE,.6AMP,250V,WELDER,V275S .....  | 1    |
| 24B  | 214619GT  | WELDER, MILLER, CST 280 .....   | 1    |
| 25   | 106275GT  | KIT,WELD LEADS ASSY,V275S .....   | 1    |

Go to Discount-Equipment.com to order your parts



811.1 Welder Option - Hydraulic Hoses and Fittings



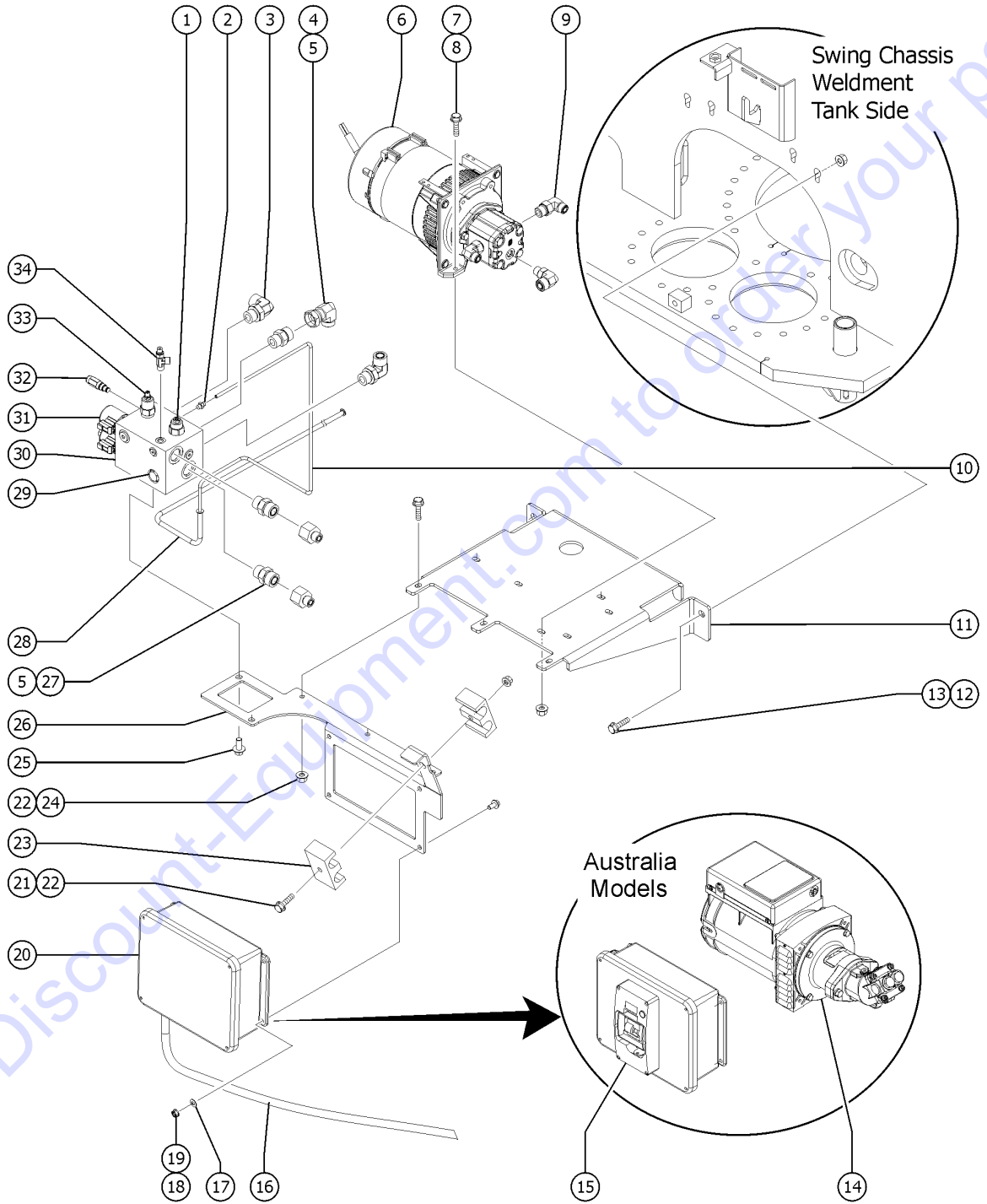
Go to Discount-Equipment.com to order your parts

811.1 Welder Option - Hydraulic Hoses and Fittings

| Item | Part No.  | Description                                     | Qty. |
|------|-----------|---|------|
| 1    | 235144GT  | CB VALVE 4:5:1, 2000 PSI .....                  | 1    |
| 1-   | 105685GT  | SEAL KIT, SUN T-2A CP VALVE .....               |      |
| 2    | 48913GT   | CONN, 520120-4-6 0.030 ORIFICE .....            | 1    |
| 3    | 48959GT   | FITTING,ELBOW,90D,520220-12 .....               | 2    |
| 4    | 61262GT   | ELBOW,SWIVEL 90D, 520221-12 .....               | 1    |
| 5    | 48960GT   | FITTING,CONN,520120-12 .....                    | 3    |
| 6A   | 1272433GT | GEN, 3.0 KW, 120V/60HZ .....                    | 1    |
| 6B   | 1272435GT | GEN, 3.0 KW, 115V/50HZ .....                    | 1    |
| 6C   | 1272434GT | GEN, 3.0 KW, 230V/50HZ .....                    | 1    |
| 7    | 1255538GT | SCREW,HHC,M8-1.25X30,DIN933,10.9,ZAB .....      | 3    |
| 8    | 237832GT  | NUT,TL,FLG,M8-1.25,DIN6927,10, .....            | 3    |
| 9    | 54283GT   | ELBOW,90D,520220-8-10 .....                     | 3    |
| 10   | 1274272GT | HYD TUBE, GEN LOAD SENSE .....                  | 1    |
| 11   | 1267252GT | BRACKET, GENERATOR 12 KW .....                  | 1    |
| 12   | 1256172GT | SCREW,HHF,1/2-13X 2,8,ZAG .....                 | 4    |
| 13   | 1251997GT | NUT,TL FLG,1/2-13,G,ZAG .....                   | 4    |
| 14   | 1257739GT | GEN.,7.5KW,230VAC,1PH,50HZ,AU .....             | 1    |
| 15   |           | Breaker Box, Generator .....                    |      |
|      |           | (refer to 813.1)                                |      |
| 16   | 1271265GT | CABLE, GENERATOR TO OUTLET .....                | 1    |
| 17   | 824113GT  | WASHER,FLAT,1/4,USS,ZAG .....                   | 4    |
| 18   | 6889GT    | NUT,LP NYLOCK,1/4-20 .....                      | 4    |
| 19   | 824079GT  | SCREW,HHF,1/4-20X1,8,ZAG .....                  | 4    |
| 20   |           | Breaker Box, Generator, Australian Models ..... |      |
|      |           | (refer to 814.1)                                |      |
| 21   | 824096GT  | SCREW,HHF,3/8-16X3.5,8,ZAG .....                | 1    |
| 22   | 824029GT  | NUT,TL FLG,3/8-16,G,ZAG .....                   | 4    |
| 23   | 1270714GT | CLAMP, HOSE OIL COOLER .....                    | 2    |
| 24   | 824090GT  | SCREW,HHF,3/8-16X1,8,ZAG .....                  | 3    |
| 25   | 231087GT  | SCREW,HHF,M12 X 1.75 X 25 .....                 | 2    |



811.1 Welder Option - Hydraulic Hoses and Fittings



Go to Discount-Equipment.com to order your parts

811.1 Welder Option - Hydraulic Hoses and Fittings





| Item | Part No.  | Description                              | Qty. |
|------|-----------|--|------|
| 26   | 1272470GT | FORMING, GENERATOR, MANIFOLD, JBOX ..... | 1    |
| 27   | 51580GT   | FITTING,REDUCER,520123-12-8*** .....     | 2    |
| 28   | 237456GT  | HYD TUBE, BRAKE 2SP, AXLE 2 .....        | 1    |
| 29   | 107740GT  | VALVE, CHECK 25 PSI .....                | 1    |
| 30   | 236224GT  | MANIFOLD, GENERATOR .....                | 1    |
| 31   | 235147GT  | VALVE,SOLENOID,NC,POPPET* .....          | 1    |
| 31-  | 104760GT  | COIL,12VDC #10DTSCH IP69 ECOIL .....     |      |
| 31-  | 235148GT  | SEAL KIT .....                           |      |
| 31-  | 52484GT   | NUT-COIL(SCISSORS) TALL .....            |      |
| 32   | 237212GT  | Relief Valve, 3200 PSI .....             | 1    |
| 32-  | 44224GT   | SEAL KIT, VALVE .....                    |      |
| 33   | 235143GT  | Needle Valve .....                       | 1    |
| 33-  | 235149GT  | SEAL KIT .....                           |      |
| 34   | 48880GT   | CAP,DIAGNOSTIC NIPPLE .....              | 1    |

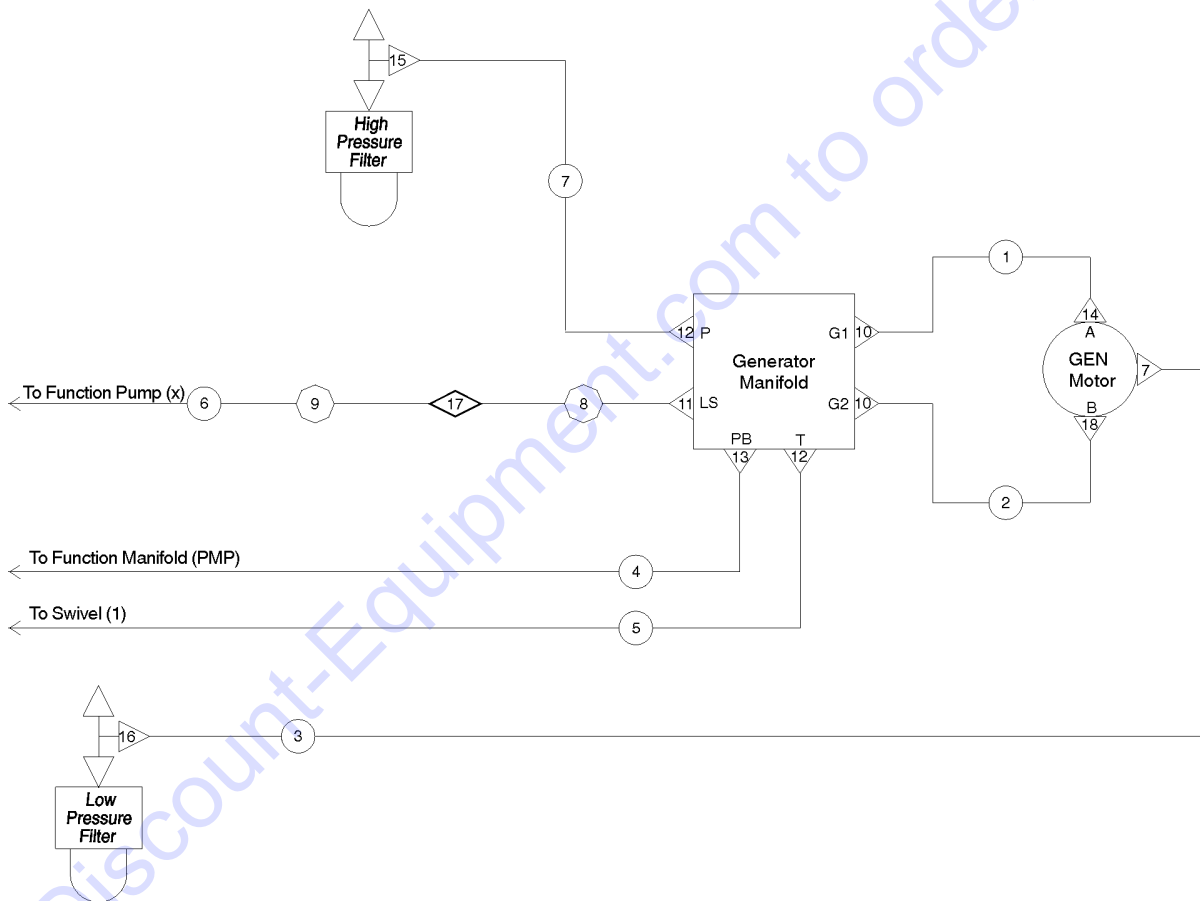
Go to Discount-Equipment.com to order your parts





812.1 Hydraulic Generator Option, Hydraulic Hoses and Fittings

| LEGEND  |               |
|---|---------------|
|  | ADAPTER       |
|  | HOSE ASSEMBLY |
|  | HARDLINE      |
|  | UNION         |



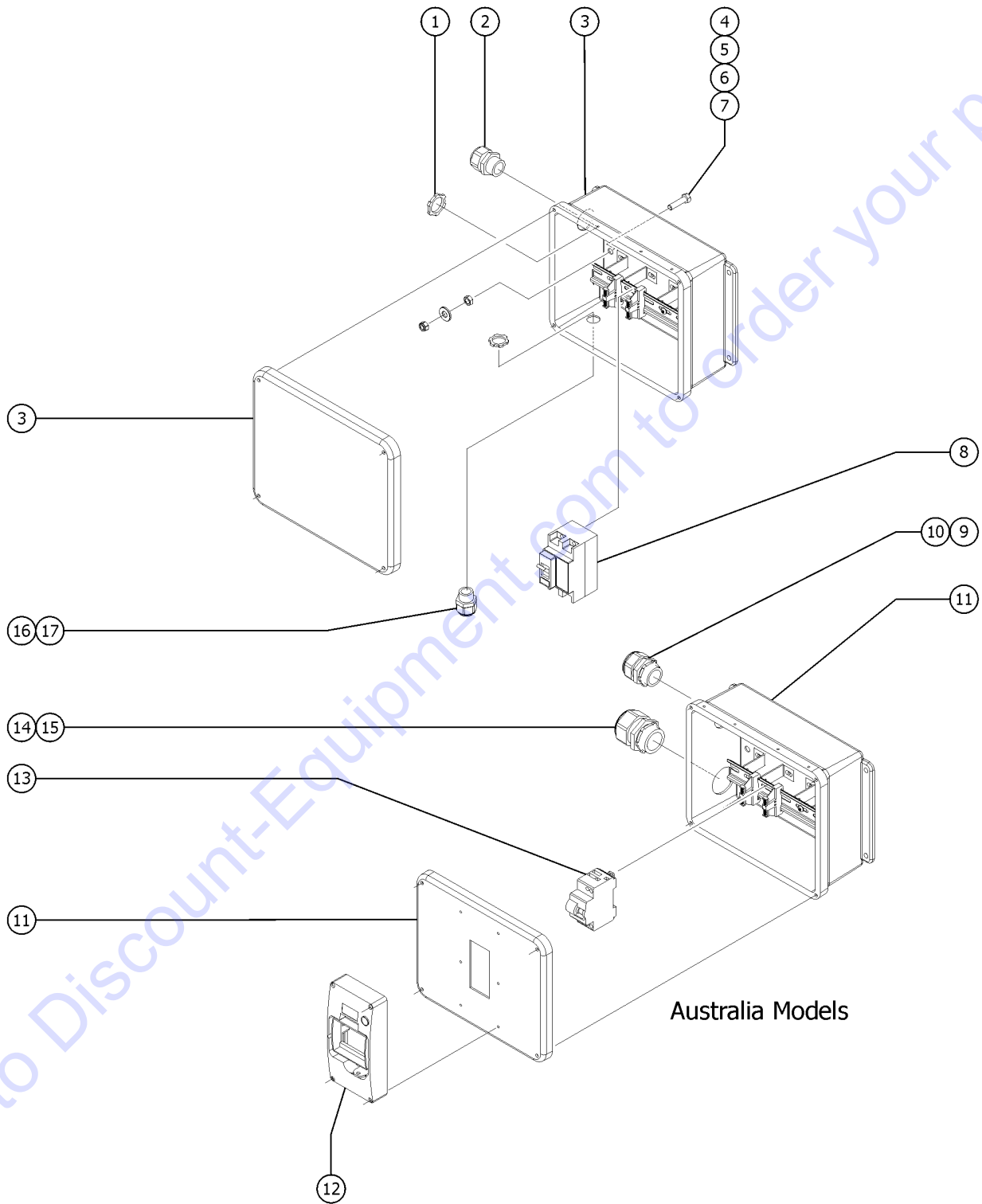
812.1 Hydraulic Generator Option, Hydraulic Hoses and Fittings

| Item | Part No.      | Description                               | Qty. |
|------|---------------|---|------|
| 1    | 89871-3848GT  | HOSE ASSEMBLY,3/4" STR-STR*** .....       | 1    |
| 2    | 102313-2726GT | HOSE ASSY,3/4',45F,STR F .....            | 1    |
| 3    | 49183-4592GT  | HOSE ASSY,1/2,STR FEM,STR FEM .....       | 1    |
| 4    | 102313-3126GT | HOSE ASSY,3/4" HYD,45F,STRF .....         | 1    |
| 5    | 102313-7526GT | HOSE ASSY,3/4,45 FEM, STR FEM .....       | 1    |
| 6    | 49118-1508GT  | HOSE ASSY, 1/4,90 FEM, STR FEM .....      | 1    |
| 7    | 89871-2548GT  | HOSE ASSY, 3/4",STR FEM, STR FEM .....    | 1    |
| 8    | 1279866GT     | ASSY, GEN J-BOX,12kW, ANSI-CSA, MAG ..... | 1    |
| 9    | 237456GT      | HYD TUBE, BRAKE 2SP, AXLE 2 .....         | 1    |
| 10   | 48960GT       | FITTING,CONN,520120-12 .....              | 2    |
| 11   | 48913GT       | CONN, 520120-4-6 0.030 ORIFICE .....      | 1    |
| 12   | 48959GT       | FITTING,ELBOW,90D,520220-12 .....         | 2    |
| 13   | 61262GT       | ELBOW,SWIVEL 90D, 520221-12 .....         | 1    |
| 14   | 48974GT       | ELBOW,90D,520220-12-10 .....              | 1    |
| 15   | 48906GT       | TEE,RUN,520428-4 .....                    | 1    |
| 16   | 48961GT       | TEE,RUN,520428-12 .....                   | 1    |
| 17   | 48881GT       | UNION,520101-6,ORFS .....                 | 1    |
| 18   | 48975GT       | CONN,520120-12-10 .....                   | 1    |

Go to Discount-Equipment.com to order your parts



813.1 Hydraulic Generator Option, J Box, Circuit Breaker



813.1 Hydraulic Generator Option, J Box, Circuit Breaker

| Item | Part No.  | Description   | Qty. |
|------|-----------|---|------|
| -    | 1278369GT | COVER, JBOX, BREAKER RETRO, W/O 110V GFI<br>ONLY FOR USE ON UNITS THAT HAVE BEEN RETROFITTED WITH PANEL MOUNTED<br>CIRCUIT BREAKER KIT 1278371GT. |      |
| -    | 1278371GT | KIT, RETROFIT, WELDGEN, MAGBREAKER Z135<br>FOR WELDER GENERATOR EQUIPPED UNITS THAT HAVE NO CUTOUTS ON THE<br>FRONT FACE OF JBOX.                 |      |
| -    | 1272537GT | ASSY,GEN J-BOX, 3.0 KW .....  |      |
| -    | 1258690GT | ASSY, AUSTRALIAN J BOX .....  |      |
| 1    | 14041GT   | LOCKNUT,ELECTRIC,3/4" .....   | 1    |
| 2    | 80341GT   | CONNECTOR, SQZ, 3/4 NPT, BLACK .....  | 1    |
| 3    | 1272509GT | BOX,J, CIRCUIT BREAKERS .....   | 1    |
| 4    | 13000GT   | SCREW,HHC,5/16-18 X 1.25 .....  | 1    |
| 5    | 6037GT    | NUT,HEX,5/16-18,GR5 .....   | 1    |
| 6    | 5397GT    | WASHER,FLAT,USS,5/16",Y .....   | 1    |
| 7    | 6782GT    | NUT,NYLOCK,5/16-18 .....  | 1    |
| 8    | 1272538GT | RCB, 2 POLE, 30mA, 25 A .....   | 1    |
| 9    | 20776GT   | CABLE SQUEEZE CONN. ....  | 1    |
| 10   | 18665GT   | LOCKNUT,ELECTRIC,1" NPT<br>(Not shown) .....  | 1    |
| 11   | 1258680GT | BOX,J,CIRCUIT BREAKERS .....  | 1    |
| 12   | 1258687GT | MOUNTING COVER KIT WITH NEON .....  | 1    |
| 12-  | 12344GT   | NUT,NYLOCK,6-32 .....   | 6    |
| 13   | 1258674GT | RCBO, 16A/30MA TRIP, 1P .....   | 1    |
| 14   | 822222GT  | CABLE SQUEEZE CONN., 1.25" .....  | 1    |
| 15   | 822223GT  | LOCKNUT, ELECTRIC, 1.25" NPT<br>(Not shown) .....   | 1    |
| 16   | 7057GT    | CONN. SQZ,1/2NPT .39-.56 MED. ....  | 1    |
| 17   | 6935GT    | LOCKNUT,ELEC,1/2" .....   | 1    |



# PARTS FINDER

**Search Website  
by Part Number**



**Search Manual  
Library For Parts  
Manual & Lookup Part  
Numbers – Purchase  
or Request Quote**

**Search Manuals**

Enter your information to help us find the right parts manual for your machine.

\* Brand:

\* Model:

\* Serial:

\* Part Number:

SEARCH

**Can't Find Part or  
Manual? Request Help  
by Manufacturer,  
Model & Description**

**Parts Order Form**

Please fill in the following information to help us find the right part for your machine.

|               |                      |
|---------------|----------------------|
| Manufacturer: | <input type="text"/> |
| Model:        | <input type="text"/> |
| Description:  | <input type="text"/> |
| Part Number:  | <input type="text"/> |
| Quantity:     | <input type="text"/> |
| Notes:        | <input type="text"/> |

Submit

Discount-Equipment.com is your online resource for quality parts & equipment.

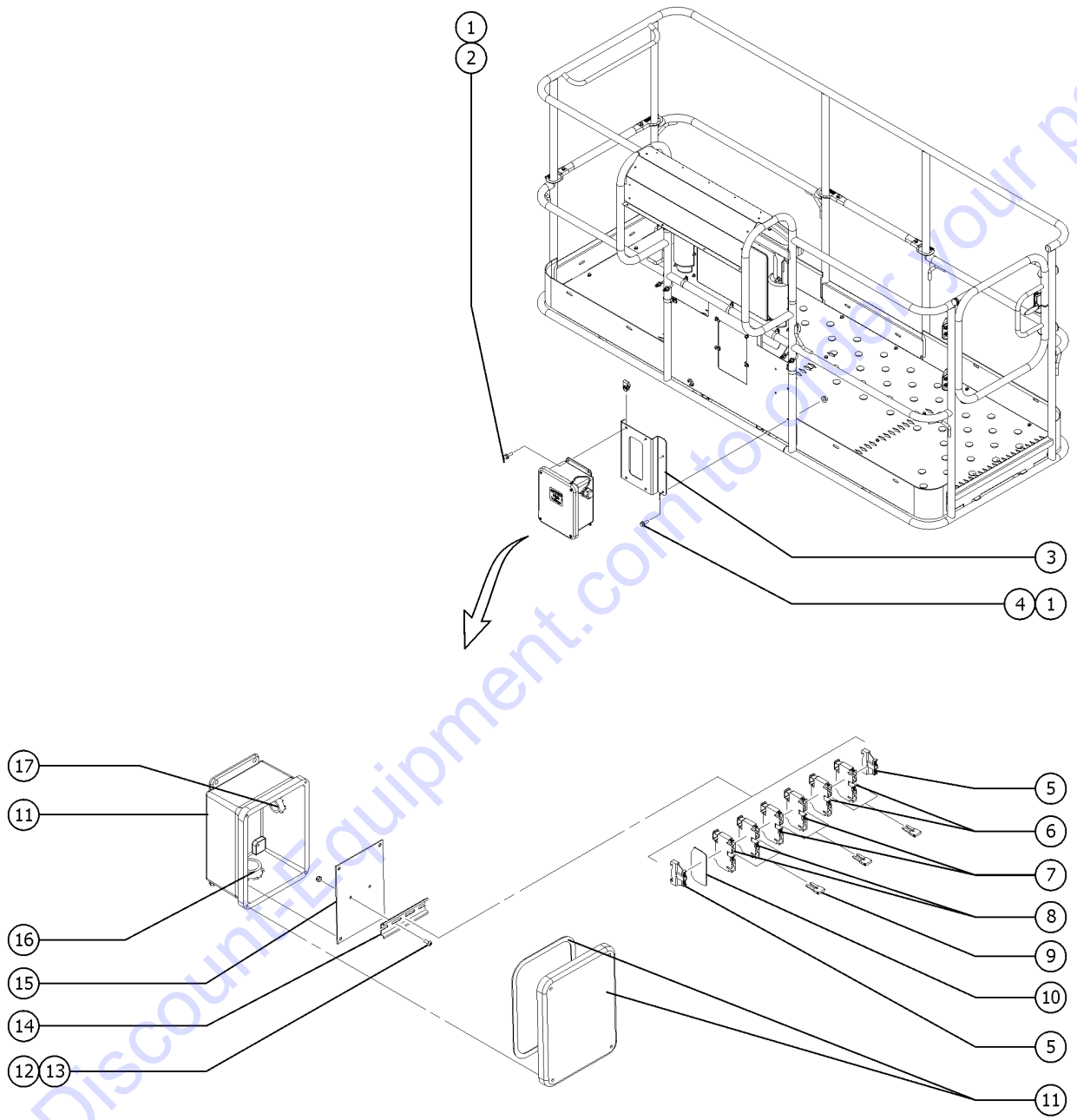
Florida: **561-964-4949** Outside Florida TOLL FREE: **877-690-3101**

**Need parts?**

Click on this link: <http://www.discount-equipment.com/category/5443-parts/> and choose one of the options to help get the right parts and equipment you are looking for. Please have the machine model and serial number available in order to help us get you the correct parts. If you don't find the part on the website or on one of the online manuals, please fill out the request form and one of our experienced staff members will get back to you with a quote for the right part that your machine needs.

We sell worldwide for the brands: Genie, Terex, JLG, MultiQuip, Mikasa, Essick, Whiteman, Mayco, Toro Stone, Diamond Products, Generac Magnum, Airman, Haulotte, Barreto, Power Blanket, Nifty Lift, Atlas Copco, Chicago Pneumatic, Allmand, Miller Curber, Skyjack, Lull, Skytrak, Tsurumi, Husquvarna Target, Stow, Wacker, Sakai, Mi-T-M, Sullair, Basic, Dynapac, MBW, Weber, Bartell, Bennar Newman, Haulotte, Ditch Runner, Menegotti, Morrison, Contec, Buddy, Crown, Edco, Wyco, Bomag, Laymor, EZ Trench, Bil-Jax, F.S. Curtis, Gehl Pavers, Heli, Honda, ICS/PowerGrit, IHI, Partner, Imer, Clipper, MMD, Koshin, Rice, CH&E, General Equipment, Amida, Coleman, NAC, Gradall, Square Shooter, Kent, Stanley, Tamco, Toku, Hatz, Kohler, Robin, Wisconsin, Northrock, Oztec, Toker TK, Rol-Air, APT, Wylie, Ingersoll Rand / Doosan, Innovatech, Con X, Ammann, Mecalac, Makinex, Smith Surface Prep, Small Line, Wanco, Yanmar

814.1 Hydraulic Generator Option, Platform J Box, Australian Models

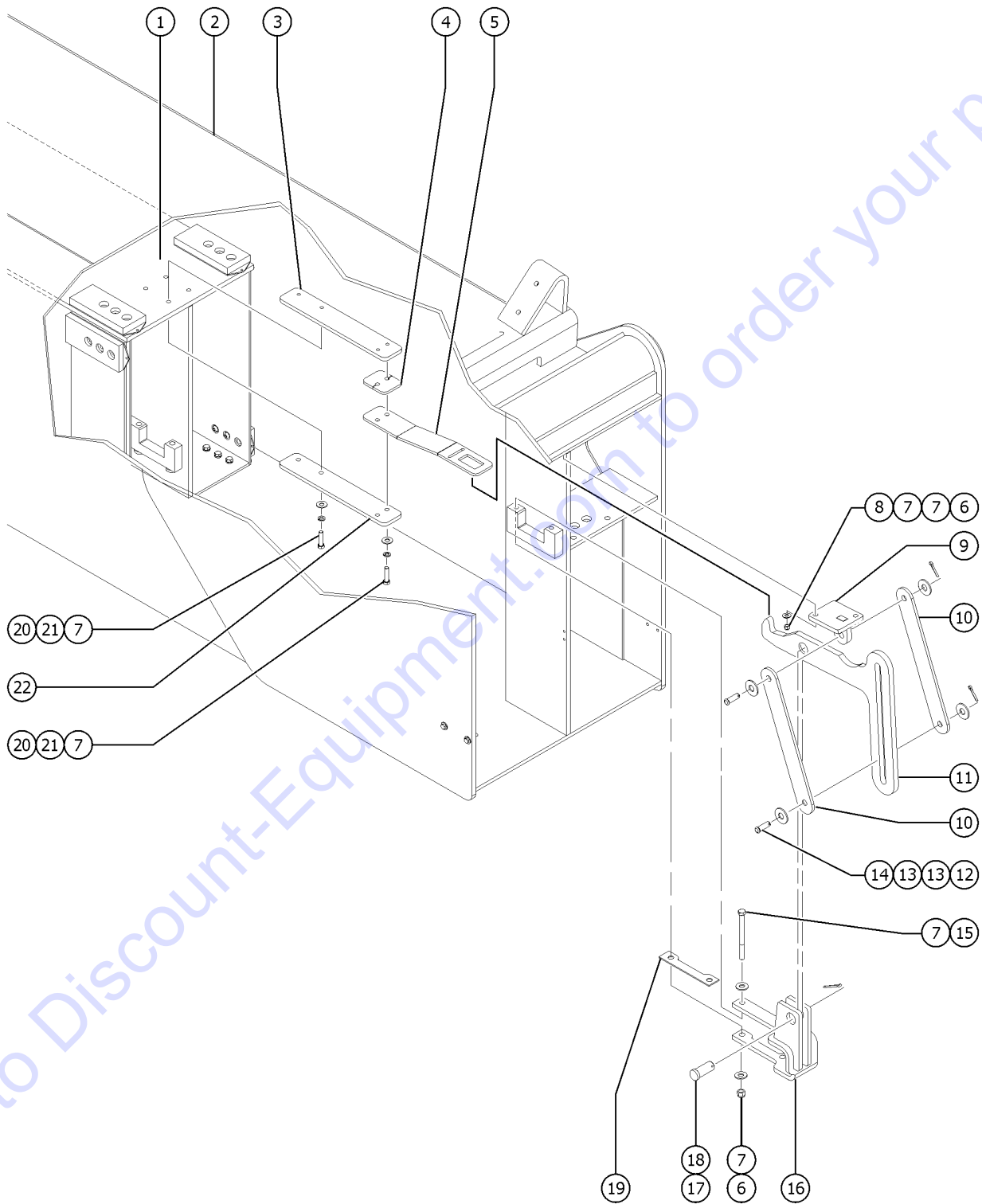


814.1 Hydraulic Generator Option, Platform J Box, Australian Models

| Item | Part No.  | Description   | Qty. |
|------|-----------|---|------|
| -    | 1258000GT | BOX,ASSY PLATFORM,J,AU/SK<br>Australia models only (complete, including 1 - 17) |      |
| 1    | 231532GT  | SCREW,HHF,M6-1.0X20,DIN6921,10.9,ZAB  |      |
| 2    | 230073GT  | SPRING CLIP,M6-1.0,0.8-4MM PAN  |      |
| 3    | 1275825GT | FORMING, PLAT JBOX MOUNT<br>(to SN ZX135H-4362)                                 | 1    |
| 3B   | 161388GT  | FORMING,WELDER JBOX MOUNT<br>(from SN ZX135H-4363)                              | 1    |
| 4    | 231513GT  | NUT,TL FLG,M6-1.0,DIN6927,10,Z  |      |
| 5    | 74913GT   | END STOP, DIN RAIL,SCREW CLAMP  | 2    |
| 6    | 825797GT  | BLOCK,DIN FEED THRU,16-6  | 2    |
| 7    | 825747GT  | BLOCK,DIN FEED THRU BLUE  | 2    |
| 8    | 825795GT  | BLOCK,DIN FEED THRU,16-6  | 2    |
| 9    | 825849GT  | JUMPER,2 PIN DIN RAIL TERMINAL  | 3    |
| 10   | 822103GT  | DIN RAIL, PARTITION PLATE   | 1    |
| 11   | 825748GT  | BOX,J,CIRCUIT BREAKERS EU   | 1    |
| 12   | 54365GT   | SCREW,PHIL,PHM,10-32 X .5,SSTL  |      |
| 13   | 6178GT    | NUT,NYLOCK,10-32  |      |
| 14   | 825737GT  | DIN RAIL, 4.60"   | 1    |
| 15   | 825761GT  | PANEL, ENCLOSURE, BACK  | 1    |
| 16   | 1269460GT | CABLE SQUEEZE CONN, M40X1.5   |      |
| 16-  | 822222GT  | CABLE SQUEEZE CONN., 1.25"  |      |
| 17   | 12960GT   | CABLE SQUEEZE CONN.,XTRA LRG  | 1    |
| 17-  | 14041GT   | LOCKNUT,ELECTRIC,3/4"   |      |



815.1 Boom Latch Kit



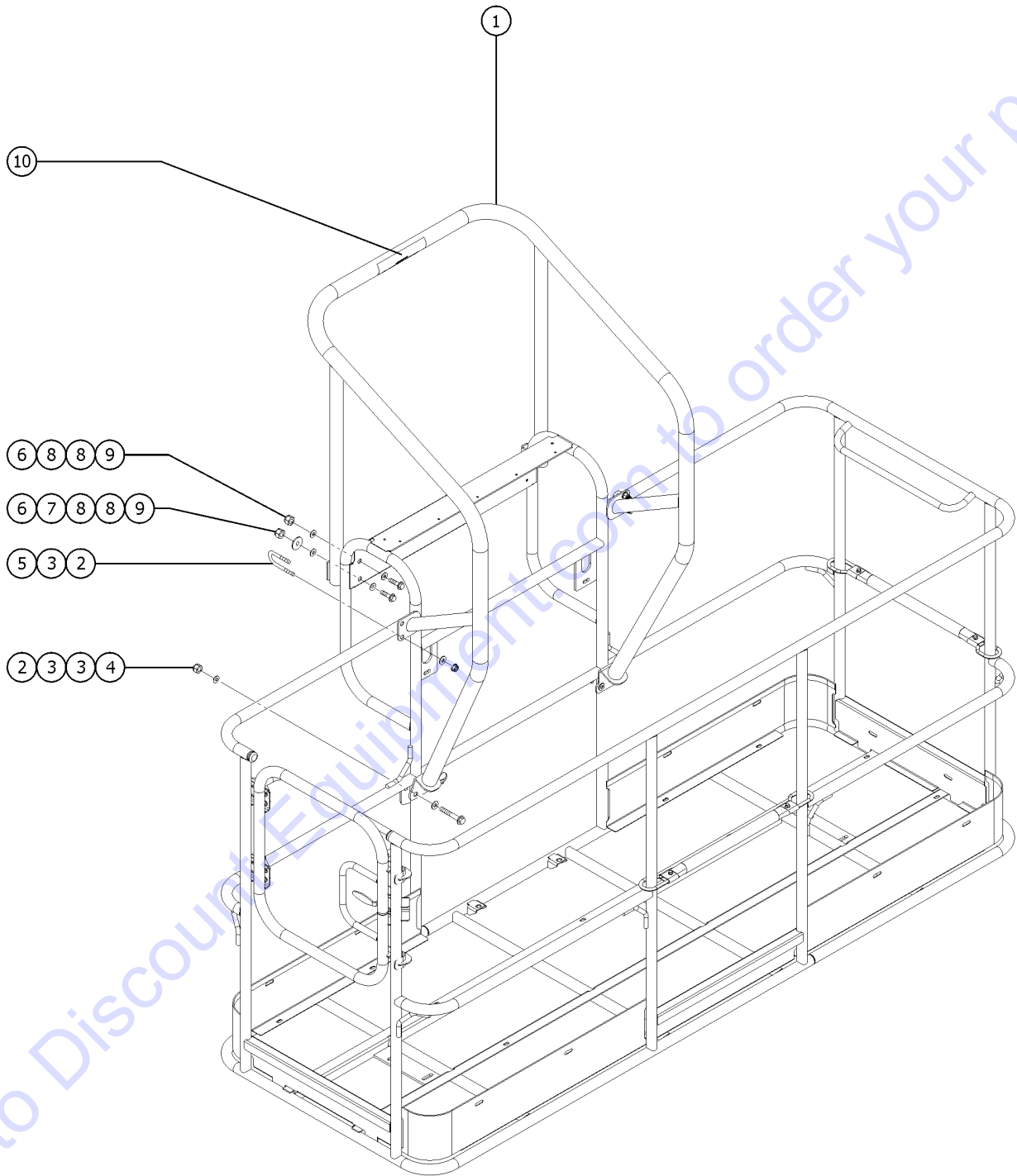
Go to Discount-Equipment.com to order your parts



| Item | Part No.    | Description  | Qty. |
|------|-------------|--|------|
| -    | 229400GT    | Z135 LATCH KIT<br>(Complete) includes items 1 - 22 | 1    |
| 1    |             | Ref. ASSY,RISER BOOM #4<br>(Refer to 505.1)        |      |
| 2    |             | Ref. ASSEMBLY,RISER BOOM #1<br>(Refer to 502.1)    |      |
| 3    | 231048GT    | Z135 LATCH,THREADED PRIMARY                        | 1    |
| 4    | 231047GT    | Z135 LATCH SPACER                                  | 1    |
| 5    | 229395GT    | Z135 LATCH,BREAK LINK                              | 1    |
| 6    | 4828GT      | NUT,NYLOCK,3/8-16                                  |      |
| 7    | 19934GT     | WASHER,3/8 HARD.STEEL-FLAT,USS                     |      |
| 8    | 6-5206-18GT | SCREW,HHC,3/8-16X2.25,GR8                          |      |
| 9    | 229393GT    | Z135 LATCH, GUIDE MOUNT                            | 1    |
| 10   | 229394GT    | Z135 LATCH,GUIDE LINK                              | 2    |
| 11   | 229388GT    | Z135 LATCH HOOK                                    | 1    |
| 12   | 229399GT    | CLEVIS PIN 0.5" X 1.5"                             | 2    |
| 13   | 6095GT      | WASHER,FLAT,USS,1/2",Y                             |      |
| 14   | 230971GT    | PIN,COTTER,156 X 1 Z                               | 2    |
| 15   | 230975GT    | SCREW,HHC,3/8-16 X 4.5,GR8                         | 2    |
| 16   | 229397GT    | Z135 LATCH,HOOK MOUNT                              | 1    |
| 17   | 826379GT    | PIN,CLEVIS,1X2.250,ZAG                             | 1    |
| 18   | 13635-10GT  | PIN,COTTER,156 X 1.75                              | 1    |
| 19   | 231046GT    | Z135 LATCH SHIM                                    | 1    |
| 20   | 6-5206-12GT | SCREW,HHC,3/8-16X1.5,GR8                           |      |
| 21   | 6021GT      | WASHER,LOCK,375                                    |      |
| 22   | 229396GT    | Z135 LATCH,PRIMARY LINK                            | 1    |



816.1 Operator Protection Structure



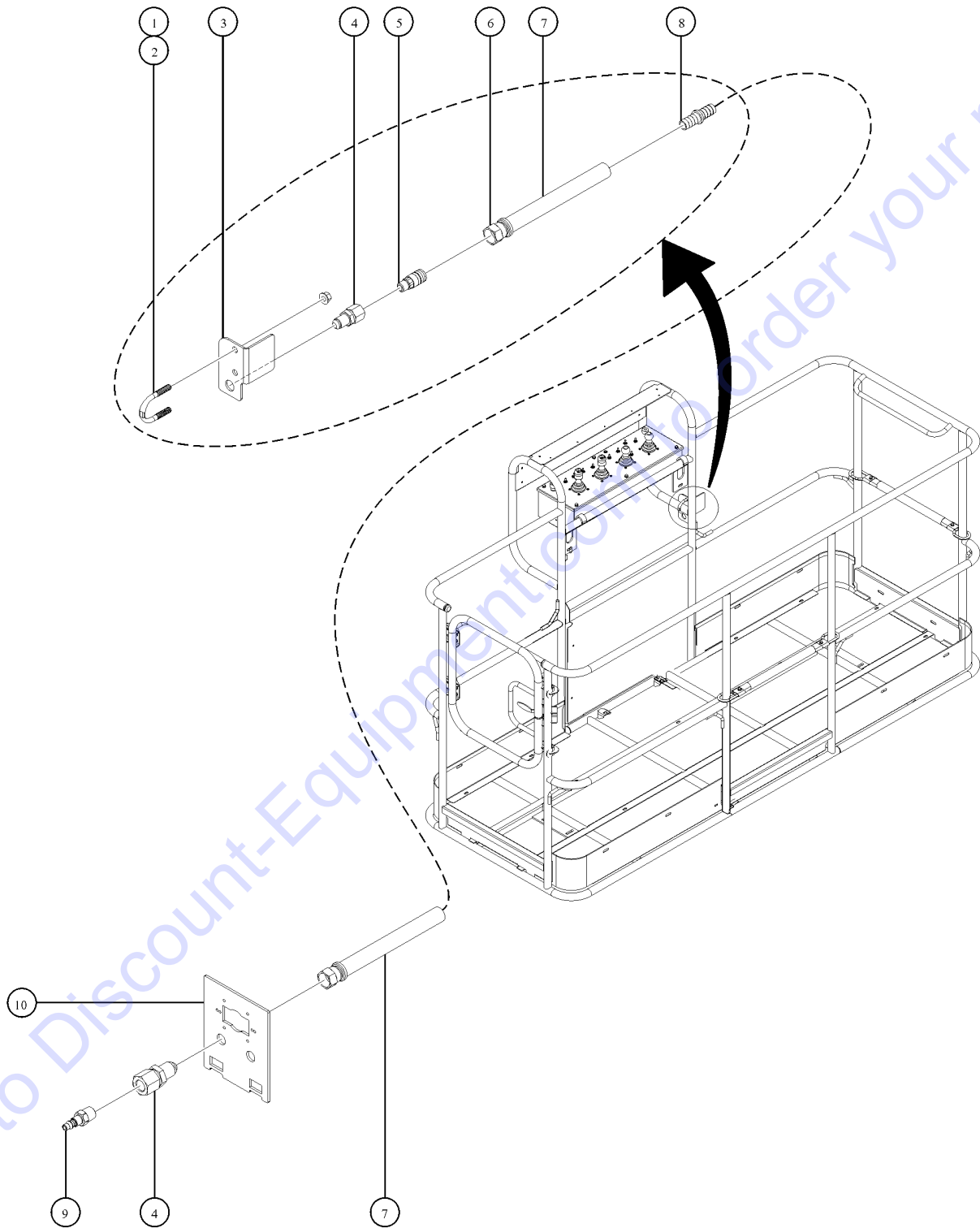
816.1 Operator Protection Structure

| Item | Part No.  | Description  | Qty. |
|------|-----------|--|------|
|      |           | Fits all 6' and 8' Booms   |      |
| 1    | 219158GT  | ACCESSORY, OPERATOR PROT STRUCT<br>(Complete) includes all fasteners                     | 1    |
| 2    | 1256468GT | NUT, 3/8-16, 8, ZAG  | 8    |
| 3    | 1255758GT | WASHER, FLAT, 3/8, USS, ZAG  | 12   |
| 4    | 824069GT  | SCREW, HHC, 3/8-16X2.5, 8, ZAG   | 4    |
| 5    | 1251600GT | U-BOLT, FLATTENED, 1.5 X 3/8   | 4    |
| 6    | 1261184GT | NUT, 1/4-20, 8, ZAG  | 4    |
| 7    | 824120GT  | WASHER, FLAT, .375X1.50X.125, ZAG<br>Use only with the platform control box cover option | 2    |
| 8    | 824113GT  | WASHER, FLAT, 1/4, USS, ZAG  | 6    |
| 9    | 824060GT  | SCREW, HHC, 1/4-20X1, 8, ZAG   | 4    |
| 10   |           | Ref. DECAL, INSTRUCTION, OPS<br>refer to Section 1                                       | 1    |

Go to Discount-Equipment.com to order your parts



817.1 Airline to Platform



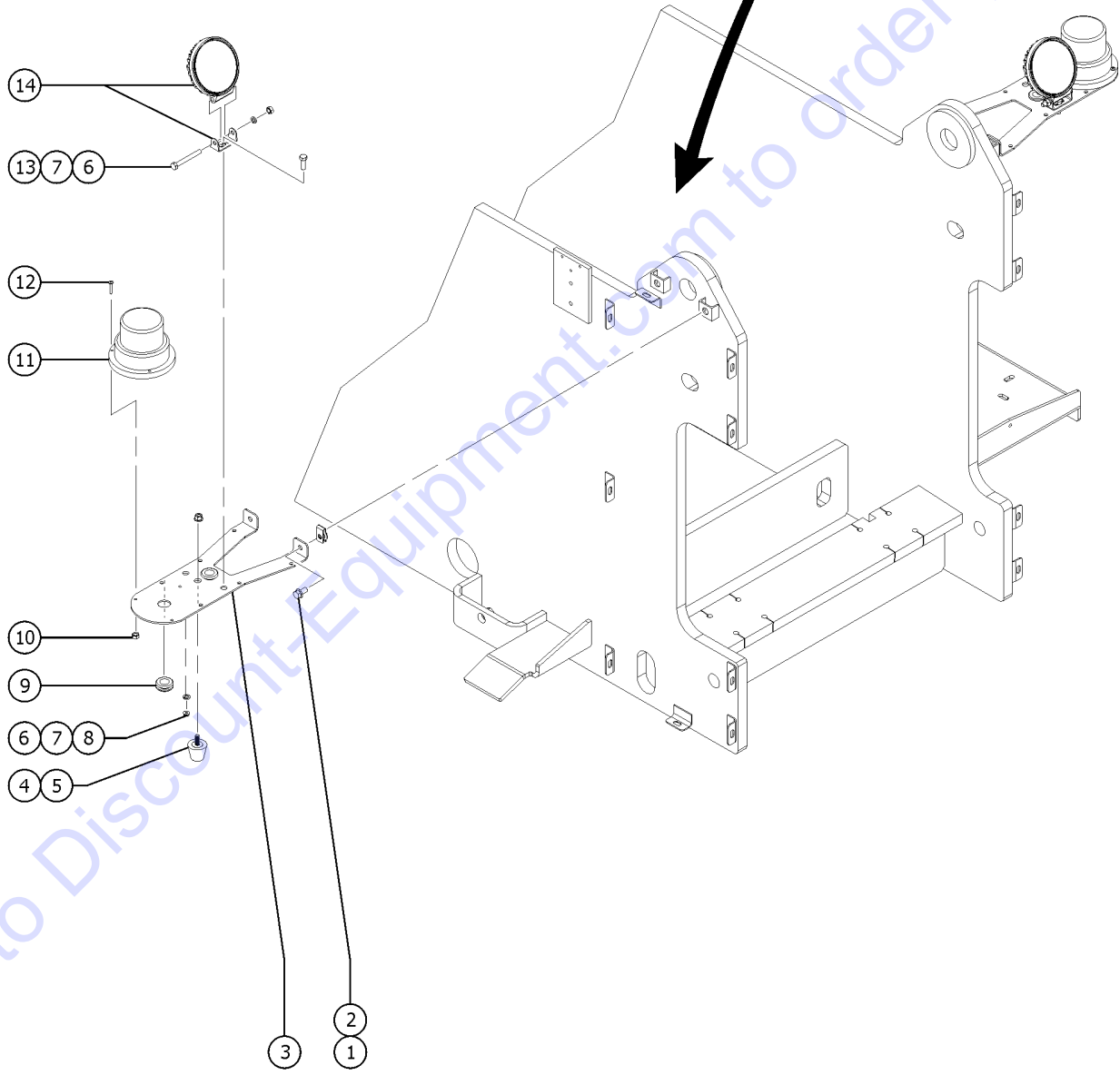
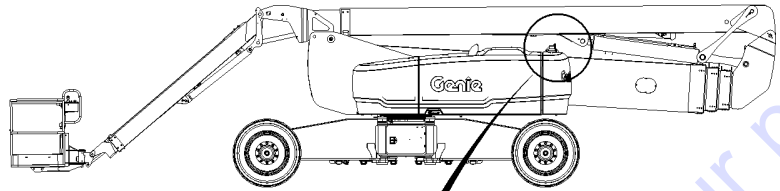
Go to Discount-Equipment.com to order your parts

| Item | Part No.       | Description                          | Qty. |
|------|----------------|--------------------------------------|------|
| -    | 98023GT        | Z135,AIR LINE TO PLATFORM .....      | 1    |
| -    | 107550-34432GT | ASSEMBLY, AIRLINE TO PLAT .....      | 1    |
|      |                | (includes items 6-8)                 |      |
| -    | 107550-97832GT | ASSEMBLY,HOSE,1/2" AIRLINE .....     | 1    |
|      |                | (includes items 6-8)                 |      |
| -    | 101106GT       | CLAMP ASSY.OPTIONS BLOCK W/NUT ..... | 6    |
| 1    | 1251600GT      | U-BOLT, FLATTENED, 1.5 X 3/8 .....   | 1    |
| 2    | 824029GT       | NUT,TL FLG,3/8-16,G,ZAG .....        | 2    |
| 3    | 1275087GT      | FORMING, AIR TO PLAT .....           | 1    |
| 4    | 49212GT        | FEMALE BULKHEAD CONNECTOR-8 .....    | 2    |
| 5    | 49215GT        | MPT,CPLR,1/4"SER,3/8"X18 .....       | 1    |
| 6    | 49213GT        | HOSE END,BARBED,SWIVEL,JIC,8-8 ..... | 2    |
| 7    | 39888GT        | HOSE,1/2,LOW PRESSURE,801-8*** ..... | 1    |
| 8    | 107549GT       | UNION,PUSH-LOK, -8-8 .....           | 2    |
| 9    | 49214GT        | MALE PIPE THD,1/4" SER,3/8"X18 ..... | 1    |
| 10   |                | REF. FORMING, PANEL .....            | 1    |
|      |                | (refer to 301.1)                     |      |

Go to Discount-Equipment.com to order your parts



818.1 Drive Light and Flashing Beacon



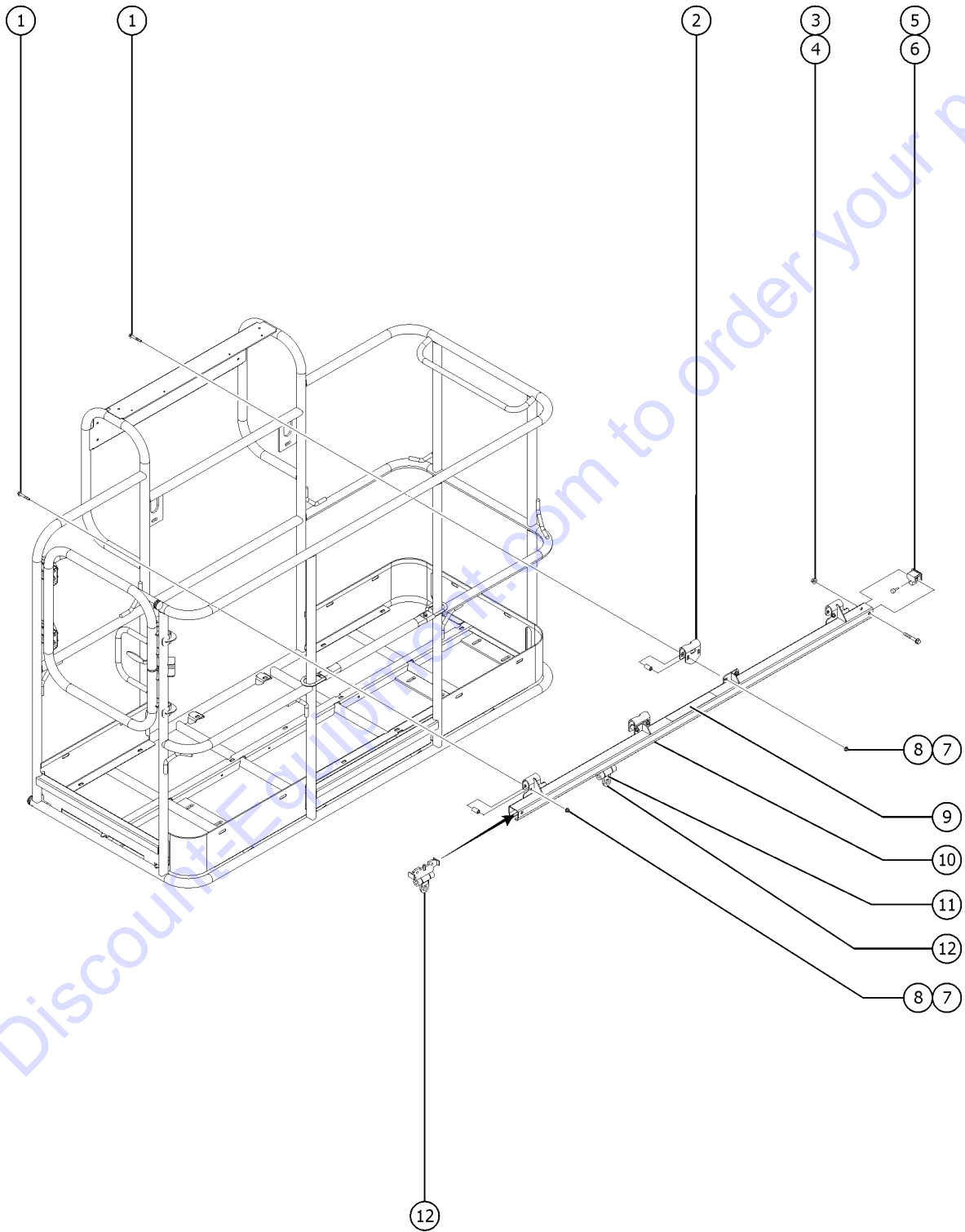
818.1 Drive Light and Flashing Beacon

| Item | Part No.  | Description                                 | Qty. |
|------|-----------|---|------|
| 1    | 824089GT  | SCREW,HHF,3/8-16X.75,8,ZAG .....            |      |
| 2    | 29868GT   | SPRING CLIP,3/8-16,.05-.20X.73,ZAG .....    |      |
| 3    | 161879GT  | FORMING DRIVE LIGHTS .....                  | 2    |
| 4    | 30973GT   | BUMPER,RUBBER-1 X 1.25 .....                | 2    |
| 5    | 824028GT  | NUT,TL FLG,5/16-18,G,ZAG .....              |      |
| 6    | 1266587GT | NUT,M6-1.0,DIN934,10,ZAB .....              |      |
| 7    | 824141GT  | WASHER,LOCK,M8,ZAB .....                    |      |
| 8    | 824133GT  | SCREW,HHF,M8-1.25X25,DIN6921,10.9,ZAB ..... |      |
| 9    | 60584GT   | GROMMET,RUBBER .75 X .19 X 1** .....        | 4    |
| 10   | 824032GT  | NUT,TL FLG,10-32,F,ZAG .....                |      |
| 11   | 56704GT   | STROBE,FIREBOLT,12-80VDC,AMB** .....        | 2    |
| 12   | 826516GT  | SCREW, PHPM, 10-32 X 1.0, ZAG .....         |      |
| 13   | 75185GT   | SCREW,HHC,M8X1.25X 70MM,GR8.8 .....         |      |
| 14   | 823520GT  | ASSY, DRIVE LIGHT, 12V LED .....            | 2    |

Go to Discount-Equipment.com to order your parts



819.1 Fall Arrest Bar



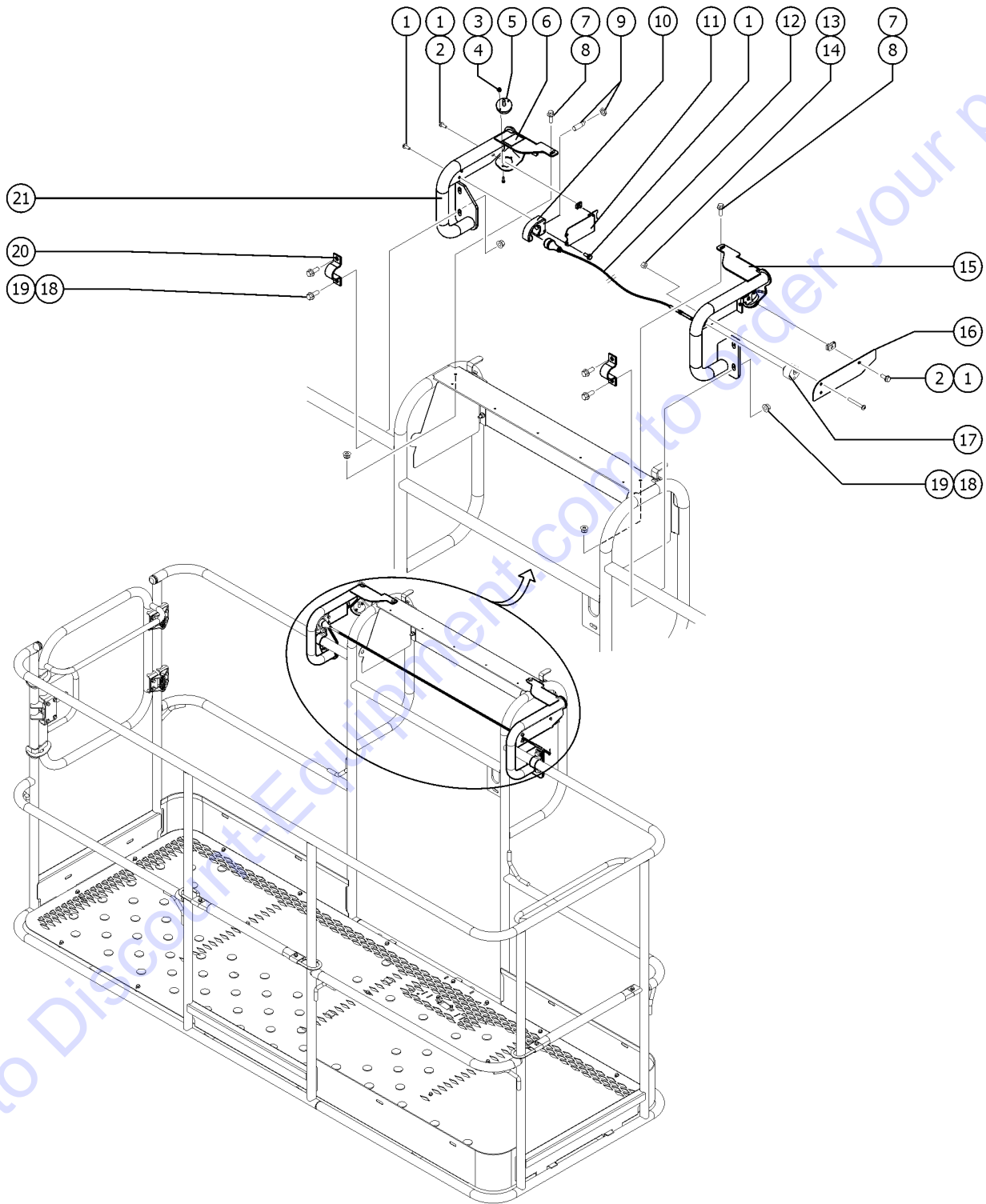
Go to DiscountEquipment.com to order your parts



| Item | Part No.    | Description  | Qty. |
|------|-------------|--|------|
| 1    | 1256856GT   | SCREW,HHF,3/8-16X2.5,8,ZAG   | 4    |
| 2    | 1256389GT   | FORMING,INNER HANGER   | 2    |
| 3    | 1251997GT   | NUT,TL FLG,1/2-13,G,ZAG  | 2    |
| 4    | 1256851GT   | SCREW,HHF,1/2-13X3.5,8,ZAG   | 2    |
| 5    | 1260892GT   | END STOP. TFAAS TRACK  | 2    |
| 6    | 36388GT     | BUMPER,RUBBER,.75 X .50H,STUD                                      | 2    |
| 7    | 1274322GT   | NUT,NYLOCK FLG,3/8-16,G,ZAG  | 8    |
| 8    | 1256481GT   | SPACER, HANGER BRACKET   | 8    |
| 9A   | 1256400GT   | DECAL,TFAAS TRACK,WORD   | 1    |
| 9B   | 1260910GT   | DECAL,TFAAS TRACK,SYMBOL   | 1    |
| 9C   | 1256400FRGT | DECAL,TFAAS TRACK,WORD FR  | 1    |
| 10A  | 1256377GT   | ACC,TFAAS FALL ARREST,8FT WORD<br>includes instructions and decals | 1    |
| 10A- | 1256379GT   | ASSY,TFAAS TRACK,8FT WORD<br>includes decals                       |      |
| 10B  | 1261022GT   | ACC,TFAAS FALL ARREST,8FT SYM<br>includes instructions and decals  | 1    |
| 10B- | 1261024GT   | ASSY,TFAAS TRACK,8FT SYM<br>includes decals                        |      |
| 10C  | 1261018GT   | ACC,TFAAS FALL ARREST,8FT FR<br>includes instructions and decals   | 1    |
| 10C- | 1261020GT   | ASSY,TFAAS TRACK,8FT FR<br>includes decals                         |      |
| 10D  | 1256378GT   | ACC,TFAAS FALL ARREST,6FT WORD<br>includes instructions and decals | 1    |
| 10D- | 1256380GT   | ASSY,TFAAS TRACK,6FT WORD<br>includes decals                       |      |
| 10E  | 1261023GT   | ACC,TFAAS FALL ARREST,6FT SYM<br>includes instructions and decals  | 1    |
| 10E- | 1261025GT   | ASSY,TFAAS TRACK,6FT SYM<br>includes decals                        |      |
| 10F  | 1261019GT   | ACC,TFAAS FALL ARREST,6FT FR<br>includes instructions and decals   | 1    |
| 10F- | 1261021GT   | ASSY,TFAAS TRACK,6FT FR<br>includes decals                         |      |
| 11   | 40434GT     | DECAL,LANYARD ANCHORAGE POINT                                      | 1    |
| 12   | 1256439GT   | TROLLEY, TFAAS TRACK   | 1    |



820.1 Lift Guard Contact Alarm Option

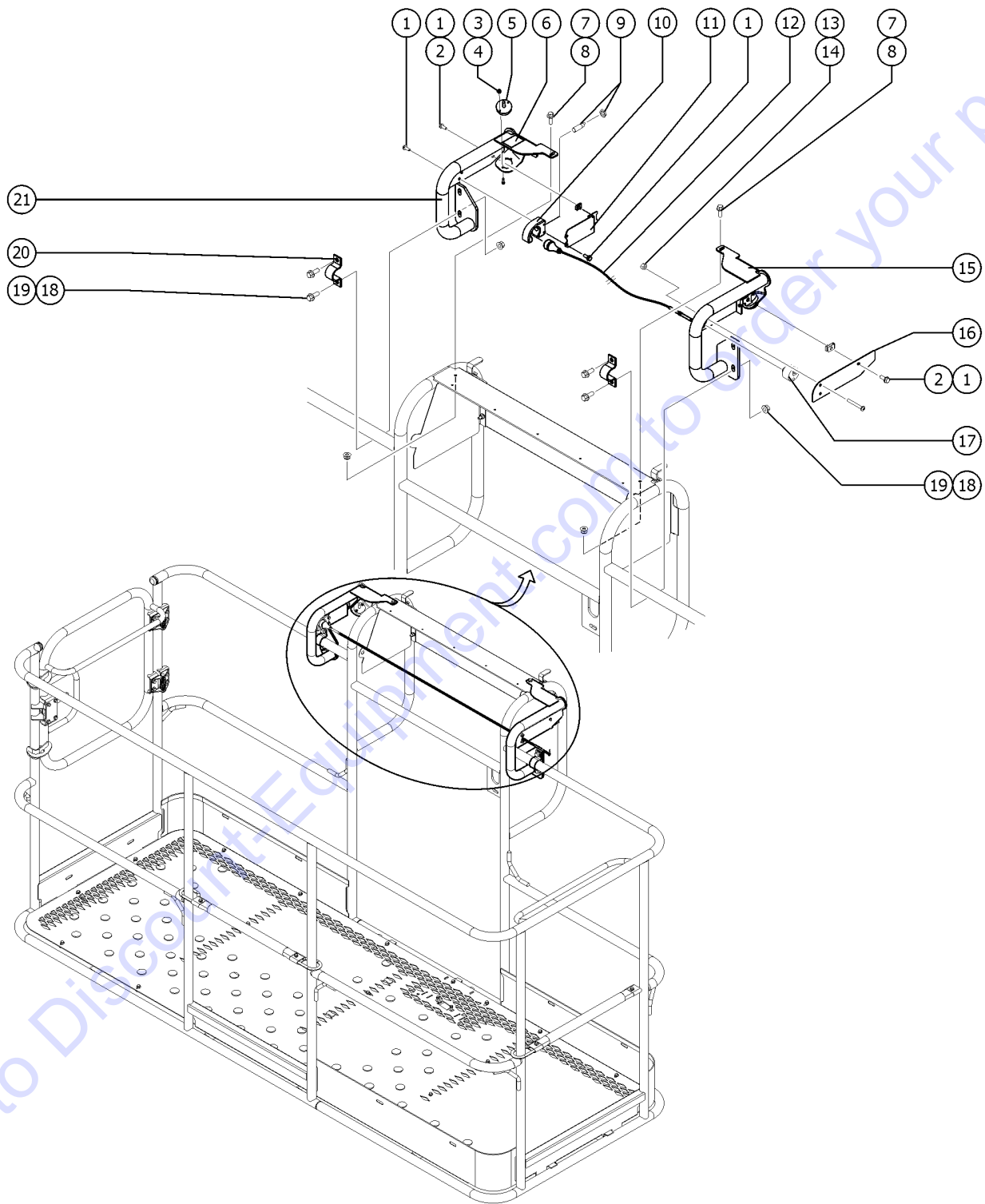


820.1 Lift Guard Contact Alarm Option

| Item | Part No.  | Description   | Qty. |
|------|-----------|---|------|
| A-   |           | This option is a standard installation on all models unless the customer specifically request not to have it installed. |      |
| B-   | 1279134GT | KIT, LIFT GUARD CONTACT ALARM,6'-8' PLATFORM,ALC1000 .....  |      |
| C-   | 1279135GT | KIT, LIFT GUARD CONTACT ALARM,6'-8' PLATFORM,NON-ALC1000 .....  |      |
| D-   | 1278117GT | HARNES, CONTACT ALARM, ALC1000 .....  |      |
| D-   | 19274GT   | RELAY,SPDT,12V(AUTO)** .....  |      |
| D-   | 1278121GT | MODULE PLUS+1 CONTACT ALARM<br>located inside the Platform Control Box .....  |      |
| 1    | 1264934GT | SCREW, HHF, 10-24 X .5 .....  |      |
| 2    | 73575GT   | SPRING CLIP,10-24,ZINC .....  |      |
| 3    | 12344GT   | NUT,NYLOCK,6-32 .....   |      |
| 4    | 1256859GT | SCREW,PHPM,6-32X7/8,ZAG .....   |      |
| 5    | 1278111GT | ASSEMBLY, LIGHT, CONTACT ALARM .....  | 2    |
| 5B   | 1285850GT | ASSEMBLY,AMBER LIGHT,CONTACT ALARM .....  |      |
| 6    | 1278542GT | DECAL, INSTRUCTION, CONTACT ALARM .....   |      |
| 7    | 824078GT  | SCREW,HHF,1/4-20X.75,8,ZAG .....  |      |
| 8    | 1277924GT | NUT,NYLOCK FLG,1/4-20,F,ZAG .....   |      |
| 9    | 1278119GT | ASSEMBLY SENSOR PROX OPA2 .....   | 1    |
| 10   | 1278433GT | ASSY SENSOR W/HOUSING<br>(Includes holder item 1277877 and sensor part 1278119) .....                                   |      |
| 10-  | 1277877GT | HOLDER, SENSOR .....  | 1    |
| 11   | 1277873GT | FORMING, SENSOR HOLDER .....  | 1    |
| 12   | 1278416GT | ASSEMBLY OPA CABLE LARGE .....  | 1    |
| 12-  | 1278124GT | MAGNET, 1/4-20, 15 LB.<br>Part of assembly 1278416 .....  |      |
| 12-  | 1278458GT | CONTACT ALARM WIRE ASSY, LARGE<br>Part of assembly 1278416 .....  |      |
| 12-  | 1278368GT | GRIP, CABLE<br>Part of assembly 1278416 .....   |      |
| 12-  | 1261184GT | NUT,1/4-20,8,ZAG<br>Part of assembly 1278416 .....  |      |
| 13   | 1274168GT | NUT,NYLOCK,10-32,A,ZAG .....  |      |
| 14   | 824216GT  | SCREW,PHPM,10-32X1.5,ZAG .....  |      |
| 15   | 1278138GT | WELDMENT, RIGHT CONTACT ALARM, LARGE .....  | 1    |
| 16   | 1277875GT | PLATE, CABLE AND WIRE COVER .....   | 1    |



820.1 Lift Guard Contact Alarm Option



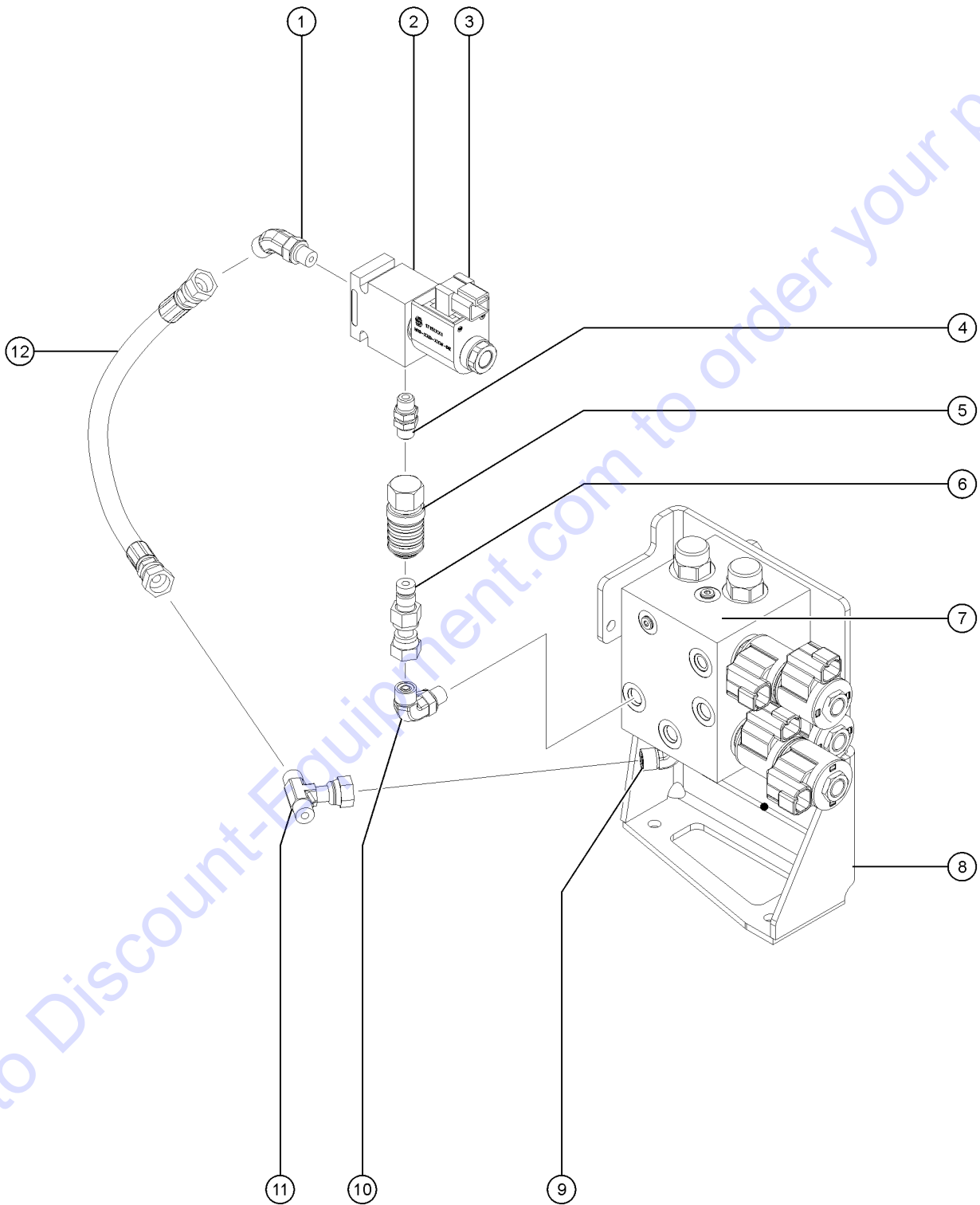
820.1 Lift Guard Contact Alarm Option

| Item | Part No.  | Description                                      | Qty. |
|------|-----------|--|------|
| 17   | 1277876GT | GUIDE, CABLE .....                               | 1    |
| 18   | 1274322GT | NUT,NYLOCK FLG,3/8-16,G,ZAG .....                |      |
| 19   | 824090GT  | SCREW,HHF,3/8-16X1,8,ZAG .....                   |      |
| 20   | 1278363GT | CLAMP, 1.25 INCH TUBE .....                      | 2    |
| 21   | 1278144GT | WELDMENT, LEFT CONTACT ALARM, LARGE .....        | 1    |
| 22   | 1278982GT | DECAL, INSTRUCTION, ACTUATOR SWITCH SOCKET ..... | 1    |

Go to Discount-Equipment.com to order your parts



821.1 Platform Recirculating Hydraulic Oil Option



Go to Discount-Equipment.com to order your parts

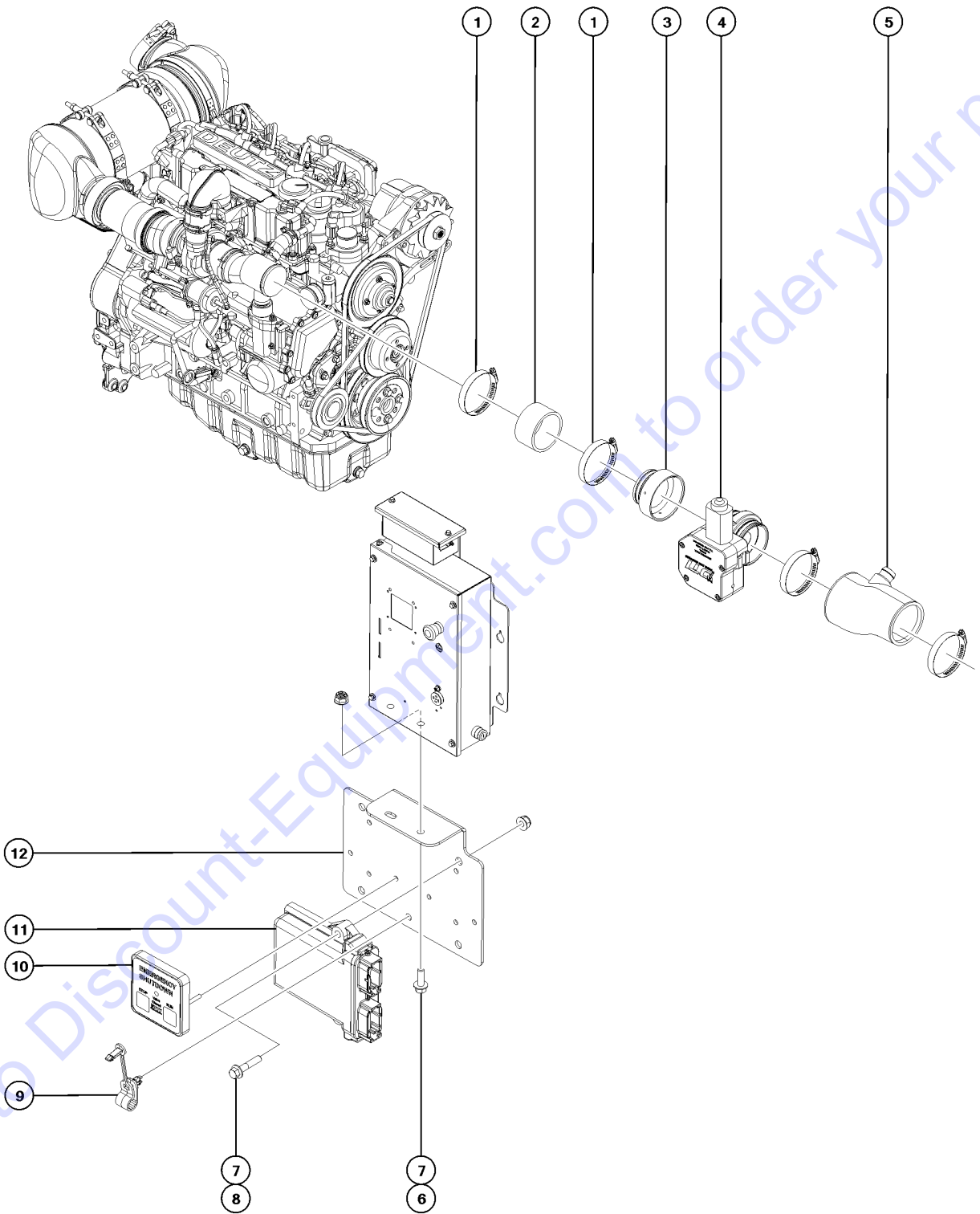
821.1 Platform Recirculating Hydraulic Oil Option

| Item | Part No.   | Description                                | Qty. |
|------|------------|--|------|
| 1    | 48907GT    | ELBOW,45D,520320-4 .....                   |      |
| 2    | 119907GT   | CARTRIDGE,VALVE HOUSING .....              |      |
| 3    | 119908GT   | VALVE,SOLENOID,NOR .....                   |      |
| 4    | 119909GT   | CONN,0505-4-4,ORB .....                    |      |
| 5    | 119906GT   | NIPPLE,DIAGNOSTIC,FML,7/16-20 .....        |      |
| 6    | 49207GT    | NIPPLE,DIAGNOSTIC,ORFS,FM,SWIV .....       |      |
| 7    |            | Ref. Platform manifold (706.1) .....       |      |
| 8    |            | Ref. manifold mount (601.1) .....          |      |
| 9    |            | Ref. (part of the Platform manifold) ..... |      |
| 10   | 48904GT    | ELBOW,90D,520220-4-4 .....                 |      |
| 11   | 48891GT    | FITTING,TEE,BRANCH,520433-4 .....          |      |
| 12   | 49119-1400 | HOSE ASSY,1/4,STR .....                    |      |

Go to Discount-Equipment.com to order your parts



822.1 Pass Option, Deutz TD2.9





| Item | Part No.  | Description                                       | Qty. |
|------|-----------|---|------|
| -    | 1290849GT | HARNESS, CONTROL, PASS .....                      | 1    |
| 1    | 30971GT   | CLAMP,HOSE,3.00" .....                            | 2    |
| 2    | 1289823GT | HOSE, INTAKE SILICONE 2.5" ID X 1.54" LG .....    | 1    |
| 3    | 1289837GT | NOZZLE 3" TO 2.5" .....                           | 1    |
| 4    | 1289536GT | VALVE, PASS DEUTZ T4 .....                        | 1    |
| 5    | 1289853GT | HOSE,REDUCER,OFFSET,TURBO INLET, DEUTZ 2.9L ..... | 1    |
| 6    | 824078GT  | SCREW,HHF,1/4-20X.75,8,ZAG .....                  | 2    |
| 7    | 1277924GT | NUT,NYLOCK FLG,1/4-20,F,ZAG .....                 | 4    |
| 8    | 824080GT  | SCREW,HHF,1/4-20X1.25,8,ZAG .....                 | 2    |
| 9    | 219508GT  | CLAMP,FIXED DIA, NYLON, 3/8" .....                | 1    |
| 10   | 1290107GT | HARNESS, MODULE, ESTOP, PASS .....                | 1    |
| 11   | 1291573GT | CONTROLLER, VCU, DEUTZ 2.9 .....                  | 1    |
| 12   | 1264229GT | BRACKET, POSITIVE AIR SHUTOFF .....               | 1    |

Go to Discount-Equipment.com to order your parts



| <u>Part no.</u> | <u>Page Number</u> | <u>Part no.</u> | <u>Page Number</u>           | <u>Part no.</u> | <u>Page Number</u> |
|-----------------|--------------------|-----------------|------------------------------|-----------------|--------------------|
| 6-5206-12GT     | 301                | 20776GT         | 297                          | 30996GT         | 85                 |
| 6-5206-18GT     | 301                | 21130GT         | 105, 127                     | 30997GT         | 83, 219            |
| 07.4501.0291GT  | 119                | 21465GT         | 109, 117, 149                | 31060GT         | 15, 19, 23, 25     |
| 1268GT          | 11                 | 21858GT         | 219                          | 31120GT         | 267                |
| 1484GT          | 11                 | 22571GT         | 267, 269                     | 31523GT         | 277                |
| 4201GT          | 191                | 22672GT         | 111, 131, 277                | 31779GT         | 11                 |
| 4828GT          | 287, 301           | 24514GT         | 209, 213                     | 31788GT         | 15                 |
| 5397GT          | 133, 287, 297      | 27089GT         | 149                          | 32150GT         | 11                 |
| 6019GT          | 133                | 27204GT         | 23, 35                       | 32151GT         | 11                 |
| 6021GT          | 301                | 27205GT         | 19, 31                       | 32741GT         | 239                |
| 6037GT          | 297                | 27206GT         | 19, 23, 31, 35               | 33428GT         | 45, 175, 191       |
| 6090GT          | 217                | 27207GT         | 19, 23, 31, 35               | 33994GT         | 11                 |
| 6091GT          | 179                | 27246GT         | 217                          | 34052GT         | 81                 |
| 6095GT          | 301                | 27581GT         | 11                           | 34053GT         | 81                 |
| 6146GT          | 219                | 27697GT         | 91, 155                      | 34124GT         | 89, 155            |
| 6178GT          | 219, 299           | 27698GT         | 163                          | 34125GT         | 185, 201           |
| 6272GT          | 85                 | 27761GT         | 225                          | 34127GT         | 57                 |
| 6356GT          | 217                | 27802GT         | 239, 241                     | 34619GT         | 61                 |
| 6638GT          | 217                | 27836GT         | 225, 237                     | 34955GT         | 277, 279, 281      |
| 6782GT          | 297                | 27901GT         | 117                          | 35432GT         | 277                |
| 6833GT          | 127, 219           | 28159GT         | 33                           | 35434GT         | 109, 131, 137      |
| 6889GT          | 291                | 28174GT         | 15, 27, 29, 39               | 35461GT         | 219, 287           |
| 6935GT          | 81, 205, 297       | 28235GT         | 15, 27, 29, 39               | 35675GT         | 69, 101, 121, 151  |
| 7057GT          | 81, 205, 297       | 28236GT         | 27, 29                       | 35956GT         | 267                |
| 7339GT          | 57                 | 28443GT         | 287                          | 36208GT         | 111, 277           |
| 7746GT          | 271                | 28646GT         | 79                           | 36388GT         | 309                |
| 9599-SGT        | 267, 271           | 28750GT         | 11                           | 37947GT         | 59, 65             |
| 10777GT         | 205                | 29029GT         | 239, 241                     | 38149GT         | 15                 |
| 12011GT         | 173                | 29080GT         | 201                          | 39317GT         | 183                |
| 12344GT         | 219, 297, 311      | 29314GT         | 49, 53                       | 39346GT         | 245                |
| 12448GT         | 213                | 29560GT         | 13                           | 39478GT         | 203                |
| 12960GT         | 299                | 29739GT         | 265                          | 39640GT         | 185                |
| 13000GT         | 297                | 29868GT         | 59, 63, 65, 69, 75, 77...    | 39888GT         | 305                |
| 13268GT         | 83, 219            | 29883GT         | 133                          | 40434GT         | 27, 29, 39, 309    |
| 13585GT         | 205                | 30137GT         | 201                          | 42070GT         | 71                 |
| 13635-10GT      | 301                | 30138GT         | 201                          | 42079GT         | 181, 187, 195      |
| 14041GT         | 297, 299           | 30143GT         | 69                           | 42288GT         | 219                |
| 18665GT         | 297                | 30144GT         | 69                           | 42502GT         | 201                |
| 18666GT         | 127, 289           | 30468GT         | 267                          | 42787GT         | 255                |
| 19018-1100GT    | 271                | 30489GT         | 101, 131, 141, 277, 279, 281 | 42788GT         | 255                |
| 19274GT         | 311                | 30971GT         | 113, 141, 277, 279, 317      | 43018GT         | 45, 167, 243       |
| 19934GT         | 301                | 30973GT         | 63, 69, 307                  | 43392GT         | 211, 213, 269      |

| <u>Part no.</u> | <u>Page Number</u>         | <u>Part no.</u> | <u>Page Number</u>          | <u>Part no.</u> | <u>Page Number</u>      |
|-----------------|----------------------------|-----------------|-----------------------------|-----------------|-------------------------|
| 43960GT         | 155, 179, 181, 195         | 48937GT         | 87, 247, 251, 253, 259, 261 | 49130-5482GT    | 251                     |
| 44170GT         | 235, 245                   | 48943GT         | 259                         | 49130-14682GT   | 259                     |
| 44174GT         | 235, 245                   | 48946GT         | 253                         | 49141-2863GT    | 257                     |
| 44216GT         | 235                        | 48947GT         | 261                         | 49141-3213GT    | 259                     |
| 44224GT         | 293                        | 48948GT         | 247, 251, 261               | 49141-5863GT    | 247                     |
| 44227GT         | 235                        | 48959GT         | 63, 77, 253, 259, 291, 295  | 49143-1729GT    | 257                     |
| 44228GT         | 235, 245                   | 48960GT         | 81, 247, 251, 253, 259, 291 | 49143-2529GT    | 257                     |
| 44229GT         | 235, 245                   | 48961GT         | 77, 87, 247, 251, 255, 295  | 49150-6730GT    | 255                     |
| 44235GT         | 235                        | 48963GT         | 73, 87, 247, 253, 259       | 49150-10230GT   | 253                     |
| 44981GT         | 15, 27, 29, 39             | 48968GT         | 259                         | 49150-19130GT   | 255                     |
| 45363GT         | 121, 129                   | 48974GT         | 295                         | 49151-1548GT    | 255                     |
| 45435GT         | 131, 277                   | 48975GT         | 295                         | 49151-9398GT    | 253                     |
| 45708GT         | 69                         | 48978GT         | 253                         | 49163-6994GT    | 247                     |
| 45782GT         | 107                        | 48984GT         | 73, 255                     | 49167-2229GT    | 255                     |
| 45912GT         | 241                        | 48996GT         | 73, 255                     | 49181-3440GT    | 251                     |
| 45921GT         | 239, 241                   | 48997GT         | 261                         | 49181-5990GT    | 247                     |
| 46131GT         | 117                        | 48998GT         | 247, 251, 253               | 49183-4592GT    | 295                     |
| 46288GT         | 235                        | 49116-2387GT    | 261                         | 49183-5092GT    | 253                     |
| 47363GT         | 287                        | 49118-1508GT    | 295                         | 49183-5992GT    | 251                     |
| 47377GT         | 199                        | 49119-1400      | 315                         | 49183-13192GT   | 259                     |
| 47666GT         | 193                        | 49119-1678GT    | 255                         | 49183-14992GT   | 259                     |
| 48880GT         | 129, 253, 255, 261, 293    | 49119-2078GT    | 253                         | 49189-9738GT    | 49                      |
| 48881GT         | 295                        | 49119-2378GT    | 255                         | 49207GT         | 129, 255, 315           |
| 48885GT         | 79                         | 49119-3378GT    | 261                         | 49212GT         | 305                     |
| 48887GT         | 49                         | 49119-3478GT    | 253                         | 49213GT         | 305                     |
| 48891GT         | 315                        | 49119-3678GT    | 253                         | 49214GT         | 305                     |
| 48894GT         | 247, 259                   | 49119-4178GT    | 261                         | 49215GT         | 305                     |
| 48904GT         | 115, 255, 261, 315         | 49119-5378GT    | 261                         | 49366GT         | 43                      |
| 48905GT         | 143, 247, 251, 253, 261    | 49119-12478GT   | 261                         | 49408GT         | 267, 269                |
| 48906GT         | 295                        | 49119-12778GT   | 261                         | 49418GT         | 255                     |
| 48907GT         | 115, 261, 315              | 49119-34178GT   | 261                         | 49612GT         | 11                      |
| 48908GT         | 77, 253                    | 49119-34378GT   | 261                         | 49924GT         | 13, 105, 115            |
| 48911GT         | 247, 251                   | 49120-1481GT    | 251                         | 50245GT         | 157, 159, 161, 163, 185 |
| 48912GT         | 77, 247, 251, 253, 261     | 49120-3781GT    | 249                         | 50546GT         | 199                     |
| 48913GT         | 291, 295                   | 49120-3881GT    | 249, 251                    | 50701GT         | 199                     |
| 48916GT         | 77, 251, 253, 259, 261     | 49120-4181GT    | 251                         | 50787-SGT       | 103                     |
| 48924GT         | 247, 251                   | 49120-6381GT    | 247                         | 50813GT         | 203                     |
| 48927GT         | 253                        | 49120-10981GT   | 251                         | 50974GT         | 61, 65, 71, 75, 79, 103 |
| 48932GT         | 115, 143, 255              | 49120-11381GT   | 249                         | 51580GT         | 293                     |
| 48933GT         | 73, 79, 247, 253, 259, 261 | 49126-2283GT    | 261                         | 52087GT         | 265                     |
| 48935GT         | 87, 247                    | 49128-2709GT    | 253                         | 52352GT         | 103                     |
| 48936GT         | 89, 247                    | 49130-1307GT    | 259                         | 52371GT         | 235                     |

| <u>Part no.</u> | <u>Page Number</u>         | <u>Part no.</u> | <u>Page Number</u>    | <u>Part no.</u> | <u>Page Number</u>     |
|-----------------|----------------------------|-----------------|-----------------------|-----------------|------------------------|
| 52475GT         | 19, 23, 31, 35             | 60334GT         | 77, 187               | 61223GT         | 91                     |
| 52484GT         | 293                        | 60429GT         | 155                   | 61259GT         | 261                    |
| 52723GT         | 225                        | 60439GT         | 181, 195              | 61262GT         | 291, 295               |
| 52768GT         | 73                         | 60443GT         | 155, 179              | 61263GT         | 73, 255                |
| 52865GT         | 15                         | 60474GT         | 209                   | 61270GT         | 113, 135, 141          |
| 52866GT         | 113                        | 60475GT         | 209                   | 61602GT         | 193, 199               |
| 52943GT         | 229, 231, 233              | 60476GT         | 209                   | 61812GT         | 91                     |
| 53189GT         | 273                        | 60477GT         | 209                   | 61814GT         | 175                    |
| 54063GT         | 199                        | 60478GT         | 209                   | 61815GT         | 185                    |
| 54283GT         | 291                        | 60525GT         | 105                   | 61817GT         | 193                    |
| 54324GT         | 71                         | 60526GT         | 105                   | 61820GT         | 173                    |
| 54365GT         | 219, 299                   | 60536GT         | 11                    | 61852GT         | 181                    |
| 55067GT         | 205                        | 60559GT         | 73                    | 61920PGT        | 191                    |
| 55753GT         | 211, 215, 267, 271         | 60564GT         | 133                   | 61952PGT        | 163                    |
| 55906GT         | 83                         | 60575PGT        | 87                    | 62252GT         | 225                    |
| 56093GT         | 173                        | 60576GT         | 131                   | 62253GT         | 225                    |
| 56236GT         | 237                        | 60584GT         | 63, 69, 119, 145, 307 | 62374GT         | 83                     |
| 56424GT         | 209, 213, 271              | 60609GT         | 57                    | 62375GT         | 83                     |
| 56462GT         | 75                         | 60618GT         | 57                    | 62379GT         | 85, 219                |
| 56525GT         | 271                        | 60625GT         | 69                    | 62392GT         | 223                    |
| 56570GT         | 271                        | 60637GT         | 69, 133               | 62412GT         | 77                     |
| 56604GT         | 255                        | 60649GT         | 131                   | 62420GT         | 13, 113                |
| 56704GT         | 307                        | 60721GT         | 149                   | 62425GT         | 13, 103, 113, 131, 143 |
| 56912GT         | 61, 63, 65, 69, 75,<br>179 | 60729GT         | 127                   | 62433GT         | 13, 129                |
| 56934GT         | 269                        | 60746GT         | 57                    | 62478GT         | 57                     |
| 57162GT         | 69, 75                     | 60757GT         | 105                   | 62506GT         | 243                    |
| 58222GT         | 77                         | 60778-SGT       | 103                   | 62507GT         | 243                    |
| 58223GT         | 77                         | 60838GT         | 71, 99                | 62815GT         | 235                    |
| 58249GT         | 103                        | 60840GT         | 161, 187              | 65278GT         | 19, 23, 31, 35         |
| 58256GT         | 105                        | 60857GT         | 11, 77, 187           | 65473GT         | 131                    |
| 58299GT         | 105                        | 60875-9600GT    | 109, 137              | 65630GT         | 271                    |
| 58303GT         | 239, 241                   | 60875GT         | 131                   | 66399GT         | 11                     |
| 58308GT         | 181                        | 61072-3293GT    | 259                   | 66811GT         | 85                     |
| 58309GT         | 181                        | 61072-4326GT    | 249                   | 66812GT         | 85, 217                |
| 58489GT         | 77                         | 61074-3428GT    | 253                   | 66813GT         | 217                    |
| 58566GT         | 105                        | 61074-5528GT    | 251                   | 66815GT         | 217                    |
| 58630GT         | 103                        | 61074-13248GT   | 259                   | 66816GT         | 83                     |
| 59371GT         | 247                        | 61074-105228GT  | 259                   | 66817GT         | 83, 217                |
| 60177GT         | 157                        | 61083GT         | 73, 255               | 66818GT         | 83                     |
| 60239GT         | 185                        | 61098GT         | 27, 29, 39            | 66821GT         | 83                     |
| 60304GT         | 157, 159, 161, 163,<br>187 | 61189GT         | 71                    | 70264GT         | 183                    |
| 60322-SGT       | 125, 145                   | 61222GT         | 91                    | 70289GT         | 117, 141               |

| <u>Part no.</u> | <u>Page Number</u>             | <u>Part no.</u> | <u>Page Number</u> | <u>Part no.</u> | <u>Page Number</u> |
|-----------------|--------------------------------|-----------------|--------------------|-----------------|--------------------|
| 70381GT         | 99, 113                        | 75253GT         | 73, 255            | 81812-2292GT    | 261                |
| 70438GT         | 101                            | 75254GT         | 73, 255            | 81812-3592GT    | 249                |
| 70440GT         | 99, 105, 121                   | 75256GT         | 73, 255            | 81812-3692GT    | 249                |
| 70444GT         | 99, 127                        | 75257GT         | 75, 255            | 81812-5792GT    | 247                |
| 70445GT         | 101                            | 75259GT         | 133                | 81812-11292GT   | 249                |
| 70447GT         | 99                             | 75260GT         | 131                | 82161GT         | 15                 |
| 70448PGT        | 99                             | 75274GT         | 133                | 82237GT         | 27, 29, 287        |
| 70449GT         | 99, 127                        | 75297GT         | 133                | 82295GT         | 127                |
| 70483GT         | 99, 127                        | 75304GT         | 123                | 82314GT         | 15                 |
| 70518GT         | 131                            | 75326GT         | 123                | 82366GT         | 15                 |
| 70535GT         | 117, 141                       | 75327GT         | 123                | 82410GT         | 27, 29             |
| 71259GT         | 63                             | 75328GT         | 123                | 82472GT         | 33                 |
| 71858GT         | 199                            | 75330GT         | 123                | 82481GT         | 33                 |
| 71911GT         | 99, 101, 127, 145              | 75342GT         | 123                | 82487GT         | 39                 |
| 72086GT         | 15, 31, 33                     | 75443GT         | 223                | 82862GT         | 27, 29             |
| 72255GT         | 105                            | 75444GT         | 223                | 83093GT         | 59, 65             |
| 72326GT         | 85, 219                        | 75445GT         | 223                | 83098GT         | 223                |
| 72875GT         | 27, 29                         | 75446GT         | 223                | 84133GT         | 225                |
| 72999GT         | 15                             | 75447GT         | 223                | 84134GT         | 225                |
| 73478GT         | 209, 213                       | 75448GT         | 223                | 84135GT         | 225, 227           |
| 73575GT         | 209, 213, 311                  | 75449GT         | 223                | 85300GT         | 271                |
| 73711GT         | 105                            | 75450GT         | 113                | 87070GT         | 81                 |
| 73713GT         | 155, 179, 181, 195             | 75451GT         | 113                | 87188GT         | 71, 79             |
| 73714GT         | 155                            | 75537PGT        | 209                | 87755GT         | 79                 |
| 73717GT         | 83                             | 75555GT         | 131                | 88019PGT        | 181                |
| 73723GT         | 83                             | 75654GT         | 73, 255            | 88022GT         | 157, 159, 161      |
| 73772-1692GT    | 253                            | 76069GT         | 91                 | 88150GT         | 83                 |
| 73772-2192GT    | 253                            | 76364GT         | 43                 | 88177GT         | 83                 |
| 73772-101592GT  | 261                            | 77308GT         | 129                | 88279GT         | 175                |
| 73805GT         | 85                             | 77351GT         | 221                | 88280GT         | 193                |
| 73807GT         | 243                            | 77896GT         | 181                | 88287GT         | 219                |
| 74006GT         | 205                            | 80341GT         | 297                | 88345GT         | 187                |
| 74052GT         | 205                            | 81096GT         | 207                | 88353GT         | 253                |
| 74085GT         | 199                            | 81341GT         | 183, 195           | 88406GT         | 287                |
| 74245GT         | 49, 53                         | 81342GT         | 181, 195           | 88441-4140GT    | 253                |
| 74872GT         | 167, 185                       | 81347GT         | 187, 195           | 88493GT         | 279, 281           |
| 74902GT         | 225, 227, 229, 231,<br>233 241 | 81368GT         | 271                | 88576GT         | 203                |
| 74913GT         | 299                            | 81467GT         | 103, 113, 131, 141 | 88606PGT        | 267                |
| 75020GT         | 129                            | 81468GT         | 103, 113, 131, 141 | 88607PGT        | 267                |
| 75069GT         | 205                            | 81488GT         | 219                | 88648GT         | 159, 161, 163, 189 |
| 75121GT         | 151                            | 81551GT         | 219                | 88667GT         | 185                |
| 75185GT         | 267, 269, 307                  | 81578GT         | 71                 | 88942-15954GT   | 255                |

| <u>Part no.</u> | <u>Page Number</u>      | <u>Part no.</u> | <u>Page Number</u> | <u>Part no.</u> | <u>Page Number</u> |
|-----------------|-------------------------|-----------------|--------------------|-----------------|--------------------|
| 89310GT         | 227, 231, 237, 239, 241 | 97815GT         | 27, 29, 39         | 101737GT        | 273                |
| 89733GT         | 243                     | 97865GT         | 15                 | 101738GT        | 273                |
| 89770GT         | 243                     | 97875GT         | 15, 27, 29         | 101739PGT       | 273                |
| 89871-2548GT    | 295                     | 98023GT         | 305                | 101740PGT       | 273                |
| 89871-3848GT    | 295                     | 99778GT         | 285                | 101741GT        | 275                |
| 89959GT         | 279                     | 101004GT        | 49                 | 101742PGT       | 275                |
| 89998GT         | 105                     | 101070GT        | 55                 | 101743PGT       | 275                |
| 93500GT         | 11                      | 101098GT        | 181                | 101744GT        | 275                |
| 94193GT         | 199                     | 101099GT        | 195                | 101745GT        | 275                |
| 94194GT         | 199                     | 101104GT        | 195                | 101746GT        | 275                |
| 94195GT         | 191                     | 101106GT        | 175, 305           | 101772GT        | 195                |
| 94203GT         | 193                     | 101108GT        | 195                | 101786GT        | 171, 173           |
| 94327GT         | 11                      | 101109GT        | 195                | 101787GT        | 171, 173           |
| 94374-5930GT    | 253                     | 101110GT        | 175, 181           | 101788GT        | 171, 173           |
| 94374-6030GT    | 249                     | 101112GT        | 197                | 101793-2573GT   | 255                |
| 94374-17730GT   | 253                     | 101234GT        | 41                 | 101810GT        | 277                |
| 94444GT         | 95                      | 101315GT        | 171, 173, 175, 181 | 101846GT        | 277                |
| 94592GT         | 183                     | 101361GT        | 77                 | 101847GT        | 277                |
| 94618GT         | 235                     | 101483GT        | 73                 | 101918GT        | 165                |
| 94653GT         | 199                     | 101507GT        | 165                | 101919GT        | 165                |
| 94775GT         | 197                     | 101508GT        | 165                | 101920GT        | 159                |
| 94803GT         | 191                     | 101509GT        | 165                | 101921GT        | 161                |
| 94804GT         | 191                     | 101510GT        | 165                | 101930PGT       | 133                |
| 94806GT         | 187                     | 101525GT        | 289                | 101931PGT       | 133                |
| 94809GT         | 177                     | 101547PGT       | 287                | 101932GT        | 273, 275           |
| 94810GT         | 175                     | 101559GT        | 185                | 101955GT        | 77                 |
| 94811GT         | 175                     | 101560GT        | 187                | 101957GT        | 105, 127           |
| 94814GT         | 179                     | 101561GT        | 185                | 101959GT        | 73                 |
| 94818GT         | 91                      | 101562GT        | 175                | 101960GT        | 11, 73             |
| 94958GT         | 93                      | 101566GT        | 175                | 102045GT        | 101, 105, 149      |
| 94961GT         | 93                      | 101567GT        | 175                | 102208GT        | 101                |
| 94962GT         | 219                     | 101572GT        | 51                 | 102209PGT       | 101                |
| 94969GT         | 95                      | 101634GT        | 99                 | 102216GT        | 181                |
| 94970GT         | 95                      | 101639GT        | 279, 281           | 102237PGT       | 99                 |
| 94971GT         | 95                      | 101640GT        | 113, 131           | 102313-2726GT   | 295                |
| 94972GT         | 93                      | 101726GT        | 71                 | 102313-3126GT   | 295                |
| 94973GT         | 93                      | 101731PGT       | 287                | 102313-7526GT   | 295                |
| 94981GT         | 75                      | 101732GT        | 287                | 102348GT        | 123                |
| 94982GT         | 75                      | 101733GT        | 273                | 102449GT        | 57                 |
| 97372GT         | 235, 245                | 101734GT        | 273                | 102496GT        | 225                |
| 97579GT         | 27, 29                  | 101735GT        | 273                | 102581GT        | 99                 |
| 97757GT         | 15                      | 101736GT        | 273                | 102593GT        | 101                |

| <u>Part no.</u> | <u>Page Number</u> | <u>Part no.</u> | <u>Page Number</u>      | <u>Part no.</u> | <u>Page Number</u> |
|-----------------|--------------------|-----------------|-------------------------|-----------------|--------------------|
| 102598GT        | 123                | 106281PGT       | 155, 159, 161, 163, 185 | 106830GT        | 89                 |
| 102632GT        | 13, 123            | 106376GT        | 91                      | 106846GT        | 91                 |
| 102638GT        | 123                | 106378GT        | 175                     | 106847GT        | 165                |
| 102639GT        | 13, 123            | 106382GT        | 255                     | 106848GT        | 165                |
| 102644GT        | 123                | 106482GT        | 97                      | 106853GT        | 171, 173           |
| 102646GT        | 127                | 106483GT        | 97                      | 106862GT        | 173                |
| 102785GT        | 269                | 106484GT        | 97                      | 106873GT        | 55, 57             |
| 102786PGT       | 267                | 106495GT        | 219                     | 106874GT        | 57                 |
| 102992GT        | 209                | 106498GT        | 87                      | 106875GT        | 57                 |
| 104030GT        | 219                | 106510GT        | 85, 93                  | 106923GT        | 117, 191           |
| 104186GT        | 247                | 106519GT        | 191                     | 107501GT        | 159, 161, 163      |
| 104759GT        | 235, 245           | 106532GT        | 191                     | 107503GT        | 157, 159, 161      |
| 104760GT        | 235, 293           | 106538GT        | 185                     | 107509GT        | 75                 |
| 104804GT        | 211, 213           | 106539GT        | 161                     | 107510PGT       | 75                 |
| 105685GT        | 291                | 106552GT        | 175                     | 107511GT        | 75                 |
| 106074GT        | 191                | 106553GT        | 177                     | 107515GT        | 149                |
| 106081PGT       | 187                | 106571GT        | 163                     | 107521GT        | 175                |
| 106098GT        | 55                 | 106574GT        | 175                     | 107522GT        | 191                |
| 106105GT        | 273                | 106580PGT       | 175                     | 107530GT        | 171, 173           |
| 106106GT        | 273                | 106674GT        | 193, 201                | 107549GT        | 305                |
| 106110GT        | 287                | 106684PGT       | 87                      | 107550-34432GT  | 305                |
| 106111GT        | 287                | 106688GT        | 191                     | 107550-97832GT  | 305                |
| 106112GT        | 289                | 106729GT        | 159, 161                | 107586GT        | 187                |
| 106117GT        | 55                 | 106732GT        | 277                     | 107653GT        | 91                 |
| 106118GT        | 55                 | 106733GT        | 275, 283                | 107654GT        | 91                 |
| 106135GT        | 187                | 106742GT        | 43                      | 107661GT        | 159                |
| 106141GT        | 287                | 106756GT        | 57                      | 107716GT        | 165, 167           |
| 106145GT        | 273                | 106772GT        | 173                     | 107717GT        | 169                |
| 106154GT        | 181                | 106796GT        | 157, 159, 161           | 107719GT        | 169                |
| 106161GT        | 275, 283           | 106797GT        | 159, 161, 163           | 107722GT        | 55                 |
| 106162GT        | 275, 283           | 106810GT        | 155                     | 107723GT        | 55                 |
| 106165GT        | 187                | 106817-8829GT   | 259                     | 107729GT        | 227                |
| 106182GT        | 277                | 106817-9629GT   | 259                     | 107731GT        | 229                |
| 106183GT        | 289                | 106818-67047GT  | 261                     | 107733GT        | 233                |
| 106204PGT       | 289                | 106819-6213GT   | 249                     | 107734GT        | 229, 231           |
| 106211-300GT    | 113, 131, 141      | 106819-7013GT   | 249                     | 107738GT        | 235                |
| 106211-400GT    | 279                | 106819-67413GT  | 261                     | 107739GT        | 235                |
| 106211-800GT    | 141, 281           | 106820-16053GT  | 255                     | 107740GT        | 235, 293           |
| 106211-1150GT   | 279                | 106822-101726GT | 261                     | 107741GT        | 245                |
| 106211GT        | 113                | 106822-105026GT | 259                     | 107743GT        | 237, 239           |
| 106275GT        | 289                | 106822-108826GT | 259                     | 107745GT        | 237, 239           |
| 106277PGT       | 179                | 106822-109026GT | 259                     | 107746GT        | 239                |

| <u>Part no.</u> | <u>Page Number</u> | <u>Part no.</u> | <u>Page Number</u> | <u>Part no.</u> | <u>Page Number</u> |
|-----------------|--------------------|-----------------|--------------------|-----------------|--------------------|
| 107747GT        | 237                | 110771-44163GT  | 181                | 119849GT        | 163                |
| 107749GT        | 241                | 110771-44463GT  | 155                | 119906GT        | 315                |
| 107750GT        | 241                | 110771-64463GT  | 155                | 119907GT        | 315                |
| 107751GT        | 241                | 110909GT        | 95, 155            | 119908GT        | 315                |
| 107752GT        | 241                | 110910GT        | 95, 155            | 119909GT        | 315                |
| 107753GT        | 239, 241           | 110911GT        | 95, 195            | 119915GT        | 223                |
| 107754GT        | 241                | 110913GT        | 95, 179            | 121431GT        | 131                |
| 107762GT        | 185                | 110914GT        | 95, 181            | 121601GT        | 149                |
| 107768GT        | 235, 245           | 110915GT        | 87, 95             | 121603GT        | 121                |
| 107788GT        | 235                | 110916GT        | 87, 95             | 122073GT        | 267                |
| 107802GT        | 169                | 110917GT        | 87, 95             | 122120GT        | 229, 231, 233      |
| 107816GT        | 245                | 111445GT        | 105                | 122121GT        | 229, 231, 233      |
| 107818GT        | 163                | 111526GT        | 269                | 122148GT        | 225, 229, 231, 233 |
| 107823GT        | 159, 161, 163      | 111580GT        | 59, 67             | 122351GT        | 83, 219            |
| 107832GT        | 163                | 111663GT        | 49, 53             | 122366GT        | 83                 |
| 107833PGT       | 159                | 111668GT        | 103                | 122367GT        | 83                 |
| 107850GT        | 159                | 114163GT        | 15                 | 122406GT        | 83                 |
| 107851GT        | 161                | 114248GT        | 39                 | 122414GT        | 113, 135, 141      |
| 107852GT        | 171                | 114249GT        | 31, 35             | 122432GT        | 279, 281           |
| 107860GT        | 211                | 114251GT        | 33                 | 122755GT        | 287                |
| 107868GT        | 171, 173           | 114252GT        | 31, 35, 37         | 122793GT        | 85                 |
| 107868PGT       | 181, 195           | 114390GT        | 15, 27, 29         | 122944GT        | 203                |
| 108543GT        | 13, 103            | 119056GT        | 285                | 123081GT        | 127                |
| 110194GT        | 225, 237, 239      | 119057GT        | 285                | 123084GT        | 123                |
| 110195GT        | 231                | 119065GT        | 181, 195, 285      | 123351GT        | 123                |
| 110197GT        | 239, 241           | 119066GT        | 285                | 124962GT        | 117                |
| 110198GT        | 239, 241           | 119067GT        | 155, 179           | 128000GT        | 223                |
| 110229GT        | 219                | 119106GT        | 169                | 128001GT        | 223                |
| 110276-1700GT   | 287                | 119108GT        | 175                | 128004GT        | 99, 113            |
| 110276-2600GT   | 287                | 119112GT        | 231, 237, 239      | 128200GT        | 217                |
| 110277-2600GT   | 287                | 119113GT        | 239                | 128204GT        | 83                 |
| 110342GT        | 239                | 119115GT        | 239                | 128322GT        | 287                |
| 110343GT        | 239                | 119116GT        | 231, 237, 239      | 128323GT        | 287                |
| 110481GT        | 43                 | 119171GT        | 73                 | 128504GT        | 95                 |
| 110482GT        | 43                 | 119247PGT       | 155                | 128525GT        | 105                |
| 110531GT        | 205                | 119248PGT       | 163                | 128953GT        | 21                 |
| 110580GT        | 199                | 119344GT        | 103                | 130187GT        | 123                |
| 110581GT        | 201                | 119403GT        | 205, 285           | 130341GT        | 127                |
| 110756PGT       | 161                | 119762GT        | 45, 155            | 131323GT        | 11, 81             |
| 110771-665R3GT  | 45                 | 119792GT        | 95                 | 133067GT        | 33, 39             |
| 110771-42163GT  | 179                | 119847GT        | 189                | 133163GT        | 27, 29, 39         |
| 110771-42223GT  | 195                | 119848GT        | 155                | 133205GT        | 33                 |



| <u>Part no.</u> | <u>Page Number</u> | <u>Part no.</u> | <u>Page Number</u>          | <u>Part no.</u> | <u>Page Number</u> |
|-----------------|--------------------|-----------------|-----------------------------|-----------------|--------------------|
| 133236GT        | 27, 29             | 161970GT        | 125                         | 216649GT        | 285                |
| 133278GT        | 21                 | 162206GT        | 119                         | 216650GT        | 285                |
| 139321GT        | 105                | 162207GT        | 119                         | 216658GT        | 285                |
| 139322GT        | 103                | 162208GT        | 119                         | 216664GT        | 285                |
| 139338GT        | 221                | 162209GT        | 119                         | 216679GT        | 285                |
| 139455GT        | 101                | 162291GT        | 51                          | 216685GT        | 285                |
| 139598GT        | 223                | 162302GT        | 283                         | 216758GT        | 127                |
| 139621GT        | 101                | 214228GT        | 13, 119                     | 217217GT        | 155, 179, 191      |
| 139624GT        | 103                | 214249GT        | 285                         | 217219GT        | 49, 157, 179, 193  |
| 139709GT        | 101                | 214332GT        | 93                          | 217224GT        | 95, 157            |
| 139983GT        | 101                | 214345GT        | 247, 251                    | 217230GT        | 279                |
| 144161GT        | 205                | 214536GT        | 285                         | 217231GT        | 279                |
| 146019GT        | 169                | 214619GT        | 289                         | 217233GT        | 279                |
| 146020GT        | 169                | 214623GT        | 289                         | 217234GT        | 191                |
| 146343GT        | 91                 | 215254GT        | 59, 65                      | 217235GT        | 179                |
| 146478GT        | 217                | 215496GT        | 127                         | 217236GT        | 157                |
| 147095GT        | 85                 | 215500GT        | 127                         | 217293GT        | 95, 191            |
| 147121GT        | 209, 213           | 215509GT        | 129                         | 217366GT        | 287                |
| 160359GT        | 101, 121, 151      | 215510GT        | 129                         | 217431GT        | 169                |
| 160424GT        | 25, 37             | 215511GT        | 131                         | 217457GT        | 121, 125, 133      |
| 160425GT        | 15                 | 215512GT        | 113, 135, 141               | 217458GT        | 121, 123, 133      |
| 160502GT        | 47, 51             | 215513GT        | 127                         | 217459GT        | 123                |
| 160576GT        | 27, 29             | 215514GT        | 131                         | 217460GT        | 121, 123, 133, 145 |
| 160578GT        | 39                 | 215515GT        | 131                         | 217470GT        | 57                 |
| 160579GT        | 39                 | 215516GT        | 131                         | 217477GT        | 49, 51             |
| 160580GT        | 27, 29             | 215517GT        | 115, 129, 143               | 217481GT        | 43                 |
| 160683GT        | 19, 23, 31, 35     | 215728GT        | 95, 179                     | 217482GT        | 43                 |
| 160732GT        | 47, 51             | 215918GT        | 131                         | 217486GT        | 55                 |
| 160736GT        | 47, 51             | 216036GT        | 115                         | 217500GT        | 121, 133           |
| 160862GT        | 103                | 216058GT        | 49                          | 217503GT        | 225                |
| 160896GT        | 103                | 216061GT        | 157, 179, 193               | 217505GT        | 145                |
| 161388GT        | 299                | 216159GT        | 55                          | 217689GT        | 87                 |
| 161521GT        | 27, 29, 39         | 216247-6684GT   | 249                         | 217988GT        | 131                |
| 161533GT        | 243                | 216286GT        | 123                         | 218112GT        | 47                 |
| 161534GT        | 225                | 216564GT        | 125, 145                    | 218143GT        | 237                |
| 161535GT        | 227                | 216597GT        | 51, 113, 121, 123, 133, 143 | 218144GT        | 143, 243           |
| 161536GT        | 227                | 216611GT        | 285                         | 218155GT        | 85                 |
| 161537GT        | 227                | 216612GT        | 285                         | 218169GT        | 85                 |
| 161538GT        | 229, 231, 233      | 216615GT        | 285                         | 218456GT        | 55                 |
| 161539GT        | 231                | 216616GT        | 285                         | 218457GT        | 47, 53, 61         |
| 161879GT        | 63, 69, 307        | 216617GT        | 285                         | 218458GT        | 119                |
| 161923GT        | 231                | 216618GT        | 285                         | 218559GT        | 27, 29             |

| <u>Part no.</u> | <u>Page Number</u> | <u>Part no.</u> | <u>Page Number</u>                               | <u>Part no.</u> | <u>Page Number</u>      |
|-----------------|--------------------|-----------------|--|-----------------|-------------------------|
| 218715GT        | 111                | 229396GT        | 301  | 231532GT        | 47, 51, 57, 59, 67, 127 |
| 218757GT        | 179                | 229397GT        | 301  | 231533GT        | 119, 121, 123, 133      |
| 218806GT        | 141                | 229399GT        | 301  | 232874GT        | 113, 127, 141           |
| 218811GT        | 13, 145            | 229400GT        | 301  | 232886GT        | 43, 51                  |
| 218812GT        | 149                | 229461GT        | 43   | 232951GT        | 59, 67                  |
| 218834GT        | 13, 149            | 229462GT        | 43   | 232975GT        | 221                     |
| 218835GT        | 13, 147            | 229464GT        | 277  | 232993GT        | 57                      |
| 219030GT        | 147                | 229465GT        | 43   | 233116GT        | 157, 179, 193           |
| 219110GT        | 91                 | 229466GT        | 43   | 233117GT        | 157                     |
| 219114GT        | 191                | 229467GT        | 277  | 233118GT        | 179, 191                |
| 219130GT        | 145                | 229526GT        | 55   | 233992GT        | 269                     |
| 219158GT        | 303                | 229530GT        | 49, 51   | 233993GT        | 269                     |
| 219188GT        | 143                | 229532GT        | 43, 55   | 235143GT        | 293                     |
| 219302GT        | 49                 | 229540GT        | 55   | 235144GT        | 291                     |
| 219304GT        | 47, 51             | 229541GT        | 55   | 235147GT        | 293                     |
| 219487GT        | 27, 29             | 229543GT        | 51   | 235148GT        | 293                     |
| 219508GT        | 317                | 229567GT        | 217  | 235149GT        | 293                     |
| 219509GT        | 63, 69             | 229845GT        | 61   | 235309GT        | 47, 51                  |
| 219646GT        | 57                 | 230073GT        | 47, 51, 123, 133, 145, 299                       | 235314GT        | 43                      |
| 219697GT        | 59, 67, 121        | 230074GT        | 111, 137   | 235315GT        | 47, 53                  |
| 219956GT        | 39                 | 230825GT        | 47, 53   | 235317GT        | 45                      |
| 219958GT        | 39                 | 230826GT        | 49   | 236168GT        | 169                     |
| 219974GT        | 27, 29, 39         | 230971GT        | 301  | 236224GT        | 293                     |
| 226103GT        | 101                | 230975GT        | 301  | 236259GT        | 119                     |
| 226104GT        | 101                | 230985GT        | 15   | 236260GT        | 13, 119                 |
| 226105GT        | 101                | 231003GT        | 93   | 236282GT        | 165                     |
| 226106GT        | 101                | 231020GT        | 85   | 236283GT        | 165                     |
| 226487GT        | 191                | 231023GT        | 83   | 236284GT        | 165                     |
| 226489GT        | 179                | 231037GT        | 225, 227   | 236392GT        | 45, 95                  |
| 226491GT        | 157, 179, 191      | 231046GT        | 301  | 237068GT        | 71                      |
| 226492GT        | 49, 157, 179, 193  | 231047GT        | 301  | 237212GT        | 293                     |
| 226493GT        | 157                | 231048GT        | 301  | 237229GT        | 169                     |
| 226497GT        | 93                 | 231087GT        | 129, 145, 291                                    | 237230GT        | 169                     |
| 226627GT        | 129                | 231088GT        | 119, 137   | 237232GT        | 57                      |
| 227515GT        | 209, 213           | 231509GT        | 61, 67   | 237233GT        | 57                      |
| 227897GT        | 123                | 231511GT        | 135, 149   | 237235GT        | 225                     |
| 228824GT        | 73                 | 231512GT        | 47, 59, 67                                       | 237236GT        | 225                     |
| 228866GT        | 235, 245           | 231512GT        | 43, 47, 53, 115, 121, 127                        | 237241GT        | 49, 157, 179, 193       |
| 229388GT        | 301                | 231513GT        | 61, 67   | 237242GT        | 49, 157, 179, 193       |
| 229393GT        | 301                | 231515GT        | 109, 113, 119, 121, 123, 129, 131, 145, 149, 279 | 237352GT        | 49, 55, 99, 111, 139    |
| 229394GT        | 301                | 231529GT        | 123, 129, 131, 145, 149, 279                     | 237456GT        | 293, 295                |
| 229395GT        | 301                | 231530GT        | 123, 129, 131, 145, 149, 279                     | 237458GT        | 51                      |
|                 |                    | 231531GT        | 121  |                 |                         |

| <u>Part no.</u> | <u>Page Number</u>                                   | <u>Part no.</u> | <u>Page Number</u>                                    | <u>Part no.</u> | <u>Page Number</u>          |
|-----------------|--|-----------------|---|-----------------|-----------------------------|
| 237711GT        | 285  | 824060GT        | 105, 267, 303   | 824144GT        | 119, 145                    |
| 237730GT        | 109  | 824061GT        | 61, 65  | 824146GT        | 55                          |
| 237819GT        | 43   | 824062GT        | 117, 141  | 824151GT        | 199                         |
| 237820GT        | 49, 51   | 824063GT        | 171, 173  | 824164GT        | 187, 199                    |
| 237827GT        | 43   | 824065GT        | 183   | 824214GT        | 79, 83                      |
| 237828GT        | 43   | 824067GT        | 61, 65, 73, 103, 155, 159                             | 824215GT        | 61, 75                      |
| 237830GT        | 49   | 824068GT        | 59, 67, 157, 163, 187                                 | 824216GT        | 87, 155, 181, 195, 311      |
| 237832GT        | 45, 49, 51, 71, 113, 129                             | 824069GT        | 303   | 824228GT        | 63, 75                      |
| 237854GT        | 47, 51   | 824070GT        | 155, 159, 161, 163                                    | 824234GT        | 151                         |
| 238123GT        | 285  | 824077GT        | 81, 115, 143, 203                                     | 824236GT        | 149                         |
| 822087GT        | 117  | 824078GT        | 61, 63, 65, 69, 77, 85... 63, 69, 75, 209, 213,       | 824471GT        | 117                         |
| 822103GT        | 299  | 824079GT        | 263   | 824615GT        | 21                          |
| 822187GT        | 89   | 824080GT        | 129, 155, 187, 191, 217                               | 824635GT        | 117                         |
| 822222GT        | 297, 299   | 824081GT        | 171, 173, 203, 267                                    | 824956GT        | 79                          |
| 822223GT        | 297  | 824082GT        | 187   | 825015GT        | 117                         |
| 822224GT        | 219  | 824083GT        | 77, 271   | 825019GT        | 177, 191, 203               |
| 822235GT        | 87   | 824085GT        | 267, 271  | 825052GT        | 117                         |
| 822477GT        | 219  | 824086GT        | 77, 103   | 825348GT        | 53, 55                      |
| 822811GT        | 133  | 824087GT        | 59, 67, 73  | 825349GT        | 57, 81                      |
| 823397GT        | 71   | 824089GT        | 63, 71, 75, 77, 117, 149                              | 825351GT        | 43                          |
| 823420-1400GT   | 109  | 824090GT        | 59, 67, 77, 173, 185, 191                             | 825352GT        | 43, 179                     |
| 823420-5700GT   | 119  | 824091GT        | 61, 63, 65, 69, 73, 79... 87, 101, 103, 173, 177, 199 | 825353GT        | 81                          |
| 823420-6000GT   | 119  | 824092GT        | 133, 187  | 825355GT        | 129                         |
| 823421-2400GT   | 119  | 824093GT        | 181   | 825357GT        | 47, 53                      |
| 823421-2700GT   | 117  | 824095GT        | 291   | 825358GT        | 89, 169, 195, 201, 205, 271 |
| 823520GT        | 307  | 824096GT        | 73, 89, 155, 159, 161, 163                            | 825581GT        | 129                         |
| 823522GT        | 95   | 824110GT        | 179   | 825686GT        | 47, 53                      |
| 823604GT        | 137  | 824111GT        | 61, 65, 117, 141, 149, 171                            | 825737GT        | 299                         |
| 823714GT        | 283  | 824113GT        | 207   | 825747GT        | 299                         |
| 823748GT        | 61   | 824116GT        | 63, 65, 69  | 825748GT        | 299                         |
| 823813GT        | 95   | 824119GT        | 59, 65, 303   | 825760GT        | 175                         |
| 823958GT        | 145  | 824120GT        | 133   | 825761GT        | 299                         |
| 824019GT        | 79, 83   | 824122GT        | 99, 105, 121, 133, 149                                | 825795GT        | 299                         |
| 824024GT        | 105  | 824123GT        | 165   | 825797GT        | 299                         |
| 824025GT        | 101, 103   | 824124GT        | 61, 65, 79  | 825849GT        | 299                         |
| 824027GT        | 59, 63, 65, 69, 77, 117                              | 824125GT        | 111   | 826000GT        | 119                         |
| 824028GT        | 49, 53, 59, 67, 73, 77...                            | 824131GT        | 109   | 826172GT        | 55                          |
| 824029GT        | 59, 63, 65, 71, 73, 79... 75, 87, 155, 169, 181, 195 | 824132GT        | 45, 113, 129, 143, 307                                | 826345GT        | 21                          |
| 824032GT        | 81   | 824133GT        | 121, 149  | 826348GT        | 117                         |
| 824036GT        | 157, 169, 199  | 824134GT        | 307   | 826351GT        | 113                         |
| 824038GT        | 59, 65, 149, 279                                     | 824141GT        | 43  | 826352GT        | 113                         |
| 824059GT        |  | 824142GT        |   | 826379GT        | 301                         |

| <u>Part no.</u> | <u>Page Number</u>           | <u>Part no.</u> | <u>Page Number</u>         | <u>Part no.</u> | <u>Page Number</u>     |
|-----------------|------------------------------|-----------------|----------------------------|-----------------|------------------------|
| 826516GT        | 169, 285, 307                | 1253236GT       | 79                         | 1255393GT       | 159, 161, 163, 169     |
| 826791GT        | 159, 161, 185                | 1253238GT       | 81                         | 1255450GT       | 71                     |
| 826792GT        | 207                          | 1253307GT       | 139                        | 1255451GT       | 111, 139               |
| 826793GT        | 79                           | 1253308GT       | 137                        | 1255452GT       | 43, 199, 203           |
| 826794GT        | 63, 69, 207                  | 1253314GT       | 79                         | 1255469GT       | 55                     |
| 1000083GT       | 21                           | 1253317GT       | 83                         | 1255537GT       | 141                    |
| 1251496GT       | 117                          | 1253319GT       | 101, 121, 133, 149         | 1255538GT       | 145, 291               |
| 1251501GT       | 95                           | 1253411GT       | 139                        | 1255556GT       | 95                     |
| 1251502GT       | 95                           | 1253476GT       | 71                         | 1255581GT       | 15, 21, 33             |
| 1251503GT       | 97                           | 1253478GT       | 75, 165, 199               | 1255631GT       | 109, 137               |
| 1251504GT       | 97                           | 1253488GT       | 95                         | 1255639GT       | 41                     |
| 1251505GT       | 97                           | 1253489GT       | 205                        | 1255653GT       | 105                    |
| 1251565GT       | 101, 105, 121, 149           | 1253494GT       | 95                         | 1255654GT       | 53                     |
| 1251566GT       | 127                          | 1253495GT       | 95                         | 1255658GT       | 43                     |
| 1251600GT       | 205, 209, 213, 271, 303, 305 | 1253498GT       | 77, 91, 115, 125, 129, 145 | 1255665GT       | 115                    |
| 1251708GT       | 113, 143                     | 1253702GT       | 87                         | 1255666GT       | 99, 115                |
| 1251713GT       | 55                           | 1253744GT       | 93                         | 1255753GT       | 47, 53, 119            |
| 1251720GT       | 109, 121                     | 1253806GT       | 145                        | 1255757GT       | 195                    |
| 1251724GT       | 141                          | 1253814GT       | 175                        | 1255758GT       | 73, 303                |
| 1251893GT       | 109, 137                     | 1253815GT       | 187                        | 1255760GT       | 69, 79                 |
| 1251894GT       | 109, 137                     | 1253816GT       | 43                         | 1255768GT       | 77                     |
| 1251899GT       | 121                          | 1254074GT       | 137                        | 1255782GT       | 91                     |
| 1251983GT       | 111, 137                     | 1254075GT       | 137                        | 1255788GT       | 205                    |
| 1251997GT       | 69, 79, 87, 99, 127, 201     | 1254080GT       | 139                        | 1255791GT       | 59                     |
| 1252014GT       | 109                          | 1254081GT       | 109, 137                   | 1255792GT       | 67                     |
| 1252015GT       | 109                          | 1254087GT       | 137                        | 1255793GT       | 63                     |
| 1252017GT       | 111                          | 1254090GT       | 137                        | 1255794GT       | 69                     |
| 1252018GT       | 109                          | 1254092GT       | 139                        | 1255803GT       | 83                     |
| 1252019GT       | 111                          | 1254095GT       | 137                        | 1255804GT       | 69, 79                 |
| 1252047GT       | 145                          | 1254418GT       | 111                        | 1255806GT       | 117, 145               |
| 1252702GT       | 83, 93                       | 1254669GT       | 113, 141                   | 1256054GT       | 59, 65                 |
| 1252707GT       | 137                          | 1254685GT       | 281                        | 1256108GT       | 165                    |
| 1252978GT       | 273                          | 1254686GT       | 281                        | 1256109GT       | 159, 161, 187, 201     |
| 1253185GT       | 61, 209, 285                 | 1254694GT       | 281                        | 1256111GT       | 175                    |
| 1253199GT       | 149                          | 1254825GT       | 73                         | 1256118GT       | 89, 157, 159, 163, 275 |
| 1253210GT       | 93                           | 1254949GT       | 111                        | 1256122GT       | 157                    |
| 1253218GT       | 109                          | 1255030GT       | 95                         | 1256172GT       | 91, 291                |
| 1253230GT       | 109                          | 1255342GT       | 111                        | 1256177GT       | 155                    |
| 1253231GT       | 109, 137                     | 1255366GT       | 65                         | 1256181GT       | 181, 187, 195          |
| 1253232GT       | 109                          | 1255369GT       | 21                         | 1256182GT       | 133                    |
| 1253233GT       | 109, 137                     | 1255389GT       | 63, 69                     | 1256202GT       | 267                    |
| 1253234GT       | 111, 139                     | 1255391GT       | 181, 195                   | 1256267GT       | 91                     |

| <u>Part no.</u> | <u>Page Number</u>     | <u>Part no.</u> | <u>Page Number</u>     | <u>Part no.</u> | <u>Page Number</u> |
|-----------------|------------------------|-----------------|------------------------|-----------------|--------------------|
| 1256271GT       | 137                    | 1256851GT       | 309                    | 1258525GT       | 141                |
| 1256308GT       | 175                    | 1256853GT       | 187                    | 1258538GT       | 143                |
| 1256314GT       | 231                    | 1256854GT       | 171, 173               | 1258540GT       | 143                |
| 1256377GT       | 309                    | 1256855GT       | 75, 211, 213, 273, 275 | 1258541GT       | 143                |
| 1256378GT       | 309                    | 1256856GT       | 79, 309                | 1258542GT       | 143                |
| 1256379GT       | 309                    | 1256857GT       | 187                    | 1258567GT       | 11                 |
| 1256380GT       | 309                    | 1256859GT       | 311                    | 1258674GT       | 297                |
| 1256389GT       | 309                    | 1256860GT       | 77, 89                 | 1258680GT       | 297                |
| 1256391GT       | 139                    | 1256862GT       | 165                    | 1258687GT       | 297                |
| 1256400FRGT     | 309                    | 1256863GT       | 77, 89                 | 1258690GT       | 297                |
| 1256400GT       | 309                    | 1256911GT       | 119                    | 1258817GT       | 145                |
| 1256425GT       | 39                     | 1257076GT       | 127                    | 1258923GT       | 137                |
| 1256439GT       | 309                    | 1257080GT       | 179                    | 1259010GT       | 61, 65             |
| 1256444GT       | 125, 145               | 1257211GT       | 289                    | 1259037GT       | 59                 |
| 1256445GT       | 137                    | 1257237GT       | 21                     | 1259038GT       | 65                 |
| 1256450GT       | 47, 103                | 1257296GT       | 207                    | 1259055GT       | 81                 |
| 1256457GT       | 103                    | 1257389GT       | 47                     | 1259106GT       | 205                |
| 1256460GT       | 129                    | 1257390GT       | 207                    | 1259490GT       | 149                |
| 1256467GT       | 209                    | 1257402GT       | 83                     | 1259583GT       | 61                 |
| 1256468GT       | 59, 67, 79, 303        | 1257419GT       | 145                    | 1259584GT       | 61                 |
| 1256469GT       | 63, 69                 | 1257464GT       | 205                    | 1259661GT       | 285                |
| 1256480GT       | 145, 149               | 1257489GT       | 181                    | 1259705GT       | 61, 65             |
| 1256481GT       | 309                    | 1257628GT       | 71                     | 1259706GT       | 61, 65             |
| 1256583GT       | 99, 105, 121, 133, 149 | 1257706GT       | 99                     | 1259708GT       | 285                |
| 1256776GT       | 99, 121                | 1257728GT       | 113, 141               | 1259855GT       | 69, 79             |
| 1256803GT       | 175, 181, 195          | 1257733GT       | 11                     | 1259931GT       | 41                 |
| 1256804GT       | 61                     | 1257739GT       | 291                    | 1259969GT       | 55                 |
| 1256805GT       | 121                    | 1257753GT       | 117                    | 1259970GT       | 55                 |
| 1256835GT       | 157                    | 1257774GT       | 119                    | 1259971GT       | 55                 |
| 1256837GT       | 79                     | 1257844GT       | 111                    | 1259972GT       | 49                 |
| 1256838GT       | 87                     | 1257888GT       | 117                    | 1259975GT       | 47                 |
| 1256840GT       | 87                     | 1258000GT       | 299                    | 1259976GT       | 47, 51             |
| 1256841GT       | 157, 161               | 1258069GT       | 83                     | 1259977GT       | 49                 |
| 1256842GT       | 155                    | 1258174GT       | 15, 21, 33             | 1259978GT       | 47, 51             |
| 1256843GT       | 179                    | 1258176GT       | 15, 21, 33             | 1259979GT       | 51                 |
| 1256844GT       | 77                     | 1258391GT       | 93                     | 1259980GT       | 55                 |
| 1256845GT       | 175                    | 1258458GT       | 147                    | 1259983GT       | 51                 |
| 1256846GT       | 79                     | 1258459GT       | 145                    | 1259984GT       | 53                 |
| 1256847GT       | 275                    | 1258464GT       | 147                    | 1259986GT       | 47, 51             |
| 1256848GT       | 185                    | 1258465GT       | 141                    | 1259987GT       | 49, 51             |
| 1256849GT       | 163                    | 1258503GT       | 137                    | 1259989GT       | 43                 |
| 1256850GT       | 87                     | 1258504GT       | 143                    | 1260056GT       | 65                 |

| <u>Part no.</u> | <u>Page Number</u> | <u>Part no.</u> | <u>Page Number</u> | <u>Part no.</u> | <u>Page Number</u> |
|-----------------|--------------------|-----------------|--------------------|-----------------|--------------------|
| 1260058GT       | 67                 | 1263412GT       | 251                | 1267407GT       | 59                 |
| 1260067GT       | 55                 | 1263453GT       | 43                 | 1267408GT       | 77                 |
| 1260068GT       | 55                 | 1263463GT       | 247                | 1267413GT       | 109                |
| 1260070GT       | 47, 53             | 1263464GT       | 247                | 1267746GT       | 209, 213           |
| 1260158GT       | 61, 65             | 1263465GT       | 247                | 1267747GT       | 211, 213           |
| 1260224GT       | 267                | 1263487GT       | 41                 | 1267807GT       | 105, 115, 129, 143 |
| 1260289GT       | 137                | 1263488GT       | 41                 | 1267858GT       | 93                 |
| 1260641GT       | 205                | 1263541GT       | 15                 | 1267859GT       | 93                 |
| 1260663GT       | 245                | 1263542GT       | 31, 33, 35         | 1267860GT       | 93                 |
| 1260682GT       | 59                 | 1263543GT       | 15, 19, 21, 23     | 1267861GT       | 93                 |
| 1260683GT       | 65                 | 1263544GT       | 15                 | 1267866GT       | 93                 |
| 1260892GT       | 309                | 1263545GT       | 15                 | 1267909GT       | 47, 51             |
| 1260910GT       | 309                | 1263637GT       | 51                 | 1267910GT       | 49                 |
| 1261018GT       | 309                | 1263638GT       | 51                 | 1268229GT       | 105, 115, 129, 143 |
| 1261019GT       | 309                | 1264101GT       | 271                | 1268499GT       | 187                |
| 1261020GT       | 309                | 1264110GT       | 95                 | 1268774GT       | 83                 |
| 1261021GT       | 309                | 1264229GT       | 317                | 1268776GT       | 83                 |
| 1261022GT       | 309                | 1264365GT       | 93                 | 1268779GT       | 219                |
| 1261023GT       | 309                | 1264824GT       | 93                 | 1268780GT       | 217                |
| 1261024GT       | 309                | 1264836GT       | 93                 | 1268781GT       | 217                |
| 1261025GT       | 309                | 1264934GT       | 311                | 1268784GT       | 77                 |
| 1261184GT       | 303, 311           | 1265372GT       | 213                | 1268901GT       | 59                 |
| 1261236GT       | 119                | 1265397GT       | 211, 213           | 1269113GT       | 213                |
| 1261239GT       | 117                | 1265826GT       | 213                | 1269460GT       | 299                |
| 1261517GT       | 261                | 1266019GT       | 15                 | 1269472GT       | 63                 |
| 1261765GT       | 85                 | 1266587GT       | 307                | 1269497GT       | 217                |
| 1261770GT       | 235                | 1267121GT       | 25                 | 1269498GT       | 221                |
| 1261797GT       | 61                 | 1267177GT       | 65                 | 1269499GT       | 223                |
| 1261813GT       | 61, 65             | 1267183GT       | 59, 67             | 1269641GT       | 209, 213           |
| 1261816GT       | 19, 23             | 1267187GT       | 59, 67             | 1270278GT       | 205                |
| 1261894GT       | 71                 | 1267194GT       | 61                 | 1270313GT       | 271                |
| 1261917GT       | 61, 67             | 1267202GT       | 61                 | 1270314GT       | 271                |
| 1262031GT       | 209                | 1267252GT       | 291                | 1270316GT       | 271                |
| 1262182GT       | 149                | 1267268GT       | 75                 | 1270337GT       | 205                |
| 1262487GT       | 13, 109            | 1267269GT       | 59                 | 1270570GT       | 267                |
| 1262851GT       | 45                 | 1267278GT       | 59                 | 1270571GT       | 269                |
| 1262866GT       | 13, 109            | 1267304GT       | 79                 | 1270714GT       | 75, 291            |
| 1262903GT       | 21                 | 1267305GT       | 69                 | 1270715GT       | 75                 |
| 1263233GT       | 85                 | 1267306GT       | 63                 | 1270946GT       | 265                |
| 1263409GT       | 247                | 1267404GT       | 63                 | 1270994GT       | 271                |
| 1263410GT       | 247                | 1267405GT       | 75                 | 1271018GT       | 271                |
| 1263411GT       | 247                | 1267406GT       | 71                 | 1271019GT       | 271                |

| <u>Part no.</u> | <u>Page Number</u> | <u>Part no.</u> | <u>Page Number</u> | <u>Part no.</u> | <u>Page Number</u> |
|-----------------|--------------------|-----------------|--------------------|-----------------|--------------------|
| 1271040GT       | 271                | 1273014GT       | 87                 | 1278144GT       | 313                |
| 1271061GT       | 271                | 1273015GT       | 87                 | 1278300GT       | 93                 |
| 1271077GT       | 267                | 1273076GT       | 267                | 1278363GT       | 313                |
| 1271078GT       | 269                | 1273188GT       | 79                 | 1278368GT       | 311                |
| 1271132GT       | 21, 33             | 1273431GT       | 205                | 1278369GT       | 297                |
| 1271133GT       | 21, 33             | 1273575GT       | 169                | 1278371GT       | 297                |
| 1271134GT       | 21, 33             | 1274025GT       | 287                | 1278414GT       | 69                 |
| 1271265GT       | 291                | 1274165GT       | 279                | 1278415GT       | 63                 |
| 1271347GT       | 229                | 1274167GT       | 205                | 1278416GT       | 311                |
| 1271514GT       | 93                 | 1274168GT       | 311                | 1278433GT       | 311                |
| 1271517GT       | 93                 | 1274272GT       | 291                | 1278458GT       | 311                |
| 1271518GT       | 93, 219            | 1274322GT       | 207, 271, 309, 313 | 1278542GT       | 311                |
| 1271519GT       | 97                 | 1274833GT       | 231                | 1278982GT       | 313                |
| 1271520GT       | 97                 | 1274858GT       | 209                | 1279134GT       | 311                |
| 1271713GT       | 223                | 1274859GT       | 209                | 1279135GT       | 311                |
| 1271770GT       | 71                 | 1274870GT       | 231                | 1279245GT       | 19, 23, 31, 35     |
| 1272242GT       | 15                 | 1275087GT       | 305                | 1279864GT       | 283                |
| 1272262GT       | 89                 | 1275088GT       | 213                | 1279865GT       | 283                |
| 1272263GT       | 87                 | 1275099GT       | 63                 | 1279866GT       | 295                |
| 1272264GT       | 87                 | 1275103GT       | 41                 | 1280068GT       | 57                 |
| 1272265GT       | 87                 | 1275248GT       | 217, 223           | 1280069GT       | 57                 |
| 1272266GT       | 79                 | 1275258GT       | 217, 223           | 1280070GT       | 57                 |
| 1272267GT       | 79                 | 1275259GT       | 219, 223           | 1280590GT       | 103                |
| 1272303GT       | 213                | 1275260GT       | 219, 223           | 1280591GT       | 103                |
| 1272305GT       | 209                | 1275309GT       | 71                 | 1282993GT       | 267                |
| 1272306GT       | 209                | 1275825GT       | 299                | 1283776GT       | 11                 |
| 1272307GT       | 211                | 1277174GT       | 221                | 1283995GT       | 111                |
| 1272433GT       | 291                | 1277873GT       | 311                | 1284979GT       | 279                |
| 1272434GT       | 291                | 1277875GT       | 311                | 1285454GT       | 11                 |
| 1272435GT       | 291                | 1277876GT       | 313                | 1285700GT       | 271                |
| 1272470GT       | 293                | 1277877GT       | 311                | 1285850GT       | 311                |
| 1272509GT       | 297                | 1277921GT       | 283                | 1289520GT       | 73                 |
| 1272536GT       | 265                | 1277922GT       | 283                | 1289521GT       | 73                 |
| 1272537GT       | 297                | 1277923GT       | 283                | 1289536GT       | 317                |
| 1272538GT       | 297                | 1277924GT       | 215, 271, 311, 317 | 1289552GT       | 213                |
| 1272553GT       | 265                | 1277974GT       | 109                | 1289561GT       | 73                 |
| 1272825GT       | 17                 | 1278111GT       | 311                | 1289823GT       | 317                |
| 1272871GT       | 75                 | 1278117GT       | 311                | 1289837GT       | 317                |
| 1272872GT       | 71                 | 1278119GT       | 311                | 1289853GT       | 317                |
| 1272934GT       | 169                | 1278121GT       | 311                | 1290107GT       | 317                |
| 1272955GT       | 165                | 1278124GT       | 311                | 1290797GT       | 79                 |
| 1272968GT       | 165                | 1278138GT       | 311                | 1290849GT       | 317                |

| <u>Part no.</u> | <u>Page Number</u> | <u>Part no.</u> | <u>Page Number</u> | <u>Part no.</u> | <u>Page Number</u> |
|-----------------|--------------------|-----------------|--------------------|-----------------|--------------------|
| 1291025GT       | 93                 |                 |                    |                 |                    |
| 1291059GT       | 229, 231           |                 |                    |                 |                    |
| 1291084GT       | 93                 |                 |                    |                 |                    |
| 1291161GT       | 93                 |                 |                    |                 |                    |
| 1291194GT       | 205                |                 |                    |                 |                    |
| 1291573GT       | 317                |                 |                    |                 |                    |
| 1292654GT       | 93                 |                 |                    |                 |                    |
| 9990080GT       | 57                 |                 |                    |                 |                    |
| T107366GT       | 43                 |                 |                    |                 |                    |
| T107883GT       | 203                |                 |                    |                 |                    |
| T108075GT       | 199, 203           |                 |                    |                 |                    |
| T108079GT       | 199                |                 |                    |                 |                    |
| T108732GT       | 99                 |                 |                    |                 |                    |
| T108733GT       | 99                 |                 |                    |                 |                    |
| T108734GT       | 99                 |                 |                    |                 |                    |
| T111704GT       | 41                 |                 |                    |                 |                    |
| T112560GT       | 205                |                 |                    |                 |                    |
| T112561GT       | 205                |                 |                    |                 |                    |
| T112626GT       | 223                |                 |                    |                 |                    |
| T112773GT       | 27, 29, 39         |                 |                    |                 |                    |
| T114346GT       | 123                |                 |                    |                 |                    |
| T114379GT       | 141                |                 |                    |                 |                    |
| T114678GT       | 105                |                 |                    |                 |                    |

Go to Discount-Equipment.com to order your parts



California Proposition 65

 **WARNING**

Operating, servicing and maintaining this equipment, passenger vehicle or off-highway motor vehicle can expose you to chemicals including engine exhaust, carbon monoxide, phthalates, and lead, which are known to the State of California to cause cancer and birth defects or other reproductive harm. These chemicals can be emitted from or contained in other various parts and systems, fluids and some component wear by-products. To minimize exposure, avoid breathing exhaust, do not idle the engine except as necessary, service your equipment and vehicle in a well-ventilated area and wear gloves or wash your hands frequently when servicing your equipment or vehicle and after operation. For more information go to [www.P65Warnings.ca.gov/passenger-vehicle](http://www.P65Warnings.ca.gov/passenger-vehicle).

Breathing diesel engine exhaust exposes you to chemicals known to the State of California to cause cancer and birth defects or other reproductive harm.

- Always start and operate the engine in a well-ventilated area.
- If in an enclosed area, vent the exhaust to the outside.
- Do not modify or tamper with the exhaust system.
- Do not idle the engine except as necessary.

For more information go to [www.P65warnings.ca.gov/diesel](http://www.P65warnings.ca.gov/diesel).

Distributed By:

[www.GS-Parts.com](http://www.GS-Parts.com) to order your parts

# PARTS FINDER

**Search Website  
by Part Number**



**Search Manual  
Library For Parts  
Manual & Lookup Part  
Numbers – Purchase  
or Request Quote**

**Search Manuals**

Enter your information to help us find the right parts manual for your machine.

\* Brand:

\* Model:

\* Serial:

\* Part Number:

SEARCH

**Can't Find Part or  
Manual? Request Help  
by Manufacturer,  
Model & Description**

**Parts Order Form**

Please fill in the following information to help us find the right part for your machine.

|               |                      |
|---------------|----------------------|
| Manufacturer: | <input type="text"/> |
| Model:        | <input type="text"/> |
| Description:  | <input type="text"/> |
| Part Number:  | <input type="text"/> |
| Quantity:     | <input type="text"/> |
| Notes:        | <input type="text"/> |

Submit

Discount-Equipment.com is your online resource for quality parts & equipment.

Florida: **561-964-4949** Outside Florida TOLL FREE: **877-690-3101**

**Need parts?**

Click on this link: <http://www.discount-equipment.com/category/5443-parts/> and choose one of the options to help get the right parts and equipment you are looking for. Please have the machine model and serial number available in order to help us get you the correct parts. If you don't find the part on the website or on one of the online manuals, please fill out the request form and one of our experienced staff members will get back to you with a quote for the right part that your machine needs.

We sell worldwide for the brands: Genie, Terex, JLG, MultiQuip, Mikasa, Essick, Whiteman, Mayco, Toro Stone, Diamond Products, Generac Magnum, Airman, Haulotte, Barreto, Power Blanket, Nifty Lift, Atlas Copco, Chicago Pneumatic, Allmand, Miller Curber, Skyjack, Lull, Skytrak, Tsurumi, Husquvarna Target, Stow, Wacker, Sakai, Mi-T-M, Sullair, Basic, Dynapac, MBW, Weber, Bartell, Bennar Newman, Haulotte, Ditch Runner, Menegotti, Morrison, Contec, Buddy, Crown, Edco, Wyco, Bomag, Laymor, EZ Trench, Bil-Jax, F.S. Curtis, Gehl Pavers, Heli, Honda, ICS/PowerGrit, IHI, Partner, Imer, Clipper, MMD, Koshin, Rice, CH&E, General Equipment, Amida, Coleman, NAC, Gradall, Square Shooter, Kent, Stanley, Tamco, Toku, Hatz, Kohler, Robin, Wisconsin, Northrock, Oztec, Toker TK, Rol-Air, APT, Wylie, Ingersoll Rand / Doosan, Innovatech, Con X, Ammann, Mecalac, Makinex, Smith Surface Prep, Small Line, Wanco, Yanmar