



A TEREX BRAND



# Parts Manual

Serial Number Range

**ZX-135/70**

from SN ZX13513-2001 to  
ZX13516-2789

and from ZX13516H-2790 to  
ZX13516H-3199

and from ZX135H-3200 to  
ZX135H-4000

Part No. 160571

Rev B3

November 2018

Go to Discount-Equipment.com to order your parts

# PARTS FINDER

**Search Website  
by Part Number**



**Search Manual  
Library For Parts  
Manual & Lookup Part  
Numbers – Purchase  
or Request Quote**

**Search Manuals**

Enter your information to help us find the right parts manual for your machine.

\* Brand:

\* Model:

\* Serial:

\* Part Number:

SEARCH

**Can't Find Part or  
Manual? Request Help  
by Manufacturer,  
Model & Description**

**Parts Order Form**

Please fill in the following information to help us find the right part for your machine.

Manufacturer:	<input type="text"/>
Model:	<input type="text"/>
Description:	<input type="text"/>
Part Number:	<input type="text"/>
Quantity:	<input type="text"/>
Notes:	<input type="text"/>

Discount-Equipment.com is your online resource for quality parts & equipment.

Florida: **561-964-4949** Outside Florida TOLL FREE: **877-690-3101**

**Need parts?**

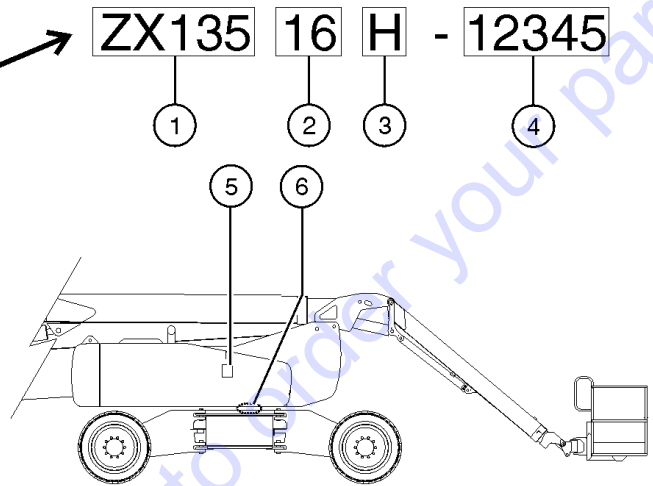
Click on this link: <http://www.discount-equipment.com/category/5443-parts/> and choose one of the options to help get the right parts and equipment you are looking for. Please have the machine model and serial number available in order to help us get you the correct parts. If you don't find the part on the website or on one of the online manuals, please fill out the request form and one of our experienced staff members will get back to you with a quote for the right part that your machine needs.

We sell worldwide for the brands: Genie, Terex, JLG, MultiQuip, Mikasa, Essick, Whiteman, Mayco, Toro Stone, Diamond Products, Generac Magnum, Airman, Haulotte, Barreto, Power Blanket, Nifty Lift, Atlas Copco, Chicago Pneumatic, Allmand, Miller Curber, Skyjack, Lull, Skytrak, Tsurumi, Husquvarna Target, Stow, Wacker, Sakai, Mi-T-M, Sullair, Basic, Dynapac, MBW, Weber, Bartell, Bennar Newman, Haulotte, Ditch Runner, Menegotti, Morrison, Contec, Buddy, Crown, Edco, Wyco, Bomag, Laymor, EZ Trench, Bil-Jax, F.S. Curtis, Gehl Pavers, Heli, Honda, ICS/PowerGrit, IHI, Partner, Imer, Clipper, MMD, Koshin, Rice, CH&E, General Equipment, Amida, Coleman, NAC, Gradall, Square Shooter, Kent, Stanley, Tamco, Toku, Hatz, Kohler, Robin, Wisconsin, Northrock, Oztec, Toker TK, Rol-Air, APT, Wylie, Ingersoll Rand / Doosan, Innovatech, Con X, Ammann, Mecalac, Makinex, Smith Surface Prep, Small Line, Wanco, Yanmar

To August 31, 2016

**Genie**  
A TEREX BRAND

**Model:**  
**Serial number:** ZX13516H-12345  
**Model year:** 2016 **Manufacture date:** 01/12/16  
**Electrical schematic number:**  
**Machine unladen weight:**  
**Rated work load (including occupants):**  
**Maximum number of platform occupants:**  
**Maximum allowable side force :**  
**Maximum allowable inclination of the chassis:**



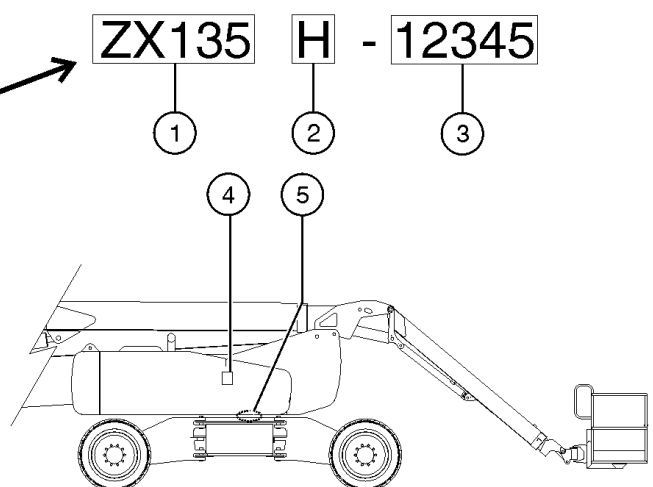
- 1 Model
- 2 Model year
- 3 Facility code

- 4 Sequence number
- 5 Serial label (located under cover)
- 6 Serial number (stamped on chassis)

From September 1, 2016

**Genie**  
A TEREX BRAND

**Model:**  
**Serial number:** ZX135H-12345  
**Year of manufacture:** 2016  
**Electrical schematic number:**  
**Machine unladen weight:**  
**Rated work load (including occupants):**  
**Maximum number of platform occupants:**  
**Maximum allowable side force:**  
**Maximum allowable inclination of the chassis:**



- 1 Model
- 2 Facility code
- 3 Sequence number

- 4 Serial label (located under cover)
- 5 Serial number (stamped on chassis)

## Table of Contents

This manual is updated frequently. For the most up-to-date parts information, visit [www.discount-equipment.com](http://www.discount-equipment.com)

How to Read Your Serial Number.....	3
Parts Stocking List.....	7

**Electronic Version**

Click on any page number to view the figure.

**001 Parts Stocking List**

001.1 Parts Stocking List.....	10
--------------------------------	----

**100 Decals**

101.1 Decals with Words, Hydraulic Tank Side.....	12
102.1 Decals with Words, Hydraulic Tank Side (chassis).....	14
103.1 Decals with Words, Engine Side.....	16
104.1 Decals with Words, Engine Side (chassis).....	18
105.1 Decals with Words, Boom.....	20
106.1 Decals with Words, Platform, ANSI & CSA.....	22
107.1 Decals with Words, Platform, AUS.....	24
108.1 Decals with Symbols, Hydraulic Tank Side, Asia and South America.....	26
109.1 Decals with Symbols, Hydraulic Tank Side, CE.....	28
110.1 Decals with Symbols, Hydraulic Tank Side (chassis).....	30
111.1 Decals with Symbols, Engine Side.....	32
112.1 Decals with Symbols, Engine Side (chassis).....	34
113.1 Decals with Symbols, Boom.....	36
114.1 Decals with Symbols, Platform, Asia and South America.....	38
115.1 Decals with Symbols, Platform, CE.....	40

**200 Chassis Components**

201.1 Chassis Components, Top View.....	42
202.1 Chassis Components, Bottom View.....	44
203.1 Chassis Components, Tank Side.....	46
204.1 Chassis Components, Engine Side.....	48
205.1 Steer Yoke, Wheel Drive and Motor.....	50

**300 Turntable Components**

301.1 Tank Side Covers.....	52
-----------------------------	----

302.1 Engine Side Covers.....	54
303.1 Engine Compartment Components.....	58
304.1 Hydraulic Tank Side Components.....	60
305.1 Ground Control Box Deutz TD2011-L04i and Perkins 1104D-44T.....	64
305.2 Ground Control Box Deutz TD 2.9L4 and Perkins 854F-E34T.....	68
306.1 Turntable Center Components.....	70
307.1 Secondary Boom Lift Cylinder.....	74
308.1 Wire Harness Diagram.....	76

**400 Engine Components**

401.1 Deutz TD2011L04i Engine, View 1.....	78
402.1 Deutz TD2011L04i Engine, View 2.....	82
403.1 Deutz TD 2.9L4 Engine - View 1.....	86
404.1 Deutz TD 2.9L4 Engine - View 2.....	88
405.1 Deutz TD 2.9L4 Engine - View 3.....	90
406.1 Deutz TD 2.9L4 Engine - View 4.....	92
407.1 Perkins 1104D-44T Engine - View 1.....	94
408.1 Perkins 1104D-44T Engine - View 2.....	96
409.1 Perkins 1104D-44T Engine - View 3.....	100
410.1 Perkins 854F-E34T Engine - View 1.....	102
411.1 Perkins 854F-E34T Engine - View 2.....	104
412.1 Perkins 854F-E34T Engine - View 3.....	106
413.1 Perkins 854F-E34T Engine - View 4.....	108

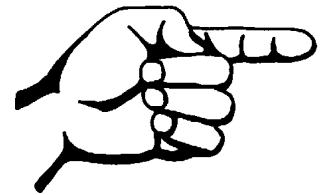
**500 Boom Components**

501.1 Secondary Boom Tube Reference.....	110
502.1 Secondary Boom Tube 1.....	112
503.1 Secondary Boom Tube 2.....	116
504.1 Secondary Boom Tube 3.....	118
505.1 Secondary Boom Tube 4.....	120
506.1 Secondary Boom Extension Cylinders.....	122
507.1 Secondary Boom Cable Track and Pull Tube.....	124
508.1 Secondary Boom Cable and Hose Clamps, Front View.....	126
509.1 Secondary Boom Cable and Hose Clamps, Rear View.....	128
510.1 Primary Boom Link, Lever and Lift Cylinder.....	130
511.1 Primary Boom Angle Sensor and Retract Limit Switch.....	132
512.1 Primary Boom Cable Track.....	134
513.1 Primary Boom Bearings and Wear Pads.....	136
514.1 Primary Extension Boom.....	138
515.1 Bellcrank, Bellcrank Level Cylinder and Jib Boom Lift Cylinder.....	140
516.1 Jib Boom Cable Track.....	142
517.1 Jib Boom Extension and Platform Level Cylinders...144	



518.1 Jib Boom Tubes and Wear Pads.....	146	810.1 Load Sense.....	232
519.1 Platform Rotator.....	148	811.1 Cold Start Package (to SN 2125).....	234
<b>600 Platform Components</b>		811.2 Cold Start Package (from SN 2126).....	236
601.1 Platform Mount.....	150	812.1 Welder Option - Chassis Components.....	238
602.1 Platform Configurations (to SN 2888).....	152	813.1 Welder Option - Platform Components.....	242
602.2 Platform Configurations (from SN 2889).....	154	813.2 Welder Option - Platform Components (from SN ZX13516H-2790).....	244
603.1 Platform Controls.....	156	814.1 Welder Option - Hydraulic Hoses and Fittings.....	246
604.1 Joysticks.....	160	815.1 Welder Option - Generator Components.....	248
<b>700 Hydraulic Components</b>		816.1 Hydraulic Generator Option.....	250
701.1 Traction Manifold.....	162	817.1 Hydraulic Hoses and Fittings, Hydraulic Generator Option.....	252
702.1 Steer/Axle Manifold (to SN 3228).....	164	818.1 Boom Latch Kit.....	254
702.2 Steer/Axle Manifold (from SN 3229).....	166	819.1 Aircraft Protection Package (to SN 2315).....	256
703.1 Jib Manifold (to SN 2804).....	170	819.2 Aircraft Protection Package (from SN 2316).....	258
703.2 Jib Manifold (from SN 2805).....	172	820.1 Operator Protection Structure.....	260
704.1 Function Manifold.....	174	821.1 Air Line to Platform.....	262
705.1 Function Enable Valve and Platform Rotator Manifold.....	178	822.1 Drive Light and Flashing Beacon.....	264
706.1 Platform Manifold (to SN 2804).....	180	823.1 Fall Arrest Bar.....	266
706.2 Platform Manifold (from SN 2805).....	182	824.1 Operators Protection Alarm (to January 2017).....	268
707.1 Hydraulic Hoses and Fittings, Drive System.....	184	824.2 Lift Guard Contact Alarm Option (from January 2017).....	270
708.1 Hydraulic Hoses and Fittings, Steering System.....	188	825.1 Platform Recirculating Hydraulic Oil Option.....	272
709.1 Hydraulic Hoses and Fittings, Turntable Components.....	190		
710.1 Hydraulic Hoses and Fittings, Boom Components.....	194	<b>Indices</b>	
711.1 Hydraulic Hoses and Fittings, Platform Components.....	196	Part Number Index.....	274
712.1 Pumps.....	198	Part Description Index.....	283
<b>800 Accessories</b>		<b>Cross References</b>	
801.1 Platform Accessories (to SN 2888).....	200	Fittings Cross Reference.....	296
801.2 Platform Accessories (from SN 2889).....	202		
801.3 Platform Accessories, Half-Mesh and Pipe Cradle Options (from SN 2889).....	204		
802.1 Hostile Environment Option - Secondary Boom Wipers.....	206		
802.2 Hostile Environment Option - Primary and Jib Boom Wipers, Cable Track Covers.....	208		
803.1 Hostile Environment Option - Bellows Installation.....	210		
804.1 Hostile Environment Option - Engine Air Cleaners.....	212		
804.2 Engine Air Cleaners - Deutz TD 2.9L4 and Perkins 854F-E34T.....	214		
805.1 Hostile Environment DLX Option - Slew Ring Guard.....	216		
806.1 Belt Driven Generator, Cummins Models.....	218		
807.1 Belt Driven Generator, Perkins Models.....	220		
807.2 Belt Driven Generator, Perkins 854TF Models.....	224		
808.1 Belt Driven Generator, Deutz Models.....	226		
808.2 Belt Driven Generator, Deutz D2.9L4 Models.....	228		
809.1 Circuit Board Heater Option.....	230		

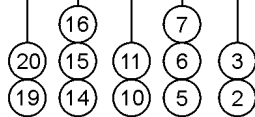
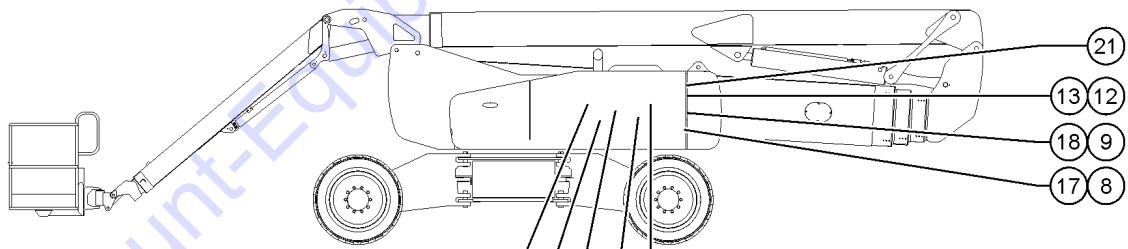
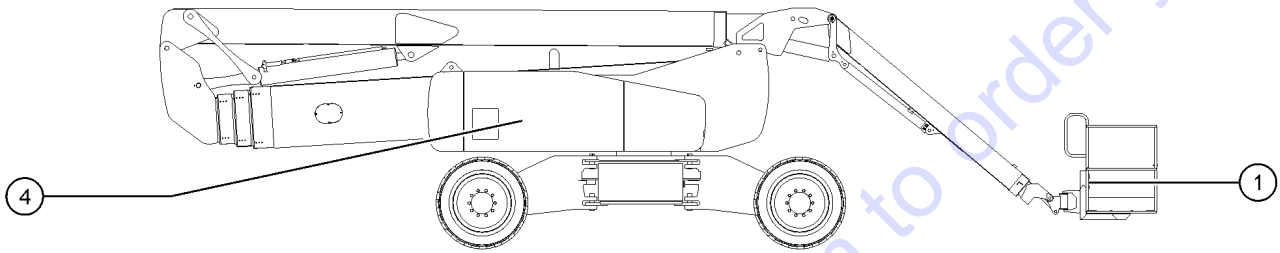
Please refer to section 001 for the Recommended Spare Parts List.



This page intentionally left blank.

Go to Discount-Equipment.com to order your parts

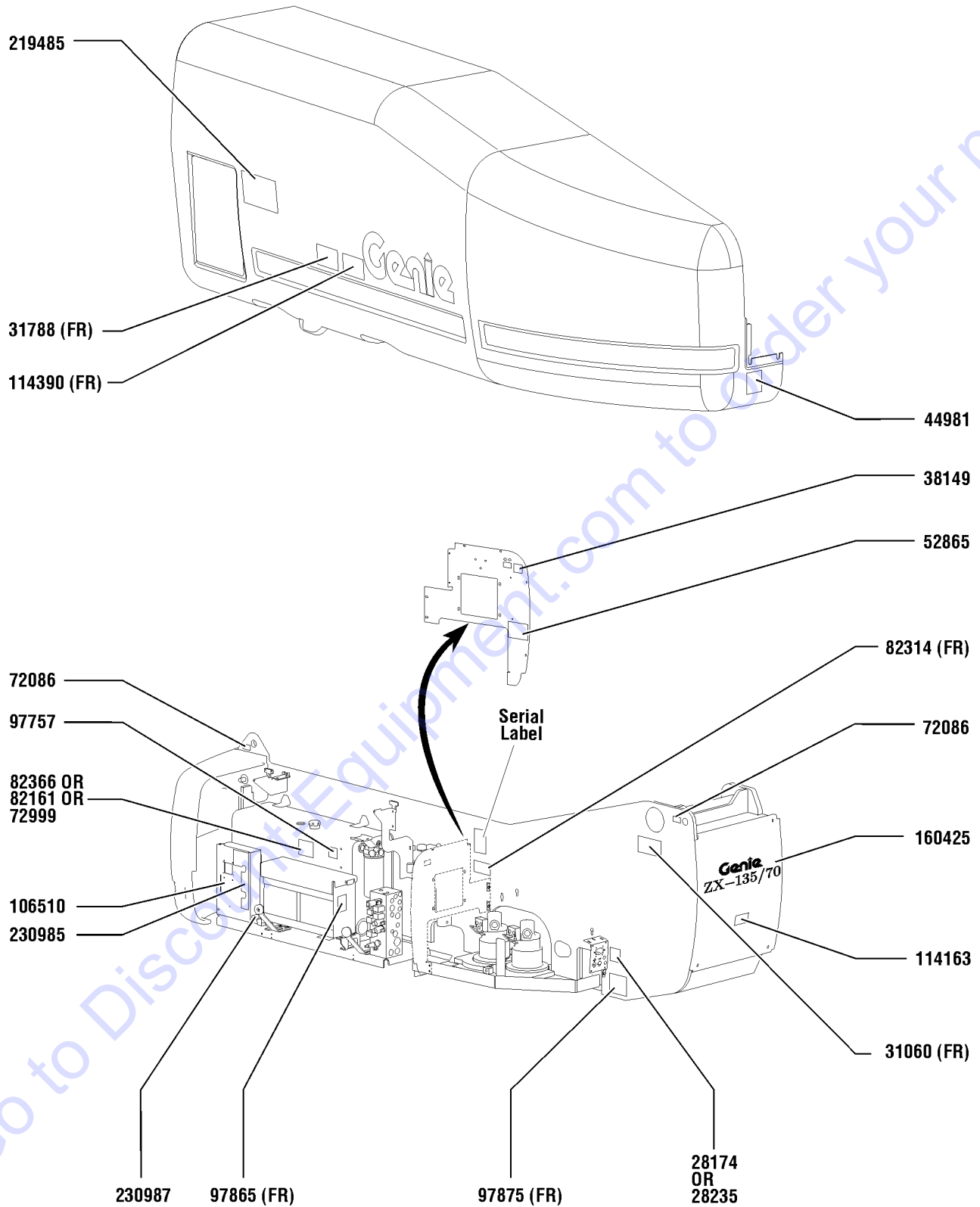
001.1 Parts Stocking List



## 001.1 Parts Stocking List

Item	Part No.	Description	Qty.	Item	Part No.	Description	Qty.
--	1484GT	PAINT,AEROSOL,BRIGHT BLUE*** <i>12-ounce spray paint</i>		--		Deutz TD 2.9L4 Models	
--	1268GT	PAINT,AEROSOL,GENIE GRAY*** <i>12-ounce spray paint</i>		10	62420GT	FILTER,AIR*** <i>Deutz TD 2.9L4 Models (refer to 404.1)</i>	
--	1258567GT	PAINT, AEROSOL, TRAFFIC BLACK <i>12-ounce spray paint</i>		11	214228GT	FILTER, DEUTZ 2.9, FUEL <i>Deutz TD 2.9L4 Models (refer to 405.1)</i>	
--	32150GT	PAINT,WET,GENIE BLUE (1 GL)** <i>1-gallon</i>		--	236260GT	PRE-FILTER,FUEL,DEUTZ TCD3.6 <i>Deutz TD 2.9L4 Models (refer to 405.1)</i>	
--	32151GT	PAINT,WET,GENIE GRAY (1 GL)** <i>1-gallon</i>		12	49924GT	FILTER,OIL,DEUTZ F4L1011F <i>Deutz TD 2.9L4 Models (refer to 405.1)</i>	
--	1257733GT	PAINT,WET,TRAFFIC BLACK (1 GL)** <i>1-gallon</i>		13	1262866GT	FAN BELT, ALTERNATOR <i>Deutz TD 2.9L4 Models (refer to 403.1)</i>	
--	60536GT	FUSE,20 AMP,MAXI <i>(refer to figure 303.1)</i>		14	1262487GT	BELT,AIR PUMP,PERKINS 404F-22T <i>Deutz TD 2.9L4 Models (refer to 403.1)</i>	
--	94327GT	FUSE,30 AMP <i>(refer to figure 303.1)</i>		--	--	Perkins 1104D-44T Models	
--	66399GT	GREASE,DIELECTRIC 4 OZ**		15	102632GT	FILTER,OIL,PERKINS 1104C-44 <i>Perkins 1104D-44T Models (refer to 407.1)</i>	
--	1283776GT	SEAL MARKER,CROSS CHECK,BLUE,TUBE		16	62433GT	FILTER,ELEMENT,30 MIC,75020 <i>Perkins 1104D-44T Models (refer to 408.1)</i>	
--	93500GT	PARKER DIGITAL PRESSURE GAUGE		17	102639GT	FILTER,FUEL, PERKINS 1104C <i>Perkins 1104D-44T Models (refer to 407.1)</i>	
--	49612GT	O-RING KIT (ORFS FITTINGS) <i>O-ring kit, Parker</i>		18	62425GT	FILTER,AIR CLEANER,SUPERBOOM <i>Perkins 1104D-44T Models (refer to 409.1)</i>	
--	28750GT	O-RING KIT,FIELD SVC,ALL PROD* <i>O-ring kit, SAE</i>		--	--	Perkins 854F-E34T Models	
--	33994GT	PLUG AND CAP KIT-SERVICE,37 ** <i>Plug and cap kit, SAE</i>		19	62425GT	FILTER,AIR CLEANER,SUPERBOOM <i>Perkins 854F-E34T Models (refer to 411.1)</i>	
1	27581GT	MANUAL,AEM SAFETY		20	218811GT	PRE-FILTER,FUEL,854E-E34TA <i>Perkins 854F-E34T Models (refer to 412.1)</i>	
--	31779GT	MANUAL,RESPON,A92.5 BOOM		21	218835GT	FILTER,OIL,854E-E34TA <i>Perkins 854F-E34T Models (refer to 412.1)</i>	
2A	1285453GT	KIT,ANNUAL INSPECTION,Z135 <i>from ZX13513-2001 TO ZX13513-2107</i>		22	218834GT	BELT,DRIVE,854E-E34TA <i>Perkins 854F-E34T Models (refer to 413.1)</i>	
2B	1285454GT	KIT,ANNUAL INSPECTION,Z135 <i>from ZX13513-2108</i>					
3	60857GT	FILTER,ELEMENT,BETA(5)=1000 <i>All Models</i>					
4	131323GT	Filter Element,10 MICRON <i>All Models</i>					
5	101960GT	FILTER ELEMENT,10 MICRON <i>All Models</i>					
--							
--		Deutz TD2011-L04i Models					
6	49924GT	FILTER,OIL,DEUTZ F4L1011F <i>Deutz TD2011-L04i Models (refer to 402.1)</i>					
7	108543GT	FILTER / FUEL / SPIN-ON <i>Deutz TD2011-L04i Models (refer to 402.1)</i>					
8	29560GT	FILTER,FUEL/WTR SEP, DTZ 1008 <i>Deutz TD2011-L04i Models (refer to 402.1)</i>					
9	62425GT	FILTER,AIR CLEANER,SUPERBOOM <i>Deutz TD2011-L04i Models (refer to 402.1)</i>					
--							

101.1 Decals with Words, Hydraulic Tank Side

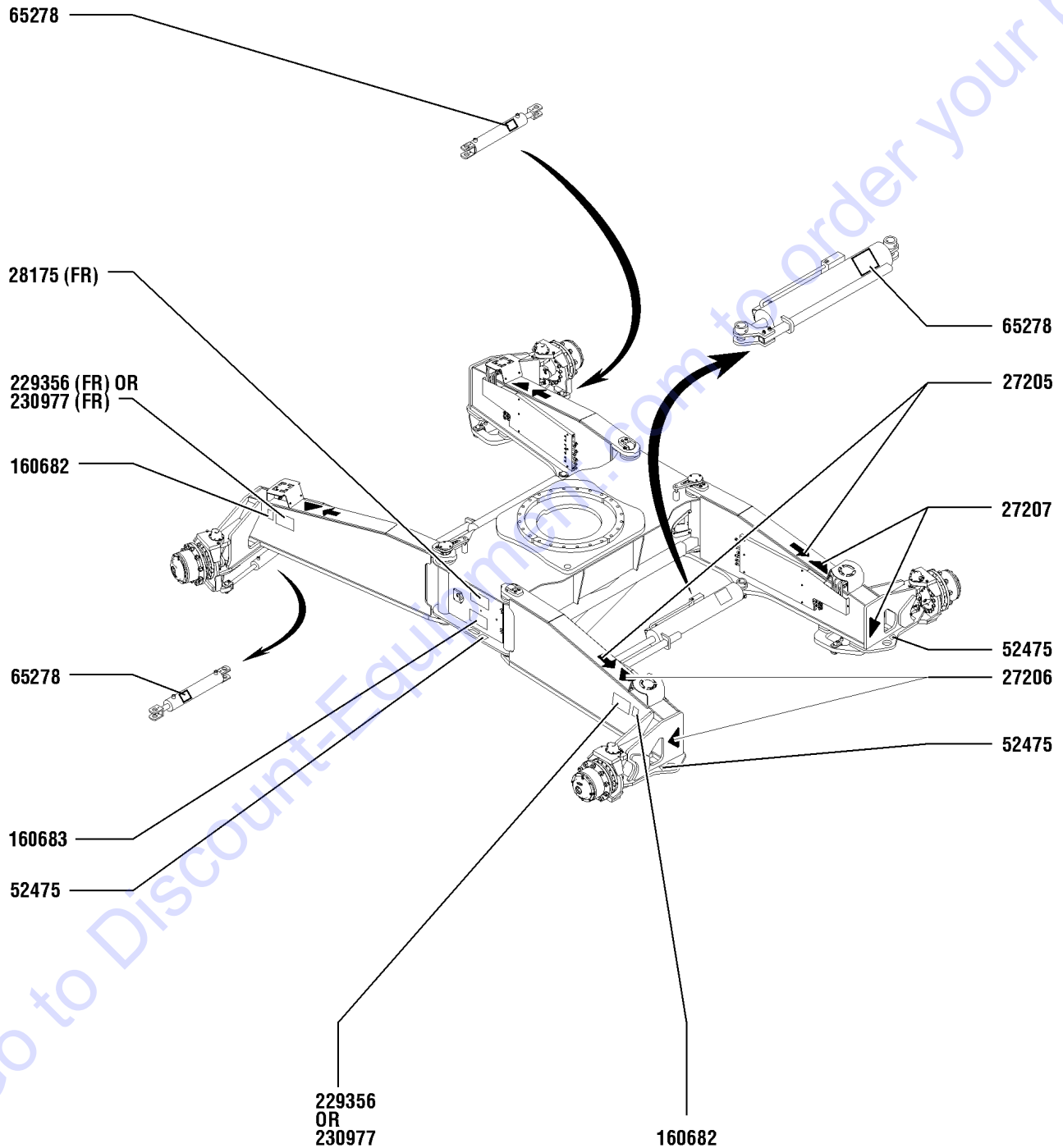


## 101.1 Decals with Words, Hydraulic Tank Side

Item	Part No.	Description	Qty.
1	28174GT	DECAL, POWER TO PLATFORM 230V**.....	1
2	28235GT	DECAL,POWER TO PLATFORM 115V.....	1
3	31060GT	DECAL,DANGER DO NOT ALTER SWTC.....	1
4	31788GT	DECAL,DANGER,BATTERY SAFETY***.....	1
5	38149GT	DECAL,LABEL,PATENTS..... (US models)	1
6	44981GT	DECAL,LABEL, AIR LINE 110 PSI..... (option)	1
7	52865GT	DECAL,ANNUAL INSP***.....	1
8	72086GT	DECAL,LABEL,LIFTING EYE.....	1
9	72999GT	DECAL,LABEL,PETRO CANADA***.....	1
10	82161GT	DECAL,LABEL,UCON HYDROLUBE.....	1
11	82314GT	DECAL,DANGER,TIP-OVER.....	1
12	82366GT	DECAL,CHEVRON RANDO HD.....	1
13	97757GT	DECAL,LABEL,OIL LEVEL IND.....	1
14	97865GT	DECAL,WARN,ELECTRO HAZARD.....	1
15	97875GT	DECAL,WARN.WELD LINE INST.WORD..... (option)	1
16	114163GT	DECAL,LABEL,TRADEMARKS,Z135.....	1
17	114390GT	DECAL,DANGER,ELECT HAZARD***.....	1
18	160425GT	DECAL,COSMETIC,GENIE ZX-135.....	1
19	219485GT	DECAL,OPER INST, GROUND CONT.....	1
20	230985GT	DECAL,GROUND CONTROL,Z135.....	1
21	230987GT	DECAL, SERVICE RECOVERY SWITCH.....	1
22	106510GT	DECAL,MEMBRANE,GROUND CONTROL.....	1



102.1 Decals with Words, Hydraulic Tank Side (chassis)

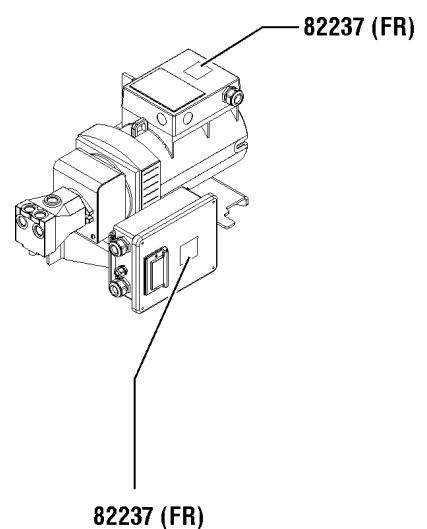
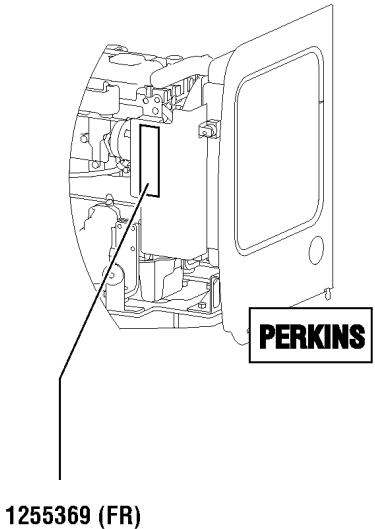
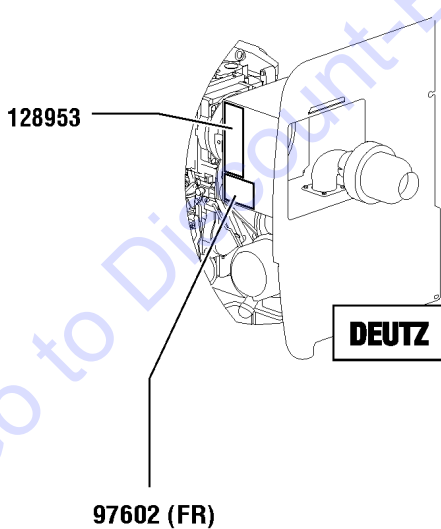
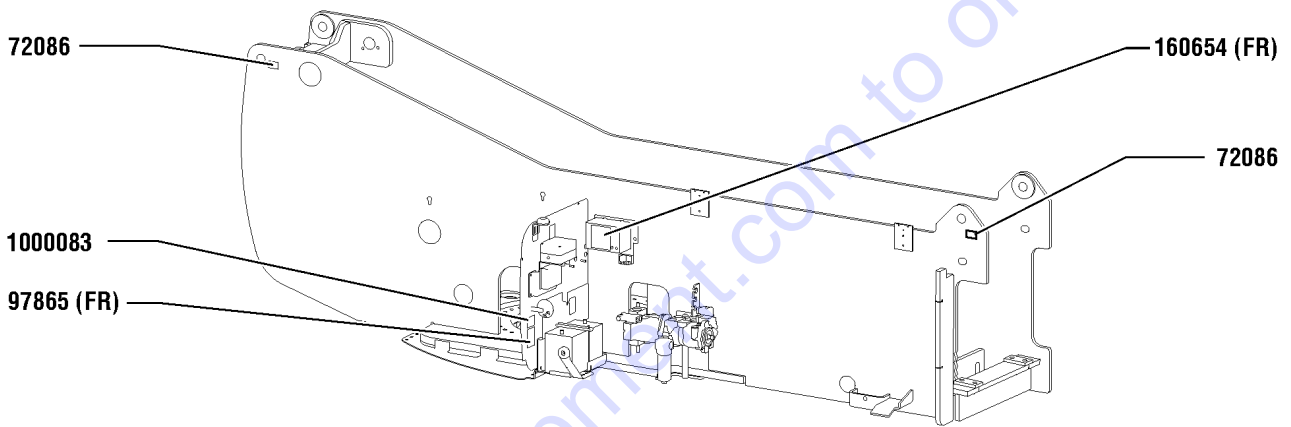
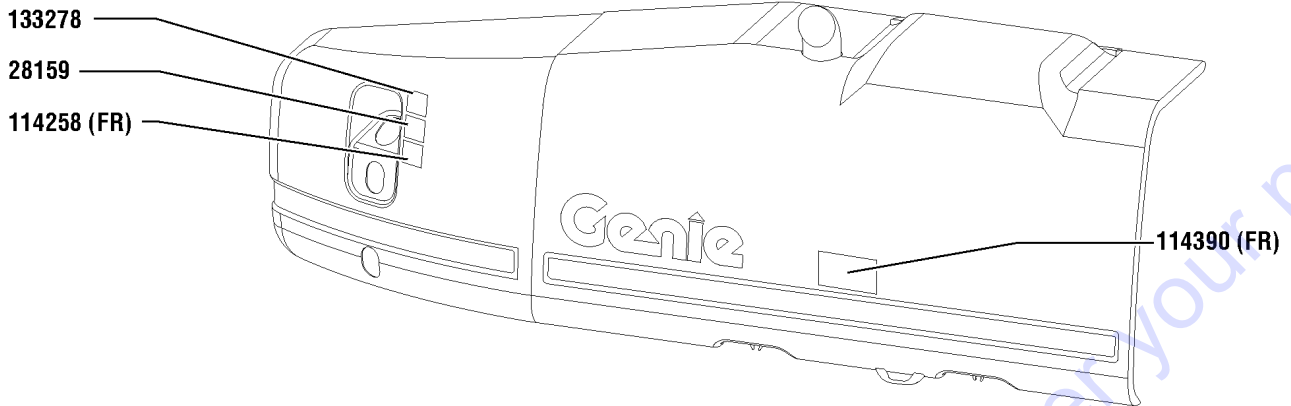


## 102.1 Decals with Words, Hydraulic Tank Side (chassis)

Item	Part No.	Description	Qty.
1	27205GT	DECAL,ARROW YELLOW LRG 9".....	2
2	27206GT	DECAL,TRIANGLE,BLUE.....	2
3	27207GT	DECAL,TRIANGLE,YELLOW.....	2
4	28175GT	DECAL,WARNING-COMPART ACCESS.....	1
5	52475GT	DECAL,LABEL,TRANSPORT TIEDOWN*.....	3
6	65278GT	DECAL,CAUTION,NO STEP.....	3
7	160682GT	DECAL, LABEL, WHEEL LOAD ZX135..	2
8	160683GT	DECAL, LABEL, TRANSPORT DIAGRA.....	1
9	229356GT	DECAL,DANGER/NOTICE,TIRE SPECS.....	2
10	230977GT	DECAL,SOLID TIRE,445/65D22.5.....	2

Go to Discount-Equipment.com to order your parts

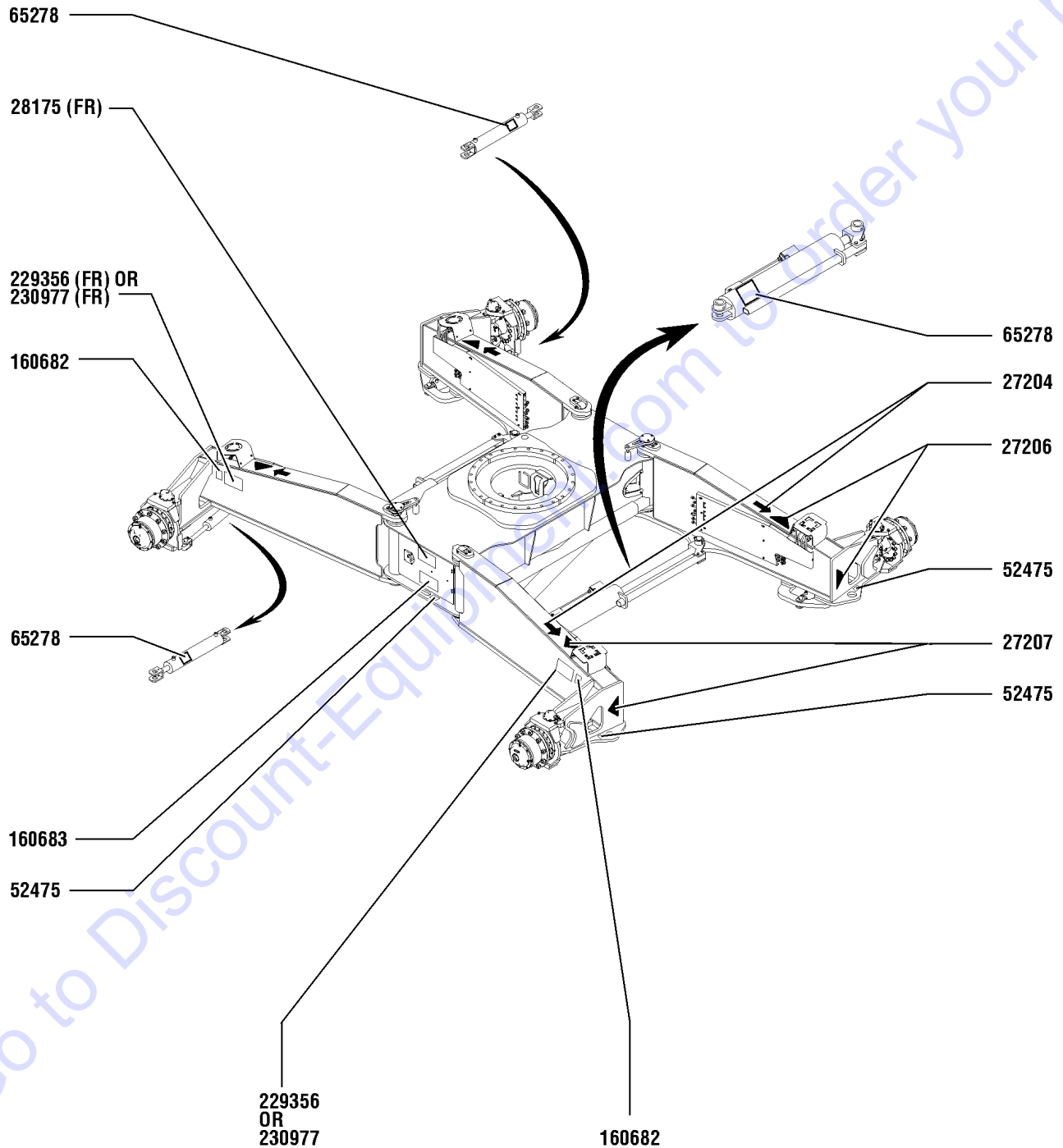
103.1 Decals with Words, Engine Side



## 103.1 Decals with Words, Engine Side

Item	Part No.	Description	Qty.
1	28159GT	DECAL,DIESEL.....1 (Diesel models)	1
2	72086GT	DECAL,LABEL,LIFTING EYE.....2	2
3	82237GT	DECAL,DANGER,HIGH VOLTAGE.....2 (Welder option)	2
4	97602GT	DECAL,EXPLOSION HAZARD.....1 (Diesel models)	1
5	97865GT	DECAL,WARN,ELECTRO HAZARD.....1	1
6	114258GT	DECAL,DANGER,NO SMOKING.....1	1
7	114390GT	DECAL,DANGER,ELECT HAZARD***...1	1
8	128953GT	DECAL,ENGINE SPEC,DEUTZ,TD2011.....1 (Diesel models)	1
9	133278GT	DECAL,LOW/ULTRA LOW SULFR FUEL.....1 (US models)	1
10	160654GT	DECAL, LABEL, FUSE RELAY PANEL...1	1
11	1255369GT	DECAL,NOTICE,PERKINS ENGINE 11.....1 (Gasoline models)	1
12	1000083GT	DECAL,NOTICE,START/CONTRL BATT.....1	1

104.1 Decals with Words, Engine Side (chassis)



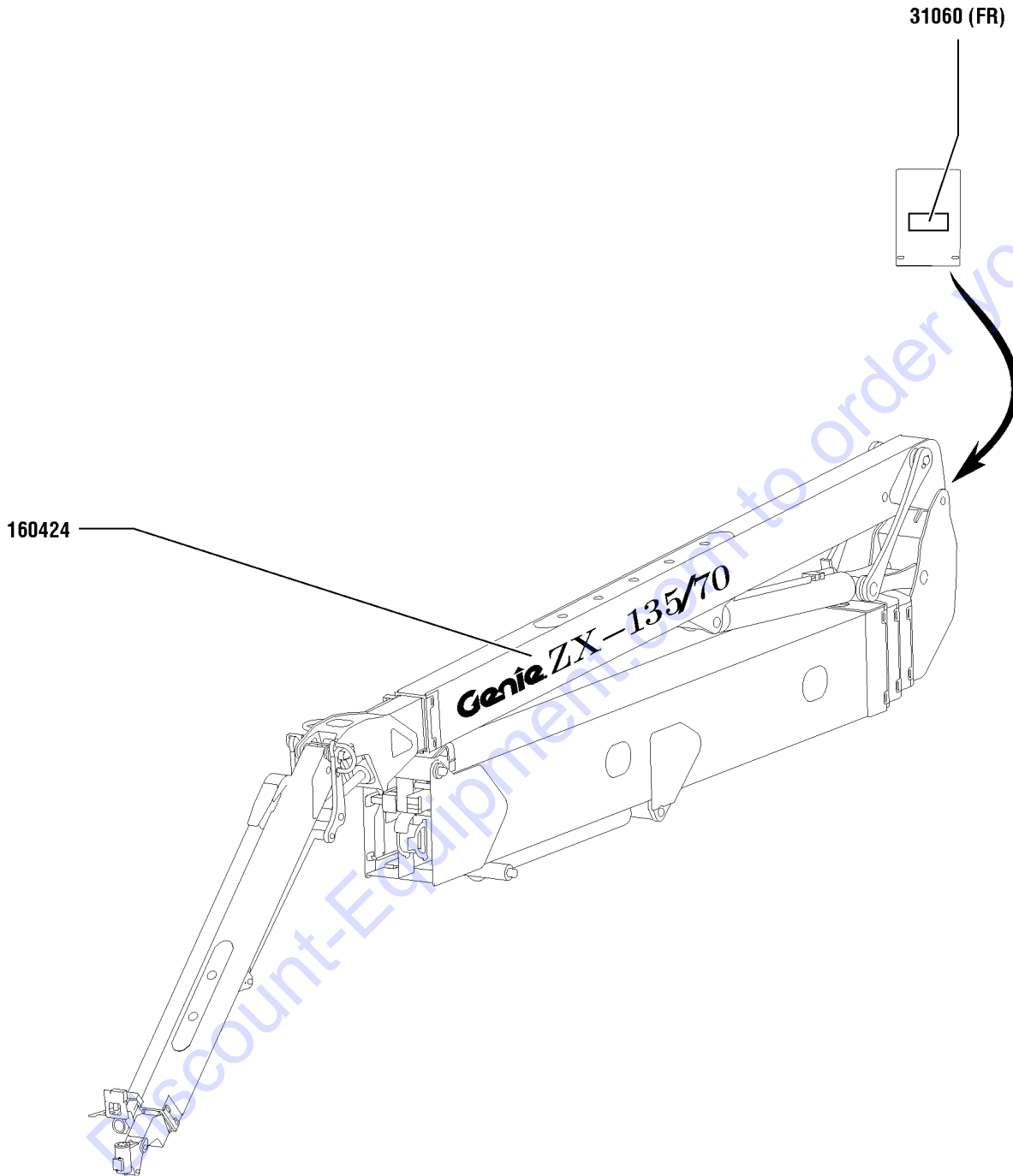
## 104.1 Decals with Words, Engine Side (chassis)

Item	Part No.	Description	Qty.
1	27204GT	DECAL,ARROW BLUE.....	2
2	27206GT	DECAL,TRIANGLE,BLUE.....	2
3	27207GT	DECAL,TRIANGLE,YELLOW.....	2
4	28175GT	DECAL,WARNING-COMPART ACCESS.....	1
5	52475GT	DECAL,LABEL,TRANSPORT TIEDOWN*.....	3
6	65278GT	DECAL,CAUTION,NO STEP.....	3
7	160682GT	DECAL, LABEL, WHEEL LOAD ZX135...	2
8	160683GT	DECAL, LABEL, TRANSPORT DIAGRA.....	1
9	229356GT	DECAL,DANGER/NOTICE,TIRE SPECS.....	2
10	230977GT	DECAL,SOLID TIRE,445/65D22.5.....	2

Go to Discount-Equipment.com to order your parts



105.1 Decals with Words, Boom

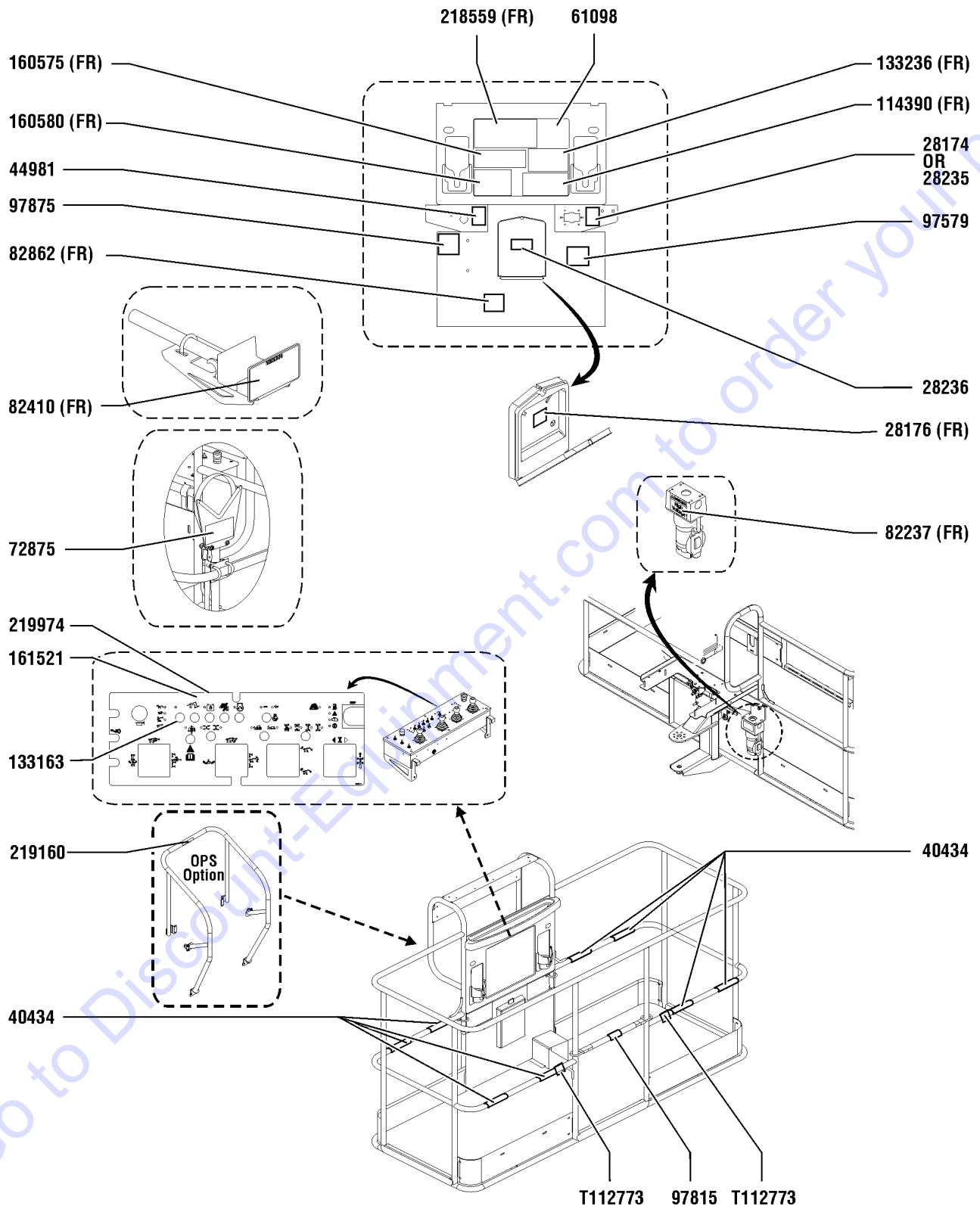


Go to [www.Count-Equipment.com](http://www.Count-Equipment.com) to order your parts

Item	Part No.	Description	Qty.
1	31060GT	DECAL,DANGER DO NOT ALTER SWTC.....	1
2	160424GT	DECAL,COSMETIC,GENIE ZX-135/70...	1

Go to Discount-Equipment.com to order your parts

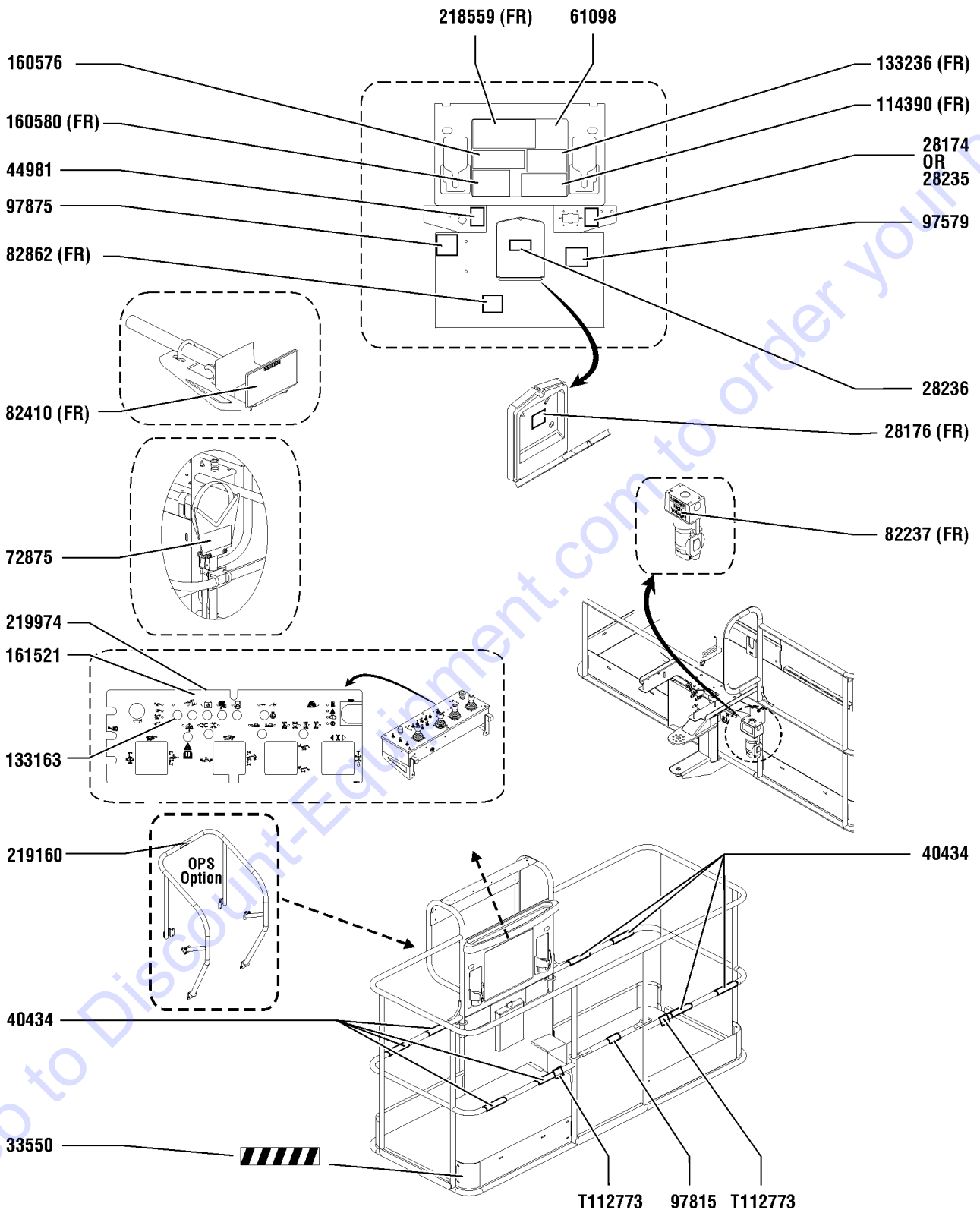
106.1 Decals with Words, Platform, ANSI & CSA



## 106.1 Decals with Words, Platform, ANSI &amp; CSA

Item	Part No.	Description	Qty.
1	28174GT	DECAL, POWER TO PLATFORM 230V**.....	1
2	28176GT	DECAL,LABEL,MANUAL NOT HERE.....	1
3	28235GT	DECAL,POWER TO PLATFORM 115V...1	1
4	28236GT	DECAL,WARN,IMPROPER OPERATION.....	1
5	40434GT	DECAL,LANYARD ANCHORAGE POINT.....	8
6	44981GT	DECAL,LABEL, AIR LINE 110 PSI..... <i>(option)</i>	1
7	61098GT	DECAL,BLACK,DECAL PLATE.....	1
8	72875GT	DECAL,WARNING,PIPE CRADLE,BOOM..... <i>(option)</i>	1
9	82237GT	DECAL,DANGER,HIGH VOLTAGE..... <i>(option)</i>	1
10	82410GT	DECAL,WARNING,PANEL CRADLE..... <i>(option)</i>	2
11	82862GT	DECAL,FIRE EXTINGUISHER..... <i>(Welder option)</i>	1
12	97579GT	DECAL,DANGER,TIP-OVER,WELDER**..1 <i>(Welder option)</i>	1
13	97815GT	DECAL,LABEL,LOWER MIDRAIL.....	1
14	97875GT	DECAL,WARN.WELD LINE INST.WORD..... <i>(Welder option)</i>	1
15	114390GT	DECAL,DANGER,ELECT HAZARD***....	1
16	133163GT	DECAL,FUNCTION OVERRIDE..... <i>(option)</i>	1
17	133236GT	DECAL,DANGER,TIPOVER,TILT 135*....	1
18	160575GT	DECAL, INSTR, MAX SIDE FRC, ZX....	1
19	160580GT	DECAL,WORD, SLOPE RATING, ZX13.....	1
20	161521GT	DECAL, PROTECTIVE COVER, ZX135.....	1
21	218559GT	DECAL,DANGER/WARNING COMBO....	1
22	219160GT	DECAL, INSTRUCTION, OPS..... <i>option</i>	1
23	219974GT	DECAL, PCON, SUPER-X Z135.....	1
24	T112773GT	TAPE, PROTECTIVE MASK.....	2

107.1 Decals with Words, Platform, AUS

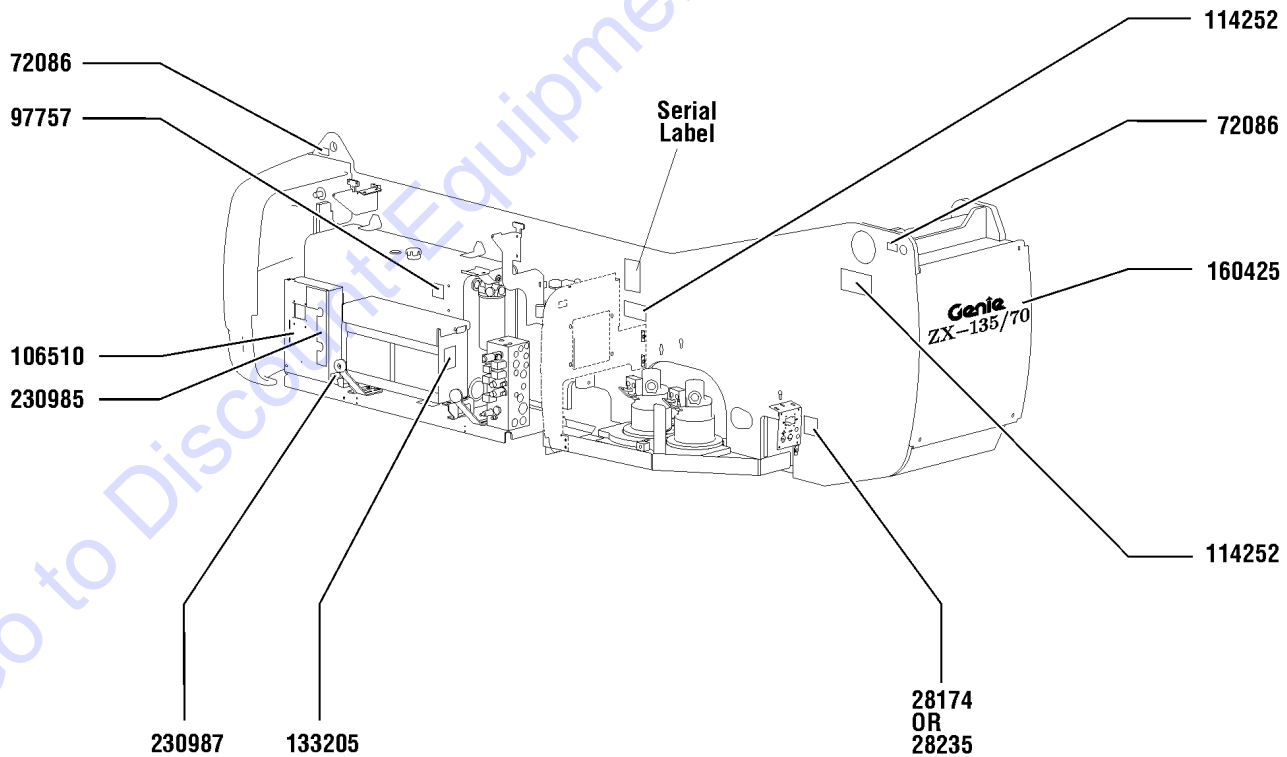
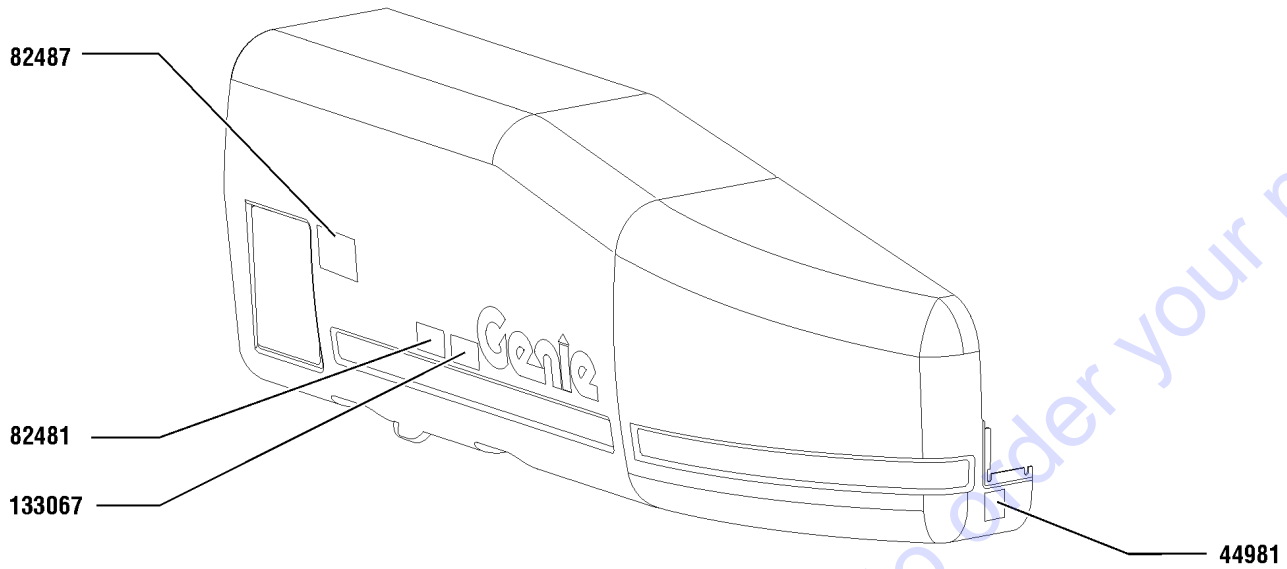


## 107.1 Decals with Words, Platform, AUS

Item	Part No.	Description	Qty.
1	28174GT	DECAL, POWER TO PLATFORM 230V**.....	1
2	28176GT	DECAL,LABEL,MANUAL NOT HERE.....	1
3	28235GT	DECAL,POWER TO PLATFORM 115V...1	1
4	28236GT	DECAL,WARN,IMPROPER OPERATION.....	1
5	33550GT	TAPE,WARNING,BLK/YEL, 50***.....	1
6	40434GT	DECAL,LANYARD ANCHORAGE POINT.....	8
7	44981GT	DECAL,LABEL, AIR LINE 110 PSI..... (option)	1
8	61098GT	DECAL,BLACK,DECAL PLATE.....	1
9	72875GT	DECAL,WARNING,PIPE CRADLE,BOOM.....	1
		(option)	
10	82237GT	DECAL,DANGER,HIGH VOLTAGE..... (option)	1
11	82410GT	DECAL,WARNING,PANEL CRADLE..... (option)	2
12	82862GT	DECAL,FIRE EXTINGUISHER..... (Welder option)	1
13	97579GT	DECAL,DANGER,TIP-OVER,WELDER**... (Welder option)	1
14	97815GT	DECAL,LABEL,LOWER MIDRAIL.....	1
15	97875GT	DECAL,WARN.WELD LINE INST.WORD.....	1
		(Welder option)	
16	114390GT	DECAL,DANGER,ELECT HAZARD***....	1
17	133163GT	DECAL,FUNCTION OVERRIDE..... (option)	1
18	133236GT	DECAL,DANGER,TIPOVER,TILT 135*....	1
19	160576GT	DECAL, INSTR, MAX SIDE FRC, ZX....	1
20	160580GT	DECAL,WORD, SLOPE RATING, ZX13.....	1
21	161521GT	DECAL, PROTECTIVE COVER, ZX135.....	1
22	218559GT	DECAL,DANGER/WARNING COMBO....	1
23	219160GT	DECAL, INSTRUCTION, OPS..... option	1
24	219974GT	DECAL, PCON, SUPER-X Z135.....	1
25	T112773GT	TAPE, PROTECTIVE MASK.....	2



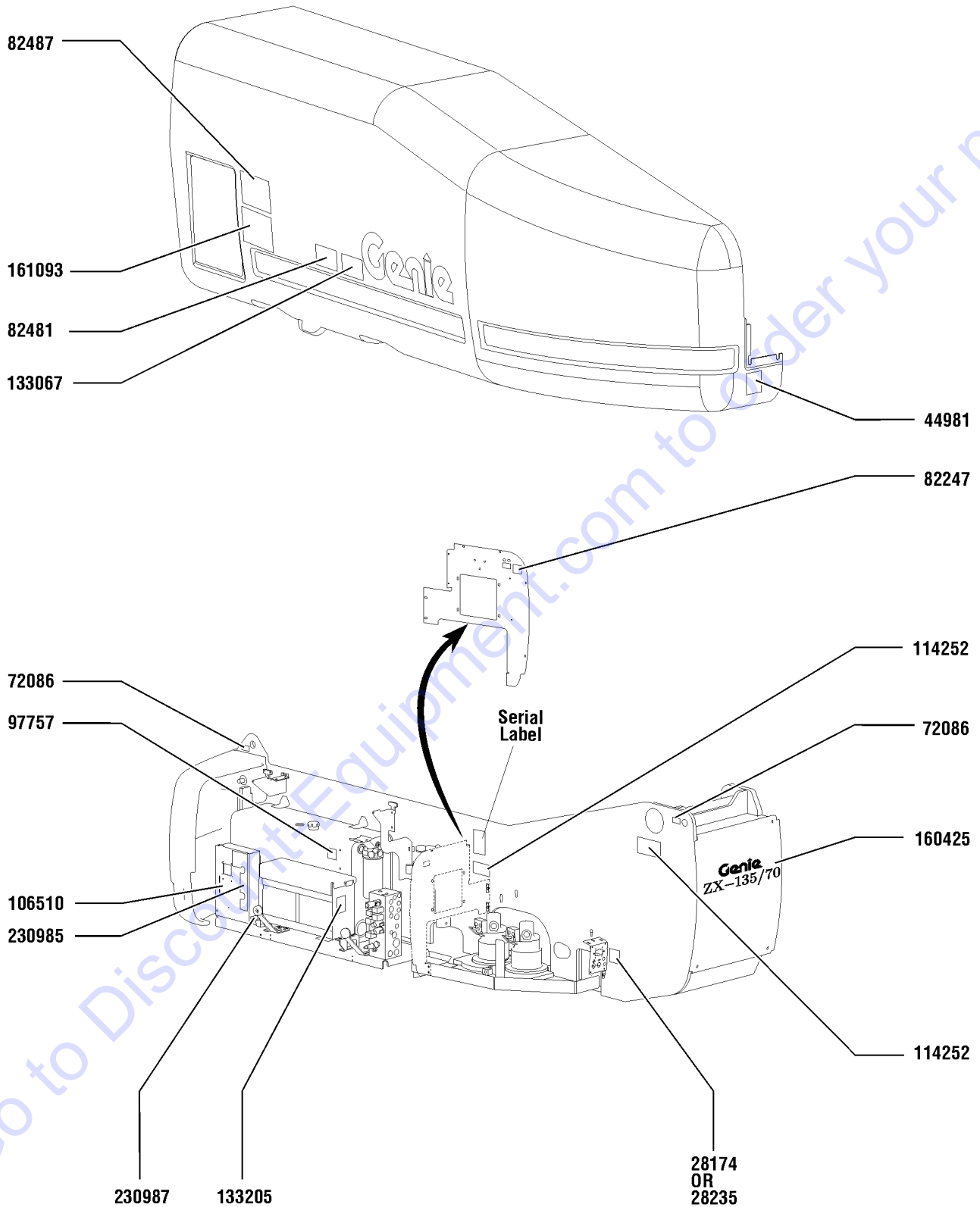
108.1 Decals with Symbols, Hydraulic Tank Side, Asia and South America



## 108.1 Decals with Symbols, Hydraulic Tank Side, Asia and South America

Item	Part No.	Description	Qty.
1	28174GT	DECAL, POWER TO PLATFORM 230V**.....	1
2	28235GT	DECAL,POWER TO PLATFORM 115V....	1
3	44981GT	DECAL,LABEL, AIR LINE 110 PSI..... (option)	1
4	72086GT	DECAL,LABEL,LIFTING EYE.....	2
5	82481GT	DECAL,SYMBOL-BATTERY SAFETY.....	1
6	82487GT	DECAL, SYMBOL - READ THE MANUAL.....	1
7	97757GT	DECAL,LABEL,OIL LEVEL IND.....	1
8	114252GT	DECAL,LABEL,TIP OVER LMT SWTCH.....	2
9	133067GT	DECAL,DANGER,ELEC.HAZ.STAY CLR.....	1
10	133205GT	DECAL,LABEL, ELECTRO HAZARD.....	1
11	160425GT	DECAL,COSMETIC,GENIE ZX-135.....	1
12	230985GT	DECAL,GROUND CONTROL,Z135.....	1
13	230987GT	DECAL, SERVICE RECOVERY SWITCH.....	1
14	106510GT	DECAL,MEMBRANE,GROUND CONTROL.....	1

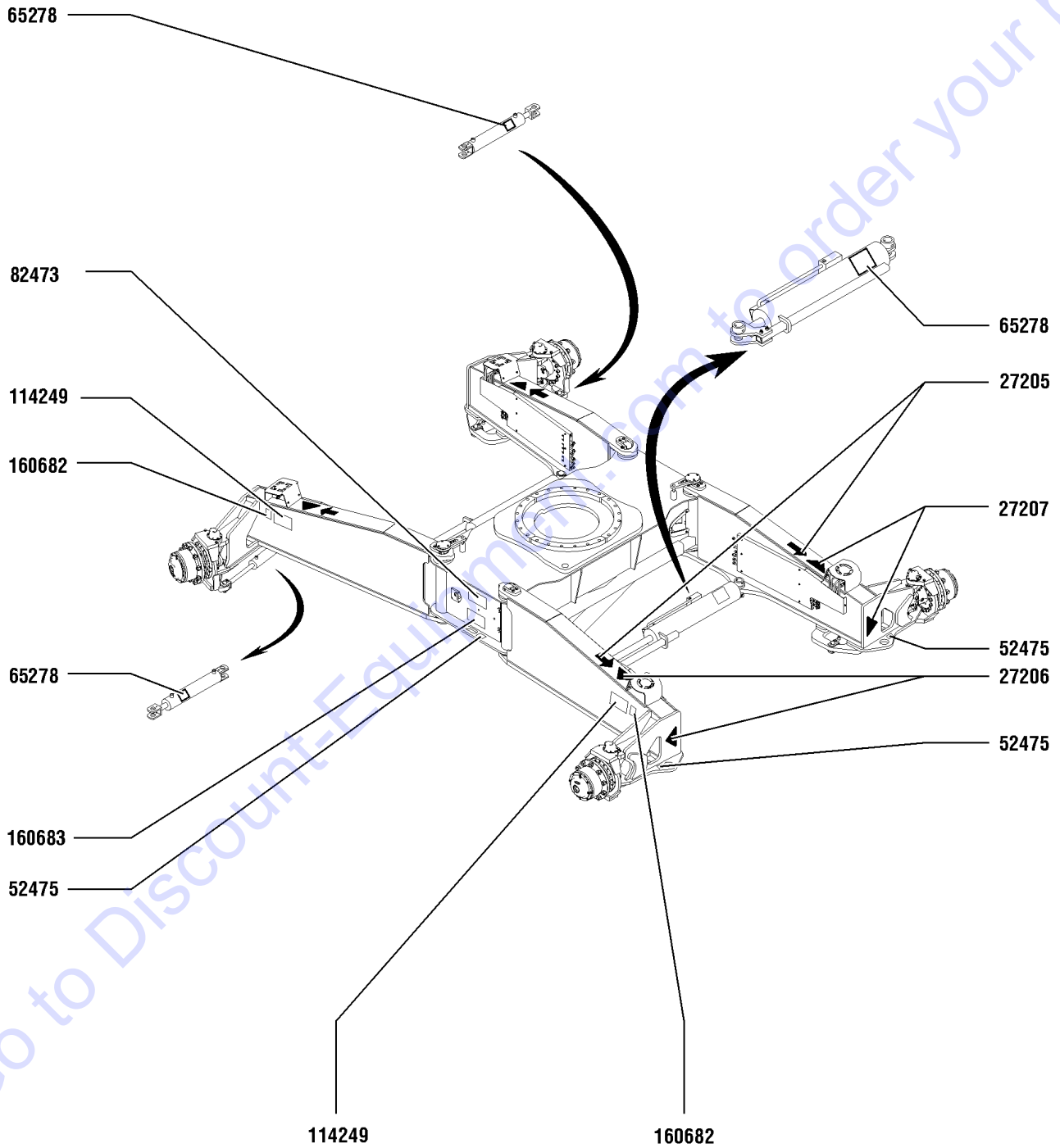
109.1 Decals with Symbols, Hydraulic Tank Side, CE



## 109.1 Decals with Symbols, Hydraulic Tank Side, CE

Item	Part No.	Description	Qty.
1	28174GT	DECAL, POWER TO PLATFORM 230V**.....	1
2	28235GT	DECAL,POWER TO PLATFORM 115V....	1
3	44981GT	DECAL,LABEL, AIR LINE 110 PSI..... (option)	1
4	72086GT	DECAL,LABEL,LIFTING EYE.....	2
5	82247GT	DECAL,LABEL,107 DB***.....	1
6	82481GT	DECAL,SYMBOL-BATTERY SAFETY.....	1
7	82487GT	DECAL, SYMBOL - READ THE MANUAL.....	1
8	97757GT	DECAL,LABEL,OIL LEVEL IND.....	1
9	114252GT	DECAL,LABEL,TIP OVER LMT SWTCH.....	2
10	133067GT	DECAL,DANGER,ELEC.HAZ.STAY CLR.....	1
11	133205GT	DECAL,LABEL, ELECTRO HAZARD....	1
12	160425GT	DECAL,COSMETIC,GENIE ZX-135.....	1
13	161093GT	DECAL, EMERGENCY LOWERING, ZX1.....	1
14	230985GT	DECAL,GROUND CONTROL,Z135.....	1
15	230987GT	DECAL, SERVICE RECOVERY SWITCH.....	1
16	106510GT	DECAL,MEMBRANE,GROUND CONTROL.....	1

110.1 Decals with Symbols, Hydraulic Tank Side (chassis)



Go to Discount-Equipment.com to order your parts

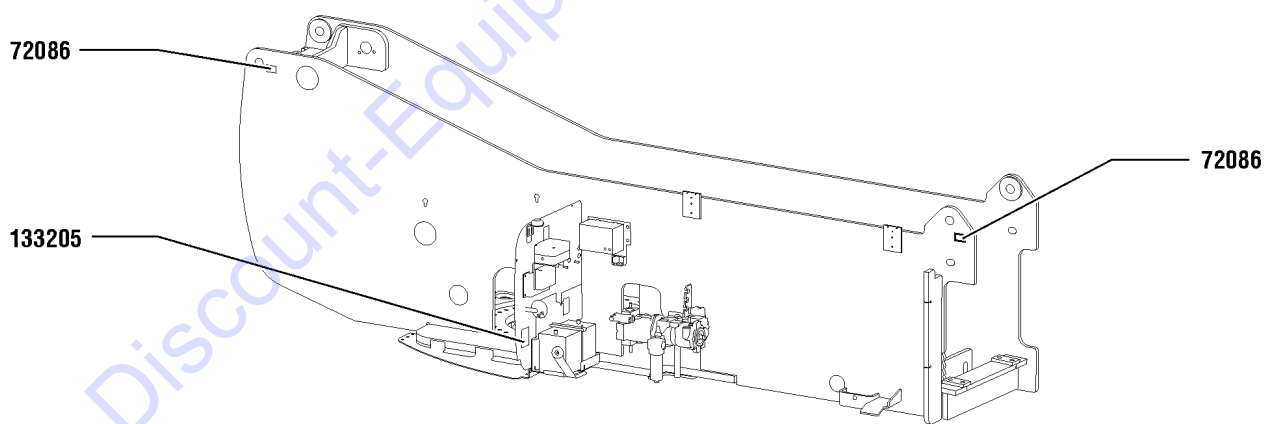
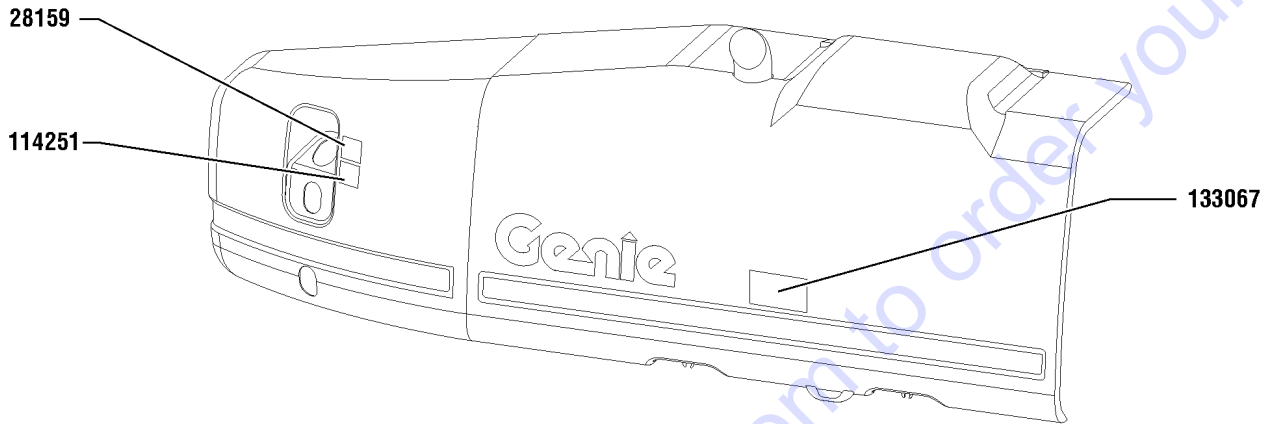
## 110.1 Decals with Symbols, Hydraulic Tank Side (chassis)

Item	Part No.	Description	Qty.
1	27205GT	DECAL,ARROW YELLOW LRG 9".....	2
2	27206GT	DECAL,TRIANGLE,BLUE.....	2
3	27207GT	DECAL,TRIANGLE,YELLOW.....	2
4	52475GT	DECAL,LABEL,TRANSPORT TIEDOWN*.....	3
5	65278GT	DECAL,CAUTION,NO STEP.....	3
6	82473GT	DECAL,SYMBOL-COMP ACCESS.....	1
7	114249GT	DECAL,LABEL,TIPOVER,TIRES,SYMB.2	
8	160682GT	DECAL, LABEL, WHEEL LOAD ZX135...2	
9	160683GT	DECAL, LABEL, TRANSPORT DIAGRA.....	1

Go to Discount-Equipment.com to order your parts



111.1 Decals with Symbols, Engine Side



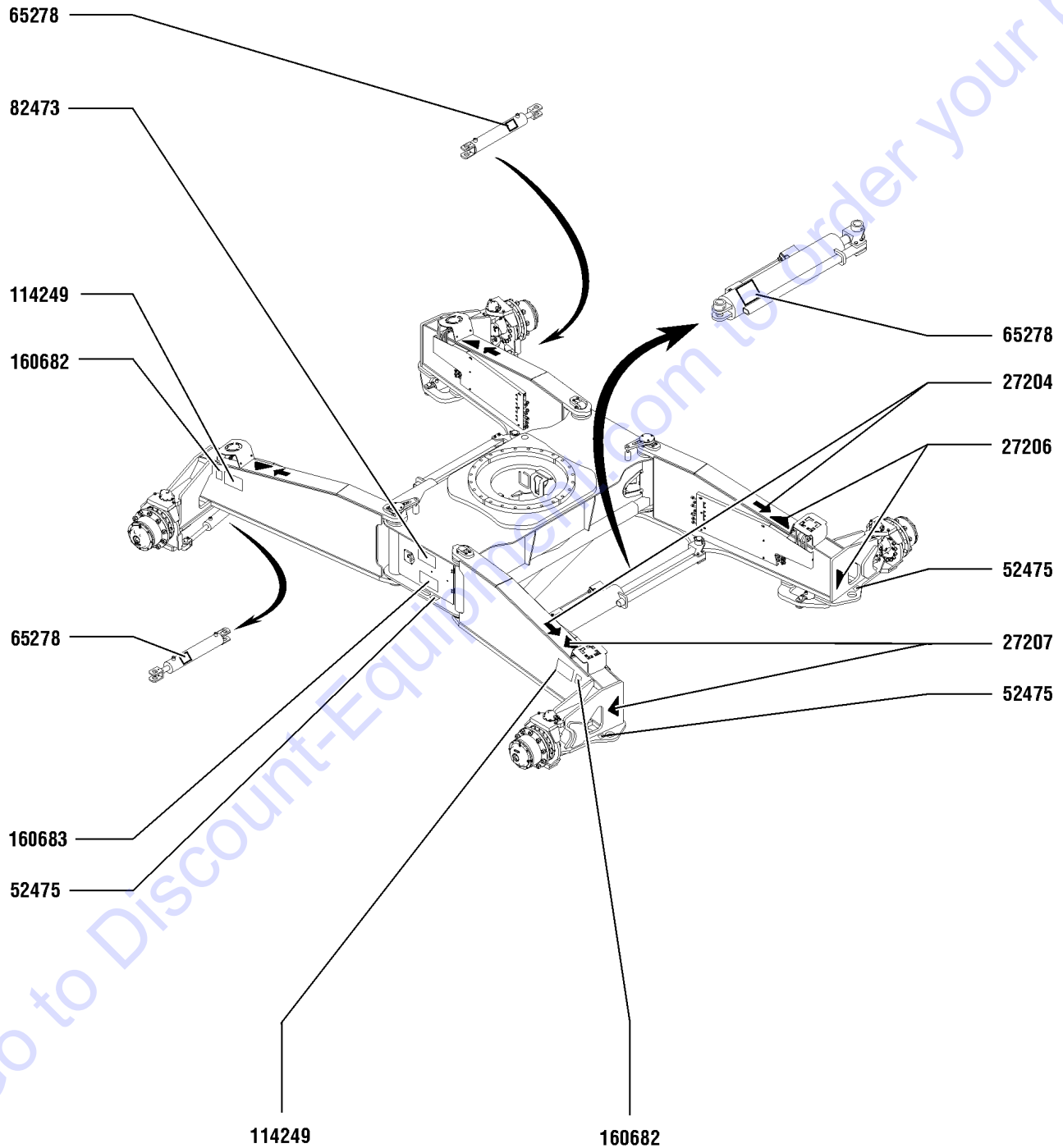
Go to Discount-Equipment.com to order your parts

## 111.1 Decals with Symbols, Engine Side

Item	Part No.	Description	Qty.
1	28159GT	DECAL,DIESEL.....	1
2	72086GT	DECAL,LABEL,LIFTING EYE.....	2
3	114251GT	DECAL,LABEL,NO SMOKING,SYMB.....	1
4	133067GT	DECAL,DANGER,ELEC.HAZ.STAY CLR.....	1
5	133205GT	DECAL,LABEL, ELECTRO HAZARD.....	1

Go to Discount-Equipment.com to order your parts

112.1 Decals with Symbols, Engine Side (chassis)

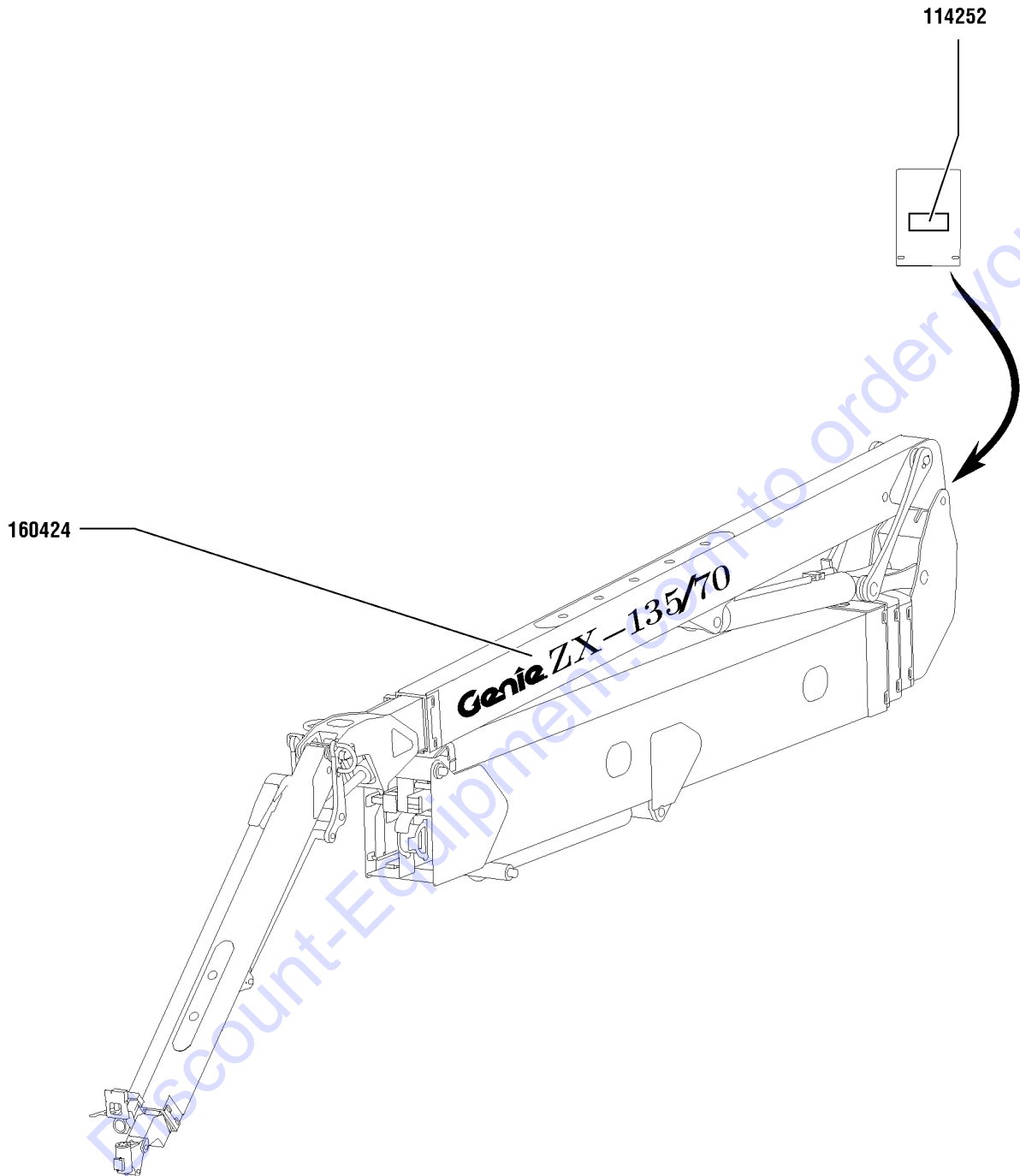


## 112.1 Decals with Symbols, Engine Side (chassis)

Item	Part No.	Description	Qty.
1	27204GT	DECAL,ARROW BLUE.....	2
2	27206GT	DECAL,TRIANGLE,BLUE.....	2
3	27207GT	DECAL,TRIANGLE,YELLOW.....	2
4	52475GT	DECAL,LABEL,TRANSPORT TIEDOWN*.....	3
5	65278GT	DECAL,CAUTION,NO STEP.....	3
6	82473GT	DECAL,SYMBOL-COMP ACCESS.....	1
7	114249GT	DECAL,LABEL,TIPOVER,TIRES,SYMB.2	
8	160682GT	DECAL, LABEL, WHEEL LOAD ZX135...2	
9	160683GT	DECAL, LABEL, TRANSPORT DIAGRA.....	1

Go to Discount-Equipment.com to order your parts

113.1 Decals with Symbols, Boom

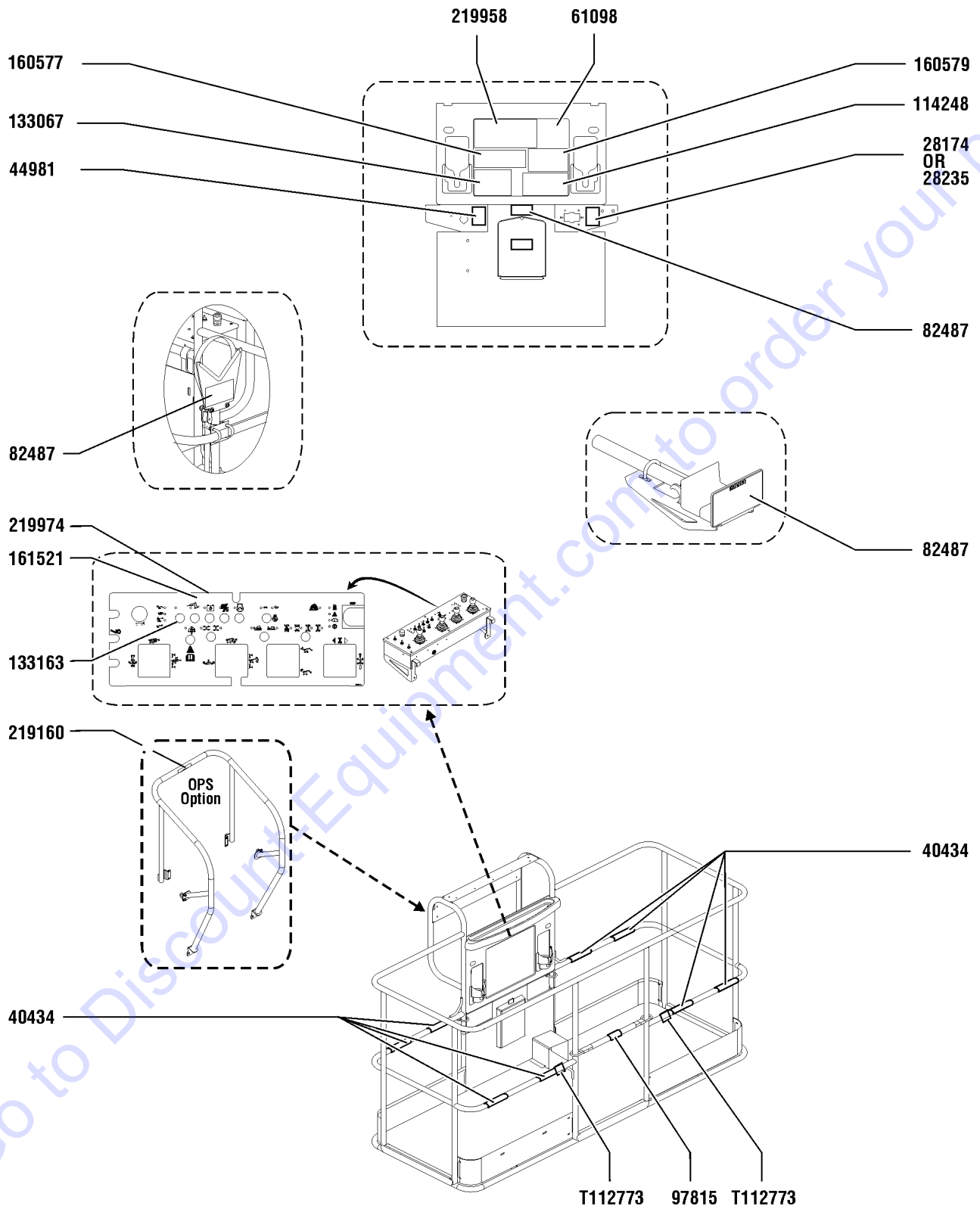


113.1 Decals with Symbols, Boom

Item	Part No.	Description	Qty.
1	160424GT	DECAL,COSMETIC,GENIE ZX-135/70...1	
2	114252GT	DECAL,LABEL,TIP OVER LMT SWTCH.....1	

Go to Discount-Equipment.com to order your parts

114.1 Decals with Symbols, Platform, Asia and South America

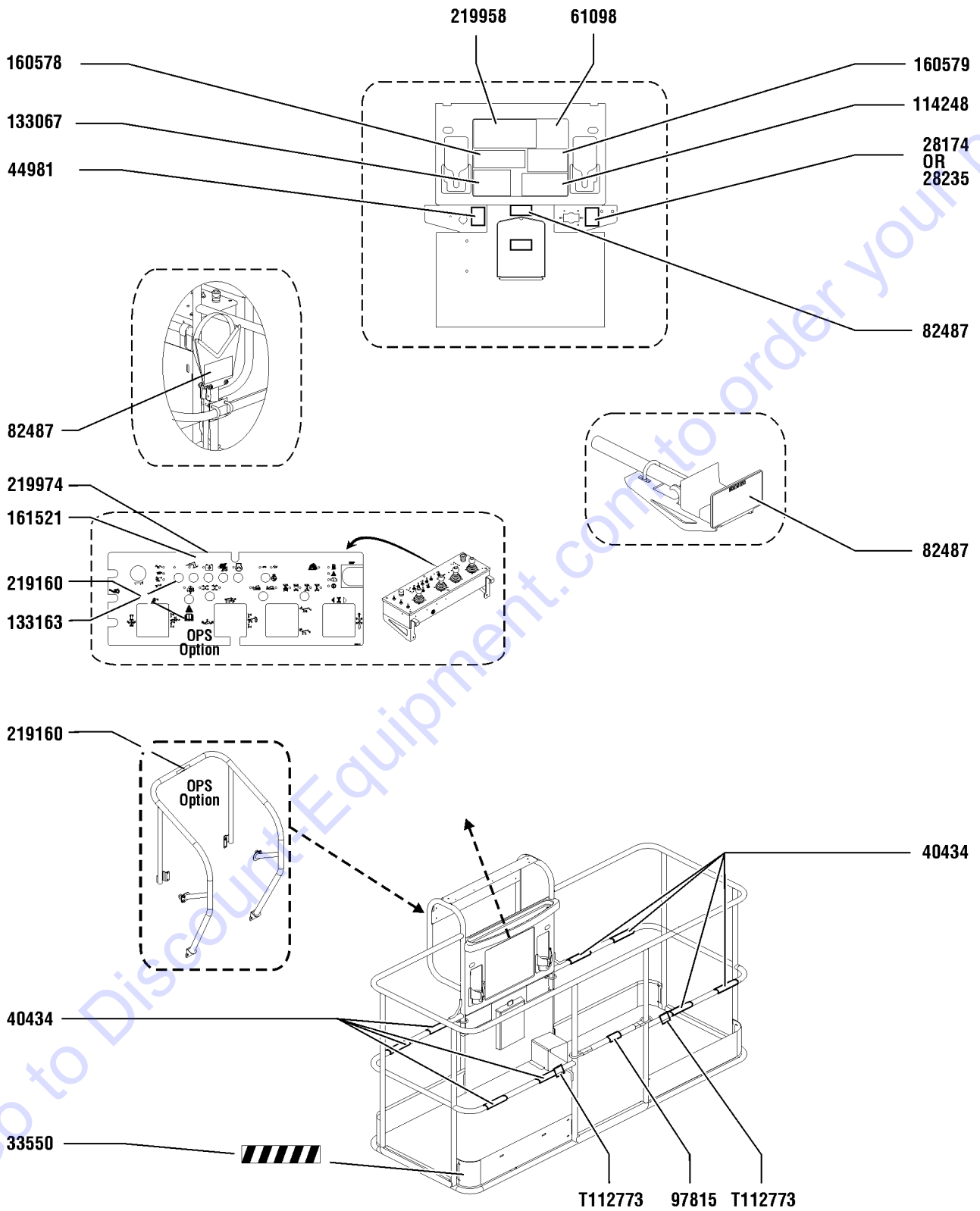


## 114.1 Decals with Symbols, Platform, Asia and South America

Item	Part No.	Description	Qty.
1	28174GT	DECAL, POWER TO PLATFORM 230V**.....	1
2	28235GT	DECAL,POWER TO PLATFORM 115V....	1
3	40434GT	DECAL,LANYARD ANCHORAGE POINT.....	2
4	44981GT	DECAL,LABEL, AIR LINE 110 PSI.....	1
5	61098GT	DECAL,BLACK,DECAL PLATE.....	1
6	82487GT	DECAL, SYMBOL - READ THE MANUAL.....	3
7	97815GT	DECAL,LABEL,LOWER MIDRAIL.....	1
8	114248GT	DECAL,LABEL,TIPOVER,TILT AL SY....	1
9	133067GT	DECAL,DANGER,ELEC.HAZ.STAY CLR.....	1
10	133163GT	DECAL,FUNCTION OVERRIDE.....	1
11	160577GT	DECAL, SYMB, MAX SIDE FRC, ZX1....	1
12	160579GT	DECAL, SYMB, SLOPE RATING, ZX1....	1
13	161521GT	DECAL, PROTECTIVE COVER, ZX135.....	1
14	219160GT	DECAL, INSTRUCTION, OPS..... <i>option</i>	1
15	219958GT	DECAL,TIP-OVER,CRUSH.....	1
16	219974GT	DECAL, PCON, SUPER-X Z135.....	1
17	T112773GT	TAPE, PROTECTIVE MASK.....	2



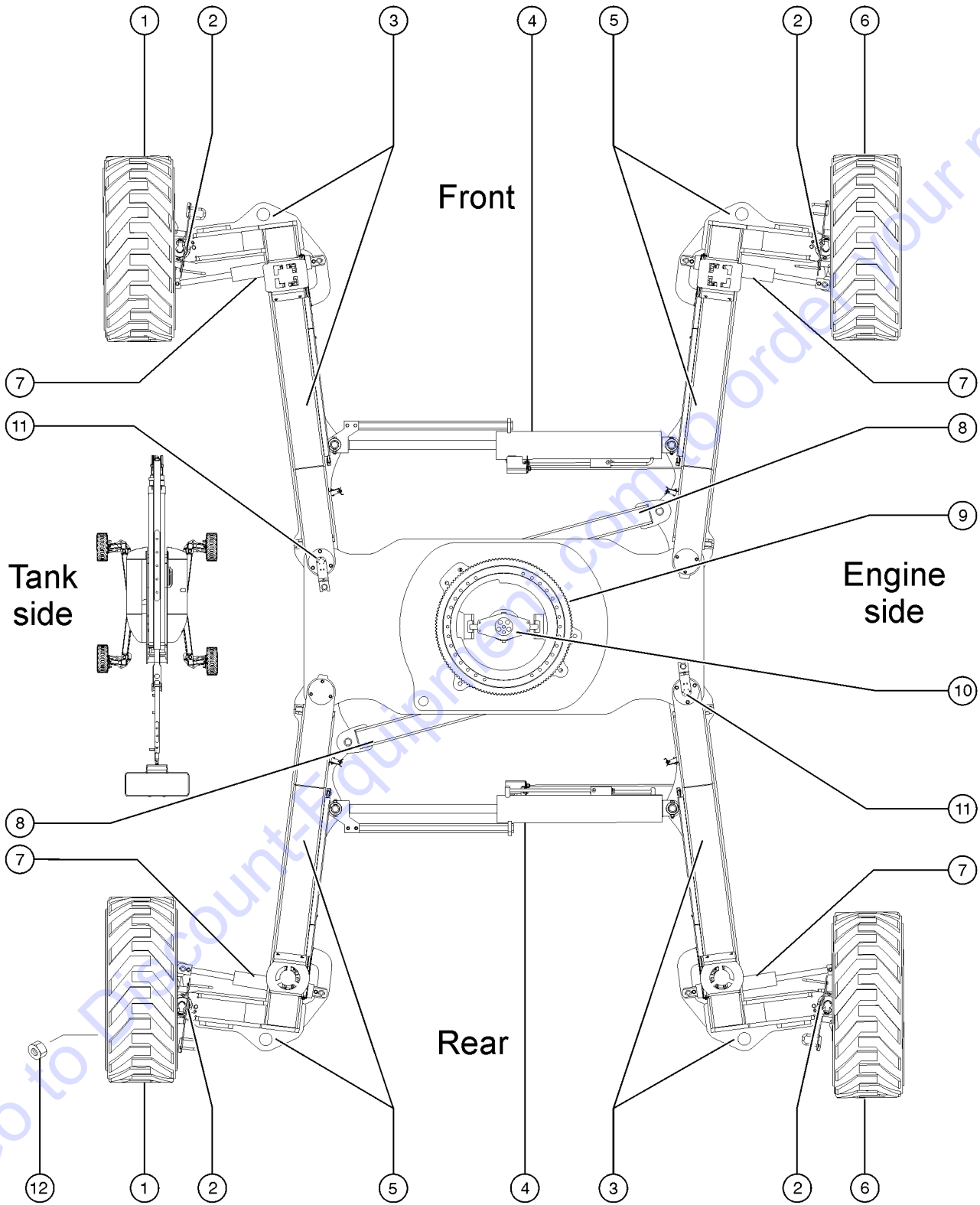
115.1 Decals with Symbols, Platform, CE



## 115.1 Decals with Symbols, Platform, CE

Item	Part No.	Description	Qty.
1	28174GT	DECAL, POWER TO PLATFORM 230V**.....	1
2	28235GT	DECAL,POWER TO PLATFORM 115V...1	1
3	33550GT	TAPE,WARNING,BLK/YEL, 50***.....	1
4	40434GT	DECAL,LANYARD ANCHORAGE POINT.....	2
5	44981GT	DECAL,LABEL, AIR LINE 110 PSI.....	1
6	61098GT	DECAL,BLACK,DECAL PLATE	
7	82487GT	DECAL, SYMBOL - READ THE MANUAL.....	3
8	97815GT	DECAL,LABEL,LOWER MIDRAIL.....	1
9	114248GT	DECAL,LABEL,TIPOVER,TILT AL SY....	1
10	133067GT	DECAL,DANGER,ELEC.HAZ.STAY CLR.....	1
11	133163GT	DECAL,FUNCTION OVERRIDE.....	1
12	160578GT	DECAL, SYMB, MAX SIDE FRC, ZX1....	1
13	160579GT	DECAL, SYMB, SLOPE RATING, ZX1....	1
14	161521GT	DECAL, PROTECTIVE COVER, ZX135.....	1
15	219958GT	DECAL,TIP-OVER,CRUSH	
16	219160GT	DECAL, INSTRUCTION, OPS..... <i>option</i>	1
17	219974GT	DECAL, PCON, SUPER-X Z135.....	1
18	T112773GT	TAPE, PROTECTIVE MASK.....	2

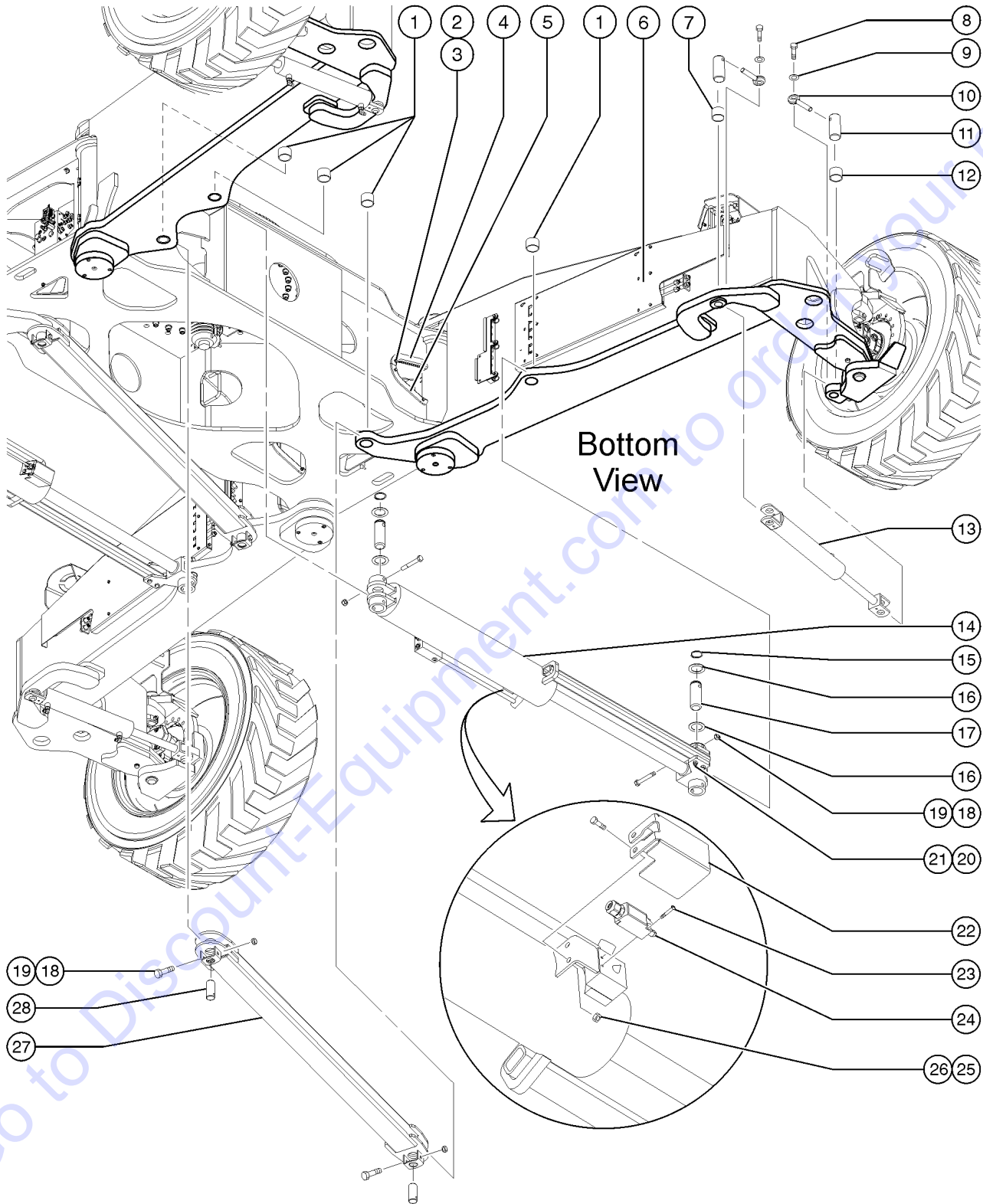
201.1 Chassis Components, Top View



## 201.1 Chassis Components, Top View

Item	Part No.	Description	Qty.
--	61283GT	SLEAVING,PARKER TEK,2.00"	
1A	T111702GT	ASSY,TIRE,445D50/710,LH.....2 <i>Foam-filled, Tank side</i>	
1B	233565GT	TIRE & WHEEL ASSY, LH <i>Foam-filled RNU, Tank side</i>	
2		Ref. ASSY, ANGLE SENSOR AND COVER.....4	
3	217184GT	ASSY,SUPERX AXLE LFRR, W/BRNG...2	
4		Ref. CYLINDER, AXLE EXTEND.....2 <i>(Refer to 202.1)</i>	
5	217185GT	ASSY,SUPERX AXLE, RFLR,W/BRNG...2	
6A	T111703GT	ASSY,TIRE,445D50/710,RH.....2 <i>Foam-filled, Engine side</i>	
6B	233566GT	TIRE & WHEEL ASSY, RH <i>Foam-filled RNU, Engine side</i>	
7		Ref. CYLINDER, STEER.....4 <i>(Refer to 202.1)</i>	
8		Ref. WELDMENT, TIMING LINK.....2 <i>(Refer to 202.1)</i>	
9		Ref. BEARING,TURNTABLE. <i>(Refer to 204.1 and 306.1)</i>	
10		Ref. HYDRAULIC SWIVEL.....1 <i>(Refer to 306.1)</i>	
11		Ref. Axle sensors.....2 <i>(Refer to 203.1)</i>	
12	34127GT	NUT,LUG,3/4-16 X 7/8 RADIUS.....40 <i>to SN 2584</i>	
--	1259931GT	NUT,LUG,3/4-16 X 7/8 RADIUS,ZA <i>from SN 2585</i>	

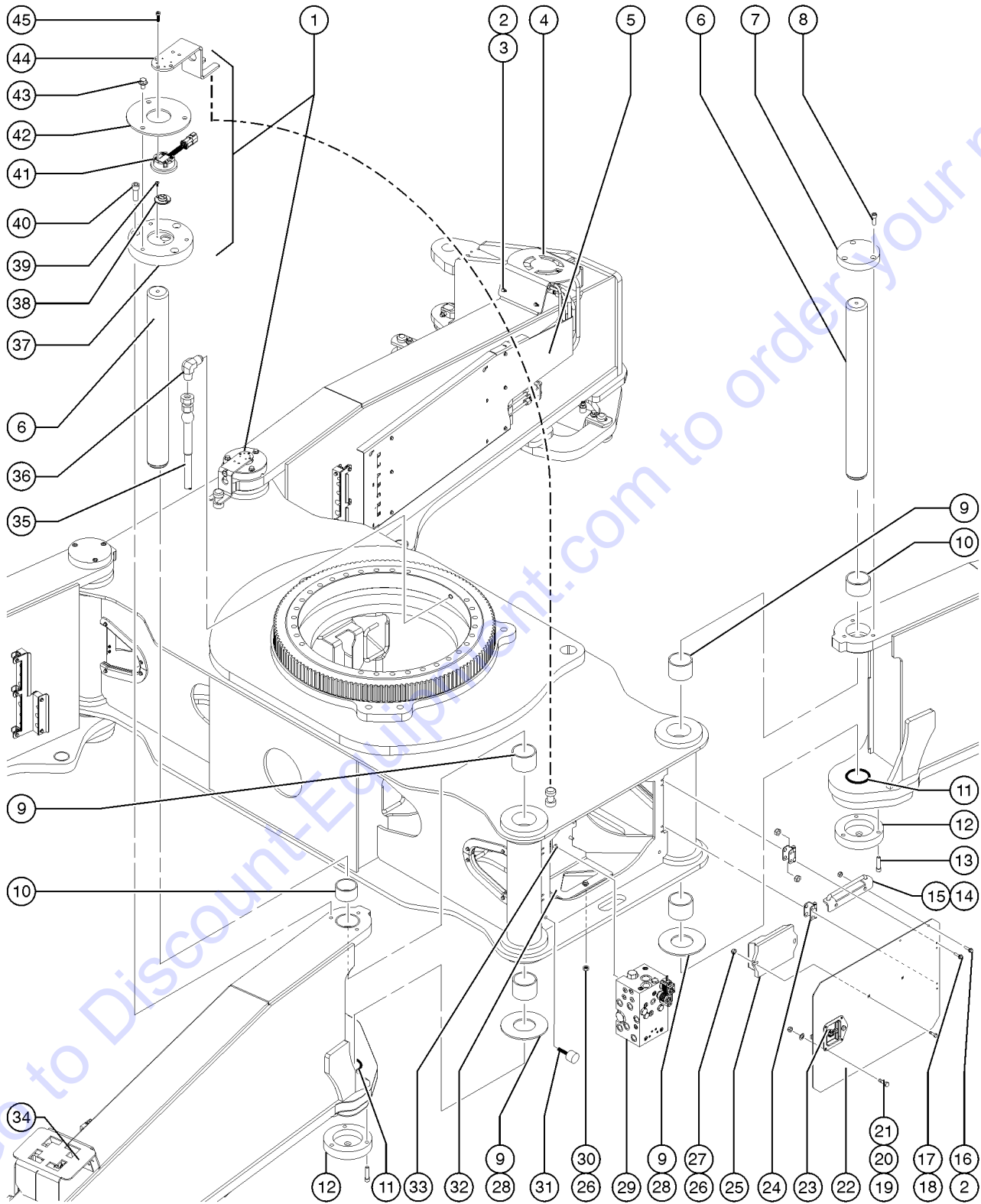
202.1 Chassis Components, Bottom View



## 202.1 Chassis Components, Bottom View

Item	Part No.	Description	Qty.	Item	Part No.	Description	Qty.
1	229532GT	BEARING, 50ID X 58OD X 40LG.....	8	27	229512GT	WELDMENT,TIMING LINK,XS.....	2
2	232886GT	SCREW,HHF,M6X40,DIN6921,10.9,		28	235317GT	PIN, 50MM DIA X 119MM L, 1HOLE.....	4
3	231513GT	NUT,TL FLG,M6-1.0,DIN6927,10,ZAB					
4	217481GT	WEAR GUARD,PLASTIC,HYD HOSE,1.....	8				
5	217482GT	WEAR GUARD,PLASTIC,HYD HOSE,2.....	8				
6		Ref. FORMING, HYD TUBE COVER (Refer to 204.1)					
7	235314GT	BEARING, 35ID X 41OD X 52LG.....	4				
8	825351GT	SCREW,HHC,M10-1.5X20,DIN933,10.9,ZAB					
9	824142GT	WASHER,LOCK,M10,ZAB					
10	1255452GT	ROD END,.375 X 2.25,ZAG.....	8				
11	229462GT	PIN, 35MM X 105MM, 1 HOLE.....	8				
12	229466GT	BEARING,35ID X 41OD X 40LG.....	4				
13	229461GT	CYLINDER, STEER.....	4				
--	237819GT	SEAL KIT					
14	229463GT	CYLINDER, AXLE EXTEND.....	2				
--	106742GT	SEAL KIT,CYL (98147)*** for cylinder 229463					
--	T107366GT	ASSY,LIM.SW.ACTUATOR BLOCK*** Includes actuator part 110481 and seal kit part 110482					
--	110481GT	LIMIT SWITCH ACTUATOR BLOCK Block only; for T107366					
--	110482GT	LS ACTUATOR BLOCK SEAL KIT Seal kit for actuator block part 110481					
--	33428GT	VALVE,COUNTERBALANCE					
--	43018GT	SEAL KIT (39345) Seal kit for valve part 33428					
--	229464GT	BELLOWS,AXLE EXTEND CYLINDER (Option)					
15	1253816GT	SNAP RING,EXTERNAL,M50,ZAB.....	4				
16	237827GT	WASHER,FLAT,2.00X3.00X.075,ZAG					
17	229465GT	PIN, 50MM DIA X 140MM, 1HOLE,.....	4				
18	1255658GT	NUT,TL,M14-2.0,DIN980,10,ZAB					
19	237828GT	SCREW,HHC,M14X100,DIN931,8.8,Y					
20	49366GT	NUT,NYLOCK,M12X1.75					
21	76364GT	SCREW,HHC,M12 X 100					
22	106070GT	FORMING,LIMIT SWITCH GUARD.....	2				
23	825352GT	SCREW,PHPM,10-32X1.25,ZAG					
24	236392GT	SWITCH ASSY, AXLE SAFETY.....	2				
--	1107165R3GT	LIMIT SW.TAB,BLUE METAL					
--	119762GT	CONN PLUG 4 WAY EXTEND DT					
25	237832GT	NUT,TL FLG,M8-1.25,DIN6927,10,ZAB					
26	824133GT	SCREW,HHF,M8-1.25X25,DIN6921,10.9,ZAB					

203.1 Chassis Components, Tank Side

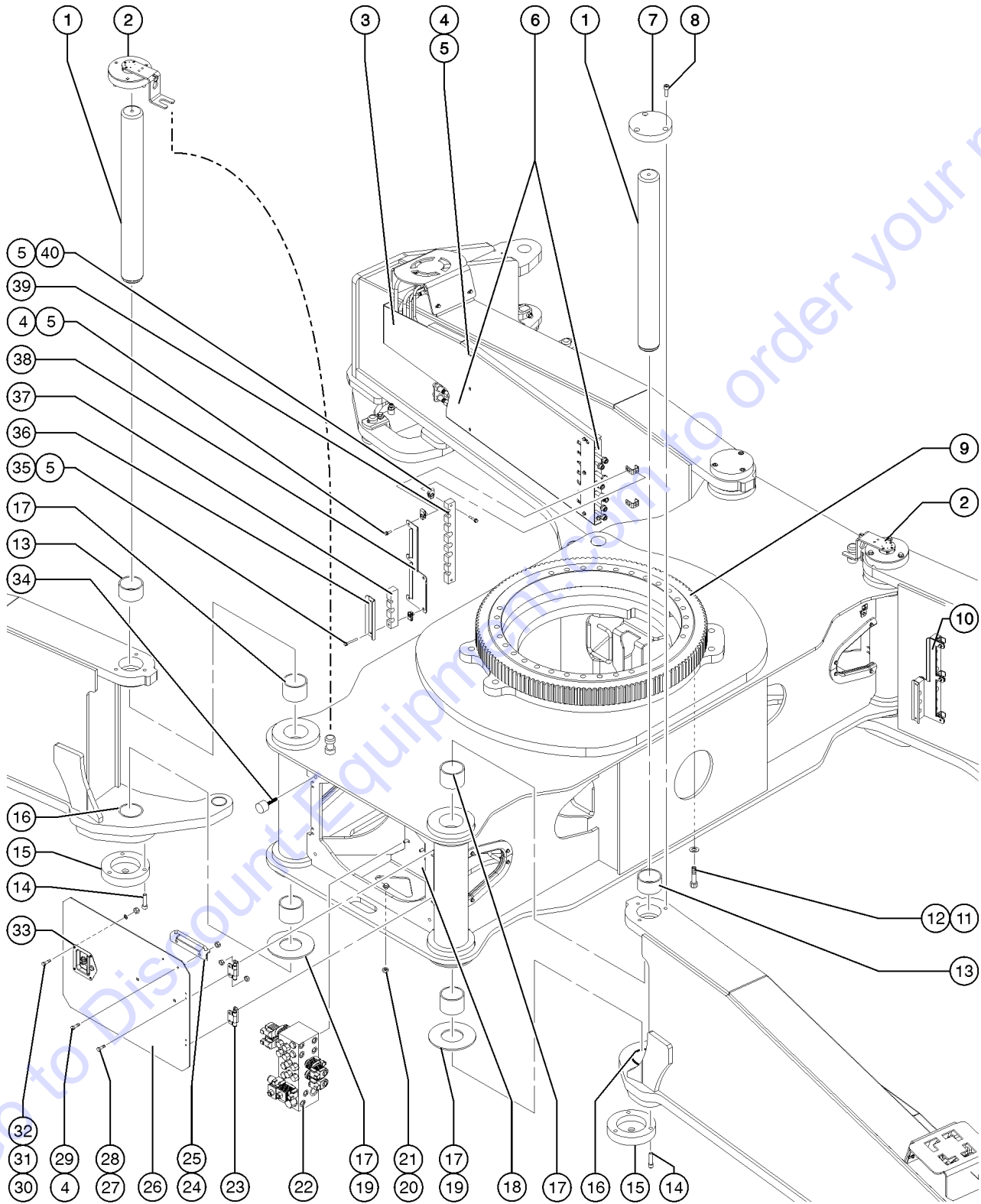


## 203.1 Chassis Components, Tank Side

Item	Part No.	Description	Qty.	Item	Part No.	Description	Qty.
1	160733GT	ASSY, AXLE SENSOR, SX/ZX135.....2 (complete) Includes items from 35 to 43		37	219302GT	MACHINED, TOP CAP, AXL PIN.....1	
--	1252002GT	KIT, SX/ZX AXLE ANGLE SENSOR Includes assembly 160733 with instructions		38	216058GT	SENSOR, ANGLE, 40 DEG, CCW.....1	
2	231532GT	SCREW,HHF,M6-1.0X20,DIN6921,10.9,ZAB		39	217219GT	SCREW,SHC,M4-0.7X14 DIN912,12.9,ZAB	
3	230073GT	SPRING CLIP,M6-1.0,0.8-4MM PAN		40	160732GT	SCREW, SHCS M12-1.75X35	
4	237460GT	FORMING,DIRECTIONAL CIRCLE		41	216058GT	SENSOR, ANGLE, 40 DEG, CCW.....1 Sensor and magnet are matched and must be replaced at the same time. Machine calibration is required after installation.	
5		Ref. FORMING, HYD TUBE COVER (Refer to 204.1)		42	219300GT	PLATE, RETAINER, AXL SENS.....1	
6	219304GT	PIN, 80MM X 780MM, AXLE.....2		43	237352GT	SCREW,HHF,M10-1.5X16,DIN6921,10.9,ZAB	
7	160825GT	MACHINED, TOP CAP, AXLE PIN.....2		44	160592GT	PLATE, CONTACT, HARD STOP.....1	
8	160732GT	SCREW, SHCS M12-1.75X35		45	217219GT	SCREW,SHC,M4-0.7X14 DIN912,12.9,ZAB	
9	235309GT	BEARING,80ID X 90OD X 65LG.....4					
10	237854GT	BEARING, 80ID X 90OD X 52LG.....2					
11	160502GT	BEARING, 80ID X 90OD X 80LG.....2					
12	219288GT	MACHINED, LOWER CAP, AXL PIN.....2					
13	160736GT	SCREW, SHCS M12-1.75X50 GR12.9					
14	230824GT	FORMING,LOCK COVER BRKT.....1					
15	230825GT	FORMING, COVER LOCK BAR.....1					
16	231513GT	NUT,TL FLG,M6-1.0,DIN6927,10,ZAB					
17	1255753GT	NUT,FLG,M5-0.8,DIN6923,8,ZAB					
18	218457GT	SCREW,HHF,M5X12,DIN6921,10.9,Z					
19	235315GT	SCREW,PHPM,M4-0.7X16,DIN7985,ZAB					
20	825357GT	WASHER,FLAT,M4,DIN125,ZAB					
21	49363GT	NUT,NYLOCK,M4X.70					
22	217420GT	ASSY,CHASSIS DOOR,ZX135 SPX.....1 Includes items 14 - 24					
23	74245GT	LATCH,FLUSH CUP LEFT HAND.....1 Includes mounting hardware and 1 pair of keys					
--	29314GT	KEY,LATCH, 1 PAIR (28125)					
24	217477GT	HINGE, OFFSET 12MM.....2					
25	101004GT	MODULE,DCON.....1					
26	237832GT	NUT,TL FLG,M8-1.25,DIN6927,10,ZAB					
27	230826GT	BOLT,CARRIAGE,M8X35,DIN603,8.8					
28	229530GT	WASHER, THRUST.....2					
29		Ref. MANIFOLD,TRACTION,4WD.....1 (Refer to 701.1)					
30	237820GT	SCREW,HHF,M8-1.25X40,DIN6921,10.9,ZAB					
31	111663GT	BUMPER,RUB,1.00DX.75X31-18X1.2....2					
32	229527GT	FORMING,MANIFOLD MOUNT.....1					
33	237830GT	SCREW,HHF,1/2-13X1,8,ZAG					
34	237552GT	FORMING,DIRECTIONAL SQUARE					
35	49189-9738GT	HOSE ASSY,1/4",STR FEM,STR FEM					
36	48887GT	ELBOW,90D, 070202-4					



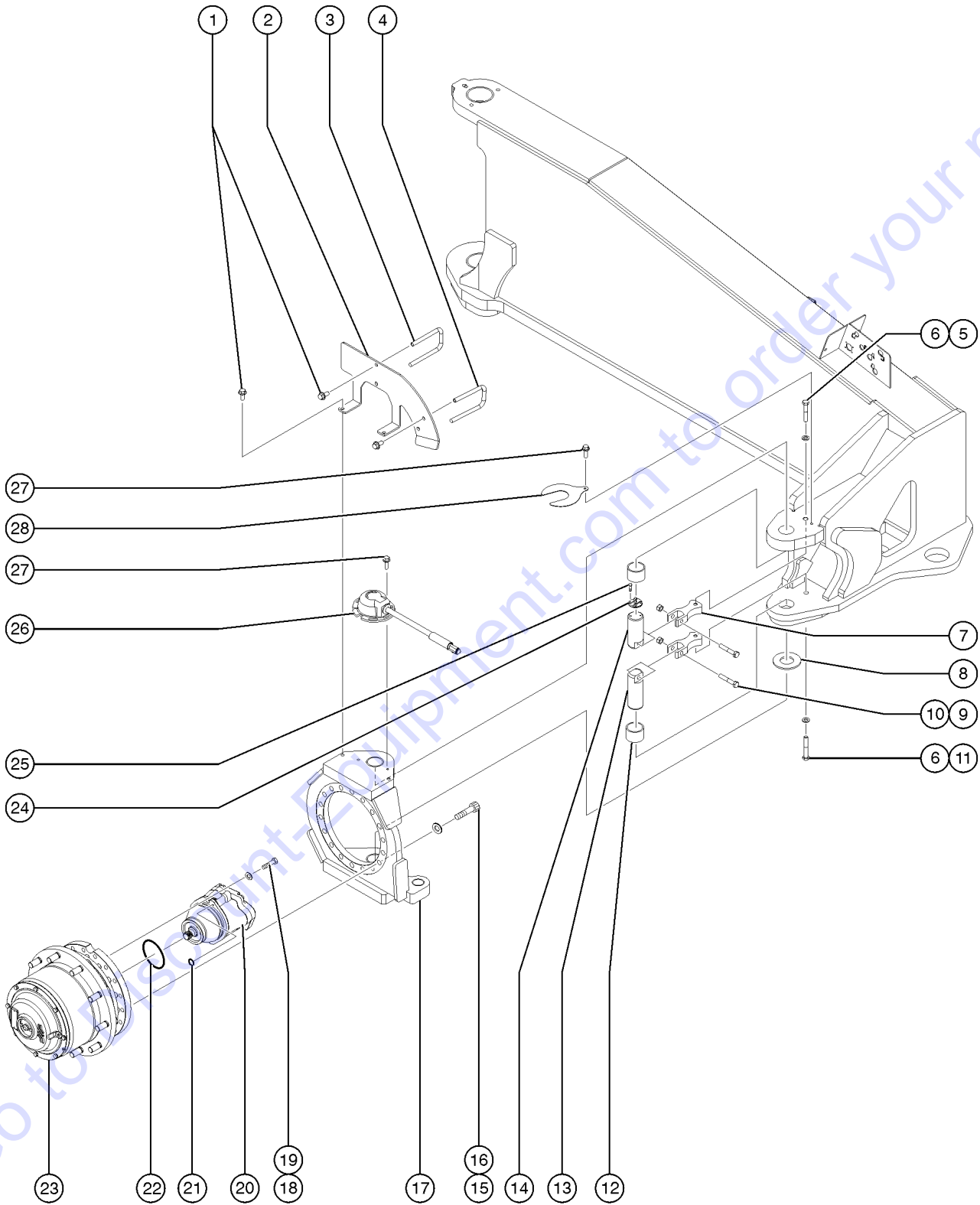
204.1 Chassis Components, Engine Side



## 204.1 Chassis Components, Engine Side

Item	Part No.	Description	Qty.	Item	Part No.	Description	Qty.
1	219304GT	PIN, 80MM X 780MM, AXLE.....	2	33	74245GT	LATCH,FLUSH CUP LEFT HAND.....	1
2		Ref. ASSY, AXLE SENSOR, SX/ZX135.....	2			<i>Includes mounting hardware and 1 pair of keys</i>	
		(Refer to 203.1)		--	29314GT	KEY,LATCH, 1 PAIR (28125)	
3	237461GT	FORMING, HYD TUBE COVER, AXLE...1		34	111663GT	BUMPER,RUB,1.00DX.75X31-18X1.2....	2
		<i>Front right and rear left</i>		35	216597GT	SCREW,HHF,M6-1.0X50,DIN6921,10.9,ZAB	
--	237562GT	FORMING, HYD TUBE COVER, AXLE		36	217479GT	FORMING, HOSE CLAMP COVER.....	1
		<i>Front left and rear right</i>		37	162291GT	CLAMP, HYD TUBE, AXLE	
4	231532GT	SCREW,HHF,M6-1.0X20,DIN6921,10.9,ZAB		38	162290GT	FORMING, HOSE CLAMP COVER.....	2
5	230073GT	SPRING CLIP,M6-1.0,0.8-4MM PAN				<i>Front right and rear left</i>	
6	237458GT	CLAMP, HYD TUBE, AXLE.....	2	39	229543GT	CLAMP, PLASTIC, HYD HOSE.....	1
7	160825GT	MACHINED, TOP CAP, AXLE PIN.....	2	40	232886GT	SCREW,HHF,M6X40,DIN6921,10.9,	
8	160732GT	SCREW, SHCS M12-1.75X35					
9	101572GT	BEARING,TURNTABLE.....	1				
		(For top bolts on swing refer to 306.1)					
10	162296GT	FORMING, HOSE CLAMP COVER					
		<i>Front left and rear right</i>					
11	216794GT	SCREW,SHC,5/8-11 X 4.00, A574.....	36				
		<i>to SN 2584</i>					
--	1255654GT	SCREW,SHC,5/8-11X4.75,A574,ZAG					
		<i>from SN 2585</i>					
12	76390GT	WASHER,FLAT, M16 HARDENED.....	36				
		<i>to SN 2584</i>					
--	825348GT	WASHER,FLAT,M16,DIN6916,HRD,ZAB					
		<i>from SN 2585</i>					
13	237854GT	BEARING, 80ID X 90OD X 52LG.....	2				
14	160736GT	SCREW, SHCS M12-1.75X50 GR12.9					
15	219288GT	MACHINED, LOWER CAP, AXL PIN.....	2				
16	160502GT	BEARING, 80ID X 90OD X 80LG.....	2				
17	235309GT	BEARING,80ID X 90OD X 65LG.....	4				
18	229527GT	FORMING,MANIFOLD MOUNT.....	1				
19	229530GT	WASHER, THRUST.....	2				
20	237832GT	NUT,TL FLG,M8-1.25,DIN6927,10,ZAB					
21	237820GT	SCREW,HHF,M8-1.25X40,DIN6921,10.9,ZAB					
22		Ref. MANIFOLD,STEER/AXLE.....	1				
		(Refer to 702.1)					
23	217477GT	HINGE, OFFSET 12MM.....	2				
24	230824GT	FORMING,LOCK COVER BRKT					
25	230825GT	FORMING, COVER LOCK BAR					
26	217420GT	ASSY,CHASSIS DOOR,ZX135 SPX.....	1				
		<i>Includes items 23 - 33</i>					
27	218457GT	SCREW,HHF,M5X12,DIN6921,10.9,Z					
28	1255753GT	NUT,FLG,M5-0.8,DIN6923,8,ZAB					
29	231513GT	NUT,TL FLG,M6-1.0,DIN6927,10,ZAB					
30	235315GT	SCREW,PHPM,M4-0.7X16,DIN7985,ZAB					
31	825357GT	WASHER,FLAT,M4,DIN125,ZAB					
32	49363GT	NUT,NYLOCK,M4X.70					

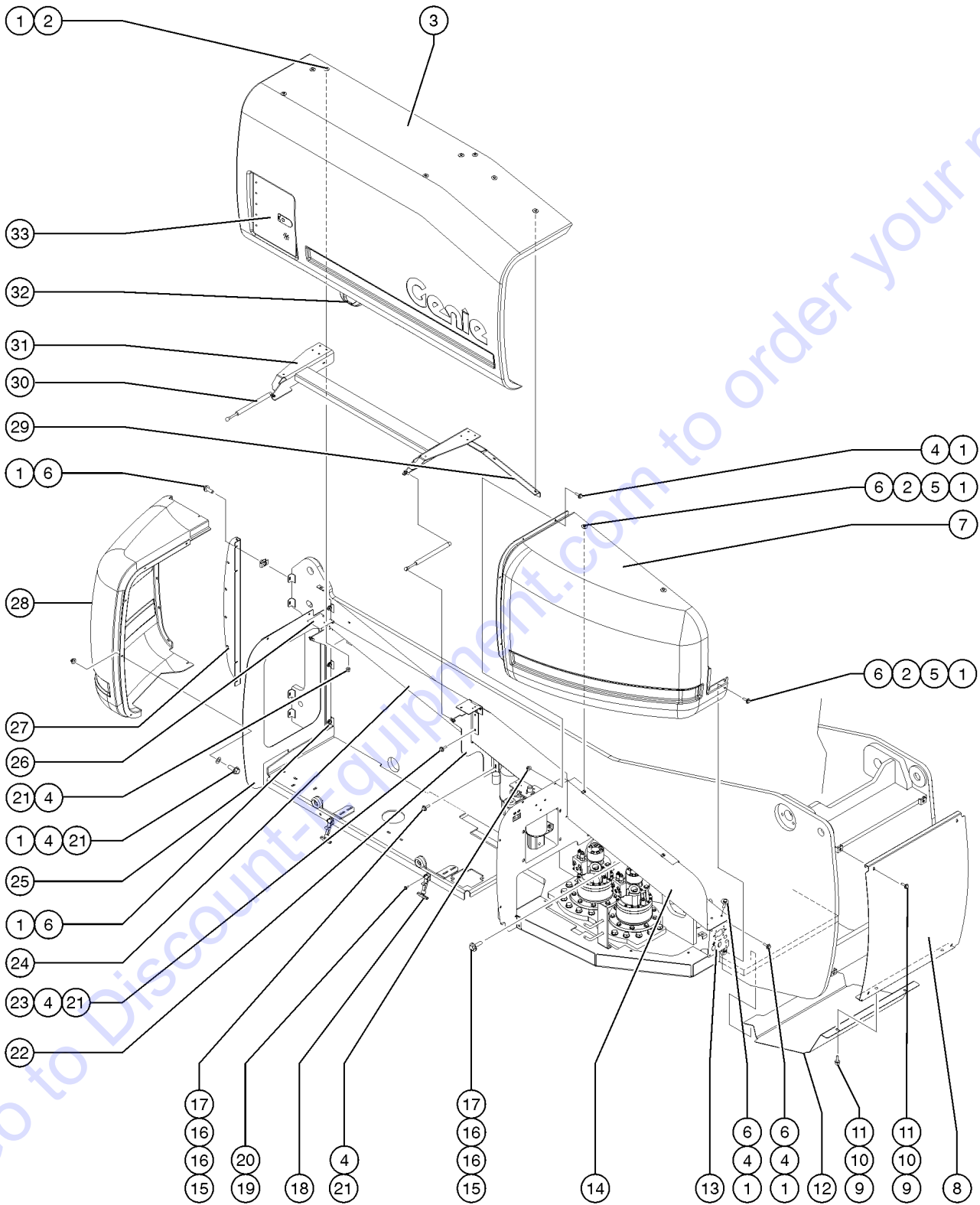
205.1 Steer Yoke, Wheel Drive and Motor



## 205.1 Steer Yoke, Wheel Drive and Motor

Item	Part No.	Description	Qty.	Item	Part No.	Description	Qty.
1	237352GT	SCREW,HHF,M10-1.5X16,DIN6921,10.9,ZAB		21	106117GT	O-RING,2-010,VITON.....	4
2	217473GT	FORMING, HOSE BRACKET, AXLE 2...2 <i>Front right and rear left (shown). Units built before SN 2155 for first time replacement of this axle hose bracket or any of the hoses in this location are required to install kit 826831 (refer to 707.1)</i>		22	106118GT	O-RING,2-157,VITON***.....	4
--	217474GT	FORMING, HOSE BRACKET, AXLE 1...2 <i>Front left and rear right. Units built before SN 2155 for first time replacement of this axle hose bracket or any of the hoses in this location are required to install kit 826830 (refer to 707.1)</i>		23A	107722GT	WHEEL DRIVE W/BRAKE,113:1.....	2
3	217476GT	BAR, HOSE GUIDE, LONG.....	4	--	106873GT	SEAL KIT,RWD 1700TB***	
4	217475GT	BAR, HOSE GUIDE, SHORT.....	4	--	106874GT	BEARING KIT,RWD 1700TB***	
5	218456GT	SCREW,HHC,M12X70,DIN931,10.9,Y		--	106875GT	BRAKE KIT,RWD 1700TB***	
6	824146GT	WASHER,FLAT,M12,DIN125,ZAB		--	62478GT	STUD, WHEEL, 3/4-16 X 3****	
7	217486GT	NITRIDED, YOKE PIN LOCK.....	8	--	34127GT	NUT,LUG,3/4-16 X 7/8 RADIUS to SN 2584	
8	229526GT	WASHER,THRUST.....	4	--	1259931GT	NUT,LUG,3/4-16 X 7/8 RADIUS,ZA from SN 2585	
9	218456GT	SCREW,HHC,M12X70,DIN931,10.9,Y		--	1280068GT	HUB SUPPORT,WHEEL DRIVE(107722) for 107722	
10	237835GT	NUT,NYLOCK,M12,DIN985,G10,YZ to SN 2584		--	1280069GT	RING,WHEEL DRIVE(107722) for 107722	
--	1251713GT	NUT,TL,M12-1.75,DIN980,10,ZAB from SN 2585		--	1280070GT	COLUMN,WHEEL DRIVE(107722) for 107722	
11	216159GT	SCREW,HHC,M12-1.75X80,DIN931,10.9,ZAB		23B	106756GT	WHEEL DRIVE W/BRAKE,76:1.....	2
12	229532GT	BEARING, 50ID X 58OD X 40LG.....	8	--	106873GT	SEAL KIT,RWD 1700TB***	
13	229541GT	PIN, KING, AXLE, BOTTOM.....	4	--	106874GT	BEARING KIT,RWD 1700TB***	
14	229540GT	PIN, KING, AXLE, TOP.....	4	--	106875GT	BRAKE KIT,RWD 1700TB***	
15	102064GT	SCREW,SHC,M16 X 50MM,BLACK.....	72	--	62478GT	STUD, WHEEL, 3/4-16 X 3****	
--	826172GT	SCREW,SHC,M16-2.0X50,DIN912,12 from SN 2585		--	34127GT	NUT,LUG,3/4-16 X 7/8 RADIUS to SN 2584	
16	76390GT	WASHER,FLAT, M16 HARDENED.....	72	--	1259931GT	NUT,LUG,3/4-16 X 7/8 RADIUS,ZA from SN 2585	
17	217183GT	ASSY,SUPERX YOKE,RFLR,W/BRNG....2 <i>Front right and rear left</i>		--	9990080GT	SCREW FOR 106756.....	2
--	217182GT	ASSY,SUPERX YOKE,LFRR,W/BRNG....2 <i>Front left and rear right</i>		--	237233GT	HUB, WHEEL COVER,Z135 (106756)	
18	94747GT	SCREW,HHC,1/2-13 X 1.75 GRD 8.....	8	--	237232GT	O-RING, WHEEL COVER (237233)	
--	1255469GT	SCREW,HHF,1/2-13X1.25,8,ZAG from SN 2585		--	102449GT	CAP,MANUAL DISENGAGE (89212)	
19	13066GT	WASHER,FLAT,.5 HARDENED.....	8	--	7339GT	SCREW,HHC,1/4-20 X .5 use 2 each on cap 102449	
20A	101070GT	MOTOR,PISTON,2 SPEED,45CC.....	2	24	60618GT	ACTIVATOR,STEER SENSOR	
--	106098GT	SEAL KIT,MOTOR,LC/KC***		25	825349GT	SCREW,PHPM,10-32X.38,ZAG	
20B	107723GT	MOTOR,PISTON,2 SPEED,25CC.....	2	26	232993GT	SUBASSY, STEER SENSOR (Calibration required after replacement)	
--	106098GT	SEAL KIT,MOTOR,LC/KC***		--	219646GT	SENSOR, MODIFIED STEER ANGLE	
				--	60609GT	COVER,STEERING SENSOR	
				--	60746GT	BUSHING, STRAIN RELIEF, 1"	
				27	231532GT	SCREW,HHF,M6-1.0X20,DIN6921,10.9,ZAB	
				28	217470GT	SHIM, STEER YOKE	

301.1 Tank Side Covers



## 301.1 Tank Side Covers

Item	Part No.	Description	Qty.	Item	Part No.	Description	Qty.
1	6888GT	SCREW,HHC,1/4-20 X 1 to SN 2584		--	824032GT	NUT,TL FLG,10-32,F,ZAG from SN 2585	
--	824079GT	SCREW,HHF,1/4-20X1,8,ZAG from SN 2585		21	6091GT	NUT,NYLOCK,1/4-20 to SN 2584	
2	12906GT	WASHER,FENDER,.25 X 1.25 X.062 to SN 2584		--	824027GT	NUT,TL FLG,1/4-20,G,ZAG from SN 2585	
--	824119GT	WASHER,FLAT,.25X1.25X.062,ZAG from SN 2585		22	60655-SGT	STRUT SUPPORT,TANK SIDE.....1	
3	61112GT	COVER ASSY,TANK SIDE		23	6090GT	SCREW,HHC,1/4-20 X .75 to SN 2584	
--		Ref. LATCH Keeper Refer to 302.1		--	824078GT	SCREW,HHF,1/4-20X.75,8,ZAG from SN 2585	
4	6638GT	WASHER,FLAT,USS,1/4"Y to SN 2584		24	60509-SGT	FORMING,REAR COVER.....1	
5	6356GT	WASHER,LOCK,.25 to SN 2584		25	217989GT	PLATE, FRONT BULKHEAD, LEFT	
6	56912GT	SPRING CLIP,1/4-20,.025-.15X.54,ZAG		26	60670-SGT	STRUT SUPPORT.....1	
7	60485GT	COVER,TURNTABLE,LEFT SIDE.....1		27	217985GT	FORM., Z135 COVER MT.	
8	106021PGT	FORMING,SWING COVER,TOP PAINTD.....1		28	217984GT	COVER,FRONT LEFT,Z135 SWING.....1	
9	6175GT	SCREW,HHC,3/8-16 X 1 to SN 2584		29	60872GT	SUPPORT,COVER (61112,61117).....1	
--	824067GT	SCREW,HHC,3/8-16X1,8,ZAG from SN 2585		30	122272GT	GAS STRUT,202 LBS FORCE.....2 ball studs are not included	
10	6097GT	WASHER,FLAT,USS,3/8",Y to SN 2584		--	33555GT	BALL STUD**	
--	1255758GT	WASHER,FLAT,3/8,USS,ZAG from SN 2585		31	60578GT	COVER SUPPORT,WELDMENT.....1	
11	29868GT	SPRING CLIP,3/8-16,.05-.20X.73,ZAG		32		Ref. Grab Handle Refer to 302.1	
12	106022PGT	FORMING,SWING COVER,LOWER PNTD.....1		33	60966GT	COVER,TURNTABLE COVER ACCESS.....1	
13	89539PGT	MOUNT,PANEL,PAINTED.....1		--	60964GT	LATCH,PANEL	
14	60496-SGT	FORMING,INNER COVER.....1		--	5094GT	SCREW,RHM,10-32 X .5	
15	6096GT	SCREW,HHC,1/2-13 X 2 GR5 to SN 2584		--	6146GT	WASHER,FLAT,MS,#10,Y	
--	1256172GT	SCREW,HHF,1/2-13X 2,8,ZAG from SN 2585		--	824032GT	NUT,TL FLG,10-32,F,ZAG	
16	6095GT	WASHER,FLAT,USS,1/2",Y to SN 2584		--	60893GT	HINGE,SWING CONTROL BOX	
17	6198GT	NUT,NYLOCK,1/2-13 to SN 2584					
--	1251997GT	NUT,TL FLG,1/2-13,G,ZAG from SN 2585					
18	45363GT	LATCH,FLEXIBLE DRAW W/O KEEPER.....2					
19	49816GT	SCREW,PHILLIPS,PHM,10-32 X .75 to SN 2584					
--	824215GT	SCREW,PHPM,10-32X.75,ZAG from SN 2585					
20	6178GT	NUT,NYLOCK,10-32 to SN 2584					



# PARTS FINDER

**Search Website  
by Part Number**



**Search Manual  
Library For Parts  
Manual & Lookup Part  
Numbers – Purchase  
or Request Quote**

**Search Manuals**

Enter your information to help us find the right parts manual for your machine.

\* Brand:

\* Model:

\* Serial:

\* Part Number:

SEARCH

**Can't Find Part or  
Manual? Request Help  
by Manufacturer,  
Model & Description**

**Parts Order Form**

Please fill in the following information to help us find the right part for your machine.

Manufacturer:	<input type="text"/>
Model:	<input type="text"/>
Description:	<input type="text"/>
Part Number:	<input type="text"/>
Quantity:	<input type="text"/>
Notes:	<input type="text"/>

Submit

Discount-Equipment.com is your online resource for quality parts & equipment.

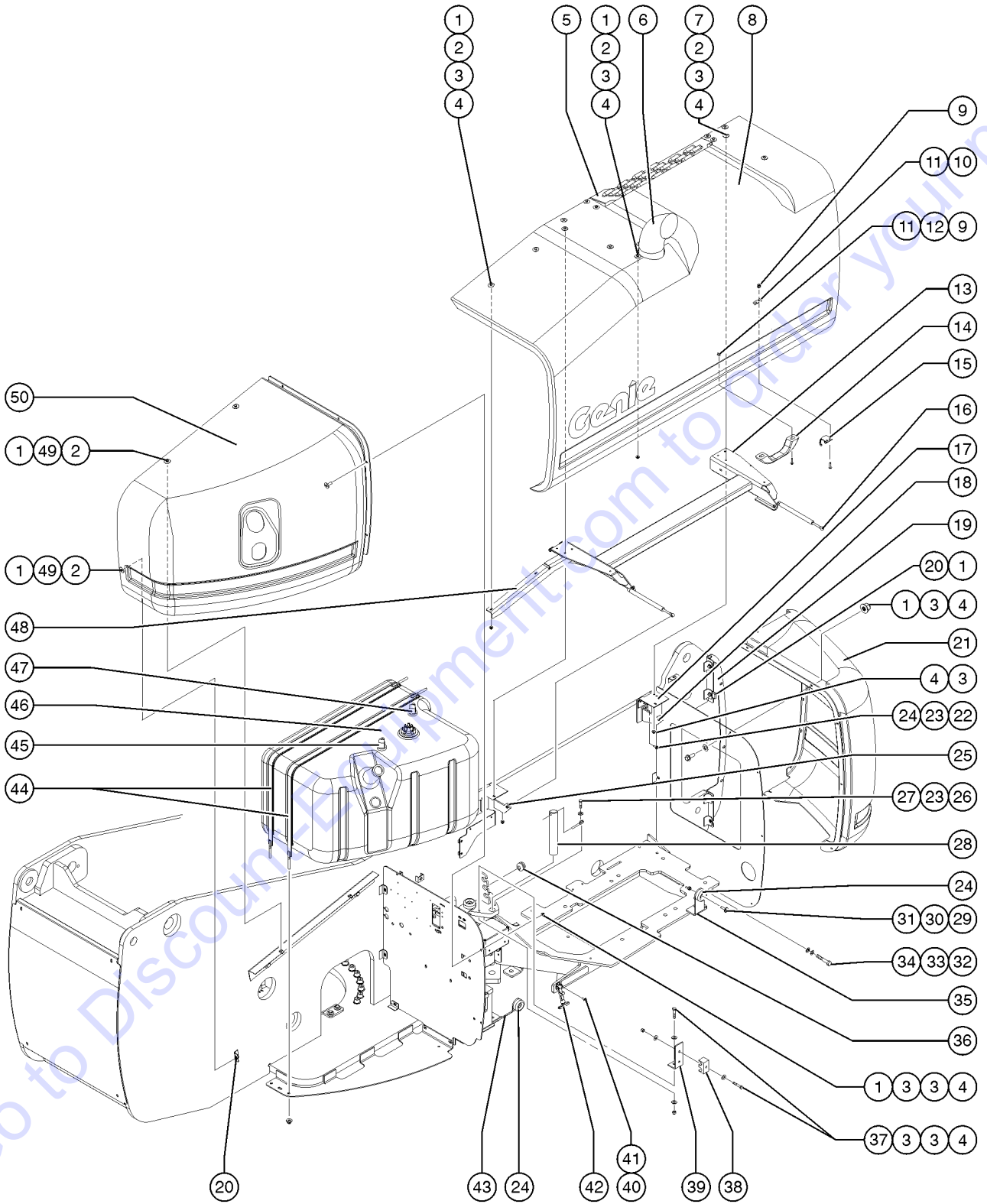
Florida: **561-964-4949** Outside Florida TOLL FREE: **877-690-3101**

**Need parts?**

Click on this link: <http://www.discount-equipment.com/category/5443-parts/> and choose one of the options to help get the right parts and equipment you are looking for. Please have the machine model and serial number available in order to help us get you the correct parts. If you don't find the part on the website or on one of the online manuals, please fill out the request form and one of our experienced staff members will get back to you with a quote for the right part that your machine needs.

We sell worldwide for the brands: Genie, Terex, JLG, MultiQuip, Mikasa, Essick, Whiteman, Mayco, Toro Stone, Diamond Products, Generac Magnum, Airman, Haulotte, Barreto, Power Blanket, Nifty Lift, Atlas Copco, Chicago Pneumatic, Allmand, Miller Curber, Skyjack, Lull, Skytrak, Tsurumi, Husquvarna Target, Stow, Wacker, Sakai, Mi-T-M, Sullair, Basic, Dynapac, MBW, Weber, Bartell, Bennar Newman, Haulotte, Ditch Runner, Menegotti, Morrison, Contec, Buddy, Crown, Edco, Wyco, Bomag, Laymor, EZ Trench, Bil-Jax, F.S. Curtis, Gehl Pavers, Heli, Honda, ICS/PowerGrit, IHI, Partner, Imer, Clipper, MMD, Koshin, Rice, CH&E, General Equipment, Amida, Coleman, NAC, Gradall, Square Shooter, Kent, Stanley, Tamco, Toku, Hatz, Kohler, Robin, Wisconsin, Northrock, Oztec, Toker TK, Rol-Air, APT, Wylie, Ingersoll Rand / Doosan, Innovatech, Con X, Ammann, Mecalac, Makinex, Smith Surface Prep, Small Line, Wanco, Yanmar

302.1 Engine Side Covers





## 302.1 Engine Side Covers

Item	Part No.	Description	Qty.	Item	Part No.	Description	Qty.
1	6888GT	SCREW,HHC,1/4-20 X 1 to SN 2584		24	50974GT	BUMPER,RUBBER,COVERS.....	3
--	824079GT	SCREW,HHF,1/4-20X1,8,ZAG from SN 2585		25	75411GT	FORMING,GAS STRUT MOUNT,REAR**.....	1
2	12906GT	WASHER,FENDER,.25 X 1.25 X.062 to SN 2584		--	75410GT	FORMING,GAS STRUT MOUNT,FRNT**	
--	824119GT	WASHER,FLAT,.25X1.25X.062,ZAG from SN 2585		26	8516GT	SCREW, HCC, 3/8-16 X 1.50 to SN 2584	
3	6638GT	WASHER,FLAT,USS,1/4"Y		--	824092GT	SCREW,HHF,3/8-16X1.5,8,ZAG from SN 2585	
4	6091GT	NUT,NYLOCK,1/4-20 to SN 2584		27	825019GT	ROD END,.375X3.69,ZAG.....	1
--	824027GT	NUT,TL FLG,1/4-20,G,ZAG from SN 2585		28	60625GT	PIN,1.25DIAX15.63LG,CHAMFER.....	1
5	60595-SGT	SUPPORT,ENGINE COVER GRAY.....	1	29	6175GT	SCREW,HHC,3/8-16 X 1 to SN 2584	
6	101964GT	WELDMENT,EXHAUST TUBE.....	1	--	824091GT	SCREW,HHF,3/8-16X1.25,8,ZAG from SN 2585	
7	8915GT	SCREW,HHC,1/4-20 X 1.25 to SN 2584		30	6097GT	WASHER,FLAT,USS,3/8",Y to SN 2584	
--	824080GT	SCREW,HHF,1/4-20X1.25,8,ZAG from SN 2585		31	4828GT	NUT,NYLOCK,3/8-16 to SN 2584	
8	61117GT	COVER,ASSY, ENGINE SIDE.....	1	--	824029GT	NUT,TL FLG,3/8-16,G,ZAG from SN 2585	
9	6178GT	NUT,NYLOCK,10-32 to SN 2584		32	51131GT	SCREW,HHC,5/8-11 X 2.5 to SN 2584	
--	824032GT	NUT,TL FLG,10-32,F,ZAG from SN 2585		33	6036GT	WASHER,LOCK,.625 PLTD to SN 2584	
10	50790GT	PLATE,COVER LATCH BACKING.....	2	34	6035GT	WASHER,FLAT,USS,5/8",Y to SN 2584	
11	6606GT	SCREW,RHM,10-32 X .75 to SN 2584		35	60778-SGT	FORMING,COVER STOP.....	1
--	1257047GT	SCREW,BHS,10-32X1,F835,ZAG from SN 2585				<i>Deutz and Perkins models</i>	
12	6146GT	WASHER,FLAT,MS,#10,Y to SN 2584		36	61189GT	GROMMET,RUBBER .75 X .38 X1.13	
13	60578GT	COVER SUPPORT,WELDMENT.....	1	37	6145GT	SCREW,HHC,1/4-20 X 1.5 to SN 2584	
14	60884GT	HANDLE,GRAB.....	1	--	824081GT	SCREW,HHF,1/4-20X1.5,8,ZAG from SN 2585	
15	75076GT	KEEPER,LATCH (45363).....	2	38	70289GT	CLAMP,LINK,LH WELD WIRE.....	1
16	122272GT	GAS STRUT,202 LBS FORCE Does not include item 18		39	70535PGT	BRACKET,BATTERY CABLE PAINTED.....	1
17	75073GT	HINGE,.375X.120THK.,SLOTTED.....	2	40	49816GT	SCREW,PHILLIPS,PHM,10-32 X .75 to SN 2584	
18	33555GT	BALL STUD**		--	824215GT	SCREW,PHPM,10-32X.75,ZAG from SN 2585	
19	217985GT	FORM., Z135 COVER MT.		41	6178GT	NUT,NYLOCK,10-32 to SN 2584	
20	56912GT	SPRING CLIP,1/4-20,.025-.15X.54,ZAG		--	824032GT	NUT,TL FLG,10-32,F,ZAG from SN 2585	
21	217983GT	COVER,FRONT RIGHT,Z135 SWING		42	45363GT	LATCH,FLEXIBLE DRAW W/O KEEPER.....	2
22	8255GT	SCREW,HHC,3/8-16 X .75 to SN 2584		43	60727GT	FORMING,COVER STOP***.....	1
--	824089GT	SCREW,HHF,3/8-16X.75,8,ZAG from SN 2585		44	60938GT	STRAP ASSY,FUEL TANK 52".....	2
23	6021GT	WASHER,LOCK,.375 to SN 2584					
--	824110GT	WASHER,LOCK,3/8,ZAG from SN 2585					

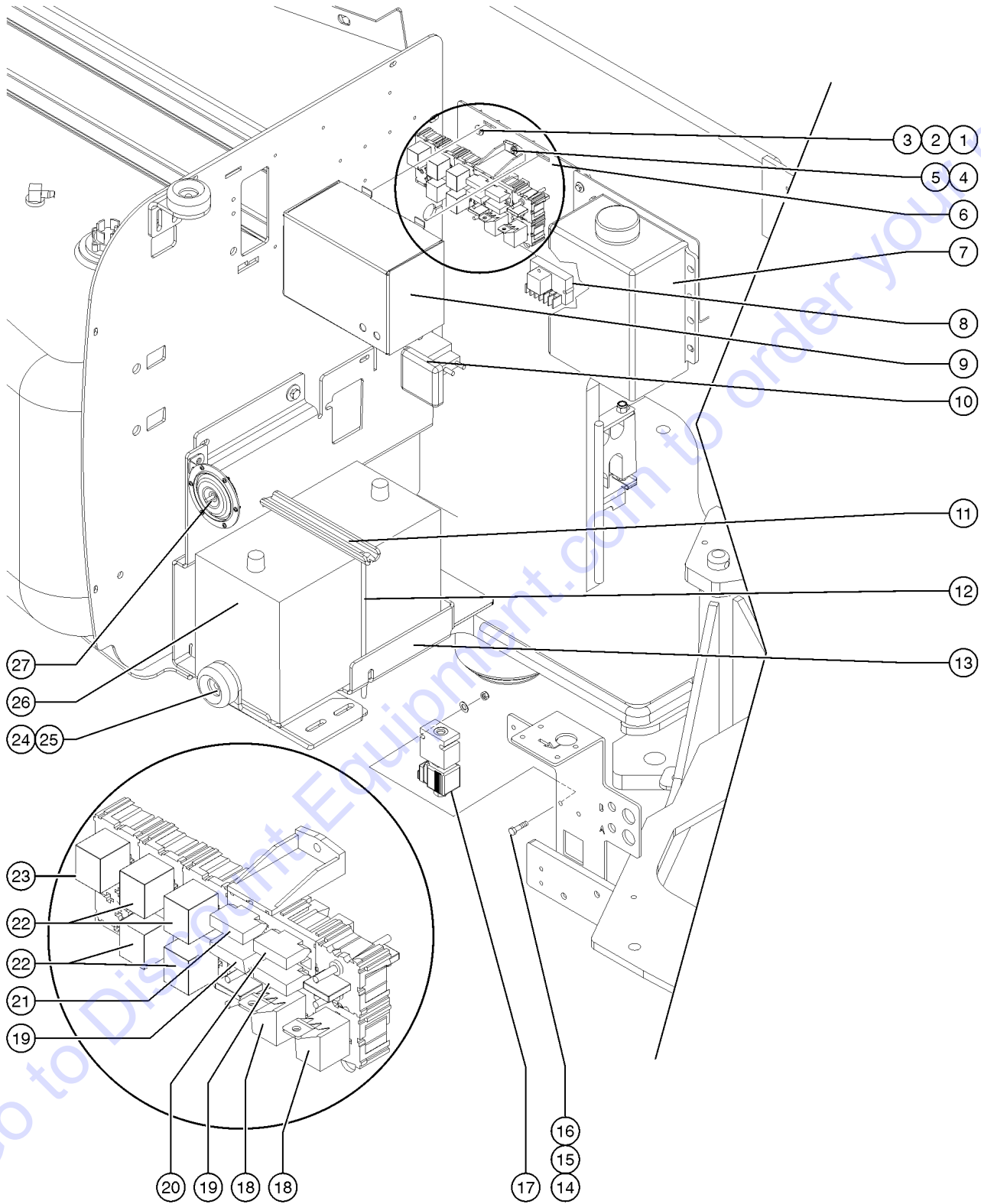
### 302.1 Engine Side Covers (continued)

Item	Part No.	Description	Qty.
45A	60805GT	TUBE ASSY,FUEL TANK,20.75"LG <i>(Part of fuel tank 61236); to SN 2318</i>	
--	7-121-07GT	BUSHING,RUBBER,LARGE <i>(Part of fuel tank 61236); to SN 2318</i>	
--	1251722GT	TUBE,FUEL PICK UP,3/8X3/8 NPT <i>(Part of fuel tank 1253174); from SN 2319</i>	
--	54324GT	FITTING,BULKHEAD,3/8NPT,FUELTK <i>(Part of fuel tank 1253174); from SN 2319</i>	
46A	61236GT	ASSEMBLY,FUEL TANK,40 GAL*** .....1 <i>to SN 2318</i>	
--	1253174GT	ASSEMBLY, FUEL TANKG <i>from SN 2319 to 2955</i>	
--	1272872GT	ASSEMBLY, FUEL TANK, 40 GAL <i>from SN 2956</i>	
--	101726GT	CAP,FUEL,DIESEL,1/8"VENT(GRN)	
--	60890GT	SENDER,LOW FUEL INDICATOR	
47A	88091GT	FUEL RETURN,DAPCO 1/4" <i>(Use with fuel tank assy 61236 with Deutz TD2011L04i); before SN 2318</i>	
--	219144GT	3/8 MALE NPT X 1/4 BARB <i>(Use with fuel tank assy 1253174 with Deutz TD2011L04i); from SN 2319</i>	
--	54124GT	HOSE END,BARB,3/8 MNPT X 5/16 <i>(Use with fuel tank assy 1253174 with Deutz TD2011L04i); from SN 2319</i>	
47B	102106GT	FUEL RETURN,DAPCO 5/16" <i>(Use with fuel tank assy 61236 with Perkins 1104D-44T); before SN 2318</i>	
--	27901GT	HOSE END,BARBED,RIGID,-6-6 <i>(Use with fuel tank assy 1253174 with Perkins 1104D-44T); from SN 2319</i>	
--	54124GT	HOSE END,BARB,3/8 MNPT X 5/16 <i>(Use with fuel tank assy 1253174 with Perkins 1104D-44T); from SN 2319</i>	
47C	1251722GT	TUBE,FUEL PICK UP,3/8X3/8 NPT <i>(Use with Deutz T IV and Perkins T IV); from SN 2319</i>	
--	54324GT	FITTING,BULKHEAD,3/8NPT,FUELTK <i>(Use with Deutz T IV and Perkins T IV); from SN 2319</i>	
48	60872GT	SUPPORT,COVER (61112,61117).....1	
49	6356GT	WASHER,LOCK,.25 <i>to SN 2584</i>	
50	50082GT	COVER,TURNTABLE,RIGHT SIDE.....1	

*This Page Intentionally Left Blank*

Go to [Discount-Equipment.com](http://Discount-Equipment.com) to order your parts

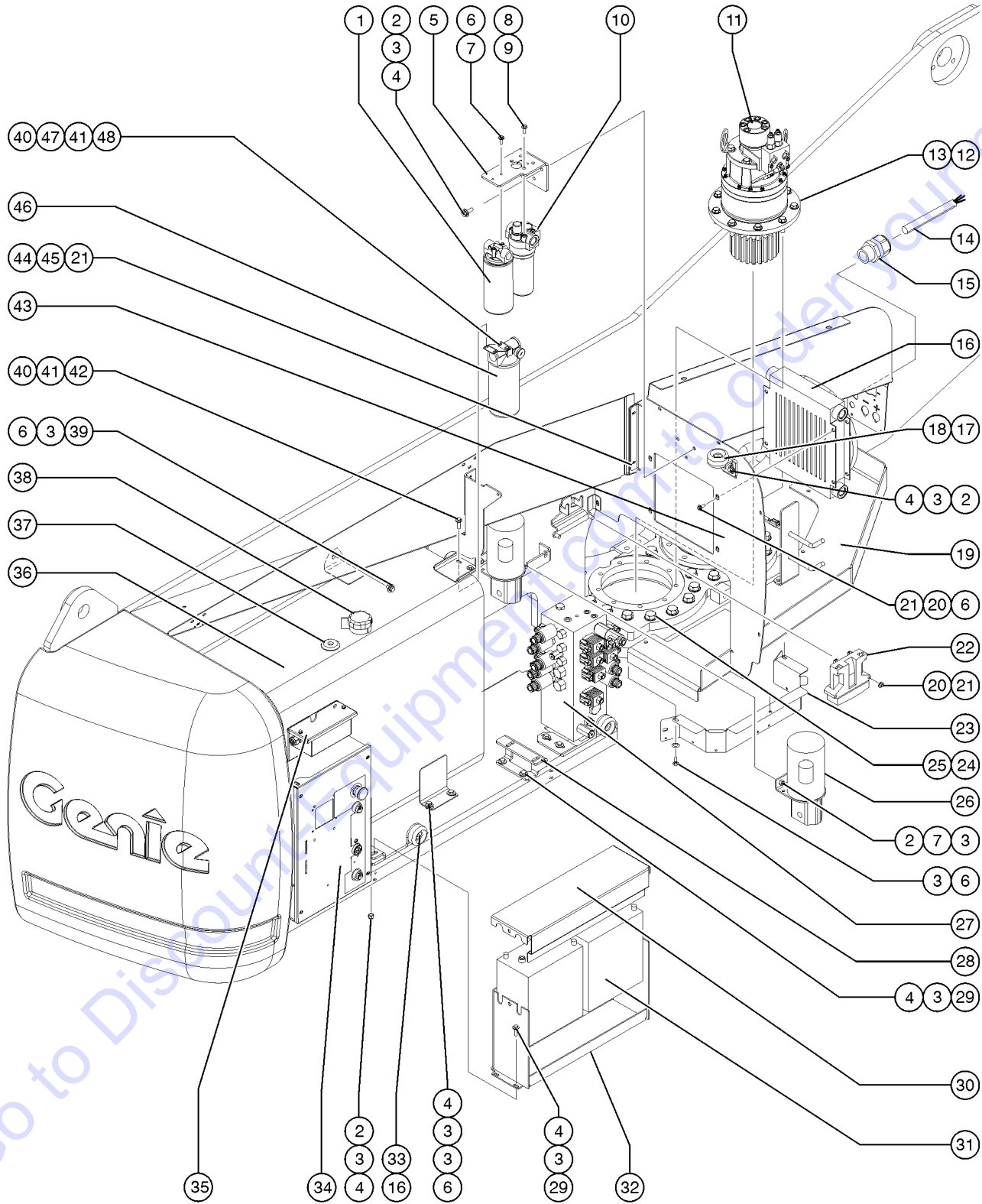
303.1 Engine Compartment Components



## 303.1 Engine Compartment Components

Item	Part No.	Description	Qty.
1	71508GT	SCREW,HHC,3/8-16 X .50 GR.5	
2	6097GT	WASHER,FLAT,USS,3/8",Y	
3	29868GT	SPRING CLIP,3/8-16,.05-.20X.73,ZAG	
4	17650GT	10-32 X .5 FILLISTER HD.SCREW	
5	6178GT	NUT,NYLOCK,10-32 to SN 2584	
--	824032GT	NUT,TL FLG,10-32,F,ZAG from SN 2585	
6	107525PGT	PLATE,RELAY MOUNT.....	1
7	60721GT	COOLANT,RECOVERY BOTTLE, 4 QT*.....	1
		Perkins models	
8	89997GT	RELAY MODULE(89996,89998).....	1
9	161077GT	COVER,RELAY***.....	1
10	237068GT	SEPARATOR,DUAL BATTERY,100A.....	1
--	214393GT	KIT, BATT SEPARATOR, ANSI/CSA includes part 237068	
--	215209GT	KIT, BATT SEPARATOR, CE includes part 237068	
--	215210GT	KIT, BATT SEPARATOR, AS includes part 237068	
11	60940GT	HOLD DOWN,BATTERY,SMALL.....	1
12	45708GT	HOOK,BATT HOLD DOWN,10".....	1
13	107512PGT	BATTERY TRAY FORMING,PAINTED.....	1
14	4266GT	SCREW,HHC,1/4-20 X 2 to SN 2584	
--	824082GT	SCREW,HHF,1/4-20X1.75,8,ZAG from SN 2585	
15	6638GT	WASHER,FLAT,USS,1/4"Y	
16	6091GT	NUT,NYLOCK,1/4-20 to SN 2584	
--	824027GT	NUT,TL FLG,1/4-20,G,ZAG from SN 2585	
17		Ref. Function Enable Manifold (Refer to 705.1)	
18	61225GT	RELAY,12VDC,70AMP,SEALED.....	2
19	60536GT	FUSE,20 AMP,MAXI.....	2
20	94327GT	FUSE,30 AMP.....	1
21	101340GT	FUSE,60 AMP,MAXI.....	1
22	34052GT	RELAY,SPDT,12V(AUTO) PLUG IN**.....	4
23	34052GT	RELAY,SPDT,12V(AUTO) PLUG IN**.....	1
		Perkins models	
24	50974GT	BUMPER,RUBBER,COVERS.....	3
25	60727GT	FORMING,COVER STOP***.....	2
26	30143GT	BATTERY,12V,1000 CCA GRP 31.....	1
27	81578GT	HORN,12VDC,SPADE TERMINALS***.....	1

304.1 Hydraulic Tank Side Components



304.1 Hydraulic Tank Side Components

Item	Part No.	Description	Qty.	Item	Part No.	Description	Qty.
1	87070GT	FILTER ASSY,SAE 12 NO INDICAT*.....1		--	1255772GT	KIT, SWING BRAKE REBUILD (Used on swing drive 1255768)	
--	131323GT	FILTER ELEMENT,10 MICRON <i>Genie genuine part</i>		--	1255773GT	BRAKE TUBING (Used on swing drive 1255768)	
--	1259055GT	FILTER ELEMENT, 10 MICRON <i>Genie aftermarket</i>		11B		Ref. SWING DRIVE ASSEMBLY <i>Previous SWING DRIVE ASSEMBLY 139189 is no longer available, order complete assembly 1255768 for first time replacement; to SN 2737</i>	
2	6175GT	SCREW,HHC,3/8-16 X 1 <i>to SN 2584</i>		--	139308GT	SWING MOTOR COMPLETE*** (Used on swing drive 139189)	
--	824091GT	SCREW,HHF,3/8-16X1.25,8,ZAG <i>from SN 2585</i>		--	139309GT	CBV ASSEMBLY*** (Used on swing drive 139189)	
3	6097GT	WASHER,FLAT,USS,3/8",Y <i>to SN 2584</i>		--	139323GT	VALVE,COUNTERBAL,CBCA-LIN*** (Used on swing drive 139189)	
4	4828GT	NUT,NYLOCK,3/8-16 <i>to SN 2584</i>		--	139315GT	O-RING,MOTOR/BRAKE*** (Used on swing drive 139189)	
--	824029GT	NUT,TL FLG,3/8-16,G,ZAG <i>from SN 2585</i>		--	58304GT	SHAFT,OUTPUT (Used on swing drive 139189)	
5	70516PGT	BRKT,MED & RETURN FILTER,PTD.....1		--	139310GT	BRAKE TUBING*** (Used on swing drive 139189)	
6	8255GT	SCREW,HHC,3/8-16 X .75 <i>to SN 2584</i>		--	139311GT	KIT,FRICION DISC*** (Used on swing drive 139189)	
--	824078GT	SCREW,HHF,1/4-20X.75,8,ZAG <i>from SN 2585</i>		--	139312GT	KIT,BRAKE SPRING*** (Used on swing drive 139189)	
7	6021GT	WASHER,LOCK,.,375 <i>to SN 2584</i>		--	139313GT	SEAL KIT,SWING BRAKE*** (Used on swing drive 139189)	
8	6090GT	SCREW,HHC,1/4-20 X .75 <i>to SN 2584</i>		--	139314GT	KIT,SWING BRAKE REBUILD*** (Used on swing drive 139189)	
--	824089GT	SCREW,HHF,3/8-16X.75,8,ZAG <i>from SN 2585</i>		--	94620GT	SEAL KIT,SWING TORQ HUB*** (Used on swing drive 139189)	
9	6356GT	WASHER,LOCK,.,25 <i>to SN 2584</i>		--	58596GT	BEARING KIT,OUTER (88921) (Used on swing drive 139189)	
10	60334GT	FILTER ASSY,HIGH PRESS SAE-12*.....1		--	58597GT	BEARING KIT,INNER (88921) (Used on swing drive 139189)	
--	60857GT	FILTER,ELEMENT,BETA(5)=1000		12	54177GT	SCREW,HHC,1/2-13 X 1.5 GRD 8.....18 <i>to SN 2584</i>	
--	58222GT	O-RING,FILTER ASSY (60334)***		--	1253498GT	SCREW,HHF,1/2-13X1.5,8,ZAG <i>from SN 2585</i>	
--	58223GT	SEAL,FILTER ASSY (60334)***		13	13066GT	WASHER,FLAT,5 HARDENED.....18 <i>to SN 2584</i>	
11A	1255768GT	SWING DRIVE ASSEMBLY.....2 <i>(Complete); from SN 2738</i>		14		Ref. Power to Platform Harness, Secondary.....1 <i>(Refer to section 308.1)</i>	
--	139308GT	SWING MOTOR COMPLETE*** (Used on swing drive 1255768)		15	7057GT	CONN. SQZ,1/2NPT .39-.56 MED.....1	
--	139309GT	CBV ASSEMBLY*** (Used on swing drive 1255768)		16	71259GT	OIL COOLER W/FAN, 12VDC.....1	
--	139323GT	VALVE,COUNTERBAL,CBCA-LIN*** (Used on swing drive 1255768)		--	75854GT	FAN - VENTED	
--	139315GT	O-RING,MOTOR/BRAKE*** (Used on swing drive 1255768)		--	75855GT	THERMOSTAT -OIL COOLER (71259)	
--	58304GT	SHAFT,OUTPUT (Used on swing drive 1255768)		17	50974GT	BUMPER,RUBBER,COVERS.....3	
--	1255769GT	SEAL KIT, SWING BRAKE (Used on swing drive 1255768)		18	60729PGT	FORMING,COVER STOP**.....1	
--	1255770GT	KIT, FRICTION DISC (Used on swing drive 1255768)					
--	1255771GT	KIT, BRAKE SPRING (Used on swing drive 1255768)					



304.1 Hydraulic Tank Side Components  
(continued)

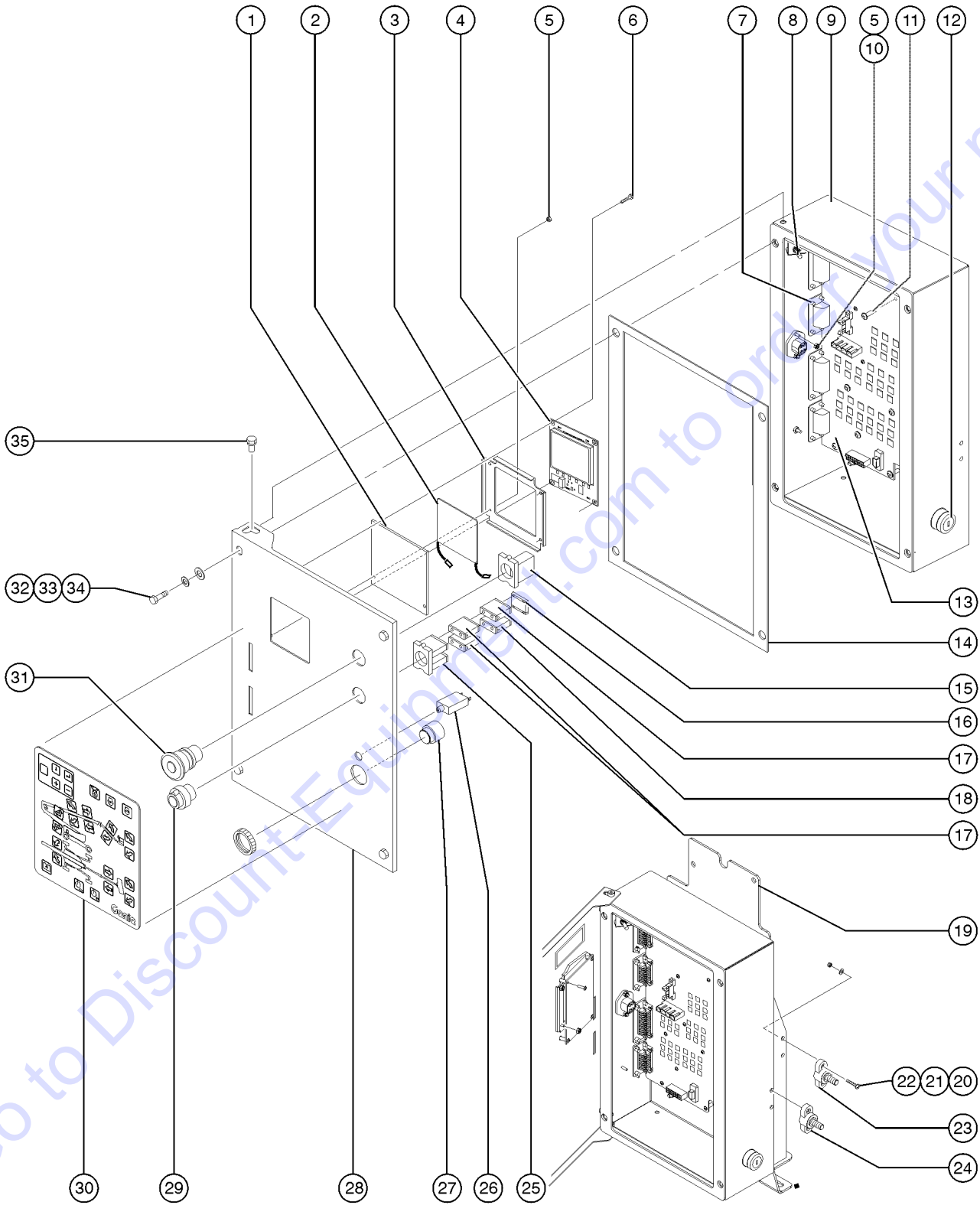
Item	Part No.	Description	Qty.	Item	Part No.	Description	Qty.
19	106020PGT	FORMING,HOSE TRAY,SWING PAINTD.....	1	--	824091GT	SCREW,HHF,3/8-16X1.25,8,ZAG <i>from SN 2585</i>	
20	6638GT	WASHER,FLAT,USS,1/4"Y		30	107510PGT	COVER,BATTERY BOX***.....	1
21	6091GT	NUT,NYLOCK,1/4-20 <i>to SN 2584</i>		30A	36424GT	THUMB SCREW W/SHOULDER 3/8-16.....	2
--	824029GT	NUT,TL FLG,3/8-16,G,ZAG <i>from SN 2585</i>		31	56462GT	BATTERY, J 305GH, 315AH.....	2
22A	1258463GT	MODULE,SCON,PROGRAMMED..... <i>(to SN ZX13516H-2789)</i>	1	--	57162GT	BATTERY TERMINAL PROTECTORS....	6
22B	1268784GT	MODULE, SCON, ZX135 V4.02 <i>(from SN ZX13516H-2790)</i>		32	107509GT	WELDMENT,BATTERY BOX.....	1
--	822225GT	SLEEVE RETAINER, DTM, GREY		32A	29868GT	SPRING CLIP,3/8-16,.05-.20X.73,ZAG....	2
--	822226GT	SLEEVE RETAINER, DTM, BLACK		33	60727GT	FORMING,COVER STOP***.....	2
--	822229GT	SEAL, INTERNAL, 12-PIN, DTM <i>(use with DTM retainers)</i>		34		Ref. Ground Controls (refer to 305.1)	
23	219935GT	FORMING, PINION GUARD..... <i>to SN 2161</i>	1	35	1253314GT	ASSY, TELEMATICS CONN. BOX.....	1
--	822187GT	COVER, TURNTABLE GEARS <i>from SN 2162</i>		36	101483GT	TANK,HYDRAULIC,65 GALLON.....	1
--	822235GT	FORMING, PINION GUARD <i>from SN 2162</i>		--	94612GT	PLUG,MAGNETIC,SAE-6***	
24	88212GT	SCREW,SHC,3/4-10 X 3.00,A574.....	16	--	21141GT	GAUGE-SIGHT,LHA-LGTB***	
--	1256860GT	SCREW,SHC,3/4-10X3,A574,ZAG <i>from SN 2585</i>		37	60559GT	BREATHER,RESERVOIR 3 MICRON***	
25	33278GT	WASHER,FLAT,.75 HARDENED.....	16	38	75113GT	FILLER NECK/CAP ASSY.HYD TANK*	
--	1256863GT	WASHER,FLAT,.75,SAE,HRD,ZAG <i>from SN 2585</i>		39	29868GT	SPRING CLIP,3/8-16,.05-.20X.73,ZAG....	2
26	101361GT	POWER UNIT,AUX PUMP 12 VDC.....	2	40	13002GT	SCREW,HHC,5/16-18 X 1 GR5 <i>to SN 2584</i>	
--	58489GT	PUMP ASSY,AUX.POWER UNIT 89617		--	824085GT	SCREW,HHF,5/16-18X.75,8,ZAG <i>from SN 2585</i>	
--	62412GT	SOLENOID,MOTOR START,60511,APU		41	5397GT	WASHER,FLAT,USS,5/16",Y <i>to SN 2584</i>	
--	101682GT	CABLE ASSY NEG 2GA BLACK AUX#1.....	31	42	6782GT	NUT,NYLOCK,5/16-18 <i>to SN 2584</i>	
--	101683GT	CABLE ASSY NEG 2GA BLACK AUX#2.....	34	--	824028GT	NUT,TL FLG,5/16-18,G,ZAG <i>from SN 2585</i>	
--	101180GT	CABLE ASSY,GND,BAT1 TO BAT2		43	106037GT	FORMING,SWING CHASSIS BULKHEAD	
--	101181GT	BATTERY CABLE,2GA RED,AUX.....	162	44	6888GT	SCREW,HHC,1/4-20 X 1 <i>to SN 2584</i>	
--	101182GT	BATTERY CABLE 2GA RED AUX#2.....	63	--	824079GT	SCREW,HHF,1/4-20X1,8,ZAG <i>from SN 2585</i>	
--	101185GT	CABLE ASSY,AUX BATT JUMPER,RED.....	5	45	6638GT	WASHER,FLAT,USS,1/4"Y <i>to SN 2584</i>	
27		Ref. Function Manifold (refer to 705 or 706)		46	101959GT	FILTER,RETURN,10 MICRON,PAPER....	1
28	107511GT	FORMING,BATTERY BOX,MOUNT.....	2	--	101960GT	FILTER ELEMENT,10 MICRON <i>Genie Genuine Part. See PN 1254825 for compatible aftermarket replacement.</i>	
29	6019GT	SCREW,HHC,3/8-16 X 1.25 GRD 5 <i>to SN 2584</i>		--	1254825GT	FILTER ELEMENT,10 MICRON..... <i>Genie Aftermarket Part. Compatible with Genie Genuine Part 101960.</i>	1
				--	52768GT	GAUGE,MED.PRESSUR FILTER,50530	
				--	228824GT	FILTER,ELEMENT,BETA(10)=1000 <i>Use with hydraulic fluid fire resistant option</i>	
				47	6886GT	WASHER,LOCK,.313 <i>to SN 2584</i>	
				48	119171PGT	FORMING,RETURN FILTER,PAINTED.....	1



***This Page Intentionally Left Blank***

Go to [Discount-Equipment.com](http://Discount-Equipment.com) to order your parts

305.1 Ground Control Box Deutz TD2011-L04i and Perkins 1104D-44T



## 305.1 Ground Control Box Deutz TD2011-L04i and Perkins 1104D-44T

Item	Part No.	Description	Qty.	Item	Part No.	Description	Qty.
--		<i>Models with Deutz TD2011-L04i or Perkins 1104D-44T Engine to SN 3228, refer to 305.1</i>		12	88150GT	KEYSWITCH,3 POS.MOM.DR,W/KEY**.....1 <i>Recovery switch</i>	1
--		<i>Models with Deutz TD2011-L04i or Perkins 1104D-44T Engine from SN 3229 use TCON Box 1268776 with Harness 1275448, refer to 305.2</i>		--	66816GT	CONTACT,N.O.***	
	1	62374GT	LENS,LCD,GRND.CONTROL.....1	--	66818GT	CONTACT, N.C.	
	2	122406GT	ASSEMBLY,LCD HEATER ALC1000.....1	--	66821GT	BASE,WITHOUT CONTACTS	
--		231023GT	FIELD KIT,LCD HEATER,Z80 Z135	--	122366GT	KEYSWITCH,CONTACTS LOCK	
--		231020GT	ASSY,BRACKET,CONTACT BLOCK	13	1271079GT	PCB,ASSY,ECM,GROUND,PGMD,V4.01.1 <i>To order provide model, serial number and software revision</i>	
3	62375GT	CLIP,LCD,GRND.CONTROL.....1		14	88177GT	GASKET,GROUND CONTROL BOX.....1	
4	88056GT	PCB,ASSY,LCD,GROUND.....1 <i>to SN 3228</i>		15	66817GT	BASE WITH 1 NC CONTACT, E-STOP...1	
--	1253317GT	PCB,ASSY,ECM,CAN GATEWAY,Z135 <i>from SN 3229</i>		16	122366GT	KEYSWITCH,CONTACTS LOCK.....2	
5	12344GT	NUT,NYLOCK,6-32 <i>to SN 2584</i>		17	66818GT	CONTACT, N.C.....6	
--	824019GT	NUT,TL,6-32,A,ZAG <i>from SN 2585</i>		18	122367GT	KEYSWITCH,DUMMY BLOCK.....1	
6	81551GT	SCREW,PHIL,PHM,6-32 X 1/4 SS <i>to SN 2584</i>		19	60571-SGT	BRACKET,CNTL BOX MOUNTING*** .....1	
--	1257402GT	SCREW,PHPM,6-32X.25,ZAG <i>from SN 2585</i>		20	49816GT	SCREW,PHILLIPS,PHM,10-32 X .75 <i>to SN 2584</i>	
7	122351GT	SCREW,#4X1/4,HI-LO,PH PHIL,TAP		--	824215GT	SCREW,PHPM,10-32X.75,ZAG <i>from SN 2585</i>	
8	128204GT	SWITCH TOGGLE ASSY SPDT 2P MNT.....1		21	6146GT	WASHER,FLAT,MS,#10,Y <i>to SN 2584</i>	
9A	237069GT	ASSY,CONTROL BOX,TCON,Z135.....1 <i>(Complete) Machine model and serial number required when ordering. Please contact Discount-equipment for assistance (Tier 3 to SN ZX13516H-2789)</i>		22	6178GT	NUT,NYLOCK,10-32 <i>to SN 2584</i>	
9B	1268775GT	ASSY, TCON BOX, ZX135, TIER 3 <i>(Complete) Machine model and serial number required when ordering. Please contact Discount-equipment for assistance (Tier 3 from SN ZX13516H-2790 to ZX135H-3228)</i>		--	824032GT	NUT,TL FLG,10-32,F,ZAG <i>from SN 2585</i>	
9C	1268776GT	ASSY, TCON BOX, ZX135, TIER 4 <i>(Complete) Machine model and serial number required when ordering. Please contact Discount-equipment for assistance (Tier 4 from SN ZX13516H-2790)</i>		23	94981GT	STUD,POWER 3/8" RED	
10	49820GT	SCREW,PHILLIPS,PHM,6-32 X .5 <i>to SN 2584</i>		24	94982GT	STANDOFF, 3/8" BLACK	
--	824214GT	SCREW,PHPM,6-32X.5,ZAG <i>from SN 2585</i>		25	73805GT	BASE,W/2 NC CONTACTS*** .....1	
11	81551GT	SCREW,PHIL,PHM,6-32 X 1/4 SS.....16 <i>to SN 2584</i>		26	147095GT	ASSY, CIRCUIT BREAKER 20A <i>Includes mounting nut</i>	
--	1257402GT	SCREW,PHPM,6-32X.25,ZAG <i>from SN 2585</i>		27	62379GT	ALARM,AUDIO,SUPERBOOM*** .....1	
				28	1253304GT	LID,GROUND CONTROL,Z135.....1 <i>to SN 3228</i>	
				--	1261765GT	LID, GROUND CONTROL BOX <i>from SN 3229</i>	
				29	66811GT	KEYSWITCH,3POS.MNTND.DR WKEY** <i>Includes keyswitch and two keys, not included: base and contacts.</i>	
				--	218169GT	OPT, KEY SWITCH, RETAINED <i>option; includes keyswitch 218155</i>	
				--	218155GT	KEYSWITCH, LOCKING, 3 POS, W/KEY <i>Australia models</i>	
				30	106510GT	DECAL,MEMBRANE,GROUND CONTROL.....1	
				31	66812GT	BUTTON,PUSH,RED MUSHROOM HEAD.....1	
				32	6888GT	SCREW,HHC,1/4-20 X 1 <i>to SN 2584</i>	

305.1 Ground Control Box Deutz TD2011-L04i and Perkins 1104D-44T  
(continued)

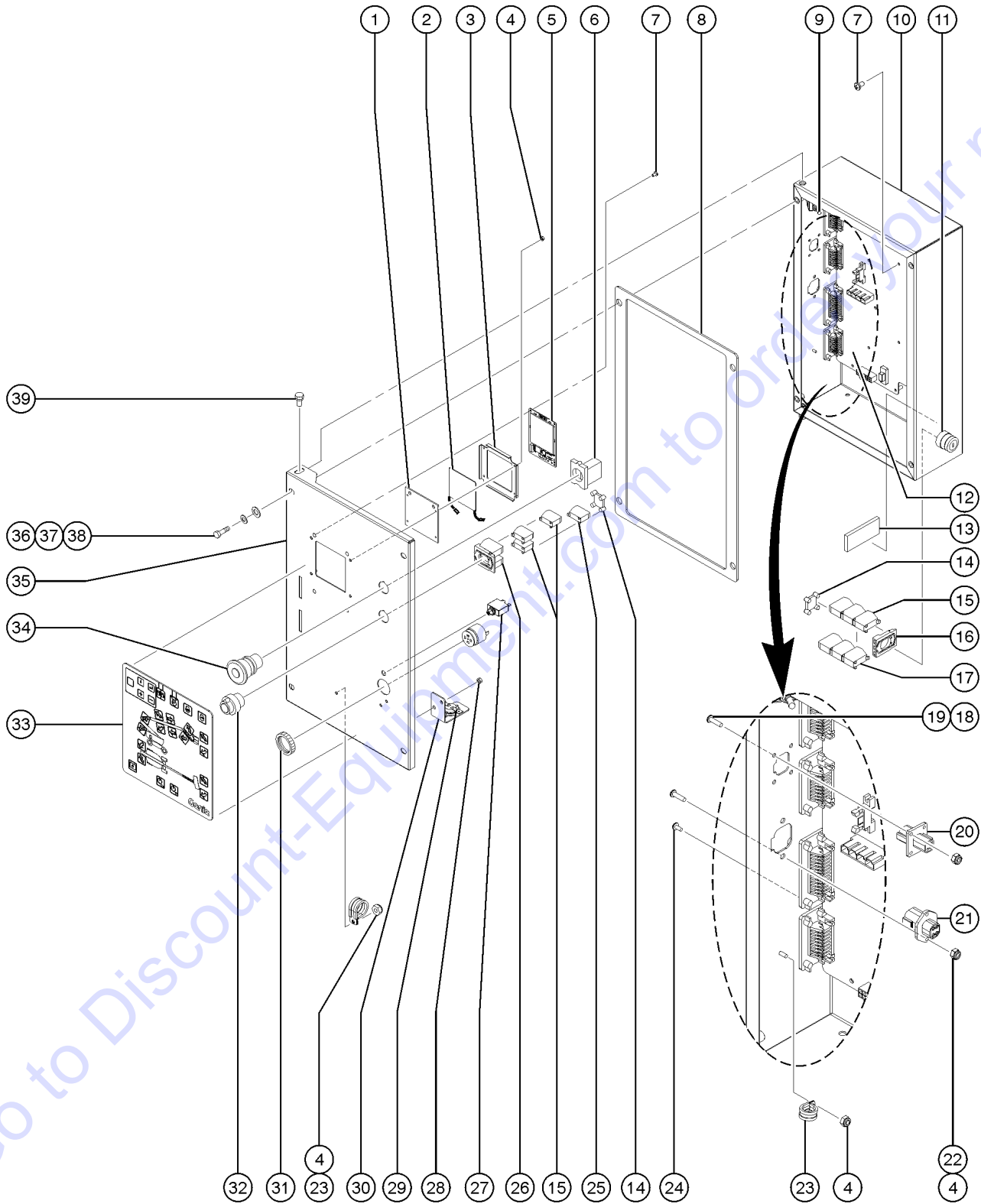
Item	Part No.	Description	Qty.
--	824078GT	SCREW,HHF,1/4-20X.75,8,ZAG <i>from SN 2585</i>	
33	6356GT	WASHER,LOCK,.25 <i>to SN 2584</i>	
34	6638GT	WASHER,FLAT,USS,1/4"Y <i>to SN 2584</i>	
35	88315GT	SCREW,SHS,1/4-20 X .25 ZINC <i>to SN 2584</i>	
--	1263233GT	BOLT,SHS,5/16X.25X1/4-20,ZAG <i>from SN 2585</i>	

305.1 Ground Control Box Deutz TD2011-L04i and Perkins 1104D-44T  
(continued)

*This Page Intentionally Left Blank*

Go to Discount-Equipment.com to order your parts

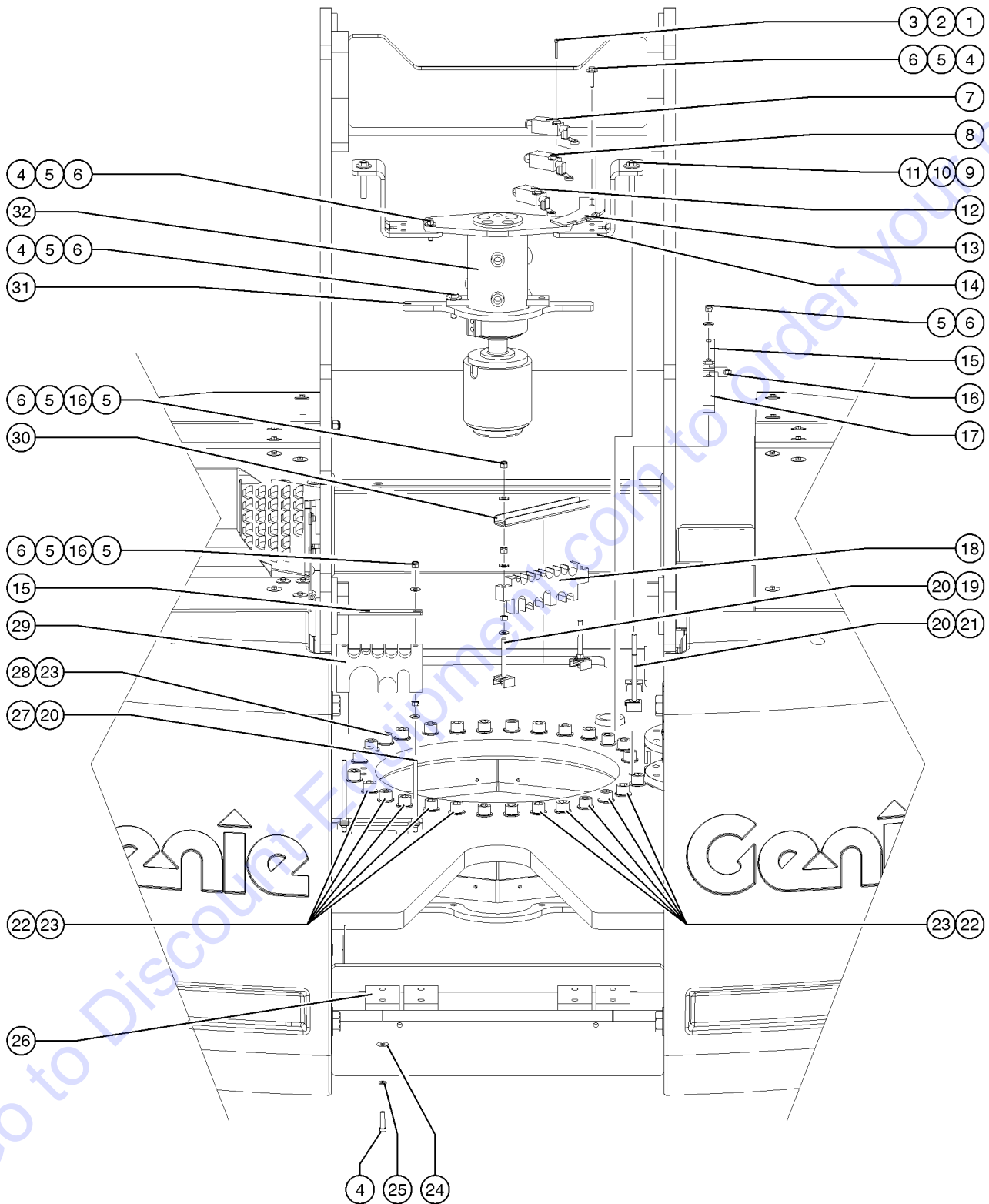
305.2 Ground Control Box Deutz TD 2.9L4 and Perkins 854F-E34T



## 305.2 Ground Control Box Deutz TD 2.9L4 and Perkins 854F-E34T

Item	Part No.	Description	Qty.	Item	Part No.	Description	Qty.
--		<i>Models with Deutz TD2011-L04i or Perkins 1104D-44T Engine to SN 3228, refer to 305.1</i>		--	824214GT	SCREW,PHPM,6-32X.5,ZAG from SN 2585	
--		<i>Models with Deutz TD2011-L04i or Perkins 1104D-44T Engine from SN 3229, refer to 305.2, includes harness 1275448</i>		23	13268GT	CLAMP,0.75,#12 X 1/4,RUB CUSH.....2	
--	1275448GT	HARN, FUEL SENSE, TIER 3 <i>Models with Deutz TD2011-L04i or Perkins 1104D-44T Engine; from SN 3229</i>		24	122351GT	SCREW,#4X1/4,HI-LO,PH PHIL,TAP....16	
--	1268776GT	ASSY, TCON BOX, ZX135, TIER 4		25	122367GT	KEYSWITCH,DUMMY BLOCK.....1	
--	1252702GT	HARNESS, GROUND BOX, TIER IV, (includes item 20 - 21)		26	73805GT	BASE,W/2 NC CONTACTS*** .....1	
1	62374GT	LENS,LCD,GRND.CONTROL.....1	1	27	147095GT	ASSY, CIRCUIT BREAKER 20A.....1	
2	122406GT	ASSEMBLY,LCD HEATER ALC1000.....1	1	28	12344GT	NUT,NYLOCK,6-32 to SN 2584	
--	231023GT	FIELD KIT,LCD HEATER,Z80 Z135		--	824019GT	NUT,TL,6-32,A,ZAG from SN 2585	
3	62375GT	CLIP,LCD,GRND.CONTROL.....1	1	29	122793GT	SWITCH,THERMOSTAT 60F OPEN.....1	
4	12344GT	NUT,NYLOCK,6-32.....8 to SN 2584	8	--	6272GT	RIVET,STL,STL,P,.125 X .25	
--	824019GT	NUT,TL,6-32,A,ZAG from SN 2585		30	231020GT	ASSY,BRACKET,CONTACT BLOCK.....1	
5	1253317GT	PCB,ASSY,ECM,CAN GATEWAY,Z135.....1	1	31	62379GT	ALARM,AUDIO,SUPERBOOM*** .....1	
6	66817GT	BASE WITH 1 NC CONTACT, E-STOP...1	1	--	72326GT	NUT - PLASTIC,RING FOR ALARMS	
7	81551GT	SCREW,PHIL,PHM,6-32 X 1/4 SS.....16 to SN 2584	16	32	66811GT	KEYSWITCH,3POS.MNTND.DR WKEY**.....1	1
--	1257402GT	SCREW,PHPM,6-32X.25,ZAG from SN 2585		--	218155GT	KEYSWITCH, LOCKING, 3 POS, W/KEY	
8	88177GT	GASKET,GROUND CONTROL BOX.....1	1	--	218169GT	OPT, KEY SWITCH, RETAINED	
9	128204GT	SWITCH TOGGLE ASSY SPDT 2P MNT.....1	1	33	106510GT	DECAL,MEMBRANE,GROUND CONTROL.....1	1
10	1251701GT	BOX, GROUND CONTROL.....1	1	34	66812GT	BUTTON,PUSH,RED MUSHROOM HEAD.....1	1
11	88150GT	KEYSWITCH,3 POS.MOM.DR,W/KEY**.....1	1	35	1253304GT	LID,GROUND CONTROL,Z135.....1	1
12	1271079GT	PCB,ASSY,ECM,GROUND,PGMD,V4.01.1 <i>To order provide model, serial number and software revision</i>		36	6888GT	SCREW,HHC,1/4-20 X 1.....4 to SN 2584	4
13	30997GT	CORROSION INHIBITOR,FOAM.....1	1	--	824078GT	SCREW,HHF,1/4-20X.75,8,ZAG from SN 2585	
14	122366GT	KEYSWITCH,CONTACTS LOCK.....2	2	37	6356GT	WASHER,LOCK,.25.....4 to SN 2584	4
15	66818GT	CONTACT, N.C.....6	6	38	6638GT	WASHER,FLAT,USS,1/4"Y.....4 to SN 2584	4
16	66821GT	BASE,WITHOUT CONTACTS.....1	1	39	88315GT	SCREW,SHS,1/4-20 X .25 ZINC.....2 to SN 2584	2
17	66816GT	CONTACT,N.O.***.....3	3	--	1263233GT	BOLT,SHS,5/16X.25X1/4-20,ZAG from SN 2585	
18	55906GT	SCREW,PHILLIPS,PHM,8-32 X .5.....4	4				
19	18605GT	NUT,NYLOCK,8-32.....4 to SN 2584	4				
--	1255803GT	NUT,TL FLG,8-32,F,ZAG from SN 2585					
20	73723GT	CONN RECEP,FLANGED.....1	1				
21	73717GT	CONN,RECEP 4 WAY,12-14GA FL*** .....1	1				
22	49820GT	SCREW,PHILLIPS,PHM,6-32 X .5.....2 to SN 2584	2				

306.1 Turntable Center Components





## 306.1 Turntable Center Components

Item	Part No.	Description	Qty.	Item	Part No.	Description	Qty.
1	51063GT	SCREW,PHILLIPS,RHM,10-32 X 1.5 to SN 2584		13	217689GT	BRACKET, LS, DRIVE ROT.....	1
--	1256177GT	SCREW,PHPM,10-32X1.75,ZAG from SN 2585		14	60575PGT	BRACKET,HYD.ROTATOR MOUNT MNT.....	2
2	6146GT	WASHER,FLAT,MS,#10,Y to SN 2584		15	106830GT	PLATE,HOSE CLAMP.....	2
3	6178GT	NUT,NYLOCK,10-32 to SN 2584		16	4828GT	NUT,NYLOCK,3/8-16 to SN 2584	
--	824032GT	NUT,TL FLG,10-32,F,ZAG from SN 2585		--	1256468GT	NUT,3/8-16,8,ZAG from SN 2585	
4	8516GT	SCREW, HCC, 3/8-16 X 1.50 to SN 2584		17	106012GT	CLAMP,HOSE,TANK SIDE.....	1
--	824091GT	SCREW,HHF,3/8-16X1.25,8,ZAG from SN 2585		18	106014GT	CLAMP,HOSE,ELEVATE.....	1
5	6097GT	WASHER,FLAT,USS,3/8",Y to SN 2584		19	7684GT	THREADED ROD,(3/8-16),4.25" to SN 2584	
6	4828GT	NUT,NYLOCK,3/8-16 to SN 2584		--	1256838GT	ROD,THREADED,3/8-16X4.25,ZAG from SN 2585	
--	824092GT	SCREW,HHF,3/8-16X1.5,8,ZAG from SN 2585		20	29868GT	SPRING CLIP,3/8-16,.05-.20X.73,ZAG	
7	110915GT	SWITCH ASSY,LIMIT LST10.....	1	21	31733GT	THREADED ROD,(3/8-16),5" to SN 2584	
--	110771-43103GT	SWITCH LIMIT W/ROLLER NO/NC		--	1256839GT	ROD,THREADED,3/8-16X5,ZAG from SN 2585	
--	43960GT	WIRE CABLE,16/4 CON.TPE JKT.....	79	22	162373GT	SCREW,SHC,3/4-10 X 3.5,A574.....	10
--	119065GT	CONN,RECEP 2 WAY ENDCAP DT		--	1256861GT	SCREW,SHC,3/4-10X3.5,A574,ZAG from SN 2585	
--	60439GT	LOCK,RECEP 2 WAY, 14-18GA		23	33278GT	WASHER,FLAT,.75 HARDENED.....	28
--	73713GT	TERM,NI PIN,S&F,16-18GA,REEL		--	1256863GT	WASHER,FLAT,.75,SAE,HRD,ZAG from SN 2585	
8	110917GT	SWITCH ASSY,LIMIT LST1S.....	1	24	6097GT	WASHER,FLAT,USS,3/8",Y to SN 2584	
--	110771-43103GT	SWITCH LIMIT W/ROLLER NO/NC		25	6021GT	WASHER,LOCK,.375 to SN 2584	
--	43960GT	WIRE CABLE,16/4 CON.TPE JKT.....	76	26	34124GT	WEAR PAD,5 X 3 X .625 W/NUTS.....	4
--	119762GT	CONN PLUG 4 WAY EXTEND DT		27	107755GT	THREADED ROD, 3/8-16,6.50 LG to SN 2584	
--	60429GT	LOCK,PLUG 4 WAY,14-18GA		--	1256840GT	ROD,THREADED,3/8-16X6.5,ZAG from SN 2585	
--	73713GT	TERM,NI PIN,S&F,16-18GA,REEL		28	88212GT	SCREW,SHC,3/4-10 X 3.00,A574.....	18
9	10598GT	SCREW,HHC,1/2-13 X 3 to SN 2584		--	1256860GT	SCREW,SHC,3/4-10X3,A574,ZAG from SN 2585	
--	1256850GT	SCREW,HHF,1/2-13X3.25,8,ZAG from SN 2585		29	106013GT	CLAMP,HOSE,CENTER.....	1
10	6095GT	WASHER,FLAT,USS,1/2",Y to SN 2584		30	106684PGT	FORMING,CLAMP HOLD DOWN PAINTD.....	1
11	6198GT	NUT,NYLOCK,1/2-13 to SN 2584		31	106498GT	HYDRAULIC SWIVEL SUPPORT.....	1
11	1251997GT	NUT,TL FLG,1/2-13,G,ZAG		32A		Ref. SWIVEL,HYD/ELEC 5 PORT/10 CONT..... Previous hydraulic assembly 122918 (to SN 2255) is no longer available. For a complete replacement order assembly 1253702	1
12	110916GT	SWITCH ASSY,LIMIT LST1O.....	1				
--	110771-43103GT	SWITCH LIMIT W/ROLLER NO/NC					
--	43960GT	WIRE CABLE,16/4 CON.TPE JKT.....	79				
--	119067GT	CONN,RECEP 4 WAY ENDCAP DT					
--	60443GT	LOCK,RECEP 4 WAY,14-18GA					
--	73713GT	TERM,NI PIN,S&F,16-18GA,REEL					

306.1 Turntable Center Components  
(continued)

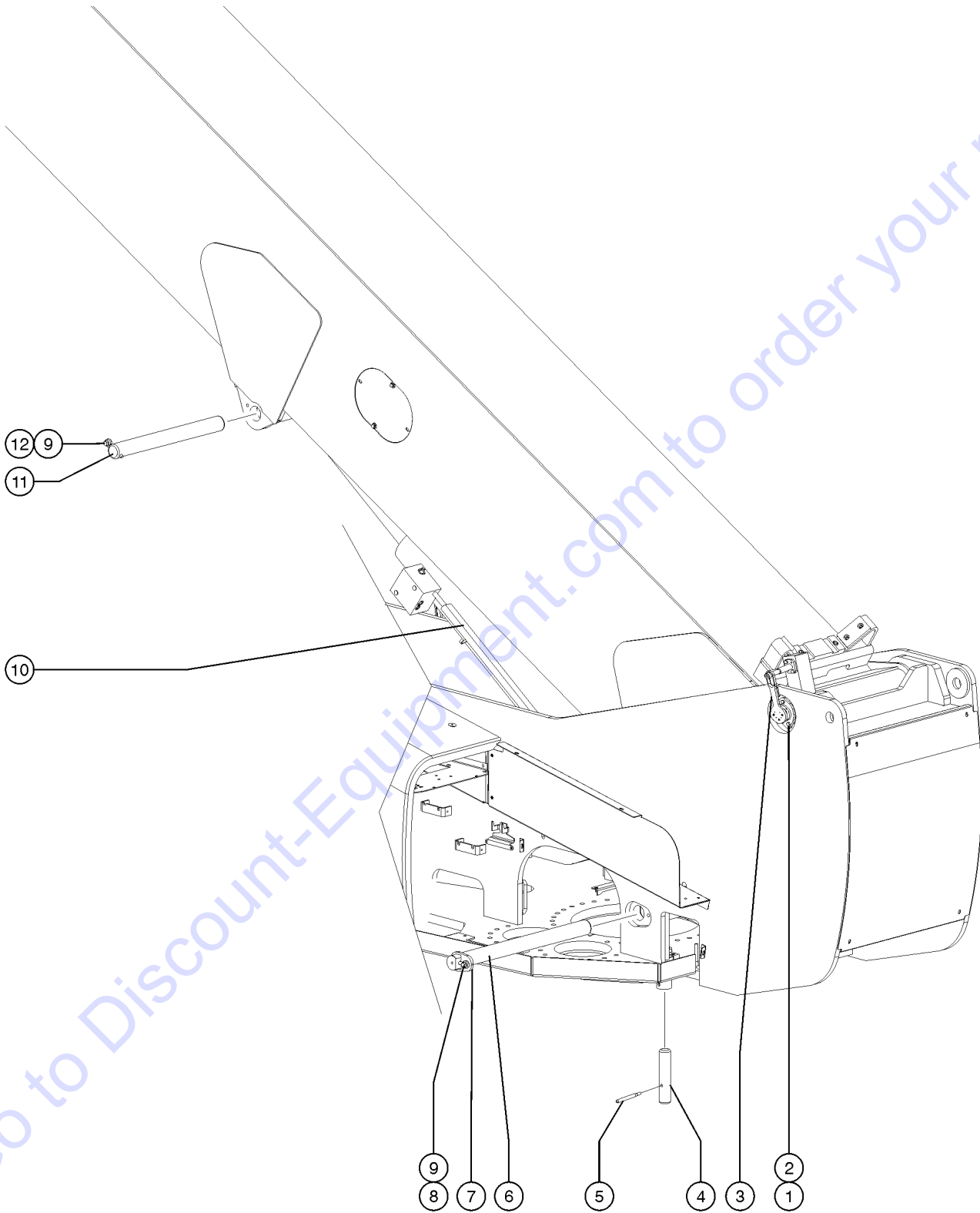
Item	Part No.	Description	Qty.
--		Ref. SWIVEL,ELECTRIC 10 CONTACT*** <i>Previous electric swivel 122919 (to SN 2255) is no longer available. For first time replacement order kit 1256093.</i>	
--	1256093GT	KIT, ELECTRIC SWIVEL, 10 CONTA <i>to SN 2255</i>	
--	106914GT	CHANNEL, MOUNTING <i>to SN 2255</i>	
--	62321GT	SEAL KIT,HYD SWIVEL (75126)*** <i>to SN 2255</i>	
--	75129GT	ARM,ANTI-ROTATION,SWIVEL*** <i>to SN 2255</i>	
--	10107GT	SCREW,HHC,5/16-18 X .75.....4 <i>to SN 2255</i>	
--	75130GT	SCREW,SHC,7/16-14 X .75,61342.....2 <i>to SN 2255</i>	
32B	1253702GT	ASSY, HYD/ELEC 5 PORT/10 CONT.....1 <i>(Complete); from SN 2256</i>	
--	1253699GT	ASSY., HYDRAULIC SWIVEL, 5 POR <i>from SN 2256</i>	
--	1276830GT	SEAL KIT,HYDRAULIC SWIVEL(1253699) <i>for 1253699</i>	
--	1253696GT	ASSY., ELECTRIC SWIVEL, 10 CON <i>from SN 2256</i>	
--	1253698GT	MACHINED, SWIVEL ANTI-ROTATION <i>from SN 2256</i>	
--	10107GT	SCREW,HHC,5/16-18 X .75.....4 <i>from SN 2256</i>	
--	824085GT	SCREW,HHF,5/16-18X.75,8,ZAG.....2 <i>from SN 2256</i>	
--	1253697GT	MACHINED, SWIVEL MOUNTING <i>from SN 2256</i>	

Go to Discount-Equipment.com to order your parts

*This Page Intentionally Left Blank*

Go to [Discount-Equipment.com](http://Discount-Equipment.com) to order your parts

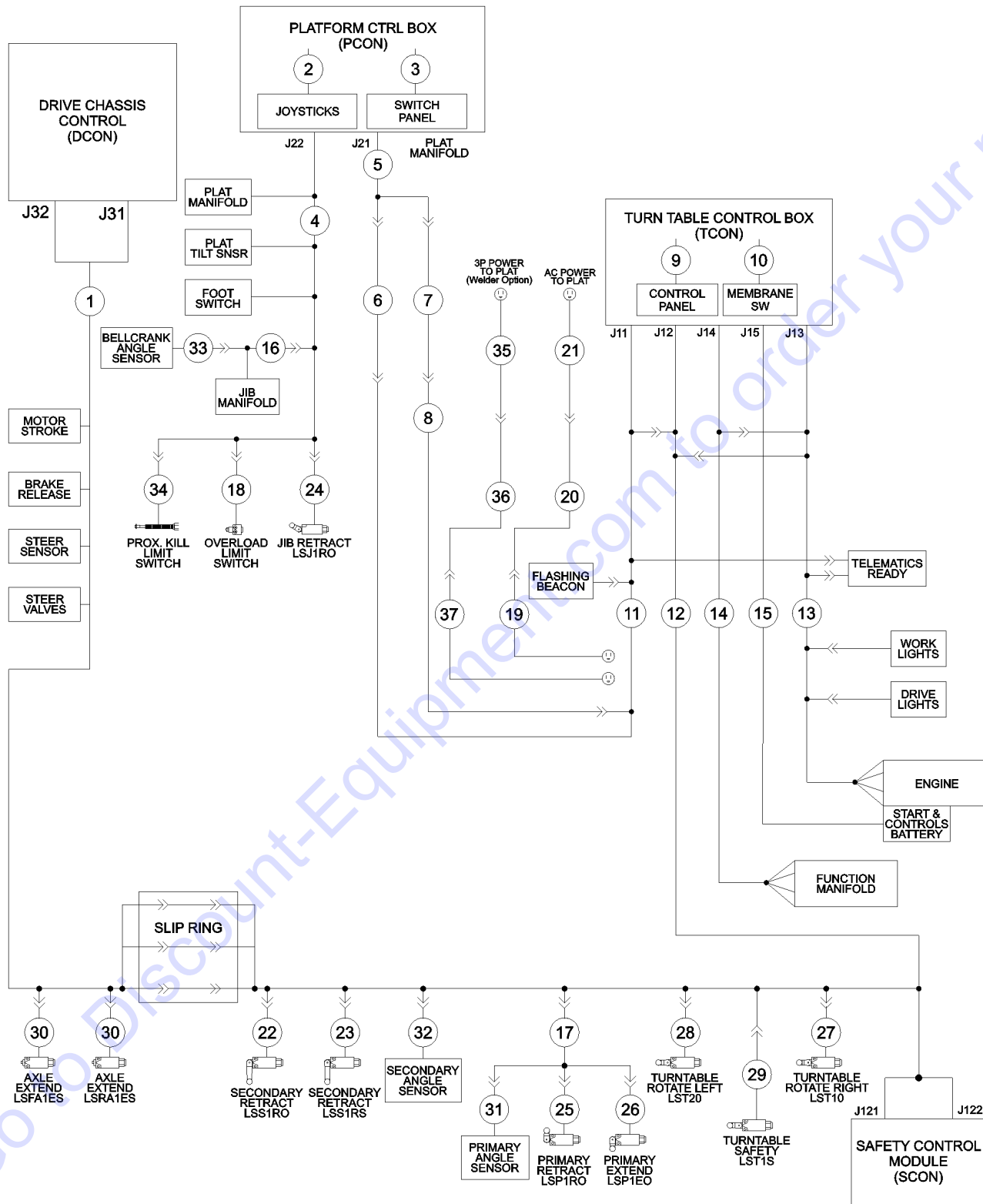
307.1 Secondary Boom Lift Cylinder



## 307.1 Secondary Boom Lift Cylinder

Item	Part No.	Description	Qty.
1	6096GT	SCREW,HHC,1/2-13 X 2 GR5.....1 <i>to SN 2584</i>	1
--	1255782GT	SCREW,HHC,1/2-13X2.0,8,ZAG <i>from SN 2585</i>	
2	6033GT	WASHER,LOCK,0.5" <i>to SN 2584</i>	
3	101716GT	WELDMENT,RISER ROTARY SNSR PIN.....1 <i>to SN 2558</i>	1
--	219110GT	WELDMENT, RISER PIVOT PIN <i>from SN 2559</i>	
--		Ref. ASSY,ANGLE SEN.,Z135 SECONDARY <i>(Refer to 502.1)</i>	
4	61222GT	PIN,TRANSPORT STORAGE LOCK.....1	1
--	146343GT	SERVICE KIT,TRANSPORT PIN Z135	
5	61223GT	PIN,TRANSPORT STORAGE HANDLE.....1	1
6	107654GT	PIN,SECONDARY LIFT.....1	1
7	107653GT	PLATE,RETAINER PIN.....1	1
8	117491GT	SCREW,HHC,1/2-13X2.00 GR8.....1 <i>to SN 2584</i>	1
--	1256172GT	SCREW,HHF,1/2-13X 2,8,ZAG <i>from SN 2585</i>	
9	1256267GT	ROD END,.5 X 3.75,ZAG.....2 <i>to SN 2584</i>	2
--	1256267GT	ROD END,.5 X 3.75,ZAG <i>from SN 2585</i>	
10	61812GT	CYLINDER,SECONDARY LIFT*** .....1	1
--	106376GT	SEAL KIT,CYL***	
--	106846GT	VALVE,CB.CWCL-LGN@4000 PSI*** .....1	1
--	76069GT	VALVE,COUNTERBALANCE 4000 PSI.....2	2
--	27697GT	BEARING,2.50IDX2.75ODX1.50L	
11	94818GT	PIN,2.50DIAX25.00LG,1HOLE.....1	1
12	54177GT	SCREW,HHC,1/2-13 X 1.5 GRD 8.....1	1

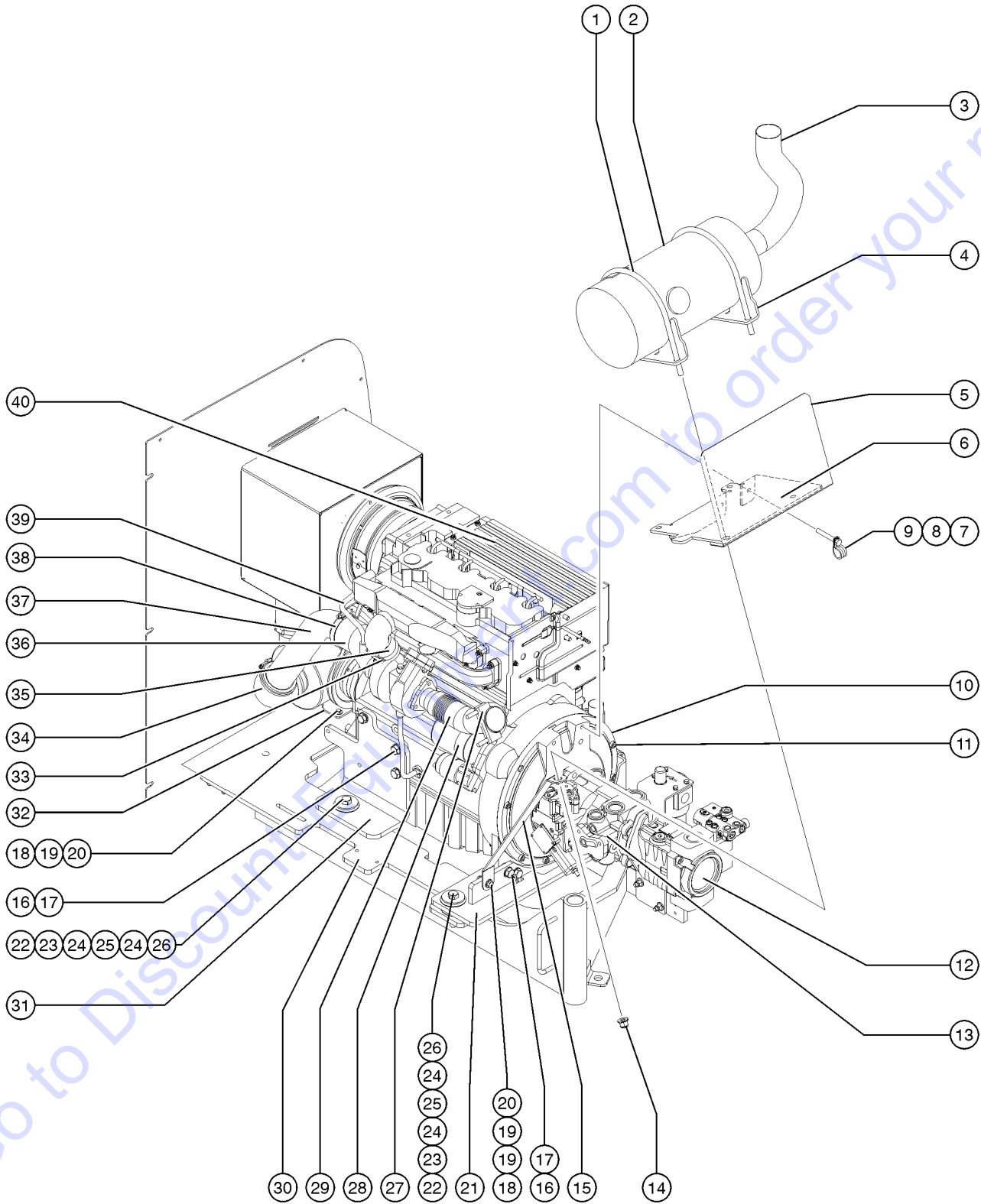
308.1 Wire Harness Diagram



## 308.1 Wire Harness Diagram

Item	Part No.	Description	Qty.	Item	Part No.	Description	Qty.
--	1264824GT	KIT, TRC RETROFIT,ALC1000ML <i>Telematics (includes 1264836)</i>		16	94976GT	HARNESS,JIB MANIFOLD.....1 <i>to SN 2804</i>	1
--	1264836GT	INSTRN, TRC RETROFIT,ALC1000ML		--	1264365GT	HARNESS, JIB MANIFOLD <i>from SN 2805</i>	
1A	232987GT	HARNESS, DRIVE, SUPER X.....1 <i>(DCon) to SN 3228</i>	1	17	81532GT	HARNESS,PROX.KILL.....1 <i>includes 27391 proximity sensor</i>	1
1B	1271514GT	HARNESS,DRIVE CHASSIS <i>(DCon) from SN 3229</i>		--	27391GT	PROXIMITY SENSOR***	
2	94966GT	HARNESS,PCON.....1 <i>(PCon)</i>	1	--	119792GT	HARNESS UPPER LIMIT SWITCH.....1	1
3	214332GT	HARNESS, PCON TOGGLE SWITCH, S.....1	1	18	94444GT	HARNESS,SWITCH,LIMIT PLUNGER....1	1
4	94963GT	HARNESS,PLAT J2.....1 <i>to SN 2804</i>	1	19	94969GT	HARNESS,POWER TO PLAT,SEC.....1	1
--	128457GT	HARNESS, PCON, J22 <i>from SN 2805</i>		20	94970GT	HARNESS,POWER TO PLAT,PRI.....1	1
5	94962GT	HARNESS,JIB COMPOSITE.....1	1	21	94971GT	HARNESS,POWER TO PLAT,JIB	
6	94961GT	HARNESS,PRIMARY COMPOSITE*** ....1	1	22	1253488GT	HARNESS, DRIVE LIGHT, ZX135.....1 <i>(option); from SN 2386</i>	1
7	94973GT	HARNESS,DC POWER,PRIMARY.....1	1	--	1253494GT	HARNESS,LIGHTS,CABLE.....2 <i>(option); from SN 2386</i>	2
8	94972GT	HARNESS,DC POWER,SECONDARY....1	1	--	110909GT	SWITCH ASSY,LIMIT LSS1RO.....1	1
9	231003GT	HARNESS,GROUND CONTROL,Z135...1	1	23	823813GT	HARNESS WORKLIGHT, ZX135.....1 <i>(option); from SN 2386</i>	1
10	106510GT	DECAL,MEMBRANE,GROUND CONTROL.....1	1	--	823522GT	HARNESS, WORK LIGHTS, SUPER X...1 <i>(option); from SN 2386</i>	1
11	94960GT	HARNESS,SEC.COMPOSITE J1.....1 <i>to SN 2331</i>	1	--	1253495GT	HARNESS,WORKLIGHT FUSE.....1 <i>(option); from SN 2386</i>	1
--	1253744GT	HARNESS,SEC.COMPOSITE J1,ZX135 <i>from SN 2332</i>		--	110910GT	SWITCH ASSY,LIMIT LSS1RS.....1	1
12	226496GT	HARNESS,LOWER LIMIT SWITCH.....1 <i>(SCon) to SN 2955</i>	1	24	110911GT	SWITCH ASSY,LIMIT LSS1RO.....1	1
--	1267866GT	HARNESS, LOWER LS/SCON, ZX135...1 <i>(SCon) from SN 2956</i>	1	25	110913GT	SWITCH ASSY,LIMIT LSP1RO.....1	1
13	122054GT	HARNESS,ENGINE,DEUTZ J3.....1 <i>Deutz models; to SN 2331</i>	1	26	110914GT	SWITCH ASSY,LIMIT LSS1EO.....1	1
--	1253745GT	HARNESS,ENGINE,DEUTZ J3,ZX135 <i>Deutz models; from SN 2332</i>		27	110915GT	SWITCH ASSY,LIMIT LST10.....1	1
--	1252706GT	HARNESS,DEUTZ 2.9,TIER4,Z135.....1	1	27B	1255030GT	PLUG,BLANKING.....1	1
--	160686GT	HARNESS, PERKINS 1104, ZX135.....1 <i>Perkins models, to SN 2330</i>	1	27A	1255556GT	HARN,PLATFORM,OPA,ALC1000.....1	1
--	1253746GT	HARNESS, PERKINS 1104, ZX135 <i>Perkins models, from SN 2331</i>		28	110916GT	SWITCH ASSY,LIMIT LST1O.....1	1
--	1252707GT	HARNESS,PERKINS 854F,ZX135.....1	1	29	110917GT	SWITCH ASSY,LIMIT LST1S.....1	1
--	139253GT	HARNESS, CUMMINS B3.3T.....1	1	30	236392GT	SWITCH ASSY, AXLE SAFETY.....1	1
--	1253210GT	CIRCUIT BRKR THERM AUTORESET 6 <i>(harness 1253745 or 1253746); from SN 2331</i>		31	215728GT	ASSY,ANGLE SEN.,Z135 PRIMARY.....1	1
--	128829GT	CIRCUIT BRKR 15A TYPE 2 METAL <i>(harness 122054 or 160686); to SN 2330</i>		32	217224GT	ASSY,ANGLE SEN.,Z135 SECONDARY.....1	1
14	119674GT	HARNESS,FUNCTION MANIFOLD J14*.....1	1	33	217293GT	ASSY,ANGLE SEN.,Z135 BELL CR.....1	1
15	226497GT	HARNESS,TCON Z135.....1 <i>(Tcon)</i>	1	34	128504GT	ASSY, ARCFT SENSOR, DEUTSCH.....1	1
				35	106484GT	HARNESS,AC/3P PWR TO PLAT,JIB.....351 <i>(welder option)</i>	351
				36	106483GT	HARNESS,AC/3P PWR TO PLAT,PRI.....740 <i>(welder option)</i>	740
				37	106482GT	HARNESS,AC/3P PWR TO PLAT,SEC.....1046 <i>(welder option)</i>	1046

401.1 Deutz TD2011L04i Engine, View 1





## 401.1 Deutz TD2011L04i Engine, View 1

Item	Part No.	Description	Qty.	Item	Part No.	Description	Qty.
--	102581GT	PUMP,FUEL INJ,DEUTZ BF4L20 <i>Class A injection pump; provide SN of engine to service to get correct injection pump (A, B, C, D)</i>		16	22558GT	SCREW,HHC,M14 X 40MM,GR 8.8 <i>to SN 2584</i>	
--	T108732GT	PUMP,FUEL INJ,DEUTZ BF4L20 <i>Class B injection pump; provide SN of engine to service to get correct injection pump (A, B, C, D)</i>		--	1256776GT	SCREW,HHF,M14-2.0X35,DIN6921,10.9,ZAB <i>from SN 2585</i>	
--	T108733GT	PUMP,FUEL INJ,DEUTZ BF4L20 <i>Class C injection pump; provide SN of engine to service to get correct injection pump (A, B, C, D)</i>		17	49411GT	WASHER,FLAT,M14 <i>to SN 2584</i>	
--	T108734GT	PUMP,FUEL INJ,DEUTZ BF4L20 <i>Class D injection pump; provide SN of engine to service to get correct injection pump (A, B, C, D)</i>		18	8516GT	SCREW, HCC, 3/8-16 X 1.50 <i>to SN 2584</i>	
1	70449GT	U-BOLT,1/2-13 X 8.5		--	824092GT	SCREW,HHF,3/8-16X1.5,8,ZAG <i>from SN 2585</i>	
2	70444GT	MUFFLER,2.5"INLET/OUTLET.....1		19	5397GT	WASHER,FLAT,USS,5/16",Y <i>to SN 2584</i>	
--	101634GT	MUFFLER,CATALYTIC,2.5 I/O		20	4828GT	NUT,NYLOCK,3/8-16 <i>to SN 2584</i>	
3	70447GT	TAIL PIPE,DEUTZ.....1		--	824025GT	NUT,TL,3/8-16,C,ZAG <i>from SN 2585</i>	
--	71911GT	CLAMP,MUFFLER, 2.50 INCH		21	70440GT	WELDMENT,REAR ENGINE MOUNT.....1	
4	70483GT	FORMING,8.5' MUFFLER MOUNT.....2		22	13003GT	SCREW,HHC,5/8-11 X 3.5 GRD.8 <i>to SN 2584</i>	
5	102237PGT	FORMING,HEAT SHIELD,MUFFLER.....1		--	1256583GT	SCREW,HHF,5/8-11X3.5,8,ZAG <i>from SN 2585</i>	
6	70448PGT	FORMING,MUFFLER MOUNT.....1		23	33418GT	WASHER,FLAT,.625 X 2.25 X.15 <i>to SN 2584</i>	
7	85053GT	SCREW,HHC,M10 X 1.5 X70,GR 8.8 <i>to SN 2584</i>		--	824123GT	WASHER,FLAT,.625X2.25X.188,ZAG <i>from SN 2585</i>	
--	1257706GT	SCREW,HHC,M10-1.5X70,DIN931,10 <i>from SN 2585</i>		24	18596GT	WASHER,FLAT,1.56 X 2.5 X .061 <i>to SN 2584</i>	
8	22699GT	WASHER,FLAT,M10,ZINC PLTD. <i>to SN 2584</i>		--	1251565GT	WASHER,SHIM,1.56X2.5X.061,ZAG <i>from SN 2585</i>	
9	60838GT	CLAMP,1.00,#16 X 7/16,RUB CUSH.....1		25	102045GT	ISOLATOR,ENGINE VIBRATION.....2	
10	70381GT	COVER,FLYWHEEL CASTING.....1		26	6024GT	NUT,NYLOCK,5/8-11 <i>to SN 2584</i>	
--	128004GT	COUPLER,15 TOOTH,FBA,SAE8***		--	1253319GT	NUT,TL,FLG,5/8-11,G,ZAG <i>from SN 2585</i>	
--	49388GT	SCREW,HHC,M10 X 1.5 X 16 <i>to SN 2584</i>		27	71911GT	CLAMP,MUFFLER, 2.50 INCH	
--	237352GT	SCREW,HHF,M10-1.5X16,DIN6921,10.9,ZAB <i>from SN 2585</i>		28	139709GT	STARTER, 12V	
11	61110GT	SCREW,SHC,M10X1.5X30 GR 12.9 <i>to SN 2584</i>		--	139621GT	KIT, HEAT GUARD, DEUTZ STARTER	
--	1255666GT	SCREW,SHC,M10-1.5X30,DIN912,12.9,ZAB <i>from SN 2585</i>		29	70445GT	FLEX PIPE,EXHAUST,2.5" DIA.....1	
12		Ref. Lift Pump <i>(Refer to 712. 1)</i>		29B	71911GT	CLAMP,MUFFLER, 2.50 INCH	
13		Ref. Drive Pump <i>(Refer to 712. 1)</i>		29B	139983GT	EXHAUST PIPE GASKET	
14	66777GT	NUT, TOP LOCK, 1/2-13 <i>to SN 2584</i>		30A	160359GT	WELDMENT, ENGINE TRAY .....1 <i>(Refer to 302. 1)</i>	
--	1251997GT	NUT,TL FLG,1/2-13,G,ZAG <i>from SN 2585</i>		30B	35675GT	BEARING,FL,1.25IDX1.5ODX1.25L.....2 <i>for 160359</i>	
15	106280GT	BRACE,MUFFLER,DEUTZ***.....1		31	70438GT	FORMING,ENGINE MOUNT***.....1	
				32	102209PGT	FORMING,AIR CLEANER MOUNT PNTD.....1	
				33	102593GT	CLAMP, 3 INCH	
				34	139455GT	ELBOW,AIR INTAKE,RUBBER.....1	

401.1 Deutz TD2011L04i Engine, View 1  
(continued)

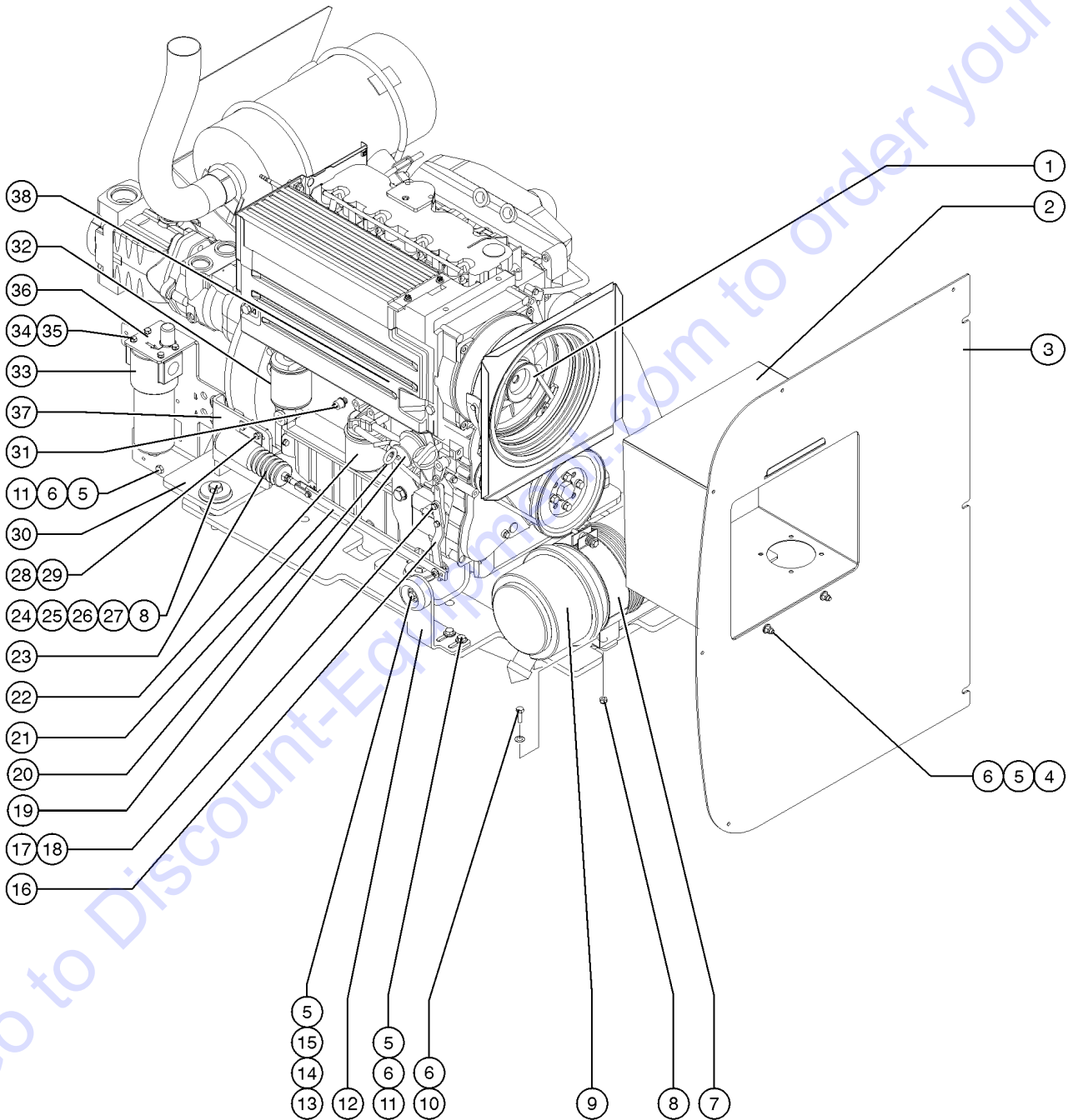
Item	Part No.	Description	Qty.
35	226106GT	RUBBER SLEEVES, TD 2011L041	
36	226103GT	INLET REDUCER,TD 2011L04I	
37	102208GT	TUBE,AIR INTAKE,DEUTZ.....	1
38	30489GT	CLAMP,HOSE,3.50.....	2
39	226104GT	BREATHER PIPE, TD 2011L04I	
--	226105GT	GASKET,BREATHER PIPE (226104)	

Go to Discount-Equipment.com to order your parts

***This Page Intentionally Left Blank***

Go to [Discount-Equipment.com](http://Discount-Equipment.com) to order your parts

402.1 Deutz TD2011L04i Engine, View 2



## 402.1 Deutz TD2011L04i Engine, View 2

Item	Part No.	Description	Qty.	Item	Part No.	Description	Qty.
--	139624GT	SWITCH, OIL PRESSURE 1.5 BAR.....1		--	1256457GT	WASHER, LOCK, M6, ZAB <i>from SN 2585</i>	
1	58249GT	ALTERNATOR, DEUTZ, BF4L2011*** .....1		19	111668GT	PUMP, FUEL 2011 DEUTZ *** .....1	
--	1280590GT	PULLEY, ALTERNATOR, DEUTZ BF4L2011 <i>for 58249</i>		--	119344GT	KIT, PRIMER BULB	
--	1280591GT	SPACER, ALT PULLEY, DEUTZ BF4L2011 <i>for 58249</i>		20	52352GT	DIPSTICK-F3L1011F (DEUTZ).....1	
--	58630GT	V-BELT, DEUTZ TD2011LOAI		21	139322GT	THROTTLE LINKAGE, DSL	
2	160896GT	WELDMENT, AIR BOX, DUETZ		22	108543GT	FILTER / FUEL / SPIN-ON.....1	
3	160862GT	BULKHEAD ZX135		--	58566GT	FILTER HEAD (29560) <i>plastic</i>	
4	6175GT	SCREW, HHC, 3/8-16 X 1 <i>to SN 2584</i>		23	101957GT	SOLENOID, THROTTLE, ASSY. TROMB...1	
--	824067GT	SCREW, HHC, 3/8-16X1, 8, ZAG <i>from SN 2585</i>		--	89998GT	KIT, SERVICE, SOLENOID MODULE	
5	4828GT	NUT, NYLOCK, 3/8-16 <i>to SN 2584</i>		--	60525GT	CONN, RECEP 4 WAY, 12-14GA	
--	824025GT	NUT, TL, 3/8-16, C, ZAG <i>from SN 2585</i>		--	60526GT	LOCK, RECEP 4 WAY, 12-14GA	
6	5397GT	WASHER, FLAT, USS, 5/16", Y <i>to SN 2584</i>		--	60757GT	PLUG, SEAL, 12-18 GA	
7	81468GT	MOUNTING BAND, AIR CLEANER.....1		--	73711GT	TERM, DEUTSCH, PIN #12-14	
8	6024GT	NUT, NYLOCK, 5/8-11 <i>to SN 2584</i>		--		Ref. Relay Module <i>(Refer to 303.1)</i>	
--	1258049GT	NUT, TL, 5/8-11, C, ZAG <i>from SN 2585</i>		--	21130GT	CLEVIS YOKE-1/4-28, PLTD W/PIN <i>Includes clevis pin and cotter pin</i>	
9	81467GT	AIR CLEANER, NELSON.....1		24	13003GT	SCREW, HHC, 5/8-11 X 3.5 GRD.8.....2 <i>to SN 2584</i>	
--	62425GT	FILTER, AIR CLEANER, SUPERBOOM		--	1256583GT	SCREW, HHF, 5/8-11X3.5, 8, ZAG <i>from SN 2585</i>	
--	70515GT	KIT, PRECLEANER DEUTZ***		25	33418GT	WASHER, FLAT, .625 X 2.25 X .15 <i>to SN 2584</i>	
10	13002GT	SCREW, HHC, 5/16-18 X 1 GR5.....2 <i>to SN 2584</i>		--	824123GT	WASHER, FLAT, .625X2.25X.188, ZAG <i>from SN 2585</i>	
--	824086GT	SCREW, HHF, 5/16-18X1, 8, ZAG <i>from SN 2585</i>		26	18596GT	WASHER, FLAT, 1.56 X 2.5 X .061 <i>to SN 2584</i>	
11	8516GT	SCREW, HCC, 3/8-16 X 1.50 <i>to SN 2584</i>		--	1251565GT	WASHER, SHIM, 1.56X2.5X.061, ZAG <i>from SN 2585</i>	
--	824092GT	SCREW, HHF, 3/8-16X1.5, 8, ZAG <i>from SN 2585</i>		27	102045GT	ISOLATOR, ENGINE VIBRATION.....2	
12	60778-SGT	FORMING, COVER STOP.....1		28	6888GT	SCREW, HHC, 1/4-20 X 1 <i>to SN 2584</i>	
13	6019GT	SCREW, HHC, 3/8-16 X 1.25 GRD 5 <i>to SN 2584</i>		--	824060GT	SCREW, HHC, 1/4-20X1, 8, ZAG <i>from SN 2585</i>	
--	824091GT	SCREW, HHF, 3/8-16X1.25, 8, ZAG <i>from SN 2585</i>		29	6091GT	NUT, NYLOCK, 1/4-20 <i>to SN 2584</i>	
14	6097GT	WASHER, FLAT, USS, 3/8", Y <i>to SN 2584</i>		--	824024GT	NUT, TL, 1/4-20, C, ZAG <i>from SN 2585</i>	
15	50974GT	BUMPER, RUBBER, COVERS.....3		30	70440GT	WELDMENT, REAR ENGINE MOUNT.....1	
16	50787-SGT	LEVER, GOVERNOR ACTUATOR		31	111445GT	SENDING UNIT, OIL TEMP SWCH, DTZ.....1	
17	22578GT	SCREW, HHC, M6 X 20MM, GR8.8 <i>to SN 2584</i>		--	58299GT	SENDING UNIT, OIL PRESS., DEUTZ* <i>Not shown</i>	
--	1256450GT	SCREW, HHC, M6-1.0X20, DIN933, 10.9, ZAB <i>from SN 2585</i>		32	49924GT	FILTER, OIL, DEUTZ F4L1011F.....1 <i>Genie Genuine Part. See PN 1255653 for compatible aftermarket replacement.</i>	
18	49407GT	WASHER, LOCK, M6 <i>to SN 2584</i>					

402.1 Deutz TD2011L04i Engine, View 2  
(continued)

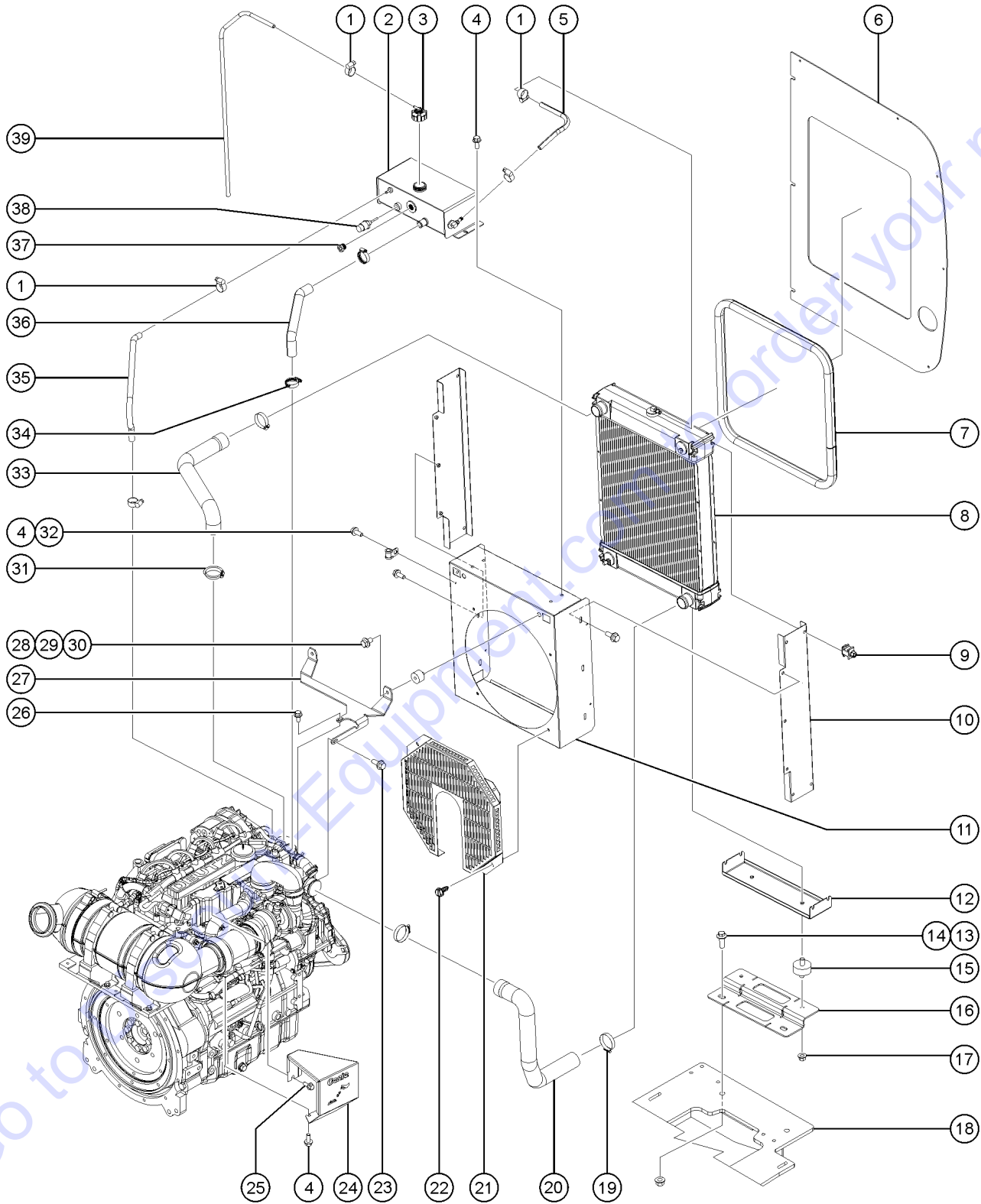
Item	Part No.	Description	Qty.
--	1255653GT	FILTER,OIL,DEUTZ,REPLACEMENT.....1 <i>Genie Aftermarket Part. Compatible with Genie Genuine Part 49924.</i>	
33		FILTER ASY,M PRESS,SAE8,WOIND* (77139).....1 <i>to SN 2831 (component no longer available)</i>	
--	60857GT	FILTER,ELEMENT,BETA(5)=1000 <i>for 77139</i>	
33A	1267807GT	ASSY, MED. PRESS. FILTER, SAE8	
--	1268229GT	ELEMENT-5 MIC, PAPER, W/ BYPASS <i>for 1267807</i>	
34	6090GT	SCREW,HHC,1/4-20 X .75 <i>to SN 2584</i>	
--	824078GT	SCREW,HHF,1/4-20X.75,8,ZAG <i>from SN 2585</i>	
35	6356GT	WASHER,LOCK,.25 <i>to SN 2584</i>	
36	128525GT	BRCKT,MED.FILTER,TEST PORT.....1	
37	139321GT	FORMING, SOLENOID MOUNT***	
38	T114678GT	SHUTDOWN SOLENOID,12V, DEUTZ....1 <i>(includes o-ring)</i>	
--	58256GT	SOLENOID CABLE ASSY***	
--	72255GT	CONNECTOR, DEUTZ FUEL SHUTOFF* <i>Does not include 45782 DIODE</i>	
--	45782GT	DIODE,6 AMP,200 PIV,BULK	

Go to Discount-Equipment.com to order your parts

***This Page Intentionally Left Blank***

Go to [Discount-Equipment.com](http://Discount-Equipment.com) to order your parts

403.1 Deutz TD 2.9L4 Engine - View 1

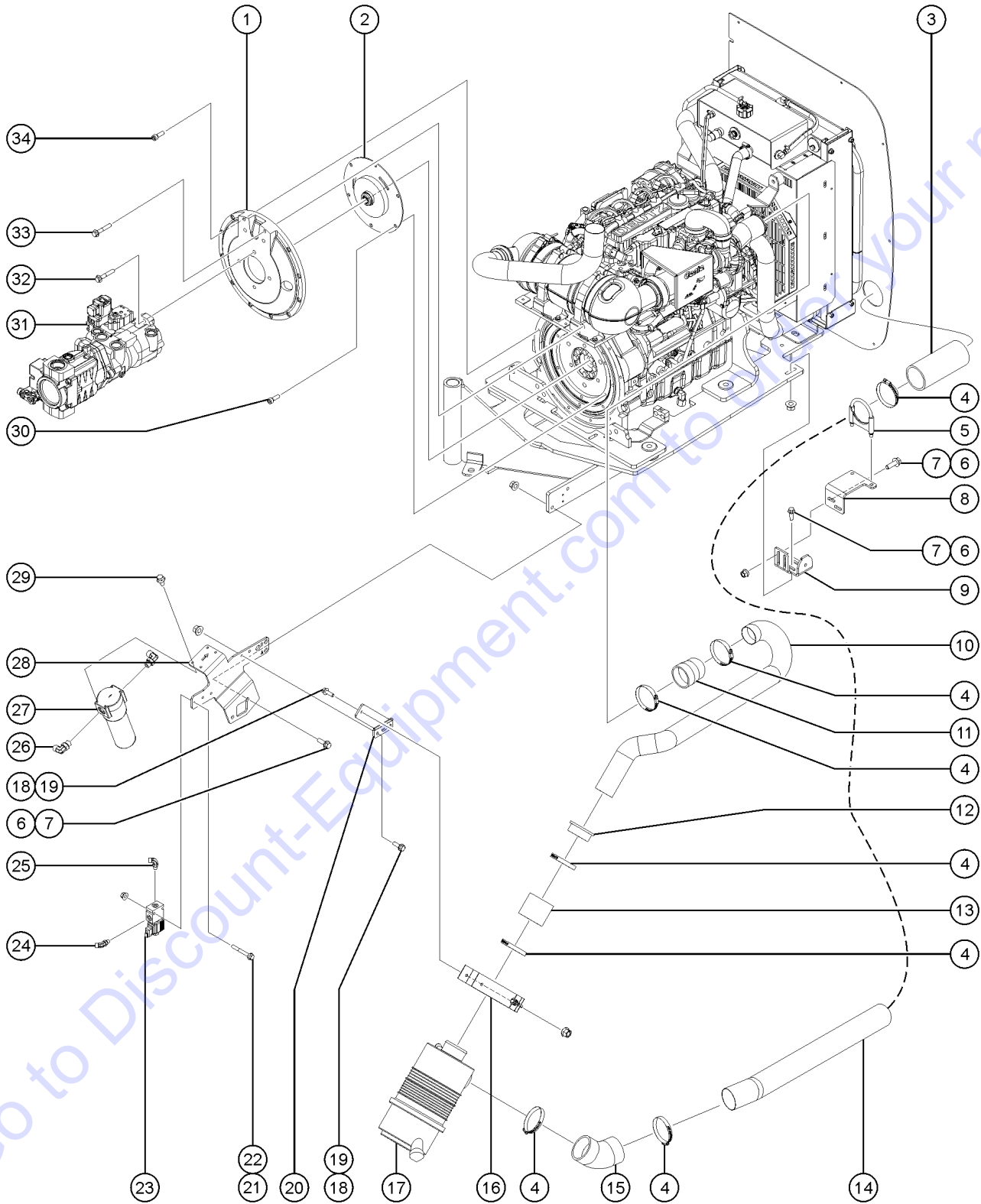




## 403.1 Deutz TD 2.9L4 Engine - View 1

Item	Part No.	Description	Qty.	Item	Part No.	Description	Qty.
--		<i>Due to Tier 4 regulations, many engine replacement parts require the engine serial number at time of order placement. When ordering engine parts please have both machine and engine serial numbers available. For internal engine parts, contact engine dealer</i>		31	22672GT	CLAMP,HOSE,1.75.....	2
--	237730GT	ENGINE KIT, DEUTZ TD 2.9		32	1257844GT	CLAMP, TUBE/HOSE, LOOP/OFFSET, 12.7 OD.....	4
--	1252706GT	HARNESS,DEUTZ 2.9,TIER4,Z135		33	1252017GT	HOSE, 20R4, UPPER.....	1
--	1262866GT	FAN BELT, ALTERNATOR		34	36208GT	CLAMP,HOSE,1.25***.....	2
--	1262487GT	BELT,AIR PUMP,PERKINS 404F-22T		35	1283995GT	HEATER HOSE,1/4".....	14
--	1277974GT	PINS,CONNECTOR,INJ HARNESS,D2.9		36	1252019GT	HOSE, DEGAS RETURN, 22MM ID.....	1
1	21465GT	CLAMP,HOSE,.25" - .63" X .3125.....	5	37	1254418GT	SIGHT GLASS DEGAS RCP.....	1
2	1252016GT	ASSY, DEGAS TANK, AL, RCP-13-077.....	1	38	218715GT	SENSOR,COOLANT LEVEL, DEUTZ.....	1
3	1254081GT	PRESSURE CAP RCP.....	1	39	1283995GT	HEATER HOSE,1/4".....	43
4	824132GT	SCREW,HHF,M8-1.25X20,DIN6921,10.9,ZAB.8					
5	823420-1400GT	HOSE,HEATER,3/8" 14".....	1				
6	1251764GT	PLATE FRONT BULKHEAD RIGHT.....	1				
7	60875-9600GT	TRIM, RUBBER "D" SEAL, 3/16 96.....	1				
8	1252015GT	RADIATOR RCP.....	1				
9	1253233GT	ISOLATOR ASSY RCP RADIATOR.....	8				
10	1253231GT	FORMING RADIATOR SIDE MOUNT.....	2				
11	1253230GT	FORMING FAN SHROUD RCP 2.9T.....	1				
12	1253232GT	FORMING RADIATOR BOTTOM MOUNT RCP.....	1				
13	1251894GT	SCREW,HHF,M16-2.0X45,DIN6921,10.9,ZAB.2					
14	1251893GT	NUT,TL,FLG,M16-2.0,DIN6927,10,ZAB.2					
15	1255631GT	ISOLATOR, M10-1.50, 5/8" HIGH.....	2				
16	1251720GT	WELDMENT, RADIATOR MOUNT.....	1				
17	231529GT	NUT,TL FLG,M10-1.5,DIN6927,10,ZAB.....	2				
18		Ref. Engine Tray (refer to 406.1)					
19	35434GT	CLAMP,HOSE,2.00***.....	2				
20	1252018GT	HOSE, 20R4, LOWER.....	1				
21	1253218GT	FORMING FAN SHROUD RCP.....	1				
22	1253234GT	SCREW SHEET METAL HHF X1/2 X .18OD.....	4				
23	824131GT	SCREW,HHF,M6-1.0X16,DIN6921,10.9,ZAB.2					
24	1254949GT	HEAT SHIELD,DEUTZ TD2.9L.....	1				
25	824131GT	SCREW,HHF,M6-1.0X16,DIN6921,10.9,ZAB.1					
26	1251983GT	SCREW,HHF,M8-1.25X16,DIN6921,10.9,ZAB.1					
27	1255342GT	FORMING,RADIATOR SUPPORT.....	1				
28	237352GT	SCREW,HHF,M10-1.5X16,DIN6921,10.9,ZAB.2					
29	1255451GT	ISOLATOR, VIBRATION DAMPENER.....	2				
30	230074GT	SPRING CLIP,M10-1.5,1-6X19,ZAB.....	2				

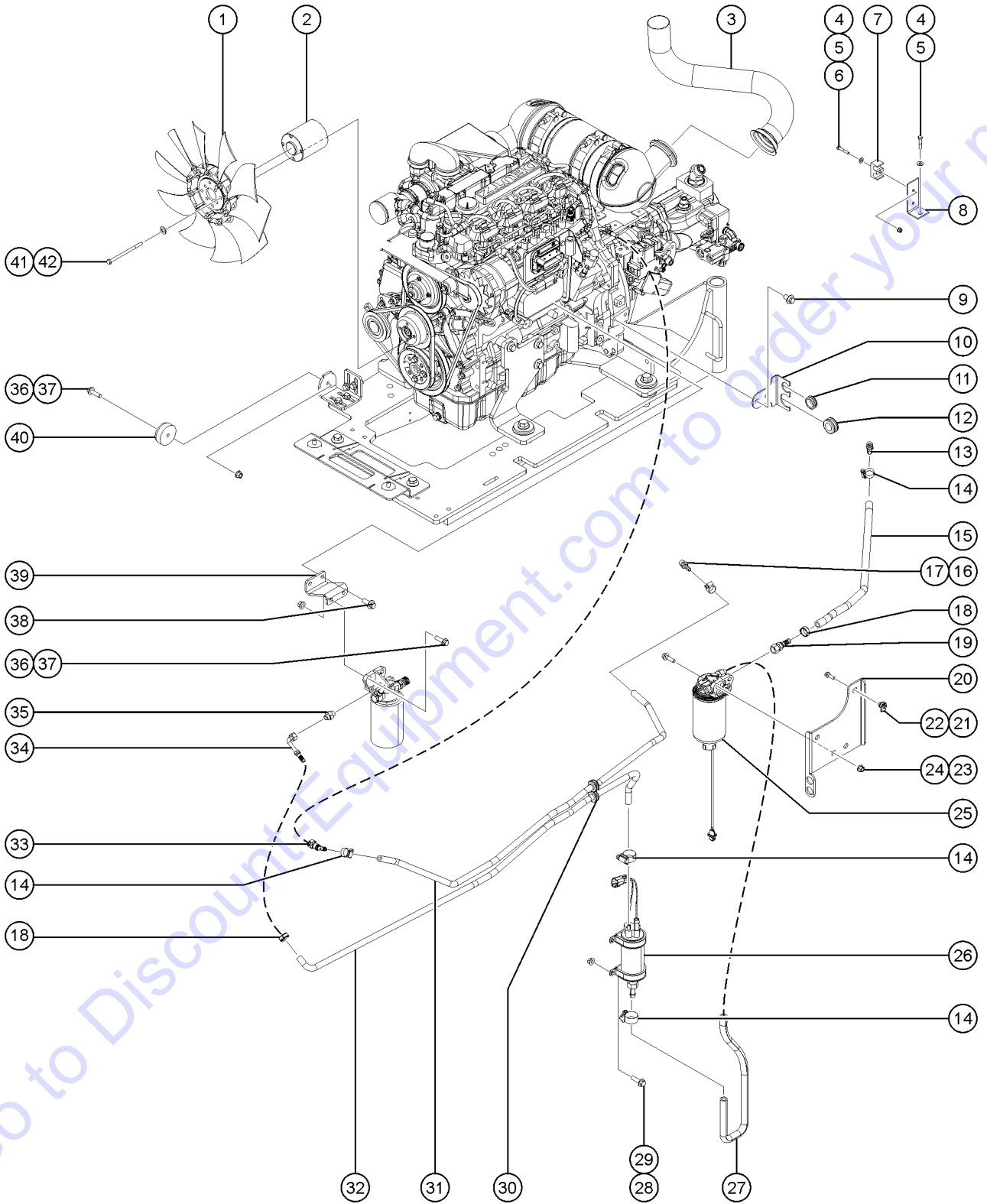
404.1 Deutz TD 2.9L4 Engine - View 2



## 404.1 Deutz TD 2.9L4 Engine - View 2

Item	Part No.	Description	Qty.	Item	Part No.	Description	Qty.
--		<i>Due to Tier 4 regulations, many engine replacement parts require the engine serial number at time of order placement. When ordering engine parts please have both machine and engine serial numbers available. For internal engine parts, contact engine dealer</i>		30	1255665GT	SCREW,SHC,M10-1.5X20,DIN912,12.9,ZAB.6	
				31		Ref. Pump Assembly (refer to 712.1)	
				32	1253498GT	SCREW,HHF,1/2-13X1.5,8,ZAG.....4	
				33	216036GT	SCREW,HHF,M10-1.5X60,DIN6921,10.9,ZAB.4	
				34	1255666GT	SCREW,SHC,M10-1.5X30,DIN912,12.9,ZAB.10	
1	70381GT	COVER,FLYWHEEL CASTING.....1					
2	128004GT	COUPLER,15 TOOTH,FBA,SAE8***.....1					
3	106211GT	HOSE,RUBBER 3"ID X .25 BLACK.....1					
4	30971GT	CLAMP,HOSE,3.00".....6					
5	122414GT	U-BOLT,GUILLOTINE,3".....1					
6	232874GT	SCREW,HHF,M10-1.5X30,DIN6921,10.9,ZAB.4					
7	231529GT	NUT,TL FLG,M10-1.5,DIN6927,10,ZAB.....4					
8	1257728GT	FORMING,INTAKE SUPPORT.....1					
9	1254669GT	FORMING, COVER STOP.....1					
10	826352GT	TUBE,INTAKE,DEUTZ 2.9L.....1					
11	826351GT	HOSE,REDUCER,TURBO INLET,DEUTZ.....1					
12	101640GT	REDUCER,RUBBER 3.0 - 2.5.....1					
13	106211-300GT	HOSE,RUBBER 3"ID X .25 BLACK.....1					
14	215512GT	TUBE,INTAKE, FILTER.....1					
15	61270GT	ELBOW,45 DEG,INLET.....1					
16	81468GT	MOUNTING BAND,AIR CLEANER.....1					
17	81467GT	AIR CLEANER,NELSON.....1					
--	62420GT	FILTER,AIR***					
18	824133GT	SCREW,HHF,M8-1.25X25,DIN6921,10.9,ZAB.2					
19	237832GT	NUT,TL FLG,M8-1.25,DIN6927,10,ZAB.....2					
20	1251708GT	FORMING AIR CLEANER.....1					
21	216597GT	SCREW,HHF,M6-1.0X50,DIN6921,10.9,ZAB.2					
22	231513GT	NUT,TL FLG,M6-1.0,DIN6927,10,ZAB...2					
23	218144GT	VALVE, FUNCTION ENABLE.....1					
24	48907GT	ELBOW,45D,520320-4.....1					
25	48904GT	ELBOW,90D,520220-4-4.....1					
26	48932GT	FITTING,ELBOW,90D,520220-8***.....2					
27		FILTER ASY,M PRESS,SAE8,WOIND* (77139).....1 <i>component no longer available</i>					
--	60857GT	FILTER,ELEMENT,BETA(5)=1000 for 77139					
27A	1267807GT	ASSY, MED. PRESS. FILTER, SAE8					
--	1268229GT	ELEMENT-5 MIC, PAPER, W/ BYPASS for 1267807					
28	215517GT	FORMING, CHARGE FILTER MOUNT...1					
29	824077GT	SCREW, HHF, 1/4-20 X .5, 8, ZAG.....2					

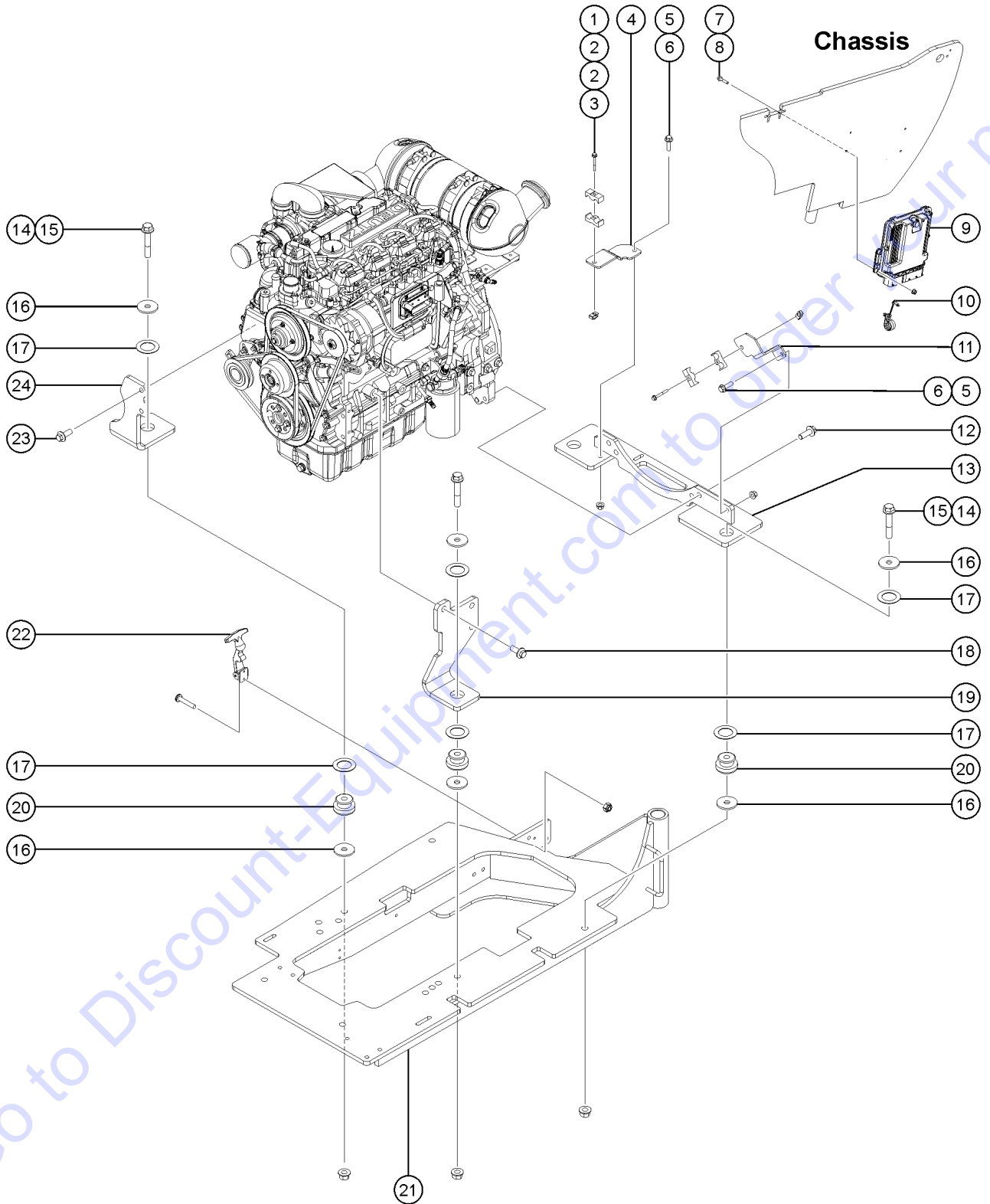
405.1 Deutz TD 2.9L4 Engine - View 3



## 405.1 Deutz TD 2.9L4 Engine - View 3

Item	Part No.	Description	Qty.	Item	Part No.	Description	Qty.
--		<i>Due to Tier 4 regulations, many engine replacement parts require the engine serial number at time of order placement. When ordering engine parts please have both machine and engine serial numbers available. For internal engine parts, contact engine dealer</i>		32	8234206000GT	HOSE,FUEL,3/8,GATES RLA 60".....	1
--	49924GT	FILTER,OIL,DEUTZ F4L1011F		33	826000GT	CONNECTOR, SAE10, QUICK CONN....	1
1	1251496GT	FAN,10 BLADE,17",DEUTZ 2.9L.....	1	34	162206GT	FITTING,ELBOW,6GS-6FJX90S.....	1
2	1252004GT	FAN SPACER,4",DEUTZ 2.9L.....	1	35	162208GT	FITTING,CONN,16MM-6MJ.....	1
--	1257753GT	FAN SPACER,DEUTZ 2.9L.....	1	36	231533GT	SCREW,HHF,M10-1.5X35,DIN6921,10,9,ZAB.3	
		<i>from SN 2646</i>		37	231529GT	NUT,TL FLG,M10-1.5,DIN6927,10,ZAB.....	3
3	826348GT	EXHAUST PIPE, 2.9L DEUTZ.....	3	38	231088GT	SCREW,HHF,M10-1.5X20,DIN6921,10,9,ZAB.2	
4	824062GT	SCREW,HHF,1/4-20X1.5,8,ZAG.....	2	39	1256911GT	FORMING FUEL FILTER DEUTZ.....	1
5	824113GT	WASHER,FLAT,USS,1/4,ZAG.....	2	40	50974GT	BUMPER,RUBBER,COVERS.....	1
6	824027GT	NUT,TL FLG,1/4-20,G,ZAG.....	2	41	1254603GT	SCREW,HHF,M8-1.25X130,DIN931,1....	4
7	70289GT	CLAMP,LINK,LH WELD WIRE.....	1	--	1257774GT	SCREW,HHF,M8-1.25X95,DIN931,10 <i>from SN 2646</i>	
8	70535GT	BRACKET,BATTERY CABLE.....	1	42	824144GT	WASHER,FLAT,M8,DIN125,ZAB.....	4
9	1255806GT	SCREW,HHF,M12-1.75X20,DIN6921,10,9,ZAB.1					
10	1257888GT	FORMING, ENGINE HARNESS SUPPORT.....	1				
11	124962GT	GROMMET,RUBBER,1.0 X 1.25X1.5.....	1				
12	106923GT	GROMMET,RUBBER .38X1.38X1.0.....	1				
13	824471GT	FITTING,3/8 NPT TO 1/2 BARB.....	1				
14	46131GT	CLAMP,HOSE,.63" - 1.0" X .5".....	4				
15	823421-2700GT	HOSE, FUEL, 1/2, GATES RLA 27".....	1				
16	27901GT	HOSE END,BARBED,RIGID,-6-6.....	1				
17	21465GT	CLAMP,HOSE,.25" - .63" X .3125.....	1				
18	822087GT	CLAMP,HOSE,1EAR,25/32.....	2				
19	824635GT	FITTING,STR,1/2 HS X 3/4-16,JI.....	1				
20	825052GT	BRACKET,FUEL SYSTEM,DEUTZ 2.9L.....	1				
21	29868GT	SPRING CLIP,3/8-16,.05-.20X.73,ZAG...2					
22	824089GT	SCREW,HHF,3/8-16X.75,8,ZAG.....	2				
23	824029GT	NUT,TL FLG,3/8-16,G,ZAG.....	2				
24	824091GT	SCREW,HHF,3/8-16X1.25,8,ZAG.....	2				
25	236260GT	PRE-FILTER,FUEL,DEUTZ TCD3.6.....	1				
26	236259GT	LIFT PUMP,FUEL,DEUTZ.....	1				
27	823421-2400GT	HOSE, FUEL, 1/2, GATES RLA 24".....	1				
--	162207GT	FITTING,ELBOW,8GS-8FJX90S					
--	162209GT	FITTING,CONN,16MM-8MJ					
28	218458GT	SCREW,HHF,M5-0.8X20,DIN6921,10,9,ZAB.4					
29	1255753GT	NUT,FLG,M5-0.8,DIN6923,8,ZAB.....	4				
30	60584GT	GROMMET,RUBBER .75 X .19 X 1**.....	2				
31	8234205700GT	HOSE,FUEL,3/8,GATES RLA 57".....	1				

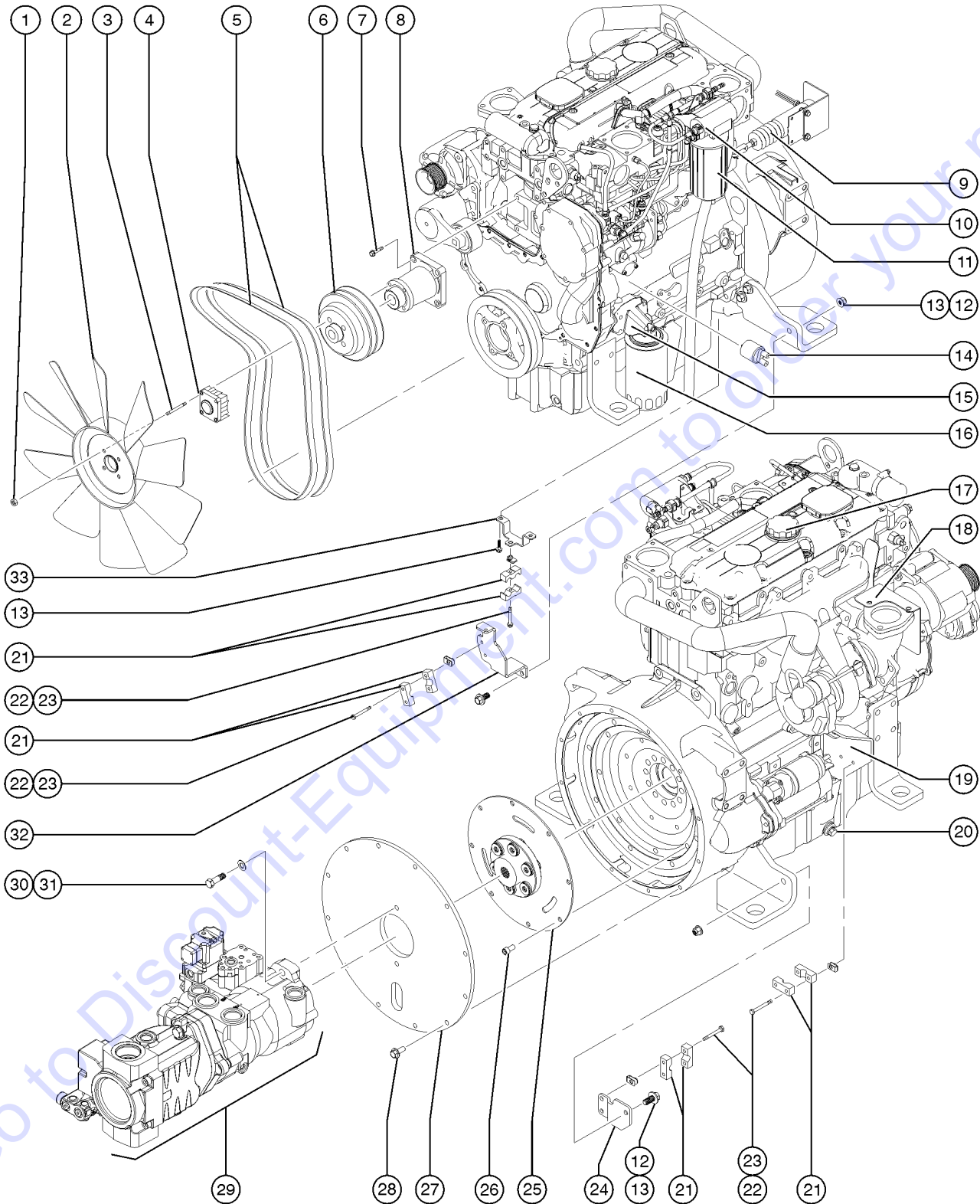
406.1 Deutz TD 2.9L4 Engine - View 4



Item	Part No.	Description	Qty.
--		<i>Due to Tier 4 regulations, many engine replacement parts require the engine serial number at time of order placement. When ordering engine parts please have both machine and engine serial numbers available. For internal engine parts, contact engine dealer</i>	
1	216597GT	SCREW,HHF,M6-1.0X50,DIN6921,10.9,ZAB.1	
2	217460GT	CLAMP,BATTERY CABLE.....2	
3	219697GT	SPRING CLIP,M6-1.0,3.4-6.3MMX1.....4	
4	217458GT	FORMING, BATTERY CABLE GUIDE.....2	
5	231533GT	SCREW,HHF,M10-1.5X35,DIN6921,10.9,ZAB.2	
6	231529GT	NUT,TL FLG,M10-1.5,DIN6927,10,ZAB.....2	
7	231531GT	SCREW,HHF,M6-1.0X30,DIN6921,10.9,ZAB.4	
8	231513GT	NUT,TL FLG,M6-1.0,DIN6927,10,ZAB....4	
9		Ref. ECM, DEUTZ D2.9.....1 <i>Models with Deutz D2.9L4 engines (This part is serialized, contact Discount-equipment with full model and SN of both the unit and engine)</i>	
10	121603GT	CLAMP,FIXED DIA.NYLON,.875".....2	
11	217457GT	FORMING, BATTERY CABLE MOUNT...1	
12	1251899GT	SCREW,HHF,M14-2.0X40,DIN6921,10.9,ZAB.4	
13	70440GT	WELDMENT,REAR ENGINE MOUNT.....1	
14	1256583GT	SCREW,HHF,5/8-11X3.5,8,ZAG.....4	
15	1253319GT	NUT,TL,FLG,5/8-11,G,ZAG.....4	
16	824123GT	WASHER,FLAT,.625X2.25X.188,ZAG....8	
17	1251565GT	WASHER,SHIM,1.56X2.5X.061,ZAG....8	
18	1256776GT	SCREW,HHF,M14-2.0X35,DIN6921,10.9,ZAB.3	
19	1256805GT	MOUNT,ENGINE,LEFT SIDE.....1	
20	217500GT	ISOLATOR, ENGINE VIBRATION.....4	
21A	160359GT	WELDMENT, ENGINE TRAY.....1	
21B	35675GT	BEARING,FL,1.25IDX1.5ODX1.25L.....2 <i>for 160359</i>	
22	45363GT	LATCH,FLEXIBLE DRAW W/O KEEPER.....1	
23	824134GT	SCREW,HHF,M12-1.75X30,DIN6921,10.9,ZAB.2	
24	1251720GT	WELDMENT, RADIATOR MOUNT.....1	



407.1 Perkins 1104D-44T Engine - View 1

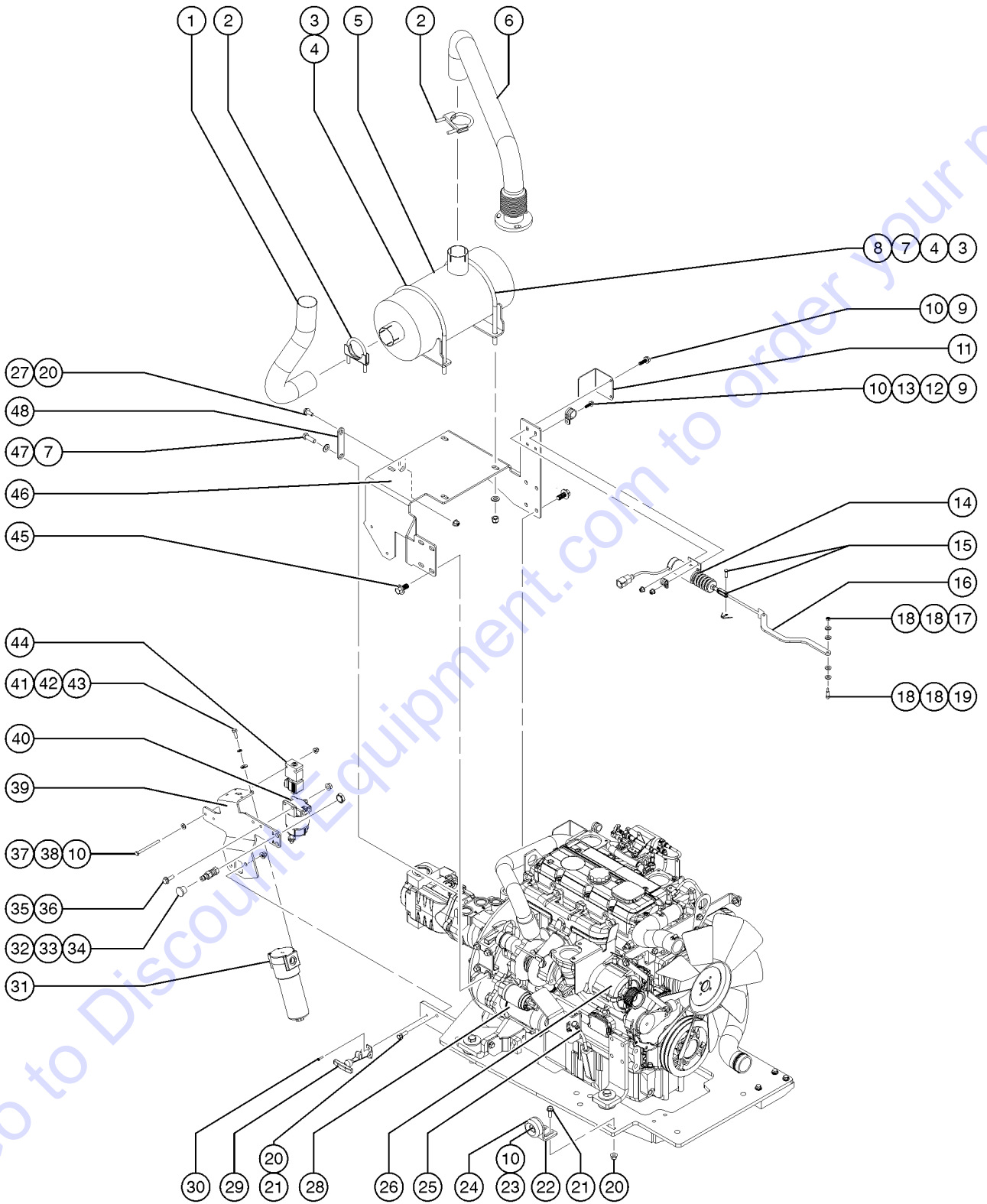




## 407.1 Perkins 1104D-44T Engine - View 1

Item	Part No.	Description	Qty.	Item	Part No.	Description	Qty.
--	227897GT	WATER PUMP KIT <i>Includes gasket part 102644</i>		32	217457GT	FORMING, BATTERY CABLE MOUNT...	1
--	102644GT	GASKET-PUMP WATE,PERK 1104C-44		33	161970GT	BRACKET, POSITIVE BATTERY	
1	75326GT	NUT,FAN BLADE,PERKINS 1004-42					
2	75328GT	FAN,PULLER,PERKINS,1004-42.....1					
3	75327GT	STUD,FAN SPACR,PERKINS 1004-42....4					
4	130187GT	FAN SPACER,PERKINS,1.5".....1					
5	102598GT	BELT,V,(2) PERKINS 1104C-44.....2 <i>Serviced in pairs</i>					
6	75330GT	PULLEY,FAN,PERKINS 1004-42.....1					
7	75304GT	SCREW,PERKINS 1004-42.....4					
8	123351GT	FAN DRIVE HOUSING.....1					
9		Ref. THROTTLE SOLENOID ASSY, TROMB.....1 <i>(Refer to 408.1)</i>					
10	102638GT	ADAPTER-FUEL FILTER, PERK 1104					
11	102639GT	FILTER,FUEL, PERKINS 1104C					
12	231529GT	NUT,TL FLG,M10-1.5,DIN6927,10,ZAB					
13	231533GT	SCREW,HHF,M10-1.5X35,DIN6921,10,9,ZAB					
14	102348GT	SENDING UNIT,OIL PRESS PERKINS...1					
15	123084GT	HEAD / OIL FILTER.....1					
16	102632GT	FILTER,OIL,PERKINS 1104C-44.....1					
17	T114346GT	CAP,VALVE COVER,OIL FILLER,PRK					
18	216286GT	FORMING, HEAT SHIELD, 1104D-44....1					
19	217459GT	FORMING,BATTERY CABLE,STARTER.....1					
20	75342GT	PLUG,ENGINE OIL,PERKIN 1004-42....1					
21	217460GT	CLAMP,BATTERY CABLE.....6					
22	216597GT	SCREW,HHF,M6-1.0X50,DIN6921,10,9,ZAB					
23	230073GT	SPRING CLIP,M6-1.0,0.8-4MM PAN					
24	217458GT	FORMING, BATTERY CABLE GUIDE....1					
25	216564GT	FLYWHEEL, COUPLER 15 TOOTH SAE 10.....1					
26	217232GT	SCREW,SHC,3/8-24 X .75,BO.....8 <i>to SN 2584</i>					
--	1256444GT	SCREW,SHC,3/8-24X.75,A574,ZAG <i>from SN 2585</i>					
27	60322-SGT	PLATE,PUMP MOUNT.....1					
28	231530GT	SCREW,HHF,M10-1.5X25,DIN6921,10,9,ZAB.12					
29		Ref. PUMP, DRIVE, AND FUNCTION, <i>(Refer to 712.1)</i>					
30	54177GT	SCREW,HHC,1/2-13 X 1.5 GRD 8.....2 <i>to SN 2584</i>					
--	1253498GT	SCREW,HHF,1/2-13X1.5,8,ZAG <i>from SN 2585</i>					
31	13066GT	WASHER,FLAT,.5 HARDENED.....2 <i>to SN 2584</i>					

408.1 Perkins 1104D-44T Engine - View 2



## 408.1 Perkins 1104D-44T Engine - View 2

Item	Part No.	Description	Qty.	Item	Part No.	Description	Qty.
1	215496GT	TAIL PIPE,PERKINS 1104.....	1	30	73587GT	SCREW,PHIL,10-24 X .75 to SN 2584	
2	71911GT	CLAMP,MUFFLER, 2.50 INCH		--	1256460GT	SCREW,PHPM,10-24X1,ZAG from SN 2585	
3	70449GT	U-BOLT,1/2-13 X 8.5.....	2	31		FILTER ASY,M PRESS,SAE8,WOIND* (77139).....	1
4	70483GT	FORMING,8.5' MUFFLER MOUNT.....	2	--	60857GT	FILTER,ELEMENT,BETA(5)=1000 for 77139	
5	70444GT	MUFFLER,2.5"INLET/OUTLET		--	58222GT	O-RING,FILTER ASSY (60334)*** for 77139	
6	215500GT	WELDMENT,HEADER PIPE, PERKINS.....	1	--	58223GT	SEAL,FILTER ASSY (60334)*** for 77139	
7	13066GT	WASHER,FLAT,.5 HARDENED to SN 2584		31A	1267807GT	ASSY, MED. PRESS. FILTER, SAE8	
8	66777GT	NUT, TOP LOCK, 1/2-13 to SN 2584		--	1268229GT	ELEMENT-5 MIC, PAPER, W/ BYPASS for 1267807	
--	1251997GT	NUT, TL FLG, 1/2-13, G, ZAG from SN 2585		32	48880GT	CAP, DIAGNOSTIC NIPPLE.....	2
9	231532GT	SCREW, HHF, M6-1.0X20, DIN6921, 10.9, ZAB		33	49207GT	NIPPLE, DIAGNOSTIC, ORFS, FM, SWIV..	2
10	231513GT	NUT, TL FLG, M6-1.0, DIN6927, 10, ZAB		34	77308GT	NUT, BULKHEAD, ORFS-4.....	2
11	215513GT	FORMING, HEAT SHIELD.....	1	35	121429GT	SCREW, HHF, M8 X 25 to SN 2584	
12	18666GT	CLAMP, 1.00, #16 X 1/4, RUB CUSH.....	1	--	824133GT	SCREW, HHF, M8-1.25X25, DIN6921, 10.9, ZAB from SN 2585	
13	6833GT	CLAMP, 0.50, #8 X 1/4, RUB CUSH.....	1	36	121428GT	NUT, FLG, M8-1.25 to SN 2584	
14	101957GT	SOLENOID, THROTTLE, ASSY. TROMB...	1	--	237832GT	NUT, TL FLG, M8-1.25, DIN6927, 10, ZAB from SN 2585	
15	21130GT	CLEVIS YOKE-1/4-28, PLTD W/PIN..... Includes clevis, pin and cotter pin	1	37	29706GT	SCREW, HHC, M6 X 80MM, GRD. 8.8 to SN 2584	
16	216758GT	THROTTLE LINKAGE, PERKINS 1104...1		--	825581GT	SCREW, HHC, M6-1.0X85, DIN931, 10.9, ZAB from SN 2585	
17	5365GT	NUT, NYLOCK, 10-24 to SN 2584		38	25926GT	WASHER, FLAT, M6 PLTD. to SN 2584	
--	1251566GT	NUT, TL, 10-24, A, ZAG from SN 2585		--	825355GT	WASHER, FLAT, M6, DIN125, ZAB from SN 2585	
18	82295GT	WASHER, RIVETING		39	215517GT	FORMING, CHARGE FILTER MOUNT	
19	6584GT	SCREW, SHS, 10-24 X .625.....	1	40	75020GT	SEPRTR/FLTR, FUEL DSL, 15GPH,.30	
--	1257076GT	BOLT, SHS, 1/4-28X4, ZAG from SN 2585		--	62433GT	FILTER, ELEMENT, 30 MIC, 75020	
20	231529GT	NUT, TL FLG, M10-1.5, DIN6927, 10, ZAB		41	6090GT	SCREW, HHC, 1/4-20 X .75 to SN 2584	
21	232874GT	SCREW, HHF, M10-1.5X30, DIN6921, 10.9, ZAB		--	824080GT	SCREW, HHF, 1/4-20X1.25, 8, ZAG from SN 2585	
22	60729GT	FORMING, COVER STOP*** .....	1	42	6356GT	WASHER, LOCK, .25 to SN 2584	
23	25929GT	SCREW, HHC, M8 X 30MM, GRD 8.8 to SN 2584		43	6638GT	WASHER, FLAT, USS, 1/4"Y to SN 2584	
--	231532GT	SCREW, HHF, M6-1.0X20, DIN6921, 10.9, ZAB from SN 2585		44		Ref. VALVE, FUNCTION ENABLE..... (Refer to 705.1)	1
24	50974GT	BUMPER, RUBBER, COVERS.....	1	45	231087GT	SCREW, HHF, M12-1.75X25, DIN6921, 10.9, ZAB	
25	130341GT	DIPSTICK, OIL, PERKINS 1104C-44T					
--	123081GT	ASSY / OIL TUBE Includes tube and nut only					
26	102646GT	ALTERNATOR, PERKINS 1104C-44					
27	231530GT	SCREW, HHF, M10-1.5X25, DIN6921, 10.9, ZAB.1					
28	226627GT	STARTER, ENG, PERK T3 6/8/10K					
29	45363GT	LATCH, FLEXIBLE DRAW W/O KEEPER.....	1				

408.1 Perkins 1104D-44T Engine - View 2  
(continued)

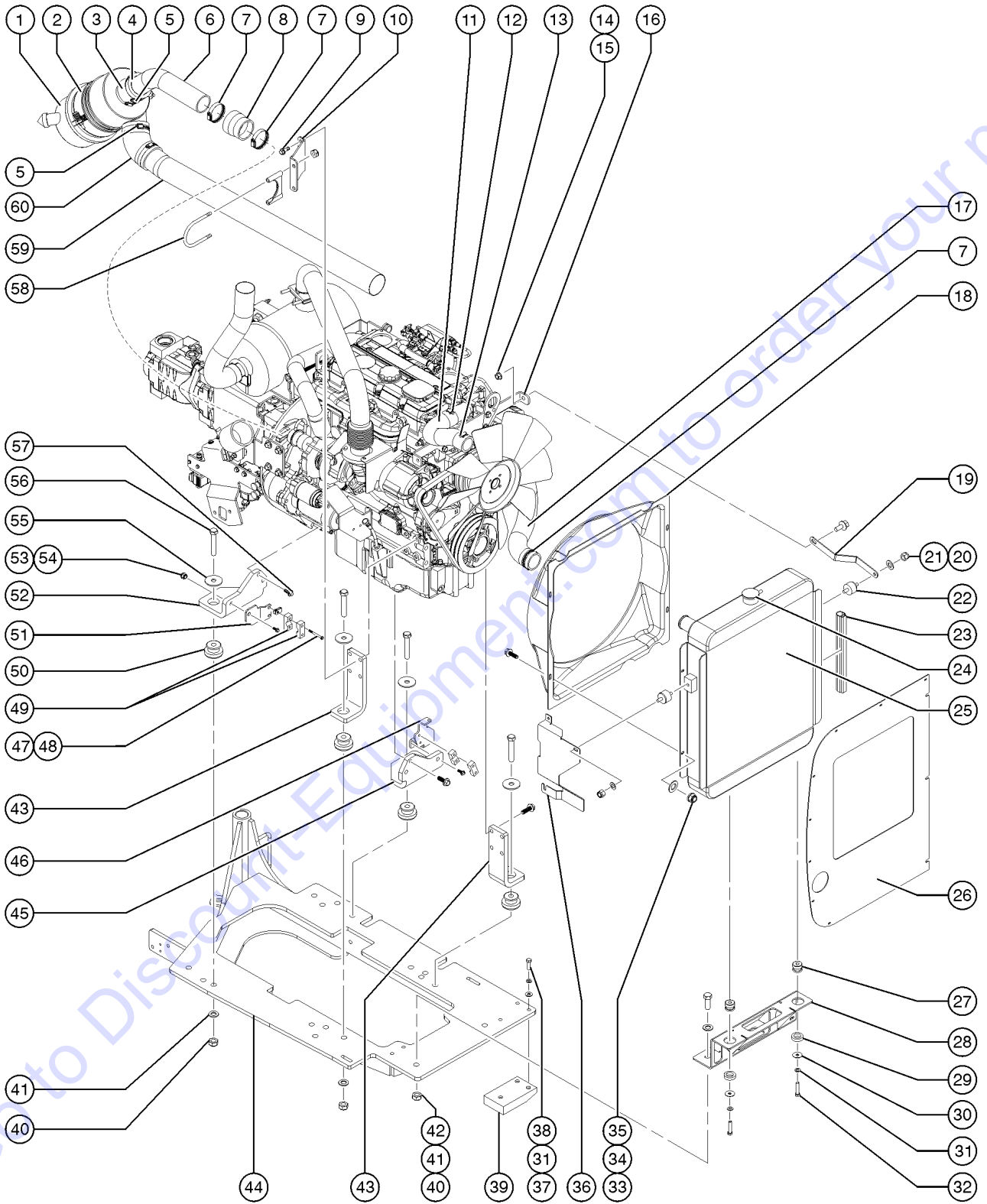
Item	Part No.	Description	Qty.
46	215509GT	WELDMENT, MUFFLER MOUNT.....1	1
47	54177GT	SCREW,HHC,1/2-13 X 1.5 GRD 8 to SN 2584	
--	1253498GT	SCREW,HHF,1/2-13X1.5,8,ZAG from SN 2585	
48	215510GT	PLATE,PUMP STRUT.....1	1

Go to Discount-Equipment.com to order your parts

*This Page Intentionally Left Blank*

Go to [Discount-Equipment.com](http://Discount-Equipment.com) to order your parts

409.1 Perkins 1104D-44T Engine - View 3

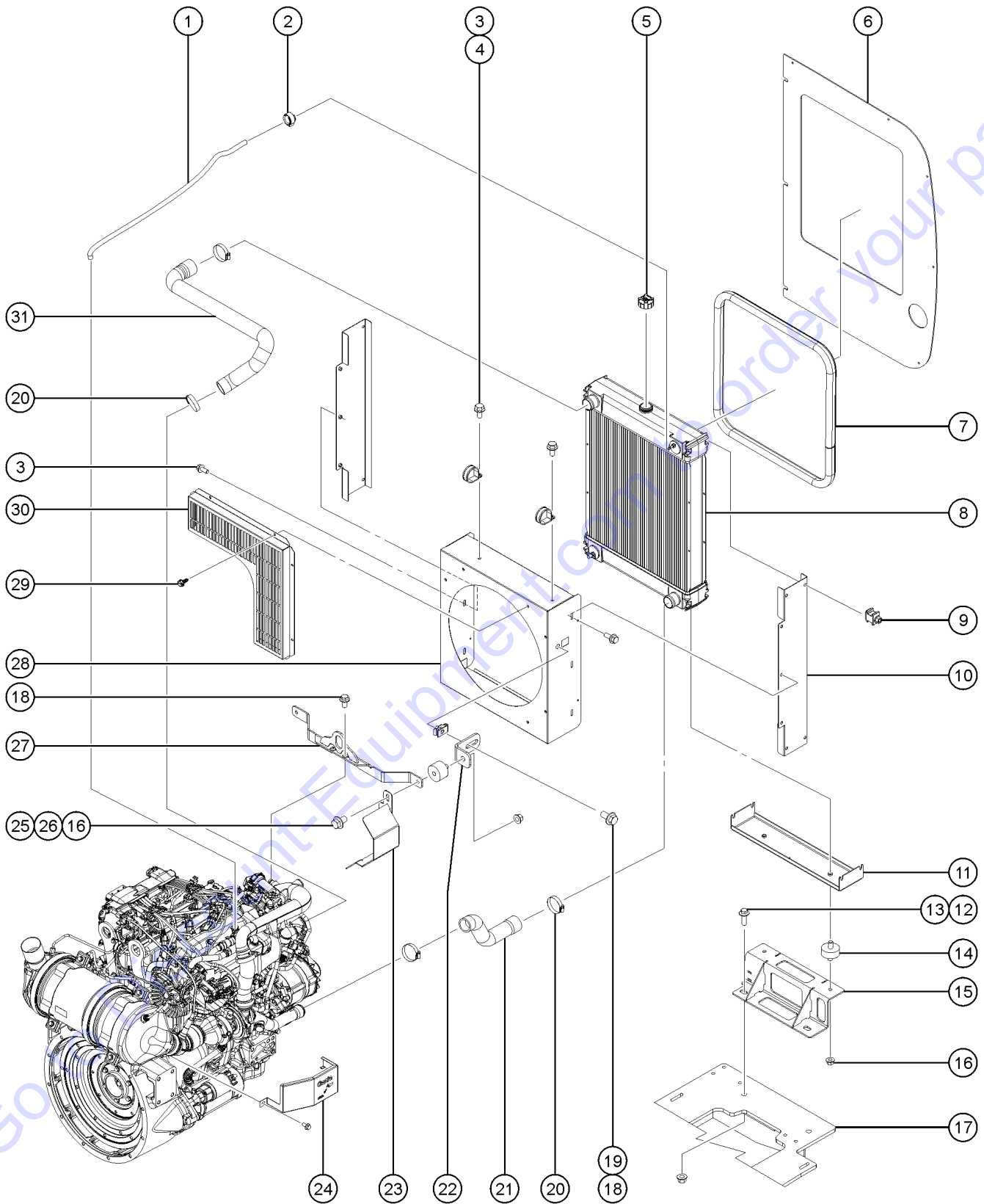


## 409.1 Perkins 1104D-44T Engine - View 3

Item	Part No.	Description	Qty.	Item	Part No.	Description	Qty.
1	81467GT	AIR CLEANER,NELSON.....	1	--	231513GT	NUT,TL FLG,M6-1.0,DIN6927,10,ZAB from SN 2585	
--	62425GT	FILTER,AIR CLEANER,SUPERBOOM		34	25926GT	WASHER,FLAT,M6 PLTD. to SN 2584	
2	81468GT	MOUNTING BAND,AIR CLEANER.....	1	35	231532GT	SCREW,HHF,M6-1.0X20,DIN6921,10,9,ZAB	
3	106211-300GT	HOSE,RUBBER 3"ID X .25 BLACK.....	1	36	822811GT	BELT GUARD 1104 PERKINS.....	1
4	101640GT	REDUCER,RUBBER 3.0 - 2.5.....	1	37	6019GT	SCREW,HHC,3/8-16 X 1.25 GRD 5	
5	30489GT	CLAMP,HOSE,3.50.....	2	38	5397GT	WASHER,FLAT,USS,5/16",Y	
6	215511GT	TUBE,INTAKE, FILTER TO TURBO.....	1	39	60637GT	WEAR PAD,ENGINE SUPPORT	
7	45435GT	CLAMP,HOSE,2.50****.....	4	40	6024GT	NUT,NYLOCK,5/8-11 to SN 2584	
8	215918GT	REDUCER, RUBBER, 2.5 TO 2.25.....	1	--	1253319GT	NUT,TL,FLG,5/8-11,G,ZAG from SN 2585	
9	121431GT	SCREW,HHF,M12X30 GR12.9		41	13064GT	WASHER,FLAT,.625 HARDENED to SN 2584	
10	215514GT	FORMING,INTAKE TUBE MOUNT.....	1	--	1256182GT	WASHER,FLAT,5/8,F436,HRD,ZAG from SN 2585	
11	60576GT	RADIATOR HOSE,UPPER-PERKINS.....	1	42	29883GT	SCREW,HHC,5/8-11 X 1.75 GRD.8	
12	35434GT	CLAMP,HOSE,2.00***.....	1	43	60564GT	BRACKET,ENG.MOUNT,FRT.PERKINS..	2
13	22672GT	CLAMP,HOSE,1.75.....	1	44A	160359GT	WELDMENT, ENGINE TRAY (Refer to 302. 1)	
14	231529GT	NUT,TL FLG,M10-1.5,DIN6927,10,ZAB		44B	35675GT	BEARING,FL,1.25IDX1.5ODX1.25L.....	2 for 160359
15	231530GT	SCREW,HHF,M10-1.5X25,DIN6921,10,9,ZAB		45	101930PGT	MOUNT,PERKINS 1104 LF PAINTED.....	1
16	215515GT	FORMING,RADIATOR SUPPORT.....	1	46	217457GT	FORMING, BATTERY CABLE MOUNT...1	
17	75555GT	RADIATOR HOSE,LOWER-PERKINS.....	1	47	216597GT	SCREW,HHF,M6-1.0X50,DIN6921,10,9,ZAB	
18	60649GT	SHROUD,FAN (FIBERGLASS).....	1	48	230073GT	SPRING CLIP,M6-1.0,0.8-4MM PAN	
19	215516GT	PLATE,RADIATOR,STRUT.....	1	49	217460GT	CLAMP,BATTERY CABLE.....	4
20	4828GT	NUT,NYLOCK,3/8-16 to SN 2584		50	217500GT	ISOLATOR, ENGINE VIBRATION.....	4
--	824029GT	NUT,TL FLG,3/8-16,G,ZAG from SN 2585		51	217458GT	FORMING, BATTERY CABLE GUIDE.....	1
21	6097GT	WASHER,FLAT,USS,3/8",Y to SN 2584		52	101931PGT	MOUNT,PERKINS 1104 RH PAINTED....	1
22	75260GT	ISOLATOR,FLEX-BOLT SANDWICH***.....	2	53	231529GT	NUT,TL FLG,M10-1.5,DIN6927,10,ZAB	
23	60875GT	TRIM MOLDING		54	231533GT	SCREW,HHF,M10-1.5X35,DIN6921,10,9,ZAB	
24	65473GT	CAP,RADIATOR,PERKINS/FORD.....	1	55	33418GT	WASHER,FLAT,.625 X 2.25 X.15.....	4 to SN 2584
25	70518GT	RADIATOR.....	1	--	824123GT	WASHER,FLAT,.625X2.25X.188,ZAG from SN 2585	
26	217988GT	PLATE FRONT BULKHEAD RIGHT		56	13003GT	SCREW,HHC,5/8-11 X 3.5 GRD.8.....	4 to SN 2584
27	75259GT	ISOLATOR,CENTER BONDED.....	2	--	1256583GT	SCREW,HHF,5/8-11X3.5,8,ZAG from SN 2585	
28	75297GT	WELDMENT,RADIATOR MOUNT**.....	1	57	231511GT	SCREW,HHF,M12-1.75X35,DIN6921,10,9,ZAB	
29	75274GT	TUBE,RADIATOR MOUNT.....	2	58	122414GT	U-BOLT,GUILLOTINE,3".....	1
30	44714GT	WASHER,.375X1.25X.100 to SN 2584		59	215512GT	TUBE,INTAKE, FILTER.....	1
--	824122GT	WASHER,FLAT,.375X1.25X.062,ZAG from SN 2585		60	61270GT	ELBOW,45 DEG,INLET.....	1
31	6021GT	WASHER,LOCK,.375 to SN 2584					
32	13918GT	SCREW,HHC,3/8-16 X 1.75,GRD.8 to SN 2584					
--	824093GT	SCREW,HHF,3/8-16X1.75,8,ZAG from SN 2585					
33	49364GT	NUT,NYLOCK,M6X1.00 to SN 2584					



410.1 Perkins 854F-E34T Engine - View 1





# PARTS FINDER

**Search Website  
by Part Number**



**Search Manual  
Library For Parts  
Manual & Lookup Part  
Numbers – Purchase  
or Request Quote**

**Search Manuals**

Enter your information to help us find the right parts manual for your machine.

\* Brand:

\* Model:

\* Serial:

\* Part Number:

SEARCH

**Can't Find Part or  
Manual? Request Help  
by Manufacturer,  
Model & Description**

**Parts Order Form**

Please fill in the following information to help us find the right part for your machine.

Manufacturer:	<input type="text"/>
Model:	<input type="text"/>
Description:	<input type="text"/>
Part Number:	<input type="text"/>
Quantity:	<input type="text"/>
Notes:	<input type="text"/>

Submit

Discount-Equipment.com is your online resource for quality parts & equipment.

Florida: **561-964-4949** Outside Florida TOLL FREE: **877-690-3101**

**Need parts?**

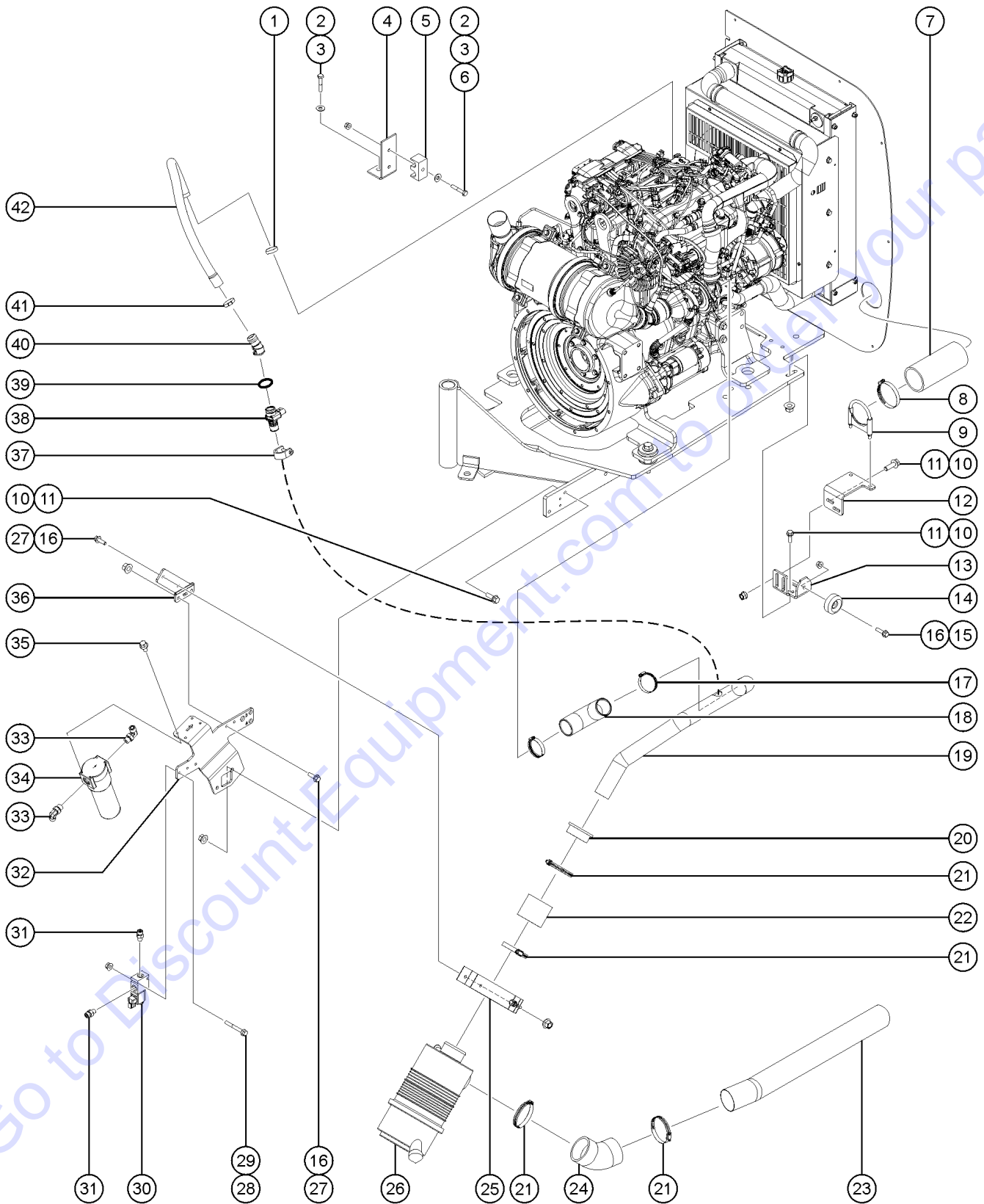
Click on this link: <http://www.discount-equipment.com/category/5443-parts/> and choose one of the options to help get the right parts and equipment you are looking for. Please have the machine model and serial number available in order to help us get you the correct parts. If you don't find the part on the website or on one of the online manuals, please fill out the request form and one of our experienced staff members will get back to you with a quote for the right part that your machine needs.

We sell worldwide for the brands: Genie, Terex, JLG, MultiQuip, Mikasa, Essick, Whiteman, Mayco, Toro Stone, Diamond Products, Generac Magnum, Airman, Haulotte, Barreto, Power Blanket, Nifty Lift, Atlas Copco, Chicago Pneumatic, Allmand, Miller Curber, Skyjack, Lull, Skytrak, Tsurumi, Husquvarna Target, Stow, Wacker, Sakai, Mi-T-M, Sullair, Basic, Dynapac, MBW, Weber, Bartell, Bennar Newman, Haulotte, Ditch Runner, Menegotti, Morrison, Contec, Buddy, Crown, Edco, Wyco, Bomag, Laymor, EZ Trench, Bil-Jax, F.S. Curtis, Gehl Pavers, Heli, Honda, ICS/PowerGrit, IHI, Partner, Imer, Clipper, MMD, Koshin, Rice, CH&E, General Equipment, Amida, Coleman, NAC, Gradall, Square Shooter, Kent, Stanley, Tamco, Toku, Hatz, Kohler, Robin, Wisconsin, Northrock, Oztec, Toker TK, Rol-Air, APT, Wylie, Ingersoll Rand / Doosan, Innovatech, Con X, Ammann, Mecalac, Makinex, Smith Surface Prep, Small Line, Wanco, Yanmar

## 410.1 Perkins 854F-E34T Engine - View 1

Item	Part No.	Description	Qty.
--		<i>Due to Tier 4 regulations, many engine replacement parts require the engine serial number at time of order placement. When ordering engine parts please have both machine and engine serial numbers available. For internal engine parts, contact engine dealer</i>	
--	823604GT	KIT, PERKINS 854TF TIER IV.....	1
--	1252707GT	HARNESS,PERKINS 854F,ZX135.....	1
--	1253308GT	COOLING SYSTEM RCP 854..... (includes items 3-5, 8-11, 21 and 28-31)	1
1	1258503GT	1/4" ID SILICON HOSE GTH3051.....	1
2	1258923GT	CLAMP,HOSE,1 EAR,13.3 MM.....	1
3	1251983GT	SCREW,HHF,M8-1.25X16,DIN6921,10.9,ZAB.2	
4	1254095GT	P CLAMP CUSH.....	2
5	1254081GT	PRESSURE CAP RCP.....	1
6	1254087GT	PLATE FRONT BULKHEAD RIGHT.....	1
7	60875-9600GT	TRIM, RUBBER "D" SEAL, 3/16 96.....	1
8	1254075GT	RADIATOR RCP.....	1
9	1253233GT	ISOLATOR ASSY RCP RADIATOR.....	8
10	1253231GT	FORMING RADIATOR SIDE MOUNT.....	2
11	1254074GT	FORMING BOTTOM MOUNT.....	1
12	1251894GT	SCREW,HHF,M16-2.0X45,DIN6921,10.9,ZAB.2	
13	1251893GT	NUT,TL,FLG,M16-2.0,DIN6927,10,ZAB.2	
14	1255631GT	ISOLATOR, M10-1.50, 5/8" HIGH.....	2
15	1256445GT	WELDMENT, RADIATOR MOUNT.....	1
16	231529GT	NUT,TL FLG,M10-1.5,DIN6927,10,ZAB.....	4
17		Ref. Engine Tray (refer to 413.1)	
18	231088GT	SCREW,HHF,M10-1.5X20,DIN6921,10.9,ZAB.4	
19	230074GT	SPRING CLIP,M10-1.5,1-6X19,ZAB.....	2
20	35434GT	CLAMP,HOSE,2.00***.....	4
21	1254090GT	HOSE, RADIATOR LOWER.....	1
22	1256271GT	FORMING RADIATOR SUPPORT.....	2
23	1260289GT	FORMING,PERKINS ALTERNATOR GUARD.....	1
24	1256391GT	HEAT SHIELD,PERKINS 854TF.....	1
25	237352GT	SCREW,HHF,M10-1.5X16,DIN6921,10.9,ZAB.2	
26	1255451GT	ISOLATOR, VIBRATION DAMPENER.....	2
27	1253411GT	BRACKET,RAD SUPPORT,854TF.....	1
28	1253307GT	FORMING FAN SHROUD RCP 854.....	1
29	1253234GT	SCREW SHEET METAL HHF X1/2 X .18OD.....	4
30	1254080GT	FORMING FAN GUARD.....	1
31	1254092GT	HOSE, RADIATOR UPPER.....	1

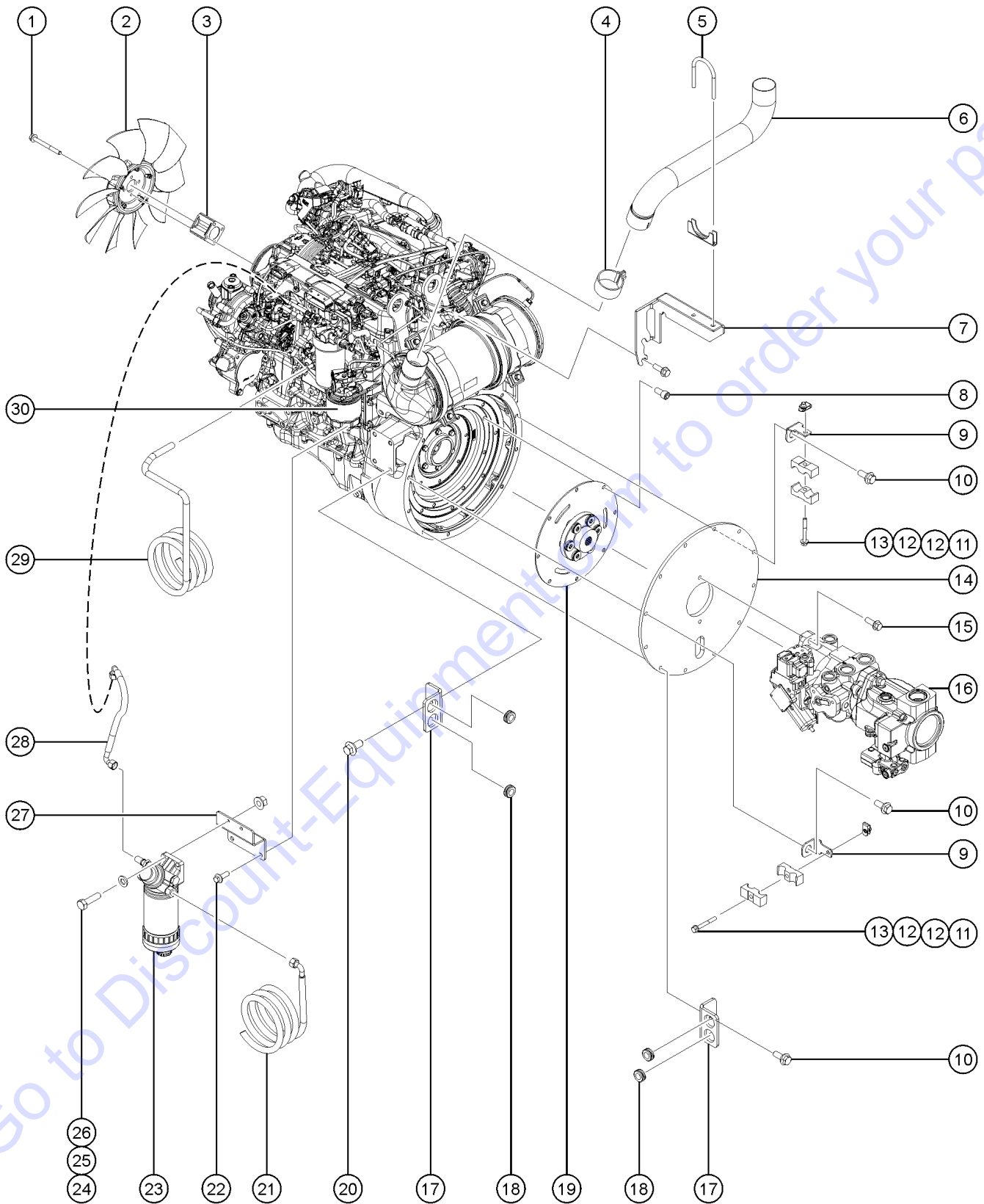
411.1 Perkins 854F-E34T Engine - View 2



## 411.1 Perkins 854F-E34T Engine - View 2

Item	Part No.	Description	Qty.	Item	Part No.	Description	Qty.
--		<i>Due to Tier 4 regulations, many engine replacement parts require the engine serial number at time of order placement. When ordering engine parts please have both machine and engine serial numbers available. For internal engine parts, contact engine dealer</i>		34		FILTER ASY,M PRESS,SAE8,WOIND* (77139).....	1
						<i>component no longer available</i>	
				--	58222GT	O-RING,FILTER ASSY (60334)*** to SN 2831	
				--	58223GT	SEAL,FILTER ASSY (60334)*** to SN 2831	
1	1258525GT	CLAMP 28.6 GTH3087.....	1	--	60857GT	FILTER,ELEMENT,BETA(5)=1000 to SN 2831	
2	824062GT	SCREW,HHC,1/4-20X1.5,8,ZAG.....	2	--	1267807GT	ASSY, MED. PRESS. FILTER, SAE8	
3	824113GT	WASHER,FLAT,USS,1/4,ZAG.....	2	--	1268229GT	ELEMENT-5 MIC, PAPER, W/ BYPASS for 1267807	
4	70535GT	BRACKET,BATTERY CABLE.....	1	35	824077GT	SCREW, HHF, 1/4-20 X .5, 8, ZAG.....	4
5	70289GT	CLAMP,LINK,LH WELD WIRE.....	1	36	1251708GT	FORMINNG AIR CLEANER.....	1
6	824027GT	NUT,TL FLG,1/4-20,G,ZAG.....	1	37	219188GT	CLAMP,T-BOLT,27-29MM.....	1
7	106211-800GT	HOSE,RUBBER 3"ID X .25 X 8" BLACK.....	1	38	1258541GT	PERKINS_BREATHER_HEATER.....	1
8	30971GT	CLAMP,HOSE,3.00".....	1	39	1258542GT	3.5X22 METRIC O-RING BUNA-70 G....	1
9	122414GT	U-BOLT,GUILLOTINE,3".....	1	40	1258540GT	CONNECTOR, BREATHER HEATER.....	1
10	232874GT	SCREW,HHF,M10-1.5X30,DIN6921,10,9,ZAB.6		41	1258538GT	CLAMP OETIKER 31.6MM GTH3088.....	1
11	231529GT	NUT,TL FLG,M10-1.5,DIN6927,10,ZAB.....	6	42	1258504GT	3/4 ID HOSE 25FT R.....	1
12	1257728GT	FORMING,INTAKE SUPPORT.....	1				
13	1254669GT	FORMING, COVER STOP.....	1				
14	50974GT	BUMPER,RUBBER,COVERS.....	1				
15	1255537GT	SCREW,HHF,M8-1.25X30,DIN6921,10,9,ZAB.1					
16	237832GT	NUT,TL FLG,M8-1.25,DIN6927,10,ZAB.....	5				
17	T114379GT	CLAMP,HOSE,2 3/4,PERKINS 127HP....	2				
18	1258465GT	2" 90 DEGREE ELBOW GTH3016.....	1				
19	1251724GT	PIPE,AIR CLEANER-TO-TURBO,854T...1					
20	218806GT	ADAPTER,PIPE,2"-3".....	1				
21	30489GT	CLAMP,HOSE,3.50.....	4				
22	106211-300GT	HOSE,RUBBER 3"ID X .25 BLACK.....	1				
23	215512GT	TUBE,INTAKE, FILTER.....	1				
24	61270GT	ELBOW,45 DEG,INLET.....	1				
25	81468GT	MOUNTING BAND,AIR CLEANER.....	1				
26	81467GT	AIR CLEANER,NELSON.....	1				
--	62425GT	FILTER,AIR CLEANER,SUPERBOOM					
--	70515GT	KIT,PRECLEANER DEUTZ***					
27	824133GT	SCREW,HHF,M8-1.25X25,DIN6921,10,9,ZAB.4					
28	216597GT	SCREW,HHF,M6-1.0X50,DIN6921,10,9,ZAB.2					
29	231513GT	NUT,TL FLG,M6-1.0,DIN6927,10,ZAB....	2				
30	218144GT	VALVE, FUNCTION ENABLE.....	1				
31	48905GT	CONN,520120-4***.....	2				
32	215517GT	FORMING, CHARGE FILTER MOUNT...1					
33	48932GT	FITTING,ELBOW,90D,520220-8***.....	2				

412.1 Perkins 854F-E34T Engine - View 3

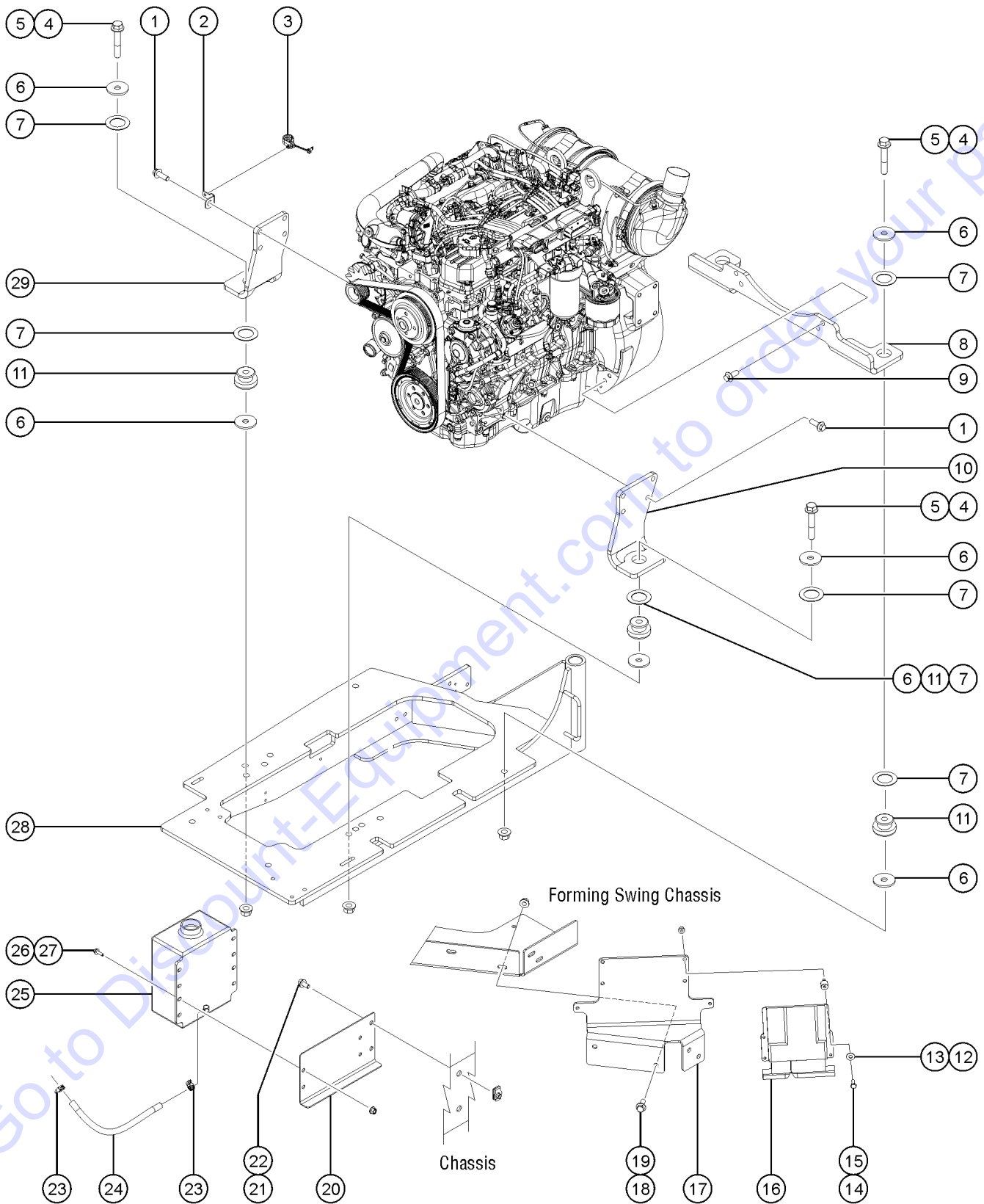


## 412.1 Perkins 854F-E34T Engine - View 3

Item	Part No.	Description	Qty.
--		<i>Due to Tier 4 regulations, many engine replacement parts require the engine serial number at time of order placement. When ordering engine parts please have both machine and engine serial numbers available. For internal engine parts, contact engine dealer</i>	
1	1257419GT	SCREW,HHF,M8-1.25X80,DIN6921,10.9,ZAB.4	
2	1252047GT	FAN,10 BLADE,17",PERKINS.....1	
3	1258817GT	SPACER,RAD. FAN,2.5",854F.....1	
4	219130GT	CLAMP,EXHAUST,854E-E34TA.....1	
5	71911GT	CLAMP,MUFFLER, 2.50 INCH.....1	
6	823958GT	EXHAUST PIPE 854 PERKINS.....1	
7	1253806GT	WELDMENT, EXHAUST SUPPORT.....1	
8	1256444GT	SCREW,SHC,3/8-24X.75,A574,ZAG.....8	
9	1256480GT	FORMING, WIRE LOOM SUPPORT.....2	
10	231530GT	SCREW,HHF,M10-1.5X25,DIN6921,10.9,ZAB.12	
11	216597GT	SCREW,HHF,M6-1.0X50,DIN6921,10.9,ZAB.2	
12	217460GT	CLAMP,BATTERY CABLE.....4	
13	230073GT	SPRING CLIP,M6-1.0,0.8-4MM PAN.....2	
14	60322-SGT	PLATE,PUMP MOUNT.....1	
15	1253498GT	SCREW,HHF,1/2-13X1.5,8,ZAG.....2	
16		Ref. Pump Assembly (refer to 712.1)	
17	217505GT	BRACKET, CABLE MOUNT.....2	
18	60584GT	GROMMET,RUBBER .75 X .19 X 1**.....4	
19	216564GT	FLYWHEEL, COUPLER 15 TOOTH SAE 10.....1	
20	231087GT	SCREW,HHF,M12-1.75X25,DIN6921,10.9,ZAB.2	
21	1258459GT	SUPPLY FUEL LINE ASSEMBLY GTH3072.....1	
22	1255806GT	SCREW,HHF,M12-1.75X20,DIN6921,10.9,ZAB.2	
23	218811GT	PRE-FILTER,FUEL,854E-E34TA.....1	
24	1255538GT	SCREW,HHC,M8-1.25X30,DIN933,10.9,ZAB.2	
25	824144GT	WASHER,FLAT,M8,DIN125,ZAB.....2	
26	237832GT	NUT,TL FLG,M8-1.25,DIN6927,10,ZAB.....2	
27	219030GT	ASSEMBLY,FUEL FILTER BRACKET.....1	
28	1258464GT	FUEL LINE ASSY. FILTER XFER PU.....1	
29	1258458GT	RETURN FUEL LINE ASSEMBLY GTH3073.....1	
30	218835GT	FILTER,OIL,854E-E34TA.....1	



413.1 Perkins 854F-E34T Engine - View 4

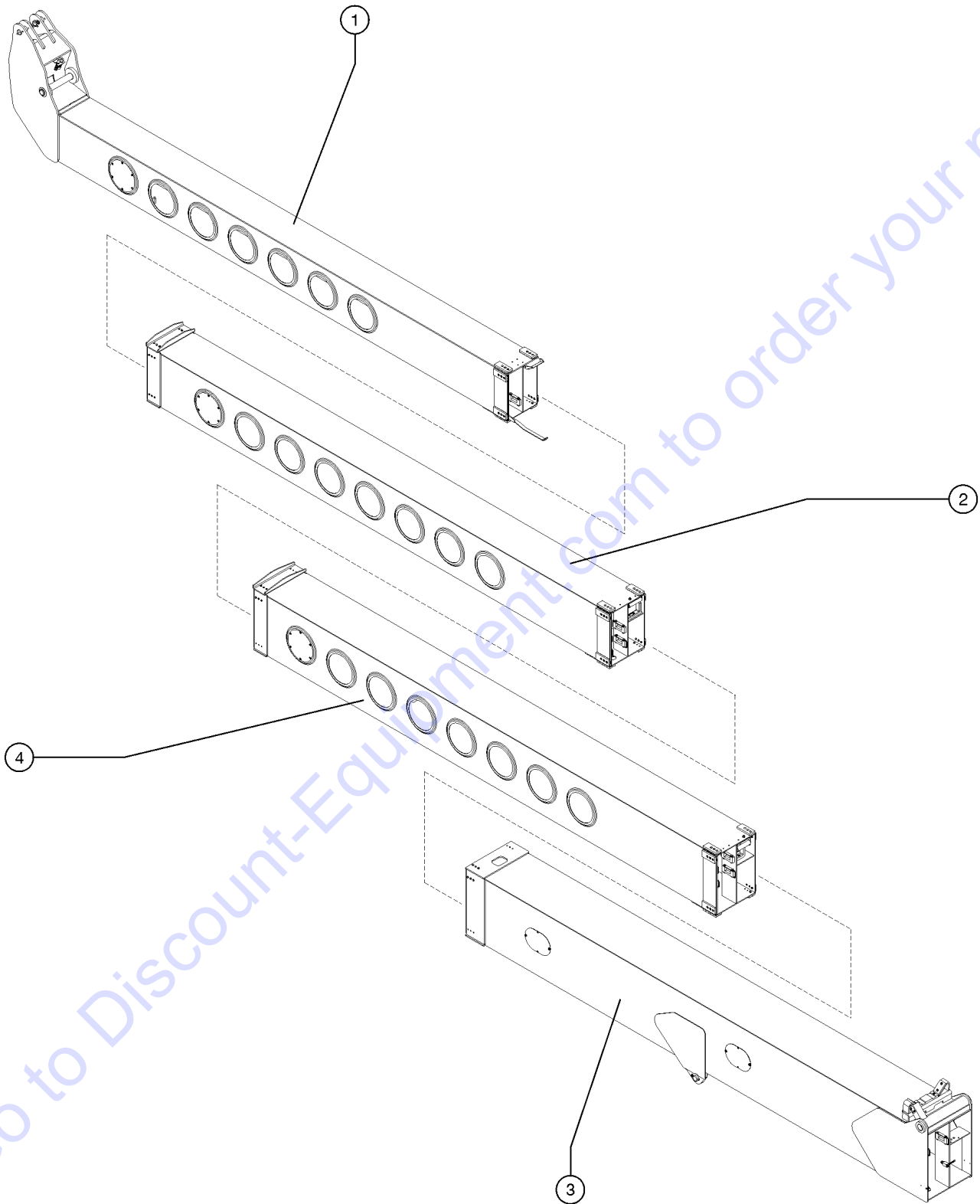


## 413.1 Perkins 854F-E34T Engine - View 4

Item	Part No.	Description	Qty.
--		<i>Due to Tier 4 regulations, many engine replacement parts require the engine serial number at time of order placement. When ordering engine parts please have both machine and engine serial numbers available. For internal engine parts, contact engine dealer</i>	
--	218834GT	BELT,DRIVE,854E-E34TA	
1	231511GT	SCREW,HHF,M12-1.75X35,DIN6921,10.9,ZAB.8	
2	1256480GT	FORMING, WIRE LOOM SUPPORT.....1	
3	121601GT	CLAMP,FIXED DIA.,NYLON,1/2".....1	
4	1256583GT	SCREW,HHF,5/8-11X3.5,8,ZAG.....4	
5	1253319GT	NUT,TL,FLG,5/8-11,G,ZAG.....4	
6	824123GT	WASHER,FLAT,625X2.25X.188,ZAG....8	
7	1251565GT	WASHER,SHIM,1.56X2.5X.061,ZAG....8	
8	1253199GT	FORMING ENGINE MOUNT.....1	
9	824134GT	SCREW,HHF,M12-1.75X30,DIN6921,10.9,ZAB.4	
10	824236GT	ENGINE MOUNT PERKINS 854.....1	
11	102045GT	ISOLATOR,ENGINE VIBRATION.....4	
12	824113GT	WASHER,FLAT,USS,1/4,ZAG.....4	
13	1259490GT	ISOLATOR, VIBRATION DAMPENER....4	
14	824059GT	SCREW,HHC,1/4-20X.75,8,ZAG.....4	
15	824027GT	NUT,TL FLG,1/4-20,G,ZAG.....4	
16	218812GT	ECM,854E-E34TA.....1	
17	1262182GT	FORMING, ECM MOUNTNG.....1	
18	231530GT	SCREW,HHF,M10-1.5X25,DIN6921,10.9,ZAB.4	
19	231529GT	NUT,TL FLG,M10-1.5,DIN6927,10,ZAB.....4	
20	107515GT	FORMING, WATER BOTTLE MOUNT.....1	
21	824089GT	SCREW,HHF,3/8-16X.75,8,ZAG.....2	
22	29868GT	SPRING CLIP,3/8-16,.05-.20X.73,ZAG....2	
23	21465GT	CLAMP,HOSE,.25" - .63" X .3125.....2	
24	27089GT	HOSE,5/16 FUEL,SAE 30R7...105 inches	
25	60721GT	COOLANT,RECOVERY BOTTLE, 4 QT*.....1	
26	231532GT	SCREW,HHF,M6-1.0X20,DIN6921,10.9,ZAB.4	
27	231513GT	NUT,TL FLG,M6-1.0,DIN6927,10,ZAB....4	
28A	160359GT	WELDMENT, ENGINE TRAY.....1	
28B	35675GT	BEARING,FL,1.25IDX1.5ODX1.25L.....2 for 160359	
29	824234GT	ENGINE MOUNT PERKINS 854.....1	



501.1 Secondary Boom Tube Reference

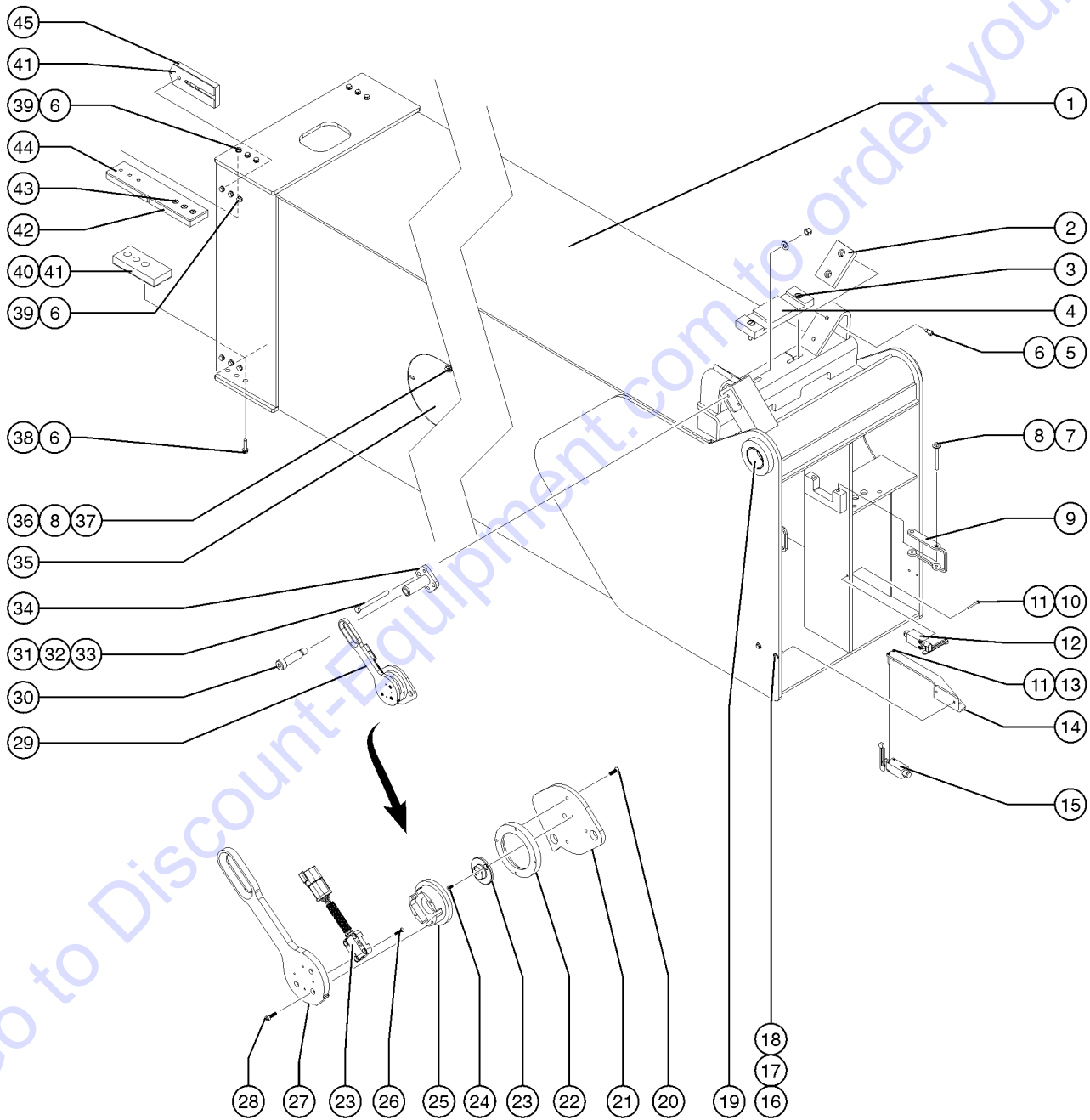


## 501.1 Secondary Boom Tube Reference

Item	Part No.	Description	Qty.
1		Ref., Secondary Boom Tube #4 <i>Refer to 505.1</i>	
2		Ref., Secondary Boom Tube #3 <i>Refer to 504.1</i>	
3		Ref., Secondary Boom Tube #1 <i>Refer to 502.1</i>	
4		Ref., Secondary Boom Tube #2 <i>Refer to 503.1</i>	

Go to Discount-Equipment.com to order your parts

502.1 Secondary Boom Tube 1



Go to Discount-Equipment.com to order your parts

## 502.1 Secondary Boom Tube 1

Item	Part No.	Description	Qty.	Item	Part No.	Description	Qty.
1	119848GT	ASSEMBLY,RISER BOOM #1***.....1 <i>Includes item 19</i>	1	--	60429GT	LOCK,PLUG 4 WAY,14-18GA	
2	34124GT	WEAR PAD,5 X 3 X .625 W/NUTS.....2	2	--	73714GT	TERM,NI SOC,S&F,16-18GA,REEL	
3	35714GT	SCREW,FHS,3/8-16 X 2.25 <i>to SN 2584</i>		16	8915GT	SCREW,HHC,1/4-20 X 1.25 <i>to SN 2584</i>	
--	1256842GT	SCREW,FHS,3/8-16X2.25,F835,ZAG <i>from SN 2585</i>		--	824080GT	SCREW,HHF,1/4-20X1.25,8,ZAG <i>from SN 2585</i>	
4	106810GT	REST PAD,RISER #1.....1	1	17	6097GT	WASHER,FLAT,USS,3/8",Y <i>to SN 2584</i>	
5	6175GT	SCREW,HHC,3/8-16 X 1 <i>to SN 2584</i>		18	6091GT	NUT,NYLOCK,1/4-20 <i>to SN 2584</i>	
--	824067GT	SCREW,HHC,3/8-16X1,8,ZAG <i>from SN 2585</i>		--	824027GT	NUT,TL FLG,1/4-20,G,ZAG <i>from SN 2585</i>	
6	6021GT	WASHER,LOCK,.,375 <i>to SN 2584</i>		19	27697GT	BEARING,2.50IDX2.75ODX1.50L.....2	
--	824110GT	WASHER,LOCK,3/8,ZAG <i>from SN 2585</i>		20	217217GT	SCREW,FHSCS,M4-0.7X14 CL10.9	
7	6605GT	SCREW,HHC,3/8-16 X 3.5,GR5 <i>to SN 2584</i>		21	226493GT	MACHINED, SECONDARY SEN. BASE	
--	824070GT	SCREW,HHC,3/8-16X3.25,8,ZAG <i>from SN 2585</i>		22	226491GT	MACHINED, ANGLE SENSOR RACE	
8	6097GT	WASHER,FLAT,USS,3/8",Y <i>to SN 2584</i>		23	216061GT	SENSOR, ANGLE, 180 DEG, CW <i>Sensor and magnet are matched and must be replaced at the same time. Machine calibration is required after installation.</i>	
9	106281PGT	BRACKET,RISER CYL MOUNT PAINTD.....2	2	24	237242GT	SCREW,FHS,M3-0.5X8,DIN7991,10.9,ZAB	
10	49775GT	SCREW,PHILLIPS,PHM,10-32X 1.75 <i>to SN 2584</i>		25	226492GT	MACHINED, ANGLE SENSOR HOLDER	
--	1256177GT	SCREW,PHPM,10-32X1.75,ZAG <i>from SN 2585</i>		26	237241GT	SCREW,FHS,M3-0.5X14,DIN7991,10.9,ZAB	
11	6178GT	NUT,NYLOCK,10-32 <i>to SN 2584</i>		27	233116GT	MACHINED, SENSOR ARM	
--	824032GT	NUT,TL FLG,10-32,F,ZAG <i>from SN 2585</i>		28	217219GT	SCREW,SHC,M4-0.7X14 DIN912,12.9,ZAB	
12	110909GT	SWITCH ASSY,LIMIT LSS1RO.....1	1	29	217224GT	ASSY,ANGLE SEN.,Z135 SECONDARY <i>(Complete) Includes items 20 to 28; Calibration required after replacement</i>	
--	1107714463GT	SWITCH,LIMIT W/ROLLER NO/NO		30	217236GT	SCREW,SHS,3/4X2.25X5/8-11,ZAG	
--	43960GT	WIRE CABLE,16/4 CON.TPE JKT.....76 <i>inches</i>	76	31	5387GT	SCREW,HHC,3/8-16 X 4 <i>to SN 2584</i>	
--	119067GT	CONN,RECEP 4 WAY ENDCAP DT		--	1256122GT	SCREW,HHC,3/8-16X4,8,ZAG <i>from SN 2585</i>	
--	60443GT	LOCK,RECEP 4 WAY,14-18GA		32	5397GT	WASHER,FLAT,USS,5/16",Y <i>to SN 2584</i>	
--	73713GT	TERM,NI PIN,S&F,16-18GA,REEL		33	4828GT	NUT,NYLOCK,3/8-16 <i>to SN 2584</i>	
13	51063GT	SCREW,PHILLIPS,RHM,10-32 X 1.5 <i>to SN 2584</i>		--	824029GT	NUT,TL FLG,3/8-16,G,ZAG <i>from SN 2585</i>	
--	824216GT	SCREW,PHPM,10-32X1.5,ZAG <i>from SN 2585</i>		34	233117GT	WLDT, SENSOR ROTATOR #1	
14	119247PGT	BRACKET, RISER EXT L/S, PTD.....1	1	35	60177GT	COVER,BOOM SIDE*** .....4	4
15	110910GT	SWITCH ASSY,LIMIT LSS1RS.....1	1	36	7713GT	NUT, LP NYLOCK, 3/8-16 <i>to SN 2584</i>	
--	1107714463GT	SWITCH,LIMIT W/ROLLER NO/NC		--	824038GT	NUT, TL JAM, 3/8-16, A, ZAG <i>from SN 2585</i>	
--	43960GT	WIRE CABLE,16/4 CON.TPE JKT.....88 <i>inches</i>	88	37	101718GT	BOLT,CARRIAGE,3/8-16 X .75,G2 <i>to SN 2584</i>	
--	119762GT	CONN PLUG 4 WAY EXTEND DT		--	1256835GT	BOLT,CARRIAGE,3/8-16X.75,5,ZAG <i>from SN 2585</i>	

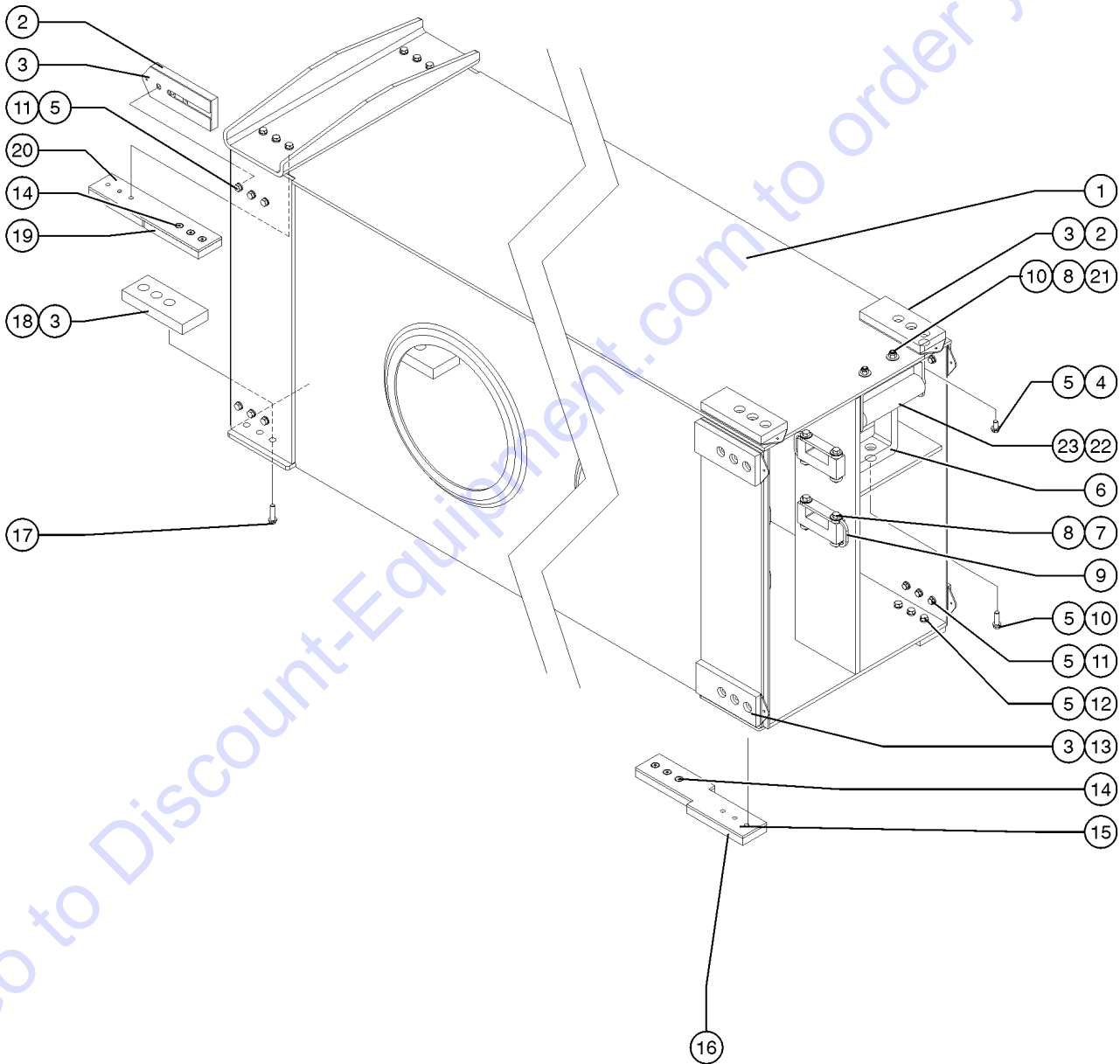
502.1 Secondary Boom Tube 1  
(continued)

Item	Part No.	Description	Qty.
38	8516GT	SCREW, HCC, 3/8-16 X 1.50 to SN 2584	
--	1256118GT	SCREW, HHC, 3/8-16X1.5, 8, ZAG from SN 2585	
39	6019GT	SCREW, HHC, 3/8-16 X 1.25 GRD 5 to SN 2584	
--	824068GT	SCREW, HHC, 3/8-16X1.25, 8, ZAG from SN 2585	
40	88022GT	WEAR PAD, 7 X 3 X 1 W/NUTS.....	2
41	60304GT	SHIM, WEAR PAD, 7 X 3, 12GA as-needed	
42	106796GT	WEAR PAD, 7 X 3 X 0.5 W/INSERT.....	8
43	107661GT	SCREW, FHS, 3/8-16 X .625, ZINC to SN 2584	
--	1256841GT	SCREW, FHS, 3/8-16X.625, F835, ZAG from SN 2585	
44	107503GT	PLATE, WEARPAD MOUNT.....	2
45	50245GT	WEAR PAD, 7 X 3 X .75 W/NUTS.....	4

***This Page Intentionally Left Blank***

Go to [Discount-Equipment.com](http://Discount-Equipment.com) to order your parts

503.1 Secondary Boom Tube 2



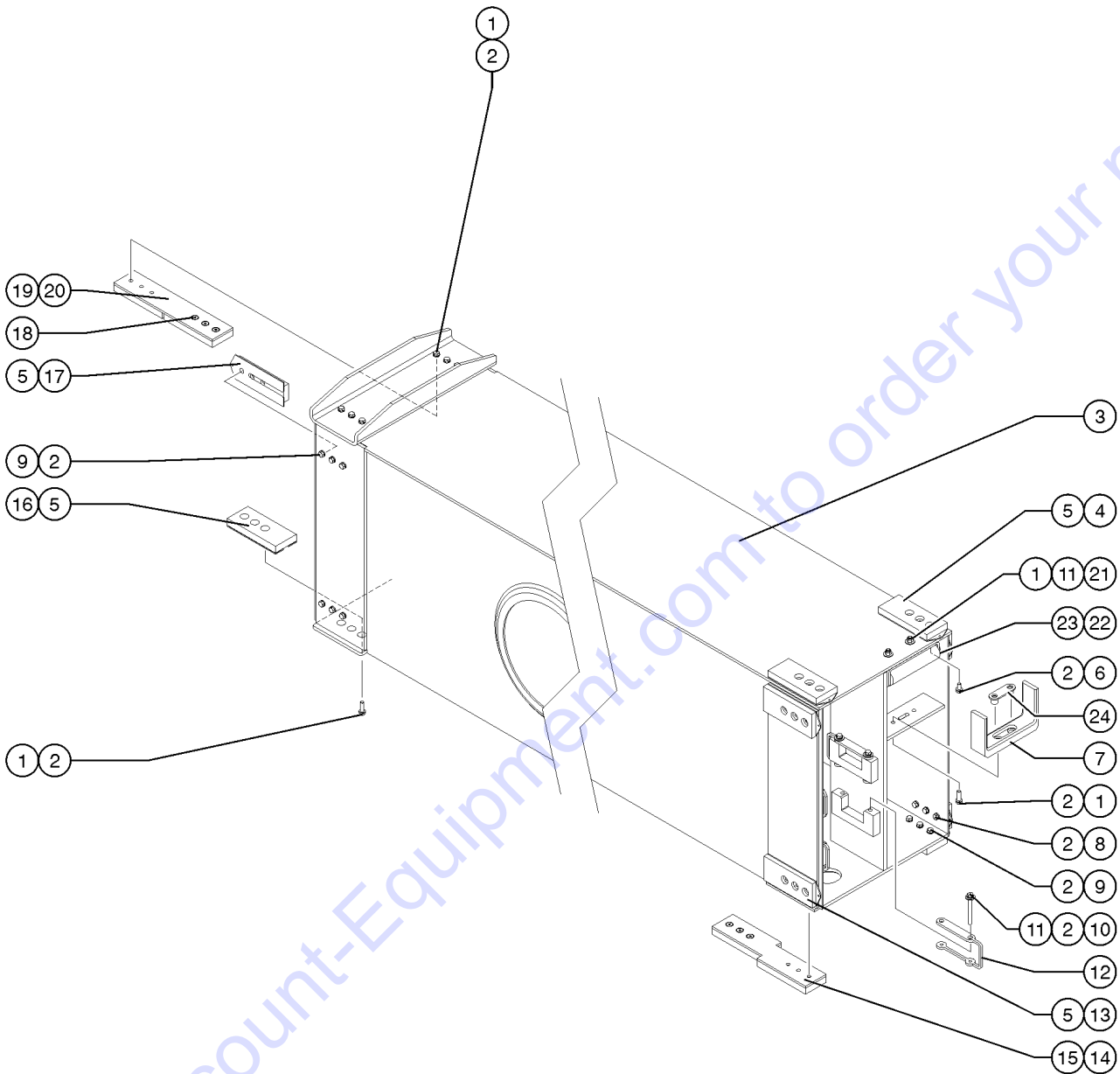
Go to Discount-Equipment.com to order your parts

## 503.1 Secondary Boom Tube 2

Item	Part No.	Description	Qty.	Item	Part No.	Description	Qty.
1	107850GT	WELDMENT,RISER BOOM #2***		19	106796GT	WEAR PAD,7 X 3 X 0.5 W/INSERT.....4	4
2	50245GT	WEAR PAD,7 X 3 X.75 W/NUTS.....8	8	20	107503GT	PLATE,WEARPAD MOUNT.....2	2
3	60304GT	SHIM,WEAR PAD,7 X 3,12GA <i>as-needed</i>		21	4828GT	NUT,NYLOCK,3/8-16	
4	8255GT	SCREW,HHC,3/8-16 X .75 <i>to SN 2584</i>		--	824029GT	NUT,TL FLG,3/8-16,G,ZAG	
--	1256109GT	SCREW,HHC,3/8-16X.75,8,ZAG <i>from SN 2585</i>		22	107823GT	ROLLER, NYLON.....1	1
5A	6021GT	WASHER,LOCK,.,375 <i>to SN 2584</i>		23	107833PGT	FORMING, ROLLER #2, PAINTED.....1	1
5B	824110GT	WASHER,LOCK,3/8,ZAG <i>from SN 2585 to SN 2898</i>					
6	101920GT	GUIDE,ALUMINUM EXTRUSION.....1	1				
--	106729GT	WELDMENT, GUIDE BRKT <i>Not shown, order separately (refer to 504.1)</i>					
7	6605GT	SCREW,HHC,3/8-16 X 3.5,GR5 <i>to SN 2584</i>					
--	824070GT	SCREW,HHC,3/8-16X3.25,8,ZAG <i>from SN 2585</i>					
8	6097GT	WASHER,FLAT,USS,3/8",Y <i>to SN 2584</i>					
9	106281PGT	BRACKET,RISER CYL MOUNT PAINTD.....4	4				
10A	6019GT	SCREW,HHC,3/8-16 X 1.25 GRD 5 <i>to SN 2584</i>					
10B	824068GT	SCREW,HHC,3/8-16X1.25,8,ZAG <i>from SN 2585 to SN 2898</i>					
10C	1255393GT	SCREW,BHC,3/8-16X1,F835,ZAG <i>from SN 2899</i>					
11	49857GT	SCREW,HHC,3/8-16 X .88,GRD 8 <i>to SN 2584</i>					
--	826791GT	SCREW,HHC,3/8-16X.875,8,ZAG <i>from SN 2585</i>					
12	6175GT	SCREW,HHC,3/8-16 X 1 <i>to SN 2584</i>					
--	824067GT	SCREW,HHC,3/8-16X1,8,ZAG <i>from SN 2585</i>					
13	88648GT	WEAR PAD,7X3X.625 W/NUTS.....4	4				
14	107661GT	SCREW,FHS,3/8-16 X .625,ZINC <i>to SN 2584</i>					
--	107661GT	SCREW,FHS,3/8-16 X .625,ZINC <i>from SN 2585</i>					
15	107501GT	PLATE,WEARPAD MOUNT,LH.....2	2				
16	106797GT	WEAR PAD,7X3X.75 W/INSERT.....4	4				
17	8516GT	SCREW, HCC, 3/8-16 X 1.50 <i>to SN 2584</i>					
--	1256118GT	SCREW,HHC,3/8-16X1.5,8,ZAG <i>from SN 2585</i>					
18	88022GT	WEAR PAD,7 X 3 X 1 W/NUTS.....2	2				



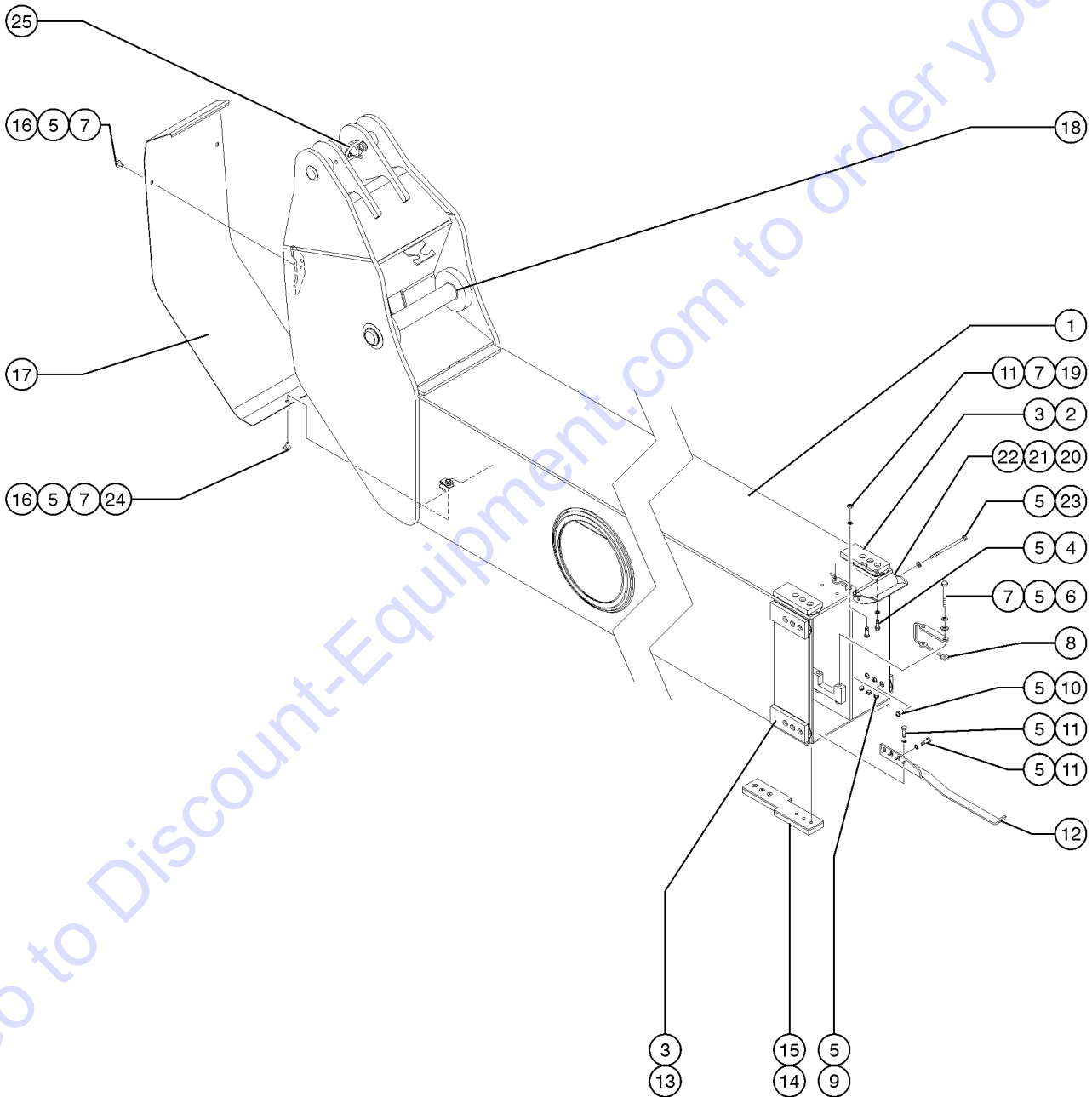
504.1 Secondary Boom Tube 3



504.1 Secondary Boom Tube 3

Item	Part No.	Description	Qty.	Item	Part No.	Description	Qty.
1A	6019GT	SCREW,HHC,3/8-16 X 1.25 GRD 5 to SN 2584		21B	824029GT	NUT,TL FLG,3/8-16,G,ZAG from SN 2585	
1B	824068GT	SCREW,HHC,3/8-16X1.25,8,ZAG from SN 2585 to SN 2898		22	107823GT	ROLLER, NYLON.....	1
1C	1255393GT	SCREW,BHC,3/8-16X1,F835,ZAG.....	2	23	110756PGT	FORMING, ROLLER #3, PAINTED.....	1
		from SN 2899		24	106729GT	WELDMENT, GUIDE BRKT	
2A	6021GT	WASHER,LOCK,.375 to SN 2584					
2B	824110GT	WASHER,LOCK,3/8,ZAG from SN 2585 to SN 2898					
3	107851GT	WELDMENT,RISE BOOM #3***					
4	50245GT	WEAR PAD,7 X 3 X .75 W/NUTS.....	2				
5A	60304GT	SHIM,WEAR PAD,7 X 3,12GA as-needed					
5B	60840GT	SHIM,WEAR PAD,7 X 3,16GA as-needed					
6A	8255GT	SCREW,HHC,3/8-16 X .75 to SN 2584					
6B	1256109GT	SCREW,HHC,3/8-16X.75,8,ZAG from SN 2585					
7	101921GT	GUIDE,ALUMINUM EXTRUSION.....	1				
8A	49857GT	SCREW,HHC,3/8-16 X .88,GRD 8 to SN 2584					
8B	826791GT	SCREW,HHC,3/8-16X.875,8,ZAG from SN 2585					
9A	6175GT	SCREW,HHC,3/8-16 X 1 to SN 2584					
9B	824067GT	SCREW,HHC,3/8-16X1,8,ZAG from SN 2585					
10A	6605GT	SCREW,HHC,3/8-16 X 3.5,GR5 to SN 2584					
10B	824070GT	SCREW,HHC,3/8-16X3.25,8,ZAG from SN 2585					
11	6097GT	WASHER,FLAT,USS,3/8",Y to SN 2584					
12	106281PGT	BRACKET,RISER CYL MOUNT PAINTD.....	4				
13	88648GT	WEAR PAD,7X3X.625 W/NUTS.....	4				
14	107501GT	PLATE,WEARPAD MOUNT,LH.....	2				
15	106797GT	WEAR PAD,7X3X.75 W/INSERT.....	4				
16	88022GT	WEAR PAD,7 X 3 X 1 W/NUTS.....	2				
17	106539GT	WEAR PAD,7 X 2 X .75 W/NUTS.....	4				
18A	107661GT	SCREW,FHS,3/8-16 X .625,ZINC to SN 2584					
18B	1256841GT	SCREW,FHS,3/8-16X.625,F835,ZAG from SN 2585					
19	107503GT	PLATE,WEARPAD MOUNT.....	2				
20	106796GT	WEAR PAD,7 X 3 X 0.5 W/INSERT.....	4				
21A	4828GT	NUT,NYLOCK,3/8-16 to SN 2584					

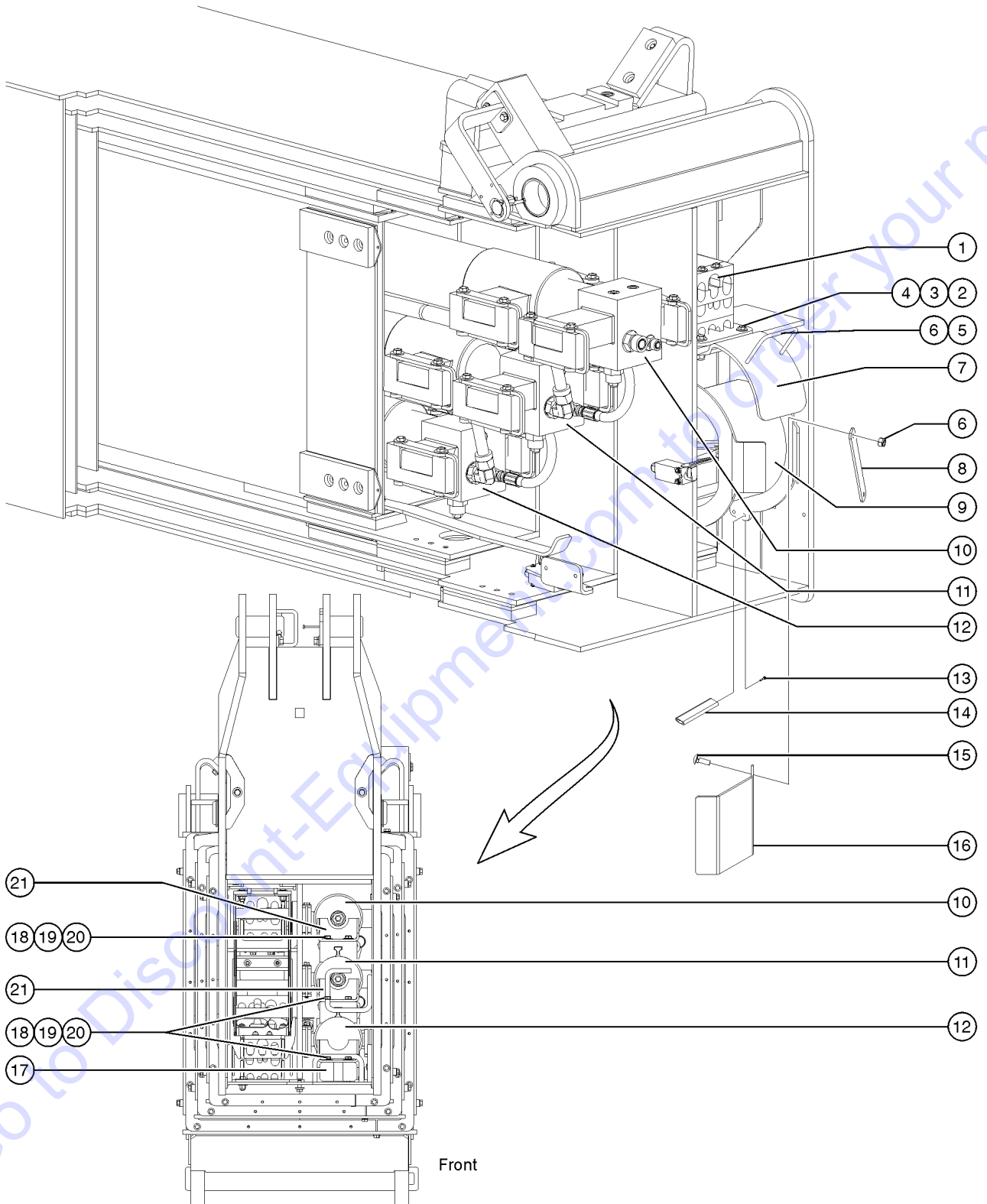
505.1 Secondary Boom Tube 4



## 505.1 Secondary Boom Tube 4

Item	Part No.	Description	Qty.	Item	Part No.	Description	Qty.
1	119849GT	ASSEMBLY,RISER BOOM #4*** <i>Includes item 18</i>	1	21	107823GT	ROLLER, NYLON	1
2	50245GT	WEAR PAD,7 X 3 X.75 W/NUTS	2	22	107832GT	SPACER, ROLLER	1
3	60304GT	SHIM,WEAR PAD,7 X 3,12GA <i>as-needed</i>		23	107835GT	SCREW,HHC,3/8-16X7.5 <i>to SN 2584</i>	
4	8516GT	SCREW, HCC, 3/8-16 X 1.50 <i>to SN 2584</i>		--	1256849GT	SCREW,HHC,3/8-16X7.5,8,ZAG <i>from SN 2585</i>	
--	1256118GT	SCREW,HHC,3/8-16X1.5,8,ZAG <i>from SN 2585</i>		24	29868GT	SPRING CLIP,3/8-16,.05-.20X.73,ZAG	
5	6021GT	WASHER,LOCK,.375 <i>to SN 2584</i>		25	106571GT	WELDMENT,CABLE STAY	1
--	824110GT	WASHER,LOCK,3/8,ZAG <i>from SN 2585</i>					
6	6605GT	SCREW,HHC,3/8-16 X 3.5,GR5 <i>to SN 2584</i>					
--	824070GT	SCREW,HHC,3/8-16X3.25,8,ZAG <i>from SN 2585</i>					
7	6097GT	WASHER,FLAT,USS,3/8",Y <i>to SN 2584</i>					
8	106281PGT	BRACKET,RISER CYL MOUNT PAINTD	2				
9	6175GT	SCREW,HHC,3/8-16 X 1 <i>to SN 2584</i>					
--	824067GT	SCREW,HHC,3/8-16X1,8,ZAG <i>from SN 2585</i>					
10	28487GT	SCREW,BHHS,3/8-16 X 1 <i>to SN 2584</i>					
--	1255393GT	SCREW,BHC,3/8-16X1,F835,ZAG <i>from SN 2585</i>					
11	6019GT	SCREW,HHC,3/8-16 X 1.25 GRD 5 <i>to SN 2584</i>					
--	824068GT	SCREW,HHC,3/8-16X1.25,8,ZAG <i>from SN 2585</i>					
12	119248PGT	FORMING,RISER EXT L/S RAMP,PTD <i>(Refer to 502.1)</i>	1				
13	88648GT	WEAR PAD,7X3X.625 W/NUTS	4				
14	106797GT	WEAR PAD,7X3X.75 W/INSERT	4				
15	107501GT	PLATE,WEARPAD MOUNT,LH	2				
16	6175GT	SCREW,HHC,3/8-16 X 1 <i>to SN 2584</i>					
--	824067GT	SCREW,HHC,3/8-16X1,8,ZAG <i>from SN 2585</i>					
17	61952PGT	COVER,SECONDARY RISER	1				
18	27698GT	BEARING,2.50IDX2.75ODX2.00L	2				
19	4828GT	NUT,NYLOCK,3/8-16 <i>to SN 2584</i>					
--	824029GT	NUT,TL FLG,3/8-16,G,ZAG <i>from SN 2585</i>					
20	107818GT	WELDMENT, ROLLER #4	1				

506.1 Secondary Boom Extension Cylinders

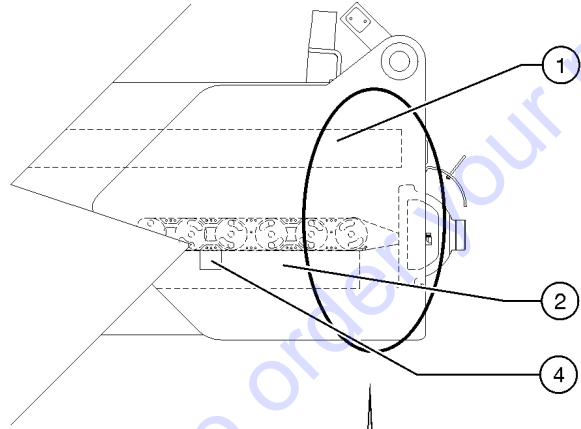
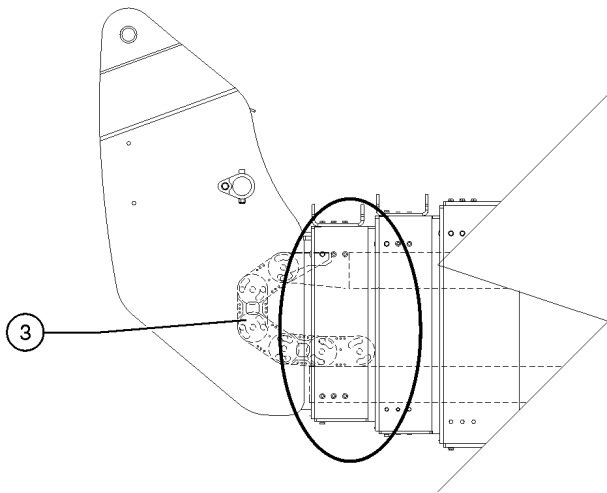


Front

## 506.1 Secondary Boom Extension Cylinders

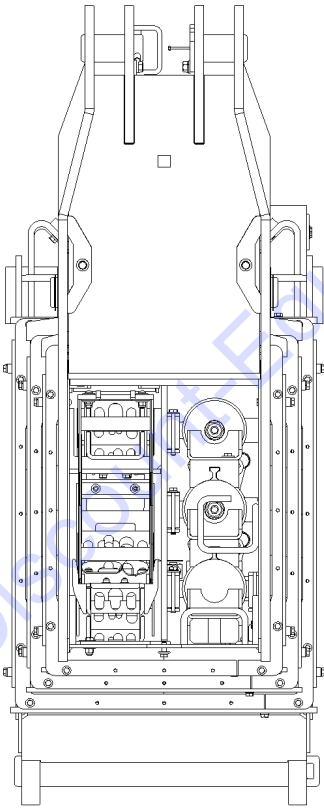
Item	Part No.	Description	Qty.	Item	Part No.	Description	Qty.
A	236284GT	ASSY,HOSE GUARD,RISER PULLTUBE <i>Hose guard kit includes items 8 and 14 with fasteners</i>		13	1272968GT	SCREW,PH,TORX,10-24X.818,THREA...2 <i>for 1272934</i>	2
1		Ref. Secondary Pull Tube Assembly <i>(Refer to 509.1)</i>		14	1272955GT	ALUMINUM GUIDE.....2 <i>for 1272934</i>	2
2A	8516GT	SCREW, HCC, 3/8-16 X 1.50 <i>to SN 2584</i>		15A	6878GT	BOLT,CARRIAGE,1/4-20 X .75,G2 <i>to SN 2584</i>	
2B	1256118GT	SCREW,HHC,3/8-16X1.5,8,ZAG <i>from SN 2585</i>		15B	824124GT	BOLT,CARRIAGE,1/4-20X.75,5,ZAG.....1 <i>from SN 2585</i>	1
3	6097GT	WASHER,FLAT,USS,3/8",Y <i>to SN 2584</i>		16	236282GT	FORMING,HOSE GUARD.....1	1
4A	4828GT	NUT,NYLOCK,3/8-16 <i>to SN 2584</i>		17	101919GT	WEAR PAD,RISER EXTENSION CYL.	
4B	824029GT	NUT,TL FLG,3/8-16,G,ZAG <i>from SN 2585</i>		18	7713GT	NUT, LP NYLOCK, 3/8-16	
5A	106843GT	U-BOLT,1/4-20,SQUARE 3.5X3.5 <i>to SN 2584</i>		19	5397GT	WASHER,FLAT,USS,5/16",Y <i>to SN 2584</i>	
5B	1256862GT	U-BOLT,1/4-20,3.5X3.5,ZAG <i>from SN 2585</i>		20A	5224GT	SCREW,HHC,3/8-16 X 2 <i>to SN 2584</i>	
6A	6091GT	NUT,NYLOCK,1/4-20 <i>to SN 2584</i>		20B	1256108GT	SCREW,HHC,3/8-16X2,8,ZAG.....2 <i>from SN 2585</i>	2
6B	824027GT	NUT,TL FLG,1/4-20,G,ZAG.....1 <i>from SN 2585</i>	1	21	101918GT	WEAR PAD,RISER EXTENSION CYL.	
7	106772GT	PLATE,HOSE GUIDE.....1	1				
8	236283GT	PLATE,HOSE GUARD CLAMP					
9		Ref. WELDMENT,TRAY CABLETRACK***.....1 <i>refer to 507.1</i>	1				
10	101507GT	CYLINDER,SECONDARY EXTEND #1					
--	101510GT	SEAL KIT					
--	106847GT	VALVE,CB.CAGK-LHN@2500 PSI***					
--	106848GT	VALVE,CB.CBGA-LHN@2500 PSI***					
--	107716GT	SEAL KIT,CB VALVE*** <i>For 106847 and 106848</i>					
--	43018GT	SEAL KIT (39345) <i>For 74872</i>					
--	74872GT	VALVE,COUNTERBALANCE 3000 PSI*.....1	1				
11	101508GT	CYLINDER,SECONDARY EXTEND #2					
--	101510GT	SEAL KIT					
--	106847GT	VALVE,CB.CAGK-LHN@2500 PSI***					
--	106848GT	VALVE,CB.CBGA-LHN@2500 PSI***					
--	107716GT	SEAL KIT,CB VALVE*** .....1 <i>For 106847 and 106848</i>	1				
12	101509GT	CYLINDER,SECONDARY EXTEND #3					
--	101510GT	SEAL KIT					
--	106848GT	VALVE,CB.CBGA-LHN@2500 PSI***					
--	107716GT	SEAL KIT,CB VALVE*** .....8 <i>For 106848</i>	8				

507.1 Secondary Boom Cable Track and Pull Tube

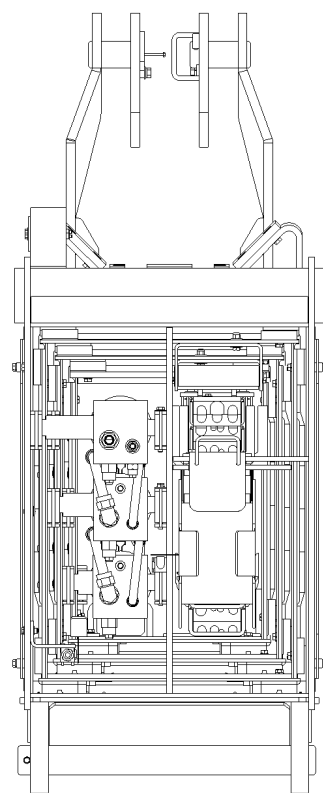


Refer to 508.1

Refer to 509.1



Front



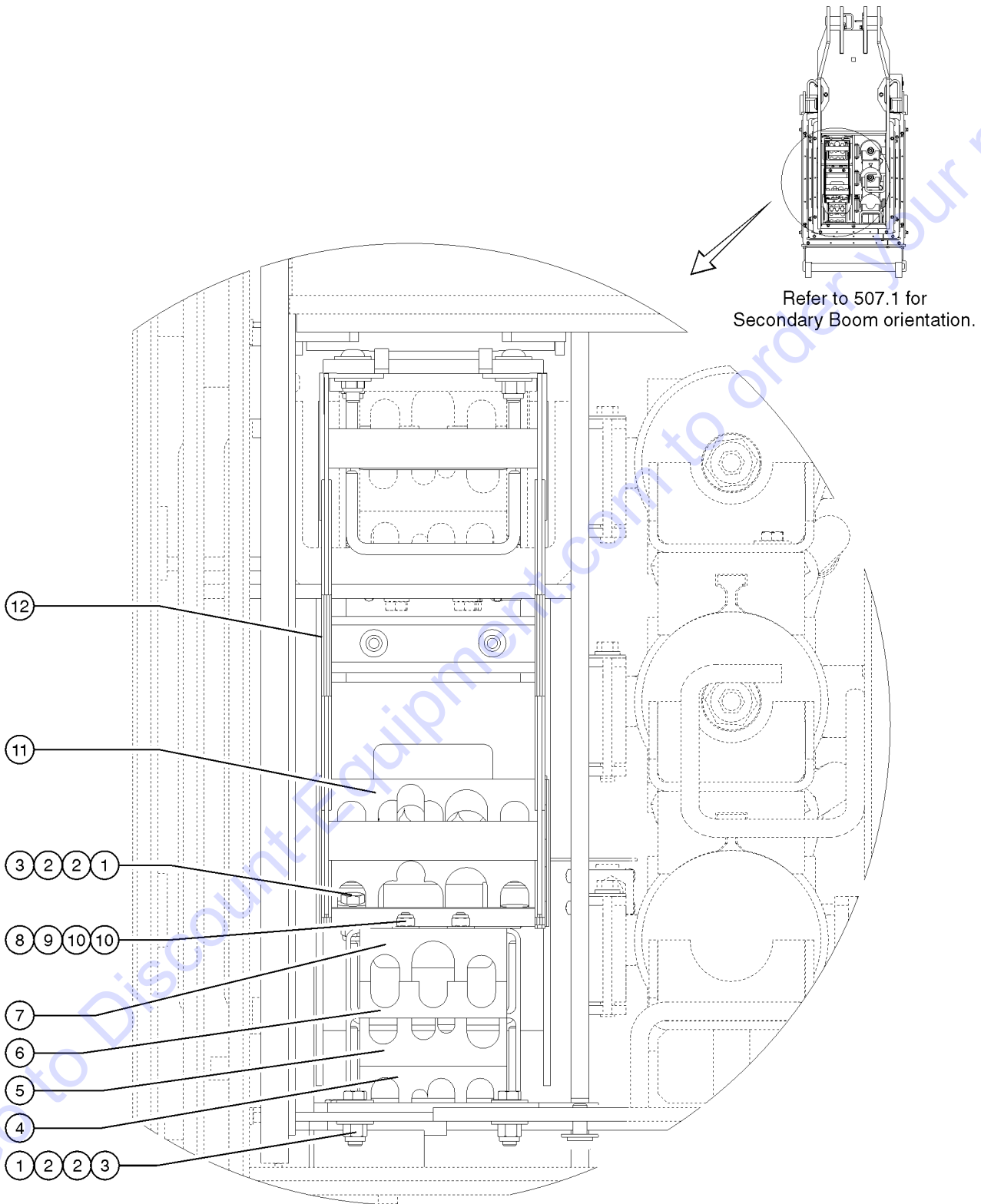
Rear

## 507.1 Secondary Boom Cable Track and Pull Tube

Item	Part No.	Description	Qty.
1	217431GT	WELDMENT,TRAY CABLETRACK***	
--	1255393GT	SCREW,BHC,3/8-16X1,F835,ZAG.....4	4
--	825358GT	WASHER,FLAT,5/16,USS,ZAG.....8	8
--	824038GT	NUT, TL JAM, 3/8-16, A, ZAG.....4	4
2A	107847GT	WELDMENT,TRAY CABLETRACK***.....1 <i>to SN 2898</i>	1
2B	1272934GT	WELDMENT, PULL TUBE.....1 <i>from SN 2899</i>	1
3	236168GT	CABLE TRACK,STEEL 57 LINKS***.....1	1
--	107717GT	ASSY,FOUR LINK CABLE TRACK***	
--	107719GT	KIT,PIN & RING***	
--	107802GT	KIT,SERVICE PART RISER CARRIER	
--	146019GT	CROSS BAR,ALUM,WITH PEM NUTS	
--	146020GT	CROSS BAR,ALUM,WITH HOLES	
--	237229GT	MOVING END, BRACKET KIT	
--	237230GT	FIXED END, BRACKET KIT	
4	119106GT	GUIDE,RISER LINK.....2	2
--	6146GT	WASHER,FLAT,MS,#10,Y <i>to SN 2584</i>	
--	6178GT	NUT,NYLOCK,10-32 <i>to SN 2584</i>	
--	75041GT	SCREW,PHILLIPS,PHM,10-32 X 1 <i>to SN 2584</i>	
--	824032GT	NUT,TL FLG,10-32,F,ZAG <i>from SN 2585</i>	
--	826516GT	SCREW, PHPM, 10-32 X 1.0, ZAG <i>from SN 2585</i>	



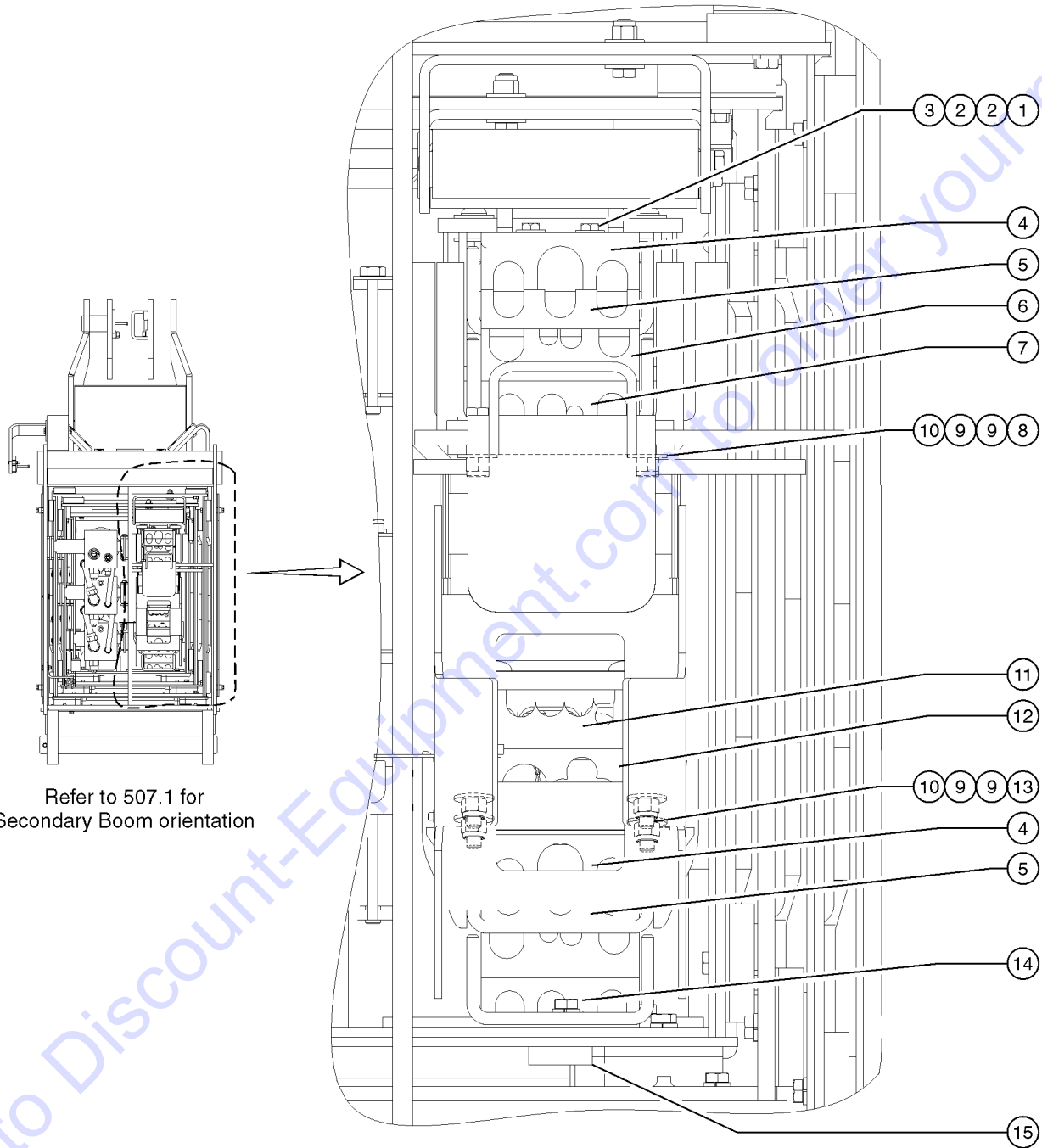
508.1 Secondary Boom Cable and Hose Clamps, Front View



## 508.1 Secondary Boom Cable and Hose Clamps, Front View

Item	Part No.	Description	Qty.
1	4828GT	NUT,NYLOCK,3/8-16 <i>to SN 2584</i>	
--	824029GT	NUT,TL FLG,3/8-16,G,ZAG <i>from SN 2585</i>	
2	6097GT	WASHER,FLAT,USS,3/8",Y <i>to SN 2584</i>	
--	824091GT	SCREW,HHF,3/8-16X1.25,8,ZAG <i>from SN 2585</i>	
3	6019GT	SCREW,HHC,3/8-16 X 1.25 GRD 5 <i>to SN 2584</i>	
4	101106GT	CLAMP ASSY.OPTIONS BLOCK W/NUT.....1	1
5	101788GT	CABLE STAY.....2	2
6	101787GT	CABLE STAY, TOP.....2	2
7	101786GT	CABLE STAY, TOP.....2	2
8	77036GT	SCREW,HHC,1/4-20 X 5.50,G5,CLZ <i>to SN 2584</i>	
--	1256854GT	SCREW,HHF,1/4-20X5.5,8,ZAG <i>from SN 2585</i>	
9	6091GT	NUT,NYLOCK,1/4-20 <i>to SN 2584</i>	
--	824027GT	NUT,TL FLG,1/4-20,G,ZAG <i>from SN 2585</i>	
10	6638GT	WASHER,FLAT,USS,1/4"Y <i>to SN 2584</i>	
--	824113GT	WASHER,FLAT,USS,1/4,ZAG	
11	106853GT	CLAMP,RISER CABLE,OUTSIDE.....1	1
12		Ref. Cable Track <i>(Refer to 507.1)</i>	

509.1 Secondary Boom Cable and Hose Clamps, Rear View

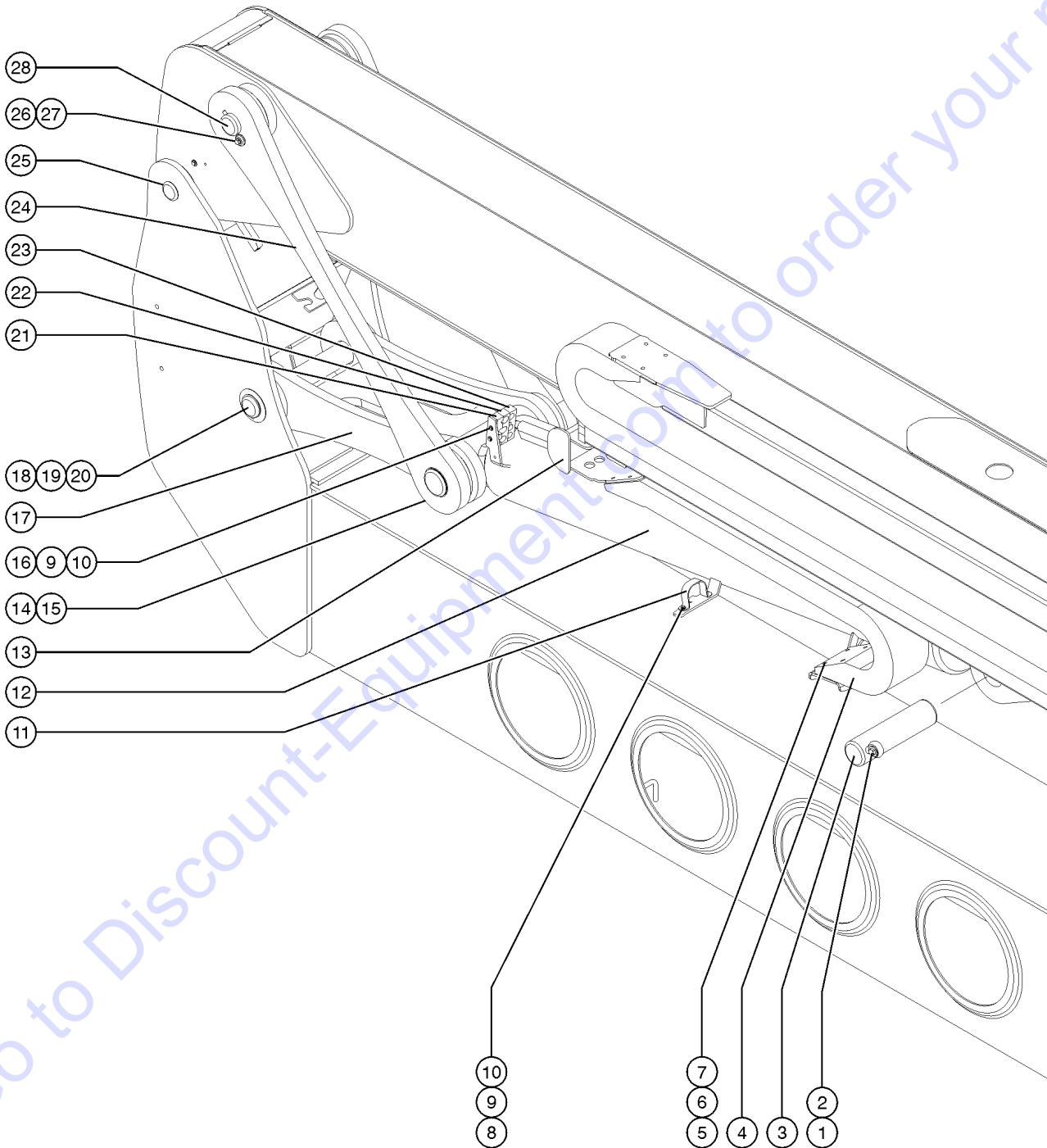


Note: Some components have been removed for clarity

## 509.1 Secondary Boom Cable and Hose Clamps, Rear View

Item	Part No.	Description	Qty.
1	77036GT	SCREW,HHC,1/4-20 X 5.50,G5,CLZ to SN 2584	
--	1256854GT	SCREW,HHF,1/4-20X5.5,8,ZAG from SN 2585	
2	6638GT	WASHER,FLAT,USS,1/4"Y to SN 2584	
--	824113GT	WASHER,FLAT,USS,1/4,ZAG from SN 2585	
3	6091GT	NUT,NYLOCK,1/4-20 to SN 2584	
--	824027GT	NUT,TL FLG,1/4-20,G,ZAG from SN 2585	
4	101786GT	CABLE STAY, TOP.....	1
5	101787GT	CABLE STAY, TOP.....	1
6	101788GT	CABLE STAY.....	1
7	101106GT	CLAMP ASSY.OPTIONS BLOCK W/NUT.....	1
8	8516GT	SCREW, HCC, 3/8-16 X 1.50 to SN 2584	
--	824092GT	SCREW,HHF,3/8-16X1.5,8,ZAG from SN 2585	
9	6097GT	WASHER,FLAT,USS,3/8",Y to SN 2584	
10	4828GT	NUT,NYLOCK,3/8-16 to SN 2584	
--	824029GT	NUT,TL FLG,3/8-16,G,ZAG from SN 2585	
11	106862GT	CLAMP,RISER CABLE TRACK,INSIDE.....	1
12	106853GT	CLAMP,RISER CABLE,OUTSIDE.....	1
13	6175GT	SCREW,HHC,3/8-16 X 1 to SN 2584	
--	824090GT	SCREW,HHF,3/8-16X1,8,ZAG from SN 2585	
14	12011GT	SCREW,BHHS,1/4-20 X .5,Y/ZINC to SN 2584	
--	1256462GT	BOLT,CARRIAGE,1/4-20X.5,5,ZAG from SN 2585	
15	56093GT	WEAR PAD ROUND.....	1

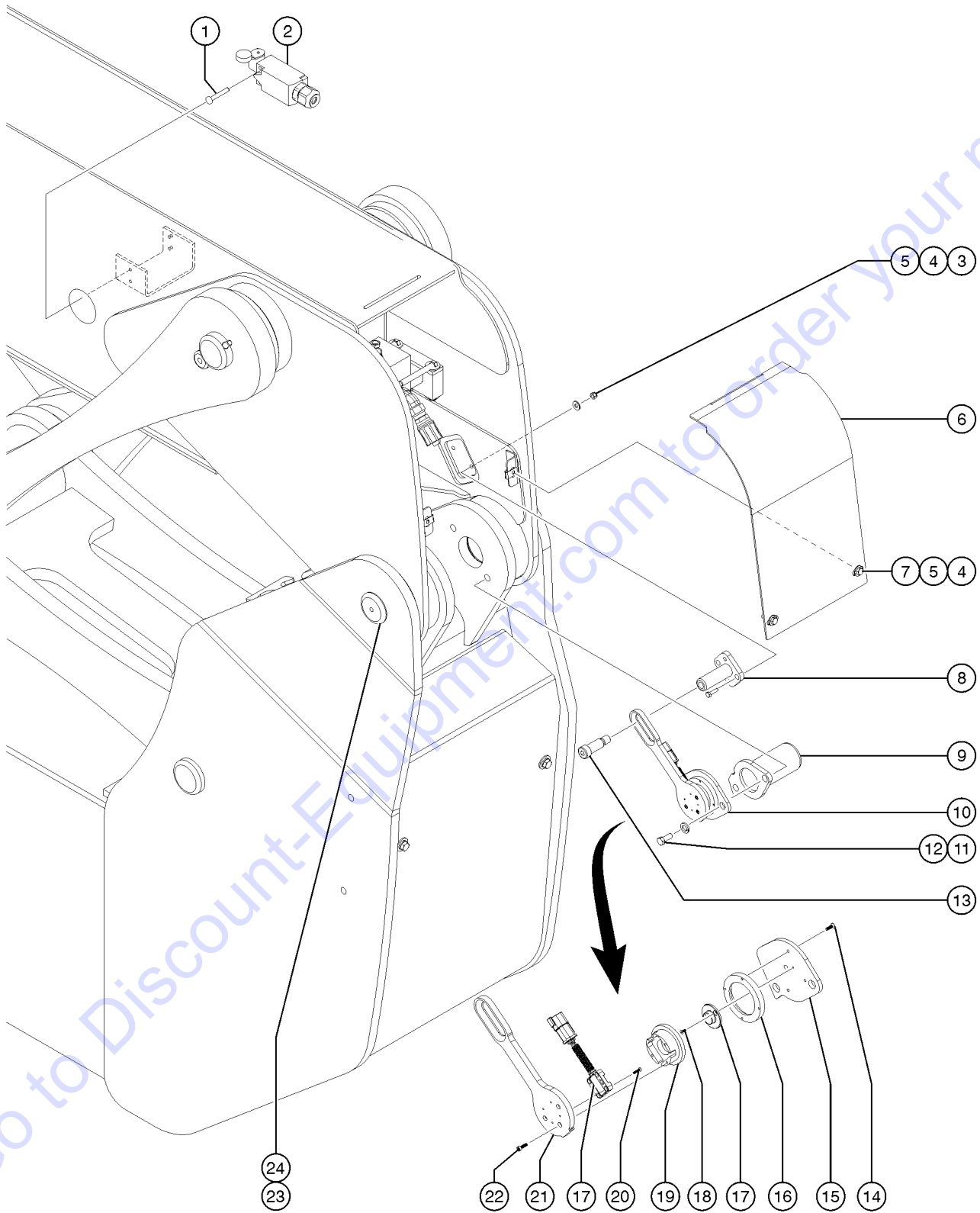
510.1 Primary Boom Link, Lever and Lift Cylinder



## 510.1 Primary Boom Link, Lever and Lift Cylinder

Item	Part No.	Description	Qty.	Item	Part No.	Description	Qty.
--	107521GT	COVER,HOSE & CABLE, 100 INCH <i>Protects hoses between the primary and secondary booms</i>		--	101566GT	BEARING,FL,2.50IDX2.75ODX1.36L	
1	33557GT	SCREW,HHC,3/4-10 X 2.00,GR5 <i>to SN 2584</i>		--	101567GT	BEARING,3.25IDX3.5ODX1.50L	
--	1256845GT	SCREW,HHC,3/4-10X2,8,ZAG <i>from SN 2585</i>		18	119108GT	PIN,2.50DIAX18.68LG,2RING.....1	1
2	61341GT	ROD END,.75 X 5.00.....1 <i>to SN 2584</i>	1	19	29746GT	WASHER,FLAT,2.5 X 4 X .062.....2 <i>to SN 2584</i>	2
--	1256308GT	ROD END,.75 X 5,ZAG <i>from SN 2585</i>		--	1256111GT	WASHER,SHIM,2.5X4X.062,ZAG <i>from SN 2585</i>	
3	94810GT	PIN,3.00DIAX11.50LG,1HOLE.....1	1	20	825760GT	SNAP RING,EXTERNAL,2.50,ZAG.....2	2
4	106574GT	CABLE TRACK,STEEL 11 LINKS.....1	1	27	825019GT	ROD END,.375X3.69,ZAG	
5	6019GT	SCREW,HHC,3/8-16 X 1.25 GRD 5 <i>to SN 2584</i>		21	101110GT	CABLE STAY.....1	1
--	824091GT	SCREW,HHF,3/8-16X1.25,8,ZAG <i>from SN 2585</i>		28	94809GT	PIN,2.50DIAX19.56LG,2HOLE	
6	6097GT	WASHER,FLAT,USS,3/8",Y <i>to SN 2584</i>		22	101315GT	CABLE STAY.....1	1
7	4828GT	NUT,NYLOCK,3/8-16 <i>to SN 2584</i>		23	101106GT	CLAMP ASSY.OPTIONS BLOCK W/NUT.....1	1
--	824029GT	NUT,TL FLG,3/8-16,G,ZAG <i>from SN 2585</i>		24	106553GT	LEVER ASSEMBLY,PRIMARY BOOM.....2	2
8	6090GT	SCREW,HHC,1/4-20 X .75 <i>to SN 2584</i>		25		Ref. Angle Sensor Pivot Pin <i>(Refer to 511.1)</i>	
--	824078GT	SCREW,HHF,1/4-20X.75,8,ZAG <i>from SN 2585</i>		26	8516GT	SCREW, HCC, 3/8-16 X 1.50 <i>to SN 2584</i>	
9	6638GT	WASHER,FLAT,USS,1/4"Y <i>to SN 2584</i>		--	824092GT	SCREW,HHF,3/8-16X1.5,8,ZAG <i>from SN 2585</i>	
10	6091GT	NUT,NYLOCK,1/4-20 <i>to SN 2584</i>		27	825019GT	ROD END,.375X3.69,ZAG <i>to SN 2584</i>	
--	824027GT	NUT,TL FLG,1/4-20,G,ZAG <i>from SN 2585</i>		--	825019GT	ROD END,.375X3.69,ZAG	
11	106580PGT	BRACKET,RISER CYL MOUNT PAINTD.....1	1	--	825019GT	ROD END,.375X3.69,ZAG <i>from SN 2585</i>	
12	61814GT	CYLINDER,PRIMARY BOOM LIFT.....1	1	28	94809GT	PIN,2.50DIAX19.56LG,2HOLE.....1	1
--	88279GT	BEARING,3.00IDX3.50ODX1.50L					
--	101562GT	BEARING,3.25IDX3.75ODX2.00L					
--	33428GT	VALVE,COUNTERBALANCE					
--	106378GT	SEAL KIT, Z135 LIFT (61814)					
13		Ref. Cable Track Support <i>(Refer to 512.1)</i>					
14	94811GT	PIN,3.25DIAX19.00LG,2RING.....1	1				
15	1253814GT	SNAP RING,EXTERNAL,3.25,ZAG.....2	2				
16	36294GT	SCREW,HHC,1/4-20 X 2.75 <i>to SN 2584</i>					
--	1256803GT	SCREW,HHC,1/4-20X2.75,8,ZAG <i>from SN 2585</i>					
17	106552GT	LINK ASSEMBLY,PRIMARY BOOM.....1	1				

511.1 Primary Boom Angle Sensor and Retract Limit Switch



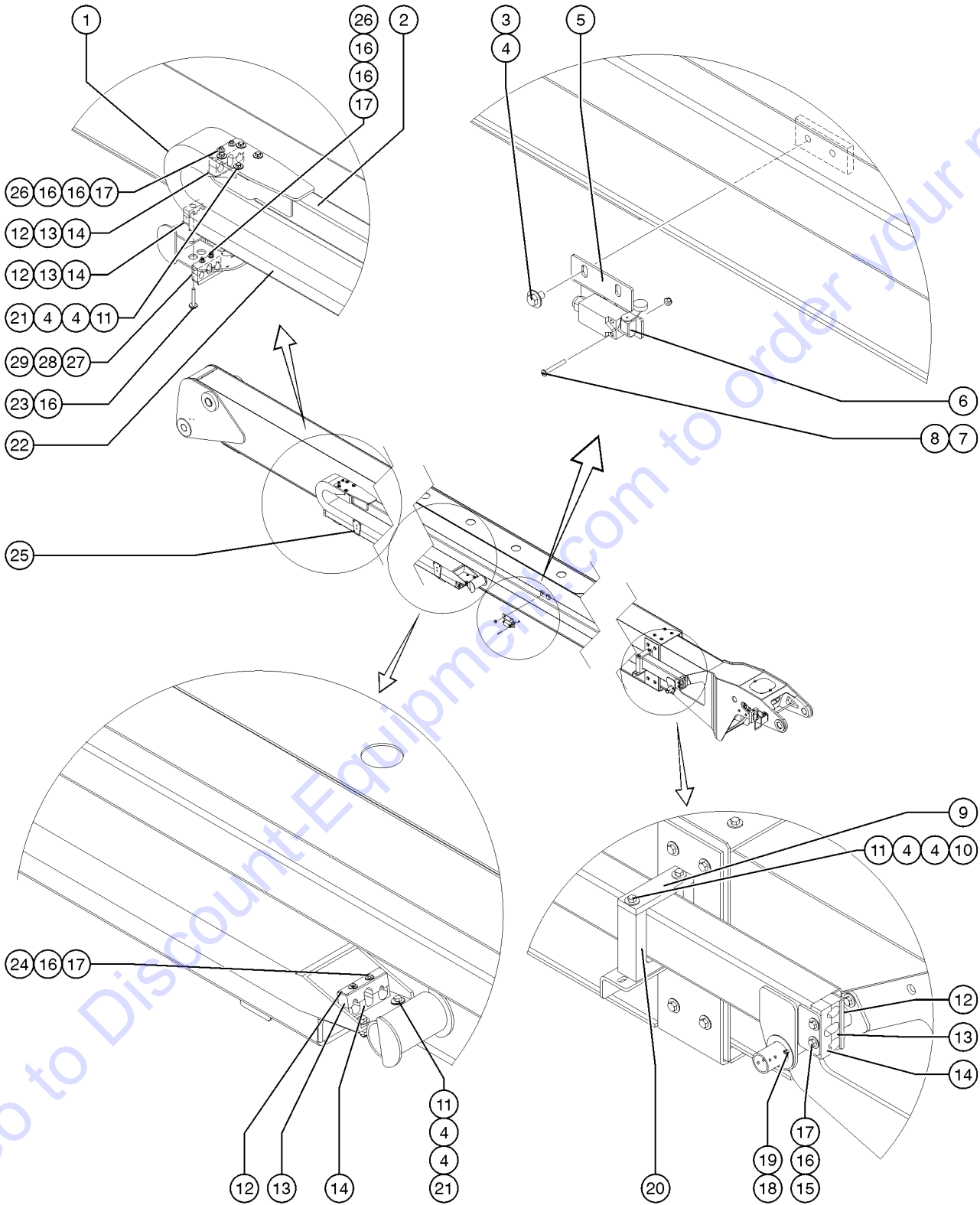
Go to Discount-Equipment.com to order your parts

## 511.1 Primary Boom Angle Sensor and Retract Limit Switch

Item	Part No.	Description	Qty.	Item	Part No.	Description	Qty.
1	49817GT	SCREW,PHILLIPS,PHM,10-32 X1.25 to SN 2584		--	1256843GT	SCREW,HHC,1/2-13X1.25,8,ZAG	
--	825352GT	SCREW,PHPM,10-32X1.25,ZAG from SN 2585		24	18731GT	WASHER,FLAT,2.27 X 3.5 X .06.....2 to SN 2584	
2	110913GT	SWITCH ASSY,LIMIT LSP1RO.....1		--	1257080GT	WASHER,FLAT,2.27X3.5X.06,ZAG from SN 2585	
--	11077142163GT	SWITCH,LIMIT W/ROLLER NO/NC					
--	43960GT	WIRE CABLE,16/4 CON.TPE JKT.....29 inches					
--	119067GT	CONN,RECEP 4 WAY ENDCAP DT					
--	60443GT	LOCK,RECEP 4 WAY,14-18GA					
--	73713GT	TERM,NI PIN,S&F,16-18GA,REEL					
3	6091GT	NUT,NYLOCK,1/4-20					
4	6638GT	WASHER,FLAT,USS,1/4"Y to SN 2584					
5	6888GT	SCREW,HHC,1/4-20 X 1 to SN 2584					
--	824078GT	SCREW,HHF,1/4-20X.75,8,ZAG from SN 2585					
6	106277PGT	COVER,PRIMARY BOOM,PAINTED					
7	56912GT	SPRING CLIP,1/4-20,.025-.15X.54,ZAG					
8	233118GT	WLDT, SENSOR ROTATOR #2					
9	218757GT	WLDT., PRIMARY SENSOR PIN					
10	215728GT	ASSY,ANGLE SEN.,Z135 PRIMARY (Complete) Includes items 14 to 22; Calibration required after replacement					
11	10597GT	SCREW,HHC,1/2-13 X 1.25 GR5 to SN 2584					
--	1256843GT	SCREW,HHC,1/2-13X1.25,8,ZAG from SN 2585					
12	6033GT	WASHER,LOCK,0.5" to SN 2584					
--	824111GT	WASHER,LOCK,1/2,ZAG from SN 2585					
13	217235GT	SCREW,SHS,3/4X1.5X5/8-11,ZAG					
14	217217GT	SCREW,FHSCS,M4-0.7X14 CL10.9					
15	226489GT	MACHINED, PRIMARY SENSOR BASE					
16	226491GT	MACHINED, ANGLE SENSOR RACE					
17	216061GT	SENSOR, ANGLE, 180 DEG, CW Sensor and magnet are matched and must be replaced at the same time. Machine calibration is required after installation.					
18	237242GT	SCREW,FHS,M3-0.5X8,DIN7991,10.9,ZAB					
19	226492GT	MACHINED, ANGLE SENSOR HOLDER					
20	237241GT	SCREW,FHS,M3-0.5X14,DIN7991,10.9,ZAB					
21	233116GT	MACHINED, SENSOR ARM					
22	217219GT	SCREW,SHC,M4-0.7X14 DIN912,12.9,ZAB					
23	94814GT	PIN,2.25 DIA X 5.10LG,THREADED.....1					
--	1256267GT	ROD END,.5 X 3.75,ZAG					



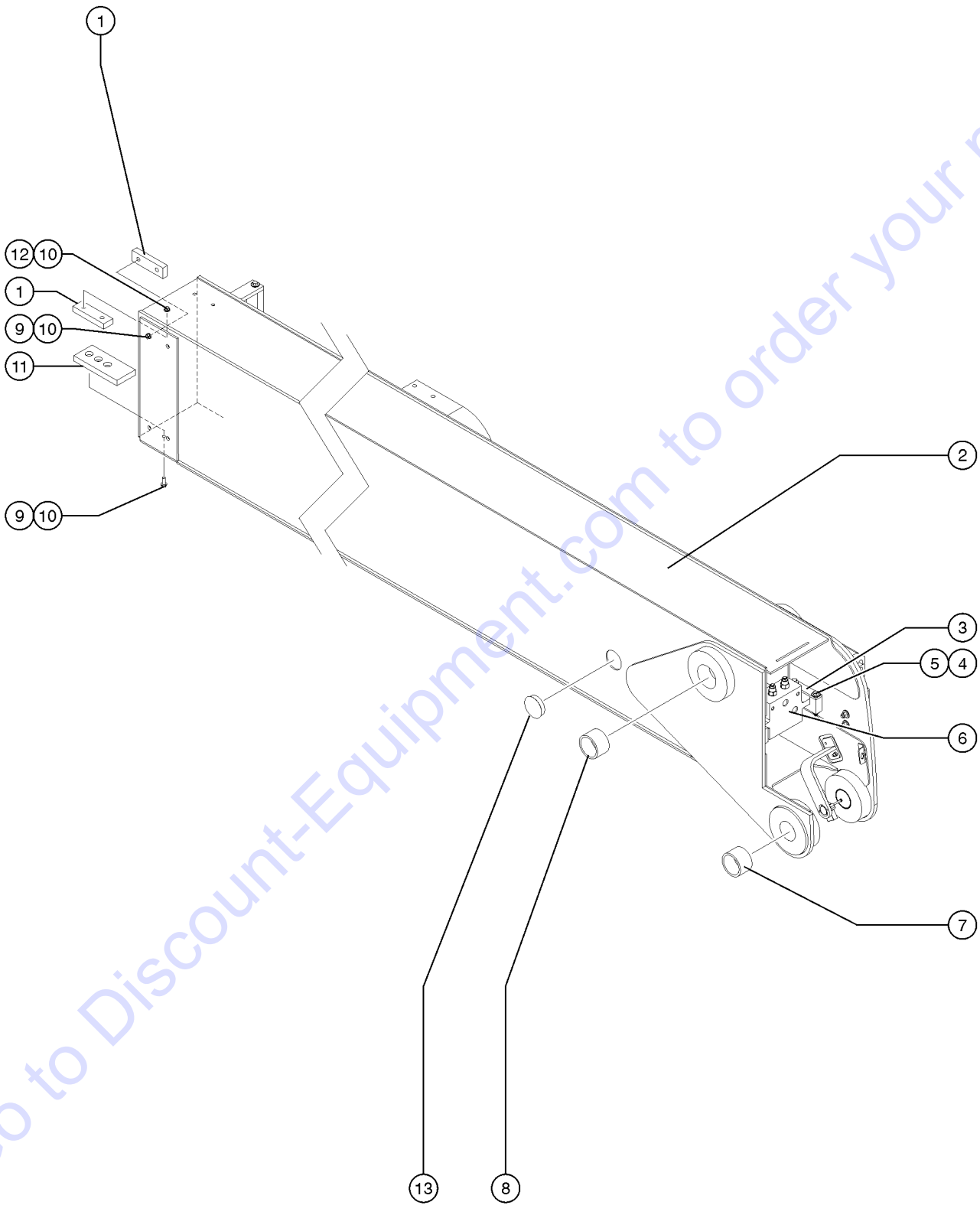
512.1 Primary Boom Cable Track



## 512.1 Primary Boom Cable Track

Item	Part No.	Description	Qty.	Item	Part No.	Description	Qty.
1	61852GT	CABLE TRACK,STEEL 27 LINKS.....1		--	824027GT	NUT,TL FLG,1/4-20,G,ZAG from SN 2585	
--	77896GT	ASSY,FOUR LINK CABLE TRACK***		18	18596GT	WASHER,FLAT,1.56 X 2.5 X .061 to SN 2584	
--	102216GT	BRACKET,CABLE TRACK,MOVING END		--	1256181GT	WASHER,FLAT,1.56X2.5X.061,ZAG from SN 2585	
--	106154GT	KIT,PIN & RING***		19	42079GT	PIN,COTTER,.156 X 2.5	
--	58308GT	ROLLER,ALUM TUBE,ST.TRK***		20	81341GT	WEAR PAD,CABLE TRACK PULL TUBE.....1	
--	58309GT	ROLLER,POLY,STEEL TRACK***		21	6019GT	SCREW,HHC,3/8-16 X 1.25 GRD 5 to SN 2584	
2	101098GT	WELDMENT,PRIMARY PULL TUBE.....1		--	824091GT	SCREW,HHF,3/8-16X1.25,8,ZAG from SN 2585	
3	33681GT	SCREW,HHC,3/8-16 X .625 to SN 2584		22	94592GT	WELDMENT,CABLE TRACK SUPPORT.....1	
--	1257489GT	SCREW,HHC,3/8-16X.625,8,ZAG from SN 2585		23	42571GT	SCREW,HHC,1/4-20 X 3.25 to SN 2584	
4	6097GT	WASHER,FLAT,USS,3/8",Y to SN 2584		--	824091GT	SCREW,HHF,3/8-16X1.25,8,ZAG from SN 2585	
5	88019PGT	FORMING,LIMIT SWITCH MOUNT.....1		24	11413GT	SCREW,HHC,1/4-20 X 4 to SN 2584	
6	110914GT	SWITCH ASSY,LIMIT LSS1EO.....1		--	824065GT	SCREW,HHC,1/4-20X4,8,ZAG from SN 2585	
--	110771-44163GT	SWITCH LIMIT W/RLLR NO/NC GOLD		25	70264GT	CABLE TRACK GUIDE TRIANGLE.....4	
--	43960GT	WIRE CABLE,16/4 CON.TPE JKT.....340 inches		--	39317GT	STOP PLATFORM ROLLER	
--	119065GT	CONN,RECEP 2 WAY ENDCAP DT		--	87085GT	RIVET,ALUM,P,.188 X .25	
--	60439GT	LOCK,RECEP 2 WAY, 14-18GA		26	12343GT	SCREW,HHC,1/4-20 X 3 to SN 2584	
--	73713GT	TERM,NI PIN,S&F,16-18GA,REEL		--	824095GT	SCREW,HHF,3/8-16X3,8,ZAG from SN 2585	
7	51063GT	SCREW,PHILLIPS,RHM,10-32 X 1.5 to SN 2584		27	101315GT	CABLE STAY.....1	
--	824216GT	SCREW,PHPM,10-32X1.5,ZAG from SN 2585		28	101110GT	CABLE STAY.....1	
8	6178GT	NUT,NYLOCK,10-32 to SN 2584		29	107868PGT	PLATE,REINF.CLAMP STACK,PTD.....1	
--	824032GT	NUT,TL FLG,10-32,F,ZAG from SN 2585					
9	81342GT	WEAR PAD,5.5 X 1.75 X .5.....1					
10	81777GT	SCREW,HHC,3/8-16 X 7 to SN 2584					
--	1255391GT	SCREW,HHC,3/8-16X7,8,ZAG from SN 2585					
11	4828GT	NUT,NYLOCK,3/8-16 to SN 2584					
--	824029GT	NUT,TL FLG,3/8-16,G,ZAG from SN 2585					
12	107868PGT	PLATE,REINF.CLAMP STACK,PTD.....4					
13	101110GT	CABLE STAY.....4					
14	101315GT	CABLE STAY.....4					
15	36294GT	SCREW,HHC,1/4-20 X 2.75 to SN 2584					
--	1256803GT	SCREW,HHC,1/4-20X2.75,8,ZAG from SN 2585					
16	6638GT	WASHER,FLAT,USS,1/4"Y to SN 2584					
17	6091GT	NUT,NYLOCK,1/4-20 to SN 2584					

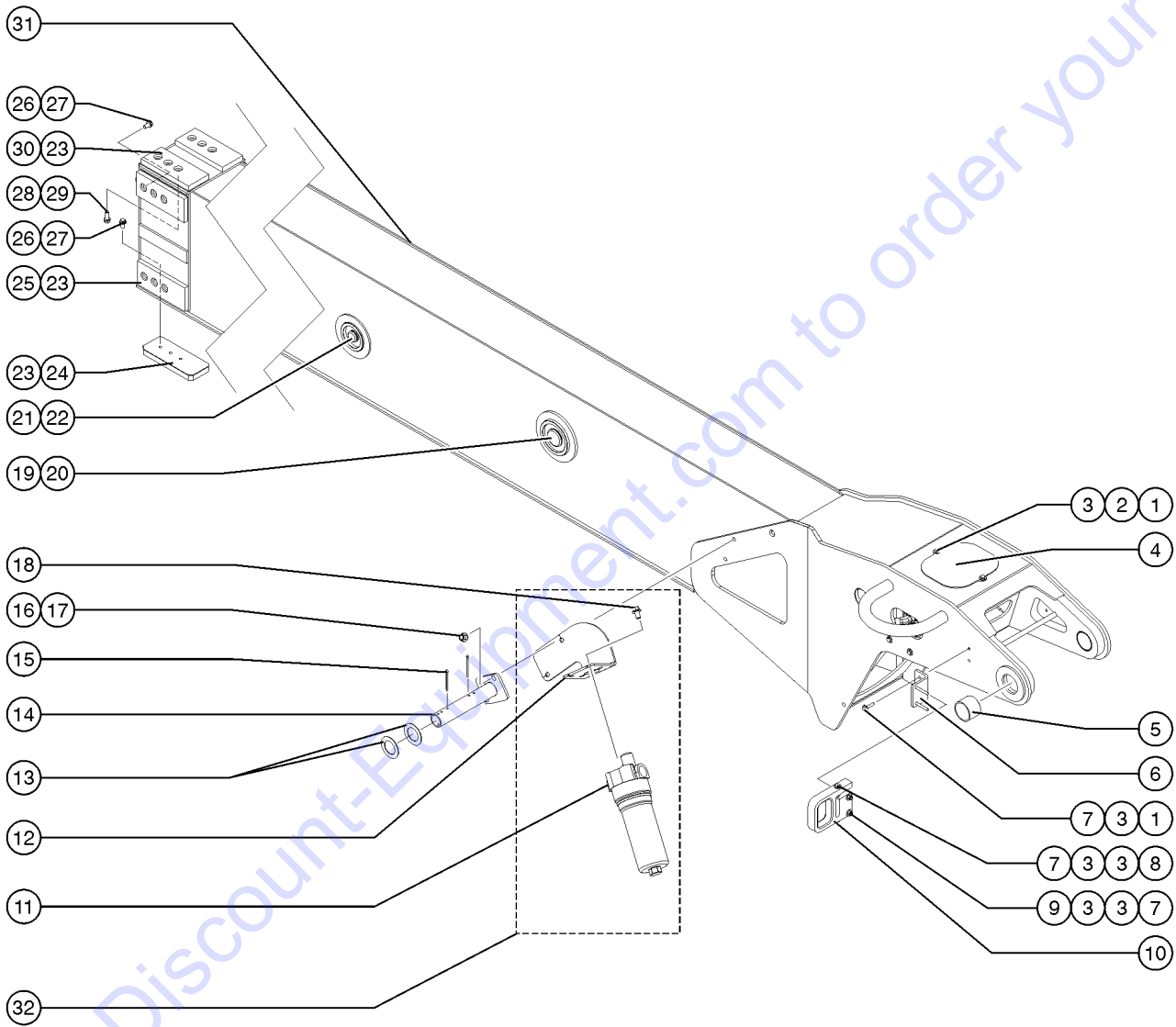
513.1 Primary Boom Bearings and Wear Pads



## 513.1 Primary Boom Bearings and Wear Pads

Item	Part No.	Description	Qty.
1	34125GT	WEAR PAD,5 X 1.5 X .75 W/NUTS.....6	
2	107762GT	ASSY,PRIMARY BOOM W/DECAL*** .....1 <i>Includes items 7, 8, and 13</i>	
3	106281PGT	BRACKET,RISER CYL MOUNT PAINTD.....2	
4	6326GT	SCREW,HHC,3/8-16 X 3 <i>to SN 2584</i>	
--	1256848GT	SCREW,HHC,3/8-16X2.75,8,ZAG <i>from SN 2585</i>	
5	6097GT	WASHER,FLAT,USS,3/8",Y <i>to SN 2584</i>	
6	61815GT	CYLINDER,PRIMARY BOOM EXTEND.....1	
--	106538GT	SEAL KIT,Z135 PEXT (61815)***	
--	88667GT	VALVE,CB.CBCA-LHN@1500PSI***	
--	74872GT	VALVE,COUNTERBALANCE 3000 PSI*	
--	60239GT	WEAR PAD,7 X 3 X .625 W/INSERT.....4	
7	101561GT	BEARING,2.25IDX2.50ODX2.25L.....2	
8	101559GT	BEARING,FL,2.50IDX2.75ODX1.61L.....2	
9	6175GT	SCREW,HHC,3/8-16 X 1 <i>to SN 2584</i>	
--	824090GT	SCREW,HHF,3/8-16X1,8,ZAG <i>from SN 2585</i>	
10	6021GT	WASHER,LOCK, .375 <i>to SN 2584</i>	
11	50245GT	WEAR PAD,7 X 3 X .75 W/NUTS.....2	
12	49857GT	SCREW,HHC,3/8-16 X .88,GRD 8 <i>to SN 2584</i>	
--	826791GT	SCREW,HHC,3/8-16X.875,8,ZAG <i>from SN 2585</i>	
13	39640GT	PLUG,NYLON 2.50 BLACK DOMED.....1	

514.1 Primary Extension Boom

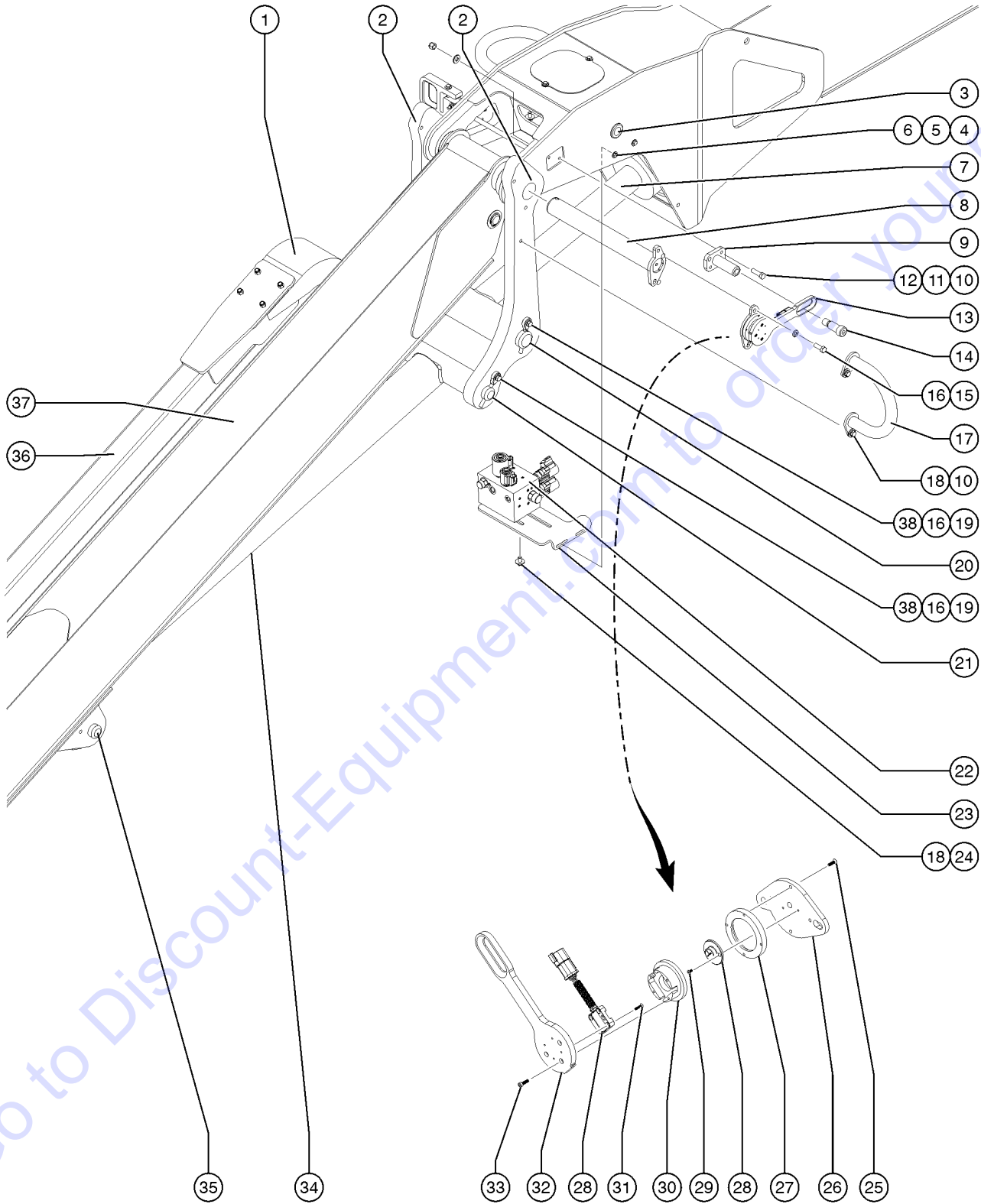


Go to Discount-Equipment.com to order your parts

## 514.1 Primary Extension Boom

Item	Part No.	Description	Qty.	Item	Part No.	Description	Qty.
1	8915GT	SCREW,HHC,1/4-20 X 1.25 to SN 2584		21	88345GT	PIN,1.25DIA X 8.26LG,2RING.....	1
--	824080GT	SCREW,HHF,1/4-20X1.25,8,ZAG from SN 2585		22	824164GT	SNAP RING,EXTERNAL,1.25,ZAG.....	1
2	6356GT	WASHER,LOCK, .25 to SN 2584		23	107586GT	WEAR PAD,7X3X.50 W/NUTS.....	2
3	6638GT	WASHER,FLAT,USS,1/4"Y to SN 2584		24A	60304GT	SHIM,WEAR PAD,7 X 3,12GA as-needed	
4	106081PGT	COVER, TOP, PRIMARY EXT. PAINTED.....	1	24B	60840GT	SHIM,WEAR PAD,7 X 3,16GA as-needed	
5	101560GT	BEARING,2.00IDX2.25ODX1.63L.....	2	25	107586GT	WEAR PAD,7X3X.50 W/NUTS.....	2
6	106165GT	FORMING,CABLE GUIDE,PRIMARY.....	1	26	107586GT	WEAR PAD,7X3X.50 W/NUTS.....	4
7	6091GT	NUT,NYLOCK,1/4-20 to SN 2584		27	8255GT	SCREW,HHC,3/8-16 X .75 to SN 2584	
--	824027GT	NUT,TL FLG,1/4-20,G,ZAG from SN 2585		--	1256109GT	SCREW,HHC,3/8-16X.75,8,ZAG from SN 2585	
8	74254GT	SCREW,HHC,1/4-20 X 4.5 to SN 2584		28	6021GT	WASHER,LOCK, .375 to SN 2584	
--	1256853GT	SCREW,HHF,1/4-20X4.5,8,ZAG from SN 2585		--	824110GT	WASHER,LOCK,3/8,ZAG from SN 2585	
9	4266GT	SCREW,HHC,1/4-20 X 2 to SN 2584		29	6175GT	SCREW,HHC,3/8-16 X 1 to SN 2584	
--	824082GT	SCREW,HHF,1/4-20X1.75,8,ZAG from SN 2585		--	824110GT	WASHER,LOCK,3/8,ZAG from SN 2585	
10	106135GT	CLAMP,PRIMARY.....	1	30	88648GT	WEAR PAD,7X3X.625 W/NUTS.....	2
11	60334GT	FILTER ASSY,HIGH PRESS SAE-12* from SN 2760		31	119847GT	ASSEMBLY,PRIMARY EXT.Boom*** Includes item 5	1
--	60857GT	FILTER,ELEMENT,BETA(5)=1000		32	1268830GT	KIT, JIB FILTRATION..... Recommended field kit (including items 11, 12, and 16-18). Refer to 711.1 for an extra added hose; to SN 2759	1
12	1268499GT	FORMING, FILTER BRACKET from SN 2760					
13	18596GT	WASHER,FLAT,1.56 X 2.5 X .061.....	2				
--	1256181GT	WASHER,FLAT,1.56X2.5X.061,ZAG from SN 2585					
14	81347GT	WELDMENT,TRACK PULL TUBE PIVOT.....	1				
15	42079GT	PIN,COTTER, .156 X 2.5.....	2				
16	824092GT	SCREW,HHF,3/8-16X1.5,8,ZAG to SN 2759					
--	824029GT	NUT,TL FLG,3/8-16,G,ZAG from SN 2760					
17	4828GT	NUT,NYLOCK,3/8-16 to SN 2759					
--	824093GT	SCREW,HHF,3/8-16X1.75,8,ZAG from SN 2760					
18	1256857GT	SCREW,HHF,3/8-16X.625,8,ZAG from SN 2760					
19	94806GT	PIN,2.00DIA X 8.77LG,2RING.....	1				
20	1253815GT	SNAP RING,EXTERNAL,2.00,ZAG.....	2				

515.1 Bellcrank, Bellcrank Level Cylinder and Jib Boom Lift Cylinder

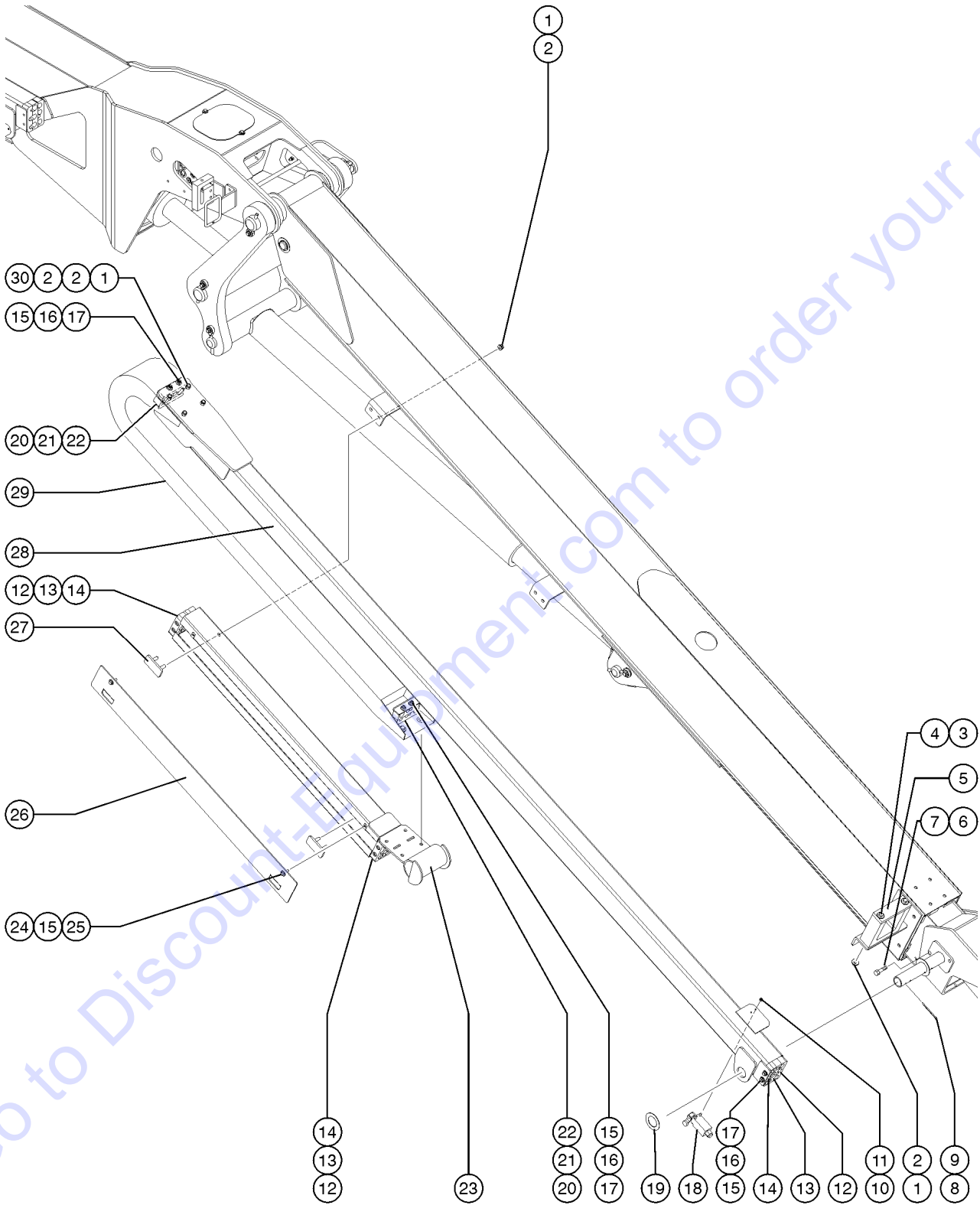


## 515.1 Bellcrank, Bellcrank Level Cylinder and Jib Boom Lift Cylinder

Item	Part No.	Description	Qty.	Item	Part No.	Description	Qty.
--	107522GT	COVER,HOSE & CABLE, 70 INCH <i>Protects hoses between the primary and jib booms</i>		18	6097GT	WASHER,FLAT,USS,3/8",Y <i>to SN 2584</i>	
1		Ref. Jib Boom Cable Track <i>(Refer to 516.1)</i>		19	8516GT	SCREW, HCC, 3/8-16 X 1.50 <i>to SN 2584</i>	
2	61920PGT	Jib Boom Bellcrank.....2		--	824091GT	SCREW,HHF,3/8-16X1.25,8,ZAG <i>from 2585</i>	
3	106923GT	GROMMET,RUBBER .38X1.38X1.0.....2		20	94804GT	PIN,2.00DIAX17.06LG,2HOLE.....1	
4	8915GT	SCREW,HHC,1/4-20 X 1.25 <i>to SN 2584</i>		21	94803GT	PIN,1.50DIAX17.06LG,2HOLE.....1	
--	824080GT	SCREW,HHF,1/4-20X1.25,8,ZAG <i>from 2585</i>		22		Ref. Jib Boom Manifold <i>(Refer to 703.1)</i>	
5	6638GT	WASHER,FLAT,USS,1/4"Y <i>to SN 2584</i>		23	106074GT	BRACKET,MANIFOLD,EXT.BOOM.....1	
6	6091GT	NUT,NYLOCK,1/4-20 <i>to SN 2584</i>		24	94195GT	SCREW,HHC,3/8-16 X .75,GR 8	
--	824027GT	NUT,TL FLG,1/4-20,G,ZAG <i>from 2585</i>		25	217217GT	SCREW,FHSCS,M4-0.7X14 CL10.9	
7	106519GT	CYLINDER,BELLCRANK LEVELING.....1		26	226487GT	MACHINED, BELL CR SEN. BASE	
--	106532GT	SEAL KIT,CYL.106519		27	226491GT	MACHINED, ANGLE SENSOR RACE	
--	33428GT	VALVE,COUNTERBALANCE		28	216061GT	SENSOR, ANGLE, 180 DEG, CW <i>Sensor and magnet are matched and must be replaced at the same time. Machine calibration is required after installation.</i>	
--	4201GT	BEARING,2.00IDX2.25ODX2.00L		29	237242GT	SCREW,FHS,M3-0.5X8,DIN7991,10.9,ZAB	
8	101713GT	WELD.BCRANK ROTARY SENSOR PIN.....1 <i>to SN 2558</i>		30	226492GT	MACHINED, ANGLE SENSOR HOLDER	
--	219114GT	WELDMNT, BELLCRANK PIN <i>from SN 2559</i>		31	237241GT	SCREW,FHS,M3-0.5X14,DIN7991,10.9,ZAB	
9	233118GT	WLDT, SENSOR ROTATOR #2		32	233116GT	MACHINED, SENSOR ARM	
10	6019GT	SCREW,HHC,3/8-16 X 1.25 GRD 5 <i>to SN 2584</i>		33	217219GT	SCREW,SHC,M4-0.7X14 DIN912,12.9,ZAB	
--	824091GT	SCREW,HHF,3/8-16X1.25,8,ZAG <i>from 2585</i>		34	61817GT	CYLINDER,LIFT,JIB BOOM.....1	
11	5397GT	WASHER,FLAT,USS,5/16",Y <i>to SN 2584</i>		--	94203GT	SEAL KIT,CYL	
12	4828GT	NUT,NYLOCK,3/8-16 <i>to SN 2584</i>		--	61602GT	VALVE,COUNTERBAL.CBBB-LHN@3500	
--	824029GT	NUT,TL FLG,3/8-16,G,ZAG <i>from 2585</i>		--	88280GT	BEARING,1.5IDX1.75ODX0.75L	
13	217293GT	ASSY,ANGLE SEN.,Z135 BELL CR <i>(Complete) Includes items 25 to 33; Calibration required after replacement</i>		35	47666GT	PIN,1.50DIAX9.13LG,1HOLE.....1	
14	217234GT	SCREW,SHS,3/4X1.25X5/8-11,ZAG		36		Ref. Jib Cable Track Pull Tube <i>(Refer to 516.1)</i>	
15	6175GT	SCREW,HHC,3/8-16 X 1 <i>to SN 2584</i>		37	106674GT	JIB PRIMARY TUBE ASSEMBLY***.....1 <i>Includes bearings</i>	
--	824090GT	SCREW,HHF,3/8-16X1,8,ZAG <i>from 2585</i>		38	825019GT	ROD END,.375X3.69,ZAG	
16	6021GT	WASHER,LOCK,.375 <i>to SN 2584</i>					
--	824110GT	WASHER,LOCK,3/8,ZAG <i>from 2585</i>					
17	106688GT	WELDMNT,PROTECTION BAR.....1					



516.1 Jib Boom Cable Track

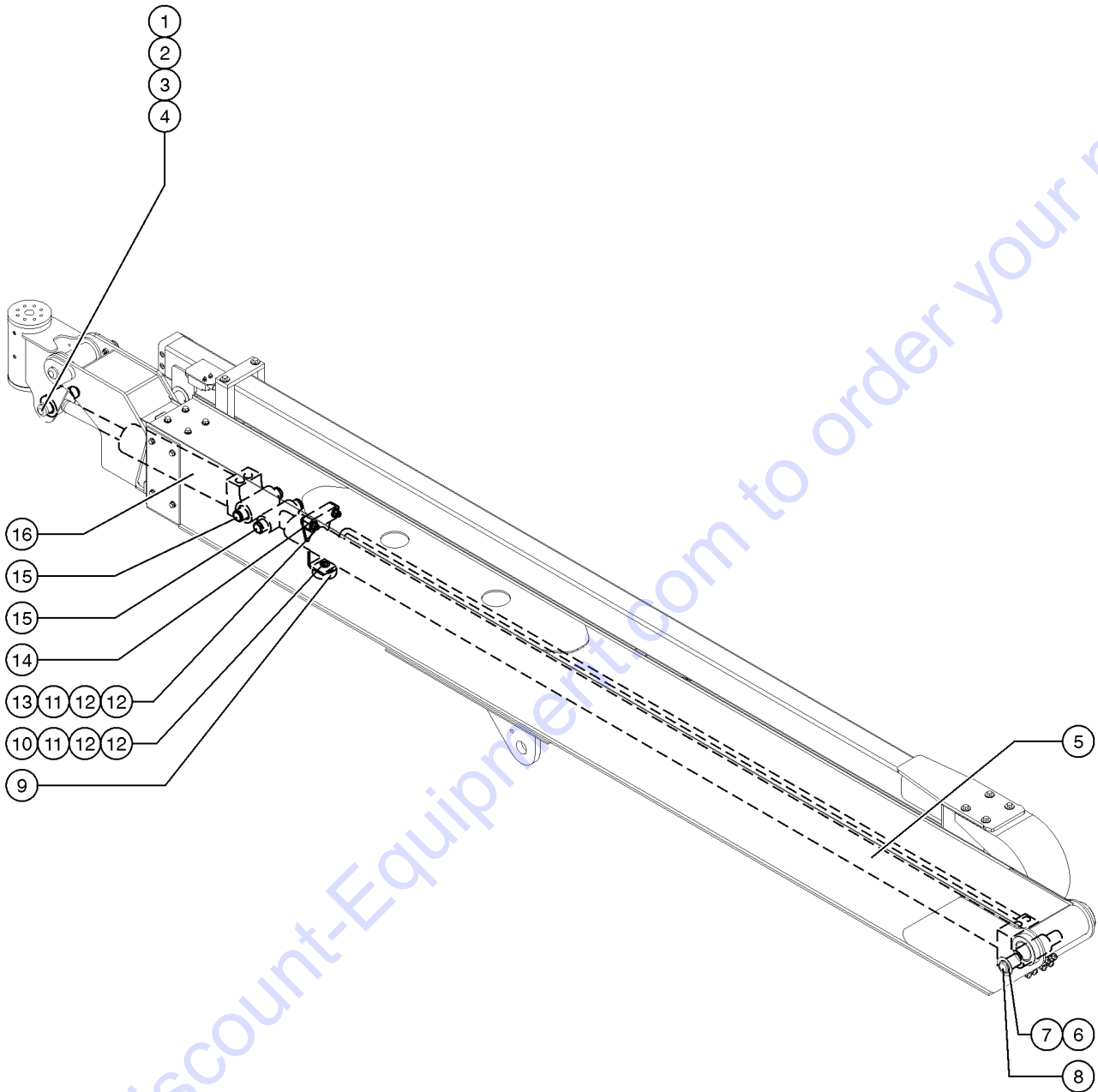


Go to Discount-Equipment.com to order your parts

## 516.1 Jib Boom Cable Track

Item	Part No.	Description	Qty.	Item	Part No.	Description	Qty.
1	4828GT	NUT,NYLOCK,3/8-16 to SN 2584		--	43960GT	WIRE CABLE,16/4 CON.TPE JKT.....40	
--	824029GT	NUT,TL FLG,3/8-16,G,ZAG from 2585		--	119065GT	CONN,RECEP 2 WAY ENDCAP DT	
2	6097GT	WASHER,FLAT,USS,3/8",Y to SN 2584		--	60439GT	LOCK,RECEP 2 WAY, 14-18GA	
3	81777GT	SCREW,HHC,3/8-16 X 7 to SN 2584		--	73713GT	TERM,NI PIN,S&F,16-18GA,REEL	
--	1255391GT	SCREW,HHC,3/8-16X7,8,ZAG from 2585		19	18596GT	WASHER,FLAT,1.56 X 2.5 X .061 to SN 2584	
4	6097GT	WASHER,FLAT,USS,3/8",Y to SN 2584		--	1256181GT	WASHER,FLAT,1.56X2.5X.061,ZAG from 2585	
--	825358GT	WASHER,FLAT,5/16,USS,ZAG from 2585		20	107868PGT	PLATE,REINF.CLAMP STACK,PTD.....2	
5	81342GT	WEAR PAD,5.5 X 1.75 X .5.....1		21	101108GT	CABLE STAY,BOTTOM.....2	
--	81341GT	WEAR PAD,CABLE TRACK PULL TUBE.....1		22	101109GT	CABLE STAY, TOP.....2	
6	6019GT	SCREW,HHC,3/8-16 X 1.25 GRD 5 to SN 2584		23	101099GT	WELDMENT,CABLE TRACK SUPPORT.....1	
--	824091GT	SCREW,HHF,3/8-16X1.25,8,ZAG from 2585		24	6888GT	SCREW,HHC,1/4-20 X 1 to SN 2584	
7	4828GT	NUT,NYLOCK,3/8-16 to SN 2584		--	824078GT	SCREW,HHF,1/4-20X.75,8,ZAG from 2585	
--	824029GT	NUT,TL FLG,3/8-16,G,ZAG from 2585		25	56912GT	SPRING CLIP,1/4-20,.025-.15X.54,ZAG	
8	42079GT	PIN,COTTER,.156 X 2.5		26	101772GT	PLATE,CABLE TRACK COVER.....1	
9	81347GT	WELDMENT,TRACK PULL TUBE PIVOT		27	101104GT	PLATE,CABLE TRACK MOUNT.....2	
10	6178GT	NUT,NYLOCK,10-32 to SN 2584		--	60790GT	BOLT, CARRIAGE, 3/8-16 X 1.50, G5 to SN 2584	
--	824032GT	NUT,TL FLG,10-32,F,ZAG from 2585		--	1255757GT	BOLT,CARRIAGE,3/8-16X1.25,5,ZAG from 2585	
11	51063GT	SCREW,PHILLIPS,RHM,10-32 X 1.5 to SN 2584		28	101112GT	WELDMENT,JIB PULL TUBE.....1	
--	824216GT	SCREW,PHPM,10-32X1.5,ZAG from 2585		29	94775GT	CABLE TRACK,STEEL 15 LINKS.....1	
13	101108GT	CABLE STAY,BOTTOM.....4		30	6019GT	SCREW,HHC,3/8-16 X 1.25 GRD 5 to SN 2584	
14	101109GT	CABLE STAY, TOP.....4		--	824091GT	SCREW,HHF,3/8-16X1.25,8,ZAG from 2585	
15	36294GT	SCREW,HHC,1/4-20 X 2.75 to SN 2584					
--	1256803GT	SCREW,HHC,1/4-20X2.75,8,ZAG from 2585					
16	6638GT	WASHER,FLAT,USS,1/4"Y to SN 2584					
17	6091GT	NUT,NYLOCK,1/4-20 to SN 2584					
--	824027GT	NUT,TL FLG,1/4-20,G,ZAG from 2585					
18	110911GT	SWITCH ASSY,LIMIT LSJ1RO.....1					
--	110771-4223GT	SWITCH,LIMIT, W/ROLLER NO/NC					

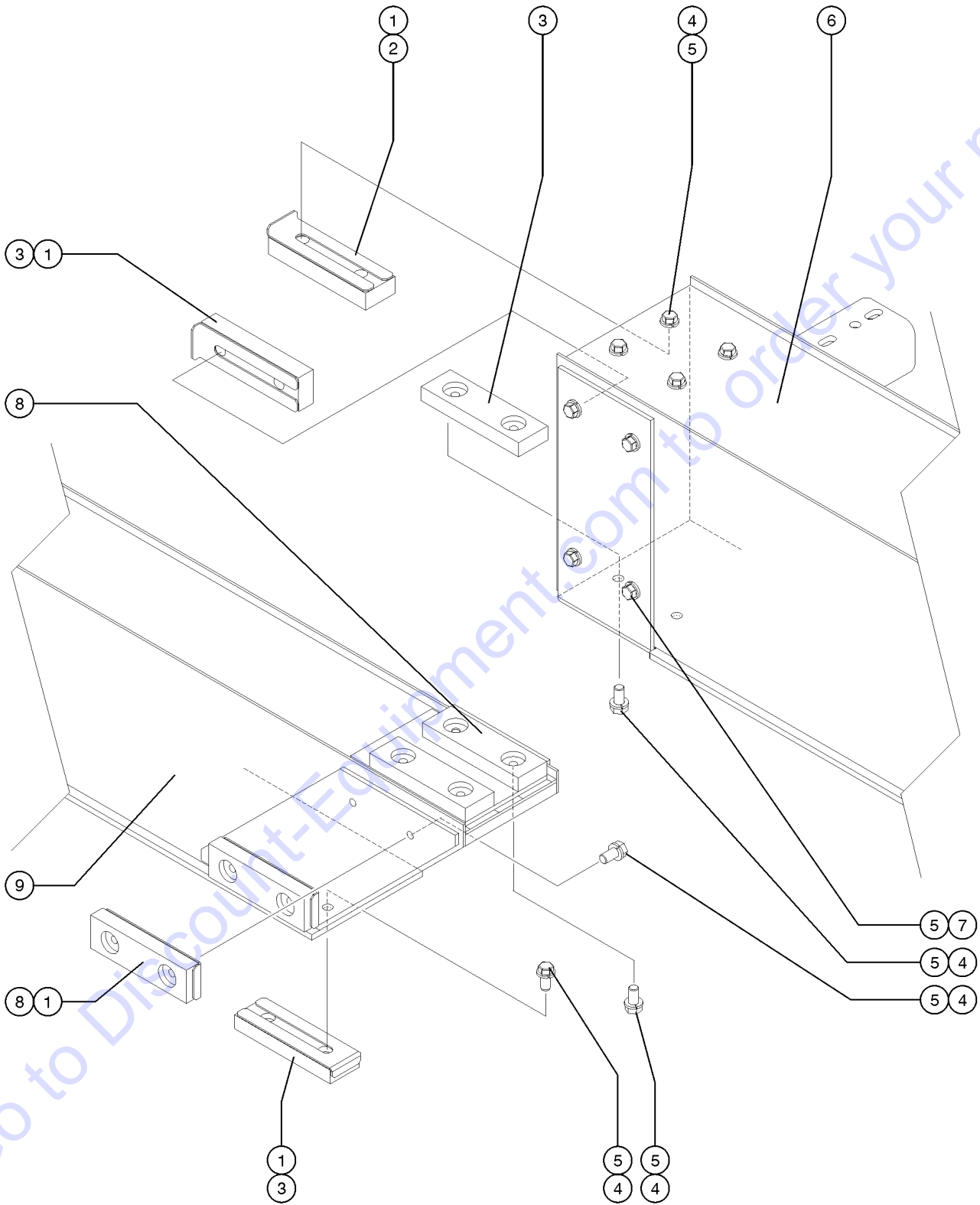
517.1 Jib Boom Extension and Platform Level Cylinders



## 517.1 Jib Boom Extension and Platform Level Cylinders

Item	Part No.	Description	Qty.
1	T108075GT	PIN,1.25DIAX5.25LG,1HOLE.....1	1
2	1255452GT	ROD END,.375 X 2.25,ZAG.....1	1
3	6175GT	SCREW,HHC,3/8-16 X 1 to SN 2584	
--	824067GT	SCREW,HHC,3/8-16X1,8,ZAG from 2585	
4	7713GT	NUT, LP NYLOCK, 3/8-16 to SN 2584	
--	824038GT	NUT, TL JAM, 3/8-16, A, ZAG from 2585	
5	94653GT	CYLINDER,JIB EXTENSION.....1	1
--	94194GT	SEAL KIT,Z135 JEXT (94653)	
--	54063GT	VALVE,CB.CBBC-LHN@1000***	
--	50701GT	VALVE,COUNTERBALANCE,2:1 3000	
6	824164GT	SNAP RING,EXTERNAL,1.25,ZAG	
7	30255GT	WASHER,SHIM,1.27 X 2.13 X .062 to SN 2584	
--	824151GT	WASHER,SHIM,1.270X2.130X.062,Z from 2585	
8	T108079GT	PIN,1.25DIAX8.30LG,2RING.....1	1
9	74085GT	REST PAD,UPPER PIVOT Z30N.....1	1
10	8516GT	SCREW, HCC, 3/8-16 X 1.50 to SN 2584	
--	824092GT	SCREW,HHF,3/8-16X1.5,8,ZAG from 2585	
11	4828GT	NUT,NYLOCK,3/8-16 to SN 2584	
--	824029GT	NUT,TL FLG,3/8-16,G,ZAG	
12	6097GT	WASHER,FLAT,USS,3/8",Y to SN 2584	
13	5224GT	SCREW,HHC,3/8-16 X 2 to SN 2584	
--	1253478GT	SCREW,HHF,3/8-16X2,8,ZAG from 2585	
14	71858GT	WEAR PAD,4.25 X 1.5 X 1.....1	1
15	50546GT	PIN,1.25DIAX6.36LG,2RING.....2	2
16	110580GT	CYLINDER,PLATFORM LEVELING*** ....1	1
--	94193GT	SEAL KIT,CYL	
--	61602GT	VALVE,COUNTERBAL.CBBB-LHN@3500.2	
--	47377GT	BEARING,1.25 ID X 1.5 OD X .75.....4	4

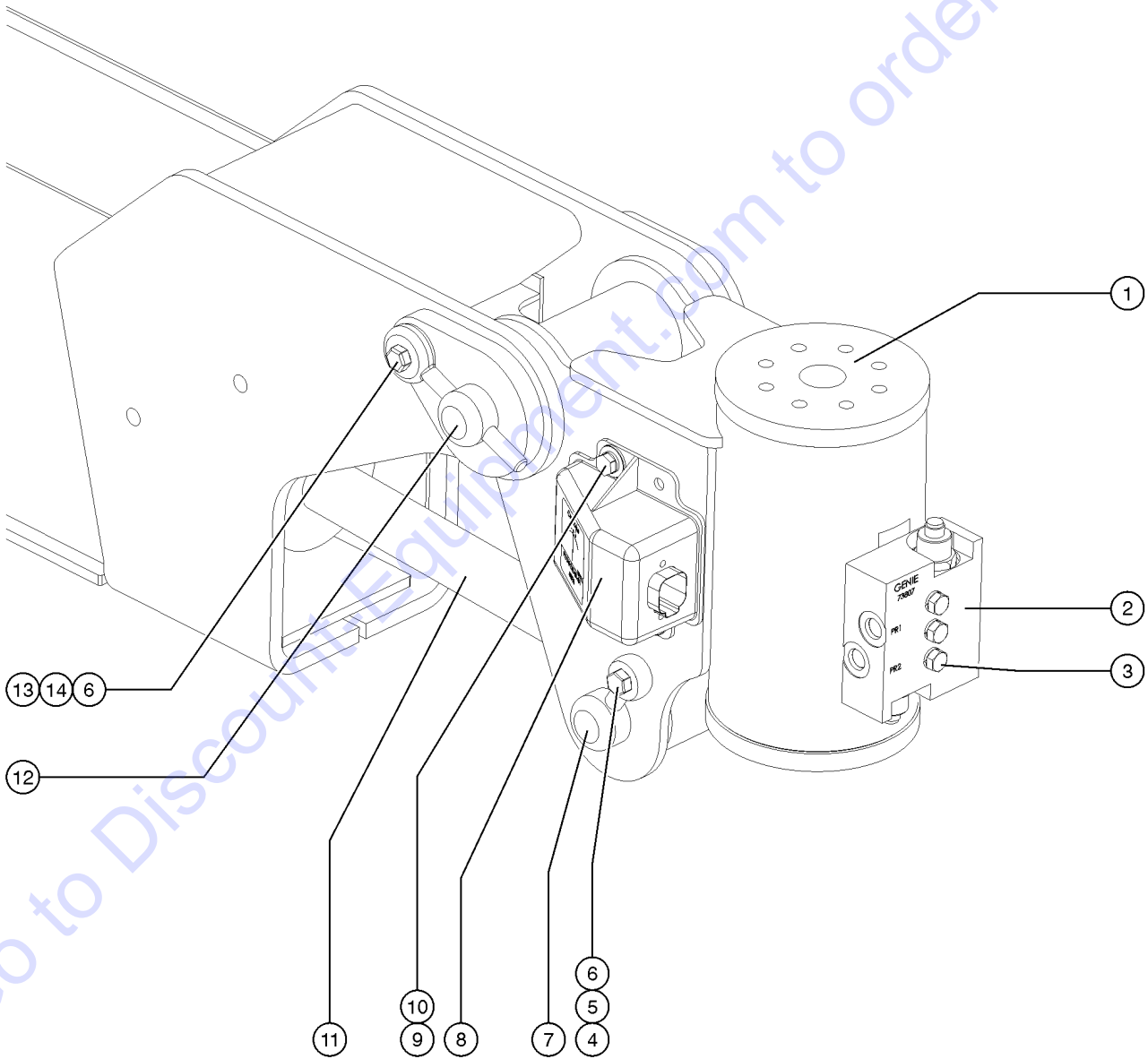
518.1 Jib Boom Tubes and Wear Pads



## 518.1 Jib Boom Tubes and Wear Pads

Item	Part No.	Description	Qty.
1	29080GT	SHIM,WEAR PAD,5X 1.5 16GA <i>as-needed</i>	
--	42502GT	SHIM,SIDE PAD 22GA <i>as-needed</i>	
2	30138GT	WEAR PAD,5 X 1.5 X .625 W/NUTS.....2	
3	34125GT	WEAR PAD,5 X 1.5 X .75 W/NUTS.....8	
4	8255GT	SCREW,HHC,3/8-16 X .75 <i>to SN 2584</i>	
--	1256857GT	SCREW,HHF,3/8-16X.625,8,ZAG <i>from 2585</i>	
5	6021GT	WASHER,LOCK, .375 <i>to SN 2584</i>	
6	106674GT	JIB PRIMARY TUBE ASSEMBLY*** <i>Includes bearings</i>	
--	42014GT	BEARING,2.00IDX2.25ODX2.00L	
7	6175GT	SCREW,HHC,3/8-16 X 1 <i>to SN 2584</i>	
--	824090GT	SCREW,HHF,3/8-16X1,8,ZAG <i>from 2585</i>	
8	30137GT	WEAR PAD,5 X 1.5 X .50 W/NUTS.....6	
9A	110627GT	JIB EXT.TUBE W/DECAL <i>USA, Canada, Australia</i>	
9C	106675GT	JIB EXTENSION TUBE ASSEMBLY <i>Europe, Asia, South America</i>	

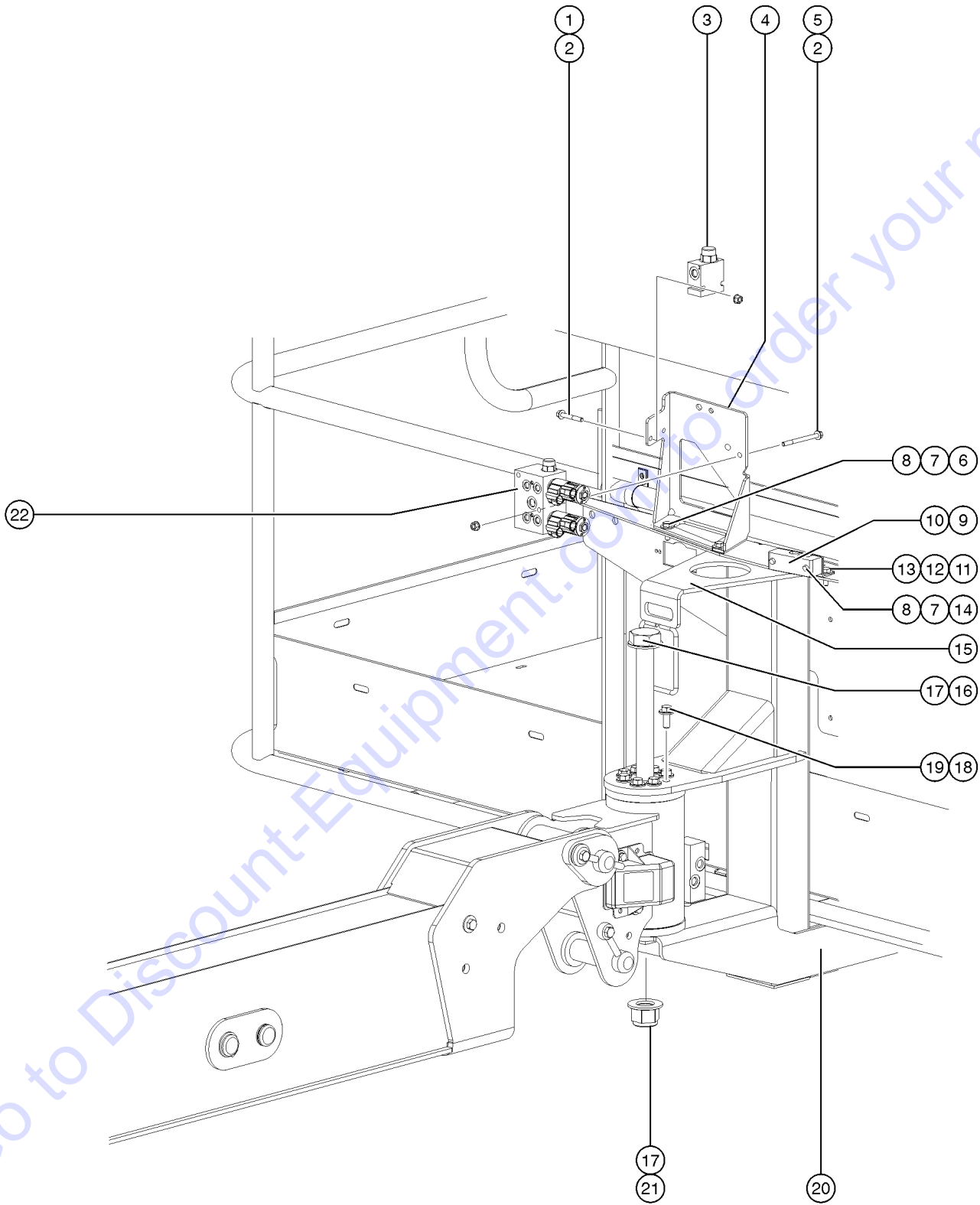
519.1 Platform Rotator



Item	Part No.	Description	Qty.
1	88576GT	ROTATOR, NON-JIB.....1 <i>88576 is the correct rotator for the ZX-135.</i>	
--	122944GT	SEAL KIT, 8K ROTATOR***	
2		Ref. Counterbalance Manifold <i>(Refer to 705.1)</i>	
3	6637GT	SCREW, HHC, 1/4-20 X 1.75 <i>to SN 2584</i>	
--	824081GT	SCREW, HHF, 1/4-20X1.5, 8, ZAG <i>from SN 2585</i>	
4	6175GT	SCREW, HHC, 3/8-16 X 1 <i>to SN 2584</i>	
--	824090GT	SCREW, HHF, 3/8-16X1, 8, ZAG <i>from SN 2585</i>	
5	1255452GT	ROD END, .375 X 2.25, ZAG <i>to SN 2584</i>	
--	1255452GT	ROD END, .375 X 2.25, ZAG <i>from SN 2585</i>	
6	4828GT	NUT, NYLOCK, 3/8-16 <i>to SN 2584</i>	
--	824029GT	NUT, TL FLG, 3/8-16, G, ZAG <i>from SN 2585</i>	
7	T108075GT	PIN, 1.25DIAX5.25LG, 1HOLE.....1	
8	50813GT	SENSOR, TILT, PCON (PLASTIC)****.....1	
9	8914GT	SCREW, HHC, 1/4-20 X .625 <i>to SN 2584</i>	
--	824077GT	SCREW, HHF, 1/4-20 X .5, 8, ZAG <i>from SN 2585</i>	
10	6638GT	WASHER, FLAT, USS, 1/4"Y <i>to SN 2584</i>	
11		Ref. Platform Level Cylinder <i>(Refer to 517.1)</i>	
12	T107883GT	PIN, 1.25DIAX7.88LG, 1HOLE.....1	
13	39478GT	SCREW, HHC, 3/8-16 X 2 FULL THRD	
14	825019GT	ROD END, .375X3.69, ZAG	



601.1 Platform Mount



Item	Part No.	Description	Qty.
1	824082GT	SCREW,HHF,1/4-20X1.75,8,ZAG to SN 2804	
2	824027GT	NUT,TL FLG,1/4-20,G,ZAG to SN 2804	
3	1261078GT	ASSY,.5 GPM PRESSURE COMP VALV.....1 to SN 2804	1
4	1260641GT	WELDMNT,MANIFOLD MOUNT.....1	1
5	824084GT	SCREW,HHF,1/4-20X3,8,ZAG to SN 2804	
--	827089GT	SCREW,HHF,3/8-16X.75,8,ZAG from SN 2805	
6	6888GT	SCREW,HHC,1/4-20 X 1	
7	6638GT	WASHER,FLAT,USS,1/4"Y	
8	6091GT	NUT,NYLOCK,1/4-20	
9	106857GT	CLAMP,CABLE STRAIN RELIEF.....1	1
10	77993GT	BRACKET, CABLE STRAIN RELEIF.....1	1
11	13002GT	SCREW,HHC,5/16-18 X 1 GR5	
12	5397GT	WASHER,FLAT,USS,5/16",Y	
13	6037GT	NUT,HEX,5/16-18,GR5	
14	4266GT	SCREW,HHC,1/4-20 X 2	
15	110531GT	KIT, CABLE GUIDE.....1	1
--	55067GT	GROMMET,RUBBER 3 X .19 X 3.5	
16	73928GT	SCREW,HHC,1-8 X 11,GRD 5***.....1 to SN 2744	1
--	826792GT	SCREW,HHC,1-8X11,5,ZAG from SN 2745	
17	122079GT	WASHER,FLAT,1.000,HARDENED.....2 to SN 2744	2
--	824116GT	WASHER, FLAT, F436, 1.0, ZAG from SN 2745	
18	49857GT	SCREW,HHC,3/8-16 X .88,GRD 8.....8 to SN 2744	8
--	826791GT	SCREW,HHC,3/8-16X.875,8,ZAG from SN 2745	
19	57201GT	WASHER,FLAT,313, HARDENED.....8 to SN 2744	8
--	826793GT	WASHER,FLAT,3/8,SAE,HRD,ZAG from SN 2745	
20	60370-SGT	PLATFORM SUPPORT WELDMNT-SERV*.....1	1
--		Ref. WELDMNT,PLATFORM SUPPORT,CE CE models (refer to 804.1 )	
21	29764GT	NUT,NYLOCK,1-8 to SN 2744	
--	826794GT	NUT,TL,1-8,C,ZAG from SN 2745	
22		Ref. Platform Manifold (Refer to 706.1 and 706.2)	

# PARTS FINDER

**Search Website  
by Part Number**



**Search Manual  
Library For Parts  
Manual & Lookup Part  
Numbers – Purchase  
or Request Quote**

**Search Manuals**

Enter your information to help us find the right parts manual for your machine.

\* Brand:

\* Model:

\* Serial:

\* Part Number:

SEARCH

**Can't Find Part or  
Manual? Request Help  
by Manufacturer,  
Model & Description**

**Parts Order Form**

Please fill in the following information to help us find the right part for your machine.

Manufacturer:	<input type="text"/>
Model:	<input type="text"/>
Description:	<input type="text"/>
Part Number:	<input type="text"/>
Quantity:	<input type="text"/>
Notes:	<input type="text"/>

Submit

Discount-Equipment.com is your online resource for quality parts & equipment.

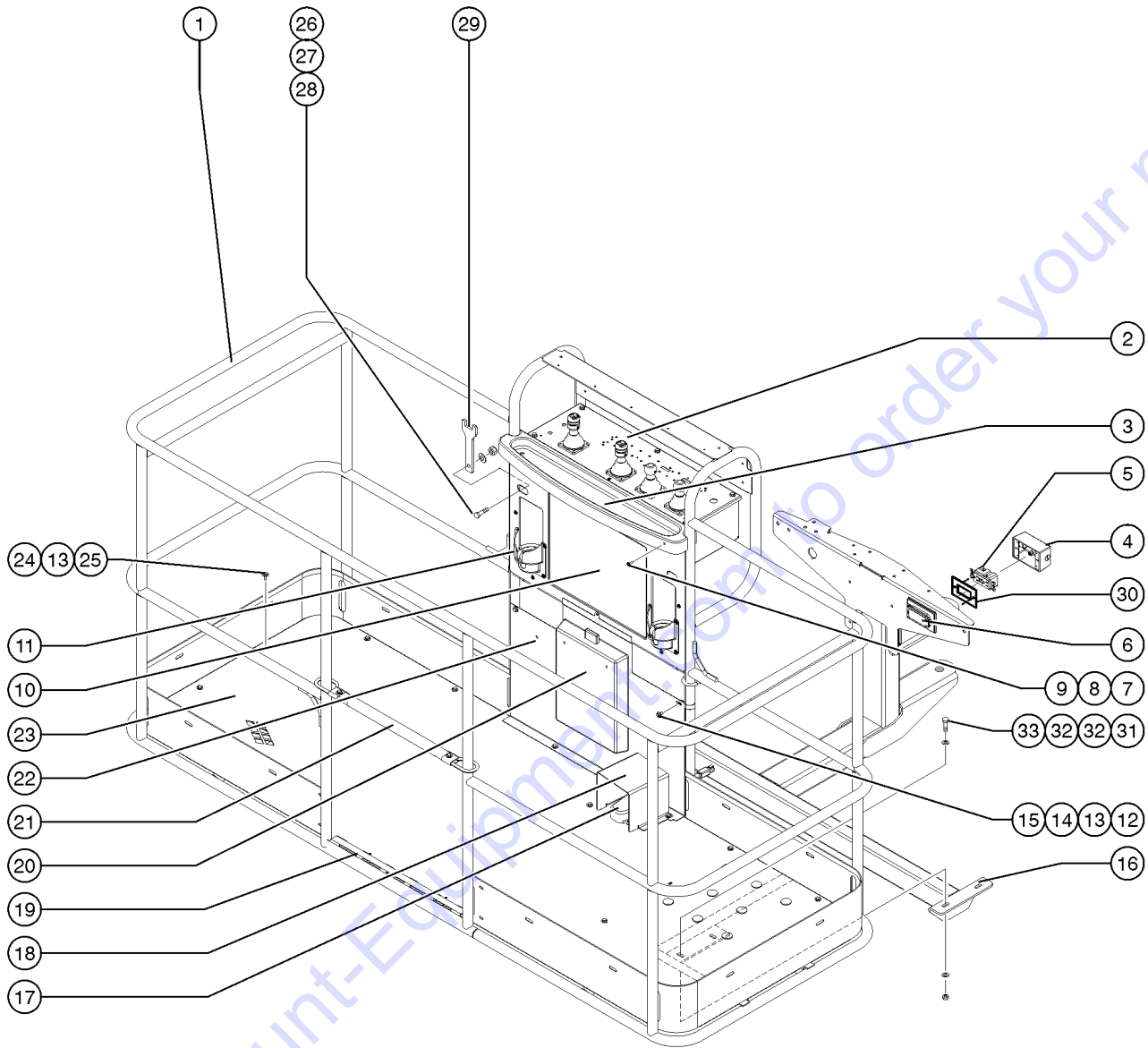
Florida: **561-964-4949** Outside Florida TOLL FREE: **877-690-3101**

**Need parts?**

Click on this link: <http://www.discount-equipment.com/category/5443-parts/> and choose one of the options to help get the right parts and equipment you are looking for. Please have the machine model and serial number available in order to help us get you the correct parts. If you don't find the part on the website or on one of the online manuals, please fill out the request form and one of our experienced staff members will get back to you with a quote for the right part that your machine needs.

We sell worldwide for the brands: Genie, Terex, JLG, MultiQuip, Mikasa, Essick, Whiteman, Mayco, Toro Stone, Diamond Products, Generac Magnum, Airman, Haulotte, Barreto, Power Blanket, Nifty Lift, Atlas Copco, Chicago Pneumatic, Allmand, Miller Curber, Skyjack, Lull, Skytrak, Tsurumi, Husquvarna Target, Stow, Wacker, Sakai, Mi-T-M, Sullair, Basic, Dynapac, MBW, Weber, Bartell, Bennar Newman, Haulotte, Ditch Runner, Menegotti, Morrison, Contec, Buddy, Crown, Edco, Wyco, Bomag, Laymor, EZ Trench, Bil-Jax, F.S. Curtis, Gehl Pavers, Heli, Honda, ICS/PowerGrit, IHI, Partner, Imer, Clipper, MMD, Koshin, Rice, CH&E, General Equipment, Amida, Coleman, NAC, Gradall, Square Shooter, Kent, Stanley, Tamco, Toku, Hatz, Kohler, Robin, Wisconsin, Northrock, Oztec, Toker TK, Rol-Air, APT, Wylie, Ingersoll Rand / Doosan, Innovatech, Con X, Ammann, Mecalac, Makinex, Smith Surface Prep, Small Line, Wanco, Yanmar

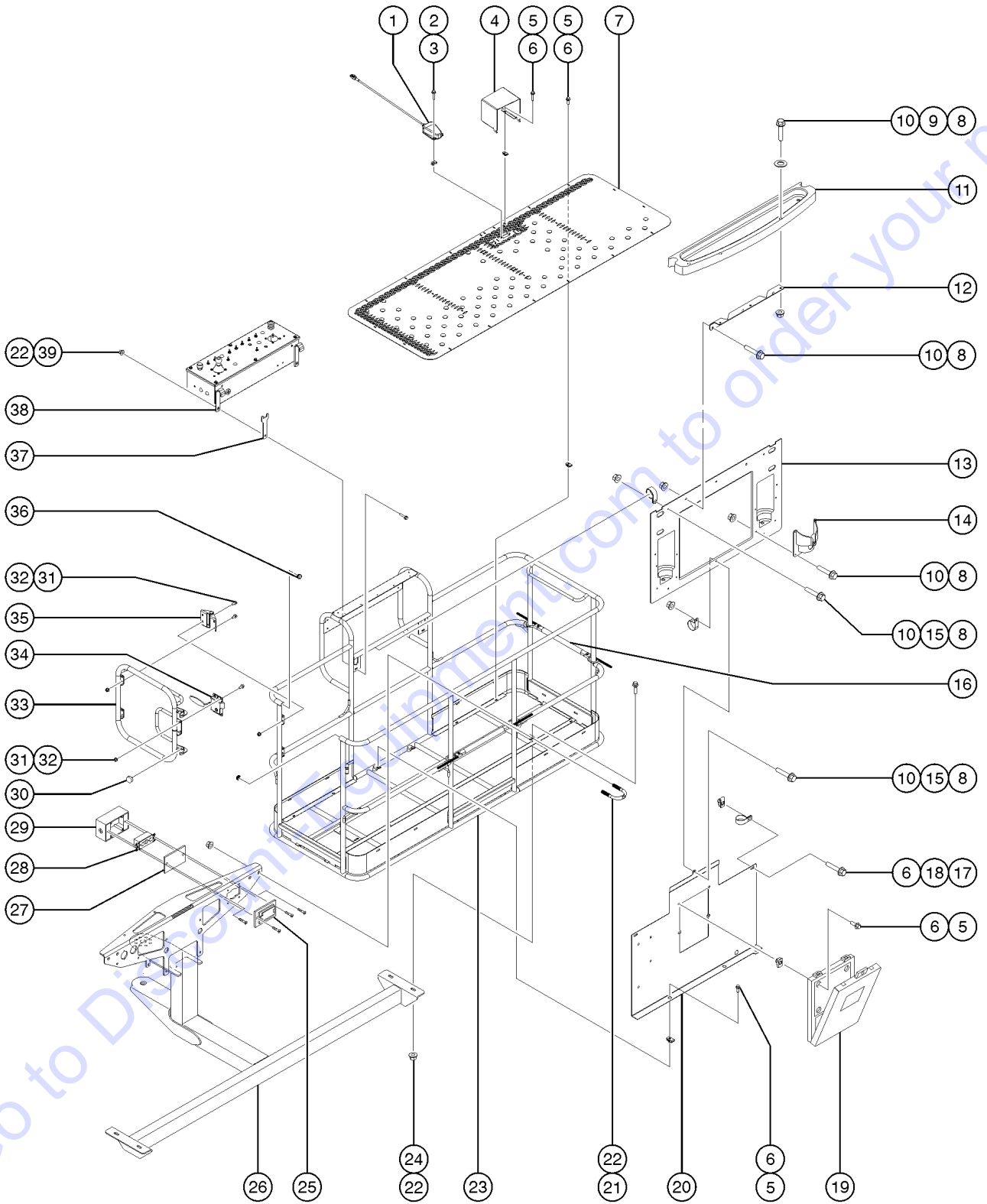
602.1 Platform Configurations (to SN 2888)



602.1 Platform Configurations (to SN 2888)

Item	Part No.	Description	Qty.	Item	Part No.	Description	Qty.
--	107779GT	PLATFORM ASSY COMP,6FT ANSI <i>Platform Assemblies with Word Decals; USA and Canada</i>		--	107795GT	DECAL PLATE W/SYMBOL DECALS <i>Europe, Asia, South America</i>	
--	107780GT	PLATFORM ASSY COMP,8FT,ANSI <i>Platform Assemblies with Word Decals; USA and Canada</i>		11	60474GT	CUP HOLDER,PLASTIC.....	2
--	107783GT	PLATFM ASSY COMP,6FT,AUSTRALIA <i>Platform Assemblies with Word Decals; Australia</i>		12	8914GT	SCREW,HHC,1/4-20 X .625	
--	107784GT	PLATFM ASSY COMP,8FT,AUSTRALIA <i>Platform Assemblies with Word Decals; Australia</i>		13	6638GT	WASHER,FLAT,USS,1/4"Y	
--	107781GT	PLATFORM ASSY COMP,6FT, CE/UK <i>Assemblies with Symbol Decals; Europe</i>		14	56424GT	CLAMP,1.25X.5 RUBBER-CUSHION....	6
--	107782GT	PLATFORM ASSY COMP,8FT,CE/UK <i>Assemblies with Symbol Decals; Europe</i>		15	6091GT	NUT,NYLOCK,1/4-20	
--	107785GT	PLATFM ASSY COMP,6FT,ASIA/S.AM <i>Asia and South America</i>		16		Ref. Platform Support <i>(Refer to 601.1)</i>	
--	107786GT	PLATFM ASSY COMP,8FT,ASIA/S.AM <i>Asia and South America</i>		17	227515GT	ASSEMBLY,FOOT SWITCH	
1	107771GT	PLATFORM RAIL ASSY, 6FT ANSI.....1 <i>USA and Canada</i>		--	33576GT	CONN,SQZ,BLK,1/2NPT,.38-.50,SM	
--	107772GT	PLATFORM RAIL ASSY, 8FT ANSI <i>USA and Canada</i>		--	147221GT	GUARD,FOOTSWITCH,W/DECAL ALUM <i>USA, Canada, Australia</i>	
--	107773GT	PLATFORM RAIL ASSY, 6FT CE/UK.....1 <i>Europe</i>		--	147121GT	COVER, FOOT SWITCH, LARGE <i>Europe, Asia, South America</i>	
--	107774GT	PLATFORM RAIL ASSY, 8FT CE/UK <i>Europe</i>		19	73610PGT	STEP PLATFORM ENTRY PAINTED***.....	1
--	107775GT	PLAT RAIL ASSY, 6FT AUSTRALIA.....1 <i>Australia</i>		20A	44743GT	MANUAL BOX W/DECALS***.....1 <i>USA/Canada/Australia</i>	
--	107776GT	PLAT RAIL ASSY, 8FT AUSTRALIA <i>Australia</i>		20B	24514GT	BOX,INSTRUCTION STORAGE <i>Europe/Asia/South America (decals required; refer to Section100)</i>	
--	107777GT	PLAT RAIL ASSY, 6FT ASIA/S.AM.....1 <i>Asia and South America</i>		21	102992GT	SLIDING MIDRAIL KIT,PTD.....	1
--	107778GT	PLAT RAIL ASSY, 8FT ASIA/S.AM <i>Asia and South America</i>		22	107796GT	MANUAL BOX MOUNT W/WORD DECALS.....	1
2		Ref. Platform Control Box <i>(Refer to 603.1 or 604.1)</i>		23	73477PGT	FLOORING, 6'FT PLATFORM.....	1
3	60476GT	TOOL HOLDER,PLASTIC.....	1	--	73478PGT	FLOORING,8 FT PLATFORM**	
--	60475GT	GUSSET,TOOL HOLDER,PLASTIC		24	6090GT	SCREW,HHC,1/4-20 X .75	
4	10775GT	T-BOX,2.75 X 4.5 X 2.0.....	1	25	56912GT	SPRING CLIP,1/4-20,.025-.15X.54,ZAG	
5	13585GT	OUTLET, 110V.....	1	26	8915GT	SCREW,HHC,1/4-20 X 1.25	
6	45437GT	COVER,GFCI,WEATHERPROOF.....1 <i>USA/Canada</i>		27	6097GT	WASHER,FLAT,USS,3/8",Y	
6	10777GT	COVER,BLANK <i>Europe</i>		28	4828GT	NUT,NYLOCK,3/8-16	
7	49816GT	SCREW,PHILLIPS,PHM,10-32 X .75		29	107860GT	PLATE,PLAT.CONTROL BOX SPACER.....	2
8	6146GT	WASHER,FLAT,MS,#10,Y		30	74052GT	GASKET,COVER,GFCI,WEATHERPROOF.1	
9	6178GT	NUT,NYLOCK,10-32		31	6019GT	SCREW,HHC,3/8-16 X 1.25 GRD 5	
10	107794GT	DECAL PLATE W/WORD DECALS.....1 <i>USA, Canada, Australia</i>		32	5397GT	WASHER,FLAT,USS,5/16",Y	
				33	4828GT	NUT,NYLOCK,3/8-16	

602.2 Platform Configurations (from SN 2889)

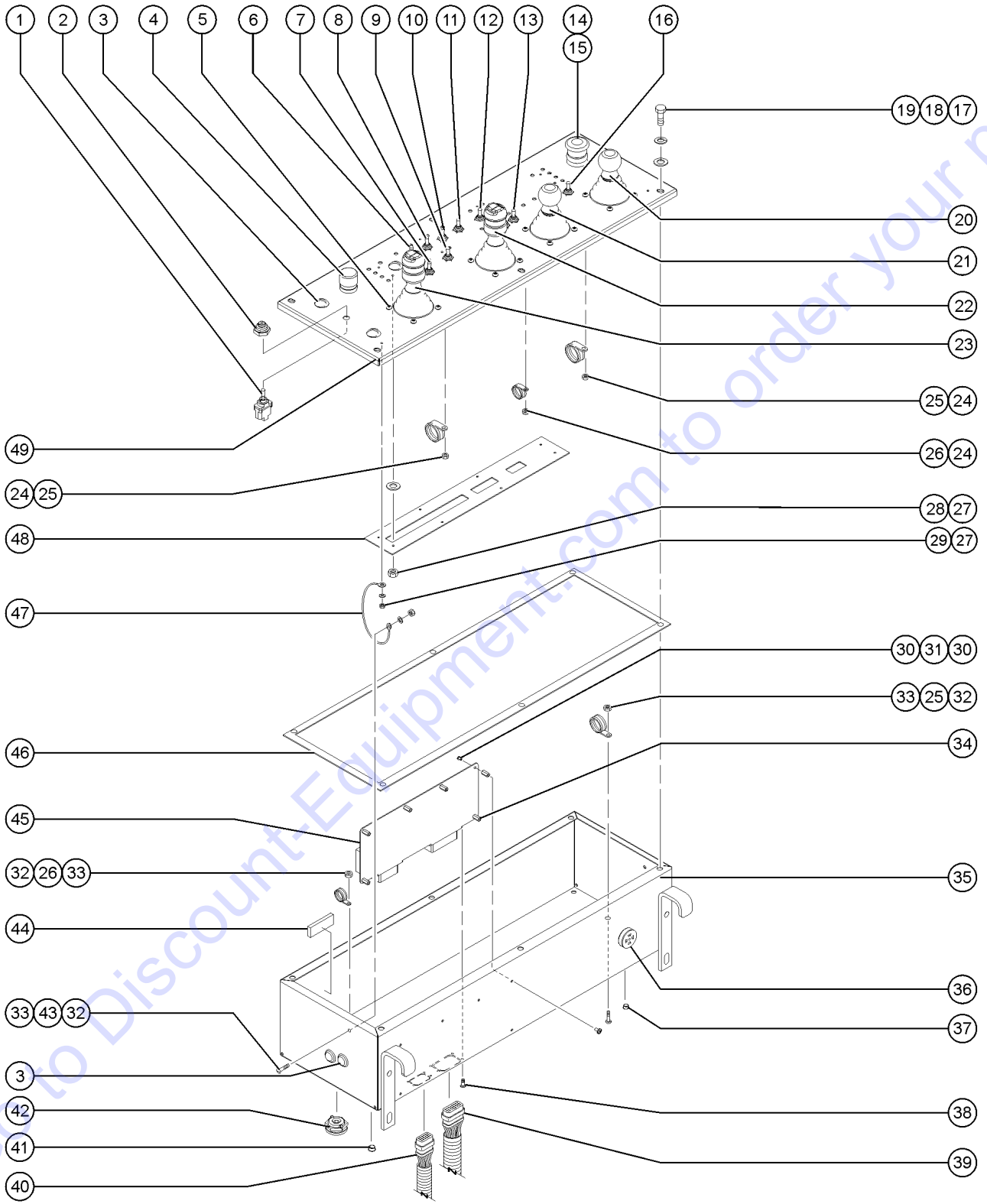




## 602.2 Platform Configurations (from SN 2889)

Item	Part No.	Description	Qty.	Item	Part No.	Description	Qty.
A	1272306GT	ASSY,8FT PLAT TRI XL,BLANK W/SIDE SWING GATE <i>Warning tape &amp; decals not included, refer to section 100 Decals</i>		26		Ref. Platform Support <i>(Refer to 601.1)</i>	
B	1272305GT	ASSY,6FT PLAT DUAL XL,BLANK W/SIDE SWING GATE <i>Warning tape &amp; decals not included, refer to section 100 Decals</i>		27	74052GT	GASKET,COVER,GFCI,WEATHERPROOF.1	
1	227515GT	ASSEMBLY,FOOT SWITCH.....1		28	13585GT	OUTLET, 110V.....1	
2	1269641GT	SCREW,HHF-S,10-24X1,5,ZAG.....2		29	10775GT	T-BOX,2.75 X 4.5 X 2.0.....1	
3	73575GT	SPRING CLIP,10-24,.025-.125X.468,ZAG.....2		30	43392GT	BUMPER,BATTERY BOX & RAILS.....2	
4	147121GT	COVER, FOOT SWITCH, LARGE.....1		31	824027GT	NUT,TL FLG,1/4-20,G,ZAG.....12	
5	824078GT	SCREW,HHF,1/4-20X.75,8,ZAG.....27		32	1256855GT	SCREW,HHF,1/4-20X.625,8,ZAG.....12	
6	56912GT	SPRING CLIP,1/4-20,.025-.15X.54,ZAG.....29		33	1272307GT	ASSY,SIDE SWING GATE <i>Complete side swing gate assembly (includes items 30-35)</i>	
7A	73478GT	FLOORING, 8 FT PLATFORM***.....1 <i>for 8' platform</i>		--	1265397GT	WELDMENT, SWING GATE.....1	
7B	1267746GT	FLOORING, 6FT PLAT,SIDE.....1 <i>for 6' platform</i>		34	1267747GT	LATCH, SWING GATE.....1	
8	1262031GT	SCREW,HHF,10-24X.75,ZAG.....20		35	104804GT	HINGE, SPRING, LONG LEG.....2	
9	1253185GT	WASHER,FLAT,#10,USS,ZAG.....2		36	55753GT	BUMPER, PLASTIC, 1.25 O.D.....2	
10	1256467GT	NUT,TL FLG,10-24,F,ZAG.....20		37	107860GT	PLATE,PLAT.CONTROL BOX SPACER.....2	
11	60476GT	TOOL HOLDER,PLASTIC.....1		38		REF. PLATFORM CONTROL BOX ASSEMBLY.....1 <i>(refer to 603.1)</i>	
12	60475GT	GUSSET,TOOL HOLDER,PLASTIC.....1		39	824092GT	SCREW,HHF,3/8-16X1.5,8,ZAG.....2	
13	60477GT	PLATE,DECAL,PLASTIC.....1					
14	60474GT	CUP HOLDER,PLASTIC.....2					
15	60478GT	CLAMP,1.25"DIA NON-CUSHIONED....7					
16A	102992GT	SLIDING MIDRAIL KIT,PTD.....2 <i>for 8' platform</i>					
16B	102992GT	SLIDING MIDRAIL KIT,PTD.....1 <i>for 6' platform</i>					
17	824079GT	SCREW,HHF,1/4-20X1,8,ZAG.....2					
18	56424GT	CLAMP,1.25X.5 RUBBER-CUSHION....2					
19	24514GT	BOX,INSTRUCTION STORAGE.....1					
20	75537PGT	PLATE,DOCUMENT BOX MOUNT,PAINT.....1					
21	1251600GT	U-BOLT, FLATTENED, 1.5 X 3/8 UNC,ZAG.....2					
22	824029GT	NUT,TL FLG,3/8-16,G,ZAG.....10					
23A	1274859GT	ASSY,8' PLAT WELDMENT W/SIDE GATE <i>for 8' platform (includes item 16A) (order floor separately)</i>					
23B	1274858GT	ASSY,6' PLAT WELDMENT W/SIDE GATE <i>for 6' platform (includes item 16B)</i>					
24	824091GT	SCREW,HHF,3/8-16X1.25,8,ZAG.....4					
25A	10777GT	COVER,BLANK.....1 <i>Europe</i>					
25B	45437GT	COVER,GFCI,WEATHERPROOF.....1 <i>USA/Canada</i>					

603.1 Platform Controls





## 603.1 Platform Controls

Item	Part No.	Description	Qty.	Item	Part No.	Description	Qty.
--	220212GT	ASSY,PCON BOX, SUPER X Z135 (complete) Including all items from 1 - 38 and 41- 49. Contact the Discount- equipment to order according to your model, serial number, and software revision (to SN ZX13516H-2789)		19	6638GT	WASHER,FLAT,USS,1/4"Y	
--	1268780GT	ASSY, PCON BOX, ZX135 TIER 3 (complete) Contact the Discount- equipment to order according to your model, serial number, and software revision (Tier 3 from SN ZX13516H-2790)		20	101174GT	JOYSTICK,2 AXIS,DEUTSCH.....1 Steer/Propel Joystick. OEM joystick (calibration required after replacement). Refer to 604.1	1
--	1268781GT	ASSY, PCON BOX, ZX135 TIER 4 (complete) Contact the Discount- equipment to order according to your model, serial number, and software revision (Tier 4 from SN ZX13516H-2790)		--	101174HGT	JOYSTICK,DUAL AXIS W/KNOB Aftermarket joystick (calibration required after replacement)	
--	119613GT	HARN JOYSTICK ADAPTOR JS100 6-pin to 7-pin adapter (for 101174, 101175, 101005)		21	101175GT	JOYSTICK,1 AXIS,DEUTSCH.....1 Secondary Up/Extend and Retract/Down. OEM joystick (calibration required after replacement). Refer to 604.1	1
1	128200GT	SWITCH TOGGLE ASSY SPDT 3P MOM Platform Rotate Toggle Switch		--	101175HGT	JOYSTICK,SINGLE AXIS W/KNOB Aftermarket joystick (calibration required after replacement)	
2	27246GT	BOOT,TOGGLE SWITCH,SHORT*.....1 Part of toggle switch 128200	1	22	101173GT	JOYSTICK,2 AXIS,ROCKER,DEUTSCH.....1 Jib Up/Down, Platform Rotate and Jib Extend/Retract. OEM joystick (calibration required after replacement). Refer to 604.1	1
3	229567GT	PLUG,SANTOPRENE .5 BLACK DOME.....5	5	--	101173HGT	JOYSTICK,DUAL AXIS W/STEER Aftermarket joystick (calibration required after replacement)	
4	66813GT	BUTTON,PUSH,BLACK W/SEAL***.....1	1	23	101173GT	JOYSTICK,2 AXIS,ROCKER,DEUTSCH.....1 Primary Boom Up/Down, Turntable Rotate and Primary Extend/Retract. OEM joystick (calibration required after replacement). Refer to 604.1	1
--	66815GT	BASE, W/1 N.O. CONTACTS***		--	101173HGT	JOYSTICK,DUAL AXIS W/STEER Aftermarket joystick (calibration required after replacement)	
5	139338GT	SCREW PH M5-0.8X20 DIN 7500CE....16	16	24	104030GT	NUT HEX M5-0.8 CLASS 8 ZINC.....4	4
6	128200GT	SWITCH TOGGLE ASSY SPDT 3P MOM Generator ON/OFF Toggle Switch		25	13268GT	CLAMP,0.75,#12 X 1/4,RUB CUSH.....3	3
7	128200GT	SWITCH TOGGLE ASSY SPDT 3P MOM Drive Enable Toggle Switch		26	6833GT	CLAMP,0.50,#8 X 1/4,RUB CUSH.....2	2
8	128200GT	SWITCH TOGGLE ASSY SPDT 3P MOM Auxiliary Power Toggle Switch		27	12344GT	NUT,NYLOCK,6-32	
9	128200GT	SWITCH TOGGLE ASSY SPDT 3P MOM Axle Extend/Retract Toggle Switch		28	822224GT	WASHER, NYLON #10, 0.093	
10	128200GT	SWITCH TOGGLE ASSY SPDT 3P MOM Start Assist (Glow Plug) Toggle Switch		29	35461GT	WASHER,FLAT,MS,#8,Y	
11	128200GT	SWITCH TOGGLE ASSY SPDT 3P MOM Engine Start Toggle Switch		30	81551GT	SCREW,PHIL,PHM,6-32 X 1/4 SS	
12	128200GT	SWITCH TOGGLE ASSY SPDT 3P MOM Hi/Low RPM Toggle Switch		31	110229GT	STANDOFF,6-32X1/2LX1/4 HEX NYL.....4 (Top row)	4
13	128200GT	SWITCH TOGGLE ASSY SPDT 3P MOM Drive Speed Toggle Switch		32	6178GT	NUT,NYLOCK,10-32	
14	66812GT	BUTTON,PUSH,RED MUSHROOM HEAD.....1	1	33	54365GT	SCREW,PHIL,PHM,10-32 X .5,SSTL	
--	66817GT	BASE WITH 1 NC CONTACT, E-STOP		34	88287GT	STANDOFF,6-32 X 1/2L X 1/4 HEX.....2	2
15	146478GT	BOOT(BELLOWS),E-STOP,BLACK.....1	1	35	822477GT	WELDMENT, PLATFORM CONTROL BOX (Empty control box only)	
16	128200GT	SWITCH TOGGLE ASSY SPDT 3P MOM Steer Mode Toggle Switch		36	62379GT	ALARM,AUDIO,SUPERBOOM*** Includes plastic ring part 72326	
17	6090GT	SCREW,HHC,1/4-20 X .75		--	72326GT	NUT - PLASTIC,RING FOR ALARMS	
18	6356GT	WASHER,LOCK,.25		37	42288GT	PLUG,NYLON .188 BLACK DOMED.....1	1
				38	122351GT	SCREW,#4X1/4,HI-LO,PH PHIL,TAP.....8	8

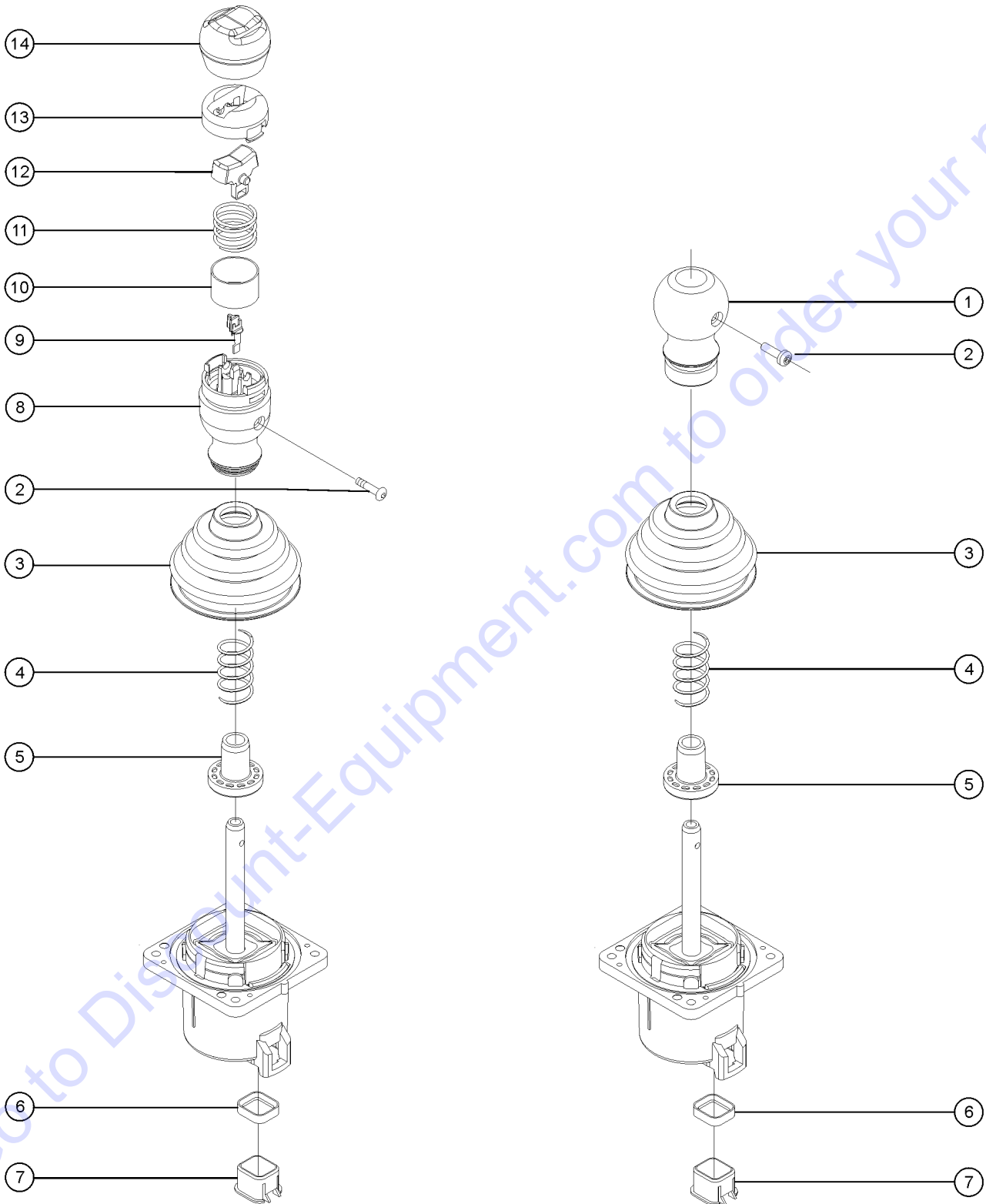
603.1 Platform Controls  
(continued)

Item	Part No.	Description	Qty.
39	94963GT	HARNESS,PLAT J2	
40	94962GT	HARNESS,JIB COMPOSITE	
41	21858GT	PLUG,NYLON .38 BLACK DOMED	
42	106495GT	PLUG,1/2" HUBBLE.....	1
43	6146GT	WASHER,FLAT,MS,#10,Y	
44	30997GT	CORROSION INHIBITOR,FOAM.....	1
45	217801GT	PCB, ECM, ALC1000 Z135/SPX PLA..... <i>To order provide model, serial number and software revision</i>	1
46	81488GT	GASKET,PLATFORM CONTROL BOX....	1
47	77351GT	LANYARD,PLATFORM CONTROL BOX.....	2
48	232975GT	PCB, LED/TOGGLE SWITCH, ALC100...	1
49	236710GT	LID, PLAT BOX, 4 JOYSTICK, SX <i>(Excluding all items from 1 to 48)</i>	

***This Page Intentionally Left Blank***

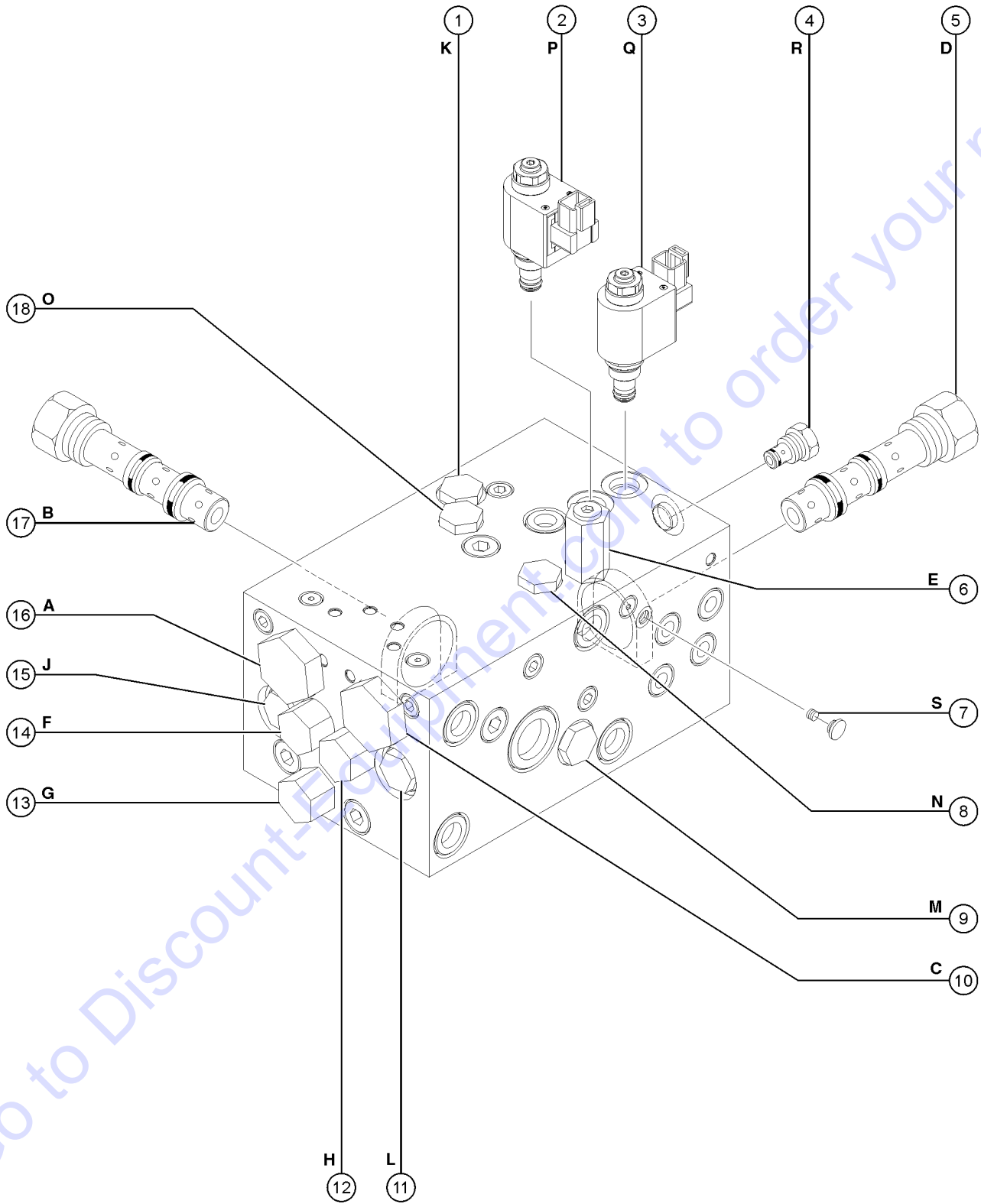
Go to [Discount-Equipment.com](http://Discount-Equipment.com) to order your parts

604.1 Joysticks



Item	Part No.	Description	Qty.
--	101173GT	JOYSTICK,2 AXIS,ROCKER,DEUTSCH <i>(Calibration required after replacement), OEM joystick</i>	
--	101173HGT	JOYSTICK,DUAL AXIS W/STEER <i>(Calibration required after replacement), aftermarket joystick</i>	
--	101174GT	JOYSTICK,2 AXIS,DEUTSCH <i>(Calibration required after replacement), OEM joystick</i>	
--	101174HGT	JOYSTICK,DUAL AXIS W/KNOB <i>(Calibration required after replacement), aftermarket joystick</i>	
--	101175GT	JOYSTICK,1 AXIS,DEUTSCH <i>(Calibration required after replacement), OEM joystick</i>	
--	101175HGT	JOYSTICK,SINGLE AXIS W/KNOB <i>(Calibration required after replacement), aftermarket joystick</i>	
--	101005GT	JOYSTICK,1 AXIS ROCKER,DEUTSCH <i>(Calibration required after replacement), OEM joystick</i>	
--	101005HGT	JOYSTICK,SINGLE AXIS W/STEER <i>(Calibration required after replacement), aftermarket joystick</i>	
--	119613GT	HARN JOYSTICK ADAPTOR JS100 <i>6-pin to 7-pin adapter (for 101174, 101175, 101005)</i>	
--	83098GT	TERM,AMP MTE,SOC,22-26 GA BULK	
Z	1269502GT	KIT, ISOLATION, 4 JOYSTICK	
1	62392GT	KNOB,JOYSTICK, 62390/62391.....	1
2	T112626GT	SCREW, PHM, #6-32 X .625 ZINC.....	1
3	139598GT	BOOT,JOYSTICK.....	1
4		SPRING,JOYSTK CENTR,62390/91..... <i>no longer available from supplier</i>	1
5	119915GT	COLLAR,JOYSTICK,CENTER.....	1
6	128000GT	SEAL, CONNECTOR (DT JOYSTICKS).....	1
7	128001GT	SLEEVE,CONNECTOR,DT JOYSTICKS.....	1
8	75449GT	KNOB,ROCKER JOYSTICK 75565.....	1
9	75448GT	SUPPORT,SENSOR,JOYSTICK.....	1
10	75447GT	SWITCH SHIELD,ROCK JOYSTK75565.....	1
11	75446GT	SPRING,SWITCH CENTERING,75565...1	
12	75445GT	ROCKER ASSY.,MAGNETIC 75565.....	1
13	75444GT	ROCKER,RETAINER, 75565.....	1
14	75443GT	BOOT, ROCKER JOYSTICK 75565.....	1

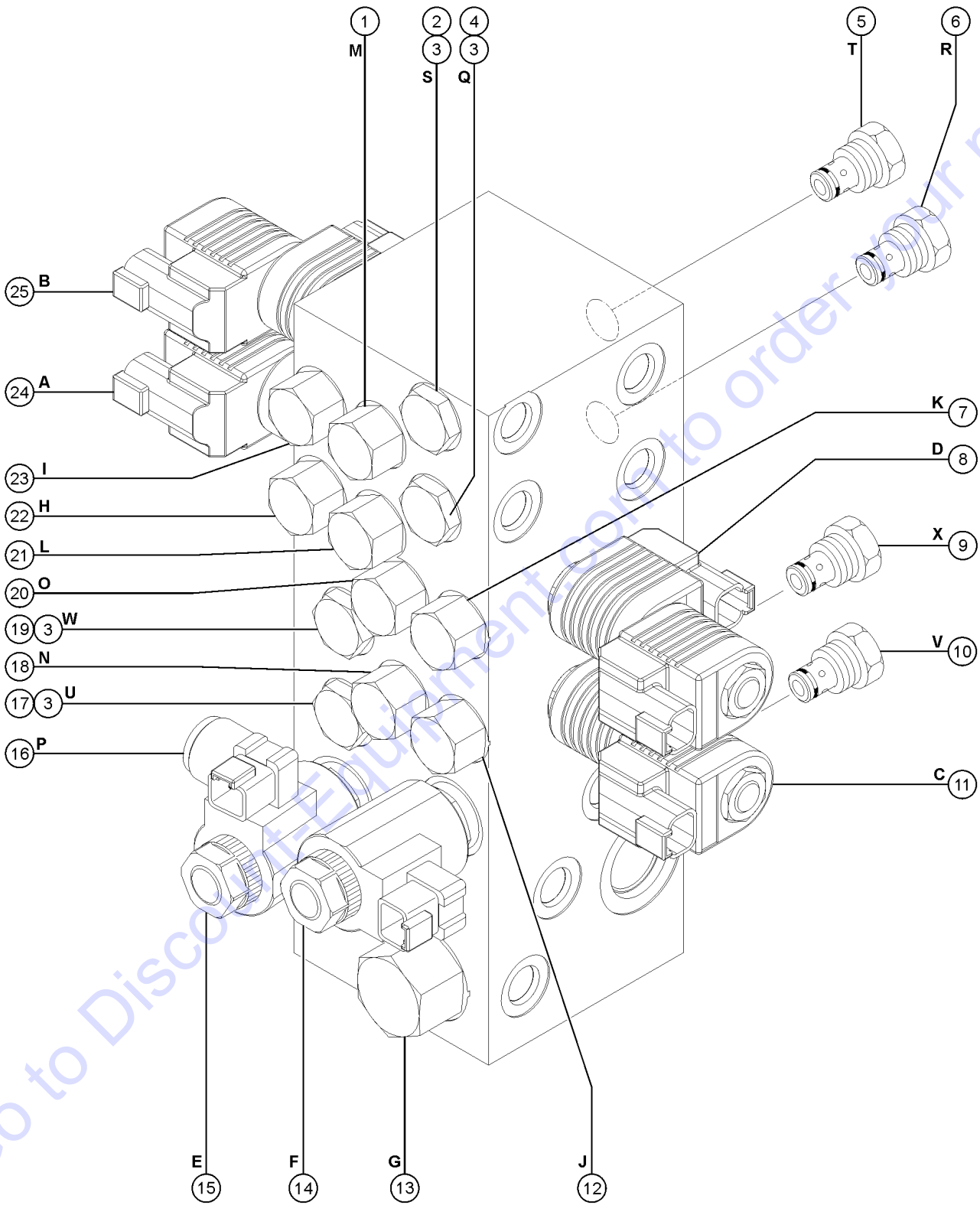
701.1 Traction Manifold



## 701.1 Traction Manifold

Item	Part No.	Description	Qty.	Item	Part No.	Description	Qty.
--	217503GT	TRACTION MANIFOLD		14	161536GT	VALVE, FLOW REGULATOR 4 GPM <i>F, Equalizes pressure on both sides of flow divider/combiner (A)</i>	
1	27836GT	VALVE,CHECK,5 PSI <i>K, Drive motor anti-cavitation</i>		--	89310GT	SEAL KIT, SOLENOID VALVE	
--	110194GT	SEAL KIT, VALVE, #10		15	231037GT	CHECK VALVE,BALL TYPE,NORMAL <i>J, Drive motor anti-cavitation</i>	
2	161534GT	VALVE, SOLENOID, 2POS 3WAY <i>P, 2 speed drive motor shift (includes valve and coil)</i>		--	74902GT	SEAL KIT	
--	122148GT	COIL,SOLENOID VALVE,20W <i>Coil only</i>		16	107729GT	VALVE, FLOW DIVIDER/COMBINER <i>A, Controls flow to circle end. Drive motors in forw. and rev.</i>	
--	237236GT	SEAL KIT,VALVE		--	84135GT	SEAL KIT, VALVE	
3	161534GT	VALVE, SOLENOID, 2POS 3WAY <i>Q, Brake Release (includes valve and coil)</i>		17	161535GT	VALVE, FLOW DIVIDER/COMBINER <i>B, Controls flow to flow divider / combiner valve</i>	
--	122148GT	COIL,SOLENOID VALVE,20W <i>Coil only</i>		--	84135GT	SEAL KIT, VALVE	
--	237236GT	SEAL KIT,VALVE		18	231037GT	CHECK VALVE,BALL TYPE,NORMAL <i>O, Drive motor anti-cavitation</i>	
4	231037GT	CHECK VALVE,BALL TYPE,NORMAL <i>R, Brake circuit</i>		--	74902GT	SEAL KIT	
--	74902GT	SEAL KIT					
5	27761GT	VALVE,SHUTTLE <i>D, Hot oil shuttle (charge pressure)</i>					
--	84134GT	SEAL KIT, VALVE					
6	62253GT	VALVE,RELIEF,250 PSI <i>E, Charge pressure circute</i>					
--	74902GT	SEAL KIT					
7	102496GT	ORIFICE,PLUG 0.030 <i>S, Brake release and 2 - speed motor shift circute</i>					
8	231037GT	CHECK VALVE,BALL TYPE,NORMAL <i>N, Drive motor anti-cavitation</i>					
--	74902GT	SEAL KIT					
9	27836GT	VALVE,CHECK,5 PSI <i>M, Drive motor anti-cavitation</i>					
--	110194GT	SEAL KIT, VALVE, #10					
10	62252GT	VALVE, FLOW DIVIDER COMBINER <i>C, Controls flow to square end. Drive motors in forw. and rev.</i>					
--	84135GT	SEAL KIT, VALVE					
11	231037GT	CHECK VALVE,BALL TYPE,NORMAL <i>L, Drive motor anti-cavitation</i>					
--	74902GT	SEAL KIT					
12	52723GT	VALVE-FLOW REGULATOR 2 GPM <i>H, Equalizes pressure on both sides of flow divider/combiner (C)</i>					
--	84133GT	SEAL KIT, VALVE 84131					
13	161537GT	VALVE, FLOW REGULATOR 2.2 GPM <i>G, Equalizes pressure on both sides of flow divider/combiner (B)</i>					
--	89310GT	SEAL KIT, SOLENOID VALVE					

702.1 Steer/Axle Manifold (to SN 3228)

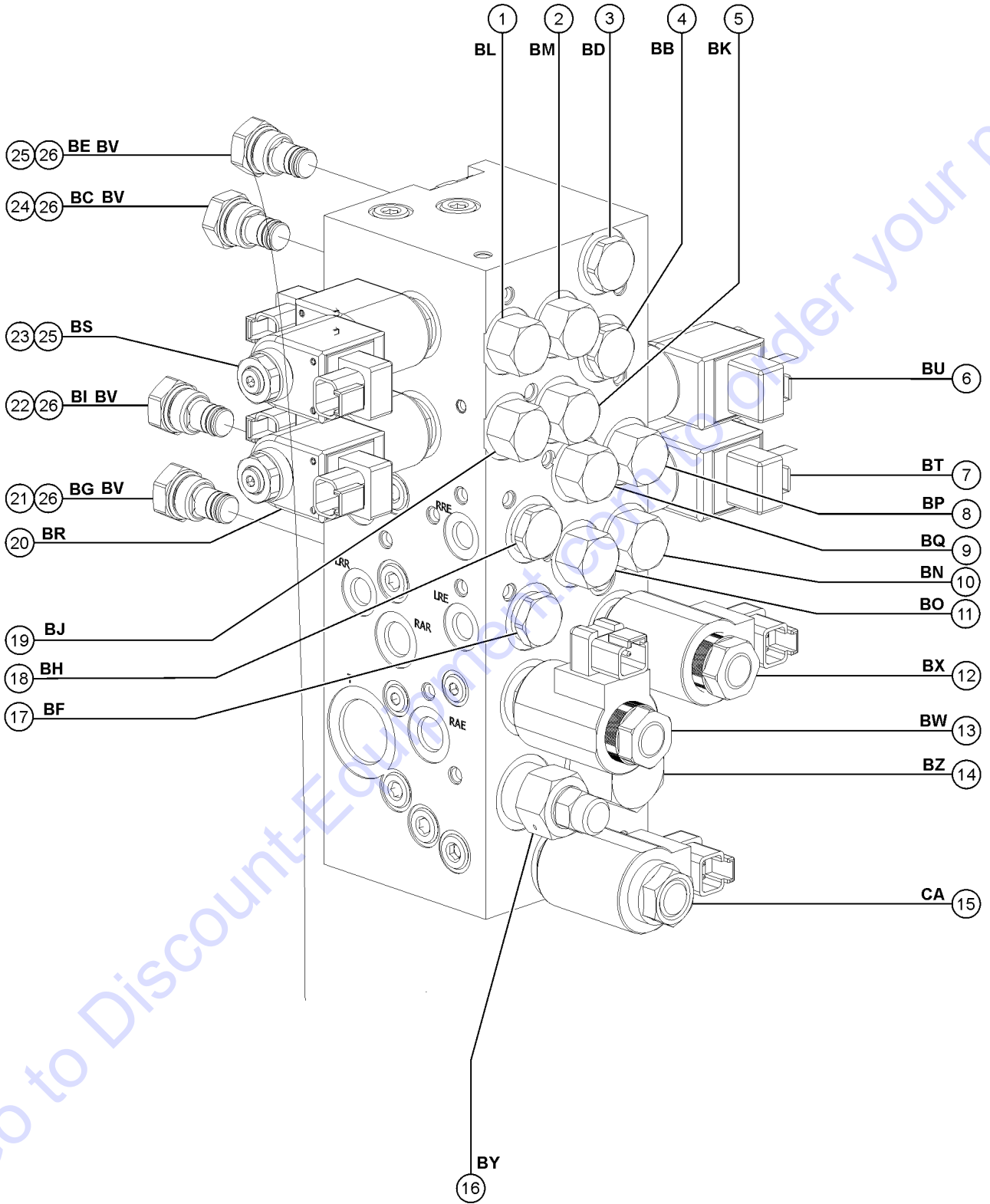




## 702.1 Steer/Axle Manifold (to SN 3228)

Item	Part No.	Description	Qty.	Item	Part No.	Description	Qty.
--	218142GT	MANIFOLD,STEER/AXLE,ZX/SX (complete)		--	110195GT	SEAL KIT, VALVE, #12	
1	107731GT	VALVE, FLOW CONTROL 1.5GPM.....1 M, Right front steer cylinder retract circuit	1	14	107745GT	VALVE,SOLENOID 2 POS 3 WAY.....1 F, Axle retract	1
--	74902GT	SEAL KIT		--	89310GT	SEAL KIT, SOLENOID VALVE	
2	161538GT	VALVE, CHECK, 65 PSI.....1 S, Prevents right front steer cylinder from moving when not steering	1	--	119112GT	COIL,12V, DEUTSCH	
--	74902GT	SEAL KIT		--	119116GT	NUT,COIL (107745)	
3	107733GT	PISTON, PILOT OPERATED CHECK.....4 (not shown)	4	15	107745GT	VALVE,SOLENOID 2 POS 3 WAY.....1 E, Axle extend	1
4	161538GT	VALVE, CHECK, 65 PSI.....1 Q, Prevents left front steer cylinder from moving when not steering	1	--	89310GT	SEAL KIT, SOLENOID VALVE	
--	74902GT	SEAL KIT		--	119112GT	COIL,12V, DEUTSCH	
5	161538GT	VALVE, CHECK, 65 PSI.....1 T, Prevents right front steer cylinder from moving when not steering	1	--	119116GT	NUT,COIL (107745)	
--	74902GT	SEAL KIT		16	161539GT	VALVE, PRESS REDUCING, 2400PSI....1 P, Axle extend/retract circuit	1
6	161538GT	VALVE, CHECK, 65 PSI.....1 R, Prevents left front steer cylinder from moving when not steering	1	--	161923GT	SEAL KIT, VALVE	
--	74902GT	SEAL KIT		17	161538GT	VALVE, CHECK, 65 PSI.....1 U, Prevents left rear steer cylinder from moving when not steering	1
7	107734GT	VALVE, FLOW CONTROL 2.1GPM.....1 K, Right rear steer cylinder extend circuit	1	--	74902GT	SEAL KIT	
--	74902GT	SEAL KIT		18	107731GT	VALVE, FLOW CONTROL 1.5GPM.....1 N, Left rear steer cylinder retract circuit	1
8	122121GT	SOLENOID VALVE.....1 D, Steer left/right, right rear steer cylinder	1	--	74902GT	SEAL KIT	
--	122120GT	SEAL KIT,SOLENOID VALVE		19	161538GT	VALVE, CHECK, 65 PSI.....1 W, Prevents right rear steer cylinder from moving when not steering	1
--	122148GT	COIL,SOLENOID VALVE,20W		--	74902GT	SEAL KIT	
--	52943GT	NUT,SOLENOID VALVE COIL		20	107731GT	VALVE, FLOW CONTROL 1.5GPM.....1 O, Right rear steer cylinder retract circuit	1
9	161538GT	VALVE, CHECK, 65 PSI.....1 X, Prevents right rear steer cylinder from moving when not steering	1	--	74902GT	SEAL KIT	
--	74902GT	SEAL KIT		21	107731GT	VALVE, FLOW CONTROL 1.5GPM.....1 L, Left front steer cylinder retract circuit	1
10	161538GT	VALVE, CHECK, 65 PSI.....1 V, Prevents left rear steer cylinder from moving when not steering	1	--	74902GT	SEAL KIT	
--	74902GT	SEAL KIT		22	107734GT	VALVE, FLOW CONTROL 2.1GPM.....1 H, Left front steer cylinder extend circuit	1
11	122121GT	SOLENOID VALVE.....1 C, Steer left/right, left rear steer cylinder	1	--	74902GT	SEAL KIT	
--	122120GT	SEAL KIT,SOLENOID VALVE		23	107734GT	VALVE, FLOW CONTROL 2.1GPM.....1 I, Right front steer cylinder extend circuit	1
--	122148GT	COIL,SOLENOID VALVE,20W		--	74902GT	SEAL KIT	
--	52943GT	NUT,SOLENOID VALVE COIL		24	122121GT	SOLENOID VALVE.....1 A, Steer left/right, left front steer cylinder	1
12	107734GT	VALVE, FLOW CONTROL 2.1GPM.....1 J, Left rear steer cylinder extend circuit	1	--	122120GT	SEAL KIT,SOLENOID VALVE	
--	74902GT	SEAL KIT		--	122148GT	COIL,SOLENOID VALVE,20W	
13	1256314GT	VALVE,FLOW CONTROL,9.0GPM.....1 G, Axle extend/retract circuit	1	--	52943GT	NUT,SOLENOID VALVE COIL	
				25	122121GT	SOLENOID VALVE.....1 B, Steer left/right, right front steer cylinder	1
				--	122120GT	SEAL KIT,SOLENOID VALVE	
				--	122148GT	COIL,SOLENOID VALVE,20W	
				--	52943GT	NUT,SOLENOID VALVE COIL	

702.2 Steer/Axle Manifold (from SN 3229)



Go to Discount-Equipment.com to order your parts

## 702.2 Steer/Axle Manifold (from SN 3229)

Item	Part No.	Description	Qty.	Item	Part No.	Description	Qty.
--	1271347GT	MANIFOLD,STEER/AXLE,X CHASSIS (Complete)		--	89310GT	SEAL KIT, SOLENOID VALVE	
1	107734GT	VALVE, FLOW CONTROL 2.1GPM BL, Right front steer cylinder extend circuit		--	119112GT	COIL,12V, DEUTSCH	
--	74902GT	SEAL KIT		--	119116GT	NUT,COIL (107745)	
2	107731GT	VALVE, FLOW CONTROL 1.5GPM BM, Right front steer cylinder retract circuit		14	1256314GT	VALVE,FLOW CONTROL,9.0GPM BZ, Axle extend/retract circuit	
--	74902GT	SEAL KIT		--	110195GT	SEAL KIT, VALVE, #12	
3	161538GT	VALVE, CHECK, 65 PSI BD, Prevents right front steer cylinder from moving when not steering		15	1274833GT	VALVE,SOLENOID CA, Axle retract enable valve	
--	74902GT	SEAL KIT		--	1274870GT	SEAL KIT, VALVE	
4	161538GT	VALVE, CHECK, 65 PSI BB, Prevents left front steer cylinder from moving when not steering		--	119112GT	COIL,12V, DEUTSCH	
--	74902GT	SEAL KIT		--	119116GT	NUT,COIL (107745)	
5	107731GT	VALVE, FLOW CONTROL 1.5GPM BK, Left front steer cylinder retract circuit		16	161539GT	VALVE, PRESS REDUCING, 2400PSI BY, Axle extend/retract circuit	
--	74902GT	SEAL KIT		--	161923GT	SEAL KIT, VALVE	
6	122121GT	SOLENOID VALVE BU, Steer left/right, right rear steer cylinder		17	161538GT	VALVE, CHECK, 65 PSI BF, Prevents left rear steer cylinder from moving when not steering	
--	122120GT	SEAL KIT,SOLENOID VALVE		--	74902GT	SEAL KIT	
--	122148GT	COIL,SOLENOID VALVE,20W		18	161538GT	VALVE, CHECK, 65 PSI BH, Prevents right rear steer cylinder from moving when not steering	
--	52943GT	NUT,SOLENOID VALVE COIL		--	74902GT	SEAL KIT	
7	122121GT	SOLENOID VALVE BT, Steer left/right, left rear steer cylinder		19	107734GT	VALVE, FLOW CONTROL 2.1GPM BJ, Left front steer cylinder extend circuit	
--	122120GT	SEAL KIT,SOLENOID VALVE		--	74902GT	SEAL KIT	
--	122148GT	COIL,SOLENOID VALVE,20W		20	122121GT	SOLENOID VALVE BR, Steer left/right, left front steer cylinder	
--	52943GT	NUT,SOLENOID VALVE COIL		--	122120GT	SEAL KIT,SOLENOID VALVE	
8	107734GT	VALVE, FLOW CONTROL 2.1GPM BP, Right rear steer cylinder extend circuit		--	122148GT	COIL,SOLENOID VALVE,20W	
--	74902GT	SEAL KIT		--	52943GT	NUT,SOLENOID VALVE COIL	
9	107731GT	VALVE, FLOW CONTROL 1.5GPM BQ, Right rear steer cylinder retract circuit		21	161538GT	VALVE, CHECK, 65 PSI BG, Prevents left rear steer cylinder from moving when not steering	
--	74902GT	SEAL KIT		--	74902GT	SEAL KIT	
10	107734GT	VALVE, FLOW CONTROL 2.1GPM BN, Left rear steer cylinder extend circuit		22	161538GT	VALVE, CHECK, 65 PSI BI, Prevents right rear steer cylinder from moving when not steering	
--	74902GT	SEAL KIT		--	74902GT	SEAL KIT	
11	107731GT	VALVE, FLOW CONTROL 1.5GPM BO, Left rear steer cylinder retract circuit		23	122121GT	SOLENOID VALVE BS, Steer left/right, right front steer cylinder	
--	74902GT	SEAL KIT		--	122120GT	SEAL KIT,SOLENOID VALVE	
12	107745GT	VALVE,SOLENOID 2 POS 3 WAY BX, Axle retract		--	122148GT	COIL,SOLENOID VALVE,20W	
--	89310GT	SEAL KIT, SOLENOID VALVE		--	52943GT	NUT,SOLENOID VALVE COIL	
--	119112GT	COIL,12V, DEUTSCH		24	161538GT	VALVE, CHECK, 65 PSI BC, Prevents left front steer cylinder from moving when not steering	
--	119116GT	NUT,COIL (107745)		--	74902GT	SEAL KIT	
13	107745GT	VALVE,SOLENOID 2 POS 3 WAY BW, Axle extend					

702.2 Steer/Axle Manifold (from SN 3229)  
(continued)

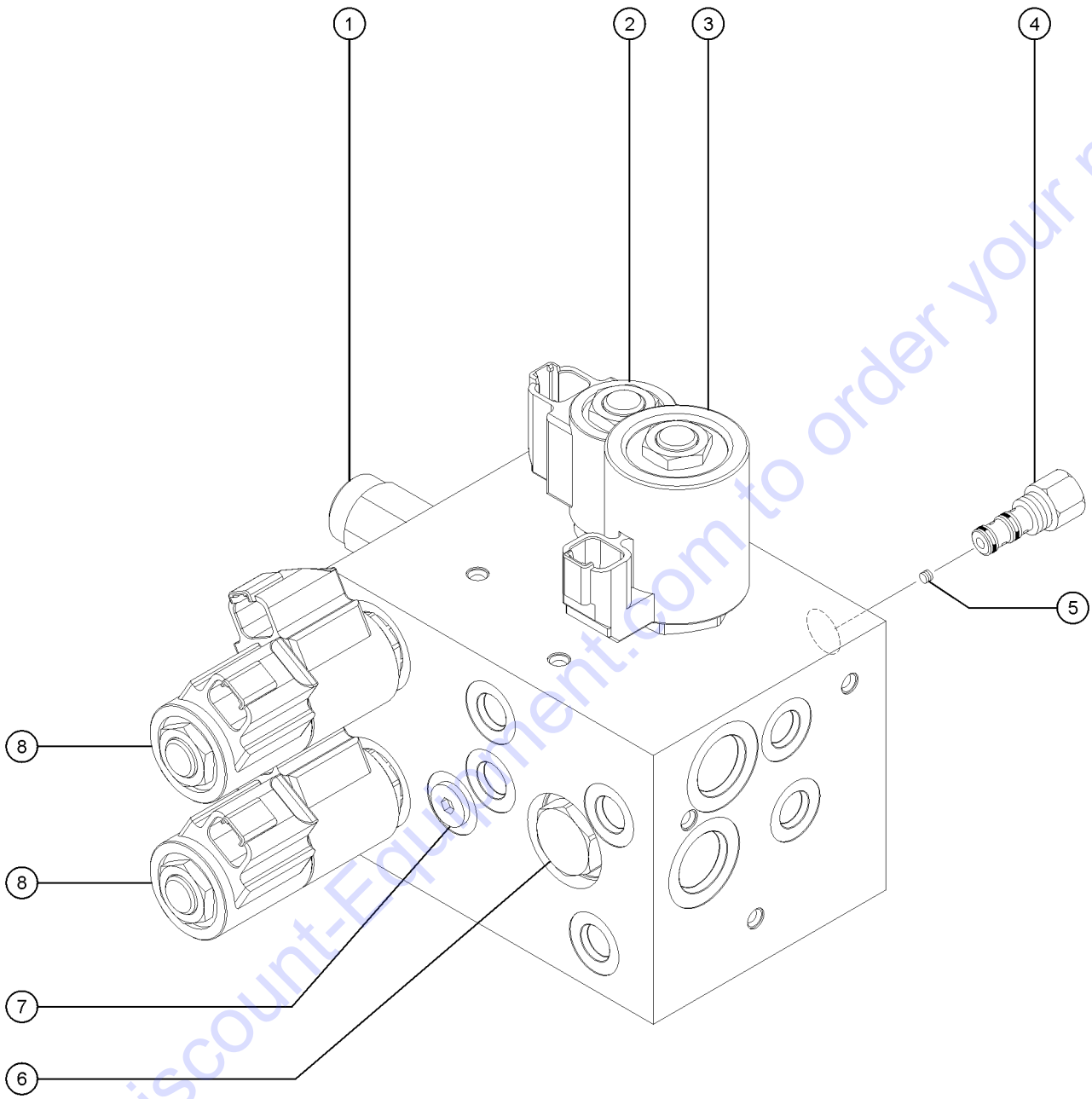
Item	Part No.	Description	Qty.
25	161538GT	VALVE, CHECK, 65 PSI <i>BE, Prevents right front steer cylinder from moving when not steering</i>	
--	74902GT	SEAL KIT	
26	107733GT	PISTON, PILOT OPERATED CHECK <i>BV, (not shown) PO CHECK</i>	

Go to Discount-Equipment.com to order your parts

***This Page Intentionally Left Blank***

Go to Discount-Equipment.com to order your parts

703.1 Jib Manifold (to SN 2804)

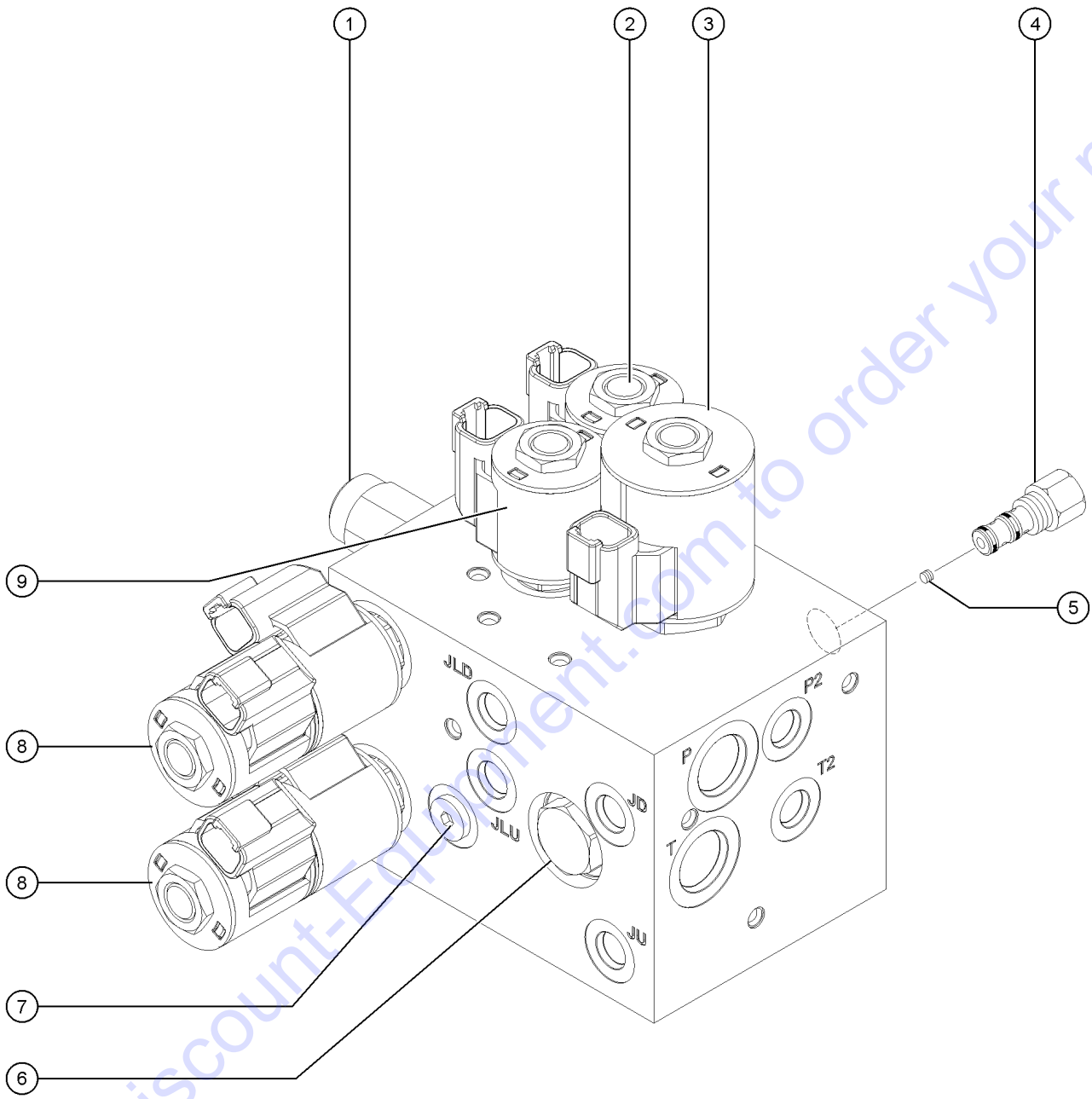


Go to Discount-Equipment.com to order your parts

## 703.1 Jib Manifold (to SN 2804)

Item	Part No.	Description	Qty.
--	94580GT	MANIFOLD,JIB	
1	107738GT	VALVE, DIFFERENTIAL SENSING.....1	
2	62815GT	VALVE,SOLENOID,2POS 3 WAY*** .....1 (does not include coil)	
--	104759GT	COIL,12VDC #8 DTSCH IP69 ECOIL (not a component of 62815)	
--	44174GT	NUT-COIL SHORT	
--	52371GT	SEAL KIT, VALVE	
3	107739GT	VALVE, DIRECTIONAL VALVE.....1	
--	104760GT	COIL,12VDC #10DTSCH IP69 ECOIL	
--	44174GT	NUT-COIL SHORT	
--	44229GT	SEAL KIT, VALVE	
4	94618GT	VALVE,FLOW CONTROL,,4 GPM.....1	
5	46288GT	ORIFICE DISC,.040".....1	
6	107740GT	VALVE, CHECK 25 PSI.....1	
--	44227GT	SEAL KIT, VALVE	
7	44216GT	VALVE,SHUTTLE.....1	
--	44235GT	SEAL KIT-FOR PN.44216 & 826779	
8	107788GT	VALVE,PROPORTIONAL 3 POS 4 WY...2	
--	107768GT	COIL,12VDC #8 DTSCH W/O DIODE	
--	97372GT	E-COIL WASHER,#8,DUAL COIL	
--	44174GT	NUT-COIL SHORT	
--	44229GT	SEAL KIT, VALVE	

703.2 Jib Manifold (from SN 2805)

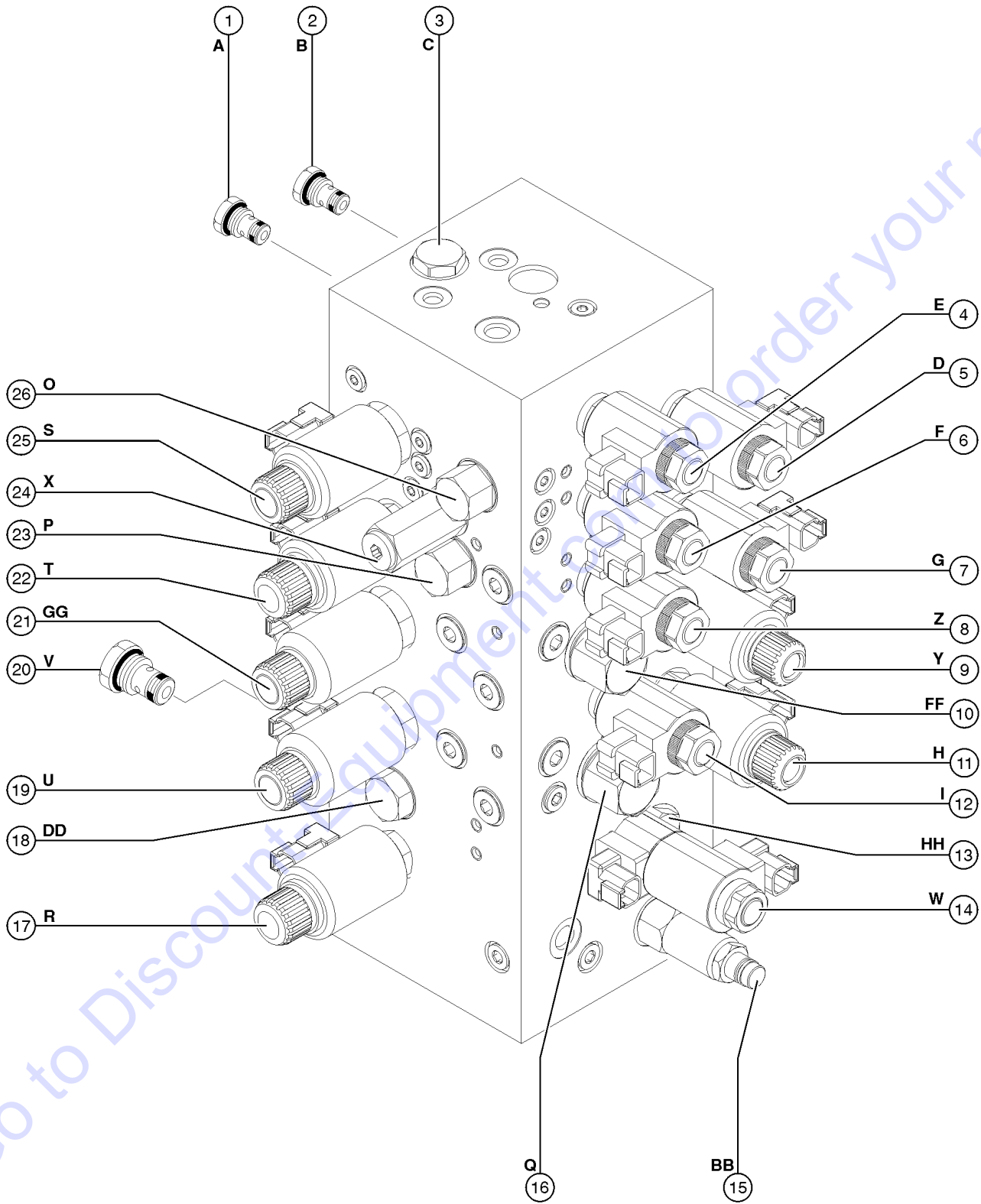




## 703.2 Jib Manifold (from SN 2805)

Item	Part No.	Description	Qty.
--	1261770GT	MANIFOLD,ZX135 JIB	
1	107738GT	VALVE, DIFFERENTIAL SENSING.....1	
2	62815GT	VALVE,SOLENOID,2POS 3 WAY*** .....1 (does not include coil)	
--	104759GT	COIL,12VDC #8 DTSCH IP69 ECOIL (not a component of 62815)	
--	44174GT	NUT-COIL SHORT	
--	52371GT	SEAL KIT, VALVE	
3	107739GT	VALVE, DIRECTIONAL VALVE.....1	
--	104760GT	COIL,12VDC #10DTSCH IP69 ECOIL	
--	44174GT	NUT-COIL SHORT	
--	44229GT	SEAL KIT, VALVE	
4	94618GT	VALVE,FLOW CONTROL,.4 GPM.....1	
5	46288GT	ORIFICE DISC,.040".....1	
6	107740GT	VALVE, CHECK 25 PSI.....1	
--	44227GT	SEAL KIT, VALVE	
7	44216GT	VALVE,SHUTTLE.....1	
--	44235GT	SEAL KIT-FOR PN.44216 & 826779	
8	107788GT	VALVE,PROPORTIONAL 3 POS 4 WY...2	
--	107768GT	COIL,12VDC #8 DTSCH W/O DIODE	
--	97372GT	E-COIL WASHER,#8,DUAL COIL	
--	44174GT	NUT-COIL SHORT	
--	44229GT	SEAL KIT, VALVE	
9	44170GT	VALVE-SOLENOID N.O.(SCISSORS)*....1	
--	228866GT	COIL,SOLENOID VALVE	
--	44228GT	SEAL KIT, VALVE	
--	44174GT	NUT-COIL SHORT	

704.1 Function Manifold



## 704.1 Function Manifold

Item	Part No.	Description	Qty.	Item	Part No.	Description	Qty.
--	218143GT	MANIFOLD, FUNCTION, ZX135 <i>Complete</i>		--	45921GT	RETAINER-N.C.PROPOR.SOLENOID	
1	107747GT	VALVE,CHECK,5 PSI <i>A, Auxiliary Power Unit</i>		--	110198GT	SEAL KIT, VALVE, #12	
--	56236GT	O-RING,ORFS,-10		12	107745GT	VALVE,SOLENOID 2 POS 3 WAY <i>I, Secondary boom down</i>	
2	107747GT	VALVE,CHECK,5 PSI <i>B, Auxiliary Power Unit</i>		--	119112GT	COIL,12V, DEUTSCH	
--	56236GT	O-RING,ORFS,-10		--	119116GT	NUT,COIL (107745)	
3	27836GT	VALVE,CHECK,5 PSI <i>C, Pressure circuit</i>		--	89310GT	SEAL KIT, SOLENOID VALVE	
--	110194GT	SEAL KIT, VALVE, #10		13	110342GT	VALVE, CHECK <i>HH, Tank return circuit</i>	
4	107745GT	VALVE,SOLENOID 2 POS 3 WAY <i>E, Primary boom down</i>		--	29029GT	SEAL KIT,19920 HAND PUMP	
--	119112GT	COIL,12V, DEUTSCH		14	107746GT	VALVE,SOLENOID 3 POS 4 WAY <i>W, Turntable rotate</i>	
--	119116GT	NUT,COIL (107745)		--	119112GT	COIL,12V, DEUTSCH	
--	89310GT	SEAL KIT, SOLENOID VALVE		--	119115GT	NUT,COIL (107746)	
5	107745GT	VALVE,SOLENOID 2 POS 3 WAY <i>D, Primary boom up</i>		15	110343GT	VALVE, RELIEF <i>BB, System relief</i>	
--	119112GT	COIL,12V, DEUTSCH		--	110194GT	SEAL KIT, VALVE, #10	
--	119116GT	NUT,COIL (107745)		16	32741GT	VALVE,DIFF SENSING,150 PSI <i>Q, Secondary up/down circuit</i>	
--	89310GT	SEAL KIT, SOLENOID VALVE		--	110198GT	SEAL KIT, VALVE, #12	
6	107745GT	VALVE,SOLENOID 2 POS 3 WAY <i>F, Primary boom extend</i>		17	107753GT	VALVE,PROPORTIONAL <i>R, Turntable rotate circuit</i>	
--	119112GT	COIL,12V, DEUTSCH		--	58303GT	COIL,VALVE,PROPORTIONAL***	
--	119116GT	NUT,COIL (107745)		--	45921GT	RETAINER-N.C.PROPOR.SOLENOID	
--	89310GT	SEAL KIT, SOLENOID VALVE		--	89310GT	SEAL KIT, SOLENOID VALVE	
7	107745GT	VALVE,SOLENOID 2 POS 3 WAY <i>G, Primary boom retract</i>		18	27802GT	VALVE,DIFFERENTIAL SENSING*** <i>DD, Turntable rotate circuit</i>	
--	119112GT	COIL,12V, DEUTSCH		--	110197GT	SEAL KIT, VALVE, #10	
--	119116GT	NUT,COIL (107745)		19	107750GT	VALVE,PROPORTIONAL <i>U, Secondary up/down circuit</i>	
--	89310GT	SEAL KIT, SOLENOID VALVE		--	58303GT	COIL,VALVE,PROPORTIONAL***	
8	107745GT	VALVE,SOLENOID 2 POS 3 WAY <i>Z, Secondary boom retract</i>		--	45912GT	NUT,SOLENOID VALVE 2P3W	
--	119112GT	COIL,12V, DEUTSCH		--	110198GT	SEAL KIT, VALVE, #12	
--	119116GT	NUT,COIL (107745)		20	107751GT	VALVE, CHECK, 5 PSI <i>V, Prevents hydraulic pressure from flowing back into function pump</i>	
--	89310GT	SEAL KIT, SOLENOID VALVE		--	29029GT	SEAL KIT,19920 HAND PUMP	
9	107743GT	VALVE,SOLENOID 2 POS 3 WAY <i>Y, Secondary boom extend</i>		21	107752GT	VALVE,PROPORTIONAL <i>GG, Secondary extend/retract circuit</i>	
--	119113GT	COIL,12V DEUTSCH		--	58303GT	COIL,VALVE,PROPORTIONAL***	
--	45921GT	RETAINER-N.C.PROPOR.SOLENOID		--	45912GT	NUT,SOLENOID VALVE 2P3W	
--	110198GT	SEAL KIT, VALVE, #12		--	110198GT	SEAL KIT, VALVE, #12	
10	32741GT	VALVE,DIFF SENSING,150 PSI <i>FF, Secondary extend/retract circuit</i>		22	107753GT	VALVE,PROPORTIONAL <i>T, Primary extend/retract circuit</i>	
--	110198GT	SEAL KIT, VALVE, #12		--	58303GT	COIL,VALVE,PROPORTIONAL***	
11	107743GT	VALVE,SOLENOID 2 POS 3 WAY <i>H, Secondary boom up</i>		--	45921GT	RETAINER-N.C.PROPOR.SOLENOID	
--	119113GT	COIL,12V DEUTSCH		--	89310GT	SEAL KIT, SOLENOID VALVE	

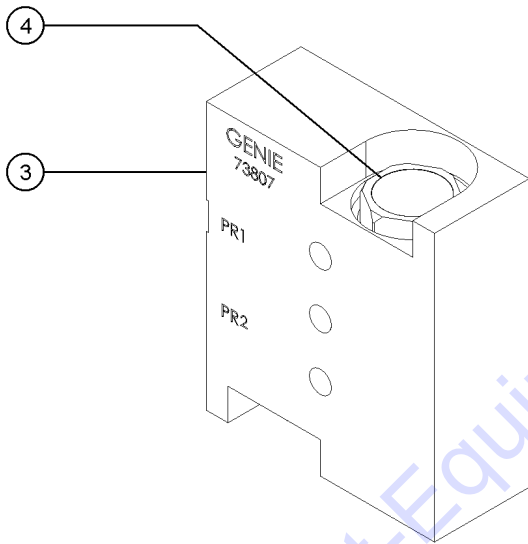
704.1 Function Manifold  
(continued)

Item	Part No.	Description	Qty.
23	27802GT	VALVE,DIFFERENTIAL SENSING*** <i>P, Primary extend/retract circuit</i>	
--	110197GT	SEAL KIT, VALVE, #10	
24	107749GT	VALVE, RELIEF, 2600 PSI <i>X, Primary extend/retract circuit</i>	
--	74902GT	SEAL KIT	
25	107754GT	VALVE,PROPORTIONAL <i>S, Primary up/down circuit</i>	
--	58303GT	COIL,VALVE,PROPORTIONAL***	
--	45912GT	NUT,SOLENOID VALVE 2P3W	
--	110198GT	SEAL KIT, VALVE, #12	
26	27802GT	VALVE,DIFFERENTIAL SENSING*** <i>O, Primary up/down circuit</i>	
--	110197GT	SEAL KIT, VALVE, #10	

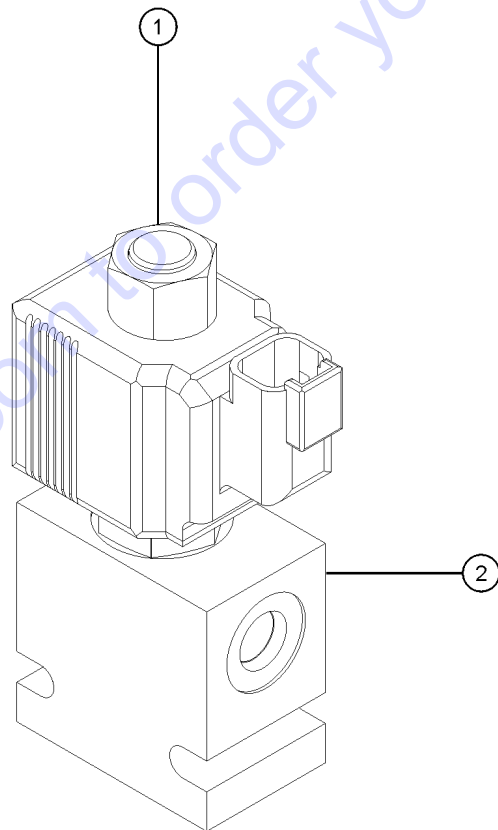
*This Page Intentionally Left Blank*

Go to [Discount-Equipment.com](http://Discount-Equipment.com) to order your parts

705.1 Function Enable Valve and Platform Rotator Manifold



Platform Rotator Manifold



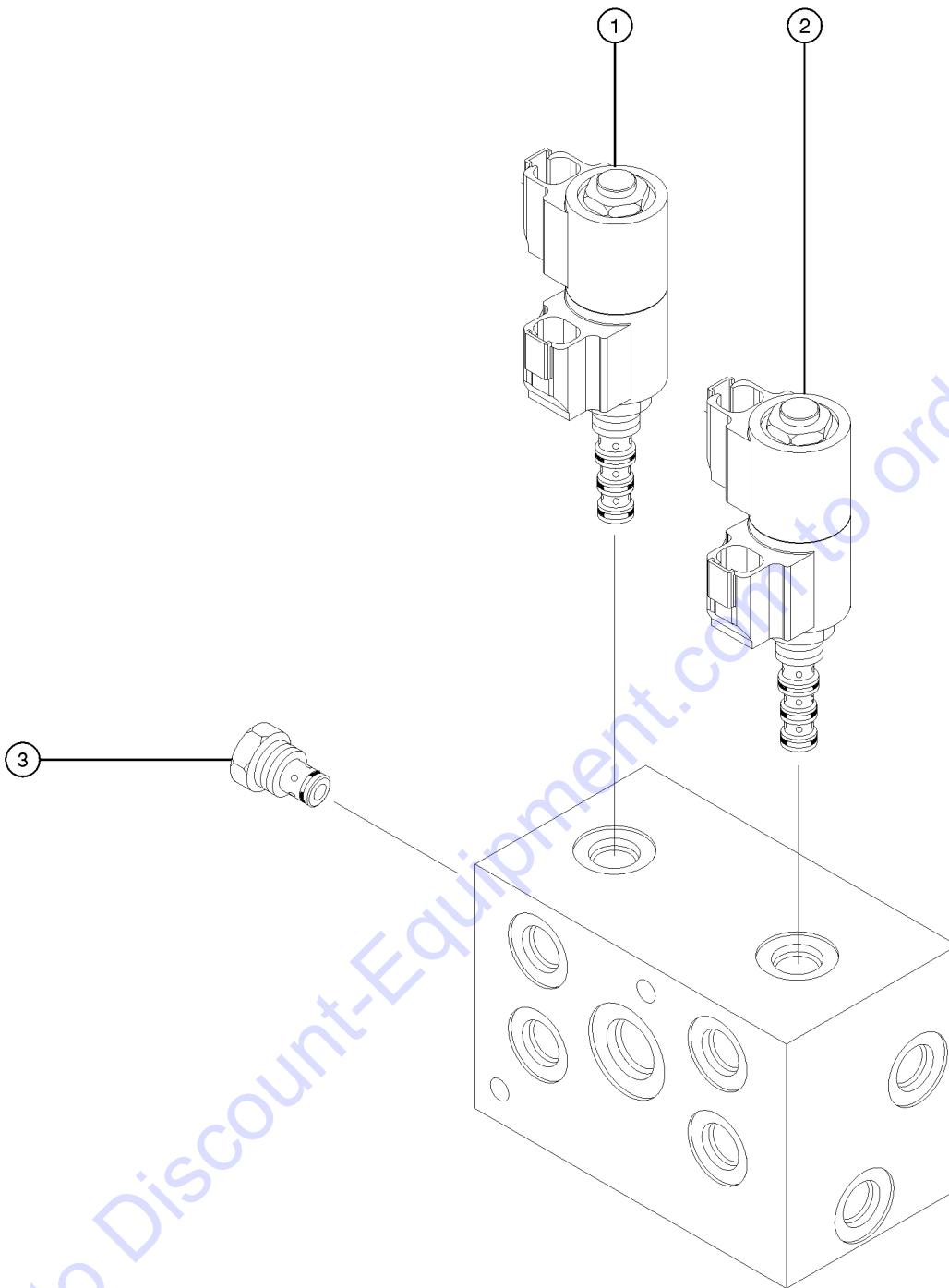
Function Enable Valve

## 705.1 Function Enable Valve and Platform Rotator Manifold

Item	Part No.	Description	Qty.
1	161533GT	VALVE, SOLENOID, 2 POS 2 WAY.....1	1
--	89733GT	COIL,SOLENOID VALVE***	
--	89770GT	SEAL KIT, SOLENOID VALVE	
2	218144GT	VALVE, FUNCTION ENABLE.....1 <i>Includes item 1</i>	1
3	73807GT	MANIFOLD,ROTATOR,CB*** .....1 <i>Includes item 4</i>	1
--	62507GT	O-RING, ROTATOR MANIFOLD	
4	62506GT	VALVE - COUNTERBALANCE**.....2	2
--	43018GT	SEAL KIT (39345)	

Go to Discount-Equipment.com to order your parts

706.1 Platform Manifold (to SN 2804)



Go to Discount-Equipment.com to order your parts

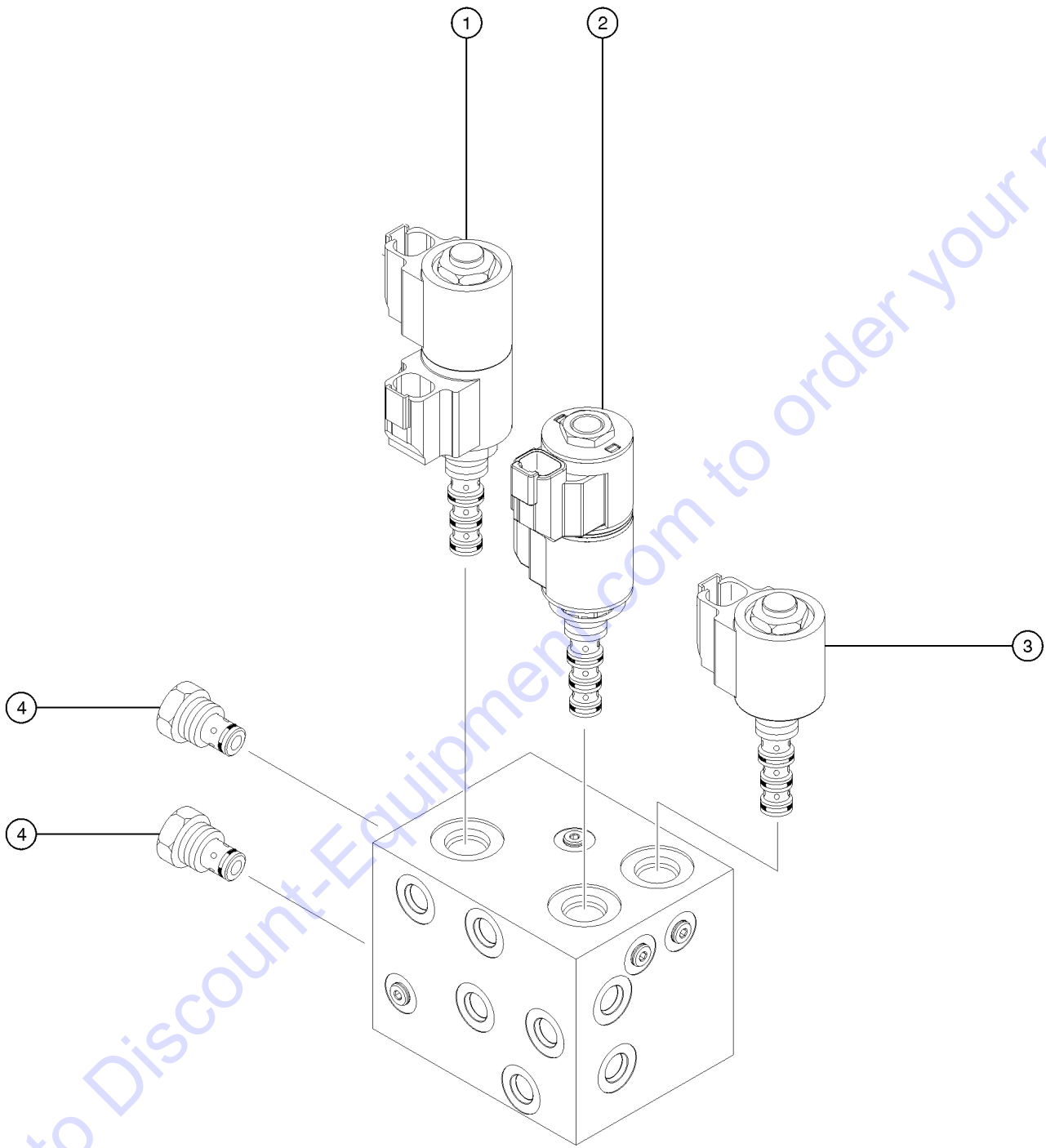


## 706.1 Platform Manifold (to SN 2804)

Item	Part No.	Description	Qty.
--	101546GT	MANIFOLD,PLATFORM	
1	39346GT	VALVE,SOLENOID 3 POS.4 WAY***.....1	
--	104759GT	COIL,12VDC #8 DTSCH IP69 ECOIL	
--	97372GT	E-COIL WASHER,#8,DUAL COIL	
--	44174GT	NUT-COIL SHORT	
--	44229GT	SEAL KIT, VALVE	
2	107816GT	VALVE,PROPORTIONAL 3 POS 4 WY*.....1	
--	107768GT	COIL,12VDC #8 DTSCH W/O DIODE	
--	97372GT	E-COIL WASHER,#8,DUAL COIL	
--	44174GT	NUT-COIL SHORT	
--	44229GT	SEAL KIT, VALVE	
3	107741GT	VALVE, FLOW REGULATOR.....1	
--	44228GT	SEAL KIT, VALVE	

Go to Discount-Equipment.com to order your parts

706.2 Platform Manifold (from SN 2805)

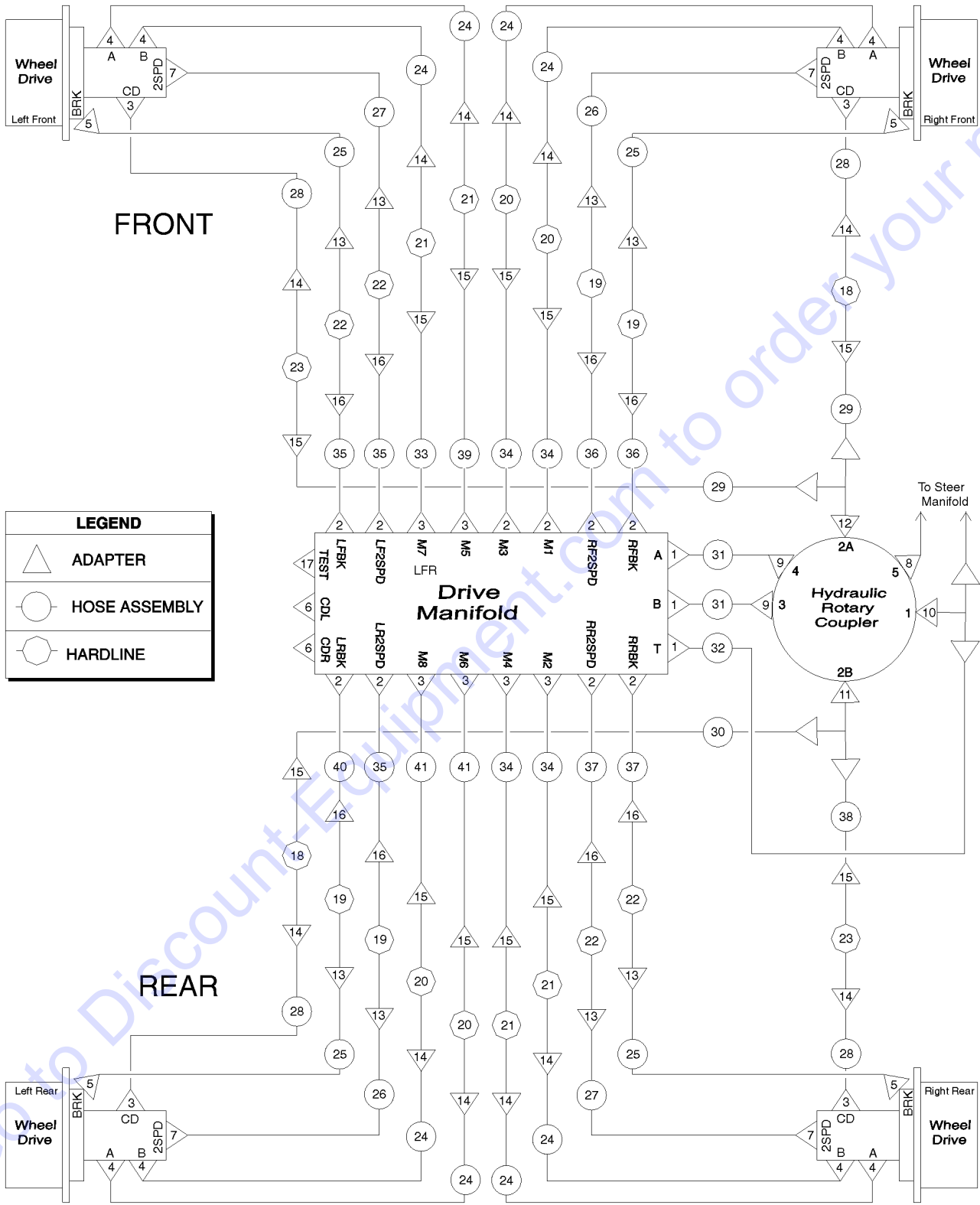


## 706.2 Platform Manifold (from SN 2805)

Item	Part No.	Description	Qty.
--	1260663GT	MANIFOLD,PLATFORM	
1	39346GT	VALVE,SOLENOID 3 POS.4 WAY***.....1	
--	104759GT	COIL,12VDC #8 DTSCH IP69 ECOIL	
--	97372GT	E-COIL WASHER,#8,DUAL COIL	
--	44174GT	NUT-COIL SHORT	
--	44229GT	SEAL KIT, VALVE	
2	107816GT	VALVE,PROPORTIONAL 3 POS 4 WY*.....1	
--	107768GT	COIL,12VDC #8 DTSCH W/O DIODE	
--	97372GT	E-COIL WASHER,#8,DUAL COIL	
--	44174GT	NUT-COIL SHORT	
--	44229GT	SEAL KIT, VALVE	
3	44170GT	VALVE-SOLENOID N.O.(SCISSORS)*....1	
--	228866GT	COIL,SOLENOID VALVE	
--	44228GT	SEAL KIT, VALVE	
--	44174GT	NUT-COIL SHORT	
4	107741GT	VALVE, FLOW REGULATOR.....2	
--	44228GT	SEAL KIT, VALVE	

Go to Discount-Equipment.com to order your parts

707.1 Hydraulic Hoses and Fittings, Drive System



LEGEND	
	ADAPTER
	HOSE ASSEMBLY
	HARDLINE

## 707.1 Hydraulic Hoses and Fittings, Drive System

Item	Part No.	Description	Qty.	Item	Part No.	Description	Qty.
--	826831GT	KIT, SX/ZX RF/LR YOKE HOSE.....1 <i>Units built before SN 2155 for first time replacement of any of hoses item 24, 25, 26, 28 or the hose guide bracket (refer to 205.1) are required to install kit 826831 (includes all hoses in this location and one hose guide bracket)</i>	1	--	49181-5990GT	HOSE ASSY,1/4",45,FEM STR FEM.....4 <i>Components: 48801, 48810 and 48751 @ 57.5 inches; from SN 2155</i>	4
--	826830GT	KIT, SX/ZX LF/RR YOKE HOSE.....1 <i>Units built before SN 2155 for first time replacement of any of hoses item 24, 25, 27, 28 or the hose guide bracket (refer to 205.1) are required to install kit 826830 (includes all hoses in this location and one hose guide bracket)</i>	1	26	49120-6781GT	HOSE ASSY, 1/4", STR.....2 <i>Components: 48800, 48810 and 48751 @ 66 inches; to SN 2154 (refer to kit 826831 on top)</i>	2
1	48960GT	FITTING,CONN,520120-12***.....3	3	--	49120-6381GT	HOSE ASSY,1/4" STR FEM STR FEM....2 <i>Components: 48800, 48810 and 48751 @ 62 inches; from SN 2155</i>	2
2	48905GT	CONN,520120-4***.....10	10	27	49114-7346GT	HOSE ASSY, 1/4", 90, #6 ENDS.....2 <i>Components: 48811, 48810 and 48751 @ 66 inches; to SN 2154 (refer to kit 826830 on top)</i>	2
3	48933GT	CONN,520120-8***.....10	10	--	49163-6994GT	HOSE ASSY,1/4,90D FEM/STR FEM.....2 <i>Components: 48802, 48810 and 48751 @ 68 inches; from SN 2155</i>	2
4	48948GT	CONN,520120-8-12.....4	4	28	49141-6263GT	HOSE ASSY,1/2,45 FEM,STR FEM.....4 <i>Components: 48822, 48826 and 48756 @ 60 inches; to SN 2154 (refer to kits 826831 and 826830 on top)</i>	4
5	48912GT	CONN,520120-4-6***.....4	4	--	49141-5863GT	HOSE ASSY,1/2,45 FEM,STR FEM**.....4 <i>Components: 48822, 48826 and 48756 @ 56 inches; from SN 2155</i>	4
6	59371GT	PLUG, HEX SOCKET, 090109B-8*.....2	2	29	216247-6684GT	HOSE ASSY,1/2,45 FEM, STR MALE.....4 <i>Components: 106815, 48826 and 48756 @ 64 inches</i>	4
7	48911GT	ELBOW,90D,520220-4-6***.....4	4	30	106819-7013GT	HOSE ASSY,1/2,STR FEM STR MALE...1 <i>Components: 48822, 106815 and 48756 @ 68 inches</i>	1
8	48937GT	ELBOW,45D,520320-8.....1 <i>(Refer to 708.1)</i>	1	31	94374-6030GT	HOSE ASSY,3/4,90 FEM,STR FEM.....2 <i>Components: 48841, 48846 and 94358 @ 57 inches</i>	2
9	48963GT	FITTING,ELBOW,45D,520320-12***.....2	2	32	61072-4326GT	HOSE ASSY,3/4,45 FEM,STR FEM.....1 <i>Components: 48841, 48845 and 48762 @ 40 inches</i>	1
10	48961GT	TEE,RUN,520428-12.....1 <i>(Refer to 708.1)</i>	1	33	81812-3692GT	HOSE ASSY,1/2,STR FEM,STR FEM.....1 <i>Components: 48822, 48822 and 56777 @ 35 inches</i>	1
11	48935GT	TEE,RUN,520428-8.....1	1	34	81812-11292GT	HOSE ASSY,1/2,STR FEM,STR FEM.....4 <i>Components: 48822, 48822 and 56777 @ 111 inches</i>	4
12	48936GT	TEE,BRANCH,520429-8.....1	1	35	49120-3881GT	HOSE ASSEMBLY-1/4"***.....3 <i>Components: 48800, 48810 and 48751 @ 37 inches</i>	3
13	48924GT	CONN,BULKHEAD,520601-6.....8	8	36	49120-11381GT	HOSE ASSY,1/4" STR FEM STR FEM....2 <i>Components: 48800, 48810 and 48751 @ 112 inches</i>	2
14	48894GT	CONN,BULKHEAD,520601-8.....12	12	37	49120-3681GT	HOSE ASSY,1/4" STR FEM STR FEM....2 <i>Components: 48800, 48810 and 48751 @ 37 inches</i>	2
15	104186GT	SEAL, ORFS TUBE FLANGE, 8PLS.....12	12	38	106819-6213GT	HOSE ASSY,1/2,STR FEM STR MALE...1 <i>Components: 48822, 106815 and 48756 @ 60 inches</i>	1
16	214345GT	SEAL,ORING-6.....8	8				
17	48998GT	NIPPLE,DIAGNOSTIC,#6 PORT***.....1	1				
18	237457GT	HYD TUBE, DRIVE CASE, AXLE 2.....2	2				
19	237456GT	HYD TUBE, BRAKE 2SP, AXLE 2.....4	4				
20	214256GT	HYD TUBE, BRAKE 2SP, AXLE 2.....4	4				
21	214255GT	HYD TUBE, DRIVE A B, AXLE 1.....4	4				
22	237560GT	HYD TUBE, BRAKE 2SP, AXLE 1.....4	4				
23	237561GT	HYD TUBE, DRIVE CASE, AXLE 1.....2	2				
24	81812-6192GT	HOSE ASSY,1/2,STR FEM,STR FEM.....8 <i>Components: 48822, 48822 and 56777 @ 60 inches; to SN 2154 (refer to kits 826831 and 826830 on top)</i>	8				
--	81812-5792GT	HOSE ASSY,1/2,STR FEM,STR FEM.....8 <i>Components: 48822, 48822 and 56777 @ 56 inches; from SN 2155</i>	8				
25	49181-6240GT	HOSE ASSY,1/4",45,FEM STR FEM.....4 <i>Components: 48801, 48810 and 48751 @ 60 inches; to SN 2154 (refer to kits 826831 and 826830 on top)</i>	4				

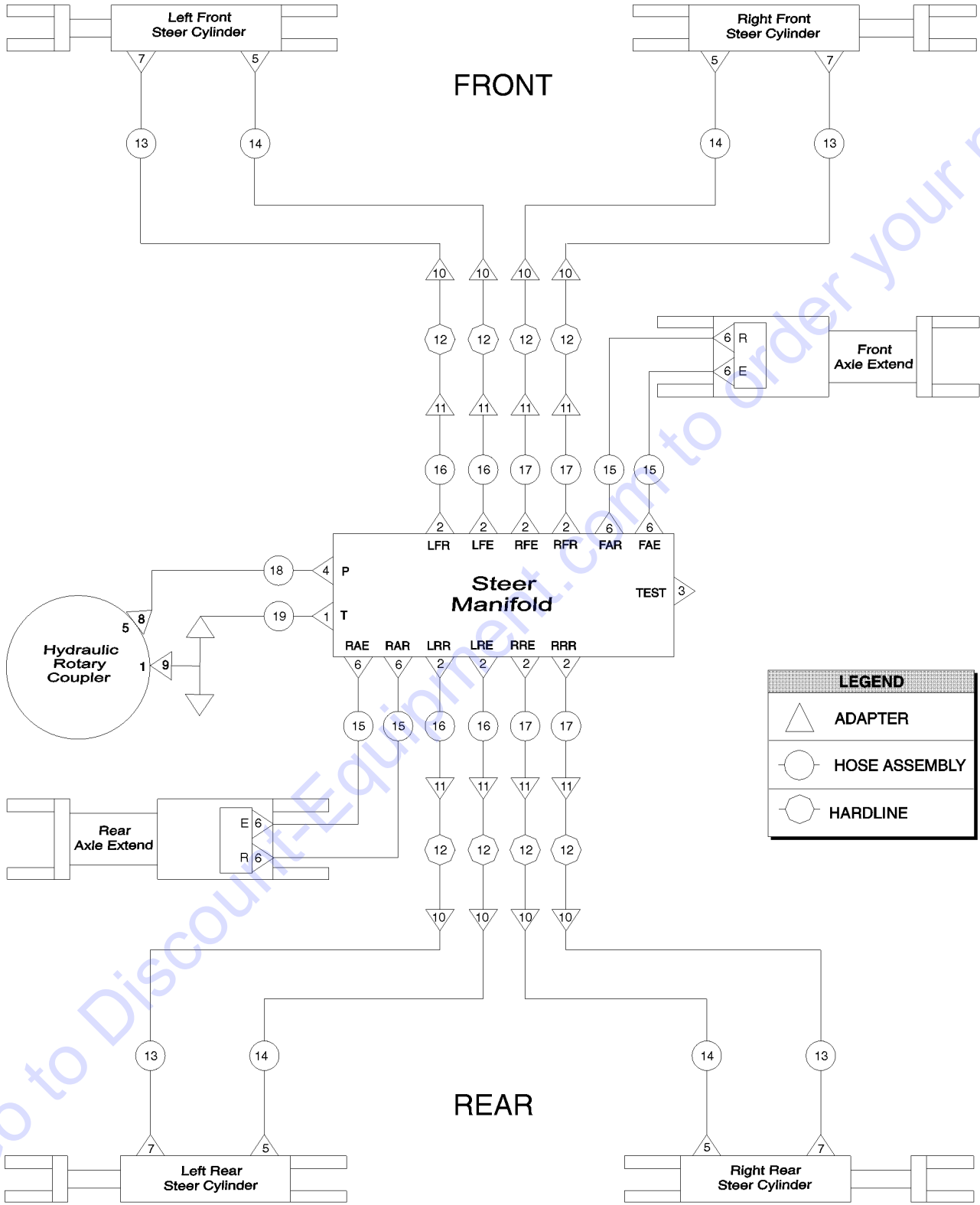
707.1 Hydraulic Hoses and Fittings, Drive System  
(continued)

Item	Part No.	Description	Qty.
39	81812-3592GT	HOSE ASSY,1/2,STR FEM,STR FEM.....1 <i>Components: 48822, 48822 and 56777 @ 4 inches</i>	
40	49120-3781GT	HOSE ASSY,1/4" STR FEM STR FEM....1 <i>Components: 48800, 48810 and 48751 @ 36 inches</i>	
41	81812-3792GT	HOSE ASSY,1/2,STR FEM,STR FEM.....2 <i>Components: 48822, 48822 and 56777 @ 36 inches</i>	

***This Page Intentionally Left Blank***

Go to Discount-Equipment.com to order your parts

708.1 Hydraulic Hoses and Fittings, Steering System

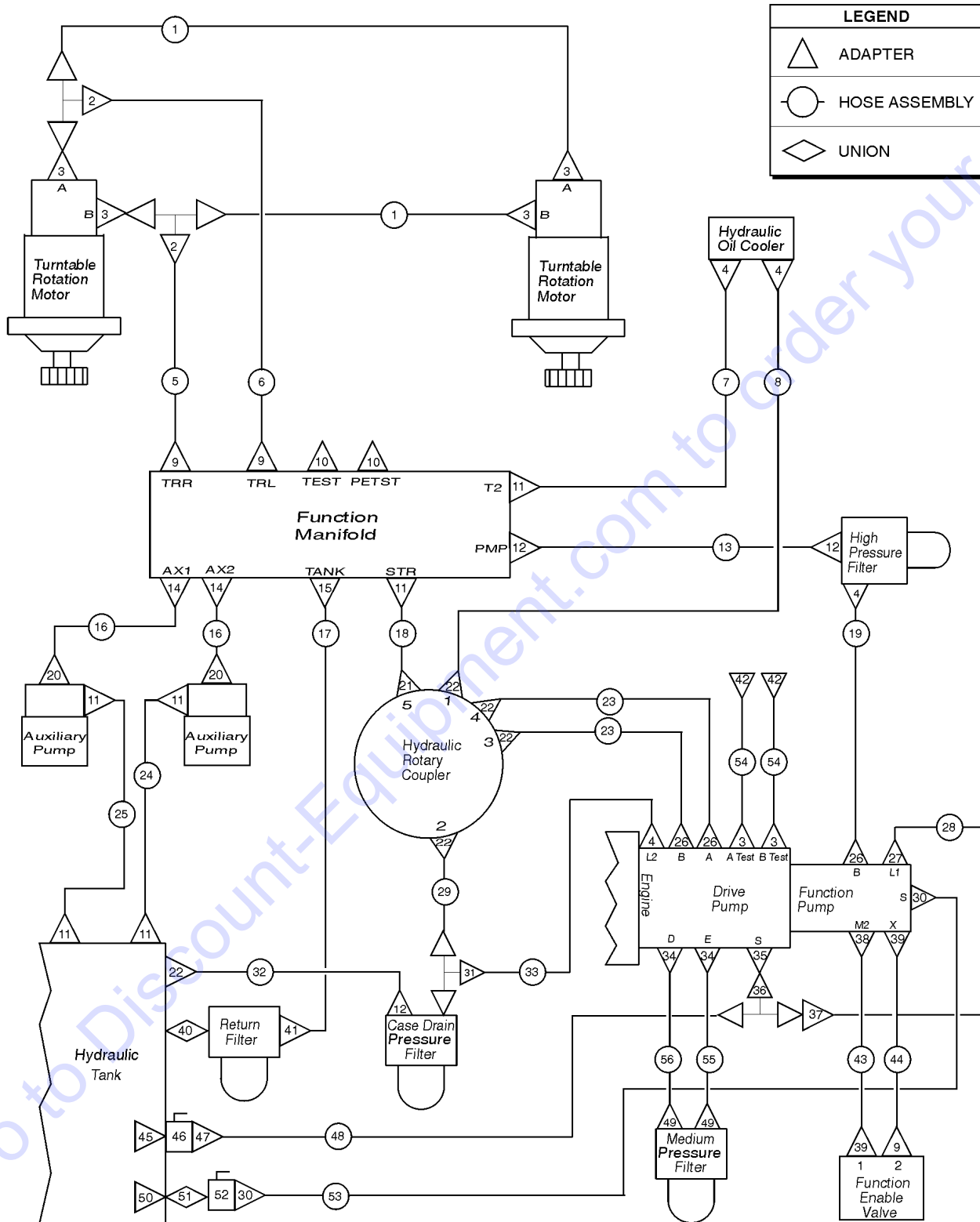




## 708.1 Hydraulic Hoses and Fittings, Steering System

Item	Part No.	Description	Qty.
1	48960GT	FITTING,CONN,520120-12***.....1	1
2	48905GT	CONN,520120-4***.....8	8
3	48998GT	NIPPLE,DIAGNOSTIC,#6 PORT***.....1	1
4	48948GT	CONN,520120-8-12.....1	1
5	48912GT	CONN,520120-4-6***.....4	4
6	48916GT	CONN, 520120-6.....8	8
7	48911GT	ELBOW,90D,520220-4-6***.....4	4
8	48937GT	ELBOW,45D,520320-8.....1	1
9	48961GT	TEE,RUN,520428-12.....1	1
10	48924GT	CONN,BULKHEAD,520601-6.....8	8
11	214345GT	SEAL,ORING-6.....8	8
12	237553GT	HYD TUBE, STEER.....8	8
13	49181-3440GT	HOSE ASSY,1/4",45,FEM STR FEM....4 <i>Components: 48801, 48810 and 48751 @ 32 inches</i>	4
14	49120-1481GT	HOSE ASSY, 1/4", STR.....4 <i>Components: 48800, 48810 and 48751 @ 13 inches</i>	4
15	49130-5282GT	HOSE ASSY 3/8, STR FEM,STR FEM...4 <i>Components: 48812, 48812 and 48751 @ 51 inches; to SN 2584</i>	4
--	49130-5482GT	HOSE ASSY, 3/8,STR FEM,STR FEM <i>Components: 48812, 48812 and 48751 @ 51 inches; from SN 2585</i>	
16	49120-10981GT	HOSE ASSY,1/4" STR FEM STR FEM...4 <i>Components: 48800, 48810 and 48751 @ 108 inches</i>	4
17	49120-4181GT	HOSE ASSY,1/4" STR FEM STR FEM...4 <i>Components: 48800, 48810 and 48751 @ 40 inches</i>	4
18	49183-5992GT	HOSE ASSY,1/2,STR FEM,STR FEM....1 <i>Components: 48822, 48822 and 48756 @ 58 inches</i>	1
19	61074-5528GT	HOSE ASSY,3/4,STR FEM,STR FEM....1 <i>Components: 48841, 48841 and 48762 @ 53 inches</i>	1

709.1 Hydraulic Hoses and Fittings, Turntable Components



## 709.1 Hydraulic Hoses and Fittings, Turntable Components

Item	Part No.	Description	Qty.	Item	Part No.	Description	Qty.
1	49119-2078GT	HOSE ASSY,1/4,STR FEM,STR FEM*....2		26	48978GT	ELBOW,45D,520320-12-16.....3	
2	48908GT	FITTING,TEE,RUN,SWIVEL520432-4....2		27	48946GT	CONN,520120-8-10.....1	
3	48912GT	CONN,520120-4-6***.....4		28	49167-2229GT	HOSE ASSEMBLY,1/2 100R1.....1 Components: 48822, 48822 and 48757 @ 20 inches	
4	48959GT	FITTING,ELBOW,90D,520220-12.....4		29	49150-6730GT	HOSE ASSY,3/4,90 FEM,STR FEM.....1 Components: 48841, 48846 and 48761 @ 64 inches	
5	49119-2628GT	HOSE ASSY,1/4,STR FEM,STR FEM Components: 48800, 48800 and 48751 @ 24.5 inches		30	61083GT	CONN,520120-24.....2	
6	49119-2828GT	HOSE ASSY,1/4,STR FEM,STR FEM Components: 48800, 48800 and 48751 @ 25 inches		31	48961GT	TEE,RUN,520428-12.....1	
7	49151-4048GT	HOSE ASSY,3/4,STR FEM,STR FEM.....1 Components: 48841, 48841 and 48761 @ 38 inches		32	49150-3630GT	HOSE ASSY,3/4,90 FEM,STR FEM.....1 Components: 48841, 48846 and 48761 @ 33 inches	
8	49151-9398GT	HOSE ASSY,3/4,STR FEM,STR FEM.....1 Components: 48841, 48841 and 48761 @ 91.5 inches		33	49150-17830GT	HOSE ASSY,3/4,90 FEM,STR FEM.....1 Components: 48841, 48846 and 48761 @ 175 inches	
9	48905GT	CONN,520120-4***.....3		34	56604GT	CONN,520120-10-8.....2	
10	48998GT	NIPPLE,DIAGNOSTIC,#6 PORT***.....4		35	106382GT	CONN,520120-16 LONG.....1	
--	48880GT	CAP,DIAGNOSTIC NIPPLE		36	42787GT	TEE,RUN,SWIVEL,520432-16.....1	
11	48933GT	CONN,520120-8***.....6		37	42788GT	REDUCER,520123-16-8.....1	
12	48960GT	FITTING,CONN,520120-12***.....3		38	49418GT	FITTING,ELBOW,45D,520320-4-6**.....1	
13	61073-3530GT	HOSE ASSY,3/4,90 FEM,STR FEM.....1 Components: 48841, 48846 and 48762 @ 32 inches		39	48904GT	ELBOW,90D,520220-4-4.....2	
14	48927GT	CONN,520120-6-4.....2		40	61263GT	UNION,STR.THREAD 20.....1	
15	88353GT	ELBOW,45D,520320-20.....1		41	75654GT	CONN,520120-20.....1	
16	49128-2709GT	HOSE ASSEMBLY,3/8 Components: 48812, 48816 and 48753 @ 25 inches		42	49207GT	NIPPLE,DIAGNOSTIC,ORFS,FM,SWIV..2	
17	88441-4140GT	HOSE ASSY,1 1/4"STR FEM,STR FE.....1 Components: 88477, 88477 and 88478 @ 38 inches		--	48880GT	CAP,DIAGNOSTIC NIPPLE	
18	49183-5092GT	HOSE ASSY,1/2,STR FEM,STR FEM*....1 Components: 48822, 48822 and 48756 @ 49 inches		43	49119-2378GT	HOSE ASSY,1/4,STR FEM,STR FEM.....1 Components: 48800, 48800 and 48751 @ 22 inches	
19	61073-15930GT	HOSE ASSY,3/4,90 FEM,STR FEM.....1 Components: 48841, 48846 and 48762 @ 156 inches		44	49119-1678GT	HOSE ASSY, 1/4,STR FEM,STR FEM....1 Components: 48800, 48800 and 48751 @ 15 inches	
20	48916GT	CONN, 520120-6.....2		45	75253GT	STRAINER ASSY,#16 O-RING.....1	
21	48937GT	ELBOW,45D,520320-8.....1		46	48996GT	VALVE,BALL,16 MSAE-16 FSAE***.....1	
22	48963GT	FITTING,ELBOW,45D,520320-12***.....5		47	48984GT	CONN,520120-16.....1	
23	94374-5930GT	HOSE ASSY,3/4,90 FEM,STR FEM**.....2 Components: 48841, 48846 and 94358 @ 56 inches		48	88942-16554GT	HOSE ASSY,1",90 FEM,STR FEM.....1 Components: 88938, 88939 and 88940 @ 162 inches	
24	73772-2192GT	HOSE ASSY,1/2,STR FEM,STR FEM.....1 Components: 48822, 48822 and 48757 @ 20 inches		49	48932GT	FITTING,ELBOW,90D,520220-8***.....2	
25	73772-1692GT	HOSE ASSY,1/2,STR FEM,STR FEM.....1 Components: 48822, 48822 and 48757 @ 15 inches		50	75257GT	STRAINER ASSY,#24 O-RING.....1	
				51	75254GT	UNION,STR.THREAD 24***.....1	
				52	75256GT	VALVE BALL,24 FSAE-24 FSAE***.....1	
				53	106820-16653GT	HOSE ASSY,2",90D FEM STR FEM.....1 Components: 106801, 106158 and 106160 @ 159 inches	
				54	101793-2573GT	HOSE ASSY,1/4,STR FEM,STR MAL.....2 Components: 48800, 75628 and 1287113 @ 23 inches	

709.1 Hydraulic Hoses and Fittings, Turntable Components  
(continued)



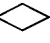
Item	Part No.	Description	Qty.
55	49141-2863GT	HOSE ASSY,1/2,45 FEM,STR FEM.....2 (Deutz models) Components: 48822, 48826 and 48756 @ 26 inches	
--	49141-2863GT	HOSE ASSY,1/2,45 FEM,STR FEM.....2 (Perkins models; to SN 2063) Components: 48822, 48826 and 48756 @ 26 inches	
--	49143-2529GT	HOSE ASSY,1/2,90 FEM,STR FEM** (Perkins models; from SN 2064) Components: 48822, 48827 and 48756 @ 23 inches	
56	49141-2863GT	HOSE ASSY,1/2,45 FEM,STR FEM.....2 (Deutz models) Components: 48822, 48826 and 48756 @ 26 inches	
--	49141-2863GT	HOSE ASSY,1/2,45 FEM,STR FEM.....2 (Perkins models; to SN 2063) Components: 48822, 48826 and 48756 @ 26 inches	
--	49143-1729GT	HOSE ASSY,1/2",90 FEM,STR FEM (Perkins models; from SN 2064) Components: 48822, 48827 and 48756 @ 15 inches	

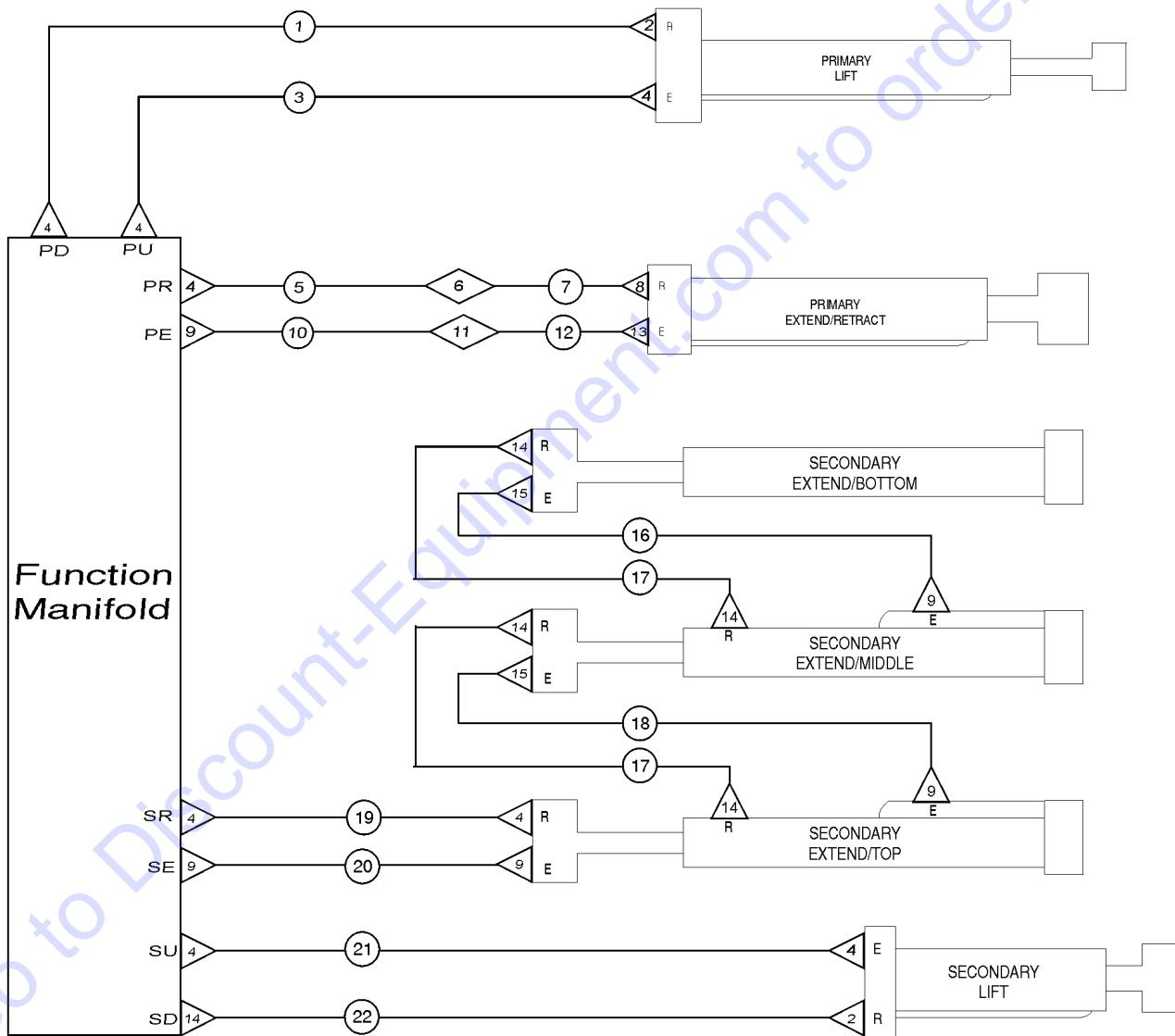
709.1 Hydraulic Hoses and Fittings, Turntable Components  
(continued)

***This Page Intentionally Left Blank***

Go to Discount-Equipment.com to order your parts

710.1 Hydraulic Hoses and Fittings, Boom Components

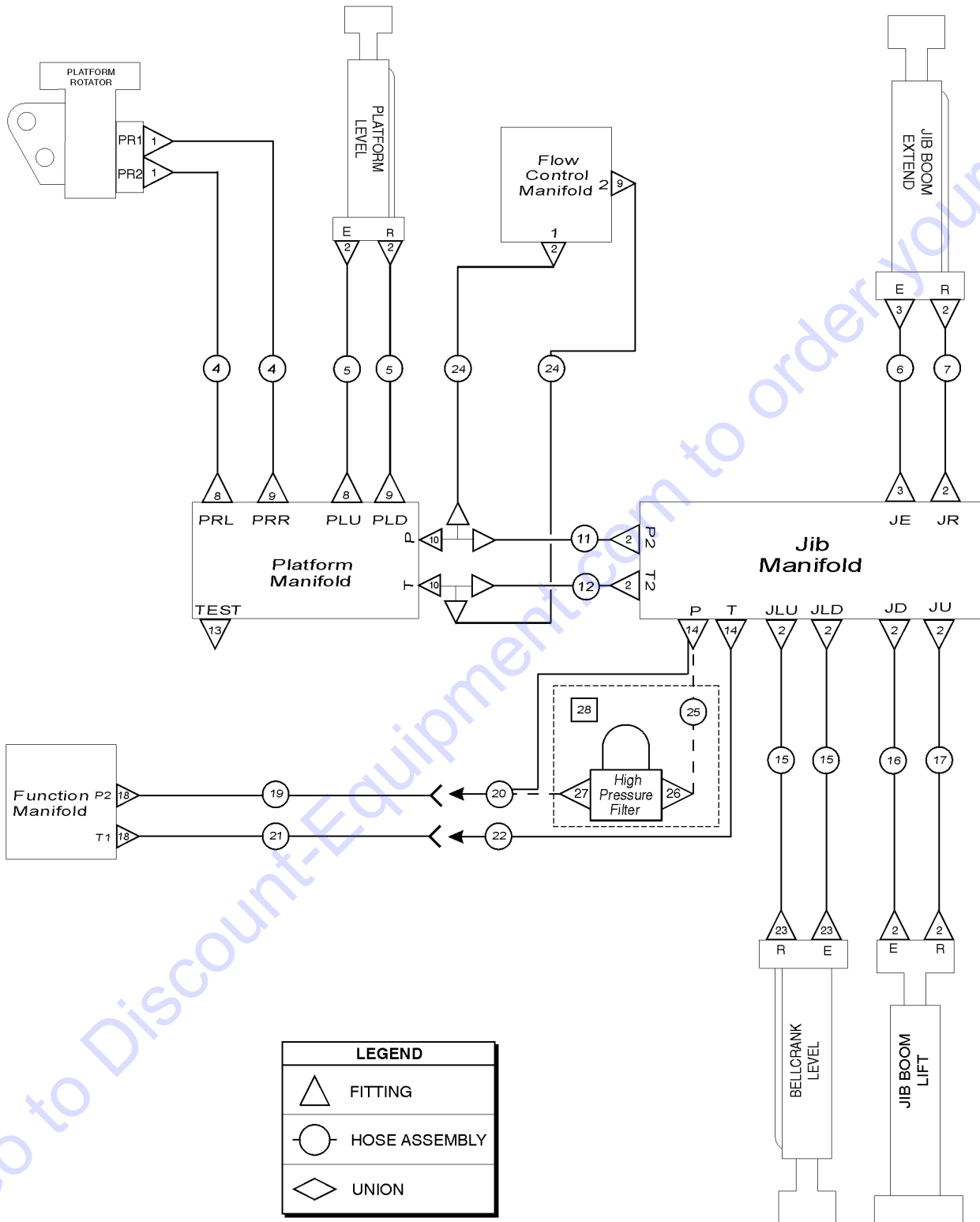
LEGEND	
	FITTING
	HOSE ASSEMBLY
	UNION



## 710.1 Hydraulic Hoses and Fittings, Boom Components

Item	Part No.	Description	Qty.
1	<del>106822-109026</del> GT	HOSE ASSY,1/2,STR FEM STR FEM <i>Components: 106814, 106814 and 106811 @ 1088 inches</i>	
2	48943GT	CONN, 520120-8-6.....2	
3	<del>106822-108826</del> GT	HOSE ASSY,1/2,STR FEM STR FEM <i>Components: 106814, 106814 and 106811 @ 1086 inches</i>	
4	48933GT	CONN,520120-8***.....7	
5	<del>106822-105026</del> GT	HOSE ASSY,1/2 STR FEM STR FEM <i>Components: 106814, 106814 and 106811 @ 1048 inches</i>	
6	48894GT	CONN,BULKHEAD,520601-8	
7	49141-3213GT	HOSE ASSY,1/2,45 FEM,STR FEM <i>Components: 48822, 48826 and 48756 @ 29.5 inches</i>	
8	48937GT	ELBOW,45D,520320-8.....1	
9	48960GT	FITTING,CONN,520120-12***.....5	
10A	<del>106821-105226</del> GT	HOSE ASSY,3/4,STR FEM STR FEM <i>to SN 2898</i>	
10B	61074-105228GT	HOSE ASSY,3/4,STR FEM STR FEM <i>from SN 2899</i>	
11	48968GT	CONN,BULKHEAD,520601-12.....1	
12	61072-3293GT	HOSE ASSY,3/4,45 FEM,STR FEM.....1 <i>Components: 48841, 48845 and 48762 @ 29.5 inches</i>	
13	48963GT	FITTING,ELBOW,45D,520320-12***.....1	
14	48916GT	CONN, 520120-6.....5	
15	48959GT	FITTING,ELBOW,90D,520220-12.....2	
16	<del>106817-8829</del> GT	HOSE ASSY,3/4,90D FEM STR FEM.....1 <i>Components: 48841, 48843 and 48762 @ 85 inches</i>	
17	49130-1307GT	HOSE ASSY,3/8"STR FEM,STR FEM.....2 <i>Components: 48812, 48812 and 48753 @ 11.25 inches</i>	
18	<del>106817-9629</del> GT	HOSE ASSY,3/4,90D FEM STR FEM.....1 <i>Components: 48841, 48843 and 48762 @ 93 inches</i>	
19	49183-13192GT	HOSE ASSY,1/2,STR FEM,STR FEM.....1 <i>Components: 48822, 48822 and 48756 @ 130 inches</i>	
20	61074-13248GT	HOSE ASSEMBLY 3/4" STR-STR.....1 <i>Components: 48841, 48841 and 48762 @ 130 inches</i>	
21	49183-14992GT	HOSE ASSY,1/2,STR FEM,STR FEM.....1 <i>Components: 48822, 48822 and 48756 @ 148 inches</i>	
22	49130-14682GT	HOSE ASSY,3/8"STR FEM, STR FEM....1 <i>Components: 48812, 48812 and 48753 @ 145 inches</i>	

711.1 Hydraulic Hoses and Fittings, Platform Components

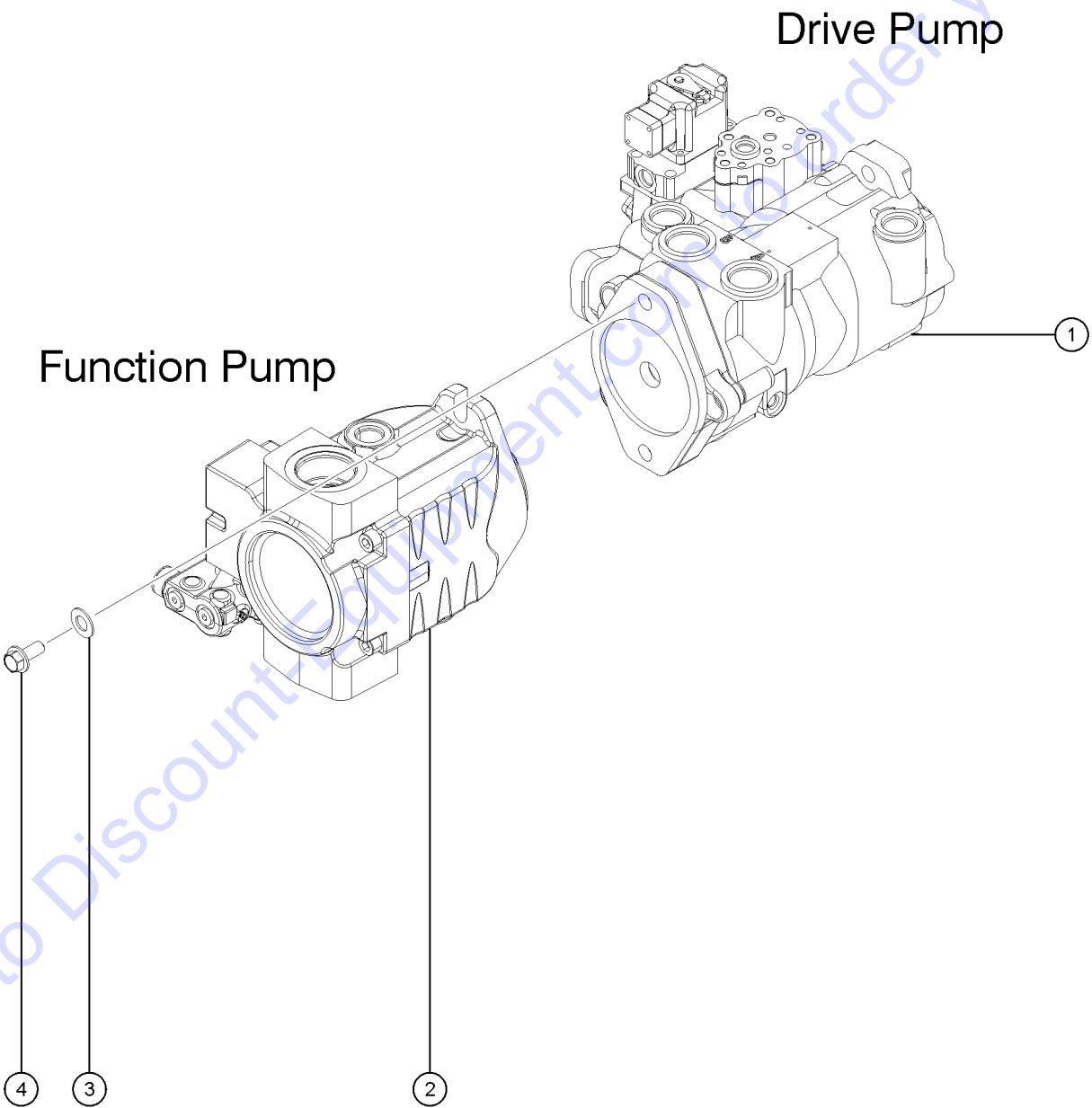




## 711.1 Hydraulic Hoses and Fittings, Platform Components

Item	Part No.	Description	Qty.	Item	Part No.	Description	Qty.
1	48907GT	ELBOW,45D,520320-4.....	2	21	7372-101592GT	HOSE ASSY,1/2,STR FEM STR FEM.....1 Components: 48822, 48822 and 48757 @ 1014 inches	1
2	48905GT	CONN,520120-4***.....	12	22	10681967413GT	HOSE ASSY,1/2,STR FEM STR MALE Components: 48822, 106815 and 48757 @ 672 inches	1
3	48916GT	CONN, 520120-6.....	2	23	48912GT	CONN,520120-4-6***.....	2
4	49119-3378GT	HOSE ASSY,1/4,STR FEM,STR FEM.....2 Components: 48800, 48800 and 48751 @ 32 inches	2	24	1261517GT	HOSE ASSY,1/4,90 FEM,STR FEM.....2 Components: 48802, 48800 and 48751 @ 6.25 inches; to SN 2804	2
5	49119-5378GT	HOSE ASSY,1/4,STR FEM,STR FEM.....2 Components: 48800, 48800 and 48751 @ 52 inches	2	25	81812-2292GT	HOSE ASSY,1/2,STR FEM,STR FEM Components: 48822, 48822 and 56777 @ 21.00 inches. (Included in kit 1268830); from SN2760	1
6	49126-2283GT	HOSE ASSY,3/8,45 FEM,STR FEM.....1 Components: 48815, 48812 and 48753 @ 20.5 inches	1	26	48948GT	CONN,520120-8-12 (Included in kit 1268830); from SN2760	1
7	49116-2387GT	HOSE ASSY,1/4,45 FEM,STR FEM.....1 Components: 48801, 48800 and 48751 @ 21.5 inches	1	27	48947GT	ELBOW,90D,520220-8-12 (Included in kit 1268830); from SN2760	1
8	61259GT	ELBOW,90D,LONG,521520-4.....	2	28		KIT, JIB FILTRATION (Refer to 514.1) includes items 25, 26 and 27; to SN 2759	1
9	48904GT	ELBOW,90D,520220-4-4.....	3				
10	48906GT	TEE,RUN,520428-4.....	2				
--	48904GT	ELBOW,90D,520220-4-4 from SN 2805					
11	49119-34378GT	HOSE ASSY 1/4, STR FEM,STR FEM Components: 48800, 48800 and 48751 @ 342 inches					
12	49119-34178GT	HOSE ASSY,1/4,STR FEM,STR FEM Components: 48800, 48800 and 48751 @ 340 inches					
13	48998GT	NIPPLE,DIAGNOSTIC,#6 PORT***.....1 to SN 2804	1				
--	48997GT	NIPPLE,DIAGNOSTIC,#4 from SN 2805					
--	48880GT	CAP,DIAGNOSTIC NIPPLE					
14	48937GT	ELBOW,45D,520320-8.....	2				
15	49119-4178GT	HOSE ASSY,1/4,STR FEM,STR FEM.....2 Components: 48800, 48800 and 48751 @ 40 inches	2				
16	49119-12778GT	HOSE ASSY,1/4,STR FEM,STR FEM.....1 Components: 48800, 48800 and 48751 @ 126 inches	1				
17	49119-12478GT	HOSE ASSY,1/4,STR FEM,STR FEM.....1 Components: 48800, 48800 and 48751 @ 123 inches	1				
18	48933GT	CONN,520120-8***.....	2				
19	10682-101726GT	HOSE ASSY,1/2 STR FEM STR FEM Components: 106814, 106814 and 106811 @ 1015 inches					
20	10681867047GT	HOSE ASSY,1/2,STR FEM STR MALE Components: 106814, 106813 and 106811 @ 668 inches. (Connected directly to jib manifold on port P before SN 2760 or kit 1268830)					

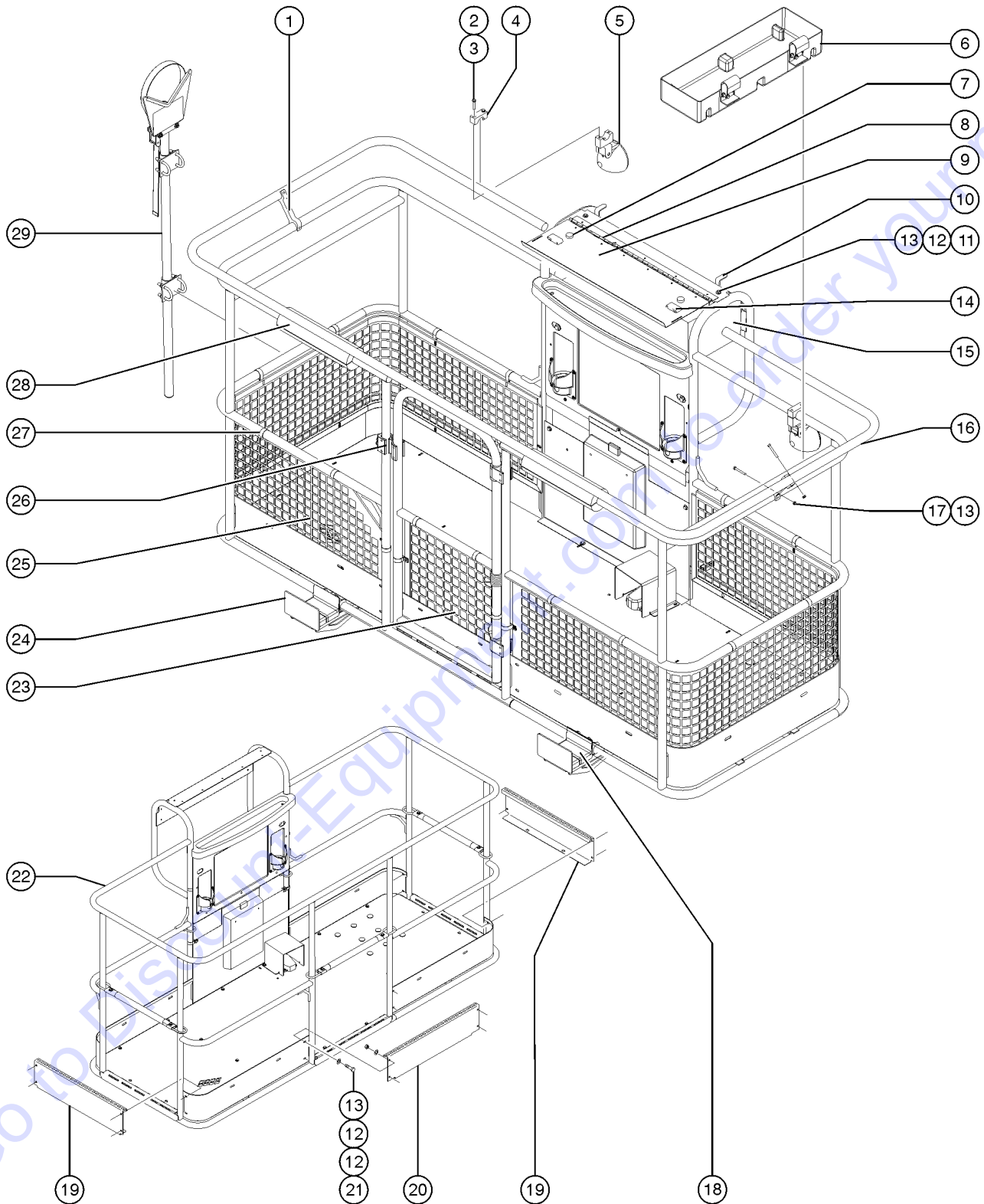
712.1 Pumps



Item	Part No.	Description	Qty.
1	101068GT	PUMP,PISTON,46CC,B MOUNT,13T**....1	
--	29739GT	SEAL KIT,SAUER-DANFOSS M46***	
--	77819GT	EDC ASSY,SAUER M46***	
--	52087GT	O-RING,2-044 BUNA***	
2A	106386GT	PUMP,LIFT,PISTON,45CC.....1 <i>to SN 3242</i>	
--	122669GT	SEAL KIT <i>for 106386</i>	
--	139339GT	KIT,PUMP CONTROL,PISTON <i>for 106386</i>	
2B	1272553GT	PUMP,FUNCTION,45CC <i>from SN 3243</i>	
3	13066GT	WASHER,FLAT,.5 HARDENED	
4	54177GT	SCREW,HHC,1/2-13 X 1.5 GRD 8	

Go to Discount-Equipment.com to order your parts

801.1 Platform Accessories (to SN 2888)



# PARTS FINDER

**Search Website  
by Part Number**



**Search Manual  
Library For Parts  
Manual & Lookup Part  
Numbers – Purchase  
or Request Quote**

**Search Manuals**

Enter your information to help us find the right parts manual for your machine.

\* Brand:

\* Model:

\* Serial:

\* Part Number:

SEARCH

**Can't Find Part or  
Manual? Request Help  
by Manufacturer,  
Model & Description**

**Parts Order Form**

Please fill in the following information to help us find the right part for your machine.

MANUFACTURER:

MODEL:

DESCRIPTION:

DATE:

NAME:

PHONE:

EMAIL:

ADDRESS:

CITY:

STATE:

ZIP:

REQUEST QUOTE

Discount-Equipment.com is your online resource for quality parts & equipment.

Florida: **561-964-4949** Outside Florida TOLL FREE: **877-690-3101**

**Need parts?**

Click on this link: <http://www.discount-equipment.com/category/5443-parts/> and choose one of the options to help get the right parts and equipment you are looking for. Please have the machine model and serial number available in order to help us get you the correct parts. If you don't find the part on the website or on one of the online manuals, please fill out the request form and one of our experienced staff members will get back to you with a quote for the right part that your machine needs.

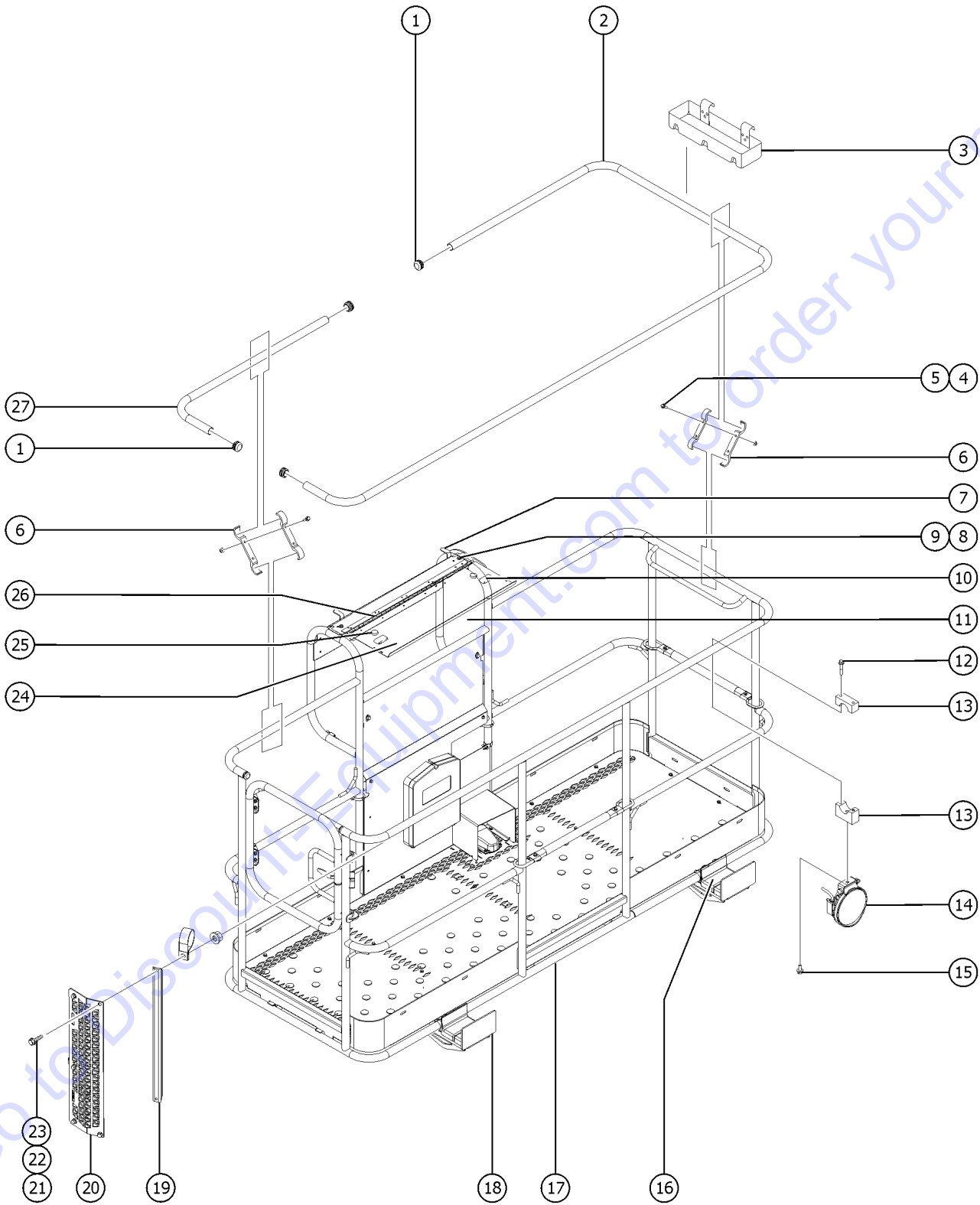
We sell worldwide for the brands: Genie, Terex, JLG, MultiQuip, Mikasa, Essick, Whiteman, Mayco, Toro Stone, Diamond Products, Generac Magnum, Airman, Haulotte, Barreto, Power Blanket, Nifty Lift, Atlas Copco, Chicago Pneumatic, Allmand, Miller Curber, Skyjack, Lull, Skytrak, Tsurumi, Husquvarna Target, Stow, Wacker, Sakai, Mi-T-M, Sullair, Basic, Dynapac, MBW, Weber, Bartell, Bennar Newman, Haulotte, Ditch Runner, Menegotti, Morrison, Contec, Buddy, Crown, Edco, Wyco, Bomag, Laymor, EZ Trench, Bil-Jax, F.S. Curtis, Gehl Pavers, Heli, Honda, ICS/PowerGrit, IHI, Partner, Imer, Clipper, MMD, Koshin, Rice, CH&E, General Equipment, Amida, Coleman, NAC, Gradall, Square Shooter, Kent, Stanley, Tamco, Toku, Hatz, Kohler, Robin, Wisconsin, Northrock, Oztec, Toker TK, Rol-Air, APT, Wylie, Ingersoll Rand / Doosan, Innovatech, Con X, Ammann, Mecalac, Makinex, Smith Surface Prep, Small Line, Wanco, Yanmar

801.1 Platform Accessories (to SN 2888)

Item	Part No.	Description	Qty.	Item	Part No.	Description	Qty.
--	53808-SGT	AUX TOP RAIL,6'(1.25")SERVICE <i>Includes items 1, 13 and 16-17</i>		16A	52661GT	PINCH GUARD RAIL,8' PLATFORM**.....1	
--	53807-SGT	AUX TOP RAIL,8'(1.25")SERVICE <i>Includes items 1, 13 and 16-17</i>		16B	1259704GT	PINCH GUARD RAIL,6' PLATFORM.....1 <i>includes 55753 bumpers</i>	
--	102721PGT	TOEBOARD,8'TRI ENTRY <i>Includes items 12, 13, and 19-21</i>		--	31120GT	PLUG,NYLON 1.187 BLACK DOMED	
--	T109328GT	ACC,PLAT CONTROL COVER, SERV <i>Includes items 7-15</i>		17	4266GT	SCREW,HHC,1/4-20 X 2 <i>to SN 2584</i>	
--	77683GT	ACCESSORY,PANEL CRADLE,ANSI <i>Includes items 18, 24 and 28 (ANSI models)</i>		--	1253485GT	SCREW,HHF,1/4-20X2,8,ZAG <i>from SN 2585</i>	
--	94493-SGT	KIT,PANEL CRADLE,CE <i>Includes items 18, 24 and 28 (CE models)</i>		18		Ref., PAD REST.....4 <i>Refer to item 24</i>	
1	122073GT	SUPPORT, RAILING		19	102721PGT	TOEBOARD,8'TRI ENTRY.....2	
2	6145GT	SCREW,HHC,1/4-20 X 1.5 <i>to SN 2584</i>		--	139438GT	TOEBOARD, TRI ENTRY 6', EURO	
--	824081GT	SCREW,HHF,1/4-20X1.5,8,ZAG <i>from SN 2585</i>		20	94745PGT	TOEBOARD,ENTRY EUROPEAN PNTD**.....1	
3	6356GT	WASHER,LOCK, .25 <i>to SN 2584</i>		21	6090GT	SCREW,HHC,1/4-20 X .75 <i>to SN 2584</i>	
4	35956GT	BRACKET,WORK LIGHT MOUNT 5/16".....2		--	824059GT	SCREW,HHC,1/4-20X.75,8,ZAG <i>from SN 2585</i>	
5	107857GT	LIGHT, 12 VOLT.....2		22	229363GT	PLAT ASSY, 8'TRI, ANSI W/WORD <i>(Complete) with ANSI word decal</i>	
--	35960GT	BULB,WORKLIGHT,12V 35W		--	229364GT	PLAT ASSY, 8'TRI, AUS W/WORD <i>(Complete) with Australia word decal</i>	
--	98027GT	PLATFORM WORKLIGHTS,110V,150W		--	229365GT	PLAT ASSY, 8'TRI, ANSI W/SYM <i>(Complete) with ANSI symbol decal</i>	
6	9599-SGT	TOOL TRAY ACCESSORY***.....1		--	229366GT	PLAT ASSY, 8'TRI, CE W/SYM <i>(Complete) with CE symbol decal</i>	
7	43392GT	BUMPER,BATTERY BOX & RAILS		23	128374GT	WELDMENT,SWING GATE,ALUMINUM	
8	111526GT	HINGE,PLAT CONTROL BOX COVER...1		--	1488GT	RAILING CATCH CASTING--DRILLED	
9	102785PGT	CONTROL BOX COVER,LID,PTD <i>(With latch)</i>		--	1487GT	GATE LATCH CASTING--DRILLED	
10	102786PGT	FORMING,LATCH,CTRL BOX LID PTD		--	33674GT	PIN,LOCK,SHORT***	
--	6888GT	SCREW,HHC,1/4-20 X 1.....4 <i>to SN 2584</i>		--	42104GT	SPRING,SHORT PLATFORM GATE	
--	824060GT	SCREW,HHC,1/4-20X1,8,ZAG <i>from SN 2585</i>		--	43392GT	BUMPER,BATTERY BOX & RAILS	
11	6090GT	SCREW,HHC,1/4-20 X .75.....4 <i>to SN 2584</i>		24	77683GT	ACCESSORY,PANEL CRADLE,ANSI <i>ANSI/CSA models only. Not allowed for CE or AUS installation</i>	
--	824078GT	SCREW,HHF,1/4-20X.75,8,ZAG <i>from SN 2585</i>		25	73501GT	HALF MESH,8'PLATFORM,LH.....1	
12	6638GT	WASHER,FLAT,USS,1/4"Y <i>to SN 2584</i>		--	73500GT	HALF MESH,8'PLATFORM,RH***	
13	6889GT	NUT,LP NYLOCK,1/4-20 <i>to SN 2584</i>		--	54457GT	MESH,HALF,SWING GATE***	
--	1260224GT	NUT,TL JAM,1/4-20,A,ZAG <i>from SN 2585</i>		26	1487GT	GATE LATCH CASTING--DRILLED.....1	
14	30468GT	LATCH,SLIDE, FLUSH MOUNT STYLE		--	63311GT	SNAP PIN	
15	88606PGT	COVER,CONTROL BOX RIGHT SIDE**.....1		27	56424GT	CLAMP,1.25X.5 RUBBER-CUSHION....14	
--	88607PGT	COVER,CONTROL BOX LEFT SIDE***		28	88377GT	FOAM PAD, 3" OD X 1.25" ID,STR.....2	
				29	85300GT	PIPE CRADLE ASSY. SERV (ONE)**.....2	



801.2 Platform Accessories (from SN 2889)

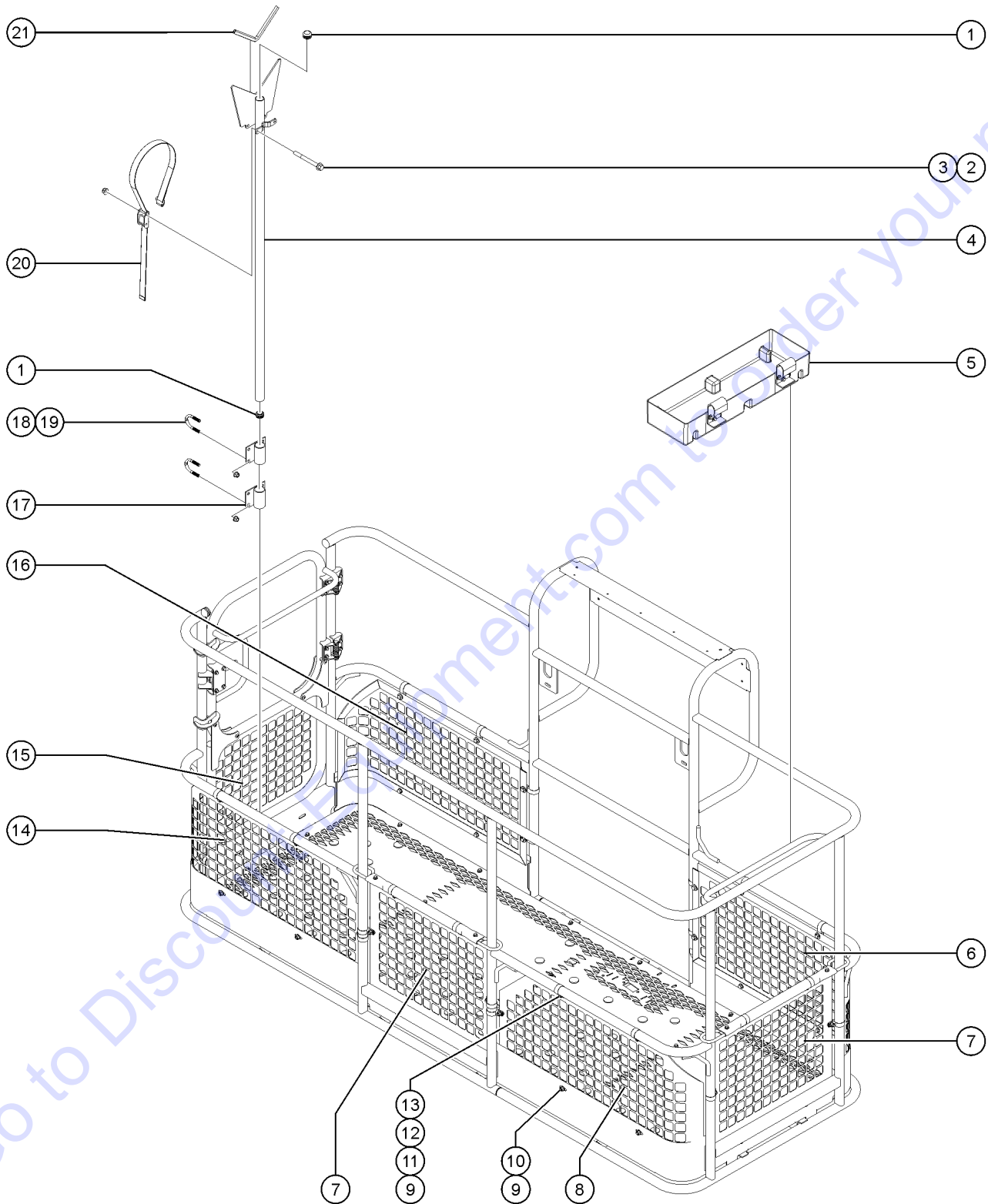


## 801.2 Platform Accessories (from SN 2889)

Item	Part No.	Description	Qty.	Item	Part No.	Description	Qty.
1	55753GT	BUMPER, PLASTIC, 1.25 O.D.....	4	27A	1271078GT	AUX RAIL, 8' PLAT, TRI-ENTRY.....	1
2A	1271077GT	AUX RAIL, 8' PLAT, TRI-ENTRY.....	1			(8 foot Platform)	
2B	1270570GT	AUX RAIL, 6' PLAT, SIDE ENTRY.....	1	27B	1270571GT	AUX RAIL, 6' PLAT, SIDE ENTRY.....	1
		(6 foot Platform)				(6 foot Platform)	
3	9599-SGT	TOOL TRAY ACCESSORY***.....	1				
4A	824079GT	SCREW,HHF,1/4-20X1,8,ZAG.....	26				
		(8 foot Platform)					
4B	824079GT	SCREW,HHF,1/4-20X1,8,ZAG.....	22				
		(6 foot Platform)					
5A	824027GT	NUT,TL FLG,1/4-20,G,ZAG.....	26				
		(8 foot Platform)					
5B	824027GT	NUT,TL FLG,1/4-20,G,ZAG.....	22				
		(6 foot Platform)					
6A	122073GT	SUPPORT, RAILING.....	26				
		(8 foot Platform)					
6B	122073GT	SUPPORT, RAILING.....	22				
		(6 foot Platform)					
7	102786PGT	FORMING,LATCH,CTRL BOX LID PTD					
--	824060GT	SCREW,HHC,1/4-20X1,8,ZAG					
8	824078GT	SCREW,HHF,1/4-20X.75,8,ZAG.....	4				
9	1260224GT	NUT,TL JAM,1/4-20,A,ZAG.....	4				
10	30468GT	LATCH,SLIDE, FLUSH MOUNT STYLE					
11	88606PGT	COVER,CONTROL BOX RIGHT SIDE**					
--	88607PGT	COVER,CONTROL BOX LEFT SIDE***					
--	31120GT	PLUG,NYLON 1.187 BLACK DOMED					
12	824081GT	SCREW,HHF,1/4-20X1.5,8,ZAG.....	4				
13	35956GT	BRACKET,WORK LIGHT MOUNT					
		5/16".....	4				
14	1282993GT	ASSY,WORK LIGHT,12V LED.....	2				
15	824085GT	SCREW,HHF,5/16-18X.75,8,ZAG.....	2				
16		Ref., PAD REST.....	4				
		refer to item 18					
17		Ref.WELDMENT, PLATFORM.....	1				
		(refer to 602.2)					
18	77683GT	ACCESSORY,PANEL CRADLE,ANSI					
		ANSI/CSA models only. Not allowed for					
		CE or AUS installation					
19	1277966GT	TUBE,SQ,STL, 1.00 x 1.00 x .120.....	1				
20	1277952GT	GUARD, SWING GATE.....	1				
21	824086GT	SCREW,HHF,5/16-18X1,8,ZAG.....	5				
22	56424GT	CLAMP,1.25X.5 RUBBER-CUSHION....	5				
23	824028GT	NUT,TL FLG,5/16-18,G,ZAG.....	5				
24	102785PGT	CONTROL BOX COVER,LID,PTD					
		(With latch)					
25	43392GT	BUMPER,BATTERY BOX & RAILS					
26	111526GT	HINGE,PLAT CONTROL BOX COVER...1					



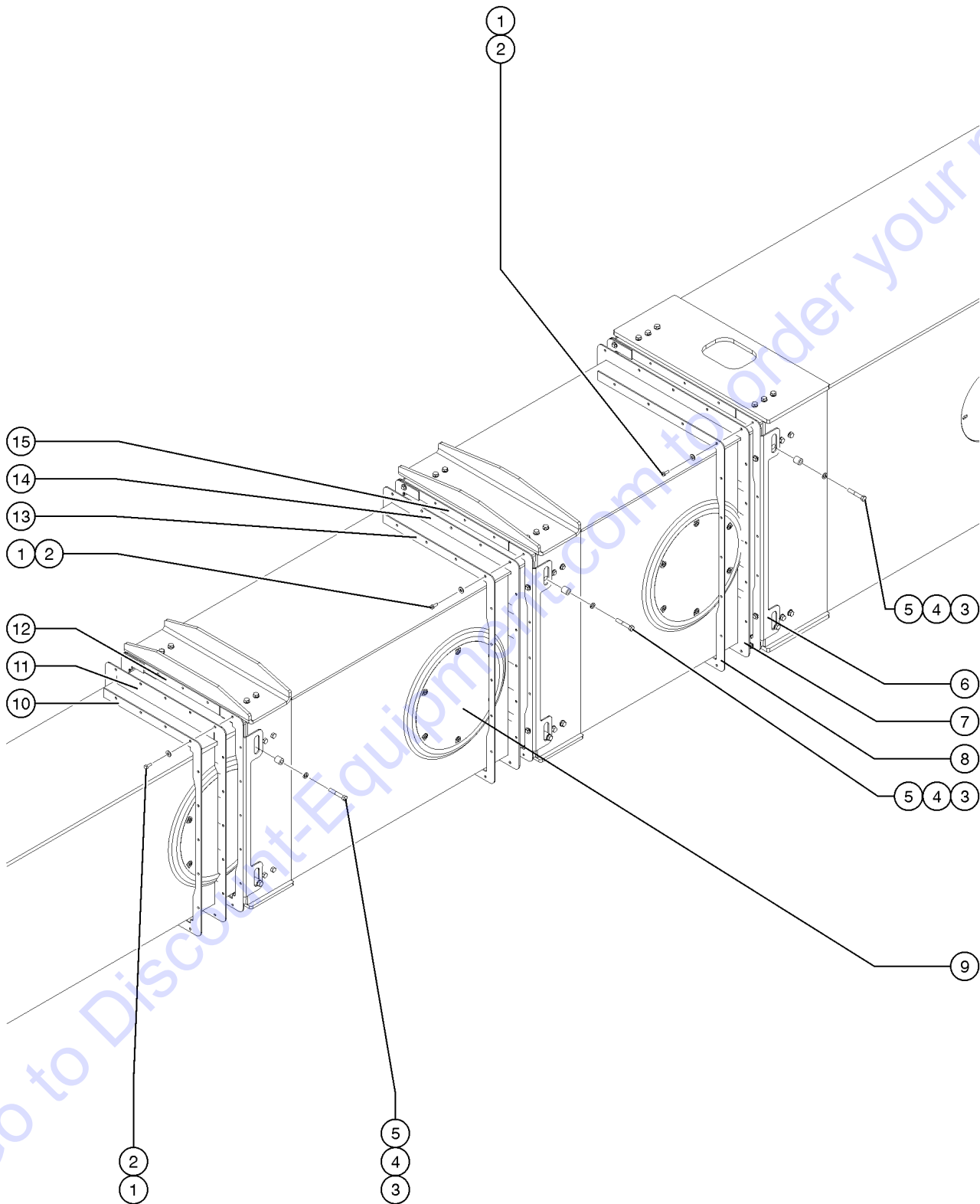
801.3 Platform Accessories, Half-Mesh and Pipe Cradle Options (from SN 2889)



## 801.3 Platform Accessories, Half-Mesh and Pipe Cradle Options (from SN 2889)

Item	Part No.	Description	Qty.
A	85300GT	PIPE CRADLE ASSY. SERV (ONE)** <i>(ANSI &amp; CE only) (This is a single assembly. Qty 2 of 85300GT required to complete a set)</i>	
--	65630GT	INSTRUCTIONS-PIPE CRADLE,BOOMS	
1	55753GT	BUMPER, PLASTIC, 1.25 O.D.....4	
2	824083GT	SCREW,HHF,1/4-20X2.5,8,ZAG.....4	
3	1277924GT	NUT,NYLOCK FLG,1/4-20,F,ZAG.....4	
4	56525GT	WELDMENT, PIPE CRADLE.....2	
5	9599-SGT	TOOL TRAY ACCESSORY***.....1	
--	7746GT	BRACKET-TOOL TRAY MOUNTING	
6	1271019GT	PANEL, HALF MESH.....1 <i>(8 foot Platform)</i>	
7	1271061GT	PANEL, HALF MESH.....1 <i>(8 and 6 foot Platform)</i>	
8	1271018GT	PANEL, HALF MESH.....1 <i>(8 foot Platform)</i>	
--	1270313GT	PANEL, HALF MESH <i>(6 foot Platform)</i>	
9	824028GT	NUT,TL FLG,5/16-18,G,ZAG	
10	824085GT	SCREW,HHF,5/16-18X.75,8,ZAG	
11	56424GT	CLAMP,1.25X.5 RUBBER-CUSHION	
12	825358GT	WASHER,FLAT,5/16,USS,ZAG	
13	1264101GT	SCREW,HHC,5/16-18X1,8,ZAG	
14	1271040GT	PANEL, HALF MESH.....1 <i>(8 foot Platform)</i>	
--	1270316GT	PANEL, HALF MESH <i>(6 foot Platform)</i>	
15	1285700GT	WELDMENT,SWING GATE PANEL <i>(used on 6' and 8' side entry platforms) (Swing Gate Weldment, refer to 602.1)</i>	
--	55753GT	BUMPER, PLASTIC, 1.25 O.D.....2	
16	1270994GT	PANEL, HALF MESH.....1 <i>(8 foot Platform)</i>	
--	1270314GT	PANEL, HALF MESH <i>(6 foot Platform)</i>	
17	81368GT	WELDMENT,PIPE CRADLE MOUNT.....4	
18	1251600GT	U-BOLT, FLATTENED, 1.5 X 3/8 UNC,ZAG.....8	
19	1274322GT	NUT,NYLOCK FLG,3/8-16,F,ZAG.....16	
20	56570GT	STRAP, CONDUIT HOLDER 60****.....2	
21	19018-1100GT	TRIMLOCK,BLACK,5/32".....2	

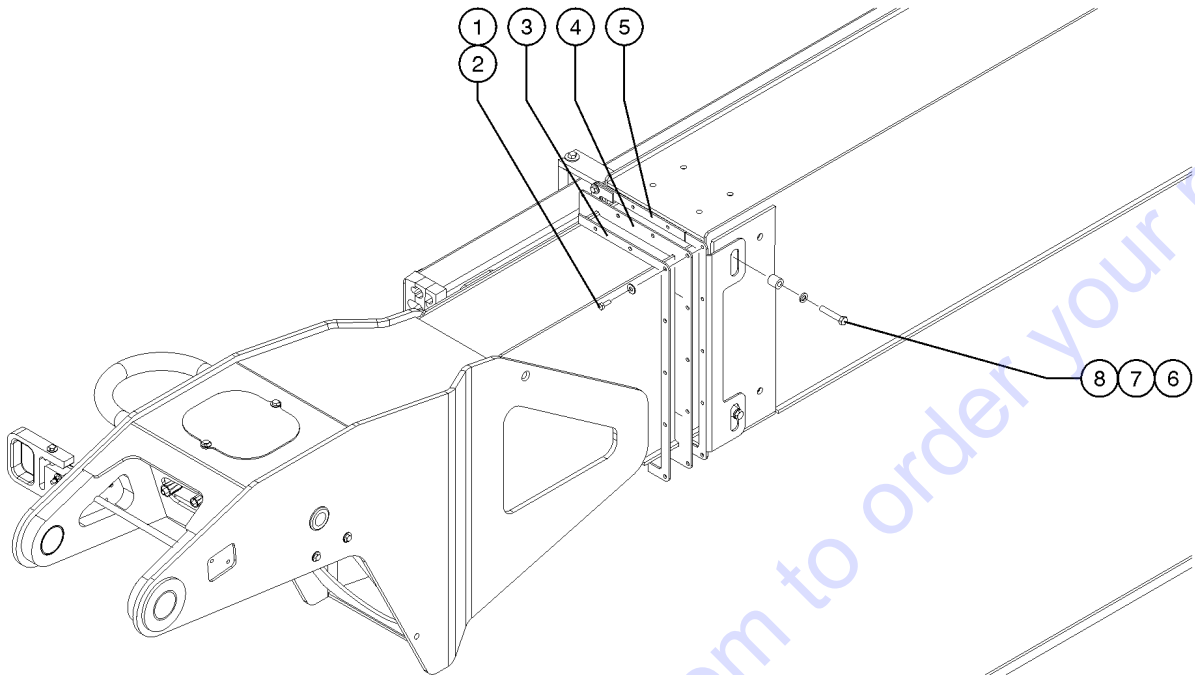
802.1 Hostile Environment Option - Secondary Boom Wipers



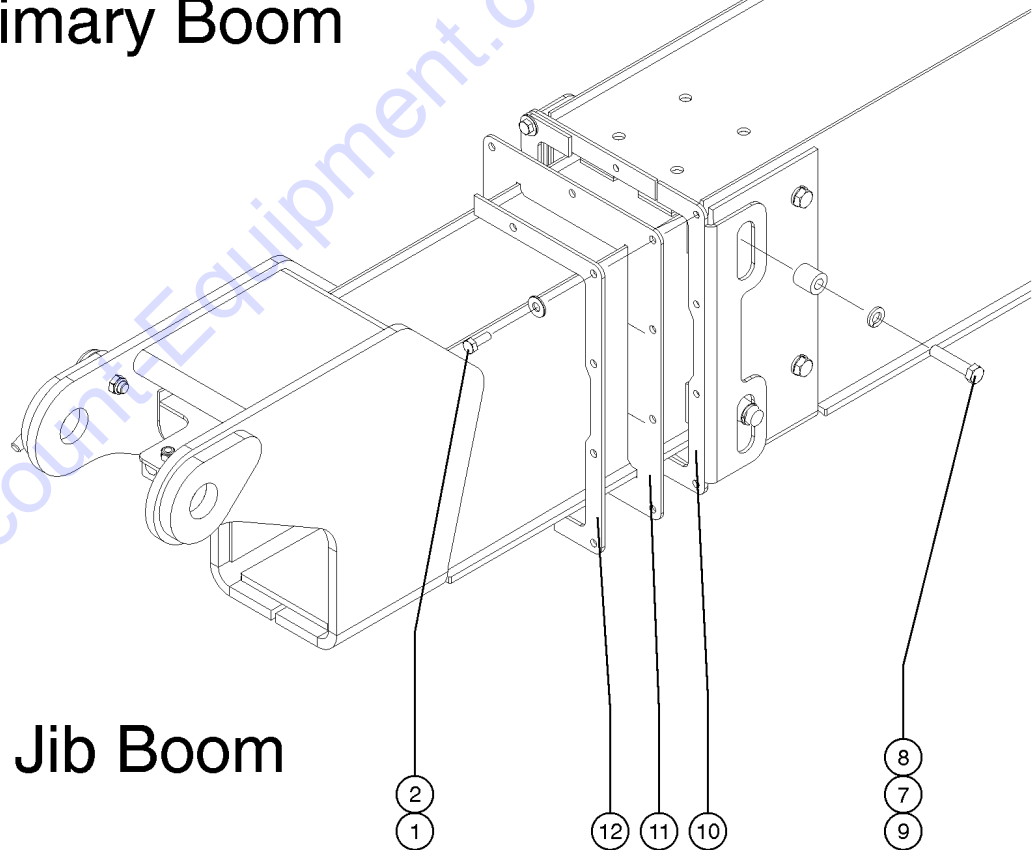
## 802.1 Hostile Environment Option - Secondary Boom Wipers

Item	Part No.	Description	Qty.
1	6090GT	SCREW,HHC,1/4-20 X .75 to SN 2584	
--	824078GT	SCREW,HHF,1/4-20X.75,8,ZAG from SN 2585	
2	6638GT	WASHER,FLAT,USS,1/4"Y to SN 2584	
3	6708GT	SCREW,HHC,3/8-16 X 2.25 to SN 2584	
--	1252978GT	SCREW,HHC,3/8-16X2.25,8,ZAG from SN 2585	
4	6021GT	WASHER,LOCK, .375	
5	101932GT	TUBE,RD,STL,DOM,.75X.38X.78.....	12
6	101733GT	BRACKET,WIPER #1 TO #2.....	2
7	106145GT	WIPER,#1 TO #2.....	1
8	101734GT	PLATE,WIPER BACKING #1 TO #2.....	2
9	106105GT	COVER,RISER SIDE HOLES.....	46
--	53189GT	RIVET,ALUM,ALUM,P,.25X.375..... <i>Sold separately (6 each per cover, holds cover 106105 in place)</i>	276
--	106106GT	CLIP, RISER SIDE HOLE..... <i>Sold separately (6 each per cover, holds cover 106105 in place)</i>	276
10	101740PGT	PLATE,WIPER BACKING #3TO#4 PTD.....	2
11	101738GT	WIPER,#3 TO #4.....	1
12	101739PGT	BRACKET,WIPER #3 TO #4 PAINTED...	2
13	101737GT	PLATE,WIPER BACKING #2 TO #3.....	2
14	101735GT	WIPER,#2 TO #3.....	1
15	101736GT	BRACKET,WIPER #2 TO #3.....	2

802.2 Hostile Environment Option - Primary and Jib Boom Wipers, Cable Track Covers



Primary Boom

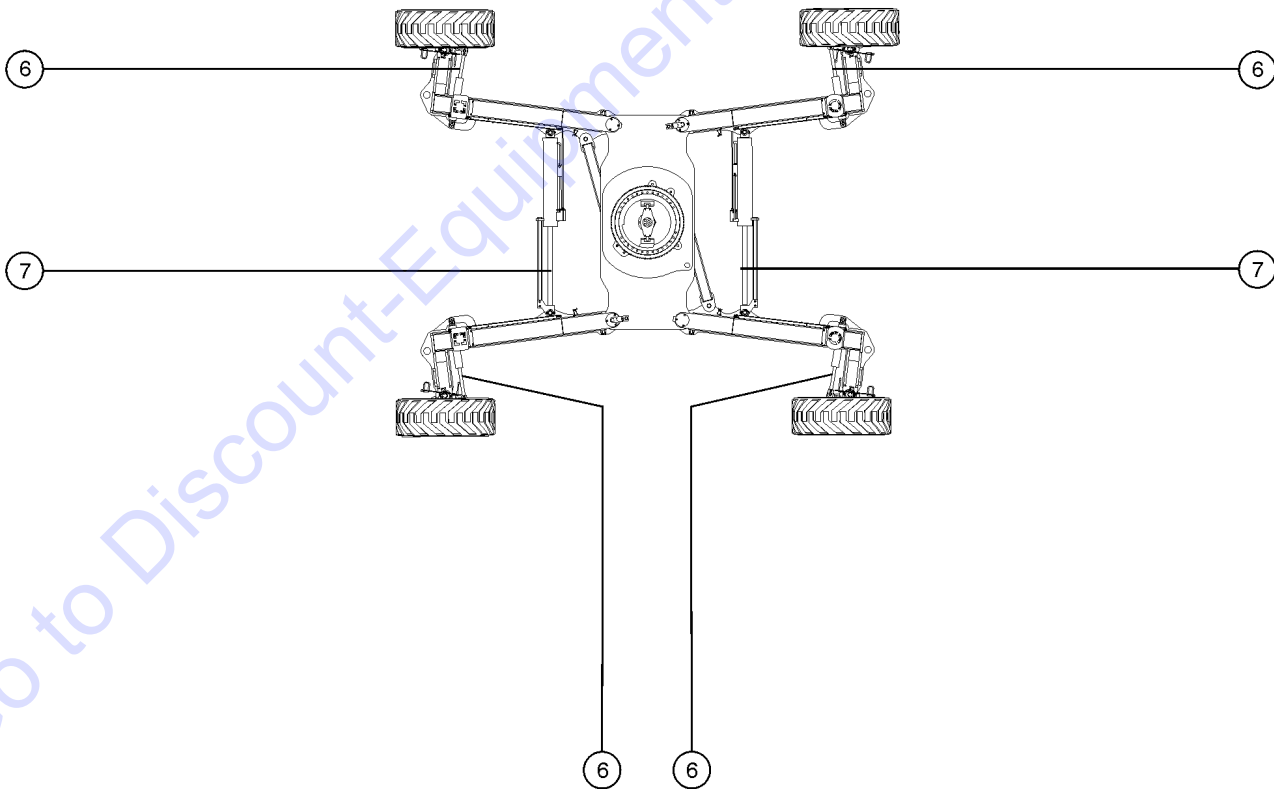
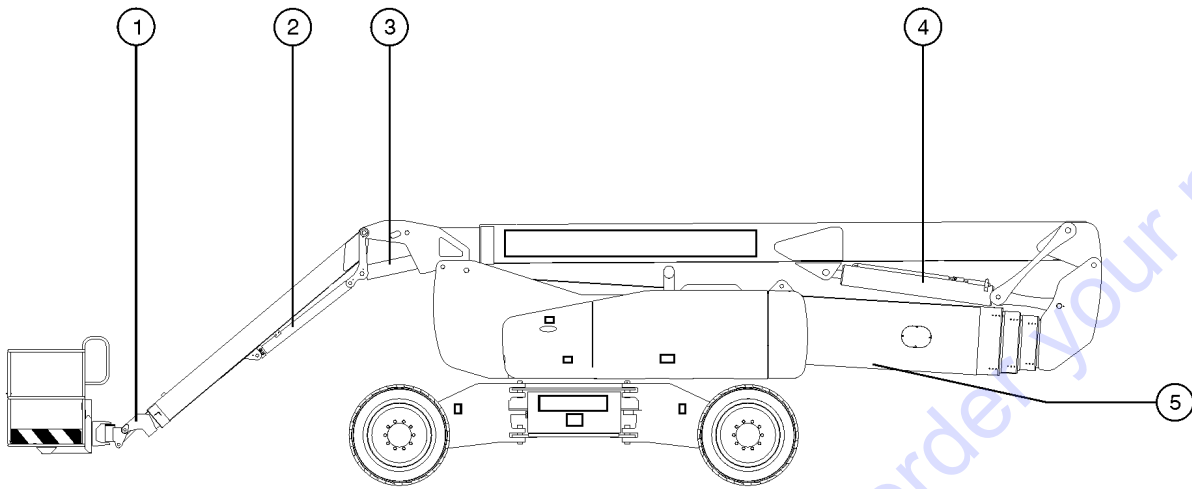


Jib Boom

## 802.2 Hostile Environment Option - Primary and Jib Boom Wipers, Cable Track Covers

Item	Part No.	Description	Qty.
--	106161GT	COVER,CABLE TRACK,15 LINK	
--	106162GT	COVER,CABLE TRACK,27 LINK	
--	106733GT	COVER,CABLE TRACK,11 LINK	
1	6090GT	SCREW,HHC,1/4-20 X .75	
2	6638GT	WASHER,FLAT,USS,1/4"Y	
3	101743PGT	PLATE,WIPER BACKING PRI.EXT.P.....2	
4	101741GT	WIPER,PRI.-PRI EXT.....1	
5	101742PGT	BRACKET,WIPER PRI-PRI EXT.PTD.....2	
6	5224GT	SCREW,HHC,3/8-16 X 2 to SN 2584	
--	1253478GT	SCREW,HHF,3/8-16X2,8,ZAG from SN 2585	
7	6021GT	WASHER,LOCK,.375 to SN 2584	
--	824111GT	WASHER,LOCK,1/2,ZAG from SN 2585	
8	101932GT	TUBE,RD,STL,DOM,.75X.38X.78.....8	
9	13918GT	SCREW,HHC,3/8-16 X 1.75,GRD.8 to SN 2584	
--	824093GT	SCREW,HHF,3/8-16X1.75,8,ZAG from SN 2585	
10	101745GT	BRACKET,WIPER JIB-JIB EXT.....2	
11	101744GT	WIPER, JIB-JIB EXTENSION.....1	
12	101746GT	BRACKET,WIPER BACKING JIB EXT.....2	

803.1 Hostile Environment Option - Bellows Installation

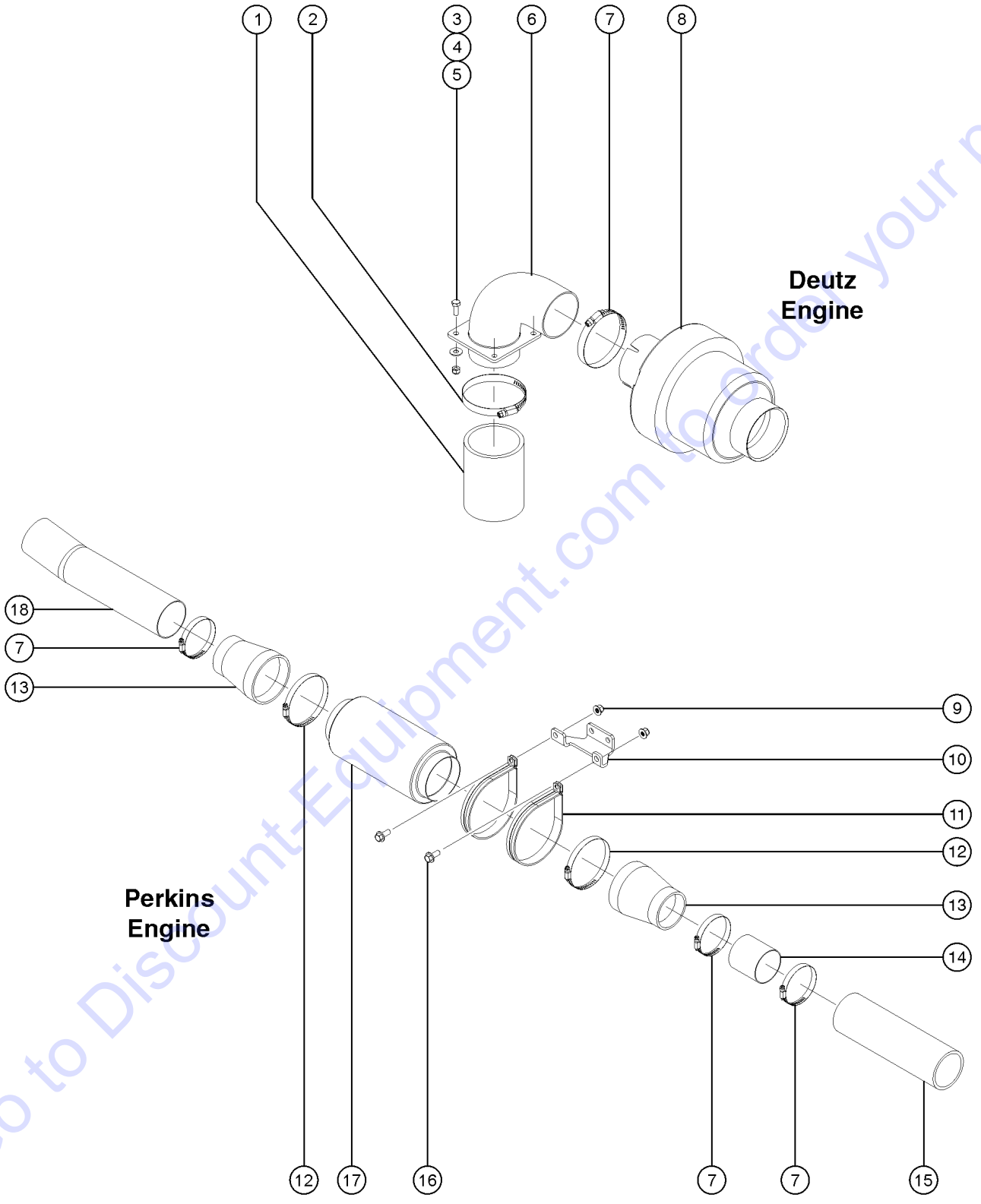


## 803.1 Hostile Environment Option - Bellows Installation

Item	Part No.	Description	Qty.
1	101810GT	BELLOWS,CYL,PLATFORM LEVEL***...1	
--	30971GT	CLAMP,HOSE,3.00"	
--	36208GT	CLAMP,HOSE,1.25***	
2	101846GT	BELLOWS,JIB LIFT CYLINDER***.....1	
--	34955GT	CLAMP,HOSE,5.00	
--	34955GT	CLAMP,HOSE,5.00	
3	106732GT	BELLOWS,BELLCRANK LEVEL CYL***.....1	
--	35432GT	CLAMP,HOSE,6.50	
--	30971GT	CLAMP,HOSE,3.00"	
4	101847GT	BELLOWS,PRIMARY LIFT CYLINDER...1	
--	31523GT	CLAMP,HOSE,8.50 DIA***	
--	30489GT	CLAMP,HOSE,3.50	
5	106182GT	BELLOWS,RISER LIFT CYLINDER***....1	
--	31523GT	CLAMP,HOSE,8.50 DIA***	
--	35432GT	CLAMP,HOSE,6.50	
6	229467GT	BELLOWS,STEER CYLINDER.....4	
--	22672GT	CLAMP,HOSE,1.75	
--	30489GT	CLAMP,HOSE,3.50	
7	229464GT	BELLOWS,AXLE EXTEND CYLINDER...2	
--	35432GT	CLAMP,HOSE,6.50	
--	45435GT	CLAMP,HOSE,2.50"***	



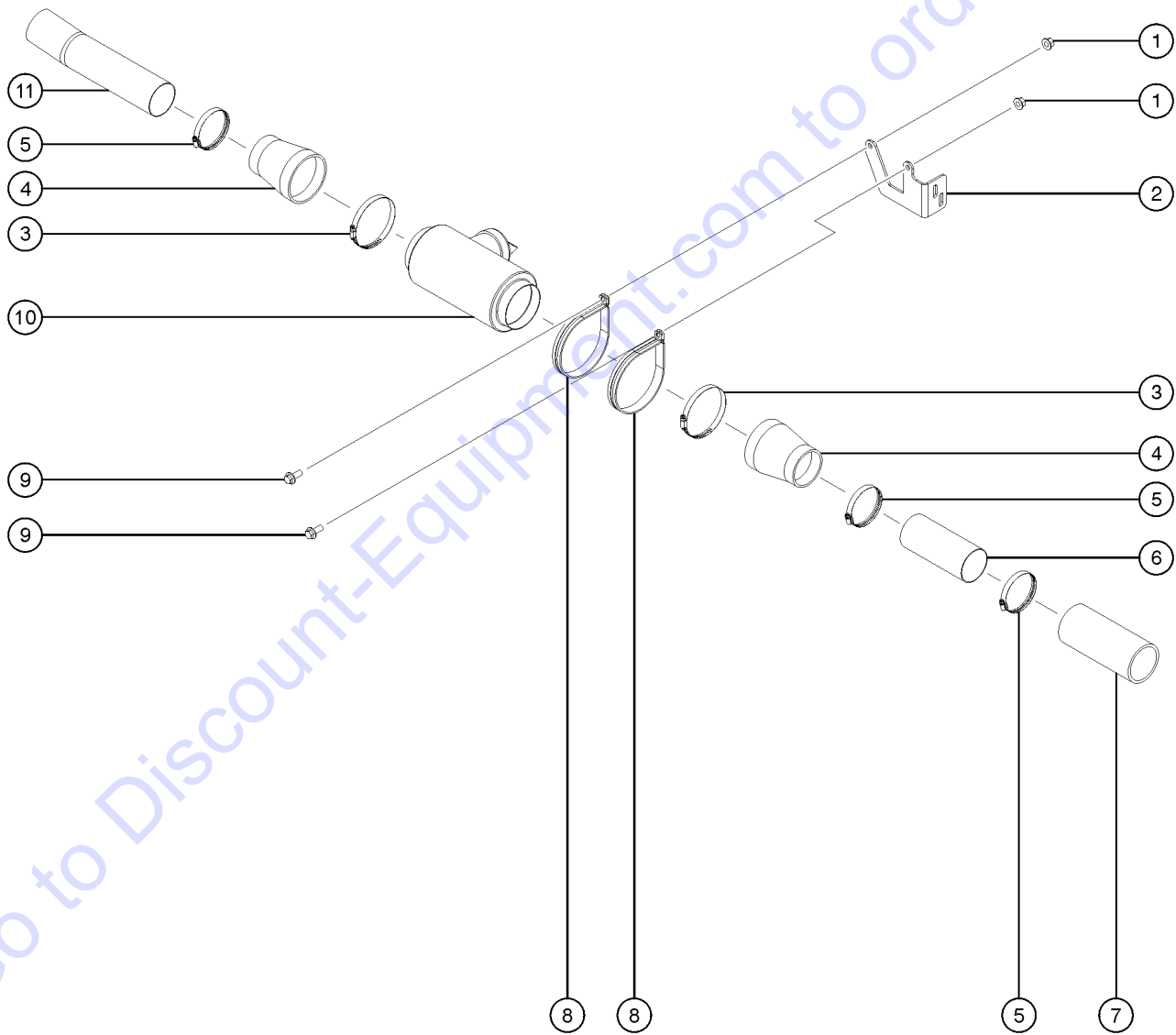
804.1 Hostile Environment Option - Engine Air Cleaners



## 804.1 Hostile Environment Option - Engine Air Cleaners

Item	Part No.	Description	Qty.
--	70515GT	KIT,PRECLEANER DEUTZ***	
--	217814GT	OPT,PRECLEANER,PERKINS XS180RJ	
1	106211-400GT	HOSE,RUBBER 3"ID X .25 BLACK.....1	
2	30489GT	CLAMP,HOSE,3.50.....4	
3	6090GT	SCREW,HHC,1/4-20 X .75 to SN 2584	
--	824078GT	SCREW,HHF,1/4-20X.75,8,ZAG from SN 2585	
4	6638GT	WASHER,FLAT,USS,1/4"Y to SN 2584	
5	6091GT	NUT,NYLOCK,1/4-20 to SN 2584	
--	824027GT	NUT,TL FLG,1/4-20,G,ZAG from SN 2585	
6	102220GT	WELDMENT,PRECLEANER,DEUTZ.....1	
7	30971GT	CLAMP,HOSE,3.00".....4	
8	89959GT	PRECLEANER,INLINE 3".....2	
9	231529GT	NUT,TL FLG,M10-1.5,DIN6927,10,ZAB	
10	217230GT	FORMING, PREFILTER BRACKET.....1	
11	101639GT	CLAMP,5.38,#86 X 3/8,RUB CUSH.....2	
12	34955GT	CLAMP,HOSE,5.00.....2	
13	122432GT	REDUCER,RUBBER,4.0 X 3.0.....2	
14	217233GT	TUBE,INTAKE, ADAPTER.....1	
15	106211-1150GT	HOSE,RUBBER 3"ID X .25 X 11.5".....1	
16	231530GT	SCREW,HHF,M10-1.5X25,DIN6921,10,9,ZAB	
17	88493GT	PRECLEANER,AIR INTAKE.....1	
18	217231GT	TUBE,INTAKE, FILTER.....1	

804.2 Engine Air Cleaners - Deutz TD 2.9L4 and Perkins 854F-E34T

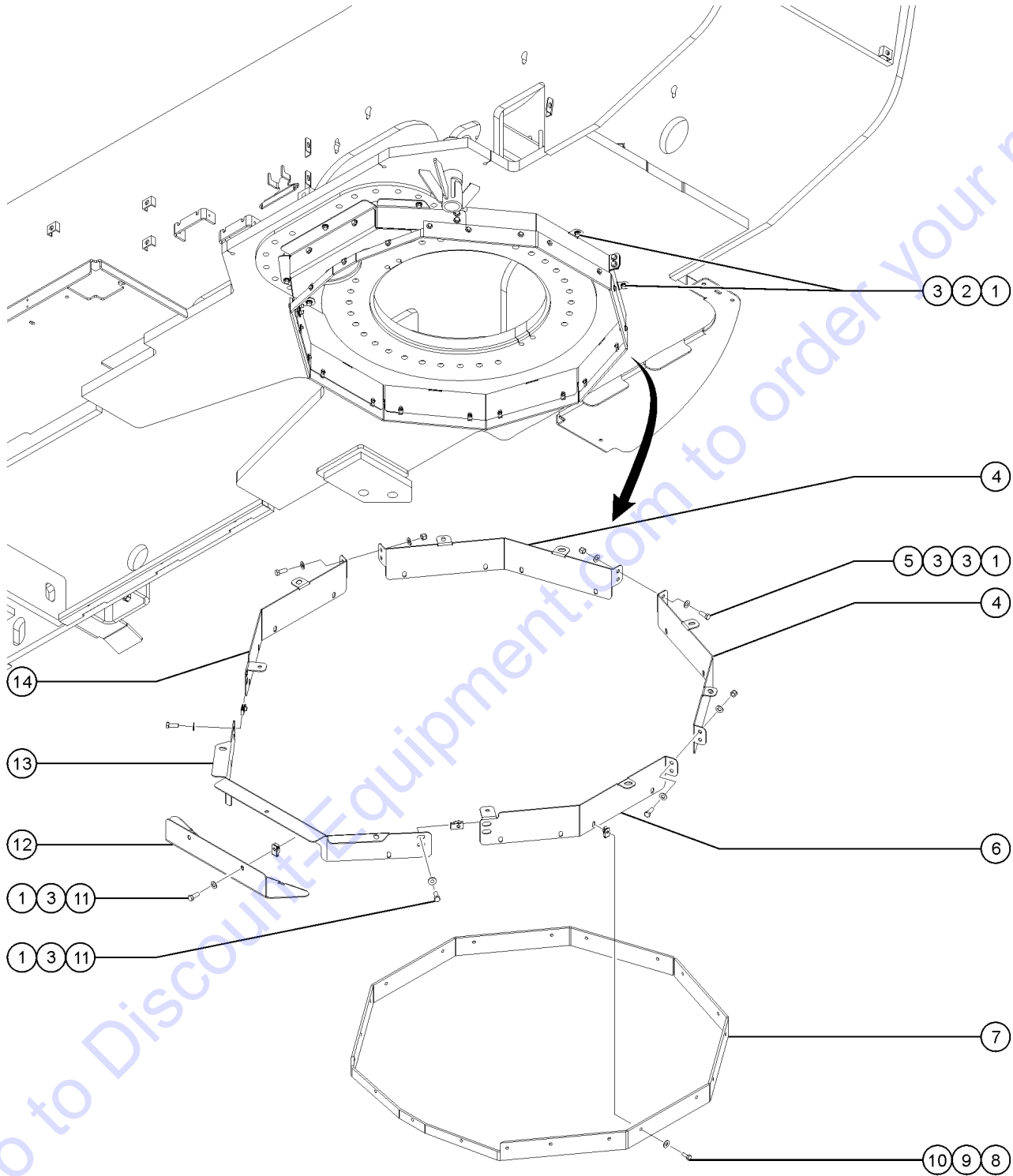


## 804.2 Engine Air Cleaners - Deutz TD 2.9L4 and Perkins 854F-E34T

Item	Part No.	Description	Qty.
1	231529GT	NUT,TL FLG,M10-1.5,DIN6927,10,ZAB.....	2
2	1254694GT	FORMING, PRECLEANER.....	1
3	34955GT	CLAMP,HOSE,5.00.....	2
4	122432GT	REDUCER,RUBBER,4.0 X 3.0.....	2
5	30489GT	CLAMP,HOSE,3.50.....	3
6	1254685GT	TUBE,INTAKE, ADAPTER.....	1
7	106211-800GT	HOSE,RUBBER 3"ID X .25 X 8" BLACK.....	1
8	101639GT	CLAMP,5.38,#86 X 3/8,RUB CUSH.....	2
9	231530GT	SCREW,HHF,M10-1.5X25,DIN6921,10.9,ZAB.2	
10	88493GT	PRECLEANER,AIR INTAKE.....	1
11	1254686GT	TUBE,INTAKE, FILTER.....	1

Go to Discount-Equipment.com to order your parts

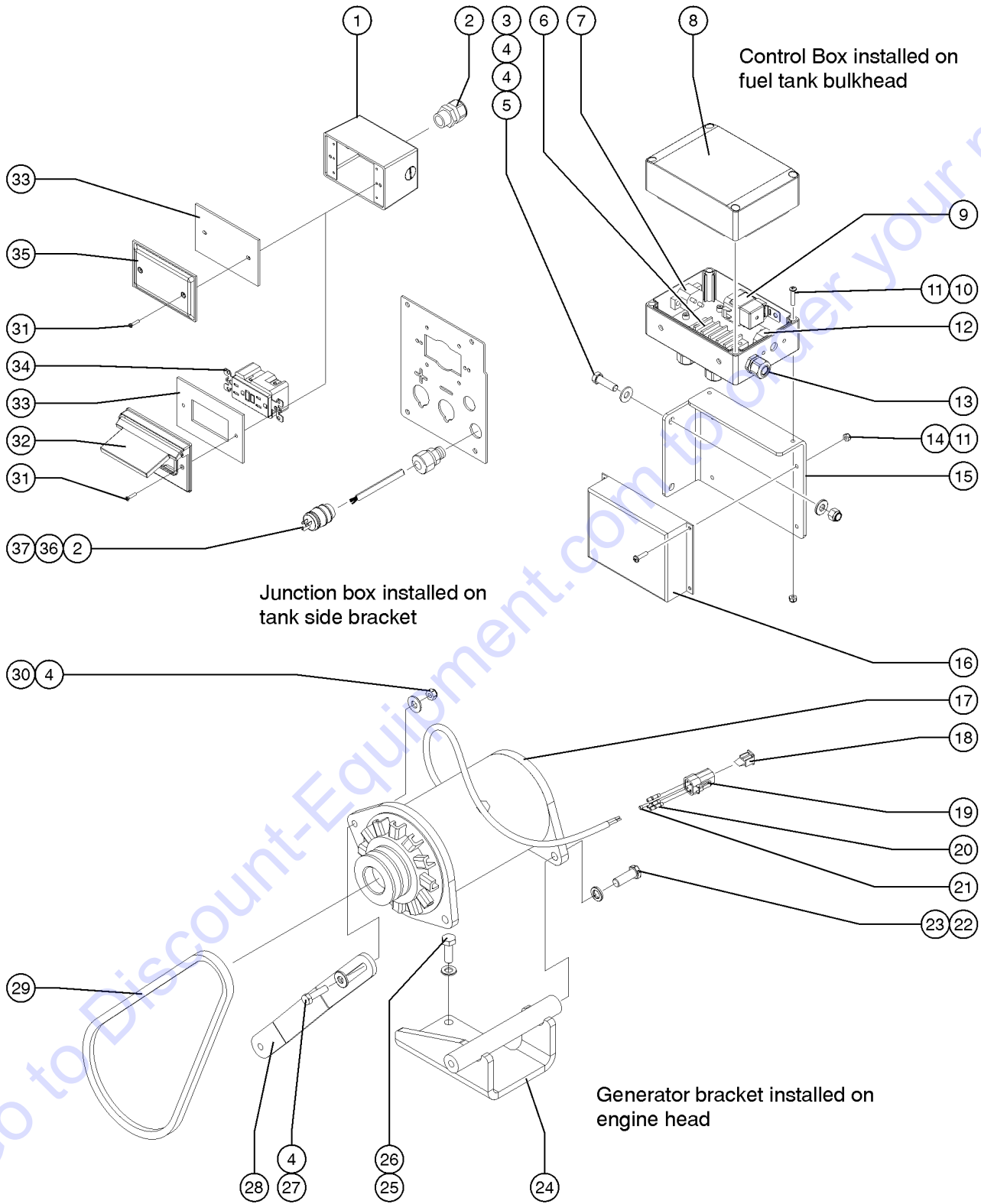
805.1 Hostile Environment DLX Option - Slew Ring Guard



## 805.1 Hostile Environment DLX Option - Slew Ring Guard

Item	Part No.	Description	Qty.
--	106161GT	COVER,CABLE TRACK,15 LINK.....1	
--	106162GT	COVER,CABLE TRACK,27 LINK	
--	106733GT	COVER,CABLE TRACK,11 LINK	
--	823714GT	ASSY. SLEW RING GUARD	
1	6175GT	SCREW,HHC,3/8-16 X 1 to SN 2584	
--	824067GT	SCREW,HHC,3/8-16X1,8,ZAG from SN 2585	
2	6021GT	WASHER,LOCK, .375 to SN 2584	
--	824110GT	WASHER,LOCK,3/8,ZAG from SN 2585	
3	54355GT	WASHER,FLAT,SAE,3/8",Y to SN 2584	
--	1255758GT	WASHER,FLAT,3/8,USS,ZAG from SN 2585	
4	822249GT	FORMING,WIPER GUARD,BACK.....2	
5	4828GT	NUT,NYLOCK,3/8-16 to SN 2584	
--	824029GT	NUT,TL FLG,3/8-16,G,ZAG from SN 2585	
6	161698GT	FORMING,WIPER GUARD,RH.....1	
7	162302GT	WIPER, SLEW RING.....1	
8	6090GT	SCREW,HHC,1/4-20 X .75 to SN 2584	
--	824078GT	SCREW,HHF,1/4-20X.75,8,ZAG from SN 2585	
9	6638GT	WASHER,FLAT,USS,1/4"Y to SN 2584	
10	56912GT	SPRING CLIP,1/4-20,.025-.15X.54,ZAG	
11	29868GT	SPRING CLIP,3/8-16,.05-.20X.73,ZAG	
12	822187GT	COVER, TURNTABLE GEARS.....1	
13	822235GT	FORMING, PINION GUARD.....1	
14	161697GT	FORMING,WIPER GUARD,LH.....1	

806.1 Belt Driven Generator, Cummins Models

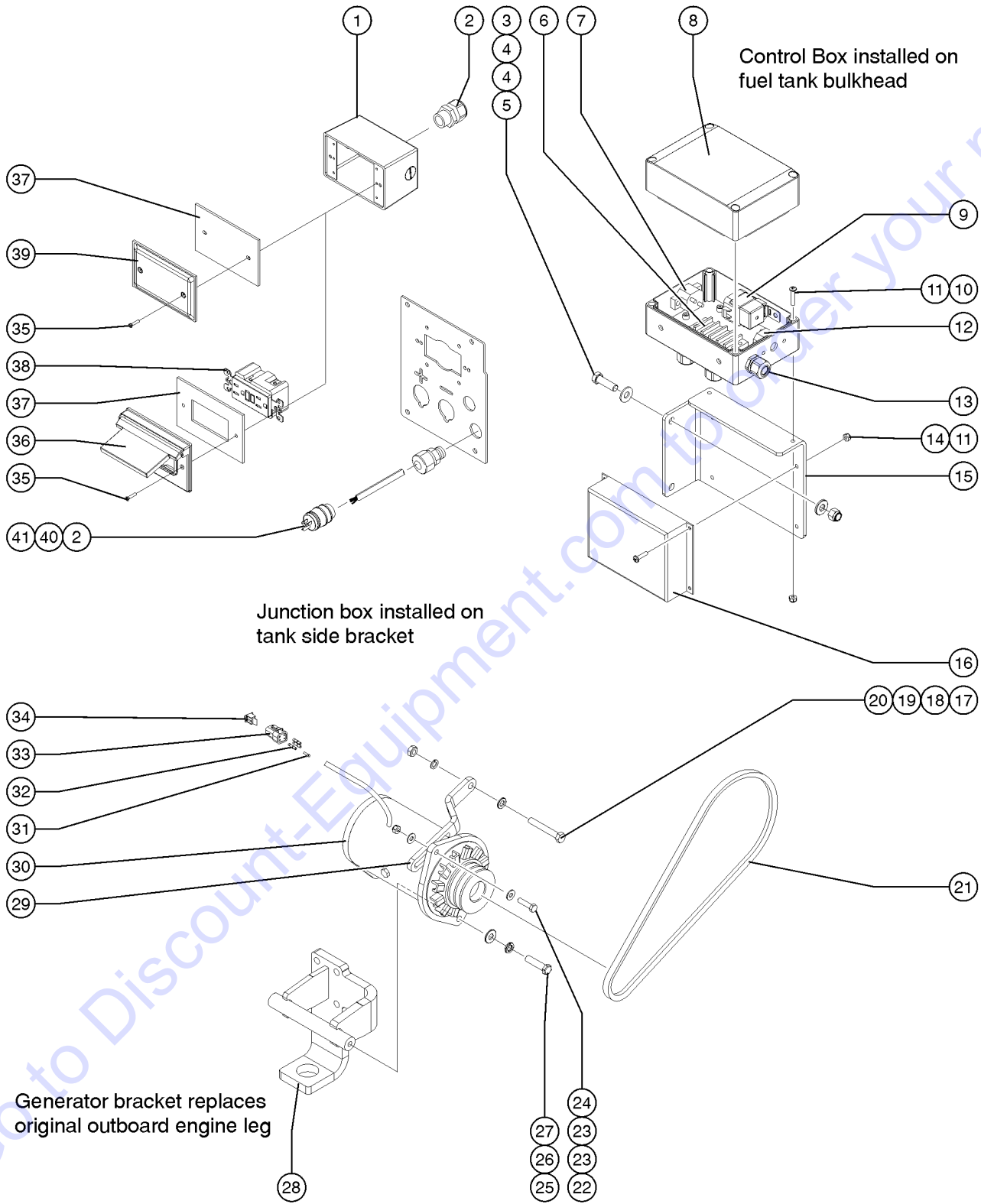


## 806.1 Belt Driven Generator, Cummins Models

Item	Part No.	Description	Qty.	Item	Part No.	Description	Qty.
--	98018GT	GENERATOR,3500W W/REG-CUMMINS		19	60527GT	CONN,PLUG 4 WAY,12-14GA.....	1
--	99015GT	CUTTING DISC-3"		20	73712GT	TERM,SOCKET,DEUTSCH,12-14GA....	3
--	101189GT	HARNESS,BD GEN.110V/60HZ, Z135 <i>Includes items 7-14</i>		21	60757GT	PLUG,SEAL,12-18 GA.....	1
--	101190GT	HARNESS,BD GEN.220V/50HZ, Z135 <i>Includes items 7-14</i>		22	88296GT	SCREW,HHC,7/16-14 X 1.25 <i>to SN 2584</i>	
1	75069GT	T-BOX 2.75 X 4.5 X 2.5.....	1	--	824072GT	SCREW,HHC,7/16-14X1.25,ZAG <i>from SN 2585</i>	
2	7057GT	CONN. SQZ,1/2NPT .39-.56 MED.....	1	23	20912GT	WASHER,LOCK,.437,PLTD. <i>to SN 2584</i>	
3	6019GT	SCREW,HHC,3/8-16 X 1.25 GRD 5 <i>to SN 2584</i>		24	101667GT	WELDMENT,GENERATOR.....	1
--	824091GT	SCREW,HHF,3/8-16X1.25,8,ZAG <i>from SN 2585</i>		25	44064GT	SCREW,HHC,M10 X 30MM, <i>to SN 2584</i>	
4	5397GT	WASHER,FLAT,USS,5/16",Y <i>to SN 2584</i>		--	232874GT	SCREW,HHFM10-1.5X30,DIN6921,10.9,ZAB <i>from SN 2585</i>	
5	4828GT	NUT,NYLOCK,3/8-16 <i>to SN 2584</i>		26	22699GT	WASHER,FLAT,M10,ZINC PLTD. <i>to SN 2584</i>	
--	824029GT	NUT,TL FLG,3/8-16,G,ZAG <i>from SN 2585</i>		--	824145GT	WASHER,FLAT,M10,DIN125,ZAB <i>from SN 2585</i>	
6	69776GT	TERMINAL,STRIP,4-POLE,600V***		27	13000GT	SCREW,HHC,5/16-18 X 1.25 <i>to SN 2584</i>	
7	60887GT	CIRCUIT BREAKER, 30 AMP.....	1	--	824082GT	SCREW,HHF,1/4-20X1.75,8,ZAG <i>from SN 2585</i>	
8	8425GT	ENCLOSURE,FG ELEC.,STOCK,7X5X4.....	1	28	101668GT	BRACKET,GENERATOR ADJUSTER....	1
9	60521GT	RELAY,SEALED 30/40 AMP.....	1	29	107547GT	BELT,AX40.....	1
10	75041GT	SCREW,PHILLIPS,PHM,10-32 X 1 <i>to SN 2584</i>		30	6782GT	NUT,NYLOCK,5/16-18 <i>to SN 2584</i>	
--	826516GT	SCREW, PHPM, 10-32 X 1.0, ZAG <i>from SN 2585</i>		--	824028GT	NUT,TL FLG,5/16-18,G,ZAG <i>from SN 2585</i>	
11	6178GT	NUT,NYLOCK,10-32 <i>to SN 2584</i>		31	63375GT	SCREW,FHM,6-32 X .75 <i>to SN 2584</i>	
--	824032GT	NUT,TL FLG,10-32,F,ZAG <i>from SN 2585</i>		--	1253489GT	SCREW,FHPM,6-32X.75,ZAG <i>from SN 2585</i>	
12	61195GT	CIRCUIT BREAKER, 12.5 AMP.....	1	32	74006GT	COVER,GFCI,HORIZONTAL,WEATHER.1	
13	7056GT	CONN,SQUEEZE,1/2NPT .38-.50,SM....	1	33	74052GT	GASKET,COVER,GFCI,WEATHERPROOF.1	
14	49816GT	SCREW,PHILLIPS,PHM,10-32 X .75 <i>to SN 2584</i>		34	13585GT	OUTLET, 110V.....	1
--	824215GT	SCREW,PHPM,10-32X.75,ZAG <i>from SN 2585</i>		35	10777GT	COVER,BLANK.....	1
15	107528PGT	BRACKET,GENERATOR BOX MOUNT.....	1	36		Ref. Power to Platform Harness, Secondary (refer to section 303.1).....	1
16	60738GT	VOLTAGE REGULATOR,110V.....	1	37	119403GT	CONN,PLUG 120 AC/15A DOMESTIC...1	
--	60739GT	VOLTAGE REGULATOR,220V		--	119404GT	CONN,RECEP 120AC/15A DOMESTIC	
17A	60707GT	GENERATOR,3500W,120V,60HZ**.....	1	--	144161GT	PLUG,PWR,UK,16AMP,3PIN,BLK	
--	146062GT	PULLY,GNRTR,120V,60HZ(60707) <i>For 60707 generator</i>		--	1280665GT	PLUG, TYPE F, 230A, 50HZ, 16A, IP44	
17B	89908GT	GENERATOR,3000W,220V,50HZ***		--	25388GT	PLUG,FUSED,250V,13AMP,U.K.**	
--	102681GT	PULLY, GNRTR,220V,50HZ(89908) <i>For 89908 generator</i>					
18	60528GT	LOCK,PLUG 4 WAY,12-14GA.....	1				



807.1 Belt Driven Generator, Perkins Models



## 807.1 Belt Driven Generator, Perkins Models

Item	Part No.	Description	Qty.	Item	Part No.	Description	Qty.
--	98017GT	GENERATOR,3500W W/REG-PERKINS		19	22700GT	WASHER,LOCK,M10 to SN 2584	
--	98014GT	GENERATOR,3000W 220/50-PERKINS		--	824142GT	WASHER,LOCK,M10,ZAB from SN 2585	
--	101189GT	HARNESS,BD GEN.110V/60HZ, Z135 Includes items 7-14		20	59680GT	NUT,HEX M10-1.5 to SN 2584	
--	101190GT	HARNESS,BD GEN.220V/50HZ, Z135 Includes items 7-14		--	1257295GT	NUT,M10-1.5,DIN934,10,ZAB from SN 2585	
1	75069GT	T-BOX 2.75 X 4.5 X 2.5.....	1	21	70545GT	BELT,AX42.....	1
2	7057GT	CONN. SQZ,1/2NPT .39-.56 MED.....	1	22	13000GT	SCREW,HHC,5/16-18 X 1.25 to SN 2584	
3	6019GT	SCREW,HHC,3/8-16 X 1.25 GRD 5 to SN 2584		--	824087GT	SCREW,HHF,5/16-18X1.25,8,ZAG from SN 2585	
--	824091GT	SCREW,HHF,3/8-16X1.25,8,ZAG from SN 2585		23	6638GT	WASHER,FLAT,USS,1/4"Y to SN 2584	
4	5397GT	WASHER,FLAT,USS,5/16",Y to SN 2584		24	6782GT	NUT,NYLOCK,5/16-18 to SN 2584	
5	4828GT	NUT,NYLOCK,3/8-16 to SN 2584		--	824028GT	NUT,TL FLG,5/16-18,G,ZAG from SN 2585	
--	824029GT	NUT,TL FLG,3/8-16,G,ZAG from SN 2585		25	81852GT	SCREW,HHC,7/16-14 X 1.75 to SN 2584	
6	69776GT	TERMINAL,STRIP,4-POLE,600V***		26	20912GT	WASHER,LOCK,.437,PLTD. to SN 2584	
7	60887GT	CIRCUIT BREAKER, 30 AMP.....	1	27	11209GT	WASHER,FLAT,USS,7/16",Y	
8	8425GT	ENCLOSURE,FG ELEC.,STOCK,7X5X4.....	1	28	101653GT	WELDMENT,GENERATOR MOUNT.....	1
9	60521GT	RELAY,SEALED 30/40 AMP.....	1	29	101654PGT	BRACKET,GENERATOR ADJUSTER PNT.....	1
10	75041GT	SCREW,PHILLIPS,PHM,10-32 X 1 to SN 2584		30A	60707GT	GENERATOR,3500W,120V,60HZ** .....	1
--	826516GT	SCREW, PHPM, 10-32 X 1.0, ZAG from SN 2585		--	146062GT	PULLY,GNRTR,120V,60HZ(60707) For 60707 generator	
11	6178GT	NUT,NYLOCK,10-32 to SN 2584		30B	89908GT	GENERATOR,3000W,220V,50HZ***	
--	824032GT	NUT,TL FLG,10-32,F,ZAG from SN 2585		--	102681GT	PULLY, GNRTR,220V,50HZ(89908) For 89908 generator	
12	61195GT	CIRCUIT BREAKER, 12.5 AMP.....	1	31	60757GT	PLUG,SEAL,12-18 GA.....	1
13	7056GT	CONN,SQUEEZE,1/2NPT .38-.50,SM....	1	32	73712GT	TERM,SOCKET,DEUTSCH,12-14GA.....	3
14	49816GT	SCREW,PHILLIPS,PHM,10-32 X .75 to SN 2584		33	60527GT	CONN,PLUG 4 WAY,12-14GA.....	1
--	824215GT	SCREW,PHPM,10-32X.75,ZAG from SN 2585		34	60528GT	LOCK,PLUG 4 WAY,12-14GA.....	1
15	107528PGT	BRACKET,GENERATOR BOX MOUNT.....	1	35	63375GT	SCREW,FHM,6-32 X .75	
16	60738GT	VOLTAGE REGULATOR,110V.....	1	--	1253489GT	SCREW,FHPM,6-32X.75,ZAG to SN 2584	
--	60739GT	VOLTAGE REGULATOR,220V		36	74006GT	COVER,GFCI,HORIZONTAL,WEATHER.1 from SN 2585	
17	85053GT	SCREW,HHC,M10 X 1.5 X70,GR 8.8 to SN 2584		37	74052GT	GASKET,COVER,GFCI,WEATHERPROOF.1	
--	825682GT	SCREW,HHC,M10-1.5X120,DIN931,1 from SN 2585		38	13585GT	OUTLET, 110V.....	1
18	22699GT	WASHER,FLAT,M10,ZINC PLTD. to SN 2584		39	10777GT	COVER,BLANK.....	1
--	824145GT	WASHER,FLAT,M10,DIN125,ZAB from SN 2585		40		Ref. Power to Platform Harness, Secondary (refer to section 303.1).....	1
				41	119403GT	CONN,PLUG 120 AC/15A DOMESTIC...1	

807.1 Belt Driven Generator, Perkins Models  
(continued)

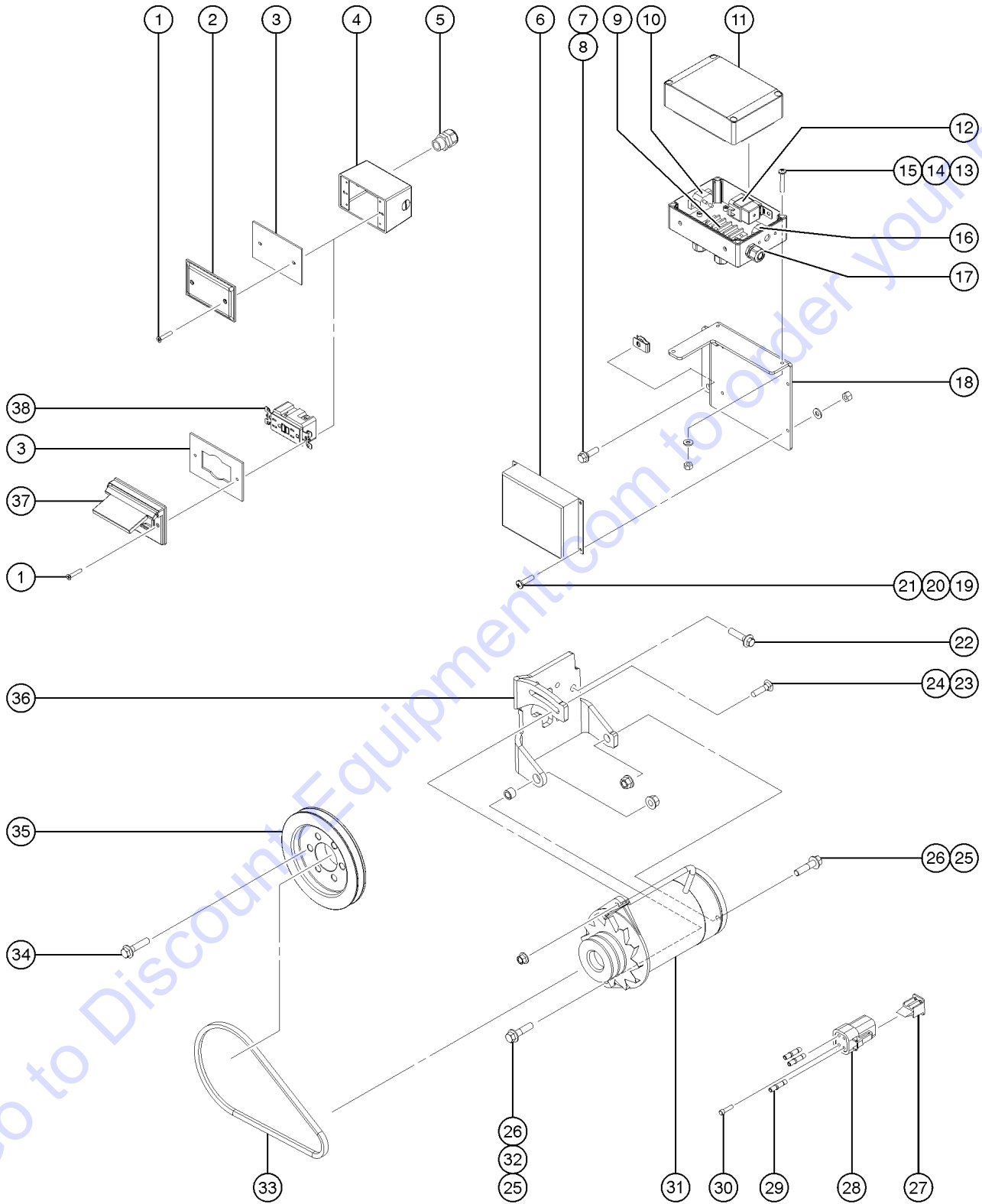
Item	Part No.	Description	Qty.
--	119404GT	CONN,RECEP 120AC/15A DOMESTIC	
--	144161GT	PLUG,PWR,UK,16AMP,3PIN,BLK	
--	1280665GT	PLUG, TYPE F, 230A, 50HZ, 16A, IP44	
--	25388GT	PLUG,FUSED,250V,13AMP,U.K.**	

Go to Discount-Equipment.com to order your parts

***This Page Intentionally Left Blank***

Go to [Discount-Equipment.com](http://Discount-Equipment.com) to order your parts

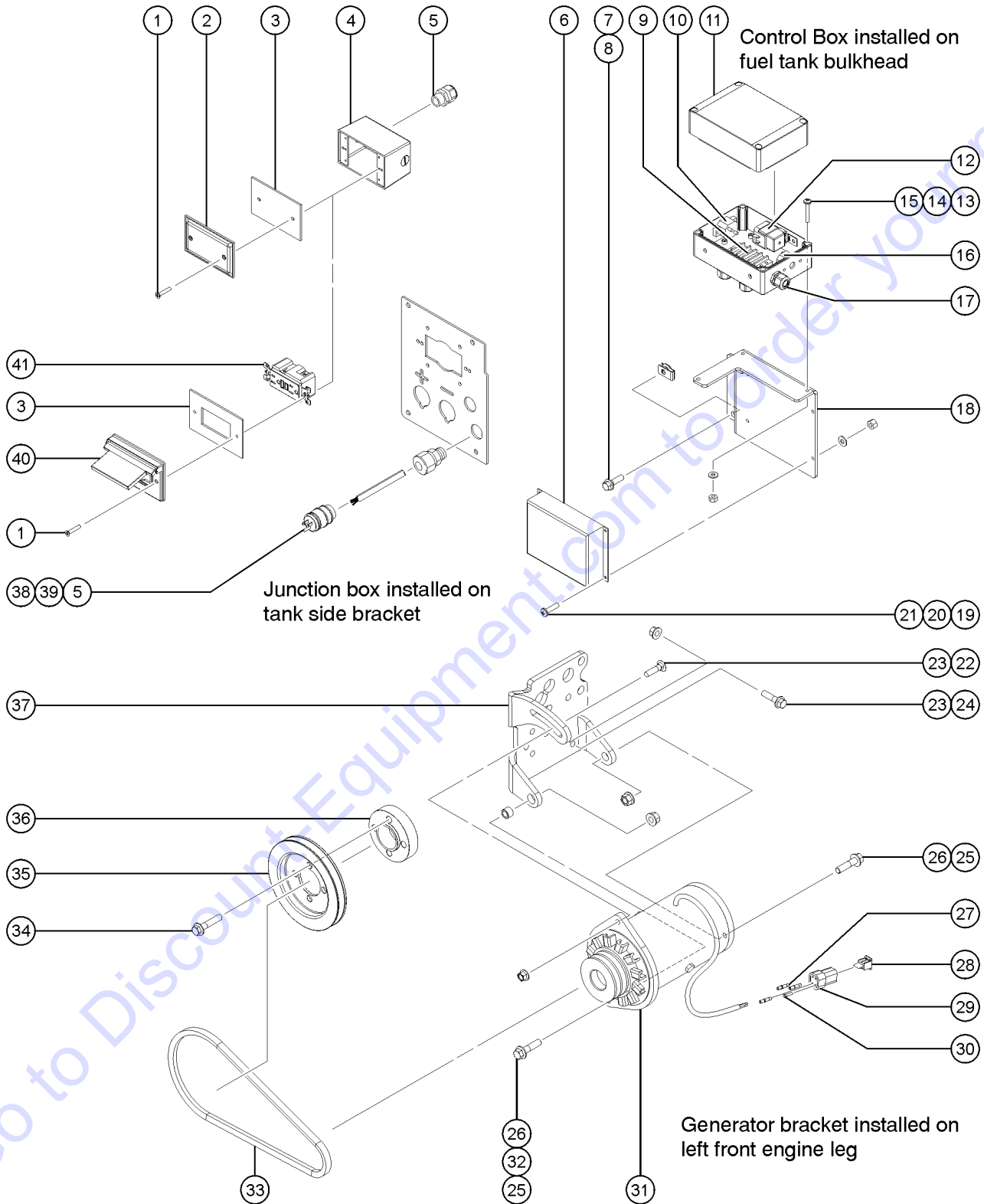
807.2 Belt Driven Generator, Perkins 854TF Models



## 807.2 Belt Driven Generator, Perkins 854TF Models

Item	Part No.	Description	Qty.	Item	Part No.	Description	Qty.
--	1258636GT	GEN,3000W 220V/50HZ 854TF		34	215706GT	SCREW,HHF,M10-1.5X45,DIN6921,10.9,ZAB.6	
--	1257041GT	GEN, 3500W 110V/60HZ 854TF		35	1257045GT	PULLEY, PERKINS T4 GENERATOR.....1	
--	101190GT	HARNESS,BD GEN.220V/50HZ, Z135...1 (includes items 9-11 and 15-17)		36	1251549GT	FORMING, GENERATOR MOUNT.....1	
--	101189GT	HARNESS,BD GEN.110V/60HZ, Z135...1 (includes items 9-11 and 15-17)		37	74006GT	COVER,GFCI,HORIZONTAL,WEATHER.1	
1	1253489GT	SCREW,FHPM,6-32X.75,ZAG.....2		38	13585GT	OUTLET, 110V.....1	
2	10777GT	COVER,BLANK.....1					
3	74052GT	GASKET,COVER,GFCI,WEATHERPROOF.1					
4	75069GT	T-BOX 2.75 X 4.5 X 2.5.....1					
5	7057GT	CONN. SQZ,1/2NPT .39-.56 MED.....1					
6A	60739GT	VOLTAGE REGULATOR,220V.....1					
6B	60738GT	VOLTAGE REGULATOR,110V.....1					
7	824091GT	SCREW,HHF,3/8-16X1.25,8,ZAG.....2					
8	29868GT	SPRING CLIP,3/8-16,.05-.20X.73,ZAG...2					
9	69776GT	TERMINAL,STRIP,4-POLE,600V***.....1					
10	60887GT	CIRCUIT BREAKER, 30 AMP.....1					
11	8425GT	ENCLOSURE,FG ELEC.,STOCK,7X5X4					
12	60521GT	RELAY,SEALED 30/40 AMP.....1					
13	1258189GT	SCREW,PHPM,8-32X1,ZAG.....3					
14	1257390GT	WASHER,FLAT,#8,SAE,ZAG.....3					
15	1258187GT	NUT,TL,8-32,A,ZAG.....3					
16	61195GT	CIRCUIT BREAKER, 12.5 AMP.....1					
17	7056GT	CONN,SQUEEZE,1/2NPT .38-.50,SM....1					
18	107528PGT	BRACKET,GENERATOR BOX MOUNT.....1					
19	824215GT	SCREW,PHPM,10-32X.75,ZAG.....4					
20	1253185GT	WASHER,FLAT,#10,USS,ZAG.....4					
21	824036GT	NUT,TL,10-32,A,ZAG.....4					
22	232869GT	SCREW,HHF,M12X50,DIN6921, 10.9.....2					
23	1256756GT	BOLT,CARRIAGE,3/8-16X1.5,5,ZAG.....1					
24	824029GT	NUT,TL FLG,3/8-16,G,ZAG.....1					
25	1256765GT	SCREW,HHF,7/16-14X1.75,8,ZAG.....2					
26	1256766GT	NUT,TL FLG,7/16-14,G,ZAG.....2					
27	60528GT	LOCK,PLUG 4 WAY,12-14GA.....1					
28	60527GT	CONN,PLUG 4 WAY,12-14GA.....1					
29	73712GT	TERM,SOCKET,DEUTSCH,12-14GA....3					
30	60757GT	PLUG,SEAL,12-18 GA.....1					
31A	89908GT	GENERATOR,3000W,220V,50HZ***.....1					
--	102681GT	PULLY, GNRTR,220V,50HZ(89908)					
31B	60707GT	GENERATOR,3500W,120V,60HZ**.....1					
--	146062GT	PULLY,GNRTR,120V,60HZ(60707)					
32	45400GT	SPACER TUBE,.50 LG.....1					
33	61114GT	BELT,AX36.....1					

808.1 Belt Driven Generator, Deutz Models

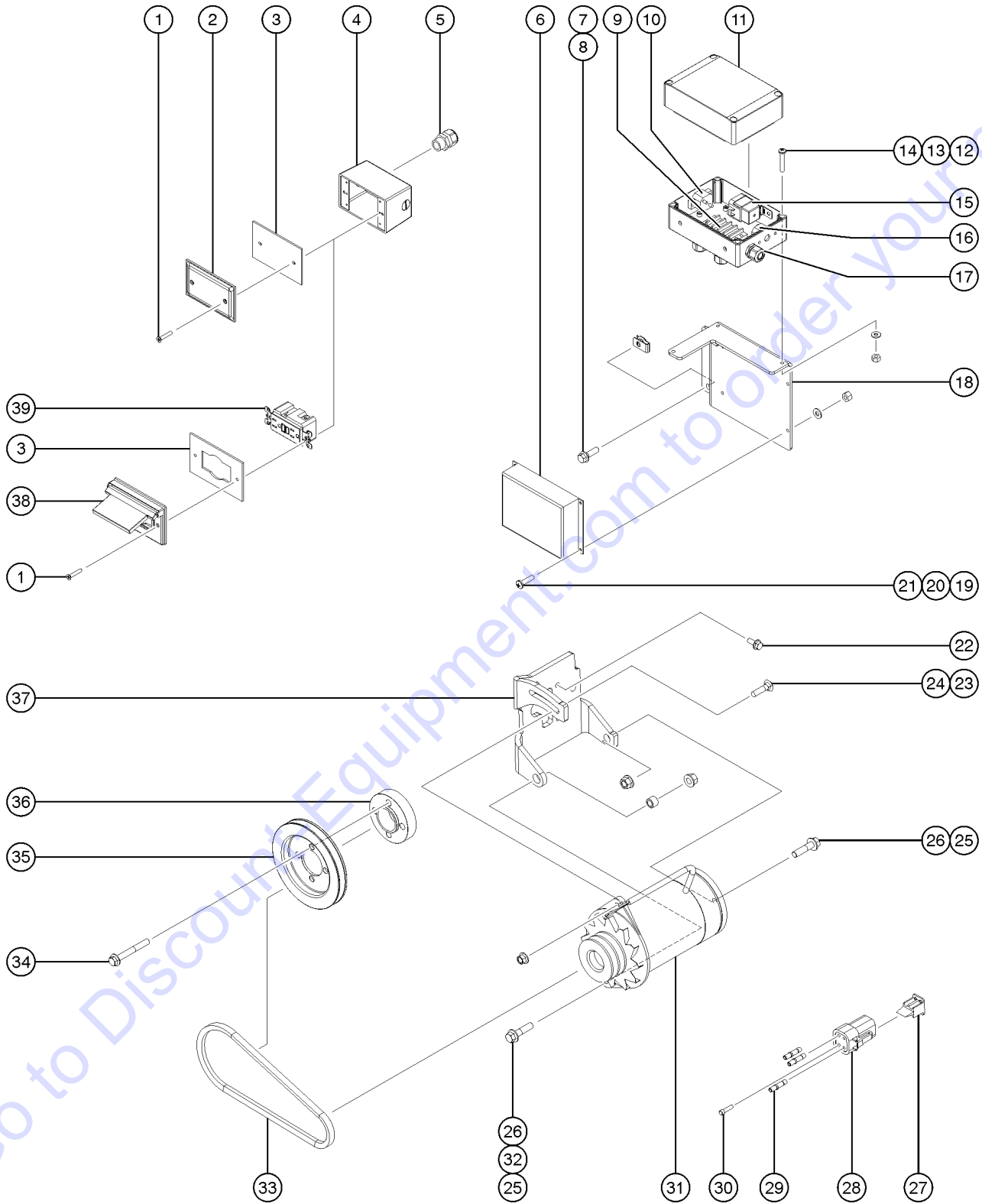


## 808.1 Belt Driven Generator, Deutz Models

Item	Part No.	Description	Qty.	Item	Part No.	Description	Qty.
--	98016-SGT	GENERATOR,3500W W/REG-DEUTZ		33	70397GT	BELT,AX34***.....	1
--	98013-SGT	GENERATOR,3000W 220/50-DEUTZ		34	232952GT	SCREW,HHF,M10-1.5X50,DIN6921,10.9,ZAB.4	
--	101189GT	HARNESS,BD GEN.110V/60HZ, Z135 (includes items 9-11 and 15-17)		35	70389GT	PULLEY,DEUTZ.....	1
--	101190GT	HARNESS,BD GEN.220V/50HZ, Z135 (includes items 9-11 and 15-17)		36	81069GT	SPACER,PULLEY,DEUTZ GEN.....	1
1	1253489GT	SCREW,FHPM,6-32X.75,ZAG.....	2	37	119533PGT	FORMING,GENERATOR MOUNT,PTD.....	1
2	10777GT	COVER,BLANK.....	1	38	119403GT	CONN,PLUG 120 AC/15A DOMESTIC...1	
3	74052GT	GASKET,COVER,GFCI,WEATHERPROOF.1		--	119404GT	CONN,RECEP 120AC/15A DOMESTIC	
4	75069GT	T-BOX 2.75 X 4.5 X 2.5.....	1	--	144161GT	PLUG,PWR,UK,16AMP,3PIN,BLK	
5	7057GT	CONN. SQZ,1/2NPT .39-.56 MED.		--	25388GT	PLUG,FUSED,250V,13AMP,U.K.**	
6A	60738GT	VOLTAGE REGULATOR,110V.....	1	--	1280665GT	PLUG, TYPE F, 230A, 50HZ, 16A, IP44	
6B	60739GT	VOLTAGE REGULATOR,220V.....	1	39		Ref. Power to Platform Harness, Secondary.....	1
7	824091GT	SCREW,HHF,3/8-16X1.25,8,ZAG.....	2			(Refer to section 308.1)	
8	29868GT	SPRING CLIP,3/8-16,.05-.20X.73,ZAG...2		40	74006GT	COVER,GFCI,HORIZONTAL,WEATHER.1	
9	69776GT	TERMINAL,STRIP,4-POLE,600V***.....	1	41	13585GT	OUTLET, 110V.....	1
10	60887GT	CIRCUIT BREAKER, 30 AMP.....	1				
11	8425GT	ENCLOSURE,FG ELEC.,STOCK,7X5X4.....	1				
12	60521GT	RELAY,SEALED 30/40 AMP.....	1				
13	1258189GT	SCREW,PHPM,8-32X1,ZAG.....	3				
14	1257390GT	WASHER,FLAT,#8,SAE,ZAG.....	3				
15	1258187GT	NUT,TL,8-32,A,ZAG.....	3				
16	61195GT	CIRCUIT BREAKER, 12.5 AMP.....	1				
17	7056GT	CONN,SQUEEZE,1/2NPT .38-.50,SM....1					
18	107528PGT	BRACKET,GENERATOR BOX MOUNT.....	1				
19	824215GT	SCREW,PHPM,10-32X.75,ZAG.....	4				
20	1253185GT	WASHER,FLAT,#10,USS,ZAG.....	4				
21	824036GT	NUT,TL,10-32,A,ZAG.....	4				
22	1256756GT	BOLT,CARRIAGE,3/8-16X1.5,5,ZAG.....1					
23	824029GT	NUT,TL FLG,3/8-16,G,ZAG.....	3				
24	824092GT	SCREW,HHF,3/8-16X1.5,8,ZAG.....	2				
25	1256765GT	SCREW,HHF,7/16-14X1.75,8,ZAG.....	2				
26	1256766GT	NUT,TL FLG,7/16-14,G,ZAG.....	2				
27	73712GT	TERM,SOCKET,DEUTSCH,12-14GA....3					
28	60528GT	LOCK,PLUG 4 WAY,12-14GA.....	1				
29	60527GT	CONN,PLUG 4 WAY,12-14GA.....	1				
30	60757GT	PLUG,SEAL,12-18 GA.....	1				
31A	60707GT	GENERATOR,3500W,120V,60HZ**.....	1				
--	146062GT	PULLY,GNRTR,120V,60HZ(60707)					
31B	89908GT	GENERATOR,3000W,220V,50HZ***.....	1				
--	102681GT	PULLY, GNRTR,220V,50HZ(89908)					
32	45400GT	SPACER TUBE,.50 LG.....	1				



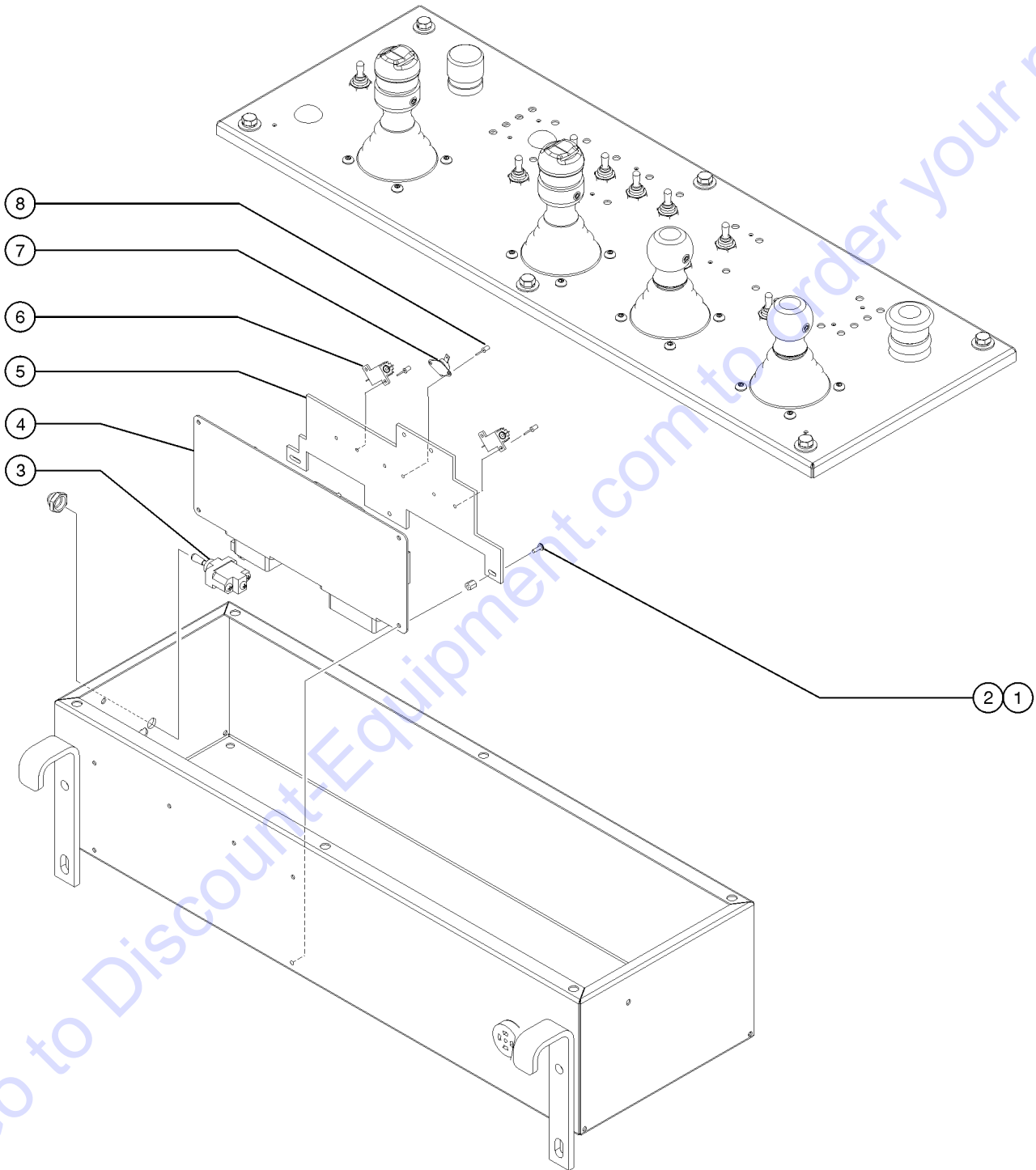
808.2 Belt Driven Generator, Deutz D2.9L4 Models



## 808.2 Belt Driven Generator, Deutz D2.9L4 Models

Item	Part No.	Description	Qty.	Item	Part No.	Description	Qty.
--	1257027GT	GEN,3000W 220V/50HZ-TD2.9		34	215816GT	SCREW, HHF, M1-1.5X80,ZAB.....	4
--	1256700GT	GEN, 3500W 110V/60HZ TD2.9		35A	70389GT	PULLEY,DEUTZ.....	1
--	101190GT	HARNESS,BD GEN.220V/50HZ, Z135...1 (includes items 9-11 and 15-17)		35B	1254367GT	PULLEY,DEUTZ T4 GENERATOR.....	1
--	101189GT	HARNESS,BD GEN.110V/60HZ, Z135...1 (includes items 9-11 and 15-17)		36A	81069GT	SPACER,PULLEY,DEUTZ GEN.....	1
1	1253489GT	SCREW,FHPM,6-32X.75,ZAG.....	2	36B	1253596GT	SPACER,PULLEY,DEUTZ TIER 4 GEN.....	1
2	10777GT	COVER,BLANK.....	1	37	1251549GT	FORMING, GENERATOR MOUNT.....	1
3	74052GT	GASKET,COVER,GFCI,WEATHERPROOF.1		38	74006GT	COVER,GFCI,HORIZONTAL,WEATHER.1	
4	75069GT	T-BOX 2.75 X 4.5 X 2.5.....	1	39	13585GT	OUTLET, 110V.....	1
5	7057GT	CONN. SQZ,1/2NPT .39-.56 MED.....	1				
6A	60739GT	VOLTAGE REGULATOR,220V.....	1				
6B	60738GT	VOLTAGE REGULATOR,110V.....	1				
7	824091GT	SCREW,HHF,3/8-16X1.25,8,ZAG.....	2				
8	29868GT	SPRING CLIP,3/8-16,.05-.20X.73,ZAG...2					
9	69776GT	TERMINAL,STRIP,4-POLE,600V***.....	1				
10	60887GT	CIRCUIT BREAKER, 30 AMP.....	1				
11	60891GT	ENCLOSURE,GENERATOR BOX.....	1				
12	1258189GT	SCREW,PHPM,8-32X1,ZAG.....	3				
13	1257390GT	WASHER,FLAT,#8,SAE,ZAG.....	3				
14	1258187GT	NUT,TL,8-32,A,ZAG.....	3				
15	60521GT	RELAY,SEALED 30/40 AMP.....	1				
16	61195GT	CIRCUIT BREAKER, 12.5 AMP.....	1				
17	7056GT	CONN,SQUEEZE,1/2NPT .38-.50,SM....1					
18	107528PGT	BRACKET,GENERATOR BOX MOUNT.....	1				
19	824215GT	SCREW,PHPM,10-32X.75,ZAG.....	4				
20	1253185GT	WASHER,FLAT,#10,USS,ZAG.....	4				
21	824036GT	NUT,TL,10-32,A,ZAG.....	4				
22	824132GT	SCREW,HHF,M8-1.25X20,DIN6921,10.9,ZAB.2					
23	1256756GT	BOLT,CARRIAGE,3/8-16X1.5,5,ZAG.....	1				
24	824029GT	NUT,TL FLG,3/8-16,G,ZAG.....	1				
25	1256765GT	SCREW,HHF,7/16-14X1.75,8,ZAG.....	2				
26	1256766GT	NUT,TL FLG,7/16-14,G,ZAG.....	2				
27	60528GT	LOCK,PLUG 4 WAY,12-14GA.....	1				
28	60527GT	CONN,PLUG 4 WAY,12-14GA.....	1				
29	73712GT	TERM,SOCKET,DEUTSCH,12-14GA....3					
30	60757GT	PLUG,SEAL,12-18 GA.....	1				
31A	89908GT	GENERATOR,3000W,220V,50HZ***.....	1				
--	102681GT	PULLY, GNRTR,220V,50HZ(89908)					
31B	60707GT	GENERATOR,3500W,120V,60HZ**.....	1				
--	146062GT	PULLY,GNRTR,120V,60HZ(60707)					
32	45400GT	SPACER TUBE,.50 LG.....	1				
33	1251542GT	V BELT, COGGED, AX32.....	1				

809.1 Circuit Board Heater Option

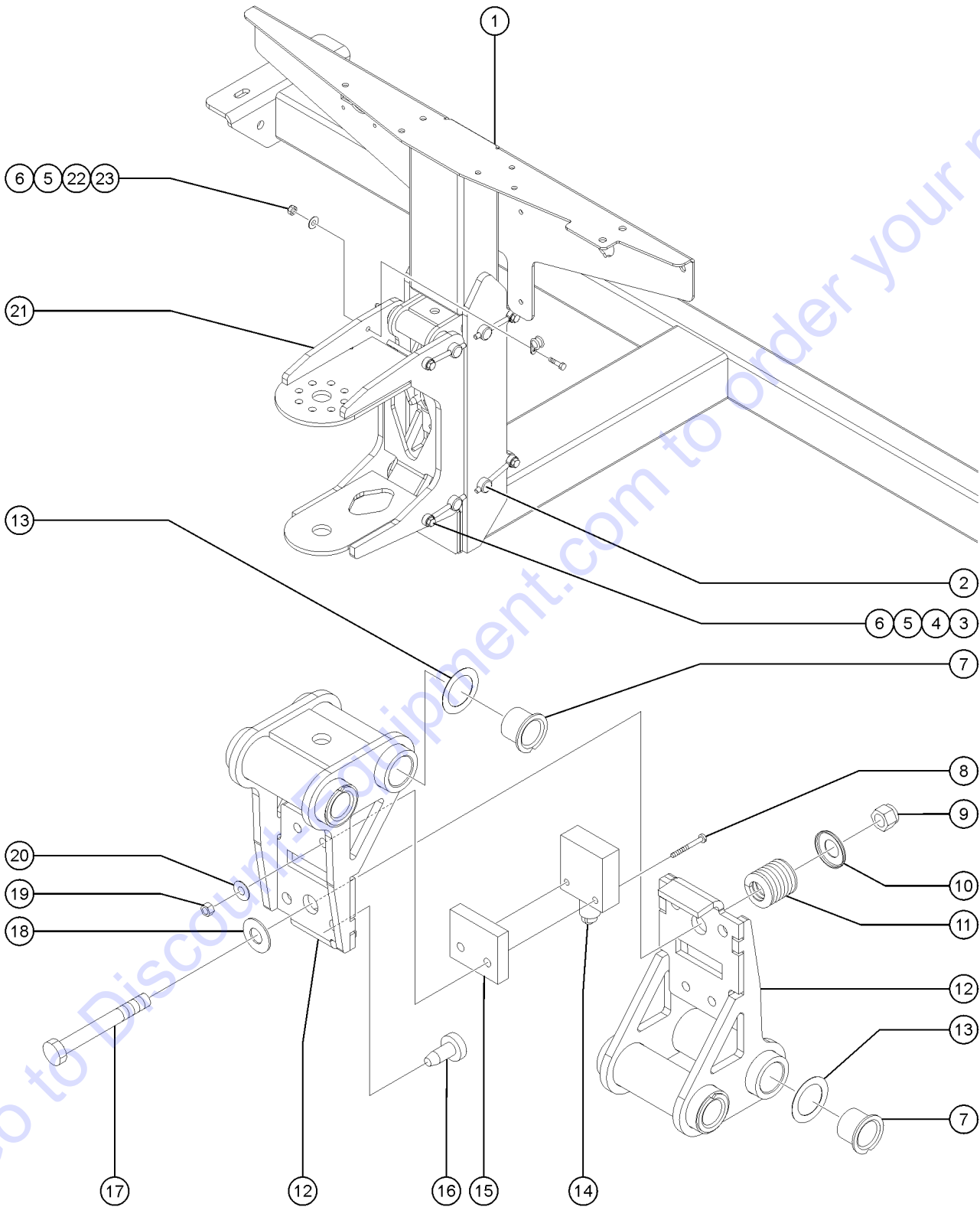


## 809.1 Circuit Board Heater Option

Item	Part No.	Description	Qty.
1	1257402GT	SCREW,PHPM,6-32X.25,ZAG	
2	119534GT	STANDOFF,1/4X1/4 M-F 6-32 S/S	
3	128204GT	SWITCH TOGGLE ASSY SPDT 2P MNT.....1	
4		Ref. PCB Assembly, PCON (Refer to 603.1)	
5	119250GT	BRACKET,PLATFORM HEATER OPT.....1	
6	27287GT	RESISTOR,10 OHM,25 WATT.....2	
7	119641GT	SWITCH,THERMOSTAT 85F OPEN.....1	
8	6272GT	RIVET,STL,STL,P.125 X .25	

Go to Discount-Equipment.com to order your parts

810.1 Load Sense

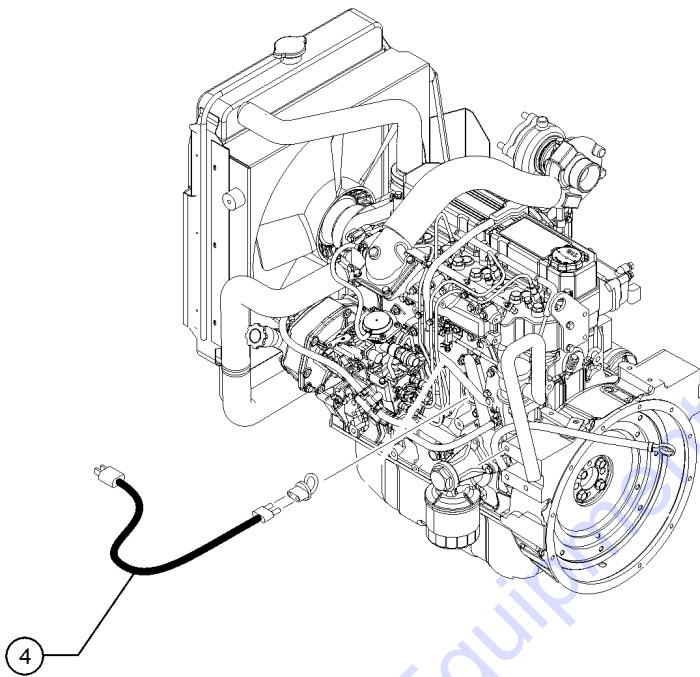


## 810.1 Load Sense

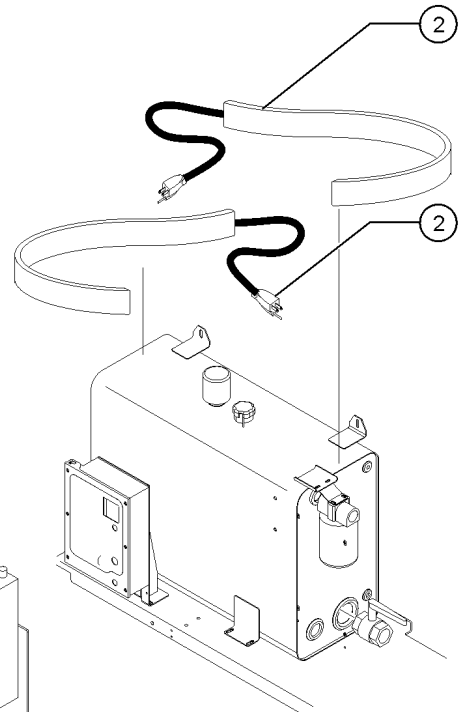
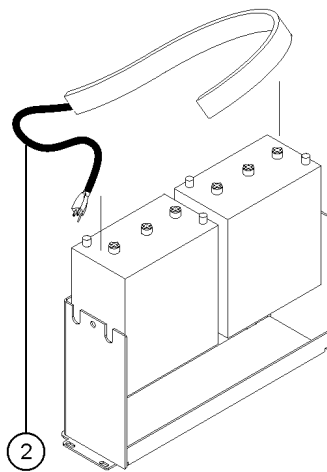
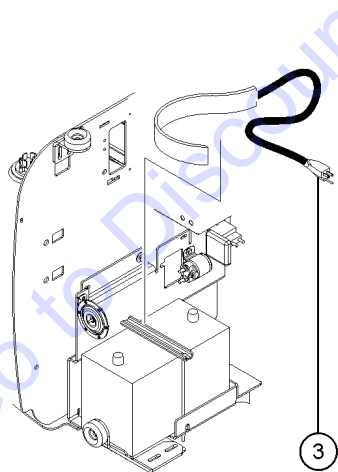
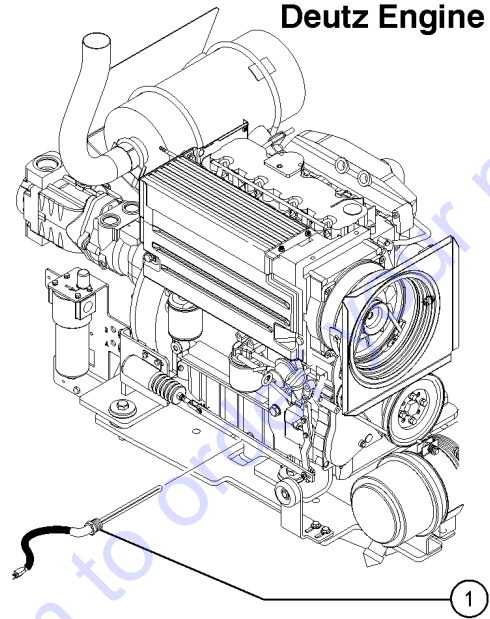
Item	Part No.	Description	Qty.	Item	Part No.	Description	Qty.
1	61997GT	WELDMENT,PLATFORM SUPPORT,CE.....1 <i>CE models</i>	1	21	61804GT	WELDMENT,ROTATOR SUPPORT.....1	1
2	61726GT	PIN,0.75DIA X 5.75LG,CHAMFER.....4	4	22	45470GT	CLAMP,0.31,#5 X 1/4,RUB CUSH.....1	1
--	94643GT	ZERK,GREASE,5/16-24,STRAIT		23	6888GT	SCREW,HHC,1/4-20 X 1 <i>to SN 2744</i>	
3	8915GT	SCREW,HHC,1/4-20 X 1.25 <i>to SN 2744</i>		--	824027GT	NUT,TL FLG,1/4-20,G,ZAG <i>from SN 2745</i>	
--	824061GT	SCREW,HHC,1/4-20X1.25,8,ZAG <i>from SN 2745</i>					
4	45748GT	ROD END,.250 X 2.75 LG <i>to SN 2744</i>					
--	825020GT	ROD END, .25 X 2.75, ZAG <i>from SN 2745</i>					
5	6638GT	WASHER,FLAT,USS,1/4"Y <i>to SN 2744</i>					
6	6091GT	NUT,NYLOCK,1/4-20 <i>to SN 2744</i>					
--	824027GT	NUT,TL FLG,1/4-20,G,ZAG <i>from SN 2745</i>					
7	25685GT	BEARING,GARLOCK,12FDU12.....8	8				
8	73634GT	SCREW,PHIL,PHM,10-24X1.5 ZINC <i>to SN 2744</i>					
--	1257264GT	SCREW,BHC,10-32X1.5,F835,ZAG <i>from SN 2745</i>					
9	4828GT	NUT,NYLOCK,3/8-16 <i>to SN 2744</i>					
--	824029GT	NUT,TL FLG,3/8-16,G,ZAG <i>from SN 2745</i>					
10	61977GT	RETAINER,SPRING,1.46 X .375.....1	1				
11	61976GT	SPRING,COMP,1-1/4"OD 352 LB/IN.....1	1				
12	89755GT	LOAD SUPPORT W/BEARINGS.....2 <i>includes items 7 &amp; 13</i>	2				
13	110789GT	WASHER,SHIM .0151 THK. <i>as-needed</i>					
14	146399GT	ASSY, LS, LOAD SENSE, ALC1000					
15	61972GT	MOUNT,SWITCH.....1	1				
16	34619GT	BUMPER,RUBBER*** .....2	2				
17	21604GT	SCREW,HHC,3/8-16 X 3.25 <i>to SN 2744</i>					
--	824095GT	SCREW,HHC,3/8-16X3,8,ZAG <i>from SN 2745</i>					
18	6097GT	WASHER,FLAT,USS,3/8",Y <i>to SN 2744</i>					
19	5365GT	NUT,NYLOCK,10-24 <i>to SN 2744</i>					
--	824032GT	NUT,TL FLG,10-32,F,ZAG <i>from SN 2745</i>					
20	6146GT	WASHER,FLAT,MS,#10,Y <i>to SN 2744</i>					

811.1 Cold Start Package (to SN 2125)

Perkins Engine



Deutz Engine



## 811.1 Cold Start Package (to SN 2125)

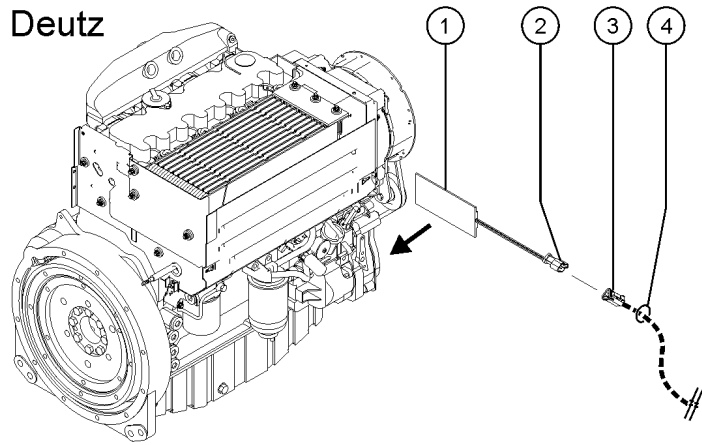
Item	Part No.	Description	Qty.
--	128373GT	COLD START PKG, 110V, DEUTZ	
--	122772GT	COLD START PKG,110V,PERK.804T	
1	128274GT	OIL PAN HEATER,DEUTZ,120V,150W....1	
2	61245GT	BLANKET,BATTERY.....3	
--	75048GT	CABLE TIE,BLACK,36"	
3	28853GT	BLANKET,BATTERY.....2	
3	23877GT	CABLE TIE,28"	
4	101632GT	FREEZE PLUG HEATER,PERKINS 804.....1	

Go to Discount-Equipment.com to order your parts

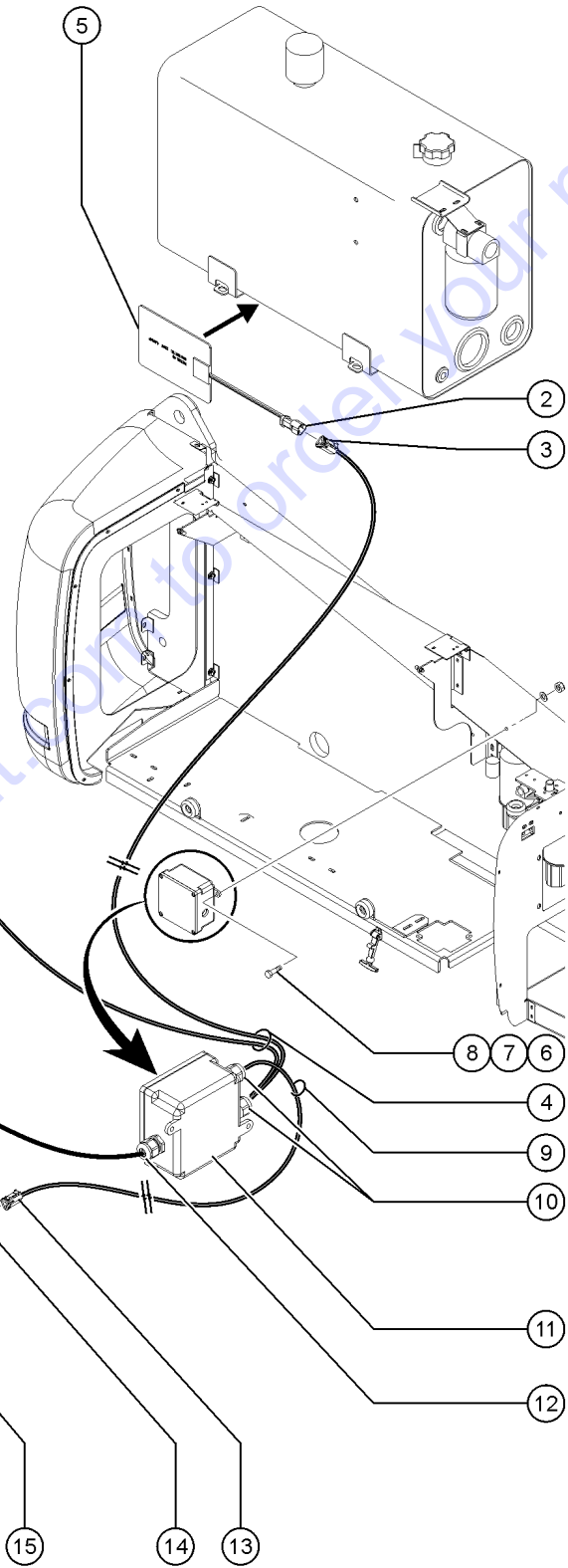
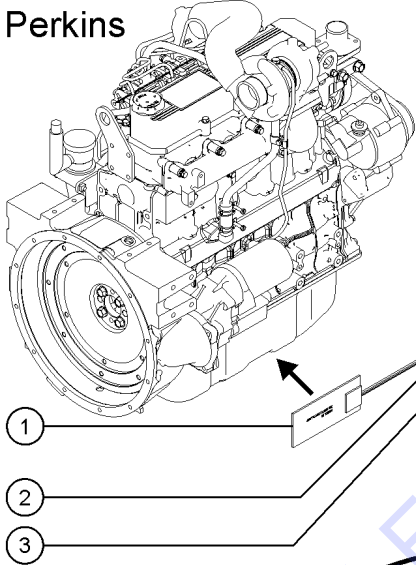


811.2 Cold Start Package (from SN 2126)

Deutz



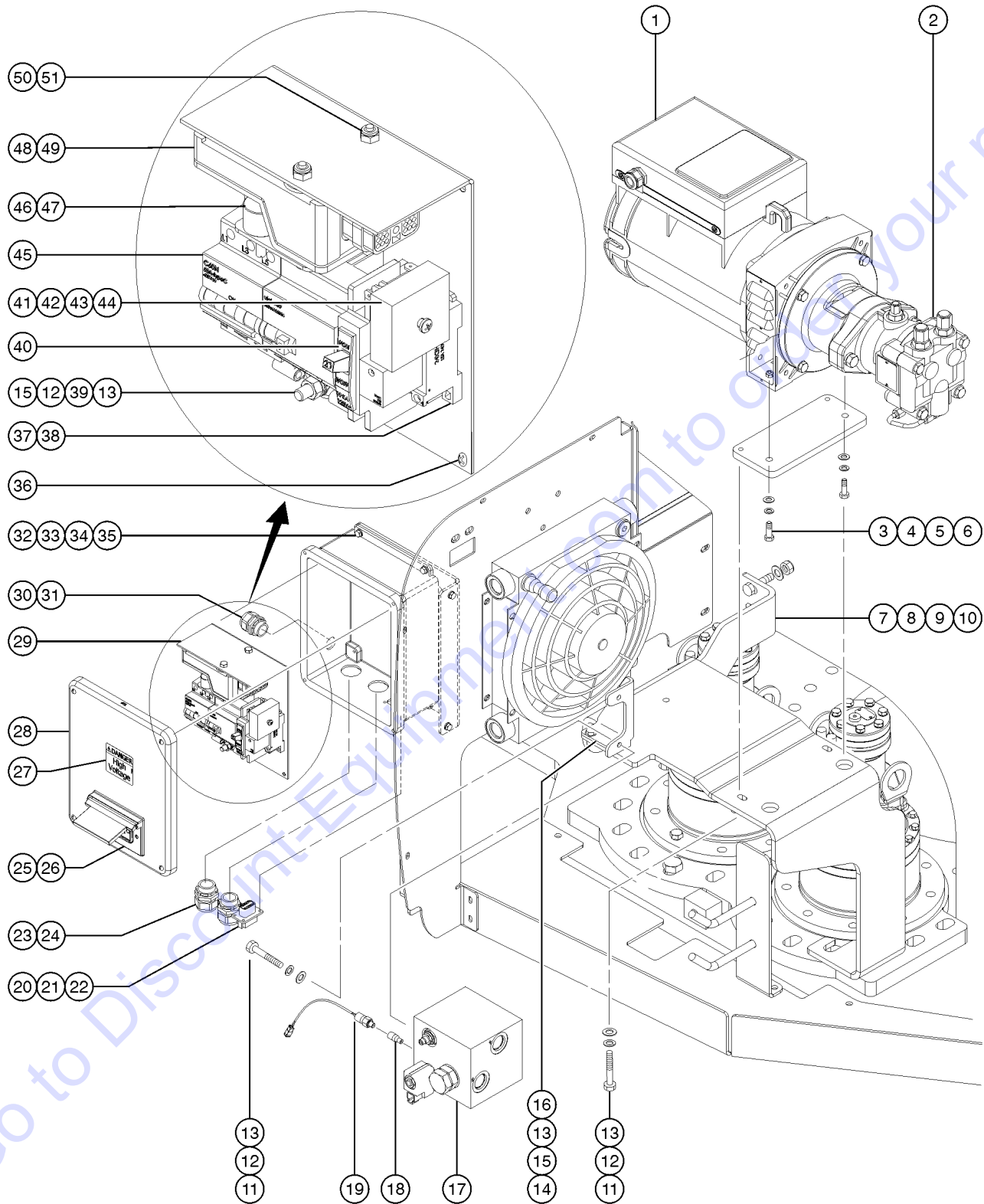
Perkins



## 811.2 Cold Start Package (from SN 2126)

Item	Part No.	Description	Qty.	Item	Part No.	Description	Qty.
1A	1259661GT	ASSY,ENGINE HEATER,120V (120V) Only Deutz TD 2.9L4 models, includes two adhesive pads		17	119403GT	CONN,PLUG 120 AC/15A DOMESTIC Part of wire harness	
--	216615GT	ASSY HEATER, MODEL 18, 120V.....1 (120V)					
--	1259708GT	ASSY,ENGINE HEATER,240V (240V) Only Deutz TD 2.9L4 models, includes two adhesive pads					
--	216616GT	ASSY HEATER,MODEL 18,240V (240V)					
2	119066GT	CONN,RECEP 3 WAY ENDCAP DT Part of heater assembly					
3	119057GT	CONN PLUG 3 WAY ENDCAP DT Part of wire harness					
4	216664GT	HARNESS,ENG/HYD HEATER,120V.....1 (120V)					
--	216685GT	HARNESS, ENG/HYD HEATER, 240V (240V)					
5	216612GT	ASSY,120V HEATER, HYD TANK.....1 (120V)					
--	216611GT	ASSY,240V HEATER, HYD TANK (240V)					
6	826516GT	SCREW, PHPM, 10-32 X 1.0, ZAG					
7	1253185GT	WASHER,FLAT,#10,USS,ZAG					
8	824032GT	NUT,TL FLG,10-32,F,ZAG					
9	216658GT	HARNESS, BATT CABLE, 120V.....1 (120V)					
--	216679GT	HARNESS, BATT CABLE, 240V (240V)					
10	99778GT	SQUEEZE CONNECTOR, 4 WIRE.....1 Part of wire harness					
--	238123GT	HUBBLE NUT, PG11					
11	214249GT	COLD WEATHER 120V J BOX ASSY.....1 (120V)					
--	237711GT	COLD WEATHER 240V J BOX ASSY (240V)					
12	214536GT	SQUEEZE CONN W/NUT, 2WIRE, 4MM.....2 Part of wire harness					
13	119056GT	CONN,PLUG 2 WAY,14-18GA.....1					
14	119065GT	CONN,RECEP 2 WAY ENDCAP DT.....1					
15	216617GT	ASSY, BATTERY HEATER, 120V.....1 (120V)					
--	216618GT	ASSY BATTERY HEATER,240V (240V)					
16	216649GT	HARNESS, 120V POWER CORD, 108".....1 (120V) includes items 12 and 17					
--	216650GT	HARNESS, 240V POWER CORD, 108" (240V) includes item 12 only					

812.1 Welder Option - Chassis Components



## 812.1 Welder Option - Chassis Components

Item	Part No.	Description	Qty.	Item	Part No.	Description	Qty.
A	226512GT	HARNES, HYDRAULIC WELDER		12	6886GT	WASHER, LOCK, .313 to SN 2584	
B	1278369GT	COVER, JBOX, BREAKER RETRO, W/O 110V GFI <i>ONLY FOR USE ON UNITS THAT HAVE BEEN RETROFITTED WITH PANEL MOUNTED CIRCUIT BREAKER KIT 1278371GT.</i>		13	5397GT	WASHER, FLAT, USS, 5/16", Y to SN 2584	
C	1278371GT	KIT, RETROFIT, WELDGEN, MAGBREAKER Z135 <i>FOR WELDER GENERATOR EQUIPPED UNITS THAT HAVE NO CUTOUTS ON THE FRONT FACE OF JBOX.</i>		14	106649PGT	FORMING, MANIFOLD MOUNT PAINTED.....1	
1A	139367GT	GENERATOR, HYDRA, 25CC, 208V*** .....1 <i>"Harrison Generator; includes item 2; Consult Discount-equipment prior to ordering"</i>		15A	13000GT	SCREW, HHC, 5/16-18 X 1.25 to SN 2584	
--	139919GT			15B	824087GT	SCREW, HHF, 5/16-18X1.25, 8, ZAG from SN 2585	
--	58631GT	FITTING, ORIFICE, .047 COUPLER, INSERT		16A	6782GT	NUT, NYLOCK, 5/16-18 to SN 2584	
1B	106113GT	GENERATOR, HYDRO-12KEP-21-3.....1 <i>"Fabco Generator; includes item 2; Consult Discount-equipment prior to ordering"</i>		16B	824028GT	NUT, TL FLG, 5/16-18, G, ZAG from SN 2585	
--	T113655GT	COUPLING, 28MM (106113)		17	101516GT	MANIFOLD, DRIVE OIL DIVERTER.....1	
--	T114022GT	SPIDER (106113)		--	101446GT	VALVE, RELIEF 280 PSI	
--	T114023GT	COUPLING (106113)		--	102746GT	VALVE, PILOT OPER DIRECTIONAL	
2A	33432GT	MOTOR, HYD, 25CC FIXED***.....1 <i>"Sauer Motor for Harrison Generator; Consult Discount-equipment"</i>		--	106394GT	ORIFICE DISC, .030, CONE	
--	32675GT	SEAL KIT, SUNSTRAND		--	94757GT	VALVE, CHECK, 3 PSI***	
2B	106184GT	MOTOR, HYD 12.5KW GEN, 21CC*** .....1 <i>Fabco Motor; Consult Discount-equipment</i>		--	94759GT	NUT, SOLENOID	
--	162006GT	SEAL KIT, HYD MOTOR(106184) SPRING		--	94760GT	VALVE, SOLENOID, 10V, W/OUT COIL*	
3	85166GT	WASHER		--	94765GT	COIL-10V DC***	
4	6097GT	WASHER, FLAT, USS, 3/8", Y		18	146285GT	CONN, SAE#4-1/4" NPT	
5	105666PGT	TAP BLOCK, WELD GENERATOR PAINT.....1		19A	146284GT	SWITCH, PRESS, #4NPT, 200PSIF.....1 <i>for first time replacement, order service kit 1273916GT.</i>	
6	4828GT	NUT, NYLOCK, 3/8-16		19B	1273916GT	KIT, PRESSURE SWITCH, GENERATOR <i>includes pressure switch, hose, fittings and installation instructions</i>	
7	106354PGT	FORMING, WELD GEN. MOUNT PAINTED.....1		20	73730GT	CONN, RECEP 12 WAY, GRY FLANGE....1	
8A	9145GT	SCREW, HHC, 1/2-13 X 2.5, GR5 to SN 2584		21A	49820GT	SCREW, PHILLIPS, PHM, 6-32 X .5 to SN 2584	
8B	1256172GT	SCREW, HHF, 1/2-13X 2, 8, ZAG from SN 2585		21B	824214GT	SCREW, PHPM, 6-32X.5, ZAG from SN 2585	
9	6095GT	WASHER, FLAT, USS, 1/2", Y to SN 2584		22A	12344GT	NUT, NYLOCK, 6-32 to SN 2584	
10A	6198GT	NUT, NYLOCK, 1/2-13 to SN 2584		22B	824019GT	NUT, TL, 6-32, A, ZAG from SN 2585	
10B	1251997GT	NUT, TL FLG, 1/2-13, G, ZAG from SN 2585		23	20776GT	CABLE SQUEEZE CONN.....2	
11A	13002GT	SCREW, HHC, 5/16-18 X 1 GR5 to SN 2584		24	18665GT	LOCKNUT, ELECTRIC, 1" NPT.....2	
11B	824086GT	SCREW, HHF, 5/16-18X1, 8, ZAG from SN 2585		25	80543GT	RECEPTACLE, 120VAC, 20A, GFCI.....1	
				26	74006GT	COVER, GFCI, HORIZONTAL, WEATHER.1	
				27	82237GT	DECAL, DANGER, HIGH VOLTAGE.....2	
				28	107657GT	J-BOX, CIRCUIT BREAKERS, 10X8.....1	
				29	102314GT	PANEL, ENCLOSURE, LINCO WELDER.....1	
				--	226513GT	HARNES, HYD WELDER J-BOX	
				30	7057GT	CONN. SQZ, 1/2NPT .39-.56 MED.....1	

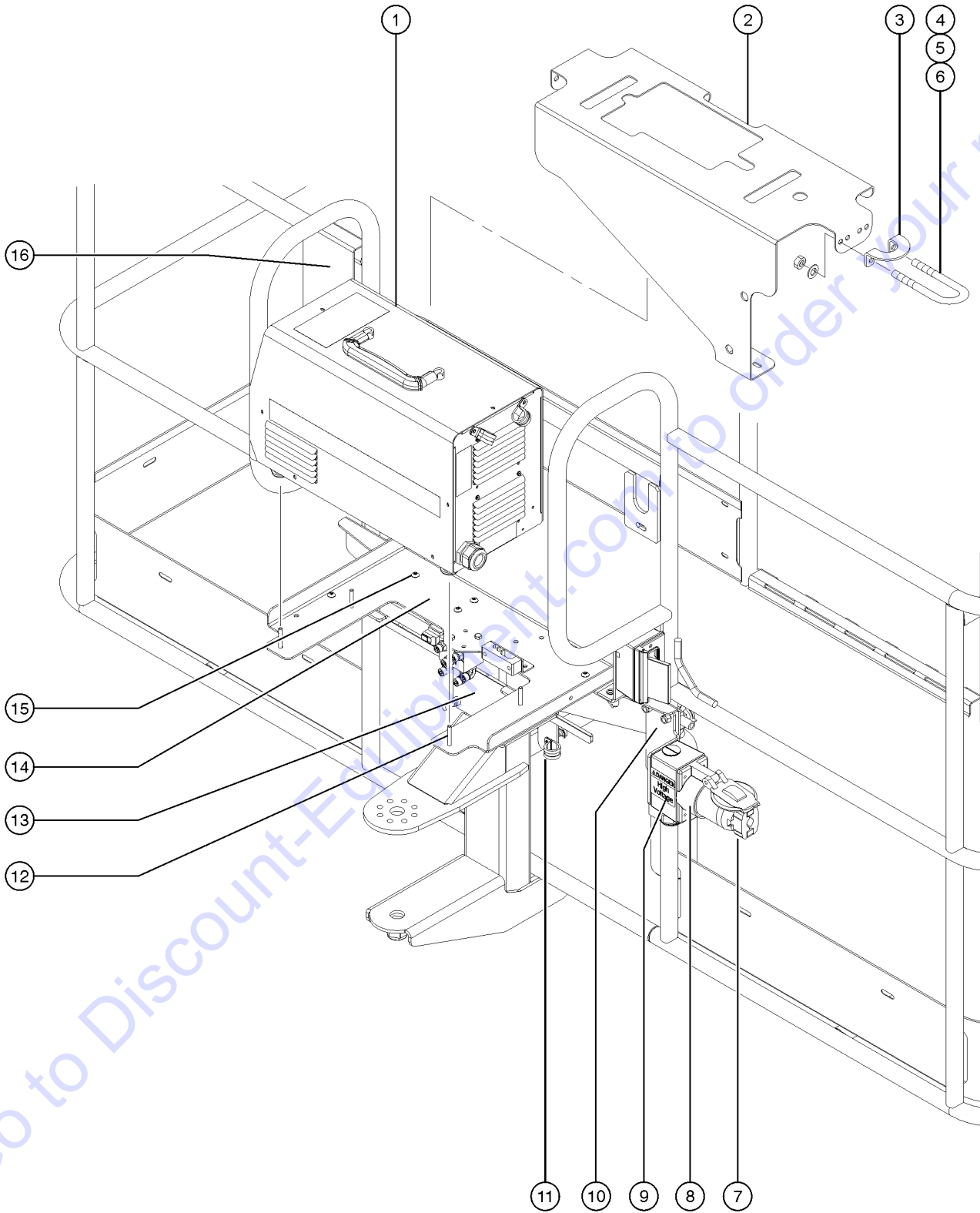
## 812.1 Welder Option - Chassis Components (continued)

Item	Part No.	Description	Qty.
31	6935GT	LOCKNUT,ELEC,1/2".....	1
32A	6888GT	SCREW,HHC,1/4-20 X 1 to SN 2584	
32B	824079GT	SCREW,HHF,1/4-20X1,8,ZAG from SN 2585	
33	6638GT	WASHER,FLAT,USS,1/4"Y to SN 2584	
34A	6091GT	NUT,NYLOCK,1/4-20 to SN 2584	
34B	824027GT	NUT,TL FLG,1/4-20,G,ZAG from SN 2585	
35	107681PGT	FORMING,J-BOX MOUNT, PAINTED.....	1
36A	49818GT	SCREW,PHILLIPS,PHM,10-32 X .38 to SN 2584	
36B	825349GT	SCREW,PHPM,10-32X.38,ZAG from SN 2585	
37	33608GT	RELAY,SOCKET,OMRON.....	1
38	33607GT	RELAY,OMRON,DPDT,12V.....	1
39	6037GT	NUT,HEX,5/16-18,GR5	
40	106072GT	CIRCUIT BREAKER,50A,3P,240V***.....	1
41	106637GT	MODULE,TIME DELAY ON BREAK 4S...1	
42A	51063GT	SCREW,PHILLIPS,RHM,10-32 X 1.5 to SN 2584	
42B	824216GT	SCREW,PHPM,10-32X1.5,ZAG from SN 2585	
43	6146GT	WASHER,FLAT,MS,#10,Y to SN 2584	
44A	6178GT	NUT,NYLOCK,10-32 to SN 2584	
44B	824032GT	NUT,TL FLG,10-32,F,ZAG from SN 2585	
45	106477GT	GFI/CIRCUIT BREAKER ASSEMBLY.....1 to SN ZX13516H-2789	
--	227425GT	CIRCUIT BREAKER, 35A 3PH.....1 from SN ZX13516H-2790	
--	106375GT	GFCI,50A, 3PH.....1 from SN ZX13516H-2790	
46	102357GT	POTENTIOMETER ASSY, WELDER.....1	
47	106140PGT	BRACKET,1K OHM 10-TURN POT,PNT.....	1
48	106658GT	MODULE,SX CONTROLLER,LOW AMP.....	1
49	101700GT	CONNECTOR,MATING,SX MODULE.....1	
50A	6884GT	SCREW,HHC,1/4-20 X 2.5 to SN 2584	
50B	824083GT	SCREW,HHF,1/4-20X2.5,8,ZAG from SN 2585	
51A	6889GT	NUT,LP NYLOCK,1/4-20 to SN 2584	
51B	824027GT	NUT,TL FLG,1/4-20,G,ZAG from SN 2585	

***This Page Intentionally Left Blank***

Go to [Discount-Equipment.com](http://Discount-Equipment.com) to order your parts

813.1 Welder Option - Platform Components

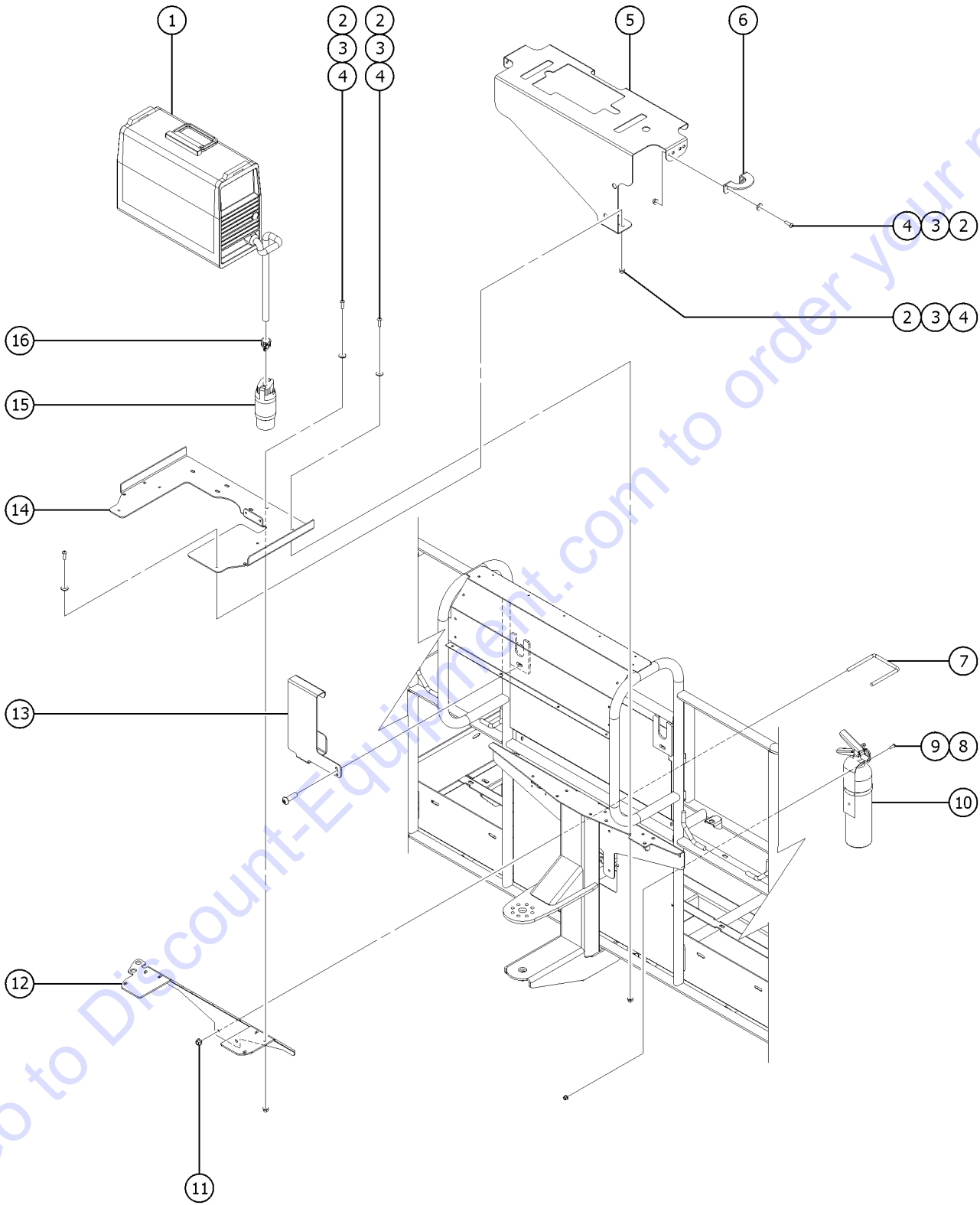


## 813.1 Welder Option - Platform Components

Item	Part No.	Description	Qty.
--	119907GT	CARTRIDGE, VALVE HOUSING	
--	119908GT	VALVE, SOLENOID, NOR <i>mounts on cartridge 119907</i>	
1	101525GT	WELDER, INVERTEC V275-S.....	1
--	106275GT	KIT, WELD LEADS ASSY, V275S	
--	106183GT	FUSE, .6AMP, 250V, WELDER, V275S	
--	229925GT	ADAPTER, WELDER, 208-220	
2	101547PGT	BRACKET, WELDER SUPPORT, PNT.....	1
3	217366GT	BRACKET, WELDER TOP.....	2
4	122755GT	UBOLT, FLATTENED, 1.5DIAX3/8 UNC....	2
5	5397GT	WASHER, FLAT, USS, 5/16", Y.....	4
6	4828GT	NUT, NYLOCK, 3/8-16.....	4
7	106112GT	PLUG, 4-WIRE, 3-PHASE, 50A, MALE.....	1
8	106111GT	RECEPTCL, LOCK 3-PH, 50A, 4 WIRE.....	1
--	106110GT	T-BOX, 2.75X4.5X2.63, 3PH	
--	101732GT	COVER, WEATHERPROOF 3-PHASE	
9	82237GT	DECAL, DANGER, HIGH VOLTAGE.....	2
10	101731PGT	BRACKET, POWER TO PLAT TBOX, PNT.....	1
--	4828GT	NUT, NYLOCK, 3/8-16	
--	5397GT	WASHER, FLAT, USS, 5/16", Y	
--	106044GT	U-BOLT, 3/8-16X4X4.63X3.00	
11	18666GT	CLAMP, 1.00, #16 X 1/4, RUB CUSH.....	3
12	106141GT	SCREW, SECURITY, 1/4-20 X 1.75LG	
--	106272GT	BIT, 3/16, HEX SOCKET, SECURITY	
13	101701GT	BRACKET, WELDER MOUNT SUPPORT	
14	106109PGT	BRACKET, WELDER COVER, PNTD.....	1
--	106044GT	U-BOLT, 3/8-16X4X4.63X3.00	
--	4828GT	NUT, NYLOCK, 3/8-16	
--	5397GT	WASHER, FLAT, USS, 5/16", Y	
15	128322GT	SCREW, 5/16-18X1.00, SECURITY TO	
--	6782GT	NUT, NYLOCK, 5/16-18	
--	128323GT	BIT, TORX SOCKET, SECURITY	
16	106204PGT	BRACKET, V275S WELD LEADS.....	1



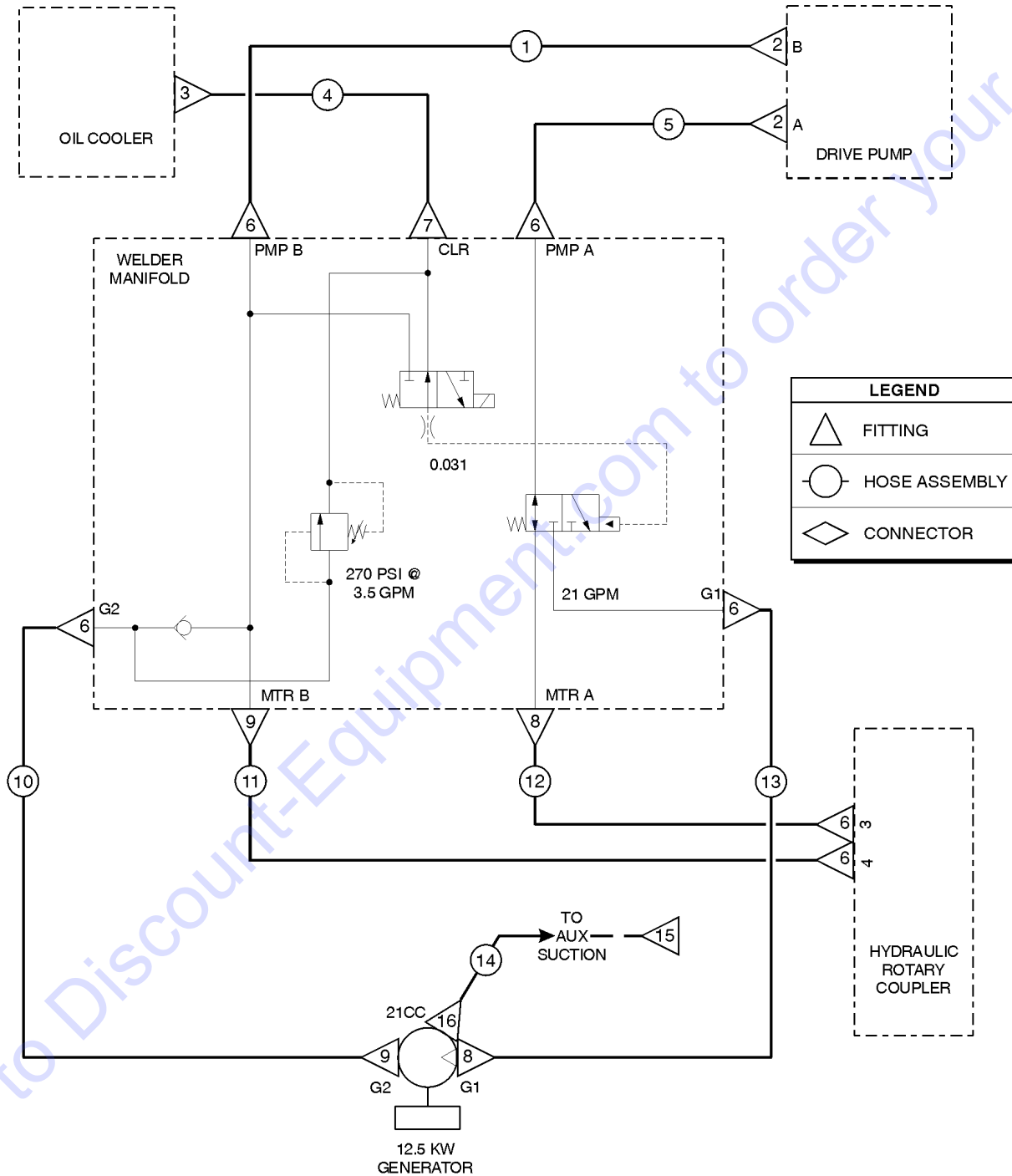
813.2 Welder Option - Platform Components (from SN ZX13516H-2790)



## 813.2 Welder Option - Platform Components (from SN ZX13516H-2790)

Item	Part No.	Description	Qty.
A	110276-1400GT	FIRE SLEEVE, 1.25"	
B	110276-2000GT	FIRE SLEEVE, 1.25"	
C	110276-600GT	FIRE SLEEVE, 1.25"	
D	110277-2500GT	FIRE SLEEVE, 2.0"	
1	214619GT	WELDER, MILLER, CST 280.....	1
--	106275GT	KIT,WELD LEADS ASSY,V275S	
2	128322GT	SCREW,5/16-18X1.00,SECURITY TO.....	16
--	128323GT	BIT,TORX SOCKET,SECURITY	
3	825358GT	WASHER,FLAT,5/16,USS,ZAG.....	16
4	824028GT	NUT,TL FLG,5/16-18,G,ZAG.....	16
5	101547PGT	BRACKET,WELDER SUPPORT,PNT.....	1
6	217366GT	BRACKET,WELDER TOP.....	2
7	826896GT	U-BOLT,3/8-16 X 4 X 5,ZAG.....	1
8	1256124GT	SCREW,BHC,1/4-20X.75,F835,ZAG.....	2
9	824027GT	NUT,TL FLG,1/4-20,G,ZAG.....	2
10	88406GT	FIRE EXTINGUISHER.....	1
11	824029GT	NUT,TL FLG,3/8-16,G,ZAG.....	2
12	101701PGT	BRACKET,WELDER MNT SUPPORT,PNT.....	1
13	106204PGT	BRACKET,V275S WELD LEADS.....	1
14	106109PGT	BRACKET,WELDER COVER,PNTD.....	1
15	106112GT	PLUG,4-WIRE,3-PHASE,50A,MALE.....	1
16	18666GT	CLAMP,1.00,#16 X 1/4,RUB CUSH.....	2

814.1 Welder Option - Hydraulic Hoses and Fittings

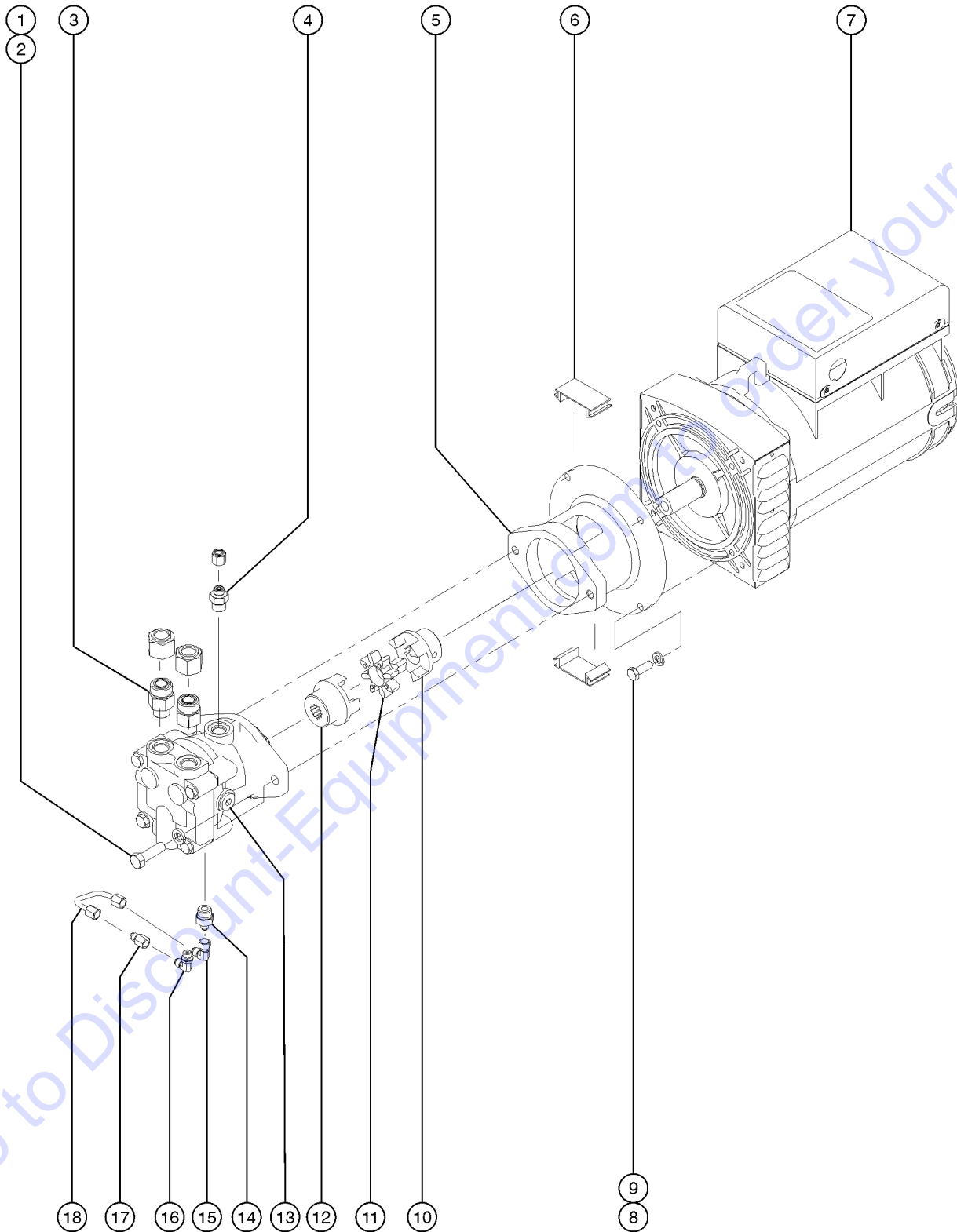


Go to Discount-Equipment.com to order your parts

## 814.1 Welder Option - Hydraulic Hoses and Fittings

Item	Part No.	Description	Qty.
1	94374-13330GT	HOSE ASSY,3/4,90 FEM,STR FEM.....1	
2	48978GT	ELBOW,45D,520320-12-16.....2	
3	48961GT	TEE,RUN,520428-12.....1	
4	49167-2279GT	HOSE ASSEMBLY 1/2 100R1.....1	
5	94374-13330GT	HOSE ASSY,3/4,90 FEM,STR FEM.....1	
6	48963GT	FITTING,ELBOW,45D,520320-12***.....6	
7	48933GT	CONN,520120-8***.....1	
8	61610GT	CONN,LONG,520122-12***.....2	
9	48960GT	FITTING,CONN,520120-12***.....2	
10	89871-3148GT	HOSE ASSY,3/4" STR-STR.....1 <i>Components: 48841, 48841 and 94358 @ 29 inches</i>	
11	94374-9080GT	HOSE ASSY,3/4,90 FEM,STR FEM.....1 <i>Components: 48841, 48846 and 94358 @ 87.5 inches</i>	
12	94374-9930GT	HOSE ASSY,3/4,90 FEM,STR FEM.....1 <i>Components: 48841, 48846 and 94358 @ 96 inches</i>	
13	89871-1448GT	HOSE ASSY,3/4" STR-STR.....1 <i>Components: 48841, 48841 and 94358 @ 12 inches</i>	
14	49167-8629GT	HOSE ASSEMBLY 1/2 100R1.....1 <i>Components: 48822, 48827 and 48757 @ 84 inches</i>	
--	49167-7229GT	HOSE ASSEMBLY 1/2 100R1 <i>Use with welder ready option; Components: 48822, 48827 and 48757 @ 70 inches</i>	
15	48964GT	FITTING,TEE,RUN,SWIVEL52043212....1	
16	48947GT	ELBOW,90D,520220-8-12.....1	

815.1 Welder Option - Generator Components



## 815.1 Welder Option - Generator Components

Item	Part No.	Description	Qty.
--		Ref. GENERATOR, HYDRA, 25CC, 208V.....1 (Refer to 812.1)	
1	826171GT	SCREW, HHF, 1/2-13X1.75, ZAG.....2	
2	6036GT	WASHER, LOCK, .625 PLTD.....2 to SN 2584	
3	48975GT	CONN, 520120-12-10.....2	
4	48914GT	CONN, 520120-4-8.....1	
5		MOTOR MOUNT.....1 Consult Discount-equipment	
6		MOUNT COVER.....2 Consult Discount-equipment	
7		Ref. Alternator.....1 (Refer to 812.1)	
8	232874GT	SCREW, HHF, M10-1.5X30, DIN6921, 10.9, ZAB.4	
9	824142GT	WASHER, LOCK, M10, ZAB.....4	
10	147404GT	DRIVE COUPLING, KEYED.....1	
11	58631GT	COUPLER, INSERT.....1	
12	147405GT	DRIVE COUPLING, 13 TOOTH.....1	
13		ref. MOTOR, HYD, 25CC FIXED***.....1 (Refer to 812.1)	
14	39879GT	CONNECTOR, 070120-4-8.....1	
15	87246GT	ELBOW, SWIVEL NUT 90DEG, -4.....1	
16	13921GT	ELBOW, 070220-4-4.....1	
17	139919GT	FITTING, ORIFICE, .047.....1	
18	147418GT	ASSY, BLEED LINE (139367).....1	

# PARTS FINDER

**Search Website  
by Part Number**



**Search Manual  
Library For Parts  
Manual & Lookup Part  
Numbers – Purchase  
or Request Quote**

**Search Manuals**

Enter your information to help us find the right parts manual for your machine.

\* Brand:

\* Model:

\* Serial:

\* Part Number:

SEARCH

**Can't Find Part or  
Manual? Request Help  
by Manufacturer,  
Model & Description**

**Parts Order Form**

Please fill in the following information to help us find the right part for your machine.

Manufacturer:	<input type="text"/>
Model:	<input type="text"/>
Description:	<input type="text"/>
Part Number:	<input type="text"/>
Quantity:	<input type="text"/>
Notes:	<input type="text"/>

Submit

Discount-Equipment.com is your online resource for quality parts & equipment.

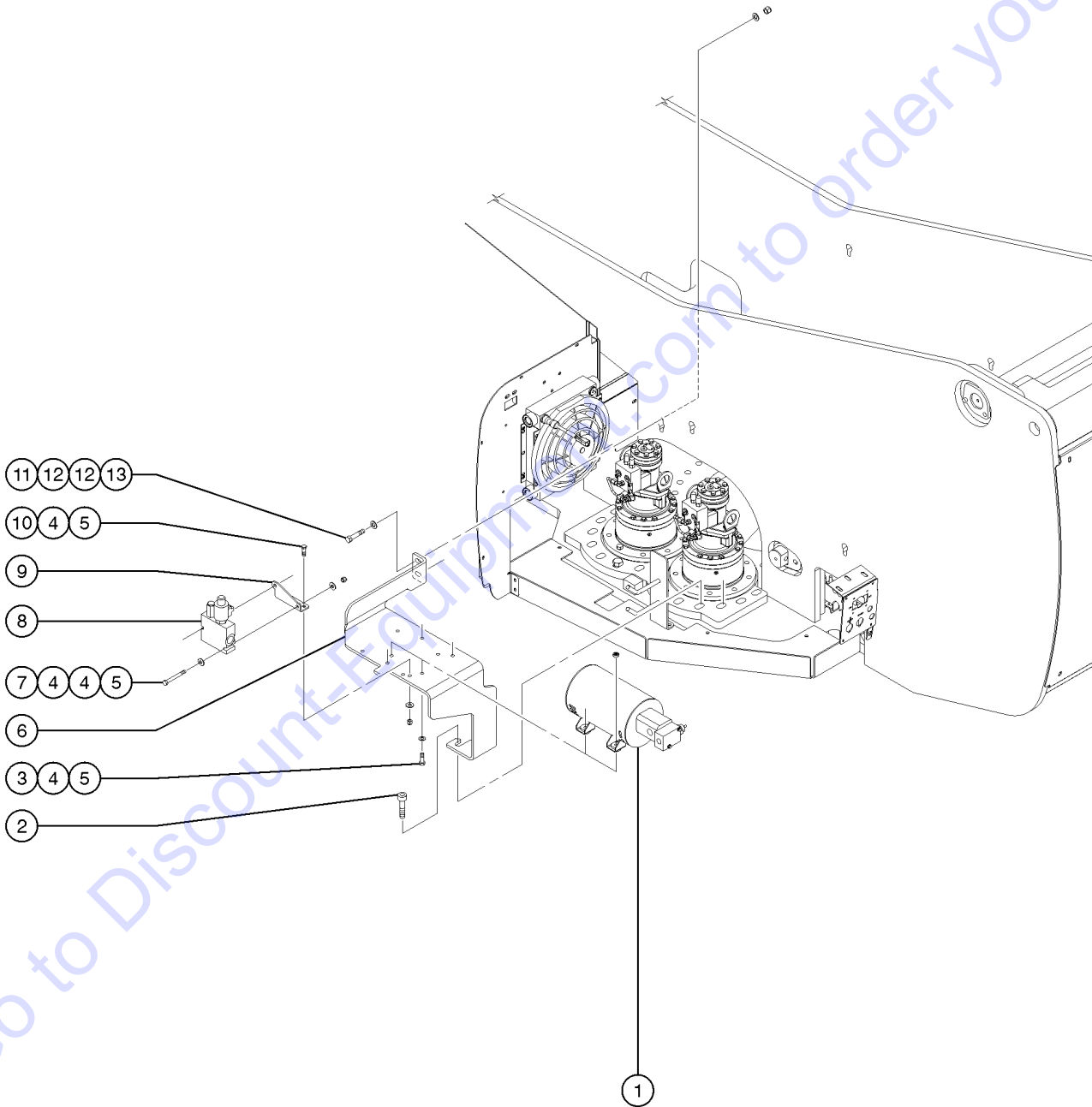
Florida: **561-964-4949** Outside Florida TOLL FREE: **877-690-3101**

**Need parts?**

Click on this link: <http://www.discount-equipment.com/category/5443-parts/> and choose one of the options to help get the right parts and equipment you are looking for. Please have the machine model and serial number available in order to help us get you the correct parts. If you don't find the part on the website or on one of the online manuals, please fill out the request form and one of our experienced staff members will get back to you with a quote for the right part that your machine needs.

We sell worldwide for the brands: Genie, Terex, JLG, MultiQuip, Mikasa, Essick, Whiteman, Mayco, Toro Stone, Diamond Products, Generac Magnum, Airman, Haulotte, Barreto, Power Blanket, Nifty Lift, Atlas Copco, Chicago Pneumatic, Allmand, Miller Curber, Skyjack, Lull, Skytrak, Tsurumi, Husquvarna Target, Stow, Wacker, Sakai, Mi-T-M, Sullair, Basic, Dynapac, MBW, Weber, Bartell, Bennar Newman, Haulotte, Ditch Runner, Menegotti, Morrison, Contec, Buddy, Crown, Edco, Wyco, Bomag, Laymor, EZ Trench, Bil-Jax, F.S. Curtis, Gehl Pavers, Heli, Honda, ICS/PowerGrit, IHI, Partner, Imer, Clipper, MMD, Koshin, Rice, CH&E, General Equipment, Amida, Coleman, NAC, Gradall, Square Shooter, Kent, Stanley, Tamco, Toku, Hatz, Kohler, Robin, Wisconsin, Northrock, Oztec, Toker TK, Rol-Air, APT, Wylie, Ingersoll Rand / Doosan, Innovatech, Con X, Ammann, Mecalac, Makinex, Smith Surface Prep, Small Line, Wanco, Yanmar

816.1 Hydraulic Generator Option



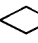


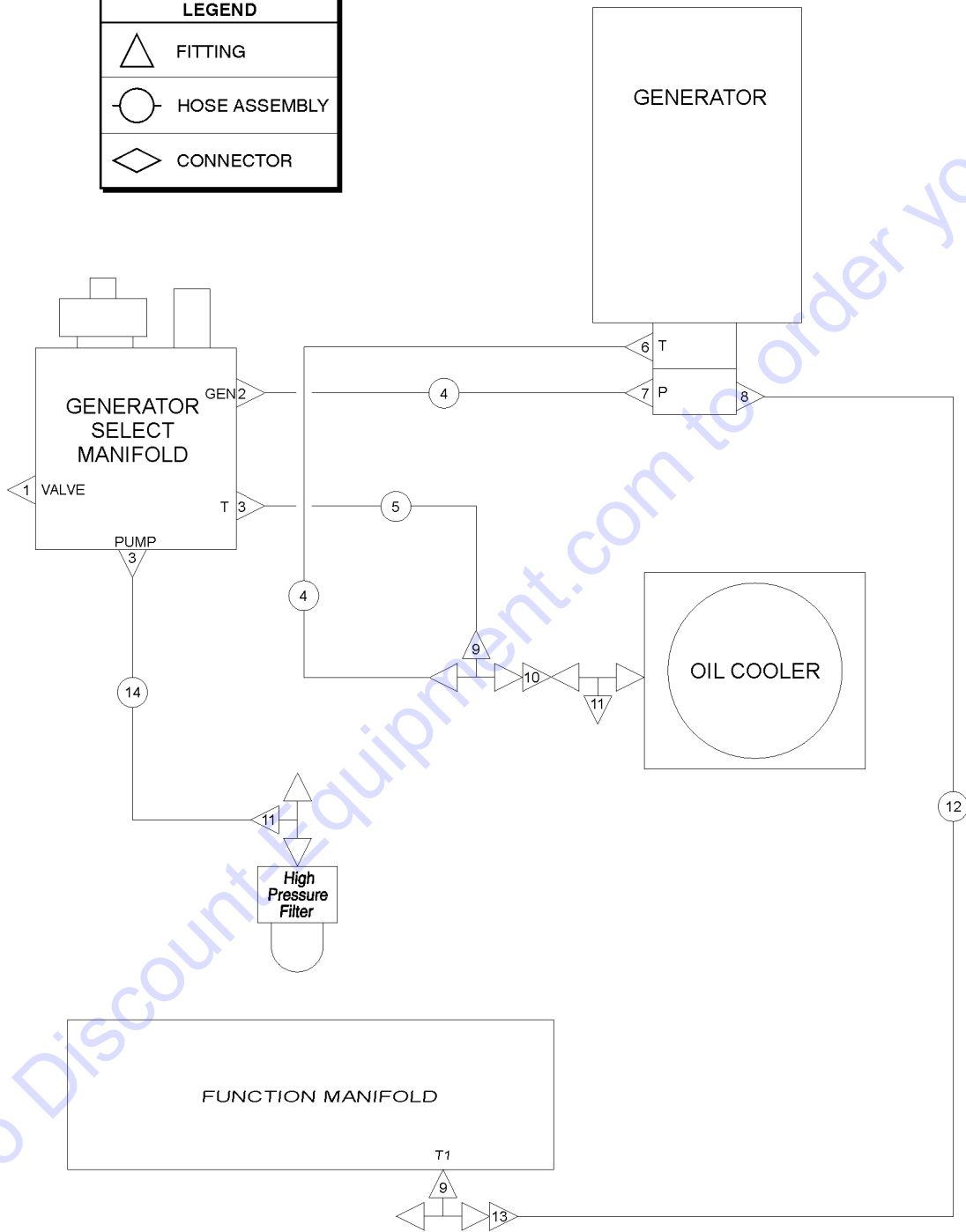


## 816.1 Hydraulic Generator Option

Item	Part No.	Description	Qty.
1	111381GT	GEN,HYD,3000W,110V,60HZ.....1	
--	58944GT	BRUSH 3/8 X 1/4 X 15/16(36928)	
--	T111608GT	SEAL,RETAINING RING	
--	T111609GT	SEAL,SHAFT	
--	T111610GT	SPACER	
--	T111611GT	BEARING,MOTOR	
--	T111612GT	RETAINING RING	
--	T111613GT	SHAFT,MOTOR	
--	58954GT	O-RING,SPACER #115***	
--	147836GT	SEAL, GASKET, .00075" *GOLD*	
--	147837GT	SEAL, GASKET, .0005" *SILVER*	
--	147838GT	SEAL, GASKET, .0010"	
--	147839GT	ASSM, GEN. ONLY, 110V, 60HZ	
2	77780GT	SCREW,SHC,3/4-10 X 3.75,A574 to SN 2584	
--	1257223GT	SCREW,SHC,3/4-10X3.75,A574,ZAG from SN 2585	
3	8516GT	SCREW, HCC, 3/8-16 X 1.50 to SN 2584	
--	824092GT	SCREW,HHF,3/8-16X1.5,8,ZAG from SN 2585	
4	6097GT	WASHER,FLAT,USS,3/8",Y to SN 2584	
5	4828GT	NUT,NYLOCK,3/8-16 to SN 2584	
--	824029GT	NUT,TL FLG,3/8-16,G,ZAG from SN 2585	
6	128560GT	FORMING, HYD. GEN. MOUNT.....1	
7	8178GT	SCREW,HHC,3/8-16 X 2.5 to SN 2584	
--	1256856GT	SCREW,HHF,3/8-16X2.5,8,ZAG from SN 2585	
8	53976GT	MANIFOLD,GENERATOR.....1	
9	139691GT	FORMING, GEN MANIFOLD MOUNT....1	
10	6019GT	SCREW,HHC,3/8-16 X 1.25 GRD 5 to SN 2584	
--	824091GT	SCREW,HHF,3/8-16X1.25,8,ZAG from SN 2585	
11	9145GT	SCREW,HHC,1/2-13 X 2.5,GR5 to SN 2584	
--	1256172GT	SCREW,HHF,1/2-13X 2,8,ZAG from SN 2585	
12	13066GT	WASHER,FLAT,.5 HARDENED to SN 2584	
13	6198GT	NUT,NYLOCK,1/2-13 to SN 2584	
--	1251997GT	NUT,TL FLG,1/2-13,G,ZAG from SN 2585	

817.1 Hydraulic Hoses and Fittings, Hydraulic Generator Option

LEGEND	
	FITTING
	HOSE ASSEMBLY
	CONNECTOR

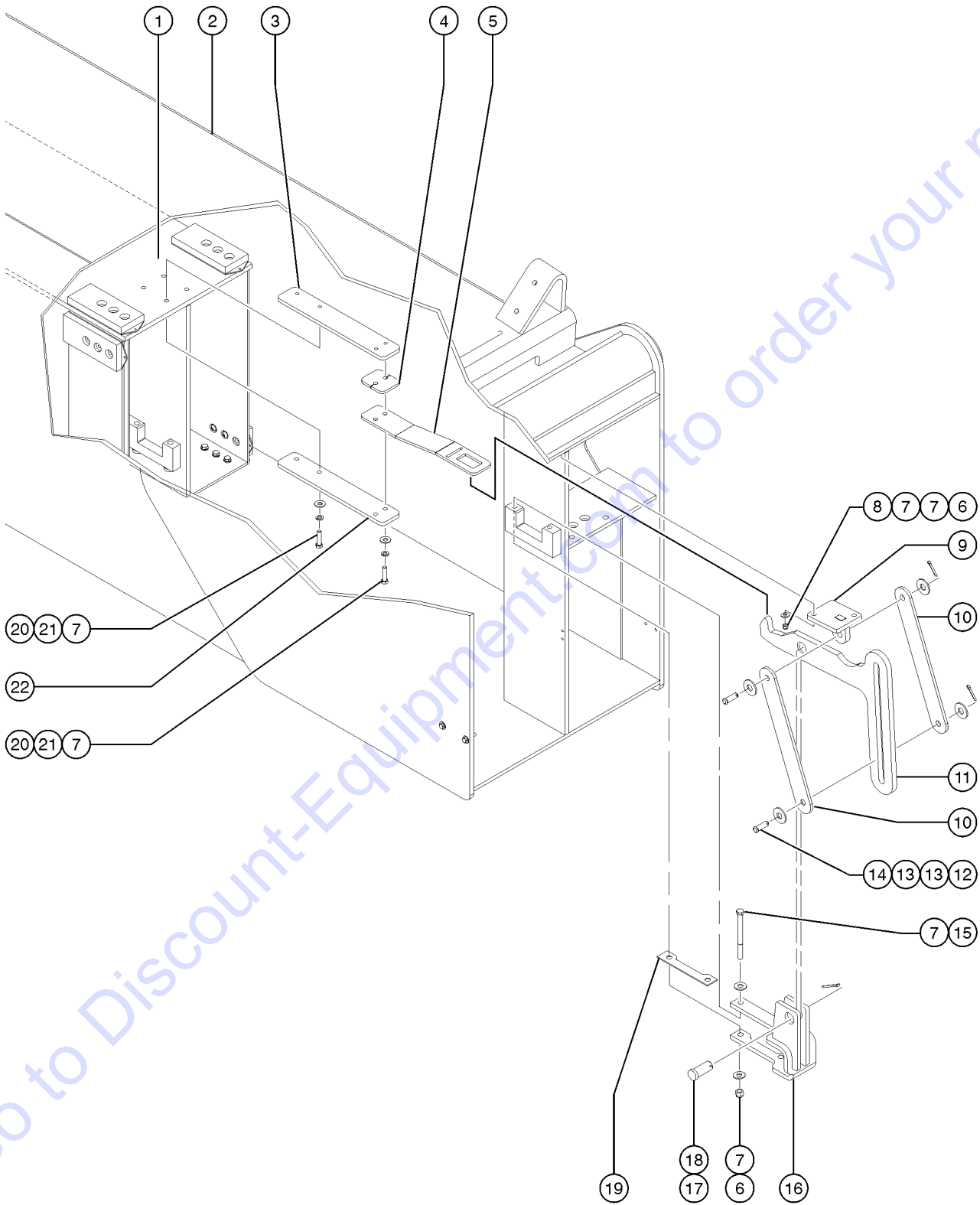


## 817.1 Hydraulic Hoses and Fittings, Hydraulic Generator Option

Item	Part No.	Description	Qty.
1	87172GT	PLUG,HEX SOCKET,090109B-12.....1	1
2	48933GT	CONN,520120-8***.....1	1
3	48960GT	FITTING,CONN,520120-12***.....1	1
4	49143-3229GT	HOSE ASSY,1/2,90 FEM,STR FEM.....2	2
5	49183-2892GT	HOSE ASSY,1/2,STR FEM STR FEM.....1	1
6	48946GT	CONN,520120-8-10.....1	1
7	48932GT	FITTING,ELBOW,90D,520220-8***.....2	2
8	48905GT	CONN,520120-4***.....1	1
9	48938GT	FITTING,TEE,RUN,SWIVEL520432-8.....2	2
10	51580GT	FITTING,REDUCER,520123-12-8***.....1	1
11	48964GT	FITTING,TEE,RUN,SWIVEL52043212.....2	2
12	49117-6291GT	HOSE ASSY,1/4,90 FEM,STR FEM.....1	1
13	48941GT	REDUCER,520123-8-4.....1	1
14	61074-5348GT	HOSE ASSEMBLY 3/4" STR-STR.....1	1

Go to Discount-Equipment.com to order your parts

818.1 Boom Latch Kit

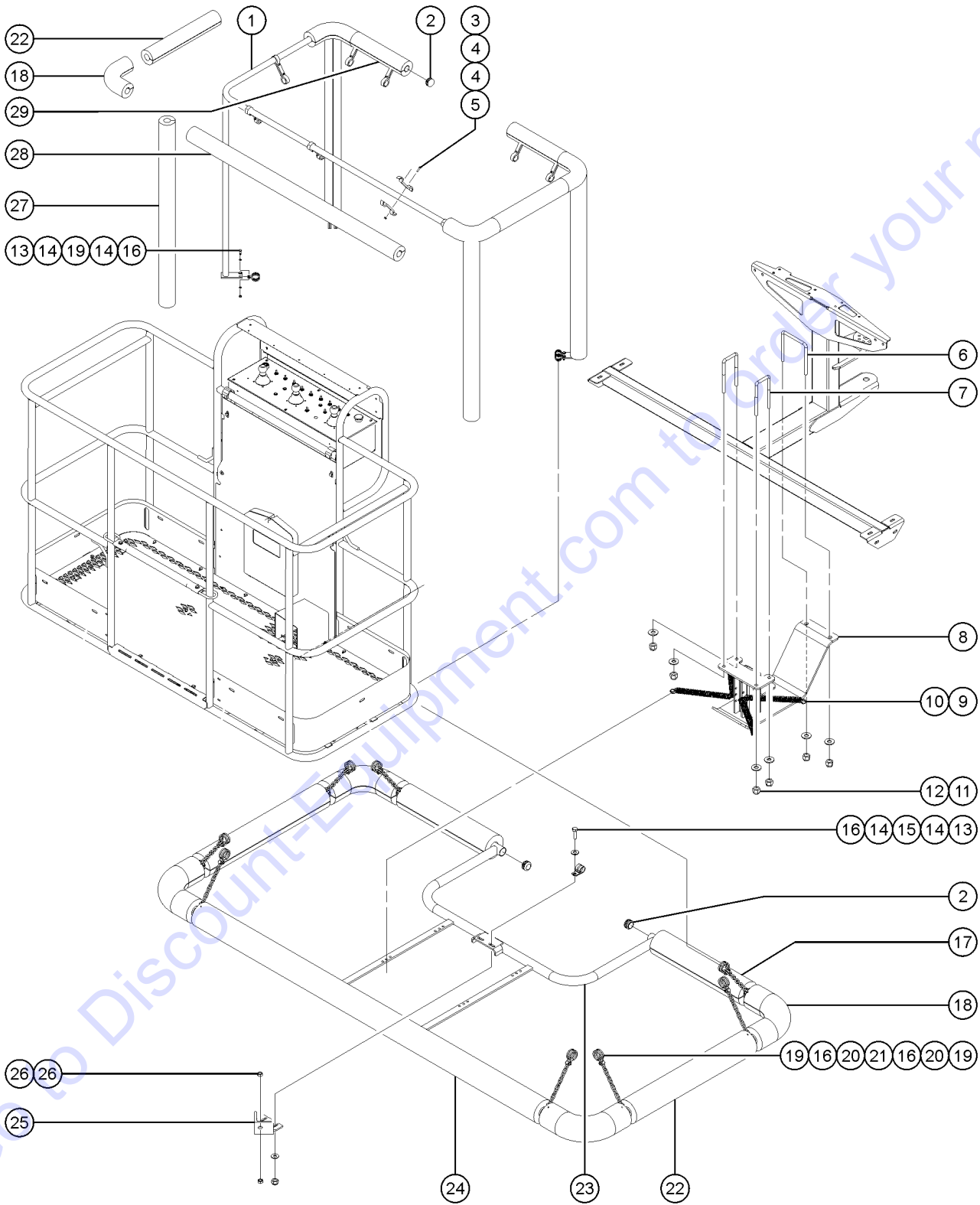


Go to Discount-Equipment.com to order your parts

## 818.1 Boom Latch Kit

Item	Part No.	Description	Qty.
--	229400GT	Z135 LATCH KIT.....1 (Complete) includes items 1 - 22	1
1		Ref. ASSY,RISER BOOM #4 (Refer to 505.1)	
2		Ref. ASSEMBLY,RISER BOOM #1 (Refer to 502.1)	
3	231048GT	Z135 LATCH,THREADED PRIMARY.....1	1
4	231047GT	Z135 LATCH SPACER.....1	1
5	229395GT	Z135 LATCH,BREAK LINK.....1	1
6	4828GT	NUT,NYLOCK,3/8-16	
7	19934GT	WASHER,3/8 HARD.STEEL-FLAT,USS	
8	6-5206-18GT	SCREW,HHC,3/8-16X2.25,GR8	
9	229393GT	Z135 LATCH, GUIDE MOUNT.....1	1
10	229394GT	Z135 LATCH,GUIDE LINK.....2	2
11	229388GT	Z135 LATCH HOOK.....1	1
12	229399GT	CLEVIS PIN 0.5" X 1.5".....2	2
13	6095GT	WASHER,FLAT,USS,1/2",Y	
14	230971GT	PIN,COTTER,,156 X 1 Z.....2	2
15	230975GT	SCREW,HHC,3/8-16 X 4.5,GR8.....2	2
16	229397GT	Z135 LATCH,HOOK MOUNT.....1	1
17	826379GT	PIN,CLEVIS,1X2.250,ZAG.....1	1
18	13635-10GT	PIN,COTTER,,156 X 1.75.....1	1
19	231046GT	Z135 LATCH SHIM.....1	1
20	6-5206-12GT	SCREW,HHC,3/8-16X1.5,GR8	
21	6021GT	WASHER,LOCK,,.375	
22	229396GT	Z135 LATCH,PRIMARY LINK.....1	1

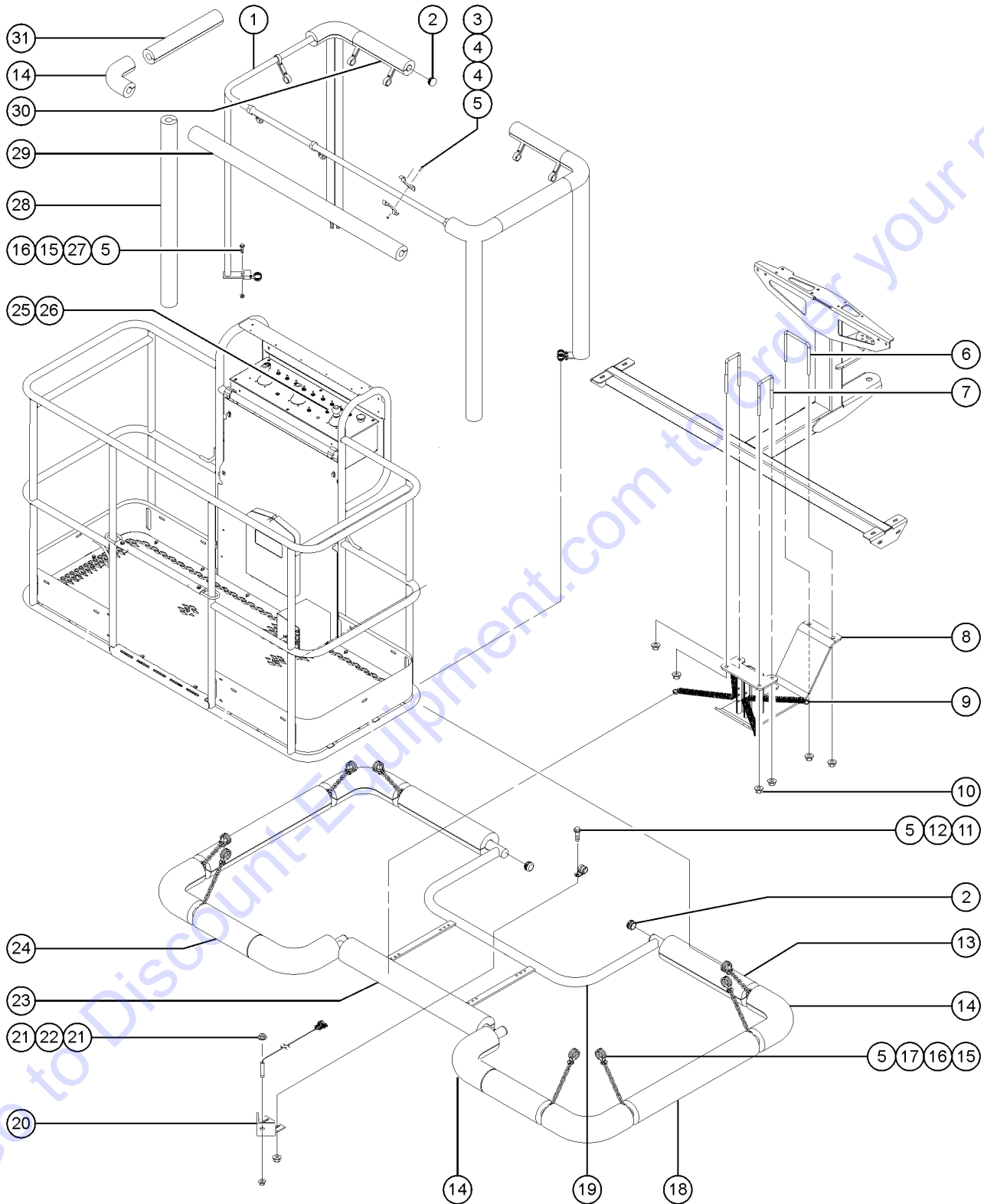
819.1 Aircraft Protection Package (to SN 2315)



## 819.1 Aircraft Protection Package (to SN 2315)

Item	Part No.	Description	Qty.
1	46188GT	WELDMENT, AIRCRAFT TOP BUMPER.....	1
2	55753GT	BUMPER, PLASTIC, 1.25 O.D.....	4
3	122231GT	SCREW,BHSC,1/4-20 X 1	
4	122073GT	SUPPORT, RAILING.....	20
5	6889GT	NUT,LP NYLOCK,1/4-20	
6	106044GT	U-BOLT,3/8-16X4X4.63X3.00.....	1
7	66472GT	U-BOLT, SQR, 3/8-16X2X5, PLTD.....	2
8	139904GT	WELDMENT, SKIDPLATE**.....	1
9	88384GT	SPRING, SS, 3/4-EO750-69-4500.....	4
10	88385GT	SPRING, SS, 1/2-EO500-49-4500.....	4
11	4828GT	NUT,NYLOCK,3/8-16	
12	5397GT	WASHER,FLAT,USS,5/16",Y	
13	6888GT	SCREW,HHC,1/4-20 X 1	
14	6638GT	WASHER,FLAT,USS,1/4"Y	
15	6833GT	CLAMP,0.50,#8 X 1/4,RUB CUSH.....	1
16	6091GT	NUT,NYLOCK,1/4-20	
17	75617-1675GT	PADDING,FOAM 3.5"OD X 1.50"ID.....	2
18	75636GT	PADDING,FOAM,3.0"X1.50ID 90DEG.....	8
19	21618GT	CLAMP,1.13,#18 X 1/4,RUB CUSH.....	16
20	6090GT	SCREW,HHC,1/4-20 X .75	
21	56426-700GT	CHAIN,NO.2 (11 LINKS).....	8
22	75617-2275GT	PADDING,FOAM 3.5"OD X 1.50"ID.....	4
23	139181GT	WELDMENT,AIRCRAFT SENSOR BUMPR.....	1
24	75617-6475GT	PADDING,FOAM 3.5"OD X 1.50"ID.....	1
25	77797GT	WELDMENT, SENSOR MOUNT.....	1
26	88390GT	NUT,HEX,M8,PLASTIC	
27	75617-4788GT	PADDING,FOAM 3.5"OD X 1.50"ID.....	4
28	75617-6275GT	PADDING,FOAM 3.5"OD X 1.50"ID.....	1
29	75617-1538GT	PADDING,FOAM 3.5"OD X 1.50"ID.....	2

819.2 Aircraft Protection Package (from SN 2316)

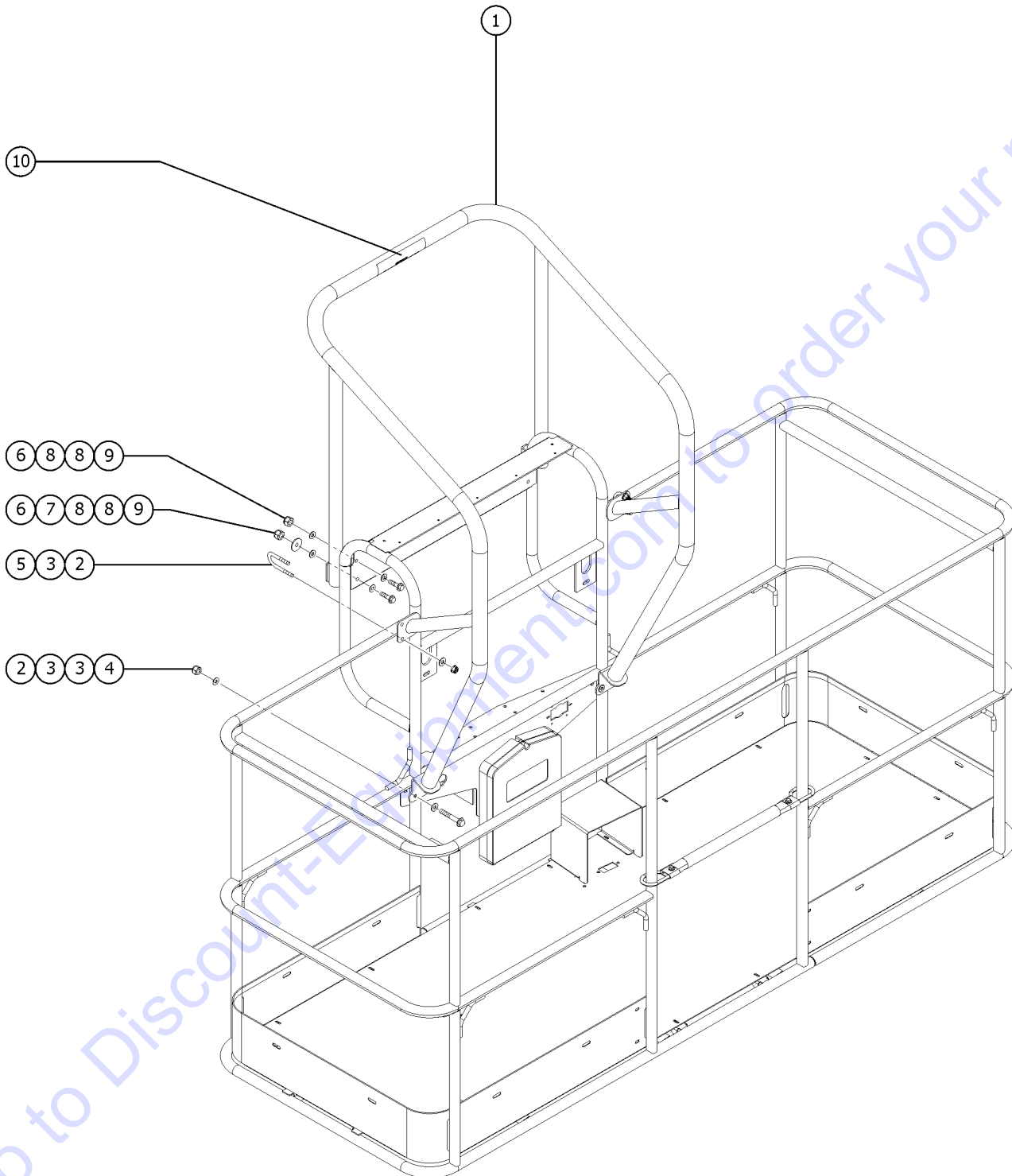




## 819.2 Aircraft Protection Package (from SN 2316)

Item	Part No.	Description	Qty.
1	46188GT	WELDMENT, AIRCRAFT TOP BUMPER.....	1
2	55753GT	BUMPER, PLASTIC, 1.25 O.D.	
3	824227GT	SCREW, BHC, 1/4-20 X 1, ZAG	
4	122073GT	SUPPORT, RAILING.....	20
5	824027GT	NUT, TL FLG, 1/4-20, G, ZAG	
6	106044GT	U-BOLT, 3/8-16X4X4.63X3.00.....	1
7	66472GT	U-BOLT, SQR, 3/8-16X2X5, PLTD.....	2
8	822764GT	WDMT, SKID PLATE.....	1
9	822769GT	SPRING, EXTENSION, 1.92LB/IN.....	4
10	824029GT	NUT, TL FLG, 3/8-16, G, ZAG	
11	824079GT	SCREW, HHF, 1/4-20X1, 8, ZAG	
12	6833GT	CLAMP, 0.50, #8 X 1/4, RUB CUSH.....	1
13	75617-1550GT	PADDING, FOAM 3.5"OD X 1.50"ID.....	2
14	75636GT	PADDING, FOAM, 3.0"X1.50ID 90DEG.....	10
15	21618GT	CLAMP, 1.13, #18 X 1/4, RUB CUSH.....	24
16	824078GT	SCREW, HHF, 1/4-20X.75, 8, ZAG	
17	56426-700GT	CHAIN, NO.2 (11 LINKS).....	8
18	75617-2275GT	PADDING, FOAM 3.5"OD X 1.50"ID.....	2
19	822759GT	WDMT, AIRCRAFT SENSOR BUMPER.....	1
20	77797GT	WELDMENT, SENSOR MOUNT.....	1
21	88390GT	NUT, HEX, M8, PLASTIC	
22	128504GT	ASSY, ARCFT SENSOR, DEUTSCH..... <i>includes 27391 proximity sensor</i>	1
--	27391GT	PROXIMITY SENSOR***.....	1
23	822768GT	FOAM, AIRCRAFT PROTECTION.....	1
24	75617-1025GT	PADDING, FOAM 3.5"OD X 1.50"ID.....	2
25	128200GT	SWITCH TOGGLE ASSY SPDT 3P MOM.....	1
--	27246GT	BOOT, TOGGLE SWITCH, SHORT*.....	1
26	139882GT	HARN, AC PROTECTION BYPASS.....	1
27	81802GT	PLATE, AIRCRAFT PROTECTION OPT.....	4
28	1259329GT	PADDING, FOAM, 46.5".....	4
29	75617-6275GT	PADDING, FOAM 3.5"OD X 1.50"ID.....	1
30	1259328GT	PADDING, FOAM, 15.5".....	2
31	75617-2075GT	PADDING, FOAM 3.5"OD X 1.50"ID.....	2

820.1 Operator Protection Structure



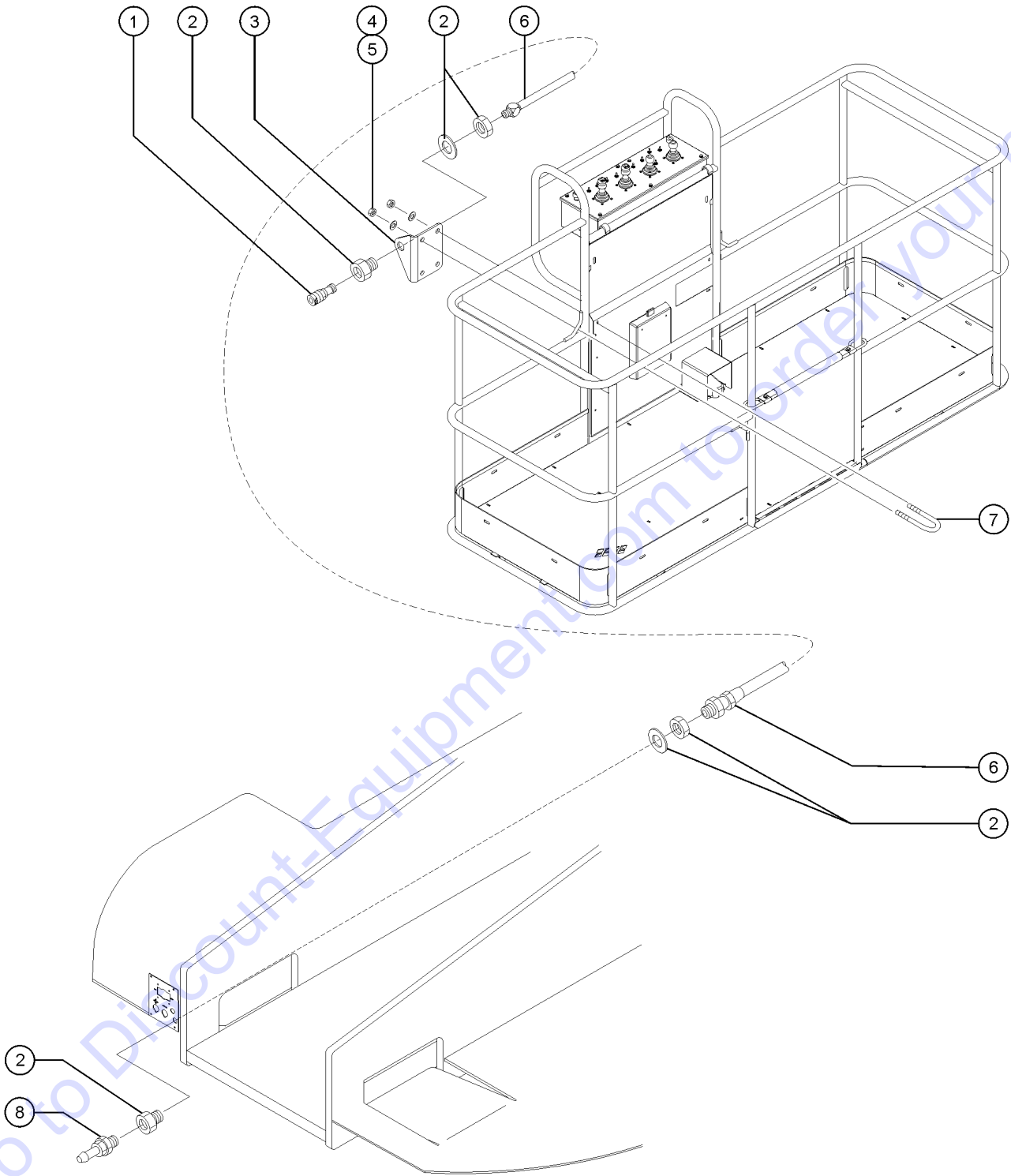
Go to Discount-Equipment.com to order your parts

## 820.1 Operator Protection Structure

Item	Part No.	Description	Qty.
--		<i>Fits all 6' and 8' Booms</i>	
1	219158GT	ACCESSORY, OPERATOR PROT STRUCT.....1 <i>(Complete) includes all fasteners</i>	1
2	1256468GT	NUT, 3/8-16, 8, ZAG.....8	8
3	1255758GT	WASHER, FLAT, 3/8, USS, ZAG.....12	12
4	824069GT	SCREW, HHC, 3/8-16X2.5, 8, ZAG.....4	4
5	1251600GT	U-BOLT, FLATTENED, 1.5 X 3/8 UNC, ZAG.....4	4
6	1261184GT	NUT, 1/4-20, 8, ZAG.....4	4
7	824120GT	WASHER, FLAT, .375X1.50X.125, ZAG.....2 <i>Use only with the platform control box cover option</i>	2
8	824113GT	WASHER, FLAT, USS, 1/4, ZAG.....6	6
9	824060GT	SCREW, HHC, 1/4-20X1, 8, ZAG.....4	4
10		Ref. DECAL, INSTRUCTION, OPS.....1 <i>refer to Section 1</i>	1

Go to Discount-Equipment.com to order your parts

821.1 Air Line to Platform

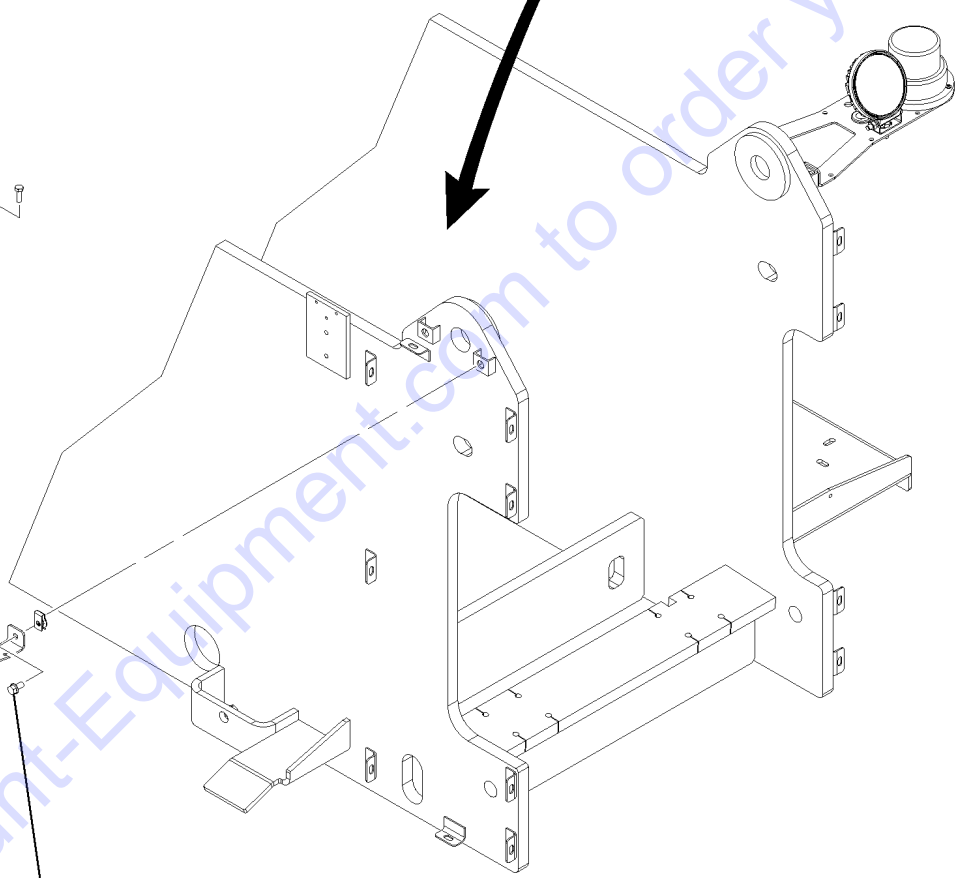
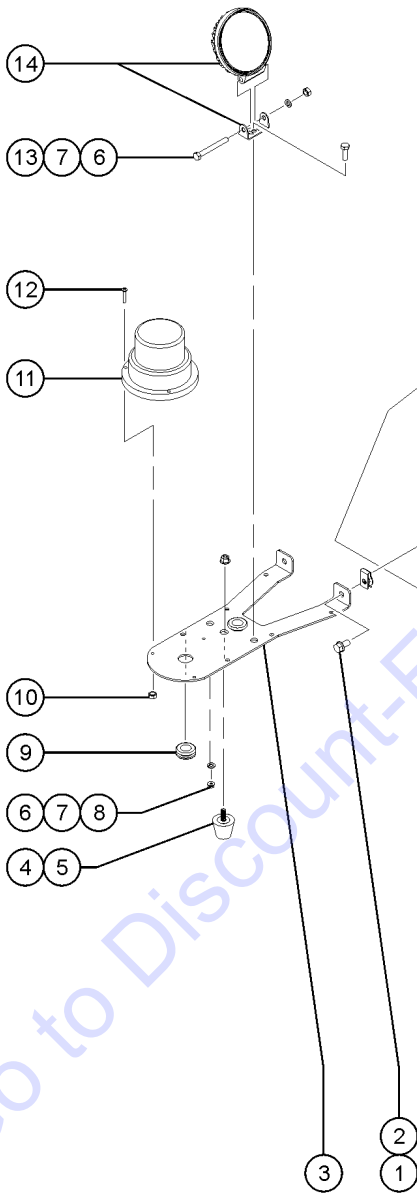
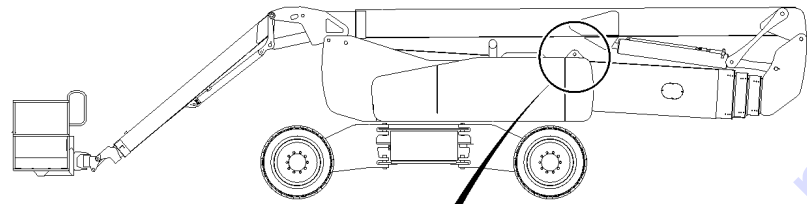


## 821.1 Air Line to Platform

Item	Part No.	Description	Qty.
--	98023GT	Z135,AIR LINE TO PLATFORM	
1	49215GT	MPT,CPLR,1/4"SER,3/8"X18.....1	1
2	49212GT	FEMALE BULKHEAD CONNECTOR-8...2	2
3	60886PGT	BRACKET,AIRLINE TO PLATFORM.....1	1
4	824029GT	NUT,TL FLG,3/8-16,G,ZAG	
5	825358GT	WASHER,FLAT,5/16,USS,ZAG	
6	119205GT	HOSE ASSY,AIRLINE TO PLAT Z135.....1	1
7	122755GT	UBOLT,FLATTENED,1.5DIAX3/8 UNC....2	2
8	49214GT	MALE PIPE THD,1/4" SER,3/8"X18.....1	1

Go to Discount-Equipment.com to order your parts

822.1 Drive Light and Flashing Beacon



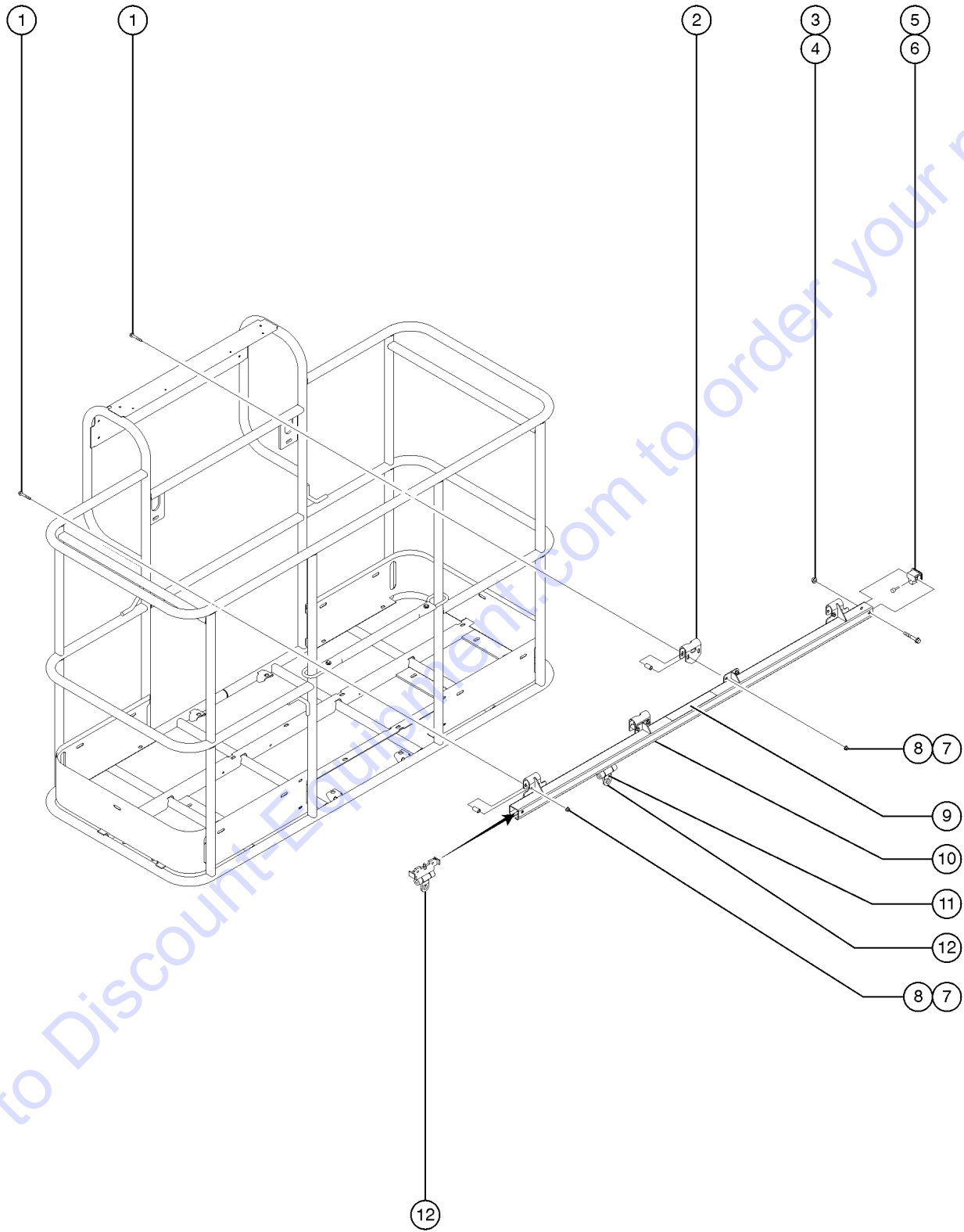
Go to Discount-Equipment.com to order your parts

## 822.1 Drive Light and Flashing Beacon

Item	Part No.	Description	Qty.
1	824089GT	SCREW,HHF,3/8-16X.75,8,ZAG	
2	29868GT	SPRING CLIP,3/8-16,.05-.20X.73,ZAG	
3	161879GT	FORMING DRIVE LIGHTS.....2	
4	30973GT	BUMPER,RUBBER-1 X 1.25.....2	
5	824028GT	NUT,TL FLG,5/16-18,G,ZAG	
6	1266587GT	NUT,M6-1.0,DIN934,10,ZAB	
7	824141GT	WASHER,LOCK,M8,ZAB	
8	824133GT	SCREW,HHF,M8-1.25X25,DIN6921,10,9,ZAB	
9	60584GT	GROMMET,RUBBER .75 X .19 X 1**....4	
10	824032GT	NUT,TL FLG,10-32,F,ZAG	
11	56704GT	STROBE,FIREBOLT,12-80VDC,AMB**...2	
12	826516GT	SCREW, PHPM, 10-32 X 1.0, ZAG	
13	75185GT	SCREW,HHC,M8X1.25X 70MM,GR8.8	
14	215481GT	LIGHT, LED WHITE 12V.....2	

Go to Discount-Equipment.com to order your parts

823.1 Fall Arrest Bar

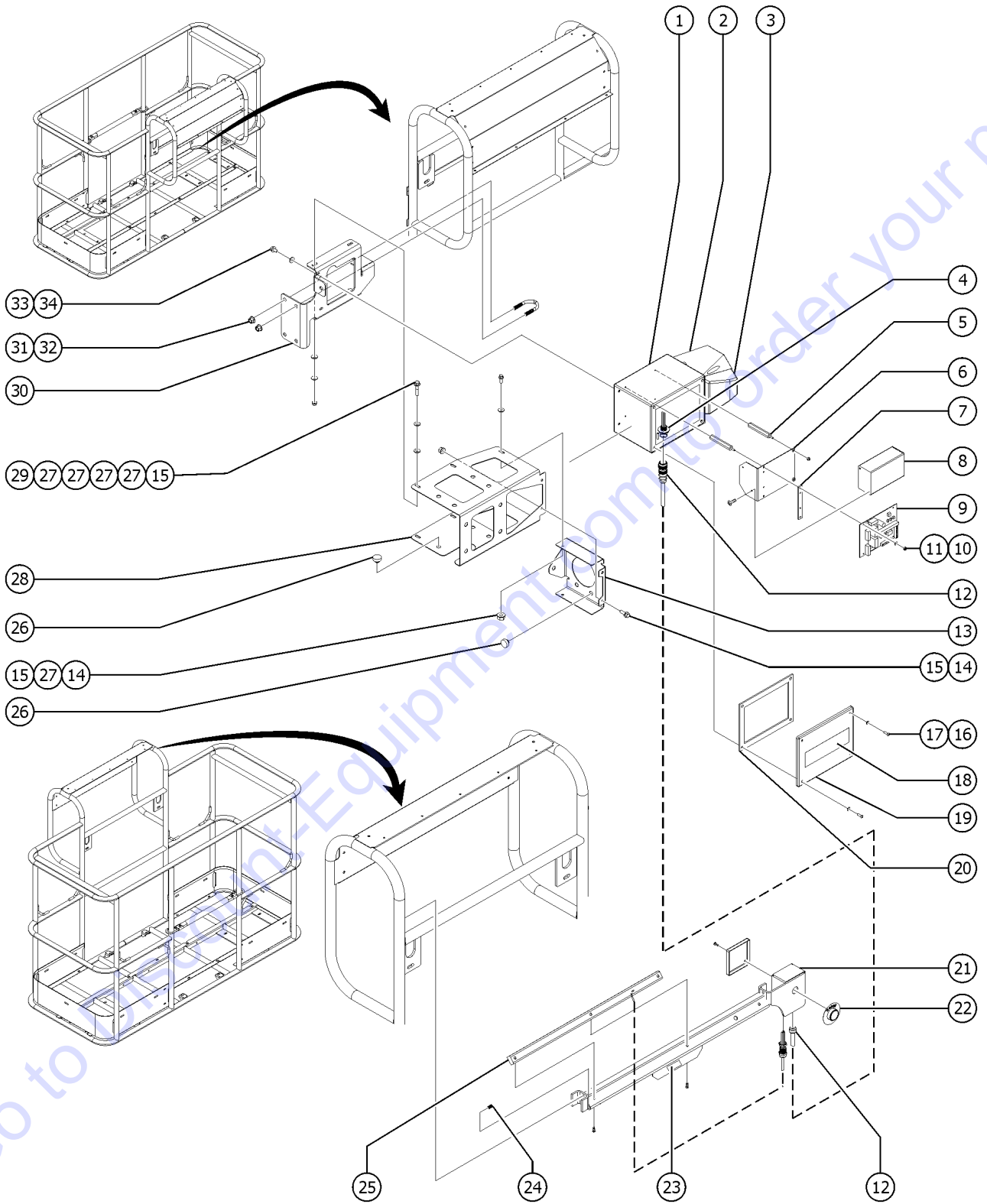




## 823.1 Fall Arrest Bar

Item	Part No.	Description	Qty.
1	1256856GT	SCREW,HHF,3/8-16X2.5,8,ZAG.....	4
2	1256389GT	FORMING,INNER HANGER.....	2
3	1251997GT	NUT,TL FLG,1/2-13,G,ZAG.....	2
4	1256851GT	SCREW,HHF,1/2-13X3.5,8,ZAG.....	2
5	1260892GT	END STOP,TRACK,FALL ARREST BAR.....	2
6	36388GT	BUMPER,RUBBER,.75 X .50H,STUD....	2
7	1274322GT	NUT,NYLOCK FLG,3/8-16,F,ZAG.....	8
8	1256481GT	SPACER, HANGER BRACKET.....	8
9A	1256400GT	DECAL,TRACK,FALL ARREST BAR,WORD.....	1
9B	1260910GT	DECAL,TRACK,FALL ARREST BAR,SYMBOL.....	1
9C	1256400FRGT	DECAL,TRACK,FALL ARREST BAR,WORD FR.....	1
10A	1256377GT	ACC,FALL ARREST BAR,8FT WORD....	1
--	1256379GT	ASSY,TRACK,FALL ARREST BAR,8FT WORD <i>includes decals</i>	
10B	1261022GT	ACC,FALL ARREST BAR,8FT SYM.....	1
--	1261024GT	ASSY,TRACK,FALL ARREST BAR,8FT SYM <i>includes decals</i>	
10C	1261018GT	ACC,FALL ARREST BAR,8FT FR.....	1
--	1261020GT	ASSY,TRACK,FALL ARREST BAR,8FT FR <i>includes decals</i>	
10D	1256378GT	ACC,FALL ARREST BAR,6FT WORD....	1
--	1256380GT	ASSY,TRACK,FALL ARREST BAR,6FT WORD <i>includes decals</i>	
10E	1261023GT	ACC,FALL ARREST BAR,6FT SYM.....	1
--	1261025GT	ASSY,TRACK,FALL ARREST BAR,6FT SYM <i>includes decals</i>	
10F	1261019GT	ACC,FALL ARREST BAR,6FT FR.....	1
--	1261021GT	ASSY,TRACK,FALL ARREST BAR,6FT FR <i>includes decals</i>	
11	40434GT	DECAL,LANYARD ANCHORAGE POINT.....	1
12	1256439GT	TROLLEY, TRACK, FALL ARREST BAR.....	1

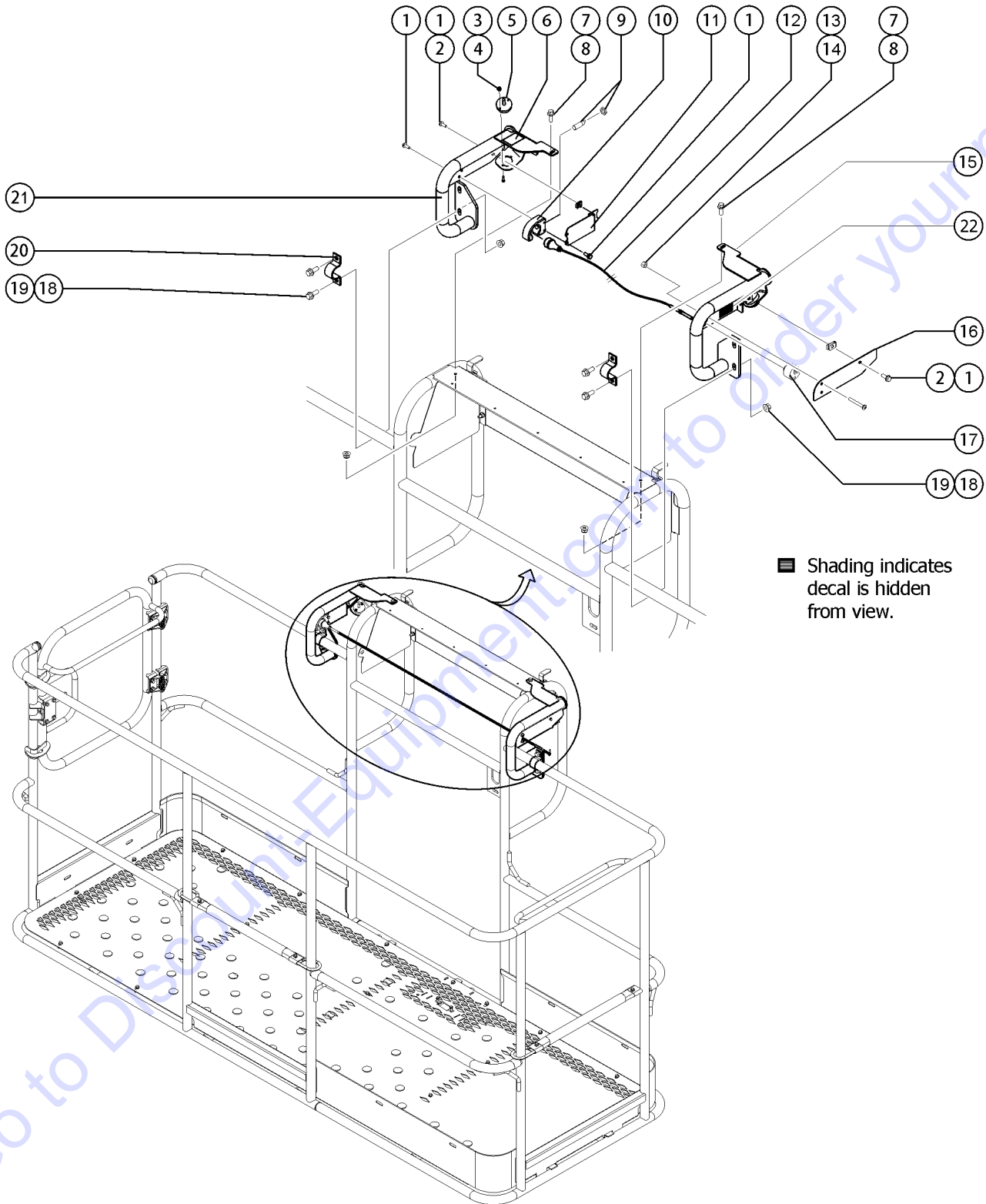
824.1 Operators Protection Alarm (to January 2017)



## 824.1 Operators Protection Alarm (to January 2017)

Item	Part No.	Description	Qty.	Item	Part No.	Description	Qty.
B	1275537GT	ASSEMBLY, OPA PROTECTION CAGE.....	1	33	237238GT	SCREW,HHF,M6-1.0X12,DIN6921,10.....	2
1	1255018GT	BASE ENCLOSURE,RED,OPA.....	1	34	1257389GT	WASHER, FLAT, M6X18X1.6,DIN9021,ZAB.....	2
2	1255021GT	SOUNDER,MIDI,OPA.....	1				
3A	1255037GT	SOUNDER LENS, OPA, BLUE..... <i>(standard lens fitted to OPA)</i>	1				
3B	1270116GT	SOUNDER LENS, OPA, RED.....	1				
3C	1270117GT	SOUNDER LENS, OPA, AMBER.....	1				
3D	1270118GT	SOUNDER LENS, OPA, CLEAR.....	1				
4	1255033GT	HARN,PIGTAIL,TAPESWITCH,OPA.....	1				
5	1255028GT	STAND OFF,CONTROL UNIT.....	4				
6	1255024GT	BRACKET,CONTROL UNIT.....	1				
7	1255025GT	SPACER,HEAT SINK.....	1				
8	1255023GT	ASSY,MODULE,CONTROL UNIT,OPA....	1				
9	1255022GT	MODULE,CONTROL UNIT,PCB,OPA....	1				
10	1255067GT	NUT,M4 NYLOCK.....	4				
11	1255066GT	WASHER,M4 NYLON.....	4				
12	1255035GT	ASSEMBLY,CABLE,TAPESWITCH.....	1				
13	1275539GT	FORMING, OPA CAP.....	1				
14	824078GT	SCREW,HHF,1/4-20X.75,8,ZAG.....	5				
15	824027GT	NUT,TL FLG,1/4-20,G,ZAG.....	9				
16	1255038GT	SCREW,M5X16 BHD.....	4				
17	1255027GT	WASHER,M5 NYLON.....	4				
18	1255890GT	DECAL,COSMETIC,GENIE.....	1				
19	1255020GT	LID ENCLOSURE,RED,OPA.....	1				
20	1255019GT	GASKET,ENCLOSURE.....	1				
21	1255029GT	ASSEMBLY,TAPESWITCH..... <i>(6/8' platforms) (includes j-box and fasteners)</i>	1				
22	1255036GT	ASSEMBLY RESET SWITCH.....	1				
23	1255889GT	DECAL,SYMBOL-READ THE MANUAL.....	1				
24	1255068GT	SCREW,M6X8.....	2				
25	1255047GT	SENSOR,RUBBER EDGE..... <i>(6/8' platforms)</i>	1				
26	43392GT	BUMPER,BATTERY BOX & RAILS.....	17				
27	824113GT	WASHER,FLAT,USS,1/4,ZAG.....	19				
28	1275538GT	FORMING, OPA CAGE.....	1				
29	824080GT	SCREW,HHF,1/4-20X1.25,8,ZAG.....	4				
30	1275540GT	FORMING, OPA, BRACKET.....	1				
--	1271945GT	KIT, OPA WELDER BRACKET <i>Complete assembly bracket with fasteners and U-Bolt 1251600; from SN 2828</i>					
31	824029GT	NUT,TL FLG,3/8-16,G,ZAG.....	4				
32	1251600GT	U-BOLT, FLATTENED, 1.5 X 3/8 UNC,ZAG.....	2				

824.2 Lift Guard Contact Alarm Option (from January 2017)

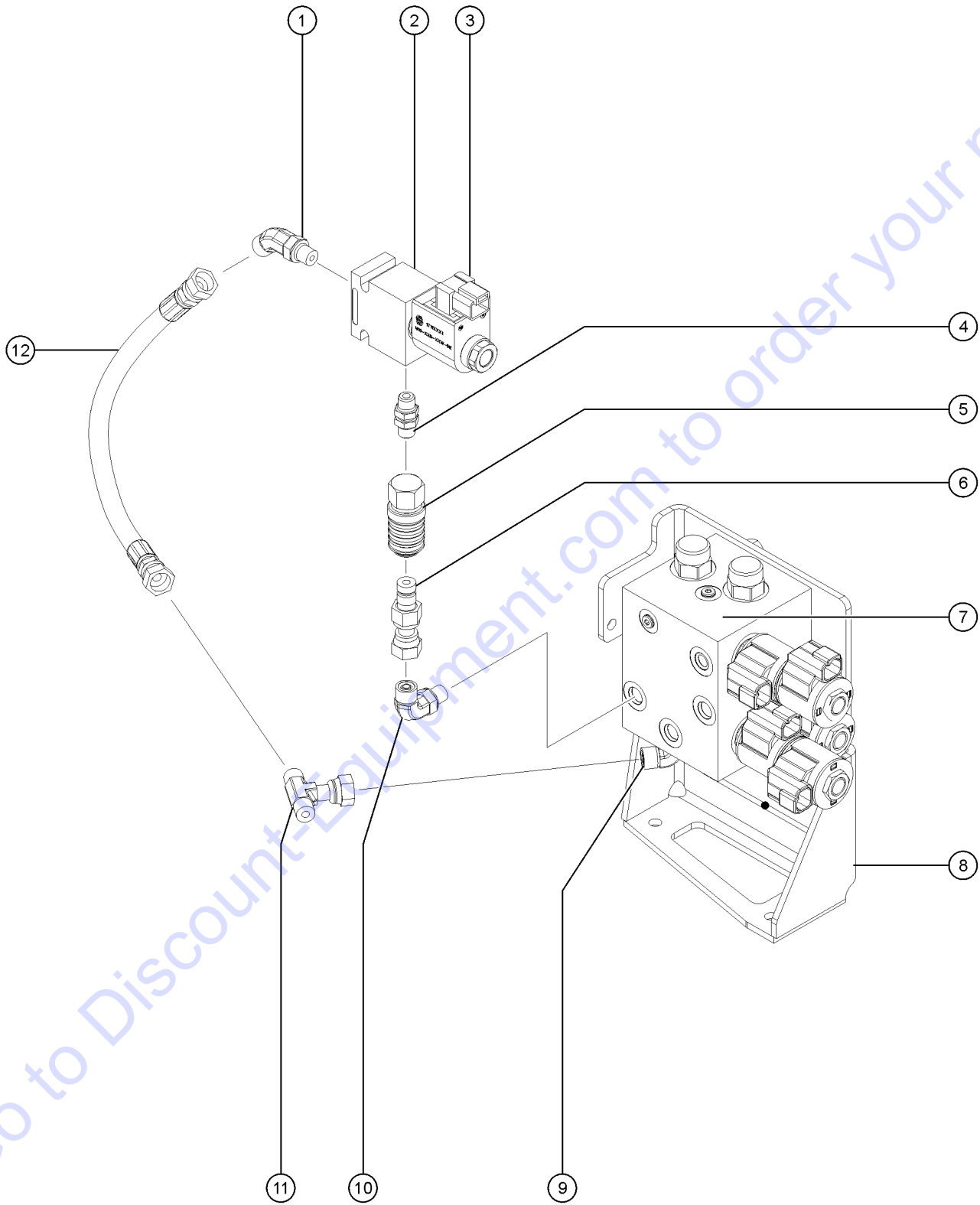


■ Shading indicates decal is hidden from view.

## 824.2 Lift Guard Contact Alarm Option (from January 2017)

Item	Part No.	Description	Qty.	Item	Part No.	Description	Qty.
--		<i>From January 2017, this option became a standard installation on all models unless the customer specifically request not to have it installed.</i>		21	1278144GT	WELDMENT, LEFT CONTACT ALARM, LARGE.....	1
--	1279134GT	KIT, LIFT GUARD CONTACT ALARM,6'-8' PLATFORM,ALC1000		22	1278982GT	DECAL, INSTRUCTION, ACTUATOR SWITCH SOCKET.....	1
--	1279135GT	KIT, LIFT GUARD CONTACT ALARM,6'-8' PLATFORM,NON-ALC1000					
--	1278117GT	HARNES, CONTACT ALARM, ALC1000					
--	19274GT	RELAY,SPDT,12V(AUTO)**					
--	1278121GT	MODULE, PLUS+1, CONTACT ALARM located inside the Platform Control Box					
1	1264934GT	SCREW,HHF,10-24X.5					
2	73575GT	SPRING CLIP,10-24,.025-.125X.468,ZAG					
3	12344GT	NUT,NYLOCK,6-32					
4	1256859GT	SCREW,PHPM,6-32X.875,ZAG					
5	1278111GT	ASSEMBLY, LIGHT, CONTACT ALARM.....	2				
6	1278542GT	DECAL, INSTRUCTION, CONTACT ALARM					
7	824078GT	SCREW,HHF,1/4-20X.75,8,ZAG					
8	1277924GT	NUT,NYLOCK FLG,1/4-20,F,ZAG					
9	1278119GT	ASSEMBLY, SENSOR, PROX, CONTACT ALARM.....	1				
10	1278433GT	ASSY, SENSOR W/HOUSING (Includes holder item 1277877 and sensor part 1278119)					
--	1277877GT	HOLDER, SENSOR.....	1				
11	1277873GT	FORMING, SENSOR HOLDER.....	1				
12	1278416GT	ASSEMBLY,CONTACT ALARM CABLE, LARGE.....	1				
--	1278124GT	MAGNET, 1/4-20, 15 LB. Part of assembly 1278416					
--	1278458GT	CONTACT ALARM WIRE ASSY, LARGE Part of assembly 1278416					
--	1278368GT	GRIP, CABLE Part of assembly 1278416					
--	1261184GT	NUT,1/4-20,8,ZAG Part of assembly 1278416					
13	1274168GT	NUT,NYLOCK,10-32,A,ZAG					
14	824216GT	SCREW,PHPM,10-32X1.5,ZAG					
15	1278138GT	WELDMENT, RIGHT CONTACT ALARM, LARGE.....	1				
16	1277875GT	PLATE, CABLE AND WIRE COVER.....	1				
17	1277876GT	GUIDE, CABLE.....	1				
18	1274322GT	NUT,NYLOCK FLG,3/8-16,F,ZAG					
19	824090GT	SCREW,HHF,3/8-16X1.8,ZAG					
20	1278363GT	CLAMP, 1.25 INCH TUBE.....	2				

825.1 Platform Recirculating Hydraulic Oil Option



Go to Discount-Equipment.com to order your parts

## 825.1 Platform Recirculating Hydraulic Oil Option

Item	Part No.	Description	Qty.
1	48907GT	ELBOW,45D,520320-4	
2	119907GT	CARTRIDGE,VALVE HOUSING	
3	119908GT	VALVE,SOLENOID,NOR	
4	119909GT	CONN,0505-4-4,ORB	
5	119906GT	NIPPLE,DIAGNOSTIC,FML,7/16-20	
6	49207GT	NIPPLE,DIAGNOSTIC,ORFS,FM,SWIV	
7		Ref. Platform manifold (706.2)	
8		Ref. manifold mount (601.1)	
9		Ref. (part of the Platform manifold)	
10	48904GT	ELBOW,90D,520220-4-4	
11	48891GT	FITTING,TEE,BRANCH,520433-4	
12	49119-1400	HOSE ASSY,1/4,STR	

Go to Discount-Equipment.com to order your parts

## Part Number Index

The Part Number Index is a numeric index of all part numbers included in this manual. The index shows what page(s) the part is used on.

Part Number	Page	Part Number	Page	Part Number	Page	Part Number	Page
1000083GT	17	101740PGT	207	106081PGT	139	106817-9629GT	195
101004GT	47	101741GT	209	106098GT	51	106818-67047GT	197
101005GT	161	101742PGT	209	106105GT	207	106819-6213GT	185-186
101005HGT	161	101743PGT	209	106106GT	207	106819-67413GT	197
101068GT	199	101744GT	209	106109PGT	243, 245	106819-7013GT	185-186
101070GT	51	101745GT	209	106110GT	243	106820-16653GT	191-192
10107GT	72	101746GT	209	106111GT	243	106821-105226GT	195
101098GT	135	101772GT	143	106112GT	243, 245	106822-101726GT	197
101099GT	143	101786GT	127, 129	106113GT	239-240	106822-105026GT	195
101104GT	143	101787GT	127, 129	106117GT	51	106822-108826GT	195
101106GT	127, 129, 131	101788GT	127, 129	106118GT	51	106822-109026GT	195
101108GT	143	101793-2573GT	191-192	106135GT	139	106830GT	71-72
101109GT	143	101810GT	211	106140PGT	240	106843GT	123
101110GT	131, 135	101846GT	211	106141GT	243	106846GT	75
101112GT	143	101847GT	211	106145GT	207	106847GT	123
101173GT	157-158, 161	101918GT	123	106154GT	135	106848GT	123
101173HGT	157-158, 161	101919GT	123	106161GT	209, 217	106853GT	127, 129
101174GT	157-158, 161	101920GT	117	106162GT	209, 217	106857GT	151
101174HGT	157-158, 161	101921GT	119	106165GT	139	106862GT	129
101175GT	157-158, 161	101930PGT	101	106182GT	211	106873GT	51
101175HGT	157-158, 161	101931PGT	101	106183GT	243	106874GT	51
101180GT	62	101932GT	207, 209	106184GT	239-240	106875GT	51
101181GT	62	101957GT	83-84, 97-98	106204PGT	243, 245	106914GT	72
101182GT	62	101959GT	62	106211-1150GT	213	106923GT	91, 141
101185GT	62	101960GT	11, 62	106211-300GT	89, 101, 105	107501GT	117, 119, 121
101189GT	219, 221-222, 225, 227, 229	101964GT	55-56	106211-400GT	213	107503GT	114, 117, 119
101190GT	219, 221-222, 225, 227, 229	102045GT	79-80, 83-84, 109	106211-800GT	105, 215	107509GT	62
101315GT	131, 135	102064GT	51	106211GT	89	107510PGT	62
101340GT	59	102106GT	56	106272GT	243	107511GT	62
101361GT	62	102208GT	80	106275GT	243, 245	107512PGT	59
101446GT	239-240	102209PGT	79-80	106277PGT	133	107515GT	109
101483GT	62	102216GT	135	106280GT	79-80	107521GT	131
101507GT	123	102220GT	213	106281PGT	113-114, 117, 119, 121, 137	107522GT	141
101508GT	123	102237PGT	79-80	106354PGT	239-240	107525PGT	59
101509GT	123	102314GT	239-240	106375GT	240	107528PGT	219, 221-222, 225, 227, 229
101510GT	123	102348GT	95	106376GT	75	107547GT	219
101516GT	239-240	102357GT	240	106378GT	131	107586GT	139
101525GT	243	102449GT	51	106382GT	191-192	107653GT	75
101546GT	181	102496GT	163	106386GT	199	107654GT	75
101547PGT	243, 245	102581GT	79-80	106394GT	239-240	107657GT	239-240
101559GT	137	102593GT	79-80	106477GT	240	107661GT	114, 117, 119
101560GT	139	102598GT	95	106482GT	77	107681PGT	240
101561GT	137	102632GT	11, 95	106483GT	77	107716GT	123
101562GT	131	102638GT	95	106484GT	77	107717GT	125
101566GT	131	102639GT	11, 95	106495GT	158	107719GT	125
101567GT	131	102644GT	95	106498GT	71-72	107722GT	51
101572GT	49	102646GT	97-98	106510GT	13, 27, 29, 65-66, 69, 77	107723GT	51
101632GT	235	102681GT	219, 221-222, 225, 227, 229	106519GT	141	107729GT	163
101634GT	79-80	102721PGT	201	106532GT	141	107731GT	165, 167-168
101639GT	213, 215	102746GT	239-240	106538GT	137	107733GT	165, 168
101640GT	89, 101	102785PGT	201, 203	106539GT	119	107734GT	165, 167-168
101653GT	221-222	102786PGT	201, 203	106552GT	131	107738GT	171, 173
101654PGT	221-222	102992GT	153, 155	106553GT	131	107739GT	171, 173
101667GT	219	104030GT	157-158	106571GT	121	107740GT	171, 173
101668GT	219	104186GT	185-186	106574GT	131	107741GT	181, 183
101682GT	62	104759GT	171, 173, 181, 183	106580PGT	131	107743GT	175-176
101683GT	62	104760GT	171, 173	106637GT	240	107745GT	165, 167-168, 175-176
101700GT	240	104804GT	155	106649PGT	239-240	107746GT	175-176
101701GT	243	105666PGT	239-240	106658GT	240	107747GT	175-176
101701PGT	245	10597GT	133	106674GT	141, 147	107749GT	176
101713GT	141	10598GT	71-72	106675GT	147	107750GT	175-176
101716GT	75	106012GT	71-72	106684PGT	71-72	107751GT	175-176
101718GT	113-114	106013GT	71-72	106688GT	141	107752GT	175-176
101726GT	56	106014GT	71-72	106729GT	117, 119	107753GT	175-176
101731PGT	243	106020PGT	62	106732GT	211	107754GT	176
101732GT	243	106021PGT	53	106733GT	209, 217	107755GT	71-72
101733GT	207	106022PGT	53	106742GT	45	107756GT	153, 155
101734GT	207	106037GT	62	106756GT	51	107762GT	137
101735GT	207	106044GT	243, 257, 259	106772GT	123	107768GT	171, 173, 181, 183
101736GT	207	106070GT	45	106796GT	114, 117, 119	107771GT	153
101737GT	207	106072GT	240	106797GT	117, 119, 121	107772GT	153
101738GT	207	106074GT	141	106810GT	113-114	107773GT	153
101739PGT	207			106817-8829GT	195		



Part Number	Page	Part Number	Page	Part Number	Page	Part Number	Page
107774GT	153	114249GT	31, 35	123351GT	95	1253746GT	77
107775GT	153	114251GT	33	12343GT	135	1253806GT	107
107776GT	153	114252GT	27, 29, 37	12344GT	65-66, 69, 157-158, 239-240, 271	1253814GT	131
107777GT	153	114258GT	17	124962GT	91	1253815GT	139
107778GT	153	114390GT	13, 17, 23, 25	1251496GT	91	1253816GT	45
107779GT	153	117491GT	75	1251542GT	229	1254074GT	103
10777GT	153, 155, 219, 221-222, 225, 227, 229	119056GT	237	1251549GT	225, 229	1254075GT	103
107780GT	153	119057GT	237	1251565GT	79-80, 83-84, 93, 109	1254080GT	103
107781GT	153	119065GT	71-72, 135, 143, 237	1251566GT	97-98	1254081GT	87, 103
107782GT	153	119066GT	237	1251600GT	155, 205, 261, 269	1254087GT	103
107783GT	153	119067GT	71-72, 113-114, 133	1251701GT	69	1254090GT	103
107784GT	153	119106GT	125	1251708GT	89, 105	1254092GT	103
107785GT	153	119108GT	131	1251713GT	51	1254095GT	103
107786GT	153	119112GT	165, 167-168, 175-176	1251720GT	87, 93	1254367GT	229
107788GT	171, 173	119113GT	175-176	1251722GT	56	1254418GT	87
107794GT	153	119115GT	175-176	1251724GT	105	1254603GT	91
107795GT	153	119116GT	165, 167-168, 175-176	1251764GT	87	1254669GT	89, 105
107796GT	153	119171PGT	62	1251893GT	87, 103	1254685GT	215
107802GT	125	119205GT	263	1251894GT	87, 103	1254686GT	215
107816GT	181, 183	119247PGT	113-114	1251899GT	93	1254694GT	215
107818GT	121	119248PGT	121	1251983GT	87, 103	1254825GT	62
107823GT	117, 119, 121	119250GT	231	1251997GT	53, 71-72, 79-80, 97-98, 239-240, 251, 267	1254949GT	87
107832GT	121	119344GT	83-84	1252002GT	47	1255018GT	269
107833PGT	117	119403GT	219, 221-222, 227, 237	1252004GT	91	1255019GT	269
107835GT	121	119404GT	219, 222, 227	1252015GT	87	1255020GT	269
107847GT	125	119533PGT	227	1252016GT	87	1255021GT	269
107850GT	117	119534GT	231	1252017GT	87	1255022GT	269
107851GT	119	119613GT	157-158, 161	1252018GT	87	1255023GT	269
107857GT	201	119641GT	231	1252019GT	87	1255024GT	269
107860GT	153, 155	119674GT	77	1252047GT	107	1255025GT	269
107868PGT	135, 143	119762GT	45, 71-72, 113-114	1252702GT	69	1255027GT	269
108543GT	11, 83-84	119792GT	77	1252706GT	77, 87	1255028GT	269
110194GT	163, 175-176	119847GT	139	1252707GT	77, 103	1255029GT	269
110195GT	165, 167-168	119848GT	113-114	1252778GT	207	1255030GT	77
110197GT	175-176	119849GT	121	1253174GT	56	1255033GT	269
110198GT	175-176	119906GT	273	1253185GT	155, 225, 227, 229, 237	1255035GT	269
110229GT	157-158	119907GT	243, 273	1253199GT	109	1255036GT	269
110276-1400GT	245	119908GT	243, 273	1253210GT	77	1255037GT	269
110276-2000GT	245	119909GT	273	1253218GT	87	1255038GT	269
110276-600GT	245	119915GT	161	1253230GT	87	1255047GT	269
110277-2500GT	245	12011GT	129	1253231GT	87, 103	1255066GT	269
110342GT	175-176	121428GT	97-98	1253232GT	87	1255067GT	269
110343GT	175-176	121429GT	97-98	1253233GT	87, 103	1255068GT	269
110481GT	45	121431GT	101	1253234GT	87, 103	1255069GT	269
110482GT	45	121601GT	109	1253304GT	65-66, 69	1255074GT	269
110531GT	151	121603GT	93	1253307GT	103	1255077GT	107
110580GT	145	122054GT	77	1253308GT	103	125538GT	107
110627GT	147	122073GT	201, 203, 257, 259	1253314GT	62	1255556GT	77
110756PGT	119	122079GT	151	1253317GT	65-66, 69	1255631GT	87, 103
110771-42163GT	133	122120GT	165, 167-168	1253319GT	79-80, 93, 101, 109	1255653GT	84
110771-42223GT	143	122121GT	165, 167-168	1253411GT	103	1255654GT	49
110771-43103GT	71-72	122148GT	163, 165, 167-168	1253478GT	145, 209	1255658GT	45
110771-44163GT	135	122231GT	257	1253485GT	201	1255665GT	89
110771-44463GT	113-114	122272GT	53, 55-56	1253488GT	77	1255666GT	79-80, 89
110771-64463GT	113-114	122351GT	65-66, 69, 157-158	1253489GT	219, 221-222, 225, 227, 229	1255753GT	47, 49, 91
110771-665R3GT	45	122366GT	65-66, 69	1253494GT	77	1255757GT	143
110789GT	233	122367GT	65-66, 69	1253495GT	77	1255758GT	53, 217, 261
110909GT	77, 113-114	122406GT	65-66, 69	1253498GT	61-62, 89, 95, 98, 107	1255768GT	61-62
110910GT	77, 113-114	122414GT	89, 101, 105	1253596GT	229	1255769GT	61-62
110911GT	77, 143	122432GT	213, 215	1253696GT	72	1255770GT	61-62
110913GT	77, 133	122669GT	199	1253697GT	72	1255771GT	61-62
110914GT	77, 135	122755GT	243, 263	1253698GT	72	1255772GT	61-62
110915GT	71-72, 77	122772GT	235	1253699GT	72	1255773GT	61-62
110916GT	71-72, 77	122793GT	69	1253702GT	72	1255782GT	75
110917GT	71-72, 77	122944GT	149	1253744GT	77	1255803GT	69
111381GT	251	123081GT	97-98	1253745GT	77	1255806GT	91, 107
111445GT	83-84	123084GT	95			1255889GT	269
111526GT	201, 203					1255890GT	269
111663GT	47, 49					1256093GT	72
111668GT	83-84					1256108GT	123
11209GT	221-222						
11413GT	135						
114163GT	13						
114248GT	39, 41						

## Part Number Index (continued)

Part Number	Page	Part Number	Page	Part Number	Page	Part Number	Page
1256109GT	117, 119, 139	1257390GT	225, 227, 229	1268499GT	139	128000GT	161
1256111GT	131	1257402GT	65-66, 69, 231	1268775GT	65-66	128001GT	161
1256118GT	114, 117, 121, 123	1257419GT	107	1268776GT	65-66, 69	128004GT	79-80, 89
1256122GT	113-114	1257489GT	135	1268780GT	157-158	1280068GT	51
1256124GT	245	1257706GT	79-80	1268781GT	157-158	1280069GT	51
1256172GT	53, 75, 239-240, 251	1257728GT	89, 105	1268784GT	62	1280070GT	51
1256177GT	71-72, 113-114	1257733GT	11	1268830GT	139	1280590GT	83-84
1256181GT	135, 139, 143	1257753GT	91	1268GT	11	1280591GT	83-84
1256182GT	101	1257774GT	91	1269502GT	161	1280665GT	219, 222, 227
1256267GT	75, 133	1257844GT	87	1269641GT	155	128200GT	157-158, 259
1256271GT	103	1257888GT	91	1270116GT	269	128204GT	65-66, 69, 231
1256308GT	131	1258049GT	83-84	1270117GT	269	128274GT	235
1256314GT	165, 167-168	1258187GT	225, 227, 229	1270118GT	269	1282993GT	203
1256377GT	267	1258189GT	225, 227, 229	1270313GT	205	128322GT	243, 245
1256378GT	267	1258458GT	107	1270314GT	205	128323GT	243, 245
1256379GT	267	1258459GT	107	1270316GT	205	128373GT	235
1256380GT	267	1258463GT	62	1270570GT	203	128374GT	201
1256389GT	267	1258464GT	107	1270571GT	203	1283776GT	11
1256391GT	103	1258465GT	105	1270994GT	205	1283995GT	87
1256400FRGT	267	1258503GT	103	1271018GT	205	128457GT	77
1256400GT	267	1258504GT	105	1271019GT	205	128504GT	77, 259
1256439GT	267	1258525GT	105	1271040GT	205	128525GT	84
1256444GT	95, 107	1258538GT	105	1271061GT	205	1285453GT	11
1256445GT	103	1258540GT	105	1271077GT	203	1285454GT	11
1256450GT	83-84	1258541GT	105	1271078GT	203	128560GT	251
1256457GT	83-84	1258542GT	105	1271079GT	65-66, 69	1285700GT	205
1256460GT	97-98	1258567GT	11	1271347GT	167-168	128829GT	77
1256462GT	129	1258636GT	225	1271514GT	77	128953GT	17
1256467GT	155	1258817GT	107	1271945GT	269	12906GT	53, 55-56
1256468GT	71-72, 261	1258923GT	103	1272305GT	155	13000GT	219, 221-222, 239-240
1256480GT	107, 109	1259055GT	61-62	1272306GT	155	13002GT	62, 83-84, 151, 239-240
1256481GT	267	1259328GT	259	1272307GT	155	13003GT	79-80, 83-84, 101
1256583GT	79-80, 83-84, 93, 101, 109	1259329GT	259	1272553GT	199	130187GT	95
1256700GT	229	1259490GT	109	1272872GT	56	130341GT	97-98
1256756GT	225, 227, 229	1259661GT	237	1272934GT	125	13064GT	101
1256765GT	225, 227, 229	1259708GT	237	1272955GT	123	13066GT	51, 61-62, 95, 97-98, 199, 251
1256766GT	225, 227, 229	1259931GT	43, 51	1272968GT	123	131323GT	11, 61-62
1256776GT	79-80, 93	1260224GT	201, 203	1273916GT	239-240	13268GT	69, 157-158
1256803GT	131, 135, 143	1260289GT	103	1274168GT	271	133067GT	27, 29, 33, 39, 41
1256805GT	93	1260641GT	151	1274322GT	205, 267, 271	133163GT	23, 25, 39, 41
1256835GT	113-114	1260663GT	183	1274833GT	167-168	133205GT	27, 29, 33
1256838GT	71-72	1260892GT	267	1274858GT	155	133236GT	23, 25
1256839GT	71-72	1260910GT	267	1274859GT	155	133278GT	17
1256840GT	71-72	1260910GT	267	1274870GT	167-168	13585GT	153, 155, 219, 221-222, 225, 227, 229
1256841GT	114, 119	1261018GT	267	1275488GT	69	13635-10GT	255
1256842GT	113-114	1261019GT	267	1275537GT	269	139181GT	257
1256843GT	133	1261020GT	267	1275538GT	269	139182GT	101, 209
1256845GT	131	1261021GT	267	1275539GT	269	13921GT	249
1256848GT	137	1261022GT	267	1275540GT	269	139253GT	77
1256849GT	121	1261023GT	267	1276830GT	72	139308GT	61-62
1256850GT	71-72	1261024GT	267	1277873GT	271	139309GT	61-62
1256851GT	267	1261025GT	267	1277875GT	271	139310GT	61-62
1256853GT	139	1261078GT	151	1277876GT	271	139311GT	61-62
1256854GT	127, 129	1261184GT	261, 271	1277877GT	271	139312GT	61-62
1256855GT	155	1261517GT	197	1277924GT	205, 271	139313GT	61-62
1256856GT	251, 267	1261765GT	65-66	1277952GT	203	139314GT	61-62
1256857GT	139, 147	1261770GT	173	1277966GT	203	139315GT	61-62
1256859GT	271	1262031GT	155	1277974GT	87	139322GT	83-84
1256860GT	62, 71-72	1262182GT	109	1278111GT	271	139323GT	61-62
1256861GT	71-72	1262487GT	11, 87	1278117GT	271	139338GT	157-158
1256862GT	123	1262866GT	11, 87	1278119GT	271	139339GT	199
1256863GT	62, 71-72	1263233GT	66, 69	1278121GT	271	139367GT	239-240
1256911GT	91	1263401GT	205	1278124GT	271	139438GT	201
1257027GT	229	1264365GT	77	1278138GT	271	139455GT	79-80
1257041GT	225	1264482GT	77	1278144GT	271	139598GT	161
1257045GT	225	1264836GT	77	1278363GT	271	139621GT	79-80
1257047GT	55-56	1264934GT	271	1278368GT	271	139624GT	83-84
1257076GT	97-98	1265397GT	155	1278369GT	239-240	139691GT	251
1257080GT	133	1266587GT	265	1278371GT	239-240	139709GT	79-80
1257223GT	251	1267746GT	155	1278416GT	271		
1257264GT	233	1267747GT	155	1278433GT	271		
1257295GT	221-222	1267807GT	84, 89, 97-98, 105	1278458GT	271		
1257389GT	269	1267866GT	77	1278542GT	271		
		1268229GT	84, 89, 97-98, 105	1278982GT	271		
				1279134GT	271		
				1279135GT	271		

Part Number	Page	Part Number	Page	Part Number	Page	Part Number	Page
139882GT	259	18596GT	79-80, 83-84,	217230GT	213	226105GT	80
139904GT	257		135, 139, 143	217231GT	213	226106GT	80
139919GT	239-240, 249	18605GT	69	217232GT	95	226487GT	141
139983GT	79-80	18665GT	239-240	217233GT	213	226489GT	133
144161GT	219, 222, 227	18666GT	97-98, 243, 245	217234GT	141	226491GT	113-114, 133,
146019GT	125	18731GT	133	217235GT	133		141
146020GT	125	19018-1100GT	205	217236GT	113-114	226492GT	113-114, 133,
146062GT	219, 221-222,	19274GT	271	217293GT	77, 141		141
	225, 227, 229	19934GT	255	217366GT	243, 245	226493GT	113-114
146284GT	239-240	20776GT	239-240	217420GT	47, 49	226496GT	77
146285GT	239-240	20912GT	219, 221-222	217431GT	125	226497GT	77
146343GT	75	21130GT	83-84, 97-98	217457GT	93, 95, 101	226512GT	239-240
146399GT	233	21141GT	62	217458GT	93, 95, 101	226513GT	239-240
146478GT	157-158	214228GT	11	217459GT	95	226627GT	97-98
147095GT	65-66, 69	214249GT	237	217460GT	93, 95, 101, 107	22672GT	87, 101, 211
147121GT	153, 155	214255GT	185-186	217470GT	51	22699GT	79-80, 219, 221-
147221GT	153	214256GT	185-186	217473GT	51		222
147404GT	249	214332GT	77	217474GT	51	22700GT	221-222
147405GT	249	214345GT	185-186, 189	217475GT	51	227425GT	240
147418GT	249	214393GT	59	217476GT	51	227515GT	153, 155
147836GT	251	214536GT	237	217477GT	47, 49	227897GT	95
147837GT	251	214619GT	245	217479GT	49	228824GT	62
147838GT	251	21465GT	87, 91, 109	217481GT	45	228866GT	173, 183
147839GT	251	215209GT	59	217482GT	45	229356GT	15, 19
1484GT	11	215210GT	59	217486GT	51	229363GT	201
1487GT	201	215481GT	265	217500GT	93, 101	229364GT	201
1488GT	201	215496GT	97-98	217503GT	163	229365GT	201
160359GT	79-80, 93, 101,	215500GT	97-98	217505GT	107	229366GT	201
	109	215509GT	98	217689GT	71-72	229388GT	255
160424GT	21, 37	215510GT	98	217801GT	158	229393GT	255
160425GT	13, 27, 29	215511GT	101	217814GT	213	229394GT	255
160502GT	47, 49	215512GT	89, 101, 105	217983GT	55-56	229395GT	255
160575GT	23	215513GT	97-98	217984GT	53	229396GT	255
160576GT	25	215514GT	101	217985GT	53, 55-56	229397GT	255
160577GT	39	215515GT	101	217988GT	101	229399GT	255
160578GT	41	215516GT	101	217989GT	53	229400GT	255
160579GT	39, 41	215517GT	89, 97-98, 105	218142GT	165	229461GT	45
160580GT	23, 25	215706GT	225	218143GT	175-176	229462GT	45
160592GT	47	215728GT	77, 133	218144GT	89, 105, 179	229463GT	45
160654GT	17	215816GT	229	218155GT	65-66, 69	229464GT	45, 211
160682GT	15, 19, 31, 35	215918GT	101	218169GT	65-66, 69	229465GT	45
160683GT	15, 19, 31, 35	216036GT	89	218456GT	51	229466GT	45
160686GT	77	21604GT	233	218457GT	47, 49	229467GT	211
160732GT	47, 49	216058GT	47	218458GT	91	229512GT	45
160733GT	47	216061GT	113-114, 133,	218559GT	23, 25	229526GT	51
160736GT	47, 49		141	21858GT	158	229527GT	47, 49
160825GT	47, 49	216159GT	51	218715GT	87	229530GT	47, 49
160862GT	83-84	21618GT	257, 259	218757GT	133	229532GT	45, 51
160896GT	83-84	216247-6684GT	185-186	218806GT	105	229540GT	51
161077GT	59	216286GT	95	218811GT	11, 107	229541GT	51
161093GT	29	216564GT	95, 107	218812GT	109	229543GT	49
161521GT	23, 25, 39, 41	216597GT	49, 89, 93, 95,	218834GT	11, 109	229567GT	157-158
161533GT	179		101, 105, 107	218835GT	11, 107	229925GT	243
161534GT	163	216611GT	237	219030GT	107	230073GT	47, 49, 95, 101,
161535GT	163	216612GT	237	219110GT	75		107
161536GT	163	216615GT	237	219114GT	141	230074GT	87, 103
161537GT	163	216616GT	237	219130GT	107	230824GT	47, 49
161538GT	165, 167-168	216617GT	237	219144GT	56	230825GT	47, 49
161539GT	165, 167-168	216618GT	237	219158GT	261	230826GT	47
161697GT	217	216649GT	237	219160GT	23, 25, 39, 41	230971GT	255
161698GT	217	216650GT	237	219188GT	105	230975GT	255
161879GT	265	216658GT	237	219288GT	47, 49	230977GT	15, 19
161923GT	165, 167-168	216664GT	237	219300GT	47	230985GT	13, 27, 29
161970GT	95	216679GT	237	219302GT	47	230987GT	13, 27, 29
162006GT	239-240	216685GT	237	219304GT	47, 49	231003GT	77
162206GT	91	216758GT	97-98	219485GT	13	231020GT	65-66, 69
162207GT	91	216794GT	49	219646GT	51	231023GT	65-66, 69
162208GT	91	217182GT	51	219697GT	93	231037GT	163
162209GT	91	217183GT	51	219935GT	62	231046GT	255
162290GT	49	217184GT	43	219958GT	39, 41	231047GT	255
162291GT	49	217185GT	43	219974GT	23, 25, 39, 41	231048GT	255
162296GT	49	217217GT	113-114, 133,	220212GT	157-158	231087GT	97-98, 107
162302GT	217		141	22558GT	79-80	231088GT	91, 103
162373GT	71-72	217219GT	47, 113-114,	22578GT	83-84	231511GT	101, 109
17650GT	59		133, 141	226103GT	80		
		217224GT	77, 113-114	226104GT	80		

## Part Number Index (continued)

Part Number	Page	Part Number	Page	Part Number	Page	Part Number	Page
231513GT	45, 47, 49, 89, 93, 97-98, 101, 105, 109	23877GT	235	33674GT	201		83-84, 101, 113-
231529GT	87, 89, 91, 93, 95, 97-98, 101, 103, 105, 109, 213, 215	24514GT	153, 155	33681GT	135		114, 117, 119, 121, 123, 127, 129, 131, 135, 139, 141, 143, 145, 149, 153, 217, 219, 221-
231530GT	95, 97-98, 101, 107, 109, 213, 215	25388GT	219, 222, 227	33994GT	11		222, 233, 239-
231531GT	93	25685GT	233	34052GT	59		240, 243, 251, 255, 257
231532GT	47, 49, 51, 97- 98, 101, 109	25926GT	97-98, 101	34124GT	71-72, 113-114	48880GT	97-98, 191-192, 197
231533GT	91, 93, 95, 101	25929GT	97-98	34125GT	137, 147	48887GT	47
232869GT	225	27089GT	109	34127GT	43, 51	48891GT	273
232874GT	89, 97-98, 105, 219, 249	27204GT	19, 35	34619GT	233	48894GT	185-186, 195
232886GT	45, 49	27205GT	15, 31	34955GT	211, 213, 215	48904GT	89, 191-192, 197, 273
232952GT	227	27206GT	15, 19, 31, 35	35432GT	211	48905GT	105, 185-186, 189, 191-192, 197, 253
232975GT	158	27207GT	15, 19, 31, 35	35434GT	87, 101, 103	48906GT	197
232987GT	77	27246GT	157-158, 259	35461GT	157-158	48907GT	89, 197, 273
232993GT	51	27287GT	231	35675GT	79-80, 93, 101, 109	48908GT	191-192
233116GT	113-114, 133, 141	27391GT	77, 259	35714GT	113-114	48911GT	185-186, 189
233117GT	113-114	27581GT	11	35956GT	201, 203	48912GT	185-186, 189, 191-192, 197
233118GT	133, 141	27697GT	75, 113-114	35960GT	201	48914GT	249
233565GT	43	27698GT	121	36208GT	87, 211	48916GT	189, 191-192, 195, 197
233566GT	43	27761GT	163	36294GT	131, 135, 143	48924GT	185-186, 189
235309GT	47, 49	27802GT	175-176	36388GT	267	48927GT	191-192
235314GT	45	27836GT	163, 175-176	36424GT	62	48932GT	89, 105, 191- 192, 253
235315GT	47, 49	27901GT	56, 91	38149GT	13	48933GT	185-186, 191- 192, 253
235317GT	45	28159GT	17, 33	39317GT	135	48935GT	185-186
236168GT	125	28174GT	13, 23, 25, 27, 29, 39, 41	39346GT	181, 183	48936GT	185-186
236259GT	91	28175GT	15, 19	39478GT	149	48937GT	185-186, 189, 191-192, 195, 197
236260GT	11, 91	28176GT	23, 25	39640GT	137	48938GT	253
236282GT	123	28235GT	13, 23, 25, 27, 29, 39, 41	39879GT	249	48941GT	253
236283GT	123	28236GT	23, 25	40434GT	23, 25, 39, 41, 267	48943GT	195
236284GT	123	28487GT	121	42014GT	147	48946GT	191-192, 253
236392GT	45, 77	28750GT	11	4201GT	141	48947GT	197, 247
236710GT	158	28853GT	235	42079GT	135, 139, 143	48948GT	185-186, 189, 197
237068GT	59	29029GT	175-176	42104GT	201	48959GT	191-192, 195
237069GT	65-66	29080GT	147	42288GT	157-158	48960GT	185-186, 189, 191-192, 195, 247, 253
237229GT	125	29314GT	47, 49	42502GT	147	48961GT	185-186, 189, 191-192, 247
237230GT	125	29560GT	11	42571GT	135	48963GT	185-186, 191- 192, 195, 247
237232GT	51	29706GT	97-98	4266GT	59, 139, 151, 201	48964GT	247, 253
237233GT	51	29739GT	199	42787GT	191-192	48968GT	195
237236GT	163	29746GT	131	42788GT	191-192	48975GT	249
237238GT	269	29764GT	151	43018GT	45, 123, 179	48978GT	191-192, 247
237241GT	113-114, 133, 141	29868GT	53, 59, 62, 71- 72, 91, 109, 121, 217, 225, 227, 229, 265	43392GT	155, 201, 203, 269	48984GT	191-192
237242GT	113-114, 133, 141	29883GT	101	43960GT	71-72, 113-114, 133, 135, 143	48986GT	191-192, 195, 247, 253
237352GT	47, 51, 79-80, 87, 103	30137GT	147	44064GT	219	48988GT	185-186, 189, 191-192, 197
237456GT	185-186	30138GT	147	44170GT	173, 183	49114-7346GT	185-186
237457GT	185-186	30143GT	59	44174GT	171, 173, 181, 183	49116-2387GT	197
237458GT	49	30255GT	145	44216GT	171, 173	49117-6291GT	253
237460GT	47	30468GT	201, 203	44227GT	171, 173	49119-12478GT	197
237461GT	49	30489GT	80, 101, 105, 211, 213, 215	44228GT	173, 181, 183	49119-12778GT	197
237459GT	49	30971GT	89, 105, 211, 213	44229GT	171, 173, 181, 183	49119-1400	273
237460GT	47	30973GT	265	44235GT	171, 173	49119-1678GT	191-192
237461GT	49	30997GT	69, 158	44714GT	101	49119-2078GT	191-192
237552GT	47	31060GT	13, 21	44743GT	153	49119-2378GT	191-192
237553GT	189	31120GT	201, 203	44981GT	13, 23, 25, 27, 29, 39, 41	49119-2628GT	191-192
237560GT	185-186	31523GT	211	45363GT	53, 55-56, 93, 97-98	49119-2828GT	191-192
237561GT	185-186	31733GT	71-72	45400GT	225, 227, 229		
237562GT	49	31779GT	11	45435GT	101, 211		
237711GT	237	31788GT	13	45437GT	153, 155		
237730GT	87	32150GT	11	45470GT	233		
237819GT	45	32151GT	11	45708GT	59		
237820GT	47, 49	32675GT	239-240	45748GT	233		
237827GT	45	32741GT	175-176	45782GT	84		
237828GT	45	33278GT	62, 71-72	45912GT	175-176		
237830GT	47	33418GT	79-80, 83-84, 101	45921GT	175-176		
237832GT	45, 47, 49, 89, 97-98, 105, 107	33428GT	45, 131, 141	46131GT	91		
237835GT	51	33432GT	239-240	46188GT	257, 259		
237854GT	47, 49	33550GT	25, 41	46288GT	171, 173		
238123GT	237	33555GT	53, 55-56	47377GT	145		
		33557GT	131	47666GT	141		
		33576GT	153	4828GT	55-56, 61-62, 71-72, 79-80,		
		33607GT	240				
		33608GT	240				

## Part Number Index (continued)

Part Number	Page	Part Number	Page	Part Number	Page	Part Number	Page
49119-3378GT	197	50790GT	55-56	58944GT	251	60739GT	219, 221-222,
49119-34178GT	197	50813GT	149	58954GT	251		225, 227, 229
49119-34378GT	197	5094GT	53	59371GT	185-186	60746GT	51
49119-4178GT	197	50974GT	55-56, 59, 61- 62, 83-84, 91, 97-98, 105	59680GT	221-222	60757GT	83-84, 219, 221-
49119-5378GT	197			6-5206-12GT	255		222, 225, 227, 229
49120-10981GT	189			6-5206-18GT	255		
49120-11381GT	185-186	51063GT	71-72, 113-114, 135, 143, 240	60177GT	113-114	60778-SGT	55-56, 83-84
49120-1481GT	189			6019GT	62, 83-84, 101, 114, 117, 119,	60790GT	143
49120-3681GT	185-186	51131GT	55-56		121, 127, 131, 135, 141, 143, 153, 219, 221- 222, 251	60805GT	56
49120-3781GT	186	51580GT	253	6021GT	55-56, 61-62, 71-72, 101, 113-	60838GT	79-80
49120-3881GT	185-186	52087GT	199		114, 117, 119, 121, 137, 139, 141, 147, 207, 209, 217, 255	60840GT	119, 139
49120-4181GT	189	5224GT	123, 145, 209	60239GT	137	60857GT	11, 61-62, 84, 89, 97-98, 105,
49120-6381GT	185-186	52352GT	83-84	6024GT	79-80, 83-84, 101		
49120-6781GT	185-186	52371GT	171, 173	60304GT	114, 117, 119, 121, 139	60890GT	56
49126-2283GT	197	52475GT	15, 19, 31, 35		60322-SGT	60891GT	229
49128-2709GT	191-192	52661GT	201		95, 107	60893GT	53
49130-1307GT	195	52723GT	163	60334GT	61-62, 139	6090GT	53, 61-62, 84, 97-98, 131, 153,
49130-14682GT	195	52768GT	62	6033GT	75, 133		157-158, 201, 207, 209, 213, 217, 257
49130-5282GT	189	52865GT	13	6035GT	55-56	6091GT	53, 55-56, 59, 62, 83-84, 113-
49130-5482GT	189	52943GT	165, 167-168	6036GT	55-56, 249		114, 123, 127, 129, 131, 133, 135, 139, 141, 143, 151, 153, 213, 233, 240, 257
49141-2863GT	192	53189GT	207	60370-SGT	151		
49141-3213GT	195	5365GT	97-98, 233	6037GT	151, 240		
49141-5863GT	185-186	53807-SGT	201	60429GT	71-72, 113-114		
49141-6263GT	185-186	53808-SGT	201	60439GT	71-72, 135, 143		
49143-1729GT	192	5387GT	113-114	60443GT	71-72, 113-114, 133		
49143-2529GT	192	53976GT	251	60474GT	153, 155	60938GT	55-56
49143-3229GT	253	5397GT	62, 79-80, 83- 84, 101, 113- 114, 123, 141, 151, 153, 219, 221-222, 239- 240, 243, 257	60475GT	153, 155	60940GT	59
49150-17830GT	191-192			60476GT	153, 155	6095GT	53, 71-72, 239- 240, 255
49150-3630GT	191-192	54063GT	145	60477GT	155	60964GT	53
49150-6730GT	191-192	54124GT	56	60478GT	155	60966GT	53
49151-4048GT	191-192	54177GT	61-62, 75, 95, 98, 199	60485GT	53	6096GT	53, 75
49151-9398GT	191-192			60496-SGT	53	6097GT	53, 55-56, 59, 61-62, 71-72, 83-84, 101, 113-
49163-6994GT	185-186	54324GT	56	60509-SGT	53		
49167-2229GT	191-192	54355GT	217	60521GT	219, 221-222, 225, 227, 229		
49167-2279GT	247	54365GT	157-158	60525GT	83-84		
49167-7229GT	247	54457GT	201	60526GT	83-84		
49167-8629GT	247	55067GT	151	60527GT	219, 221-222, 225, 227, 229		
49181-3440GT	189	55753GT	155, 203, 205, 257, 259	60536GT	11, 59		
49181-5990GT	185-186	55906GT	69	60559GT	62	61072-3293GT	195
49181-6240GT	185-186	56093GT	129	60564GT	101	61072-4326GT	185-186
49183-13192GT	195	56236GT	175-176	60571-SGT	65-66	61073-15930GT	191-192
49183-14992GT	195	56424GT	153, 155, 201, 203, 205	60575PGT	71-72	61073-3530GT	191-192
49183-2892GT	253			60576GT	101	61074-105228GT	195
49183-5092GT	191-192	56426-700GT	257, 259	60578GT	53, 55-56	61074-13248GT	195
49183-5992GT	189	56462GT	62	60584GT	91, 107, 265	61074-5348GT	253
49189-9738GT	47	56525GT	205	60595-SGT	55-56	61074-5528GT	189
49207GT	97-98, 191-192, 273	56570GT	205	60609GT	51	61083GT	191-192
		56604GT	191-192	60618GT	51	61098GT	23, 25, 39, 41
49212GT	263	56704GT	265	60625GT	55-56	61110GT	79-80
49214GT	263	56912GT	53, 55-56, 133, 143, 153, 155, 217	60637GT	101	61112GT	53
49215GT	263			60649GT	101	61114GT	225
49363GT	47, 49	57162GT	62	60655-SGT	53	61117GT	55-56
49364GT	101	57201GT	151	60707GT	219, 221-222, 225, 227, 229	61189GT	55-56
49366GT	45	58222GT	61-62, 97-98, 105			61195GT	219, 221-222, 225, 227, 229
49388GT	79-80			60670-SGT	53		
49407GT	83-84	58223GT	61-62, 97-98, 105	60721GT	59, 109	61222GT	75
49411GT	79-80			60727GT	55-56, 59, 62	61223GT	75
49418GT	191-192	58249GT	83-84	60729GT	97-98	61225GT	59
49612GT	11	58256GT	84	60729PGT	61-62	61236GT	56
49775GT	113-114	58299GT	83-84	60738GT	219, 221-222, 225, 227, 229	61245GT	235
49816GT	53, 55-56, 65- 66, 153, 219, 221-222	58303GT	175-176			61259GT	197
		58304GT	61-62				
49817GT	133	58308GT	135				
49818GT	240	58309GT	135				
49820GT	65-66, 69, 239- 240	58489GT	62				
49857GT	117, 119, 137, 151	58566GT	83-84				
		58596GT	61-62				
49924GT	11, 83-84, 91	58597GT	61-62				
50082GT	56	58630GT	83-84				
50245GT	114, 117, 119, 121, 137	58631GT	239-240, 249				
50546GT	145						
50701GT	145						
50787-SGT	83-84						



## Part Number Index (continued)

Part Number	Page	Part Number	Page	Part Number	Page	Part Number	Page
61263GT	191-192			73501GT	201	75617-6275GT	257, 259
61270GT	89, 101, 105		149, 151, 153,	73575GT	155, 271	75617-6475GT	257
61283GT	43		157-158, 201,	73587GT	97-98	75636GT	257, 259
61341GT	131		207, 209, 213,	73610PGT	153	75654GT	191-192
6145GT	55-56, 201		217, 221-222,	73634GT	233	75854GT	61-62
6146GT	53, 55-56, 65-	66399GT	11	73711GT	83-84	75855GT	61-62
	66, 71-72, 125,	66472GT	257, 259	73712GT	219, 221-222,	76069GT	75
	153, 158, 233,	66777GT	79-80, 97-98		225, 227, 229	76364GT	45
	240	66811GT	65-66, 69	73713GT	71-72, 113-114,	76390GT	49, 51
61602GT	141, 145	66812GT	65-66, 69, 157-		133, 135, 143	7684GT	71-72
61610GT	247		158	73714GT	113-114	77036GT	127, 129
61726GT	233	66813GT	157-158	73717GT	69	7713GT	113-114, 123,
6175GT	53, 55-56, 61-	66815GT	157-158	73723GT	69		145
	62, 83-84, 113-	66816GT	65-66, 69	73730GT	239-240	77308GT	97-98
	114, 117, 119,	66817GT	65-66, 69, 157-	73772-101592GT	197	77351GT	158
	121, 129, 137,		158	73772-1692GT	191-192	7746GT	205
	139, 141, 145,	66818GT	65-66, 69	73772-2192GT	191-192	77683GT	201, 203
	147, 149, 217	66821GT	65-66, 69	73805GT	65-66, 69	77780GT	251
6178GT	53, 55-56, 59,	6708GT	207	73807GT	179	77797GT	257, 259
	65-66, 71-72,	6782GT	62, 219, 221-	73928GT	151	77819GT	199
	113-114, 125,		222, 239-240,	74006GT	219, 221-222,	77896GT	135
	135, 143, 153,		243		225, 227, 229,	77993GT	151
	157-158, 219,	6833GT	97-98, 157-158,		239-240	80543GT	239-240
	221-222, 240		257, 259	74052GT	153, 155, 219,	81069GT	227, 229
61804GT	233	6878GT	123		221-222, 225,	81341GT	135, 143
61812GT	75	6884GT	240		227, 229	81342GT	135, 143
61814GT	131	6886GT	62, 239-240	74085GT	145	81347GT	139, 143
61815GT	137	6888GT	53, 55-56, 62,	74245GT	47, 49	81368GT	205
61817GT	141		65-66, 69, 83-	74254GT	139	81467GT	83-84, 89, 101,
61852GT	135		84, 133, 143,	74872GT	123, 137		105
61920PGT	141		151, 201, 233,	74902GT	163, 165, 167-	81468GT	83-84, 89, 101,
61952PGT	121		240, 257		168, 176		105
61972GT	233	6889GT	201, 240, 257	75020GT	97-98	81488GT	158
61976GT	233	6935GT	240	75041GT	125, 219, 221-	81532GT	77
61977GT	233	69776GT	219, 221-222,		222	81551GT	65-66, 69, 157-
6198GT	53, 71-72, 239-		225, 227, 229	75048GT	235		158
	240, 251	7-121-07GT	56	75069GT	219, 221-222,	81578GT	59
61997GT	233	70264GT	135		225, 227, 229	81777GT	135, 143
62252GT	163	70289GT	55-56, 91, 105	75073GT	55-56	8178GT	251
62253GT	163	70381GT	79-80, 89	75076GT	55-56	81802GT	259
62321GT	72	70389GT	227, 229	75113GT	62	81812-11292GT	185-186
62374GT	65-66, 69	70397GT	227	75129GT	72	81812-2292GT	197
62375GT	65-66, 69	70438GT	79-80	75130GT	72	81812-3592GT	186
62379GT	65-66, 69, 157-	70440GT	79-80, 83-84, 93	75185GT	265	81812-3692GT	185-186
	158	70444GT	79-80, 97-98	75253GT	191-192	81812-3792GT	186
62392GT	161	70445GT	79-80	75254GT	191-192	81812-5792GT	185-186
62412GT	62	70447GT	79-80	75256GT	191-192	81812-6192GT	185-186
62420GT	11, 89	70448PGT	79-80	75257GT	191-192	81852GT	221-222
62425GT	11, 83-84, 101,	70449GT	79-80, 97-98	75259GT	101	82161GT	13
	105	70483GT	79-80, 97-98	75260GT	101	822087GT	91
62433GT	11, 97-98	70515GT	83-84, 105, 213	75274GT	101	822187GT	62, 217
62478GT	51	70516PGT	61-62	75297GT	101	822224GT	157-158
62506GT	179	70518GT	101	75304GT	95	822225GT	62
62507GT	179	70535GT	91, 105	75326GT	95	822226GT	62
6272GT	69, 231	70535PGT	55-56	75327GT	95	822229GT	62
62815GT	171, 173	70545GT	221-222	75328GT	95	822235GT	62, 217
6326GT	137	7056GT	219, 221-222,	75330GT	95	822249GT	217
63311GT	201		225, 227, 229	75342GT	95	82237GT	17, 23, 25, 239-
63375GT	219, 221-222	7057GT	61-62, 219, 221-	75410GT	55-56		240, 243
6356GT	53, 56, 61-62,		222, 225, 227,	75411GT	55-56	822477GT	157-158
	66, 69, 84, 97-		229, 239-240	75443GT	161	82247GT	29
	98, 139, 157-	71259GT	61-62	75444GT	161	822759GT	259
	158, 201	71508GT	59	75445GT	161	822764GT	259
65278GT	15, 19, 31, 35	71858GT	145	75446GT	161	822768GT	259
65473GT	101	71911GT	79-80, 97-98,	75447GT	161	822769GT	259
65630GT	205		107	75448GT	161	822811GT	101
6584GT	97-98	72086GT	13, 17, 27, 29, 33	75449GT	161	82295GT	97-98
6605GT	113-114, 117,	72255GT	84	75537PGT	155	82314GT	13
	119, 121	72326GT	69, 157-158	75555GT	101	823420-1400GT	87
6606GT	55-56	72875GT	23, 25	75617-1025GT	259	823420-5700GT	91
6637GT	149	72999GT	13	75617-1538GT	257	823420-6000GT	91
6638GT	53, 55-56, 59,	7339GT	51	75617-1550GT	259	823421-2400GT	91
	62, 66, 69, 97-	73477PGT	153	75617-1675GT	257	823421-2700GT	91
	98, 127, 129,	73478GT	155	75617-2075GT	259	82352GT	77
	131, 133, 135,	73478PGT	153	75617-2275GT	257, 259	823604GT	103
	139, 141, 143,	73500GT	201	75617-4788GT	257	82366GT	13

## Part Number Index (continued)

Part Number	Page	Part Number	Page	Part Number	Page	Part Number	Page
823714GT	217	824086GT	83-84, 203, 239-240	825358GT	125, 143, 205, 245, 263	8915GT	55-56, 113-114, 139, 141, 153, 233
823813GT	77	824087GT	221-222, 239-240	825581GT	97-98	89310GT	163, 165, 167-168, 175-176
823958GT	107	824089GT	55-56, 61-62, 91, 109, 265	8255GT	55-56, 61-62, 117, 119, 139, 147	89539PGT	53
824019GT	65-66, 69, 239-240	824090GT	129, 137, 141, 147, 149, 271	825682GT	221-222	89733GT	179
824024GT	83-84	824091GT	55-56, 61-62, 71-72, 83-84, 91, 127, 131, 135, 141, 143, 155, 219, 221-222, 225, 227, 229, 251	825760GT	131	89755GT	233
824025GT	79-80, 83-84	824092GT	55-56, 71-72, 79-80, 83-84, 129, 131, 139, 145, 155, 227, 251	826000GT	91	89770GT	179
824027GT	53, 55-56, 59, 91, 105, 109, 113-114, 123, 127, 129, 131, 135, 139, 141, 143, 151, 155, 203, 213, 233, 240, 245, 259, 269	824093GT	101, 139, 209	826171GT	249	89871-1448GT	247
824028GT	62, 203, 205, 219, 221-222, 239-240, 245, 265	824095GT	135, 233	826172GT	51	89871-3148GT	247
824029GT	55-56, 61-62, 91, 101, 113-114, 117, 119, 121, 123, 127, 129, 131, 135, 139, 141, 143, 145, 149, 155, 217, 219, 221-222, 225, 227, 229, 233, 245, 251, 259, 263, 269	82410GT	23, 25	826348GT	91	89908GT	219, 221-222, 225, 227, 229
824032GT	53, 55-56, 59, 65-66, 71-72, 113-114, 125, 135, 143, 219, 221-222, 233, 237, 240, 265	824110GT	55-56, 113-114, 117, 119, 121, 139, 141, 217	826351GT	89	89959GT	213
824036GT	225, 227, 229	824111GT	133, 209	826352GT	89	89997GT	59
824038GT	113-114, 125, 145	824113GT	91, 105, 109, 127, 129, 261, 269	826379GT	255	89998GT	83-84
824059GT	109, 201	824116GT	151	826516GT	125, 219, 221-222, 237, 265	9145GT	239-240, 251
824060GT	83-84, 201, 203, 261	824119GT	53, 55-56	826791GT	117, 119, 137, 151	93500GT	11
824061GT	233	824120GT	261	826792GT	151	94193GT	145
824062GT	91, 105	824122GT	101	826793GT	151	94194GT	145
824065GT	135	824123GT	79-80, 83-84, 93, 101, 109	826794GT	151	94195GT	141
824067GT	53, 83-84, 113-114, 117, 119, 121, 145, 217	824124GT	123	826830GT	185-186	94203GT	141
824068GT	114, 117, 119, 121	824131GT	87	826831GT	185-186	94327GT	11, 59
824069GT	261	824132GT	87, 229	826896GT	245	94374-13330GT	247
824070GT	113-114, 117, 119, 121	824133GT	45, 89, 97-98, 105, 265	827089GT	151	94374-13930GT	247
824072GT	219	824134GT	93, 109	82862GT	23, 25	94374-5930GT	191-192
824077GT	89, 105, 149	824141GT	265	83098GT	161	94374-6030GT	185-186
824078GT	53, 61-62, 66, 69, 84, 131, 133, 143, 155, 201, 203, 207, 213, 217, 259, 269, 271	824142GT	45, 221-222, 249	84133GT	163	94374-9080GT	247
824079GT	53, 55-56, 62, 155, 203, 240, 259	824144GT	91, 107	84134GT	163	94374-9930GT	247
824080GT	55-56, 97-98, 113-114, 139, 141, 269	824145GT	219, 221-222	84135GT	163	94444GT	77
824081GT	55-56, 149, 201, 203	824146GT	51	8425GT	219, 221-222, 225, 227	94493-SGT	201
824082GT	59, 139, 151, 219	824151GT	145	85053GT	79-80, 221-222	94580GT	171
824083GT	205, 240	824164GT	139, 145	85166GT	239-240	94592GT	135
824084GT	151	824214GT	65-66, 69, 239-240	8516GT	55-56, 71-72, 79-80, 83-84, 114, 117, 121, 123, 129, 131, 141, 145, 251	94612GT	62
824085GT	62, 72, 203, 205	824215GT	53, 55-56, 65-66, 219, 221-222, 225, 227, 229	85300GT	201, 205	94618GT	171, 173
		824216GT	113-114, 135, 143, 240, 271	87070GT	61-62	94620GT	61-62
		824227GT	259	87085GT	135	94643GT	233
		824234GT	109	87172GT	253	94653GT	145
		824236GT	109	87246GT	249	94745PGT	201
		824471GT	91	88019PGT	135	94747GT	51
		824635GT	91	88022GT	114, 117, 119	94757GT	239-240
		82473GT	31, 35	88056GT	65-66	94759GT	239-240
		82481GT	27, 29	88091GT	56	94760GT	239-240
		82487GT	27, 29, 39, 41	88150GT	65-66, 69	94765GT	239-240
		825019GT	55-56, 131, 141, 149	88177GT	65-66, 69	94775GT	143
		825020GT	233	88212GT	62, 71-72	94803GT	141
		825052GT	91	88279GT	131	94804GT	141
		825348GT	49	88280GT	141	94806GT	139
		825349GT	51, 240	88287GT	157-158	94809GT	131
		825351GT	45	88296GT	219	94810GT	131
		825352GT	45, 133	88315GT	66, 69	94811GT	131
		825355GT	97-98	88345GT	139	94814GT	133
		825357GT	47, 49	88353GT	191-192	94818GT	75
				88377GT	201	94960GT	77
				88384GT	257	94961GT	77
				88385GT	257	94962GT	77, 158
				88390GT	257, 259	94966GT	77
				88406GT	245	94969GT	77
				88441-4140GT	191-192	94970GT	77
				88493GT	213, 215	94971GT	77
				88576GT	149	94972GT	77
				88606PGT	201, 203	94973GT	77
				88607PGT	201, 203	94976GT	77
				88648GT	117, 119, 121, 139	94981GT	65-66
						94982GT	65-66
						9599-SGT	201, 203, 205
						97372GT	171, 173, 181, 183
						97579GT	23, 25
						97602GT	17
						97757GT	13, 27, 29
						97815GT	23, 25, 39, 41
						97865GT	13, 17
						97875GT	13, 23, 25
						98013-SGT	227

## Part Number Index (continued)

Part Number	Page
98014GT	221-222
98016-SGT	227
98017GT	221-222
98018GT	219
98023GT	263
98027GT	201
99015GT	219
99778GT	237
9990080GT	51
T107366GT	45
T107883GT	149
T108075GT	145, 149
T108079GT	145
T108732GT	79-80
T108733GT	79-80
T108734GT	79-80
T109328GT	201
T111608GT	251
T111609GT	251
T111610GT	251
T111611GT	251
T111612GT	251
T111613GT	251
T111702GT	43
T111703GT	43
T112626GT	161
T112773GT	23, 25, 39, 41
T113655GT	239-240
T114022GT	239-240
T114023GT	239-240
T114346GT	95
T114379GT	105
T114678GT	84

Go to [Discount-Equipment.com](http://Discount-Equipment.com) to order your parts



The Part Description Index is an alphabetical index of all part descriptions included in this manual. The index shows what page(s) the part is used on.

**1**  
1/4" ID SILICON HOSE GTH3051.....103  
10-32 X .5 FILLISTER HD.SCREW.....59

**2**  
2" 90 DEGREE ELBOW GTH3016.....105

**3**  
3.5X22 METRIC O-RING BUNA-70 G.....105  
3/4 ID HOSE 25FT R.....105  
3/8 MALE NPT X 1/4 BARB.....56

**A**  
ACC,FALL ARREST BAR,6FT FR.....267  
ACC,FALL ARREST BAR,6FT SYM.....267  
ACC,FALL ARREST BAR,6FT WORD.....267  
ACC,FALL ARREST BAR,8FT FR.....267  
ACC,FALL ARREST BAR,8FT SYM.....267  
ACC,FALL ARREST BAR,8FT WORD.....267  
ACC,PLAT CONTROL COVER, SERV.....201  
ACCESSORY,OPERATOR PROT STRUCT.....261  
ACCESSORY,PANEL CRADLE,ANSI.....201, 203  
ACTIVATOR,STEER SENSOR.....51  
ADAPTER,PIPE,2"-3".....105  
ADAPTER,WELDER,208-220.....243  
ADAPTER-FUEL FILTER, PERK 1104.....95  
AIR CLEANER,NELSON...83-84, 89, 101, 105  
ALARM,AUDIO,SUPERBOOM\*\*\*.....65-66, 69, 157-158  
ALTERNATOR, DEUTZ,BF4L2011\*\*\* .....83-84  
ALTERNATOR,PERKINS 1104C-44.....97-98  
ALUMINUM GUIDE.....123  
ARM,ANTI-ROTATION,SWIVEL\*\*\*.....72  
ASSEMBLY RESET SWITCH.....269  
ASSEMBLY, FUEL TANK, 40 GAL.....56  
ASSEMBLY, FUEL TANKG.....56  
ASSEMBLY, LIGHT, CONTACT ALARM.....271  
ASSEMBLY, OPA PROTECTION CAGE.....269  
ASSEMBLY, SENSOR, PROX, CONTACT ALARM.....271  
ASSEMBLY,CABLE,TAPESWITCH.....269  
ASSEMBLY,CONTACT ALARM CABLE, LARGE.....271  
ASSEMBLY,FOOT SWITCH.....153, 155  
ASSEMBLY,FUEL FILTER BRACKET.....107  
ASSEMBLY,FUEL TANK,40 GAL\*\*\*.....56  
ASSEMBLY,LCD HEATER ALC1000.....65-66, 69  
ASSEMBLY,PRIMARY EXT.Boom\*\*\*.....139  
ASSEMBLY,RISER BOOM #1\*\*\*.....113-114  
ASSEMBLY,RISER BOOM #4\*\*\*.....121  
ASSEMBLY,TAPESWITCH.....269  
ASSM, GEN. ONLY, 110V, 60HZ.....251  
ASSY / OIL TUBE.....97-98  
ASSY BATTERY HEATER,240V.....237  
ASSY HEATER, MODEL 18, 120V.....237  
ASSY HEATER,MODEL 18,240V.....237  
ASSY, ARCFT SENSOR, DEUTSCH....77, 259  
ASSY, AXLE SENSOR, SX/ZX135.....47  
ASSY, BATTERY HEATER, 120V.....237  
ASSY, CIRCUIT BREAKER 20A.....65-66, 69  
ASSY, DEGAS TANK, AL, RCP-13-077.....87

ASSY, HYD/ELEC 5 PORT/10 CONT.....72  
ASSY, LS, LOAD SENSE, ALC1000.....233  
ASSY, MED. PRESS. FILTER, SAE8.....84, 89, 97-98, 105  
ASSY, PCON BOX, ZX135 TIER 3.....157-158  
ASSY, PCON BOX, ZX135 TIER 4.....157-158  
ASSY, SENSOR W/HOUSING.....271  
ASSY, TCON BOX, ZX135, TIER 3.....65-66  
ASSY, TCON BOX, ZX135, TIER 4.....65-66, 69  
ASSY, TELEMATICS CONN. BOX.....62  
ASSY,.5 GPM PRESSURE COMP VALV.....151  
ASSY,120V HEATER, HYD TANK.....237  
ASSY,240V HEATER, HYD TANK.....237  
ASSY,6' PLAT WELDMENT W/SIDE GATE.....155  
ASSY,6FT PLAT DUAL XL,BLANK W/SIDE SWING GATE.....155  
ASSY,8' PLAT WELDMENT W/SIDE GATE.....155  
ASSY,8FT PLAT TRI XL,BLANK W/SIDE SWING GATE.....155  
ASSY,ANGLE SEN.,Z135 BELL CR.....77, 141  
ASSY,ANGLE SEN.,Z135 PRIMARY.....77, 133  
ASSY,ANGLE SEN.,Z135 SECONDARY.....77, 113-114  
ASSY,BLEED LINE (139367).....249  
ASSY,BRACKET,CONTACT BLOCK.....65-66, 69  
ASSY,CHASSIS DOOR,ZX135 SPX.....47, 49  
ASSY,CONTROL BOX,TCON,Z135.....65-66  
ASSY,ENGINE HEATER,120V.....237  
ASSY,ENGINE HEATER,240V.....237  
ASSY,FOUR LINK CABLE TRACK\*\*\*.....125, 135  
ASSY,HOSE GUARD,RISER PULLTUBE.....123  
ASSY,LIM.SW.ACTUATOR BLOCK\*\*\*.....45  
ASSY,MODULE,CONTROL UNIT,OPA.....269  
ASSY,PCON BOX, SUPER X Z135.....157-158  
ASSY,PRIMARY BOOM W/DECAL\*\*\*.....137  
ASSY,SIDE SWING GATE.....155  
ASSY,SUPERX AXLE LFRR, W/BRNG.....43  
ASSY,SUPERX AXLE, RFLR,W/BRNG.....43  
ASSY,SUPERX YOKE,LFRR,W/BRNG.....51  
ASSY,SUPERX YOKE,RFLR,W/BRNG.....51  
ASSY,TIRE,445D50/710,LH.....43  
ASSY,TIRE,445D50/710,RH.....43  
ASSY,TRACK,FALL ARREST BAR,6FT FR.....267  
ASSY,TRACK,FALL ARREST BAR,6FT SYM.....267  
ASSY,TRACK,FALL ARREST BAR,6FT WORD.....267  
ASSY,TRACK,FALL ARREST BAR,8FT FR.....267  
ASSY,TRACK,FALL ARREST BAR,8FT SYM.....267  
ASSY,TRACK,FALL ARREST BAR,8FT WORD.....267  
ASSY,WORK LIGHT,12V LED.....203  
ASSY. SLEW RING GUARD.....217  
ASSY, ELECTRIC SWIVEL, 10 CON.....72  
ASSY, HYDRAULIC SWIVEL, 5 POR.....72  
AUX RAIL, 6' PLAT, SIDE ENTRY.....203  
AUX RAIL, 8' PLAT, TRI-ENTRY.....203  
AUX TOP RAIL,6'(1.25")SERVICE.....201  
AUX TOP RAIL,8'(1.25")SERVICE.....201

**B**  
BALL STUD\*.....53, 55-56  
BAR, HOSE GUIDE, LONG.....51  
BAR, HOSE GUIDE, SHORT.....51  
BASE ENCLOSURE,RED,OPA.....269  
BASE WITH 1 NC CONTACT, E-STOP.....65-66, 69, 157-158  
BASE, W/1 N.O. CONTACTS\*\*\*.....157-158  
BASE,W/2 NC CONTACTS\*\*\*.....65-66, 69  
BASE,WITHOUT CONTACTS.....65-66, 69  
BATTERY CABLE 2GA RED AUX#2.....62  
BATTERY CABLE,2GA RED,AUX.....62  
BATTERY TERMINAL PROTECTORS.....62  
BATTERY TRAY FORMING,PAINTED.....59  
BATTERY, J 305GH, 315AH.....62  
BATTERY,12V,1000 CCA GRP 31.....59  
BEARING KIT,INNER (88921).....61-62  
BEARING KIT,OUTER (88921).....61-62  
BEARING KIT,RWD 1700TB\*\*\*.....51  
BEARING, 35ID X 41OD X 52LG.....45  
BEARING, 50ID X 58OD X 40LG.....45, 51  
BEARING, 80ID X 90OD X 52LG.....47, 49  
BEARING, 80ID X 90OD X 80LG.....47, 49  
BEARING,1.25 ID X 1.5 OD X .75.....145  
BEARING,1.5IDX1.75ODX0.75L.....141  
BEARING,2.00IDX2.25ODX1.63L.....139  
BEARING,2.00IDX2.25ODX2.00L.....141, 147  
BEARING,2.25IDX2.50ODX2.25L.....137  
BEARING,2.50IDX2.75ODX1.50L.....75, 113-114  
BEARING,2.50IDX2.75ODX2.00L.....121  
BEARING,3.00IDX3.50ODX1.50L.....131  
BEARING,3.25IDX3.50ODX1.50L.....131  
BEARING,3.25IDX3.75ODX2.00L.....131  
BEARING,35ID X 41OD X 40LG.....45  
BEARING,80ID X 90OD X 65LG.....47, 49  
BEARING,FL,1.25IDX1.50ODX1.25L.....79-80, 93, 101, 109  
BEARING,FL,2.50IDX2.75ODX1.36L.....131  
BEARING,FL,2.50IDX2.75ODX1.61L.....137  
BEARING,GARLOCK,12FDU12.....233  
BEARING,MOTOR.....251  
BEARING,TURNTABLE.....49  
BELLOWS,AXLE EXTEND CYLINDER.....45, 211  
BELLOWS,BELLCRANK LEVEL CYL\*\*\*.....211  
BELLOWS,CYL,PLATFORM LEVEL\*\*\*.....211  
BELLOWS,JIB LIFT CYLINDER\*\*\*.....211  
BELLOWS,PRIMARY LIFT CYLINDER.....211  
BELLOWS,RISER LIFT CYLINDER\*\*\*.....211  
BELLOWS,STEER CYLINDER.....211  
BELT GUARD 1104 PERKINS.....101  
BELT,AIR PUMP,PERKINS 404F-22T.....11, 87  
BELT,AX34\*\*\*.....227  
BELT,AX36.....225  
BELT,AX40.....219  
BELT,AX42.....221-222  
BELT,DRIVE,854E-E34TA.....11, 109  
BELT,V,(2) PERKINS 1104C-44.....95  
BIT,3/16,HEX SOCKET,SECURITY.....243  
BIT,TORX SOCKET,SECURITY.....243, 245  
BLANKET,BATTERY.....235  
BOLT, CARRIAGE, 3/8-16 X 1.50, G5.....143  
BOLT,CARRIAGE,1/4-20 X .75,G2.....123  
BOLT,CARRIAGE,1/4-20X 5.5,ZAG.....129

## Part Description Index (continued)

- BOLT,CARRIAGE,1/4-20X.75,5,ZAG.....123  
 BOLT,CARRIAGE,3/8-16 X .75,G2.....113-114  
 BOLT,CARRIAGE,3/8-16X.75,5,ZAG.....113-114  
 BOLT,CARRIAGE,3/8-16X1.25,5,ZAG.....143  
 BOLT,CARRIAGE,3/8-16X1.5,5,ZAG.....225, 227, 229  
 BOLT,CARRIAGE,M8X35,DIN603,8.8.....47  
 BOLT,SHS,1/4-28X4,ZAG.....97-98  
 BOLT,SHS,5/16X.25X1/4-20,ZAG.....66, 69  
 BOOT(BELLOWS),E-STOP,BLACK.....157-158  
 BOOT,ROCKER JOYSTICK 75565.....161  
 BOOT,JOYSTICK.....161  
 BOOT,TOGGLE SWITCH,SHORT\*...157-158, 259  
 BOX, GROUND CONTROL.....69  
 BOX,INSTRUCTION STORAGE.....153, 155  
 BRACE,MUFFLER,DEUTZ\*\*\*.....79-80  
 BRACKET, CABLE MOUNT.....107  
 BRACKET, CABLE STRAIN RELIEF.....151  
 BRACKET, LS, DRIVE ROT.....71-72  
 BRACKET, POSITIVE BATTERY.....95  
 BRACKET, RISER EXT L/S, PTD.....113-114  
 BRACKET,1K OHM 10-TURN POT,PNT.....240  
 BRACKET,AIRLINE TO PLATFORM.....263  
 BRACKET,BATTERY CABLE.....91, 105  
 BRACKET,BATTERY CABLE PAINTED.....55-56  
 BRACKET,CABLE TRACK,MOVING END.....135  
 BRACKET,CNTL BOX MOUNTING\*\*\*.....65-66  
 BRACKET,CONTROL UNIT.....269  
 BRACKET,ENG.MOUNT,FRT.PERKINS.....101  
 BRACKET,FUEL SYSTEM,DEUTZ 2.9L.....91  
 BRACKET,GENERATOR ADJUSTER.....219  
 BRACKET,GENERATOR ADJUSTER PNT.....221-222  
 BRACKET,GENERATOR BOX MOUNT.....219, 221-222, 225, 227, 229  
 BRACKET,HYD.ROTATOR MOUNT MNT.....71-72  
 BRACKET,MANIFOLD,EXT.Boom.....141  
 BRACKET,PLATFORM HEATER OPT.....231  
 BRACKET,POWER TO PLAT TBOX,PNT.....243  
 BRACKET,RAD SUPPORT,854TF.....103  
 BRACKET,RISER CYL MOUNT PAINTD.....113-114, 117, 119, 121, 131, 137  
 BRACKET,V275S WELD LEADS.....243, 245  
 BRACKET,WELDER COVER,PNTD.....243, 245  
 BRACKET,WELDER MOUNT SUPPORT.....243  
 BRACKET,WELDER SUPPORT,PNT.....243, 245  
 BRACKET,WELDER TOP.....243, 245  
 BRACKET,WIPER #1 TO #2.....207  
 BRACKET,WIPER #2 TO #3.....207  
 BRACKET,WIPER #3 TO #4 PAINTED.....207  
 BRACKET,WIPER BACKING JIB EXT.....209  
 BRACKET,WIPER JIB-JIB EXT.....209  
 BRACKET,WIPER PRI-PRI EXT.PTD.....209  
 BRACKET,WORK LIGHT MOUNT 5/16".....201, 203  
 BRACKET-TOOL TRAY MOUNTING.....205  
 BRAKE KIT,RWD 1700TB\*\*\*.....51  
 BRAKE TUBING.....61-62  
 BRAKE TUBING\*\*\*.....61-62  
 BRCKT,MED.FILTER,TEST PORT.....84  
 BREATHER PIPE, TD 2011L04I.....80  
 BREATHER,RESERVOIR 3 MICRON\*\*\*.....62  
 BRKT,MED & RETURN FILTER,PTD.....61-62  
 BRUSH 3/8 X 1/4 X 15/16(36928).....251  
 BULB,WORKLIGHT,12V 35W.....201  
 BULKHEAD ZX135.....83-84  
 BUMPER, PLASTIC, 1.25 O.D.....155, 203, 205, 257, 259  
 BUMPER,BATTERY BOX & RAILS...155, 201, 203, 269  
 BUMPER,RUB,1.00DX.75X31-18X1.2....47, 49  
 BUMPER,RUBBER\*\*\*.....233  
 BUMPER,RUBBER,.75 X .50H,STUD.....267  
 BUMPER,RUBBER,COVERS.....55-56, 59, 61-62, 83-84, 91, 97-98, 105  
 BUMPER,RUBBER-1 X 1.25.....265  
 BUSHING, STRAIN RELIEF, 1".....51  
 BUSHING,RUBBER,LARGE.....56  
 BUTTON,PUSH,BLACK W/SEAL\*\*\*...157-158  
 BUTTON,PUSH,RED MUSHROOM HEAD.....65-66, 69, 157-158
- C**
- COVER,RELAY\*\*\*.....59  
 CABLE ASSY NEG 2GA BLACK AUX#1.....62  
 CABLE ASSY NEG 2GA BLACK AUX#2.....62  
 CABLE ASSY,AUX BATT JUMPER,RED.....62  
 CABLE ASSY,GND,BAT1 TO BAT2.....62  
 CABLE SQUEEZE CONN.....239-240  
 CABLE STAY.....127, 129, 131, 135  
 CABLE STAY,BOTTOM.....143  
 CABLE STAY,TOP.....127, 129, 143  
 CABLE TIE,28".....235  
 CABLE TIE,BLACK,36".....235  
 CABLE TRACK GUIDE TRIANGLE.....135  
 CABLE TRACK,STEEL 11 LINKS.....131  
 CABLE TRACK,STEEL 15 LINKS.....143  
 CABLE TRACK,STEEL 27 LINKS.....135  
 CABLE TRACK,STEEL 57 LINKS\*\*\*.....125  
 CAP,DIAGNOSTIC NIPPLE...97-98, 191-192, 197  
 CAP,FUEL,DIESEL,1/8"VENT(GRN).....56  
 CAP,MANUAL DISENGAGE (89212).....51  
 CAP,RADIATOR,PERKINS/FORD.....101  
 CAP,VALVE COVER,OIL FILLER,PRK.....95  
 CARTRIDGE,VALVE HOUSING.....243, 273  
 CBV ASSEMBLY\*\*\*.....61-62  
 CHAIN,NO.2 (11 LINKS).....257, 259  
 CHANNEL, MOUNTING.....72  
 CHECK VALVE,BALL TYPE,NORMAL.....163  
 CIRCUIT BREAKER, 12.5 AMP.....219, 221-222, 225, 227, 229  
 CIRCUIT BREAKER, 30 AMP...219, 221-222, 225, 227, 229  
 CIRCUIT BREAKER, 35A 3PH.....240  
 CIRCUIT BREAKER,50A,3P,240V\*\*\*.....240  
 CIRCUIT BRKR 15A TYPE 2 METAL.....77  
 CIRCUIT BRKR THERM AUTORESET 6.....77  
 CLAMP 28.6 GTH3087.....105  
 CLAMP ASSY.OPTIONS BLOCK W/NUT.....127, 129, 131  
 CLAMP OETIKER 31.6MM GTH3088.....105  
 CLAMP, 1.25 INCH TUBE.....271  
 CLAMP, 3 INCH.....79-80  
 CLAMP, HYD TUBE, AXLE.....49  
 CLAMP, PLASTIC, HYD HOSE.....49  
 CLAMP, TUBE/HOSE, LOOP/OFFSET, 12.7 OD.....87  
 CLAMP,0.31,#5 X 1/4,RUB CUSH.....233  
 CLAMP,0.50,#8 X 1/4,RUB CUSH.....97-98, 157-158, 257, 259  
 CLAMP,0.75,#12 X 1/4,RUB CUSH.....69, 157-158  
 CLAMP,1.00,#16 X 1/4,RUB CUSH.....97-98, 243, 245  
 CLAMP,1.00,#16 X 7/16,RUB CUSH.....79-80  
 CLAMP,1.13,#18 X 1/4,RUB CUSH.....257, 259  
 CLAMP,1.25"DIA NON-CUSHIONED.....155  
 CLAMP,1.25X.5 RUBBER-CUSHION.....153, 155, 201, 203, 205  
 CLAMP,5.38,#86 X 3/8,RUB CUSH.....213, 215  
 CLAMP,BATTERY CABLE.....93, 95, 101, 107  
 CLAMP,CABLE STRAIN RELIEF.....151  
 CLAMP,EXHAUST,854E-E34TA.....107  
 CLAMP,FIXED DIA.,NYLON,1/2".....109  
 CLAMP,FIXED DIA.NYLON,.875".....93  
 CLAMP,HOSE,.25" - .63" X .3125.....87, 91, 109  
 CLAMP,HOSE,.63" - 1.0" X .5".....91  
 CLAMP,HOSE,1 EAR,13.3 MM.....103  
 CLAMP,HOSE,1.25\*\*\*.....87, 211  
 CLAMP,HOSE,1.75.....87, 101, 211  
 CLAMP,HOSE,1EAR,25/32.....91  
 CLAMP,HOSE,2 3/4,PERKINS 127HP.....105  
 CLAMP,HOSE,2.00\*\*\*.....87, 101, 103  
 CLAMP,HOSE,2.50\*\*\*\*.....101, 211  
 CLAMP,HOSE,3.00".....89, 105, 211, 213  
 CLAMP,HOSE,3.50.....80, 101, 105, 211, 213, 215  
 CLAMP,HOSE,5.00.....211, 213, 215  
 CLAMP,HOSE,6.50.....211  
 CLAMP,HOSE,8.50 DIA\*\*\*.....211  
 CLAMP,HOSE,CENTER.....71-72  
 CLAMP,HOSE,ELEVATE.....71-72  
 CLAMP,HOSE,TANK SIDE.....71-72  
 CLAMP,LINK,LH WELD WIRE.....55-56, 91, 105  
 CLAMP,MUFFLER, 2.50 INCH.....79-80, 97-98, 107  
 CLAMP,PRIMARY.....139  
 CLAMP,RISER CABLE TRACK,INSIDE.....129  
 CLAMP,RISER CABLE,OUTSIDE.....127, 129  
 CLAMP,T-BOLT,27-29MM.....105  
 CLEVIS PIN 0.5" X 1.5".....255  
 CLEVIS YOKE-1/4-28,PLTD W/PIN.....83-84, 97-98  
 CLIP, RISER SIDE HOLE.....207  
 CLIP,LCD,GRND.CONTROL.....65-66, 69  
 COIL,12V DEUTSCH.....175-176  
 COIL,12V, DEUTSCH.....165, 167-168, 175-176  
 COIL,12VDC #10DTSCH IP69 ECOIL.....171, 173  
 COIL,12VDC #8 DTSCH IP69 ECOIL.....171, 173, 181, 183  
 COIL,12VDC #8 DTSCH W/O DIODE.....171, 173, 181, 183  
 COIL,SOLENOID VALVE.....173, 183  
 COIL,SOLENOID VALVE\*\*\*.....179  
 COIL,SOLENOID VALVE,20W...163, 165, 167-168  
 COIL,VALVE,PROPORTIONAL\*\*\*.....175-176  
 COIL-10V DC\*\*\*.....239-240  
 COLD START PKG, 110V, DEUTZ.....235  
 COLD START PKG,110V,PERK.804T.....235  
 COLD WEATHER 120V J BOX ASSY.....237  
 COLD WEATHER 240V J BOX ASSY.....237  
 COLLAR,JOYSTICK,CENTER.....161  
 COLUMN,WHEEL DRIVE(107722).....51

- CONN PLUG 3 WAY ENDCAP DT.....237  
 CONN PLUG 4 WAY EXTEND DT.....45, 71-72, 113-114  
 CONN RECEPT,FLANGED.....69  
 CONN, 520120-6.....189, 191-192, 195, 197  
 CONN, 520120-8-6.....195  
 CONN, SAE#4-1/4" NPT.....239-240  
 CONN,0505-4-4,ORB.....273  
 CONN,520120-10-8.....191-192  
 CONN,520120-12-10.....249  
 CONN,520120-16.....191-192  
 CONN,520120-16 LONG.....191-192  
 CONN,520120-20.....191-192  
 CONN,520120-24.....191-192  
 CONN,520120-4\*\*\*.....105, 185-186, 189, 191-192, 197, 253  
 CONN,520120-4-6\*\*\*.....185-186, 189, 191-192, 197  
 CONN,520120-4-8.....249  
 CONN,520120-6-4.....191-192  
 CONN,520120-8\*\*\*.....185-186, 191-192, 195, 197, 247, 253  
 CONN,520120-8-10.....191-192, 253  
 CONN,520120-8-12.....185-186, 189, 197  
 CONN,BULKHEAD,520601-12.....195  
 CONN,BULKHEAD,520601-6.....185-186, 189  
 CONN,BULKHEAD,520601-8.....185-186, 195  
 CONN, LONG,520122-12\*\*\*.....247  
 CONN,PLUG 120 AC/15A DOMESTIC.....219, 221-222, 227, 237  
 CONN,PLUG 2 WAY,14-18GA.....237  
 CONN,PLUG 4 WAY,12-14GA.....219, 221-222, 225, 227, 229  
 CONN,RECEP 12 WAY,GRY FLANGE.....239-240  
 CONN,RECEP 120AC/15A DOMESTIC.....219, 222, 227  
 CONN,RECEP 2 WAY ENDCAP DT.....71-72, 135, 143, 237  
 CONN,RECEP 3 WAY ENDCAP DT.....237  
 CONN,RECEP 4 WAY ENDCAP DT.....71-72, 113-114, 133  
 CONN,RECEP 4 WAY,12-14GA.....83-84  
 CONN,RECEP 4 WAY,12-14GA FL\*\*\*.....69  
 CONN,SQUEEZE,1/2NPT .38-50,SM.....219, 221-222, 225, 227, 229  
 CONN,SQZ,BLK,1/2NPT .38-50,SM.....153  
 CONN. SQZ,1/2NPT .39-56 MED.....61-62, 219, 221-222, 225, 227, 229, 239-240  
 CONNECTOR, BREATHER HEATER.....105  
 CONNECTOR, DEUTZ FUEL SHUTOFF\*.....84  
 CONNECTOR, SAE10, QUICK CONN.....91  
 CONNECTOR,070120-4-8.....249  
 CONNECTOR,MATING,SX MODULE.....240  
 CONTACT ALARM WIRE ASSY, LARGE.....271  
 CONTACT, N.C.....65-66, 69  
 CONTACT,N.O.\*\*\*.....65-66, 69  
 CONTROL BOX COVER,LID,PTD.....201, 203  
 COOLANT,RECOVERY BOTTLE, 4 QT\*.....59, 109  
 COOLING SYSTEM RCP 854.....103  
 CORROSION INHIBITOR,FOAM.....69, 158  
 COUPLER,15 TOOTH,FBA,SAE8\*\*\*.....79-80, 89  
 COUPLER,INSERT.....239-240, 249  
 COUPLING (106113).....239-240  
 COUPLING, 28MM (106113).....239-240  
 COVER ASSY,TANK SIDE.....53  
 COVER SUPPORT,WELDMENT.....53, 55-56  
 COVER, FOOT SWITCH, LARGE.....153, 155  
 COVER, JBOX, BREAKER RETRO, W/O 110V GFI.....239-240  
 COVER, TURNABLE GEARS.....62, 217  
 COVER,ASSY, ENGINE SIDE.....55-56  
 COVER,BATTERY BOX\*\*\*.....62  
 COVER,BLANK.....153, 155, 219, 221-222, 225, 227, 229  
 COVER,BOOM SIDE\*\*\*.....113-114  
 COVER,CABLE TRACK,11 LINK.....209, 217  
 COVER,CABLE TRACK,15 LINK.....209, 217  
 COVER,CABLE TRACK,27 LINK.....209, 217  
 COVER,CONTROL BOX LEFT SIDE\*\*\*.....201, 203  
 COVER,CONTROL BOX RIGHT SIDE\*\*.....201, 203  
 COVER,FLYWHEEL CASTING.....79-80, 89  
 COVER,FRONT LEFT,Z135 SWING.....53  
 COVER,FRONT RIGHT,Z135 SWING.....55-56  
 COVER,GFCI,HORIZONTAL,WEATHER.....219, 221-222, 225, 227, 229, 239-240  
 COVER,GFCI,WEATHERPROOF.....153, 155  
 COVER,HOSE & CABLE, 100 INCH.....131  
 COVER,HOSE & CABLE, 70 INCH.....141  
 COVER,PRIMARY BOOM,PAINTED.....133  
 COVER,RISER SIDE HOLES.....207  
 COVER,SECONDARY RISER.....121  
 COVER,STEERING SENSOR.....51  
 COVER,TOP,PRIMARY EXT. PAINTED.....139  
 COVER,TURNABLE COVER ACCESS.....53  
 COVER,TURNTABLE,LEFT SIDE.....53  
 COVER,TURNTABLE,RIGHT SIDE.....56  
 COVER,WEATHERPROOF 3-PHASE.....243  
 CROSS BAR,ALUM,WITH HOLES.....125  
 CROSS BAR,ALUM,WITH PEM NUTS.....125  
 CUP HOLDER,PLASTIC.....153, 155  
 CUTTING DISC-3".....219  
 CYLINDER, AXLE EXTEND.....45  
 CYLINDER, STEER.....45  
 CYLINDER,BELLCRANK LEVELING.....141  
 CYLINDER,JIB EXTENSION.....145  
 CYLINDER,LIFT,JIB BOOM.....141  
 CYLINDER,PLATFORM LEVELING\*\*\*.....145  
 CYLINDER,PRIMARY BOOM EXTEND.....137  
 CYLINDER,PRIMARY BOOM LIFT.....131  
 CYLINDER,SECONDARY EXTEND #1.....123  
 CYLINDER,SECONDARY EXTEND #2.....123  
 CYLINDER,SECONDARY EXTEND #3.....123  
 CYLINDER,SECONDARY LIFT\*\*\*.....75
- ### D
- DECAL PLATE W/SYMBOL DECALS.....153  
 DECAL PLATE W/WORD DECALS.....153  
 DECAL, EMERGENCY LOWERING, ZX1.....29  
 DECAL, INSTR, MAX SIDE FRC, ZX.....23, 25  
 DECAL, INSTRUCTION, ACTUATOR SWITCH SOCKET.....271  
 DECAL, INSTRUCTION, CONTACT ALARM.....271  
 DECAL, INSTRUCTION, OPS.....23, 25, 39, 41  
 DECAL, LABEL, FUSE RELAY PANEL.....17  
 DECAL, LABEL, TRANSPORT DIAGRA.....15, 19, 31, 35  
 DECAL, LABEL, WHEEL LOAD ZX135.....15, 19, 31, 35  
 DECAL, LABEL, PCON, SUPER-X Z135.....23, 25, 39, 41  
 DECAL, POWER TO PLATFORM 230V\*\*.....13, 23, 25, 27, 29, 39, 41  
 DECAL, PROTECTIVE COVER, ZX135.....23, 25, 39, 41  
 DECAL, SERVICE RECOVERY SWITCH...13, 27, 29  
 DECAL, SYMB, MAX SIDE FRC, ZX1.....39, 41  
 DECAL, SYMB, SLOPE RATING, ZX1.....39, 41  
 DECAL, SYMBOL - READ THE MANUAL...27, 29, 39, 41  
 DECAL,ANNUAL INSP\*\*\*.....13  
 DECAL,ARROW BLUE.....19, 35  
 DECAL,ARROW YELLOW LRG 9".....15, 31  
 DECAL,BLACK,DECAL PLATE.....23, 25, 39, 41  
 DECAL,CAUTION,NO STEP.....15, 19, 31, 35  
 DECAL,CHEVRON RANDO HD.....13  
 DECAL,COSMETIC,GENIE.....269  
 DECAL,COSMETIC,GENIE ZX-135.....13, 27, 29  
 DECAL,COSMETIC,GENIE ZX-135/70.....21, 37  
 DECAL,DANGER DO NOT ALTER SWTC.....13, 21  
 DECAL,DANGER,BATTERY SAFETY\*\*\*.....13  
 DECAL,DANGER,ELEC.HAZ.STAY CLR.....27, 29, 33, 39, 41  
 DECAL,DANGER,ELECT HAZARD\*\*\*.....13, 17, 23, 25  
 DECAL,DANGER,HIGH VOLTAGE.....17, 23, 25, 239-240, 243  
 DECAL,DANGER,NO SMOKING.....17  
 DECAL,DANGER,TIP-OVER.....13  
 DECAL,DANGER,TIP-OVER,WELDER\*\*.....23, 25  
 DECAL,DANGER,TIPOVER,TILT 135\*.....23, 25  
 DECAL,DANGER/NOTICE,TIRE SPECS....15, 19  
 DECAL,DANGER/WARNING COMBO.....23, 25  
 DECAL,DIESEL.....17, 33  
 DECAL,ENGINE SPEC,DEUTZ,TD2011.....17  
 DECAL,EXPLOSION HAZARD.....17  
 DECAL,FIRE EXTINGUISHER.....23, 25  
 DECAL,FUNCTION OVERRIDE.....23, 25, 39, 41  
 DECAL,GROUND CONTROL,Z135.....13, 27, 29  
 DECAL,LABEL, AIR LINE 110 PSI.....13, 23, 25, 27, 29, 39, 41  
 DECAL,LABEL, ELECTRO HAZARD.....27, 29, 33  
 DECAL,LABEL,107 DB\*\*\*.....29  
 DECAL,LABEL,LIFTING EYE.....13, 17, 27, 29, 33  
 DECAL,LABEL,LOWER MIDRAIL...23, 25, 39, 41  
 DECAL,LABEL,MANUAL NOT HERE.....23, 25  
 DECAL,LABEL,NO SMOKING,SYMB.....33  
 DECAL,LABEL,OIL LEVEL IND.....13, 27, 29  
 DECAL,LABEL,PATENTS.....13  
 DECAL,LABEL,PETRO CANADA\*\*\*.....13  
 DECAL,LABEL,TIP OVER LMT SWTCH.....27, 29, 37  
 DECAL,LABEL,TIPOVER,TILT AL SY.....39, 41  
 DECAL,LABEL,TIPOVER,TIRES,SYMB.....31, 35  
 DECAL,LABEL,TRADEMARKS,Z135.....13



## Part Description Index (continued)

DECAL,LABEL,TRANSPORT TIEDOWN*..15, 19, 31, 35	ENCLOSURE,FG ELEC.,STOCK,7X5X4..219, 221-222, 225, 227	FITTING,REDUCER,520123-12-8***.....253
DECAL,LABEL,UCON HYDROLUBE.....13	ENCLOSURE,GENERATOR BOX.....229	FITTING,STR,1/2 HS X 3/4-16,JI.....91
DECAL,LANYARD ANCHORAGE POINT...23, 25, 39, 41, 267	END STOP,TRACK,FALL ARREST BAR.....267	FITTING,TEE,BRANCH,520433-4.....273
DECAL,LOW/ULTRA LOW SULFR FUEL.....17	ENGINE KIT, DEUTZ TD 2.9.....87	FITTING,TEE,RUN,SWIVEL520432-4.....191-192
D E C A L , M E M B R A N E , G R O U N D CONTROL.....13, 27, 29, 65-66, 69, 77	ENGINE MOUNT PERKINS 854.....109	FITTING,TEE,RUN,SWIVEL520432-8.....253
DECAL,NOTICE,PERKINS ENGINE 11.....17	EXHAUST PIPE 854 PERKINS.....107	FITTING,TEE,RUN,SWIVEL52043212.....247, 253
DECAL,NOTICE,START/CONTRL BATT.....17	EXHAUST PIPE GASKET.....79-80	FIXED END, BRACKET KIT.....125
DECAL,OPER INST, GROUND CONT.....13	EXHAUST PIPE, 2.9L DEUTZ.....91	FLEX PIPE,EXHAUST,2.5" DIA.....79-80
DECAL,POWER TO PLATFORM 115V.....13, 23, 25, 27, 29, 39, 41		FLOORING, 6'FT PLATFORM.....153
DECAL,SOLID TIRE,445/65D22.5.....15, 19		FLOORING, 6FT PLAT,SIDE.....155
DECAL,SYMBOL-BATTERY SAFETY.....27, 29		FLOORING, 8 FT PLATFORM***.....155
DECAL,SYMBOL-COMP ACCESS.....31, 35		FLOORING,8 FT PLATFORM**.....153
DECAL,SYMBOL-READ THE MANUAL.....269		FLYWHEEL, COUPLER 15 TOOTH SAE 10.....95, 107
DECAL,TIP-OVER,CRUSH.....39, 41		FOAM PAD, 3" OD X 1.25" ID,STR.....201
DECAL,TRACK,FALL ARREST BAR,SYMBOL.....267		FOAM,AIRCRAFT PROTECTION.....259
DECAL,TRACK,FALL ARREST BAR,WORD.....267		FORM., Z135 COVER MT.....53, 55-56
DECAL,TRACK,FALL ARREST BAR,WORD FR.....267		FORMING BOTTOM MOUNT.....103
DECAL,TRIANGLE,BLUE.....15, 19, 31, 35		FORMING DRIVE LIGHTS.....265
DECAL,TRIANGLE,YELLOW.....15, 19, 31, 35		FORMING ENGINE MOUNT.....109
DECAL,WARN,ELECTRO HAZARD.....13, 17		FORMING FAN GUARD.....103
DECAL,WARN,IMPROPER OPERATION...23, 25		FORMING FAN SHROUD RCP.....87
DECAL,WARN.WELD LINE INST.WORD....13, 23, 25		FORMING FAN SHROUD RCP 2.9T.....87
DECAL,WARNING,PANEL CRADLE.....23, 25		FORMING FAN SHROUD RCP 854.....103
D E C A L , W A R N I N G , P I P E CRADLE,BOOM.....23, 25		FORMING FUEL FILTER DEUTZ.....91
DECAL,WARNING-COMPART ACCESS.....15, 19		FORMING RADIATOR BOTTOM MOUNT RCP.....87
DECAL,WORD, SLOPE RATING, ZX13.....23, 25		FORMING RADIATOR SIDE MOUNT...87, 103
Deutz TD 2.9L4 Models.....11		FORMING RADIATOR SUPPORT.....103
Deutz TD2011-L04i Models.....11		FORMING, BATTERY CABLE GUIDE.....93, 95, 101
DIODE,6 AMP,200 PIV,BULK.....84		FORMING, BATTERY CABLE MOUNT.....93, 95, 101
DIPSTICK,OIL,PERKINS 1104C-44T.....97-98		FORMING, CHARGE FILTER MOUNT.....89, 97-98, 105
DIPSTICK-F3L1011F (DEUTZ).....83-84		FORMING, COVER LOCK BAR.....47, 49
DRIVE COUPLING, 13 TOOTH.....249		FORMING, COVER STOP.....89, 105
DRIVE COUPLING,KEYED.....249		FORMING, ECM MOUNTNG.....109
		FORMING, ENGINE HARNESS SUPPORT.....91
		FORMING, FILTER BRACKET.....139
		FORMING, GEN MANIFOLD MOUNT.....251
		FORMING, GENERATOR MOUNT.....225, 229
		FORMING, HEAT SHIELD, 1104D-44.....95
		FORMING, HOSE BRACKET, AXLE 1.....51
		FORMING, HOSE BRACKET, AXLE 2.....51
		FORMING, HOSE CLAMP COVER.....49
		FORMING, HYD TUBE COVER, AXLE.....49
		FORMING, HYD. GEN. MOUNT.....251
		FORMING, OPA CAGE.....269
		FORMING, OPA CAP.....269
		FORMING, OPA, BRACKET.....269
		FORMING, PINION GUARD.....62, 217
		FORMING, PRECLEANER.....215
		FORMING, PREFILTER BRACKET.....213
		FORMING, ROLLER #2, PAINTED.....117
		FORMING, ROLLER #3, PAINTED.....119
		FORMING, SENSOR HOLDER.....271
		FORMING, SOLENOID MOUNT***.....84
		FORMING, WIRE LOOM SUPPORT.....107, 109
		FORMING,8.5' MUFFLER MOUNT.....79-80, 97-98
		FORMING,AIR CLEANER MOUNT PNTD..79-80
		FORMING,BATTERY BOX,MOUNT.....62
		FORMING,BATTERY CABLE,STARTER.....95

## F

FAN - VENTED.....61-62	FAN BELT, ALTERNATOR.....11, 87
FAN DRIVE HOUSING.....95	FAN SPACER,4",DEUTZ 2.9L.....91
FAN SPACER,DEUTZ 2.9L.....91	FAN SPACER,PERKINS,1.5".....95
FAN,10 BLADE,17",DEUTZ 2.9L.....91	FAN,10 BLADE,17",PERKINS.....107
FAN,PULLER,PERKINS,1004-42.....95	FEMALE BULKHEAD CONNECTOR-8.....263
FIELD KIT,LCD HEATER,Z80 Z135.....65-66, 69	FILLER NECK/CAP ASSY.HYD TANK*.....62
FILTER / FUEL / SPIN-ON.....11, 83-84	FILTER ASSY,HIGH PRESS SAE-12*.....61-62, 139
FILTER ASSY,SAE 12 NO INDICAT*.....61-62	FILTER ASY,M PRESS,SAE8,WOIND* (77139).....84, 89, 97-98, 105
FILTER ELEMENT, 10 MICRON.....61-62	FILTER ELEMENT,10 MICRON.....11, 61-62
Filter Element,10 MICRON.....11	FILTER HEAD (29560).....83-84
FILTER HEAD (29560).....83-84	FILTER, DEUTZ 2.9, FUEL.....11
FILTER, DEUTZ 2.9, FUEL.....11	FILTER,AIR CLEANER,SUPERBOOM.....11, 83-84, 101, 105
FILTER,AIR CLEANER,SUPERBOOM.....11, 83-84, 101, 105	FILTER,AIR***.....11, 89
FILTER,AIR***.....11, 89	FILTER,ELEMENT,30 MIC,75020.....11, 97-98
FILTER,ELEMENT,30 MIC,75020.....11, 97-98	FILTER,ELEMENT,BETA(10)=1000.....62
FILTER,ELEMENT,BETA(10)=1000.....62	FILTER,ELEMENT,BETA(5)=1000.....11, 61-62, 84, 89, 97-98, 105, 139
FILTER,ELEMENT,BETA(5)=1000.....11, 61-62, 84, 89, 97-98, 105, 139	FILTER,FUEL, PERKINS 1104C.....11, 95
FILTER,FUEL, PERKINS 1104C.....11, 95	FILTER,FUEL/WTR SEP, DTZ 1008.....11
FILTER,FUEL/WTR SEP, DTZ 1008.....11	FILTER,OIL,854E-E34TA.....11, 107
FILTER,OIL,854E-E34TA.....11, 107	FILTER,OIL,DEUTZ F4L1011F.....11, 83-84, 91
FILTER,OIL,DEUTZ F4L1011F.....11, 83-84, 91	FILTER,OIL,DEUTZ,REPLACEMENT.....84
FILTER,OIL,DEUTZ,REPLACEMENT.....84	FILTER,OIL,PERKINS 1104C-44.....11, 95
FILTER,OIL,PERKINS 1104C-44.....11, 95	FILTER,RETURN,10 MICRON,PAPER.....62
FILTER,RETURN,10 MICRON,PAPER.....62	FIRE EXTINGUISHER.....245
FIRE EXTINGUISHER.....245	FIRE SLEEVE, 1.25".....245
FIRE SLEEVE, 1.25".....245	FIRE SLEEVE, 2.0".....245
FIRE SLEEVE, 2.0".....245	FITTING,3/8 NPT TO 1/2 BARB.....91
FITTING,3/8 NPT TO 1/2 BARB.....91	FITTING,BULKHEAD,3/8NPT,FUELTK.....56
FITTING,BULKHEAD,3/8NPT,FUELTK.....56	FITTING,CONN,16MM-6MJ.....91
FITTING,CONN,16MM-6MJ.....91	FITTING,CONN,16MM-8MJ.....91
FITTING,CONN,16MM-8MJ.....91	FITTING,CONN,520120-12***...185-186, 189, 191-192, 195, 247, 253
FITTING,CONN,520120-12***...185-186, 189, 191-192, 195, 247, 253	FITTING,ELBOW,45D,520320-12***.....185-186, 191-192, 195, 247
FITTING,ELBOW,45D,520320-12***.....185-186, 191-192, 195, 247	FITTING,ELBOW,45D,520320-4-6**...191-192
FITTING,ELBOW,45D,520320-4-6**...191-192	FITTING,ELBOW,6GS-6FJX90S.....91
FITTING,ELBOW,6GS-6FJX90S.....91	FITTING,ELBOW,8GS-8FJX90S.....91
FITTING,ELBOW,8GS-8FJX90S.....91	FITTING,ELBOW,90D,520220-12.....191-192, 195
FITTING,ELBOW,90D,520220-12.....191-192, 195	FITTING,ELBOW,90D,520220-8***.....89, 105, 191-192, 253
FITTING,ELBOW,90D,520220-8***.....89, 105, 191-192, 253	FITTING,ORIFICE,.047.....239-240, 249
FITTING,ORIFICE,.047.....239-240, 249	

## E

E-COIL WASHER,#8,DUAL COIL.....171, 173, 181, 183
ECM,854E-E34TA.....109
EDC ASSY,SAUER M46***.....199
ELBOW,070220-4-4.....249
ELBOW,45 DEG,INLET.....89, 101, 105
ELBOW,45D,520320-12-16.....191-192, 247
ELBOW,45D,520320-20.....191-192
ELBOW,45D,520320-4.....89, 197, 273
ELBOW,45D,520320-8.....185-186, 189, 191-192, 195, 197
ELBOW,90D, 070202-4.....47
ELBOW,90D,520220-4-4.....89, 191-192, 197, 273
ELBOW,90D,520220-4-6***.....185-186, 189
ELBOW,90D,520220-8-12.....197, 247
ELBOW,90D,LONG,521520-4.....197
ELBOW,AIR INTAKE,RUBBER.....79-80
ELBOW,SWIVEL NUT 90DEG,-4.....249
ELEMENT-5 MIC, PAPER, W/ BYPASS.....84, 89, 97-98, 105



## Part Description Index (continued)

- HOSE ASSY,1/2,45 FEM,STR FEM\*\*.....185-186  
 HOSE ASSY,1/2,90 FEM,STR FEM.....253  
 HOSE ASSY,1/2,90 FEM,STR FEM\*\*.....192  
 HOSE ASSY,1/2,STR FEM STR FEM.....195, 197, 253  
 HOSE ASSY,1/2,STR FEM STR MALE.....185-186, 197  
 HOSE ASSY,1/2,STR FEM,STR FEM.....185-186, 189, 191-192, 195, 197  
 HOSE ASSY,1/2,STR FEM,STR FEM\*.....191-192  
 HOSE ASSY,1/4" STR FEM STR FEM.....185-186, 189  
 HOSE ASSY,1/4",STR FEM,STR FEM.....47  
 HOSE ASSY,1/4,45 FEM,STR FEM.....197  
 HOSE ASSY,1/4,90 FEM,STR FEM.....197, 253  
 HOSE ASSY,1/4,90D FEM/STR FEM.....185-186  
 HOSE ASSY,1/4,STR.....273  
 HOSE ASSY,1/4,STR FEM,STR FEM.....191-192, 197  
 HOSE ASSY,1/4,STR FEM,STR FEM\*.....191-192  
 HOSE ASSY,1/4,STR FEM,STR MAL.....191-192  
 HOSE ASSY,1/4,STR FEM,STR FEM.....191-192  
 HOSE ASSY,2",90D FEM STR FEM...191-192  
 HOSE ASSY,3/4" STR-STR.....247  
 HOSE ASSY,3/4,45 FEM,STR FEM.....185-186, 195  
 HOSE ASSY,3/4,90 FEM,STR FEM.....185-186, 191-192, 247  
 HOSE ASSY,3/4,90 FEM,STR FEM\*\*.....191-192  
 HOSE ASSY,3/4,90D FEM STR FEM.....195  
 HOSE ASSY,3/4,STR FEM STR FEM.....195  
 HOSE ASSY,3/4,STR FEM,STR FEM.....189, 191-192  
 HOSE ASSY,3/8"STR FEM, STR FEM.....195  
 HOSE ASSY,3/8"STR FEM,STR FEM.....195  
 HOSE ASSY,3/8,45 FEM,STR FEM.....197  
 HOSE ASSY,AIRLINE TO PLAT Z135.....263  
 HOSE ASSY,1/4",45,FEM STR FEM.....185-186, 189  
 HOSE END,BARB,3/8 MNPT X 5/16.....56  
 HOSE END,BARBED,RIGID,-6-6.....56, 91  
 HOSE, 20R4, LOWER.....87  
 HOSE, 20R4, UPPER.....87  
 HOSE, DEGAS RETURN, 22MM ID.....87  
 HOSE, FUEL, 1/2, GATES RLA 24".....91  
 HOSE, FUEL, 1/2, GATES RLA 27".....91  
 HOSE, RADIATOR LOWER.....103  
 HOSE, RADIATOR UPPER.....103  
 HOSE,5/16 FUEL,SAE 30R7.....109  
 HOSE,FUEL,3/8,GATES RLA 57".....91  
 HOSE,FUEL,3/8,GATES RLA 60".....91  
 HOSE,HEATER,3/8" 14".....87  
 HOSE,REDUCER,TURBO INLET,DEUTZ.....89  
 HOSE,RUBBER 3"ID X .25 BLACK.....89, 101, 105, 213  
 HOSE,RUBBER 3"ID X .25 X 11.5".....213  
 HOSE,RUBBER 3"ID X .25 X 8" BLACK...105, 215  
 HUB SUPPORT,WHEEL DRIVE(107722).....51  
 HUB, WHEEL COVER,Z135 (106756).....51  
 HUBBLE NUT, PG11.....237  
 HYD TUBE, BRAKE 2SP, AXLE 1.....185-186  
 HYD TUBE, BRAKE 2SP, AXLE 2.....185-186  
 HYD TUBE, DRIVE A B, AXLE 1.....185-186  
 HYD TUBE, DRIVE CASE, AXLE 1.....185-186  
 HYD TUBE, DRIVE CASE, AXLE 2.....185-186  
 HYD TUBE, STEER.....189  
 HYDRAULIC SWIVEL SUPPORT.....71-72
- I**
- INLET REDUCER,TD 2011L04I.....80  
 INSTRN, TRC RETROFIT,ALC1000ML.....77  
 INSTRUCTIONS-PIPE CRADLE,BOOMS...205  
 ISOLATOR ASSY RCP RADIATOR.....87, 103  
 ISOLATOR, ENGINE VIBRATION.....93, 101  
 ISOLATOR, M10-1.50, 5/8" HIGH.....87, 103  
 ISOLATOR, VIBRATION DAMPENR.....87, 103, 109  
 ISOLATOR,CENTER BONDED.....101  
 ISOLATOR,ENGINE VIBRATION.....79-80, 83-84, 109  
 ISOLATOR,FLEX-BOLT SANDWICH\*\*\*.....101
- J**
- J-BOX,CIRCUIT BREAKERS, 10X8....239-240  
 Jib Boom Bellcrank.....141  
 JIB EXT.TUBE W/DECAL.....147  
 JIB EXTENSION TUBE ASSEMBLY.....147  
 JIB PRIMARY TUBE ASSEMBLY\*\*\*.....141, 147  
 JOYSTICK,1 AXIS ROCKER,DEUTSCH.....161  
 JOYSTICK,1 AXIS,DEUTSCH.....157-158, 161  
 JOYSTICK,2 AXIS,DEUTSCH.....157-158, 161  
 JOYSTICK,2 AXIS,ROCKER,DEUTSCH...157-158, 161  
 JOYSTICK,DUAL AXIS W/KNOB.....157-158, 161  
 JOYSTICK,DUAL AXIS W/STEER.....157-158, 161  
 JOYSTICK,SINGLE AXIS W/KNOB...157-158, 161  
 JOYSTICK,SINGLE AXIS W/STEER.....161
- K**
- KEEPER,LATCH (45363).....55-56  
 KEY,LATCH, 1 PAIR (28125).....47, 49  
 KEYSWITCH, LOCKING, 3 POS, W/KEY...65-66, 69  
 KEYSWITCH,3 POS.MOM.DR,W/KEY\*\*.....65-66, 69  
 KEYSWITCH,3POS.MNTND.DR WKEY\*\*...65-66, 69  
 KEYSWITCH,CONTACTS LOCK.....65-66, 69  
 KEYSWITCH,DUMMY BLOCK.....65-66, 69  
 KIT, BATT SEPARATOR, ANSI/CSA.....59  
 KIT, BATT SEPARATOR, AS.....59  
 KIT, BATT SEPARATOR, CE.....59  
 KIT, BRAKE SPRING.....61-62  
 KIT, CABLE GUIDE.....151  
 KIT, ELECTRIC SWIVEL, 10 CONTA.....72  
 KIT, FRICTION DISC.....61-62  
 KIT, HEAT GUARD, DEUTZ STARTER.....79-80  
 KIT, ISOLATION, 4 JOYSTICK.....161  
 KIT, JIB FILTRATION.....139, 197  
 KIT, LIFT GUARD CONTACT ALARM,6'-8' PLATFORM,ALC1000.....271  
 KIT, LIFT GUARD CONTACT ALARM,6'-8' PLATFORM,NON-ALC1000.....271  
 KIT, OPA WELDER BRACKET.....269  
 KIT, PERKINS 854TF TIER IV.....103
- KIT, PRESSURE SWITCH, GENERATOR.....239-240  
 KIT, RETROFIT, WELDGEN, MAGBREAKER Z135.....239-240  
 KIT, SWING BRAKE REBUILD.....61-62  
 KIT, SX/ZX AXLE ANGLE SENSOR.....47  
 KIT, SX/ZX LF/RR YOKE HOSE.....185-186  
 KIT, SX/ZX RF/LR YOKE HOSE.....185-186  
 KIT, TRC RETROFIT,ALC1000ML.....77  
 KIT,ANNUAL INSPECTION,Z135.....11  
 KIT,BRAKE SPRING\*\*\*.....61-62  
 KIT,FRICTION DISC\*\*\*.....61-62  
 KIT,PANEL CRADLE,CE.....201  
 KIT,PIN & RING\*\*\*.....125, 135  
 KIT,PRECLEANER DEUTZ\*\*\*.....83-84, 105, 213  
 KIT,PRIMER BULB.....83-84  
 KIT,PUMP CONTROL,PISTON.....199  
 KIT,SERVICE PART RISER CARRIER.....125  
 KIT,SERVICE,SOLENOID MODULE.....83-84  
 KIT,SWING BRAKE REBUILD\*\*\*.....61-62  
 KIT,WELD LEADS ASSY,V275S.....243, 245  
 KNOB,JOYSTICK, 62390/62391.....161  
 KNOB,ROCKER JOYSTICK 75565.....161
- L**
- LANYARD,PLATFORM CONTROL BOX.....158  
 LATCH, SWING GATE.....155  
 LATCH,FLEXIBLE DRAW W/O KEEPER...53, 55-56, 93, 97-98  
 LATCH,FLUSH CUP LEFT HAND.....47, 49  
 LATCH,PANEL.....53  
 LATCH,SLIDE, FLUSH MOUNT STYLE.....201, 203  
 LENS,LCD,GRND.CONTROL.....65-66, 69  
 LEVER ASSEMBLY,PRIMARY BOOM.....131  
 LEVER, GOVERNOR ACTUATOR.....83-84  
 LID ENCLOSURE,RED,OPA.....269  
 LID, GROUND CONTROL BOX.....65-66  
 LID, PLAT BOX, 4 JOYSTICK, SX.....158  
 LID,GROUND CONTROL,Z135.....65-66, 69  
 LIFT PUMP,FUEL,DEUTZ.....91  
 LIGHT, 12 VOLT.....201  
 LIGHT, LED WHITE 12V.....265  
 LIMIT SW.TAB,BLUE METAL.....45  
 LIMIT SWITCH ACTUATOR BLOCK.....45  
 LINK ASSEMBLY,PRIMARY BOOM.....131  
 LOAD SUPPORT W/BEARINGS.....233  
 LOCK,PLUG 4 WAY,12-14GA.....219, 221-222, 225, 227, 229  
 LOCK,PLUG 4 WAY,14-18GA.....71-72, 113-114  
 LOCK,RECEP 2 WAY, 14-18GA....71-72, 135, 143  
 LOCK,RECEP 4 WAY,12-14GA.....83-84  
 LOCK,RECEP 4 WAY,14-18GA.....71-72, 113-114, 133  
 LOCKNUT,ELEC,1/2".....240  
 LOCKNUT,ELECTRIC,1" NPT.....239-240  
 LS ACTUATOR BLOCK SEAL KIT.....45
- M**
- MACHINED, ANGLE SENSOR HOLDER.....113-114, 133, 141  
 MACHINED, ANGLE SENSOR RACE.....113-114, 133, 141  
 MACHINED, BELL CR SEN. BASE.....141  
 MACHINED, LOWER CAP, AXL PIN.....47, 49



- MACHINED, PRIMARY SENSOR BASE.....133  
MACHINED, SECONDARY SEN. BASE.....113-114  
MACHINED, SENSOR ARM.....113-114, 133, 141  
MACHINED, SWIVEL ANTI-ROTATION.....72  
MACHINED, SWIVEL MOUNTING.....72  
MACHINED, TOP CAP, AXL PIN.....47  
MACHINED, TOP CAP, AXLE PIN.....47, 49  
MAGNET, 1/4-20, 15 LB.....271  
MALE PIPE THD, 1/4" SER, 3/8"X18.....263  
MANIFOLD, FUNCTION, ZX135.....175-176  
MANIFOLD, DRIVE OIL DIVERTER.....239-240  
MANIFOLD, GENERATOR.....251  
MANIFOLD, JIB.....171  
MANIFOLD, PLATFORM.....181, 183  
MANIFOLD, ROTATOR, CB\*\*\* .....179  
MANIFOLD, STEER/AXLE, X CHASSIS.....167-168  
MANIFOLD, STEER/AXLE, ZX/SX.....165  
MANIFOLD, ZX135 JIB.....173  
MANUAL BOX MOUNT W/WORD DECALS.....153  
MANUAL BOX W/DECALS\*\*\* .....153  
MANUAL, AEM SAFETY.....11  
MANUAL, RESPON, A92.5 BOOM.....11  
MESH, HALF, SWING GATE\*\*\* .....201  
MODULE, PLUS+1, CONTACT ALARM.....271  
MODULE, SCON, ZX135 V4.02.....62  
MODULE, CONTROL UNIT, PCB, OPA.....269  
MODULE, DCON.....47  
MODULE, SCON, PROGRAMMED.....62  
MODULE, SX CONTROLLER, LOW AMP....240  
MODULE, TIME DELAY ON BREAK 4S.....240  
MOTOR MOUNT.....249  
MOTOR, HYD 12.5KW GEN, 21CC\*\*\* .....239-240  
MOTOR, HYD, 25CC FIXED\*\*\* .....239-240  
MOTOR, PISTON, 2 SPEED, 25CC.....51  
MOTOR, PISTON, 2 SPEED, 45CC.....51  
MOUNT COVER.....249  
MOUNT, ENGINE, LEFT SIDE.....93  
MOUNT, PANEL, PAINTED.....53  
MOUNT, PERKINS 1104 LF PAINTED.....101  
MOUNT, PERKINS 1104 RH PAINTED.....101  
MOUNT, SWITCH.....233  
MOUNTING BAND, AIR CLEANER.....83-84, 89, 101, 105  
MOVING END, BRACKET KIT.....125  
MPT, CPLR, 1/4"SER, 3/8"X18.....263  
MUFFLER, 2.5"INLET/OUTLET.....79-80, 97-98  
MUFFLER, CATALYTIC, 2.5 I/O.....79-80
- N**
- NIPPLE, DIAGNOSTIC, #4.....197  
NIPPLE, DIAGNOSTIC, #6 PORT\*\*\* .....185-186, 189, 191-192, 197  
NIPPLE, DIAGNOSTIC, FML, 7/16-20.....273  
NIPPLE, DIAGNOSTIC, ORFS, FM, SWIV.....97-98, 191-192, 273  
NITRIDED, YOKE PIN LOCK.....51  
NUT - PLASTIC, RING FOR ALARMS.....69, 157-158  
NUT HEX M5-0.8 CLASS 8 ZINC.....157-158  
NUT, LP NYLOCK, 3/8-16...113-114, 123, 145  
NUT, TL JAM, 3/8-16, A, ZAG.....113-114, 125, 145  
NUT, TL, 10-24, A, ZAG.....97-98  
NUT, 1/4-20, 8, ZAG.....261, 271  
NUT, 3/8-16, 8, ZAG.....71-72, 261  
NUT, BULKHEAD, ORFS-4.....97-98  
NUT, COIL (107745).....165, 167-168, 175-176  
NUT, COIL (107746).....175-176  
NUT, FAN BLADE, PERKINS 1004-42.....95  
NUT, FLG, M5-0.8, DIN6923, 8, ZAB.....47, 49, 91  
NUT, FLG, M8-1.25.....97-98  
NUT, HEX M10-1.5.....221-222  
NUT, HEX, 5/16-18, GR5.....151, 240  
NUT, HEX, M8, PLASTIC.....257, 259  
NUT, LP NYLOCK, 1/4-20.....201, 240, 257  
NUT, LUG, 3/4-16 X 7/8 RADIUS.....43, 51  
NUT, LUG, 3/4-16 X 7/8 RADIUS, ZA.....43, 51  
NUT, M10-1.5, DIN934, 10, ZAB.....221-222  
NUT, M4 NYLOCK.....269  
NUT, M6-1.0, DIN934, 10, ZAB.....265  
NUT, NYLOCK FLG, 1/4-20, F, ZAG.....205, 271  
NUT, NYLOCK FLG, 3/8-16, F, ZAG.....205, 267, 271  
NUT, NYLOCK, 1-8.....151  
NUT, NYLOCK, 1/2-13.....53, 71-72, 239-240, 251  
NUT, NYLOCK, 1/4-20.....53, 55-56, 59, 62, 83-84, 113-114, 123, 127, 129, 131, 133, 135, 139, 141, 143, 151, 153, 213, 233, 240, 257  
NUT, NYLOCK, 10-24.....97-98, 233  
NUT, NYLOCK, 10-32.....53, 55-56, 59, 65-66, 71-72, 113-114, 125, 135, 143, 153, 157-158, 219, 221-222, 240  
NUT, NYLOCK, 10-32, A, ZAG.....271  
NUT, NYLOCK, 3/8-16.....55-56, 61-62, 71-72, 79-80, 83-84, 101, 113-114, 117, 119, 121, 123, 127, 129, 131, 135, 139, 141, 143, 145, 149, 153, 217, 219, 221-222, 233, 239-240, 243, 251, 255, 257  
NUT, NYLOCK, 5/16-18.....62, 219, 221-222, 239-240, 243  
NUT, NYLOCK, 5/8-11.....79-80, 83-84, 101  
NUT, NYLOCK, 6-32.....65-66, 69, 157-158, 239-240, 271  
NUT, NYLOCK, 8-32.....69  
NUT, NYLOCK, M12, DIN985, G10, YZ.....51  
NUT, NYLOCK, M12X1.75.....45  
NUT, NYLOCK, M4X.70.....47, 49  
NUT, NYLOCK, M6X1.00.....101  
NUT, SOLENOID.....239-240  
NUT, SOLENOID VALVE 2P3W.....175-176  
NUT, SOLENOID VALVE COIL.....165, 167-168  
NUT, TL FLG, 1/2-13, G, ZAG.....53, 71-72, 79-80, 97-98, 239-240, 251, 267  
NUT, TL FLG, 1/4-20, G, ZAG.....53, 55-56, 59, 91, 105, 109, 113-114, 123, 127, 129, 131, 135, 139, 141, 143, 151, 155, 203, 213, 233, 240, 245, 259, 269  
NUT, TL FLG, 10-24, F, ZAG.....155  
NUT, TL FLG, 10-32, F, ZAG.....53, 55-56, 59, 65-66, 71-72, 113-114, 125, 135, 143, 219, 221-222, 233, 237, 240, 265  
NUT, TL FLG, 3/8-16, G, ZAG.....55-56, 61-62, 91, 101, 113-114, 117, 119, 121, 123, 127, 129, 131, 135, 139, 141, 143, 145, 149, 155, 217, 219, 221-222, 225, 227, 229, 233, 245, 251, 259, 263, 269  
NUT, TL FLG, 5/16-18, G, ZAG.....62, 203, 205, 219, 221-222, 239-240, 245, 265  
NUT, TL FLG, 7/16-14, G, ZAG.....225, 227, 229  
NUT, TL FLG, 8-32, F, ZAG.....69  
NUT, TL FLG, M10-1.5, DIN6927, 10, ZAB.....87, 89, 91, 93, 95, 97-98, 101, 103, 105, 109, 213, 215  
NUT, TL FLG, M6-1.0, DIN6927, 10, ZAB.....45, 47, 49, 89, 93, 97-98, 101, 105, 109  
NUT, TL FLG, M8-1.25, DIN6927, 10, ZAB.....45, 47, 49, 89, 97-98, 105, 107  
NUT, TL JAM, 1/4-20, A, ZAG.....201, 203  
NUT, TL, 1-8, C, ZAG.....151  
NUT, TL, 1/4-20, C, ZAG.....83-84  
NUT, TL, 10-32, A, ZAG.....225, 227, 229  
NUT, TL, 3/8-16, C, ZAG.....79-80, 83-84  
NUT, TL, 5/8-11, C, ZAG.....83-84  
NUT, TL, 6-32, A, ZAG.....65-66, 69, 239-240  
NUT, TL, 8-32, A, ZAG.....225, 227, 229  
NUT, TL, FLG, 5/8-11, G, ZAG.....79-80, 93, 101, 109  
NUT, TL, FLG, M16-2.0, DIN6927, 10, ZAB.....87, 103  
NUT, TL, M12-1.75, DIN980, 10, ZAB.....51  
NUT, TL, M14-2.0, DIN980, 10, ZAB.....45  
NUT, TOP LOCK, 1/2-13.....79-80, 97-98  
NUT-COIL SHORT.....171, 173, 181, 183
- O**
- O-RING KIT (ORFS FITTINGS).....11  
O-RING KIT, FIELD SVC, ALL PROD\*.....11  
O-RING, ROTATOR MANIFOLD.....179  
O-RING, WHEEL COVER (237233).....51  
O-RING, 2-010, VITON.....51  
O-RING, 2-044 BUNA\*\*\* .....199  
O-RING, 2-157, VITON\*\*\* .....51  
O-RING, FILTER ASSY (60334)\*\*\* .....61-62, 97-98, 105  
O-RING, MOTOR/BRAKE\*\*\* .....61-62  
O-RING, ORFS, -10.....175-176  
O-RING, SPACER #115\*\*\* .....251  
OIL COOLER W/FAN, 12VDC.....61-62  
OIL PAN HEATER, DEUTZ, 120V, 150W.....235  
OPT, KEY SWITCH, RETAINED.....65-66, 69  
OPT, PRECLEANER, PERKINS XS180RJ.....213  
ORIFICE DISC, .030, CONE.....239-240  
ORIFICE DISC, .040".....171, 173  
ORIFICE, PLUG 0.030.....163  
OUTLET, 110V...153, 155, 219, 221-222, 225, 227, 229
- P**
- P CLAMP CUSH.....103  
PADDING, FOAM, 15.5".....259  
PADDING, FOAM, 46.5".....259  
PADDING, FOAM 3.5"OD X 1.50"ID.....257, 259  
PADDING, FOAM, 3.0"X1.50ID 90DEG.....257, 259  
PAINT, AEROSOL, TRAFFIC BLACK.....11  
PAINT, AEROSOL, BRIGHT BLUE\*\*\* .....11  
PAINT, AEROSOL, GENIE GRAY\*\*\* .....11  
PAINT, WET, GENIE BLUE (1 GL)\*\* .....11  
PAINT, WET, GENIE GRAY (1 GL)\*\* .....11  
PAINT, WET, TRAFFIC BLACK (1 GL)\*\* .....11  
PANEL, ENCLOSURE, LINCO WELDER.....239-240  
PANEL, HALF MESH.....205  
PARKER DIGITAL PRESSURE GAUGE.....11  
PCB, ECM, ALC1000 Z135/SPX PLA.....158  
PCB, LED/TOGGLE SWITCH, ALC100.....158  
PCB, ASSY, ECM, CAN GATEWAY, Z135.....65-66, 69

## Part Description Index (continued)

PCB,ASSY,ECM,GROUND,PGMD,V4.01.....65-66, 69	PLATE,PLAT.CONTROL BOX SPACER.....153, 155	PULLY, GNRTR,220V,50HZ(89908).....219, 221-222, 225, 227, 229
PCB,ASSY,LCD,GROUND.....65-66	PLATE,PUMP MOUNT.....95, 107	PULLY,GNRTR,120V,60HZ(60707)....219, 221-222, 225, 227, 229
Perkins 1104D-44T Models.....11	PLATE,PUMP STRUT.....98	PUMP ASSY,AUX.POWER UNIT 89617.....62
Perkins 854F-E34T Models.....11	PLATE,RADIATOR,STRUT.....101	PUMP,FUEL 2011 DEUTZ ***.....83-84
PERKINS_BREATHER_HEATER.....105	PLATE,REINF.CLAMP STACK,PTD.....135, 143	PUMP,FUEL INJ,DEUTZ BF4L20.....79-80
PIN, 35MM X 105MM, 1 HOLE.....45	PLATE,RELAY MOUNT.....59	PUMP,FUNCTION,45CC.....199
PIN, 50MM DIA X 119MM L, 1HOLE.....45	PLATE,RETAINER PIN.....75	PUMP,LIFT,PISTON,45CC.....199
PIN, 50MM DIA X 140MM, 1HOLE.....45	PLATE,WEARPAD MOUNT.....114, 117, 119	PUMP,PISTON,46CC,B MOUNT,13T**.....199
PIN, 80MM X 780MM, AXLE.....47, 49	PLATE,WEARPAD MOUNT,LH.....117, 119, 121	
PIN, KING, AXLE, BOTTOM.....51	PLATE,WIPER BACKING #1 TO #2.....207	
PIN, KING, AXLE, TOP.....51	PLATE,WIPER BACKING #2 TO #3.....207	
PIN,0.75DIAX5.75LG,CHAMFER.....233	PLATE,WIPER BACKING #3TO#4 PTD.....207	
PIN,1.25DIAX15.63LG,CHAMFER.....55-56	PLATE,WIPER BACKING PRI.EX.T.P.....209	
PIN,1.25DIAX5.25LG,1HOLE.....145, 149	PLATFM ASSY COMP,6FT,ASIA/S.AM.....153	
PIN,1.25DIAX6.36LG,2RING.....145	PLATFM ASSY COMP,6FT,AUSTRALIA.....153	
PIN,1.25DIAX7.88LG,1HOLE.....149	PLATFM ASSY COMP,8FT,ASIA/S.AM.....153	
PIN,1.25DIAX8.26LG,2RING.....139	PLATFM ASSY COMP,8FT,AUSTRALIA.....153	
PIN,1.25DIAX8.30LG,2RING.....145	PLATFORM ASSY COMP,6FT ANSL.....153	
PIN,1.50DIAX17.06LG,2HOLE.....141	PLATFORM ASSY COMP,6FT, CE/UK.....153	
PIN,1.50DIAX9.13LG,1HOLE.....141	PLATFORM ASSY COMP,8FT,ANSI.....153	
PIN,2.00DIAX17.06LG,2HOLE.....141	PLATFORM ASSY COMP,8FT,CE/UK.....153	
PIN,2.00DIAX8.77LG,2RING.....139	PLATFORM RAIL ASSY, 6FT ANSL.....153	
PIN,2.25 DIA X 5.10LG,THREADED.....133	PLATFORM RAIL ASSY, 6FT CE/UK.....153	
PIN,2.50DIAX18.68LG,2RING.....131	PLATFORM RAIL ASSY, 8FT ANSL.....153	
PIN,2.50DIAX19.56LG,2HOLE.....131	PLATFORM RAIL ASSY, 8FT CE/UK.....153	
PIN,2.50DIAX25.00LG,1HOLE.....75	P L A T F O R M S U P P O R T	
PIN,3.00DIAX11.50LG,1HOLE.....131	WELDMNT-SERV*.....151	
PIN,3.25DIAX19.00LG,2RING.....131	PLATFORM WORKLIGHTS,110V,150W.....201	
PIN,CLEVIS,1X2.250,ZAG.....255	PLUG AND CAP KIT-SERVICE,37 **.....11	
PIN,COTTER,,156 X 1 Z.....255	PLUG, HEX SOCKET, 090109B-8*.....185-186	
PIN,COTTER,,156 X 1.75.....255	PLUG, TYPE F, 230A, 50HZ, 16A, IP44.....219, 222, 227	
PIN,COTTER,,156 X 2.5.....135, 139, 143	PLUG,1/2" HUBBLE.....158	
PIN,LOCK,SHORT**.....201	PLUG,4-WIRE,3-PHASE,50A,MALE...243, 245	
PIN,SECONDARY LIFT.....75	PLUG,BLANKING.....77	
PIN,TRANSPORT STORAGE HANDLE.....75	PLUG,ENGINE OIL,PERKIN 1004-42.....95	
PIN,TRANSPORT STORAGE LOCK.....75	PLUG,FUSED,250V,13AMP,U.K.**.....219, 222, 227	
PINCH GUARD RAIL,6' PLATFORM.....201	PLUG,HEX SOCKET,090109B-12.....253	
PINCH GUARD RAIL,8' PLATFORM**.....201	PLUG,MAGNETIC,SAE-6***.....62	
PINS,CONNECTOR,INJ HARNESS,D2.9.....87	PLUG,NYLON .188 BLACK DOMED.....157-158	
PIPE CRADLE ASSY. SERV (ONE)**.....201, 205	PLUG,NYLON .38 BLACK DOMED.....158	
PIPE,AIR CLEANER-TO-TURBO,854T.....105	PLUG,NYLON 1.187 BLACK DOMED.....201, 203	
PISTON, PILOT OPERATED CHECK.....165, 168	PLUG,NYLON 2.50 BLACK DOMED.....137	
PLAT ASSY, 8'TRI, ANSI W/SYM.....201	PLUG,PWR,UK,16AMP,3PIN,BLK.....219, 222, 227	
PLAT ASSY, 8'TRI, ANSI W/WORD.....201	PLUG,SANTOPRENE .5 BLACK DOME...157-158	
PLAT ASSY, 8'TRI, AUS W/WORD.....201	PLUG,SEAL,12-18 GA..83-84, 219, 221-222, 225, 227, 229	
PLAT ASSY, 8'TRI, CE W/SYM.....201	POTENTIOMETER ASSY, WELDER.....240	
PLAT RAIL ASSY, 6FT ASIA/S.AM.....153	POWER UNIT,AUX PUMP 12 VDC.....62	
PLAT RAIL ASSY, 6FT AUSTRALIA.....153	PRE-FILTER,FUEL,854E-E34TA.....11, 107	
PLAT RAIL ASSY, 8FT ASIA/S.AM.....153	PRE-FILTER,FUEL,DEUTZ TCD3.6.....11, 91	
PLAT RAIL ASSY, 8FT AUSTRALIA.....153	PRECLEANER,AIR INTAKE.....213, 215	
PLATE FRONT BULKHEAD RIGHT.....87, 101, 103	PRECLEANER,INLINE 3'.....213	
PLATE, AIRCRAFT PROTECTION OPT.....259	PRESSURE CAP RCP.....87, 103	
PLATE, CABLE AND WIRE COVER.....271	PROXIMITY SENSOR***.....77, 259	
PLATE, CONTACT, HARD STOP.....47	PULLEY, PERKINS T4 GENERATOR.....225	
PLATE, FRONT BULKHEAD, LEFT.....53	P U L L E Y, A L T E R N A T O R, D E U T Z	
PLATE, RETAINER, AXL SENS.....47	BF4L2011.....83-84	
PLATE,CABLE TRACK COVER.....143	PULLEY,DEUTZ.....227, 229	
PLATE,CABLE TRACK MOUNT.....143	PULLEY,DEUTZ T4 GENERATOR.....229	
PLATE,COVER LATCH BACKING.....55-56	PULLEY,FAN,PERKINS 1004-42.....95	
PLATE,DECAL,PLASTIC.....155		
P L A T E, D O C U M E N T B O X		
MOUNT,PAINT.....155		
PLATE,HOSE CLAMP.....71-72		
PLATE,HOSE GUARD CLAMP.....123		
PLATE,HOSE GUIDE.....123		

## R

RADIATOR.....101
RADIATOR HOSE,LOWER-PERKINS.....101
RADIATOR HOSE,UPPER-PERKINS.....101
RADIATOR RCP.....87, 103
RAILING CATCH CASTING--DRILLED.....201
RECEPTACLE, 120VAC, 20A, GFCI.....239-240
RECEPTCL,LOCK 3-PH,50A,4 WIRE.....243
REDUCER, RUBBER, 2.5 TO 2.25.....101
REDUCER,520123-16-8.....191-192
REDUCER,520123-8-4.....253
REDUCER,RUBBER 3.0 - 2.5.....89, 101
REDUCER,RUBBER,4.0 X 3.0.....213, 215
REF. PLATFORM CONTROL BOX ASSEMBLY.....155
RELAY MODULE(89996,89998).....59
RELAY,12VDC,70AMP,SEALED.....59
RELAY,OMRON,DPDT,12V.....240
RELAY,SEALED 30/40 AMP.....219, 221-222, 225, 227, 229
RELAY,SOCKET,OMRON.....240
RELAY,SPDT,12V(AUTO) PLUG IN**.....59
RELAY,SPDT,12V(AUTO)**.....271
RESISTOR,10 OHM,25 WATT.....231
REST PAD,RISER #1.....113-114
REST PAD,UPPER PIVOT Z30N.....145
RETAINER,SPRING,1.46 X .375.....233
RETAINER-N.C.PROPOR.SOLENOID.....175-176
RETAINING RING.....251
RETURN FUEL LINE ASSEMBLY GTH3073.....107
RING,WHEEL DRIVE(107722).....51
RIVET,ALUM,ALUM,P,.25X.375.....207
RIVET,ALUM,P,.188 X .25.....135
RIVET,STL,STL,P,.125 X .25.....69, 231
ROCKER ASSY,MAGNETIC 75565.....161
ROCKER,RETAINER, 75565.....161
ROD END, .25 X 2.75, ZAG.....233
ROD END,250 X 2.75 LG.....233
ROD END,.375 X 2.25,ZAG.....45, 145, 149
ROD END,.375X3.69,ZAG.....55-56, 131, 141, 149
ROD END,.5 X 3.75,ZAG.....75, 133
ROD END,.75 X 5,ZAG.....131
ROD END,.75 X 5.00.....131
ROD,THREADED,3/8-16X4.25,ZAG.....71-72
ROD,THREADED,3/8-16X5,ZAG.....71-72
ROD,THREADED,3/8-16X6.5,ZAG.....71-72
ROLLER, NYLON.....117, 119, 121
ROLLER,ALUM TUBE,ST.TRK***.....135
ROLLER,POLY,STEEL TRACK***.....135
ROTATOR,NON-JIB.....149
RUBBER SLEEVES, TD 2011L041.....80



<b>r</b>			
ref. MOTOR, HYD, 25CC FIXED***.....249			
<b>S</b>			
SCREW FOR 106756.....51	SCREW, HHC, 1/4-20 X 1.....53, 55-56, 62, 65-66, 69, 83-84, 133, 143, 151, 201, 233, 240, 257	SCREW, HHC, 3/8-16X3.25, 8, ZAG.....113-114, 117, 119, 121	
SCREW PH M5-0.8X20 DIN 7500CE.....157-158	SCREW, HHC, 1/4-20 X 1.25.....55-56, 113-114, 139, 141, 153, 233	SCREW, HHC, 3/8-16X4, 8, ZAG.....113-114	
SCREW SHEET METAL HHF X1/2 X .180D.....87, 103	SCREW, HHC, 1/4-20 X 1.5.....55-56, 201	SCREW, HHC, 3/8-16X7, 8, ZAG.....135, 143	
SCREW, BHC, 1/4-20 X 1, ZAG.....259	SCREW, HHC, 1/4-20 X 1.75.....149	SCREW, HHC, 3/8-16X7.5, 8, ZAG.....121	
SCREW, HCC, 3/8-16 X 1.50.....55-56, 71-72, 79-80, 83-84, 114, 117, 121, 123, 129, 131, 141, 145, 251	SCREW, HHC, 1/4-20 X 2.....59, 139, 151, 201	SCREW, HHC, 5/16-18 X .75.....72	
SCREW, HHF, 1/4-20 X .5, 8, ZAG.....89, 105, 149	SCREW, HHC, 1/4-20 X 2.5.....240	SCREW, HHC, 5/16-18 X 1 GR5.....62, 83-84, 151, 239-240	
SCREW, HHF, M1=-1.5X80, ZAB.....229	SCREW, HHC, 1/4-20 X 2.75.....131, 135, 143	SCREW, HHC, 5/16-18 X 1.25.....219, 221-222, 239-240	
SCREW, PHM, #6-32 X .625 ZINC.....161	SCREW, HHC, 1/4-20 X 3.....135	SCREW, HHC, 5/16-18X1, 8, ZAG.....205	
SCREW, PPHM, 10-32 X 1.0, ZAG.....125, 219, 221-222, 237, 265	SCREW, HHC, 1/4-20 X 3.25.....135	SCREW, HHC, 5/8-11 X 1.75 GRD.8.....101	
SCREW, SHCS M12-1.75X35.....47, 49	SCREW, HHC, 1/4-20 X 4.....135	SCREW, HHC, 5/8-11 X 2.5.....55-56	
SCREW, SHCS M12-1.75X50 GR12.9.....47, 49	SCREW, HHC, 1/4-20 X 4.5.....139	SCREW, HHC, 5/8-11 X 3.5 GRD.8.....79-80, 83-84, 101	
SCREW, #4X1/4, HI-LO, PH PHIL, TAP....65-66, 69, 157-158	SCREW, HHC, 1/4-20 X 5.50, G5, CLZ.....127, 129	SCREW, HHC, 7/16-14 X 1.25.....219	
SCREW, 5/16-18X1.00, SECURITY TO.....243, 245	SCREW, HHC, 1/4-20X.75, 8, ZAG.....109, 201	SCREW, HHC, 7/16-14 X 1.75.....221-222	
SCREW, BHC, 1/4-20X.75, F835, ZAG.....245	SCREW, HHC, 1/4-20X1, 8, ZAG.....83-84, 201, 203, 261	SCREW, HHC, 7/16-14X1.25, ZAG.....219	
SCREW, BHC, 10-32X1.5, F835, ZAG.....233	SCREW, HHC, 1/4-20X1.25, 8, ZAG.....233	SCREW, HHC, M10 X 1.5 X 16.....79-80	
SCREW, BHC, 3/8-16X1, F835, ZAG.....117, 119, 121, 125	SCREW, HHC, 1/4-20X1.5, 8, ZAG.....91, 105	SCREW, HHC, M10 X 1.5 X70, GR 8.8....79-80, 221-222	
SCREW, BHHS, 1/4-20 X .5, Y/ZINC.....129	SCREW, HHC, 1/4-20X2.75, 8, ZAG.....131, 135, 143	SCREW, HHC, M10 X 30MM.....219	
SCREW, BHHS, 3/8-16 X 1.....121	SCREW, HHC, 1/4-20X4, 8, ZAG.....135	SCREW, HHC, M10-1.5X120, DIN931, 1.....221-222	
SCREW, BHS, 10-32X1, F835, ZAG.....55-56	SCREW, HHC, 3/4-10 X 2.00, GR5.....131	SCREW, HHC, M10-1.5X20, DIN933, 10.9, ZAB.45	
SCREW, BHSC, 1/4-20 X 1.....257	SCREW, HHC, 3/4-10X2, 8, ZAG.....131	SCREW, HHC, M10-1.5X70, DIN931, 10....79-80	
SCREW, FHM, 6-32 X .75.....219, 221-222	SCREW, HHC, 3/8-16 X .50 GR.5.....59	SCREW, HHC, M12 X 100.....45	
SCREW, FHPM, 6-32X.75, ZAG.....219, 221-222, 225, 227, 229	SCREW, HHC, 3/8-16 X .625.....135	SCREW, HHC, M12-1.75X80, DIN931, 10.9, ZAB.51	
SCREW, FHS, 3/8-16 X .625, ZINC.....114, 117, 119	SCREW, HHC, 3/8-16 X .75.....55-56, 61-62, 117, 119, 139, 147	SCREW, HHC, M12X70, DIN931, 10.9, Y.....51	
SCREW, FHS, 3/8-16 X 2.25.....113-114	SCREW, HHC, 3/8-16 X .75, GR 8.....141	SCREW, HHC, M14 X 40MM, GR 8.8....79-80	
SCREW, FHS, 3/8-16X.625, F835, ZAG.....114, 119	SCREW, HHC, 3/8-16 X .88, GRD 8....117, 119, 137, 151	SCREW, HHC, M14X100, DIN931, 8.8, Y.....45	
SCREW, FHS, 3/8-16X2.25, F835, ZAG.....113-114	SCREW, HHC, 3/8-16 X 1.....53, 55-56, 61-62, 83-84, 113-114, 117, 119, 121, 129, 137, 139, 141, 145, 147, 149, 217	SCREW, HHC, M6 X 20MM, GR8.8.....83-84	
SCREW, FHS, M3-0.5X14, DIN7991, 10.9, ZAB.113-114, 133, 141	SCREW, HHC, 3/8-16 X 1.25 GRD 5.....62, 83-84, 101, 114, 117, 119, 121, 127, 131, 135, 141, 143, 153, 219, 221-222, 251	SCREW, HHC, M6 X 80MM, GRD. 8.8....97-98	
SCREW, FHS, M3-0.5X8, DIN7991, 10.9, ZAB.113-114, 133, 141	SCREW, HHC, 3/8-16 X 1.75, GRD.8.....101, 209	SCREW, HHC, M6-1.0X20, DIN933, 10.9, ZAB.83-84	
SCREW, FHSCS, M4-0.7X14 CL10.9.....113-114, 133, 141	SCREW, HHC, 3/8-16 X 2.....123, 145, 209	SCREW, HHC, M6-1.0X85, DIN931, 10.9, ZAB.97-98	
SCREW, HHC, 1-8 X 11, GRD 5***.....151	SCREW, HHC, 3/8-16 X 2 FULL THRD.....149	SCREW, HHC, M8 X 30MM, GRD 8.8....97-98	
SCREW, HHC, 1-8X11, 5, ZAG.....151	SCREW, HHC, 3/8-16 X 2.25.....207	SCREW, HHC, M8-1.25X130, DIN931, 1.....91	
SCREW, HHC, 1/2-13 X 1.25 GR5.....133	SCREW, HHC, 3/8-16 X 2.5.....251	SCREW, HHC, M8-1.25X30, DIN933, 10.9, ZAB.107	
SCREW, HHC, 1/2-13 X 1.5 GRD 8.....61-62, 75, 95, 98, 199	SCREW, HHC, 3/8-16 X 3.....137	SCREW, HHC, M8-1.25X95, DIN931, 10.....91	
SCREW, HHC, 1/2-13 X 1.75 GRD 8.....51	SCREW, HHC, 3/8-16 X 3.25.....233	SCREW, HHC, M8X1.25X 70MM, GR8.8....265	
SCREW, HHC, 1/2-13 X 2 GR5.....53, 75	SCREW, HHC, 3/8-16 X 3.5, GR5.....113-114, 117, 119, 121	SCREW, HHF, 1/2-13X 2, 8, ZAG.....53, 75, 239-240, 251	
SCREW, HHC, 1/2-13 X 2.5, GR5.....239-240, 251	SCREW, HHC, 3/8-16 X 4.....113-114	SCREW, HHF, 1/2-13X1, 8, ZAG.....47	
SCREW, HHC, 1/2-13 X 3.....71-72	SCREW, HHC, 3/8-16 X 4.5, GR8.....255	SCREW, HHF, 1/2-13X1.25, 8, ZAG.....51	
SCREW, HHC, 1/2-13X1.25, 8, ZAG.....133	SCREW, HHC, 3/8-16 X 7.....135, 143	SCREW, HHF, 1/2-13X1.5, 8, ZAG.....61-62, 89, 95, 98, 107	
SCREW, HHC, 1/2-13X2.0, 8, ZAG.....75	SCREW, HHC, 3/8-16X.625, 8, ZAG.....135	SCREW, HHF, 1/2-13X1.75, ZAG.....249	
SCREW, HHC, 1/2-13X2.00 GR8.....75	SCREW, HHC, 3/8-16X.75, 8, ZAG.....117, 119, 139	SCREW, HHF, 1/2-13X3.25, 8, ZAG.....71-72	
SCREW, HHC, 1/4-20 X .5.....51	SCREW, HHC, 3/8-16X.75, 8, ZAG.....117, 119, 139	SCREW, HHF, 1/2-13X3.5, 8, ZAG.....267	
SCREW, HHC, 1/4-20 X .625.....149, 153	SCREW, HHC, 3/8-16X.875, 8, ZAG.....117, 119, 137, 151	SCREW, HHF, 1/4-20X.625, 8, ZAG.....155	
SCREW, HHC, 1/4-20 X .75.....53, 61-62, 84, 97-98, 131, 153, 157-158, 201, 207, 209, 213, 217, 257	SCREW, HHC, 3/8-16X1, 8, ZAG.....53, 83-84, 113-114, 117, 119, 121, 145, 217	SCREW, HHF, 1/4-20X.75, 8, ZAG.....53, 61-62, 66, 69, 84, 131, 133, 143, 155, 201, 203, 207, 213, 217, 259, 269, 271	
	SCREW, HHC, 3/8-16X1.25, 8, ZAG.....114, 117, 119, 121	SCREW, HHF, 1/4-20X1, 8, ZAG.....53, 55-56, 62, 155, 203, 240, 259	
	SCREW, HHC, 3/8-16X1.5, 8, ZAG.....114, 117, 121, 123	SCREW, HHF, 1/4-20X1.25, 8, ZAG.....55-56, 97-98, 113-114, 139, 141, 269	
	SCREW, HHC, 3/8-16X1.5, GR8.....255	SCREW, HHF, 1/4-20X1.5, 8, ZAG.....55-56, 149, 201, 203	
	SCREW, HHC, 3/8-16X2, 8, ZAG.....123	SCREW, HHF, 1/4-20X1.75, 8, ZAG.....59, 139, 151, 219	
	SCREW, HHC, 3/8-16X2.25, 8, ZAG.....207	SCREW, HHF, 1/4-20X2, 8, ZAG.....201	
	SCREW, HHC, 3/8-16X2.25, GR8.....255	SCREW, HHF, 1/4-20X2.5, 8, ZAG.....205, 240	
	SCREW, HHC, 3/8-16X2.5, 8, ZAG.....261	SCREW, HHF, 1/4-20X3, 8, ZAG.....151	
	SCREW, HHC, 3/8-16X2.75, 8, ZAG.....137	SCREW, HHF, 1/4-20X4.5, 8, ZAG.....139	
		SCREW, HHF, 1/4-20X5.5, 8, ZAG.....127, 129	

## Part Description Index (continued)

SCREW,HHF,10-24X.5.....271	SCREW,HHF,M8-1.25X20,DIN6921,10.9,ZAB.87, 229	SCREW,SHC,M16-2.0X50,DIN912,12.....51
SCREW,HHF,10-24X.75,ZAG.....155	SCREW,HHF,M8-1.25X25,DIN6921,10.9,ZAB.45, 89, 97-98, 105, 265	S C R E W , S H C , M 4 - 0 . 7 X 1 4
SCREW,HHF,3/8-16X.625,8,ZAG.....139, 147	SCREW,HHF,M8-1.25X30,DIN6921,10.9,ZAB.105	DIN912,12.9,ZAB.....47, 113-114, 133, 141
SCREW,HHF,3/8-16X.75,8,ZAG.....55-56, 61-62, 109, 151, 265	SCREW,HHF,M8-1.25X40,DIN6921,10.9,ZAB.47, 49	SCREW,SHS,1/4-20 X .25 ZINC.....66, 69
SCREW,HHF,3/8-16X1.8,ZAG...129, 137, 141, 147, 149, 271	SCREW,HHF,M8-1.25X80,DIN6921,10.9,ZAB.107	SCREW,SHS,10-24 X .625.....97-98
SCREW,HHF,3/8-16X1.25,8,ZAG....55-56, 61-62, 71-72, 83-84, 91, 127, 131, 135, 141, 143, 155, 219, 221-222, 225, 227, 229, 251	SCREW,HHF-S,10-24X1.5,ZAG.....155	SCREW,SHS,3/4X1.25X5/8-11,ZAG.....141
SCREW,HHF,3/8-16X1.5,8,ZAG.....55-56, 71-72, 79-80, 83-84, 129, 131, 139, 145, 155, 227, 251	SCREW,M5X16 BHD.....269	SCREW,SHS,3/4X2.25X5/8-11,ZAG...113-114
SCREW,HHF,3/8-16X1.75,8,ZAG.....101, 139, 209	SCREW,M6X8.....269	SEAL KIT.....45, 123, 163, 165, 167-168, 176, 199
SCREW,HHF,3/8-16X2,8,ZAG.....145, 209	SCREW,PERKINS 1004-42.....95	SEAL KIT (39345).....45, 123, 179
SCREW,HHF,3/8-16X2.5,8,ZAG.....251, 267	SCREW,PH,TORX,10-24X.818,THREA.....123	SEAL KIT, SOLENOID VALVE...163, 165, 167-168, 175-176, 179
SCREW,HHF,3/8-16X3,8,ZAG.....135, 233	SCREW,PHIL,10-24 X .75.....97-98	SEAL KIT, SWING BRAKE.....61-62
SCREW,HHF,5/16-18X.75,8,ZAG.....62, 72, 203, 205	SCREW,PHIL,PHM,10-24X1.5 ZINC.....233	SEAL KIT, VALVE.....163, 165, 167-168, 171, 173, 181, 183
SCREW,HHF,5/16-18X1.8,ZAG.....83-84, 203, 239-240	SCREW,PHIL,PHM,10-32 X .5,SSTL.....157-158	SEAL KIT, VALVE 84131.....163
SCREW,HHF,5/16-18X1.25,8,ZAG....221-222, 239-240	SCREW,PHIL,PHM,6-32 X 1/4 SS.....65-66, 69, 157-158	SEAL KIT, VALVE, #10.....163, 175-176
SCREW,HHF,5/8-11X3.5,8,ZAG.....79-80, 83-84, 93, 101, 109	SCREW,PHILLIPS,PHM,10-32 X .38.....240	SEAL KIT, VALVE, #12.....165, 167-168, 175-176
SCREW,HHF,7/16-14X1.75,8,ZAG....225, 227, 229	SCREW,PHILLIPS,PHM,10-32 X .75.....53, 55-56, 65-66, 153, 219, 221-222	SEAL KIT, Z135 LIFT (61814).....131
SCREW,HHF,M10-1.5X16,DIN6921,10.9,ZAB.47, 51, 79-80, 87, 103	SCREW,PHILLIPS,PHM,10-32 X 1.....125, 219, 221-222	SEAL KIT,19920 HAND PUMP.....175-176
SCREW,HHF,M10-1.5X20,DIN6921,10.9,ZAB.91, 103	SCREW,PHILLIPS,PHM,10-32 X 1.25.....133	SEAL KIT,8K ROTATOR***.....149
SCREW,HHF,M10-1.5X25,DIN6921,10.9,ZAB.95, 97-98, 101, 107, 109, 213, 215	SCREW,PHILLIPS,PHM,10-32X 1.75.....113-114	SEAL KIT,CB VALVE***.....123
SCREW,HHF,M10-1.5X30,DIN6921,10.9,ZAB.89, 97-98, 105, 219, 249	SCREW,PHILLIPS,PHM,6-32 X .5.....65-66, 69, 239-240	SEAL KIT,CYL.....141, 145
SCREW,HHF,M10-1.5X35,DIN6921,10.9,ZAB.91, 93, 95, 101	SCREW,PHILLIPS,RHM,10-32 X 1.5.....71-72, 113-114, 135, 143, 240	SEAL KIT,CYL (98147)***.....45
SCREW,HHF,M10-1.5X45,DIN6921,10.9,ZAB.225	SCREW,PHPM,10-24X1,ZAG.....97-98	SEAL KIT,CYL***.....75
SCREW,HHF,M10-1.5X50,DIN6921,10.9,ZAB.227	SCREW,PHPM,10-32X.38,ZAG.....51, 240	SEAL KIT,CYL,106519.....141
SCREW,HHF,M10-1.5X60,DIN6921,10.9,ZAB.89	SCREW,PHPM,10-32X.75,ZAG.....53, 55-56, 65-66, 219, 221-222, 225, 227, 229	SEAL KIT,HYD MOTOR(106184).....239-240
SCREW,HHF,M12-1.75X20,DIN6921,10.9,ZAB.91, 107	SCREW,PHPM,10-32X1.25,ZAG.....45, 133	SEAL KIT,HYD SWIVEL (75126)***.....72
SCREW,HHF,M12-1.75X25,DIN6921,10.9,ZAB.97-98, 107	SCREW,PHPM,10-32X1.5,ZAG.....113-114, 135, 143, 240, 271	SEAL KIT,HYDRAULIC SWIVEL(1253699)...72
SCREW,HHF,M12-1.75X30,DIN6921,10.9,ZAB.93, 109	SCREW,PHPM,6-32X1.75,ZAG..71-72, 113-114	SEAL KIT,MOTOR,LC/KC***.....51
SCREW,HHF,M12-1.75X35,DIN6921,10.9,ZAB.101, 109	SCREW,PHPM,6-32X.5,ZAG..65-66, 69, 239-240	SEAL KIT,RWD 1700TB***.....51
SCREW,HHF,M12X30 GR12.9.....101	SCREW,PHPM,6-32X.875,ZAG.....271	SEAL KIT,SAUER-DANFOSS M46***.....199
SCREW,HHF,M12X50,DIN6921, 10.9.....225	SCREW,PHPM,8-32X1,ZAG.....225, 227, 229	SEAL KIT,SOLENOID VALVE.....165, 167-168
SCREW,HHF,M14-2.0X35,DIN6921,10.9,ZAB.79-80, 93	SCREW,PHPM,M4-0.7X16,DIN7985,ZAB...47, 49	SEAL KIT,SUNSTRAND.....239-240
SCREW,HHF,M14-2.0X40,DIN6921,10.9,ZAB.93	SCREW,RHM,10-32 X .5.....53	SEAL KIT,SWING BRAKE***.....61-62
SCREW,HHF,M16-2.0X45,DIN6921,10.9,ZAB.87, 103	SCREW,RHM,10-32 X .75.....55-56	SEAL KIT,SWING TORQ HUB***.....61-62
SCREW,HHF,M5-0.8X20,DIN6921, 10.9,ZAB.91	SCREW,SECURITY,1/4-20 X 1.75LG.....243	SEAL KIT,VALVE.....163
SCREW,HHF,M5X12,DIN6921,10.9,Z.....47, 49	SCREW,SHC,3/4-10 X 3.00,A574.....62, 71-72	SEAL KIT,Z135 JEXT (94653).....145
SCREW,HHF,M6-1.0X12,DIN6921,10.....269	SCREW,SHC,3/4-10 X 3.5,A574.....71-72	SEAL KIT,Z135 PEXT (61815)***.....137
SCREW,HHF,M6-1.0X16,DIN6921,10.9,ZAB.87	SCREW,SHC,3/4-10 X 3.75,A574.....251	SEAL KIT-FOR PN.44216 & 826779...171, 173
SCREW,HHF,M6-1.0X20,DIN6921,10.9,ZAB.47, 49, 51, 97-98, 101, 109	SCREW,SHC,3/4-10X3,A574,ZAG.....62, 71-72	S E A L M A R K E R , C R O S S
SCREW,HHF,M6-1.0X30,DIN6921,10.9,ZAB.93	SCREW,SHC,3/4-10X3.5,A574,ZAG.....71-72	CHECK,BLUE,TUBE.....11
SCREW,HHF,M6-1.0X50,DIN6921,10.9,ZAB.49, 89, 93, 95, 101, 105, 107	SCREW,SHC,3/4-10X3.75,A574,ZAG.....251	SEAL, CONNECTOR (DT JOYSTICKS).....161
SCREW,HHF,M6X40,DIN6921,10.9,.....45, 49	SCREW,SHC,3/8-24 X .75,BO.....95	SEAL, GASKET, .0005" *SILVER*.....251
SCREW,HHF,M8 X 25.....97-98	SCREW,SHC,3/8-24X.75,A574,ZAG.....95, 107	SEAL, GASKET, .00075" *GOLD*.....251
SCREW,HHF,M8-1.25X16,DIN6921,10.9,ZAB.87, 103	SCREW,SHC,5/8-11 X 4.00, A574.....49	SEAL, GASKET, .0010".....251
	SCREW,SHC,5/8-11X4.75,A574,ZAG.....49	SEAL, INTERNAL, 12-PIN, DTM.....62
	SCREW,SHC,7/16-14 X .75,61342.....72	SEAL, ORFS TUBE FLANGE, 8PLS...185-186
	SCREW,SHC,M10-1.5X20,DIN912,12.9,ZAB.89	SEAL, FILTER ASSY (60334)***.....61-62, 97-98, 105
	SCREW,SHC,M10-1.5X30,DIN912,12.9,ZAB.79-80, 89	SEAL, ORING-6.....185-186, 189
	SCREW,SHC,M16 X 50MM,BLACK.....51	SEAL,RETAINING RING.....251
		SEAL,SHAFT.....251
		SENDER,LOW FUEL INDICATOR.....56
		SENDING UNIT,OIL PRESS PERKINS.....95
		SENDING UNIT,OIL PRESS,DEUTZ*....83-84
		SENDING UNIT,OIL TEMP SWCH,DTZ.....83-84
		SENSOR, ANGLE, 180 DEG, CW.....113-114, 133, 141
		SENSOR, ANGLE, 40 DEG, CCW.....47
		SENSOR, MODIFIED STEER ANGLE.....51
		SENSOR,COOLANT LEVEL, DEUTZ.....87
		SENSOR,RUBBER EDGE.....269
		SENSOR,TILT,PCON (PLASTIC)****.....149
		SEPARATOR,DUAL BATTERY,100A.....59





## Part Description Index (continued)

VALVE, DIFFERENTIAL SENSING.....171, 173		
VALVE, DIRECTIONAL VALVE.....171, 173		
VALVE, FLOW CONTROL 1.5GPM...165, 167-168		
VALVE, FLOW CONTROL 2.1GPM...165, 167-168		
VALVE, FLOW DIVIDER COMBINER.....163		
VALVE, FLOW DIVIDER/COMBINER.....163		
VALVE, FLOW REGULATOR.....181, 183		
VALVE, FLOW REGULATOR 2.2 GPM.....163		
VALVE, FLOW REGULATOR 4 GPM.....163		
VALVE, FUNCTION ENABLE.....89, 105, 179		
VALVE, PRESS REDUCING, 2400PSI.....165, 167-168		
VALVE, RELIEF.....175-176		
VALVE, RELIEF, 2600 PSI.....176		
VALVE, SOLENOID, 2 POS 2 WAY.....179		
VALVE, SOLENOID, 2POS 3WAY.....163		
VALVE,BALL,16 MSAE-16 FSAE*** .....191-192		
VALVE,CB.CAGK-LHN@2500 PSI*** .....123		
VALVE,CB.CBBC-LHN@1000*** .....145		
VALVE,CB.CBCA-LHN@1500PSI*** .....137		
VALVE,CB.CBGA-LHN@2500 PSI*** .....123		
VALVE,CB.CWCL-LGN@4000 PSI*** .....75		
VALVE,CHECK,3 PSI*** .....239-240		
VALVE,CHECK,5 PSI.....163, 175-176		
VALVE,COUNTERBAL,CBCA-LIN*** .....61-62		
VALVE,COUNTERBAL.CBBB-LHN@3500.141, 145		
VALVE,COUNTERBALANCE.....45, 131, 141		
VALVE,COUNTERBALANCE 3000 PSI* .....123, 137		
VALVE,COUNTERBALANCE 4000 PSI.....75		
VALVE,COUNTERBALANCE,2:1 3000.....145		
VALVE,DIFF SENSING,150 PSI.....175-176		
VALVE,DIFFERENTIAL SENSING*** .....175-176		
VALVE,FLOW CONTROL,,4 GPM.....171, 173		
VALVE,FLOW CONTROL,9.0GPM.....165, 167-168		
VALVE,PILOT OPER DIRECTIONAL.....239-240		
VALVE,PROPORTIONAL.....175-176		
VALVE,PROPORTIONAL 3 POS 4 WY.....171, 173		
VALVE,PROPORTIONAL 3 POS 4 WY* .....181, 183		
VALVE,RELIEF 280 PSI.....239-240		
VALVE,RELIEF,250 PSI.....163		
VALVE,SHUTTLE.....163, 171, 173		
VALVE,SOLENOID.....167-168		
VALVE,SOLENOID 2 POS 3 WAY.....165, 167-168, 175-176		
VALVE,SOLENOID 3 POS 4 WAY.....175-176		
VALVE,SOLENOID 3 POS.4 WAY*** .....181, 183		
VALVE,SOLENOID,10V,W/OUT COIL * .....239-240		
VALVE,SOLENOID,2POS 3 WAY*** .....171, 173		
VALVE,SOLENOID,NOR.....243, 273		
VALVE-FLOW REGULATOR 2 GPM.....163		
VALVE-SOLENOID N.O.(SCISSORS)* .....173, 183		
VOLTAGE REGULATOR,110V.....219, 221-222, 225, 227, 229		
VOLTAGE REGULATOR,220V.....219, 221-222, 225, 227, 229		
	<b>W</b>	
	WASHER, FLAT, F436, 1.0, ZAG.....151	
	W A S H E R , F L A T ,	
	M6X18X1.6,DIN9021,ZAB.....269	
	WASHER, NYLON #10, 0.093.....157-158	
	WASHER, THRUST.....47, 49	
	WASHER, .375X1.25X.100.....101	
	WASHER, 3/8 HARD,STEEL-FLAT,USS.....255	
	WASHER,FENDER,,25 X 1.25 X.062.....53, 55-56	
	WASHER,FLAT, M16 HARDENED.....49, 51	
	WASHER,FLAT,#10,USS,ZAG.....155, 225, 227, 229, 237	
	WASHER,FLAT,#8,SAE,ZAG.....225, 227, 229	
	WASHER,FLAT,.25X1.25X.062,ZAG.....53, 55-56	
	WASHER,FLAT,.375X1.25X.062,ZAG.....101	
	WASHER,FLAT,.375X1.50X.125,ZAG.....261	
	WASHER,FLAT,.5 HARDENED.....51, 61-62, 95, 97-98, 199, 251	
	WASHER,FLAT,.625 HARDENED.....101	
	WASHER,FLAT,.625 X 2.25 X.15.....79-80, 83-84, 101	
	WASHER,FLAT,.625X2.25X.188,ZAG.....79-80, 83-84, 93, 101, 109	
	WASHER,FLAT,.75 HARDENED.....62, 71-72	
	WASHER,FLAT,.75,SAE,HRD,ZAG.....62, 71-72	
	WASHER,FLAT,1.000,HARDENED.....151	
	WASHER,FLAT,1.56 X 2.5 X .061.....79-80, 83-84, 135, 139, 143	
	WASHER,FLAT,1.56X2.5X.061,ZAG.....135, 139, 143	
	WASHER,FLAT,2.00X3.00X.075,ZAG.....45	
	WASHER,FLAT,2.27 X 3.5 X .06.....133	
	WASHER,FLAT,2.27X3.5X.06,ZAG.....133	
	WASHER,FLAT,2.5 X 4 X .062.....131	
	WASHER,FLAT,3/8,SAE,HRD,ZAG.....151	
	WASHER,FLAT,3/8,USS,ZAG.....53, 217, 261	
	WASHER,FLAT,313, HARDENED.....151	
	WASHER,FLAT,5/16,USS,ZAG.....125, 143, 205, 245, 263	
	WASHER,FLAT,5/8,F436,HRD,ZAG.....101	
	WASHER,FLAT,M10,DIN125,ZAB.....219, 221-222	
	WASHER,FLAT,M10,ZINC PLTD.....79-80, 219, 221-222	
	WASHER,FLAT,M12,DIN125,ZAB.....51	
	WASHER,FLAT,M14.....79-80	
	WASHER,FLAT,M16,DIN6916,HRD,ZAB.....49	
	WASHER,FLAT,M4,DIN125,ZAB.....47, 49	
	WASHER,FLAT,M6 PLTD.....97-98, 101	
	WASHER,FLAT,M6,DIN125,ZAB.....97-98	
	WASHER,FLAT,M8,DIN125,ZAB.....91, 107	
	WASHER,FLAT,MS,#10,Y.....53, 55-56, 65-66, 71-72, 125, 153, 158, 233, 240	
	WASHER,FLAT,MS,#8,Y.....157-158	
	WASHER,FLAT,SAE,3/8",Y.....217	
	WASHER,FLAT,USS,1/2",Y.....53, 71-72, 239-240, 255	
	WASHER,FLAT,USS,1/4"Y.....53, 55-56, 59, 62, 66, 69, 97-98, 127, 129, 131, 133, 135, 139, 141, 143, 149, 151, 153, 157-158, 201, 207, 209, 213, 217, 221-222, 233, 240, 257	
	WASHER,FLAT,USS,1/4,ZAG.....91, 105, 109, 127, 129, 261, 269	
	WASHER,FLAT,USS,3/8",Y.....53, 55-56, 59, 61-62, 71-72, 83-84, 101, 113-114, 117, 119, 121, 123, 127, 129, 131, 135, 137, 141, 143, 145, 153, 233, 239-240, 251	
	WASHER,FLAT,USS,5/16",Y.....62, 79-80, 83-84, 101, 113-114, 123, 141, 151, 153, 219, 221-222, 239-240, 243, 257	
	WASHER,FLAT,USS,5/8",Y.....55-56	
	WASHER,FLAT,USS,7/16",Y.....221-222	
	WASHER,LOCK, M6,ZAB.....83-84	
	WASHER,LOCK,.25.....53, 56, 61-62, 66, 69, 84, 97-98, 139, 157-158, 201	
	WASHER,LOCK,.313.....62, 239-240	
	WASHER,LOCK,.375.....55-56, 61-62, 71-72, 101, 113-114, 117, 119, 121, 137, 139, 141, 147, 207, 209, 217, 255	
	WASHER,LOCK,.437,PLTD.....219, 221-222	
	WASHER,LOCK,.625 PLTD.....55-56, 249	
	WASHER,LOCK,0.5".....75, 133	
	WASHER,LOCK,1/2,ZAG.....133, 209	
	WASHER,LOCK,3/8,ZAG.....55-56, 113-114, 117, 119, 121, 139, 141, 217	
	WASHER,LOCK,M10.....221-222	
	WASHER,LOCK,M10,ZAB.....45, 221-222, 249	
	WASHER,LOCK,M6.....83-84	
	WASHER,LOCK,M8,ZAB.....265	
	WASHER,M4 NYLON.....269	
	WASHER,M5 NYLON.....269	
	WASHER,RIVETING.....97-98	
	WASHER,SHIM .0151 THK.....233	
	WASHER,SHIM,1.27 X 2.13 X .062.....145	
	WASHER,SHIM,1.270X2.130X.062,Z.....145	
	WASHER,SHIM,1.56X2.5X.061,ZAG.....79-80, 83-84, 93, 109	
	WASHER,SHIM,2.5X4X.062,ZAG.....131	
	WASHER,THRUST.....51	
	WATER PUMP KIT.....95	
	WDMT,AIRCRAFT SENSOR BUMPER.....259	
	WDMT,SKID PLATE.....259	
	WEAR GUARD,PLASTIC,HYD HOSE,1.....45	
	WEAR GUARD,PLASTIC,HYD HOSE,2.....45	
	WEAR PAD ROUND.....129	
	WEAR PAD,4.25 X 1.5 X 1.....145	
	WEAR PAD,5 X 1.5 X .50 W/NUTS.....147	
	WEAR PAD,5 X 1.5 X .625 W/NUTS.....147	
	WEAR PAD,5 X 1.5 X .75 W/NUTS.....137, 147	
	WEAR PAD,5 X 3 X .625 W/NUTS.....71-72, 113-114	
	WEAR PAD,5.5 X 1.75 X .5.....135, 143	
	WEAR PAD,7 X 2 X.75 W/NUTS.....119	
	WEAR PAD,7 X 3 X 0.5 W/INSERT...114, 117, 119	
	WEAR PAD,7 X 3 X 1 W/NUTS...114, 117, 119	
	WEAR PAD,7 X 3 X.625 W/INSERT.....137	
	WEAR PAD,7 X 3 X.75 W/NUTS.....114, 117, 119, 121, 137	
	WEAR PAD,7X3X.50 W/NUTS.....139	
	WEAR PAD,7X3X.625 W/NUTS.....117, 119, 121, 139	
	WEAR PAD,7X3X.75 W/INSERT.....117, 119, 121	
	WEAR PAD,CABLE TRACK PULL TUBE.....135, 143	
	WEAR PAD,ENGINE SUPPORT.....101	
	WEAR PAD,RISER EXTENSION CYL.....123	
	WELD.BCRANK ROTARY SENSOR PIN....141	
	WELDER, MILLER, CST 280.....245	
	WELDER,INVERTEC V275-S.....243	
	WELDMENT, AIR BOX, DUETZ.....83-84	
	WELDMENT, AIRCRAFT TOP BUMPER.....257, 259	

WELDMENT, BELLCRANK PIN.....141  
 WELDMENT, ENGINE TRAY...79-80, 93, 101,  
 109  
 WELDMENT, EXHAUST SUPPORT.....107  
 WELDMENT, GUIDE BRKT.....117, 119  
 WELDMENT, LEFT CONTACT ALARM,  
 LARGE.....271  
 WELDMENT, MUFFLER MOUNT.....98  
 WELDMENT, PIPE CRADLE.....205  
 WELDMENT, PLATFORM CONTROL  
 BOX.....157-158  
 WELDMENT, PULL TUBE.....125  
 WELDMENT, RADIATOR MOUNT.....87, 93,  
 103  
 WELDMENT, RIGHT CONTACT ALARM,  
 LARGE.....271  
 WELDMENT, RISER PIVOT PIN.....75  
 WELDMENT, ROLLER #4.....121  
 WELDMENT, SENSOR MOUNT.....257, 259  
 WELDMENT, SKIDPLATE\*\*.....257  
 WELDMENT, SWING GATE.....155  
 WELDMENT,AIRCRAFT SENSOR  
 BUMPR.....257  
 WELDMENT,BATTERY BOX.....62  
 WELDMENT,CABLE STAY.....121  
 WELDMENT,CABLE TRACK SUPPORT...135,  
 143  
 WELDMENT,EXHAUST TUBE.....55-56  
 WELDMENT,GENERATOR.....219  
 WELDMENT,GENERATOR MOUNT.....221-  
 222  
 WELDMENT,HEADER PIPE, PERKINS.....97-  
 98  
 WELDMENT,JIB PULL TUBE.....143  
 WELDMENT,MANIFOLD MOUNT.....151  
 WELDMENT,PIPE CRADLE MOUNT.....205  
 WELDMENT,PLATFORM SUPPORT,CE.....233  
 WELDMENT,PRECLEANER,DEUTZ.....213  
 WELDMENT,PRIMARY PULL TUBE.....135  
 WELDMENT,PROTECTION BAR.....141  
 WELDMENT,RADIATOR MOUNT\*\*.....101  
 WELDMENT,REAR ENGINE MOUNT.....79-  
 80, 83-84, 93  
 WELDMENT,RISE BOOM #3\*\*\*.....119  
 WELDMENT,RISER BOOM #2\*\*\*.....117  
 WELDMENT,RISER ROTARY SNSR PIN.....75  
 WELDMENT,ROTATOR SUPPORT.....233  
 WELDMENT,SWING GATE PANEL.....205  
 WELDMENT,SWING GATE,ALUMINUM.....201  
 WELDMENT,TIMING LINK,XS.....45  
 WELDMENT,TRACK PULL TUBE  
 PIVOT.....139, 143  
 WELDMENT,TRAY CABLETRACK\*\*\*.....125  
 WHEEL DRIVE W/BRAKE,113:1.....51  
 WHEEL DRIVE W/BRAKE,76:1.....51  
 WIPER, JIB-JIB EXTENSION.....209  
 WIPER, SLEW RING.....217  
 WIPER,#1 TO #2.....207  
 WIPER,#2 TO #3.....207  
 WIPER,#3 TO #4.....207  
 WIPER,PRI.-PRI EXT.....209  
 WIRE CABLE,16/4 CON.TPE JKT.....71-72,  
 113-114, 133, 135, 143  
 WLDT, SENSOR ROTATOR #1.....113-114  
 WLDT, SENSOR ROTATOR #2.....133, 141  
 WLDT, PRIMARY SENSOR PIN.....133

**Z**

Z135 LATCH HOOK.....255

## Fitting Cross References

Genie PN	Parker PN	Description	Genie PN	Parker PN	Description
12342	6-4 F5OX-S	CONNECTOR,STRAIGHT THREAD TO FLARE TUBE	42794	1 CR-S	ELBOW,90°,MALE PIPE
13757	4 R6X-S	RUN TEE,SWIVEL NUT,ORFS	42795	BV-0839	BALL VALVE
19685	12-10 C5OX-S	ELBOW,90°,STRAIGHT THREAD TO FLARE TUBE	42796	BV-0838	BALL VALVE
22664	12-10 C5OX	ELBOW,90°,STRAIGHT THREAD TO FLARE TUBE	42874	6-8 CLO-S	ELBOW,90°,MALE PIPE TO ORFS
27431	8-12 F5OX-S	CONNECTOR,STRAIGHT THREAD TO FLARE TUBE	42912	13943-6-4	HOSE END,90° FEMALE SWIVEL,JIC
28678	AS-B-33	SLEEVE,NYLON,1.81" ID	42920	BV-0840	BALL VALVE,90°
39871	6 WETX-WLN-S	UNION,90° BULKHEAD W/NUT,FLARE TUBE	42932	AS-B-17	SLEEVE,NYLON,1.22" ID
39872	4 R5OX-S	RUN TEE,STRAIGHT THREAD	42936	10243-2-4	HOSE END,FEMALE PIPE
39873	6 C5OX-S	ELBOW,90°,STRAIGHT THREAD TO FLARE TUBE	42953	1/2 DD-S	ELBOW,90°,FEMALE PIPE
39874	8-6 C5OX-S	ELBOW,90°,STRAIGHT THREAD TO FLARE TUBE	42956	6 WELO-WLNL-S	UNION,90° BULKHEAD W/NUT,ORFS
39875	4-6 C5OX-S	ELBOW,90°,STRAIGHT THREAD TO FLARE TUBE	45349	8 V5OX-S	ELBOW,45°,STRAIGHT THREAD TO FLARE TUBE
39876	6-8 C5OX-S	ELBOW,90°,STRAIGHT THREAD TO FLARE TUBE	45351	4 V5OX-S	ELBOW,45°,STRAIGHT THREAD TO FLARE TUBE
39877	4 F5OX-S	CONNECTOR,STRAIGHT THREAD TO FLARE TUBE	47223	10343-6-6	HOSE END,MALE,JIC
39878	6 F5OX-S	CONNECTOR,STRAIGHT THREAD TO FLARE TUBE	47419	PS690503-6-6	SWIVEL,90°,STRAIGHT THREAD TO 37° FLARE
39879	4-8 F5OX-S	CONNECTOR,STRAIGHT THREAD TO FLARE TUBE	48750	421-4	HOSE,1/4 INCH ID
39880	6-10 F5OX-S	CONNECTOR,STRAIGHT THREAD TO FLARE TUBE	48751	481TC-4	HOSE,1/4 INCH ID
39881	4-6 F5OX-S	CONNECTOR,STRAIGHT THREAD TO FLARE TUBE	48752	482TC-4	HOSE,1/4 INCH ID
39882	4-HP5ON-S	PLUG,STRAIGHT THREAD	48753	451TC-6	HOSE,3/8 INCH ID
39883	8-8 FTX-S	CONNECTOR,MALE PIPE TO FLARE TUBE	48754	482TC-6	HOSE,3/8 INCH ID
39885	269HB 12-12	ELBOW,90°,BEADED HOSE BARB TO MALE PIPE	48755	381-6	HOSE,3/8 INCH ID
39886	431-6	HOSE,3/8 INCH ID	48756	451TC-8	HOSE,1/2 INCH ID
39887	540N-2	HOSE,1/8 INCH ID	48757	482TC-8	HOSE,1/2 INCH ID
39888	801-8	HOSE,1/2 INCH ID	48758	381-8	HOSE,1/2 INCH ID
39889	801-12	HOSE,3/4 INCH ID	48759	381-10	HOSE,5/8 INCH ID
39890	10643-6-6	HOSE END,FEMALE SWIVEL,JIC	48760	451TC-10	HOSE,5/8 INCH ID
39891	13943-6-6	HOSE END,90° FEMALE SWIVEL,JIC	48761	482TC-12	HOSE,3/4 INCH ID
39892	13743-6-6	HOSE END,45° FEMALE SWIVEL,JIC	48762	451TC-12	HOSE,3/4 INCH ID
39894	30682-8-8	HOSE END,FEMALE SWIVEL,JIC	48763	772-12	HOSE,3/4 INCH ID
39895	30682-10-12	HOSE END,FEMALE SWIVEL,JIC	48764	881-16	HOSE,1 INCH ID
42286	8-8 CTX-S	ELBOW,90°,MALE PIPE TO FLARE TUBE	48765	772-16	HOSE,1 INCH ID
42756	8-12 CLO-S	ELBOW,90,MALE PIPE TO ORFS	48766	AS-B-15	SLEEVE,NYLON,1.06" ID
42757	8-12 FLO-S	CONNECTOR,MALE PIPE TO ORFS	48767	AS-B-22	SLEEVE,NYLON,1.42" ID
42758	4 JLO-S	UNION TEE,ORFS	48770	881-8	HOSE,1/2 INCH ID
42759	4-4 FLO-S	CONNECTOR,MALE PIPE TO ORFS			
42760	6-8 FLO-S	CONNECTOR,MALE PIPE TO ORFS			
42761	1J143-6-4	HOSE END,90° FEMALE SWIVEL,SEAL LOK			
42762	1J743-6-4	HOSE END,45° FEMALE SWIVEL,SEAL LOK			
42768	1JO43-4-4	HOSE END,MALE,SEAL LOK			
42776	601-8	HOSE,1/2 INCH ID			
42777	1J743-16-16	HOSE END,45° FEMALE SWIVEL,SEAL LOK			
42786	16 CLO-S	ELBOW,90°,MALE PIPE TO ORFS			
42787	16 R6LO-S	RUN TEE,SWIVEL NUT,ORFS			
42788	16-8 TRLO-BL-S	REDUCER,TUBE END TO SWIVEL,ORFS			
42789	6-6 CLO-S	ELBOW,90°,MALE PIPE TO ORFS			
42790	8-10 V5OLO-S	ELBOW,45°,STRAIGHT THREAD TO ORFS			
42791	3/4 CD-S	ELBOW,90°,MALE TO FEMALE PIPE			
42792	3/4 X 1/2 PTR-S	REDUCER,MALE TO FEMALE PIPE			
42793	1/2 CR-S	ELBOW,90°,MALE PIPE			

## Fitting Cross References (Continued)

Genie PN	Parker PN	Description	Genie PN	Parker PN	Description
48771	881-10	HOSE,5/8 INCH ID	48847	13943-12-12	HOSE END,90° FEMALE SWIVEL,JIC
48772	381-4	HOSE,1/4 INCH ID	48848	10543-12-12	HOSE END,MALE,STRAIGHT THREAD
48773	AS-B-13	SLEEVE,NYLON,.86" ID	48849	1JC71-12-12	HOSE END,FEMALE SWIVEL,SEAL LOK
48800	1JC43-4-4	HOSE END,FEMALE SWIVEL,SEAL LOK	48850	1JS71-12-12	HOSE END,FEMALE SWIVEL,SEAL LOK
48801	1J743-4-4	HOSE END,45° FEMALE SWIVEL,SEAL LOK	48851	1J171-12-12	HOSE END,90° FEMALE SWIVEL,SEAL LOK
48802	1J943-4-4	HOSE END,90° FEMALE SWIVEL,SEAL LOK	48852	1J771-12-12	HOSE END,45° FEMALE SWIVEL,SEAL LOK
48804	1JM43-4-4	HOSE END,MALE,SEAL LOK, NO O-RING	48853	1J971-12-12	HOSE END,90° FEMALE SWIVEL,SEAL LOK
48805	10643-4-4	HOSE END,FEMALE SWIVEL,JIC	48854	1JC43-16-16	HOSE END,FEMALE SWIVEL,SEAL LOK
48806	13943-4-4	HOSE END,90° FEMALE SWIVEL,JIC	48855	1J943-16-16	HOSE END,90° FEMALE SWIVEL,SEAL LOK
48807	1JS43-4-4	HOSE END,FEMALE SWIVEL,SEAL LOK	48856	1J171-16-16	HOSE END,90° FEMALE SWIVEL,SEAL LOK
48808	3JC82-8-8	HOSE END,FEMALE SWIVEL,SEAL LOK	48857	1J971-16-16	HOSE END,90° FEMALE SWIVEL,SEAL LOK
48809	3JC82-12-12	HOSE END,FEMALE SWIVEL,SEAL LOK	48859	1JS43-8-4	HOSE END,FEMALE SWIVEL,SEAL LOK
48810	1JC43-6-4	HOSE END,FEMALE SWIVEL,SEAL LOK	48867	PD36BTL	DIAGNOSTIC NIPPLE,SEAL-LOK SWIVEL
48811	1J943-6-4	HOSE END,90° FEMALE SWIVEL,SEAL LOK	48873	6 PNLO-S	PLUG,TUBE END,ORFS
48812	1JC43-6-6	HOSE END,FEMALE SWIVEL,SEAL LOK	48874	6 PNTX-S	PLUG,FLARE TUBE
48813	1J143-6-6	HOSE END,90° FEMALE SWIVEL,SEAL LOK	48875	6 R6LO-S	RUN TEE,SWIVEL NUT,ORFS
48814	1J543-6-6	HOSE END,90° FEMALE SWIVEL,SEAL LOK	48877	4 F5OLO-SW/.025	CONNECTOR,STRAIGHT THREAD TO ORFS, W/.025 ORI
48815	1J743-6-6	HOSE END,45° FEMALE SWIVEL,SEAL LOK	48878	16-12 C5OLO-S	ELBOW,90°,STRAIGHT THREAD TO ORFS
48816	1J943-6-6	HOSE END,90° FEMALE SWIVEL,SEAL LOK	48879	8 C6LO-S	ELBOW,90°,SWIVEL NUT ORFS
48817	1JS43-6-8	HOSE END,FEMALE SWIVEL,SEAL LOK	48880	PD6-285	CAP,DIAGNOSTIC NIPPLE
48818	1J943-8-4	HOSE END,90° FEMALE SWIVEL,SEAL LOK	48881	6 HLO-S	UNION,ORFS
48819	1JC43-8-6	HOSE END,FEMALE SWIVEL,SEAL LOK	48883	8 P5ON-S	PLUG,STRAIGHT THREAD
48820	1J743-8-6	HOSE END,45° FEMALE SWIVEL,SEAL LOK	48884	8M18F87OMLO-S	CONNECTOR,METRIC,STRAIGHT THREAD TO ORFS
48821	1J943-8-6	HOSE END,90° FEMALE SWIVEL,SEAL LOK	48885	4 WGTX-WLN-S	CONNECTOR,BULKHEAD,FEMALE PIPE TO FLARE TUBE
48822	1JC43-8-8	HOSE END,FEMALE SWIVEL,SEAL LOK	48886	4 F5OLO-SW/2MM	CONNECTOR,MACHINED STRAIGHT THREAD TO ORFS
48823	1JS43-8-8	HOSE END,FEMALE SWIVEL,SEAL LOK	48887	4 CTX-S	ELBOW,90°,MALE PIPE TO FLARE TUBE
48824	1J143-8-8	HOSE END,90° FEMALE SWIVEL,SEAL LOK	48888	10-12 V5OLO-S	ELBOW,45°,STRAIGHT THREAD TO ORFS
48825	1J543-8-8	HOSE END,90° FEMALE SWIVEL,SEAL LOK	48890	4 S5OLO-S	BRANCH TEE,STRAIGHT THREAD TO ORFS
48826	1J743-8-8	HOSE END,45° FEMALE SWIVEL,SEAL LOK	48891	4 S6LO-S	BRANCH TEE,SWIVEL NUT TO ORFS
48827	1J943-8-8	HOSE END,90° FEMALE SWIVEL,SEAL LOK			
48828	1JC43-10-8	HOSE END,FEMALE SWIVEL,SEAL LOK			
48829	1JS43-10-8	HOSE END,FEMALE SWIVEL,SEAL LOK			
48830	1J743-10-8	HOSE END,45° FEMALE SWIVEL,SEAL LOK			
48831	1J943-10-8	HOSE END,90° FEMALE SWIVEL,SEAL LOK			
48833	1JC43-10-10	HOSE END,FEMALE SWIVEL,SEAL LOK			
48834	1J943-10-10	HOSE END,90° FEMALE SWIVEL,SEAL LOK			
48835	1JS43-10-12	HOSE END,FEMALE SWIVEL,SEAL LOK			
48836	1JC43-12-8	HOSE END,FEMALE SWIVEL,SEAL LOK			
48837	1JS43-12-8	HOSE END,FEMALE SWIVEL,SEAL LOK			
48838	1J743-12-8	HOSE END,45° FEMALE SWIVEL,SEAL LOK			
48839	1J943-12-8	HOSE END,90° FEMALE SWIVEL,SEAL LOK			
48840	1J943-12-10	HOSE END,90° FEMALE SWIVEL,SEAL LOK			
48841	1JC43-12-12	HOSE END,FEMALE SWIVEL,SEAL LOK			
48842	1JO43-12-12	HOSE END,MALE,SEAL LOK			
48843	1J143-12-12	HOSE END,90° FEMALE SWIVEL,SEAL LOK			
48844	1J543-12-12	HOSE END,90° FEMALE SWIVEL,SEAL LOK			
48845	1J743-12-12	HOSE END,45° FEMALE SWIVEL,SEAL LOK			
48846	1J943-12-12	HOSE END,90° FEMALE SWIVEL,SEAL LOK			

## Fitting Cross References (Continued)

Genie PN	Parker PN	Description	Genie PN	Parker PN	Description
48892	6 C6LO-S	ELBOW,90°,SWIVEL NUT ORFS	48938	8 R6LO-S	RUN TEE,SWIVEL NUT,ORFS
48893	6 F5OHAO-S	UNION,STRAIGHT THREAD	48939	8 S6LO-S	BRANCH TEE,SWIVEL NUT TO ORFS
48894	8 WLO-WLNL-S	UNION,BULKHEAD,ORFS	48940	8 WJLO-WLNL-S	RUN TEE, BULKHEAD,ORFS
48895	DT-370-MSMO-5	VALVE,CHECK	48941	8-4 TRLO-S	REDUCER,TUBE END TO SWIVEL,ORFS
48896	6 JLO-S	UNION,TEE,ORFS	48942	8-6 C5OLO-S	ELBOW,90°,STRAIGHT THREAD TO ORFS
48897	DT-750-MSMS-5	VALVE,CHECK	48943	8-6 F5OLO-S	CONNECTOR,STRAIGHT THREAD TO ORFS
48898	DT-750-MOMS-5	VALVE,CHECK	48944	8-8 FLO-S	CONNECTOR,MALE PIPE TO ORFS
48899	DT-620-MOMS-5	VALVE,CHECK	48945	8 FTX-S	CONNECTOR,MALE PIPE TO FLARE TUBE
48900	4-6 F5OLO-SW/.035	CONNECTOR,STRAIGHT THREAD TO ORFS, W/.035 ORI	48946	8-10 F5OLO-S	CONNECTOR,STRAIGHT THREAD TO ORFS
48902	16-1 AOE4G-S	ELBOW,90° LONG,FEMALE PIPE TO STRAIGHT THREAD	48947	8-12 C5OLO-S	ELBOW,90°,STRAIGHT THREAD TO ORFS
48903	1 FF-S	NIPPLE,PIPE	48948	8-12 F5OLO-S	CONNECTOR,STRAIGHT THREAD TO ORFS
48904	4 C5OLO-S	ELBOW,90°,STRAIGHT THREAD TO ORFS	48949	8-16 F5OLO-S	CONNECTOR,STRAIGHT THREAD TO ORFS
48905	4 F5OLO-S	CONNECTOR,STRAIGHT THREAD TO ORFS	48950	10 C5OLO-S	ELBOW,90°,STRAIGHT THREAD TO ORFS
48906	4 R5OLO-S	RUN TEE,STRAIGHT THREAD	48951	10 CC5OLO-S	ELBOW,90° LONG,STRAIGHT THREAD TO ORFS
48907	4 V5OLO-S	ELBOW,45°,STRAIGHT THREAD TO ORFS	48952	10 F5OLO-S	CONNECTOR,STRAIGHT THREAD TO ORFS
48908	4 R6LO-S	RUN TEE,SWIVEL NUT,ORFS	48953	10 R5OLO-S	RUN TEE,STRAIGHT THREAD
48909	4 WJLO-WLNL-S	RUN TEE, BULKHEAD,ORFS	48954	10 S5OLO-S	BRANCH TEE,STRAIGHT THREAD TO ORFS
48910	4 GTX-S W/.030	CONNECTOR,FEMALE PIPE TO FLARE TUBE	48955	10 R6LO-S	RUN TEE,SWIVEL NUT,ORFS
48911	4-6 C5OLO-S	ELBOW,90°,STRAIGHT THREAD TO ORFS	48956	10-4 TRLO-BL-S	REDUCER,TUBE END TO SWIVEL,ORFS
48912	4-6 F5OLO-S	CONNECTOR,STRAIGHT THREAD TO ORFS	48957	10-6 TRLO-BL-S	REDUCER,TUBE END TO SWIVEL,ORFS
48913	4-6 F5OLO-SW/.030	CONNECTOR,STRAIGHT THREAD TO ORFS, W/.030 ORI	48958	10-12 F5OLO-S	CONNECTOR,STRAIGHT THREAD TO ORFS
48914	4-8 F5OLO-S	CONNECTOR,STRAIGHT THREAD TO ORFS	48959	12 C5OLO-S	ELBOW,90°,STRAIGHT THREAD TO ORFS
48915	6 C5OLO-S	ELBOW,90°,STRAIGHT THREAD TO ORFS	48960	12 F5OLO-S	CONNECTOR,STRAIGHT THREAD TO ORFS
48916	6 F5OLO-S	CONNECTOR,STRAIGHT THREAD TO ORFS	48961	12 R5OLO-S	RUN TEE,STRAIGHT THREAD
48917	6 FF5OLO-S	CONNECTOR,LONG,STRAIGHT THREAD TO ORFS	48962	12 S5OLO-S	BRANCH TEE,STRAIGHT THREAD TO ORFS
48918	6 R5OLO-S	RUN TEE,STRAIGHT THREAD	48963	12 V5OLO-S	ELBOW,45°,STRAIGHT THREAD TO ORFS
48919	6 S5OLO-S	BRANCH TEE,STRAIGHT THREAD TO ORFS	48964	12 R6LO-S	RUN TEE,SWIVEL NUT,ORFS
48920	6 V5OLO-S	ELBOW,45°,STRAIGHT THREAD TO ORFS	48965	12 CLO-S	ELBOW,90°,MALE PIPE TO ORFS
48921	6 FLO-S	CONNECTOR,MALE PIPE TO ORFS	48966	12 FLO-S	CONNECTOR,MALE PIPE TO ORFS
48922	6-6 FLO-S	CONNECTOR,MALE PIPE TO ORFS	48967	12 JLO-S	UNION TEE,ORFS
48923	6 P5ON-S	PLUG,STRAIGHT THREAD	48968	12 WLO-WLNL-S	UNION,BULKHEAD,ORFS
48925	6 WELO-S	UNION,90° BULKHEAD,ORFS	48969	12 WJLO-WLNL-S	RUN TEE, BULKHEAD,ORFS
48926	6-4 C5OLO-S	ELBOW,90°,STRAIGHT THREAD TO ORFS	48970	12 WELO-WLNL-S	UNION,90° BULKHEAD W/NUT,ORFS
48927	6-4 F5OLO-S	CONNECTOR,STRAIGHT THREAD TO ORFS			
48928	6-4 V5OLO-S	ELBOW,45°,STRAIGHT THREAD TO ORFS			
48929	6-8 C5OLO-S	ELBOW,90°,STRAIGHT THREAD TO ORFS			
48930	6-8 F5OLO-S	CONNECTOR,STRAIGHT THREAD TO ORFS			
48931	6-10 F5OLO-S	CONNECTOR,STRAIGHT THREAD TO ORFS			
48932	8 C5OLO-S	ELBOW,90°,STRAIGHT THREAD TO ORFS			
48933	8 F5OLO-S	CONNECTOR,STRAIGHT THREAD TO ORFS			
48934	8 FF5OLO-S	CONNECTOR,LONG,STRAIGHT THREAD TO ORFS			
48935	8 R5OLO-S	RUN TEE,STRAIGHT THREAD			
48936	8 S5OLO-S	BRANCH TEE,STRAIGHT THREAD TO ORFS			
48937	8 V5OLO-S	ELBOW,45°,STRAIGHT THREAD TO ORFS			



## Fitting Cross References (Continued)

Genie PN	Parker PN	Description	Genie PN	Parker PN	Description
48971	12 G5G5JG5-S	TEE,FEMALE STRAIGHT THREAD	49612	PKT02586	O-RING KIT (ORFS FITTINGS)
48972	12 XHL6-S	ADAPTER, 37° MALE TO SWIVEL ORFS	49613	PKT06276	PLUG AND CAP KIT-SERVICE,ORFS
48973	12-1/2 F5OG-S	ADAPTER,FEMALE PIPE TO STRAIGHT THREAD	49728	10143-12-12	HOSE END, MALE PIPE
48974	12-10 C5OLO-S	ELBOW,90°,STRAIGHT THREAD TO ORFS	49729	16-1 F5OG-S	ADAPTER,FEMALE PIPE TO STRAIGHT THREAD
48975	12-10 F5OLO-S	CONNECTOR,STRAIGHT THREAD TO ORFS	49814	12-8 FLO-S	CONNECTOR,MALE PIPE TO ORFS
48976	12-16 C5OLO-S	ELBOW,90°,STRAIGHT THREAD TO ORFS	49829	DT-500-MOMF-5	VALVE,CHECK
48977	12-16 F5OLO-S	CONNECTOR,STRAIGHT THREAD TO ORFS	49831	881-12	HOSE,3/4 INCH ID
48978	12-16 V5OLO-S	ELBOW,45°,STRAIGHT THREAD TO ORFS	49834	16 JLO-S	UNION TEE,ORFS
48980	12-16 FLO-S	CONNECTOR,MALE PIPE TO ORFS	49838	12-8 TRLO-BL-S	REDUCER,TUBE END TO SWIVEL,ORFS
48983	16 C5OLO-S	ELBOW,90°,STRAIGHT THREAD TO ORFS	49840	8 JLO-S	UNION TEE,ORFS
48984	16 F5OLO-S	CONNECTOR,STRAIGHT THREAD TO ORFS	49844	10-8 TRLO-BL-S	REDUCER,TUBE END TO SWIVEL,ORFS
48985	16 V5OLO-S	ELBOW,45°,STRAIGHT THREAD TO ORFS	49854	8 P5ON-S	PLUG,STRAIGHT THREAD
48986	16 FLO-S	CONNECTOR,MALE PIPE TO ORFS	49855	1JC43-16-12	HOSE END,FEMALE SWIVEL,SEAL LOK
48988	16 CD45-S	ELBOW,45°,MALE TO FEMALE PIPE	49859	4 P5ON-S	PLUG,STRAIGHT THREAD
48989	12 CD45-S	ELBOW,45°,MALE TO FEMALE PIPE	49861	4 FF5OLO-S	CONNECTOR, LONG, STRAIGHT THREAD TO ORFS
48990	8 CD45-S	ELBOW,45°,MALE TO FEMALE PIPE	49867	12-3/4 F5OG-S	ADAPTER,FEMALE PIPE TO STRAIGHT THREAD
48991	16-12 FLO-S	CONNECTOR,MALE PIPE TO ORFS	51152	6 R6X-S	RUN TEE,SWIVEL NUT,ORFS
48992	16-12 V5OLO-S	ELBOW,45°,STRAIGHT THREAD TO ORFS	51153	6-4 TRTX-S	REDUCER,TUBE END TO SWIVEL,ORFS
48993	XV501-12	BALL VALVE	51154	4-4 GTX	CONNECTOR,FEMALE PIPE TO FLARE TUBE
48994	XV501-16	BALL VALVE	51264	881-12	HOSE,3/4 INCH ID
48995	XV510P-12	BALL VALVE	51265	8 JLO-S	UNION TEE,ORFS
48996	XV510P-16	BALL VALVE	51508	6 BTX-S	NUT,FLARE TUBE
48997	PD341	DIAGNOSTIC NIPPLE, STRAIGHT THREAD	51580	12-8 TRLO-BL-S	TUBE END REDUCER,ORFS
48998	PD 361	DIAGNOSTIC NIPPLE, STRAIGHT THREAD	51628	6 R6X-S	RUN TEE,SWIVEL NUT,ORFS
48999	DT-500-MOMS-5	VALVE,CHECK	51735	3/8 HHP	PLUG,PIPE THREAD
49201	10 V5OLO-S	ELBOW,45°,STRAIGHT THREAD TO ORFS	51803	1J943-6-8	HOSE END,90° FEMALE SWIVEL,SEAL LOK
49202	1JC43-12-10	HOSE END,FEMALE SWIVEL,SEAL LOK	53023	125HBL-5-4	FITTING,HOSE BARB TO MALE PIPE
49203	10-8 V5OLO-S	ELBOW,45°,STRAIGHT THREAD TO ORFS	53497	PKT02585	O-RING KIT
49205	6 F5OHAO-S	UNION,STRAIGHT THREAD	53499	1JC71-16-16	HOSE END,FEMALE SWIVEL,SEAL LOK
49207	PD34BTL	DIAGNOSTIC NIPPLE,SEAL-LOK SWIVEL	53500	3-904	O-RING,STRAIGHT THREAD,-4
49209	8M18F870MX-S	CONNECTOR,METRIC,STRAIGHT THREAD TO FLARE TUBE	53501	3-906	O-RING,STRAIGHT THREAD,-6
49212	8 WGTX-WLN-S	CONNECTOR,BULKHEAD,FEMALE PIPE TO FLARE TUBE	53502	3-908	O-RING,STRAIGHT THREAD,-8
49213	30682-8-8	HOSE END,FEMALE SWIVEL,JIC	53503	3-910	O-RING,STRAIGHT THREAD,-10
49216	831-8	HOSE,1/2 INCH ID			
49217	33982-8-8	HOSE END,90° FEMALE SWIVEL,JIC			
49219	PS-B-35	SLEEVE,NYLON,2.19" ID			
49418	4-6 V5OLO-S	ELBOW,45°,STRAIGHT THREAD TO ORFS			
49511	DT370-MOMS-5	VALVE,CHECK			
49512	1 DD-S	ELBOW,90°,FEMALE PIPE			
49513	1 FF-S	NIPPLE,PIPE			
49514	10 HP5ON-S	PLUG,STRAIGHT THREAD			
49515	12-16 CLO-S	ELBOW,90°,MALE PIPE TO ORFS			
49517	6 HP5ON-S	PLUG,STRAIGHT THREAD			
49519	16-12 F5OLO-S	CONNECTOR,STRAIGHT THREAD TO ORFS			
49520	4 VTX-S	ELBOW,45°,MALE PIPE TO FLARE TUBE			
49530	16 C6LO-S	ELBOW,90°,SWIVEL NUT ORFS			

## Fitting Cross References (Continued)

Genie PN	Parker PN	Description	Genie PN	Parker PN	Description
53535	3-912	O-RING, STRAIGHT THREAD, -12	61083	24 F5OLO-S	CONNECTOR, STRAIGHT THREAD TO ORFS
53536	4-PNLO-S	PLUG, TUBE END, ORFS	61086	20 R5OLO-S	RUN TEE, STRAIGHT THREAD
53537	6 PNLO-S	PLUG, TUBE END, ORFS	61090	24-20 F5OLO-S	CONNECTOR, STRAIGHT THREAD TO ORFS
53538	8 PNLO-S	PLUG, TUBE END, ORFS	61091	1J943 24-24	HOSE END, 90° FEMALE SWIVEL, SEAL LOK
53539	10 PNLO-S	PLUG, TUBE END, ORFS	61093	1J978-12-12	HOSE END, 90° FEMALE SWIVEL, JIC
53540	12 PNLO-S	PLUG, TUBE END, ORFS	61095	1JS43-20-16	HOSE END, FEMALE SWIVEL, SEAL LOK
53946	129HB-5-4	FITTING, 90° HOSE BARB TO MALE PIPE	61100	811-24	HOSE, 1 1/2 INCH ID
53951	8-1/4F50G-S	ADAPTER, FEMALE PIPE TO STRAIGHT THREAD	61130	1JS43-24-24	HOSE END, FEMALE SWIVEL, SEAL LOK
53980	6 S6LO-S	BRANCH TEE, SWIVEL NUT TO ORFS	61131	1JS78 12-12	HOSE END, FEMALE SWIVEL, SEAL LOK
54132	4 C6LO-S	ELBOW, 90°, SWIVEL NUT ORFS	61132	1J778-12-12	HOSE END, 45° FEMALE SWIVEL, JIC
54135	11343-16-16	HOSE END, MALE SWIVEL, PIPE	61152	139HB-6-4	ELBOW, 45°, BARB TO MALE PIPE
54283	8-10 C5OLO-S	ELBOW, 90°, STRAIGHT THREAD TO ORFS	61251	BV-0750	BALL VALVE
54428	8M18C870MLO-S	ELBOW, 90° METRIC, STRAIGHT THREAD TO ORFS	61259	4 CC5OLO-S	ELBOW, 90° LONG, STRAIGHT THREAD TO ORFS
54803	FS-F-16-10	SLEEVE, FIRE, .96" ID	61260	20-12 TRLO-BL	REDUCER, TUBE END TO SWIVEL, ORFS
54954	10143-2-4	HOSE END, MALE PIPE	61262	12 C6LO-S	ELBOW, 90°, SWIVEL NUT ORFS
55190	3/8 HP-S	PLUG, PIPE THREAD	61263	20 F5OHAO-S	UNION, STRAIGHT THREAD
55448	8 HLO-S	UNION, ORFS	61264	6-10 C5OLO-S	ELBOW, 90°, STRAIGHT THREAD TO ORFS
55839	6 F65OX-S	CONNECTOR, STRAIGHT THREAD TO 37° SWIVEL	61265	6 WNLO-WLNL-S	UNION, BULKHEAD 45°, ORFS
55968	10 C5OX-S	ELBOW, 90°, STRAIGHT THREAD TO FLARE TUBE	61268	4 WNLO-WLNL-S	UNION, BULKHEAD 45°, ORFS
56003	6 CC5OLO-S	ELBOW, 90° LONG, STRAIGHT THREAD TO ORFS	61269	4 WLO-WLNL-S	UNION, BULKHEAD, ORFS
56166	BV-0837	BALL VALVE, 90°	61272	12 AOEL6	ELBOW, 90°, STRAIGHT THREAD TO ORFS SWIVEL
56188	10143-8-6	HOSE END, MALE PIPE	61316	482TC-16	HOSE, 1 INCH ID
56233	2-011	O-RING, ORFS, -4	61321	6 JLO-S	UNION TEE, ORFS
56234	2-012	O-RING, ORFS, -6	61327	782-12	HOSE, 3/4 INCH ID
56235	2-014	O-RING, ORFS, -8	61328	881-24	HOSE, 1 1/2 INCH ID
56236	2-016	O-RING, ORFS, -10	61336	11943-20-24	HOSE END, 90° FLANGE HEAD
56237	2-018	O-RING, ORFS, -12	61345	12 WJLO-WLNL-S	RUN TEE, BULKHEAD, ORFS
56238	2-021	O-RING, ORFS, -16	61346	8 WNLO-WLNL-S 4	UNION, BULKHEAD 45°, ORFS
56352	6 WLNL-S	LOCKNUT, BULKHEAD	61569	33782-8-8	HOSE END, 45° FEMALE SWIVEL, JIC
56353	3J782-12-12	HOSE END, 45° FEMALE SWIVEL, SEAL LOK	61610	12 FF5OLO-S	CONNECTOR, LONG, STRAIGHT THREAD TO ORFS
56354	3J982-12-12	HOSE END, 90° FEMALE SWIVEL, SEAL LOK	61742	1/8 X 1.5 FFF	NIPPLE, PIPE
56604	10-8 F5OLO-S	CONNECTOR, STRAIGHT THREAD TO ORFS	63426	8 PNTX-S	PLUG, FLARE TUBE
56639	3JC82-10-10	HOSE END, FEMALE SWIVEL, SEAL LOK			
56640	3J982-10-10	HOSE END, 90° FEMALE SWIVEL, SEAL LOK			
56655	3JC82-8-10	HOSE END, FEMALE SWIVEL, SEAL LOK			
56676	10-8 C5OLO-S	ELBOW, 90°, STRAIGHT THREAD TO ORFS			
56776	471TC-6	HOSE, 3/8 INCH ID			
56777	471TC-8	HOSE, 1/2 INCH ID			
56789	811-16	HOSE, 1 INCH ID			
57884	3/8 FF	NIPPLE, PIPE			
59335	6 FNL-S	CAP, TUBE END			
59342	4 FNL-S	CAP, TUBE END			
59371	8 HP5ON-S	PLUG, STRAIGHT THREAD			
60653	BV-0751	BALL VALVE			
60806	125HB-3-4	FITTING, HOSE BARB TO MALE PIPE			
61064	5-1/4 F5OG-S	ADAPTER, FEMALE PIPE TO STRAIGHT THREAD			
61079	4 WELO-WLNL-S	UNION, 90° BULKHEAD W/NUT, ORFS			
61080	6 WLO-WLNL-S	UNION, BULKHEAD, ORFS			

## Fitting Cross References (Continued)

Genie PN	Parker PN	Description	Genie PN	Parker PN	Description
64271	4 WLO-WLNL-S	UNION,BULKHEAD,ORFS	75631	801-6	HOSE,3/8 INCH ID
64272	6 WLO-WLNL-S	UNION,BULKHEAD,ORFS	75654	20 F5OLO-S	CONNECTOR,STRAIGHT THREAD TO ORFS
65776	8 F65OL-S	CONNECTOR,STRAIGHT THREAD TO ORFS SWIVEL	75655	1J943-20-20	HOSE END,90° FEMALE SWIVEL,SEAL LOK
65880	6001012	O-RING KIT	75656	881-20	HOSE,1-1/4 INCH ID
66154	6 WTX-WLNS	UNION,BULKHEAD,FLARE TUBE	75971	8 F5OHAO-S	UNION,STRAIGHT THREAD
66155	6 WETX-S	UNION,BULKHEAD 90°,FLARE TUBE	77307	1JB43-8-8	HOSE END,BULKHEAD,SEAL LOK
66156	6 WLN-S	BULKHEAD LOCKNUT	77309	8 WLNL-S	BULKHEAD LOCKNUT
66389	6-8 F5OX-S	CONNECTOR,STRAIGHT THREAD TO FLARE TUBE	77379	8M18C87OMX-S	ELBOW,90° METRIC,STRAIGHT THREAD TO FLARE TUBE
66392	6 R5OX-S	RUN TEE,STRAIGHT THREAD	77703	3J982-8-8	HOSE END,90° FEMALE SWIVEL,SEAL LOK
66396	811-12	HOSE,3/4 INCH ID	77711	801-10	HOSE,5/8 INCH ID
66829	H3174PP	CLAMP,TUBE	77758	12 WNLO-WLNL-S	UNION,BULKHEAD 45°,ORFS
67217	4 KLO-S	UNION,CROSS,ORFS	78091	6 C6X-S	ELBOW,90°,SWIVEL NUT TO FLARE TUBE
67339	10-6 F5OX-S	CONNECTOR,STRAIGHT THREAD TO FLARE TUBE	78684	30582-8-8B	HOSE END,PUSH LOK,MALE
67357	13943-8-6	HOSE END,90° FEMALE SWIVEL,JIC	78852	549-2	HOSE,1/8 INCH ID
67358	10 HP5ON-S	PLUG,STRAIGHT THREAD	78855	10657-4-2	HOSE END,FEMALE SWIVEL,JIC
67371	12 S6LO-S	BRANCH TEE,SWIVEL NUT TO ORFS	79138	PS-B-37	SLEEVE,NYLON,2.38" ID
67498	4 FNL-S	CAP, TUBE END	79476	1JS43-6-8	HOSE END,FEMALE SWIVEL,SEAL LOK
67906	DC-370-F0F0-5	VALVE,CHECK	79847	12-3/4 A0EG-S	ELBOW,90°,STRAIGHT THREAD TO FEMALE PIPE
69316	8 FLO-S	CONNECTOR,MALE PIPE TO ORFS	80044	8 CLO-S	ELBOW,90°,MALE PIPE TO ORFS
69333	H3174PP	CLAMP,HYDRAULIC HOSE	80502	8 F5OX-S	CONNECTOR,STRAIGHT THREAD TO FLARE TUBE
69503	4 F65OX-S	CONNECTOR,STRAIGHT THREAD TO 37° SWIVEL	80503	8 C5OX-S	ELBOW,90°,STRAIGHT THREAD TO FLARE TUBE
69775	8 FNL-S	CAP, TUBE END	81010	AS-B-27	SLEEVE,NYLON,1.63" ID
71038	1/4X1/4F3HG-S	ADAPTER,CONVERSION	83052	821-6	HOSE,3/8 INCH ID
71196	12-8 F5OLO-S	CONNECTOR,STRAIGHT THREAD TO ORFS	83053	821-8	HOSE,1/2 INCH ID
71383	1/4 CD45-S	ELBOW,45°,MALE TO FEMALE PIPE	83054	821-12	HOSE,3/4 INCH ID
72270	12FNL-S	CAP, TUBE END	83055	30682-6-6	HOSE END,FEMALE SWIVEL,JIC
73436	60C-4	SLEEVE,COMPRESSION	83056	30682-12-12	HOSE END,FEMALE SWIVEL,JIC
73437	61C-4	NUT,COMPRESSION	83057	33782-6-6	HOSE END,45° FEMALE SWIVEL,JIC
73438	33482-4-4B	HOSE END,PUSH LOK,MALE	83058	33982-6-6	HOSE END,90° FEMALE SWIVEL,JIC
73767	1CD-S	ELBOW,90°,MALE TO FEMALE PIPE	83060	33982-12-12	HOSE END,90° FEMALE SWIVEL,JIC
73768	20-16-F5OG5-S	ADAPTER,FEMALE PIPE TO STRAIGHT THREAD	83063	13743-4-4	HOSE END,45° FEMALE SWIVEL,JIC
73769	16-20 F5OLO-S	CONNECTOR,STRAIGHT THREAD TO ORFS			
74660	6-8 F42EDMLO-S	CONNECTOR,MALE BSPP TO ORFS			
74661	8-8 F42EDMLO-S	CONNECTOR,MALE BSPP TO ORFS			
75007	4 FLO-S	CONNECTOR,MALE PIPE TO ORFS			
75008	1/8 HP-S	PLUG,PIPE THREAD			
75014	1/2 HP-S	PLUG,PIPE THREAD			
75042	8 WELO-WLNL-S	UNION,90° BULKHEAD W/NUT,ORFS			
75043	3/4 FF-S	NIPPLE,PIPE			
75254	24 F5OHAO-S	UNION,STRAIGHT THREAD			
75255	12 F5OHAO-S	UNION,STRAIGHT THREAD			
75256	XV506P-24	BALL VALVE			
75574	4 WLNL-S	BULKHEAD LOCKNUT			
75612	8 WJLO-WLNL-S	RUN TEE, BULKHEAD,ORFS			
75613	12-8 F5OG5-S	ADAPTER,FEMALE PIPE TO STRAIGHT THREAD			
75614	8 CC5OLO-S	ELBOW,90° LONG,STRAIGHT THREAD TO ORFS			
75628	1JB43-4-4	HOSE END,BULKHEAD,SEAL LOK			

## Fitting Cross References (Continued)

Genie PN	Parker PN	Description	Genie PN	Parker PN	Description
83064	13743-8-8	HOSE END,45° FEMALE SWIVEL,JIC	89449	6 WJLO-WLNL-S	RUN TEE, BULKHEAD,ORFS
83065	13743-12-12	HOSE END,45° FEMALE SWIVEL,JIC	89489	4 WJMLO-S	BRANCH TEE,BULKHEAD,ORFS
83066	13943-8-8	HOSE END,90° FEMALE SWIVEL,JIC	89551	1JB43-6-6	HOSE END,BULKHEAD,SEAL LOK
83067	14143-6-6	HOSE END,90° FEMALE SWIVEL,JIC	89552	1JB43-8-8	HOSE END,BULKHEAD,SEAL LOK
83068	14143-8-8	HOSE END,90° FEMALE SWIVEL,JIC	89593	20 C5OLO-S	ELBOW,90°,STRAIGHT THREAD TO ORFS
83069	14143-12-12	HOSE END,90° FEMALE SWIVEL,JIC	94161	8-8 CLO-S	ELBOW,90°,MALE PIPE TO ORFS
83070	772-8	HOSE,1/2 INCH ID	94358	351TC-12	HOSE,3/4 INCH ID
83071	10671-8-8	HOSE END,FEMALE SWIVEL,JIC	94418	20 FLO-S	CONNECTOR,MALE PIPE TO ORFS
83072	10671-12-12	HOSE END,FEMALE SWIVEL,JIC	96358	12 TX-S	SLEEVE,FLARE TUBE
83073	13771-8-8	HOSE END,45° FEMALE SWIVEL,JIC	96359	12 BTX-S	NUT,FLARE TUBE
83074	13771-12-12	HOSE END,45° FEMALE SWIVEL,JIC	96397	8 F5OX-S	CONNECTOR,STRAIGHT THREAD TO FLARE TUBE
83075	13971-8-8	HOSE END,90° FEMALE SWIVEL,JIC	96398	12-8 F5OX-S	CONNECTOR,STRAIGHT THREAD TO FLARE TUBE
83076	13971-12-12	HOSE END,90° FEMALE SWIVEL,JIC	96402	10343-6-6	HOSE END,MALE,JIC
83077	14171-8-8	HOSE END,90° FEMALE SWIVEL,JIC	96407	30382-6-6B	HOSE END,MALE,JIC
83078	14171-12-12	HOSE END,90° FEMALE SWIVEL,JIC			
83080	13943-16-16	HOSE END,90° FEMALE SWIVEL,JIC			
83103	10671-16-12	HOSE END,FEMALE SWIVEL,JIC			
83104	10671-10-12	HOSE END,FEMALE SWIVEL,JIC			
83112	1JC71-8-8	HOSE END,FEMALE SWIVEL,SEAL LOK			
83113	1JS71-16-12	HOSE END,FEMALE SWIVEL,SEAL LOK			
83114	1JS71-10-12	HOSE END,FEMALE SWIVEL,SEAL LOK			
83115	1J971-8-8	HOSE END,90° FEMALE SWIVEL,SEAL LOK			
83116	1J171-8-8	HOSE END,90° FEMALE SWIVEL,SEAL LOK			
83117	1J771-8-8	HOSE END,45° FEMALE SWIVEL,SEAL LOK			
83127	1J543-6-8	HOSE END,90° FEMALE SWIVEL,JIC			
83128	1JC43-6-8	HOSE END,FEMALE SWIVEL,SEAL LOK			
87033	12-6 TRLO-S	REDUCER,TUBE END TO SWIVEL,ORFS			
87034	3J782-8-8	HOSE END,45° FEMALE SWIVEL,SEAL LOK			
87172	12 HP5ON-S	PLUG,STRAIGHT THREAD			
87185	8 WNLO-WLNL-S	UNION,BULKHEAD 45°,ORFS			
87246	4 C6X-S	ELBOW,90°,SWIVEL NUT TO FLARE TUBE			
87679	6 LHP-S	FLANGE SEAL FITTING, MALE			
87681	6PLS N0702	BONDED SEAL			
88100	SR88100	ADAPTER,OIL DRAIN,GM 3.0L			
88311	1JS43-20-20	HOSE END,FEMALE SWIVEL,SEAL LOK			
88353	20 V5OLO-S	ELBOW,45°,STRAIGHT THREAD TO ORFS			
88474	10081-20	Crimp Shell, 1.25"			
88475	1988-20-24	HOSE END,90° FLANGE HEAD			
88476	JS88-24-24	HOSE END,FEMALE SWIVEL,SEAL LOK			
88477	1JC88-20-20	HOSE END,FEMALE SWIVEL,SEAL LOK			
88478	811-20	HOSE,11/4 INCH ID			
88936	20-16 F5OLO-S	CONNECTOR,STRAIGHT THREAD TO ORFS			
88937	20-16 FLO-S	CONNECTOR,MALE PIPE TO ORFS			
88938	1JC88-16-16	HOSE END,FEMALE SWIVEL,SEAL LOK			
88939	1J988-16-16	HOSE END,90° FEMALE SWIVEL,ORFS			
88940	811-16	HOSE,1 INCH ID			
88944	1J988-20-20	HOSE END,90° FEMALE SWIVEL,ORFS			
89403	16 VLO-S	ELBOW,45°,MALE PIPE TO ORFS			

California Proposition 65



Operating, servicing and maintaining this equipment can expose you to chemicals including engine exhaust, carbon monoxide, phthalates, and lead, which are known to the State of California to cause cancer and birth defects or other reproductive harm. These chemicals can be emitted from or contained in other various parts and systems, fluids and some component wear by-products. To minimize exposure, avoid breathing exhaust, do not idle the engine except as necessary, service your equipment and vehicle in a well-ventilated area and wear gloves or wash your hands frequently when servicing your equipment or vehicle and after operation. For more information go to [www.P65Warnings.ca.gov/passenger-vehicle](http://www.P65Warnings.ca.gov/passenger-vehicle).

Breathing diesel engine exhaust exposes you to chemicals known to the State of California to cause cancer and birth defects or other reproductive harm.

- Always start and operate the engine in a well-ventilated area.
- If in an enclosed area, vent the exhaust to the outside.
- Do not modify or tamper with the exhaust system.
- Do not idle the engine except as necessary.

For more information go to

[www.P65warnings.ca.gov/diesel](http://www.P65warnings.ca.gov/diesel).

Distributed By:

to order your parts

# PARTS FINDER

**Search Website  
by Part Number**



**Search Manual  
Library For Parts  
Manual & Lookup Part  
Numbers – Purchase  
or Request Quote**

**Search Manuals**

Enter your information to help us find the right parts manual for your machine.

\* Brand:

\* Model:

\* Serial:

\* Part Number:

SEARCH

**Can't Find Part or  
Manual? Request Help  
by Manufacturer,  
Model & Description**

**Parts Order Form**

Please fill in the following information to help us find the right part for your machine.

Manufacturer:	<input type="text"/>
Model:	<input type="text"/>
Description:	<input type="text"/>
Part Number:	<input type="text"/>
Quantity:	<input type="text"/>
Notes:	<input type="text"/>

Submit

Discount-Equipment.com is your online resource for quality parts & equipment.

Florida: **561-964-4949** Outside Florida TOLL FREE: **877-690-3101**

**Need parts?**

Click on this link: <http://www.discount-equipment.com/category/5443-parts/> and choose one of the options to help get the right parts and equipment you are looking for. Please have the machine model and serial number available in order to help us get you the correct parts. If you don't find the part on the website or on one of the online manuals, please fill out the request form and one of our experienced staff members will get back to you with a quote for the right part that your machine needs.

We sell worldwide for the brands: Genie, Terex, JLG, MultiQuip, Mikasa, Essick, Whiteman, Mayco, Toro Stone, Diamond Products, Generac Magnum, Airman, Haulotte, Barreto, Power Blanket, Nifty Lift, Atlas Copco, Chicago Pneumatic, Allmand, Miller Curber, Skyjack, Lull, Skytrak, Tsurumi, Husquvarna Target, Stow, Wacker, Sakai, Mi-T-M, Sullair, Basic, Dynapac, MBW, Weber, Bartell, Bennar Newman, Haulotte, Ditch Runner, Menegotti, Morrison, Contec, Buddy, Crown, Edco, Wyco, Bomag, Laymor, EZ Trench, Bil-Jax, F.S. Curtis, Gehl Pavers, Heli, Honda, ICS/PowerGrit, IHI, Partner, Imer, Clipper, MMD, Koshin, Rice, CH&E, General Equipment, Amida, Coleman, NAC, Gradall, Square Shooter, Kent, Stanley, Tamco, Toku, Hatz, Kohler, Robin, Wisconsin, Northrock, Oztec, Toker TK, Rol-Air, APT, Wylie, Ingersoll Rand / Doosan, Innovatech, Con X, Ammann, Mecalac, Makinex, Smith Surface Prep, Small Line, Wanco, Yanmar