



A TEREX BRAND



# Parts Manual

Serial Number Range

**Z-60/37 DC/FE  
Hybrid**

from SN Z6016N-101 to  
Z6016N-599

from SN Z60N-600 to Z60N-700

Part No. 1269767GT

Rev C3

November 2018

Go to [Discount-Equipment.com](http://Discount-Equipment.com) to order your parts

# PARTS FINDER

**Search Website  
by Part Number**



**Search Manual  
Library For Parts  
Manual & Lookup Part  
Numbers – Purchase  
or Request Quote**

**Search Manuals**

Enter your information to help us find the right parts manual for your machine.

\* Brand:

\* Model:

\* Serial:

\* Part Number:

SEARCH

**Can't Find Part or  
Manual? Request Help  
by Manufacturer,  
Model & Description**

**Parts Order Form**

Please fill in the following information to help us find the right part for your machine.

Manufacturer:	<input type="text"/>
Model:	<input type="text"/>
Description:	<input type="text"/>
Part Number:	<input type="text"/>
Quantity:	<input type="text"/>
Notes:	<input type="text"/>
Submit	<input type="button" value="Submit"/>

Discount-Equipment.com is your online resource for quality parts & equipment.

Florida: **561-964-4949** Outside Florida TOLL FREE: **877-690-3101**

**Need parts?**

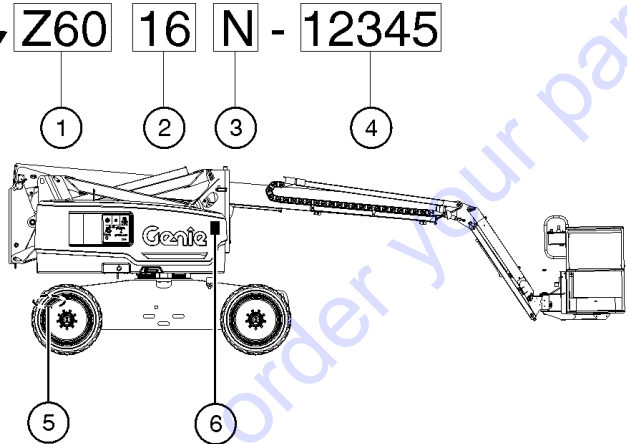
Click on this link: <http://www.discount-equipment.com/category/5443-parts/> and choose one of the options to help get the right parts and equipment you are looking for. Please have the machine model and serial number available in order to help us get you the correct parts. If you don't find the part on the website or on one of the online manuals, please fill out the request form and one of our experienced staff members will get back to you with a quote for the right part that your machine needs.

We sell worldwide for the brands: Genie, Terex, JLG, MultiQuip, Mikasa, Essick, Whiteman, Mayco, Toro Stone, Diamond Products, Generac Magnum, Airman, Haulotte, Barreto, Power Blanket, Nifty Lift, Atlas Copco, Chicago Pneumatic, Allmand, Miller Curber, Skyjack, Lull, Skytrak, Tsurumi, Husquvarna Target, Stow, Wacker, Sakai, Mi-T-M, Sullair, Basic, Dynapac, MBW, Weber, Bartell, Bennar Newman, Haulotte, Ditch Runner, Menegotti, Morrison, Contec, Buddy, Crown, Edco, Wyco, Bomag, Laymor, EZ Trench, Bil-Jax, F.S. Curtis, Gehl Pavers, Heli, Honda, ICS/PowerGrit, IHI, Partner, Imer, Clipper, MMD, Koshin, Rice, CH&E, General Equipment, Amida, Coleman, NAC, Gradall, Square Shooter, Kent, Stanley, Tamco, Toku, Hatz, Kohler, Robin, Wisconsin, Northrock, Oztec, Toker TK, Rol-Air, APT, Wylie, Ingersoll Rand / Doosan, Innovatech, Con X, Ammann, Mecalac, Makinex, Smith Surface Prep, Small Line, Wanco, Yanmar

To August 31, 2016

**Genie**  
A TEREX BRAND

Model:  
 Serial number: Z6016N-12345  
 Model year: 2016    Manufacture date: 01/01/16  
 Electrical schematic number:  
 Machine unladen weight:  
 Rated work load (including occupants):  
 Maximum number of platform occupants:  
 Maximum allowable side force :  
 Maximum allowable inclination of the chassis:



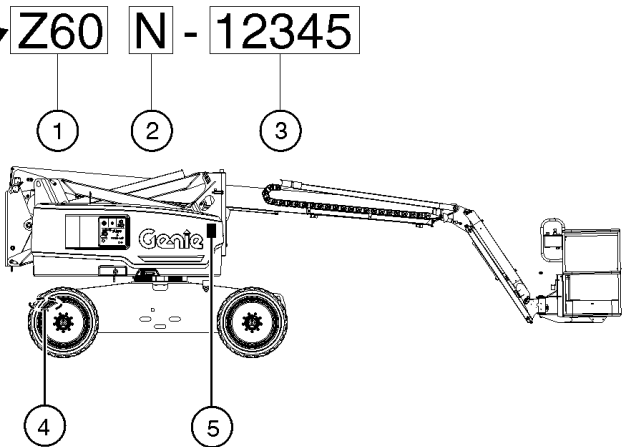
- 1 Model
- 2 Model year
- 3 Facility code

- 4 Sequence number
- 5 Serial number (stamped on chassis)
- 6 Serial label (located under cover)

From September 1, 2016

**Genie**  
A TEREX BRAND

Model:  
 Serial number: Z60N-12345  
 Year of manufacture: 2016  
 Electrical schematic number:  
 Machine unladen weight:  
 Rated work load (including occupants):  
 Maximum number of platform occupants:  
 Maximum allowable side force:  
 Maximum allowable inclination of the chassis:



- 1 Model
- 2 Facility code
- 3 Sequence number

- 4 Serial number (stamped on chassis)
- 5 Serial label (located under cover)

## Table of Contents

This manual is updated frequently. For the most up-to-date parts information, visit [www.discount-equipment.com](http://www.discount-equipment.com)

How to Read Your Serial Number.....	3
Parts Stocking List.....	7

**Electronic Version**

Click on any page number to view the figure.

**001 Parts Stocking List**

001.1 Parts Stocking List.....	10
--------------------------------	----

**100 Decals**

101.1 Decals with Words, Chassis (ANSI & AUS).....	12
102.1 Decals with Words, Tank Side, Non-Steer End (ANSI & AUS).....	14
103.1 Decals with Words, Generator Side, Steer End (ANSI & AUS).....	16
104.1 Decals with Words, Boom (ANSI & AUS).....	18
105.1 Decals with Words, Platform (ANSI & AUS).....	20
106.1 Decals with Symbols, Chassis (ANSI & CE).....	22
107.1 Decals with Symbols, Tank Side, Non-Steer End (ANSI & CE).....	24
108.1 Decals with Symbols, Generator Side, Steer End (ANSI & CE).....	26
109.1 Decals with Symbols, Boom (ANSI & CE).....	28
110.1 Decals with Symbols, Platform (ANSI & CE).....	30

**200 Drive Chassis Components**

201.1 Steer Axle and Steer Linkage , Non-Oscillate Models.....	32
202.1 Steer Axle and Steer Linkage , Oscillate Models.....	34
203.1 2WD Steer Axle, Wheels and Hubs.....	36
204.1 4WD Steer Axle, Wheels and Hubs.....	38
205.1 Non-steer Axle.....	40

**300 Turntable Components**

301.1 Turntable Rotator.....	42
302.1 Turntable Center.....	44
303.1 Generator Side - DC Models.....	46
304.1 Tank Side - FE Hybrid Models (Bi-Energy).....	48

305.1 Ground Control Side, View 1.....	50
306.1 Ground Control Side, View 2.....	52
307.1 Ground Control Box, View 1, External.....	54
308.1 Ground Control Box, View 2, Internal.....	56
309.1 Turntable Cover.....	58
310.1 Battery Box Assembly.....	60
311.1 Wire Harness Diagram.....	62
312.1 Power Cable Diagram.....	64

**400 Engine Components**

401.1 Engine Tray.....	66
402.1 Kubota D1105-E4B, View 1.....	68
403.1 Kubota D1105-E4B, View 2.....	70
404.1 Kubota D1105-E4B, View 3.....	72
405.1 Fuel Hoses and Fittings - Kubota D1105-E4B.....	74

**500 Boom Components**

500.1 Boom Layout.....	76
501.1 Secondary Boom, View 1.....	78
502.1 Secondary Boom, View 2.....	80
503.1 Upper Pivot.....	82
504.1 Upper Pivot and Primary Boom Rests.....	84
505.1 Primary and Extension Booms.....	86
506.1 Cable Track.....	88
507.1 Jib Boom and Platform Rotator.....	90

**600 Platform Components**

601.1 Platform Configuration.....	92
602.1 Platform Components.....	94
603.1 Platform Control Box, External View.....	96
604.1 Platform Control Box, Internal View.....	100
605.1 Joysticks.....	102

**700 Hydraulic Components**

701.1 Function Manifold.....	104
702.1 Platform Rotate and Jib Boom/Platform Manifold.....	106
703.1 Hydraulic Pumps.....	108
704.1 Oscillate Valve.....	110
705.1 Turntable Rotate Manifold.....	112
706.1 Hydraulic Hoses and Fittings - Drive Chassis, Non-Oscillate.....	114
707.1 Hydraulic Hoses and Fittings - Drive Chassis, Oscillate.....	116
708.1 Hydraulic Hoses and Fittings - Turntable.....	118
709.1 Hydraulic Hoses and Fittings - Secondary and Primary.....	120
710.1 Hydraulic Hoses and Fittings - Primary and Jib.....	122



**800 Accessories**

801.1 Power to Platform.....	124
802.1 Air Line to Platform.....	126
803.1 Light Package.....	128
804.1 Platform Overload Option.....	130
805.1 Operators Protection Alarm (to January 2017).....	132
805.2 Lift Guard Contact Alarm Option (from January 2017).....	134
806.1 Panel Cradle and Tool Tray.....	136
807.1 Tow Package.....	138
808.1 Swing Gear Guard.....	140
809.1 Cylinder Bellows.....	142
810.1 Boom Wiper.....	144
811.1 Cold Start, FE Models.....	146
812.1 Platform Control Cover Option.....	148
813.1 Ground Control Box Cover.....	150
814.1 Operator Protective Structure.....	152
815.1 Aircraft Protection Package.....	154
816.1 Aircraft Protection Package With Swing Gate.....	156
817.1 Inverter.....	158
818.1 Half Mesh Option.....	160
819.1 Platform Accessories.....	162

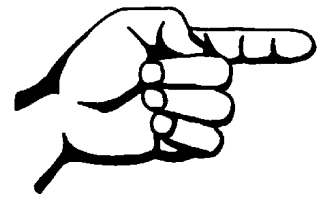
**Indices**

Part Number Index.....	164
Part Description Index.....	169

**Cross References**

Fittings Cross Reference.....	178
-------------------------------	-----

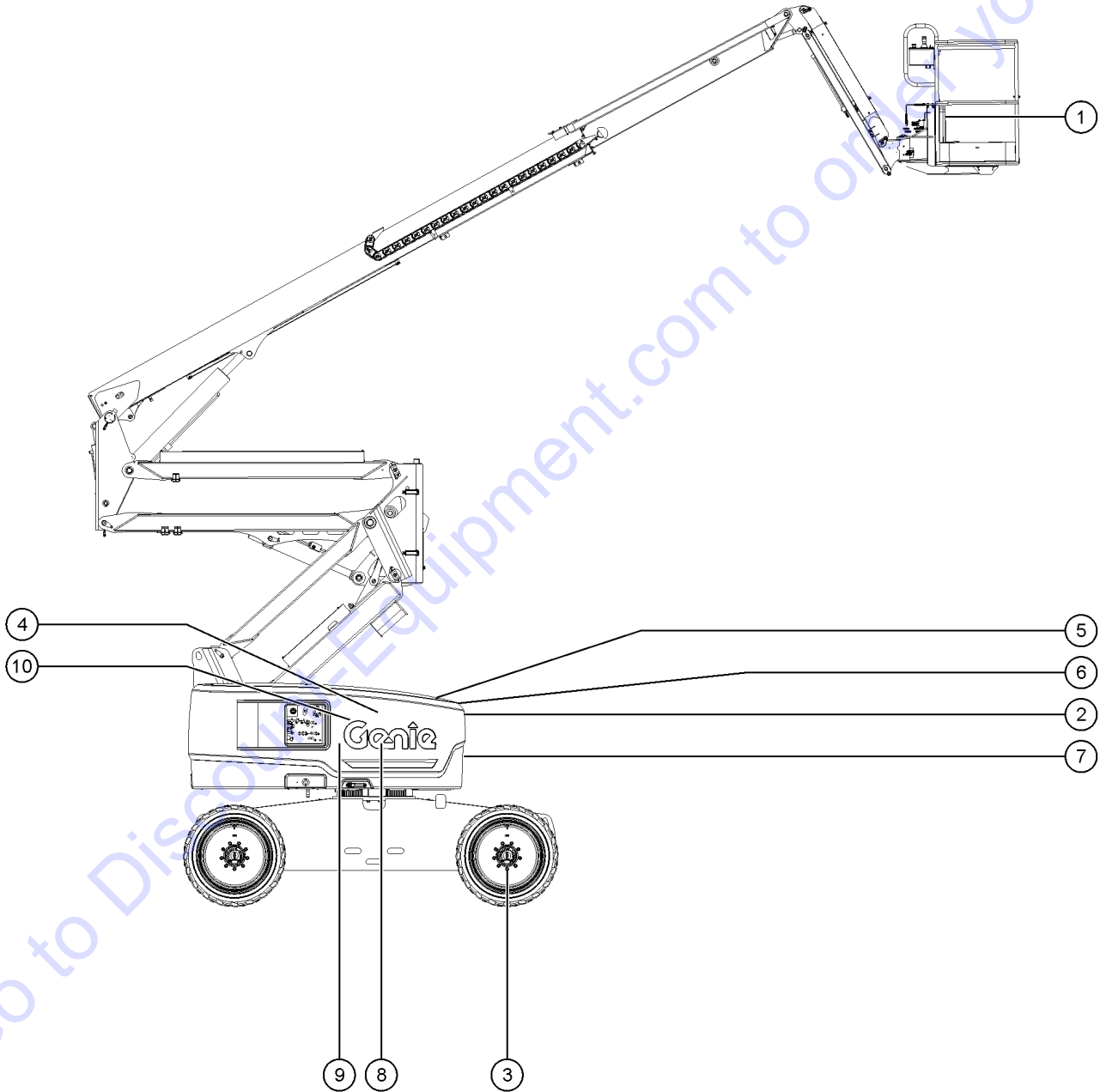
Please refer to section 001 for the Recommended Spare Parts List.



This page intentionally left blank.

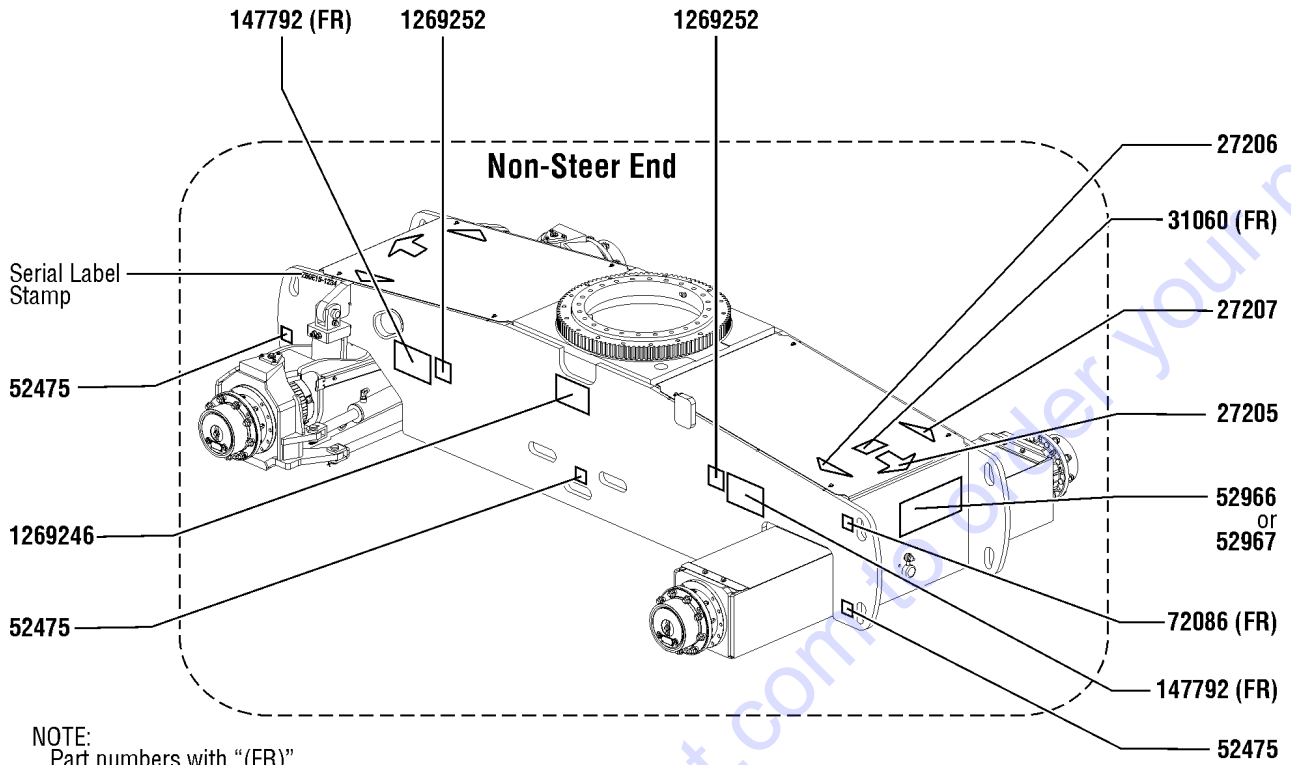
Go to Discount-Equipment.com to order your parts

001.1 Parts Stocking List

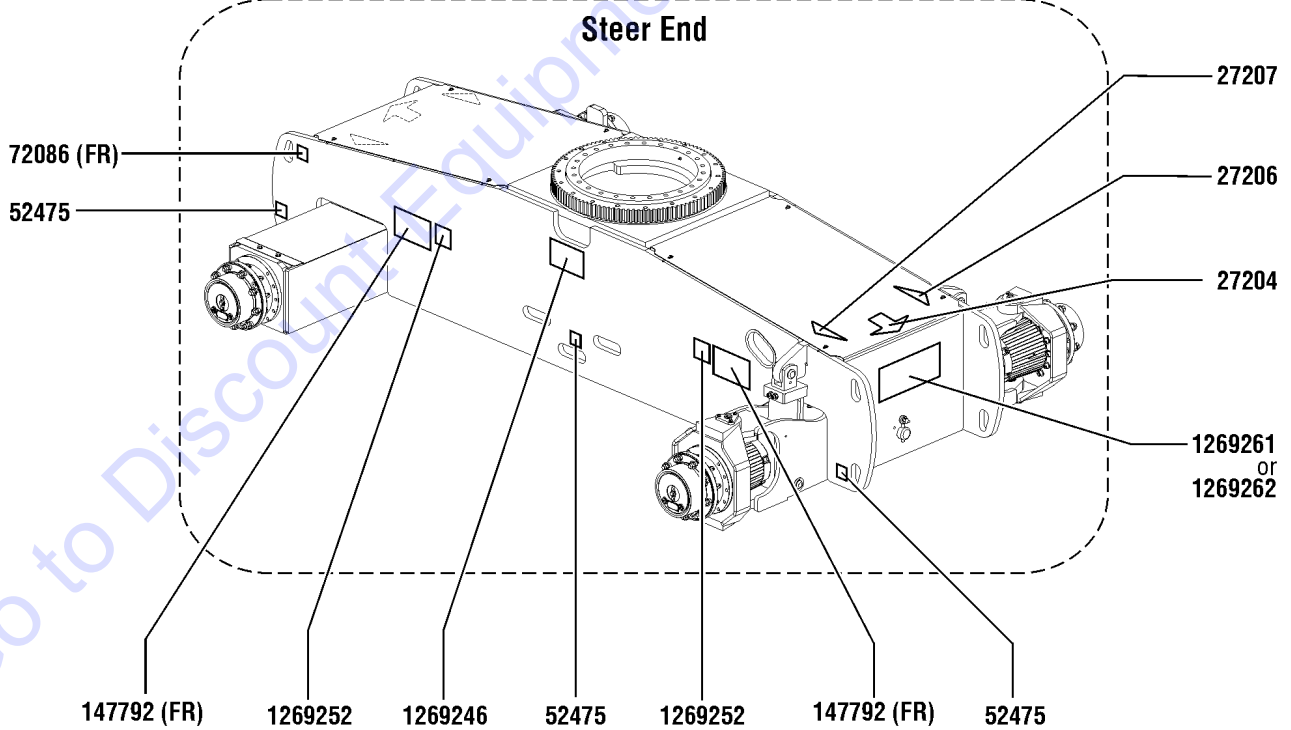


Item	Part No.	Description	Qty.
--	1257733GT	PAINT,WET,TRAFFIC BLACK (1 GL)** <i>1-gallon</i>	
--	1258567GT	PAINT, AEROSOL, TRAFFIC BLACK <i>12-ounce spray paint</i>	
--	1268GT	PAINT,AEROSOL,GENIE GRAY*** <i>12-ounce spray paint</i>	
--	1484GT	PAINT,AEROSOL,BRIGHT BLUE*** <i>12-ounce spray paint</i>	
--	32150GT	PAINT,WET,GENIE BLUE (1 GL)** <i>1-gallon</i>	
--	32151GT	PAINT,WET,GENIE GRAY (1 GL)** <i>1-gallon</i>	
--	66399GT	GREASE,DIELECTRIC 4 OZ**	
1	27581GT	MANUAL,AEM SAFETY	
--	31779GT	MANUAL,RESPON,A92.5 BOOM	
2	32196GT	BELT,V, KUBOTA D905 <i>(refer to figure 402.1)</i>	
3	226939GT	AC MOTOR GEARBOX Z60E <i>(refer to figure 204.1)</i>	
4	1263938GT	MOTOR CTRL, 48V, 3PH, 1234SE <i>(refer to figure 302.1)</i>	
5	31745GT	FILTER,AIR,D905 <i>(refer to figure 403.1)</i>	
6	866050GT	FILTER,OIL,KUBOTA <i>(refer to figure 404.1)</i>	
7	32196GT	BELT,V, KUBOTA D905 <i>(refer to figure 402.1)</i>	
8	49613GT	PLUG AND CAP KIT-SERVICE,ORFS* <i>(refer to figure 701.1)</i>	
9	60857GT	FILTER,ELEMENT,BETA(5)=1000 <i>(refer to figure 305.1)</i>	
10	88917GT	FILTER,ELEMENT,BETA(10)=200 <i>(refer to figure 305.1)</i>	

101.1 Decals with Words, Chassis (ANSI & AUS)



NOTE:  
Part numbers with "(FR)"  
indicates French translation  
is available

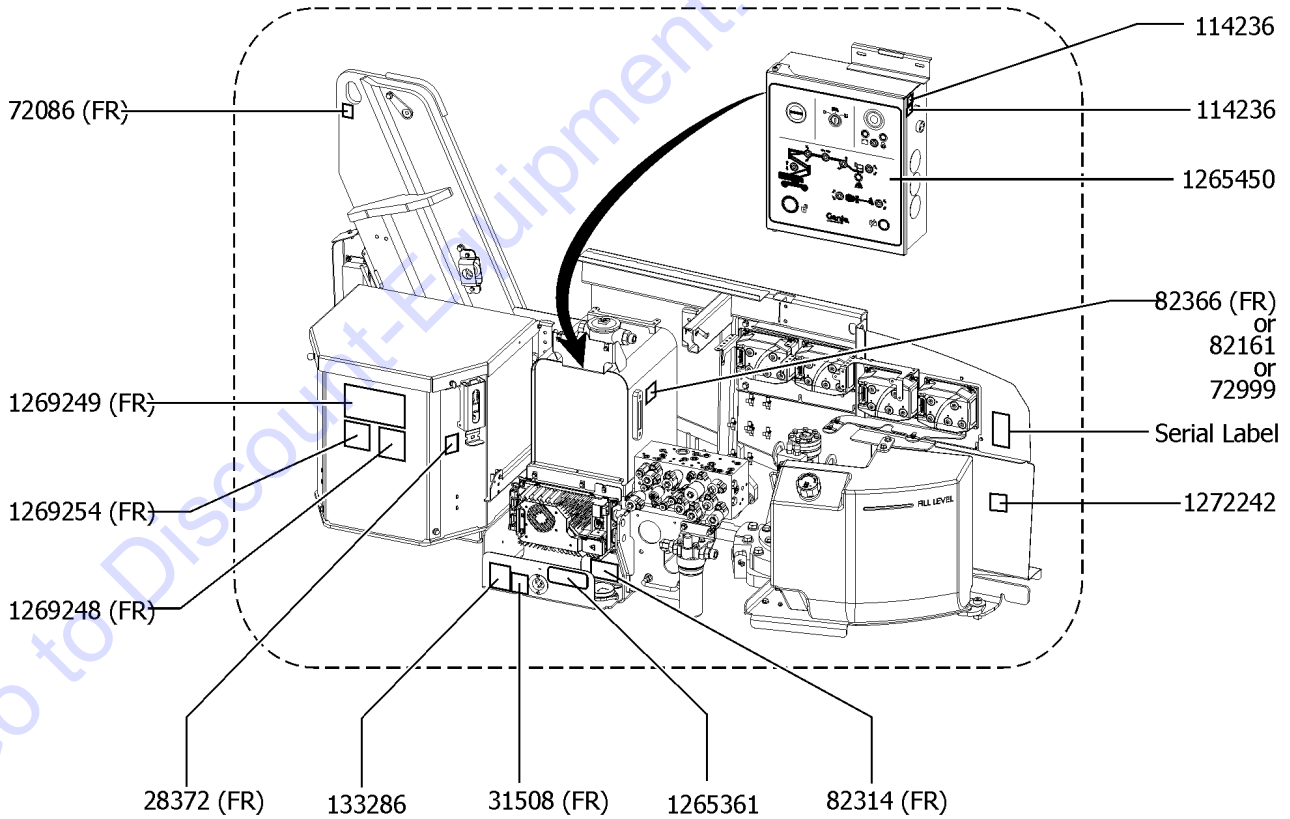
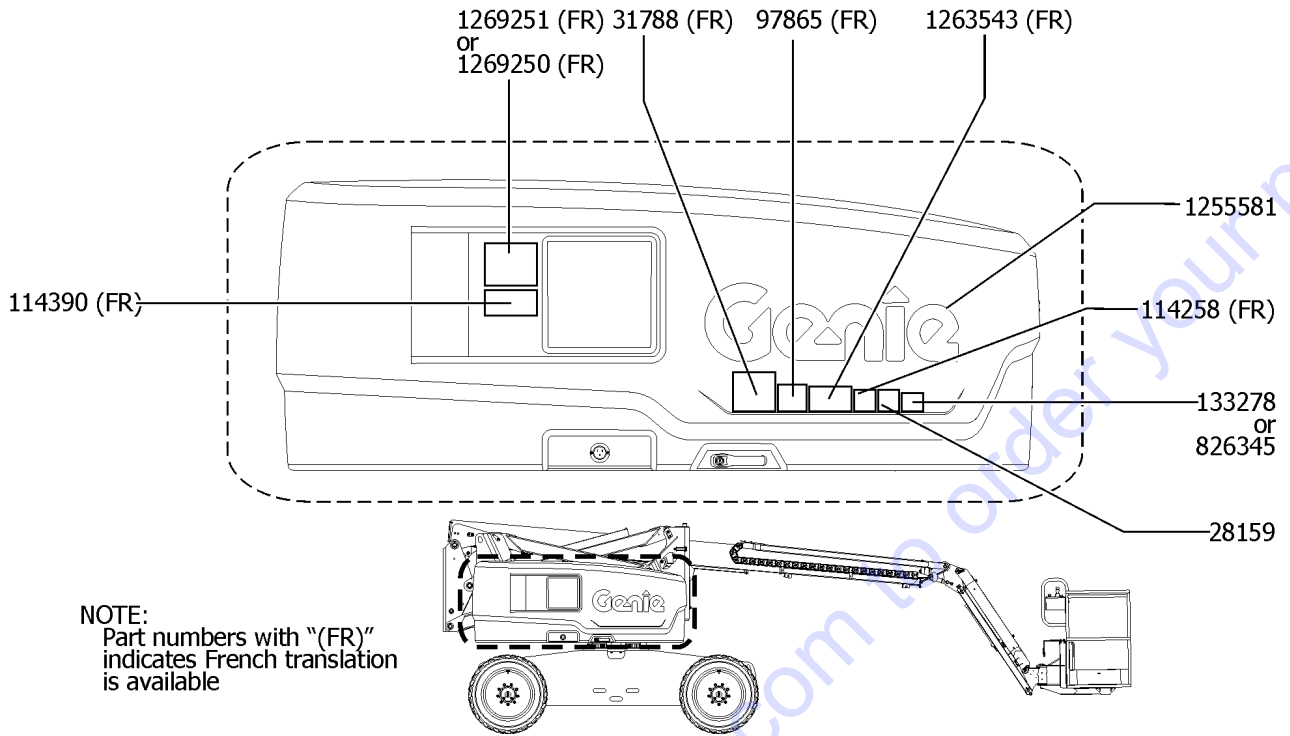


## 101.1 Decals with Words, Chassis (ANSI &amp; AUS)

Item	Part No.	Description	Qty.
A	1272630GT	DECAL KIT,Z60 DC,COMP,WRD,ANSI ANSI	
B	1272631GT	DECAL KIT,Z60 FE,COMP,WRD,ANSI ANSI	
C	1272633GT	DECAL KIT,Z60 DC,COMP,WRD,AUS AUS	
D	1272634GT	DECAL KIT,Z60 FE,COMP,WRD,AUS AUS	
1	27204GT	DECAL,ARROW BLUE.....	1
2	27205GT	DECAL,ARROW YELLOW LRG 9".....	1
3	27206GT	DECAL,TRIANGLE,BLUE.....	2
4	27207GT	DECAL,TRIANGLE,YELLOW.....	2
5	31060GT	DECAL,DANGER DO NOT ALTER SWTC.....	1
6	52475GT	DECAL,LABEL,TRANSPORT TIEDOWN*.....	6
7	52966GT	DECAL,COSMETIC,4 X 2..... Option, 2WD	1
8	52967GT	DECAL,COSMETIC,4 X 4..... Option, 4WD	1
9	72086GT	DECAL,LABEL,LIFTING EYE.....	2
10	147792GT	DANGER,TIPOVR,TIRES FF ONLY.....	4
11	1269246GT	DECAL,TRANSPORTING/LIFTING,Z.....	2
12	1269252GT	DECAL,WHEEL LOAD,Z60/37DC.....	4
13	1269261GT	DECAL,COSMETIC,Z-60/37DC..... Z-60/37 DC	1
14	1269262GT	DECAL,COSMETIC,Z-60/37FE..... Z-60/37 FE	1



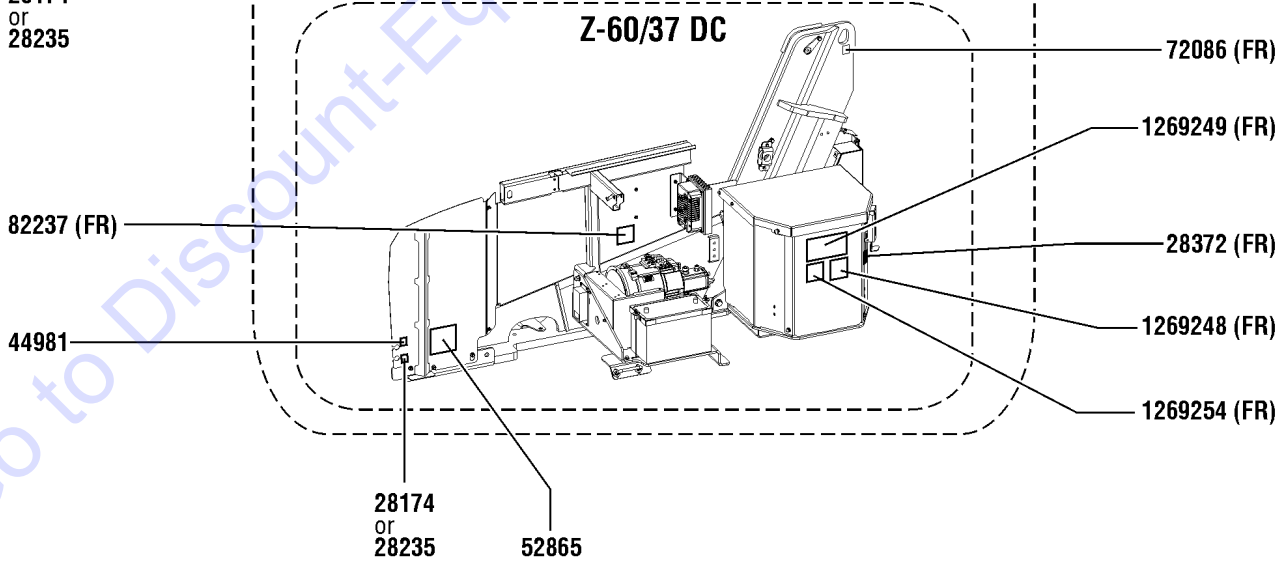
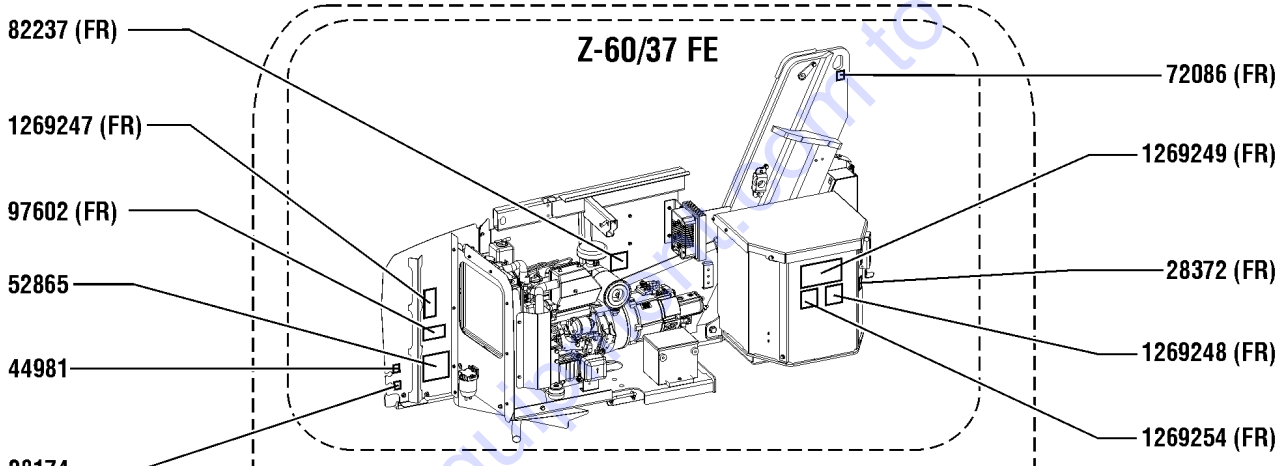
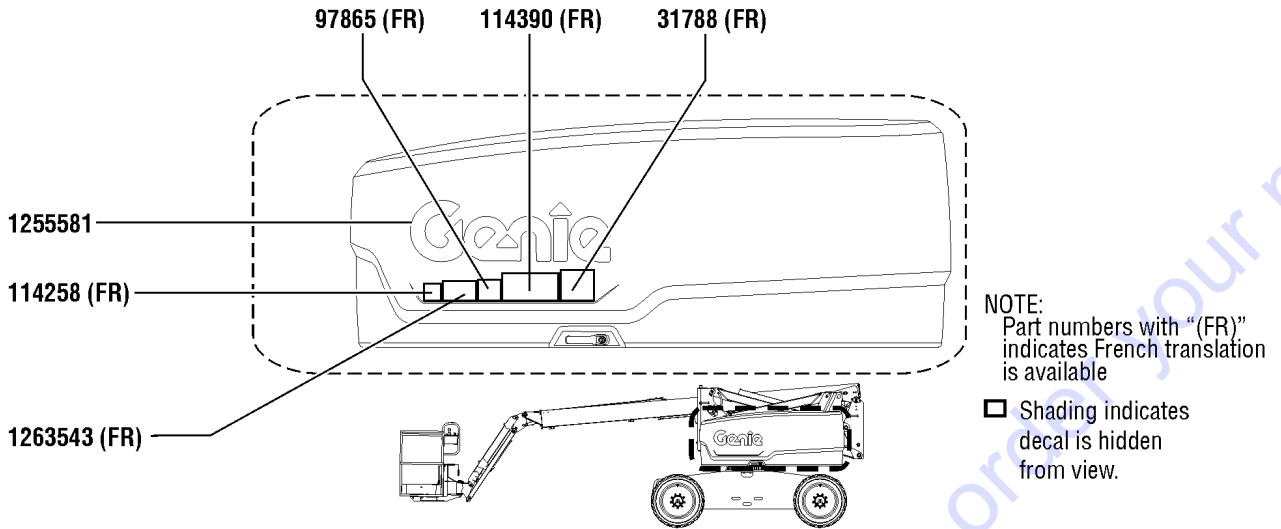
102.1 Decals with Words, Tank Side, Non-Steer End (ANSI & AUS)



## 102.1 Decals with Words,Tank Side, Non-Steer End (ANSI &amp; AUS)

Item	Part No.	Description	Qty.
1	28159GT	DECAL,DIESEL.....1 <i>Z-60/37 FE Only</i>	1
2	28372GT	DECAL,NOTICE,BATTERY CABLES.....1	1
3	31508GT	DECAL,DANGER,ELECT HAZARD,PLUG.....1	1
4	31788GT	DECAL,DANGER,BATTERY SAFETY*** .....1	1
5	72086GT	DECAL,LABEL,LIFTING EYE.....1	1
6	72999GT	DECAL,LABEL,PETRO CANADA***.....1 <i>Option, hydraulic oil</i>	1
7	82161GT	DECAL,LABEL,UCON HYDROLUBE.....1 <i>Option, hydraulic oil</i>	1
8	82314GT	DECAL,DANGER,TIP-OVER.....1	1
9	82366GT	DECAL,CHEVRON RANDO HD.....1 <i>Option, hydraulic oil</i>	1
10	97865GT	DECAL,WARN,ELECTRO HAZARD.....1	1
11	114236GT	DECAL,LABEL,CB SYMBOL.....2	2
12	114258GT	DECAL,DANGER,NO SMOKING.....1 <i>Z-60/37 FE Only</i>	1
13	114390GT	DECAL,DANGER,ELECT HAZARD*** .....1	1
14	133278GT	DECAL,LOW/ULTRA LOW SULFR FUEL.....1 <i>Z-60/37 FE Only - Australia models</i>	1
15	133286GT	DECAL, POWER TO CHARGER, UNIV.....1	1
16	826345GT	DECAL,ULS DIESEL ONLY,TIER 4.....1 <i>Z-60/37 FE Only - ANSI</i>	1
17	1255581GT	DECAL COSMETIC,10" GENIE BLUE....1	1
18	1263543GT	DECAL, IMPROPER OPERATION.....1	1
19	1265361GT	DECAL, BATTERY CHARGER INDICAT.....1	1
20	1265450GT	DECAL, GROUND CONTROL BOX, Z60.....1	1
21	1269248GT	DECAL, BATT CONN DIAGRAM.....1	1
22	1269249GT	DECAL, NOTICE, CHARGER INSTRU...1	1
23	1269250GT	DECAL, OP INSTRUCTIONS, Z60/37.....1 <i>Z-60/37 DC</i>	1
24	1269251GT	DECAL, OP INSTRUCTIONS, Z60/37.....1 <i>Z-60/37 FE</i>	1
25	1269254GT	DECAL, WORD, BATT WEIGHT/TIP O....1	1
26	1272242GT	DECAL,MACHINE REGISTRATION/OWNER TRANSFER....1	1

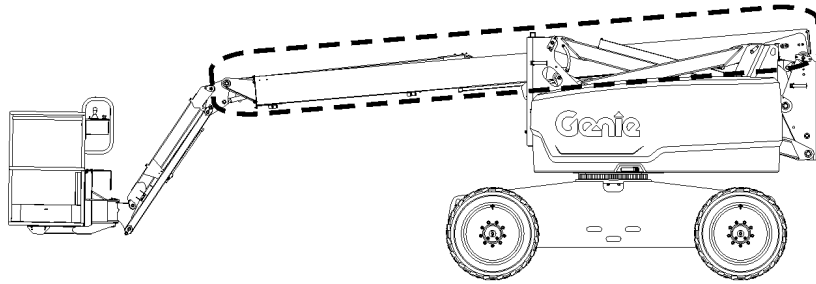
103.1 Decals with Words, Generator Side, Steer End (ANSI & AUS)



## 103.1 Decals with Words, Generator Side, Steer End (ANSI &amp; AUS)

Item	Part No.	Description	Qty.
1	28174GT	DECAL, POWER TO PLATFORM 230V** .....1 <i>Option, power to plat</i>	1
2	28235GT	DECAL, POWER TO PLATFORM 115V...1 <i>Option, power to plat</i>	1
3	28372GT	DECAL, NOTICE, BATTERY CABLES.....1	1
4	31788GT	DECAL, DANGER, BATTERY SAFETY*** .....1	1
5	44981GT	DECAL, LABEL, AIR LINE 110 PSI.....1 <i>Option, airline to platform</i>	1
6	52865GT	DECAL, ANNUAL INSP*** .....1	1
7	72086GT	DECAL, LABEL, LIFTING EYE.....1	1
8	82237GT	DECAL, DANGER, HIGH VOLTAGE.....1	1
9	97602GT	DECAL, EXPLOSION HAZARD.....1 <i>Z-60/37 FE Only</i>	1
10	97865GT	DECAL, WARN, ELECTRO HAZARD.....1	1
11	114258GT	DECAL, DANGER, NO SMOKING.....1 <i>Z-60/37 FE Only</i>	1
12	114390GT	DECAL, DANGER, ELECT HAZARD*** .....1	1
13	1255581GT	DECAL COSMETIC, 10" GENIE BLUE....1	1
14	1263543GT	DECAL, IMPROPER OPERATION.....1	1
15	1269247GT	DECAL, KUBOTA D1105-E4B, SPECS...1 <i>Z-60/37 FE Only</i>	1
16	1269248GT	DECAL, BATT CONN DIAGRAM.....1	1
17	1269249GT	DECAL, NOTICE, CHARGER INSTRU...1	1
18	1269254GT	DECAL, WORD, BATT WEIGHT/TIP O....1	1

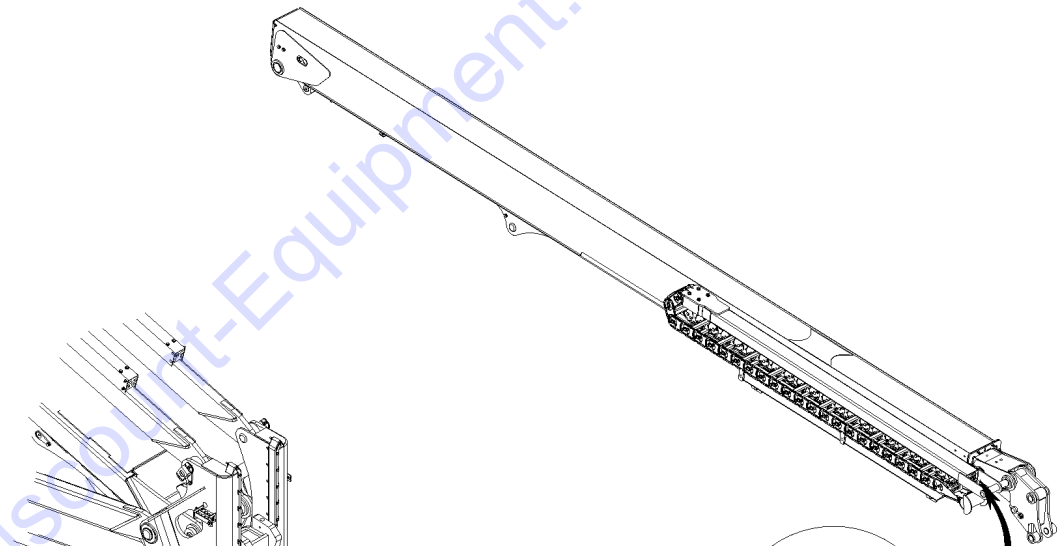
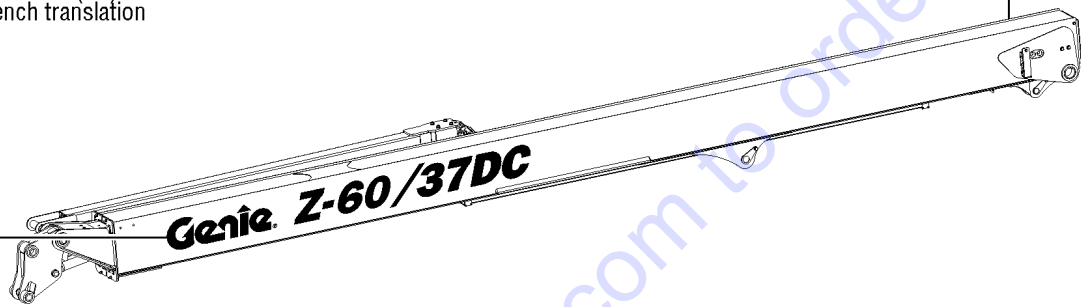
104.1 Decals with Words, Boom (ANSI & AUS)



NOTE:  
Part numbers with "(FR)"  
indicates French translation  
is available

#1 Boom Tube

1269259  
or  
1269260



1267121

31060 (FR)



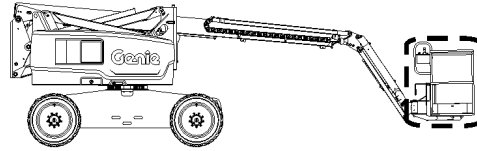
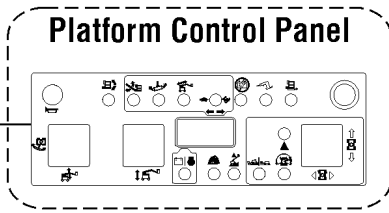
## 104.1 Decals with Words, Boom (ANSI &amp; AUS)

Item	Part No.	Description	Qty.
1	31060GT	DECAL,DANGER DO NOT ALTER SWTC.....	1
2	1267121GT	DECAL, BOOM SUPPORT..... <i>AUS Only</i>	1
3	1269259GT	DECAL, COSMETIC, GENIE Z-60/3..... <i>Z-60/37 DC</i>	1
4	1269260GT	DECAL, COSMETIC, GENIE Z-60/3..... <i>Z-60/37 FE</i>	1

Go to Discount-Equipment.com to order your parts



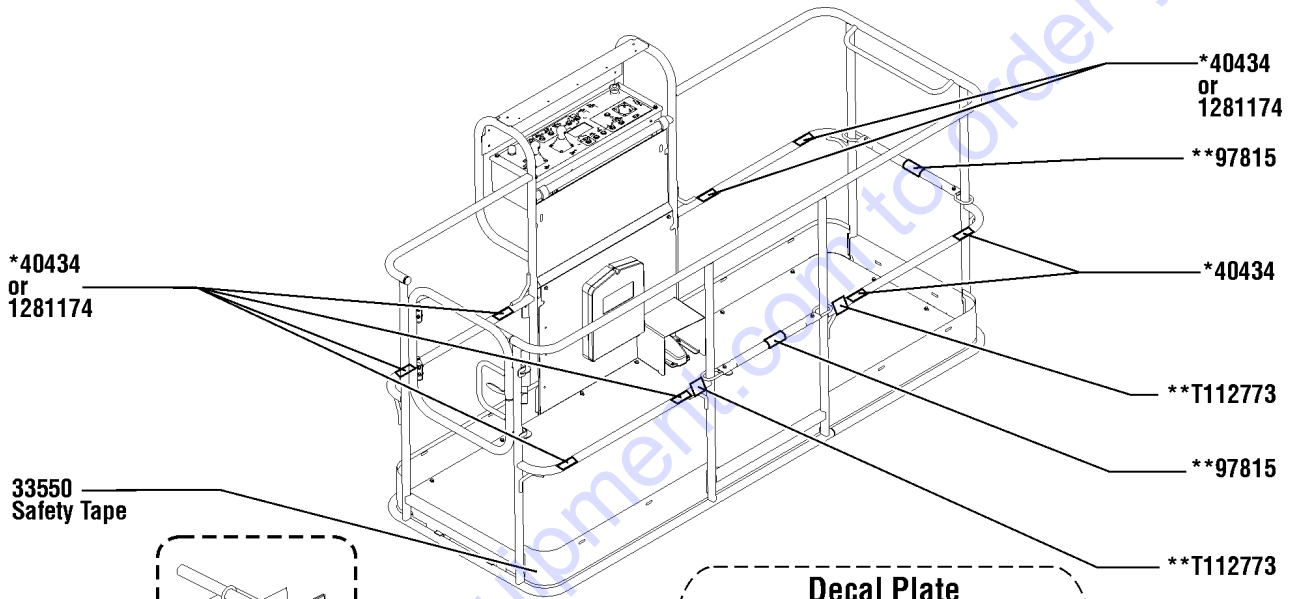
105.1 Decals with Words, Platform (ANSI & AUS)



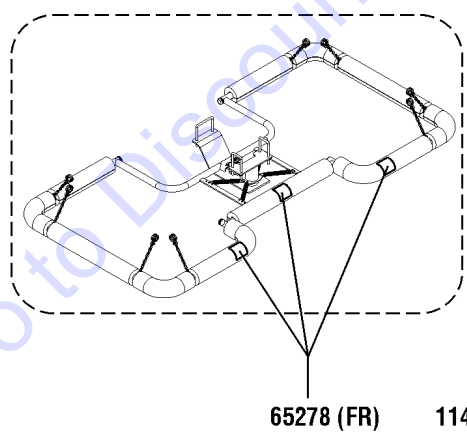
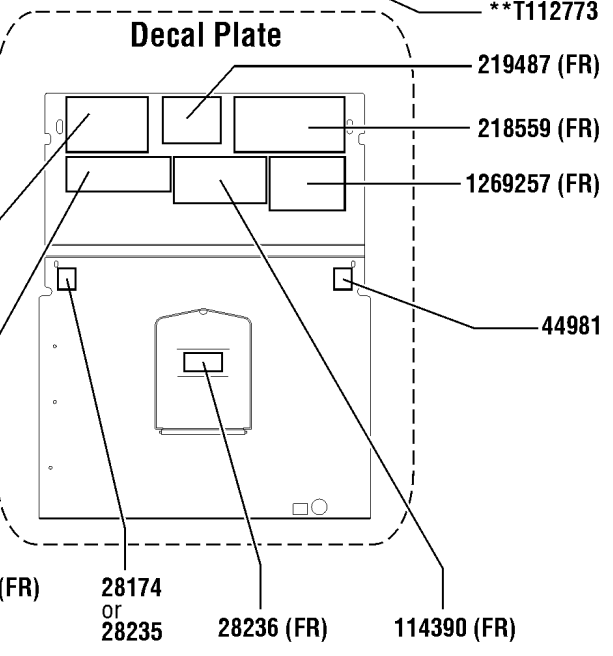
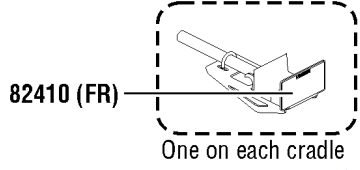
NOTE:  
Part numbers with "(FR)" indicates French translation is available

\* apply this decal to all lanyard anchorage attachments on the platform

\*\* apply to all three midrails on tri-entry platform



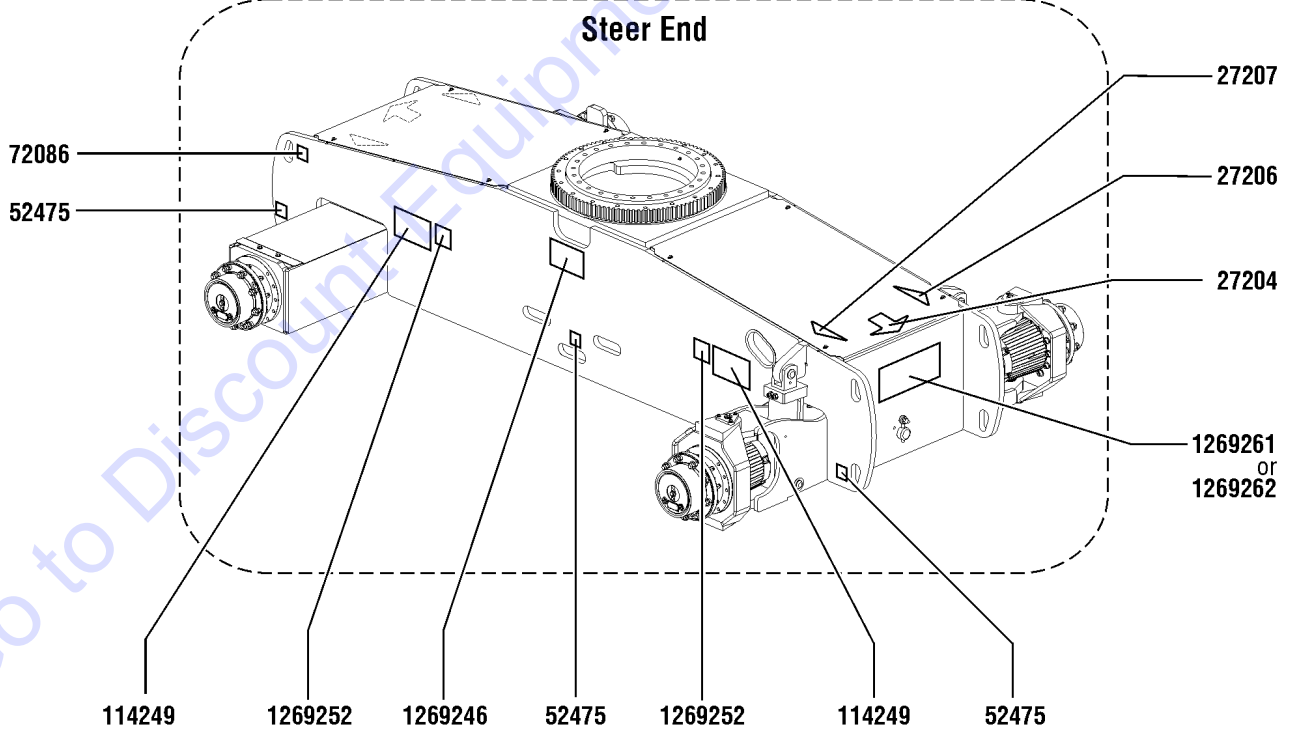
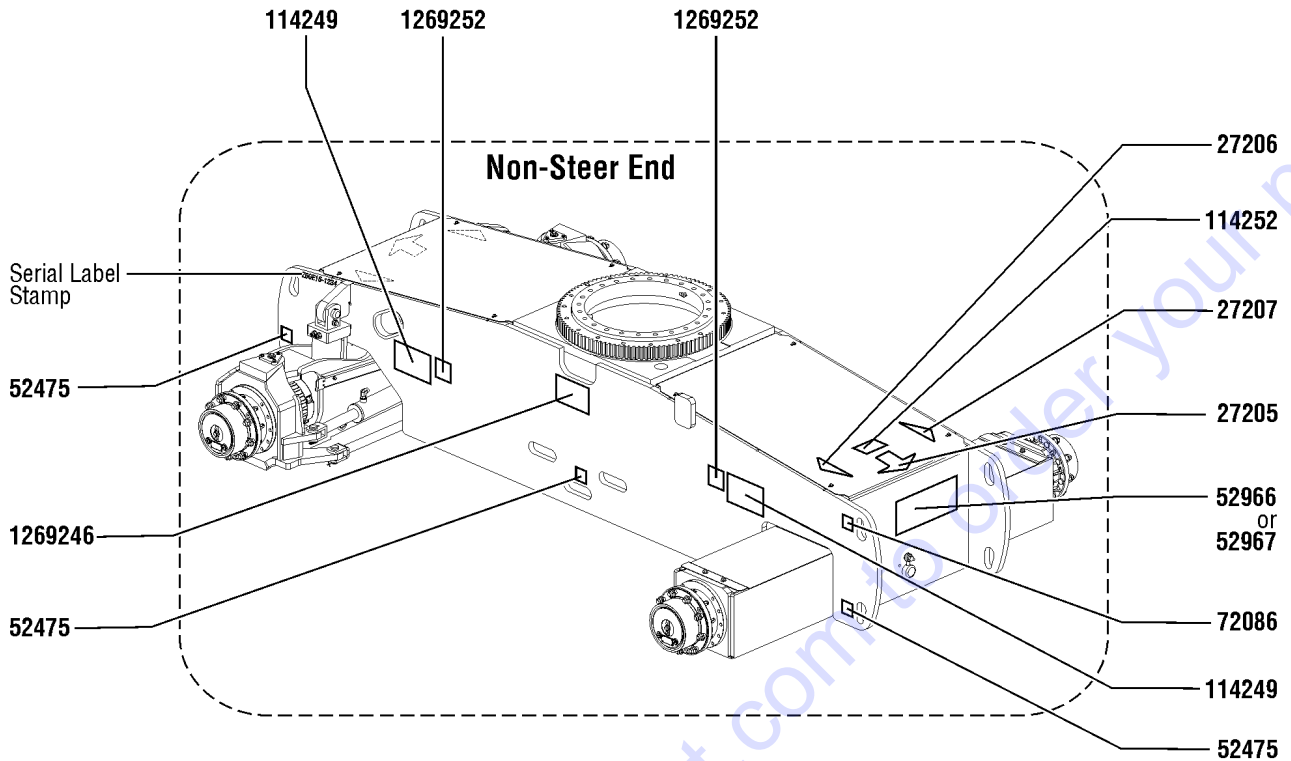
33550 Safety Tape



## 105.1 Decals with Words, Platform (ANSI &amp; AUS)

Item	Part No.	Description	Qty.
A	1272629GT	DECAL KIT,Z60/37,PLAT,WRD,ANSI ANSI	
B	1272632GT	DECAL KIT,Z60/37,PLAT,WRD,AUS AUS	
1	28174GT	DECAL, POWER TO PLATFORM 230V**.....1 <i>Option, power to plat</i>	
2	28235GT	DECAL,POWER TO PLATFORM 115V...1 <i>Option, power to plat</i>	
3	28236GT	DECAL,WARN,IMPROPER OPERATION.....1	
4	33550GT	TAPE,WARNING,BLK/YEL, 50*** <i>(sold by the roll. 648" per roll) (Required to be iinstall at base of platform toeboard for Australian market)</i>	
5	40434GT	DECAL,LANYARD ANCHORAGE POINT.....8 <i>to SN Z60H-1771</i>	
--	1281174GT	DECAL,LANYARD,FALL ARREST/FALL RESTRAINED.....8 <i>from SN Z60H-1772</i>	
6	44981GT	DECAL,LABEL, AIR LINE 110 PSI.....1 <i>Option, airline to platform</i>	
7	65278GT	DECAL,CAUTION,NO STEP.....3 <i>Option, no step</i>	
8	82410GT	DECAL,WARNING,PANEL CRADLE.....2 <i>Option, panel cradle</i>	
9	97815GT	DECAL,LABEL,LOWER MIDRAIL.....2	
10	114390GT	DECAL,DANGER,ELECT HAZARD***.....1	
11	114397GT	DECAL,DANGER,TILT ALARM.....1	
12	218549GT	DECAL,DANGER,CAP,ANSI WORD.....1 ANSI	
13	218550GT	DECAL,DANGER,CAP,AUS WORD.....1 AUS	
14	218559GT	DECAL,DANGER/WARNING COMBO...1	
15	219487GT	DECAL,PLATFORM OVERLOAD.....1 <i>AUS Only</i>	
16	1265451GT	DECAL, PLATFORM CONTROL BOX, Z.....1	
17	1269257GT	DECAL, WORD, SLOPE, RATING, Z6....1	
18	T112773GT	TAPE, PROTECTIVE MASK.....2	

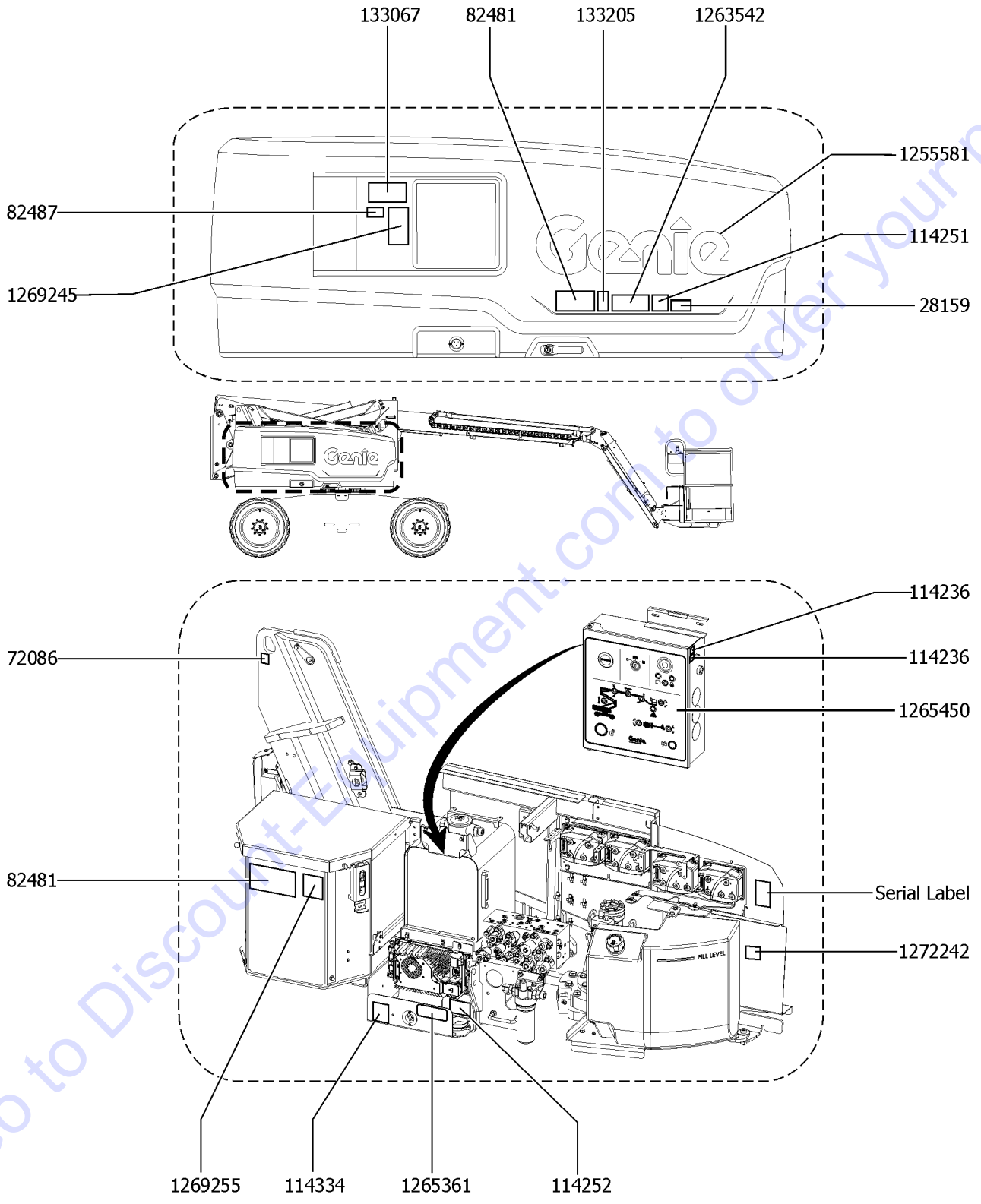
106.1 Decals with Symbols, Chassis (ANSI & CE)



## 106.1 Decals with Symbols, Chassis (ANSI &amp; CE)

Item	Part No.	Description	Qty.
A	1272636GT	DECAL KIT,Z60 DC,COMP,SYM,ANSI ANSI	
B	1272637GT	DECAL KIT,Z60 FE,COMP,SYM,ANSI ANSI	
C	1272639GT	DECAL KIT,Z60 DC,COMP,SYM,CE CE	
D	1272640GT	DECAL KIT,Z60 FE,COMP,SYM,CE CE	
1	27204GT	DECAL,ARROW BLUE.....	1
2	27205GT	DECAL,ARROW YELLOW LRG 9".....	1
3	27206GT	DECAL,TRIANGLE,BLUE.....	2
4	27207GT	DECAL,TRIANGLE,YELLOW.....	2
5	52475GT	DECAL,LABEL,TRANSPORT TIEDOWN*.....	6
6	52966GT	DECAL,COSMETIC,4 X 2..... Option, 2WD	1
7	52967GT	DECAL,COSMETIC,4 X 4..... Option, 4WD	1
8	72086GT	DECAL,LABEL,LIFTING EYE.....	2
9	114249GT	DECAL,LABEL,TIPOVER,TIRES,SYMB.4	
10	114252GT	DECAL,LABEL,TIP OVER LMT SWTCH.....	1
11	1269246GT	DECAL, TRANSPORTING/LIFTING, Z....	2
12	1269252GT	DECAL, WHEEL LOAD, Z60/37DC.....	4
13	1269261GT	DECAL, COSMETIC, Z-60/37DC..... Z-60/37 DC	1
14	1269262GT	DECAL, COSMETIC, Z-60/37FE..... Z-60/37 FE	1

107.1 Decals with Symbols, Tank Side, Non-Steer End (ANSI & CE)

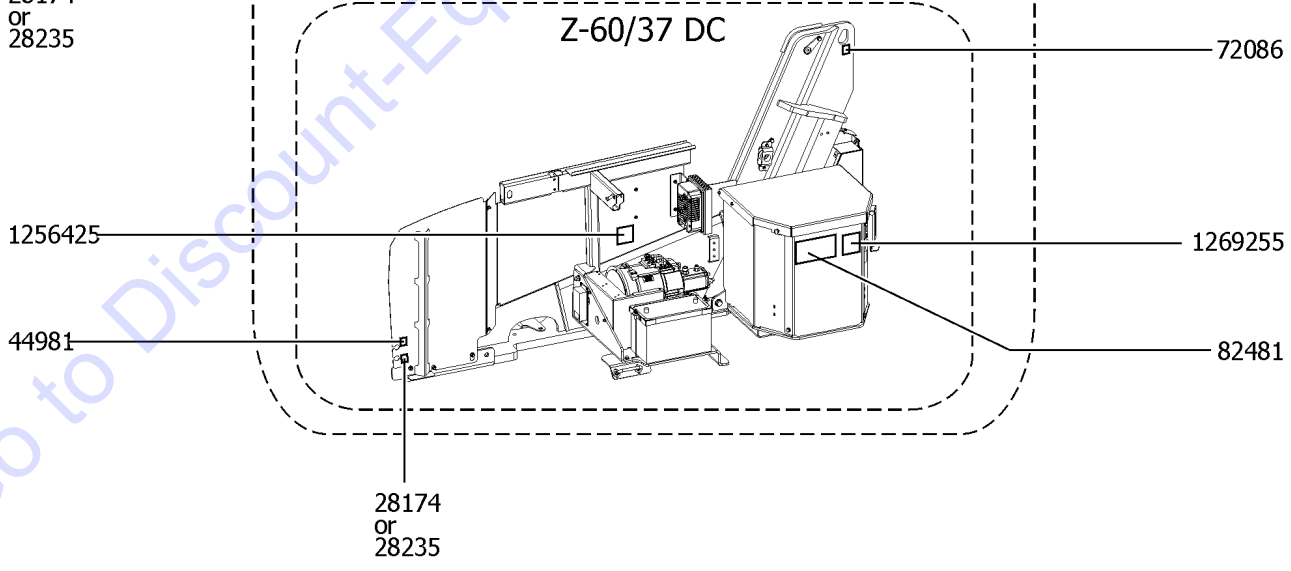
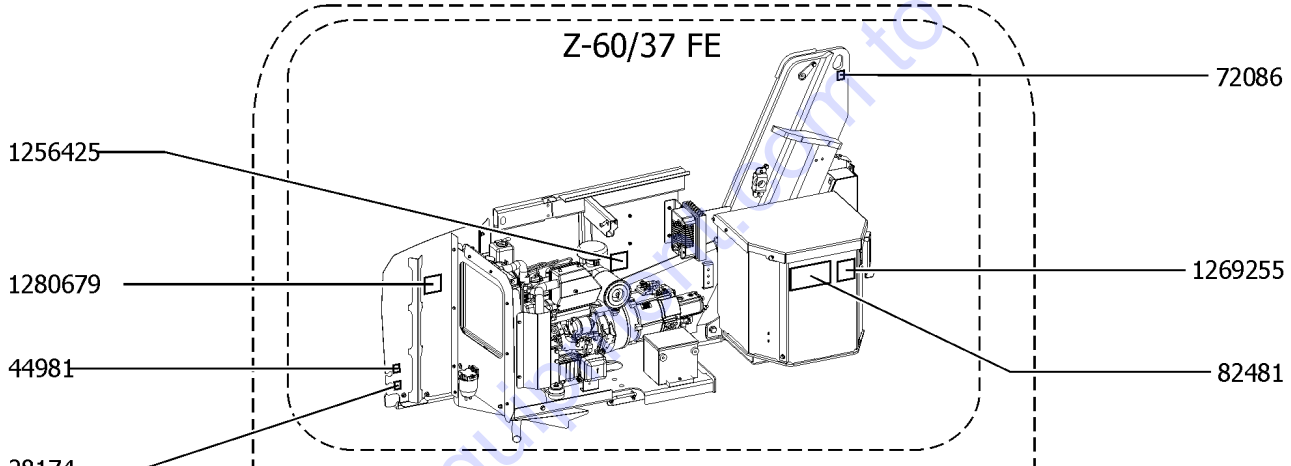
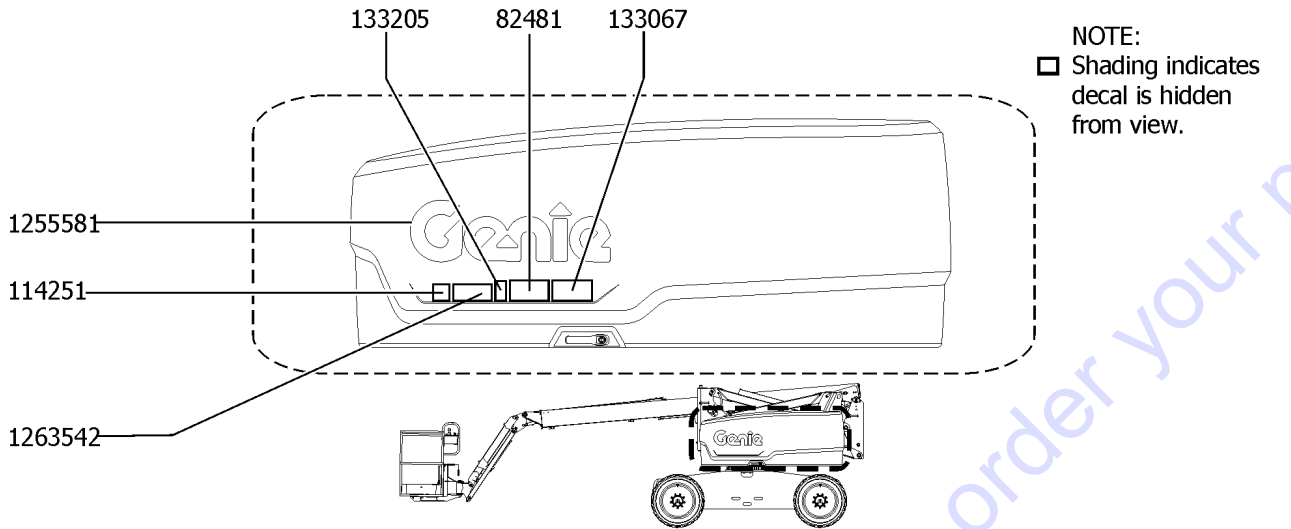


## 107.1 Decals with Symbols, Tank Side, Non-Steer End (ANSI &amp; CE)

Item	Part No.	Description	Qty.
1	28159GT	DECAL,DIESEL.....1 <i>Z-60/37 FE Only</i>	1
2	72086GT	DECAL,LABEL,LIFTING EYE.....1	1
3	82481GT	DECAL,SYMBOL-BATTERY SAFETY.....2	2
4	82487GT	DECAL, SYMBOL - READ THE MANUAL.....1	1
5	114236GT	DECAL,LABEL,CB SYMBOL.....2	2
6	114251GT	DECAL,LABEL,NO SMOKING,SYMB.....1 <i>Z-60/37 FE Only</i>	1
7	114252GT	DECAL,LABEL,TIP OVER LMT SWTCH.....1	1
8	114334GT	DECAL,SYM-ELEC HAZARD,PLUG.....1	1
9	133067GT	DECAL,DANGER,ELEC.HAZ.STAY CLR.....1	1
10	133205GT	DECAL,LABEL, ELECTRO HAZARD.....1	1
11	1255581GT	DECAL COSMETIC,10" GENIE BLUE....1	1
12	1263542GT	DECAL, COMPARTMENT ACCESS.....1	1
13	1265361GT	DECAL, BATTERY CHARGER INDICAT.....1	1
14	1265450GT	DECAL, GROUND CONTROL BOX, Z60.....1	1
15	1269245GT	DECAL, EMERGENCY LOWERING, Z60.....1 <i>CE Only</i>	1
16	1269255GT	DECAL, ANSI SYMBOL, BATT WEIGH...1	1
17	1272242GT	DECAL,MACHINE REGISTRATION/OWNER TRANSFER	



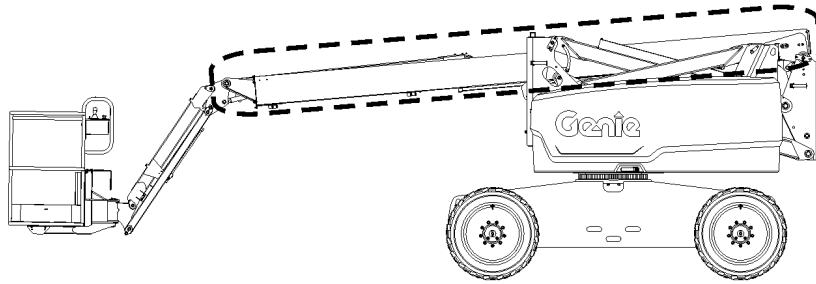
108.1 Decals with Symbols, Generator Side, Steer End (ANSI & CE)



## 108.1 Decals with Symbols, Generator Side, Steer End (ANSI &amp; CE)

Item	Part No.	Description	Qty.
1	28174GT	DECAL, POWER TO PLATFORM 230V** .....1 <i>Option, power to plat</i>	1
2	28235GT	DECAL, POWER TO PLATFORM 115V...1 <i>Option, power to plat</i>	1
3	44981GT	DECAL, LABEL, AIR LINE 110 PSI.....1 <i>Option, airline to platform</i>	1
4	72086GT	DECAL, LABEL, LIFTING EYE.....1	1
5	1280679GT	DECAL, LABEL, 100 DB.....1 <i>Z-60/37 FE - CE Only</i>	1
6	82481GT	DECAL, SYMBOL-BATTERY SAFETY.....2	2
7	114251GT	DECAL, LABEL, NO SMOKING, SYMB.....1 <i>Z-60/37 FE Only</i>	1
8	133067GT	DECAL, DANGER, ELEC. HAZ. STAY CLR.....1	1
9	133205GT	DECAL, LABEL, ELECTRO HAZARD.....1	1
10	1255581GT	DECAL COSMETIC, 10" GENIE BLUE....1	1
11	1256425GT	DECAL, DANGER, ELECTROCUTION HAZARD, SYMBOL.....1	1
12	1263542GT	DECAL, COMPARTMENT ACCESS.....1	1
13	1269255GT	DECAL, ANSI SYMBOL, BATT WEIGH...1	1

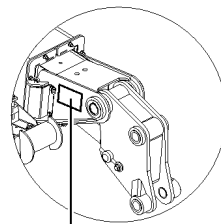
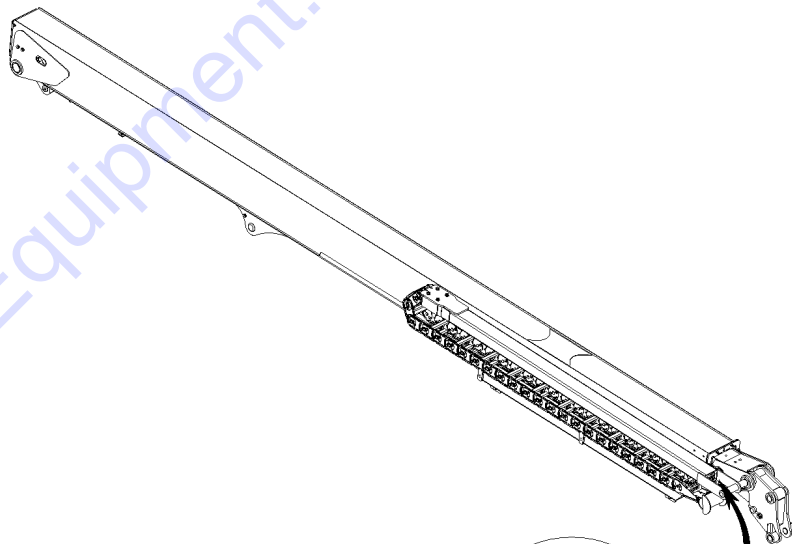
109.1 Decals with Symbols, Boom (ANSI & CE)



#1 Boom Tube

1269259  
or  
1269260

**Genie Z-60/37DC**



114252

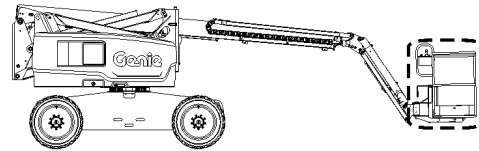


## 109.1 Decals with Symbols, Boom (ANSI &amp; CE)

Item	Part No.	Description	Qty.
1	114252GT	DECAL,LABEL,TIP OVER LMT SWTCH.....	1
2	1269259GT	DECAL, COSMETIC, GENIE Z-60/3..... Z-60/37 DC	1
3	1269260GT	DECAL, COSMETIC, GENIE Z-60/3..... Z-60/37 FE	1

Go to Discount-Equipment.com to order your parts

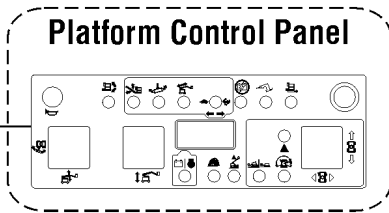
110.1 Decals with Symbols, Platform (ANSI & CE)



NOTE:  
 □ Shading indicates decal is hidden from view.

\* apply this decal to all lanyard anchorage attachments on the platform

\*\* apply to all three midrails on tri-entry platform



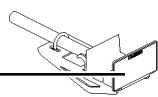
1265451

\*40434  
or  
1281174

33550  
Safety Tape

82487

Option, Panel Cradle  
(1 on each cradle)



One on each cradle

Aircraft Protection

65278

219958

219953  
or  
219954

28174  
or  
28235

114248

\*40434  
or  
1281174

\*\*97815

\*40434

\*\*T112773

\*\*97815

\*\*T112773

Decal Plate

1269258

219956

133067

44981

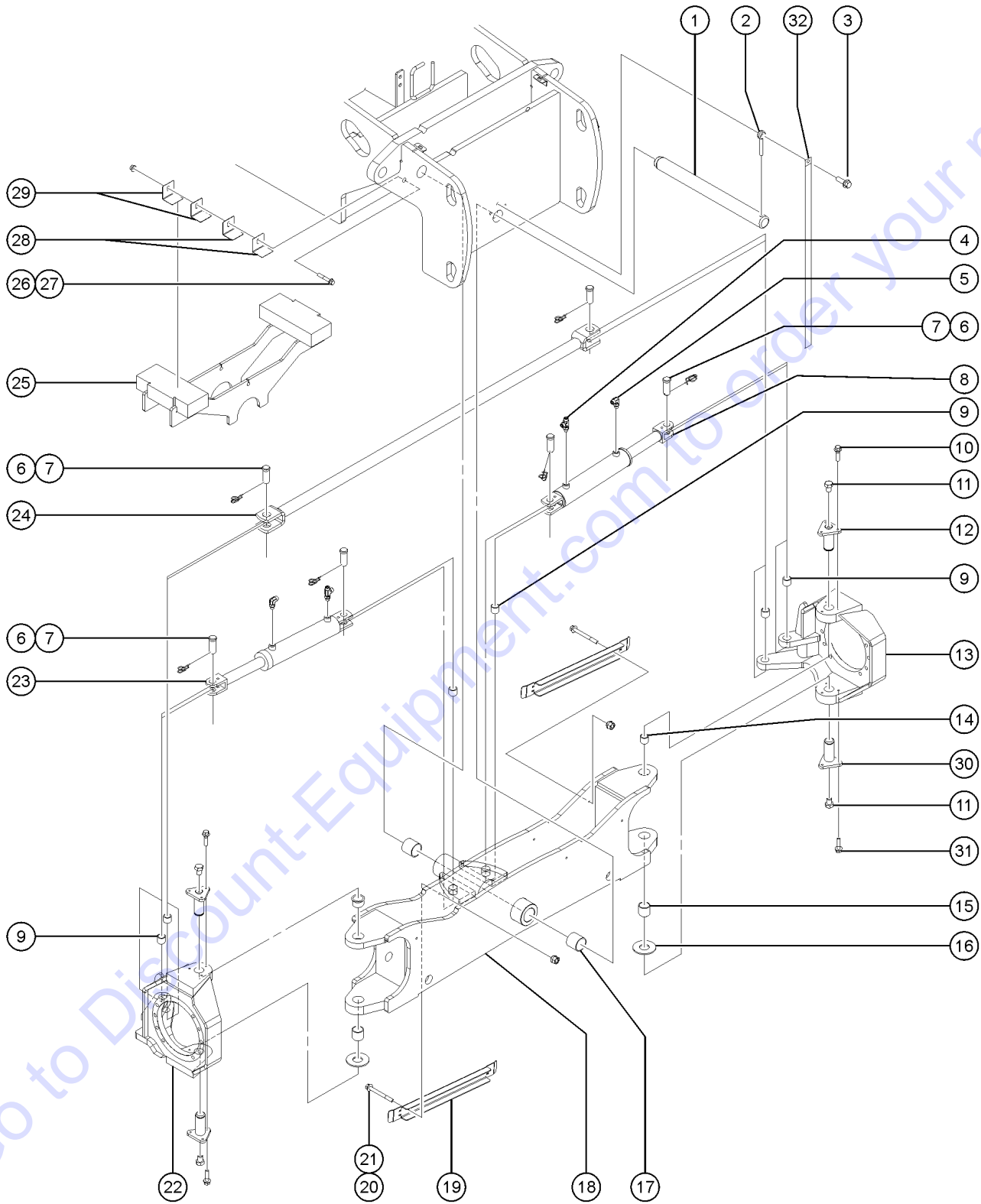
82487

## 110.1 Decals with Symbols, Platform (ANSI &amp; CE)

Item	Part No.	Description	Qty.
A	1272635GT	DECAL KIT,Z60/37,PLAT,SYM,ANSI ANSI	
B	1272638GT	DECAL KIT,Z60/37,PLAT,SYM,CE CE	
1	28174GT	DECAL, POWER TO PLATFORM 230V**.....1 <i>Option, power to plat</i>	
2	28235GT	DECAL,POWER TO PLATFORM 115V...1 <i>Option, power to plat</i>	
3	33550GT	TAPE,WARNING,BLK/YEL, 50*** (sold by the roll. 648" per roll) (Required to be install at base of platform toeboard for CE market)	
4	40434GT	DECAL,LANYARD ANCHORAGE POINT.....8 to SN Z60H-1771	
--	1281174GT	DECAL,LANYARD,FALL ARREST/FALL RESTRAINED.....8 from SN Z60H-1772	
5	44981GT	DECAL,LABEL, AIR LINE 110 PSI.....1 <i>Option, airline to platform</i>	
6	65278GT	DECAL,CAUTION,NO STEP.....3 <i>Option, no step</i>	
7	82487GT	DECAL, SYMBOL - READ THE MANUAL.....3	
8	97815GT	DECAL,LABEL,LOWER MIDRAIL.....2	
9	114248GT	DECAL,LABEL,TIPOVER,TILT AL SY.....1	
10	133067GT	DECAL,DANGER,ELEC.HAZ.STAY CLR.....1	
11	219953GT	DECAL,TIP-OVER HAZARD,ANSI.....1 ANSI	
12	219954GT	DECAL,TIP-OVER HAZARD,CE.....1 CE	
13	219956GT	DECAL,PLATFORM OVERLOAD.....1 CE Only	
14	219958GT	DECAL,TIP-OVER,CRUSH.....1	
15	1265451GT	DECAL, PLATFORM CONTROL BOX, Z.....1	
16	1269258GT	DECAL, SYMBOL, SLOPE RATING, Z....1	
17	T112773GT	TAPE, PROTECTIVE MASK.....2	



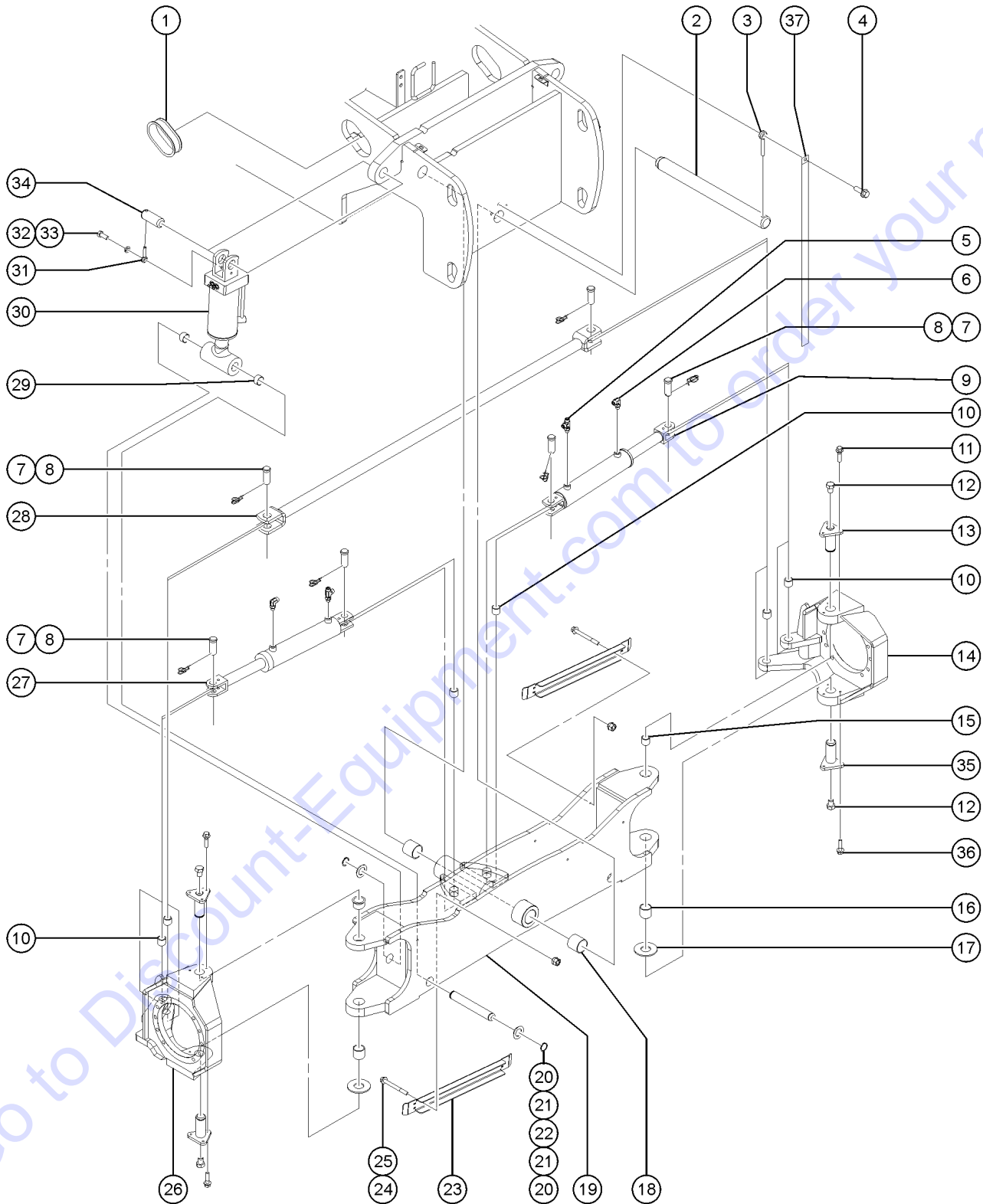
201.1 Steer Axle and Steer Linkage , Non-Oscillate Models



## 201.1 Steer Axle and Steer Linkage , Non-Oscillate Models

Item	Part No.	Description	Qty.	Item	Part No.	Description	Qty.
1	77610GT	PIN,2.00DIA X 23.13LG,CHAMFER.....	1	27	824029GT	NUT,TL FLG,3/8-16,G,ZAG.....	2
2	1256267GT	ROD END,5 X 3.75,ZAG.....	1	28	77706GT	SHIM,NON-OSC 16 GAGE.....	4
3	1253498GT	SCREW,HHF,1/2-13X1.5,8,ZAG.....	1	29	77705GT	SHIM,NON-OSC 22 GAGE.....	4
4	48918GT	TEE,RUN,520428-6.....	2	30A	1273340GT	WELDMENT, PIN, 1.5IN X 2.92IN..... <i>from SN 1 to 169, from SN 171 to 180, SN 186</i>	2
5	48915GT	ELBOW,90D,520220-6.....	2	30B	1272158GT	WELDMENT, PIN, 1.5IN X 3.24IN LG..... <i>SN 170, 181 thru 185, and from 187</i>	2
6	824127GT	PIN,CLEVIS,1.0X2.41,SAE,ZAG.....	6	31	824086GT	SCREW,HHF,5/16-18X1,8,ZAG	
7	824129GT	RUE RING,1.0,ZAG.....	6	32	107578GT	GROUND STRAP,24"LONG.....	1
8	1261172GT	CYLINDER, STEER.....	1				
--	89294GT	SEAL KIT CYLINDER (59460) <i>(for 1261172 and 59460)</i>					
9	25817GT	BEARING,1.00IDX1.25ODX1.00L.....	6				
10	824079GT	SCREW,HHF,1/4-20X1,8,ZAG.....	4				
11	1263699GT	SCREW,HHC,3/8-16X.5,8,ZAG.....	4				
12A	1273340GT	WELDMENT, PIN, 1.5IN X 2.92IN..... <i>from SN 1 to 169, from SN 171 to 180, SN 186</i>	2				
12B	1272778GT	WELDMENT, PIN, 1.5IN X 2.92IN LG..... <i>SN 170, 181 thru 185, and from 187</i>	2				
13A	1261309GT	MACHINE LH, YOKE Z60E..... <i>(4WD)</i>	1				
--	1261311GT	WELDMENT, YOKE LH Z60E					
13B	1263157GT	MACHINE LH, YOKE Z60E 2WD..... <i>(2WD)</i>	1				
--	1263159GT	WELDMENT, YOKE LH Z60E 2WD					
14	54156GT	BEARING,FL,1.5IDX1.75ODX1.10LG.....	2				
15	45071GT	BEARING,1.5IDX1.75ODX1.5L.....	2				
16	45074GT	WASHER,THRUST,1.5 X 3.5 X .187.....	2				
17	42014GT	BEARING,2.00IDX2.25ODX2.00L.....	2				
18	1261435GT	WELDMENT,Z60E FRONT AXLE.....	1				
19	1268611GT	FORMING, MOTOR CABLE TRACK..... <i>(4WD)</i>	2				
20	824083GT	SCREW,HHF,1/4-20X2.5,8,ZAG..... <i>(4WD)</i>	4				
21	824027GT	NUT,TL FLG,1/4-20,G,ZAG..... <i>(4WD)</i>	4				
22A	1261310GT	MACHINE RH, YOKE Z60E..... <i>(4WD)</i>	1				
--	1261312GT	WELDMENT YOKE, RH Z60E					
22B	1263158GT	MACHINE RH, YOKE Z60E 2WD..... <i>(2WD)</i>	1				
--	1263160GT	WELDMENT YOKE, RH Z60E 2WD					
23	59460GT	CYLINDER,STEERING***.....	1				
--	89294GT	SEAL KIT CYLINDER (59460) <i>(for 1261172 and 59460)</i>					
24	1255710GT	WELDMENT, TIE ROD.....	1				
25	1255713GT	WELDMENT,NON OSC STOP.....	1				
26	1256693GT	SCREW,HHF,3/8-16X2.25,8,ZAG.....	2				

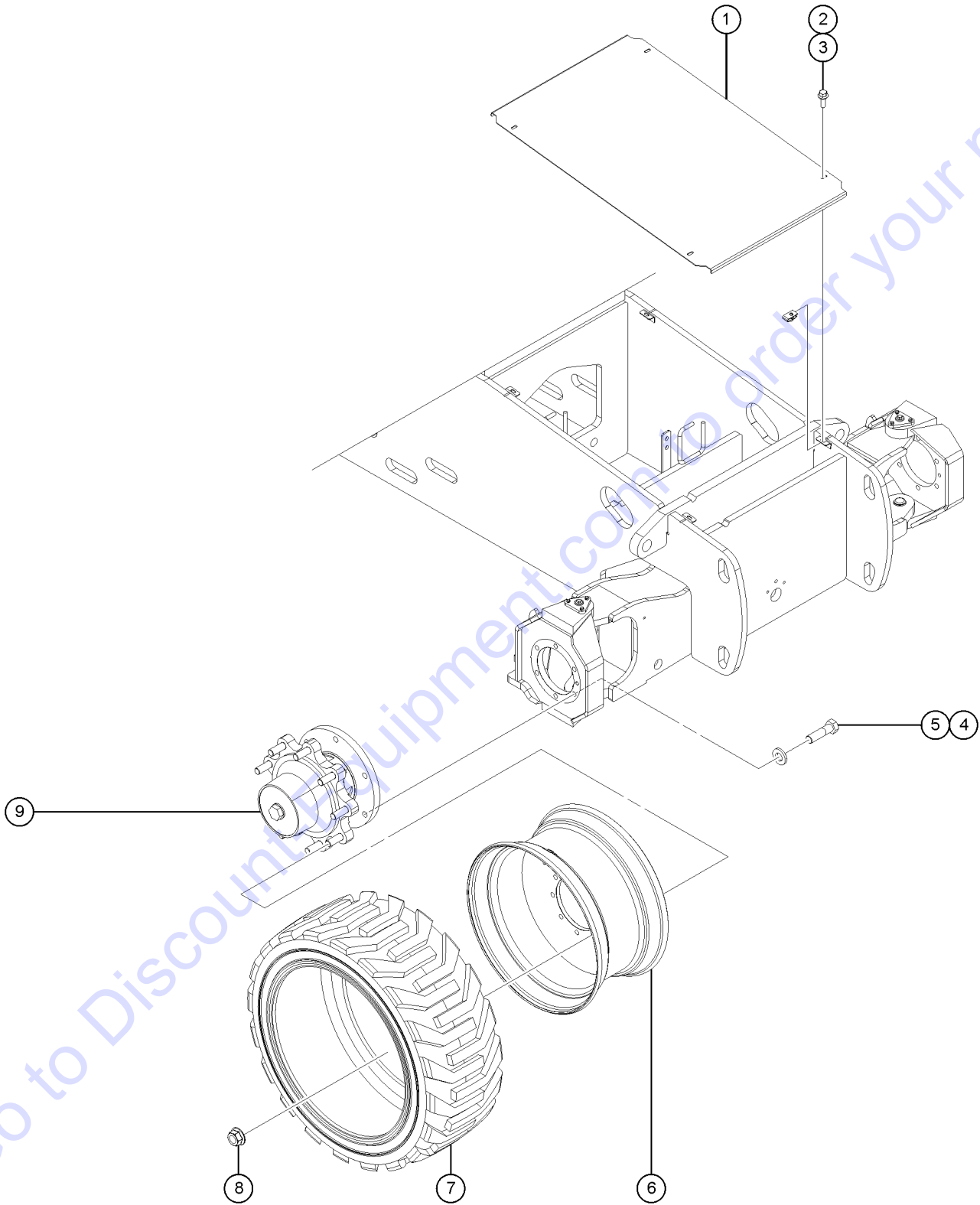
202.1 Steer Axle and Steer Linkage , Oscillate Models



## 202.1 Steer Axle and Steer Linkage , Oscillate Models

Item	Part No.	Description	Qty.	Item	Part No.	Description	Qty.
1	53386GT	GUARD, HOSE PROTECTOR.....	2	28	1255710GT	WELDMENT, TIE ROD.....	1
2	77610GT	PIN,2.00DIA X 23.13LG,CHAMFER.....	1	29	47377GT	BEARING,1.25 ID X 1.5 OD X .75.....	4
3	1256267GT	ROD END,5 X 3.75,ZAG.....	1	30	1267564GT	CYLINDER, OSCILLATE, Z60E.....	2
4	1253498GT	SCREW,HHF,1/2-13X1.5,8,ZAG.....	1	--	33549GT	VALVE,COUNTERBAL.CBCH-LJN.....	2
5	48918GT	TEE,RUN,520428-6.....	2	--	48912GT	CONN,520120-4-6***	
6	48915GT	ELBOW,90D,520220-6.....	2	--	89295GT	SEAL KIT,CYLINDER (63189) (for 1267564)	
7	824127GT	PIN,CLEVIS,1.0X2.41,SAE,ZAG.....	6	31	1255452GT	ROD END,.375 X 2.25,ZAG.....	2
8	824129GT	RUE RING,1.0,ZAG.....	6	32	824067GT	SCREW,HHC,3/8-16X1,8,ZAG.....	2
9	1261172GT	CYLINDER, STEER.....	1	33	824110GT	WASHER,LOCK,3/8,ZAG.....	2
--	89294GT	SEAL KIT CYLINDER (59460) (for 1261172)		34	94221GT	PIN,1.50DIA X 3.75LG,1HOLE.....	2
10	25817GT	BEARING,1.00IDX1.25ODX1.00L.....	6	34A	45071GT	BEARING,1.5IDX1.75ODX1.5L..... install into chassis	2
11	824079GT	SCREW,HHF,1/4-20X1,8,ZAG.....	4	35A	1273340GT	WELDMENT, PIN, 1.5IN X 2.92IN..... from SN 1 to 169, from SN 171 to 180, SN 186	2
12	1263699GT	SCREW,HHC,3/8-16X.5,8,ZAG.....	4	35B	1272158GT	WELDMENT, PIN, 1.5INX3.24IN LG..... SN 170, 181 thru 185, and from 187	2
13A	1273340GT	WELDMENT, PIN, 1.5IN X 2.92IN..... from SN 1 to 169, from SN 171 to 180, SN 186	2	36	824086GT	SCREW,HHF,5/16-18X1,8,ZAG	
13B	1272778GT	WELDMENT, PIN, 1.5INX2.92IN LG..... SN 170, 181 thru 185, and from 187	2	37	107578GT	GROUND STRAP,24"LONG.....	1
14A	1261309GT	MACHINE LH, YOKE Z60E..... (4WD)	1				
--	1261311GT	WELDMENT, YOKE LH Z60E					
14B	1263157GT	MACHINE LH, YOKE Z60E 2WD..... (2WD)	1				
--	1263159GT	WELDMENT, YOKE LH Z60E 2WD					
15	54156GT	BEARING,FL,1.5IDX1.75ODX1.10LG.....	2				
16	45071GT	BEARING,1.5IDX1.75ODX1.5L.....	2				
17	45074GT	WASHER,THRUST,1.5 X 3.5 X .187.....	2				
18	42014GT	BEARING,2.00IDX2.25ODX2.00L.....	2				
19	1261435GT	WELDMENT,Z60E FRONT AXLE.....	1				
20	824164GT	SNAP RING,EXTERNAL,1.25,ZAG.....	4				
21	824151GT	WASHER,SHIM,1.270X2.130X.062,Z.....	4				
22	1261467GT	PIN,1.25DIA X 8.8LG,2RING.....	2				
23	1268611GT	FORMING, MOTOR CABLE TRACK..... (4WD)	2				
24	824083GT	SCREW,HHF,1/4-20X2.5,8,ZAG..... (4WD)	4				
25	824027GT	NUT,TL FLG,1/4-20,G,ZAG..... (4WD)	4				
26A	1261310GT	MACHINE RH, YOKE Z60E..... (4WD)	1				
--	1261312GT	WELDMENT YOKE, RH Z60E					
26B	1263158GT	MACHINE RH, YOKE Z60E 2WD..... (2WD)	1				
--	1263160GT	WELDMENT YOKE, RH Z60E 2WD					
27	59460GT	CYLINDER,STEERING***.....	1				
--	89294GT	SEAL KIT CYLINDER (59460) (for 59460)					

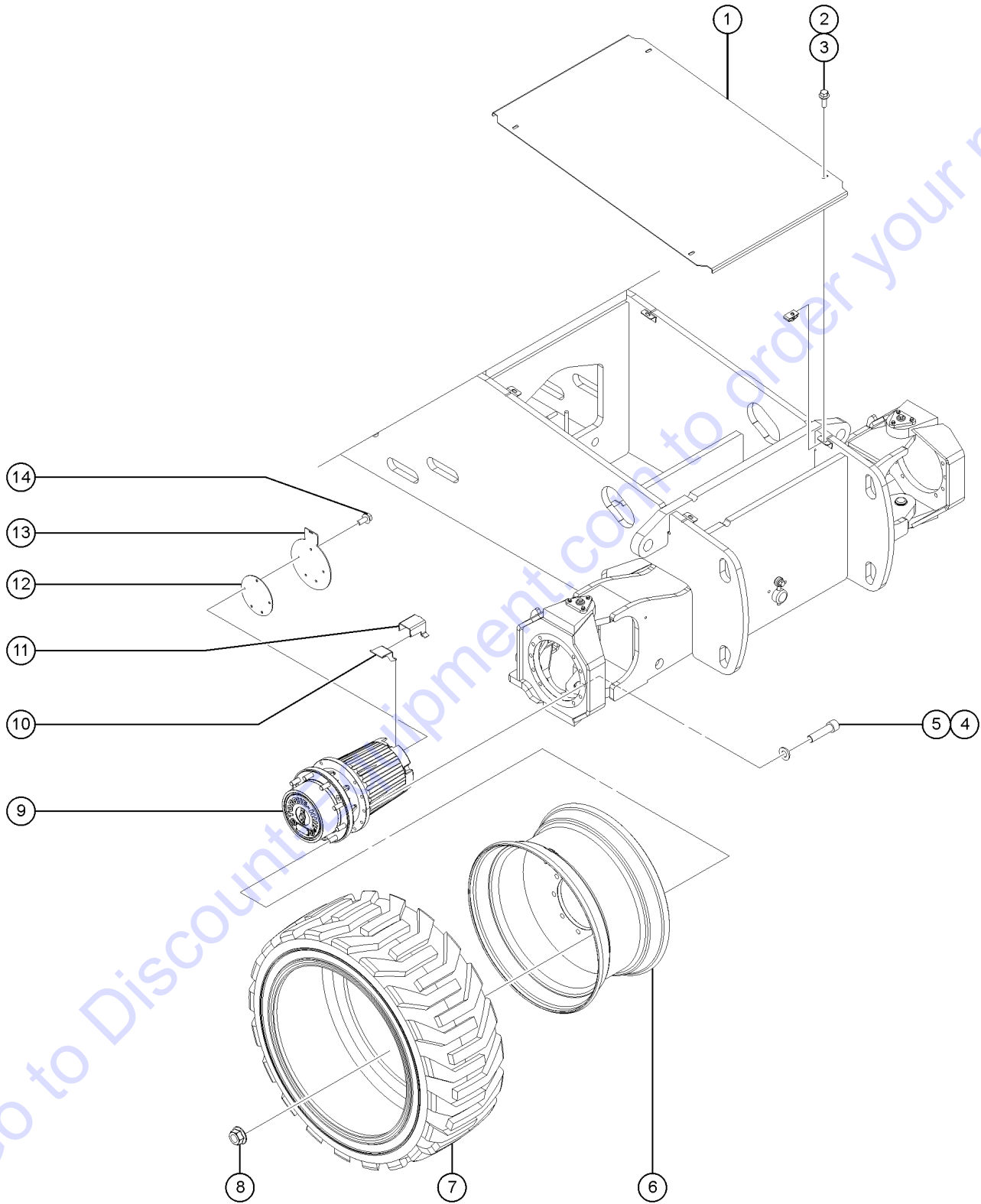
203.1 2WD Steer Axle, Wheels and Hubs



## 203.1 2WD Steer Axle, Wheels and Hubs

Item	Part No.	Description	Qty.
1	1255703GT	COVER,DRIVE CHASSIS.....	1
2	824078GT	SCREW,HHF,1/4-20X.75,8,ZAG.....	4
3	56912GT	SPRING CLIP,1/4-20,.025-.15X.54,ZAG.....	4
4	1255385GT	SCREW,HHC,5/8-11X2.25,8,ZAG.....	12
5	1256182GT	WASHER,FLAT,5/8,F436,HRD,ZAG.....	12
6		Ref. Wheels..... (refer to 205.1)	2
7		Ref. Tires..... (refer to 205.1)	2
8	77674GT	NUT,HEX,FLANGE 5/8-18,GRD 8 ZI.....	18
9	88883GT	HUB,2WD,FRONT***.....	2
--	215340GT	LOCKRING, RR*** (for 88883)	
--	227986GT	V-RING 100,RUBBER SEAL (for 88883)	
--	94891GT	COVER,HUB (88883) (for 88883)	
--	94892GT	SHIM,HUB (88883) (for 88883)	
--	94893GT	BEARING,OUTER (88883) (for 88883)	
--	94894GT	BEARING,INNER (88883) (for 88883)	
--	94895GT	SEAL,OIL (88883)*** (for 88883)	

204.1 4WD Steer Axle, Wheels and Hubs

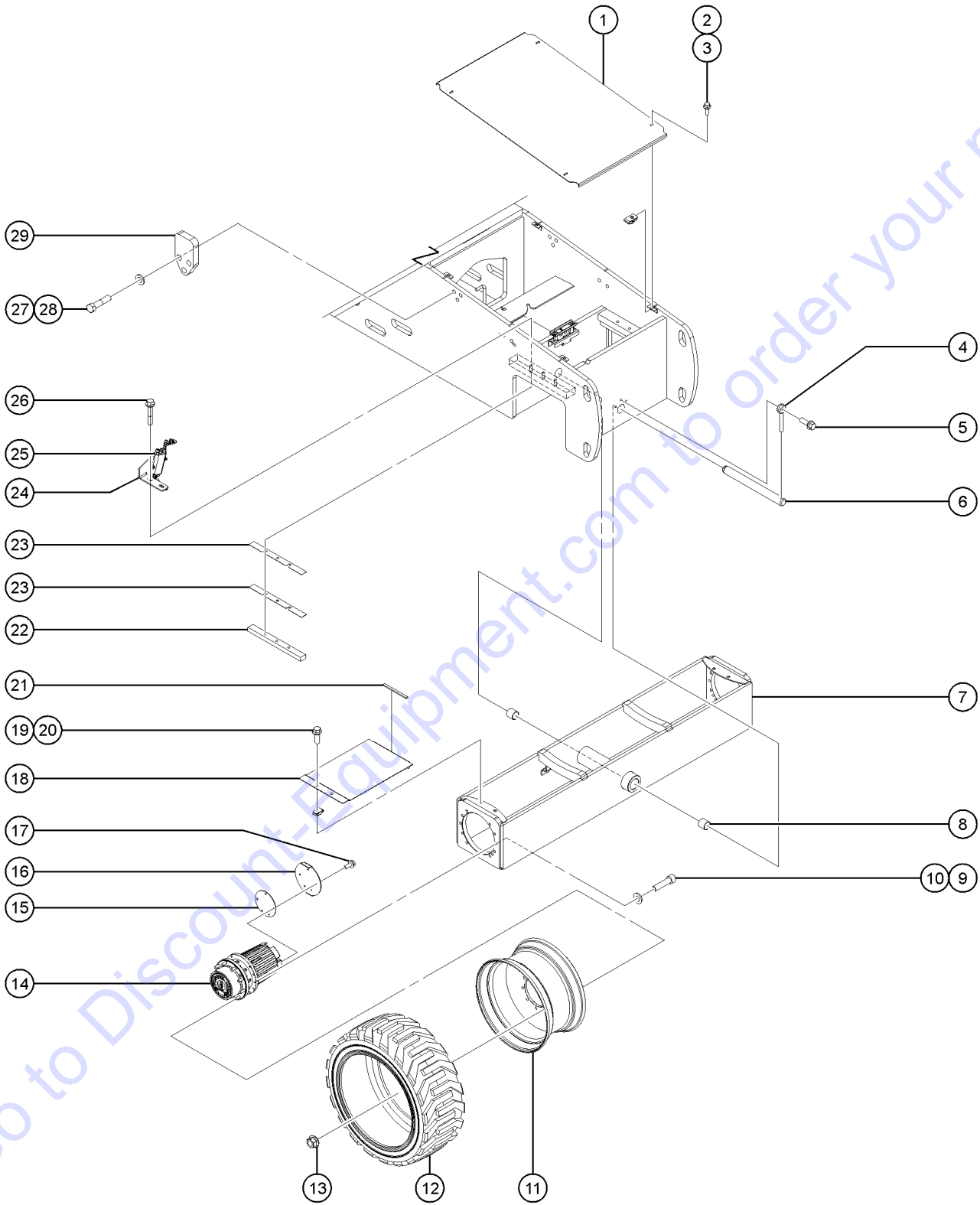


## 204.1 4WD Steer Axle, Wheels and Hubs

Item	Part No.	Description	Qty.
1	1255703GT	COVER,DRIVE CHASSIS.....	1
2	824078GT	SCREW,HHF,1/4-20X.75,8,ZAG.....	4
3	56912GT	SPRING CLIP,1/4-20,.025-.15X.54,ZAG.....	4
4	1264510GT	SCREW,SHC,1/2-13X2,A574,ZAG.....	20
5	825353GT	WASHER,FLAT,1/2,SAE,HRD,ZAG.....	20
6		Ref. Wheel..... (refer to 205.1)	2
7		Ref. tires..... (refer to 205.1)	2
8	77674GT	NUT,HEX,FLANGE 5/8-18,GRD 8 ZI.....	18
9		Ref: AC Wheel drivemMotor..... (refer to 205.1)	2
10	1268880GT	FORMING, MOTOR CABLE ROUTING, FRONT.....	2
11	1268881GT	FORMING, MOTOR CABLE GUIDE, FRONT.....	2
12	1263511GT	GASKET, MOTOR DRIVE.....	2
13	1268882GT	PLATE, COVER AC MOTOR, FRONT.....	2
14	824132GT	SCREW,HHF,M8-1.25X20,DIN6921,10.9,ZAB.10	



205.1 Non-steer Axle

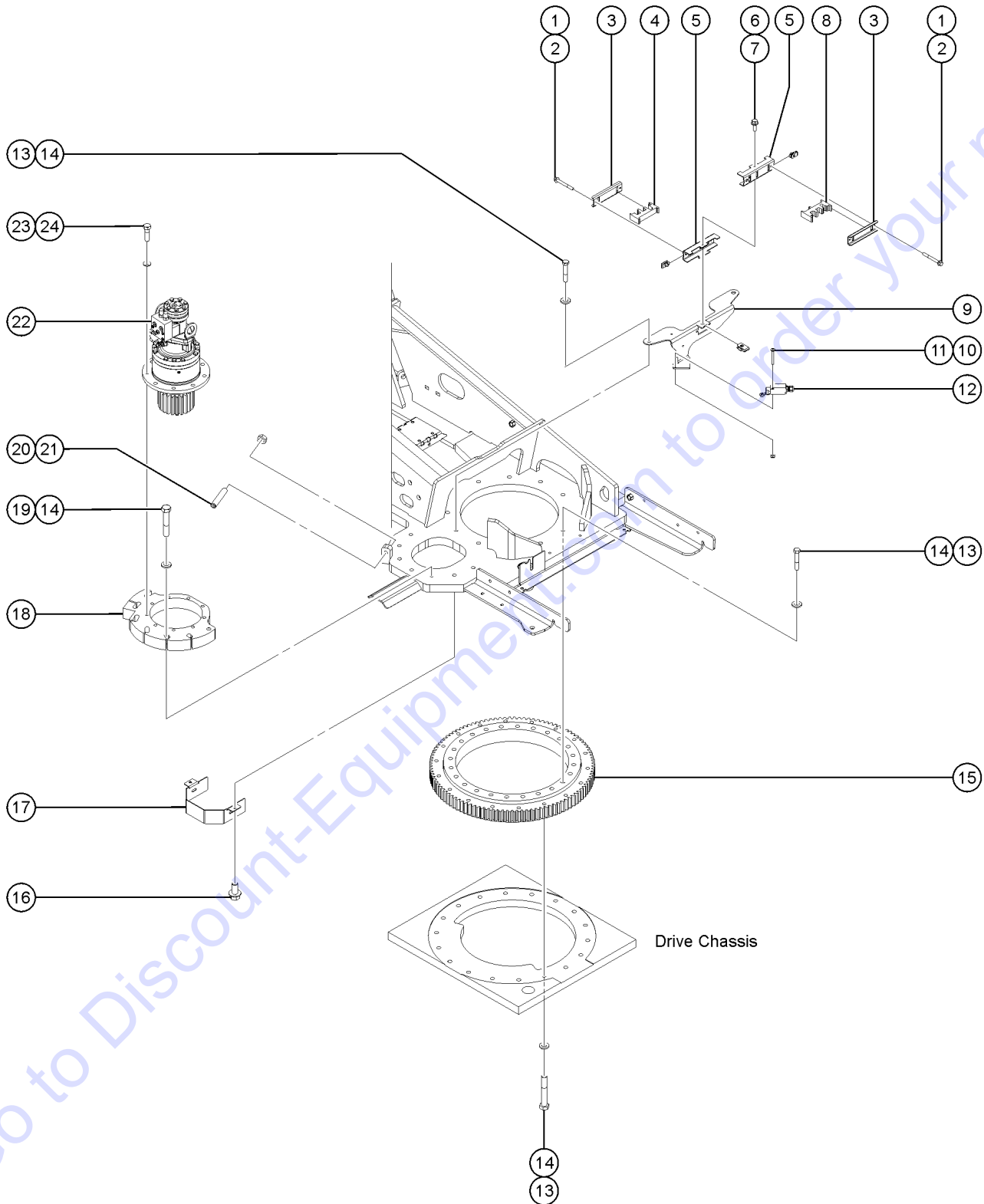


Go to Discount-Equipment.com to order your parts

## 205.1 Non-steer Axle

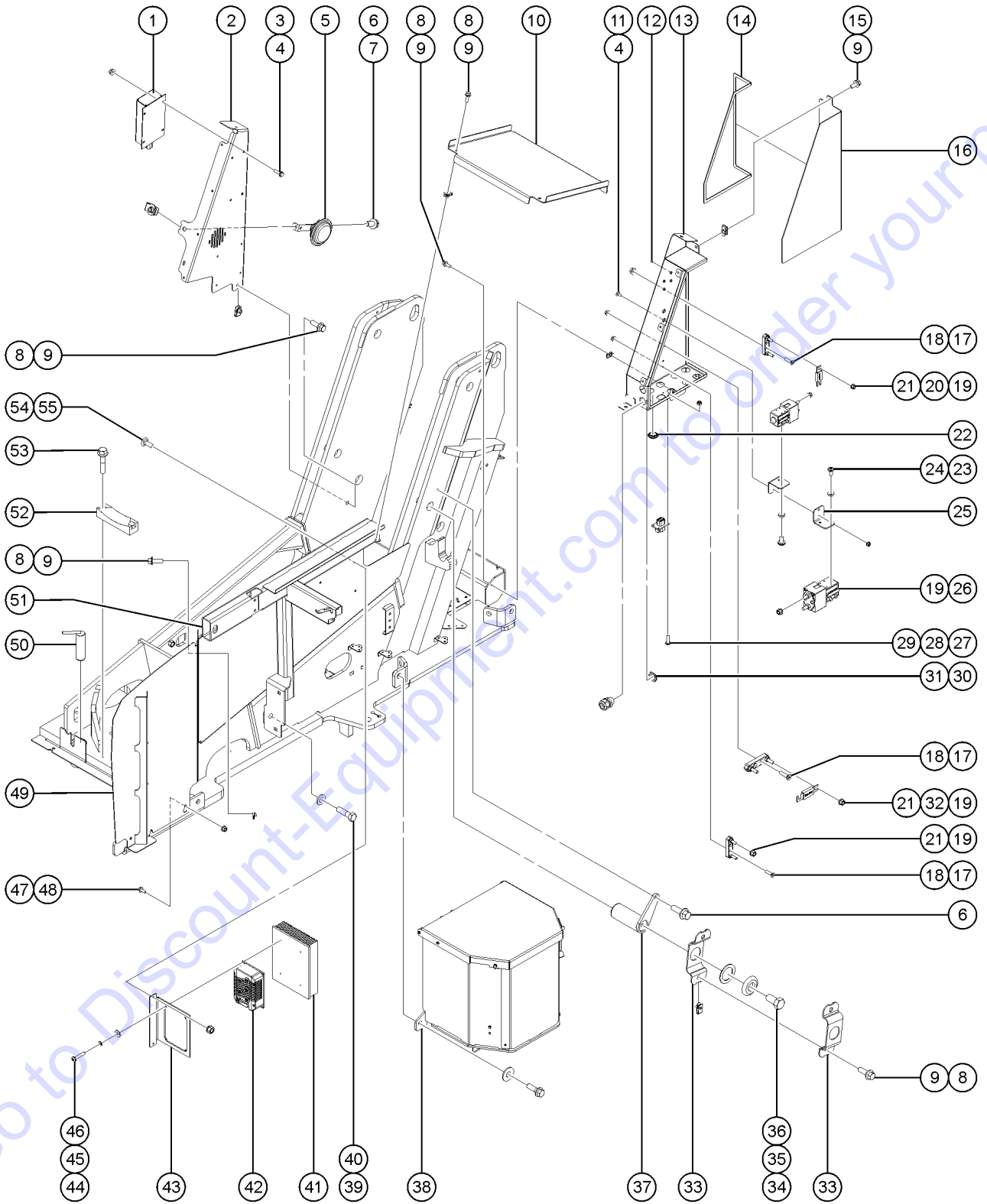
Item	Part No.	Description	Qty.	Item	Part No.	Description	Qty.
A	162216GT	TIRE & WHEEL ASSY,FOAM,RH.....2 <i>(includes items 11 and 12)</i>	2	--	1272864GT	ENCODER, AC MOTOR GEARBOX Z60E <i>(for 226939)</i>	
B	162217GT	TIRE & WHEEL ASSY,FOAM,LH.....2 <i>(includes items 11 and 12)</i>	2	--	1272865GT	COVER KIT, AC MOTOR GEARBOX Z60E <i>(for 226939)</i>	
1	1255703GT	COVER,DRIVE CHASSIS.....1	1	--	1272866GT	MAIN SEAL KIT, AC MOTOR GEARBOX Z60E <i>(for 226939)</i>	
2	824078GT	SCREW,HHF,1/4-20X.75,8,ZAG.....4	4	--	1272867GT	INPUT CARRIER KIT, AC MOTOR GEARBOX Z60E <i>(for 226939)</i>	
3	56912GT	SPRING CLIP,1/4-20,.025-.15X.54,ZAG.....4	4	--	1272868GT	INTERMEDIATE CARRIER KIT, AC MOTOR GEARBOX Z60E <i>(for 226939)</i>	
4	1256267GT	ROD END,.5 X 3.75,ZAG.....1	1	--	1272869GT	OUTPUT CARRIER KIT, AC MOTOR GEARBOX Z60E <i>(for 226939)</i>	
5	1253498GT	SCREW,HHF,1/2-13X1.5,8,ZAG.....1	1	--	1272870GT	MAIN BEARING KIT, AC MOTOR GEARBOX Z60E <i>(for 226939)</i>	
6	77950GT	PIN,2.00DIA X2.88LG,CHAMFER.....1	1	--	1283314GT	SILICONE PAD, AC MOTOR GEARBOX Z60E	
7	1261472GT	WELDMENT,REAR AXLE Z60E.....1	1	15	21149GT	LUG,WHEEL STUD,5/8-18,W1/4HB**	
8	42014GT	BEARING,2.00ID X2.25OD X2.00L.....2	2	16	1263511GT	GASKET, MOTOR DRIVE.....2	
9	1264510GT	SCREW,SHC,1/2-13X2,A574,ZAG.....20	20	17	1264107GT	FORMING, COVER AC MOTOR RR.....2	
10	825353GT	WASHER,FLAT,1/2,SAE,HRD,ZAG.....20	20	18	824132GT	SCREW,HHF,M8-1.25X20,DIN6921,10.9,ZAB.10	
11		WHEEL <i>included with item 12</i>		19	1264103GT	FORMING, REAR AXLE COVER.....2	
12A	77790GT	TIRE & WHEEL ASSY RH,FF.....2 <i>RT, Foam-filled, Low-profile, Right</i>	2	20	824090GT	SCREW,HHF,3/8-16X1.8,ZAG.....4	
12A	77791GT	TIRE & WHEEL ASSY,LH FF***.....2 <i>RT, Foam-filled, Low-profile, Left</i>	2	21	29868GT	SPRING CLIP,3/8-16,.05-.20X.73,ZAG....4	
12B	106647GT	TIRE & WHEEL ASSY,RH,FOAM,NM.....2 <i>RT, Foam-filled, Low-profile, Non-marking, Right</i>	2	22	1259930GT	SEAL, RIBBED FOAM, 5.00".....2	
12B	106648GT	TIRE & WHEEL ASSY,LH,FOAM,NM.....2 <i>RT, Foam-filled, Low-profile, Non-marking, Left</i>	2	23A	1255702GT	BAR,AXLE ROTATION STOP,OSC.....2	
12C	228768GT	TIRE/WH ASSY,RH,FF,REPNEU***.....2 <i>RT, Foam-filled, Oil-based, Right</i>	2	23B	81610GT	SHIM,AXLE ROTATION STOP,16G.....4 <i>(oscillate models)</i>	
12C	228769GT	TIRE/WH ASSY,LH,FF,REPNEU***.....2 <i>RT, Foam-filled, Oil-based, Left</i>	2	23C	81609GT	SHIM,AXLE ROTATION STOP,22G.....8 <i>(non-oscillate models Only)</i>	
12D	227816GT	TIRE & WHEEL ASSY,RH,FOAM,NM.....2 <i>RT, Foam-filled, Oil-based, Non-marking, Right</i>	2	24	81610GT	SHIM,AXLE ROTATION STOP,16G.....4 <i>(non-oscillate models)</i>	
12D	227817GT	TIRE & WHEEL ASSY,LH,FOAM,NM.....2 <i>RT, Foam-filled, Oil-based, Non-marking, Left</i>	2	25	1255712GT	BRACKET, OSCILLATE VALVE.....1	
13	77674GT	NUT,HEX,FLANGE 5/8-18,GRD 8 ZI.....18	18			Ref. Oscillate Valve.....1 <i>(refer to 702.1)</i>	
14	226939GT	AC MOTOR GEARBOX Z60E.....2	2	26A	1257862GT	SCREW,HHF,1/2-13X2.75,8,ZAG.....2 <i>(oscillate models)</i>	
--	1266213GT	BRAKE, FAIRFIELD <i>(for 226939)</i>		26B	1255802GT	SCREW,HHF,1/2-13X2.5,8,ZAG.....6 <i>(non-oscillate models)</i>	
--	1266214GT	BRAKE PRESS. PLATE, FAIRFIELD <i>(for 226939)</i>		27	1257460GT	SCREW,HHC,3/4-10X3.5,8,ZAG.....3	
--	1266215GT	MOTOR SHAFT SEAL, FAIRFIELD <i>(for 226939)</i>		28	1256863GT	WASHER,FLAT,.75,SAE,HRD,ZAG.....3	
--	1266216GT	MOTOR TERMINAL STUD, FAIRFIELD <i>(for 226939)</i>		29	1269210GT	PLATE,SWING ROTATION STOP,Z60E.....1	
--	1266217GT	MOTOR O-RING, FAIRFIELD <i>(for 226939)</i>					

301.1 Turntable Rotator



Item	Part No.	Description	Qty.
A	1262604GT	ASSEMBLY, DRIVE, SLEW GEAR, Z6...1 <i>(includes items 13-24)</i>	
1	1257866GT	SCREW,HHF,1/4-20X2.25,8,ZAG.....4	
2	56912GT	SPRING CLIP,1/4-20,.025-.15X.54,ZAG.....4	
3	1264145GT	FORMING, CABLE CLAMP BACKER.....2	
4	1264147GT	CLAMP, FRONT MOTOR CABLES.....1	
5	1264143GT	FORMING, CABLE ATTACH.....2	
6	824090GT	SCREW,HHF,3/8-16X1,8,ZAG.....1	
7	29868GT	SPRING CLIP,3/8-16,.05-.20X.73,ZAG....1	
8	1264146GT	CLAMP, REAR MOTOR CABLES.....1	
9	1264144GT	FORMING, SWING CABLE MT.....1	
10	824216GT	SCREW,PHPM,10-32X1.5,ZAG.....2	
11	6178GT	NUT,NYLOCK,10-32.....2	
12	<del>8366</del> 131M3GT	SWITCH,LIMIT,TAB,BLUE,PLASTIC.....1	
13	1256170GT	SCREW,HHC,5/8-11X4,8,ZAG.....30	
14	1256182GT	WASHER,FLAT,5/8,F436,HRD,ZAG.....37	
15	63468GT	BEARING,TURNTABLE ROTATION.....1	
--	48887GT	ELBOW,90D, 070202-4	
--	94643GT	ZERK,GREASE,5/16-24,STRAIT	
16	824089GT	SCREW,HHF,3/8-16X.75,8,ZAG.....2	
17	77879GT	FORMING,PINION GUARD.....1 <i>refer to 808.1</i>	
18	1262605GT	MACHINING, MOUNT, DRIVE, SLEW.....1	
19	1256169GT	SCREW,HHC,5/8-11X3.5,8,ZAG.....7	
20	1254718GT	SCREW,SET,HS,5/8-11X3.5,CUP,ZA....1	
21	1254728GT	SCREW,FHPM,6-32 X .75,ZAG.....1	
22	1255768GT	SWING DRIVE ASSEMBLY.....1	
--	1255769GT	SEAL KIT, SWING BRAKE	
--	1255770GT	KIT, FRICTION DISC	
--	1255771GT	KIT, BRAKE SPRING	
--	1255772GT	KIT, SWING BRAKE REBUILD	
--	1255773GT	BRAKE TUBING	
23	1256168GT	SCREW,HHC,1/2-13X1.75,8,ZAG.....9	
24	825353GT	WASHER,FLAT,1/2,SAE,HRD,ZAG.....9	

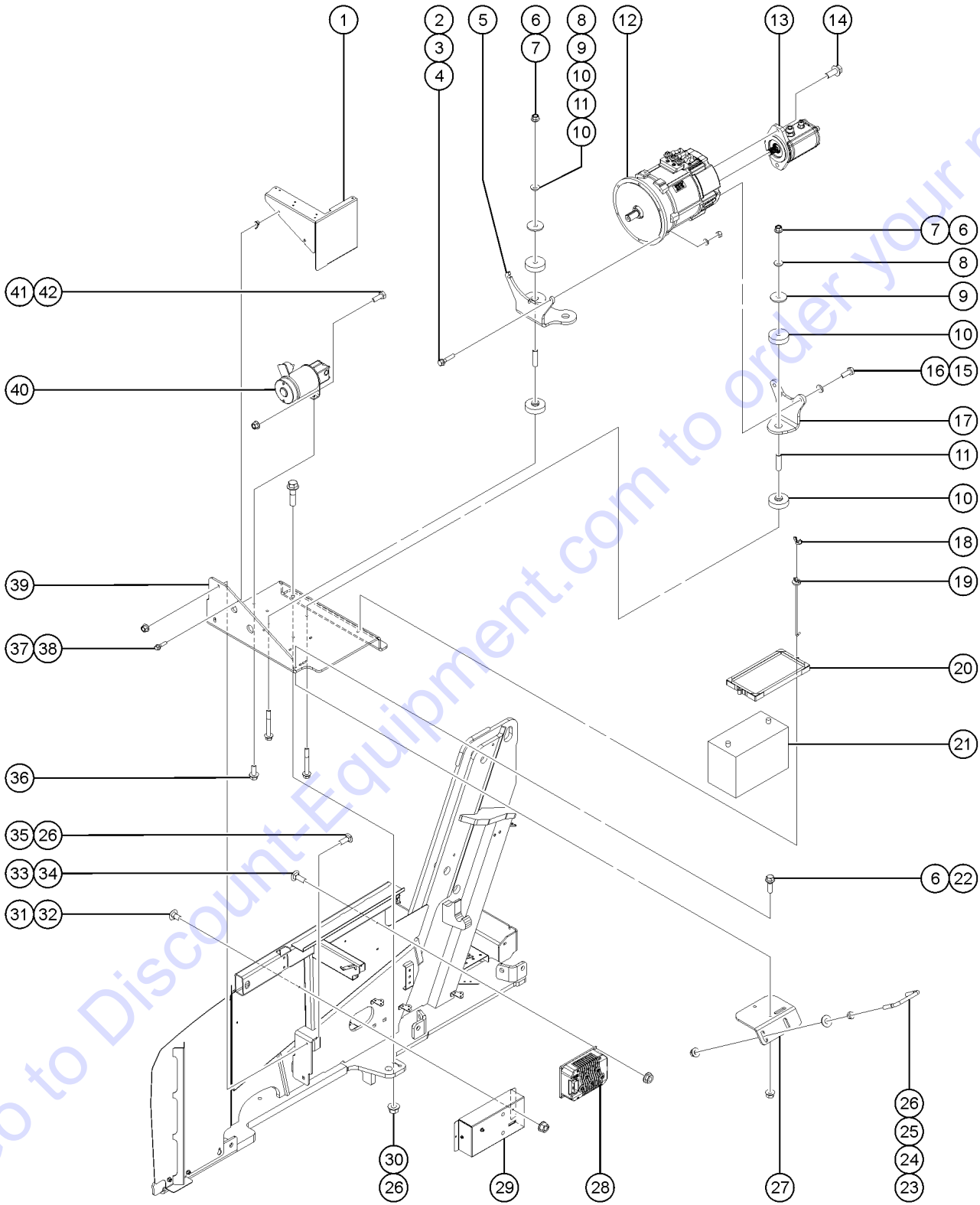
302.1 Turntable Center



## 302.1 Turntable Center

Item	Part No.	Description	Qty.	Item	Part No.	Description	Qty.
A	1265426GT	ASSEMBLY, FRONT BULKHEAD.....1 (includes items 1-9)	1	34	1256109GT	SCREW,HHC,3/8-16X.75,8,ZAG.....2	2
B	1264090GT	ASSEMBLY, FUSE BOX.....1 (includes items 8, 9 and 11-32)	1	35	1254063GT	RETAINER,GUIDE CABLE.....2	2
C	1262917GT	ASSEMBLY, COVER, FRONT.....1 (includes items 8, 9 and 10)	1	36	1254060GT	WASHER,UHMW.....2	2
1	1272483GT	KIT, DC-DC CONVERTER 48-26 VOLT.....1	1	37	1254359GT	WELDMENT,PIN,1.5 DIA.X 3.75LG.....4	4
2	1264033GT	FORMING,BULKHEAD,TANK-SIDE,FR..1	1	38		Ref. Battery Box.....1 (refer to 310.1)	1
3	1262031GT	SCREW,HHF,10-24X.75,ZAG.....4	4	39	1255385GT	SCREW,HHC,5/8-11X2.25,8,ZAG.....2	2
4	1256467GT	NUT,TL FLG,10-24,F,ZAG.....6	6	40	1256182GT	WASHER,FLAT,5/8,F436,HRD,ZAG.....2	2
5	81578GT	HORN,12VDC,SPADE TERMINALS***....1	1	41	1265754GT	HEAT SINK,MOTOR-GEN CONTROLLER.....1 FE models only	1
6	824089GT	SCREW,HHF,3/8-16X.75,8,ZAG.....5	5	42	1263938GT	MOTOR CTRL, 48V, 3PH, 1234SE.....1	1
7	29868GT	SPRING CLIP,3/8-16,.05-.20X.73,ZAG....1	1	43	1267297GT	FORMING,MOTOR-GEN CONTROLLER.....1	1
8	824078GT	SCREW,HHF,1/4-20X.75,8,ZAG.....22	22	44	1256460GT	SCREW,PHPM,10-24X1,ZAG.....4	4
9	56912GT	SPRING CLIP,1/4-20,.025-.15X.54,ZAG.....22	22	45	1256312GT	WASHER,LOCK,#10,ZAG.....4	4
10	1262916GT	FORMING, COVER, FRONT.....1	1	46	1253185GT	WASHER,FLAT,#10,USS,ZAG.....4	4
11	1262031GT	SCREW,HHF,10-24X.75,ZAG.....2	2	47	824091GT	SCREW,HHF,3/8-16X1.25,8,ZAG.....3	3
12	42781GT	PLUG, NYLON .250 BLACK DOMED.....2	2	48	824029GT	NUT,TL FLG,3/8-16,G,ZAG.....3	3
13	1266999GT	WELDMENT, FUSE BOX.....1	1	49	1264342GT	WELDMENT, BULKHEAD, ENGINE-SID.....1	1
14	1264104GT	GASKET, FUSE BOX.....1	1	50	1264030GT	PIN, WELDMENT, 1.75DIA X 6.0LG.....1	1
15	1256855GT	SCREW,HHF,1/4-20X.625,8,ZAG.....4	4	51	1264341GT	WELDMENT, BULKHEAD, ENGINE-SID.....1	1
16	1264105GT	WELDMENT, FUSE BOX COVER.....1	1	52	1264036GT	PAD, REST, LOWER SECONDARY.....1	1
17	824225GT	SCREW,FHPM,10-32X.75,ZAG.....6	6	53	824093GT	SCREW,HHF,3/8-16X1.75,8,ZAG.....2	2
18	824032GT	NUT,TL FLG,10-32,F,ZAG.....6	6	54	824124GT	BOLT,CARRIAGE,1/4-20X.75,5,ZAG.....2	2
19	824028GT	NUT,TL FLG,5/16-18,G,ZAG.....9	9	55	824027GT	NUT,TL FLG,1/4-20,G,ZAG.....2	2
20	216005GT	FUSE,40 AMP,NON TIME DELAY,ANL....1	1				
21	66717GT	FUSE BLOCK, ANN & ANL FUSE.....3	3				
22	1251901GT	PLUG,SANTOPRENE 1.125 BLK DOME.....2	2				
23	49818GT	SCREW,PHILLIPS,PHM,10-32 X .38.....4	4				
24	6607GT	WASHER,LOCK,#10 PLTD.....4	4				
25	1264091GT	FORMING, FUSE BOX CONTACTOR BR.....2	2				
26	74267GT	CONTACTOR,DRIVE,24V,180A***.....2	2				
27	824214GT	SCREW,PHPM,6-32X.5,ZAG.....2	2				
28	87755GT	CONN,RECEP 8 WAY 14-18GA,FL.....1 to SN Z60H-904	1				
--	1263727GT	HARNESS, FUSE BOX, Z60E from SN Z60H-905					
29	824019GT	NUT,TL,6-32,A,ZAG.....2	2				
30	680250GT	LOCKNUT, CONDUIT 3/4CSA APPVD...9	9				
31	80341GT	CONNECTOR, SQZ, 3/4 NPT, BLACK....9	9				
32	215488GT	FUSE,325 AMP,VERY FAST ACTING.....1	1				
33	1254062GT	CLAMP,GUIDE CABLE.....4	4				

303.1 Generator Side - DC Models



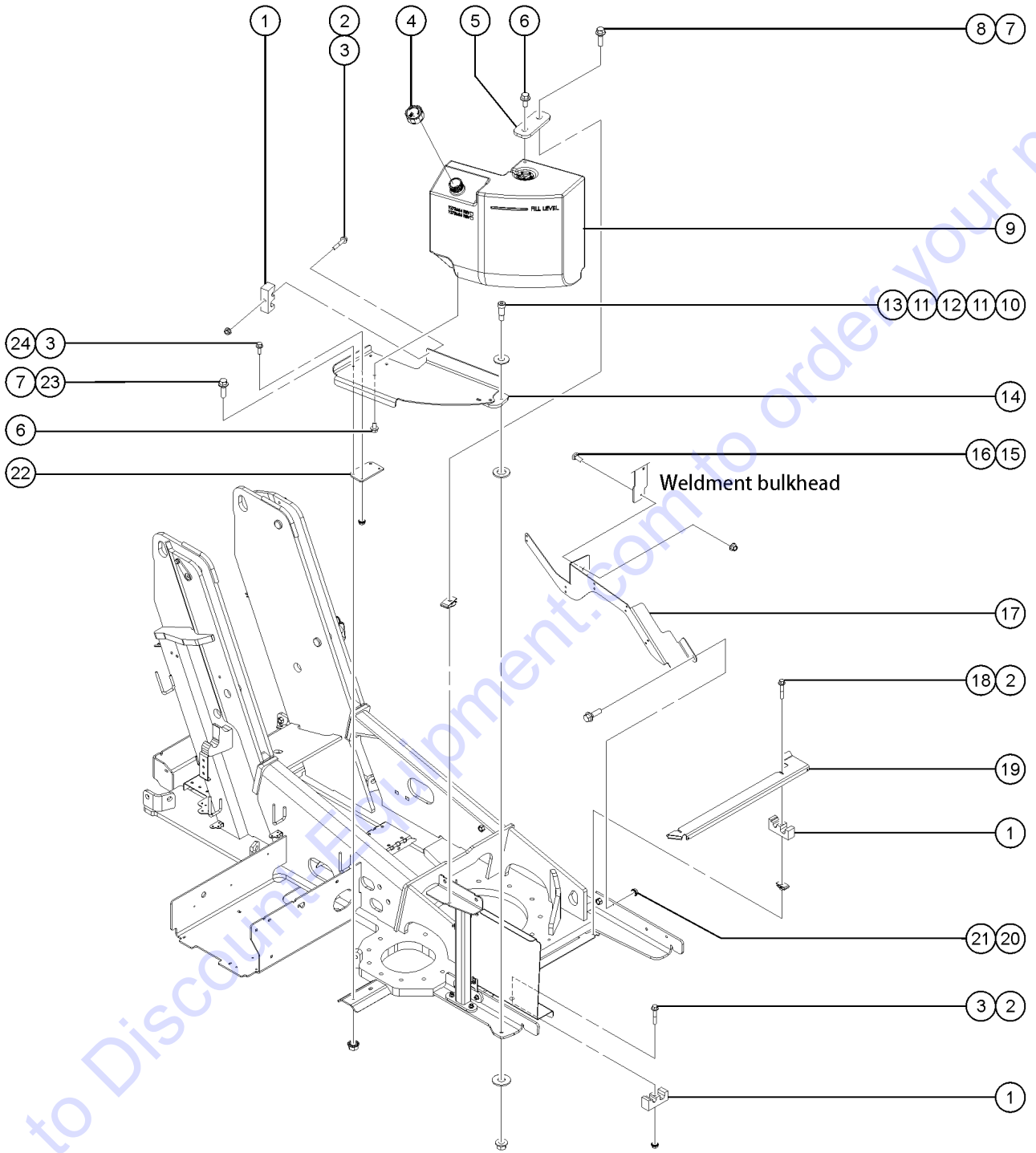


## 303.1 Generator Side - DC Models

Item	Part No.	Description	Qty.	Item	Part No.	Description	Qty.
1	1263777GT	FORMING, GUARD, CABLE MOUNT.....1		27	1263651GT	FORMING, ENG SIDE, STRIKER MOUNTING BRACKET.....1	
2	237820GT	SCREW,HHF,M8-1.25X40,DIN6921,10.9,ZAB.3		28	1263938GT	MOTOR CTRL, 48V, 3PH, 1234SE.....1 <i>refer to 302.1 for FE models</i>	
3	824144GT	WASHER,FLAT,M8,DIN125,ZAB.....3		29	1267298GT	ASSY, 12V CHARGER BOX.....1 <i>(includes items 31,32)</i>	
4	1256456GT	NUT,TL,M8-1.25,DIN980,10,ZAB.....3		--	1267299GT	FORMING, 12V CHARGER CLAMP.....1	
5	1263648GT	FORMING, DC GENERATOR MOUNT...1		--	1267300GT	FORMING, 12V CHARGER BOX.....1	
6	824029GT	NUT,TL FLG,3/8-16,G,ZAG.....5		--	1267395GT	CHARGER, BATTERY 12V/5.5A UNGROUNDED W/POWER CORD.....1	
7	824095GT	SCREW,HHF,3/8-16X3,8,ZAG.....3		--	147089GT	CIRCUIT BREAKER, 10A.....1	
8	825358GT	WASHER,FLAT,5/16,USS,ZAG.....3		--	34052GT	RELAY,SPDT,12V(AUTO) PLUG IN**.....1	
9	824123GT	WASHER,FLAT,.625X2.25X.188,ZAG.....3		--	34053GT	ASSY,RELAY SOCKET, AUTO.....1	
10	24037GT	SHOCK MOUNT,LARGE**.....6		--	7056GT	CONN,SQUEEZE,1/2NPT .38-.50,SM....1	
11	139230GT	SPACER, SHOCK MOUNT.....3		--	87755GT	CONN,RECEP 8 WAY 14-18GA,FL.....1	
12	1264100GT	MOTOR,AC,PUMP-GENERATOR.....1		30	1256172GT	SCREW,HHF,1/2-13X 2,8,ZAG.....2	
--	1284946GT	BEARING SERVICE KIT (1264100) <i>for 1264100</i>		31	1256462GT	BOLT,CARRIAGE,1/4-20X.5,5,ZAG.....2	
--	1284947GT	ROTOR ASSEMBLY (1264100) <i>for 1264100</i>		32	824027GT	NUT,TL FLG,1/4-20,G,ZAG.....2	
--	1284948GT	BEARING SERVICE KIT (1264100) <i>for 1264100</i>		33	824124GT	BOLT,CARRIAGE,1/4-20X.75,5,ZAG.....4	
--	1284949GT	TERMINAL BRACKET SVC KIT (1264100) <i>for 1264100</i>		34	1256679GT	NUT,SERRATED,1/4-20,8,ZAG.....4	
--	1284950GT	TERMINAL BLOCK SERVICE KIT (1264100) <i>for 1264100</i>		35	1256179GT	BOLT,CARRIAGE,1/2-13X1.5,5,ZAG.....2	
--	1284951GT	SPEED SENSOR KIT W/PINS (1264100) <i>for 1264100</i>		36	824090GT	SCREW,HHF,3/8-16X1,8,ZAG.....2	
--	1284952GT	CONNECTOR SERVICE KIT (1264100) <i>for 1264100</i>		37	824079GT	SCREW,HHF,1/4-20X1,8,ZAG.....4	
--	1284953GT	PULSE WHEEL SERVICE KIT (1264100) <i>for 1264100</i>		38	56912GT	SPRING CLIP,1/4-20,.025-.15X.54,ZAG.....4	
--	1284954GT	BOLT KIT W/WASHERS,M8X200 (1264100) <i>for 1264100</i>		39	1263647GT	FORMING, DC MOTOR MOUNT.....1	
13	1261767GT	PUMP,GEAR,FUNCTION,Z60E.....1		40	89617GT	POWER UNIT,AUX PUMP 12VDC.....1	
--	1269602GT	SEAL KIT, FUNCTION PUMP, Z60E		41	13002GT	SCREW,HHC,5/16-18 X 1 GR5.....1	
14	1255469GT	SCREW,HHF,1/2-13X1.25,8,ZAG.....2		42	18503GT	NUT,LOCKING-LG.FLANGE,5/16-18.....1	
15	824138GT	SCREW,HHC,M10-1.25X30,DIN961,1....4					
16	824145GT	WASHER,FLAT,M10,DIN125,ZAB.....4					
17	1263649GT	FORMING, REAR ENGINE MOUNT.....1					
18	8170GT	NUT,WING,1/4-20.....2					
19	45708GT	HOOK,BATT HOLD DOWN,10".....2					
20	30144GT	BATTERY HOLD DOWN,GROUP 31.....1					
21	30143GT	BATTERY,12V,1000 CCA GRP 31.....1					
22	824091GT	SCREW,HHF,3/8-16X1.25,8,ZAG.....2					
23	1259855GT	UBOLT, 0.4724 IN D X 4 IN L.....1					
24	1255804GT	NUT,JAM,1/2-13,A,ZAG.....2					
25	1255760GT	WASHER,FLAT,1/2,USS,ZAG.....2					
26	1251997GT	NUT,TL FLG,1/2-13,G,ZAG.....6					



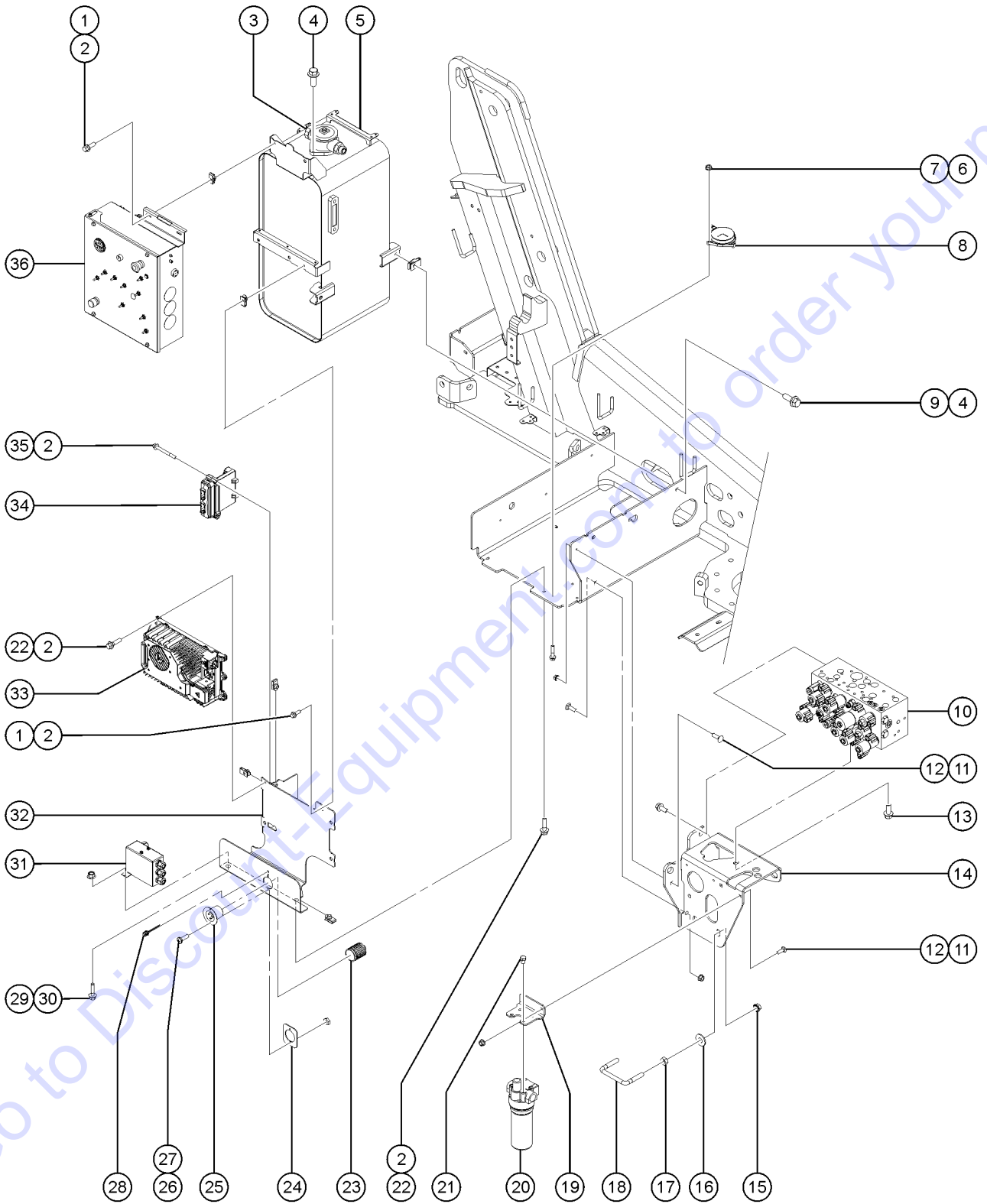
304.1 Tank Side - FE Hybrid Models (Bi-Energy)



## 304.1 Tank Side - FE Hybrid Models (Bi-Energy)

Item	Part No.	Description	Qty.
--	1274192GT	ASSY, FUEL TANK, 17 GAL, LEGACY PLASTIC.....1 <i>(to SN Z6016N-306) (includes 54324GT, 54325GT, 54333GT 1271773GT, 1271772GT, 1251757GT)</i>	
1	1266321GT	CLAMP, PLASTIC, FUEL LINES.....4	
2	824081GT	SCREW,HHF,1/4-20X1.5,8,ZAG.....4	
3	1256679GT	NUT,SERRATED,1/4-20,8,ZAG.....4	
4	101726GT	CAP,FUEL,DIESEL,1/8"VENT(GRN).....1	
5	1264296GT	PLATE, FUEL TANK TOP BRKT.....1	
6	824089GT	SCREW,HHF,3/8-16X.75,8,ZAG.....3	
7	824091GT	SCREW,HHF,3/8-16X1.25,8,ZAG.....3	
8	29868GT	SPRING CLIP,3/8-16,.05-.20X.73,ZAG....1	
--	1251757GT	SCREW,PHPM,10-32X.50,ZAG.....5	
--	1271773GT	GASKET, TANK, FUEL SENSOR.....1	
9A	1273697GT	ASSY, FUEL TANK, 17 GAL, STD, PLASTIC.....1 <i>(162467GT no longer in use, fuel sense not included)</i>	
--	1271772GT	CAP, TANK, FUEL SENSOR.....1	
9B	1273698GT	ASSY, FUEL TANK, 17 GAL, FUEL SENSE, PLASTIC <i>(for models with fuel sense option) (includes 54324GT, 1271773GT, 1271770GT, 824215GT)</i>	
--	1271770GT	SENSOR, FUEL LEVEL, 30" DIESEL <i>(not shown)</i>	
10	217234GT	SCREW,SHS,3/4X1.25X5/8-11,ZAG.....1	
11	1255761GT	WASHER,FLAT,3/4,USS,HRD,ZAG.....2	
12	36212GT	WASHER,THRUST,.75 X 1.38X.13.....1	
13	1253319GT	NUT,TL,FLG,5/8-11,G,ZAG.....1	
14	1263251GT	WELDMENT, TRAY, FUEL.....1	
15	1256179GT	BOLT,CARRIAGE,1/2-13X1.5,5,ZAG.....1	
16	1251997GT	NUT,TL FLG,1/2-13,G,ZAG.....1	
17	1267808GT	FORMING, SWING FUEL MOUNT.....1	
18	56912GT	SPRING CLIP,1/4-20,.025-.15X.54,ZAG.....2	
19	1263915GT	FORMING, COVER, FUEL LINES.....1	
20	824029GT	NUT,TL FLG,3/8-16,G,ZAG.....1	
21	824090GT	SCREW,HHF,3/8-16X1.8,ZAG.....1	
22	1263256GT	PAD, REST, FUEL TRAY.....1	
23	1257628GT	NUT,SERRATED,3/8-16,8,ZAG.....2	
24	824078GT	SCREW,HHF,1/4-20X.75,8,ZAG.....2	

305.1 Ground Control Side, View 1



## 305.1 Ground Control Side, View 1

Item	Part No.	Description	Qty.	Item	Part No.	Description	Qty.
A	1262689GT	ASSEMBLY, PANEL, CHARGE PORT.....1		--	60857GT	FILTER,ELEMENT,BETA(5)=1000	
--	1273336GT	POWER CORD, AC CORD 2M 16AWG IP66 320.....1		21	1263699GT	SCREW,HHC,3/8-16X.5,8,ZAG.....4	
1	824078GT	SCREW,HHF,1/4-20X.75,8,ZAG.....6		22	824079GT	SCREW,HHF,1/4-20X1,8,ZAG.....6	
2	56912GT	SPRING CLIP,1/4-20,.025-.15X.54,ZAG.....14		23	105118GT	GASKET,(BOOT) FLANGE INLET PLG.....1	
3A	110345GT	FILTER ASSY,INTANK.....1 <i>includes item 3B</i>		24	236802GT	PLT,RECESSED PLUG BACKING, GS6.....1	
--	147223GT	SEAL,FILTER LID		25	105117GT	PLUG,FLG INLET,15A/125V,2PWGD.....1	
3B	77353GT	KIT,ELEMENT**		26	1257227GT	SCREW,PHPM,10-32X.625,ZAG.....2	
--	77354GT	FILTER LID,RFM165		27	1256804GT	NUT,10-32,ZAG.....2	
--	77365GT	BREATHER CAP,RFM165		28	1270281GT	ASSEMBLY, CHARGER STATUS LED, 2V.....1	
--	88917GT	FILTER,ELEMENT,BETA(10)=200		29	1256855GT	SCREW,HHF,1/4-20X.625,8,ZAG.....1	
--	94526GT	GASKET,RETURN FILTER-77353		30	824027GT	NUT,TL FLG,1/4-20,G,ZAG.....1	
4	824090GT	SCREW,HHF,3/8-16X1,8,ZAG.....5		31	1268990GT	ASSEMBLY, CHARGER RELAY BOX.....1 <i>(for DC model only)</i>	
5	1265230GT	ASSEMBLY, TANK, HYDRAULIC, Z60.....1 <i>(also includes items 1, 2, 3, 4, 9)</i>		32	1262420GT	FORMING, PANEL, CHARGE PORT.....1	
--	1262670GT	ASSEMBLY, TANK, HYDRAULIC, 18.....1 <i>(includes 101490 and 215229)</i>		33	1266528GT	CHARGER, 48V/25A CAN BUS.....1	
--	1262671GT	TANK, HYDRAULIC, 18 GALLON.....1		34	1269369GT	ASSEMBLY, CONTROLLER TCON, Z60.....1	
--	147419GT	KIT,STRAINER REPLACEMENT		35	824083GT	SCREW,HHF,1/4-20X2.5,8,ZAG.....2	
--	215229GT	GAUGE,HYDRAULIC TANK T/L VL		36		Ref. Ground Control Box.....1 <i>(refer to 307.1 and 308.1)</i>	
--	48977GT	CONN,520120-12-16					
--	48984GT	CONN,520120-16					
--	48996GT	VALVE,BALL,16 MSAE-16 FSAE***					
6	1256679GT	NUT,SERRATED,1/4-20,8,ZAG.....3					
7	824080GT	SCREW,HHF,1/4-20X1.25,8,ZAG.....3					
8	823368GT	SENSOR,LEVEL,UNIVERSAL.....1					
9	29868GT	SPRING CLIP,3/8-16,.05-.20X.73,ZAG...3					
10		Ref. Function Manifold.....1 <i>(refer to 701.1)</i>					
11	1255757GT	BOLT,CARRIAGE,3/8-16X1.25,5,ZAG....5					
12	1257628GT	NUT,SERRATED,3/8-16,8,ZAG.....5					
13	1255469GT	SCREW,HHF,1/2-13X1.25,8,ZAG.....2					
14	1263916GT	WELDMENT,BRACKET,HYDRAULIC FUN.....1					
15	1251997GT	NUT,TL FLG,1/2-13,G,ZAG.....2					
16	1255760GT	WASHER,FLAT,1/2,USS,ZAG.....2					
17	1255804GT	NUT,JAM,1/2-13,A,ZAG.....2					
18	1259855GT	UBOLT, 0.4724 IN D X 4 IN L.....1					
19	1263919GT	FORMING, BRACKET, HIGH PRESSUR.....1					
20	60334GT	FILTER ASSY,HIGH PRESS SAE-12*.....1					
--	58222GT	O-RING,FILTER ASSY (60334)***					
--	58223GT	SEAL,FILTER ASSY (60334)***					
--	58380GT	FILTER INDICATOR-(60334)					



## 306.1 Ground Control Side, View 2

Item	Part No.	Description	Qty.
A	1264216GT	ASSEMBLY, TRACTION CONTROLLERS.....1 <i>(includes items 8, 10-14, 16, 19-22)</i>	
1	1255385GT	SCREW,HHC,5/8-11X2.25,8,ZAG.....2	
2	1256182GT	WASHER,FLAT,5/8,F436,HRD,ZAG.....2	
3	1264188GT	WELDMENT, BULKHEAD, TANK-SIDE,.....1	
4	824078GT	SCREW,HHF,1/4-20X.75,8,ZAG.....6	
5	56912GT	SPRING CLIP,1/4-20,.025-.15X.54,ZAG.....7	
6	1264199GT	WELDMENT, BULKHEAD, REAR TANK-.....1	
7	1264203GT	FORMING, BULKHEAD, REAR TANK-S.....1	
8	824091GT	SCREW,HHF,3/8-16X1.25,8,ZAG.....12	
9	824029GT	NUT,TL FLG,3/8-16,G,ZAG.....4	
10	29868GT	SPRING CLIP,3/8-16,.05-.20X.73,ZAG.....14	
11	1264217GT	MACHINING, MOUNT, TRACTION CON.....2	
12	1264219GT	BULKHEAD, TRACTION CONTROLLERS.....1	
13	1262031GT	SCREW,HHF,10-24X.75,ZAG.....27	
14	1268463GT	FORMING, SECONDARY MOTOR CABLE.....1	
15	105214GT	CABLE TIE MOUNT, WINGED.....12	
16	1266206GT	FORMING, LEFT REAR, CONTROLLER.....1	
17	1256449GT	SCREW,HHC,M6-1.0X16,DIN931,10....20	
18	1256457GT	WASHER,LOCK, M6,ZAB.....20	
19	1264218GT	FORMING, BRACKET, CONNECTOR, T.....1	
20	1268462GT	FORMING, PRIMARY MOTOR CABLES.....1	
21	1266207GT	FORMING, RIGHT REAR, CONTROLLE.....1	
22	1266208GT	FORMING, RIGHT REAR, CONTROLLE.....1	
23	1263937GT	MOTOR CTRL, 48-80V, 3PH, 1232E.....4	
24	1256126GT	SCREW,HHF,5/8-11X2,8,ZAG.....2	
25	1255761GT	WASHER,FLAT,3/4,USS,HRD,ZAG.....2	
26		Ref. BATTERY BOX ASSEMBLY <i>(refer to Figure 310.1)</i>	

# PARTS FINDER

**Search Website  
by Part Number**



**Search Manual  
Library For Parts  
Manual & Lookup Part  
Numbers – Purchase  
or Request Quote**

**Search Manuals**

Enter your information to help us find the right parts manual for your machine.

\* Brand:

\* Model:

\* Serial:

\* Part Number:

SEARCH

**Can't Find Part or  
Manual? Request Help  
by Manufacturer,  
Model & Description**

**Parts Order Form**

Please fill in the following information to help us find the right part for your machine.

Manufacturer:	<input type="text"/>
Model:	<input type="text"/>
Description:	<input type="text"/>
Part Number:	<input type="text"/>
Quantity:	<input type="text"/>
Notes:	<input type="text"/>

Submit

Discount-Equipment.com is your online resource for quality parts & equipment.

Florida: **561-964-4949** Outside Florida TOLL FREE: **877-690-3101**

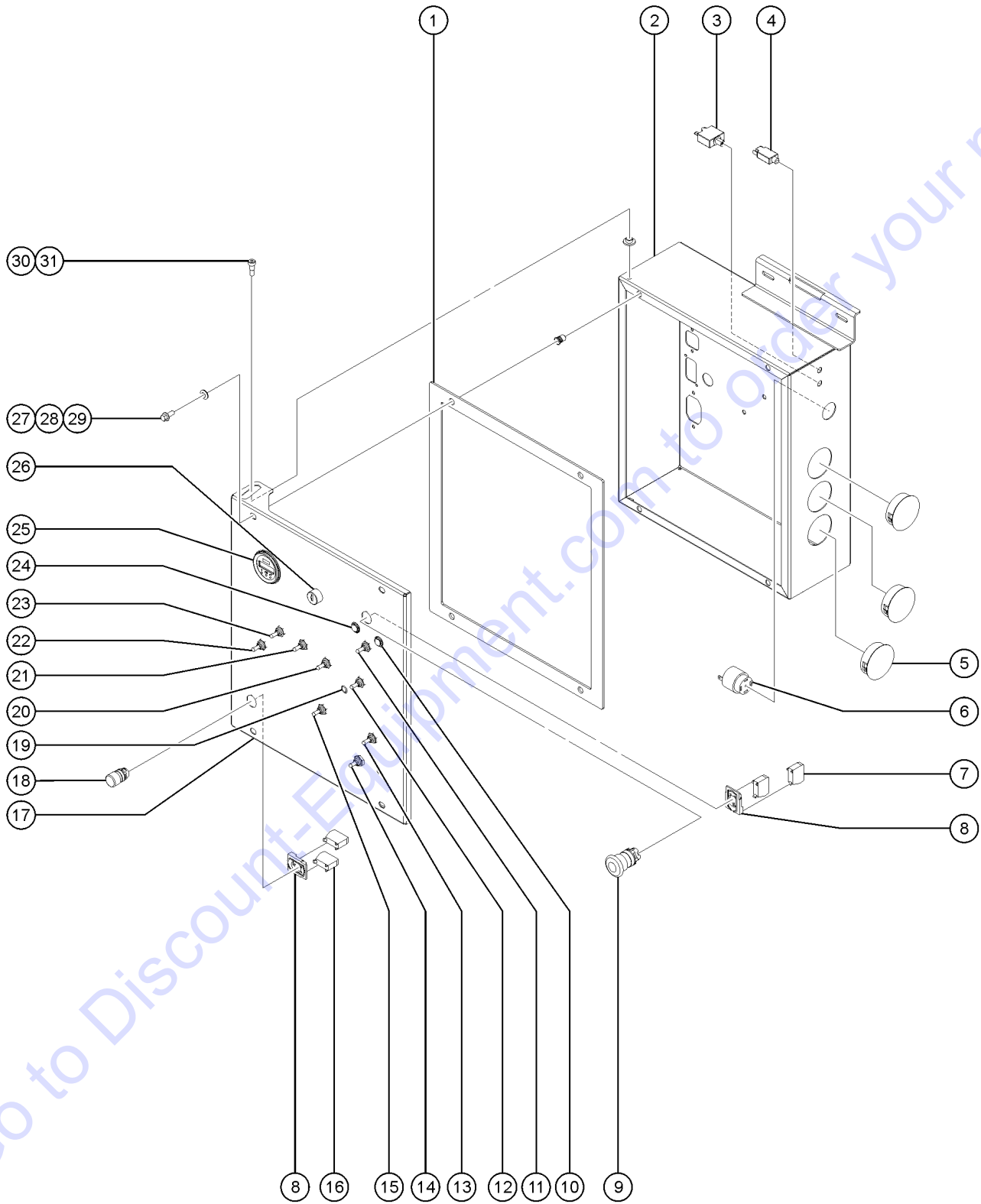
**Need parts?**

Click on this link: <http://www.discount-equipment.com/category/5443-parts/> and choose one of the options to help get the right parts and equipment you are looking for. Please have the machine model and serial number available in order to help us get you the correct parts. If you don't find the part on the website or on one of the online manuals, please fill out the request form and one of our experienced staff members will get back to you with a quote for the right part that your machine needs.

We sell worldwide for the brands: Genie, Terex, JLG, MultiQuip, Mikasa, Essick, Whiteman, Mayco, Toro Stone, Diamond Products, Generac Magnum, Airman, Haulotte, Barreto, Power Blanket, Nifty Lift, Atlas Copco, Chicago Pneumatic, Allmand, Miller Curber, Skyjack, Lull, Skytrak, Tsurumi, Husquvarna Target, Stow, Wacker, Sakai, Mi-T-M, Sullair, Basic, Dynapac, MBW, Weber, Bartell, Bennar Newman, Haulotte, Ditch Runner, Menegotti, Morrison, Contec, Buddy, Crown, Edco, Wyco, Bomag, Laymor, EZ Trench, Bil-Jax, F.S. Curtis, Gehl Pavers, Heli, Honda, ICS/PowerGrit, IHI, Partner, Imer, Clipper, MMD, Koshin, Rice, CH&E, General Equipment, Amida, Coleman, NAC, Gradall, Square Shooter, Kent, Stanley, Tamco, Toku, Hatz, Kohler, Robin, Wisconsin, Northrock, Oztec, Toker TK, Rol-Air, APT, Wylie, Ingersoll Rand / Doosan, Innovatech, Con X, Ammann, Mecalac, Makinex, Smith Surface Prep, Small Line, Wanco, Yanmar



307.1 Ground Control Box, View 1, External

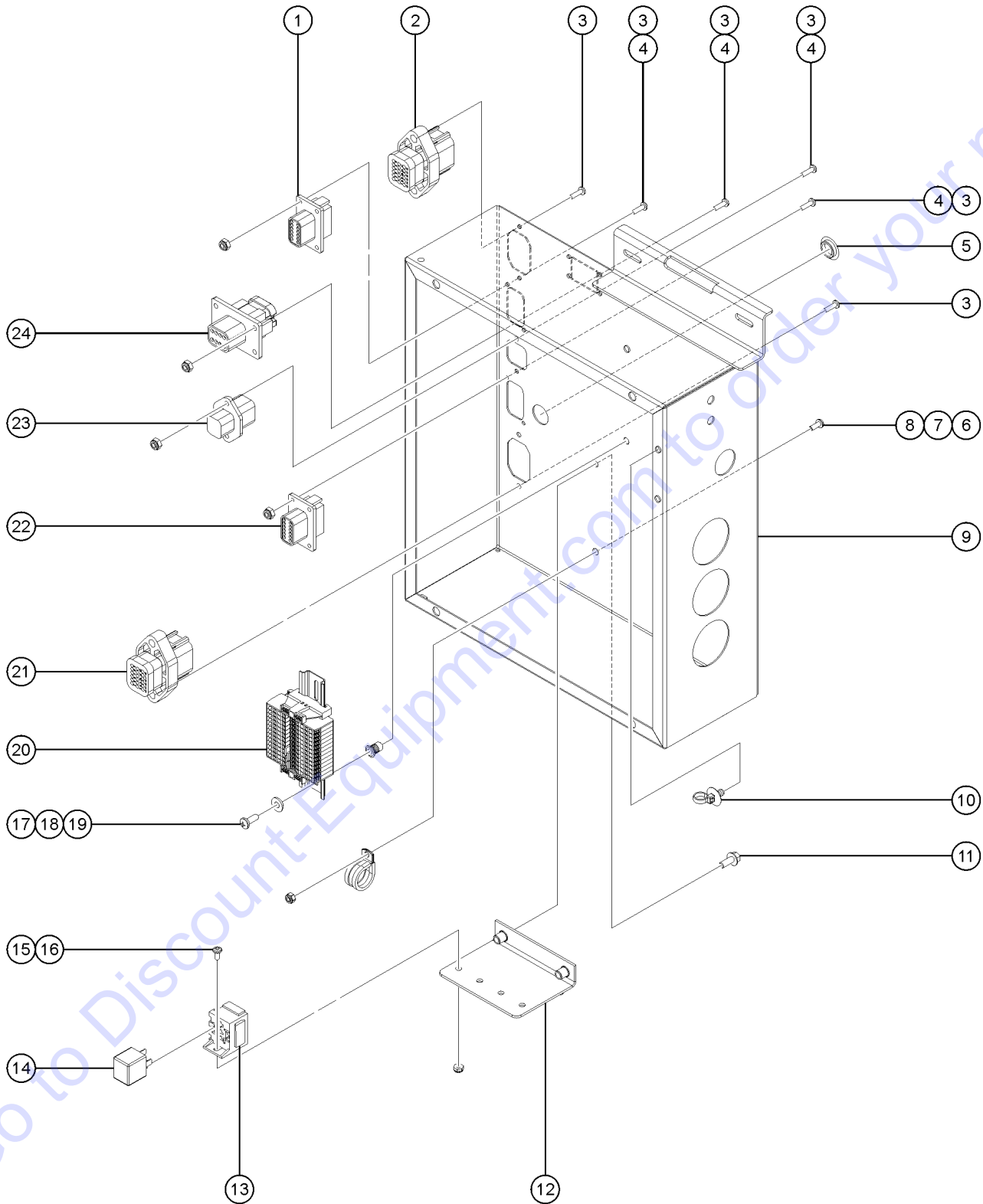




## 307.1 Ground Control Box, View 1, External

Item	Part No.	Description	Qty.	Item	Part No.	Description	Qty.
A	1262600GT	ASSEMBLY, GROUND CONTROL BOX.....1 <i>FE ANSI models</i>	1	--	66816GT	CONTACT,N.O.***.....2	2
B	1271137GT	ASSEMBLY, GROUND CONTROL BOX Z <i>DC ANSI models</i>	1	17	1270485GT	WELDMNT,LID,GND CONTROL BOX.....1	1
C		ASSEMBLY, GROUND CONTROL BOX <i>FE Australia and CE models, PN not available, coming soon</i>	1	18	66813GT	BUTTON,PUSH,BLACK W/SEAL***.....1 <i>function enable</i>	1
D		ASSEMBLY, GROUND CONTROL BOX <i>DC Australia and CE models, PN not available, coming soon</i>	1	19A	229567GT	PLUG,SANTOPRENE .5 BLACK DOME.....1 <i>ANSI models</i>	1
1	218090GT	GASKET,GROUND CONTROL BOX.....1	1	19B	1263969GT	ASSY, LIGHT,INDICATOR,AMB 24V.....1 <i>platform overload indicator light, Australia and CE models</i>	1
2	1262602GT	WELDMNT,GROUND CONTROL BOX.....1 <i>includes nutserts</i>	1	20	128200GT	SWITCH TOGGLE ASSY SPDT 3P MOM.....1 <i>jib boom up/down</i>	1
3	147090GT	CIRCUIT BREAKER, 15A.....1	1	21	128200GT	SWITCH TOGGLE ASSY SPDT 3P MOM.....1 <i>primary boom extend/retract</i>	1
4	1277226GT	ASSEMBLY,CIRCUIT BREAKER,15AMP	1	22	128200GT	SWITCH TOGGLE ASSY SPDT 3P MOM.....1 <i>secondary boom up/down</i>	1
5	81900GT	PLUG,NYLON 2.093 BLACK DOMED.....3	3	23	128200GT	SWITCH TOGGLE ASSY SPDT 3P MOM.....1 <i>primary boom up/down</i>	1
6A	39540GT	ALARM,STEADY TONE***.....1 <i>order 72326 mounting ring separately</i>	1	24A	1263969GT	ASSY, LIGHT,INDICATOR,AMB 24V.....1 <i>DC mode light, FE models</i>	1
6B	72326GT	NUT - PLASTIC,RING FOR ALARMS for 39540	1	24B	229567GT	PLUG,SANTOPRENE .5 BLACK DOME.....1 <i>DC models</i>	1
7	73805GT	BASE,W/2 NC CONTACTS***.....1	1	25	1266153GT	DISPLAY, 8 CHAR, 24V, CAN.....1 <i>LCD display</i>	1
--	66818GT	CONTACT, N.C.....2	2	26	96008-SGT	KEYSWITCH,3 POS. W/KEYS***.....1 <i>Key switch for ground selection/off/platform</i>	1
8	66821GT	BASE,WITHOUT CONTACTS.....2	2	27	1256855GT	SCREW,HFH,1/4-20X.625,8,ZAG.....4	4
9	66812GT	BUTTON,PUSH,RED MUSHROOM HEAD.....1 <i>emergency stop</i>	1	28	995750GT	WASHER FLAT BONDED RUB.....4	4
10A	1263969GT	ASSY, LIGHT,INDICATOR,AMB 24V.....1 <i>hybrid mode light, FE models</i>	1	29	T107520GT	NUTSERT,LP KNURLED,1/4-20X.165.....4	4
10B	229567GT	PLUG,SANTOPRENE .5 BLACK DOME.....1 <i>DC models</i>	1	30	1257410GT	BOLT,SHS,5/16X.375X1/4-20,ZAG.....2	2
11A	128200GT	SWITCH TOGGLE ASSY SPDT 3P MOM.....1 <i>machine mode select switch, FE models</i>	1	31	218449GT	WASHER,SHOULDER,NYLON.....2	2
11B	229567GT	PLUG,SANTOPRENE .5 BLACK DOME <i>DC models</i>	1				
12	128200GT	SWITCH TOGGLE ASSY SPDT 3P MOM.....1 <i>platform level</i>	1				
13	128200GT	SWITCH TOGGLE ASSY SPDT 3P MOM.....1 <i>platform rotate</i>	1				
14	128200GT	SWITCH TOGGLE ASSY SPDT 3P MOM.....1 <i>emergency power</i>	1				
15	128200GT	SWITCH TOGGLE ASSY SPDT 3P MOM.....1 <i>turntable rotate</i>	1				
16	66814GT	BASE,WITH 2 N.O. CONTACTS***.....1	1				

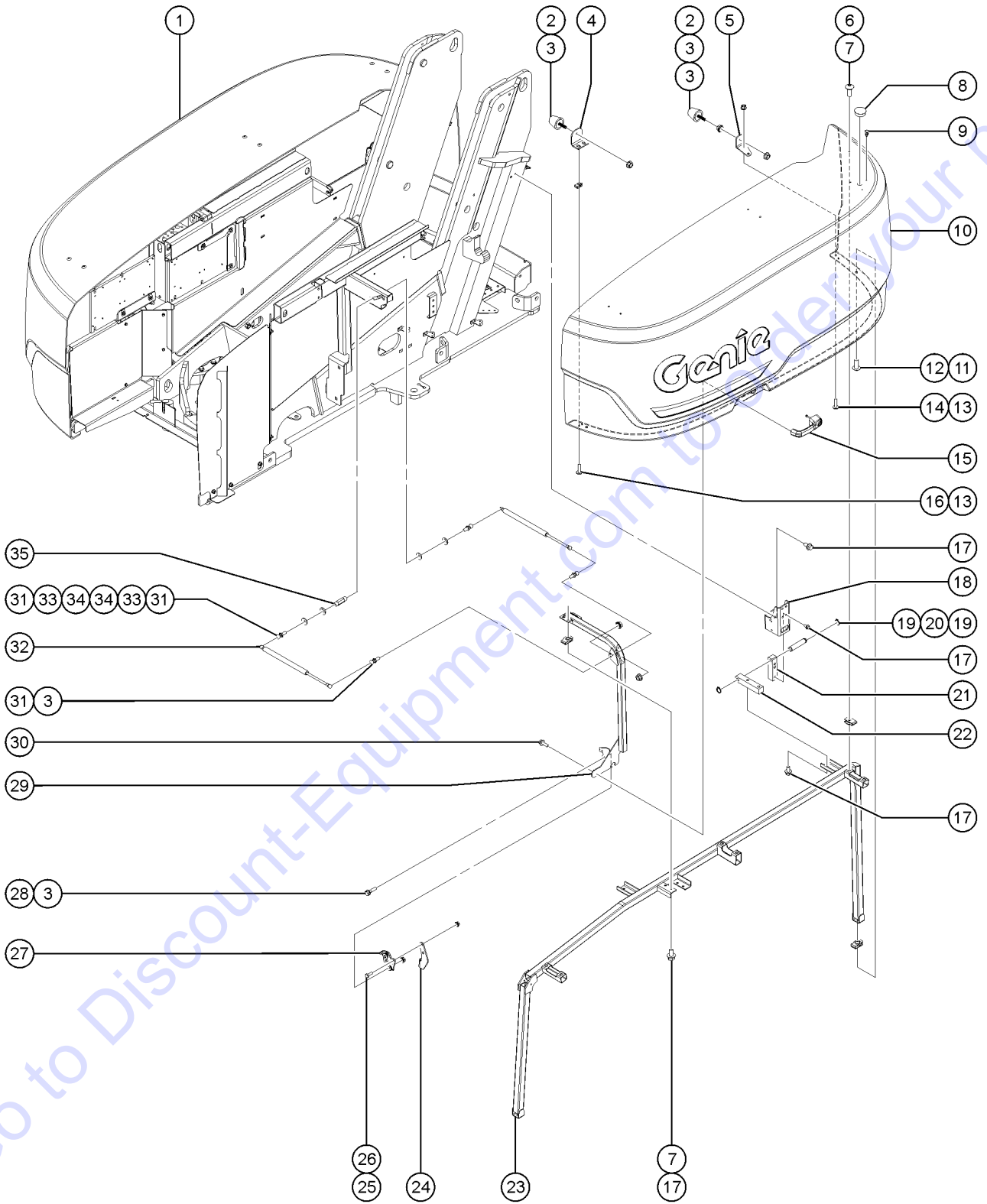
308.1 Ground Control Box, View 2, Internal



## 308.1 Ground Control Box, View 2, Internal

Item	Part No.	Description	Qty.
A	1266124GT	ASSEMBLY, Z60/37 GBOX RELAYS.....1 <i>(includes items 12-16)</i>	
1	73730GT	CONN,RECEP 12 WAY,GRY FLANGE....1	
2	1265862GT	CONN, RECEP, 18WAY, 14-18GA, F.....1	
3	824214GT	SCREW,PHPM,6-32X.5,ZAG.....14	
4	12344GT	NUT,NYLOCK,6-32.....10	
5	15243GT	PLUG,NYLON .875 BLACK DOMED.....1	
6	54365GT	SCREW,PHIL,PHM,10-32 X .5,SSTL.....1	
7	13268GT	CLAMP,0.75,#12 X 1/4,RUB CUSH.....1	
8	6178GT	NUT,NYLOCK,10-32.....1	
9		Ref. WELDMNT,GND CONTROL BOX.....1 <i>(refer to 307.1)</i>	
10	110149GT	CABLE TIE,DFT MOUNT,BLK,6.5".....1	
11	1256855GT	SCREW,HHF,1/4-20X.625,8,ZAG.....2	
12	54534GT	ANGLE,RELAY MNT,W/NUTSERTS,PNT.....1	
13	34053GT	ASSY,RELAY SOCKET, AUTO.....3	
14	56302GT	RELAY,24VDC,40/30A,SEALED***.....4	
15	825349GT	SCREW,PHPM,10-32X.38,ZAG.....2	
16	14392GT	NUT,LP NYLOCK,10-32.....2	
17	1251757GT	SCREW,PHPM,10-32X.50,ZAG.....2	
18	1253185GT	WASHER,FLAT,#10,USS,ZAG.....2	
19	T107521GT	NUTSERT,LP KNURLED,10-32X.130.....2	
20	1265850GT	ASSEMBLY,TERMINAL RAIL, Z60/37.....1	
--	216791GT	TERMINAL BLOCK,WIELAND	
--	216793GT	TERMINAL BLOCK END PLATE	
--	46036GT	DIN RAIL, 5.63"	
--	74913GT	END STOP, DIN RAIL,SCREW CLAMP	
--	74917GT	JUMPER COMB, 2-WAY,WIELAND	
21	226948GT	CONN, RECEP, 18 WAY, 14-18GA,.....1	
22	73733GT	CONN,RECEP 12 WAY,BLK FLANGE....1	
23	73717GT	CONN,RECEP 4 WAY,12-14GA FL***.....1	
24A	87755GT	CONN,RECEP 8 WAY 14-18GA,FL.....1 <i>To SN Z60H-1583</i>	
--	119060GT	CONN PLUG 8 WAY ENDCAP DT <i>To SN Z60H-1583</i>	
--	60757GT	PLUG,SEAL,12-18 GA <i>To SN Z60H-1583</i>	
24B	1258768GT	CONN,PLUG 8WAY,BLOCKED GROMMET <i>From SN Z60H-1584</i>	

309.1 Turntable Cover

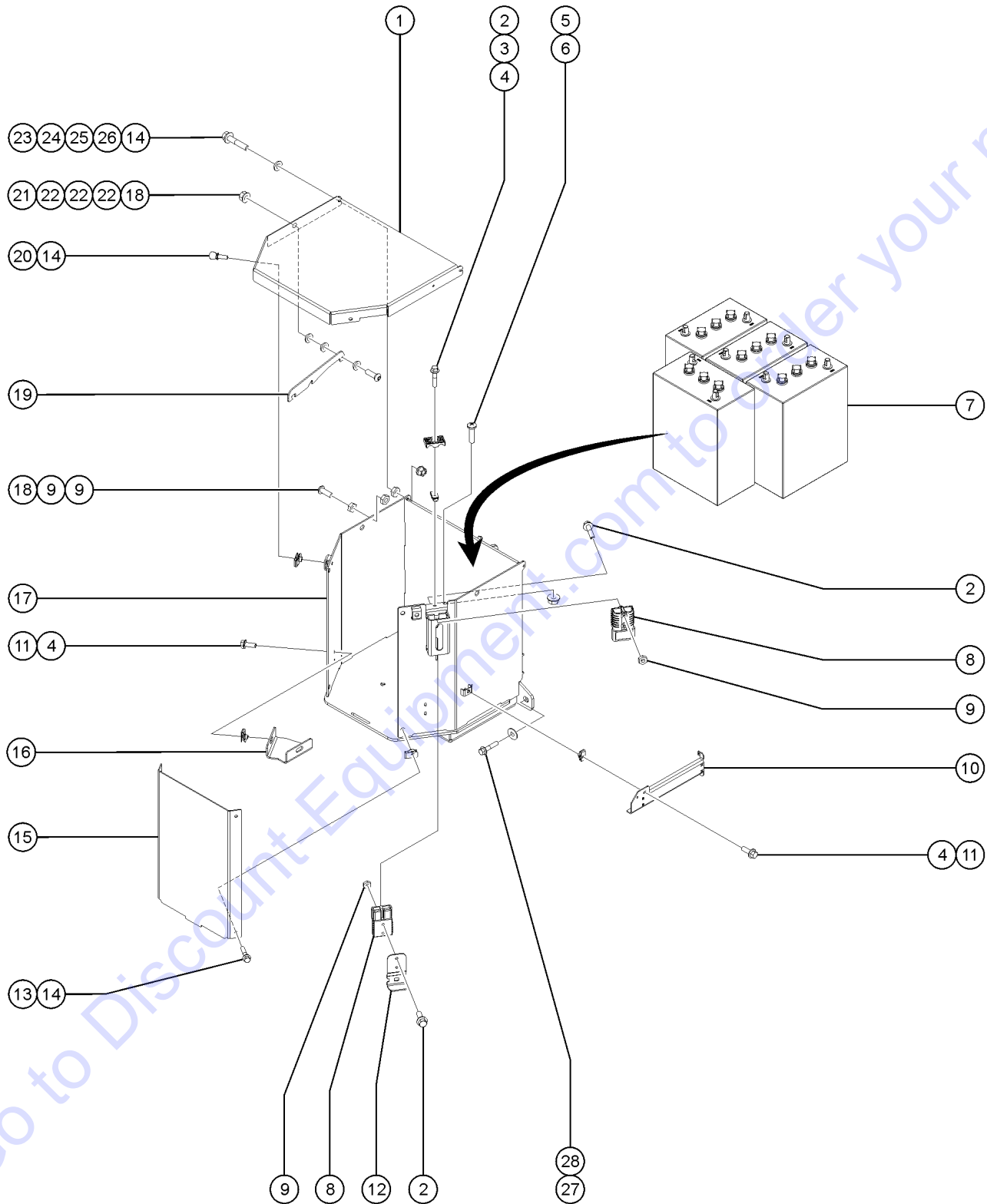


A TEREX BRAND

## 309.1 Turntable Cover

Item	Part No.	Description	Qty.	Item	Part No.	Description	Qty.
A	1256395GT	HINGE,3/8-16 HOLES,0.5 PIN.....4 <i>(includes items 19, 20, 21 and 22)</i>	4	29A	1264750GT	WELDMENT, COVER SUPPORT, ENGIN.....	1
1	1262707GT	ASSEMBLY, COVER, TANK-SIDE, Z6.....1 <i>(complete assy)</i>	1	29B	1264746GT	WELDMENT, COVER SUPPORT, TANK-.....	1
--	1262721GT	COVER,TANK-SIDE,Z60E.....	1	30	231532GT	SCREW,HHF,M6-1.0X20,DIN6921,10.9,ZAB.4	4
2	1261277GT	BUMPER, RUBBER, 1.25 X 1.25 IN.....	4	31	33555GT	BALL STUD**.....	8
3	1255805GT	NUT,SERRATED,5/16-18,8,ZAG.....	14	32	106069GT	STRUT,GAS,200 LB***.....	4
4	1267856GT	FORMING, BRACKET, COVER BUMPER.....	2	33	825358GT	WASHER,FLAT,5/16,USS,ZAG.....	4
5A	1256160GT	FORMING,REAR COVER STOP,LEFT....	1	34	11978GT	WASHER,FLAT,NYLON.515X.88X.093...4	4
5B	1256161GT	FORMING,REAR COVER STOP,RIGHT.....	1	35	1262440GT	BAR, MACHINED, SLIDER, STRUT M....2	2
6	1261836GT	SCREW, THM, TORX, 3/8-16X1,SS.....	12				
7	29868GT	SPRING CLIP,3/8-16,.05-.20X.73,ZAG.....	20				
8	45385GT	PLUG,NYLON 1.12 BLACK DOMED.....	2				
9	81329GT	PLUG,ALARM BEACON HOLE.....	6				
10	1262708GT	ASSEMBLY, COVER, ENGINE-SIDE,....1 <i>(complete assy)</i>	1				
--	1262722GT	COVER,ENGINE-SIDE,Z60E.....	1				
11	1261838GT	SCREW, THM, TORX, M10X25, ZAB....	4				
12	230074GT	SPRING CLIP,M10-1.5,1-6X19,ZAB....	4				
13	1261837GT	SCREW, THM, TORX, M6X25, ZAB.....	8				
14	231513GT	NUT,TL FLG,M6-1.0,DIN6927,10,ZAB...4	4				
15	1256054GT	HANDLE,YELLOW LOCKING,CODE 455.....	2				
--	37947GT	KEYS,10 PACK*** <i>sold separately</i>					
--	83093GT	KEY SINGLE*** <i>sold separately</i>					
16	230073GT	SPRING CLIP,M6-1.0,0.8-4MM PAN....	4				
17	824089GT	SCREW,HHF,3/8-16X.75,8,ZAG.....	28				
18	1263077GT	TUBE, BRACKET, HINGE, FRONT.....	2				
19	1256607GT	SNAP RING,EXTERNAL,1/2,ZAG.....	8				
20	1256392GT	PIN,HINGE,0.5 X 2.56LG,2 RING.....	4				
21	1256393GT	MACHINED,HINGE,1X1X4.25,0.5 PI....	4				
22	1256394GT	MACHINED,HINGE,1X1X5.25,0.5 PI....	4				
23A	1264749GT	WELDMENT, COVER SUPPORT, ENGIN.....	1				
23B	1264745GT	WELDMENT, COVER SUPPORT, TANK-.....	1				
24	1262211GT	FORMING, LATCH TRIGGER, ES.....	2				
25	824059GT	SCREW,HHC,1/4-20X.75,8,ZAG.....	4				
26	1256679GT	NUT,SERRATED,1/4-20,8,ZAG.....	4				
27	215254GT	LATCH,ROTARY,ENGINE COVER.....	2				
28	824087GT	SCREW,HHF,5/16-18X1.25,8,ZAG.....	4				

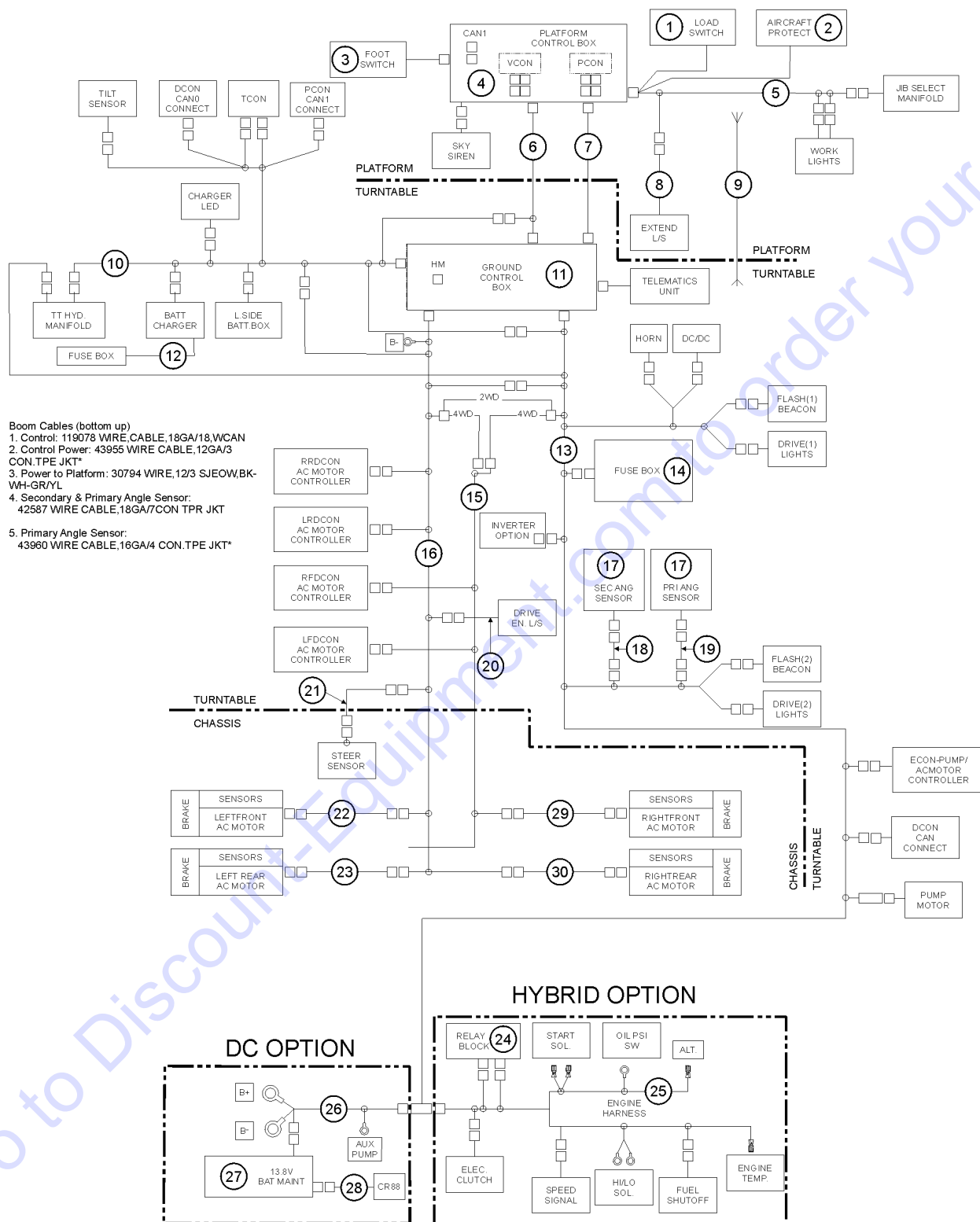
310.1 Battery Box Assembly



## 310.1 Battery Box Assembly

Item	Part No.	Description	Qty.
A	1262647GT	ASSEMBLY, BOX, BATTERY, L16.....1 <i>ground control side shown, complete assembly, battery not included, 1 on each side of machine</i>	1
1	1267261GT	FORMING, LID, BATTERY BOX.....1	1
2	824080GT	SCREW,HHF,1/4-20X1.25,8,ZAG.....7	7
3	78736GT	CLAMP,2 HOSE,PLASTIC,5/8.....1	1
4	56912GT	SPRING CLIP,1/4-20,.025-.15X.54,ZAG.....7	7
5	824215GT	SCREW,PHPM,10-32X.75,ZAG.....1	1
6	824032GT	NUT,TL FLG,10-32,F,ZAG.....1	1
7	56461GT	BATTERY, 390AH L16,WET.....4 <i>Wet battery (4 on each side of machine)</i>	4
7	823684GT	BATTERY,AGM,6V/390A,L16.....4 <i>AGM/Sealed battery (4 on each side of machine)</i>	4
8	19436GT	CONNECTOR,ANDERSON SB 175,1/0G.....2	2
9	824037GT	NUT,HH JAM,1/4-20,A,ZAG.....8	8
10	1264134GT	FORMING, CABLE GUARD.....1	1
11	824078GT	SCREW,HHF,1/4-20X.75,8,ZAG.....6	6
12	119787PGT	FORMING,BATTERY CONN HANDLE,PT.....1	1
13	824090GT	SCREW,HHF,3/8-16X1,8,ZAG.....4	4
14	29868GT	SPRING CLIP,3/8-16,.05-.20X.73,ZAG.....14	14
15	1262654GT	FORMING, FRONT, BATTERY BOX.....1	1
16	1264197GT	FORMING, LOCATOR, BATTERY.....2	2
17	1275044GT	WELDMENT, BOX, BATTERY, L16.....1	1
18	1256124GT	SCREW,BHC,1/4-20X.75,F835,ZAG.....2	2
19	1267262GT	PLATE, STRUT, BATTERY BOX.....1	1
20	824228GT	SCREW,THUMB,A-REG,3/8-16X1,ZAG..2	2
21	824027GT	NUT,TL FLG,1/4-20,G,ZAG.....3	3
22	15436GT	WASHER,FLAT,NYLON.25 X.68 X.03....5	5
23	824080GT	SCREW,HHF,1/4-20X1.25,8,ZAG	
24	15436GT	WASHER,FLAT,NYLON.25 X.68 X.03	
25	824037GT	NUT,HH JAM,1/4-20,A,ZAG	
26	824027GT	NUT,TL FLG,1/4-20,G,ZAG	
27	1255761GT	WASHER,FLAT,3/4,USS,HRD,ZAG	
28	1256126GT	SCREW,HHF,5/8-11X2,8,ZAG	

311.1 Wire Harness Diagram

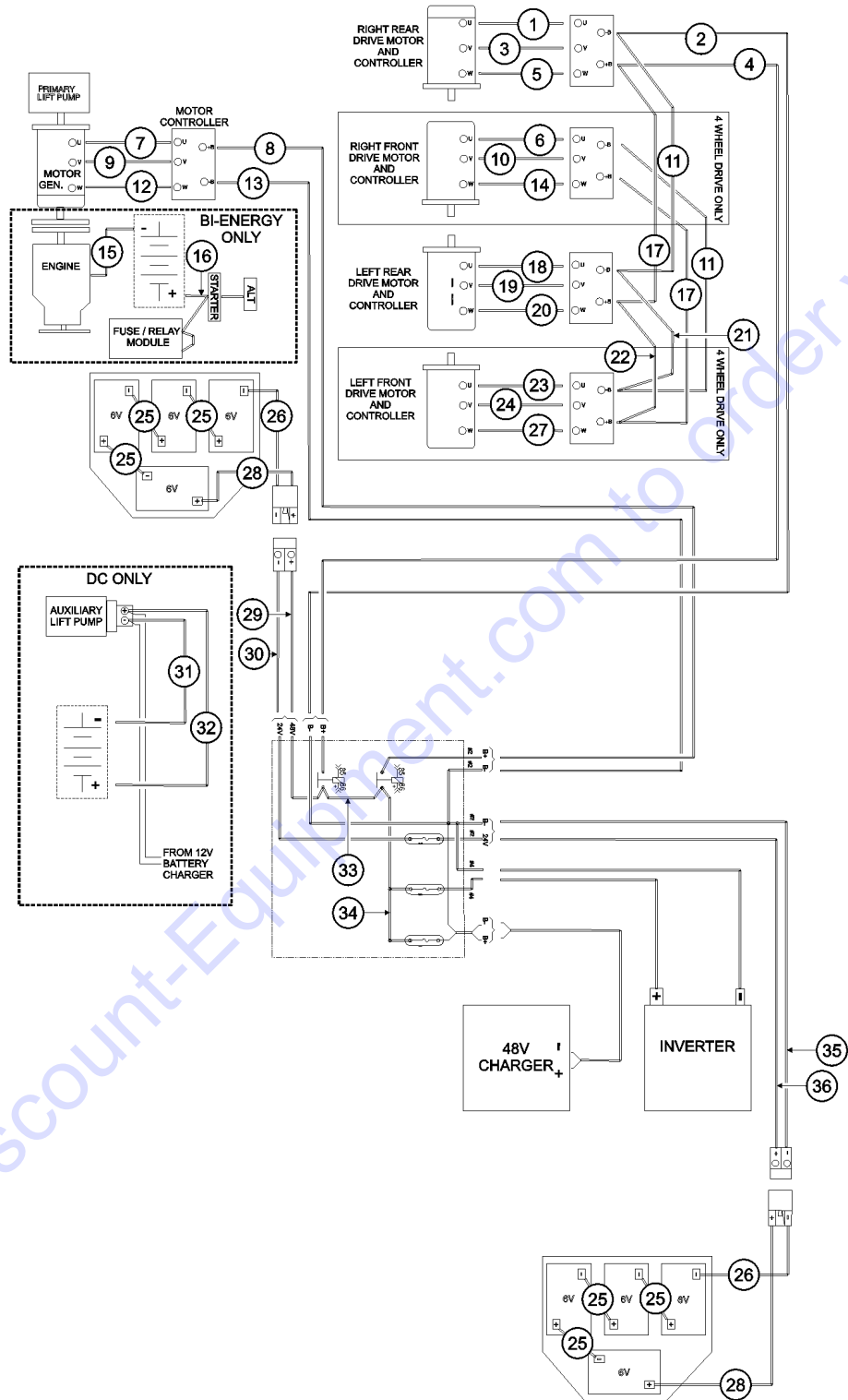




## 311.1 Wire Harness Diagram

Item	Part No.	Description	Qty.	Item	Part No.	Description	Qty.
A	58253GT	KIT,REPAIR,DEUTSCH PLUG,W/TUBE <i>(small kit)</i>		27	1267277GT	HARN,12V CHARGER BOX,Z60/37 DC.....	1
B	83129GT	KIT,REPAIR,DEUTSH CONNECTORS** <i>(large kit)</i>		28	1265349GT	HARNESS ASSY,CHARGER RELAY BOX.....	1
C	61794GT	CRIMPER,DEUTSCH,LIGHT DUTY*** <i>(tool)</i>		29	1273632GT	HARN, MOTOR CONTROL CABLE (RF).....	1
D	1264822GT	KIT, TRC RETROFIT, STNDRD <i>Telematics (includes 1264834)</i>		30	1273633GT	HARN, MOTOR CONTROL CABLE (RR).....	1
--	1264834GT	INSTRN, TRC RETROFIT, STNDRD					
E	1271069GT	HARNESS,PBOX,OPA-1,PLUS1					
--		Ref: HARNESS OPA2, Z60E <i>refer to 805.2</i>					
F	1271766GT	HARNESS, TELEMATICS, ZTR, M8HBZ, 8"					
1	1263721GT	HARNESS, LOAD SENSE, Z60/37.....	1				
2	1271407GT	ASSEMBLY, PROX. KILL.....	1				
3		Ref: Foot Switch <i>refer to 601.1</i>					
4	1263719GT	HARNESS, PLAT BOX, Z60/37.....	1				
5	1263718GT	HARNESS JIB SELECT MAN.....	1				
6	1263723GT	HARNESS BOOM CTRL CABLE Z60.....	1				
7	1263720GT	HARN,CABLE,DC POWER,Z60E.....	1				
8	823975GT	HARNESS,LS1 PRIMARY RETRACT.....	1				
9	1270557GT	HARNESS POWER TO PLATFORM Z60/.....	1				
10	1263725GT	HARNESS FUNCTION MANIFOLD.....	1				
11	1263726GT	HARNESS GBOX WIRING ASSY. Z60/.....	1				
12	1270153GT	HARN CHARGER CABLE 2/10GA.....	1				
13	1263730GT	HARNESS, PUMP MOTOR CTRL.....	1				
14	1263727GT	HARNESS, FUSE BOX, Z60E.....	1				
15	1263728GT	HARNESS, MOTOR CTRL, FRONT.....	1				
16	1263729GT	HARNESS, MOTOR CTRL, REAR.....	1				
17		Ref: Rotary Sensor <i>refer to 502.1 and 503.1</i>					
18	1263722GT	HARN SEC ANG SENSOR PIGTAIL.....	1				
19	1263724GT	HARN PRIM ANG SENSOR PIGTAIL.....	1				
20	1269112GT	HARNESS, LS, OP, DRIVE ENABLE.....	1				
21	1269681GT	HARN STEER SNR PIGTAIL EXTEND...1					
22	1266533GT	HARNESS, MOTOR CONTROL CABLE.....	1				
23	1268160GT	HARN, MOTOR CONTROL CABLE.....	1				
24		Ref: Fuse/Relay Module <i>refer to 404.1</i>					
25	1263731GT	HARNESS, ENGINE, Z60/37 FE.....	1				
26	1263732GT	HARN,AUXILIARY POWER,Z60/37 DC.....	1				

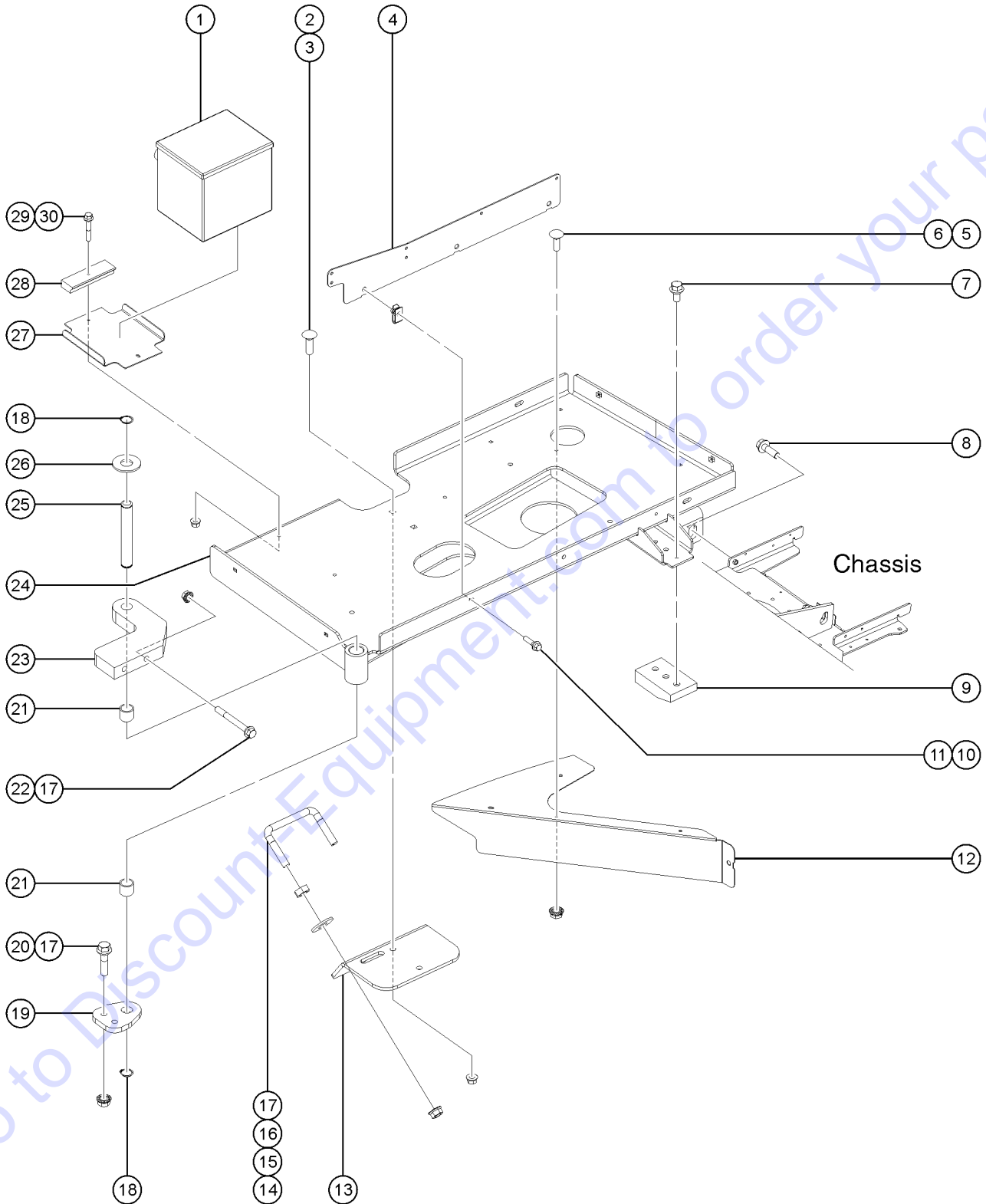
312.1 Power Cable Diagram



## 312.1 Power Cable Diagram

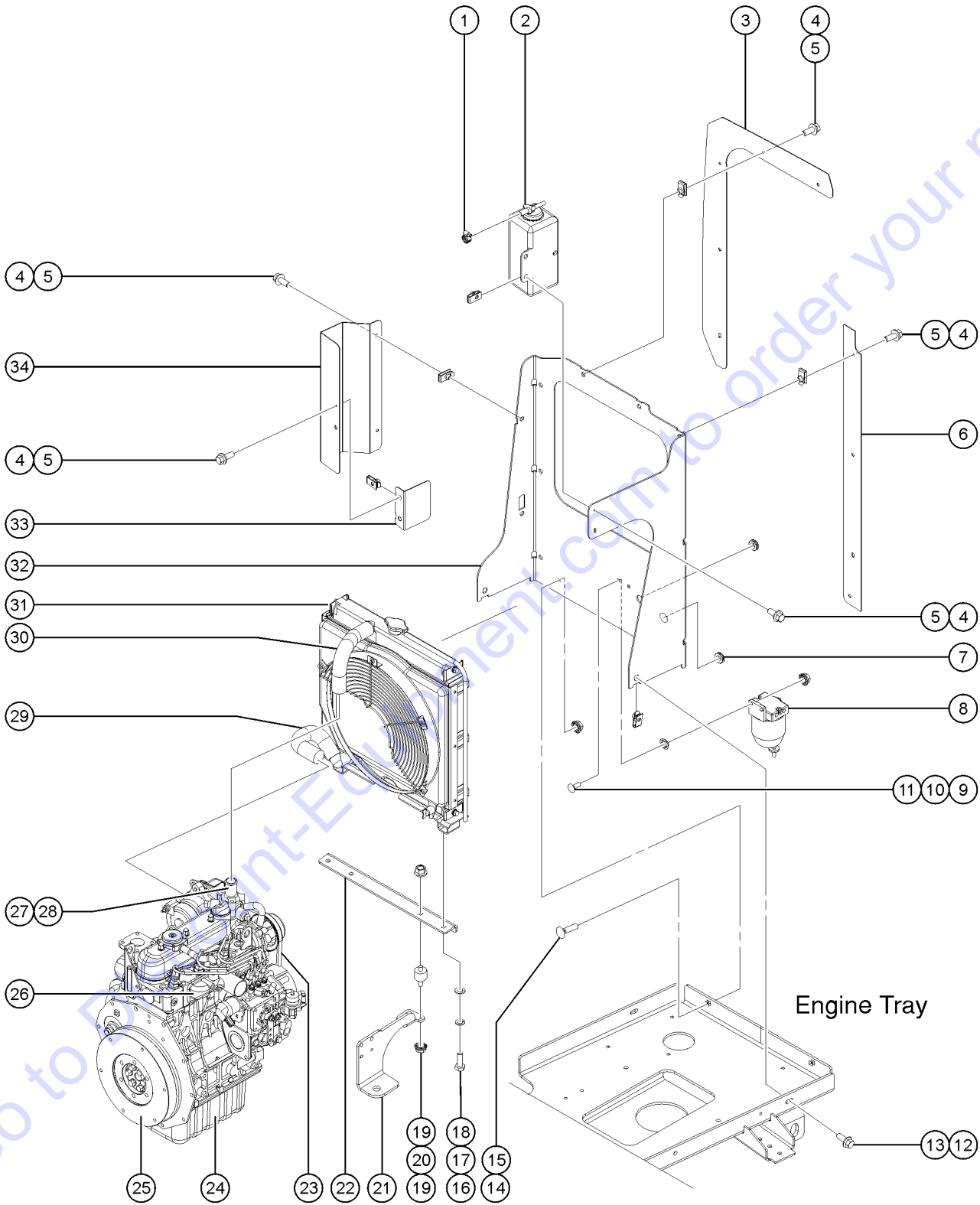
Item	Part No.	Description	Qty.	Item	Part No.	Description	Qty.
1	1265296GT	CABLE ASSY, RR MOTOR CONTROLLE.....	1	27	1270528GT	CABLE ASSY, LF MOTOR CONTROLLE.....	1
2	1265287GT	CABLE ASSY, FUSE BOX TO RR CON.....	1	28	1265282GT	CABLE ASSY, BATTERY PACK TO QU..... <i>red/positive</i>	2
3	1265297GT	CABLE ASSY,RR MOTOR CONTROLLE.....	1	29	1265284GT	CABLE ASSY, FUSE BOX TO QUICK.....	1
4	1265286GT	CABLE ASSY, FUSE BOX TO RR CON.....	1	30	1265285GT	CABLE ASSY, FUSE BOX TO QUICK.....	1
5	1265298GT	CABLE ASSY, RR MOTOR CONTROLLE.....	1	31	1265291GT	CABLE ASSY, AUX LIFT PUMPTO GR.....	1
6	1270523GT	CABLE ASSY, RF MOTOR CONTROLLE.....	1	32	1265292GT	CABLE ASSY, AUX LIFT PUMP TO P.....	1
7	1265301GT	CABLE ASSY, MOTOR/GEN CONTROLL.....	1	33	1265294GT	CABLE ASSY, JUMPER MAIN CONTAC.....	1
8	1265299GT	CABLE ASSY, FUSE BOX TO MOTOR/.....	1	34	1265293GT	CABEL ASSY, JUMPER, MAIN CONTA.....	1
9	1265302GT	CABLE ASSY, MOTOR/GEN CONTROLL.....	1	35	1265308GT	CABLE ASSY, FUSE BOX TO QUICK.....	1
10	1270524GT	CABLE ASSY,RF MOTOR CONTROLLE.....	1	36	1265307GT	CABLE ASSY, FUSE BOX TO QUICK.....	1
11	1265295GT	CABLE ASSY, JUMPER, TRACTION C.....	2				
12	1265303GT	CABLE ASSY, MOTOR/GEN CONTROLL.....	1				
13	1265300GT	CABLE ASSY, FUSE BOX TO MOTOR/.....	1				
14	1270525GT	CABLE ASSY, RF MOTOR CONTROLLE.....	1				
15	1265583GT	CABLE ASSY, ENGINE TO GROUND.....	1				
16	1265580GT	CABLE ASSY, STARTER TO POWER.....	1				
17	1265290GT	CABLE ASSY, JUMPER, TRACTION C.....	2				
18	1270520GT	CABLE ASSY, LR MOTOR CONTROLLE.....	1				
19	1270521GT	CABLE ASSY,LR MOTOR CONTROLLE.....	1				
20	1270522GT	CABLE ASSY, LR MOTOR CONTROLLE.....	1				
21	1265289GT	CABLE ASSY, JUMPER, TRACTION C.....	1				
22	1265288GT	CABLE ASSY,JUMPER, TRACTION CO.....	1				
23	1270526GT	CABLE ASSY, LF MOTOR CONTROLLE.....	1				
24	1270527GT	CABLE ASSY,LF MOTOR CONTROLLE.....	1				
25	1265281GT	CABLE ASSY, BATTERY JUMPER.....	6				
26	1265283GT	CABLE ASSY, BATTERY PACK TO QU..... <i>black/negative</i>	2				

401.1 Engine Tray



Item	Part No.	Description	Qty.
A		Ref: Engine, Kubota D-1105D, HYB.....1 (refer to 402.1, 403.1 and 404.1)	
1	56050GT	BATTERY,450 CCA***.....1	
2	1255757GT	BOLT,CARRIAGE,3/8-16X1.25,5,ZAG.....2	
3	824029GT	NUT,TL FLG,3/8-16,G,ZAG.....2	
4	1267795GT	PLATE, ENGINE TRAY FUEL HOSE MOUNT.....1	
5	824124GT	BOLT,CARRIAGE,1/4-20X.75,5,ZAG.....4	
6	1256679GT	NUT,SERRATED,1/4-20,8,ZAG.....4	
7	824089GT	SCREW,HHF,3/8-16X.75,8,ZAG.....3	
8	1256126GT	SCREW,HHF,5/8-11X2,8,ZAG.....1	
9	81522GT	WEAR PAD,ENGINE TRAY.....1	
--	48425GT	NUT,FLG-LRG,3/8-16,YZ.....2	
10	824079GT	SCREW,HHF,1/4-20X1,8,ZAG.....3	
11	56912GT	SPRING CLIP,1/4-20,.025-.15X.54,ZAG.....3	
12	1266115GT	FORMING, ENGINE TRAY BAFFLE.....1	
13	1263651GT	FORMING, ENG SIDE, STRIKER MOUNTING BRACKET.....1	
14	1259855GT	UBOLT, 0.4724 IN D X 4 IN L.....1	
15	1255804GT	NUT,JAM,1/2-13,A,ZAG.....2	
16	1255760GT	WASHER,FLAT,1/2,USS,ZAG.....2	
17	1261724GT	NUT,SERRATED,1/2-13,8,ZAG.....6	
18	1253843GT	SNAP RING,EXTERNAL,1.00,ZAG.....2	
19	1264821GT	MACHINED,ENGINE TRAY SUPPORT.....1	
20	1256172GT	SCREW,HHF,1/2-13X 2,8,ZAG.....2	
21	25817GT	BEARING,1.00IDX1.25ODX1.00L.....2	
22	1255392GT	SCREW,HHF,1/2-13X4.5,8,ZAG.....2	
23	1264776GT	ENGINE TRAY UPPER MT., MACH.....1	
24	1264805GT	WELDMENT,ENGINE TRAY,Z60E.....1	
25	30729GT	PIN,1.00DIA X6.67LG,2RING.....1	
26	1256469GT	WASHER,FLAT,1.0,USS,ZAG.....1	
27	1270488GT	FORMING, BATTERY TRAY.....1	
28	60078GT	BATTERY HOLD DOWN.....2	
29	824081GT	SCREW,HHF,1/4-20X1.5,8,ZAG.....2	
30	824027GT	NUT,TL FLG,1/4-20,G,ZAG.....2	

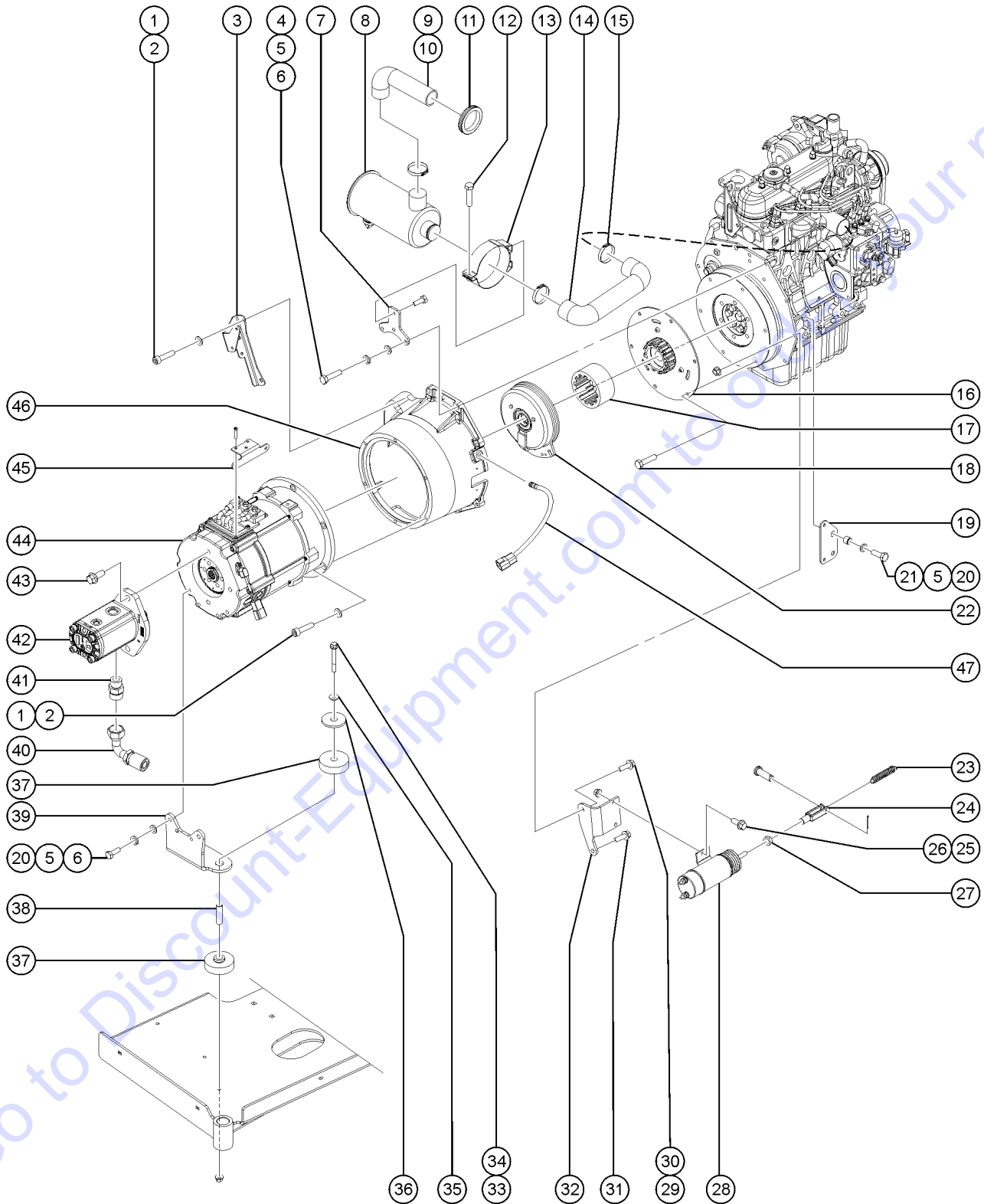
402.1 Kubota D1105-E4B, View 1



## 402.1 Kubota D1105-E4B, View 1

Item	Part No.	Description	Qty.	Item	Part No.	Description	Qty.
A		For internal engine parts, contact engine dealer		23	32196GT	BELT,V, KUBOTA D905.....	1
--	101200GT	FAN DRIVE PULLEY,KUBOTA		24	139280GT	OIL PAN.....	1
--	101201GT	WATER PUMP ASSY,KUBOTA		25	139274GT	COMP. FLYWHEEL.....	1
--	101209GT	NUT,EXHAUST MANIFOLD		26	139273GT	MANIFOLD, INLET.....	1
--	112500GT	KIT,D-905 RADIATOR SUPPORT		27	139279GT	THERMOSTAT COVER.....	1
--	1262242GT	ENGINE, KUBOTA D1105, HYB.....	1	28	139278GT	THERMOSTAT.....	1
--	131379GT	MANUAL,OPER,KUBOTA DIESEL****		29	1288003GT	HOSE,LOWER RAD,KUBOTA D1105 HYB.....	1
--	32189GT	GASKET,VALVE COVER,KUBOTA D905		29A	32185GT	CLAMP,HOSE <i>purchased separately</i>	
--	32199GT	GASKET,WATER PUMP		30	1288002GT	HOSE,UPPER RAD,KUBOTA D1105 HYB.....	1
--	44181GT	GASKET,VALVE COVER CAP, WG750		30A	32185GT	CLAMP,HOSE <i>purchased separately</i>	
--	44191GT	VALVE COVER, D905		31	112531GT	RADIATOR ASSY,ALUM.D-905.....	1
--	44200GT	SPEED CONTROL ASSY, D905		--	110523GT	CAP,RADIATOR,AL,KUBOTA DF-752	
--	62118GT	JUMPER-GLOW PLUG		32	1264777GT	FORMING,RAD.BAFFLE,Z60E.....	1
--	839119GT	KUBOTA GLOW PLUG		33	1265737GT	FORMING, EXHAUST SHIELD BRACKET.....	1
--	839233GT	KUBOTA FUEL PUMP GASKET.....	1	34	1265736GT	FORMING, EXHAUST SHIELD.....	1
--	866040GT	GASKET,SOLENOID,KUBOTA					
--	866070GT	FUEL PUMP, MECHANICAL					
--	99199GT	SOLENOID,KUBOTA D9/1105 SHTDWN					
1	21465GT	CLAMP,HOSE,,25" - .63" X .3125.....	1				
2	94532GT	BOTTLE,COOLANT RECOVERY,1.4***.....	1				
3	1266114GT	PLATE, RADIATOR, OUTER SEAL.....	1				
4	1256855GT	SCREW,HHF,1/4-20X.625,8,ZAG.....	15				
5	56912GT	SPRING CLIP,1/4-20,.025-.15X.54,ZAG.....	15				
6	1266113GT	PLATE, RADIATOR, INNER SEAL.....	1				
7	231327GT	GROMMET,9/16IDX7/8ODX3/16THK....	2				
8	56949GT	FILTER/SEPARATOR,FUEL DIESEL**....	1				
9	1256127GT	BOLT,CARRIAGE,1/4-20X1.5,ZAG.....	2				
10	238135GT	PUSHNUT RETAINER, 1/4" X 1/2"O.....	2				
11	1256679GT	NUT,SERRATED,1/4-20,8,ZAG.....	2				
12	824091GT	SCREW,HHF,3/8-16X1.25,8,ZAG.....	2				
13	29868GT	SPRING CLIP,3/8-16,.05-.20X.73,ZAG....	2				
14	824125GT	BOLT,CARRIAGE,3/8-16X1.5,ZAG.....	2				
15	1257628GT	NUT,SERRATED,3/8-16,8,ZAG.....	2				
16	824138GT	SCREW,HHC,M10-1.25X30,DIN961,1....	2				
17	824142GT	WASHER,LOCK,M10,ZAB.....	2				
18	824145GT	WASHER,FLAT,M10,DIN125,ZAB.....	2				
19	1255805GT	NUT,SERRATED,5/16-18,8,ZAG.....	4				
20	219437GT	ISOLATOR, VIBRATION.....	2				
21		Ref: Forming, Front Mount..... (refer to 404.1)	1				
22	139129GT	MOUNT, RADIATOR, D1105.....	1				

403.1 Kubota D1105-E4B, View 2

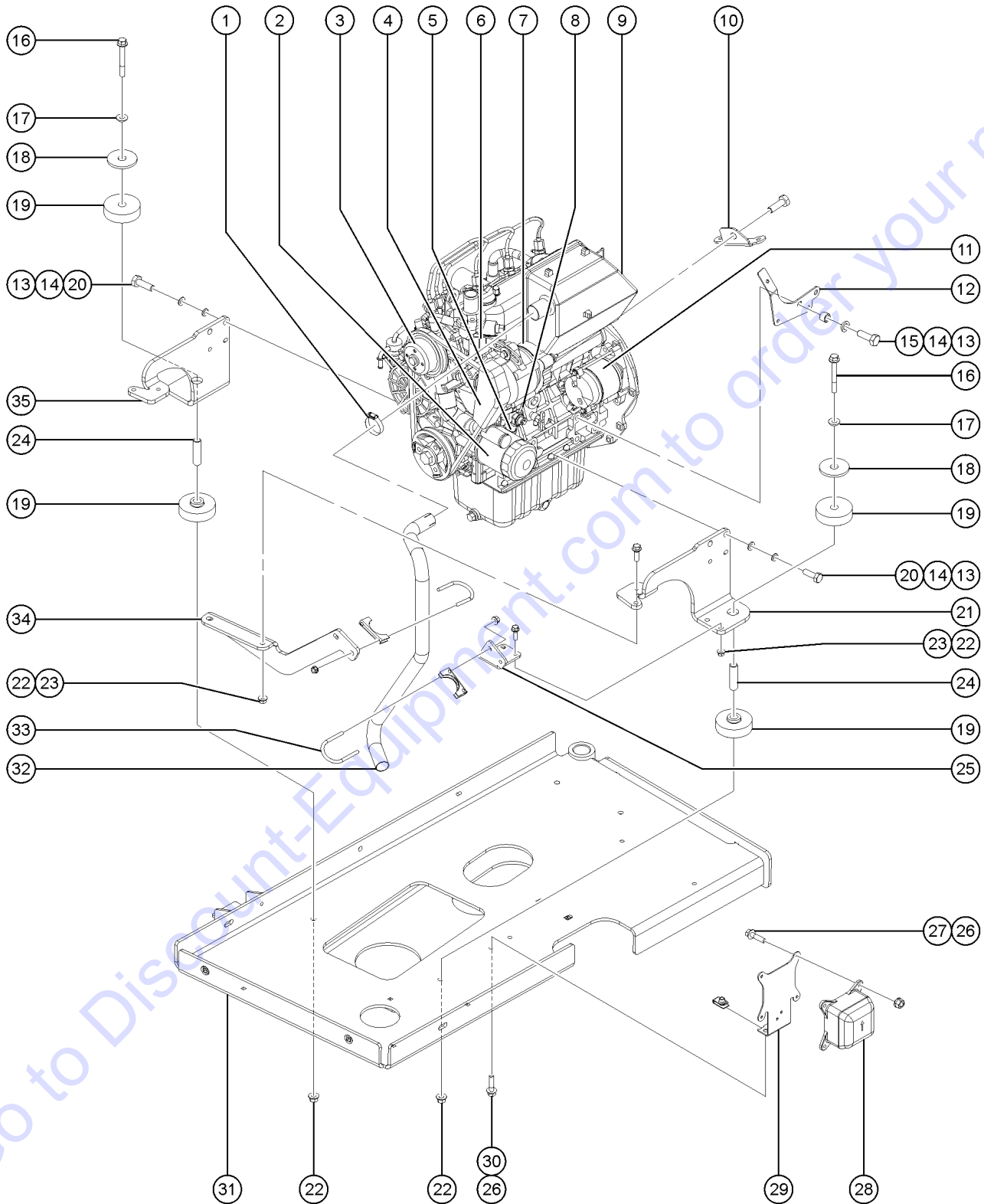




## 403.1 Kubota D1105-E4B, View 2

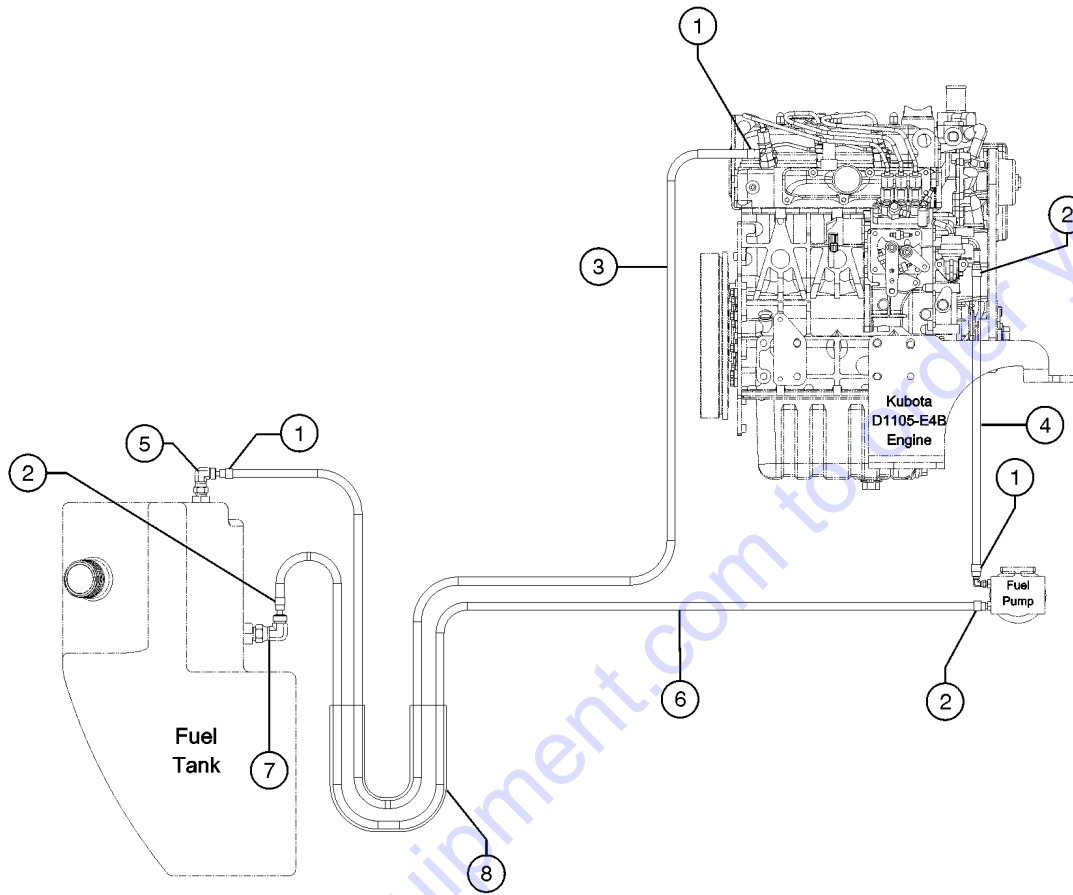
Item	Part No.	Description	Qty.	Item	Part No.	Description	Qty.
A		For internal engine parts, contact engine dealer		38	139230GT	SPACER, SHOCK MOUNT.....	2
1	1256834GT	SCREW,SHC,M8-1.25X20, DIN912,12.9,ZAB.....	9	39	1263649GT	FORMING, REAR ENGINE MOUNT.....	1
2	824144GT	WASHER,FLAT,M8,DIN125,ZAB.....	9	40	48846GT	HOSE END,FEMSW,90D,ORFS,-12-12.....	1
3	1266753GT	FORMING, STARTER CABLE AND HARNESS BRACKET.....	1	41	48960GT	FITTING,CONN,520120-12***.....	1
4	1274560GT	SCREW, HHC, M10 X 1.25 X 50.....	2	42		Ref: PUMP, GEAR, FUNCTION, Z60E.... (refer to 703.1)	1
5	824142GT	WASHER,LOCK,M10,ZAB.....	8	43	1255469GT	SCREW,HHF,1/2-13X1.25,8,ZAG.....	2
6	824145GT	WASHER,FLAT,M10,DIN125,ZAB.....	6	44		Ref: MOTOR,AC,PUMP-GENERATOR.... (refer to 703.1)	1
7	74544GT	BRKT. AIR CLEANER MOUNT.....	1	45	1267068GT	FORMING, GENERATOR HARNESS.....	1
8	32184GT	AIR CLEANER KIT,KUBOTA D905.....	1	46	1262208GT	BELLHOUSING HYBRID D1105.....	1
--	31745GT	FILTER,AIR,D905		47	1267984GT	ASSY, MAG SPEED PICKUP.....	1
9	1270133GT	HOSE, INTAKE ELBOW.....	1				
10	35434GT	CLAMP,HOSE,2.00***.....	1				
11	55067GT	GROMMET,RUBBER 3 X .19 X 3.5.....	1				
12	101719GT	SCREW,HHC,5/16-18 X 1.375.....	1				
13	101204GT	AIR CLEANER STAY.....	1				
14	43700GT	PIPE,INLET, D905.....	1				
15	62114GT	CLAMP-HOSE, AIR CLEANER.....	2				
16	1264932GT	DRIVE FLANGE.....	1				
17	1265592GT	SLEEVE, RUBBER COUPLING.....	1				
18	1257704GT	SCREW,HHC,M8-1.25X12,DIN933,10....	6				
19	1267796GT	PLATE, RETURN HOSE MOUNT.....	1				
20	824138GT	SCREW,HHC,M10-1.25X30,DIN961,1....	6				
21	45400GT	SPACER TUBE,.50 LG.....	2				
22	1264933GT	ASSEMBLY, 48V CLUTCH..... <i>includes 1286646</i>	1				
--	1286646GT	HARNESS,48V CLUTCH ASSY <i>for 1264933</i>					
23	31379GT	SPRING,TENSION-1.25 X.438 DIA.....	1				
24	21130GT	CLEVIS YOKE-1/4-28,PLTD W/PIN.....	1				
25	824078GT	SCREW,HHF,1/4-20X.75,8,ZAG.....	2				
26	824027GT	NUT,TL FLG,1/4-20,G,ZAG.....	2				
27	824041GT	NUT,1/4-28,8,ZAG.....	1				
28	20780GT	SOLENOID,2 SPEED TROMBETTA***....	1				
29	237820GT	SCREW,HHF,M8-1.25X40,DIN6921,10.9,ZAB.1					
30	1256456GT	NUT,TL,M8-1.25,DIN980,10,ZAB.....	2				
31	824133GT	SCREW,HHF,M8-1.25X25,DIN6921,10.9,ZAB.1					
32	74813GT	ANGLE,SOLENOID MOUNT.....	1				
33	824095GT	SCREW,HHF,3/8-16X3,8,ZAG.....	2				
34	824029GT	NUT,TL FLG,3/8-16,G,ZAG.....	2				
35	825358GT	WASHER,FLAT,5/16,USS,ZAG.....	2				
36	824123GT	WASHER,FLAT,.625X2.25X.188,ZAG....	2				
37	24037GT	SHOCK MOUNT,LARGE**.....	4				

404.1 Kubota D1105-E4B, View 3



Item	Part No.	Description	Qty.
A		For internal engine parts, contact engine dealer	
--		FILTER,OIL,KUBOTA	
--	32197GT	FAN,KUBOTA D905	
1		EXHAUST CLAMP 1 3/8.....1 <i>(component not currently available)</i>	
2	866050GT	FILTER,OIL,KUBOTA.....1	
3	52531GT	PULLEY,FAN,KUBOTA, D-905,GS68.....1	
4	131373GT	COVER, FAN	
5	231227GT	DIPSTICK GUIDE,D-1105.....1	
6	44195GT	ALTERNATOR STAY, D905.....1	
7	101203GT	ALTERNATOR,40 AMP,INT REG.....1	
8	231226GT	DIPSTICK,D-1105.....1	
9	131378GT	MUFFLER ASSEMBLY.....1	
10	1266969GT	FORMING, ALTERNATOR HARNESS MOUNT.....1	
11	65837GT	STARTER,KUBOTA D905 VERS 2***.....1	
12	1266970GT	FORMING, STARTER HARNESS MOUNT.....1	
13	824138GT	SCREW,HHC,M10-1.25X30,DIN961,1..12	
14	824142GT	WASHER,LOCK,M10,ZAB.....12	
15	45400GT	SPACER TUBE,.50 LG.....2	
16	824095GT	SCREW,HHF,3/8-16X3,8,ZAG.....2	
17	825358GT	WASHER,FLAT,5/16,USS,ZAG.....2	
18	824123GT	WASHER,FLAT,.625X2.25X.188,ZAG.....2	
19	24037GT	SHOCK MOUNT,LARGE**.....4	
20	824145GT	WASHER,FLAT,M10,DIN125,ZAB.....8	
21	1269480GT	FORMING, FRONT MOUNT LEFT.....1	
22	824029GT	NUT,TL FLG,3/8-16,G,ZAG.....4	
23	824091GT	SCREW,HHF,3/8-16X1.25,8,ZAG.....4	
24	139230GT	SPACER, SHOCK MOUNT.....2	
25	1269481GT	FORMING, BRKT, EXHAUST LOWER...1	
26	824079GT	SCREW,HHF,1/4-20X1,8,ZAG.....6	
27	824027GT	NUT,TL FLG,1/4-20,G,ZAG.....4	
28	1263734GT	MODULE, FUSE/RELAY, K1105, Z60E...1	
29	1264698GT	FORMING, FUSE BLOCK MT, Z60E.....1	
30	56912GT	SPRING CLIP,1/4-20,.025-.15X.54,ZAG.....2	
31		Ref. WELDMENT,ENGINE TRAY,Z60E.....1 <i>(refer to 401.1)</i>	
32	1264700GT	TAILPIPE, KUBOTA D1105, Z60E.....1	
33		U BOLT.....2 <i>(component not currently available)</i>	
34	1266699GT	FORMING, BRKT, EXHAUST SPRT.....1	
35	1263650GT	FORMING, FRONT MOUNT.....1	

405.1 Fuel Hoses and Fittings - Kubota D1105-E4B



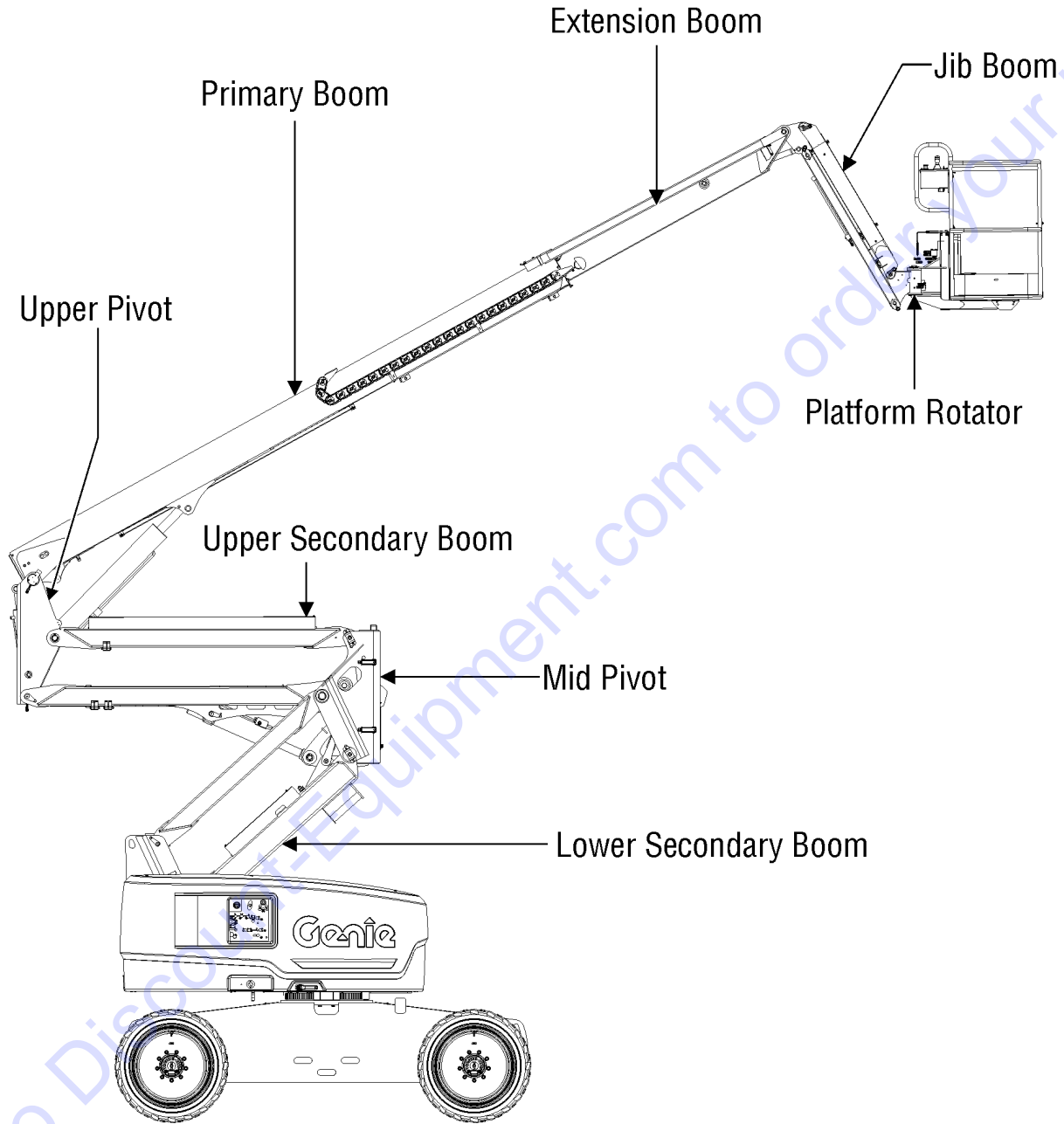
Go to Discount-Equipment.com to order your parts

## 405.1 Fuel Hoses and Fittings - Kubota D1105-E4B

Item	Part No.	Description	Qty.
1	31982GT	CLAMP,HOSE,1 EAR, 15/32.....	2
2	54123GT	CLAMP,HOSE,1 EAR, 5/8.....	6
3	35418GT	HOSE,FUEL,3/16,SAE 30R7.....	166.25-inches
4	27089GT	HOSE,5/16 FUEL,SAE 30R7.....	16-inches
5	824872GT	FITTING,3/8NPT TO 3/16BARB,90.....	1
6	27089GT	HOSE,5/16 FUEL,SAE 30R7.....	176.5-inches
7	1270466GT	FITTING,3/8NPT TO 5/16BARB,90.....	1
8	48767GT	SLEEVE,NYLON,1.42 ID.....	12-inches

Go to Discount-Equipment.com to order your parts

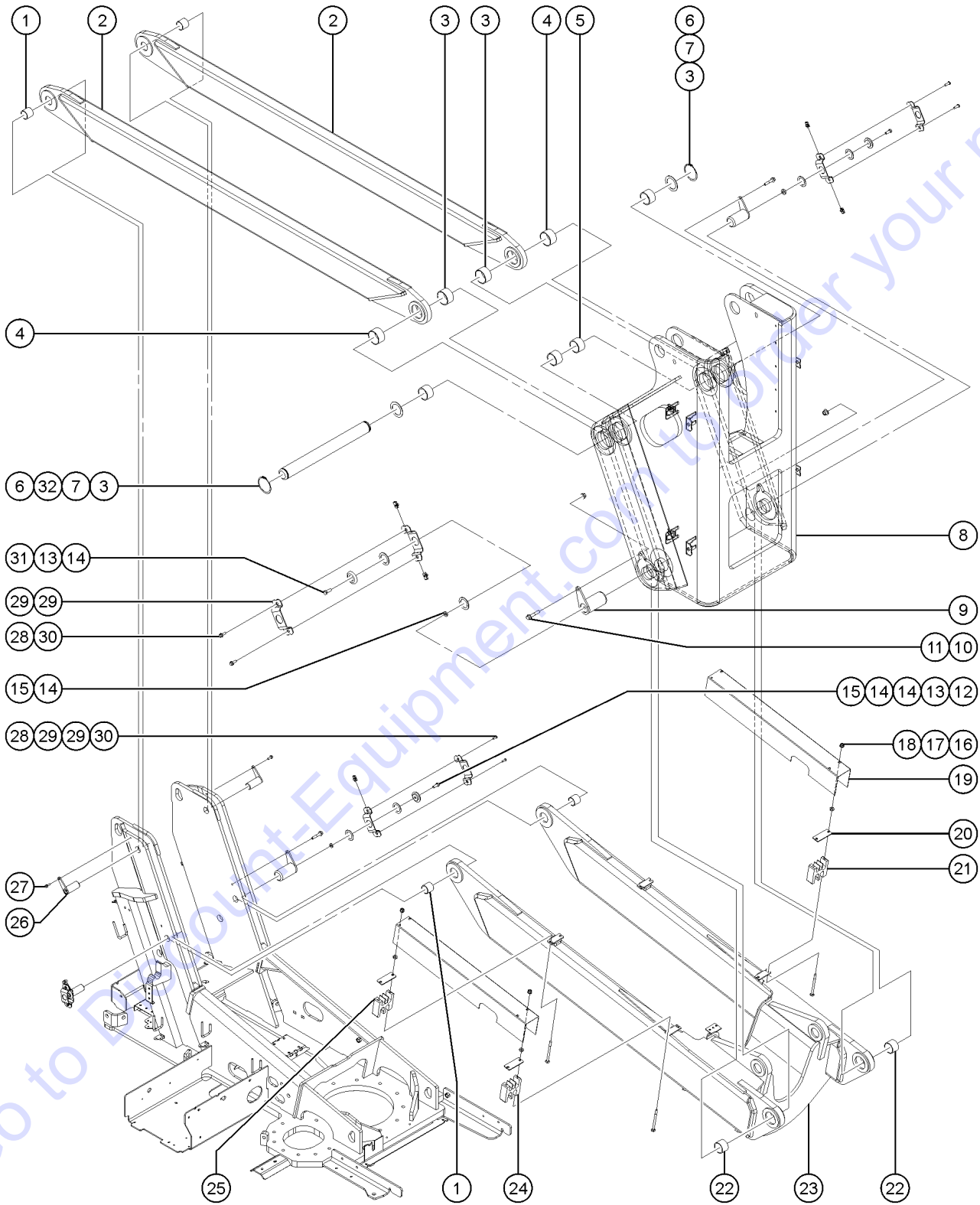
500.1 Boom Layout



Item	Part No.	Description	Qty.
1		Extension Boom <i>(refer to 505.1)</i>	
2		Jib Boom <i>(refer to 507.1)</i>	
3		Lower Secondary Boom <i>(refer to 501.1)</i>	
4		Mid Pivot <i>(refer to 501.1 and 502.1)</i>	
5		Platform Rotator <i>(refer to 507.1)</i>	
6		Primary Boom <i>(refer to 505.1)</i>	
7		Upper Pivot <i>(refer to 503.1)</i>	
8		Upper Secondary Boom <i>(refer to 502.1)</i>	

Go to Discount-Equipment.com to order your parts

501.1 Secondary Boom, View 1

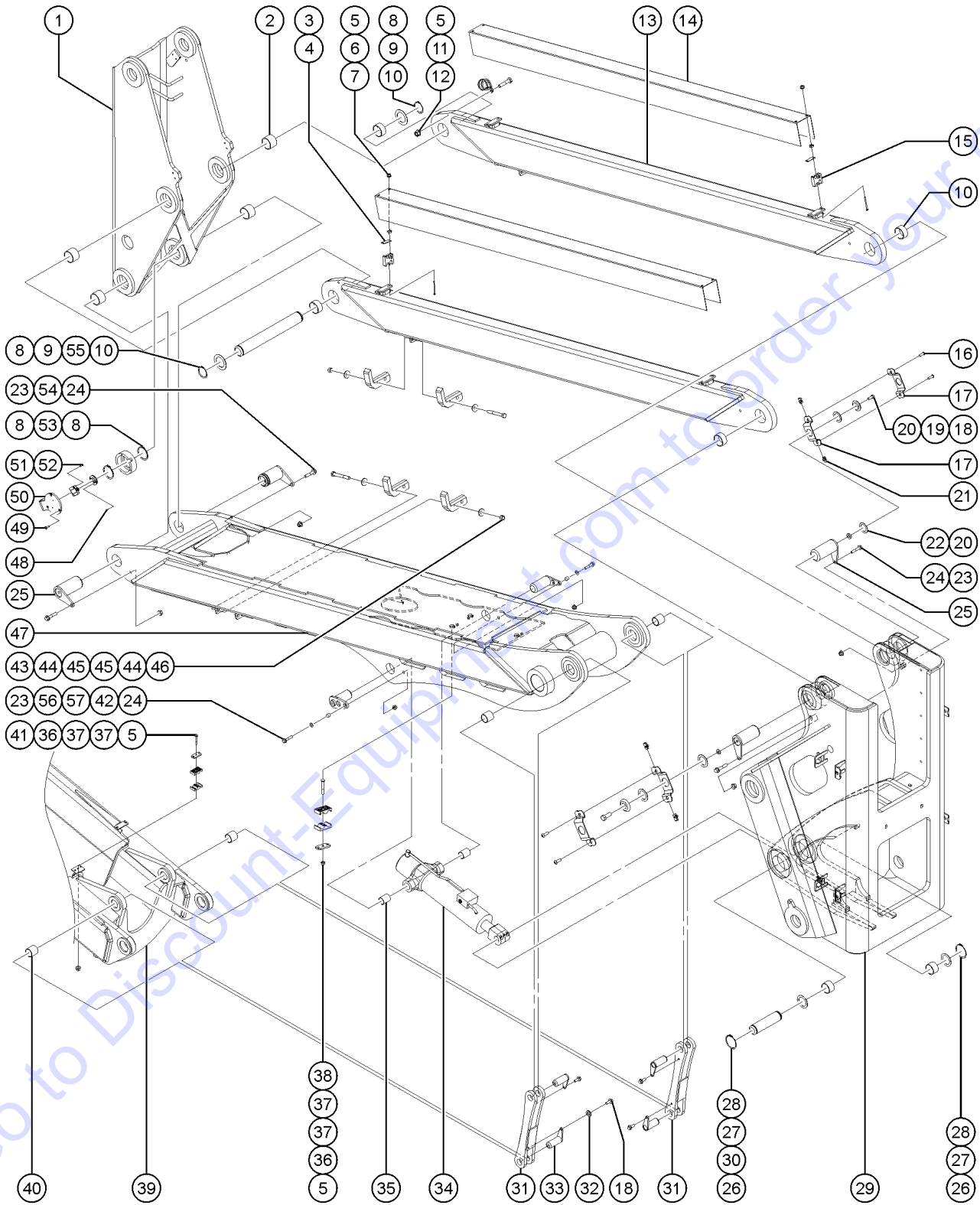




## 501.1 Secondary Boom, View 1

Item	Part No.	Description	Qty.
1	45071GT	BEARING,1.5IDX1.75ODX1.5L.....	4
2	1261785GT	ASSY,LOWER TENSION ARM,Z60E....	2
--	1261783GT	WELDMENT,LOWER TENSION ARM	
3	824634GT	BEARING,2.50IDX2.75ODX1.00LG.....	4
4	27697GT	BEARING,2.50IDX2.75ODX1.50L.....	2
5	27698GT	BEARING,2.50IDX2.75ODX2.00L.....	2
6	825760GT	SNAP RING,EXTERNAL,2.50,ZAG.....	2
7	1256111GT	WASHER,SHIM,2.5X4X.062,ZAG.....	2
8	1263531GT	ASSY,MIDPIVOT,Z60E Z62.....	1
9	824639GT	WELDMENT,PIN,2.00DIA.X3.875LG.....	2
10	1253478GT	SCREW,HHF,3/8-16X2,8,ZAG.....	2
11	824029GT	NUT,TL FLG,3/8-16,G,ZAG.....	2
12	1256109GT	SCREW,HHC,3/8-16X.75,8,ZAG.....	2
13	1254063GT	RETAINER,GUIDE CABLE.....	4
14	1254060GT	WASHER,UHMW.....	8
15	1254061GT	SPACER,3/8ID X 3/4OD.....	4
16	824027GT	NUT,TL FLG,1/4-20,G,ZAG.....	8
17	824037GT	NUT,HH JAM,1/4-20,A,ZAG.....	8
18	1258730GT	BOLT,CARRIAGE,1/4-20X3.75,5,ZAG.....	8
19	1261553GT	FORMING,COVER ARMS.....	2
20	1261563GT	PLATE,CLAMP.....	4
21	1265494GT	CLAMP, ELECTRICAL, Z60E.....	2
22	18720GT	BEARING,2.0IDX2.25ODX1.50L.....	2
23	1268879GT	ASSY,LOWER COMPRESSION ARM,Z60E..... <i>(includes item 22)</i>	1
--	1261542GT	WELDMENT,LOWER COMP.ARM.....	1
24	1257292GT	CLAMP-HOSES.....	2
25	1258732GT	CLAMP-HOSES.....	1
26	1254359GT	WELDMENT,PIN,1.5 DIA.X 3.75LG.....	4
27	824089GT	SCREW,HHF,3/8-16X.75,8,ZAG.....	4
28	824078GT	SCREW,HHF,1/4-20X.75,8,ZAG.....	4
29	1254062GT	CLAMP,GUIDE CABLE.....	8
30	56912GT	SPRING CLIP,1/4-20,.025-.15X.54,ZAG.....	4
31	824067GT	SCREW,HHC,3/8-16X1,8,ZAG.....	2
32	824641GT	PIN,2.50DIA X 25.625LG,2RING.....	1

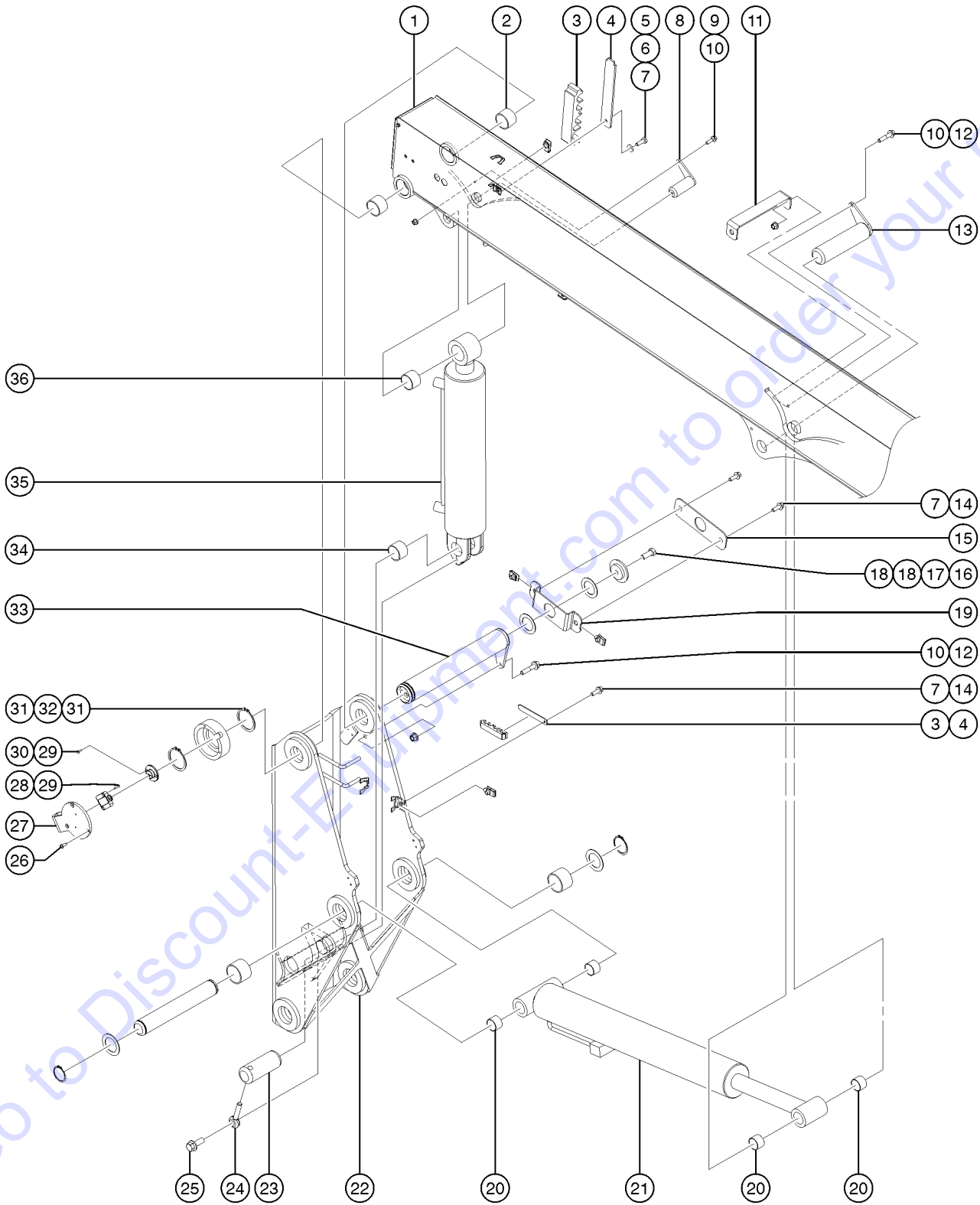
502.1 Secondary Boom, View 2



## 502.1 Secondary Boom, View 2

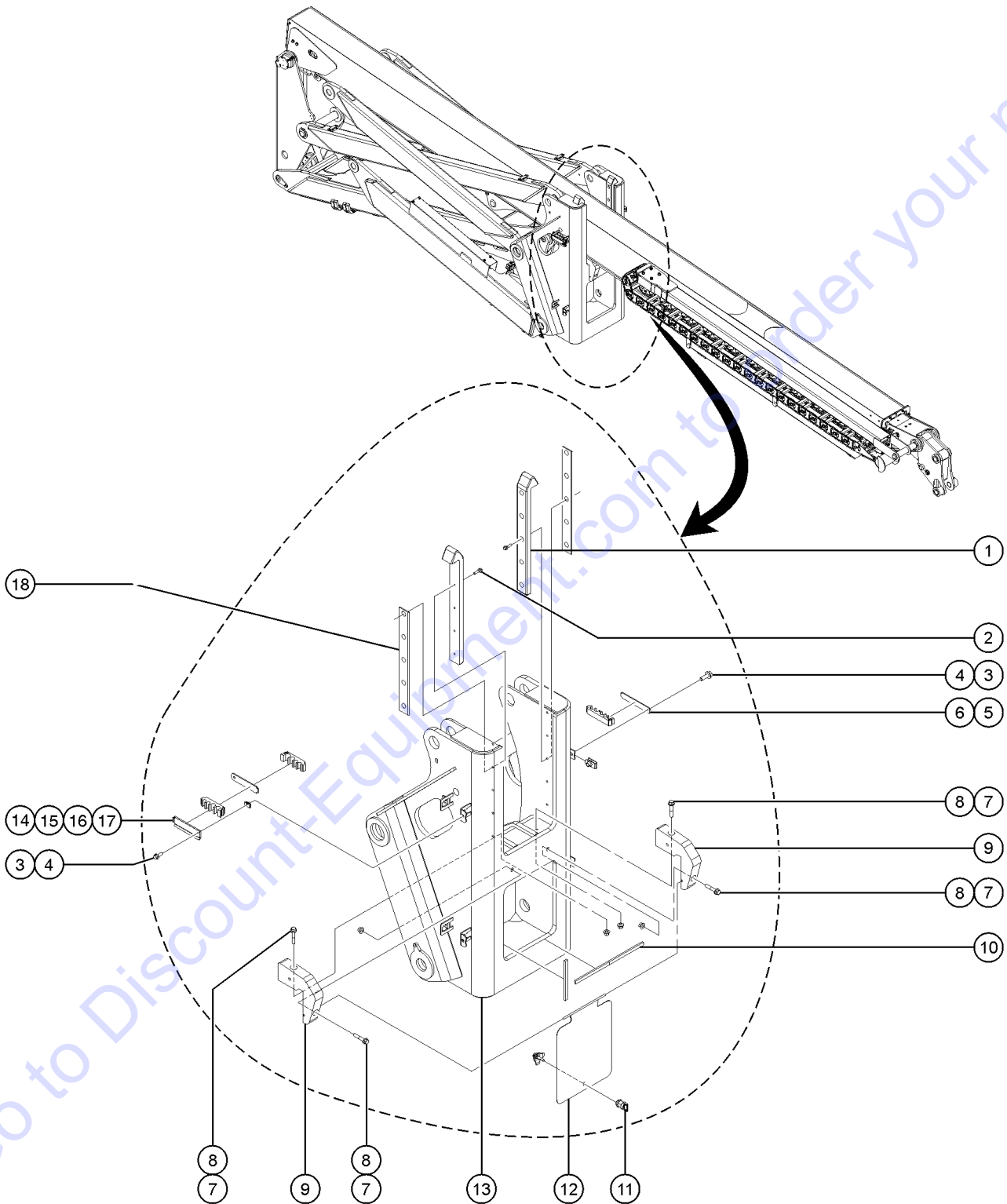
Item	Part No.	Description	Qty.	Item	Part No.	Description	Qty.
1		Ref., Upper Pivot.....1 (refer to 503.1)	1	--	48916GT	CONN, 520120-6 (not shown)	
2	18720GT	BEARING,2.0IDX2.25ODX1.50L.....4	4	--	61602GT	VALVE,COUNTERBAL.CBBB-LHN@3500 (not shown)	
3	1261563GT	PLATE,CLAMP.....4	4	35	39274GT	BEARING,1.75IDX2.00ODX2.50L.....2	2
4	1257292GT	CLAMP-HOSES.....2	2	36	96196GT	PLATE,HOSE ROUTING,BULKHEAD **.....3	3
5	824027GT	NUT,TL FLG,1/4-20,G,ZAG.....12	12	37	1264374GT	CLAMP,2 HOSE,PLASTIC,#6.....3	3
6	824037GT	NUT,HH JAM,1/4-20,A,ZAG.....8	8	38A	1255797GT	BOLT,CARRIAGE,1/4-20X2,5,ZAG.....3 to SN 282	3
7	1258730GT	BOLT,CARRIAGE,1/4-20X3.75,5,ZAG.....8	8	38B	824082GT	SCREW,HFF,1/4-20X1.75,8,ZAG.....3 from SN 283	3
8	1253815GT	SNAP RING,EXTERNAL,2.00,ZAG.....4	4	39		Ref., Lower Compression Arm (refer to 501.1)	
9	237827GT	WASHER,FLAT,2.00X3.00X.075,ZAG.....2	2	40	824631GT	BEARING,1.50IDX1.75ODX1.63LG.....4	4
10	824645GT	BEARING,2.00IDX2.25ODX1.00LG.....6	6	41	1253485GT	SCREW,HFF,1/4-20X2,8,ZAG.....1	1
11	77180GT	CLAMP,1.31,#21 X 3/8,RUB CUSH.....1	1	42	1262407GT	WELDMENT,PIN,1.75DIA X 4.375LG.....2	2
12	824061GT	SCREW,HHC,1/4-20X1.25,8,ZAG.....1	1	43	824025GT	NUT,TL,3/8-16,C,ZAG.....12	12
13	1261788GT	ASSY, UPPER COMP ARM.....2 (includes item 10)	2	44	1255758GT	WASHER,FLAT,3/8,USS,ZAG.....28	28
--	1261786GT	WELDMENT,UPPER COMP,ARM.....2	2	45	1263999GT	GUIDE, UPPER COMP ARM.....12	12
14	1261554GT	FORMING,COVER ARMS.....2	2	46	1260940GT	SCREW,HHC,3/8-16X3,8,ZAG.....12	12
15	1265494GT	CLAMP, ELECTRICAL, Z60E.....2	2	47	1266327GT	ASSY,UPPER TENSION ARM,Z60E.....1	1
16	824078GT	SCREW,HFF,1/4-20X.75,8,ZAG.....4	4	--	1268908GT	WELDMENT, UPPER TENSION ARM.....1	1
17	1254062GT	CLAMP,GUIDE CABLE.....4	4	48	237242GT	SCREW,FHS,M3-0.5X8,DIN7991,10,9,ZAB.2	2
18	824067GT	SCREW,HHC,3/8-16X1,8,ZAG.....6	6	49	1256479GT	SCREW,PHPM,10-24X.50,ZAG.....3	3
19	1254063GT	RETAINER,GUIDE CABLE.....2	2	50	1268504GT	CARRIER, SENSOR, SECONDARY.....1	1
20	1254060GT	WASHER,UHMW.....4	4	51	237241GT	SCREW,FHS,M3-0.5X14,DIN7991,10,9,ZAB.2	2
21	56912GT	SPRING CLIP,1/4-20,.025-.15X.54,ZAG.....16	16	52	1269766GT	ASSY,ROTARY SENSOR,130DEG CW.....1 Sensor and magnet are matched and must be replaced at the same time. Machine calibration is required after installation.	1
22	1254061GT	SPACER,3/8ID X 3/4OD.....2	2	--	101199-200GT	SHRINK TUBE,BLACK,RHW,1/2,3:1	
23	1253478GT	SCREW,HFF,3/8-16X2,8,ZAG.....6	6	--	119066GT	CONN,RECEP 3 WAY ENDCAP DT	
24	824029GT	NUT,TL FLG,3/8-16,G,ZAG.....6	6	--	60441GT	LOCK,RECEP 3 WAY,14-18GA for 119066GT	
25	824639GT	WELDMENT,PIN,2.00DIA.X3.875LG.....3	3	--	73711GT	TERM,DEUTSCH, PIN #12-14 for 119066GT	
26	825759GT	SNAP RING,EXTERNAL,1.75,ZAG.....2	2	53	1268505GT	HOUSING, SENSOR, PRIMARY.....1	1
27	1256184GT	WASHER,FLAT,1.78X2.75X.057,ZAG.....2	2	54	1268500GT	WLDMT, SENSPIN,2.00IDX3.5LG.....1	1
28	217632GT	BEARING,1.75IDX2.00ODX1.18L.....2	2	55	824649GT	PIN,2.00DIA X 15.5LG,2RING.....1	1
29		Ref., Mid Pivot.....1 (refer to 501.1)	1	56	1255758GT	WASHER,FLAT,3/8,USS,ZAG	
30	1269001GT	WELDMENT, PIN, 1.75 DIA X 6.75.....1	1	57	45400GT	SPACER TUBE,.50 LG	
31	824630GT	ASSY,TIMING LINK,Z62.....2	2				
--	823690GT	WELDMENT,TIMING LINK					
32	1268753GT	WASHER,NORD-LOCK,3/8.....4	4				
33	824646GT	WELDMENT,PIN,1.5DIA.X 3.5LG.....4	4				
34	822966GT	CYLINDER,LIFT Z62.....1 (includes item 35)	1				
--	1255273GT	SEAL KIT (822966)					
--	160732GT	SCREW, SHCS M12-1.75X35.....6	6				
--	32722GT	VALVE,COUNTERBAL.CBCG-LJN@3000 (not shown)					

503.1 Upper Pivot



Item	Part No.	Description	Qty.	Item	Part No.	Description	Qty.
1		Ref., Primary Boom Assembly.....1 (refer to 505.1)	1	30	237242GT	SCREW,FHS,M3-0.5X8,DIN7991,10.9,ZAB.2	2
2	123188GT	BEARING,2.00IDX2.50ODX1.50L.....2	2	31	1253815GT	SNAP RING,EXTERNAL,2.00,ZAG.....2	2
3	1251491GT	CLAMPING BLOCK, CABLE.....2	2	32	1268505GT	HOUSING, SENSOR, PRIMARY.....1	1
4	1251493GT	BRACKET, HOSE CLAMP.....2	2	33	1268507GT	WLDMT, SENSPIN,2.00IDX13.1LG.....1	1
5	824059GT	SCREW,HHC,1/4-20X.75,8,ZAG.....1	1	34	18396GT	BEARING,1.5IDX1.75ODX1.0L.....1	1
6	824113GT	WASHER,FLAT,USS,1/4,ZAG.....1	1	35	823060GT	CYLINDER,MASTER.....1 (includes item 40)	1
7	56912GT	SPRING CLIP,1/4-20,.025-.15X.54,ZAG.....4	4	36	T108138GT	BEARING,1.50IDX1.75ODX2.00L.....1	1
8	824646GT	WELDMENT,PIN,1.5DIA.X 3.5LG.....1	1				
9	824091GT	SCREW,HHF,3/8-16X1.25,8,ZAG.....1	1				
10	824029GT	NUT,TL FLG,3/8-16,G,ZAG.....4	4				
11	1254479GT	FORMING,HOSE TRAY MID SUPPORT.....1	1				
12	824093GT	SCREW,HHF,3/8-16X1.75,8,ZAG.....3	3				
13	824651GT	WELDMENT,PIN,2.0DIA.X 7.125LG.....1	1				
14	824078GT	SCREW,HHF,1/4-20X.75,8,ZAG.....3	3				
15	1264495GT	CLAMP,CABLE GUIDE.....1	1				
16	824067GT	SCREW,HHC,3/8-16X1,8,ZAG.....1	1				
17	1254063GT	RETAINER,GUIDE CABLE.....1	1				
18	1254060GT	WASHER,UHMW.....2	2				
19	1264496GT	CLAMP,GUIDE CABLE.....1	1				
20	18720GT	BEARING,2.0IDX2.25ODX1.50L.....6	6				
21	822846GT	CYLINDER,PRIMARY LIFT.....1 (includes item 20)	1				
--	1255272GT	SEAL KIT (822846)					
--	61602GT	VALVE,COUNTERBAL.CBBB-LHN@3500 (not shown)					
22	1265214GT	ASSY., UPPER PIVOT, Z60E.....1 (includes items 14-20)	1				
--	1268905GT	WELDMENT,UPPER PIVOT.....1	1				
23	94221GT	PIN,1.50DIA X 3.75LG,1HOLE.....1	1				
24	1255452GT	ROD END,.375 X 2.25,ZAG.....1	1				
25	824090GT	SCREW,HHF,3/8-16X1,8,ZAG.....1	1				
26	1256479GT	SCREW,PHPM,10-24X.50,ZAG.....3	3				
27	1268506GT	CARRIER, SENSOR, PRIMARY.....1	1				
28	237241GT	SCREW,FHS,M3-0.5X14,DIN7991,10.9,ZAB.2	2				
29	1269766GT	ASSY,ROTARY SENSOR,130DEG CW.....1 Sensor and magnet are matched and must be replaced at the same time. Machine calibration is required after installation.	1				
--	101199-200GT	SHRINK TUBE,BLACK,RHW,1/2,3:1					
--	119066GT	CONN,RECEP 3 WAY ENDCAP DT					
--	60441GT	LOCK,RECEP 3 WAY,14-18GA					
--	73711GT	TERM,DEUTSCH, PIN #12-14					

504.1 Upper Pivot and Primary Boom Rests

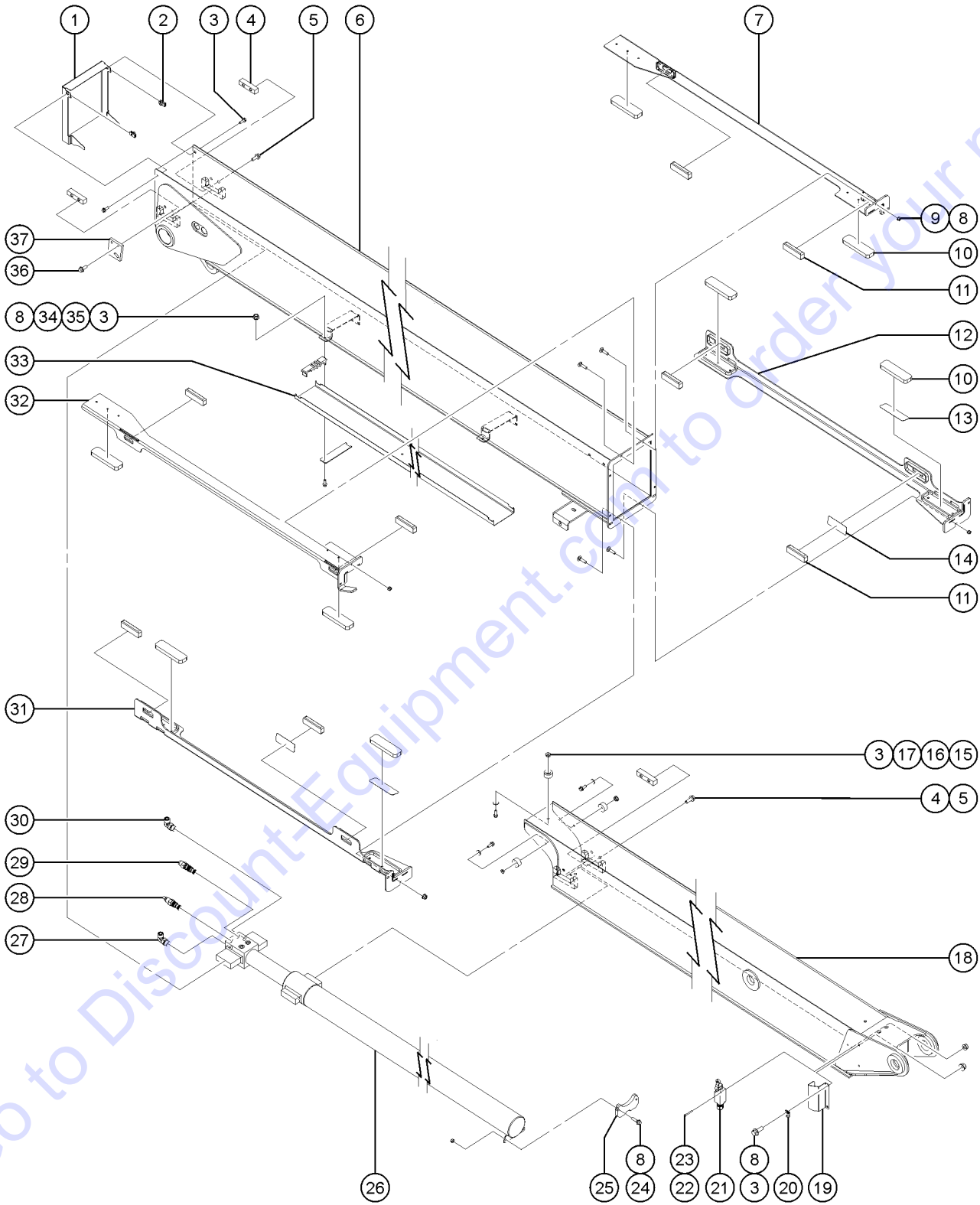


## 504.1 Upper Pivot and Primary Boom Rests

Item	Part No.	Description	Qty.
1	1263527GT	GUIDE BOOM.....	2
2	824079GT	SCREW,HHF,1/4-20X1,8,ZAG.....	10
3	824078GT	SCREW,HHF,1/4-20X.75,8,ZAG.....	4
4	56912GT	SPRING CLIP,1/4-20,.025-.15X.54,ZAG.....	4
5	1251493GT	BRACKET, HOSE CLAMP.....	2
6	1251491GT	CLAMPING BLOCK, CABLE.....	2
7	1253478GT	SCREW,HHF,3/8-16X2,8,ZAG.....	4
8	824029GT	NUT,TL FLG,3/8-16,G,ZAG.....	4
9	1254372GT	BOOM REST.....	2
10	1259930GT	SEAL, RIBBED FOAM, 5.00"	
11	214238GT	LATCH,SOUTHCO E3-57-65.....	1
12	1257267GT	WELDMENT,COVER.....	4
13		Ref., Mid Pivot..... (refer to 501.1)	1
14	1259835GT	FORMING, HOSE CLAMP BRKT.....	2
15	1251586GT	CLAMPING BLOCK,HYD.....	2
16	1251707GT	BRKT,HOSE CLAMP.....	2
17	1251585GT	CLAMPING BLOCK,HYD.....	2
18	1269351GT	PLATE, TAPPED.....	2



505.1 Primary and Extension Booms

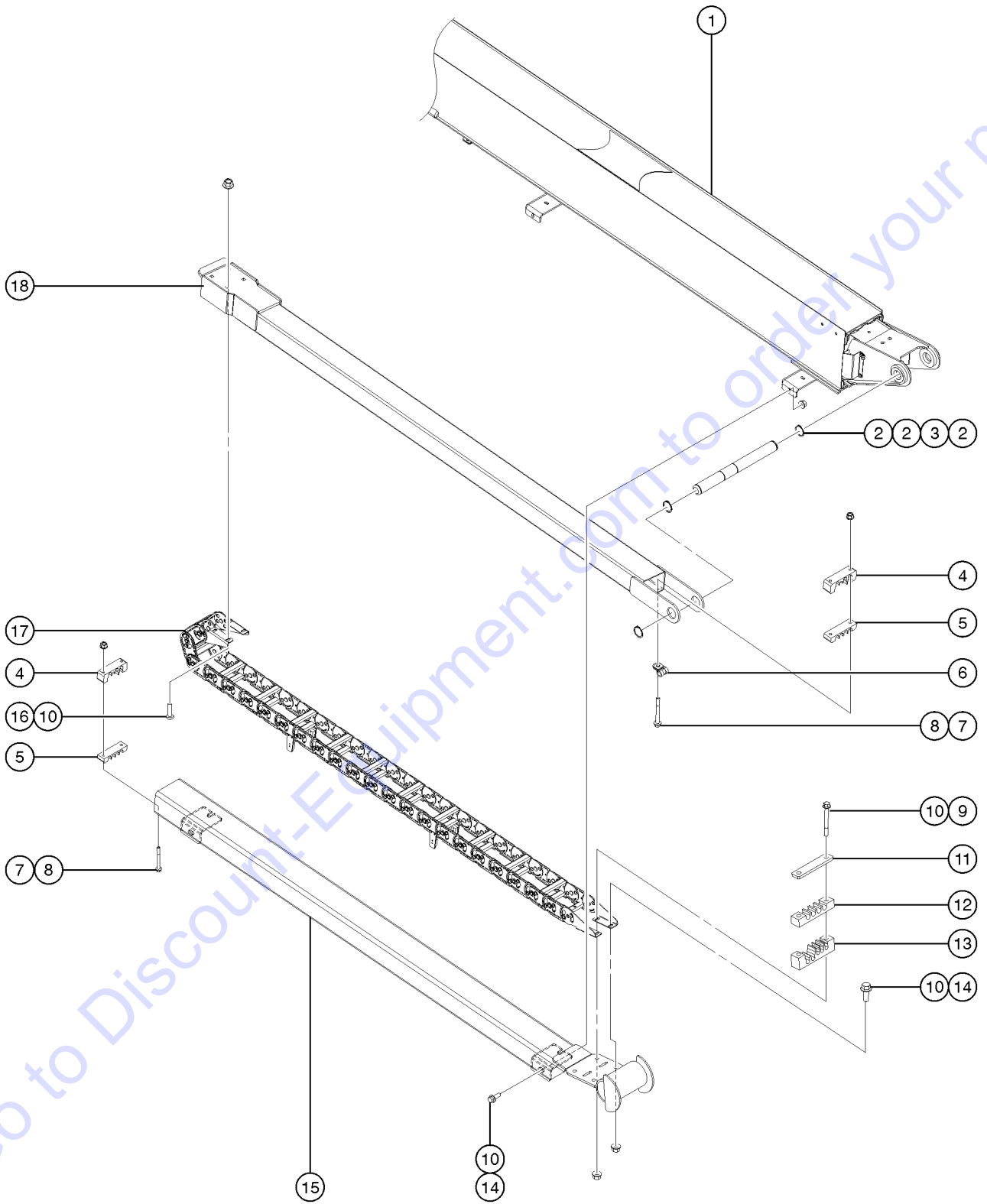




## 505.1 Primary and Extension Booms

Item	Part No.	Description	Qty.	Item	Part No.	Description	Qty.
1	1255383GT	COVER, REAR #1 BOOM.....	1	31	1254629GT	WELDMENT,LWR WEARPAD FRAME,LH.....	1
2	56912GT	SPRING CLIP,1/4-20,.025-.15X.54,ZAG.....	2	32	1254631GT	WELDMENT,UPPR WEARPAD FRAME,LH.....	1
3	824078GT	SCREW,HHF,1/4-20X.75,8,ZAG		33	1254476GT	FORMING,HOSE TRAY.....	1
4	T108834GT	RETAINER,EXT CYL SADDLE.....	4	34	1254477GT	CLAMP BLOCK,PRIMARY BOOM.....	2
5	824090GT	SCREW,HHF,3/8-16X1,8,ZAG.....	8	35	1254478GT	BAR,HOSE CLAMP.....	2
6	824627GT	ASSEMBLY,#1 BOOM Z62..... <i>(includes items 1-5, 7-14 and 31-35)</i>	1	36	1256118GT	SCREW,HHC,3/8-16X1.5,8,ZAG.....	2
7	1254630GT	WELDMENT,UPPR WEARPAD FRAME,RH.....	1	37	1268510GT	PLATE, ANGLE SENSOR STOP, PRIMARY.....	1
8	824027GT	NUT,TL FLG,1/4-20,G,ZAG					
9	1256127GT	BOLT,CARRIAGE,1/4-20X1.5,ZAG					
10	825057GT	WEARPAD,5.59 X 1.59 X .611.....	8				
11	825055GT	WEARPAD,3.74 x 1.24 x .334.....	8				
12	1254628GT	WELDMENT,LWR WEARPAD FRAME,RH.....	1				
13	1262265GT	SHIM, WEAR PAD,1.56X5.56X24GA.....	2				
14	1262264GT	SHIM, WEAR PAD,1.23X3.73X24GA.....	2				
15	18504GT	NUT,LOCKING-LG.FLANGE,1/4-20					
16	1255014GT	WEAR PAD,ROUND, 1.25OD X .5THK....	4				
17	824113GT	WASHER,FLAT,USS,1/4,ZAG					
18	824628GT	ASSEMBLY,#2 BOOM Z62..... <i>(includes items 3-5, 8, 15-17 and 19-23)</i>	1				
19	1262862GT	FORMING,EXT LIMIT SWITCH COVER.....	1				
20	45470GT	CLAMP,0.31,#5 X 1/4,RUB CUSH.....	1				
21	<del>88366</del> 11C03GT	SWITCH,LIMIT,TABULATED,BLUE..... <i>(boom extend)</i>	1				
22A	1261606GT	SCREW,PHPM,8-32X1.75,ZAG <i>(to SN Z6016N-146)</i>					
22B	1256144GT	SCREW,PHPM,10-32X1.75,ZAG <i>(from SN Z6016N-147)</i>					
23A	1255803GT	NUT,TL FLG,8-32,F,ZAG <i>(to SN Z6016N-146)</i>					
23B	82032GT	NUT,TL FLG,10-32,F,ZAG <i>(from SN Z6016N-147)</i>					
24	824079GT	SCREW,HHF,1/4-20X1,8,ZAG.....	2				
25	826234GT	EXT CYL END SUPPORT.....	1				
26	822632GT	CYLINDER,EXTENSION..... <i>(includes items 27-30)</i>	1				
--	823062GT	SEAL KIT (822632)					
27	48915GT	ELBOW,90D,520220-6.....	1				
28	77410GT	VALVE,COUNTERBALNCE,1500 PSI**.....	1				
29	824832GT	VALVE,CNTERBAL,CBCA-LHN@3500...1					
30	48932GT	FITTING,ELBOW,90D,520220-8***.....	1				

506.1 Cable Track

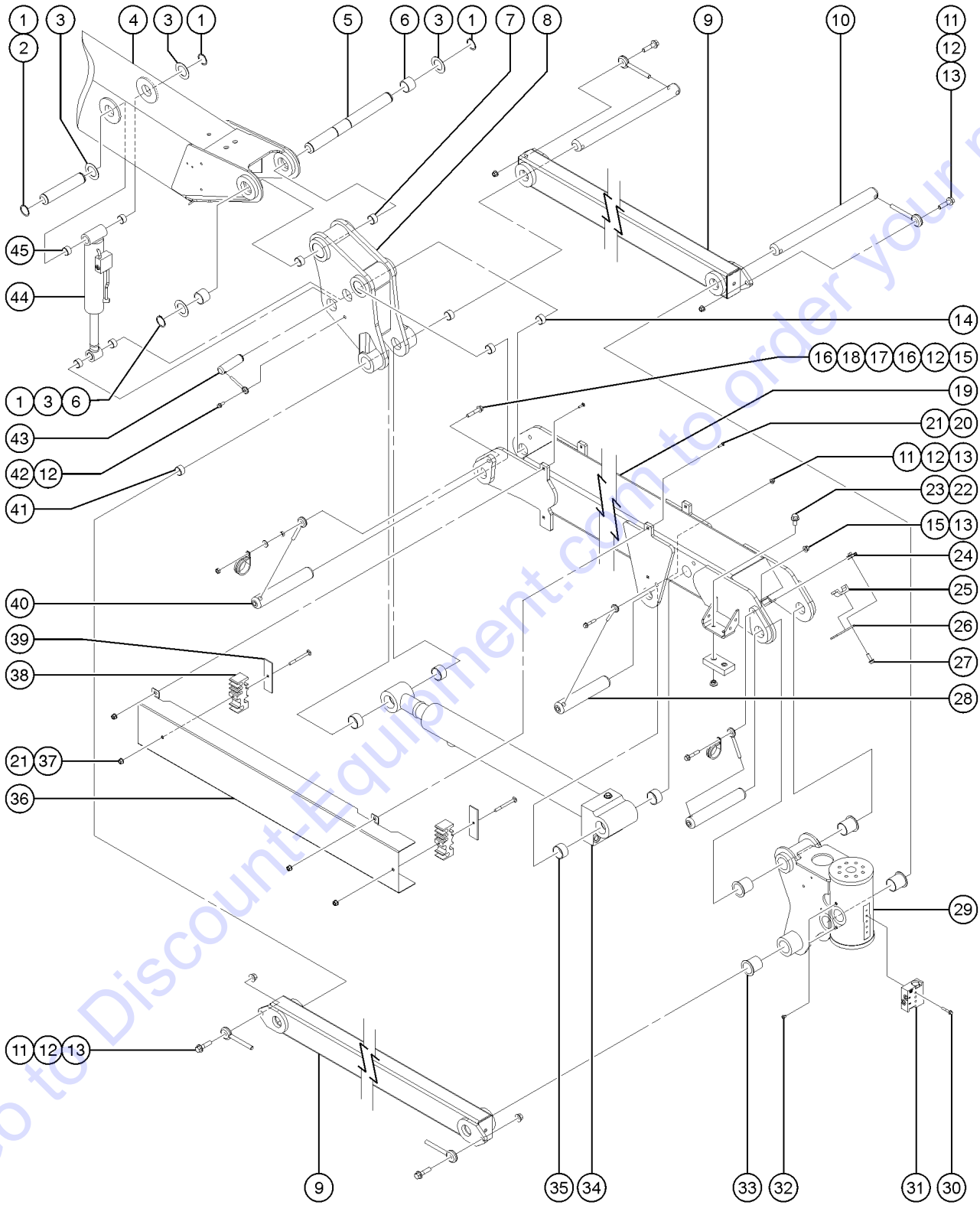


Go to Discount-Equipment.com to order your parts

## 506.1 Cable Track

Item	Part No.	Description	Qty.	Item	Part No.	Description	Qty.
1		Ref.WELDMENT,#1 BOOM.....	1	--	218448GT	FINGER,GUIDE,CABLE TRACK for 1272543	
2	825796GT	SNAP RING,EXTERNAL,1.50,ZAG.....	3	--	229169GT	FLATBAR, CLAMPS, CABLE TRACK for 1272543	
3		Ref. Pin.....	1	18A	1273203GT	KIT, SX CABLE TRACK, Z62 (to SN Z6016N-335) (kit, includes 1272540 long pull tube and 1273204 cable track kit, replaces 824940)	
4	228967GT	CLAMP, CABLE.....	2	--	1273204GT	KIT, CABLE TRACK LINKS, SX110 (to SN Z6016N-335) (for 1272540, includes 2 cable track links and 1261891 moving end bracket)	
5	824549GT	CLAMP, CABLES.....	2	18B	1272540GT	WELDMENT, PULL TUBE, CABLE TRACK (from SN Z6016N-336) long pull tube (94 inches)	
6	45470GT	CLAMP,0.31,#5 X 1/4,RUB CUSH.....	1				
7	824083GT	SCREW,HHF,1/4-20X2.5,8,ZAG.....	4				
8	824027GT	NUT,TL FLG,1/4-20,G,ZAG.....	4				
9	824096GT	SCREW,HHF,3/8-16X3.5,8,ZAG.....	2				
10	824029GT	NUT,TL FLG,3/8-16,G,ZAG.....	12				
11	228797GT	BAR, CLAMP, CABLE TRACK.....	1				
12	226325GT	CLAMP, HOSES.....	1				
13	824548GT	CLAMP, CABLES.....	1				
14	824125GT	BOLT,CARRIAGE,3/8-16X1,5,ZAG					
15	824944GT	WELDMENT,CABLE TRACK TRAY.....	1				
16	824125GT	BOLT,CARRIAGE,3/8-16X1,5,ZAG.....	4				
17A	825474GT	CABLE TRACK, SX, 23 LINK..... for models with short pull tube measuring 92 inches overall length	1				
--	121065GT	FORMING,CLAMP,TOP,CABLE TRACK for 825474					
--	122661GT	REPAIR KIT,4 LINK,W/GUIDE for 825474					
--	122663GT	END BRACKET,FIXED END for 825474					
--	122668GT	GUIDE FINGER,PLASTIC for 825474					
--	1283178GT	ASSEMBLY MOVING END SX TRACK for 825474					
--	218448GT	FINGER,GUIDE,CABLE TRACK for 825474					
--	229169GT	FLATBAR, CLAMPS, CABLE TRACK for 825474					
17B	1272543GT	CABLE TRACK, SX, 24 LINK for machines with long pull tube measuring 94 inches overall length					
--	121035GT	PIN,1.250 X 9.25, 2 RINGS for 1272543					
--	121065GT	FORMING,CLAMP,TOP,CABLE TRACK for 1272543					
--	122661GT	REPAIR KIT,4 LINK,W/GUIDE for 1272543					
--	122663GT	END BRACKET,FIXED END for 1272543					
--	122668GT	GUIDE FINGER,PLASTIC for 1272543					
--	1283178GT	ASSEMBLY MOVING END SX TRACK for 1272543					

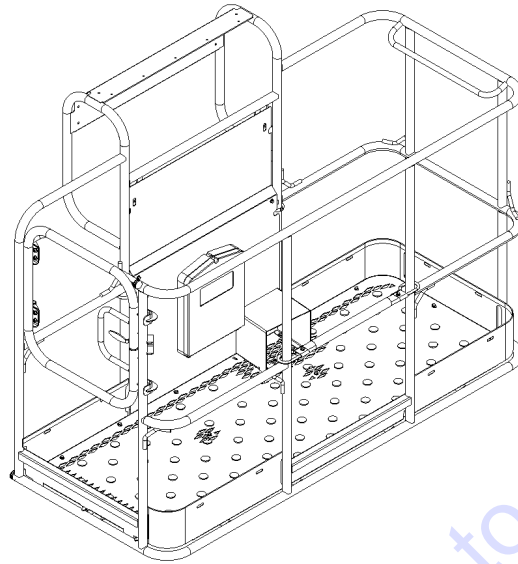
507.1 Jib Boom and Platform Rotator



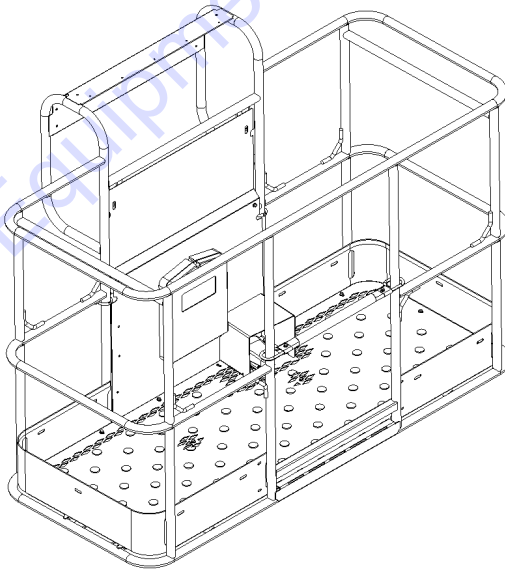
## 507.1 Jib Boom and Platform Rotator

Item	Part No.	Description	Qty.	Item	Part No.	Description	Qty.
1	825796GT	SNAP RING,EXTERNAL,1.50,ZAG.....	4	34	63213GT	CYLINDER,JIB (STICK BOOMS).....	1
2	824830GT	PIN,1.50DIA.X7.42LG,2RING.....	1			<i>(includes item 35)</i>	
3	1251565GT	WASHER,SHIM,1.56X2.5X.061,ZAG....	4	--	33428GT	VALVE,COUNTERBALANCE	
4		Ref. WELDMNT,#2 BOOM.....	1			<i>(not shown)</i>	
		<i>(refer to 505.1)</i>		--	63353GT	SEAL KIT,CYL,S65 (63213)	
5	824990GT	PIN,1.50DIA.X15.63LG,4RING.....	1	35	47377GT	BEARING,1.25 ID X 1.5 OD X .75.....	4
6	110876GT	BEARING,1.5"ID X 1.75OD X1.25L.....	2	36	128454GT	COVER, JIB HOSES/CABLES**.....	1
7	54156GT	BEARING,FL,1.5IDX1.75ODX1.10LG....	2	37	1256180GT	BOLT,CARRIAGE,1/4-20X2.75,5,ZAG....	2
8	824629GT	ASSY,BELLCRANK,Z62.....	1	38	824551GT	CLAMP,HOSE/CABLE,JIB.....	2
		<i>(includes items 7, 14 and 41)</i>		39	128483GT	BACKING PLATE, HOSE BLOCK, JIB....	2
--	824678GT	WELDMNT,BELLCRANK.....	1	40	T108076GT	PIN,1.25DIA X 7.88LG,1HOLE.....	1
9	61306-SGT	COMPR.LINK,MACHINED,GND		41	128268GT	BEARING,FL, 1.25X1.5X2.13.....	2
		CONTR*.....	2	42	824090GT	SCREW,HHF,3/8-16X1,8,ZAG.....	1
		<i>To SN Z60H-1604</i>		43	108855GT	PIN,1.50DIA X 5.25LG,1HOLE.....	1
--	1274511GT	MACHINING, COMPRESSION LINK		44	822631GT	CYLINDER,PLATFORM.....	1
		<i>From SN Z60H-1605</i>				<i>(includes item 45)</i>	
10	81175GT	PIN,1.25DIA X 14.45LG,2HOLE.....	2	--	77303GT	VALVE, CNTRBAL 3500 PSI, ATM VEN	
11	824092GT	SCREW,HHF,3/8-16X1.5,8,ZAG.....	5	--	823061GT	SEAL KIT (822631)	
12	825019GT	ROD END,.375X3.69,ZAG.....	8	45	18396GT	BEARING,1.5ID X 1.75OD X 1.0L.....	4
13	824029GT	NUT,TL FLG,3/8-16,G,ZAG.....	6				
14	35675GT	BEARING,FL,1.25ID X 1.5OD X 1.25L.....	2				
15	1253478GT	SCREW,HHF,3/8-16X2,8,ZAG.....	2				
16	824038GT	NUT, TL JAM, 3/8-16, A, ZAG.....	2				
17	825358GT	WASHER,FLAT,5/16,USS,ZAG.....	1				
18	27497GT	CLAMP,RUBBER CUSHIONED-2 5/32....	2				
19	128534GT	JIB BOOM ASSY W/WORD DECAL.....	1				
20	1256127GT	BOLT,CARRIAGE,1/4-20X1.5,ZAG.....	4				
21	824027GT	NUT,TL FLG,1/4-20,G,ZAG.....	6				
22	824089GT	SCREW,HHF,3/8-16X.75,8,ZAG.....	4				
23	81640GT	WEAR PAD,3 X 1.5 X.625 W/NUTS.....	2				
--	48425GT	NUT,FLG-LRG,3/8-16,YZ					
24	56912GT	SPRING					
		CLIP,1/4-20,.025-.15X.54,ZAG.....	1				
25	119542GT	CLAMP,TWO HOSE.....	1				
26	119536PGT	BRACKET,HOSE CLAMP,PAINTED.....	1				
27	824078GT	SCREW,HHF,1/4-20X.75,8,ZAG.....	1				
28	T108077GT	PIN,1.25DIA X 7.00LG,1HOLE.....	1				
29	94397GT	ROTATOR,PLAT JIB,160 DEG***.....	1				
		<i>(includes items 32-33)</i>					
--	122944GT	SEAL KIT,8K ROTATOR***					
--	75395GT	BEARING KIT,PLAT ROTATOR,SUPER					
30	824081GT	SCREW,HHF,1/4-20X1.5,8,ZAG.....	3				
31		Ref. MANIFOLD, ROTATOR, CB.....	1				
		<i>(refer to 710.1)</i>					
32	88516GT	SCREW,BLEEDER,M5X0.8.....	2				
33	30222GT	BEARING,FL,1.25ID X 1.41OD X 1.50L.....	4				

601.1 Platform Configuration



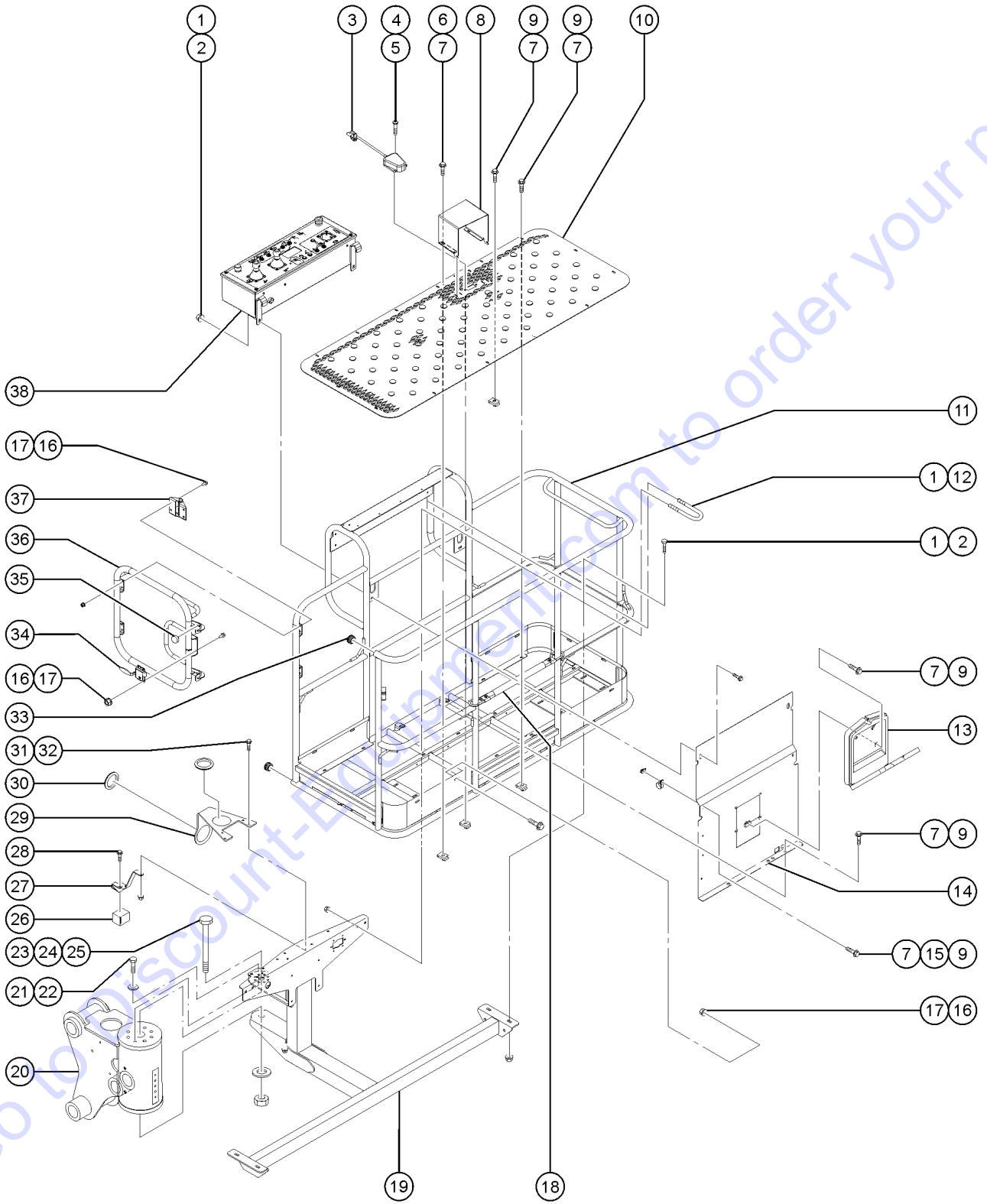
(1) Side Swing Gate Platform



(2) Front Single Entry Platform

Item	Part No.	Description	Qty.
A		<i>Complete Platform Assemblies with Decals</i>	
--			
--	1275405GT	PLAT ASSY,6' W/SIDE GATE,Z60/37,ANSI WORD <i>USA and Canadian models</i>	
--	1275406GT	PLAT ASSY,6' W/SIDE GATE,Z60/37,AUS <i>Australian models</i>	
--	1275407GT	PLAT ASSY,6' W/SIDE GATE,Z60/37,CE <i>European models</i>	
--	1275408GT	PLAT ASSY,6' W/SIDE GATE,Z60/37,ANSI SYM <i>Asia/South America models</i>	
B		<i>Complete Platform Assemblies and Platform Weldments without Decals (Warning tape &amp; decals not included, refer to section 100 for decals)</i>	
--			
1A	1272303GT	ASSY,6FT PLAT DUAL LG,BLANK W/SIDE SWING GATE	
--	1274858GT	ASSY,6' PLAT WELDMENT W/SIDE GATE <i>flooring and decal plate not included</i>	
1B	1272304GT	ASSY,8FT PLAT TRI LG,BLANK W/SIDE SWING GATE	
--	1274859GT	ASSY,8' PLAT WELDMENT W/SIDE GATE <i>flooring and decal plate not included</i>	
2A	160809GT	ASSY,6FT PLATFORM,NO DECALS <i>Single entry</i>	
--	73900GT	WELDMNT,6 FT PLATFORM <i>flooring and decal plate not included</i>	

602.1 Platform Components

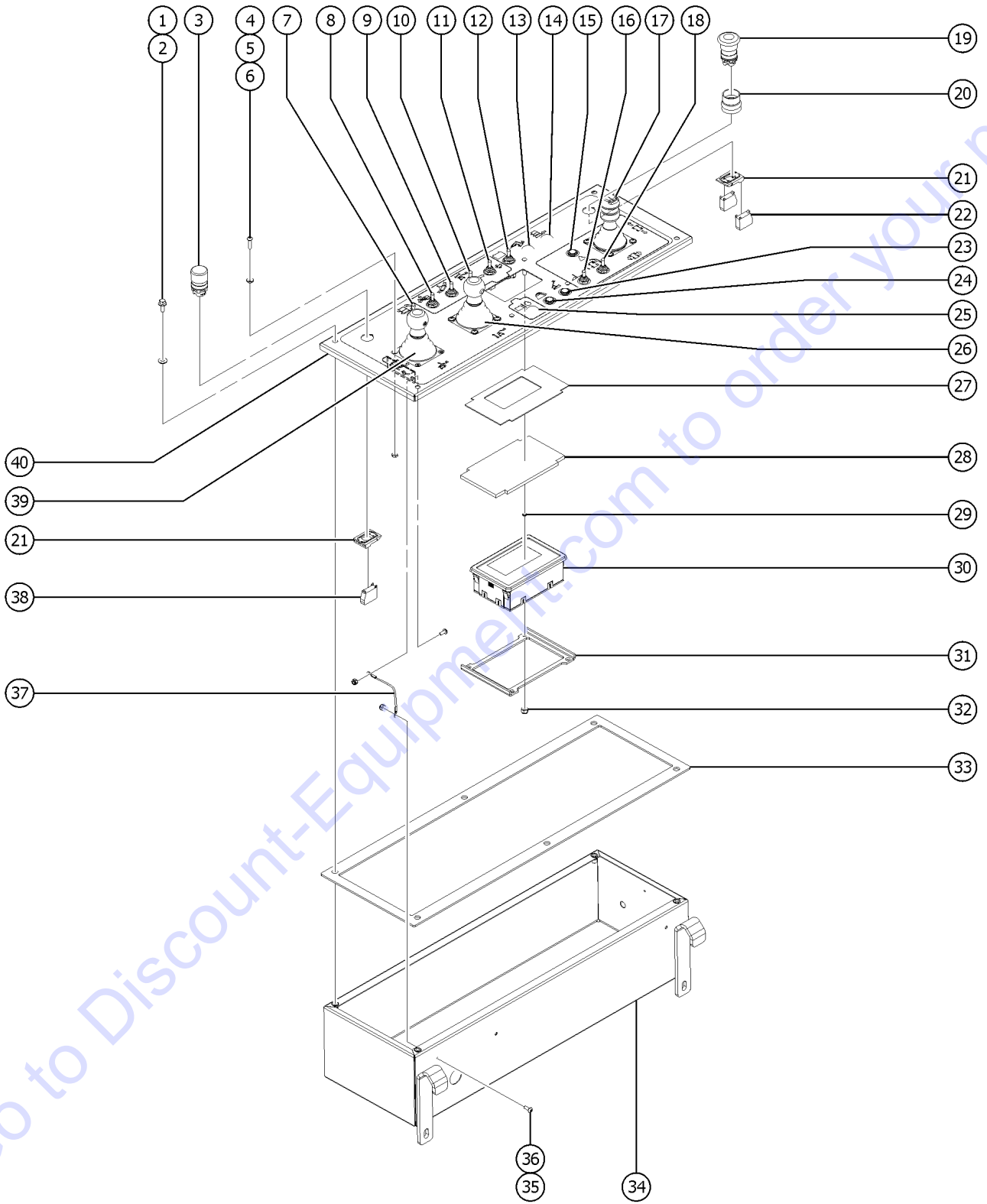




## 602.1 Platform Components

Item	Part No.	Description	Qty.	Item	Part No.	Description	Qty.
1	824029GT	NUT,TL FLG,3/8-16,G,ZAG.....	10	23	826792GT	SCREW,HHC,1-8X11,5,ZAG	
2	824091GT	SCREW,HHF,3/8-16X1.25,8,ZAG.....	6	24	824116GT	WASHER, FLAT, F436, 1.0, ZAG to SN Z62H-3664	
3	227617GT	ASSEMBLY,FOOT SWITCH.....	1	25	826794GT	NUT,TL,1-8,C,ZAG to SN Z62H-3664	
--	119058GT	CONN PLUG 4 WAY ENDCAP DT		--	824031GT	NUT,TL FLG,1-8,G,ZAG from SN Z62H-3665	
--	1257248GT	SCREW, SHC, M4-0.7X8, DIN912,		26		Ref. PLATE,JIB,ROTATE MANIFOLD (refer to 705.1)	
--	1257249GT	WASHER, LOCK, M4, SS		27	110671GT	PLATE,JIB,ROTATE MANIFOLD.....	1
--	227564GT	FOOT SWITCH,20A IP65		28	824077GT	SCREW, HHF, 1/4-20 X .5, 8, ZAG.....	2
--	33576GT	CONN,SQZ,BLK,1/2NPT,.38-.50,SM		29	106163GT	FORMING,CABLE GUIDE.....	1
4	1256460GT	SCREW,PHPM,10-24X1,ZAG.....	2			order 55067 grommet separately	
5	73575GT	SPRING CLIP,10-24,.025-.125X.468,ZAG.....	2	30	55067GT	GROMMET,RUBBER 3 X .19 X 3.5.....	2
6	824079GT	SCREW,HHF,1/4-20X1,8,ZAG.....	2	31	824028GT	NUT,TL FLG,5/16-18,G,ZAG.....	4
7	56912GT	SPRING CLIP,1/4-20,.025-.15X.54,ZAG.....	23	32	824086GT	SCREW,HHF,5/16-18X1,8,ZAG.....	4
8	147121GT	COVER, FOOT SWITCH, LARGE.....	1	33	55753GT	BUMPER, PLASTIC, 1.25 O.D.....	2
		(decals not included, refer to section 100)		34	1267747GT	LATCH, SWING GATE.....	1
9	824078GT	SCREW,HHF,1/4-20X.75,8,ZAG.....	23	35	43392GT	BUMPER,BATTERY BOX & RAILS.....	2
10A	1267746GT	FLOORING, 6FT PLAT,SIDE.....	1	36	1272307GT	ASSY,SIDE SWING GATE.....	1
		6ft Platform (with side swing gate)		37	104804GT	HINGE, SPRING, LONG LEG.....	2
10B	73477GT	FLOORING, 6 FT PLATFORM.....	1	38		Ref. PLATFORM CONTROL BOX (refer to 603.1)	
		6 ft Platform (with single entry)					
10C	73478PGT	FLOORING,8 FT PLATFORM**.....	1				
		all 8 ft Platform					
11		Ref. Platform Weldment (refer to 601.1)					
12	1251600GT	U-BOLT, FLATTENED, 1.5 X 3/8 UNC,ZAG.....	2				
		(single entry)					
13A	44743GT	MANUAL BOX W/DECALS***.....	1				
		USA/Canada/Australia					
13B	24514GT	BOX,INSTRUCTION STORAGE Europe/Asia/South America (decals required; refer to Section100)					
14	73574-SGT	DECAL PLATE ASSEMBLY.....	1				
		(decals not included refer to section 100)					
15	56424GT	CLAMP,1.25X.5 RUBBER-CUSHION....	2				
16	824027GT	NUT,TL FLG,1/4-20,G,ZAG.....	14				
17	1256855GT	SCREW,HHF,1/4-20X.625,8,ZAG.....	12				
18	102992GT	SLIDING MIDRAIL KIT,PTD.....	1				
--	102992GT	SLIDING MIDRAIL KIT,PTD					
19A	60370-SGT	PLATFORM SUPPORT WELDMNT-SERV*.....	1				
19B		Ref. PLAT LOAD SENSE S60**.....	1				
		(refer to 810.1)					
20		Ref. ROTATOR,PLAT JIB (refer to 507.1)					
21	826791GT	SCREW,HHC,3/8-16X.875,8,ZAG.....	8				
22	826793GT	WASHER,FLAT,3/8,SAE,HRD,ZAG.....	8				

603.1 Platform Control Box, External View



## 603.1 Platform Control Box, External View

Item	Part No.	Description	Qty.	Item	Part No.	Description	Qty.
A	1271138GT	ASSEMBLY, PLATFORM CONTROL BOX, Z60/37 DC.....1 <i>DC models (Assembly does not include drive/steer joystick item # 17. Order this joystick separately, refer to 604.1)</i>	1	10	128200GT	SWITCH TOGGLE ASSY SPDT 3P MOM.....1 <i>primary boom extend/retract</i>	1
B	1262377GT	ASSEMBLY, PLATFORM CONTROL BOX, Z60/37.....1 <i>FE models (Assembly does not include drive/steer joystick item # 17. Order this joystick separately, refer to 604.1)</i>	1	--	128578GT	SCREW T-SWITCH PH/PH 6-32X1/4 for 128200	
C	1273913GT	KIT, JOYSTICK ISOLATOR, Z60E kit designed to eliminate the chance of unintended electrostatic discharge if in proximity to a high-voltage environment	1	--	128580GT	SWITCH TOGGLE SPDT 3P MOM SHDR for 128200	
D	119613GT	HARN JOYSTICK ADAPTOR JS100 6-pin to 7-pin adapter (for 101174, 101175, 101005)	1	--	27246GT	BOOT,TOGGLE SWITCH,SHORT* for 128200	
1	1256855GT	SCREW,HHF,1/4-20X.625,8,ZAG.....4	4	11	128200GT	SWITCH TOGGLE ASSY SPDT 3P MOM.....1 <i>speed control</i>	1
2	995750GT	WASHER FLAT BONDED RUB.....4	4	--	128578GT	SCREW T-SWITCH PH/PH 6-32X1/4 (for 128200)	
3	66813GT	BUTTON,PUSH,BLACK W/SEAL***.....1 <i>horn</i>	1	--	128580GT	SWITCH TOGGLE SPDT 3P MOM SHDR (for 128200)	
4	139338GT	SCREW PH M5-0.8X20 DIN 7500CE....12	12	--	27246GT	BOOT,TOGGLE SWITCH,SHORT* (for 128200)	
5	1269498GT	SHOULDER WASHER, NYLON.....12	12	12	128200GT	SWITCH TOGGLE ASSY SPDT 3P MOM.....1 <i>emergency power</i>	1
6	104030GT	NUT HEX M5-0.8 CLASS 8 ZINC.....12	12	--	128578GT	SCREW T-SWITCH PH/PH 6-32X1/4 for 128200	
7	128200GT	SWITCH TOGGLE ASSY SPDT 3P MOM.....1 <i>platform level</i>	1	--	128580GT	SWITCH TOGGLE SPDT 3P MOM SHDR for 128200	
--	128578GT	SCREW T-SWITCH PH/PH 6-32X1/4 for 128200		--	27246GT	BOOT,TOGGLE SWITCH,SHORT* for 128200	
--	128580GT	SWITCH TOGGLE SPDT 3P MOM SHDR for 128200		13A	128204GT	SWITCH TOGGLE ASSY SPDT 2P MNT.....1 <i>"option"; inverter option</i>	1
--	27246GT	BOOT,TOGGLE SWITCH,SHORT* for 128200		--	128578GT	SCREW T-SWITCH PH/PH 6-32X1/4 for 128204	
8	128200GT	SWITCH TOGGLE ASSY SPDT 3P MOM.....1 <i>jib boom up/down</i>	1	--	128584-SGT	SWITCH TOGGLE SPDT 2P MNT SHDR for 128204	
--	128578GT	SCREW T-SWITCH PH/PH 6-32X1/4 for 128200		--	27246GT	BOOT,TOGGLE SWITCH,SHORT* for 128204	
--	128580GT	SWITCH TOGGLE SPDT 3P MOM SHDR for 128200		13B	229567GT	PLUG,SANTOPRENE .5 BLACK DOME.....1	1
--	27246GT	BOOT,TOGGLE SWITCH,SHORT* for 128200		14A	128200GT	SWITCH TOGGLE ASSY SPDT 3P MOM.....1 <i>"option"; aircraft protection override</i>	1
9	128200GT	SWITCH TOGGLE ASSY SPDT 3P MOM.....1 <i>platform rotate</i>	1	--	128578GT	SCREW T-SWITCH PH/PH 6-32X1/4 for 128200	
--	128578GT	SCREW T-SWITCH PH/PH 6-32X1/4 for 128200		--	128580GT	SWITCH TOGGLE SPDT 3P MOM SHDR for 128200	
--	128580GT	SWITCH TOGGLE SPDT 3P MOM SHDR for 128200		--	27246GT	BOOT,TOGGLE SWITCH,SHORT* for 128200	
--	27246GT	BOOT,TOGGLE SWITCH,SHORT* for 128200		14B	229567GT	PLUG,SANTOPRENE .5 BLACK DOME.....1	1
				15	824878GT	LIGHT,LED IND. RED 24V NH.....1 <i>drive enable</i>	1

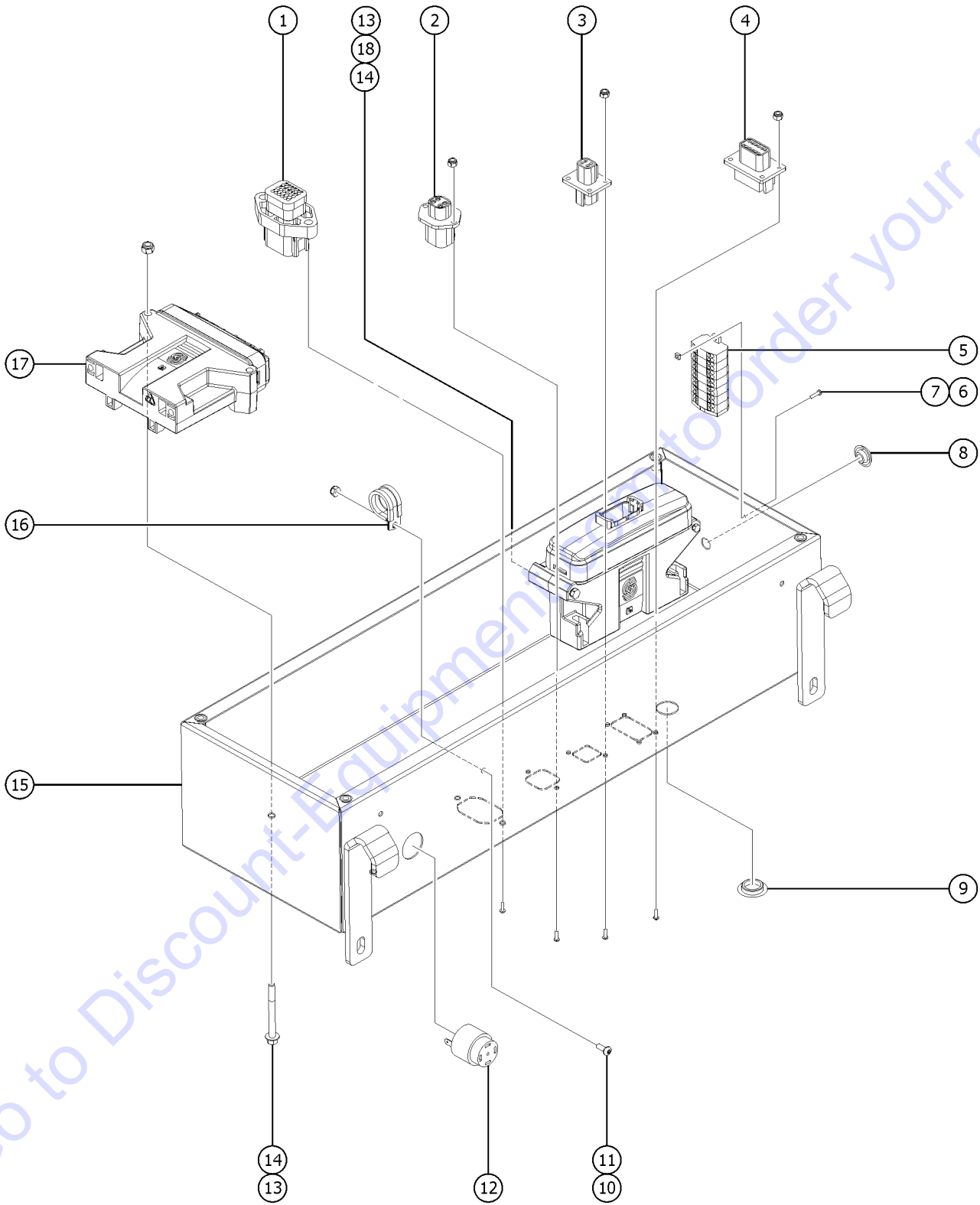
603.1 Platform Control Box, External View  
(continued)

Item	Part No.	Description	Qty.	Item	Part No.	Description	Qty.
16	128204GT	SWITCH TOGGLE ASSY SPDT 2P MNT.....1 <i>drive speed</i>	1	35	54365GT	SCREW,PHIL,PHM,10-32 X .5,SSTL.....4	4
17	101005GT	JOYSTICK,1 AXIS ROCKER,DEUTSCH.....1 <i>drive/steer (order this joystick separately)</i>	1	36	6178GT	NUT,NYLOCK,10-32.....4	4
--	1269497GT	GASKET, ISOLATION, JOYSTICK		37	77351GT	LANYARD,PLATFORM CONTROL BOX.....2	2
18	128200GT	SWITCH TOGGLE ASSY SPDT 3P MOM.....1 <i>drive enable</i>	1	38	66816GT	CONTACT,N.O.***.....1	1
--	128578GT	SCREW T-SWITCH PH/PH 6-32X1/4 <i>for 128200</i>		39	101174GT	JOYSTICK,2 AXIS,DEUTSCH.....1 <i>primary boom up/down and turntable rotate</i>	1
--	128580GT	SWITCH TOGGLE SPDT 3P MOM SHDR <i>for 128200</i>		--	1269497GT	GASKET, ISOLATION, JOYSTICK	
--	27246GT	BOOT,TOGGLE SWITCH,SHORT* <i>for 128200</i>		40	1270486GT	WELDMENT, LID, PLAT CONTROL BO.....1 <i>decals not included, refer to section 100</i>	1
19	66812GT	BUTTON,PUSH,RED MUSHROOM HEAD.....1 <i>emergency stop</i>	1				
20	146478GT	BOOT(BELLOWS),E-STOP,BLACK.....1	1				
21	66821GT	BASE,WITHOUT CONTACTS.....2	2				
22	66818GT	CONTACT, N.C.....2	2				
23	824878GT	LIGHT,LED IND. RED 24V NH.....1 <i>machine not level</i>	1				
24	824878GT	LIGHT,LED IND. RED 24V NH.....1 <i>CE and Austriala models, platform overload</i>	1				
25A	128200GT	SWITCH TOGGLE ASSY SPDT 3P MOM.....1 <i>FE models, switch mode select</i>	1				
--	128578GT	SCREW T-SWITCH PH/PH 6-32X1/4 <i>for 128200</i>					
--	128580GT	SWITCH TOGGLE SPDT 3P MOM SHDR <i>for 128200</i>					
--	27246GT	BOOT,TOGGLE SWITCH,SHORT* <i>for 128200</i>					
25B	229567GT	PLUG,SANTOPRENE .5 BLACK DOME.....1 <i>DC models</i>	1				
26	101175GT	JOYSTICK,1 AXIS,DEUTSCH.....1 <i>secondary boom up/down</i>	1				
--	1269497GT	GASKET, ISOLATION, JOYSTICK					
27	1262663GT	GASKET, DISPLAY GUARD.....1	1				
28	1262664GT	GUARD, DISPLAY, POLYCARB.....1	1				
29	119976GT	BUMPER,5/16DIA X 7/64 PROJ,ADH.....4	4				
30	1263694GT	DISPLAY,PLATFORM,ENGAGE4,GEN2.1 <i>LCD readout</i>	1				
31	1262665GT	FORMING, DISPLAY RETAINER.....1	1				
32	6091GT	NUT,NYLOCK,1/4-20.....4	4				
33	81488GT	GASKET,PLATFORM CONTROL BOX....1	1				
34	1262662GT	WELDMENT, PLATFORM CONTROL BOX.....1	1				

***This Page Intentionally Left Blank***

Go to [Discount-Equipment.com](http://Discount-Equipment.com) to order your parts

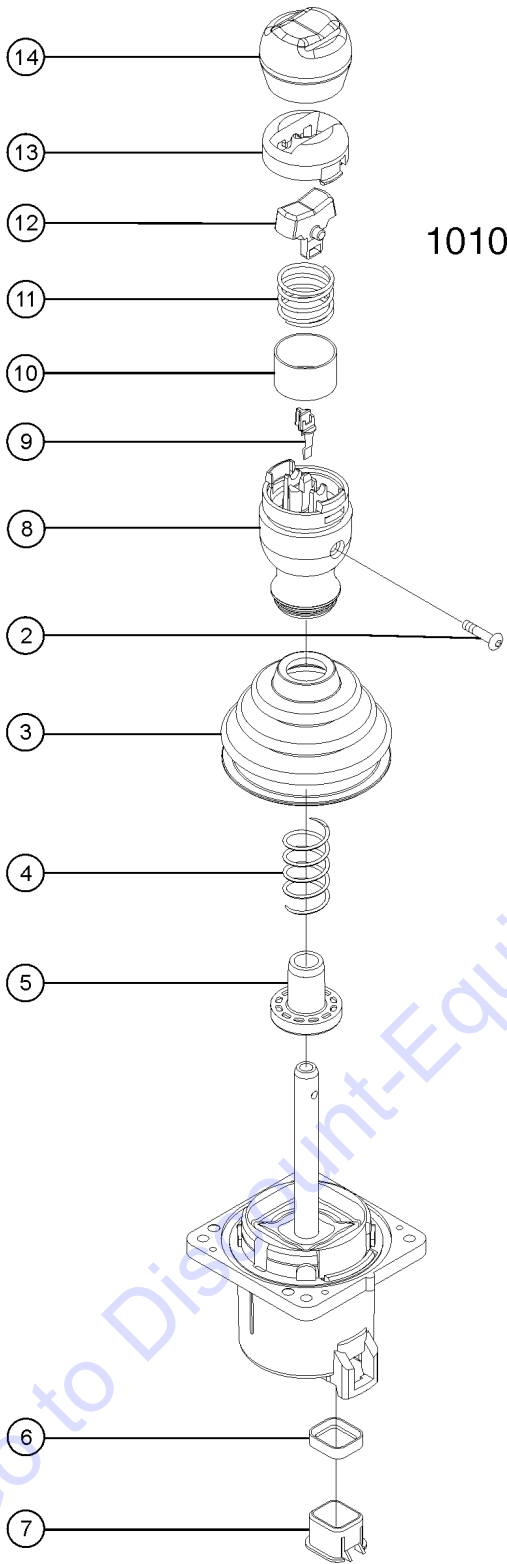
604.1 Platform Control Box, Internal View



## 604.1 Platform Control Box, Internal View

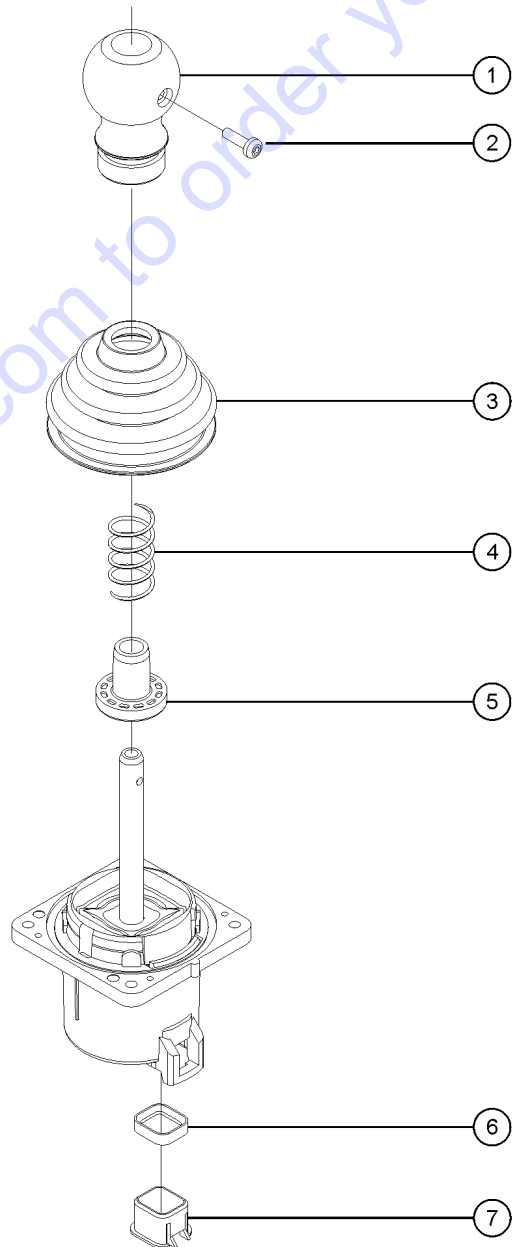
Item	Part No.	Description	Qty.
A	1263719GT	HARNES, PLAT BOX, Z60/37.....	1
1	226948GT	CONN, RECEP, 18 WAY, 14-18GA,.....	1
2	73717GT	CONN,RECEP 4 WAY,12-14GA FL*** .....	1
3	73723GT	CONN RECEP,FLANGED.....	1
4	73730GT	CONN,RECEP 12 WAY,GRY FLANGE....	1
5	1266122GT	ASSEMBLY, TERMINAL RAIL, Z60/3.....	1
6	1272895GT	SCREW,PPH MS,4-40X.5,ZINC KG.....	2
7	1272896GT	NUT, SQ. MS, 4-40, ZINC.....	2
8	229567GT	PLUG,SANTOPRENE .5 BLACK DOME.....	1
		<i>(models with no work light option)</i>	
--		<i>(refer to 803.1 option, work light)</i>	
9	15243GT	PLUG,NYLON .875 BLACK DOMED.....	1
10	54365GT	SCREW,PHIL,PHM,10-32 X .5,SSTL.....	1
11	6178GT	NUT,NYLOCK,10-32.....	1
12A	39540GT	ALARM,STEADY TONE*** .....	1
		<i>order 72326 mounting ring separately</i>	
12B	72326GT	NUT - PLASTIC,RING FOR ALARMS <i>for 39540</i>	
13	824083GT	SCREW,HHF,1/4-20X2.5,8,ZAG.....	2
14	1277924GT	NUT,NYLOCK FLG,1/4-20,F,ZAG.....	2
15		Ref: Platform Control Box Weldment.....	1
		<i>(refer to 603.1)</i>	
16	13268GT	CLAMP,0.75,#12 X 1/4,RUB CUSH.....	1
17	1269368GT	ASSEMBLY, CONTROLLER PCON, Z60.....	1
		<i>(includes decal)</i>	
18		Ref: MODULE, PLUS+1, OPA2 <i>(refer to 805.2)</i>	

605.1 Joysticks



101005

101174 and 101175



- 1
- 2
- 3
- 4
- 5
- 6
- 7



# PARTS FINDER

**Search Website  
by Part Number**



**Search Manual  
Library For Parts  
Manual & Lookup Part  
Numbers – Purchase  
or Request Quote**

**Search Manuals**

Enter your information to help us find the right parts manual for your machine.

\* Brand:

\* Model:

\* Serial:

\* Part Number:

SEARCH

**Can't Find Part or  
Manual? Request Help  
by Manufacturer,  
Model & Description**

**Parts Order Form**

Please fill in the following information to help us find the right part for your machine.

Manufacturer:	<input type="text"/>
Model:	<input type="text"/>
Description:	<input type="text"/>
Part Number:	<input type="text"/>
Quantity:	<input type="text"/>
Notes:	<input type="text"/>

Discount-Equipment.com is your online resource for quality parts & equipment.

Florida: **561-964-4949** Outside Florida TOLL FREE: **877-690-3101**

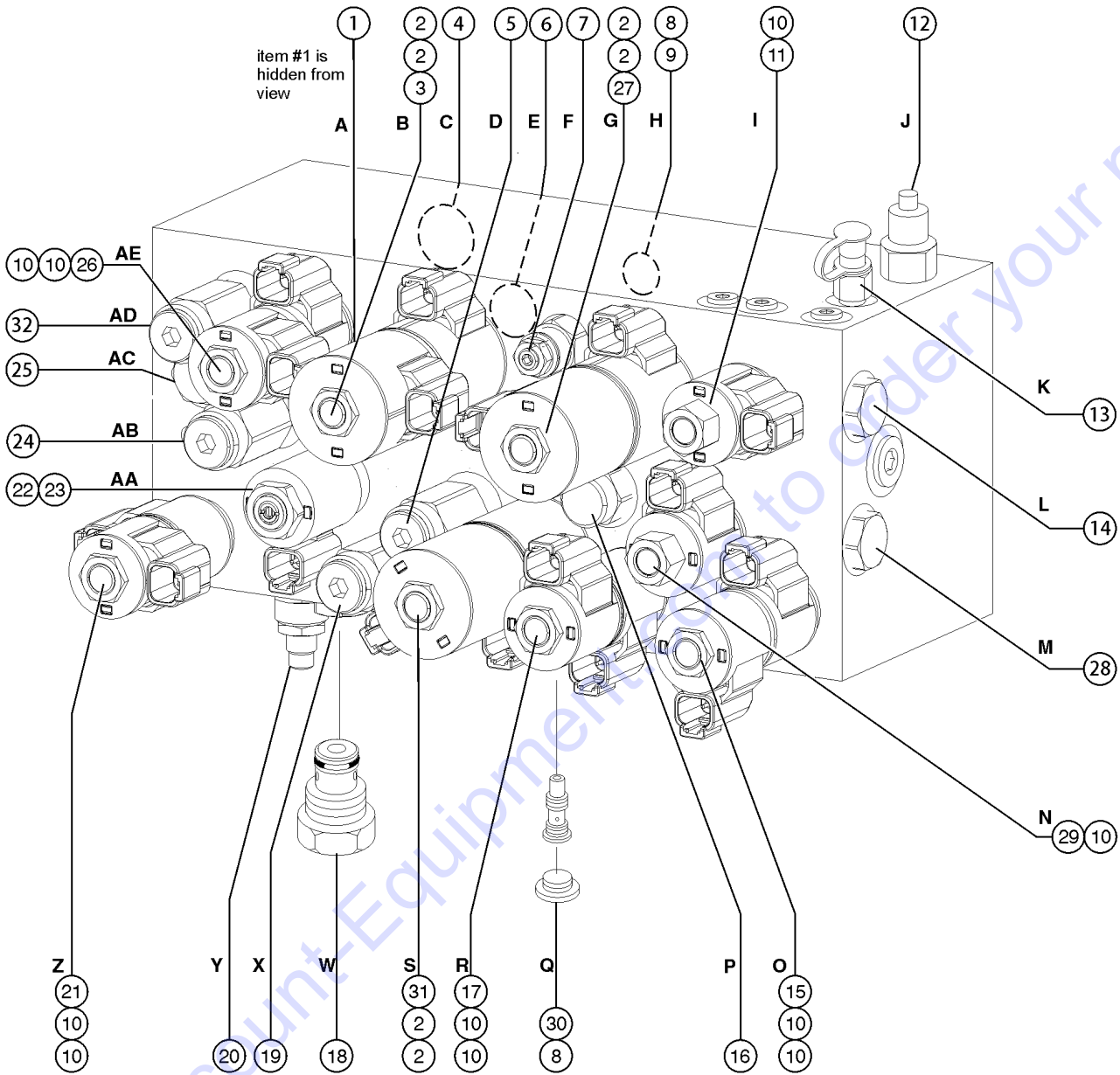
**Need parts?**

Click on this link: <http://www.discount-equipment.com/category/5443-parts/> and choose one of the options to help get the right parts and equipment you are looking for. Please have the machine model and serial number available in order to help us get you the correct parts. If you don't find the part on the website or on one of the online manuals, please fill out the request form and one of our experienced staff members will get back to you with a quote for the right part that your machine needs.

We sell worldwide for the brands: Genie, Terex, JLG, MultiQuip, Mikasa, Essick, Whiteman, Mayco, Toro Stone, Diamond Products, Generac Magnum, Airman, Haulotte, Barreto, Power Blanket, Nifty Lift, Atlas Copco, Chicago Pneumatic, Allmand, Miller Curber, Skyjack, Lull, Skytrak, Tsurumi, Husquvarna Target, Stow, Wacker, Sakai, Mi-T-M, Sullair, Basic, Dynapac, MBW, Weber, Bartell, Bennar Newman, Haulotte, Ditch Runner, Menegotti, Morrison, Contec, Buddy, Crown, Edco, Wyco, Bomag, Laymor, EZ Trench, Bil-Jax, F.S. Curtis, Gehl Pavers, Heli, Honda, ICS/PowerGrit, IHI, Partner, Imer, Clipper, MMD, Koshin, Rice, CH&E, General Equipment, Amida, Coleman, NAC, Gradall, Square Shooter, Kent, Stanley, Tamco, Toku, Hatz, Kohler, Robin, Wisconsin, Northrock, Oztec, Toker TK, Rol-Air, APT, Wylie, Ingersoll Rand / Doosan, Innovatech, Con X, Ammann, Mecalac, Makinex, Smith Surface Prep, Small Line, Wanco, Yanmar

Item	Part No.	Description	Qty.
A	101005GT	JOYSTICK,1 AXIS ROCKER,DEUTSCH <i>(drive/steer) (OEM joystick) (calibration required after replacement)</i>	
B	101005HGT	JOYSTICK,SINGLE AXIS W/STEER <i>(drive/steer) (aftermarket joystick) (calibration required after replacement)</i>	
C	101174GT	JOYSTICK,2 AXIS,DEUTSCH <i>(primary boom up/down and turntable rotate) (OEM joystick) (calibration required after replacement)</i>	
D	101174HGT	JOYSTICK,DUAL AXIS W/KNOB <i>(primary boom up/down and turntable rotate) (aftermarket joystick) (calibration required after replacement)</i>	
E	101175GT	JOYSTICK,1 AXIS,DEUTSCH <i>(secondary boom up/down) (OEM joystick) (calibration required after replacement)</i>	
F	101175HGT	JOYSTICK,SINGLE AXIS W/KNOB <i>(secondary boom up/down) (aftermarket joystick) (calibration required after replacement)</i>	
G	1269497GT	GASKET, ISOLATION, JOYSTICK.....3 <i>(for use with joysticks, sold separately)</i>	
H	1269498GT	SHOULDER WASHER, NYLON <i>(for use with joysticks, sold separately)</i>	
J	1269499GT	PLUG, JOYSTICK HANDLE <i>(for use with joysticks, sold separately)</i>	
K	83098GT	TERM,AMP MTE,SOC,22-26 GA BULK	
L	119613GT	HARN JOYSTICK ADAPTOR JS100 <i>6-pin to 7-pin adapter (for 101174, 101175, 101005)</i>	
M	1269501GT	KIT, ISOLATION, 3 JOYSTICK	
1	62392GT	KNOB,JOYSTICK, 62390/62391.....1	
2	T112626GT	SCREW, PHM, #6-32 X .625 ZINC.....1	
3	139598GT	BOOT,JOYSTICK.....1	
4		SPRING,JOYSTK CENTR,62390/91.....1 <i>(no longer available from supplier)</i>	
5	119915GT	COLLAR,JOYSTICK,CENTER.....1	
6	128000GT	SEAL, CONNECTOR (DT JOYSTICKS).....1	
7	128001GT	SLEEVE,CONNECTOR,DT JOYSTICKS.....1	
8	75449GT	KNOB,ROCKER JOYSTICK 75565.....1	
9	75448GT	SUPPORT,SENSOR,JOYSTICK.....1	
10	75447GT	SWITCH SHIELD,ROCK JOYSTK75565.....1	
11	75446GT	SPRING,SWITCH CENTERING,75565...1	
12	75445GT	ROCKER ASSY.,MAGNETIC 75565.....1	
13	75444GT	ROCKER,RETAINER, 75565.....1	
14	75443GT	BOOT, ROCKER JOYSTICK 75565.....1	

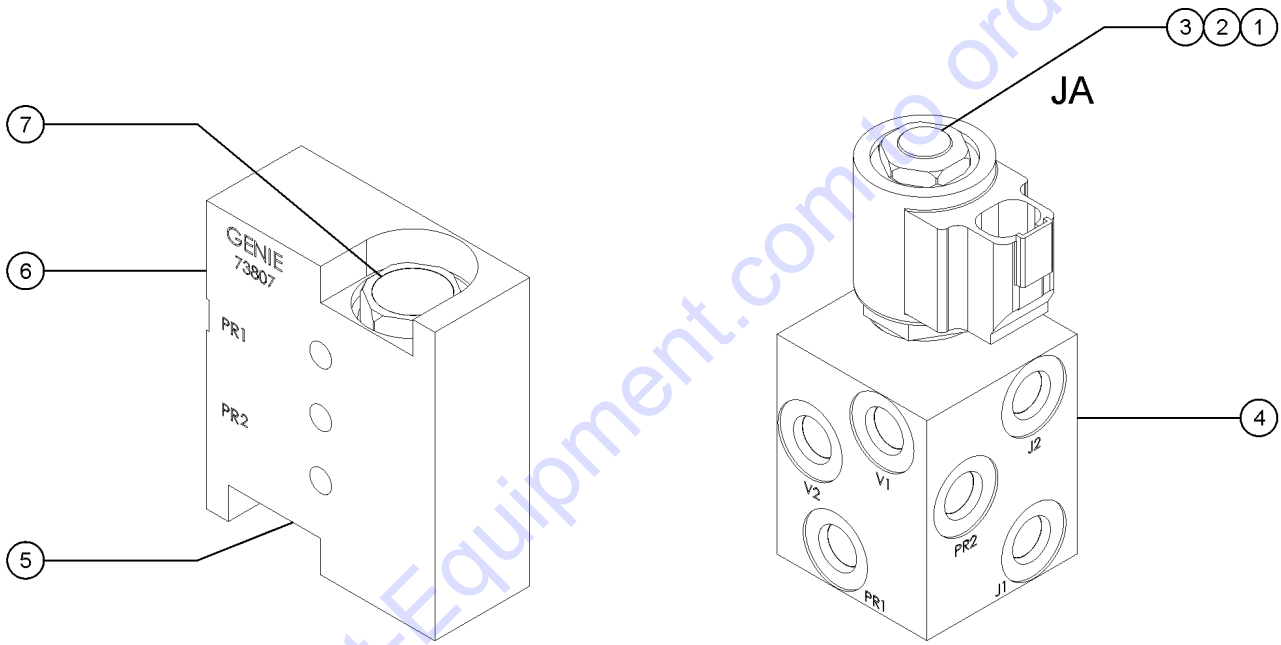
701.1 Function Manifold



## 701.1 Function Manifold

Item	Part No.	Description	Qty.	Item	Part No.	Description	Qty.
--	49613GT	PLUG AND CAP KIT-SERVICE,ORFS*		25	1270818GT	VALVE, PILOT OPERATED CHECK.....1 <i>AC, Platform level up/down</i>	1
--	1262258GT	MANIFOLD,FUNCTION,Z60E <i>Complete</i>		26	107816GT	VALVE,PROPORTIONAL 3 POS 4 WY*.....1 <i>AE, Platform rotate left/right</i>	1
1	234597GT	VALVE, FLOW REGULATOR, 2GPM.....1 <i>A, Oscillate circuit</i>	1	27	1270815GT	VALVE, SPOOL, 4 WY, 3 POSITION.....1 <i>G, Secondary boom extend/retract</i>	1
2	1270812GT	COIL - 10 20V ER/Z.....6	6	28	218730GT	VALVE,CHECK,10 PSI.....1 <i>M, Check to P1 circuit</i>	1
3	1270815GT	VALVE, SPOOL, 4 WY, 3 POSITION.....1 <i>B, Primary boom extend/retract circuit</i>	1	29	44997GT	VALVE,SOLENOID,2POS 2WAY N.O.*.....1 <i>N, P1 circuit</i>	1
4	52368GT	VALVE,CHECK,GS68 (SIZE8 8).....1 <i>C, Platform rotate left/right</i>	1	30	826779GT	VALVE,SHUTTLE.....1 <i>Q, Turntable rotate left/right</i>	1
5	1270821GT	VALVE, RELIEF.....1 <i>D, Primary boom extend</i>	1	31	1270815GT	VALVE, SPOOL, 4 WY, 3 POSITION.....1 <i>S, Primary boom up/down</i>	1
6	52370GT	VALVE,SHUTTLE,GS68.....1 <i>E, Primary boom extend/retract circuit</i>	1	32	1270820GT	VALVE, RELIEF.....1 <i>AD, Platform level down circuit</i>	1
7	77410GT	VALVE,COUNTERBALNCE,1500 PSI**.....1 <i>F, Primary boom retract</i>	1				
8	145097GT	PLUG,SAE #4.....5	5				
9	826779GT	VALVE,SHUTTLE.....1 <i>H, Pilots primary boom retract counterbalance valve</i>	1				
10	119827GT	COIL, 20V, ZENER DIODE DEUTSCH.....10	10				
11	44997GT	VALVE,SOLENOID,2POS 2WAY N.O.*.....1 <i>I, P2 circuit</i>	1				
12	229750GT	HARNESS,PRESS,TRANSDUCER***.....1 <i>J, Monitors pressure</i>	1				
13	48997GT	NIPPLE,DIAGNOSTIC,#4.....1 <i>K, Testing</i>	1				
14	218730GT	VALVE,CHECK,10 PSI.....2 <i>L, Check to P2 circuit</i>	2				
15	1270816GT	VALVE, SPOOL, 4 WY, 3 POSITION, CLOSED CENTER.....1 <i>O, Steer left/right</i>	1				
16	237209GT	COMPENSATOR, 150 PSI.....1 <i>P, Turntable rotate left/right</i>	1				
17	107788GT	VALVE,PROPORTIONAL 3 POS 4 WY...1 <i>R, Turntable rotate left/right</i>	1				
18	107740GT	VALVE, CHECK 25 PSI.....1 <i>W, Tank return circuit</i>	1				
19	1270823GT	VALVE.....1 <i>X, Oscillate circuit</i>	1				
20	94615GT	VALVE,NEEDLE,ADJUSTABLE***.....1 <i>Y, Platform level up/down</i>	1				
21	1270819GT	VALVE, SOLENOID, 4 WAY, 3 POS.....1 <i>Z, Platform level up/down</i>	1				
22	119830GT	VALVE,PROPORTIONAL RELIEF.....1 <i>AA, Boom functions (coil not included)</i>	1				
23	119825GT	COIL, 24V, DEUTSCH NO DIODE.....1	1				
24	1270820GT	VALVE, RELIEF.....1 <i>AB, Platform level up circuit</i>	1				

702.1 Platform Rotate and Jib Boom/Platform Manifold



Platform Rotate Manifold

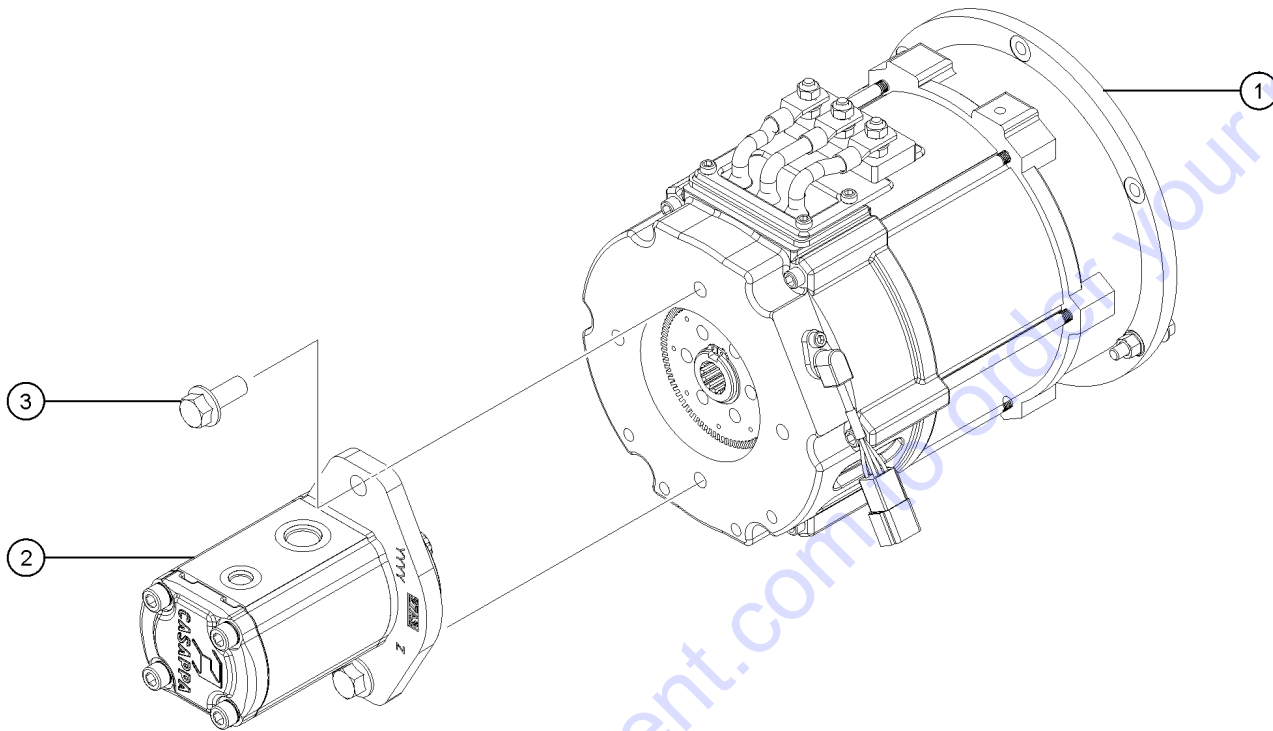
Jib Select Manifold

## 702.1 Platform Rotate and Jib Boom/Platform Manifold

Item	Part No.	Description	Qty.
1	44174GT	NUT-COIL SHORT.....	1
2	52897GT	VALVE,SOLENOID, 2POS/3WAY***.....	1
--	52371GT	SEAL KIT, VALVE..... <i>for 52897</i>	1
3	104759GT	COIL, 12VDC #8 DTSCH IP69 ECOIL.....	1
4	1256670GT	MANIFOLD,JIB SELECT W/QD PLUG.... <i>(include items 1-3)</i>	1
5	62506GT	VALVE - COUNTERBALANCE**.....	1
--	43018GT	SEAL KIT (39345)	
6	73807GT	MANIFOLD,ROTATOR,CB***..... <i>(include items 5 and 7)</i>	1
--	62507GT	O-RING, ROTATOR MANIFOLD	
7	62506GT	VALVE - COUNTERBALANCE**.....	1
--	43018GT	SEAL KIT (39345)	

Go to Discount-Equipment.com to order your parts

703.1 Hydraulic Pumps

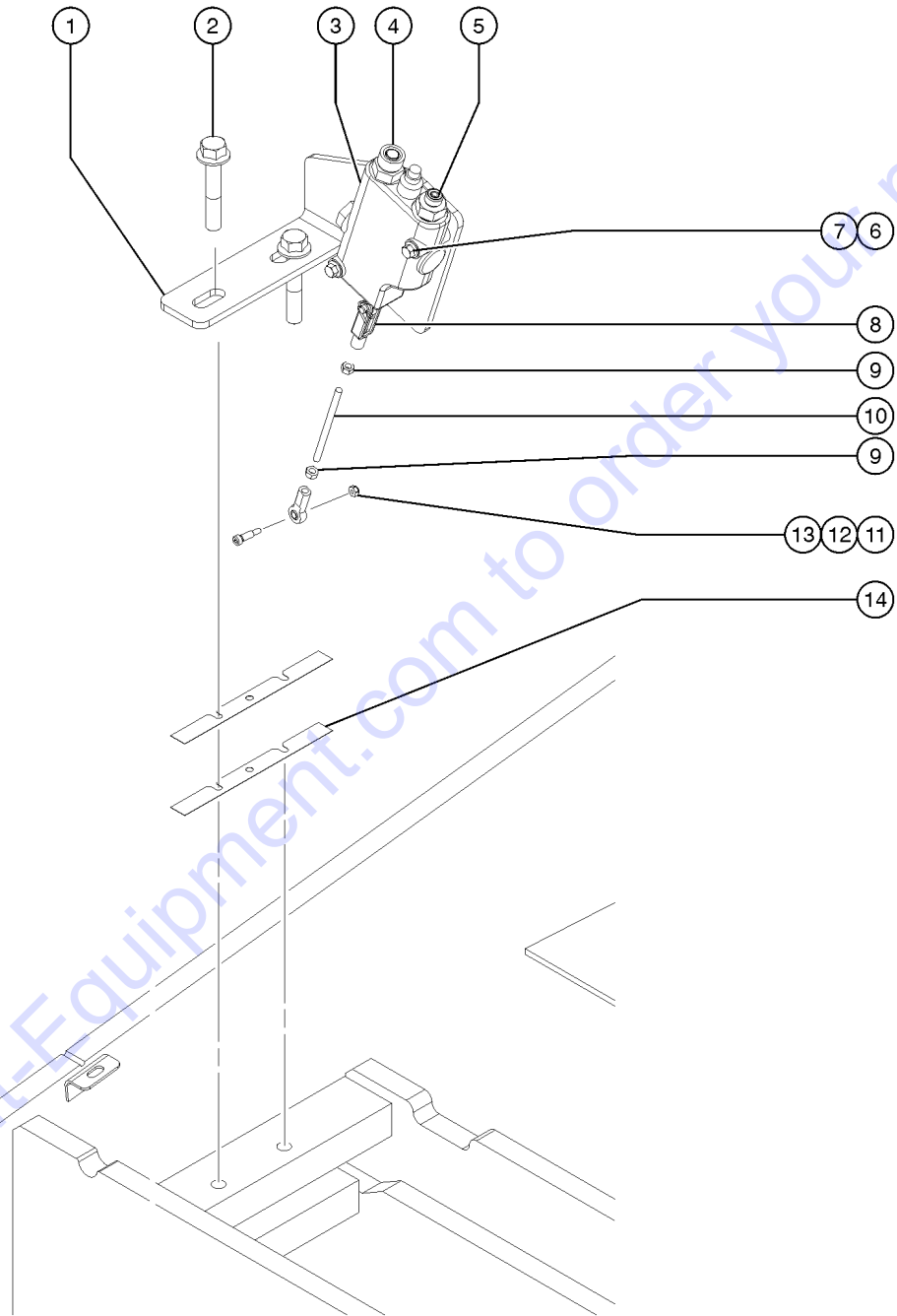


Go to Discount-Equipment.com to order your parts

Item	Part No.	Description	Qty.
1	1264100GT	MOTOR,AC,PUMP-GENERATOR.....1	
--	1284946GT	BEARING SERVICE KIT (1264100) <i>for 1264100</i>	
--	1284947GT	ROTOR ASSEMBLY (1264100) <i>for 1264100</i>	
--	1284948GT	BEARING SERVICE KIT (1264100) <i>for 1264100</i>	
--	1284949GT	TERMINAL BRACKET SVC KIT (1264100) <i>for 1264100</i>	
--	1284950GT	TERMINAL BLOCK SERVICE KIT (1264100) <i>for 1264100</i>	
--	1284951GT	SPEED SENSOR KIT W/PINS (1264100) <i>for 1264100</i>	
--	1284952GT	CONNECTOR SERVICE KIT (1264100) <i>for 1264100</i>	
--	1284953GT	PULSE WHEEL SERVICE KIT (1264100) <i>for 1264100</i>	
--	1284954GT	BOLT KIT WWASHERS,M8X200 (1264100) <i>for 1264100</i>	
2	1261767GT	PUMP,GEAR,FUNCTION,Z60E.....1	
--	1269602GT	SEAL KIT, FUNCTION PUMP, Z60E.....2	
3	1255469GT	SCREW,HHF,1/2-13X1.25,8,ZAG.....2	

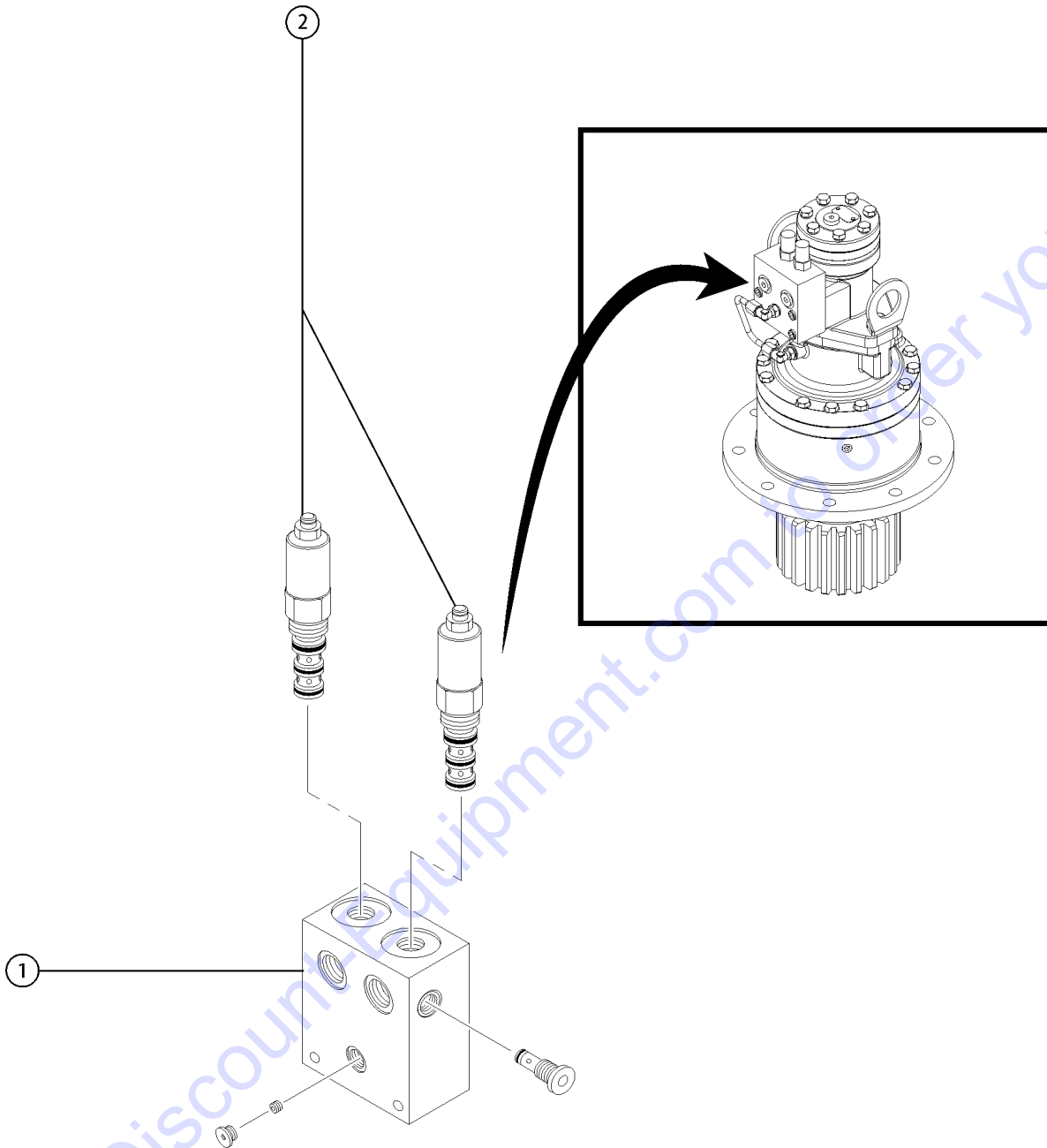


704.1 Oscillate Valve



Item	Part No.	Description	Qty.
1	1255712GT	BRACKET, OSCILLATE VALVE	
2	1257862GT	SCREW,HHF,1/2-13X2.75,8,ZAG	
3	49768GT	VLV,MAN,3 POS/4 WAY,CLOSE CTR*	
--	32681GT	SEAL KIT,CONTROL VALVE	
4	48933GT	CONN,520120-8*** <i>(sold separately)</i>	
5	48914GT	CONN,520120-4-8 <i>(sold separately)</i>	
6	1253485GT	SCREW,HHF,1/4-20X2,8,ZAG	
7	824027GT	NUT,TL FLG,1/4-20,G,ZAG	
8	21130GT	CLEVIS YOKE-1/4-28,PLTD W/PIN	
9	824041GT	NUT,1/4-28,8,ZAG	
10	1257077GT	ROD,THREADED,1/4-28X4,ZAG	
11	1257076GT	BOLT,SHS,1/4-28X4,ZAG	
12	81691GT	ROD END,BALL JOINT 1/4-28	
13	1256467GT	NUT,TL FLG,10-24,F,ZAG	
14	81610GT	SHIM,AXLE ROTATION STOP,16G	

705.1 Turntable Rotate Manifold



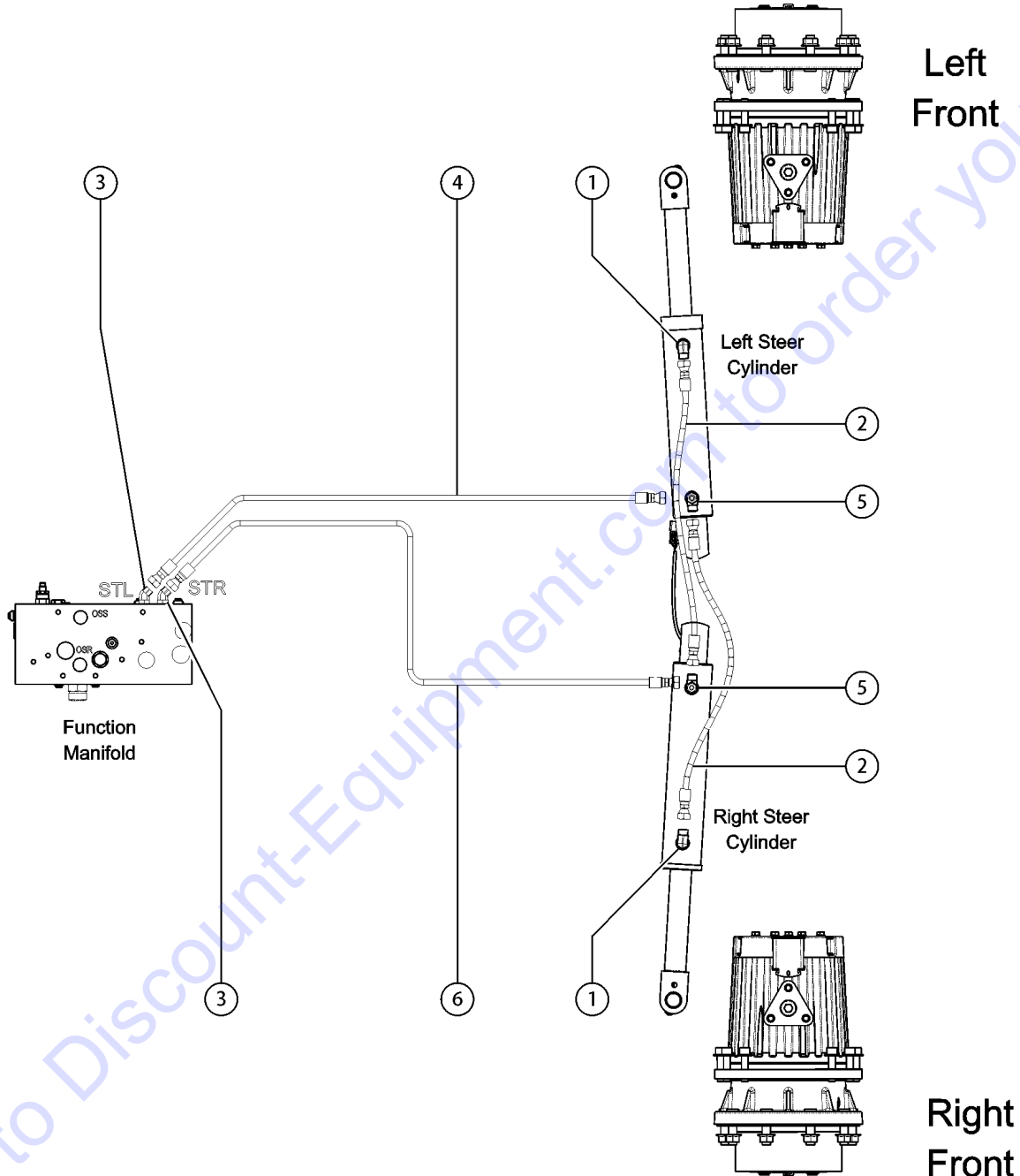
Go to DiscountEquipment.com to offer your parts

## 705.1 Turntable Rotate Manifold

Item	Part No.	Description	Qty.
1	89800GT	MANIFOLD,TURNTABLE ROTATION*** .....	1
--	75119GT	SEAL KIT,CB VALVE MANIFOLD*** <i>(includes mounting rings between motor and manifold)</i>	
2		VALVE,COUNTERBALANCE,3000PSI....2 <i>(not sold separately, must purchase manifold for replacement)</i>	

Go to Discount-Equipment.com to order your parts

706.1 Hydraulic Hoses and Fittings - Drive Chassis, Non-Oscillate

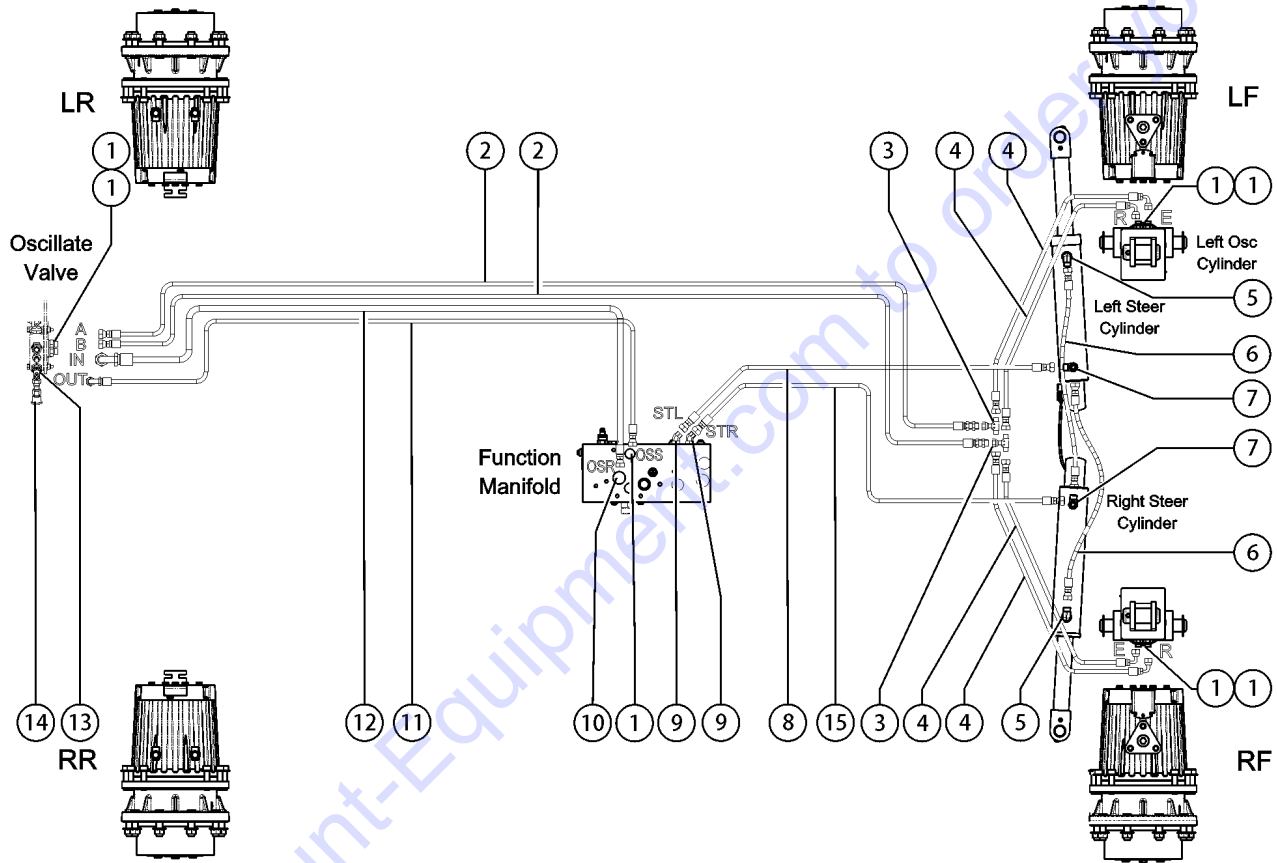


## 706.1 Hydraulic Hoses and Fittings - Drive Chassis, Non-Oscillate

Item	Part No.	Description	Qty.
1	48912GT	CONN,520120-4-6***.....	2
2	1275822GT	ASSY,HOSE,HYD,STR TO STR,Z60E....	2
3	48915GT	ELBOW,90D,520220-6.....	2
4	1259154GT	HOSE ASSY, 3/8X152.82,-6-6.....	1
5	48918GT	TEE,RUN,520428-6.....	2
6	1275823GT	ASSY,HOSE,HYD,RSTR TO FUN MAN,Z60E.....	1

Go to Discount-Equipment.com to order your parts

707.1 Hydraulic Hoses and Fittings - Drive Chassis, Oscillate

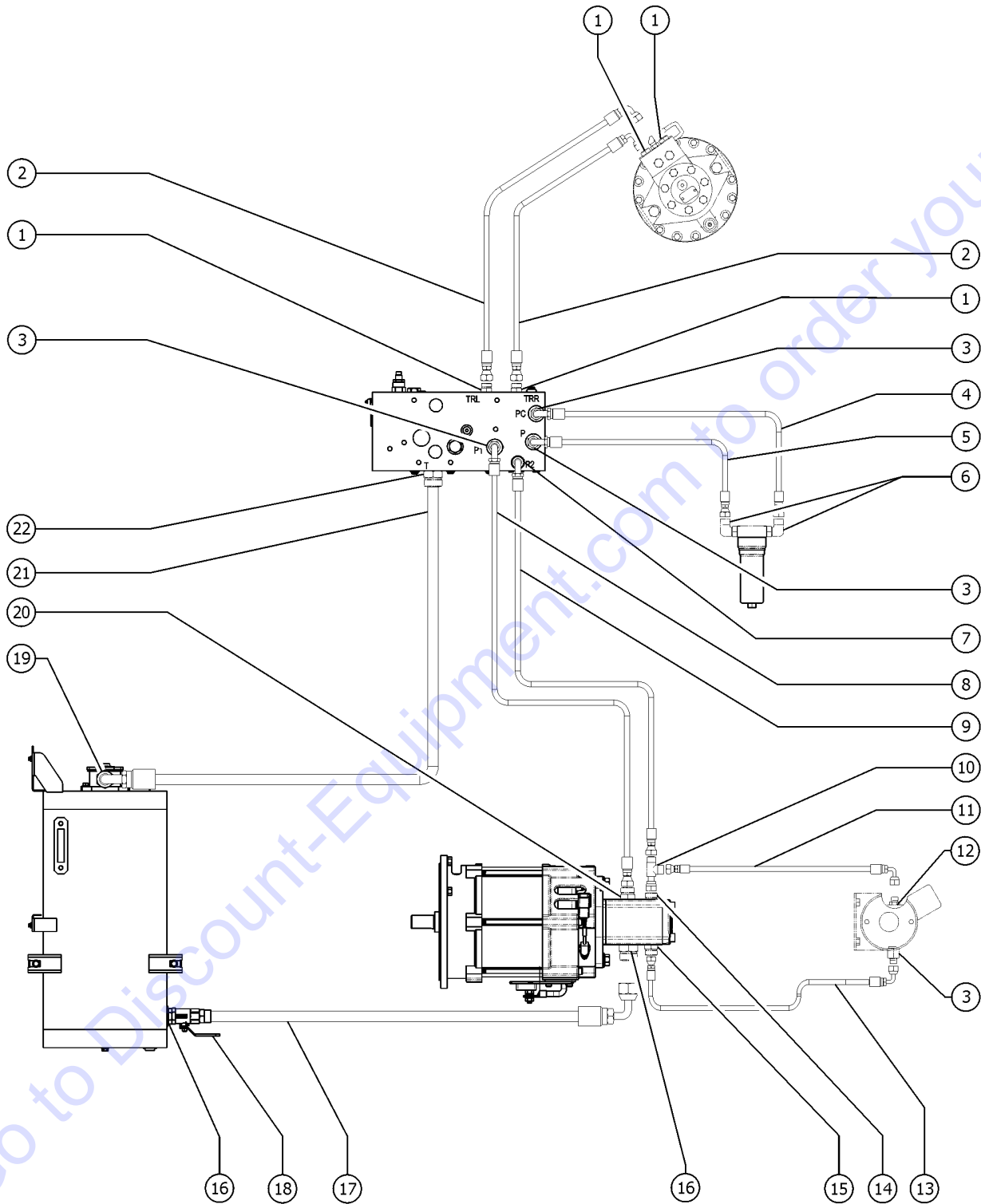


## 707.1 Hydraulic Hoses and Fittings - Drive Chassis, Oscillate

Item	Part No.	Description	Qty.
1	48912GT	CONN,520120-4-6***.....	7
2	1275828GT	ASSY,HOSE,HYD,OSC V TO OSC C,Z60E.....	2
3	48891GT	FITTING,TEE,BRANCH,520433-4.....	2
4	1275832GT	ASSY,HOSE,HYD,OSC CYL,Z60E.....	4
5	48915GT	ELBOW,90D,520220-6.....	2
6	1275822GT	ASSY,HOSE,HYD,STR TO STR,Z60E.....	2
7	48918GT	TEE,RUN,520428-6.....	2
8	1259154GT	HOSE ASSY, 3/8X152.82,-6-6.....	1
9	48920GT	ELBOW,45D,520320-6.....	2
10	48916GT	CONN, 520120-6.....	1
11	1259130GT	HOSE ASSY,3/8X124.59,90-6,-6.....	1
12	1259127GT	HOSE ASSY,1/4X121.91,90-4,-4.....	1
13	48930GT	CONN,520120-6-8.....	1
14	48914GT	CONN,520120-4-8.....	1
15	1275823GT	ASSY,HOSE,HYD,RSTR TO FUN MAN,Z60E.....	1



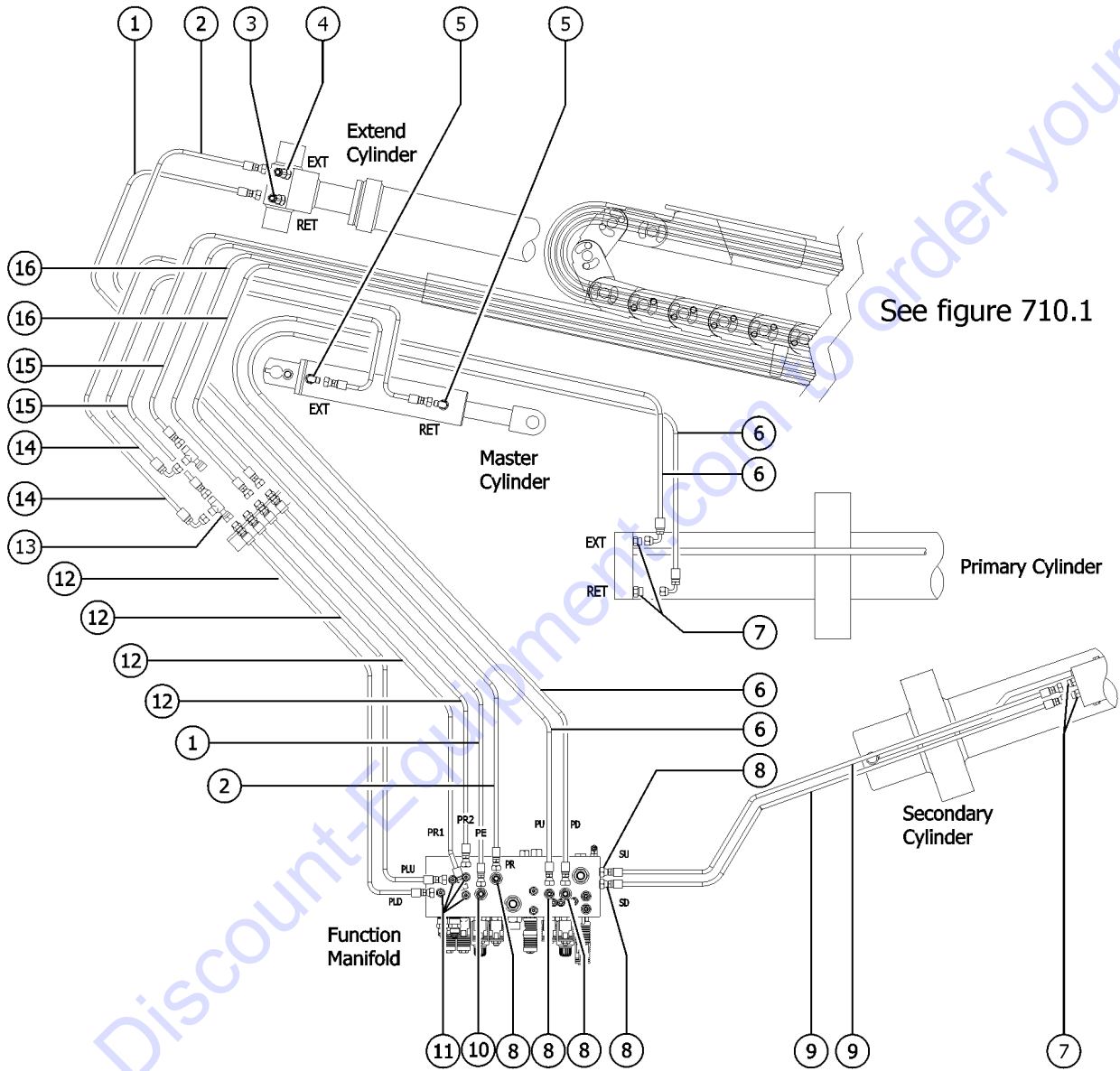
708.1 Hydraulic Hoses and Fittings - Turntable



## 708.1 Hydraulic Hoses and Fittings - Turntable

Item	Part No.	Description	Qty.
1	48912GT	CONN,520120-4-6***.....	3
2	49117-2491GT	HOSE ASSY,1/4,90 FEM,STR FEM.....	2
3	48933GT	CONN,520120-8***.....	4
4	1259171GT	HOSE ASSY,1/2X29.41,90-8,-8.....	1
5	49143-2929GT	HOSE ASSY,1/2,90 FEM,STR FEM**.....	1
6	48947GT	ELBOW,90D,520220-8-12.....	2
7A	48947GT	ELBOW,90D,520220-8-12..... (FE models)	2
7B	48916GT	CONN, 520120-6..... (DC models)	1
8	1259148GT	HOSE ASSY, 1/2X69.29,90-8,-8.....	1
9	1269128GT	HOSE ASSY,3/8X71.09,90-6,-6.....	1
10A	48946GT	CONN,520120-8-10..... (FE models)	1
10B	48875GT	TEE,RUN,SWIVEL,520432-6..... (DC models)	1
11	1259150GT	HOSE ASSY,1/4X21.46,90-6,-6..... (DC models)	1
12	48916GT	CONN, 520120-6..... (DC models)	1
13	1259151GT	HOSE ASSY,1/2X14.86, 90-8,-8..... (DC models)	1
14	162002GT	CHECK VALVE 6ORB,6ORFS..... (DC models)	1
15	48943GT	CONN, 520120-8-6..... (DC models)	1
16	48984GT	CONN,520120-16.....	1
17	49159-3868GT	HOSE ASSEMBLY,1".....	1
18	48996GT	VALVE,BALL,16 MSAE-16 FSAE***.....	1
19	48977GT	CONN,520120-12-16.....	1
20	48946GT	CONN,520120-8-10.....	1
21	1259129GT	HOSE ASSY,3/4X16.43,45-12,-12.....	1
22	48960GT	FITTING,CONN,520120-12***.....	1

709.1 Hydraulic Hoses and Fittings - Secondary and Primary



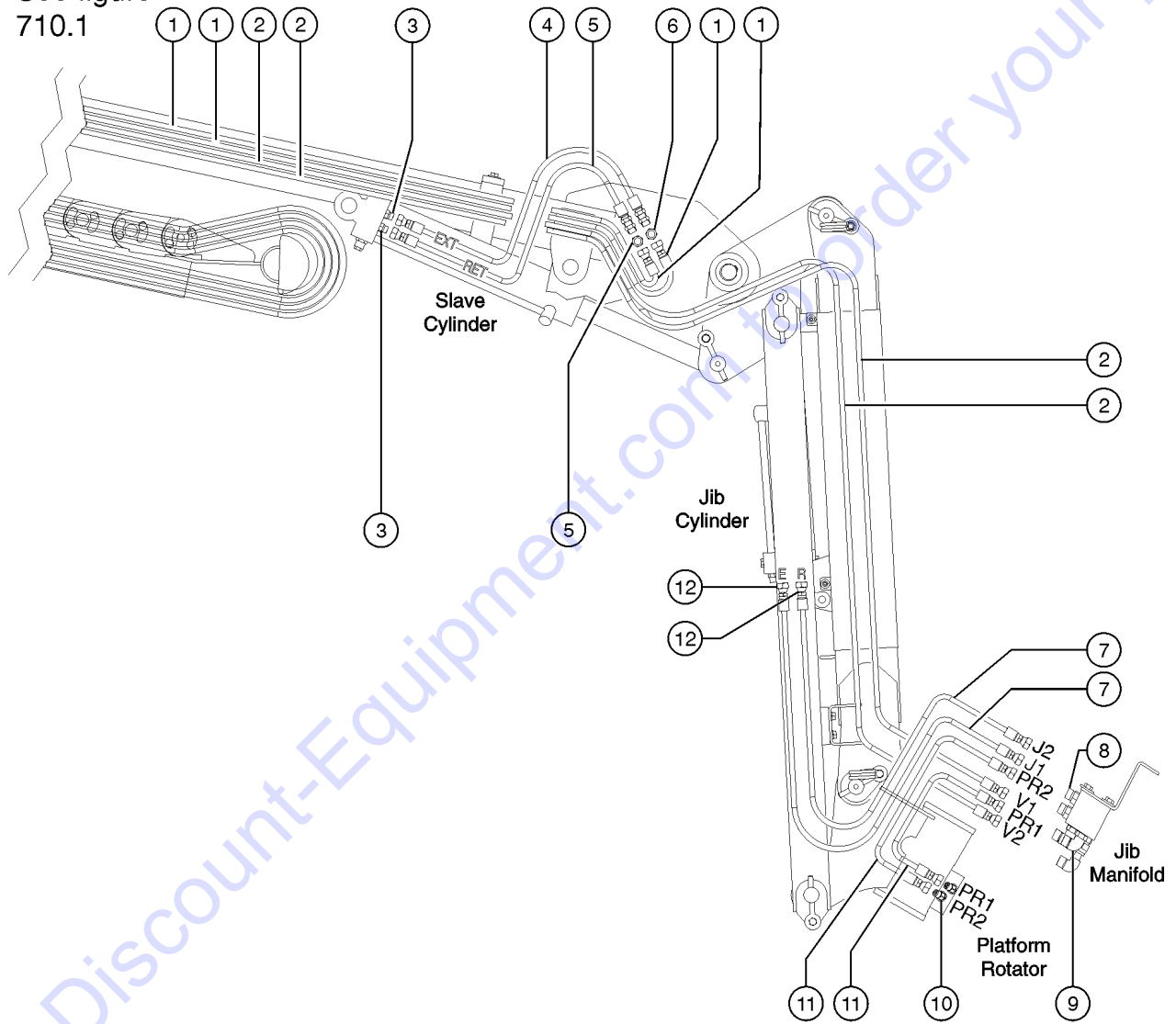
## 709.1 Hydraulic Hoses and Fittings - Secondary and Primary

Item	Part No.	Description	Qty.
1	1275928GT	HOSE ASSY,1/2,-8, -8.....	1
2	1275929GT	HOSE ASSY,3/8,-6,-6.....	1
3	48915GT	ELBOW,90D,520220-6.....	1
4	48932GT	FITTING,ELBOW,90D,520220-8***.....	1
5	48907GT	ELBOW,45D,520320-4.....	2
6	1275927GT	HOSE ASSY, 3/8,-6,-6.....	2
7	48912GT	CONN,520120-4-6***.....	2
8	48916GT	CONN, 520120-6.....	6
9	1275955GT	HOSE ASSY,3/8,-6,-6.....	2
10	48943GT	CONN, 520120-8-6.....	1
11	48905GT	CONN,520120-4***.....	4
12	1275930GT	HOSE ASSY,1/4,BLKH-4,-4.....	1
13	48908GT	FITTING,TEE,RUN,SWIVEL520432-4....	2
14	1263155GT	HOSE ASSY,#4 FEM,STR-90 DEG.....	2
15	1259155GT	HOSE ASSY,1/4X434.78,-4,-4.....	2
16	1259143GT	HOSE ASSY,1/4X509.78,-4,-4.....	2

Go to Discount-Equipment.com to order your parts

710.1 Hydraulic Hoses and Fittings - Primary and Jib

See figure  
710.1

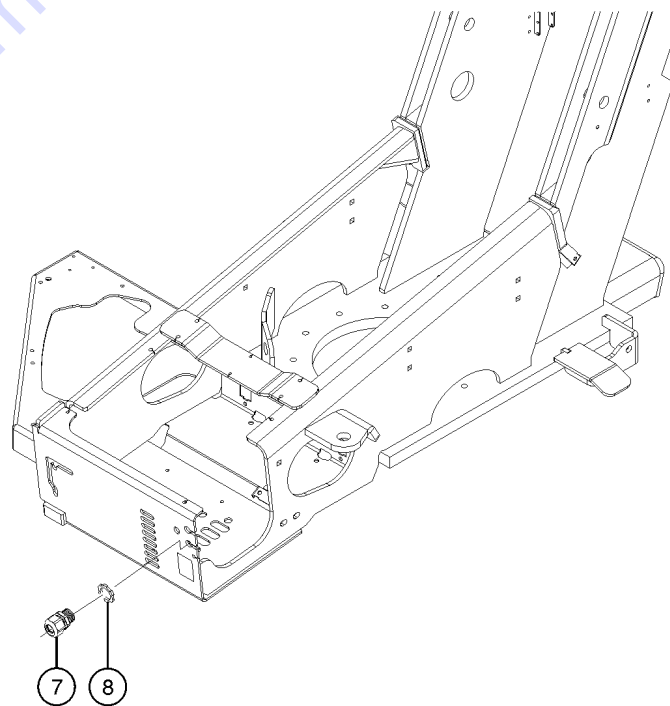
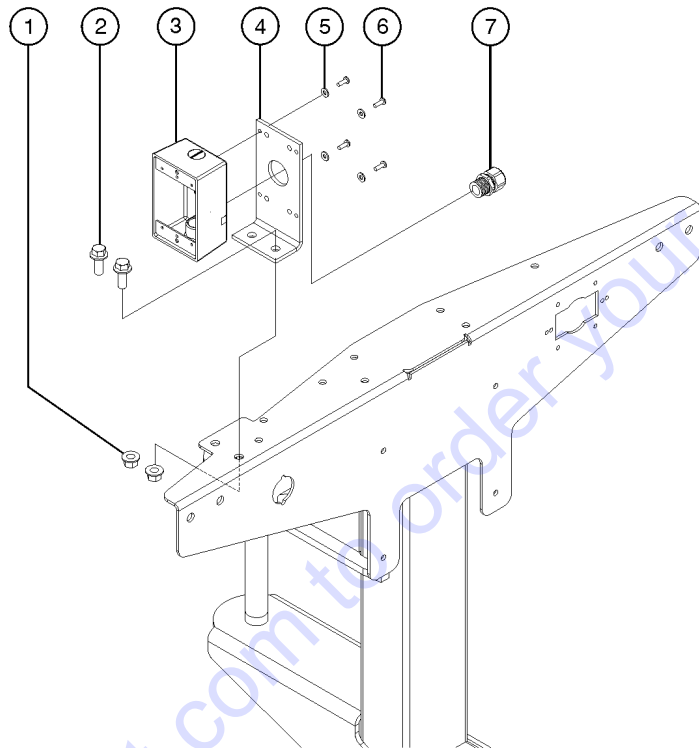
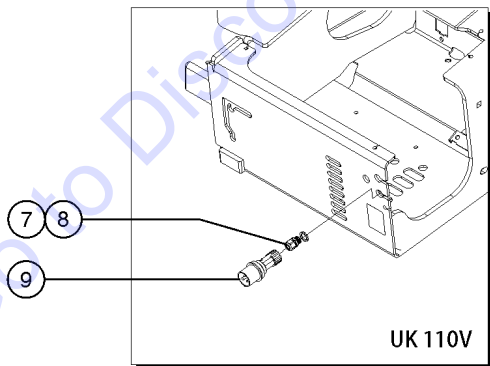
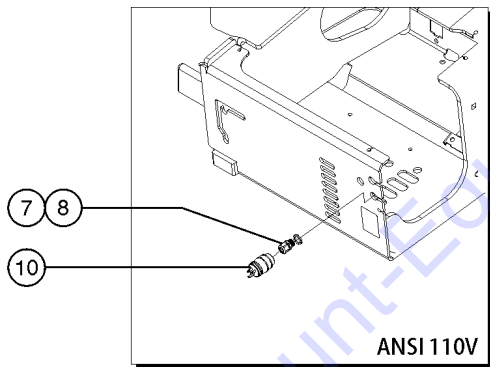
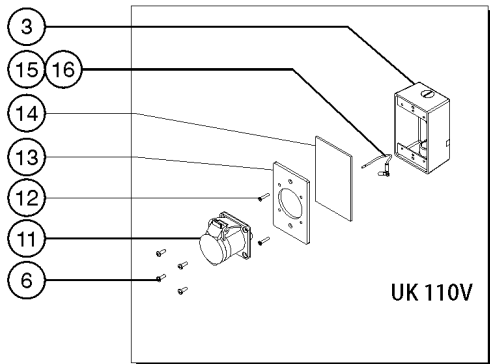
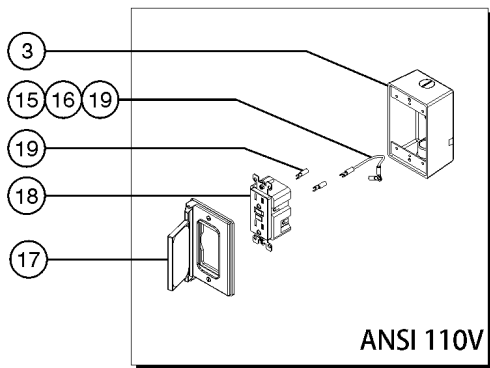


## 710.1 Hydraulic Hoses and Fittings - Primary and Jib

Item	Part No.	Description	Qty.
1	1259155GT	HOSE ASSY,1/4X434.78,-4,-4.....	2
2	1259143GT	HOSE ASSY,1/4X509.78,-4,-4.....	2
3	48912GT	CONN,520120-4-6***.....	2
4	1259164GT	HOSE ASSY,1/4X22.16,90-4,-4.....	1
5	1259163GT	HOSE ASSY,1/4X21.16,90-4,-4.....	1
6	61079GT	ELBOW,90D,BULKHEAD,520701-4.....	2
7	1275944GT	HOSE ASSY, 1/4, STR FEM, STR FEM.....	2
8	48905GT	CONN,520120-4***.....	1
9	48904GT	ELBOW,90D,520220-4-4.....	1
10	48907GT	ELBOW,45D,520320-4.....	2
11	1275943GT	HOSE ASSY, 1/4, STR FEM, STR FEM.....	2
12	48905GT	CONN,520120-4***.....	2

Go to Discount-Equipment.com to order your parts

801.1 Power to Platform

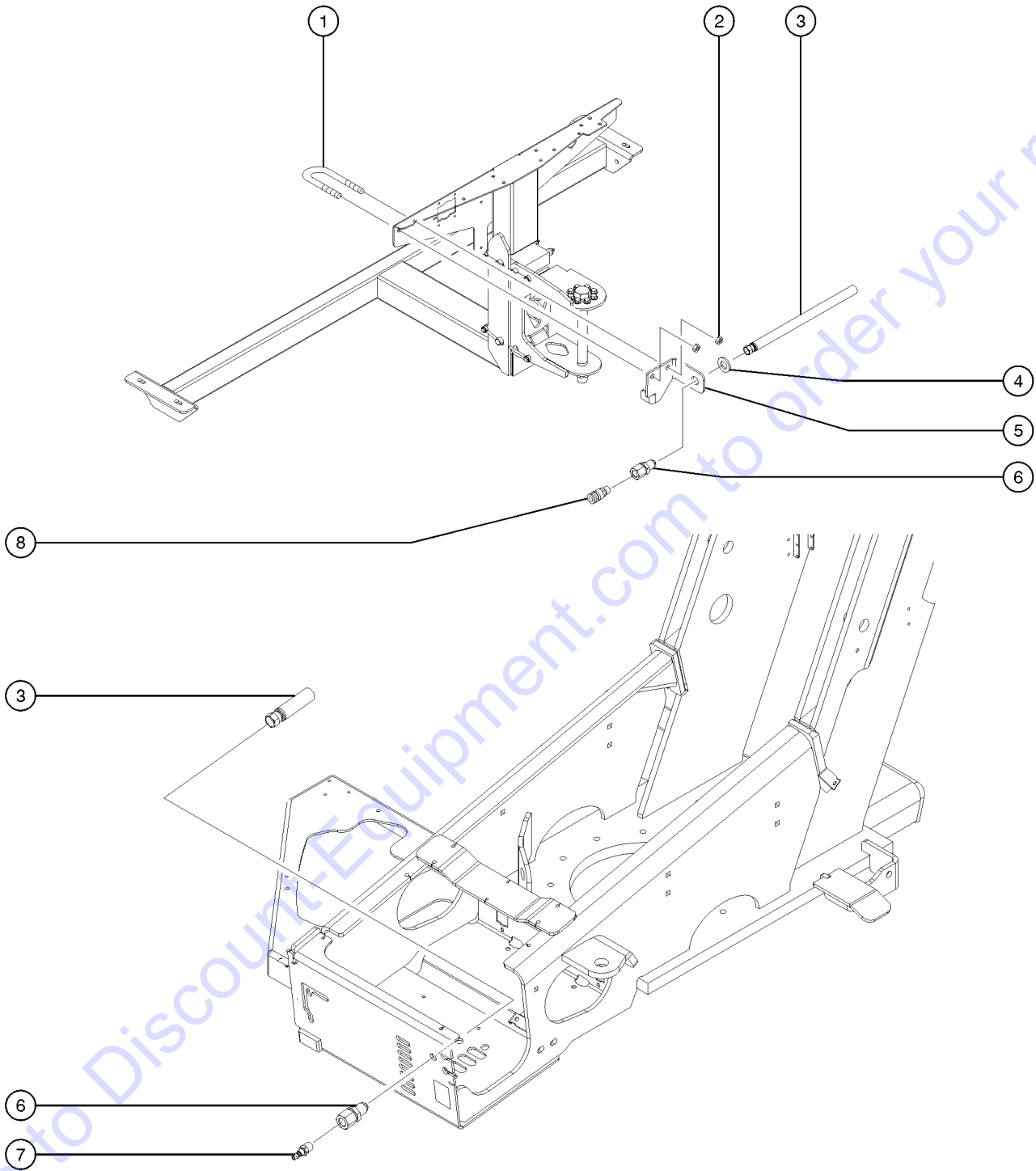


## 801.1 Power to Platform

Item	Part No.	Description	Qty.
A	1269475GT	CLAMP, POWER AIR OPTIONS.....	2
1	824029GT	NUT,TL FLG,3/8-16,G,ZAG.....	2
2	824090GT	SCREW,HHF,3/8-16X1,8,ZAG.....	2
3	10775GT	T-BOX,2.75 X 4.5 X 2.0.....	1
4	81096GT	BRACKET,POWER TO PLAT, DOM.....	1
5	1257390GT	WASHER,FLAT,#8,SAE,ZAG.....	4
6	1257296GT	SCREW,PHPM-ST,8-32X.50,TYPE F,ZAG	
7	7056GT	CONN,SQUEEZE,1/2NPT .38-.50,SM....	2
8	6935GT	LOCKNUT,ELEC,1/2"..... <i>power cable not shown</i>	1
9	144161GT	PLUG,PWR,UK,16AMP,3PIN,BLK.....	1
10	119403GT	CONN,PLUG 120 AC/15A DOMESTIC...1	
11	T112560GT	RECEPTACLE,UK,110V.....	1
12	1253489GT	SCREW,FHPM,6-32X.75,ZAG.....	2
13	T112561GT	PLATE,UK,POWER TO PLAT.....	1
14	74052GT	GASKET,COVER,GFCI,WEATHERPROOF.1	
15	55089GT	WIRE,14 GA,GREEN/YELLOW,THHN**.....	6
16	13597GT	TERMINAL,#10 RING,BLUE..... <i>crimp one end of 13597 to swing chassis ground wire</i>	2
17	74006GT	COVER,GFCI,HORIZONTAL,WEATHER.1	
18	13585GT	OUTLET, 110V.....	1
19	36878GT	TERMINAL,FORK,BLUE (BULK)..... <i>connect one each of 36878 to swing chassis positive and negative wires</i>	3



802.1 Air Line to Platform

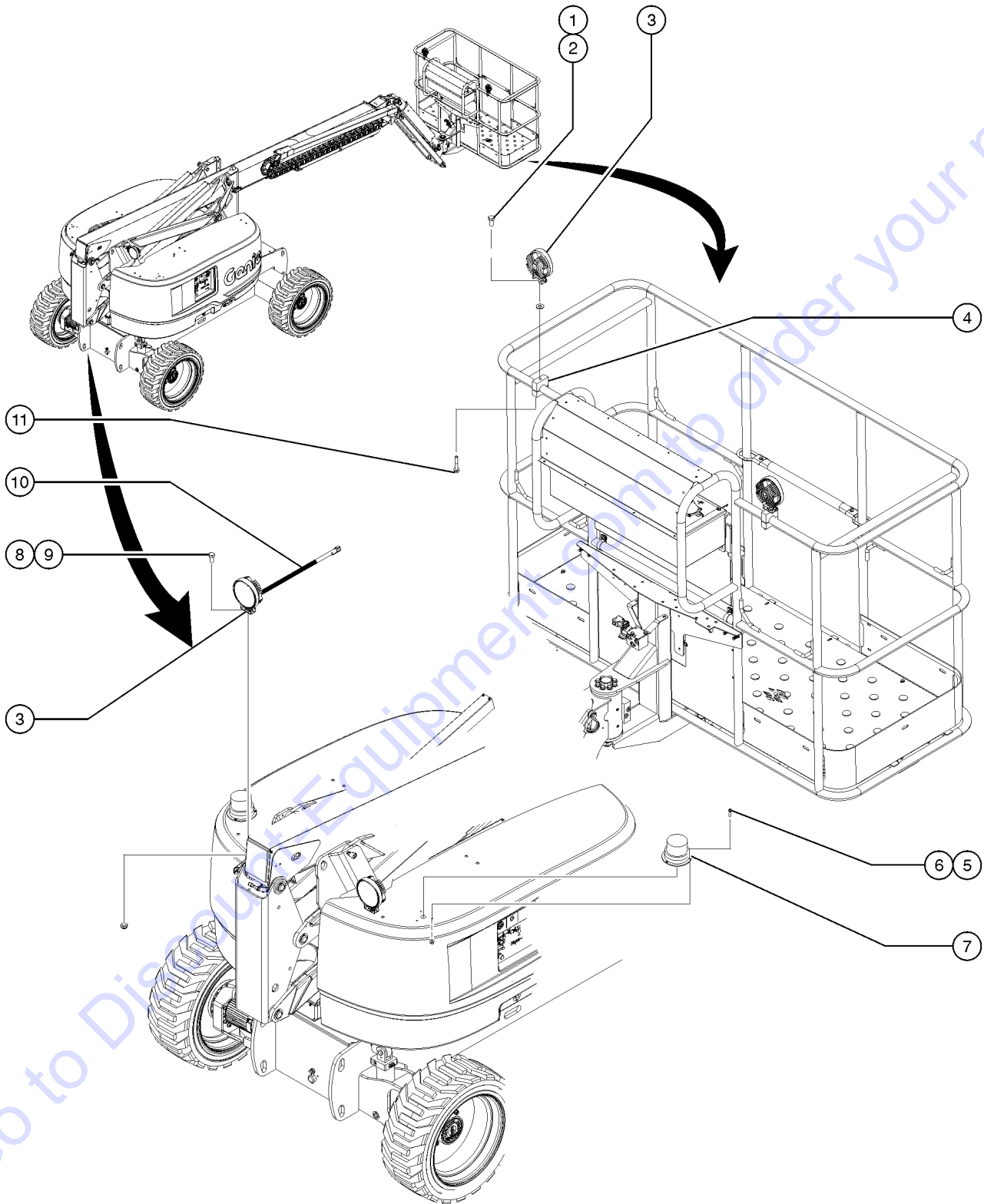


## 802.1 Air Line to Platform

Item	Part No.	Description	Qty.
1	1251600GT	U-BOLT, FLATTENED, 1.5 X 3/8 UNC,ZAG.....	1
2	824029GT	NUT,TL FLG,3/8-16,G,ZAG.....	2
3	1269759GT	HOSE ASSEMBLY, 1/2" AIR,BARB,S.....	1
--	39888GT	HOSE,1/2,LOW PRESSURE,801-8***.....	1000-inches
--	49213GT	HOSE END,BARBED,SWIVEL,JIC,8-8....	2
4	1256863GT	WASHER,FLAT,.75,SAE,HRD,ZAG.....	1
5	1275332GT	FORMING, BRACKET, AIR HOSE.....	1
6	49212GT	FEMALE BULKHEAD CONNECTOR-8...2	
7	49214GT	MALE PIPE THD,1/4" SER,3/8"X18.....	1
8	49215GT	MPT,CPLR,1/4"SER,3/8"X18.....	1

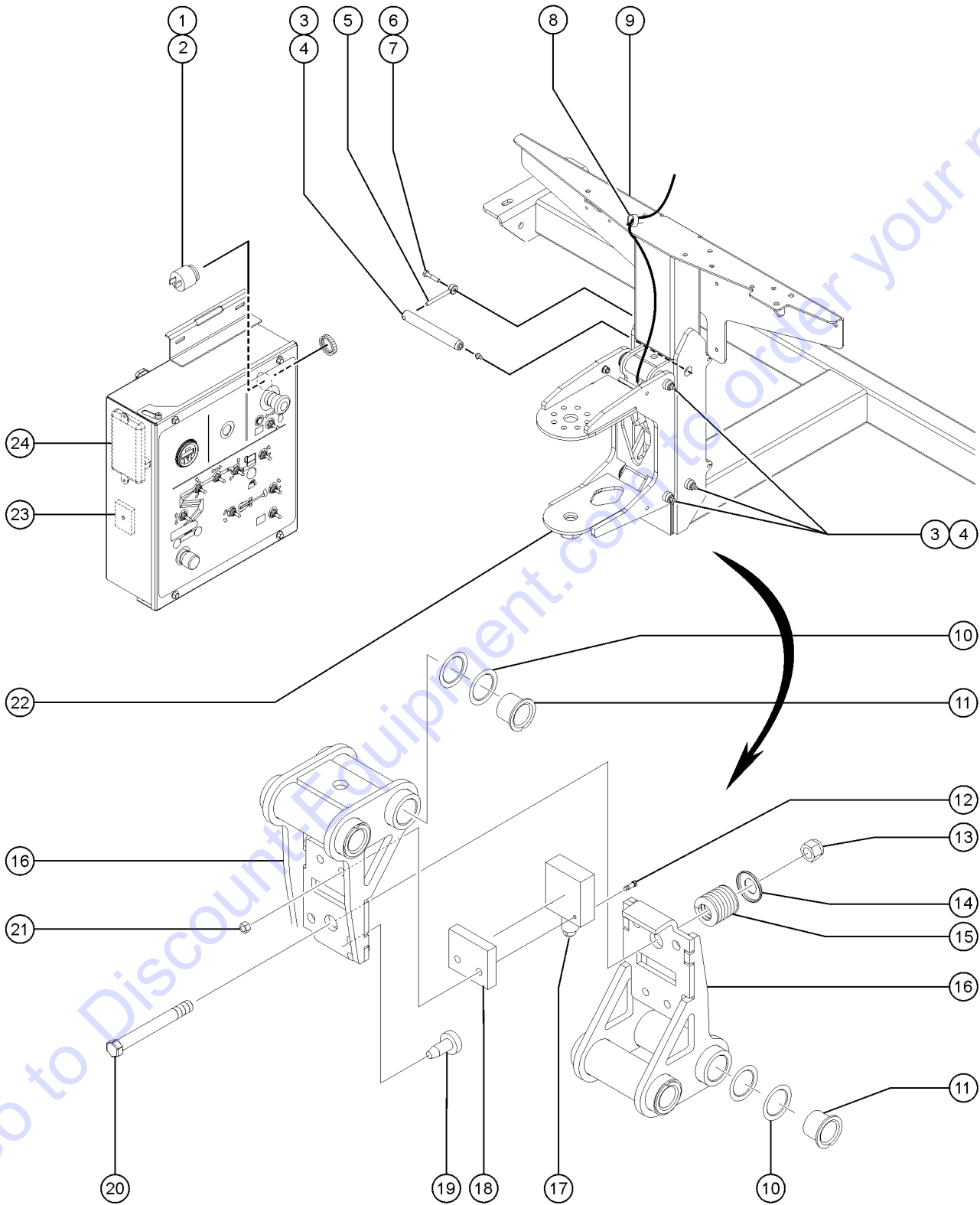
Go to Discount-Equipment.com to order your parts

803.1 Light Package



Item	Part No.	Description	Qty.
A	128584-SGT	SWITCH TOGGLE SPDT 2P MNT SHDR.....	1
B	27246GT	BOOT,TOGGLE SWITCH,SHORT*.....	1
C	72867GT	DECAL,LABEL,LIGHTS***.....	1
D	1271882GT	KIT, WIRING, WORK LIGHTS OPT, Z60/37 (inside platform control box)	
1	1256464GT	SCREW,HHC,5/16-18X.75,8,ZAG.....	2
2	824113GT	WASHER,FLAT,USS,1/4,ZAG.....	2
3	1271696GT	ASSEMBLY, WHITE LED LIGHT, ROU....	4
4	35956GT	BRACKET,WORK LIGHT MOUNT 5/16".....	2
5	824215GT	SCREW,PHPM,10-32X.75,ZAG.....	6
6	824032GT	NUT,TL FLG,10-32,F,ZAG.....	6
7	1271588GT	ASSEMBLY, AMBER LED BEACON,36l.....	2
8	1257489GT	SCREW,HHC,3/8-16X.625,8,ZAG.....	2
9	824029GT	NUT,TL FLG,3/8-16,G,ZAG.....	2
10	1274293GT	LOOM, LIGHT PACKAGE OPTION..... (drive lights)	2
11	824081GT	SCREW,HHF,1/4-20X1.5,8,ZAG.....	4

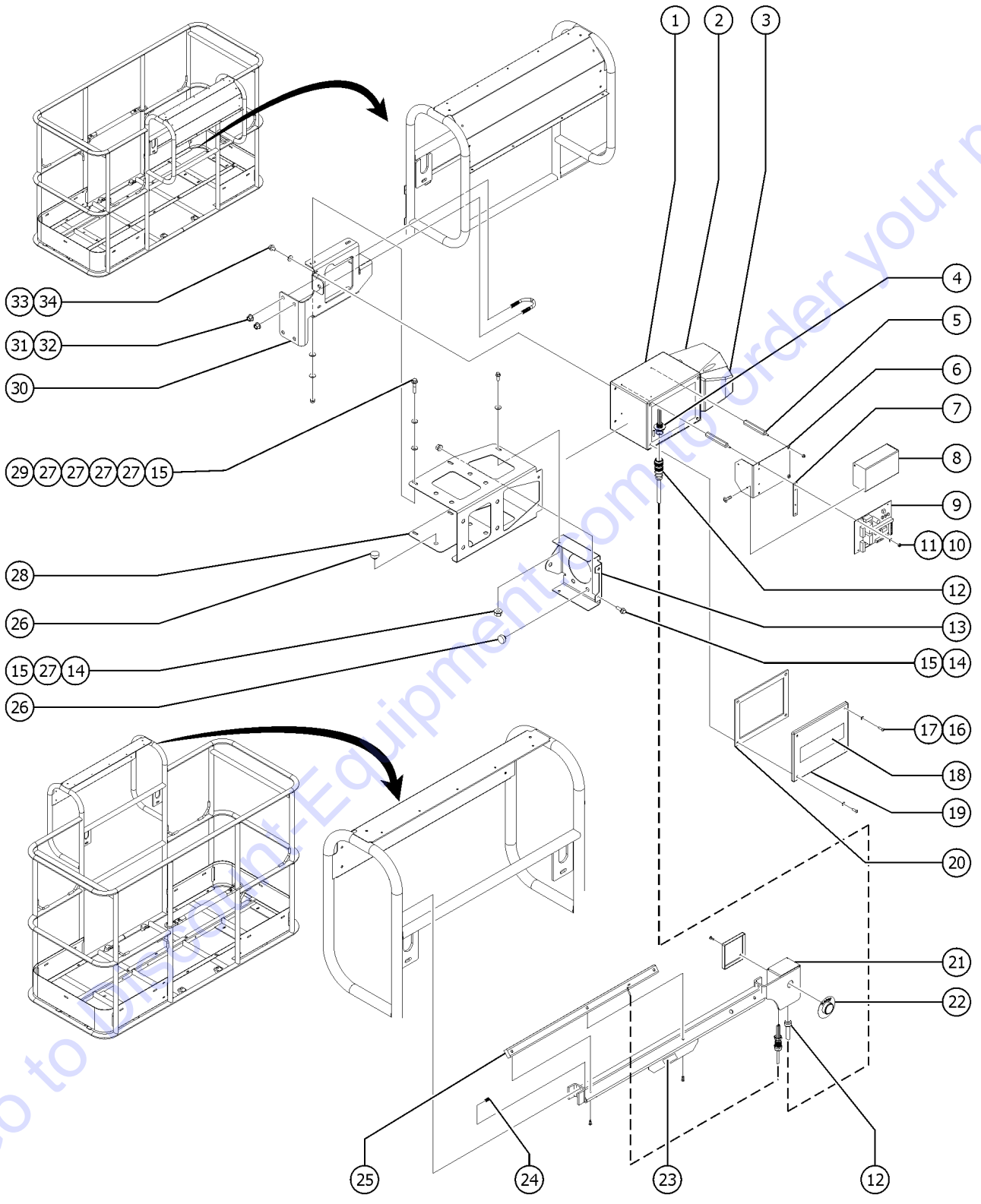
804.1 Platform Overload Option



## 804.1 Platform Overload Option

Item	Part No.	Description	Qty.
A	94460-SGT	KIT,LOAD SENSE MECHANICAL,LRG...1 <i>includes items 3-16, 18-21</i>	
--	119672GT	CE FIELD SHIM KIT LOAD SENSE.....1 <i>includes items 9 and 10</i>	
1	45383GT	ALARM,WARBLE TONE 5-30 VDC*** .....1	
2	72326GT	NUT - PLASTIC,RING FOR ALARMS.....1	
3	61726GT	PIN,0.75DIA X 5.75LG,CHAMFER.....4	
4	94643GT	ZERK,GREASE,5/16-24,STRAIT.....4	
5	825020GT	ROD END, .25 X 2.75, ZAG.....4	
6	824061GT	SCREW,HHC,1/4-20X1.25,8,ZAG.....4	
7	824027GT	NUT,TL FLG,1/4-20,G,ZAG	
8	45470GT	CLAMP,0.31,#5 X 1/4,RUB CUSH.....1	
9	61997GT	WELDMENT,PLATFORM SUPPORT,CE.....1	
10	110789GT	WASHER,SHIM .0151 THK.....16	
11	25685GT	BEARING,GARLOCK,12FDU12.....8	
12	1257264GT	SCREW,BHC,10-32X1.5,F835,ZAG.....2	
13	824029GT	NUT,TL FLG,3/8-16,G,ZAG.....1	
14	61975GT	RETAINER,SPRING,1.21 X .375.....1	
15	61974GT	SPRING,COMP,1" OD,232 LB/IN.....1	
16	61809GT	WELDMENT,LOAD SUPPORT.....2	
17	1263721GT	HARNES, LOAD SENSE, Z60/37 <i>includes limit switch</i>	
--	99183GT	SWITCH, ROLLER PLUNGER LIMIT.....1	
18	61972GT	MOUNT,SWITCH.....1	
19	34619GT	BUMPER,RUBBER***.....2	
20	824095GT	SCREW,HHF,3/8-16X3,8,ZAG.....1	
21	824032GT	NUT,TL FLG,10-32,F,ZAG.....2	
22	61804GT	WELDMENT,ROTATOR SUPPORT.....1	
23	121846GT	RELAY,TIME DELAY,2 SEC,10A.....1	
24	128045GT	MODULE,LOAD SENSE 2007.....1	

805.1 Operators Protection Alarm (to January 2017)



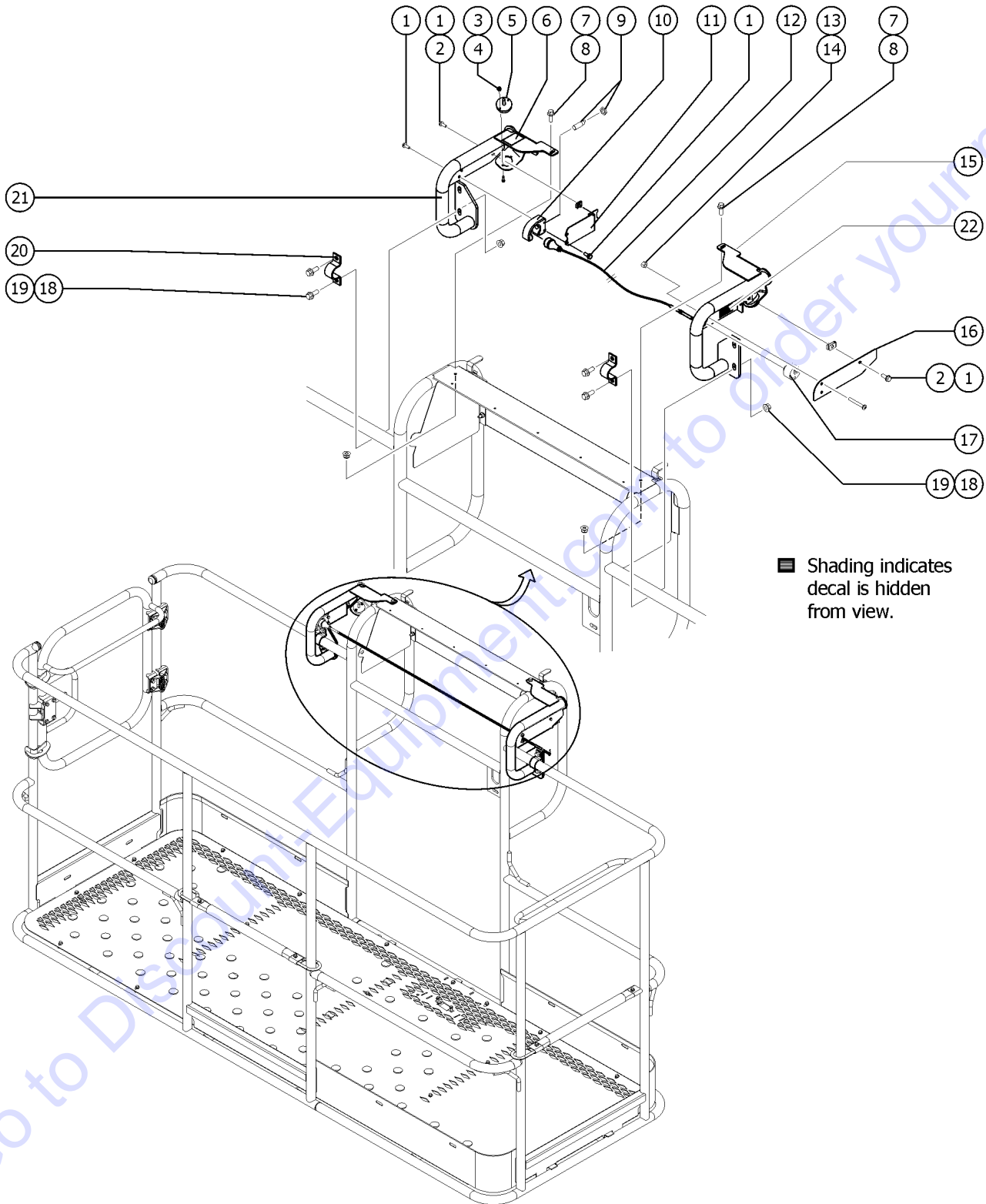
A TEREX BRAND

## 805.1 Operators Protection Alarm (to January 2017)

Item	Part No.	Description	Qty.	Item	Part No.	Description	Qty.
B	1275537GT	ASSEMBLY, OPA PROTECTION CAGE.....	1	34	1257389GT	WASHER, FLAT, M6X18X1.6,DIN9021,ZAB.....	2
C	1255030GT	PLUG,BLANKING.....	1				
1	1255018GT	BASE ENCLOSURE,RED,OPA.....	1				
2	1255021GT	SOUNDER,MIDI,OPA.....	1				
3A	1255037GT	SOUNDER LENS, OPA, BLUE..... (standard lens fitted to OPA)	1				
3B	1270116GT	SOUNDER LENS, OPA, RED.....	1				
3C	1270117GT	SOUNDER LENS, OPA, AMBER.....	1				
3D	1270118GT	SOUNDER LENS, OPA, CLEAR.....	1				
4	1255033GT	HARN,PIGTAIL,TAPESWITCH,OPA.....	1				
5	1255028GT	STAND OFF,CONTROL UNIT.....	4				
6	1255024GT	BRACKET,CONTROL UNIT.....	1				
7	1255025GT	SPACER,HEAT SINK.....	1				
8	1255023GT	ASSY,MODULE,CONTROL UNIT,OPA....	1				
9	1255022GT	MODULE,CONTROL UNIT,PCB,OPA....	1				
10	1255067GT	NUT,M4 NYLOCK.....	4				
11	1255066GT	WASHER,M4 NYLON.....	4				
12	1255035GT	ASSEMBLY,CABLE,TAPESWITCH.....	1				
13	1275539GT	FORMING, OPA CAP.....	1				
14	824078GT	SCREW,HHF,1/4-20X.75,8,ZAG.....	5				
15	824027GT	NUT,TL FLG,1/4-20,G,ZAG.....	9				
16	1255038GT	SCREW,M5X16 BHD.....	4				
17	1255027GT	WASHER,M5 NYLON.....	4				
18	1255890GT	DECAL,COSMETIC,GENIE.....	1				
19	1255020GT	LID ENCLOSURE,RED,OPA.....	1				
20	1255019GT	GASKET,ENCLOSURE.....	1				
21	1255029GT	ASSEMBLY,TAPESWITCH..... (6/8' platforms) (includes j-box and fasteners)	1				
22	1255036GT	ASSEMBLY RESET SWITCH.....	1				
23	1255889GT	DECAL,SYMBOL-READ THE MANUAL.....	1				
24	1255068GT	SCREW,M6X8.....	2				
25	1255047GT	SENSOR,RUBBER EDGE..... (6/8' platforms)	1				
26	43392GT	BUMPER,BATTERY BOX & RAILS.....	17				
27	824113GT	WASHER,FLAT,USS,1/4,ZAG.....	19				
28	1275538GT	FORMING, OPA CAGE.....	1				
29	824080GT	SCREW,HHF,1/4-20X1.25,8,ZAG.....	4				
30	1275540GT	FORMING, OPA, BRACKET.....	1				
31	824029GT	NUT,TL FLG,3/8-16,G,ZAG.....	4				
32	1251600GT	U-BOLT, FLATTENED, 1.5 X 3/8 UNC,ZAG.....	2				
33	237238GT	SCREW,HHF,M6-1.0X12,DIN6921,10....	2				



805.2 Lift Guard Contact Alarm Option (from January 2017)

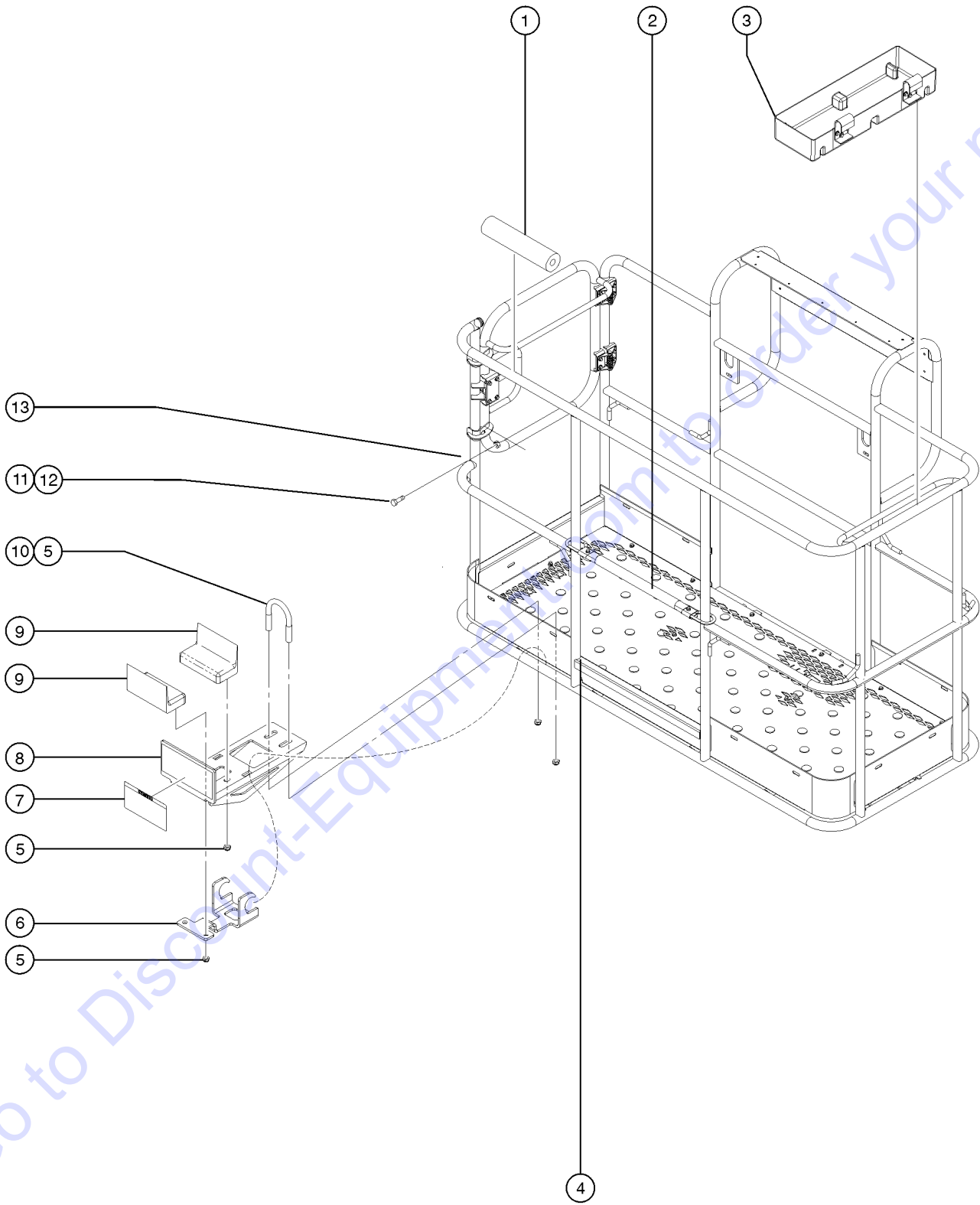


805.2 Lift Guard Contact Alarm Option (from January 2017)

Item	Part No.	Description	Qty.	Item	Part No.	Description	Qty.
--		From January 2017, this option became a standard installation on all models unless the customer specifically request not to have it installed		22	1278982GT	DECAL, INSTRUCTION, ACTUATOR SWITCH SOCKET.....	1
--	1279135GT	KIT, LIFT GUARD CONTACT ALARM,6'-8' PLATFORM,NON-ALC1000					
--	1278109GT	HARNESS, OPA2, Z60E					
--	19274GT	RELAY,SPDT,12V(AUTO)**					
--	1278121GT	MODULE, PLUS+1, CONTACT ALARM (not shown) inside platform control box					
1	1264934GT	SCREW,HHF,10-24X.5					
2	73575GT	SPRING CLIP,10-24,.025-.125X.468,ZAG					
3	12344GT	NUT,NYLOCK,6-32					
4	1256859GT	SCREW,PHPM,6-32X.875,ZAG					
5	1278111GT	ASSEMBLY, LIGHT, CONTACT ALARM.....	2				
6	1278542GT	DECAL, INSTRUCTION, CONTACT ALARM					
7	824078GT	SCREW,HHF,1/4-20X.75,8,ZAG					
8	1277924GT	NUT,NYLOCK FLG,1/4-20,F,ZAG					
9	1278119GT	ASSEMBLY, SENSOR, PROX, CONTACT ALARM.....	1				
10	1278433GT	ASSY, SENSOR W/HOUSING (Includes holder item 1277877 and sensor part 1278119)					
--	1277877GT	HOLDER, SENSOR.....	1				
11	1277873GT	FORMING, SENSOR HOLDER.....	1				
12	1278416GT	ASSEMBLY,CONTACT ALARM CABLE, LARGE.....	1				
--	1261184GT	NUT,1/4-20,8,ZAG Part of assembly 1278416					
--	1278124GT	MAGNET, 1/4-20, 15 LB. Part of assembly 1278416					
--	1278368GT	GRIP, CABLE Part of assembly 1278416					
--	1278458GT	CONTACT ALARM WIRE ASSY, LARGE Part of assembly 1278416					
13	1274168GT	NUT,NYLOCK,10-32,A,ZAG					
14	824216GT	SCREW,PHPM,10-32X1.5,ZAG					
15	1278138GT	WELDMENT, RIGHT CONTACT ALARM, LARGE.....	1				
16	1277875GT	PLATE, CABLE AND WIRE COVER.....	1				
17	1277876GT	GUIDE, CABLE.....	1				
18	1274322GT	NUT,NYLOCK FLG,3/8-16,F,ZAG					
19	824090GT	SCREW,HHF,3/8-16X1.8,ZAG					
20	1278363GT	CLAMP, 1.25 INCH TUBE.....	2				
21	1278144GT	WELDMENT, LEFT CONTACT ALARM, LARGE.....	1				



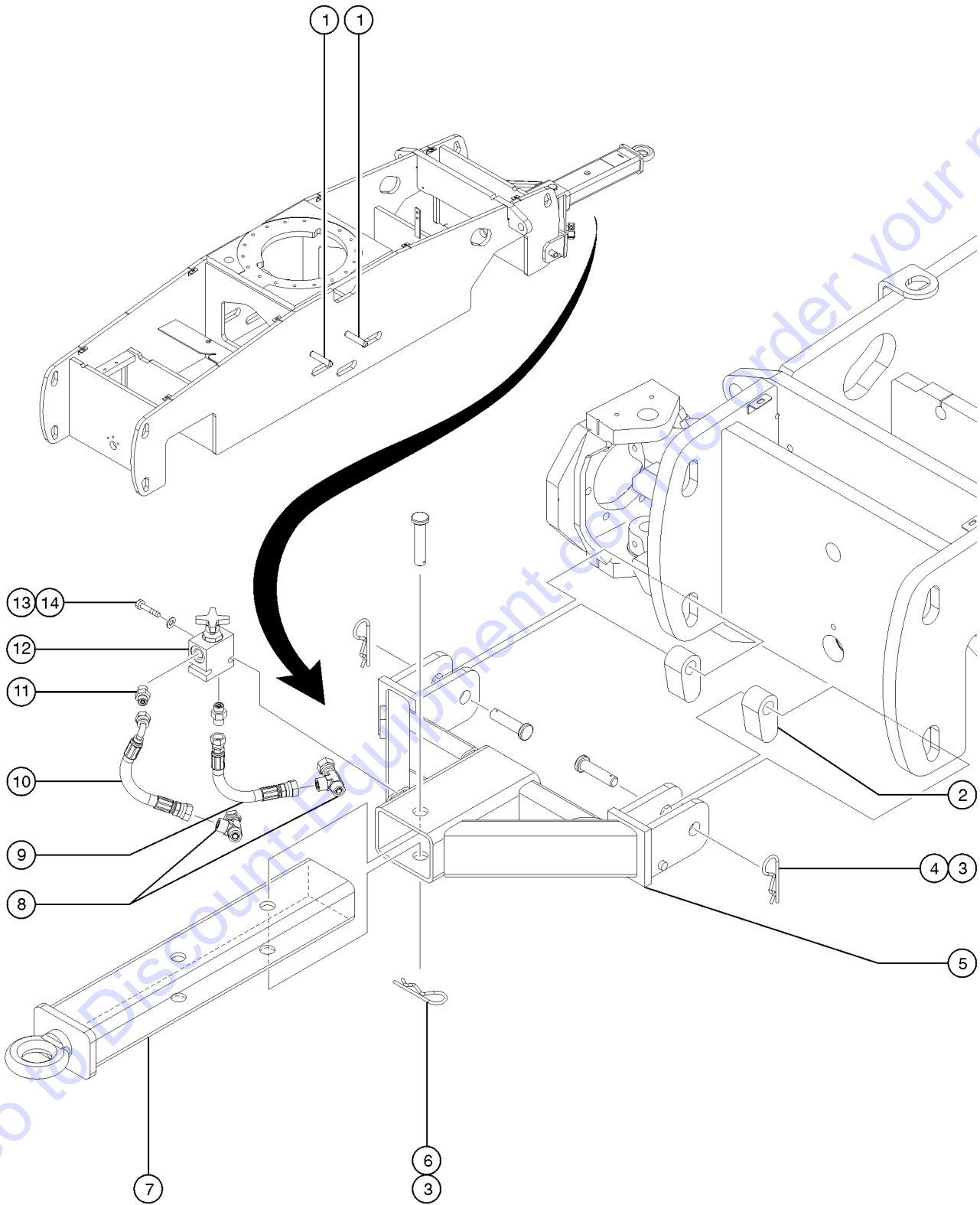
806.1 Panel Cradle and Tool Tray



## 806.1 Panel Cradle and Tool Tray

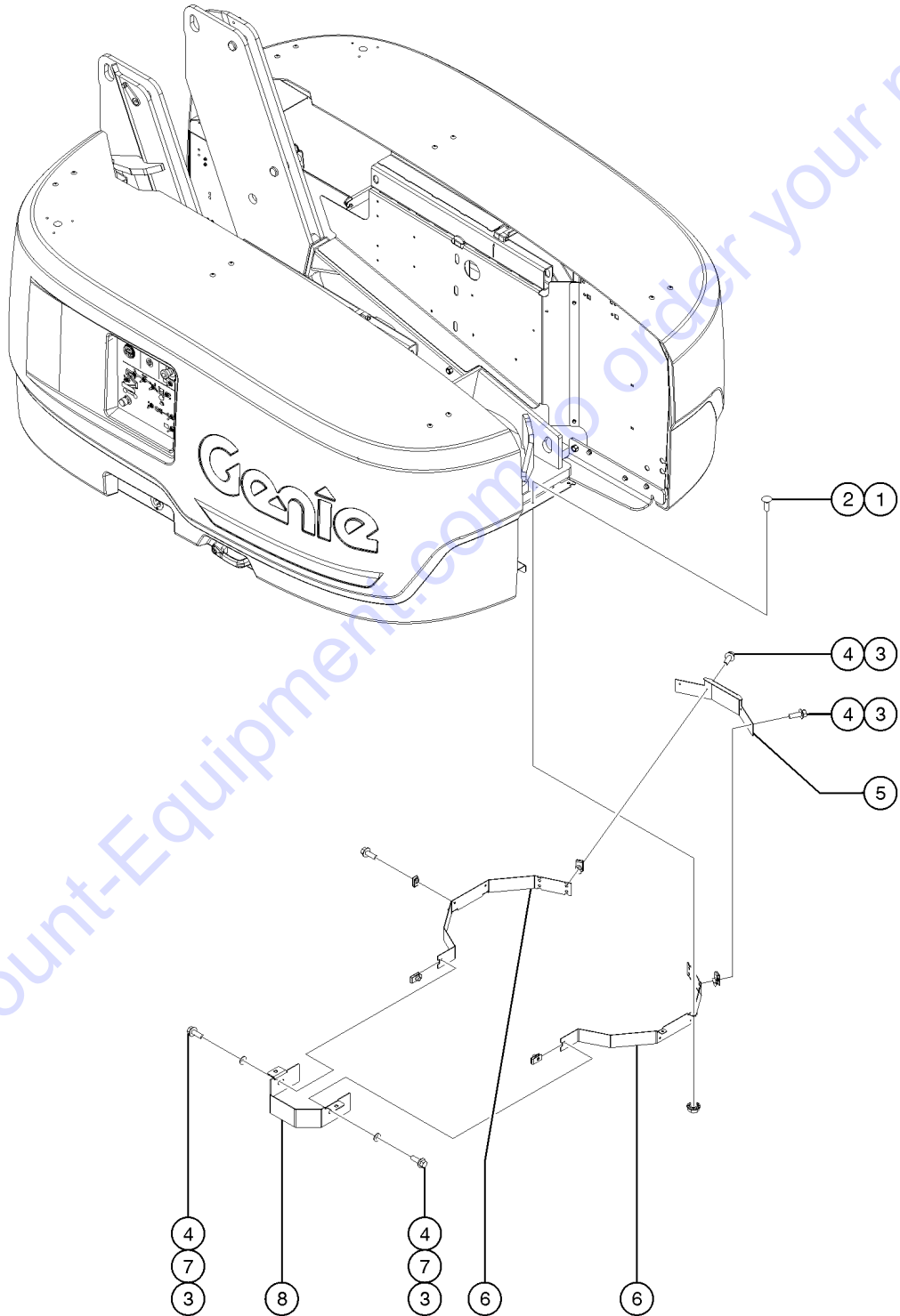
Item	Part No.	Description	Qty.
A	77683GT	ACCESSORY,PANEL CRADLE,ANSI (ANSI/CSA models)	
B	94493-SGT	KIT,PANEL CRADLE,CE (CE models) Not allowed for AUS installation	
1	88377-1400GT	FOAM PAD, 3" OD X 1.25" ID X 14 IN.....2	
2	77664GT	ADJUSTABLE STRAP ASSY.....1	
3	9599-SGT	TOOL TRAY ACCESSORY***	
--	7746GT	BRACKET-TOOL TRAY MOUNTING	
4	73463-1175GT	TUBE, RD, ALUM, 1.25 X .083 X 11.75...2	
5	1274322GT	NUT,NYLOCK FLG,3/8-16,F,ZAG	
6A	233992GT	KIT,PANEL CRADLE BRACKET,WORD.....1 (ANSI models) (includes hook, panel support bracket and installation instructions)	
6B	233993GT	KIT,PANEL CRADLE BRACKET,SYMBL.....1 (CE models) (includes hook, panel support bracket and installation instructions)	
6C	228849GT	FORMING,SECONDARY SUPPORT.....2 77576P is no longer available. For machines before 2010, must install Qty 2 service kit 233992 (ANSI) or 233993 (CE) for initial replacement.	
7	82410GT	DECAL,WARNING,PANEL CRADLE.....2 (ANSI/CSA models)	
7A	82487GT	DECAL, SYMBOL - READ THE MANUAL.....2 (CE models)	
8A	233992GT	KIT,PANEL CRADLE BRACKET,WORD.....1 (ANSI models) (includes hook, panel support bracket and installation instructions)	
8B	233993GT	KIT,PANEL CRADLE BRACKET,SYMBL.....1 (CE models) (includes hook, panel support bracket and installation instructions)	
8C	228848GT	FORMING PANEL CRADLE.....2 89724 is no longer available. For machines before 2010, must install Qty 2 service kit 233992 (ANSI) or 233993 (CE) for initial replacement.	
9	56934GT	PAD,REST,1"THICK,FLANGED.....4	
9A			
10	1251600GT	U-BOLT, FLATTENED, 1.5 X 3/8 UNC,ZAG.....2	
11	1256855GT	SCREW,HHF,1/4-20X.625,8,ZAG.....1	
12	1277924GT	NUT,NYLOCK FLG,1/4-20,F,ZAG.....1	
13	56424GT	CLAMP,1.25X.5 RUBBER-CUSHION.....1	

807.1 Tow Package



Item	Part No.	Description	Qty.
1	47025GT	PIN,STORAGE,TOW PACKAGE.....2 <i>used to store 94420 WELDMENT,PULL BAR</i>	
2	1255727GT	PLATE,CHASSIS ATTACHMENT.....2	
3	233108GT	RUE RING 1.25,ZAG.....3	
4	1257868GT	PIN,CLEVIS,1.25X5.0,ZAG.....2	
5	1255728GT	WELDMENT,TOW BAR.....1 <i>decal not included, refer to section 100</i>	
6	1257869GT	PIN,CLEVIS,1.25X6.0,ZAG.....1	
7	1255726GT	WELDMENT,PULL BAR.....1	
8	48875GT	TEE,RUN,SWIVEL,520432-6.....2	
9	49120-7131GT	HOSE ASSEMBLY,1/4".....1 <i>attach to right front steer cylinder</i>	
10	49163-7144GT	HOSE ASSEMBLY,1/4".....1 <i>includes 90-degree elbow fitting; attach to left steer cylinder</i>	
11	48912GT	CONN,520120-4-6***.....2	
12	25282GT	VALVE,NEEDLE,BRAKE RELEASE.....1	
13	824063GT	SCREW,HHC,1/4-20X1.75,8,ZAG.....2	
14	824113GT	WASHER,FLAT,USS,1/4,ZAG.....2	

808.1 Swing Gear Guard



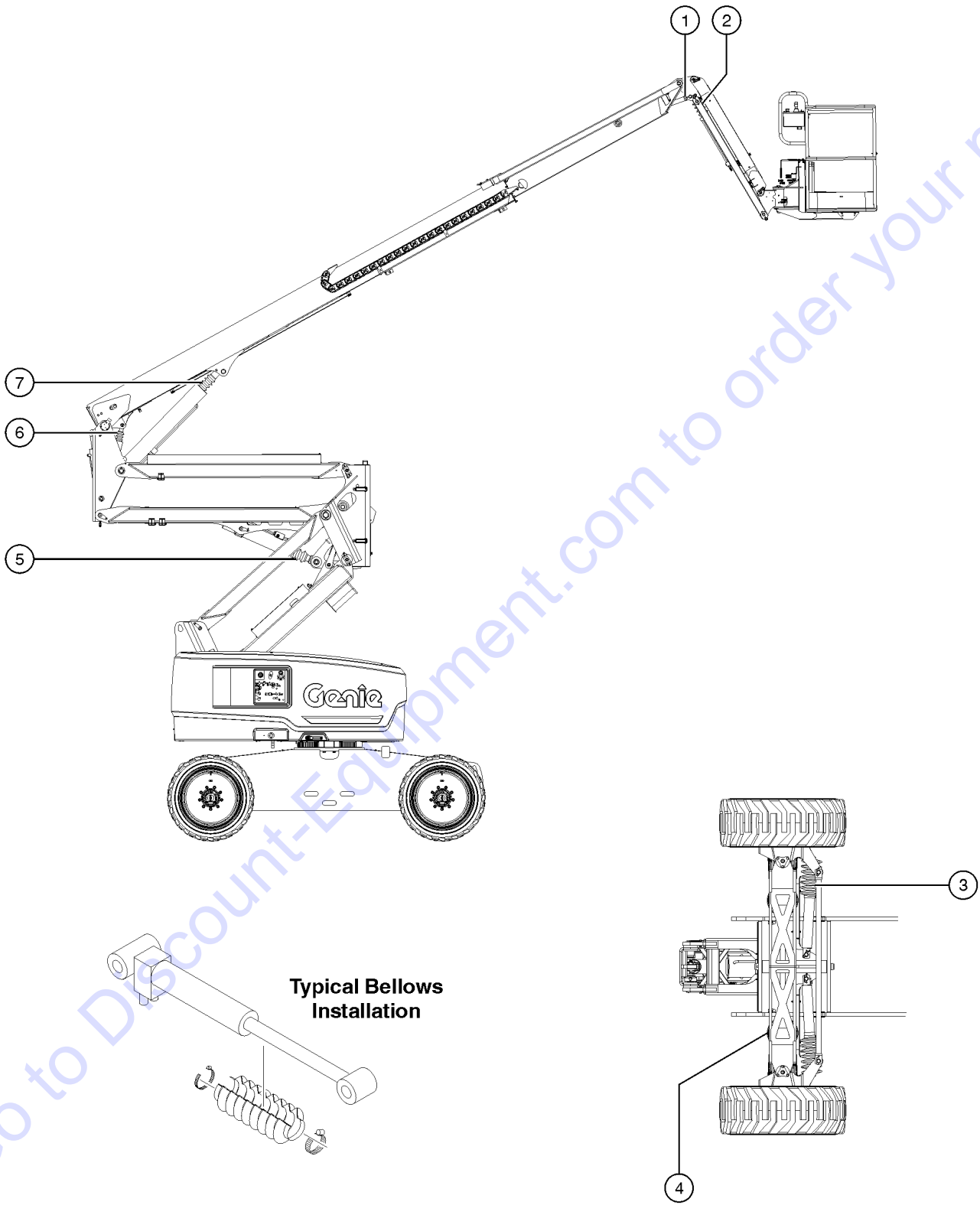
## 808.1 Swing Gear Guard

Item	Part No.	Description	Qty.
1	824124GT	BOLT,CARRIAGE,1/4-20X.75,5,ZAG.....2	
2	1256679GT	NUT,SERRATED,1/4-20,8,ZAG.....2	
3	824078GT	SCREW,HHF,1/4-20X.75,8,ZAG.....8	
4	56912GT	SPRING CLIP,1/4-20,.025-.15X.54,ZAG.....8	
5	1271026GT	FORMING,SWING GEAR RH.....1	
6	1271028GT	FORMING,SWING GEAR REAR.....2	
7	824113GT	WASHER,FLAT,USS,1/4,ZAG.....2	
8	77879GT	FORMING,PINION GUARD.....1	

Go to Discount-Equipment.com to order your parts



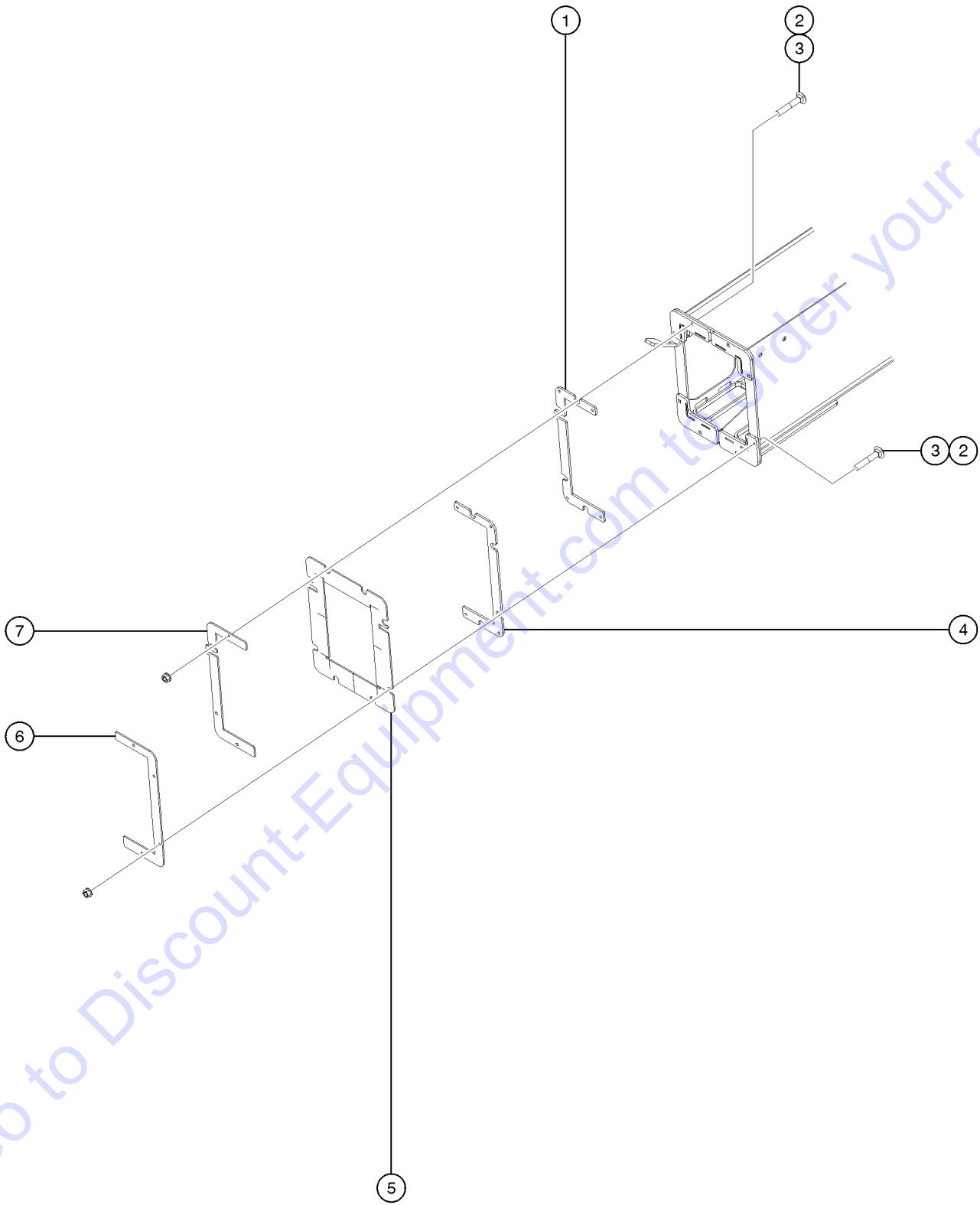
809.1 Cylinder Bellows



## 809.1 Cylinder Bellows

Item	Part No.	Description	Qty.
1	1259231GT	BELLOWS,PLAT LEVEL CYL.,Z62.....	1
--	22672GT	CLAMP,HOSE,1.75	
--	34955GT	CLAMP,HOSE,5.00	
2	1259226GT	BELLOWS, JIB CYL.,Z62.....	1
--	22672GT	CLAMP,HOSE,1.75	
--	30971GT	CLAMP,HOSE,3.00"	
3	1259229GT	BELLOWS,STEER CYL.,Z62.....	2
--	30971GT	CLAMP,HOSE,3.00"	
--	36208GT	CLAMP,HOSE,1.25***	
4	1259230GT	BELLOWS,OSC. CYL.,Z62.....	2
--	22672GT	CLAMP,HOSE,1.75	
--	34955GT	CLAMP,HOSE,5.00	
5	1263401GT	BELLOWS,SLC,Z62.....	1
--	30971GT	CLAMP,HOSE,3.00"	
--	35432GT	CLAMP,HOSE,6.50	
6	1259228GT	BELLOWS,MASTER CYL.,Z62.....	1
--	22672GT	CLAMP,HOSE,1.75	
--	34955GT	CLAMP,HOSE,5.00	
7	1259227GT	BELLOWS, PLC.,Z62.....	1
--	30971GT	CLAMP,HOSE,3.00"	
--	35432GT	CLAMP,HOSE,6.50	

810.1 Boom Wiper

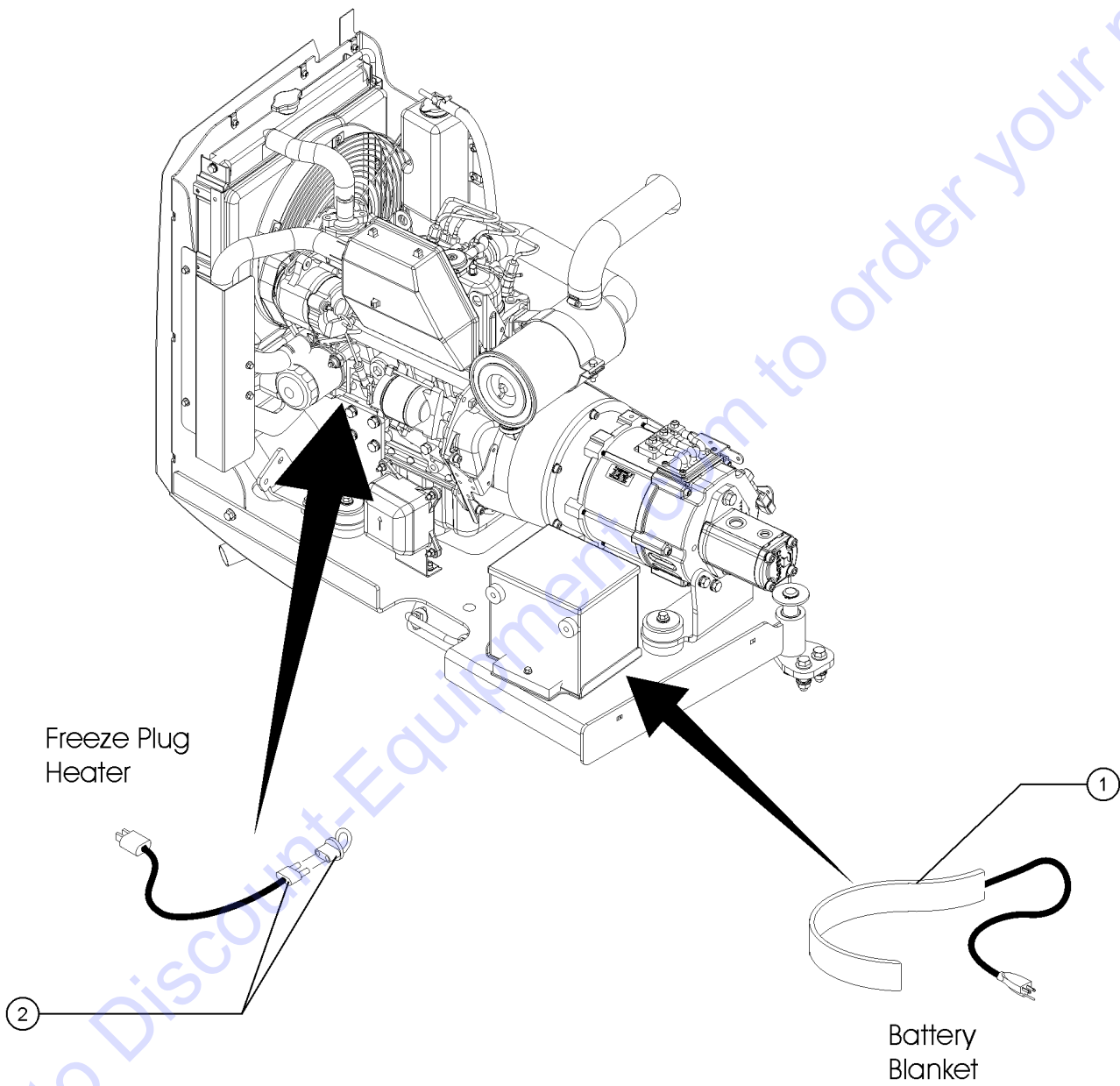


Go to Discount-Equipment.com to order your parts

Item	Part No.	Description	Qty.
1	1263164GT	PLATE,WIPER,SPACER,LIM SW,Z62.....1	1
2	1255756GT	BOLT,CARRIAGE,1/4-20X1.5,5,ZAG.....8	8
3	824027GT	NUT,TL FLG,1/4-20,G,ZAG.....8	8
4	1256678GT	PLATE,WIPER,SPACER,Z62.....1	1
5	1256662GT	WIPER,BOOM,Z62.....1	1
6	1256663GT	PLATE,WIPER,BOOM,Z62.....1	1
7	1263163GT	PLATE,WIPER,BOOM,LIM SW,Z62.....1	1

Go to Discount-Equipment.com to order your parts

811.1 Cold Start, FE Models

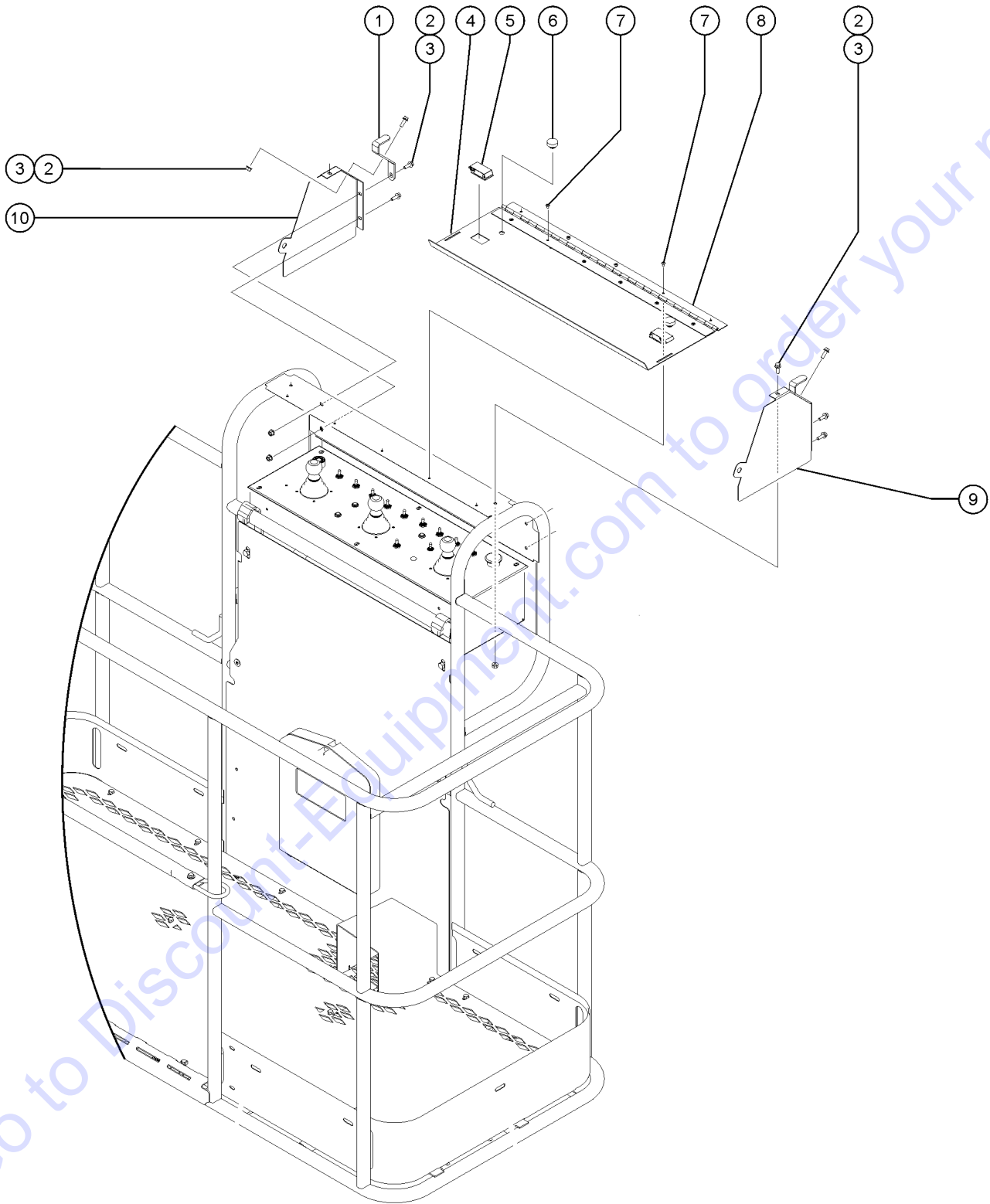


## 811.1 Cold Start, FE Models

Item	Part No.	Description	Qty.
A	128146GT	OIL,ENG 5W-40 SYN***.....	5.4-quarts
1	28853GT	BLANKET,BATTERY.....	1
2	42489GT	FREEZE PLUG HEATER,Z34IC/BE.....	1

Go to Discount-Equipment.com to order your parts

812.1 Platform Control Cover Option



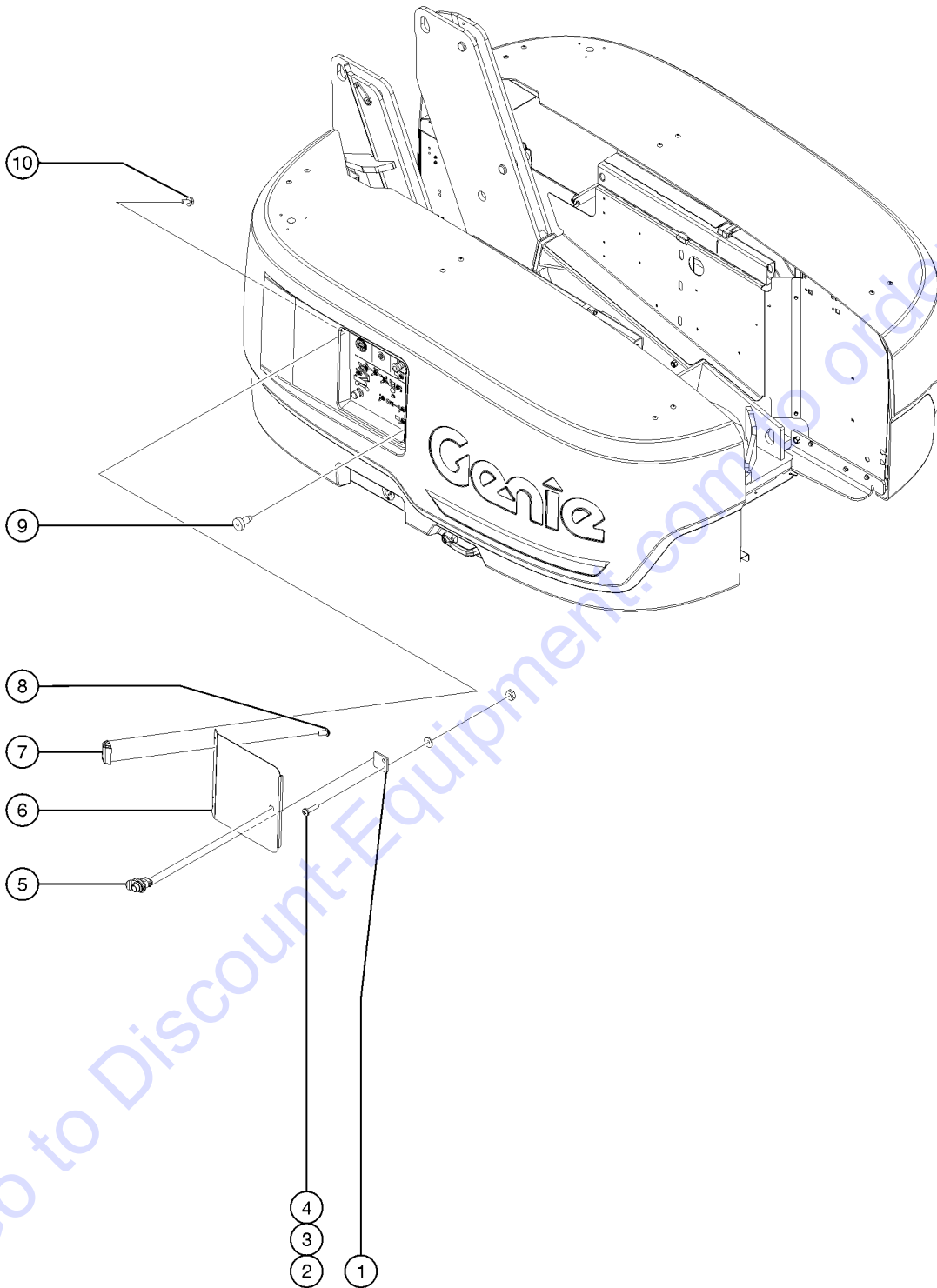
## 812.1 Platform Control Cover Option

Item	Part No.	Description	Qty.
1	102786PGT	FORMING,LATCH,CTRL BOX LID PTD.....	2
2	824078GT	SCREW,HHF,1/4-20X.75,8,ZAG.....	8
3	824027GT	NUT,TL FLG,1/4-20,G,ZAG.....	8
4	102785PGT	CONTROL BOX COVER,LID,PTD.....	1
5	30468GT	LATCH,SLIDE, FLUSH MOUNT STYLE.....	2
6	43392GT	BUMPER,BATTERY BOX & RAILS.....	2
7	87085GT	RIVET,ALUM,P,188 X .25.....	11
8	111526GT	HINGE,PLAT CONTROL BOX COVER..	1
9	88606PGT	COVER,CONTROL BOX RIGHT SIDE**.....	1
10	88607PGT	COVER,CONTROL BOX LEFT SIDE***.....	1

Go to Discount-Equipment.com to order your parts



813.1 Ground Control Box Cover



## 813.1 Ground Control Box Cover

Item	Part No.	Description	Qty.
1	823748GT	LATCH STRIKER.....	1
2	824215GT	SCREW,PHPM,10-32X.75,ZAG.....	2
3	1253185GT	WASHER,FLAT,#10,USS,ZAG.....	2
4	1256804GT	NUT,10-32,ZAG.....	2
5	1259583GT	LATCH,PUSH BUTTON.....	1
6	823747GT	FORMING,CONTROL COVER.....	1
7	1259584GT	HINGE,CONSTANT TORQUE.....	2
8	229845GT	SCREW,BHSCS,M5X10,SS.....	4
9	34619GT	BUMPER,RUBBER***.....	2
10	218457GT	SCREW,HHF,M5X12,DIN6921,10.9,Z.....	4

Go to Discount-Equipment.com to order your parts

# PARTS FINDER

**Search Website  
by Part Number**



**Search Manual  
Library For Parts  
Manual & Lookup Part  
Numbers – Purchase  
or Request Quote**

**Search Manuals**

Enter your information to help us find the right parts manual for your machine.

\* Brand:

\* Model:

\* Serial:

\* Part Number:

SEARCH

**Can't Find Part or  
Manual? Request Help  
by Manufacturer,  
Model & Description**

**Parts Order Form**

Please fill in the following information to help us find the right part for your machine.

Manufacturer:	<input type="text"/>
Model:	<input type="text"/>
Description:	<input type="text"/>
Part Number:	<input type="text"/>
Quantity:	<input type="text"/>
Notes:	<input type="text"/>

Submit

Discount-Equipment.com is your online resource for quality parts & equipment.

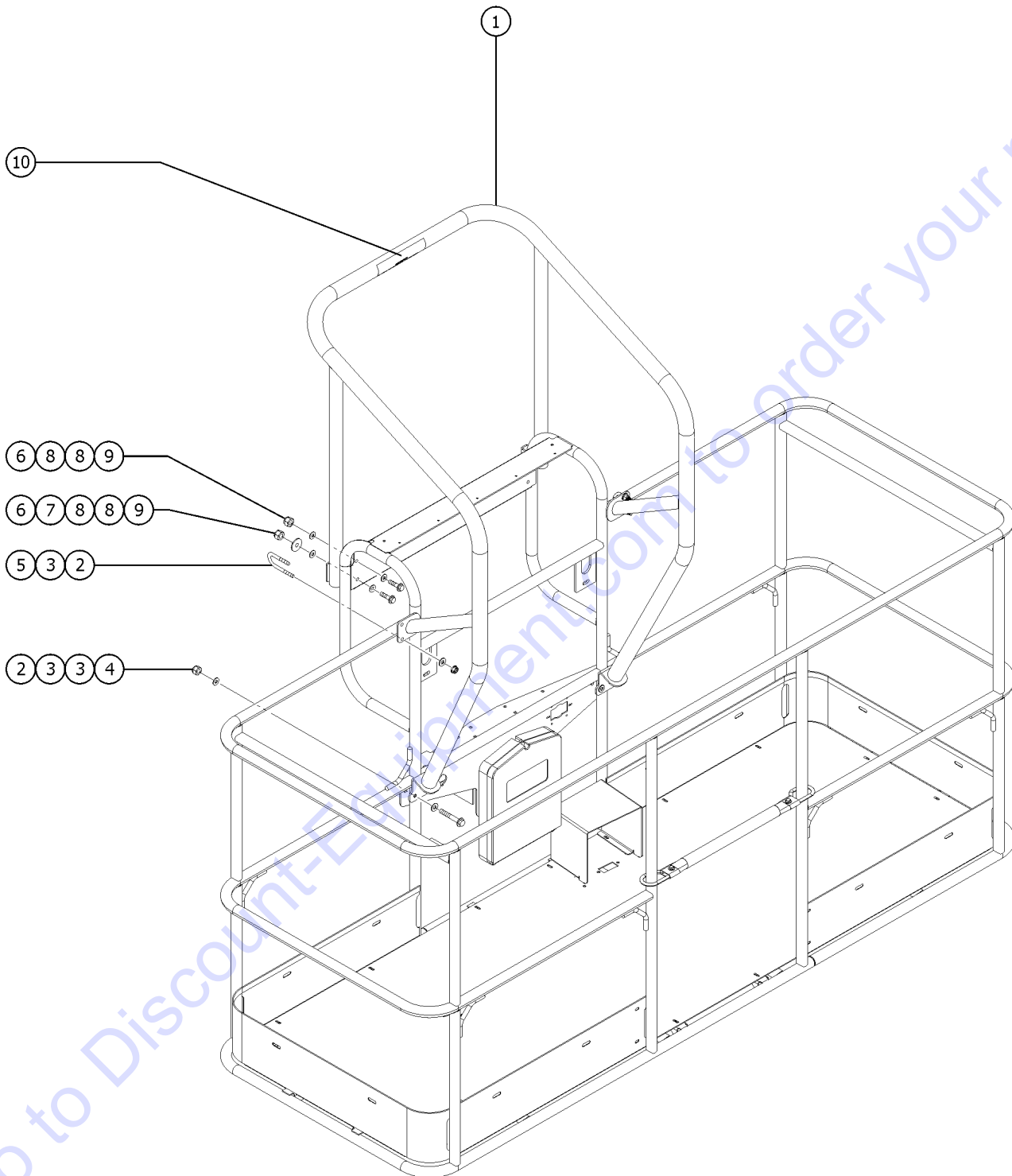
Florida: **561-964-4949** Outside Florida TOLL FREE: **877-690-3101**

**Need parts?**

Click on this link: <http://www.discount-equipment.com/category/5443-parts/> and choose one of the options to help get the right parts and equipment you are looking for. Please have the machine model and serial number available in order to help us get you the correct parts. If you don't find the part on the website or on one of the online manuals, please fill out the request form and one of our experienced staff members will get back to you with a quote for the right part that your machine needs.

We sell worldwide for the brands: Genie, Terex, JLG, MultiQuip, Mikasa, Essick, Whiteman, Mayco, Toro Stone, Diamond Products, Generac Magnum, Airman, Haulotte, Barreto, Power Blanket, Nifty Lift, Atlas Copco, Chicago Pneumatic, Allmand, Miller Curber, Skyjack, Lull, Skytrak, Tsurumi, Husquvarna Target, Stow, Wacker, Sakai, Mi-T-M, Sullair, Basic, Dynapac, MBW, Weber, Bartell, Bennar Newman, Haulotte, Ditch Runner, Menegotti, Morrison, Contec, Buddy, Crown, Edco, Wyco, Bomag, Laymor, EZ Trench, Bil-Jax, F.S. Curtis, Gehl Pavers, Heli, Honda, ICS/PowerGrit, IHI, Partner, Imer, Clipper, MMD, Koshin, Rice, CH&E, General Equipment, Amida, Coleman, NAC, Gradall, Square Shooter, Kent, Stanley, Tamco, Toku, Hatz, Kohler, Robin, Wisconsin, Northrock, Oztec, Toker TK, Rol-Air, APT, Wylie, Ingersoll Rand / Doosan, Innovatech, Con X, Ammann, Mecalac, Makinex, Smith Surface Prep, Small Line, Wanco, Yanmar

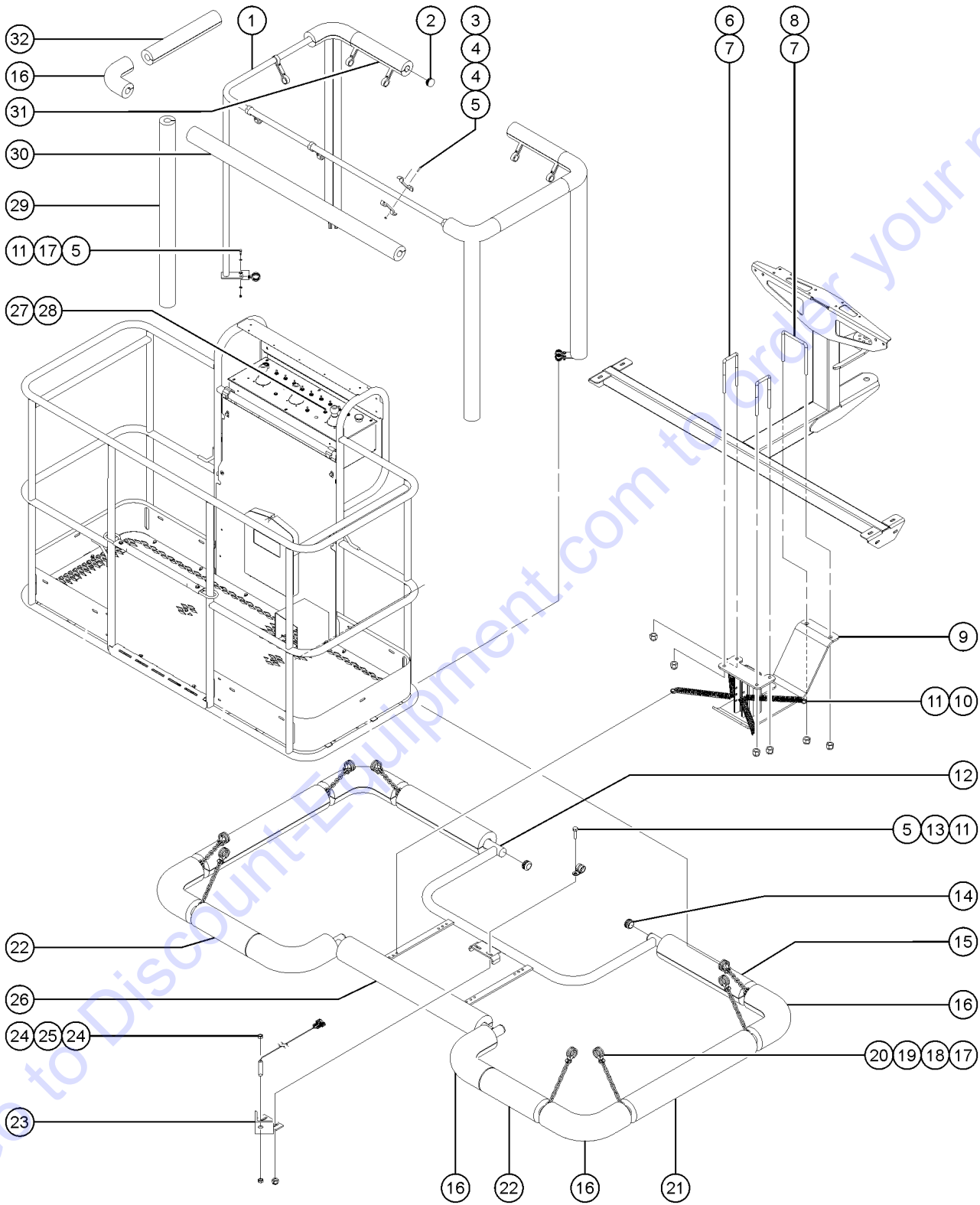
814.1 Operator Protective Structure



## 814.1 Operator Protective Structure

Item	Part No.	Description	Qty.
--		<i>Fits all 6' and 8' Booms</i>	
1	219158GT	ACCESSORY,OPERATOR PROT STRUCT.....1 <i>(Complete) includes all fasteners</i>	1
2	1256468GT	NUT,3/8-16,8,ZAG.....8	8
3	1255758GT	WASHER,FLAT,3/8,USS,ZAG.....12	12
4	824069GT	SCREW,HHC,3/8-16X2.5,8,ZAG.....4	4
5	1251600GT	U-BOLT, FLATTENED, 1.5 X 3/8 UNC,ZAG.....4	4
6	1261184GT	NUT,1/4-20,8,ZAG.....4	4
7	824120GT	WASHER,FLAT,.375X1.50X.125,ZAG.....2 <i>Use only with the platform control box cover option</i>	2
8	824113GT	WASHER,FLAT,USS,1/4,ZAG.....6	6
9	824060GT	SCREW,HHC,1/4-20X1,8,ZAG.....4	4
10		Ref. Decal, OPS Instructions.....1 <i>refer to section 100</i>	1

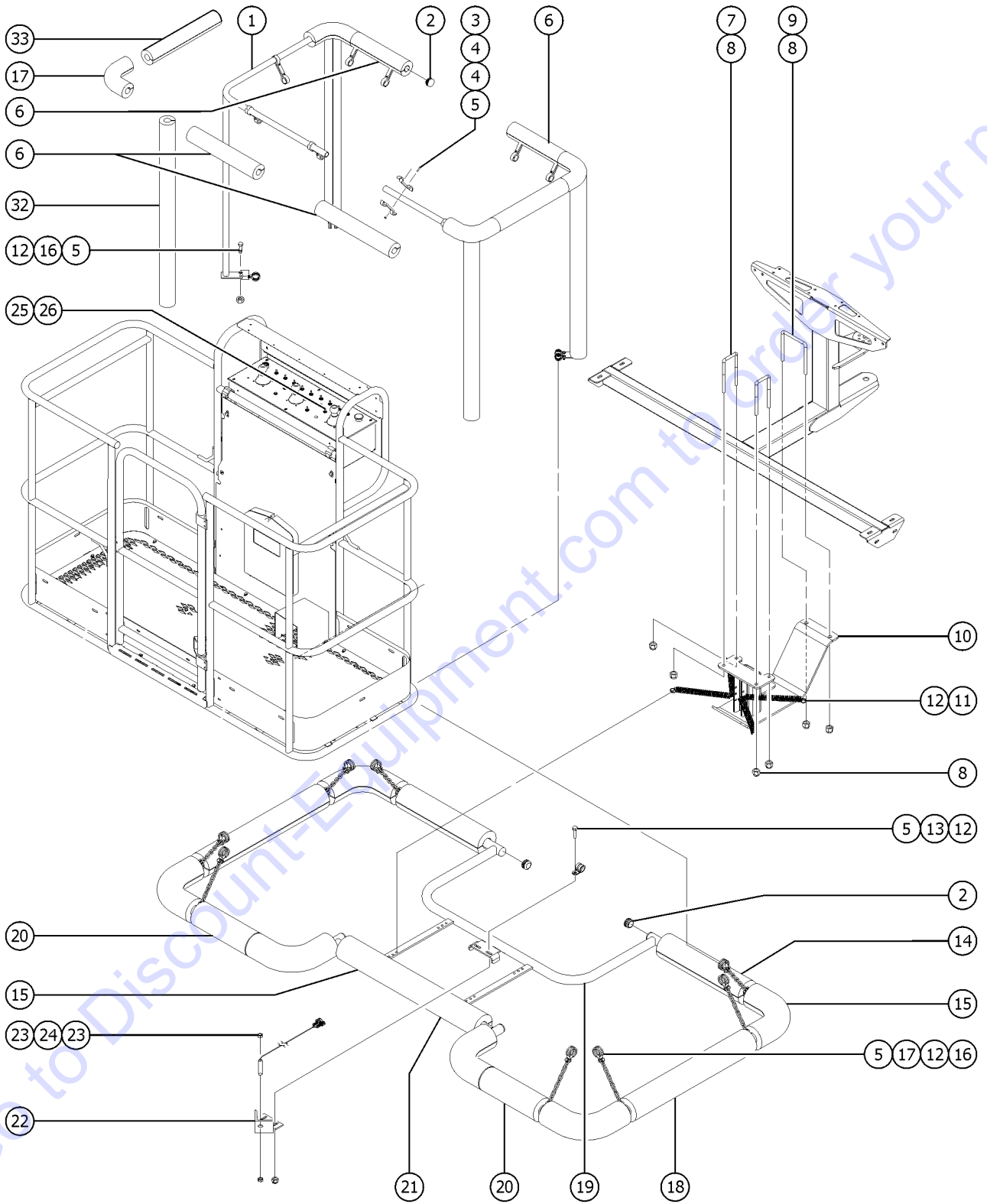
815.1 Aircraft Protection Package



## 815.1 Aircraft Protection Package

Item	Part No.	Description	Qty.
B	822760GT	ASSY,AIRCRAFT PROT, LOWER, 6FT.....1 <i>includes items 6-26</i>	
C	29261GT	MAGNET,NEODYMIUM,.375 X .100.....2	
D	1272808GT	DECAL, NO STEP, HS ADHESIVE.....3	
1	46188GT	WELDMENT, AIRCRAFT TOP BUMPER.....1	
2	55753GT	BUMPER, PLASTIC, 1.25 O.D.....4	
3	824227GT	SCREW, BHC, 1/4-20 X 1, ZAG	
4	122073GT	SUPPORT, RAILING.....20	
5	824027GT	NUT,TL FLG,1/4-20,G,ZAG	
6	66472GT	U-BOLT, SQR, 3/8-16X2X5, PLTD.....2	
7	824029GT	NUT,TL FLG,3/8-16,G,ZAG	
8	106044GT	U-BOLT,3/8-16X4X4.63X3.00	
9	822764GT	WDMT,SKID PLATE	
10	822769GT	SPRING,EXTENSION,1.92LB/IN.....4	
11	824078GT	SCREW,HHF,1/4-20X.75,8,ZAG	
12	822759GT	WDMT,AIRCRAFT SENSOR BUMPER...1	
13	6833GT	CLAMP,0.50,#8 X 1/4,RUB CUSH.....1	
14	55753GT	BUMPER, PLASTIC, 1.25 O.D.	
15	75617-1550GT	PADDING,FOAM 3.5"OD X 1.50"ID.....2	
16	75636GT	PADDING,FOAM,3.0"X1.50ID 90DEG.....10	
17	21618GT	CLAMP,1.13,#18 X 1/4,RUB CUSH.....24	
18	824078GT	SCREW,HHF,1/4-20X.75,8,ZAG	
19	56426-700GT	CHAIN,NO.2 (11 LINKS).....8	
20	824027GT	NUT,TL FLG,1/4-20,G,ZAG	
21	75617-2275GT	PADDING,FOAM 3.5"OD X 1.50"ID.....2	
22	75617-1025GT	PADDING,FOAM 3.5"OD X 1.50"ID.....2	
23	77797GT	WELDMENT, SENSOR MOUNT.....1	
24	88390GT	NUT,HEX,M8,PLASTIC	
25	1271407GT	ASSEMBLY, PROX. KILL.....1 <i>includes 27391 proximity sensor</i>	
--	27391GT	PROXIMITY SENSOR***.....1	
26	822768GT	FOAM,AIRCRAFT PROTECTION.....1	
27	128200GT	SWITCH TOGGLE ASSY SPDT 3P MOM.....1 <i>includes item 28</i>	
28	27246GT	BOOT,TOGGLE SWITCH,SHORT*.....1	
29	1259329GT	PADDING, FOAM, 46.5".....4	
30	75617-6275GT	PADDING,FOAM 3.5"OD X 1.50"ID.....1	
31	1259328GT	PADDING, FOAM, 15.5".....2	
32	75617-2075GT	PADDING,FOAM 3.5"OD X 1.50"ID.....2	

816.1 Aircraft Protection Package With Swing Gate

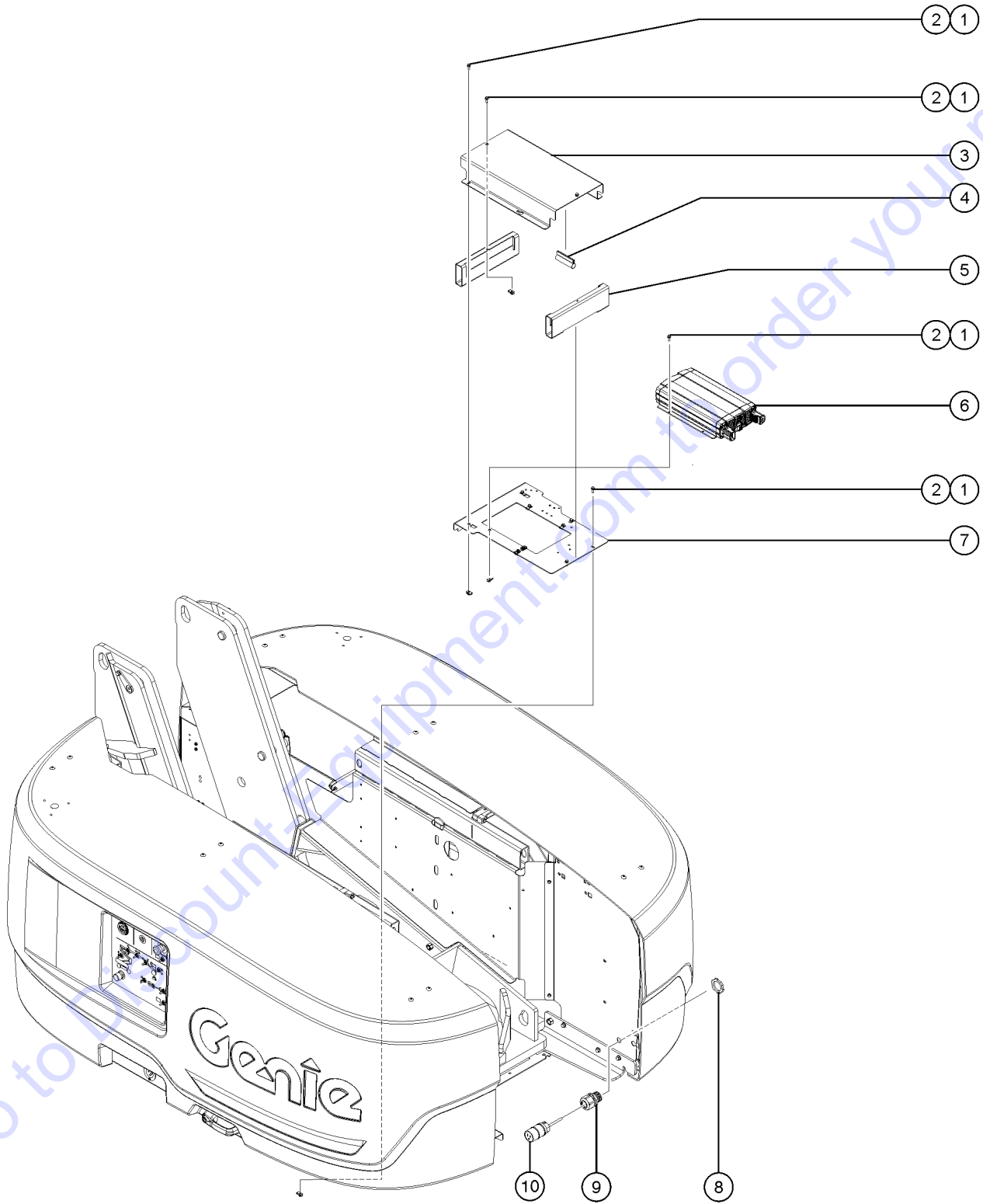




## 816.1 Aircraft Protection Package With Swing Gate

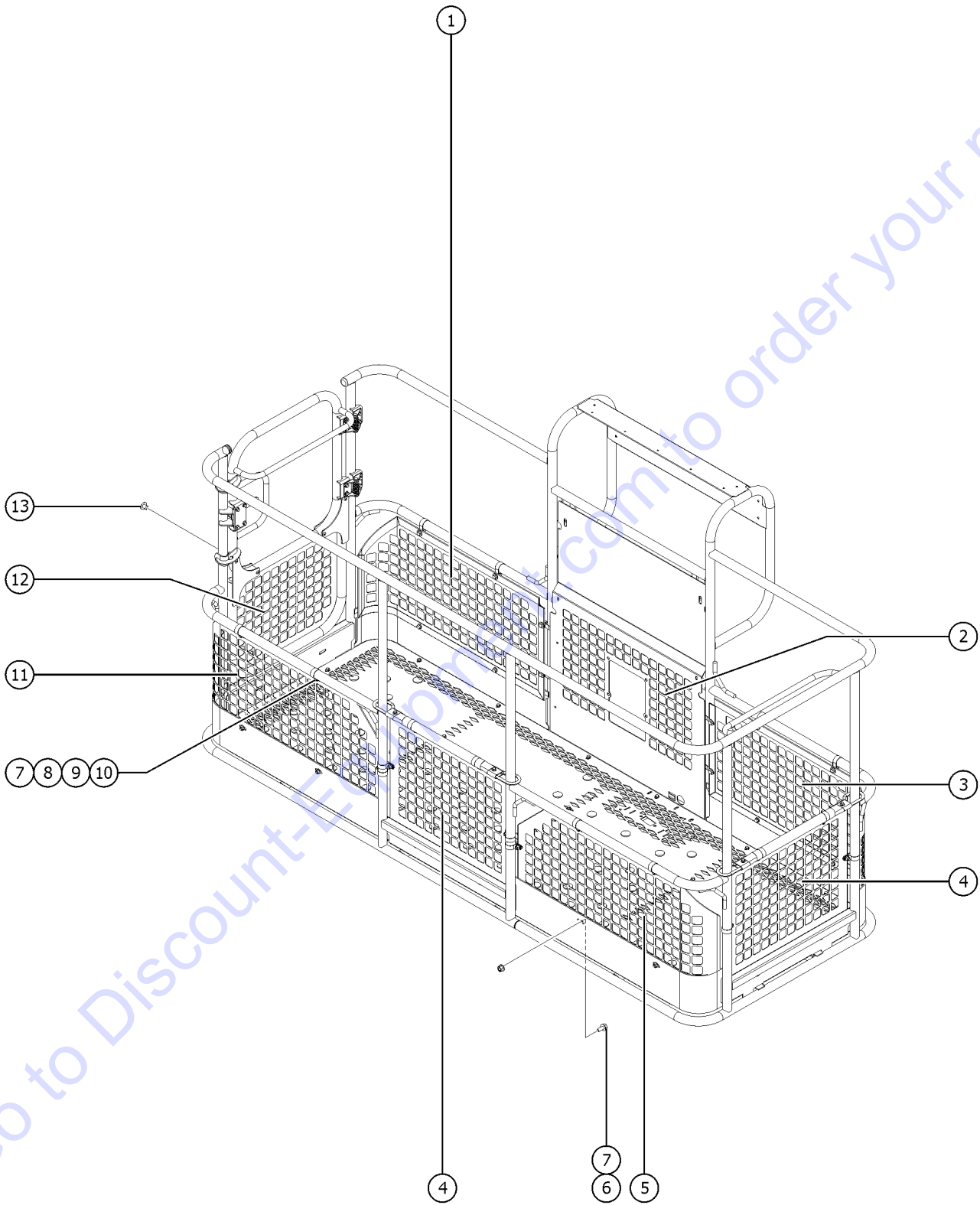
Item	Part No.	Description	Qty.
A	822772GT	ASSY,AIRCRAFT PROT, UPPER, 6FT.....1 <i>includes items 1-6, 12, 16, 17 and 32-33</i>	
B	822760GT	ASSY,AIRCRAFT PROT, LOWER, 6FT.....1 <i>includes items 2, 5, 8, 10-24</i>	
C	29261GT	MAGNET,NEODYMIUM,.375 X .100.....2	
D	1272808GT	DECAL, NO STEP, HS ADHESIVE.....3	
1	822771GT	WDMT,FRAME,AIRCRAFT PROTECTION.....1	
2	55753GT	BUMPER, PLASTIC, 1.25 O.D.....4	
3	824227GT	SCREW, BHC, 1/4-20 X 1, ZAG	
4	122073GT	SUPPORT, RAILING.....20	
5	824027GT	NUT,TL FLG,1/4-20,G,ZAG	
6A	1259328GT	PADDING, FOAM, 15.5".....4 <i>For models without Lift Guard Contact Alarm Option</i>	
7	66472GT	U-BOLT, SQR, 3/8-16X2X5, PLTD.....2	
8	824029GT	NUT,TL FLG,3/8-16,G,ZAG	
9	106044GT	U-BOLT,3/8-16X4X4.63X3.00	
10	822764GT	WDMT,SKID PLATE	
11	822769GT	SPRING,EXTENSION,1.92LB/IN.....4	
12	824078GT	SCREW,HFH,1/4-20X.75,8,ZAG	
13	6833GT	CLAMP,0.50,#8 X 1/4,RUB CUSH.....1	
14	75617-1550GT	PADDING,FOAM 3.5"OD X 1.50"ID.....2	
15	75636GT	PADDING,FOAM,3.0"X1.50ID 90DEG.....10	
16	21618GT	CLAMP,1.13,#18 X 1/4,RUB CUSH.....24	
16B	1278629GT	PADDING,FOAM, 10.0" <i>For models with Lift Guard Contact Alarm Option</i>	
17	56426-700GT	CHAIN,NO.2 (11 LINKS).....8	
18	75617-2275GT	PADDING,FOAM 3.5"OD X 1.50"ID.....2	
19	822759GT	WDMT,AIRCRAFT SENSOR BUMPER...1	
20	75617-1025GT	PADDING,FOAM 3.5"OD X 1.50"ID.....2	
21	822768GT	FOAM,AIRCRAFT PROTECTION.....1	
22	77797GT	WELDMENT, SENSOR MOUNT.....1	
23	88390GT	NUT,HEX,M8,PLASTIC	
24	1261292GT	HARNES ASSY,PCON,PROX KILL.....1 <i>includes 27391 proximity sensor</i>	
--	27391GT	PROXIMITY SENSOR***.....1	
25	128200GT	SWITCH TOGGLE ASSY SPDT 3P MOM.....1 <i>includes boot 27246</i>	
26	27246GT	BOOT,TOGGLE SWITCH,SHORT*.....1	
27	1259329GT	PADDING, FOAM, 46.5".....4	
28	75617-2075GT	PADDING,FOAM 3.5"OD X 1.50"ID.....2	

817.1 Inverter



Item	Part No.	Description	Qty.
A	66717GT	FUSE BLOCK, ANN & ANL FUSE	
--	41023GT	FUSE,175 AMP	
B	80341GT	CONNECTOR, SQZ, 3/4 NPT, BLACK	
--	680250GT	LOCKNUT, CONDUIT 3/4CSA APPVD	
1	824078GT	SCREW,HHF,1/4-20X.75,8,ZAG	
2	56912GT	SPRING CLIP,1/4-20,.025-.15X.54,ZAG	
3	1270680GT	FORMING, INVERTER COVER.....1	
4	119219GT	TRIM,EDGE,1/8X3/4 END BULB.....12-inches	
5	1270681GT	TUBE, INVERTER END COVER.....2	
6A	1269640GT	INVERTER, 2000W, 48VDC TO 120V.....1	
6B	1270498GT	INVERTER, 2000W, 48VDC TO 240V.....1	
7	1270679GT	FORMING, INVERTER MOUNT	
8	6935GT	LOCKNUT,ELEC,1/2"	
9	7056GT	CONN,SQUEEZE,1/2NPT .38-.50,SM	
10A	119404GT	CONN,RECEP 120AC/15A DOMESTIC <i>Domestic models</i>	
10B		No Plug Installed at Factory <i>International models</i>	

818.1 Half Mesh Option

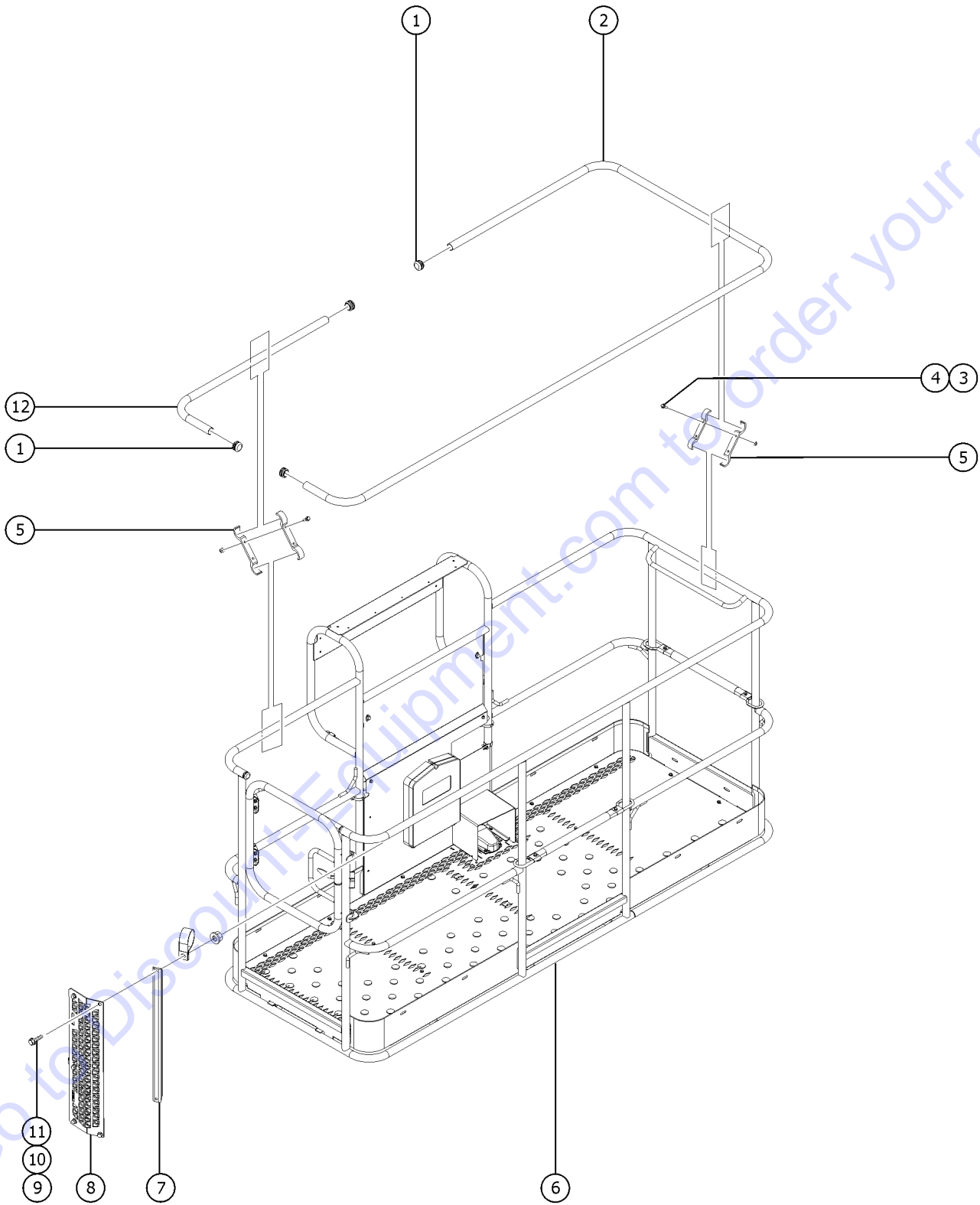


Go to Discount-Express.com to order your parts

## 818.1 Half Mesh Option

Item	Part No.	Description	Qty.
A	1264901GT	OPTION, HALF MESH, 8' SIDE ENT.....1	
B	1264902GT	OPTION, HALF MESH, 6' SIDE ENT.....1	
1A	1270994GT	PANEL, HALF MESH.....1 (8 foot Platform)	
1B	1270314GT	PANEL, HALF MESH.....1 (6 foot Platform)	
2	73901GT	DECAL PLATE,MESH.....1 (8 and 6 foot Platform)	
3	1271019GT	PANEL, HALF MESH.....1 (8 foot Platform)	
4	1271061GT	PANEL, HALF MESH (8 and 6 foot Platform)	
5A	1271018GT	PANEL, HALF MESH.....1 (8 foot Platform)	
5B	1270313GT	PANEL, HALF MESH.....1 (6 foot Platform)	
6	824085GT	SCREW,HHF,5/16-18X.75,8,ZAG	
7	824028GT	NUT,TL FLG,5/16-18,G,ZAG	
8	56424GT	CLAMP,1.25X.5 RUBBER-CUSHION	
9	825358GT	WASHER,FLAT,5/16,USS,ZAG	
10	1264101GT	SCREW,HHC,5/16-18X1,8,ZAG	
11A	1271040GT	PANEL, HALF MESH.....1 (8 foot Platform)	
11B	1270316GT	PANEL, HALF MESH.....1 (6 foot Platform)	
12	1285700GT	WELDMENT,SWING GATE PANEL (used on 6' and 8' side entry platforms) (Swing Gate Weldment, refer to 602.1)	
--	55753GT	BUMPER, PLASTIC, 1.25 O.D.	
13	824207GT	RIVET, STL, STL, DOME, 1/4 X .375, ZAG.....8	

819.1 Platform Accessories



## 819.1 Platform Accessories

Item	Part No.	Description	Qty.
1	55753GT	BUMPER, PLASTIC, 1.25 O.D.....	4
2A	1271077GT	AUX RAIL, 8' PLAT, TRI-ENTRY..... (8 foot Platform)	1
2B	1270570GT	AUX RAIL, 6' PLAT, SIDE ENTRY..... (6 foot Platform)	1
3A	824079GT	SCREW,HHF,1/4-20X1,8,ZAG.....	26
		(8 foot Platform)	
3B	824079GT	SCREW,HHF,1/4-20X1,8,ZAG.....	22
		(6 foot Platform)	
4A	824027GT	NUT,TL FLG,1/4-20,G,ZAG.....	26
		(8 foot Platform)	
4B	824027GT	NUT,TL FLG,1/4-20,G,ZAG.....	22
		(6 foot Platform)	
5A	122073GT	SUPPORT, RAILING.....	26
		(8 foot Platform)	
5B	122073GT	SUPPORT, RAILING.....	22
		(6 foot Platform)	
6		Ref. PLATFORM..... (refer to 602.1)	1
7	1277966GT	TUBE,SQ,STL, 1.00 x 1.00 x .120.....	1
8	1277952GT	GUARD, SWING GATE.....	1
9	824086GT	SCREW,HHF,5/16-18X1,8,ZAG.....	5
10	56424GT	CLAMP,1.25X.5 RUBBER-CUSHION.....	5
11	824028GT	NUT,TL FLG,5/16-18,G,ZAG.....	5
12A	1271078GT	AUX RAIL, 8' PLAT, TRI-ENTRY..... (8 foot Platform)	1
12B	1270571GT	AUX RAIL, 6' PLAT, SIDE ENTRY..... (6 foot Platform)	1

## Part Number Index

The Part Number Index is a numeric index of all part numbers included in this manual. The index shows what page(s) the part is used on.

Part Number	Page	Part Number	Page	Part Number	Page	Part Number	Page
101005GT	98, 103	122668GT	89	1255727GT	139	1257264GT	131
101005HGT	103	122944GT	91	1255728GT	139	1257267GT	85
101174GT	98, 103	123188GT	83	1255756GT	145	1257292GT	79, 81
101174HGT	103	123444GT	57, 135	1255757GT	51, 67	1257296GT	125
101175GT	98, 103	1251491GT	83, 85	1255758GT	81, 153	1257389GT	133
101175HGT	103	1251493GT	83, 85	1255760GT	47, 51, 67	1257390GT	125
101199-200GT	81, 83	1251565GT	91	1255761GT	49, 53, 61	1257410GT	55
101200GT	69	1251585GT	85	1255768GT	43	1257460GT	41
101201GT	69	1251586GT	85	1255769GT	43	1257489GT	129
101203GT	73	1251600GT	95, 127, 133,	1255770GT	43	1257628GT	49, 51, 69
101204GT	71		137, 153	1255771GT	43	1257704GT	71
101209GT	69	1251707GT	85	1255772GT	43	1257733GT	11
101719GT	71	1251757GT	49, 57	1255773GT	43	1257862GT	41, 111
101726GT	49	1251901GT	45	1255797GT	81	1257866GT	43
102785PGT	149	1251997GT	47, 49, 51	1255802GT	41	1257868GT	139
102786PGT	149	1253185GT	45, 57, 151	1255803GT	87	1257869GT	139
102992GT	95	1253319GT	49	1255804GT	47, 51, 67	1258567GT	11
104030GT	97-98	1253478GT	79, 81, 85, 91	1255805GT	59, 69	1258730GT	79, 81
104759GT	107	1253485GT	81, 111	1255889GT	133	1258732GT	79
104804GT	95	1253489GT	125	1255890GT	133	1258768GT	57
105117GT	51	1253498GT	33, 35, 41	1256054GT	59	1259127GT	117
105118GT	51	1253815GT	81, 83	1256109GT	45, 79	1259129GT	119
105214GT	53	1253843GT	67	1256111GT	79	1259130GT	117
106044GT	155, 157	1254060GT	45, 79, 81, 83	1256118GT	87	1259143GT	121, 123
106069GT	59	1254061GT	79, 81	1256124GT	61	1259148GT	119
106163GT	95	1254062GT	45, 79, 81	1256126GT	53, 61, 67	1259150GT	119
106647GT	41	1254063GT	45, 79, 81, 83	1256127GT	69, 87, 91	1259151GT	119
106648GT	41	1254359GT	45, 79	1256144GT	87	1259154GT	115, 117
107578GT	33, 35	1254372GT	85	1256160GT	59	1259155GT	121, 123
107740GT	105	1254476GT	87	1256161GT	59	1259163GT	123
10775GT	125	1254477GT	87	1256168GT	43	1259164GT	123
107788GT	105	1254478GT	87	1256169GT	43	1259171GT	119
107816GT	105	1254479GT	83	1256170GT	43	1259226GT	143
108855GT	91	1254628GT	87	1256172GT	47, 67	1259227GT	143
110149GT	57	1254629GT	87	1256179GT	47, 49	1259228GT	143
110345GT	51	1254630GT	87	1256180GT	91	1259229GT	143
110523GT	69	1254631GT	87	1256182GT	37, 43, 45, 53	1259230GT	143
110671GT	95	1254718GT	43	1256184GT	81	1259231GT	143
110789GT	131	1254728GT	43	1256267GT	33, 35, 41	1259328GT	155, 157
110876GT	91	1255014GT	87	1256312GT	45	1259329GT	155, 157
111526GT	149	1255018GT	133	1256392GT	59	1259583GT	151
112500GT	69	1255019GT	133	1256393GT	59	1259584GT	151
112531GT	69	1255020GT	133	1256394GT	59	1259835GT	85
114236GT	15, 25	1255021GT	133	1256395GT	59	1259855GT	47, 51, 67
114248GT	31	1255022GT	133	1256425GT	27	1259930GT	41, 85
114249GT	23	1255023GT	133	1256449GT	53	1260940GT	81
114251GT	25, 27	1255024GT	133	1256456GT	47, 71	1261172GT	33, 35
114252GT	23, 25, 29	1255025GT	133	1256457GT	53	1261184GT	135, 153
114258GT	15, 17	1255027GT	133	1256460GT	45, 95	1261277GT	59
114334GT	25	1255028GT	133	1256462GT	47	1261292GT	157
114390GT	15, 17, 21	1255029GT	133	1256464GT	129	1261309GT	33, 35
114397GT	21	1255030GT	133	1256467GT	45, 111	1261310GT	33, 35
119058GT	95	1255033GT	133	1256468GT	153	1261311GT	33, 35
119060GT	57	1255035GT	133	1256469GT	67	1261312GT	33, 35
119066GT	81, 83	1255036GT	133	1256479GT	81, 83	1261435GT	33, 35
119219GT	159	1255037GT	133	1256607GT	59	1261467GT	35
119403GT	125	1255038GT	133	1256662GT	145	1261472GT	41
119404GT	159	1255047GT	133	1256663GT	145	1261542GT	79
119536PGT	91	1255066GT	133	1256670GT	107	1261553GT	79
119542GT	91	1255067GT	133	1256678GT	145	1261554GT	81
119613GT	97-98, 103	1255068GT	133	1256679GT	47, 49, 51, 59,	1261563GT	79, 81
119672GT	131	1255272GT	83		67, 69, 141	1261606GT	87
119787PGT	61	1255273GT	81	1256693GT	33	1261724GT	67
11978GT	59	1255383GT	87	1256804GT	51, 151	1261767GT	47, 109
119825GT	105	1255385GT	37, 45, 53	1256834GT	71	1261783GT	79
119827GT	105	1255392GT	67	1256855GT	45, 51, 55, 57,	1261785GT	79
119830GT	105	1255452GT	35, 83		69, 95, 97-98,	1261786GT	81
119915GT	103	1255469GT	47, 51, 71, 109		137	1261788GT	81
119976GT	98	1255581GT	15, 17, 25, 27	1256859GT	135	1261836GT	59
121035GT	89	1255702GT	41	1256863GT	41, 127	1261837GT	59
121065GT	89	1255703GT	37, 39, 41	1257076GT	111	1261838GT	59
121846GT	131	1255710GT	33, 35	1257077GT	111	1262031GT	45, 53
122073GT	155, 157, 163	1255712GT	41, 111	1257227GT	51	1262208GT	71
122661GT	89	1255713GT	33	1257248GT	95	1262211GT	59
122663GT	89	1255726GT	139	1257249GT	95	1262242GT	69



Part Number	Page	Part Number	Page	Part Number	Page	Part Number	Page
1262258GT	105	1264036GT	45	1265426GT	45	1269245GT	25
1262264GT	87	1264090GT	45	1265450GT	15, 25	1269246GT	13, 23
1262265GT	87	1264091GT	45	1265451GT	21, 31	1269247GT	17
1262377GT	97-98	1264100GT	47, 109	1265494GT	79, 81	1269248GT	15, 17
1262407GT	81	1264101GT	161	1265580GT	65	1269249GT	15, 17
1262420GT	51	1264103GT	41	1265583GT	65	1269250GT	15
1262440GT	59	1264104GT	45	1265592GT	71	1269251GT	15
1262600GT	55	1264105GT	45	1265736GT	69	1269252GT	13, 23
1262602GT	55	1264107GT	41	1265737GT	69	1269254GT	15, 17
1262604GT	43	1264134GT	61	1265754GT	45	1269255GT	25, 27
1262605GT	43	1264143GT	43	1265850GT	57	1269257GT	21
1262647GT	61	1264144GT	43	1265862GT	57	1269258GT	31
1262654GT	61	1264145GT	43	1266113GT	69	1269259GT	19, 29
1262662GT	98	1264146GT	43	1266114GT	69	1269260GT	19, 29
1262663GT	98	1264147GT	43	1266115GT	67	1269261GT	13, 23
1262664GT	98	1264188GT	53	1266122GT	101	1269262GT	13, 23
1262665GT	98	1264197GT	61	1266124GT	57	1269351GT	85
1262670GT	51	1264199GT	53	1266153GT	55	1269368GT	101
1262671GT	51	1264203GT	53	1266206GT	53	1269369GT	51
1262689GT	51	1264216GT	53	1266207GT	53	1269475GT	125
1262707GT	59	1264217GT	53	1266208GT	53	1269480GT	73
1262708GT	59	1264218GT	53	1266213GT	41	1269481GT	73
1262721GT	59	1264219GT	53	1266214GT	41	1269497GT	98, 103
1262722GT	59	1264296GT	49	1266215GT	41	1269498GT	97-98, 103
1262862GT	87	1264341GT	45	1266216GT	41	1269499GT	103
1262916GT	45	1264342GT	45	1266217GT	41	1269501GT	103
1262917GT	45	1264374GT	81	1266321GT	49	1269602GT	47, 109
1263077GT	59	1264495GT	83	1266327GT	81	1269640GT	159
1263155GT	121	1264496GT	83	1266528GT	51	1269681GT	63
1263157GT	33, 35	1264510GT	39, 41	1266533GT	63	1269759GT	127
1263158GT	33, 35	1264698GT	73	1266699GT	73	1269766GT	81, 83
1263159GT	33, 35	1264700GT	73	1266753GT	71	1270116GT	133
1263160GT	33, 35	1264745GT	59	1266969GT	73	1270117GT	133
1263163GT	145	1264746GT	59	1266970GT	73	1270118GT	133
1263164GT	145	1264749GT	59	1266999GT	45	1270133GT	71
1263251GT	49	1264750GT	59	1267068GT	71	1270153GT	63
1263256GT	49	1264776GT	67	1267121GT	19	1270281GT	51
1263401GT	143	1264777GT	69	1267261GT	61	1270313GT	161
1263511GT	39, 41	1264805GT	67	1267262GT	61	1270314GT	161
1263527GT	85	1264821GT	67	1267277GT	63	1270316GT	161
1263531GT	79	1264822GT	63	1267297GT	45	1270466GT	75
1263542GT	25, 27	1264834GT	63	1267298GT	47	1270485GT	55
1263543GT	15, 17	1264901GT	161	1267299GT	47	1270486GT	98
1263647GT	47	1264902GT	161	1267300GT	47	1270488GT	67
1263648GT	47	1264932GT	71	1267395GT	47	1270498GT	159
1263649GT	47, 71	1264933GT	71	1267564GT	35	1270520GT	65
1263650GT	73	1264934GT	135	1267746GT	95	1270521GT	65
1263651GT	47, 67	1265214GT	83	1267747GT	95	1270522GT	65
1263694GT	98	1265230GT	51	1267795GT	67	1270523GT	65
1263699GT	33, 35, 51	1265281GT	65	1267796GT	71	1270524GT	65
1263718GT	63	1265282GT	65	1267808GT	49	1270525GT	65
1263719GT	63, 101	1265283GT	65	1267856GT	59	1270526GT	65
1263720GT	63	1265284GT	65	1267984GT	71	1270527GT	65
1263721GT	63, 131	1265285GT	65	1268160GT	63	1270528GT	65
1263722GT	63	1265286GT	65	1268462GT	53	1270557GT	63
1263723GT	63	1265287GT	65	1268463GT	53	1270570GT	163
1263724GT	63	1265288GT	65	1268500GT	81	1270571GT	163
1263725GT	63	1265289GT	65	1268504GT	81	1270679GT	159
1263726GT	63	1265290GT	65	1268505GT	81, 83	1270680GT	159
1263727GT	45, 63	1265291GT	65	1268506GT	83	1270681GT	159
1263728GT	63	1265292GT	65	1268507GT	83	1270812GT	105
1263729GT	63	1265293GT	65	1268510GT	87	1270815GT	105
1263730GT	63	1265294GT	65	1268611GT	33, 35	1270816GT	105
1263731GT	63	1265295GT	65	1268753GT	81	1270818GT	105
1263732GT	63	1265296GT	65	1268879GT	79	1270819GT	105
1263734GT	73	1265297GT	65	1268880GT	39	1270820GT	105
1263777GT	47	1265298GT	65	1268881GT	39	1270821GT	105
1263915GT	49	1265299GT	65	1268882GT	39	1270823GT	105
1263916GT	51	1265300GT	65	1268905GT	83	1270994GT	161
1263919GT	51	1265301GT	65	1268908GT	81	1271018GT	161
1263937GT	53	1265302GT	65	1268990GT	51	1271019GT	161
1263938GT	11, 45, 47	1265303GT	65	1268GT	11	1271026GT	141
1263969GT	55	1265307GT	65	1269001GT	81	1271028GT	141
1263999GT	81	1265308GT	65	1269112GT	63	1271040GT	161
1264030GT	45	1265349GT	63	1269128GT	119	1271061GT	161
1264033GT	45	1265361GT	15, 25	1269210GT	41	1271069GT	63

## Part Number Index (continued)

Part Number	Page	Part Number	Page	Part Number	Page	Part Number	Page
1271077GT	163	1275929GT	121	139279GT	69	229845GT	151
1271078GT	163	1275930GT	121	139280GT	69	230073GT	59
1271137GT	55	1275943GT	123	139338GT	97-98	230074GT	59
1271138GT	97-98	1275944GT	123	139598GT	103	231226GT	73
1271407GT	63, 155	1275955GT	121	14392GT	57	231227GT	73
1271588GT	129	1277226GT	55	144161GT	125	231327GT	69
1271696GT	129	1277873GT	135	145097GT	105	231513GT	59
1271766GT	63	1277875GT	135	146478GT	98	231532GT	59
1271770GT	49	1277876GT	135	147089GT	47	233108GT	139
1271772GT	49	1277877GT	135	147090GT	55	233992GT	137
1271773GT	49	1277924GT	101, 135, 137	147121GT	95	233993GT	137
1271882GT	129	1277952GT	163	147223GT	51	234597GT	105
1272158GT	33, 35	1277966GT	163	147419GT	51	236802GT	51
1272242GT	15, 25	1278109GT	135	147792GT	13	237209GT	105
1272303GT	93	1278111GT	135	1484GT	11	237238GT	133
1272304GT	93	1278119GT	135	15243GT	57, 101	237241GT	81, 83
1272307GT	95	1278121GT	135	15436GT	61	237242GT	81, 83
1272483GT	45	1278124GT	135	160732GT	81	237820GT	47, 71
1272540GT	89	1278138GT	135	160809GT	93	237827GT	81
1272543GT	89	1278144GT	135	162002GT	119	238135GT	69
1272629GT	21	1278363GT	135	162216GT	41	24037GT	47, 71, 73
1272630GT	13	1278368GT	135	162217GT	41	24514GT	95
1272631GT	13	1278416GT	135	18396GT	83, 91	25282GT	139
1272632GT	21	1278433GT	135	18503GT	47	25685GT	131
1272633GT	13	1278458GT	135	18504GT	87	25817GT	33, 35, 67
1272634GT	13	1278542GT	135	18720GT	79, 81, 83	27089GT	75
1272635GT	31	1278629GT	157	19274GT	135	27204GT	13, 23
1272636GT	23	1278982GT	135	19436GT	61	27205GT	13, 23
1272637GT	23	1279135GT	135	20780GT	71	27206GT	13, 23
1272638GT	31	128000GT	103	21130GT	71, 111	27207GT	13, 23
1272639GT	23	128001GT	103	21149GT	41	27246GT	97-98, 129, 155,
1272640GT	23	128045GT	131	214238GT	85		157
1272778GT	33, 35	1280679GT	27	21465GT	69	27391GT	155, 157
1272808GT	155, 157	1281174GT	21, 31	215229GT	51	27497GT	91
1272864GT	41	128146GT	147	215254GT	59	27581GT	11
1272865GT	41	128200GT	55, 97-98, 155,	215340GT	37	27697GT	79
1272866GT	41		157	215488GT	45	27698GT	79
1272867GT	41	128204GT	97-98	216005GT	45	28159GT	15, 25
1272868GT	41	128268GT	91	21618GT	155, 157	28174GT	17, 21, 27, 31
1272869GT	41	1283178GT	89	216791GT	57	28235GT	17, 21, 27, 31
1272870GT	41	1283314GT	41	216793GT	57	28236GT	21
1272895GT	101	128454GT	91	217234GT	49	28372GT	15, 17
1272896GT	101	128483GT	91	217632GT	81	28853GT	147
1273203GT	89	1284946GT	47, 109	218090GT	55	29261GT	155, 157
1273204GT	89	1284947GT	47, 109	218448GT	89	29868GT	41, 43, 45, 49,
1273336GT	51	1284948GT	47, 109	218449GT	55		51, 53, 59, 61, 69
1273340GT	33, 35	1284949GT	47, 109	218457GT	151	30143GT	47
1273632GT	63	1284950GT	47, 109	218549GT	21	30144GT	47
1273633GT	63	1284951GT	47, 109	218550GT	21	30222GT	91
1273697GT	49	1284952GT	47, 109	218559GT	21	30468GT	149
1273698GT	49	1284953GT	47, 109	218730GT	105	30729GT	67
1273913GT	97-98	1284954GT	47, 109	219158GT	153	30971GT	143
1274168GT	135	128534GT	91	219437GT	69	31060GT	13, 19
1274192GT	49	1285700GT	161	219487GT	21	31379GT	71
1274293GT	129	128578GT	97-98	219953GT	31	31508GT	15
1274322GT	135, 137	128580GT	97-98	219954GT	31	31745GT	11, 71
1274511GT	91	128584-SGT	97-98, 129	219956GT	31	31779GT	11
1274560GT	71	1286646GT	71	219958GT	31	31788GT	15, 17
1274858GT	93	1288002GT	69	226325GT	89	31982GT	75
1274859GT	93	1288003GT	69	22672GT	143	32150GT	11
1275044GT	61	13002GT	47	226939GT	11, 41	32151GT	11
1275332GT	127	131373GT	73	226948GT	57, 101	32184GT	71
1275405GT	93	131378GT	73	227564GT	95	32185GT	69
1275406GT	93	131379GT	69	227617GT	95	32189GT	69
1275407GT	93	13268GT	57, 101	227816GT	41	32196GT	11, 69
1275408GT	93	133067GT	25, 27, 31	227817GT	41	32197GT	73
1275537GT	133	133205GT	25, 27	227986GT	37	32199GT	69
1275538GT	133	133278GT	15	228768GT	41	32681GT	111
1275539GT	133	133286GT	15	228769GT	41	32722GT	81
1275540GT	133	13585GT	125	228797GT	89	33428GT	91
1275822GT	115, 117	13597GT	125	228848GT	137	33549GT	35
1275823GT	115, 117	139129GT	69	228849GT	137	33550GT	21, 31
1275828GT	117	139230GT	47, 71, 73	228967GT	89	33555GT	59
1275832GT	117	139273GT	69	229169GT	89	33576GT	95
1275927GT	121	139274GT	69	229567GT	55, 97-98, 101	34052GT	47
1275928GT	121	139278GT	69	229750GT	105	34053GT	47, 57

Part Number	Page	Part Number	Page	Part Number	Page	Part Number	Page
34619GT	131, 151	49212GT	127	66812GT	55, 98	81522GT	67
34955GT	143	49213GT	127	66813GT	55, 97-98	81578GT	45
35418GT	75	49214GT	127	66814GT	55	81609GT	41
35432GT	143	49215GT	127	66816GT	55, 98	81610GT	41, 111
35434GT	71	49613GT	11, 105	66818GT	55, 98	81640GT	91
35675GT	91	49768GT	111	66821GT	55, 98	81691GT	111
35956GT	129	49818GT	45	680250GT	45, 159	8170GT	47
36208GT	143	52368GT	105	6833GT	155, 157	81900GT	55
36212GT	49	52370GT	105	6935GT	125, 159	82032GT	87
36878GT	125	52371GT	107	7056GT	47, 125, 159	82161GT	15
37947GT	59	52475GT	13, 23	72086GT	13, 15, 17, 23, 25, 27	82237GT	17
39274GT	81	52531GT	73	72326GT	55, 101, 131	822631GT	91
39540GT	55, 101	52865GT	17	72867GT	129	822632GT	87
39888GT	127	52897GT	107	72999GT	15	822759GT	155, 157
40434GT	21, 31	52966GT	13, 23	73463-1175GT	137	822760GT	155, 157
41023GT	159	52967GT	13, 23	73477GT	95	822764GT	155, 157
42014GT	33, 35, 41	53386GT	35	73478PGT	95	822768GT	155, 157
42489GT	147	54123GT	75	73574-SGT	95	822769GT	155, 157
42781GT	45	54156GT	33, 35, 91	73575GT	95, 135	822771GT	157
43018GT	107	54365GT	57, 98, 101	73711GT	81, 83	822772GT	157
43392GT	95, 133, 149	54534GT	57	73717GT	57, 101	822846GT	83
43700GT	71	55067GT	71, 95	73723GT	101	822966GT	81
44174GT	107	55089GT	125	73730GT	57, 101	823060GT	83
44181GT	69	55753GT	95, 155, 157, 161, 163	73730GT	57, 101	823061GT	91
44191GT	69	56050GT	67	73733GT	57	823062GT	87
44195GT	73	56302GT	57	73805GT	55	82314GT	15
44200GT	69	56424GT	95, 137, 161, 163	73807GT	107	823368GT	51
44743GT	95	56426-700GT	155, 157	73900GT	93	82366GT	15
44981GT	17, 21, 27, 31	56461GT	61	73901GT	161	823684GT	61
44997GT	105	56912GT	37, 39, 41, 43, 45, 47, 49, 51, 53, 61, 67, 69, 73, 79, 81, 83, 85, 87, 91, 95, 141, 159	74006GT	125	823690GT	81
45071GT	33, 35, 79	56934GT	137	74052GT	125	823747GT	151
45074GT	33, 35	56949GT	69	74267GT	45	823748GT	151
45383GT	131	58222GT	51	74544GT	71	823975GT	63
45385GT	59	58223GT	51	74813GT	71	824019GT	45
45400GT	71, 73, 81	58253GT	63	74913GT	57	824025GT	81
45470GT	87, 89, 131	58380GT	51	74917GT	57	824027GT	33, 35, 45, 47, 51, 61, 67, 71, 73, 79, 81, 87, 89, 91, 95, 111, 131, 133, 145, 149, 155, 157, 163
45708GT	47	59460GT	33, 35	75119GT	113	824028GT	45, 95, 161, 163
46036GT	57	60078GT	67	75395GT	91	824029GT	33, 45, 47, 49, 53, 67, 71, 73, 79, 81, 83, 85, 89, 91, 95, 125, 127, 129, 131, 133, 155, 157
46188GT	155	60334GT	51	75443GT	103	824031GT	93
47025GT	139	60370-SGT	95	75444GT	103	824032GT	45, 61, 129, 131
47377GT	35, 91	60441GT	81, 83	75445GT	103	824037GT	61, 79, 81
48425GT	67, 91	60757GT	57	75446GT	103	824038GT	91
48767GT	75	60857GT	11, 51	75447GT	103	824041GT	71, 111
48846GT	71	6091GT	98	75617-1025GT	155, 157	824059GT	59, 83
48875GT	119, 139	61079GT	123	75617-1550GT	155, 157	824060GT	153
48887GT	43	61306-SGT	91	75617-2075GT	155, 157	824061GT	81, 131
48891GT	117	61602GT	81, 83	75617-2275GT	155, 157	824063GT	139
48904GT	123	61726GT	131	75617-6275GT	155	824067GT	35, 79, 81, 83
48905GT	121, 123	6178GT	43, 57, 98, 101	75636GT	155, 157	824069GT	153
48907GT	121, 123	61794GT	63	77180GT	81	824077GT	95
48908GT	121	61804GT	131	77303GT	91	824078GT	37, 39, 41, 45, 49, 51, 53, 61, 71, 79, 81, 83, 85, 87, 91, 95, 133, 135, 141, 149, 155, 157, 159
48912GT	35, 115, 117, 119, 121, 123, 139	61809GT	131	77351GT	98	824079GT	33, 35, 47, 51, 67, 73, 85, 87, 95, 163
48914GT	111, 117	61972GT	131	77353GT	51	824080GT	51, 61, 133
48915GT	33, 35, 87, 115, 117, 121	61974GT	131	77354GT	51	824081GT	49, 67, 91, 129
48916GT	81, 117, 119, 121	61804GT	131	77365GT	51	824082GT	81
48918GT	33, 35, 115, 117	61809GT	131	77410GT	87, 105	824083GT	33, 35, 51, 89, 101
48920GT	117	61972GT	131	7746GT	137		
48930GT	117	61974GT	131	77610GT	33, 35		
48932GT	87, 121	61975GT	131	77664GT	137		
48933GT	111, 119	61997GT	131	77674GT	37, 39, 41		
48943GT	119, 121	62114GT	71	77683GT	137		
48946GT	119	62118GT	69	77705GT	33		
48947GT	119	62392GT	103	77706GT	33		
48960GT	71, 119	62506GT	107	77790GT	41		
48977GT	51, 119	62507GT	107	77791GT	41		
48984GT	51, 119	63213GT	91	77797GT	155, 157		
48996GT	51, 119	63353GT	91	77879GT	43, 141		
48997GT	105	63468GT	43	77950GT	41		
49117-2491GT	119	65278GT	21, 31	78736GT	61		
49120-7131GT	139	65837GT	73	80341GT	45, 159		
49143-2929GT	119	6607GT	45	81096GT	125		
49159-3868GT	119	66399GT	11	81175GT	91		
49163-7144GT	139	66472GT	155, 157	81329GT	59		
		66717GT	45, 159	81488GT	98		

## Part Number Index (continued)

Part Number	Page	Part Number	Page
824085GT	161	826234GT	87
824086GT	33, 35, 95, 163	826345GT	15
824087GT	59	826779GT	105
824089GT	43, 45, 49, 59, 67, 79, 91	826791GT	95
824090GT	41, 43, 47, 49, 51, 61, 83, 87, 91, 125, 135	826792GT	95
824091GT	45, 47, 49, 53, 69, 73, 83, 95	826793GT	95
824092GT	91	826794GT	95
824093GT	45, 83	83093GT	59
824095GT	47, 71, 73, 131	83098GT	103
824096GT	89	83129GT	63
82410GT	21, 137	839119GT	69
824110GT	35	839233GT	69
824113GT	83, 87, 129, 133, 139, 141, 153	866040GT	69
824116GT	95	866050GT	11, 73
824120GT	153	866070GT	69
824123GT	47, 71, 73	87085GT	149
824124GT	45, 47, 67, 141	87755GT	45, 47, 57
824125GT	69, 89	88356-11C03GT	87
824127GT	33, 35	88356-131M3GT	43
824129GT	33, 35	88377-1400GT	137
824132GT	39, 41	88390GT	155, 157
824133GT	71	88516GT	91
824138GT	47, 69, 71, 73	88606PGT	149
824142GT	69, 71, 73	88607PGT	149
824144GT	47, 71	88883GT	37
824145GT	47, 69, 71, 73	88917GT	11, 51
824151GT	35	89294GT	33, 35
824164GT	35	89295GT	35
824207GT	161	89617GT	47
824214GT	45, 57	89800GT	113
824215GT	61, 129, 151	94221GT	35, 83
824216GT	43, 135	94397GT	91
824225GT	45	94460-SGT	131
824227GT	155, 157	94493-SGT	137
824228GT	61	94526GT	51
824548GT	89	94532GT	69
824549GT	89	94615GT	105
824551GT	91	94643GT	43, 131
824627GT	87	94891GT	37
824628GT	87	94892GT	37
824629GT	91	94893GT	37
824630GT	81	94894GT	37
824631GT	81	94895GT	37
824634GT	79	9599-SGT	137
824639GT	79, 81	96008-SGT	55
824641GT	79	96196GT	81
824645GT	81	97602GT	17
824646GT	81, 83	97815GT	21, 31
824649GT	81	97865GT	15, 17
824651GT	83	99183GT	131
824678GT	91	99199GT	69
82481GT	25, 27	995750GT	55, 97-98
824830GT	91	T107520GT	55
824832GT	87	T107521GT	57
824872GT	75	T108076GT	91
824878GT	97-98	T108077GT	91
82487GT	25, 31, 137	T108138GT	83
824944GT	89	T108834GT	87
824990GT	91	T112560GT	125
825019GT	91	T112561GT	125
825020GT	131	T112626GT	103
825055GT	87	T112773GT	21, 31
825057GT	87		
825349GT	57		
825353GT	39, 41, 43		
825358GT	47, 59, 71, 73, 91, 161		
825474GT	89		
825759GT	81		
825760GT	79		
825796GT	89, 91		

The Part Description Index is an alphabetical index of all part descriptions included in this manual. The index shows what page(s) the part is used on.

<b>A</b>	
AC MOTOR GEARBOX Z60E.....11, 41	ASSY, SENSOR W/HOUSING.....135
ACCESSORY, OPERATOR PROTECT STRUCT.....153	ASSY, UPPER COMP ARM.....81
ACCESSORY, PANEL CRADLE, ANSI.....137	ASSY, 6' PLAT WELDMENT W/SIDE GATE.....93
ADJUSTABLE STRAP ASSY.....137	ASSY, 6FT PLAT DUAL LG, BLANK W/SIDE SWING GATE.....93
AIR CLEANER KIT, KUBOTA D905.....71	ASSY, 6FT PLATFORM, NO DECALS.....93
AIR CLEANER STAY.....71	ASSY, 8' PLAT WELDMENT W/SIDE GATE.....93
ALARM, STEADY TONE****.....55, 101	ASSY, 8FT PLAT TRI LG, BLANK W/SIDE SWING GATE.....93
ALARM, WARBLE TONE 5-30 VDC***.....131	ASSY, AIRCRAFT PROT, LOWER, 6FT.....155, 157
ALTERNATOR STAY, D905.....73	ASSY, AIRCRAFT PROT, UPPER, 6FT.....157
ALTERNATOR, 40 AMP, INT REG.....73	ASSY, BELLCRANK, Z62.....91
ANGLE, RELAY MNT, W/NUTSERTS, PNT.....57	ASSY, HOSE, HYD, OSC CYL, Z60E.....117
ANGLE, SOLENOID MOUNT.....71	ASSY, HOSE, HYD, OSC V TO OSC C, Z60E.....117
ASSEMBLY MOVING END SX TRACK.....89	ASSY, HOSE, HYD, RSTR TO FUN MAN, Z60E.....115, 117
ASSEMBLY RESET SWITCH.....133	ASSY, HOSE, HYD, STR TO STR, Z60E.....115, 117
ASSEMBLY, 48V CLUTCH.....71	ASSY, LOWER COMPRESSION ARM, Z60E.....79
ASSEMBLY, AMBER LED BEACON, 36L.....129	ASSY, LOWER TENSION ARM, Z60E.....79
ASSEMBLY, BOX, BATTERY, L16.....61	ASSY, MIDPIVOT, Z60E Z62.....79
ASSEMBLY, CHARGER RELAY BOX.....51	ASSY, MODULE, CONTROL UNIT, OPA.....133
ASSEMBLY, CHARGER STATUS LED, 2V.....51	ASSY, RELAY SOCKET, AUTO.....47, 57
ASSEMBLY, CONTROLLER PCON, Z60.....101	ASSY, ROTARY SENSOR, 130DEG CW.....81, 83
ASSEMBLY, CONTROLLER TCON, Z60.....51	ASSY, SIDE SWING GATE.....95
ASSEMBLY, COVER, ENGINE-SIDE.....59	ASSY, TIMING LINK, Z62.....81
ASSEMBLY, COVER, FRONT.....45	ASSY, UPPER TENSION ARM, Z60E.....81
ASSEMBLY, COVER, TANK-SIDE, Z6.....59	ASSY, UPPER PIVOT, Z60E.....83
ASSEMBLY, DRIVE, SLEW GEAR, Z6.....43	AUX RAIL, 6' PLAT, SIDE ENTRY.....163
ASSEMBLY, FRONT BULKHEAD.....45	AUX RAIL, 8' PLAT, TRI-ENTRY.....163
ASSEMBLY, FUSE BOX.....45	
ASSEMBLY, GROUND CONTROL BOX.....55	<b>B</b>
ASSEMBLY, GROUND CONTROL BOX Z.....55	BACKING PLATE, HOSE BLOCK, JIB.....91
ASSEMBLY, LIGHT, CONTACT ALARM.....135	BALL STUD**.....59
ASSEMBLY, OPA PROTECTION CAGE.....133	BAR, CLAMP, CABLE TRACK.....89
ASSEMBLY, PANEL, CHARGE PORT.....51	BAR, MACHINED, SLIDER, STRUT M.....59
ASSEMBLY, PLATFORM CONTROL BOX, Z60/37.....97-98	BAR, AXLE ROTATION STOP, OSC.....41
ASSEMBLY, PLATFORM CONTROL BOX, Z60/37 DC.....97-98	BAR, HOSE CLAMP.....87
ASSEMBLY, PROX. KILL.....63, 155	BASE ENCLOSURE, RED, OPA.....133
ASSEMBLY, SENSOR, PROX, CONTACT ALARM.....135	BASE, W/2 NC CONTACTS***.....55
ASSEMBLY, TANK, HYDRAULIC, 18.....51	BASE, WITH 2 N.O. CONTACTS***.....55
ASSEMBLY, TANK, HYDRAULIC, Z60.....51	BASE, WITHOUT CONTACTS.....55, 98
ASSEMBLY, TERMINAL RAIL, Z60/3.....101	BATTERY HOLD DOWN.....67
ASSEMBLY, TRACTION CONTROLLERS.....53	BATTERY HOLD DOWN, GROUP 31.....47
ASSEMBLY, WHITE LED LIGHT, ROU.....129	BATTERY, 390AH L16, WET.....61
ASSEMBLY, Z60/37 GBOX RELAYS.....57	BATTERY, 12V, 1000 CC GRP 31.....47
ASSEMBLY, #1 BOOM Z62.....87	BATTERY, 450 CCA***.....67
ASSEMBLY, #2 BOOM Z62.....87	BATTERY, AGM, 6V/390A, L16.....61
ASSEMBLY, CABLE, TAPESWITCH.....133	BEARING KIT, PLAT ROTATOR, SUPER.....91
ASSEMBLY, CIRCUIT BREAKER, 15AMP.....55	BEARING SERVICE KIT (1264100).....47, 109
ASSEMBLY, CONTACT ALARM CABLE, LARGE.....135	BEARING, 1.00IDX1.25ODX1.00L.....33, 35, 67
ASSEMBLY, FOOT SWITCH.....95	BEARING, 1.25 ID X 1.5 OD X .75.....35, 91
ASSEMBLY, TAPESWITCH.....133	BEARING, 1.5"ID X 1.75OD X 1.25L.....91
ASSEMBLY, TERMINAL RAIL, Z60/37.....57	BEARING, 1.50IDX1.75ODX1.63LG.....81
ASSY, 12V CHARGER BOX.....47	BEARING, 1.50IDX1.75ODX2.00L.....83
ASSY, FUEL TANK, 17 GAL, FUEL SENSE, PLASTIC.....49	BEARING, 1.51DX1.75ODX1.0L.....83, 91
ASSY, FUEL TANK, 17 GAL, LEGACY PLASTIC.....49	BEARING, 1.51DX1.75ODX1.5L.....33, 35, 79
ASSY, FUEL TANK, 17 GAL, STD, PLASTIC.....49	BEARING, 1.75IDX2.00ODX1.18L.....81
ASSY, LIGHT, INDICATOR, AMB 24V.....55	BEARING, 1.75IDX2.00ODX2.50L.....81
ASSY, MAG SPEED PICKUP.....71	BEARING, 2.00IDX2.25ODX1.00LG.....81
	BEARING, 2.00IDX2.25ODX2.00L.....33, 35, 41
	BEARING, 2.00IDX2.50ODX1.50L.....83
	BEARING, 2.01DX2.25ODX1.50L.....79, 81, 83
	BEARING, 2.50IDX2.75ODX1.00LG.....79
	BEARING, 2.50IDX2.75ODX1.50L.....79
	BEARING, 2.50IDX2.75ODX2.00L.....79
	BEARING, FL, 1.25X1.5X2.13.....91
	BEARING, FL, 1.25IDX1.41ODX1.50L.....91
	BEARING, FL, 1.25IDX1.5ODX1.25L.....91
	BEARING, FL, 1.51DX1.75ODX1.10LG.....33, 35, 91
	BEARING, GARLOCK, 12FDU12.....131
	BEARING, INNER (88883).....37
	BEARING, OUTER (88883).....37
	BEARING, TURNABLE ROTATION.....43
	BELLOUSING HYBRID D1105.....71
	BELLOWS, JIB CYL., Z62.....143
	BELLOWS, PLC., Z62.....143
	BELLOWS, MASTER CYL., Z62.....143
	BELLOWS, OSC. CYL., Z62.....143
	BELLOWS, PLAT LEVEL CYL., Z62.....143
	BELLOWS, SLC, Z62.....143
	BELLOWS, STEER CYL., Z62.....143
	BELT, V, KUBOTA D905.....11, 69
	BLANKET, BATTERY.....147
	BOLT KIT W/WASHERS, M8X200 (1264100).....47, 109
	BOLT, CARRIAGE, 1/2-13X1.5, 5, ZAG.....47, 49
	BOLT, CARRIAGE, 1/4-20X.5, 5, ZAG.....47
	BOLT, CARRIAGE, 1/4-20X.75, 5, ZAG.....45, 47, 67, 141
	BOLT, CARRIAGE, 1/4-20X1.5, 5, ZAG.....145
	BOLT, CARRIAGE, 1/4-20X1.5, ZAG.....69, 87, 91
	BOLT, CARRIAGE, 1/4-20X2.5, ZAG.....81
	BOLT, CARRIAGE, 1/4-20X2.75, 5, ZAG.....91
	BOLT, CARRIAGE, 1/4-20X3.75, 5, ZAG.....79, 81
	BOLT, CARRIAGE, 3/8-16X1.5, ZAG.....69, 89
	BOLT, CARRIAGE, 3/8-16X1.25, 5, ZAG.....51, 67
	BOLT, SHS, 1/4-28X4, ZAG.....111
	BOLT, SHS, 5/16X.375X1/4-20, ZAG.....55
	BOOM REST.....85
	BOOT (BELLOWS), E-STOP, BLACK.....98
	BOOT, ROCKER JOYSTICK 75565.....103
	BOOT, JOYSTICK.....103
	BOOT, TOGGLE SWITCH, SHORT*.....97-98, 129, 155, 157
	BOTTLE, COOLANT RECOVERY, 1.4***.....69
	BOX, INSTRUCTION STORAGE.....95
	BRACKET, HOSE CLAMP.....83, 85
	BRACKET, OSCILLATE VALVE.....41, 111
	BRACKET, CONTROL UNIT.....133
	BRACKET, HOSE CLAMP, PAINTED.....91
	BRACKET, POWER TO PLAT, DOM.....125
	BRACKET, WORK LIGHT MOUNT 5/16".....129
	BRACKET-TOOL TRAY MOUNTING.....137
	BRAKE PRESS. PLATE, FAIRFIELD.....41
	BRAKE TUBING.....43
	BRAKE, FAIRFIELD.....41
	BREATHER CAP, RFM165.....51
	BRKT, HOSE CLAMP.....85
	BRKT, AIR CLEANER MOUNT.....71
	BULKHEAD, TRACTION CONTROLLERS.....53
	BUMPER, PLASTIC, 1.25 O.D.....95, 155, 157, 161, 163
	BUMPER, RUBBER, 1.25 X 1.25 IN.....59
	BUMPER, 5/16DIA X 7/64 PROJ, ADH.....98





DECAL, POWER TO CHARGER, UNIV.....15	DECAL,SYMBOL-READ THE MANUAL.....133	FORMING, ALTERNATOR HARNESS MOUNT.....73
DECAL, POWER TO PLATFORM 230V**...17, 21, 27, 31	DECAL,TIP-OVER HAZARD,ANSI.....31	FORMING, BATTERY TRAY.....67
DECAL, SYMBOL - READ THE MANUAL...25, 31, 137	DECAL,TIP-OVER HAZARD,CE.....31	FORMING, BRACKET, AIR HOSE.....127
DECAL, SYMBOL, SLOPE RATING, Z.....31	DECAL,TIP-OVER,CRUSH.....31	FORMING, BRACKET, CONNECTOR, T.....53
DECAL, TRANSPORTING/LIFTING, Z.....13, 23	DECAL,TRIANGLE,BLUE.....13, 23	FORMING, BRACKET, COVER BUMPER.....59
DECAL, WHEEL LOAD, Z60/37DC.....13, 23	DECAL,TRIANGLE,YELLOW.....13, 23	FORMING, BRACKET, HIGH PRESSUR.....51
DECAL, WORD, BATT WEIGHT/TIP O.....15, 17	DECAL,ULS DIESEL ONLY,TIER 4.....15	FORMING, BRKT, EXHAUST LOWER.....73
DECAL, WORD, SLOPE, RATING, Z6.....21	DECAL,WARN,ELECTRO HAZARD.....15, 17	FORMING, BRKT, EXHAUST SPRT.....73
DECAL,ANNUAL INSP***.....17	DECAL,WARN,IMPROPER OPERATION.....21	FORMING, BULKHEAD, REAR TANK-S.....53
DECAL,ARROW BLUE.....13, 23	DECAL,WARNING,PANEL CRADLE.....21, 137	FORMING, CABLE ATTACH.....43
DECAL,ARROW YELLOW LRG 9".....13, 23	DIN RAIL, 5.63".....57	FORMING, CABLE CLAMP BACKER.....43
DECAL,CAUTION,NO STEP.....21, 31	DIPSTICK GUIDE,D-1105.....73	FORMING, CABLE GUARD.....61
DECAL,CHEVRON RANDO HD.....15	DIPSTICK,D-1105.....73	FORMING, COVER AC MOTOR RR.....41
DECAL,COSMETIC,4 X 2.....13, 23	DISPLAY, 8 CHAR, 24V, CAN.....55	FORMING, COVER, FRONT.....45
DECAL,COSMETIC,4 X 4.....13, 23	DISPLAY,PLATFORM,ENGAGE4,GEN2.....98	FORMING, COVER, FUEL LINES.....49
DECAL,COSMETIC,GENIE.....133	DRIVE FLANGE.....71	FORMING, DC GENERATOR MOUNT.....47
DECAL,DANGER DO NOT ALTER SWTC.....13, 19		FORMING, DC MOTOR MOUNT.....47
DECAL,DANGER,BATTERY SAFETY***.....15, 17		FORMING, DISPLAY RETAINER.....98
DECAL,DANGER,CAPANSI WORD.....21		FORMING, ENG SIDE, STRIKER MOUNTING BRACKET.....47, 67
DECAL,DANGER,CAP,AUS WORD.....21		FORMING, ENGINE TRAY BAFFLE.....67
DECAL,DANGER,ELEC.HAZ.STAY CLR.....25, 27, 31		FORMING, EXHAUST SHIELD.....69
DECAL,DANGER,ELECT HAZARD***.....15, 17, 21		FORMING, EXHAUST SHIELD BRACKET...69
DECAL,DANGER,ELECT HAZARD,PLUG.....15		FORMING, FRONT MOUNT.....73
DECAL,DANGER,HIGH VOLTAGE.....17		FORMING, FRONT MOUNT LEFT.....73
DECAL,DANGER,NO SMOKING.....15, 17		FORMING, FRONT, BATTERY BOX.....61
DECAL,DANGER,TILT ALARM.....21		FORMING, FUSE BLOCK MT, Z60E.....73
DECAL,DANGER,TIP-OVER.....15		FORMING, FUSE BOX CONTACTOR BR.....45
DECAL,DANGER/WARNING COMBO.....21		FORMING, GENERATOR HARNESS.....71
DECAL,DIESEL.....15, 25		FORMING, GUARD, CABLE MOUNT.....47
DECAL,EXPLOSION HAZARD.....17		FORMING, HOSE CLAMP BRKT.....85
DECAL,LABEL, AIR LINE 110 PSI.....17, 21, 27, 31		FORMING, INVERTER COVER.....159
DECAL,LABEL, ELECTRO HAZARD.....25, 27		FORMING, INVERTER MOUNT.....159
DECAL,LABEL,100 DB.....27		FORMING, LATCH TRIGGER, ES.....59
DECAL,LABEL,CB SYMBOL.....15, 25		FORMING, LEFT REAR, CONTROLLER.....53
DECAL,LABEL,LIFTING EYE.....13, 15, 17, 23, 25, 27		FORMING, LID, BATTERY BOX.....61
DECAL,LABEL,LIGHTS***.....129		FORMING, LOCATOR, BATTERY.....61
DECAL,LABEL,LOWER MIDRAIL.....21, 31		FORMING, MOTOR CABLE GUIDE, FRONT.....39
DECAL,LABEL,NO SMOKING,SYMB.....25, 27		FORMING, MOTOR CABLE ROUTING, FRONT.....39
DECAL,LABEL,PETRO CANADA***.....15		FORMING, MOTOR CABLE TRACK.....33, 35
DECAL,LABEL,TIP OVER LMT SWTCH.....23, 25, 29		FORMING, OPA CAGE.....133
DECAL,LABEL,TIPOVER,TILT AL SY.....31		FORMING, OPA CAP.....133
DECAL,LABEL,TIPOVER,TIRES,SYMB.....23		FORMING, OPA, BRACKET.....133
DECAL,LABEL,TRANSPORT TIEDOWN*...13, 23		FORMING, PANEL, CHARGE PORT.....51
DECAL,LABEL,UCON HYDROLUBE.....15		FORMING, PRIMARY MOTOR CABLES.....53
DECAL,LANYARD ANCHORAGE POINT...21, 31		FORMING, REAR AXLE COVER.....41
DECAL,LANYARD,FALL ARREST/FALL RESTRAINED.....21, 31		FORMING, REAR ENGINE MOUNT.....47, 71
DECAL,LOW/ULTRA LOW SULFR FUEL.....15		FORMING, RIGHT REAR, CONTROLLE.....53
DECAL,MACHINE REGISTRATION/OWNER TRANSFER.....15, 25		FORMING, SECONDARY MOTOR CABLE..53
DECAL,NOTICE,BATTERY CABLES.....15, 17		FORMING, SENSOR HOLDER.....135
DECAL,PLATFORM OVERLOAD.....21, 31		FORMING, STARTER CABLE AND HARNESS BRACKET.....71
DECAL,POWER TO PLATFORM 115V.....17, 21, 27, 31		FORMING, STARTER HARNESS MOUNT...73
DECAL,SYM-ELEC HAZARD,PLUG.....25		FORMING, SWING CABLE MT.....43
DECAL,SYMBOL-BATTERY SAFETY.....25, 27		FORMING, SWING FUEL MOUNT.....49
		FORMING,BATTERY CONN HANDLE,PT...61
		FORMING,BULKHEAD,TANK-SIDE,FR.....45
		FORMING,CABLE GUIDE.....95
		FORMING,CLAMP,TOP,CABLE TRACK.....89
		FORMING,CONTROL COVER.....151
		FORMING,COVER ARMS.....79, 81
		FORMING,EXT LIMIT SWITCH COVER.....87
		FORMING,HOSE TRAY.....87
		FORMING,HOSE TRAY MID SUPPORT.....83
		FORMING,LATCH,CTRL BOX LID PTD.....149
		FORMING,MOTOR-GEN CONTROLLER.....45

## E

ELBOW,45D,520320-4.....121, 123  
 ELBOW,45D,520320-6.....117  
 ELBOW,90D, 070202-4.....43  
 ELBOW,90D,520220-4-4.....123  
 ELBOW,90D,520220-6.....33, 35, 87, 115, 117, 121  
 ELBOW,90D,520220-8-12.....119  
 ELBOW,90D,BULKHEAD,520701-4.....123  
 ENCODER, AC MOTOR GEARBOX Z60E.....41  
 END BRACKET,FIXED END.....89  
 END STOP, DIN RAIL,SCREW CLAMP.....57  
 ENGINE TRAY UPPER MT., MACH.....67  
 ENGINE, KUBOTA D1105, HYB.....69  
 EXHAUST CLAMP 1 3/8.....73  
 EXT CYL END SUPPORT.....87  
 Extension Boom.....77

## F

FAN DRIVE PULLEY,KUBOTA.....69  
 FAN,KUBOTA D905.....73  
 FEMALE BULKHEAD CONNECTOR-8.....127  
 FILTER ASSY,HIGH PRESS SAE-12\*.....51  
 FILTER ASSY,INTANK.....51  
 FILTER INDICATOR-(60334).....51  
 FILTER LID,RFM165.....51  
 FILTER,AIR,D905.....11, 71  
 FILTER,ELEMENT,BETA(10)=200.....11, 51  
 FILTER,ELEMENT,BETA(5)=1000.....11, 51  
 FILTER,OIL,KUBOTA.....11, 73  
 FILTER/SEPARATOR,FUEL DIESEL\*\*.....69  
 FINGER,GUIDE,CABLE TRACK.....89  
 FITTING,3/8NPT TO 3/16BARB,90.....75  
 FITTING,3/8NPT TO 5/16BARB,90.....75  
 FITTING,CONN,520120-12\*\*\*.....71, 119  
 FITTING,ELBOW,90D,520220-8\*\*\*.....87, 121  
 FITTING,TEE,BRANCH,520433-4.....117  
 FITTING,TEE,RUN,SWIVEL520432-4.....121  
 FLATBAR, CLAMPS, CABLE TRACK.....89  
 FLOORING, 6 FT PLATFORM.....95  
 FLOORING, 6 FT PLAT,SIDE.....95  
 FLOORING,8 FT PLATFORM\*\*.....95  
 FOAM PAD, 3" OD X 1.25" ID X 14 IN.....137  
 FOAM,AIRCRAFT PROTECTION.....155, 157  
 FOOT SWITCH,20A IP65.....95  
 For internal engine parts, contact engine dealer.....69, 71, 73  
 FORMING PANEL CRADLE.....137  
 FORMING, 12V CHARGER BOX.....47  
 FORMING, 12V CHARGER CLAMP.....47

## Part Description Index (continued)

- FORMING,PINION GUARD.....43, 141  
 FORMING,RAD.BAFFLE,Z60E.....69  
 FORMING,REAR COVER STOP,LEFT.....59  
 FORMING,REAR COVER STOP,RIGHT.....59  
 FORMING,SECONDARY SUPPORT.....137  
 FORMING,SWING GEAR REAR.....141  
 FORMING,SWING GEAR RH.....141  
 FREEZE PLUG HEATER,Z341C/BE.....147  
 From January 2017, this option became a standard installation on all models unless the customer specifically request not to have it installed.....135  
 FUEL PUMP, MECHANICAL.....69  
 FUSE BLOCK, ANN & ANL FUSE.....45, 159  
 FUSE,175 AMP.....159  
 FUSE,325 AMP,VERY FAST ACTING.....45  
 FUSE,40 AMP,NON TIME DELAY,ANL.....45
- G**
- GASKET, DISPLAY GUARD.....98  
 GASKET, FUSE BOX.....45  
 GASKET, ISOLATION, JOYSTICK.....98, 103  
 GASKET, MOTOR DRIVE.....39, 41  
 GASKET, TANK, FUEL SENSOR.....49  
 GASKET,(BOOT) FLANGE INLET PLG.....51  
 GASKET,COVER,GFCI,WEATHERPROOF.125  
 GASKET,ENCLOSURE.....133  
 GASKET,GROUND CONTROL BOX.....55  
 GASKET,PLATFORM CONTROL BOX.....98  
 GASKET,RETURN FILTER-77353.....51  
 GASKET,SOLENOID,KUBOTA.....69  
 GASKET,VALVE COVER CAP,WG750.....69  
 GASKET,VALVE COVER,KUBOTA D905.....69  
 GASKET,WATER PUMP.....69  
 GAUGE,HYDRAULIC TANK T/L VL.....51  
 GREASE,DIELECTRIC 4 OZ\*\*.....11  
 GRIP, CABLE.....135  
 GROMMET,9/16IDX7/8ODX3/16THK.....69  
 GROMMET,RUBBER 3 X .19 X 3.5.....71, 95  
 GROUND STRAP,24"LONG.....33, 35  
 GUARD, DISPLAY, POLYCARB.....98  
 GUARD, HOSE PROTECTOR.....35  
 GUARD, SWING GATE.....163  
 GUIDE BOOM.....85  
 GUIDE FINGER,PLASTIC.....89  
 GUIDE, CABLE.....135  
 GUIDE, UPPER COMP ARM.....81
- H**
- HANDLE, YELLOW LOCKING, CODE 455.....59  
 HARN CHARGER CABLE 2/10GA.....63  
 HARN JOYSTICK ADAPTOR JS100.....97-98, 103  
 HARN PRIM ANG SENSOR PIGTAIL.....63  
 HARN SEC ANG SENSOR PIGTAIL.....63  
 HARN STEER SNR PIGTAIL EXTEND.....63  
 HARN, MOTOR CONTROL CABLE.....63  
 HARN, MOTOR CONTROL CABLE (RF).....63  
 HARN, MOTOR CONTROL CABLE (RR).....63  
 HARN,12V CHARGER BOX,Z60/37 DC.....63  
 HARN,AUXILIARY POWER,Z60/37 DC.....63  
 HARN,CABLE,DC POWER,Z60E.....63  
 HARN,PIGTAIL,TAPESWITCH,OPA.....133  
 HARNESS ASSY,CHARGER RELAY BOX.....63  
 HARNESS ASSY,PCON,PROX KILL.....157  
 HARNESS BOOM CTRL CABLE Z60.....63  
 HARNESS FUNCTION MANIFOLD.....63  
 HARNESS GBOX WIRING ASSY. Z60/.....63
- HARNESS JIB SELECT MAN.....63  
 HARNESS POWER TO PLATFORM Z60/.....63  
 HARNESS, ENGINE, Z60/37 FE.....63  
 HARNESS, FUSE BOX, Z60E.....45, 63  
 HARNESS, LOAD SENSE, Z60/37.....63, 131  
 HARNESS, LS, OP, DRIVE ENABLE.....63  
 HARNESS, MOTOR CONTROL CABLE.....63  
 HARNESS, MOTOR CTRL, FRONT.....63  
 HARNESS, MOTOR CTRL, REAR.....63  
 HARNESS, OPA2, Z60E.....135  
 HARNESS, PLAT BOX, Z60/37.....63, 101  
 HARNESS, PUMP MOTOR CTRL.....63  
 HARNESS, TELEMATICS, ZTR, M8HBZ, 8".....63  
 HARNESS,48V CLUTCH ASSY.....71  
 HARNESS,LS1 PRIMARY RETRACT.....63  
 HARNESS,PBOX,OPA-1,PLUS1.....63  
 HARNESS,PRESS,TRANSDUCER\*\*\*.....105  
 HEAT SINK,MOTOR-GEN CONTROLLER.....45  
 HINGE, SPRING, LONG LEG.....95  
 HINGE,3/8-16 HOLES,0.5 PIN.....59  
 HINGE,CONSTANT TORQUE.....151  
 HINGE,PLAT CONTROL BOX COVER.....149  
 HOLDER, SENSOR.....135  
 HOOK,BATT HOLD DOWN,10".....47  
 HORN,12VDC,SPADE TERMINALS\*\*\*.....45  
 HOSE ASSEMBLY, 1/2" AIR,BARB,S.....127  
 HOSE ASSEMBLY,1".....119  
 HOSE ASSEMBLY,1/4".....139  
 HOSE ASSY, 1/2X69.29,90-8,-8.....119  
 HOSE ASSY, 1/4, STR FEM, STR FEM.....123  
 HOSE ASSY, 3/8,-6,-6.....121  
 HOSE ASSY, 3/8X152.82,-6-6.....115, 117  
 HOSE ASSY,#4 FEM,STR-90 DEG.....121  
 HOSE ASSY,1/2,-8,-8.....121  
 HOSE ASSY,1/2,90 FEM,STR FEM\*\*.....119  
 HOSE ASSY,1/2X14.86,90-8,-8.....119  
 HOSE ASSY,1/2X29.41,90-8,-8.....119  
 HOSE ASSY,1/4,90 FEM,STR FEM.....119  
 HOSE ASSY,1/4,BLKH-4,-4.....121  
 HOSE ASSY,1/4X121.91,90-4,-4.....117  
 HOSE ASSY,1/4X21.16,90-4,-4.....123  
 HOSE ASSY,1/4X21.46,90-6,-6.....119  
 HOSE ASSY,1/4X22.16,90-4,-4.....123  
 HOSE ASSY,1/4X434.78,-4,-4.....121, 123  
 HOSE ASSY,1/4X509.78,-4,-4.....121, 123  
 HOSE ASSY,3/4X16.43,45-12,-12.....119  
 HOSE ASSY,3/8,-6,-6.....121  
 HOSE ASSY,3/8X124.59,90-6,-6.....117  
 HOSE ASSY,3/8X71.09,90-6,-6.....119  
 HOSE END,BARBED,SWIVEL,JIC,8-8.....127  
 HOSE END,FEMSW,90D,ORFS,-12-12.....71  
 HOSE, INTAKE ELBOW.....71  
 HOSE,1/2,LOW PRESSURE,801-8\*\*\*.....127  
 HOSE,5/16 FUEL,SAE 30R7.....75  
 HOSE,FUEL,3/16,SAE 30R7.....75  
 HOSE,LOWER RAD,KUBOTA D1105 HYB...69  
 HOSE,UPPER RAD,KUBOTA D1105 HYB...69  
 HOUSING, SENSOR, PRIMARY.....81, 83  
 HUB,2WD,FRONT\*\*\*.....37
- I**
- INPUT CARRIER KIT, AC MOTOR GEARBOX Z60E.....41  
 INSTRN, TRC RETROFIT, STNDRD.....63  
 INTERMEDIATE CARRIER KIT, AC MOTOR GEARBOX Z60E.....41  
 INVERTER, 2000W, 48VDC TO 120V.....159  
 INVERTER, 2000W, 48VDC TO 240V.....159
- ISOLATOR, VIBRATION.....69
- J**
- Jib Boom.....77  
 JIB BOOM ASSY W/WORD DECAL.....91  
 JOYSTICK,1 AXIS ROCKER,DEUTSCH.....98, 103  
 JOYSTICK,1 AXIS,DEUTSCH.....98, 103  
 JOYSTICK,2 AXIS,DEUTSCH.....98, 103  
 JOYSTICK,DUAL AXIS W/KNOB.....103  
 JOYSTICK,SINGLE AXIS W/KNOB.....103  
 JOYSTICK,SINGLE AXIS W/STEER.....103  
 JUMPER COMB, 2-WAY,WIELAND.....57  
 JUMPER-GLOW PLUG.....69
- K**
- KEY SINGLE\*\*\*.....59  
 KEYS,10 PACK\*\*\*.....59  
 KEYSWITCH,3 POS. W/KEYS\*\*\*.....55  
 KIT, BRAKE SPRING.....43  
 KIT, CABLE TRACK LINKS, SX110.....89  
 KIT, DC-DC CONVERTER 48-26 VOLT.....45  
 KIT, FRICTION DISC.....43  
 KIT, ISOLATION, 3 JOYSTICK.....103  
 KIT, JOYSTICK ISOLATOR, Z60E.....97-98  
 KIT, LIFT GUARD CONTACT ALARM,6'-8' PLATFORM,NON-ALC1000.....135  
 KIT, SWING BRAKE REBUILD.....43  
 KIT, SX CABLE TRACK, Z62.....89  
 KIT, TRC RETROFIT, STNDRD.....63  
 KIT, WIRING, WORK LIGHTS OPT, Z60/37.....129  
 KIT,D-905 RADIATOR SUPPORT.....69  
 KIT,ELEMENT\*\*.....51  
 KIT,LOAD SENSE MECHANICAL,LRG.....131  
 KIT,PANEL CRADLE BRACKET,SYMBL.....137  
 KIT,PANEL CRADLE BRACKET,WORD.....137  
 KIT,PANEL CRADLE,CE.....137  
 KIT,REPAIR,DEUTSCH PLUG,W/TUBE.....63  
 KIT,REPAIR,DEUTSCH CONNECTORS\*\*.....63  
 KIT,STRAINER REPLACEMENT.....51  
 KNOB,JOYSTICK, 62390/62391.....103  
 KNOB,ROCKER JOYSTICK 75565.....103  
 KUBOTA FUEL PUMP GASKET.....69  
 KUBOTA GLOW PLUG.....69
- L**
- LANYARD,PLATFORM CONTROL BOX.....98  
 LATCH STRIKER.....151  
 LATCH, SWING GATE.....95  
 LATCH,PUSH BUTTON.....151  
 LATCH,ROTARY,ENGINE COVER.....59  
 LATCH,SLIDE, FLUSH MOUNT STYLE.....149  
 LATCH,SOUTHCO E3-57-65.....85  
 LID ENCLOSURE,RED,OPA.....133  
 LIGHT,LED IND. RED 24V NH.....97-98  
 LOCK,RECEP 3 WAY,14-18GA.....81, 83  
 LOCKNUT, CONDUIT 3/4CSA APPVD.....45, 159  
 LOCKNUT,ELEC,1/2".....125, 159  
 LOCKRING, RR\*\*\*.....37  
 LOOM, LIGHT PACKAGE OPTION.....129  
 Lower Secondary Boom.....77  
 LUG,WHEEL STUD,5/8-18,W1/4HB\*\*.....41
- M**
- MACHINE LH, YOKE Z60E.....33, 35



MACHINE LH, YOKE Z60E 2WD.....33, 35  
 MACHINE RH, YOKE Z60E.....33, 35  
 MACHINE RH, YOKE Z60E 2WD.....33, 35  
 MACHINED,ENGINE TRAY SUPPORT.....67  
 MACHINED,HINGE,1X1X4.25,0.5 PL.....59  
 MACHINED,HINGE,1X1X5.25,0.5 PL.....59  
 MACHINING, COMPRESSION LINK.....91  
 MACHINING, MOUNT, DRIVE, SLEW.....43  
 MACHINING, MOUNT, TRACTION CON.....53  
 MAGNET, 1/4-20, 15 LB.....135  
 MAGNET,NEODYMIUM,.375 X .100....155, 157  
 MAIN BEARING KIT, AC MOTOR GEARBOX Z60E.....41  
 MAIN SEAL KIT, AC MOTOR GEARBOX Z60E.....41  
 MALE PIPE THD,1/4" SER,3/8"X18.....127  
 MANIFOLD, INLET.....69  
 MANIFOLD,FUNCTION,Z60E.....105  
 MANIFOLD,JIB SELECT W/QD PLUG.....107  
 MANIFOLD,ROTATOR,CB\*\*\*.....107  
 MANIFOLD,TURNTABLE ROTATION\*\*\*.....113  
 MANUAL BOX W/DECALS\*\*\*.....95  
 MANUAL,AEM SAFETY.....11  
 MANUAL,OPER,KUBOTA DIESEL\*\*\*\*.....69  
 MANUAL,RESPON,A92.5 BOOM.....11  
 Mid Pivot.....77  
 MODULE, FUSE/RELAY, K1105, Z60E.....73  
 MODULE, PLUS+1, CONTACT ALARM.....135  
 MODULE,CONTROL UNIT,PCB,OPA.....133  
 MODULE,LOAD SENSE 2007.....131  
 MOTOR CTRL, 48-80V, 3PH, 1232E.....53  
 MOTOR CTRL, 48V, 3PH, 1234SE.....11, 45, 47  
 MOTOR O-RING, FAIRFIELD.....41  
 MOTOR SHAFT SEAL, FAIRFIELD.....41  
 MOTOR TERMINAL STUD, FAIRFIELD.....41  
 MOTOR,AC,PUMP-GENERATOR.....47, 109  
 MOUNT, RADIATOR, D1105.....69  
 MOUNT,SWITCH.....131  
 MPT,CPLR,1/4"SER,3/8"X18.....127  
 MUFFLER ASSEMBLY.....73

**N**

NIPPLE,DIAGNOSTIC,#4.....105  
 No Plug Installed at Factory.....159  
 NUT - PLASTIC,RING FOR ALARMS.....55, 101, 131  
 NUT HEX M5-0.8 CLASS 8 ZINC.....97-98  
 NUT, SQ. MS, 4-40, ZINC.....101  
 NUT, TL JAM, 3/8-16, A, ZAG.....91  
 NUT,1/4-20,8,ZAG.....135, 153  
 NUT,1/4-28,8,ZAG.....71, 111  
 NUT,10-32,ZAG.....51, 151  
 NUT,3/8-16,8,ZAG.....153  
 NUT,EXHAUST MANIFOLD.....69  
 NUT,FLG-LRG,3/8-16,YZ.....67, 91  
 NUT,HEX,FLANGE 5/8-18,GRD 8 ZI.....37, 39, 41  
 NUT,HEX,M8,PLASTIC.....155, 157  
 NUT,HH JAM,1/4-20,A,ZAG.....61, 79, 81  
 NUT,JAM,1/2-13,A,ZAG.....47, 51, 67  
 NUT,LOCKING-LG.FLANGE,1/4-20.....87  
 NUT,LOCKING-LG.FLANGE,5/16-18.....47  
 NUT,LP NYLOCK,10-32.....57  
 NUT,M4 NYLOCK.....133  
 NUT,NYLOCK FLG,1/4-20,F,ZAG.....101, 135, 137  
 NUT,NYLOCK FLG,3/8-16,F,ZAG.....135, 137  
 NUT,NYLOCK,1/4-20.....98

NUT,NYLOCK,10-32.....43, 57, 98, 101  
 NUT,NYLOCK,10-32,A,ZAG.....135  
 NUT,NYLOCK,6-32.....57, 135  
 NUT,SERRATED,1/2-13,8,ZAG.....67  
 NUT,SERRATED,1/4-20,8,ZAG.....47, 49, 51, 59, 67, 69, 141  
 NUT,SERRATED,3/8-16,8,ZAG.....49, 51, 69  
 NUT,SERRATED,5/16-18,8,ZAG.....59, 69  
 NUT,TL FLG,1-8,G,ZAG.....95  
 NUT,TL FLG,1/2-13,G,ZAG.....47, 49, 51  
 NUT,TL FLG,1/4-20,G,ZAG.....33, 35, 45, 47, 51, 61, 67, 71, 73, 79, 81, 87, 89, 91, 95, 111, 131, 133, 145, 149, 155, 157, 163  
 NUT,TL FLG,10-24,F,ZAG.....45, 111  
 NUT,TL FLG,10-32,F,ZAG.....45, 61, 87, 129, 131  
 NUT,TL FLG,3/8-16,G,ZAG.....33, 45, 47, 49, 53, 67, 71, 73, 79, 81, 83, 85, 89, 91, 95, 125, 127, 129, 131, 133, 155, 157  
 NUT,TL FLG,5/16-18,G,ZAG.....45, 95, 161, 163  
 NUT,TL FLG,8-32,F,ZAG.....87  
 NUT,TL FLG,M6-1.0,DIN6927,10,ZAB.....59  
 NUT,TL,1-8,C,ZAG.....95  
 NUT,TL,3/8-16,C,ZAG.....81  
 NUT,TL,6-32,A,ZAG.....45  
 NUT,TL,FLG,5/8-11,G,ZAG.....49  
 NUT,TL,M8-1.25,DIN980,10,ZAB.....47, 71  
 NUT,WING,1/4-20.....47  
 NUT-COIL SHORT.....107  
 NUTSERT,LP KNURLED,1/4-20X.165.....55  
 NUTSERT,LP KNURLED,10-32X.130.....57

**O**

O-RING, ROTATOR MANIFOLD.....107  
 O-RING,FILTER ASSY (60334)\*\*\*.....51  
 OIL PAN.....69  
 OIL,ENG 5W-40 SYN\*\*\*.....147  
 OPTION, HALF MESH, 6' SIDE ENT.....161  
 OPTION, HALF MESH, 8' SIDE ENT.....161  
 OUTLET, 110V.....125  
 OUTPUT CARRIER KIT, AC MOTOR GEARBOX Z60E.....41

**P**

PAD, REST, FUEL TRAY.....49  
 PAD, REST, LOWER SECONDARY.....45  
 PAD,REST,1"THICK,FLANGED.....137  
 PADDING, FOAM, 15.5".....155, 157  
 PADDING, FOAM, 46.5".....155, 157  
 PADDING,FOAM 3.5"OD X 1.50"ID.....155, 157  
 PADDING,FOAM, 10.0".....157  
 PADDING,FOAM,3.0"X1.50ID 90DEG.....155, 157  
 PAINT, AEROSOL, TRAFFIC BLACK.....11  
 PAINT,AEROSOL,BRIGHT BLUE\*\*\*.....11  
 PAINT,AEROSOL,GENIE GRAY\*\*\*.....11  
 PAINT,WET,GENIE BLUE (1 GL)\*\*.....11  
 PAINT,WET,GENIE GRAY (1 GL)\*\*.....11  
 PAINT,WET,TRAFFIC BLACK (1 GL)\*\*.....11  
 PANEL, HALF MESH.....161  
 PIN, WELDMENT, 1.75DIA X 6.0LG.....45  
 PIN,0.75DIA X 5.75LG,CHAMFER.....131  
 PIN,1.00DIA X 6.67LG,2RING.....67  
 PIN,1.250 X 9.25, 2 RINGS.....89  
 PIN,1.25DIA X 14.45LG,2HOLE.....91  
 PIN,1.25DIA X 7.00LG,1HOLE.....91  
 PIN,1.25DIA X 7.88LG,1HOLE.....91  
 PIN,1.25DIA X 8.8LG,2RING.....35

PIN,1.50DIA.X15.63LG,4RING.....91  
 PIN,1.50DIA.X7.42LG,2RING.....91  
 PIN,1.50DIA X 3.75LG,1HOLE.....35, 83  
 PIN,1.50DIA X 5.25LG,1HOLE.....91  
 PIN,2.00DIA X 15.5LG,2RING.....81  
 PIN,2.00DIA X 20.88LG,CHAMFER.....41  
 PIN,2.00DIA X 23.13LG,CHAMFER.....33, 35  
 PIN,2.50DIA X 25.625LG,2RING.....79  
 PIN,CLEVIS,1.0X2.41,SAE,ZAG.....33, 35  
 PIN,CLEVIS,1.25X5.0,ZAG.....139  
 PIN,CLEVIS,1.25X6.0,ZAG.....139  
 PIN,HINGE,0.5 X 2.56LG,2 RING.....59  
 PIN,STORAGE,TOW PACKAGE.....139  
 PIPE,INLET, D905.....71  
 PLAT ASSY,6' W/SIDE GATE,Z60/37,ANSI SYM.....93  
 PLAT ASSY,6' W/SIDE GATE,Z60/37,ANSI WORD.....93  
 PLAT ASSY,6' W/SIDE GATE,Z60/37,AUS.....93  
 PLAT ASSY,6' W/SIDE GATE,Z60/37,CE.....93  
 PLATE, ANGLE SENSOR STOP, PRIMARY.....87  
 PLATE, CABLE AND WIRE COVER.....135  
 PLATE, COVER AC MOTOR, FRONT.....39  
 PLATE, ENGINE TRAY FUEL HOSE MOUNT.....67  
 PLATE, FUEL TANK TOP BRKT.....49  
 PLATE, RADIATOR, INNER SEAL.....69  
 PLATE, RADIATOR, OUTER SEAL.....69  
 PLATE, RETURN HOSE MOUNT.....71  
 PLATE, STRUT, BATTERY BOX.....61  
 PLATE, TAPPED.....85  
 PLATE,CHASSIS ATTACHMENT.....139  
 PLATE,CLAMP.....79, 81  
 PLATE,HOSE ROUTING,BULKHEAD \*\*.....81  
 PLATE,JIB,ROTATE MANIFOLD.....95  
 PLATE,SWING ROTATION STOP,Z60E.....41  
 PLATE,UK,POWER TO PLAT.....125  
 PLATE,WIPER,BOOM,LIM SW,Z62.....145  
 PLATE,WIPER,BOOM,Z62.....145  
 PLATE,WIPER,SPACER,LIM SW,Z62.....145  
 PLATE,WIPER,SPACER,Z62.....145  
 Platform Rotator.....77  
 P L A T F O R M S U P P O R T  
 WELDMNT-SERV\*.....95  
 PLT,RECESSED PLUG BACKING, GS6.....51  
 PLUG AND CAP KIT-SERVICE,ORFS\*.....11, 105  
 PLUG, JOYSTICK HANDLE.....103  
 PLUG, NYLON .250 BLACK DOMED.....45  
 PLUG,ALARM BEACON HOLE.....59  
 PLUG,BLANKING.....133  
 PLUG,FLG INLET,15A/125V,2PWGD.....51  
 PLUG,NYLON .875 BLACK DOMED.....57, 101  
 PLUG,NYLON 1.12 BLACK DOMED.....59  
 PLUG,NYLON 2.093 BLACK DOMED.....55  
 PLUG,PWR,UK,16AMP,3PIN,BLK.....125  
 PLUG,SAE #4.....105  
 PLUG,SANTOPRENE .5 BLACK DOME.....55, 97-98, 101  
 PLUG,SANTOPRENE 1.125 BLK DOME.....45  
 PLUG,SEAL,12-18 GA.....57  
 POWER CORD, AC CORD 2M 16AWG IP66 320.....51  
 POWER UNIT,AUX PUMP 12VDC.....47  
 Primary Boom.....77  
 PROXIMITY SENSOR\*\*\*.....155, 157  
 PULLEY,FAN,KUBOTA, D-905,GS68.....73

## Part Description Index (continued)

PULSE WHEEL SERVICE KIT (1264100)...47, 109	SCREW,HHC,1/4-20X.75,8,ZAG.....59, 83	SCREW,HHF,M8-1.25X20,DIN6921,10.9,ZAB.39, 41
PUMP,GEAR,FUNCTION,Z60E.....47, 109	SCREW,HHC,1/4-20X1.8,ZAG.....153	SCREW,HHF,M8-1.25X25,DIN6921,10.9,ZAB.71
PUSHNUT RETAINER, 1/4" X 1/2"O.....69	SCREW,HHC,1/4-20X1.25,8,ZAG.....81, 131	SCREW,HHF,M8-1.25X40,DIN6921,10.9,ZAB.47, 71
<b>R</b>		
RADIATOR ASSY,ALUM.D-905.....69	SCREW,HHC,1/4-20X1.75,8,ZAG.....139	SCREW,M5X16 BHD.....133
RECEPTACLE,UK,110V.....125	SCREW,HHC,3/4-10X3.5,8,ZAG.....41	SCREW,M6X8.....133
Ref: AC Wheel driven Motor.....39	SCREW,HHC,3/8-16X.5,8,ZAG.....33, 35, 51	SCREW,PHIL,PHM,10-32 X .5,SSTL.....57, 98, 101
Ref: Engine, Kubota D-1105D, HYB.....67	SCREW,HHC,3/8-16X.625,8,ZAG.....129	SCREW,PHILLIPS,PHM,10-32 X .38.....45
Ref: Foot Switch.....63	SCREW,HHC,3/8-16X.75,8,ZAG.....45, 79	SCREW,PHPM,10-24X.50,ZAG.....81, 83
Ref: Forming, Front Mount.....69	SCREW,HHC,3/8-16X.875,8,ZAG.....95	SCREW,PHPM,10-24X1,ZAG.....45, 95
Ref: Fuse/Relay Module.....63	SCREW,HHC,3/8-16X1.8,ZAG.....35, 79, 81, 83	SCREW,PHPM,10-32X.38,ZAG.....57
Ref: HARNESS OPA2, Z60E.....63	SCREW,HHC,3/8-16X1.5,8,ZAG.....87	SCREW,PHPM,10-32X.50,ZAG.....49, 57
Ref: MODULE, PLUS+1, OPA2.....101	SCREW,HHC,3/8-16X2.5,8,ZAG.....153	SCREW,PHPM,10-32X.625,ZAG.....51
Ref: MOTOR,AC,PUMP-GENERATOR.....71	SCREW,HHC,3/8-16X3,8,ZAG.....81	SCREW,PHPM,10-32X.75,ZAG.....61, 129, 151
Ref: Platform Control Box Weldment.....101	SCREW,HHC,5/16-18 X 1 GR5.....47	SCREW,PHPM,10-32X1.5,ZAG.....43, 135
Ref: PUMP, GEAR, FUNCTION, Z60E.....71	SCREW,HHC,5/16-18 X 1.375.....71	SCREW,PHPM,10-32X1.75,ZAG.....87
Ref: Rotary Sensor.....63	SCREW,HHC,5/16-18X.75,8,ZAG.....129	SCREW,PHPM,6-32X.5,ZAG.....45, 57
RELAY,24VDC,40/30A,SEALED***.....57	SCREW,HHC,5/16-18X1.8,ZAG.....161	SCREW,PHPM,6-32X.875,ZAG.....135
RELAY,SPDT,12V(AUTO) PLUG IN**.....47	SCREW,HHC,5/8-11X2.25,8,ZAG.....37, 45, 53	SCREW,PHPM,8-32X1.75,ZAG.....87
RELAY,SPDT,12V(AUTO)**.....135	SCREW,HHC,5/8-11X3.5,8,ZAG.....43	SCREW,PHPM,8-32X1.75,ZAG.....87
RELAY,TIME DELAY,2 SEC,10A.....131	SCREW,HHC,5/8-11X4.8,ZAG.....43	SCREW,PHPM-ST,8-32 X .50,TYPE F,ZAG.....125
REPAIR KIT,4 LINK,W/GUIDE.....89	SCREW,HHC,M10-1.25X30,DIN961,1.....47, 69, 71, 73	SCREW,PPH MS,4-40X.5,ZINC KG.....101
RETAINER,EXT CYL SADDLE.....87	SCREW,HHC,M6-1.0X16,DIN931,10.....53	SCREW,SET,HS,5/8-11X3.5,CUP,ZA.....43
RETAINER,GUIDE CABLE.....45, 79, 81, 83	SCREW,HHC,M8-1.25X12,DIN933,10.....71	SCREW,SHC,1/2-13X2,A574,ZAG.....39, 41
RETAINER,SPRING,1.21 X .375.....131	SCREW,HHF,1/2-13X 2.8,ZAG.....47, 67	SCREW,SHC,1/2-13X2.5,ZAG.....39, 41
RIVET, STL, STL, DOME, 1/4 X .375, ZAG.....161	SCREW,HHF,1/2-13X1.25,8,ZAG.....47, 51, 71, 109	SCREW,SHS,3/4X1.25X5/8-11,ZAG.....49
RIVET,ALUM,P,.188 X .25.....149	SCREW,HHF,1/2-13X1.5,8,ZAG.....33, 35, 41	SCREW,THUMB,A-REG,3/8-16X1,ZAG.....61
ROCKER ASSY,MAGNETIC 75565.....103	SCREW,HHF,1/2-13X2.5,8,ZAG.....41	SEAL KIT (39345).....107
ROCKER,RETAINER, 75565.....103	SCREW,HHF,1/2-13X2.75,8,ZAG.....41, 111	SEAL KIT (822631).....91
ROD END, .25 X 2.75, ZAG.....131	SCREW,HHF,1/2-13X4.5,8,ZAG.....67	SEAL KIT (822632).....87
ROD END,.375 X 2.25,ZAG.....35, 83	SCREW,HHF,1/4-20X.625,8,ZAG.....45, 51, 55, 57, 69, 95, 97-98, 137	SEAL KIT (822846).....83
ROD END,.375X3.69,ZAG.....91	SCREW,HHF,1/4-20X.75,8,ZAG.....37, 39, 41, 45, 49, 51, 53, 61, 71, 79, 81, 83, 85, 87, 91, 95, 133, 135, 141, 149, 155, 157, 159	SEAL KIT (822966).....81
ROD END,.5 X 3.75,ZAG.....33, 35, 41	SCREW,HHF,1/4-20X1.8,ZAG.....33, 35, 47, 51, 67, 73, 85, 87, 95, 163	SEAL KIT CYLINDER (59460).....33, 35
ROD END,BALL JOINT 1/4-28.....111	SCREW,HHF,1/4-20X1.25,8,ZAG.....51, 61, 133	SEAL KIT, FUNCTION PUMP, Z60E.....47, 109
ROD,THREADED,1/4-28X4,ZAG.....111	SCREW,HHF,1/4-20X1.5,8,ZAG.....49, 67, 91, 129	SEAL KIT, SWING BRAKE.....43
ROTATOR,PLAT JIB,160 DEG***.....91	SCREW,HHF,1/4-20X1.75,8,ZAG.....81	SEAL KIT, VALVE.....107
ROTOR ASSEMBLY (1264100).....47, 109	SCREW,HHF,1/4-20X2,8,ZAG.....81, 111	SEAL KIT,8K ROTATOR***.....91
RUE RING 1.25,ZAG.....139	SCREW,HHF,1/4-20X2.25,8,ZAG.....43	SEAL KIT,CB VALVE MANIFOLD***.....113
RUE RING,1.0,ZAG.....33, 35	SCREW,HHF,1/4-20X2.5,8,ZAG.....33, 35, 51, 89, 101	SEAL KIT,CONTROL VALVE.....111
<b>S</b>		
SCREW PH M5-0.8X20 DIN 7500CE.....97-98	SCREW,HHF,10-24X.5.....135	SEAL KIT,CYL,S65 (63213).....91
SCREW T-SWITCH PH/PH 6-32X1/4.....97-98	SCREW,HHF,10-24X.75,ZAG.....45, 53	SEAL KIT,CYLINDER (63189).....35
SCREW, BHC, 1/4-20 X 1, ZAG.....155, 157	SCREW,HHF,3/8-16X.75,8,ZAG.....43, 45, 49, 59, 67, 79, 91	SEAL, CONNECTOR (DT JOYSTICKS).....103
SCREW, HHC, M10 X 1.25 X 50.....71	SCREW,HHF,3/8-16X1.8,ZAG.....41, 43, 47, 49, 51, 61, 83, 87, 91, 125, 135	SEAL, RIBBED FOAM, 5.00".....41, 85
SCREW, HHF, 1/4-20 X .5, 8, ZAG.....95	SCREW,HHF,3/8-16X1.25,8,ZAG.....45, 47, 49, 53, 69, 73, 83, 95	SEAL,FILTER ASSY (60334)***.....51
SCREW, PHM, #6-32 X .625 ZINC.....103	SCREW,HHF,3/8-16X1.5,8,ZAG.....91	SEAL,FILTER LID.....51
SCREW, SHC, M4-0.7X8, DIN912,.....95	SCREW,HHF,3/8-16X1.75,8,ZAG.....45, 83	SEAL,OIL (88883)***.....37
SCREW, SHCS M12-1.75X35.....81	SCREW,HHF,3/8-16X2,8,ZAG.....79, 81, 85, 91	SENSOR, FUEL LEVEL, 30" DIESEL.....49
SCREW, THM, TORX, 3/8-16X1,SS.....59	SCREW,HHF,3/8-16X2.25,8,ZAG.....33	SENSOR,LEVEL,UNIVERSAL.....51
SCREW, THM, TORX, M10X25, ZAB.....59	SCREW,HHF,3/8-16X3,8,ZAG.....47, 71, 73, 131	SENSOR,RUBBER EDGE.....133
SCREW, THM, TORX, M6X25, ZAB.....59	SCREW,HHF,5/16-18X.75,8,ZAG.....89	SHIM, WEAR PAD,1.23X3.73X24GA.....87
SCREW,BHC,1/4-20X.75,F835,ZAG.....61	SCREW,HHF,5/16-18X1.8,ZAG.....33, 35, 95, 163	SHIM, WEAR PAD,1.56X5.56X24GA.....87
SCREW,BHC,10-32X1.5,F835,ZAG.....131	SCREW,HHF,5/16-18X1.25,8,ZAG.....59	SHIM,AXLE ROTATION STOP,16G.....41, 111
SCREW,BHSCS,M5X10,SS.....151	SCREW,HHF,5/8-11X2,8,ZAG.....53, 61, 67	SHIM,AXLE ROTATION STOP,22G.....41
SCREW,BLEEDER,M5X0.8.....91	SCREW,HHF,M5X12,DIN6921,10.9,Z.....151	SHIM,HUB (88883).....37
SCREW,FHPM,10-32X.75,ZAG.....45	SCREW,HHF,M6-1.0X12,DIN6921,10.....133	SHIM,NON-OSC 16 GAGE.....33
SCREW,FHPM,6-32 X .75,ZAG.....43	SCREW,HHF,M6-1.0X20,DIN6921,10.9,ZAB.59	SHIM,NON-OSC 22 GAGE.....33
SCREW,FHPM,6-32X.75,ZAG.....125		SHOCK MOUNT,LARGE**.....47, 71, 73
SCREW,FHS,M3-0.5X14,DIN7991,10.9,ZAB.81, 83		SHOULDER WASHER, NYLON.....97-98, 103
SCREW,FHS,M3-0.5X8,DIN7991,10.9,ZAB.81, 83		SHRINK TUBE,BLACK,RHW,1/2,3:1.....81, 83
SCREW,HHC,1-8X11.5,ZAG.....95		SILICONE PAD, AC MOTOR GEARBOX Z60E.....41
SCREW,HHC,1/2-13X1.75,8,ZAG.....43		SLEEVE, RUBBER COUPLING.....71



## Part Description Index (continued)

WELDMENT, LEFT CONTACT ALARM,  
 LARGE.....135  
 WELDMENT, LID, PLAT CONTROL BO.....98  
 WELDMENT, PIN, 1.5IN X 2.92IN.....33, 35  
 WELDMENT, PIN, 1.5INX2.92IN LG.....33, 35  
 WELDMENT, PIN, 1.5INX3.24IN LG.....33, 35  
 WELDMENT, PIN, 1.75 DIA X 6.75.....81  
 WELDMENT, PLATFORM CONTROL  
 BOX.....98  
 WELDMENT, PULL TUBE, CABLE  
 TRACK.....89  
 WELDMENT, RIGHT CONTACT ALARM,  
 LARGE.....135  
 WELDMENT, SENSOR MOUNT.....155, 157  
 WELDMENT, TIE ROD.....33, 35  
 WELDMENT, TRAY, FUEL.....49  
 WELDMENT, UPPER TENSION ARM.....81  
 WELDMENT, YOKE LH Z60E.....33, 35  
 WELDMENT, YOKE LH Z60E 2WD.....33, 35  
 WELDMENT,BELLCRANK.....91  
 WELDMENT,BRACKET,HYDRAULIC FUN...51  
 WELDMENT,CABLE TRACK TRAY.....89  
 WELDMENT,COVER.....85  
 WELDMENT,ENGINE TRAY,Z60E.....67  
 WELDMENT,GROUND CONTROL BOX.....55  
 WELDMENT,LID,GND CONTROL BOX.....55  
 WELDMENT,LOAD SUPPORT.....131  
 WELDMENT,LOWER COMP.ARM.....79  
 WELDMENT,LOWER TENSION ARM.....79  
 WELDMENT,LWR WEARPAD FRAME,LH....87  
 WELDMENT,LWR WEARPAD FRAME,RH....87  
 WELDMENT,NON OSC STOP.....33  
 WELDMENT,PIN,1.5 DIA.X 3.75LG.....45, 79  
 WELDMENT,PIN,1.5DIA.X 3.5LG.....81, 83  
 WELDMENT,PIN,1.75DIA X 4.375LG.....81  
 WELDMENT,PIN,2.00DIA.X3.875LG.....79, 81  
 WELDMENT,PIN,2.0DIA.X 7.125LG.....83  
 WELDMENT,PLATFORM SUPPORT,CE.....131  
 WELDMENT,PULL BAR.....139  
 WELDMENT,REAR AXLE Z60E.....41  
 WELDMENT,ROTATOR SUPPORT.....131  
 WELDMENT,SWING GATE PANEL.....161  
 WELDMENT,TIMING LINK.....81  
 WELDMENT,TOW BAR.....139  
 WELDMENT,UPPER COMP.ARM.....81  
 WELDMENT,UPPER PIVOT.....83  
 WELDMENT,UPPR WEARPAD  
 FRAME,LH.....87  
 WELDMENT,UPPR WEARPAD  
 FRAME,RH.....87  
 WELDMENT,Z60E FRONT AXLE.....33, 35  
 WELDMNT,6 FT PLATFORM.....93  
 WHEEL.....41  
 WIPER,BOOM,Z62.....145  
 WIRE,14 GA,GREEN/YELLOW,THHN\*\*.....125  
 WLDMT, SENSPIN,2.00IDX13.1LG.....83  
 WLDMT, SENSPIN,2.00IDX3.5LG.....81

**Z**

ZERK,GREASE,5/16-24,STRAIT.....43, 131



***This Page Intentionally Left Blank***

Go to [Discount-Equipment.com](http://Discount-Equipment.com) to order your parts

## Fitting Cross References

Genie PN	Parker PN	Description	Genie PN	Parker PN	Description
12342	6-4 F5OX-S	CONNECTOR,STRAIGHT THREAD TO FLARE TUBE	42794	1 CR-S	ELBOW,90°,MALE PIPE
13757	4 R6X-S	RUN TEE,SWIVEL NUT,ORFS	42795	BV-0839	BALL VALVE
19685	12-10 C5OX-S	ELBOW,90°,STRAIGHT THREAD TO FLARE TUBE	42796	BV-0838	BALL VALVE
22664	12-10 C5OX	ELBOW,90°,STRAIGHT THREAD TO FLARE TUBE	42874	6-8 CLO-S	ELBOW,90°,MALE PIPE TO ORFS
27431	8-12 F5OX-S	CONNECTOR,STRAIGHT THREAD TO FLARE TUBE	42912	13943-6-4	HOSE END,90° FEMALE SWIVEL,JIC
28678	AS-B-33	SLEEVE,NYLON,1.81" ID	42920	BV-0840	BALL VALVE,90°
39871	6 WETX-WLN-S	UNION,90° BULKHEAD W/NUT,FLARE TUBE	42932	AS-B-17	SLEEVE,NYLON,1.22" ID
39872	4 R5OX-S	RUN TEE,STRAIGHT THREAD	42936	10243-2-4	HOSE END,FEMALE PIPE
39873	6 C5OX-S	ELBOW,90°,STRAIGHT THREAD TO FLARE TUBE	42953	1/2 DD-S	ELBOW,90°,FEMALE PIPE
39874	8-6 C5OX-S	ELBOW,90°,STRAIGHT THREAD TO FLARE TUBE	42956	6 WELO-WLNL-S	UNION,90° BULKHEAD W/NUT,ORFS
39875	4-6 C5OX-S	ELBOW,90°,STRAIGHT THREAD TO FLARE TUBE	45349	8 V5OX-S	ELBOW,45°,STRAIGHT THREAD TO FLARE TUBE
39876	6-8 C5OX-S	ELBOW,90°,STRAIGHT THREAD TO FLARE TUBE	45351	4 V5OX-S	ELBOW,45°,STRAIGHT THREAD TO FLARE TUBE
39877	4 F5OX-S	CONNECTOR,STRAIGHT THREAD TO FLARE TUBE	47223	10343-6-6	HOSE END,MALE,JIC
39878	6 F5OX-S	CONNECTOR,STRAIGHT THREAD TO FLARE TUBE	47419	PS690503-6-6	SWIVEL,90°,STRAIGHT THREAD TO 37° FLARE
39879	4-8 F5OX-S	CONNECTOR,STRAIGHT THREAD TO FLARE TUBE	48750	421-4	HOSE,1/4 INCH ID
39880	6-10 F5OX-S	CONNECTOR,STRAIGHT THREAD TO FLARE TUBE	48751	481TC-4	HOSE,1/4 INCH ID
39881	4-6 F5OX-S	CONNECTOR,STRAIGHT THREAD TO FLARE TUBE	48752	482TC-4	HOSE,1/4 INCH ID
39882	4-HP5ON-S	PLUG,STRAIGHT THREAD	48753	451TC-6	HOSE,3/8 INCH ID
39883	8-8 FTX-S	CONNECTOR,MALE PIPE TO FLARE TUBE	48754	482TC-6	HOSE,3/8 INCH ID
39885	269HB 12-12	ELBOW,90°,BEADED HOSE BARB TO MALE PIPE	48755	381-6	HOSE,3/8 INCH ID
39886	431-6	HOSE,3/8 INCH ID	48756	451TC-8	HOSE,1/2 INCH ID
39887	540N-2	HOSE,1/8 INCH ID	48757	482TC-8	HOSE,1/2 INCH ID
39888	801-8	HOSE,1/2 INCH ID	48758	381-8	HOSE,1/2 INCH ID
39889	801-12	HOSE,3/4 INCH ID	48759	381-10	HOSE,5/8 INCH ID
39890	10643-6-6	HOSE END,FEMALE SWIVEL,JIC	48760	451TC-10	HOSE,5/8 INCH ID
39891	13943-6-6	HOSE END,90° FEMALE SWIVEL,JIC	48761	482TC-12	HOSE,3/4 INCH ID
39892	13743-6-6	HOSE END,45° FEMALE SWIVEL,JIC	48762	451TC-12	HOSE,3/4 INCH ID
39894	30682-8-8	HOSE END,FEMALE SWIVEL,JIC	48763	772-12	HOSE,3/4 INCH ID
39895	30682-10-12	HOSE END,FEMALE SWIVEL,JIC	48764	881-16	HOSE,1 INCH ID
42286	8-8 CTX-S	ELBOW,90°,MALE PIPE TO FLARE TUBE	48765	772-16	HOSE,1 INCH ID
42756	8-12 CLO-S	ELBOW,90,MALE PIPE TO ORFS	48766	AS-B-15	SLEEVE,NYLON,1.06" ID
42757	8-12 FLO-S	CONNECTOR,MALE PIPE TO ORFS	48767	AS-B-22	SLEEVE,NYLON,1.42" ID
42758	4 JLO-S	UNION TEE,ORFS	48770	881-8	HOSE,1/2 INCH ID
42759	4-4 FLO-S	CONNECTOR,MALE PIPE TO ORFS			
42760	6-8 FLO-S	CONNECTOR,MALE PIPE TO ORFS			
42761	1J143-6-4	HOSE END,90° FEMALE SWIVEL,SEAL LOK			
42762	1J743-6-4	HOSE END,45° FEMALE SWIVEL,SEAL LOK			
42768	1JO43-4-4	HOSE END,MALE,SEAL LOK			
42776	601-8	HOSE,1/2 INCH ID			
42777	1J743-16-16	HOSE END,45° FEMALE SWIVEL,SEAL LOK			
42786	16 CLO-S	ELBOW,90°,MALE PIPE TO ORFS			
42787	16 R6LO-S	RUN TEE,SWIVEL NUT,ORFS			
42788	16-8 TRLO-BL-S	REDUCER,TUBE END TO SWIVEL,ORFS			
42789	6-6 CLO-S	ELBOW,90°,MALE PIPE TO ORFS			
42790	8-10 V5OLO-S	ELBOW,45°,STRAIGHT THREAD TO ORFS			
42791	3/4 CD-S	ELBOW,90°,MALE TO FEMALE PIPE			
42792	3/4 X 1/2 PTR-S	REDUCER,MALE TO FEMALE PIPE			
42793	1/2 CR-S	ELBOW,90°,MALE PIPE			

## Fitting Cross References (Continued)

Genie PN	Parker PN	Description	Genie PN	Parker PN	Description
48771	881-10	HOSE,5/8 INCH ID	48847	13943-12-12	HOSE END,90° FEMALE SWIVEL,JIC
48772	381-4	HOSE,1/4 INCH ID	48848	10543-12-12	HOSE END,MALE,STRAIGHT THREAD
48773	AS-B-13	SLEEVE,NYLON,.86" ID	48849	1JC71-12-12	HOSE END,FEMALE SWIVEL,SEAL LOK
48800	1JC43-4-4	HOSE END,FEMALE SWIVEL,SEAL LOK	48850	1JS71-12-12	HOSE END,FEMALE SWIVEL,SEAL LOK
48801	1J743-4-4	HOSE END,45° FEMALE SWIVEL,SEAL LOK	48851	1J171-12-12	HOSE END,90° FEMALE SWIVEL,SEAL LOK
48802	1J943-4-4	HOSE END,90° FEMALE SWIVEL,SEAL LOK	48852	1J771-12-12	HOSE END,45° FEMALE SWIVEL,SEAL LOK
48804	1JM43-4-4	HOSE END,MALE,SEAL LOK, NO O-RING	48853	1J971-12-12	HOSE END,90° FEMALE SWIVEL,SEAL LOK
48805	10643-4-4	HOSE END,FEMALE SWIVEL,JIC	48854	1JC43-16-16	HOSE END,FEMALE SWIVEL,SEAL LOK
48806	13943-4-4	HOSE END,90° FEMALE SWIVEL,JIC	48855	1J943-16-16	HOSE END,90° FEMALE SWIVEL,SEAL LOK
48807	1JS43-4-4	HOSE END,FEMALE SWIVEL,SEAL LOK	48856	1J171-16-16	HOSE END,90° FEMALE SWIVEL,SEAL LOK
48808	3JC82-8-8	HOSE END,FEMALE SWIVEL,SEAL LOK	48857	1J971-16-16	HOSE END,90° FEMALE SWIVEL,SEAL LOK
48809	3JC82-12-12	HOSE END,FEMALE SWIVEL,SEAL LOK	48859	1JS43-8-4	HOSE END,FEMALE SWIVEL,SEAL LOK
48810	1JC43-6-4	HOSE END,FEMALE SWIVEL,SEAL LOK	48867	PD36BTL	DIAGNOSTIC NIPPLE,SEAL-LOK SWIVEL
48811	1J943-6-4	HOSE END,90° FEMALE SWIVEL,SEAL LOK	48873	6 PNLO-S	PLUG,TUBE END,ORFS
48812	1JC43-6-6	HOSE END,FEMALE SWIVEL,SEAL LOK	48874	6 PNTX-S	PLUG,FLARE TUBE
48813	1J143-6-6	HOSE END,90° FEMALE SWIVEL,SEAL LOK	48875	6 R6LO-S	RUN TEE,SWIVEL NUT,ORFS
48814	1J543-6-6	HOSE END,90° FEMALE SWIVEL,SEAL LOK	48877	4 F5OLO-SW/.025	CONNECTOR,STRAIGHT THREAD TO ORFS, W/.025 ORI
48815	1J743-6-6	HOSE END,45° FEMALE SWIVEL,SEAL LOK	48878	16-12 C5OLO-S	ELBOW,90°,STRAIGHT THREAD TO ORFS
48816	1J943-6-6	HOSE END,90° FEMALE SWIVEL,SEAL LOK	48879	8 C6LO-S	ELBOW,90°,SWIVEL NUT ORFS
48817	1JS43-6-8	HOSE END,FEMALE SWIVEL,SEAL LOK	48880	PD6-285	CAP,DIAGNOSTIC NIPPLE
48818	1J943-8-4	HOSE END,90° FEMALE SWIVEL,SEAL LOK	48881	6 HLO-S	UNION,ORFS
48819	1JC43-8-6	HOSE END,FEMALE SWIVEL,SEAL LOK	48883	8 P5ON-S	PLUG,STRAIGHT THREAD
48820	1J743-8-6	HOSE END,45° FEMALE SWIVEL,SEAL LOK	48884	8M18F87OMLO-S	CONNECTOR,METRIC,STRAIGHT THREAD TO ORFS
48821	1J943-8-6	HOSE END,90° FEMALE SWIVEL,SEAL LOK	48885	4 WGTX-WLN-S	CONNECTOR,BULKHEAD,FEMALE PIPE TO FLARE TUBE
48822	1JC43-8-8	HOSE END,FEMALE SWIVEL,SEAL LOK	48886	4 F5OLO-SW/2MM	CONNECTOR,MACHINED STRAIGHT THREAD TO ORFS
48823	1JS43-8-8	HOSE END,FEMALE SWIVEL,SEAL LOK	48887	4 CTX-S	ELBOW,90°,MALE PIPE TO FLARE TUBE
48824	1J143-8-8	HOSE END,90° FEMALE SWIVEL,SEAL LOK	48888	10-12 V5OLO-S	ELBOW,45°,STRAIGHT THREAD TO ORFS
48825	1J543-8-8	HOSE END,90° FEMALE SWIVEL,SEAL LOK	48890	4 S5OLO-S	BRANCH TEE,STRAIGHT THREAD TO ORFS
48826	1J743-8-8	HOSE END,45° FEMALE SWIVEL,SEAL LOK	48891	4 S6LO-S	BRANCH TEE,SWIVEL NUT TO ORFS
48827	1J943-8-8	HOSE END,90° FEMALE SWIVEL,SEAL LOK			
48828	1JC43-10-8	HOSE END,FEMALE SWIVEL,SEAL LOK			
48829	1JS43-10-8	HOSE END,FEMALE SWIVEL,SEAL LOK			
48830	1J743-10-8	HOSE END,45° FEMALE SWIVEL,SEAL LOK			
48831	1J943-10-8	HOSE END,90° FEMALE SWIVEL,SEAL LOK			
48833	1JC43-10-10	HOSE END,FEMALE SWIVEL,SEAL LOK			
48834	1J943-10-10	HOSE END,90° FEMALE SWIVEL,SEAL LOK			
48835	1JS43-10-12	HOSE END,FEMALE SWIVEL,SEAL LOK			
48836	1JC43-12-8	HOSE END,FEMALE SWIVEL,SEAL LOK			
48837	1JS43-12-8	HOSE END,FEMALE SWIVEL,SEAL LOK			
48838	1J743-12-8	HOSE END,45° FEMALE SWIVEL,SEAL LOK			
48839	1J943-12-8	HOSE END,90° FEMALE SWIVEL,SEAL LOK			
48840	1J943-12-10	HOSE END,90° FEMALE SWIVEL,SEAL LOK			
48841	1JC43-12-12	HOSE END,FEMALE SWIVEL,SEAL LOK			
48842	1JO43-12-12	HOSE END,MALE,SEAL LOK			
48843	1J143-12-12	HOSE END,90° FEMALE SWIVEL,SEAL LOK			
48844	1J543-12-12	HOSE END,90° FEMALE SWIVEL,SEAL LOK			
48845	1J743-12-12	HOSE END,45° FEMALE SWIVEL,SEAL LOK			
48846	1J943-12-12	HOSE END,90° FEMALE SWIVEL,SEAL LOK			

## Fitting Cross References (Continued)

Genie PN	Parker PN	Description	Genie PN	Parker PN	Description
48892	6 C6LO-S	ELBOW,90°,SWIVEL NUT ORFS	48938	8 R6LO-S	RUN TEE,SWIVEL NUT,ORFS
48893	6 F5OHAO-S	UNION,STRAIGHT THREAD	48939	8 S6LO-S	BRANCH TEE,SWIVEL NUT TO ORFS
48894	8 WLO-WLNL-S	UNION,BULKHEAD,ORFS	48940	8 WJLO-WLNL-S	RUN TEE, BULKHEAD,ORFS
48895	DT-370-MSMO-5	VALVE,CHECK	48941	8-4 TRLO-S	REDUCER,TUBE END TO SWIVEL,ORFS
48896	6 JLO-S	UNION,TEE,ORFS	48942	8-6 C5OLO-S	ELBOW,90°,STRAIGHT THREAD TO ORFS
48897	DT-750-MSMS-5	VALVE,CHECK	48943	8-6 F5OLO-S	CONNECTOR,STRAIGHT THREAD TO ORFS
48898	DT-750-MOMS-5	VALVE,CHECK	48944	8-8 FLO-S	CONNECTOR,MALE PIPE TO ORFS
48899	DT-620-MOMS-5	VALVE,CHECK	48945	8 FTX-S	CONNECTOR,MALE PIPE TO FLARE TUBE
48900	4-6 F5OLO-SW/.035	CONNECTOR,STRAIGHT THREAD TO ORFS, W/.035 ORI	48946	8-10 F5OLO-S	CONNECTOR,STRAIGHT THREAD TO ORFS
48902	16-1 AOE4G-S	ELBOW,90° LONG,FEMALE PIPE TO STRAIGHT THREAD	48947	8-12 C5OLO-S	ELBOW,90°,STRAIGHT THREAD TO ORFS
48903	1 FF-S	NIPPLE,PIPE	48948	8-12 F5OLO-S	CONNECTOR,STRAIGHT THREAD TO ORFS
48904	4 C5OLO-S	ELBOW,90°,STRAIGHT THREAD TO ORFS	48949	8-16 F5OLO-S	CONNECTOR,STRAIGHT THREAD TO ORFS
48905	4 F5OLO-S	CONNECTOR,STRAIGHT THREAD TO ORFS	48950	10 C5OLO-S	ELBOW,90°,STRAIGHT THREAD TO ORFS
48906	4 R5OLO-S	RUN TEE,STRAIGHT THREAD	48951	10 CC5OLO-S	ELBOW,90° LONG,STRAIGHT THREAD TO ORFS
48907	4 V5OLO-S	ELBOW,45°,STRAIGHT THREAD TO ORFS	48952	10 F5OLO-S	CONNECTOR,STRAIGHT THREAD TO ORFS
48908	4 R6LO-S	RUN TEE,SWIVEL NUT,ORFS	48953	10 R5OLO-S	RUN TEE,STRAIGHT THREAD
48909	4 WJLO-WLNL-S	RUN TEE, BULKHEAD,ORFS	48954	10 S5OLO-S	BRANCH TEE,STRAIGHT THREAD TO ORFS
48910	4 GTX-S W/.030	CONNECTOR,FEMALE PIPE TO FLARE TUBE	48955	10 R6LO-S	RUN TEE,SWIVEL NUT,ORFS
48911	4-6 C5OLO-S	ELBOW,90°,STRAIGHT THREAD TO ORFS	48956	10-4 TRLO-BL-S	REDUCER,TUBE END TO SWIVEL,ORFS
48912	4-6 F5OLO-S	CONNECTOR,STRAIGHT THREAD TO ORFS	48957	10-6 TRLO-BL-S	REDUCER,TUBE END TO SWIVEL,ORFS
48913	4-6 F5OLO-SW/.030	CONNECTOR,STRAIGHT THREAD TO ORFS, W/.030 ORI	48958	10-12 F5OLO-S	CONNECTOR,STRAIGHT THREAD TO ORFS
48914	4-8 F5OLO-S	CONNECTOR,STRAIGHT THREAD TO ORFS	48959	12 C5OLO-S	ELBOW,90°,STRAIGHT THREAD TO ORFS
48915	6 C5OLO-S	ELBOW,90°,STRAIGHT THREAD TO ORFS	48960	12 F5OLO-S	CONNECTOR,STRAIGHT THREAD TO ORFS
48916	6 F5OLO-S	CONNECTOR,STRAIGHT THREAD TO ORFS	48961	12 R5OLO-S	RUN TEE,STRAIGHT THREAD
48917	6 FF5OLO-S	CONNECTOR,LONG,STRAIGHT THREAD TO ORFS	48962	12 S5OLO-S	BRANCH TEE,STRAIGHT THREAD TO ORFS
48918	6 R5OLO-S	RUN TEE,STRAIGHT THREAD	48963	12 V5OLO-S	ELBOW,45°,STRAIGHT THREAD TO ORFS
48919	6 S5OLO-S	BRANCH TEE,STRAIGHT THREAD TO ORFS	48964	12 R6LO-S	RUN TEE,SWIVEL NUT,ORFS
48920	6 V5OLO-S	ELBOW,45°,STRAIGHT THREAD TO ORFS	48965	12 CLO-S	ELBOW,90°,MALE PIPE TO ORFS
48921	6 FLO-S	CONNECTOR,MALE PIPE TO ORFS	48966	12 FLO-S	CONNECTOR,MALE PIPE TO ORFS
48922	6-6 FLO-S	CONNECTOR,MALE PIPE TO ORFS	48967	12 JLO-S	UNION TEE,ORFS
48923	6 P5ON-S	PLUG,STRAIGHT THREAD	48968	12 WLO-WLNL-S	UNION,BULKHEAD,ORFS
48925	6 WELO-S	UNION,90° BULKHEAD,ORFS	48969	12 WJLO-WLNL-S	RUN TEE, BULKHEAD,ORFS
48926	6-4 C5OLO-S	ELBOW,90°,STRAIGHT THREAD TO ORFS	48970	12 WELO-WLNL-S	UNION,90° BULKHEAD W/NUT,ORFS
48927	6-4 F5OLO-S	CONNECTOR,STRAIGHT THREAD TO ORFS			
48928	6-4 V5OLO-S	ELBOW,45°,STRAIGHT THREAD TO ORFS			
48929	6-8 C5OLO-S	ELBOW,90°,STRAIGHT THREAD TO ORFS			
48930	6-8 F5OLO-S	CONNECTOR,STRAIGHT THREAD TO ORFS			
48931	6-10 F5OLO-S	CONNECTOR,STRAIGHT THREAD TO ORFS			
48932	8 C5OLO-S	ELBOW,90°,STRAIGHT THREAD TO ORFS			
48933	8 F5OLO-S	CONNECTOR,STRAIGHT THREAD TO ORFS			
48934	8 FF5OLO-S	CONNECTOR,LONG,STRAIGHT THREAD TO ORFS			
48935	8 R5OLO-S	RUN TEE,STRAIGHT THREAD			
48936	8 S5OLO-S	BRANCH TEE,STRAIGHT THREAD TO ORFS			
48937	8 V5OLO-S	ELBOW,45°,STRAIGHT THREAD TO ORFS			



## Fitting Cross References (Continued)

Genie PN	Parker PN	Description	Genie PN	Parker PN	Description
48971	12 G5G5JG5-S	TEE,FEMALE STRAIGHT THREAD	49612	PKT02586	O-RING KIT (ORFS FITTINGS)
48972	12 XHL6-S	ADAPTER, 37° MALE TO SWIVEL ORFS	49613	PKT06276	PLUG AND CAP KIT-SERVICE,ORFS
48973	12-1/2 F5OG-S	ADAPTER,FEMALE PIPE TO STRAIGHT THREAD	49728	10143-12-12	HOSE END, MALE PIPE
48974	12-10 C5OLO-S	ELBOW,90°,STRAIGHT THREAD TO ORFS	49729	16-1 F5OG-S	ADAPTER,FEMALE PIPE TO STRAIGHT THREAD
48975	12-10 F5OLO-S	CONNECTOR,STRAIGHT THREAD TO ORFS	49814	12-8 FLO-S	CONNECTOR,MALE PIPE TO ORFS
48976	12-16 C5OLO-S	ELBOW,90°,STRAIGHT THREAD TO ORFS	49829	DT-500-MOMF-5	VALVE,CHECK
48977	12-16 F5OLO-S	CONNECTOR,STRAIGHT THREAD TO ORFS	49831	881-12	HOSE,3/4 INCH ID
48978	12-16 V5OLO-S	ELBOW,45°,STRAIGHT THREAD TO ORFS	49834	16 JLO-S	UNION TEE,ORFS
48980	12-16 FLO-S	CONNECTOR,MALE PIPE TO ORFS	49838	12-8 TRLO-BL-S	REDUCER,TUBE END TO SWIVEL,ORFS
48983	16 C5OLO-S	ELBOW,90°,STRAIGHT THREAD TO ORFS	49840	8 JLO-S	UNION TEE,ORFS
48984	16 F5OLO-S	CONNECTOR,STRAIGHT THREAD TO ORFS	49844	10-8 TRLO-BL-S	REDUCER,TUBE END TO SWIVEL,ORFS
48985	16 V5OLO-S	ELBOW,45°,STRAIGHT THREAD TO ORFS	49854	8 P5ON-S	PLUG,STRAIGHT THREAD
48986	16 FLO-S	CONNECTOR,MALE PIPE TO ORFS	49855	1JC43-16-12	HOSE END,FEMALE SWIVEL,SEAL LOK
48988	16 CD45-S	ELBOW,45°,MALE TO FEMALE PIPE	49859	4 P5ON-S	PLUG,STRAIGHT THREAD
48989	12 CD45-S	ELBOW,45°,MALE TO FEMALE PIPE	49861	4 FF5OLO-S	CONNECTOR, LONG, STRAIGHT THREAD TO ORFS
48990	8 CD45-S	ELBOW,45°,MALE TO FEMALE PIPE	49867	12-3/4 F5OG-S	ADAPTER,FEMALE PIPE TO STRAIGHT THREAD
48991	16-12 FLO-S	CONNECTOR,MALE PIPE TO ORFS	51152	6 R6X-S	RUN TEE,SWIVEL NUT,ORFS
48992	16-12 V5OLO-S	ELBOW,45°,STRAIGHT THREAD TO ORFS	51153	6-4 TRTX-S	REDUCER,TUBE END TO SWIVEL,ORFS
48993	XV501-12	BALL VALVE	51154	4-4 GTX	CONNECTOR,FEMALE PIPE TO FLARE TUBE
48994	XV501-16	BALL VALVE	51264	881-12	HOSE,3/4 INCH ID
48995	XV510P-12	BALL VALVE	51265	8 JLO-S	UNION TEE,ORFS
48996	XV510P-16	BALL VALVE	51508	6 BTX-S	NUT,FLARE TUBE
48997	PD341	DIAGNOSTIC NIPPLE, STRAIGHT THREAD	51580	12-8 TRLO-BL-S	TUBE END REDUCER,ORFS
48998	PD 361	DIAGNOSTIC NIPPLE, STRAIGHT THREAD	51628	6 R6X-S	RUN TEE,SWIVEL NUT,ORFS
48999	DT-500-MOMS-5	VALVE,CHECK	51735	3/8 HHP	PLUG,PIPE THREAD
49201	10 V5OLO-S	ELBOW,45°,STRAIGHT THREAD TO ORFS	51803	1J943-6-8	HOSE END,90° FEMALE SWIVEL,SEAL LOK
49202	1JC43-12-10	HOSE END,FEMALE SWIVEL,SEAL LOK	53023	125HBL-5-4	FITTING,HOSE BARB TO MALE PIPE
49203	10-8 V5OLO-S	ELBOW,45°,STRAIGHT THREAD TO ORFS	53497	PKT02585	O-RING KIT
49205	6 F5OHAO-S	UNION,STRAIGHT THREAD	53499	1JC71-16-16	HOSE END,FEMALE SWIVEL,SEAL LOK
49207	PD34BTL	DIAGNOSTIC NIPPLE,SEAL-LOK SWIVEL	53500	3-904	O-RING,STRAIGHT THREAD,-4
49209	8M18F870MX-S	CONNECTOR,METRIC,STRAIGHT THREAD TO FLARE TUBE	53501	3-906	O-RING,STRAIGHT THREAD,-6
49212	8 WGTX-WLN-S	CONNECTOR,BULKHEAD,FEMALE PIPE TO FLARE TUBE	53502	3-908	O-RING,STRAIGHT THREAD,-8
49213	30682-8-8	HOSE END,FEMALE SWIVEL,JIC	53503	3-910	O-RING,STRAIGHT THREAD,-10
49216	831-8	HOSE,1/2 INCH ID			
49217	33982-8-8	HOSE END,90° FEMALE SWIVEL,JIC			
49219	PS-B-35	SLEEVE,NYLON,2.19" ID			
49418	4-6 V5OLO-S	ELBOW,45°,STRAIGHT THREAD TO ORFS			
49511	DT370-MOMS-5	VALVE,CHECK			
49512	1 DD-S	ELBOW,90°,FEMALE PIPE			
49513	1 FF-S	NIPPLE,PIPE			
49514	10 HP5ON-S	PLUG,STRAIGHT THREAD			
49515	12-16 CLO-S	ELBOW,90°,MALE PIPE TO ORFS			
49517	6 HP5ON-S	PLUG,STRAIGHT THREAD			
49519	16-12 F5OLO-S	CONNECTOR,STRAIGHT THREAD TO ORFS			
49520	4 VTX-S	ELBOW,45°,MALE PIPE TO FLARE TUBE			
49530	16 C6LO-S	ELBOW,90°,SWIVEL NUT ORFS			

## Fitting Cross References (Continued)

Genie PN	Parker PN	Description	Genie PN	Parker PN	Description
53535	3-912	O-RING,STRAIGHT THREAD,-12	61083	24 F5OLO-S	CONNECTOR,STRAIGHT THREAD TO ORFS
53536	4-PNLO-S	PLUG,TUBE END,ORFS	61086	20 R5OLO-S	RUN TEE,STRAIGHT THREAD
53537	6 PNLO-S	PLUG,TUBE END,ORFS	61090	24-20 F5OLO-S	CONNECTOR,STRAIGHT THREAD TO ORFS
53538	8 PNLO-S	PLUG,TUBE END,ORFS	61091	1J943 24-24	HOSE END,90° FEMALE SWIVEL,SEAL LOK
53539	10 PNLO-S	PLUG,TUBE END,ORFS	61093	1J978-12-12	HOSE END,90° FEMALE SWIVEL,JIC
53540	12 PNLO-S	PLUG,TUBE END,ORFS	61095	1JS43-20-16	HOSE END,FEMALE SWIVEL,SEAL LOK
53946	129HB-5-4	FITTING,90° HOSE BARB TO MALE PIPE	61100	811-24	HOSE,11/2 INCH ID
53951	8-1/4F50G-S	ADAPTER,FEMALE PIPE TO STRAIGHT THREAD	61130	1JS43-24-24	HOSE END,FEMALE SWIVEL,SEAL LOK
53980	6 S6LO-S	BRANCH TEE,SWIVEL NUT TO ORFS	61131	1JS78 12-12	HOSE END,FEMALE SWIVEL,SEAL LOK
54132	4 C6LO-S	ELBOW,90°,SWIVEL NUT ORFS	61132	1J778-12-12	HOSE END,45° FEMALE SWIVEL,JIC
54135	11343-16-16	HOSE END,MALE SWIVEL,PIPE	61152	139HB-6-4	ELBOW,45°,BARB TO MALE PIPE
54283	8-10 C5OLO-S	ELBOW,90°,STRAIGHT THREAD TO ORFS	61251	BV-0750	BALL VALVE
54428	8M18C870MLO-S	ELBOW, 90° METRIC, STRAIGHT THREAD TO ORFS	61259	4 CC5OLO-S	ELBOW,90° LONG,STRAIGHT THREAD TO ORFS
54803	FS-F-16-10	SLEEVE,FIRE,-96" ID	61260	20-12 TRLO-BL	REDUCER,TUBE END TO SWIVEL,ORFS
54954	10143-2-4	HOSE END, MALE PIPE	61262	12 C6LO-S	ELBOW,90°,SWIVEL NUT ORFS
55190	3/8 HP-S	PLUG,PIPE THREAD	61263	20 F5OHAO-S	UNION,STRAIGHT THREAD
55448	8 HLO-S	UNION,ORFS	61264	6-10 C5OLO-S	ELBOW,90°,STRAIGHT THREAD TO ORFS
55839	6 F65OX-S	CONNECTOR,STRAIGHT THREAD TO 37° SWIVEL	61265	6 WNLO-WLNL-S	UNION,BULKHEAD 45°,ORFS
55968	10 C5OX-S	ELBOW,90°,STRAIGHT THREAD TO FLARE TUBE	61268	4 WNLO-WLNL-S	UNION,BULKHEAD 45°,ORFS
56003	6 CC5OLO-S	ELBOW,90° LONG,STRAIGHT THREAD TO ORFS	61269	4 WLO-WLNL-S	UNION,BULKHEAD,ORFS
56166	BV-0837	BALL VALVE,90°	61272	12 AOEL6	ELBOW,90°,STRAIGHT THREAD TO ORFS SWIVEL
56188	10143-8-6	HOSE END, MALE PIPE	61316	482TC-16	HOSE,1 INCH ID
56233	2-011	O-RING,ORFS,-4	61321	6 JLO-S	UNION TEE,ORFS
56234	2-012	O-RING,ORFS,-6	61327	782-12	HOSE,3/4 INCH ID
56235	2-014	O-RING,ORFS,-8	61328	881-24	HOSE,11/2 INCH ID
56236	2-016	O-RING,ORFS,-10	61336	11943-20-24	HOSE END,90° FLANGE HEAD
56237	2-018	O-RING,ORFS,-12	61345	12 WJLO-WLNL-S	RUN TEE, BULKHEAD,ORFS
56238	2-021	O-RING,ORFS,-16	61346	8 WNLO-WLNL-S 4	UNION,BULKHEAD 45°,ORFS
56352	6 WLNL-S	LOCKNUT,BULKHEAD	61569	33782-8-8	HOSE END,45° FEMALE SWIVEL,JIC
56353	3J782-12-12	HOSE END,45° FEMALE SWIVEL,SEAL LOK	61610	12 FF5OLO-S	CONNECTOR,LONG,STRAIGHT THREAD TO ORFS
56354	3J982-12-12	HOSE END,90° FEMALE SWIVEL,SEAL LOK	61742	1/8 X 1.5 FFF	NIPPLE,PIPE
56604	10-8 F5OLO-S	CONNECTOR,STRAIGHT THREAD TO ORFS	63426	8 PNTX-S	PLUG,FLARE TUBE
56639	3JC82-10-10	HOSE END,FEMALE SWIVEL,SEAL LOK			
56640	3J982-10-10	HOSE END,90° FEMALE SWIVEL,SEAL LOK			
56655	3JC82-8-10	HOSE END,FEMALE SWIVEL,SEAL LOK			
56676	10-8 C5OLO-S	ELBOW,90°,STRAIGHT THREAD TO ORFS			
56776	471TC-6	HOSE,3/8 INCH ID			
56777	471TC-8	HOSE,1/2 INCH ID			
56789	811-16	HOSE,1 INCH ID			
57884	3/8 FF	NIPPLE,PIPE			
59335	6 FNL-S	CAP,TUBE END			
59342	4 FNL-S	CAP,TUBE END			
59371	8 HP5ON-S	PLUG,STRAIGHT THREAD			
60653	BV-0751	BALL VALVE			
60806	125HB-3-4	FITTING,HOSE BARB TO MALE PIPE			
61064	5-1/4 F50G-S	ADAPTER,FEMALE PIPE TO STRAIGHT THREAD			
61079	4 WELO-WLNL-S	UNION,90° BULKHEAD W/NUT,ORFS			
61080	6 WLO-WLNL-S	UNION,BULKHEAD,ORFS			

## Fitting Cross References (Continued)

Genie PN	Parker PN	Description	Genie PN	Parker PN	Description
64271	4 WLO-WLNL-S	UNION,BULKHEAD,ORFS	75631	801-6	HOSE,3/8 INCH ID
64272	6 WLO-WLNL-S	UNION,BULKHEAD,ORFS	75654	20 F5OLO-S	CONNECTOR,STRAIGHT THREAD TO ORFS
65776	8 F65OL-S	CONNECTOR,STRAIGHT THREAD TO ORFS SWIVEL	75655	1J943-20-20	HOSE END,90° FEMALE SWIVEL,SEAL LOK
65880	6001012	O-RING KIT	75656	881-20	HOSE,1-1/4 INCH ID
66154	6 WTX-WLNS	UNION,BULKHEAD,FLARE TUBE	75971	8 F5OHAO-S	UNION,STRAIGHT THREAD
66155	6 WETX-S	UNION,BULKHEAD 90°,FLARE TUBE	77307	1JB43-8-8	HOSE END,BULKHEAD,SEAL LOK
66156	6 WLN-S	BULKHEAD LOCKNUT	77309	8 WLNL-S	BULKHEAD LOCKNUT
66389	6-8 F5OX-S	CONNECTOR,STRAIGHT THREAD TO FLARE TUBE	77379	8M18C87OMX-S	ELBOW,90° METRIC,STRAIGHT THREAD TO FLARE TUBE
66392	6 R5OX-S	RUN TEE,STRAIGHT THREAD	77703	3J982-8-8	HOSE END,90° FEMALE SWIVEL,SEAL LOK
66396	811-12	HOSE,3/4 INCH ID	77711	801-10	HOSE,5/8 INCH ID
66829	H3174PP	CLAMP,TUBE	77758	12 WNLO-WLNL-S	UNION,BULKHEAD 45°,ORFS
67217	4 KLO-S	UNION,CROSS,ORFS	78091	6 C6X-S	ELBOW,90°,SWIVEL NUT TO FLARE TUBE
67339	10-6 F5OX-S	CONNECTOR,STRAIGHT THREAD TO FLARE TUBE	78684	30582-8-8B	HOSE END,PUSH LOK,MALE
67357	13943-8-6	HOSE END,90° FEMALE SWIVEL,JIC	78852	549-2	HOSE,1/8 INCH ID
67358	10 HP5ON-S	PLUG,STRAIGHT THREAD	78855	10657-4-2	HOSE END,FEMALE SWIVEL,JIC
67371	12 S6LO-S	BRANCH TEE,SWIVEL NUT TO ORFS	79138	PS-B-37	SLEEVE,NYLON,2.38" ID
67498	4 FNL-S	CAP, TUBE END	79476	1JS43-6-8	HOSE END,FEMALE SWIVEL,SEAL LOK
67906	DC-370-F0F0-5	VALVE,CHECK	79847	12-3/4 A0EG-S	ELBOW,90°,STRAIGHT THREAD TO FEMALE PIPE
69316	8 FLO-S	CONNECTOR,MALE PIPE TO ORFS	80044	8 CLO-S	ELBOW,90°,MALE PIPE TO ORFS
69333	H3174PP	CLAMP,HYDRAULIC HOSE	80502	8 F5OX-S	CONNECTOR,STRAIGHT THREAD TO FLARE TUBE
69503	4 F65OX-S	CONNECTOR,STRAIGHT THREAD TO 37° SWIVEL	80503	8 C5OX-S	ELBOW,90°,STRAIGHT THREAD TO FLARE TUBE
69775	8 FNL-S	CAP, TUBE END	81010	AS-B-27	SLEEVE,NYLON,1.63" ID
71038	1/4X1/4F3HG-S	ADAPTER,CONVERSION	83052	821-6	HOSE,3/8 INCH ID
71196	12-8 F5OLO-S	CONNECTOR,STRAIGHT THREAD TO ORFS	83053	821-8	HOSE,1/2 INCH ID
71383	1/4 CD45-S	ELBOW,45°,MALE TO FEMALE PIPE	83054	821-12	HOSE,3/4 INCH ID
72270	12FNL-S	CAP, TUBE END	83055	30682-6-6	HOSE END,FEMALE SWIVEL,JIC
73436	60C-4	SLEEVE,COMPRESSION	83056	30682-12-12	HOSE END,FEMALE SWIVEL,JIC
73437	61C-4	NUT,COMPRESSION	83057	33782-6-6	HOSE END,45° FEMALE SWIVEL,JIC
73438	33482-4-4B	HOSE END,PUSH LOK,MALE	83058	33982-6-6	HOSE END,90° FEMALE SWIVEL,JIC
73767	1CD-S	ELBOW,90°,MALE TO FEMALE PIPE	83060	33982-12-12	HOSE END,90° FEMALE SWIVEL,JIC
73768	20-16-F5OG5-S	ADAPTER,FEMALE PIPE TO STRAIGHT THREAD	83063	13743-4-4	HOSE END,45° FEMALE SWIVEL,JIC
73769	16-20 F5OLO-S	CONNECTOR,STRAIGHT THREAD TO ORFS			
74660	6-8 F42EDMLO-S	CONNECTOR,MALE BSPP TO ORFS			
74661	8-8 F42EDMLO-S	CONNECTOR,MALE BSPP TO ORFS			
75007	4 FLO-S	CONNECTOR,MALE PIPE TO ORFS			
75008	1/8 HP-S	PLUG,PIPE THREAD			
75014	1/2 HP-S	PLUG,PIPE THREAD			
75042	8 WELO-WLNL-S	UNION,90° BULKHEAD W/NUT,ORFS			
75043	3/4 FF-S	NIPPLE,PIPE			
75254	24 F5OHAO-S	UNION,STRAIGHT THREAD			
75255	12 F5OHAO-S	UNION,STRAIGHT THREAD			
75256	XV506P-24	BALL VALVE			
75574	4 WLNL-S	BULKHEAD LOCKNUT			
75612	8 WJLO-WLNL-S	RUN TEE, BULKHEAD,ORFS			
75613	12-8 F5OG5-S	ADAPTER,FEMALE PIPE TO STRAIGHT THREAD			
75614	8 CC5OLO-S	ELBOW,90° LONG,STRAIGHT THREAD TO ORFS			
75628	1JB43-4-4	HOSE END,BULKHEAD,SEAL LOK			

## Fitting Cross References (Continued)

Genie PN	Parker PN	Description	Genie PN	Parker PN	Description
83064	13743-8-8	HOSE END,45° FEMALE SWIVEL,JIC	89449	6 WJLO-WLNL-S	RUN TEE, BULKHEAD,ORFS
83065	13743-12-12	HOSE END,45° FEMALE SWIVEL,JIC	89489	4 WJMLO-S	BRANCH TEE,BULKHEAD,ORFS
83066	13943-8-8	HOSE END,90° FEMALE SWIVEL,JIC	89551	1JB43-6-6	HOSE END,BULKHEAD,SEAL LOK
83067	14143-6-6	HOSE END,90° FEMALE SWIVEL,JIC	89552	1JB43-8-8	HOSE END,BULKHEAD,SEAL LOK
83068	14143-8-8	HOSE END,90° FEMALE SWIVEL,JIC	89593	20 C5OLO-S	ELBOW,90°,STRAIGHT THREAD TO ORFS
83069	14143-12-12	HOSE END,90° FEMALE SWIVEL,JIC	94161	8-8 CLO-S	ELBOW,90°,MALE PIPE TO ORFS
83070	772-8	HOSE,1/2 INCH ID	94358	351TC-12	HOSE,3/4 INCH ID
83071	10671-8-8	HOSE END,FEMALE SWIVEL,JIC	94418	20 FLO-S	CONNECTOR,MALE PIPE TO ORFS
83072	10671-12-12	HOSE END,FEMALE SWIVEL,JIC	96358	12 TX-S	SLEEVE,FLARE TUBE
83073	13771-8-8	HOSE END,45° FEMALE SWIVEL,JIC	96359	12 BTX-S	NUT,FLARE TUBE
83074	13771-12-12	HOSE END,45° FEMALE SWIVEL,JIC	96397	8 F5OX-S	CONNECTOR,STRAIGHT THREAD TO FLARE TUBE
83075	13971-8-8	HOSE END,90° FEMALE SWIVEL,JIC	96398	12-8 F5OX-S	CONNECTOR,STRAIGHT THREAD TO FLARE TUBE
83076	13971-12-12	HOSE END,90° FEMALE SWIVEL,JIC	96402	10343-6-6	HOSE END,MALE,JIC
83077	14171-8-8	HOSE END,90° FEMALE SWIVEL,JIC	96407	30382-6-6B	HOSE END,MALE,JIC
83078	14171-12-12	HOSE END,90° FEMALE SWIVEL,JIC			
83080	13943-16-16	HOSE END,90° FEMALE SWIVEL,JIC			
83103	10671-16-12	HOSE END,FEMALE SWIVEL,JIC			
83104	10671-10-12	HOSE END,FEMALE SWIVEL,JIC			
83112	1JC71-8-8	HOSE END,FEMALE SWIVEL,SEAL LOK			
83113	1JS71-16-12	HOSE END,FEMALE SWIVEL,SEAL LOK			
83114	1JS71-10-12	HOSE END,FEMALE SWIVEL,SEAL LOK			
83115	1J971-8-8	HOSE END,90° FEMALE SWIVEL,SEAL LOK			
83116	1J171-8-8	HOSE END,90° FEMALE SWIVEL,SEAL LOK			
83117	1J771-8-8	HOSE END,45° FEMALE SWIVEL,SEAL LOK			
83127	1J543-6-8	HOSE END,90° FEMALE SWIVEL,JIC			
83128	1JC43-6-8	HOSE END,FEMALE SWIVEL,SEAL LOK			
87033	12-6 TRLO-S	REDUCER,TUBE END TO SWIVEL,ORFS			
87034	3J782-8-8	HOSE END,45° FEMALE SWIVEL,SEAL LOK			
87172	12 HP5ON-S	PLUG,STRAIGHT THREAD			
87185	8 WNLO-WLNL-S	UNION,BULKHEAD 45°,ORFS			
87246	4 C6X-S	ELBOW,90°,SWIVEL NUT TO FLARE TUBE			
87679	6 LHP-S	FLANGE SEAL FITTING, MALE			
87681	6PLS N0702	BONDED SEAL			
88100	SR88100	ADAPTER,OIL DRAIN,GM 3.0L			
88311	1JS43-20-20	HOSE END,FEMALE SWIVEL,SEAL LOK			
88353	20 V5OLO-S	ELBOW,45°,STRAIGHT THREAD TO ORFS			
88474	10081-20	Crimp Shell, 1.25"			
88475	1988-20-24	HOSE END,90° FLANGE HEAD			
88476	JS88-24-24	HOSE END,FEMALE SWIVEL,SEAL LOK			
88477	1JC88-20-20	HOSE END,FEMALE SWIVEL,SEAL LOK			
88478	811-20	HOSE,11/4 INCH ID			
88936	20-16 F5OLO-S	CONNECTOR,STRAIGHT THREAD TO ORFS			
88937	20-16 FLO-S	CONNECTOR,MALE PIPE TO ORFS			
88938	1JC88-16-16	HOSE END,FEMALE SWIVEL,SEAL LOK			
88939	1J988-16-16	HOSE END,90° FEMALE SWIVEL,ORFS			
88940	811-16	HOSE,1 INCH ID			
88944	1J988-20-20	HOSE END,90° FEMALE SWIVEL,ORFS			
89403	16 VLO-S	ELBOW,45°,MALE PIPE TO ORFS			

California Proposition 65



Operating, servicing and maintaining this equipment can expose you to chemicals including engine exhaust, carbon monoxide, phthalates, and lead, which are known to the State of California to cause cancer and birth defects or other reproductive harm. These chemicals can be emitted from or contained in other various parts and systems, fluids and some component wear by-products. To minimize exposure, avoid breathing exhaust, do not idle the engine except as necessary, service your equipment and vehicle in a well-ventilated area and wear gloves or wash your hands frequently when servicing your equipment or vehicle and after operation. For more information go to [www.P65Warnings.ca.gov/passenger-vehicle](http://www.P65Warnings.ca.gov/passenger-vehicle).

Breathing diesel engine exhaust exposes you to chemicals known to the State of California to cause cancer and birth defects or other reproductive harm.

- Always start and operate the engine in a well-ventilated area.
- If in an enclosed area, vent the exhaust to the outside.
- Do not modify or tamper with the exhaust system.
- Do not idle the engine except as necessary.

For more information go to

[www.P65warnings.ca.gov/diesel](http://www.P65warnings.ca.gov/diesel).

Distributed By:

to order your parts

# PARTS FINDER

**Search Website  
by Part Number**



**Search Manual  
Library For Parts  
Manual & Lookup Part  
Numbers – Purchase  
or Request Quote**

**Search Manuals**

Enter your information to help us find the right parts manual for your machine.

\* Brand:

\* Model:

\* Serial:

\* Part Number:

SEARCH

**Can't Find Part or  
Manual? Request Help  
by Manufacturer,  
Model & Description**

**Parts Order Form**

Please fill in the following information to help us find the right part for your machine.

Manufacturer:	<input type="text"/>
Model:	<input type="text"/>
Description:	<input type="text"/>
Part Number:	<input type="text"/>
Quantity:	<input type="text"/>
Notes:	<input type="text"/>

Discount-Equipment.com is your online resource for quality parts & equipment.

Florida: **561-964-4949** Outside Florida TOLL FREE: **877-690-3101**

**Need parts?**

Click on this link: <http://www.discount-equipment.com/category/5443-parts/> and choose one of the options to help get the right parts and equipment you are looking for. Please have the machine model and serial number available in order to help us get you the correct parts. If you don't find the part on the website or on one of the online manuals, please fill out the request form and one of our experienced staff members will get back to you with a quote for the right part that your machine needs.

We sell worldwide for the brands: Genie, Terex, JLG, MultiQuip, Mikasa, Essick, Whiteman, Mayco, Toro Stone, Diamond Products, Generac Magnum, Airman, Haulotte, Barreto, Power Blanket, Nifty Lift, Atlas Copco, Chicago Pneumatic, Allmand, Miller Curber, Skyjack, Lull, Skytrak, Tsurumi, Husquvarna Target, Stow, Wacker, Sakai, Mi-T-M, Sullair, Basic, Dynapac, MBW, Weber, Bartell, Bennar Newman, Haulotte, Ditch Runner, Menegotti, Morrison, Contec, Buddy, Crown, Edco, Wyco, Bomag, Laymor, EZ Trench, Bil-Jax, F.S. Curtis, Gehl Pavers, Heli, Honda, ICS/PowerGrit, IHI, Partner, Imer, Clipper, MMD, Koshin, Rice, CH&E, General Equipment, Amida, Coleman, NAC, Gradall, Square Shooter, Kent, Stanley, Tamco, Toku, Hatz, Kohler, Robin, Wisconsin, Northrock, Oztec, Toker TK, Rol-Air, APT, Wylie, Ingersoll Rand / Doosan, Innovatech, Con X, Ammann, Mecalac, Makinex, Smith Surface Prep, Small Line, Wanco, Yanmar