



A TEREX BRAND



## Parts Manual

Serial Number Range

**Z-60/37 DC/FE  
Hybrid**

from SN Z60M-101

Part No. 1291730GT  
Rev: A1  
July 2020

Go to [Discount-Equipment.com](http://Discount-Equipment.com) to order your parts

# PARTS FINDER

**Search Website  
by Part Number**



**Search Manual  
Library For Parts  
Manual & Lookup Part  
Numbers – Purchase  
or Request Quote**

**Search Manuals**

Enter your information to help us find the right parts manual for your machine.

\* Brand:

\* Model:

\* Serial:

\* Part Number:

SEARCH

**Can't Find Part or  
Manual? Request Help  
by Manufacturer,  
Model & Description**

**Parts Order Form**

Please fill in the following information to help us find the right part for your machine.

|               |                      |
|---------------|----------------------|
| Manufacturer: | <input type="text"/> |
| Model:        | <input type="text"/> |
| Description:  | <input type="text"/> |
| Part Number:  | <input type="text"/> |
| Quantity:     | <input type="text"/> |
| Notes:        | <input type="text"/> |

REQUEST HELP

Discount-Equipment.com is your online resource for quality parts & equipment.

Florida: **561-964-4949** Outside Florida TOLL FREE: **877-690-3101**

**Need parts?**

Click on this link: <http://www.discount-equipment.com/category/5443-parts/> and choose one of the options to help get the right parts and equipment you are looking for. Please have the machine model and serial number available in order to help us get you the correct parts. If you don't find the part on the website or on one of the online manuals, please fill out the request form and one of our experienced staff members will get back to you with a quote for the right part that your machine needs.

We sell worldwide for the brands: Genie, Terex, JLG, MultiQuip, Mikasa, Essick, Whiteman, Mayco, Toro Stone, Diamond Products, Generac Magnum, Airman, Haulotte, Barreto, Power Blanket, Nifty Lift, Atlas Copco, Chicago Pneumatic, Allmand, Miller Curber, Skyjack, Lull, Skytrak, Tsurumi, Husquvarna Target, Stow, Wacker, Sakai, Mi-T-M, Sullair, Basic, Dynapac, MBW, Weber, Bartell, Bennar Newman, Haulotte, Ditch Runner, Menegotti, Morrison, Contec, Buddy, Crown, Edco, Wyco, Bomag, Laymor, EZ Trench, Bil-Jax, F.S. Curtis, Gehl Pavers, Heli, Honda, ICS/PowerGrit, IHI, Partner, Imer, Clipper, MMD, Koshin, Rice, CH&E, General Equipment, Amida, Coleman, NAC, Gradall, Square Shooter, Kent, Stanley, Tamco, Toku, Hatz, Kohler, Robin, Wisconsin, Northrock, Oztec, Toker TK, Rol-Air, APT, Wylie, Ingersoll Rand / Doosan, Innovatech, Con X, Ammann, Mecalac, Makinex, Smith Surface Prep, Small Line, Wanco, Yanmar



A TEREX BRAND

Model: Z-60/37

Serial Number: Z60M-101

Year of manufacture: 2019

Electrical Schematic Number: ES0573

Machine unladen weight: 16984 lbs/7704 kg

Foam tires required: Yes

Rated work load (including occupants): 500 lbs/227 kg

Maximum number of platform occupants: 2

Maximum allowable side force: 90 lbs/400 N

Maximum allowable inclination of the chassis:

2.5° along x 4.5° perpendicular to lift structure

Maximum wind speed: 28 mph/12.5 m/s

Maximum platform height: 59 ft 7 in/18.6 m

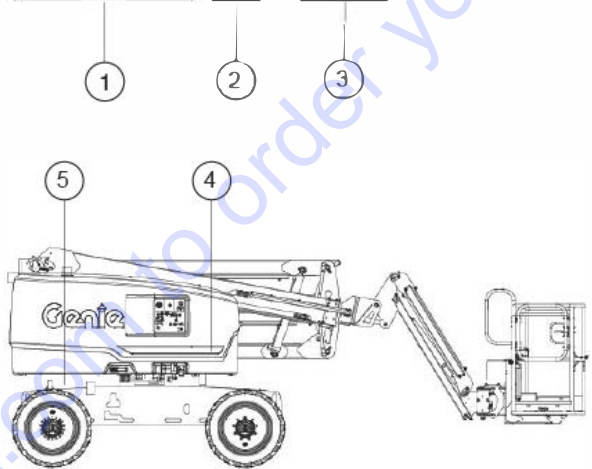
Maximum platform reach: 36 ft 7 in/11.15 m

Gradeability: 45%

Nominal Power: 20.0 kW

Country of manufacture: ITALY

Z60 M - 101



- 1 Model
- 2 Facility code
- 3 Sequence number
- 4 Serial label (located under cover)
- 5 Serial number (stamped on chassis)

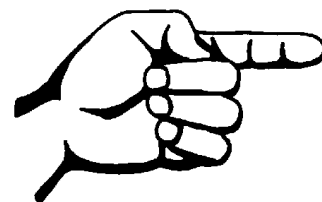
This MEWP complies with:



EN 280



Please refer to section 001 for the Recommended Spare Parts List.



This page intentionally left blank.

Go to Discount-Equipment.com to order your parts



| <b>Description</b>   | <b>Page</b> |
|--|-------------|
| <b>001 Parts Stocking List .....</b>                           | <b>10</b>   |
| 001.1 Parts Stocking List .....                                | 10          |
| <b>100 Decals .....</b>  | <b>14</b>   |
| 101.1 Decals with Symbols, Chassis .....                       | 14          |
| 102.1 Decals with Symbols,Tank Side, Non-Steer End .....       | 16          |
| 103.1 Decals with Symbols, Generator Side, Steer End .....     | 18          |
| 104.1 Decals with Symbols, Boom .....                          | 20          |
| 105.1 Decals with Symbols, Platform .....                      | 22          |
| 106.1 Decals with Words, Chassis (AUS) .....                   | 24          |
| 107.1 Decals with Words,Tank Side, Non-Steer End (AUS) .....   | 26          |
| 108.1 Decals with Words, Generator Side, Steer End (AUS) ..... | 28          |
| 109.1 Decals with Words, Boom (AUS) .....                      | 30          |
| 110.1 Decals with Words, Platform (AUS) .....                  | 32          |
| <b>200 Drive Chassis Components.....</b>                       | <b>34</b>   |
| 201.1 Steer Axle and Steer Linkage , Oscillate Models .....    | 34          |
| 202.1 4WD Steer Axle, Wheels and Hubs .....                    | 38          |
| 203.1 Non-steer Axle .....                                     | 40          |
| <b>300 Turntable Components.....</b>                           | <b>44</b>   |
| 301.1 Turntable Rotator .....                                  | 44          |
| 302.1 Turntable Center .....                                   | 48          |
| 303.1 Generator Side - DC Models .....                         | 52          |
| 304.1 Tank Side - FE Hybrid Models (Bi-Energy) .....           | 58          |
| 305.1 Ground Control Side, View 1 .....                        | 60          |
| 306.1 Ground Control Side, View 2 .....                        | 64          |
| 307.1 Ground Control Box, View 1, External .....               | 66          |
| 308.1 Ground Control Box, View 2, Internal .....               | 70          |
| 309.1 Turntable Cover .....                                    | 74          |
| 310.1 Battery Box Assembly .....                               | 78          |
| 311.1 Wire Harness Diagram .....                               | 82          |
| 312.1 Power Cable Diagram .....                                | 86          |
| <b>400 Engine Components .....</b>                             | <b>90</b>   |
| 401.1 Engine Tray .....  | 90          |
| 402.1 Kubota D1105-E4B, View 1 .....                           | 94          |
| 403.1 Kubota D1105-E4B, View 2 .....                           | 98          |
| 404.1 Kubota D1105-E4B, View 3 .....                           | 102         |
| 405.1 Fuel Hoses and Fittings - Kubota D1105-E4B .....         | 106         |

## Table of Contents

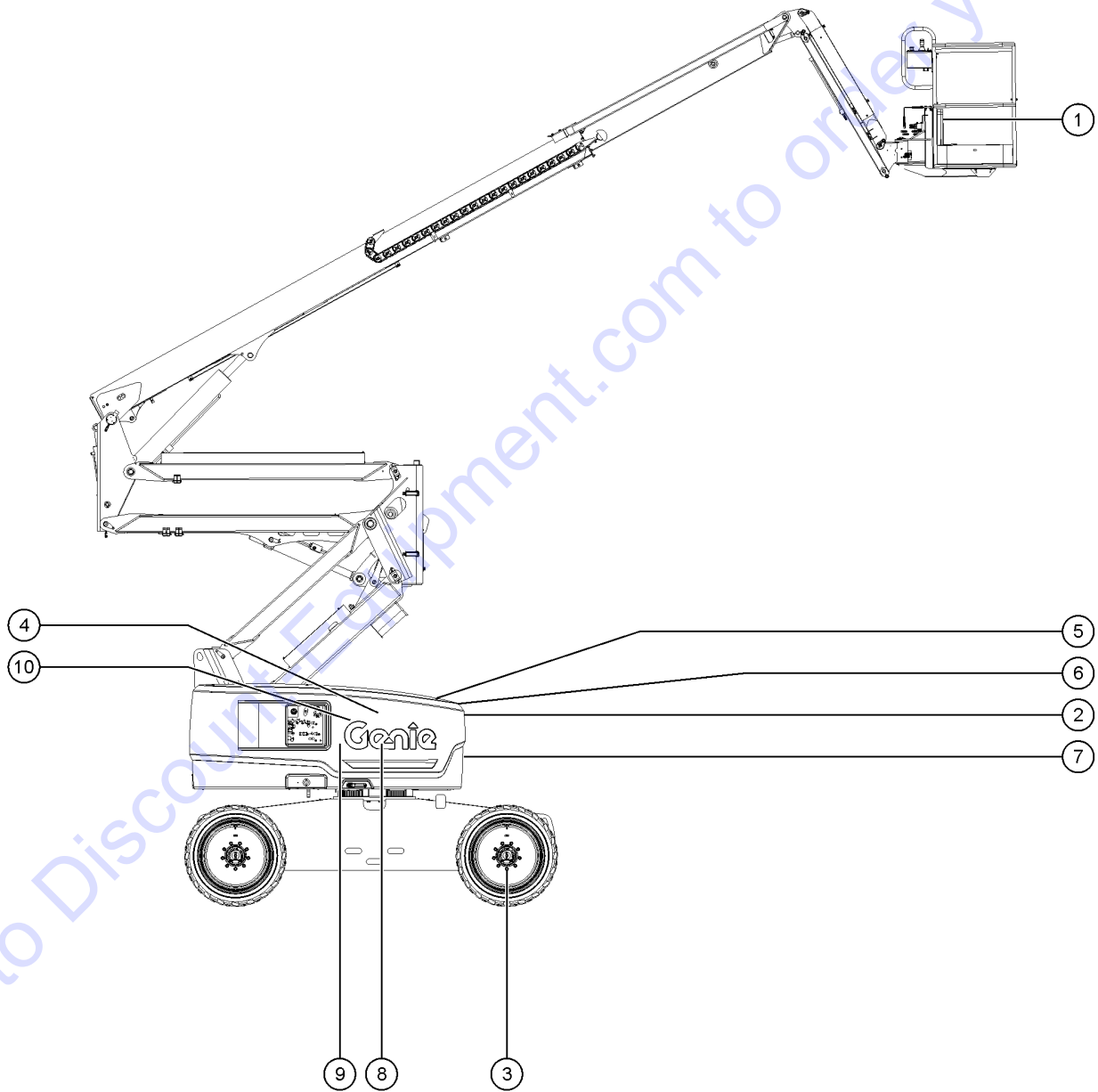
| <b>Description</b>  | <b>Page</b> |
|---|-------------|
| <b>500 Boom Components .....</b>                                    | <b>108</b>  |
| 500.1 Boom Layout .....   | 108         |
| 501.1 Secondary Boom, View 1 .....                                  | 110         |
| 502.1 Secondary Boom, View 2 .....                                  | 114         |
| 503.1 Upper Pivot .....   | 120         |
| 504.1 Upper Pivot and Primary Boom Rests .....                      | 124         |
| 505.1 Primary and Extension Booms .....                             | 126         |
| 506.1 Cable Track .....   | 130         |
| 507.1 Jib Boom and Platform Rotator .....                           | 132         |
| <b>600 Platform Components .....</b>                                | <b>136</b>  |
| 601.1 Platform Components .....                                     | 136         |
| 602.1 Platform Control Box, External View .....                     | 140         |
| 603.1 Platform Control Box, Internal View .....                     | 146         |
| 604.1 Joysticks .....   | 148         |
| <b>700 Hydraulic Components .....</b>                               | <b>150</b>  |
| 701.1 Function Manifold .....                                       | 150         |
| 702.1 Platform Rotate and Jib Boom/Platform Manifold .....          | 154         |
| 703.1 Hydraulic Pumps .....   | 156         |
| 704.1 Oscillate Valve .....   | 158         |
| 705.1 Turntable Rotate Manifold .....                               | 160         |
| 706.1 Hydraulic Hoses and Fittings - Drive Chassis, Oscillate ..... | 162         |
| 707.1 Hydraulic Hoses and Fittings - Turntable .....                | 164         |
| 708.1 Hydraulic Hoses and Fittings - Secondary and Primary .....    | 166         |
| 709.1 Hydraulic Hoses and Fittings - Primary and Jib .....          | 168         |
| <b>800 Accessories .....</b>  | <b>170</b>  |
| 801.1 Power to Platform .....                                       | 170         |
| 802.1 Air Line to Platform .....                                    | 172         |
| 803.1 Light Package .....   | 174         |
| 804.1 Platform Overload Option .....                                | 176         |
| 805.1 Lift Guard Contact Alarm .....                                | 178         |
| 806.1 Panel Cradle and Tool Tray .....                              | 182         |
| 807.1 Half Mesh Option .....  | 184         |
| 808.1 Platform Accessories .....                                    | 186         |
| 809.1 Cold Start, FE Models .....                                   | 188         |
| 810.1 Platform Control Cover Option .....                           | 190         |
| 811.1 Ground Control Box Cover .....                                | 192         |
| 812.1 Operator Protective Structure .....                           | 194         |
| 813.1 Aircraft Protection Package .....                             | 196         |

| <b>Description</b>                                     | <b>Page</b> |
|--|-------------|
| 814.1 Aircraft Protection Package With Swing Gate..... | 200         |
| 815.1 Inverter .....                                   | 204         |
| 816.1 Earth Cable .....                                | 206         |
| 817.1 Power To Platform RCBO .....                     | 208         |
| <b>Part Number Index</b> .....                         | <b>210</b>  |

Go to Discount-Equipment.com to order your parts



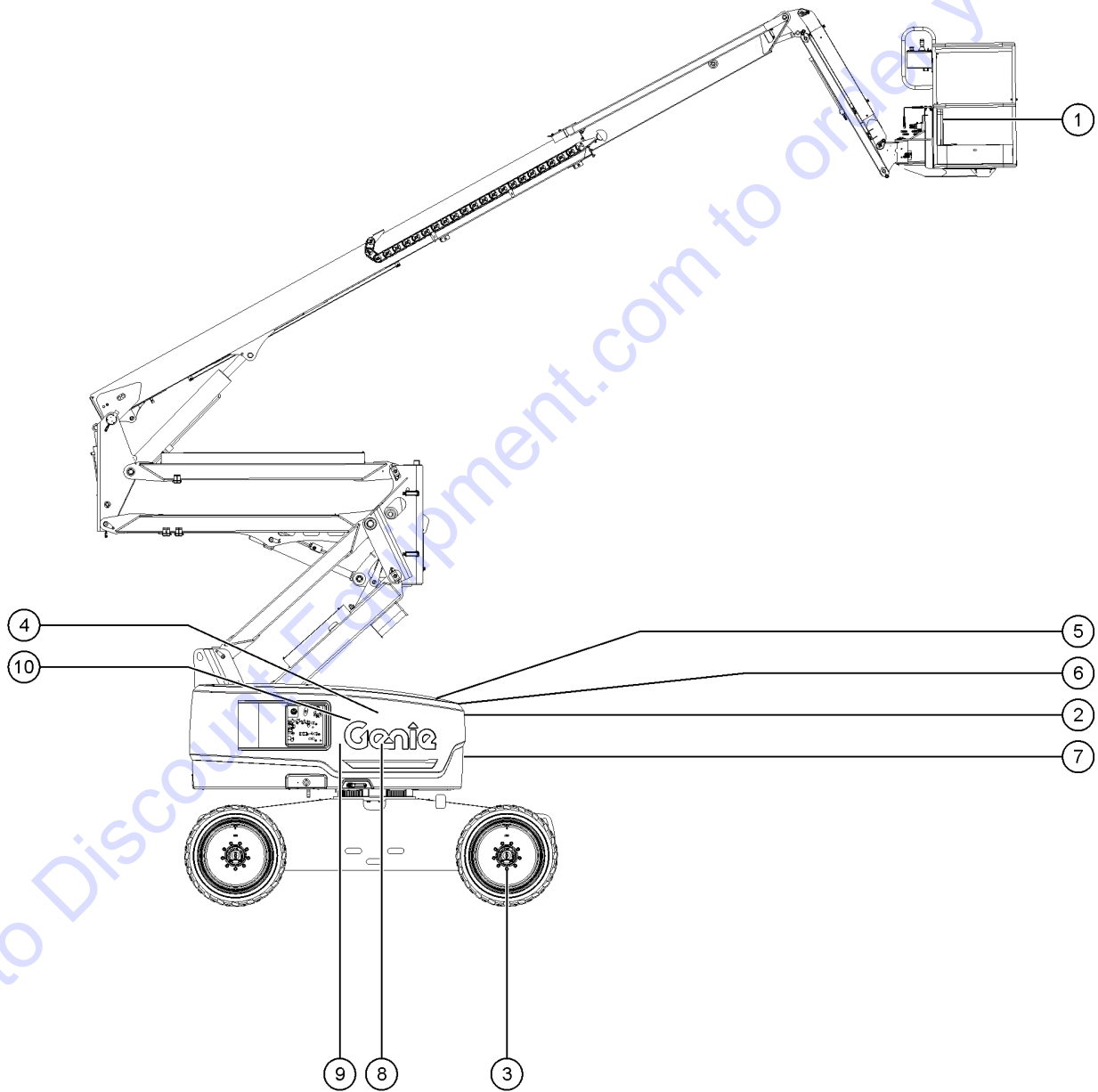
001.1 Parts Stocking List



| Item | Part No.  | Description   | Qty. |
|------|-----------|---|------|
| A    |           | —General Service Parts—                                   |      |
| A-   | 1484GT    | PAINT,AEROSOL,BRIGHT BLUE***<br>12-ounce spray paint      |      |
| A-   | 1268GT    | PAINT,AEROSOL,GENIE GRAY***<br>12-ounce spray paint       |      |
| A-   | 1258567GT | PAINT, AEROSOL, TRAFFIC BLACK<br>12-ounce spray paint     |      |
| A-   | 32150GT   | PAINT,WET,GENIE BLUE (1 GL)**<br>1-gallon                 |      |
| A-   | 32151GT   | PAINT,WET,GENIE GRAY (1 GL)**<br>1-gallon                 |      |
| A-   | 1257733GT | PAINT,WET,TRAFFIC BLACK (1 GL)**<br>1-gallon              |      |
| A-   | 66399GT   | GREASE,DIELECTRIC 4 OZ**                                  |      |
| A-   | 1283776GT | SEAL MARKER,CROSS CHECK,BLUE,TUBE                         |      |
| A-   | 93500GT   | PARKER DIGITAL PRESSURE GAUGE                             |      |
| A-   | 49612GT   | O-RING KIT (ORFS FITTINGS)<br>O-ring kit, ORFS            |      |
| A-   | 49613GT   | PLUG AND CAP KIT-SERVICE,ORFS*<br>Plug and cap kit, ORFS  |      |
| A-   | 28750GT   | O-RING KIT,FIELD SVC,ALL PROD*<br>O-ring kit, SAE         |      |
|      | 33994GT   | PLUG AND CAP KIT-SERVICE,37 **<br>Plug and cap kit, SAE   |      |
| B    |           | —Manuals—   |      |
| B-   | 27581GT   | MANUAL,AEM SAFETY   |      |
| B-   | 31779GT   | MANUAL,RESPON,A92.5 BOOM                                  |      |
| C    |           | — FE MODELS —   |      |
| C-   | 32196GT   | BELT,V, KUBOTA D905<br>(refer to figure 402.1)            |      |
| C-   | 226939GT  | AC MOTOR GEARBOX Z60E<br>(refer to figure 204.1)          |      |
| C-   | 1263938GT | MOTOR CTRL, 48V, 3PH, 1234SE<br>(refer to figure 302.1)   |      |
| C-   | 31745GT   | FILTER,AIR,D905<br>(refer to figure 403.1)                |      |
| C-   | 866050GT  | FILTER,OIL,KUBOTA<br>(refer to figure 404.1)              |      |
| C-   | 32196GT   | BELT,V, KUBOTA D905<br>(refer to figure 402.1)            |      |
| C-   | 49613GT   | PLUG AND CAP KIT-SERVICE,ORFS*<br>(refer to figure 701.1) |      |
| C-   | 60857GT   | FILTER,ELEMENT,BETA(5)=1000<br>(refer to figure 305.1)    |      |



001.1 Parts Stocking List

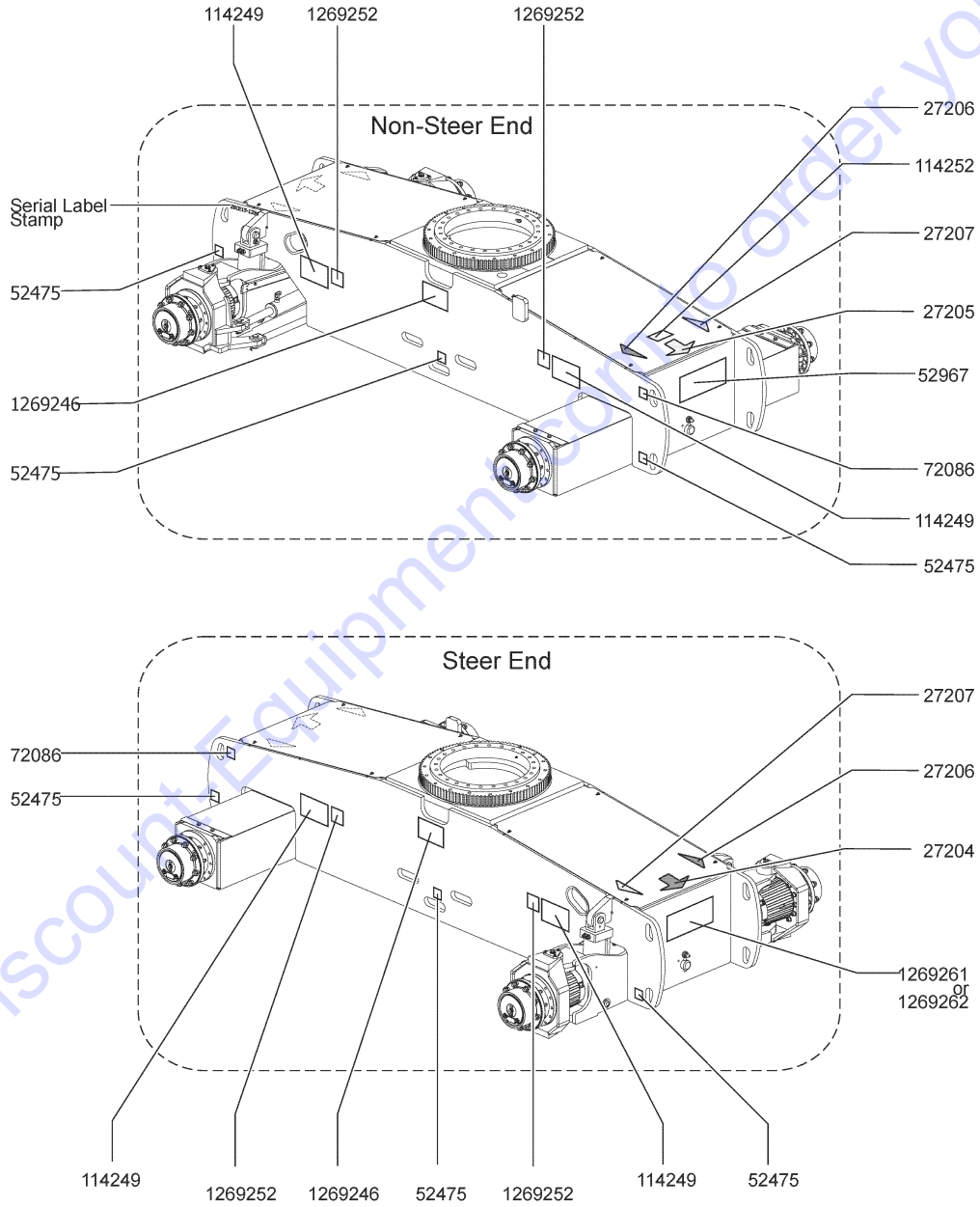


| <i>Item</i> | <i>Part No.</i> | <i>Description</i>   | <i>Qty.</i> |
|-------------|-----------------|--|-------------|
| C-          | 88917GT         | FILTER,ELEMENT,BETA(10)=200 .....<br>(refer to figure 305.1) |             |

Go to Discount-Equipment.com to order your parts



101.1 Decals with Symbols, Chassis





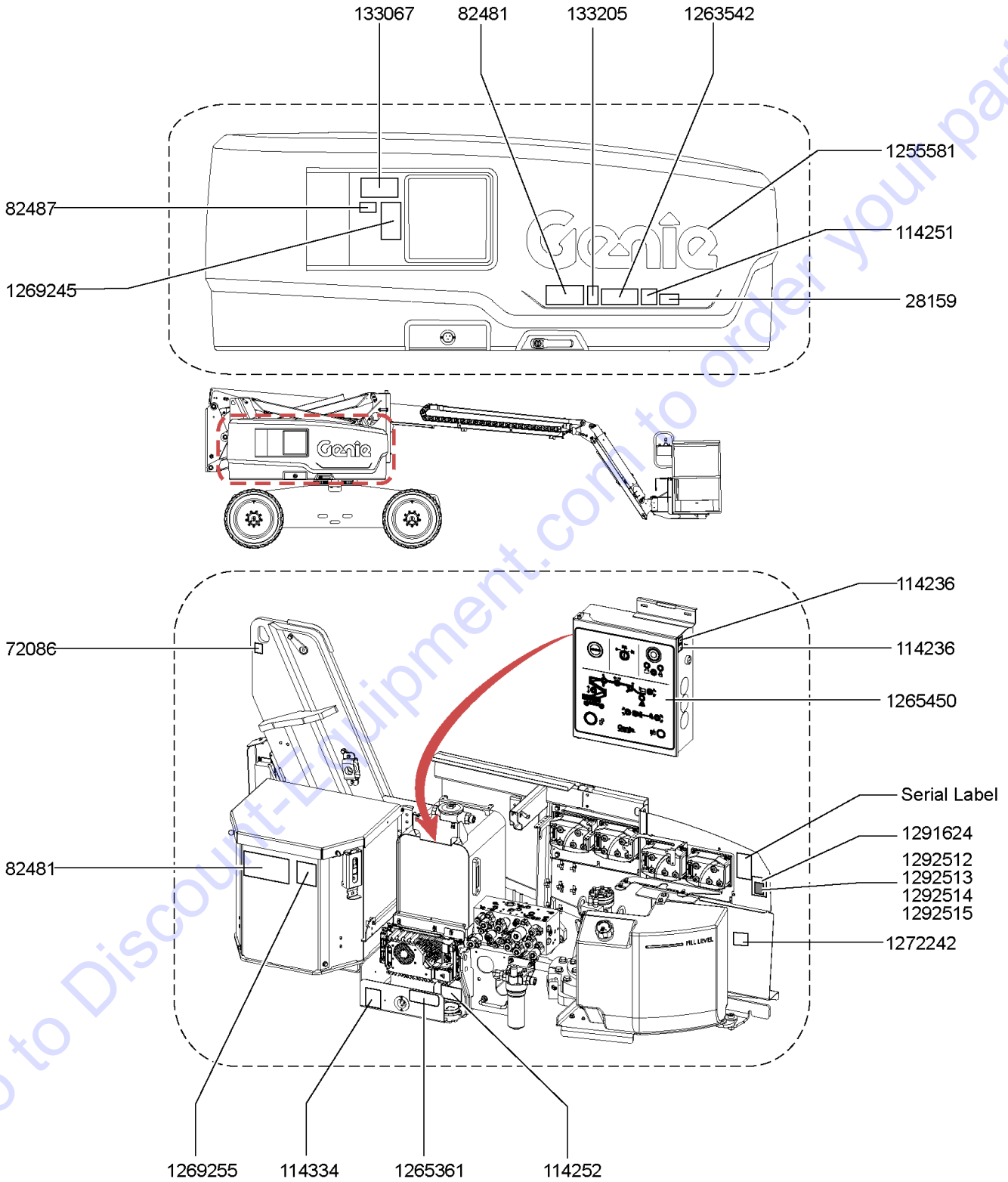
101.1 Decals with Symbols, Chassis

| Item | Part No.  | Description                           | Qty. |
|------|-----------|---------------------------------------|------|
| 1    | 27204GT   | DECAL,ARROW BLUE .....                | 1    |
| 3    | 27206GT   | DECAL,TRIANGLE,BLUE .....             | 2    |
| 4    | 27207GT   | DECAL,TRIANGLE,YELLOW .....           | 2    |
| 5    | 52475GT   | DECAL,LABEL,TRANSPORT TIEDOWN* .....  | 6    |
| 6    | 52967GT   | DECAL,COSMETIC,4 X 4 .....            | 1    |
|      |           | Option, 4WD                           |      |
| 7    | 72086GT   | DECAL,LABEL,LIFTING EYE .....         | 2    |
| 8    | 114249GT  | DECAL,LABEL,TIPOVER,TIRES,SYMB .....  | 4    |
| 9    | 114252GT  | DECAL,LABEL,TIP OVER LMT SWITCH ..... | 1    |
| 10   | 1269246GT | DECAL, TRANSPORTING/LIFTING, Z .....  | 2    |
| 11   | 1269252GT | DECAL, WHEEL LOAD, Z60/37DC .....     | 4    |
| 12   | 1269261GT | DECAL, COSMETIC, Z-60/37DC .....      | 1    |
|      |           | Z-60/37 DC                            |      |
| 13   | 1269262GT | DECAL, COSMETIC, Z-60/37FE .....      | 1    |
|      |           | Z-60/37 FE                            |      |

Go to Discount-Equipment.com to order your parts



102.1 Decals with Symbols, Tank Side, Non-Steer End

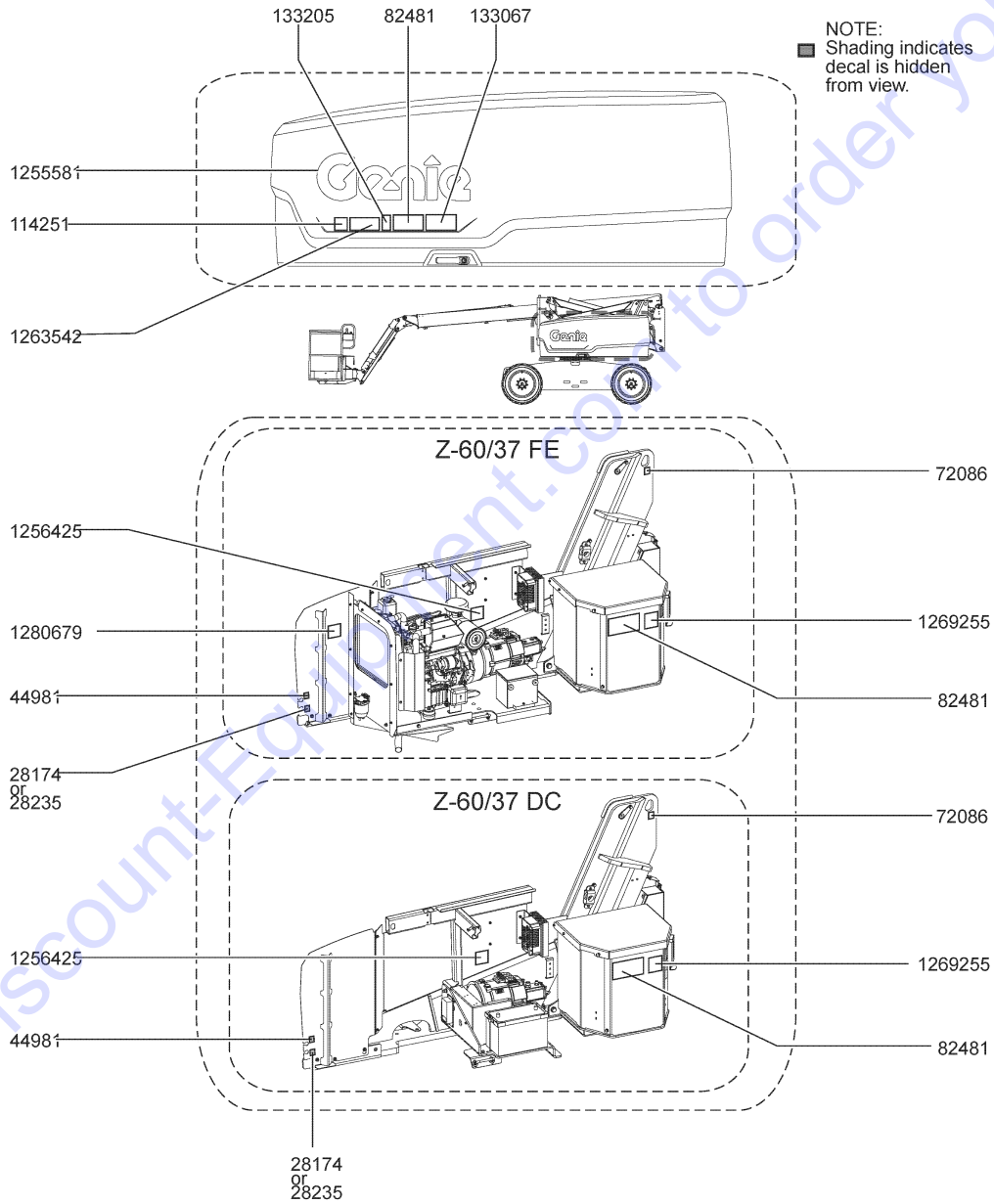


102.1 Decals with Symbols,Tank Side, Non-Steer End

| Item | Part No.  | Description  | Qty. |
|------|-----------|--|------|
| 1    | 28159GT   | DECAL,LABEL,DIESEL FUEL .....<br>Z-60/37 FE Only     | 1    |
| 2    | 72086GT   | DECAL,LABEL,LIFTING EYE .....                        | 1    |
| 3    | 82481GT   | DECAL,SYMBOL-BATTERY SAFETY .....                    | 2    |
| 4    | 82487GT   | DECAL, SYMBOL - READ THE MANUAL .....                | 1    |
| 5    | 114236GT  | DECAL,LABEL,CB SYMBOL .....                          | 2    |
| 6    | 114251GT  | DECAL,LABEL,NO SMOKING,SYMB .....<br>Z-60/37 FE Only | 1    |
| 7    | 114252GT  | DECAL,LABEL,TIP OVER LMT SWTCH .....                 | 1    |
| 8    | 114334GT  | DECAL,SYM-ELEC HAZARD,PLUG .....                     | 1    |
| 9    | 133067GT  | DECAL,DANGER,ELEC.HAZ.STAY CLR .....                 | 1    |
| 10   | 133205GT  | DECAL,LABEL, ELECTRO HAZARD .....                    | 1    |
| 11   | 1255581GT | DECAL COSMETIC,10" GENIE BLUE .....                  | 1    |
| 12   | 1263542GT | DECAL, COMPARTMENT ACCESS .....                      | 1    |
| 13   | 1265361GT | DECAL, BATTERY CHARGER INDICAT .....                 | 1    |
| 14   | 1265450GT | DECAL, GROUND CONTROL BOX, Z60 .....                 | 1    |
| 15   | 1269245GT | DECAL, EMERGENCY LOWERING, Z60 .....                 | 1    |
| 16   | 1269255GT | DECAL, ANSI SYMBOL, BATT WEIGH .....                 | 1    |
| 17   | 1272242GT | DECAL,MACHINE REGISTRATION/OWNER TRANSFER .....      | 1    |
| 18   | 1291624GT | DECAL COSM,GENIE LIFT CONNECT,LEXAN COVER .....      | 1    |
| 19   | 1292512GT | DECAL COSM,GENIE LIFT CONNECT,ESN,SKU4-1 .....       | 1    |
| 20   | 1292513GT | DECAL COSM,GENIE LIFT CONNECT,ESN,SKU4-2 .....       | 1    |
| 21   | 1292514GT | DECAL COSM,GENIE LIFT CONNECT,ESN,SKU4-3 .....       | 1    |
| 22   | 1292515GT | DECAL COSM,GENIE LIFT CONNECT,ESN,SKU4-4 .....       | 1    |



103.1 Decals with Symbols, Generator Side, Steer End



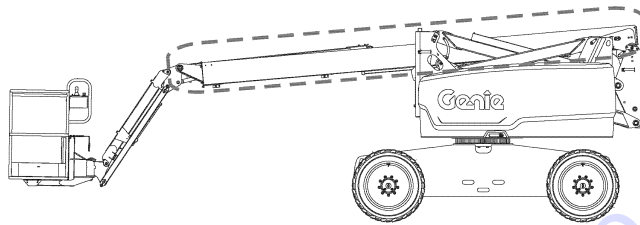
103.1 Decals with Symbols, Generator Side, Steer End

| Item | Part No.  | Description   | Qty. |
|------|-----------|---|------|
| 1    | 28174GT   | DECAL, POWER TO PLATFORM 230V**<br>Option, power to plat    | 1    |
| 2    | 28235GT   | DECAL, POWER TO PLATFORM 115V**<br>Option, power to plat    | 1    |
| 3    | 44981GT   | DECAL,LABEL,AIR LINE 110 PSI<br>Option, airline to platform | 1    |
| 4    | 72086GT   | DECAL,LABEL,LIFTING EYE                                     | 1    |
| 5    | 1280679GT | DECAL,LABEL,100 DB<br>Z-60/37 FE - CE Only                  | 1    |
| 6    | 82481GT   | DECAL,SYMBOL-BATTERY SAFETY                                 | 2    |
| 7    | 114251GT  | DECAL,LABEL,NO SMOKING,SYMB<br>Z-60/37 FE Only              | 1    |
| 8    | 133067GT  | DECAL,DANGER,ELEC.HAZ.STAY CLR                              | 1    |
| 9    | 133205GT  | DECAL,LABEL, ELECTRO HAZARD                                 | 1    |
| 10   | 1255581GT | DECAL COSMETIC,10" GENIE BLUE                               | 1    |
| 11   | 1256425GT | DECAL, DANGER, ELECTROCUTION HAZARD, SYMBOL                 | 1    |
| 12   | 1263542GT | DECAL, COMPARTMENT ACCESS                                   | 1    |
| 13   | 1269255GT | DECAL, ANSI SYMBOL, BATT WEIGH                              | 1    |

Go to Discount-Equipment.com to order your parts

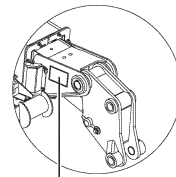
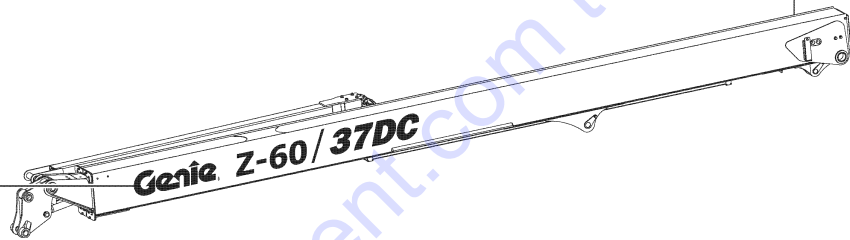


104.1 Decals with Symbols, Boom



#1 Boom Tube

1269259  
or  
1269260



114252



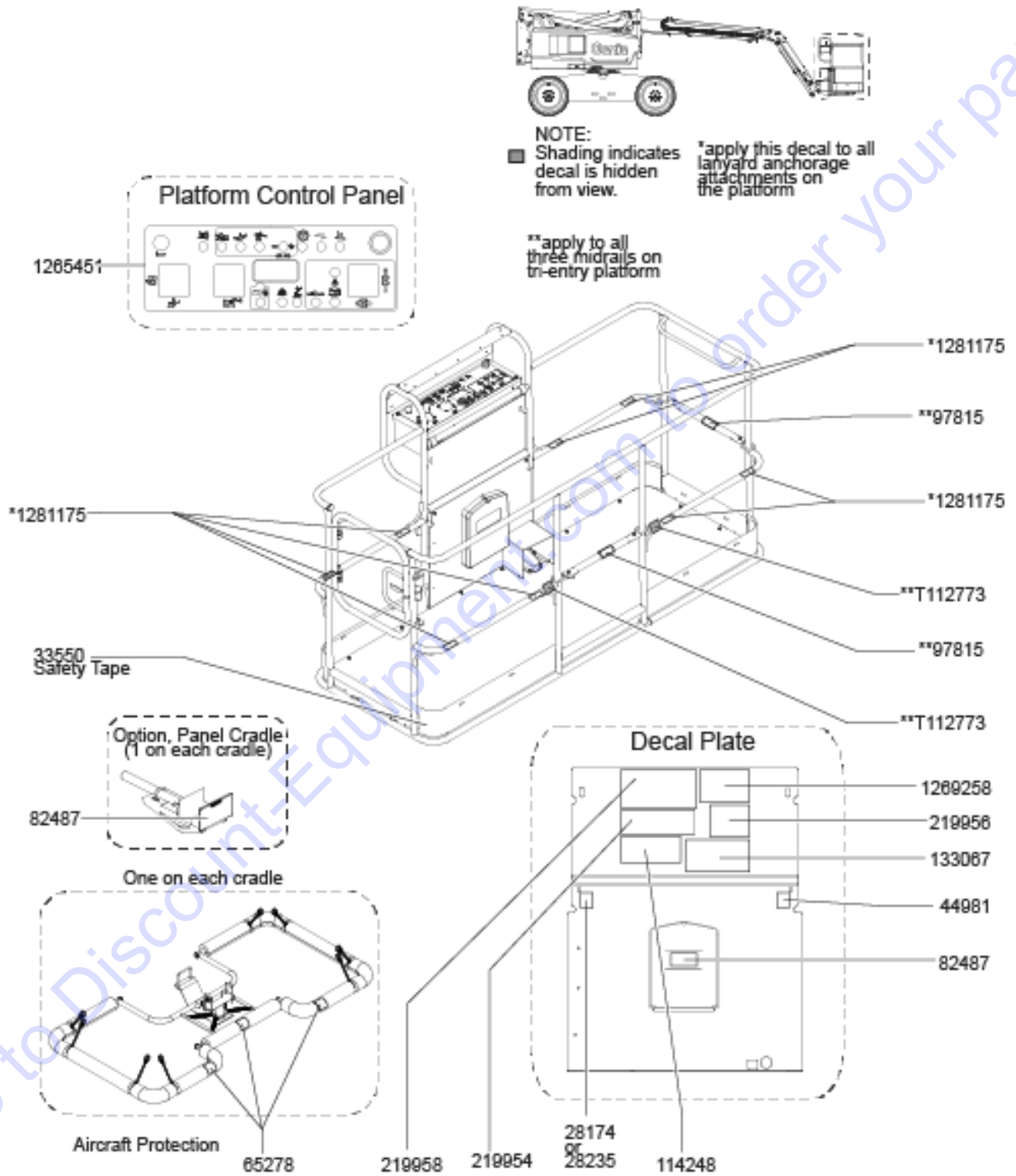
104.1 Decals with Symbols, Boom

| <i>Item</i> | <i>Part No.</i> | <i>Description</i>                                | <i>Qty.</i> |
|-------------|-----------------|---|-------------|
| 1           | 114252GT        | DECAL,LABEL,TIP OVER LMT SWTCH .....              | 1           |
| 2           | 1269259GT       | DECAL, COSMETIC, GENIE Z-60/3<br>Z-60/37 DC ..... | 1           |
| 3           | 1269260GT       | DECAL, COSMETIC, GENIE Z-60/3<br>Z-60/37 FE ..... | 1           |

Go to Discount-Equipment.com to order your parts



105.1 Decals with Symbols, Platform





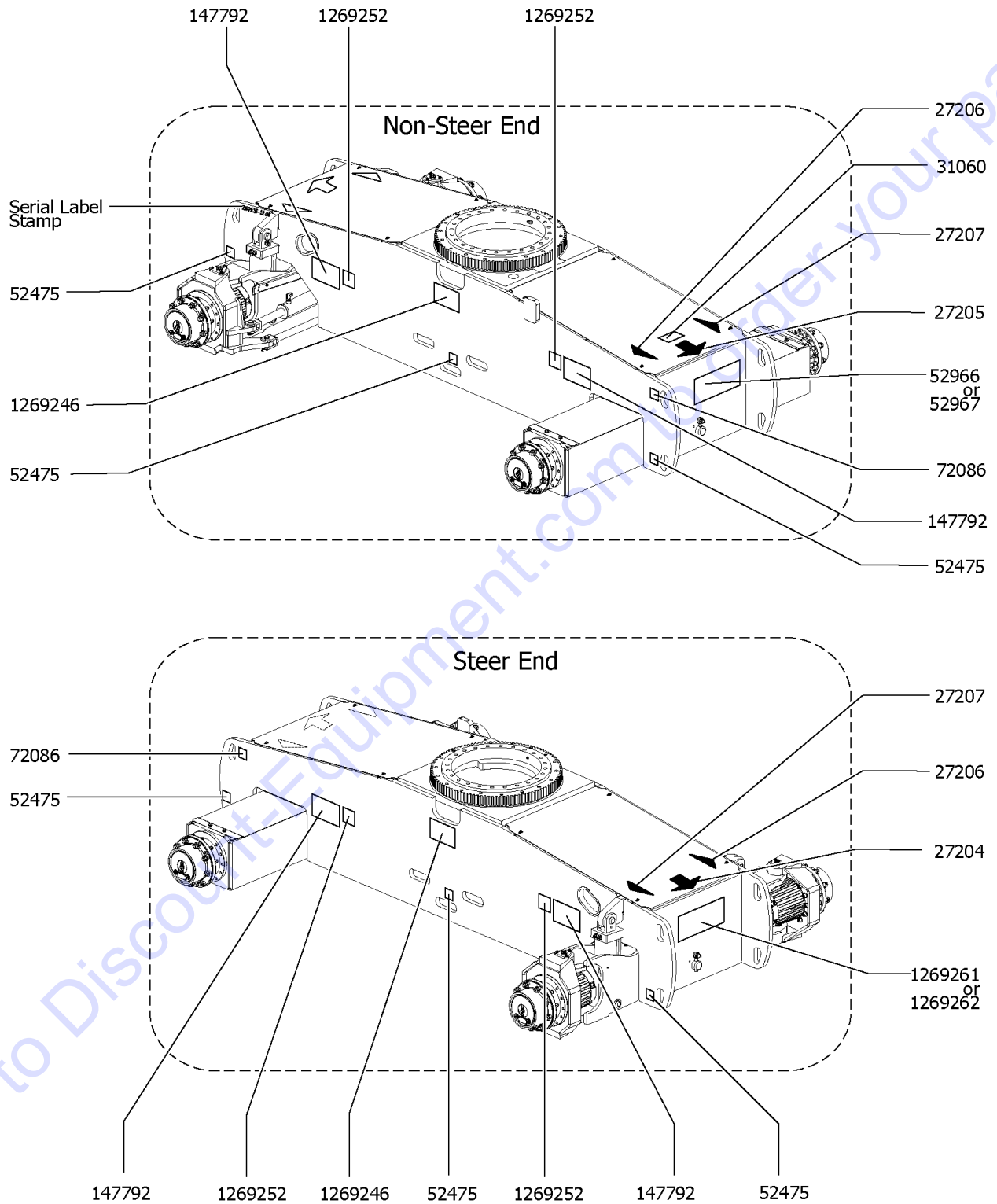
105.1 Decals with Symbols, Platform

| Item | Part No.  | Description   | Qty. |
|------|-----------|---|------|
| 1    | 28174GT   | DECAL, POWER TO PLATFORM 230V** .....<br>Option, power to plat  | 1    |
| 2    | 28235GT   | DECAL, POWER TO PLATFORM 115V** .....<br>Option, power to plat  | 1    |
| 3    | 33550GT   | TAPE,WARNING,BLK/YEL, 50****<br>(sold by the roll. 648" per roll) (Required to be installed at base of platform toeboard for CE market) |      |
| 4    | 1281175GT | DECAL,LANYARD,FALL RESTRAINED .....   | 8    |
| 5    | 44981GT   | DECAL,LABEL,AIR LINE 110 PSI .....<br>Option, airline to platform   | 1    |
| 6    | 65278GT   | DECAL,CAUTION,NO STEP .....<br>Option, no step  | 3    |
| 7    | 82487GT   | DECAL, SYMBOL - READ THE MANUAL .....   | 3    |
| 8    | 97815GT   | DECAL,LABEL,LOWER MIDRAIL .....   | 2    |
| 9    | 114248GT  | DECAL,LABEL,TIPOVER,TILT AL SY .....  | 1    |
| 10   | 133067GT  | DECAL,DANGER,ELEC.HAZ.STAY CLR .....  | 1    |
| 11   | 219954GT  | DECAL,TIP-OVER HAZARD,CE .....<br>CE  | 1    |
| 12   | 219956GT  | DECAL,PLATFORM OVERLOAD .....<br>CE Only  | 1    |
| 13   | 219958GT  | DECAL,TIP-OVER,CRUSH .....  | 1    |
| 14   | 1265451GT | DECAL, PLATFORM CONTROL BOX, Z .....  | 1    |
| 15   | 1269258GT | DECAL, SYMBOL, SLOPE RATING, Z .....  | 1    |
| 16   | T112773GT | TAPE, PROTECTIVE MASK .....   | 2    |

Go to Discount-Equipment.com to order your parts



106.1 Decals with Words, Chassis (AUS)

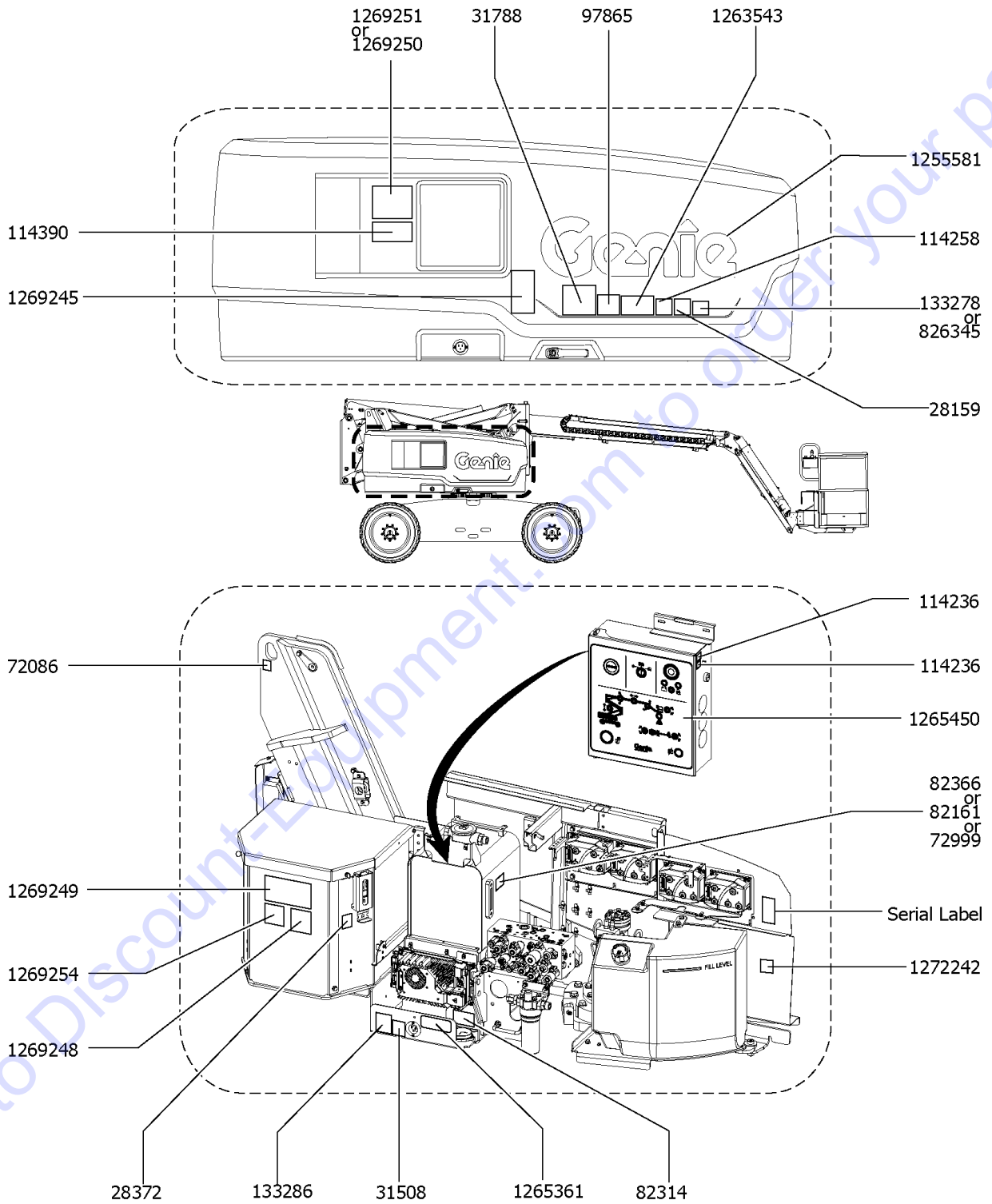


106.1 Decals with Words, Chassis (AUS)

| Item | Part No.  | Description                              | Qty. |
|------|-----------|--|------|
| A    | 1272633GT | DECAL KIT,Z60 DC,COMP,WRD,AUS<br>AUS     |      |
| B    | 1272634GT | DECAL KIT,Z60 FE,COMP,WRD,AUS<br>AUS     |      |
| 1    | 27204GT   | DECAL,ARROW BLUE                         | 1    |
| 2    | 27205GT   | DECAL,ARROW YELLOW LRG 9"                | 1    |
| 3    | 27206GT   | DECAL,TRIANGLE,BLUE                      | 2    |
| 4    | 27207GT   | DECAL,TRIANGLE,YELLOW                    | 2    |
| 5    | 31060GT   | DECAL,DANGER DO NOT ALTER SWTC           | 1    |
| 6    | 52475GT   | DECAL,LABEL,TRANSPORT TIEDOWN*           | 6    |
| 7    | 52966GT   | DECAL,COSMETIC,4 X 2<br>Option, 2WD      | 1    |
| 8    | 52967GT   | DECAL,COSMETIC,4 X 4<br>Option, 4WD      | 1    |
| 9    | 72086GT   | DECAL,LABEL,LIFTING EYE                  | 2    |
| 10   | 147792GT  | DANGER,TIPOVR,TIRES FF ONLY              | 4    |
| 11   | 1269246GT | DECAL, TRANSPORTING/LIFTING, Z           | 2    |
| 12   | 1269252GT | DECAL, WHEEL LOAD, Z60/37DC              | 4    |
| 13   | 1269261GT | DECAL, COSMETIC, Z-60/37DC<br>Z-60/37 DC | 1    |
| 14   | 1269262GT | DECAL, COSMETIC, Z-60/37FE<br>Z-60/37 FE | 1    |



107.1 Decals with Words, Tank Side, Non-Steer End (AUS)

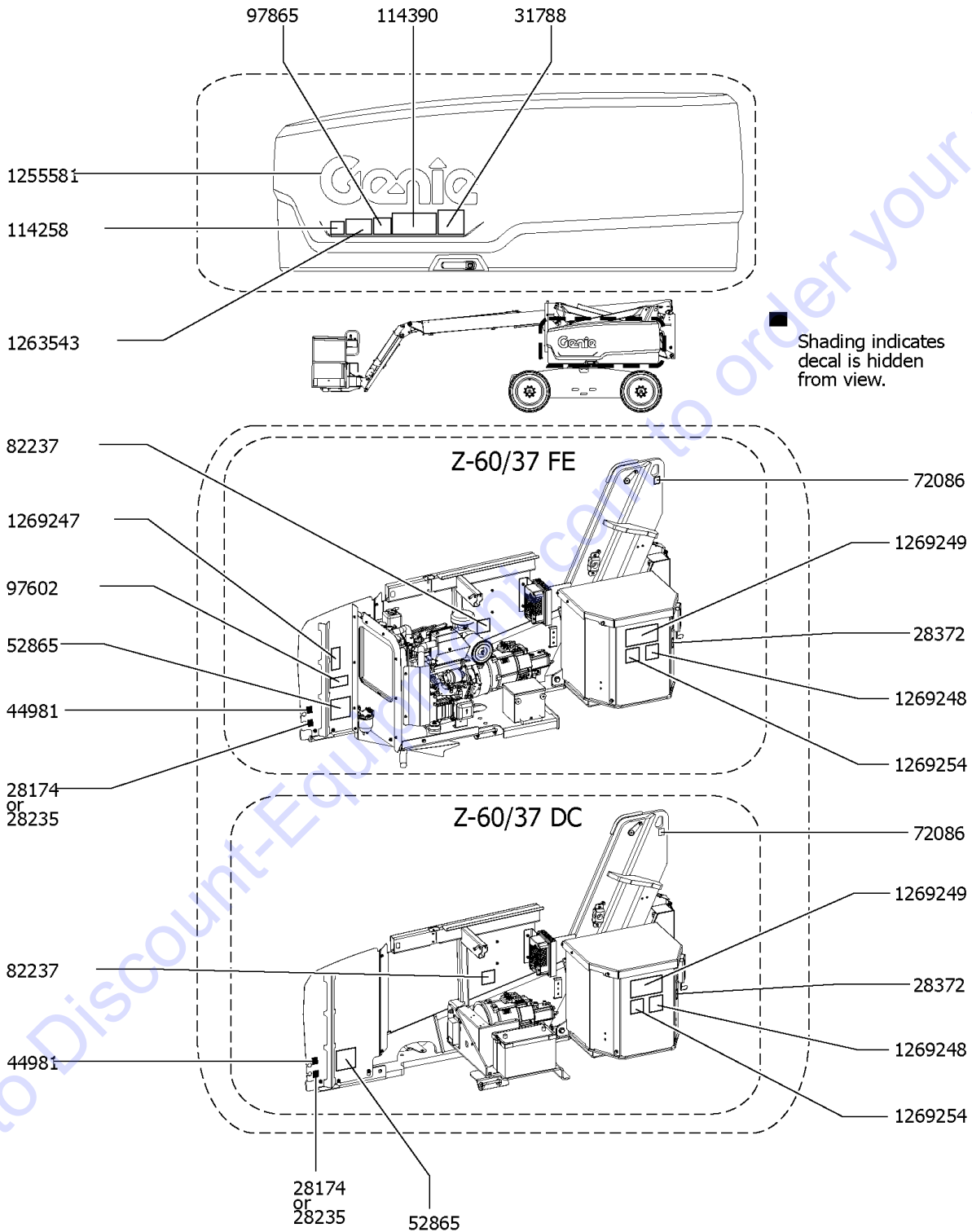


107.1 Decals with Words,Tank Side, Non-Steer End (AUS)

| Item | Part No.  | Description                                      | Qty. |
|------|-----------|--|------|
| 1    | 28159GT   | DECAL,LABEL,DIESEL FUEL .....<br>Z-60/37 FE Only | 1    |
| 2    | 28372GT   | DECAL,NOTICE,BATTERY CABLES .....                | 1    |
| 3    | 31508GT   | DECAL,DANGER,ELECT HAZARD,PLUG .....             | 1    |
| 4    | 31788GT   | DECAL,DANGER,BATTERY SAFETY*** .....             | 1    |
| 5    | 72086GT   | DECAL,LABEL,LIFTING EYE .....                    | 1    |
| 6    | 72999GT   | DECAL,LABEL,PETRO CANADA*** .....                | 1    |
|      |           | Option, hydraulic oil                            |      |
| 7    | 82161GT   | DECAL,LABEL,UCON HYDROLUBE .....                 | 1    |
|      |           | Option, hydraulic oil                            |      |
| 8    | 82314GT   | DECAL,DANGER,TIP-OVER .....                      | 1    |
| 9    | 82366GT   | DECAL,CHEVRON RANDO HD .....                     | 1    |
|      |           | Option, hydraulic oil                            |      |
| 10   | 97865GT   | DECAL,WARN,ELECTRO HAZARD .....                  | 1    |
| 11   | 114236GT  | DECAL,LABEL,CB SYMBOL .....                      | 2    |
| 12   | 114258GT  | DECAL,DANGER,NO SMOKING .....                    | 1    |
|      |           | Z-60/37 FE Only                                  |      |
| 13   | 114390GT  | DECAL,DANGER,ELECT HAZARD*** .....               | 1    |
| 14   | 133278GT  | DECAL,LOW/ULTRA LOW SULFR FUEL .....             | 1    |
|      |           | Z-60/37 FE Only - Australia models               |      |
| 15   | 133286GT  | DECAL, POWER TO CHARGER, UNIV .....              | 1    |
| 16   | 826345GT  | DECAL,ULS DIESEL ONLY,TIER 4 .....               | 1    |
|      |           | Z-60/37 FE Only - ANSI                           |      |
| 17   | 1255581GT | DECAL COSMETIC,10" GENIE BLUE .....              | 1    |
| 18   | 1263543GT | DECAL, IMPROPER OPERATION .....                  | 1    |
| 19   | 1265361GT | DECAL, BATTERY CHARGER INDICAT .....             | 1    |
| 20   | 1265450GT | DECAL, GROUND CONTROL BOX, Z60 .....             | 1    |
| 21   | 1269248GT | DECAL, BATT CONN DIAGRAM .....                   | 1    |
| 22   | 1269249GT | DECAL, NOTICE, CHARGER INSTRU .....              | 1    |
| 23   | 1269250GT | DECAL, OP INSTRUCTIONS, Z60/37 .....             | 1    |
|      |           | Z-60/37 DC                                       |      |
| 24   | 1269251GT | DECAL, OP INSTRUCTIONS, Z60/37 .....             | 1    |
|      |           | Z-60/37 FE                                       |      |
| 25   | 1269254GT | DECAL, WORD, BATT WEIGHT/TIP O .....             | 1    |
| 26   | 1272242GT | DECAL,MACHINE REGISTRATION/OWNER TRANSFER .....  | 1    |
| 27   | 1269245GT | DECAL, EMERGENCY LOWERING, Z60 .....             | 1    |



108.1 Decals with Words, Generator Side, Steer End (AUS)

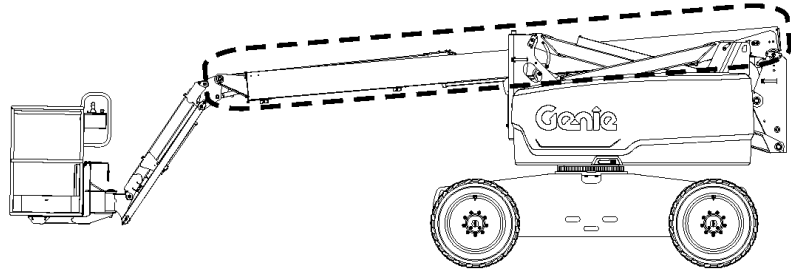


108.1 Decals with Words, Generator Side, Steer End (AUS)

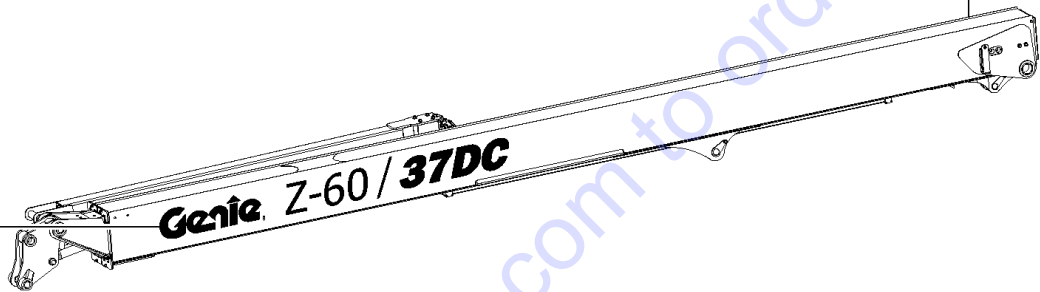
| Item | Part No.  | Description   | Qty. |
|------|-----------|---|------|
| 1    | 28174GT   | DECAL, POWER TO PLATFORM 230V**<br>Option, power to plat    | 1    |
| 2    | 28235GT   | DECAL, POWER TO PLATFORM 115V**<br>Option, power to plat    | 1    |
| 3    | 28372GT   | DECAL,NOTICE,BATTERY CABLES                                 | 1    |
| 4    | 31788GT   | DECAL,DANGER,BATTERY SAFETY***                              | 1    |
| 5    | 44981GT   | DECAL,LABEL,AIR LINE 110 PSI<br>Option, airline to platform | 1    |
| 6    | 52865GT   | DECAL,ANNUAL INSP***  | 1    |
| 7    | 72086GT   | DECAL,LABEL,LIFTING EYE                                     | 1    |
| 8    | 82237GT   | DECAL,DANGER,HIGH VOLTAGE                                   | 1    |
| 9    | 97602GT   | DECAL,EXPLOSION HAZARD<br>Z-60/37 FE Only                   | 1    |
| 10   | 97865GT   | DECAL,WARN,ELECTRO HAZARD                                   | 1    |
| 11   | 114258GT  | DECAL,DANGER,NO SMOKING<br>Z-60/37 FE Only                  | 1    |
| 12   | 114390GT  | DECAL,DANGER,ELECT HAZARD***                                | 1    |
| 13   | 1255581GT | DECAL COSMETIC,10" GENIE BLUE                               | 1    |
| 14   | 1263543GT | DECAL, IMPROPER OPERATION                                   | 1    |
| 15   | 1269247GT | DECAL, KUBOTA D1105-E4B, SPECS<br>Z-60/37 FE Only           | 1    |
| 16   | 1269248GT | DECAL, BATT CONN DIAGRAM                                    | 1    |
| 17   | 1269249GT | DECAL, NOTICE, CHARGER INSTRU                               | 1    |
| 18   | 1269254GT | DECAL, WORD, BATT WEIGHT/TIP O                              | 1    |



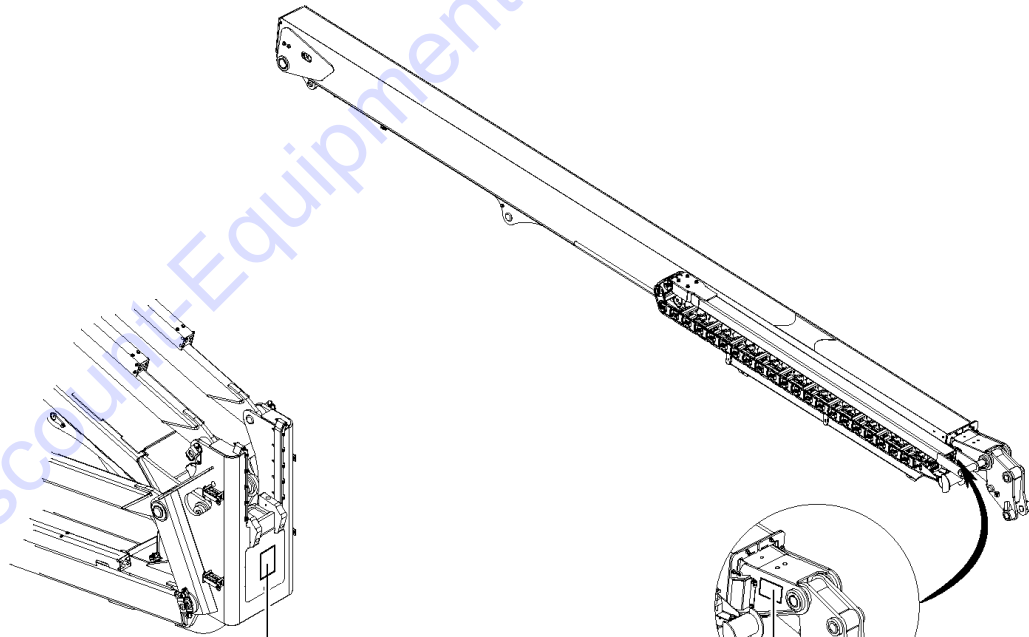
109.1 Decals with Words, Boom (AUS)



1269259  
or  
1269260



#1 Boom Tube



1267121

31060





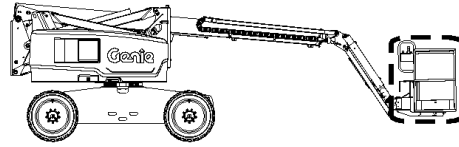
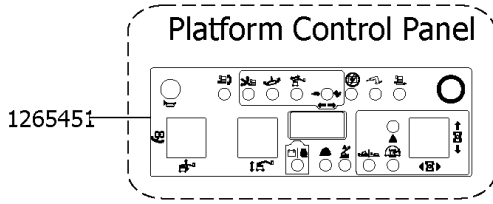
109.1 Decals with Words, Boom (AUS)

| <i>Item</i> | <i>Part No.</i> | <i>Description</i>                   | <i>Qty.</i> |
|-------------|-----------------|--------------------------------------|-------------|
| 1           | 31060GT         | DECAL,DANGER DO NOT ALTER SWTC ..... | 1           |
| 2           | 1267121GT       | DECAL, BOOM SUPPORT .....            | 1           |
|             |                 | AUS Only                             |             |
| 3           | 1269259GT       | DECAL, COSMETIC, GENIE Z-60/3 .....  | 1           |
|             |                 | Z-60/37 DC                           |             |
| 4           | 1269260GT       | DECAL, COSMETIC, GENIE Z-60/3 .....  | 1           |
|             |                 | Z-60/37 FE                           |             |

Go to Discount-Equipment.com to order your parts

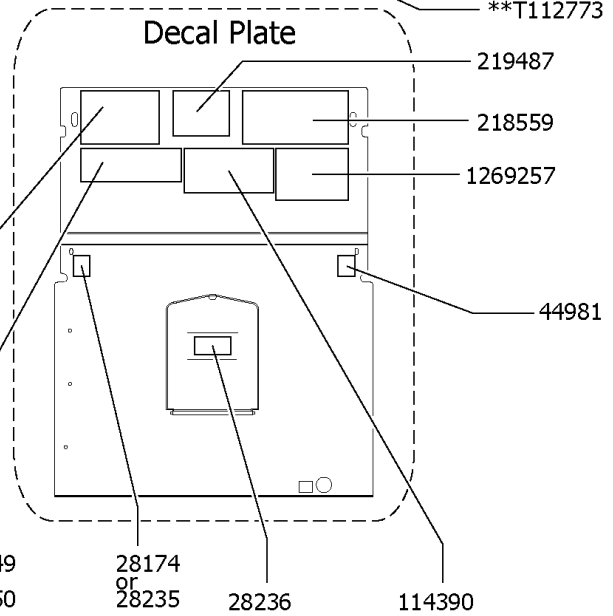
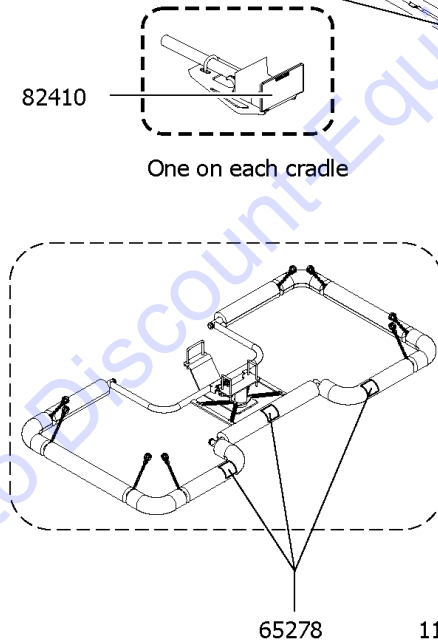
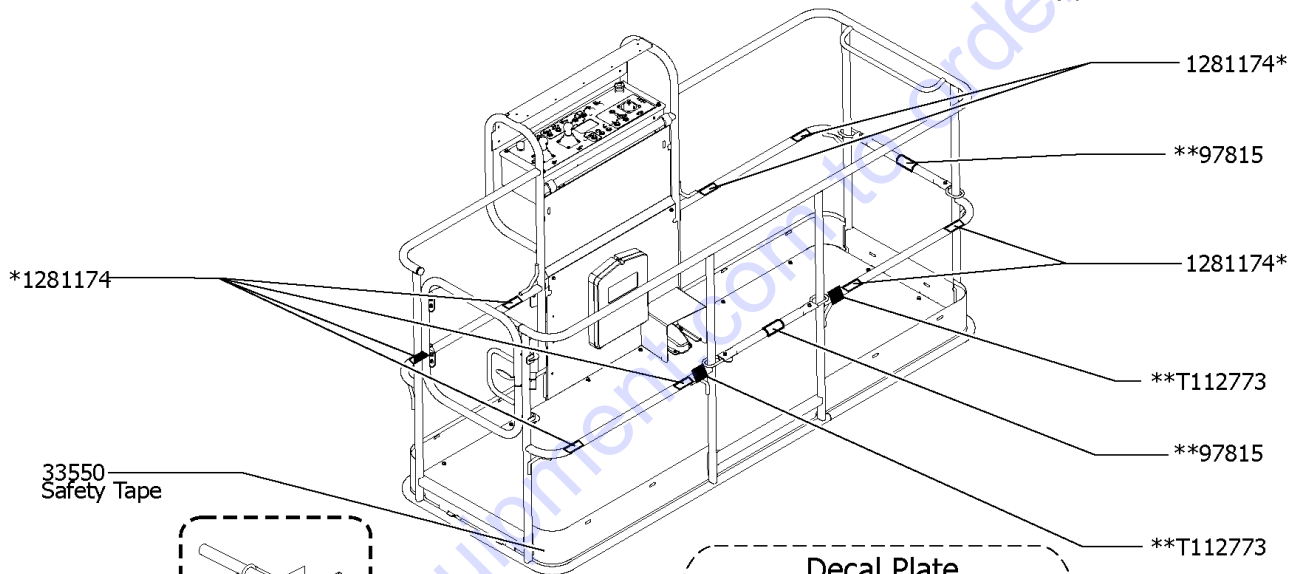


110.1 Decals with Words, Platform (AUS)



\*apply this decal to all lanyard anchorage attachments on the platform

\*\*apply to all three midrails on tri-entry platform

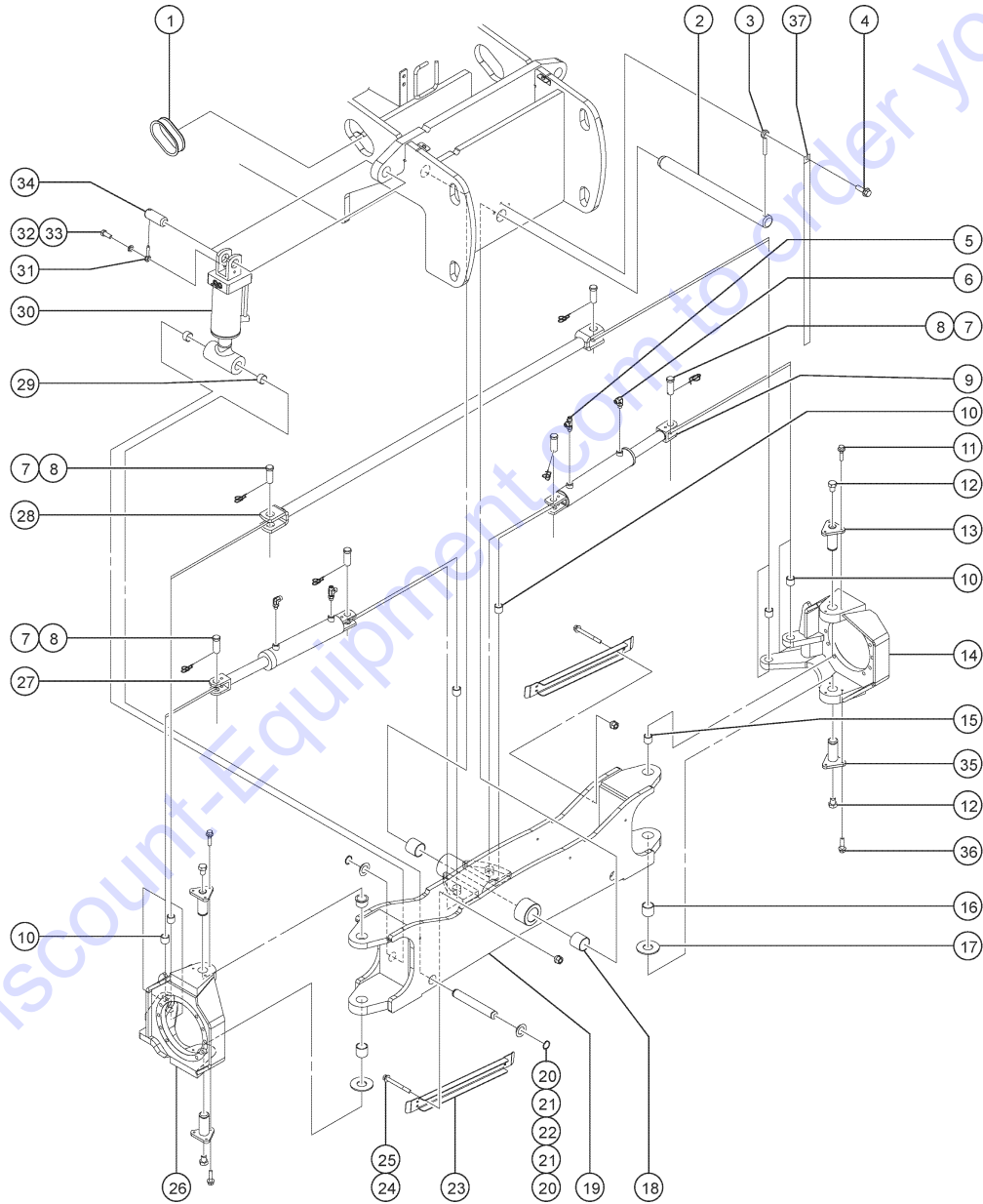


110.1 Decals with Words, Platform (AUS)

| Item | Part No.  | Description   | Qty. |
|------|-----------|---|------|
| A    | 1272632GT | DECAL KIT,Z60/37,PLAT,WRD,AUS .....<br>AUS  |      |
| 1    | 28174GT   | DECAL, POWER TO PLATFORM 230V** .....<br>Option, power to plat  | 1    |
| 2    | 28235GT   | DECAL, POWER TO PLATFORM 115V** .....<br>Option, power to plat  | 1    |
| 3    | 28236GT   | DECAL,WARN,IMPROPER OPERATION .....   | 1    |
| 4    | 33550GT   | TAPE,WARNING,BLK/YEL, 50****<br>(sold by the roll. 648" per roll) (Required to be installed at base of platform toeboard,<br>Australian market) | 1    |
| 5    | 1281174GT | DECAL,LANYARD,FALL ARREST/FALL RESTRAINED .....   | 8    |
| 6    | 44981GT   | DECAL,LABEL,AIR LINE 110 PSI .....<br>Option, airline to platform   | 1    |
| 7    | 65278GT   | DECAL,CAUTION,NO STEP .....<br>Option, no step  | 3    |
| 8    | 82410GT   | DECAL,WARNING,PANEL CRADLE .....<br>Option, panel cradle  | 2    |
| 9    | 97815GT   | DECAL,LABEL,LOWER MIDRAIL .....   | 2    |
| 10   | 114390GT  | DECAL,DANGER,ELECT HAZARD*** .....  | 1    |
| 11   | 114397GT  | DECAL,DANGER,TILT ALARM .....   | 1    |
| 12   | 218549GT  | DECAL,DANGER,CAP,ANSI WORD .....<br>ANSI  | 1    |
| 13   | 218550GT  | DECAL,DANGER,CAP,AUS WORD .....<br>AUS  | 1    |
| 14   | 218559GT  | DECAL,DANGER/WARNING COMBO .....  | 1    |
| 15   | 219487GT  | DECAL,PLATFORM OVERLOAD .....<br>AUS Only   | 1    |
| 16   | 1265451GT | DECAL, PLATFORM CONTROL BOX, Z .....  | 1    |
| 17   | 1269257GT | DECAL, WORD, SLOPE, RATING, Z6 .....  | 1    |
| 18   | T112773GT | TAPE, PROTECTIVE MASK .....   | 2    |



201.1 Steer Axle and Steer Linkage, Oscillate Models



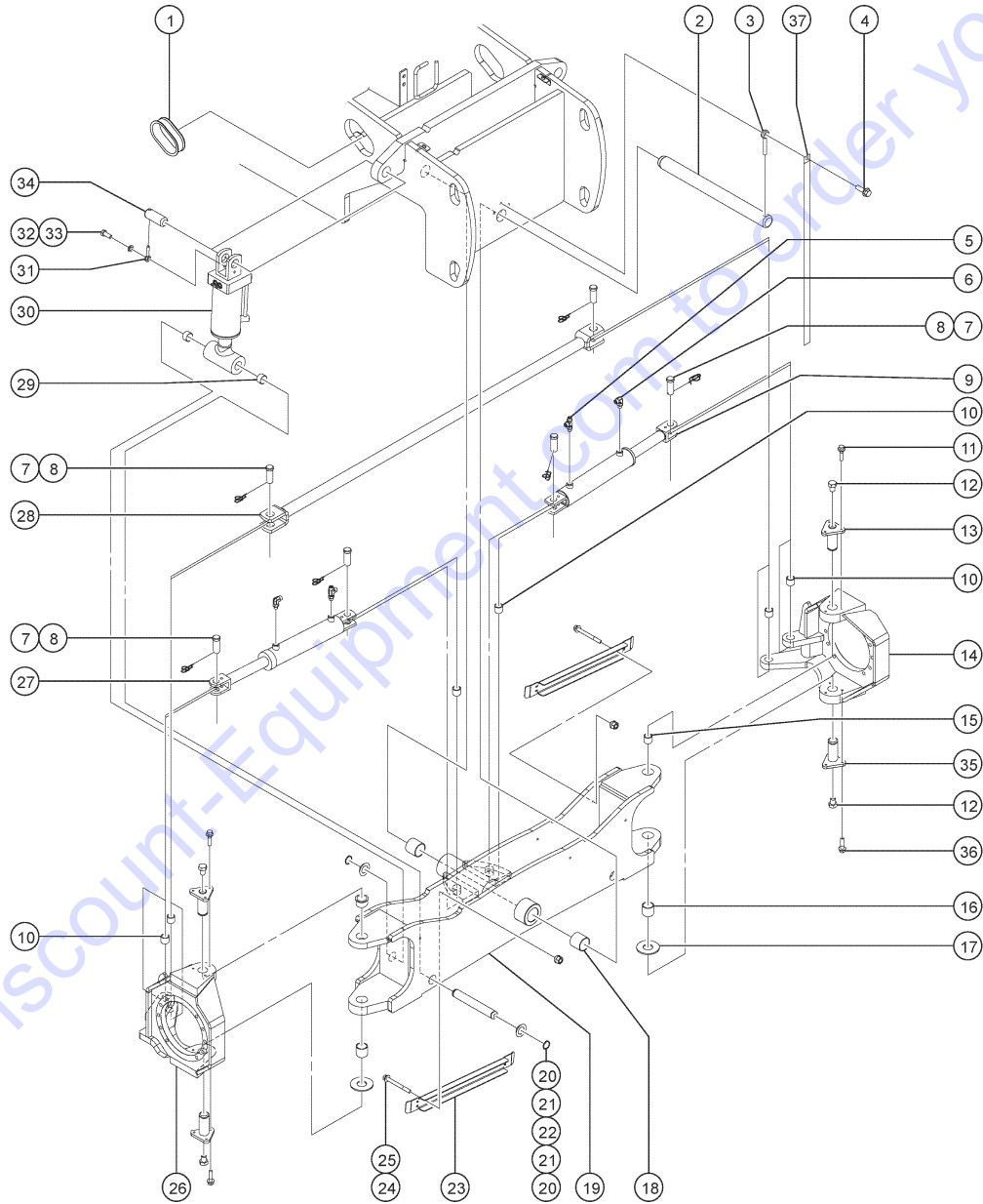
Go to Discount-Equipment.com to order your parts

201.1 Steer Axle and Steer Linkage , Oscillate Models

| Item | Part No.  | Description                                      | Qty. |
|------|-----------|--|------|
| 1    | 53386GT   | GUARD, HOSE PROTECTOR .....                      | 2    |
| 2    | 77610GT   | PIN,2.00DIAX23.13LG,CHAMFER .....                | 1    |
| 3    | 1256267GT | ROD END,.5 X 3.75,ZAG .....                      | 1    |
| 4    | 1253498GT | SCREW,HHF,1/2-13X1.5,8,ZAG .....                 | 2    |
| 5    | 48918GT   | TEE,RUN,520428-6 .....                           | 2    |
| 6    | 48915GT   | ELBOW,90D,520220-6 .....                         | 2    |
| 7    | 824127GT  | PIN,CLEVIS,1.0X2.41,SAE,ZAG .....                | 6    |
| 8    | 824129GT  | RUE RING,1.0,ZAG .....                           | 6    |
| 9    | 1261172GT | CYLINDER, STEER .....                            | 1    |
| 9-   | 89294GT   | SEAL KIT CYLINDER (59460)<br>(for 1261172) ..... |      |
| 10   | 25817GT   | BEARING,1.00IDX1.25ODX1.00L .....                | 6    |
| 11   | 824079GT  | SCREW,HHF,1/4-20X1,8,ZAG .....                   | 4    |
| 12   | 1263699GT | SCREW,HHC,3/8-16X.5,8,ZAG .....                  | 4    |
| 13   | 1272778GT | WELDMENT, PIN, 1.5INX2.92IN LG .....             | 2    |
| 14   | 1280225GT | MACHINE LH, YOKE Z60E .....                      | 1    |
| 14-  | 1280226GT | WELDMENT,YOKE LH Z60E .....                      |      |
| 15   | 54156GT   | BEARING,FL,1.5IDX1.75ODX1.10LG .....             | 2    |
| 16   | 45071GT   | BEARING,1.5IDX1.75ODX1.5L .....                  | 2    |
| 17   | 45074GT   | WASHER,THRUST,1.5 X 3.5 X .187 .....             | 2    |
| 18   | 42014GT   | BEARING,2.00IDX2.25ODX2.00L .....                | 2    |
| 19   | 1280212GT | WELDMENT,Z60E FRONT AXLE .....                   | 1    |
| 20   | 824164GT  | SNAP RING,EXTERNAL,1.25,ZAG .....                | 4    |
| 21   | 824151GT  | WASHER,SHIM,1.270X2.130X.062,Z .....             | 4    |
| 22   | 1261467GT | PIN,1.25DIAX8.8LG,2RING .....                    | 2    |
| 23   | 1268611GT | FORMING, MOTOR CABLE TRACK<br>(4WD) .....        | 2    |
| 24   | 824083GT  | SCREW,HHF,1/4-20X2.5,8,ZAG<br>(4WD) .....        | 4    |
| 25   | 824027GT  | NUT,TL FLG,1/4-20,G,ZAG<br>(4WD) .....           | 4    |
| 26   | 1280236GT | MACHINE RH, YOKE Z60E<br>(4WD) .....             | 1    |



201.1 Steer Axle and Steer Linkage , Oscillate Models



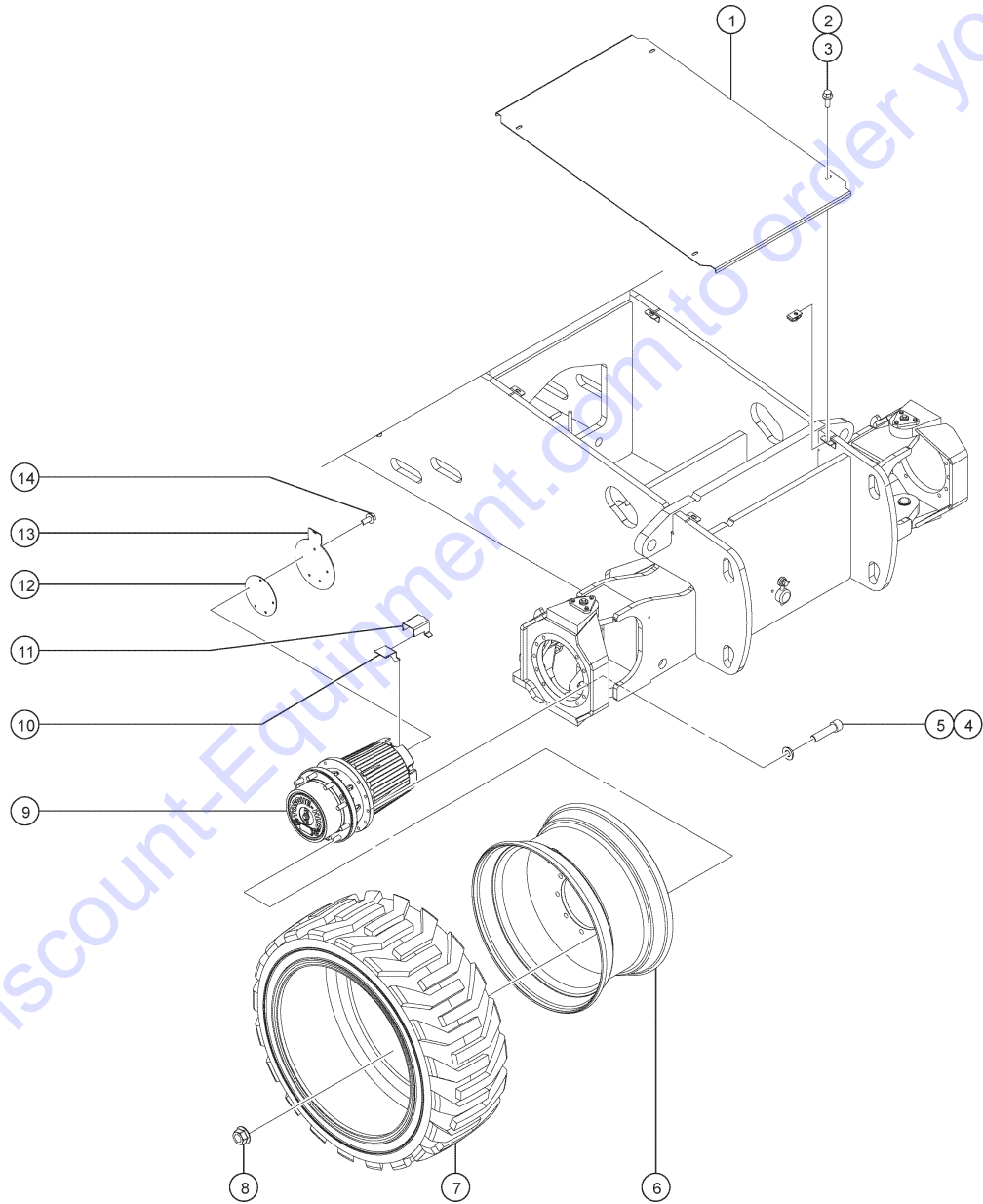
201.1 Steer Axle and Steer Linkage , Oscillate Models

| Item | Part No.  | Description                            | Qty. |
|------|-----------|--|------|
| 26-  | 1280237GT | WELDMENT YOKE, RH Z60E .....           |      |
| 27   | 59460GT   | CYLINDER,STEERING*** .....             | 1    |
| 27-  | 89294GT   | SEAL KIT CYLINDER (59460) .....        |      |
|      |           | (for 59460)                            |      |
| 28   | 1255710GT | WELDMENT, TIE ROD .....                | 1    |
| 29   | 47377GT   | BEARING,1.25 ID X 1.5 OD X .75 .....   | 4    |
| 30   | 1267564GT | CYLINDER, OSCILLATE, Z60E .....        | 2    |
| 30-  | 89295GT   | SEAL KIT,CYLINDER (63189) .....        |      |
|      |           | (for 1267564)                          |      |
| 30-  | 48912GT   | CONN,520120-4-6*** .....               |      |
| 30-  | 33549GT   | VALVE,COUNTERBAL.CBCH-LJN .....        | 2    |
| 31   | 1255452GT | ROD END,.375 X 2.25,ZAG .....          | 2    |
| 32   | 824067GT  | SCREW,HHC,3/8-16X1,8,ZAG .....         | 2    |
| 33   | 824110GT  | WASHER,LOCK,3/8,ZAG .....              | 2    |
| 34   | 94221GT   | PIN,1.50DIA X 3.75LG,1HOLE .....       | 2    |
| 34A  | 45071GT   | BEARING,1.5ID X 1.75OD X 1.5L .....    | 2    |
|      |           | install into chassis                   |      |
| 35   | 1280254GT | WELDMENT, PIN, 1.5IN X 3.24IN LG ..... | 2    |
| 36   | 824086GT  | SCREW,HHF,5/16-18X1,8,ZAG .....        |      |
| 37   | 107578GT  | GROUND STRAP,24"LONG .....             | 1    |

Go to Discount-Equipment.com to order your parts



202.1 4WD Steer Axle, Wheels and Hubs



Go to Discount-Equipment.com to order your parts



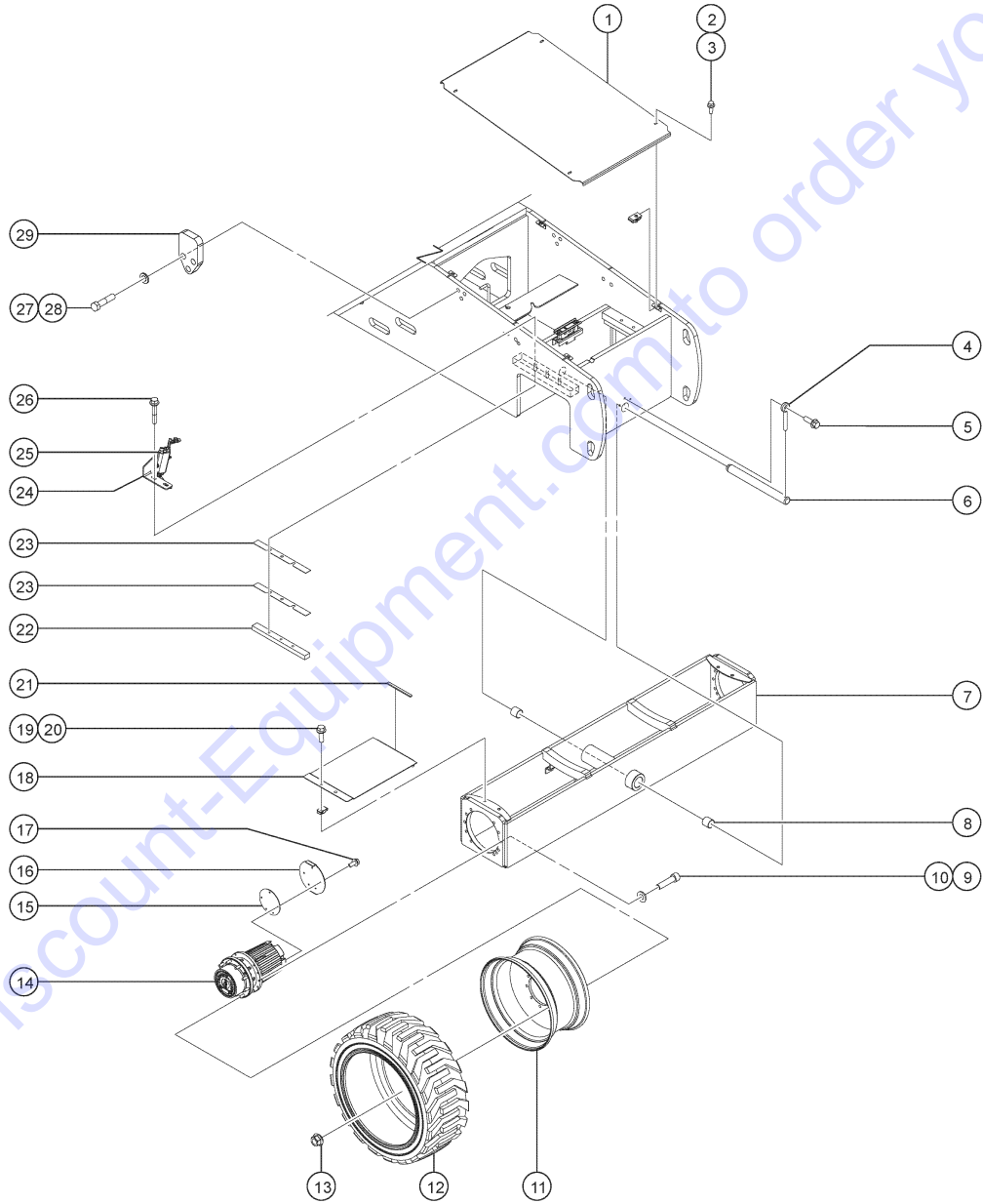
202.1 4WD Steer Axle, Wheels and Hubs

| Item | Part No.  | Description   | Qty. |
|------|-----------|---|------|
| 1    | 1255703GT | COVER,DRIVE CHASSIS .....                           | 1    |
| 2    | 824078GT  | SCREW,HHF,1/4-20X.75,8,ZAG .....                    | 4    |
| 3    | 56912GT   | SPRING CLIP,1/4-20,.025-.15X.54,ZAG .....           | 4    |
| 4    | 1264510GT | SCREW,SHC,1/2-13X2,A574,ZAG .....                   | 20   |
| 5    | 825353GT  | WASHER,FLAT,1/2,SAE,HRD,ZAG .....                   | 20   |
| 6    |           | Ref. Wheel<br>(refer to 203.1) .....                | 2    |
| 7    |           | Ref. tires<br>(refer to 203.1) .....                | 2    |
| 8    | 77674GT   | NUT,HEX,FLANGE 5/8-18,GRD 8 ZI .....                | 18   |
| 9    |           | Ref: AC Wheel drivemMotor<br>(refer to 203.1) ..... | 2    |
| 10   | 1268880GT | FORMING, MOTOR CABLE ROUTING, FRONT .....           | 2    |
| 11   | 1268881GT | FORMING, MOTOR CABLE GUIDE, FRONT .....             | 2    |
| 12   | 1263511GT | GASKET, MOTOR DRIVE .....                           | 2    |
| 13   | 1268882GT | PLATE, COVER AC MOTOR, FRONT .....                  | 2    |
| 14   | 824132GT  | SCREW,HHF,M8-1.25X20,DIN6921,10.9,ZAB .....         | 10   |

Go to Discount-Equipment.com to order your parts



203.1 Non-steer Axle

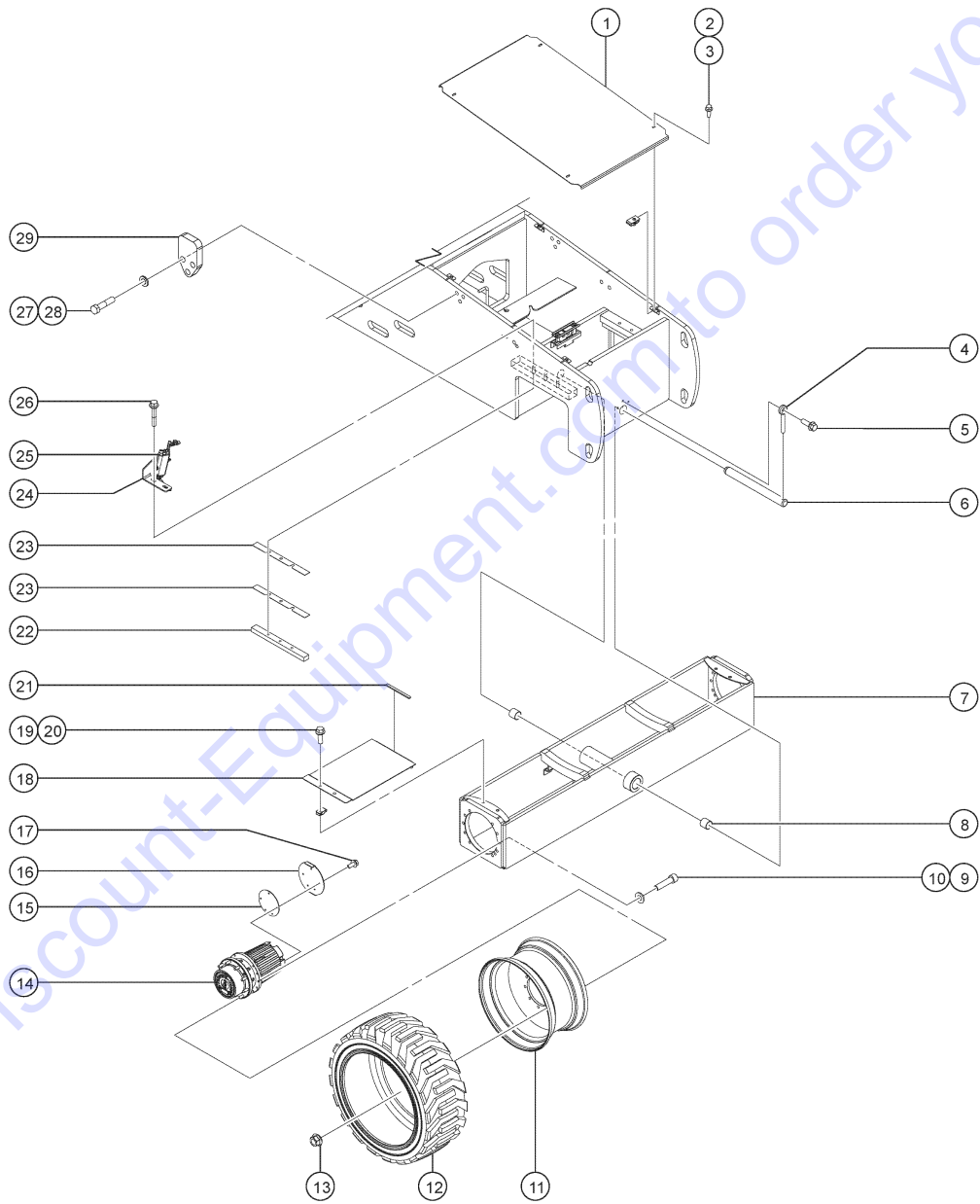


Go to Discount-Equipment.com to order your parts

| Item | Part No.  | Description  | Qty. |
|------|-----------|--|------|
| A    | 107578GT  | GROUND STRAP,24"LONG   |      |
| B    | 8177GT    | SCREW,HHC,1/2-13 X 1.5   |      |
| B    | 6095GT    | WASHER,FLAT,USS,1/2",Y   |      |
| 1    | 1255703GT | COVER,DRIVE CHASSIS  | 1    |
| 2    | 824078GT  | SCREW,HHF,1/4-20X.75,8,ZAG   | 4    |
| 3    | 56912GT   | SPRING CLIP,1/4-20,.025-.15X.54,ZAG  | 4    |
| 4    | 1256267GT | ROD END,.5 X 3.75,ZAG  | 1    |
| 5    | 1253498GT | SCREW,HHF,1/2-13X1.5,8,ZAG   | 1    |
| 6    | 77950GT   | PIN,2.00DIA X20.88LG,CHAMFER   | 1    |
| 7    | 1280256GT | WELDMENT,REAR AXLE Z60E  | 1    |
| 8    | 42014GT   | BEARING,2.00ID X2.25OD X2.00L  | 2    |
| 9    | 1264510GT | SCREW,SHC,1/2-13X2,A574,ZAG  | 20   |
| 10   | 825353GT  | WASHER,FLAT,1/2,SAE,HRD,ZAG  | 20   |
| 11   |           | WHEEL<br>included with item 12   |      |
| 12A  | 77790GT   | TIRE & WHEEL ASSY,RH,FF<br>RT, Foam-filled, Low-profile, Right                   | 2    |
| 12A  | 77791GT   | TIRE & WHEEL ASSY,LH,FF***<br>RT, Foam-filled, Low-profile, Left                 | 2    |
| 12B  | 106647GT  | TIRE & WHEEL ASSY,RH,FOAM,NM<br>RT, Foam-filled, Low-profile, Non-marking, Right | 2    |
| 12B  | 106648GT  | TIRE & WHEEL ASSY,LH,FOAM,NM<br>RT, Foam-filled, Low-profile, Non-marking, Left  | 2    |
| 12C  | 228768GT  | TIRE/WH ASSY,RH,FF,REPNEU***<br>RT, Foam-filled, Oil-based, Right                | 2    |
| 12C  | 228769GT  | TIRE/WH ASSY,LH,FF,REPNEU***<br>RT, Foam-filled, Oil-based, Left                 | 2    |
| 12D  | 227816GT  | TIRE & WHEEL ASSY,RH,FOAM,NM<br>RT, Foam-filled, Oil-based, Non-marking, Right   | 2    |
| 12D  | 227817GT  | TIRE & WHEEL ASSY,LH,FOAM,NM<br>RT, Foam-filled, Oil-based, Non-marking, Left    | 2    |
| 12E  | 162216GT  | TIRE & WHEEL ASSY,FOAM,RH<br>RT, Foam-filled, Oil-filled, Right                  | 2    |
| 12E  | 162217GT  | TIRE & WHEEL ASSY,FOAM,LH<br>RT, Foam-filled, Oil-filled, Left                   | 2    |
| 13   | 77674GT   | NUT,HEX,FLANGE 5/8-18,GRD 8 ZI   | 18   |
| 14   | 226939GT  | AC MOTOR GEARBOX Z60E  | 2    |
| 14-  | 1266213GT | BRAKE, FAIRFIELD<br>(for 226939)   |      |
| 14-  | 1266214GT | BRAKE PRESS. PLATE, FAIRFIELD<br>(for 226939)                                    |      |



203.1 Non-steer Axle

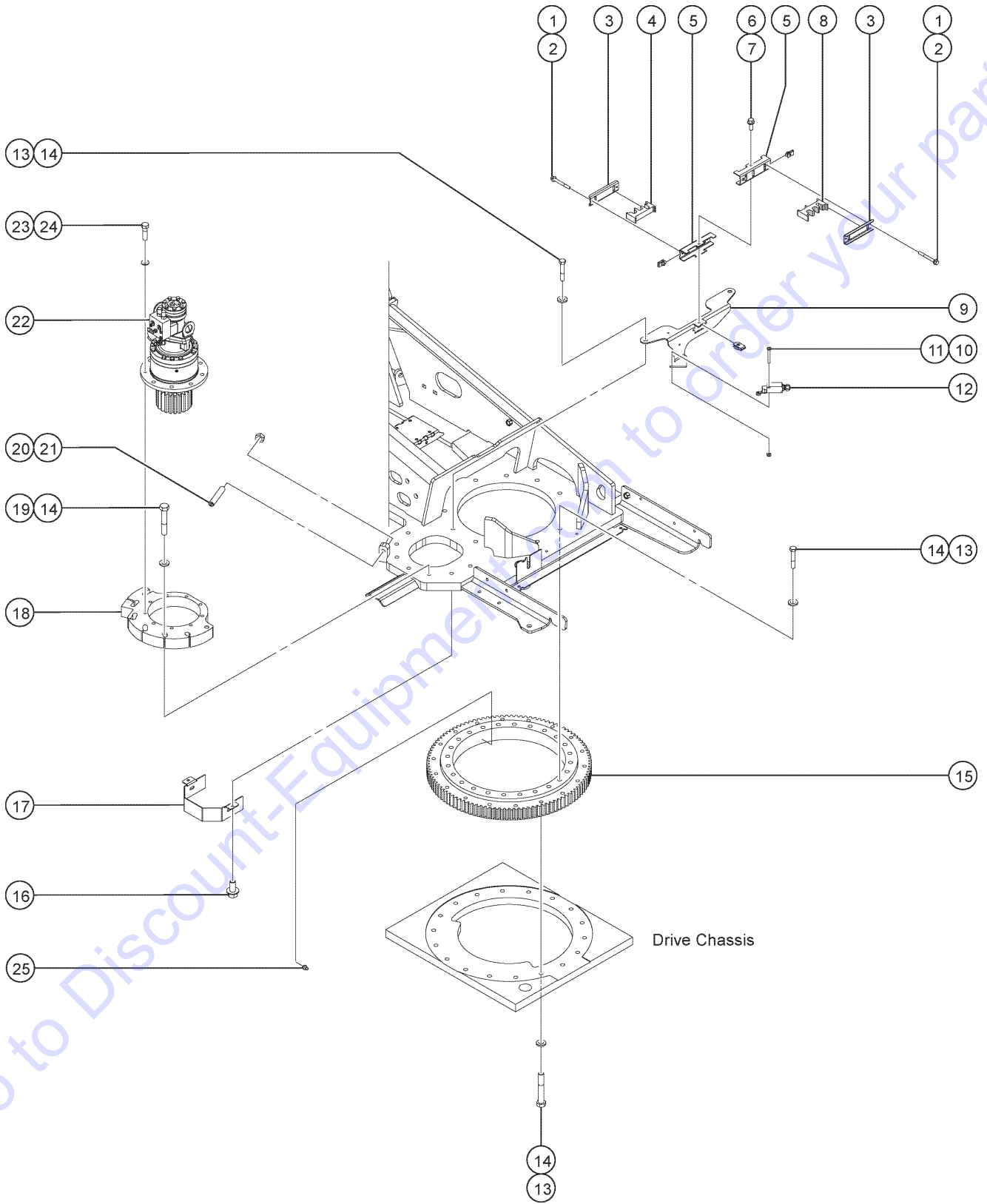


Go to Discount-Equipment.com to order your parts

| Item | Part No.  | Description  | Qty. |
|------|-----------|--|------|
| 14-  | 1266215GT | MOTOR SHAFT SEAL, FAIRFIELD .....<br>(for 226939)                                    |      |
| 14-  | 1266216GT | MOTOR TERMINAL STUD, FAIRFIELD .....<br>(for 226939)                                 |      |
| 14-  | 1266217GT | MOTOR O-RING, FAIRFIELD .....<br>(for 226939)  |      |
| 14-  | 1272864GT | ENCODER, AC MOTOR GEARBOX Z60E .....<br>(for 226939)                                 |      |
| 14-  | 1272865GT | COVER KIT, AC MOTOR GEARBOX Z60E .....<br>(for 226939)                               |      |
| 14-  | 1272866GT | MAIN SEAL KIT, AC MOTOR GEARBOX Z60E .....<br>(for 226939)                           |      |
| 14-  | 1272868GT | INTERMEDIATE CARRIER KIT, AC MOTOR GEARBOX Z60E .....<br>(for 226939)                |      |
| 14-  | 1272869GT | OUTPUT CARRIER KIT, AC MOTOR GEARBOX Z60E .....<br>(for 226939)                      |      |
| 14-  | 1272870GT | MAIN BEARING KIT, AC MOTOR GEARBOX Z60E .....<br>(for 226939)                        |      |
| 14-  | 1272867GT | INPUT CARRIER KIT, AC MOTOR GEARBOX Z60E .....<br>(for 226939)                       |      |
| 14-  | 21149GT   | LUG,WHEEL STUD,5/8-18,W1/4HB** .....   |      |
| 14-  | 1283314GT | SILICONE PAD, AC MOTOR GEARBOX Z60E .....  |      |
| 15   | 1263511GT | GASKET, MOTOR DRIVE .....  | 2    |
| 16   | 1264107GT | FORMING, COVER AC MOTOR RR .....   | 2    |
| 17   | 824132GT  | SCREW,HHF,M8-1.25X20,DIN6921,10.9,ZAB .....  | 10   |
| 18   | 1264103GT | FORMING, REAR AXLE COVER .....   | 2    |
| 19   | 824090GT  | SCREW,HHF,3/8-16X1,8,ZAG .....   | 4    |
| 20   | 29868GT   | SPRING CLIP,3/8-16,.05-.20X.73,ZAG .....   | 4    |
| 21   | 1259930GT | SEAL, RIBBED FOAM, 5.00" .....   | 2    |
| 22   | 1255702GT | BAR,AXLE ROTATION STOP,OSC .....   | 2    |
| 23A  | 81610GT   | SHIM,AXLE ROTATION STOP,16G .....<br>(oscillate models)                              | 4    |
| 24   | 1255712GT | BRACKET, OSCILLATE VALVE .....   | 1    |
| 25   |           | Ref. Oscillate Valve .....<br>(refer to 702.1)                                       | 1    |
| 26A  | 1257862GT | SCREW,HHF,1/2-13X2.75,8,ZAG .....<br>(oscillate models)                              | 2    |
| 27   | 1257460GT | SCREW,HHC,3/4-10X3.5,8,ZAG .....   | 3    |
| 28   | 1256863GT | WASHER,FLAT,.75,SAE,HRD,ZAG .....  | 3    |
| 29   | 1269210GT | PLATE,SWING ROTATION STOP,Z60E .....   | 1    |
| 29-  | 824030GT  | NUT,TL FLG,3/4-10,G,ZAG .....<br>Use to mount plate 1269210GT to chassis (not shown) |      |



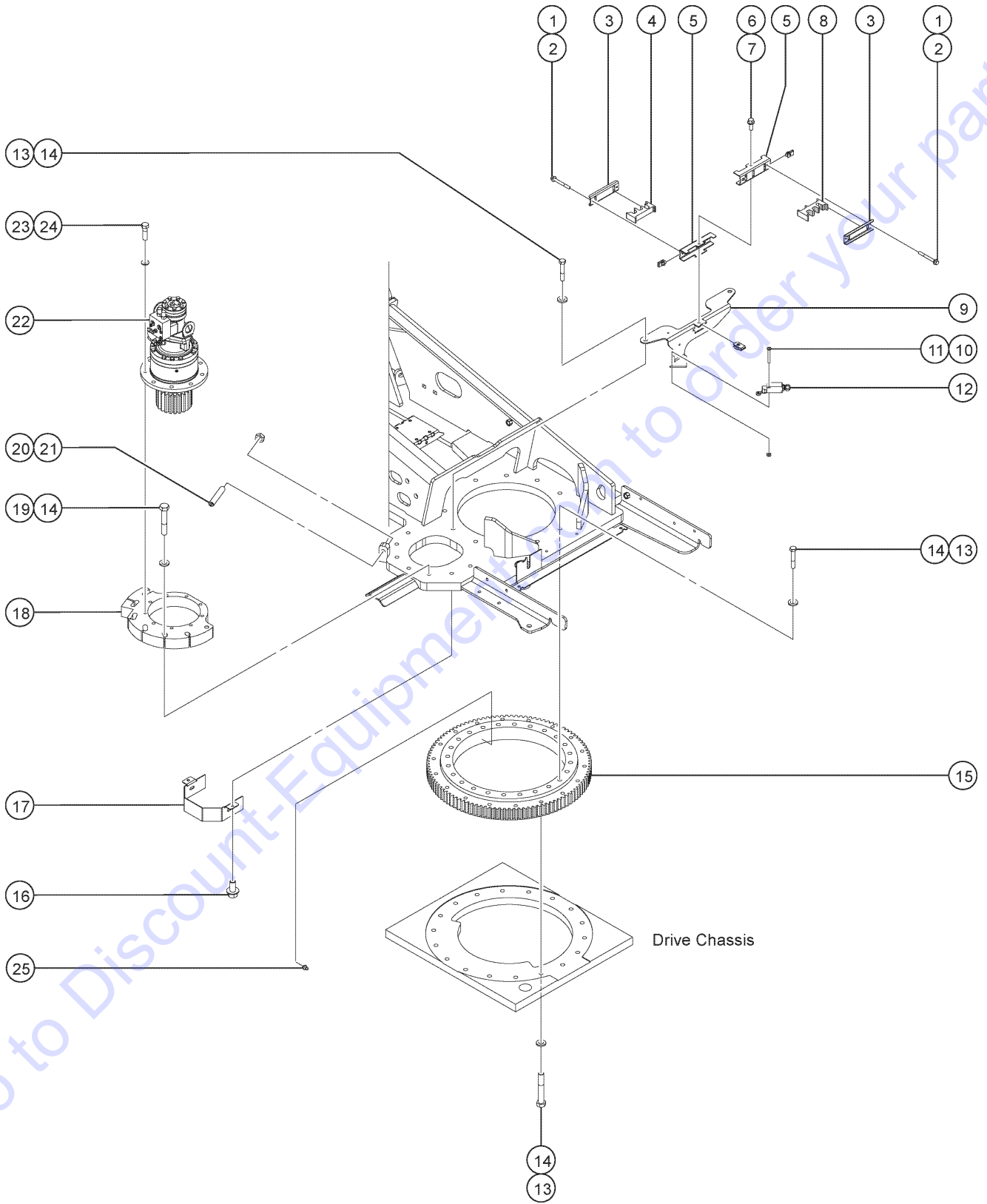
301.1 Turntable Rotator



| Item | Part No.      | Description                               | Qty. |
|------|---------------|---|------|
| 1    | 824083GT      | SCREW,HHF,1/4-20X2.5,8,ZAG .....          | 4    |
| 2    | 56912GT       | SPRING CLIP,1/4-20,.025-.15X.54,ZAG ..... | 4    |
| 3    | 1274926GT     | FORMING, CABLE CLAMP BACKER .....         | 2    |
| 4    | 1274928GT     | CLAMP, FRONT MOTOR CABLES .....           | 1    |
| 5    | 1274925GT     | FORMING, CABLE ATTACH .....               | 2    |
| 6    | 824090GT      | SCREW,HHF,3/8-16X1,8,ZAG .....            | 1    |
| 7    | 29868GT       | SPRING CLIP,3/8-16,.05-.20X.73,ZAG .....  | 1    |
| 8    | 1274927GT     | CLAMP, REAR MOTOR CABLES .....            | 1    |
| 9    | 1264144GT     | FORMING, SWING CABLE MT. ....             | 1    |
| 10   | 824216GT      | SCREW,PHPM,10-32X1.5,ZAG .....            | 2    |
| 11   | 6178GT        | NUT,NYLOCK,10-32 .....                    | 2    |
| 12   | 88356-131M3GT | SWITCH, LIMIT, TAB, BLUE PLASTIC .....    | 1    |
| 13   | 1256170GT     | SCREW,HHC,5/8-11X4,8,ZAG .....            | 30   |
| 14   | 1256182GT     | WASHER,FLAT,5/8,F436,HRD,ZAG .....        | 37   |
| 15   | 63468GT       | BEARING,TURNTABLE ROTATION .....          | 1    |
| 15-  | 227785GT      | BEARING TURNTABLE SEAL*** .....           |      |
| 16   | 824089GT      | SCREW,HHF,3/8-16X.75,8,ZAG .....          | 2    |
| 17   | 77879GT       | FORMING,PINION GUARD .....                | 1    |
|      |               | refer to 807.1                            |      |
| 18   | 1262605GT     | MACHINING, MOUNT, DRIVE, SLEW .....       | 1    |
| 19   | 1256169GT     | SCREW,HHC,5/8-11X3.5,8,ZAG .....          | 7    |
| 20   | 1254718GT     | SCREW,SET,HS,5/8-11X3.5,CUP,ZA .....      | 1    |
| 21   | 1254728GT     | NUT,JAM,5/8-11,A,ZAG .....                | 1    |
| 22   | 1255768GT     | SWING DRIVE ASSEMBLY .....                | 1    |
| 22-  | 1255769GT     | SEAL KIT, SWING BRAKE .....               |      |
| 22-  | 1255770GT     | KIT, FRICTION DISC .....                  |      |
| 22-  | 1255771GT     | KIT, BRAKE SPRING .....                   |      |
| 22-  | 1255772GT     | KIT, SWING BRAKE REBUILD .....            |      |
| 22-  | 1255773GT     | BRAKE TUBING .....                        |      |



301.1 Turntable Rotator





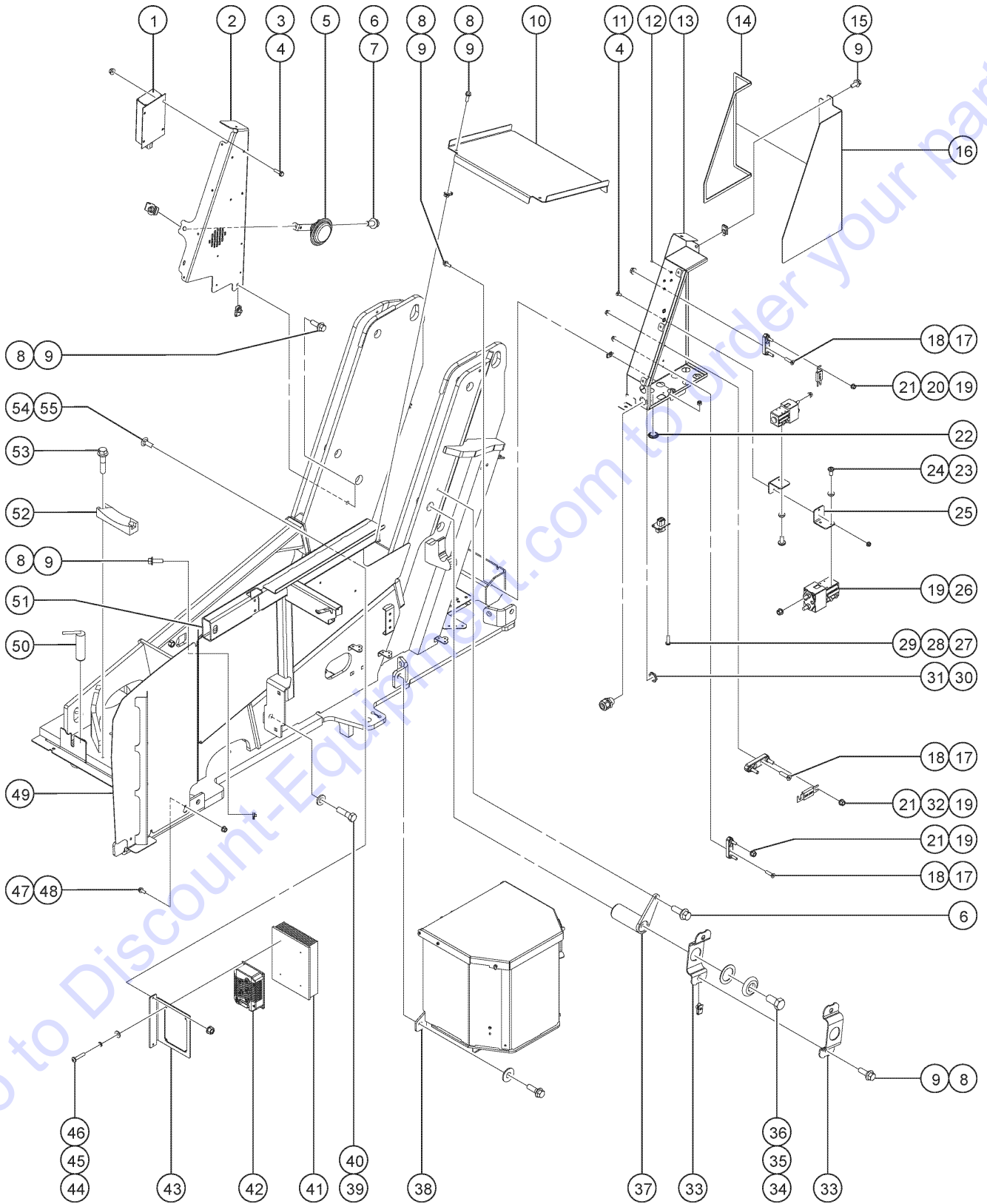
301.1 Turntable Rotator

| <i>Item</i> | <i>Part No.</i> | <i>Description</i>                | <i>Qty.</i> |
|-------------|-----------------|-----------------------------------|-------------|
| 23          | 1256168GT       | SCREW,HHC,1/2-13X1.75,8,ZAG ..... | 9           |
| 24          | 825353GT        | WASHER,FLAT,1/2,SAE,HRD,ZAG ..... | 9           |
| 25          | 94643GT         | ZERK,GREASE,5/16-24,STRAIT .....  | 1           |

Go to Discount-Equipment.com to order your parts



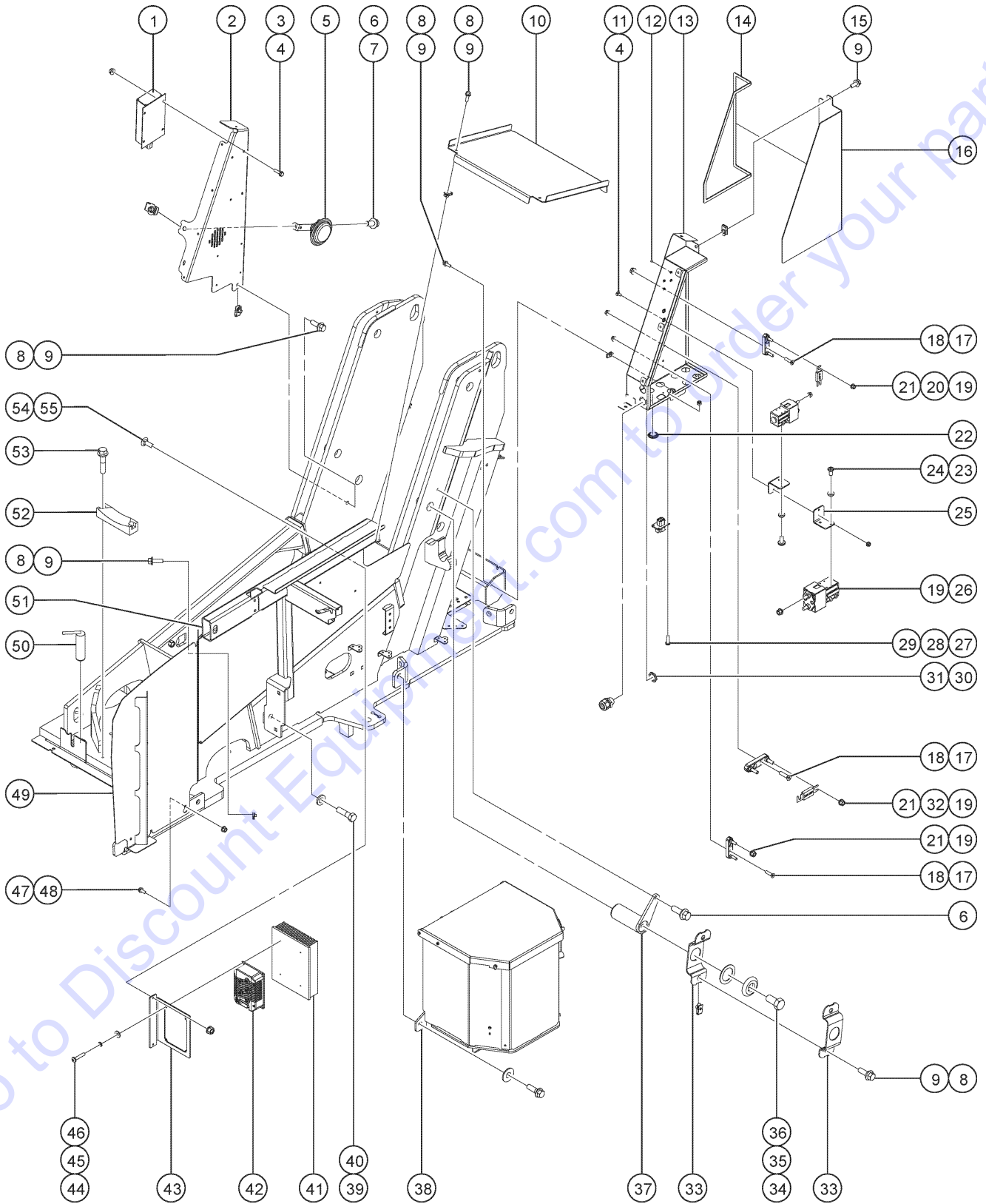
302.1 Turntable Center



| Item | Part No.  | Description                               | Qty. |
|------|-----------|---|------|
| 1    | 1272910GT | MODULE, CONVERTER, DC-DC, 48/26.5V .....  | 1    |
| 2    | 1264033GT | FORMING,BULKHEAD,TANK-SIDE,FR .....       | 1    |
| 3    | 1262031GT | SCREW,HHF,10-24X.75,ZAG .....             | 4    |
| 4    | 1256467GT | NUT,NYLOCK,10-24 .....                    | 6    |
| 5    | 81579GT   | HORN,24VDC,SPADE TERMINALS*** .....       | 1    |
| 6    | 824089GT  | SCREW,HHF,3/8-16X.75,8,ZAG .....          | 5    |
| 7    | 29868GT   | SPRING CLIP,3/8-16,.05-.20X.73,ZAG .....  | 1    |
| 8    | 824078GT  | SCREW,HHF,1/4-20X.75,8,ZAG .....          | 22   |
| 9    | 56912GT   | SPRING CLIP,1/4-20,.025-.15X.54,ZAG ..... | 22   |
| 10   | 1262916GT | FORMING, COVER, FRONT .....               | 1    |
| 11   | 1262031GT | SCREW,HHF,10-24X.75,ZAG .....             | 2    |
| 12   | 42781GT   | PLUG, NYLON .250 BLACK DOMED .....        | 2    |
| 13   | 1266999GT | WELDMENT, FUSE BOX .....                  | 1    |
| 14   | 1264104GT | GASKET, FUSE BOX .....                    | 1    |
| 15   | 1256855GT | SCREW,HHF,1/4-20X5/8,ZAG .....            | 4    |
| 16   | 1264105GT | WELDMENT, FUSE BOX COVER .....            | 1    |
| 17   | 824225GT  | SCREW,FHPM,10-32X.75,ZAG .....            | 6    |
| 18   | 824032GT  | NUT,TL FLG,10-32,F,ZAG .....              | 6    |
| 19   | 824028GT  | NUT,TL FLG,5/16-18,G,ZAG .....            | 9    |
| 20   | 216005GT  | FUSE,40 AMP,NON TIME DELAY,ANL .....      | 1    |
| 21   | 66717GT   | FUSE BLOCK, ANN & ANL FUSE .....          | 3    |
| 22   | 1251901GT | PLUG,SANTOPRENE 1.125 BLK DOME .....      | 2    |
| 23   | 49818GT   | SCREW,PHILLIPS,PHM,10-32 X .38 .....      | 4    |
| 24   | 6607GT    | WASHER,LOCK,#10 PLTD .....                | 4    |
| 25   | 1264091GT | FORMING, FUSE BOX CONTACTOR BR .....      | 2    |
| 26   | 74267GT   | CONTACTOR,DRIVE,24V,180A*** .....         | 2    |
| 27   | 824214GT  | SCREW,PHPM,6-32X.5,ZAG .....              | 2    |
| 28   | 1263727GT | HARNESS, FUSE BOX, Z60/37 .....           |      |



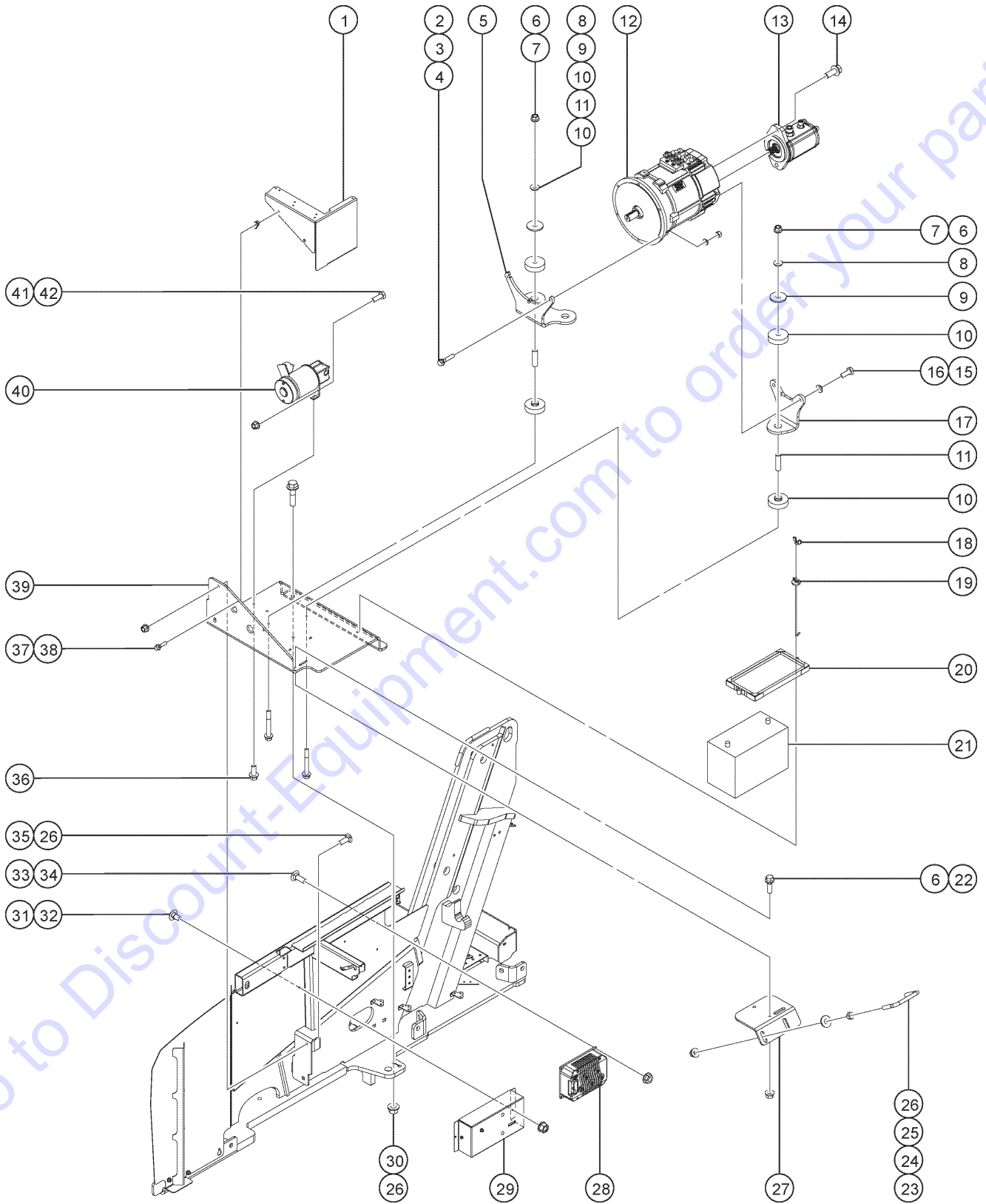
302.1 Turntable Center



| Item | Part No.  | Description                                      | Qty. |
|------|-----------|--|------|
| 29   | 824019GT  | NUT,TL,6-32,A,ZAG                                | 2    |
| 30   | 680250GT  | LOCKNUT, CONDUIT 3/4CSA APPVD                    | 9    |
| 31   | 80341GT   | CONNECTOR, SQZ, 3/4 NPT, BLACK                   | 9    |
| 32   | 215488GT  | FUSE,325 AMP,VERY FAST ACTING                    | 1    |
| 33   | 1254062GT | CLAMP,GUIDE CABLE                                | 2    |
| 34   | 1256109GT | SCREW,HHC,3/8-16X.75,8,ZAG                       | 2    |
| 35   | 1254063GT | RETAINER,GUIDE CABLE                             | 2    |
| 36   | 1254060GT | WASHER,UHMW                                      | 2    |
| 37   | 1254359GT | WELDMENT,PIN,1.5 DIA.X 3.75LG                    | 4    |
| 38   |           | Ref. Battery Box<br>(refer to 310.1)             | 1    |
| 39   | 1255385GT | SCREW,HHC,5/8-11X2.25,8,ZAG                      | 2    |
| 40   | 1256182GT | WASHER,FLAT,5/8,F436,HRD,ZAG                     | 2    |
| 41   | 1265754GT | HEAT SINK,MOTOR-GEN CONTROLLER<br>FE models only | 1    |
| 42   | 1263938GT | MOTOR CTRL, 48V, 3PH, 1234SE                     | 1    |
| 43   | 1267297GT | FORMING,MOTOR-GEN CONTROLLER                     | 1    |
| 44   | 1256460GT | SCREW,PHPM,10-24X1,ZAG                           | 4    |
| 45   | 1256312GT | WASHER,LOCK,#10,ZAG                              | 4    |
| 46   | 1253185GT | WASHER,FLAT,#10,USS,ZAG                          | 4    |
| 47   | 824091GT  | SCREW,HHF,3/8-16X1.25,8,ZAG                      | 3    |
| 48   | 824029GT  | NUT,TL FLG,3/8-16,G,ZAG                          | 3    |
| 49   | 1264342GT | WELDMENT, BULKHEAD, ENGINE-SID                   | 1    |
| 50   | 1264030GT | PIN, WELDMENT, 1.75DIA X 6.0LG                   | 1    |
| 51   | 1264341GT | WELDMENT, BULKHEAD, ENGINE-SID                   | 1    |
| 52   | 1264036GT | PAD, REST, LOWER SECONDARY                       | 1    |
| 53   | 824093GT  | SCREW,HHF,3/8-16X1.75,8,ZAG                      | 2    |
| 54   | 824124GT  | BOLT,CARRIAGE,1/4-20X.75,5,ZAG                   | 2    |
| 55   | 824027GT  | NUT,TL FLG,1/4-20,G,ZAG                          | 2    |



303.1 Generator Side - DC Models



# PARTS FINDER

**Search Website  
by Part Number**



**Search Manual  
Library For Parts  
Manual & Lookup Part  
Numbers – Purchase  
or Request Quote**

**Search Manuals**

Enter your information to help us find the right parts manual for your machine.

\* Brand:

\* Model:

\* Serial:

\* Part Number:

SEARCH

**Can't Find Part or  
Manual? Request Help  
by Manufacturer,  
Model & Description**

**Parts Order Form**

Please fill in the following information to help us find the right part for your machine.

MANUFACTURER:

MODEL:

DESCRIPTION:

SEARCH

Discount-Equipment.com is your online resource for quality parts & equipment.

Florida: **561-964-4949** Outside Florida TOLL FREE: **877-690-3101**

**Need parts?**

Click on this link: <http://www.discount-equipment.com/category/5443-parts/> and choose one of the options to help get the right parts and equipment you are looking for. Please have the machine model and serial number available in order to help us get you the correct parts. If you don't find the part on the website or on one of the online manuals, please fill out the request form and one of our experienced staff members will get back to you with a quote for the right part that your machine needs.

We sell worldwide for the brands: Genie, Terex, JLG, MultiQuip, Mikasa, Essick, Whiteman, Mayco, Toro Stone, Diamond Products, Generac Magnum, Airman, Haulotte, Barreto, Power Blanket, Nifty Lift, Atlas Copco, Chicago Pneumatic, Allmand, Miller Curber, Skyjack, Lull, Skytrak, Tsurumi, Husquvarna Target, Stow, Wacker, Sakai, Mi-T-M, Sullair, Basic, Dynapac, MBW, Weber, Bartell, Bennar Newman, Haulotte, Ditch Runner, Menegotti, Morrison, Contec, Buddy, Crown, Edco, Wyco, Bomag, Laymor, EZ Trench, Bil-Jax, F.S. Curtis, Gehl Pavers, Heli, Honda, ICS/PowerGrit, IHI, Partner, Imer, Clipper, MMD, Koshin, Rice, CH&E, General Equipment, Amida, Coleman, NAC, Gradall, Square Shooter, Kent, Stanley, Tamco, Toku, Hatz, Kohler, Robin, Wisconsin, Northrock, Oztec, Toker TK, Rol-Air, APT, Wylie, Ingersoll Rand / Doosan, Innovatech, Con X, Ammann, Mecalac, Makinex, Smith Surface Prep, Small Line, Wanco, Yanmar

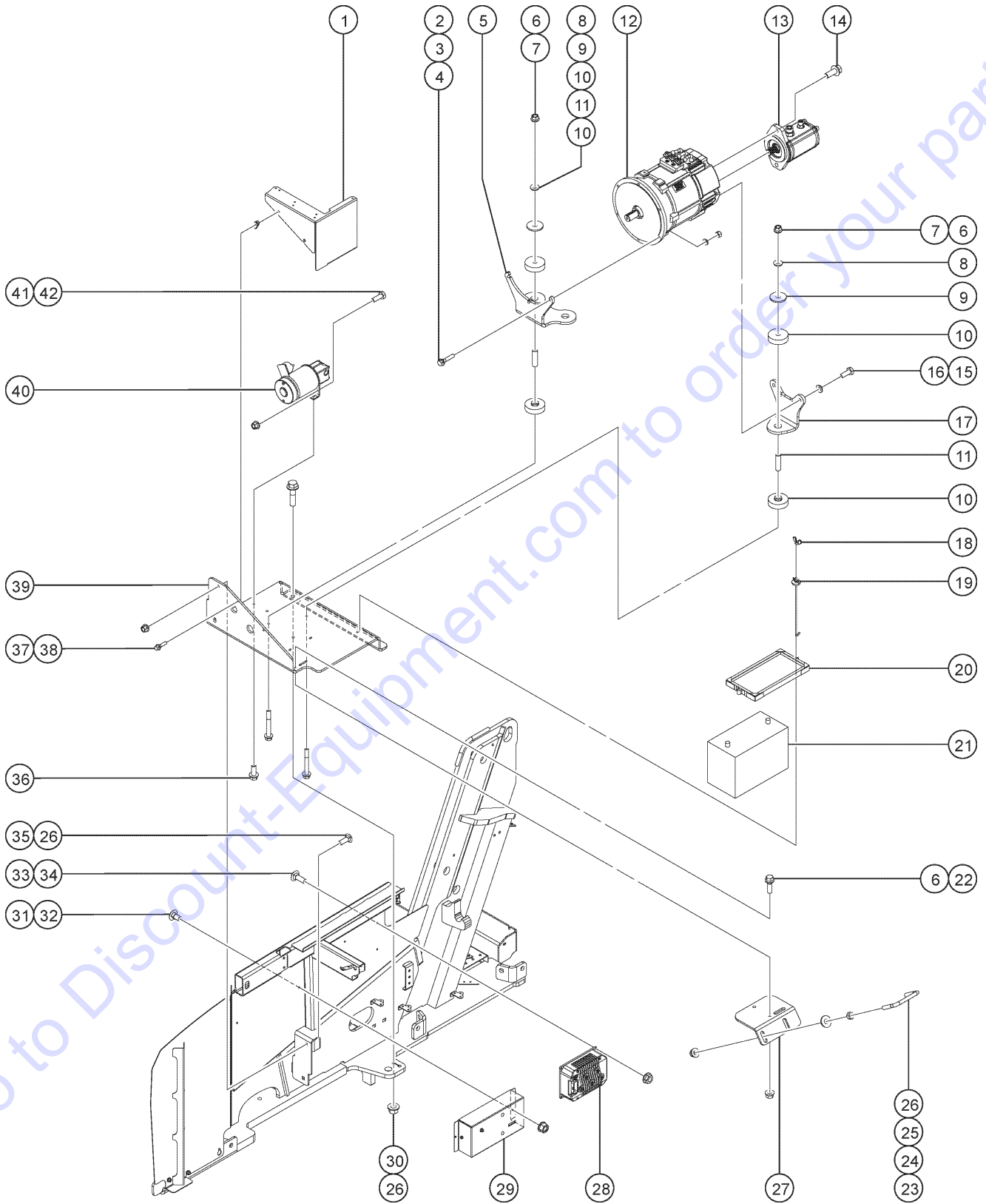


| Item | Part No.  | Description   | Qty. |
|------|-----------|---|------|
| 1    | 1263777GT | FORMING, GUARD, CABLE MOUNT .....                         | 1    |
| 2    | 237820GT  | SCREW,HHF,M8-1.25X40,DIN6921,10.9,ZAB .....               | 3    |
| 3    | 824144GT  | WASHER,FLAT,M8,DIN125,ZAB .....                           | 3    |
| 4    | 1256456GT | NUT,TL,M8-1.25,DIN980,10,ZAB .....                        | 3    |
| 5    | 1263648GT | FORMING, DC GENERATOR MOUNT .....                         | 1    |
| 6    | 824029GT  | NUT,TL FLG,3/8-16,G,ZAG .....                             | 5    |
| 7    | 824095GT  | SCREW,HHF,3/8-16X3,8,ZAG .....                            | 3    |
| 8    | 825358GT  | WASHER,FLAT,5/16,USS,ZAG .....                            | 3    |
| 9    | 824123GT  | WASHER,FLAT,.625X2.25X.188,ZAG .....                      | 3    |
| 10   | 24037GT   | SHOCK MOUNT,LARGE** .....                                 | 6    |
| 11   | 139230GT  | SPACER, SHOCK MOUNT .....                                 | 3    |
| 12   | 1264100GT | MOTOR,AC,PUMP-GENERATOR .....                             | 1    |
| 12-  | 1284946GT | BEARING SERVICE KIT (1264100) .....<br>for 1264100        |      |
| 12-  | 1284947GT | ROTOR ASSEMBLY (1264100) .....<br>for 1264100             |      |
| 12-  | 1284948GT | BEARING SERVICE KIT (1264100) .....<br>for 1264100        |      |
| 12-  | 1284949GT | TERMINAL BRACKET SVC KIT (1264100) .....<br>for 1264100   |      |
| 12-  | 1284950GT | TERMINAL BLOCK SERVICE KIT (1264100) .....<br>for 1264100 |      |
| 12-  | 1284951GT | SPEED SENSOR KIT W/PINS (1264100) .....<br>for 1264100    |      |
| 12-  | 1284952GT | CONNECTOR SERVICE KIT (1264100) .....<br>for 1264100      |      |
| 12-  | 1284953GT | PULSE WHEEL SERVICE KIT (1264100) .....<br>for 1264100    |      |
| 12-  | 1284954GT | BOLT KIT W/WASHERS,M8X200 (1264100) .....<br>for 1264100  |      |
| 13   | 1261767GT | PUMP,GEAR,FUNCTION,Z60E .....                             | 1    |
| 13-  | 1269602GT | SEAL KIT, FUNCTION PUMP, Z60E .....                       |      |
| 14   | 1255469GT | SCREW,HHF,1/2-13X1.25,8,ZAG .....                         | 2    |
| 15   | 824138GT  | SCREW,HHC,M10-1.25X30,DIN961,1 .....                      | 4    |
| 16   | 824145GT  | WASHER,FLAT,M10,DIN125,ZAB .....                          | 4    |
| 17   | 1263649GT | FORMING, REAR ENGINE MOUNT .....                          | 1    |
| 18   | 8170GT    | NUT,WING,1/4-20 .....                                     | 2    |





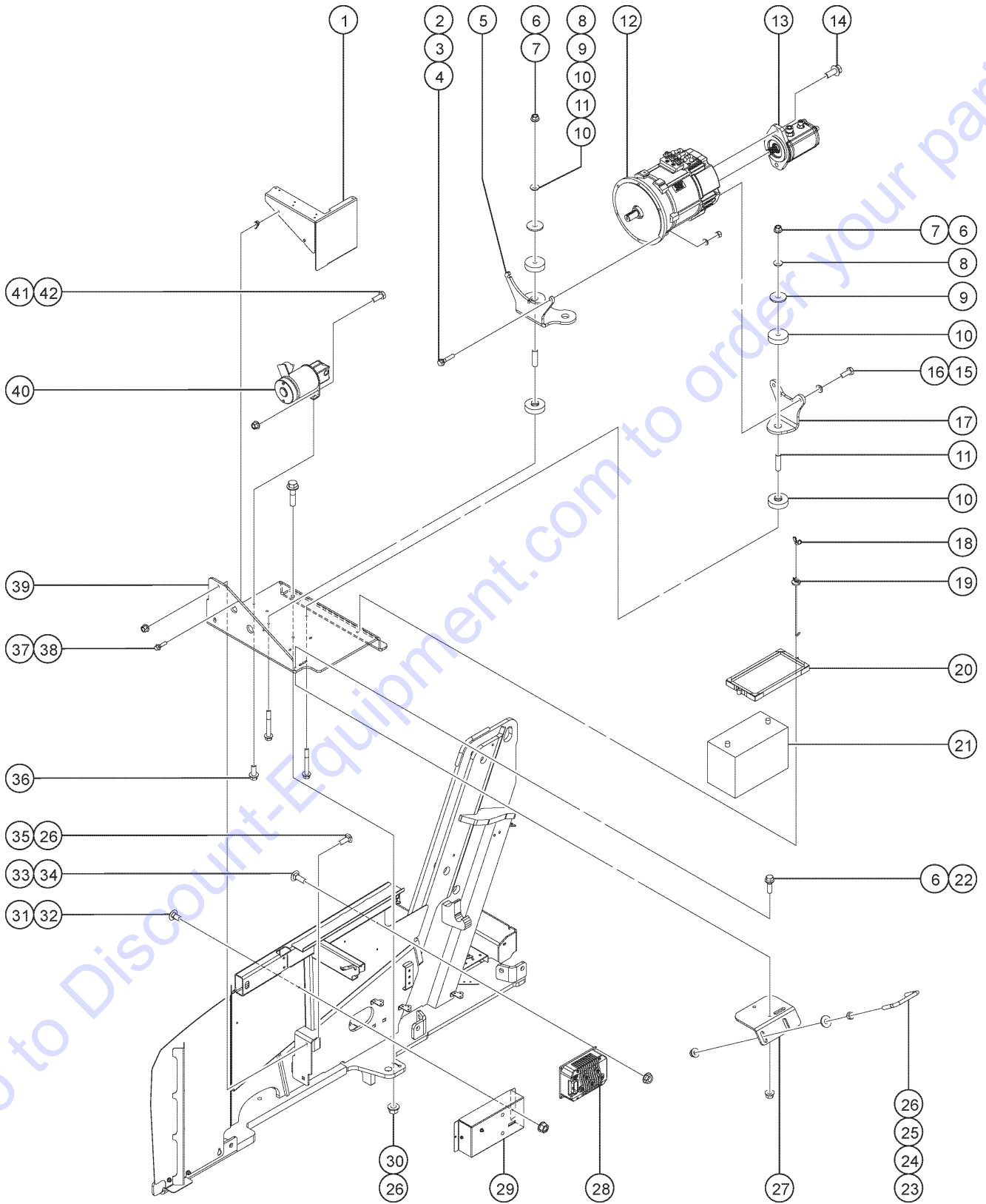
303.1 Generator Side - DC Models



| Item | Part No.  | Description   | Qty. |
|------|-----------|---|------|
| 19   | 45708GT   | HOOK,BATT HOLD DOWN,10" .....                           | 2    |
| 20   | 30144GT   | BATTERY HOLD DOWN,GROUP 31 .....                        | 1    |
| 21   | 30143GT   | BATTERY,12V,1000 CCA GRP 31 .....                       | 1    |
| 22   | 824091GT  | SCREW,HHF,3/8-16X1.25,8,ZAG .....                       | 2    |
| 23   | 1259855GT | UBOLT, 0.4724 IN D X 4.0 IN L .....                     | 1    |
| 24   | 1255804GT | NUT,JAM,1/2-13,A,ZAG .....                              | 2    |
| 25   | 1255760GT | WASHER,FLAT,1/2,USS,ZAG .....                           | 2    |
| 26   | 1251997GT | NUT,TL FLG,1/2-13,G,ZAG .....                           | 6    |
| 27   | 1263651GT | FORMING, ENG SIDE, STRIKER MOUNTING BRACKET .....       | 1    |
| 28   | 1263938GT | MOTOR CTRL, 48V, 3PH, 1234SE .....                      | 1    |
|      |           | refer to 302.1 for FE models                            |      |
| 29   | 1267298GT | ASSY, 12V CHARGER BOX .....                             | 1    |
|      |           | (includes items 31,32)                                  |      |
| 29-  | 1267395GT | CHARGER, BATTERY 12V/5.5A UNGROUNDED W/POWER CORD ..... | 1    |
| 29-  | 147089GT  | CIRCUIT BREAKER, 10A .....                              | 1    |
| 29-  | 34052GT   | RELAY,SPDT,12V(AUTO) PLUG IN** .....                    | 1    |
| 29-  | 34053GT   | ASSY,RELAY SOCKET, AUTO .....                           | 1    |
| 29-  | 1267300GT | FORMING, 12V CHARGER BOX .....                          | 1    |
| 29-  | 1267299GT | FORMING, 12V CHARGER CLAMP .....                        | 1    |
| 29-  | 87755GT   | CONN,RECEP 8 WAY 14-18GA,FL .....                       | 1    |
| 29-  | 7056GT    | CONN, SQZ, 1/2NPT .38-.50, SM** .....                   | 1    |
| 30   | 1256172GT | SCREW,HHF,1/2-13X 2,8,ZAG .....                         | 2    |
| 31   | 1256462GT | BOLT,CARRIAGE,1/4-20X.5,5,ZAG .....                     | 2    |
| 32   | 824027GT  | NUT,TL FLG,1/4-20,G,ZAG .....                           | 2    |
| 33   | 824124GT  | BOLT,CARRIAGE,1/4-20X.75,5,ZAG .....                    | 4    |
| 34   | 1256679GT | NUT,SERRATED,1/4-20,8,ZAG .....                         | 4    |
| 35   | 1256179GT | BOLT,CARRIAGE,1/2-13X1.5,5,ZAG .....                    | 2    |
| 36   | 824090GT  | SCREW,HHF,3/8-16X1,8,ZAG .....                          | 2    |
| 37   | 824079GT  | SCREW,HHF,1/4-20X1,8,ZAG .....                          | 4    |
| 38   | 56912GT   | SPRING CLIP,1/4-20,.025-.15X.54,ZAG .....               | 4    |



303.1 Generator Side - DC Models

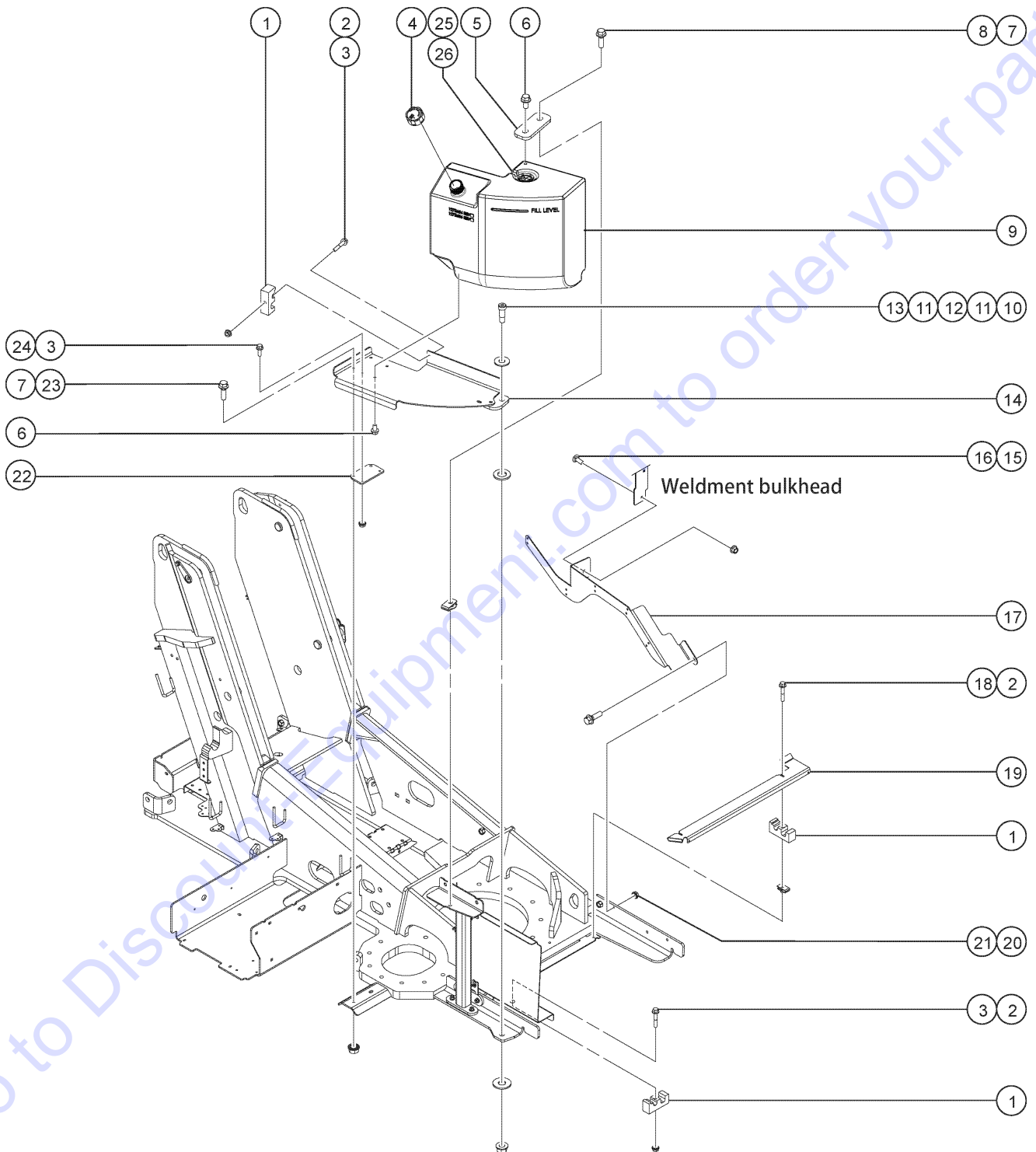


| <i>Item</i> | <i>Part No.</i> | <i>Description</i>                  | <i>Qty.</i> |
|-------------|-----------------|-------------------------------------|-------------|
| 39          | 1263647GT       | FORMING, DC MOTOR MOUNT .....       | 1           |
| 40          | 89617GT         | POWER UNIT,AUX PUMP 12VDC .....     | 1           |
| 41          | 13002GT         | SCREW,HHC,5/16-18 X 1 GR5 .....     | 1           |
| 42          | 18503GT         | NUT,LOCKING-LG.FLANGE,5/16-18 ..... | 1           |

Go to Discount-Equipment.com to order your parts



304.1 Tank Side - FE Hybrid Models (Bi-Energy)

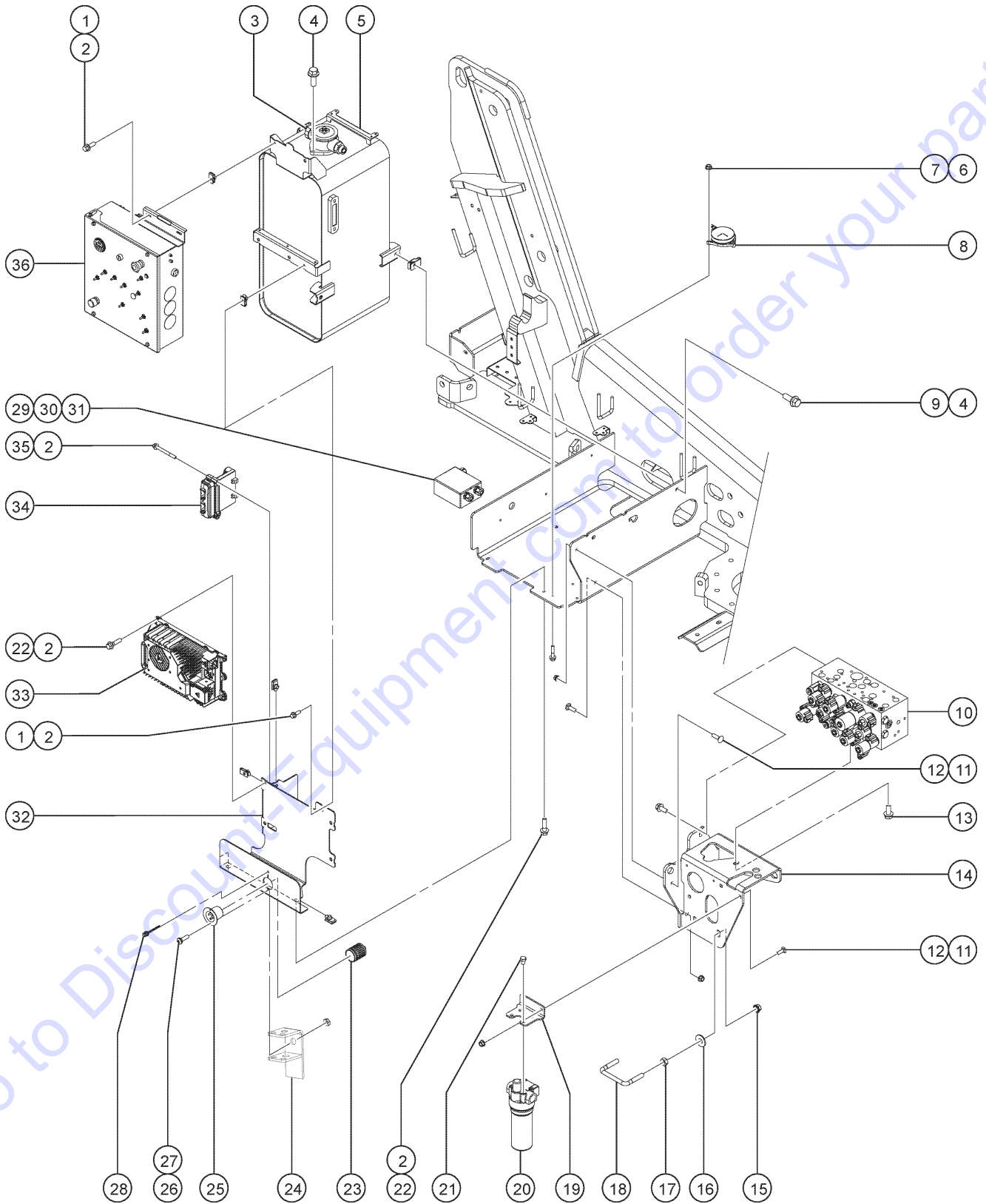


304.1 Tank Side - FE Hybrid Models (Bi-Energy)

| Item | Part No.  | Description  | Qty. |
|------|-----------|--|------|
| 1    | 1266321GT | CLAMP, PLASTIC, FUEL LINES .....   | 4    |
| 2    | 824081GT  | SCREW,HHF,1/4-20X1.5,8,ZAG .....   | 4    |
| 3    | 1256679GT | NUT,SERRATED,1/4-20,8,ZAG .....  | 4    |
| 4    | 101726GT  | CAP,FUEL,DIESEL,1/8"VENT(GRN) .....  | 1    |
| 5    | 1264296GT | PLATE, FUEL TANK TOP BRKT .....  | 1    |
| 6    | 824089GT  | SCREW,HHF,3/8-16X.75,8,ZAG .....   | 3    |
| 7    | 824091GT  | SCREW,HHF,3/8-16X1.25,8,ZAG .....  | 3    |
| 8    | 29868GT   | SPRING CLIP,3/8-16,.05-.20X.73,ZAG .....   | 1    |
| 8-   | 1271773GT | GASKET, TANK, FUEL SENSOR .....  | 1    |
| 8-   | 1251757GT | SCREW,PHPM,10-32X.50,ZAG .....   | 5    |
| 9    | 1273654GT | ASSEMBLY, FUEL TANK, 17 GAL, P<br>(for models with fuel sense option) (includes 54324GT) |      |
| 10   | 217234GT  | SCREW,SHS,3/4X1.25X5/8-11,ZAG .....  | 1    |
| 11   | 1255761GT | WASHER,FLAT,3/4,USS,HRD,ZAG .....  | 2    |
| 12   | 36212GT   | WASHER,THRUST,.75 X 1.38X.13 .....   | 1    |
| 13   | 1253319GT | NUT,TL FLG,5/8-11,G,ZAG .....  | 1    |
| 14   | 1263251GT | WELDMENT, TRAY, FUEL .....   | 1    |
| 15   | 1256179GT | BOLT,CARRIAGE,1/2-13X1.5,5,ZAG .....   | 1    |
| 16   | 1251997GT | NUT,TL FLG,1/2-13,G,ZAG .....  | 1    |
| 17   | 1267808GT | FORMING, SWING FUEL MOUNT .....  | 1    |
| 18   | 56912GT   | SPRING CLIP,1/4-20,.025-.15X.54,ZAG .....  | 2    |
| 19   | 1263915GT | FORMING, COVER, FUEL LINES .....   | 1    |
| 20   | 824029GT  | NUT,TL FLG,3/8-16,G,ZAG .....  | 1    |
| 21   | 824090GT  | SCREW,HHF,3/8-16X1,8,ZAG .....   | 1    |
| 22   | 1263256GT | PAD, REST, FUEL TRAY .....   | 1    |
| 23   | 1257628GT | NUT,SERRATED,3/8-16,ZAG .....  | 2    |
| 24   | 824078GT  | SCREW,HHF,1/4-20X.75,8,ZAG .....   | 2    |
| 25   | 1271770GT | SENSOR, FUEL LEVEL, 30" DIESEL .....   | 1    |
| 26   | 824215GT  | SCREW,PHPM,10-32X.75,ZAG .....   | 5    |



305.1 Ground Control Side, View 1

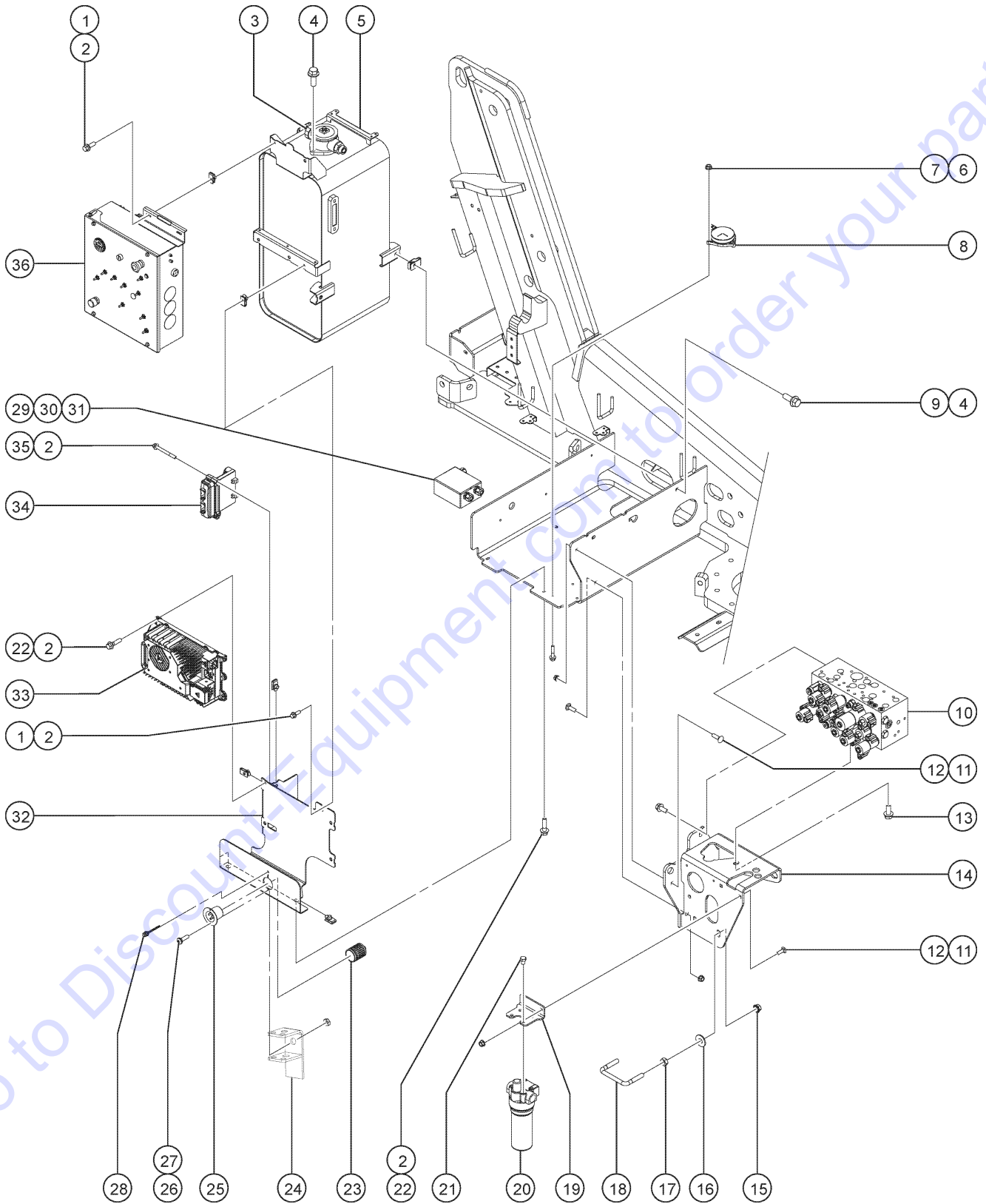


| Item | Part No.  | Description                                  | Qty. |
|------|-----------|--|------|
| A    | 1273336GT | POWER CORD, AC CORD 2M 16AWG IP66 320 .....  | 1    |
| B    | 1289561GT | BRACKET, TELEMATICS .....                    |      |
| B    | 1289521GT | MODULE, TELEMATICS, ZTR, M7, EMEA/APAC ..... |      |
| 1    | 824078GT  | SCREW,HHF,1/4-20X.75,8,ZAG .....             | 6    |
| 2    | 56912GT   | SPRING CLIP,1/4-20,.025-.15X.54,ZAG .....    | 14   |
| 3A   | 110345GT  | FILTER ASSY,INTANK .....                     | 1    |
|      |           | includes item 3B                             |      |
| 3A-  | 147223GT  | SEAL,FILTER LID .....                        |      |
| 3B   | 77353GT   | KIT,ELEMENT** .....                          |      |
| 3B-  | 94526GT   | GASKET,RETURN FILTER-77353 .....             |      |
| 3B-  | 77354GT   | FILTER LID,RFM165 .....                      |      |
| 3B-  | 77365GT   | BREATHER CAP,RFM165 .....                    |      |
| 3B-  | 88917GT   | FILTER,ELEMENT,BETA(10)=200 .....            |      |
| 4    | 824090GT  | SCREW,HHF,3/8-16X1,8,ZAG .....               | 5    |
| 5A   | 1262670GT | ASSEMBLY, TANK, HYDRAULIC, 18 .....          | 1    |
|      |           | (includes 101490 and 215229)                 |      |
| 5B   | 1262671GT | TANK, HYDRAULIC, 18 GALLON .....             | 1    |
| 5C   | 215229GT  | GAUGE,HYDRAULIC TANK T/L VL .....            |      |
| 5D   | 147419GT  | KIT,STRAINER REPLACEMENT .....               |      |
| 5E   | 48996GT   | VALVE,BALL,16 MSAE-16 FSAE*** .....          |      |
| 5F   | 48984GT   | CONN,520120-16 .....                         |      |
| 5G   | 48977GT   | CONN,520120-12-16 .....                      |      |
| 6    | 1256679GT | NUT,SERRATED,1/4-20,8,ZAG .....              | 3    |
| 7    | 824080GT  | SCREW,HHF,1/4-20X1.25,8,ZAG .....            | 3    |
| 8    | 823368GT  | SENSOR,LEVEL,UNIVERSAL .....                 | 1    |
| 9    | 29868GT   | SPRING CLIP,3/8-16,.05-.20X.73,ZAG .....     | 3    |
| 10   |           | Ref. Function Manifold .....                 | 1    |
|      |           | (refer to 701.1)                             |      |
| 11   | 1255757GT | BOLT,CARRIAGE,3/8-16X1.25,5,ZAG .....        | 5    |
| 12   | 1257628GT | NUT,SERRATED,3/8-16,ZAG .....                | 5    |
| 13   | 1255469GT | SCREW,HHF,1/2-13X1.25,8,ZAG .....            | 2    |





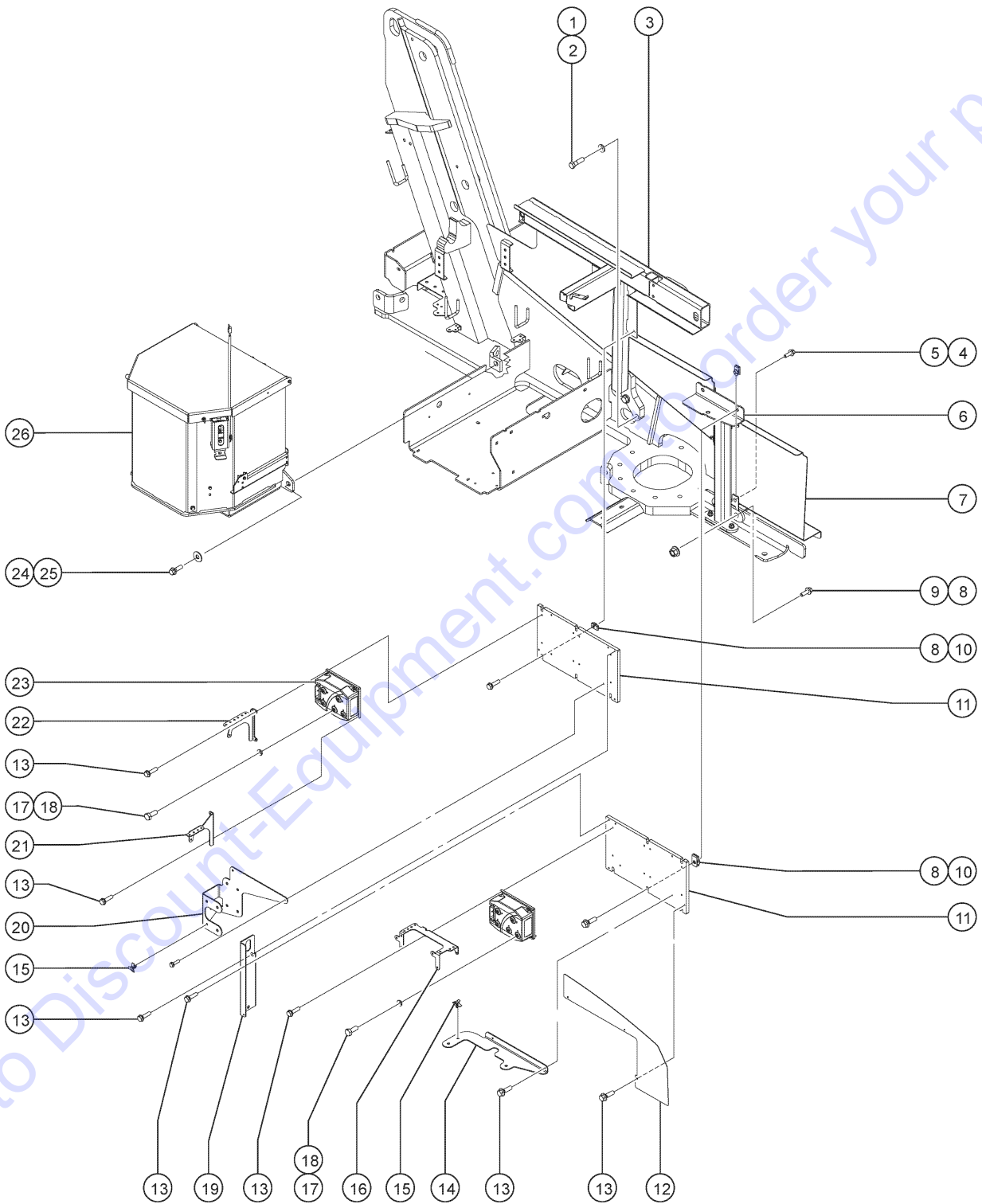
305.1 Ground Control Side, View 1



| Item | Part No.  | Description                                  | Qty. |
|------|-----------|--|------|
| 14   | 1263916GT | WELDMENT,BRACKET,HYDRAULIC FUN .....         | 1    |
| 15   | 1251997GT | NUT,TL FLG,1/2-13,G,ZAG .....                | 2    |
| 16   | 1255760GT | WASHER,FLAT,1/2,USS,ZAG .....                | 2    |
| 17   | 1255804GT | NUT,JAM,1/2-13,A,ZAG .....                   | 2    |
| 18   | 1259855GT | UBOLT, 0.4724 IN D X 4.0 IN L .....          | 1    |
| 19   | 1263919GT | FORMING, BRACKET, HIGH PRESSUR .....         | 1    |
| 20   | 60334GT   | FILTER ASSY,HIGH PRESS SAE-12* .....         | 1    |
| 20-  | 58222GT   | O-RING,FILTER ASSY (60334)*** .....          |      |
| 20-  | 58223GT   | SEAL,FILTER ASSY (60334)*** .....            |      |
| 20-  | 58380GT   | FILTER INDICATOR-(60334) .....               |      |
| 20-  | 60857GT   | FILTER,ELEMENT,BETA(5)=1000 .....            |      |
| 21   | 1263699GT | SCREW,HHC,3/8-16X.5,8,ZAG .....              | 4    |
| 22   | 824079GT  | SCREW,HHF,1/4-20X1,8,ZAG .....               | 6    |
| 23   | 7056GT    | CONN, SQZ, 1/2NPT .38-.50, SM** .....        | 1    |
| 24   | 6935GT    | LOCKNUT,ELEC,1/2" .....                      | 1    |
| 25A  | 1275458GT | CHARGER PLUG 16 AMP 230V .....               | 1    |
|      |           | for CE model                                 |      |
| 25B  | 1284028GT | PLUG, WALL, CEE, 3PIN,16 AMP, 110V, YL ..... | 1    |
|      |           | for UK model                                 |      |
| 26   | 826516GT  | SCREW, PHPM, 10-32 X 1.0, ZAG .....          | 4    |
| 27   | 824032GT  | NUT,TL FLG,10-32,F,ZAG .....                 | 4    |
| 28   | 1270281GT | ASSEMBLY, CHARGER STATUS LED, 2V .....       | 1    |
| 29   | 1256855GT | SCREW,HHF,1/4-20X5/8,ZAG .....               | 1    |
| 30   | 824027GT  | NUT,TL FLG,1/4-20,G,ZAG .....                | 1    |
| 31   | 1293568GT | ASSEMBLY, CHARGER BOX C.E. .....             | 1    |
|      |           | (for DC model only)                          |      |
| 32   | 1262420GT | FORMING, PANEL, CHARGE PORT .....            | 1    |
| 33   | 1266528GT | CHARGER, 48V/25A CAN BUS .....               | 1    |
| 34   | 1269369GT | ASSEMBLY, CONTROLLER TCON, Z60 .....         | 1    |
| 35   | 824083GT  | SCREW,HHF,1/4-20X2.5,8,ZAG .....             | 2    |
| 36   |           | Ref. Ground Control Box .....                | 1    |
|      |           | (refer to 307.1 and 308.1)                   |      |

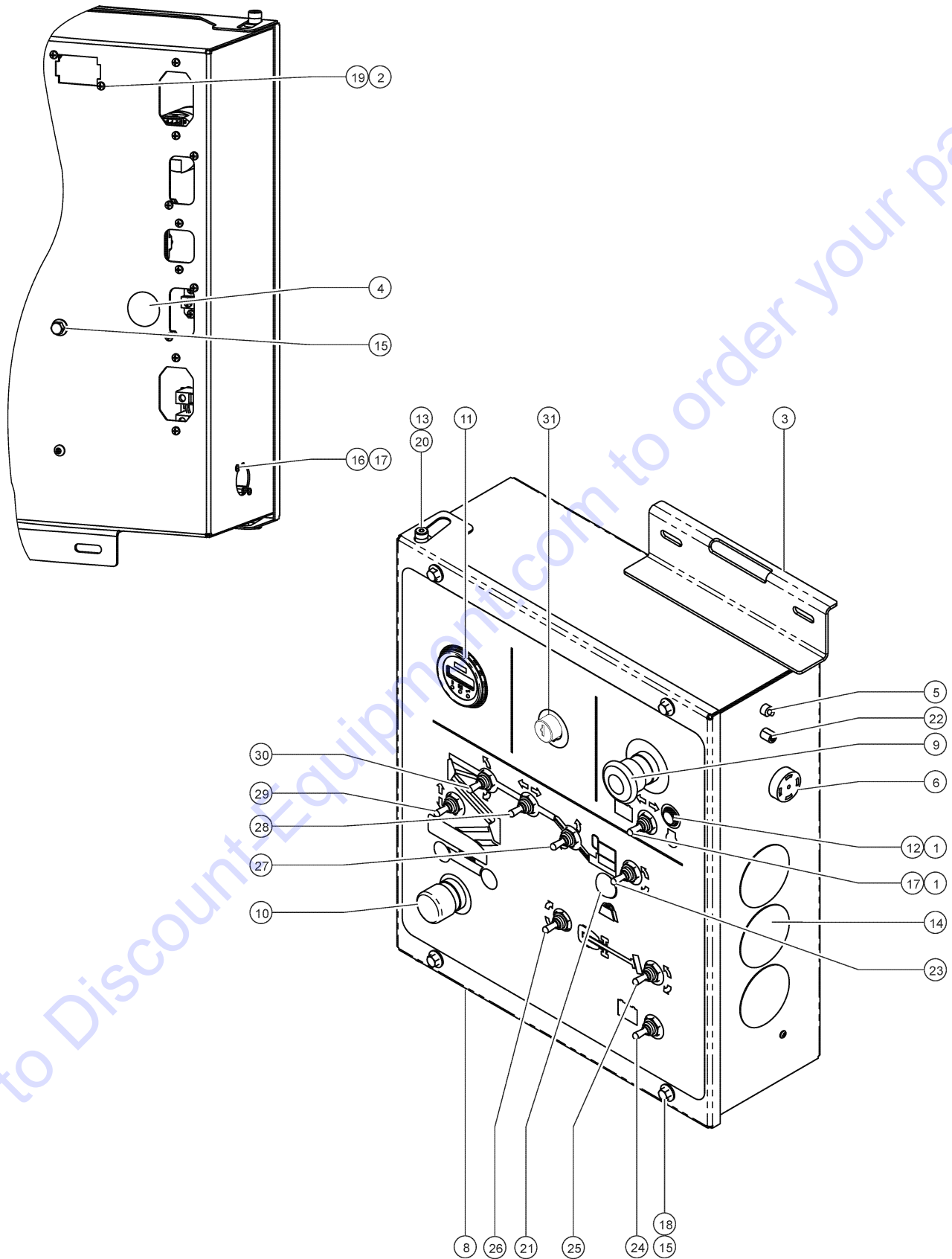


306.1 Ground Control Side, View 2



| Item | Part No.  | Description                               | Qty. |
|------|-----------|---|------|
| 1    | 1255385GT | SCREW,HHC,5/8-11X2.25,8,ZAG .....         | 2    |
| 2    | 1256182GT | WASHER,FLAT,5/8,F436,HRD,ZAG .....        | 2    |
| 3    | 1264188GT | WELDMENT, BULKHEAD, TANK-SIDE, .....      | 1    |
| 4    | 824078GT  | SCREW,HHF,1/4-20X.75,8,ZAG .....          | 6    |
| 5    | 56912GT   | SPRING CLIP,1/4-20,.025-.15X.54,ZAG ..... | 7    |
| 6    | 1264199GT | WELDMENT, BULKHEAD, REAR TANK- .....      | 1    |
| 7    | 1264203GT | FORMING, BULKHEAD, REAR TANK-S .....      | 1    |
| 8    | 824091GT  | SCREW,HHF,3/8-16X1.25,8,ZAG .....         | 12   |
| 9    | 824029GT  | NUT,TL FLG,3/8-16,G,ZAG .....             | 4    |
| 10   | 29868GT   | SPRING CLIP,3/8-16,.05-.20X.73,ZAG .....  | 14   |
| 11   | 1264217GT | MACHINING, MOUNT, TRACTION CON .....      | 2    |
| 12   | 1264219GT | BULKHEAD, TRACTION CONTROLLERS .....      | 1    |
| 13   | 1262031GT | SCREW,HHF,10-24X.75,ZAG .....             | 27   |
| 14   | 1268463GT | FORMING, SECONDARY MOTOR CABLE .....      | 1    |
| 15   | 105214GT  | CABLE TIE MOUNT, WINGED .....             | 12   |
| 16   | 1266206GT | FORMING, LEFT REAR, CONTROLLER .....      | 1    |
| 17   | 1256449GT | SCREW,HHC,M6-1.0X16,DIN933,10.9,ZAB ..... | 20   |
| 18   | 1256457GT | WASHER,LOCK, M6,ZAB .....                 | 20   |
| 19   | 1264218GT | FORMING, BRACKET, CONNECTOR, T .....      | 1    |
| 20   | 1268462GT | FORMING, PRIMARY MOTOR CABLES .....       | 1    |
| 21   | 1266207GT | FORMING, RIGHT REAR, CONTROLLE .....      | 1    |
| 22   | 1266208GT | FORMING, RIGHT REAR, CONTROLLE .....      | 1    |
| 23   | 1263937GT | MOTOR CTRL, 48-80V, 3PH, 1232E .....      | 4    |
| 24   | 1256126GT | SCREW,HHF,5/8-11X2,8,ZAG .....            | 2    |
| 25   | 1255761GT | WASHER,FLAT,3/4,USS,HRD,ZAG .....         | 2    |
| 26   |           | Ref. BATTERY BOX ASSEMBLY .....           |      |
|      |           | (refer to Figure 310.1)                   |      |

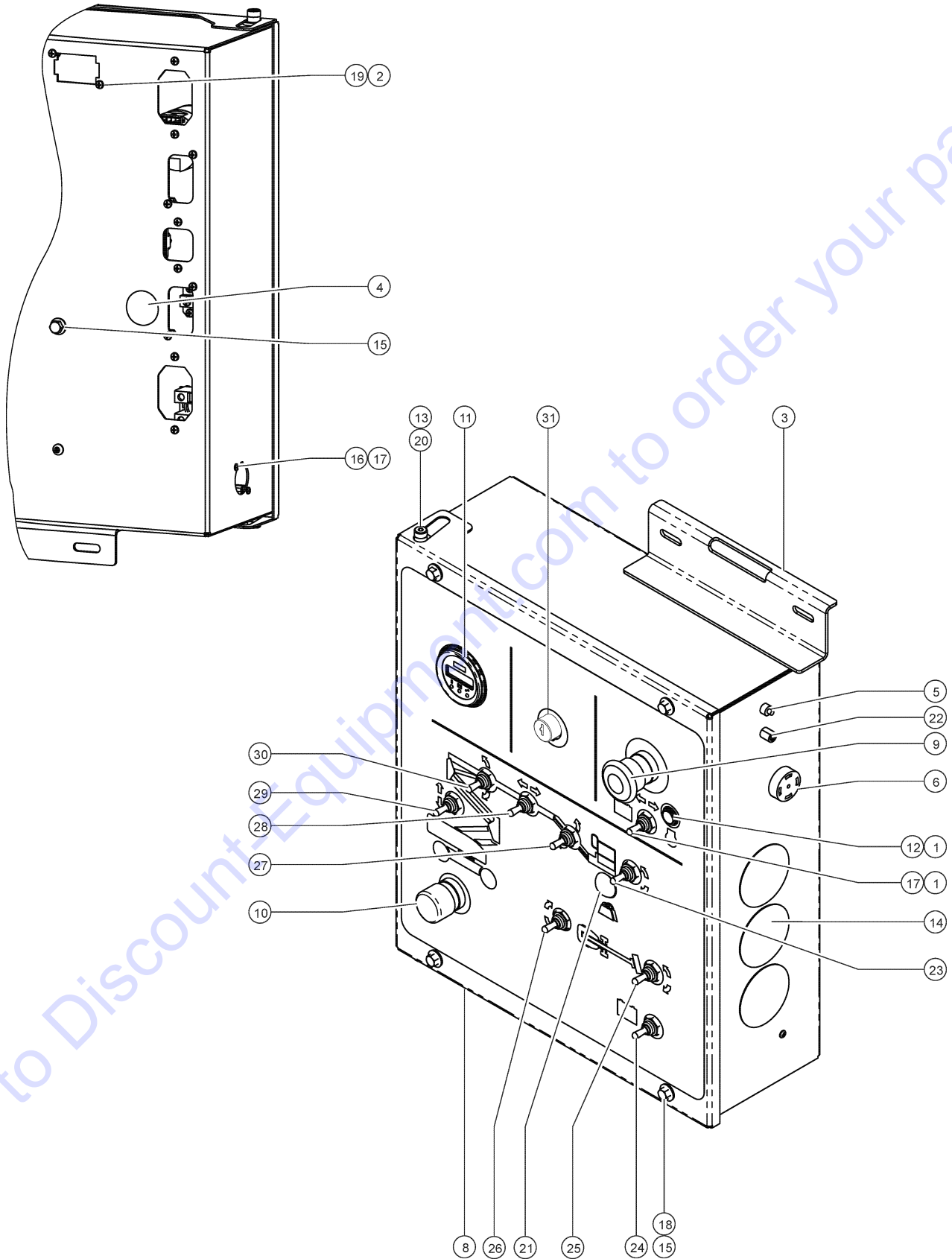
307.1 Ground Control Box, View 1, External



| Item | Part No.  | Description   | Qty. |
|------|-----------|---|------|
| A    | 1293774GT | ASSEMBLY, GBOX, FE, Z60/37 .....<br>FE CE models                              | 1    |
| B    | 1293773GT | ASSEMBLY, GBOX, DC, Z60/37 .....<br>DC CE models                              | 1    |
| 1    | 229567GT  | PLUG, SANTOPRENE .5 BLACK DOME .....<br>C models                              | 1    |
| 2    | 12344GT   | NUT,NYLOCK,6-32 .....   | 8    |
| 3    | 1293772GT | WELDMENT, GBOX, Z60/37 .....  | 1    |
| 4    | 15243GT   | PLUG,NYLON .875 BLACK DOMED .....   | 1    |
| 5    | 38020GT   | CIRCUIT BREAKER, 15 AMP .....   | 1    |
| 6    | 39540GT   | ALARM, STEADY TONE*** .....   | 1    |
| 7    | 1283012GT | NUT,NYLOCK,4-40,2,ZAG .....   | 2    |
| 8    | 1270485GT | WELDMENT,LID,GND CONTROL BOX .....  | 1    |
| 9    | 66812GT   | BUTTON,PUSH,RED MUSHROOM HEAD .....   | 1    |
| 10   | 66813GT   | BUTTON,PUSH,BLACK W/SEAL *** .....  | 1    |
| 11   | 1266153GT | DISPLAY, 8 CHAR, 24V, CAN .....<br>LCD display                                | 1    |
| 12   | 1263969GT | ASSY, LIGHT,INDICATOR,AMB 24V .....<br>hybrid mode light, FE model            | 2    |
| 13   | 1257410GT | BOLT,SHS,5/16X.375X1/4-20,ZA .....  | 2    |
| 14   | 81900GT   | PLUG,NYLON 2.093 BLACK DOMED .....  | 3    |
| 15   | 1256855GT | SCREW,HHF,1/4-20X5/8,ZAG .....  | 4    |
| 16   | 1253477GT | SCREW,PHPM,4-40X.5,ZAG .....  | 2    |
| 17   | 128200GT  | SWITCH TOGGLE ASSY SPDT 3P MOM .....<br>machine mode select switch, FE models | 1    |
| 18   | 995750GT  | WASHER FLAT BONDED RUB .....  | 4    |
| 19   | 824214GT  | SCREW,PHPM,6-32X.5,ZAG .....  | 12   |
| 20   | 218449GT  | WASHER,SHOULDER,NYLON .....   | 2    |
| 21   | 229567GT  | PLUG, SANTOPRENE .5 BLACK DOME .....  | 1    |
| 22   | 147090GT  | CIRCUIT BREAKER, 15A .....  | 1    |
| 23   | 128200GT  | SWITCH TOGGLE ASSY SPDT 3P MOM .....<br>platform level                        | 1    |
| 24   | 128200GT  | SWITCH TOGGLE ASSY SPDT 3P MOM .....<br>emergency power                       | 1    |
| 25   | 128200GT  | SWITCH TOGGLE ASSY SPDT 3P MOM .....<br>platform rotate                       | 1    |
| 26   | 128200GT  | SWITCH TOGGLE ASSY SPDT 3P MOM .....<br>turntable rotate                      | 1    |



307.1 Ground Control Box, View 1, External



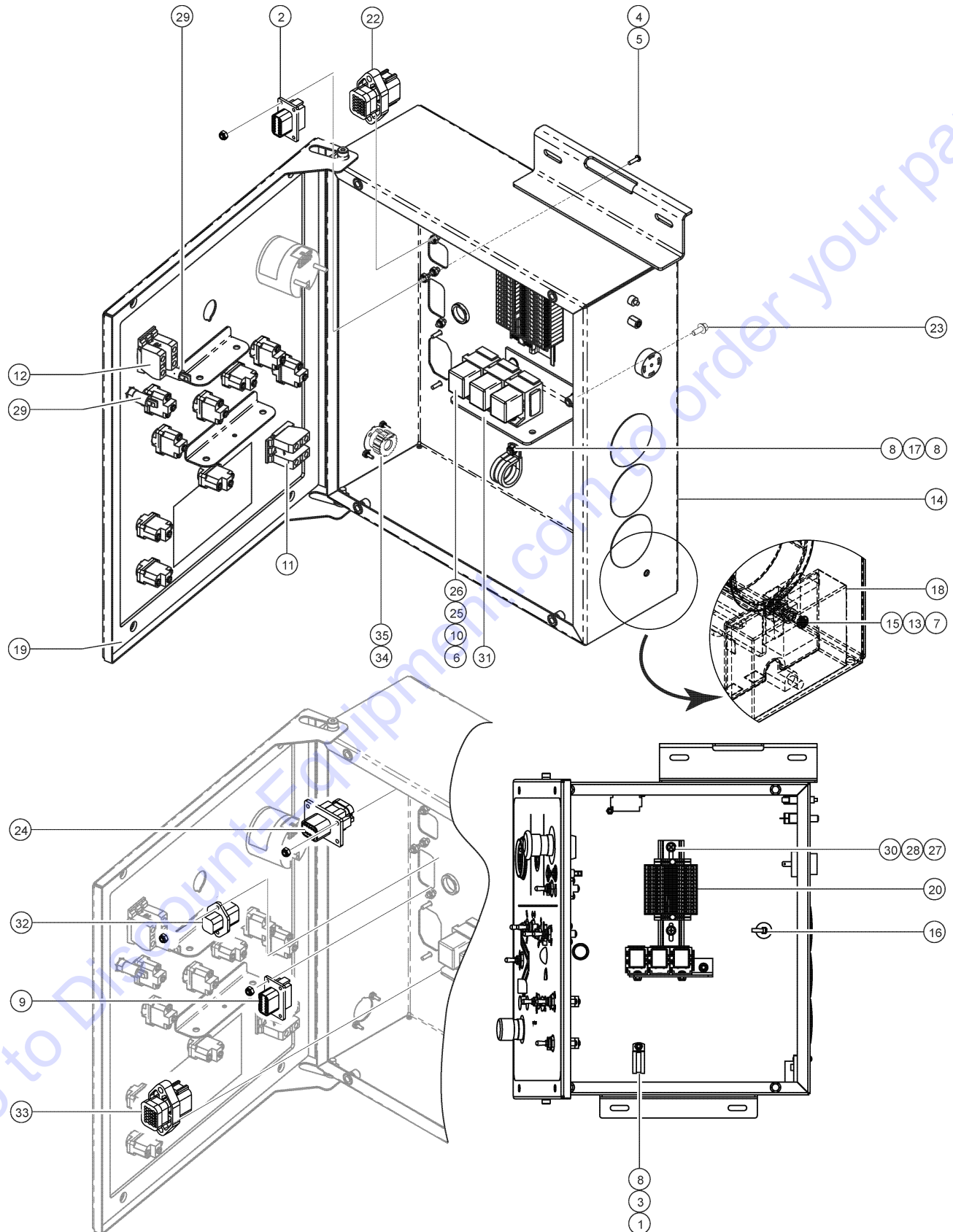
| Item | Part No.  | Description   | Qty. |
|------|-----------|---|------|
| 27   | 128200GT  | SWITCH TOGGLE ASSY SPDT 3P MOM .....<br>jib boom up/down            | 1    |
| 28   | 128200GT  | SWITCH TOGGLE ASSY SPDT 3P MOM .....<br>primary boom extend/retract | 1    |
| 29   | 128200GT  | SWITCH TOGGLE ASSY SPDT 3P MOM .....<br>secondary boom up/down      | 1    |
| 30   | 128200GT  | SWITCH TOGGLE ASSY SPDT 3P MOM .....<br>primary boom up/down        | 1    |
| 31A  | 96008-SGT | KEYSWITCH,3 POS. W/KEYS*** .....                                    | 1    |
| 31B  | 83131GT   | KEYSWITCH,3 POS W/KEYS,LOCKING .....                                | 1    |

Go to Discount-Equipment.com to order your parts





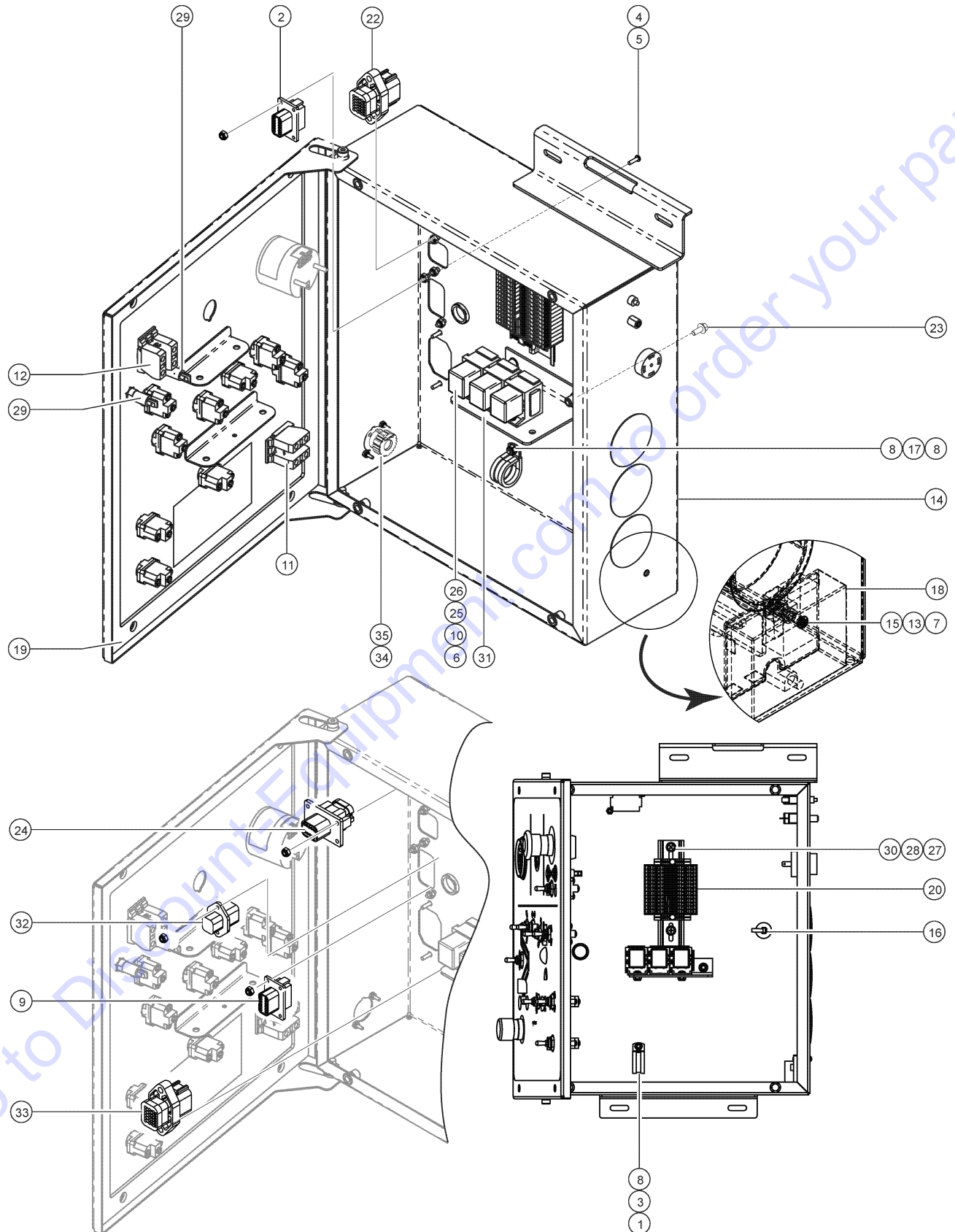
308.1 Ground Control Box, View 2, Internal



| Item | Part No.  | Description  | Qty. |
|------|-----------|--|------|
| A    | 1266124GT | ASSEMBLY, Z60/37 GBOX RELAYS .....<br>(includes items 12-16) | 1    |
| 1    | 6178GT    | NUT,NYLOCK,10-32 .....                                       | 1    |
| 2    | 73730GT   | CONN,RECEP 12 WAY,GRY FLANGE .....                           | 1    |
| 3    | 13268GT   | CLAMP,0.75,#12 X 1/4,RUB CUSH .....                          | 1    |
| 4    | 824214GT  | SCREW,PHPM,6-32X.5,ZAG .....                                 | 14   |
| 5    | 12344GT   | NUT,NYLOCK,6-32 .....  | 10   |
| 6    | 34053GT   | ASSY,RELAY SOCKET, AUTO .....                                | 3    |
| 7    | 49820GT   | SCREW,PHILLIPS,PHM,6-32 X .5 .....                           |      |
| 8    | 54365GT   | SCREW,PHIL,PHM,10-32 X .5,SSTL .....                         | 1    |
| 9    | 73733GT   | CONN,RECEP 12 WAY,BLK FLANGE .....                           | 1    |
| 10   | 56302GT   | RELAY,24VDC,40/30A,SEALED*** .....                           | 4    |
| 11   | 66814GT   | BASE,WITH 2 N.O. CONTACTS*** .....                           | 1    |
| 12   | 73805GT   | BASE,W/2 NC CONTACTS*** .....                                | 1    |
| 13   | 81551GT   | SCREW,PHIL,PHM,6-32 X 1/4 SS .....                           | 1    |
| 14   |           | Ref. WELDMENT,GND CONTROL BOX .....<br>(refer to 307.1)      | 1    |
| 15   | 88287GT   | STANDOFF,6-32 X 1/2L X 1/4 HEX .....                         | 1    |
| 16   | 110149GT  | CABLE TIE,DFT MOUNT,BLK,6.5" .....                           | 1    |
| 17   | 13268GT   | CLAMP,0.75,#12 X 1/4,RUB CUSH .....                          | 1    |
| 18   | 147253GT  | TIME DELAY RELAY,2 SEC,24VDC .....                           | 1    |
| 19   | 218090GT  | GASKET,GROUND CONTROL BOX .....                              | 1    |
| 20   | 1265850GT | ASSEMBLY,TERMINAL RAIL, Z60/37 .....                         | 1    |
| 20-  | 46036GT   | DIN RAIL, 5.63" .....  |      |
| 20-  | 74913GT   | END STOP, DIN RAIL,SCREW CLAMP .....                         |      |
| 20-  | 74917GT   | JUMPER COMB, 2-WAY,WIELAND .....                             |      |
| 20-  | 216791GT  | TERMINAL BLOCK,WIELAND .....                                 |      |
| 20-  | 216793GT  | TERMINAL BLOCK END PLATE .....                               |      |
| 21   | 6178GT    | NUT,NYLOCK,10-32 .....                                       | 1    |
| 22   | 1265862GT | CONN, RECEP, 18WAY, 14-18GA, FL, A, GRY .....                | 1    |



308.1 Ground Control Box, View 2, Internal

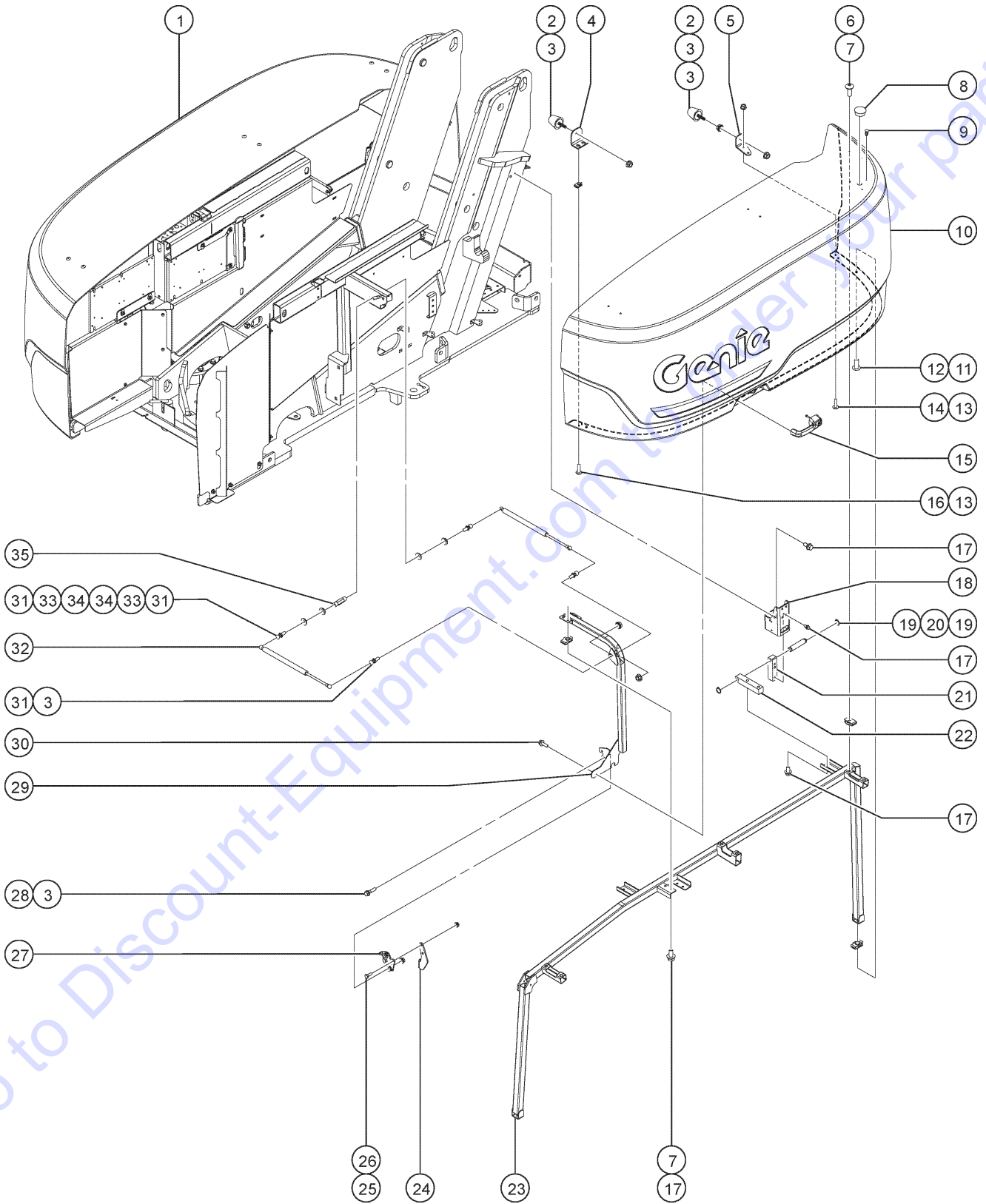


| Item | Part No.  | Description                                      | Qty. |
|------|-----------|--|------|
| 23   | 1256855GT | SCREW,HHF,1/4-20X5/8,ZAG .....                   | 2    |
| 24   | 1289901GT | HARNESS, GATEWAY, PLUS1 .....                    | 1    |
| 25   | 825349GT  | SCREW,PHPM,10-32X.38,ZAG .....                   | 2    |
| 26   | 14392GT   | NUT,LP NYLOCK,10-32 .....                        | 2    |
| 27   | 1251757GT | SCREW,PHPM,10-32X.50,ZAG .....                   | 2    |
| 28   | 1253185GT | WASHER,FLAT,#10,USS,ZAG .....                    | 2    |
| 29   | 1263969GT | ASSY, LIGHT,INDICATOR,AMB 24V<br>FE models ..... | 2    |
| 30   | T107521GT | NUTSERT,LP KNURLED,10-32X.130 .....              | 2    |
| 31   | 54534GT   | ANGLE,RELAY MNT,W/NUTSERTS,PNT .....             | 1    |
| 32   | 73717GT   | CONN,RECEP 4 WAY,12-14GA FL*** .....             | 1    |
| 33   | 226948GT  | CONN, RECEP, 18 WAY, 14-18GA, FL, B .....        | 1    |
| 34   | 1272123GT | DUST CAP, RECEPTACLE, 5 WAY, CIRCULAR .....      | 1    |
| 35   | 1272122GT | CONNECTOR, RECEPTACLE, 5 WAY, CIRCULAR .....     | 1    |

Go to Discount-Equipment.com to order your parts

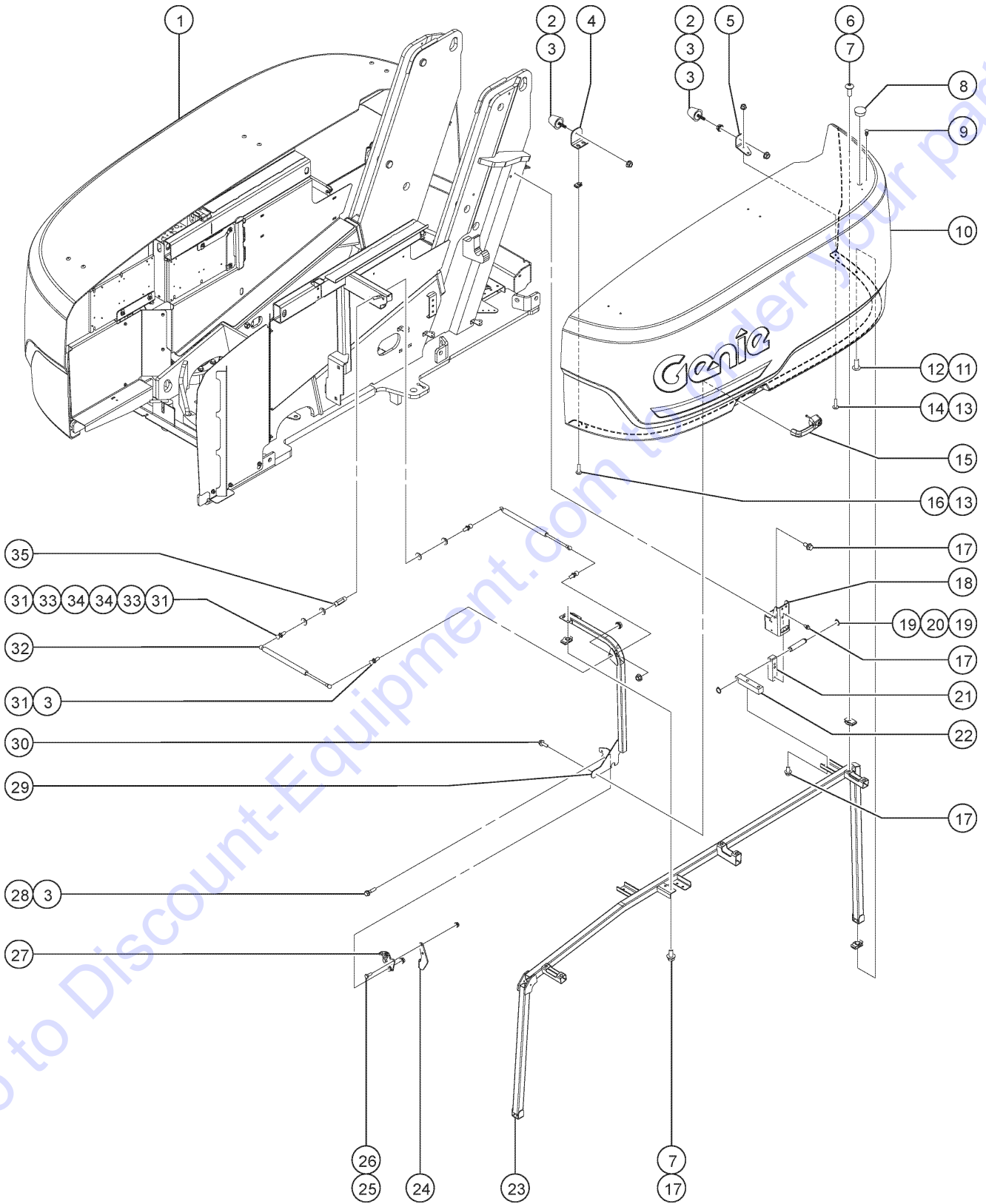


309.1 Turntable Cover



| Item | Part No.  | Description  | Qty. |
|------|-----------|--|------|
| A    | 1256395GT | HINGE,3/8-16 HOLES,0.5 PIN<br>(includes items 19, 20, 21 and 22) | 4    |
| 1    | 1262721GT | COVER,TANK-SIDE,Z60E   | 1    |
| 2    | 1261277GT | BUMPER, RUBBER, 1.25 X 1.25 IN                                   | 4    |
| 3    | 1255805GT | NUT,SERRATED,5/16-18,8,ZAG                                       | 14   |
| 4    | 1267856GT | FORMING, BRACKET, COVER BUMPER                                   | 2    |
| 5A   | 1256160GT | FORMING,REAR COVER STOP,LEFT                                     | 1    |
| 5B   | 1256161GT | FORMING,REAR COVER STOP,RIGHT                                    | 1    |
| 6    | 1261836GT | SCREW, THM, TORX, 3/8-16X1,SS                                    | 12   |
| 7    | 29868GT   | SPRING CLIP,3/8-16,.05-.20X.73,ZAG                               | 20   |
| 8    | 45385GT   | PLUG,NYLON 1.12 BLACK DOMED                                      | 2    |
| 9    | 81329GT   | PLUG,ALARM BEACON HOLE   | 6    |
| 10   | 1262722GT | COVER,ENGINE-SIDE,Z60E   | 1    |
| 11   | 1261838GT | SCREW, THM, TORX, M10X25, ZAB                                    | 4    |
| 12   | 230074GT  | SPRING CLIP,M10-1.5,1-6X19,ZAB                                   | 4    |
| 13   | 1261837GT | SCREW, THM, TORX, M6X25, ZAB                                     | 8    |
| 14   | 231513GT  | NUT,TL FLG,M6-1.0,DIN6927,10,Z                                   | 4    |
| 15   | 1256054GT | HANDLE,YELLOW LOCKING,CODE 455                                   | 2    |
| 15-  | 37947GT   | KEYS,10 PACK***<br>sold separately                               |      |
| 15-  | 83093GT   | KEY SINGLE***<br>sold separately                                 |      |
| 16   | 230073GT  | SPRING CLIP,M6-1.0,0.8-4.0X13.5,ZAB                              | 4    |
| 17   | 824089GT  | SCREW,HHF,3/8-16X.75,8,ZAG                                       | 28   |
| 18   | 1263077GT | TUBE, BRACKET, HINGE, FRONT                                      | 2    |
| 19   | 1256607GT | SNAP RING,EXTERNAL,1/2,ZAG                                       | 8    |
| 20   | 1256392GT | PIN,HINGE,0.5 X 2.56LG,2 RING                                    | 4    |
| 21   | 1256393GT | MACHINED,HINGE,1X1X4.25,0.5 PI                                   | 4    |
| 22   | 1256394GT | MACHINED,HINGE,1X1X5.25,0.5 PI                                   | 4    |
| 23A  | 1264749GT | WELDMENT, COVER SUPPORT, ENGIN                                   | 1    |
| 23B  | 1264745GT | WELDMENT, COVER SUPPORT, TANK-                                   | 1    |

309.1 Turntable Cover





309.1 Turntable Cover

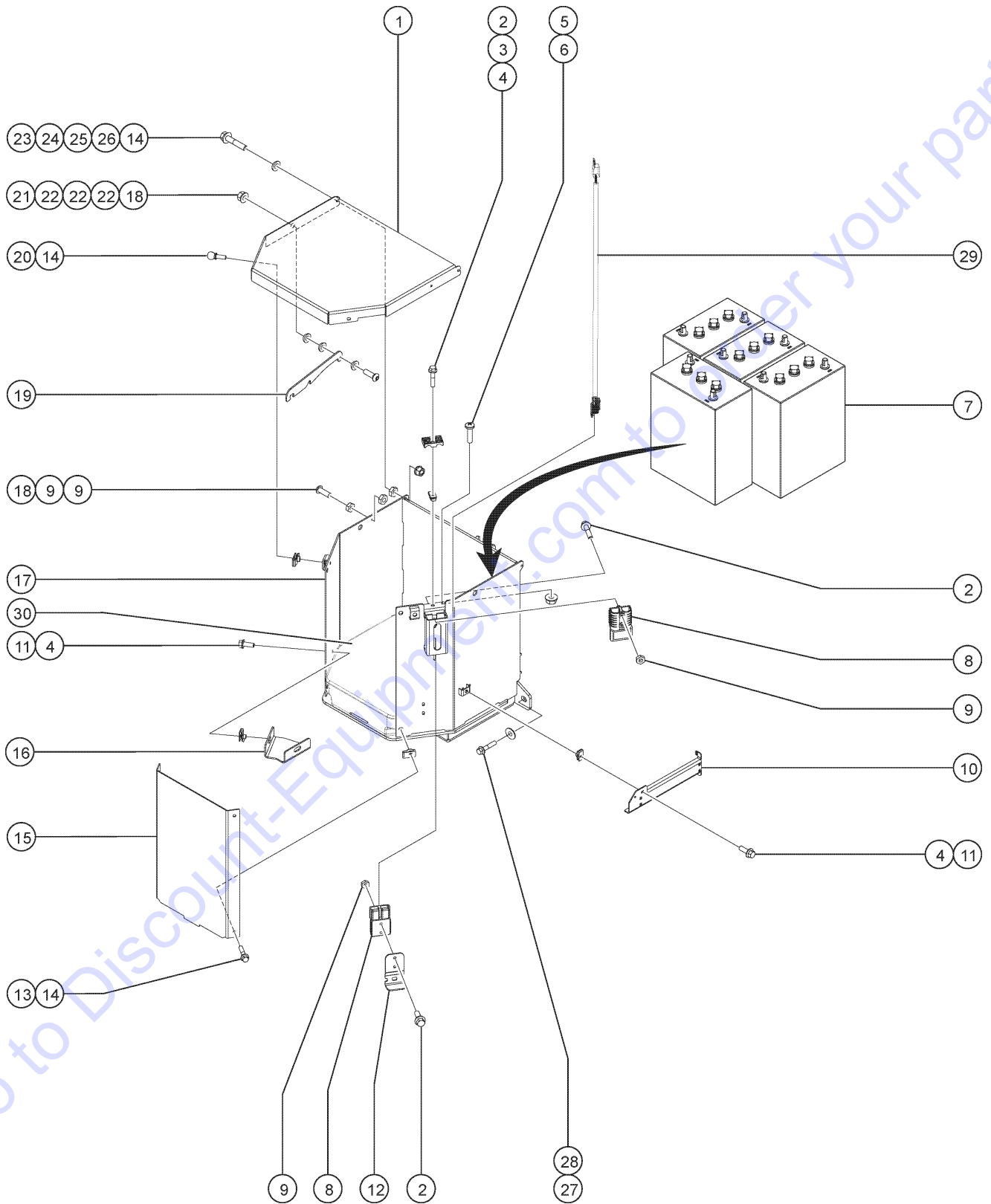
| Item | Part No.  | Description                                | Qty. |
|------|-----------|--|------|
| 24   | 1262211GT | FORMING, LATCH TRIGGER, ES .....           | 2    |
| 25   | 824059GT  | SCREW,HHC,1/4-20X.75,8,ZAG .....           | 4    |
| 26   | 1256679GT | NUT,SERRATED,1/4-20,8,ZAG .....            | 4    |
| 27   | 215254GT  | LATCH,ROTARY,ENGINE COVER .....            | 2    |
| 28   | 824087GT  | SCREW,HHF,5/16-18X1.25,8,ZAG .....         | 4    |
| 29A  | 1264750GT | WELDMENT, COVER SUPPORT, ENGIN .....       | 1    |
| 29B  | 1264746GT | WELDMENT, COVER SUPPORT, TANK- .....       | 1    |
| 30   | 231532GT  | SCREW,HHF,M6-1.0X20,DIN6921,10.9,ZAB ..... | 4    |
| 31   | 33555GT   | BALL STUD** .....                          | 8    |
| 32   | 106069GT  | STRUT,GAS,200 LB*** .....                  | 4    |
| 33   | 825358GT  | WASHER,FLAT,5/16,USS,ZAG .....             | 4    |
| 34   | 11978GT   | WASHER,FLAT,NYLON.515X.88X.093 .....       | 4    |
| 35   | 1262440GT | BAR, MACHINED, SLIDER, STRUT M .....       | 2    |

Go to Discount-Equipment.com to order your parts





310.1 Battery Box Assembly

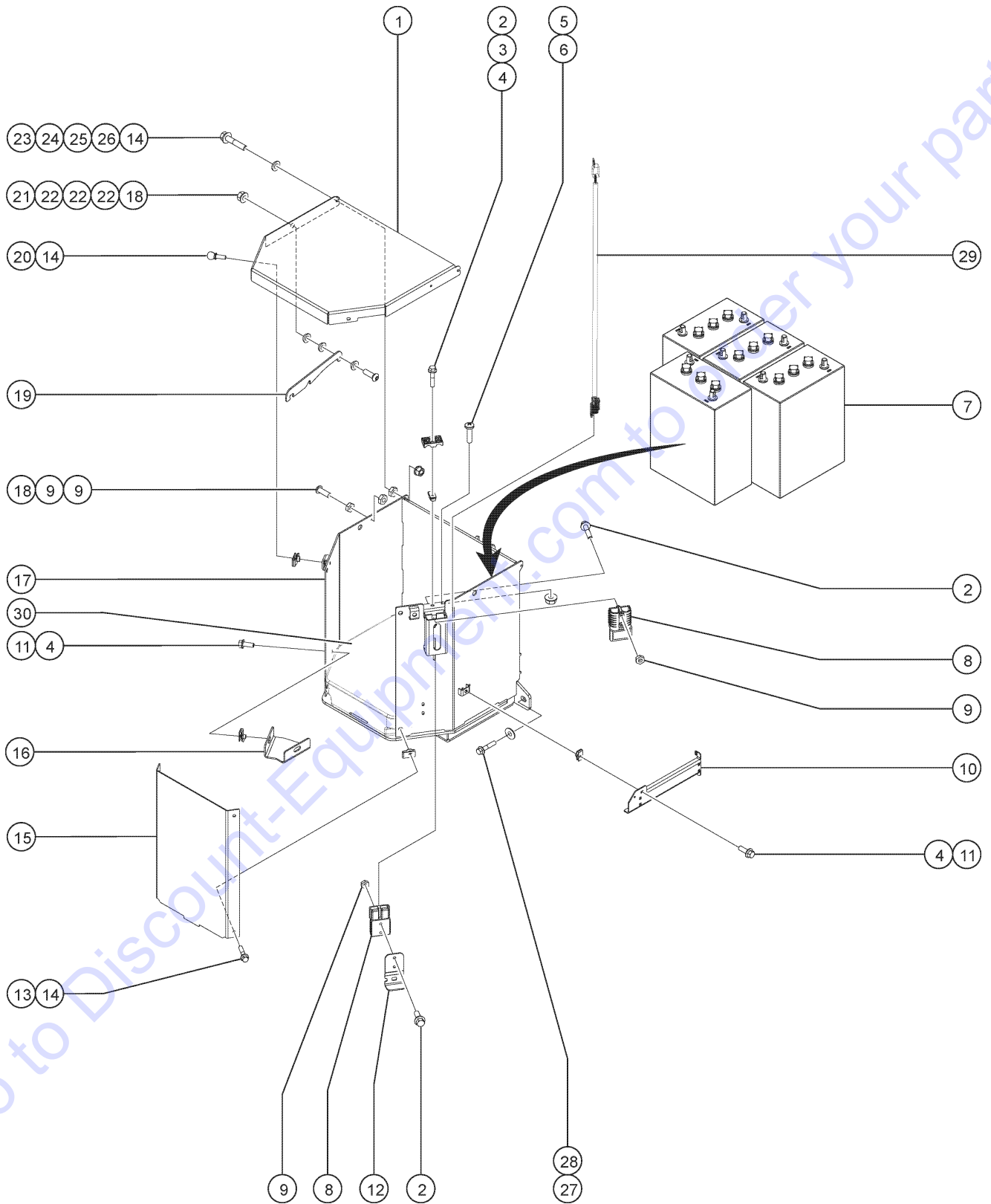


310.1 Battery Box Assembly

| Item | Part No.  | Description   | Qty. |
|------|-----------|---|------|
| 1    | 1275047GT | FORMING, LID, BATTERY BOX .....   | 1    |
| 2    | 824080GT  | SCREW,HHF,1/4-20X1.25,8,ZAG .....   | 7    |
| 3    | 78736GT   | CLAMP,2 HOSE,PLASTIC,5/8 .....  | 1    |
| 4    | 56912GT   | SPRING CLIP,1/4-20,.025-.15X.54,ZAG .....                                       | 7    |
| 5    | 824215GT  | SCREW,PHPM,10-32X.75,ZAG .....  | 1    |
| 6    | 824032GT  | NUT,TL FLG,10-32,F,ZAG .....  | 1    |
| 7A   | 56461GT   | BATTERY, 390AH L16,WET<br>Wet battery (4 on each side of machine) .....         | 4    |
| 7B   | 823684GT  | BATTERY,AGM,6V/390A,L16<br>AGM/Sealed battery (4 on each side of machine) ..... | 4    |
| 8    | 19436GT   | CONNECTOR,ANDERSON SB 175,1/0G .....  | 2    |
| 9    | 824037GT  | NUT,HH JAM,1/4-20,A,ZAG .....   | 8    |
| 10   | 1264134GT | FORMING, CABLE GUARD .....  | 1    |
| 11   | 824078GT  | SCREW,HHF,1/4-20X.75,8,ZAG .....  | 6    |
| 12   | 119787PGT | FORMING,BATTERY CONN HANDLE,PT .....  | 1    |
| 13   | 824090GT  | SCREW,HHF,3/8-16X1,8,ZAG .....  | 4    |
| 14   | 29868GT   | SPRING CLIP,3/8-16,.05-.20X.73,ZAG .....  | 14   |
| 15   | 1262654GT | FORMING, FRONT, BATTERY BOX .....   | 1    |
| 16   | 1264197GT | FORMING, LOCATOR, BATTERY .....   | 2    |
| 17   | 1275044GT | WELDMENT, BOX, BATTERY, L16 .....   | 1    |
| 18   | 1256124GT | SCREW,BHC,1/4-20X.75,F835,ZAG .....   | 2    |
| 19   | 1267262GT | PLATE, STRUT, BATTERY BOX .....   | 1    |
| 20   | 824228GT  | SCREW,THUMB,A-REG,3/8-16X1,ZAG .....  | 2    |
| 21   | 824027GT  | NUT,TL FLG,1/4-20,G,ZAG .....   | 3    |
| 22   | 15436GT   | WASHER,FLAT,NYLON.25 X.68 X.03 .....  | 5    |
| 23   | 1253478GT | SCREW,HHF,3/8-16X2,8,ZAG .....  |      |
| 24   | 1254061GT | SPACER,3/8ID X 3/4OD .....  |      |
| 25   | 824037GT  | NUT,HH JAM,1/4-20,A,ZAG .....   |      |
| 26   | 824027GT  | NUT,TL FLG,1/4-20,G,ZAG .....   |      |
| 27   | 1255761GT | WASHER,FLAT,3/4,USS,HRD,ZAG .....   |      |



310.1 Battery Box Assembly



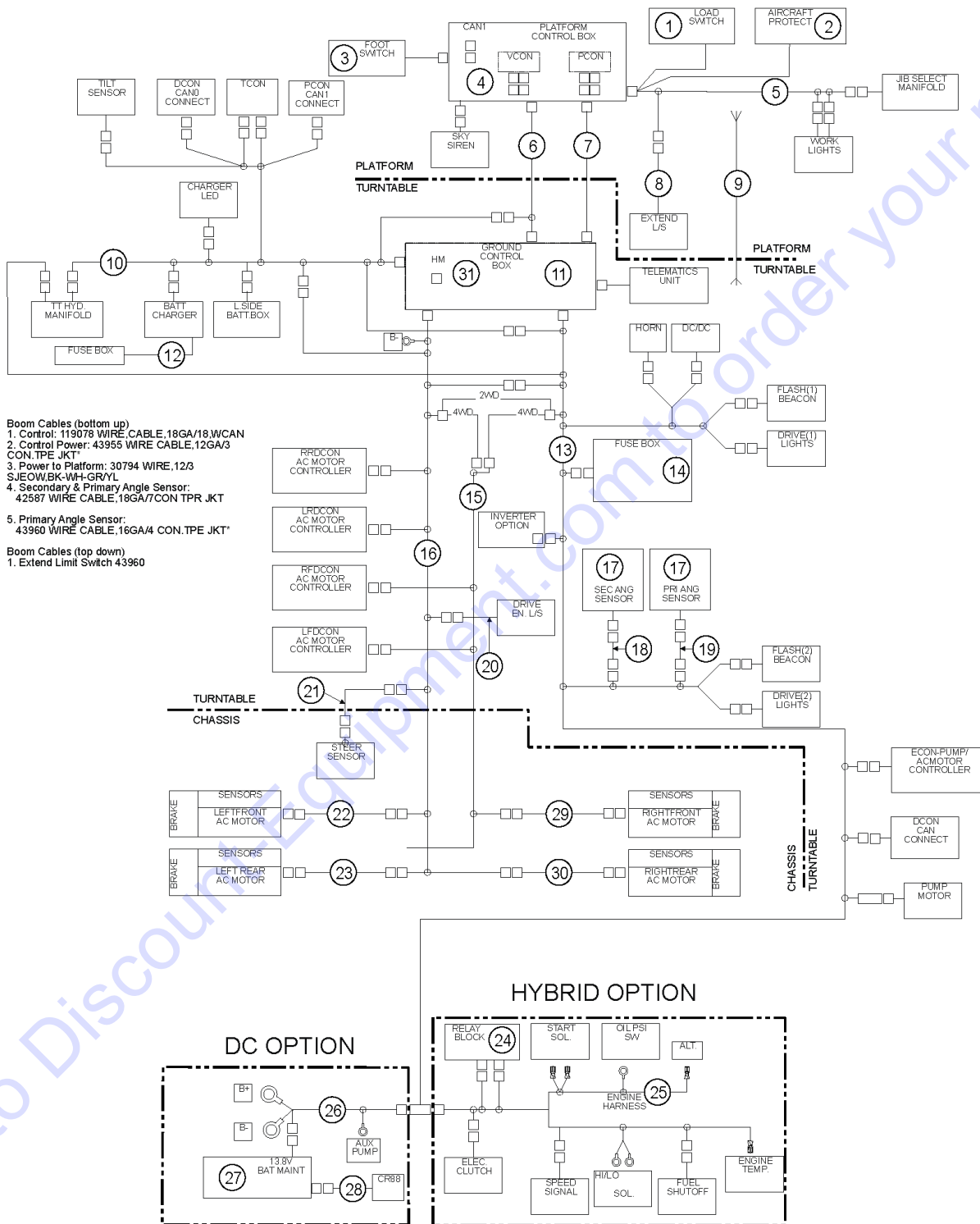
310.1 Battery Box Assembly

| <i>Item</i> | <i>Part No.</i> | <i>Description</i>                         | <i>Qty.</i> |
|-------------|-----------------|--|-------------|
| 28          | 1256126GT       | SCREW,HHF,5/8-11X2,8,ZAG .....             |             |
| 29          | 237312GT        | ASSEMBLY, BATTERY TEMPERATURE SENSOR ..... | 1           |
| 30          | 1270247GT       | CASTING, COUNTER WEIGHT, 400LB, Z60E ..... | 2           |

Go to Discount-Equipment.com to order your parts



311.1 Wire Harness Diagram

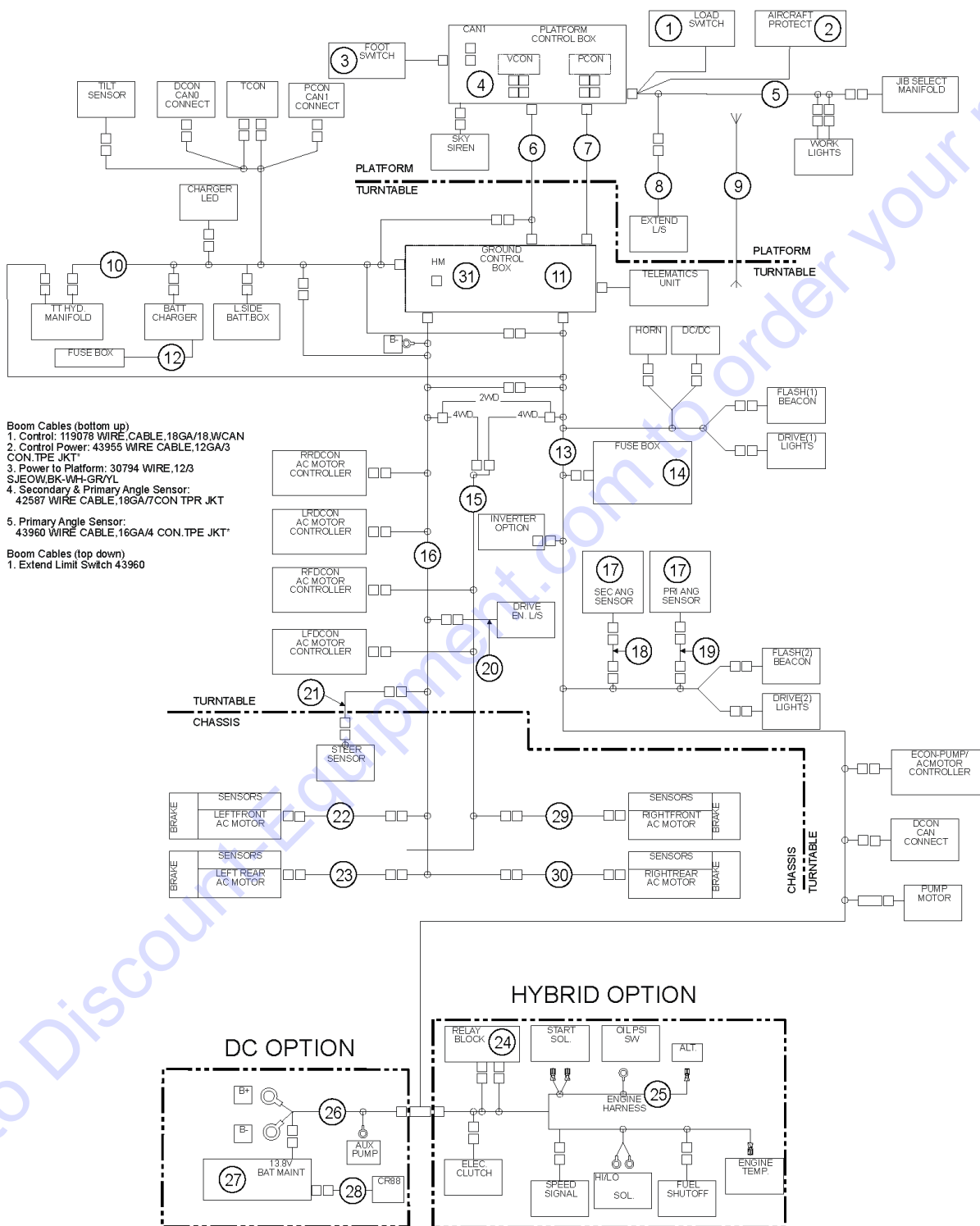


311.1 Wire Harness Diagram

| Item | Part No.  | Description                          | Qty. |
|------|-----------|--------------------------------------|------|
| 1    | 1263721GT | HARNESS, LOAD SENSE Z60/37 .....     | 1    |
| 2    | 1271407GT | ASSEMBLY, PROX. KILL .....           | 1    |
| 3    |           | Ref: Foot Switch .....               |      |
|      |           | refer to 602.1                       |      |
| 4    | 1293775GT | HARNESS, PLAT BOX, Z60/37 .....      | 1    |
| 5    | 1263718GT | HARNESS JIB SELECT MAN. ....         | 1    |
| 6    | 1263723GT | HARNESS BOOM CTRL CABLE Z60 .....    | 1    |
| 7    | 1263720GT | HARN,CABLE,DC POWER,Z60E .....       | 1    |
| 8    | 823975GT  | HARNESS,LS1 PRIMARY RETRACT .....    | 1    |
| 9    | 1270557GT | HARNESS POWER TO PLATFORM Z60/ ..... | 1    |
| 10   | 1263725GT | HARNESS FUNCTION MANIFOLD .....      | 1    |
| 11   | 1293770GT | HARNESS, GBOX, Z60/37 .....          | 1    |
| 12   | 1270153GT | HARN CHARGER CABLE 2/10GA .....      | 1    |
| 13   | 1263730GT | HARNESS, PUMP MOTOR CTRL .....       | 1    |
| 14   | 1263727GT | HARNESS, FUSE BOX, Z60/37 .....      | 1    |
| 15   | 1263728GT | HARNESS, MOTOR CTRL, FRONT .....     | 1    |
| 16   | 1263729GT | HARNESS, MOTOR CTRL, REAR .....      | 1    |
| 17   |           | Ref: Rotary Sensor .....             |      |
|      |           | refer to 502.1 and 503.1             |      |
| 18   | 1263722GT | HARN SEC ANG SENSOR PIGTAIL .....    | 1    |
| 19   | 1263724GT | HARN PRIM ANG SENSOR PIGTAIL .....   | 1    |
| 20   | 1269112GT | HARNESS, LS, OP, DRIVE ENABLE .....  | 1    |
| 21   | 1269681GT | HARN STEER SNR PIGTAIL EXTEND .....  | 1    |
| 22   | 1266533GT | HARN, MOTOR CONTROL CABLE (LF) ..... | 1    |
| 23   | 1268160GT | HARN, MOTOR CONTROL CABLE (LR) ..... | 1    |
| 24   |           | Ref: Fuse/Relay Module .....         |      |
|      |           | refer to 404.1                       |      |
| 25   | 1263731GT | HARNESS, ENGINE, Z60/37 FE .....     | 1    |
| 26   | 1263732GT | HARN,AUXILIARY POWER,Z60/37 DC ..... | 1    |
| 27   | 1267277GT | HARN,12V CHARGER BOX,Z60/37 DC ..... | 1    |
| 28   | 1265349GT | HARNESS ASSY,CHARGER RELAY BOX ..... | 1    |



311.1 Wire Harness Diagram



311.1 Wire Harness Diagram

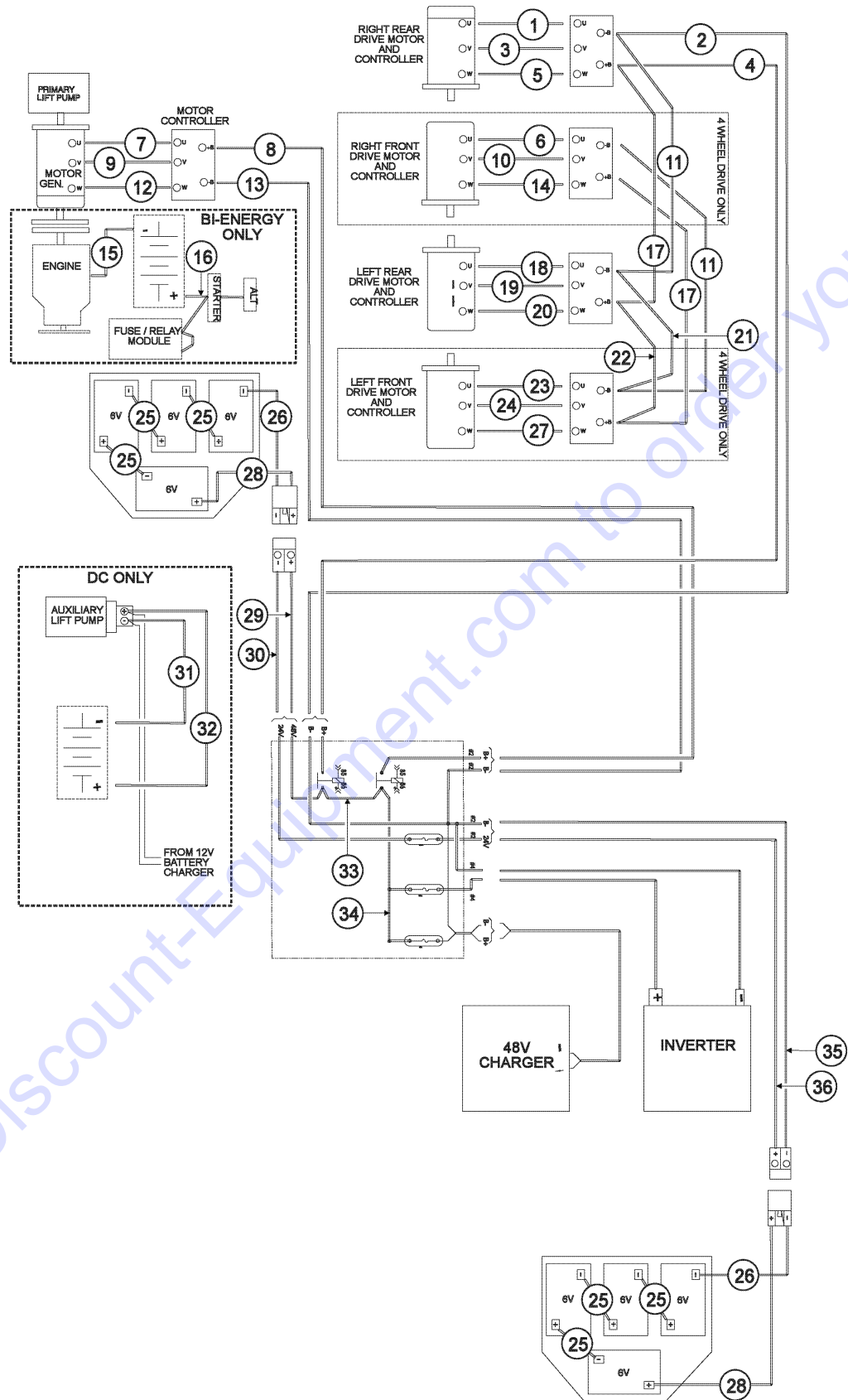
| <i>Item</i> | <i>Part No.</i> | <i>Description</i>                   | <i>Qty.</i> |
|-------------|-----------------|--------------------------------------|-------------|
| 29          | 1273632GT       | HARN, MOTOR CONTROL CABLE (RF) ..... | 1           |
| 30          | 1273633GT       | HARN, MOTOR CONTROL CABLE (RR) ..... | 1           |
| 31          | 1293797GT       | HARNES, TELEMATICS, Z-60 .....       | 1           |
|             |                 | For Track Unit ME501 Option          |             |

Go to Discount-Equipment.com to order your parts





312.1 Power Cable Diagram



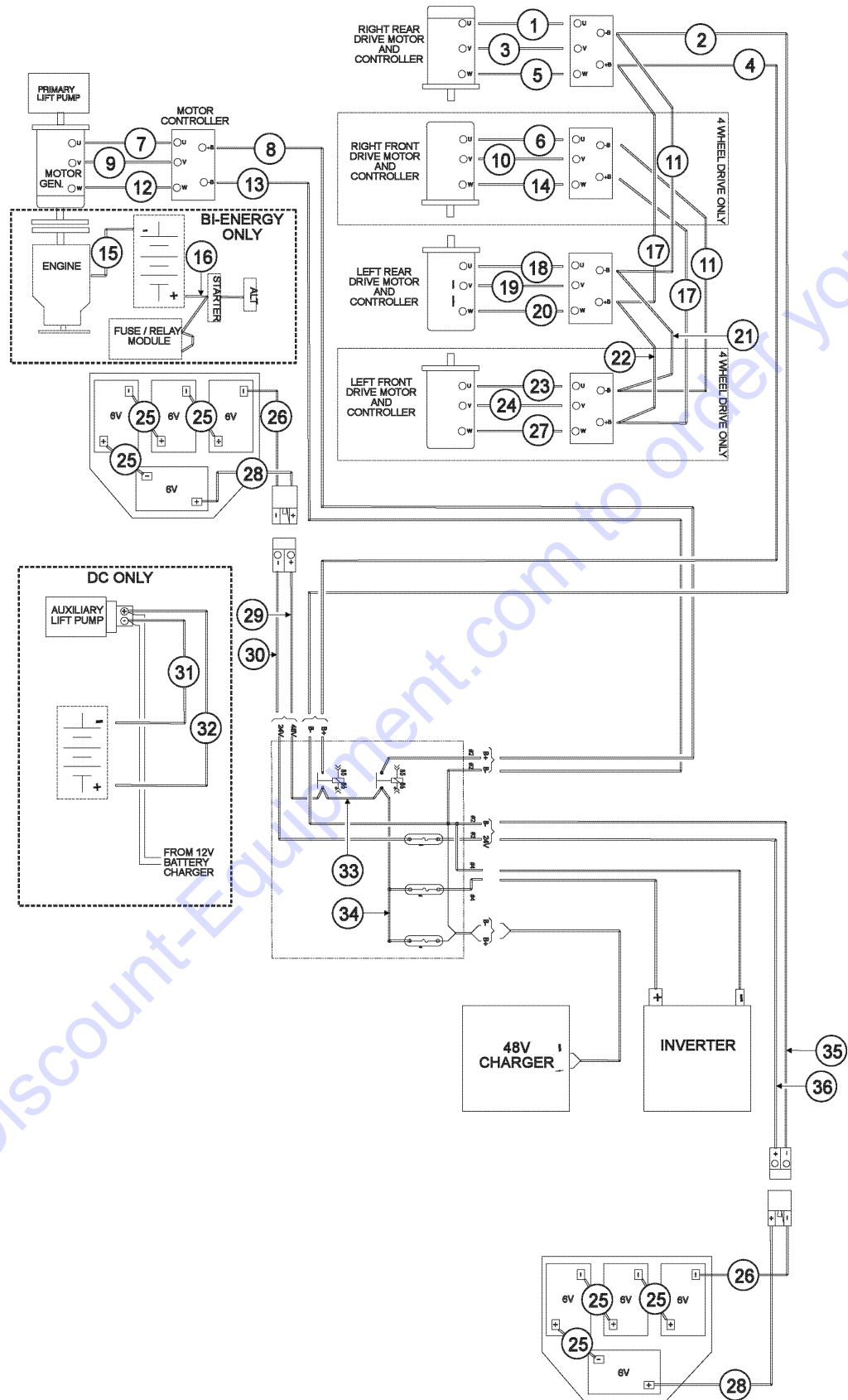
Go to Discount-Equipment.com to order your parts

312.1 Power Cable Diagram

| Item | Part No.  | Description   | Qty. |
|------|-----------|---|------|
| 1    | 1265296GT | CABLE ASSY, RR MOTOR CONTROLLER TO MOTOR U .....                    | 1    |
| 2    | 1265287GT | CABLE ASSY, FUSE BOX TO RR CONTROLLER B- .....                      | 1    |
| 3    | 1265297GT | CABLE ASSY, RR MOTOR CONTROLLER TO MOTOR V .....                    | 1    |
| 4    | 1265286GT | CABLE ASSY, FUSE BOX TO RR CONTROLLER B+ .....                      | 1    |
| 5    | 1265298GT | CABLE ASSY, RR MOTOR CONTROLLER TO MOTOR W .....                    | 1    |
| 6    | 1270523GT | CABLE ASSY,RF MOTOR CONTROLLER TO MOTOR U .....                     | 1    |
| 7    | 1265301GT | CABLE ASSY, MOTOR/GEN CONTROLLER TO MOTOR/GEN U .....               | 1    |
| 8    | 1265299GT | CABLE ASSY, FUSE BOX TO MOTOR/GEN CONTROLLER B+ .....               | 1    |
| 9    | 1265302GT | CABLE ASSY, MOTOR/GEN CONTROLLER TO MOTOR/GEN V .....               | 1    |
| 10   | 1270524GT | CABLE ASSY,RF MOTOR CONTROLLER TO MOTOR V .....                     | 1    |
| 11   | 1265295GT | CABLE ASSY, JUMPER, TRACTION CONTROLLER, B-,LONG .....              | 2    |
| 12   | 1265303GT | CABLE ASSY, MOTOR/GEN CONTROLLER TO MOTOR/GEN W .....               | 1    |
| 13   | 1265300GT | CABLE ASSY, FUSE BOX TO MOTOR/GEN CONTROLLER B- .....               | 1    |
| 14   | 1270525GT | CABLE ASSY,RF MOTOR CONTROLLER TO MOTOR W .....                     | 1    |
| 15   | 1265583GT | CABLE ASSY, ENGINE TO GROUND .....                                  | 1    |
| 16   | 1265580GT | CABLE ASSY, STARTER TO POWER .....                                  | 1    |
| 17   | 1265290GT | CABLE ASSY, JUMPER, TRACTION CONTROLLER, B+,LONG .....              | 2    |
| 18   | 1270520GT | CABLE ASSY,LR MOTOR CONTROLLER TO MOTOR U .....                     | 1    |
| 19   | 1270521GT | CABLE ASSY,LR MOTOR CONTROLLER TO MOTOR V .....                     | 1    |
| 20   | 1270522GT | CABLE ASSY,LR MOTOR CONTROLLER TO MOTOR W .....                     | 1    |
| 21   | 1265289GT | CABLE ASSY,JUMPER,TRACTION CONTROLLER,B-,SHORT .....                | 1    |
| 22   | 1265288GT | CABLE ASSY,JUMPER,TRACTION CONTROLLER,B+,SHORT .....                | 1    |
| 23   | 1270526GT | CABLE ASSY,LF MOTOR CONTROLLER TO MOTOR U .....                     | 1    |
| 24   | 1270527GT | CABLE ASSY,LF MOTOR CONTROLLER TO MOTOR V .....                     | 1    |
| 25   | 1265281GT | CABLE ASSY, BATTERY JUMPER .....                                    | 6    |
| 26   | 1265283GT | CABLE ASSY, BATTERY PACK TO QUICK DISCONNECT, RIGHT GROUND DC ..... | 2    |
|      |           | black/negative  |      |
| 27   | 1270528GT | CABLE ASSY,LF MOTOR CONTROLLER TO MOTOR W .....                     | 1    |
| 28   | 1265282GT | CABLE ASSY, BATTERY PACK TO QUICK DISCONNECT, RIGHT POWER DC .....  | 2    |
|      |           | red/positive  |      |



312.1 Power Cable Diagram



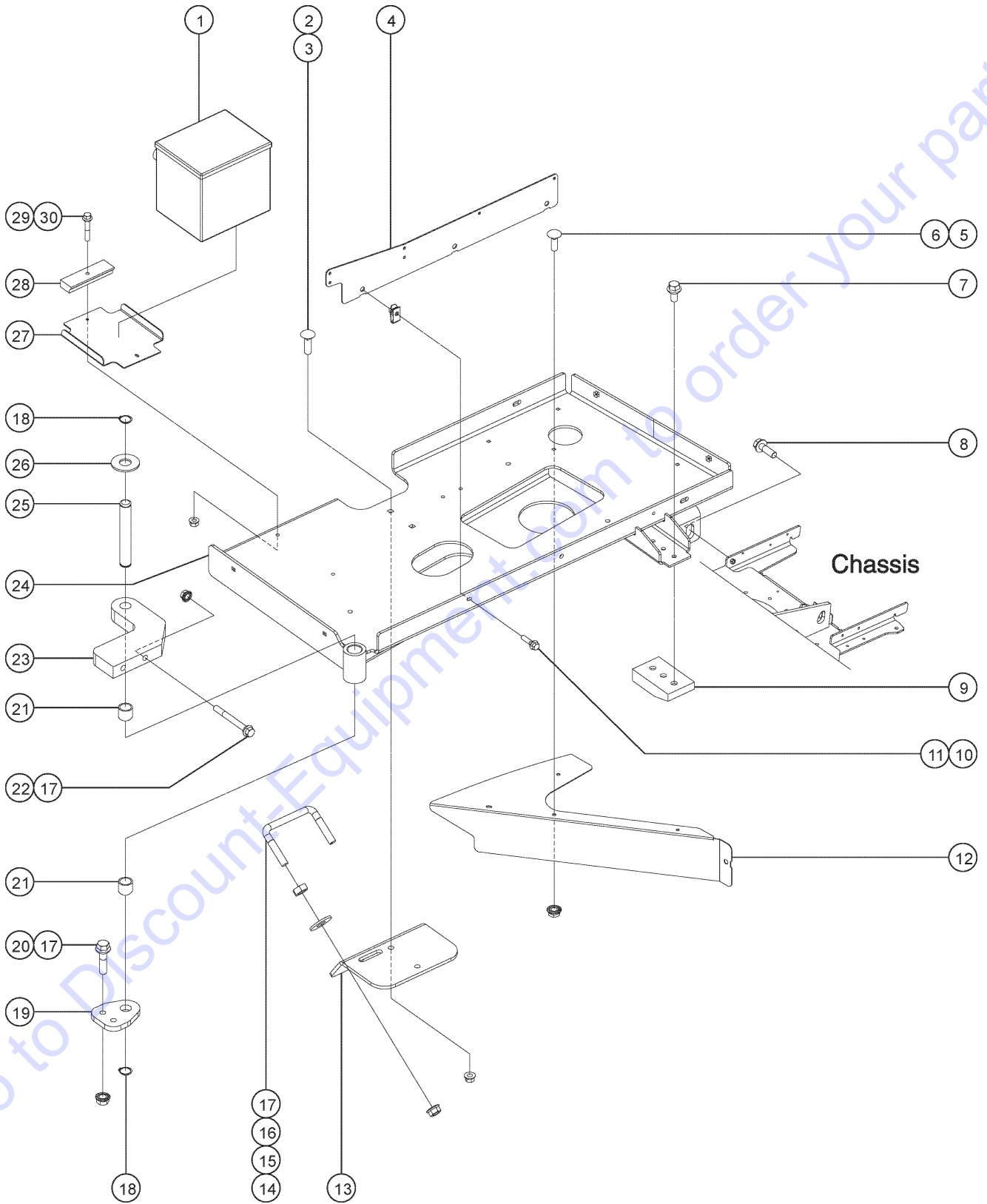
312.1 Power Cable Diagram

| <i>Item</i> | <i>Part No.</i> | <i>Description</i>   | <i>Qty.</i> |
|-------------|-----------------|--|-------------|
| 29          | 1265284GT       | CABLE ASSY, FUSE BOX TO QUICK DISCONNECT, RIGHT POWER .....    | 1           |
| 30          | 1265285GT       | CABLE ASSY, FUSE BOX TO QUICK DISCONNECT, RIGHT GROUND .....   | 1           |
| 31          | 1265291GT       | CABLE ASSY, AUX LIFT PUMPTO GROUND .....                       | 1           |
| 32          | 1265292GT       | CABLE ASSY, AUX LIFT PUMP TO POWER .....                       | 1           |
| 33          | 1265294GT       | CABLE ASSY, JUMPER MAIN CONTACTOR TO MOTOR/GEN CONTACTOR ..... | 1           |
| 34          | 1265293GT       | CABEL ASSY, JUMPER, MAIN CONTACTOR TO FUSE .....               | 1           |
| 35          | 1265308GT       | CABLE ASSY, FUSE BOX TO QUICK DISCONNECT, LEFT GROUND .....    | 1           |
| 36          | 1265307GT       | CABLE ASSY, FUSE BOX TO QUICK DISCONNECT, LEFT POWER .....     | 1           |

Go to Discount-Equipment.com to order your parts



401.1 Engine Tray

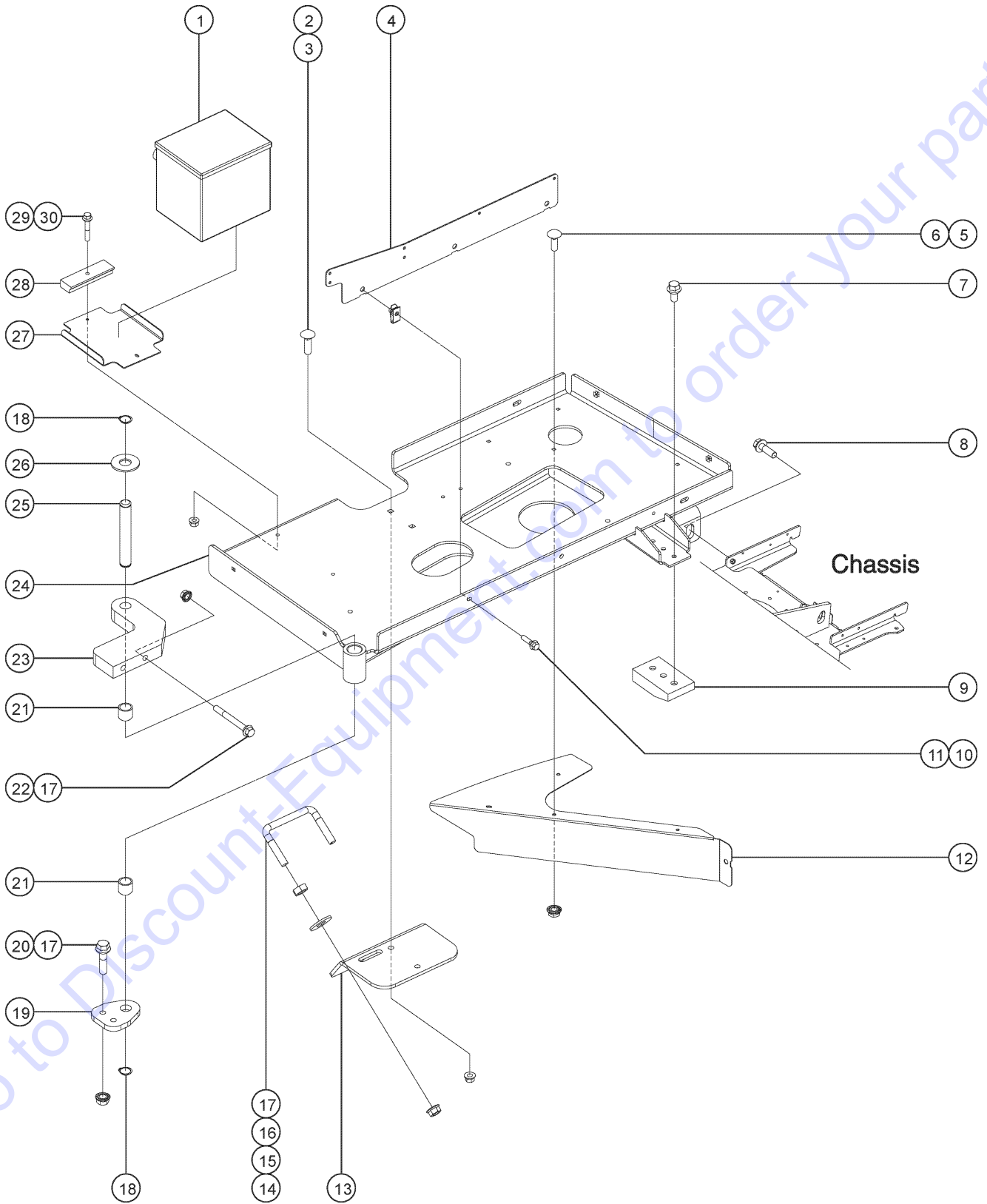


401.1 Engine Tray

| Item | Part No.  | Description   | Qty. |
|------|-----------|---|------|
| A    |           | Ref: Engine, Kubota D-1105D, HYB. ....<br>(refer to 402.1, 403.1 and 404.1) | 1    |
| 1    | 56050GT   | BATTERY,450 CCA*** .....  | 1    |
| 2    | 1255757GT | BOLT,CARRIAGE,3/8-16X1.25,5,ZAG .....                                       | 2    |
| 3    | 824029GT  | NUT,TL FLG,3/8-16,G,ZAG .....   | 2    |
| 4    | 1267795GT | PLATE, ENGINE TRAY FUEL HOSE MOUNT .....                                    | 1    |
| 5    | 824124GT  | BOLT,CARRIAGE,1/4-20X.75,5,ZAG .....  | 4    |
| 6    | 1256679GT | NUT,SERRATED,1/4-20,8,ZAG .....   | 4    |
| 7    | 824089GT  | SCREW,HHF,3/8-16X.75,8,ZAG .....  | 3    |
| 8    | 1256126GT | SCREW,HHF,5/8-11X2,8,ZAG .....  | 1    |
| 9    | 81522GT   | WEAR PAD,ENGINE TRAY .....  | 1    |
| 9-   | 48425GT   | NUT,FLG-LRG,3/8-16,YZ .....   | 2    |
| 10   | 824079GT  | SCREW,HHF,1/4-20X1,8,ZAG .....  | 3    |
| 11   | 56912GT   | SPRING CLIP,1/4-20,.025-.15X.54,ZAG .....                                   | 3    |
| 12   | 1266115GT | FORMING, ENGINE TRAY BAFFLE .....   | 1    |
| 13   | 1263651GT | FORMING, ENG SIDE, STRIKER MOUNTING BRACKET .....                           | 1    |
| 14   | 1259855GT | UBOLT, 0.4724 IN D X 4.0 IN L .....   | 1    |
| 15   | 1255804GT | NUT,JAM,1/2-13,A,ZAG .....  | 2    |
| 16   | 1255760GT | WASHER,FLAT,1/2,USS,ZAG .....   | 2    |
| 17   | 1261724GT | NUT,SERRATED,1/2-13,8,ZAG .....   | 6    |
| 18   | 1253843GT | SNAP RING,EXTERNAL,1.00,ZAG .....   | 2    |
| 19   | 1264821GT | MACHINED,ENGINE TRAY SUPPORT .....  | 1    |
| 20   | 1256172GT | SCREW,HHF,1/2-13X 2,8,ZAG .....   | 2    |
| 21   | 25817GT   | BEARING,1.00IDX1.25ODX1.00L .....   | 2    |
| 22   | 1255392GT | SCREW,HHF,1/2-13X4.5,8,ZAG .....  | 2    |
| 23   | 1264776GT | ENGINE TRAY UPPER MT., MACH. ....   | 1    |
| 24   | 1264805GT | WELDMENT,ENGINE TRAY,Z60E .....   | 1    |
| 25   | 30729GT   | PIN,1.00DIAx6.67LG,2RING .....  | 1    |
| 26   | 1256469GT | WASHER,FLAT,1.0,USS,ZAG .....   | 1    |



401.1 Engine Tray



401.1 Engine Tray

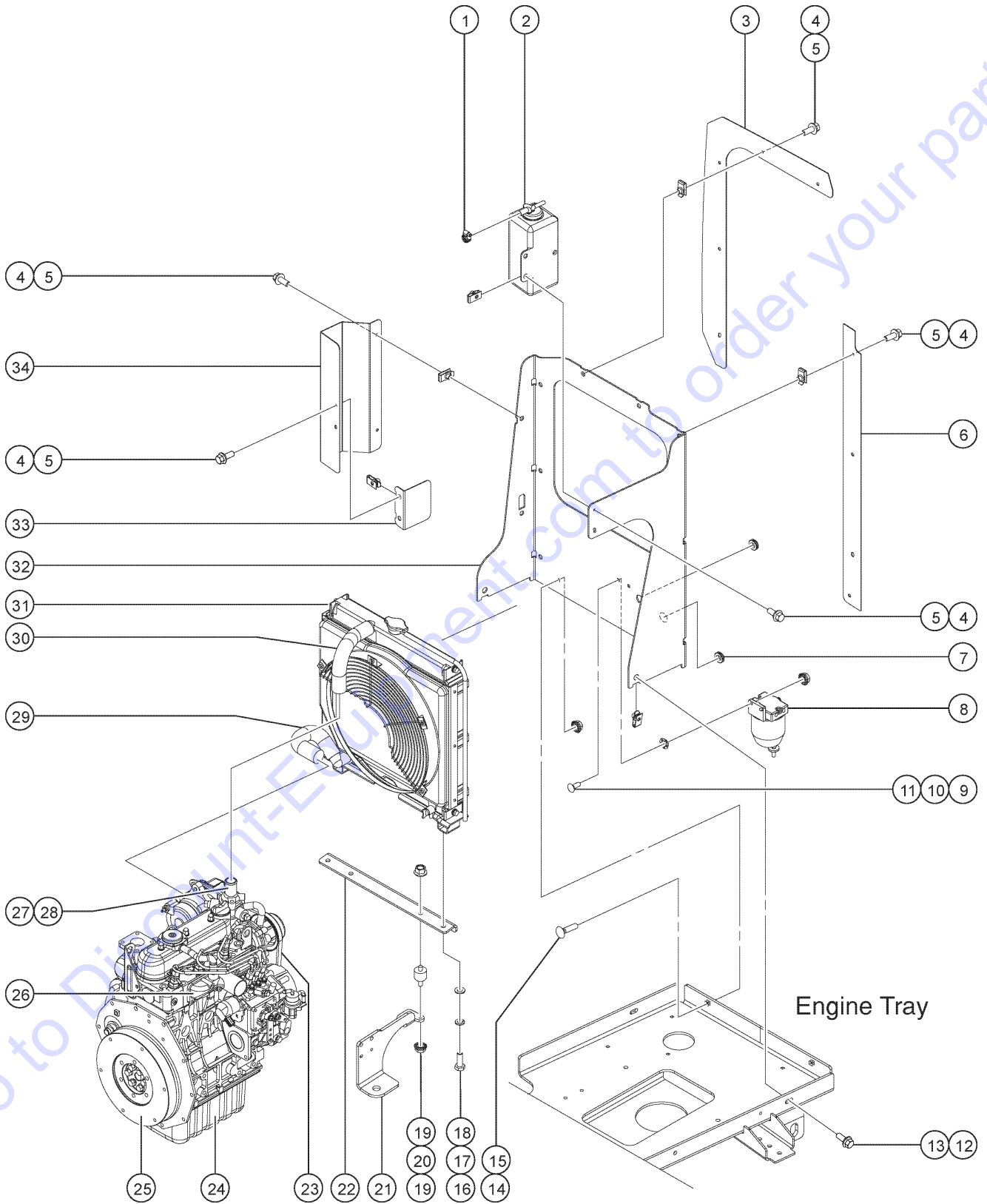
| <i>Item</i> | <i>Part No.</i> | <i>Description</i>               | <i>Qty.</i> |
|-------------|-----------------|----------------------------------|-------------|
| 27          | 1270488GT       | FORMING, BATTERY TRAY .....      | 1           |
| 28          | 60078GT         | BATTERY HOLD DOWN .....          | 2           |
| 29          | 824081GT        | SCREW,HHF,1/4-20X1.5,8,ZAG ..... | 2           |
| 30          | 824027GT        | NUT,TL FLG,1/4-20,G,ZAG .....    | 2           |

Go to Discount-Equipment.com to order your parts





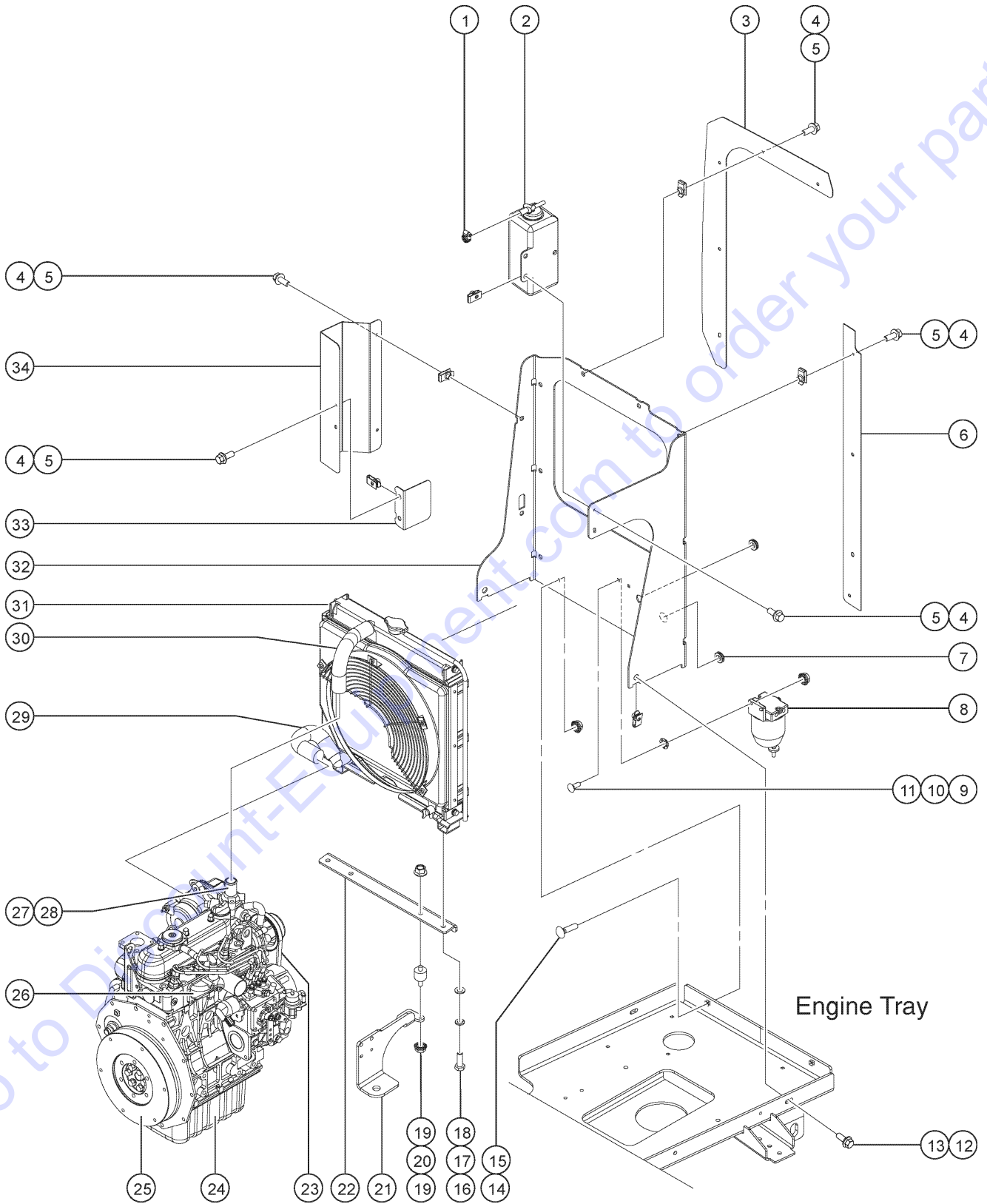
402.1 Kubota D1105-E4B, View 1



| Item | Part No.  | Description  | Qty. |
|------|-----------|--|------|
| A    |           | For internal engine parts, contact engine dealer ..... |      |
| A-   | 1262242GT | ENGINE, KUBOTA D1105, HYB. ....                        | 1    |
| A-   | 32189GT   | GASKET,VALVE COVER,KUBOTA D905 .....                   |      |
| A-   | 32199GT   | GASKET,WATER PUMP .....                                |      |
| A-   | 866070GT  | FUEL PUMP, MECHANICAL .....                            |      |
| A-   | 839233GT  | KUBOTA FUEL PUMP GASKET .....                          | 1    |
| A-   | 44181GT   | GASKET,VALVE COVER CAP, WG750 .....                    |      |
| A-   | 44191GT   | VALVE COVER, D905 .....                                |      |
| A-   | 44200GT   | SPEED CONTROL ASSY, D905 .....                         |      |
| A-   | 866040GT  | GASKET,SOLENOID,KUBOTA .....                           |      |
| A-   | 839119GT  | KUBOTA GLOW PLUG .....                                 |      |
| A-   | 62118GT   | JUMPER-GLOW PLUG .....                                 |      |
| A-   | 99199GT   | SOLENOID,KUBOTA D9/1105 SHTDWN .....                   |      |
| A-   | 101200GT  | FAN DRIVE PULLEY,KUBOTA .....                          |      |
| A-   | 101201GT  | WATER PUMP ASSY,KUBOTA .....                           |      |
| A-   | 101209GT  | NUT,EXHAUST MANIFOLD .....                             |      |
| A-   | 112500GT  | KIT,D-905 RADIATOR SUPPORT .....                       |      |
| A-   | 131379GT  | MANUAL,OPER,KUBOTA DIESEL**** .....                    |      |
| 1    | 21465GT   | CLAMP,HOSE,SIZE .25 TO .63 .....                       | 1    |
| 2    | 94532GT   | BOTTLE,COOLANT RECOVERY,1.4*** .....                   | 1    |
| 3    | 1266114GT | PLATE, RADIATOR, OUTER SEAL .....                      | 1    |
| 4    | 1256855GT | SCREW,HHF,1/4-20X5/8,ZAG .....                         | 15   |
| 5    | 56912GT   | SPRING CLIP,1/4-20,.025-.15X.54,ZAG .....              | 15   |
| 6    | 1266113GT | PLATE, RADIATOR, INNER SEAL .....                      | 1    |
| 7    | 231327GT  | GROMMET,9/16IDX7/8ODX3/16THK .....                     | 2    |
| 8    | 56949GT   | FILTER/SEPARATOR,FUEL DIESEL** .....                   | 1    |
| 9    | 1256127GT | BOLT,CARRIAGE,1/4-20X1,5,ZAG .....                     | 2    |
| 10   | 238135GT  | PUSHNUT RETAINER, 1/4" X 1/2"O .....                   | 2    |

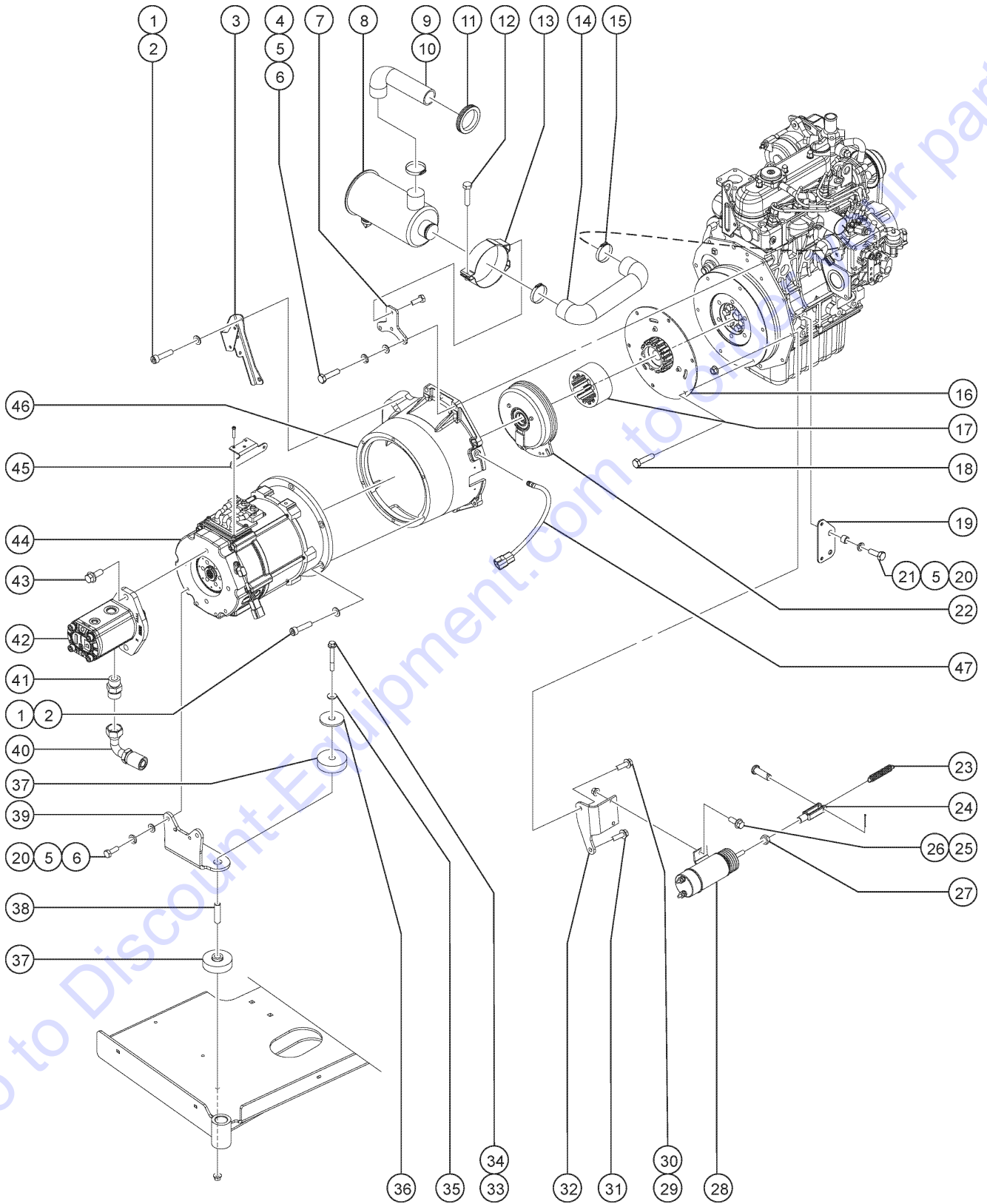


402.1 Kubota D1105-E4B, View 1



| Item | Part No.  | Description   | Qty. |
|------|-----------|---|------|
| 11   | 1256679GT | NUT,SERRATED,1/4-20,8,ZAG .....                     | 2    |
| 12   | 824091GT  | SCREW,HHF,3/8-16X1.25,8,ZAG .....                   | 2    |
| 13   | 29868GT   | SPRING CLIP,3/8-16,.05-.20X.73,ZAG .....            | 2    |
| 14   | 824125GT  | BOLT,CARRIAGE,3/8-16X1.5,ZAG .....                  | 2    |
| 15   | 1257628GT | NUT,SERRATED,3/8-16,ZAG .....                       | 2    |
| 16   | 824138GT  | SCREW,HHC,M10-1.25X30,DIN961,1 .....                | 2    |
| 17   | 824142GT  | WASHER,LOCK,M10,ZAB .....                           | 2    |
| 18   | 824145GT  | WASHER,FLAT,M10,DIN125,ZAB .....                    | 2    |
| 19   | 1255805GT | NUT,SERRATED,5/16-18,8,ZAG .....                    | 4    |
| 20   | 219437GT  | ISOLATOR, VIBRATION .....                           | 2    |
| 21   |           | Ref: Forming, Front Mount<br>(refer to 404.1) ..... | 1    |
| 22   | 139129GT  | MOUNT, RADIATOR, D1105 .....                        | 1    |
| 23   | 32196GT   | BELT,V, KUBOTA D905 .....                           | 1    |
| 24   | 139280GT  | OIL PAN .....                                       | 1    |
| 25   | 139274GT  | COMP. FLYWHEEL .....                                | 1    |
| 26   | 139273GT  | MANIFOLD, INLET .....                               | 1    |
| 27   | 139279GT  | THERMOSTAT COVER .....                              | 1    |
| 28   | 139278GT  | THERMOSTAT .....                                    | 1    |
| 29   | 1288003GT | HOSE,LOWER RAD,KUBOTA D1105 HYB .....               | 1    |
| 29-  | 32185GT   | CLAMP,HOSE<br>purchased separately .....            |      |
| 30   | 1288002GT | HOSE,UPPER RAD,KUBOTA D1105 HYB .....               | 1    |
| 30-  | 32185GT   | CLAMP,HOSE<br>purchased separately .....            |      |
| 31   | 112531GT  | RADIATOR ASSY,ALUM.D-905 .....                      | 1    |
| 31-  | 110523GT  | CAP,RADIATOR,AL,KUBOTA DF-752 .....                 |      |
| 32   | 1264777GT | FORMING,RAD.BAFFLE,Z60E .....                       | 1    |
| 33   | 1265737GT | FORMING, EXHAUST SHIELD BRACKET .....               | 1    |
| 34   | 1265736GT | FORMING, EXHAUST SHIELD .....                       | 1    |

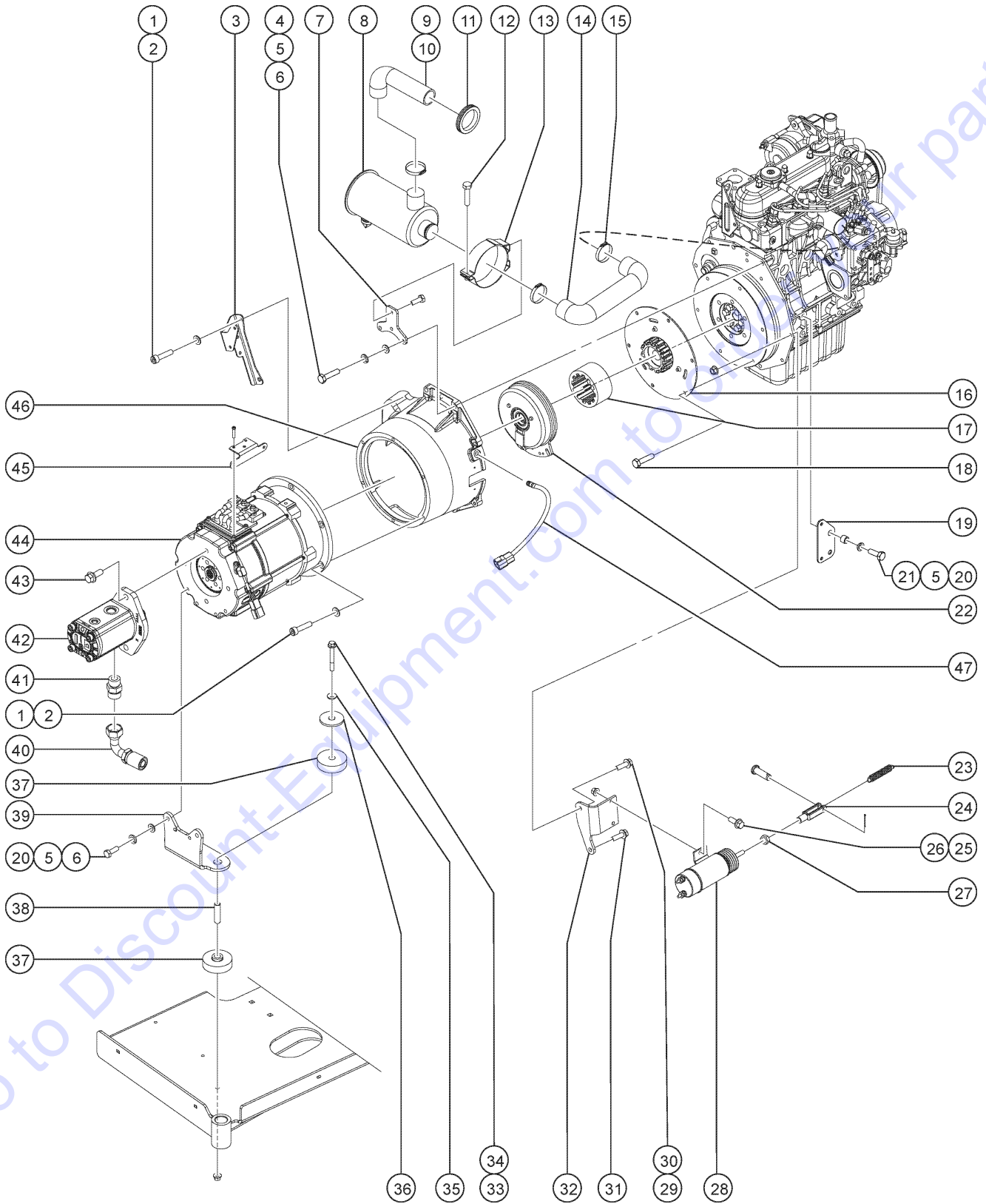
403.1 Kubota D1105-E4B, View 2



| Item | Part No.  | Description  | Qty. |
|------|-----------|--|------|
| A    |           | For internal engine parts, contact engine dealer ..... |      |
| 1    | 1256834GT | SCREW,SHC,M8-1.25X20, DIN912,12.9,ZAB .....            | 9    |
| 2    | 824144GT  | WASHER,FLAT,M8,DIN125,ZAB .....                        | 9    |
| 3    | 1266753GT | FORMING, STARTER CABLE AND HARNESS BRACKET .....       | 1    |
| 4    | 1274560GT | SCREW, HHC, M10 X 1.25 X 50 .....                      | 2    |
| 5    | 824142GT  | WASHER,LOCK,M10,ZAB .....                              | 8    |
| 6    | 824145GT  | WASHER,FLAT,M10,DIN125,ZAB .....                       | 6    |
| 7    | 74544GT   | BRKT. AIR CLEANER MOUNT .....                          | 1    |
| 8    | 32184GT   | AIR CLEANER KIT,KUBOTA D905 .....                      | 1    |
| 8-   | 31745GT   | FILTER,AIR,D905 .....                                  |      |
| 9    | 1270133GT | HOSE, INTAKE ELBOW .....                               | 1    |
| 10   | 35434GT   | CLAMP,HOSE,2.00*** .....                               | 1    |
| 11   | 55067GT   | GROMMET,RUBBER 3 X .19 X 3.5 .....                     | 1    |
| 12   | 101719GT  | SCREW,HHC,5/16-18 X 1.375 .....                        | 1    |
| 13   | 101204GT  | AIR CLEANER STAY .....                                 | 1    |
| 14   | 43700GT   | PIPE,INLET, D905 .....                                 | 1    |
| 15   | 62114GT   | CLAMP-HOSE, AIR CLEANER .....                          | 2    |
| 16   | 1264932GT | DRIVE FLANGE .....                                     | 1    |
| 17   | 1265592GT | SLEEVE, RUBBER COUPLING .....                          | 1    |
| 18   | 1257704GT | SCREW,HHC,M8-1.25X12,DIN933,10 .....                   | 6    |
| 19   | 1267796GT | PLATE, RETURN HOSE MOUNT .....                         | 1    |
| 20   | 824138GT  | SCREW,HHC,M10-1.25X30,DIN961,1 .....                   | 6    |
| 21   | 45400GT   | SPACER TUBE,.50 LG .....                               | 2    |
| 22   | 1264933GT | ASSEMBLY, 48V CLUTCH .....                             | 1    |
|      |           | includes 1286646                                       |      |
| 22-  | 1286646GT | HARNESS,48V CLUTCH ASSY .....                          |      |
|      |           | for 1264933  |      |
| 23   | 31379GT   | SPRING,TENSION-1.25 X.438 DIA .....                    | 1    |
| 24   | 21130GT   | CLEVIS YOKE-1/4-28,PLTD W/PIN .....                    | 1    |
| 25   | 824078GT  | SCREW,HHF,1/4-20X.75,8,ZAG .....                       | 2    |



403.1 Kubota D1105-E4B, View 2





| Item | Part No.  | Description                                 | Qty. |
|------|-----------|---|------|
| 26   | 824027GT  | NUT,TL FLG,1/4-20,G,ZAG .....               | 2    |
| 27   | 824041GT  | NUT, 1/4-28, 8, ZAG .....                   | 1    |
| 28   | 20780GT   | SOLENOID,2 SPEED TROMBETTA*** .....         | 1    |
| 29   | 237820GT  | SCREW,HHF,M8-1.25X40,DIN6921,10.9,ZAB ..... | 1    |
| 30   | 1256456GT | NUT,TL,M8-1.25,DIN980,10,ZAB .....          | 2    |
| 31   | 824133GT  | SCREW,HHF,M8-1.25X25,DIN6921,10.9,ZAB ..... | 1    |
| 32   | 74813GT   | ANGLE,SOLENOID MOUNT .....                  | 1    |
| 33   | 824095GT  | SCREW,HHF,3/8-16X3,8,ZAG .....              | 2    |
| 34   | 824029GT  | NUT,TL FLG,3/8-16,G,ZAG .....               | 2    |
| 35   | 825358GT  | WASHER,FLAT,5/16,USS,ZAG .....              | 2    |
| 36   | 824123GT  | WASHER,FLAT,.625X2.25X.188,ZAG .....        | 2    |
| 37   | 24037GT   | SHOCK MOUNT,LARGE** .....                   | 4    |
| 38   | 139230GT  | SPACER, SHOCK MOUNT .....                   | 2    |
| 39   | 1269479GT | FORMING, REAR GEN MOUNT .....               | 1    |
| 40   | 48846GT   | HOSE END,FEMSW,90D,ORFS,-12-12 .....        | 1    |
| 41   | 48960GT   | FITTING,CONN,520120-12 .....                | 1    |
| 42   |           | Ref: PUMP, GEAR, FUNCTION, Z60E .....       | 1    |
|      |           | (refer to 703.1)                            |      |
| 43   | 1255469GT | SCREW,HHF,1/2-13X1.25,8,ZAG .....           | 2    |
| 44   |           | Ref: MOTOR,AC,PUMP-GENERATOR .....          | 1    |
|      |           | (refer to 703.1)                            |      |
| 45   | 1267068GT | FORMING, GENERATOR HARNESS .....            | 1    |
| 46   | 1262208GT | BELLHOUSING HYBRID D1105 .....              | 1    |
| 47   | 1267984GT | ASSY, MAG SPEED PICKUP .....                | 1    |





# PARTS FINDER

**Search Website  
by Part Number**



**Search Manual  
Library For Parts  
Manual & Lookup Part  
Numbers – Purchase  
or Request Quote**

**Search Manuals**

Enter your information to help us find the right parts manual for your machine.

\* Brand:

\* Model:

\* Serial:

\* Part Number:

SEARCH

**Can't Find Part or  
Manual? Request Help  
by Manufacturer,  
Model & Description**

**Parts Order Form**

Please fill in the following information to help us find the right part for your machine.

|               |                      |
|---------------|----------------------|
| Manufacturer: | <input type="text"/> |
| Model:        | <input type="text"/> |
| Description:  | <input type="text"/> |
| Part Number:  | <input type="text"/> |
| Quantity:     | <input type="text"/> |
| Notes:        | <input type="text"/> |

REQUEST HELP

Discount-Equipment.com is your online resource for quality parts & equipment.

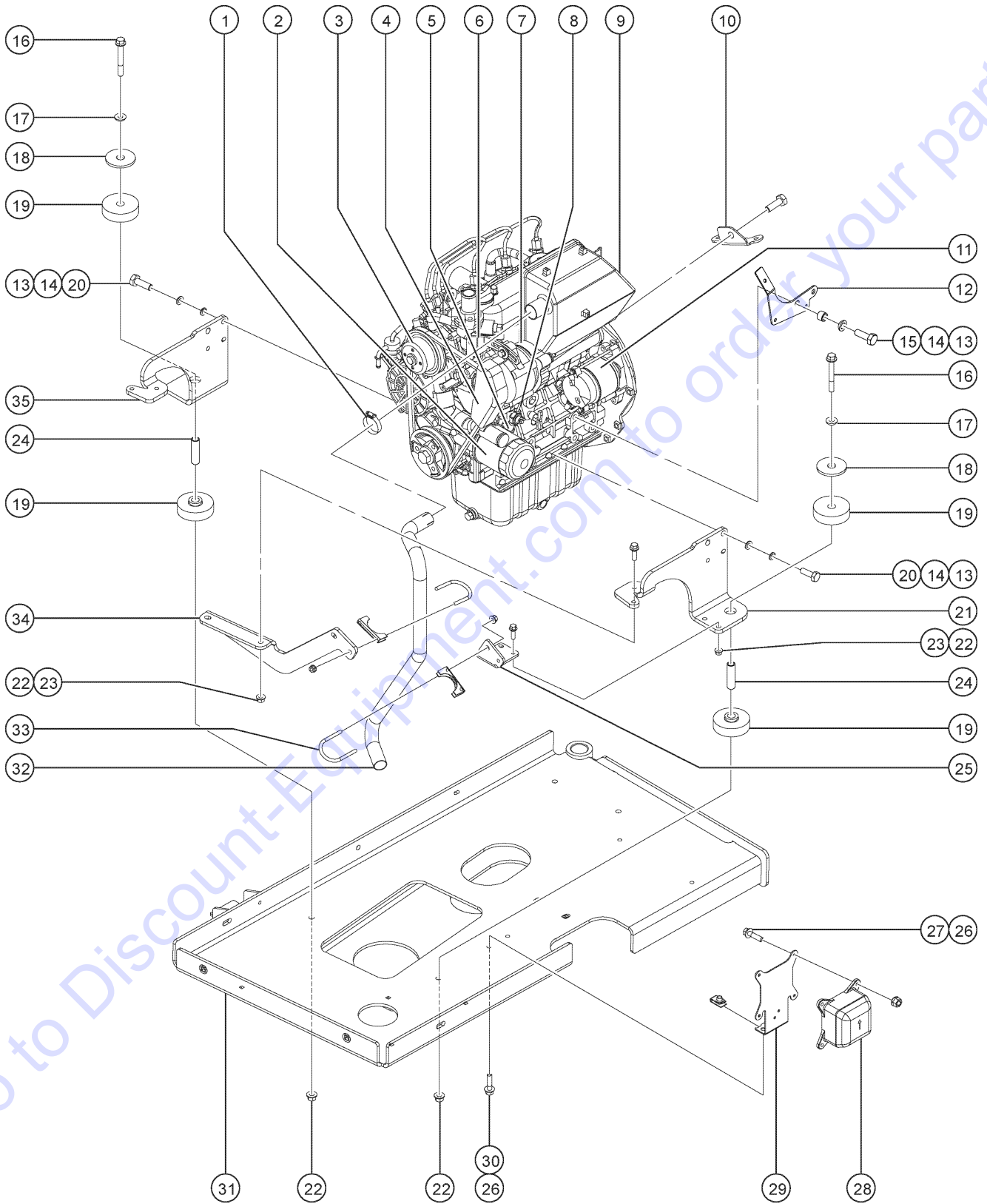
Florida: **561-964-4949** Outside Florida TOLL FREE: **877-690-3101**

**Need parts?**

Click on this link: <http://www.discount-equipment.com/category/5443-parts/> and choose one of the options to help get the right parts and equipment you are looking for. Please have the machine model and serial number available in order to help us get you the correct parts. If you don't find the part on the website or on one of the online manuals, please fill out the request form and one of our experienced staff members will get back to you with a quote for the right part that your machine needs.

We sell worldwide for the brands: Genie, Terex, JLG, MultiQuip, Mikasa, Essick, Whiteman, Mayco, Toro Stone, Diamond Products, Generac Magnum, Airman, Haulotte, Barreto, Power Blanket, Nifty Lift, Atlas Copco, Chicago Pneumatic, Allmand, Miller Curber, Skyjack, Lull, Skytrak, Tsurumi, Husquvarna Target, Stow, Wacker, Sakai, Mi-T-M, Sullair, Basic, Dynapac, MBW, Weber, Bartell, Bennar Newman, Haulotte, Ditch Runner, Menegotti, Morrison, Contec, Buddy, Crown, Edco, Wyco, Bomag, Laymor, EZ Trench, Bil-Jax, F.S. Curtis, Gehl Pavers, Heli, Honda, ICS/PowerGrit, IHI, Partner, Imer, Clipper, MMD, Koshin, Rice, CH&E, General Equipment, Amida, Coleman, NAC, Gradall, Square Shooter, Kent, Stanley, Tamco, Toku, Hatz, Kohler, Robin, Wisconsin, Northrock, Oztec, Toker TK, Rol-Air, APT, Wylie, Ingersoll Rand / Doosan, Innovatech, Con X, Ammann, Mecalac, Makinex, Smith Surface Prep, Small Line, Wanco, Yanmar

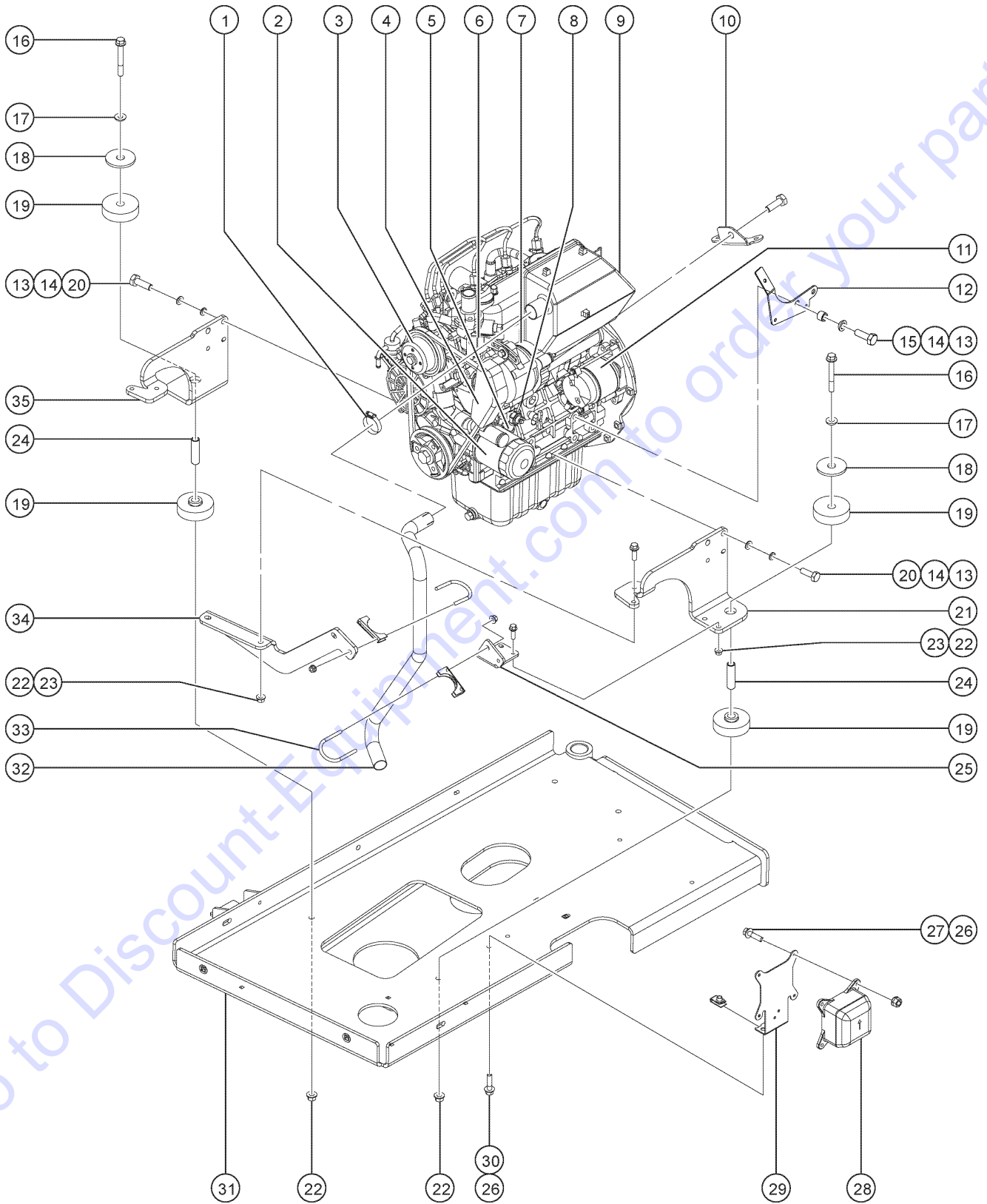
404.1 Kubota D1105-E4B, View 3



| Item | Part No.  | Description  | Qty. |
|------|-----------|--|------|
| A    |           | For internal engine parts, contact engine dealer .....           |      |
| A-   |           | FILTER,OIL,KUBOTA .....  |      |
| B-   | 32197GT   | FAN,KUBOTA D905 .....  |      |
| 1    |           | EXHAUST CLAMP 1 3/8<br>(component not currently available) ..... | 1    |
| 2    | 866050GT  | FILTER,OIL,KUBOTA .....  | 1    |
| 3    | 52531GT   | PULLEY,FAN,KUBOTA, D-905,GS68 .....                              | 1    |
| 4    | 131373GT  | COVER, FAN .....   |      |
| 5    | 231227GT  | DIPSTICK GUIDE,D-1105 .....                                      | 1    |
| 6    | 44195GT   | ALTERNATOR STAY, D905 .....                                      | 1    |
| 7    | 101203GT  | ALTERNATOR,40 AMP,INT REG .....                                  | 1    |
| 8    | 231226GT  | DIPSTICK,D-1105 .....  | 1    |
| 9    | 131378GT  | MUFFLER ASSEMBLY .....   | 1    |
| 10   | 1266969GT | FORMING, ALTERNATOR HARNESS MOUNT .....                          | 1    |
| 11   | 65837GT   | STARTER,KUBOTA D905 VERS 2*** .....                              | 1    |
| 12   | 1266970GT | FORMING, STARTER HARNESS MOUNT .....                             | 1    |
| 13   | 824138GT  | SCREW,HHC,M10-1.25X30,DIN961,1 .....                             | 12   |
| 14   | 824142GT  | WASHER,LOCK,M10,ZAB .....  | 12   |
| 15   | 45400GT   | SPACER TUBE, .50 LG .....  | 2    |
| 16   | 824095GT  | SCREW,HHF,3/8-16X3,8,ZAG .....                                   | 2    |
| 17   | 825358GT  | WASHER,FLAT,5/16,USS,ZAG .....                                   | 2    |
| 18   | 824123GT  | WASHER,FLAT,.625X2.25X.188,ZAG .....                             | 2    |
| 19   | 24037GT   | SHOCK MOUNT,LARGE** .....  | 4    |
| 20   | 824145GT  | WASHER,FLAT,M10,DIN125,ZAB .....                                 | 8    |
| 21   | 1269480GT | FORMING, FRONT MOUNT LEFT .....                                  | 1    |
| 22   | 824029GT  | NUT,TL FLG,3/8-16,G,ZAG .....                                    | 4    |
| 23   | 824091GT  | SCREW,HHF,3/8-16X1.25,8,ZAG .....                                | 4    |
| 24   | 139230GT  | SPACER, SHOCK MOUNT .....  | 2    |
| 25   | 1269481GT | FORMING, BRKT, EXHAUST LOWER .....                               | 1    |



404.1 Kubota D1105-E4B, View 3

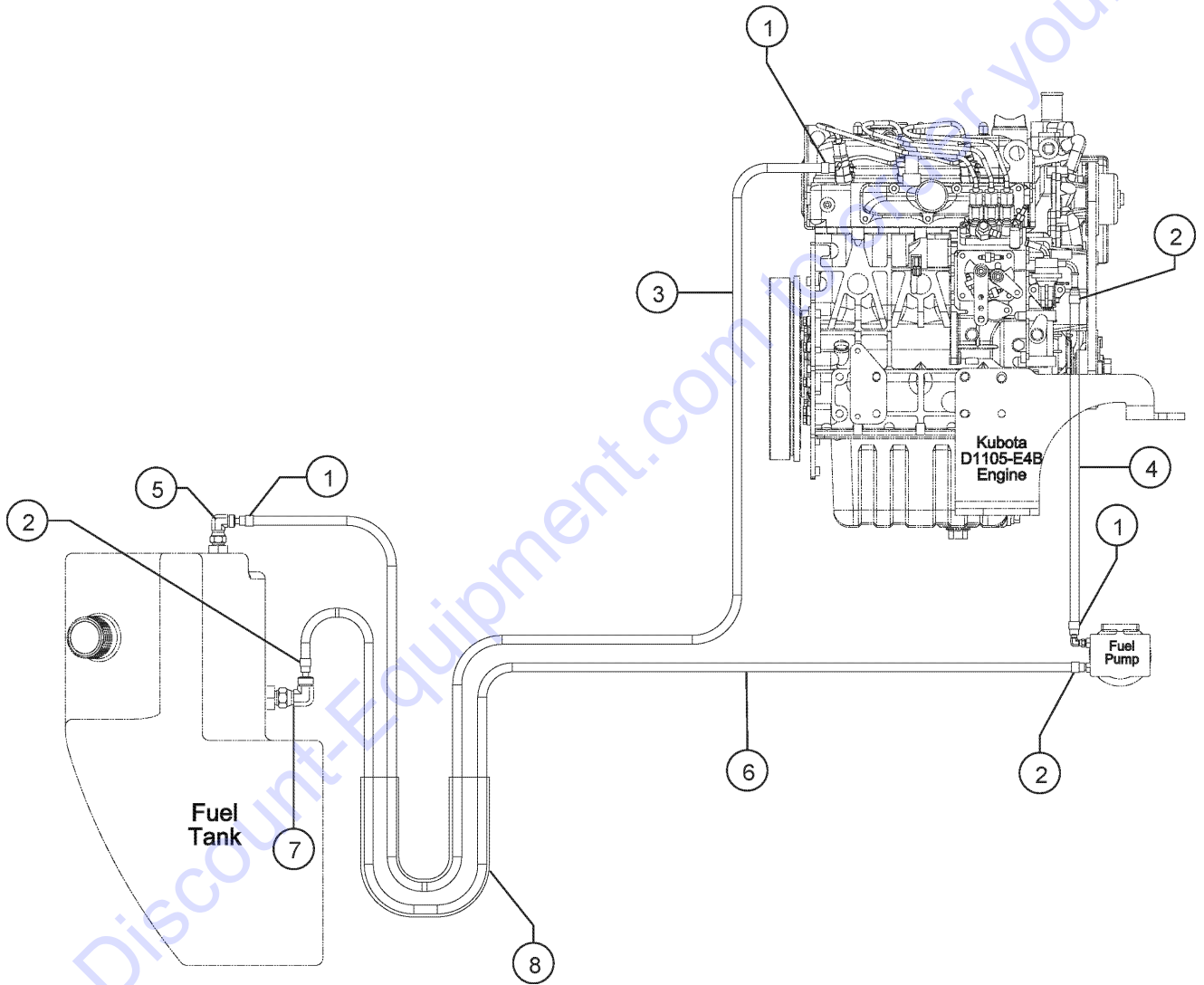


| Item | Part No.  | Description                               | Qty. |
|------|-----------|---|------|
| 26   | 824079GT  | SCREW,HHF,1/4-20X1,8,ZAG .....            | 6    |
| 27   | 824027GT  | NUT,TL FLG,1/4-20,G,ZAG .....             | 4    |
| 28   | 1263734GT | MODULE FUSE/RELAY K1105 Z60E .....        | 1    |
| 29   | 1264698GT | FORMING, FUSE BLOCK MT, Z60E .....        | 1    |
| 30   | 56912GT   | SPRING CLIP,1/4-20,.025-.15X.54,ZAG ..... | 2    |
| 31   |           | Ref. WELDMENT,ENGINE TRAY,Z60E .....      | 1    |
|      |           | (refer to 401.1)                          |      |
| 32   | 1264700GT | TAILPIPE, KUBOTA D1105, Z60E .....        | 1    |
| 33   |           | U BOLT .....                              | 2    |
|      |           | (component not currently available)       |      |
| 34   | 1266699GT | FORMING, BRKT, EXHAUST SPRT .....         | 1    |
| 35   | 1263650GT | FORMING, FRONT MOUNT .....                | 1    |

Go to Discount-Equipment.com to order your parts



405.1 Fuel Hoses and Fittings - Kubota D1105-E4B



Go to Discount-Equipment.com for your parts

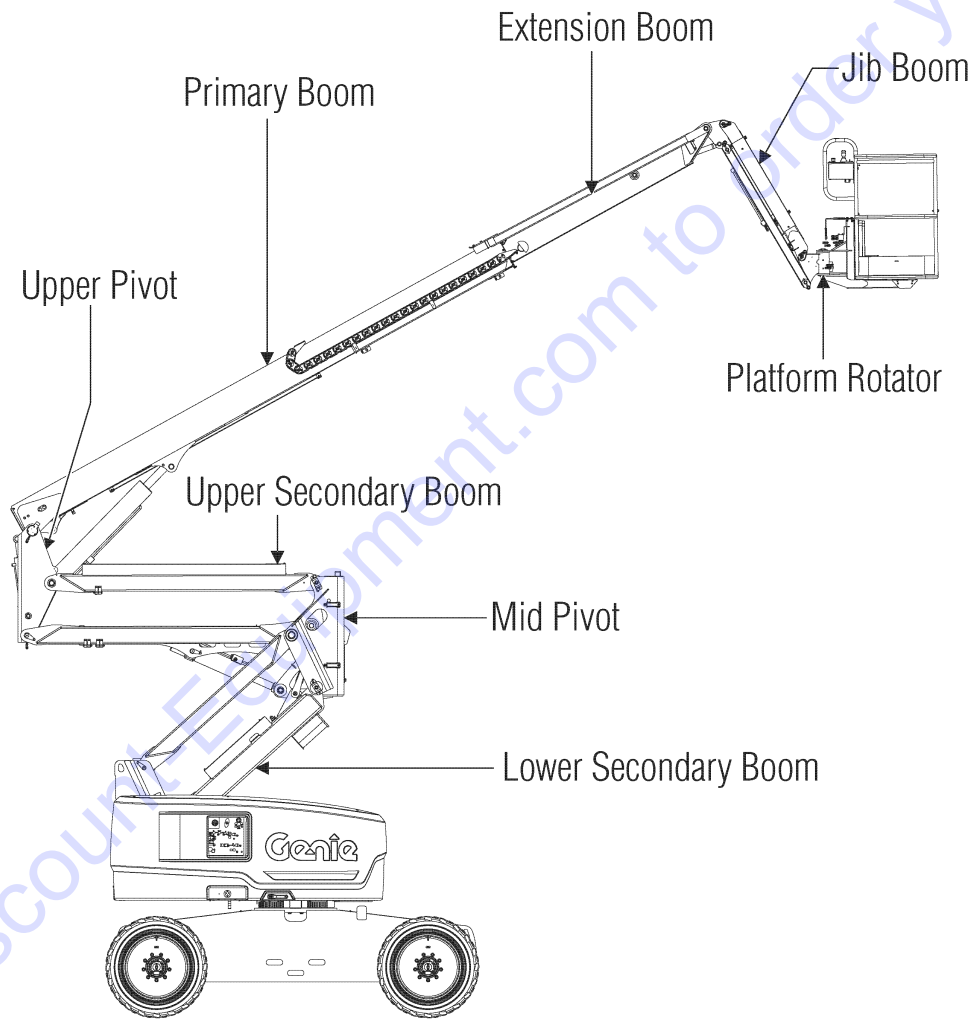
405.1 Fuel Hoses and Fittings - Kubota D1105-E4B

| <i>Item</i> | <i>Part No.</i> | <i>Description</i>                  | <i>Qty.</i> |
|-------------|-----------------|-------------------------------------|-------------|
| 1           | 31982GT         | CLAMP,HOSE,1 EAR, 15/32 .....       |             |
| 2           | 54123GT         | CLAMP,HOSE,1 EAR, 5/8 .....         |             |
| 3           | 35418GT         | HOSE,FUEL,3/16,SAE 30R7 .....       | 167         |
| 4           | 27089GT         | HOSE,5/16 FUEL,SAE 30R7 .....       | 16          |
| 5           | 824872GT        | FITTING,3/8NPT TO 3/16BARB,90 ..... |             |
| 6           | 27089GT         | HOSE,5/16 FUEL,SAE 30R7 .....       | 177         |
| 7           | 1270466GT       | FITTING,3/8NPT TO 5/16BARB,90 ..... |             |
| 8           | 48767GT         | SLEEVE,NYLON,1.42 ID .....          | 12          |

Go to Discount-Equipment.com to order your parts



500.1 Boom Layout



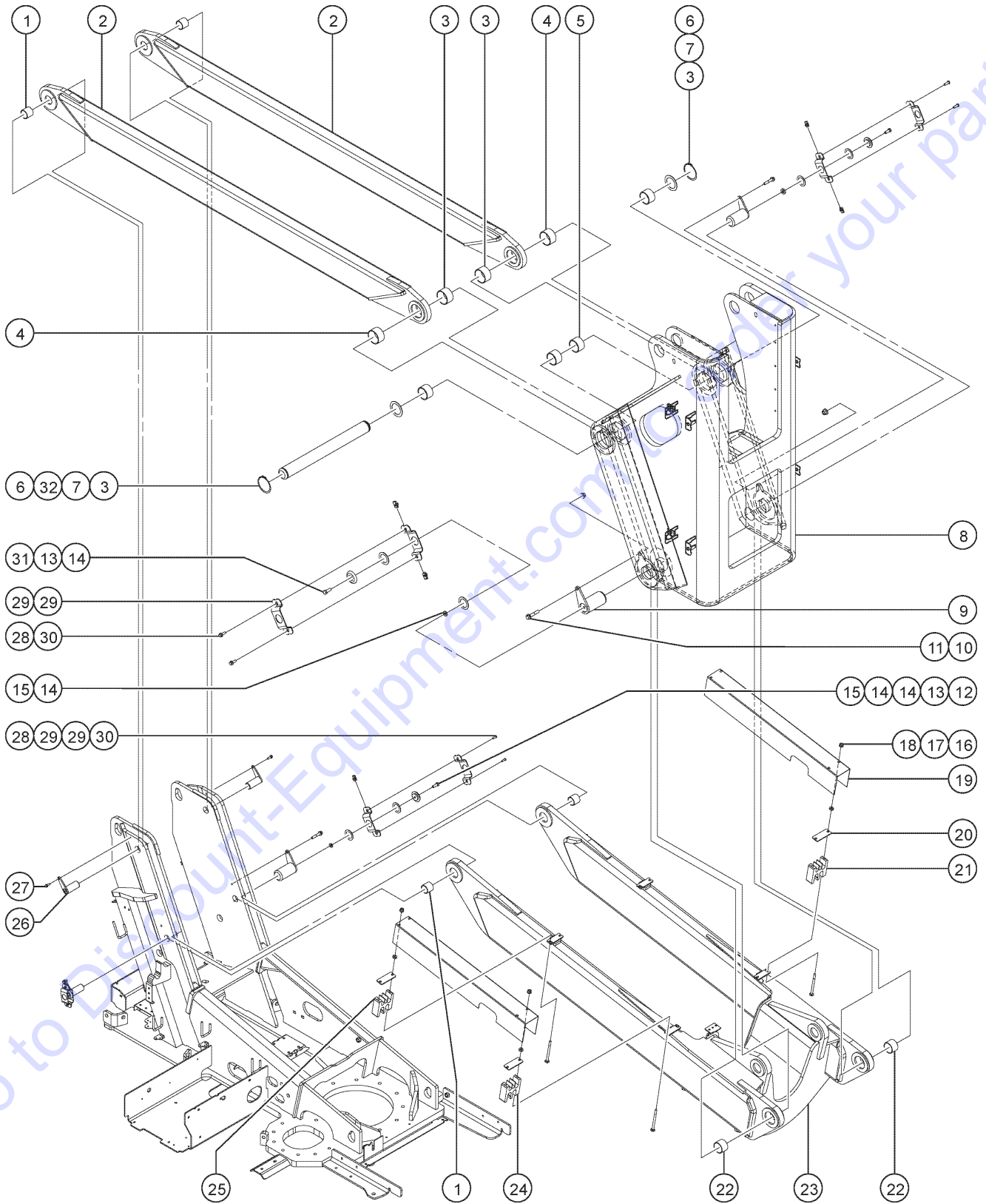


| <i>Item</i> | <i>Part No.</i> | <i>Description</i>                             | <i>Qty.</i> |
|-------------|-----------------|--|-------------|
| 1           |                 | Extension Boom .....<br>(refer to 505.1)       |             |
| 2           |                 | Jib Boom .....<br>(refer to 507.1)             |             |
| 3           |                 | Lower Secondary Boom .....<br>(refer to 501.1) |             |
| 4           |                 | Mid Pivot .....<br>(refer to 501.1 and 502.1)  |             |
| 5           |                 | Platform Rotator .....<br>(refer to 507.1)     |             |
| 6           |                 | Primary Boom .....<br>(refer to 505.1)         |             |
| 7           |                 | Upper Pivot .....<br>(refer to 503.1)          |             |
| 8           |                 | Upper Secondary Boom .....<br>(refer to 502.1) |             |

Go to Discount-Equipment.com to order your parts



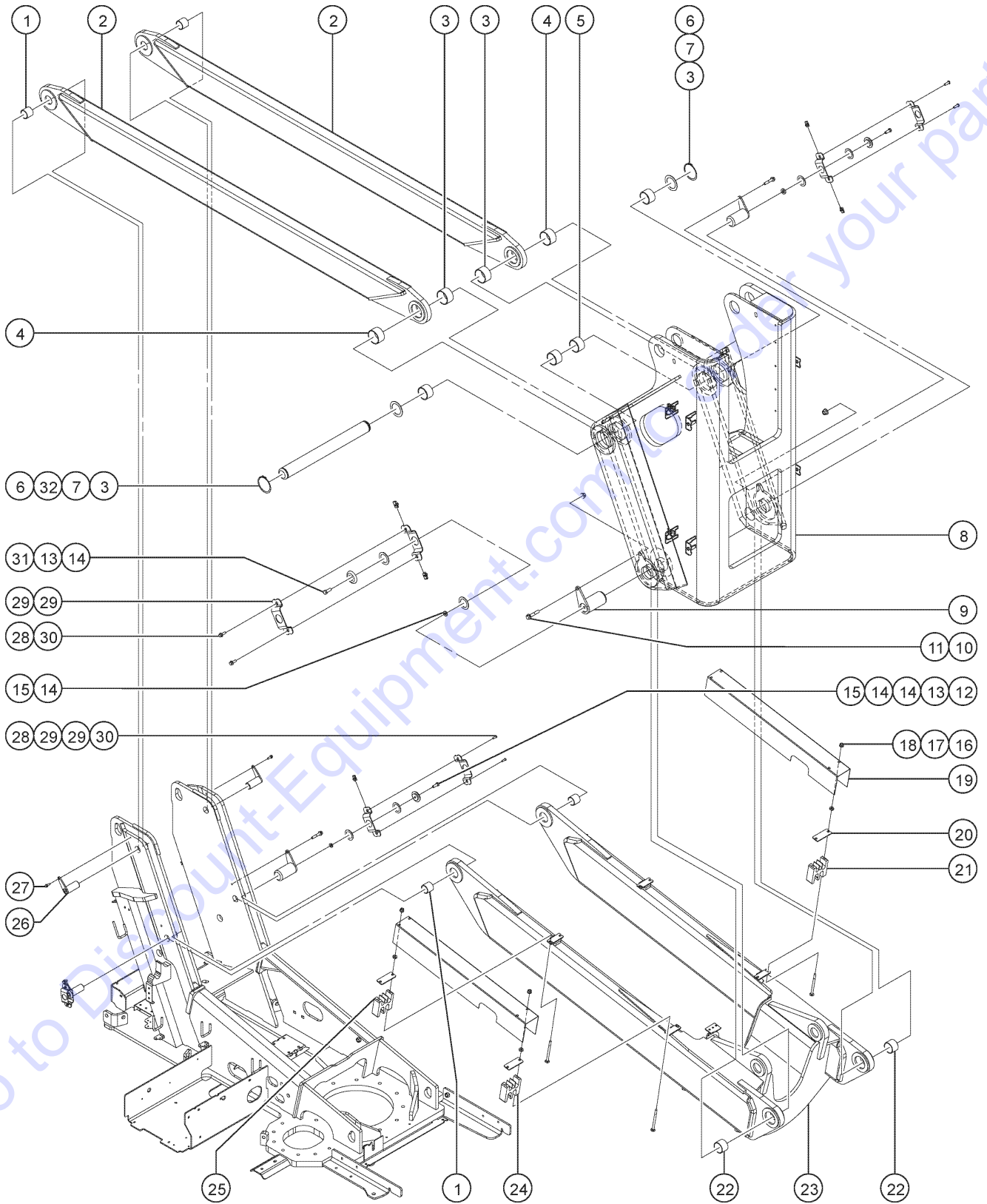
501.1 Secondary Boom, View 1



| Item | Part No.  | Description                                      | Qty. |
|------|-----------|--|------|
| 1    | 45071GT   | BEARING,1.5IDX1.75ODX1.5L .....                  | 4    |
| 2    | 1283648GT | ASSEMBLY, LOWER TENSION ARM, Z60/37 .....        | 2    |
| 3    | 824634GT  | BEARING,2.50IDX2.75ODX1.00L .....                | 4    |
| 4    | 27697GT   | BEARING,2.50IDX2.75ODX1.50L .....                | 2    |
| 5    | 27698GT   | BEARING,2.50IDX2.75ODX2.00L .....                | 2    |
| 6    | 825760GT  | SNAP RING,EXTERNAL,2.50,ZAG .....                | 2    |
| 7    | 1256111GT | WASHER,SHIM,2.5X4X.062,ZAG .....                 | 2    |
| 8    | 1267157GT | MACHINING, MIDPIVOT .....                        | 1    |
| 9    | 824639GT  | WELDMENT,PIN,2.00DIA.X3.875LG .....              | 2    |
| 10   | 1253478GT | SCREW,HHF,3/8-16X2,8,ZAG .....                   | 2    |
| 11   | 824029GT  | NUT,TL FLG,3/8-16,G,ZAG .....                    | 2    |
| 12   | 1256109GT | SCREW,HHC,3/8-16X.75,8,ZAG .....                 | 2    |
| 13   | 1254063GT | RETAINER,GUIDE CABLE .....                       | 4    |
| 14   | 1254060GT | WASHER,UHMW .....                                | 8    |
| 15   | 1254061GT | SPACER,3/8ID X 3/4OD .....                       | 4    |
| 16   | 824027GT  | NUT,TL FLG,1/4-20,G,ZAG .....                    | 8    |
| 17   | 824037GT  | NUT,HH JAM,1/4-20,A,ZAG .....                    | 8    |
| 18   | 1258730GT | BOLT,CARRIAGE,1/4-20X3.75,5,ZA .....             | 8    |
| 19   | 1261553GT | FORMING,COVER ARMS .....                         | 2    |
| 20   | 1261563GT | PLATE, CLAMP .....                               | 4    |
| 21   | 1265494GT | CLAMP, ELECTRICAL, Z60E .....                    | 2    |
| 22   | 18720GT   | BEARING,2.0IDX2.25ODX1.50L .....                 | 2    |
| 23   | 1283655GT | ASSEMBLY, Z60/37 LOWER COMP ARM W/BEARINGS ..... | 1    |
|      |           | (includes item 22, 1, p/n 824631)                |      |
| 23-  | 1283656GT | MACHINING, LOWER COMP. ARM Z60E .....            | 1    |
| 24   | 1257292GT | CLAMP-HOSES .....                                | 2    |
| 25   | 1258732GT | CLAMP-HOSES .....                                | 1    |
| 26   | 1254359GT | WELDMENT,PIN,1.5 DIA.X 3.75LG .....              | 4    |
| 27   | 824089GT  | SCREW,HHF,3/8-16X.75,8,ZAG .....                 | 4    |



501.1 Secondary Boom, View 1



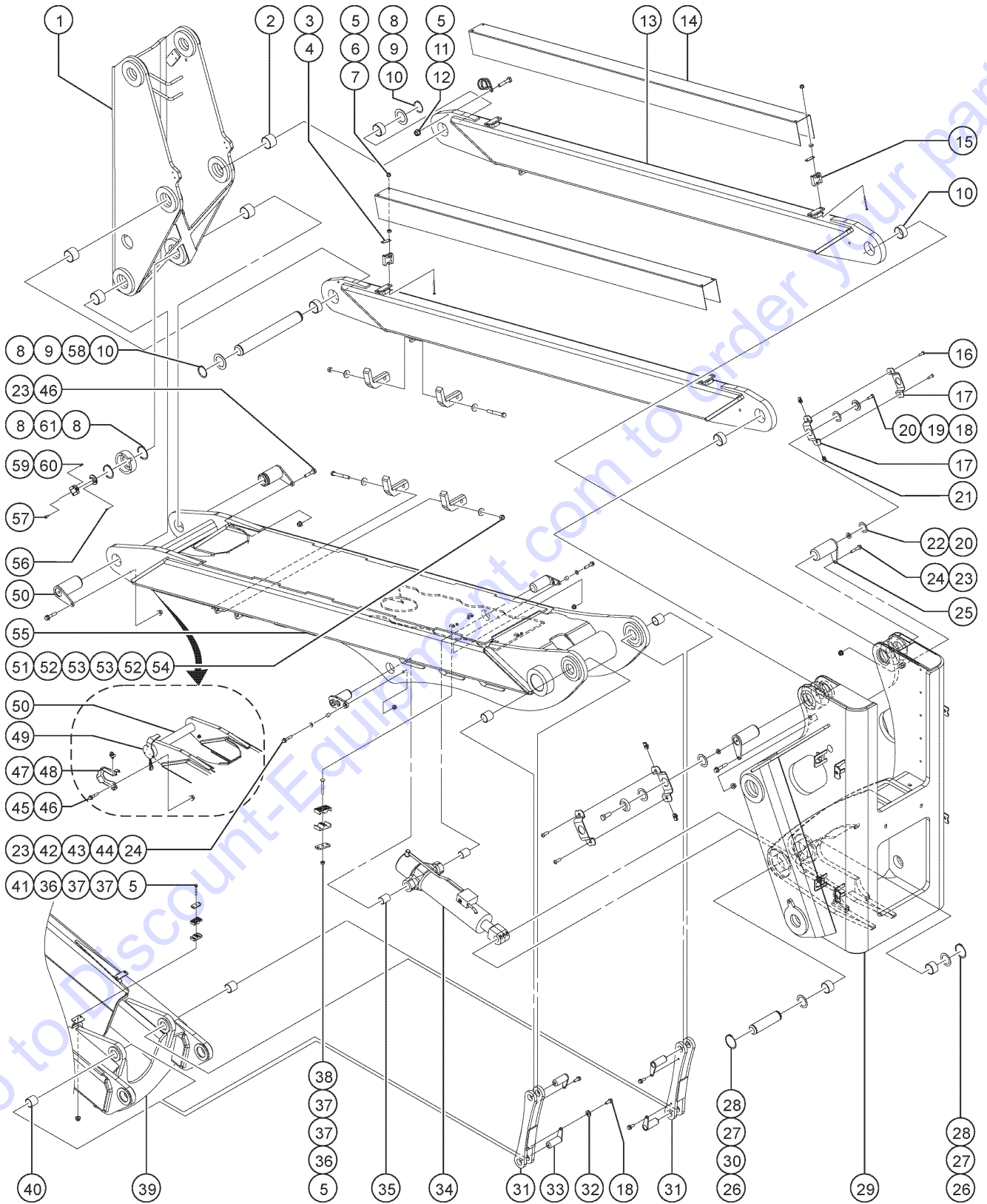
501.1 Secondary Boom, View 1

| <i>Item</i> | <i>Part No.</i> | <i>Description</i>                        | <i>Qty.</i> |
|-------------|-----------------|---|-------------|
| 28          | 824078GT        | SCREW,HHF,1/4-20X.75,8,ZAG .....          | 4           |
| 29          | 1254062GT       | CLAMP,GUIDE CABLE .....                   | 8           |
| 30          | 56912GT         | SPRING CLIP,1/4-20,.025-.15X.54,ZAG ..... | 4           |
| 31          | 824067GT        | SCREW,HHC,3/8-16X1,8,ZAG .....            | 2           |
| 32          | 824641GT        | PIN,2.50DIAX25.625LG,2RING .....          | 1           |

Go to Discount-Equipment.com to order your parts



502.1 Secondary Boom, View 2

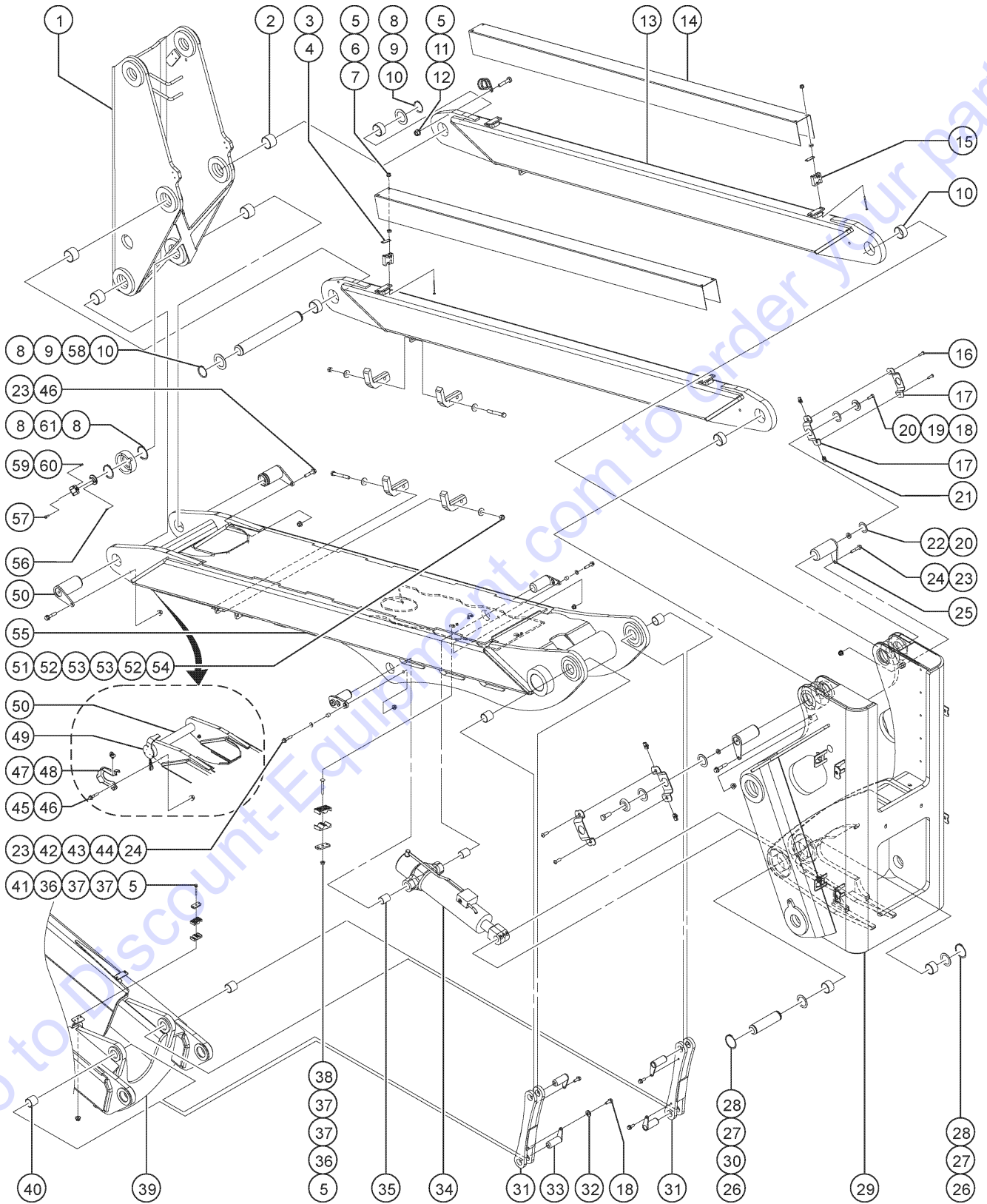


| Item | Part No.  | Description   | Qty. |
|------|-----------|---|------|
| 1    |           | Ref., Upper Pivot ..... (refer to 503.1)            | 1    |
| 2    | 18720GT   | BEARING,2.0IDX2.25ODX1.50L .....                    | 4    |
| 3    | 1261563GT | PLATE, CLAMP .....                                  | 4    |
| 4    | 1257292GT | CLAMP-HOSES .....                                   | 2    |
| 5    | 824027GT  | NUT,TL FLG,1/4-20,G,ZAG .....                       | 12   |
| 6    | 824037GT  | NUT,HH JAM,1/4-20,A,ZAG .....                       | 8    |
| 7    | 1258730GT | BOLT,CARRIAGE,1/4-20X3.75,5,ZA .....                | 8    |
| 8    | 1253815GT | SNAP RING,EXTERNAL,2.00,ZAG .....                   | 4    |
| 9    | 237827GT  | WASHER,FLAT,2.000X3.000X.075,Y .....                | 2    |
| 10   | 824645GT  | BEARING,2.00IDX2.25ODX1.00LG .....                  | 6    |
| 11   | 77180GT   | CLAMP,1.31,#21 X 3/8,RUB CUSH .....                 | 1    |
| 12   | 824061GT  | SCREW,HHC,1/4-20X1.25,8,ZAG .....                   | 1    |
| 13   | 1274436GT | ASSY,UPPER COMPRESSION ARM ..... (includes item 10) | 2    |
| 14   | 1261554GT | FORMING, COVER ARMS .....                           | 2    |
| 15   | 1265494GT | CLAMP, ELECTRICAL, Z60E .....                       | 2    |
| 16   | 824078GT  | SCREW,HHF,1/4-20X.75,8,ZAG .....                    | 4    |
| 17   | 1254062GT | CLAMP,GUIDE CABLE .....                             | 4    |
| 18   | 824067GT  | SCREW,HHC,3/8-16X1,8,ZAG .....                      | 6    |
| 19   | 1254063GT | RETAINER,GUIDE CABLE .....                          | 2    |
| 20   | 1254060GT | WASHER,UHMW .....                                   | 4    |
| 21   | 56912GT   | SPRING CLIP,1/4-20,.025-.15X.54,ZAG .....           | 16   |
| 22   | 1254061GT | SPACER,3/8ID X 3/4OD .....                          | 2    |
| 23   | 1253478GT | SCREW,HHF,3/8-16X2,8,ZAG .....                      | 6    |
| 24   | 824029GT  | NUT,TL FLG,3/8-16,G,ZAG .....                       | 4    |
| 25   | 824639GT  | WELDMENT,PIN,2.00DIA.X3.875LG .....                 | 2    |
| 26   | 825759GT  | SNAP RING,EXTERNAL,1.75,ZAG .....                   | 2    |
| 27   | 1256184GT | WASHER,FLAT,1.78X2.75X.057,ZA .....                 | 2    |
| 28   | 217632GT  | BEARING,1.75IDX2.00ODX1.18L .....                   | 2    |





502.1 Secondary Boom, View 2

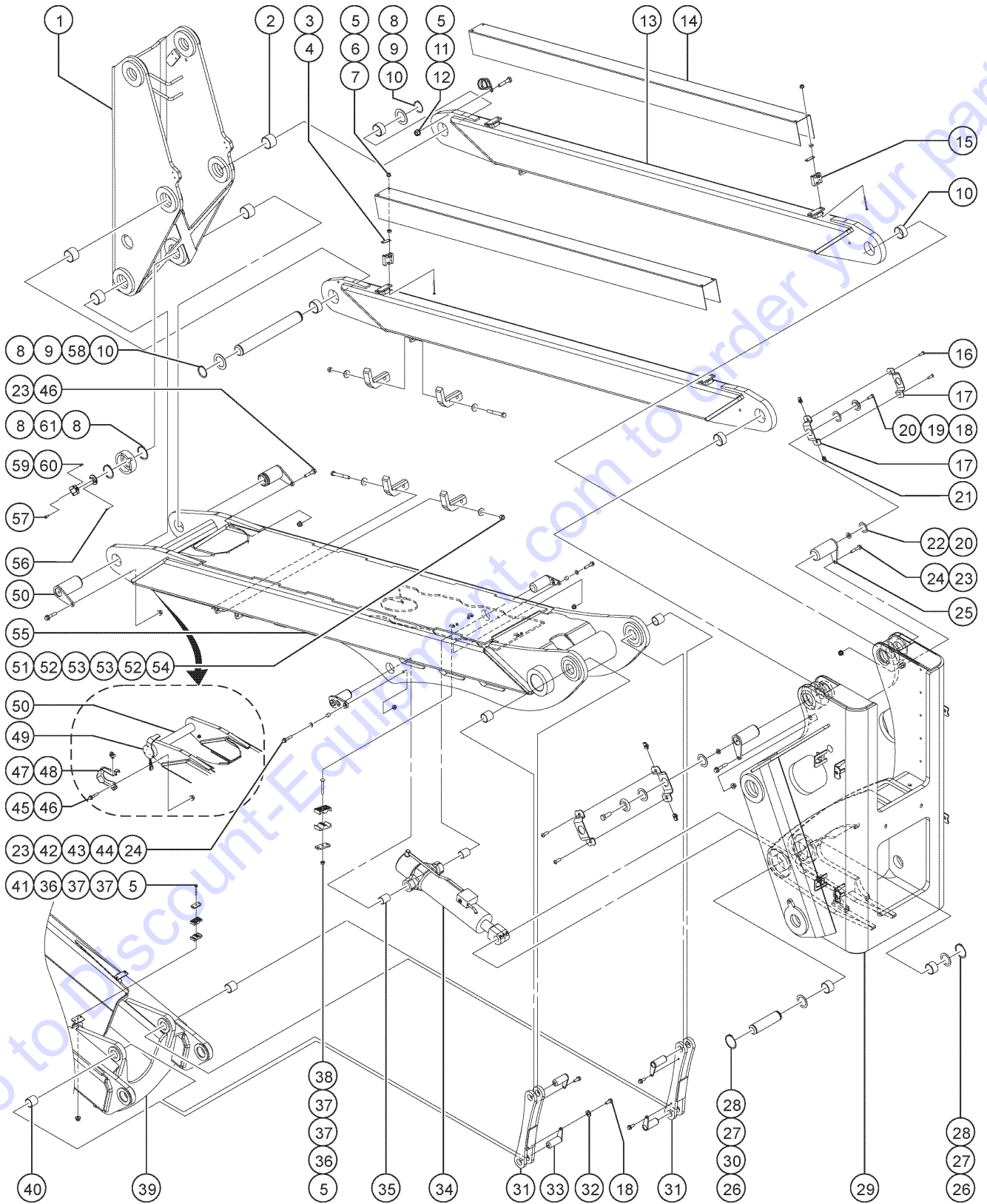




| Item | Part No.  | Description   | Qty. |
|------|-----------|---|------|
| 29   |           | Ref., Mid Pivot .....<br>(refer to 501.1)             | 1    |
| 30   | 1269001GT | WELDMENT, PIN, 1.75 DIA X 6.75 .....                  | 1    |
| 31   | 1270010GT | MACHINING, TIMING LINK .....                          | 2    |
| 32   | 1268753GT | WASHER, 3/8 NORDLOCK SECURE .....                     | 4    |
| 33   | 824646GT  | WELDMENT, PIN, 1.5 DIA X 3.5 LG .....                 | 4    |
| 34   | 1279591GT | CYLINDER, SECONDARY LIFT .....<br>(includes item 35)  | 1    |
| 34-  | 1279596GT | SEAL KIT .....  |      |
| 34-  | 32722GT   | VALVE, COUNTERBAL. CBCG-LJN@3000 .....<br>(not shown) |      |
| 34-  | 48916GT   | CONN, 520120-6 .....<br>(not shown)                   |      |
| 34-  | 160732GT  | SCREW, SHCS M12-1.75X35 .....                         | 6    |
| 35   | 39274GT   | BEARING, 1.75 ID X 2.00 OD X 2.50 L .....             | 2    |
| 36   | 96196GT   | PLATE, HOSE ROUTING, BULKHEAD ** .....                | 3    |
| 37   | 1264374GT | CLAMP, 2 HOSE, PLASTIC, #6 .....                      | 3    |
| 38   | 824082GT  | SCREW, HHF, 1/4-20 X 1.75, 8, ZAG .....               | 3    |
| 39   |           | Ref., Lower Compression Arm .....<br>(refer to 501.1) |      |
| 40   | 824631GT  | BEARING, 1.50 ID X 1.75 OD X 1.63 LG .....            | 4    |
| 41   | 1253485GT | SCREW, HHF, 1/4-20 X 2, 8, ZAG .....                  | 1    |
| 42   | 1255758GT | WASHER, FLAT, 3/8, USS, ZAG .....                     |      |
| 43   | 45400GT   | SPACER TUBE, .50 LG .....                             |      |
| 44   | 1262407GT | WELDMENT, PIN, 1.75 DIA X 4.375 LG .....              | 2    |
| 45   | 824093GT  | SCREW, HHF, 3/8-16 X 1.75, 8, ZAG .....               | 1    |
| 46   | 1274322GT | NUT, NYLOCK FLG, 3/8-16, F, ZAG .....                 | 2    |
| 47   | 1288610GT | WELDMENT, SENSOR GUARD .....                          | 1    |
| 48   | 110149GT  | CABLE TIE, DFT MOUNT, BLK, 6.5" .....                 | 1    |
| 49   | 1268506GT | CARRIER, SENSOR, PRIMARY .....                        | 1    |
| 50   | 1288607GT | WELDMENT, SENSOR PIN, 2.00 DIA. X 16.07 LG .....      | 1    |
| 51   | 1274166GT | NUT, NYLOCK, 3/8-16, C, ZAG .....                     |      |
| 52   | 1255758GT | WASHER, FLAT, 3/8, USS, ZAG .....                     | 28   |



502.1 Secondary Boom, View 2

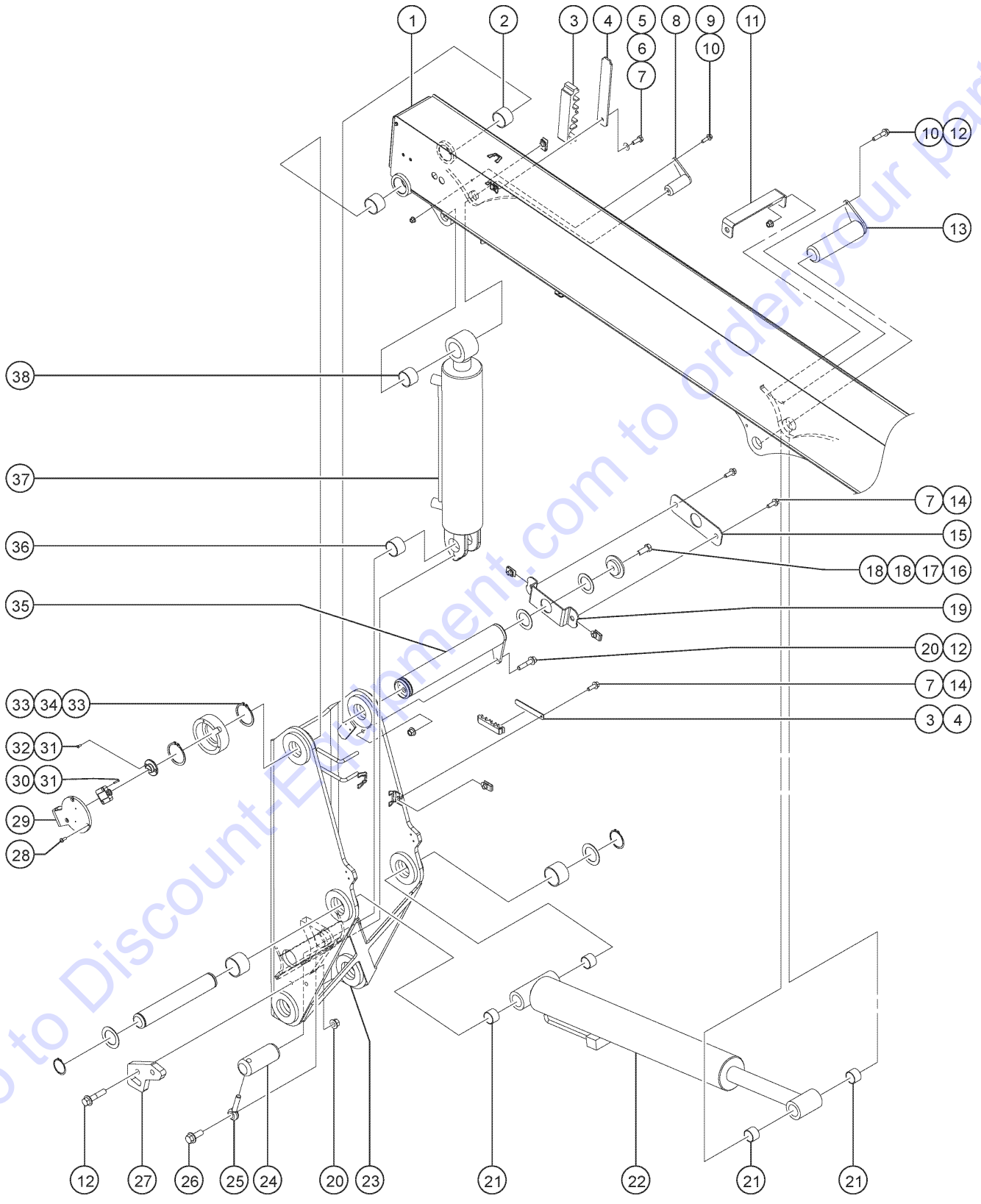


| Item | Part No.     | Description  | Qty. |
|------|--------------|--|------|
| 53   | 1263999GT    | GUIDE, UPPER COMP ARM .....  | 12   |
| 54   | 1260940GT    | SCREW,HHC,3/8-16X3,8,ZAG .....   | 12   |
| 55   | 1274769GT    | MACHINING UPPER TENSION ARM .....  | 1    |
| 56   | 237242GT     | SCREW,FHS,M3-0.5X8,DIN7991,10.9,ZAB .....  | 2    |
| 57   | 1256479GT    | SCREW,PHPM,10-24X.50,ZAG .....   | 3    |
| 58   | 824649GT     | PIN,2.00DIAX15.5LG,2RING .....   | 1    |
| 59   | 237241GT     | SCREW,FHS,M3-0.5X14,DIN7991,10 .....   | 2    |
| 60   | 1269766GT    | ASSEMBLY, ROTARY SENSOR, 130 DEG, CW<br>Sensor and magnet are matched and must be replaced at the same time. Machine<br>calibration is required after installation. .... | 1    |
| 60-  | 119066GT     | CONN,RECEP 3 WAY ENDCAP DT .....   |      |
| 60-  | 101199-200GT | SHRINK TUBE,BLACK,RHW,1/2,3:1 .....  |      |
| 60-  | 60441GT      | LOCK,RECEP 3 WAY,14-18GA .....   |      |
|      |              | for 119066GT   |      |
| 60-  | 73711GT      | TERM,DEUTSCH, PIN #12-14 .....   |      |
|      |              | for 119066GT   |      |

Go to Discount-Equipment.com to order your parts



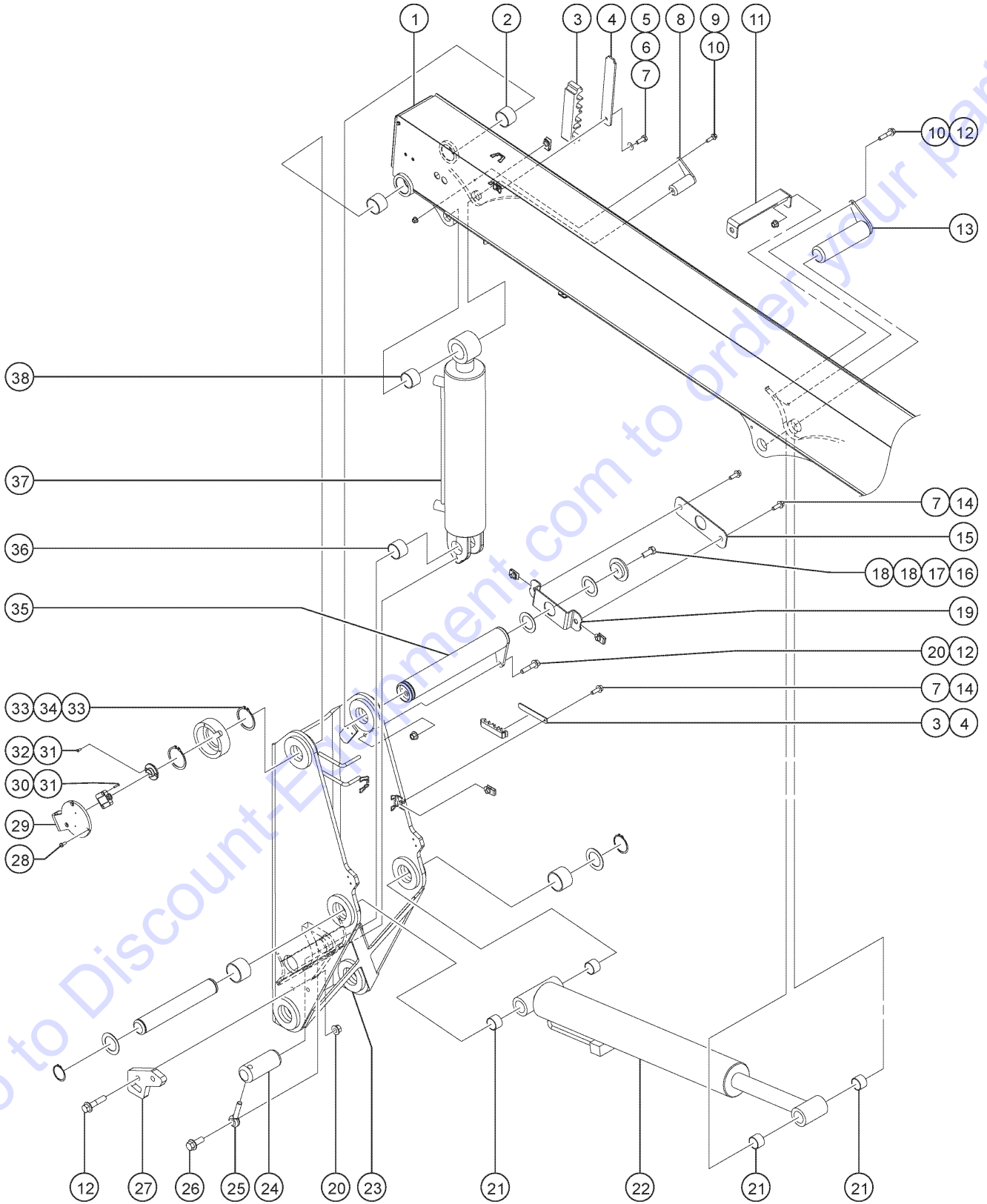
503.1 Upper Pivot



| Item | Part No.  | Description   | Qty. |
|------|-----------|---|------|
| 1    |           | Ref., Primary Boom Assembly .....<br>(refer to 505.1) |      |
| 2    | 123188GT  | BEARING,2.00IDX2.50ODX1.50L .....                     | 2    |
| 3    | 1251491GT | CLAMPING BLOCK, CABLE .....                           | 2    |
| 4    | 1265717GT | BRACKET,HOSE CLAMP .....                              | 2    |
| 5    | 824059GT  | SCREW,HHC,1/4-20X.75,8,ZAG .....                      | 1    |
| 6    | 824113GT  | WASHER,FLAT,USS,1/4,ZAG .....                         | 1    |
| 7    | 56912GT   | SPRING CLIP,1/4-20,.025-.15X.54,ZAG .....             | 4    |
| 8    | 824646GT  | WELDMENT,PIN,1.5DIA.X 3.5LG .....                     | 1    |
| 9    | 824091GT  | SCREW,HHF,3/8-16X1.25,8,ZAG .....                     | 1    |
| 10   | 824029GT  | NUT,TL FLG,3/8-16,G,ZAG .....                         |      |
| 11   | 1270399GT | FORMING,HOSE TRAY MID SUPPORT .....                   | 1    |
| 12   | 824093GT  | SCREW,HHF,3/8-16X1.75,8,ZAG .....                     | 4    |
| 13   | 824651GT  | WELDMENT,PIN,2.0DIA.X 7.125LG .....                   | 1    |
| 14   | 824078GT  | SCREW,HHF,1/4-20X.75,8,ZAG .....                      | 3    |
| 15   | 1264495GT | CLAMP,CABLE GUIDE .....                               | 1    |
| 16   | 824067GT  | SCREW,HHC,3/8-16X1.8,ZAG .....                        | 1    |
| 17   | 1254063GT | RETAINER,GUIDE CABLE .....                            | 1    |
| 18   | 1254060GT | WASHER,UHMW .....                                     | 2    |
| 19   | 1264496GT | CLAMP,GUIDE CABLE .....                               | 1    |
| 20   | 1274322GT | NUT,NYLOCK FLG,3/8-16,F,ZAG .....                     | 3    |
| 21   | 18720GT   | BEARING,2.0IDX2.25ODX1.50L .....                      | 6    |
| 22   | 1279589GT | CYLINDER, PRIMARY LIFT .....<br>(includes item 21)    | 1    |
| 22-  | 1279594GT | SEAL KIT, 1279589 CYLINDER .....                      |      |
| 22-  | 61602GT   | VALVE,COUNTERBAL.CBBB-LHN@3500 .....<br>(not shown)   |      |
| 23   | 1274767GT | MACHINING, UPPER PIVOT .....                          | 1    |
| 24   | 94221GT   | PIN,1.50DIA X 3.75LG,1HOLE .....                      | 1    |
| 25   | 1255452GT | ROD END,.375 X 2.25,ZAG .....                         | 1    |
| 26   | 824090GT  | SCREW,HHF,3/8-16X1.8,ZAG .....                        | 1    |



503.1 Upper Pivot

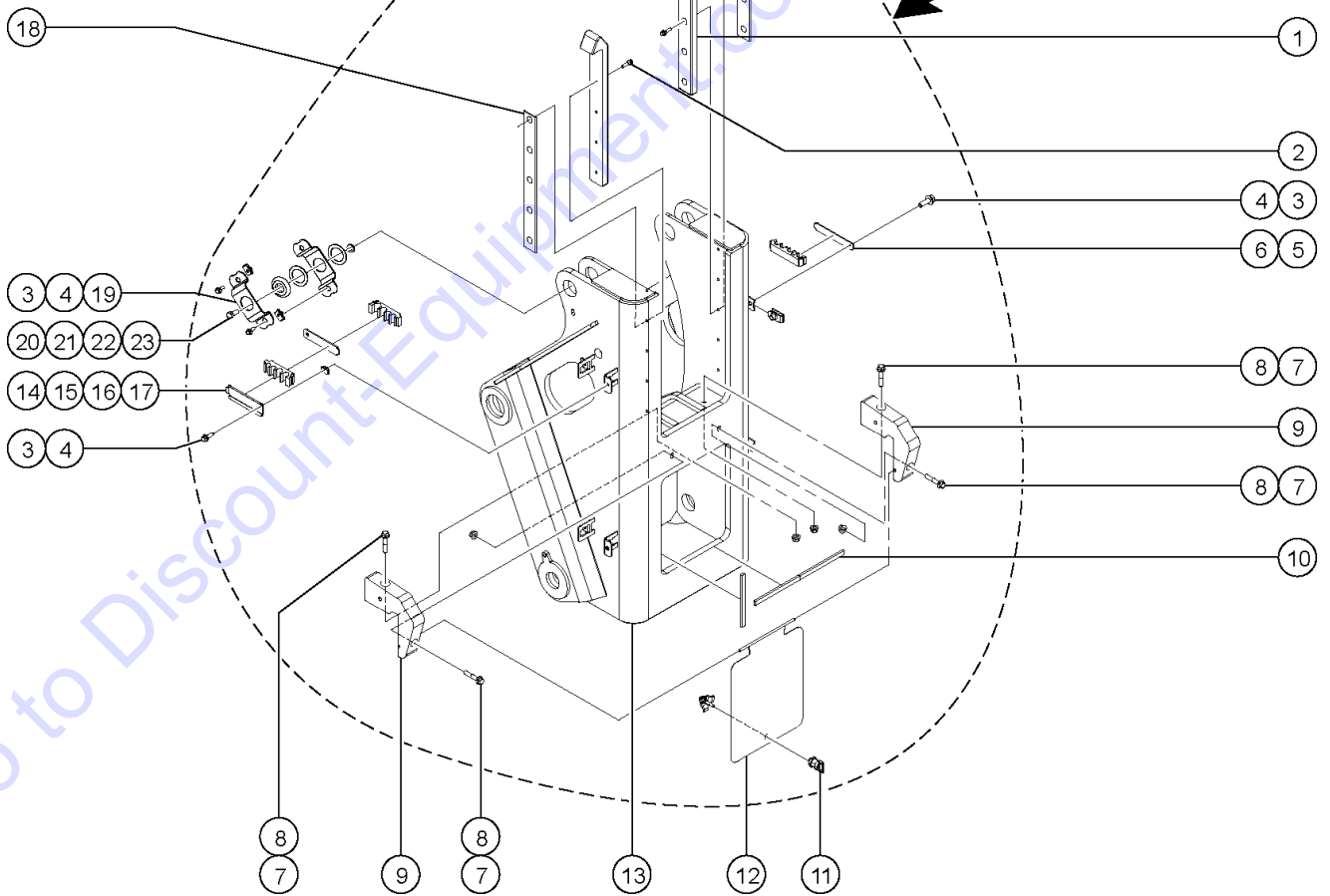
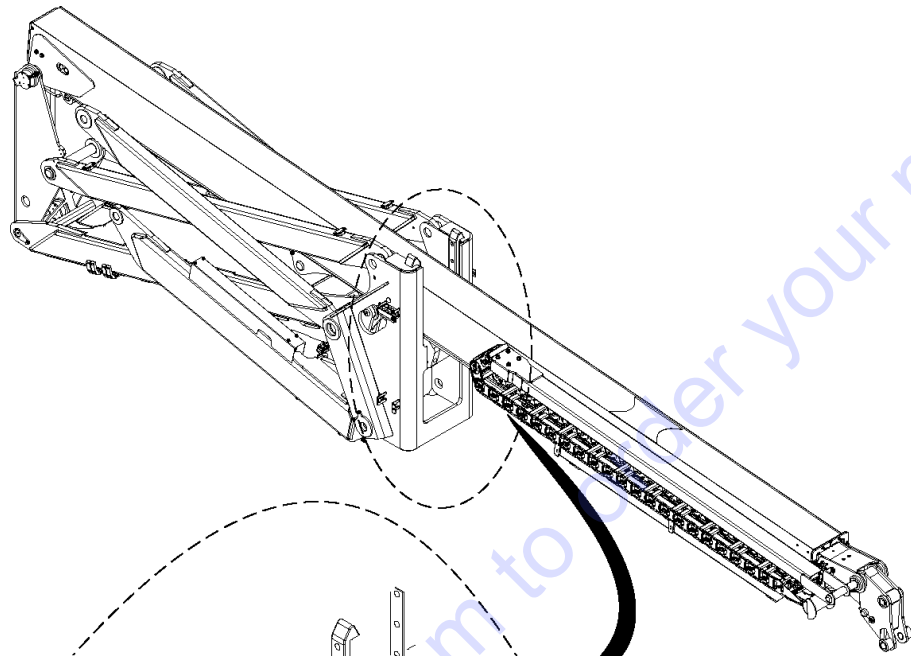


| Item | Part No.     | Description  | Qty. |
|------|--------------|--|------|
| 27   | 1288609GT    | PLATE, ANGLE SENSOR STOP, SECONDARY .....  | 1    |
| 28   | 1256479GT    | SCREW,PHPM,10-24X.50,ZAG .....   | 1    |
| 29   | 1268506GT    | CARRIER, SENSOR, PRIMARY .....   | 1    |
| 30   | 237241GT     | SCREW,FHS,M3-0.5X14,DIN7991,10 .....   | 2    |
| 31   | 1269766GT    | ASSEMBLY, ROTARY SENSOR, 130 DEG, CW .....   | 1    |
|      |              | Sensor and magnet are matched and must<br>be replaced at the same time. Machine<br>calibration is required after installation. |      |
| 31-  | 101199-200GT | SHRINK TUBE,BLACK,RHW,1/2,3:1 .....  |      |
| 31-  | 119066GT     | CONN,RECEP 3 WAY ENDCAP DT .....   |      |
| 31-  | 60441GT      | LOCK,RECEP 3 WAY,14-18GA .....   |      |
| 31-  | 73711GT      | TERM,DEUTSCH, PIN #12-14 .....   |      |
| 32   | 237242GT     | SCREW,FHS,M3-0.5X8,DIN7991,10.9,ZAB .....  | 2    |
| 33   | 1253815GT    | SNAP RING,EXTERNAL,2.00,ZAG .....  | 2    |
| 35   | 1268507GT    | WLDMT, SENSPIN,2.00IDX13.1LG .....   | 1    |
| 36   | 18396GT      | BEARING,1.5IDX1.75ODX1.0L .....  | 1    |
| 37   | 1279590GT    | CYLINDER, MASTER .....   | 1    |
|      |              | (includes item 38)   |      |
| 37-  | 1279593GT    | SEAL KIT .....   | 1    |
| 38   | T108138GT    | BEARING,1.50IDX1.75ODX2.00L .....  | 1    |

Go to Discount-Equipment.com to order your parts



504.1 Upper Pivot and Primary Boom Rests



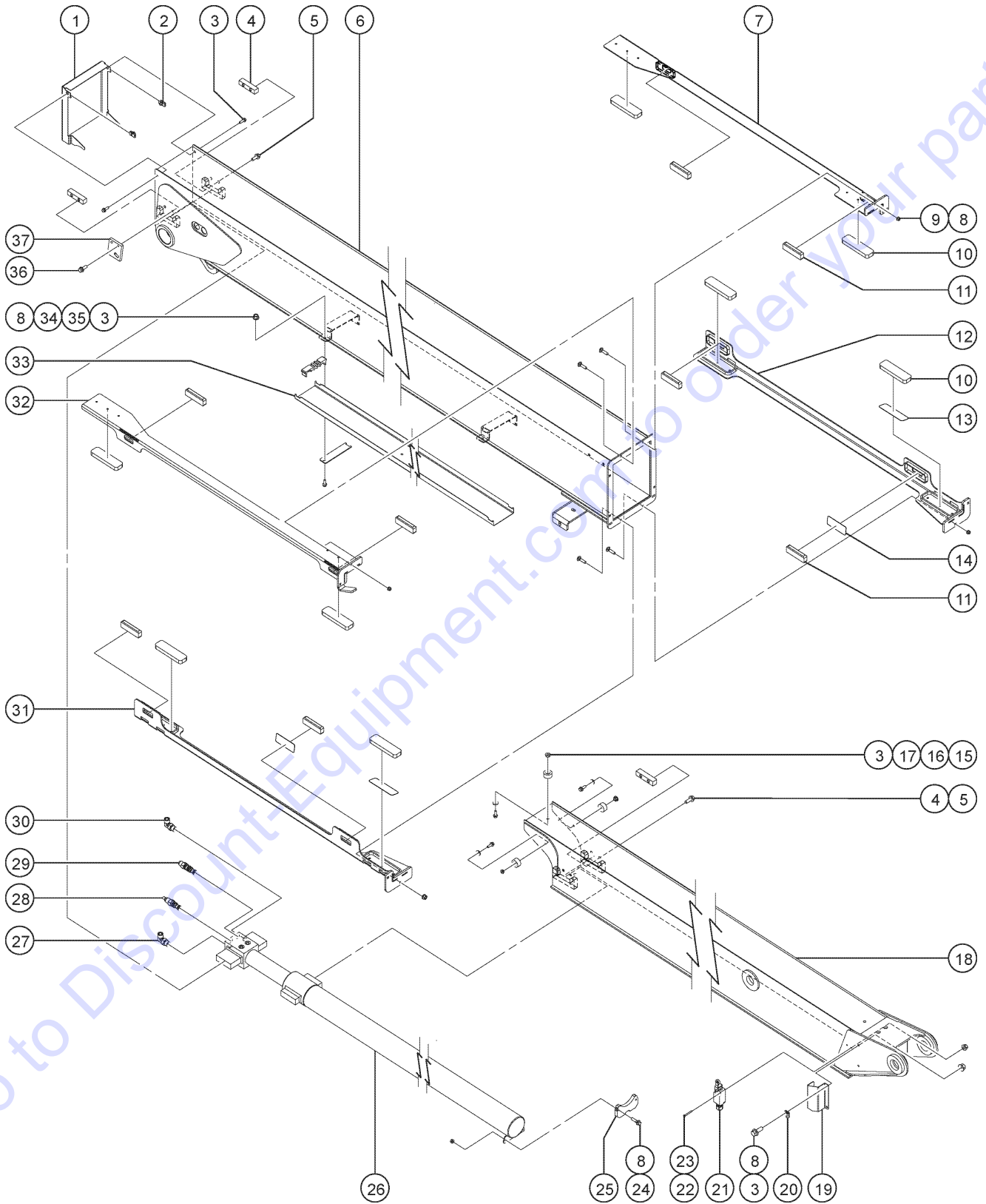


504.1 Upper Pivot and Primary Boom Rests

| Item | Part No.  | Description                               | Qty. |
|------|-----------|---|------|
| 1    | 1263527GT | GUIDE BOOM .....                          | 2    |
| 2    | 824079GT  | SCREW,HHF,1/4-20X1,8,ZAG .....            | 10   |
| 3    | 824078GT  | SCREW,HHF,1/4-20X.75,8,ZAG .....          | 12   |
| 4    | 56912GT   | SPRING CLIP,1/4-20,.025-.15X.54,ZAG ..... | 12   |
| 5    | 1251493GT | BRACKET, HOSE CLAMP .....                 | 2    |
| 6    | 1251491GT | CLAMPING BLOCK, CABLE .....               | 2    |
| 7    | 1253478GT | SCREW,HHF,3/8-16X2,8,ZAG .....            | 4    |
| 8    | 824029GT  | NUT,TL FLG,3/8-16,G,ZAG .....             | 4    |
| 9    | 1254372GT | BOOM REST .....                           | 2    |
| 10   | 1259930GT | SEAL, RIBBED FOAM, 5.00" .....            |      |
| 11   | 214238GT  | LATCH,SOUTHCO E3-57-65 .....              | 1    |
| 12   | 1257268GT | ASSY,COVER .....                          | 1    |
| 13   |           | Ref., Mid Pivot<br>(refer to 501.1) ..... | 1    |
| 14   | 1259835GT | FORMING, HOSE CLAMP BRKT .....            | 2    |
| 15   | 1251586GT | CLAMPING BLOCK,HYD .....                  | 2    |
| 16   | 1251707GT | BRKT,HOSE CLAMP .....                     | 2    |
| 17   | 1251585GT | CLAMPING BLOCK,HYD .....                  | 2    |
| 18   | 1269351GT | PLATE, TAPPED .....                       | 2    |
| 19   | 1254062GT | CLAMP,GUIDE CABLE .....                   | 8    |
| 20   | 824067GT  | SCREW,HHC,3/8-16X1,8,ZAG .....            | 4    |
| 21   | 1254063GT | RETAINER,GUIDE CABLE .....                | 4    |
| 22   | 1254060GT | WASHER,UHMW .....                         | 8    |
| 23   | 1270356GT | SPACER,3/8ID X 3/4OD .....                | 4    |



505.1 Primary and Extension Booms

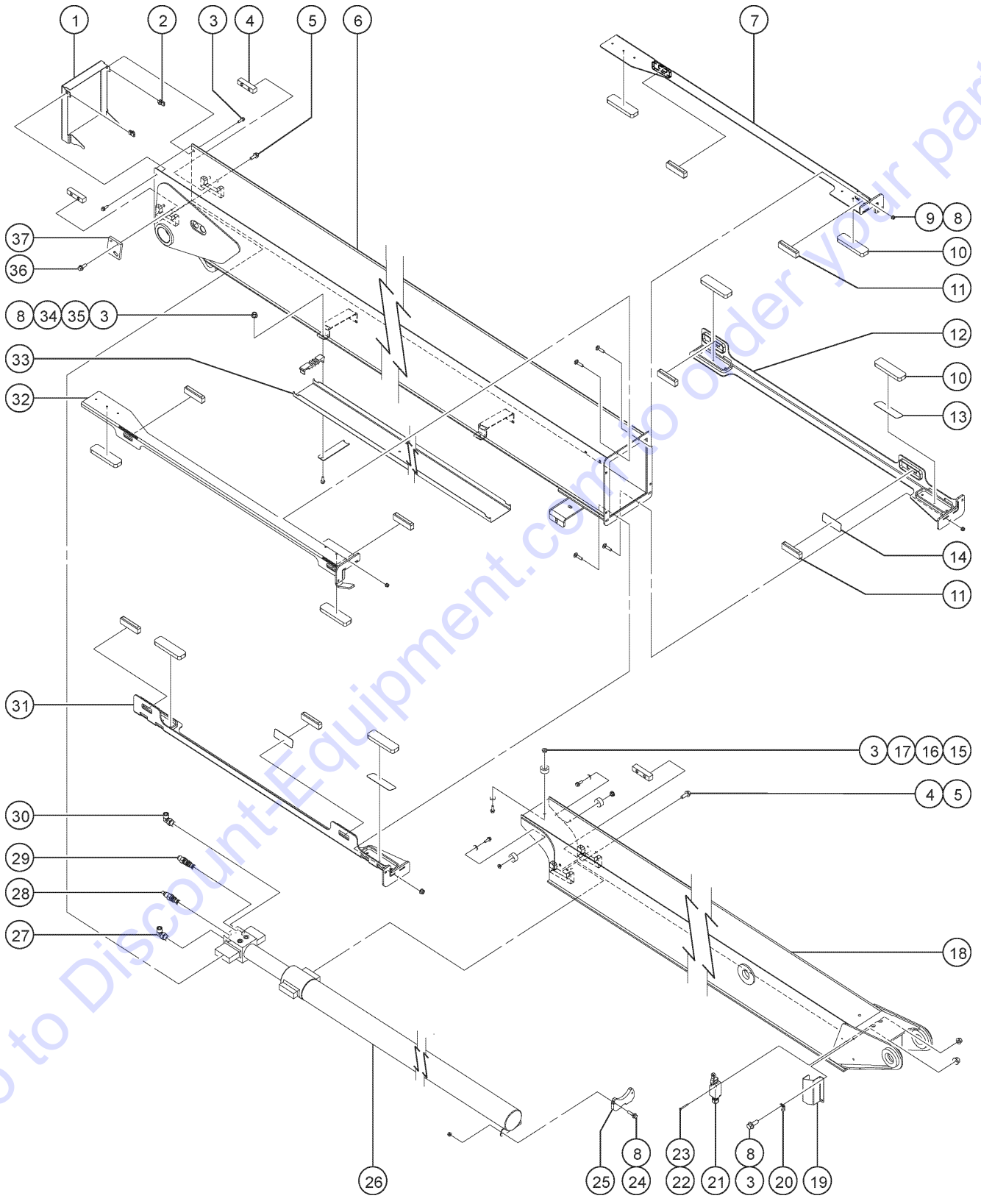


505.1 Primary and Extension Booms

| Item | Part No.      | Description                                  | Qty. |
|------|---------------|--|------|
| 1    | 1255383GT     | COVER, REAR #1 BOOM                          | 1    |
| 2    | 56912GT       | SPRING CLIP,1/4-20,.025-.15X.54,ZAG          | 2    |
| 3    | 824078GT      | SCREW,HHF,1/4-20X.75,8,ZAG                   |      |
| 4    | 1270090GT     | RETAINER, EXT CYL SADDLE                     | 4    |
| 5    | 824090GT      | SCREW,HHF,3/8-16X1,8,ZAG                     | 8    |
| 6    | 1270391GT     | ASSY,#1 BOOM W.BEARINGS                      | 1    |
| 6-   | 123188GT      | BEARING,2.00IDX2.50ODX1.50L                  | 2    |
| 7    | 1270080GT     | WELDMENT,UPPR WEARPAD FRAME,RH               | 1    |
| 8    | 824027GT      | NUT,TL FLG,1/4-20,G,ZAG                      |      |
| 9    | 1256127GT     | BOLT,CARRIAGE,1/4-20X1,5,ZAG                 |      |
| 10   | 825057GT      | WEARPAD,5.59 X 1.59 X .611                   | 8    |
| 11   | 825055GT      | WEARPAD,3.74 x 1.24 x .334                   | 8    |
| 12   | 1270075GT     | WELDMENT,LWR WEARPAD FRAME,RH                | 1    |
| 13   | 1262265GT     | SHIM, WEAR PAD,1.56X5.56X24GA                | 2    |
| 14   | 1262264GT     | SHIM, WEAR PAD,1.23X3.73X24GA                | 2    |
| 15   | 18504GT       | NUT,LOCKING-LG.FLANGE,1/4-20                 |      |
| 16   | 1255014GT     | WEAR PAD,ROUND, 1.25OD X .5THK               | 4    |
| 17   | 824113GT      | WASHER,FLAT,USS,1/4,ZAG                      |      |
| 18   | 1270390GT     | ASSY, #2 BOOM W.BEARINGS                     | 1    |
| 18-  | 110876GT      | BEARING,1.5"ID X 1.75OD X1.25L               |      |
| 19   | 1270091GT     | FORMING, EXT LIMIT SWITCH COVER              | 1    |
| 20   | 45470GT       | CLAMP,0.31,#5 X 1/4,RUB CUSH                 | 1    |
| 21   | 88356-11C03GT | SWITCH,LIMIT,TABULATED,BLUE<br>(boom extend) | 1    |
| 22   | 1256144GT     | SCREW,PHPM,10-32X1.75,ZAG                    |      |
| 23   | 82032GT       | NUT,TL FLG,10-32,F,ZAG                       |      |
| 24   | 824079GT      | SCREW,HHF,1/4-20X1,8,ZAG                     | 2    |
| 25   | 826234GT      | EXT CYL END SUPPORT                          | 1    |
| 26   | 1279587GT     | CYLINDER,EXTENSION<br>(includes items 27-30) | 1    |



505.1 Primary and Extension Booms



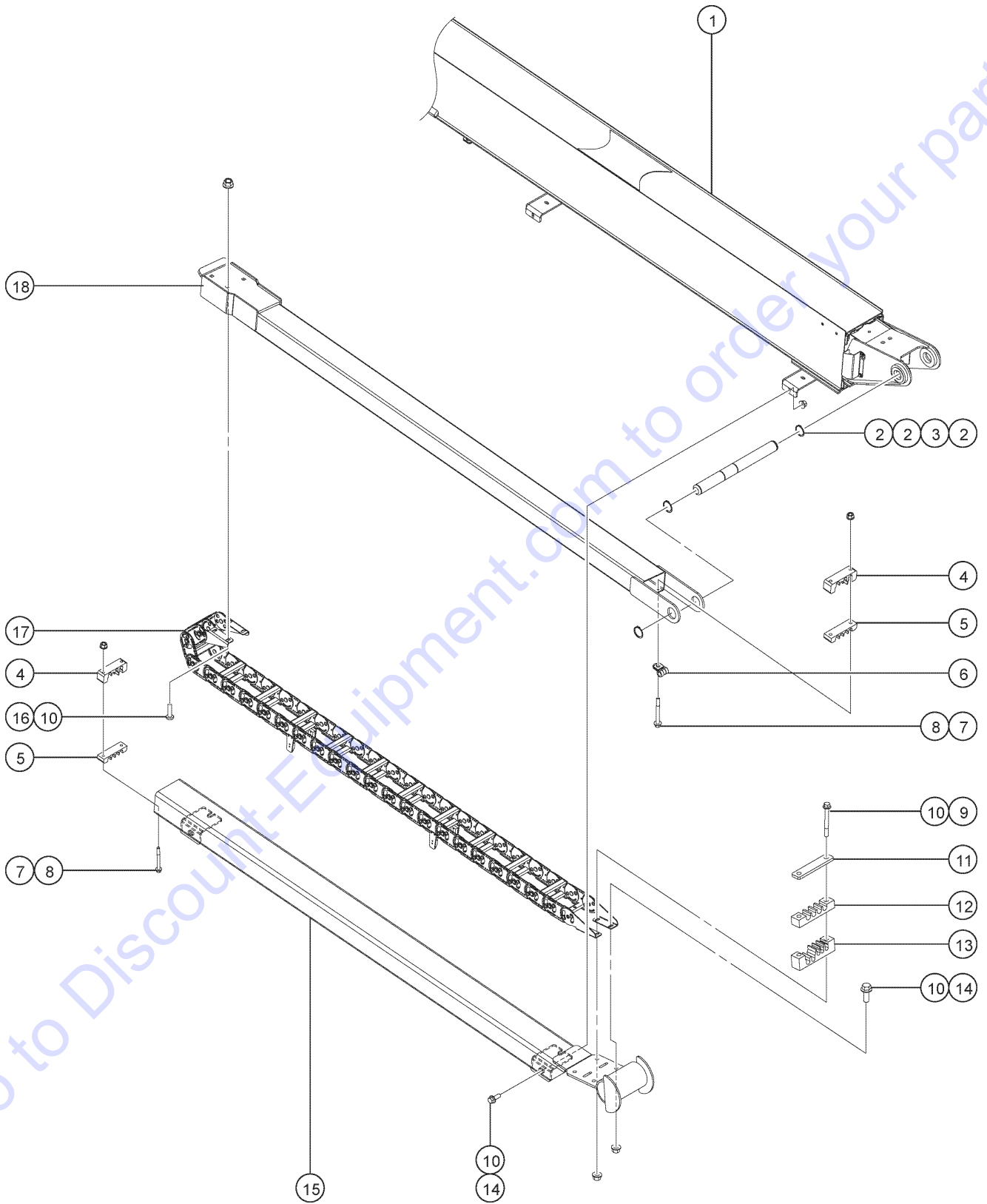
505.1 Primary and Extension Booms

| Item | Part No.  | Description                             | Qty. |
|------|-----------|---|------|
| 26-  | 1279592GT | SEAL KIT, 1279587 CYLINDER .....        |      |
| 27   | 48915GT   | ELBOW,90D,520220-6 .....                | 1    |
| 28   | 77410GT   | VALVE,COUNTERBALNCE,1500 PSI** .....    | 1    |
| 29   | 824832GT  | VALVE,CNTERBAL,CBCA-LHN@3500 .....      | 1    |
| 30   | 48932GT   | FITTING,ELBOW,90D,520220-8*** .....     | 1    |
| 31   | 1270083GT | WELDMENT,LWR WEARPAD FRAME,LH.....      | 1    |
| 32   | 1270085GT | WELDMENT,UPPR WEARPAD FRAME,LH .....    | 1    |
| 33   | 1254476GT | FORMING,HOSE TRAY .....                 | 1    |
| 34   | 1254477GT | CLAMP BLOCK,PRIMARY BOOM .....          | 2    |
| 35   | 1270361GT | BAR,HOSE CLAMP .....                    | 2    |
| 36   | 1256118GT | SCREW,HHC,3/8-16X1.5,8,ZAG .....        | 2    |
| 37   | 1268510GT | PLATE, ANGLE SENSOR STOP, PRIMARY ..... | 1    |

Go to Discount-Equipment.com to order your parts



506.1 Cable Track

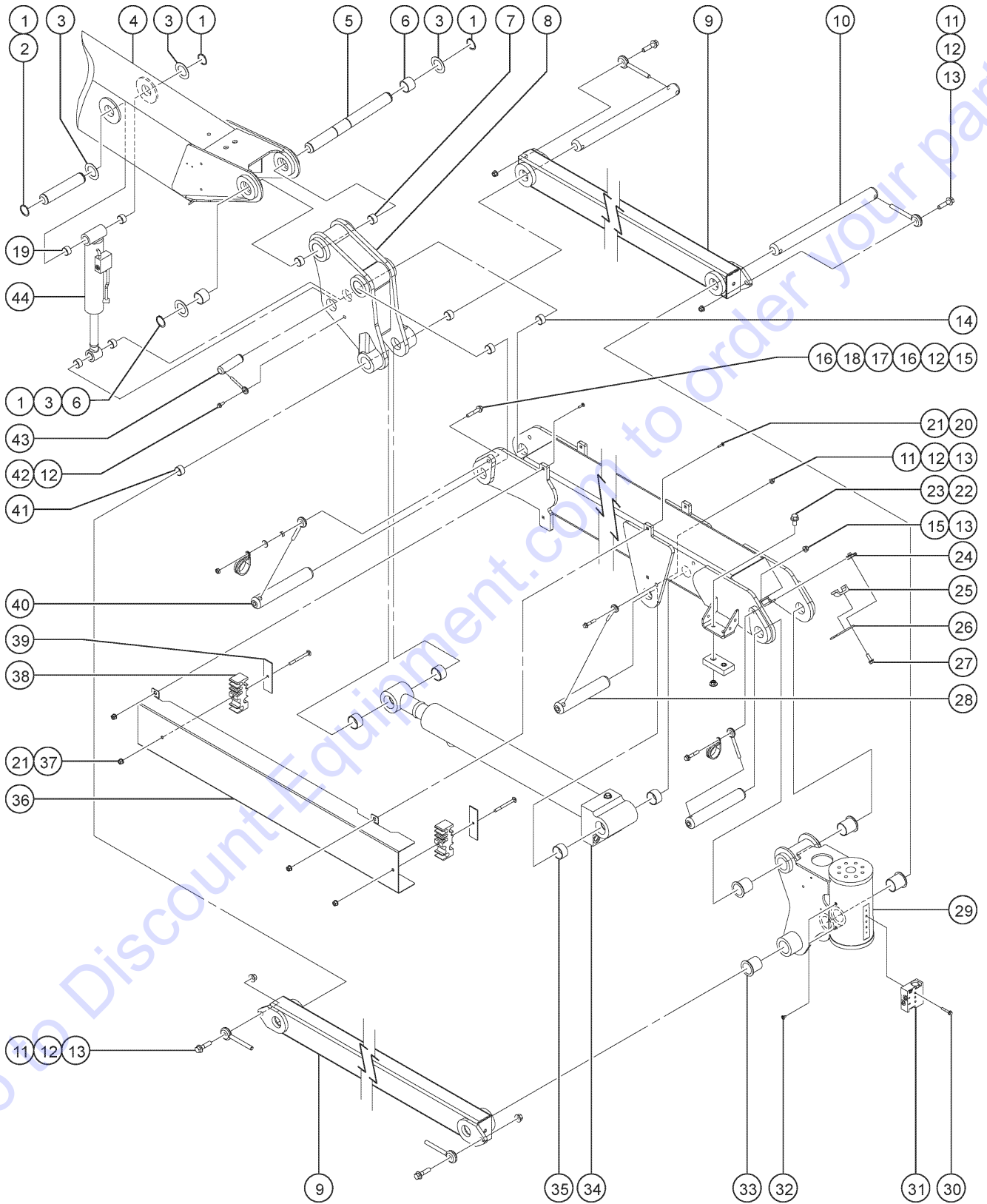


506.1 Cable Track

| Item | Part No.  | Description   | Qty. |
|------|-----------|---|------|
| 1    |           | Ref.WELDMENT,#1 BOOM .....  | 1    |
| 2    | 825796GT  | SNAP RING,EXTERNAL,1.50,ZAG .....   | 3    |
| 3    |           | Ref. Pin .....  | 1    |
| 4    | 228967GT  | CLAMP, CABLE .....  | 2    |
| 5    | 824549GT  | CLAMP, CABLES .....   | 2    |
| 6    | 45470GT   | CLAMP,0.31,#5 X 1/4,RUB CUSH .....  | 1    |
| 7    | 824083GT  | SCREW,HHF,1/4-20X2.5,8,ZAG .....  | 4    |
| 8    | 824027GT  | NUT,TL FLG,1/4-20,G,ZAG .....   | 4    |
| 9    | 824096GT  | SCREW,HHF,3/8-16X3.5,8,ZAG .....  | 2    |
| 10   | 824029GT  | NUT,TL FLG,3/8-16,G,ZAG .....   | 12   |
| 11   | 228797GT  | BAR, CLAMP, CABLE TRACK .....   | 1    |
| 12   | 226325GT  | CLAMP, HOSES .....  | 1    |
| 13   | 824548GT  | CLAMP, CABLES .....   | 1    |
| 14   | 1255757GT | BOLT,CARRIAGE,3/8-16X1.25,5,ZAG .....   |      |
| 15   | 1267736GT | WELDMENT, CABLE TRACK TRAY .....  | 1    |
| 16   | 824125GT  | BOLT,CARRIAGE,3/8-16X1,5,ZAG .....  | 4    |
| 17   | 1272543GT | CABLE TRACK, SX, 24 LINK<br>for machines with long pull tube measuring 94 inches overall length |      |
| 17-  | 122661GT  | REPAIR KIT,4 LINK,W/GUIDE .....   |      |
|      |           | for 1272543   |      |
| 17-  | 121065GT  | FORMING,CLAMP,TOP,CABLE TRACK .....   |      |
|      |           | for 1272543   |      |
| 17-  | 121035GT  | PIN,1.250 X 9.25, 2 RINGS .....   |      |
|      |           | for 1272543   |      |
| 17-  | 1283178GT | ASSEMBLY MOVING END SX TRACK .....  |      |
|      |           | for 1272543   |      |
| 17-  | 122663GT  | END BRACKET,FIXED END .....   |      |
|      |           | for 1272543   |      |
| 17-  | 122668GT  | GUIDE FINGER,PLASTIC .....  |      |
|      |           | for 1272543   |      |
| 17-  | 218448GT  | FINGER,GUIDE,CABLE TRACK .....  |      |
|      |           | for 1272543   |      |
| 17-  | 229169GT  | FLATBAR, CLAMPS, CABLE TRACK .....  |      |
|      |           | for 1272543   |      |
| 17-  | 1273204GT | KIT, CABLE TRACK LINKS, SX110<br>(includes 2 cable track links and 1261891 moving end bracket)  |      |
| 18   | 1272540GT | WELDMENT, PULL TUBE, CABLE TRACK .....  |      |
|      |           | long pull tube (94 inches)  |      |



507.1 Jib Boom and Platform Rotator

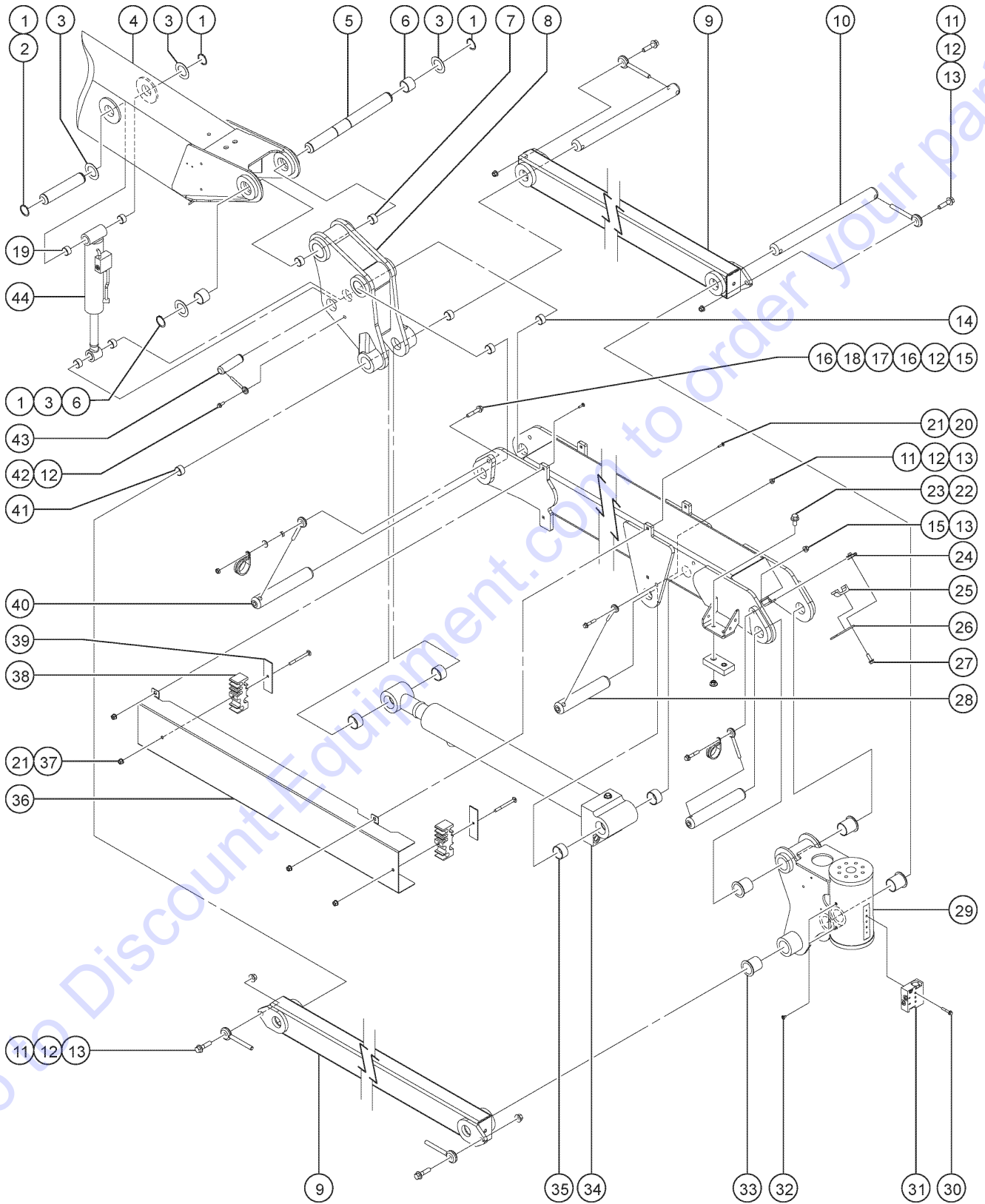




| Item | Part No.     | Description                               | Qty. |
|------|--------------|---|------|
| A    | 28678-2250GT | SLEEVE,NYLON, 2" ID .....                 |      |
| 1    | 825796GT     | SNAP RING,EXTERNAL,1.50,ZAG .....         | 4    |
| 2    | 824830GT     | PIN,1.50DIA.X7.42LG,2RING .....           | 1    |
| 3    | 1251565GT    | WASHER,SHIM,1.56X2.5X0.061,ZAG .....      | 4    |
| 4    |              | Ref. WELDMENT,#2 BOOM .....               | 1    |
|      |              | (refer to 505.1)                          |      |
| 5    | 824990GT     | PIN,1.50DIA.X15.63LG,4RING .....          | 1    |
| 6    | 110876GT     | BEARING,1.5"ID X 1.75OD X1.25L .....      | 2    |
| 7    | 54156GT      | BEARING,FL,1.5IDX1.75ODX1.10LG .....      | 2    |
| 8    | 1270022GT    | ASSY,BELLCRANK,Z62 .....                  | 1    |
|      |              | (includes items 7, 14 and 41)             |      |
| 9    | 1274511GT    | MACHINING, COMPRESSION LINK .....         | 2    |
| 10   | 81175GT      | PIN,1.25DIA X14.45LG,2HOLE .....          | 2    |
| 11   | 824092GT     | SCREW,HHF,3/8-16X1.5,8,ZAG .....          | 5    |
| 12   | 825019GT     | ROD END,.375X3.69,ZAG .....               | 8    |
| 13   | 824029GT     | NUT,TL FLG,3/8-16,G,ZAG .....             | 6    |
| 14   | 35675GT      | BEARING,FL,1.25IDX1.5ODX1.25L .....       | 2    |
| 15   | 1253478GT    | SCREW,HHF,3/8-16X2.8,ZAG .....            | 2    |
| 16   | 824038GT     | NUT, TL JAM, 3/8-16, A, ZAG .....         | 2    |
| 17   | 825358GT     | WASHER,FLAT,5/16,USS,ZAG .....            | 1    |
| 18   | 27497GT      | CLAMP,RUBBER CUSHIONED-2 5/32 .....       | 2    |
| 19   | 18396GT      | BEARING,1.5IDX1.75ODX1.0L .....           | 4    |
| 20   | 1256127GT    | BOLT,CARRIAGE,1/4-20X1.5,ZAG .....        | 4    |
| 21   | 824027GT     | NUT,TL FLG,1/4-20,G,ZAG .....             | 6    |
| 22   | 824089GT     | SCREW,HHF,3/8-16X.75,8,ZAG .....          | 4    |
| 23   | 81640GT      | WEAR PAD,3 X 1.5 X.625 W/NUTS .....       | 2    |
| 23-  | 48425GT      | NUT,FLG-LRG,3/8-16,YZ .....               |      |
| 24   | 56912GT      | SPRING CLIP,1/4-20,.025-.15X.54,ZAG ..... | 1    |
| 25   | 119542GT     | CLAMP,TWO HOSE .....                      | 1    |
| 26   | 119536PGT    | BRACKET,HOSE CLAMP,PAINTED .....          | 1    |



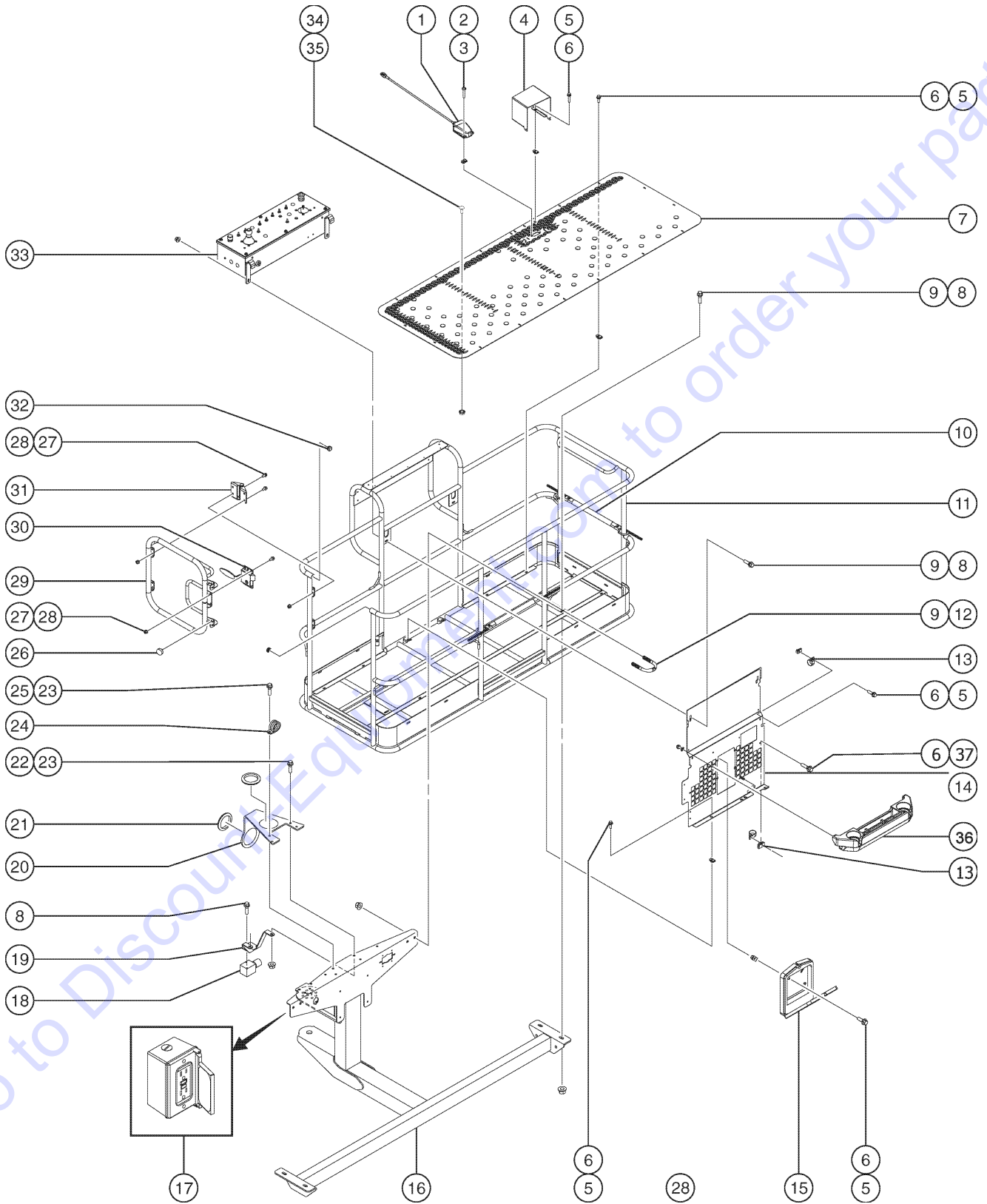
507.1 Jib Boom and Platform Rotator



| Item | Part No.  | Description                            | Qty. |
|------|-----------|--|------|
| 27   | 824078GT  | SCREW,HHF,1/4-20X.75,8,ZAG .....       | 1    |
| 28   | T108077GT | PIN,1.25DIA X 7.00LG,1HOLE .....       | 1    |
| 29   | 94397GT   | ROTATOR,PLAT JIB,160 DEG*** .....      | 1    |
|      |           | (includes items 32-33)                 |      |
| 29-  | 122944GT  | SEAL KIT,8K ROTATOR*** .....           |      |
| 29-  | 75395GT   | BEARING KIT,PLAT ROTATOR,SUPER .....   |      |
| 30   | 824081GT  | SCREW,HHF,1/4-20X1.5,8,ZAG .....       | 3    |
| 31   |           | Ref. MANIFOLD, ROTATOR, CB .....       | 1    |
|      |           | (refer to 701.1)                       |      |
| 32   | 88516GT   | SCREW,BLEEDER,M5X0.8 .....             | 2    |
| 33   | 30222GT   | BEARING,FL,1.25IDX1.41ODX1.50L .....   | 4    |
| 34   | 63213GT   | CYLINDER,JIB (STICK BOOMS) .....       | 1    |
|      |           | (includes item 35)                     |      |
| 34-  | 63353GT   | SEAL KIT,CYL,S65 (63213) .....         |      |
| 34-  | 33428GT   | VALVE,COUNTERBALANCE .....             |      |
|      |           | (not shown)                            |      |
| 35   | 47377GT   | BEARING,1.25 ID X 1.5 OD X .75 .....   | 4    |
| 36   | 120454GT  | COVER, JIB HOSES/CABLES .....          | 1    |
| 37   | 1256180GT | BOLT,CARRIAGE,1/4-20X2.75,5,ZAG .....  | 2    |
| 38   | 824551GT  | CLAMP,HOSE/CABLE,JIB .....             | 2    |
| 39   | 120455GT  | BACKING PLATE, HOSE BLOCK, JIB .....   | 2    |
| 40   | T108076GT | PIN,1.25DIA X 7.88LG,1HOLE .....       | 1    |
| 41   | 128268GT  | BEARING,FL, 1.25X1.5X2.13 .....        | 2    |
| 42   | 824090GT  | SCREW,HHF,3/8-16X1,8,ZAG .....         | 1    |
| 43   | 108855GT  | PIN,1.50DIA X 5.25LG,1HOLE .....       | 1    |
| 44   | 1279588GT | CYLINDER,PLATFORM LEVEL .....          | 1    |
|      |           | (includes item 19)                     |      |
| 44-  | 1279593GT | SEAL KIT .....                         |      |
| 44-  | 77303GT   | VALVE, CNTRBAL 3500 PSI, ATM VEN ..... |      |
| 44-  | 48905GT   | CONN,520120-4*** .....                 |      |



601.1 Platform Components

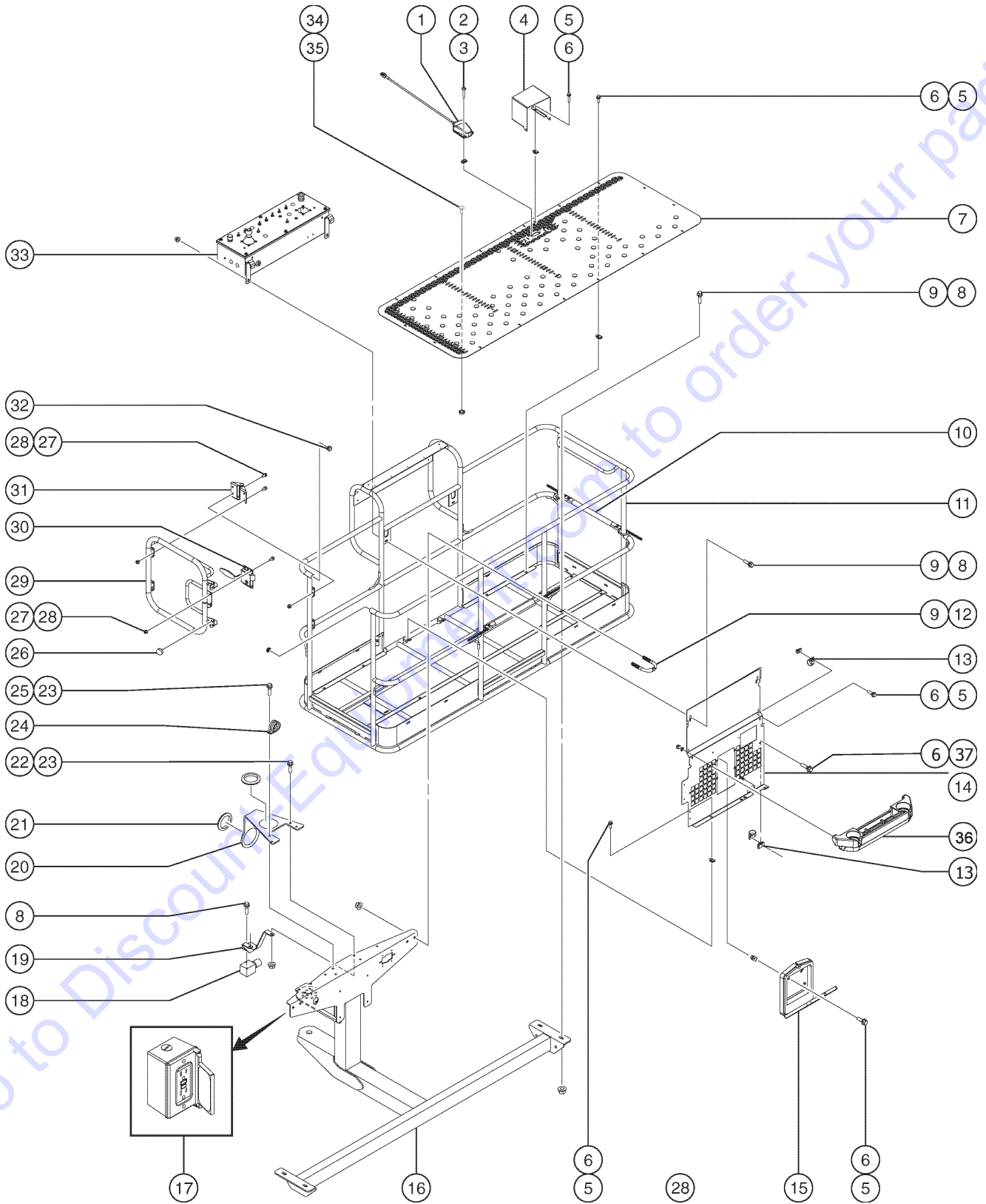


601.1 Platform Components

| Item | Part No.  | Description   | Qty. |
|------|-----------|---|------|
| A    | 1272304GT | ASSY,8FT PLAT TRI LG,BLANK W/SIDE SWING GATE<br>Complete 8' platform assembly. Order decals separately. Refer to Section 100.                                     | 1    |
| B    | 1272303GT | ASSY,6FT PLAT DUAL LG,BLANK W/SIDE SWING GATE<br>Complete 6' platform assembly (North America, Australia markets). Order decals separately. Refer to Section 100. | 1    |
| B    | 1278858GT | 6' PLATFORM W/SIDE SWING GATE KIT CE<br>Complete 6' platform assembly (CE market). Order decals separately. Refer to Section 100.                                 | 1    |
| 1    | 227617GT  | ASSEMBLY,FOOT SWITCH  | 1    |
| 1-   | 119058GT  | CONN PLUG 4 WAY ENDCAP DT   |      |
| 1-   | 227564GT  | FOOT SWITCH,20A IP65  |      |
| 1-   | 33576GT   | CONN,SQZ,1/2NPT,,170-.450   |      |
| 1-   | 1257248GT | SCREW, SHC, M4-0.7X8, DIN912,   |      |
| 1-   | 1257249GT | WASHER, LOCK, M4, SS  |      |
| 2    | 1256460GT | SCREW,PHPM,10-24X1,ZAG  | 2    |
| 3    | 73575GT   | SPRING CLIP,10-24,.025-.125X.468,ZAG  | 2    |
| 4    | 147121GT  | COVER, FOOT SWITCH, LARGE   | 1    |
| 5    | 824078GT  | SCREW,HHF,1/4-20X.75,8,ZAG  |      |
| 6    | 56912GT   | SPRING CLIP,1/4-20,.025-.15X.54,ZAG   |      |
| 7A   | 73478GT   | FLOORING, 8 FT PLATFORM***<br>for 8' platform   | 1    |
| 7B   | 1267746GT | FLOORING, 72X30 PLATFORM<br>for 6' platform   | 1    |
| 8    | 824091GT  | SCREW,HHF,3/8-16X1.25,8,ZAG   | 7    |
| 9    | 824029GT  | NUT,TL FLG,3/8-16,G,ZAG   | 10   |
| 10A  | 12448GT   | SLIDING MID-RAIL ASSY.<br>for 8' platform   | 2    |
| 10B  | 12448GT   | SLIDING MID-RAIL ASSY.<br>for 6' platform   | 1    |
| 11A  | 1274859GT | ASSY,8' PLAT WELDMENT W/SIDE GATE<br>for 8' platform (includes item 10)   |      |
| 11B  | 1274858GT | ASSY,6' PLAT WELDMENT W/SIDE GATE<br>for 6' platform (includes item 10)   |      |
| 12   | 1251600GT | U-BOLT, FLATTENED, 1.5 X 3/8  | 2    |
| 13   | 56424GT   | CLAMP,1.25X.5 RUBBER-CUSHION  | 3    |
| 14   | 1275088GT | FORMING, ALUM. DECAL PLATE  | 1    |
| 15   | 24514GT   | BOX,INSTRUCTION STORAGE   | 1    |
| 16   |           | REF: PLATFORM SUPPORT<br>refer to 804.1   | 1    |
| 17   |           | Ref. POWER AND AIR LINE TO PLATFORM<br>refer to 802.1   |      |



601.1 Platform Components

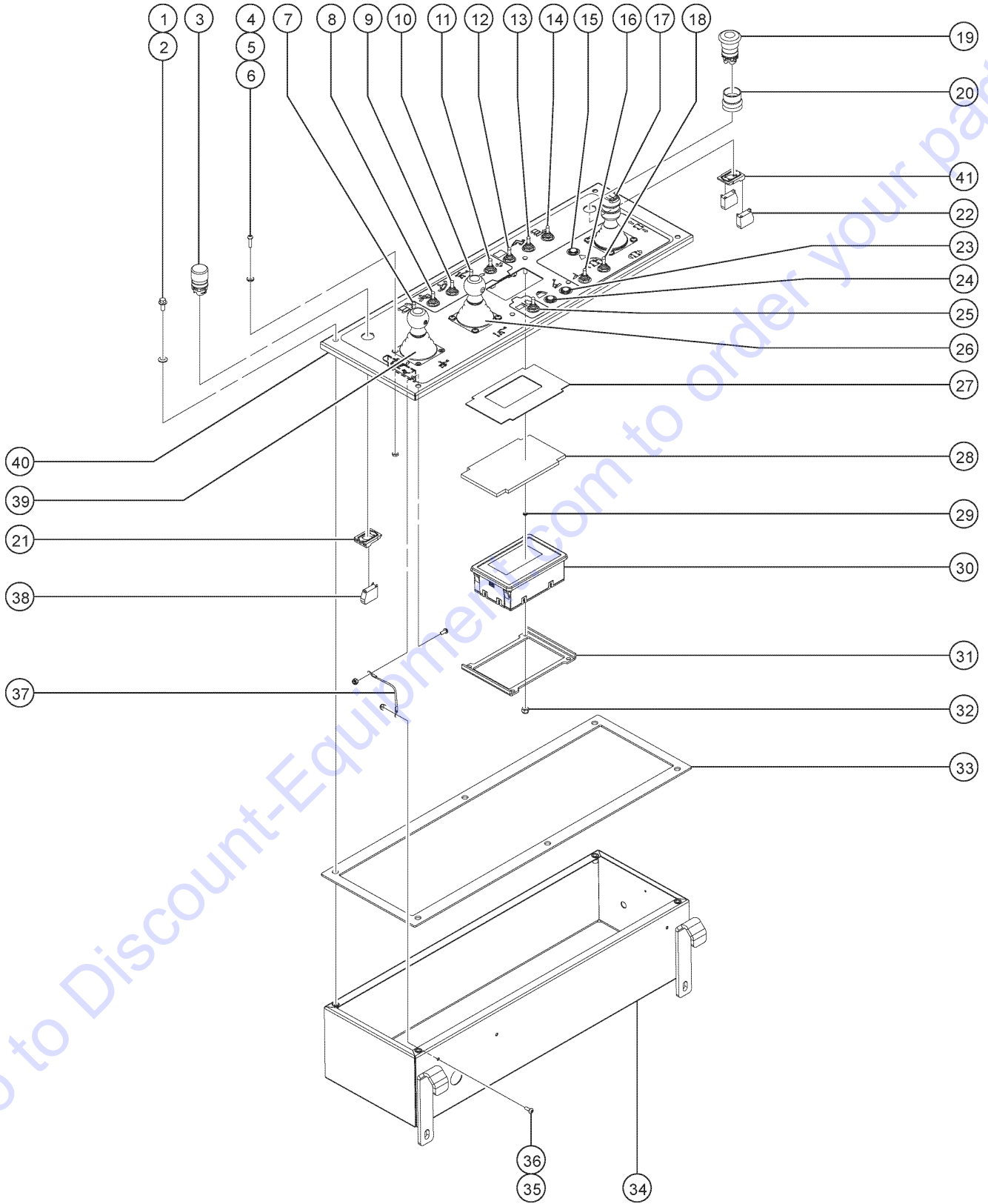


| Item | Part No.  | Description  | Qty. |
|------|-----------|--|------|
| 18   |           | REF: JIB MANIFOLD .....<br>refer to 702.1  |      |
| 19   | 110671GT  | PLATE,JIB,ROTATE MANIFOLD .....  | 1    |
| 20   | 106163GT  | FORMING,CABLE GUIDE .....  | 1    |
| 21   | 55067GT   | GROMMET,RUBBER 3 X .19 X 3.5 .....   | 2    |
| 22   | 824086GT  | SCREW,HHF,5/16-18X1,8,ZAG .....  |      |
| 23   | 824028GT  | NUT,TL FLG,5/16-18,G,ZAG .....   |      |
| 24   | 77180GT   | CLAMP,1.31,#21 X 3/8,RUB CUSH .....  | 1    |
| 25   | 824087GT  | SCREW,HHF,5/16-18X1.25,8,ZAG .....   |      |
| 26   | 43392GT   | BUMPER,BATTERY BOX & RAILS .....   | 2    |
| 27   | 824027GT  | NUT,TL FLG,1/4-20,G,ZAG .....  | 12   |
| 28   | 1256855GT | SCREW,HHF,1/4-20X5/8,ZAG .....   | 12   |
| 29   | 1272307GT | ASSY,SIDE SWING GATE .....<br>Complete side swing gate assembly (includes items 26-31) | 1    |
| 29-  | 1265397GT | WELDMENT, SWING GATE .....   |      |
| 30   | 1267747GT | LATCH, SWING GATE .....  | 1    |
| 31   | 104804GT  | HINGE, SPRING, LONG LEG .....  | 1    |
| 32   | 55753GT   | BUMPER, PLASTIC, 1.25 O.D. ....  | 2    |
| 33   |           | REF. PLATFORM CONTROL BOX ASSEMBLY .....<br>refer to 603.1 and 604.1                   | 1    |
| 34   | 824124GT  | BOLT,CARRIAGE,1/4-20X.75,5,ZAG .....   |      |
| 35   | 1256679GT | NUT,SERRATED,1/4-20,8,ZAG .....  |      |
| 36   | 1289552GT | KIT, PLATFORM WORK TRAY .....  | 1    |
| 37   | 824079GT  | SCREW,HHF,1/4-20X1,8,ZAG .....   | 3    |





602.1 Platform Control Box, External View



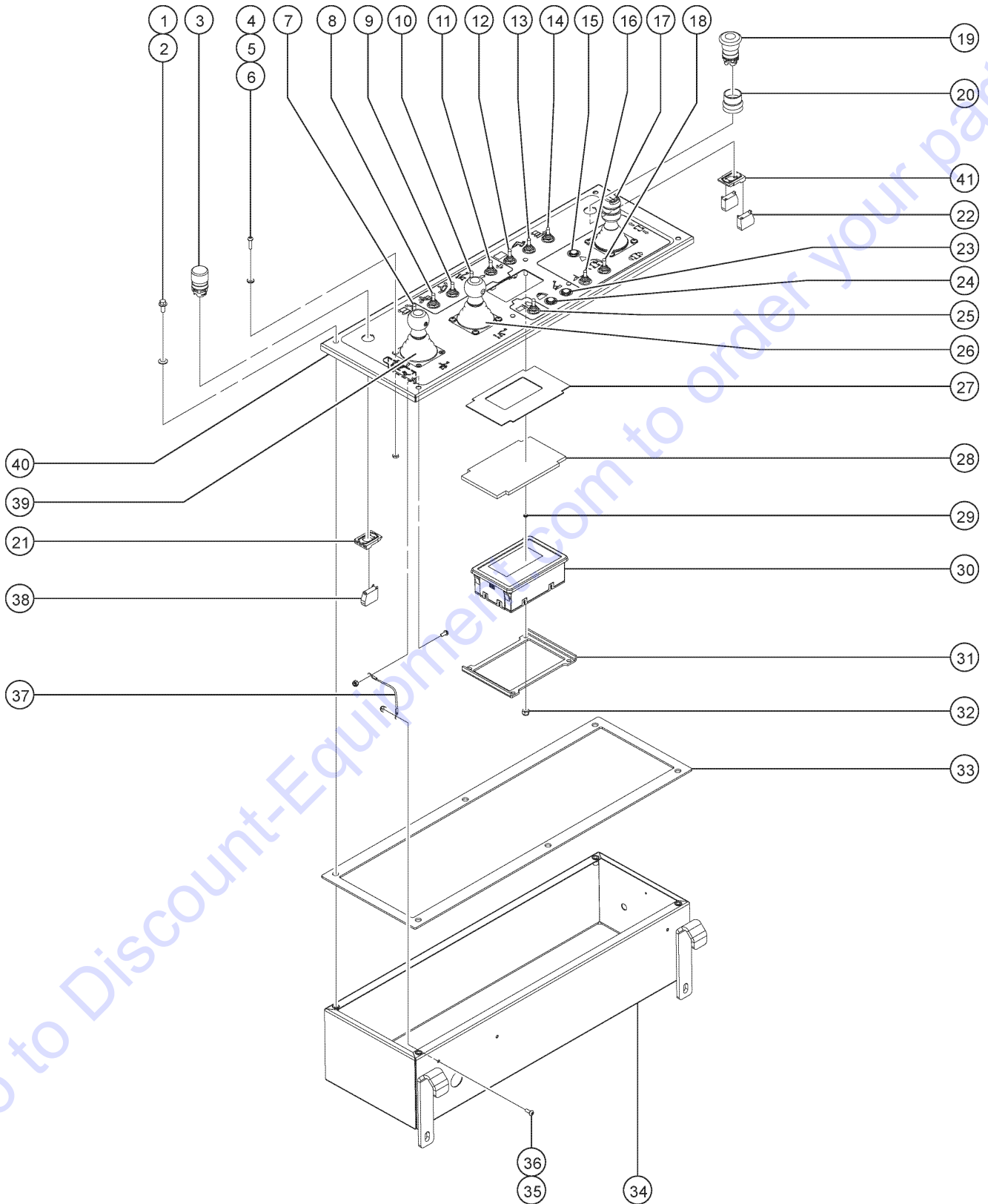


602.1 Platform Control Box, External View

| Item | Part No.  | Description   | Qty. |
|------|-----------|---|------|
| A    | 1287514GT | ASSEMBLY, PBOX, Z60/37 DC<br>DC models (Assembly does not include drive/steer joystick item # 17. Order this joystick separately, refer to 604.1) | 1    |
| B    | 1288404GT | ASSEMBLY, PBOX, Z60/37 FE<br>FE models (Assembly does not include drive/steer joystick item # 17. Order this joystick separately, refer to 604.1) | 1    |
| 1    | 1256855GT | SCREW,HHF,1/4-20X5/8,ZAG  | 4    |
| 2    | 995750GT  | WASHER FLAT BONDED RUB  | 4    |
| 3    | 66813GT   | BUTTON,PUSH,BLACK W/SEAL***<br>horn   | 1    |
| 4    | 139338GT  | SCREW PH M5-0.8X20 DIN 7500CE   | 12   |
| 5    | 1269498GT | SHOULDER WASHER, NYLON  | 12   |
| 6    | 104030GT  | NUT HEX M5-0.8 CLASS 8 ZINC   | 12   |
| 7    | 128200GT  | SWITCH TOGGLE ASSY SPDT 3P MOM<br>platform level  | 1    |
| 7-   | 128580GT  | SWITCH TOGGLE SPDT 3P MOM SHDR<br>for 128200  |      |
| 7-   | 27246GT   | BOOT,TOGGLE SWITCH,SHORT*<br>for 128200   |      |
| 7-   | 128578GT  | SCREW T-SWITCH PH/PH 6-32X1/4<br>for 128200   |      |
| 8    | 128200GT  | SWITCH TOGGLE ASSY SPDT 3P MOM<br>jib boom up/down  | 1    |
| 8-   | 128580GT  | SWITCH TOGGLE SPDT 3P MOM SHDR<br>for 128200  |      |
| 8-   | 27246GT   | BOOT,TOGGLE SWITCH,SHORT*<br>for 128200   |      |
| 8-   | 128578GT  | SCREW T-SWITCH PH/PH 6-32X1/4<br>for 128200   |      |
| 9    | 128200GT  | SWITCH TOGGLE ASSY SPDT 3P MOM<br>platform rotate   | 1    |
| 9-   | 128580GT  | SWITCH TOGGLE SPDT 3P MOM SHDR<br>for 128200  |      |
| 9-   | 27246GT   | BOOT,TOGGLE SWITCH,SHORT*<br>for 128200   |      |
| 9-   | 128578GT  | SCREW T-SWITCH PH/PH 6-32X1/4<br>for 128200   |      |
| 10   | 128200GT  | SWITCH TOGGLE ASSY SPDT 3P MOM<br>primary boom extend/retract   | 1    |
| 10-  | 128580GT  | SWITCH TOGGLE SPDT 3P MOM SHDR<br>for 128200  |      |
| 10-  | 27246GT   | BOOT,TOGGLE SWITCH,SHORT*<br>for 128200   |      |
| 10-  | 128578GT  | SCREW T-SWITCH PH/PH 6-32X1/4<br>for 128200   |      |
| 11   | 128200GT  | SWITCH TOGGLE ASSY SPDT 3P MOM<br>speed control   | 1    |
| 11-  | 128580GT  | SWITCH TOGGLE SPDT 3P MOM SHDR<br>for 128200  |      |
| 11-  | 27246GT   | BOOT,TOGGLE SWITCH,SHORT*<br>for 128200   |      |



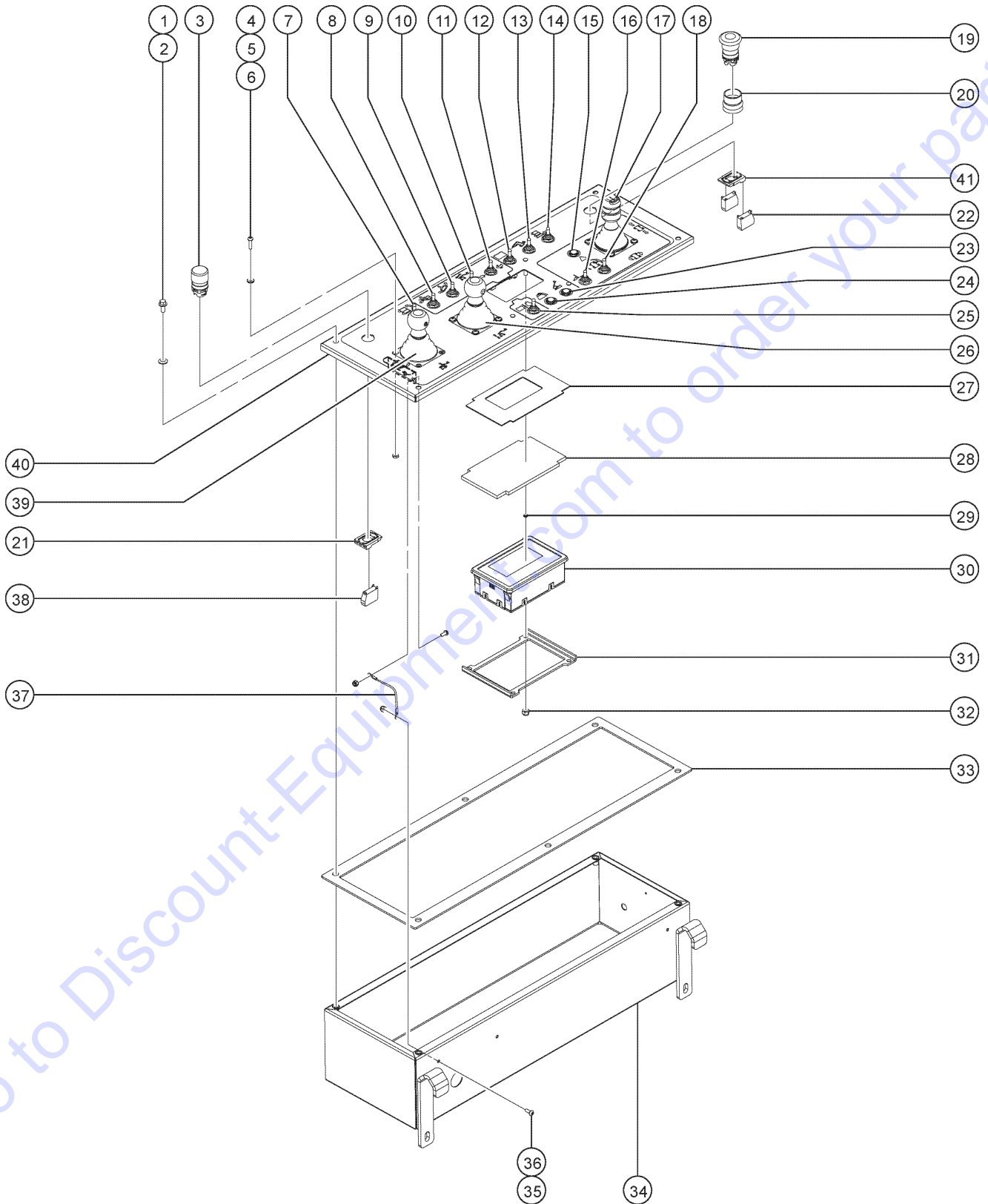
602.1 Platform Control Box, External View



| Item | Part No.   | Description   | Qty. |
|------|------------|---|------|
| 11-  | 128578GT   | SCREW T-SWITCH PH/PH 6-32X1/4 .....<br>for 128200                                   |      |
| 12   | 128200GT   | SWITCH TOGGLE ASSY SPDT 3P MOM .....<br>emergency power                             | 1    |
| 12-  | 128580GT   | SWITCH TOGGLE SPDT 3P MOM SHDR .....<br>for 128200                                  |      |
| 12-  | 27246GT    | BOOT,TOGGLE SWITCH,SHORT* .....<br>for 128200                                       |      |
| 12-  | 128578GT   | SCREW T-SWITCH PH/PH 6-32X1/4 .....<br>for 128200                                   |      |
| 13A  | 128204GT   | SWITCH TOGGLE ASSY SPDT 2P MNT .....<br>option; inverter option                     | 1    |
| 13A- | 128584-SGT | SWITCH TOGGLE SPDT 2P MNT SHDR .....<br>for 128204                                  |      |
| 13A- | 27246GT    | BOOT,TOGGLE SWITCH,SHORT* .....<br>for 128204                                       |      |
| 13A- | 128578GT   | SCREW T-SWITCH PH/PH 6-32X1/4 .....<br>for 128204                                   |      |
| 13B  | 229567GT   | PLUG, SANTOPRENE .5 BLACK DOME .....<br>for 128204                                  | 1    |
| 14A  | 128200GT   | SWITCH TOGGLE ASSY SPDT 3P MOM .....<br>option; aircraft protection override        | 1    |
| 14A- | 128580GT   | SWITCH TOGGLE SPDT 3P MOM SHDR .....<br>for 128200                                  |      |
| 14A- | 27246GT    | BOOT,TOGGLE SWITCH,SHORT* .....<br>for 128200                                       |      |
| 14A- | 128578GT   | SCREW T-SWITCH PH/PH 6-32X1/4 .....<br>for 128200                                   |      |
| 14B  | 229567GT   | PLUG, SANTOPRENE .5 BLACK DOME .....<br>for 128200                                  | 1    |
| 15   | 218164GT   | LIGHT,INDICATOR,RED 24V H-BRI .....<br>drive enable                                 | 1    |
| 16   | 128204GT   | SWITCH TOGGLE ASSY SPDT 2P MNT .....<br>drive speed                                 | 1    |
| 17   | 1274969GT  | JOYSTICK, 1 AXIS ROCKER, BLUE .....<br>drive/steer (order this joystick separately) | 1    |
| 17-  | 1269497GT  | GASKET, ISOLATION, JOYSTICK .....<br>for 1274969GT                                  |      |
| 18   | 128200GT   | SWITCH TOGGLE ASSY SPDT 3P MOM .....<br>drive enable                                | 1    |
| 18-  | 128580GT   | SWITCH TOGGLE SPDT 3P MOM SHDR .....<br>for 128200                                  |      |
| 18-  | 27246GT    | BOOT,TOGGLE SWITCH,SHORT* .....<br>for 128200                                       |      |
| 18-  | 128578GT   | SCREW T-SWITCH PH/PH 6-32X1/4 .....<br>for 128200                                   |      |
| 19   | 66812GT    | BUTTON,PUSH,RED MUSHROOM HEAD .....<br>emergency stop                               | 1    |
| 20   | 146478GT   | BOOT(BELLOWS),E-STOP,BLACK .....<br>for 66812GT                                     | 1    |
| 21   | 66815GT    | BASE, W/1 N.O. CONTACTS*** .....<br>for 66812GT                                     | 2    |
| 22   | 66818GT    | CONTACT,NC .....<br>for 66815GT   | 2    |
| 23   | 218164GT   | LIGHT,INDICATOR,RED 24V H-BRI .....<br>machine not level                            | 1    |



602.1 Platform Control Box, External View

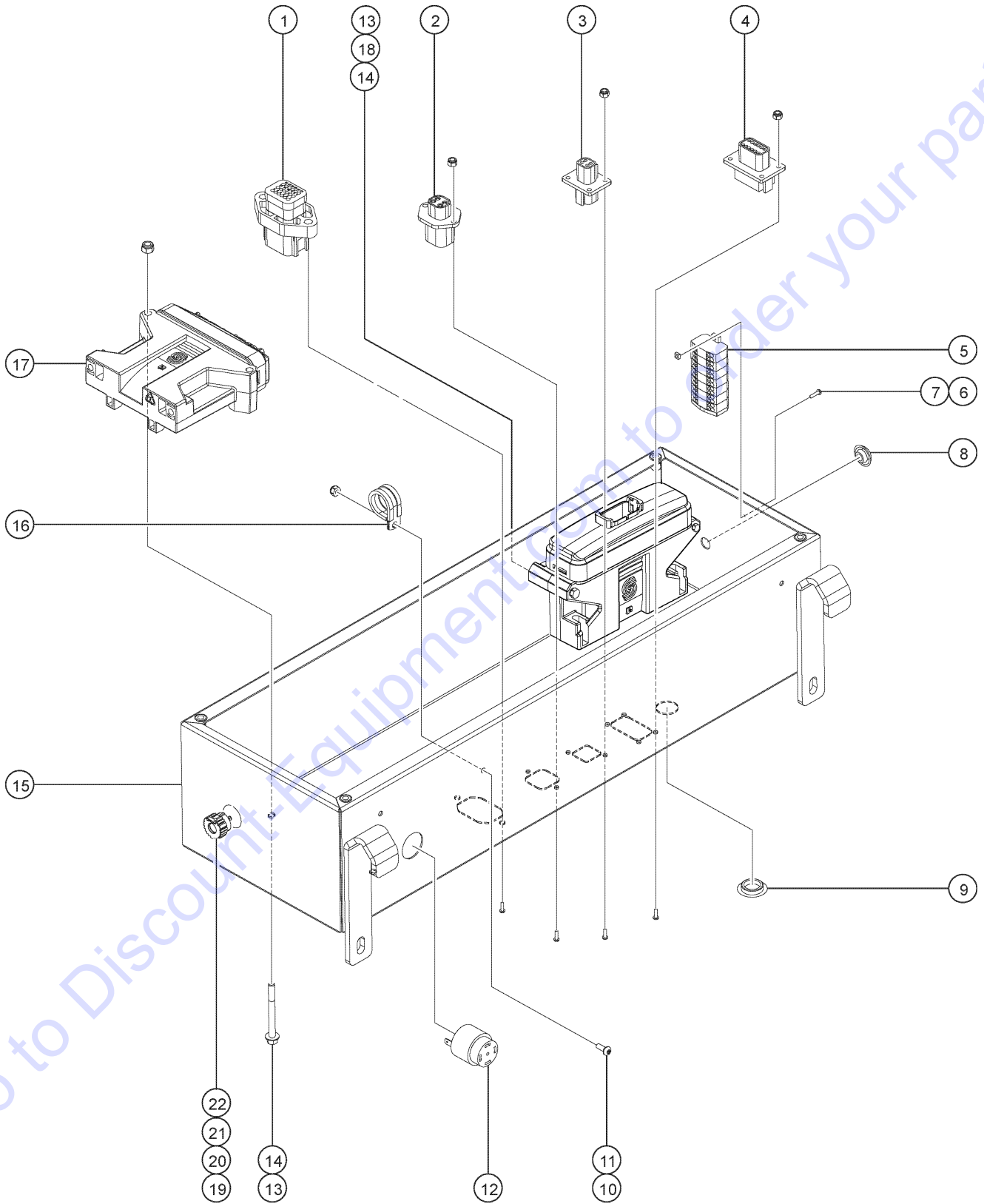


602.1 Platform Control Box, External View

| Item | Part No.  | Description   | Qty. |
|------|-----------|---|------|
| 24   | 218164GT  | LIGHT,INDICATOR,RED 24V H-BRI<br>CE and Australia models, platform overload | 1    |
| 25A  | 128200GT  | SWITCH TOGGLE ASSY SPDT 3P MOM<br>FE models, switch mode select             | 1    |
| 25A- | 128580GT  | SWITCH TOGGLE SPDT 3P MOM SHDR<br>for 128200                                |      |
| 25A- | 27246GT   | BOOT,TOGGLE SWITCH,SHORT*<br>for 128200                                     |      |
| 25A- | 128578GT  | SCREW T-SWITCH PH/PH 6-32X1/4<br>for 128200                                 |      |
| 25B  | 229567GT  | PLUG, SANTOPRENE .5 BLACK DOME<br>DC models                                 | 1    |
| 26   | 1274972GT | JOYSTICK, 1 AXIS, BLUE<br>secondary boom up/down                            | 1    |
| 26-  | 1269497GT | GASKET, ISOLATION, JOYSTICK   |      |
| 27   | 1262663GT | GASKET, DISPLAY GUARD   | 1    |
| 28   | 1262664GT | GUARD, DISPLAY, POLYCARB  | 1    |
| 29   | 119976GT  | BUMPER,5/16DIA X 7/64 PROJ,ADH.   | 4    |
| 30   | 1263694GT | DISPLAY,PLATFORM,ENGAGE4,GEN2<br>LCD readout                                | 1    |
| 31   | 1262665GT | FORMING, DISPLAY RETAINER   | 1    |
| 32   | 6091GT    | NUT,NYLOCK,1/4-20   | 4    |
| 33   | 81488GT   | GASKET,PLATFORM CONTROL BOX   | 1    |
| 34   | 1293777GT | WELDMENT, PBOX, Z60/37  | 1    |
| 35   | 54365GT   | SCREW,PHIL,PHM,10-32 X .5,SSTL  | 4    |
| 36   | 6178GT    | NUT,NYLOCK,10-32  | 4    |
| 37   | 77351GT   | LANYARD,PLATFORM CONTROL BOX  | 2    |
| 38   | 66816GT   | CONTACT,N.O   | 1    |
| 39   | 1274971GT | JOYSTICK, 2 AXIS, BLUE<br>primary boom up/down and turntable rotate         | 1    |
| 39-  | 1269497GT | GASKET, ISOLATION, JOYSTICK   |      |
| 40   | 1270486GT | WELDMENT, LID, PLAT CONTROL BO<br>decals not included, refer to section 100 | 1    |
| 41   | 73805GT   | BASE,W/2 NC CONTACTS***   | 1    |



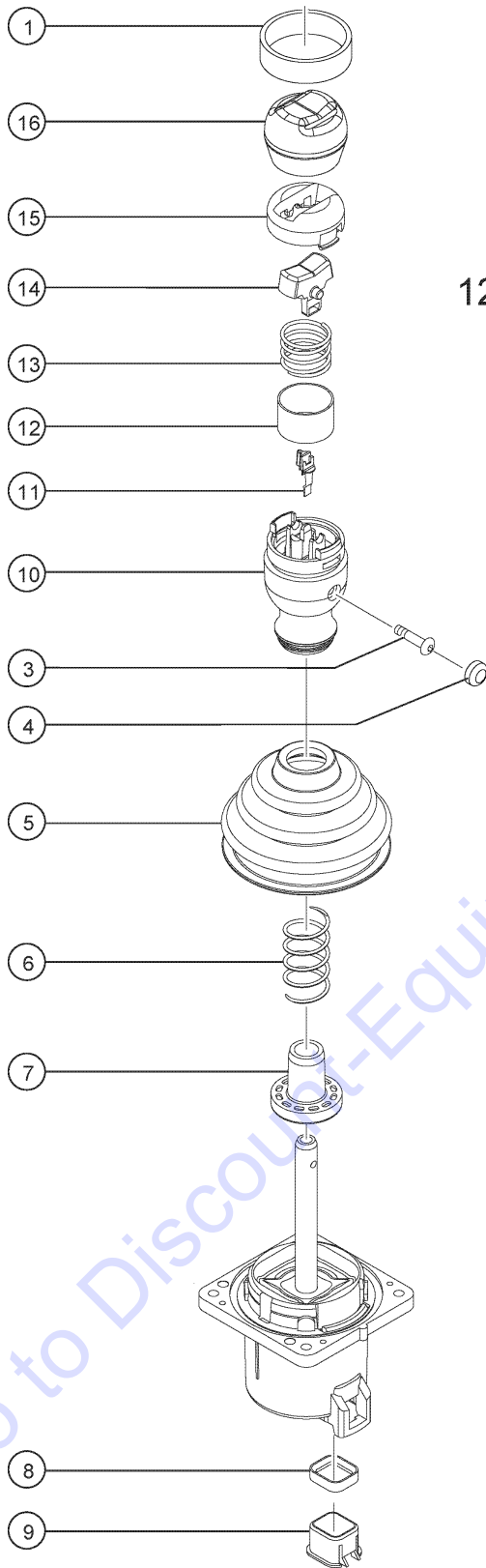
603.1 Platform Control Box, Internal View



| Item | Part No.  | Description                                   | Qty. |
|------|-----------|---|------|
| A    | 1293775GT | HARNES, PLAT BOX, Z60/37 .....                | 1    |
| 1    | 1265862GT | CONN, RECEP, 18WAY, 14-18GA, FL, A, GRY ..... | 1    |
| 2    | 73717GT   | CONN,RECEP 4 WAY,12-14GA FL*** .....          | 1    |
| 3    | 73723GT   | CONN RECEPT,FLANGED .....                     | 1    |
| 4    | 73730GT   | CONN,RECEP 12 WAY,GRY FLANGE .....            | 1    |
| 5    | 1266122GT | ASSEMBLY, TERMINAL RAIL, Z60/3 .....          | 1    |
| 6    | 1272895GT | SCREW,PPH MS,4-40X.5,ZINC KG .....            | 2    |
| 7    | 1272896GT | NUT, SQ. MS, 4-40, ZINC .....                 | 2    |
| 8    | 229567GT  | PLUG, SANTOPRENE .5 BLACK DOME .....          | 1    |
| 8-   |           | (models with no work light option) .....      |      |
|      |           | (refer to 803.1 option, work light) .....     |      |
| 9    | 15243GT   | PLUG,NYLON .875 BLACK DOMED .....             | 1    |
| 10   | 54365GT   | SCREW,PHIL,PHM,10-32 X .5,SSTL .....          | 1    |
| 11   | 6178GT    | NUT,NYLOCK,10-32 .....                        | 1    |
| 12A  | 39540GT   | ALARM, STEADY TONE*** .....                   | 1    |
|      |           | order 72326 mounting ring separately          |      |
| 12B  | 72326GT   | NUT - PLASTIC, RING FOR ALARMS .....          |      |
|      |           | for 39540                                     |      |
| 13   | 824083GT  | SCREW,HHF,1/4-20X2.5,8,ZAG .....              | 2    |
| 14   | 1277924GT | NUT,NYLOCK FLG,1/4-20,F,ZAG .....             | 2    |
| 15   |           | Ref: Platform Control Box Weldment .....      | 1    |
|      |           | (refer to 602.1)                              |      |
| 16   | 13268GT   | CLAMP,0.75,#12 X 1/4,RUB CUSH .....           | 1    |
| 17   | 1269368GT | ASSEMBLY, CONTROLLER PCON, Z60 .....          | 1    |
|      |           | (includes decal)                              |      |
| 18   |           | Ref: MODULE, PLUS+1, OPA2 .....               |      |
|      |           | (refer to 805.1)                              |      |
| 19   | 1272123GT | DUST CAP, RECEPTACLE, 5 WAY, CIRCULAR .....   | 1    |
| 20   | 1272122GT | CONNECTOR, RECEPTACLE, 5 WAY, CIRCULAR .....  | 1    |
| 21   | 1253477GT | SCREW,PHPM,4-40X.5,ZAG .....                  | 2    |
| 22   | 1283012GT | NUT,NYLOCK,4-40,2,ZAG .....                   | 2    |

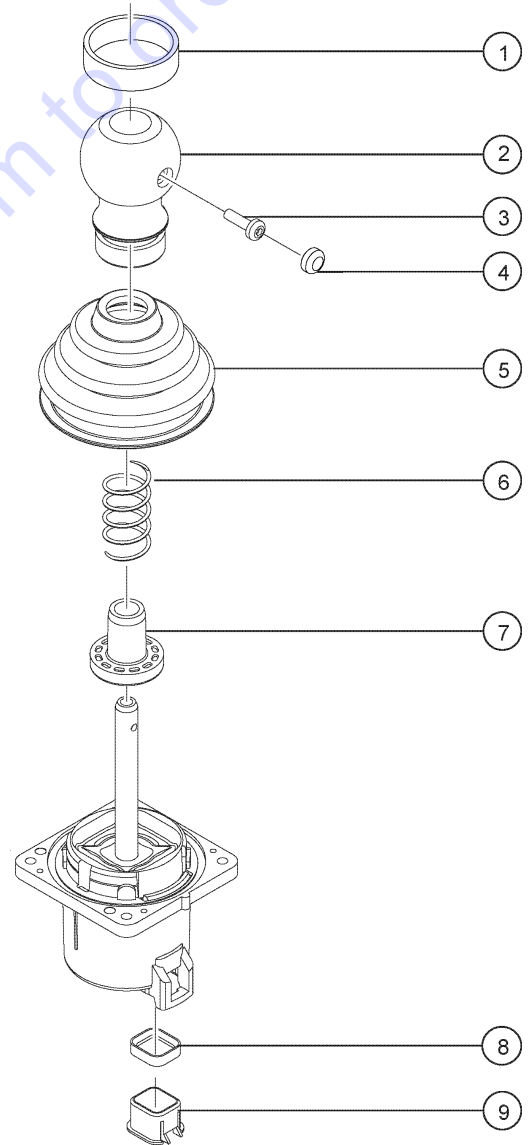


604.1 Joysticks



1274969

1274971 and 1274972



Go to Discount-Equipment.com to order your parts

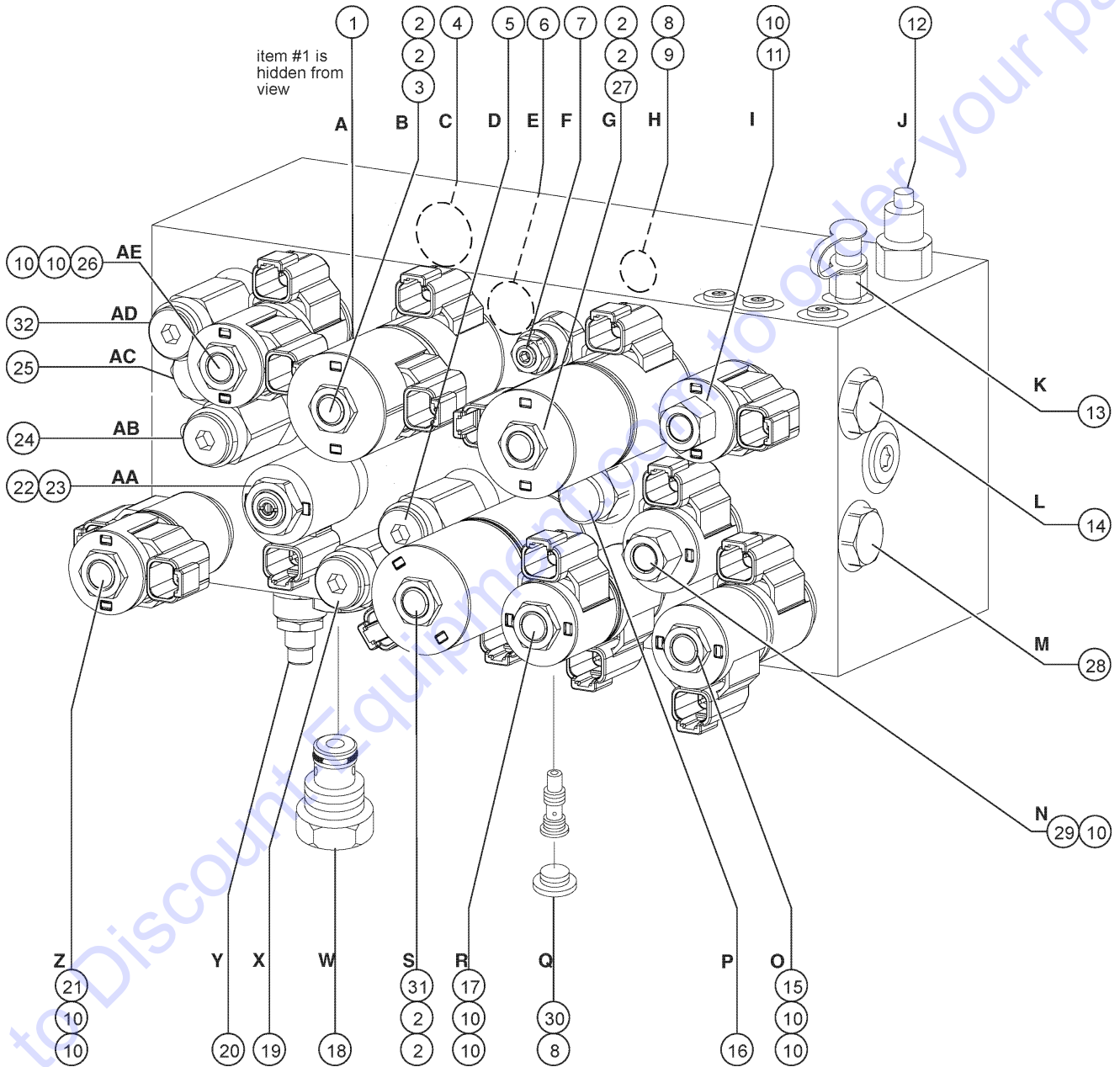


604.1 Joysticks

| Item | Part No.  | Description   | Qty. |
|------|-----------|---|------|
| A    | 1274969GT | JOYSTICK, 1 AXIS ROCKER, BLUE<br>(drive/steer) (OEM joystick) (calibration required after replacement)                        |      |
| B    | 1274971GT | JOYSTICK, 2 AXIS, BLUE<br>(drive/steer) (OEM joystick) (calibration required after replacement)                               |      |
| C    | 1274972GT | JOYSTICK, 1 AXIS, BLUE<br>(primary boom up/down and turntable rotate) (OEM joystick) (calibration required after replacement) |      |
| D-   | 83098GT   | TERM,AMP MTE,SOC,22-26 GA BULK  |      |
| 1    | 1271713GT | SHRINK TUBE,BLU,3:1,40MM  | 2    |
| 2    | 62392GT   | KNOB,JOYSTICK, 62390/62391  | 1    |
| 3    | T112626GT | SCREW, PHM, #6-32 X .625 ZINC   | 1    |
| 4    | 1269499GT | PLUG, JOYSTICK HANDLE   | 2    |
| 5    | 139598GT  | BOOT,JOYSTICK   | 1    |
| 6    |           | SPRING,JOYSTK CENTR,62390/91<br>no longer available from supplier   |      |
| 7    | 119915GT  | COLLAR,JOYSTICK,CENTER  | 1    |
| 8    | 128000GT  | SEAL, CONNECTOR (DT JOYSTICKS)  | 1    |
| 9    | 128001GT  | SLEEVE,CONNECTOR,DT JOYSTICKS   | 1    |
| 10   | 75449GT   | KNOB,ROCKER JOYSTICK 75565  | 1    |
| 11   | 75448GT   | SUPPORT,SENSOR,JOYSTICK   | 1    |
| 12   | 75447GT   | SWITCH SHIELD,ROCK JOYSTK75565  | 1    |
| 13   | 75446GT   | SPRING,SWITCH CENTERING,75565   | 1    |
| 14   | 75445GT   | ROCKER ASSY.,MAGNETIC 75565   | 1    |
| 15   | 75444GT   | ROCKER,RETAINER, 75565  | 1    |
| 16   | 75443GT   | BOOT, ROCKER JOYSTICK 75565   | 1    |



701.1 Function Manifold



# PARTS FINDER

**Search Website  
by Part Number**



**Search Manual  
Library For Parts  
Manual & Lookup Part  
Numbers – Purchase  
or Request Quote**

**Search Manuals**

Enter your information to help us find the right parts manual for your equipment.

\* Brand:

\* Model:

\* Serial:

\* Part Number:

SEARCH

**Can't Find Part or  
Manual? Request Help  
by Manufacturer,  
Model & Description**

**Parts Order Form**

Please fill in the following information to help us find the right part for your equipment.

|               |                      |
|---------------|----------------------|
| Manufacturer: | <input type="text"/> |
| Model:        | <input type="text"/> |
| Description:  | <input type="text"/> |
| Part Number:  | <input type="text"/> |
| Quantity:     | <input type="text"/> |
| Notes:        | <input type="text"/> |

Submit

Discount-Equipment.com is your online resource for quality parts & equipment.

Florida: **561-964-4949** Outside Florida TOLL FREE: **877-690-3101**

**Need parts?**

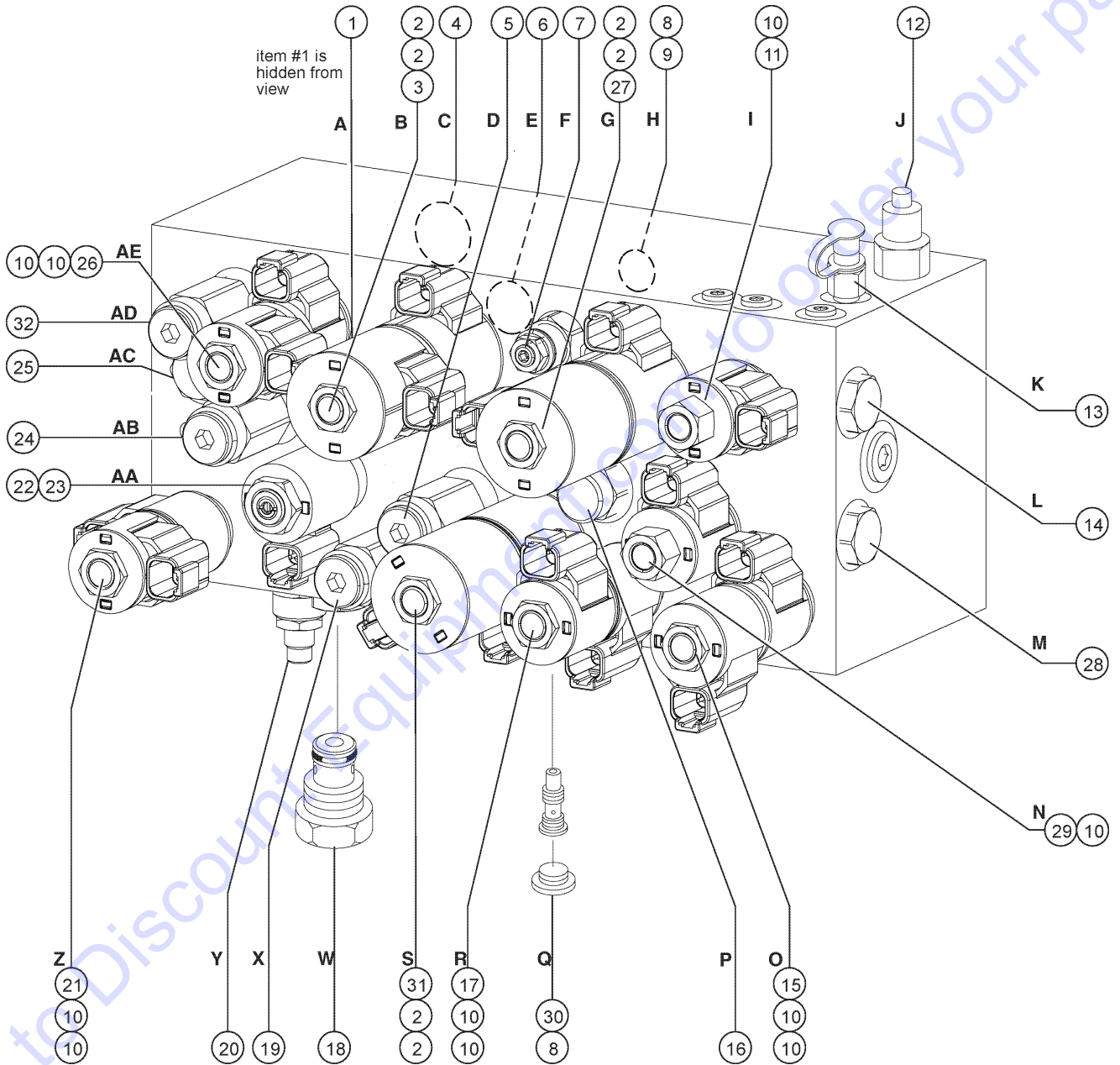
Click on this link: <http://www.discount-equipment.com/category/5443-parts/> and choose one of the options to help get the right parts and equipment you are looking for. Please have the machine model and serial number available in order to help us get you the correct parts. If you don't find the part on the website or on one of the online manuals, please fill out the request form and one of our experienced staff members will get back to you with a quote for the right part that your machine needs.

We sell worldwide for the brands: Genie, Terex, JLG, MultiQuip, Mikasa, Essick, Whiteman, Mayco, Toro Stone, Diamond Products, Generac Magnum, Airman, Haulotte, Barreto, Power Blanket, Nifty Lift, Atlas Copco, Chicago Pneumatic, Allmand, Miller Curber, Skyjack, Lull, Skytrak, Tsurumi, Husquvarna Target, Stow, Wacker, Sakai, Mi-T-M, Sullair, Basic, Dynapac, MBW, Weber, Bartell, Bennar Newman, Haulotte, Ditch Runner, Menegotti, Morrison, Contec, Buddy, Crown, Edco, Wyco, Bomag, Laymor, EZ Trench, Bil-Jax, F.S. Curtis, Gehl Pavers, Heli, Honda, ICS/PowerGrit, IHI, Partner, Imer, Clipper, MMD, Koshin, Rice, CH&E, General Equipment, Amida, Coleman, NAC, Gradall, Square Shooter, Kent, Stanley, Tamco, Toku, Hatz, Kohler, Robin, Wisconsin, Northrock, Oztec, Toker TK, Rol-Air, APT, Wylie, Ingersoll Rand / Doosan, Innovatech, Con X, Ammann, Mecalac, Makinex, Smith Surface Prep, Small Line, Wanco, Yanmar

| Item | Part No.  | Description   | Qty. |
|------|-----------|---|------|
| A-   | 49613GT   | PLUG AND CAP KIT-SERVICE,ORFS* .....                |      |
| B-   | 1262258GT | MANIFOLD,FUNCTION,Z60E .....                        |      |
|      |           | Complete  |      |
| 1    | 234597GT  | VALVE, FLOW REGULATOR, 2GPM .....                   | 1    |
|      |           | A, Oscillate circuit                                |      |
| 2    | 1270812GT | COIL - 10 20V ER/Z .....                            | 6    |
| 3    | 1270815GT | VALVE, SPOOL, 4 WY, 3 POSITION .....                | 1    |
|      |           | B, Primary boom extend/retract circuit              |      |
| 4    | 52368GT   | VALVE,CHECK,GS68 (SIZE8 8) .....                    | 1    |
|      |           | C, Platform rotate left/right                       |      |
| 5    | 1270821GT | VALVE, RELIEF .....                                 | 1    |
|      |           | D, Primary boom extend                              |      |
| 6    | 52370GT   | VALVE,SHUTTLE,GS68 .....                            | 1    |
|      |           | E, Primary boom extend/retract circuit              |      |
| 7    | 77410GT   | VALVE,COUNTERBALNCE,1500 PSI** .....                | 1    |
|      |           | F, Primary boom retract                             |      |
| 8    | 145097GT  | PLUG,SAE #4 .....                                   | 5    |
| 9    | 826779GT  | VALVE,SHUTTLE .....                                 | 1    |
|      |           | H, Pilots primary boom retract counterbalance valve |      |
| 10   | 119827GT  | COIL, 20V, ZENER DIODE DEUTSCH .....                | 10   |
| 11   | 44997GT   | VALVE,SOLENOID,2POS 2WAY N.O.* .....                | 1    |
|      |           | I, P2 circuit                                       |      |
| 12   | 229750GT  | HARNESS,PRESS,TRANSDUCER*** .....                   | 1    |
|      |           | J, Monitors pressure                                |      |
| 13   | 48997GT   | NIPPLE,DIAGNOSTIC,#4 .....                          | 1    |
|      |           | K, Testing  |      |
| 14   | 1270817GT | VALVE, CHECK .....                                  | 2    |
|      |           | L, Check to P2 circuit                              |      |
| 15   | 1270816GT | VALVE, SPOOL, 4 WY, 3 POSITION, CLOSED CENTER ..... | 1    |
|      |           | O, Steer left/right                                 |      |
| 16   | 237209GT  | COMPENSATOR, 150 PSI .....                          | 1    |
|      |           | P, Turntable rotate left/right                      |      |
| 17   | 107788GT  | VALVE,PROPORTIONAL 3 POS 4 WY .....                 | 1    |
|      |           | R, Turntable rotate left/right                      |      |
| 18   | 107740GT  | VALVE, CHECK 25 PSI .....                           | 1    |
|      |           | W, Tank return circuit                              |      |
| 19   | 1270823GT | VALVE .....   | 1    |
|      |           | X, Oscillate circuit                                |      |
| 20   | 94615GT   | VALVE,NEEDLE,ADJUSTABLE*** .....                    | 1    |
|      |           | Y, Platform level up/down                           |      |
| 21   | 1270819GT | VALVE, SOLENOID, 4 WAY, 3 POS .....                 | 1    |
|      |           | Z, Platform level up/down                           |      |
| 22   | 119830GT  | VALVE,PROPORTIONAL RELIEF .....                     | 1    |
|      |           | AA, Boom functions (coil not included)              |      |
| 23   | 119825GT  | COIL, 24V, DEUTSCH NO DIODE .....                   | 1    |
| 24   | 1270820GT | VALVE, RELIEF .....                                 | 1    |
|      |           | AB, Platform level up circuit                       |      |
| 25   | 1270818GT | VALVE, PILOT OPERATED CHECK .....                   | 1    |
|      |           | AC, Platform level up/down                          |      |
| 26   | 107816GT  | VALVE,PROPORTIONAL 3 POS 4 WY* .....                | 1    |
|      |           | AE, Platform rotate left/right                      |      |



701.1 Function Manifold



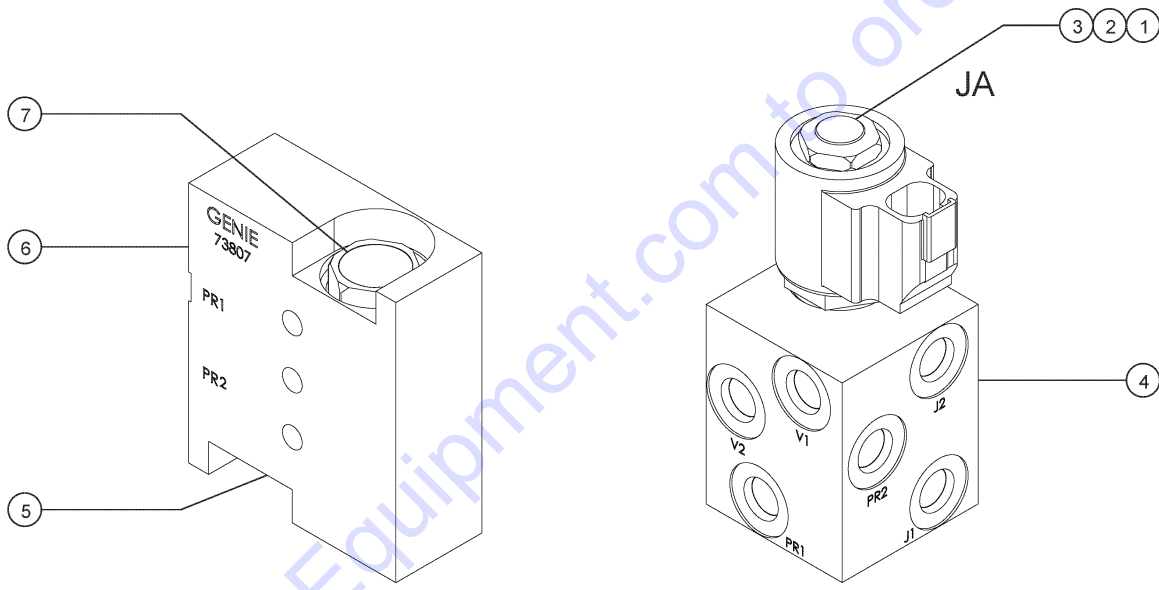
701.1 Function Manifold

| Item | Part No.  | Description  | Qty. |
|------|-----------|--|------|
| 27   | 1270815GT | VALVE, SPOOL, 4 WY, 3 POSITION .....<br>G, Secondary boom extend/retract | 1    |
| 28   | 218730GT  | VALVE,CHECK,10 PSI .....<br>M, Check to P1 circuit                       | 1    |
| 29   | 44997GT   | VALVE,SOLENOID,2POS 2WAY N.O.* .....<br>N, P1 circuit                    | 1    |
| 30   | 826779GT  | VALVE,SHUTTLE .....<br>Q, Turntable rotate left/right                    | 1    |
| 31   | 1270815GT | VALVE, SPOOL, 4 WY, 3 POSITION .....<br>S, Primary boom up/down          | 1    |
| 32   | 1270820GT | VALVE, RELIEF .....<br>AD, Platform level down circuit                   | 1    |

Go to Discount-Equipment.com to order your parts



702.1 Platform Rotate and Jib Boom/Platform Manifold



Platform Rotate Manifold

Jib Select Manifold

702.1 Platform Rotate and Jib Boom/Platform Manifold

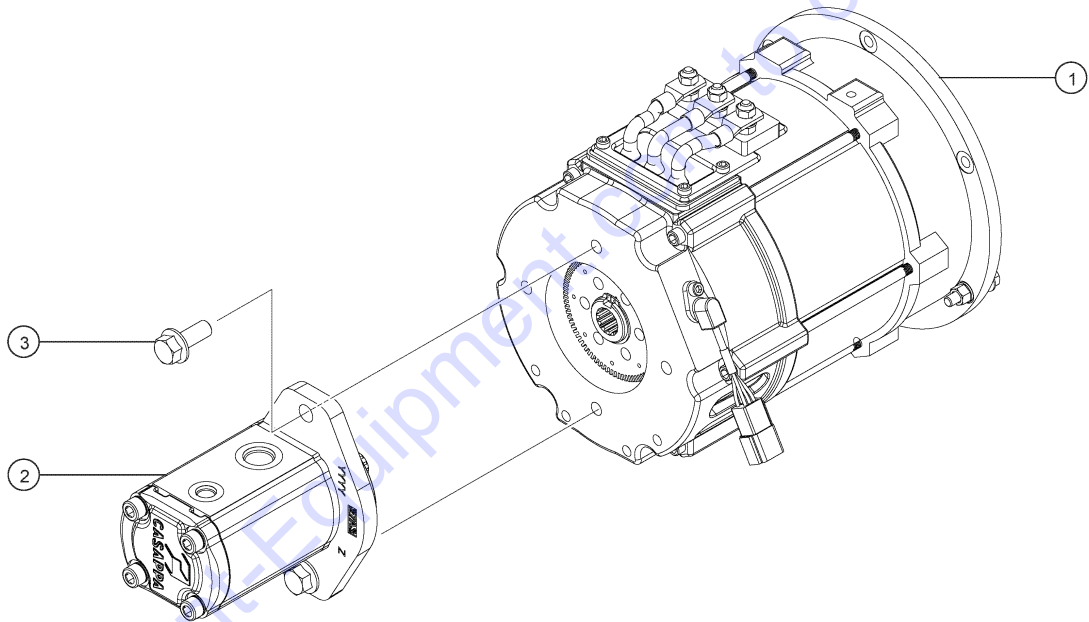
| Item | Part No.  | Description                          | Qty. |
|------|-----------|--------------------------------------|------|
| 1    | 44174GT   | NUT-COIL SHORT .....                 | 1    |
| 2    | 52897GT   | VALVE,SOLENOID, 2POS/3WAY*** .....   | 1    |
| 2-   | 52371GT   | SEAL KIT, VALVE .....                | 1    |
|      |           | for 52897                            |      |
| 3    | 104759GT  | COIL,12VDC #8 DTSCH IP69 ECOIL ..... | 1    |
| 4    | 1256670GT | MANIFOLD,JIB SELECT W/QD PLUG .....  | 1    |
|      |           | (include items 1-3)                  |      |
| 5    | 62506GT   | VALVE - COUNTERBALANCE** .....       | 1    |
| 5-   | 43018GT   | SEAL KIT (39345) .....               |      |
| 6    | 73807GT   | MANIFOLD,ROTATOR,CB*** .....         | 1    |
|      |           | (include items 5 and 7)              |      |
| 6-   | 62507GT   | O-RING, ROTATOR MANIFOLD .....       |      |
| 7    | 62506GT   | VALVE - COUNTERBALANCE** .....       | 1    |
| 7-   | 43018GT   | SEAL KIT (39345) .....               |      |

Go to Discount-Equipment.com to order your parts





703.1 Hydraulic Pumps



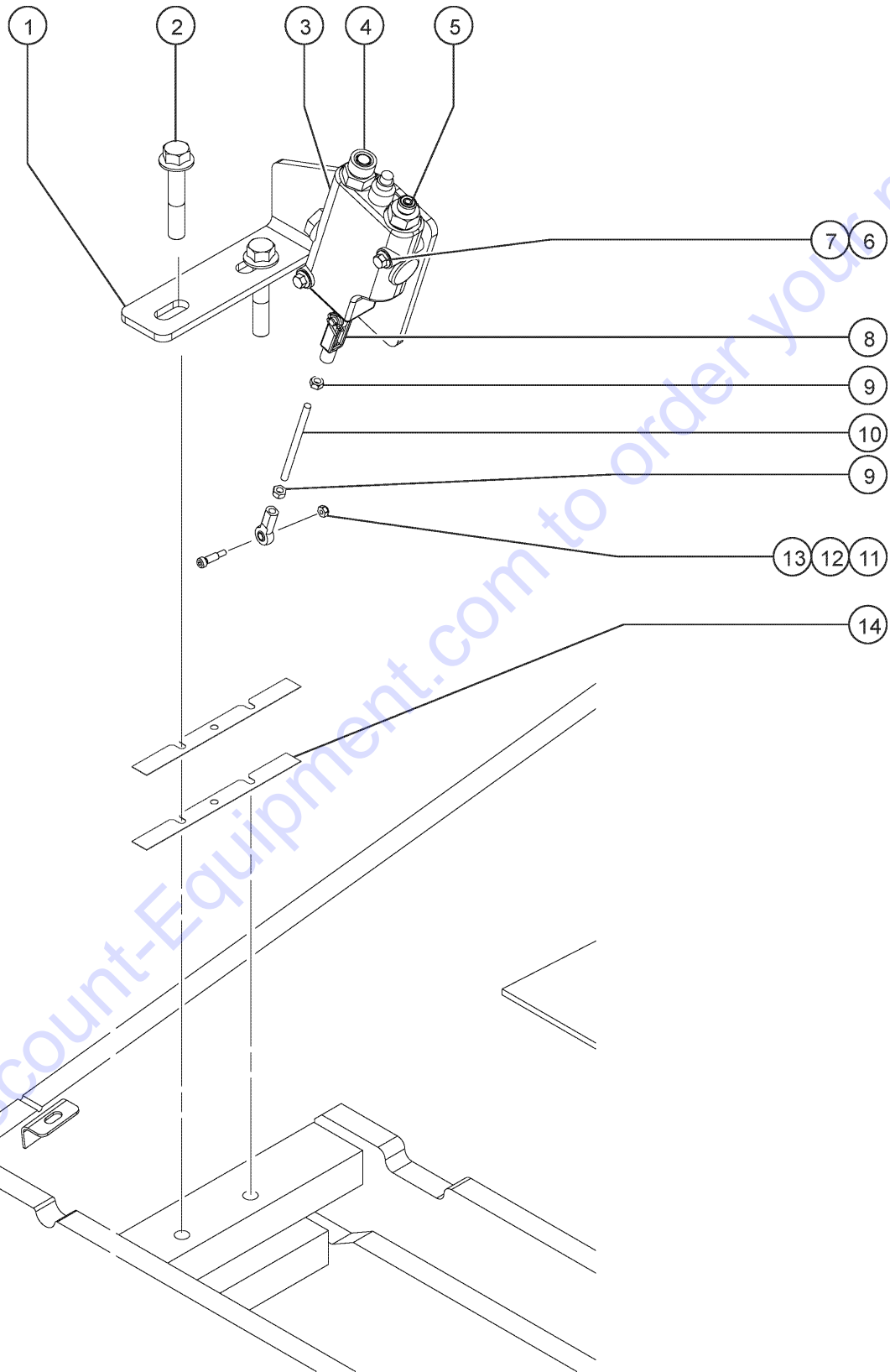
703.1 Hydraulic Pumps

| Item | Part No.  | Description   | Qty. |
|------|-----------|---|------|
| 1    | 1264100GT | MOTOR,AC,PUMP-GENERATOR .....                             | 1    |
| 1-   | 1284946GT | BEARING SERVICE KIT (1264100) .....<br>for 1264100        |      |
| 1-   | 1284947GT | ROTOR ASSEMBLY (1264100) .....<br>for 1264100             |      |
| 1-   | 1284948GT | BEARING SERVICE KIT (1264100) .....<br>for 1264100        |      |
| 1-   | 1284949GT | TERMINAL BRACKET SVC KIT (1264100) .....<br>for 1264100   |      |
| 1-   | 1284950GT | TERMINAL BLOCK SERVICE KIT (1264100) .....<br>for 1264100 |      |
| 1-   | 1284951GT | SPEED SENSOR KIT W/PINS (1264100) .....<br>for 1264100    |      |
| 1-   | 1284952GT | CONNECTOR SERVICE KIT (1264100) .....<br>for 1264100      |      |
| 1-   | 1284953GT | PULSE WHEEL SERVICE KIT (1264100) .....<br>for 1264100    |      |
| 1-   | 1284954GT | BOLT KIT W/WASHERS,M8X200 (1264100) .....<br>for 1264100  |      |
| 2    | 1261767GT | PUMP,GEAR,FUNCTION,Z60E .....                             | 1    |
| 2-   | 1269602GT | SEAL KIT, FUNCTION PUMP, Z60E .....                       | 2    |
| 3    | 1255469GT | SCREW,HHF,1/2-13X1.25,8,ZAG .....                         | 2    |

Go to Discount-Equipment.com to order your parts



704.1 Oscillate Valve



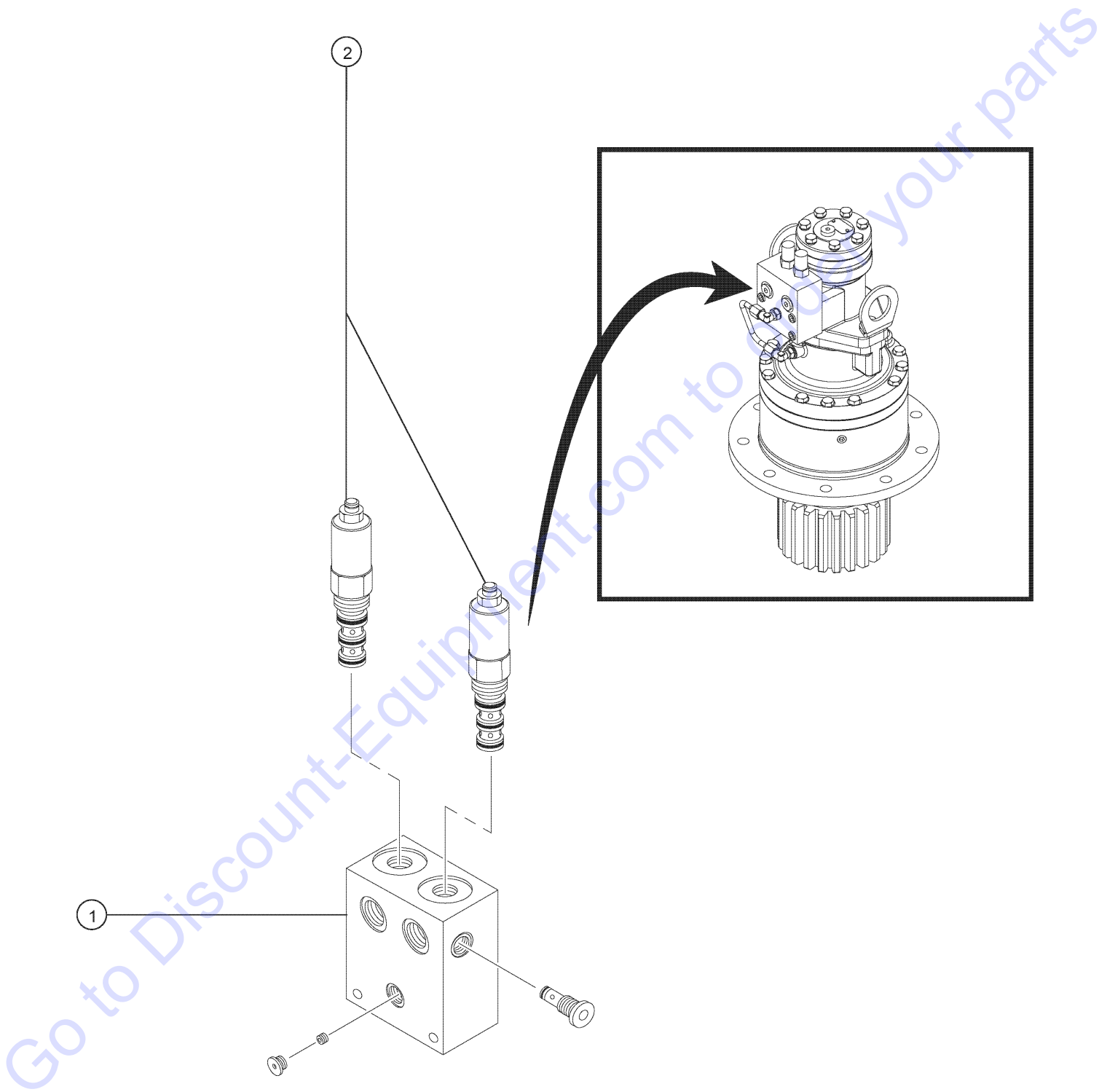
Go to Discount-Equipment.com to order your parts

| Item | Part No.  | Description                                 | Qty. |
|------|-----------|---|------|
| 1    | 1255712GT | BRACKET, OSCILLATE VALVE .....              |      |
| 2    | 1257862GT | SCREW,HHF,1/2-13X2.75,8,ZAG .....           |      |
| 3    | 49768GT   | VLV,MAN,3 POS/4 WAY,CLOSE CTR* .....        |      |
| 3-   | 32681GT   | SEAL KIT,CONTROL VALVE .....                |      |
| 4    | 48933GT   | CONN,520120-8***<br>(sold separately) ..... |      |
| 5    | 48914GT   | CONN,520120-4-8<br>(sold separately) .....  |      |
| 6    | 1253485GT | SCREW,HHF,1/4-20X2,8,ZAG .....              |      |
| 7    | 824027GT  | NUT,TL FLG,1/4-20,G,ZAG .....               |      |
| 8    | 21130GT   | CLEVIS YOKE-1/4-28,PLTD W/PIN .....         |      |
| 9    | 824041GT  | NUT, 1/4-28, 8, ZAG .....                   |      |
| 10   | 1257077GT | ROD,THREADED,1/4-28X4,ZAG .....             |      |
| 11   | 1257076GT | BOLT,SHS,1/4-28X4,ZAG .....                 |      |
| 12   | 81691GT   | ROD END,BALL JOINT 1/4-28 .....             |      |
| 13   | 1256467GT | NUT,NYLOCK,10-24 .....                      |      |
| 14   | 81610GT   | SHIM,AXLE ROTATION STOP,16G .....           |      |

Go to Discount-Equipment.com to order your parts



705.1 Turntable Rotate Manifold



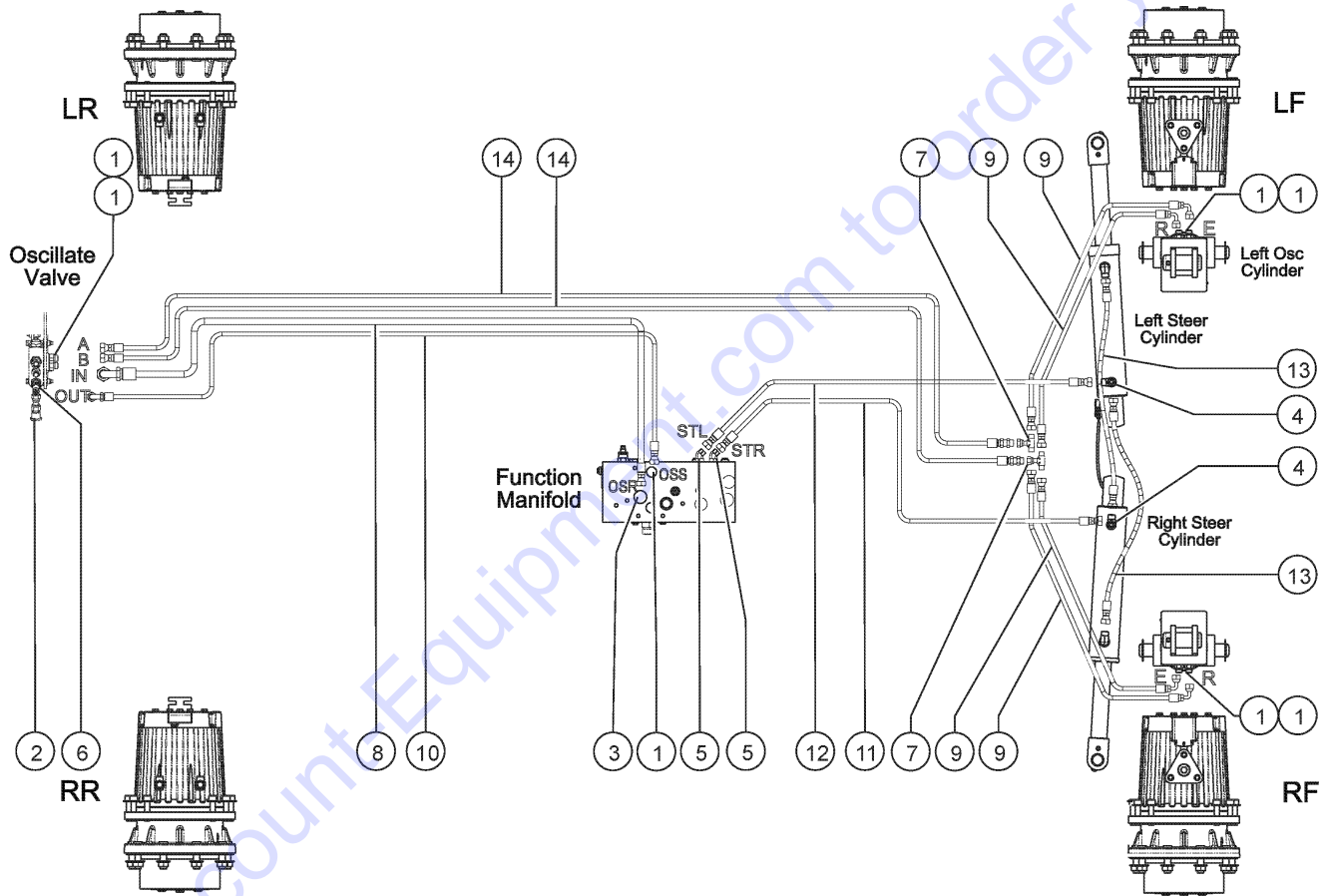
705.1 Turntable Rotate Manifold

| <i>Item</i> | <i>Part No.</i> | <i>Description</i>  | <i>Qty.</i> |
|-------------|-----------------|---|-------------|
| 1           | 89800GT         | MANIFOLD,TURNTABLE ROTATION*** .....  | 1           |
| 1-          | 75119GT         | SEAL KIT,CB VALVE MANIFOLD***<br>(includes mounting rings between motor and manifold) .....         |             |
| 2           |                 | VALVE,COUNTERBALANCE,3000PSI<br>(not sold separately, must purchase manifold for replacement) ..... | 2           |

Go to Discount-Equipment.com to order your parts



706.1 Hydraulic Hoses and Fittings - Drive Chassis, Oscillate



706.1 Hydraulic Hoses and Fittings - Drive Chassis, Oscillate

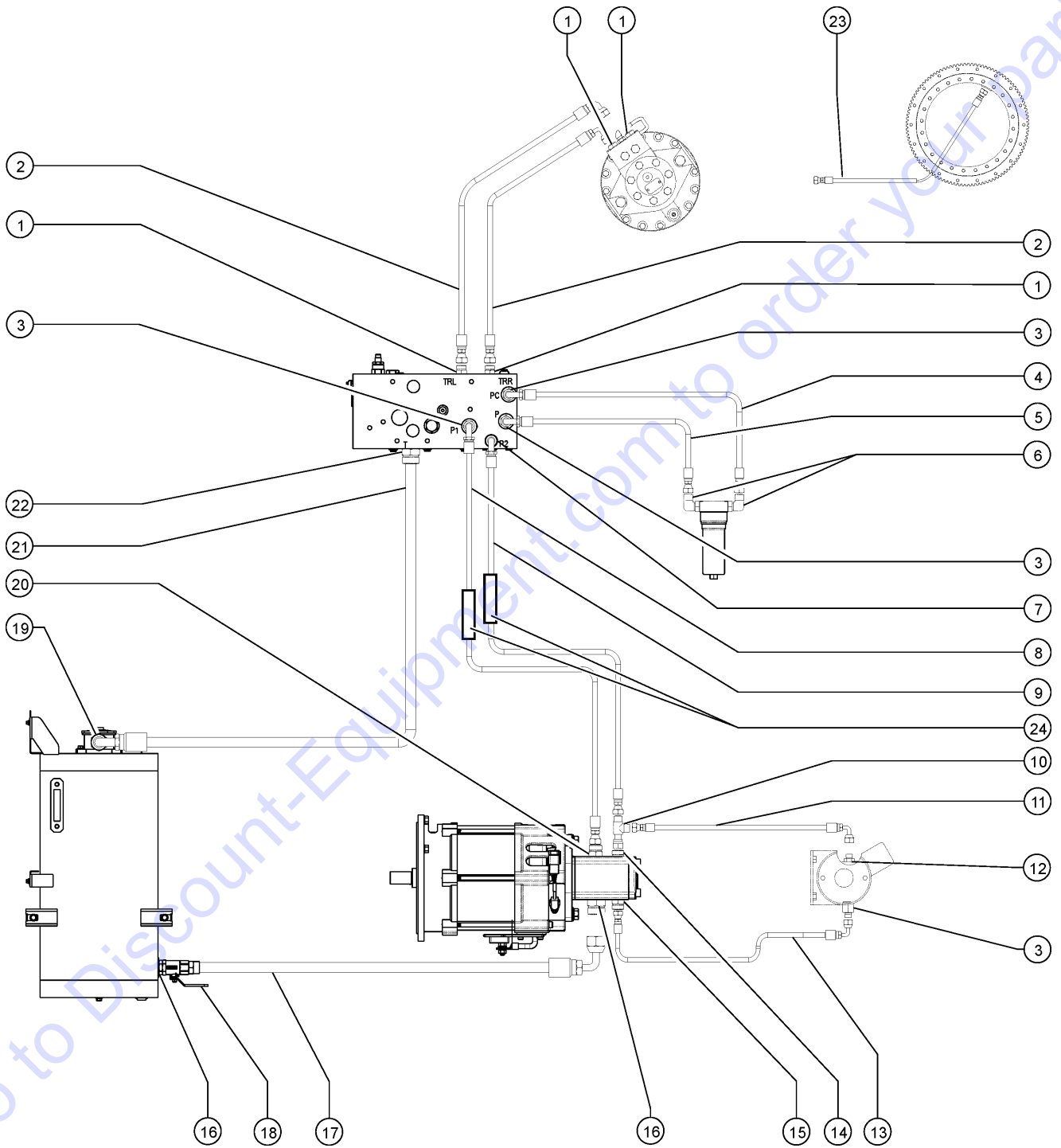
| Item | Part No.      | Description                               | Qty. |
|------|---------------|---|------|
| 1    | 48912GT       | CONN,520120-4-6*** .....                  | 7    |
| 2    | 48914GT       | CONN,520120-4-8 .....                     | 1    |
| 3    | 48916GT       | CONN, 520120-6 .....                      | 1    |
| 4    | 48918GT       | TEE,RUN,520428-6 .....                    | 2    |
| 5    | 48920GT       | ELBOW,45D,520320-6 .....                  | 2    |
| 6    | 48930GT       | CONN,520120-6-8 .....                     | 1    |
| 7    | 48891GT       | FITTING,TEE,BRANCH,520433-4 .....         | 2    |
| 8    | 49117-14666GT | ASSY, HOSE, HYD, -4, 3250, STR, 90 .....  | 1    |
| 9    | 49117-3141GT  | ASSY, HOSE, HYD, -4, 3250, STR, 90 .....  | 4    |
| 10   | 49128-15109GT | ASSY, HOSE, HYD, -6, 3000, STR, 90 .....  | 1    |
| 11   | 49130-13732GT | ASSY, HOSE, HYD, -6, 3000, STR, STR ..... | 1    |
| 12   | 49130-13832GT | ASSY, HOSE, HYD, -6, 3000, STR, STR ..... | 1    |
| 13   | 49130-2432GT  | HOSE ASSY,3/8 FEM-FEM .....               | 2    |
| 14   | 77310-8623GT  | ASSY, HOSE, HYD, -4, 3250, STR, STR ..... | 2    |

Go to Discount-Equipment.com to order your parts





707.1 Hydraulic Hoses and Fittings - Turntable

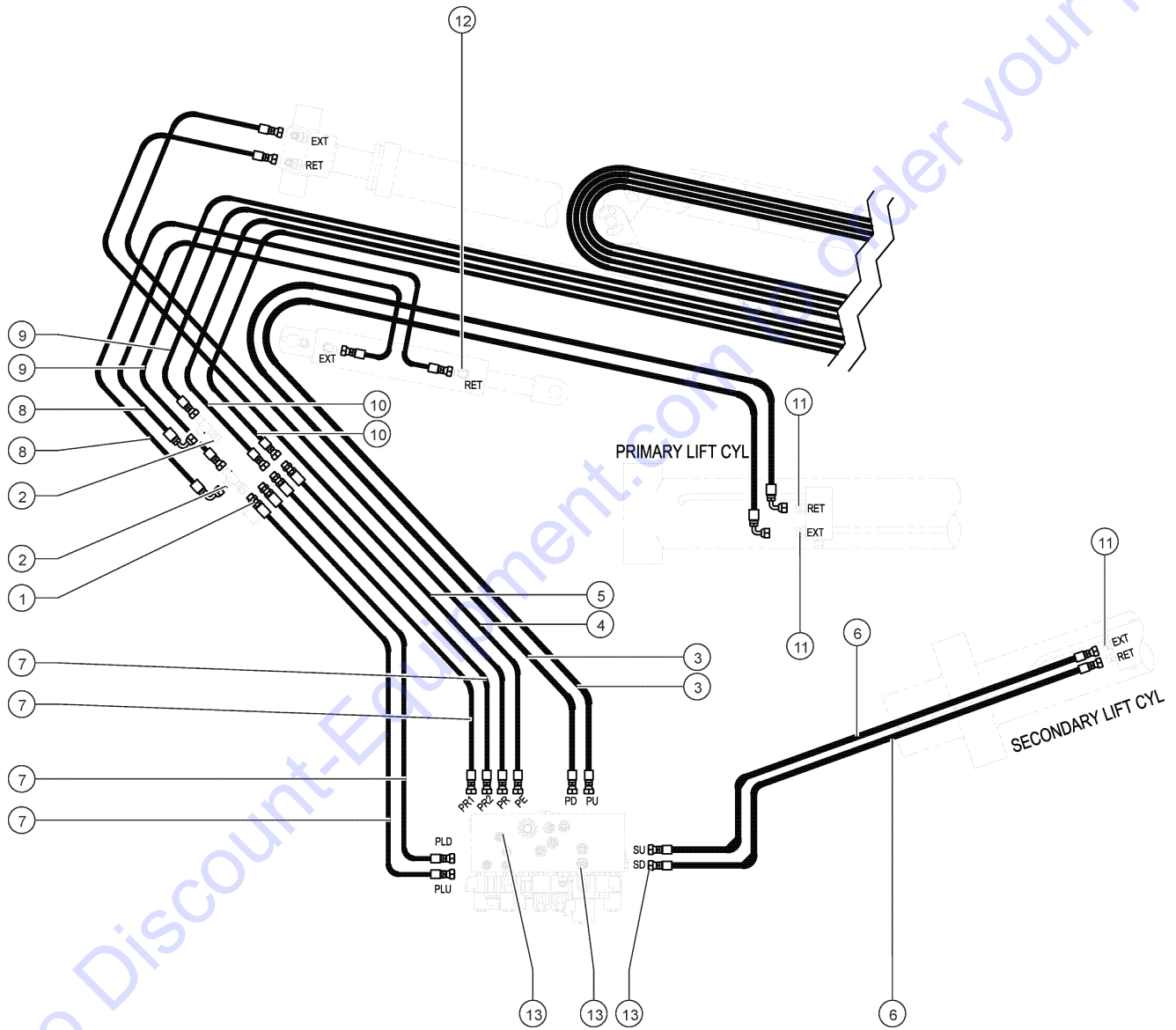


707.1 Hydraulic Hoses and Fittings - Turntable

| Item | Part No.       | Description                                       | Qty. |
|------|----------------|---|------|
| 1    | 48912GT        | CONN,520120-4-6***                                | 4    |
| 2    | 49117-2491GT   | HOSE ASSY,1/4,90 FEM,STR FEM                      | 2    |
| 3    | 48933GT        | CONN,520120-8***                                  | 4    |
| 4    | 49143-2741GT   | HOSE ASSY,1/2,90 FEM,STR FEM                      | 1    |
| 5    | 49143-2941GT   | ASSY, HOSE, HYD, -8, 3000, STR, 90                | 1    |
| 6    | 48947GT        | ELBOW,90D,520220-8-12                             | 2    |
| 7A   | 48947GT        | ELBOW,90D,520220-8-12<br>(FE models)              | 2    |
| 7B   | 48916GT        | CONN, 520120-6<br>(DC models)                     | 1    |
| 8    | 49143-7329GT   | ASSY, HOSE, HYD, -8, 3000, STR, 90                | 1    |
| 9    | 49128-7109GT   | HOSE ASSEMBLY,3/8"                                | 1    |
| 10A  | 48946GT        | CONN,520120-8-10<br>(FE models)                   | 1    |
| 10B  | 48875GT        | TEE,RUN,SWIVEL,520432-6<br>(DC models)            | 1    |
| 11   | 49114-2146GT   | ASSY, HOSE, HYD, -4, 3250, STR, 90<br>(DC models) | 1    |
| 12   | 48916GT        | CONN, 520120-6<br>(DC models)                     | 1    |
| 13   | 94464-1486GT   | ASSY, HOSE, HYD, -8, 300, STR, 90<br>(DC models)  | 1    |
| 14   | 162002GT       | CHECK VALVE 6ORB,6ORFS<br>(DC models)             | 1    |
| 15   | 48943GT        | FITTING,CONN,520120-8-6<br>(DC models)            | 1    |
| 16   | 48984GT        | CONN,520120-16                                    | 1    |
| 17   | 1290344-3868GT | ASSY, HOSE, HYD, -16, 250, STR, 90                | 1    |
| 18   | 48996GT        | VALVE,BALL,16 MSAE-16 FSAE***                     | 1    |
| 19   | 48977GT        | CONN,520120-12-16                                 | 1    |
| 20   | 48946GT        | CONN,520120-8-10                                  | 1    |
| 21   | 49149-1643GT   | ASSY, HOSE, HYD, -12, 1750, STR, 45               | 1    |
| 22   | 48960GT        | FITTING,CONN,520120-12                            | 1    |
| 23   | 49189-5438GT   | HOSE ASSEMBLY, 1/4"                               | 1    |
| 24   | 28678-5500GT   | SLEEVE,NYLON, 2" ID                               | 2    |



708.1 Hydraulic Hoses and Fittings - Secondary and Primary



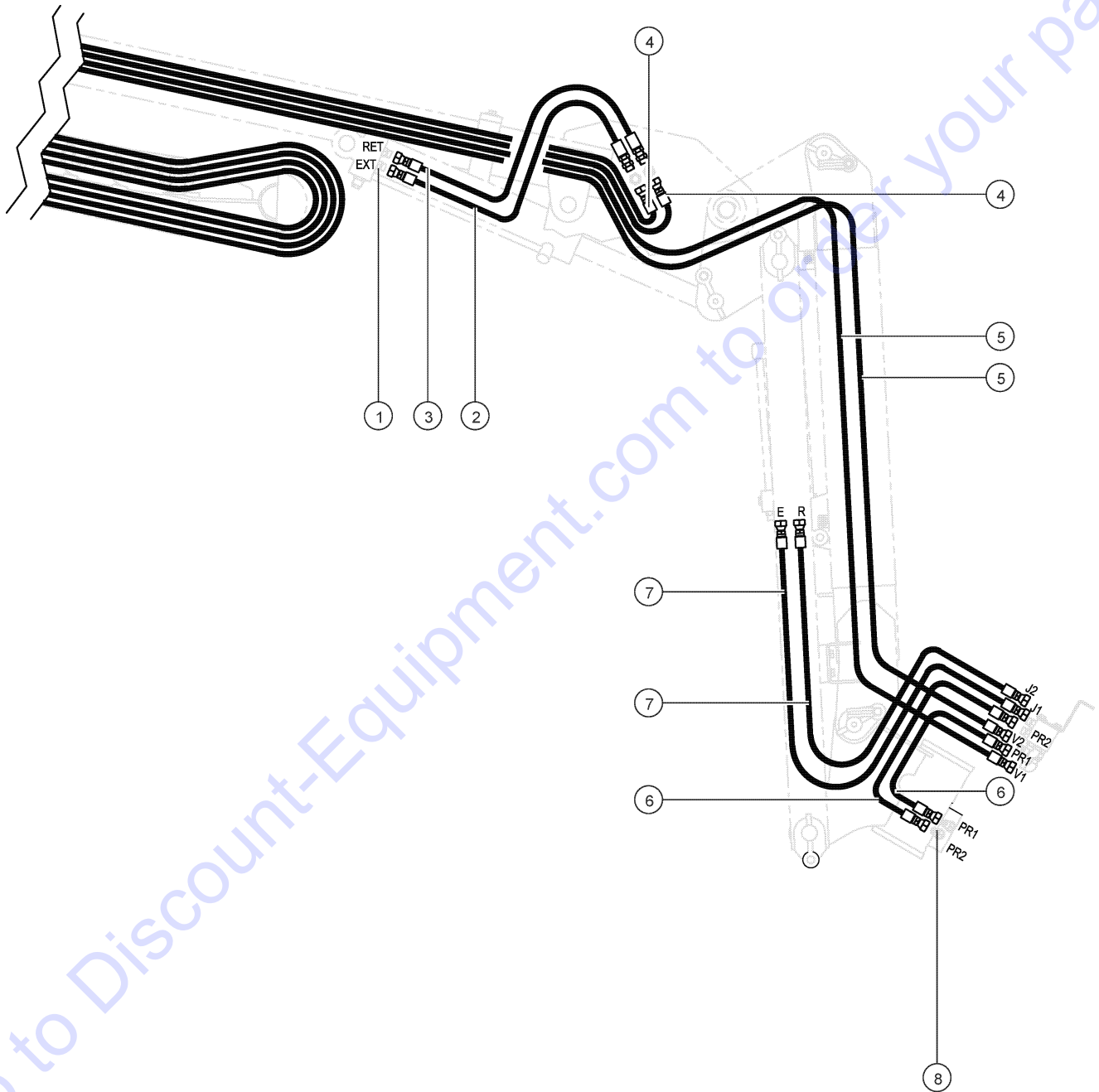
708.1 Hydraulic Hoses and Fittings - Secondary and Primary

| Item | Part No.      | Description                               | Qty. |
|------|---------------|---|------|
| 1    | 75574GT       | NUT,BULKHEAD,520118-4 .....               | 4    |
| 2    | 48908GT       | FITTING,TEE,RUN,SWIVEL520432-4 .....      | 2    |
| 3    | 49130-36282GT | ASSY, HOSE, HYD, -6, 3000, STR, STR ..... | 2    |
| 4    | 49183-36982GT | ASSY, HOSE, HYD, -8, 3000, STR, STR ..... | 1    |
| 5    | 49130-36982GT | ASSY, HOSE, HYD, -6, 3000, STR, STR ..... | 1    |
| 6    | 49130-25382GT | ASSY, HOSE, HYD, -6, 3000, STR, STR ..... | 2    |
| 7    | 77310-38323GT | ASSY, HOSE, HYD, -4, 3250, STR, STR ..... | 4    |
| 8    | 49117-2941GT  | ASSY, HOSE, HYD, -4, 3250, STR, 90 .....  | 2    |
| 9    | 49119-43125GT | ASSY, HOSE, HYD, -4, 3250, STR, STR ..... | 2    |
| 10   | 49119-51125GT | ASSY, HOSE, HYD, -4, 3250, STR, STR ..... | 2    |
| 11   | 48907GT       | ELBOW,45D,520320-4 .....                  | 2    |
| 12   | 48912GT       | CONN,520120-4-6*** .....                  | 2    |
| 13   | 48916GT       | CONN, 520120-6 .....                      | 6    |

Go to Discount-Equipment.com to order your parts



709.1 Hydraulic Hoses and Fittings - Primary and Jib



Go to Discount-Equipment.com to order your parts

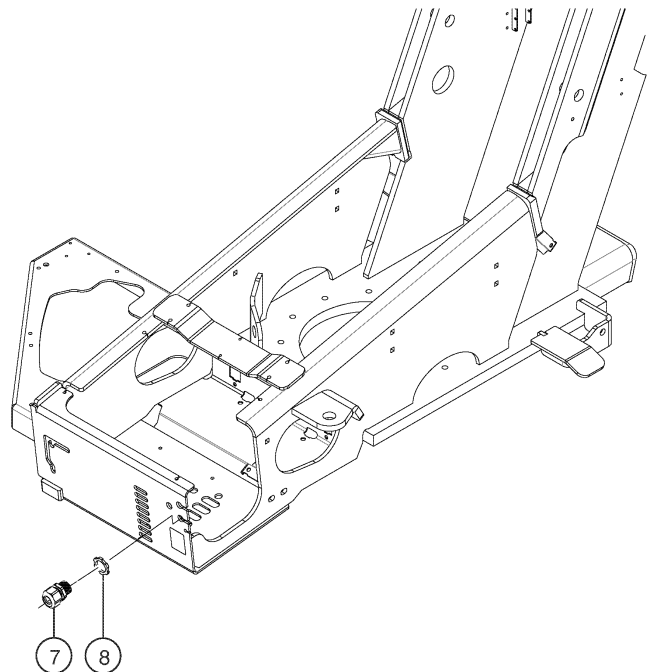
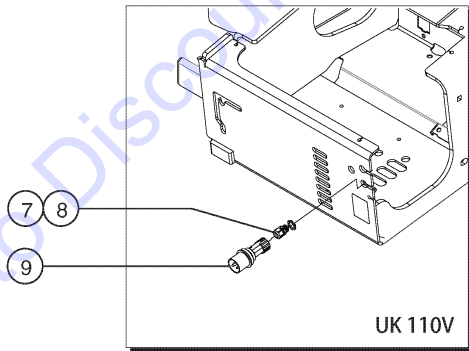
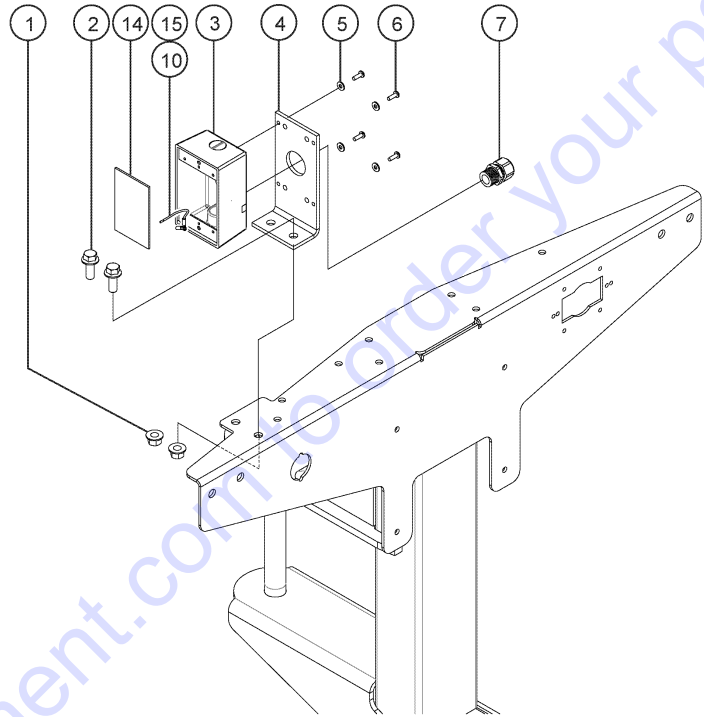
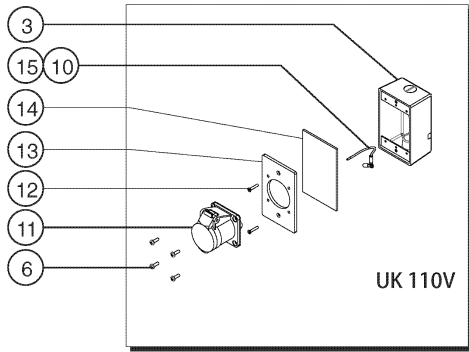
709.1 Hydraulic Hoses and Fittings - Primary and Jib

| <i>Item</i> | <i>Part No.</i> | <i>Description</i>                        | <i>Qty.</i> |
|-------------|-----------------|---|-------------|
| 1           | 48912GT         | CONN,520120-4-6*** .....                  | 2           |
| 2           | 49117-2116GT    | ASSY, HOSE, HYD, -4, 3250, STR, 90 .....  | 1           |
| 3           | 49117-2216GT    | ASSY, HOSE, HYD, -4, 3250, STR, 90 .....  | 1           |
| 4           | 49119-43125GT   | ASSY, HOSE, HYD, -4, 3250, STR, STR ..... | 2           |
| 5           | 49119-51125GT   | ASSY, HOSE, HYD, -4, 3250, STR, STR ..... | 2           |
| 6           | 49119-2878GT    | ASSY, HOSE, HYD, -4, 3250, STR, STR ..... | 2           |
| 7           | 49119-4278GT    | ASSY, HOSE, HYD, -4, 3250, STR, STR ..... | 2           |
| 8           | 48907GT         | ELBOW,45D,520320-4 .....                  | 2           |

Go to Discount-Equipment.com to order your parts



801.1 Power to Platform

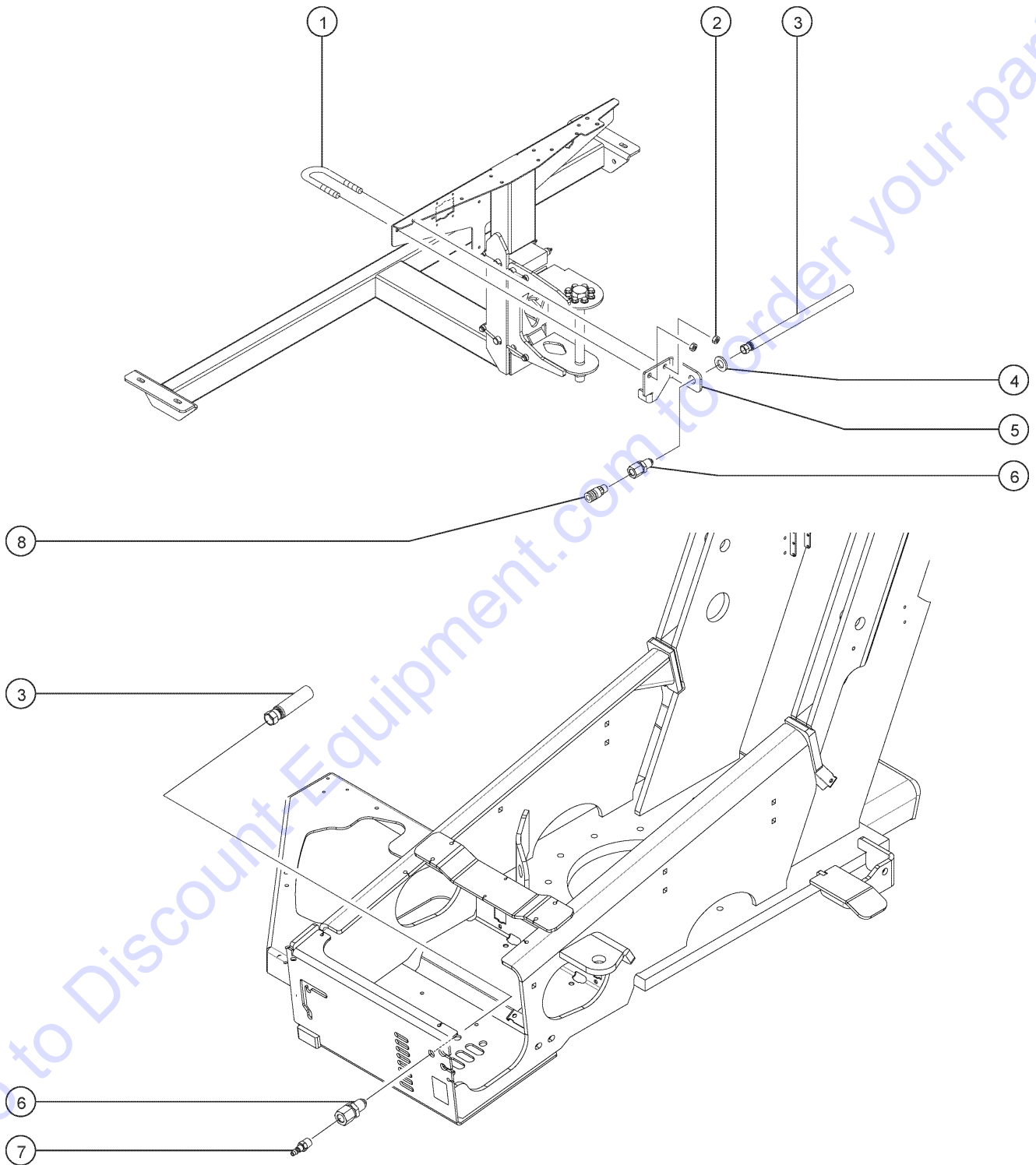


| Item | Part No.  | Description   | Qty. |
|------|-----------|---|------|
| A    | 1269475GT | CLAMP, POWER AIR OPTIONS .....                      | 2    |
| 1    | 824029GT  | NUT,TL FLG,3/8-16,G,ZAG .....                       | 2    |
| 2    | 824090GT  | SCREW,HHF,3/8-16X1,8,ZAG .....                      | 2    |
| 3    | 10775GT   | T-BOX,2.75 X 4.5 X 2.0 .....                        | 1    |
| 4    | 81096GT   | BRACKET,POWER TO PLAT, DOM. ....                    | 1    |
| 5    | 1257390GT | WASHER,FLAT,#8,SAE,ZAG .....                        | 4    |
| 6    | 1257296GT | SCREW,PHPM-ST,8-32X.50,TYPE F,ZAG .....             |      |
| 7    | 7056GT    | CONN, SQZ, 1/2NPT .38-.50, SM** .....               | 2    |
| 8    | 6935GT    | LOCKNUT,ELEC,1/2" .....                             | 6    |
|      |           | power cable not shown                               |      |
| 9    | 144161GT  | PLUG,PWR,UK,16AMP,3PIN,BLK .....                    | 1    |
| 10   | 13597GT   | TERMINAL,#10 RING,BLUE .....                        | 1    |
|      |           | crimp one end of 13597 to swing chassis ground wire |      |
| 11   | T112560GT | RECEPTACLE,UK,110V .....                            | 1    |
| 12   | 1253489GT | SCREW,FHPM,6-32 X .75,ZAG .....                     | 2    |
| 13   | T112561GT | PLATE,UK,POWER TO PLAT .....                        | 1    |
| 14   | 74052GT   | GASKET,COVER,GFCI,WEATHERPROOF .....                | 1    |
| 15   | 55089GT   | WIRE,14 GA,GREEN/YELLOW,THHN** .....                | 6    |





802.1 Air Line to Platform

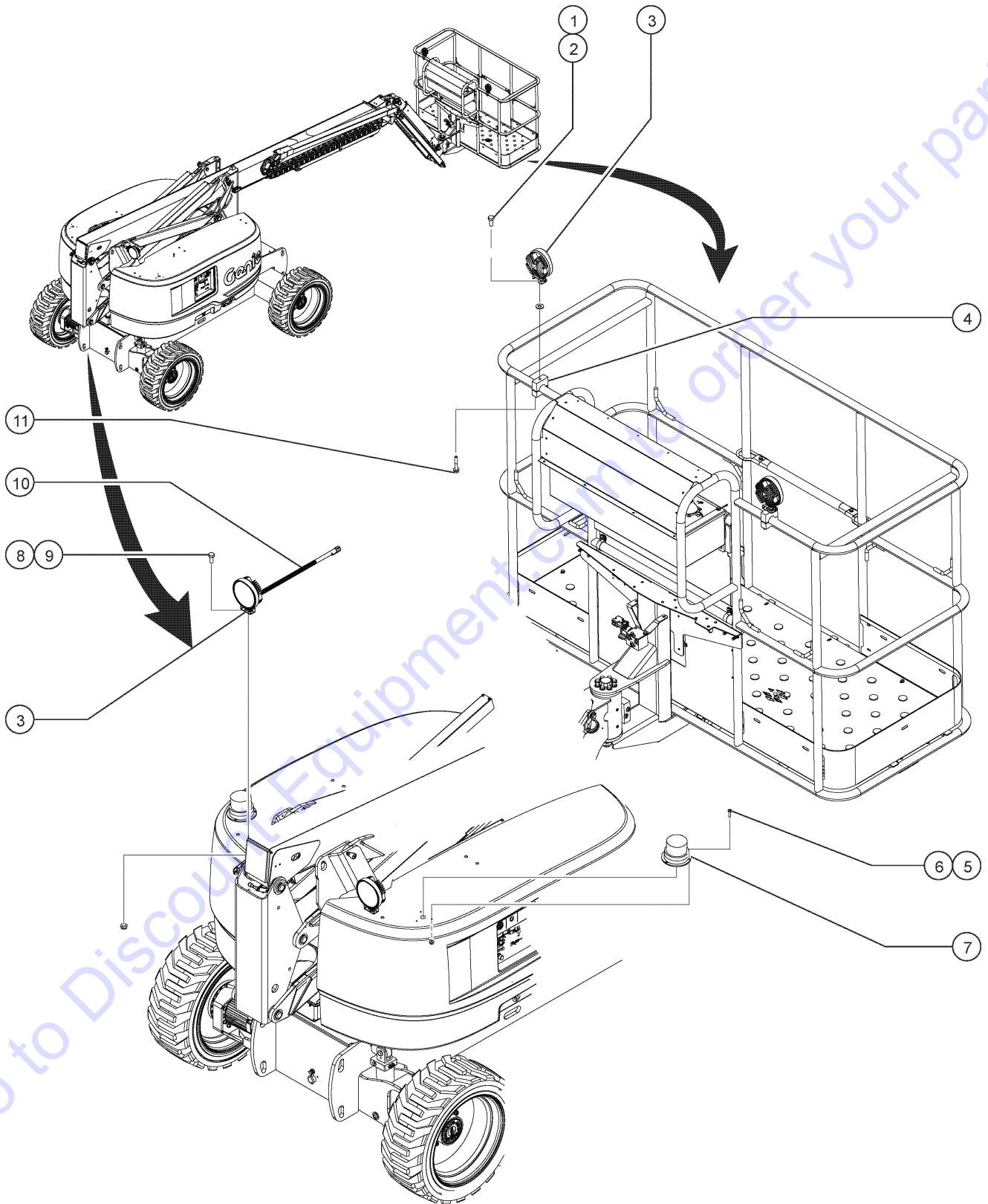


| Item | Part No.      | Description   | Qty.     |
|------|---------------|---|----------|
| 1    | 1251600GT     | U-BOLT, FLATTENED, 1.5 X 3/8 .....                    | 1        |
| 2    | 824029GT      | NUT,TL FLG,3/8-16,G,ZAG .....                         | 2        |
| 3    | 49177-96542GT | HOSE ASSEMBLY, 1/2" AIR, BARB, STR FEM, STR FEM ..... | 1        |
| 3-   | 49213GT       | HOSE END,BARBED,SWIVEL,JIC,8-8 .....                  | 2        |
| 3-   | 39888GT       | HOSE,1/2,LOW PRESSURE,801-8*** .....                  | 10<br>00 |
| 4    | 1256863GT     | WASHER,FLAT,.75,SAE,HRD,ZAG .....                     | 1        |
| 5    | 1275087GT     | FORMING, AIR TO PLAT .....                            | 1        |
| 6    | 49212GT       | FEMALE BULKHEAD CONNECTOR-8 .....                     | 2        |
| 7    | 49214GT       | MALE PIPE THD,1/4" SER,3/8"X18 .....                  | 1        |
| 8    | 49215GT       | MPT,CPLR,1/4"SER,3/8"X18 .....                        | 1        |

Go to Discount-Equipment.com to order your parts



803.1 Light Package



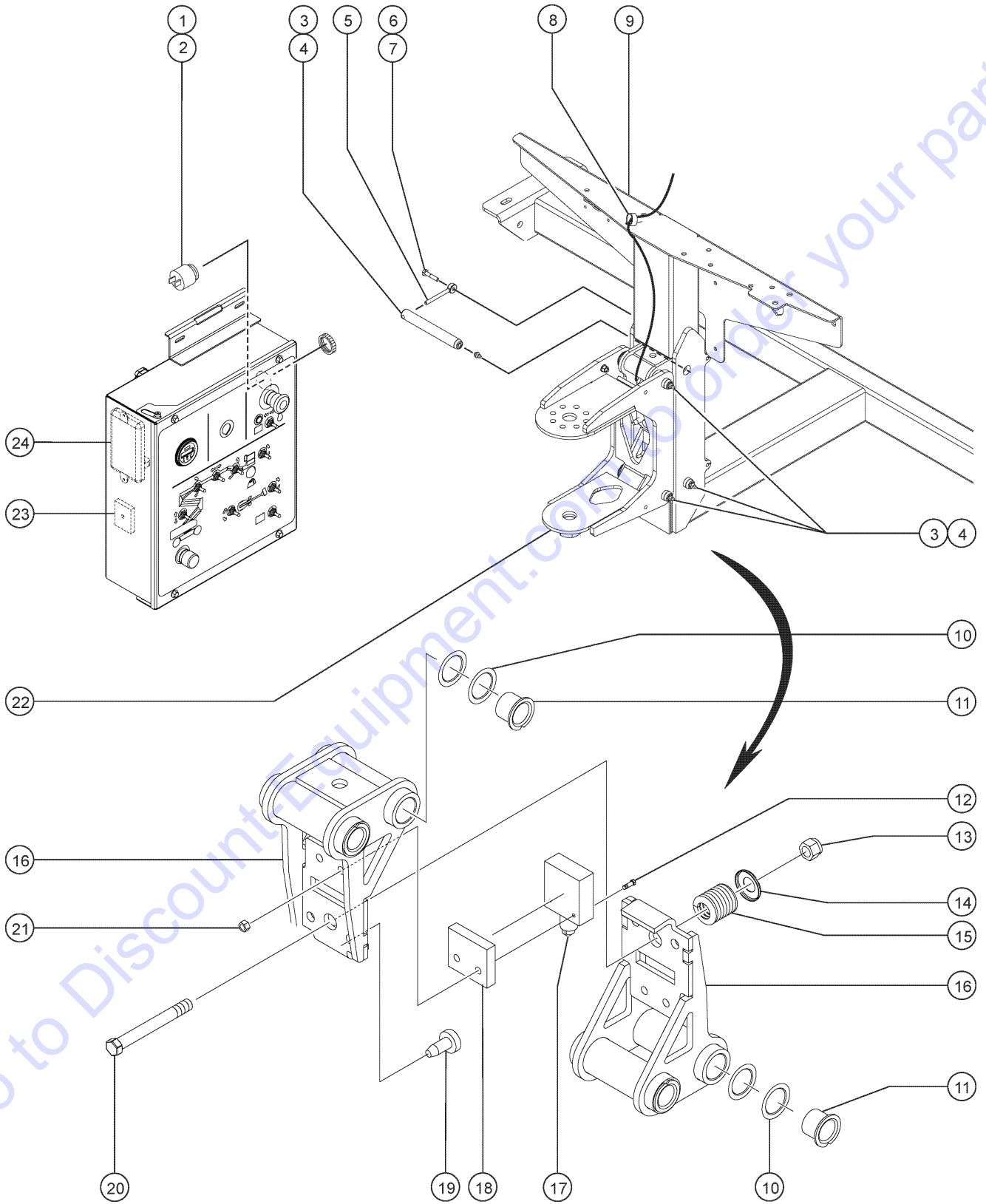
803.1 Light Package

| Item | Part No.   | Description   | Qty. |
|------|------------|---|------|
| A    | 128584-SGT | SWITCH TOGGLE SPDT 2P MNT SHDR .....  | 1    |
| B    | 27246GT    | BOOT,TOGGLE SWITCH,SHORT* .....   | 1    |
| C    | 72867GT    | DECAL,LABEL,LIGHTS*** .....   | 1    |
| D    | 1271882GT  | KIT, WIRING, WORK LIGHTS OPT, Z60/37<br>(inside platform control box) ..... | 1    |
| 1    | 1256464GT  | SCREW,HHC,5/16-18X.75,8,ZAG .....   | 2    |
| 2    | 824113GT   | WASHER,FLAT,USS,1/4,ZAG .....   | 2    |
| 3    | 1271696GT  | ASSEMBLY, WHITE LED LIGHT, ROU .....  | 4    |
| 4    | 35956GT    | BRACKET,WORK LIGHT MOUNT 5/16" .....  | 2    |
| 5    | 824215GT   | SCREW,PHPM,10-32X.75,ZAG .....  | 6    |
| 6    | 824032GT   | NUT,TL FLG,10-32,F,ZAG .....  | 6    |
| 7    | 1271588GT  | ASSEMBLY, AMBER LED BEACON,36l .....  | 2    |
| 8    | 1257489GT  | SCREW,HHC,3/8-16X.625,8,ZAG .....   | 2    |
| 9    | 824029GT   | NUT,TL FLG,3/8-16,G,ZAG .....   | 2    |
| 10   | 1274293GT  | LOOM, LIGHT PACKAGE OPTION .....  | 2    |
|      |            | (drive lights)  |      |
| 11   | 824081GT   | SCREW,HHF,1/4-20X1.5,8,ZAG .....  | 4    |

Go to Discount-Equipment.com to order your parts



804.1 Platform Overload Option

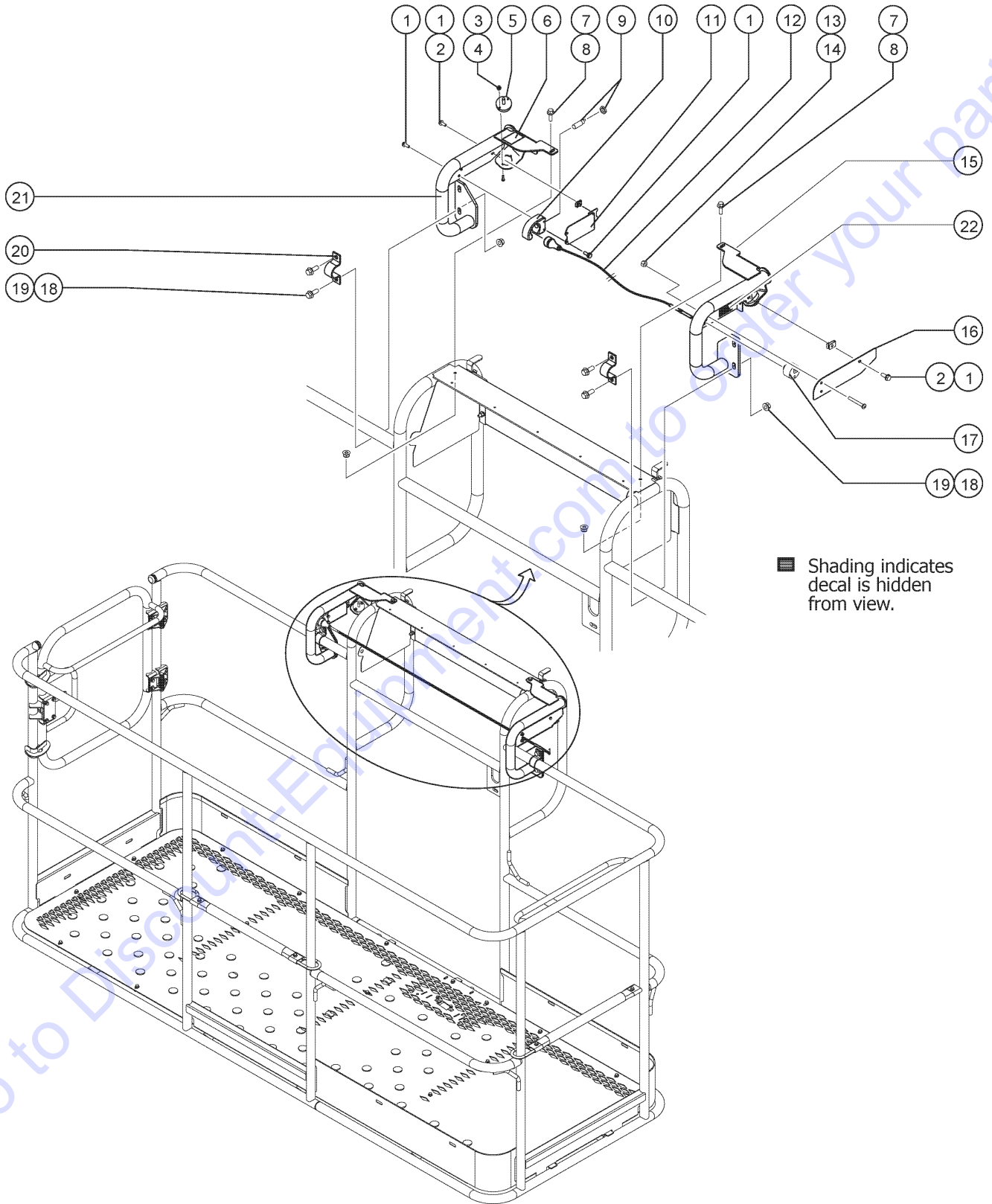


804.1 Platform Overload Option

| Item | Part No.  | Description   | Qty. |
|------|-----------|---|------|
| A    | 94460-SGT | KIT,LOAD SENSE MECHANICAL,LRG .....<br>includes items 3-16, 18-21 | 1    |
| A-   | 119672GT  | CE FIELD SHIM KIT LOAD SENSE .....<br>includes items 9 and 10     | 1    |
| 1    | 45383GT   | ALARM,WARBLE TONE 5-30 VDC***                                     | 1    |
| 2    | 72326GT   | NUT - PLASTIC, RING FOR ALARMS                                    | 1    |
| 3    | 61726GT   | PIN,0.75DIA X 5.75LG,CHAMFER                                      | 4    |
| 4    | 94643GT   | ZERK,GREASE,5/16-24,STRAIT  | 4    |
| 5    | 825020GT  | ROD END, .25 X 2.75, ZAG  | 4    |
| 6    | 824061GT  | SCREW,HHC,1/4-20X1.25,8,ZAG                                       | 4    |
| 7    | 824027GT  | NUT,TL FLG,1/4-20,G,ZAG   |      |
| 8    | 45470GT   | CLAMP,0.31,#5 X 1/4,RUB CUSH                                      | 1    |
| 9    | 61997GT   | WELDMENT,PLATFORM SUPPORT,CE                                      | 1    |
| 10   | 110789GT  | WASHER,SHIM .0151 THK.  | 16   |
| 11   | 25685GT   | BEARING,GARLOCK,12FDU12   | 8    |
| 12   | 1257264GT | SCREW,BHC,10-32X1.5,F835,ZAG                                      | 2    |
| 13   | 824029GT  | NUT,TL FLG,3/8-16,G,ZAG   | 1    |
| 14   | 61975GT   | RETAINER,SPRING,1.21 X .375                                       | 1    |
| 15   | 61974GT   | SPRING,COMP,1" OD,232 LB/IN                                       | 1    |
| 16   | 61809GT   | WELDMENT,LOAD SUPPORT   | 2    |
| 17   | 1263721GT | HARNES, LOAD SENSE Z60/37 .....<br>includes limit switch          |      |
| 17-  |           | SWITCH, ROLLER PLUNGER LIMIT                                      | 1    |
| 18   | 61972GT   | MOUNT,SWITCH  | 1    |
| 19   | 34619GT   | BUMPER,RUBBER***  | 2    |
| 20   | 824095GT  | SCREW,HHF,3/8-16X3,8,ZAG  | 1    |
| 21   | 824032GT  | NUT,TL FLG,10-32,F,ZAG  | 2    |
| 22   | 61804GT   | WELDMENT,ROTATOR SUPPORT  | 1    |
| 23   | 121846GT  | RELAY,TIME DELAY,2 SEC,10A  | 1    |
| 24   | 128045GT  | MODULE,LOAD SENSE 2007  | 1    |



805.1 Lift Guard Contact Alarm



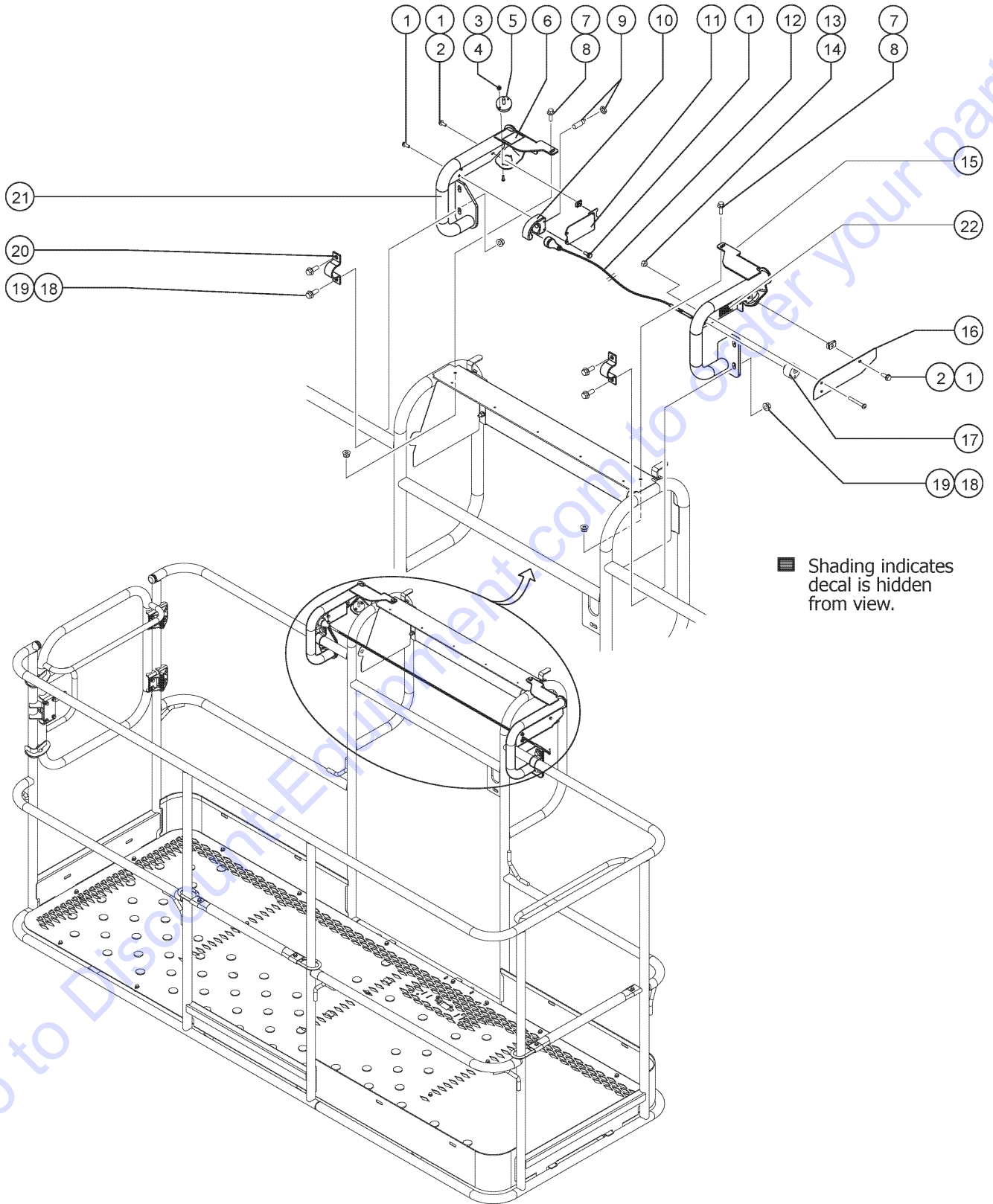
805.1 Lift Guard Contact Alarm

| Item | Part No.  | Description   | Qty. |
|------|-----------|---|------|
| A-   |           | From January 2017, this option became a standard installation on all models unless the ... customer specifically request not to have it installed |      |
| B-   | 1279135GT | KIT, LIFT GUARD CONTACT ALARM,6'-8' PLATFORM,NON-ALC1000 .....  |      |
| C-   | 1278109GT | HARNESS OPA2, Z60E .....  |      |
| D-   | 19274GT   | RELAY,SPDT,12V(AUTO)** .....  |      |
| E-   | 1278121GT | MODULE, PLUS+1, OPA2<br>(not shown) inside platform control box .....   |      |
| 1    | 1264934GT | SCREW,HHF,10-24X. 5 .....   |      |
| 2    | 73575GT   | SPRING CLIP,10-24,.025-.125X.468,ZAG .....  |      |
| 3    | 12344GT   | NUT,NYLOCK,6-32 .....   |      |
| 4    | 1256859GT | SCREW,PHPM,6-32X.875,ZAG .....  |      |
| 5    | 1278111GT | ASSEMBLY, LIGHT, OPA2 .....   | 2    |
| 6    | 1278542GT | DECAL, INSTRUCTION, CREW ALARM .....  |      |
| 7    | 824078GT  | SCREW,HHF,1/4-20X.75,8,ZAG .....  |      |
| 8    | 1277924GT | NUT,NYLOCK FLG,1/4-20,F,ZAG .....   |      |
| 9    | 1278119GT | ASSEMBLY, SENSOR, PROX, OPA2 .....  | 1    |
| 10   | 1278433GT | ASSY, SENSOR W/ HOUSING<br>(Includes holder item 1277877 and sensor part 1278119) .....   |      |
| 10-  | 1277877GT | HOLDER, SENSOR .....  | 1    |
| 11   | 1277873GT | PLATE, SENSOR HOLDER .....  | 1    |
| 12   | 1278416GT | ASSEMBLY, OPA CABLE, LARGE .....  | 1    |
| 12-  | 1278124GT | MAGNET, 1/4-20, 15 LB.<br>Part of assembly 1278416 .....  |      |
| 12-  | 1278458GT | OPA WIRE ASSY, LARGE<br>Part of assembly 1278416 .....  |      |
| 12-  | 1278368GT | GRIP, CABLE<br>Part of assembly 1278416 .....   |      |
| 12-  | 1261184GT | NUT,1/4-20,8,ZAG<br>Part of assembly 1278416 .....  |      |
| 13   | 1274168GT | NUT,NYLOCK,10-32,A,ZAG .....  |      |
| 14   | 824216GT  | SCREW,PHPM,10-32X1.5,ZAG .....  |      |
| 15   | 1278138GT | WELDMENT, RIGHT OPA, LARGE .....  | 1    |
| 16   | 1277875GT | PLATE, CABLE AND WIRE COVER .....   | 1    |
| 17   | 1277876GT | GUIDE, CABLE .....  | 1    |
| 18   | 1274322GT | NUT,NYLOCK FLG,3/8-16,F,ZAG .....   |      |





805.1 Lift Guard Contact Alarm



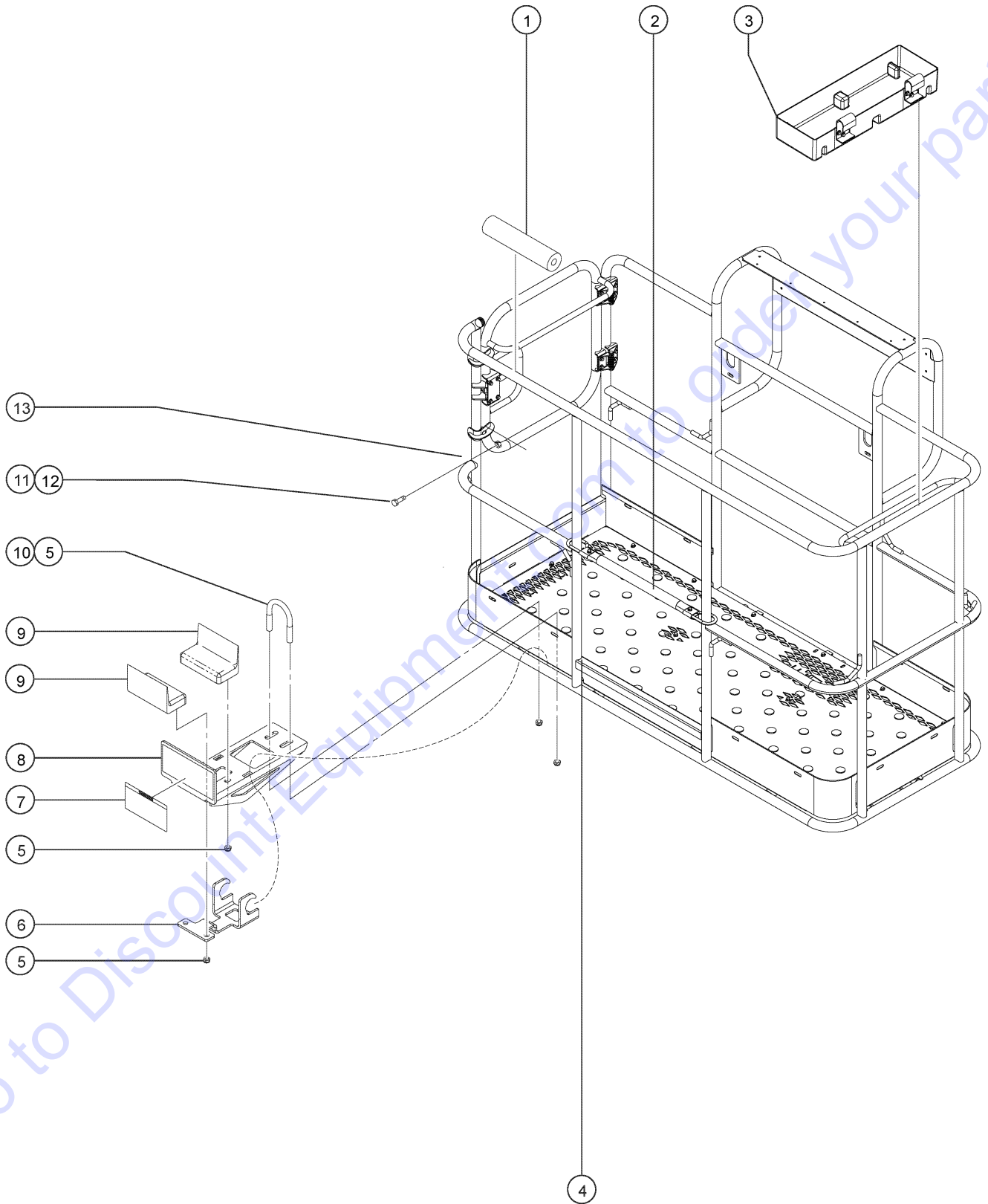
805.1 Lift Guard Contact Alarm

| <i>Item</i> | <i>Part No.</i> | <i>Description</i>                             | <i>Qty.</i> |
|-------------|-----------------|--|-------------|
| 19          | 824090GT        | SCREW,HHF,3/8-16X1,8,ZAG .....                 |             |
| 20          | 1278363GT       | CLAMP, 1.25 INCH TUBE .....                    | 2           |
| 21          | 1278144GT       | WELDMENT, LEFT OPA, LARGE .....                | 1           |
| 22          | 1278982GT       | DECAL,INSTRUCTION,ACTUATOR SWITCH SOCKET ..... | 1           |

Go to Discount-Equipment.com to order your parts



806.1 Panel Cradle and Tool Tray

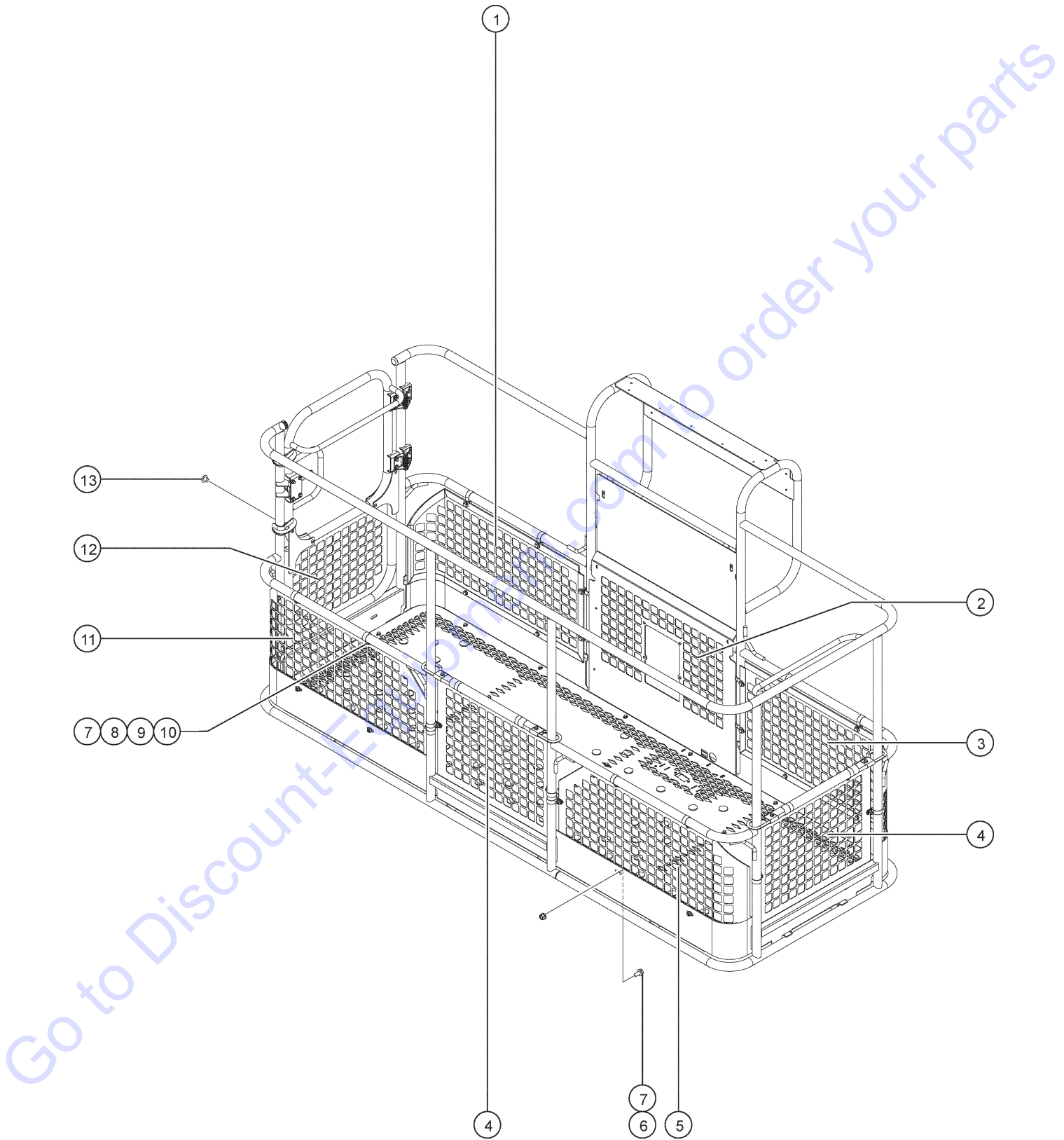


806.1 Panel Cradle and Tool Tray

| Item | Part No.     | Description   | Qty. |
|------|--------------|---|------|
| A    | 94493-SGT    | KIT,PANEL CRADLE,CE<br>(CE models) Not allowed for AUS installation   |      |
| 1    | 88377-1400GT | FOAM PAD***   | 2    |
| 2    | 77664GT      | ADJUSTABLE STRAP ASSY   | 1    |
| 3    | 9599-SGT     | TOOL TRAY ACCESSORY***  |      |
| 3-   | 7746GT       | BRACKET-TOOL TRAY MOUNTING  |      |
| 4    | 73463-1175GT | TUBE, RD, ALUM, 1.25 X .083 X 11.75   | 2    |
| 5    | 1274322GT    | NUT,NYLOCK FLG,3/8-16,F,ZAG   |      |
| 6A   | 233993GT     | KIT,PANEL CRADLE BRACKET,SYMBL<br>(CE models) (includes hook, panel support bracket and installation instructions)  | 1    |
| 6B   | 228849GT     | FORMING,SECONDARY SUPPORT<br>77576P is no longer available. For machines before 2010, must install Qty 2 service kit<br>233992 (ANSI) or 233993 (CE) for initial replacement. | 2    |
| 7    | 82487GT      | DECAL, SYMBOL - READ THE MANUAL<br>(CE models)  | 2    |
| 8A   | 233993GT     | KIT,PANEL CRADLE BRACKET,SYMBL<br>(CE models) (includes hook, panel support bracket and installation instructions)  | 1    |
| 8B   | 228848GT     | FORMING PANEL CRADLE<br>89724 is no longer available. For machines before 2010, must install Qty 2 service kit<br>233992 (ANSI) or 233993 (CE) for initial replacement.       | 2    |
| 9    | 56934GT      | PAD,REST,1"THICK,FLANGED  | 4    |
| 10   | 1251600GT    | U-BOLT, FLATTENED, 1.5 X 3/8  | 2    |
| 11   | 1256855GT    | SCREW,HHF,1/4-20X5/8,ZAG  | 1    |
| 12   | 1277924GT    | NUT,NYLOCK FLG,1/4-20,F,ZAG   | 1    |
| 13   | 56424GT      | CLAMP,1.25X.5 RUBBER-CUSHION  | 1    |



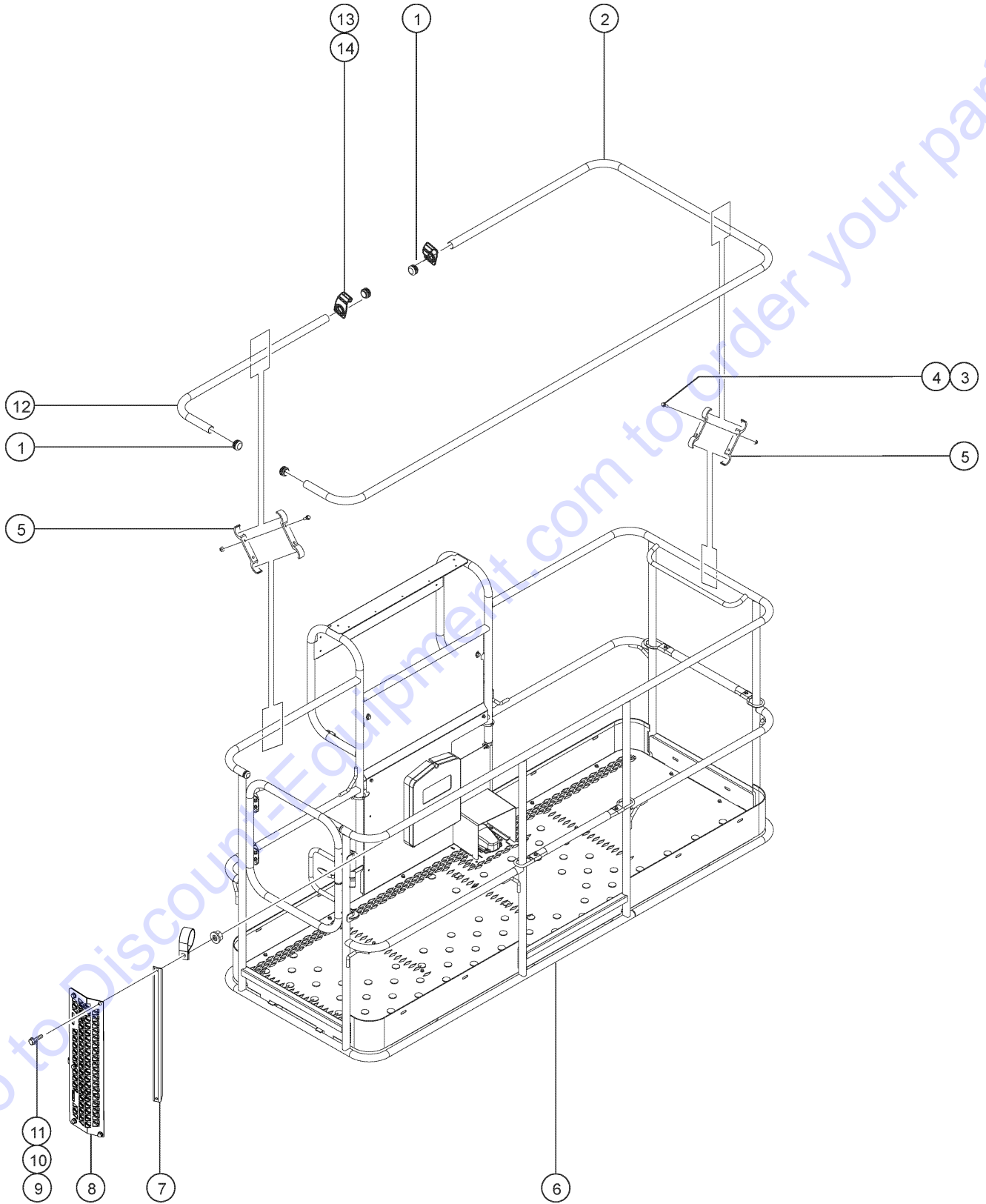
807.1 Half Mesh Option



| Item | Part No.  | Description  | Qty. |
|------|-----------|--|------|
| 1A   | 1270994GT | PANEL, HALF MESH .....<br>(8 foot Platform)  | 1    |
| 1B   | 1270314GT | PANEL, HALF MESH .....<br>(6 foot Platform)  | 1    |
| 2    | 73901GT   | DECAL PLATE,MESH .....<br>(8 and 6 foot Platform)  | 1    |
| 3    | 1271019GT | PANEL, HALF MESH .....<br>(8 foot Platform)  | 1    |
| 4    | 1271061GT | PANEL, HALF MESH .....<br>(8 and 6 foot Platform)  |      |
| 5A   | 1271018GT | PANEL, HALF MESH .....<br>(8 foot Platform)  | 1    |
| 5B   | 1270313GT | PANEL, HALF MESH .....<br>(6 foot Platform)  | 1    |
| 6    | 824085GT  | SCREW,HHF,5/16-18X.75,8,ZAG .....  |      |
| 7    | 824028GT  | NUT,TL FLG,5/16-18,G,ZAG .....   |      |
| 8    | 56424GT   | CLAMP,1.25X.5 RUBBER-CUSHION .....   |      |
| 9    | 825358GT  | WASHER,FLAT,5/16,USS,ZAG .....   |      |
| 10   | 1264101GT | SCREW,HHC,5/16-18X1,8,ZAG .....  |      |
| 11A  | 1271040GT | PANEL, HALF MESH .....<br>(8 foot Platform)  | 1    |
| 11B  | 1270316GT | PANEL, HALF MESH .....<br>(6 foot Platform)  | 1    |
| 12   | 1285700GT | WELDMENT,SWING GATE PANEL<br>(used on 6' and 8' side entry platforms) (models from SN 1070 to 1171 required to order<br>Swing Gate Weldment, refer to 602.1) |      |
| 12-  | 55753GT   | BUMPER, PLASTIC, 1.25 O.D. ....  |      |
| 13   | 824207GT  | RIVET,STL,STL,DOME,1/4X.375,Z .....  | 8    |



808.1 Platform Accessories



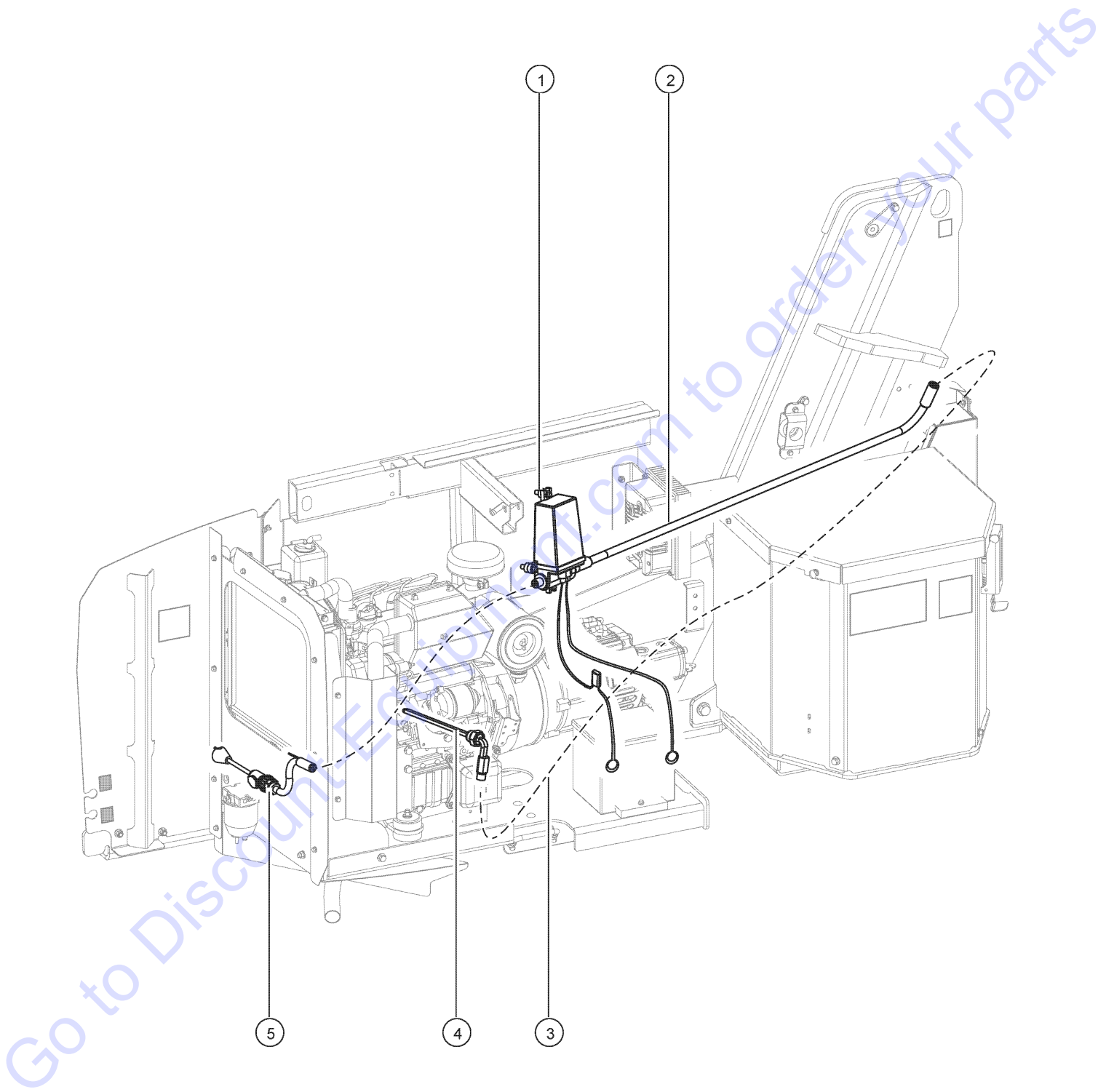
808.1 Platform Accessories

| Item | Part No.  | Description  | Qty. |
|------|-----------|--|------|
| 1    | 55753GT   | BUMPER, PLASTIC, 1.25 O.D. ....                          | 4    |
| 2    | 1276658GT | AUX RAIL, 8' PLAT, SIDE ENTRY .....<br>(8 foot Platform) | 1    |
| 2B   | 1276665GT | AUX RAIL, 6' PLAT, SIDE ENTRY .....<br>(6 foot Platform) | 1    |
| 3    | 824079GT  | SCREW,HHF,1/4-20X1,8,ZAG .....<br>(8 foot Platform)      | 26   |
| 3B   | 824079GT  | SCREW,HHF,1/4-20X1,8,ZAG .....<br>(6 foot Platform)      | 22   |
| 4    | 824027GT  | NUT,TL FLG,1/4-20,G,ZAG .....<br>(8 foot Platform)       | 26   |
| 4B   | 824027GT  | NUT,TL FLG,1/4-20,G,ZAG .....<br>(6 foot Platform)       | 22   |
| 5    | 122073GT  | SUPPORT, RAILING .....<br>(8 foot Platform)              | 26   |
| 5B   | 122073GT  | SUPPORT, RAILING .....<br>(6 foot Platform)              | 22   |
| 6    |           | Ref. PLATFORM .....<br>(refer to 602.1)                  | 1    |
| 7    | 1277966GT | TUBE, SWING GATE GUARD .....                             | 1    |
| 8    | 1277952GT | GUARD, SWING GATE .....                                  | 1    |
| 9    | 824086GT  | SCREW,HHF,5/16-18X1,8,ZAG .....                          | 5    |
| 10   | 56424GT   | CLAMP,1.25X.5 RUBBER-CUSHION .....                       | 5    |
| 11   | 824028GT  | NUT,TL FLG,5/16-18,G,ZAG .....                           | 5    |
| 12   | 1276659GT | AUX RAIL, 8' PLAT, SIDE ENTRY .....<br>(8 foot Platform) | 1    |
| 12B  | 1276664GT | AUX RAIL, 6' PLAT, SIDE ENTRY .....<br>(6 foot Platform) | 1    |
| 13   | 1273076GT | FORMING, BRACKET, AUX RAIL .....                         | 2    |
| 14   | 1256202GT | GROMMET, 1-1/4"IDx1.88OD .....                           | 2    |





809.1 Cold Start, FE Models



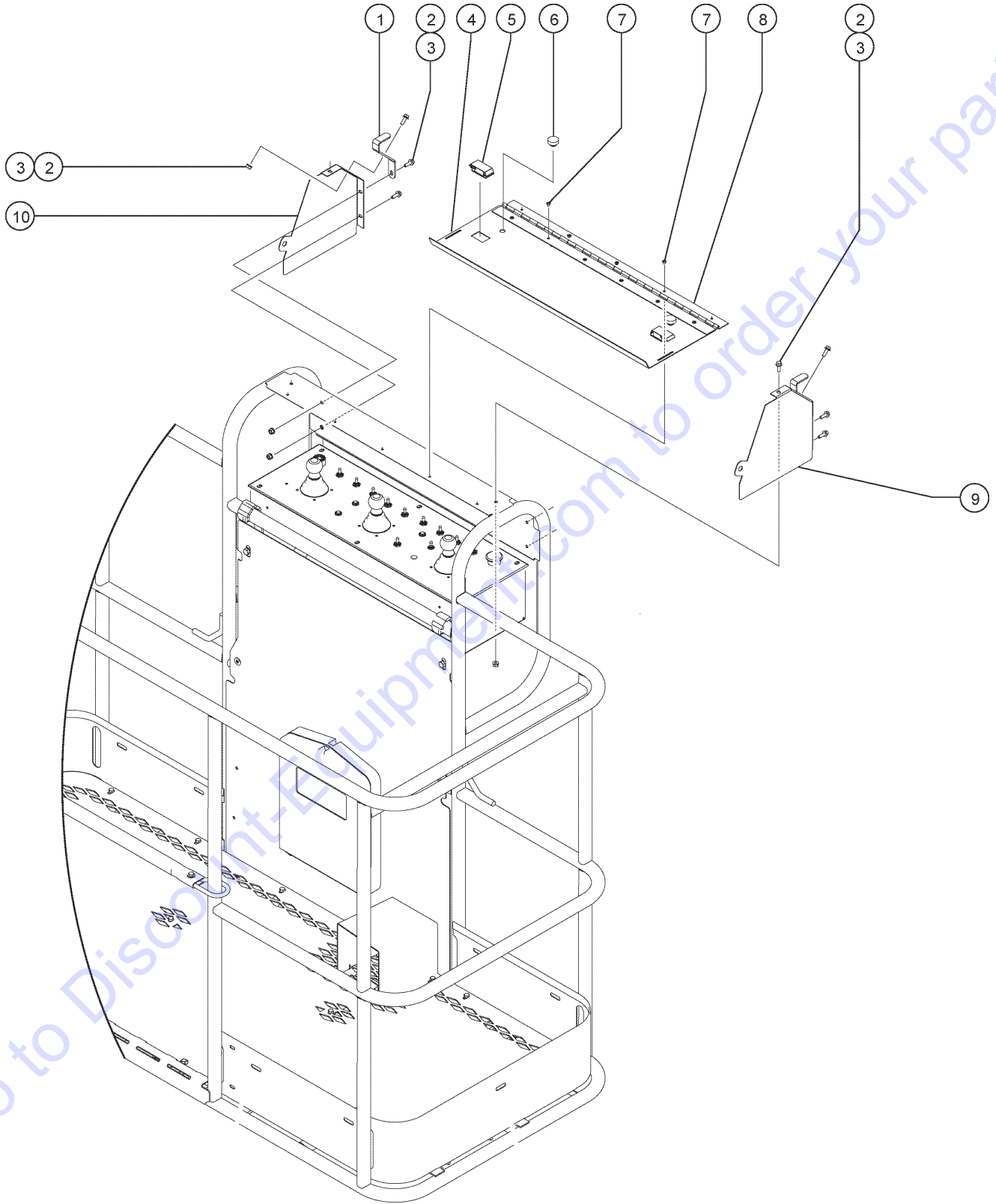
809.1 Cold Start, FE Models

| <i>Item</i> | <i>Part No.</i> | <i>Description</i>                       | <i>Qty.</i> |
|-------------|-----------------|--|-------------|
|             | 20973GT         | WIRE LOOM,3/8 POLY SLIT .....            | 2           |
| 1           | 1294422GT       | MULTI-CHARGER, BATTERY, 1210, FLEX ..... | 1           |
| 2           | 1261879GT       | CABLE, EXTENSION, 1210 .....             | 1           |
| 3           | 1258823GT       | CABLE, EXTENSION, 1210, 2M .....         | 1           |
| 4           | 1261878GT       | ELEMENT, HEATER, COOLANT, KUBOTA .....   | 1           |
| 5           | 1258783GT       | CABLE, CONNECTION, MAINS .....           | 1           |

Go to Discount-Equipment.com to order your parts



810.1 Platform Control Cover Option



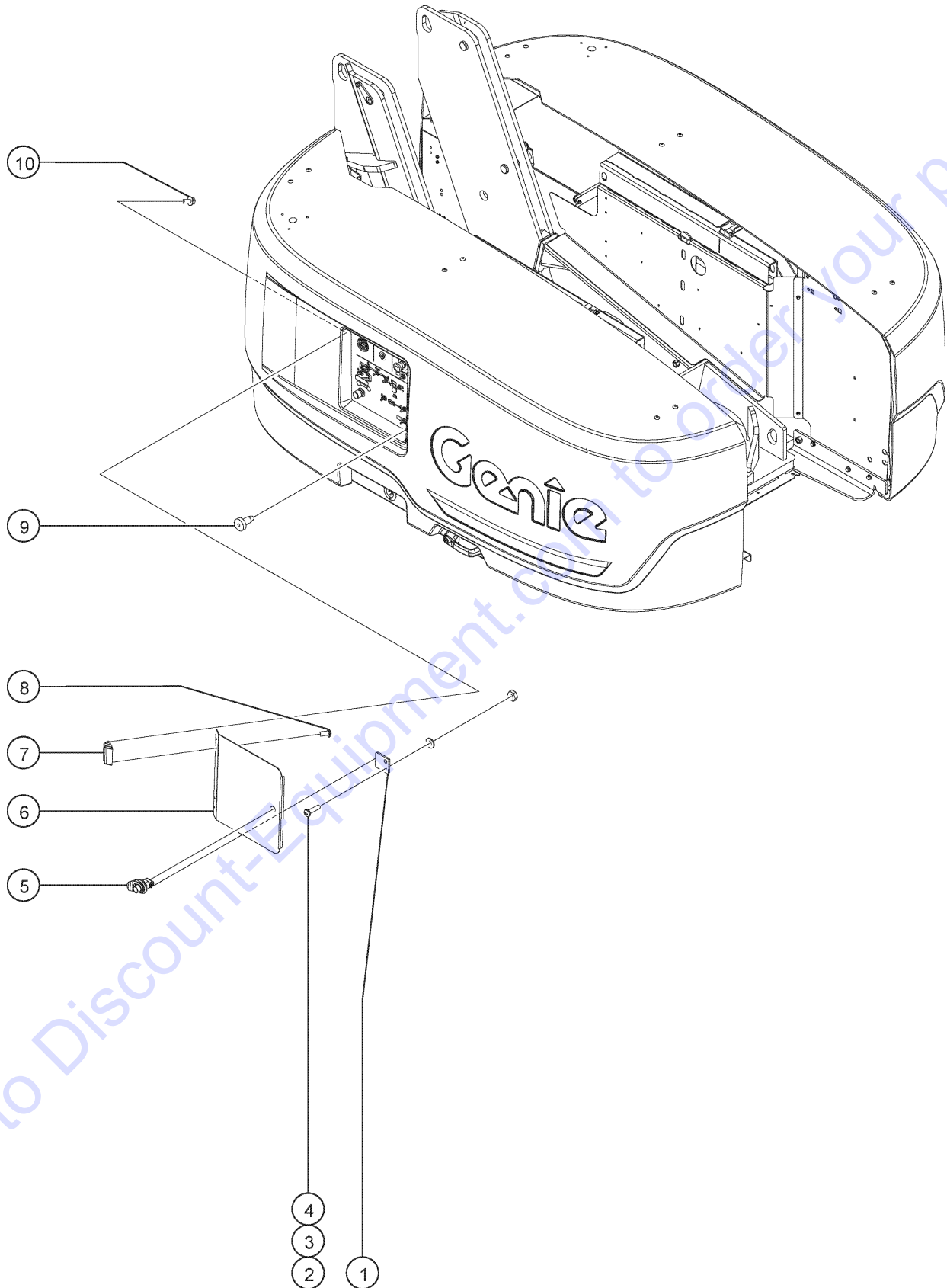
810.1 Platform Control Cover Option

| Item | Part No.  | Description                          | Qty. |
|------|-----------|--------------------------------------|------|
| 1    | 102786PGT | FORMING,LATCH,CTRL BOX LID PTD ..... | 2    |
| 2    | 824078GT  | SCREW,HHF,1/4-20X.75,8,ZAG .....     | 8    |
| 3    | 824027GT  | NUT,TL FLG,1/4-20,G,ZAG .....        | 8    |
| 4    | 102785PGT | CONTROL BOX COVER,LID,PTD .....      | 1    |
| 5    | 30468GT   | LATCH,SLIDE, FLUSH MOUNT STYLE ..... | 2    |
| 6    | 43392GT   | BUMPER,BATTERY BOX & RAILS .....     | 2    |
| 7    | 87085GT   | RIVET,ALUM,P, .188 X .25 .....       | 11   |
| 8    | 111526GT  | HINGE,PLAT CONTROL BOX COVER .....   | 1    |
| 9    | 88606PGT  | COVER,CONTROL BOX RIGHT SIDE** ..... | 1    |
| 10   | 88607PGT  | COVER,CONTROL BOX LEFT SIDE*** ..... | 1    |

Go to Discount-Equipment.com to order your parts



811.1 Ground Control Box Cover



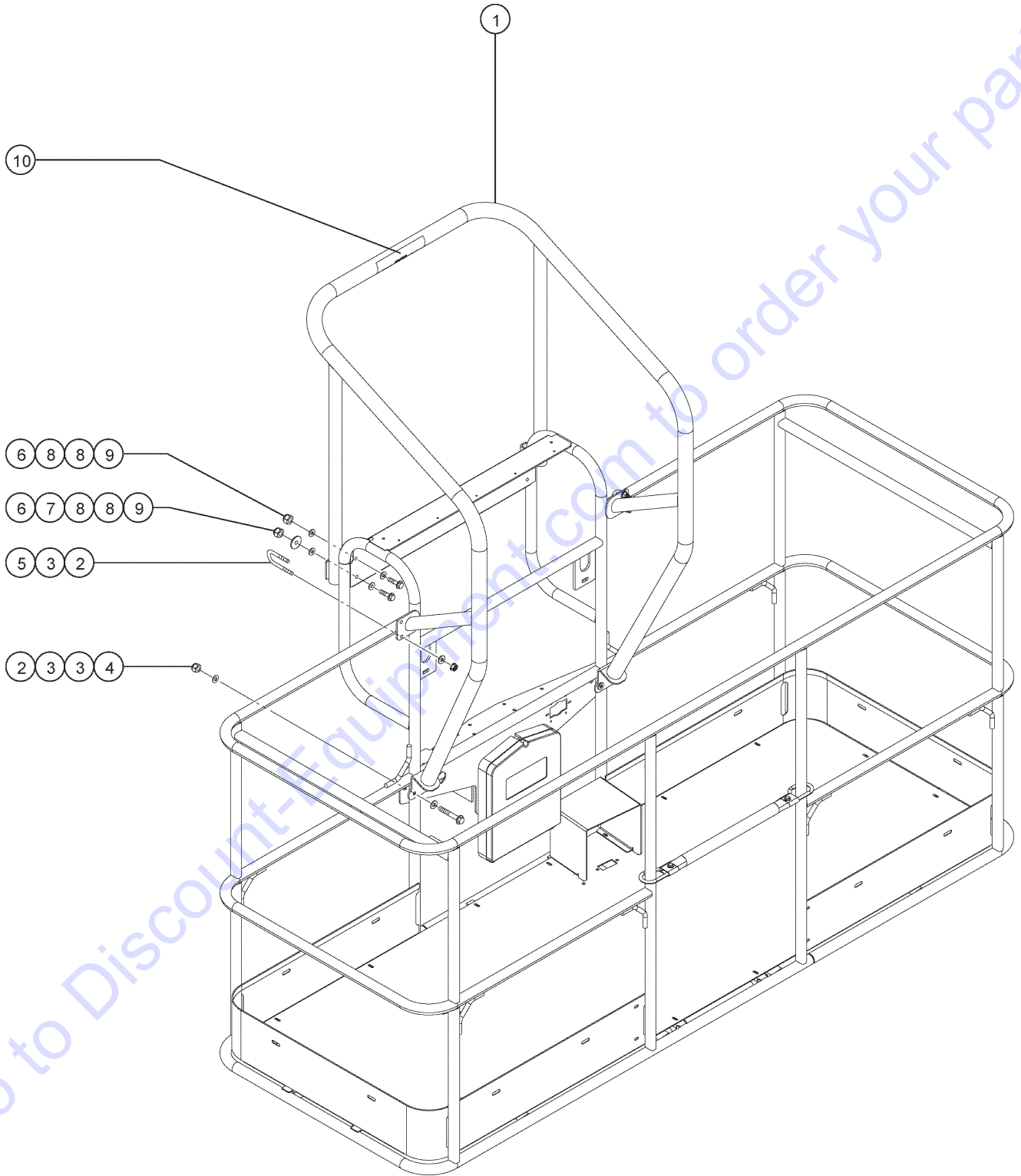
811.1 Ground Control Box Cover

| Item | Part No.  | Description                          | Qty. |
|------|-----------|--------------------------------------|------|
| 1    | 823748GT  | LATCH STRIKER .....                  | 1    |
| 2    | 824215GT  | SCREW,PHPM,10-32X.75,ZAG .....       | 2    |
| 3    | 1253185GT | WASHER,FLAT,#10,USS,ZAG .....        | 2    |
| 4    | 1256804GT | NUT,10-32,ZAG .....                  | 2    |
| 5    | 1259583GT | LATCH, PUSH BUTTON .....             | 1    |
| 6    | 823747GT  | FORMING, CONTROL COVER .....         | 1    |
| 7    | 1259584GT | HINGE, CONSTANT TORQUE .....         | 2    |
| 8    | 229845GT  | SCREW,BHSCS,M5X10,SS .....           | 4    |
| 9    | 34619GT   | BUMPER,RUBBER*** .....               | 2    |
| 10   | 218457GT  | SCREW,HHF,M5X12,DIN6921,10.9,Z ..... | 4    |

Go to Discount-Equipment.com to order your parts



812.1 Operator Protective Structure



812.1 Operator Protective Structure

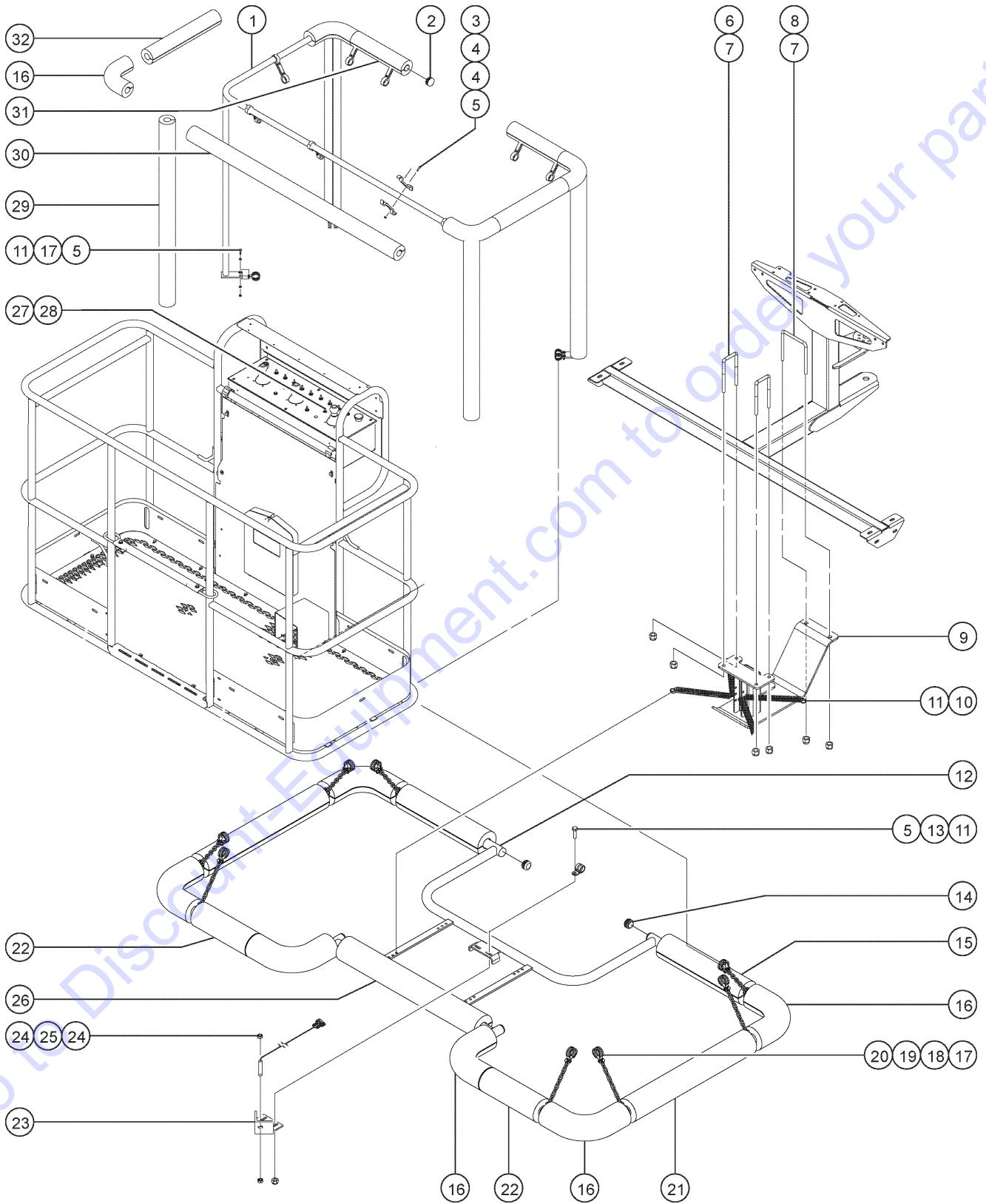
| Item | Part No.  | Description  | Qty. |
|------|-----------|--|------|
| A-   |           | Fits all 6' and 8' Booms   |      |
| 1    | 219158GT  | ACCESSORY, OPERATOR PROT STRUCT<br>(Complete) includes all fasteners                     | 1    |
| 2    | 1256468GT | NUT, 3/8-16, 8, ZAG  | 8    |
| 3    | 1255758GT | WASHER, FLAT, 3/8, USS, ZAG  | 12   |
| 4    | 824069GT  | SCREW, HHC, 3/8-16 X 2.5, 8, ZAG   | 4    |
| 5    | 1251600GT | U-BOLT, FLATTENED, 1.5 X 3/8   | 4    |
| 6    | 1261184GT | NUT, 1/4-20, 8, ZAG  | 4    |
| 7    | 824120GT  | WASHER, FLAT, .375X1.50X.125, ZAG<br>Use only with the platform control box cover option | 2    |
| 8    | 824113GT  | WASHER, FLAT, USS, 1/4, ZAG  | 6    |
| 9    | 824060GT  | SCREW, HHC, 1/4-20 X 1, 8, ZAG   | 4    |
| 10   |           | Ref. Decal, OPS Instructions<br>refer to section 100                                     | 1    |

Go to Discount-Equipment.com to order your parts





813.1 Aircraft Protection Package

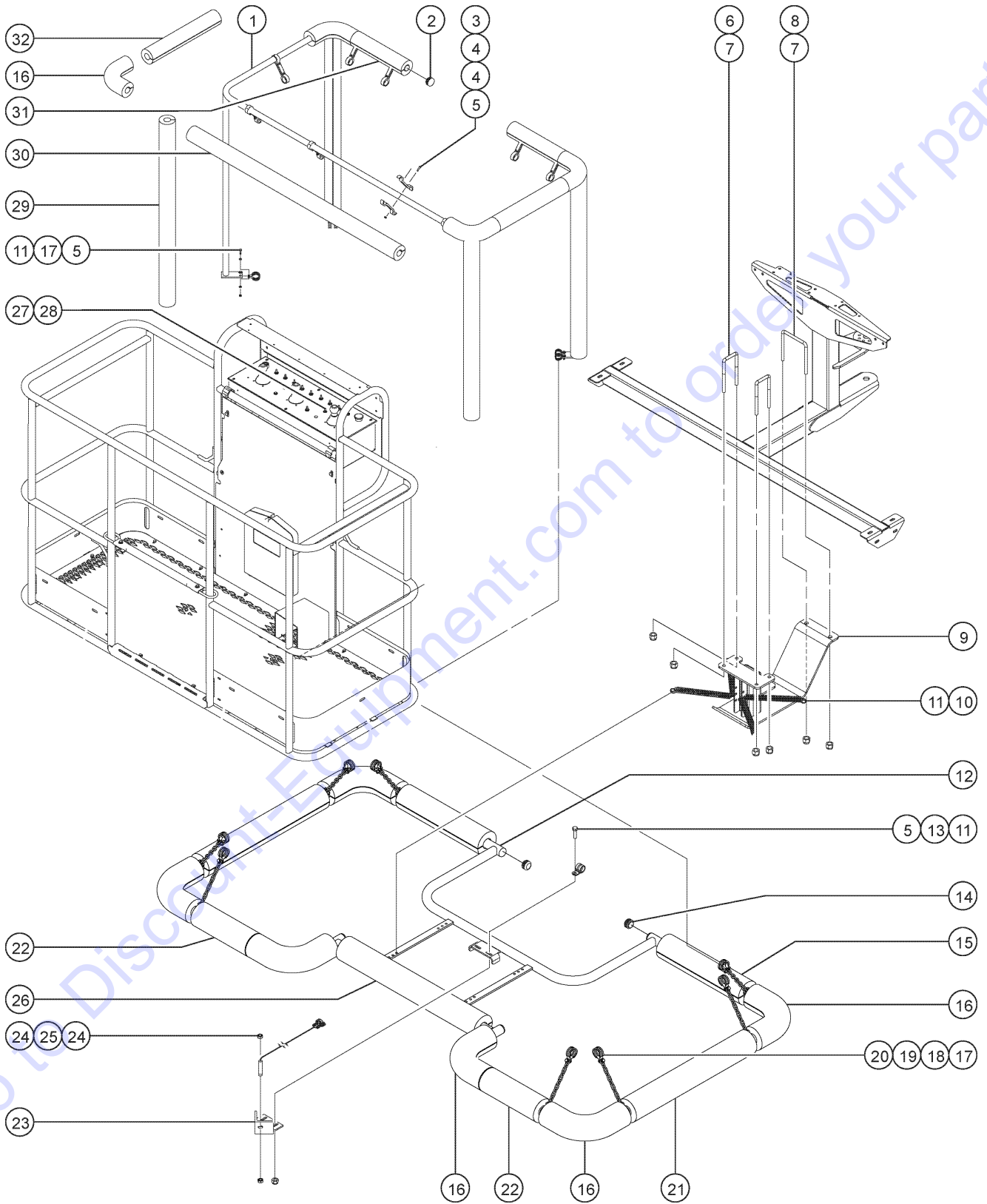


813.1 Aircraft Protection Package

| Item | Part No.     | Description   | Qty. |
|------|--------------|---|------|
| B    | 822760GT     | ASSY,AIRCRAFT PROT, LOWER, 6FT .....<br>includes items 6-26   | 1    |
| C    | 29261GT      | MAGNET,NEODYMIUM,.375 X .100 .....                            | 2    |
| D    | 1272808GT    | DECAL, NO STEP, HS ADHESIVE .....                             | 3    |
| 1    | 46188GT      | WELDMENT, AIRCRAFT TOP BUMPER .....                           | 1    |
| 2    | 55753GT      | BUMPER, PLASTIC, 1.25 O.D. ....                               | 4    |
| 3    | 824227GT     | SCREW, BHC, 1/4-20 X 1, ZAG .....                             |      |
| 4    | 122073GT     | SUPPORT, RAILING .....  | 20   |
| 5    | 824027GT     | NUT,TL FLG,1/4-20,G,ZAG .....                                 |      |
| 6    | 66472GT      | U-BOLT, SQR, 3/8-16X2X5, PLTD .....                           | 2    |
| 7    | 824029GT     | NUT,TL FLG,3/8-16,G,ZAG .....                                 |      |
| 8    | 106044GT     | U-BOLT,3/8-16X4X4.63X3.00 .....                               |      |
| 9    | 822764GT     | WDMT,SKID PLATE .....   |      |
| 10   | 822769GT     | SPRING,EXTENSION,1.92LB/IN .....                              | 4    |
| 11   | 824078GT     | SCREW,HHF,1/4-20X.75,8,ZAG .....                              |      |
| 12   | 822759GT     | WDMT,AIRCRAFT SENSOR BUMPER .....                             | 1    |
| 13   | 6833GT       | CLAMP,0.50,#8 X 1/4,RUB CUSH .....                            | 1    |
| 14   | 55753GT      | BUMPER, PLASTIC, 1.25 O.D. ....                               |      |
| 15   | 75617-1550GT | PADDING,FOAM 3.5"OD X 1.50"ID .....                           | 2    |
| 16   | 75636GT      | PADDING,FOAM,3.0"X1.50ID 90DEG .....                          | 10   |
| 17   | 21618GT      | CLAMP,1.13,#18 X 1/4,RUB CUSH .....                           | 24   |
| 18   | 824078GT     | SCREW,HHF,1/4-20X.75,8,ZAG .....                              |      |
| 19   | 56426-700GT  | CHAIN,NO.2 (11 LINKS) .....                                   | 8    |
| 20   | 824027GT     | NUT,TL FLG,1/4-20,G,ZAG .....                                 |      |
| 21   | 75617-2275GT | PADDING,FOAM 3.5"OD X 1.50"ID .....                           | 2    |
| 22   | 75617-1025GT | PADDING,FOAM 3.5"OD X 1.50"ID .....                           | 2    |
| 23   | 77797GT      | WELDMENT, SENSOR MOUNT .....                                  | 1    |
| 24   | 88390GT      | NUT,HEX,M8,PLASTIC .....                                      |      |
| 25   | 1271407GT    | ASSEMBLY, PROX. KILL .....<br>includes 27391 proximity sensor | 1    |



813.1 Aircraft Protection Package



813.1 Aircraft Protection Package

| Item | Part No.     | Description                          | Qty. |
|------|--------------|--------------------------------------|------|
| 25-  | 27391GT      | PROXIMITY SENSOR*** .....            | 1    |
| 25-  | 78098GT      | RELAY,24VDC,40/30A,SLD W/BRKT* ..... |      |
| 26   | 822768GT     | FOAM,AIRCRAFT PROTECTION .....       | 1    |
| 27   | 128200GT     | SWITCH TOGGLE ASSY SPDT 3P MOM ..... | 1    |
|      |              | includes item 28                     |      |
| 28   | 27246GT      | BOOT,TOGGLE SWITCH,SHORT* .....      | 1    |
| 29   | 1259329GT    | PADDING, FOAM, 46.5" .....           | 4    |
| 30   | 75617-6275GT | PADDING,FOAM 3.5"OD X 1.50"ID .....  | 1    |
| 31   | 1259328GT    | PADDING, FOAM, 15.5" .....           | 2    |
| 32   | 75617-2075GT | PADDING,FOAM 3.5"OD X 1.50"ID .....  | 2    |

Go to Discount-Equipment.com to order your parts



# PARTS FINDER

**Search Website  
by Part Number**



**Search Manual  
Library For Parts  
Manual & Lookup Part  
Numbers – Purchase  
or Request Quote**

**Search Manuals**

Enter your information to help us find the right parts manual for your machine.

\* Brand:

\* Model:

\* Serial:

\* Part Number:

SEARCH

**Can't Find Part or  
Manual? Request Help  
by Manufacturer,  
Model & Description**

**Parts Order Form**

Please fill in the following information to help us find the right part for your machine.

|               |                      |
|---------------|----------------------|
| Manufacturer: | <input type="text"/> |
| Model:        | <input type="text"/> |
| Description:  | <input type="text"/> |
| Part Number:  | <input type="text"/> |
| Quantity:     | <input type="text"/> |
| Notes:        | <input type="text"/> |

Submit

Discount-Equipment.com is your online resource for quality parts & equipment.

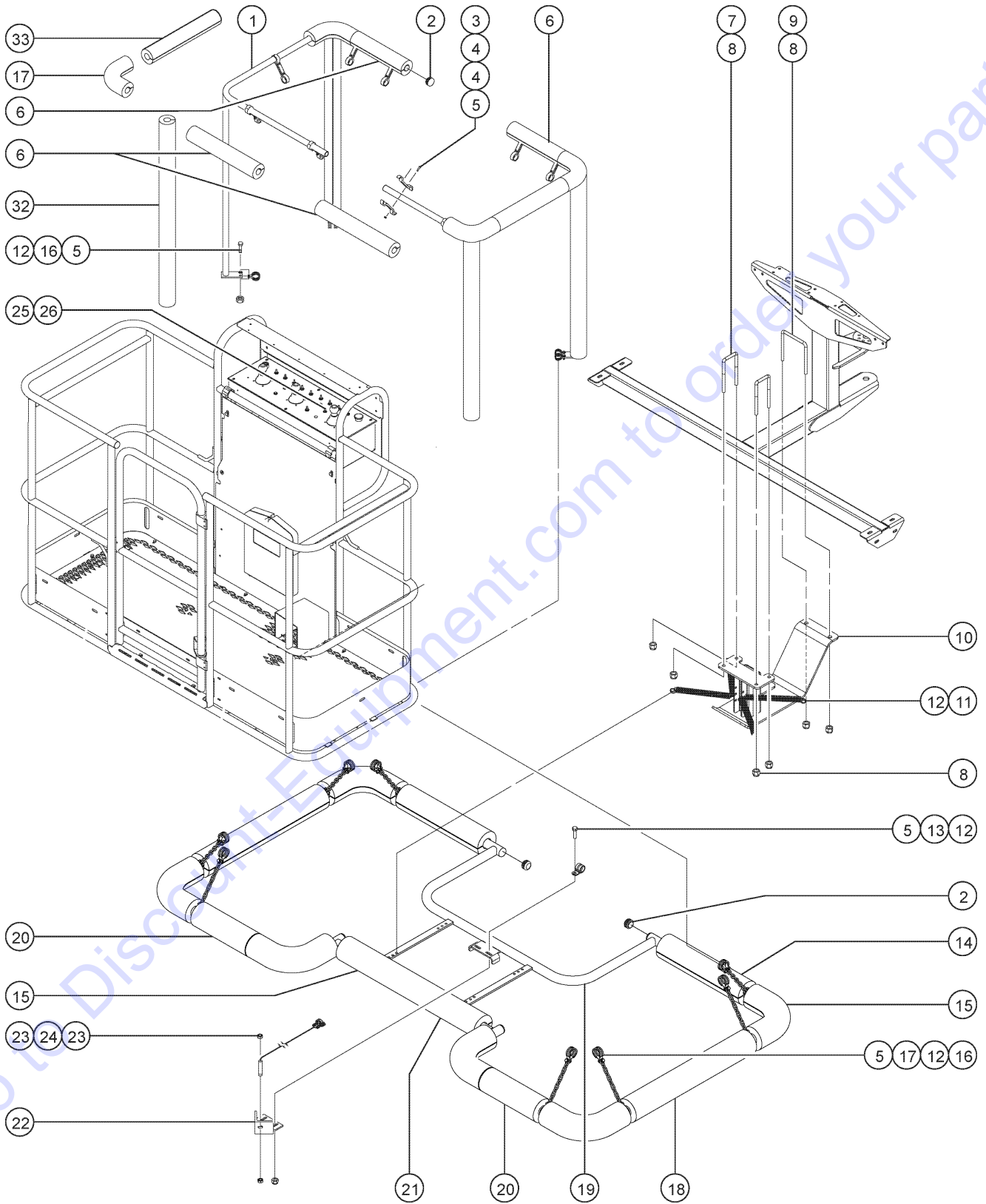
Florida: **561-964-4949** Outside Florida TOLL FREE: **877-690-3101**

**Need parts?**

Click on this link: <http://www.discount-equipment.com/category/5443-parts/> and choose one of the options to help get the right parts and equipment you are looking for. Please have the machine model and serial number available in order to help us get you the correct parts. If you don't find the part on the website or on one of the online manuals, please fill out the request form and one of our experienced staff members will get back to you with a quote for the right part that your machine needs.

We sell worldwide for the brands: Genie, Terex, JLG, MultiQuip, Mikasa, Essick, Whiteman, Mayco, Toro Stone, Diamond Products, Generac Magnum, Airman, Haulotte, Barreto, Power Blanket, Nifty Lift, Atlas Copco, Chicago Pneumatic, Allmand, Miller Curber, Skyjack, Lull, Skytrak, Tsurumi, Husquvarna Target, Stow, Wacker, Sakai, Mi-T-M, Sullair, Basic, Dynapac, MBW, Weber, Bartell, Bennar Newman, Haulotte, Ditch Runner, Menegotti, Morrison, Contec, Buddy, Crown, Edco, Wyco, Bomag, Laymor, EZ Trench, Bil-Jax, F.S. Curtis, Gehl Pavers, Heli, Honda, ICS/PowerGrit, IHI, Partner, Imer, Clipper, MMD, Koshin, Rice, CH&E, General Equipment, Amida, Coleman, NAC, Gradall, Square Shooter, Kent, Stanley, Tamco, Toku, Hatz, Kohler, Robin, Wisconsin, Northrock, Oztec, Toker TK, Rol-Air, APT, Wylie, Ingersoll Rand / Doosan, Innovatech, Con X, Ammann, Mecalac, Makinex, Smith Surface Prep, Small Line, Wanco, Yanmar

814.1 Aircraft Protection Package With Swing Gate



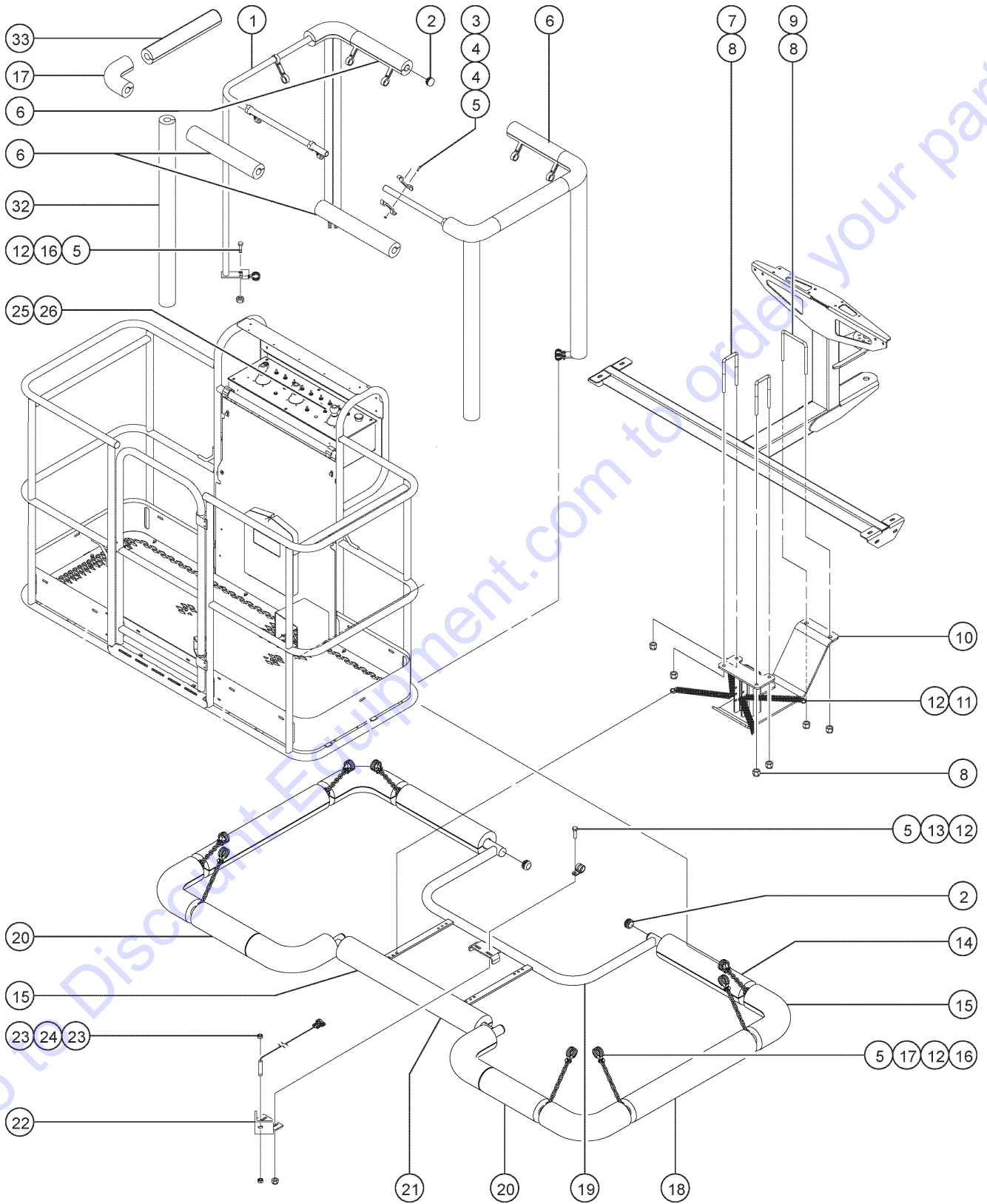
814.1 Aircraft Protection Package With Swing Gate

| Item | Part No.     | Description  | Qty. |
|------|--------------|--|------|
| A    | 822772GT     | ASSY,AIRCRAFT PROT, UPPER, 6FT<br>includes items 1-6, 12, 16, 17 and 32-33 | 1    |
| B    | 822760GT     | ASSY,AIRCRAFT PROT, LOWER, 6FT<br>includes items 2, 5, 8, 10-24            | 1    |
| C    | 29261GT      | MAGNET,NEODYMIUM,.375 X .100   | 2    |
| D    | 1272808GT    | DECAL, NO STEP, HS ADHESIVE  | 3    |
| 1    | 822771GT     | WDMT,FRAME,AIRCRAFT PROTECTION   | 1    |
| 2    | 55753GT      | BUMPER, PLASTIC, 1.25 O.D.   | 4    |
| 3    | 824227GT     | SCREW, BHC, 1/4-20 X 1, ZAG  |      |
| 4    | 122073GT     | SUPPORT, RAILING   | 20   |
| 5    | 824027GT     | NUT,TL FLG,1/4-20,G,ZAG  |      |
| 6    | 1259328GT    | PADDING, FOAM, 15.5"<br>For models without Lift Guard Contact Alarm Option | 4    |
| 6-   | 1278629GT    | PADDING,FOAM, 10.0"<br>For models with Lift Guard Contact Alarm Option     |      |
| 7    | 66472GT      | U-BOLT, SQR, 3/8-16X2X5, PLTD  | 2    |
| 8    | 824029GT     | NUT,TL FLG,3/8-16,G,ZAG  |      |
| 9    | 106044GT     | U-BOLT,3/8-16X4X4.63X3.00  |      |
| 10   | 822764GT     | WDMT,SKID PLATE  |      |
| 11   | 822769GT     | SPRING,EXTENSION,1.92LB/IN   | 4    |
| 12   | 824078GT     | SCREW,HHF,1/4-20X.75,8,ZAG   |      |
| 13   | 6833GT       | CLAMP,0.50,#8 X 1/4,RUB CUSH   | 1    |
| 14   | 75617-1550GT | PADDING,FOAM 3.5"OD X 1.50"ID  | 2    |
| 15   | 75636GT      | PADDING,FOAM,3.0"X1.50ID 90DEG   | 10   |
| 16   | 21618GT      | CLAMP,1.13,#18 X 1/4,RUB CUSH  | 24   |
| 17   | 56426-700GT  | CHAIN,NO.2 (11 LINKS)  | 8    |
| 18   | 75617-2275GT | PADDING,FOAM 3.5"OD X 1.50"ID  | 2    |
| 19   | 822759GT     | WDMT,AIRCRAFT SENSOR BUMPER  | 1    |
| 20   | 75617-1025GT | PADDING,FOAM 3.5"OD X 1.50"ID  | 2    |
| 21   | 822768GT     | FOAM,AIRCRAFT PROTECTION   | 1    |
| 22   | 77797GT      | WELDMENT, SENSOR MOUNT   | 1    |
| 23   | 88390GT      | NUT,HEX,M8,PLASTIC   |      |





814.1 Aircraft Protection Package With Swing Gate





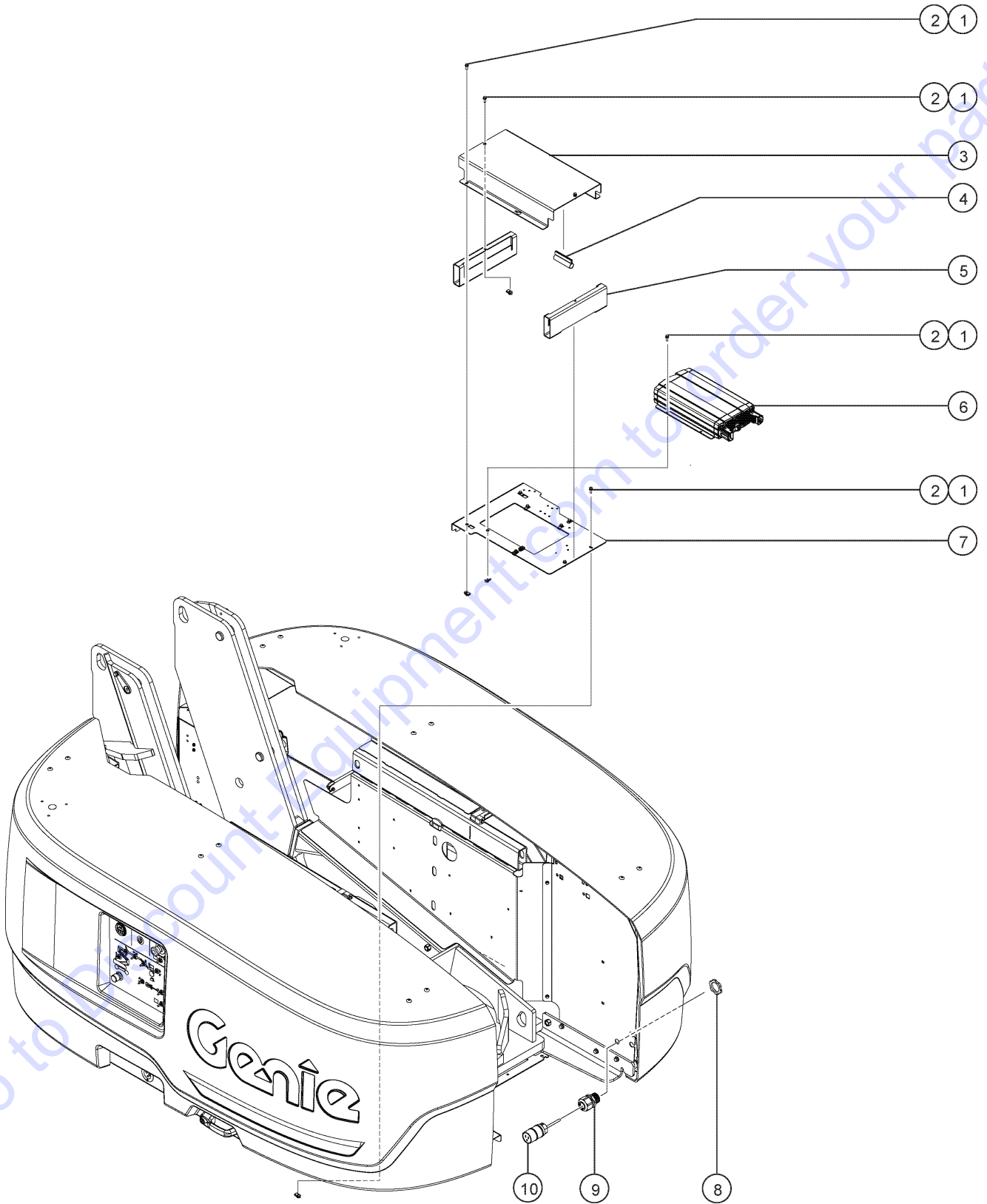
814.1 Aircraft Protection Package With Swing Gate

| Item | Part No.     | Description  | Qty. |
|------|--------------|--|------|
| 24   | 1261292GT    | HARNESS ASSY,PCON,PROX KILL .....<br>includes 27391 proximity sensor | 1    |
| 24-  | 27391GT      | PROXIMITY SENSOR*** .....  | 1    |
| 25   | 128200GT     | SWITCH TOGGLE ASSY SPDT 3P MOM .....<br>includes boot 27246          | 1    |
| 26   | 27246GT      | BOOT,TOGGLE SWITCH,SHORT* .....                                      | 1    |
| 27   | 1259329GT    | PADDING, FOAM, 46.5" .....   | 4    |
| 28   | 75617-2075GT | PADDING,FOAM 3.5"OD X 1.50"ID .....                                  | 2    |

Go to Discount-Equipment.com to order your parts



815.1 Inverter

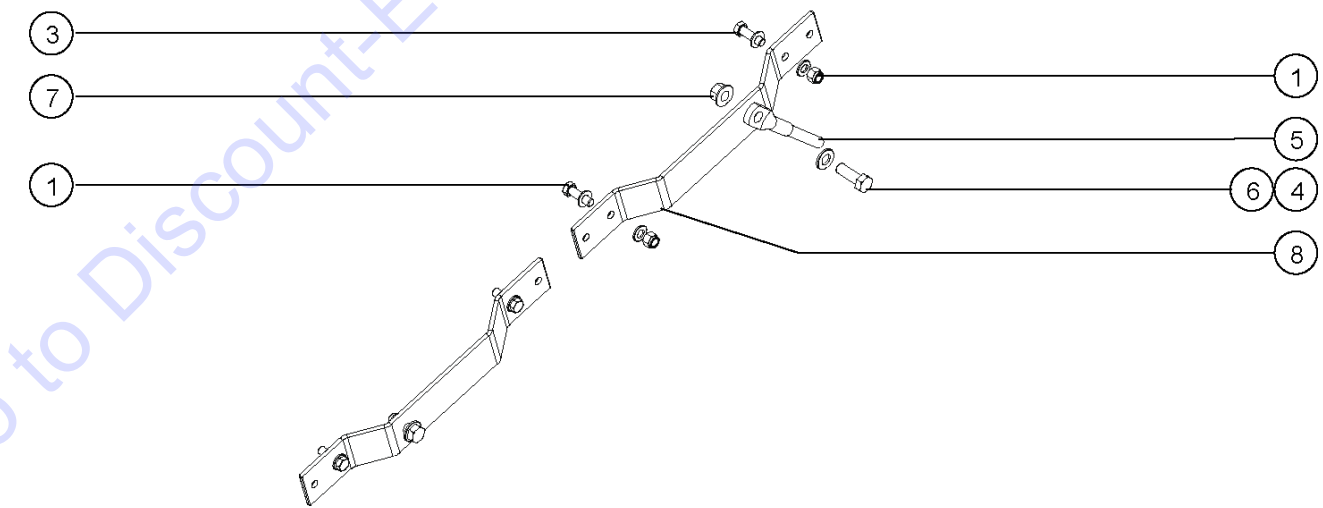
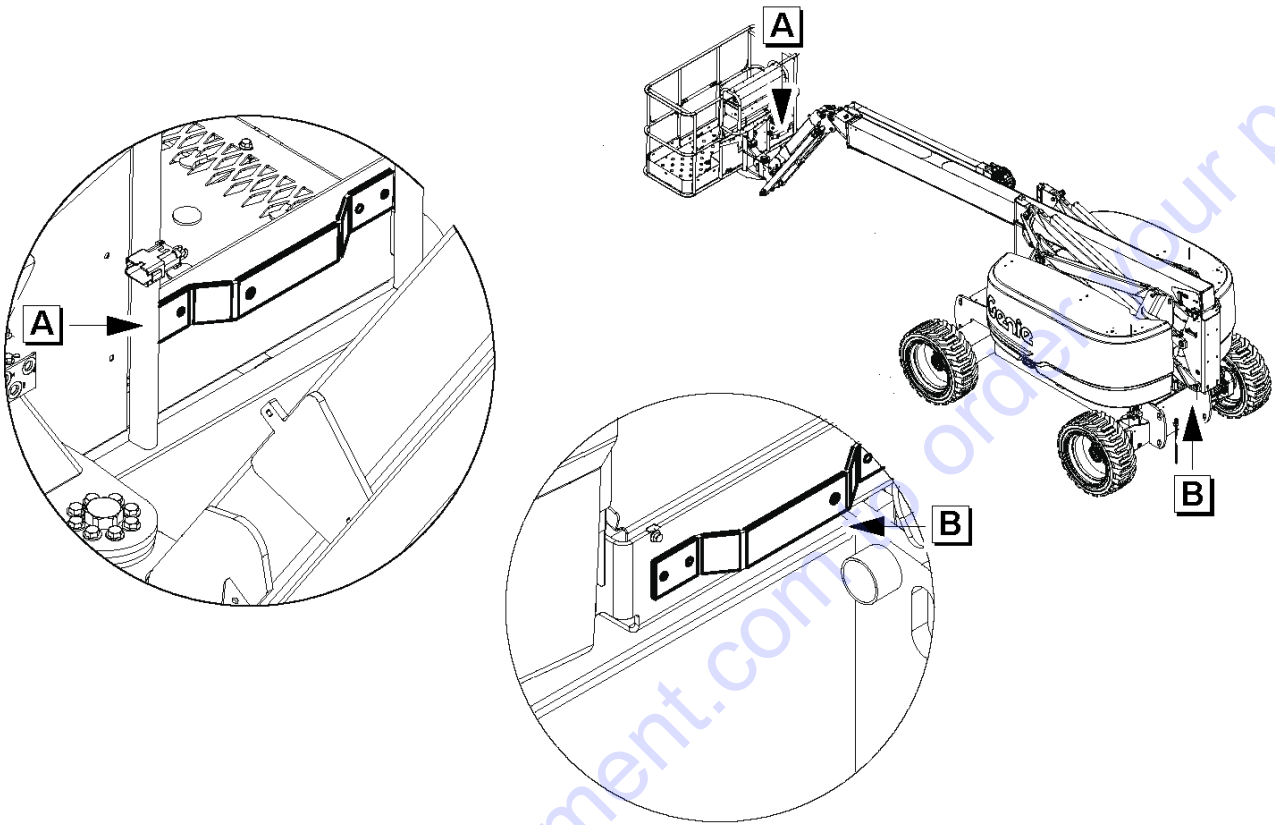


| Item | Part No.  | Description                               | Qty. |
|------|-----------|---|------|
| A    | 66717GT   | FUSE BLOCK, ANN & ANL FUSE .....          |      |
| A-   | 41023GT   | FUSE,175 AMP .....                        |      |
| B    | 80341GT   | CONNECTOR, SQZ, 3/4 NPT, BLACK .....      |      |
| B-   | 680250GT  | LOCKNUT, CONDUIT 3/4CSA APPVD .....       |      |
| 1    | 824078GT  | SCREW,HHF,1/4-20X.75,8,ZAG .....          |      |
| 2    | 56912GT   | SPRING CLIP,1/4-20,.025-.15X.54,ZAG ..... |      |
| 3    | 1270680GT | FORMING, INVERTER COVER .....             | 1    |
| 4    | 119219GT  | TRIM,EDGE,1/8X3/4 END BULB .....          | 12   |
| 5    | 1270681GT | TUBE, INVERTER END COVER .....            | 2    |
| 6A   | 1269640GT | INVERTER, 2000W, 48VDC TO 120V .....      | 1    |
| 6B   | 1270498GT | INVERTER, 2000W, 48VDC TO 240V .....      | 1    |
| 7    | 1270679GT | FORMING, INVERTER MOUNT .....             |      |
| 8    | 6935GT    | LOCKNUT,ELEC,1/2" .....                   |      |
| 9    | 7056GT    | CONN, SQZ, 1/2NPT .38-.50, SM** .....     |      |
| 10A  | 119404GT  | CONN,RECEP 120AC/15A DOMESTIC .....       |      |
|      |           | Domestic models                           |      |
| 10B  |           | No Plug Installed at Factory .....        |      |
|      |           | International models                      |      |

Go to Discount-Equipment.com to order your parts



816.1 Earth Cable



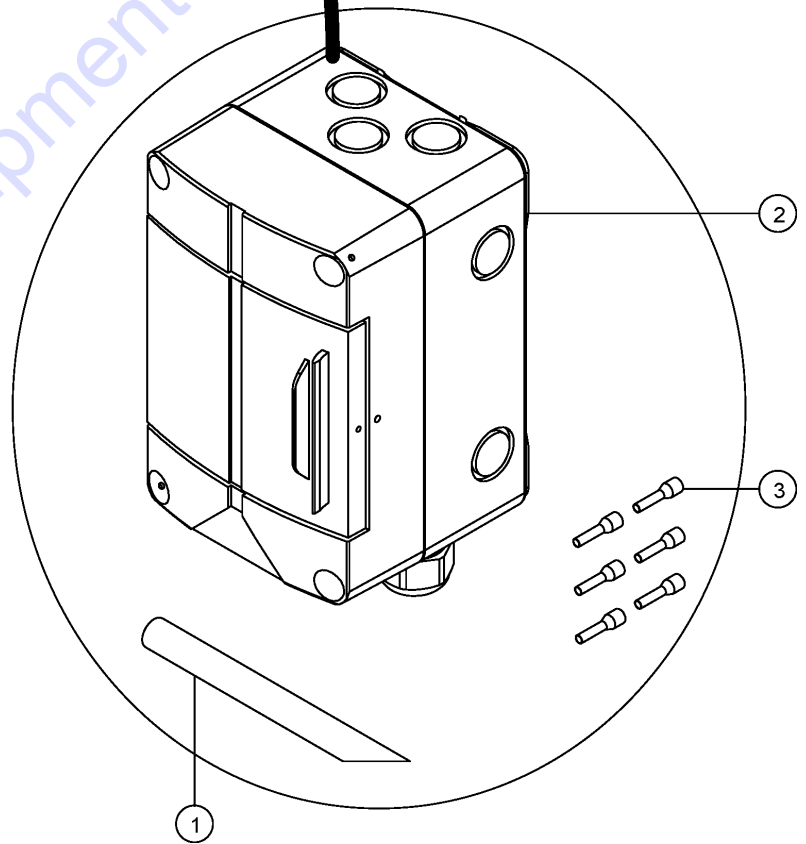
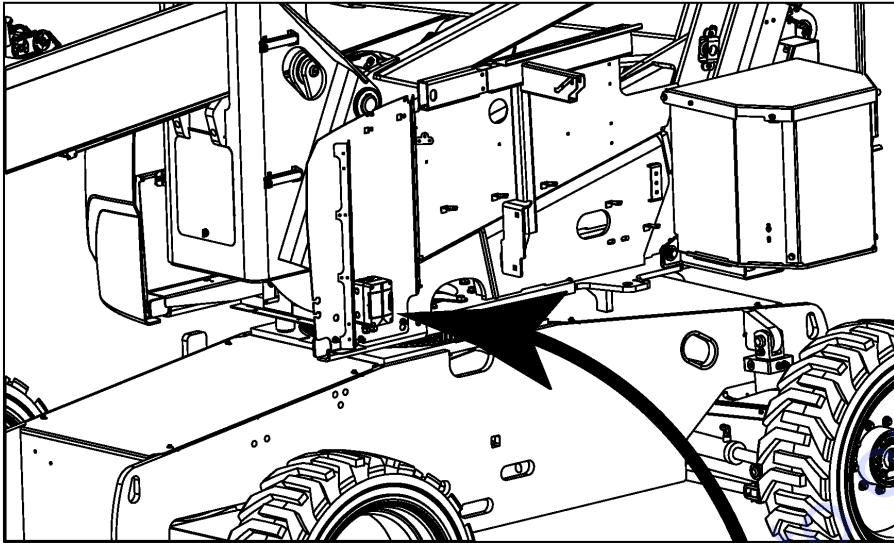
816.1 Earth Cable

| Item | Part No.  | Description                             | Qty. |
|------|-----------|---|------|
| 1    | 4828GT    | NUT,NYLOCK,3/8-16 .....                 | 4    |
| 2    | 6019GT    | SCREW,HHC,3/8-16 X 1.25 GRD 5 .....     | 4    |
| 3    | 22699GT   | WASHER,FLAT,M10,ZINC PLTD. ....         | 8    |
| 4    | 27584GT   | SCREW,HHC,M12 X 35MM .....              | 2    |
| 5    | 1278557GT | ASSEMBLY, EARTH-LEAD, 50SQMM, 23M ..... | 1    |
| 6    | 49410GT   | WASHER,FLAT,M12 .....                   | 2    |
| 7    | 825632GT  | NUT, TL FLG, M12-1.75, ZAB .....        | 2    |
| 8    | 1278556GT | FORMING, EARTH LEAD .....               | 2    |

Go to Discount-Equipment.com to order your parts



817.1 Power To Platform RCBO



817.1 Power To Platform RCBO

| <i>Item</i> | <i>Part No.</i> | <i>Description</i>                          | <i>Qty.</i> |
|-------------|-----------------|---|-------------|
| 1           | 30794GT         | WIRE,12/3 SJEOW,BK-WH-GR/YL.....            | 20          |
| 2           | 1287634GT       | ASSEMBLY, RCBO, 16A, 30MA, 50HZ, IP65 ..... | 1           |
| 3           | 1261689GT       | SLEEVE, CABLE-END, 12AWG, 4MM .....         | 6           |

Go to Discount-Equipment.com to order your parts



| <u>Part no.</u> | <u>Page Number</u> | <u>Part no.</u> | <u>Page Number</u>              | <u>Part no.</u> | <u>Page Number</u> |
|-----------------|--------------------|-----------------|---------------------------------|-----------------|--------------------|
| 1268GT          | 11                 | 27089GT         | 107                             | 32199GT         | 95                 |
| 1484GT          | 11                 | 27204GT         | 15, 25                          | 32681GT         | 159                |
| 4828GT          | 207                | 27205GT         | 25                              | 32722GT         | 117                |
| 6019GT          | 207                | 27206GT         | 15, 25                          | 33428GT         | 135                |
| 6091GT          | 145                | 27207GT         | 15, 25                          | 33549GT         | 37                 |
| 6095GT          | 41                 | 27246GT         | 141, 143, 145, 175,<br>199, 203 | 33550GT         | 23, 33             |
| 6178GT          | 45, 71, 145, 147   | 27391GT         | 199, 203                        | 33555GT         | 77                 |
| 6607GT          | 49                 | 27497GT         | 133                             | 33576GT         | 137                |
| 6833GT          | 197, 201           | 27581GT         | 11                              | 33994GT         | 11                 |
| 6935GT          | 63, 171, 205       | 27584GT         | 207                             | 34052GT         | 55                 |
| 7056GT          | 55, 63, 171, 205   | 27697GT         | 111                             | 34053GT         | 55, 71             |
| 7746GT          | 183                | 27698GT         | 111                             | 34619GT         | 177, 193           |
| 8170GT          | 53                 | 28159GT         | 17, 27                          | 35418GT         | 107                |
| 8177GT          | 41                 | 28174GT         | 19, 23, 29, 33                  | 35434GT         | 99                 |
| 9599-SGT        | 183                | 28235GT         | 19, 23, 29, 33                  | 35675GT         | 133                |
| 10775GT         | 171                | 28236GT         | 33                              | 35956GT         | 175                |
| 11978GT         | 77                 | 28372GT         | 27, 29                          | 36212GT         | 59                 |
| 12344GT         | 67, 71, 179        | 28678-2250GT    | 133                             | 37947GT         | 75                 |
| 12448GT         | 137                | 28678-5500GT    | 165                             | 38020GT         | 67                 |
| 13002GT         | 57                 | 28750GT         | 11                              | 39274GT         | 117                |
| 13268GT         | 71, 147            | 29261GT         | 197, 201                        | 39540GT         | 67, 147            |
| 13597GT         | 171                | 29868GT         | 43, 45, 49, 59, 61, 65...       | 39888GT         | 173                |
| 14392GT         | 73                 | 30143GT         | 55                              | 41023GT         | 205                |
| 15243GT         | 67, 147            | 30144GT         | 55                              | 42014GT         | 35, 41             |
| 15436GT         | 79                 | 30222GT         | 135                             | 42781GT         | 49                 |
| 18396GT         | 123, 133           | 30468GT         | 191                             | 43018GT         | 155                |
| 18503GT         | 57                 | 30729GT         | 91                              | 43392GT         | 139, 191           |
| 18504GT         | 127                | 30794GT         | 209                             | 43700GT         | 99                 |
| 18720GT         | 111, 115, 121      | 31060GT         | 25, 31                          | 44174GT         | 155                |
| 19274GT         | 179                | 31379GT         | 99                              | 44181GT         | 95                 |
| 19436GT         | 79                 | 31508GT         | 27                              | 44191GT         | 95                 |
| 20780GT         | 101                | 31745GT         | 11, 99                          | 44195GT         | 103                |
| 20973GT         | 189                | 31779GT         | 11                              | 44200GT         | 95                 |
| 21130GT         | 99, 159            | 31788GT         | 27, 29                          | 44981GT         | 19, 23, 29, 33     |
| 21149GT         | 43                 | 31982GT         | 107                             | 44997GT         | 151, 153           |
| 21465GT         | 95                 | 32150GT         | 11                              | 45071GT         | 35, 37, 111        |
| 21618GT         | 197, 201           | 32151GT         | 11                              | 45074GT         | 35                 |
| 22699GT         | 207                | 32184GT         | 99                              | 45383GT         | 177                |
| 24037GT         | 53, 101, 103       | 32185GT         | 97                              | 45385GT         | 75                 |
| 24514GT         | 137                | 32189GT         | 95                              | 45400GT         | 99, 103, 117       |
| 25685GT         | 177                | 32196GT         | 11, 97                          | 45470GT         | 127, 131, 177      |
| 25817GT         | 35, 91             | 32197GT         | 103                             | 45708GT         | 55                 |



| <u>Part no.</u> | <u>Page Number</u>     | <u>Part no.</u> | <u>Page Number</u>      | <u>Part no.</u> | <u>Page Number</u>        |
|-----------------|------------------------|-----------------|-------------------------|-----------------|---------------------------|
| 46036GT         | 71                     | 49130-13732GT   | 163                     | 56426-700GT     | 197, 201                  |
| 46188GT         | 197                    | 49130-13832GT   | 163                     | 56461GT         | 79                        |
| 47377GT         | 37, 135                | 49130-25382GT   | 167                     | 56912GT         | 39, 41, 45, 49, 55, 59... |
| 48425GT         | 91, 133                | 49130-36282GT   | 167                     | 56934GT         | 183                       |
| 48767GT         | 107                    | 49130-36982GT   | 167                     | 56949GT         | 95                        |
| 48846GT         | 101                    | 49143-2741GT    | 165                     | 58222GT         | 63                        |
| 48875GT         | 165                    | 49143-2941GT    | 165                     | 58223GT         | 63                        |
| 48891GT         | 163                    | 49143-7329GT    | 165                     | 58380GT         | 63                        |
| 48905GT         | 135                    | 49149-1643GT    | 165                     | 59460GT         | 37                        |
| 48907GT         | 167, 169               | 49177-96542GT   | 173                     | 60078GT         | 93                        |
| 48908GT         | 167                    | 49183-36982GT   | 167                     | 60334GT         | 63                        |
| 48912GT         | 37, 163, 165, 167, 169 | 49189-5438GT    | 165                     | 60441GT         | 119, 123                  |
| 48914GT         | 159, 163               | 49212GT         | 173                     | 60857GT         | 11, 63                    |
| 48915GT         | 35, 129                | 49213GT         | 173                     | 61602GT         | 121                       |
| 48916GT         | 117, 163, 165, 167     | 49214GT         | 173                     | 61726GT         | 177                       |
| 48918GT         | 35, 163                | 49215GT         | 173                     | 61804GT         | 177                       |
| 48920GT         | 163                    | 49410GT         | 207                     | 61809GT         | 177                       |
| 48930GT         | 163                    | 49612GT         | 11                      | 61972GT         | 177                       |
| 48932GT         | 129                    | 49613GT         | 11, 151                 | 61974GT         | 177                       |
| 48933GT         | 159, 165               | 49768GT         | 159                     | 61975GT         | 177                       |
| 48943GT         | 165                    | 49818GT         | 49                      | 61997GT         | 177                       |
| 48946GT         | 165                    | 49820GT         | 71                      | 62114GT         | 99                        |
| 48947GT         | 165                    | 52368GT         | 151                     | 62118GT         | 95                        |
| 48960GT         | 101, 165               | 52370GT         | 151                     | 62392GT         | 149                       |
| 48977GT         | 61, 165                | 52371GT         | 155                     | 62506GT         | 155                       |
| 48984GT         | 61, 165                | 52475GT         | 15, 25                  | 62507GT         | 155                       |
| 48996GT         | 61, 165                | 52531GT         | 103                     | 63213GT         | 135                       |
| 48997GT         | 151                    | 52865GT         | 29                      | 63353GT         | 135                       |
| 49114-2146GT    | 165                    | 52897GT         | 155                     | 63468GT         | 45                        |
| 49117-2116GT    | 169                    | 52966GT         | 25                      | 65278GT         | 23, 33                    |
| 49117-2216GT    | 169                    | 52967GT         | 15, 25                  | 65837GT         | 103                       |
| 49117-2491GT    | 165                    | 53386GT         | 35                      | 66399GT         | 11                        |
| 49117-2941GT    | 167                    | 54123GT         | 107                     | 66472GT         | 197, 201                  |
| 49117-3141GT    | 163                    | 54156GT         | 35, 133                 | 66717GT         | 49, 205                   |
| 49117-14666GT   | 163                    | 54365GT         | 71, 145, 147            | 66812GT         | 67, 143                   |
| 49119-2878GT    | 169                    | 54534GT         | 73                      | 66813GT         | 67, 141                   |
| 49119-4278GT    | 169                    | 55067GT         | 99, 139                 | 66814GT         | 71                        |
| 49119-43125GT   | 167, 169               | 55089GT         | 171                     | 66815GT         | 143                       |
| 49119-51125GT   | 167, 169               | 55753GT         | 139, 185, 187, 197, 201 | 66816GT         | 145                       |
| 49128-7109GT    | 165                    | 56050GT         | 91                      | 66818GT         | 143                       |
| 49128-15109GT   | 163                    | 56302GT         | 71                      | 72086GT         | 15, 17, 19, 25, 27, 29    |
| 49130-2432GT    | 163                    | 56424GT         | 137, 183, 185, 187      | 72326GT         | 147, 177                  |

| <u>Part no.</u> | <u>Page Number</u> | <u>Part no.</u> | <u>Page Number</u> | <u>Part no.</u> | <u>Page Number</u> |
|-----------------|--------------------|-----------------|--------------------|-----------------|--------------------|
| 72867GT         | 175                | 77365GT         | 61                 | 88516GT         | 135                |
| 72999GT         | 27                 | 77410GT         | 129, 151           | 88606PGT        | 191                |
| 73463-1175GT    | 183                | 77610GT         | 35                 | 88607PGT        | 191                |
| 73478GT         | 137                | 77664GT         | 183                | 88917GT         | 13, 61             |
| 73575GT         | 137, 179           | 77674GT         | 39, 41             | 89294GT         | 35, 37             |
| 73711GT         | 119, 123           | 77790GT         | 41                 | 89295GT         | 37                 |
| 73717GT         | 73, 147            | 77791GT         | 41                 | 89617GT         | 57                 |
| 73723GT         | 147                | 77797GT         | 197, 201           | 89800GT         | 161                |
| 73730GT         | 71, 147            | 77879GT         | 45                 | 93500GT         | 11                 |
| 73733GT         | 71                 | 77950GT         | 41                 | 94221GT         | 37, 121            |
| 73805GT         | 71, 145            | 78098GT         | 199                | 94397GT         | 135                |
| 73807GT         | 155                | 78736GT         | 79                 | 94460-SGT       | 177                |
| 73901GT         | 185                | 80341GT         | 51, 205            | 94464-1486GT    | 165                |
| 74052GT         | 171                | 81096GT         | 171                | 94493-SGT       | 183                |
| 74267GT         | 49                 | 81175GT         | 133                | 94526GT         | 61                 |
| 74544GT         | 99                 | 81329GT         | 75                 | 94532GT         | 95                 |
| 74813GT         | 101                | 81488GT         | 145                | 94615GT         | 151                |
| 74913GT         | 71                 | 81522GT         | 91                 | 94643GT         | 47, 177            |
| 74917GT         | 71                 | 81551GT         | 71                 | 96008-SGT       | 69                 |
| 75119GT         | 161                | 81579GT         | 49                 | 96196GT         | 117                |
| 75395GT         | 135                | 81610GT         | 43, 159            | 97602GT         | 29                 |
| 75443GT         | 149                | 81640GT         | 133                | 97815GT         | 23, 33             |
| 75444GT         | 149                | 81691GT         | 159                | 97865GT         | 27, 29             |
| 75445GT         | 149                | 81900GT         | 67                 | 99199GT         | 95                 |
| 75446GT         | 149                | 82032GT         | 127                | 101199-200GT    | 119, 123           |
| 75447GT         | 149                | 82161GT         | 27                 | 101200GT        | 95                 |
| 75448GT         | 149                | 82237GT         | 29                 | 101201GT        | 95                 |
| 75449GT         | 149                | 82314GT         | 27                 | 101203GT        | 103                |
| 75574GT         | 167                | 82366GT         | 27                 | 101204GT        | 99                 |
| 75617-1025GT    | 197, 201           | 82410GT         | 33                 | 101209GT        | 95                 |
| 75617-1550GT    | 197, 201           | 82481GT         | 17, 19             | 101719GT        | 99                 |
| 75617-2075GT    | 199, 203           | 82487GT         | 17, 23, 183        | 101726GT        | 59                 |
| 75617-2275GT    | 197, 201           | 83093GT         | 75                 | 102785PGT       | 191                |
| 75617-6275GT    | 199                | 83098GT         | 149                | 102786PGT       | 191                |
| 75636GT         | 197, 201           | 83131GT         | 69                 | 104030GT        | 141                |
| 77180GT         | 115, 139           | 87085GT         | 191                | 104759GT        | 155                |
| 77303GT         | 135                | 87755GT         | 55                 | 104804GT        | 139                |
| 77310-8623GT    | 163                | 88287GT         | 71                 | 105214GT        | 65                 |
| 77310-38323GT   | 167                | 88356-11C03GT   | 127                | 106044GT        | 197, 201           |
| 77351GT         | 145                | 88356-131M3GT   | 45                 | 106069GT        | 77                 |
| 77353GT         | 61                 | 88377-1400GT    | 183                | 106163GT        | 139                |
| 77354GT         | 61                 | 88390GT         | 197, 201           | 106647GT        | 41                 |

| <u>Part no.</u> | <u>Page Number</u> | <u>Part no.</u> | <u>Page Number</u>            | <u>Part no.</u> | <u>Page Number</u> |
|-----------------|--------------------|-----------------|-------------------------------|-----------------|--------------------|
| 106648GT        | 41                 | 122073GT        | 187, 197, 201                 | 162002GT        | 165                |
| 107578GT        | 37, 41             | 122661GT        | 131                           | 162216GT        | 41                 |
| 107740GT        | 151                | 122663GT        | 131                           | 162217GT        | 41                 |
| 107788GT        | 151                | 122668GT        | 131                           | 214238GT        | 125                |
| 107816GT        | 151                | 122944GT        | 135                           | 215229GT        | 61                 |
| 108855GT        | 135                | 123188GT        | 121, 127                      | 215254GT        | 77                 |
| 110149GT        | 71, 117            | 128000GT        | 149                           | 215488GT        | 51                 |
| 110345GT        | 61                 | 128001GT        | 149                           | 216005GT        | 49                 |
| 110523GT        | 97                 | 128045GT        | 177                           | 216791GT        | 71                 |
| 110671GT        | 139                | 128200GT        | 67, 69, 141, 143, 145,<br>199 | 216793GT        | 71                 |
| 110789GT        | 177                | 128204GT        | 143                           | 217234GT        | 59                 |
| 110876GT        | 127, 133           | 128268GT        | 135                           | 217632GT        | 115                |
| 111526GT        | 191                | 128578GT        | 141, 143, 145                 | 218090GT        | 71                 |
| 112500GT        | 95                 | 128580GT        | 141, 143, 145                 | 218164GT        | 143, 145           |
| 112531GT        | 97                 | 128584-SGT      | 143, 175                      | 218448GT        | 131                |
| 114236GT        | 17, 27             | 131373GT        | 103                           | 218449GT        | 67                 |
| 114248GT        | 23                 | 131378GT        | 103                           | 218457GT        | 193                |
| 114249GT        | 15                 | 131379GT        | 95                            | 218549GT        | 33                 |
| 114251GT        | 17, 19             | 133067GT        | 17, 19, 23                    | 218550GT        | 33                 |
| 114252GT        | 15, 17, 21         | 133205GT        | 17, 19                        | 218559GT        | 33                 |
| 114258GT        | 27, 29             | 133278GT        | 27                            | 218730GT        | 153                |
| 114334GT        | 17                 | 133286GT        | 27                            | 219158GT        | 195                |
| 114390GT        | 27, 29, 33         | 139129GT        | 97                            | 219437GT        | 97                 |
| 114397GT        | 33                 | 139230GT        | 53, 101, 103                  | 219487GT        | 33                 |
| 119058GT        | 137                | 139273GT        | 97                            | 219954GT        | 23                 |
| 119066GT        | 119, 123           | 139274GT        | 97                            | 219956GT        | 23                 |
| 119219GT        | 205                | 139278GT        | 97                            | 219958GT        | 23                 |
| 119404GT        | 205                | 139279GT        | 97                            | 226325GT        | 131                |
| 119536PGT       | 133                | 139280GT        | 97                            | 226939GT        | 11, 41             |
| 119542GT        | 133                | 139338GT        | 141                           | 226948GT        | 73                 |
| 119672GT        | 177                | 139598GT        | 149                           | 227564GT        | 137                |
| 119787PGT       | 79                 | 144161GT        | 171                           | 227617GT        | 137                |
| 119825GT        | 151                | 145097GT        | 151                           | 227785GT        | 45                 |
| 119827GT        | 151                | 146478GT        | 143                           | 227816GT        | 41                 |
| 119830GT        | 151                | 147089GT        | 55                            | 227817GT        | 41                 |
| 119915GT        | 149                | 147090GT        | 67                            | 228768GT        | 41                 |
| 119976GT        | 145                | 147121GT        | 137                           | 228769GT        | 41                 |
| 120454GT        | 135                | 147223GT        | 61                            | 228797GT        | 131                |
| 120455GT        | 135                | 147253GT        | 71                            | 228848GT        | 183                |
| 121035GT        | 131                | 147419GT        | 61                            | 228849GT        | 183                |
| 121065GT        | 131                | 147792GT        | 25                            | 228967GT        | 131                |
| 121846GT        | 177                | 160732GT        | 117                           | 229169GT        | 131                |

| <u>Part no.</u> | <u>Page Number</u>        | <u>Part no.</u> | <u>Page Number</u>        | <u>Part no.</u> | <u>Page Number</u>         |
|-----------------|---------------------------|-----------------|---------------------------|-----------------|----------------------------|
| 229567GT        | 67, 143, 145, 147         | 824060GT        | 195                       | 824228GT        | 79                         |
| 229750GT        | 151                       | 824061GT        | 115, 177                  | 824548GT        | 131                        |
| 229845GT        | 193                       | 824067GT        | 37, 113, 115, 121, 125    | 824549GT        | 131                        |
| 230073GT        | 75                        | 824069GT        | 195                       | 824551GT        | 135                        |
| 230074GT        | 75                        | 824078GT        | 39, 41, 49, 59, 61, 65... | 824631GT        | 117                        |
| 231226GT        | 103                       | 824079GT        | 35, 55, 63, 91, 105, 125  | 824634GT        | 111                        |
| 231227GT        | 103                       | 824080GT        | 61, 79                    | 824639GT        | 111, 115                   |
| 231327GT        | 95                        | 824081GT        | 59, 93, 135, 175          | 824641GT        | 113                        |
| 231513GT        | 75                        | 824082GT        | 117                       | 824645GT        | 115                        |
| 231532GT        | 77                        | 824083GT        | 35, 45, 63, 131, 147      | 824646GT        | 117, 121                   |
| 233993GT        | 183                       | 824085GT        | 185                       | 824649GT        | 119                        |
| 234597GT        | 151                       | 824086GT        | 37, 139, 187              | 824651GT        | 121                        |
| 237209GT        | 151                       | 824087GT        | 77, 139                   | 824830GT        | 133                        |
| 237241GT        | 119, 123                  | 824089GT        | 45, 49, 59, 75, 91, 111   | 824832GT        | 129                        |
| 237242GT        | 119, 123                  | 824090GT        | 43, 45, 55, 59, 61, 79... | 824872GT        | 107                        |
| 237312GT        | 81                        | 824091GT        | 51, 55, 59, 65, 97, 103   | 824990GT        | 133                        |
| 237820GT        | 53, 101                   | 824092GT        | 133                       | 825019GT        | 133                        |
| 237827GT        | 115                       | 824093GT        | 51, 117, 121              | 825020GT        | 177                        |
| 238135GT        | 95                        | 824095GT        | 53, 101, 103, 177         | 825055GT        | 127                        |
| 680250GT        | 51, 205                   | 824096GT        | 131                       | 825057GT        | 127                        |
| 822759GT        | 197, 201                  | 824110GT        | 37                        | 825349GT        | 73                         |
| 822760GT        | 197, 201                  | 824113GT        | 121, 127, 175, 195        | 825353GT        | 39, 41, 47                 |
| 822764GT        | 197, 201                  | 824120GT        | 195                       | 825358GT        | 53, 77, 101, 103, 133, 185 |
| 822768GT        | 199, 201                  | 824123GT        | 53, 101, 103              | 825632GT        | 207                        |
| 822769GT        | 197, 201                  | 824124GT        | 51, 55, 91, 139           | 825759GT        | 115                        |
| 822771GT        | 201                       | 824125GT        | 97, 131                   | 825760GT        | 111                        |
| 822772GT        | 201                       | 824127GT        | 35                        | 825796GT        | 131, 133                   |
| 823368GT        | 61                        | 824129GT        | 35                        | 826234GT        | 127                        |
| 823684GT        | 79                        | 824132GT        | 39, 43                    | 826345GT        | 27                         |
| 823747GT        | 193                       | 824133GT        | 101                       | 826516GT        | 63                         |
| 823748GT        | 193                       | 824138GT        | 53, 97, 99, 103           | 826779GT        | 151, 153                   |
| 823975GT        | 83                        | 824142GT        | 97, 99, 103               | 839119GT        | 95                         |
| 824019GT        | 51                        | 824144GT        | 53, 99                    | 839233GT        | 95                         |
| 824027GT        | 35, 51, 55, 63, 79, 93... | 824145GT        | 53, 97, 99, 103           | 866040GT        | 95                         |
| 824028GT        | 49, 139, 185, 187         | 824151GT        | 35                        | 866050GT        | 11, 103                    |
| 824029GT        | 51, 53, 59, 65, 91, 101   | 824164GT        | 35                        | 866070GT        | 95                         |
| 824030GT        | 43                        | 824207GT        | 185                       | 995750GT        | 67, 141                    |
| 824032GT        | 49, 63, 79, 175, 177      | 824214GT        | 49, 67, 71                | 1251491GT       | 121, 125                   |
| 824037GT        | 79, 111, 115              | 824215GT        | 59, 79, 175, 193          | 1251493GT       | 125                        |
| 824038GT        | 133                       | 824216GT        | 45, 179                   | 1251565GT       | 133                        |
| 824041GT        | 101, 159                  | 824225GT        | 49                        | 1251585GT       | 125                        |
| 824059GT        | 77, 121                   | 824227GT        | 197, 201                  | 1251586GT       | 125                        |

| <u>Part no.</u> | <u>Page Number</u>     | <u>Part no.</u> | <u>Page Number</u> | <u>Part no.</u> | <u>Page Number</u>        |
|-----------------|------------------------|-----------------|--------------------|-----------------|---------------------------|
| 1251600GT       | 137, 173, 183, 195     | 1255771GT       | 45                 | 1256670GT       | 155                       |
| 1251707GT       | 125                    | 1255772GT       | 45                 | 1256679GT       | 55, 59, 61, 77, 91, 97... |
| 1251757GT       | 59, 73                 | 1255773GT       | 45                 | 1256804GT       | 193                       |
| 1251901GT       | 49                     | 1255804GT       | 55, 63, 91         | 1256834GT       | 99                        |
| 1251997GT       | 55, 59, 63             | 1255805GT       | 75, 97             | 1256855GT       | 49, 63, 67, 73, 95, 139   |
| 1253185GT       | 51, 73, 193            | 1256054GT       | 75                 | 1256859GT       | 179                       |
| 1253319GT       | 59                     | 1256109GT       | 51, 111            | 1256863GT       | 43, 173                   |
| 1253477GT       | 67, 147                | 1256111GT       | 111                | 1257076GT       | 159                       |
| 1253478GT       | 79, 111, 115, 125, 133 | 1256118GT       | 129                | 1257077GT       | 159                       |
| 1253485GT       | 117, 159               | 1256124GT       | 79                 | 1257248GT       | 137                       |
| 1253489GT       | 171                    | 1256126GT       | 65, 81, 91         | 1257249GT       | 137                       |
| 1253498GT       | 35, 41                 | 1256127GT       | 95, 127, 133       | 1257264GT       | 177                       |
| 1253815GT       | 115, 123               | 1256144GT       | 127                | 1257268GT       | 125                       |
| 1253843GT       | 91                     | 1256160GT       | 75                 | 1257292GT       | 111, 115                  |
| 1254060GT       | 51, 111, 115, 121, 125 | 1256161GT       | 75                 | 1257296GT       | 171                       |
| 1254061GT       | 79, 111, 115           | 1256168GT       | 47                 | 1257390GT       | 171                       |
| 1254062GT       | 51, 113, 115, 125      | 1256169GT       | 45                 | 1257410GT       | 67                        |
| 1254063GT       | 51, 111, 115, 121, 125 | 1256170GT       | 45                 | 1257460GT       | 43                        |
| 1254359GT       | 51, 111                | 1256172GT       | 55, 91             | 1257489GT       | 175                       |
| 1254372GT       | 125                    | 1256179GT       | 55, 59             | 1257628GT       | 59, 61, 97                |
| 1254476GT       | 129                    | 1256180GT       | 135                | 1257704GT       | 99                        |
| 1254477GT       | 129                    | 1256182GT       | 45, 51, 65         | 1257733GT       | 11                        |
| 1254718GT       | 45                     | 1256184GT       | 115                | 1257862GT       | 43, 159                   |
| 1254728GT       | 45                     | 1256202GT       | 187                | 1258567GT       | 11                        |
| 1255014GT       | 127                    | 1256267GT       | 35, 41             | 1258730GT       | 111, 115                  |
| 1255383GT       | 127                    | 1256312GT       | 51                 | 1258732GT       | 111                       |
| 1255385GT       | 51, 65                 | 1256392GT       | 75                 | 1258783GT       | 189                       |
| 1255392GT       | 91                     | 1256393GT       | 75                 | 1258823GT       | 189                       |
| 1255452GT       | 37, 121                | 1256394GT       | 75                 | 1259328GT       | 199, 201                  |
| 1255469GT       | 53, 61, 101, 157       | 1256395GT       | 75                 | 1259329GT       | 199, 203                  |
| 1255581GT       | 17, 19, 27, 29         | 1256425GT       | 19                 | 1259583GT       | 193                       |
| 1255702GT       | 43                     | 1256449GT       | 65                 | 1259584GT       | 193                       |
| 1255703GT       | 39, 41                 | 1256456GT       | 53, 101            | 1259835GT       | 125                       |
| 1255710GT       | 37                     | 1256457GT       | 65                 | 1259855GT       | 55, 63, 91                |
| 1255712GT       | 43, 159                | 1256460GT       | 51, 137            | 1259930GT       | 43, 125                   |
| 1255757GT       | 61, 91, 131            | 1256462GT       | 55                 | 1260940GT       | 119                       |
| 1255758GT       | 117, 195               | 1256464GT       | 175                | 1261172GT       | 35                        |
| 1255760GT       | 55, 63, 91             | 1256467GT       | 49, 159            | 1261184GT       | 179, 195                  |
| 1255761GT       | 59, 65, 79             | 1256468GT       | 195                | 1261277GT       | 75                        |
| 1255768GT       | 45                     | 1256469GT       | 91                 | 1261292GT       | 203                       |
| 1255769GT       | 45                     | 1256479GT       | 119, 123           | 1261467GT       | 35                        |
| 1255770GT       | 45                     | 1256607GT       | 75                 | 1261553GT       | 111                       |

| <u>Part no.</u> | <u>Page Number</u> | <u>Part no.</u> | <u>Page Number</u> | <u>Part no.</u> | <u>Page Number</u> |
|-----------------|--------------------|-----------------|--------------------|-----------------|--------------------|
| 1261554GT       | 115                | 1263694GT       | 145                | 1264219GT       | 65                 |
| 1261563GT       | 111, 115           | 1263699GT       | 35, 63             | 1264296GT       | 59                 |
| 1261689GT       | 209                | 1263718GT       | 83                 | 1264341GT       | 51                 |
| 1261724GT       | 91                 | 1263720GT       | 83                 | 1264342GT       | 51                 |
| 1261767GT       | 53, 157            | 1263721GT       | 83, 177            | 1264374GT       | 117                |
| 1261836GT       | 75                 | 1263722GT       | 83                 | 1264495GT       | 121                |
| 1261837GT       | 75                 | 1263723GT       | 83                 | 1264496GT       | 121                |
| 1261838GT       | 75                 | 1263724GT       | 83                 | 1264510GT       | 39, 41             |
| 1261878GT       | 189                | 1263725GT       | 83                 | 1264698GT       | 105                |
| 1261879GT       | 189                | 1263727GT       | 49, 83             | 1264700GT       | 105                |
| 1262031GT       | 49, 65             | 1263728GT       | 83                 | 1264745GT       | 75                 |
| 1262208GT       | 101                | 1263729GT       | 83                 | 1264746GT       | 77                 |
| 1262211GT       | 77                 | 1263730GT       | 83                 | 1264749GT       | 75                 |
| 1262242GT       | 95                 | 1263731GT       | 83                 | 1264750GT       | 77                 |
| 1262258GT       | 151                | 1263732GT       | 83                 | 1264776GT       | 91                 |
| 1262264GT       | 127                | 1263734GT       | 105                | 1264777GT       | 97                 |
| 1262265GT       | 127                | 1263777GT       | 53                 | 1264805GT       | 91                 |
| 1262407GT       | 117                | 1263915GT       | 59                 | 1264821GT       | 91                 |
| 1262420GT       | 63                 | 1263916GT       | 63                 | 1264932GT       | 99                 |
| 1262440GT       | 77                 | 1263919GT       | 63                 | 1264933GT       | 99                 |
| 1262605GT       | 45                 | 1263937GT       | 65                 | 1264934GT       | 179                |
| 1262654GT       | 79                 | 1263938GT       | 11, 51, 55         | 1265281GT       | 87                 |
| 1262663GT       | 145                | 1263969GT       | 67, 73             | 1265282GT       | 87                 |
| 1262664GT       | 145                | 1263999GT       | 119                | 1265283GT       | 87                 |
| 1262665GT       | 145                | 1264030GT       | 51                 | 1265284GT       | 89                 |
| 1262670GT       | 61                 | 1264033GT       | 49                 | 1265285GT       | 89                 |
| 1262671GT       | 61                 | 1264036GT       | 51                 | 1265286GT       | 87                 |
| 1262721GT       | 75                 | 1264091GT       | 49                 | 1265287GT       | 87                 |
| 1262722GT       | 75                 | 1264100GT       | 53, 157            | 1265288GT       | 87                 |
| 1262916GT       | 49                 | 1264101GT       | 185                | 1265289GT       | 87                 |
| 1263077GT       | 75                 | 1264103GT       | 43                 | 1265290GT       | 87                 |
| 1263251GT       | 59                 | 1264104GT       | 49                 | 1265291GT       | 89                 |
| 1263256GT       | 59                 | 1264105GT       | 49                 | 1265292GT       | 89                 |
| 1263511GT       | 39, 43             | 1264107GT       | 43                 | 1265293GT       | 89                 |
| 1263527GT       | 125                | 1264134GT       | 79                 | 1265294GT       | 89                 |
| 1263542GT       | 17, 19             | 1264144GT       | 45                 | 1265295GT       | 87                 |
| 1263543GT       | 27, 29             | 1264188GT       | 65                 | 1265296GT       | 87                 |
| 1263647GT       | 57                 | 1264197GT       | 79                 | 1265297GT       | 87                 |
| 1263648GT       | 53                 | 1264199GT       | 65                 | 1265298GT       | 87                 |
| 1263649GT       | 53                 | 1264203GT       | 65                 | 1265299GT       | 87                 |
| 1263650GT       | 105                | 1264217GT       | 65                 | 1265300GT       | 87                 |
| 1263651GT       | 55, 91             | 1264218GT       | 65                 | 1265301GT       | 87                 |

| <u>Part no.</u> | <u>Page Number</u> | <u>Part no.</u> | <u>Page Number</u> | <u>Part no.</u> | <u>Page Number</u> |
|-----------------|--------------------|-----------------|--------------------|-----------------|--------------------|
| 1265302GT       | 87                 | 1267121GT       | 31                 | 1269257GT       | 33                 |
| 1265303GT       | 87                 | 1267157GT       | 111                | 1269258GT       | 23                 |
| 1265307GT       | 89                 | 1267262GT       | 79                 | 1269259GT       | 21, 31             |
| 1265308GT       | 89                 | 1267277GT       | 83                 | 1269260GT       | 21, 31             |
| 1265349GT       | 83                 | 1267297GT       | 51                 | 1269261GT       | 15, 25             |
| 1265361GT       | 17, 27             | 1267298GT       | 55                 | 1269262GT       | 15, 25             |
| 1265397GT       | 139                | 1267299GT       | 55                 | 1269351GT       | 125                |
| 1265450GT       | 17, 27             | 1267300GT       | 55                 | 1269368GT       | 147                |
| 1265451GT       | 23, 33             | 1267395GT       | 55                 | 1269369GT       | 63                 |
| 1265494GT       | 111, 115           | 1267564GT       | 37                 | 1269475GT       | 171                |
| 1265580GT       | 87                 | 1267736GT       | 131                | 1269479GT       | 101                |
| 1265583GT       | 87                 | 1267746GT       | 137                | 1269480GT       | 103                |
| 1265592GT       | 99                 | 1267747GT       | 139                | 1269481GT       | 103                |
| 1265717GT       | 121                | 1267795GT       | 91                 | 1269497GT       | 143, 145           |
| 1265736GT       | 97                 | 1267796GT       | 99                 | 1269498GT       | 141                |
| 1265737GT       | 97                 | 1267808GT       | 59                 | 1269499GT       | 149                |
| 1265754GT       | 51                 | 1267856GT       | 75                 | 1269602GT       | 53, 157            |
| 1265850GT       | 71                 | 1267984GT       | 101                | 1269640GT       | 205                |
| 1265862GT       | 71, 147            | 1268160GT       | 83                 | 1269681GT       | 83                 |
| 1266113GT       | 95                 | 1268462GT       | 65                 | 1269766GT       | 119, 123           |
| 1266114GT       | 95                 | 1268463GT       | 65                 | 1270010GT       | 117                |
| 1266115GT       | 91                 | 1268506GT       | 117, 123           | 1270022GT       | 133                |
| 1266122GT       | 147                | 1268507GT       | 123                | 1270075GT       | 127                |
| 1266124GT       | 71                 | 1268510GT       | 129                | 1270080GT       | 127                |
| 1266153GT       | 67                 | 1268611GT       | 35                 | 1270083GT       | 129                |
| 1266206GT       | 65                 | 1268753GT       | 117                | 1270085GT       | 129                |
| 1266207GT       | 65                 | 1268880GT       | 39                 | 1270090GT       | 127                |
| 1266208GT       | 65                 | 1268881GT       | 39                 | 1270091GT       | 127                |
| 1266213GT       | 41                 | 1268882GT       | 39                 | 1270133GT       | 99                 |
| 1266214GT       | 41                 | 1269001GT       | 117                | 1270153GT       | 83                 |
| 1266215GT       | 43                 | 1269112GT       | 83                 | 1270247GT       | 81                 |
| 1266216GT       | 43                 | 1269210GT       | 43                 | 1270281GT       | 63                 |
| 1266217GT       | 43                 | 1269245GT       | 17, 27             | 1270313GT       | 185                |
| 1266321GT       | 59                 | 1269246GT       | 15, 25             | 1270314GT       | 185                |
| 1266528GT       | 63                 | 1269247GT       | 29                 | 1270316GT       | 185                |
| 1266533GT       | 83                 | 1269248GT       | 27, 29             | 1270356GT       | 125                |
| 1266699GT       | 105                | 1269249GT       | 27, 29             | 1270361GT       | 129                |
| 1266753GT       | 99                 | 1269250GT       | 27                 | 1270390GT       | 127                |
| 1266969GT       | 103                | 1269251GT       | 27                 | 1270391GT       | 127                |
| 1266970GT       | 103                | 1269252GT       | 15, 25             | 1270399GT       | 121                |
| 1266999GT       | 49                 | 1269254GT       | 27, 29             | 1270466GT       | 107                |
| 1267068GT       | 101                | 1269255GT       | 17, 19             | 1270485GT       | 67                 |

| <u>Part no.</u> | <u>Page Number</u> | <u>Part no.</u> | <u>Page Number</u> | <u>Part no.</u> | <u>Page Number</u> |
|-----------------|--------------------|-----------------|--------------------|-----------------|--------------------|
| 1270486GT       | 145                | 1272307GT       | 139                | 1275044GT       | 79                 |
| 1270488GT       | 93                 | 1272540GT       | 131                | 1275047GT       | 79                 |
| 1270498GT       | 205                | 1272543GT       | 131                | 1275087GT       | 173                |
| 1270520GT       | 87                 | 1272632GT       | 33                 | 1275088GT       | 137                |
| 1270521GT       | 87                 | 1272633GT       | 25                 | 1275458GT       | 63                 |
| 1270522GT       | 87                 | 1272634GT       | 25                 | 1276658GT       | 187                |
| 1270523GT       | 87                 | 1272778GT       | 35                 | 1276659GT       | 187                |
| 1270524GT       | 87                 | 1272808GT       | 197, 201           | 1276664GT       | 187                |
| 1270525GT       | 87                 | 1272864GT       | 43                 | 1276665GT       | 187                |
| 1270526GT       | 87                 | 1272865GT       | 43                 | 1277873GT       | 179                |
| 1270527GT       | 87                 | 1272866GT       | 43                 | 1277875GT       | 179                |
| 1270528GT       | 87                 | 1272867GT       | 43                 | 1277876GT       | 179                |
| 1270557GT       | 83                 | 1272868GT       | 43                 | 1277877GT       | 179                |
| 1270679GT       | 205                | 1272869GT       | 43                 | 1277924GT       | 147, 179, 183      |
| 1270680GT       | 205                | 1272870GT       | 43                 | 1277952GT       | 187                |
| 1270681GT       | 205                | 1272895GT       | 147                | 1277966GT       | 187                |
| 1270812GT       | 151                | 1272896GT       | 147                | 1278109GT       | 179                |
| 1270815GT       | 151, 153           | 1272910GT       | 49                 | 1278111GT       | 179                |
| 1270816GT       | 151                | 1273076GT       | 187                | 1278119GT       | 179                |
| 1270817GT       | 151                | 1273204GT       | 131                | 1278121GT       | 179                |
| 1270818GT       | 151                | 1273336GT       | 61                 | 1278124GT       | 179                |
| 1270819GT       | 151                | 1273632GT       | 85                 | 1278138GT       | 179                |
| 1270820GT       | 151, 153           | 1273633GT       | 85                 | 1278144GT       | 181                |
| 1270821GT       | 151                | 1273654GT       | 59                 | 1278363GT       | 181                |
| 1270823GT       | 151                | 1274166GT       | 117                | 1278368GT       | 179                |
| 1270994GT       | 185                | 1274168GT       | 179                | 1278416GT       | 179                |
| 1271018GT       | 185                | 1274293GT       | 175                | 1278433GT       | 179                |
| 1271019GT       | 185                | 1274322GT       | 117, 121, 179, 183 | 1278458GT       | 179                |
| 1271040GT       | 185                | 1274436GT       | 115                | 1278542GT       | 179                |
| 1271061GT       | 185                | 1274511GT       | 133                | 1278556GT       | 207                |
| 1271407GT       | 83, 197            | 1274560GT       | 99                 | 1278557GT       | 207                |
| 1271588GT       | 175                | 1274767GT       | 121                | 1278629GT       | 201                |
| 1271696GT       | 175                | 1274769GT       | 119                | 1278858GT       | 137                |
| 1271713GT       | 149                | 1274858GT       | 137                | 1278982GT       | 181                |
| 1271770GT       | 59                 | 1274859GT       | 137                | 1279135GT       | 179                |
| 1271773GT       | 59                 | 1274925GT       | 45                 | 1279587GT       | 127                |
| 1271882GT       | 175                | 1274926GT       | 45                 | 1279588GT       | 135                |
| 1272122GT       | 73, 147            | 1274927GT       | 45                 | 1279589GT       | 121                |
| 1272123GT       | 73, 147            | 1274928GT       | 45                 | 1279590GT       | 123                |
| 1272242GT       | 17, 27             | 1274969GT       | 143, 149           | 1279591GT       | 117                |
| 1272303GT       | 137                | 1274971GT       | 145, 149           | 1279592GT       | 129                |
| 1272304GT       | 137                | 1274972GT       | 145, 149           | 1279593GT       | 123, 135           |



| <u>Part no.</u> | <u>Page Number</u> | <u>Part no.</u> | <u>Page Number</u> | <u>Part no.</u> | <u>Page Number</u> |
|-----------------|--------------------|-----------------|--------------------|-----------------|--------------------|
| 1279594GT       | 121                | 1289901GT       | 73                 |                 |                    |
| 1279596GT       | 117                | 1290344-3868GT  | 165                |                 |                    |
| 1280212GT       | 35                 | 1291624GT       | 17                 |                 |                    |
| 1280225GT       | 35                 | 1292512GT       | 17                 |                 |                    |
| 1280226GT       | 35                 | 1292513GT       | 17                 |                 |                    |
| 1280236GT       | 35                 | 1292514GT       | 17                 |                 |                    |
| 1280237GT       | 37                 | 1292515GT       | 17                 |                 |                    |
| 1280254GT       | 37                 | 1293568GT       | 63                 |                 |                    |
| 1280256GT       | 41                 | 1293770GT       | 83                 |                 |                    |
| 1280679GT       | 19                 | 1293772GT       | 67                 |                 |                    |
| 1281174GT       | 33                 | 1293773GT       | 67                 |                 |                    |
| 1281175GT       | 23                 | 1293774GT       | 67                 |                 |                    |
| 1283012GT       | 67, 147            | 1293775GT       | 83, 147            |                 |                    |
| 1283178GT       | 131                | 1293777GT       | 145                |                 |                    |
| 1283314GT       | 43                 | 1293797GT       | 85                 |                 |                    |
| 1283648GT       | 111                | 1294422GT       | 189                |                 |                    |
| 1283655GT       | 111                | T107521GT       | 73                 |                 |                    |
| 1283656GT       | 111                | T108076GT       | 135                |                 |                    |
| 1283776GT       | 11                 | T108077GT       | 135                |                 |                    |
| 1284028GT       | 63                 | T108138GT       | 123                |                 |                    |
| 1284946GT       | 53, 157            | T112560GT       | 171                |                 |                    |
| 1284947GT       | 53, 157            | T112561GT       | 171                |                 |                    |
| 1284948GT       | 53, 157            | T112626GT       | 149                |                 |                    |
| 1284949GT       | 53, 157            | T112773GT       | 23, 33             |                 |                    |
| 1284950GT       | 53, 157            |                 |                    |                 |                    |
| 1284951GT       | 53, 157            |                 |                    |                 |                    |
| 1284952GT       | 53, 157            |                 |                    |                 |                    |
| 1284953GT       | 53, 157            |                 |                    |                 |                    |
| 1284954GT       | 53, 157            |                 |                    |                 |                    |
| 1285700GT       | 185                |                 |                    |                 |                    |
| 1286646GT       | 99                 |                 |                    |                 |                    |
| 1287514GT       | 141                |                 |                    |                 |                    |
| 1287634GT       | 209                |                 |                    |                 |                    |
| 1288002GT       | 97                 |                 |                    |                 |                    |
| 1288003GT       | 97                 |                 |                    |                 |                    |
| 1288404GT       | 141                |                 |                    |                 |                    |
| 1288607GT       | 117                |                 |                    |                 |                    |
| 1288609GT       | 123                |                 |                    |                 |                    |
| 1288610GT       | 117                |                 |                    |                 |                    |
| 1289521GT       | 61                 |                 |                    |                 |                    |
| 1289552GT       | 139                |                 |                    |                 |                    |
| 1289561GT       | 61                 |                 |                    |                 |                    |



California Proposition 65

 **WARNING**

Operating, servicing and maintaining this equipment, passenger vehicle or off-highway motor vehicle can expose you to chemicals including engine exhaust, carbon monoxide, phthalates, and lead, which are known to the State of California to cause cancer and birth defects or other reproductive harm. These chemicals can be emitted from or contained in other various parts and systems, fluids and some component wear by-products. To minimize exposure, avoid breathing exhaust, do not idle the engine except as necessary, service your equipment and vehicle in a well-ventilated area and wear gloves or wash your hands frequently when servicing your equipment or vehicle and after operation. For more information go to [www.P65Warnings.ca.gov/passenger-vehicle](http://www.P65Warnings.ca.gov/passenger-vehicle).

Breathing diesel engine exhaust exposes you to chemicals known to the State of California to cause cancer and birth defects or other reproductive harm.

- Always start and operate the engine in a well-ventilated area.
- If in an enclosed area, vent the exhaust to the outside.
- Do not modify or tamper with the exhaust system.
- Do not idle the engine except as necessary.

For more information go to [www.P65warnings.ca.gov/diesel](http://www.P65warnings.ca.gov/diesel).

Distributed By:

[www.GPSEquipment.com](http://www.GPSEquipment.com) to order your parts

# PARTS FINDER

**Search Website  
by Part Number**



**Search Manual  
Library For Parts  
Manual & Lookup Part  
Numbers – Purchase  
or Request Quote**

**Search Manuals**

Enter your information to help us find the right parts manual for your machine.

\* Brand:

\* Model:

\* Serial:

\* Part Number:

SEARCH

**Can't Find Part or  
Manual? Request Help  
by Manufacturer,  
Model & Description**

**Parts Order Form**

Please fill in the following information to help us find the right part for your machine.

|               |                      |
|---------------|----------------------|
| Manufacturer: | <input type="text"/> |
| Model:        | <input type="text"/> |
| Description:  | <input type="text"/> |
| Part Number:  | <input type="text"/> |
| Quantity:     | <input type="text"/> |
| Notes:        | <input type="text"/> |

Submit

Discount-Equipment.com is your online resource for quality parts & equipment.

Florida: **561-964-4949** Outside Florida TOLL FREE: **877-690-3101**

**Need parts?**

Click on this link: <http://www.discount-equipment.com/category/5443-parts/> and choose one of the options to help get the right parts and equipment you are looking for. Please have the machine model and serial number available in order to help us get you the correct parts. If you don't find the part on the website or on one of the online manuals, please fill out the request form and one of our experienced staff members will get back to you with a quote for the right part that your machine needs.

We sell worldwide for the brands: Genie, Terex, JLG, MultiQuip, Mikasa, Essick, Whiteman, Mayco, Toro Stone, Diamond Products, Generac Magnum, Airman, Haulotte, Barreto, Power Blanket, Nifty Lift, Atlas Copco, Chicago Pneumatic, Allmand, Miller Curber, Skyjack, Lull, Skytrak, Tsurumi, Husquvarna Target, Stow, Wacker, Sakai, Mi-T-M, Sullair, Basic, Dynapac, MBW, Weber, Bartell, Bennar Newman, Haulotte, Ditch Runner, Menegotti, Morrison, Contec, Buddy, Crown, Edco, Wyco, Bomag, Laymor, EZ Trench, Bil-Jax, F.S. Curtis, Gehl Pavers, Heli, Honda, ICS/PowerGrit, IHI, Partner, Imer, Clipper, MMD, Koshin, Rice, CH&E, General Equipment, Amida, Coleman, NAC, Gradall, Square Shooter, Kent, Stanley, Tamco, Toku, Hatz, Kohler, Robin, Wisconsin, Northrock, Oztec, Toker TK, Rol-Air, APT, Wylie, Ingersoll Rand / Doosan, Innovatech, Con X, Ammann, Mecalac, Makinex, Smith Surface Prep, Small Line, Wanco, Yanmar