



A TEREX BRAND



Parts Manual

Serial Number Range

Z-60/34

from SN 4551 to 14370

Part No. 102499

Rev K2

November 2018

Go to Discount-Equipment.com to order your parts

PARTS FINDER

**Search Website
by Part Number**



**Search Manual
Library For Parts
Manual & Lookup Part
Numbers – Purchase
or Request Quote**

Search Manuals

Enter your information to help us find the right parts manual for your machine.

* Brand:

* Model:

* Serial:

* Part Number:

SEARCH

**Can't Find Part or
Manual? Request Help
by Manufacturer,
Model & Description**

Parts Order Form

Please fill in the following information to help us find the right part for your machine.

Manufacturer:	<input type="text"/>
Model:	<input type="text"/>
Description:	<input type="text"/>
Part Number:	<input type="text"/>
Quantity:	<input type="text"/>
Notes:	<input type="text"/>

Submit

Discount-Equipment.com is your online resource for quality parts & equipment.

Florida: **561-964-4949** Outside Florida TOLL FREE: **877-690-3101**

Need parts?

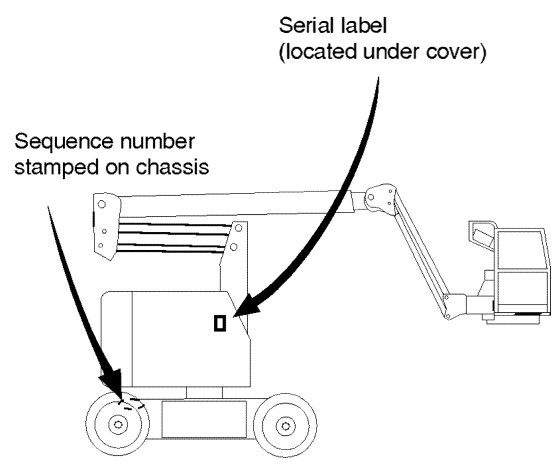
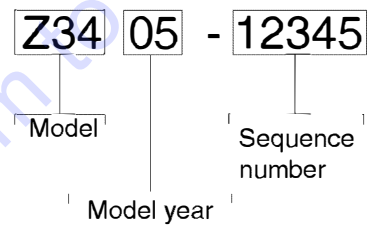

Click on this link: <http://www.discount-equipment.com/category/5443-parts/> and choose one of the options to help get the right parts and equipment you are looking for. Please have the machine model and serial number available in order to help us get you the correct parts. If you don't find the part on the website or on one of the online manuals, please fill out the request form and one of our experienced staff members will get back to you with a quote for the right part that your machine needs.

We sell worldwide for the brands: Genie, Terex, JLG, MultiQuip, Mikasa, Essick, Whiteman, Mayco, Toro Stone, Diamond Products, Generac Magnum, Airman, Haulotte, Barreto, Power Blanket, Nifty Lift, Atlas Copco, Chicago Pneumatic, Allmand, Miller Curber, Skyjack, Lull, Skytrak, Tsurumi, Husquvarna Target, Stow, Wacker, Sakai, Mi-T-M, Sullair, Basic, Dynapac, MBW, Weber, Bartell, Bennar Newman, Haulotte, Ditch Runner, Menegotti, Morrison, Contec, Buddy, Crown, Edco, Wyco, Bomag, Laymor, EZ Trench, Bil-Jax, F.S. Curtis, Gehl Pavers, Heli, Honda, ICS/PowerGrit, IHI, Partner, Imer, Clipper, MMD, Koshin, Rice, CH&E, General Equipment, Amida, Coleman, NAC, Gradall, Square Shooter, Kent, Stanley, Tamco, Toku, Hatz, Kohler, Robin, Wisconsin, Northrock, Oztec, Toker TK, Rol-Air, APT, Wylie, Ingersoll Rand / Doosan, Innovatech, Con X, Ammann, Mecalac, Makinex, Smith Surface Prep, Small Line, Wanco, Yanmar

Genie
A TEREX BRAND

Model: Z-34/22
Serial number: Z3405-12345
Model year: 2005 **Manufacture date:** 04/12/05
Electrical schematic number: XXXXXX
Machine unladen weight:

Rated work load (including occupants): XXXX kg
Maximum number of platform occupants: X
Maximum allowable side force : XXX N
Maximum allowable inclination of the chassis:
0 deg
Maximum wind speed : XX mph/ XX m/s
Maximum platform height : XX ft / XX m
Maximum platform reach : XX ft / XX m
Gradeability: XX
Country of manufacture: USA
This machine complies with:
ANSI A92.5
CAN B.354.4



Go to Discount-Equipment.com to order your parts

Table of Contents

This manual is updated frequently. For the most up-to-date parts information, visit www.discount-equipment.com

How to Read Your Serial Number.....	3
Parts Stocking List.....	7

Electronic Version

Click on any page number to view the figure.

100 Decals

101.1 Decals with Words.....	10
102.1 Decals with Symbols.....	14

200 Drive Chassis Components

201.1 Steer Axle Linkage, Oscillate Models (2WD, 4WD)....	16
202.1 2WD Steer Axle Linkage, No-oscillate Models.....	18
203.1 Non-steer Axle (to SN 10160).....	20
203.2 Non-steer Axle (from SN 10161).....	24
204.1 2WD Steer Axle - Wheels and Hubs.....	28
205.1 4WD Steer Axle - Wheels and Hubs.....	30
206.1 2WD Hub - Steer Axle.....	32
207.1 2WD and 4WD Drive Hub.....	34

300 Turntable Components

301.1 Hydraulic and Fuel Tanks - Gasoline/LPG Models.....	36
302.1 Hydraulic and Fuel Tanks - Diesel Models.....	40
303.1 Function Manifold and Auxiliary Power Unit Installation.....	42
304.1 Turntable Rotation and Hydraulic Rotary coupler Installation.....	44
305.1 Ground Controls - View 1.....	46
306.1 Ground Controls - View 2.....	48
307.1 Ground Controls - View 3.....	50
308.1 Turntable Covers.....	52
309.1 Turntable Counterweight.....	54

400 Engine Components

401.1 Perkins 404-22 Engine - View 1.....	56
402.1 Perkins 404-22 Engine - View 2.....	60
403.1 Deutz F4L 1011F Engine - View 1 (to SN 4607).....	64

404.1 Deutz F4L 1011F Engine - View 2 (to SN 4607).....	66
405.1 Deutz F4L 1011F Engine - View 3 (to SN 4607).....	68
406.1 Deutz F3L 2011/D2011L03i Engine - View 1 (from SN 4608).....	70
407.1 Deutz F3L 2011/D2011L03i engine - View 2 (from SN 4608).....	72
408.1 Ford LRG-425 EFL Engine - View 1 (to SN 6315).....	76
409.1 Ford LRG-425 EFL Engine - View 2 (to SN 6315).....	78
410.1 Ford LRG-425 EFI Engine - View 3 (to SN 6315).....	80
411.1 Ford DSG-423 EFI Engine - View 1 (from SN 6316 to 11788).....	82
412.1 Ford DSG-423 EFI Engine - View 2 (from SN 6316 to 11788).....	84
413.1 Ford DSG-423 EFI Engine - View 3 (from SN 6316 to 11788).....	86
414.1 Ford DSG-423 EFI Engine - View 4 (from SN 6316 to 11788).....	90
415.1 Ford MSG-425 EFI Engine - View 1 (from SN 11789).....	92
416.1 Ford MSG-425 EFI Engine - View 2 (from SN 11789).....	94
417.1 Ford MSG-425 EFI Engine - View 3 (from SN 11789).....	96
418.1 Ford MSG-425 EFI Engine - View 4 (from SN 11789).....	98
419.1 Engine Tray and Battery.....	100

500 Boom Components

501.1 Secondary Boom - View 1.....	102
502.1 Secondary Boom - View 2.....	104
503.1 Upper Pivot.....	106
504.1 Upper Pivot and Primary Boom Rests.....	108
505.1 Primary and Extension Booms.....	110
506.1 Cable Track (to SN 5541).....	112
506.2 Cable Track (from SN 5542).....	114
507.1 Jib Boom and Platform Rotator.....	116

600 Platform Components

601.1 Platform Installation - View 1.....	118
602.1 Platform Installation - View 2.....	122
603.1 Platform Controls - View 1.....	124
604.1 Platform Controls - View 2.....	128
605.1 Joysticks (to SN 7226).....	130
605.2 Joysticks (from SN 7227).....	132

700 Hydraulic Components

701.1 2WD Traction Manifold.....	134
702.1 4WD Traction Manifold (to SN 10153).....	136
702.2 4WD Traction Manifold (from SN 10154).....	138
703.1 Two-Speed/Brake Manifold.....	140

704.1 Function Manifold.....	142
705.1 Jib Select and Platform Rotate Manifolds.....	146
706.1 Hydraulic Pumps.....	148
707.1 Oscillate Control Valve (to SN 5819).....	150
707.2 Oscillate Control Valve (from SN 5820).....	152
708.1 2WD Drive System.....	154
709.1 2WD Drive Oscillate System (to SN 5819).....	156
709.2 2WD Drive Oscillate System (from SN 5820).....	158
710.1 4WD Drive System.....	160
711.1 4WD Drive Oscillate System.....	162
712.1 Hydraulic Hoses and Fittings - Turntable.....	164
713.1 Hydraulic Hoses and Fittings - Boom.....	166

800 Accessories

801.1 Alarm and Beacon Package, Driving Lights.....	168
802.1 Platform Options.....	170
803.1 Ground and Platform Control Box Covers.....	174
804.1 Platform Overload - European Models.....	176
805.1 Platform Half-mesh and Pipe Cradle.....	178
806.1 Air Line to Platform.....	180
807.1 Cold Start Package (to SN 12646).....	182
807.2 Cold Start Package (from SN 12647).....	184
808.1 Hydraulic Generator Option - View 1 (to SN 10282).....	186
808.2 Hydraulic Generator Option - View 2 (to SN 10282).....	188
809.1 Hydraulic Generator Option (MTE) - View 1 (from SN 10283).....	190
809.2 Hydraulic Generator Option (MTE) - View 2 (from SN 10283).....	192
810.1 Hydraulic Oil Cooler.....	194
811.1 Gauge Option.....	196
812.1 Panel Cradle Option.....	198
813.1 Welder Option, Chassis Components.....	200
814.1 Welder Option, Platform Components (to SN 13525).....	202
814.2 Welder Option, Platform Components (from SN 13526).....	204
815.1 Welder Option, Hoses and Fittings.....	206
816.1 Hydraulic Hoses and Fittings - Arctic Hose Option.....	208
817.1 Hostile Environment Package - View 1.....	210
818.1 Hostile Environment Package - View 2.....	212
819.1 Hostile Environment - Engine Air Precleaners.....	214
820.1 Second LPG Carrier Option.....	216
821.1 Tow Package.....	218
822.1 Aircraft Protection Package (from SN 9780).....	220
823.1 Operator Protection Structure.....	222
824.1 Circuit Board Heater Option.....	224
825.1 Fall Arrest Bar.....	226
826.1 Operators Protection Alarm.....	228

Indices

Part Number Index.....	230
Part Description Index.....	238

Cross References

Fittings Cross Reference.....	252
-------------------------------	-----

Recommended Parts

Description	Part No.
Genie Blue Paint, 1 Gallon.....	32150
Genie Blue Paint, 12 Ounce Aerosol	1484
Genie Gray Paint, 1 Gallon	32151
Genie Gray Paint, 12 Ounce Aerosol.....	1268
Kit,Annual Inspection, Z-60, from Z60-8875	1285412

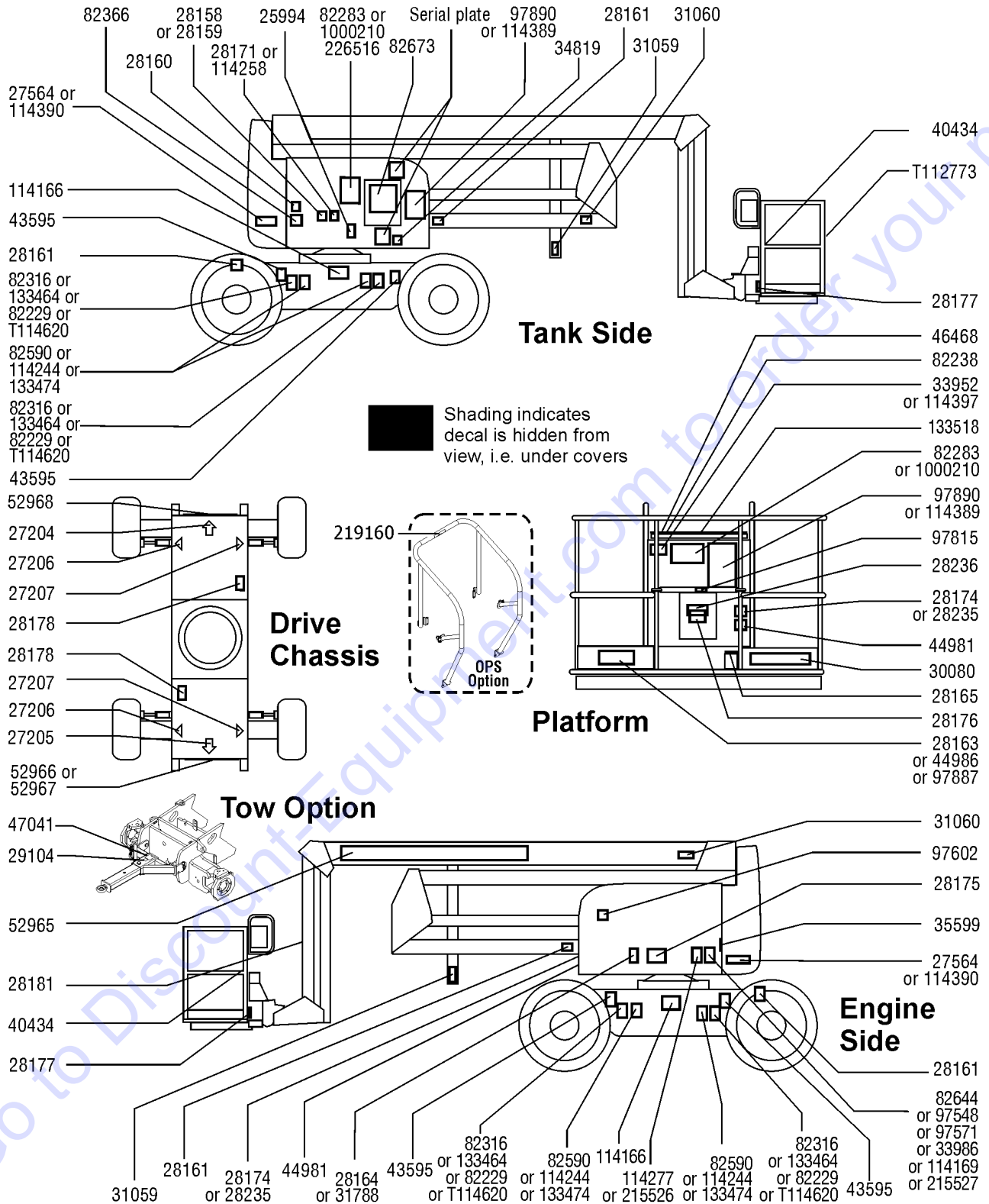
Manuals

Genie Industries offers the following support documents for these models:

Title	Part No.
EMI Safety Manual.....	27581
Manual of Responsibilities ANSI A92.5	31779

Go to Discount-Equipment.com to order your parts

101.1 Decals with Words



101.1 Decals with Words

Item	Part No.	Description	Qty.	Item	Part No.	Description	Qty.
--	102500GT	DECAL KIT,WORDS, Z60/34 <i>includes items 1-9, 12-14, 16-20, 22, 24-31, 38, 39, 41-49; to SN 5709</i>		22	28236GT	DECAL,WARN,IMPROPER OPERATION.....	1
--	111321GT	DECAL KIT,WORDS, Z60/34 <i>includes items 1-9, 12-14, 16-20, 22, 24-31, 38, 39, 41-49; from SN 5710 to 10160</i>		23	30080GT	DECAL,NOTICE,MAX LOAD 500 LBS....	1
--	226102GT	DECAL KIT,WORDS, Z60/34 <i>includes items 1-9, 12-14, 16-20, 22, 24-31, 38, 39, 41-49; from SN 10161</i>		24	31059GT	DECAL,WARNING COLLISION HAZARD.....	2
--	97884GT	DECAL,SOFTWARE,Z-60		25	31060GT	DECAL,DANGER DO NOT ALTER SWTC.....	2
1	25994GT	DECAL,NOTICE,SHUTOFF VALVES.....	1	26	97890GT	DECAL,DANGER,GEN SAFETY RULES..... <i>to SN 8876</i>	2
2	27204GT	DECAL,ARROW BLUE.....	1	--	114389GT	DECAL,DANGER,GENERAL SAFETY.... <i>from SN 8877</i>	2
3	27205GT	DECAL,ARROW YELLOW LRG 9".....	1	27	133518GT	DECAL, PATCH, GEN,ALC-500.....	1
4	27206GT	DECAL,TRIANGLE,BLUE.....	2	28	33952GT	DECAL,DANGER,TILT ALARM..... <i>to SN 8876</i>	1
5	27207GT	DECAL,TRIANGLE,YELLOW.....	2	--	114397GT	DECAL,DANGER,TILT ALARM <i>from SN 8877</i>	
6	27564GT	DECAL,DANGER,ELEC.HAZ.STAY CLR.....	2	29	33986GT	DECAL,NOTICE,DEUTZ ENG SPEC.... <i>to SN 4607</i>	1
--	114390GT	DECAL,DANGER,ELECT HAZARD***.... <i>from SN 8877</i>	2	--	97548GT	DECAL,ENGINE SPEC,DEUTZ 2011.... <i>from SN 4608</i>	1
7	28158GT	DECAL,LABEL,UNLEADED GAS ONLY.....	1	30	35599GT	DECAL,NOTICE,AIR INLET***.....	1
8	28159GT	DECAL,DIESEL.....	1	31	40434GT	DECAL,LANYARD ANCHORAGE POINT.....	2
9	28160GT	DECAL,LABEL,LIQUID PROPANE.....	2	32	44981GT	DECAL,LABEL, AIR LINE 110 PSI.....	2
10	28161GT	DECAL,WARN,CRUSH HAZARD HAND.....	3	33	52965GT	DECAL,COSMETIC,GENIE Z-60/34.....	1
11	97887GT	DECAL,INSTR,MAX SIDE FRC,ANSI.... <i>USA / Canada models</i>	1	34	52966GT	DECAL,COSMETIC,4 X 2.....	1
--	44986GT	DECAL,INSTR,SIDE FRC/WIND,AUS.... <i>Australia models</i>	1	35	52967GT	DECAL,COSMETIC,4 X 4.....	1
12	28164GT	DECAL,NOTICE,HAZARDOUS MAT'LS*..... <i>to SN 8876</i>	1	36	52968GT	DECAL,COSMETIC,GENIE BOOM,VERT.....	1
--	31788GT	DECAL,DANGER,BATTERY SAFETY*** <i>from SN 8877</i>		37	77046GT	SERIAL # LABEL,MYLAR 4X8***.....	1
13	28165GT	DECAL,INSTRUCT,FOOTSWITCH OPER.....	1	--	77183GT	FILM,POLY,CLEAR,4.5 X 8.75	
14	28171GT	DECAL,DANGER,NO SMOKING ***.....	1	38	82229GT	DECAL,NOTICE,HI FLOAT TIRES..... <i>to SN 10160</i>	4
--	114258GT	DECAL,DANGER,NO SMOKING <i>from SN 8877</i>		--	T114620GT	DECAL,NOTICE,HI FLOAT TIRES <i>from SN 10161</i>	
15	28174GT	DECAL, POWER TO PLATFORM 230V**.....	2	39	82238GT	DECAL,PLATFORM CONTROL PANEL.....	1
16	28175GT	DECAL,WARNING-COMPART ACCESS.....	1	--	82244GT	DECAL,PROTECTOR,CLEAR***	
17	28176GT	DECAL,LABEL,MANUAL NOT HERE.....	1	40	82243GT	DECAL FAULT CODE.....	1
18	28177GT	DECAL,WARN,CRUSH HAZARD PLAT.....	2	41	82283GT	DECAL,NOTICE,OPER INST.IC***.... <i>to SN 5709</i>	2
19	28178GT	DECAL,WARN,SHEAR TURNTABLE.....	2	--	1000210GT	DECAL,NOTICE,OPER INST.IC..... <i>from SN 5710</i>	2
20	28181GT	DECAL,WARN,FALL HAZARD.....	1	42	82316GT	DECAL,NOTICE TIRE PRESSURE..... <i>to SN 10160</i>	4
21	28235GT	DECAL,POWER TO PLATFORM 115V...2		--	133464GT	DECAL,NOTICE TIRE PRESSURE..... <i>from SN 10161</i>	4
				43	82366GT	DECAL,CHEVRON RANDO HD.....	1

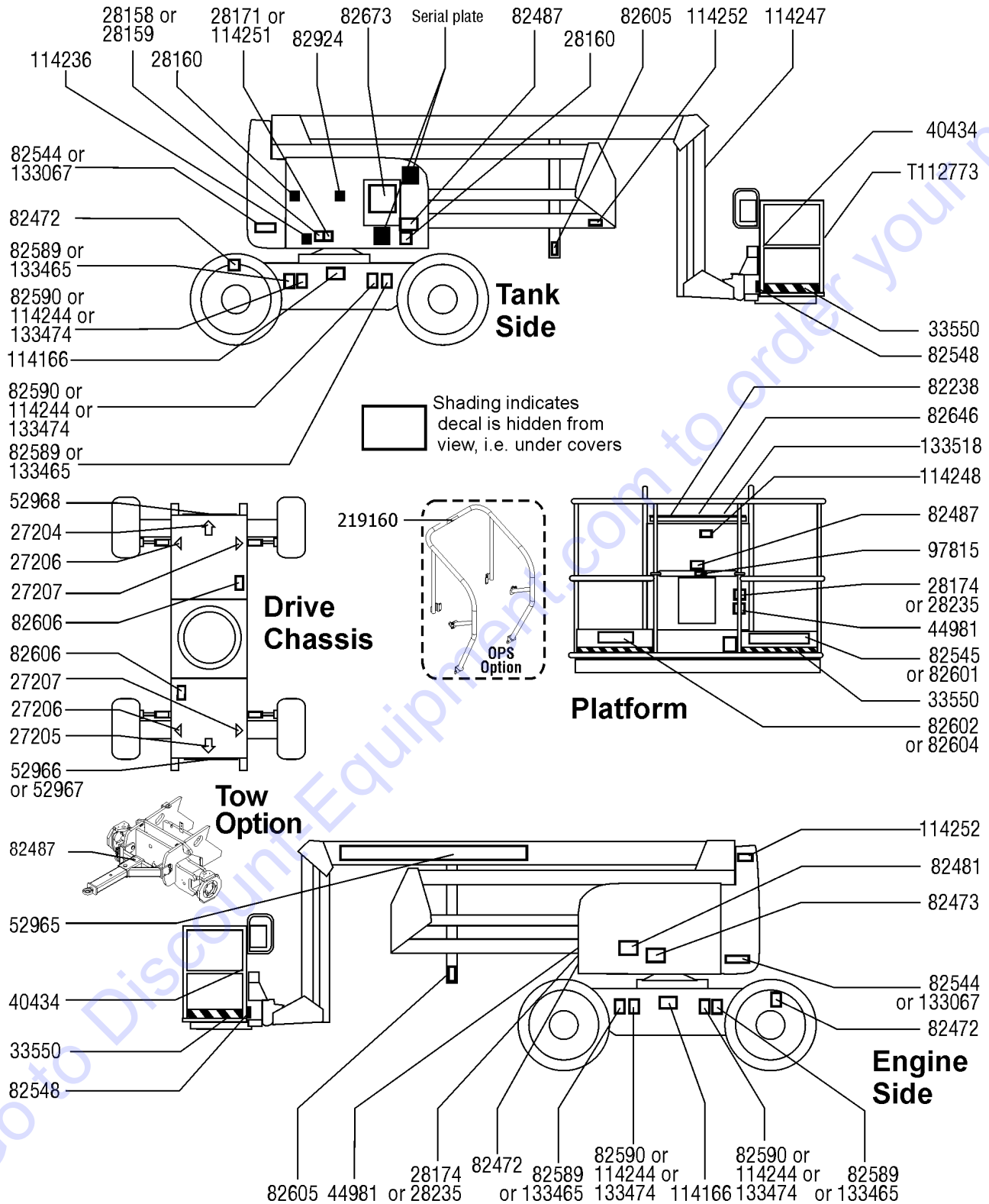
101.1 Decals with Words (continued)

Item	Part No.	Description	Qty.
44	114244GT	DECAL,LABEL,WHEEL LOAD Z60.....4 <i>to SN 10160</i>	
--	133474GT	DECAL,LABLE WHEEL LOAD Z60.....3 <i>from SN 10161</i>	
45	82644GT	DECAL, ENGINE SPEC, PERKINS.....1 <i>Perkins Models; to SN 9339</i>	
--	133238GT	DECAL,ENGINE SPEC,PERKINS*** <i>Perkins Models; from SN 9340</i>	
--	133278GT	DECAL,LOW/ULTRA LOW SULFR FUEL <i>Perkins Models; from SN 9340</i>	
46	82673GT	DECAL,GND CONT PNL,Z60.....1	
47	97571GT	DECAL,NOTICE,FORD ENG SPECS T2.....1 <i>to SN 6320</i>	
--	114169GT	DECAL,FORD ENGINE SPEC DSG423 <i>from SN 6321 to SN 11788</i>	
--	114277GT	DECAL,LABEL,BELT ROUTING DSG <i>to SN 11788</i>	
--	215526GT	DECAL,LABEL,BELT,MSG425 <i>from SN 11789</i>	
--	215527GT	DECAL,FORD ENGINE SPEC MSG425 <i>from SN 11789</i>	
48	97602GT	DECAL,EXPLOSION HAZARD.....1	
49	97815GT	DECAL,LABEL,LOWER MIDRAIL.....1	
50	114166GT	DECAL,LABEL,TRANSPORT DIAGRAM.....2	
51	T112773GT	TAPE, PROTECTIVE MASK.....2 <i>from SN 10484</i>	
52	43595GT	DECAL,DANGER,TIP-OVER,TIRES***4 <i>Australia models</i>	
53	226516GT	DECAL,INST,OPER INST,Z60,AUS.....1 <i>Australia models</i>	
54	29104GT	DECAL,TOWING INSTRUCTIONS <i>Tow option</i>	
55	47041GT	DECAL,CAUTION,TOWING SPEED <i>Tow option</i>	
56	46468GT	DECAL,FUNCTION OVERRIDE.....1 <i>Aircraft Protection Package</i>	
57	219160GT	DECAL, INSTRUCTION, OPS.....1 <i>option</i>	

This Page Intentionally Left Blank

Go to Discount-Equipment.com to order your parts

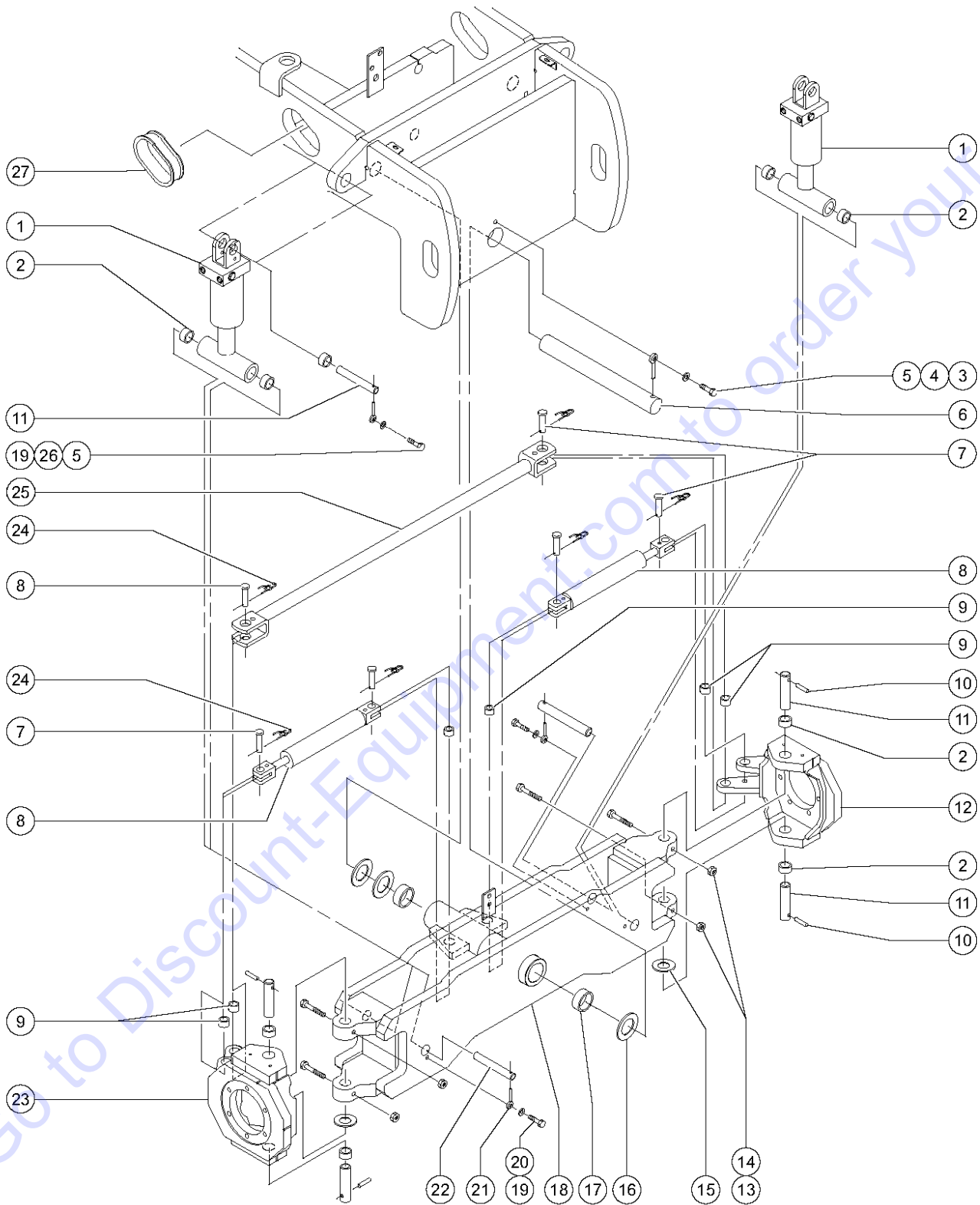
102.1 Decals with Symbols



102.1 Decals with Symbols

Item	Part No.	Description	Qty.	Item	Part No.	Description	Qty.
--	97884GT	DECAL,SOFTWARE,Z-60		--	133465GT	DECAL,LABLE,TIRE PRESSURE,Z60 from SN 10161	
1	27204GT	DECAL,ARROW BLUE.....	1	28	114244GT	DECAL,LABEL,WHEEL LOAD Z60 to SN 10160	
2	27205GT	DECAL,ARROW YELLOW LRG 9".....	1	--	133474GT	DECAL,LABLE WHEEL LOAD Z60 from SN 10161	
3	27206GT	DECAL,TRIANGLE,BLUE.....	2	29	82602GT	DECAL,DANGER,MAX SIDE FRC,667N.....	1
4	27207GT	DECAL,TRIANGLE,YELLOW.....	2			<i>Asia / South America</i>	
5	28158GT	DECAL,LABEL,UNLEADED GAS ONLY.....	1	30	82604GT	DECAL,DANGER,SIDE FRC 400N.....	1
6	28159GT	DECAL,DIESEL.....	1			<i>European models</i>	
7	28160GT	DECAL,LABEL,LIQUID PROPANE.....	2	31	82605GT	DECAL,WARNING,COLLISION HAZARD.....	2
8	28171GT	DECAL,DANGER,NO SMOKING *** to SN 8876	1	32	82606GT	DECAL,WARNING,SHEAR POINT.....	2
--	114251GT	DECAL,LABEL,NO SMOKING,SYMB from SN 8877		33	82646GT	DECAL,DRIVE ENABLE PATCH.....	1
9	28174GT	DECAL, POWER TO PLATFORM 230V**.....	2	34	82924GT	DECAL,CAUTION,SHUTOFF VALVES**.....	1
10	28235GT	DECAL,POWER TO PLATFORM 115V...2				<i>to SN 8876</i>	
11	133518GT	DECAL, PATCH, GEN,ALC-500.....	1	35	97815GT	DECAL,LABEL,LOWER MIDRAIL.....	1
12	40434GT	DECAL,LANYARD ANCHORAGE POINT.....	3	36	114166GT	DECAL,LABEL,TRANSPORT DIAGRAM.....	2
13	44981GT	DECAL,LABEL, AIR LINE 110 PSI.....	2	37	82240GT	DECAL,LABEL,105 DB.....	1
14	52965GT	DECAL,COSMETIC,GENIE Z-60/34.....	1			<i>European Models</i>	
15	52966GT	DECAL,COSMETIC,4 X 2.....	1	38	82481GT	DECAL,SYMBOL-BATTERY SAFETY.....	1
16	52967GT	DECAL,COSMETIC,4 X 4.....	1			<i>from SN 8877</i>	
17	52968GT	DECAL,COSMETIC,GENIE BOOM,VERT.....	1	39	114252GT	DECAL,LABEL,TIP OVER LMT SWTCH.....	2
18	72867GT	DECAL,LABEL,LIGHTS***.....	1			<i>from SN 8877</i>	
19	82238GT	DECAL,PLATFORM CONTROL PANEL.....	1	40	114247GT	DECAL,LABEL,FALL HAZARD***.....	1
--	82244GT	DECAL,PROTECTOR,CLEAR***				<i>from SN 8877</i>	
20	82472GT	DECAL,WARNING,CRUSHING HAZARD.....	3	41	114248GT	DECAL,LABEL,TIPOVER,TILT AL SY.....	1
21	82473GT	DECAL,SYMBOL-COMP ACCESS.....	1			<i>from SN 8877</i>	
22	82487GT	DECAL, SYMBOL - READ THE MANUAL.....	2	42	33550GT	TAPE,WARNING,BLK/YEL, 50***.....	197-inches
23	82544GT	DECAL,DANGER,ELEC.HAZ.STAY CLR.....	2			<i>European Models; from SN 8399</i>	
		<i>to SN 8876</i>		43	114236GT	DECAL,LABEL,CB SYMBOL (MTE generator option)	
--	133067GT	DECAL,DANGER,ELEC.HAZ.STAY CLR from SN 8877		44	T112773GT	TAPE, PROTECTIVE MASK.....	2
24	82545GT	DECAL,DANGER,MAX LOAD 227 KG**.....	1			<i>from SN 10484</i>	
		<i>to SN 8876</i>		45	82487GT	DECAL, SYMBOL - READ THE MANUAL <i>Tow option</i>	
--	82601GT	DECAL,LABEL,MAX CAPACITY*** from SN 8877		46	219160GT	DECAL, INSTRUCTION, OPS.....	1
25	82548GT	DECAL,WARN,CRUSH HAZARD PLAT.....	2			<i>option</i>	
26	82673GT	DECAL,GND CONT PNL,Z60.....	1				
27	82589GT	DECAL,LABEL,TIRE PRESSURE,Z60....4 to SN 10160					

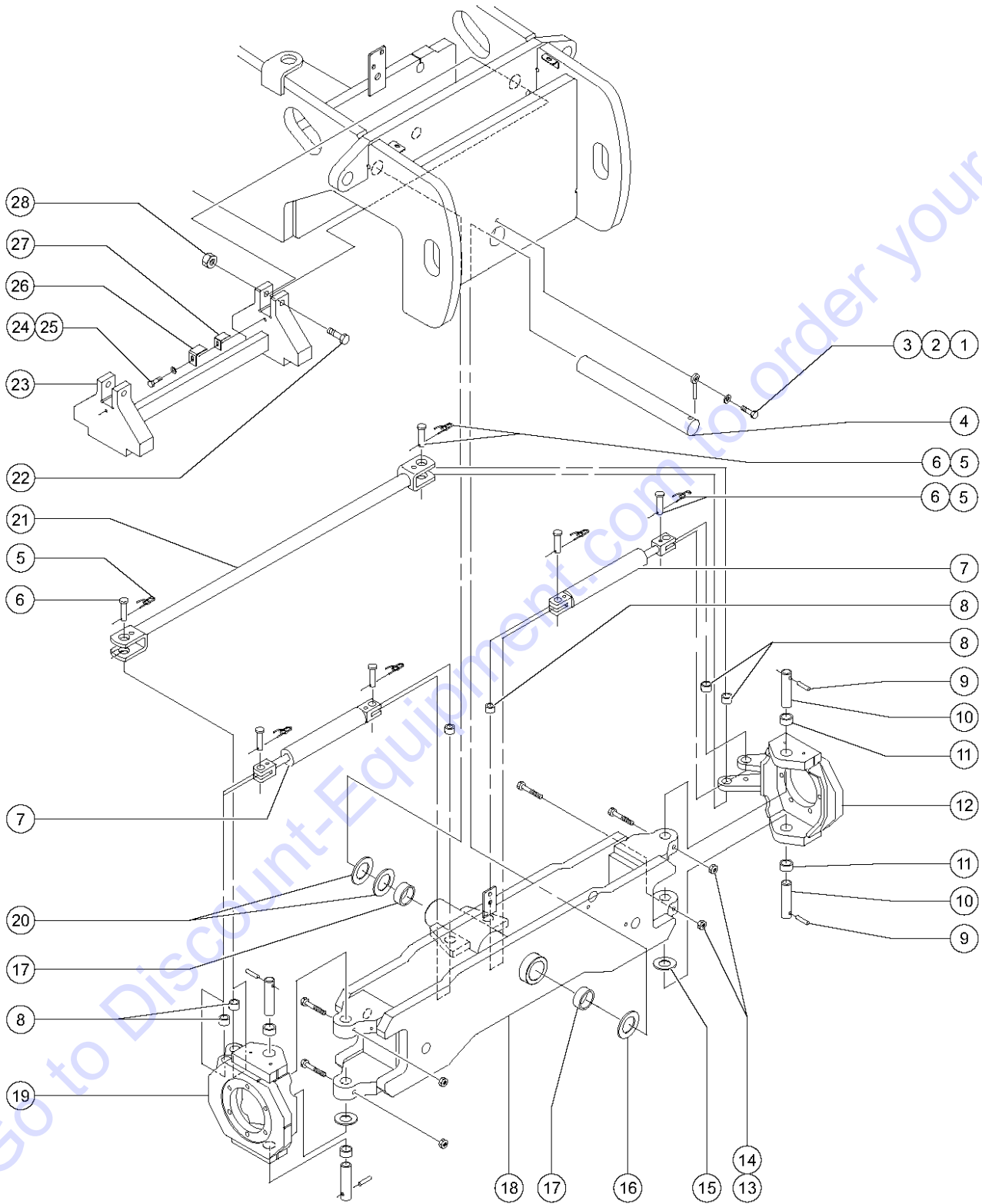
201.1 Steer Axle Linkage, Oscillate Models (2WD, 4WD)



201.1 Steer Axle Linkage, Oscillate Models (2WD, 4WD)

Item	Part No.	Description	Qty.
1	89675GT	CYLINDER, OSCILLATE*** <i>includes item 2</i>	2
--	32722GT	VALVE,COUNTERBAL.CBCG-LJN@3000	
--	89295GT	SEAL KIT,CYLINDER (63189)	
2	119619GT	BEARING,1.5IDX1.75ODX1.5L,PTFE....8	
3	8177GT	SCREW,HHC,1/2-13 X 1.5	
4	6033GT	WASHER,LOCK,0.5"	
5	1256267GT	ROD END,.5 X 3.75,ZAG.....3	
6	73766GT	PIN,2.5 DIA X 23.88 LG.....1	
7	19440GT	PIN,CLEVIS,1 X 2.5 LG.....6	
8	59460GT	CYLINDER,STEERING***.....2	
8	89294GT	SEAL KIT CYLINDER (59460)	
9	53452GT	BEARING,1.00IDX1.50ODX1.00L.....6	
10	14815GT	PIN,ROLL,SST,.25 X 2.25.....4	
11	53081GT	PIN,1.50DIA X 4.76LG,2HOLE.....6	
12	102152GT	YOKE PIVOT ASSEMBLY,L.H.....1 <i>includes items 3 and 10 (Tank side)</i>	
13	6086GT	NUT,LP NYLOCK,1/2-13	
14	8220GT	SCREW,HHC,1/2-13 X 4	
15	45074GT	WASHER,THRUST,1.5 X 3.5 X .187	
16	25436GT	WASHER,THRUST,2.56 X 4.0 X .18 <i>to SN 9810</i>	
--	101504GT	SHIM,AXLE,2.56 <i>(refer to 203.1); from SN 9811</i>	
17	27698GT	BEARING,2.50IDX2.75ODX2.00L	
18	89329GT	STEER AXLE ASSEMBLY.....1 <i>includes items 9 and 17</i>	
19	6175GT	SCREW,HHC,3/8-16 X 1	
20	6021GT	WASHER,LOCK,.375	
21	825019GT	ROD END,.375X3.69,ZAG.....2	
22	34641GT	PIN,OSC. AXLE/DRIVE CHASSIS.....2	
23	102153GT	YOKE PIVOT ASSEMBLY,R.H.....1 <i>includes items 3 and 10 (Engine side)</i>	
24	74389GT	RUE RING,1.00.....6	
25	63155GT	WELDMENT,TIE ROD.....1	
26	6097GT	WASHER,FLAT,USS,3/8",Y	
27	53387GT	GUARD, HOSE PROTECTOR.....2	

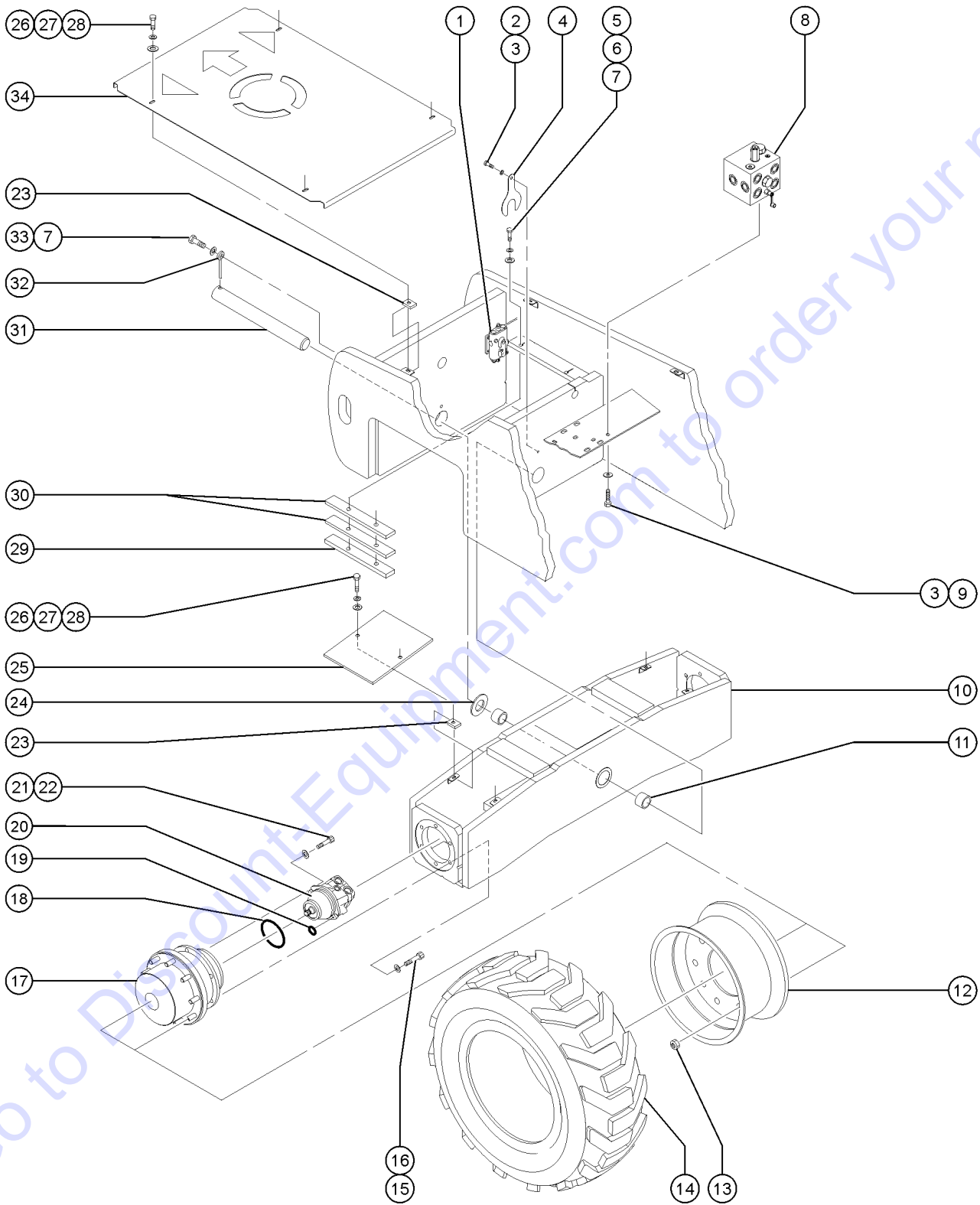
202.1 2WD Steer Axle Linkage, No-oscillate Models



202.1 2WD Steer Axle Linkage, No-oscillate Models

Item	Part No.	Description	Qty.
1	8177GT	SCREW,HHC,1/2-13 X 1.5	
2	6033GT	WASHER,LOCK,0.5"	
3	1256267GT	ROD END,.5 X 3.75,ZAG.....	1
4	73766GT	PIN,2.5 DIA X 23.88 LG.....	1
5	74389GT	RUE RING,1.00.....	6
6	19440GT	PIN,CLEVIS,1 X 2.5 LG.....	6
7	59460GT	CYLINDER,STEERING***.....	2
--	89294GT	SEAL KIT CYLINDER (59460)	
8	53452GT	BEARING,1.00IDX1.50ODX1.00L.....	6
9	14815GT	PIN,ROLL,SST,.25 X 2.25.....	4
10	53081GT	PIN,1.50DIA X 4.76LG,2HOLE.....	4
11	119619GT	BEARING,1.5IDX1.75ODX1.5L,PTFE.....	4
12	102152GT	YOKE PIVOT ASSEMBLY,L.H..... <i>includes items 8 and 11 (Tank side)</i>	1
13	6086GT	NUT,LP NYLOCK,1/2-13	
14	8220GT	SCREW,HHC,1/2-13 X 4	
15	45074GT	WASHER,THRUST,1.5 X 3.5 X .187.....	4
16	25436GT	WASHER,THRUST,2.56 X 4.0 X .18 <i>to SN 9810</i>	
--	101504GT	SHIM,AXLE,2.56 <i>(refer to 203.1); from SN 9811</i>	
17	27698GT	BEARING,2.50IDX2.75ODX2.00L.....	2
18	89329GT	STEER AXLE ASSEMBLY..... <i>includes items 8 and 17</i>	1
19	102153GT	YOKE PIVOT ASSEMBLY,R.H..... <i>includes items 3 and 10 (Engine side)</i>	1
20	29746GT	WASHER,FLAT,2.5 X 4 X .062	
21	63155GT	WELDMENT,TIE ROD.....	1
22	53909GT	SCREW,HHC,5/8-11 X 4.0 GR8.....	14
23	73449GT	WELDMENT,NON-OSCILLATE.....	1
24	6175GT	SCREW,HHC,3/8-16 X 1	
25	6021GT	WASHER,LOCK,.375	
26	73476GT	SHIM,FRONT AXLE NON-OSC, 22 GA..2	
27	73475GT	SHIM,FRONT AXLE NON-OSC, 12 GA..2	
28	6024GT	NUT,NYLOCK,5/8-11	

203.1 Non-steer Axle (to SN 10160)



Go to DiscountEquipment.com to order your parts

203.1 Non-steer Axle (to SN 10160)

Item	Part No.	Description	Qty.	Item	Part No.	Description	Qty.
--				--	122313PGT	WHEEL RING WASHER,PTD.....1 <i>requires lug nut p/n 77674, from SN 8200</i>	1
1		Ref. Oscillate Control Valve (refer to 707.1 or 707.2)		--	77674GT	NUT,HEX,FLANGE 5/8-18,GRD 8 ZL.....9 <i>from SN 8200</i>	9
2	8255GT	SCREW,HHC,3/8-16 X .75 <i>from SN 9811</i>		14	73185GT	TIRE,38/65D-19.5,16PLY,OTR*.....2	2
3	6021GT	WASHER,LOCK,.375		--	81164GT	TIRE,41/18LL X 22.5,14PR,TURF* <i>High-flotation tire</i>	
4	29746GT	WASHER,FLAT,2.5 X 4 X .062 <i>to SN 9810</i>		--	73210GT	TIRE,385 19.5,16PLY,NON-MARKI <i>Non-marking tire</i>	
--	101504GT	SHIM,AXLE,2.56 <i>from SN 9811</i>		--	75579GT	TIRE & WHEEL ASSY.: AIR.....1 <i>Tire and Wheel Assembly; Air Filled, right side</i>	1
5	9145GT	SCREW,HHC,1/2-13 X 2.5,GR5		--	75578GT	TIRE & WHEEL ASSY.: AIR <i>Tire and Wheel Assembly; Air Filled, left side</i>	
6	13066GT	WASHER,FLAT,.5 HARDENED.....4	4	--	75581GT	TIRE & WHEEL ASSY.:FOAM.....1 <i>Foam Filled, left side</i>	1
7	6033GT	WASHER,LOCK,0.5"		--	75580GT	TIRE & WHEEL ASSY.:FOAM <i>Foam Filled, right side</i>	
8		Ref. 2WD Traction Manifold (refer to 701.1)		--	89033GT	TIRE & WHEEL ASSY.:TURF.....2 <i>High-flotation</i>	2
--		Ref. 4WD Traction Manifold (refer to 702.1)		--	89702GT	TIRE/WHEEL ASSY:AIR,NONMARK.....1 <i>Air-filled, Non-marking, right side</i>	1
9	10597GT	SCREW,HHC,1/2-13 X 1.25 GR5		--	89703GT	TIRE/WHEEL ASSY:AIR,NONMARK <i>Air-filled, Non-marking, left side</i>	
10	89331GT	NON-STEER AXLE ASSEMBLY.....1 <i>includes item 11</i>	1	--	89704GT	TIRE/WHEEL ASSY:FOAM,NONMARK.....1 <i>Foam-filled, Non-marking, right side</i>	1
11	27698GT	BEARING,2.50IDX2.75ODX2.00L.....2	2	--	89705GT	TIRE/WHEEL ASSY:FOAM,NONMARK <i>Foam-filled, Non-marking, left side</i>	
12	122346GT	WHEEL,22.5 X 14.00, Z60.....2 <i>used with High-flotation only</i>	2	--	111466GT	ASSY,TIRE/WHEEL,RH,RT,W/SEALAN..1 <i>includes decal; Air Filled with Sealant, right side</i>	1
--	122347GT	WHEEL,19.5 X 11.75, Z60		--	111467GT	ASSY,TIRE/WHEEL,LH,RT,W/SEALAN <i>includes decal; Air Filled with Sealant, left side</i>	
12F	110727GT	TIRE/WHEEL ASSY,LP RT W/SEALAN.....2 <i>RT, Air-filled, with sealant, left (S-60,S-65,S-60X)</i>	2	--	111333GT	ASSY W/4 WHEEL/TIRES W/SEALANT.....1 <i>includes decal; Air Filled with Sealant</i>	1
12F	110728GT	TIRE/WHEEL ASSY,LP RT W/SEALAN.....2 <i>RT, Air-filled, with sealant, right (S-60,S-65,S-60X)</i>	2	--	111472GT	OPTION,TIRES,HF,W/SEALANT.....1 <i>includes decal; High-flotation with Sealant</i>	1
12G	110730GT	TIRE/WHEEL ASSY,LP NM W/SEALAN.....2 <i>RT, Air-filled, Non-marking, with sealant, right (S-60,S-65,S-60X)</i>	2	--	111468GT	ASSY,TIRE/WHEEL,HF,W/SEALANT.....1 <i>includes decal; High-flotation with Sealant</i>	1
12G	110731GT	TIRE/WHEEL ASSY,LP NM W/SEALAN.....2 <i>RT, Air-filled, Non-marking, with sealant, left (S-60,S-65,S-60X)</i>	2	15	81110GT	SCREW,HHC,5/8-11 X 2 GRD.8.....12 <i>to SN 4568</i>	12
13	54627GT	NUT,LUG,5/8-18 X 90 DEGREE,Z45.....18 <i>to SN 8199</i>	18	--	102255GT	SCREW,HHC,M16 X 50, GR 10.9 <i>from SN 4569 to SN 5572</i>	
--	111366GT	LUGFL&RING ASSY KIT HI FLO Z60.....1 <i>lug nut replacment kit for HI FL tires, includes parts 122313P and 77674; from SN 8200</i>	1	--	111155GT	SCREW,FLANGE,HHC,5/8-11X2,GR8 <i>from SN 5573</i>	
--	111367GT	LUG FL & RING ASSY KIT AIR Z60.....1 <i>lug nut replacment kit for air filled tires, includes parts 122313P and 77674; ; from SN 8200</i>	1	16	89682GT	WASHER,FLAT,HARDENED.656X1.313.12 <i>to SN 5572</i>	12
--	111370GT	LUGFL&RING ASSY KIT CE S40/Z60....1 <i>lug nut replacment kit for CE and foam filled tires, includes parts 122313P and 77674; from SN 8200</i>	1	17		Ref. Drive Hub (refer to 207.1) <i>2WD and 4WD models</i>	

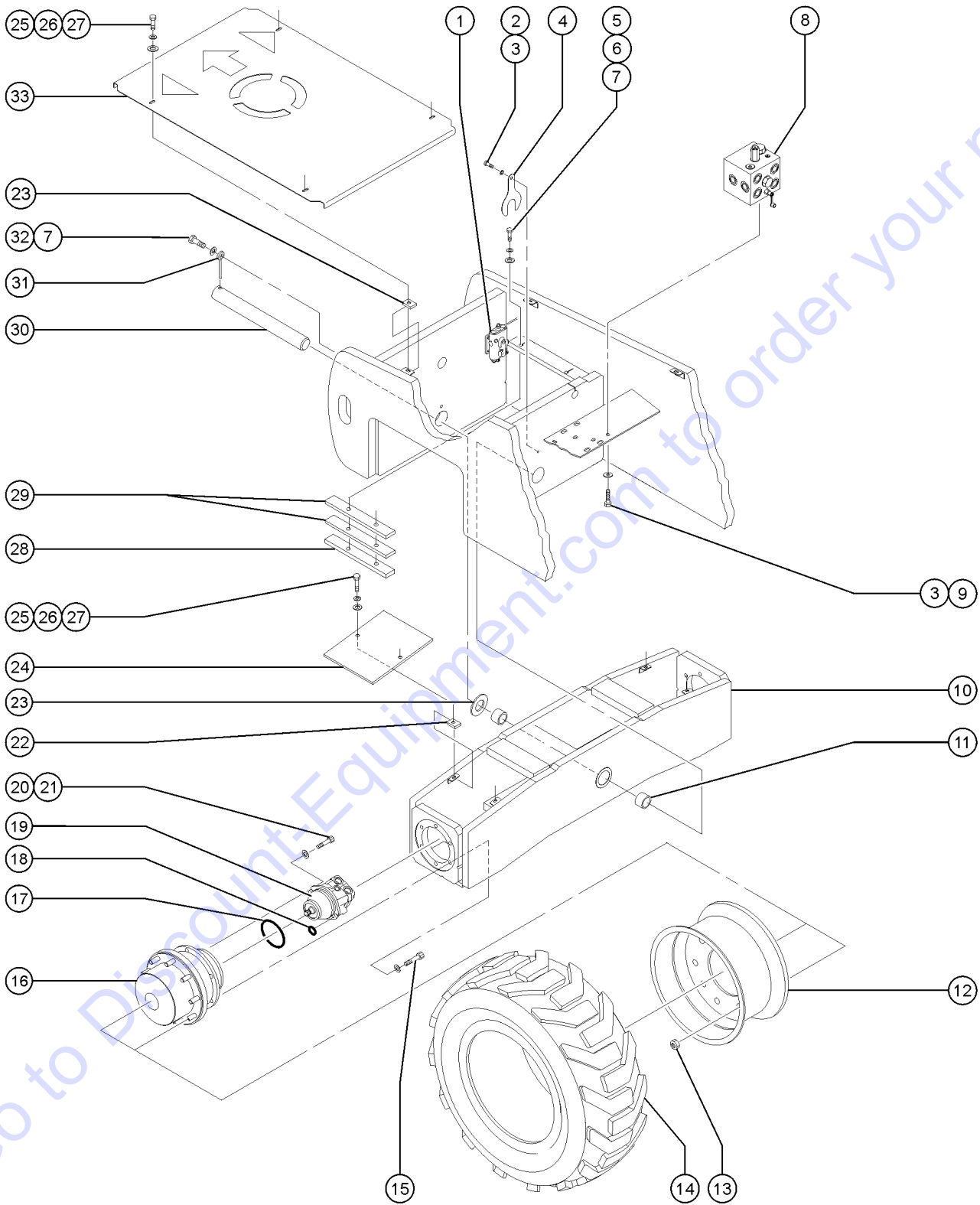
203.1 Non-steer Axle (to SN 10160)
(continued)

Item	Part No.	Description	Qty.	Item	Part No.	Description	Qty.
18	102158GT	O-RING,.103 X 4.737,VITON, 75D.....	1	33	8177GT	SCREW,HHC,1/2-13 X 1.5	
19	106117GT	O-RING,2-010,VITON.....	2	34	89332GT	COVER ASSEMBLY W/DECALS-NONSTE.....	1
20	88885GT	MOTOR,PISTON,35CC,2WD*** <i>(shown) 2WD models</i>	2				
--	102155GT	BEARING,BALL DRIVE SHAFT <i>for 88885</i>					
--	102159GT	SHAFT,15 TOOTH <i>for 88885</i>					
--	102160GT	RING, RETAINING <i>for 88885</i>					
--	102161GT	RING, PISTON <i>for 88885</i>					
--	106098GT	SEAL KIT,MOTOR,LC/KC*** <i>for 88885</i>					
--	27067GT	SEAL,SHAFT-SUNDSTRAND*** <i>for 88885</i>					
--	72290GT	SNAP RING(M46 UNITS)* <i>for 88885</i>					
20A	88884GT	MOTOR,PISTON,30CC,4WD*** <i>4WD models</i>	2				
--	102155GT	BEARING,BALL DRIVE SHAFT <i>for 88884</i>					
--	102159GT	SHAFT,15 TOOTH <i>for 88884</i>					
--	102160GT	RING, RETAINING <i>for 88884</i>					
--	102161GT	RING, PISTON <i>for 88884</i>					
--	106098GT	SEAL KIT,MOTOR,LC/KC*** <i>for 88884</i>					
--	27067GT	SEAL,SHAFT-SUNDSTRAND*** <i>for 88884</i>					
--	72290GT	SNAP RING(M46 UNITS)* <i>for 88884</i>					
21	88296GT	SCREW,HHC,7/16-14 X 1.25					
22	119988GT	WASHER,.469 X .781,HRD.....	4				
23	56912GT	SPRING CLIP,1/4-20,.025-.15X.54,ZAG					
24	29746GT	WASHER,FLAT,2.5 X 4 X .062					
25	63630PGT	COVER, REAR AXLE, PAINTED.....	2				
26	6090GT	SCREW,HHC,1/4-20 X .75					
27	6356GT	WASHER,LOCK,.25					
28	6638GT	WASHER,FLAT,USS,1/4"Y					
29	89362PGT	BAR,AXLE ROTATION STOP,OSC..... <i>oscillate models</i>	2				
--	89361PGT	BAR,AXLE ROTATION STOP,NON-OSC <i>non-oscillate models</i>					
30	34216GT	SHIM,AXLE ROTATION STOP,22GA					
31	73766GT	PIN,2.5 DIA X 23.88 LG.....	1				
32	1256267GT	ROD END,.5 X 3.75,ZAG.....	1				

This Page Intentionally Left Blank

Go to Discount-Equipment.com to order your parts

203.2 Non-steer Axle (from SN 10161)



Go to DiscountEquipment.com to order your parts

203.2 Non-steer Axle (from SN 10161)

Item	Part No.	Description	Qty.	Item	Part No.	Description	Qty.
1		Ref. Oscillate Control Valve (refer to 707.1 or 707.2)		--	227814GT	TIRE & WHEEL ASSY,LH FF <i>RT, LP Foam RNU, left</i>	
2	8255GT	SCREW,HHC,3/8-16 X .75		--	227816GT	TIRE & WHEEL ASSY,RH,FOAM,NM <i>RT, LP Foam RNU, Non-marking, right</i>	
3	6021GT	WASHER,LOCK, .375		--	227817GT	TIRE & WHEEL ASSY,LH,FOAM,NM <i>RT, LP Foam RNU, Non-marking, left</i>	
4	101504GT	SHIM,AXLE,2.56		--	88728GT	TIRE,355/55D625	
5	9145GT	SCREW,HHC,1/2-13 X 2.5,GR5		--	94536GT	TIRE,355/55D625,14 PLY,NM <i>Non-marking tire</i>	
6	13066GT	WASHER,FLAT,.5 HARDENED.....4		--	81164GT	TIRE,41/18LL X 22.5,14PR,TURF* <i>High-flotation tire</i>	
7	6033GT	WASHER,LOCK,0.5"		--	73185GT	TIRE,38/65D-19.5,16PLY,OTR* <i>used only with Foam RNU assy 227810 or 227811</i>	
8		Ref. 2WD Traction Manifold (refer to 701.1)		15	111155GT	SCREW,FLANGE,HHC,5/8-11X2,GR8	
--		Ref. 4WD Traction Manifold (refer to 702.2)		16		Ref. Drive Hub (refer to 207.1) <i>2WD and 4WD models</i>	
9	10597GT	SCREW,HHC,1/2-13 X 1.25 GR5		17	102158GT	O-RING,.103 X 4.737,VITON, 75D.....1	
10	89331GT	NON-STEER AXLE ASSEMBLY.....1 <i>includes item 11</i>		18	106117GT	O-RING,2-010,VITON.....1	
11	27698GT	BEARING,2.50IDX2.75ODX2.00L.....2		19	88885GT	MOTOR,PISTON,35CC,2WD***1 <i>(shown) 2WD models</i>	
12	88727GT	WHEEL, 24.5X11.75, 9 X 9 BCD.....1		--	102155GT	BEARING,BALL DRIVE SHAFT <i>for 88885</i>	
--	122346GT	WHEEL,22.5 X 14.00, Z60 <i>used only with High-flotation</i>		--	102159GT	SHAFT,15 TOOTH <i>for 88885</i>	
--	122347GT	WHEEL,19.5 X 11.75, Z60 <i>used only with Foam RNU assy 227810 or 227811</i>		--	102160GT	RING, RETAINING <i>for 88885</i>	
13	77674GT	NUT,HEX,FLANGE 5/8-18,GRD 8 ZI.....9		--	102161GT	RING, PISTON <i>for 88885</i>	
--	122313PGT	WHEEL RING WASHER,PTD <i>used only with High-flotation</i>		--	106098GT	SEAL KIT,MOTOR,LC/KC*** <i>for 88885</i>	
14	88729GT	TIRE & WHEEL ASSY,AIR,RH***.....1 <i>RT, Air-filled, right</i>		--	27067GT	SEAL,SHAFT-SUNDSTRAND*** <i>for 88885</i>	
--	88730GT	TIRE & WHEEL ASSY,AIR,LH <i>RT, Air-filled, left</i>		--	72290GT	SNAP RING(M46 UNITS)* <i>for 88885</i>	
--	77790GT	TIRE & WHEEL ASSY RH,FF <i>RT, Foam-filled, right</i>		19A	88884GT	MOTOR,PISTON,30CC,4WD***1 <i>4WD models</i>	
--	77791GT	TIRE & WHEEL ASSY,LH FF*** <i>RT, Foam-filled, left</i>		--	102155GT	BEARING,BALL DRIVE SHAFT <i>for 88884</i>	
--	106647GT	TIRE & WHEEL ASSY,RH,FOAM,NM <i>RT, Foam-filled, Non-marking, right</i>		--	102159GT	SHAFT,15 TOOTH <i>for 88884</i>	
--	106648GT	TIRE & WHEEL ASSY,LH,FOAM,NM <i>RT, Foam-filled, Non-marking, left</i>		--	102160GT	RING, RETAINING <i>for 88884</i>	
--	94534GT	WHEEL & TIRE ASSY,RH,NM AIR <i>RT, Air-filled, Non-marking, right</i>		--	102161GT	RING, PISTON <i>for 88884</i>	
--	94535GT	WHEEL & TIRE ASSY,LH NM AIR <i>RT, Air-filled, Non-marking, left</i>		--	106098GT	SEAL KIT,MOTOR,LC/KC*** <i>for 88884</i>	
--	111468GT	ASSY,TIRE/WHEEL,HF,W/SEALANT <i>High-flotation with Sealant, left or right (includes decal)</i>		--	27067GT	SEAL,SHAFT-SUNDSTRAND*** <i>for 88884</i>	
--	89033GT	TIRE & WHEEL ASSY::TURF <i>High-flotation, left or right</i>		--	72290GT	SNAP RING(M46 UNITS)* <i>for 88884</i>	
--	227810GT	TIRE & WHEEL ASSY,FOAM,RH,RT <i>RT, Foam RNU, right</i>					
--	227811GT	TIRE & WHEEL ASSY,FOAM,LH,RT <i>RT, Foam RNU, left</i>					
--	227813GT	TIRE & WHEEL ASSY RH,FF <i>RT, LP Foam RNU, right</i>					

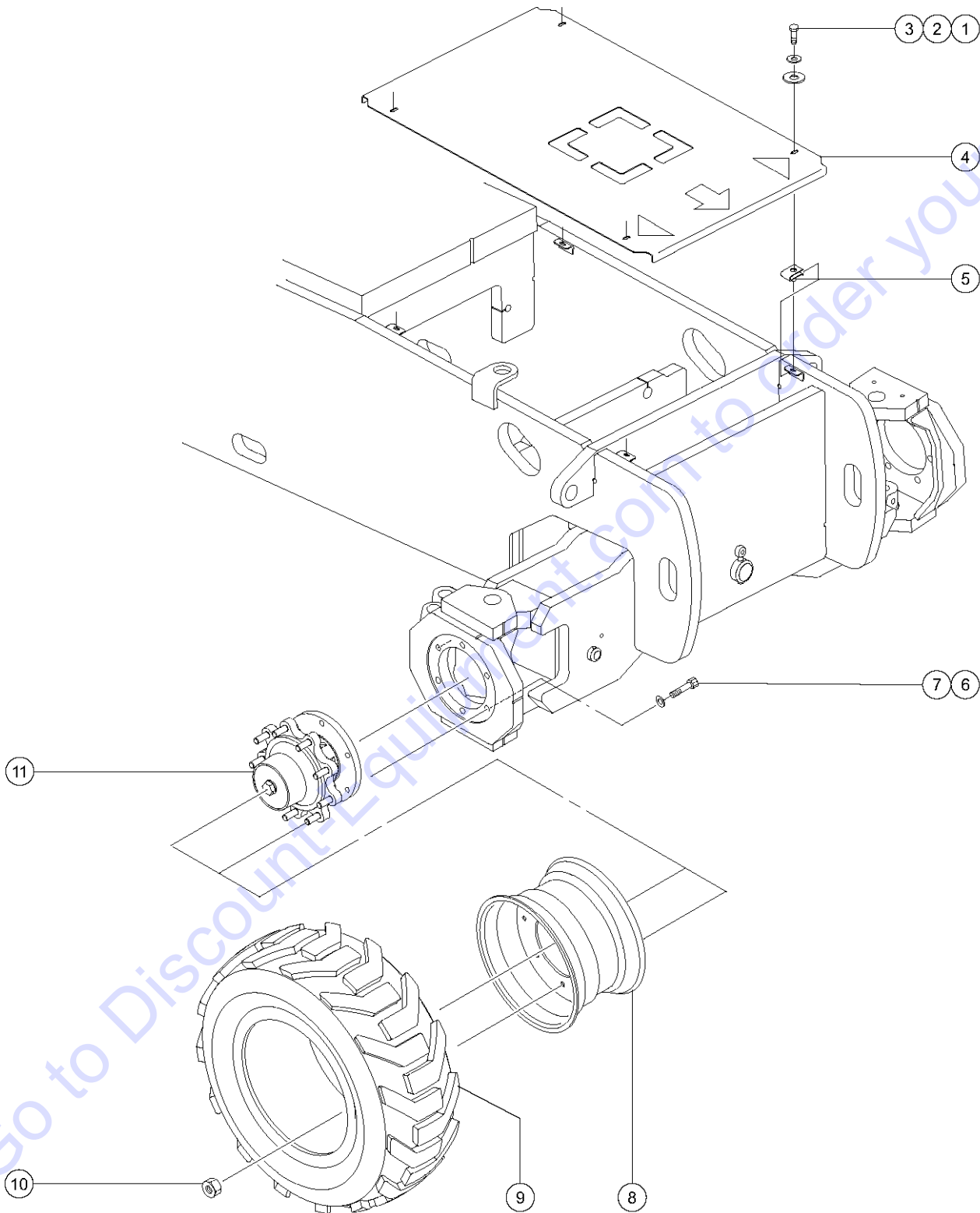
203.2 Non-steer Axle (from SN 10161)
(continued)

Item	Part No.	Description	Qty.
20	88296GT	SCREW,HHC,7/16-14 X 1.25.....2	
21	119988GT	WASHER,.469 X .781,HRD.....2	
22	56912GT	SPRING CLIP,1/4-20,.025-.15X.54,ZAG	
23	29746GT	WASHER,FLAT,2.5 X 4 X .062	
24	63630PGT	COVER, REAR AXLE, PAINTED.....2	
25	6090GT	SCREW,HHC,1/4-20 X .75	
26	6356GT	WASHER,LOCK,.25	
27	6638GT	WASHER,FLAT,USS,1/4"Y	
28	89362PGT	BAR,AXLE ROTATION STOP,OSC.....2 <i>oscillate models</i>	
--	89361PGT	BAR,AXLE ROTATION STOP,NON-OSC <i>non-oscillate models</i>	
29	34216GT	SHIM,AXLE ROTATION STOP,22GA	
30	73766GT	PIN,2.5 DIA X 23.88 LG.....1	
31	1256267GT	ROD END,.5 X 3.75,ZAG.....1	
32	8177GT	SCREW,HHC,1/2-13 X 1.5	
33	89332GT	COVER ASSEMBLY W/DECALS-NONSTE.....1	

This Page Intentionally Left Blank

Go to Discount-Equipment.com to order your parts

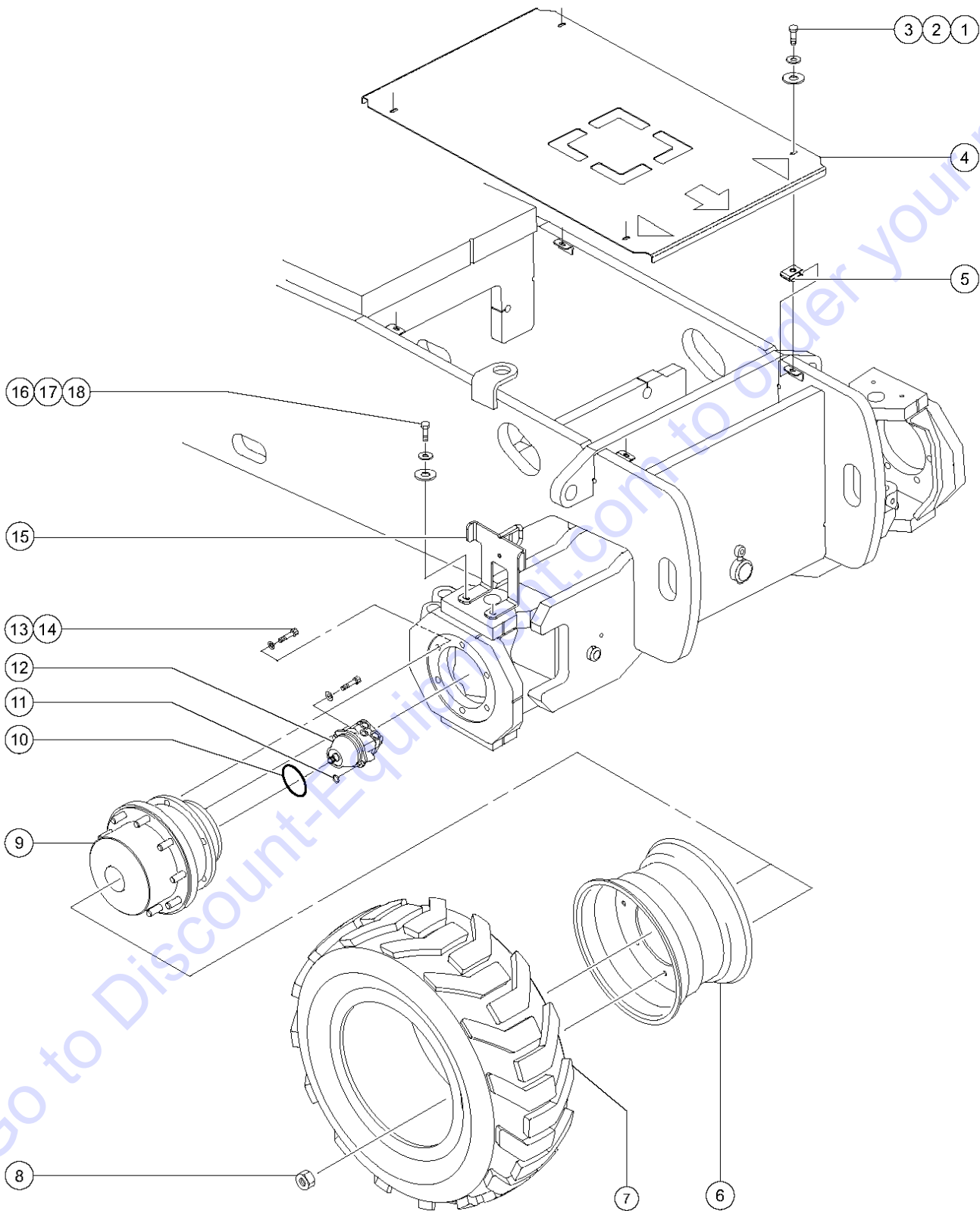
204.1 2WD Steer Axle - Wheels and Hubs



204.1 2WD Steer Axle - Wheels and Hubs

Item	Part No.	Description	Qty.	Item	Part No.	Description	Qty.
1	6090GT	SCREW,HHC,1/4-20 X .75		--	122313PGT	WHEEL RING WASHER,PTD <i>requires lug nut p/n 77674, from SN 8200</i>	
2	6356GT	WASHER,LOCK,.25		--	77674GT	NUT,HEX,FLANGE 5/8-18,GRD 8 ZI <i>from SN 8200</i>	
3	6638GT	WASHER,FLAT,USS,1/4"Y		11		Ref. 2WD Hub (refer to 206.1) <i>Foam-filled, Non-marking</i>	
4	75863GT	COVER ASSEMBLY W/DECALS-STEER.....1	1				
5	56912GT	SPRING CLIP,1/4-20,.025-.15X.54,ZAG					
6	81110GT	SCREW,HHC,5/8-11 X 2 GRD.8.....12 <i>to SN 4568</i>	12				
--	102255GT	SCREW,HHC,M16 X 50, GR 10.9 <i>from SN 4569 to SN 5572</i>					
--	111155GT	SCREW,FLANGE,HHC,5/8-11X2,GR8 <i>from SN 5573</i>					
7	89682GT	WASHER,FLAT,HARDENED.656X1.313.12 <i>to SN 5572</i>					
8		Ref. Wheel (refer to 203.1)					
9		Ref. Rough Terrain Tire (refer to 203.1) <i>Tire and Wheel Assembly; Air-filled</i>					
--	73257GT	TIRE & WHEEL ASSY: AIR <i>Tire and Wheel Assembly; Air-filled, left side</i>					
--	73258GT	TIRE & WHEEL ASSY: AIR.....1 <i>Tire and Wheel Assembly; Air-filled, right side</i>	1				
--	73260GT	TIRE & WHEEL ASSY,FOAM*** <i>left side; Foam-filled</i>					
--	73261GT	TIRE & WHEEL ASSY,FOAM***.....1 <i>right side; Foam-filled</i>	1				
--	75722GT	TIRE & WHEEL ASSY:TURF.....2 <i>High-flotation</i>	2				
--	89698GT	TIRE/WHEEL ASSY: AIR, NONMARK....1 <i>Air-filled, Non-marking, left side</i>	1				
--	89699GT	TIRE/WHEEL ASSY: AIR, NONMARK <i>Air-filled, Non-marking, right side</i>					
--	89700GT	TIRE/WHEEL ASSY: FOAM, NONMARK.....1 <i>Foam-filled, Non-marking, left side</i>	1				
--	89701GT	TIRE/WHEEL ASSY: FOAM, NONMARK <i>Foam-filled, Non-marking, right side</i>					
10	54627GT	NUT,LUG,5/8-18 X 90 DEGREE,Z45.....16 <i>to SN 8199</i>	16				
--	111366GT	LUGFL&RING ASSY KIT HI FLO Z60 <i>lug nut replacment kit for HI FL tires, includes parts 122313P and 77674; from SN 8200</i>					
--	111367GT	LUG FL & RING ASSY KIT AIR Z60 <i>lug nut replacment kit for air filled tires, includes parts 122313P and 77674; ; from SN 8200</i>					
--	111370GT	LUGFL&RING ASSY KIT CE S40/Z60 <i>lug nut replacment kit for CE and foam filled tires, includes parts 122313P and 77674; from SN 8200</i>					

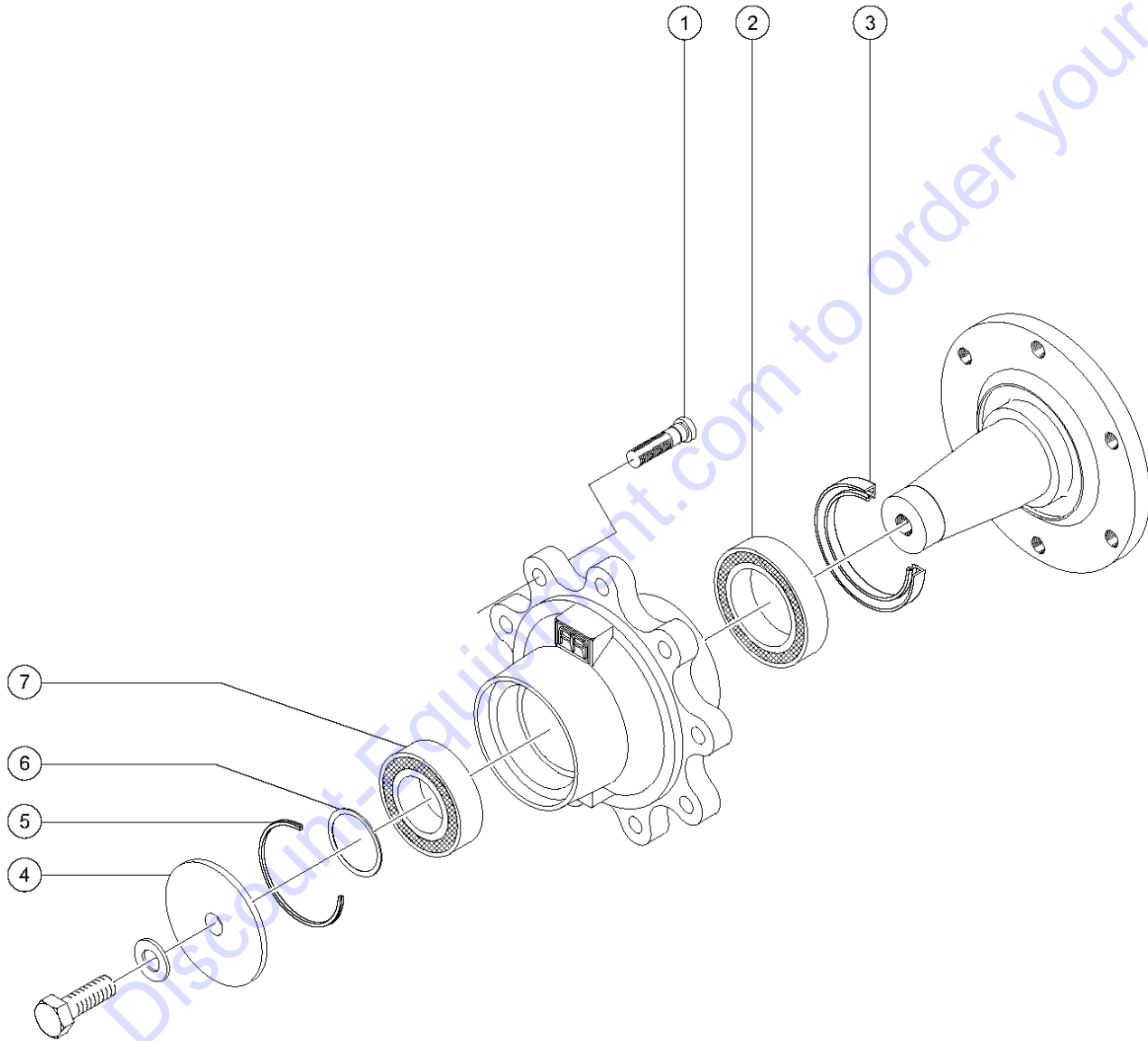
205.1 4WD Steer Axle - Wheels and Hubs



205.1 4WD Steer Axle - Wheels and Hubs

Item	Part No.	Description	Qty.
1	6090GT	SCREW,HHC,1/4-20 X .75	
2	6356GT	WASHER,LOCK,.25	
3	6638GT	WASHER,FLAT,USS,1/4"Y	
4	75863GT	COVER ASSEMBLY W/DECALS-STEER.....1	
5	56912GT	SPRING CLIP,1/4-20,.025-.15X.54,ZAG	
6		Ref. WHEEL (refer to 203.1)	
7		Ref. Tire (refer to 203.1)	
8	54627GT	NUT,LUG,5/8-18 X 90 DEGREE,Z45.....18 to SN 8199	
--	111366GT	LUGFL&RING ASSY KIT HI FLO Z60.....1 lug nut replacment kit for HI FL tires, includes parts 122313P and 77674; from SN 8200	
--	111367GT	LUG FL & RING ASSY KIT AIR Z60.....1 lug nut replacment kit for air filled tires, includes parts 122313P and 77674; ; from SN 8200	
--	111370GT	LUGFL&RING ASSY KIT CE S40/Z60....1 lug nut replacment kit for CE and foam filled tires, includes parts 122313P and 77674; from SN 8200	
--	122313PGT	WHEEL RING WASHER,PTD.....1 requires lug nut p/n 77674, from SN 8200	
--	77674GT	NUT,HEX,FLANGE 5/8-18,GRD 8 ZI.....9 from SN 8200	
9		Ref. Drive Hub (refer to 207.1)	
10	102158GT	O-RING,.103 X 4.737,VITON, 75D.....2	
11	102157GT	O-RING,.070 X .239,VITON 75D.....2	
12		Ref. Drive Motor (refer to 203.1)	
13	81110GT	SCREW,HHC,5/8-11 X 2 GRD.8.....12 to SN 4568	
--	102255GT	SCREW,HHC,M16 X 50, GR 10.9 from SN 4569 to SN 5572	
--	111155GT	SCREW,FLANGE,HHC,5/8-11X2,GR8 from SN 5573	
14	89682GT	WASHER,FLAT,HARDENED.656X1.313.12 to SN 5572	
15	89237GT	WELDMENT,GUIDE BRACKET.....2	
16	6019GT	SCREW,HHC,3/8-16 X 1.25 GRD 5	
17	6021GT	WASHER,LOCK,.375	
18	57201GT	WASHER,FLAT,313, HARDENED.....2	

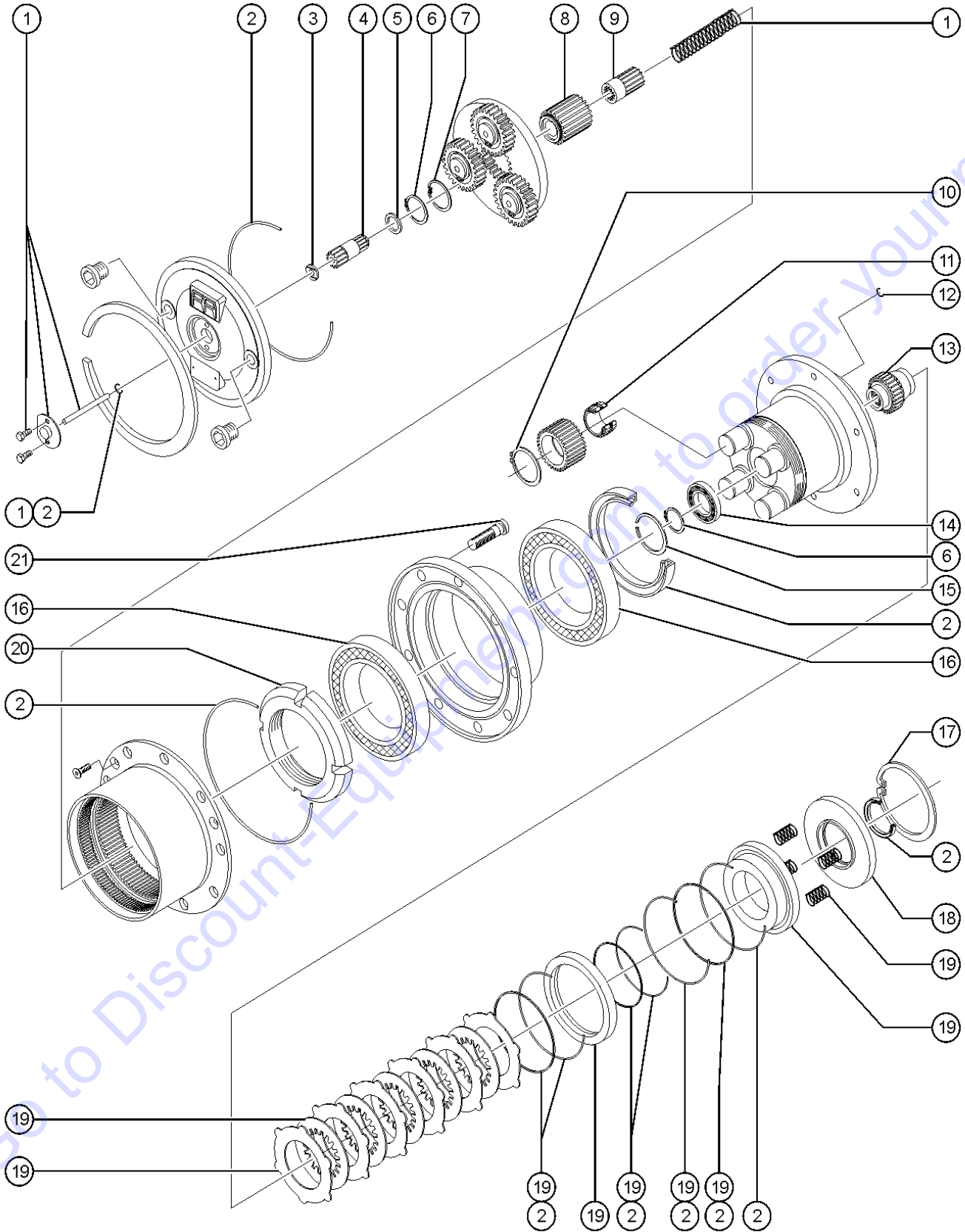
206.1 2WD Hub - Steer Axle



Item	Part No.	Description	Qty.
--	88883GT	HUB,2WD,FRONT***	
--	227986GT	V-RING 100,RUBBER SEAL	
--	227987GT	RING,OIL SEAL, 95 X 120 X 12	
--	102126GT	SEAL KIT,DRIVE HUB (88887)	
1	102162GT	LUG,STUD/WHEEL (88887).....	9
2	94894GT	BEARING,INNER (88883).....	1
3	102126GT	SEAL KIT,DRIVE HUB (88887).....	1
4	94891GT	COVER,HUB (88883).....	1
5	102126GT	SEAL KIT,DRIVE HUB (88887).....	1
6	94892GT	SHIM,HUB (88883).....	2
7	94893GT	BEARING,OUTER (88883).....	1

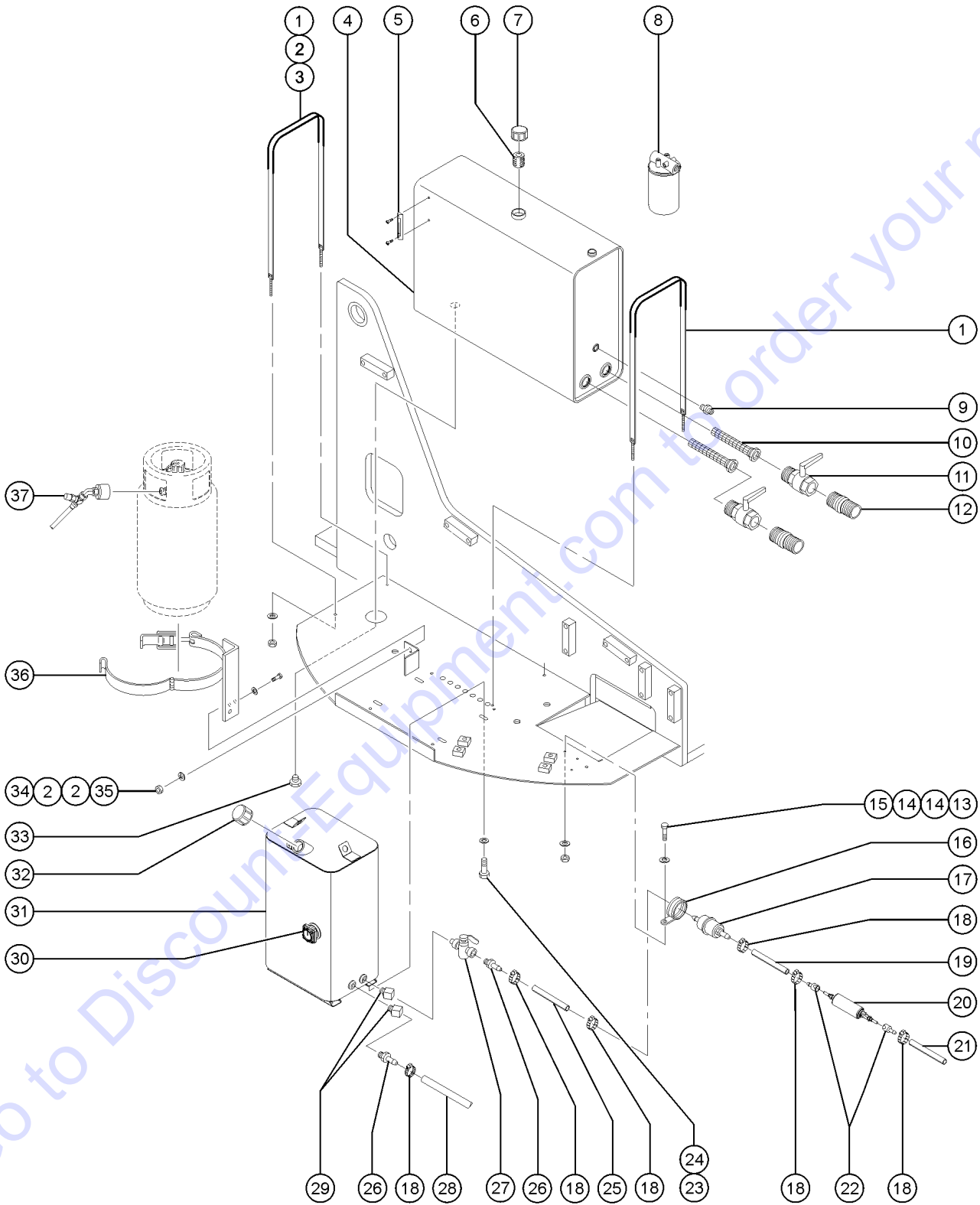
Go to Discount-Equipment.com to order your parts

207.1 2WD and 4WD Drive Hub



Item	Part No.	Description	Qty.
--	88887GT	WHEEL DRIVE 56:1 2WD 4WD	
--	1266271GT	CIRCLIP, HUB (88886) for drive hub part 88886	
--	1266272GT	O-RING, COVER SEAL (102711) for drive hub part 102711	
--	88887GT	WHEEL DRIVE 56:1 2WD 2WD	
--	102164GT	COVER,END,KIT (88887) for drive hub part 88887	
--	102126GT	SEAL KIT,DRIVE HUB (88887).....1 for drive hub part 88887	
--	1274613GT	HUB SCREW for 88887	
1	102131GT	DISCONNECT KIT (88887).....1	
2	102126GT	SEAL KIT,DRIVE HUB (88887).....1	
3	102506GT	Thrust Bearing Plate.....1	
4	102507GT	Pinion Gear.....1	
5	102508GT	Thrust Bearing.....1	
6	102503GT	External Retaining Ring.....1	
7	102504GT	Internal Retaining Ring.....1	
8	102505GT	Pinion, Half Shaft.....1	
9	102509GT	Half Shaft.....1	
10	102510GT	External Retaining Ring.....4	
11	1284723GT	GEAR/BEARING ASSY,WHEEL DRIVE (88886) to replace bearing; order part 102511	
11A	102511GT	BEARING,WHEEL DRIVE (88886).....4 for 1284723	
12	19918GT	O-RING,010 BUNA-N***.....1	
13	102167GT	SHAFT,INPUT DRIVE HUB.....1	
14	102514GT	Ball Bearing.....1	
15	102513GT	Wire Seal Retaining Ring.....1	
16	102515GT	BEARING,ROLLER TAPERED.....2	
17	102516GT	RING,RETAINING,INTERNAL.....1	
18	102517GT	Shaft Bearing Spacer.....1	
19	215642GT	BRAKE KIT (88886)***.....1	
20	215340GT	LOCKRING, RR***.....1	
21	102162GT	LUG,STUD/WHEEL (88887).....9	

301.1 Hydraulic and Fuel Tanks - Gasoline/LPG Models



301.1 Hydraulic and Fuel Tanks - Gasoline/LPG Models

Item	Part No.	Description	Qty.	Item	Part No.	Description	Qty.
1	31524GT	STRAP ASSY,TANK, 66 INCH.....	2	--	6653GT	CLAMP,1.88,#30 X 1/4,RUB CUSH from SN 7924	
--	31658-SGT	EXTRUSION,RUBBER BUMPER STRIP		17	52179GT	FILTER, FUEL LRG 425/423 EFI.....	1
2	5397GT	WASHER,FLAT,USS,5/16",Y				to SN 7923	
3	4828GT	NUT,NYLOCK,3/8-16		--	1272019GT	FILTER, FUEL from SN 7924	
4	102980GT	HYDRAULIC TANK ASSY W/WORD DEC.....	1	18	21465GT	CLAMP,HOSE,,25" - .63" X .3125.....	6
		includes items 5-7, 10 and 33				to SN 7923	
--	102981GT	HYDRAULIC TANK ASSY W/SYMB DEC includes items 5-7, 10 and 33		19	27089GT	HOSE,5/16 FUEL,SAE 30R7 to SN 7923	
5	21141GT	GAUGE-SIGHT,LHA-LGTB***.....	1	--	111817-3150GT	HOSE ASSY,SAE J2260/J2044 from SN 7924	
6	31506GT	STRAINER,FILLER NECK.....	1	20	77219GT	PUMP, FUEL, LRG425, WALBRO.....	1
		to SN 4832				to SN 7923	
7	53527GT	CAP,FILLER BREATHER,3 MICRON**.....	1	--	119168GT	FUEL PUMP,DSG-423 AND MSG-425 from SN 7924	
		includes filler neck strainer		21	71909GT	HOSE,FUEL,5/16 HIGH PRESSURE** to SN 7923	
8A	48470GT	FILTER ASSEMBLY W/IND L,PAPER.....	1	--	111817-4525GT	HOSE ASSY,SAE J2260/J2044 from SN 7924	
		to SN 10376		22	65892GT	CONN. ASSY,7.9 TUBE X6.35 HOSE.....	2
--	46014GT	FILTER,ELEMENT,BETA(6)=200 use with 48470; to SN 10376		23	6019GT	SCREW,HHC,3/8-16 X 1.25 GRD 5	
8B	227770GT	KIT HYDRO FILTER Z60 includes filter assy 60508 and fittings (refer to 712.1); to SN 10376		24	6021GT	WASHER,LOCK,,.375	
8C	60508GT	FILTER,RETURN,ASSY 10 MICRON from SN 10377		25	111817-525GT	HOSE ASSY,SAE J2260/J2044 from SN 7924 to 10046	
--	52768GT	GAUGE,MED.PRESSUR FILTER,50530 use with 60508; from SN 10377		--	111817-2775GT	HOSE ASSY,SAE J2260/J2044 from SN 10047 to 12341	
--	61326GT	FILTER ELEMENT,10 MICRON,60508 use with 60508; from SN 10377		--	111817-5825GT	HOSE ASSY,SAE J2260/J2044 from SN 12342	
--	89616GT	FILTER ELEMENT,3 MICRON*** use with 60508; from SN 10377		26	53023GT	FITTING,1/4 MPT 5/16 BARB.....	2
9	48922GT	CONN,520102-6-6.....	1			to SN 7923	
		to SN 4832		--	111818GT	FITTING,1/4 NPT X SAE J2044 from SN 7924	
--	48916GT	CONN, 520120-6 from SN 4833		27	19487GT	VALVE, FUEL LOCK.....	1
10	45161GT	STRAINER ASSEMBLY,1.5" NPT.....	2	28	27089GT	HOSE,5/16 FUEL,SAE 30R7 to SN 7923	
		to SN 4832		--	111817-5725GT	HOSE ASSY,SAE J2260/J2044 from SN 7924	
--	147419GT	KIT,STRAINER REPLACEMENT from SN 4833		--	111817-6625GT	HOSE ASSY,SAE J2260/J2044 from SN 12342	
11	48994GT	VALVE,BALL,16 MPT-16 FPT***.....	2	29	71383GT	ELBOW,45D,140339-4.....	2
		to SN 4832		30	146413GT	GAUGE, FUEL LEVEL, 20/30 GAL part of fuel tank 146416; from SN 10047	
--	48996GT	VALVE,BALL,16 MSAE-16 FSAE*** from SN 4833		--	146550GT	GASKET, FUEL LEVEL GAUGE, GAS	
12	48986GT	CONN,520102-16.....	2	31	65610-SGT	FUEL TANK ASSY W/CAP, 20 GAL.....	1
		to SN 4832				includes item 32; to SN 7923	
--	48984GT	CONN,520120-16 from SN 4833		--	122277GT	FUEL TANK ASSY W/CAP, 20 GAL (complete) required for first time replacment. Includes items 23 - 25, 30, 32 and fuel tank part 146416; from SN 7924 to 10046	
13	6090GT	SCREW,HHC,1/4-20 X .75					
14	6638GT	WASHER,FLAT,USS,1/4"Y					
15	6889GT	NUT,LP NYLOCK,1/4-20					
16	45455GT	CLAMP,2.75,#44 X 1/4,RUB CUSH*.....	1				
		to SN 7923					

301.1 Hydraulic and Fuel Tanks - Gasoline/LPG Models
(continued)

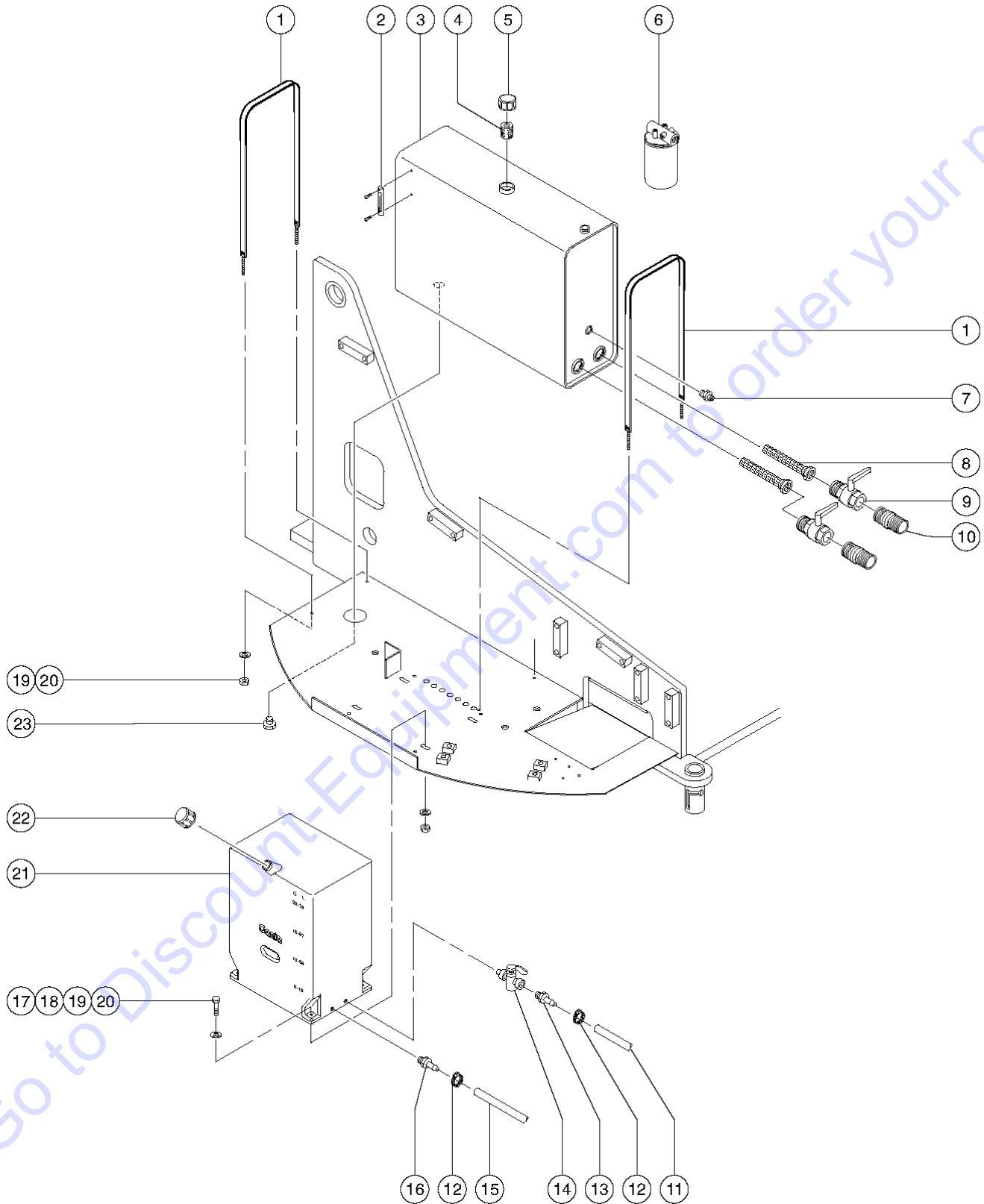
Item	Part No.	Description	Qty.
--	214221GT	TANK ASSY, GAS, 20 GAL <i>from SN 10047</i>	
32	101727GT	CAP,FUEL,GAS,1/8"VENT(RED).....1 <i>to SN 7923</i>	
--	119918GT	CAP,FUEL,GASOLINE 3.5PSI <i>from SN 7924</i>	
33	31507GT	PLUG,SQUARE HEAD,3/4 MPT.....1 <i>to SN 4832</i>	
--	94612GT	PLUG,MAGNETIC,SAE-6*** <i>from SN 4833</i>	
34	7713GT	NUT, LP NYLOCK, 3/8-16	
35	6175GT	SCREW,HHC,3/8-16 X 1	
36	30256-SGT	L.P. TANK BRACKET WELDMENT.....1	
37A	30275GT	HOSE ASSEMBLY,LP. 137".....1 <i>to SN 6316</i>	
37B	64066GT	HOSE ASSEMBLY,LP GAS 174" LONG <i>fromSN 6316</i>	

Go to Discount-Equipment.com to order your parts

This Page Intentionally Left Blank

Go to Discount-Equipment.com to order your parts

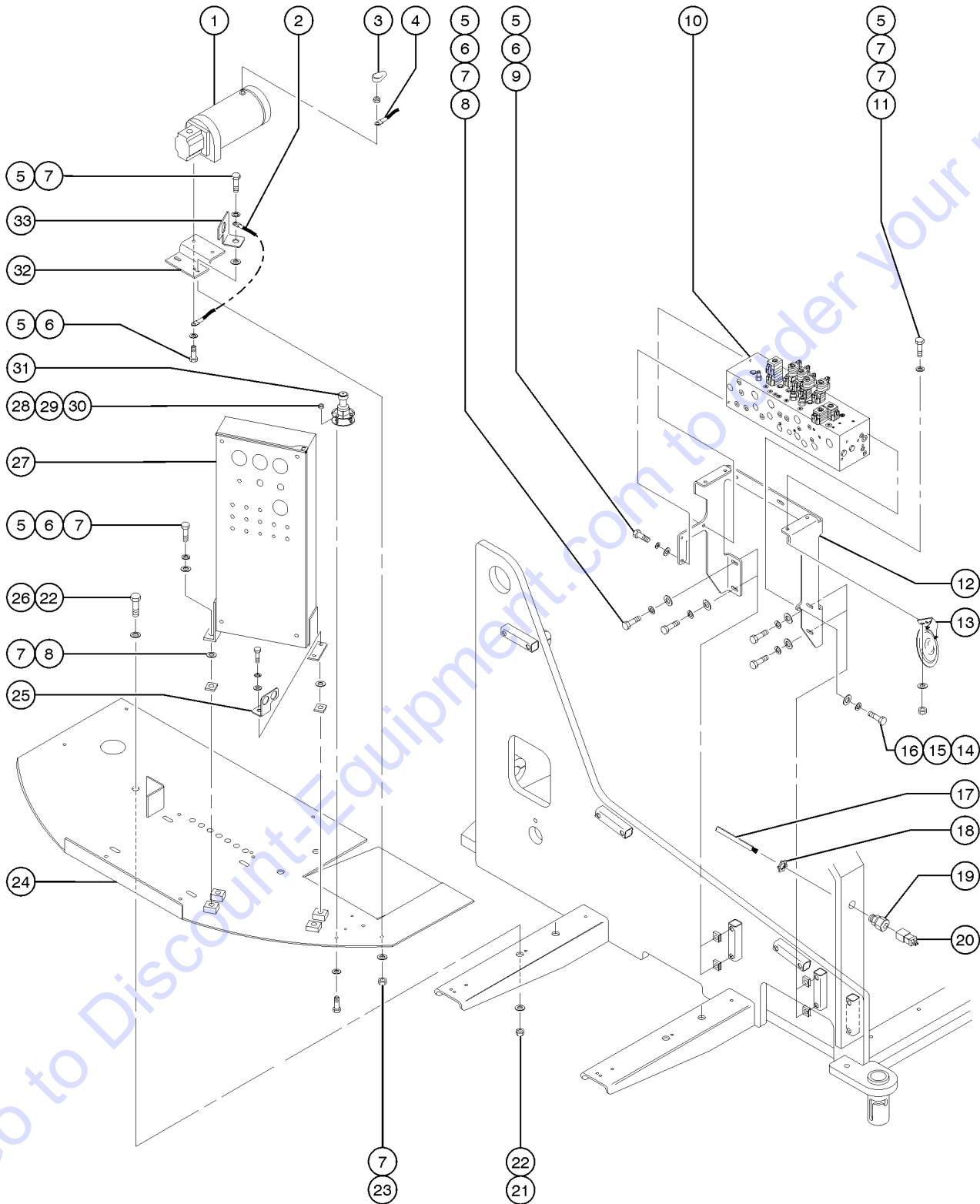
302.1 Hydraulic and Fuel Tanks - Diesel Models



302.1 Hydraulic and Fuel Tanks - Diesel Models

Item	Part No.	Description	Qty.	Item	Part No.	Description	Qty.
1	31524GT	STRAP ASSY,TANK, 66 INCH.....	2	--	30490GT	HOSE,1/4 FUEL LINE,SAE 30R7.....	80-inches
--	31658-SGT	EXTRUSION,RUBBER BUMPER STRIP				<i>Deutz models; from SN 6230</i>	
2	21141GT	GAUGE-SIGHT,LHA-LGTB***.....	1	--	35418GT	HOSE,FUEL,3/16,SAE 30R7.....	88-inches
3	102980GT	HYDRAULIC TANK ASSY W/WORD DEC.....	1			<i>Perkins models; to SN 6229</i>	
		<i>includes items 5-7, 10 and 30</i>		16	29137GT	HOSE END,MALE.25 X .25 MPT***.....	1
--	102981GT	HYDRAULIC TANK ASSY W/SYMB DEC		17	8178GT	SCREW,HHC,3/8-16 X 2.5	
		<i>includes items 5-7, 10 and 30</i>		18	6097GT	WASHER,FLAT,USS,3/8",Y	
4	31506GT	STRAINER,FILLER NECK.....	1	19	5397GT	WASHER,FLAT,USS,5/16",Y	
		<i>to SN 4832</i>		20	4828GT	NUT,NYLOCK,3/8-16	
5	53527GT	CAP,FILLER BREATHER,3 MICRON**.....	1	21	54325GT	FITTING,BULKHEAD,1/4NPT,FUELTK	
6A	48470GT	FILTER ASSEMBLY W/IND L,PAPER.....	1	21	65611-SGT	FUEL TANK ASSY W/CAP, 20 GAL**.....	1
		<i>to SN 10376</i>				<i>includes item 22</i>	
--	46014GT	FILTER,ELEMENT,BETA(6)=200		22	101726GT	CAP,FUEL,DIESEL,1/8"VENT(GRN).....	1
		<i>use with 48470; to SN 10376</i>		23	31507GT	PLUG,SQUARE HEAD,3/4 MPT.....	1
6B	22770GT	FILTER ASSEMBLY W/IND L,PAPER				<i>to SN 4832</i>	
		<i>includes filter assy 60508 and fittings (refer to 712.1); to SN 10376</i>		--	94612GT	PLUG,MAGNETIC,SAE-6***	
6C	60508GT	FILTER,RETURN,ASSY 10 MICRON				<i>from SN 4833</i>	
		<i>from SN 10377</i>					
--	52768GT	GAUGE,MED.PRESSUR FILTER,50530					
		<i>use with 60508; from SN 10377</i>					
--	61326GT	FILTER ELEMENT,10 MICRON,60508					
		<i>use with 60508; from SN 10377</i>					
--	89616GT	FILTER ELEMENT,3 MICRON***					
7	48922GT	CONN,520102-6-6.....	1				
		<i>to SN 4832</i>					
--	48916GT	CONN, 520120-6					
		<i>from SN 4833</i>					
8	45161GT	STRAINER ASSEMBLY,1.5" NPT.....	1				
		<i>to SN 4832</i>					
--	147419GT	KIT,STRAINER REPLACEMENT					
		<i>from SN 4833</i>					
9	48994GT	VALVE,BALL,16 MPT-16 FPT***.....	2				
		<i>to SN 4832</i>					
--	48996GT	VALVE,BALL,16 MSAE-16 FSAE***					
		<i>from SN 4833</i>					
10	48986GT	CONN,520102-16.....	2				
		<i>to SN 4832</i>					
--	48984GT	CONN,520120-16					
		<i>from SN 4833</i>					
11	27089GT	HOSE,5/16 FUEL,SAE 30R7.....	81-inches				
		<i>to SN 6229</i>					
--	27089GT	HOSE,5/16 FUEL,SAE 30R7...109-inches					
		<i>Perkins models; from SN 6230</i>					
12	21465GT	CLAMP,HOSE,.25" - .63" X .3125.....	2				
13	53023GT	FITTING,1/4 MPT 5/16 BARB.....	1				
14	19487GT	VALVE, FUEL LOCK.....	1				
15	30490GT	HOSE,1/4 FUEL LINE,SAE 30R7.....	62-inches				
		<i>Deutz models; to SN 6229</i>					

303.1 Function Manifold and Auxiliary Power Unit Installation



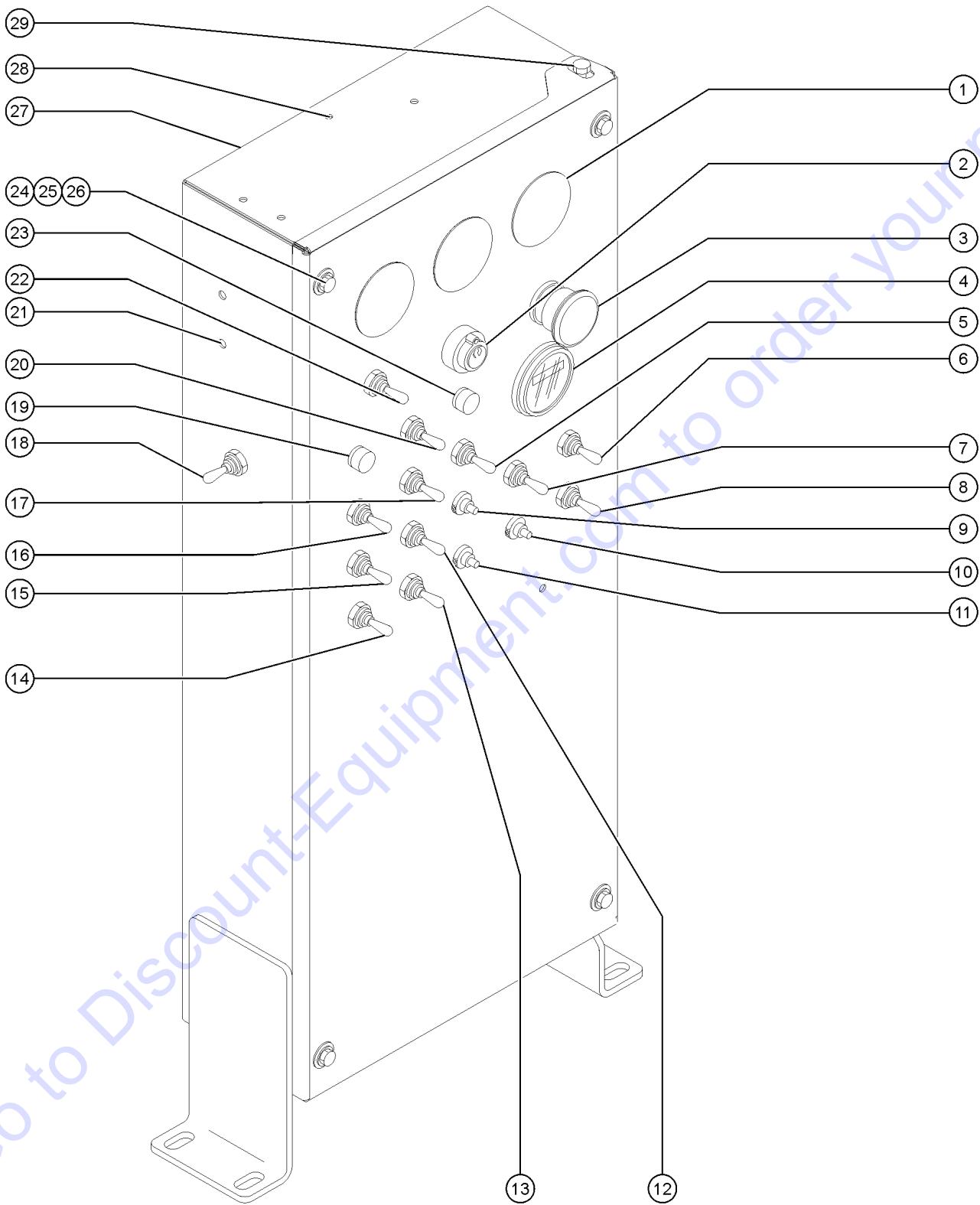
303.1 Function Manifold and Auxiliary Power Unit Installation

Item	Part No.	Description	Qty.	Item	Part No.	Description	Qty.
1	89620GT	POWER UNIT,AUX PUMP 12VDC.....1		27		Ref. Ground Controls (refer to 306.1 and 307.1)	
--	122754GT	CABLE,#4GA,POS.AUX,RED,108"		28	6889GT	NUT,LP NYLOCK,1/4-20	
--	37192GT	COUPLER, PUMP / MOTOR (36179)		29	6886GT	WASHER,LOCK, .313	
--	53967GT	SOLENOID,12V CONTINOUS		30	6090GT	SCREW,HHC,1/4-20 X .75	
--	58489GT	PUMP ASSY,AUX.POWER UNIT 89617		31A	94077GT	SENSOR,LEVEL,4.5 DEG.....1 <i>USA/Canada/ Australia models</i>	
--	75858GT	VALVE,CHECK ASSEMBLY		31B	110382GT	LEVEL SENSOR,LS60,YL,2.5X4.5 <i>European models</i>	
--	77069GT	MOTOR,12VDC,77066		31C	1260218GT	HARNESS,TILT ALARM,12V <i>for CSA models to SN Z6014-14369</i>	
2	13082GT	WELDING CABLE,#4 EXCELENE/BLK.....61-inches		31D	1264947GT	KIT, LEVEL SENSOR, 6 PIN CONN. <i>for CSA models with 6-pin connector to SN Z6014-14369</i>	
3	8910GT	BOOT,CABLE TERM,MED.RED,4/0.....1		32	25855PGT	BRACKET,AUX PUMP MOUNT,PAINT....1	
4	65612GT	CABLE ASSEMBLY		33A	219391GT	FORMIN, BRACKET BATTERY CABLE.....1 <i>from SN 11903</i>	
5	6175GT	SCREW,HHC,3/8-16 X 1		33B	60584GT	GROMMET,RUBBER .75 X .19 X 1** <i>order separately; from SN 11903</i>	
6	6021GT	WASHER,LOCK, .375					
7	5397GT	WASHER,FLAT,USS,5/16",Y					
8	29868GT	SPRING CLIP,3/8-16, .05-.20X.73,ZAG					
9	6097GT	WASHER,FLAT,USS,3/8",Y					
10		Ref. Function Manifold (refer to 704.1)					
11	4828GT	NUT,NYLOCK,3/8-16					
12	75988PGT	BRACKET,FILTER MOUNT,PAINTED....1					
13	81578GT	HORN,12VDC,SPADE TERMINALS***.....1					
14	6888GT	SCREW,HHC,1/4-20 X 1					
15	6356GT	WASHER,LOCK, .25					
16	6638GT	WASHER,FLAT,USS,1/4"Y					
17	4365 10440GT	WIRE CABLE,12GA/3 CON.TPE JKT*.....1044-inches					
18	6935GT	LOCKNUT,ELEC,1/2".....1					
19	7056GT	CONN,SQUEEZE,1/2NPT .38-.50,SM....1					
20	111987GT	CONN,8 POS PLUG 120 AC/15A.....1					
--		FUSE,13 AMP,220V PLUG <i>(component no longer available) refer to BS1362 BUSS TDC180-13A</i>					
--	119404GT	CONN,RECEP 120AC/15A DOMESTIC					
--	1280665GT	PLUG, TYPE F, 230A, 50HZ, 16A, IP44					
--	144161GT	PLUG,PWR,UK,16AMP,3PIN,BLK					
--	25388GT	PLUG,FUSED,250V,13AMP,U.K.**					
21	6024GT	NUT,NYLOCK,5/8-11					
22	13064GT	WASHER,FLAT, .625 HARDENED.....8					
23	7713GT	NUT, LP NYLOCK, 3/8-16					
24	75649GT	WLDMNT,HYDRAULIC TANK MODULE.....1					
25	219447GT	FORMIN, BRACKET BATTERY CABLE <i>from SN 11903</i>					
--	60584GT	GROMMET,RUBBER .75 X .19 X 1** <i>order separately; from SN 11903</i>					
26	29883GT	SCREW,HHC,5/8-11 X 1.75 GRD.8.....3					

304.1 Turntable Rotation and Hydraulic Rotary coupler Installation

Item	Part No.	Description	Qty.	Item	Part No.	Description	Qty.
1	56843GT	SCREW,SHC,1/2-13 X 1.50,A574		--	75681GT	BEARING KIT DRIVE TURN AND HUB.....	2
2	81110GT	SCREW,HHC,5/8-11 X 2 GRD.8.....	4	24	75686GT	BRAKE ASSEMBLY,TURNTABLE ROT**.....	1
3	13064GT	WASHER,FLAT,.625 HARDENED.....	44	--	62466GT	SEAL KIT,BRAKE,TURNTABLE ROT**	
4	13918GT	SCREW,HHC,3/8-16 X 1.75,GRD.8.....	6	--	75682GT	DISC KIT DRIVE TURNTABLE Z-60*	
5	5397GT	WASHER,FLAT,USS,5/16",Y		--	75683GT	SPRING,DRIVE TURNTABLE***.....	12
6	4828GT	NUT,NYLOCK,3/8-16		25	75684GT	MOTOR,TURNTABLE ROTATION***.....	1
7	89571GT	SWIVEL,HYD 8 PORT***.....	1	--	22811GT	O-RING,MOTOR TO BRAKE***	
--	94937GT	SEAL KIT,8-PORT SWIVEL		--	75685GT	SEAL KIT,MOTOR TURNTABLE***	
--	T106954GT	SEAL, O-RING LIP		26	89800GT	MANIFOLD,TURNTABLE ROTATION***.....	1
--	T106955GT	SEAL, POLY, CHAMFER		--	75119GT	SEAL KIT,CB VALVE MANIFOLD*** for 89800	
--	T106957GT	SEAL, CAP, NOTCHED					
--	T106961GT	SEAL, O-RING ENERGIZER					
--	T106962GT	SEAL, CAP, NOTCHED					
8	45066GT	SCREW,SHC,5/8-11 X 2.25..... to SN 8278	20				
--	56900GT	SCREW,SHC,5/8-11 X 2.5 BLK..... from SN 8279	20				
9	7339GT	SCREW,HHC,1/4-20 X .5					
10	6356GT	WASHER,LOCK,.25					
11	22541GT	SCREW,RHM,10-32 X 1.5					
12	6146GT	WASHER,FLAT,MS,#10,Y					
13	102176GT	HARNES,DRIVE ENABLE,Z60.....	1				
--	19491GT	CONTACTOR,LIMIT SWITCH					
--	88356-11103GT	SWITCH,LIMIT,W/RLR ARM,NO/NC**					
--	89756GT	NECK/HEAD-LIMIT SWITCH (88356)					
--	97128GT	ROLLER ARM,LIMIT SWITCH***					
14	111647PGT	FORMING,DRIVE ENABLE BRACKET...1					
15	6178GT	NUT,NYLOCK,10-32					
16	111648GT	BEARING,SERIES 3000.....	1				
17	89098PGT	PLATE,HYD. SWIVEL LOCK,PAINTED.....	1				
18	21175GT	SCREW,SHC,5/8-11 X 4,A574..... to SN 8278	20				
18	61250GT	SCREW,SHC,5/8-11 X 3.75,A574..... from SN 8279	20				
19	491895438SGT	HOSE ASSEMBLY,1/4.....	2				
20	48887GT	ELBOW,90D, 070202-4.....	1				
--	30297GT	ZERK,GREASE,1/8 NPT,90DEG.					
21	61223GT	PIN,TRANSPORT STORAGE HANDLE.....	1				
22	61222GT	PIN,TRANSPORT STORAGE LOCK.....	1				
23	89885GT	SWING DRIVE ASSEMBLY,S40/Z60**.... includes items 24-26	1				
--	75677GT	SHAFT,OUTPUT,PINION,TURNTABLE					
--	75678GT	SEAL KIT,REDUCER DRIVE TURNTAB					

305.1 Ground Controls - View 1

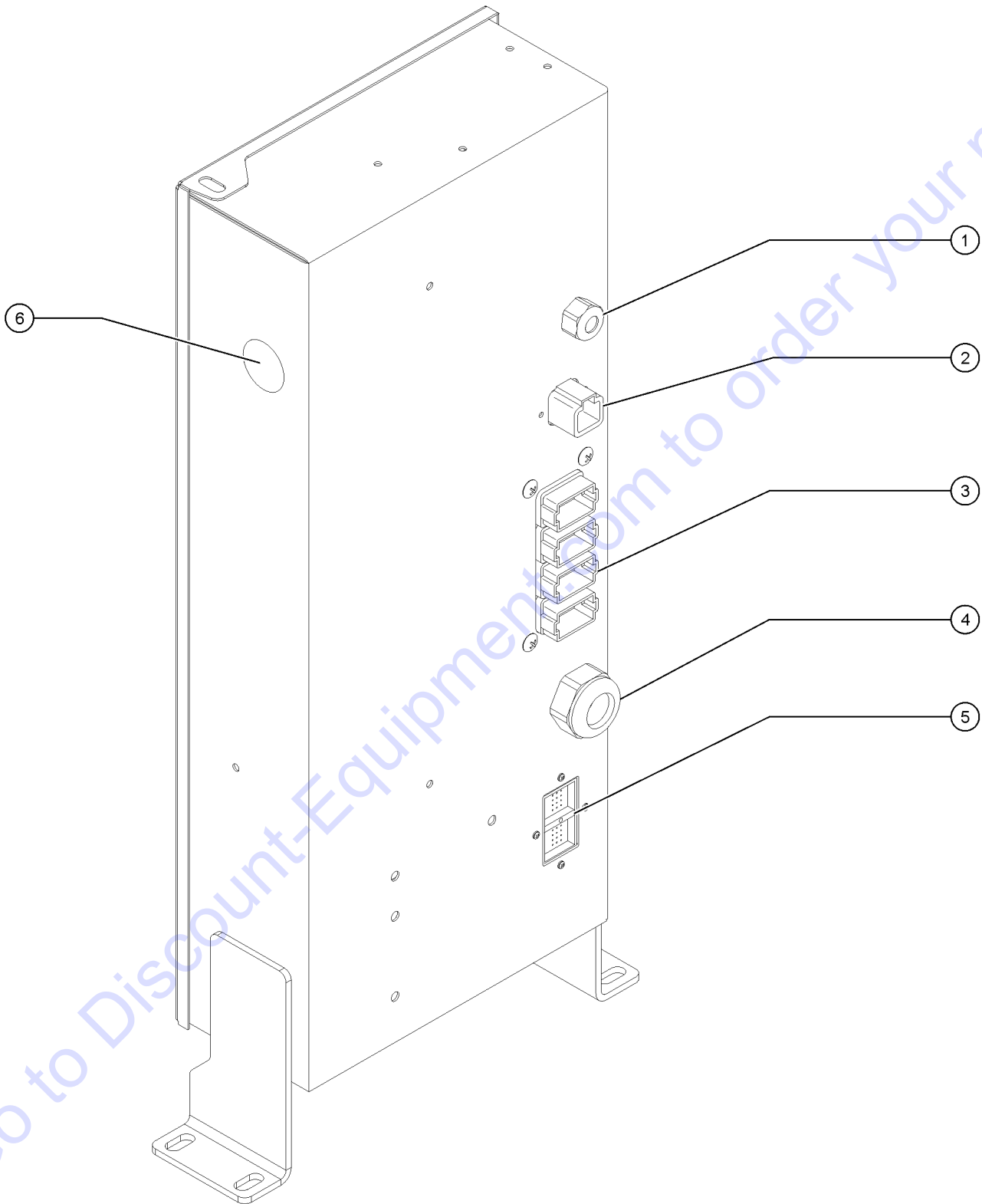


Go to Discount-Equipment.com to order your parts

305.1 Ground Controls - View 1

Item	Part No.	Description	Qty.	Item	Part No.	Description	Qty.
--	45782GT	DIODE,6 AMP,200 PIV,BULK		18	128204GT	SWITCH TOGGLE ASSY SPDT 2P MNT.....1	1
--		Ref. Platform Overload Module (refer to 804.1)				<i>Ford models</i>	
--	27246GT	BOOT,TOGGLE SWITCH,SHORT*		19	824879GT	LIGHT,LED IND. RED 12V NH.....1	1
--	128578GT	SCREW T-SWITCH PH/PH 6-32X1/4		--	229567GT	PLUG,SANTOPRENE .5 BLACK DOME	
1	81900GT	PLUG,NYLON 2.093 BLACK DOMED.....3		20	128203GT	SWITCH TOGGLE ASSY SPDT 2P MOM.....1	1
2	96008-SGT	KEYSWITCH,3 POS. W/KEYS***.....1				<i>Ford models</i>	
--	83093GT	KEY SINGLE***		--	229567GT	PLUG,SANTOPRENE .5 BLACK DOME	
--	37947GT	KEYS,10 PACK***		21	42781GT	PLUG, NYLON .250 BLACK DOMED.....2	
--	88827GT	GASKET,KEYSWITCH,PLASTIC***		22	128201GT	SWITCH TOGGLE ASSY DPDT 2P MOM.....1	1
--	83131GT	KEYSWITCH,3 POS W/KEYS,LOCKING		23	824882GT	LT.LAMP IND. AMBER 12V ENG.NH.....1	1
3	66812GT	BUTTON,PUSH,RED MUSHROOM HEAD.....1				<i>Ford models</i>	
--	146478GT	BOOT(BELLOWS),E-STOP,BLACK		--	229567GT	PLUG,SANTOPRENE .5 BLACK DOME	
--	66818GT	CONTACT, N.C.				<i>diesel models</i>	
--	73805GT	BASE,W/2 NC CONTACTS*** <i>includes 2 each N.C. contacts</i>		24	6090GT	SCREW,HHC,1/4-20 X .75	
4	19506GT	HOUR METER,10-80 VOLTS***.....1		25	6356GT	WASHER,LOCK,.25	
		<i>includes mounting bracket</i>		26	6638GT	WASHER,FLAT,USS,1/4"Y	
5	128202GT	SWITCH TOGGLE ASSY DPDT 3P MOM.....1		27	102154GT	CONTROL BOX W/LID & DECAL GRND.....1	1
6	128200GT	SWITCH TOGGLE ASSY SPDT 3P MOM.....1				<i>to SN 5175</i>	
--	229567GT	PLUG,SANTOPRENE .5 BLACK DOME <i>Ford models</i>		--	111334GT	GRND CNTRL BOX W/LID WORD/LPG <i>Gasoline/LPG Models; from SN 5176</i>	
7	128200GT	SWITCH TOGGLE ASSY SPDT 3P MOM.....1		--	111345GT	GRND CNTRL BX W/LID WORD/DIESE <i>Diesel Models; from SN 5176</i>	
8	128200GT	SWITCH TOGGLE ASSY SPDT 3P MOM.....1		--	111346GT	GRND CNTRL BOX W/SYMBOL DECALS <i>from SN 5176</i>	
9	147095GT	ASSY, CIRCUIT BREAKER 20A.....1		--	121599GT	GASKET,GBOX,S80/85 2008	
--	42288GT	PLUG,NYLON .188 BLACK DOMED <i>USE IF THERE IS NO CIRCUIT BREAKER INSTALLED</i>		--	122028GT	BRACKET,RESISTOR	
10	147094GT	ASSY, CIRCUIT BREAKER 15A.....1		--	122975GT	WELDMENT, GROUND CONTROL BOX <i>from SN 5176</i>	
11	147094GT	ASSY, CIRCUIT BREAKER 15A.....1		--	122978GT	WELDMENT,LID,GBOX,Z60 <i>use with control box item 122975, does not include decals, from SN 5176</i>	
12	128200GT	SWITCH TOGGLE ASSY SPDT 3P MOM.....1		--	30997GT	CORROSION INHIBITOR,FOAM	
13	128200GT	SWITCH TOGGLE ASSY SPDT 3P MOM.....1		28	42288GT	PLUG,NYLON .188 BLACK DOMED.....4	
14	128202GT	SWITCH TOGGLE ASSY DPDT 3P MOM.....1		29	88315GT	SCREW,SHS,1/4-20 X .25 ZINC <i>use with control box item 122975, from SN 5176</i>	
15	128202GT	SWITCH TOGGLE ASSY DPDT 3P MOM.....1					
16	128202GT	SWITCH TOGGLE ASSY DPDT 3P MOM.....1					
17	128200GT	SWITCH TOGGLE ASSY SPDT 3P MOM.....1					

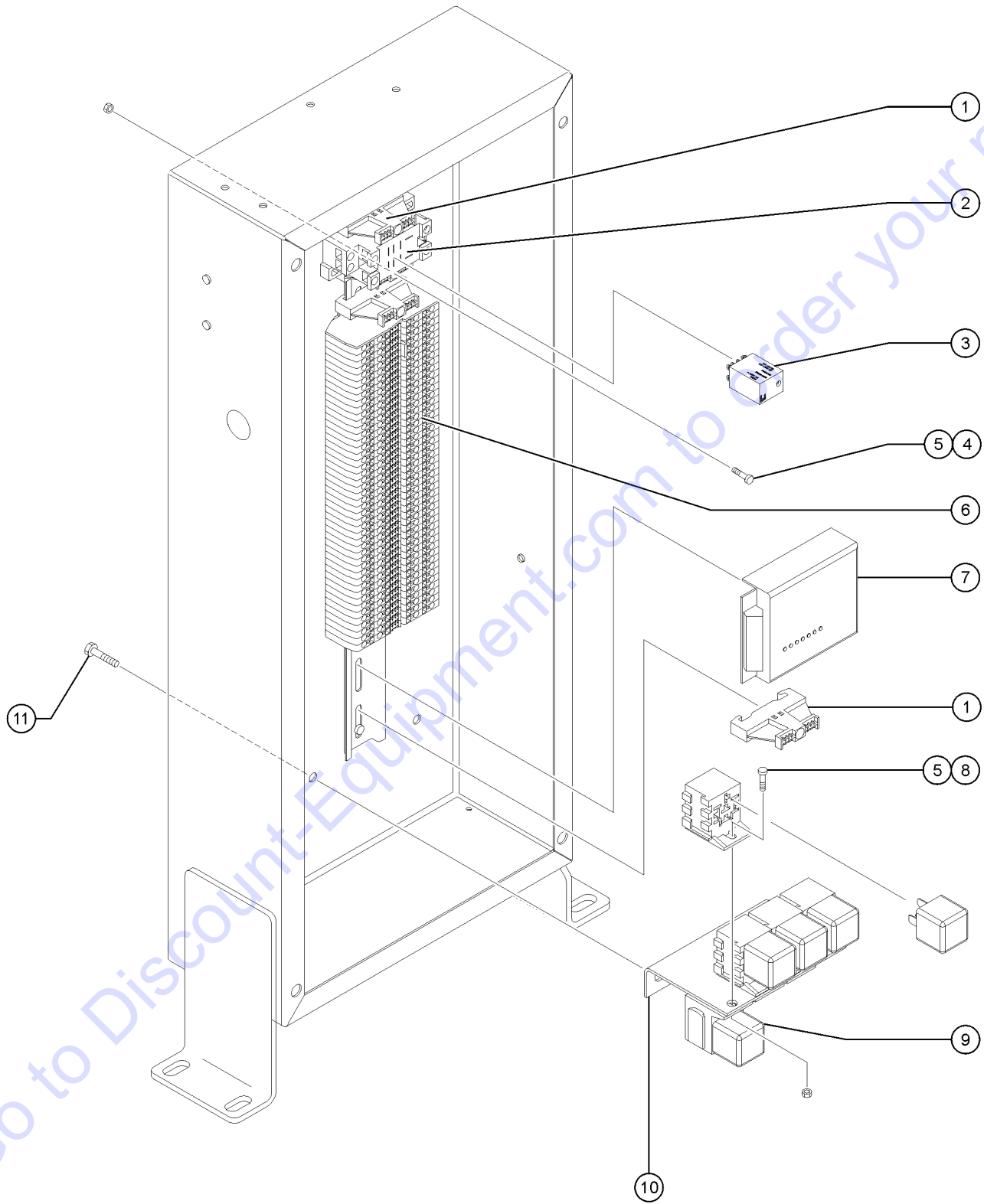
306.1 Ground Controls - View 2



Item	Part No.	Description	Qty.
1	7056GT	CONN,SQUEEZE,1/2NPT .38-.50,SM....1	
--	6935GT	LOCKNUT,ELEC,1/2"	
2	73717GT	CONN,RECEP 4 WAY,12-14GA FL***1	
3	73736GT	CONN,RECEP 48 WAY,4 X 12.....1	
4	20776GT	CABLE SQUEEZE CONN.....1	
--	18665GT	LOCKNUT,ELECTRIC,1" NPT	
5	73753GT	CONN,RECEP 24 WAY,W/FLANGE.....1	
6	15243GT	PLUG,NYLON .875 BLACK DOMED.....1	

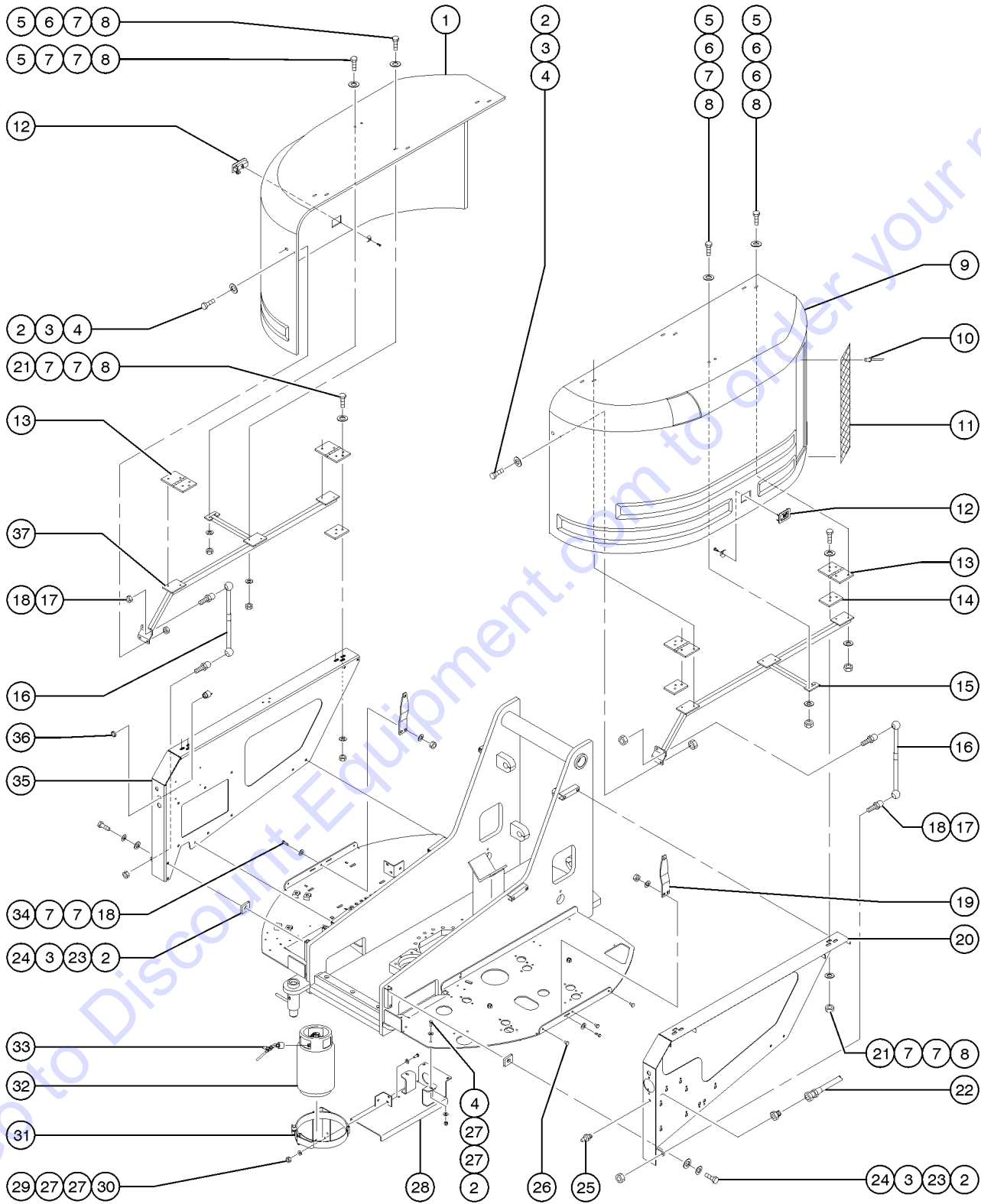
Go to Discount-Equipment.com to order your parts

307.1 Ground Controls - View 3



Item	Part No.	Description	Qty.
--	88832GT	HARNES,PLUG,NON-LOAD WEIGHING	
--	128935GT	CIRCUIT BKR 10A TYPE 2 METAL <i>Diesel models; from SN 9645</i>	
--	139331GT	KIT CB 10A T2 RPM SOLENOID 2W <i>includes item 128935; to SN 9644</i>	
--	33784GT	CLAMP,1.31,#21 X 1/4,RUB CUSH	
--	106637GT	MODULE,TIME DELAY ON BREAK 4S <i>welder option</i>	
1	74913GT	END STOP, DIN RAIL,SCREW CLAMP.....	2
2	33608GT	RELAY,SOCKET,OMRON.....	1
		<i>(welder option)</i>	
3	33607GT	RELAY,OMRON,DPDT,12V.....	1
		<i>(welder option)</i>	
4	54365GT	SCREW,PHIL,PHM,10-32 X .5,SSTL	
5	6178GT	NUT,NYLOCK,10-32	
6	217441GT	TERMINAL RAIL ASSEMBLY,GBOX.....1 <i>previous assembly 89172 is no longer available. Order this assembly in its place (includes item 1); from SN 11675</i>	
--	216791GT	TERMINAL BLOCK,WIELAND	
--	216793GT	TERMINAL BLOCK END PLATE	
--	33422GT	DIN RAIL,17"	
--	74920GT	MARKING TAGS,# 1-10,WIELAND	
--	74921GT	MARKING TAGS,# 11-20,WIELAND	
--	74922GT	MARKING TAGS,# 21-30,WIELAND	
--	74923GT	MARKING TAGS,# 31-40,WIELAND	
--	74924GT	MARKING TAGS,# 41-50,WIELAND**	
7	56057GT	MODULE,IGNITION/START,12/24V.....1 <i>Diesel models</i>	
8	54365GT	SCREW,PHIL,PHM,10-32 X .5,SSTL	
9	34052GT	RELAY,SPDT,12V(AUTO) PLUG IN**5 <i>Ford models</i>	
--	34052GT	RELAY,SPDT,12V(AUTO) PLUG IN**6 <i>Diesel models</i>	
--	34053GT	ASSY,RELAY SOCKET, AUTO	
--	34054GT	TERM,RELAY N-INSULATED 10-12 G	
--	34055GT	TERM RELAY,N-INSULATE 14-16 GA	
--	34056GT	TERM,RELAY,N-INSULATE 18-20 GA	
10	54534GT	ANGLE,RELAY MNT,W/NUTSERTS,PNT.....	1
--	23404GT	NUTSERT,1/4-20,STEEL CAD PLTD	
11	6090GT	SCREW,HHC,1/4-20 X .75	

308.1 Turntable Covers



308.1 Turntable Covers

Item	Part No.	Description	Qty.	Item	Part No.	Description	Qty.
1	102519GT	TURNTABLE COVER ASSY W/DECALS.....1 <i>(assy with word decals) includes items 13; to SN 4709</i>		19	49535PGT	PLATE,LATCH,BLUE,PAINTED ***.....2	
--	111356GT	LH COVER ASSY W/ WORD DECALS <i>(assy with word decals) includes items 13; from SN 4710 to 8876</i>		20	89625GT	WELDMENT,BULKHEAD,RT SIDE.....1	
--	122883GT	DECAL,WORD,LH,TT,COVER ASSY <i>(assy with word decals) includes items 13; from SN 8877</i>		21	6145GT	SCREW,HHC,1/4-20 X 1.5	
--	102520GT	TURNTABLE COVER ASSY W/DECALS <i>(assy with symbol decals) includes items 13; to SN 8876</i>		22		Ref Bearing Lubrication Hose Assembly (refer to 304.1)	
--	122885GT	DECAL,SYM,LH,TT,COVER ASSY <i>(assy with symbol decals) includes items 13; from SN 8877</i>		23	6021GT	WASHER,LOCK,.375	
2	6019GT	SCREW,HHC,3/8-16 X 1.25 GRD 5		24	29868GT	SPRING CLIP,3/8-16,.05-.20X.73,ZAG	
3	5397GT	WASHER,FLAT,USS,5/16",Y		25	28646GT	ZERK,GREASE,1/8 NPT.....1	
4	4828GT	NUT,NYLOCK,3/8-16		--	30430GT	BULKHEAD,FEMALE X 4	
5	6888GT	SCREW,HHC,1/4-20 X 1		26	34619GT	BUMPER,RUBBER***.....6	
6	12906GT	WASHER,FENDER,.25 X 1.25 X.062		27	6097GT	WASHER,FLAT,USS,3/8",Y <i>gasoline/LPG models; from SN 10138</i>	
7	6638GT	WASHER,FLAT,USS,1/4"Y		28	146382GT	WELDMENT,EXT LP TANK BRKT <i>gasoline/LPG models; from SN 10138</i>	
8	6091GT	NUT,NYLOCK,1/4-20		29	7713GT	NUT, LP NYLOCK, 3/8-16 <i>gasoline/LPG models; from SN 10138</i>	
9	58139GT	COVER ASSY, RH, ENGINE,.....1 <i>(assy with word decals) Ford and Perkins models; includes items 2, 11-13</i>		30	6175GT	SCREW,HHC,3/8-16 X 1 <i>gasoline/LPG models; from SN 10138</i>	
--	102151GT	TURNTABLE COVER ASSY,W/DECALS <i>(assy with word decals) Deutz models; includes items 2, 11-13</i>		31	30256GT	WELDMENT,LP TANK BRACKET** <i>gasoline/LPG models; from SN 10138</i>	
--	102522GT	TURNTABLE COVER ASSY W/SYMBOLS <i>(assy with symbol decals) Ford and Perkins models; includes items 2, 11-13</i>		32	53605GT	TANK, 7 GAL/33.5 POUND, LP <i>gasoline/LPG models; from SN 10138</i>	
--	102523GT	TURNTABLE COVER ASSY W/SYMBOLS <i>(assy with symbol decals) Deutz models; includes items 2, 11-13</i>		33	146438GT	HOSE ASSY,LP,106" LG <i>gasoline/LPG models; from SN 10138</i>	
10	53189GT	RIVET,ALUM,ALUM,P,.25X.375.....23		34	13002GT	SCREW,HHC,5/16-18 X 1 GR5	
11	89904PGT	PLATE,AIR INTAKE PAINT <i>Deutz models</i>		35	89629GT	WELDMENT,BULKHEAD,LEFT SIDE.....1	
--	49618-SGT	AIR INTAKE FRAME.GRAY <i>Ford and Perkins models</i>		36	45462GT	ALARM,CHIME TONE 5-25VDC***.....1 <i>from SN 7270</i>	
12	53903GT	LATCH,T-HANDLE,5 SIDED W/KEYS*....1 <i>includes mounting fasteners</i>		--	72326GT	NUT - PLASTIC,RING FOR ALARMS	
--	29314GT	KEY,LATCH, 1 PAIR (28125)		37	53524-SGT	COVER REINFORCEMENT, L.H.....1	
13	75073GT	HINGE,.375X.120THK.,SLOTTED.....4					
14	53707GT	HINGE SPACER.....4					
15	53523-SGT	COVER REINFORCEMENT, R.H.....1					
16	30391GT	GAS STRUT,200 LBS.FORCE.....2					
--	27377GT	RETAINER,GAS SPRING***					
17	33555GT	BALL STUD**.....4					
18	6002GT	NUT,LP NYLOCK,5/16-18					

PARTS FINDER

**Search Website
by Part Number**



**Search Manual
Library For Parts
Manual & Lookup Part
Numbers – Purchase
or Request Quote**

Search Manuals

Enter your information to help us find the right parts manual for your machine.

* Brand:

* Model:

* Serial:

* Part Number:

SEARCH

**Can't Find Part or
Manual? Request Help
by Manufacturer,
Model & Description**

Parts Order Form

Please fill in the following information to help us find the right part for your machine.

Manufacturer:	<input type="text"/>
Model:	<input type="text"/>
Description:	<input type="text"/>
Part Number:	<input type="text"/>
Quantity:	<input type="text"/>
Notes:	<input type="text"/>

REQUEST HELP

Discount-Equipment.com is your online resource for quality parts & equipment.

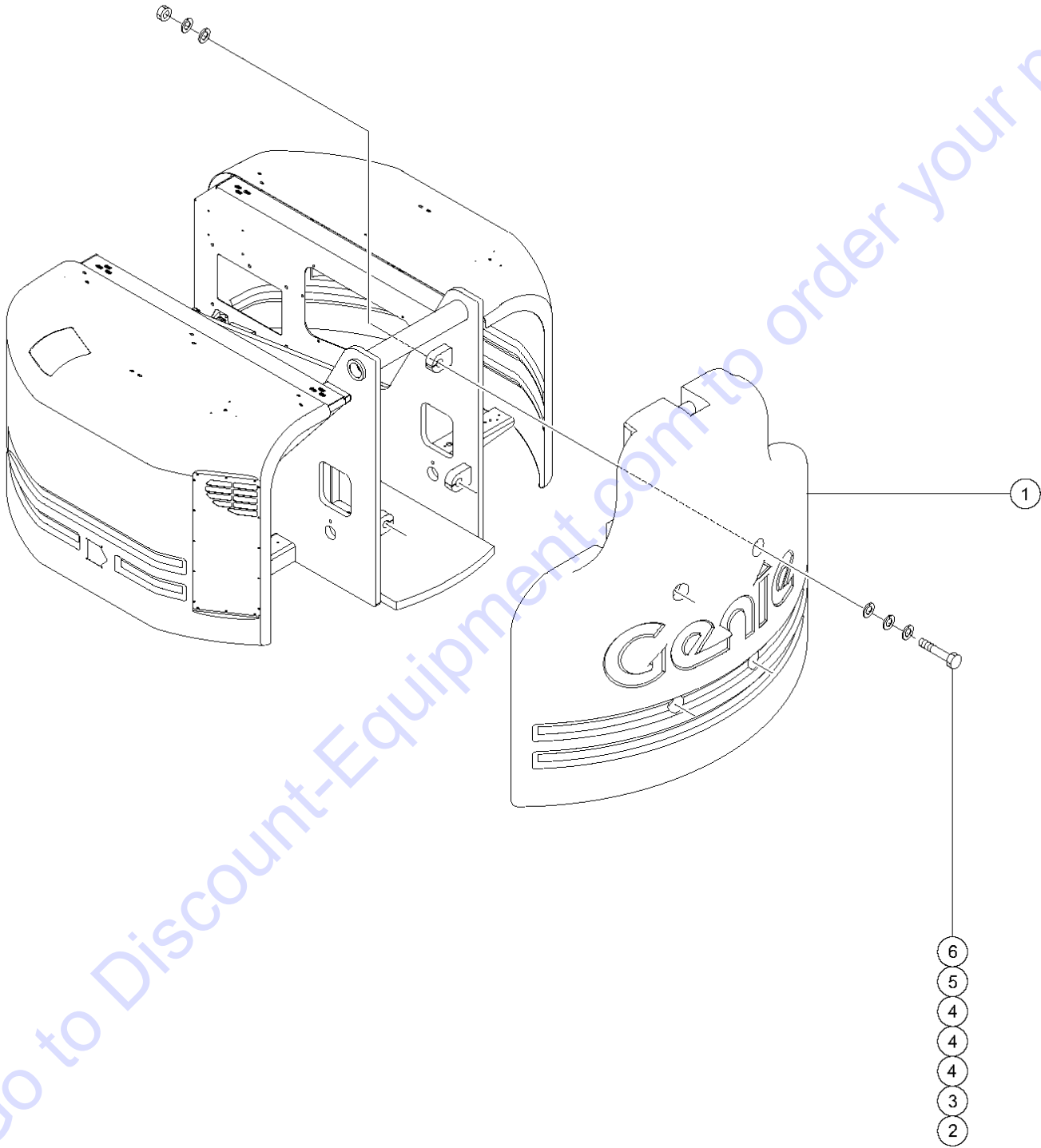
Florida: **561-964-4949** Outside Florida TOLL FREE: **877-690-3101**

Need parts?

Click on this link: <http://www.discount-equipment.com/category/5443-parts/> and choose one of the options to help get the right parts and equipment you are looking for. Please have the machine model and serial number available in order to help us get you the correct parts. If you don't find the part on the website or on one of the online manuals, please fill out the request form and one of our experienced staff members will get back to you with a quote for the right part that your machine needs.

We sell worldwide for the brands: Genie, Terex, JLG, MultiQuip, Mikasa, Essick, Whiteman, Mayco, Toro Stone, Diamond Products, Generac Magnum, Airman, Haulotte, Barreto, Power Blanket, Nifty Lift, Atlas Copco, Chicago Pneumatic, Allmand, Miller Curber, Skyjack, Lull, Skytrak, Tsurumi, Husquvarna Target, Stow, Wacker, Sakai, Mi-T-M, Sullair, Basic, Dynapac, MBW, Weber, Bartell, Bennar Newman, Haulotte, Ditch Runner, Menegotti, Morrison, Contec, Buddy, Crown, Edco, Wyco, Bomag, Laymor, EZ Trench, Bil-Jax, F.S. Curtis, Gehl Pavers, Heli, Honda, ICS/PowerGrit, IHI, Partner, Imer, Clipper, MMD, Koshin, Rice, CH&E, General Equipment, Amida, Coleman, NAC, Gradall, Square Shooter, Kent, Stanley, Tamco, Toku, Hatz, Kohler, Robin, Wisconsin, Northrock, Oztec, Toker TK, Rol-Air, APT, Wylie, Ingersoll Rand / Doosan, Innovatech, Con X, Ammann, Mecalac, Makinex, Smith Surface Prep, Small Line, Wanco, Yanmar

309.1 Turntable Counterweight

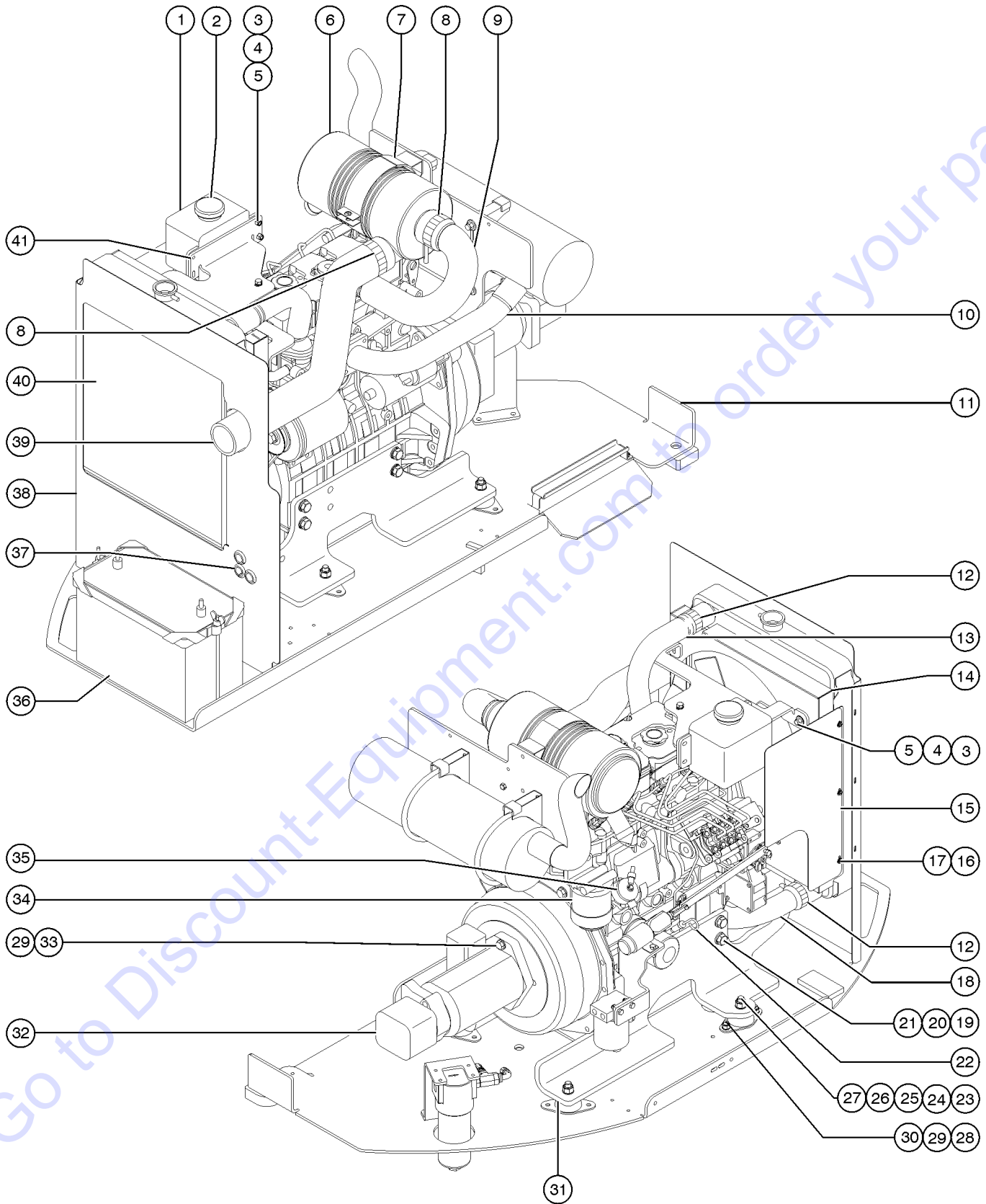


309.1 Turntable Counterweight

Item	Part No.	Description	Qty.
1	111371GT	Z60 CW ASSY W/WORD DECALS.....1 to SN 8876	
--	111372GT	Z60 CW ASSY W/SYMBOL DECALS to SN 8876	
--	146049GT	Z60 CW ASSY W/WORD DECALS from SN 8877	
--	146050GT	Z60 CW ASSY W/SYMBOL DECALS from SN 8877	
2	228842GT	SCREW,HHC,1-8 X 16, GRD 2	
3	13775GT	WASHER,FLAT,1.063 X 2 X .134	
4	38859GT	WASHER,FLAT,USS,1",Y	
5	29605GT	WASHER,LOCK,1"	
6	33265GT	NUT,HEX,1-8	

Go to Discount-Equipment.com to order your parts

401.1 Perkins 404-22 Engine - View 1



401.1 Perkins 404-22 Engine - View 1

Item	Part No.	Description	Qty.	Item	Part No.	Description	Qty.
--	147348GT	SEAL-VALVE SYSTEM (A) <i>to SN 9339</i>		10	111390GT	WELDMENT,EXHAUST PIPE.....	1
--	147349GT	SEAL-VALVE SYSTEM (B) <i>to SN 9339</i>		--	62845GT	NUT-FLANGE, 8MM (62849)	
--	147350GT	GASKET-CYLINDER HEAD <i>to SN 9339</i>		--	72343GT	GASKET,EXH FLANGE-FORD/PERKINS	
--	147351GT	SEAL-ROCKER BOX <i>to SN 9339</i>		--	72344GT	BOLT,EXHAUST,PERKINS(54555)**	
--	147355GT	GASKET-THERMOSTAT HSG <i>to SN 9339</i>		--	94888GT	EXHAUST MANIFOLD	
--	147352GT	SEAL-INJECTOR <i>to SN 9339</i>		11		Ref. Engine Tray.....	1
--	147353GT	SEAL-INJECTOR <i>to SN 9339</i>				(REFER TO 415.1)	
--	89942GT	HARNESS,ENGINE,PERKINS,404-22 <i>to SN 5623</i>		12	13014GT	CLAMP,HOSE,2.25" DIA.....	2
--	111026GT	HARNESS,ENG.PERKINS,404-22 ALT <i>from SN 5624 to SN 11903</i>		13	54578GT	HOSE,UPPER RADIATOR,PERKINS.....	1
--	214904GT	HARNESS,ENG,PERKINS,404-22 ALT <i>from SN 11904</i>		14	88990PGT	SHROUD,FAN PAINTED.....	1
--	111141GT	HARNESS, GND BOX, DIESEL,Z60 <i>to SN 9339</i>		15	122377GT	FAN GUARD W/WORD DECAL PERK T2.....	1
--	122715GT	HARNESS,GBOX,PERKINS,Z60 <i>from SN 9340 to SN 11903</i>		--	54487PGT	GUARD,FAN,FORD/PERKINS,PAINTED	
--	215873GT	HARNESS,GBOX,PERKINS,Z60 <i>from SN 11904</i>		16	21019GT	SCREW,PHIL,PHM,10-24 X.5,SEMS	
--	70356GT	OPT,SCRUBBER MUFFLER,PERKINS		17	6146GT	WASHER,FLAT,MS,#10,Y	
1	1279268GT	BOTTLE, COOLANT RECOVERY, 2QT.....	1	18	54579GT	HOSE,LOWER,RADIATOR,PERKINS.....	1
--	21465GT	CLAMP,HOSE,,25" - .63" X .3125		19	54687GT	SCREW,HHC,M14 X 1.5X40MM,GR8.8	
2	72327GT	CAP, COOLANT RET SYS(54071).....	1	20	37505GT	WASHER,LOCK,M14	
3	6888GT	SCREW,HHC,1/4-20 X 1		21	49411GT	WASHER,FLAT,M14	
4	6638GT	WASHER,FLAT,USS,1/4"Y		22	89759GT	DIPSTICK, OIL (PERKINS 404).....	1
5	6091GT	NUT,NYLOCK,1/4-20		--	128984GT	DIPSTICK, STRAIGHT SHORT 404D-22; <i>from SN 9340</i>	
6	63463GT	AIR CLEANER,NELSON***.....	1	--	128985GT	DIPSTICK TUBE, STRAIGHT SHORT 404D-22; <i>from SN 9340</i>	
		<i>plastic housing</i>		--	97461GT	DIPSTICK TUBE,PERKINS(403C-11) 404C-22; <i>to SN 9339</i>	
--	52866GT	EVACUATOR VALVE-AIR CLEANER		23	6198GT	NUT,NYLOCK,1/2-13	
--	5397GT	WASHER,FLAT,USS,5/16",Y		24	39479GT	SCREW,HHC,1/2-13 X 2.75	
--	58415GT	CLIP,AIR CLEANER END CAP*** <i>end cap not available separately</i>		25	70452GT	ISOLATOR,ENGINE VIBRATION***.....	4
--	62420GT	FILTER,AIR***		26	80150GT	WASHER-FLAT, 1/2" (80056)	
--	65810GT	BAFFLE, AIR CLEANER (27915)**		27	102066PGT	CASTING,WASHER,REBOUND,PAINTED	
--	6782GT	NUT,NYLOCK,5/16-18		28	4828GT	NUT,NYLOCK,3/8-16	
--	6888GT	SCREW,HHC,1/4-20 X 1		29	6175GT	SCREW,HHC,3/8-16 X 1	
7	53952GT	BRKT,AIR CLEANER ORIENTATION**.....	1	30	5397GT	WASHER,FLAT,USS,5/16",Y	
8	45435GT	CLAMP,HOSE,2.50"***.....	2	31	102749GT	FORMING,ENGINE MOUNT,RH,PERK.....	1
9	88847GT	HOSE,AIR CLEANER TO INTAKE.....	1	--	102748GT	FORMING,ENGINE MOUNT,LH,PERK	
				32		Ref. Function Pump (REFER TO 706.1)	
				--		Ref. Drive Pump (REFER TO 706.1)	
				33	6021GT	WASHER,LOCK,,.375	
				34	94889GT	FUEL FILTER ASSEMBLY.....	1
				--	62421GT	FILTER,FUEL,PERKINS	
				35	72348GT	PUMP,LIFT(FUEL) PERKINS(54555).....	1
						404C-22	

401.1 Perkins 404-22 Engine - View 1
(continued)

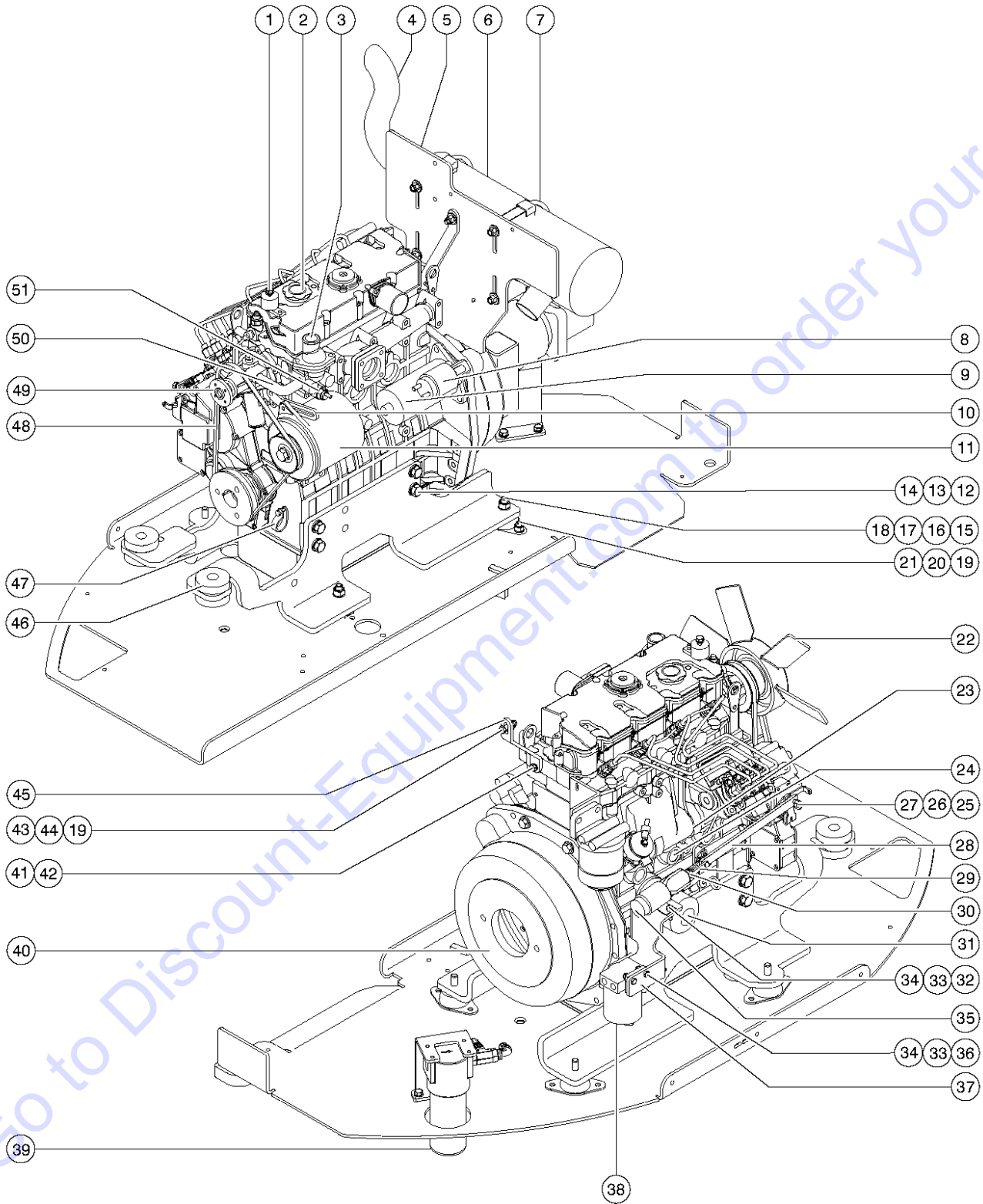
Item	Part No.	Description	Qty.
--	77990GT	KIT,SEAL,3CC PUMP***	
36		Ref. Battery (REFER TO 415.1)	
37	60584GT	GROMMET,RUBBER .75 X .19 X 1**.....3	
38	102112PGT	FORMING,ENGINE BAFFLE,PERKINS.....1	
39	88846GT	HOSE,AIR INLET.....1	
40	110304GT	RADIATOR,FORD/PERKINS***.....1	
--	65473GT	CAP,RADIATOR,PERKINS/FORD	
41	88989PGT	FORMING,UPPER RAD SUPPORT PNTD.....1	

Go to Discount-Equipment.com to order your parts

This Page Intentionally Left Blank

Go to Discount-Equipment.com to order your parts

402.1 Perkins 404-22 Engine - View 2



402.1 Perkins 404-22 Engine - View 2

Item	Part No.	Description	Qty.	Item	Part No.	Description	Qty.
--	160551GT	KIT, 500 HR, PERKINS 404 <i>every 500 hr service kit</i>		--	106663GT	SOLENOID,SHUT DOWN PERKIN40422 <i>404D-22; from SN 9340</i>	
1	60585GT	ISOLATOR,VIBRATION,M8 MALE/FEM.....1	1	--	97404GT	SOLENOID,SHUT DN,PERKNS403C-11 <i>404C-22; from SN 5624 to 9339</i>	
2	65636GT	CAP, OIL FILLER.....1	1	24	111027GT	SWITCH,OIL PRESS-PERKINS 404.....1 <i>to SN 5623</i>	1
--	65638GT	SEAL, OIL FILLER CAP		--	119809GT	SWITCH, OIL PRESSURE <i>(from SN 5624) Old switch design was used with an adaptor; New switch screws directly into engine block. With older engine, remove adaptor and install new switch directly into engine block</i>	
3	77478GT	THERMOSTAT (PERKINS 104-22).....1 <i>404C-22; to SN 9339</i>	1	25	13002GT	SCREW,HHC,5/16-18 X 1 GR5	
--	128986GT	WATER OUTLET, VERTICAL <i>404D-22; from SN 9340</i>		26	5397GT	WASHER,FLAT,USS,5/16",Y	
--	128991GT	THERMOSTAT <i>404D-22; from SN 9340</i>		27	6002GT	NUT,LP NYLOCK,5/16-18	
--	147355GT	GASKET-THERMOSTAT HSG <i>for 128991</i>		28	89953GT	FLATBAR,ALUM,THROTTLE LINKAGE.....1	1
--	77476GT	HOUSING,THERMOSTAT,PERKINS 104 <i>404C-22; to SN 9339</i>		29	21130GT	CLEVIS YOKE-1/4-28,PLTD W/PIN.....1	1
4	89901GT	TAILPIPE,EXHAUST.....1	1	30	21496GT	NUT,HEX,1/4-28	
5	88991PGT	FORMING,MUFFLER MOUNT PAINTED.....1	1	31	94762GT	OIL FILTER - PERKINS.....1	1
6	88841GT	MUFFLER,6".....1	1	32	6888GT	SCREW,HHC,1/4-20 X 1	
--	111418GT	SCRUBBER,SPARK ARRESTER,PERKIN		33	6638GT	WASHER,FLAT,USS,1/4"Y	
--	70385GT	CLAMP,EXHAUST,2.00 PLATED		34	6091GT	NUT,NYLOCK,1/4-20	
7	88993GT	CLAMP,MUFFLER.....2	2	35	77402GT	SOLENOID,THROTTLE ACTUATOR DSL.....1	1
8		SOLENOID,STARTER, (72335).....1 <i>component no longer available</i>	1	36	8915GT	SCREW,HHC,1/4-20 X 1.25	
9	228457GT	STARTER, PERKINS, 404D.....1 <i>(comes with integrated solenoid)</i>	1	37	94378PGT	FORMING,SOLENOID MOUNT PAINTED.....1 <i>to SN 9339</i>	1
10	89762GT	LEVER, ALTERNATOR (PERKINS 404.....1	1	--	128588GT	FORMING,SOLENOID MOUNT <i>from 9340</i>	
11	72342GT	ALTERNATOR, PERKINS (54555).....1 <i>to SN 5623</i>	1	38	75020GT	SEPRTR/FLTR,FUEL DSL,15GPH,.30....1	1
--	111029GT	ALTERNATOR,65 AMP,PERKINS 404 <i>from 5624</i>		--	62433GT	FILTER,ELEMENT,30 MIC,75020	
12	54687GT	SCREW,HHC,M14 X 1.5X40MM,GR8.8		39		Ref. Medium Pressure Filter Assembly <i>(refer to 415.1)</i>	
13	37505GT	WASHER,LOCK,M14		40	54573GT	PUMP MOUNT KIT,PERKINS DSL.....1 <i>(complete) includes kit 128022 and housing pump 89771</i>	1
14	49411GT	WASHER,FLAT,M14		--	128022GT	KIT,FBA STYLE COUPLER,PERKINS <i>includes 15-tooth coupler (128003), fastener kit (1263209) and grease</i>	
15	6198GT	NUT,NYLOCK,1/2-13		--	89771GT	HOUSING,PUMP MOUNT (54573)	
16	39479GT	SCREW,HHC,1/2-13 X 2.75		--	128024GT	SCREW, HHC, M8 X 1.25 X 12 <i>included in kit 128022</i>	
17	70452GT	ISOLATOR,ENGINE VIBRATION***4	4	--	29749GT	COUPLER,SMALL METAL,15T,*** <i>to SN 8049</i>	
18	102066PGT	CASTING,WASHER,REBOUND,PAINTED.4	4	--	128003GT	COUPLER,15 TOOTH,FBA,PERKINS** <i>from SN 8050; includes grease</i>	
19	4828GT	NUT,NYLOCK,3/8-16		41	23057GT	SCREW,HHC,M8 X 20MM	
20	6175GT	SCREW,HHC,3/8-16 X 1					
21	5397GT	WASHER,FLAT,USS,5/16",Y					
22	77483GT	FAN, ENGINE (104-22)(404-22)*.....1	1				
--	1252943GT	SPACER,FAN,PERKINS 404F					
23	236426GT	SOLENOID KIT,SHUT DN,PERKINS.....1 <i>404C-22; from SN 4551 to 5623</i>	1				

402.1 Perkins 404-22 Engine - View 2
(continued)

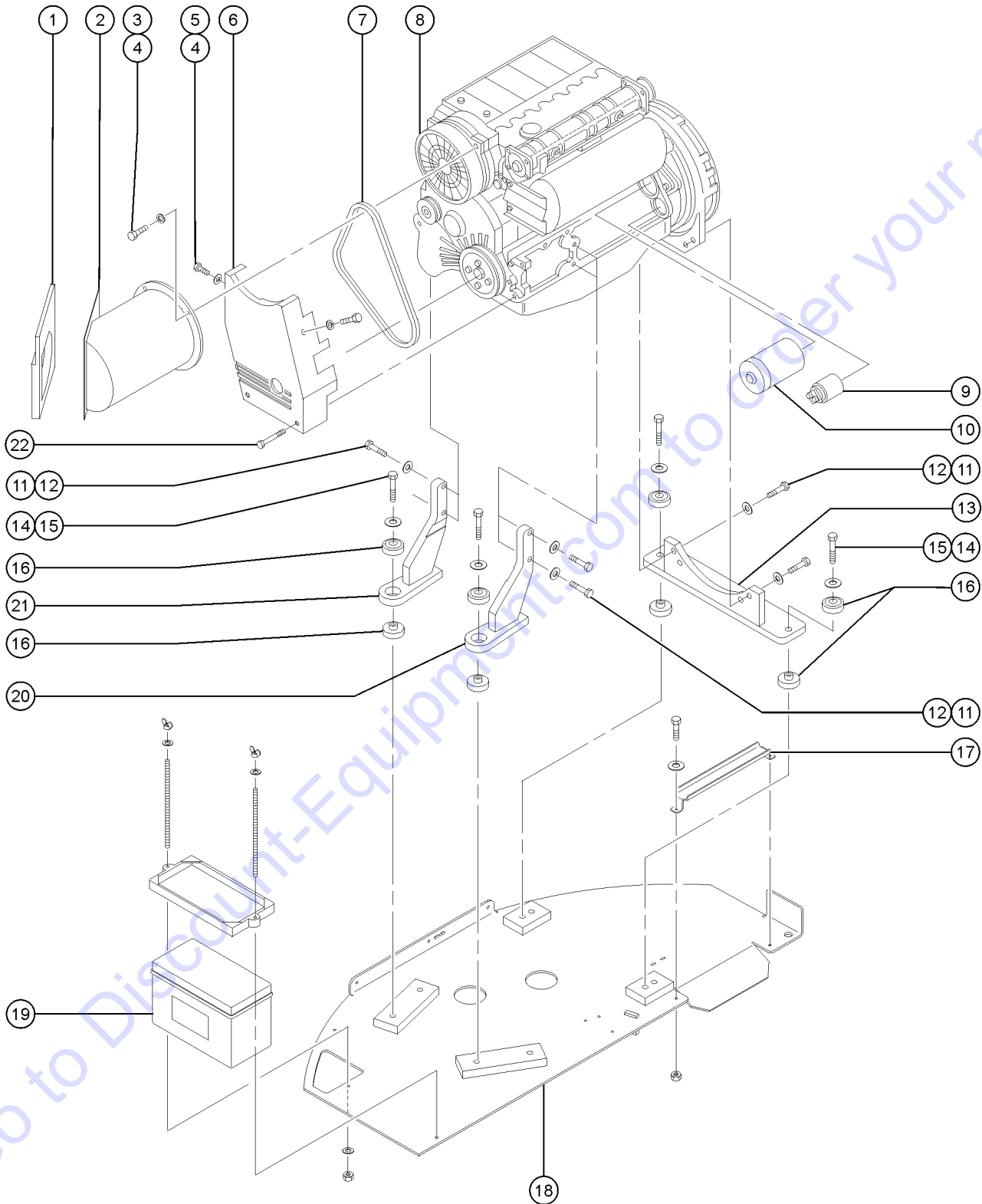
Item	Part No.	Description	Qty.
42	49408GT	WASHER,LOCK,M8	
43	6019GT	SCREW,HHC,3/8-16 X 1.25 GRD 5	
44	6097GT	WASHER,FLAT,USS,3/8",Y	
45	88992PGT	FORMING,MUFFLER SUPPORT PAINTE.....1	
46	24038GT	SHOCK MOUNT,SMALL.....4	
47	6653GT	CLAMP,1.88,#30 X 1/4,RUB CUSH.....1	
48	89765GT	BELT, V (PERKINS 404).....1	
49	89763GT	PUMP WATER (PERKINS 404)***.....1 404C-22; to SN 9339	
--	128987GT	WATER PUMP 404D-22; from SN 9340	
--	58354GT	GASKET,WATER PUMP	
--	77482GT	PULLEY, WATER PUMP	
49A	58354GT	GASKET,WATER PUMP for 89763, 128987	
50	89764GT	HOSE, WATER PUMP (PERKINS 404)...1	
51	111028GT	SWITCH,WATER TEMP,PRKNS,404***.....1 to SN 5623	
--	97473GT	SENSOR,WATER TEMPERATURE from 5624	

Go to Discount-Equipment.com to order your parts

This Page Intentionally Left Blank

Go to Discount-Equipment.com to order your parts

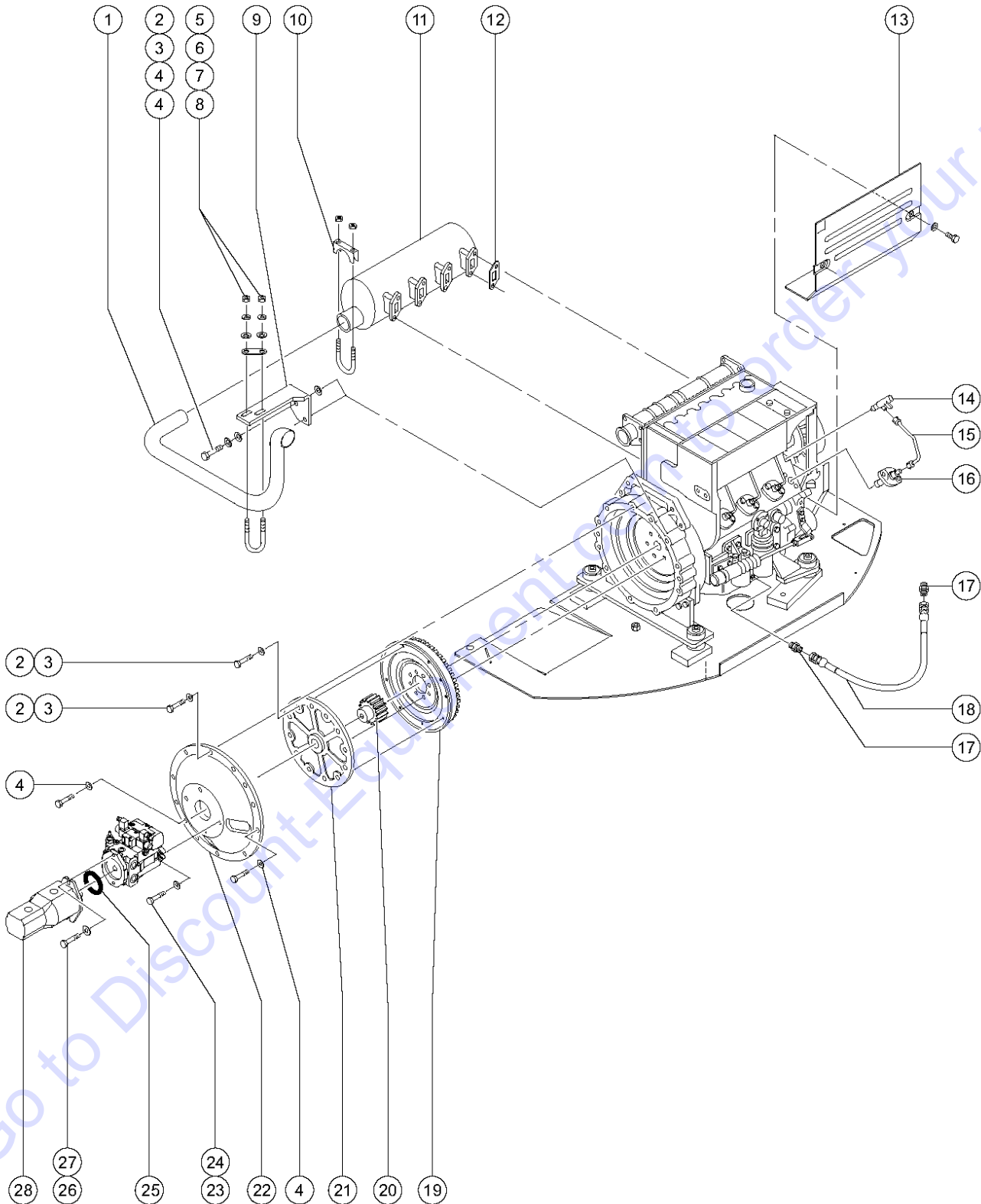
403.1 Deutz F4L 1011F Engine - View 1 (to SN 4607)



403.1 Deutz F4L 1011F Engine - View 1 (to SN 4607)

Item	Part No.	Description	Qty.
--	160550GT	KIT, 500 HR, DEUTZ TURBO <i>every 500 hr service kit</i>	
--	52229GT	MANUAL,DEUTZ WORKSHOP 1011F	
--	89453GT	HARNESSE,ENGINE,DEUTZ,Z60,2002*	
1	53715GT	FOAM GASKET,AIR INTAKE.....1	
2	33060PGT	WELDMENT,AIR INTAKE TUBE,BLUE...1	
3	32309GT	SCREW,HHC,M8 X 60MM X 1.25	
4	33277GT	WASHER,FLAT,M8,YELLOW ZINC	
5	23057GT	SCREW,HHC,M8 X 20MM	
6	29555GT	COVER,FRONT DEUTZ ENGINE.....1 <i>includes 2 each index number 4, 5 and 22</i>	
7	32698GT	BELT,V, DEUTZ DIESEL ENGINE.....1	
8	35586GT	ALTERNATOR, DEUTZ F3L10/F4L10*	
9	49915GT	SOLENOID-STARTR DEUTZF4L1011F*.....1	
10	37950GT	STARTER,DEUTZ,F4L1011F/F3L1011...1 <i>11 tooth; inspect old starter before ordering (includes item 9)</i>	
--	139709GT	STARTER, 12V <i>9 tooth; inspect old starter before ordering (includes item 9)</i>	
11	34265GT	SCREW,HHC,M14 X 55	
12	37505GT	WASHER,LOCK,M14	
13	29550GT	WELDMENT,DEUTZ ENGINE MOUNT...1	
14	13003GT	SCREW,HHC,5/8-11 X 3.5 GRD.8.....4	
15	33418GT	WASHER,FLAT,.625 X 2.25 X.15	
16	28076GT	ISOLATOR,VIBRATION,LG,RD&WH***...4	
17	89672PGT	FORMING,HYD. HOSE RESTRAINT.....1	
18		Ref. Engine Tray (refer to 415.1)	
19		Ref. Battery (refer to 415.1)	
20	32748GT	WELMENT,DEUTZ ENGINE MOUNT.....1	
21	32749GT	WELDMENT,DEUTZ ENGINE MOUNT...1	
22	49401GT	SCREW,HHC,M8 X 100	

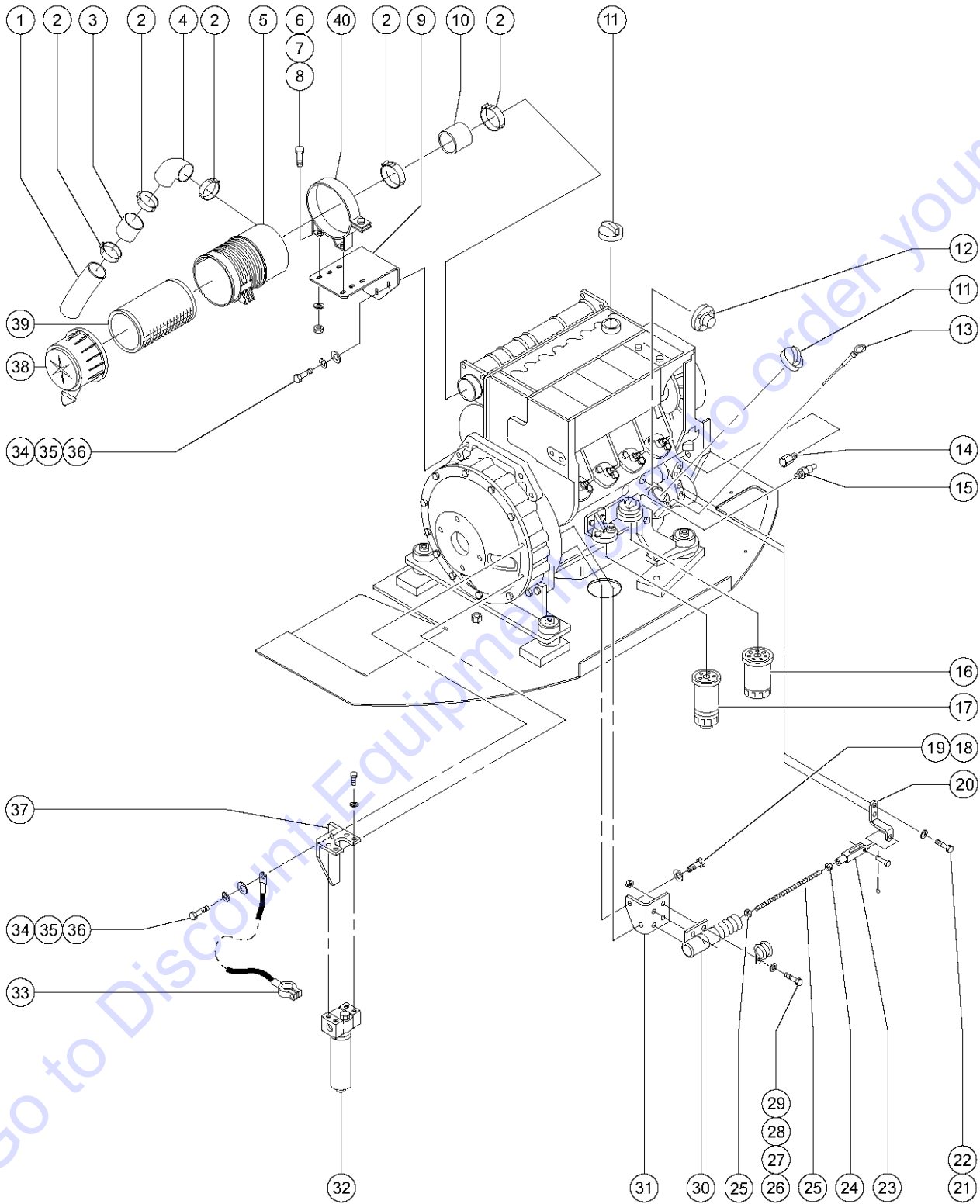
404.1 Deutz F4L 1011F Engine - View 2 (to SN 4607)



404.1 Deutz F4L 1011F Engine - View 2 (to SN 4607)

Item	Part No.	Description	Qty.
1	30493GT	EXHAUST, TAILPIPE, DEUTZ, Z60.....	1
2	44064GT	SCREW, HHC, M10 X 30MM,	
3	22700GT	WASHER, LOCK, M10	
4	6097GT	WASHER, FLAT, USS, 3/8", Y	
5	6037GT	NUT, HEX, 5/16-18, GR5	
6	6886GT	WASHER, LOCK, .313	
7	6638GT	WASHER, FLAT, USS, 1/4" Y	
8	16584GT	U-BOLT, KIT 5/16-18 X 2.5 ***	
9	27329PGT	BRACKET, EXHAUST SUPPRT, PAINT....	1
10	30438GT	CLAMP, MUFFLER, 2 1/4" ID.....	1
11	29558GT	MUFFLER**.....	1
12	29559GT	GASKET, EXHAUST.....	4
13	49916GT	COVER - DEUTZ F4L1011F..... <i>includes mounting fasteners</i>	1
14	49919GT	INJECTOR - DEUTZ F4L1011F..... <i>Non-EPA models</i>	4
--	65458GT	INJECTOR-FUEL(F4L 1011F-EPA) <i>EPA models</i>	
15	49921GT	FUEL LINE INJ. DEUTZ F4L1011F.....	4
16	49929GT	INJECTOR PUMP - DEUTZ F4L1011F... <i>Non-EPA models</i>	4
--	65459GT	PUMP-INJECTOR (F4L 1011F-EPA) <i>EPA models</i>	
17	48916GT	CONN, 520120-6.....	2
18	49135339SGT	HOSE ASSY 3/8".....	1
19	49917GT	RING GEAR, DEUTZ F3 & F4L1011F*... <i>(please verify ring gear thickness) 0.6 inches</i>	1
--	33729GT	RING GEAR, DEUTZ F3 & F4L1011* <i>(please verify ring gear thickness) 0.365 inches</i>	
--	89785GT	RING GEAR, DEUTZ F3L2011F <i>(please verify ring gear thickness) 0.6 inches</i>	
20	37003GT	COUPLER, HUB, 15 TOOTH 7/16BOLT*.....	1
21	33024GT	FLYWHEEL FLANGE, GREEN PLASTIC.....	1
22	30806GT	FLYWHEEL COVER, CASTING***.....	1
23	8177GT	SCREW, HHC, 1/2-13 X 1.5	
24	6033GT	WASHER, LOCK, 0.5"	
25		Ref. O-ring (refer to 706.1).....	1
26	6175GT	SCREW, HHC, 3/8-16 X 1	
27	6021GT	WASHER, LOCK, .375	
28		Ref. Function Pump (refer to 706.1)	
--		Ref. Drive Pump (refer to 706.1)	

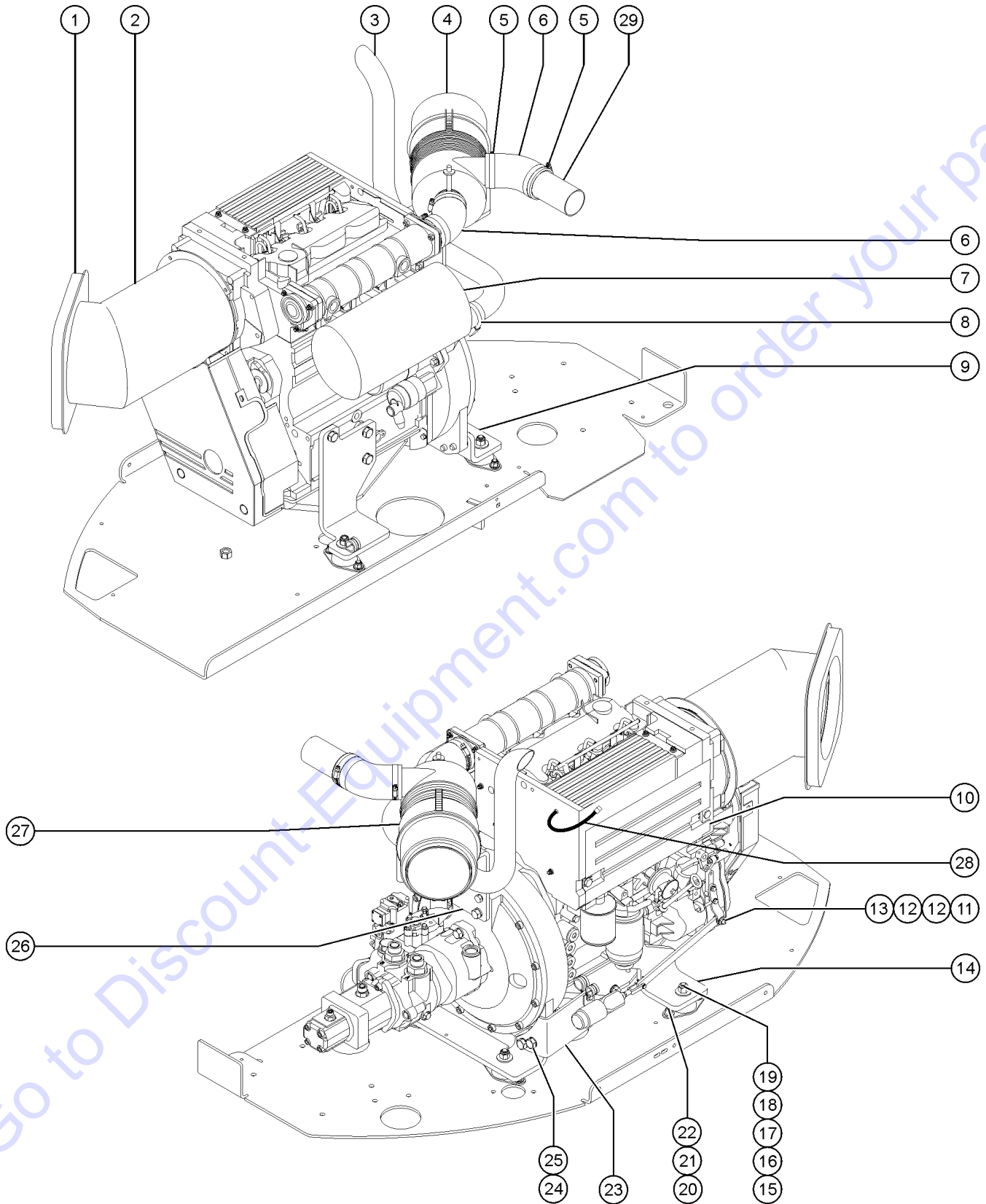
405.1 Deutz F4L 1011F Engine - View 3 (to SN 4607)



405.1 Deutz F4L 1011F Engine - View 3 (to SN 4607)

Item	Part No.	Description	Qty.	Item	Part No.	Description	Qty.
--	139624GT	SWITCH, OIL PRESSURE 1.5 BAR.....1 <i>(replaced 65765)</i>		22	6356GT	WASHER, LOCK, .25	
--	139666GT	KIT, OP SWITCH, DEUTZ <i>(includes 139624 and instructions)</i>		23	21130GT	CLEVIS YOKE-1/4-28, PLTD W/PIN	
1	34162-1900GT	HOSE, AIR INTAKE, 2.50ID X 19.00".....1 <i>to SN 4607</i>		24	21496GT	NUT, HEX, 1/4-28	
2	45435GT	CLAMP, HOSE, 2.50"***.....5		25	30785-1500GT	THREADED ROD, 1/4-28 X 15 IN***.....1	
3	35067-200GT	TUBE, RD, ALUM, 2.5 X .083 X 2.00.....1		26	6888GT	SCREW, HHC, 1/4-20 X 1	
4	34164GT	ELBOW, 90 DEGR, RUBBER, 2.5" I.D.*.....1		27	6638GT	WASHER, FLAT, USS, 1/4" Y	
5	63463GT	AIR CLEANER, NELSON***.....1 <i>plastic housing</i>		28	6833GT	CLAMP, 0.50, #8 X 1/4, RUB CUSH.....2	
--	52866GT	EVACUATOR VALVE-AIR CLEANER		29	6091GT	NUT, NYLOCK, 1/4-20	
--	58415GT	CLIP, AIR CLEANER END CAP*** <i>end cap not available separately</i>		30	29073GT	SOLENOID, THROTTLE,.....1	
--	65810GT	BAFFLE, AIR CLEANER (27915)**		--	52537GT	BOOT, SOLENOID, 29073	
6	6175GT	SCREW, HHC, 3/8-16 X 1		31	33241PGT	BRACKET, SOLENOID MTG, PAINTED....1	
7	6097GT	WASHER, FLAT, USS, 3/8", Y		32		Ref. Medium Pressure Filter Assembly <i>(refer to 419.1)</i>	
8	7713GT	NUT, LP NYLOCK, 3/8-16		33		Ref. Black Battery Cable <i>(refer to 419.1)</i>	
9	30769PGT	BRCKET, AIR CLEANER MTG. PAINT**.....1		34	44064GT	SCREW, HHC, M10 X 30MM,	
10	30967GT	HOSE, AIR INTAKE 2.75" I.D.***.....1		35	22700GT	WASHER, LOCK, M10	
11	29557GT	CAP, OIL FILLER, DEUTZ, DIESEL ***.....2		36	6097GT	WASHER, FLAT, USS, 3/8", Y	
12	49923GT	PUMP, FUEL LIFT, F4L1011F.....1		37	30230PGT	FILTER MOUNT BRACKET.....1	
13	49922GT	DIPSTICK - DEUTZ F4L1011F.....1		38		END CAP.....1 <i>not available separately; included with item 5</i>	
14	T114678GT	SHUTDOWN SOLENOID, 12V, DEUTZ....1 <i>(must order cable assembly, 58256, if replacing 32752) (includes o-ring)</i>		39	62420GT	FILTER, AIR***.....1	
--	45782GT	DIODE, 6 AMP, 200 PIV, BULK		40	53952GT	BRKT, AIR CLEANER ORIENTATION**.....1	
--	58256GT	SOLENOID CABLE ASSY***					
--	72255GT	CONNECTOR, DEUTZ FUEL SHUTOFF* <i>(does not include diode, 45782)</i>					
15	102686GT	OIL TEMP SENSOR, DEUTZ F4L2011...1					
16	49924GT	FILTER, OIL, DEUTZ F4L1011F.....1 <i>Genie Genuine Part. See PN 1255653 for compatible aftermarket replacement.</i>					
--	1255653GT	FILTER, OIL, DEUTZ, REPLACEMENT....1 <i>Genie Aftermarket Part. Compatible with Genie Genuine Part 49924.</i>					
17	29560GT	FILTER, FUEL/WTR SEP, DTZ 1008.....1 <i>Genie Genuine Part. See PN 1254826 for compatible aftermarket replacement.</i>					
--	1254826GT	FUEL FILTER W/SEP, DEUTZ, 1008.....1 <i>Genie Aftermarket Part. Filter for Deutz F3L 1011F Engine.</i>					
18	23057GT	SCREW, HHC, M8 X 20MM					
19	6886GT	WASHER, LOCK, .313					
20	33240PGT	BRACKET, ACTUATOR ARM MTG, PTD.....1					
21	22578GT	SCREW, HHC, M6 X 20MM, GR8.8					

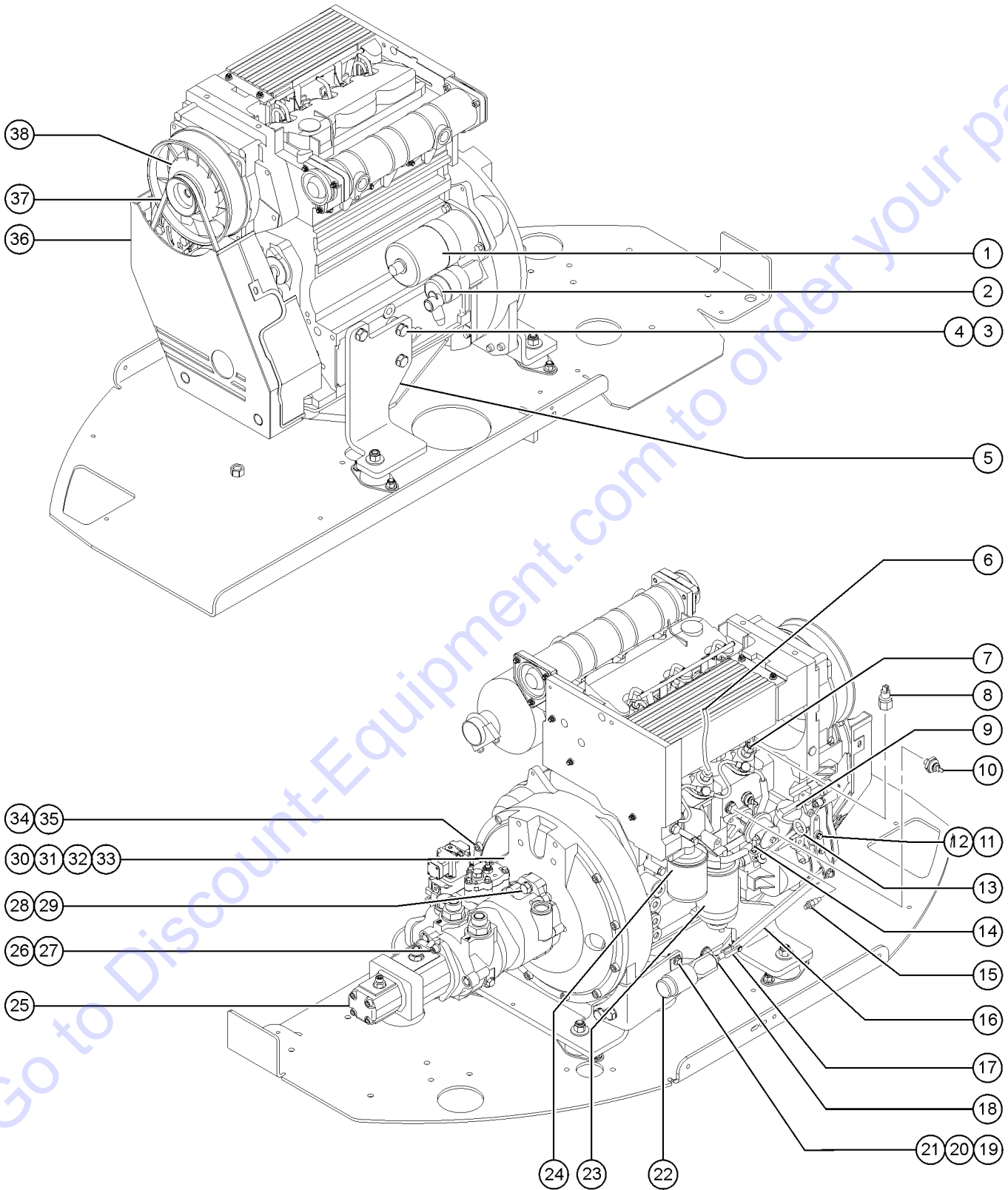
406.1 Deutz F3L 2011/D2011L03i Engine - View 1 (from SN 4608)



406.1 Deutz F3L 2011/D2011L03i Engine - View 1 (from SN 4608)

Item	Part No.	Description	Qty.	Item	Part No.	Description	Qty.
--	89999GT	HARNESS,DEUTZ ENGINE (F3L2011) <i>from SN 4608 to SN 5827</i>		25	37505GT	WASHER,LOCK,M14	
--	111672GT	HARNESS,DEUTZ ENGINE (F3L2011) <i>from SN 5827 to SN 11903</i>		26	89893PGT	FORMING,AIR CLEANER MOUNT,PNTD.....1	1
--	214902GT	HARNESS,DEUTZ ENGINE (F3L2011) <i>from SN 11904</i>		27	53952GT	BRKT,AIR CLEANER ORIENTATION**.....1	1
--	111141GT	HARNESS, GND BOX, DIESEL,Z60 <i>from SN 4608 to SN 9339</i>		28	147525GT	FITTING,BARBED,STRT,FUEL LINE	
--	122710GT	HARNESS,GRND BOX,DEUTZ,Z60 <i>from SN 9340 to SN 11903</i>		--	147526GT	FITTING,BARBED,TEE,FUEL LINE	
--	215871GT	HARNESS,GND BOX,DEUTZ,Z60 <i>from SN 11904</i>		29	35067-500GT	TUBE,RD,ALUM 2.5 X .083.....1	1
1	89902GT	GASKET,FOAM,AIR INTAKE,DEUTZ.....1					
2	89895PGT	WELDMENT,AIR INTAKE,PAINT.....1					
3	89888GT	TAILPIPE,EXHAUST.....1					
4	63463GT	AIR CLEANER,NELSON***.....1 <i>plastic housing</i>					
--	52866GT	EVACUATOR VALVE-AIR CLEANER					
--	58415GT	CLIP,AIR CLEANER END CAP*** <i>end cap not available separately</i>					
--	62420GT	FILTER,AIR***					
--	65810GT	BAFFLE, AIR CLEANER (27915)**					
5	30971GT	CLAMP,HOSE,3.00".....4					
6	33361GT	ELBOW,45 DEGR,RUBBER,2.5" I.D.....2					
7A	32695GT	MUFFLER,DEUTZ.....1					
7B	119117GT	MUFFLER,CAT/SPARK,DEUTZ					
7C	29559GT	GASKET,EXHAUST.....3 <i>for 119117, 3 required</i>					
8	89775GT	CLAMP, MUFFLER.....1					
9	89903PGT	FORMING,ENGINE MOUNT DEUTZ.....1					
10	89776GT	COVER, ENGINE, DEUTZ F3L 2011F....1					
11	6888GT	SCREW,HHC,1/4-20 X 1					
12	6638GT	WASHER,FLAT,USS,1/4"Y					
13	6889GT	NUT,LP NYLOCK,1/4-20					
14	89889PGT	FORMING,ENGINE MOUNT OUT PAINT.....1					
15	6198GT	NUT,NYLOCK,1/2-13					
16	39479GT	SCREW,HHC,1/2-13 X 2.75					
17	70452GT	ISOLATOR,ENGINE VIBRATION***.....4					
18	80150GT	WASHER-FLAT, 1/2" (80056)					
19	102066PGT	CASTING,WASHER,REBOUND,PAINTED					
20	4828GT	NUT,NYLOCK,3/8-16					
21	6175GT	SCREW,HHC,3/8-16 X 1					
22	5397GT	WASHER,FLAT,USS,5/16",Y					
23	102180GT	BRACKET,SOLENOID MOUNT.....1					
24	89259GT	SCREW HHC, M14x50					

407.1 Deutz F3L 2011/D2011L03i engine - View 2 (from SN 4608)



407.1 Deutz F3L 2011/D2011L03i engine - View 2 (from SN 4608)

Item	Part No.	Description	Qty.	Item	Part No.	Description	Qty.
--	139622GT	HEAT SHIELD,DEUTZ STARTER		16	94485GT	THROTTLE LINKAGE,DIESEL***.....1	1
--	48884GT	FITTING, M18 X 8, 52MO187		17	21130GT	CLEVIS YOKE-1/4-28,PLTD W/PIN.....1	1
--	94464-1986GT	HOSE ASSY,1/2,90 FEM,STR FEM		18	21496GT	NUT,HEX,1/4-28	
--	53538GT	PLUG,520109-8,ORFS		19	6888GT	SCREW,HHC,1/4-20 X 1	
--	70496GT	STRAINER,FUEL 40 MICRON <i>from SN 4608 to 6229</i>		20	6638GT	WASHER,FLAT,USS,1/4"Y	
--	119344GT	KIT,PRIMER BULB <i>from SN 4608 to 6229</i>		21	6095GT	WASHER,FLAT,USS,1/2",Y	
--	139624GT	SWITCH, OIL PRESSURE 1.5 BAR.....1 <i>(replaced 65765)</i>	1	22	77402GT	SOLENOID,THROTTLE ACTUATOR DSL.....1	1
--	139666GT	KIT,OP SWITCH,DEUTZ <i>(includes 139624 and instructions)</i>		23	29560GT	FILTER,FUEL/WTR SEP, DTZ 1008.....1 <i>Genie Genuine Part. See PN 1254826 for compatible aftermarket replacement.</i>	1
1	139709GT	STARTER, 12V.....1	1	--	1254826GT	FUEL FILTER W/SEP,DEUTZ,1008.....1 <i>Genie Aftermarket Part. Filter for Deutz F3L 1011F Engine.</i>	1
--	139621GT	KIT, HEAT GUARD, DEUTZ STARTER		24	49924GT	FILTER,OIL,DEUTZ F4L1011F.....1 <i>Genie Genuine Part. See PN 1255653 for compatible aftermarket replacement.</i>	1
--	139622GT	HEAT SHIELD,DEUTZ STARTER <i>from SN 10022</i>		--	1255653GT	FILTER,OIL,DEUTZ,REPLACEMENT.....1 <i>Genie Aftermarket Part. Compatible with Genie Genuine Part 49924.</i>	1
2	49915GT	SOLENOID-STARTR DEUTZF4L1011F*.....1	1	25		Ref. Function Pump <i>REFER TO 706.1</i>	
3	22558GT	SCREW,HHC,M14 X 40MM,GR 8.8		--		Ref. Drive Pump <i>REFER TO 706.1</i>	
4	37505GT	WASHER,LOCK,M14		26	6175GT	SCREW,HHC,3/8-16 X 1	
5	89890PGT	FORMING,ENGINE MOUNT,INBOA PNT.....1	1	27	6021GT	WASHER,LOCK,,375	
6	89780GT	FUEL LINE, DEUTZ F3L 2011F,1 METER LG.....3	3	28	6096GT	SCREW,HHC,1/2-13 X 2 GR5	
7	52352GT	DIPSTICK-F3L1011F (DEUTZ).....3 <i>verify letter code (A, B, C or D) before ordering</i>	3	29	6033GT	WASHER,LOCK,0.5"	
--	1288561GT	O-RING,FUEL INJECTOR,DEUTZ (89792) <i>for 89792</i>		30	70381GT	COVER,FLYWHEEL CASTING.....1	1
--	89792GT	INJECTOR, FUEL(DEUTZ F3L2011F)		31	37003GT	COUPLER,HUB,15 TOOTH 7/16BOLT*.....1 <i>to SN 7924</i>	1
8	111445GT	SENDING UNIT,OIL TEMP SWCH,DTZ.....1	1	32	33024GT	FLYWHEEL FLANGE,GREEN PLASTIC.....1 <i>to SN 7924</i>	1
9	29557GT	CAP,OIL FILLER,DEUTZ,DIESEL ***.....1	1	--	128004GT	COUPLER,15 TOOTH,FBA,SAE8*** <i>from SN 7925</i>	
10	139624GT	SWITCH, OIL PRESSURE 1.5 BAR.....1	1	--	128023GT	KIT,FBA STYLE COUPLER,SAE8 <i>from SN 7925</i>	
11	22578GT	SCREW,HHC,M6 X 20MM,GR8.8		--	22700GT	WASHER,LOCK,M10	
12	6356GT	WASHER,LOCK,,25		--	44064GT	SCREW,HHC,M10 X 30MM,	
13	52352GT	DIPSTICK-F3L1011F (DEUTZ).....1 <i>to SN 7384</i>	1	--	62476GT	SCREW,SHC,M10X1.5X20MM (75090) <i>use for part 128004</i>	
--	147243GT	DIPSTICK, OIL, D2011 <i>from SN 7385</i>		33	89785GT	RING GEAR,DEUTZ F3L2011F.....1 <i>(please verify ring gear thickness) 0.60 inches</i>	1
14	111668GT	PUMP,FUEL 2011 DEUTZ ***		--	33729GT	RING GEAR,DEUTZ F3 & F4L1011* <i>(please verify ring gear thickness) 0.365 inches</i>	
--	111402GT	O-RING, FUEL LIFT PUMP					
15	T114678GT	SHUTDOWN SOLENOID,12V, DEUTZ....1 <i>(must order cable assembly, 58256, if replacing 32752) (includes o-ring)</i>	1				
--	45782GT	DIODE,6 AMP,200 PIV,BULK					
--	58256GT	SOLENOID CABLE ASSY***					
--	72255GT	CONNECTOR, DEUTZ FUEL SHUTOFF* <i>(does not include diode, 45782)</i>					

407.1 Deutz F3L 2011/D2011L03i engine - View 2 (from SN 4608)
 (continued)

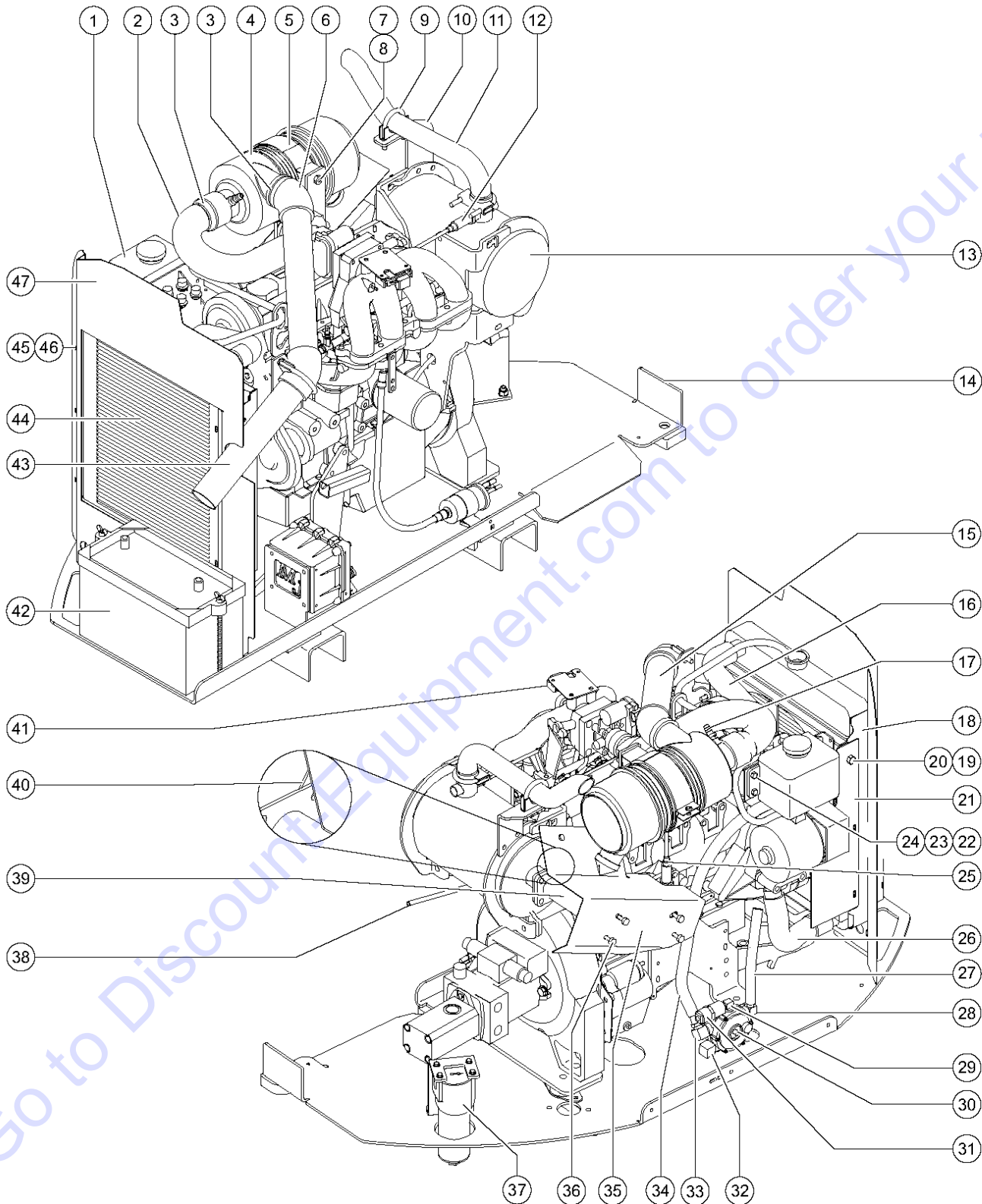
Item	Part No.	Description	Qty.
--	49917GT	RING GEAR,DEUTZ F3 & F4L1011F* <i>(please verify ring gear thickness) 0.46 inches</i>	
34	61110GT	SCREW,SHC,M10X1.5X30 GR 12.9	
35	22700GT	WASHER,LOCK,M10	
36	89786GT	COVER, PULLEY (DEUTZ F3L 2011).....1	
--	89787GT	SCREW,M8X20-8.8	
--	89788GT	WASHER,9MM I.D.	
37	32698GT	BELT,V, DEUTZ DIESEL ENGINE.....1	
38	35586GT	ALTERNATOR, DEUTZ F3L10/F4L10*....1	

407.1 Deutz F3L 2011/D2011L03i engine - View 2 (from SN 4608)
(continued)

This Page Intentionally Left Blank

Go to Discount-Equipment.com to order your parts

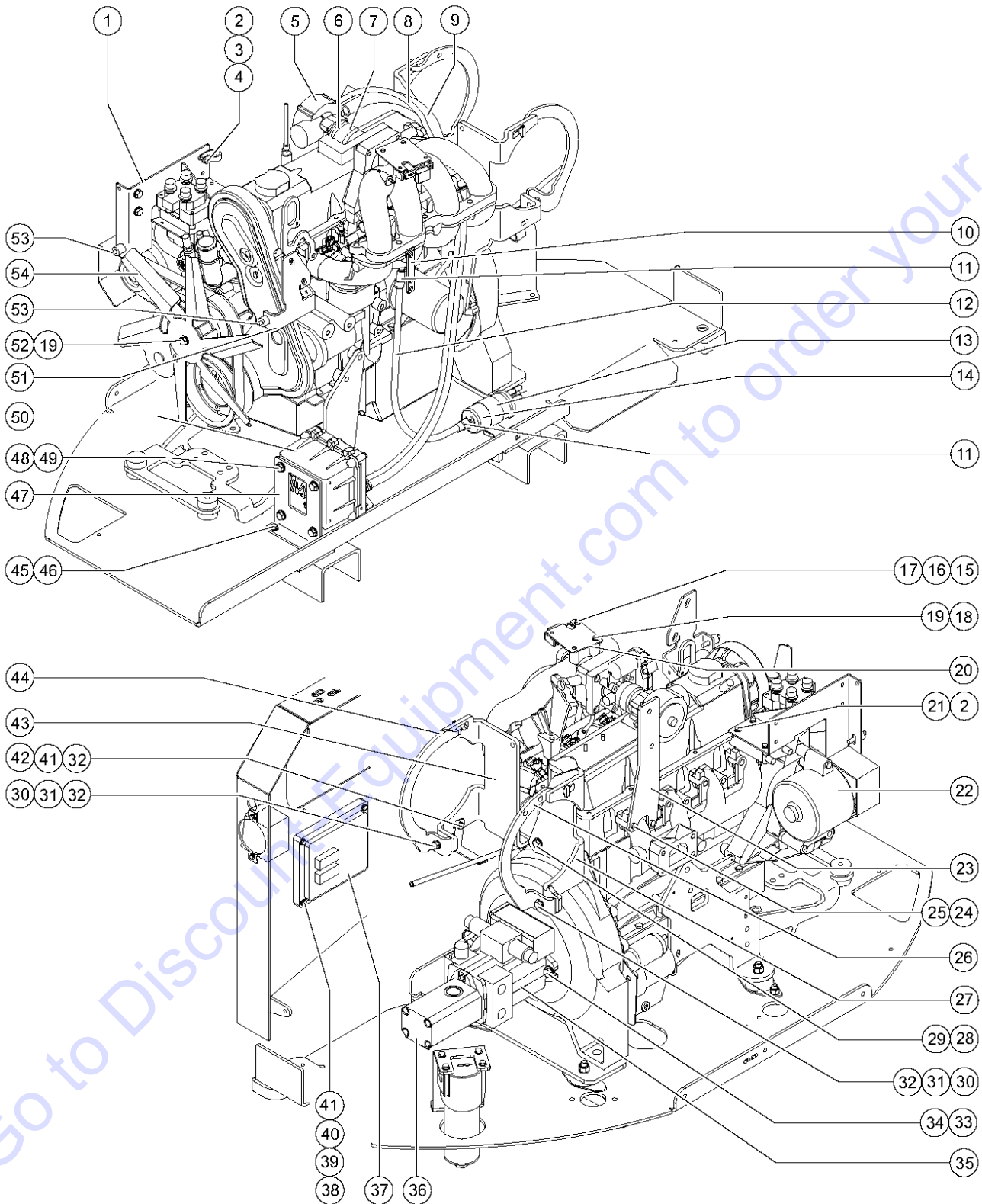
408.1 Ford LRG-425 EFL Engine - View 1 (to SN 6315)



408.1 Ford LRG-425 EFL Engine - View 1 (to SN 6315)

Item	Part No.	Description	Qty.	Item	Part No.	Description	Qty.
--		ENGINE,FORD LRG 425,EFIZ45 (remanufactured long block only, does not include starter, alternator, radiator or fuel system)		23	6638GT	WASHER,FLAT,USS,1/4"Y	
--	102107GT	HARNESS,FORD EFI 2004		24	6091GT	NUT,NYLOCK,1/4-20	
--	57767GT	SCRUBBER,EXHAUST,FORD,EFI		25	88450GT	SENSOR,OXYGEN LRG425EFI.....1	
--	27412GT	PIVOT STOP BRACKET,AWP2 30/36		26	77170GT	HOSE,LOWER RADIATOR,Z45.....1	
--	35817GT	STUD,EXHAUST MANIFOLD-FORD,LRG		--	13014GT	CLAMP,HOSE,2.25" DIA.	
--	35818GT	NUT,EXHAUST MANIFOLD-FORD,LRG		27	1702GT	HOSE-HEATER,5/8 ID-BLACK	
1	1279268GT	BOTTLE, COOLANT RECOVERY, 2QT.....1		28	102074GT	ELBOW,90DEG, .63 HS X.375 MPT.....1	
--	6833GT	CLAMP,0.50,#8 X 1/4,RUB CUSH		29	19363GT	ELBOW,130239-4-4.....1	
--	72327GT	CAP, COOLANT RET SYS(54071)		30	70525GT	REGULATOR,LPG.....1	
2	88847GT	HOSE,AIR CLEANER TO INTAKE.....1		31	88757GT	VALVE,LP LOCKOUT W/CONN***.....1	
3	45435GT	CLAMP,HOSE,2.50"***3		--	19358GT	CONNECTOR,010102-6-4	
4	111634GT	AIR CLEANER,FORD,T3.....1		32	102072GT	FITTING, STR 1/2 NPT X 3/4 HS.....1	
--	1277991GT	CLIP,AIR CLEANER COVER (58247) for 58247		33	102073GT	ELBOW,90 DEG,3/8NPT X 1/2 FNPT.....1	
--	227988GT	VACUATOR VALVE		34	823702GT	HOSE,3/4" COOLANT,44.00"LG.....1	
--	38922GT	ELBOW,90DEG.1/8MPT-5/16 BARB		35	102118GT	FORMING,HEAT SHIELD,FORD.....1	
--	58247GT	AIR CLEANER CAP/ FORD/NOLFF***		36	32064GT	CLAMP,MUFFLER,1.75 INCH.....2	
--	77295GT	FILTER ELEMENT,AIR,NOLFF LPG		37		FILTER ASY,M PRESS,SAE8,WOIND* (77139).....1 component no longer available	
5	53952GT	BRKT,AIR CLEANER ORIENTATION**.....1		--	60857GT	FILTER,ELEMENT,BETA(5)=1000 for 77139	
6	33361GT	ELBOW,45 DEGR,RUBBER,2.5" I.D.....2		37A	1267807GT	ASSY, MED. PRESS. FILTER, SAE8	
7	6782GT	NUT,NYLOCK,5/16-18		--	1268229GT	ELEMENT-5 MIC, PAPER, W/ BYPASS for 1267807	
8	10107GT	SCREW,HHC,5/16-18 X .75		38	70419GT	DIP STICK TUBE,FORD GAS.....1	
9	102121GT	CLAMP,MUFFLER,1-7/8 IN.....2		--	52566GT	DIPSTICK, OIL LEVEL,LRG425 EFI	
10	102109PGT	FORMING,MUFFLER SUPPORT,PNTD.....1		39	89973GT	EXHAUST PIPE ASSEMBLY, FORD.....1	
11	102009GT	TAILPIPE,FORD LRG 425, S40/S45.....1		--	102134GT	GASKET,EXHAUST FORD TIER II	
12	106486GT	SENSOR,AIR,CAT MONITOR***.....1		--	72343GT	GASKET,EXH FLANGE-FORD/PERKINS	
13	106178GT	WELDMENT,MUFFLER,FORD TIER2.....1		40	102779PGT	FORMING,HEAT SHLD SUPPORT,PTD.....1	
--	55030GT	MUFFLER,PURIS40,S&Z60,S80 FORD		--	4828GT	NUT,NYLOCK,3/8-16	
14		Ref. Engine Tray (refer to 415.1)		--	6021GT	WASHER,LOCK,.375	
15	102104GT	TUBE,INTAKE,2.50 OD X 15.63".....1		--	8255GT	SCREW,HHC,3/8-16 X .75	
16	54862GT	HOSE,UPPER RADIATOR,Z45.....1		41	49898GT	MAP SENSOR, EFI.....1	
17	102977GT	HOSE FITITNG,BRASS,AIR CLEANER.....1		42		Ref. Battery (refer to 415.1)	
18	54598PGT	SHROUD,RADIATOR,FORD LGR425,PA.....1		43	102103GT	TUBE,INTAKE,2.50 OD X 13".....1	
19	21019GT	SCREW,PHIL,PHM,10-24 X.5,SEMS		44	110304GT	RADIATOR,FORD/PERKINS***.....1	
20	6146GT	WASHER,FLAT,MS,#10,Y		--	65473GT	CAP,RADIATOR,PERKINS/FORD	
21	102010PGT	FORMING,FAN GUARD,FORD,PAINTED.....1		45	8255GT	SCREW,HHC,3/8-16 X .75	
22	6090GT	SCREW,HHC,1/4-20 X .75		46	6021GT	WASHER,LOCK,.375	
				47	102350PGT	FORMING,RAD.SHROUD,FORDZ60,PTD.1	

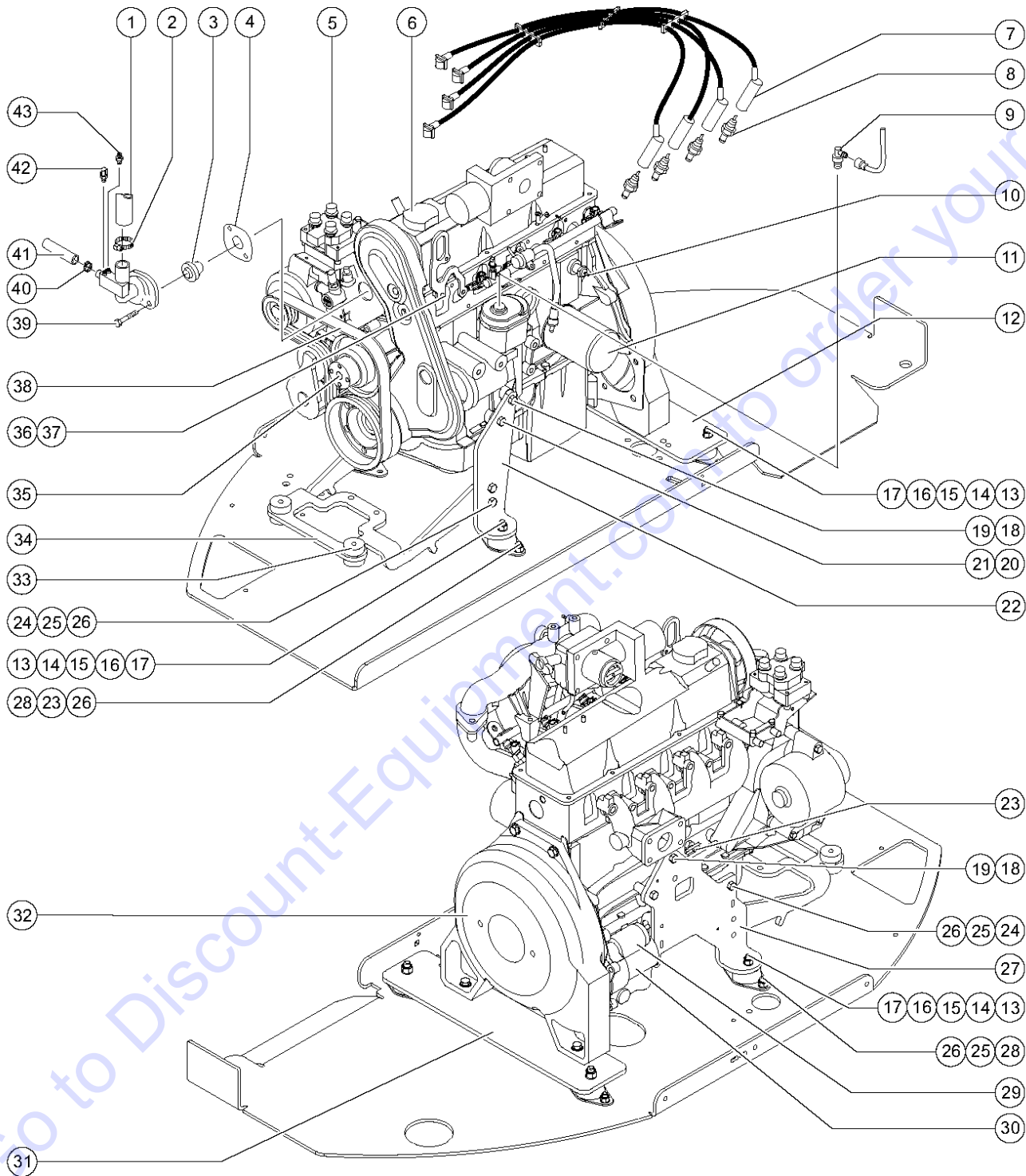
409.1 Ford LRG-425 EFL Engine - View 2 (to SN 6315)



409.1 Ford LRG-425 EFL Engine - View 2 (to SN 6315)

Item	Part No.	Description	Qty.	Item	Part No.	Description	Qty.
--	65770GT	BELT,TIMING,FORD LRG423/425EFI		38	6145GT	SCREW,HHC,1/4-20 X 1.5	
1	89921GT	WELDMENT,COOLANT BOTTLE MOUNT.....1	1	39	6356GT	WASHER,LOCK,.25	
2	67537GT	SCREW,HHC,M5 X 12MM		40	6090GT	SCREW,HHC,1/4-20 X .75	
3	49413GT	WASHER,FLAT, M5 YELLOW ZINC		41	56912GT	SPRING CLIP,1/4-20,.025-.15X.54,ZAG	
4	6833GT	CLAMP,0.50,#8 X 1/4,RUB CUSH.....1	1	42	6019GT	SCREW,HHC,3/8-16 X 1.25 GRD 5	
5	106485GT	MIXER,AIR VALVE,TIER II FORD**.....1	1	43	101127PGT	FORMING,LH MUFFLER SUPPORT PNT.....1	1
6	35434GT	CLAMP,HOSE,2.00***.....2	2	44	101128PGT	FORMING,MUFFLER CLAMP, PAINTED.....1	1
7	102117GT	HOSE,2.0 ID X 2.0" LG.....1	1	45	6888GT	SCREW,HHC,1/4-20 X 1	
8	102128GT	HOSE,VAC 3/16 FORD TIER II.....1	1	46	6091GT	NUT,NYLOCK,1/4-20	
9	102119GT	HOSE,3/4,LP.....8-inches from regulator to mixer	8	47	102068PGT	FORMING,MEGAJECTOR MOUNT,PNTD.....1	1
10	102065PGT	BAR,HARNESS CONNECTOR MOUNT.....1	1	48	49375GT	SCREW,HHC,M6 X 16	
11	65892GT	CONN. ASSY,7.9 TUBE X6.35 HOSE.....1	1	49	49407GT	WASHER,LOCK,M6	
12	71909GT	HOSE,FUEL,5/16 HIGH PRESSURE**.....1	1	50	70527GT	MEGAJECTOR,FUEL KIT.....1	1
13	65453GT	BRACKET-FUEL FILTER (52567).....1	1	--	106491GT	HARNESS,JUMPER,MEGAJECTOR	
14	58967GT	FUEL PRESSURE REG,425EFI***.....1	1	51	102013PGT	FORMING,RADIATOR SUPPORT,LH.....1	1
15	49817GT	SCREW,PHILLIPS,PHM,10-32 X1.25		52	75185GT	SCREW,HHC,M8X1.25X 70MM,GR8.8	
16	6146GT	WASHER,FLAT,MS,#10,Y		53	219437GT	ISOLATOR, VIBRATION.....2	2
17	6178GT	NUT,NYLOCK,10-32		54	52076GT	FAN, LSG423/LRG425.....1	1
18	23057GT	SCREW,HHC,M8 X 20MM		--	70489GT	SPACER,FAN TO WATERPUMP LRG425	
19	49408GT	WASHER,LOCK,M8					
20	53821PGT	BRACKET,MAP SENSOR,PAINTED.....1	1				
21	49407GT	WASHER,LOCK,M6					
22	33960GT	ALTERNATOR,LRG-423 RE-BUILT*.....1	1				
23	89917PGT	PLATE,AIR FILTER MOUNT,FORD.....1	1				
24	10107GT	SCREW,HHC,5/16-18 X .75					
25	6782GT	NUT,NYLOCK,5/16-18					
26	106271PGT	CLAMP,FORD MUFFLER,PAINTED.....1	1				
27	101126PGT	FORMING,RH MUFFLER SUP PAINTED.....1	1				
28	25548GT	SCREW,HHC,M10 X 40MM,GRD8					
29	22700GT	WASHER,LOCK,M10					
30	14033GT	SCREW,HHC,3/8-16 X 2.75					
31	6097GT	WASHER,FLAT,USS,3/8",Y					
32	4828GT	NUT,NYLOCK,3/8-16					
33	6021GT	WASHER,LOCK,.375					
34	6175GT	SCREW,HHC,3/8-16 X 1					
35		Ref. Drive Pump (refer to 706.1)					
36		Ref. Function Pump (refer to 706.1)					
37	106487GT	ENGINE PERFORMANCE MODULE T2**.....1	1				
--	106605GT	HARNESS,ENGINE W/RELAY BOX T2					
--	128903GT	JUMPER,THROTTLE BODY,FORD 2.5L					

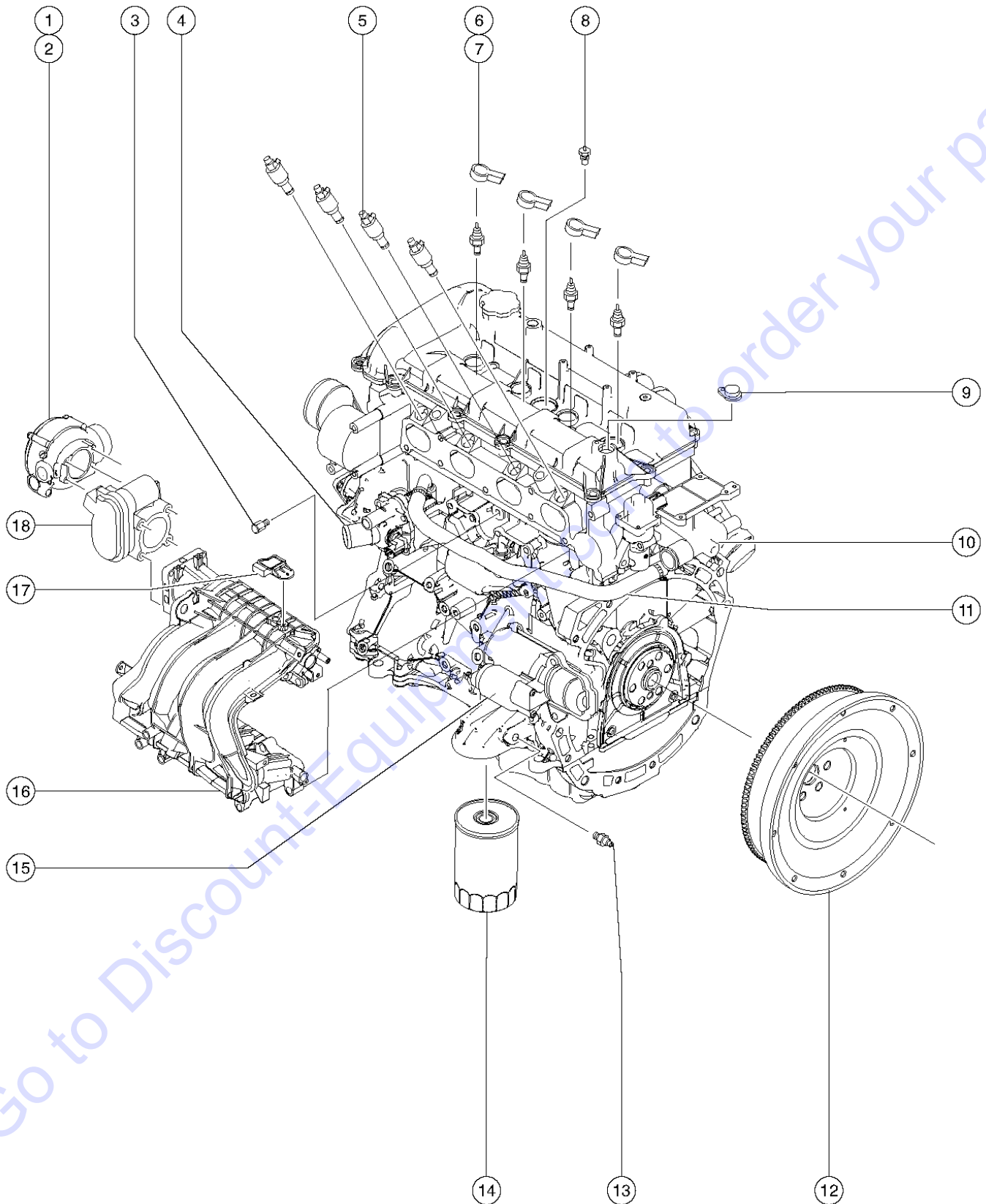
410.1 Ford LRG-425 EFI Engine - View 3 (to SN 6315)



410.1 Ford LRG-425 EFI Engine - View 3 (to SN 6315)

Item	Part No.	Description	Qty.	Item	Part No.	Description	Qty.
1		Ref. HOSE, UPPER RADIATOR.....1 <i>refer to 408.1</i>	1	33	24038GT	SHOCK MOUNT,SMALL.....4	4
2	22672GT	CLAMP,HOSE,1.75.....1	1	--	15086GT	WASHER,FLAT,.375 X 1.5 X .125	
3	33966GT	THERMOSTAT, FORD LRG.....1	1	--	4828GT	NUT,NYLOCK,3/8-16	
4	52575GT	GASKET,THERM.HSNG O-RING.....1	1	34	101121PGT	FORMING,RADIATOR SUP PNTD.....1	1
5	33970GT	COIL, ELECTRONIC IGN., FORD.....1	1	35	33963GT	PUMP, WATER, WITH GASKET.....1	1
6	49881GT	OIL FILLER CAP FOR LRG ENGINE.....1	1	--	33964GT	GASKET, WATER PUMP	
7	52570GT	SPARK PLUG WIRE SET, LRG425EFI....1	1	--	52078GT	PULLEY,FORD ENGINE,LRG-423***	
8	106490GT	SPARK PLUG, FORD LRG425.....4	4	36	102794GT	SCREW,HHC,M8 X1.25X40,GRD10.9	
9	33957GT	VALVE,PCV-FORD LRG***.....1	1	37	33277GT	WASHER,FLAT,M8,YELLOW ZINC	
10	89812GT	SWITCH,OIL PRESSURE ASSY.....1	1	38	52580GT	BELT,SERPENTINE,LRG425 EFI***.....1	1
11	28656GT	FILTER,OIL,FORD.....1 <i>Genie genuine part</i>	1	--	65770GT	BELT,TIMING,FORD LRG423/425EFI	
--	1259054GT	FILTER, OIL, FORD <i>Genie aftermarket</i>		39	65454GT	BOLT-FLANGE,M6 X 22MM(52573)	
12	70423PGT	REAR ENGINE MOUNT,PAINTED.....1	1	40	13014GT	CLAMP,HOSE,2.25" DIA.....1	1
13	6198GT	NUT,NYLOCK,1/2-13		41	72358GT	WATER INLET TUBE, FORD.....1	1
14	70452GT	ISOLATOR,ENGINE VIBRATION***.....4	4	42	33972GT	SENSOR,COOLANT TEMP*.....1	1
15	102066PGT	CASTING,WASHER,REBOUND,PAINTED		43	65456GT	SENDING UNIT-H20TMP LRG425EFI*...1	1
16	6095GT	WASHER,FLAT,USS,1/2",Y					
17	39479GT	SCREW,HHC,1/2-13 X 2.75					
18	44064GT	SCREW,HHC,M10 X 30MM,					
19	22700GT	WASHER,LOCK,M10					
20	25929GT	SCREW,HHC,M8 X 30MM,GRD 8.8					
21	49408GT	WASHER,LOCK,M8					
22	101118PGT	ENGINE MOUNT FOOT,LH PNTD.....1	1				
23	28717GT	VALVE,DRAIN,FORD,BLOCK,RAD.....1	1				
24	8516GT	SCREW, HCC, 3/8-16 X 1.50					
25	6097GT	WASHER,FLAT,USS,3/8",Y					
26	4828GT	NUT,NYLOCK,3/8-16					
27	101119PGT	ENGINE MOUNT FOOT,RH PNTD.....1	1				
28	6175GT	SCREW,HHC,3/8-16 X 1					
29	27920GT	RELAY, STARTER, Z45GP91.....1	1				
30	29606GT	RING GEAR,FORD***.....1	1				
30	29616GT	STARTER,ENGINE,FORD LSG/LRG***.....1	1				
31	70423PGT	REAR ENGINE MOUNT,PAINTED.....1	1				
32	64079GT	BELL HOUSING KIT, FORD 425EFI.....1 <i>kit includes; 89811 Pump Mount Housing, 89813 Flex Plate, 37003 15 tooth Hub Coupler, and 102136 Screws 7/16-14 X 1.25</i>	1				
--	102136GT	SCREW,SHC,7/16-14 X 1.25					
--	37003GT	COUPLER,HUB,15 TOOTH 7/16BOLT*					
--	89811GT	HOUSING,PUMP MOUNT (64079)					
--	89813GT	FLEX PLATE,COUPLER (64079)					

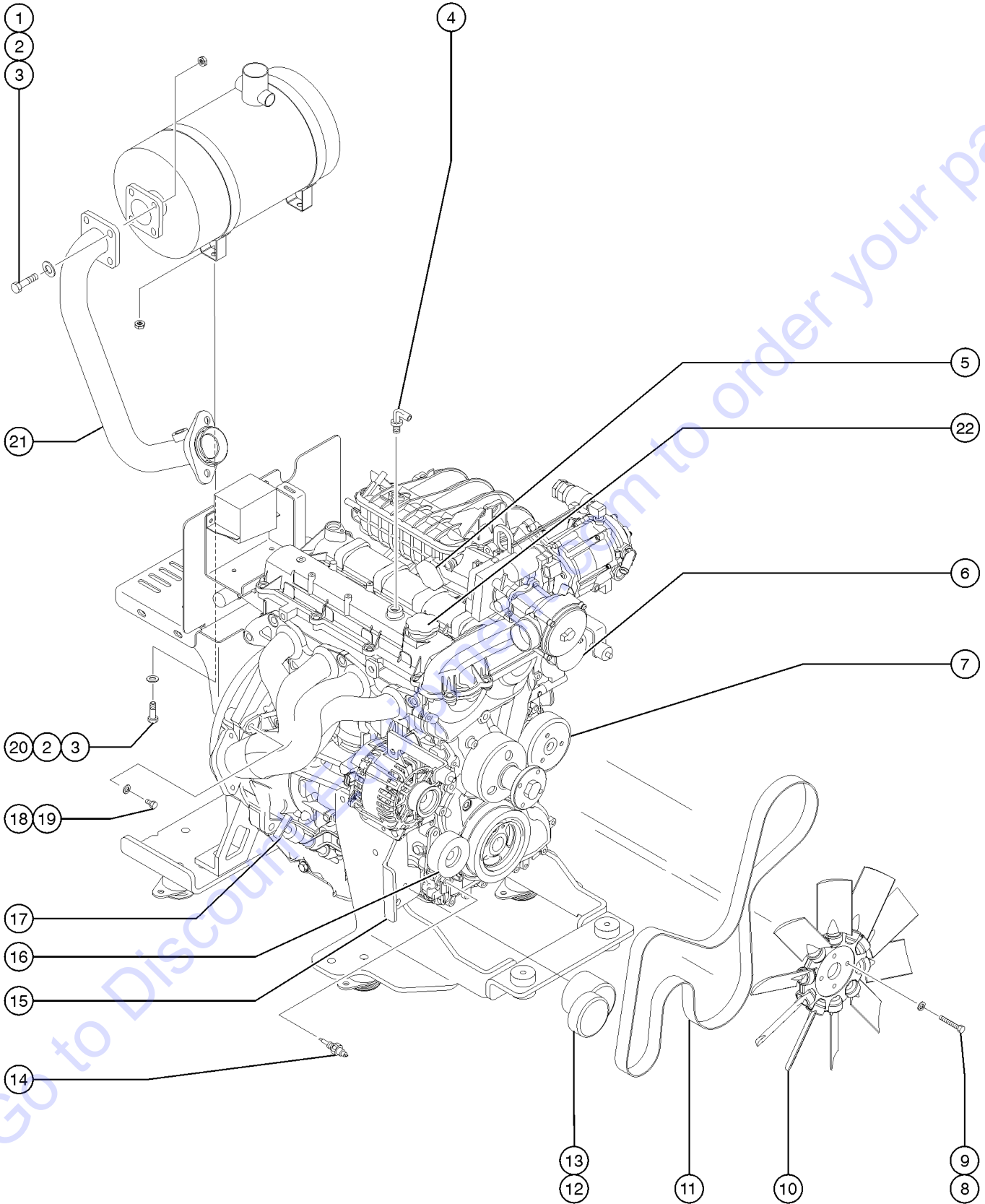
411.1 Ford DSG-423 EFI Engine - View 1 (from SN 6316 to 11788)



411.1 Ford DSG-423 EFI Engine - View 1 (from SN 6316 to 11788)

Item	Part No.	Description	Qty.	Item	Part No.	Description	Qty.
--	160548GT	KIT, 400 HR, FORD DSG-423 <i>every 500 hr service kit</i>		--	214798GT	HOSE, COOLANT BYPASS, DSG423.....1 <i>Previous hose bypass 139870 is no longer available. Order kit 214803 for first time replacement (kit includes water outlet 214796 and hose bypass 214798)</i>	
--	119472GT	HARNESS,ENGINE FORD DSG-423					
--	111068GT	HARNESS, GND BOX, FORD, Z60					
--	119483GT	FUEL JUMPER HARNESS <i>Ford models; from SN 9340</i>		12	119465GT	FLYWHEEL ASSEMBLY,DSG-423 FORD.....1	
--	49735GT	ENGINE,FORD LRG 425,EFIZ45 <i>(remanufactured long block only, does not include starter, alternator, radiator or fuel system)</i>		13	119481GT	SWITCH,OIL PRESSURE.....1	
1	119135GT	MIXER,LPG,DSG-423.....1		14	119139GT	OIL FILTER,DSG-423.....1	
--	119500GT	GASKET,MIXER, FORD DSG423		15	119137GT	STARTER,DSG-423.....1 <i>Genie genuine part</i>	
--	119547GT	O-RING,MIXER,SMOOTHED,DSG-423		--	1259057GT	STARTER, DSG-423RING <i>Genie aftermarket</i>	
--	119548GT	O-RING,MIXER,RIBBED,DSG-423		--	147428GT	HARNESS, FORD STARTER <i>from SN 9917</i>	
2	119142GT	ADAPTER,MIXER/THROTTLE BODY.....1		16	119545GT	MANIFOLD,INTAKE FORD DSG-423.....1	
--	119466GT	GASKET,ACTUATOR PLATE		--	119568GT	CLAMP,SPRING,1/2" <i>for vac cap no 147016</i>	
3	119498GT	SENSOR,KNOCK DSG-423 FORD.....1		--	147015GT	CLAMP,SPRING,7/16"	
4	119551GT	THERMOSTAT,FORD DSG423.....1		--	147016GT	CAPE,PDM,5/16" <i>for initial vacuum cap replacement order vacuum cap replacement kit no 147115</i>	
--	119462GT	GASKET,COOLING FITTING		--	147115GT	KIT, VAC CAP REPLC, DSG-423 <i>(includes caps, clamps and instructions)</i>	
5	119479GT	FUEL INJECTOR FORD DSG423,YL.....4 <i>yellow injector (use with control module 119169)</i>		17	119475GT	MAP SENSOR, DSG-423.....1	
--	233365GT	FUEL INJECTOR FORD DSG423, BK <i>black injector (use with control module T112018)</i>		18	88451GT	THROTTLE ACTUATOR*(BOSCH).....1	
6	119478GT	COIL ASSEMBLY.....4		--	88452GT	GASKET,THROTTLE ACTUATOR***	
7	119495GT	SPARK PLUG, FORD DSG-423.....4					
8	234005GT	SENSOR KIT, TEMPERATURE.....1 <i>Required for first time replacement of older temperature sensor part 119480 (kit includes sensor part 233437 and wire harness part 234006); to SN 10015</i>					
--	233437GT	SENSOR, FORD TEMPERATURE <i>from SN 10016</i>					
--	234006GT	WIRE HARNESS, SENSOR, TEMP <i>from SN 10016</i>					
9	119497GT	SENSOR,CAM POSITION DSG-423.....1					
10	214803GT	KIT, DSG423 COOLANT OUTLET.....1 <i>Required for first time replacement of older adapter 119461 (kit includes water outlet 214796 and hose bypass 214798)</i>					
--	214796GT	WATER OUTLET, FORD DSG423.....1 <i>Previous adapter 119461 is no longer available. Order kit 214803 for first time replacement (kit includes water outlet 214796 and hose bypass 214798)</i>					
11	214803GT	KIT, DSG423 COOLANT OUTLET.....1 <i>Required for first time replacement of older hose 139780 (kit includes water outlet 214796 and hose bypass 214798)</i>					

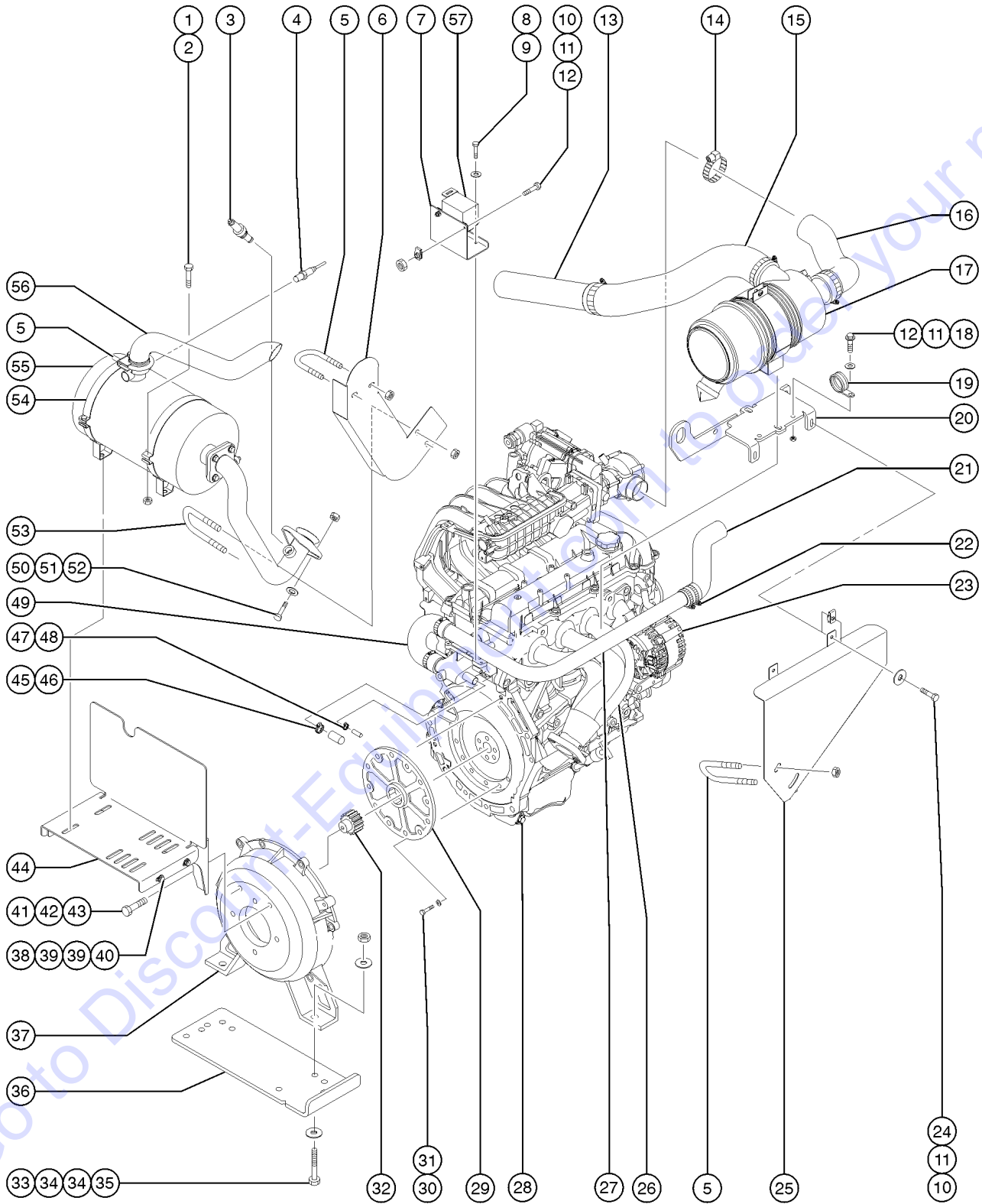
412.1 Ford DSG-423 EFI Engine - View 2 (from SN 6316 to 11788)



412.1 Ford DSG-423 EFI Engine - View 2 (from SN 6316 to 11788)

Item	Part No.	Description	Qty.
1	13000GT	SCREW,HHC,5/16-18 X 1.25	
2	5397GT	WASHER,FLAT,USS,5/16",Y	
3	18503GT	NUT,LOCKING-LG.FLANGE,5/16-18	
4	119474GT	VALVE,PCV FORD DSG-423.....	1
--	75631GT	HOSE,AIR 3/8	
5	119964GT	PLATE,BLANKING,FORD DSG423.....	1
6	215298GT	UPPER IDLER PULLEY, MSG425.....	1
--	119477GT	IDLER BRACKET	
7	119468GT	WATER PUMP W/GASKET.....	1
8	32309GT	SCREW,HHC,M8 X 60MM X 1.25	
9	49408GT	WASHER,LOCK,M8	
10	119153GT	FAN (FORD TIER 3).....	1
11	119138GT	BELT,SERPENTINE,DSG-423.....	1
12		PULLEY, TENSIONER..... <i>component no longer available separately; refer to item 13</i>	1
13	119469GT	PULLEY AND TENSIONER,DSG423.....	1
14	119496GT	SENSOR,CRANK POSITION DSG-423.....	1
15	119471GT	BRACKET,TENSIONER.....	1
16	119544GT	LOWER IDLER FORD DSG-423.....	1
17	119473GT	DIPSTICK, FORD DSG 423.....	1
18	111744GT	Screw - SHC, M10 x 1.5 x 55 mm GR 8.8	
19	22699GT	WASHER,FLAT,M10,ZINC PLTD.	
20	13002GT	SCREW,HHC,5/16-18 X 1 GR5	
21	111608GT	WELDMENT,HEADER PIPE,FORD 2.3L.....	1
22	58632GT	CAP,OIL FILLER,FORD DSG 423	

413.1 Ford DSG-423 EFI Engine - View 3 (from SN 6316 to 11788)



413.1 Ford DSG-423 EFI Engine - View 3 (from SN 6316 to 11788)

Item	Part No.	Description	Qty.	Item	Part No.	Description	Qty.
1	6708GT	SCREW,HHC,3/8-16 X 2.25		--	122230GT	FORMING,HEAT SHIELD,HEADER <i>from SN 7924</i>	
2	6022GT	NUT,HEX,3/8-16		26	119463GT	MANIFOLD,EXHAUST TURBO.....1	
3	88450GT	SENSOR,OXYGEN LRG425EFI.....1	1	--	119464GT	GASKET,MANIFOLD EXHAUST	
4	139610GT	SENSOR,AIR,CAT MONITOR.....1	1	27	112285GT	PIPE,COOLANT RETURN,FORD 2.3L...1 <i>from SN 6316 to SN 7923</i>	
5	71911GT	CLAMP,MUFFLER, 2.50 INCH.....2	2	--	122221GT	PIPE,COOLANT RETURN,FORD 2.3L <i>from SN 7924</i>	
6	111633GT	FORMING,HEAT SHIELD,EXH PIPE.....1	1	28		OIL DRAIN PLUG.....1	
7	111609PGT	BRACKET,RELAY BLOCK MOUNT,PTD.....1 <i>from SN 6316 to SN 7923</i>	1	29	89813GT	FLEX PLATE,COUPLER (64079).....1	
8	67537GT	SCREW,HHC,M5 X 12MM		30	55014GT	SCREW,SHC,M8 X 1.25 X 25.....12	
9	49413GT	WASHER,FLAT, M5 YELLOW ZINC		31	33277GT	WASHER,FLAT,M8,YELLOW ZINC	
10	6090GT	SCREW,HHC,1/4-20 X .75		32	37003GT	COUPLER,HUB,15 TOOTH 7/16BOLT*.....1	
11	6638GT	WASHER,FLAT,USS,1/4"Y		33	22788GT	SCREW,HHC,1/2-13 X 1.75	
12	6091GT	NUT,NYLOCK,1/4-20		34	6095GT	WASHER,FLAT,USS,1/2",Y	
13	94324-950GT	TUBE,RD,STL,ALUMIZD,2.5X.065.....1	1	35	6198GT	NUT,NYLOCK,1/2-13	
--	45435GT	CLAMP,HOSE,2.50"***		36	110415GT	PLATE,REAR ENGINE MOUNT.....1	
14	45435GT	CLAMP,HOSE,2.50"***2	2	37	110405GT	BELL HOUSING KIT,FORD DSG423.....1	
15	111603GT	ASSEMBLY,HOSE,AIR INTAKE.....1	1	--	111748GT	SCREW,SHC,M10X1.5 X 60 GR8.8.....2	
--	45435GT	CLAMP,HOSE,2.50"***		--	119052GT	PUMP MOUNT,FORD DSG423	
16	110422GT	HOSE,AIR,MIXER.....1	1	38	6175GT	SCREW,HHC,3/8-16 X 1 <i>from SN 6316 to SN 7923</i>	
--	45435GT	CLAMP,HOSE,2.50"***		39	5397GT	WASHER,FLAT,USS,5/16",Y <i>from SN 6316 to SN 7923</i>	
17	111634GT	AIR CLEANER,FORD,T3.....1	1	40	4828GT	NUT,NYLOCK,3/8-16 <i>from SN 6316 to SN 7923</i>	
--	1277991GT	CLIP,AIR CLEANER COVER (58247) <i>for 58247</i>		41	10597GT	SCREW,HHC,1/2-13 X 1.25 GR5 <i>from SN 6316 to SN 7923</i>	
--	227988GT	VACUATOR VALVE		42	6033GT	WASHER,LOCK,0.5" <i>from SN 6316 to SN 7923</i>	
--	38922GT	ELBOW,90DEG.1/8MPT-5/16 BARB		43	13066GT	WASHER,FLAT,.5 HARDENED <i>from SN 6316 to SN 7923</i>	
--	53952GT	BRKT,AIR CLEANER ORIENTATION** <i>sold separately</i>		44	111605GT	WELDMENT,CAT MUFFLER MOUNT.....1	
--	58247GT	AIR CLEANER CAP/ FORD/NOLFF***		--	111604PGT	FORMING,CAT MUFFLER MOUNT,PTD <i>from SN 6316 to SN 7923</i>	
--	77295GT	FILTER ELEMENT,AIR,NOLFF LPG		--	111611PGT	FORMING,CAT MUFFLER MNT,LOW PT <i>from SN 6316 to SN 7923</i>	
18	6888GT	SCREW,HHC,1/4-20 X 1		--	122234PGT	WELDMENT,CAT MUFFLER SPPT,PTD <i>from SN 7924</i>	
19	119394GT	CLAMP,1.38,#212X3/8,RUB CUSH.....3	3	45	119484GT	CAP,COOLANT 3/4.....1	
20	111655PGT	WELDMENT,AIR CLEANER MOUNT,PTD.....1 <i>from SN 6316 to SN 7923</i>	1	46	46131GT	CLAMP,HOSE,.63" - 1.0" X .5".....1	
--	122077PGT	AIR CLEANER MOUNTING BRKT,PTD <i>from SN 7924</i>		47	147016GT	CAP,EPDM,5/16".....1	
21	110758GT	HOSE,UPPER RADIATOR.....1	1	48	147015GT	CLAMP,SPRING,7/16".....1	
22	45171GT	CLAMP,HOSE,1.75,LINED.....3	3	49	110424GT	HOSE,RETURN,ENGINE.....1	
23	119140GT	ALTERNATOR,FORD DSG423,MSG425.....1	1	50	25548GT	SCREW,HHC,M10 X 40MM,GRD8	
--	227309GT	HEAT SHIELD,ALTERNATOR,FORD <i>from SN 10368</i>		51	22699GT	WASHER,FLAT,M10,ZINC PLTD.	
24	56912GT	SPRING CLIP,1/4-20,.025-.15X.54,ZAG					
25	111615GT	FORMING,HEAT SHLD,HEADER PIPE.....1 <i>from SN 6316 to SN 7923</i>	1				

413.1 Ford DSG-423 EFI Engine - View 3 (from SN 6316 to 11788)
 (continued)

Item	Part No.	Description	Qty.
52	22700GT	WASHER,LOCK,M10	
53	102121GT	CLAMP,MUFFLER,1-7/8 IN.....	1
54	119051GT	MOUNTING BAND,MUFFLER,8.0".....	2
55	111666GT	WELDMENT,MUFFLER,DSG423.....	1
56	111697GT	TUBE,EXHAUST PIPE 2.3L FORD T3....	1
57	237856GT	FUSE BOX COVER	
--	237857GT	FUSE BOX RELAY STICKER	
--	237858GT	FUSE BOX MOUNTING,LEFT	
--	237859GT	FUSE BOX MOUNTING,RIGHT	

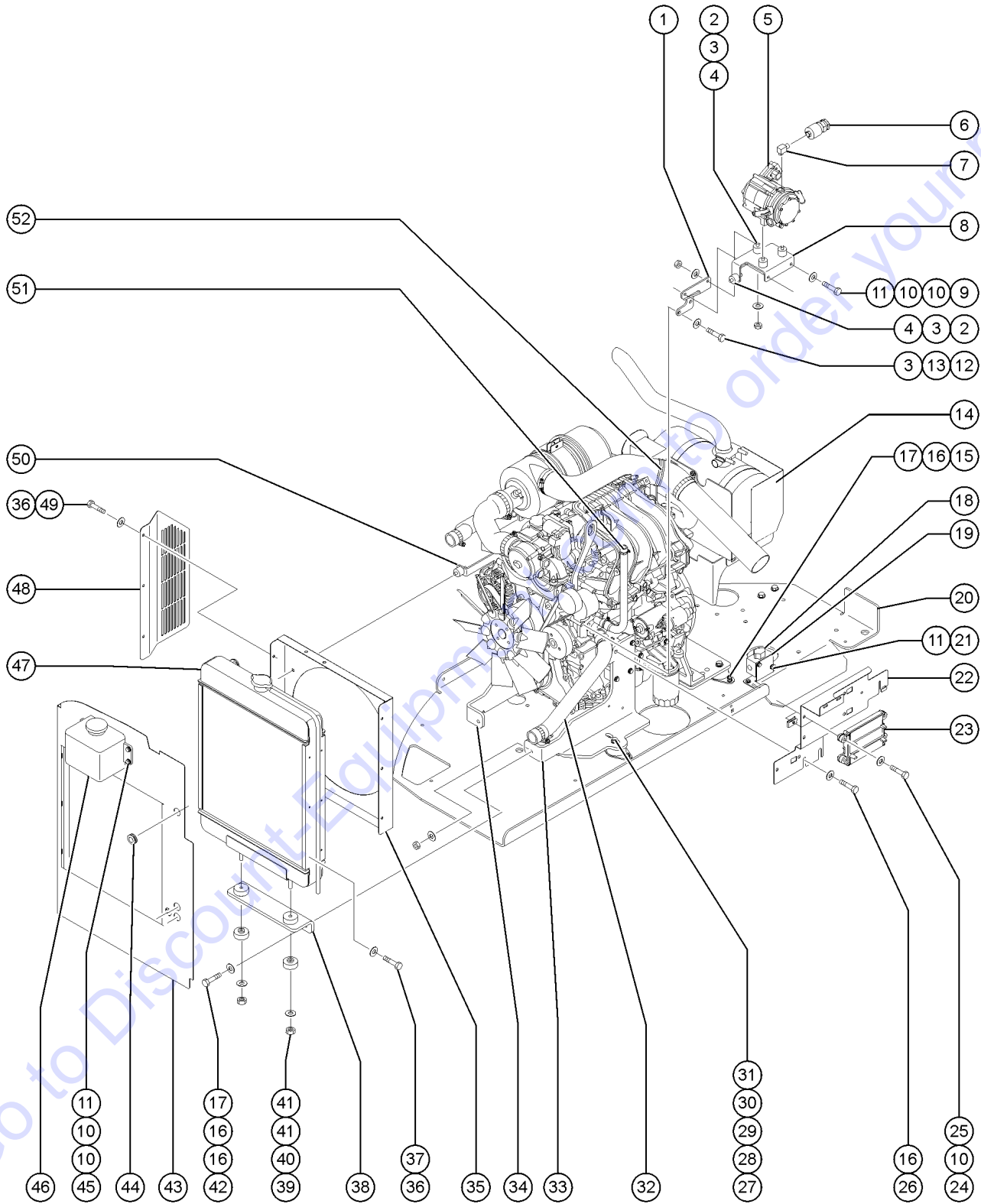
Go to Discount-Equipment.com to order your parts

413.1 Ford DSG-423 EFI Engine - View 3 (from SN 6316 to 11788)
(continued)

This Page Intentionally Left Blank

Go to Discount-Equipment.com to order your parts

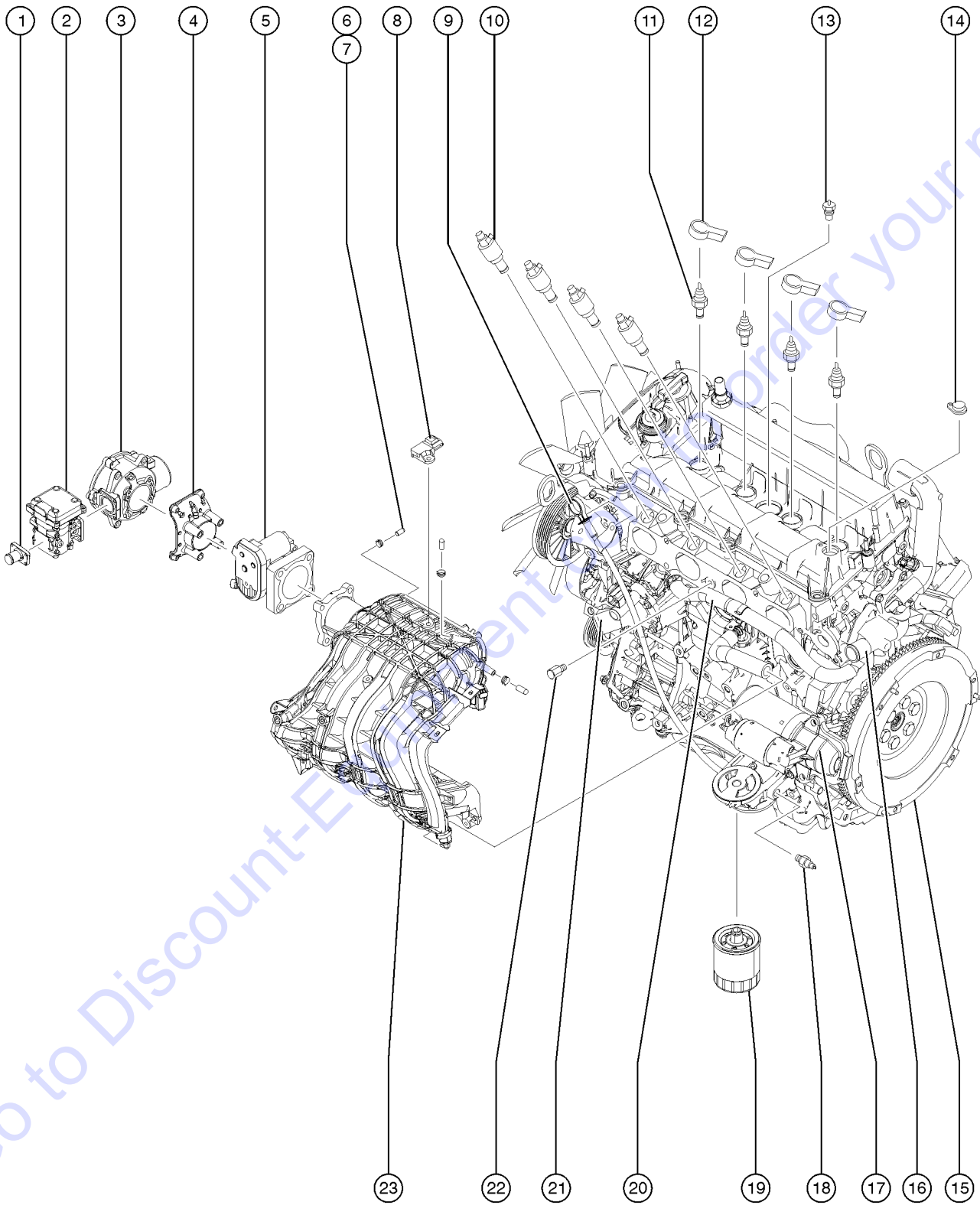
414.1 Ford DSG-423 EFI Engine - View 4 (from SN 6316 to 11788)



414.1 Ford DSG-423 EFI Engine - View 4 (from SN 6316 to 11788)

Item	Part No.	Description	Qty.	Item	Part No.	Description	Qty.
--	30143GT	BATTERY,12V,1000 CCA GRP 31		30	6095GT	WASHER,FLAT,USS,1/2",Y	
--	89651GT	BATTERY CABLE,2/0,POS.RED,45"		31	102066PGT	CASTING,WASHER,REBOUND,PAINTED.2	
--	81563GT	BATT.CABLE,2/0,BLACK,48"		32	110423GT	HOSE,LOWER RADIATOR.....1	
--	49869GT	CORROSION INHIBITOR COATING		--	119053GT	CLAMP,HOSE,1.50	
1	110892PGT	BRACKET,REGULATOR SUPPORT,PNTD.....1		33	110416PGT	FORMING,LEFT ENGN SUPPORT,PNTD.....1	
2	110919GT	ISOLATOR,VIBRATION,M8 M/M.....4		34	111339GT	FORD T3 ENG MT.OUTBOARD W/DECA.....1	
3	33277GT	WASHER,FLAT,M8,YELLOW ZINC		35	110413PGT	FORMING,FAN SHROUD,PNTD.....1	
4	25368GT	NUT,NYLOCK,M8X1.25		36	21019GT	SCREW,PHIL,PHM,10-24 X.5,SEMS	
5	119826GT	REGULATOR,LPG,DSG-423.....1		37	25926GT	WASHER,FLAT,M6 PLTD.	
--	119546GT	KIT,FITTING,REGULATOR DSG-423		38	110417PGT	FORMING,RADIATOR SUPPORT,PNTD.....1	
5A	102119GT	HOSE,3/4,LP.....8-inches <i>from regulator to mixer</i>		39	48425GT	NUT,FLG-LRG,3/8-16,YZ	
6	119232GT	LOCKOFF,LP,FORD DSG/MSG.....1		40	15086GT	WASHER,FLAT,375 X 1.5 X .125	
7	119824GT	ELBOW,90DEG,5502-04-04-B.....1		41	24038GT	SHOCK MOUNT,SMALL.....4	
8	110890PGT	FORMING,REGULATOR MOUNT,PTD...1		42	8516GT	SCREW, HCC, 3/8-16 X 1.50	
9	67349GT	SCREW,HHC,M8 X 50		43	111337GT	Z60 FORD T3 BAFFLE W/DECALS.....1	
10	6638GT	WASHER,FLAT,USS,1/4"Y		--	111631PGT	FORMING,RADIATOR SHROUD,Z60,PD	
11	6091GT	NUT,NYLOCK,1/4-20		44	60584GT	GROMMET,RUBBER .75 X .19 X 1**.....4	
12	8255GT	SCREW,HHC,3/8-16 X .75		45	6090GT	SCREW,HHC,1/4-20 X .75	
13	49408GT	WASHER,LOCK,M8		46	1279268GT	BOTTLE, COOLANT RECOVERY, 2QT.....1	
14	122106GT	DSG423 FORD WELDER HEAT SHIELD.....1 <i>part of welder option (refer to 813.1)</i>		--	19018GT	TRIMLOCK,BLACK,5/32".....22-inches	
15	6175GT	SCREW,HHC,3/8-16 X 1		--	21465GT	CLAMP,HOSE,.25" - .63" X .3125	
16	6097GT	WASHER,FLAT,USS,3/8",Y		--	6833GT	CLAMP,0.50,#8 X 1/4,RUB CUSH	
17	4828GT	NUT,NYLOCK,3/8-16		--	72327GT	CAP, COOLANT RET SYS(54071)	
18	119170GT	FUEL SENSOR ASSY.....1		47A	110406GT	RADIATOR,FORD DSG423 & MSG425.....1	
19	111699PGT	FORMING,FUEL PRES.REG MNT,PTD.....1		47B	131589GT	HOSE,OVERFLOW,RADIATOR	
20		Ref. Engine Tray <i>(refer to 415.1)</i>		47C	65473GT	CAP,RADIATOR,PERKINS/FORD	
21	4266GT	SCREW,HHC,1/4-20 X 2		48	122017PGT	FORMING, FAN GUARD, PTD.....1	
22	112283GT	FORMING,FORD GCP MOUNT.....1		49	6146GT	WASHER,FLAT,MS,#10,Y	
23A	119169GT	CONTROL MODULE,DSG-423.....1 <i>to SN 9182 (models with YELLOW fuel injectors)</i>		50	110419PGT	FORMING,RADIATOR BRACE LFT,PTD.....1	
23B	T112018GT	CONTROL MODULE,DSG-423 <i>from SN 9183 (models with BLACK fuel injectors)</i>		--	18503GT	NUT,LOCKING-LG.FLANGE,5/16-18	
24	6145GT	SCREW,HHC,1/4-20 X 1.5		--	219437GT	ISOLATOR, VIBRATION	
25	56912GT	SPRING CLIP,1/4-20,.025-.15X.54,ZAG		51	119073GT	HOSE,COOLANT,REG INTAKE.....1	
26	25927GT	SCREW,HHC,M10 X 55MM,GRD 8.8		--	119053GT	CLAMP,HOSE,1.50	
27	6198GT	NUT,NYLOCK,1/2-13		52	70257GT	CLAMP,3.0,#48 X 1/4,RUB CUSH.....1	
28	39479GT	SCREW,HHC,1/2-13 X 2.75					
29	70452GT	ISOLATOR,ENGINE VIBRATION***4					

415.1 Ford MSG-425 EFI Engine - View 1 (from SN 11789)

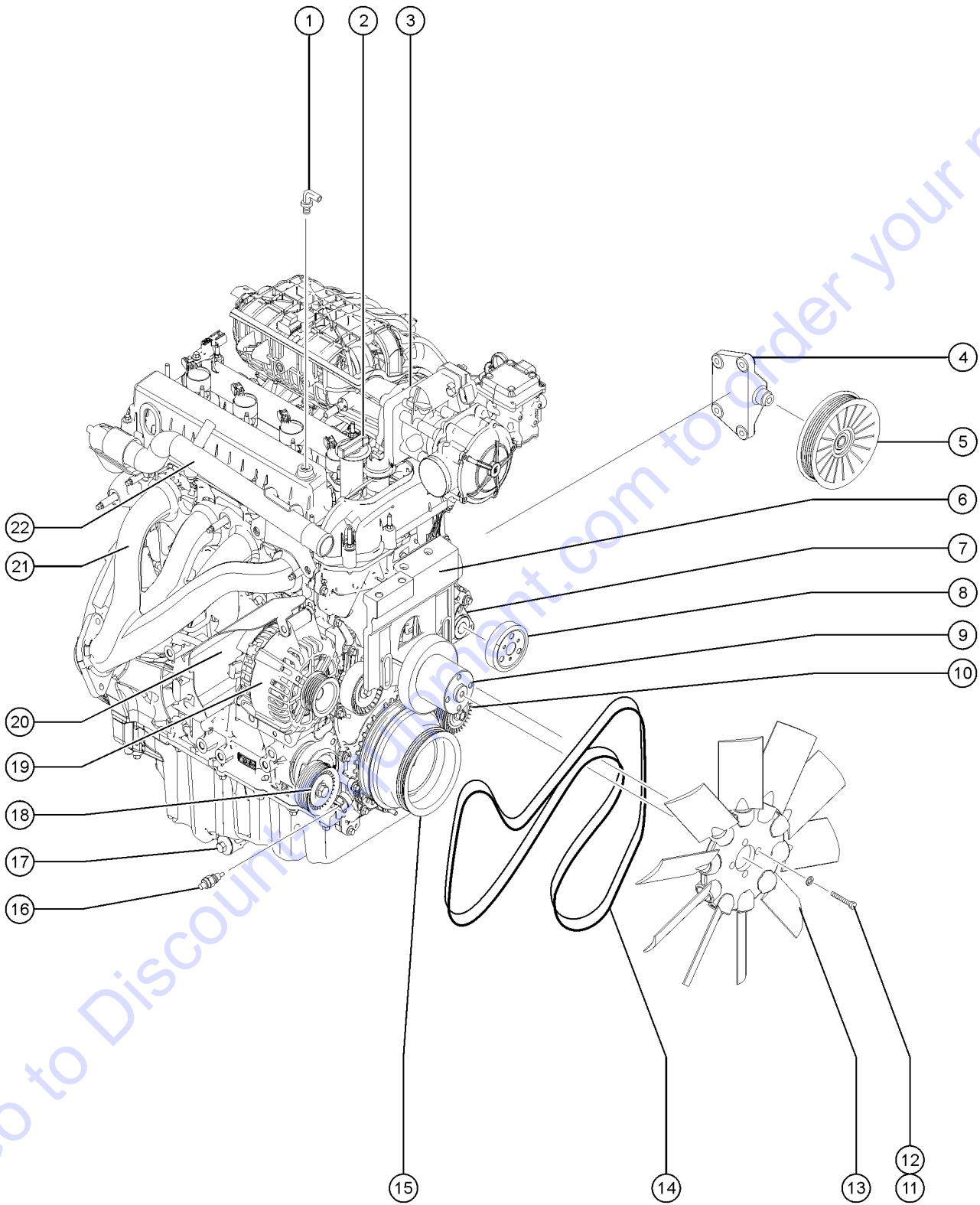


Go to Discount-Engine.com to order your parts

415.1 Ford MSG-425 EFI Engine - View 1 (from SN 11789)

Item	Part No.	Description	Qty.	Item	Part No.	Description	Qty.
--	49735GT	ENGINE,FORD LRG 425,EFIZ45 <i>(remanufactured long block only, does not include starter, alternator, radiator or fuel system)</i>		--	6002GT	NUT,LP NYLOCK,5/16-18 <i>(not shown, use to mount dipstck part 220230)</i>	
--	215294GT	ENGINE HARNESS, MSG425 <i>(part of the engine)</i>		10	215299GT	INJECTOR, FUEL, MSG425.....	4
--	122049GT	HARNESS,ENGINE,FORD,EFI,TIER 3 <i>from SN 11789 to SN 11903</i>		11	215287GT	SPARK PLUG, MSG425.....	4
--	214915GT	HARNESS,ENGINE,FORD,EFI,TIER 3 <i>from SN 11904</i>		12	215314GT	COIL ASSY, MSG425.....	4
--	111068GT	HARNESS, GND BOX, FORD, Z60 <i>from SN 11789 to SN 11903</i>		13	215300GT	SENSOR, CYL. HEAD TEMP, MSG425.....	1
--	215872GT	HARNESS, GND BOX, FORD, Z60 <i>from SN 11904</i>		14	215308GT	SENSOR, CAM POS, MSG425.....	1
--	128165GT	RELAY,PWR/FUEL,FORD DSG423		15	215278GT	FLYWHEEL ASSY, MSG425.....	1
--	128166GT	RELAY,STARTER,FORD DSG/MSG		16	215275GT	ADAPTER, WATER CONN, MSG425.....	1
1	215285GT	FITTING, DEPR LP, MSG425.....	1	17	1264894GT	KIT, HD STARTER INSTALL, MSG-4.....	1
2	215284GT	REGULATOR,LP PRESSURE,MSG425.....	1	--	128166GT	RELAY,STARTER,FORD DSG/MSG	
--	215285GT	FITTING, DEPR LP, MSG425 <i>(sold seperately) (for 215284)</i>		--	217823GT	STARTER PLUG SEAL, MSG425	
--	215286GT	FITTING, DEPR COOLANT, MSG425 <i>(sold seperately) (for 215284)</i>		18	215301GT	SWITCH, OIL PRES, MSG425.....	1
3	215280GT	MIXER, MSG425.....	1	19	119139GT	OIL FILTER,DSG-423.....	1
--	119546GT	KIT,FITTING,REGULATOR DSG-423 <i>for 215280</i>		19A	1277968GT	SEPERATOR ASSY,OIL,FORD MSG.....	1
--	119547GT	O-RING,MIXER,SMOOTHED,DSG-423		20	215302GT	HOSE, COOLANT BYPASS, MSG425.....	1
--	215281GT	O-RING, SMOOTH, MSG425		21	215310GT	THERMOSTAT W/HOUSING, MSG425.....	1
4	215283GT	ADAPTER, MIXER/THRO, MSG425.....	1	22	215309GT	SENSOR, KNOCK, MSG425.....	1
5	88451GT	THROTTLE ACTUATOR*(BOSCH).....	1	23	215305GT	INTAKE MANIFOLD, MSG425.....	1
--	88452GT	GASKET,THROTTLE ACTUATOR***		23A	1277969GT	GASKET,INTAKE MANIFOLD,MSG 425..... <i>for 215305</i>	1
6	217820GT	CAP, INT. MFLD. VAC, MSG425.....	2				
7	119568GT	CLAMP,SPRING, 1/2".....	3				
8	119475GT	MAP SENSOR, DSG-423.....	1				
9		OIL INDICATOR, MSG425..... <i>Previous dipstick part 215297 is no longer available; customers before SN 12339 must order kit 220229 for first time replacement</i>	1				
--	220229GT	KIT, DIPSTICK, MSG425 <i>to SN 12338</i>					
--	220230GT	DIPSTICK, MSG425 <i>from SN 12339</i>					
--	220231GT	O-RING,DIPSTICK,MSG425 <i>(not shown, use with dipstck part 220230)</i>					
--	18506GT	SCREW 5/16-18 X .75 LG.FLG.LCK. <i>(not shown, use to mount dipstck part 220230)</i>					
--	6638GT	WASHER,FLAT,USS,1/4"Y <i>(not shown, use to mount dipstck part 220230)</i>					

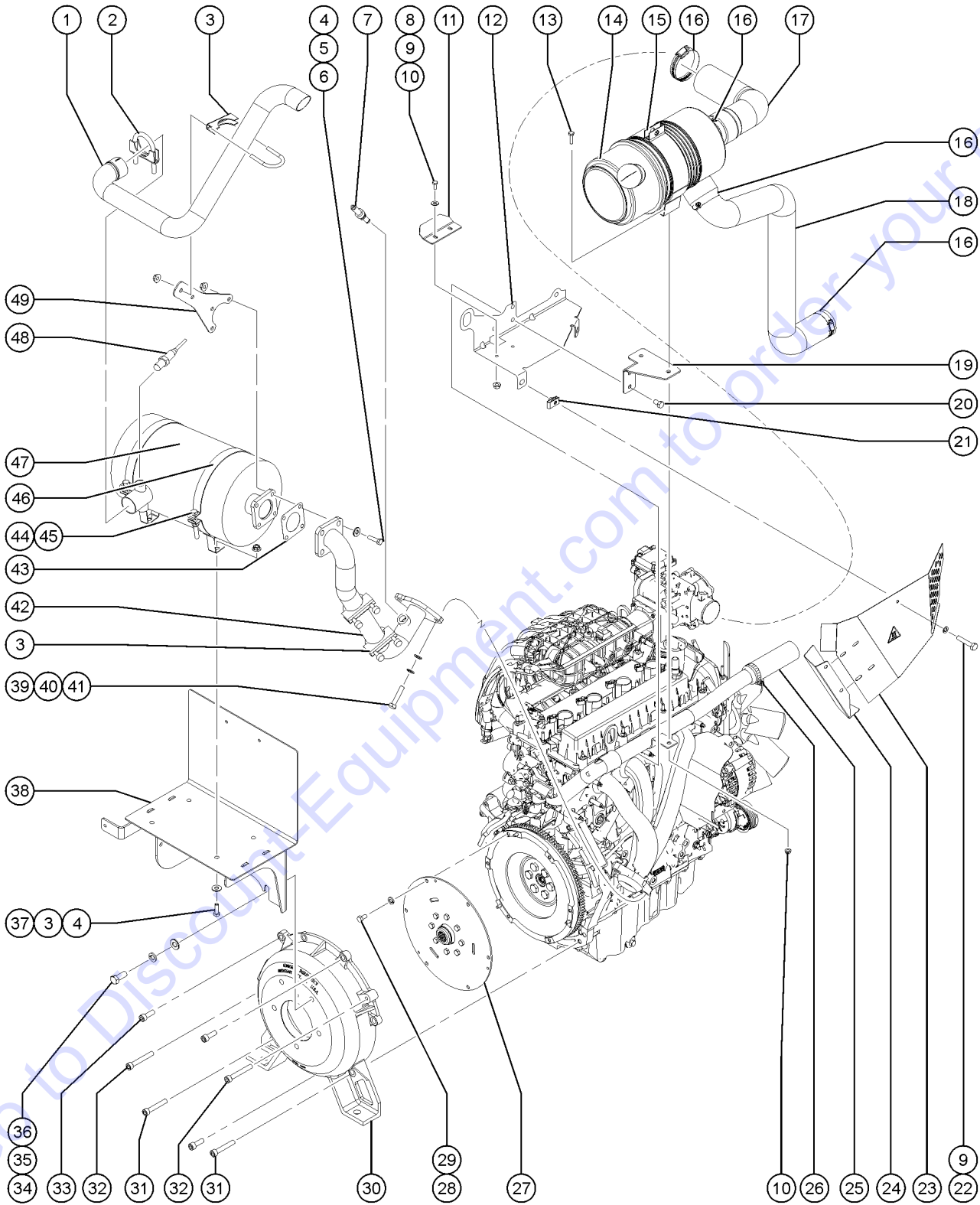
416.1 Ford MSG-425 EFI Engine - View 2 (from SN 11789)



416.1 Ford MSG-425 EFI Engine - View 2 (from SN 11789)

Item	Part No.	Description	Qty.
1	119474GT	VALVE,PCV FORD DSG-423.....	1
--	75631GT	HOSE,AIR 3/8	
2	58632GT	CAP,OIL FILLER,FORD DSG 423.....	1
3	215279GT	PLATE, INT. MFLD ADAP, MSG425	
4	119477GT	IDLER BRACKET.....	1
5	215298GT	UPPER IDLER PULLEY, MSG425.....	1
6	1283575GT	KIT,FAN SUPPORT RETRO,FORD MSG.....	1
		<i>For first time replacement</i>	
--	1283571GT	BRACKET,FAN,FORD MSG.....	1
		<i>included in kit 1283575GT</i>	
--	1283572GT	BRACKET,IDLER,FORD MSG.....	1
		<i>included in kit 1283575GT</i>	
--	1283573GT	BOLT, BRACKET, SUPPORT,FORD MSG.....	2
		<i>included in kit 1283575GT</i>	
--	1283574GT	SCREW,HHC,M8X1.25.80.....	1
		<i>included in kit 1283575GT</i>	
7	215288GT	WATER PUMP, MSG425.....	1
8	215289GT	WATER PUMP PULLEY, MSG425.....	1
9	215271GT	FAN PULLEY, MSG425.....	1
--	215270GT	FAN SPACER, MSG425	
10	215313GT	LOWER IDLER PULLEY, MSG425.....	1
11	32309GT	SCREW,HHC,M8 X 60MM X 1.25.....	1
12	49408GT	WASHER,LOCK,M8.....	1
13	215269GT	FAN, MSG425.....	1
14	215291GT	BELT, FEAD, MSG425.....	1
		<i>(shown)</i>	
--	215274GT	FAN DRIVE BELT, MSG425 <i>Fan belt (not shown)</i>	
15	215273GT	CRANK PULLEY, EXT, MSG425.....	1
16	215307GT	SENSOR, CRANK POS, MSG425.....	1
17	215311GT	PLUG, OIL DRAIN, MSG425.....	1
18	215290GT	PULLEY/TENSIONER, MSG425.....	1
19	119140GT	ALTERNATOR,FORD DSG423,MSG425.....	1
--	217824GT	CHARGE WIRE, MSG425	
20	227309GT	HEAT SHIELD,ALTERNATOR,FORD.....	1
21	215276GT	EXHAUST MANIFOLD, MSG425.....	1
		<i>to SN 12595</i>	
--	119463GT	MANIFOLD,EXHAUST TURBO <i>from SN 12596</i>	
--	215277GT	GASKET, MSG425	
--	217822GT	NUT, EXH. MANIFOLD, MSG425	
--	823816GT	GASKET,EXHAUST,FORD MSG	
22	236373GT	PIPE,COOLANT RETURN, MSG425	

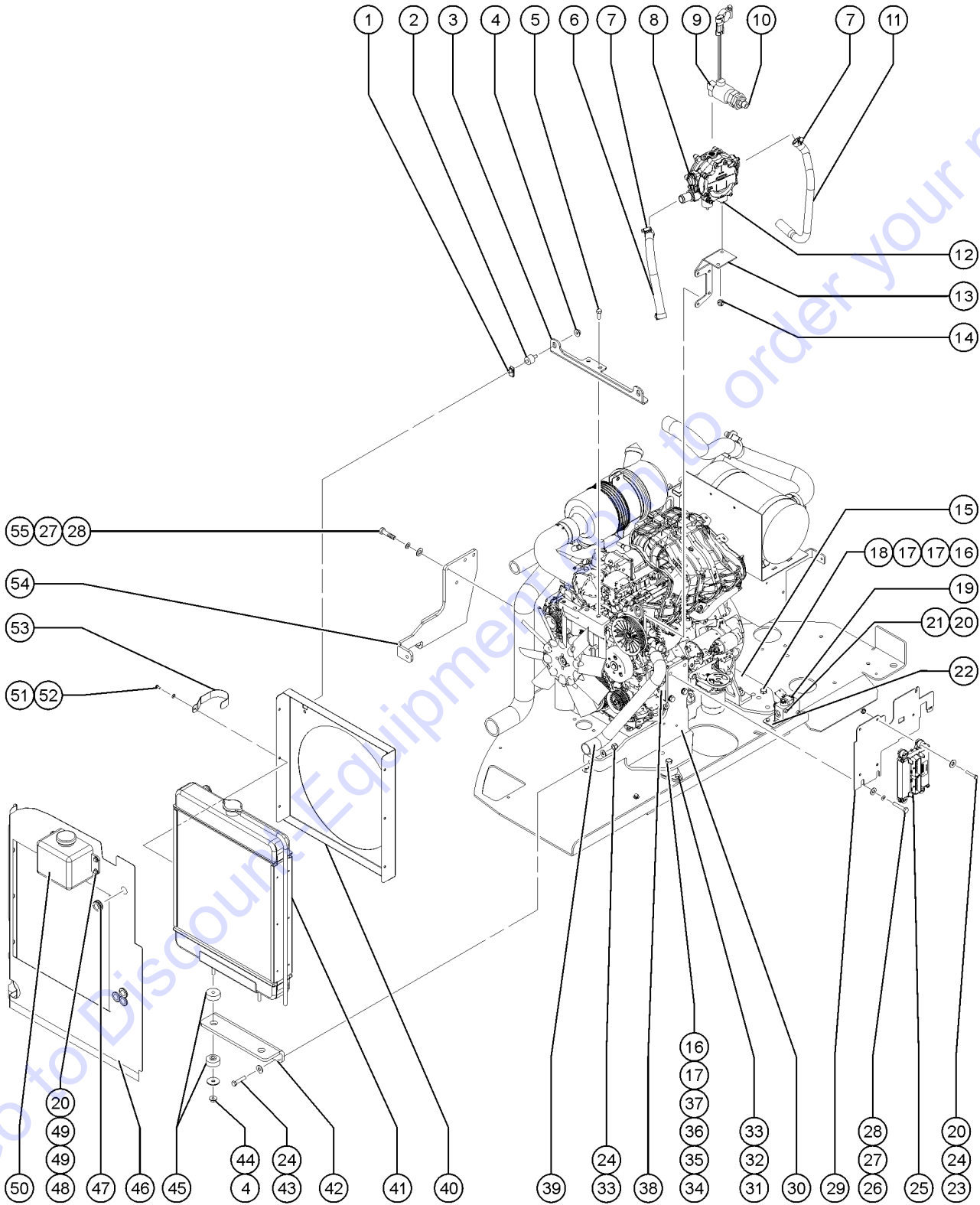
417.1 Ford MSG-425 EFI Engine - View 3 (from SN 11789)



417.1 Ford MSG-425 EFI Engine - View 3 (from SN 11789)

Item	Part No.	Description	Qty.	Item	Part No.	Description	Qty.
1	237252GT	TAILPIPE, Z60 MSG425		32	215544GT	SHCS, M10-1.5X70MM, CL12.9.....	2
2	102121GT	CLAMP,MUFFLER,1-7/8 IN.....	1	33	61110GT	SCREW,SHC,M10X1.5X30 GR 12.9.....	3
3	32064GT	CLAMP,MUFFLER,1.75 INCH.....	3	34	10597GT	SCREW,HHC,1/2-13 X 1.25 GR5	
4	18503GT	NUT,LOCKING-LG.FLANGE,5/16-18		35	6033GT	WASHER,LOCK,0.5"	
5	5397GT	WASHER,FLAT,USS,5/16",Y		36	13066GT	WASHER,FLAT,.5 HARDENED	
6	13000GT	SCREW,HHC,5/16-18 X 1.25		37	13002GT	SCREW,HHC,5/16-18 X 1 GR5	
7	215320GT	SENSOR, O2, MSG425.....	1	38	215709GT	WELDMENT,CAT MOUNT,MSG425	
8	6099GT	CABLE ASSEMBLY SL 408"		39	128061GT	SCREW, HHC, M10 X 1.5 X 50	
9	6638GT	WASHER,FLAT,USS,1/4"Y		40	22700GT	WASHER,LOCK,M10	
10	18504GT	NUT,LOCKING-LG.FLANGE,1/4-20		41	22699GT	WASHER,FLAT,M10,ZINC PLTD.	
11	218742GT	FORMING,MFLD GUARD,MSG425 from SN 12342		42A	110407GT	WELDMENT,HEADER PIPE..... to SN 12341	1
12A	216368GT	FORMING,HEAT SHIELD MOUNT..... to SN 12341	1	42B	218576GT	WDMT,HEADER PIPE,MSG425 from SN 12342	
12B	218668GT	FORMING, HEAT SHIELD MOUNT from SN 12342		43	72343GT	GASKET,EXH FLANGE-FORD/PERKINS.....	1
13	6888GT	SCREW,HHC,1/4-20 X 1		44	14033GT	SCREW,HHC,3/8-16 X 2.75.....	2
14	111634GT	AIR CLEANER,FORD,T3.....	1	45	4828GT	NUT,NYLOCK,3/8-16	
--	111634GT	AIR CLEANER,FORD,T3		46	119051GT	MOUNTING BAND,MUFFLER,8.0".....	2
--	227988GT	VACUATOR VALVE		47	215528GT	WDMT, CAT. MUFFLER, MSG425	
--	38922GT	ELBOW,90DEG.1/8MPT-5/16 BARB		48	139610GT	SENSOR,AIR,CAT MONITOR.....	1
--	58247GT	AIR CLEANER CAP/ FORD/NOLFF***		49	236832GT	TAILPIPE MOUNT , S40 MSG425.....	1
--	77295GT	FILTER ELEMENT,AIR,NOLFF LPG					
15	53952GT	BRKT,AIR CLEANER ORIENTATION**.....	1				
16	45435GT	CLAMP,HOSE,2.50"***.....	4				
17	237146GT	HOSE, CLEAN AIR, MSG425.....	1				
18	235659GT	HOSE, RAW AIR, MSG425.....	1				
19	216367GT	FORMING ,AIR CLEANER MOUNT.....	1				
20	33681GT	SCREW,HHC,3/8-16 X .625					
21	56912GT	SPRING CLIP,1/4-20,.025-.15X.54,ZAG					
22	7339GT	SCREW,HHC,1/4-20 X .5					
23A	236341GT	HEAT SHIELD, MSG425..... to SN 12341	1				
23B	823729GT	FORMING, HEATSHIELD, PRIMARY from SN 12342					
24	823730GT	FORMING, HEATSHIELD, SECONDARY from SN 12342					
25	236338GT	HOSE,UPPER RADIATOR,MSG425					
26	36208GT	CLAMP,HOSE,1.25"***.....	2				
27	214446GT	COUPLER,15T,FBA,SAE 8,MSG425.....	1				
28	49378GT	SCREW,HHC,M8 X 16					
29	6021GT	WASHER,LOCK,.375					
30	119052GT	PUMP MOUNT,FORD DSG423.....	1				
31	111748GT	SCREW,SHC,M10X1.5 X 60 GR8.8.....	2				

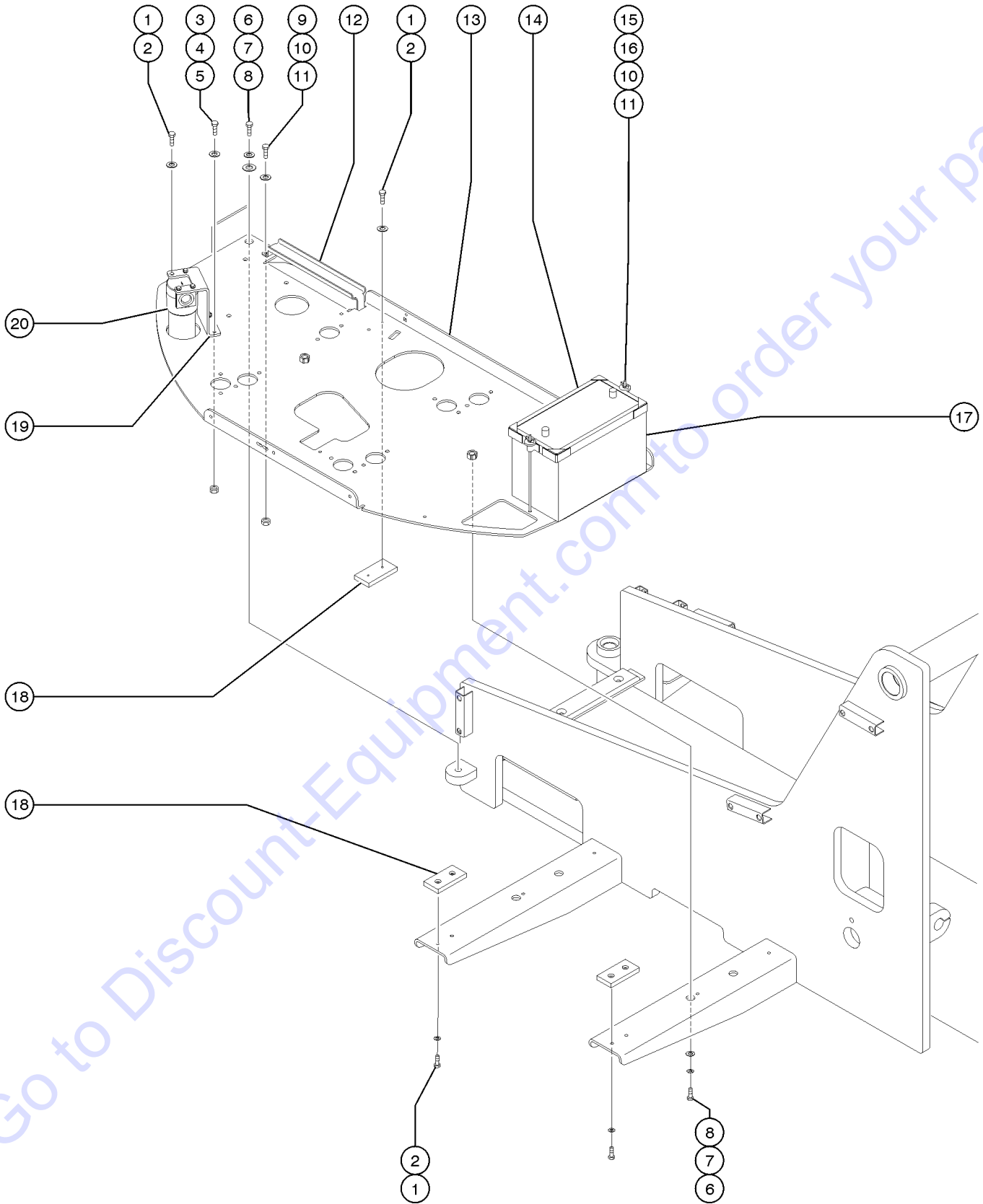
418.1 Ford MSG-425 EFI Engine - View 4 (from SN 11789)



418.1 Ford MSG-425 EFI Engine - View 4 (from SN 11789)

Item	Part No.	Description	Qty.	Item	Part No.	Description	Qty.
1	36456GT	SPRING CLIP,5/16-18,.025-.15X.....	2	41A	110406GT	RADIATOR,FORD DSG423 & MSG425.....	1
2	219437GT	ISOLATOR, VIBRATION.....	2	41B	119484GT	CAP,COOLANT 3/4	
3	237780GT	FORMING, RAD SUPPORT, MSG425....	1	42	110417PGT	FORMING,RADIATOR SUPPORT,PNTD	
4	48425GT	NUT,FLG-LRG,3/8-16,YZ		43	13918GT	SCREW,HHC,3/8-16 X 1.75,GRD.8	
5	49381GT	SCREW,HHC,M12 X 30		44	15086GT	WASHER,FLAT,.375 X 1.5 X .125	
6	1702GT	HOSE-HEATER,5/8 ID-BLACK.....	1	45	24038GT	SHOCK MOUNT,SMALL.....	4
7	46131GT	CLAMP,HOSE,.63" - 1.0" X .5".....	4	46	237453GT	SHROUD, RAD, Z60 MSG425.....	1
8	215316GT	REGULATOR, LP, MSG425.....	1	47	60584GT	GROMMET,RUBBER .75 X .19 X 1**	
--	219477GT	ISOLATOR, DEPR		48	6090GT	SCREW,HHC,1/4-20 X .75	
9	119232GT	LOCKOFF,LP,FORD DSG/MSG.....	1	49	6638GT	WASHER,FLAT,USS,1/4"Y	
10	19358GT	CONNECTOR,010102-6-4.....	10	50	1279268GT	BOTTLE, COOLANT RECOVERY, 2QT	
11	236340GT	HOSE, COOLANT, VAP, MSG425.....	1	--	106226GT	TUBING, VINYL, 1/2" CLEAR	
12	219477GT	ISOLATOR, DEPR.....	2	--	19018GT	TRIMLOCK,BLACK,5/32".....	22-inches
13	236423GT	FORMING, LP REG MOUNT, MSG425...1		--	21465GT	CLAMP,HOSE,.25" - .63" X .3125	
14	219478GT	FLANGE NUT, MSG425		--	6833GT	CLAMP,0.50,#8 X 1/4,RUB CUSH	
15	236422GT	ENGINE MOUNT, REAR, MSG425		--	72327GT	CAP, COOLANT RET SYS(54071)	
16	6198GT	NUT,NYLOCK,1/2-13		51	21019GT	SCREW,PHIL,PHM,10-24 X.5,SEMS	
17	6095GT	WASHER,FLAT,USS,1/2",Y		52	6146GT	WASHER,FLAT,MS,#10,Y	
18	22788GT	SCREW,HHC,1/2-13 X 1.75		53	237385GT	HOSE HANGER, MSG425.....	2
19	119170GT	FUEL SENSOR ASSY.....	1	54	236421GT	ENGINE MOUNT, RIGHT, MSG425	
20	6091GT	NUT,NYLOCK,1/4-20		55	44064GT	SCREW,HHC,M10 X 30MM.....	4
21	4266GT	SCREW,HHC,1/4-20 X 2					
22	111699GT	FORMING,FUEL PRES.REG MNT.....1 to SN 12341					
--	219474GT	FORMING, FUEL BLOCK, Z60 from SN 12342					
23	6145GT	SCREW,HHC,1/4-20 X 1.5					
24	6097GT	WASHER,FLAT,USS,3/8",Y					
25	215317GT	CONTROL MODULE, MSG425.....	1				
26	25927GT	SCREW,HHC,M10 X 55MM,GRD 8.8....	4				
27	22700GT	WASHER,LOCK,M10.....	8				
28	22699GT	WASHER,FLAT,M10,ZINC PLTD.....	8				
29	236425GT	FORMING, ECU MOUNT, MSG425.....	1				
30	236420GT	ENGINE MOUNT, LEFT, MSG425.....	1				
31	6019GT	SCREW,HHC,3/8-16 X 1.25 GRD 5					
32	5397GT	WASHER,FLAT,USS,5/16",Y					
33	4828GT	NUT,NYLOCK,3/8-16					
34	39479GT	SCREW,HHC,1/2-13 X 2.75					
35	70452GT	ISOLATOR,ENGINE VIBRATION***.....	4				
36	216167GT	SPACER,ISOLATOR,MSG425.....	4				
37	102066GT	CASTING,WASHER,REBOUND					
38	110477GT	PLATE,ENGINE SUPPORT SPACER.....	1				
39	236339GT	HOSE, LOWER RADIATOR, MSG425....	1				
40	236364GT	FAN SHROUD, MSG425.....	1				

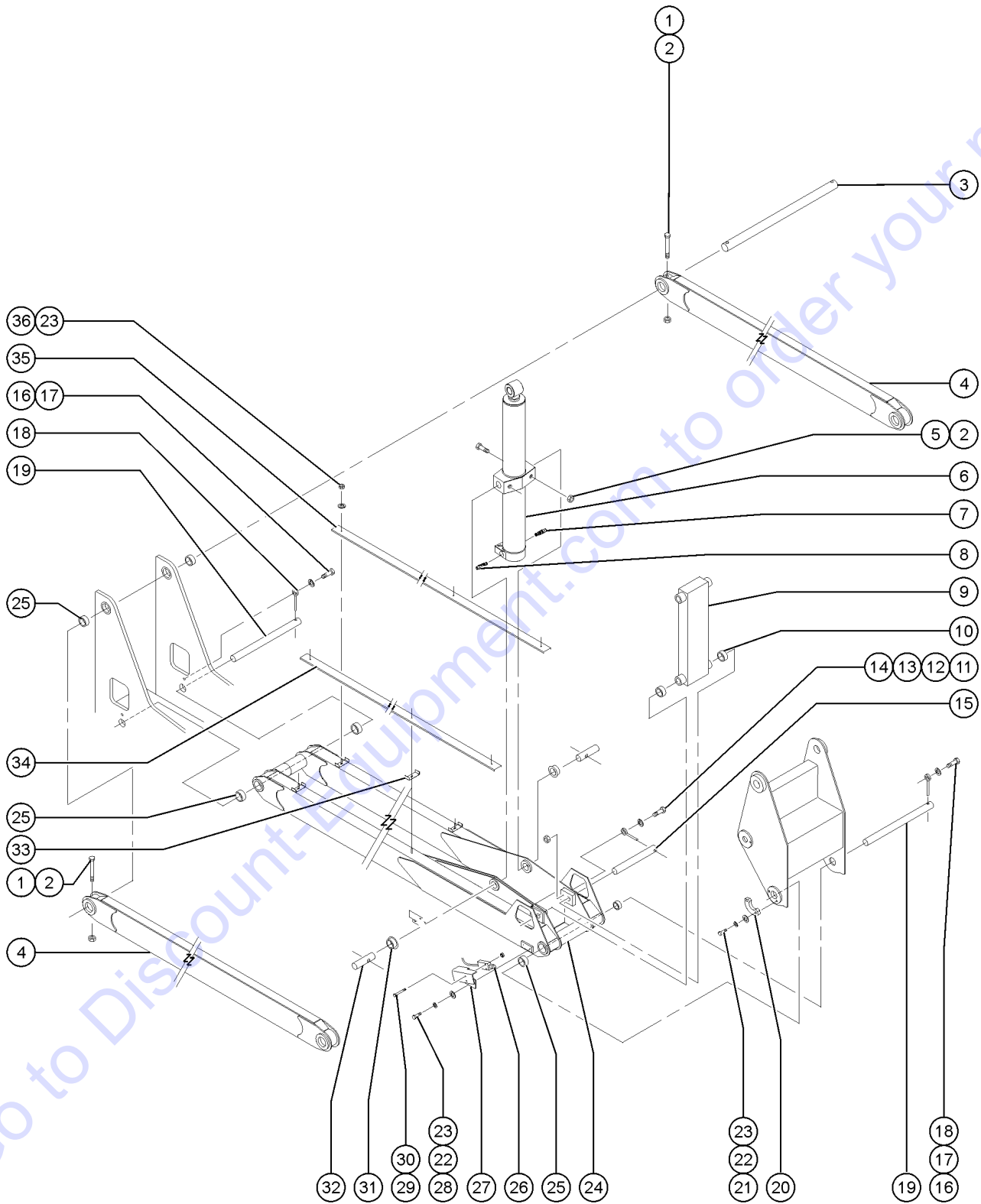
419.1 Engine Tray and Battery



419.1 Engine Tray and Battery

Item	Part No.	Description	Qty.	Item	Part No.	Description	Qty.
--	60334GT	FILTER ASSY,HIGH PRESS SAE-12*		20		FILTER ASY,M PRESS,SAE8,WOIND* (77139).....1 <i>component no longer available use 1267807</i>	
--	60857GT	FILTER,ELEMENT,BETA(5)=1000		--	60857GT	FILTER,ELEMENT,BETA(5)=1000 for 77139	
--	58222GT	O-RING,FILTER ASSY (60334)***		20A	1267807GT	ASSY, MED. PRESS. FILTER, SAE8	
--	58223GT	SEAL,FILTER ASSY (60334)***		--	1268229GT	ELEMENT-5 MIC, PAPER, W/ BYPASS for 1267807	
--	58380GT	FILTER INDICATOR-(60334)					
1	6090GT	SCREW,HHC,1/4-20 X .75					
2	6356GT	WASHER,LOCK,.25					
3	6019GT	SCREW,HHC,3/8-16 X 1.25 GRD 5					
4	5397GT	WASHER,FLAT,USS,5/16",Y					
5	4828GT	NUT,NYLOCK,3/8-16					
6	29883GT	SCREW,HHC,5/8-11 X 1.75 GRD.8.....3					
7	6036GT	WASHER,LOCK,.625 PLTD					
8	13064GT	WASHER,FLAT,.625 HARDENED.....3					
9	6888GT	SCREW,HHC,1/4-20 X 1					
10	6638GT	WASHER,FLAT,USS,1/4"Y					
11	6091GT	NUT,NYLOCK,1/4-20					
12	89672PGT	FORMING,HYD. HOSE RESTRAINT.....1					
13	75650-SGT	WELDMENT PLATE ENGINE TANK.....1 <i>Deutz and Perkins Models; to SN 4607</i>					
--	102352GT	WELDMENT,ENGINE TRAY,Z60 <i>Ford Models; from SN 4556</i>					
--	89954GT	WELDMENT,ENGINE TRAY,Z60 <i>Ford Models; to SN 4555</i>					
14	30144GT	BATTERY HOLD DOWN,GROUP 31.....1					
15	30784-975GT	THREADED ROD,(1/4-20),9.75.....2					
16	8170GT	NUT,WING,1/4-20					
17	122754GT	CABLE,#4GA,POS.AUX,RED,108"					
--	122056GT	BATTERY CABLE,1/0 GA,RED 45" <i>Perkins Models</i>					
--	122057GT	BATTERY CABLE,1/0 GA,BLK 48" <i>Perkins Models</i>					
--	122058GT	BATTERY CABLE,1/0 GA,BLK 30" <i>Deutz Models; to SN 4607</i>					
--	30143GT	BATTERY,12V,1000 CCA GRP 31.....1					
--	49869GT	CORROSION INHIBITOR COATING					
--	81563GT	BATT.CABLE,2/0,BLACK,48" <i>Ford Models</i>					
--	89651GT	BATTERY CABLE,2/0,POS.RED,45" <i>Ford Models</i>					
18	30271GT	PAD,ENGINE SLIDE.....2 <i>to SN 4607</i>					
--	45209GT	WEAR PAD,4X2X.5 W/INSERT***.....4 <i>from SN 4608</i>					
19	30230PGT	FILTER MOUNT BRACKET.....1 <i>to SN 4607</i>					
--	102100PGT	FORMING,FILTER BRACKET,PAINTED <i>from SN 4608</i>					

501.1 Secondary Boom - View 1



PARTS FINDER

**Search Website
by Part Number**



**Search Manual
Library For Parts
Manual & Lookup Part
Numbers – Purchase
or Request Quote**

Search Manuals

Enter your information to help us find the right parts manual for your machine.

* Brand:

* Model:

* Serial:

* Part Number:

SEARCH

**Can't Find Part or
Manual? Request Help
by Manufacturer,
Model & Description**

Parts Order Form

Please fill in the following information to help us find the right part for your machine.

Manufacturer:	<input type="text"/>
Model:	<input type="text"/>
Description:	<input type="text"/>
Part Number:	<input type="text"/>
Quantity:	<input type="text"/>
Notes:	<input type="text"/>

Submit

Discount-Equipment.com is your online resource for quality parts & equipment.

Florida: **561-964-4949** Outside Florida TOLL FREE: **877-690-3101**

Need parts?

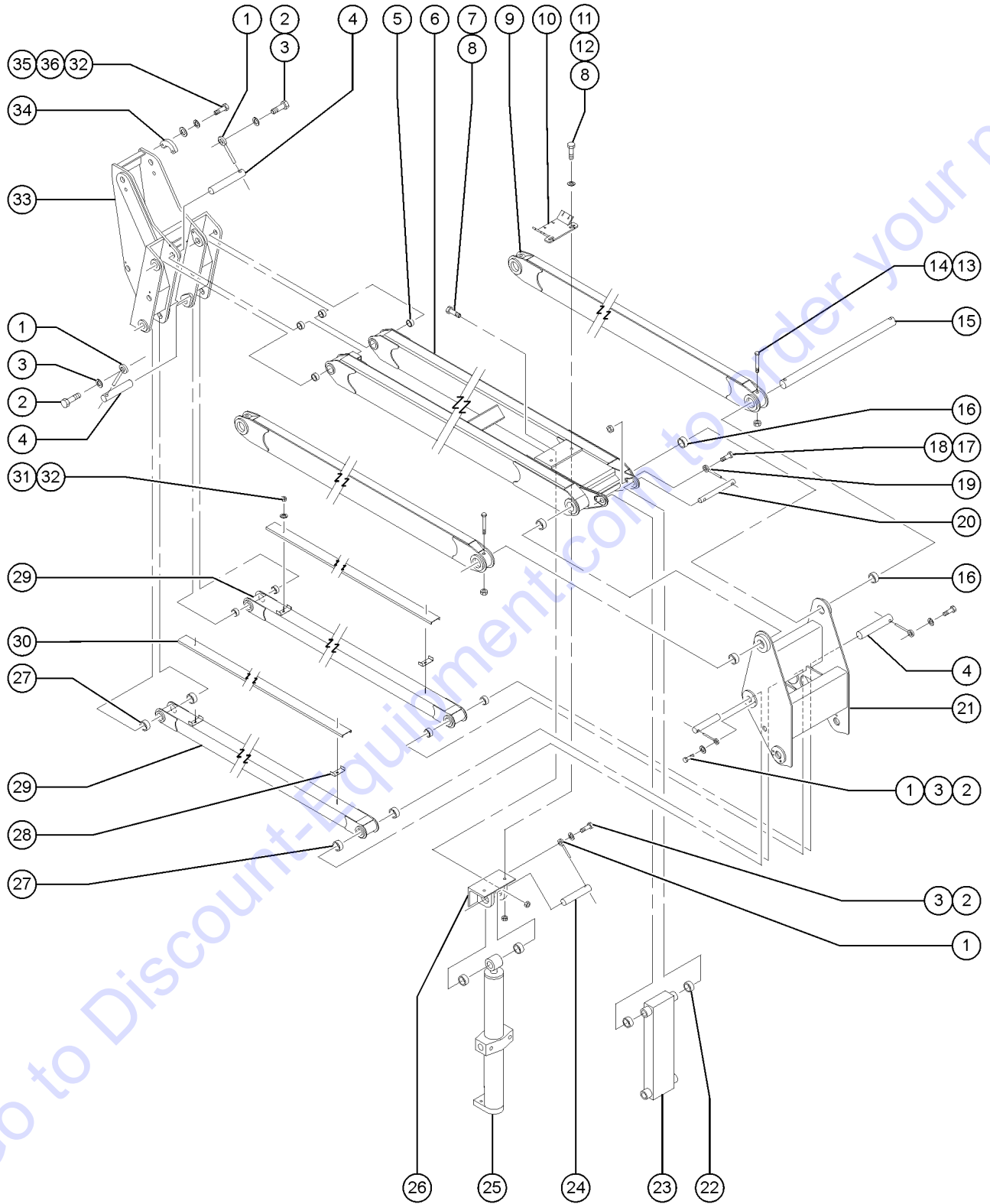
Click on this link: <http://www.discount-equipment.com/category/5443-parts/> and choose one of the options to help get the right parts and equipment you are looking for. Please have the machine model and serial number available in order to help us get you the correct parts. If you don't find the part on the website or on one of the online manuals, please fill out the request form and one of our experienced staff members will get back to you with a quote for the right part that your machine needs.

We sell worldwide for the brands: Genie, Terex, JLG, MultiQuip, Mikasa, Essick, Whiteman, Mayco, Toro Stone, Diamond Products, Generac Magnum, Airman, Haulotte, Barreto, Power Blanket, Nifty Lift, Atlas Copco, Chicago Pneumatic, Allmand, Miller Curber, Skyjack, Lull, Skytrak, Tsurumi, Husquvarna Target, Stow, Wacker, Sakai, Mi-T-M, Sullair, Basic, Dynapac, MBW, Weber, Bartell, Bennar Newman, Haulotte, Ditch Runner, Menegotti, Morrison, Contec, Buddy, Crown, Edco, Wyco, Bomag, Laymor, EZ Trench, Bil-Jax, F.S. Curtis, Gehl Pavers, Heli, Honda, ICS/PowerGrit, IHI, Partner, Imer, Clipper, MMD, Koshin, Rice, CH&E, General Equipment, Amida, Coleman, NAC, Gradall, Square Shooter, Kent, Stanley, Tamco, Toku, Hatz, Kohler, Robin, Wisconsin, Northrock, Oztec, Toker TK, Rol-Air, APT, Wylie, Ingersoll Rand / Doosan, Innovatech, Con X, Ammann, Mecalac, Makinex, Smith Surface Prep, Small Line, Wanco, Yanmar

501.1 Secondary Boom - View 1

Item	Part No.	Description	Qty.	Item	Part No.	Description	Qty.
1	5387GT	SCREW,HHC,3/8-16 X 4		26	102174GT	HARNES,SECONDRY BOOM STOW,Z60.....	2
2	7713GT	NUT, LP NYLOCK, 3/8-16		--	110650GT	CONN. SQZ PG11 .30-.40 W/ORING	
3	30198GT	PIN,2.25DIAX31.75LG,2HOLE.....	2	--	19491GT	CONTACTOR,LIMIT SWITCH	
4	30050-SGT	LOWER TENSION MEMBER WELDMENT.....	2	--	88366-146R3GT	SWITCH,LIMIT,W/ROLLER ARM	
5	12981GT	SCREW,HHC,3/8-16 X 4.5		27	226419GT	BRKT.,LWR LIMIT SWITCH.....	1
6		CYLINDER, SECONDARY LIFT Z60..... <i>previous cylinders 63208 and 121854 are no longer available. For replacement order cylinder part 1264387</i>	1	28	8914GT	SCREW,HHC,1/4-20 X .625	
--	1264387GT	CYLINDER, SECONDARY LIFT Z60		29	22541GT	SCREW,RHM,10-32 X 1.5	
--	63348GT	SEAL KIT,CYL,Z60 (63208) <i>used with cylinders 63208, 121854 and 126437</i>		30	6178GT	NUT,NYLOCK,10-32	
--	31310GT	BEARING,GARLOCK,28DU24..... <i>used with cylinders 63208 and 121854</i>	1	31	27695GT	BEARING,FL,1.75IDX1.94ODX1.50L.....	2
--	1262633GT	BEARING,POLYGON,BM5120 <i>used with cylinder 126437</i>		32	30199GT	PIN,1.75 DIAX4.50LG,THREADED.....	2
--	31106GT	VALVE,CNTERBAL,CBBB-LHN@3000**. <i>(not shown) use with cylinder part 63208</i>	1	33	102776PGT	CABLE COVER CLIP,PNTD.....	14
7	40405GT	VALVE,CNTERBAL,CBBB-LHN@3000** <i>used with cylinder 121854 and 1264387 (Extend)</i>		34	102774PGT	COVER,CABLE,TANK SIDE,LH,PNTD.... <i>ground controls/tank side</i>	1
8	32722GT	VALVE,COUNTERBAL.CBCG-LJN@3000 <i>used with cylinder 121854 and 1264387 (Retract)</i>		35	102775PGT	COVER,CABLE,ENGINE SIDE,RH,PTD.....	1
9	31306GT	CONNECTING LINK ASSY <i>includes item 10</i>		36	6091GT	NUT,NYLOCK,1/4-20	
10	30222GT	BEARING,FL,1.25IDX1.41ODX1.50L.....	1				
11	6326GT	SCREW,HHC,3/8-16 X 3.....	4				
12	5397GT	WASHER,FLAT,USS,5/16",Y					
13	825019GT	ROD END,.375X3.69,ZAG					
14	4828GT	NUT,NYLOCK,3/8-16.....	1				
15	30202GT	PIN,1.25DIAX14.12LG,1HOLE.....	2				
16	10597GT	SCREW,HHC,1/2-13 X 1.25 GR5					
17	6033GT	WASHER,LOCK,0.5"					
18	1256267GT	ROD END,.5 X 3.75,ZAG.....	2				
19	30201GT	PIN,2.25DIAX24.63LG,1HOLE.....	2				
20	46005GT	LOWER LIMIT SWITCH CAM.....	1				
21	6888GT	SCREW,HHC,1/4-20 X 1					
22	6356GT	WASHER,LOCK,.25					
23	6638GT	WASHER,FLAT,USS,1/4"Y					
24	102984GT	LOWER SEC. BM ASSY W/ WORD DEC.....	1				
		<i>includes items 25 and 31</i>					
--	102985GT	LOWER SEC BM ASSY W/SYM DECALS <i>includes items 25 and 31</i>					
25	18722GT	BEARING,2.25IDX2.50ODX1.50L***.....	6				

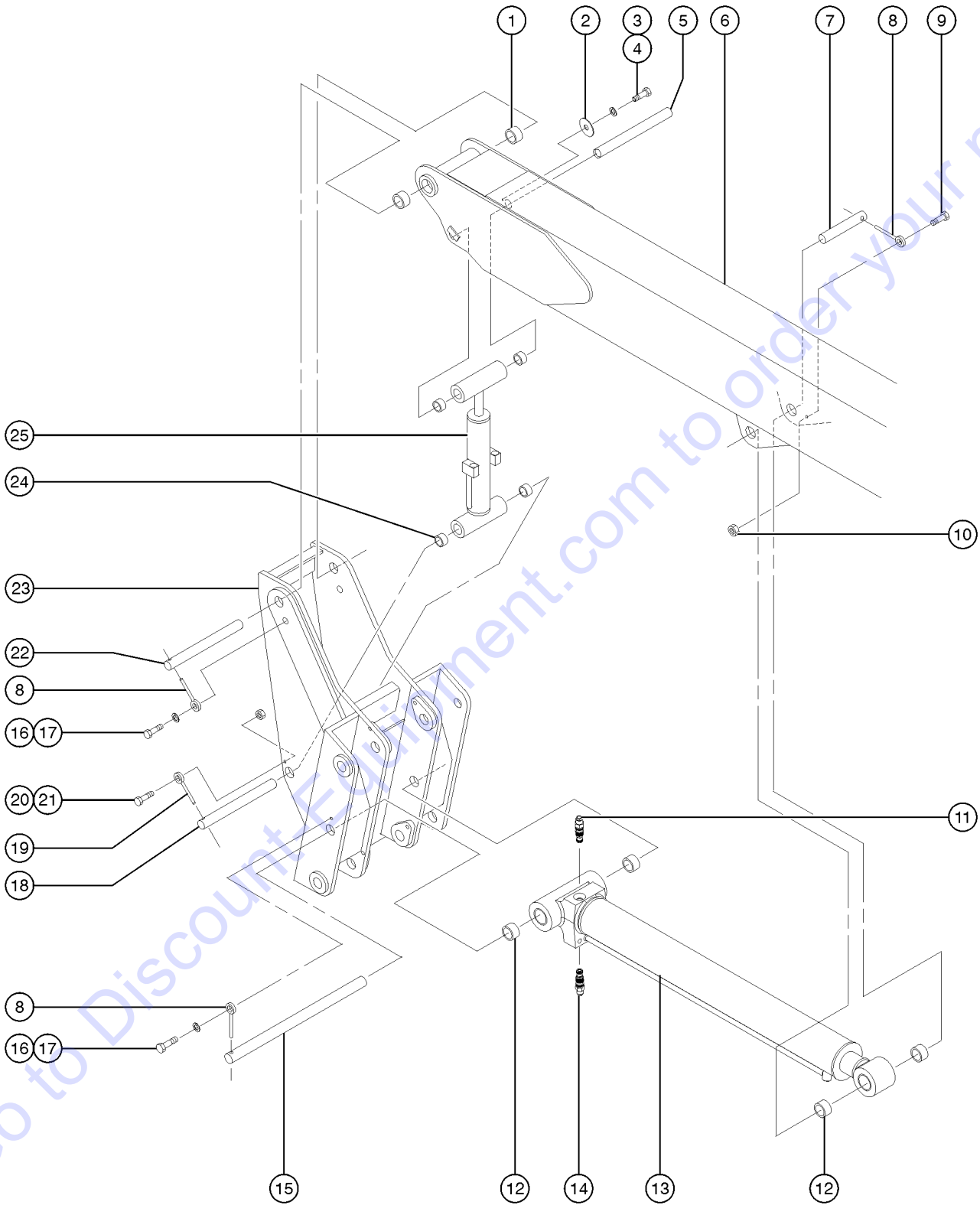
502.1 Secondary Boom - View 2



502.1 Secondary Boom - View 2

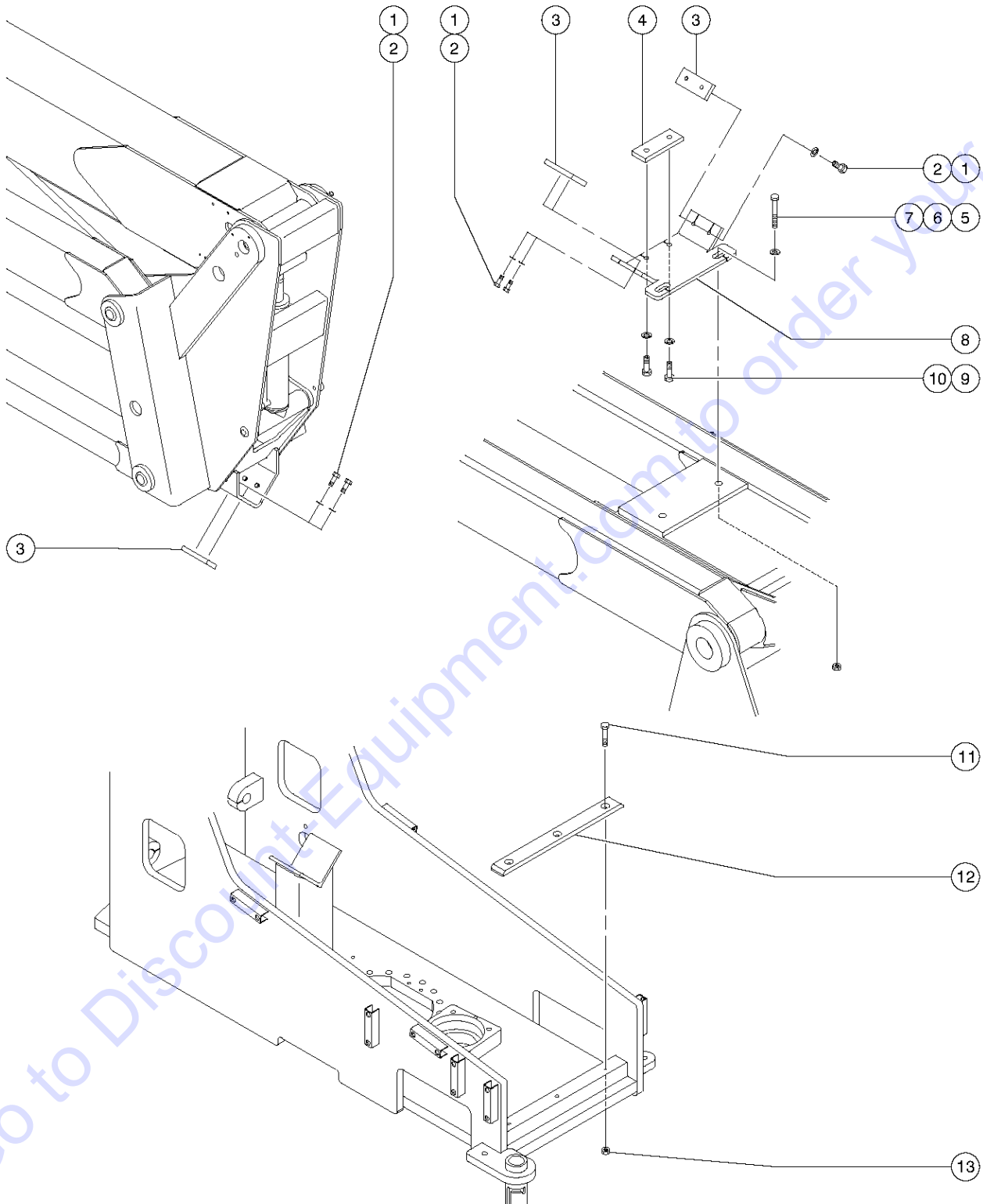
Item	Part No.	Description	Qty.	Item	Part No.	Description	Qty.
1	1256267GT	ROD END,.5 X 3.75,ZAG.....	5	36	6356GT	WASHER,LOCK,.25	
2	10597GT	SCREW,HHC,1/2-13 X 1.25 GR5					
3	6033GT	WASHER,LOCK,0.5"					
4	30193GT	PIN,1.75DIAX8.50LG,1HOLE.....	5				
5	119620GT	BEARING,1.75IDX2.00ODX1.50L.....	12				
6	111373GT	Z60 UPPER SECONDARY BOOM ASSY (includes items 5 and 16)					
7	29883GT	SCREW,HHC,5/8-11 X 1.75 GRD.8 to SN 9874					
--	81110GT	SCREW,HHC,5/8-11 X 2 GRD.8 from SN 9875					
8	6024GT	NUT,NYLOCK,5/8-11					
9	30050-SGT	LOWER TENSION MEMBER WELDMENT.....	2				
10		Ref. Primary Boom Rest (refer to 504.1)					
11	13003GT	SCREW,HHC,5/8-11 X 3.5 GRD.8					
12	13064GT	WASHER,FLAT,.625 HARDENED.....	2				
13	5387GT	SCREW,HHC,3/8-16 X 4					
14	7713GT	NUT, LP NYLOCK, 3/8-16					
15	30198GT	PIN,2.25DIAX31.75LG,2HOLE.....	2				
16	18722GT	BEARING,2.25IDX2.50ODX1.50L***.....	4				
17	13918GT	SCREW,HHC,3/8-16 X 1.75,GRD.8.....	1				
18	4828GT	NUT,NYLOCK,3/8-16					
19	825019GT	ROD END,.375X3.69,ZAG.....	1				
20	30202GT	PIN,1.25DIAX14.12LG,1HOLE.....	1				
21	31309GT	LOWER MIDPIVOT ASSY,Z60..... (includes item 16)	1				
22	30222GT	BEARING,FL,1.25IDX1.41ODX1.50L.....	4				
23	31306GT	CONNECTING LINK ASSY..... (includes item 22)	1				
24	30328GT	PIN,1.75DIAX6.00LG,1HOLE.....	1				
25		Ref. Secondary Boom Lift Cylinder (refer to 501.1)					
26	30180-SGT	WELDMENT, CYLINDER MOUNTING....	1				
27	119620GT	BEARING,1.75IDX2.00ODX1.50L.....	12				
28	102776PGT	CABLE COVER CLIP,PNTD.....	14				
29	31307GT	UPPER LEVELING LINK ASSY..... (includes item 5)	2				
30	102773PGT	COVER,CABLE,UPR TNSN ARM,PTND.....	2				
31	6091GT	NUT,NYLOCK,1/4-20					
32	6638GT	WASHER,FLAT,USS,1/4"Y					
33	30052PGT	UPPER PIVOT WELDMENT,PAINTED....	1				
34	46004GT	UPPER LIMIT SWITCH CAM.....	1				
35	6888GT	SCREW,HHC,1/4-20 X 1					

503.1 Upper Pivot



Item	Part No.	Description	Qty.
1	119620GT	BEARING,1.75IDX2.00ODX1.50L.....	2
2	12906GT	WASHER,FENDER,.25 X 1.25 X.062	
3	7339GT	SCREW,HHC,1/4-20 X .5	
4	6356GT	WASHER,LOCK,.25	
5	30192GT	PIN,MASTER CYLINDER.....	1
6		Ref. Primary Boom Tube Assembly (refer to 505.1)	
7	30194GT	PIN,1.75DIAX5.25LG,1HOLE.....	1
8	1256267GT	ROD END,.5 X 3.75,ZAG.....	3
9	6096GT	SCREW,HHC,1/2-13 X 2 GR5	
10	6198GT	NUT,NYLOCK,1/2-13	
11	32722GT	VALVE,COUNTERBAL.CBCG-LJN@3000 use with cylinder part 121853 and 1264388	
12	31310GT	BEARING,GARLOCK,28DU24.....	4
		use with cylinder part 63207 and 121853	
--	1262633GT	BEARING,POLYGON,BM5120 use with cylinder part 1264388	
13		CYLINDER, LIFT Previous cylinders part 63207 and 121853 are no longer available. For replacement order cylinder part 1264388; to SN 11070	
--	1264388GT	CYLINDER, PRIMARY LIFT Z60	
--	63347GT	SEAL KIT CYL.Z60(63207)	
14	31106GT	VALVE,CNTERBAL,CBBB-LHN@3000** (not shown) use with cylinder part 63207; to SN 11070	
--	40405GT	VALVE,CNTERBAL.CBBB-LHN@3000** use with cylinder part 121853 and 1264388; from SN 11071	
15	30195GT	PIN,1.75DIAX18.13LG,1HOLE.....	1
16	10597GT	SCREW,HHC,1/2-13 X 1.25 GR5	
17	6033GT	WASHER,LOCK,0.5"	
18	30196GT	PIN,1.25DIAX11.50LG,1HOLE.....	1
19	825019GT	ROD END,.375X3.69,ZAG.....	1
20	8516GT	SCREW, HCC, 3/8-16 X 1.50	
21	4828GT	NUT,NYLOCK,3/8-16	
22	30191GT	PIN,1.75DIAX13.50LG,1HOLE.....	1
23	30052PGT	UPPER PIVOT WELDMENT,PAINTED....	1
24	65463GT	BEARING,GARLOCK 20DU12.....	4
25	63211GT	CYLINDER, MASTER.....	1
		includes item 24	
--	63351GT	SEAL KIT,CYL,Z60 (63211)	

504.1 Upper Pivot and Primary Boom Rests

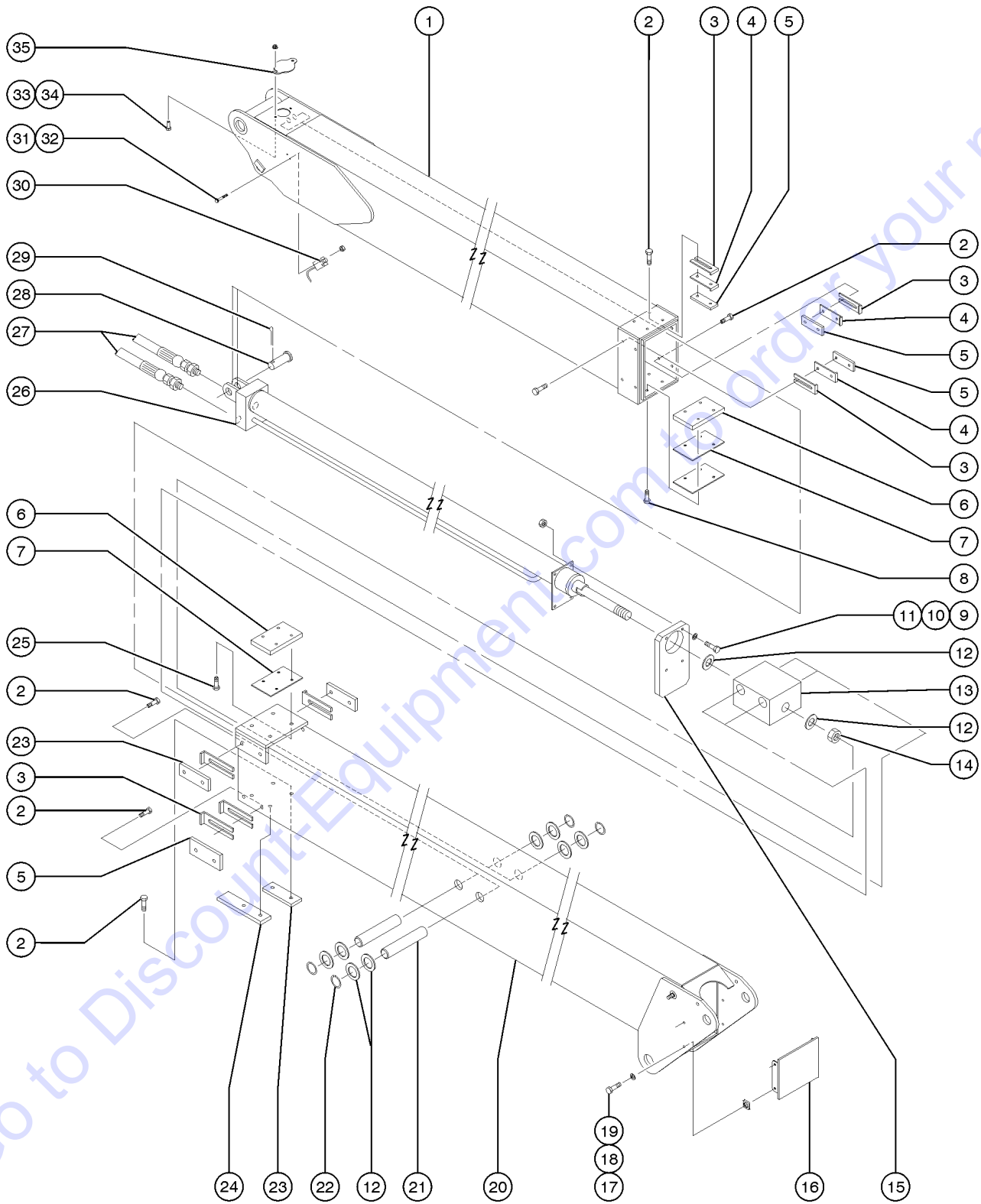


504.1 Upper Pivot and Primary Boom Rests

Item	Part No.	Description	Qty.
1	6090GT	SCREW,HHC,1/4-20 X .75	
2	6356GT	WASHER,LOCK,.25	
3	45209GT	WEAR PAD,4X2X.5 W/INSERT***.....	4
4	53811GT	WEAR PAD,5X1.5X1 W/INSERTS.....	1
5	13003GT	SCREW,HHC,5/8-11 X 3.5 GRD.8.....	2
6	13064GT	WASHER,FLAT,.625 HARDENED.....	2
7	6024GT	NUT,NYLOCK,5/8-11	
8	30333PGT	PRIMARY BOOM REST,PAINTED.....	1
9	6175GT	SCREW,HHC,3/8-16 X 1	
10	6021GT	WASHER,LOCK,.375	
11	17712GT	SCREW,FHS,3/8-16 X 1.75	
12	63374GT	WEAR PAD, BOOM REST.....	1
13	4828GT	NUT,NYLOCK,3/8-16	

Go to Discount-Equipment.com to order your parts

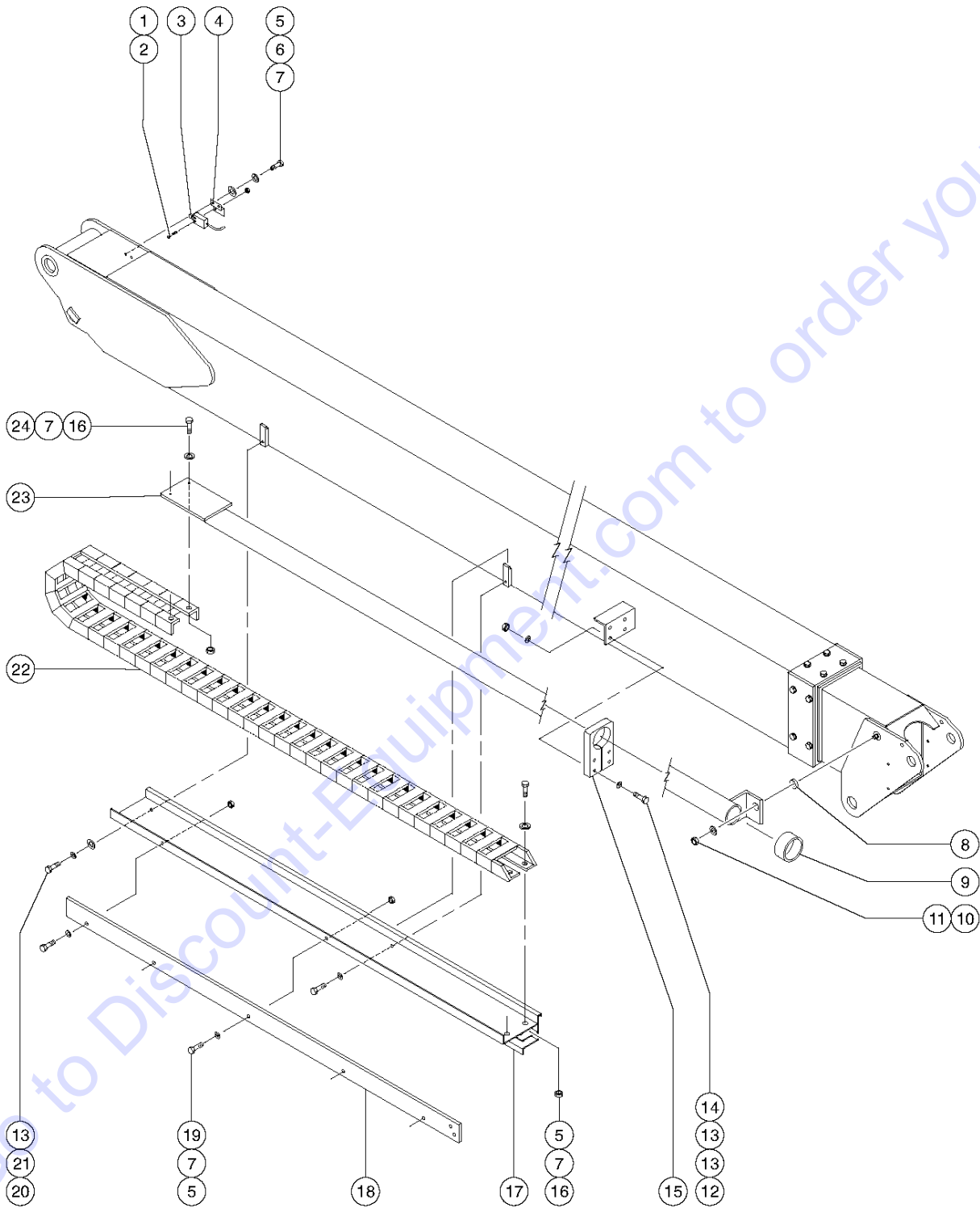
505.1 Primary and Extension Booms



505.1 Primary and Extension Booms

Item	Part No.	Description	Qty.	Item	Part No.	Description	Qty.
1	102986GT	PRI BOOM TUBE ASSY W/WORD DECA.....	1	28	19440GT	PIN,CLEVIS,1 X 2.5 LG.....	1
--	102987GT	PRI BOOM TUBE ASSY W/SYM DECAL		29	74389GT	RUE RING,1.00.....	1
2	122200GT	SCREW,FLANGE,HHC,3/8-16X 7/8		30	102175GT	HARNES,BOOM RETRACT, Z60..... <i>for units before SN 14256, it is recommended to order the newly revised harness 102175 and wear pad 63376 (it replaces their current limit switch 88356-11105 with 88356-11B05)</i>	1
3	29080GT	SHIM,WEAR PAD,5X 1.5 16GA		--	128636GT	ROLLER,ARM,LIMIT SWITCH,ZCY500 <i>for limit switch 88356-11B05</i>	
4	38620GT	SHIM,WEAR PAD,5 X 1.5,14GA		--	88356-11B05GT	SWITCH,LIMIT,W/RLLR ARM,NO/NC <i>for units before SN 14256, it is recommended to order the newly revised harness 102175 and wear pad 63376 (it replaces their current limit switch 88356-11105 with 88356-11B05)</i>	
5	30138GT	WEAR PAD,5 X 1.5 X .625 W/NUTS.....	8	--	97128GT	ROLLER ARM,LIMIT SWITCH*** <i>for limit switch 88356-11105</i>	
6	30139GT	WEAR PAD,6.5 X 5 X.625 W/INSER.....	2	31	22541GT	SCREW,RHM,10-32 X 1.5	
7	30472GT	SHIM,PRIMARY BOOM,.064 THK.		32	6178GT	NUT,NYLOCK,10-32	
8	122201GT	SCREW,FLANGE,HHC,3/8-16X1.00		33	6878GT	BOLT,CARRIAGE,1/4-20 X .75,G2 <i>from SN 10116</i>	
9	8179GT	SCREW,HHC,1/4-20 X 2.25		34	121421GT	NUT,FLG,1/4-20 <i>from SN 10116</i>	
10	6638GT	WASHER,FLAT,USS,1/4"Y		35	T111450GT	COVER,CB VALVE,Z60,PRIMARYBOOM..... <i>from SN 10116</i>	1
11	6091GT	NUT,NYLOCK,1/4-20		--	T111451GT	KIT,CB VALVE,ACCESSPORT,Z60 <i>to SN 10115 (includes items 33 - 36)</i>	
12	30255GT	WASHER,SHIM,1.27 X 2.13 X .062					
13	30116GT	CYLINDER MOUNT BAR.....	1				
14	45303GT	NUT,NYLOCK,1.125-12					
15	30272GT	PAD,EXTENSION CYLINDER.....	1				
16	30021GT	EXTENSION TUBE END CAP.....	1				
17	6888GT	SCREW,HHC,1/4-20 X 1					
18	6356GT	WASHER,LOCK,.25					
19	25969GT	CLIP,SPRING,1/4-20 BLACK					
20	31086GT	EXTENSION BOOM TUBE ASSY,Z60....	1				
--	30434GT	BEARING,1.25IDX1.50ODX0.88L					
21	30186GT	PIN,1.25DIA X 6.67LG,2RING.....	2				
22	824164GT	SNAP RING,EXTERNAL,1.25,ZAG.....	4				
23	30137GT	WEAR PAD,5 X 1.5 X .50 W/NUTS.....	3				
24	63376GT	WEAR PAD, LIMIT SWITCH CAM.....	1				
25	122198GT	SCREW,FLANGE,HHC,3/8-16X 5/8					
26	111177GT	CYL,EXT,2.5 X 112.25,Z60..... <i>replaces older cylinder 89060; from SN 5938</i>	1				
--	89296GT	SEAL KIT,CYLINDER (89060) <i>use with cylinders 89060 and 111177</i>					
--	36648GT	VALVE,COUNTERBALANCE 2500 PSI* <i>use with cylinder 111177 (extend); from SN 5938</i>					
--	74872GT	VALVE,COUNTERBALANCE 3000 PSI* <i>use with cylinder 111177 (retract); from SN 5938</i>					
--	75849GT	VALVE,COUNTERBALANCE 2500PSI <i>use with cylinder 89060 (extend); to SN 5937</i>					
--	31082GT	VALVE,COUNTERBALANCE 2500 PSI* <i>use with cylinder 89060 (retract); to SN 5937</i>					
27		Ref. Hydraulic Hoses and Fittings (refer to 713.1)					

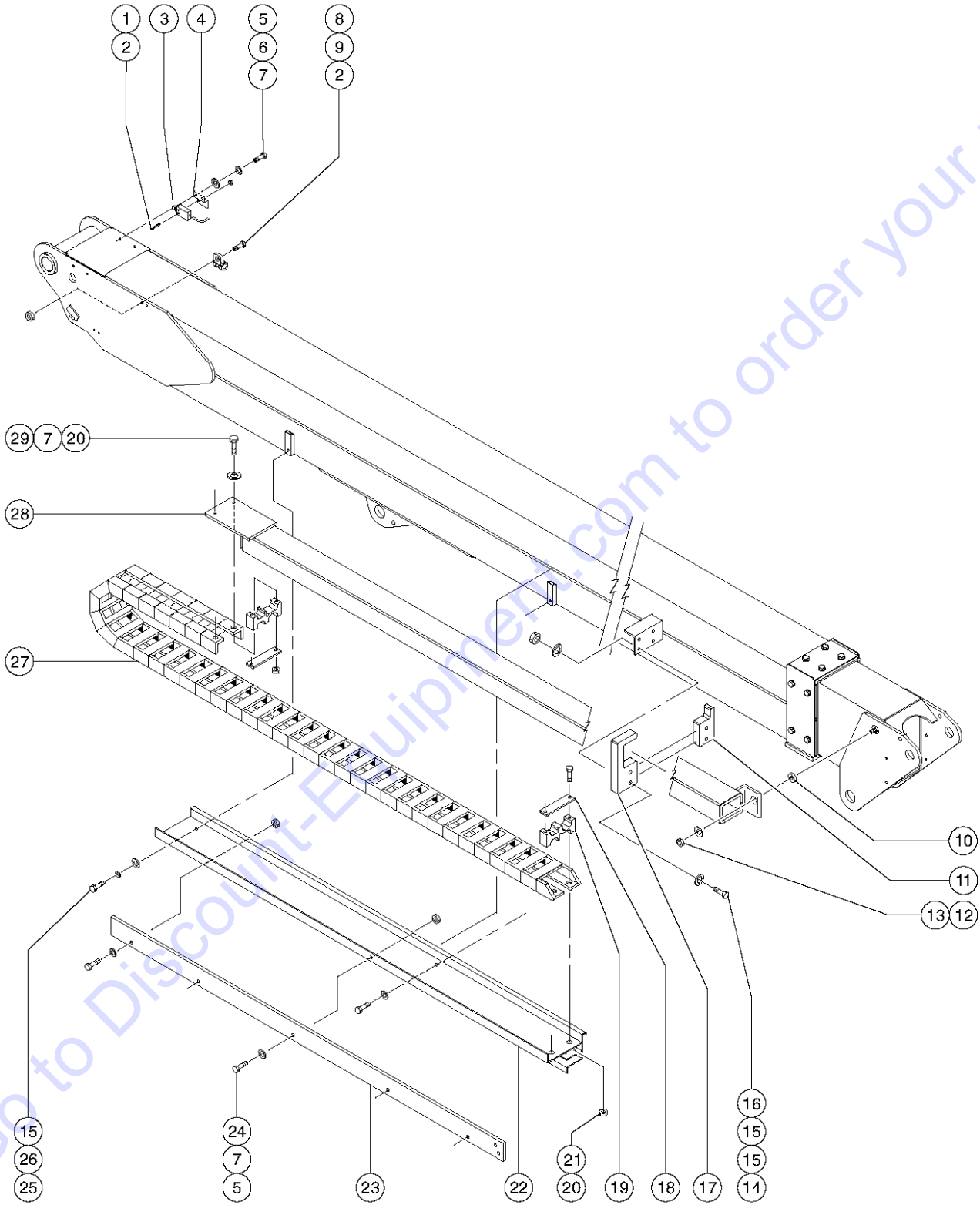
506.1 Cable Track (to SN 5541)



506.1 Cable Track (to SN 5541)

Item	Part No.	Description	Qty.
1	22541GT	SCREW,RHM,10-32 X 1.5	
2	6178GT	NUT,NYLOCK,10-32	
3	102173GT	HARNES,PRIMARY BOOM STOW,Z60.....1	
--	110650GT	CONN. SQZ PG11 .30-.40 W/ORING	
--	19491GT	CONTACTOR,LIMIT SWITCH	
--	88366-146R3GT	SWITCH,LIMIT,W/ROLLER ARM	
4	46002PGT	UPPR. LIMIT SWITCH BRKT.,BLUE.....1	
5	8914GT	SCREW,HHC,1/4-20 X .625	
6	6356GT	WASHER,LOCK,.25	
7	6638GT	WASHER,FLAT,USS,1/4"Y	
8	30388GT	PIVOT TUBE/SPACER Z60.....2	
9	30387GT	CABLE PROTECTOR.....1	
10	6198GT	NUT,NYLOCK,1/2-13	
11	6095GT	WASHER,FLAT,USS,1/2",Y	
12	13918GT	SCREW,HHC,3/8-16 X 1.75,GRD.8.....4	
13	5397GT	WASHER,FLAT,USS,5/16",Y	
14	7713GT	NUT, LP NYLOCK, 3/8-16	
15	30389GT	TRACK TUBE GUIDE.....1	
16	6091GT	NUT,NYLOCK,1/4-20	
17	102529GT	CABLE TRACK CHANNEL ASSY,Z-60....1	
--	27258GT	TRIM,RUBBER EDGE,5/8 (BY INCH) <i>order as needed</i>	
18	102703GT	COVER,DRILLED***1	
19	6889GT	NUT,LP NYLOCK,1/4-20	
20	8255GT	SCREW,HHC,3/8-16 X .75	
21	6021GT	WASHER,LOCK,.375	
22	30377GT	TRACK,PLASTIC CABLE,43 LINKS.....1	
--	58919GT	REPAIR LINK,7 LINKS***	
--	58920GT	REPAIR LINK END SET (42763)*	
--	58927GT	LINK,NYLATRAC KS6-5.4***	
23	30315GT	TRACK TUBE WELDMENT.....1	
24	6888GT	SCREW,HHC,1/4-20 X 1	

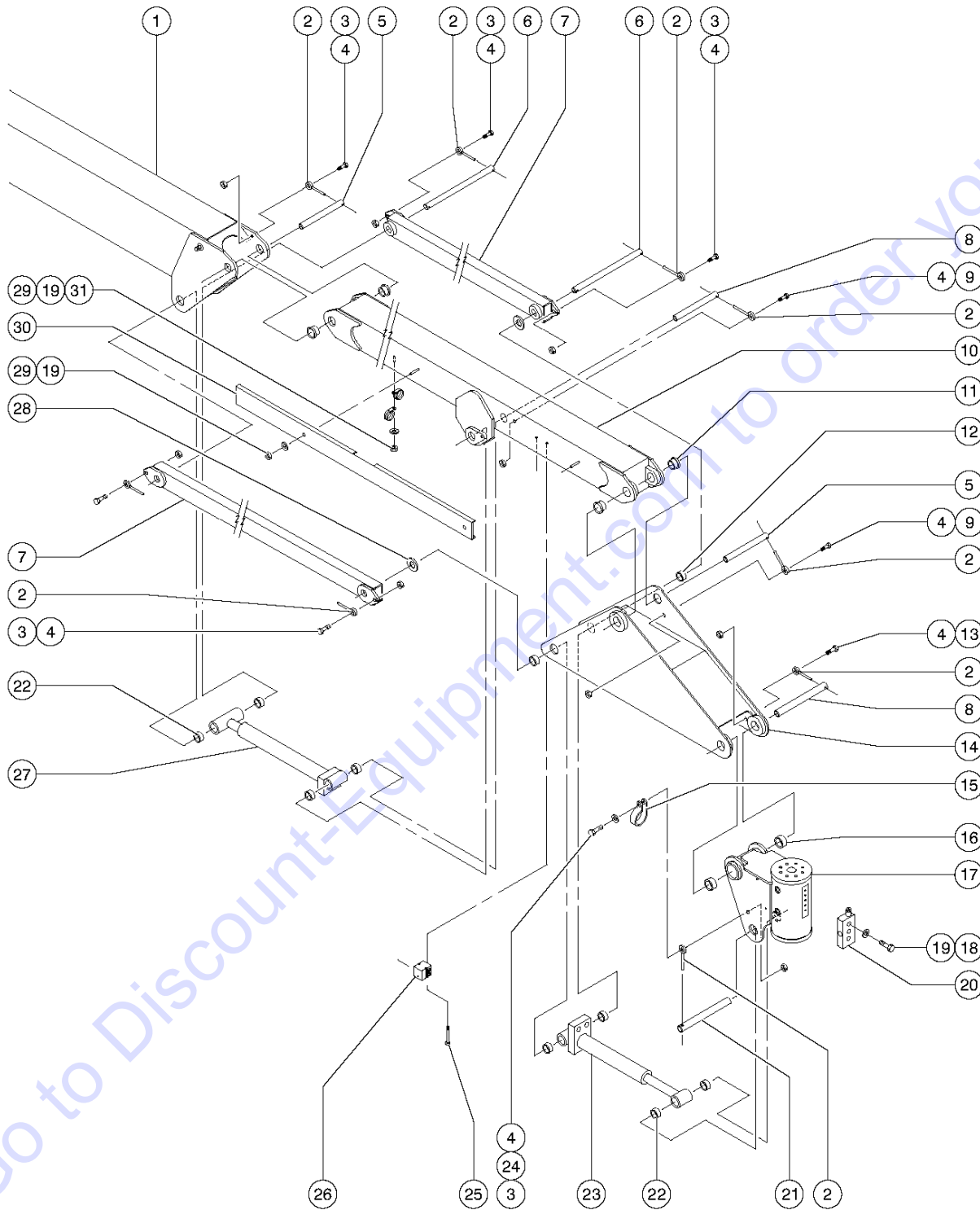
506.2 Cable Track (from SN 5542)



506.2 Cable Track (from SN 5542)

Item	Part No.	Description	Qty.	Item	Part No.	Description	Qty.
--	102234GT	ACCESSORY,ARCTIC HOSE,Z60 <i>includes items 16 and 17; includes serial number 5351</i>		29	36294GT	SCREW,HHC,1/4-20 X 2.75	
1	22541GT	SCREW,RHM,10-32 X 1.5					
2	6178GT	NUT,NYLOCK,10-32					
3	102173GT	HARNESS,PRIMARY BOOM STOW,Z60.....	1				
--	110650GT	CONN. SQZ PG11 .30-.40 W/ORING					
--	19491GT	CONTACTOR,LIMIT SWITCH					
--	88366-146R3GT	SWITCH,LIMIT,W/ROLLER ARM					
4	46002PGT	UPPR. LIMIT SWITCH BRKT.,BLUE.....	1				
5	8914GT	SCREW,HHC,1/4-20 X .625					
6	6356GT	WASHER,LOCK,.25					
7	6638GT	WASHER,FLAT,USS,1/4"Y					
8	49816GT	SCREW,PHILLIPS,PHM,10-32 X .75					
9	45470GT	CLAMP,0.31,#5 X 1/4,RUB CUSH.....	1				
10	30388GT	PIVOT TUBE/SPACER Z60.....	2				
11	102922GT	TRACK TUBE GUIDE.....	1				
12	6198GT	NUT,NYLOCK,1/2-13					
13	6095GT	WASHER,FLAT,USS,1/2",Y					
14	13918GT	SCREW,HHC,3/8-16 X 1.75,GRD.8.....	4				
15	5397GT	WASHER,FLAT,USS,5/16",Y					
16	7713GT	NUT, LP NYLOCK, 3/8-16					
17	102920GT	TRACK TUBE GUIDE.....	1				
18	102928PGT	PLATE,HOSE CLAMP,PTD.....	2				
19	102927GT	CLAMP,PLASTIC HOSE..... <i>to SN 9798</i>	2				
--	102935GT	CLAMP,PLASTIC HOSE <i>to SN 9798</i>					
--	122685GT	CLAMP, PLASTIC, CABLE TRACK <i>from SN 9799</i>					
20	6091GT	NUT,NYLOCK,1/4-20					
21	8179GT	SCREW,HHC,1/4-20 X 2.25					
22	102529GT	CABLE TRACK CHANNEL ASSY,Z-60....	1				
--	27258GT	TRIM,RUBBER EDGE,5/8 (BY INCH) <i>order as needed</i>					
23	102703GT	COVER,DRILLED***.....	1				
24	6889GT	NUT,LP NYLOCK,1/4-20					
25	8255GT	SCREW,HHC,3/8-16 X .75					
26	6021GT	WASHER,LOCK,.375					
27	102964GT	CABLE TRACK,PLASTIC.....	1				
--	111051GT	REPAIR LINK,7 LINKS NP400-7***					
--	111052GT	REPAIR LINK,NP400-7***					
--	111053GT	REPAIR END BRKT SET,NP400-7***					
28	102918GT	WELDMENT,TRACK TUBE.....	1				

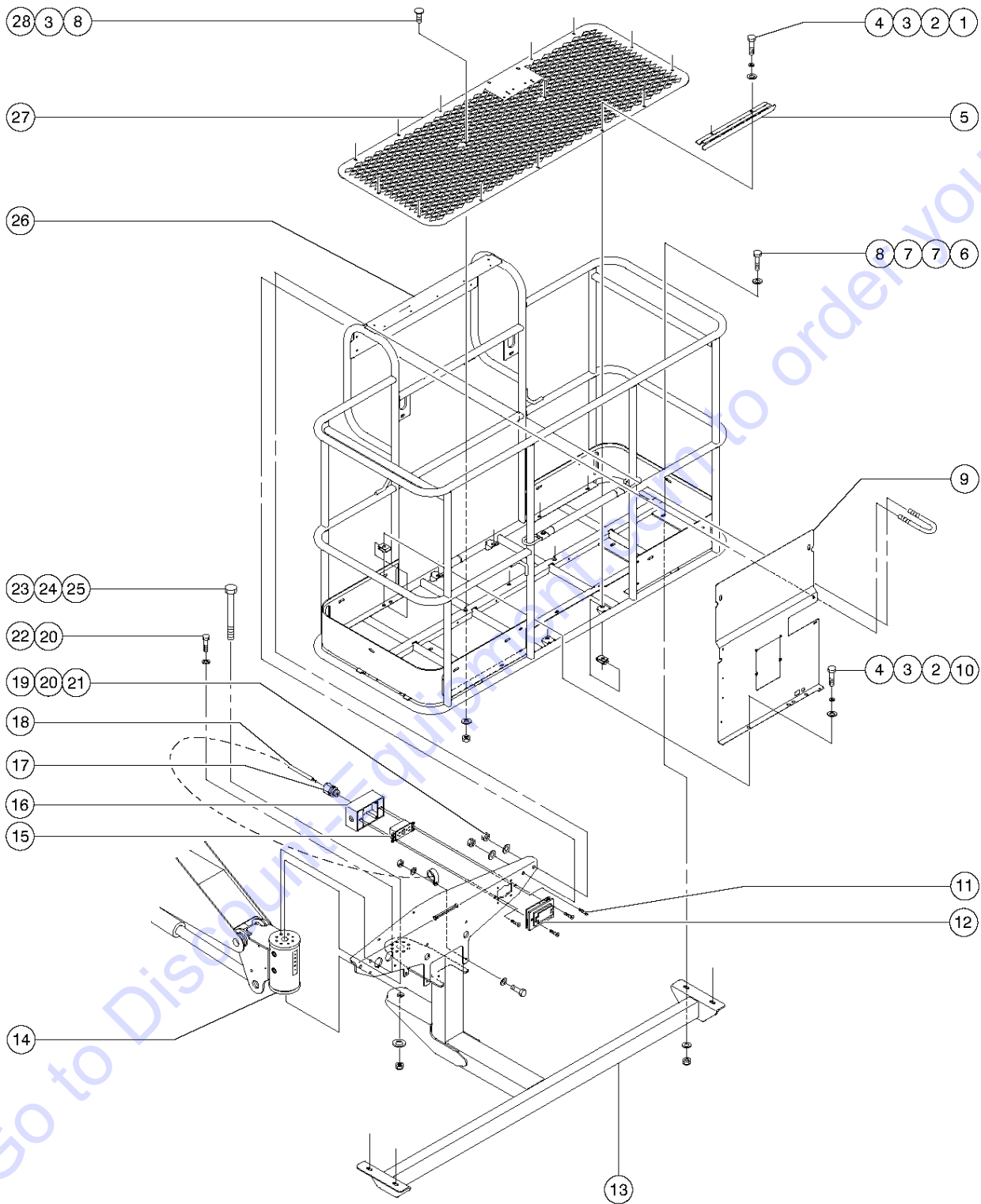
507.1 Jib Boom and Platform Rotator



507.1 Jib Boom and Platform Rotator

Item	Part No.	Description	Qty.	Item	Part No.	Description	Qty.
1		Ref. Extension Boom Tube Assembly (refer to 505.1)		24	5397GT	WASHER,FLAT,USS,5/16",Y	
2	825019GT	ROD END,.375X3.69,ZAG.....	9	25	21604GT	SCREW,HHC,3/8-16 X 3.25	
3	8516GT	SCREW, HCC, 3/8-16 X 1.50		26		Ref. Jib Boom/Platform Rotate Manifold (refer to 705.1)	
4	4828GT	NUT,NYLOCK,3/8-16		27	63214GT	CYLINDER,JIB,Z60.....	1
5	30188GT	PIN,1.25DIAX8.50LG,1HOLE.....	2			<i>includes item 22</i>	
6	30189GT	PIN,1.25DIAX13.75LG,2HOLE.....	2	--	31106GT	VALVE,CNTERBAL,CBBB-LHN@3000**	
7	53258GT	COMPRESSION MEMBER WELD,MACH.....	2	--	63354GT	SEAL KIT CYL.Z60(63214)	
8	27326GT	PIN,1.25 X 7.57 IN,1HOLE.....	2	28	30255GT	WASHER,SHIM,1.27 X 2.13 X .062.....	as n e e d e d
9	13918GT	SCREW,HHC,3/8-16 X 1.75,GRD.8.....	2	29	6091GT	NUT,NYLOCK,1/4-20	
10	102991GT	JIB ASSY WITH WORD DECALS.....	1	30	30411-SGT	COVER,CABLE,JIB PAINTED.....	1
		<i>includes item 11</i>		31	18666GT	CLAMP,1.00,#16 X 1/4,RUB CUSH.....	2
--	102532GT	Z60 JIB ASSY WITH SYM DECALS					
11	30219GT	BEARING,FL,1.25ID X 1.41OD X 1.....	4				
12	30220GT	BEARING,1.25ID X 1.50D X 0.69L.....	4				
13	6019GT	SCREW,HHC,3/8-16 X 1.25 GRD 5					
14	31095GT	PLATFORM LEVELING ASSEMBLY.....	1				
		<i>includes item 12</i>					
15	27497GT	CLAMP,RUBBER CUSHIONED-2 5/32....	1				
16	30370GT	BEARING,1.25ID X 1.5OD X 1.00L.....	2				
17	94399GT	ROTATOR ASSMBLY.....	1				
		<i>includes item 16, previous rotator part 63509 is no longer available; units with SN 4551 to 4884 must order rotator 94399 for replacement.</i>					
--	106421GT	SEAL KIT,ARCTIC,ROTATOR 8.2K** <i>use with rotator 63509; or to SN 4884</i>					
--	122944GT	SEAL KIT,8K ROTATOR*** <i>use with rotator 94399; or from SN 4885</i>					
--	62417GT	SEAL KIT,PLAT ROTATE*** <i>use with rotator 63509; or to SN 4884</i>					
--	75395GT	BEARING KIT,PLAT ROTATOR,SUPER <i>use with rotator 63509; or to SN 4884</i>					
18	6145GT	SCREW,HHC,1/4-20 X 1.5					
19	6638GT	WASHER,FLAT,USS,1/4"Y					
20		Ref. Counterbalance Valve Manifold (refer to 705.1)					
21	T108075GT	PIN,1.25DIAX5.25LG,1HOLE.....	1				
22	47377GT	BEARING,1.25 ID X 1.5 OD X .75.....	8				
23	226537GT	CYLINDER,SLAVE.....	1				
		<i>replaces previous cylinder 63212 (no longer available), includes item 22</i>					
--	29083GT	VALVE,COUNTERBALANCE,2500 PSI* <i>use with cylinder 63212</i>					
--	63352GT	SEAL KIT CYL.Z60(63212) <i>use with cylinder 63212 or 226537</i>					
--	74872GT	VALVE,COUNTERBALANCE 3000 PSI* <i>use with cylinder 226537</i>					

601.1 Platform Installation - View 1



601.1 Platform Installation - View 1

Item	Part No.	Description	Qty.	Item	Part No.	Description	Qty.
A		Platform Assemblies with Decals=====		--	89751GT	PLATFORM ASSY 5FT W/DECALS ASA	
--		{USA and Canadian models, to SN 5709}=====		--	89752GT	PLATFORM ASSY 6FT W/DECALS ASA	
--	89335GT	PLATFORM ASSY 6FT W/DECALS ANS to SN 5709		--	89753GT	PLATFORM ASSY 8FT W/DECALS ASA	
--	89337GT	PLATFORM ASSY 8FT W/DECALS ANS to SN 5709		1	6888GT	SCREW,HHC,1/4-20 X 1	
--	89742GT	PLATFORM ASSY 4FT W/DECALS ANS to SN 5709		2	6356GT	WASHER,LOCK,.25	
--	89743GT	PLATFORM ASSY 5FT W/DECALS ANS to SN 5709		3	6638GT	WASHER,FLAT,USS,1/4"Y	
B		{Australian models, to SN 5709}=====		4	56912GT	SPRING CLIP,1/4-20,.025-.15X.54,ZAG	
--	89746GT	PLATFORM ASSY 4FT W/DECALS AUS to SN 5709		5	73610PGT	STEP PLATFORM ENTRY PAINTED***.....1	
--	89747GT	PLATFORM ASSY 5FT W/DECALS AUS to SN 5709		6	6019GT	SCREW,HHC,3/8-16 X 1.25 GRD 5	
--	89748GT	PLATFORM ASSY 6FT W/DECALS AUS to SN 5709		7	6097GT	WASHER,FLAT,USS,3/8",Y	
--	89749GT	PLATFORM ASSY 8FT W/DECALS AUS to SN 5709		8	4828GT	NUT,NYLOCK,3/8-16	
C		{USA and Canadian models}=====		9	102495GT	DECAL PLATE ASSY W/WORD DECALS.....1	
--	111242GT	PLATFORM ASSY 4FT W/DECALS ANS from SN 5710				<i>Assemblies with Word Decals; USA and Canada models; to SN 5709</i>	
--	111243GT	PLAT ASSY 5FT, SERV Z60 ANSI from SN 5710		--	111274GT	DECAL PLATE ASSY W/WORD DECALS	
--	111244GT	PLAT.ASSY, 6FT, SERV,Z-60 ANSI from SN 5710				<i>Assemblies with Word Decals; USA and Canada models; from SN 5710</i>	
--	111245GT	PLAT.ASSY, 8FT,SERV, Z-60 ANSI from SN 5710		--	89768GT	DECAL PLATE ASSY W/SYM DECALS	
D		{Australian models}				<i>Assemblies with Symbol Decals</i>	
--	111246GT	PLAT ASSY, 4FT, SERV, Z60 AUS from SN 5710		10	6090GT	SCREW,HHC,1/4-20 X .75	
--	111247GT	PLAT ASSY, 5FT, SERV, Z60, AUS from SN 5710		11	75067GT	SCREW,6-32 X 7/8 PPMS ZINC	
--	111248GT	PLAT ASSY, 6FT, SERV, Z60 AUS from SN 5710		12	74006GT	COVER,GFCI,HORIZONTAL,WEATHER.1	
--	111249GT	PLAT ASSY, 8FT, SERV, Z60 AUS from SN 5710				<i>includes mounting fasteners</i>	
E		{European models}=====		13	102679GT	OPTION,PLAT SUPPORT,4/5FT SRV.....1	
--	89336GT	PLATFORM ASSY 6FT W/DECALS EUR		--		Ref. WELDMENT,PLATFORM SUPPORT,CE	
--	89338GT	PLATFORM ASSY 8FT W/DECALS EUR				<i>CE models (refer to 804.1)</i>	
--	89744GT	PLATFORM ASSY 4FT W/DECALS EUR		--	94390-SGT	OPTION,PLAT SUPPORT,STD,LRG BM	
--	89745GT	PLATFORM ASSY 5FT W/DECALS EUR				<i>ANSI models</i>	
F		{Asian and South American models}=====		14		Ref. Platform Rotator (refer to 507.1)	
--	89750GT	PLATFORM ASSY 4FT W/DECAL A/SO		15	13585GT	OUTLET, 110V.....1	
				--	33629GT	PLATE,UK POWER TO PLATFORM	
				--	33724GT	KIT,GASKET,UK POWER TO PLAT.	
				--	T112563GT	SVC KIT,UK RECEPT.REPLACEMENT	
				16	10775GT	T-BOX,2.75 X 4.5 X 2.0.....1	
				17	7056GT	CONN,SQUEEZE,1/2NPT .38-.50,SM....1	
				18	43955GT	WIRE CABLE,12/3 CON.TPE JKT.....996	
						<i>inches</i>	
				19	4828GT	NUT,NYLOCK,3/8-16	
				20	57201GT	WASHER,FLAT,313, HARDENED	
				21	122755GT	UBOLT,FLATTENED,1.5DIAX3/8 UNC....2	
				22	77692GT	SCREW,HHC,3/8-16 X 1 GRD 8.....8	
						<i>to SN 7409</i>	
				--	49857GT	SCREW,HHC,3/8-16 X .88,GRD 8	
						<i>from SN 7410</i>	

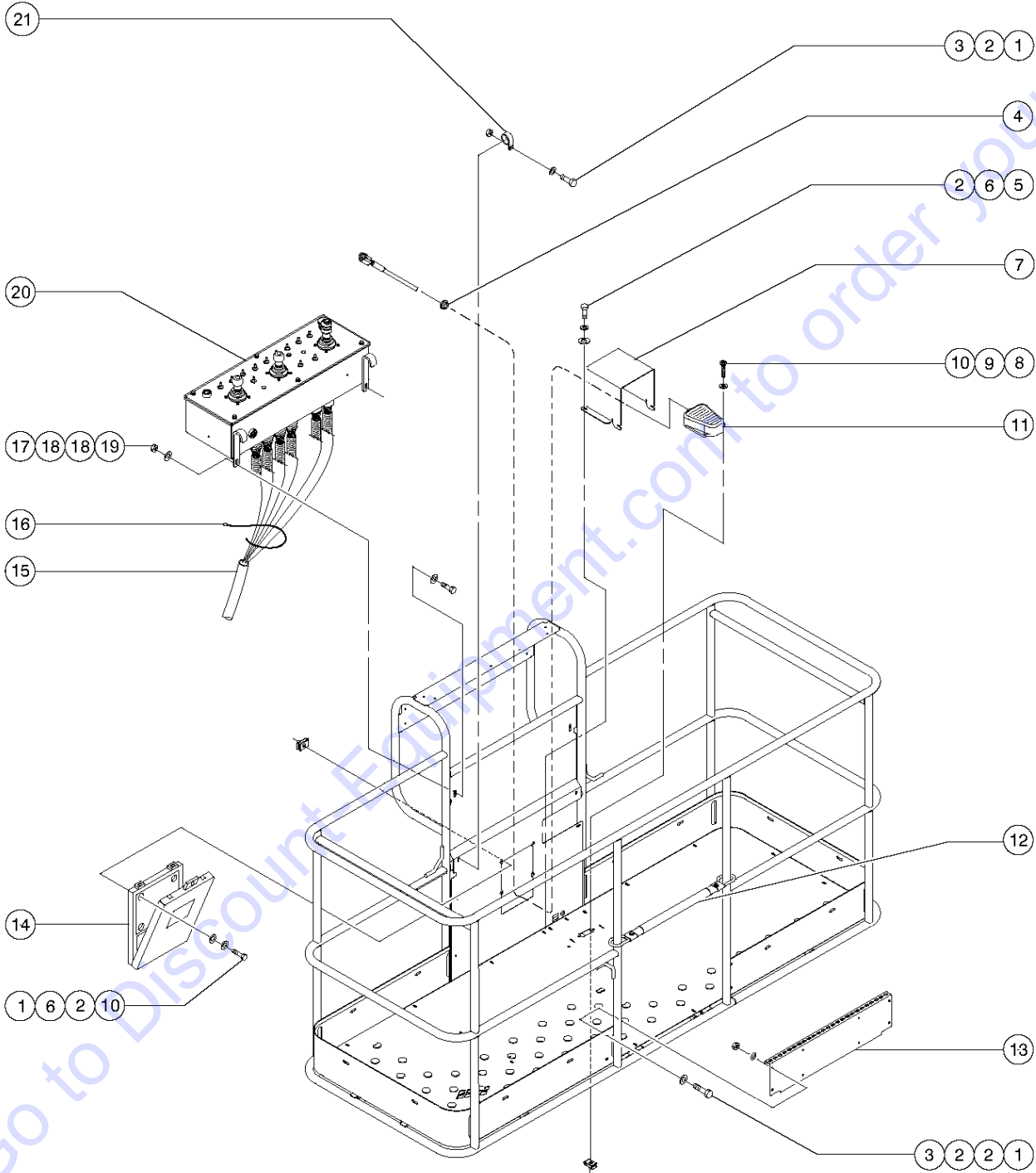
601.1 Platform Installation - View 1
(continued)

Item	Part No.	Description	Qty.
23	73928GT	SCREW,HHC,1-8 X 11,GRD 5***	
24	122079GT	WASHER,FLAT,1.000,HARDENED.....1	
25	29764GT	NUT,NYLOCK,1-8	
26		Railing Assemblies with Decals=====	
--		{USA and Canadian models, to SN 5709}=====	
--	73900GT	WELDMNT,6 FT PLATFORM to SN 5709; no decals	
--	73976GT	PLATFORM RAIL ASSY, 8FT, ANSI to SN 5709	
--	77840GT	WELDMENT W/DECALS,5FT,500LB AN to SN 5709	
26B		{USA and Canadian models, from SN 5710}=====	
--	111250GT	PLAT RAILW/DECALS,4FT,500LB AN.....1 from SN 5710	
--	111251GT	PLAT RAILW/DECALS,5FT,500LB AN from SN 5710	
--	111252GT	PLAT RAILW/DECALS 6FT 500LB AN from SN 5710	
--	111253GT	PLAT RAILW/DECALS 8FT 500 ANSI from SN 5710	
26C		{Australian models}=====	
26C	60042-SGT	PLATFORM WELDMENT,4 FT.....1	
--	101377GT	PLAT ASSEMBLY,5FT,AUSTRALIA***	
--	101383GT	PLAT RAIL ASSY,8FT,AUSTRALIA**	
--	73900GT	WELDMNT,6 FT PLATFORM no decals	
26D		{European models}=====	
--	101373GT	PLATFORM ASSEMBLY,4FT,CE/UK.....1	
--	101376GT	PLATFORM ASSEMBLY,5FT,CE/UK	
--	101379GT	PLATFORM RAIL ASSY,6FT,CE/UK	
--	101382GT	PLATFORM RAIL ASSY,8FT,CE/UK	
26E		{Asian and South American models}	
--	101375GT	PLAT ASSEMBLY,4FT,ASIA/S AM.....1	
--	101378GT	PLAT ASSEMBLY,5FT,ASIA/S AM	
--	101381GT	PLAT ASSEMBLY,6FT,ASIA/S AM	
--	101384GT	PLAT ASSEMBLY,8FT,ASIA/S AM	
27	60160PGT	FLOORING,4 FT PLATFORM,PAINTED.....1	
--	54247-SGT	PLAT. FLOOR, 5FT, PAINTED	
--	73477PGT	FLOORING, 6'FT PLATFORM	
--	73478PGT	FLOORING,8 FT PLATFORM**	
28	54274GT	SCREW,STEP BOLT,1/4-20 X .75	

This Page Intentionally Left Blank

Go to Discount-Equipment.com to order your parts

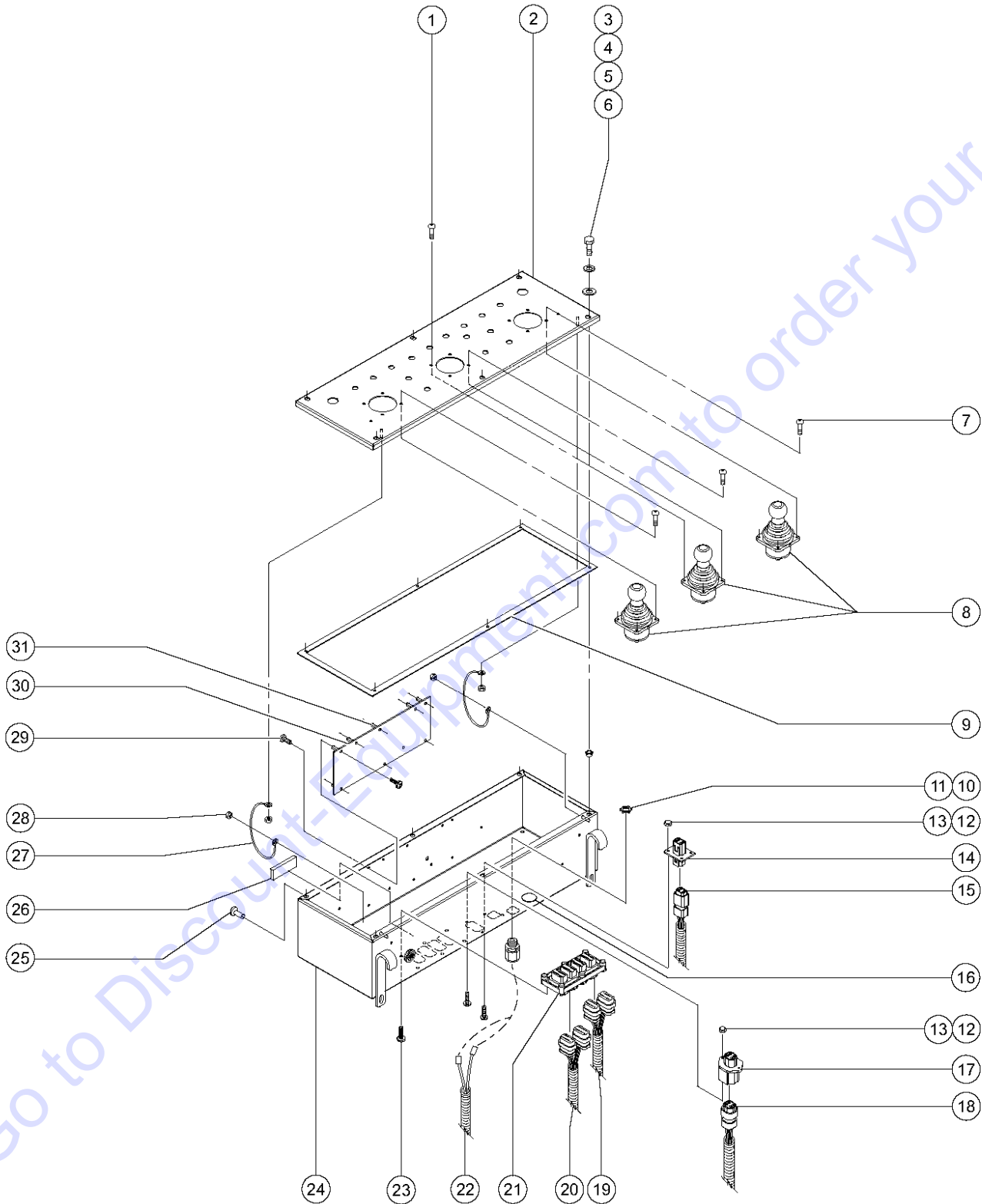
602.1 Platform Installation - View 2



602.1 Platform Installation - View 2

Item	Part No.	Description	Qty.	Item	Part No.	Description	Qty.
1	6090GT	SCREW,HHC,1/4-20 X .75		20		Ref. Platform Control Box Assembly (refer to 603.1)	
2	6638GT	WASHER,FLAT,USS,1/4"Y		21	56424GT	CLAMP,1.25X.5 RUBBER-CUSHION.....1	
3	6091GT	NUT,NYLOCK,1/4-20					
4	229768GT	GROMMET,RUBBER,1.0X0.094X1.375..2					
5	8915GT	SCREW,HHC,1/4-20 X 1.25					
6	6356GT	WASHER,LOCK,,.25					
7	73931GT	GUARD,FOOTSWITCH,W/DECAL ALUM.....1 <i>USA, Canada, Australia, to SN 9879</i>					
--	147221GT	GUARD,FOOTSWITCH,W/DECAL ALUM <i>USA/Canada/Australia; from SN 9880</i>					
--	63766GT	COVER,FOOT SWITCH <i>Europe, Asia, South America, to SN 9879</i>					
--	147121GT	COVER, FOOT SWITCH, LARGE <i>Europe/Asia/South America; from SN 9880</i>					
8	73587GT	SCREW,PHIL,10-24 X .75					
9	6607GT	WASHER,LOCK,#10 PLTD					
10	73575GT	SPRING CLIP,10-24,.025-.125X.468,ZAG					
11	228466GT	KIT, FOOTSWITCH, S40/S80.....1 <i>Pervious foot switch is no longer available. Order kit 228466 for first time replacement (kit includes foot switch 227516); to SN 10657</i>					
--	227516GT	ASSEMBLY,FOOT SWITCH <i>from SN 10657</i>					
--	33576GT	CONN,SQZ,BLK,1/2NPT,.38-.50,SM					
12	102992GT	SLIDING MIDRAIL KIT,PTD.....1					
--	12443GT	MIDRAIL GUIDE (HOOK)					
--	139451GT	TUBE,SLIDING MIDRAIL,PAINTED					
--	20973GT	WIRE LOOM,3/8 POLY SLIT					
--	21121GT	CABLE TIE,4" BLK,HEAT RESISTNT					
--	6091GT	NUT,NYLOCK,1/4-20					
--	6638GT	WASHER,FLAT,USS,1/4"Y					
--	6888GT	SCREW,HHC,1/4-20 X 1					
--	97815GT	DECAL,LABEL,LOWER MIDRAIL					
13	94745PGT	TOEBOARD,ENTRY EUROPEAN PNTD**1					
14A	44743GT	MANUAL BOX W/DECALS***1 <i>USA/Canada/Australia</i>					
14B	24514GT	BOX,INSTRUCTION STORAGE <i>Europe/Asia/South America (decal required; refer to Section100)</i>					
15	49219GT	SLEEVE,NYLON,2.19 ID,BULK					
16	28443GT	CABLE TIE,11.5" BLACK.....2					
17	7713GT	NUT, LP NYLOCK, 3/8-16					
18	5397GT	WASHER,FLAT,USS,5/16",Y					
19	6019GT	SCREW,HHC,3/8-16 X 1.25 GRD 5					

603.1 Platform Controls - View 1



603.1 Platform Controls - View 1

Item	Part No.	Description	Qty.	Item	Part No.	Description	Qty.
--	110388GT	PLAT. CONTROL BOX W/DECAL*** <i>includes items 6 and 11</i>		16	229567GT	PLUG,SANTOPRENE .5 BLACK DOME.....	4
--	102724GT	WIRE,MOUNT ADHESIVE BACK		17	73717GT	CONN,RECEP 4 WAY,12-14GA FL***.....	1
--	89666GT	HARNESS,JIB KIT		--	60526GT	LOCK,RECEP 4 WAY,12-14GA	
--	89673GT	HARNESS,PBOX,S40,S45,Z60***		--	73711GT	TERM,DEUTSCH, PIN #12-14	
--	89925GT	HARNESS,PBOX,LOAD SENSE		18	102907GT	HARNESS,12/3, 12V TO PLAT,Z60	
--	122215GT	HARNESS,SERVICE,PBOX J1 <i>requires qty 3 of adapter 122 125 for units before SN 7227</i>		--	73725GT	BOOT,DTSCH,DTP4-BT	
--	122125GT	ADAPTER CABLE, JS100 JOYSTICK <i>to SN 7226</i>		--	75640GT	WIRE LOOM,3/4 DIA.	
--	122124GT	SERVICE KIT,S80 PBOX J1 HARN <i>required for first time replacement, contains PBOX J1 harness and qty 3 of adapter 122 125; to SN 7226</i>		19	89177GT	HARNESS,18/19,BOOM CABLE 2.....1 <i>to SN 5715 (gray/black connectors)</i>	1
--	122216GT	HARNESS,SERVICE,PBOX J2 <i>from SN 7227</i>		--	102906GT	HARNESS,18/19,BOOM CABLE 2,Z60 <i>from SN 5716</i>	
--	122217GT	HARNESS,SERVICE,PBOX J3 <i>from SN 7227</i>		--	75640GT	WIRE LOOM,3/4 DIA.....72-inches	
--	128125GT	SERVICE KIT JIB TIME DLY IC		--	77432GT	BOOT,2 X 12 WAY	
--	119867GT	WIRING KIT,JIB TIME DELAY IC		20	89176GT	HARNESS,18/19,BOOM CABLE.....1 <i>to SN 5715 (green/brown connectors)</i>	1
--	19274GT	RELAY,SPDT,12V(AUTO)**		--	102905GT	HARNESS,18/19,BOOM CABLE 1,Z60 <i>from SN 5716</i>	
--	43181GT	CAPACITOR,TIME DELAY		--	28131GT	WIRE LOOM,1.25 DIA.	
1	49816GT	SCREW,PHILLIPS,PHM,10-32 X .75		--	77432GT	BOOT,2 X 12 WAY	
2	81484PGT	PLATFORM CONTROL BOX LID,PAINT.....	1	21	73736GT	CONN,RECEP 48 WAY,4 X 12.....	1
3	8914GT	SCREW,HHC,1/4-20 X .625		--	54255GT	LOCK,RECEP 12 WAY, 14-18GA	
4	6356GT	WASHER,LOCK,.25		--	73713GT	TERM,NI PIN,S&F,16-18GA,REEL	
5	6638GT	WASHER,FLAT,USS,1/4"Y		22	102033GT	HARNESS,JIB BOOM.....	1
6	23404GT	NUTSERT,1/4-20,STEEL CAD PLTD.....	6	--	77432GT	BOOT,2 X 12 WAY	
7	77047GT	SCREW,PHM,10-32X.50,ST TYPE F <i>to SN 9587</i>		23	73803GT	SCREW,SHM,PHP, #12 X .75	
--	139338GT	SCREW PH M5-0.8X20 DIN 7500CE <i>from SN 9588</i>		24	81487PGT	PLATFORM CONTROL BOX,PAINTED.....	1
8		JOYSTICK <i>refer to 605.1 or 605.2</i>		25	42781GT	PLUG, NYLON .250 BLACK DOMED.....	1
9	81488GT	GASKET,PLATFORM CONTROL BOX....	1	26	30997GT	CORROSION INHIBITOR,FOAM.....	1
10	6935GT	LOCKNUT,ELEC,1/2".....	1	27	77351GT	LANYARD,PLATFORM CONTROL BOX.....	2
11	7056GT	CONN,SQUEEZE,1/2NPT .38-.50,SM....	1	28	6178GT	NUT,NYLOCK,10-32	
12	12344GT	NUT,NYLOCK,6-32		29	81551GT	SCREW,PHIL,PHM,6-32 X 1/4 SS	
13	49820GT	SCREW,PHILLIPS,PHM,6-32 X .5		30	235476GT	ASSY,PCB ALC500 Z60 LEG V200.....1 <i>Machine model and serial number required when ordering. Please contact Discount-equipment for assistance</i>	1
14	73723GT	CONN RECEP,FLANGED.....	1	--	119250GT	BRACKET,PLATFORM HEATER OPT.....	1
--	60443GT	LOCK,RECEP 4 WAY,14-18GA		--	119534GT	STANDOFF,1/4X1/4 M-F 6-32 S/S.....	1
15		Ref. ASSEMBLY,FOOT SWITCH <i>refer to 602.1</i>		--	119560GT	WIRING KIT,CONTROL BOX HEATER...1	1
--	73739GT	BOOT,PLUG 4 WAY		--	119641GT	SWITCH,THERMOSTAT 85F OPEN.....	1
--	75640GT	WIRE LOOM,3/4 DIA.		--	128204GT	SWITCH TOGGLE ASSY SPDT 2P MNT.....	1
				--	235475GT	DECAL LBL ALC500 Z60 LEG V200	
				--	27287GT	RESISTOR,10 OHM,25 WATT.....2 <i>for 119560</i>	2

603.1 Platform Controls - View 1
(continued)

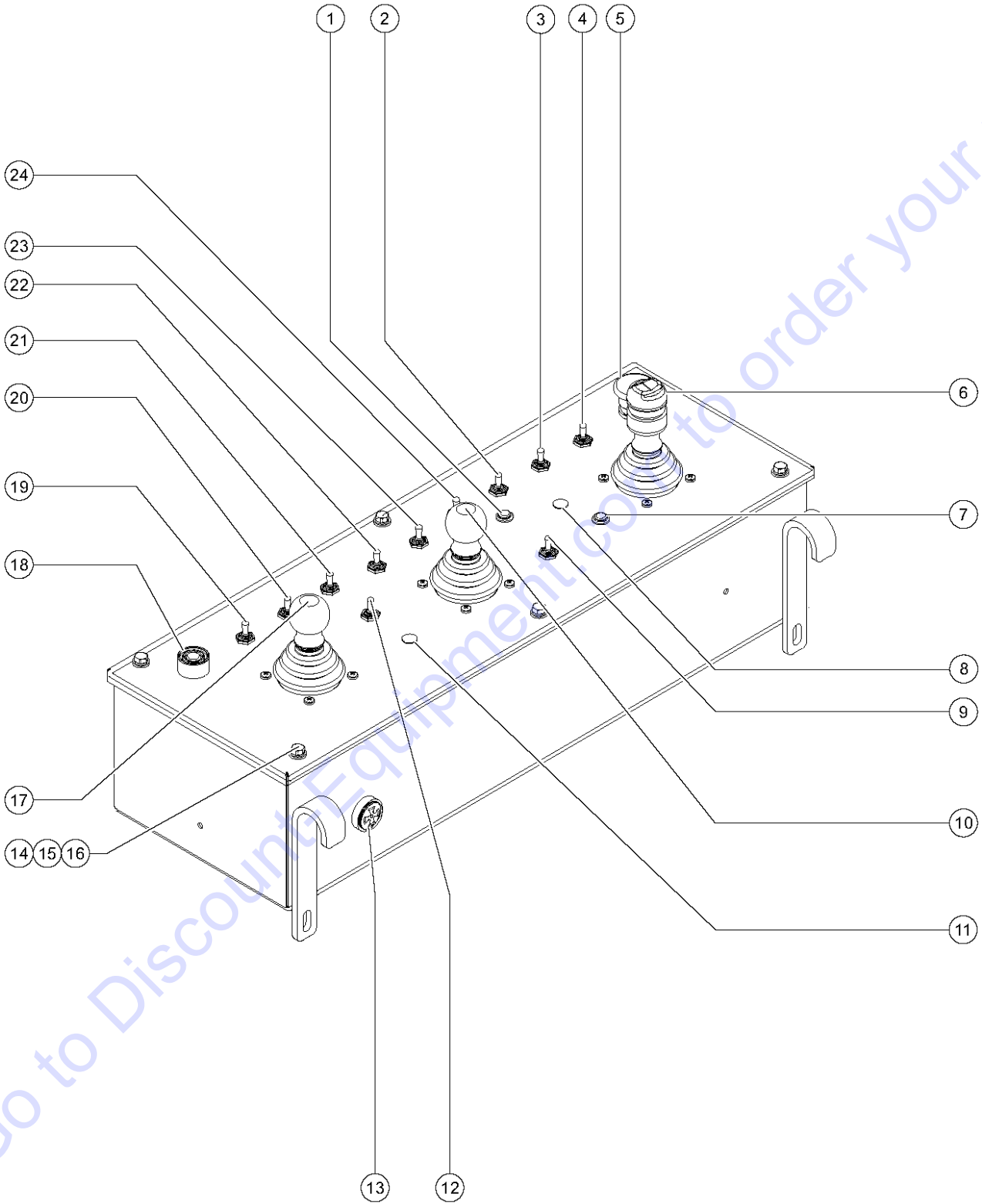
Item	Part No.	Description	Qty.
31	81550GT	STANDOFF,6-32 X 3/8L X 1/4 HEX.....	10

Go to Discount-Equipment.com to order your parts

This Page Intentionally Left Blank

Go to Discount-Equipment.com to order your parts

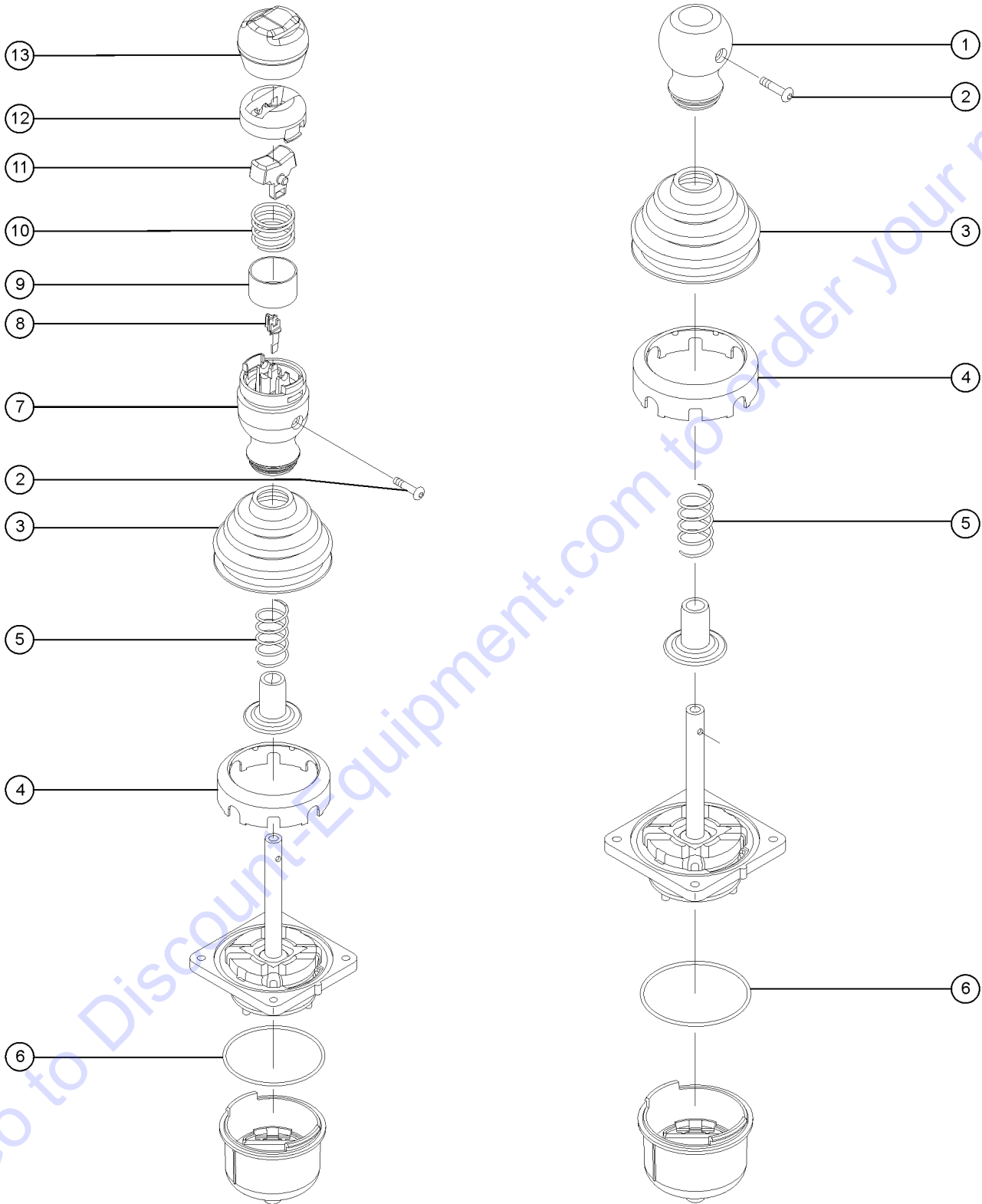
604.1 Platform Controls - View 2



604.1 Platform Controls - View 2

Item	Part No.	Description	Qty.	Item	Part No.	Description	Qty.
--	27246GT	BOOT,TOGGLE SWITCH,SHORT*		21	128200GT	SWITCH TOGGLE ASSY SPDT 3P MOM.....	1
--	128578GT	SCREW T-SWITCH PH/PH 6-32X1/4		22	128203GT	SWITCH TOGGLE ASSY SPDT 2P MOM.....	1
1	824879GT	LIGHT,LED IND. RED 12V NH <i>(Complete LED light assembly)</i>		23	128204GT	SWITCH TOGGLE ASSY SPDT 2P MNT.....	1
2	128200GT	SWITCH TOGGLE ASSY SPDT 3P MOM.....	1	24	128200GT	SWITCH TOGGLE ASSY SPDT 3P MOM.....	1
3	128204GT	SWITCH TOGGLE ASSY SPDT 2P MNT..... <i>(Engine Idle; includes boot and hardware)</i>	1	--	229567GT	PLUG,SANTOPRENE .5 BLACK DOME <i>Ford models</i>	
4	128204GT	SWITCH TOGGLE ASSY SPDT 2P MNT..... <i>Gasoline/LPG; Ford models</i>	1				
--	229567GT	PLUG,SANTOPRENE .5 BLACK DOME					
5	66812GT	BUTTON,PUSH,RED MUSHROOM HEAD					
5	66818GT	CONTACT, N.C.					
--	146478GT	BOOT(BELLOWS),E-STOP,BLACK					
--	94506GT	BASE,W/3 NC CONTACTS					
6		JOYSTICK <i>refer to 605.1 or 605.2</i>					
7	824879GT	LIGHT,LED IND. RED 12V NH..... <i>(Complete LED light assembly)</i>	1				
--	225967GT	PLUG, SANTOPRENE .5 BLACK DOME					
8	824879GT	LIGHT,LED IND. RED 12V NH..... <i>(Complete LED light assembly)</i>	1				
9	128200GT	SWITCH TOGGLE ASSY SPDT 3P MOM.....	1				
10		JOYSTICK <i>refer to 605.1 or 605.2</i>					
11	229567GT	PLUG,SANTOPRENE .5 BLACK DOME.....	1				
--	128205GT	SWITCH TOGGLE ASSY DPDT 2P MNT					
12	128200GT	SWITCH TOGGLE ASSY SPDT 3P MOM.....	1				
13	45383GT	ALARM,WARBLE TONE 5-30 VDC***..... <i>Does not include 72326 nut</i>	1				
--	72326GT	NUT - PLASTIC,RING FOR ALARMS					
14	8914GT	SCREW,HHC,1/4-20 X .625					
15	6356GT	WASHER,LOCK,.25					
16	6638GT	WASHER,FLAT,USS,1/4"Y					
17		JOYSTICK <i>refer to 605.1 or 605.2</i>					
18	66813GT	BUTTON,PUSH,BLACK W/SEAL***.....	1				
--	66815GT	BASE, W/1 N.O. CONTACTS*** <i>includes N.O. contact</i>					
--	66816GT	CONTACT,N.O.***					
19	128200GT	SWITCH TOGGLE ASSY SPDT 3P MOM.....	1				
20	128202GT	SWITCH TOGGLE ASSY DPDT 3P MOM.....	1				

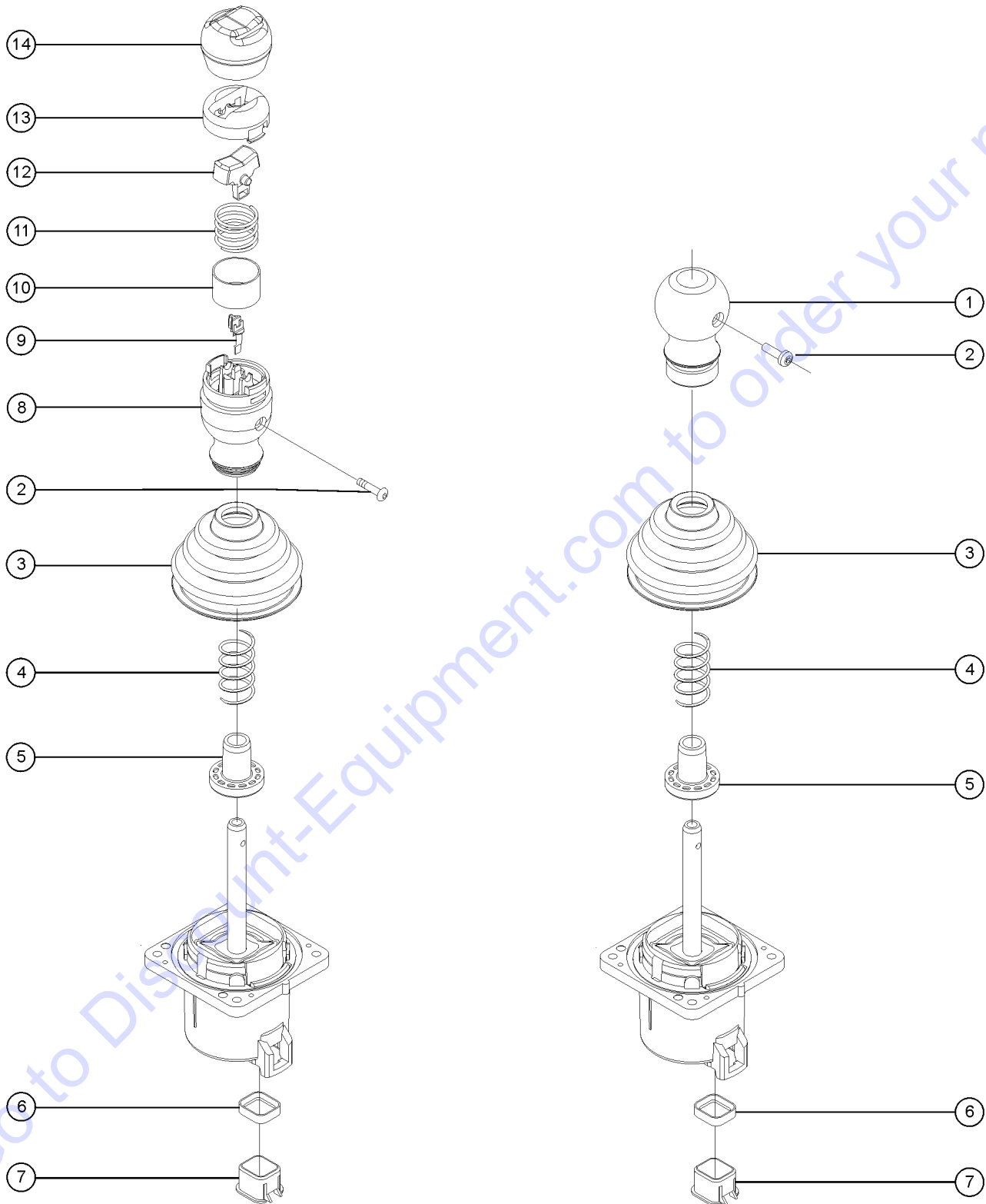
605.1 Joysticks (to SN 7226)



605.1 Joysticks (to SN 7226)

Item	Part No.	Description	Qty.
--	111417GT	JOYSTICK W/HARN ADPTR, 2 AXIS <i>this kit converts joystick to Deutsch style connection (OEM joystick); after first time replacement, refer to section 605.2</i>	
--	111415GT	JOYSTICK W/HARN ADPTR, 1 AXIS <i>this kit converts joystick to Deutsch style connection (OEM joystick); after first time replacement, refer to section 605.2</i>	
--	111416GT	JOYSTICK W/HARN ADPTR KIT RCKR <i>this kit converts joystick to Deutsch style connection (OEM joystick); after first time replacement, refer to section 605.2</i>	
--	83098GT	TERM,AMP MTE,SOC,22-26 GA BULK	
--	119613GT	HARN JOYSTICK ADAPTOR JS100 <i>for first time replacement only</i>	
Z	1269501GT	KIT, ISOLATION, 3 JOYSTICK	
1	62392GT	KNOB,JOYSTICK, 62390/62391.....	1
2	T112626GT	SCREW, PHM, #6-32 X .625 ZINC.....	1
3	139598GT	BOOT,JOYSTICK.....	1
4	75143GT	BOOT GUARD, JOYSTICK 62390/91.....	1
5		SPRING,JOYSTK CENTR,62390/91..... <i>no longer available from supplier</i>	1
6		O-RING,JOYSTICK, 62390/62391..... <i>no longer available from supplier</i>	1
7	75449GT	KNOB,ROCKER JOYSTICK 75565.....	1
8	75448GT	SUPPORT,SENSOR,JOYSTICK.....	1
9	75447GT	SWITCH SHIELD,ROCK JOYSTK75565.....	1
10	75446GT	SPRING,SWITCH CENTERING,75565...	1
11	75445GT	ROCKER ASSY.,MAGNETIC 75565.....	1
12	75444GT	ROCKER,RETAINER, 75565.....	1
13	75443GT	BOOT, ROCKER JOYSTICK 75565.....	1

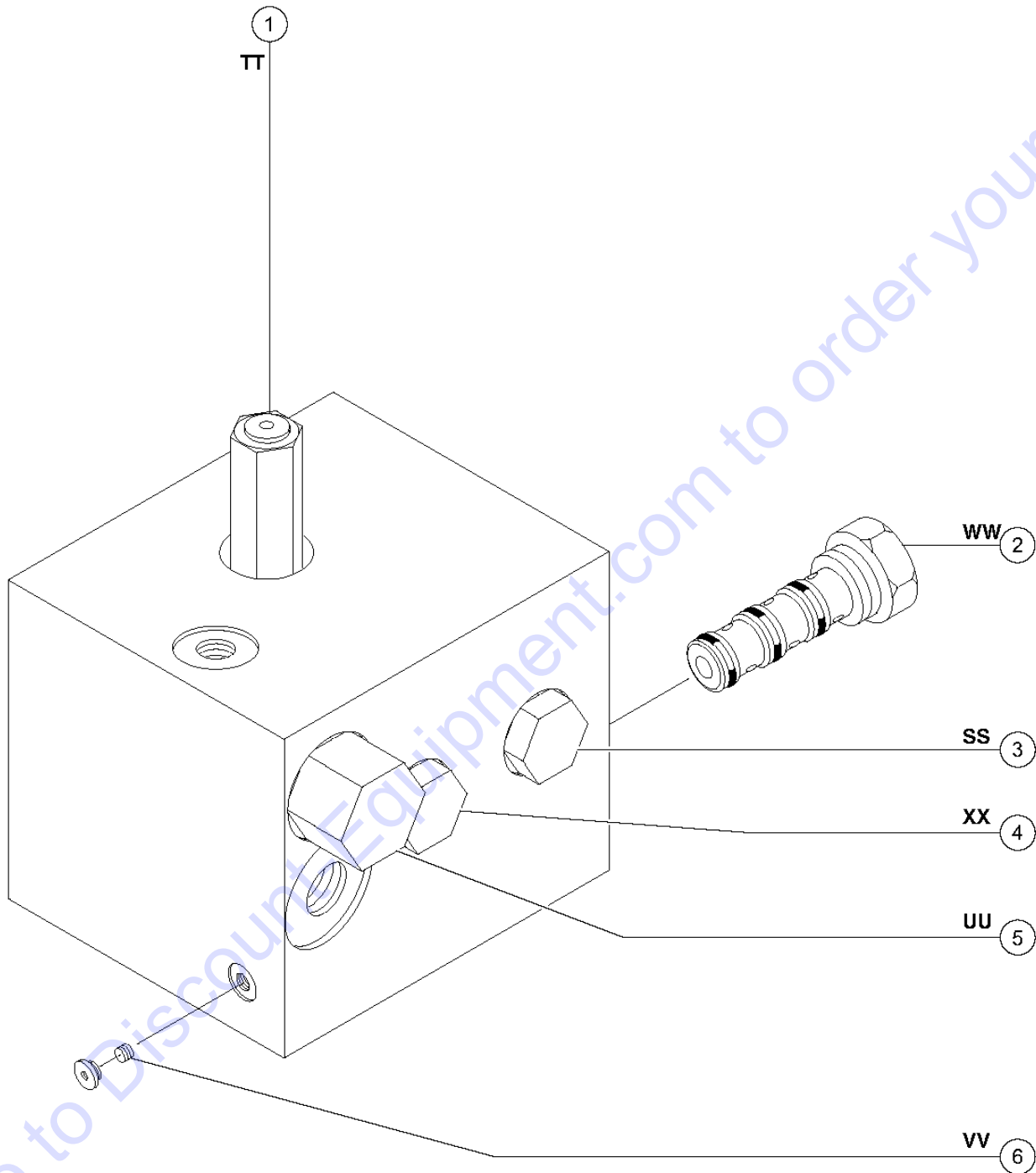
605.2 Joysticks (from SN 7227)



605.2 Joysticks (from SN 7227)

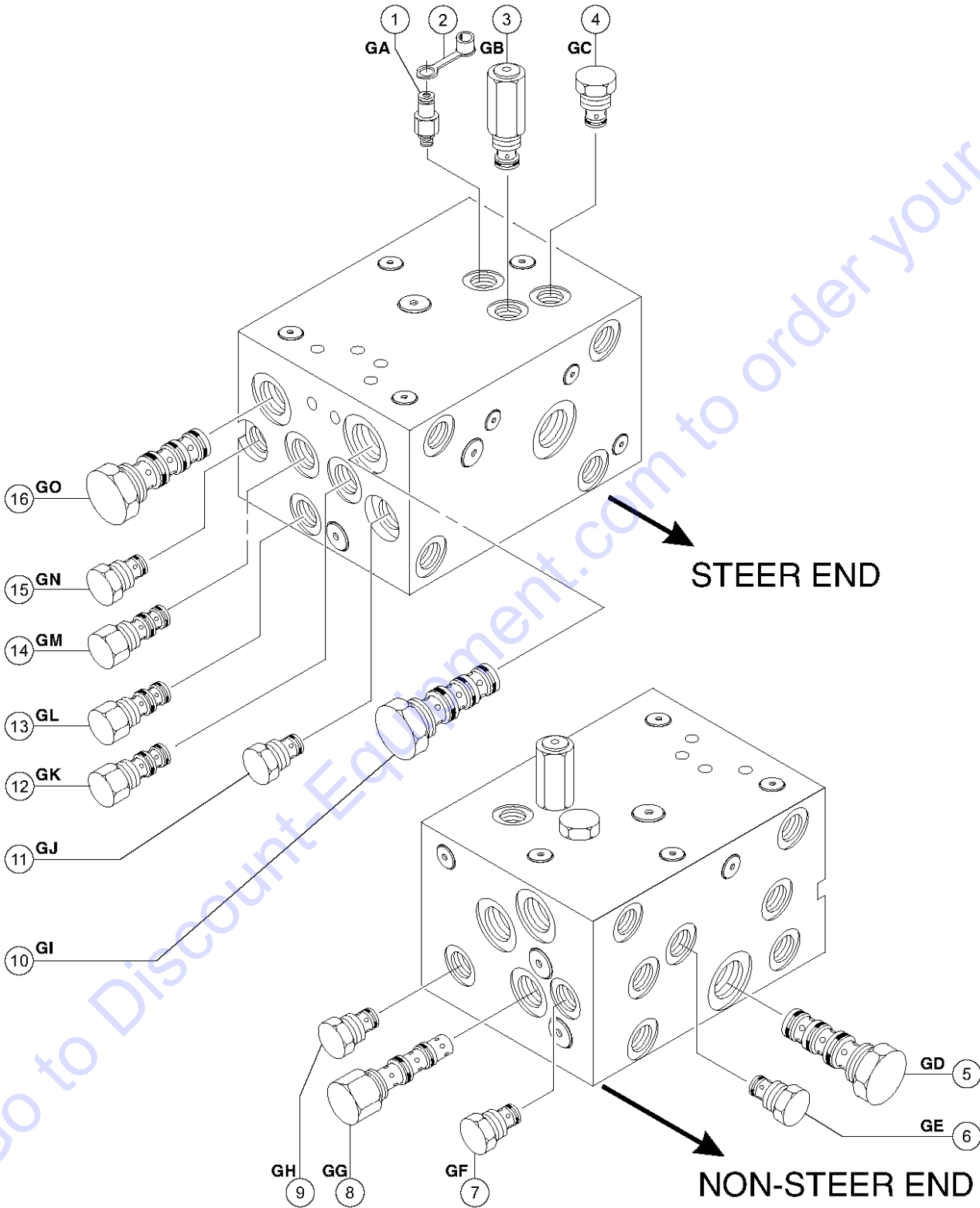
Item	Part No.	Description	Qty.
--	101174GT	JOYSTICK,2 AXIS,DEUTSCH <i>OEM joystick (calibration required after replacement)</i>	
--	101174HGT	JOYSTICK,DUAL AXIS W/KNOB <i>aftermarket joystick (calibration required after replacement)</i>	
--	101175GT	JOYSTICK,1 AXIS,DEUTSCH <i>OEM joystick (calibration required after replacement)</i>	
--	101175HGT	JOYSTICK,SINGLE AXIS W/KNOB <i>aftermarket joystick (calibration required after replacement)</i>	
--	101005GT	JOYSTICK,1 AXIS ROCKER,DEUTSCH <i>OEM joystick (calibration required after replacement)</i>	
--	101005HGT	JOYSTICK,SINGLE AXIS W/STEER <i>aftermarket joystick (calibration required after replacement)</i>	
--	83098GT	TERM,AMP MTE,SOC,22-26 GA BULK	
--	119613GT	HARN JOYSTICK ADAPTOR JS100 <i>Used only on units prior to SN 7227</i>	
Z	1269501GT	KIT, ISOLATION, 3 JOYSTICK	
1	62392GT	KNOB,JOYSTICK, 62390/62391.....	1
2	T112626GT	SCREW, PHM, #6-32 X .625 ZINC.....	1
3	139598GT	BOOT,JOYSTICK.....	1
4		SPRING,JOYSTK CENTR,62390/91..... <i>no longer available from supplier</i>	1
5	119915GT	COLLAR,JOYSTICK,CENTER.....	1
6	128000GT	SEAL, CONNECTOR (DT JOYSTICKS).....	1
7	128001GT	SLEEVE,CONNECTOR,DT JOYSTICKS.....	1
8	75449GT	KNOB,ROCKER JOYSTICK 75565.....	1
9	75448GT	SUPPORT,SENSOR,JOYSTICK.....	1
10	75447GT	SWITCH SHIELD,ROCK JOYSTK75565.....	1
11	75446GT	SPRING,SWITCH CENTERING,75565...	1
12	75445GT	ROCKER ASSY.,MAGNETIC 75565.....	1
13	75444GT	ROCKER,RETAINER, 75565.....	1
14	75443GT	BOOT, ROCKER JOYSTICK 75565.....	1

701.1 2WD Traction Manifold



Item	Part No.	Description	Qty.
--	88783GT	MANIFOLD,TRACTION,2WD	
--	28750GT	O-RING KIT,FIELD SVC,ALL PROD*	
--	49612GT	O-RING KIT (ORFS FITTINGS)	
--	33994GT	PLUG AND CAP KIT-SERVICE,37 **	
--	49613GT	PLUG AND CAP KIT-SERVICE,ORFS*	
1	94758GT	VALVE,RELIEF,280PSI <i>TT, Charge pressure circuit</i>	
--	110194GT	SEAL KIT, VALVE, #10	
2	52726GT	VALVE,FLOW DIVIDER/COMBINER <i>WW, Controls flow to drive motors in forward and reverse</i>	
--	84135GT	SEAL KIT, VALVE	
3	27836GT	VALVE,CHECK,5 PSI <i>SS, Drive circuit</i>	
--	110194GT	SEAL KIT, VALVE, #10	
4	27836GT	VALVE,CHECK,5 PSI <i>XX, Drive circuit</i>	
--	110194GT	SEAL KIT, VALVE, #10	
5	27761GT	VALVE,SHUTTLE <i>UU, Controls flow to drive motors in forward and reverse</i>	
--	84134GT	SEAL KIT, VALVE	
6	101440GT	ORIFICE PLUG, 0.070" <i>VV, Equalizes flow across flow divider/combiner valve WW</i>	

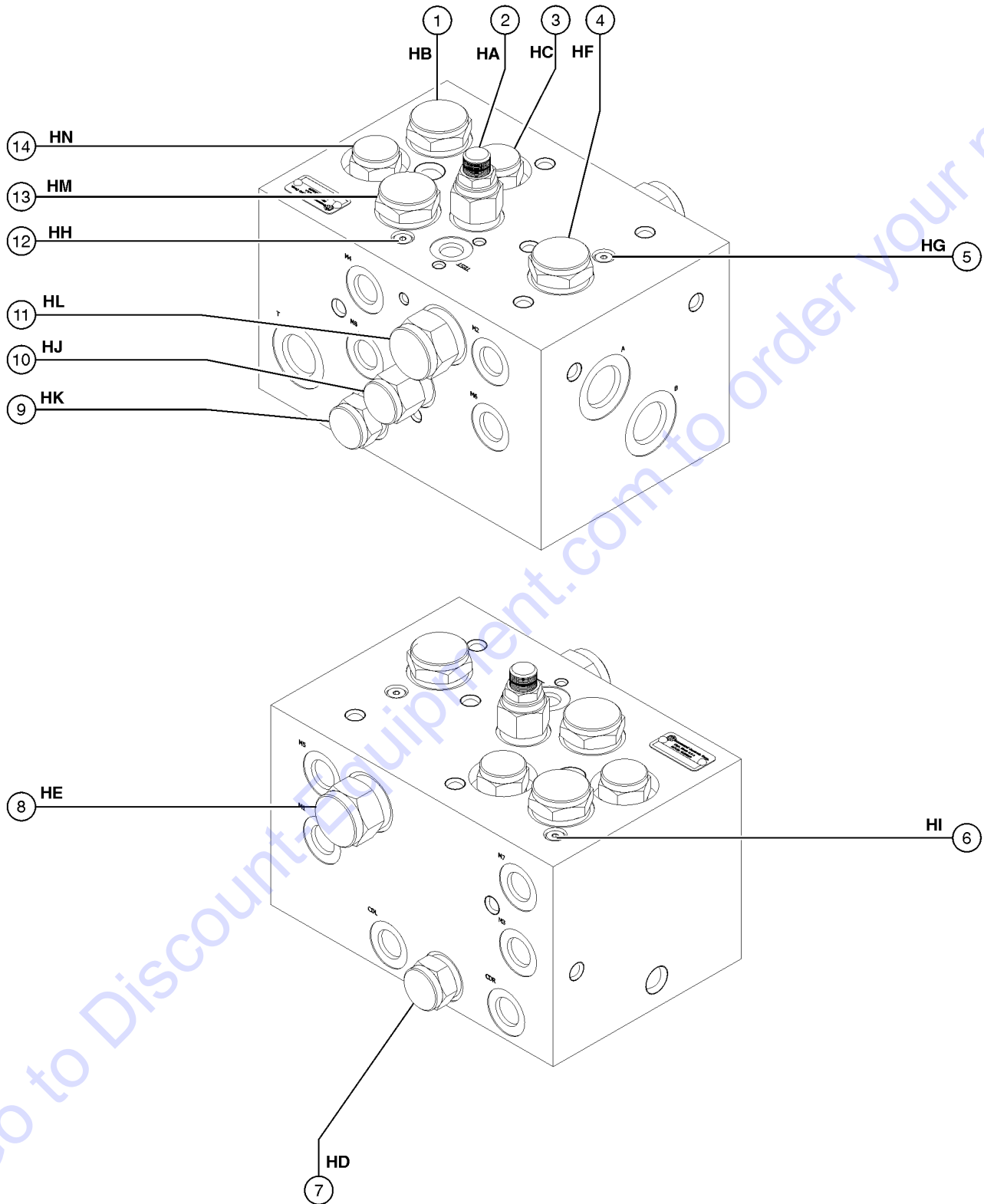
702.1 4WD Traction Manifold (to SN 10153)



702.1 4WD Traction Manifold (to SN 10153)

Item	Part No.	Description	Qty.	Item	Part No.	Description	Qty.
--		Ref. 4WD traction manifold part 81055 is no longer available; for its complete replacement customer must order part 139712 (refer to 702.2)		15	69873GT	VALVE, CHECK <i>GN, Drive motor anti-cavitation</i>	
--	28750GT	O-RING KIT, FIELD SVC, ALL PROD*		16	62252GT	VALVE, FLOW DIVIDER COMBINER <i>GO, Controls flow to non-steer end drive motors in forward and reverse</i>	
--	49612GT	O-RING KIT (ORFS FITTINGS)		--	84135GT	SEAL KIT, VALVE	
--	33994GT	PLUG AND CAP KIT-SERVICE, 37 **					
--	49613GT	PLUG AND CAP KIT-SERVICE, ORFS*					
1	48997GT	NIPPLE, DIAGNOSTIC, #4 <i>GA, Testing</i>					
--	20224GT	DIAGNOSTIC FEMALE Q-DSCNT					
2	48880GT	CAP, DIAGNOSTIC NIPPLE					
3	62253GT	VALVE, RELIEF, 250 PSI <i>GB, Change pressure circuit</i>					
4	69873GT	VALVE, CHECK <i>GC, Drive motor anti-cavitation</i>					
5	52726GT	VALVE, FLOW DIVIDER/COMBINER <i>GD, Controls flow to flow divider/combiner valves GI and GO circuit</i>					
--	84135GT	SEAL KIT, VALVE					
6	69873GT	VALVE, CHECK <i>GE, Drive motor anti-cavitation</i>					
7	27836GT	VALVE, CHECK, 5 PSI <i>GF, Drive motor anti-cavitation</i>					
--	110194GT	SEAL KIT, VALVE, #10					
8	27761GT	VALVE, SHUTTLE <i>GG, Charge pressure circuit that gets hot oil out of low pressure side of drive pump</i>					
--	84134GT	SEAL KIT, VALVE					
9	27836GT	VALVE, CHECK, 5 PSI <i>GH, Drive motor anti-cavitation</i>					
--	110194GT	SEAL KIT, VALVE, #10					
10	62252GT	VALVE, FLOW DIVIDER COMBINER <i>GI, Controls flow to steer end drive motors in forward and reverse</i>					
--	84135GT	SEAL KIT, VALVE					
11	69873GT	VALVE, CHECK <i>GJ, Drive motor anti-cavitation</i>					
12	52723GT	VALVE-FLOW REGULATOR 2 GPM <i>GK, Equalizes pressure on both sides of flow divider / combiner valve GI</i>					
13	52723GT	VALVE-FLOW REGULATOR 2 GPM <i>GL, Equalizes pressure on both sides of flow divider / combiner valve GD</i>					
--	89310GT	SEAL KIT, SOLENOID VALVE					
14	52723GT	VALVE-FLOW REGULATOR 2 GPM <i>GM, Equalizes pressure on both sides of flow divider / combiner valve GO</i>					
--	89310GT	SEAL KIT, SOLENOID VALVE					

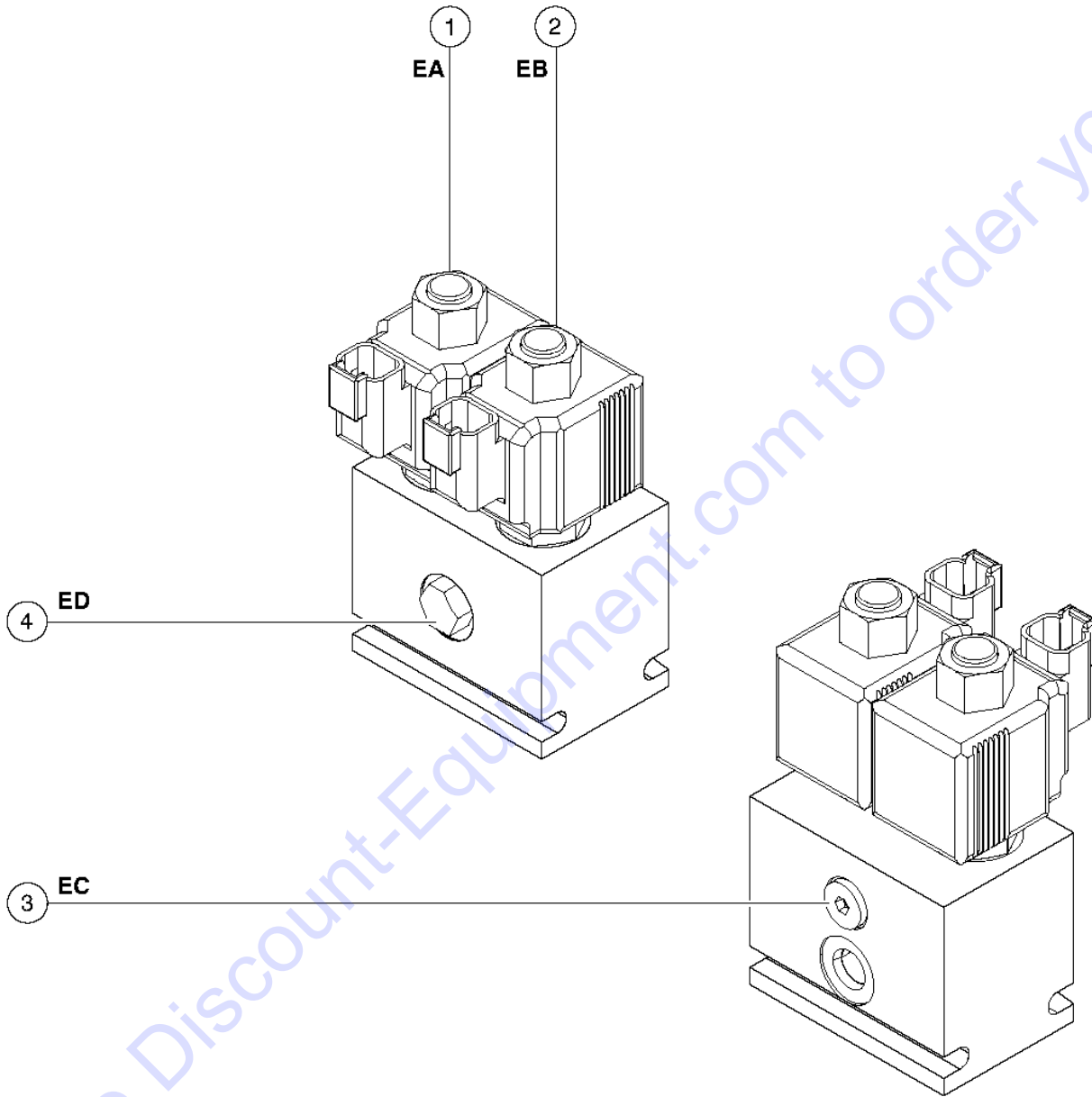
702.2 4WD Traction Manifold (from SN 10154)



702.2 4WD Traction Manifold (from SN 10154)

Item	Part No.	Description	Qty.
--	1287434GT	PLUG,SAE #03 (139712) <i>Plug for ORIFICE, 0.040"</i>	
--	139712GT	MANIFOLD,TRACTION,4WD*** <i>(complete)</i>	
--	28750GT	O-RING KIT,FIELD SVC,ALL PROD*	
--	49612GT	O-RING KIT (ORFS FITTINGS)	
--	33994GT	PLUG AND CAP KIT-SERVICE,37 **	
--	49613GT	PLUG AND CAP KIT-SERVICE,ORFS*	
1	139717GT	VALVE, FLOW DIVIDE/COMB,24GPM....1 <i>HB, (controls flow to non-steer end drive motors in forward and reverse)</i>	
--	139512GT	SEAL KIT, VALVE	
2	139718GT	VALVE, RELIEF, 280PSI.....1 <i>HA, (charge pressure circuit)</i>	
--	139528GT	SEAL KIT, VALVE	
3	139527GT	VALVE, CHECK, 5PSI.....1 <i>HC, (steer end drive motor circuit)</i>	
4	139508GT	VALVE, FLOW DIVIDE/COMBINE 1:1.....1 <i>HF, (controls flow to flow divider/combiner valves 1 and 13)</i>	
5	139719GT	ORIFICE, 0.040".....1 <i>HG, (equalizes pressure on both sides of flow divider/combiner valve)</i>	
6	139719GT	ORIFICE, 0.040".....1 <i>HI, (equalizes pressure on both sides of flow divider/combiner valve)</i>	
7	139527GT	VALVE, CHECK, 5PSI.....1 <i>HD, (non-steer end drive motor circuit)</i>	
8	139716GT	VALVE, CHECK.....1 <i>HE, (non-steer end drive motor circuit)</i>	
--	139727GT	SEAL KIT, VALVE	
9	139527GT	VALVE, CHECK, 5PSI.....1 <i>HK, (steer end drive motor circuit)</i>	
10	139715GT	VALVE, SHUTTLE, FIXED.....1 <i>HJ, (steer end drive motor circuit)</i>	
--	139512GT	SEAL KIT, VALVE	
11	139716GT	VALVE, CHECK.....1 <i>HL, (charge pressure circuit that directs hot oil out of low pressure side of drive pump)</i>	
12	139719GT	ORIFICE, 0.040".....1 <i>HH, (equalizes pressure on both sides of flow divider/combiner valve)</i>	
13	139717GT	VALVE, FLOW DIVIDE/COMB,24GPM....1 <i>HM, (controls flow to steer end drive motors in forward and reverse)</i>	
--	139512GT	SEAL KIT, VALVE	
14	139527GT	VALVE, CHECK, 5PSI.....1 <i>HN, (non-steer end drive motor circuit)</i>	

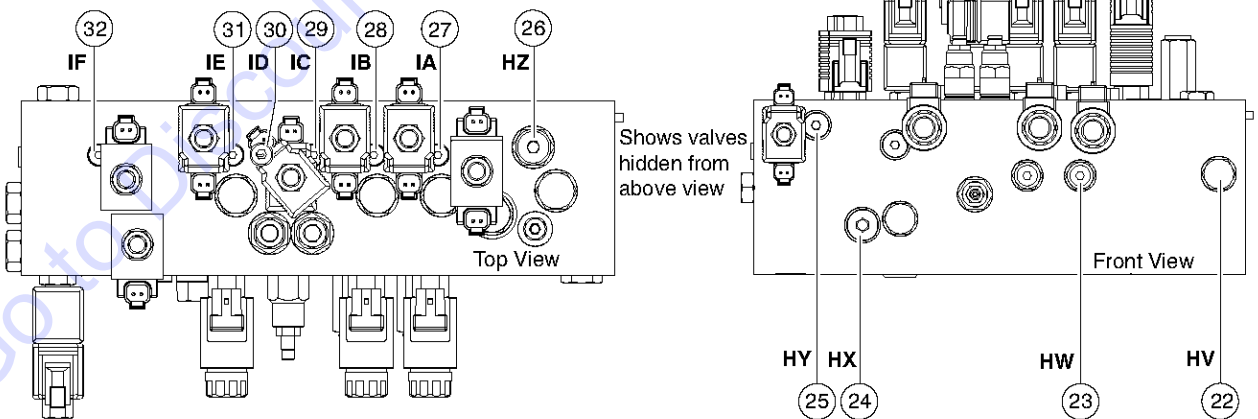
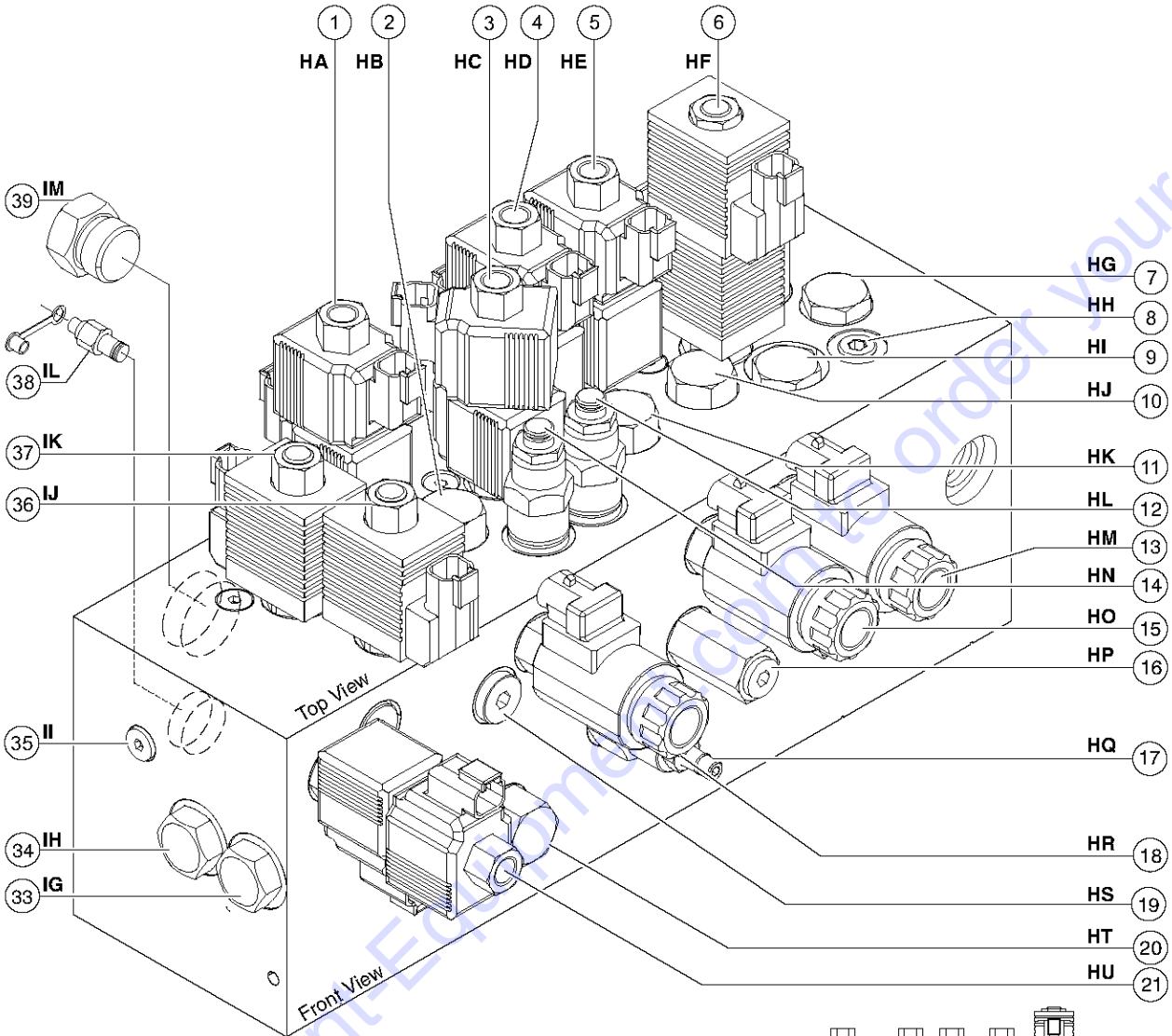
703.1 Two-Speed/Brake Manifold



703.1 Two-Speed/Brake Manifold

Item	Part No.	Description	Qty.
--	102030GT	MANIFOLD,BRAKE/MOTOR SHIFT***	
--	28750GT	O-RING KIT,FIELD SVC,ALL PROD*	
--	49612GT	O-RING KIT (ORFS FITTINGS)	
--	33994GT	PLUG AND CAP KIT-SERVICE,37 **	
--	49613GT	PLUG AND CAP KIT-SERVICE,ORFS*	
1	89769GT	VALVE - SOLENOID 2 POS 2 WAY <i>EA, Brake</i>	
--	89733GT	COIL,SOLENOID VALVE***	
--	89735GT	NUT ASSY (89769)*** <i>includes coil nut</i>	
--	89770GT	SEAL KIT, SOLENOID VALVE	
2	89769GT	VALVE - SOLENOID 2 POS 2 WAY <i>EB, Two Speed motor shift</i>	
--	89733GT	COIL,SOLENOID VALVE***	
--	89735GT	NUT ASSY (89769)*** <i>includes coil nut</i>	
--	89770GT	SEAL KIT, SOLENOID VALVE	
3	27807GT	VALVE,CHECK*** <i>EC, Pressure circuit</i>	
--	110200GT	SEAL KIT, VALVE, #4	
4	89300GT	PLUG, .042 ORIFICE, 1/16 NPT <i>ED, Tank circuit</i>	

704.1 Function Manifold



704.1 Function Manifold

Item	Part No.	Description	Qty.	Item	Part No.	Description	Qty.
--	111702GT	MANIFOLD,FUNCTION,Z60		--	110194GT	SEAL KIT, VALVE, #10	
--	102172GT	HARNES,FUNCTION MANIFOLD,Z60		8	48997GT	NIPPLE,DIAGNOSTIC,#4 <i>HH, Testing</i>	
--	28750GT	O-RING KIT,FIELD SVC,ALL PROD*		--	20224GT	DIAGNOSTIC FEMALE Q-DSCNT	
--	49612GT	O-RING KIT (ORFS FITTINGS)		--	48880GT	CAP,DIAGNOSTIC NIPPLE	
--	33994GT	PLUG AND CAP KIT-SERVICE,37 **		9	111705GT	VALVE,FLOW REGULATOR 3.5 GPM** <i>HI, Steer left/right</i>	
--	49613GT	PLUG AND CAP KIT-SERVICE,ORFS*		10	27802GT	VALVE,DIFFERENTIAL SENSING*** <i>HJ, Secondary boom up/down</i>	
--	1260124GT	PLUG, 6 SAE, TAPERED, BUNA <i>for 111702</i>		11	27802GT	VALVE,DIFFERENTIAL SENSING*** <i>HK, Primary boom up/down</i>	
--	1260125GT	PLUG, 8 SAE, TAPERED, BUNA <i>for 111702</i>		12	62256GT	VALVE,CB 3:1 3500 PSI <i>HL, Platform level up/down and motion control</i>	
--	69550GT	PLUG,ORB #4 <i>for 111702</i>		--	110202GT	SEAL KIT, VALVE, #10	
1	89726GT	VALVE KIT, SOLENOID, 3POS 4WAY <i>HA, Turntable rotate left/right</i>		13	102528GT	VALVE,PROPORTIONAL <i>HM, Secondary boom down</i>	
--	102531GT	VALVE,SOLENOID (89726)		--	102526GT	O-RING, PROPORTIONAL VALVE	
--	102940GT	NUT,SOLENOID VALVE		--	89737GT	COIL,PROPORTIONAL VALVE***	
--	89733GT	COIL,SOLENOID VALVE***		--	89738GT	NUT, PROPORTIONAL VALVE	
--	89734GT	SEAL KIT,SOLENOID VALVE		14	62256GT	VALVE,CB 3:1 3500 PSI <i>HN, Platform level up/down and motion control</i>	
2	27802GT	VALVE,DIFFERENTIAL SENSING*** <i>HB, Turntable rotate left/right</i>		--	110202GT	SEAL KIT, VALVE, #10	
3	89726GT	VALVE KIT, SOLENOID, 3POS 4WAY <i>HC, Platform level up/down</i>		15	102527GT	VALVE,PROPORTIONAL <i>HO, Primary boom down</i>	
--	102531GT	VALVE,SOLENOID (89726)		--	102526GT	O-RING, PROPORTIONAL VALVE	
--	102940GT	NUT,SOLENOID VALVE		--	89312GT	SEAL KIT, SOLENOID VALVE	
--	89733GT	COIL,SOLENOID VALVE***		--	89737GT	COIL,PROPORTIONAL VALVE***	
--	89734GT	SEAL KIT,SOLENOID VALVE		--	89738GT	NUT, PROPORTIONAL VALVE	
4	89726GT	VALVE KIT, SOLENOID, 3POS 4WAY <i>HD, Primary boom up/down</i>		16	31527GT	VALVE,RELIEF 1800 PSI <i>HP, Primary boom up/down</i>	
--	102531GT	VALVE,SOLENOID (89726)		17	62258GT	VALVE,NEEDLE*** <i>HQ, Platform level</i>	
--	102940GT	NUT,SOLENOID VALVE		18	102527GT	VALVE,PROPORTIONAL <i>HR, Turntable rotate left/right</i>	
--	89733GT	COIL,SOLENOID VALVE***		--	102526GT	O-RING, PROPORTIONAL VALVE	
--	89734GT	SEAL KIT,SOLENOID VALVE		--	89312GT	SEAL KIT, SOLENOID VALVE	
5	89726GT	VALVE KIT, SOLENOID, 3POS 4WAY <i>HE, Secondary boom up/down</i>		--	89737GT	COIL,PROPORTIONAL VALVE***	
--	102531GT	VALVE,SOLENOID (89726)		--	89738GT	NUT, PROPORTIONAL VALVE	
--	102940GT	NUT,SOLENOID VALVE		19	89728GT	VALVE, FLOW CONTROL <i>HS, Load sense circuit</i>	
--	89733GT	COIL,SOLENOID VALVE***		20	27804GT	VALVE,DIFFERENTIAL SENSING*** <i>HT, Function pressure control</i>	
--	89734GT	SEAL KIT,SOLENOID VALVE		21	89726GT	VALVE KIT, SOLENOID, 3POS 4WAY <i>HU, Jib up/down and platform rotate left/right</i>	
6	111703GT	VALVE,SOLENOID 3 POS,4 WAY*** <i>HF, Steer left/right</i>		--	102531GT	VALVE,SOLENOID (89726)	
--	111778GT	COIL,10V DC(D10,26 WATT)					
--	111779GT	SEAL KIT,VALVE,#10					
--	52943GT	NUT,SOLENOID VALVE COIL					
--	62277GT	COIL,10V					
--	89722GT	SEAL KIT, SOLENOID VALVE					
7	27836GT	VALVE,CHECK,5 PSI <i>HG, Pressure in from function pump</i>					

704.1 Function Manifold
(continued)

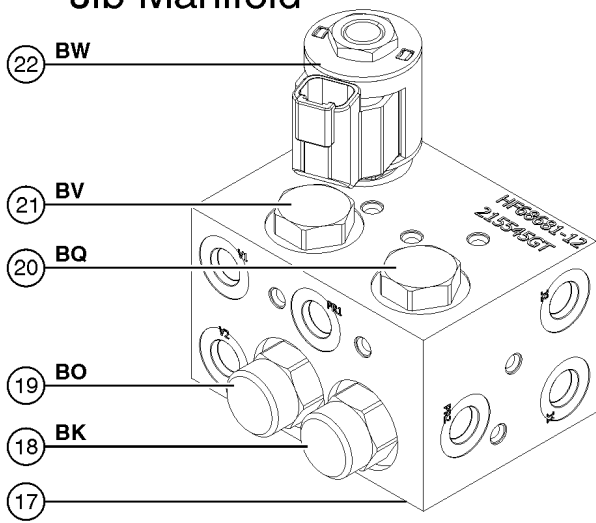
Item	Part No.	Description	Qty.	Item	Part No.	Description	Qty.
--	102940GT	NUT,SOLENOID VALVE		--	89310GT	SEAL KIT, SOLENOID VALVE	
--	89733GT	COIL,SOLENOID VALVE***		38	48997GT	NIPPLE,DIAGNOSTIC,#4 <i>IL, Testing</i>	
--	89734GT	SEAL KIT,SOLENOID VALVE		--	20224GT	DIAGNOSTIC FEMALE Q-DSCNT	
22	62259GT	VALVE,CHECK 30 PSI <i>HV, Tank return circuit</i>		--	48880GT	CAP,DIAGNOSTIC NIPPLE	
23	102530GT	VALVE, RELIEF 1600 PSI <i>HW, Secondary boom up/down</i>		39	89732GT	VALVE,CHECK <i>IM, Jib boom select</i>	
24	89729GT	VALVE, FLOW CONTROL <i>HX, Boom extend retract</i>		--	110206GT	SEAL KIT, VALVE, COMATROL	
25	89730GT	VALVE, FLOW CONTROL <i>HY, Jib Select</i>					
26	102617GT	VALVE,RELIEF 2600 PSI <i>HZ, System relief</i>					
27	27807GT	VALVE,CHECK*** <i>IA, Secondary boom up/down</i>					
--	110202GT	SEAL KIT, VALVE, #10					
28	27807GT	VALVE,CHECK*** <i>IB, Primary boom up/down</i>					
--	110202GT	SEAL KIT, VALVE, #10					
29	27807GT	VALVE,CHECK*** <i>IC, Platform level down</i>					
--	110202GT	SEAL KIT, VALVE, #10					
30	27807GT	VALVE,CHECK*** <i>ID, Platform level up</i>					
--	110202GT	SEAL KIT, VALVE, #10					
31	27807GT	VALVE,CHECK*** <i>IE, Turntable rotate left/right</i>					
--	110202GT	SEAL KIT, VALVE, #10					
32	27807GT	VALVE,CHECK*** <i>IF, Boom extend</i>					
--	110202GT	SEAL KIT, VALVE, #10					
33	89732GT	VALVE,CHECK <i>IG, Jib select</i>					
--	110206GT	SEAL KIT, VALVE, COMATROL					
34	89732GT	VALVE,CHECK <i>IH, Jib select</i>					
--	110206GT	SEAL KIT, VALVE, COMATROL					
35	27807GT	VALVE,CHECK*** <i>II, Boom retract</i>					
--	110202GT	SEAL KIT, VALVE, #10					
36	89309GT	VALVE - SOLENOID 2POSITION 3WA <i>IJ, Boom retract</i>					
--	45912GT	NUT,SOLENOID VALVE 2P3W					
--	62275GT	COIL,10V					
--	89310GT	SEAL KIT, SOLENOID VALVE					
37	89309GT	VALVE - SOLENOID 2POSITION 3WA <i>IK, Boom retract</i>					
--	45912GT	NUT,SOLENOID VALVE 2P3W					
--	62275GT	COIL,10V					

This Page Intentionally Left Blank

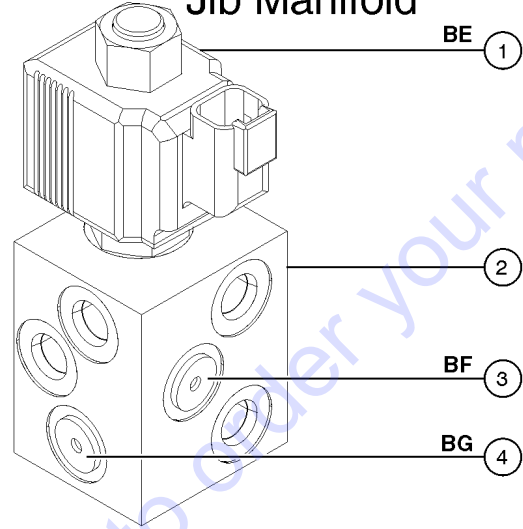
Go to Discount-Equipment.com to order your parts

705.1 Jib Select and Platform Rotate Manifolds

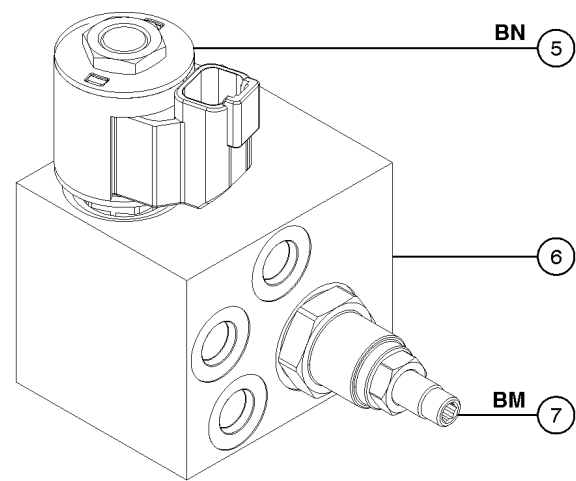
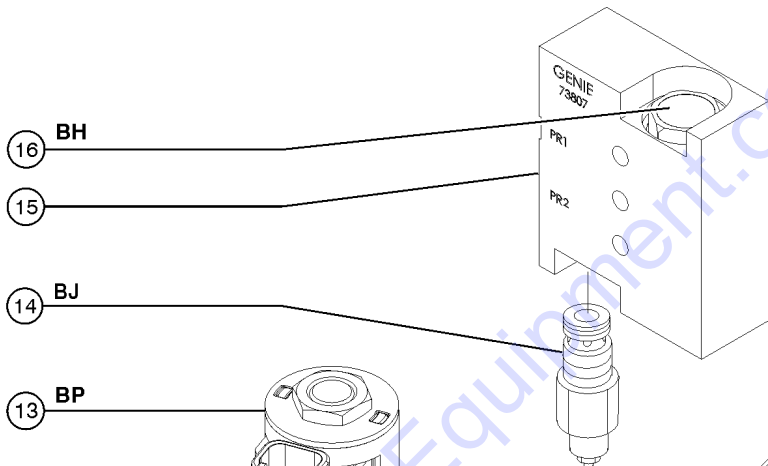
Jib Manifold



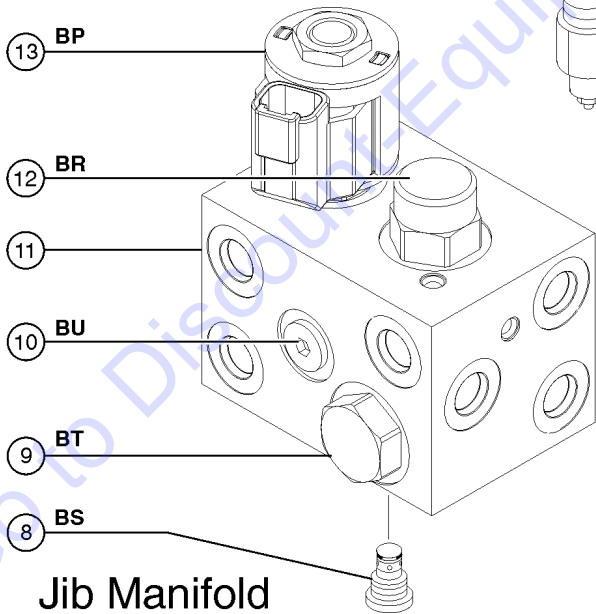
Jib Manifold



Platform Rotate Manifold



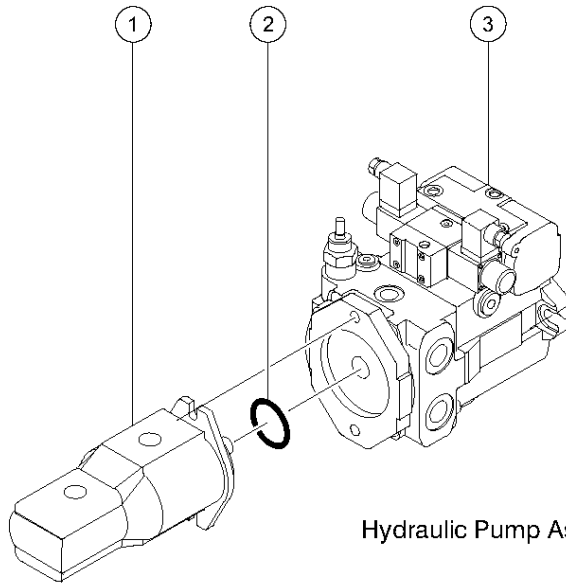
Jib Manifold



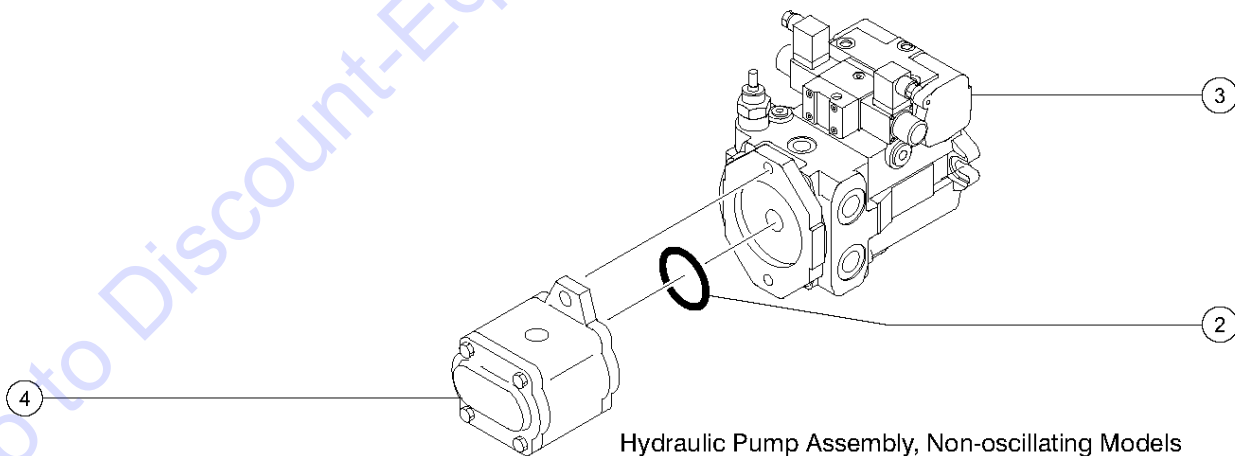
705.1 Jib Select and Platform Rotate Manifolds

Item	Part No.	Description	Qty.	Item	Part No.	Description	Qty.
1	89769GT	VALVE - SOLENOID 2 POS 2 WAY BE, Jib boom/platform rotate select; to SN 10425		--	44174GT	NUT-COIL SHORT from SN 11004 to 11477	
--	89733GT	COIL, SOLENOID VALVE*** to SN 10425		--	52371GT	SEAL KIT, VALVE from SN 11004 to 11477	
--	89735GT	NUT ASSY (89769)*** includes coil nut; to SN 10425		14	62506GT	VALVE - COUNTERBALANCE** BJ, Platform rotate right	
--	89770GT	SEAL KIT, SOLENOID VALVE to SN 10425		--	43018GT	SEAL KIT (39345)	
2		MANIFOLD, JIB, Z60 previous manifold 102029 (from SN 4551 to SN 10425) is no longer available, order newer manifold part 215545		15	73807GT	MANIFOLD, ROTATOR, CB***	
3	102496GT	ORIFICE, PLUG 0.030 BF, Platform rotate circuit; to SN 10425		--	62507GT	O-RING, ROTATOR MANIFOLD	
4	102496GT	ORIFICE, PLUG 0.030 BG, Platform rotate circuit; to SN 10425		16	62506GT	VALVE - COUNTERBALANCE** BH, Platform rotate left	
5	89862GT	VALVE-SOLENOID, 2POS 3WAY, JIB** BN, Jib boom/platform rotate select; from SN 10426 to 11003		--	43018GT	SEAL KIT (39345)	
--	228866GT	COIL, SOLENOID VALVE from SN 10426 to 11003		17	215545GT	MANIFOLD, JIB, Z60, PRIORITY FLOW from SN 11478	
--	44174GT	NUT-COIL SHORT from SN 10426 to 11003		18	216638GT	VALVE FLOW, REG 0.3GPM FIXED BK, Platform rotate; from SN 11478	
--	89864GT	SEAL KIT, SOLENOID VALVE, SV07 from SN 10426 to 11003		--	216640GT	SEAL KIT FOR 216638 from SN 11478	
6		JIB MANIFOLD COMBINATION VALVE previous manifold T112471 (from SN 10426 to SN 11003) is no longer available, order newer manifold part 215545		19	216638GT	VALVE FLOW, REG 0.3GPM FIXED BO, Platform rotate; from SN 11478	
7	T112464GT	VALVE FLOW REGULATOR 0.4GPM ADJ BM, Platform rotate regulator; from SN 10426 to 11003		--	216640GT	SEAL KIT FOR 216638 from SN 11478	
--	62337GT	SEAL KIT, VALVE from SN 10426 to 11003		20	46216GT	VALVE, CHECK, IWP-S/CWP PWR ASSI BQ, Controls direction of flow; from SN 11478	
8	52907GT	VALVE-CHECK, #4 SAE, 5 PSI* BS, One way flow; from SN 11004 to 11477		--	44227GT	SEAL KIT, VALVE from SN 11478	
9	52370GT	VALVE, SHUTTLE, GS68 BT, Controls direction of flow; from SN 11004 to 11477		21	46216GT	VALVE, CHECK, IWP-S/CWP PWR ASSI BV, Controls direction of flow; from SN 11478	
10	52907GT	VALVE-CHECK, #4 SAE, 5 PSI* BU, One way flow; from SN 11004 to 11477		--	44227GT	SEAL KIT, VALVE from SN 11478	
11		MANIFOLD, JIB, Z60, FIXED FLOW previous manifold 233995 (from SN 11004 to SN 11477) is no longer available, order newer manifold part 215545		22	52897GT	VALVE, SOLENOID, 2POS/3WAY*** BW, Jib boom up/down; from SN 11478	
12	233994GT	VALVE, FLOW REG 0.8GPM FIXED BR, Platform rotate; from SN 11004 to 11477		--	104759GT	COIL, 12VDC #8 DTSCH IP69 ECOIL from SN 11478	
13	52897GT	VALVE, SOLENOID, 2POS/3WAY*** BP, Jib boom up/down; from SN 11004 to 11477		--	44174GT	NUT-COIL SHORT from SN 11478	
--	104759GT	COIL, 12VDC #8 DTSCH IP69 ECOIL from SN 11004 to 11477		--	52371GT	SEAL KIT, VALVE from SN 11478	

706.1 Hydraulic Pumps



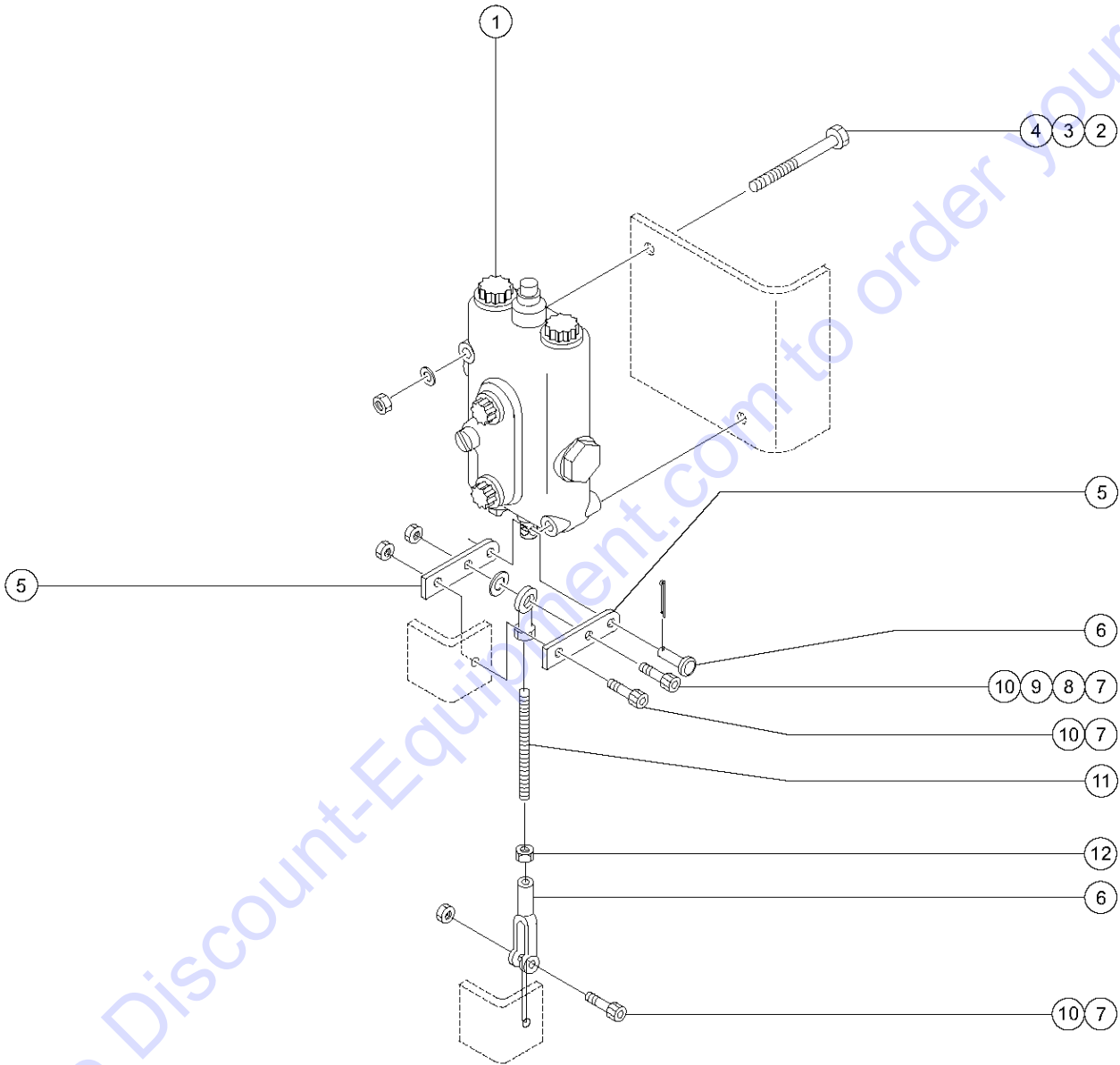
Hydraulic Pump Assembly, Oscillating Models



Hydraulic Pump Assembly, Non-oscillating Models

Item	Part No.	Description	Qty.
--	89932GT	PUMP ASSY,M46+17CC+6CC <i>Oscillate models; 4WD models; includes items 1-3</i>	
--	89933GT	PUMP ASSY,M46 + 17CC*** <i>Non-oscillate models; 2WD models; includes items 2-4</i>	
1	89858GT	FUNCTION GEAR PUMP,OSCILLATE**1 <i>Oscillating models</i>	
--	89859GT	SEAL KIT,GEAR PUMP (89858)	
2	83141GT	O-RING,.103X3.237,NBR/NTRL,90D.....1	
3	89934GT	PUMP M46 VAR PISTON 2.8 CIU***1	
--	29739GT	SEAL KIT,SAUER-DANFOSS M46***	
--	58290GT	VALVE,EDC,PILOT,SAUER,M46***	
--	77819GT	EDC ASSY,SAUER M46***	
4	53961GT	PUMP,LIFT 1.025 C.I.***1 <i>Non-oscillate models</i>	
--	77990GT	KIT,SEAL,3CC PUMP***	

707.1 Oscillate Control Valve (to SN 5819)



707.1 Oscillate Control Valve (to SN 5819)

Item	Part No.	Description	Qty.
--	49613GT	PLUG AND CAP KIT-SERVICE,ORFS*	
--	49612GT	O-RING KIT (ORFS FITTINGS)	
1	89520GT	VALVE,MANUAL,700 PSI.....1	1
--	32681GT	SEAL KIT,CONTROL VALVE	
2	4266GT	SCREW,HHC,1/4-20 X 2	
3	6091GT	NUT,NYLOCK,1/4-20	
4	6146GT	WASHER,FLAT,MS,#10,Y	
5	30884GT	OSCILLATE VALVE LINKAGE.....2	2
6	21130GT	CLEVIS YOKE-1/4-28,PLTD W/PIN.....1 <i>includes clevis pin and cotter pin</i>	1
7	6584GT	SCREW,SHS,10-24 X .625	
8	89431GT	ROD END,1/4-28 SPHERICAL.....1	1
9	20980GT	WASHER,NYLON,.434 X.263X.049	
10	6178GT	NUT,NYLOCK,10-32	
11	30785-275GT	THREADED ROD,1/4-28 X 2.75IN**.....1	1
12	21496GT	NUT,HEX,1/4-28	

PARTS FINDER

**Search Website
by Part Number**



**Search Manual
Library For Parts
Manual & Lookup Part
Numbers – Purchase
or Request Quote**

Search Manuals

Enter your information to help us find the right parts manual for your machine.

* Brand:

* Model:

* Serial:

* Part Number:

SEARCH

**Can't Find Part or
Manual? Request Help
by Manufacturer,
Model & Description**

Parts Order Form

Please fill in the following information to help us find the right part for your machine.

Manufacturer:	<input type="text"/>
Model:	<input type="text"/>
Description:	<input type="text"/>
Part Number:	<input type="text"/>
Quantity:	<input type="text"/>
Notes:	<input type="text"/>

Discount-Equipment.com is your online resource for quality parts & equipment.

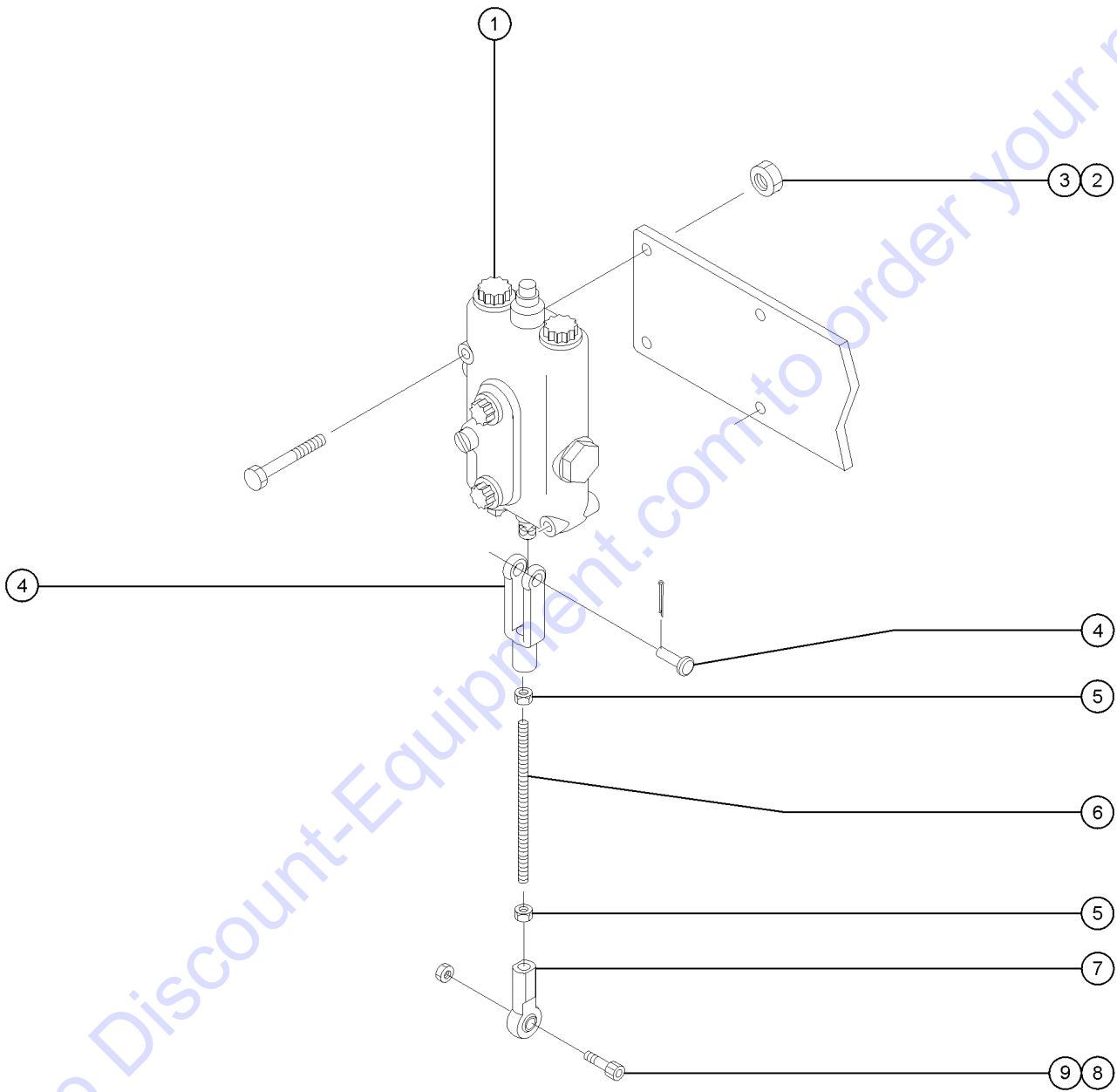
Florida: **561-964-4949** Outside Florida TOLL FREE: **877-690-3101**

Need parts?

Click on this link: <http://www.discount-equipment.com/category/5443-parts/> and choose one of the options to help get the right parts and equipment you are looking for. Please have the machine model and serial number available in order to help us get you the correct parts. If you don't find the part on the website or on one of the online manuals, please fill out the request form and one of our experienced staff members will get back to you with a quote for the right part that your machine needs.

We sell worldwide for the brands: Genie, Terex, JLG, MultiQuip, Mikasa, Essick, Whiteman, Mayco, Toro Stone, Diamond Products, Generac Magnum, Airman, Haulotte, Barreto, Power Blanket, Nifty Lift, Atlas Copco, Chicago Pneumatic, Allmand, Miller Curber, Skyjack, Lull, Skytrak, Tsurumi, Husquvarna Target, Stow, Wacker, Sakai, Mi-T-M, Sullair, Basic, Dynapac, MBW, Weber, Bartell, Bennar Newman, Haulotte, Ditch Runner, Menegotti, Morrison, Contec, Buddy, Crown, Edco, Wyco, Bomag, Laymor, EZ Trench, Bil-Jax, F.S. Curtis, Gehl Pavers, Heli, Honda, ICS/PowerGrit, IHI, Partner, Imer, Clipper, MMD, Koshin, Rice, CH&E, General Equipment, Amida, Coleman, NAC, Gradall, Square Shooter, Kent, Stanley, Tamco, Toku, Hatz, Kohler, Robin, Wisconsin, Northrock, Oztec, Toker TK, Rol-Air, APT, Wylie, Ingersoll Rand / Doosan, Innovatech, Con X, Ammann, Mecalac, Makinex, Smith Surface Prep, Small Line, Wanco, Yanmar

707.2 Oscillate Control Valve (from SN 5820)

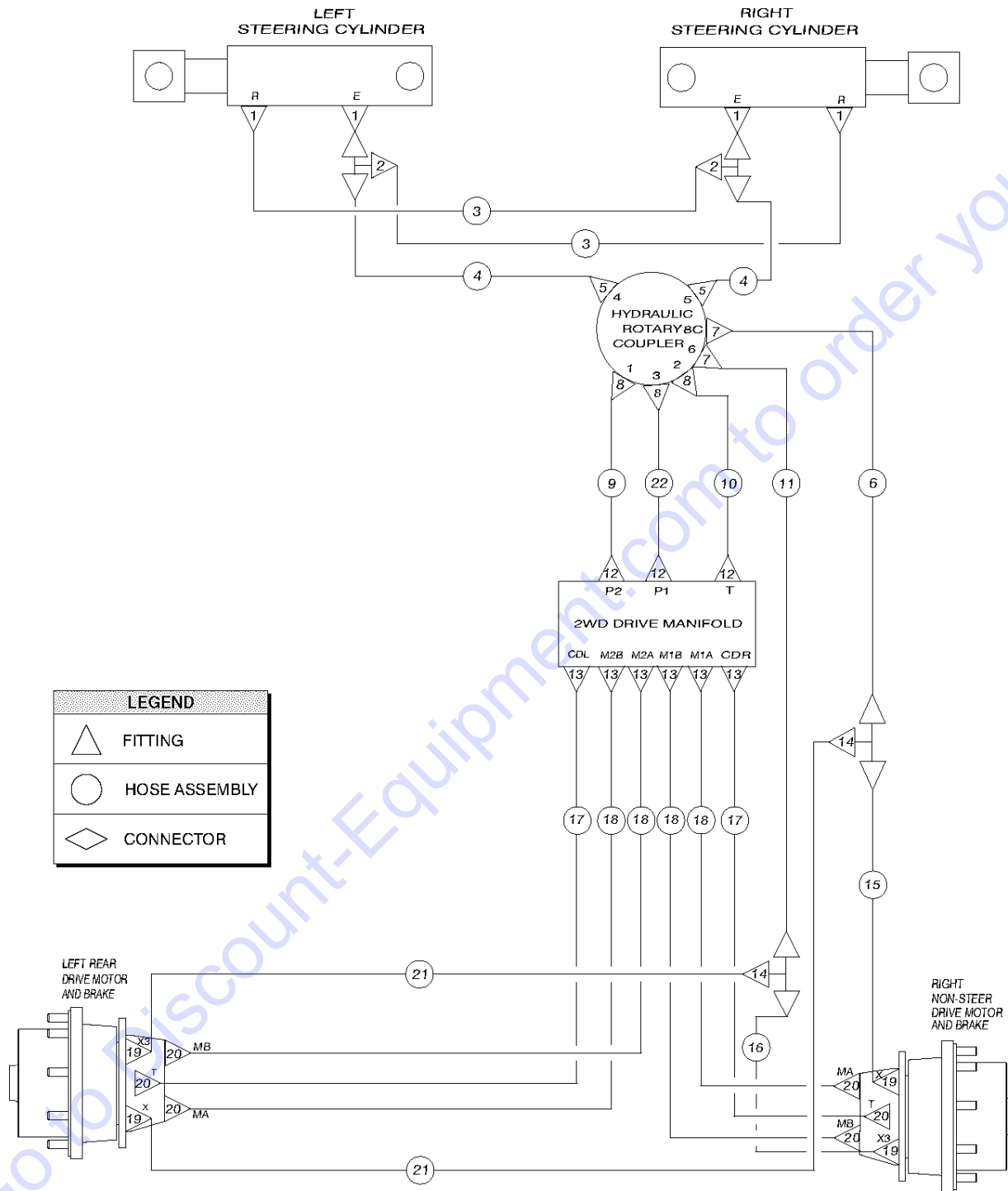


707.2 Oscillate Control Valve (from SN 5820)

Item	Part No.	Description	Qty.
--	49613GT	PLUG AND CAP KIT-SERVICE,ORFS*	
--	49612GT	O-RING KIT (ORFS FITTINGS)	
1	89520GT	VALVE,MANUAL,700 PSI.....	1
--	32681GT	SEAL KIT,CONTROL VALVE	
2	6091GT	NUT,NYLOCK,1/4-20	
3	4266GT	SCREW,HHC,1/4-20 X 2	
4	21130GT	CLEVIS YOKE-1/4-28,PLTD W/PIN..... <i>includes clevis pin and cotter pin</i>	1
5	21496GT	NUT,HEX,1/4-28	
6	30785-400GT	THREADED ROD,1/4-28 X 4 IN***.....	1
7	89431GT	ROD END,1/4-28 SPHERICAL.....	1
8	6584GT	SCREW,SHS,10-24 X .625	
9	5365GT	NUT,NYLOCK,10-24	

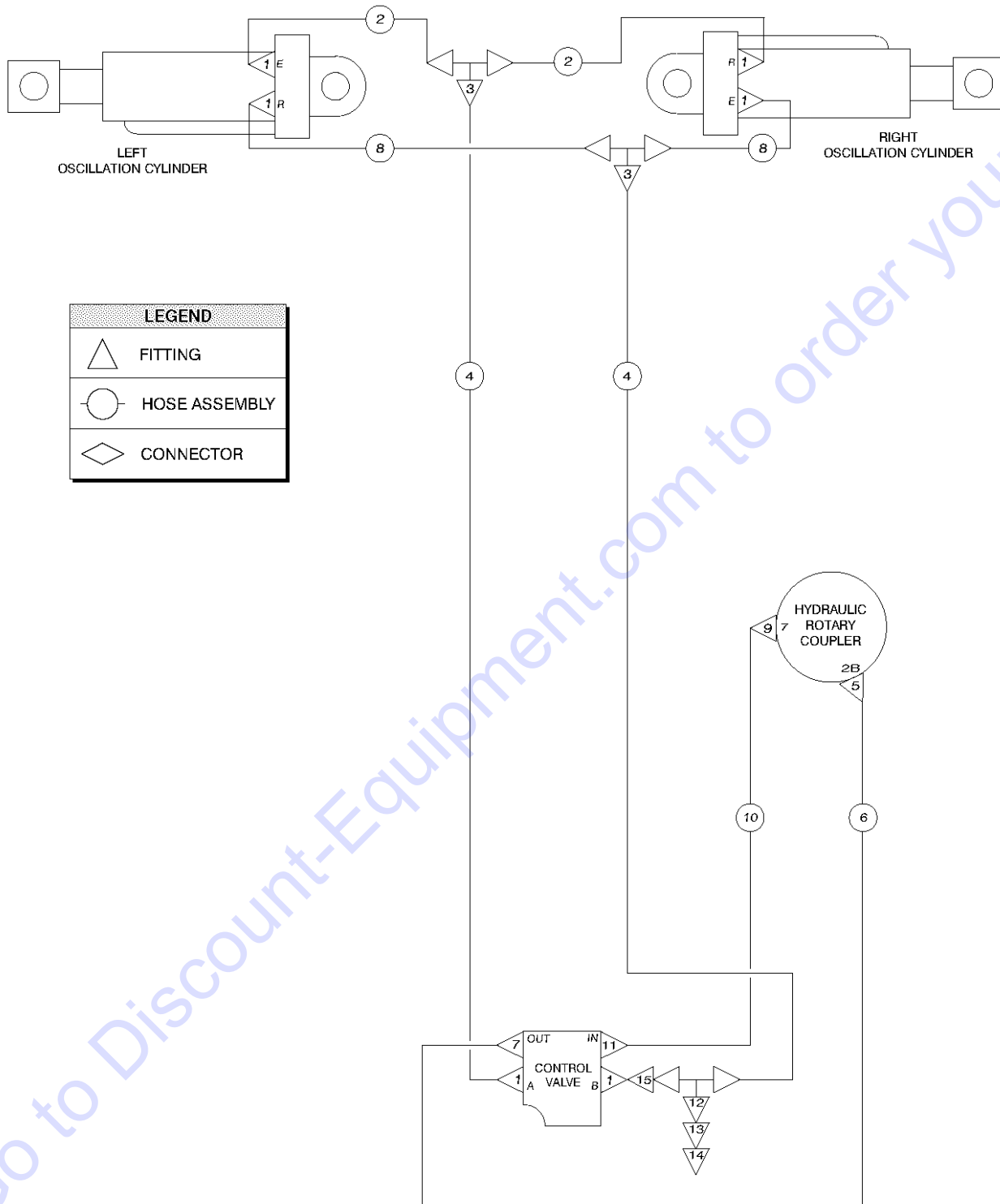
Go to Discount-Equipment.com to order your parts

708.1 2WD Drive System



Item	Part No.	Description	Qty.
--	49613GT	PLUG AND CAP KIT-SERVICE,ORFS*	
--	49612GT	O-RING KIT (ORFS FITTINGS)	
1	48915GT	ELBOW,90D,520220-6.....	2
2	48918GT	TEE,RUN,520428-6.....	2
3	49130-2582GT	HOSE ASSY 3/8, STR FEM,STR FEM....	2
4	49130-4982GT	HOSE ASSY 3/8, STR FEM,STR FEM....	2
5	48920GT	ELBOW,45D,520320-6.....	2
6	49117-3891GT	HOSE ASSY,1/4,90 FEM,STR FEMM.....	1
7	48904GT	ELBOW,90D,520220-4-4.....	2
8	48963GT	FITTING,ELBOW,45D,520320-12***.....	3
9	102313-2826GT	HOSE ASSY,3/4" HYD,45F,STRF.....	1
10	61074-2372GT	HOSE ASSY,3/4,STR FEM,STR FEM.....	1
11	49119-3878GT	HOSE ASSY,1/4,STR FEM,STR FEM.....	1
12	48960GT	FITTING,CONN,520120-12***.....	11
13	48933GT	CONN,520120-8***.....	4
14	48909GT	TEE,BULKHEAD,RUN,520958-4.....	2
15	49119-3578GT	HOSE ASSY,1/4,STR FEM,STR FEM.....	1
16	49119-4178GT	HOSE ASSY,1/4,STR FEM,STR FEM.....	1
17	49143-4829GT	HOSE ASSY,1/2,90 FEM,STR FEM.....	2
18	94374-4930GT	HOSE ASSY,3/4,90 FEM,STR FEM.....	4
19	48905GT	CONN,520120-4***.....	2
20	48911GT	ELBOW,90D,520220-4-6***.....	2
21	49119-4578GT	HOSE ASSY,1/4,STR FEM,STR FEM.....	2
22	94374-2630GT	HOSE ASSY,3/4,90 FEM,STR FEM**.....	1

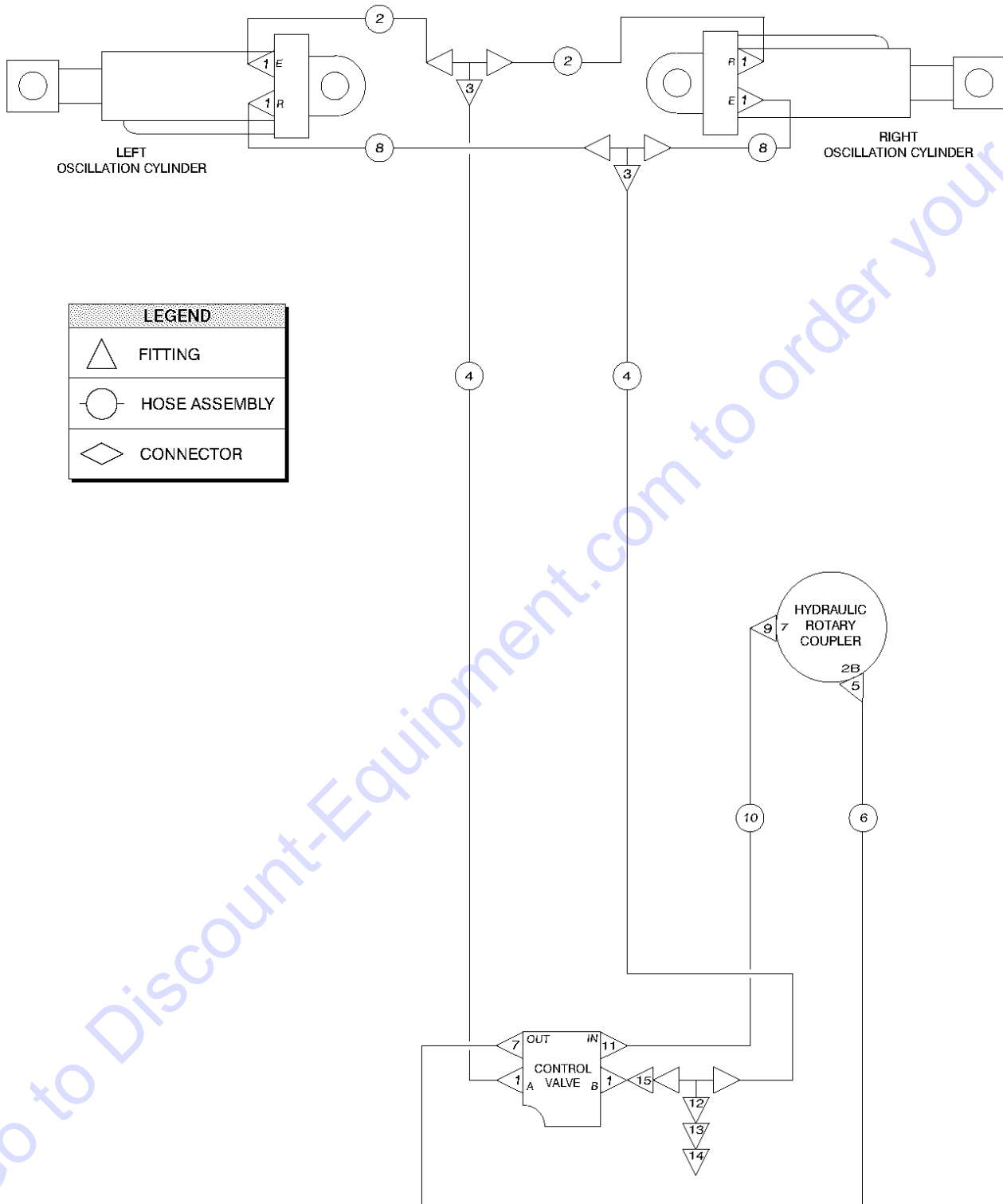
709.1 2WD Drive Oscillate System (to SN 5819)



709.1 2WD Drive Oscillate System (to SN 5819)

Item	Part No.	Description	Qty.
--	49613GT	PLUG AND CAP KIT-SERVICE,ORFS*	
--	49612GT	O-RING KIT (ORFS FITTINGS)	
1	48916GT	CONN, 520120-6.....	6
2	49128-3409GT	HOSE ASEMBLY HOSE ASSEMBLY 3/8.....	2
3	53980GT	TEE,BRANCH,520433-6.....	2
4	8954-11113GT	HOSE ASSY,3/8,90 FEM,STR FEM.....	2
5	48937GT	ELBOW,45D,520320-8.....	1
6	49143-5429GT	HOSE ASSY,1/2,90 FEM,STR FEM.....	1
7	48933GT	CONN,520120-8***.....	1
8	49128-3209GT	HOSE ASEMBLY HOSE ASSEMBLY 3/8.....	2
9	48904GT	ELBOW,90D,520220-4-4.....	1
10	49117-6191GT	HOSE ASSY,1/4,90 FEM,STR FEM.....	1
11	48914GT	CONN,520120-4-8.....	1
12	48891GT	FITTING,TEE,BRANCH,520433-4.....	1
13	49207GT	NIPPLE,DIAGNOSTIC,ORFS,FM,SWIV..	1
14	48880GT	CAP,DIAGNOSTIC NIPPLE.....	1
15	54132GT	ELBOW,SWIVEL 90D, 520221-4.....	1

709.2 2WD Drive Oscillate System (from SN 5820)

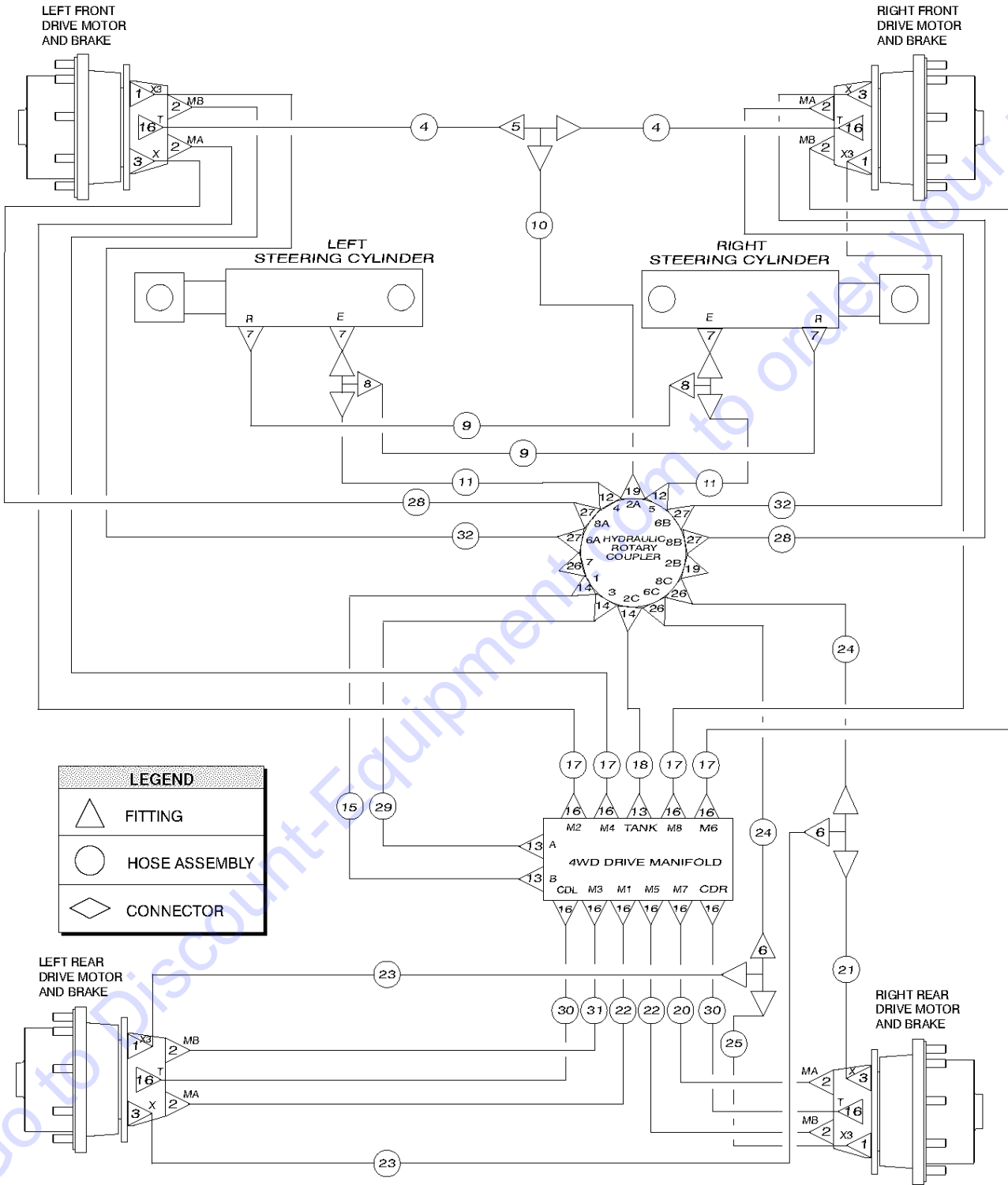


Go to Discount-Equipment.com to order your parts

709.2 2WD Drive Oscillate System (from SN 5820)

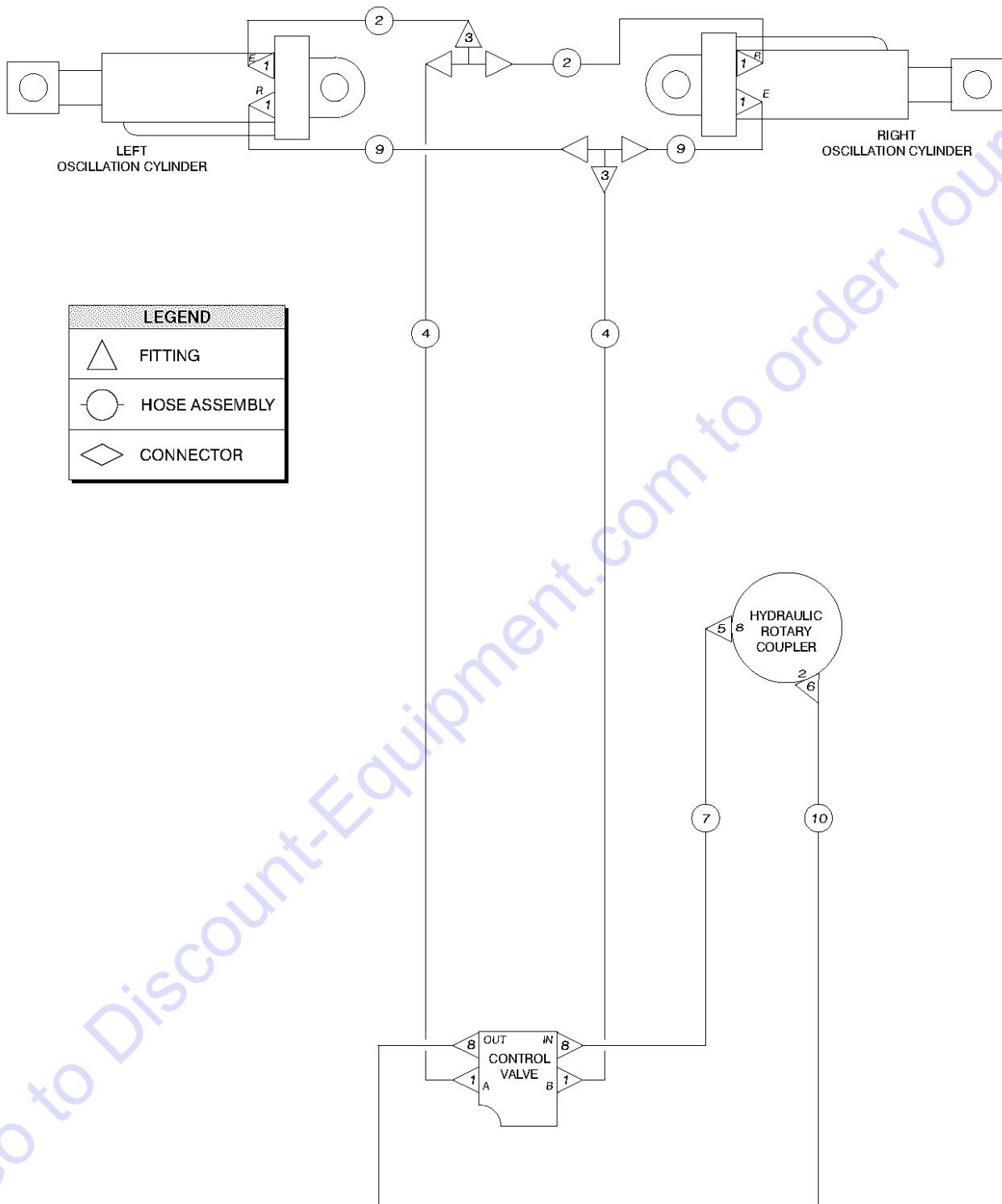
Item	Part No.	Description	Qty.
--	49613GT	PLUG AND CAP KIT-SERVICE,ORFS*	
--	49612GT	O-RING KIT (ORFS FITTINGS)	
1	48912GT	CONN,520120-4-6***.....	6
2	49117-2991GT	HOSE ASSY,1/4,90 FEM,STR FEM.....	2
3	48891GT	FITTING,TEE,BRANCH,520433-4.....	2
4	88636-9273GT	HOSE ASSY 1/4,STR FEM,STR BULK...	2
5	48937GT	ELBOW,45D,520320-8.....	1
6	49143-5429GT	HOSE ASSY,1/2,90 FEM,STR FEM.....	1
7	48933GT	CONN,520120-8***.....	1
8	49117-2991GT	HOSE ASSY,1/4,90 FEM,STR FEM.....	2
9	48904GT	ELBOW,90D,520220-4-4.....	1
10	49119-6078GT	HOSE ASSY,1/4,STR FEM,STR FEM.....	1
11	48914GT	CONN,520120-4-8.....	1
12	48908GT	FITTING,TEE,RUN,SWIVEL520432-4.....	1
13	49207GT	NIPPLE,DIAGNOSTIC,ORFS,FM,SWIV..	1
14	48880GT	CAP,DIAGNOSTIC NIPPLE.....	1
15	54132GT	ELBOW,SWIVEL 90D, 520221-4.....	1

710.1 4WD Drive System



Item	Part No.	Description	Qty.
--	49613GT	PLUG AND CAP KIT-SERVICE,ORFS*	
--	49612GT	O-RING KIT (ORFS FITTINGS)	
1	48905GT	CONN,520120-4***.....	4
2	48948GT	CONN,520120-8-12.....	8
3	48911GT	ELBOW,90D,520220-4-6***.....	4
4	49183-5863GT	HOSE ASSY,1/2,STR FEM,STR FEM.....	2
--	101797-5863GT	HOSE ASSY,1/2,STR FEM,STR FEM (arctic hose option); from SN 8610	
5	48939GT	TEE,BRANCH,520433-8.....	1
6	48909GT	TEE,BULKHEAD,RUN,520958-4.....	2
7	48915GT	ELBOW,90D,520220-6.....	2
8	48918GT	TEE,RUN,520428-6.....	2
9	49130-2582GT	HOSE ASSY 3/8, STR FEM,STR FEM....	2
10	89555-3708GT	HOSE ASSY, 1/2" STR M,STR FM.....	1
11	49130-4982GT	HOSE ASSY 3/8, STR FEM,STR FEM....	2
12	48920GT	ELBOW,45D,520320-6.....	2
13	48960GT	FITTING,CONN,520120-12***.....	3
14	48963GT	FITTING,ELBOW,45D,520320-12***.....	3
15	102313-2826GT	HOSE ASSY,3/4" HYD,45F,STRF.....	1
16	48933GT	CONN,520120-8***.....	16
17	49110-11192GT	HOSE ASSEMBLY,1/2".....	4
18	61074-2372GT	HOSE ASSY,3/4,STR FEM,STR FEM.....	1
19	48937GT	ELBOW,45D,520320-8.....	2
20	49109-4629GT	HOSE ASSY,1/2,90 FEM,STR FEM.....	1
21	49119-4178GT	HOSE ASSY,1/4,STR FEM,STR FEM.....	1
22	49109-4829GT	HOSE ASSY,1/2,90 FEM,STR FEM.....	2
23	49119-4578GT	HOSE ASSY,1/4,STR FEM,STR FEM....	2
24	49119-3878GT	HOSE ASSY,1/4,STR FEM,STR FEM....	2
25	49119-3578GT	HOSE ASSY,1/4,STR FEM,STR FEM.....	1
26	48904GT	ELBOW,90D,520220-4-4.....	3
27	48907GT	ELBOW,45D,520320-4.....	1
28	49117-9819GT	HOSE ASSY,1/4,90 FEM,STR FEM**.....	2
--	101790-9819GT	HOSE ASSY,1/4,90 FEM,STR FEM (arctic hose option); from SN 8610	
29	94374-2630GT	HOSE ASSY,3/4,90 FEM,STR FEM**.....	1
30	49143-4829GT	HOSE ASSY,1/2,90 FEM,STR FEM.....	2
31	49109-5129GT	HOSE ASSY,1/2,90 FEM,STR FEM.....	1
32	49119-9878GT	HOSE ASSY,1/4,STR FEM,STR FEM....	2
--	101792-9878GT	HOSE ASSY,1/2,STR FEM,STR FEM (arctic hose option); from SN 8610	

711.1 4WD Drive Oscillate System

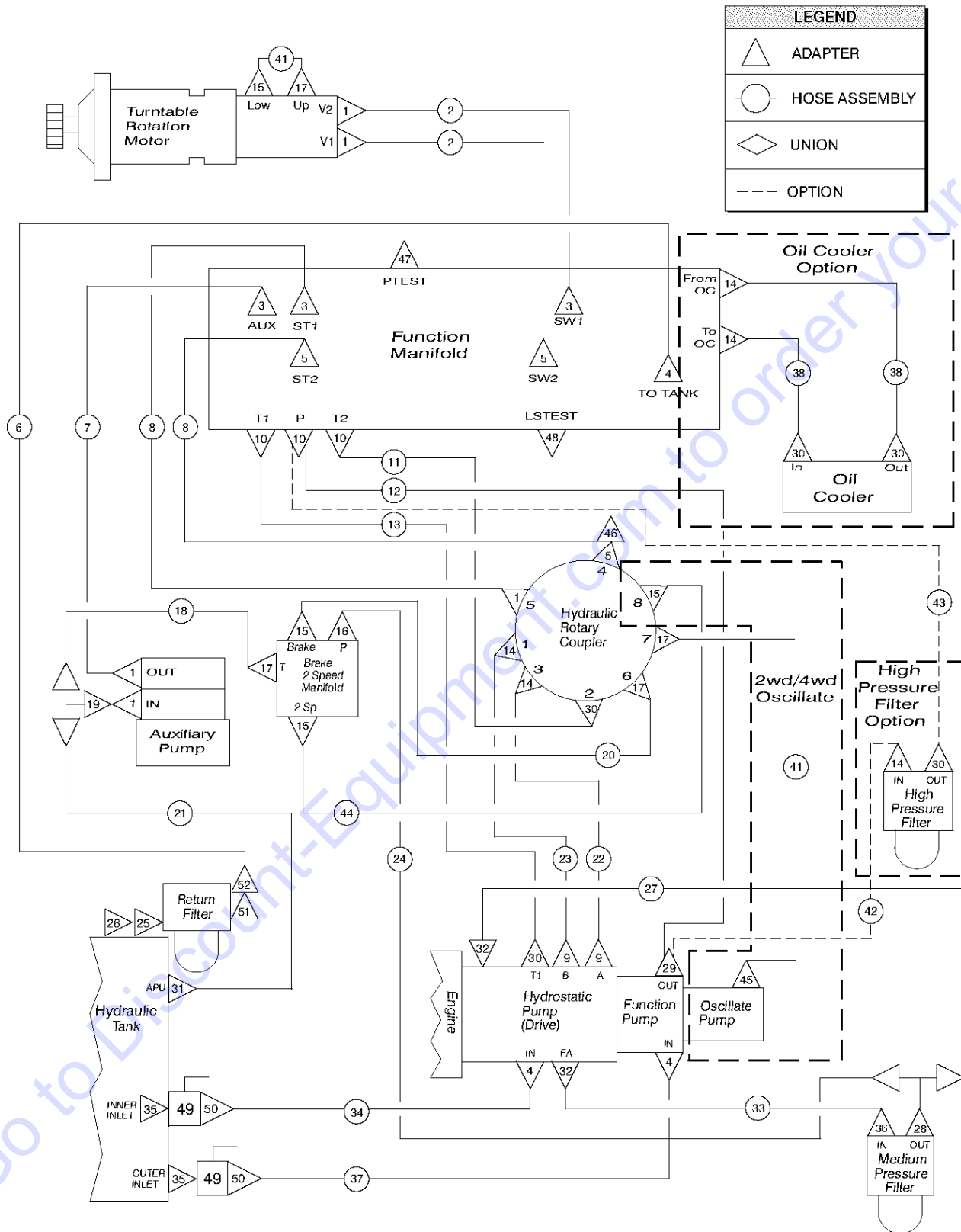


711.1 4WD Drive Oscillate System

Item	Part No.	Description	Qty.
--	49613GT	PLUG AND CAP KIT-SERVICE,ORFS*	
--	49612GT	O-RING KIT (ORFS FITTINGS)	
1	48916GT	CONN, 520120-6.....	6
2	49128-3409GT	HOSE ASEMBLY HOSE ASSEMBLY 3/8.....	2
3	53980GT	TEE,BRANCH,520433-6.....	2
4	8954-11113GT	HOSE ASSY,3/8,90 FEM,STR FEM.....	2
5	48942GT	ELBOW,90D,520220-8-6.....	1
6	48937GT	ELBOW,45D,520320-8.....	1
7	49117-6191GT	HOSE ASSY,1/4,90 FEM,STR FEM.....	1
8	48932GT	FITTING,ELBOW,90D,520220-8***	2
9	49128-3209GT	HOSE ASEMBLY HOSE ASSEMBLY 3/8.....	2
10	49143-5429GT	HOSE ASSY,1/2,90 FEM,STR FEM.....	1

Go to Discount-Equipment.com to order your parts

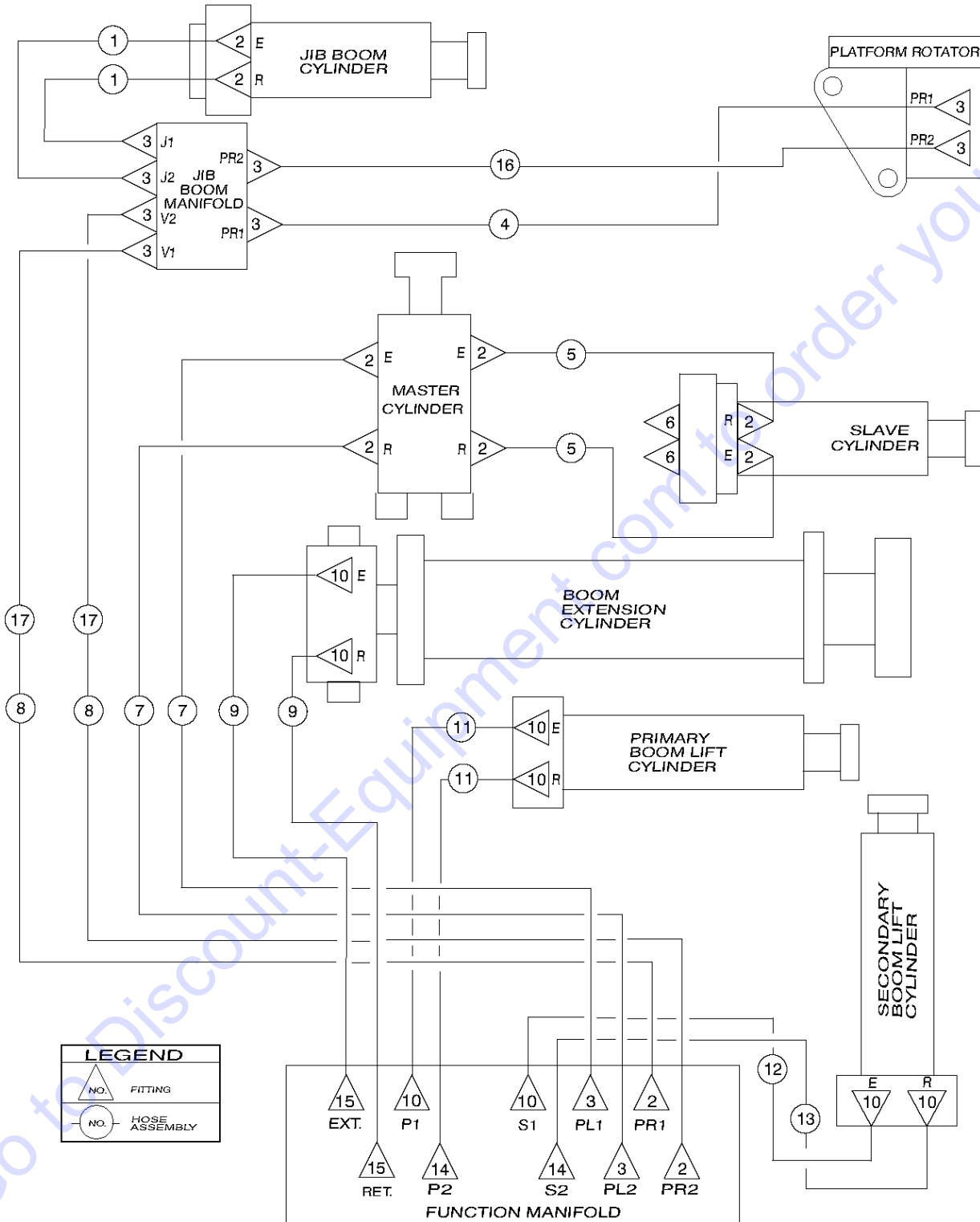
712.1 Hydraulic Hoses and Fittings - Turntable



712.1 Hydraulic Hoses and Fittings - Turntable

Item	Part No.	Description	Qty.	Item	Part No.	Description	Qty.
--	49613GT	PLUG AND CAP KIT-SERVICE,ORFS*		35	45161GT	STRAINER ASSEMBLY,1.5" NPT.....1 to SN 4832	1
--	49612GT	O-RING KIT (ORFS FITTINGS)		--	147419GT	KIT,STRAINER REPLACEMENT from SN 4833	
1	48915GT	ELBOW,90D,520220-6.....	5	36	48937GT	ELBOW,45D,520320-8.....	1
2	49114-4346GT	HOSE ASSY,1/4",90 FEM,STR FEM.....	2	37	102336-5714GT	HOSE ASSY,1",90 FEM STR FEM.....	1
3	48917GT	CONN,LONG,520122-6.....	3	38	49151-8648GT	HOSE ASSY,3/4",STR FEM,STR FEM....	1
4	48984GT	CONN,520120-16.....	1	39	49151-10448GT	HOSE ASSY,3/4",STR FEM,STR FEM....	1
5	48916GT	CONN, 520120-6.....	3	40	49117-5991GT	HOSE ASSY,1/4,90 FEM,STR FEM.....	1
6	49159-2618GT	HOSE ASSY.,1", 90° FEM,STR FEM.....	1	41	49117-1291GT	HOSE ASSY,1/4,90 FEM,STR FEM.....	1
7	49128-2109GT	HOSE ASSEMBLY,3/8".....	1	42	49101-2910GT	HOSE ASSEMBLY,5/8" 100R2.....1 On the high pressure filter option, hose assembly 42 and 43 replaces hose assembly 12	1
8	49114-4546GT	HOSE ASSY,1/4",90 FEM,STR FEM.....	2	43	89871-6348GT	HOSE ASSY,3/4" STR-STR.....1 On the high pressure filter option, hose assembly 42 and 43 replaces hose assembly 12	1
9	48976GT	ELBOW,90D,520220-12-16.....	2	44	49119-3478GT	HOSE ASSY,1/4,STR FEM,STR FEM.....	1
10	48963GT	FITTING,ELBOW,45D,520320-12***.....	2	45	48912GT	CONN,520120-4-6***.....	1
11	61073-4930GT	HOSE ASSY,3/4,90 FEM,STR FEM**.....	1	46	48892GT	ELBOW,SWIVEL 90D, 520221-6.....	1
12	102335-6150GT	HOSE ASSY,1",90 FEM STR FEM.....1 On the high pressure filter option, hose assembly 42 and 43 replaces hose assembly 12	1	47	48998GT	NIPPLE,DIAGNOSTIC,#6 PORT***.....	1
13	49150-7030GT	HOSE ASSY,3/4,90 FEM,STR FEM.....	1	48	48997GT	NIPPLE,DIAGNOSTIC,#4.....	1
14	48960GT	FITTING,CONN,520120-12***.....	5	49	48994GT	VALVE,BALL,16 MPT-16 FPT***.....2 to SN 4832	2
15	48905GT	CONN,520120-4***.....	4	--	48996GT	VALVE,BALL,16 MSAE-16 FSAE*** from SN 4833	
16	48926GT	FITTING,ELBOW,90D,520220-6-4.....	1	50	48986GT	CONN,520102-16.....2 to SN 4832	2
17	48904GT	ELBOW,90D,520220-4-4.....	4	--	48984GT	CONN,520120-16 from SN 4833	
18	49118-5408GT	HOSE ASSY,1/4",90 FEM,STR FEM.....	1	51	48986GT	CONN,520102-16.....1 to SN 10376	1
19	48875GT	TEE,RUN,SWIVEL,520432-6.....	1	--	226498GT	ADAPTER 20 ORB X 16 ORFS from SN 10377	
20	49119-3778GT	HOSE ASSY,1/4,STR FEM,STR FEM.....	1	52	49515GT	ELBOW,90D,520202-12-16.....1 (generator option)	1
21	49126-1933GT	HOSE ASSY,3/8,45 FEM,STR FEM.....	1				
22	94374-6930GT	HOSE ASSY,3/4,90 FEM,STR FEM.....	1				
23	94374-6630GT	HOSE ASSY,3/4,90 FEM,STR FEM**.....	1				
24	49129-2125GT	HOSE ASSY,3/8,90 FEM,STR FEM.....	1				
25	49513GT	ADAPTER,PIPE NIPPLE.....2 to SN 10376	2				
--	226495GT	REDUCR BUSH 20 ORB - 1"NPT from SN 10377					
26	49512GT	ELBOW,90DEG,FEM,1"NPT.....	1				
27	49183-1792GT	HOSE ASSY,1/2,STR FEM STR FEM.....	1				
28	48935GT	TEE,RUN,520428-8.....	1				
29	49201GT	ELBOW,45D,520320-10.....	1				
30	48959GT	FITTING,ELBOW,90D,520220-12.....	6				
31	48922GT	CONN,520102-6-6.....	1				
32	48946GT	CONN,520120-8-10.....	1				
33	49143-1829GT	HOSE ASSY,1/2,90 FEM,STR FEM.....	1				
34	102336-5014GT	HOSE ASSY,1",90 FEM STR FEM.....1 (Ford and Perkins models)	1				
--	49159-5100GT	HOSE ASSEMBLY-1" 100R4 (Deutz model)					

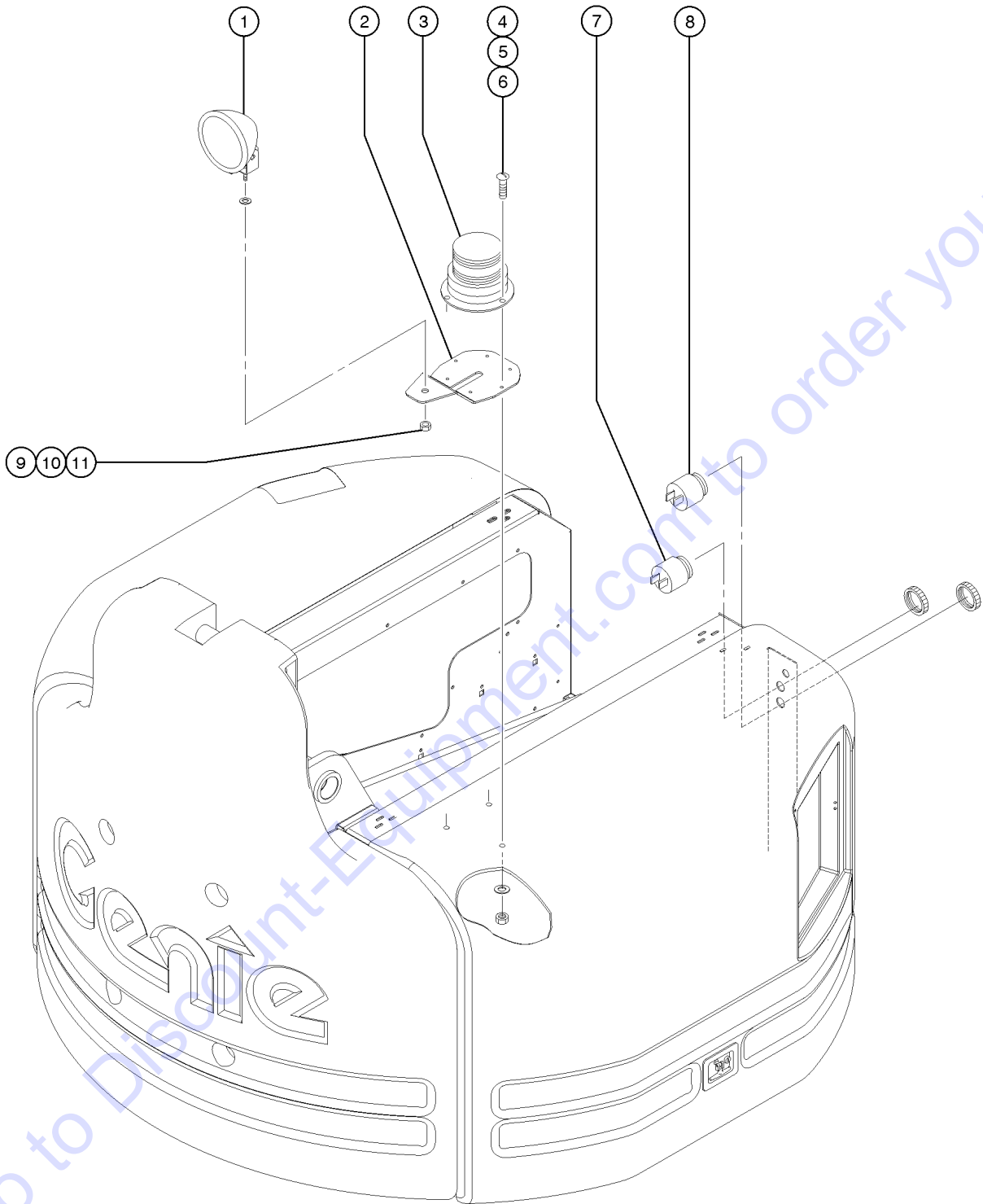
713.1 Hydraulic Hoses and Fittings - Boom



713.1 Hydraulic Hoses and Fittings - Boom

Item	Part No.	Description	Qty.
--	49612GT	O-RING KIT (ORFS FITTINGS)	
--	49613GT	PLUG AND CAP KIT-SERVICE,ORFS*	
1	49117-9291GT	HOSE ASSY,1/4,90 FEM,STR FEM.....2	
2	48912GT	CONN,520120-4-6***.....10	
3	48905GT	CONN,520120-4***.....10	
4	49119-3578GT	HOSE ASSY,1/4,STR FEM,STR FEM.....2	
5	49119-53778GT	HOSE ASSY,1/4,STR FEM,STR FEM.....2	
6	48998GT	NIPPLE,DIAGNOSTIC,#6 PORT***.....2	
--	20224GT	DIAGNOSTIC FEMALE Q-DSCNT	
--	48880GT	CAP,DIAGNOSTIC NIPPLE	
7	49119-41078GT	HOSE ASSY,1/4,STR FEM,STR FEM.....2	
8	49121-42388GT	HOSE ASSY,1/4,STR FEM,STR M.....2	
9	49135-43389GT	HOSE ASSY,3/8 STR FEM-STR FEM.....2	
10	48916GT	CONN, 520120-6.....10	
11	49118-41408GT	HOSE ASSEMBLY,1/4",90 FEM,STR.....2	
12	49128-22009GT	HOSE ASSY,3/8,90 FEM,STR FEM.....1	
13	49128-23609GT	HOSE ASSY,3/8,90 FEM,STR FEM.....1	
14	48917GT	CONN,LONG,520122-6.....6	
15	48933GT	CONN,520120-8***.....1	
16	49117-3591GT	HOSE ASSY,1/4,90 FEM,STR FEM.....1	
17	49119-53778GT	HOSE ASSY,1/4,STR FEM,STR FEM.....2	

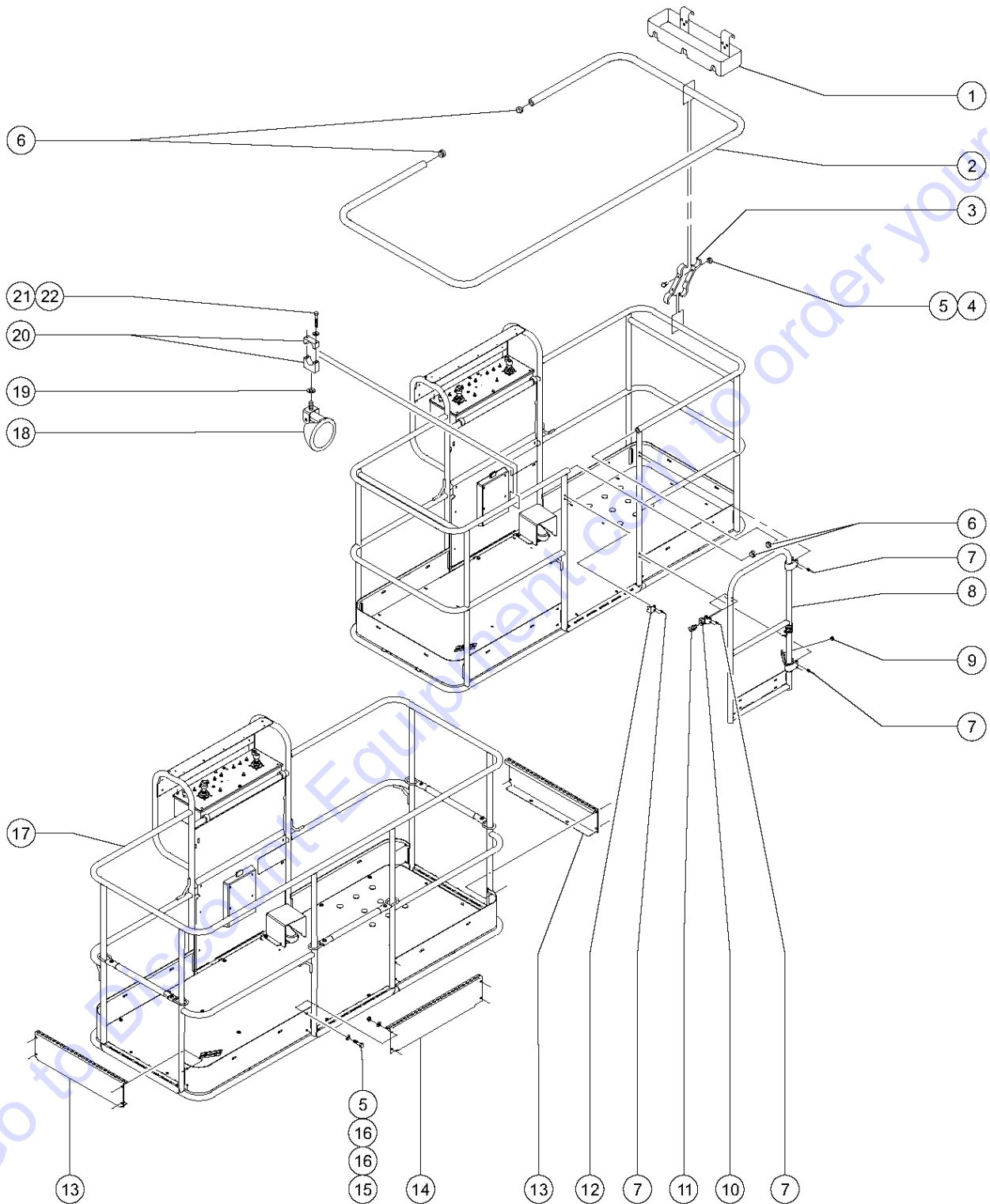
801.1 Alarm and Beacon Package, Driving Lights



801.1 Alarm and Beacon Package, Driving Lights

Item	Part No.	Description	Qty.
--	89463GT	OPT,BEACON,TRAVEL ALARM,Z60 <i>includes items 3-6 and 8</i>	
--	122227GT	HARNESS,BEACON,Z60	
1	107858GT	WORKLIGHT,48 VOLT.....	2
1A	35960GT	BULB,WORKLIGHT,12V 35W	
1B	111153GT	HARNESS,DRIVE LIGHT OPT,Z60	
2	229375GT	FORMING, Z60 DRIVE LIGHT MOUNT <i>from SN 10630</i>	
3	56704GT	STROBE,FIREBOLT,12-80VDC,AMB**...2 <i>(replaced 20189)</i>	
--	122019GT	FLASHTUBE,U SHAPED,360DEG,BULB <i>from SN 6498</i>	
--	1505GT	WIRE CABLE,16/2 SJO,BULK.....100-inches <i>tank side</i>	
--	226393GT	FLASHTUBE,STRAIGHT,360DEG,BULB	
--	45782GT	DIODE,6 AMP,200 PIV,BULK	
--	72282GT	LENS,AMBER,STROBE,FIREBOLT	
4	6147GT	SCREW,RHM,10-32 X 1	
5	6146GT	WASHER,FLAT,MS,#10,Y	
6	6178GT	NUT,NYLOCK,10-32	
7	45462GT	ALARM,CHIME TONE 5-25VDC***1 <i>to SN 7269 (does not include 72326 nut)</i>	
--		Ref. Chine Tone Alarm, 5-25V DC (descent) (refer to 308.1) <i>from SN 7270 (does not include 72326 nut)</i>	
--	72326GT	NUT - PLASTIC,RING FOR ALARMS.....1	
8	18963GT	ALARM,INTERMITTENT TONE 6-30V*...1 <i>(does not include 72326 nut)</i>	
--	72326GT	NUT - PLASTIC,RING FOR ALARMS.....1	
9	7713GT	NUT, LP NYLOCK, 3/8-16	
10	6036GT	WASHER,LOCK,.625 PLTD	
11	8255GT	SCREW,HHC,3/8-16 X .75	

802.1 Platform Options



802.1 Platform Options

Item	Part No.	Description	Qty.	Item	Part No.	Description	Qty.
--	53808-SGT	AUX TOP RAIL,6'(1.25")SERVICE		3	139958GT	KIT, AUX TOP RAIL SUPPORT.....10 to SN 8021	
--	122278GT	AUX TOP RAIL,6',SWG GT, SRV		--	122073GT	SUPPORT, RAILING.....20 from SN 8022	
--	53807-SGT	AUX TOP RAIL,8'(1.25")SERVICE		4	6091GT	NUT,NYLOCK,1/4-20 to SN 8021	
--	122279GT	AUX TOP RAIL,8',SWG GT, SRV		--	6889GT	NUT,LP NYLOCK,1/4-20 from SN 8022	
--	119950GT	KIT,FIELD INSTALL,SWING GATE to SN 7849; includes 128368, 1487, 1488, and 33674		5	4266GT	SCREW,HHC,1/4-20 X 2 to SN 8021	
--	119295GT	OPTION,TALL SWING GATE Complete from SN 7850		--	122231GT	SCREW,BHSC,1/4-20 X 1 from SN 8022	
--	34321GT	WORKLIGHT,12 VOLT to SN 10387		6	55753GT	BUMPER, PLASTIC, 1.25 O.D.....4	
--	73480GT	HARNES,WORKLIGHT ACC part of worklight option 34321; to SN 10387		7	7265GT	RIVET,STEEL,P, .25 X .375.....14	
--	228864GT	OPTION,12V WORK LIGHTS,Z60 from SN 10388		8	128368GT	KIT,SWING GATE W/SPRING.....1	
--	229340GT	HARNES,WORKLIGHT RELAY Z60 part of worklight option 228864; from SN 10388		--	9596GT	HINGE CASTING Special welding requirements for installation of this component. Strongly suggest ordering 128368 OR contact Discount-equipment for welding requirements.	
--	102721PGT	TOEBOARD,8'TRI ENTRY includes items 5, 13-16		9	43392GT	BUMPER,BATTERY BOX & RAILS.....1	
--	102433GT	6' TRI-ENT ASSY W/DECALS ANSI USA and Canada models; to SN 5709		10	1487GT	GATE LATCH CASTING--DRILLED.....1	
--	102437GT	8' TRI-ENT ASSY W/DECALS ANSI USA and Canada models; to SN 5709		11	33674GT	PIN,LOCK,SHORT***.....1	
--	111306GT	6' TRI-ENT ASSY W/DECALS ANSI from SN 5710		12	1488GT	RAILING CATCH CASTING--DRILLED...1	
--	111307GT	8' TRI-ENT ASSY W/DECALS ANSI from SN 5710		13	102721PGT	TOEBOARD,8'TRI ENTRY.....2	
--	102439GT	8' TRI-ENT ASSY W/DECALS CE European models		--	139438GT	TOEBOARD, TRI ENTRY 6', EURO	
--	102434GT	6' TRI-ENT ASSY W/DECALS AUSTR Australian models; to SN 5709		14	94745PGT	TOEBOARD,ENTRY EUROPEAN PNTD**.....1	
--	102438GT	8' TRI-ENT ASSY W/DECALS AUSTR Australian models; to SN 5709		15	6090GT	SCREW,HHC,1/4-20 X .75	
--	111308GT	6' TRI-ENT ASSY W/DECALS AUSTR from SN 5710		16	6638GT	WASHER,FLAT,USS,1/4"Y	
--	111309GT	8' TRI-ENT ASSY W/DECALS AUSTR from SN 5710		17	107704GT	6' TRI-ENT RAIL W/DECALS ANSI USA and Canada; to SN 5709	
--	102436GT	6' TRI-ENT ASSY W/DECALS A/SOA Asia and South American models		--	107705GT	8' TRI-ENT RAIL W/DECALS ANSI USA and Canada; to SN 5709	
--	102443GT	WORD DECAL KIT SERV S80/85 Asia and South American models		--	107706GT	8' TRI-ENT RAIL W/DECALS CE/UK Europe	
1	9599-SGT	TOOL TRAY ACCESSORY***.....1		--	107707GT	6' TRI-ENT RAIL W/DECALS AUSTR Australia	
2	1259704GT	PINCH GUARD RAIL,6' PLATFORM.....1 includes 55753 bumpers		--	107708GT	8' TRI-ENT RAIL W/DECALS AUSTR Australia	
--	111485PGT	AUX TOP RAIL,6FT,PTD.....2 for use with swing gate		--	107709GT	6' TRI-ENT RAIL W/DECALS A/SOA Asia and South America	
--	111486PGT	AUX TOP RAIL,8FT,PTD.....2 for use with swing gate		--	107710GT	8' TRI-ENT RAIL W/DECALS A/SOA Asia and South America	
--	52661GT	PINCH GUARD RAIL,8' PLATFORM**....1		--	111319GT	6' TRI-ENT RAIL W/DECALS ANSI from SN 5710	
				--	111320GT	8' TRI-ENT RAIL W/DECALS ANSI from SN 5710	
				18A	107857GT	LIGHT, 12 VOLT part of worklight option 34321; to SN 10387	

802.1 Platform Options
(continued)

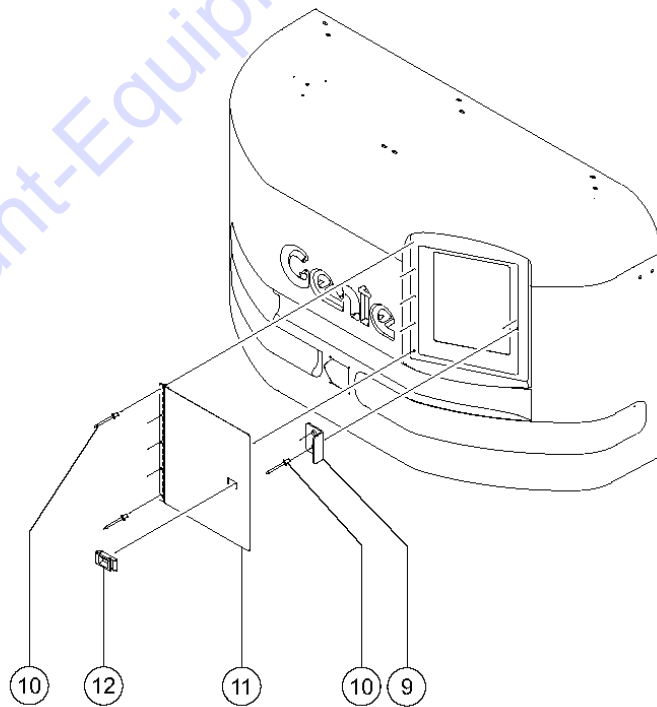
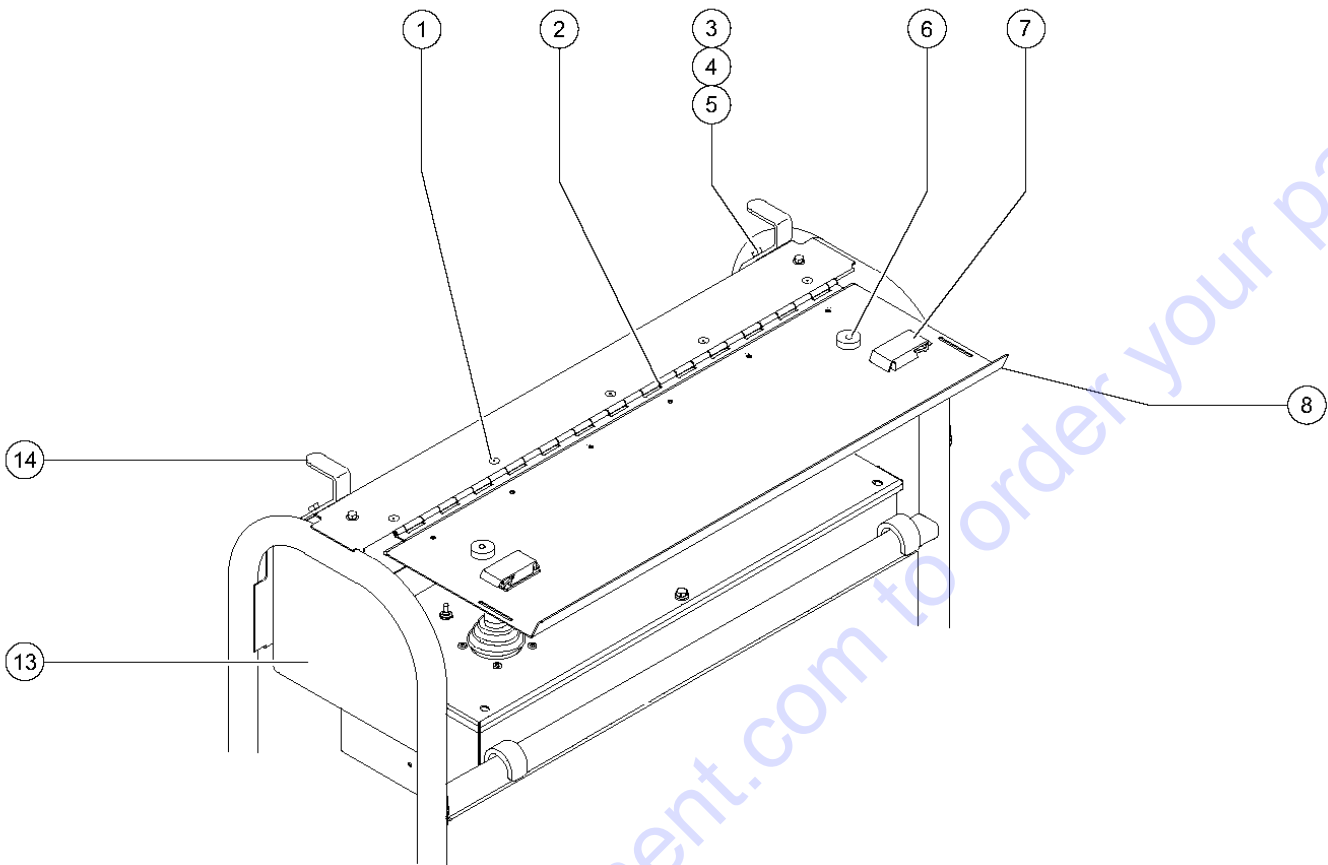
Item	Part No.	Description	Qty.
--	107858GT	WORKLIGHT,48 VOLT..... <i>part of worklight option 34321; to SN 10387</i>	2
--	35960GT	BULB,WORKLIGHT,12V 35W <i>part of worklight option 34321; to SN 10387</i>	
18B	71498GT	WORKLIGHT, 12V, DEUTSCH RECEPT <i>part of worklight option 228864; from SN 10388</i>	
19	6036GT	WASHER,LOCK, .625 PLTD	
20	35956GT	BRACKET,WORK LIGHT MOUNT 5/16".....	2
21	6145GT	SCREW,HHC,1/4-20 X 1.5	
22	6356GT	WASHER,LOCK, .25	

Go to Discount-Equipment.com to order your parts

This Page Intentionally Left Blank

Go to Discount-Equipment.com to order your parts

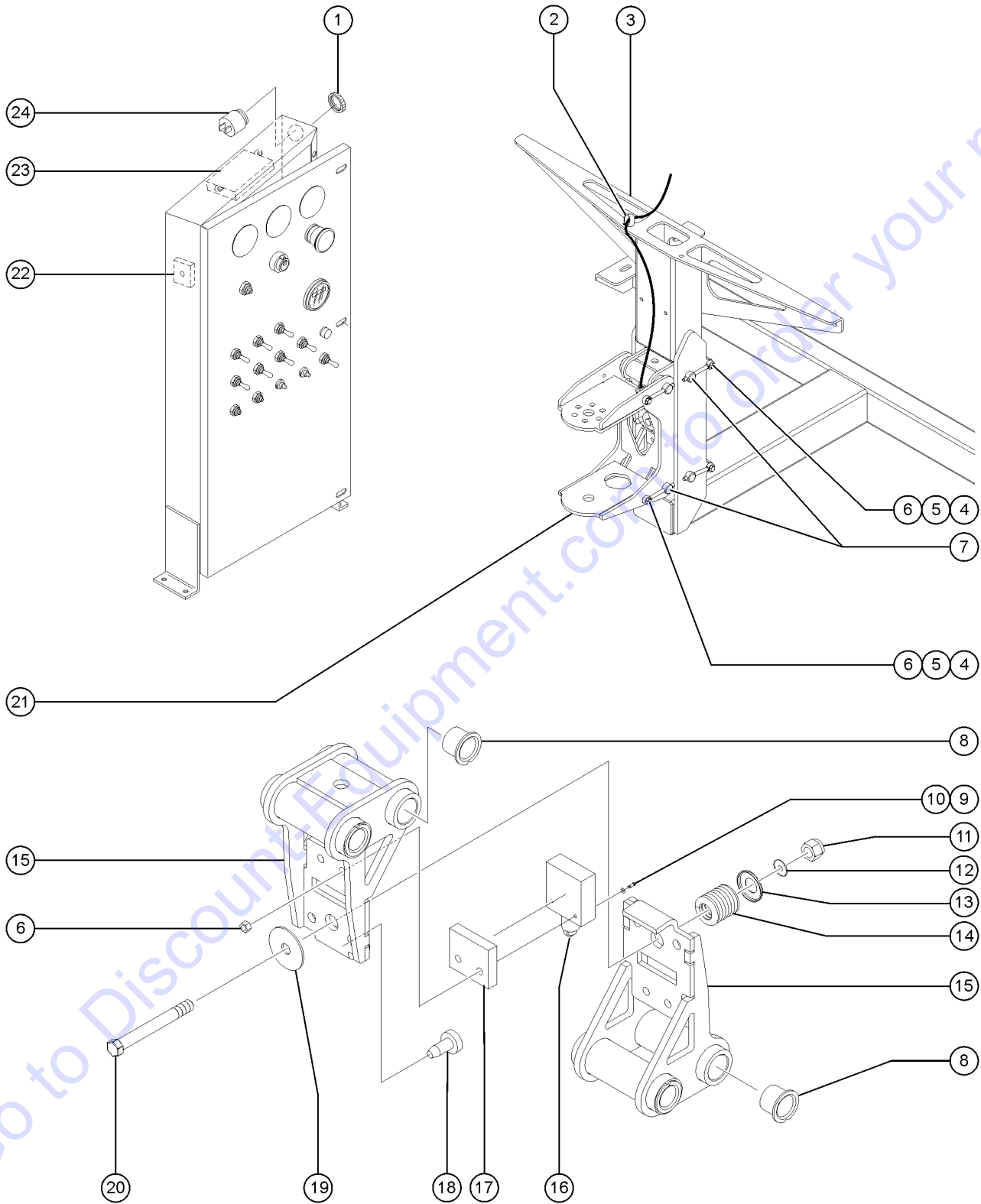
803.1 Ground and Platform Control Box Covers



803.1 Ground and Platform Control Box Covers

Item	Part No.	Description	Qty.
--	88609-SGT	CONTROL BOX COVER ASSY*** to SN 5221	
--	T109328GT	ACC,PLAT CONTROL COVER, SERV from SN 5222	
--	89883-SGT	CONTROL BOX COVERS,OPTION,Z60	
1	54486GT	RIVET,ALUM,ALUM,3/16BUTTONHEAD.11	
2	111526GT	HINGE,PLAT CONTROL BOX COVER...1	
3	6889GT	NUT,LP NYLOCK,1/4-20	
4	6638GT	WASHER,FLAT,USS,1/4"Y	
5	6888GT	SCREW,HHC,1/4-20 X 1	
6	43392GT	BUMPER,BATTERY BOX & RAILS.....2	
7	30468GT	LATCH,SLIDE, FLUSH MOUNT STYLE.....2	
8	102676GT	LID ASSY,CONTROL BOX COVER PLT.....1 includes items 1, 3-8 and 14	
8	102785PGT	CONTROL BOX COVER,LID,PTD	
9	49534GT	DOOR LATCH,BASE CONTROL BOX...1	
10	53189GT	RIVET,ALUM,ALUM,P,25X.375.....7	
11	89723GT	COVER ASSEMBLY BASE CONTROL BO.....1 includes items 9, 10 and 12	
12	30468GT	LATCH,SLIDE, FLUSH MOUNT STYLE.....1	
13	88607PGT	COVER,CONTROL BOX LEFT SIDE***1	
14	88606PGT	COVER,CONTROL BOX RIGHT SIDE**	
--	102786PGT	FORMING,LATCH,CTRL BOX LID PTD.....2	

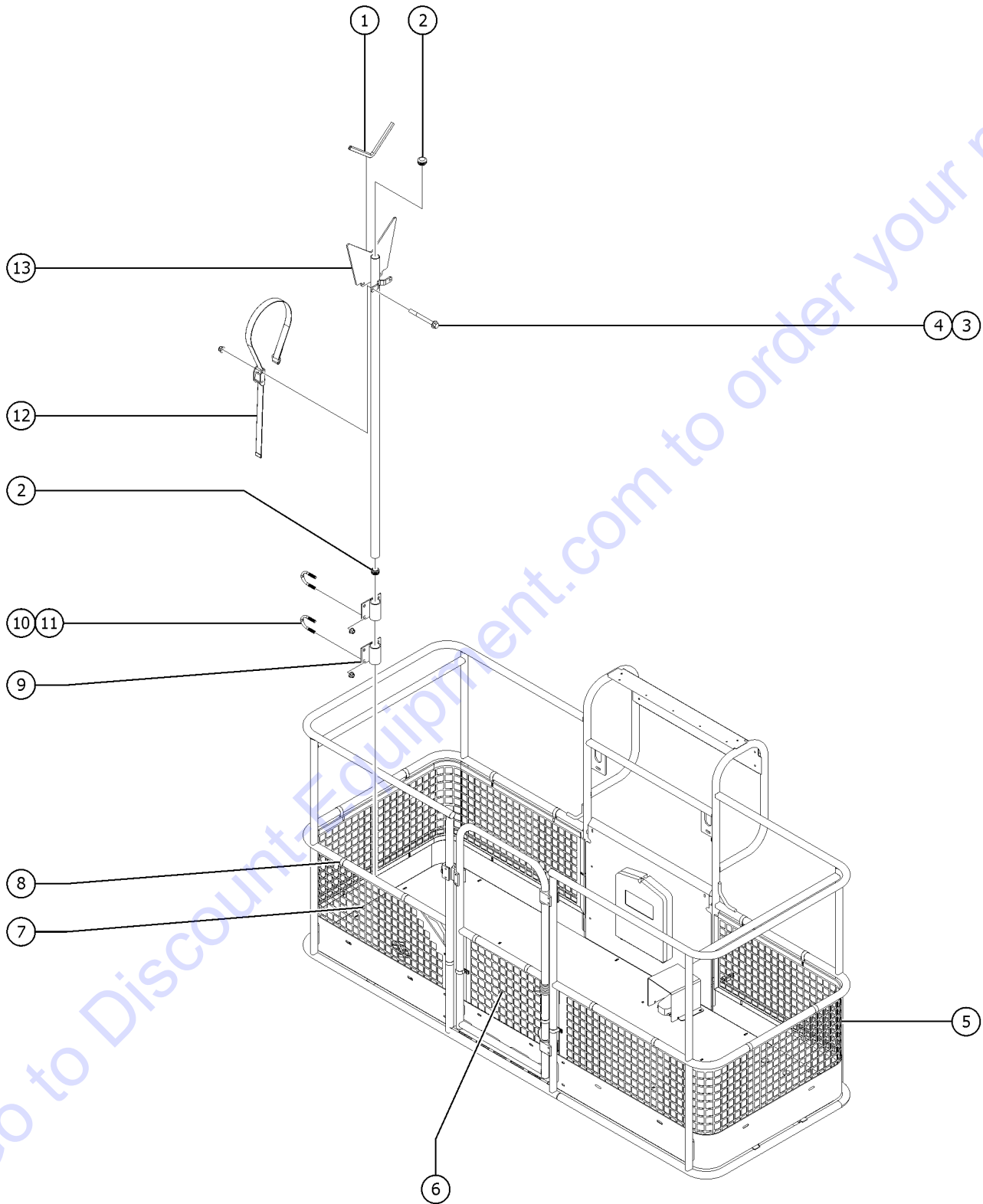
804.1 Platform Overload - European Models



804.1 Platform Overload - European Models

Item	Part No.	Description	Qty.
--	146034GT	OPT,PLAT LD SENSE Z60-2008	
--	121847GT	RELAY,TIME DELAY,2 SEC,30A (platform control box); from SN 9799	
1	72326GT	NUT - PLASTIC,RING FOR ALARMS.....1	
2	6833GT	CLAMP,0.50,#8 X 1/4,RUB CUSH.....1	
--	6090GT	SCREW,HHC,1/4-20 X .75	
--	6091GT	NUT,NYLOCK,1/4-20	
3	61997GT	WELDMENT,PLATFORM SUPPORT,CE.....1 <i>European models</i>	
4	6888GT	SCREW,HHC,1/4-20 X 1	
5	45748GT	ROD END,.250 X 2.75 LG.....4	
6	6091GT	NUT,NYLOCK,1/4-20	
7	61726GT	PIN,0.75DIA X 5.75LG,CHAMFER.....4	
--	94643GT	ZERK,GREASE,5/16-24,STRAIT	
8	25685GT	BEARING,GARLOCK,12FDU12.....8	
9	51063GT	SCREW,PHILLIPS,RHM,10-32 X 1.5	
10	6146GT	WASHER,FLAT,MS,#10,Y	
11	4828GT	NUT,NYLOCK,3/8-16	
12	6097GT	WASHER,FLAT,USS,3/8",Y	
13	61975GT	RETAINER,SPRING,1.21 X .375.....1	
14	61974GT	SPRING,COMP,1" OD,232 LB/IN.....1	
15	89755GT	LOAD SUPPORT W/BEARINGS.....2 <i>includes item 8</i>	
--	110789GT	WASHER,SHIM .0151 THK.	
16	94549GT	SWITCH,LOAD LIMIT.....1 <i>to SN 9798</i>	
--	121848GT	ASSY,LS,LOAD SENSE,38.5 IN <i>from SN 9799</i>	
17	61972GT	MOUNT,SWITCH.....1	
18	34619GT	BUMPER,RUBBER***.....2	
19	80605GT	WASHER,FLAT,3/8X1.5X.06	
20	21604GT	SCREW,HHC,3/8-16 X 3.25	
21	101845GT	ROTATOR MOUNT KIT.....1	
22	121846GT	RELAY,TIME DELAY,2 SEC,10A <i>from SN 9799</i>	
23	128045GT	MODULE,LOAD SENSE 2007.....1	
24	45383GT	ALARM,WARBLE TONE 5-30 VDC***1 <i>order 72326 retainer nut separately</i>	

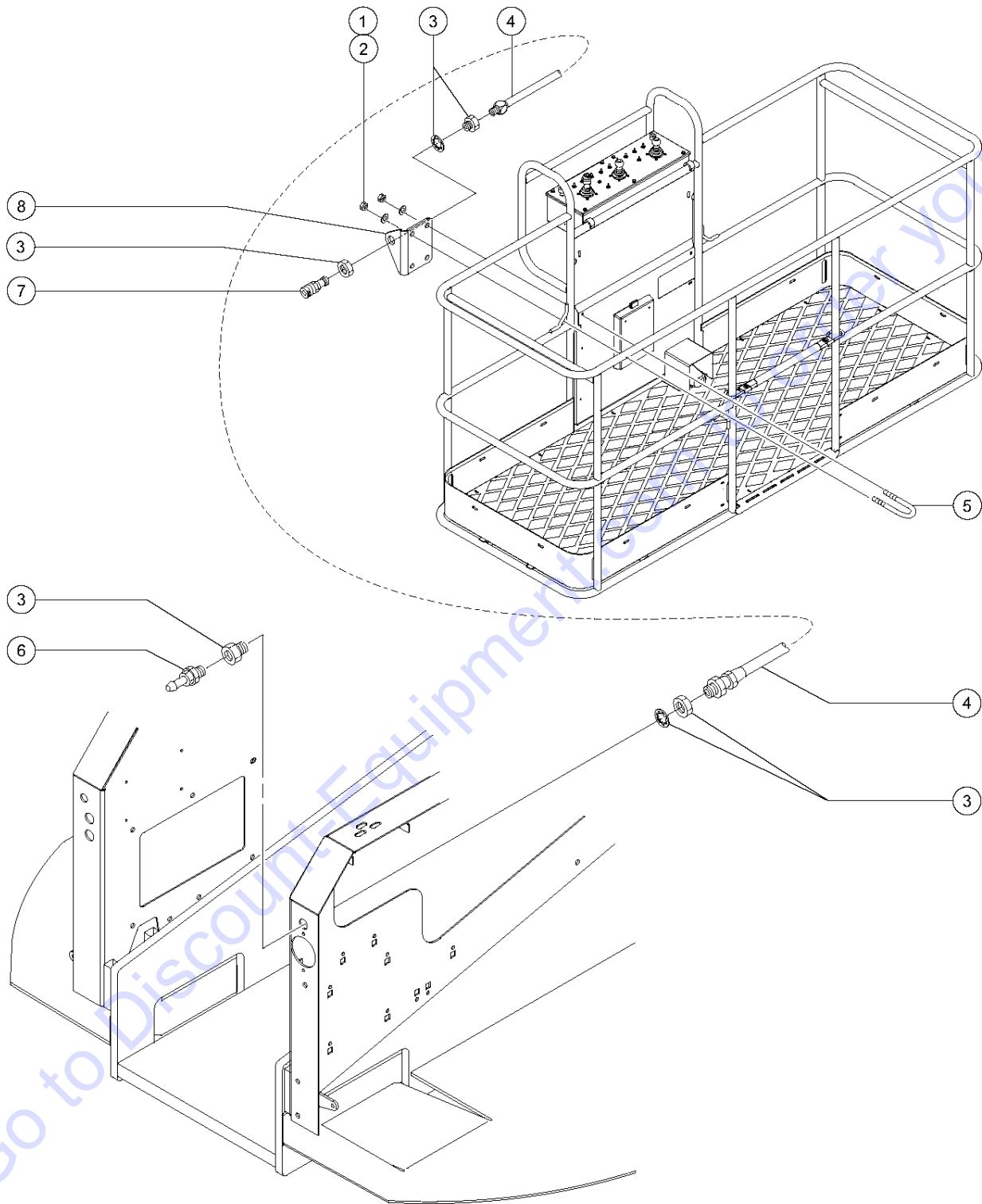
805.1 Platform Half-mesh and Pipe Cradle



805.1 Platform Half-mesh and Pipe Cradle

Item	Part No.	Description	Qty.
--	85300GT	PIPE CRADLE ASSY. SERV (ONE)** (ANSI & CE only) (This is a single assembly. Qty 2 of 85300GT required to complete a set)	
--	65630GT	INSTRUCTIONS-PIPE CRADLE,BOOMS	
--	72875GT	DECAL,WARNING,PIPE CRADLE,BOOM	
--		Ref. Swing Gate Option, Complete (refer to 802.1)	
1	19018-1100GT	TRIMLOCK,BLACK,5/32".....	2
2	55753GT	BUMPER, PLASTIC, 1.25 O.D.....	4
3	824083GT	SCREW,HHF,1/4-20X2.5,8,ZAG.....	4
4	1277924GT	NUT,NYLOCK FLG,1/4-20,F,ZAG.....	4
5	73500GT	HALF MESH,8'PLATFORM,RH***.....	1
--	54465GT	MESH,HALF,RH,6'PLATFORM	
6	54457GT	MESH,HALF,SWING GATE***.....	1
7	73501GT	HALF MESH,8'PLATFORM,LH.....	1
--	54458GT	MESH,HALF,LH,6'PLATFORM	
8	56424GT	CLAMP,1.25X.5 RUBBER-CUSHION....	14
--	6090GT	SCREW,HHC,1/4-20 X .75	
--	6091GT	NUT,NYLOCK,1/4-20	
--	6638GT	WASHER,FLAT,USS,1/4"Y	
9	81368GT	WELDMENT,PIPE CRADLE MOUNT....	4
10	1251600GT	U-BOLT, FLATTENED, 1.5 X 3/8 UNC,ZAG.....	8
11	1274322GT	NUT,NYLOCK FLG,3/8-16,F,ZAG.....	16
12	56570GT	STRAP, CONDUIT HOLDER 60****.....	2
13	56525GT	WELDMENT, PIPE CRADLE.....	2

806.1 Air Line to Platform

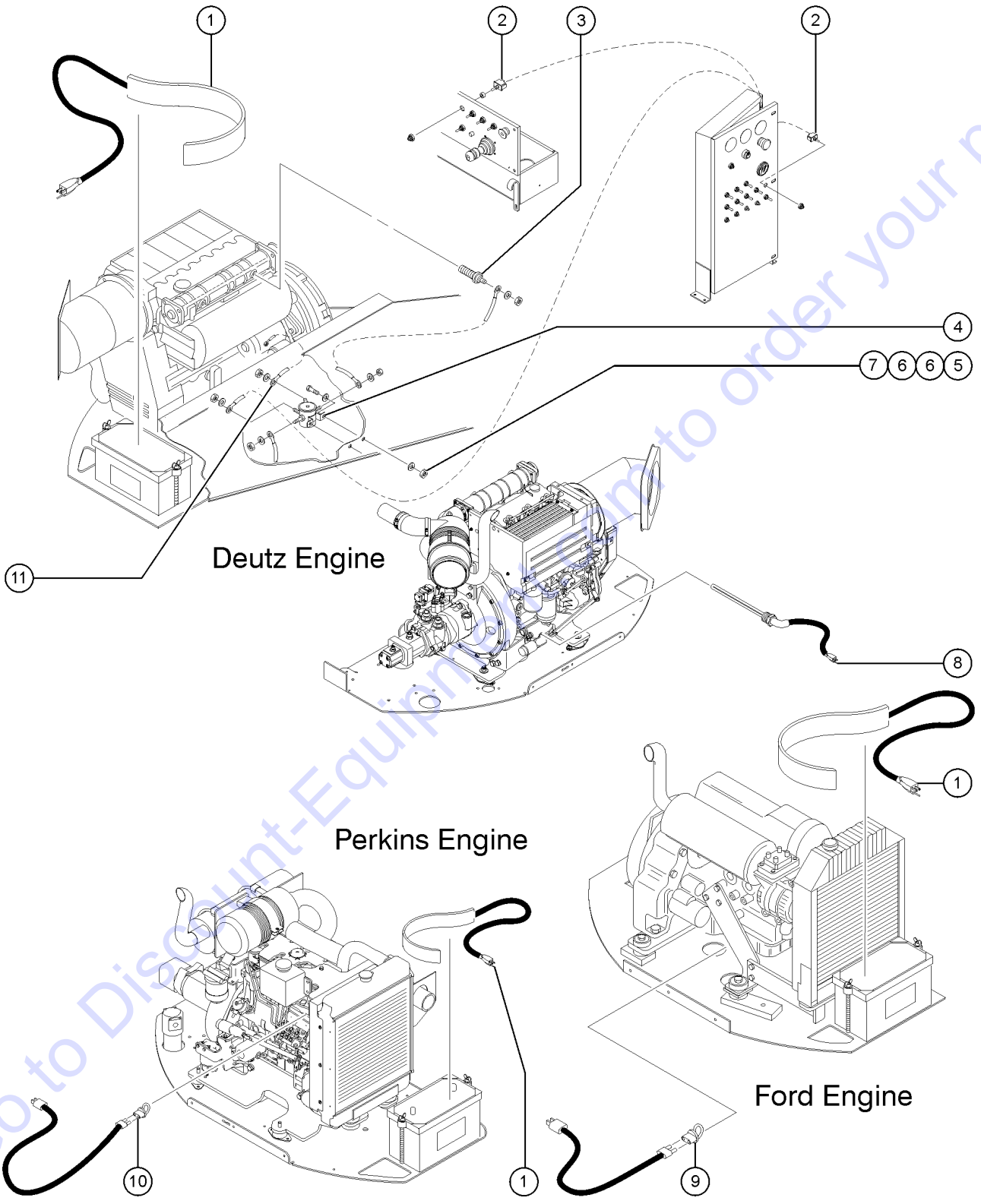


806.1 Air Line to Platform

Item	Part No.	Description	Qty.
--	30505GT	Z60 AIRLINE TO PLATFORM <i>includes items 3, 4, 6-8</i>	
--	44981GT	DECAL,LABEL, AIR LINE 110 PSI	
--	18666GT	CLAMP,1.00,#16 X 1/4,RUB CUSH	
1	4828GT	NUT,NYLOCK,3/8-16	
2	5397GT	WASHER,FLAT,USS,5/16",Y	
3	49212GT	FEMALE BULKHEAD CONNECTOR-8...2	
4	49190-94800GT	HOSE ASSEMBLY,1/2"	
5	122755GT	UBOLT,FLATTENED,1.5DIAX3/8 UNC....2	
6	49214GT	MALE PIPE THD,1/4" SER,3/8"X18.....1	
7	49215GT	MPT,CPLR,1/4"SER,3/8"X18.....1	
8	60886PGT	BRACKET,AIRLINE TO PLATFORM.....1	

Go to Discount-Equipment.com to order your parts

807.1 Cold Start Package (to SN 12646)



Deutz Engine

Perkins Engine

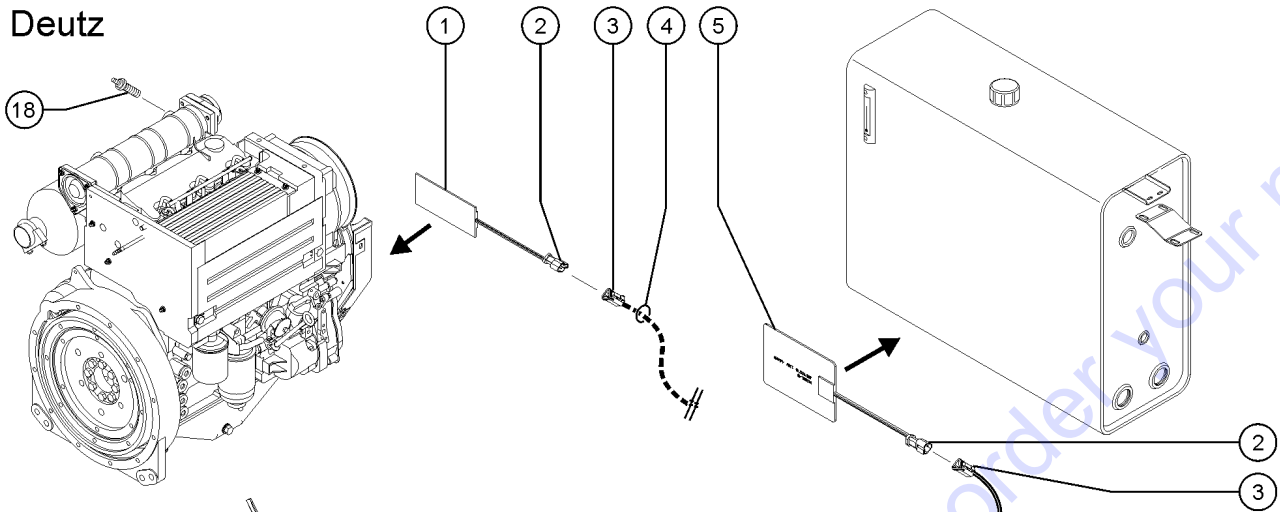
Ford Engine

807.1 Cold Start Package (to SN 12646)

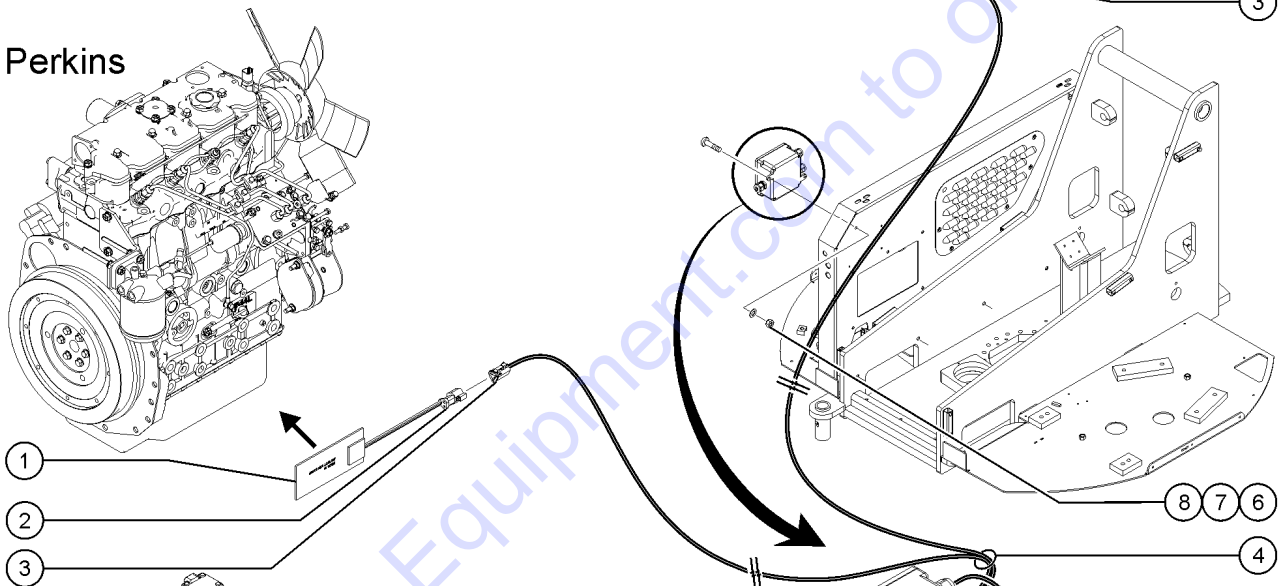
Item	Part No.	Description	Qty.
--	128365GT	HARNESS,SECOND GLOW PLUG <i>Deutz models; from SN 4608</i>	
--	53156GT	COLD START,FORD, BIG BOOM <i>(includes items 1 and 9); to SN 6315</i>	
--	81123GT	HARNESS,COLD START OPT,DUETZ <i>Deutz models; to SN 4607</i>	
--	89464GT	OPT,COLD START,DEUTZ,Z60-2002 <i>Deutz models (includes items 1-8 and 11); to SN 4607</i>	
1	28853GT	BLANKET,BATTERY.....	1
2	128200GT	SWITCH TOGGLE ASSY SPDT 3P MOM <i>Deutz models (glow plug)</i>	
3	31408GT	GLOW PLUG,L1011.....	1
4	27155GT	SOLENOID,12V CONTINUOUS*** <i>to SN 8609</i>	1
5	27082GT	NUT,NYLOCK,M5X.80 <i>to SN 8609</i>	
6	6638GT	WASHER,FLAT,USS,1/4"Y <i>to SN 8609</i>	
7	6090GT	SCREW,HHC,1/4-20 X .75 <i>to SN 8609</i>	
8	128274GT	OIL PAN HEATER,DEUTZ,120V,150W <i>Deutz Models; from SN 8610</i>	
9	35610GT	HEATER,FREEZE PLUG,FORD LRG423.....	1
--	119231GT	BLOCK HEATER,FORD DSG-423 <i>from SN 6316</i>	
10	77382GT	HEATER,FREEZE PLUG,PRKINS40422.....	1
11	49463GT	BATT,CABLE,RED, 4 GAUGE <i>Deutz models; to SN 8609 54 inches</i>	

807.2 Cold Start Package (from SN 12647)

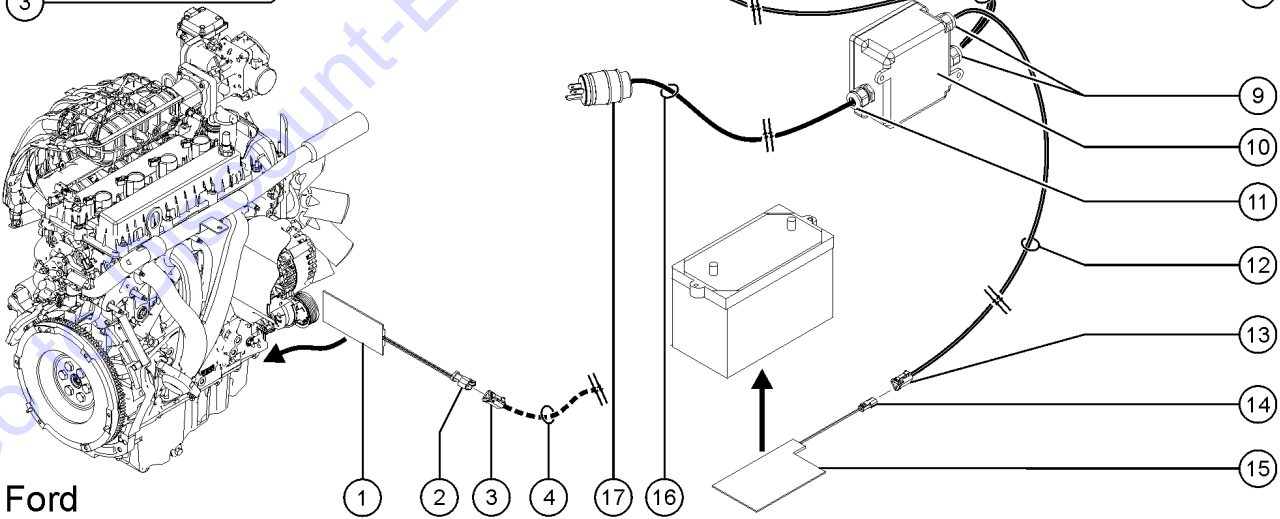
Deutz



Perkins



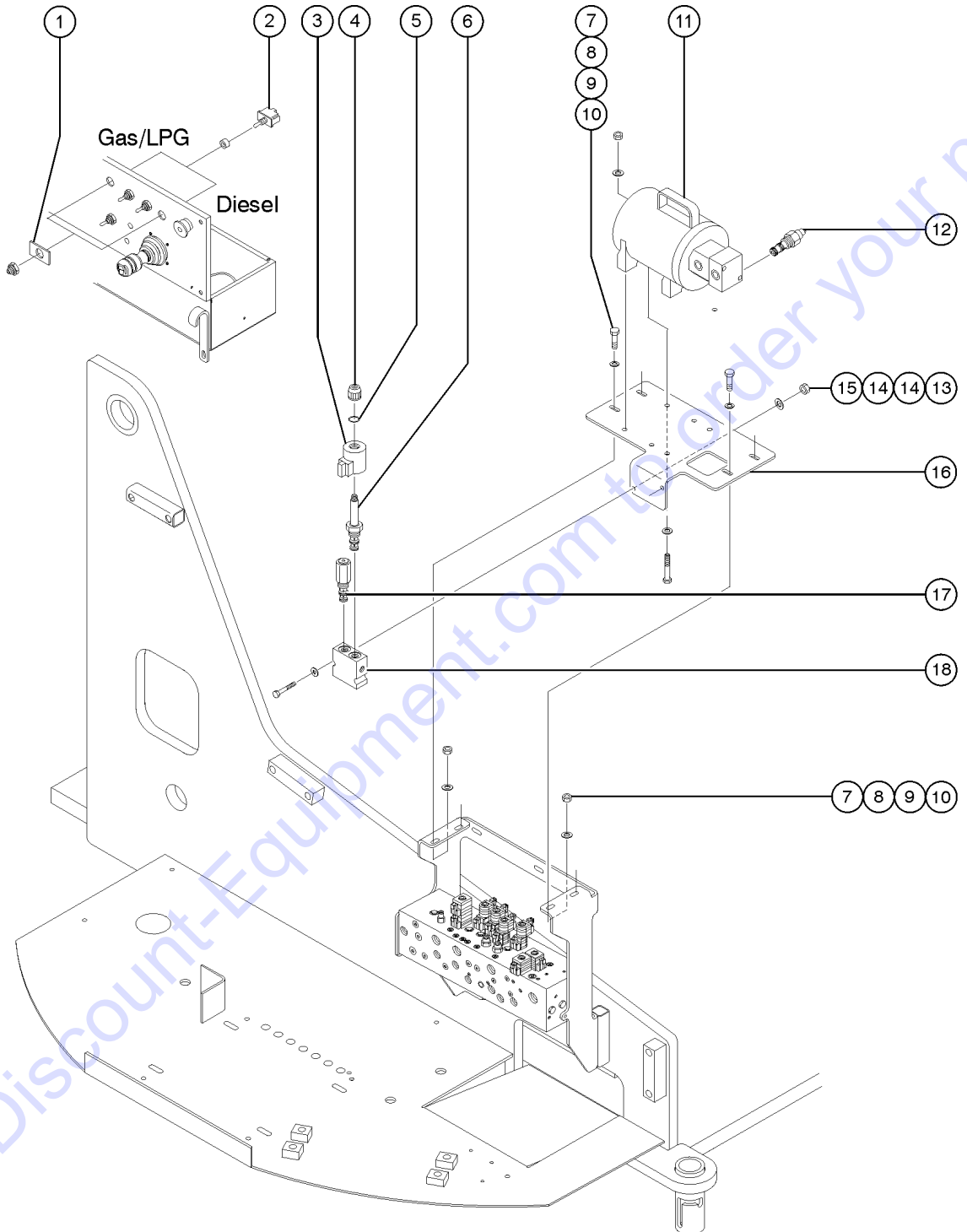
Ford



807.2 Cold Start Package (from SN 12647)

Item	Part No.	Description	Qty.
1	216615GT	ASSY HEATER, MODEL 18, 120V.....1 (120V)	1
--	216616GT	ASSY HEATER,MODEL 18,240V (240V)	
2	119066GT	CONN,RECEP 3 WAY ENDCAP DT.....2 <i>Part of heater assembly</i>	2
3	119057GT	CONN PLUG 3 WAY ENDCAP DT.....2 <i>Part of wire harness</i>	2
4	216662GT	HARNESS,ENG/HYD HEATER,120V.....1 (120V)	1
--	216683GT	HARNESS,ENG/HYD HEATER,240V (240V)	
5	216612GT	ASSY,120V HEATER, HYD TANK.....1 (120V)	1
--	216611GT	ASSY,240V HEATER, HYD TANK (240V)	
6	75041GT	SCREW,PHILLIPS,PHM,10-32 X 1.....1	1
7	6146GT	WASHER,FLAT,MS,#10,Y.....1	1
8	14392GT	NUT,LP NYLOCK,10-32.....1	1
9	99778GT	SQUEEZE CONNECTOR, 4 WIRE.....2 <i>Part of of wire harness</i>	2
--	238123GT	HUBBLE NUT, PG11	
10	214249GT	COLD WEATHER 120V J BOX ASSY.....1 (120V)	1
--	237711GT	COLD WEATHER 240V J BOX ASSY (240V)	
11	214536GT	SQUEEZE CONN W/NUT, 2WIRE, 4MM.....1 <i>Part of of wire harness</i>	1
12	216657GT	HARNESS, 120V BATT CABLE, 98".....1 (120V)	1
--	216678GT	HARNESS, 240V BATT CABLE, 98" (240V)	
13	119056GT	CONN,PLUG 2 WAY,14-18GA.....1	1
14	119065GT	CONN,RECEP 2 WAY ENDCAP DT.....1	1
15	216617GT	ASSY, BATTERY HEATER, 120V.....1 (120V)	1
--	216618GT	ASSY BATTERY HEATER,240V (240V)	
16	216606GT	HARNESS, 120V POWER CORD, 24"....1 (120V) <i>includes items 11 and 17</i>	1
--	216607GT	HARNESS, 240V POWER CORD, 24" (240V) <i>includes item 11 only</i>	
17	119403GT	CONN,PLUG 120 AC/15A DOMESTIC...1 <i>Part of wire harness</i>	1
18	31408GT	GLOW PLUG,L1011.....1	1

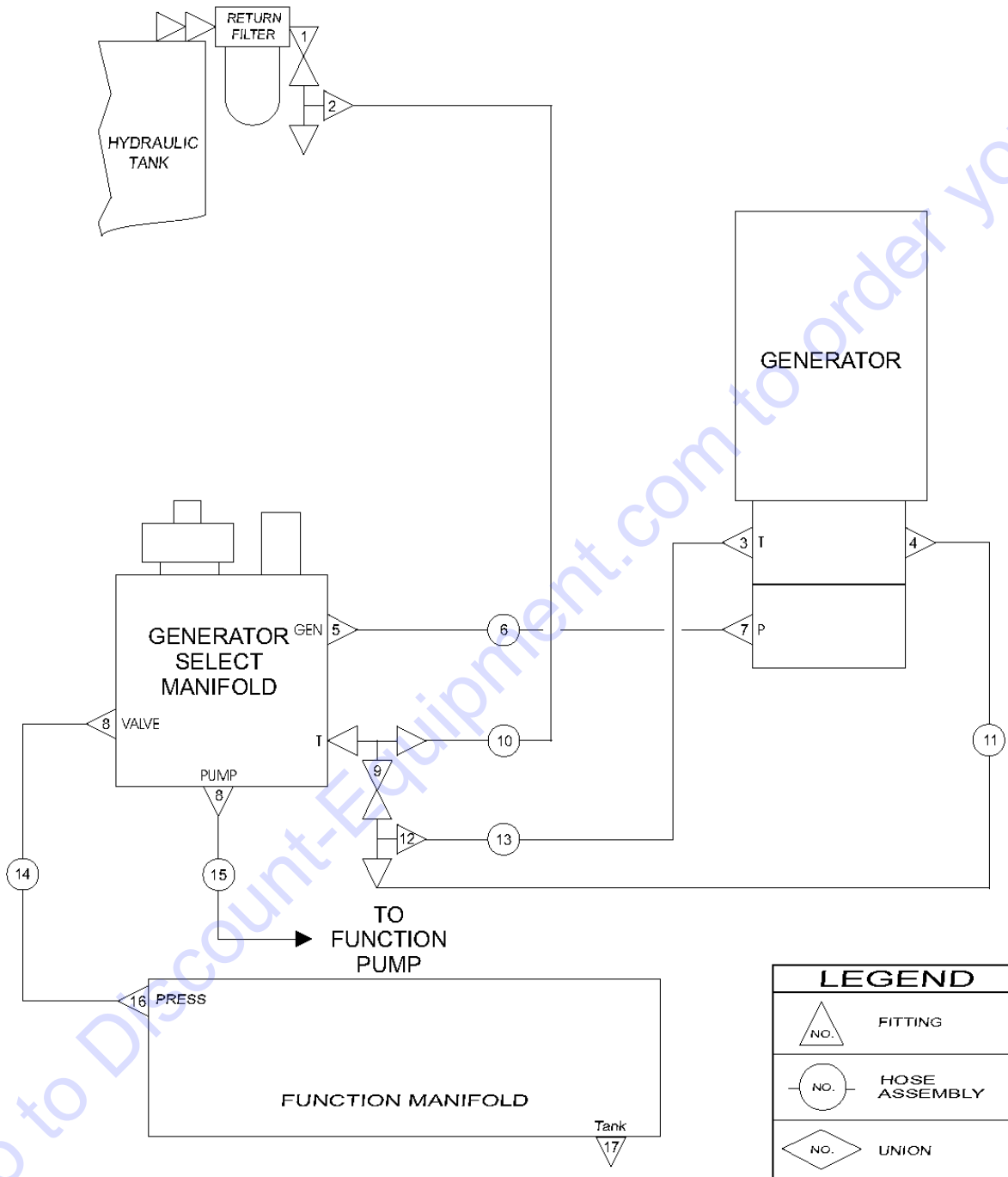
808.1 Hydraulic Generator Option - View 1 (to SN 10282)



808.1 Hydraulic Generator Option - View 1 (to SN 10282)

Item	Part No.	Description	Qty.	Item	Part No.	Description	Qty.
--	122236GT	HARNES, HYD GEN		--	T111609GT	SEAL, SHAFT	
--	34052GT	RELAY, SPDT, 12V(AUTO) PLUG IN**		--	T111610GT	SPACER	
1	133518GT	DECAL, PATCH, GEN, ALC-500.....	1	--	T111611GT	BEARING, MOTOR	
2	128205GT	SWITCH TOGGLE ASSY DPDT 2P MNT.....	1	--	T111612GT	RETAINING RING	
3	27535GT	COIL, 12V, DO1 VALVE.....	1	--	T111613GT	SHAFT, MOTOR	
4	33568GT	NUT, CP521-1 VALVE.....	1	12A	32735GT	VALVE, PRI. FLOW REG 4.3..... <i>for 2000W & 2500W generators</i>	1
5	45914GT	O-RING, DO1 VALVE.....	1	12B	65841GT	PRIORITY FLOW CONTROL VALVE*** <i>for 3000W generators</i>	
6	19969GT	VALVE, SOLENOID (18660)*** <i>includes items 3-5</i>	1	13	4266GT	SCREW, HHC, 1/4-20 X 2	
--	110198GT	SEAL KIT, VALVE, #12		14	6638GT	WASHER, FLAT, USS, 1/4"Y	
--	45782GT	DIODE, 6 AMP, 200 PIV, BULK		15	6091GT	NUT, NYLOCK, 1/4-20	
7	6019GT	SCREW, HHC, 3/8-16 X 1.25 GRD 5		16	75987PGT	PLATE, GENERATOR MOUNT, Z60.....	1
8	6021GT	WASHER, LOCK, .375		17	44950GT	VALVE, RELIEF, 1500 PSI***	1
9	5397GT	WASHER, FLAT, USS, 5/16", Y		18	53976GT	MANIFOLD, GENERATOR..... <i>includes items 3-6 and 17</i>	1
10	7713GT	NUT, LP NYLOCK, 3/8-16					
11A	111381GT	GEN, HYD, 3000W, 110V, 60HZ..... <i>includes item 12</i>	1				
--	147836GT	SEAL, GASKET, .00075" *GOLD*					
--	147837GT	SEAL, GASKET, .0005" *SILVER*					
--	147838GT	SEAL, GASKET, .0010"					
--	147839GT	ASSM, GEN. ONLY, 110V, 60HZ					
--	52001GT	HYDRAULIC MOTOR 3000W GENER <i>part of generator 111381</i>					
--	58944GT	BRUSH 3/8 X 1/4 X 15/16(36928)					
--	58954GT	O-RING, SPACER #115***					
--	T111608GT	SEAL, RETAINING RING					
--	T111609GT	SEAL, SHAFT					
--	T111610GT	SPACER					
--	T111611GT	BEARING, MOTOR					
--	T111612GT	RETAINING RING					
--	T111613GT	SHAFT, MOTOR					
11B	36928GT	GENERATOR, 2500W HYD. 220/50HZ..... <i>includes item 12</i>	1				
--	147836GT	SEAL, GASKET, .00075" *GOLD*					
--	147837GT	SEAL, GASKET, .0005" *SILVER*					
--	147838GT	SEAL, GASKET, .0010"					
--	32732GT	RECTIFIER ASSEMBLY					
--	52086-RGT	MOTOR -HYD. 2500W GENER REFURB. <i>part of generator 36928</i>					
--	58402GT	BRIDGE, 50A FULL WAVE**					
--	58944GT	BRUSH 3/8 X 1/4 X 15/16(36928)					
--	58954GT	O-RING, SPACER #115***					
--	89719GT	BRUSH ENDBELL ASSEMBLY (89719)					
--	T111608GT	SEAL, RETAINING RING					

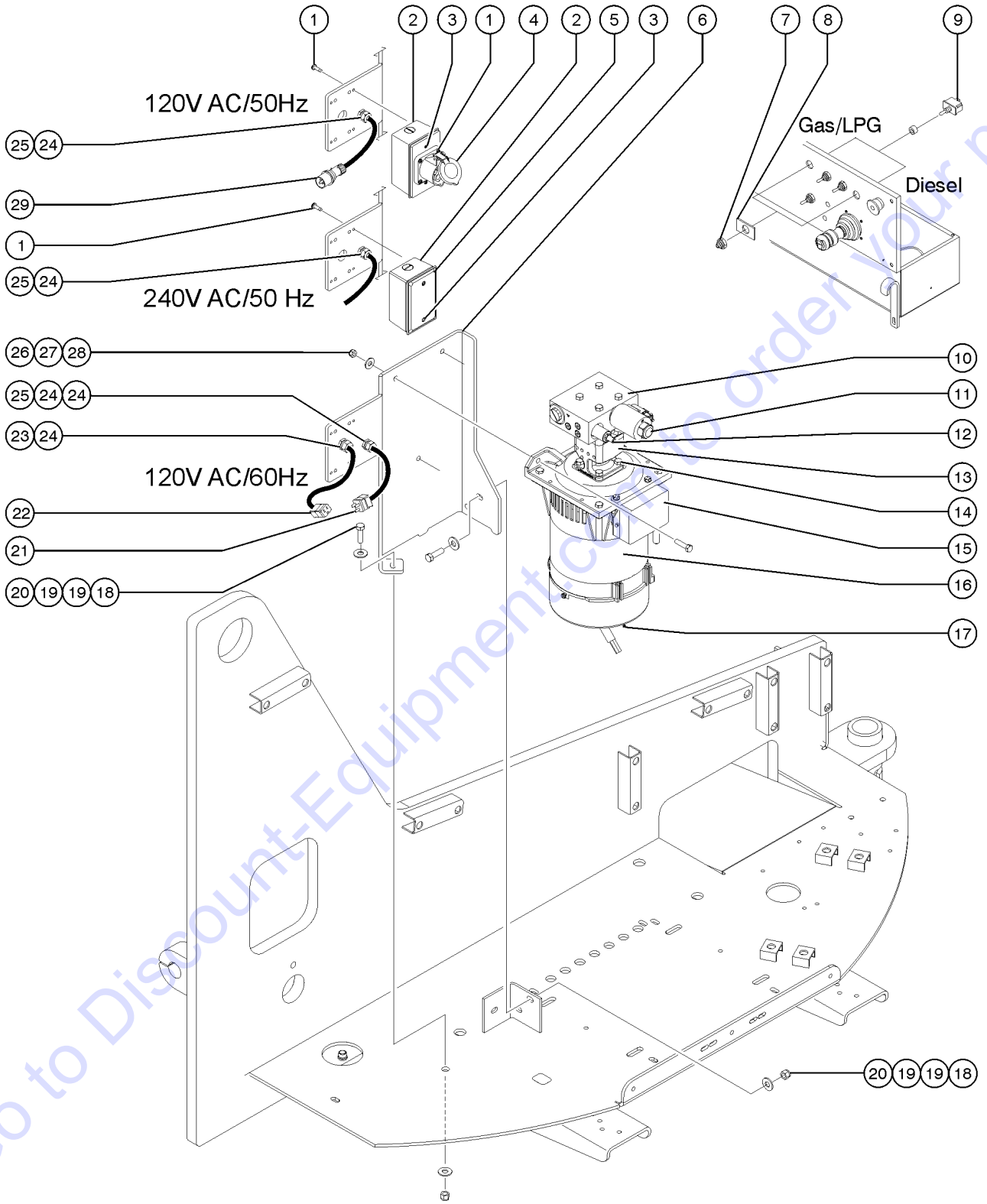
808.2 Hydraulic Generator Option - View 2 (to SN 10282)



808.2 Hydraulic Generator Option - View 2 (to SN 10282)

Item	Part No.	Description	Qty.
--	49612GT	O-RING KIT (ORFS FITTINGS)	
--	49613GT	PLUG AND CAP KIT-SERVICE,ORFS*	
1	49515GT	ELBOW,90D,520202-12-16.....	1
2	48964GT	FITTING, TEE,RUN,SWIVEL52043212....	1
3	48946GT	CONN,520120-8-10.....	1
4	48904GT	ELBOW,90D,520220-4-4.....	1
5	48933GT	CONN,520120-8***.....	1
6	49109-2229GT	HOSE ASSY,1/2,90 FEM,STR FEM.....	1
7	48932GT	FITTING,ELBOW,90D,520220-8***.....	1
8	48960GT	FITTING,CONN,520120-12***.....	2
9	48935GT	TEE,RUN,520428-8.....	1
10	94374-2130GT	HOSE ASSY,3/4,90 FEM,STR FEM.....	1
11	49164-1443GT	HOSE ASSY 1/4,90 DEG FEM,STR F....	1
12	48938GT	FITTING, TEE,RUN,SWIVEL520432-8....	1
13	49109-1529GT	HOSE ASSY,1/2,90 FEM,STR FEMM.....	1
14	94374-1980GT	HOSE ASSY,3/4,90 FEM,STR FEM.....	1
15	89871-9048GT	HOSE ASSY,3/4" STR-STR.....	1
16	48963GT	FITTING,ELBOW,45D,520320-12***.....	1
17	48977GT	CONN,520120-12-16.....	1

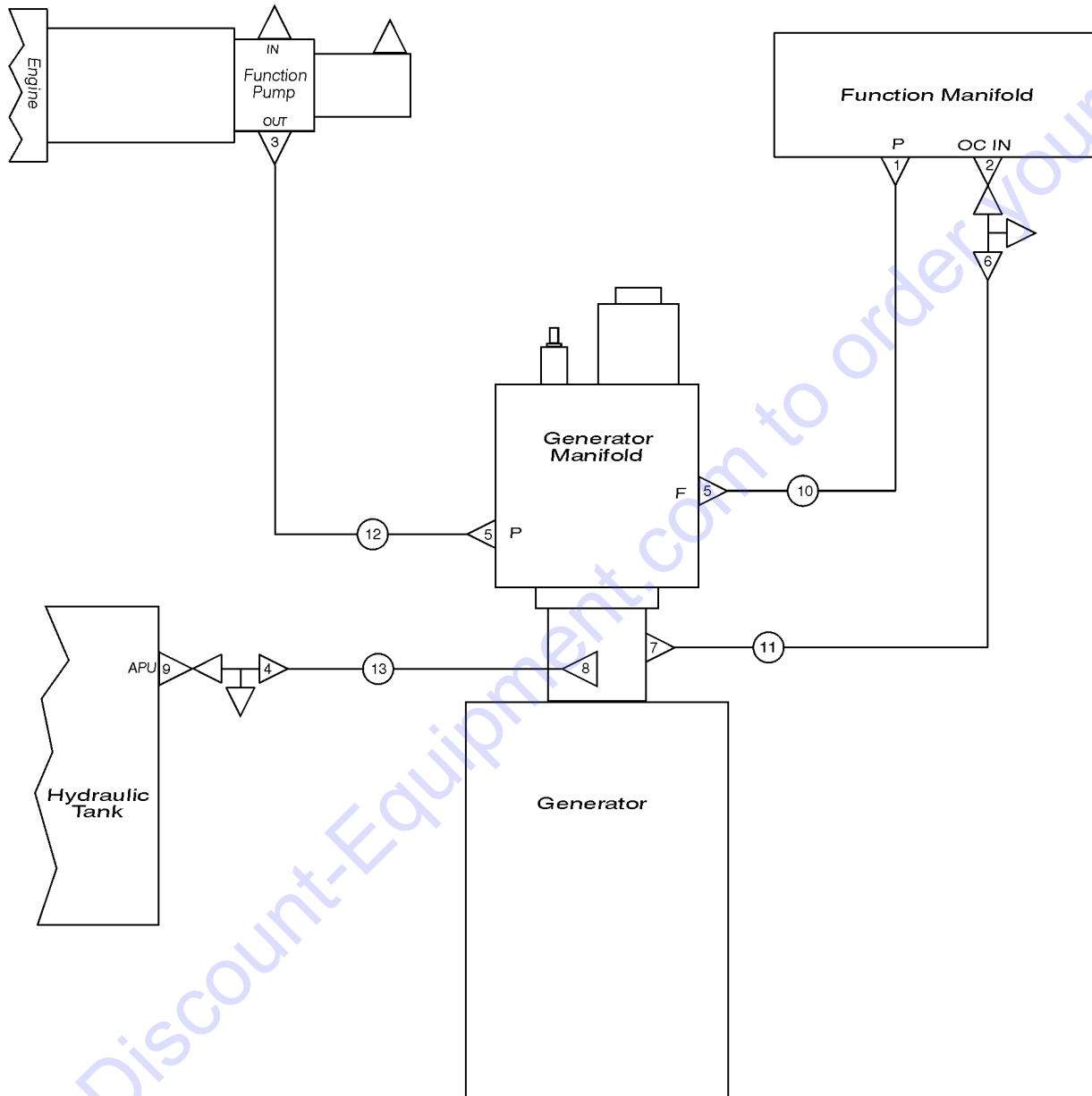
809.1 Hydraulic Generator Option (MTE) - View 1 (from SN 10283)



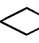


809.1 Hydraulic Generator Option (MTE) - View 1 (from SN 10283)

Item	Part No.	Description	Qty.	Item	Part No.	Description	Qty.
--	1251856GT	FIELD KIT, MTE 120V-60HZ, Z60		21	6595GT	PLUG,ELECTRICAL,DOMESTIC	
--	1251857GT	KIT,MTE&OIL COOL,120V60HZ,Z60		22	19020GT	CONNECTOR,FEMALE,RECPTCLE,110V	
--	1251858GT	INTR,HYD MTE GEN,Z60, 20V60HZ		23	7057GT	CONN. SQZ,1/2NPT .39-.56 MED.	
--	237107GT	HARNESS,OIL COOLER		24	6935GT	LOCKNUT,ELEC,1/2"	
--	T106652GT	HARNESS, Z60 MTE GEN OPTIONS		25	7056GT	CONN,SQUEEZE,1/2NPT .38-.50,SM	
--	147240GT	CAPACITOR 16 F, GEN		26	6782GT	NUT,NYLOCK,5/16-18	
1	57075GT	SCREW,PHIL,8-32X.50,SELF TAP		27	5397GT	WASHER,FLAT,USS,5/16",Y	
2	10775GT	T-BOX,2.75 X 4.5 X 2.0		28	13000GT	SCREW,HHC,5/16-18 X 1.25	
--	74052GT	GASKET,COVER,GFCI,WEATHERPROOF		29	144161GT	PLUG,PWR,UK,16AMP,3PIN,BLK	
3	63375GT	SCREW,FHM,6-32 X .75					
4	T112560GT	RECEPTACLE,UK,110V					
5	10777GT	COVER,BLANK					
6	146351GT	FORMING,GEN MOUNTING BRKT					
7	27246GT	BOOT,TOGGLE SWITCH,SHORT*					
8	133518GT	DECAL, PATCH, GEN,ALC-500					
9	128205GT	SWITCH TOGGLE ASSY DPDT 2P MNT <i>includes item 7</i>					
10	147229GT	MANIFOLD ASSEMBLY, GEN <i>(complete) includes items 11 and 12</i>					
11	147232GT	12VDC PROPORTIONAL VALVE					
12	147233GT	VALVE, RELIEF, GEN, 3.0kW					
13	147230GT	207 HYD MOTOR ASSY, GEN					
--	147231GT	SEAL KIT, HYD MOTOR, GEN					
14	147242GT	SCREW, GEN ROTOR					
15	1269693GT	CONTROL BOX,2KW,120/240V,50HZ					
--	147228GT	CONTROLLER BOX, 120/240V, 60H					
16A	139952GT	GENERATOR,3kW,120V/50Hz.....1 <i>(complete) includes items 10-17</i>					
16B	139953GT	GENERATOR, 3kW, 120V/60Hz <i>(complete) includes items F, 10-17</i>					
--	119067GT	CONN,RECEP 4 WAY ENDCAP DT					
--	147239GT	BREAKER, 25 AMP, GEN 60hz					
--	147241GT	COVER, END, GEN, 120V					
--	147242GT	SCREW, GEN ROTOR					
16C	139954GT	GENERATOR,3kW,240V/50Hz <i>(complete) includes items 10-17</i>					
16C	147258GT	BREAKER,15 AMP,GEN 50hz					
17	147239GT	BREAKER, 25 AMP, GEN.....1 <i>part of generators 139952 and 139953</i>					
--	147258GT	BREAKER,15 AMP,GEN <i>part of generator 139954</i>					
18	4828GT	NUT,NYLOCK,3/8-16					
19	6097GT	WASHER,FLAT,USS,3/8",Y					
20	6019GT	SCREW,HHC,3/8-16 X 1.25 GRD 5					

809.2 Hydraulic Generator Option (MTE) - View 2 (from SN 10283)

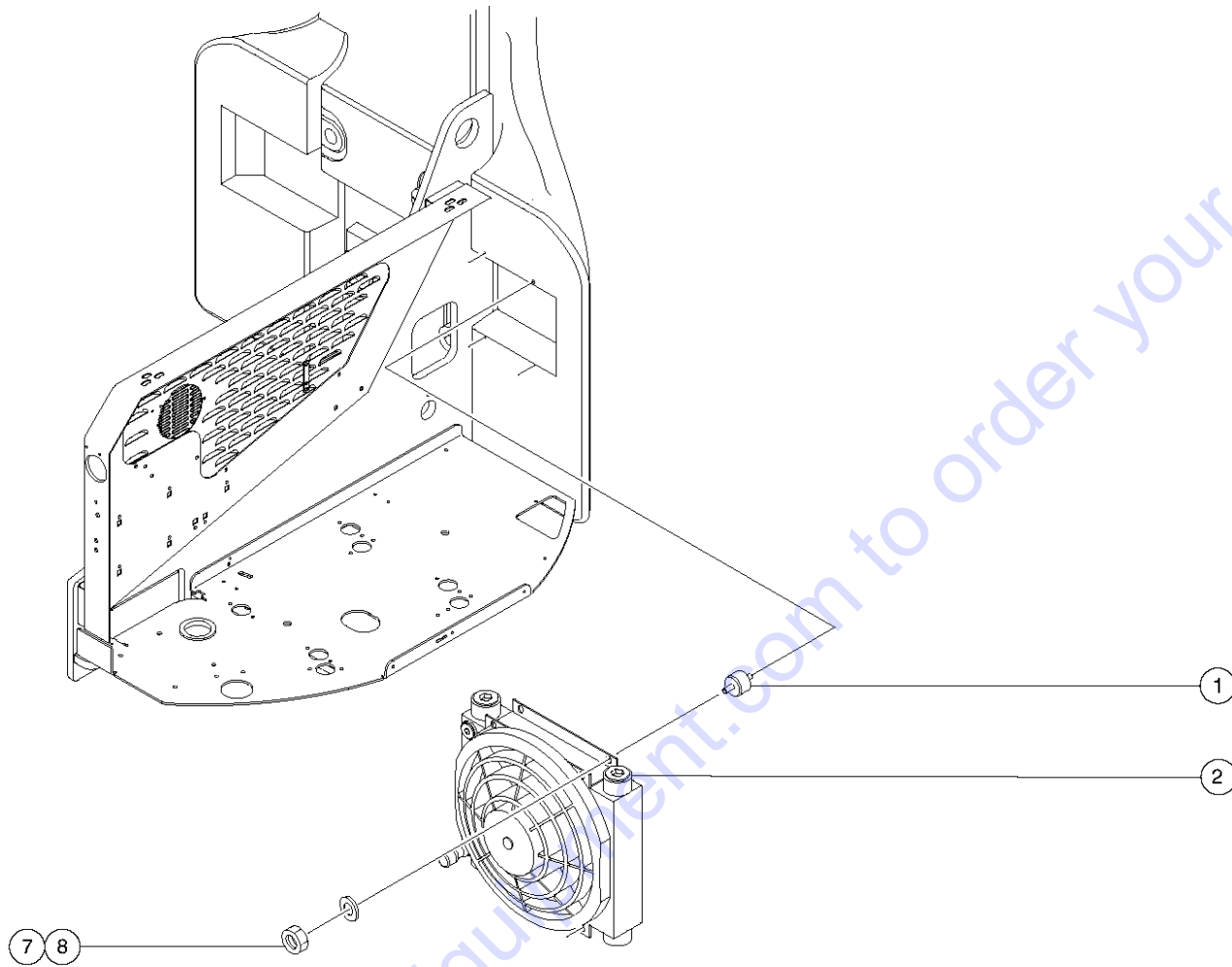




LEGEND	
	ADAPTER
	HOSE ASSEMBLY
	UNION

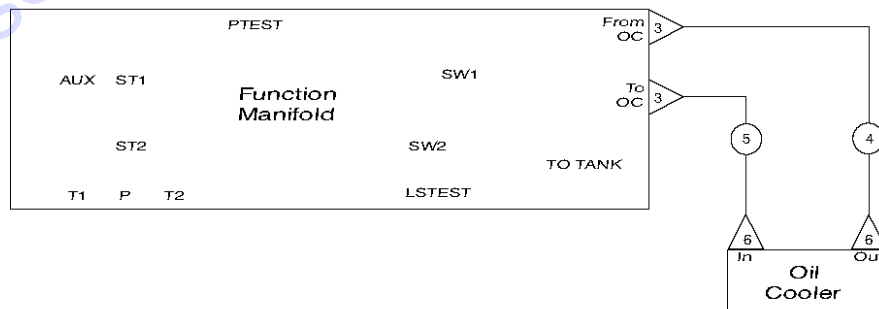
809.2 Hydraulic Generator Option (MTE) - View 2 (from SN 10283)

Item	Part No.	Description	Qty.
1	48963GT	FITTING,ELBOW,45D,520320-12***.....1	1
2	48960GT	FITTING,CONN,520120-12***.....1	1
3	48937GT	ELBOW,45D,520320-8.....1	1
4	48875GT	TEE,RUN,SWIVEL,520432-6.....1	1
5	48947GT	ELBOW,90D,520220-8-12.....2	2
6	48964GT	FITTING,TEE,RUN,SWIVEL52043212....1	1
7	75614GT	ELBOW,90D,LONG,521520-8.....1	1
8	49861GT	CONN,LONG,520122-4.....1	1
9	48922GT	CONN,520102-6-6.....1	1
10	54085-8218GT	HOSE ASSY,R.FILTER/FMANIFOL**.....1 <i>components: 48822, 48836 and 48756 @ 80 inches</i>	1
11	49142-7062GT	HOSE ASSEMBLY,1/2".....1 <i>components: 48822, 48839 and 48756 @ 68 inches</i>	1
12	49143-12229GT	HOSE ASSY,1/2,90 FEM,STR FEM.....1 <i>components: 48822, 48827 and 48756 @ 120 inches</i>	1
13	49118-6408GT	HOSE ASSY,1/4,90 FEM,STR FEM.....1 <i>components: 48800, 48811 and 48751 @ 62 inches</i>	1

810.1 Hydraulic Oil Cooler



LEGEND	
	ADAPTER
	HOSE ASSEMBLY



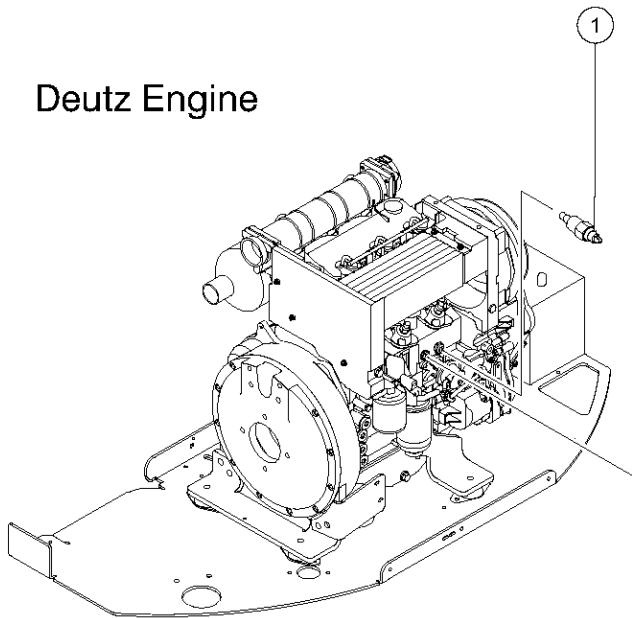
810.1 Hydraulic Oil Cooler

Item	Part No.	Description	Qty.
--	89441GT	OPTION OIL COOLER Z60	
--	89179GT	HARNES, OIL COOLER	
1	75260GT	ISOLATOR, FLEX-BOLT SANDWICH***.....	4
2	71259GT	OIL COOLER W/FAN, 12VDC.....	1
--	75854GT	FAN - VENTED	
--	75855GT	THERMOSTAT -OIL COOLER (71259)	
3	48960GT	FITTING, CONN, 520120-12***.....	2
4	49151-9948GT	HOSE ASSY, 3/4, STR FEM, STR FEM..... to SN 4680	1
--	49151-10448GT	HOSE ASSY, 3/4", STR FEM, STR FEM..... from SN 4681	1
5	49151-8948GT	HOSE ASSY, 3/4, STR FEM, STR FEM..... to SN 4680	1
--	49151-8648GT	HOSE ASSY, 3/4", STR FEM, STR FEM..... from SN 4681	1
6	48959GT	FITTING, ELBOW, 90D, 520220-12.....	2
7	4828GT	NUT, NYLOCK, 3/8-16	
8	6097GT	WASHER, FLAT, USS, 3/8", Y	

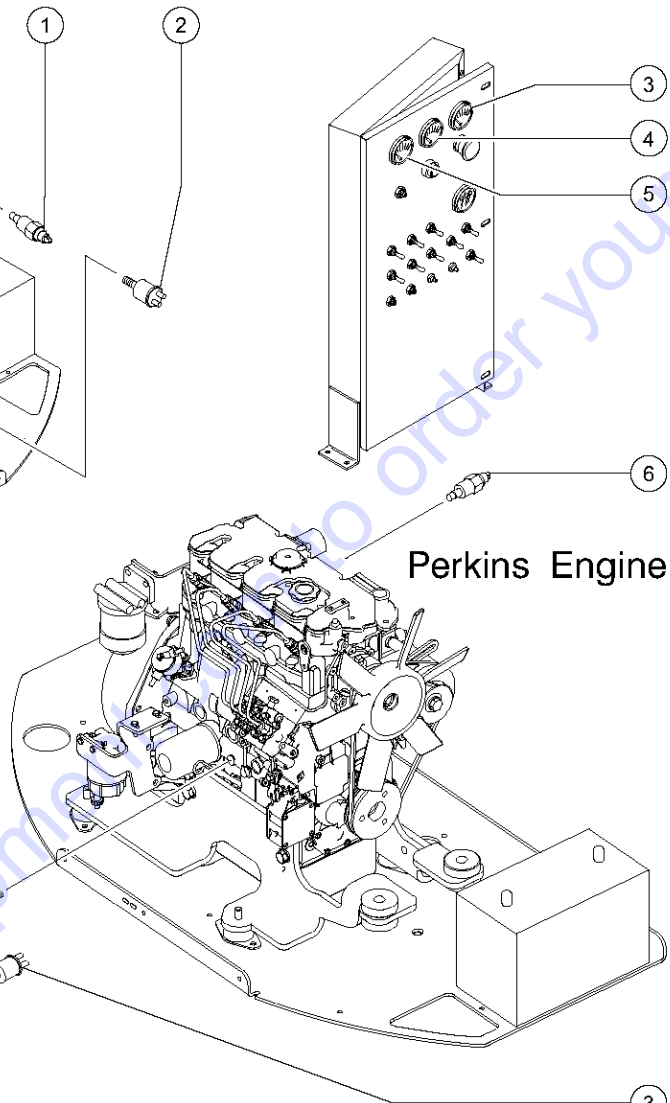
Go to Discount-Equipment.com to order your parts

811.1 Gauge Option

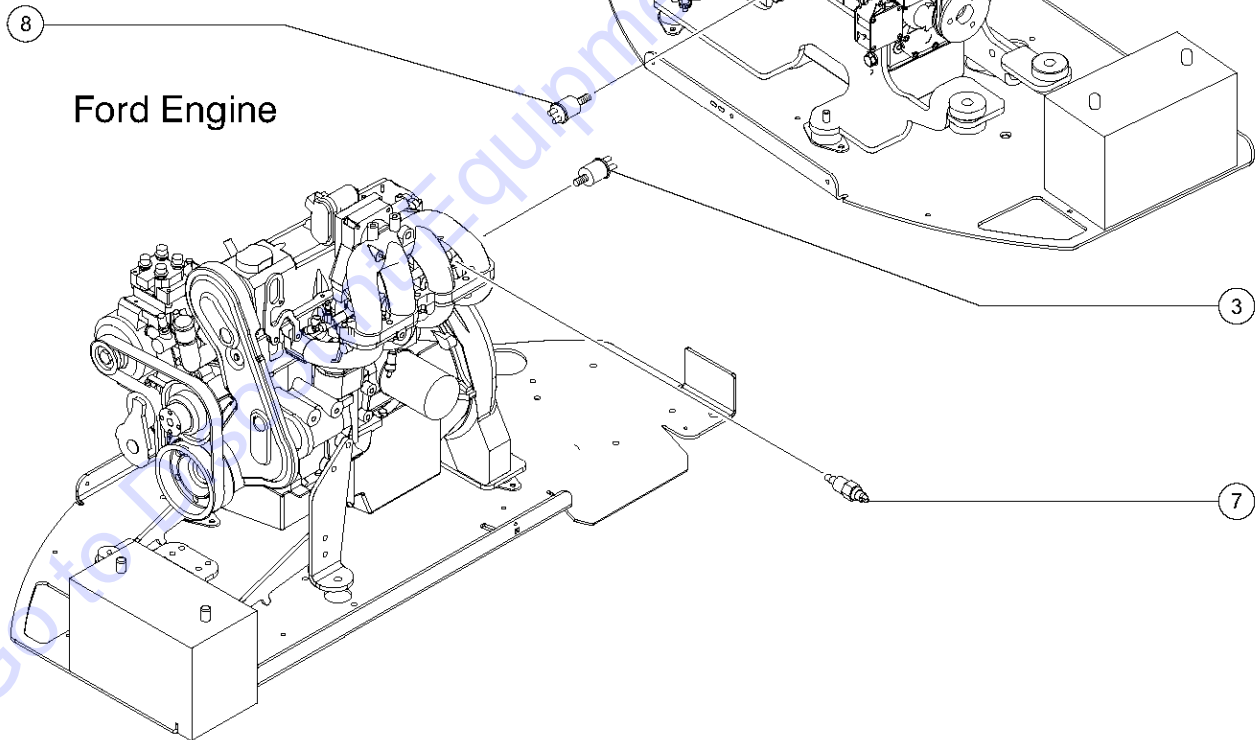
Deutz Engine



Perkins Engine



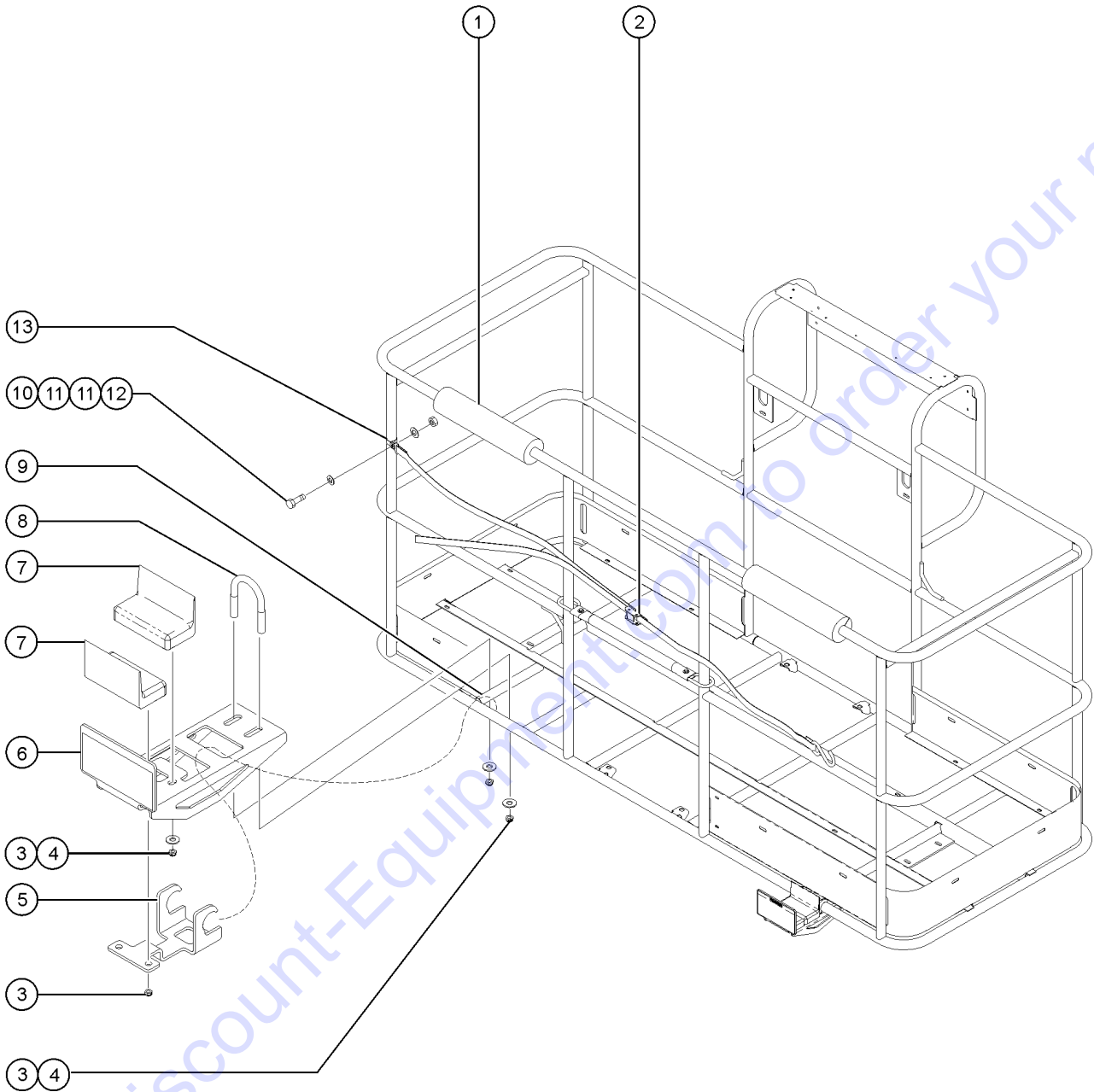
Ford Engine



811.1 Gauge Option

Item	Part No.	Description	Qty.
--	102275-SGT	OPTION,FULL GAUGE,PERKINS404 <i>Perkins Models</i>	
--	102324-SGT	OPTION,GAUGE,DEUTZ F3L 2011 <i>Deutz Models; from SN 4608</i>	
--	102326-SGT	OPTION,GAUGE,FORD TIER II <i>Ford Models; to SN 6315</i>	
--	111591-SGT	OPITON,GAGE,FORD 2007,Z60 SVC <i>Ford Models; from SN 6316</i>	
--	89405-SGT	OPTION,FULL GAUGE,DEUTZ <i>Deutz Models; to SN 4607</i>	
1	30810GT	SENDING UNIT,OIL PRESSURE***1 <i>dual-terminal sender</i>	
--	70486GT	TEE,UNION,1/4" <i>Ford models</i>	
2	53760-SGT	GAUGE,OIL TEMP <i>includes mounting bracket and fasteners</i>	
3	53761-SGT	GAUGE,VOLTAGE.....1 <i>includes mounting bracket and fasteners</i>	
4	53758-SGT	GAUGE,OIL PRESSURE W/O SENDER.....1 <i>includes mounting bracket and fasteners</i>	
5	53759-SGT	GAUGE,WATER TEMP.....1 <i>includes mounting bracket and fasteners; Ford and Perkins models</i>	
--	53760-SGT	GAUGE,OIL TEMP <i>includes mounting bracket and fasteners; Deutz models</i>	
6	34058GT	SENDING UNIT,TMP,FRD,GM,PRK704.....1 <i>Perkins models</i>	
--	28607GT	ADAPTER,140139-8-6	
7	65456GT	SENDING UNIT-H20TMP LRG425EFI*...1 <i>Ford models; to SN 6315</i>	
--	28607GT	ADAPTER,140139-8-6	
--	33972GT	SENSOR,COOLANT TEMP*	
8	102348GT	SENDING UNIT,OIL PRESS PERKINS...1	
--	53950GT	ADAPTER, 010103	

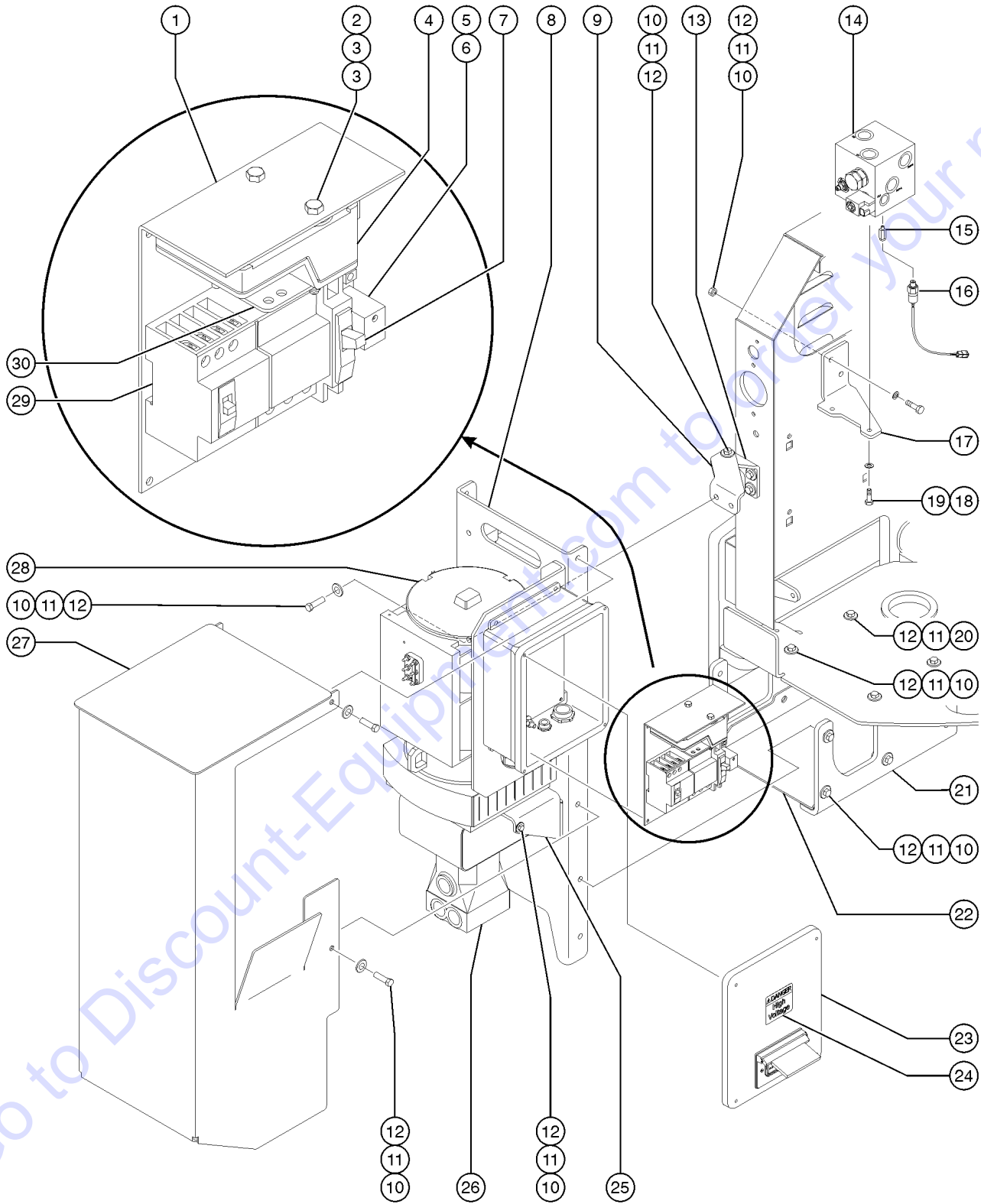
812.1 Panel Cradle Option



812.1 Panel Cradle Option

Item	Part No.	Description	Qty.
--	77683GT	ACCESSORY,PANEL CRADLE,ANSI (ANSI/CSA models)	
--	94493-SGT	KIT,PANEL CRADLE,CE (CE/AUS models)	
1	88377-1400GT	FOAM PAD, 3" OD X 1.25" ID X 14 IN.....2	
2	77664GT	ADJUSTABLE STRAP ASSY.....1	
3	1274322GT	NUT,NYLOCK FLG,3/8-16,F,ZAG.....8	
4	5397GT	WASHER,FLAT,USS,5/16",Y for machines before 2010	
5	228849GT	FORMING,SECONDARY SUPPORT.....2 77576P is no longer available. For machines before 2010, must install Qty 2 service kit 233992 (ANSI) or 233993 (CE) for initial replacement.	
6	228848GT	FORMING PANEL CRADLE.....2 89724 is no longer available. For machines before 2010, must install Qty 2 service kit 233992 (ANSI) or 233993 (CE) for initial replacement.	
--	233992GT	KIT,PANEL CRADLE BRACKET,WORD.....1 (ANSI models) (includes hook, panel support bracket and installation instructions)	
--	233993GT	KIT,PANEL CRADLE BRACKET,SYMBL.....1 (CE models) (includes hook, panel support bracket and installation instructions)	
7	56934GT	PAD,REST,1"THICK,FLANGED.....4	
7A	824038GT	NUT, TL JAM, 3/8-16, A, ZAG.....4 for 56934	
8	1251600GT	U-BOLT, FLATTENED, 1.5 X 3/8 UNC,ZAG.....2	
9	73463-1175GT	TUBE, RD, ALUM, 1.25 X .083 X 11.75...2	
10	1256855GT	SCREW,HHF,1/4-20X.625,8,ZAG.....1	
11	6638GT	WASHER,FLAT,USS,1/4"Y for machines before 2010	
12	1277924GT	NUT,NYLOCK FLG,1/4-20,F,ZAG.....1	
13	56424GT	CLAMP,1.25X.5 RUBBER-CUSHION.....1	

813.1 Welder Option, Chassis Components



PARTS FINDER

**Search Website
by Part Number**



**Search Manual
Library For Parts
Manual & Lookup Part
Numbers – Purchase
or Request Quote**

Search Manuals

Enter your information to help us find the right parts manual for your machine.

* Brand:

* Model:

* Serial:

* Part Number:

SEARCH

**Can't Find Part or
Manual? Request Help
by Manufacturer,
Model & Description**

Parts Order Form

Please fill in the following information to help us find the right part for your machine.

Manufacturer:	<input type="text"/>
Model:	<input type="text"/>
Description:	<input type="text"/>
Part Number:	<input type="text"/>
Quantity:	<input type="text"/>
Notes:	<input type="text"/>

Discount-Equipment.com is your online resource for quality parts & equipment.

Florida: **561-964-4949** Outside Florida TOLL FREE: **877-690-3101**

Need parts?

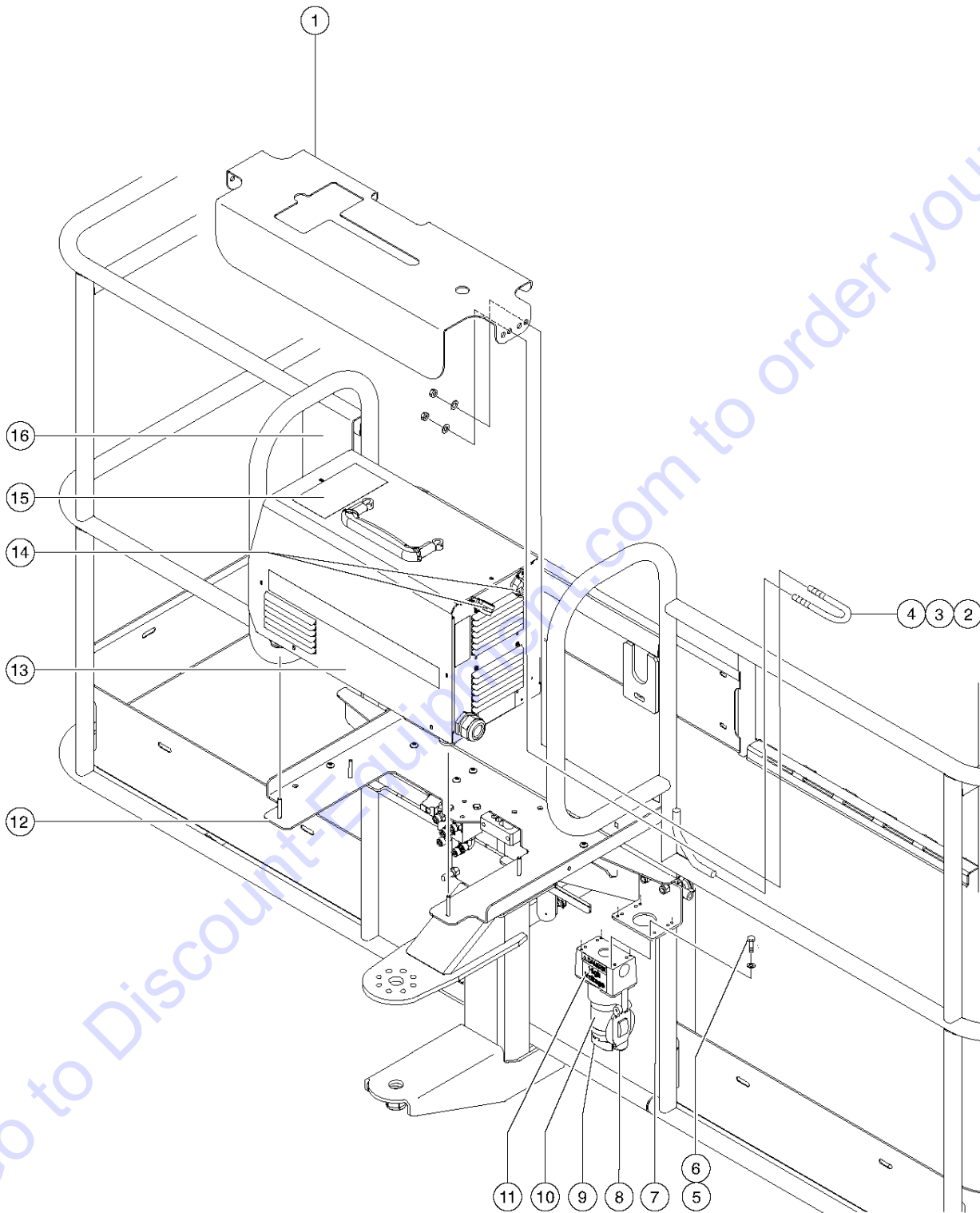
Click on this link: <http://www.discount-equipment.com/category/5443-parts/> and choose one of the options to help get the right parts and equipment you are looking for. Please have the machine model and serial number available in order to help us get you the correct parts. If you don't find the part on the website or on one of the online manuals, please fill out the request form and one of our experienced staff members will get back to you with a quote for the right part that your machine needs.

We sell worldwide for the brands: Genie, Terex, JLG, MultiQuip, Mikasa, Essick, Whiteman, Mayco, Toro Stone, Diamond Products, Generac Magnum, Airman, Haulotte, Barreto, Power Blanket, Nifty Lift, Atlas Copco, Chicago Pneumatic, Allmand, Miller Curber, Skyjack, Lull, Skytrak, Tsurumi, Husquvarna Target, Stow, Wacker, Sakai, Mi-T-M, Sullair, Basic, Dynapac, MBW, Weber, Bartell, Bennar Newman, Haulotte, Ditch Runner, Menegotti, Morrison, Contec, Buddy, Crown, Edco, Wyco, Bomag, Laymor, EZ Trench, Bil-Jax, F.S. Curtis, Gehl Pavers, Heli, Honda, ICS/PowerGrit, IHI, Partner, Imer, Clipper, MMD, Koshin, Rice, CH&E, General Equipment, Amida, Coleman, NAC, Gradall, Square Shooter, Kent, Stanley, Tamco, Toku, Hatz, Kohler, Robin, Wisconsin, Northrock, Oztec, Toker TK, Rol-Air, APT, Wylie, Ingersoll Rand / Doosan, Innovatech, Con X, Ammann, Mecalac, Makinex, Smith Surface Prep, Small Line, Wanco, Yanmar

813.1 Welder Option, Chassis Components

Item	Part No.	Description	Qty.	Item	Part No.	Description	Qty.
--	106644GT	HARNESS,GROUND WIRES		21	106416GT	BRKT,WELDER GEN BASE,L.....1	1
--	226503GT	HARNESS,WELD GEN ENCLOSURE		--	106417GT	BRKT,WELDER GEN BASE,R	
--	226504GT	HARNESS,HYD GENERATOR		22	106655GT	FORMING,HOSE TRAY.....1	1
--	106678GT	HARNESS,WELDER GEN TO J-BOX		23	229346GT	ASSY,ENCLOSURE,WELDER,GEN.....1 <i>includes items 1-7, 24, 29 and 30</i>	1
--	110220GT	DECAL,WARNING,WELDER SAFETY		24	82237GT	DECAL,DANGER,HIGH VOLTAGE.....1	1
--	110344GT	BRUSH BOX,ASSY,GEN***		25	106415GT	BRKT,WELDER GEN MNT BOTTOM.....1	1
--	21187GT	PLUG,NYLON 1.38 BLACK DOMED		26	106184GT	MOTOR,HYD 12.5KW GEN,21CC***.....1	1
--	228888GT	KIT BONDED WELD LEADS Z60 <i>"(welder cable kit option only); from SN 11160"</i>		--	162006GT	SEAL KIT,HYD MOTOR(106184)	
--	228886GT	CABLE,2/0 WELD LEAD,TWIN Z60 <i>"(part of kit option 228886); from SN 11160"</i>		27	106479GT	WELDMENT,WELDER GEN COVER.....1	1
1	102314GT	PANEL, ENCLOSURE, LINCO WELDER.....1	1	28	106113GT	GENERATOR,HYDRO-12KEP-21-3.....1 <i>includes item 26</i>	1
2	36294GT	SCREW,HHC,1/4-20 X 2.75		--	106274GT	GENERATOR,12.5 KW,W/O MOTOR***	
3	6889GT	NUT,LP NYLOCK,1/4-20		--	122300GT	COVER,WELDER GENERATOR	
4	106658GT	MODULE,SX CONTROLLER,LOW AMP.....1	1	--	T113655GT	COUPLING, 28MM (106113)	
5	33607GT	RELAY,OMRON,DPDT,12V.....1	1	--	T114022GT	SPIDER (106113)	
6	33608GT	RELAY,SOCKET,OMRON.....1	1	--	T114023GT	COUPLING (106113)	
7	106073GT	CIRCUIT BREAKER,20A,SINGLE PH.....1	1	29	106477GT	GFI/CIRCUIT BREAKER ASSEMBLY.....1	1
8	106412PGT	BRKT,WELDER GEN MOUNT BACK,PNT.....1	1	--	106375GT	GFCI,50A, 3PH	
9	106587PGT	FORMING, ROTATE GUSSET #2,P.....1	1	--	227425GT	CIRCUIT BREAKER, 35A 3PH	
10	6019GT	SCREW,HHC,3/8-16 X 1.25 GRD 5		30	106140PGT	BRACKET,1K OHM 10-TURN POT,PNT.....1	1
11	6097GT	WASHER,FLAT,USS,3/8",Y		--	102357GT	POTENTIOMETER ASSY, WELDER	
12	4828GT	NUT,NYLOCK,3/8-16					
13	106588PGT	FORMING, ROTATE GUSSET #1,P.....1	1				
14	101516GT	MANIFOLD,DRIVE OIL DIVERTER.....1	1				
--	102746GT	VALVE,PILOT OPER DIRECTIONAL					
--	106394GT	ORIFICE DISC,.030,CONE					
--	122302GT	RELIEF,VALVE 270 PSI					
--	128416GT	SEAL KIT <i>use with part 94757</i>					
--	128419GT	SEAL KIT <i>use with part 94760</i>					
--	94757GT	VALVE,CHECK,3 PSI***					
--	94759GT	NUT,SOLENOID					
--	94760GT	VALVE,SOLENOID,10V,W/OUT COIL*					
--	94765GT	COIL-10V DC***					
15	146285GT	CONN, SAE#4-1/4" NPT.....1	1				
16	146284GT	SWITCH,PRESS,#4NPT,200PSIF					
17	106420PGT	BRKT,WELDER DIV.MANIFOLD,P.....1	1				
18	10107GT	SCREW,HHC,5/16-18 X .75					
19	6886GT	WASHER,LOCK,.313					
20	57072GT	SCREW,BHHS,3/8-16 X 1.25					

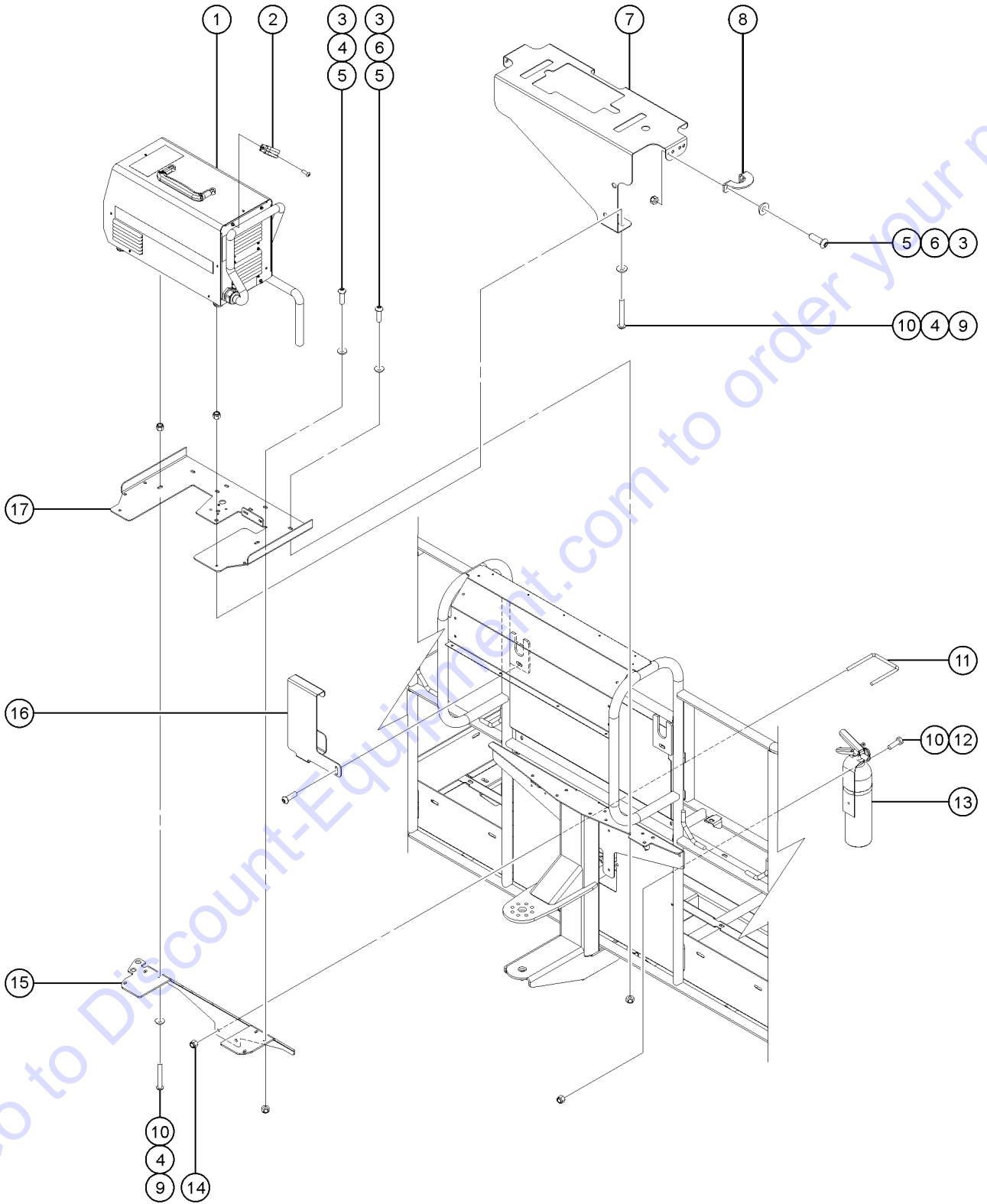
814.1 Welder Option, Platform Components (to SN 13525)



814.1 Welder Option, Platform Components (to SN 13525)

Item	Part No.	Description	Qty.	Item	Part No.	Description	Qty.
--	110220GT	DECAL,WARNING,WELDER SAFETY		--	106141GT	SCREW,SECURITY,1/4-20 X 1.75LG	
--	110276-1900GT	FIRE SLEEVE, 1.25"		--	106183GT	FUSE,.6AMP,250V,WELDER,V275S	
--	110276-3500GT	FIRE SLEEVE, 1.25"		--	106275GT	KIT,WELD LEADS ASSY,V275S <i>includes both cables</i>	
--	110276-4800GT	FIRE SLEEVE, 1.25"		14	18666GT	CLAMP,1.00,#16 X 1/4,RUB CUSH.....2	
--	133518GT	DECAL, PATCH, GEN,ALC-500		15	110220GT	DECAL,WARNING,WELDER SAFETY...1	
--	28443GT	CABLE TIE,11.5" BLACK		16	106204PGT	BRACKET,V275S WELD LEADS.....1	
--	82862GT	DECAL,FIRE EXTINGUISHER					
--	88406GT	FIRE EXTINGUISHER					
--	97579GT	DECAL,DANGER,TIP-OVER,WELDER**					
--	106493GT	KIT,Z60 WELD OPTN,MAST <i>includes cable 106115 @ length 984 inches with clamps and fasteners</i>					
--	106115GT	WIRE CABLE 8/4 CON.SO <i>included in kit 106493</i>					
1	101547PGT	BRACKET,WELDER SUPPORT,PNT.....1					
2A	122755GT	UBOLT,FLATTENED,1.5DIA X 3/8 UNC....2 <i>to SN Z6013-12109</i>					
2B	217366GT	BRACKET,WELDER TOP.....2 <i>from SN Z6013-12110</i>					
--	106043GT	SCREW,SECURITY,5/16-18X1.00.....2					
--	128322GT	SCREW,5/16-18X1.00,SECURITY TO...2					
3	5397GT	WASHER,FLAT,USS,5/16",Y.....2					
4A	4828GT	NUT,NYLOCK,3/8-16.....2 <i>to SN Z6013-12109</i>					
4B	6782GT	NUT,NYLOCK,5/16-18.....2 <i>from SN Z6013-12110</i>					
5	47363GT	SCREW,RHM,8-32 X .50.....4					
6	35461GT	WASHER,FLAT,MS,#8,Y.....4					
7	101731PGT	BRACKET,POWER TO PLAT TBOX,PNT.....1					
--	4828GT	NUT,NYLOCK,3/8-16					
--	5397GT	WASHER,FLAT,USS,5/16",Y					
--	6550GT	U-BOLT,3/8 X 1 YZ					
8	101732GT	COVER,WEATHERPROOF 3-PHASE.....1					
9	106112GT	PLUG,4-WIRE,3-PHASE,50A,MALE.....1					
10	106110GT	T-BOX,2.75X4.5X2.63,3PH.....1					
--	106111GT	RECEPTCL,LOCK 3-PH,50A,4 WIRE					
11	82237GT	DECAL,DANGER,HIGH VOLTAGE.....2					
12	102408PGT	BRACKET,LINCOLN WELDER,PNTD.....1					
--	102409PGT	BRACKET,WELDER MNT SUPPORT,PNT					
--	106043GT	SCREW,SECURITY,5/16-18X1.00					
--	106044GT	U-BOLT,3/8-16X4X4.63X3.00					
--	4828GT	NUT,NYLOCK,3/8-16					
--	5397GT	WASHER,FLAT,USS,5/16",Y					
--	6782GT	NUT,NYLOCK,5/16-18					
13	101525GT	WELDER,INVERTEC V275-S.....1					

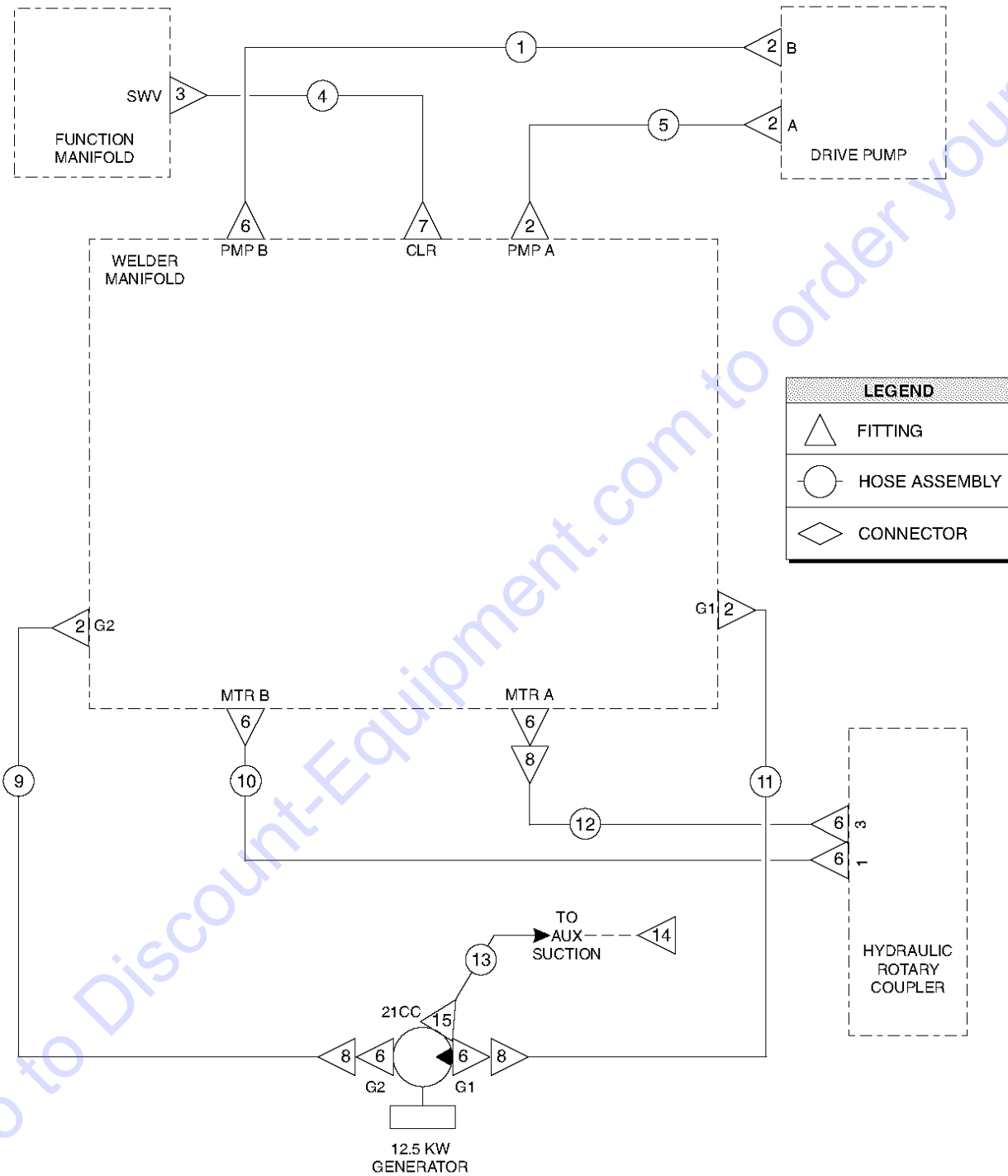
814.2 Welder Option, Platform Components (from SN 13526)



814.2 Welder Option, Platform Components (from SN 13526)

Item	Part No.	Description	Qty.
--	217440GT	ASSEMBLY,WELDER,PLATFORM,S60/6.1	
--	106493GT	KIT,Z60 WELD OPTN,MAST <i>includes cable 106115 @ length 984 inches with clamps and fasteners</i>	
--	106115GT	WIRE CABLE 8/4 CON.SO <i>included in kit 106493</i>	
--	106273GT	BIT,T-27,TORX SOCKET,SECURITY.....1	
--	214620GT	SOCKET,3P,30A,4 WIRE,FEM.....1	
--	214621GT	SOCKET,BOOT,3P,30A,4 WIRE.....1	
--	214622GT	PLUG,BOOT,3P,30A,4 WIRE.....1	
--	106183GT	FUSE,.6AMP,250V,WELDER,V275S	
--	106275GT	KIT,WELD LEADS ASSY,V275S	
--	214623GT	PLUG,3P,30A,4 WIRE,MALE,	
1A	101525GT	WELDER,INVERTEC V275-S.....1	
1B	214619GT	WELDER,MILLER,CST 280	
2	18666GT	CLAMP,1.00,#16 X 1/4,RUB CUSH.....3	
3	106043GT	SCREW,SECURITY,5/16-18X1.00.....10	
4	6638GT	WASHER,FLAT,USS,1/4"Y.....5	
5	6782GT	NUT,NYLOCK,5/16-18.....10	
6	5397GT	WASHER,FLAT,USS,5/16",Y.....9	
7	101547PGT	BRACKET,WELDER SUPPORT,PNT.....1	
8	217366GT	BRACKET,WELDER TOP.....2	
9	1253408GT	SCREW,BHTC-PIN,1/4-20X1.75,ZAG.....4	
10	824027GT	NUT,TL FLG,1/4-20,G,ZAG.....6	
11	106044GT	U-BOLT,3/8-16X4X4.63X3.00.....1	
12	824078GT	SCREW,HHF,1/4-20X.75,8,ZAG.....2	
13	88406GT	FIRE EXTINGUISHER.....1 <i>includes mounting strap</i>	
14	824029GT	NUT,TL FLG,3/8-16,G,ZAG.....2	
15	101701PGT	BRACKET,WELDER MNT SUPPORT,PNT.....1	
16	106204PGT	BRACKET,V275S WELD LEADS.....1	
17	106109PGT	BRACKET,WELDER COVER,PNTD.....1	

815.1 Welder Option, Hoses and Fittings

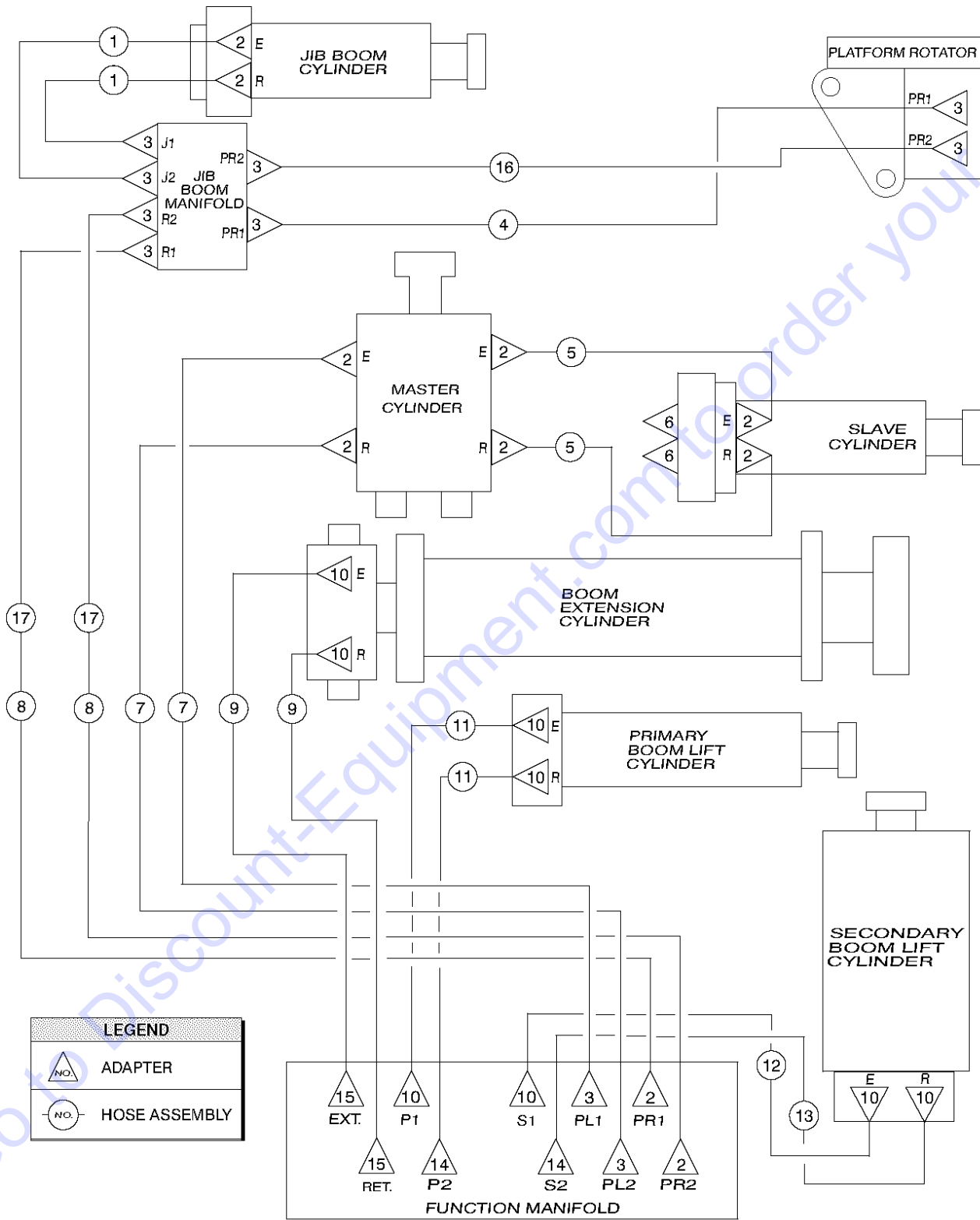


815.1 Welder Option, Hoses and Fittings

Item	Part No.	Description	Qty.
1	94374-4830GT	HOSE ASSY,3/4",90F,STR F.....	1
2	48959GT	FITTING,ELBOW,90D,520220-12.....	5
3	48964GT	FITTING,TEE,RUN,SWIVEL52043212....	1
4	49142-13762GT	HOSE ASSY,1/2".....	1
5	89871-4848GT	HOSE ASSEMBLY,3/4" STR-STR.....	1
6	48960GT	FITTING,CONN,520120-12***.....	7
7	48933GT	CONN,520120-8***.....	1
8	61262GT	ELBOW,SWIVEL 90D, 520221-12.....	3
9	106665-4929GT	HOSE,ASSY 3/4 90LG FEM,STR FEM...1	
10	94374-6330GT	HOSE ASSY,3/4,90 FEM,STR FEM.....	1
11	106665-5229GT	HOSE ASSY,3/4 90LG FEM,STR FEM...1	
12	94374-4930GT	HOSE ASSY,3/4,90 FEM,STR FEM.....	1
13	106666-8446GT	HOSE ASSY,1/4,90 FEM,STR FEM.....	1
14	48875GT	TEE,RUN,SWIVEL,520432-6.....	1
15	48948GT	CONN,520120-8-12.....	1

Go to Discount-Equipment.com to order your parts

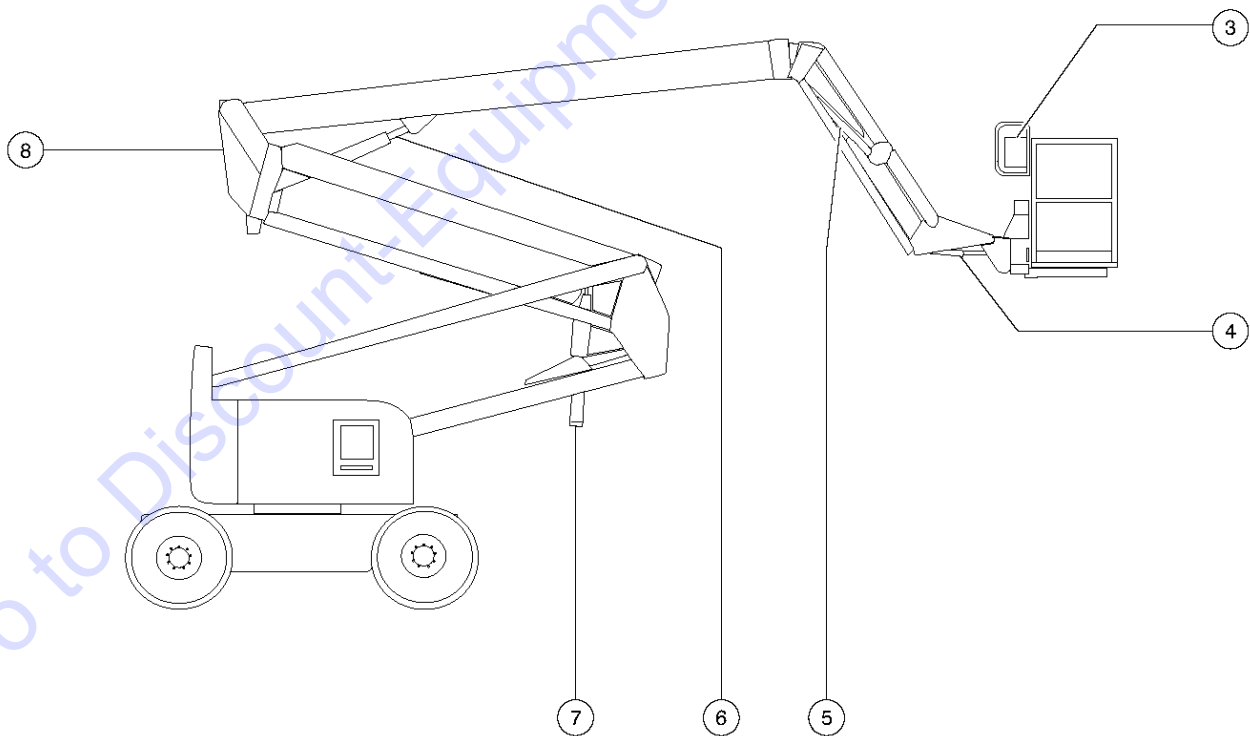
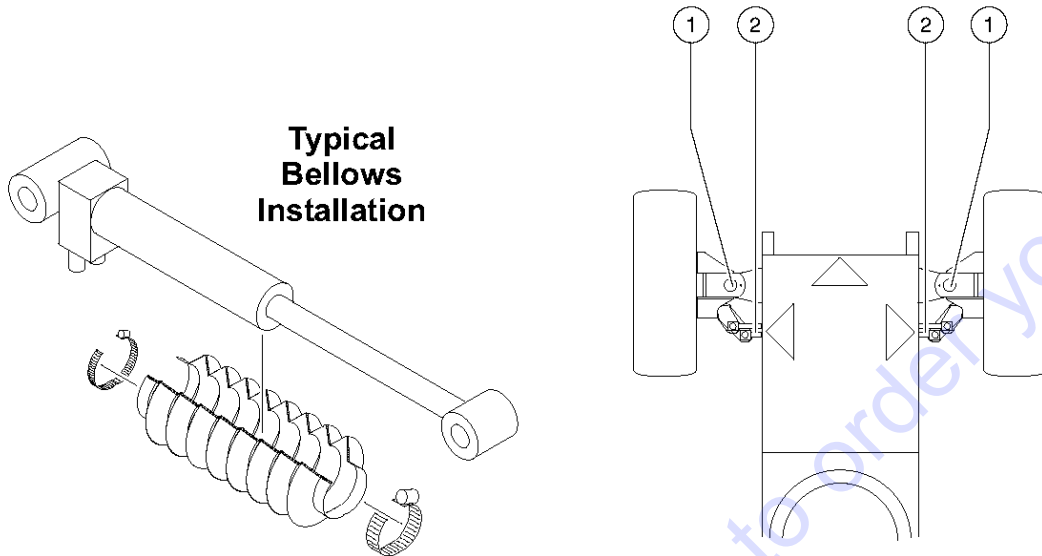
816.1 Hydraulic Hoses and Fittings - Arctic Hose Option



816.1 Hydraulic Hoses and Fittings - Arctic Hose Option

Item	Part No.	Description	Qty.
--	49612GT	O-RING KIT (ORFS FITTINGS)	
--	49613GT	PLUG AND CAP KIT-SERVICE,ORFS*	
1	102232-9291GT	HOSE ASSY,1/4,90 FEM,STR FEM.....2	
2	48912GT	CONN,520120-4-6***.....10	
3	48905GT	CONN,520120-4***.....10	
4	101792-3578GT	HOSE ASSY,1/4,STR FEM,STR FEM.....1	
5	101792-54978GT	HOSE ASSY,1/4,STR FEM,STR FEM.....2	
6	48998GT	NIPPLE,DIAGNOSTIC,#6 PORT***.....2	
--	20224GT	DIAGNOSTIC FEMALE Q-DSCNT	
--	48880GT	CAP,DIAGNOSTIC NIPPLE	
7	101792-41078GT	HOSE ASSY,1/4,STR FEM,STR FEM.....2	
8	49121-42388GT	HOSE ASSY,1/4,STR FEM,STR M.....2	
9	102230-43389GT	HOSE ASSY,1/4,STR FEM,STR FEM.....2	
10	48916GT	CONN, 520120-6.....8	
11	102231-41408GT	HOSE ASSY,1/4,90 FEM,STR FEM.....2	
12	101794-22009GT	HOSE ASSY,3/8,90 FEM,STR FEM.....1	
13	101794-23609GT	HOSE ASSY,3/8,90 FEM,STR FEM.....1	
14	48917GT	CONN,LONG,520122-6.....2	
15	48933GT	CONN,520120-8***.....2	
16	102232-3591GT	HOSE ASSY,1/4,90 FEM,STR FEM.....1	
17	102233-50988GT	HOSE ASSY,1/4,STR FEM,STR MALE...2	

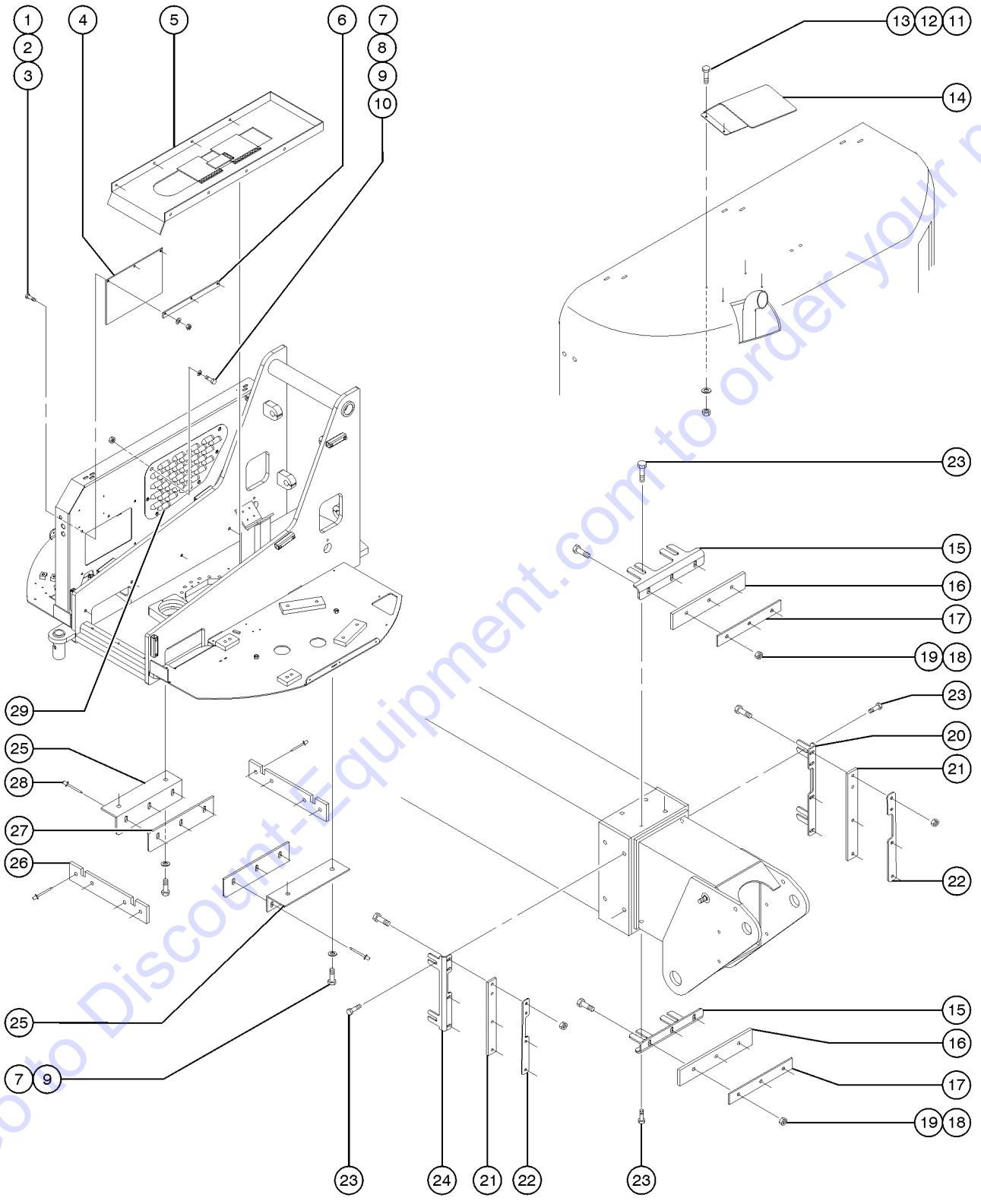
817.1 Hostile Environment Package - View 1



817.1 Hostile Environment Package - View 1

Item	Part No.	Description	Qty.
--	34964-SGT	Z60 DLX, HOSTILE ENVIRONMENT	
--	34965GT	Z60 STD.HOSTILE ENVIRONMNT PKG	
1	63727GT	COVER, PROTECTIVE, OSCILLATE.....2	
2	34922GT	COVER,PROTECTIVE,STEERING.....2	
2	34955GT	CLAMP,HOSE,5.00	
--	35434GT	CLAMP,HOSE,2.00***	
3	52251GT	DECAL,PROTECTOR,CLEAR,PLATE***.1	
4	34923GT	COVER,PROTECTIVE,Z60 SLAVE.....1	
--	30971GT	CLAMP,HOSE,3.00"	
--	45171GT	CLAMP,HOSE,1.75,LINED	
5	34925GT	COVER,PROTECTIVE,Z60 JIB.....1	
--	30971GT	CLAMP,HOSE,3.00"	
--	45171GT	CLAMP,HOSE,1.75,LINED	
6	34924GT	COVER,PROTECTIVE,Z60 PRIMARY....1	
--	30971GT	CLAMP,HOSE,3.00"	
--	45171GT	CLAMP,HOSE,1.75,LINED	
7	34904GT	COVER,PROTECTIVE,Z60 ELEVATE.....1	
--	30971GT	CLAMP,HOSE,3.00"	
--	45171GT	CLAMP,HOSE,1.75,LINED	
8	34926GT	COVER,PROTECTIVE,Z60 MASTER.....1	
--	45171GT	CLAMP,HOSE,1.75,LINED	
--	30971GT	CLAMP,HOSE,3.00"	

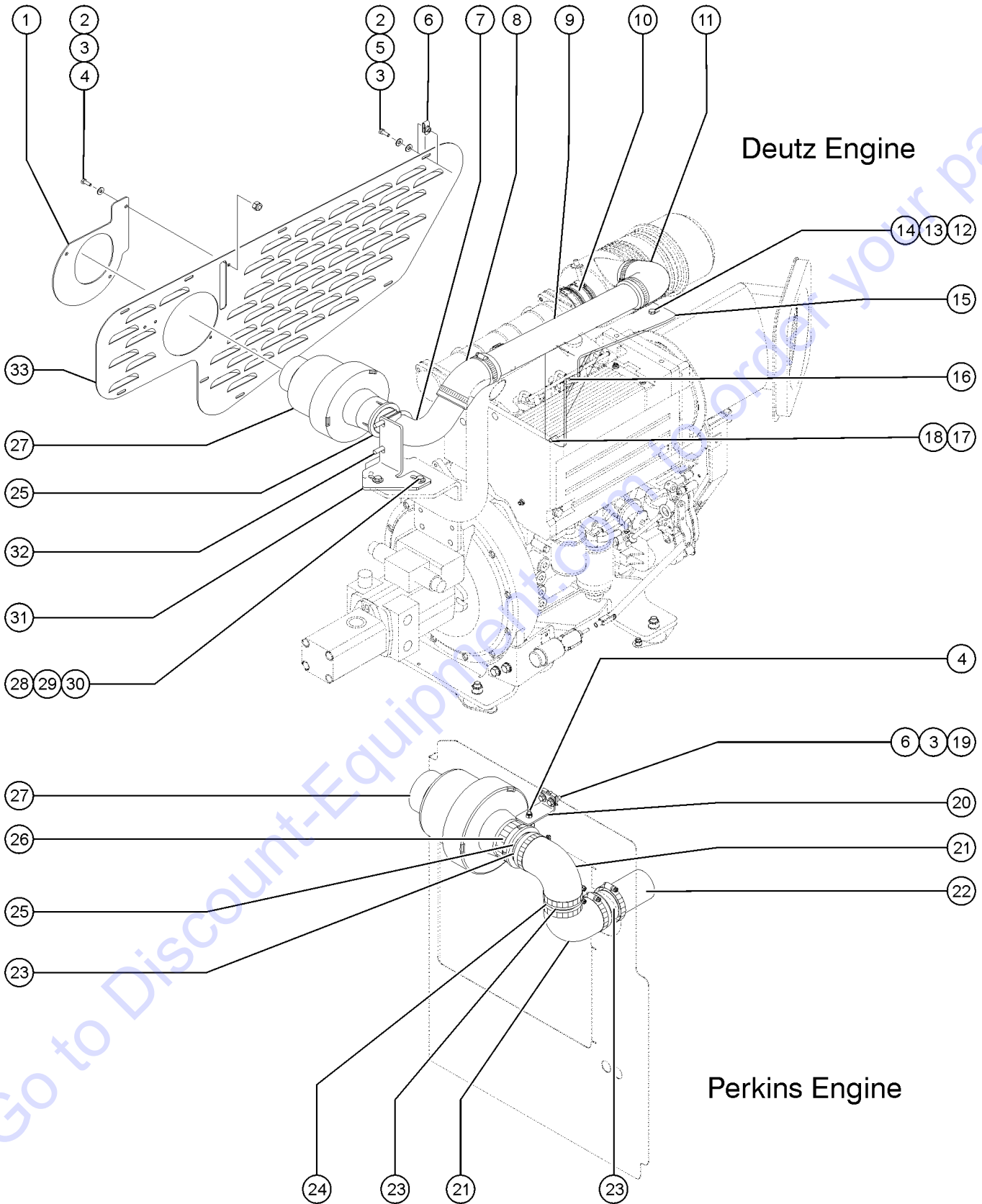
818.1 Hostile Environment Package - View 2



818.1 Hostile Environment Package - View 2

Item	Part No.	Description	Qty.
1	6019GT	SCREW,HHC,3/8-16 X 1.25 GRD 5	
2	5397GT	WASHER,FLAT,USS,5/16",Y	
3	4828GT	NUT,NYLOCK,3/8-16	
4	34902GT	RUBBER FLAP.....	1
5	34850GT	COVER,PROTECTIVE,SWING CHASSIS.....	1
--	146424GT	SCREW STUD SNAP,8-32X1/2"SS.....	8
6	34901PGT	PLATE,BLUE.....	1
7	6090GT	SCREW,HHC,1/4-20 X .75	
8	6356GT	WASHER,LOCK,.25	
9	6638GT	WASHER,FLAT,USS,1/4"Y	
10	6091GT	NUT,NYLOCK,1/4-20	
11	6145GT	SCREW,HHC,1/4-20 X 1.5	
12	6638GT	WASHER,FLAT,USS,1/4"Y	
13	6091GT	NUT,NYLOCK,1/4-20	
14	34359-SGT	EXHAUST HOOD WELDMENT.....	1
15	63145PGT	WIPER BRACKET, PAINTED.....	2
16	63146GT	WIPER.....	2
17	63163PGT	BACKING PLATE, PAINTED.....	2
18	6889GT	NUT,LP NYLOCK,1/4-20	
19	6878GT	BOLT,CARRIAGE,1/4-20 X .75,G2	
20	63183PGT	WIPER BRACKET, PAINTED.....	1
21	63165GT	WIPER.....	2
22	63166PGT	BACKING PLATE, PAINTED.....	2
23	122209GT	SCREW,HHF,3/8-16 X1.50	
24	63140PGT	WIPER BRACKET, PAINTED.....	1
25	35452PGT	ANGLE,RING GEAR BLUE.....	2
26	35450GT	RUBBER GUARD,RING GEAR.....	2
27	35451GT	RUBBER GUARD,RING GEAR.....	2
28	54486GT	RIVET,ALUM,ALUM,3/16BUTTONHEAD.14	
29	89707PGT	PANEL,LOUVER,TANK SIDE, Z60.....	1
--	102464PGT	PANEL,LOUVER,ENGINE SIDE,PTD <i>Deutz and Perkins models</i>	
--	102464PGT	PANEL,LOUVER,ENGINE SIDE,PTD	

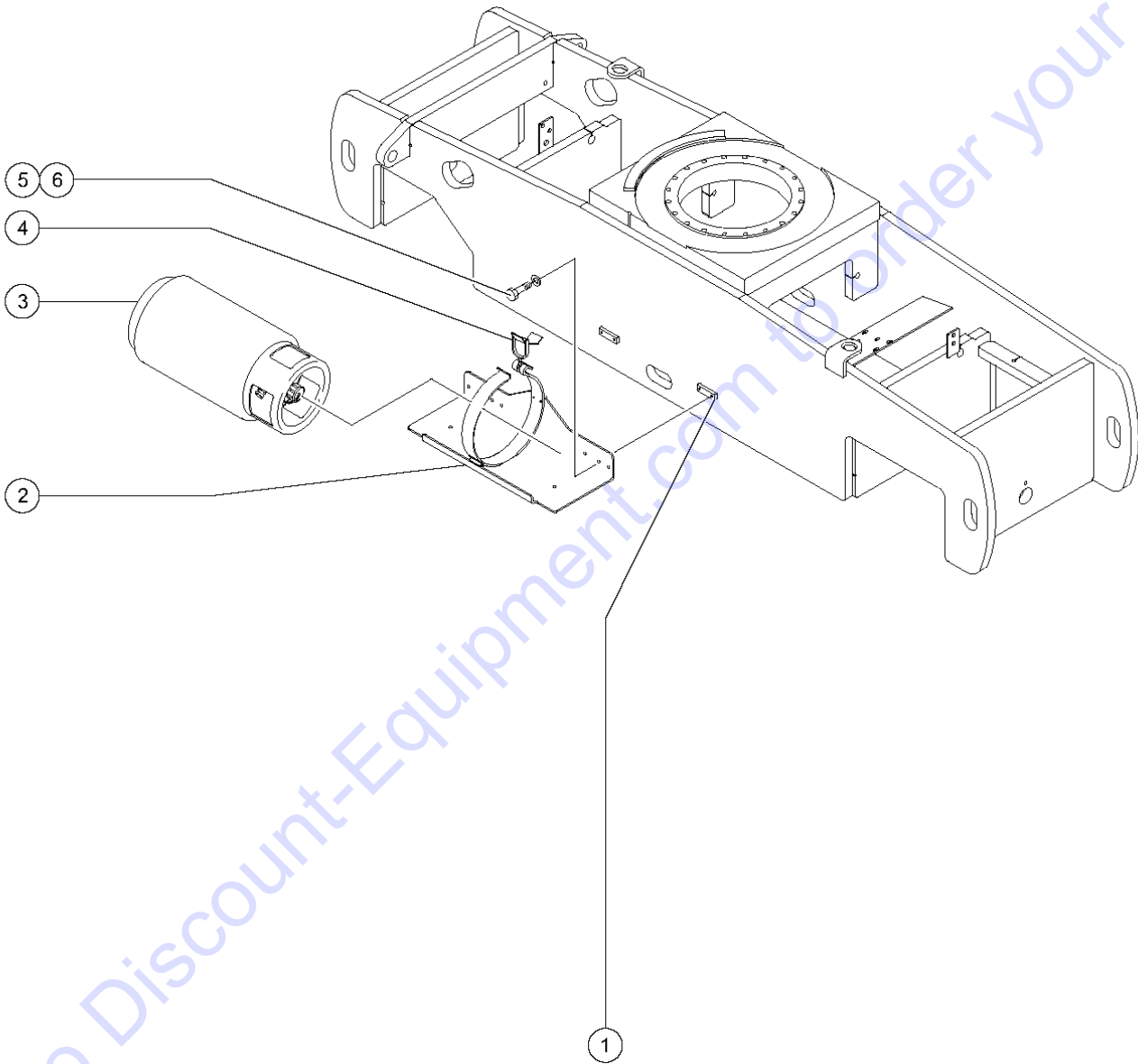
819.1 Hostile Environment - Engine Air Precleaners



819.1 Hostile Environment - Engine Air Precleaners

Item	Part No.	Description	Qty.
--	34962GT	Z60 HOSTILE ENVIRONMENT DEUTZ to SN 5125	
--	102966GT	OPTION,PRECLEANER,Z60 from SN 5126	
--	102471GT	OPT,PRECLEANER,Z60,PERKINS	
1	102937PGT	PLATE,LOUVER COVER,PTD.....	1
2	6090GT	SCREW,HHC,1/4-20 X .75	
3	6638GT	WASHER,FLAT,USS,1/4"Y	
4	6091GT	NUT,NYLOCK,1/4-20	
5	6356GT	WASHER,LOCK,.25	
6	56912GT	SPRING CLIP,1/4-20,.025-.15X.54,ZAG	
7	102962GT	ELBOW,90 DEG,STL,2.5 OD.....	1
--	45435GT	CLAMP,HOSE,2.50"***	
8	33361GT	ELBOW,45 DEGR,RUBBER,2.5" I.D.....	1
9	94324-1900GT	TUBE,RD,STL,ALUMIZD,2.5 X .065.....	1
10	30967GT	HOSE,AIR INTAKE 2.75" I.D.***.....	1
--	53945GT	CLAMP,HOSE 2 5/16-3 1/4	
11	34164GT	ELBOW,90 DEGR,RUBBER,2.5" I.D.*.....	1
--	45435GT	CLAMP,HOSE,2.50"***	
12	13002GT	SCREW,HHC,5/16-18 X 1 GR5	
13	5397GT	WASHER,FLAT,USS,5/16",Y	
14	6782GT	NUT,NYLOCK,5/16-18	
15	102929PGT	FORMING,AIR FILTER MOUNT,PTD.....	1
16	23057GT	SCREW,HHC,M8 X 20MM	
17	27034GT	SCREW,HHC,M10 X 25MM,GR 8.8	
18	22700GT	WASHER,LOCK,M10	
19	6888GT	SCREW,HHC,1/4-20 X 1	
20	111986GT	FORMING,ENGINE BRACKET.....	1
21	34163GT	ELBOW,90 DEGR,RUBBER,MODIFIED*.....	2
22		Ref. HOSE,AIR INLET (REFER TO 401.1)	
23	35067-200GT	TUBE, RD, ALUM, 2.5 X .083 X 2.00.....	3
24	30971GT	CLAMP,HOSE,3.00".....	5
25	101640GT	REDUCER,RUBBER 3.0 - 2.5.....	2
26	111991GT	ASSY, PRECLEANER BRACKET.....	1
27	89959GT	PRECLEANER,INLINE 3".....	2
28	8516GT	SCREW, HCC, 3/8-16 X 1.50	
29	6097GT	WASHER,FLAT,USS,3/8",Y	
30	4828GT	NUT,NYLOCK,3/8-16	
31	102930PGT	FORMING,PRECLEANER MOUNT,PTD.....	1
32	71911GT	CLAMP,MUFFLER, 2.50 INCH.....	1
33	102464PGT	PANEL,LOUVER,ENGINE SIDE,PTD.....	1

820.1 Second LPG Carrier Option



Go to Discount-Equipment.com to order your parts

820.1 Second LPG Carrier Option

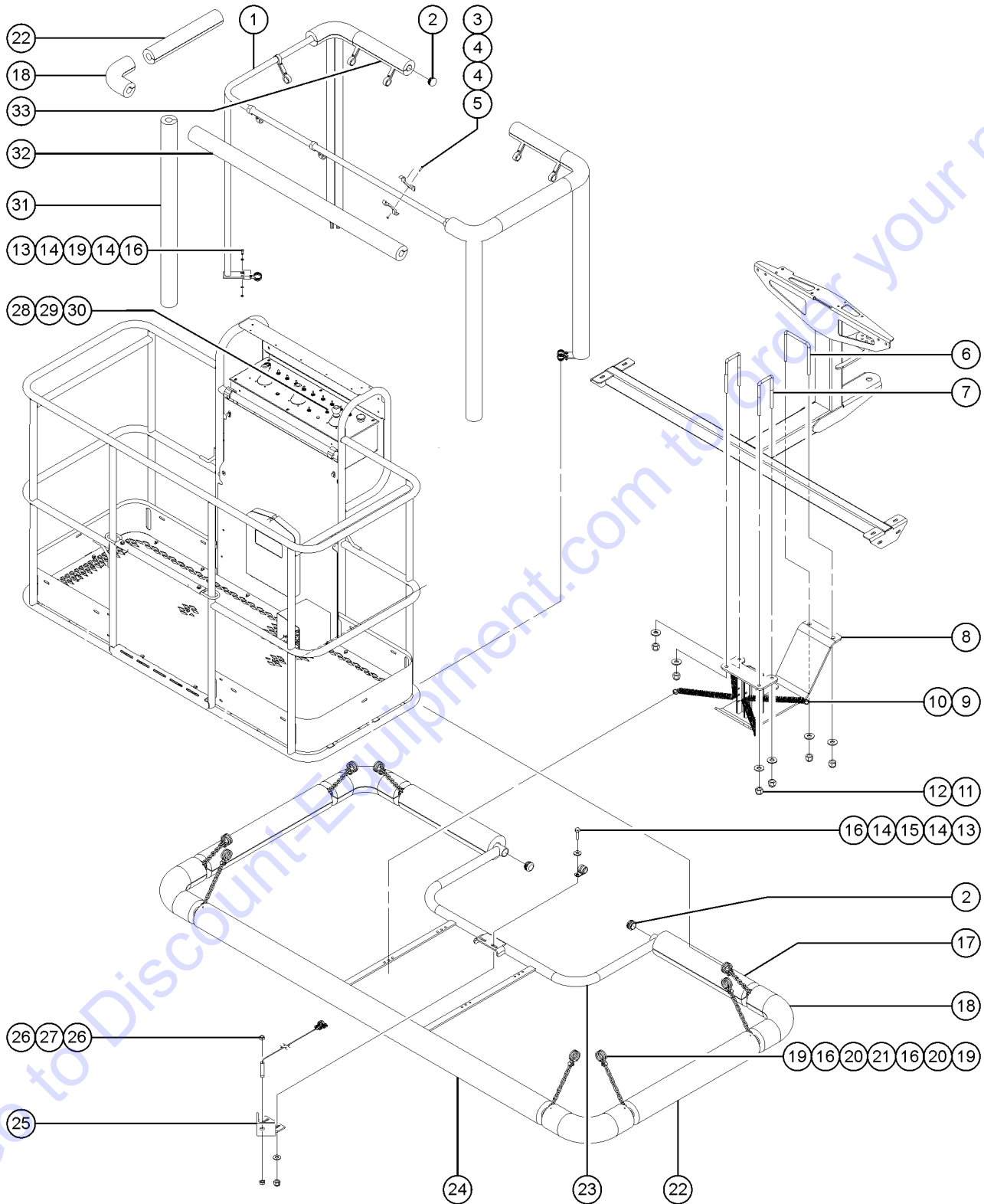
Item	Part No.	Description	Qty.
--	89469GT	OPTION,LP TANK 2ND,Z60	
1	60752GT	TAP BLOCK,BULKHEAD MNT. MACH.....	2
2	60143-SGT	WELD, LPG TANK MOUNT.....	1
3	53605GT	TANK, 7 GAL/33.5 POUND, LP.....	1
4	49000GT	L.P.TANK LATCH.....	1
5	8255GT	SCREW,HHC,3/8-16 X .75	
6	6021GT	WASHER,LOCK,.375	

Go to Discount-Equipment.com to order your parts

Item	Part No.	Description	Qty.
1	231041GT	Z60. TOW PACKAGE (complete)	
2	231045GT	PLATE, CHASSIS ATTACHMENT.....	2
3	42111GT	CLIP,HAIR PIN .243 X 5.25.....	3
4	42113GT	PIN,CLEVIS,1.25 X 5.0,ZINC.....	2
5	231042GT	WELDMENT, TOW BAR.....	1
6	42112GT	PIN,CLEVIS,1.25 X 6.0,ZINC.....	1
7	94420GT	WELDMENT,PULL BAR.....	1
8	48875GT	TEE,RUN,SWIVEL,520432-6.....	2
9	49120-6131GT	HOSE ASSEMBLY,1/4"..... components: 48800, 48810 and 48751 @ 59.5 inches	1
10	49163-6144GT	HOSE ASSEMBLY,1/4"..... components: 48802, 48810 and 48751 @ 59.5 inches	1
11	25282GT	VALVE,NEEDLE,BRAKE RELEASE.....	1
12	6145GT	SCREW,HHC,1/4-20 X 1.5.....	2
13	6638GT	WASHER,FLAT,USS,1/4"Y.....	2

Go to Discount-Equipment.com to order your parts

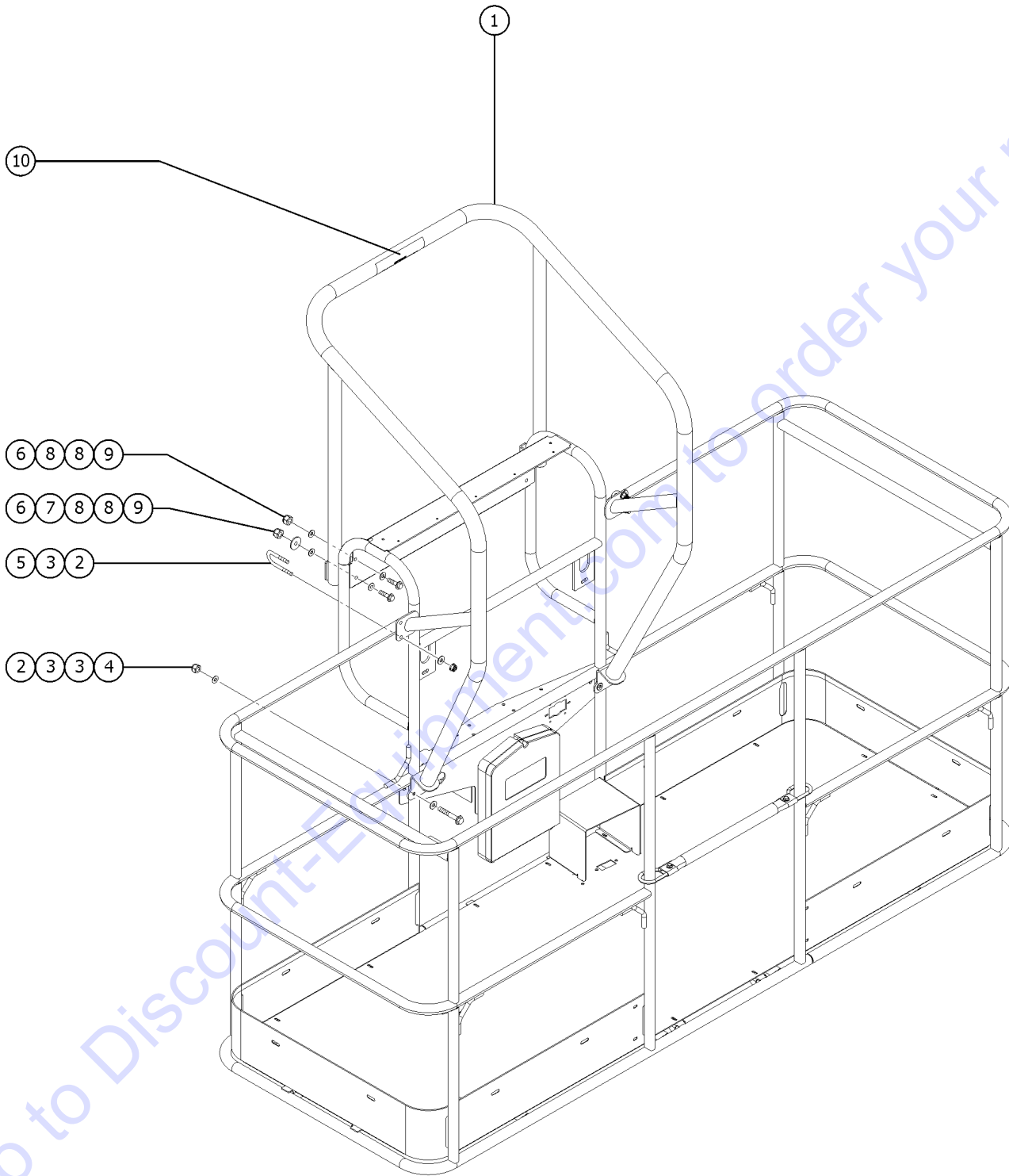
822.1 Aircraft Protection Package (from SN 9780)



822.1 Aircraft Protection Package (from SN 9780)

Item	Part No.	Description	Qty.
1	46188GT	WELDMENT, AIRCRAFT TOP BUMPER.....	1
2	55753GT	BUMPER, PLASTIC, 1.25 O.D.....	4
3	122231GT	SCREW,BHSC,1/4-20 X 1	
4	122073GT	SUPPORT, RAILING.....	20
5	6889GT	NUT,LP NYLOCK,1/4-20	
6	106044GT	U-BOLT,3/8-16X4X4.63X3.00.....	1
7	66472GT	U-BOLT, SQR, 3/8-16X2X5, PLTD.....	2
8	139904GT	WELDMENT, SKIDPLATE**.....	1
9	88384GT	SPRING, SS, 3/4-EO750-69-4500.....	4
10	88385GT	SPRING, SS, 1/2-EO500-49-4500.....	4
11	4828GT	NUT,NYLOCK,3/8-16	
12	5397GT	WASHER,FLAT,USS,5/16",Y	
13	6888GT	SCREW,HHC,1/4-20 X 1	
14	6638GT	WASHER,FLAT,USS,1/4"Y	
15	6833GT	CLAMP,0.50,#8 X 1/4,RUB CUSH.....	1
16	6091GT	NUT,NYLOCK,1/4-20	
17	75617-1675GT	PADDING,FOAM 3.5"OD X 1.50"ID.....	2
18	75636GT	PADDING,FOAM,3.0"X1.50ID 90DEG.....	8
19	21618GT	CLAMP,1.13,#18 X 1/4,RUB CUSH.....	16
20	6090GT	SCREW,HHC,1/4-20 X .75	
21	56426-700GT	CHAIN,NO.2 (11 LINKS).....	8
22	75617-2275GT	PADDING,FOAM 3.5"OD X 1.50"ID.....	4
23	139181GT	WELDMENT,AIRCRAFT SENSOR BUMPR.....	1
24	75617-6475GT	PADDING,FOAM 3.5"OD X 1.50"ID.....	1
25	77797GT	WELDMENT, SENSOR MOUNT.....	1
26	88390GT	NUT,HEX,M8,PLASTIC	
27	81532GT	HARNESS,PROX.KILL..... <i>includes 27391 proximity sensor</i>	1
--	27391GT	PROXIMITY SENSOR***	
28	128203GT	SWITCH TOGGLE ASSY SPDT 2P MOM.....	1
--	139882GT	HARN, AC PROTECTION BYPASS.....	1
29	27246GT	BOOT,TOGGLE SWITCH,SHORT*.....	1
30		Ref. DECAL,FUNCTION OVERRIDE..... <i>(refer to 101.1)</i>	1
31	75617-4788GT	PADDING,FOAM 3.5"OD X 1.50"ID.....	4
32	75617-6275GT	PADDING,FOAM 3.5"OD X 1.50"ID.....	1
33	75617-1538GT	PADDING,FOAM 3.5"OD X 1.50"ID.....	2

823.1 Operator Protection Structure

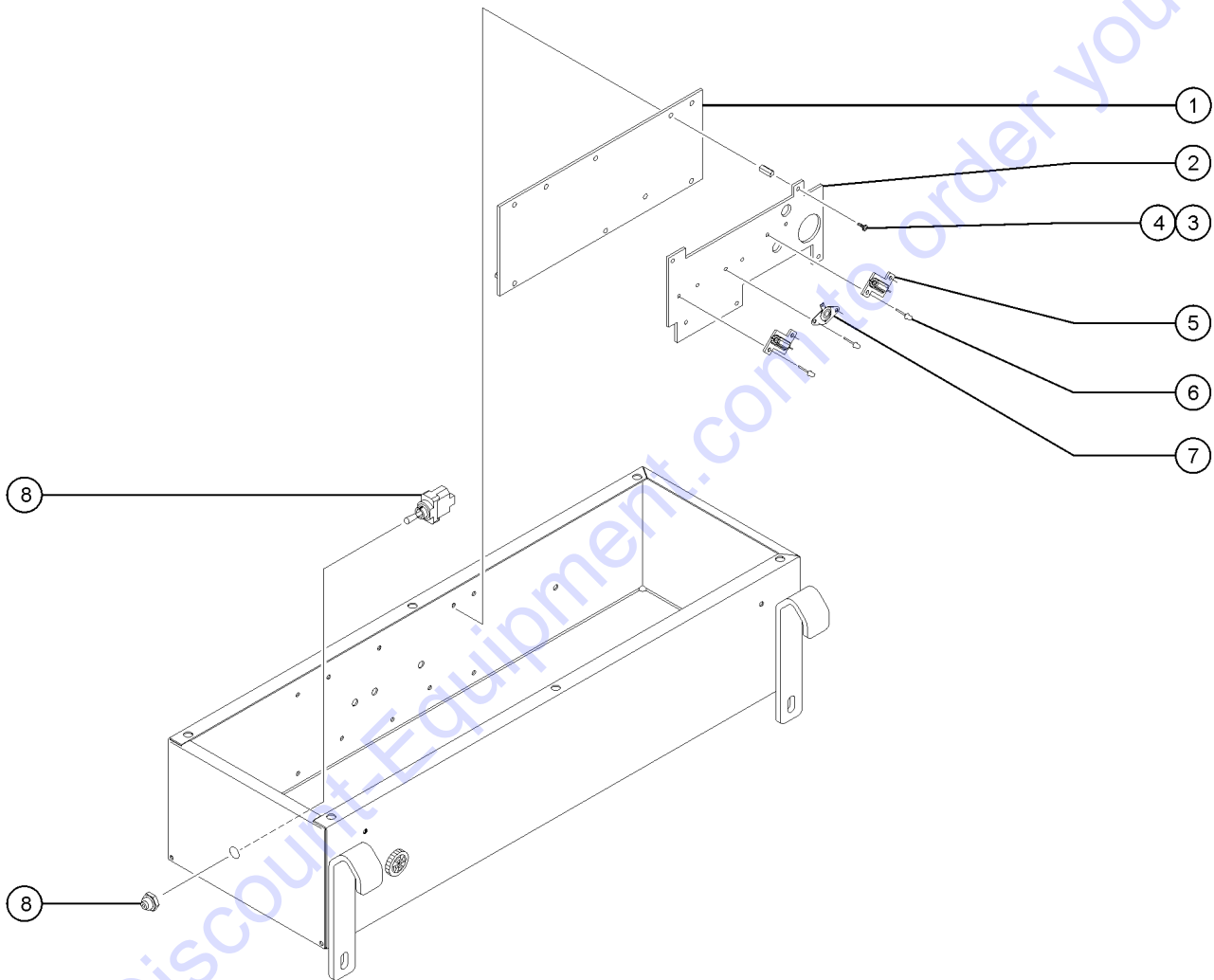


Go to Discount-Equipment.com to order your parts

823.1 Operator Protection Structure

Item	Part No.	Description	Qty.
--		<i>Fits all 6' and 8' Booms</i>	
1	219158GT	ACCESSORY,OPERATOR PROT STRUCT.....1 <i>(Complete) includes all fasteners</i>	1
2	1256468GT	NUT,3/8-16,8,ZAG.....8	8
3	1255758GT	WASHER,FLAT,3/8,USS,ZAG.....12	12
4	824069GT	SCREW,HHC,3/8-16X2.5,8,ZAG.....4	4
5	1251600GT	U-BOLT, FLATTENED, 1.5 X 3/8 UNC,ZAG.....4	4
6	1261184GT	NUT,1/4-20,8,ZAG.....4	4
7	824120GT	WASHER,FLAT,.375X1.50X.125,ZAG.....2 <i>Use only with the platform control box cover option</i>	2
8	824113GT	WASHER,FLAT,USS,1/4,ZAG.....6	6
9	824060GT	SCREW,HHC,1/4-20X1,8,ZAG.....4	4
10		Ref. DECAL, INSTRUCTION, OPS.....1 <i>refer to Section 1</i>	1

824.1 Circuit Board Heater Option

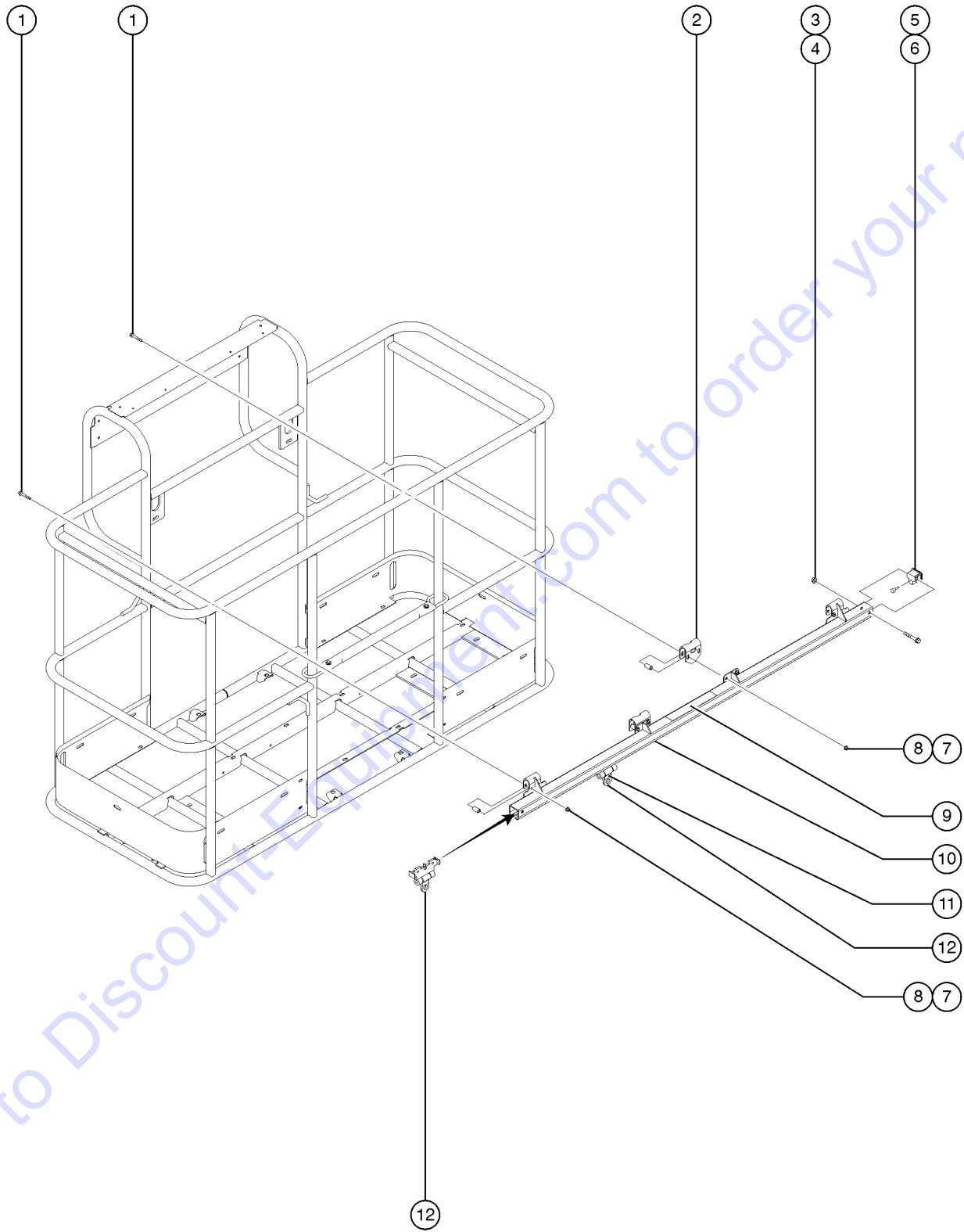


824.1 Circuit Board Heater Option

Item	Part No.	Description	Qty.
1		Ref. PCB Assembly, PCON (refer to 603.1)	
2	147661GT	PLATE,PLAT HEAT,ALC500 GEN II.....1	
3	81551GT	SCREW,PHIL,PHM,6-32 X 1/4 SS.....5	
4	119534GT	STANDOFF,1/4X1/4 M-F 6-32 S/S.....5	
5	27287GT	RESISTOR,10 OHM,25 WATT.....2	
6	6272GT	RIVET,STL,STL,P.125 X .25.....6	
7	119641GT	SWITCH,THERMOSTAT 85F OPEN.....1	
8	128204GT	SWITCH TOGGLE ASSY SPDT 2P MNT	

Go to Discount-Equipment.com to order your parts

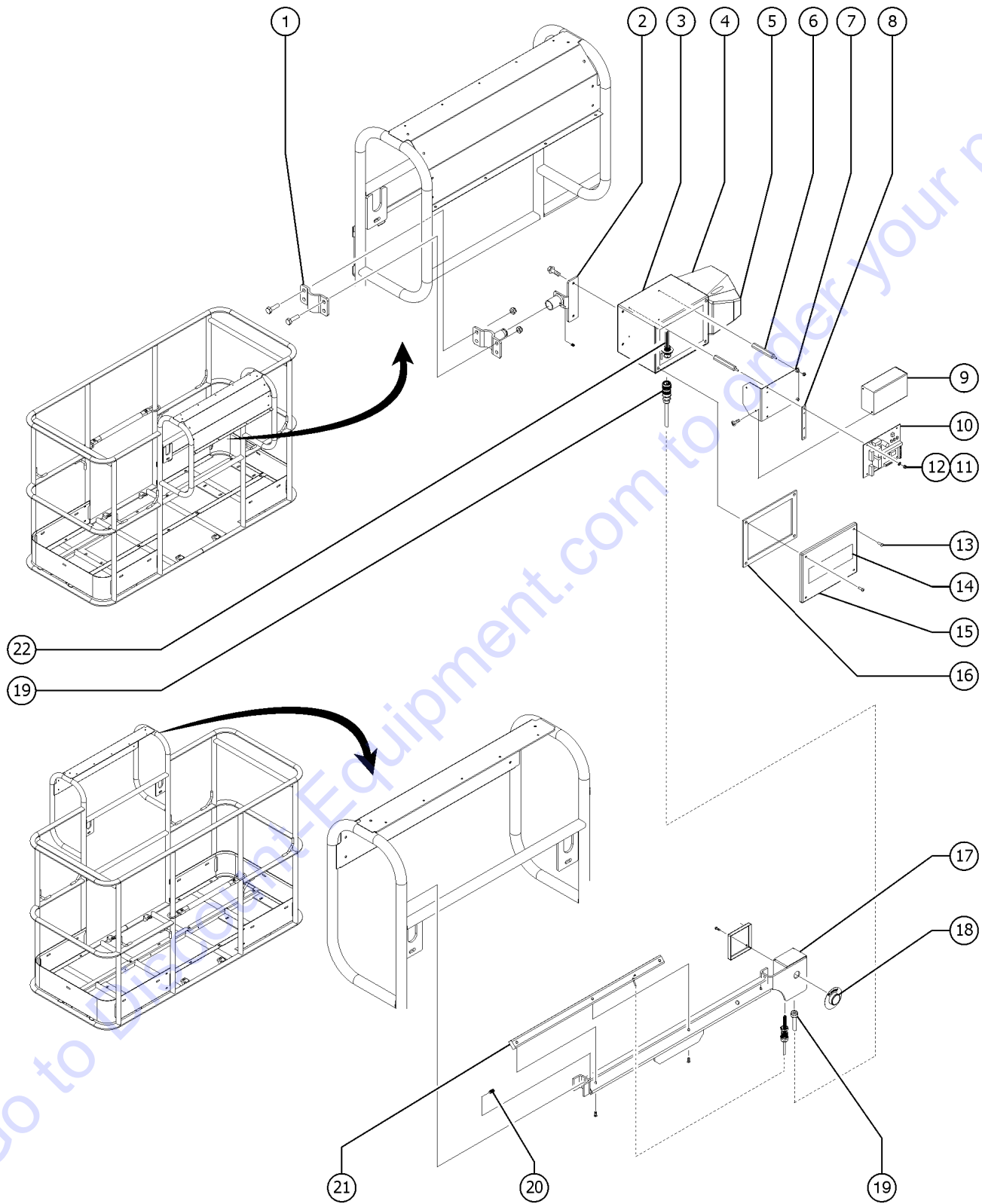
825.1 Fall Arrest Bar



Go to DiscountEquipment.com to order your parts

Item	Part No.	Description	Qty.
1	1256856GT	SCREW,HHF,3/8-16X2.5,8,ZAG.....	4
2	1256389GT	FORMING,INNER HANGER.....	2
3	1251997GT	NUT,TL FLG,1/2-13,G,ZAG.....	2
4	1256851GT	SCREW,HHF,1/2-13X3.5,8,ZAG.....	2
5	1260892GT	END STOP,TRACK,FALL ARREST BAR.....	2
6	36388GT	BUMPER,RUBBER,.75 X .50H,STUD....	2
7	1274322GT	NUT,NYLOCK FLG,3/8-16,F,ZAG.....	8
8	1256481GT	SPACER, HANGER BRACKET.....	8
9A	1256400GT	DECAL,TRACK,FALL ARREST BAR,WORD.....	1
9B	1260910GT	DECAL,TRACK,FALL ARREST BAR,SYMBOL.....	1
9C	1256400FRGT	DECAL,TRACK,FALL ARREST BAR,WORD FR.....	1
10A	1256377GT	ACC,FALL ARREST BAR,8FT WORD....	1
--	1256379GT	ASSY,TRACK,FALL ARREST BAR,8FT WORD <i>includes decals</i>	
10B	1261022GT	ACC,FALL ARREST BAR,8FT SYM.....	1
--	1261024GT	ASSY,TRACK,FALL ARREST BAR,8FT SYM <i>includes decals</i>	
10C	1261018GT	ACC,FALL ARREST BAR,8FT FR.....	1
--	1261020GT	ASSY,TRACK,FALL ARREST BAR,8FT FR <i>includes decals</i>	
10D	1256378GT	ACC,FALL ARREST BAR,6FT WORD....	1
--	1256380GT	ASSY,TRACK,FALL ARREST BAR,6FT WORD <i>includes decals</i>	
10E	1261023GT	ACC,FALL ARREST BAR,6FT SYM.....	1
--	1261025GT	ASSY,TRACK,FALL ARREST BAR,6FT SYM <i>includes decals</i>	
10F	1261019GT	ACC,FALL ARREST BAR,6FT FR.....	1
--	1261021GT	ASSY,TRACK,FALL ARREST BAR,6FT FR <i>includes decals</i>	
11	40434GT	DECAL,LANYARD ANCHORAGE POINT.....	1
12	1256439GT	TROLLEY, TRACK, FALL ARREST BAR.....	1

826.1 Operators Protection Alarm



826.1 Operators Protection Alarm

Item	Part No.	Description	Qty.
--	1255555GT	HARN,PBOX,OPA,HW,12V.....	1
--	1255030GT	PLUG,BLANKING.....	1
1	1255032GT	CLAMP,HAND RAIL,OPA,6'-8' <i>(includes fasteners)</i>	1
2	1255026GT	ASSY,BRKT,CNTRL BOX W/FASTNRS.....	1
3	1255018GT	BASE ENCLOSURE,RED,OPA.....	1
4	1255021GT	SOUNDER,MIDI,OPA.....	1
5A	1255037GT	SOUNDER LENS, OPA, BLUE..... <i>(standard lens fitted to OPA)</i>	1
5B	1270116GT	SOUNDER LENS, OPA, RED	
5C	1270117GT	SOUNDER LENS, OPA, AMBER	
5D	1270118GT	SOUNDER LENS, OPA, CLEAR	
6	1255028GT	STAND OFF,CONTROL UNIT.....	1
7	1255024GT	BRACKET,CONTROL UNIT.....	1
8	1255025GT	SPACER,HEAT SINK.....	1
9	1255023GT	ASSY,MODULE,CONTROL UNIT,OPA....	1
10	1255022GT	MODULE,CONTROL UNIT,PCB,OPA....	1
11	1255067GT	NUT,M4 NYLOCK.....	4
12	1255066GT	WASHER,M4 NYLON.....	4
13	1255038GT	SCREW,M5X16 BHD.....	4
14	1255890GT	DECAL,COSMETIC,GENIE.....	1
15	1255020GT	LID ENCLOSURE,RED,OPA.....	1
16	1255019GT	GASKET,ENCLOSURE.....	1
17	1255029GT	ASSEMBLY,TAPESWITCH..... <i>(6'/8' platforms) (includes j-box and fasteners)</i>	1
18	1255036GT	ASSEMBLY RESET SWITCH.....	1
19	1255035GT	ASSEMBLY,CABLE,TAPESWITCH.....	1
20	1255068GT	SCREW,M6X8.....	2
21	1255047GT	SENSOR,RUBBER EDGE..... <i>(6'/8' platforms)</i>	1
22	1255033GT	HARN,PIGTAIL,TAPESWITCH,OPA.....	1

Part Number Index

The Part Number Index is a numeric index of all part numbers included in this manual. The index shows what page(s) the part is used on.

Part Number	Page	Part Number	Page	Part Number	Page	Part Number	Page
1000210GT	11-12	102153GT	17, 19	102617GT	144	106420PGT	201
101005GT	133	102154GT	47	102676GT	175	106421GT	117
101005HGT	133	102155GT	22, 25-26	102679GT	119-120	106477GT	201
10107GT	77, 79, 201	102157GT	31	102686GT	69	106479GT	201
101118PGT	81	102158GT	22, 25-26, 31	102703GT	113, 115	106485GT	79
101119PGT	81	102159GT	22, 25-26	102721PGT	171-172	106486GT	77
101121PGT	81	102160GT	22, 25-26	102724GT	125-126	106487GT	79
101126PGT	79	102161GT	22, 25-26	102746GT	201	106490GT	81
101127PGT	79	102162GT	33, 35	102748GT	57-58	106491GT	79
101128PGT	79	102164GT	35	102749GT	57-58	106493GT	203, 205
101174GT	133	102167GT	35	102773PGT	105	106587PGT	201
101174HGT	133	102172GT	143-144	102774PGT	103	106588PGT	201
101175GT	133	102173GT	113, 115	102775PGT	103	106605GT	79
101175HGT	133	102174GT	103	102776PGT	103, 105	106637GT	51
101373GT	120	102175GT	111	102779PGT	77	106644GT	201
101375GT	120	102176GT	45	102785PGT	175	106647GT	25-26
101376GT	120	102180GT	71	102786PGT	175	106648GT	25-26
101377GT	120	102230-43389GT	209	102794GT	81	106655GT	201
101378GT	120	102231-41408GT	209	102905GT	125-126	106658GT	201
101379GT	120	102232-3591GT	209	102906GT	125-126	106663GT	61-62
101381GT	120	102232-9291GT	209	102907GT	125-126	106665-4929GT	207
101382GT	120	102233-50988GT	209	102918GT	115	106665-5229GT	207
101383GT	120	102234GT	115	102920GT	115	106666-8446GT	207
101384GT	120	102255GT	21-22, 29, 31	102922GT	115	106678GT	201
101440GT	135	102275-SGT	197	102927GT	115	107704GT	171-172
101504GT	17, 19, 21-22, 25-26	102313-2826GT	155, 161	102928PGT	115	107705GT	171-172
101516GT	201	102314GT	201	102929PGT	215	107706GT	171-172
101525GT	203, 205	102324-SGT	197	102930PGT	215	107707GT	171-172
101547PGT	203, 205	102326-SGT	197	102935GT	115	107708GT	171-172
101640GT	215	102335-6150GT	165	102937PGT	215	107709GT	171-172
101701PGT	205	102336-5014GT	165	102940GT	143-144	107710GT	171-172
101726GT	41	102336-5714GT	165	102962GT	215	10775GT	119-120, 191
101727GT	38	102348GT	197	102964GT	115	10777GT	191
101731PGT	203	102350PGT	77	102966GT	215	107857GT	171-172
101732GT	203	102352GT	101	102977GT	77	107858GT	169, 172
101790-9819GT	161	102357GT	201	102980GT	37-38, 41	110194GT	135, 137, 143-144
101792-3578GT	209	102408PGT	203	102981GT	37-38, 41		144
101792-41078GT	209	102409PGT	203	102984GT	103	110198GT	187
101792-54978GT	209	102433GT	171-172	102985GT	103	110200GT	141
101792-9878GT	161	102434GT	171-172	102986GT	111	110202GT	143-144
101794-22009GT	209	102436GT	171-172	102987GT	111	110206GT	144
101794-23609GT	209	102437GT	171-172	102991GT	117	110220GT	201, 203
101797-5863GT	161	102438GT	171-172	102992GT	123	110276-1900GT	203
101845GT	177	102439GT	171-172	104759GT	147	110276-3500GT	203
102009GT	77	102443GT	171-172	10597GT	21-22, 25-26, 87-88, 97, 103, 105, 107	110276-4800GT	203
102010PGT	77	102464PGT	213, 215			110304GT	58, 77
102013PGT	79	102471GT	215			110344GT	201
102030GT	141	102495GT	119-120	106043GT	203, 205	110382GT	43
102033GT	125-126	102496GT	147	106044GT	203, 205, 221	110388GT	125-126
102065PGT	79	102500GT	11-12	106073GT	201	110405GT	87-88
102066GT	99	102503GT	35	106098GT	22, 25-26	110406GT	91, 99
102066PGT	57-58, 61-62, 71, 81, 91	102504GT	35	106109PGT	205	110407GT	97
102068PGT	79	102505GT	35	106110GT	203	110413PGT	91
102072GT	77	102506GT	35	106111GT	203	110415GT	87-88
102073GT	77	102507GT	35	106112GT	203	110416PGT	91
102074GT	77	102508GT	35	106113GT	201	110417PGT	91, 99
102100PGT	101	102509GT	35	106115GT	203, 205	110419PGT	91
102103GT	77	102510GT	35	106117GT	22, 25-26	110422GT	87-88
102104GT	77	102511GT	35	106140PGT	201	110423GT	91
102107GT	77	102513GT	35	106141GT	203	110424GT	87-88
102109PGT	77	102514GT	35	106178GT	77	110477GT	99
102112PGT	58	102515GT	35	106183GT	203, 205	110650GT	103, 113, 115
102117GT	79	102516GT	35	106184GT	201	110727GT	21-22
102118GT	77	102517GT	35	106204PGT	203, 205	110728GT	21-22
102119GT	79, 91	102519GT	53	106226GT	99	110730GT	21-22
102121GT	77, 88, 97	102520GT	53	106271PGT	79	110731GT	21-22
102126GT	33, 35	102522GT	53	106273GT	205	110758GT	87-88
102128GT	79	102523GT	53	106274GT	201	110789GT	177
102131GT	35	102526GT	143-144	106275GT	203, 205	110890PGT	91
102134GT	77	102527GT	143-144	106375GT	201	110892PGT	91
102136GT	81	102528GT	143-144	106394GT	201	110919GT	91
102151GT	53	102529GT	113, 115	106412PGT	201	111026GT	57-58
102152GT	17, 19	102530GT	144	106415GT	201	111027GT	61-62
		102531GT	143-144	106416GT	201	111028GT	62
		102532GT	117	106417GT	201	111029GT	61-62

Part Number	Page	Part Number	Page	Part Number	Page	Part Number	Page
111051GT	115	111699PGT	91	119479GT	83	122755GT	119-120, 181,
111052GT	115	111702GT	143-144	119481GT	83		203
111053GT	115	111703GT	143-144	119483GT	83	122883GT	53
111068GT	83, 93	111705GT	143-144	119484GT	87-88, 99	122885GT	53
111141GT	57-58, 71	111744GT	85	119495GT	83	122944GT	117
111153GT	169	111748GT	87-88, 97	119496GT	85	122975GT	47
111155GT	21-22, 25-26, 29, 31	111778GT	143-144	119497GT	83	122978GT	47
111177GT	111	111779GT	143-144	119498GT	83	12344GT	125-126
111242GT	119-120	111817-2775GT	37-38	119500GT	83	12443GT	123
111243GT	119-120	111817-3150GT	37-38	119534GT	125-126, 225	1251600GT	179, 199, 223
111244GT	119-120	111817-4525GT	37-38	119544GT	85	1251856GT	191
111245GT	119-120	111817-525GT	37-38	119545GT	83	1251857GT	191
111246GT	119-120	111817-5725GT	37-38	119546GT	91, 93	1251858GT	191
111247GT	119-120	111817-5825GT	37-38	119547GT	83, 93	1251997GT	227
111248GT	119-120	111817-6625GT	37-38	119548GT	83	1252943GT	61-62
111249GT	119-120	111818GT	37-38	119551GT	83	1253408GT	205
111250GT	120	111986GT	215	119560GT	125-126	1254826GT	69, 73-74
111251GT	120	111987GT	43	119568GT	83, 93	1255018GT	229
111252GT	120	111991GT	215	119613GT	131, 133	1255019GT	229
111253GT	120	112283GT	91	119619GT	17, 19	1255020GT	229
111274GT	119-120	112285GT	87-88	119620GT	105, 107	1255021GT	229
111306GT	171-172	114166GT	12, 15	119641GT	125-126, 225	1255022GT	229
111307GT	171-172	114169GT	12	119809GT	61-62	1255023GT	229
111308GT	171-172	114236GT	15	119824GT	91	1255024GT	229
111309GT	171-172	114244GT	12, 15	119826GT	91	1255025GT	229
111319GT	171-172	114247GT	15	119867GT	125-126	1255026GT	229
111320GT	171-172	114248GT	15	119915GT	133	1255028GT	229
111321GT	11-12	114251GT	15	119918GT	38	1255029GT	229
111333GT	21-22	114252GT	15	119950GT	171-172	1255030GT	229
111334GT	47	114258GT	11-12	119964GT	85	1255032GT	229
111337GT	91	114277GT	12	119988GT	22, 26	1255033GT	229
111339GT	91	114389GT	11-12	121421GT	111	1255035GT	229
111345GT	47	114390GT	11-12	121599GT	47	1255036GT	229
111346GT	47	114397GT	11-12	121846GT	177	1255037GT	229
111356GT	53	119051GT	88, 97	121847GT	177	1255038GT	229
111366GT	21-22, 29, 31	119052GT	87-88, 97	121848GT	177	1255047GT	229
111367GT	21-22, 29, 31	119053GT	91	122017PGT	91	1255066GT	229
111370GT	21-22, 29, 31	119056GT	185	122019GT	169	1255067GT	229
111371GT	55	119057GT	185	122028GT	47	1255068GT	229
111372GT	55	119065GT	185	122049GT	93	1255555GT	229
111373GT	105	119066GT	185	122056GT	101	1255653GT	69, 73-74
111381GT	187	119067GT	191	122057GT	101	1255758GT	223
111390GT	57-58	119073GT	91	122058GT	101	1255890GT	229
111402GT	73-74	119117GT	71	122073GT	171-172, 221	1256267GT	17, 19, 22, 26, 103, 105, 107
111415GT	131	119135GT	83	122077PGT	87-88	1256377GT	227
111416GT	131	119137GT	83	122079GT	120	1256378GT	227
111417GT	131	119138GT	85	122106GT	91	1256379GT	227
111418GT	61-62	119139GT	83, 93	122124GT	125-126	1256380GT	227
111445GT	73-74	119140GT	87-88, 95	122125GT	125-126	1256389GT	227
111466GT	21-22	119142GT	83	122198GT	111	1256400FRGT	227
111467GT	21-22	119153GT	85	122200GT	111	1256400GT	227
111468GT	21-22, 25-26	119168GT	37-38	122201GT	111	1256439GT	227
111472GT	21-22	119169GT	91	122209GT	213	1256468GT	223
111485PGT	171-172	119170GT	91, 99	122215GT	125-126	1256481GT	227
111486PGT	171-172	119231GT	183	122216GT	125-126	1256851GT	227
111526GT	175	119232GT	91, 99	122217GT	125-126	1256855GT	199
111591-SGT	197	119250GT	125-126	122221GT	87-88	1256856GT	227
111603GT	87-88	119295GT	171-172	122227GT	169	1259054GT	81
111604PGT	87-88	119344GT	73-74	122230GT	87-88	1259057GT	83
111605GT	87-88	119394GT	87-88	122231GT	171-172, 221	1259704GT	171-172
111608GT	85	119403GT	185	122234PGT	87-88	1260124GT	143-144
111609PGT	87-88	119404GT	43	122236GT	187	1260125GT	143-144
111611PGT	87-88	119462GT	83	122277GT	37-38	1260218GT	43
111615GT	87-88	119463GT	87-88, 95	122278GT	171-172	1260892GT	227
111631PGT	91	119464GT	87-88	122279GT	171-172	1260910GT	227
111633GT	87-88	119465GT	83	122300GT	201	1261018GT	227
111634GT	77, 87-88, 97	119466GT	83	122302GT	201	1261019GT	227
111647PGT	45	119468GT	85	122313PGT	21-22, 25-26, 29, 31	1261020GT	227
111648GT	45	119469GT	85	122346GT	21-22, 25-26	1261021GT	227
111655PGT	87-88	119471GT	85	122347GT	21-22, 25-26	1261022GT	227
111666GT	88	119472GT	83	122377GT	57-58	1261023GT	227
111668GT	73-74	119473GT	85	122685GT	115	1261024GT	227
111672GT	71	119474GT	85, 95	122710GT	71	1261025GT	227
111697GT	88	119475GT	83, 93	122715GT	57-58	1261184GT	223
111699GT	99	119477GT	85, 95	122754GT	43, 101	1262633GT	103, 107
		119478GT	83				

Part Number Index (continued)

Part Number	Page	Part Number	Page	Part Number	Page	Part Number	Page
1264387GT	103	13082GT	43	147258GT	191	214902GT	71
1264388GT	107	131589GT	91	147348GT	57-58	214904GT	57-58
1264894GT	93	133067GT	15	147349GT	57-58	214915GT	93
1264947GT	43	133238GT	12	147350GT	57-58	21496GT	61-62, 69, 73-74, 151, 153
1266271GT	35	133278GT	12	147351GT	57-58	215269GT	95
1266272GT	35	133464GT	11-12	147352GT	57-58	215270GT	95
1267807GT	77, 101	133465GT	15	147353GT	57-58	215271GT	95
1268229GT	77, 101	133474GT	12, 15	147355GT	57-58, 61-62	215273GT	95
1269501GT	131, 133	133518GT	11-12, 15, 187,	147419GT	37-38, 41, 165	215274GT	95
1269693GT	191		191, 203	147428GT	83	215275GT	93
1270116GT	229	13585GT	119-120	147525GT	71	215276GT	95
1270117GT	229	13775GT	55	147526GT	71	215277GT	95
1270118GT	229	139181GT	221	147661GT	225	215278GT	93
1272019GT	37-38	13918GT	45, 99, 105, 113,	147836GT	187	215279GT	95
1274322GT	179, 199, 227		115, 117	147837GT	187	215280GT	93
1274613GT	35	139331GT	51	147838GT	187	215281GT	93
1277924GT	179, 199	139338GT	125-126	147839GT	187	215283GT	93
1277968GT	93	139438GT	171-172	14815GT	17, 19	215284GT	93
1277969GT	93	139451GT	123	1487GT	171-172	215285GT	93
1277991GT	77, 87-88	139508GT	139	1488GT	171-172	215286GT	93
1279268GT	57-58, 77, 91, 99	139512GT	139	1505GT	169	215287GT	93
128000GT	133	139527GT	139	15086GT	81, 91, 99	215288GT	95
128001GT	133	139528GT	139	15243GT	49	215289GT	95
128003GT	61-62	139598GT	131, 133	160548GT	83	215290GT	95
128004GT	73-74	139610GT	87-88, 97	160550GT	65	215291GT	95
128022GT	61-62	139621GT	73-74	160551GT	61-62	215294GT	93
128023GT	73-74	139622GT	73-74	162006GT	201	215298GT	85, 95
128024GT	61-62	139624GT	69, 73-74	16584GT	67	215299GT	93
128045GT	177	139666GT	69, 73-74	1702GT	77, 99	215300GT	93
128061GT	97	139709GT	65, 73-74	17712GT	109	215301GT	93
1280665GT	43	139712GT	139	18503GT	85, 91, 97	215302GT	93
128125GT	125-126	139715GT	139	18504GT	97	215305GT	93
128165GT	93	139716GT	139	18506GT	93	215307GT	95
128166GT	93	139717GT	139	18665GT	49	215308GT	93
128200GT	47, 129, 183	139718GT	139	18666GT	117, 181, 203,	215309GT	93
128201GT	47	139719GT	139		205	215310GT	93
128202GT	47, 129	139727GT	139	18722GT	103, 105	215311GT	95
128203GT	47, 129, 221	139882GT	221	18963GT	169	215313GT	95
128204GT	47, 125-126,	139904GT	221	19018-1100GT	179	215314GT	93
	129, 225	139952GT	191	19018GT	91, 99	215316GT	99
128205GT	129, 187, 191	139953GT	191	19020GT	191	215317GT	99
128274GT	183	139954GT	191	19274GT	125-126	215320GT	97
128322GT	203	139958GT	171-172	19358GT	77, 99	215340GT	35
1283571GT	95	14033GT	79, 97	19363GT	77	215526GT	12
1283572GT	95	14392GT	185	19440GT	17, 19, 111	215527GT	12
1283573GT	95	144161GT	43, 191	19487GT	37-38, 41	215528GT	97
1283574GT	95	146034GT	177	19491GT	45, 103, 113, 115	215544GT	97
1283575GT	95	146049GT	55	19506GT	47	215545GT	147
128365GT	183	146050GT	55	19918GT	35	215642GT	35
128368GT	171-172	146284GT	201	19969GT	187	215709GT	97
128416GT	201	146285GT	201	20224GT	137, 143-144,	215871GT	71
128419GT	201	146351GT	191		167, 209	215872GT	93
1284723GT	35	146382GT	53	20776GT	49	215873GT	57-58
128578GT	47, 129	146413GT	37-38	20973GT	123	21604GT	117, 177
128588GT	61-62	146424GT	213	20980GT	151	216167GT	99
128636GT	111	146438GT	53	21019GT	57-58, 77, 91, 99	21618GT	221
1287434GT	139	146478GT	47, 129	21121GT	123	216367GT	97
1288561GT	73-74	146550GT	37-38	21130GT	61-62, 69, 73-74, 151, 153	216368GT	97
128903GT	79	147015GT	83, 87-88		74, 151, 153	216606GT	185
128935GT	51	147016GT	83, 87-88	21141GT	37-38, 41	216607GT	185
128984GT	57-58	147094GT	47	21175GT	45	216611GT	185
128985GT	57-58	147095GT	47	21187GT	201	216612GT	185
128986GT	61-62	147115GT	83	214221GT	38	216615GT	185
128987GT	62	147121GT	123	214249GT	185	216616GT	185
128991GT	61-62	147221GT	123	214446GT	97	216617GT	185
12906GT	53, 107	147228GT	191	214536GT	185	216618GT	185
12981GT	103	147229GT	191	214619GT	205	216638GT	147
13000GT	85, 97, 191	147230GT	191	214620GT	205	216640GT	147
13002GT	53, 61-62, 85,	147231GT	191	214621GT	205	216657GT	185
	97, 215	147232GT	191	214622GT	205	216662GT	185
13003GT	65, 105, 109	147233GT	191	214623GT	205	216678GT	185
13014GT	57-58, 77, 81	147239GT	191	21465GT	37-38, 41, 57-58, 91, 99	216683GT	185
13064GT	43, 45, 101, 105,	147240GT	191			216791GT	51
	109	147241GT	191	214796GT	83	216793GT	51
13066GT	21-22, 25-26,	147242GT	191	214798GT	83	217366GT	203, 205
	87-88, 97	147243GT	73-74	214803GT	83		

Part Number	Page	Part Number	Page	Part Number	Page	Part Number	Page
217440GT	205	233992GT	199	27836GT	135, 137, 143-144	30230PGT	69, 101
217441GT	51	233993GT	199			30255GT	111, 117
217820GT	93	233994GT	147	27920GT	81	30256-SGT	38
217822GT	95	234005GT	83	28076GT	65	30256GT	53
217823GT	93	234006GT	83	28131GT	125-126	30271GT	101
217824GT	95	23404GT	51, 125-126	28158GT	11-12, 15	30272GT	111
218576GT	97	235475GT	125-126	28159GT	11-12, 15	30275GT	38
218668GT	97	235476GT	125-126	28160GT	11-12, 15	30297GT	45
218742GT	97	235659GT	97	28161GT	11-12	30315GT	113
219158GT	223	236338GT	97	28164GT	11-12	30328GT	105
219160GT	12, 15	236339GT	99	28165GT	11-12	30333PGT	109
219391GT	43	236340GT	99	28171GT	11-12, 15	30370GT	117
219437GT	79, 91, 99	236341GT	97	28174GT	11-12, 15	30377GT	113
219447GT	43	236364GT	99	28175GT	11-12	30387GT	113
219474GT	99	236373GT	95	28176GT	11-12	30388GT	113, 115
219477GT	99	236420GT	99	28177GT	11-12	30389GT	113
219478GT	99	236421GT	99	28178GT	11-12	30391GT	53
220229GT	93	236422GT	99	28181GT	11-12	30411-SGT	117
220230GT	93	236423GT	99	28235GT	11-12, 15	30430GT	53
220231GT	93	236425GT	99	28236GT	11-12	30434GT	111
22541GT	45, 103, 111, 113, 115	236426GT	61-62	28443GT	123, 203	30438GT	67
		236832GT	97	28607GT	197	30468GT	175
22558GT	73-74	237107GT	191	28646GT	53	30472GT	111
22578GT	69, 73-74	237146GT	97	28656GT	81	30490GT	41
225967GT	129	237252GT	97	28717GT	81	30493GT	67
226102GT	11-12	237385GT	99	28750GT	135, 137, 139, 141, 143-144	30505GT	181
226393GT	169	237453GT	99			30769PGT	69
226419GT	103	237711GT	185	28853GT	183	30784-975GT	101
226495GT	165	237780GT	99	29073GT	69	30785-1500GT	69
226498GT	165	237856GT	88	29080GT	111	30785-275GT	151
226503GT	201	237857GT	88	29083GT	117	30785-400GT	153
226504GT	201	237858GT	88	29104GT	12	30806GT	67
226516GT	12	237859GT	88	29137GT	41	30810GT	197
226537GT	117	238123GT	185	29314GT	53	30884GT	151
22672GT	81	24038GT	62, 81, 91, 99	29550GT	65	30967GT	69, 215
22699GT	85, 87-88, 97, 99	24514GT	123	29555GT	65	30971GT	71, 211, 215
22700GT	67, 69, 73-74, 79, 81, 88, 97, 99, 215	25282GT	219	29557GT	69, 73-74	30997GT	47, 125-126
		25368GT	91	29558GT	67	31059GT	11-12
227309GT	87-88, 95	25388GT	43	29559GT	67, 71	31060GT	11-12
227425GT	201	25436GT	17, 19	29560GT	69, 73-74	31082GT	111
227516GT	123	25548GT	79, 87-88	29605GT	55	31086GT	111
22770GT	41	25685GT	177	29606GT	81	31095GT	117
227770GT	37-38	25855PGT	43	29616GT	81	31106GT	103, 107, 117
227810GT	25-26	25926GT	91	29739GT	149	31306GT	103, 105
227811GT	25-26	25927GT	91, 99	29746GT	19, 21-22, 26	31307GT	105
227813GT	25-26	25929GT	81	29749GT	61-62	31309GT	105
227814GT	25-26	25969GT	111	29764GT	120	31310GT	103, 107
227816GT	25-26	25994GT	11-12	29868GT	43, 53	31408GT	183, 185
227817GT	25-26	27034GT	215	29883GT	43, 101, 105	31506GT	37-38, 41
22788GT	87-88, 99	27067GT	22, 25-26	30021GT	111	31507GT	38, 41
227986GT	33	27082GT	183	30050-SGT	103, 105	31524GT	37-38, 41
227987GT	33	27089GT	37-38, 41	30052PGT	105, 107	31527GT	143-144
227988GT	77, 87-88, 97	27155GT	183	30080GT	11-12	31658-SGT	37-38, 41
22811GT	45	27204GT	11-12, 15	30116GT	111	31788GT	11-12
228457GT	61-62	27205GT	11-12, 15	30137GT	111	32064GT	77, 97
228466GT	123	27206GT	11-12, 15	30138GT	111	32309GT	65, 85, 95
228842GT	55	27207GT	11-12, 15	30139GT	111	32681GT	151, 153
228848GT	199	27246GT	47, 129, 191, 221	30143GT	91, 101	32695GT	71
228849GT	199	27258GT	113, 115	30144GT	101	32698GT	65, 74
228864GT	171-172	27287GT	125-126, 225	30180-SGT	105	32722GT	17, 103, 107
228866GT	147	27326GT	117	30186GT	111	32732GT	187
228886GT	201	27329PGT	67	30188GT	117	32735GT	187
228888GT	201	27377GT	53	30189GT	117	32748GT	65
229340GT	171-172	27391GT	221	30191GT	107	32749GT	65
229346GT	201	27412GT	77	30192GT	107	33024GT	67, 73-74
229375GT	169	27497GT	117	30193GT	105	33060PGT	65
229567GT	47, 125-126, 129	27535GT	187	30194GT	107	33240PGT	69
229768GT	123	27564GT	11-12	30195GT	107	33241PGT	69
23057GT	61-62, 65, 69, 79, 215	27695GT	103	30196GT	107	33265GT	55
		27698GT	17, 19, 21-22, 25-26	30198GT	103, 105	33277GT	65, 81, 87-88, 91
231041GT	219	27761GT	135, 137	30199GT	103	33361GT	71, 77, 215
231042GT	219	27802GT	143-144	30201GT	103	33418GT	65
231045GT	219	27804GT	143-144	30202GT	103, 105	33422GT	51
233365GT	83	27807GT	141, 144	30219GT	117	33550GT	15
233437GT	83			30220GT	117	33555GT	53
				30222GT	103, 105	33568GT	187

Part Number Index (continued)

Part Number	Page	Part Number	Page	Part Number	Page	Part Number	Page
33576GT	123	38620GT	111	48891GT	157, 159	49119-3878GT	155, 161
33607GT	51, 201	38859GT	55	48892GT	165	49119-41078GT	167
33608GT	51, 201	38922GT	77, 87-88, 97	48904GT	155, 157, 159, 161, 165, 189	49119-4178GT	155, 161
33629GT	119-120	39479GT	57-58, 61-62, 71, 81, 91, 99	48905GT	155, 161, 165, 167, 209	49119-4578GT	155, 161
33674GT	171-172	40405GT	103, 107	48907GT	161	49119-53778GT	167
33681GT	97	40434GT	11-12, 15, 227	48908GT	159	49119-6078GT	159
33724GT	119-120	42111GT	219	48909GT	155, 161	49119-9878GT	161
33729GT	67, 73-74	42112GT	219	48911GT	155, 161	49120-6131GT	219
33784GT	51	42113GT	219	48912GT	159, 165, 167, 209	49121-42388GT	167, 209
33952GT	11-12	42288GT	47	48914GT	157, 159	49126-1933GT	165
33957GT	81	4266GT	91, 99, 151, 153, 171-172, 187	48915GT	155, 161, 165	49128-2109GT	165
33960GT	79	42781GT	47, 125-126	48916GT	37-38, 41, 67, 157, 163, 165, 167, 209	49128-22009GT	167
33963GT	81	43018GT	147	48917GT	165, 167, 209	49128-23609GT	167
33964GT	81	43181GT	125-126	48918GT	155, 161	49128-3209GT	157, 163
33966GT	81	43392GT	171-172, 175	48920GT	155, 161	49128-3409GT	157, 163
33970GT	81	43595GT	12	48922GT	37-38, 41, 165, 193	49129-2125GT	165
33972GT	81, 197	43955-104400GT	43	48926GT	165	49129-2582GT	155, 161
33986GT	11-12	43955GT	119-120	48932GT	163, 189	49130-4982GT	155, 161
33994GT	135, 137, 139, 141, 143-144	44064GT	67, 69, 73-74, 81, 99	48933GT	155, 157, 159, 161, 167, 189, 207, 209	49135-3389-SGT	67
34052GT	51, 187	44174GT	147	48935GT	165, 189	49135-43389GT	167
34053GT	51	44227GT	147	48937GT	157, 159, 161, 163, 165, 193	49142-13762GT	207
34054GT	51	44743GT	123	48938GT	189	49142-7062GT	193
34055GT	51	44950GT	187	48939GT	161	49143-12229GT	193
34056GT	51	44981GT	11-12, 15, 181	48942GT	163	49143-1829GT	165
34058GT	197	44986GT	11-12	48944GT	193	49143-4829GT	155, 161
34162-1900GT	69	45066GT	45	48946GT	165, 189	49143-5429GT	157, 159, 163
34163GT	215	45074GT	17, 19	48947GT	193	49150-7030GT	165
34164GT	69, 215	45161GT	37-38, 41, 165	48948GT	161, 207	49151-10448GT	165, 195
34216GT	22, 26	45171GT	87-88, 211	48949GT	165, 195, 207	49151-8648GT	165, 195
34265GT	65	45209GT	101, 109	48959GT	165, 195, 207	49151-8948GT	195
34321GT	171-172	45303GT	111	48960GT	155, 161, 165, 189, 193, 195, 207	49151-9948GT	195
34359-SGT	213	45383GT	129, 177	48963GT	155, 161, 165, 189, 193	49159-2618GT	165
34619GT	53, 177	45435GT	57-58, 69, 77, 87-88, 97, 215	48964GT	189, 193, 207	49159-5100GT	165
34641GT	17	45455GT	37-38	48966GT	165	49163-6144GT	219
34850GT	213	45462GT	53, 169	48967GT	165	49164-1443GT	189
34901PGT	213	45470GT	115	48968GT	165	49183-1792GT	165
34902GT	213	45478GT	177	48969GT	165, 195, 207	49183-5863GT	161
34904GT	211	45782GT	47, 69, 73-74, 169, 187	48977GT	189	49189-5438-SGT	45
34922GT	211	45912GT	144	48979GT	165	49190-94800GT	181
34923GT	211	45914GT	187	48984GT	37-38, 41, 165	49201GT	165
34924GT	211	46002PGT	113, 115	48986GT	37-38, 41, 165	49207GT	157, 159
34925GT	211	46004GT	105	48988GT	37-38, 41, 165	49212GT	181
34926GT	211	46005GT	103	48994GT	37-38, 41, 165	49214GT	181
34955GT	211	46014GT	37-38, 41	48996GT	37-38, 41, 165	49215GT	181
34962GT	215	46131GT	87-88, 99	48997GT	137, 143-144, 165	49219GT	123
34964-SGT	211	46188GT	221	48998GT	165, 167, 209	49375GT	79
34965GT	211	46216GT	147	49000GT	217	49378GT	97
35067-200GT	69, 215	46468GT	12	49101-2910GT	165	49381GT	99
35067-500GT	71	47041GT	12	49109-1529GT	189	49401GT	65
35418GT	41	47363GT	203	49109-2229GT	189	49407GT	79
35434GT	79, 211	47377GT	117	49109-4629GT	161	49408GT	62, 79, 81, 85, 91, 95
35450GT	213	4828GT	37-38, 41, 43, 45, 53, 57-58, 61-62, 71, 77, 79, 81, 87-88, 91, 97, 99, 101, 103, 105, 107, 109, 117, 119-120, 177, 181, 191, 195, 201, 203, 213, 215, 221	49110-11192GT	161	49411GT	57-58, 61-62
35451GT	213			49111-1291GT	165	49413GT	79, 87-88
35452PGT	213			49117-2991GT	159	49463GT	183
35461GT	203			49117-3591GT	167	49512GT	165
35586GT	65, 74			49117-3891GT	155	49513GT	165
35599GT	11-12			49117-5991GT	165	49515GT	165, 189
35610GT	183			49117-6191GT	157, 163	49534GT	175
35817GT	77			49117-9291GT	167	49535PGT	53
35818GT	77			49117-9819GT	161	49612GT	135, 137, 139, 141, 143-144, 151, 153, 155, 157, 159, 161, 163, 165, 167, 189, 209
35956GT	172			49118-41408GT	167		
35960GT	169, 172			49118-5408GT	165		
36208GT	97			49118-6408GT	193	49618-SGT	53
36294GT	115, 201			49119-3478GT	165	49735GT	83, 93
36388GT	227			49119-3578GT	155, 161, 167	49816GT	115, 125-126
36456GT	99			49119-3778GT	165	49817GT	79
36648GT	111	48425GT	91, 99				
36928GT	187	48470GT	37-38, 41				
37003GT	67, 73-74, 81, 87-88	48875GT	165, 193, 207, 219				
37192GT	43	48880GT	137, 143-144, 157, 159, 167, 209				
37505GT	57-58, 61-62, 65, 71, 73-74	48884GT	73-74				
37947GT	47	48887GT	45				
37950GT	65						

Part Number Index (continued)

Part Number	Page	Part Number	Page	Part Number	Page	Part Number	Page
49820GT	125-126	5397GT	37-38, 41, 43,		123, 187, 191,	6178GT	45, 51, 79, 103,
49857GT	119-120		45, 53, 57-58,		201, 213		111, 113, 115,
49861GT	193		61-62, 71, 85,	6021GT	17, 19, 21-22,		125-126, 151,
49869GT	91, 101		87-88, 97, 99,		25-26, 31, 37-		169
49881GT	81		101, 103, 113,		38, 43, 53, 57-	61972GT	177
49898GT	77		115, 117, 123,		58, 67, 73-74,	61974GT	177
49915GT	65, 73-74		181, 187, 191,		77, 79, 97, 109,	61975GT	177
49916GT	67		199, 203, 205,		113, 115, 187,	6198GT	57-58, 61-62,
49917GT	67, 74		213, 215, 221		217		71, 81, 87-88,
49919GT	67	53980GT	157, 163	6022GT	87-88		91, 99, 107, 113,
49921GT	67	54085-8218GT	193	6024GT	19, 43, 105, 109		115
49922GT	69	54132GT	157, 159	60334GT	101	61997GT	177
49923GT	69	54247-SGT	120	6033GT	17, 19, 21-22,	62252GT	137
49924GT	69, 73-74	54255GT	125-126		25-26, 67, 73-	62253GT	137
49929GT	67	54274GT	120		74, 87-88, 97,	62256GT	143-144
51063GT	177	54325GT	41		103, 105, 107	62258GT	143-144
52001GT	187	54365GT	51	6036GT	101, 169, 172	62259GT	144
52076GT	79	54457GT	179	6037GT	67	62275GT	144
52078GT	81	54458GT	179	60443GT	125-126	62277GT	143-144
52086-RGT	187	54465GT	179	60508GT	37-38, 41	62337GT	147
52179GT	37-38	54486GT	175, 213	60526GT	125-126	62392GT	131, 133
52229GT	65	54487PGT	57-58	60584GT	43, 58, 91, 99	62417GT	117
52251GT	211	54534GT	51	60585GT	61-62	62420GT	57-58, 69, 71
52352GT	73-74	54573GT	61-62	60752GT	217	62421GT	57-58
52370GT	147	54578GT	57-58	60857GT	77, 101	62433GT	61-62
52371GT	147	54579GT	57-58	6086GT	17, 19	62466GT	45
52537GT	69	54598PGT	77	60886PGT	181	62476GT	73-74
52566GT	77	54627GT	21-22, 29, 31	6090GT	22, 26, 29, 31,	62506GT	147
52570GT	81	54687GT	57-58, 61-62		37-38, 43, 47,	62507GT	147
52575GT	81	54862GT	77		51, 77, 79, 87-	6272GT	225
52580GT	81	55014GT	87-88		88, 91, 99, 101,	62845GT	57-58
52661GT	171-172	55030GT	77		109, 119-120,	63140PGT	213
52723GT	137	55753GT	171-172, 179,		123, 171-172,	63145PGT	213
52726GT	135, 137		221		177, 179, 183,	63146GT	213
52768GT	37-38, 41	56057GT	51		213, 215, 221	63155GT	17, 19
52866GT	57-58, 69, 71	56424GT	123, 179, 199	6091GT	53, 57-58, 61-	63163PGT	213
52897GT	147	56426-700GT	221		62, 69, 77, 79,	63165GT	213
52907GT	147	56525GT	179		87-88, 91, 99,	63166PGT	213
52943GT	143-144	56570GT	179		101, 103, 105,	63183PGT	213
52965GT	11-12, 15	56704GT	169		111, 113, 115,	63211GT	107
52966GT	11-12, 15	56843GT	45		117, 123, 151,	63214GT	117
52967GT	11-12, 15	56900GT	45		153, 171-172,	6326GT	103
52968GT	11-12, 15	56912GT	22, 26, 29, 31,		177, 179, 187,	63347GT	107
53023GT	37-38, 41		79, 87-88, 91,		213, 215, 221	63348GT	103
53081GT	17, 19		97, 119-120, 215	6095GT	73-74, 81, 87-	63351GT	107
53156GT	183	56934GT	199		88, 91, 99, 113,	63352GT	117
53189GT	53, 175	57072GT	201		115	63354GT	117
53258GT	117	57075GT	191	6096GT	73-74, 107	63374GT	109
53387GT	17	57201GT	31, 119-120	6097GT	17, 41, 43, 53,	63375GT	191
53452GT	17, 19	57767GT	77		62, 67, 69, 79,	63376GT	111
53523-SGT	53	58139GT	53		81, 91, 99, 119-	63463GT	57-58, 69, 71
53524-SGT	53	58222GT	101		120, 177, 191,	6356GT	22, 26, 29, 31,
53527GT	37-38, 41	58223GT	101		195, 201, 215		43, 45, 47, 69,
53538GT	73-74	58247GT	77, 87-88, 97	6099GT	97		73-74, 79, 101,
53605GT	53, 217	58256GT	69, 73-74	61073-4930GT	165		103, 105, 107,
5365GT	153	58290GT	149	61074-2372GT	155, 161		109, 111, 113,
53707GT	53	58354GT	62	61110GT	74, 97		115, 119-120,
53715GT	65	58380GT	101	61222GT	45		123, 125-126,
53758-SGT	197	58402GT	187	61223GT	45		129, 172, 213,
53759-SGT	197	58415GT	57-58, 69, 71	61250GT	45		215
53760-SGT	197	58489GT	43	61262GT	207	63630PGT	22, 26
53761-SGT	197	58632GT	85, 95	61326GT	37-38, 41	63727GT	211
53807-SGT	171-172	58919GT	113	6145GT	53, 79, 91, 99,	63766GT	123
53808-SGT	171-172	58920GT	113		117, 172, 213,	64066GT	38
53811GT	109	58927GT	113		219	64079GT	81
53821PGT	79	58944GT	187	6146GT	45, 57-58, 77,	65453GT	79
5387GT	103, 105	58954GT	187		79, 91, 99, 151,	65454GT	81
53903GT	53	58967GT	79		169, 177, 185	65456GT	81, 197
53909GT	19	59460GT	17, 19	6147GT	169	65458GT	67
53945GT	215	6002GT	53, 61-62, 93	61726GT	177	65459GT	67
53950GT	197	60042-SGT	120	6175GT	17, 19, 38, 43,	65463GT	107
53952GT	57-58, 69, 71,	60143-SGT	217		53, 57-58, 61-	65473GT	58, 77, 91
	77, 87-88, 97	60160PGT	120		62, 67, 69, 71,	6550GT	203
53961GT	149	6019GT	31, 37-38, 53,		73-74, 79, 81,	65610-SGT	37-38
53967GT	43		62, 79, 99, 101,		87-88, 91, 109	65611-SGT	41
53976GT	187		117, 119-120,			65612GT	43

Part Number Index (continued)

Part Number	Page	Part Number	Page	Part Number	Page	Part Number	Page
65630GT	179	71498GT	172	75449GT	131, 133	81563GT	91, 101
65636GT	61-62	71909GT	37-38, 79	75578GT	21-22	81578GT	43
65638GT	61-62	71911GT	87-88, 215	75579GT	21-22	8170GT	101
65770GT	79, 81	72255GT	69, 73-74	75580GT	21-22	8177GT	17, 19, 22, 26, 67
65810GT	57-58, 69, 71	72282GT	169	75581GT	21-22	8178GT	41
65841GT	187	72290GT	22, 25-26	75614GT	193	8179GT	111, 115
6584GT	151, 153	72326GT	53, 129, 169, 177	75617-1538GT	221	81900GT	47
65892GT	37-38, 79	72327GT	57-58, 77, 91, 99	75617-1675GT	221	8220GT	17, 19
6595GT	191	72342GT	61-62	75617-2275GT	221	82229GT	11-12
6607GT	123	72343GT	57-58, 77, 97	75617-4788GT	221	82237GT	201, 203
6638GT	22, 26, 29, 31, 37-38, 43, 47, 53, 57-58, 61- 62, 67, 69, 71, 73-74, 77, 87- 88, 91, 93, 97, 99, 101, 103, 105, 111, 113, 115, 117, 119- 120, 123, 125- 126, 129, 171- 172, 175, 179, 183, 187, 199, 205, 213, 215, 219, 221	72344GT	57-58	75617-6275GT	221	82238GT	11-12, 15
		72348GT	57-58	75617-6475GT	221	82240GT	15
		72358GT	81	75631GT	85, 95	82243GT	11-12
		7265GT	171-172	75636GT	221	82244GT	11-12, 15
		72867GT	15	75640GT	125-126	82283GT	11-12
		72875GT	179	75649GT	43	82316GT	11-12
		73185GT	21-22, 25-26	75650-SGT	101	82366GT	11-12
		73210GT	21-22	75677GT	45	823702GT	77
		73257GT	29	75678GT	45	823729GT	97
		73258GT	29	75681GT	45	823730GT	97
		73260GT	29	75682GT	45	823816GT	95
		73261GT	29	75683GT	45	824027GT	205
		7339GT	45, 97, 107	75684GT	45	824029GT	205
		73449GT	19	75685GT	45	824038GT	199
		73463-1175GT	199	75686GT	45	824060GT	223
		73475GT	19	75722GT	29	824069GT	223
66472GT	221	73476GT	19	75849GT	111	824078GT	205
6653GT	37-38, 62	73477PGT	120	75854GT	195	824083GT	179
66812GT	47, 129	73478PGT	120	75855GT	195	824113GT	223
66813GT	129	73480GT	171-172	75858GT	43	824120GT	223
66815GT	129	73500GT	179	75863GT	29, 31	824164GT	111
66816GT	129	73501GT	179	75987PGT	187	82472GT	15
66818GT	47, 129	73575GT	123	75988PGT	43	82473GT	15
6708GT	87-88	73587GT	123	77046GT	11-12	82481GT	15
67349GT	91	73610PGT	119-120	77047GT	125-126	824879GT	47, 129
67537GT	79, 87-88	73711GT	125-126	77069GT	43	82487GT	15
6782GT	57-58, 77, 79, 191, 203, 205, 215	73713GT	125-126	7713GT	38, 43, 53, 69, 103, 105, 113, 115, 123, 169, 187	824882GT	47
		73717GT	49, 125-126			825019GT	17, 103, 105, 107, 117
		73723GT	125-126	77170GT	77	82544GT	15
6833GT	69, 77, 79, 91, 99, 177, 221	73725GT	125-126	77183GT	11-12	82545GT	15
		73736GT	49, 125-126	77191GT	37-38	82548GT	15
6878GT	111, 213	73739GT	125-126	77219GT	77-88, 97	8255GT	21-22, 25-26, 77, 91, 113, 115, 169, 217
6886GT	43, 67, 69, 201	73753GT	49	77295GT	77, 87-88, 97		
6888GT	43, 53, 57-58, 61-62, 69, 71, 73-74, 79, 87- 88, 97, 101, 103, 105, 111, 113, 119-120, 123, 175, 177, 215, 221	73766GT	17, 19, 22, 26	77351GT	125-126		
		73803GT	125-126	77382GT	183	82589GT	15
		73805GT	47	77402GT	61-62, 73-74	82601GT	15
		73807GT	147	77432GT	125-126	82602GT	15
		73900GT	120	77476GT	61-62	82604GT	15
		73928GT	120	77478GT	61-62	82605GT	15
		73931GT	123	77482GT	62	82606GT	15
		73976GT	120	77483GT	61-62	82644GT	12
		74006GT	119-120	77664GT	199	82646GT	15
		74052GT	191	77674GT	21-22, 25-26, 29, 31	82673GT	12, 15
		74389GT	17, 19, 111	77683GT	199	82862GT	203
6935GT	43, 49, 125-126, 191	74872GT	111, 117	77692GT	119-120	82924GT	15
		74913GT	51	77790GT	25-26	83093GT	47
69550GT	143-144	74920GT	51	77791GT	25-26	83098GT	131, 133
69873GT	137	74921GT	51	77797GT	221	83131GT	47
70257GT	91	74922GT	51	77819GT	149	83141GT	149
70356GT	57-58	74923GT	51	77840GT	120	84134GT	135, 137
70381GT	73-74	74924GT	51	77990GT	58, 149	84135GT	135, 137
70385GT	61-62	75020GT	61-62	80150GT	57-58, 71	8516GT	81, 91, 107, 117, 215
70419GT	77	75041GT	185	80605GT	177		
70423PGT	81	75067GT	119-120	81110GT	21-22, 29, 31, 45, 105	85300GT	179
70452GT	57-58, 61-62, 71, 81, 91, 99	75073GT	53			88296GT	22, 26
		75119GT	45	81123GT	183	88315GT	47
70486GT	197	75143GT	131	81164GT	21-22, 25-26	88356-11103GT	45
70489GT	79	75185GT	79	81368GT	179	88356-11B05GT	111
70496GT	73-74	75260GT	195	81484PGT	125-126	88356-146R3GT	103, 113, 115
70525GT	77	75395GT	117	81487PGT	125-126	88377-1400GT	199
70527GT	79	75443GT	131, 133	81488GT	125-126	88384GT	221
7056GT	43, 49, 119-120, 125-126, 191	75444GT	131, 133	81532GT	221	88385GT	221
		75445GT	131, 133	81550GT	126	88390GT	221
7057GT	191	75446GT	131, 133	81551GT	125-126, 225	88406GT	203, 205
71259GT	195	75447GT	131, 133			88450GT	77, 87-88
71383GT	37-38	75448GT	131, 133				

Part Number	Page	Part Number	Page	Part Number	Page	Part Number	Page
88451GT	83, 93	89700GT	29	89925GT	125-126	T111608GT	187
88452GT	83, 93	89701GT	29	89932GT	149	T111609GT	187
88606PGT	175	89702GT	21-22	89933GT	149	T111610GT	187
88607PGT	175	89703GT	21-22	89934GT	149	T111611GT	187
88609-SGT	175	89704GT	21-22	89942GT	57-58	T111612GT	187
88636-9273GT	159	89705GT	21-22	89953GT	61-62	T111613GT	187
88727GT	25-26	89707PGT	213	89954GT	101	T112018GT	91
88728GT	25-26	89719GT	187	89959GT	215	T112464GT	147
88729GT	25-26	89722GT	143-144	89973GT	77	T112560GT	191
88730GT	25-26	89723GT	175	89999GT	71	T112563GT	119-120
88757GT	77	89726GT	143-144	9145GT	21-22, 25-26	T112626GT	131, 133
88783GT	135	89728GT	143-144	94077GT	43	T112773GT	12, 15
88827GT	47	89729GT	144	94324-1900GT	215	T113655GT	201
88832GT	51	89730GT	144	94324-950GT	87-88	T114022GT	201
88841GT	61-62	89732GT	144	94374-1980GT	189	T114023GT	201
88846GT	58	89733GT	141, 143-144,	94374-2130GT	189	T114620GT	11-12
88847GT	57-58, 77		147	94374-2630GT	155, 161	T114678GT	69, 73-74
88883GT	33	89734GT	143-144	94374-4830GT	207		
88884GT	22, 25-26	89735GT	141, 147	94374-4930GT	155, 207		
88885GT	22, 25-26	89737GT	143-144	94374-6330GT	207		
88887GT	35	89738GT	143-144	94374-6630GT	165		
88989PGT	58	89742GT	119-120	94374-6930GT	165		
88990PGT	57-58	89743GT	119-120	94378PGT	61-62		
88991PGT	61-62	89744GT	119-120	94390-SGT	119-120		
88992PGT	62	89745GT	119-120	94399GT	117		
88993GT	61-62	89746GT	119-120	94420GT	219		
89033GT	21-22, 25-26	89747GT	119-120	94464-1986GT	73-74		
89098PGT	45	89748GT	119-120	94485GT	73-74		
8910GT	43	89749GT	119-120	94493-SGT	199		
8914GT	103, 113, 115,	89750GT	119-120	94506GT	129		
	125-126, 129	89751GT	119-120	94534GT	25-26		
8915GT	61-62, 123	89752GT	119-120	94535GT	25-26		
89176GT	125-126	89753GT	119-120	94536GT	25-26		
89177GT	125-126	89755GT	177	94549GT	177		
89179GT	195	89756GT	45	94612GT	38, 41		
89237GT	31	89759GT	57-58	94643GT	177		
89259GT	71	89762GT	61-62	94745PGT	123, 171-172		
89294GT	17, 19	89763GT	62	94757GT	201		
89295GT	17	89764GT	62	94758GT	135		
89296GT	111	89765GT	62	94759GT	201		
89300GT	141	89768GT	119-120	94760GT	201		
89309GT	144	89769GT	141, 147	94762GT	61-62		
89310GT	137, 144	89770GT	141, 147	94765GT	201		
89312GT	143-144	89771GT	61-62	94888GT	57-58		
89329GT	17, 19	89775GT	71	94889GT	57-58		
89331GT	21-22, 25-26	89776GT	71	94891GT	33		
89332GT	22, 26	89780GT	73-74	94892GT	33		
89335GT	119-120	89785GT	67, 73-74	94893GT	33		
89336GT	119-120	89786GT	74	94894GT	33		
89337GT	119-120	89787GT	74	94937GT	45		
89338GT	119-120	89788GT	74	9596GT	171-172		
89361PGT	22, 26	89792GT	73-74	9599-SGT	171-172		
89362PGT	22, 26	89800GT	45	96008-SGT	47		
89405-SGT	197	89811GT	81	97128GT	45, 111		
89431GT	151, 153	89812GT	81	97404GT	61-62		
89441GT	195	89813GT	81, 87-88	97461GT	57-58		
89453GT	65	89858GT	149	97473GT	62		
89463GT	169	89859GT	149	97548GT	11-12		
89464GT	183	89862GT	147	97571GT	12		
89469GT	217	89864GT	147	97579GT	203		
89520GT	151, 153	89871-4848GT	207	97602GT	12		
89554-11113GT	157, 163	89871-6348GT	165	97815GT	12, 15, 123		
89555-3708GT	161	89871-9048GT	189	97884GT	11-12, 15		
89571GT	45	89883-SGT	175	97887GT	11-12		
89616GT	37-38, 41	89885GT	45	97890GT	11-12		
89620GT	43	89888GT	71	99778GT	185		
89625GT	53	89889PGT	71	T106652GT	191		
89629GT	53	89890PGT	73-74	T106954GT	45		
89651GT	91, 101	89893PGT	71	T106955GT	45		
89666GT	125-126	89895PGT	71	T106957GT	45		
89672PGT	65, 101	89901GT	61-62	T106961GT	45		
89673GT	125-126	89902GT	71	T106962GT	45		
89675GT	17	89903PGT	71	T108075GT	117		
89682GT	21-22, 29, 31	89904PGT	53	T109328GT	175		
89698GT	29	89917PGT	79	T111450GT	111		
89699GT	29	89921GT	79	T111451GT	111		

Part Description Index

The Part Description Index is an alphabetical index of all part descriptions included in this manual. The index shows what page(s) the part is used on.

- 1**
12VDC PROPORTIONAL VALVE.....191
- 2**
207 HYD MOTOR ASSY, GEN.....191
- 6**
6' TRI-ENT ASSY W/DECALS A/SOA.....171-172
6' TRI-ENT ASSY W/DECALS ANSI.....171-172
6' TRI-ENT ASSY W/DECALS AUSTR.....171-172
6' TRI-ENT RAIL W/DECALS A/SOA.....171-172
6' TRI-ENT RAIL W/DECALS ANSI.....171-172
6' TRI-ENT RAIL W/DECALS AUSTR.....171-172
- 8**
8' TRI-ENT ASSY W/DECALS ANSI.....171-172
8' TRI-ENT ASSY W/DECALS AUSTR.....171-172
8' TRI-ENT ASSY W/DECALS CE.....171-172
8' TRI-ENT RAIL W/DECALS A/SOA.....171-172
8' TRI-ENT RAIL W/DECALS ANSI.....171-172
8' TRI-ENT RAIL W/DECALS AUSTR.....171-172
8' TRI-ENT RAIL W/DECALS CE/UK.....171-172
- A**
ACC,FALL ARREST BAR,6FT FR.....227
ACC,FALL ARREST BAR,6FT SYM.....227
ACC,FALL ARREST BAR,6FT WORD.....227
ACC,FALL ARREST BAR,8FT FR.....227
ACC,FALL ARREST BAR,8FT SYM.....227
ACC,FALL ARREST BAR,8FT WORD.....227
ACC,PLAT CONTROL COVER, SERV.....175
ACCESSORY,ARCTIC HOSE,Z60.....115
ACCESSORY,OPERATOR PROT STRUCT.....223
ACCESSORY,PANEL CRADLE,ANSI.....199
ADAPTER 20 ORB X 16 ORFS.....165
ADAPTER CABLE, JS100 JOYSTICK.....125-126
ADAPTER, 010103.....197
ADAPTER, MIXER/THRO, MSG425.....93
ADAPTER, WATER CONN, MSG425.....93
ADAPTER,140139-8-6.....197
ADAPTER,MIXER/THROTTLE BODY.....83
ADAPTER,PIPE NIPPLE.....165
ADJUSTABLE STRAP ASSY.....199
AIR CLEANER CAP/ FORD/NOLFF***77, 87-88, 97
AIR CLEANER MOUNTING BRKT,PTD.....87-88
AIR CLEANER,FORD,T3.....77, 87-88, 97
AIR CLEANER,NELSON***57-58, 69, 71
AIR INTAKE FRAME.GRAY.....53
ALARM,CHIME TONE 5-25VDC***.....53, 169
ALARM,INTERMITTENT TONE 6-30V*.....169
- ALARM,WARBLE TONE 5-30 VDC***129, 177
ALTERNATOR, DEUTZ F3L10/F4L10*.....65, 74
ALTERNATOR, PERKINS (54555).....61-62
ALTERNATOR,65 AMP,PERKINS 404.....61-62
ALTERNATOR,FORD DSG423,MSG425.....87-88, 95
ALTERNATOR,LRG-423 RE-BUILT*.....79
ANGLE,RELAY MNT,W/NUTSERTS,PNT.....51
ANGLE,RING GEAR BLUE.....213
ASSEMBLY RESET SWITCH.....229
ASSEMBLY,CABLE,TAPESWITCH.....229
ASSEMBLY,FOOT SWITCH.....123
ASSEMBLY,HOSE,AIR INTAKE.....87-88
ASSEMBLY,TAPESWITCH.....229
ASSEMBLY,WELDER,PLATFORM,S60/6.....205
ASSM, GEN. ONLY, 110V, 60HZ.....187
ASSY BATTERY HEATER,240V.....185
ASSY HEATER, MODEL 18, 120V.....185
ASSY HEATER,MODEL 18,240V.....185
ASSY W/4 WHEEL/TIRES W/SEALANT.....21-22
ASSY, BATTERY HEATER, 120V.....185
ASSY, CIRCUIT BREAKER 15A.....47
ASSY, CIRCUIT BREAKER 20A.....47
ASSY, MED. PRESS. FILTER, SAE8.....77, 101
ASSY, PRECLEANER BRACKET.....215
ASSY,120V HEATER, HYD TANK.....185
ASSY,240V HEATER, HYD TANK.....185
ASSY,BRKT,CNTRL BOX W/FASTNRS.....229
ASSY,ENCLOSURE,WELDER,GEN.....201
ASSY,LS,LOAD SENSE,38.5 IN.....177
ASSY,MODULE,CONTROL UNIT,OPA.....229
ASSY,PCB ALC500 Z60 LEG V200.....125-126
ASSY,RELAY SOCKET, AUTO.....51
ASSY,TIRE/WHEEL,HF,W/SEALANT.....21-22, 25-26
ASSY,TIRE/WHEEL,LH,RT,W/SEALAN.....21-22
ASSY,TIRE/WHEEL,RH,RT,W/SEALAN.....21-22
ASSY,TRACK,FALL ARREST BAR,6FT FR.....227
ASSY,TRACK,FALL ARREST BAR,6FT SYM.....227
ASSY,TRACK,FALL ARREST BAR,6FT WORD.....227
ASSY,TRACK,FALL ARREST BAR,8FT FR.....227
ASSY,TRACK,FALL ARREST BAR,8FT SYM.....227
ASSY,TRACK,FALL ARREST BAR,8FT WORD.....227
AUX TOP RAIL,6"(1.25")SERVICE.....171-172
AUX TOP RAIL,6",SWG GT, SRV.....171-172
AUX TOP RAIL,6FT,PTD.....171-172
AUX TOP RAIL,8"(1.25")SERVICE.....171-172
AUX TOP RAIL,8",SWG GT, SRV.....171-172
AUX TOP RAIL,8FT,PTD.....171-172
- B**
BACKING PLATE, PAINTED.....213
BAFFLE, AIR CLEANER (27915)*.....57-58, 69, 71
Ball Bearing.....35
BALL STUD**.....53
BAR,AXLE ROTATION STOP,NON-OSC.....22, 26
BAR,AXLE ROTATION STOP,OSC.....22, 26
BAR,HARNESS CONNECTOR MOUNT.....79
BASE ENCLOSURE,RED,OPA.....229
BASE, W/1 N.O. CONTACTS***.....129
BASE,W/2 NC CONTACTS***.....47
BASE,W/3 NC CONTACTS.....129
BATT,CABLE,RED, 4 GAUGE.....183
BATT.CABLE,2/0,BLACK,48".....91, 101
BATTERY CABLE,1/0 GA,BLK 30".....101
BATTERY CABLE,1/0 GA,BLK 48".....101
BATTERY CABLE,1/0 GA,RED 45".....101
BATTERY CABLE,2/0,POS.RED,45".....91, 101
BATTERY HOLD DOWN,GROUP 31.....101
BATTERY,12V,1000 CCA GRP 31.....91, 101
BEARING KIT DRIVE TURN AND HUB.....45
BEARING KIT,PLAT ROTATOR,SUPER.....117
BEARING,1.00IDX1.50ODX1.00L.....17, 19
BEARING,1.25 ID X 1.5 OD X .75.....117
BEARING,1.25ID X 1.5OD X 0.69L.....117
BEARING,1.25IDX1.50ODX0.88L.....111
BEARING,1.25IDX1.50DX1.00L.....117
BEARING,1.5IDX1.75ODX1.5L,PTFE.....17, 19
BEARING,1.75IDX2.00ODX1.50L.....105, 107
BEARING,2.25IDX2.50ODX1.50L***.....103, 105
BEARING,2.50IDX2.75ODX2.00L.....17, 19, 21-22, 25-26
BEARING,BALL DRIVE SHAFT.....22, 25-26
BEARING,FL,1.25ID X 1.41OD X 1.....117
BEARING,FL,1.25IDX1.41ODX1.50L.....103, 105
BEARING,FL,1.75IDX1.94ODX1.50L.....103
BEARING,GARLOCK 20DU12.....107
BEARING,GARLOCK,12FDU12.....177
BEARING,GARLOCK,28DU24.....103, 107
BEARING,INNER (88883).....33
BEARING,MOTOR.....187
BEARING,OUTER (88883).....33
BEARING,POLYGON,BM5120.....103, 107
BEARING,ROLLER TAPERED.....35
BEARING,SERIES 3000.....45
BEARING,WHEEL DRIVE (88886).....35
BELL HOUSING KIT, FORD 425EFI.....81
BELL HOUSING KIT,FORD DSG423.....87-88
BELT, FEAD, MSG425.....95
BELT, V (PERKINS 404).....62
BELT,SERPENTINE,DSG-423.....85
BELT,SERPENTINE,LRG425 EFI***.....81
BELT,TIMING,FORD LRG423/425EFI.....79, 81
BELT,V, DEUTZ DIESEL ENGINE.....65, 74
BIT,T-27,TORX SOCKET,SECURITY.....205
BLANKET,BATTERY.....183
BLOCK HEATER,FORD DSG-423.....183
BOLT, BRACKET, SUPPORT,FORD MSG.....95
BOLT,CARRIAGE,1/4-20 X .75,G2.....111, 213
BOLT,EXHAUST,PERKINS(54555)**.....57-58
BOLT-FLANGE,M6 X 22MM(52573).....81
BOOT GUARD, JOYSTICK 62390/91.....131
BOOT(BELLOWS),E-STOP,BLACK.....47, 129
BOOT, ROCKER JOYSTICK 75565.....131, 133
BOOT,2 X 12 WAY.....125-126
BOOT,CABLE TERM,MED.RED,4/0.....43
BOOT,DTSCH,DTP4-BT.....125-126
BOOT,JOYSTICK.....131, 133

Part Description Index (continued)

- CONN,SQUEEZE,1/2NPT .38-.50,SM.....43,
49, 119-120, 125-126, 191
CONN,SQZ,BLK,1/2NPT,.38-.50,SM.....123
CONN. ASSY,7.9 TUBE X6.35 HOSE.....37-
38, 79
CONN. SQZ PG11 .30-.40 W/ORING.....103,
113, 115
CONN. SQZ,1/2NPT .39-.56 MED.....191
CONNECTING LINK ASSY.....103, 105
CONNECTOR, DEUTZ FUEL SHUTOFF*..69,
73-74
CONNECTOR,010102-6-4.....77, 99
CONNECTOR,FEMALE,RECPTCLE,110V.191
CONTACT, N.C.....47, 129
CONTACT,N.O.***.....129
CONTACTOR,LIMIT SWITCH.....45, 103, 113,
115
CONTROL BOX COVER ASSY***.....175
CONTROL BOX COVER,LID,PTD.....175
CONTROL BOX COVERS,OPTION,Z60.....175
CONTROL BOX W/LID & DECAL GRND.....47
CONTROL BOX,2KW,120/240V,50HZ.....191
CONTROL MODULE, MSG425.....99
CONTROL MODULE,DSG-423.....91
CONTROLLER BOX, 120/240V, 60H.....191
CORROSION INHIBITOR COATING.....91, 101
CORROSION INHIBITOR,FOAM.....47, 125-
126
COUPLER, PUMP / MOTOR (36179).....43
COUPLER,15 TOOTH,FBA,PERKINS*.....61-
62
COUPLER,15 TOOTH,FBA,SAE8***.....73-74
COUPLER,15T,FBA,SAE 8,MSG425.....97
COUPLER,HUB,15 TOOTH 7/16BOLT*.....67,
73-74, 81, 87-88
COUPLER,SMALL METAL,15T,***.....61-62
COUPLING (106113).....201
COUPLING, 28MM (106113).....201
COVER - DEUTZ F4L1011F.....67
COVER ASSEMBLY BASE CONTROL
BO.....175
C O V E R A S S E M B L Y
W/DECALS-NONSTE.....22, 26
COVER ASSEMBLY W/DECALS-STEER.....29,
31
COVER ASSY, RH, ENGINE,.....53
COVER REINFORCEMENT, L.H.....53
COVER REINFORCEMENT, R.H.....53
COVER, END, GEN, 120V.....191
COVER, ENGINE, DEUTZ F3L 2011F.....71
COVER, FOOT SWITCH, LARGE.....123
COVER, PROTECTIVE, OSCILLATE.....211
COVER, PULLEY (DEUTZ F3L 2011).....74
COVER, REAR AXLE, PAINTED.....22, 26
COVER,BLANK.....191
COVER,CABLE,ENGINE SIDE,RH,PTD.....103
COVER,CABLE,JIB PAINTED.....117
COVER,CABLE,TANK SIDE,LH,PNTD.....103
COVER,CABLE,UPR TNSN ARM,PTND.....105
COVER,CB VALVE,Z60,PRIMARYBOOM.....111
COVER,CONTROL BOX LEFT SIDE***.....175
COVER,CONTROL BOX RIGHT SIDE***.....175
COVER,DRILLED***.....113, 115
COVER,END,KIT (88887).....35
COVER,FLYWHEEL CASTING.....73-74
COVER,FOOT SWITCH.....123
COVER,FRONT DEUTZ ENGINE.....65
COVER,GFCI,HORIZONTAL,WEATHER..119-
120
COVER,HUB (88883).....33
COVER,PROTECTIVE,STEERING.....211
COVER,PROTECTIVE,SWING CHASSIS..213
COVER,PROTECTIVE,Z60 ELEVATE.....211
COVER,PROTECTIVE,Z60 JIB.....211
COVER,PROTECTIVE,Z60 MASTER.....211
COVER,PROTECTIVE,Z60 PRIMARY.....211
COVER,PROTECTIVE,Z60 SLAVE.....211
COVER,WEATHERPROOF 3-PHASE.....203
COVER,WELDER GENERATOR.....201
CRANK PULLEY, EXT, MSG425.....95
CYL,EXT,2.5 X 112.25,Z60.....111
CYLINDER MOUNT BAR.....111
CYLINDER, LIFT.....107
CYLINDER, MASTER.....107
CYLINDER, OSCILLATE***.....17
CYLINDER, PRIMARY LIFT Z60.....107
CYLINDER, SECONDARY LIFT Z60.....103
CYLINDER,JIB,Z60.....117
CYLINDER,SLAVE.....117
CYLINDER,STEERING***.....17, 19
- D**
- DECAL FAULT CODE.....11-12
DECAL KIT,WORDS, Z60/34.....11-12
DECAL LBL ALC500 Z60 LEG V200...125-126
DECAL PLATE ASSY W/SYM DECALS.....119-
120
DECAL PLATE ASSY W/WORD
DECALS.....119-120
DECAL, ENGINE SPEC, PERKINS.....12
DECAL, INSTRUCTION, OPS.....12, 15
DECAL, PATCH, GEN,ALC-500.....11-12, 15,
187, 191, 203
DECAL, POWER TO PLATFORM 230V**...11-
12, 15
DECAL, SYMBOL - READ THE MANUAL.....15
DECAL,ARROW BLUE.....11-12, 15
DECAL,ARROW YELLOW LRG 9".....11-12,
15
DECAL,CAUTION,SHUTOFF VALVES**.....15
DECAL,CAUTION,TOWING SPEED.....12
DECAL,CHEVRON RANDO HD.....11-12
DECAL,COSMETIC,4 X 2.....11-12, 15
DECAL,COSMETIC,4 X 4.....11-12, 15
DECAL,COSMETIC,GENIE.....229
DECAL,COSMETIC,GENIE BOOM,VERT..11-
12, 15
DECAL,COSMETIC,GENIE Z-60/34.....11-12,
15
DECAL,DANGER DO NOT ALTER
SWTC.....11-12
DECAL,DANGER,BATTERY SAFETY***.....11-
12
DECAL,DANGER,ELEC.HAZ.STAY CLR....11-
12, 15
DECAL,DANGER,ELECT HAZARD***.....11-12
DECAL,DANGER,GEN SAFETY RULES.....11-
12
DECAL,DANGER,GENERAL SAFETY.....11-
12
DECAL,DANGER,HIGH VOLTAGE.....201, 203
DECAL,DANGER,MAX LOAD 227 KG**.....15
DECAL,DANGER,MAX SIDE FRC,667N.....15
DECAL,DANGER,NO SMOKING.....11-12
DECAL,DANGER,NO SMOKING ***.....11-12,
15
DECAL,DANGER,SIDE FRC 400N.....15
DECAL,DANGER,TILT ALARM.....11-12
DECAL,DANGER,TIP-OVER,TIRES***.....12
DECAL,DANGER,TIP-OVER,WELDER**.....203
DECAL,DIESEL.....11-12, 15
DECAL,DRIVE ENABLE PATCH.....15
DECAL,ENGINE SPEC,DEUTZ 2011.....11-12
DECAL,ENGINE SPEC,PERKINS***.....12
DECAL,EXPLOSION HAZARD.....12
DECAL,FIRE EXTINGUISHER.....203
DECAL,FORD ENGINE SPEC DSG423.....12
DECAL,FORD ENGINE SPEC MSG425.....12
DECAL,FUNCTION OVERRIDE.....12
DECAL,GND CONT PNL,Z60.....12, 15
DECAL,INST,OPER INST,Z60,AUS.....12
DECAL,INSTR,MAX SIDE FRC,ANSI.....11-12
DECAL,INSTR,SIDE FRC/WIND,AUS.....11-12
D E C A L , I N S T R U C T , F O O T S W I T C H
O P E R.....11-12
DECAL,LABEL, AIR LINE 110 PSI.....11-12,
15, 181
DECAL,LABEL,105 DB.....15
DECAL,LABEL,BELT ROUTING DSG.....12
DECAL,LABEL,BELT,MSG425.....12
DECAL,LABEL,CB SYMBOL.....15
DECAL,LABEL,FALL HAZARD***.....15
DECAL,LABEL,LIGHTS***.....15
DECAL,LABEL,LIQUID PROPANE.....11-12,
15
DECAL,LABEL,LOWER MIDRAIL...12, 15, 123
DECAL,LABEL,MANUAL NOT HERE.....11-12
DECAL,LABEL,MAX CAPACITY***.....15
DECAL,LABEL,NO SMOKING,SYMB.....15
DECAL,LABEL,TIP OVER LMT SWTCH.....15
DECAL,LABEL,TIPOVER,TILT AL SY.....15
DECAL,LABEL,TIRE PRESSURE,Z60.....15
DECAL,LABEL,TRANSPORT DIAGRAM....12,
15
DECAL,LABEL,UNLEADED GAS ONLY.....11-
12, 15
DECAL,LABEL,WHEEL LOAD Z60.....12, 15
DECAL,LABEL WHEEL LOAD Z60.....12, 15
DECAL,LABEL,TIRE PRESSURE,Z60.....15
DECAL,LANYARD ANCHORAGE POINT...11-
12, 15, 227
DECAL,LOW/ULTRA LOW SULFR FUEL.....12
DECAL,NOTICE TIRE PRESSURE.....11-12
DECAL,NOTICE,AIR INLET***.....11-12
DECAL,NOTICE,DEUTZ ENG SPEC.....11-12
DECAL,NOTICE,FORD ENG SPECS T2.....12
DECAL,NOTICE,HAZARDOUS MAT'LS*.....11-
12
DECAL,NOTICE,HI FLOAT TIRES.....11-12
DECAL,NOTICE,MAX LOAD 500 LBS.....11-12
DECAL,NOTICE,OPER INST.IC.....11-12
DECAL,NOTICE,OPER INST.IC***.....11-12
DECAL,NOTICE,SHUTOFF VALVES.....11-12
DECAL,PLATFORM CONTROL PANEL.....11-
12, 15
DECAL,POWER TO PLATFORM 115V.....11-
12, 15
DECAL,PROTECTOR,CLEAR***.....11-12, 15
DECAL,PROTECTOR,CLEAR,PLATE***.....211
DECAL,SOFTWARE,Z-60.....11-12, 15
DECAL,SYM,LH,TT,COVER ASSY.....53
DECAL,SYMBOL-BATTERY SAFETY.....15
DECAL,SYMBOL-COMP ACCESS.....15
DECAL,TOWING INSTRUCTIONS.....12
DECAL,TRACK,FALL ARREST
BAR,SYMBOL.....227

Part Description Index (continued)

- FORMING,CAT MUFFLER MNT,LOW PT...87-88
 FORMING,CAT MUFFLER MOUNT,PTD...87-88
 FORMING,DRIVE ENABLE BRACKET.....45
 FORMING,ENGINE BAFFLE,PERKINS.....58
 FORMING,ENGINE BRACKET.....215
 FORMING,ENGINE MOUNT DEUTZ.....71
 FORMING,ENGINE MOUNT OUT PAINT.....71
 FORMING,ENGINE MOUNT,INBOA PNT...73-74
 FORMING,ENGINE MOUNT,LH,PERK.....57-58
 FORMING,ENGINE MOUNT,RH,PERK.....57-58
 FORMING,FAN GUARD,FORD,PAINTED.....77
 FORMING,FAN SHROUD,PNTD.....91
 FORMING,FILTER BRACKET,PAINTED.....101
 FORMING,FORD GCP MOUNT.....91
 FORMING,FUEL PRES.REG MNT.....99
 FORMING,FUEL PRES.REG MNT,PTD.....91
 FORMING,GEN MOUNTING BRKT.....191
 FORMING,HEAT SHIELD MOUNT.....97
 FORMING,HEAT SHIELD,EXH PIPE.....87-88
 FORMING,HEAT SHIELD,FORD.....77
 FORMING,HEAT SHIELD,HEADER.....87-88
 FORMING,HEAT SHLD SUPPORT,PTD.....77
 FORMING,HEAT SHLD,HEADER PIPE.....87-88
 FORMING,HOSE TRAY.....201
 FORMING,HYD. HOSE RESTRAINT.....65, 101
 FORMING,INNER HANGER.....227
 FORMING,LATCH,CTRL BOX LID PTD.....175
 FORMING,LEFT ENGN SUPPORT,PNTD.....91
 FORMING,LH MUFFLER SUPPORT PNT.....79
 FORMING,MEGAJECTOR MOUNT,PNTD...79
 FORMING,MFLD GUARD,MSG425.....97
 FORMING,MUFFLER CLAMP, PAINTED.....79
 FORMING,MUFFLER MOUNT PAINTED...61-62
 FORMING,MUFFLER SUPPORT PAINTE...62
 FORMING,MUFFLER SUPPORT,PNTD.....77
 FORMING,PRECLEANER MOUNT,PTD.....215
 FORMING,RAD.SHROUD,FORDZ60,PTD...77
 FORMING,RADIATOR BRACE LFT,PTD.....91
 FORMING,RADIATOR SHROUD,Z60,PD.....91
 FORMING,RADIATOR SUP PNTD.....81
 FORMING,RADIATOR SUPPORT,LH.....79
 FORMING,RADIATOR SUPPORT,PNTD...91, 99
 FORMING,REGULATOR MOUNT,PTD.....91
 FORMING,RH MUFFLER SUP PAINTED...79
 FORMING,SECONDARY SUPPORT.....199
 FORMING,SOLENOID MOUNT.....61-62
 FORMING,SOLENOID MOUNT PAINTED...61-62
 FORMING,UPPER RAD SUPPORT PNTD...58
 FUEL FILTER ASSEMBLY.....57-58
 FUEL FILTER W/SEP,DEUTZ,1008.....69, 73-74
 FUEL INJECTOR FORD DSG423, BK.....83
 FUEL INJECTOR FORD DSG423,YL.....83
 FUEL JUMPER HARNESS.....83
 FUEL LINE INJ. DEUTZ F4L1011F.....67
 FUEL LINE, DEUTZ F3L 2011F,1 METER LG.....73-74
 FUEL PRESSURE REG,425EFI***.....79
 FUEL PUMP,DSG-423 AND MSG-425.....37-38
 FUEL SENSOR ASSY.....91, 99
 FUEL TANK ASSY W/CAP, 20 GAL.....37-38
 FUEL TANK ASSY W/CAP, 20 GAL**.....41
 FUNCTION GEAR PUMP,OSCILLATE**.....149
 FUSE BOX COVER.....88
 FUSE BOX MOUNTING,LEFT.....88
 FUSE BOX MOUNTING,RIGHT.....88
 FUSE BOX RELAY STICKER.....88
 FUSE,,6AMP,250V,WELDER,V275S.....203, 205
 FUSE,13 AMP,220V PLUG.....43
- G**
- GAS STRUT,200 LBS.FORCE.....53
 GASKET, FUEL LEVEL GAUGE, GAS.....37-38
 GASKET, MSG425.....95
 GASKET, WATER PUMP.....81
 GASKET,ACTUATOR PLATE.....83
 GASKET,COOLING FITTING.....83
 GASKET,COVER,GFCI,WEATHERPROOF.191
 GASKET,ENCLOSURE.....229
 GASKET,EXH FLANGE-FORD/PERKINS...57-58, 77, 97
 GASKET,EXHAUST.....67, 71
 GASKET,EXHAUST FORD TIER II.....77
 GASKET,EXHAUST,FORD MSG.....95
 GASKET,FOAM,AIR INTAKE,DEUTZ.....71
 GASKET,GBOX,S80/85 2008.....47
 GASKET,INTAKE MANIFOLD,MSG 425.....93
 GASKET,KEYSWITCH,PLASTIC***.....47
 GASKET,MANIFOLD EXHAUST.....87-88
 GASKET,MIXER, FORD DSG423.....83
 GASKET,PLATFORM CONTROL BOX.....125-126
 GASKET,THERM.HSNG O-RING.....81
 GASKET,THROTTLE ACTUATOR***.....83, 93
 GASKET,WATER PUMP.....62
 GASKET-CYLINDER HEAD.....57-58
 GASKET-THERMOSTAT HSG.....57-58, 61-62
 GATE LATCH CASTING--DRILLED.....171-172
 GAUGE, FUEL LEVEL, 20/30 GAL.....37-38
 GAUGE,MED.PRESSUR FILTER,50530.....37-38, 41
 GAUGE,OIL PRESSURE W/O SENDER.....197
 GAUGE,OIL TEMP.....197
 GAUGE,VOLTAGE.....197
 GAUGE,WATER TEMP.....197
 GAUGE-SIGHT,LHA-LGTB***.....37-38, 41
 GEAR/BEARING ASSY,WHEEL DRIVE (88886).....35
 GEN,HYD,3000W,110V,60HZ.....187
 GENERATOR, 3kW, 120V/60Hz.....191
 GENERATOR,12.5 KW,W/O MOTOR***.....201
 GENERATOR,2500W HYD.220/50HZ.....187
 GENERATOR,3kW,120V/50Hz.....191
 GENERATOR,3kW,240V/50Hz.....191
 GENERATOR,HYDRO-12KEP-21-3.....201
 GFCI,50A, 3PH.....201
 GFI/CIRCUIT BREAKER ASSEMBLY.....201
 GLOW PLUG,L1011.....183, 185
 GRND CNTRL BOX W/LID WORD/LPG.....47
 GRND CNTRL BOX W/SYMBOL DECALS...47
 GRND CNTRL BX W/LID WORD/DIESE...47
 GROMMET,RUBBER .75 X .19 X 1*.....43, 58, 91, 99
 GROMMET,RUBBER,1.0X0.094X1.375.....123
 GUARD, HOSE PROTECTOR.....17
 GUARD,FAN,FORD/PERKINS,PAINTED...57-58
 GUARD,FOOTSWITCH,W/DECAL ALUM...123
- H**
- HALF MESH,8'PLATFORM,LH.....179
 HALF MESH,8'PLATFORM,RH***.....179
 Half Shaft.....35
 HARN JOYSTICK ADAPTOR JS100.....131, 133
 HARN, AC PROTECTION BYPASS.....221
 HARN,PBOX,OPA,HW,12V.....229
 HARN,PIGTAIL,TAPESWITCH,OPA.....229
 HARNESS, 120V BATT CABLE, 98".....185
 HARNESS, 120V POWER CORD, 24".....185
 HARNESS, 240V BATT CABLE, 98".....185
 HARNESS, 240V POWER CORD, 24".....185
 HARNESS, FORD STARTER.....83
 HARNESS, GND BOX, DIESEL,Z60.....57-58, 71
 HARNESS, GND BOX, FORD, Z60.....83, 93
 HARNESS, Z60 MTE GEN OPTIONS.....191
 HARNESS,12/3, 12V TO PLAT,Z60.....125-126
 HARNESS,18/19,BOOM CABLE.....125-126
 HARNESS,18/19,BOOM CABLE 1,Z60.....125-126
 HARNESS,18/19,BOOM CABLE 2.....125-126
 HARNESS,18/19,BOOM CABLE 2,Z60.....125-126
 HARNESS,BEACON,Z60.....169
 HARNESS,BOOM RETRACT, Z60.....111
 HARNESS,COLD START OPT,DUETZ.....183
 HARNESS,DEUTZ ENGINE (F3L2011).....71
 HARNESS,DRIVE ENABLE,Z60.....45
 HARNESS,DRIVE LIGHT OPT,Z60.....169
 HARNESS,ENG,PERKINS,404-22 ALT.....57-58
 HARNESS,ENG.PERKINS,404-22 ALT.....57-58
 HARNESS,ENG/HYD HEATER,120V.....185
 HARNESS,ENG/HYD HEATER,240V.....185
 HARNESS,ENGINE FORD DSG-423.....83
 HARNESS,ENGINE W/RELAY BOX T2.....79
 HARNESS,ENGINE,DEUTZ,Z60,2002*.....65
 HARNESS,ENGINE,FORD,EFI,TIER 3.....93
 HARNESS,ENGINE,PERKINS,404-22.....57-58
 HARNESS,FORD EFI 2004.....77
 HARNESS,FUNCTION MANIFOLD,Z60...143-144
 HARNESS,GBOX,PERKINS,Z60.....57-58
 HARNESS,GND BOX,DEUTZ,Z60.....71
 HARNESS,GND BOX,DEUTZ,Z60.....71
 HARNESS,GROUND WIRES.....201
 HARNESS,HYD GEN.....187
 HARNESS,HYD GENERATOR.....201
 HARNESS,JIB BOOM.....125-126
 HARNESS,JIB KIT.....125-126
 HARNESS,JUMPER,MEGAJECTOR.....79
 HARNESS,OIL COOLER.....191, 195
 HARNESS,PBOX,LOAD SENSE.....125-126
 HARNESS,PBOX,S40,S45,Z60***.....125-126
 HARNESS,PLUG,NON-LOAD WEIGHING...51
 HARNESS,PRIMARY BOOM STOW,Z60.....113, 115
 HARNESS,PROX.KILL.....221
 HARNESS,SECOND GLOW PLUG.....183
 HARNESS,SECONDRY BOOM STOW,Z60.....103
 HARNESS,SERVICE,PBOX J1.....125-126

Part Description Index (continued)

L

L.P. TANK BRACKET WELDMENT.....38
 L.P.TANK LATCH.....217
 LANYARD,PLATFORM CONTROL BOX...125-126
 LATCH,SLIDE, FLUSH MOUNT STYLE.....175
 LATCH,T-HANDLE,5 SIDED W/KEYS*.....53
 LENS,AMBER,STROBE,FIREBOLT.....169
 LEVEL SENSOR,LS60,YL,2.5X4.5.....43
 LEVER, ALTERNATOR (PERKINS 404.....61-62
 LH COVER ASSY W/ WORD DECALS.....53
 LID ASSY,CONTROL BOX COVER PLT.....175
 LID ENCLOSURE,RED,OPA.....229
 LIGHT, 12 VOLT.....171-172
 LIGHT,LED IND. RED 12V NH.....47, 129
 LINK,NYLATRAC KS6-5.4***.....113
 LOAD SUPPORT W/BEARINGS.....177
 LOCK,RECEP 12 WAY, 14-18GA.....125-126
 LOCK,RECEP 4 WAY,12-14GA.....125-126
 LOCK,RECEP 4 WAY,14-18GA.....125-126
 LOCKNUT,ELEC,1/2".....43, 49, 125-126, 191
 LOCKNUT,ELECTRIC,1" NPT.....49
 LOCKOFF,LP,FORD DSG/MSG.....91, 99
 LOCKRING, RR***.....35
 LOWER IDLER FORD DSG-423.....85
 LOWER IDLER PULLEY, MSG425.....95
 LOWER LIMIT SWITCH CAM.....103
 LOWER MIDPIVOT ASSY,Z60.....105
 LOWER SEC BM ASSY W/SYM DECALS.....103
 LOWER SEC. BM ASSY W/ WORD DEC.....103
 LOWER TENSION MEMBER WELDMENT.....103, 105
 LT.LAMP IND. AMBER 12V ENG.NH.....47
 LUG FL & RING ASSY KIT AIR Z60.....21-22, 29, 31
 LUG,STUD/WHEEL (88887).....33, 35
 LUGFL&RING ASSY KIT CE S40/Z60.....21-22, 29, 31
 LUGFL&RING ASSY KIT HI FLO Z60...21-22, 29, 31

M

MALE PIPE THD,1/4" SER,3/8"X18.....181
 MANIFOLD ASSEMBLY, GEN.....191
 MANIFOLD,BRAKE/MOTOR SHIFT***.....141
 MANIFOLD,DRIVE OIL DIVERTER.....201
 MANIFOLD,EXHAUST TURBO.....87-88, 95
 MANIFOLD,FUNCTION,Z60.....143-144
 MANIFOLD,GENERATOR.....187
 MANIFOLD,INTAKE FORD DSG-423.....83
 MANIFOLD,JIB,Z60.....147
 MANIFOLD,JIB,Z60,FIXED FLOW.....147
 MANIFOLD,JIB,Z60,PRIORITY FLOW.....147
 MANIFOLD,ROTATOR,CB***.....147
 MANIFOLD,TRACTION,2WD.....135
 MANIFOLD,TRACTION,4WD***.....139
 MANIFOLD,TURNTABLE ROTATION***.....45
 MANUAL BOX W/DECALS***.....123
 MANUAL,DEUTZ WORKSHOP 1011F.....65
 MAP SENSOR, DSG-423.....83, 93
 MAP SENSOR, EFI.....77
 MARKING TAGS,# 1-10,WIELAND.....51
 MARKING TAGS,# 11-20,WIELAND.....51
 MARKING TAGS,# 21-30,WIELAND.....51
 MARKING TAGS,# 31-40,WIELAND.....51
 MARKING TAGS,# 41-50,WIELAND**.....51

MEGAJECTOR,FUEL KIT.....79
 MESH,HALF,LH,6"PLATFORM.....179
 MESH,HALF,RH,6"PLATFORM.....179
 MESH,HALF,SWING GATE***.....179
 MIDRAIL GUIDE (HOOK).....123
 MIXER, MSG425.....93
 MIXER,AIR VALVE,TIER II FORD**.....79
 MIXER,LPG,DSG-423.....83
 MODULE,CONTROL UNIT,PCB,OPA.....229
 MODULE,IGNITION/START,12/24V.....51
 MODULE,LOAD SENSE 2007.....177
 MODULE,SX CONTROLLER,LOW AMP.....201
 MODULE,TIME DELAY ON BREAK 4S.....51
 MOTOR -HYD,2500W GENER REFURB.....187
 MOTOR,12VDC,77066.....43
 MOTOR,HYD 12.5KW GEN,21CC***.....201
 MOTOR,PISTON,30CC,4WD***.....22, 25-26
 MOTOR,PISTON,35CC,2WD***.....22, 25-26
 MOTOR,TURNTABLE ROTATION***.....45
 MOUNT,SWITCH.....177
 MOUNTING BAND,MUFFLER,8.0".....88, 97
 MPT,CPLR,1/4"SER,3/8"X18.....181
 MUFFLER**.....67
 MUFFLER,6".....61-62
 MUFFLER,CAT/SPARK,DEUTZ.....71
 MUFFLER,DEUTZ.....71
 MUFFLER,PURIS40,S&Z60,S80 FORD.....77

N

NECK/HEAD-LIMIT SWITCH (88356).....45
 NIPPLE,DIAGNOSTIC,#4.....137, 143-144, 165
 NIPPLE,DIAGNOSTIC,#6 PORT***.....165, 167, 209
 NIPPLE,DIAGNOSTIC,ORFS,FM,SWIV.....157, 159
 NON-STEER AXLE ASSEMBLY.....21-22, 25-26
 NUT - PLASTIC,RING FOR ALARMS.....53, 129, 169, 177
 NUT ASSY (89769)***.....141, 147
 NUT, CP521-1 VALVE.....187
 NUT, EXH. MANIFOLD, MSG425.....95
 NUT, LP NYLOCK, 3/8-16.....38, 43, 53, 69, 103, 105, 113, 115, 123, 169, 187
 NUT, PROPORTIONAL VALVE.....143-144
 NUT, TL JAM, 3/8-16, A, ZAG.....199
 NUT,1/4-20,8,ZAG.....223
 NUT,3/8-16,8,ZAG.....223
 NUT,EXHAUST MANIFOLD-FORD,LRG.....77
 NUT,FLG,1/4-20.....111
 NUT,FLG-LRG,3/8-16,YZ.....91, 99
 NUT,HEX,1-8.....55
 NUT,HEX,1/4-28.....61-62, 69, 73-74, 151, 153
 NUT,HEX,3/8-16.....87-88
 NUT,HEX,5/16-18,GR5.....67
 NUT,HEX,FLANGE 5/8-18,GRD 8 ZI.....21-22, 25-26, 29, 31
 NUT,HEX,M8,PLASTIC.....221
 NUT,LOCKING-LG.FLANGE,1/4-20.....97
 NUT,LOCKING-LG.FLANGE,5/16-18.....85, 91, 97
 NUT,LP NYLOCK,1/2-13.....17, 19
 NUT,LP NYLOCK,1/4-20...37-38, 43, 71, 113, 115, 171-172, 175, 201, 213, 221
 NUT,LP NYLOCK,10-32.....185
 NUT,LP NYLOCK,5/16-18.....53, 61-62, 93
 NUT,LUG,5/8-18 X 90 DEGREE,Z45.....21-22, 29, 31
 NUT,M4 NYLOCK.....229

NUT,NYLOCK FLG,1/4-20,F,ZAG.....179, 199
 NUT,NYLOCK FLG,3/8-16,F,ZAG.....179, 199, 227
 NUT,NYLOCK,1-8.....120
 NUT,NYLOCK,1.125-12.....111
 NUT,NYLOCK,1/2-13.....57-58, 61-62, 71, 81, 87-88, 91, 99, 107, 113, 115
 NUT,NYLOCK,1/4-20.....53, 57-58, 61-62, 69, 77, 79, 87-88, 91, 99, 101, 103, 105, 111, 113, 115, 117, 123, 151, 153, 171-172, 177, 179, 187, 213, 215, 221
 NUT,NYLOCK,10-24.....153
 NUT,NYLOCK,10-32.....45, 51, 79, 103, 111, 113, 115, 125-126, 151, 169
 NUT,NYLOCK,3/8-16.....37-38, 41, 43, 45, 53, 57-58, 61-62, 71, 77, 79, 81, 87-88, 91, 97, 99, 101, 103, 105, 107, 109, 117, 119-120, 177, 181, 191, 195, 201, 203, 213, 215, 221
 NUT,NYLOCK,5/16-18.....57-58, 77, 79, 191, 203, 205, 215
 NUT,NYLOCK,5/8-11.....19, 43, 105, 109
 NUT,NYLOCK,6-32.....125-126
 NUT,NYLOCK,M5X.80.....183
 NUT,NYLOCK,M8X1.25.....91
 NUT,SOLENOID.....201
 NUT,SOLENOID VALVE.....143-144
 NUT,SOLENOID VALVE 2P3W.....144
 NUT,SOLENOID VALVE COIL.....143-144
 NUT,TL FLG,1/2-13,G,ZAG.....227
 NUT,TL FLG,1/4-20,G,ZAG.....205
 NUT,TL FLG,3/8-16,G,ZAG.....205
 NUT,WING,1/4-20.....101
 NUT-COIL SHORT.....147
 NUT-FLANGE, 8MM (62849).....57-58
 NUTSERT,1/4-20,STEEL CAD PLTD.....51, 125-126

O

O-RING KIT (ORFS FITTINGS).....135, 137, 139, 141, 143-144, 151, 153, 155, 157, 159, 161, 163, 165, 167, 189, 209
 O-RING KIT,FIELD SVC,ALL PROD*.....135, 137, 139, 141, 143-144
 O-RING, COVER SEAL (102711).....35
 O-RING, DO1 VALVE.....187
 O-RING, FUEL LIFT PUMP.....73-74
 O-RING, PROPORTIONAL VALVE.....143-144
 O-RING, ROTATOR MANIFOLD.....147
 O-RING, SMOOTH, MSG425.....93
 O-RING,.070 X .239,VITON 75D.....31
 O-RING,.103 X 4.737,VITON, 75D.....22, 25-26, 31
 O-RING,.103X3.237,NBR/NTRL,90D.....149
 O-RING,010 BUNA-N***.....35
 O-RING,2-010,VITON.....22, 25-26
 O-RING,DIPSTICK,MSG425.....93
 O-RING,FILTER ASSY (60334)***.....101
 O-RING,FUEL INJECTOR,DEUTZ (89792).....73-74
 O-RING,JOYSTICK, 62390/62391.....131
 O-RING,MIXER,RIBBED,DSG-423.....83
 O-RING,MIXER,SMOOTHED,DSG-423.....83, 93
 O-RING,MOTOR TO BRAKE***.....45
 O-RING,SPACER #115***.....187
 OIL COOLER W/FAN, 12VDC.....195
 OIL DRAIN PLUG.....87-88
 OIL FILLER CAP FOR LRG ENGINE.....81
 OIL FILTER - PERKINS.....61-62

OIL FILTER,DSG-423.....83, 93	PINCH GUARD RAIL,6' PLATFORM.....171-172	PLATFORM ASSY 6FT W/DECALS ANS.....119-120
OIL INDICATOR,MSG425.....93	PINCH GUARD RAIL,8' PLATFORM**.....171-172	PLATFORM ASSY 6FT W/DECALS ASA.....119-120
OIL PAN HEATER,DEUTZ,120V,150W.....183	Pinion Gear.....35	PLATFORM ASSY 6FT W/DECALS AUS.....119-120
OIL TEMP SENSOR, DEUTZ F4L2011.....69	Pinion, Half Shaft.....35	PLATFORM ASSY 6FT W/DECALS EUR.....119-120
OPITON,GAGE,FORD 2007,Z60 SVC.....197	PIPE CRADLE ASSY. SERV (ONE)**.....179	PLATFORM ASSY 8FT W/DECALS ANS.....119-120
OPT,BEACON,TRAVEL ALARM,Z60.....169	PIPE,COOLANT RETURN,MSG425.....95	PLATFORM ASSY 8FT W/DECALS ASA.....119-120
OPT,COLD START,DEUTZ,Z60-2002.....183	PIPE,COOLANT RETURN,FORD 2.3L.....87-88	PLATFORM ASSY 8FT W/DECALS ASA.....119-120
OPT,PLAT LD SENSE Z60-2008.....177	PIVOT STOP BRACKET,AWP2 30/36.....77	PLATFORM ASSY 8FT W/DECALS ASA.....119-120
OPT,PRECLEANER,Z60,PERKINS.....215	PIVOT TUBE/SPACER Z60.....113, 115	PLATFORM ASSY 8FT W/DECALS AUS.....119-120
OPT,SCRUBBER MUFFLER,PERKINS.....57-58	PLAT ASSEMBLY,4FT,ASIA/S AM.....120	PLATFORM ASSY 8FT W/DECALS EUR.....119-120
OPTION OIL COOLER Z60.....195	PLAT ASSEMBLY,5FT,ASIA/S AM.....120	PLATFORM CONTROL BOX LID,PAINT...125-126
OPTION,12V WORK LIGHTS,Z60.....171-172	PLAT ASSEMBLY,5FT,AUSTRALIA***.....120	PLATFORM CONTROL BOX,PAINTED.....125-126
OPTION,FULL GAUGE,DEUTZ.....197	PLAT ASSEMBLY,6FT,ASIA/S AM.....120	PLATFORM LEVELING ASSEMBLY.....117
OPTION,FULL GAUGE,PERKINS404.....197	PLAT ASSEMBLY,8FT,ASIA/S AM.....120	PLATFORM RAIL ASSY, 8FT, ANSI.....120
OPTION,GAUGE,DEUTZ F3L 2011.....197	PLAT ASSY 5FT, SERV Z60 ANSI.....119-120	PLATFORM RAIL ASSY,6FT,CE/UK.....120
OPTION,GAUGE,FORD TIER II.....197	PLAT ASSY, 4FT, SERV, Z60 AUS.....119-120	PLATFORM RAIL ASSY,8FT,CE/UK.....120
OPTION,LP TANK 2ND,Z60.....217	PLAT ASSY, 5FT, SERV, Z60, AUS.....119-120	PLATFORM WELDMENT,4 FT.....120
OPTION,PLAT SUPPORT,4/5FT SRV.....119-120	PLAT ASSY, 6FT, SERV, Z60 AUS.....119-120	PLUG AND CAP KIT-SERVICE,37 **.....135, 137, 139, 141, 143-144
OPTION,PLAT SUPPORT,STD,LRG BM.....119-120	PLAT ASSY, 8FT, SERV, Z60 AUS.....119-120	PLUG AND CAP KIT-SERVICE,ORFS*.....135, 137, 139, 141, 143-144, 151, 153, 155, 157, 159, 161, 163, 165, 167, 189, 209
OPTION,PRECLEANER,Z60.....215	PLAT RAIL ASSY,8FT,AUSTRALIA**.....120	PLUG, .042 ORIFICE, 1/16 NPT.....141
OPTION,TALL SWING GATE.....171-172	PLAT RAILW/DECALS 6FT 500LB AN.....120	PLUG, 3P,30A, 4 WIRE, MALE,.....205
OPTION,TIRES,HF,W/SEALANT.....21-22	PLAT RAILW/DECALS 8FT 500 ANSI.....120	PLUG, 6 SAE, TAPERED, BUNA.....143-144
ORIFICE DISC, .030,CONE.....201	PLAT RAILW/DECALS,4FT,500LB AN.....120	PLUG, 8 SAE, TAPERED, BUNA.....143-144
ORIFICE PLUG, 0.070".....135	PLAT RAILW/DECALS,5FT,500LB AN.....120	PLUG, BOOT, 3P, 30A, 4 WIRE.....205
ORIFICE, 0.040".....139	PLAT. CONTROL BOX W/DECAL***.....125-126	PLUG, NYLON .250 BLACK DOMED.....47, 125-126
ORIFICE,PLUG 0.030.....147	PLAT. FLOOR, 5FT, PAINTED.....120	PLUG, OIL DRAIN, MSG425.....95
OSCILLATE VALVE LINKAGE.....151	PLAT.ASSY, 6FT, SERV,Z-60 ANSI.....119-120	PLUG, SANTOPRENE .5 BLACK DOME....129
OUTLET, 110V.....119-120	PLAT.ASSY, 8FT,SERV, Z-60 ANSI.....119-120	PLUG, TYPE F, 230A, 50HZ, 16A, IP44.....43
	PLATE, CHASSIS ATTACHMENT.....219	PLUG,4-WIRE,3-PHASE,50A,MALE.....203
	PLATE, INT. MFLD ADAP,MSG425.....95	PLUG,520109-8,ORFS.....73-74
	PLATE,AIR FILTER MOUNT,FORD.....79	PLUG,BLANKING.....229
	PLATE,AIR INTAKE PAINT.....53	PLUG,ELECTRICAL,DOMESTIC.....191
	PLATE,BLANKING,FORD DSG423.....85	PLUG,FUSED,250V,13AMP,U.K.**.....43
	PLATE,BLUE.....213	PLUG,MAGNETIC,SAE-6***.....38, 41
	PLATE,ENGINE SUPPORT SPACER.....99	PLUG,NYLON .188 BLACK DOMED.....47
	PLATE,GENERATOR MOUNT,Z60.....187	PLUG,NYLON .875 BLACK DOMED.....49
	PLATE,HOSE CLAMP,PTD.....115	PLUG,NYLON 1.38 BLACK DOMED.....201
	PLATE,HYD. SWIVEL LOCK,PAINTED.....45	PLUG,NYLON 2.093 BLACK DOMED.....47
	PLATE,LATCH,BLUE,PAINTED ***.....53	PLUG,ORB #4.....143-144
	PLATE,LOUVER COVER,PTD.....215	PLUG,PWR,UK,16AMP,3PIN,BLK.....43, 191
	PLATE,PLAT HEAT,ALC500 GEN II.....225	PLUG,SAE #03 (139712).....139
	PLATE,REAR ENGINE MOUNT.....87-88	PLUG,SANTOPRENE .5 BLACK DOME....47, 125-126, 129
	PLATE,UK POWER TO PLATFORM.....119-120	PLUG,SQUARE HEAD,3/4 MPT.....38, 41
	Platform Assemblies with Decals=====119-120	POTENTIOMETER ASSY, WELDER.....201
	PLATFORM ASSEMBLY,4FT,CE/UK.....120	POWER UNIT,AUX PUMP 12VDC.....43
	PLATFORM ASSEMBLY,5FT,CE/UK.....120	PRECLEANER,INLINE 3".....215
	PLATFORM ASSY 4FT W/DECAL A/SO.....119-120	PRI BOOM TUBE ASSY W/SYM DECAL.....111
	PLATFORM ASSY 4FT W/DECALS ANS.....119-120	PRI BOOM TUBE ASSY W/WORD DECA..111
	PLATFORM ASSY 4FT W/DECALS AUS.....119-120	PRIMARY BOOM REST,PAINTED.....109
	PLATFORM ASSY 4FT W/DECALS EUR.....119-120	PRIORITY FLOW CONTROL VALVE***.....187
	PLATFORM ASSY 5FT W/DECALS ANS.....119-120	PROXIMITY SENSOR***.....221
	PLATFORM ASSY 5FT W/DECALS ASA.....119-120	PULLEY AND TENSIONER,DSG423.....85
	PLATFORM ASSY 5FT W/DECALS AUS.....119-120	PULLEY, TENSIONER.....85
	PLATFORM ASSY 5FT W/DECALS EUR.....119-120	PULLEY, WATER PUMP.....62
		PULLEY,FORD ENGINE,LRG-423***.....81
		PULLEY/TENSIONER,MSG425.....95

P

PAD,ENGINE SLIDE.....101
 PAD,EXTENSION CYLINDER.....111
 PAD,REST,1"THICK,FLANGED.....199
 PADDING,FOAM 3.5"OD X 1.50"ID.....221
 PADDING,FOAM,3.0"X1.50ID 90DEG.....221
 PANEL, ENCLOSURE, LINCO WELDER.....201
 PANEL,LOUVER,ENGINE SIDE,PTD.....213, 215
 PANEL,LOUVER,TANK SIDE, Z60.....213
 PIN,0.75DIA X5.75LG,CHAMFER.....177
 PIN,1.25 X 7.57 IN,1HOLE.....117
 PIN,1.25DIA X11.50LG,1HOLE.....107
 PIN,1.25DIA X13.75LG,2HOLE.....117
 PIN,1.25DIA X14.12LG,1HOLE.....103, 105
 PIN,1.25DIA X5.25LG,1HOLE.....117
 PIN,1.25DIA X6.67LG,2RING.....111
 PIN,1.25DIA X8.50LG,1HOLE.....117
 PIN,1.50DIA X4.76LG,2HOLE.....17, 19
 PIN,1.75 DIA X4.50LG,THREADED.....103
 PIN,1.75DIA X13.50LG,1HOLE.....107
 PIN,1.75DIA X18.13LG,1HOLE.....107
 PIN,1.75DIA X5.25LG,1HOLE.....107
 PIN,1.75DIA X6.00LG,1HOLE.....105
 PIN,1.75DIA X8.50LG,1HOLE.....105
 PIN,2.25DIA X24.63LG,1HOLE.....103
 PIN,2.25DIA X31.75LG,2HOLE.....103, 105
 PIN,2.5 DIA X 23.88 LG.....17, 19, 22, 26
 PIN,CLEVIS,1 X 2.5 LG.....17, 19, 111
 PIN,CLEVIS,1.25 X 5.0,ZINC.....219
 PIN,CLEVIS,1.25 X 6.0,ZINC.....219
 PIN,LOCK,SHORT***.....171-172
 PIN,MASTER CYLINDER.....107
 PIN,OSC. AXLE/DRIVE CHASSIS.....17
 PIN,ROLL,SST,.25 X 2.25.....17, 19
 PIN,TRANSPORT STORAGE HANDLE.....45
 PIN,TRANSPORT STORAGE LOCK.....45

SCREW,HHF,3/8-16X2.5,8,ZAG.....227	SEAL KIT,DRIVE HUB (88887).....33, 35	SHIM,PRIMARY BOOM,.064 THK.....111
SCREW,M5X16 BHD.....229	SEAL KIT,GEAR PUMP (89858).....149	SHIM,WEAR PAD,5 X 1.5,14GA.....111
SCREW,M6X8.....229	SEAL KIT,HYD MOTOR(106184).....201	SHIM,WEAR PAD,5X 1.5 16GA.....111
SCREW,M8X20-8.8.....74	SEAL KIT,MOTOR TURNTABLE***.....45	SHOCK MOUNT,SMALL.....62, 81, 91, 99
SCREW,PHIL,10-24 X .75.....123	SEAL KIT,MOTOR,LC/KC***.....22, 25-26	SHROUD, RAD, Z60 MSG425.....99
SCREW,PHIL,8-32X.50,SELF TAP.....191	SEAL KIT,PLAT ROTATE***.....117	SHROUD,FAN PAINTED.....57-58
SCREW,PHIL,PHM,10-24 X.5,SEMS...57-58, 77, 91, 99	SEAL KIT,REDUCER DRIVE TURNTAB.....45	SHROUD,RADIATOR,FORD LGR425,PA.....77
SCREW,PHIL,PHM,10-32 X .5,SSTL.....51	SEAL KIT,SAUER-DANFOSS M46***.....149	SHUTDOWN SOLENOID,12V, DEUTZ.....69, 73-74
SCREW,PHIL,PHM,6-32 X 1/4 SS.....125-126, 225	SEAL KIT,SOLENOID VALVE.....143-144	SLEEVE,CONNECTOR,DT JOYSTICKS....133
SCREW,PHILLIPS,PHM,10-32 X .75.....115, 125-126	SEAL KIT,SOLENOID VALVE, SV07.....147	SLEEVE,NYLON,2.19 ID,BULK.....123
SCREW,PHILLIPS,PHM,10-32 X 1.....185	SEAL KIT,VALVE,#10.....143-144	SLIDING MIDRAIL KIT,PTD.....123
SCREW,PHILLIPS,PHM,10-32 X1.25.....79	SEAL, CAP, NOTCHED.....45	SNAP RING(M46 UNITS)*.....22, 25-26
SCREW,PHILLIPS,PHM,6-32 X .5.....125-126	SEAL, CONNECTOR (DT JOYSTICKS).....133	SNAP RING,EXTERNAL,1.25,ZAG.....111
SCREW,PHILLIPS,RHM,10-32 X 1.5.....177	SEAL, GASKET,.0005" *SILVER*.....187	SOCKET, BOOT, 3P, 30A, 4 WIRE.....205
SCREW,PHM,10-32X.50,ST TYPE F.....125- 126	SEAL, GASKET,.00075" *GOLD*.....187	SOCKET,3P,30A,4 WIRE, FEM.....205
SCREW,RHM,10-32 X 1.....169	SEAL, GASKET,.0010".....187	SOLENOID CABLE ASSY***.....69, 73-74
SCREW,RHM,10-32 X 1.5...45, 103, 111, 113, 115	SEAL, O-RING ENERGIZER.....45	SOLENOID KIT,SHUT DN,PERKINS.....61-62
SCREW,RHM,8-32 X .50.....203	SEAL, O-RING LIP.....45	SOLENOID,12V CONTINUOUS.....43
SCREW,SECURITY,1/4-20 X 1.75LG.....203	SEAL, OIL FILLER CAP.....61-62	SOLENOID,12V CONTINUOUS***.....183
SCREW,SECURITY,5/16-18X1.00.....203, 205	SEAL, POLY, CHAMFER.....45	SOLENOID,SHUT DN,PERKNS403C-11....61- 62
SCREW,SHC,1/2-13 X 1.50,A574.....45	SEAL, FILTER ASSY (60334)***.....101	SOLENOID,SHUT DOWN PERKIN40422...61- 62
SCREW,SHC,5/8-11 X 2.25.....45	SEAL,RETAINING RING.....187	SOLENOID,STARTER, (72335).....61-62
SCREW,SHC,5/8-11 X 2.5 BLK.....45	SEAL,SHAFT.....187	SOLENOID,THROTTLE ACTUATOR DSL.....61-62, 73-74
SCREW,SHC,5/8-11 X 3.75,A574.....45	SEAL,SHAFT-SUNDSTRAND***.....22, 25-26	SOLENOID,THROTTLE.....69
SCREW,SHC,5/8-11 X 4,A574.....45	SEAL-INJECTOR.....57-58	SOLENOID-STARTR DEUTZF4L1011F*...65, 73-74
SCREW,SHC,7/16-14 X 1.25.....81	SEAL-ROCKER BOX.....57-58	SOUNDER LENS, OPA, AMBER.....229
SCREW,SHC,M10X1.5 X 60 GR8.8.....87-88, 97	SEAL-VALVE SYSTEM (A).....57-58	SOUNDER LENS, OPA, BLUE.....229
SCREW,SHC,M10X1.5X20MM (75090).....73- 74	SEAL-VALVE SYSTEM (B).....57-58	SOUNDER LENS, OPA, CLEAR.....229
SCREW,SHC,M10X1.5X30 GR 12.9.....74, 97	SENDING UNIT,OIL PRESS PERKINS.....197	SOUNDER LENS, OPA, RED.....229
SCREW,SHC,M8 X 1.25 X 25.....87-88	SENDING UNIT,OIL PRESSURE***.....197	SOUNDER,MIDI,OPA.....229
SCREW,SHM,PHP, #12 X .75.....125-126	SENDING UNIT,OIL TEMP SWCH,DTZ.....73- 74	SPACER.....187
SCREW,SHS,1/4-20 X .25 ZINC.....47	SENDING UNIT,TMP,FRD,GM,PRK704.....197	SPACER, HANGER BRACKET.....227
SCREW,SHS,10-24 X .625.....151, 153	SENDING UNIT-H20TMP LRG425EFI*.....81, 197	SPACER,FAN TO WATERPUMP LRG425.....79
SCREW,STEP BOLT,1/4-20 X .75.....120	SENSOR KIT, TEMPERATURE.....83	SPACER,FAN,PERKINS 404F.....61-62
SCRUBBER,EXHAUST,FORD,EFI.....77	SENSOR, CAM POS, MSG425.....93	SPACER,HEAT SINK.....229
S C R U B B E R , S P A R K K	SENSOR, CRANK POS, MSG425.....95	SPACER,ISOLATOR,MSG425.....99
ARRESTER,PERKIN.....61-62	SENSOR, CYL. HEAD TEMP, MSG425.....93	SPARK PLUG WIRE SET, LRG425EFI.....81
SEAL KIT.....201	SENSOR, FORD TEMPERATURE.....83	SPARK PLUG, FORD DSG-423.....83
SEAL KIT (39345).....147	SENSOR, KNOCK, MSG425.....93	SPARK PLUG, FORD LRG425.....81
SEAL KIT CYL.Z60(63207).....107	SENSOR, O2, MSG425.....97	SPARK PLUG, MSG425.....93
SEAL KIT CYL.Z60(63212).....117	SENSOR,AIR,CAT MONITOR.....87-88, 97	SPIDER (106113).....201
SEAL KIT CYL.Z60(63214).....117	SENSOR,AIR,CAT MONITOR***.....77	SPRING CLIP,1/4-20,.025-.15X.54,ZAG.....22, 26, 29, 31, 79, 87-88, 91, 97, 119-120, 215
SEAL KIT CYLINDER (59460).....17, 19	SENSOR,CAM POSITION DSG-423.....83	SPRING CLIP,10-24,.025-.125X.468,ZAG...123
SEAL KIT FOR 216638.....147	SENSOR,COOLANT TEMP*.....81, 197	SPRING CLIP,3/8-16,.05-.20X.73,ZAG.....43, 53
SEAL KIT, HYD MOTOR, GEN.....191	SENSOR,CRANK POSITION DSG-423.....85	SPRING CLIP,5/16-18,.025-.15X.....99
SEAL KIT, SOLENOID VALVE...137, 141, 143- 144, 147	SENSOR,KNOCK DSG-423 FORD.....83	SPRING, SS, 1/2-EO500-49-4500.....221
SEAL KIT, VALVE.....135, 137, 139, 147	SENSOR,LEVEL,4.5 DEG.....43	SPRING, SS, 3/4-EO750-69-4500.....221
SEAL KIT, VALVE, #10.....135, 137, 143-144	SENSOR,MSG425.....77, 87-88	SPRING,COMP,1" OD,232 LB/IN.....177
SEAL KIT, VALVE, #12.....187	SENSOR,OXYGEN LRG425EFI.....77, 87-88	SPRING,DRIVE TURNTABLE***.....45
SEAL KIT, VALVE, #4.....141	SENSOR,RUBBER EDGE.....229	SPRING,JOYSTK CENTR,62390/91...131, 133
SEAL KIT, VALVE, COMATROL.....144	SENSOR,WATER TEMPERATURE.....62	SPRING,SWITCH CENTERING,75565.....131, 133
SEAL KIT,8-PORT SWIVEL.....45	SEPARATOR ASSY,OIL,FORD MSG.....93	SQUEEZE CONN W/NUT, 2WIRE, 4MM....185
SEAL KIT,8K ROTATOR***.....117	SEPRTR/FLTR,FUEL DSL,15GPH,.30.....61- 62	SQUEEZE CONNECTOR, 4 WIRE.....185
SEAL KIT,ARCTIC,ROTATOR 8.2K**.....117	SERIAL # LABEL,MYLAR 4X8***.....11-12	STAND OFF,CONTROL UNIT.....229
SEAL KIT,BRAKE,TURNTABLE ROT**.....45	SERVICE KIT JIB TIME DLY IC.....125-126	STANDOFF,1/4X1/4 M-F 6-32 S/S.....125-126, 225
SEAL KIT,CB VALVE MANIFOLD***.....45	SERVICE KIT,S80 PBOX J1 HARN.....125-126	STANDOFF,6-32 X 3/8L X 1/4 HEX.....126
SEAL KIT,CONTROL VALVE.....151, 153	Shaft Bearing Spacer.....35	STARTER PLUG SEAL, MSG425.....93
SEAL KIT,CYL,Z60 (63208).....103	SHAFT,15 TOOTH.....22, 25-26	STARTER, 12V.....65, 73-74
SEAL KIT,CYL,Z60 (63211).....107	SHAFT,INPUT DRIVE HUB.....35	STARTER, DSG-423RING.....83
SEAL KIT,CYLINDER (63189).....17	SHAFT,MOTOR.....187	STARTER, PERKINS, 404D.....61-62
SEAL KIT,CYLINDER (89060).....111	SHAFT,OUTPUT,PINION,TURNTABLE.....45	
	SHCS, M10-1.5X70MM, CL12.9.....97	
	SHIM,AXLE ROTATION STOP,22GA.....22, 26	
	SHIM,AXLE,2.56.....17, 19, 21-22, 25-26	
	SHIM,FRONT AXLE NON-OSC, 12 GA.....19	
	SHIM,FRONT AXLE NON-OSC, 22 GA.....19	
	SHIM,HUB (88883).....33	

Part Description Index (continued)

- STARTER,DEUTZ,F4L1011F/F3L1011.....65
 STARTER,DSG-423.....83
 STARTER,ENGINE,FORD LSG/LRG***.....81
 STEER AXLE ASSEMBLY.....17, 19
 STEP PLATFORM ENTRY PAINTED***.....119-120
 STRAINER ASSEMBLY,1.5" NPT.....37-38, 41, 165
 STRAINER,FILLER NECK.....37-38, 41
 STRAINER,FUEL 40 MICRON.....73-74
 STRAP ASSY,TANK, 66 INCH.....37-38, 41
 STRAP, CONDUIT HOLDER 60****.....179
 STROBE,FIREBOLT,12-80VDC,AMB**.....169
 STUD,EXHAUST MANIFOLD-FORD,LRG.....77
 SUPPORT, RAILING.....171-172, 221
 SUPPORT,SENSOR,JOYSTICK.....131, 133
 SVC KIT,UK RECEPT.REPLACEMENT....119-120
 SWING DRIVE ASSEMBLY,S40/Z60**.....45
 SWITCH SHIELD,ROCK JOYSTK75565...131, 133
 SWITCH TOGGLE ASSY DPDT 2P MNT.....129, 187, 191
 SWITCH TOGGLE ASSY DPDT 2P MOM.....47
 SWITCH TOGGLE ASSY DPDT 3P MOM.....47, 129
 SWITCH TOGGLE ASSY SPDT 2P MNT.....47, 125-126, 129, 225
 SWITCH TOGGLE ASSY SPDT 2P MOM...47, 129, 221
 SWITCH TOGGLE ASSY SPDT 3P MOM.....47, 129, 183
 SWITCH, OIL PRES, MSG425.....93
 SWITCH, OIL PRESSURE.....61-62
 SWITCH, OIL PRESSURE 1.5 BAR.....69, 73-74
 SWITCH,LIMIT,W/RLLR ARM,NO/NC.....111
 SWITCH,LIMIT,W/RLR ARM,NO/NC**.....45
 SWITCH,LIMIT,W/ROLLER ARM.....103, 113, 115
 SWITCH,LOAD LIMIT.....177
 SWITCH,OIL PRESS-PERKINS 404.....61-62
 SWITCH,OIL PRESSURE.....83
 SWITCH,OIL PRESSURE ASSY.....81
 SWITCH,PRESS,#4NPT,200PSIF.....201
 SWITCH,THERMOSTAT 85F OPEN.....125-126, 225
 SWITCH,WATER TEMP,PRKNS,404***.....62
 SWIVEL,HYD 8 PORT***.....45
- T**
- T-BOX,2.75 X 4.5 X 2.0.....119-120, 191
 T-BOX,2.75X4.5X2.63,3PH.....203
 TAILPIPE MOUNT , S40 MSG425.....97
 TAILPIPE, Z60 MSG425.....97
 TAILPIPE,EXHAUST.....61-62, 71
 TAILPIPE,FORD LRG 425, S40/S45.....77
 TANK ASSY, GAS, 20 GAL.....38
 TANK, 7 GAL/33.5 POUND, LP.....53, 217
 TAP BLOCK,BULKHEAD MNT. MACH.....217
 TAPE, PROTECTIVE MASK.....12, 15
 TAPE,WARNING,BLK/YEL, 50****.....15
 TEE,BRANCH,520433-6.....157, 163
 TEE,BRANCH,520433-8.....161
 TEE,BULKHEAD,RUN,520958-4.....155, 161
 TEE,RUN,520428-6.....155, 161
 TEE,RUN,520428-8.....165, 189
 TEE,RUN,SWIVEL,520432-6.....165, 193, 207, 219
- TEE,UNION,1/4".....197
 TERM RELAY,N-INSULATE 14-16 GA.....51
 TERM,AMP MTE,SOC,22-26 GA BULK.....131, 133
 TERM,DEUTSCH, PIN #12-14.....125-126
 TERM,NI PIN,S&F,16-18GA,REEL.....125-126
 TERM,RELAY N-INSULATED 10-12 G.....51
 TERM,RELAY,N-INSULATE 18-20 GA.....51
 TERMINAL BLOCK END PLATE.....51
 TERMINAL BLOCK,WIELAND.....51
 TERMINAL RAIL ASSEMBLY,GBOX.....51
 THERMOSTAT.....61-62
 THERMOSTAT (PERKINS 104-22).....61-62
 THERMOSTAT -OIL COOLER (71259).....195
 THERMOSTAT W/HOUSING, MSG425.....93
 THERMOSTAT, FORD LRG.....81
 THERMOSTAT,FORD DSG423.....83
 THREADED ROD,(1/4-20),9.75.....101
 THREADED ROD,1/4-28 X 15 IN***.....69
 THREADED ROD,1/4-28 X 2.75IN**.....151
 THREADED ROD,1/4-28 X 4 IN***.....153
 THROTTLE ACTUATOR*(BOSCH).....83, 93
 THROTTLE LINKAGE,DIESEL ***.....73-74
 Thrust Bearing.....35
 Thrust Bearing Plate.....35
 TIRE & WHEEL ASSY RH,FF.....25-26
 TIRE & WHEEL ASSY,AIR,LH.....25-26
 TIRE & WHEEL ASSY,AIR,RH***.....25-26
 TIRE & WHEEL ASSY,FOAM***.....29
 TIRE & WHEEL ASSY,FOAM,LH,RT.....25-26
 TIRE & WHEEL ASSY,FOAM,RH,RT.....25-26
 TIRE & WHEEL ASSY,LH FF.....25-26
 TIRE & WHEEL ASSY,LH FF***.....25-26
 TIRE & WHEEL ASSY,LH,FOAM,NM.....25-26
 TIRE & WHEEL ASSY,RH,FOAM,NM.....25-26
 TIRE & WHEEL ASSY: AIR.....21-22
 TIRE & WHEEL ASSY:FOAM.....21-22
 TIRE & WHEEL ASSY:TURF.....21-22, 25-26, 29
 TIRE & WHEEL ASSY: AIR.....29
 TIRE,355/55D625.....25-26
 TIRE,355/55D625,14 PLY,NM.....25-26
 TIRE,38/65D-19.5,16PLY,OTR*.....21-22, 25-26
 TIRE,385 19.5,16PLY,NON-MARKI.....21-22
 TIRE,41/18LL X 22.5,14PR,TURF*.....21-22, 25-26
 TIRE/WHEEL ASSY,LP NM W/SEALAN.....21-22
 TIRE/WHEEL ASSY,LP RT W/SEALAN.....21-22
 TIRE/WHEEL ASSY: AIR, NONMARK.....29
 TIRE/WHEEL ASSY: FOAM, NONMARK.....29
 TIRE/WHEEL ASSY:AIR,NONMARK.....21-22, 29
 TIRE/WHEEL ASSY:FOAM,NONMARK.....21-22, 29
 TOEBOARD, TRI ENTRY 6', EURO.....171-172
 TOEBOARD,8'TRI ENTRY.....171-172
 TOEBOARD,ENTRY EUROPEAN PNTD**.....123, 171-172
 TOOL TRAY ACCESSORY***.....171-172
 TRACK TUBE GUIDE.....113, 115
 TRACK TUBE WELDMENT.....113
 TRACK,PLASTIC CABLE,43 LINKS.....113
 TRIM,RUBBER EDGE,5/8 (BY INCH).....113, 115
 TRIMLOCK,BLACK,5/32".....91, 99, 179
 TROLLEY, TRACK, FALL ARREST BAR.....227
- TUBE, RD, ALUM, 1.25 X .083 X 11.75.....199
 TUBE, RD, ALUM, 2.5 X .083 X 2.00.....69, 215
 TUBE,EXHAUST PIPE 2.3L FORD T3.....88
 TUBE,INTAKE,2.50 OD X 13".....77
 TUBE,INTAKE,2.50 OD X 15.63".....77
 TUBE,RD,ALUM 2.5 X .083.....71
 TUBE,RD,STL,ALUMIZD,2.5 X .065.....215
 TUBE,RD,STL,ALUMIZD,2.5X.065.....87-88
 TUBE,SLIDING MIDRAIL,PAINTED.....123
 TUBING,VINYL,1/2" CLEAR.....99
 TURNTABLE COVER ASSY W/DECALS.....53
 TURNTABLE COVER ASSY W/SYMBOLS...53
 TURNTABLE COVER ASSY,W/DECALS.....53
- U**
- U-BOLT, FLATTENED, 1.5 X 3/8 UNC,ZAG.....179, 199, 223
 U-BOLT, KIT 5/16-18 X 2.5 ***.....67
 U-BOLT, SQR, 3/8-16X2X5, PLTD.....221
 U-BOLT,3/8 X 1 YZ.....203
 U-BOLT,3/8-16X4X4.63X3.00.....203, 205, 221
 UBOLT,FLATTENED,1.5DIA3/8 UNC.....119-120, 181, 203
 UPPER IDLER PULLEY, MSG425.....85, 95
 UPPER LEVELING LINK ASSY.....105
 UPPER LIMIT SWITCH CAM.....105
 UPPER PIVOT WELDMENT,PAINTED.....105, 107
 UPPR. LIMIT SWITCH BRKT.,BLUE.....113, 115
- V**
- V-RING 100,RUBBER SEAL.....33
 VACUATOR VALVE.....77, 87-88, 97
 VALVE - COUNTERBALANCE**.....147
 VALVE - SOLENOID 2 POS 2 WAY.....141, 147
 VALVE - SOLENOID 2POSITION 3WA.....144
 VALVE FLOW REGULATOR0.4GPM ADJ.....147
 VALVE FLOW,REG 0.3GPM FIXED.....147
 VALVE KIT, SOLENOID, 3POS 4WAY.....143-144
 VALVE, CHECK.....137, 139
 VALVE, CHECK, 5PSI.....139
 VALVE, FLOW CONTROL.....143-144
 VALVE, FLOW DIVIDE/COMB,24GPM.....139
 VALVE, FLOW DIVIDE/COMBINE 1:1.....139
 VALVE, FLOW DIVIDER COMBINER.....137
 VALVE, FUEL LOCK.....37-38, 41
 VALVE, RELIEF 1600 PSI.....144
 VALVE, RELIEF, 280PSI.....139
 VALVE, RELIEF, GEN, 3.0kW.....191
 VALVE, SHUTTLE, FIXED.....139
 VALVE,BALL,16 MPT-16 FPT***.....37-38, 41, 165
 VALVE,BALL,16 MSAE-16 FSAE***.....37-38, 41, 165
 VALVE,CB 3:1 3500 PSI.....143-144
 VALVE,CHECK.....144
 VALVE,CHECK 30 PSI.....144
 VALVE,CHECK ASSEMBLY.....43
 VALVE,CHECK***.....141, 144
 VALVE,CHECK,3 PSI***.....201
 VALVE,CHECK,5 PSI.....135, 137, 143-144
 VALVE,CHECK,IWP-S/CWP PWR ASSI.....147
 VALVE,CNTERBAL,CBBB-LHN@3000**..103, 107, 117

VALVE,CNTERBAL.CBBB-LHN@3000**..103, 107	WASHER,FLAT,M14.....57-58, 61-62	WELDING CABLE,#4 EXCELENE/BLK.....43
VALVE,COUNTERBAL.CBCG-LJN@3000..17, 103, 107	WASHER,FLAT,M6 PLTD.....91	WELDMNT PLATE ENGINE TANK.....101
VALVE,COUNTERBALANCE 2500 PSI*.....111	WASHER,FLAT,M8,YELLOW ZINC.....65, 81, 87-88, 91	WELDMNT W/DECALS,5FT,500LB AN....120
VALVE,COUNTERBALANCE 2500PSI.....111	WASHER,FLAT,MS,#10,Y.....45, 57-58, 77, 79, 91, 99, 151, 169, 177, 185	WELDMNT, AIRCRAFT TOP BUMPER.....221
VALVE,COUNTERBALANCE 3000 PSI*.....111, 117	WASHER,FLAT,MS,#8,Y.....203	WELDMNT, CYLINDER MOUNTING.....105
VALVE,COUNTERBALANCE,2500 PSI*.....117	WASHER,FLAT,USS,1",Y.....55	WELDMNT, GROUND CONTROL BOX.....47
VALVE,DIFFERENTIAL SENSING***.....143-144	WASHER,FLAT,USS,1/2",Y.....73-74, 81, 87-88, 91, 99, 113, 115	WELDMNT, PIPE CRADLE.....179
VALVE,DRAIN,FORD,BLOCK,RAD.....81	WASHER,FLAT,USS,1/4"Y.....22, 26, 29, 31, 37-38, 43, 47, 53, 57-58, 61-62, 67, 69, 71, 73-74, 77, 87-88, 91, 93, 97, 99, 101, 103, 105, 111, 113, 115, 117, 119-120, 123, 125-126, 129, 171-172, 175, 179, 183, 187, 199, 205, 213, 215, 219, 221	WELDMNT, SENSOR MOUNT.....221
VALVE,EDC,PILOT,SAUER,M46***.....149	WASHER,FLAT,USS,1/4,ZAG.....223	WELDMNT, SKIDPLATE**.....221
VALVE,FLOW DIVIDER/COMBINER.....135, 137	WASHER,FLAT,USS,3/8",Y.....17, 41, 43, 53, 62, 67, 69, 79, 81, 91, 99, 119-120, 177, 191, 195, 201, 215	WELDMNT, TOW BAR.....219
VALVE,FLOW REG 0.8GPM FIXED.....147	WASHER,FLAT,USS,5/16",Y.....37-38, 41, 43, 45, 53, 57-58, 61-62, 71, 85, 87-88, 97, 99, 101, 103, 113, 115, 117, 123, 181, 187, 191, 199, 203, 205, 213, 215, 221	WELDMNT, AIR CLEANER MOUNT,PTD.....87-88
VALVE,FLOW REGULATOR 3.5 GPM**....143-144	WASHER,LOCK,#10 PLTD.....123	WELDMNT,AIR INTAKE TUBE,BLUE.....65
VALVE,LP LOCKOUT W/CONN***.....77	WASHER,LOCK,#25.....22, 26, 29, 31, 43, 45, 47, 69, 73-74, 79, 101, 103, 105, 107, 109, 111, 113, 115, 119-120, 123, 125-126, 129, 172, 213, 215	WELDMNT,AIR INTAKE,PAINT.....71
VALVE,MANUAL,700 PSI.....151, 153	WASHER,LOCK,313.....43, 67, 69, 201	WELDMNT,AIRCRAFT SENSOR BUMPR.....221
VALVE,NEEDLE***.....143-144	WASHER,LOCK,.375.....17, 19, 21-22, 25-26, 31, 37-38, 43, 53, 57-58, 67, 73-74, 77, 79, 97, 109, 113, 115, 187, 217	WELDMNT,BULKHEAD,LEFT SIDE.....53
VALVE,NEEDLE,BRAKE RELEASE.....219	WASHER,LOCK,.625 PLTD.....101, 169, 172	WELDMNT,BULKHEAD,RT SIDE.....53
VALVE,PCV FORD DSG-423.....85, 95	WASHER,LOCK,0.5".....17, 19, 21-22, 25-26, 67, 73-74, 87-88, 97, 103, 105, 107	WELDMNT,CAT MOUNT,MSG425.....97
VALVE,PCV-FORD LRG***.....81	WASHER,LOCK,1".....55	WELDMNT,CAT MUFFLER MOUNT.....87-88
VALVE,PILOT OPER DIRECTIONAL.....201	WASHER,LOCK,M10.....67, 69, 73-74, 79, 81, 88, 97, 99, 215	WELDMNT,CAT MUFFLER SPPT,PTD.....87-88
VALVE,PRI. FLOW REG 4.3.....187	WASHER,LOCK,M14.....57-58, 61-62, 65, 71, 73-74	WELDMNT,COOLANT BOTTLE MOUNT...79
VALVE,PROPORTIONAL.....143-144	WASHER,LOCK,M6.....79	WELDMNT,DEUTZ ENGINE MOUNT.....65
VALVE,RELIEF 1800 PSI.....143-144	WASHER,LOCK,M8.....62, 79, 81, 85, 91, 95	WELDMNT,ENGINE TRAY,Z60.....101
VALVE,RELIEF 2600 PSI.....144	WASHER,M4 NYLON.....229	WELDMNT,EXHAUST PIPE.....57-58
VALVE,RELIEF,1500 PSI***.....187	WASHER,NYLON, 434 X.263X.049.....151	WELDMNT,EXT LP TANK BRKT.....53
VALVE,RELIEF,250 PSI.....137	WASHER,SHIM .0151 THK.....177	WELDMNT,GUIDE BRACKET.....31
VALVE,RELIEF,280PSI.....135	WASHER,SHIM,1.27 X 2.13 X .062.....111, 117	WELDMNT,HEADER PIPE.....97
VALVE,SHUTTLE.....135, 137	WASHER,THRUST,1.5 X 3.5 X .187.....17, 19	WELDMNT,HEADER PIPE,FORD 2.3L.....85
VALVE,SHUTTLE,GS68.....147	WASHER,THRUST,2.56 X 4.0 X.18.....17, 19	WELDMNT,LID,GBOX,Z60.....47
VALVE,SOLENOID (18660)***.....187	WASHER,FLAT, 1/2" (80056).....57-58, 71	WELDMNT,LP TANK BRACKET**.....53
VALVE,SOLENOID (89726).....143-144	WATER INLET TUBE, FORD.....81	WELDMNT,MUFFLER,DSG423.....88
VALVE,SOLENOID 3 POS,4 WAY***.....143-144	WATER OUTLET, FORD DSG423.....83	WELDMNT,MUFFLER,FORD TIER2.....77
VALVE,SOLENOID, 2POS/3WAY***.....147	WATER OUTLET, VERTICAL.....61-62	WELDMNT,NON-OSCILLATE.....19
VALVE,SOLENOID,10V,W/OUT COIL*.....201	WATER PUMP.....62	WELDMNT,PIPE CRADLE MOUNT.....179
VALVE-CHECK, #4 SAE, 5 PSI*.....147	WATER PUMP PULLEY, MSG425.....95	WELDMNT,PLATFORM SUPPORT,CE.....177
VALVE-FLOW REGULATOR 2 GPM.....137	WATER PUMP W/GASKET.....85	WELDMNT,PULL BAR.....219
VALVE-SOLENOID,2POS 3WAY,JIB**.....147	WATER PUMP, MSG425.....95	WELDMNT,TIE ROD.....17, 19
	WDMT, CAT. MUFFLER, MSG425.....97	WELDMNT,TRACK TUBE.....115
	WDMT,HEADER PIPE,MSG425.....97	WELDMNT,WELDER GEN COVER.....201
	WEAR PAD, BOOM REST.....109	WELDMNT,6 FT PLATFORM.....120
	WEAR PAD, LIMIT SWITCH CAM.....111	WELDMNT,DEUTZ ENGINE MOUNT.....65
	WEAR PAD,4X2X.5 W/INSERT***.....101, 109	WHEEL & TIRE ASSY,LH NM AIR.....25-26
	WEAR PAD,5 X 1.5 X .50 W/NUTS.....111	WHEEL & TIRE ASSY,RH,NM AIR.....25-26
	WEAR PAD,5 X 1.5 X .625 W/NUTS.....111	WHEEL DRIVE 56:1 2WD.....35
	WEAR PAD,5X1.5X1.5 W/INSERTS.....109	WHEEL RING WASHER,PTD...21-22, 25-26, 29, 31
	WEAR PAD,6.5 X 5 X.625 W/INSER.....111	WHEEL, 24.5X11.75, 9 X 9 BCD.....25-26
	WELD, LPG TANK MOUNT.....217	WHEEL,19.5 X 11.75, Z60.....21-22, 25-26
	WELDER, MILLER, CST 280.....205	WHEEL,22.5 X 14.00, Z60.....21-22, 25-26
	WELDER,INVERTEC V275-S.....203, 205	WIPER.....213
		WIPER BRACKET, PAINTED.....213
		WIRE CABLE 8/4 CON.SO.....203, 205
		WIRE CABLE,12/3 CON.TPE JKT.....119-120
		WIRE CABLE,12GA/3 CON.TPE JKT*.....43
		WIRE CABLE,16/2 SJO,BULK.....169
		WIRE HARNESS, SENSOR, TEMP.....83
		WIRE LOOM,1.25 DIA.....125-126
		WIRE LOOM,3/4 DIA.....125-126
		WIRE LOOM,3/8 POLY SLIT.....123
		Wire Seal Retaining Ring.....35
		WIRE,MOUNT ADHESIVE BACK.....125-126
		WIRING KIT,CONTROL BOX HEATER.....125-126
		WIRING KIT,JIB TIME DELAY IC.....125-126
		WLDMNT,HYDRAULIC TANK MODULE.....43
		WORD DECAL KIT SERV S80/85.....171-172
		WORKLIGHT, 12V, DEUTSCH RECEPT.....172

W

WASHER, .469 X .781,HRD.....22, 26
WASHER,9MM I.D.....74
WASHER,FENDER,.25 X 1.25 X.062.....53, 107
WASHER,FLAT, M5 YELLOW ZINC.....79, 87-88
WASHER,FLAT,.375 X 1.5 X .125.....81, 91, 99
WASHER,FLAT,.375X1.50X.125,ZAG.....223
WASHER,FLAT,.5 HARDENED.....21-22, 25-26, 87-88, 97
WASHER,FLAT,.625 HARDENED.....43, 45, 101, 105, 109
WASHER,FLAT,.625 X 2.25 X.15.....65
WASHER,FLAT,1.000,HARDENED.....120
WASHER,FLAT,1.063 X 2 X .134.....55
WASHER,FLAT,2.5 X 4 X .062.....19, 21-22, 26
WASHER,FLAT,3/8,USS,ZAG.....223
WASHER,FLAT,3/8X1.5X.06.....177
WASHER,FLAT,313, HARDENED.....31, 119-120
WASHER,FLAT,HARDENED.656X1.313.....21-22, 29, 31
WASHER,FLAT,M10,ZINC PLTD.....85, 87-88, 97, 99

Part Description Index (continued)

WORKLIGHT,12 VOLT.....171-172
 WORKLIGHT,48 VOLT.....169, 172

Y

YOKE PIVOT ASSEMBLY,L.H.....17, 19
 YOKE PIVOT ASSEMBLY,R.H.....17, 19

Z

Z60 AIRLINE TO PLATFORM.....181
 Z60 CW ASSY W/SYMBOL DECALS.....55
 Z60 CW ASSY W/WORD DECALS.....55
 Z60 DLX, HOSTILE ENVIRONMENT.....211
 Z60 FORD T3 BAFFLE W/DECALS.....91
 Z60 HOSTILE ENVIRONMENT DEUTZ.....215
 Z60 JIB ASSY WITH SYM DECALS.....117
 Z60 STD.HOSTILE ENVIRONMENT PKG.....211
 Z60 UPPER SECONDARY BOOM ASSY...105
 Z60. TOW PACKAGE.....219
 ZERK,GREASE,1/8 NPT.....53
 ZERK,GREASE,1/8 NPT,90DEG.....45
 ZERK,GREASE,5/16-24,STRAIT.....177

{

{Asian and South American models}.....120
 {Asian and South American models}=====119-120
 {Australian models, to SN 5709}=====119-120
 {Australian models}.....119-120
 { A u s t r a l i a n models}=====120
 { E u r o p e a n models}=====120
 { E u r o p e a n models}=====119-120
 {USA and Canadian models, from SN 5710}=====120
 {USA and Canadian models, to SN 5709}=====119-120
 {USA and Canadian models, to SN 5709}=====120
 { U S A and Canadian models}=====119-120

This Page Intentionally Left Blank

Go to Discount-Equipment.com to order your parts

Fitting Cross References

Genie PN	Parker PN	Description	Genie PN	Parker PN	Description
12342	6-4 F5OX-S	CONNECTOR,STRAIGHT THREAD TO FLARE TUBE	42794	1 CR-S	ELBOW,90°,MALE PIPE
13757	4 R6X-S	RUN TEE,SWIVEL NUT,ORFS	42795	BV-0839	BALL VALVE
19685	12-10 C5OX-S	ELBOW,90°,STRAIGHT THREAD TO FLARE TUBE	42796	BV-0838	BALL VALVE
22664	12-10 C5OX	ELBOW,90°,STRAIGHT THREAD TO FLARE TUBE	42874	6-8 CLO-S	ELBOW,90°,MALE PIPE TO ORFS
27431	8-12 F5OX-S	CONNECTOR,STRAIGHT THREAD TO FLARE TUBE	42912	13943-6-4	HOSE END,90° FEMALE SWIVEL,JIC
28678	AS-B-33	SLEEVE,NYLON,1.81" ID	42920	BV-0840	BALL VALVE,90°
39871	6 WETX-WLN-S	UNION,90° BULKHEAD W/NUT,FLARE TUBE	42932	AS-B-17	SLEEVE,NYLON,1.22" ID
39872	4 R5OX-S	RUN TEE,STRAIGHT THREAD	42936	10243-2-4	HOSE END,FEMALE PIPE
39873	6 C5OX-S	ELBOW,90°,STRAIGHT THREAD TO FLARE TUBE	42953	1/2 DD-S	ELBOW,90°,FEMALE PIPE
39874	8-6 C5OX-S	ELBOW,90°,STRAIGHT THREAD TO FLARE TUBE	42956	6 WELO-WLNL-S	UNION,90° BULKHEAD W/NUT,ORFS
39875	4-6 C5OX-S	ELBOW,90°,STRAIGHT THREAD TO FLARE TUBE	45349	8 V5OX-S	ELBOW,45°,STRAIGHT THREAD TO FLARE TUBE
39876	6-8 C5OX-S	ELBOW,90°,STRAIGHT THREAD TO FLARE TUBE	45351	4 V5OX-S	ELBOW,45°,STRAIGHT THREAD TO FLARE TUBE
39877	4 F5OX-S	CONNECTOR,STRAIGHT THREAD TO FLARE TUBE	47223	10343-6-6	HOSE END,MALE,JIC
39878	6 F5OX-S	CONNECTOR,STRAIGHT THREAD TO FLARE TUBE	47419	PS690503-6-6	SWIVEL,90°,STRAIGHT THREAD TO 37° FLARE
39879	4-8 F5OX-S	CONNECTOR,STRAIGHT THREAD TO FLARE TUBE	48750	421-4	HOSE,1/4 INCH ID
39880	6-10 F5OX-S	CONNECTOR,STRAIGHT THREAD TO FLARE TUBE	48751	481TC-4	HOSE,1/4 INCH ID
39881	4-6 F5OX-S	CONNECTOR,STRAIGHT THREAD TO FLARE TUBE	48752	482TC-4	HOSE,1/4 INCH ID
39882	4-HP5ON-S	PLUG,STRAIGHT THREAD	48753	451TC-6	HOSE,3/8 INCH ID
39883	8-8 FTX-S	CONNECTOR,MALE PIPE TO FLARE TUBE	48754	482TC-6	HOSE,3/8 INCH ID
39885	269HB 12-12	ELBOW,90°,BEADED HOSE BARB TO MALE PIPE	48755	381-6	HOSE,3/8 INCH ID
39886	431-6	HOSE,3/8 INCH ID	48756	451TC-8	HOSE,1/2 INCH ID
39887	540N-2	HOSE,1/8 INCH ID	48757	482TC-8	HOSE,1/2 INCH ID
39888	801-8	HOSE,1/2 INCH ID	48758	381-8	HOSE,1/2 INCH ID
39889	801-12	HOSE,3/4 INCH ID	48759	381-10	HOSE,5/8 INCH ID
39890	10643-6-6	HOSE END,FEMALE SWIVEL,JIC	48760	451TC-10	HOSE,5/8 INCH ID
39891	13943-6-6	HOSE END,90° FEMALE SWIVEL,JIC	48761	482TC-12	HOSE,3/4 INCH ID
39892	13743-6-6	HOSE END,45° FEMALE SWIVEL,JIC	48762	451TC-12	HOSE,3/4 INCH ID
39894	30682-8-8	HOSE END,FEMALE SWIVEL,JIC	48763	772-12	HOSE,3/4 INCH ID
39895	30682-10-12	HOSE END,FEMALE SWIVEL,JIC	48764	881-16	HOSE,1 INCH ID
42286	8-8 CTX-S	ELBOW,90°,MALE PIPE TO FLARE TUBE	48765	772-16	HOSE,1 INCH ID
42756	8-12 CLO-S	ELBOW,90,MALE PIPE TO ORFS	48766	AS-B-15	SLEEVE,NYLON,1.06" ID
42757	8-12 FLO-S	CONNECTOR,MALE PIPE TO ORFS	48767	AS-B-22	SLEEVE,NYLON,1.42" ID
42758	4 JLO-S	UNION TEE,ORFS	48770	881-8	HOSE,1/2 INCH ID
42759	4-4 FLO-S	CONNECTOR,MALE PIPE TO ORFS			
42760	6-8 FLO-S	CONNECTOR,MALE PIPE TO ORFS			
42761	1J143-6-4	HOSE END,90° FEMALE SWIVEL,SEAL LOK			
42762	1J743-6-4	HOSE END,45° FEMALE SWIVEL,SEAL LOK			
42768	1JO43-4-4	HOSE END,MALE,SEAL LOK			
42776	601-8	HOSE,1/2 INCH ID			
42777	1J743-16-16	HOSE END,45° FEMALE SWIVEL,SEAL LOK			
42786	16 CLO-S	ELBOW,90°,MALE PIPE TO ORFS			
42787	16 R6LO-S	RUN TEE,SWIVEL NUT,ORFS			
42788	16-8 TRLO-BL-S	REDUCER,TUBE END TO SWIVEL,ORFS			
42789	6-6 CLO-S	ELBOW,90°,MALE PIPE TO ORFS			
42790	8-10 V5OLO-S	ELBOW,45°,STRAIGHT THREAD TO ORFS			
42791	3/4 CD-S	ELBOW,90°,MALE TO FEMALE PIPE			
42792	3/4 X 1/2 PTR-S	REDUCER,MALE TO FEMALE PIPE			
42793	1/2 CR-S	ELBOW,90°,MALE PIPE			

Fitting Cross References (Continued)

Genie PN	Parker PN	Description	Genie PN	Parker PN	Description
48771	881-10	HOSE,5/8 INCH ID	48847	13943-12-12	HOSE END,90° FEMALE SWIVEL,JIC
48772	381-4	HOSE,1/4 INCH ID	48848	10543-12-12	HOSE END,MALE,STRAIGHT THREAD
48773	AS-B-13	SLEEVE,NYLON,.86" ID	48849	1JC71-12-12	HOSE END,FEMALE SWIVEL,SEAL LOK
48800	1JC43-4-4	HOSE END,FEMALE SWIVEL,SEAL LOK	48850	1JS71-12-12	HOSE END,FEMALE SWIVEL,SEAL LOK
48801	1J743-4-4	HOSE END,45° FEMALE SWIVEL,SEAL LOK	48851	1J171-12-12	HOSE END,90° FEMALE SWIVEL,SEAL LOK
48802	1J943-4-4	HOSE END,90° FEMALE SWIVEL,SEAL LOK	48852	1J771-12-12	HOSE END,45° FEMALE SWIVEL,SEAL LOK
48804	1JM43-4-4	HOSE END,MALE,SEAL LOK, NO O-RING	48853	1J971-12-12	HOSE END,90° FEMALE SWIVEL,SEAL LOK
48805	10643-4-4	HOSE END,FEMALE SWIVEL,JIC	48854	1JC43-16-16	HOSE END,FEMALE SWIVEL,SEAL LOK
48806	13943-4-4	HOSE END,90° FEMALE SWIVEL,JIC	48855	1J943-16-16	HOSE END,90° FEMALE SWIVEL,SEAL LOK
48807	1JS43-4-4	HOSE END,FEMALE SWIVEL,SEAL LOK	48856	1J171-16-16	HOSE END,90° FEMALE SWIVEL,SEAL LOK
48808	3JC82-8-8	HOSE END,FEMALE SWIVEL,SEAL LOK	48857	1J971-16-16	HOSE END,90° FEMALE SWIVEL,SEAL LOK
48809	3JC82-12-12	HOSE END,FEMALE SWIVEL,SEAL LOK	48859	1JS43-8-4	HOSE END,FEMALE SWIVEL,SEAL LOK
48810	1JC43-6-4	HOSE END,FEMALE SWIVEL,SEAL LOK	48867	PD36BTL	DIAGNOSTIC NIPPLE,SEAL-LOK SWIVEL
48811	1J943-6-4	HOSE END,90° FEMALE SWIVEL,SEAL LOK	48873	6 PNLO-S	PLUG,TUBE END,ORFS
48812	1JC43-6-6	HOSE END,FEMALE SWIVEL,SEAL LOK	48874	6 PNTX-S	PLUG,FLARE TUBE
48813	1J143-6-6	HOSE END,90° FEMALE SWIVEL,SEAL LOK	48875	6 R6LO-S	RUN TEE,SWIVEL NUT,ORFS
48814	1J543-6-6	HOSE END,90° FEMALE SWIVEL,SEAL LOK	48877	4 F5OLO-SW/.025	CONNECTOR,STRAIGHT THREAD TO ORFS, W/.025 ORI
48815	1J743-6-6	HOSE END,45° FEMALE SWIVEL,SEAL LOK	48878	16-12 C5OLO-S	ELBOW,90°,STRAIGHT THREAD TO ORFS
48816	1J943-6-6	HOSE END,90° FEMALE SWIVEL,SEAL LOK	48879	8 C6LO-S	ELBOW,90°,SWIVEL NUT ORFS
48817	1JS43-6-8	HOSE END,FEMALE SWIVEL,SEAL LOK	48880	PD6-285	CAP,DIAGNOSTIC NIPPLE
48818	1J943-8-4	HOSE END,90° FEMALE SWIVEL,SEAL LOK	48881	6 HLO-S	UNION,ORFS
48819	1JC43-8-6	HOSE END,FEMALE SWIVEL,SEAL LOK	48883	8 P5ON-S	PLUG,STRAIGHT THREAD
48820	1J743-8-6	HOSE END,45° FEMALE SWIVEL,SEAL LOK	48884	8M18F87OMLO-S	CONNECTOR,METRIC,STRAIGHT THREAD TO ORFS
48821	1J943-8-6	HOSE END,90° FEMALE SWIVEL,SEAL LOK	48885	4 WGTX-WLN-S	CONNECTOR,BULKHEAD,FEMALE PIPE TO FLARE TUBE
48822	1JC43-8-8	HOSE END,FEMALE SWIVEL,SEAL LOK	48886	4 F5OLO-SW/2MM	CONNECTOR,MACHINED STRAIGHT THREAD TO ORFS
48823	1JS43-8-8	HOSE END,FEMALE SWIVEL,SEAL LOK	48887	4 CTX-S	ELBOW,90°,MALE PIPE TO FLARE TUBE
48824	1J143-8-8	HOSE END,90° FEMALE SWIVEL,SEAL LOK	48888	10-12 V5OLO-S	ELBOW,45°,STRAIGHT THREAD TO ORFS
48825	1J543-8-8	HOSE END,90° FEMALE SWIVEL,SEAL LOK	48890	4 S5OLO-S	BRANCH TEE,STRAIGHT THREAD TO ORFS
48826	1J743-8-8	HOSE END,45° FEMALE SWIVEL,SEAL LOK	48891	4 S6LO-S	BRANCH TEE,SWIVEL NUT TO ORFS
48827	1J943-8-8	HOSE END,90° FEMALE SWIVEL,SEAL LOK			
48828	1JC43-10-8	HOSE END,FEMALE SWIVEL,SEAL LOK			
48829	1JS43-10-8	HOSE END,FEMALE SWIVEL,SEAL LOK			
48830	1J743-10-8	HOSE END,45° FEMALE SWIVEL,SEAL LOK			
48831	1J943-10-8	HOSE END,90° FEMALE SWIVEL,SEAL LOK			
48833	1JC43-10-10	HOSE END,FEMALE SWIVEL,SEAL LOK			
48834	1J943-10-10	HOSE END,90° FEMALE SWIVEL,SEAL LOK			
48835	1JS43-10-12	HOSE END,FEMALE SWIVEL,SEAL LOK			
48836	1JC43-12-8	HOSE END,FEMALE SWIVEL,SEAL LOK			
48837	1JS43-12-8	HOSE END,FEMALE SWIVEL,SEAL LOK			
48838	1J743-12-8	HOSE END,45° FEMALE SWIVEL,SEAL LOK			
48839	1J943-12-8	HOSE END,90° FEMALE SWIVEL,SEAL LOK			
48840	1J943-12-10	HOSE END,90° FEMALE SWIVEL,SEAL LOK			
48841	1JC43-12-12	HOSE END,FEMALE SWIVEL,SEAL LOK			
48842	1JO43-12-12	HOSE END,MALE,SEAL LOK			
48843	1J143-12-12	HOSE END,90° FEMALE SWIVEL,SEAL LOK			
48844	1J543-12-12	HOSE END,90° FEMALE SWIVEL,SEAL LOK			
48845	1J743-12-12	HOSE END,45° FEMALE SWIVEL,SEAL LOK			
48846	1J943-12-12	HOSE END,90° FEMALE SWIVEL,SEAL LOK			

Fitting Cross References (Continued)

Genie PN	Parker PN	Description	Genie PN	Parker PN	Description
48892	6 C6LO-S	ELBOW,90°,SWIVEL NUT ORFS	48938	8 R6LO-S	RUN TEE,SWIVEL NUT,ORFS
48893	6 F5OHAO-S	UNION,STRAIGHT THREAD	48939	8 S6LO-S	BRANCH TEE,SWIVEL NUT TO ORFS
48894	8 WLO-WLNL-S	UNION,BULKHEAD,ORFS	48940	8 WJLO-WLNL-S	RUN TEE, BULKHEAD,ORFS
48895	DT-370-MSMO-5	VALVE,CHECK	48941	8-4 TRLO-S	REDUCER,TUBE END TO SWIVEL,ORFS
48896	6 JLO-S	UNION,TEE,ORFS	48942	8-6 C5OLO-S	ELBOW,90°,STRAIGHT THREAD TO ORFS
48897	DT-750-MSMS-5	VALVE,CHECK	48943	8-6 F5OLO-S	CONNECTOR,STRAIGHT THREAD TO ORFS
48898	DT-750-MOMS-5	VALVE,CHECK	48944	8-8 FLO-S	CONNECTOR,MALE PIPE TO ORFS
48899	DT-620-MOMS-5	VALVE,CHECK	48945	8 FTX-S	CONNECTOR,MALE PIPE TO FLARE TUBE
48900	4-6 F5OLO-SW/.035	CONNECTOR,STRAIGHT THREAD TO ORFS, W/.035 ORI	48946	8-10 F5OLO-S	CONNECTOR,STRAIGHT THREAD TO ORFS
48902	16-1 AOE4G-S	ELBOW,90° LONG,FEMALE PIPE TO STRAIGHT THREAD	48947	8-12 C5OLO-S	ELBOW,90°,STRAIGHT THREAD TO ORFS
48903	1 FF-S	NIPPLE,PIPE	48948	8-12 F5OLO-S	CONNECTOR,STRAIGHT THREAD TO ORFS
48904	4 C5OLO-S	ELBOW,90°,STRAIGHT THREAD TO ORFS	48949	8-16 F5OLO-S	CONNECTOR,STRAIGHT THREAD TO ORFS
48905	4 F5OLO-S	CONNECTOR,STRAIGHT THREAD TO ORFS	48950	10 C5OLO-S	ELBOW,90°,STRAIGHT THREAD TO ORFS
48906	4 R5OLO-S	RUN TEE,STRAIGHT THREAD	48951	10 CC5OLO-S	ELBOW,90° LONG,STRAIGHT THREAD TO ORFS
48907	4 V5OLO-S	ELBOW,45°,STRAIGHT THREAD TO ORFS	48952	10 F5OLO-S	CONNECTOR,STRAIGHT THREAD TO ORFS
48908	4 R6LO-S	RUN TEE,SWIVEL NUT,ORFS	48953	10 R5OLO-S	RUN TEE,STRAIGHT THREAD
48909	4 WJLO-WLNL-S	RUN TEE, BULKHEAD,ORFS	48954	10 S5OLO-S	BRANCH TEE,STRAIGHT THREAD TO ORFS
48910	4 GTX-S W/.030	CONNECTOR,FEMALE PIPE TO FLARE TUBE	48955	10 R6LO-S	RUN TEE,SWIVEL NUT,ORFS
48911	4-6 C5OLO-S	ELBOW,90°,STRAIGHT THREAD TO ORFS	48956	10-4 TRLO-BL-S	REDUCER,TUBE END TO SWIVEL,ORFS
48912	4-6 F5OLO-S	CONNECTOR,STRAIGHT THREAD TO ORFS	48957	10-6 TRLO-BL-S	REDUCER,TUBE END TO SWIVEL,ORFS
48913	4-6 F5OLO-SW/.030	CONNECTOR,STRAIGHT THREAD TO ORFS, W/.030 ORI	48958	10-12 F5OLO-S	CONNECTOR,STRAIGHT THREAD TO ORFS
48914	4-8 F5OLO-S	CONNECTOR,STRAIGHT THREAD TO ORFS	48959	12 C5OLO-S	ELBOW,90°,STRAIGHT THREAD TO ORFS
48915	6 C5OLO-S	ELBOW,90°,STRAIGHT THREAD TO ORFS	48960	12 F5OLO-S	CONNECTOR,STRAIGHT THREAD TO ORFS
48916	6 F5OLO-S	CONNECTOR,STRAIGHT THREAD TO ORFS	48961	12 R5OLO-S	RUN TEE,STRAIGHT THREAD
48917	6 FF5OLO-S	CONNECTOR,LONG,STRAIGHT THREAD TO ORFS	48962	12 S5OLO-S	BRANCH TEE,STRAIGHT THREAD TO ORFS
48918	6 R5OLO-S	RUN TEE,STRAIGHT THREAD	48963	12 V5OLO-S	ELBOW,45°,STRAIGHT THREAD TO ORFS
48919	6 S5OLO-S	BRANCH TEE,STRAIGHT THREAD TO ORFS	48964	12 R6LO-S	RUN TEE,SWIVEL NUT,ORFS
48920	6 V5OLO-S	ELBOW,45°,STRAIGHT THREAD TO ORFS	48965	12 CLO-S	ELBOW,90°,MALE PIPE TO ORFS
48921	6 FLO-S	CONNECTOR,MALE PIPE TO ORFS	48966	12 FLO-S	CONNECTOR,MALE PIPE TO ORFS
48922	6-6 FLO-S	CONNECTOR,MALE PIPE TO ORFS	48967	12 JLO-S	UNION TEE,ORFS
48923	6 P5ON-S	PLUG,STRAIGHT THREAD	48968	12 WLO-WLNL-S	UNION,BULKHEAD,ORFS
48925	6 WELO-S	UNION,90° BULKHEAD,ORFS	48969	12 WJLO-WLNL-S	RUN TEE, BULKHEAD,ORFS
48926	6-4 C5OLO-S	ELBOW,90°,STRAIGHT THREAD TO ORFS	48970	12 WELO-WLNL-S	UNION,90° BULKHEAD W/NUT,ORFS
48927	6-4 F5OLO-S	CONNECTOR,STRAIGHT THREAD TO ORFS			
48928	6-4 V5OLO-S	ELBOW,45°,STRAIGHT THREAD TO ORFS			
48929	6-8 C5OLO-S	ELBOW,90°,STRAIGHT THREAD TO ORFS			
48930	6-8 F5OLO-S	CONNECTOR,STRAIGHT THREAD TO ORFS			
48931	6-10 F5OLO-S	CONNECTOR,STRAIGHT THREAD TO ORFS			
48932	8 C5OLO-S	ELBOW,90°,STRAIGHT THREAD TO ORFS			
48933	8 F5OLO-S	CONNECTOR,STRAIGHT THREAD TO ORFS			
48934	8 FF5OLO-S	CONNECTOR,LONG,STRAIGHT THREAD TO ORFS			
48935	8 R5OLO-S	RUN TEE,STRAIGHT THREAD			
48936	8 S5OLO-S	BRANCH TEE,STRAIGHT THREAD TO ORFS			
48937	8 V5OLO-S	ELBOW,45°,STRAIGHT THREAD TO ORFS			

Fitting Cross References (Continued)

Genie PN	Parker PN	Description	Genie PN	Parker PN	Description
48971	12 G5G5JG5-S	TEE,FEMALE STRAIGHT THREAD	49612	PKT02586	O-RING KIT (ORFS FITTINGS)
48972	12 XHL6-S	ADAPTER, 37° MALE TO SWIVEL ORFS	49613	PKT06276	PLUG AND CAP KIT-SERVICE,ORFS
48973	12-1/2 F5OG-S	ADAPTER,FEMALE PIPE TO STRAIGHT THREAD	49728	10143-12-12	HOSE END, MALE PIPE
48974	12-10 C5OLO-S	ELBOW,90°,STRAIGHT THREAD TO ORFS	49729	16-1 F5OG-S	ADAPTER,FEMALE PIPE TO STRAIGHT THREAD
48975	12-10 F5OLO-S	CONNECTOR,STRAIGHT THREAD TO ORFS	49814	12-8 FLO-S	CONNECTOR,MALE PIPE TO ORFS
48976	12-16 C5OLO-S	ELBOW,90°,STRAIGHT THREAD TO ORFS	49829	DT-500-MOMF-5	VALVE,CHECK
48977	12-16 F5OLO-S	CONNECTOR,STRAIGHT THREAD TO ORFS	49831	881-12	HOSE,3/4 INCH ID
48978	12-16 V5OLO-S	ELBOW,45°,STRAIGHT THREAD TO ORFS	49834	16 JLO-S	UNION TEE,ORFS
48980	12-16 FLO-S	CONNECTOR,MALE PIPE TO ORFS	49838	12-8 TRLO-BL-S	REDUCER,TUBE END TO SWIVEL,ORFS
48983	16 C5OLO-S	ELBOW,90°,STRAIGHT THREAD TO ORFS	49840	8 JLO-S	UNION TEE,ORFS
48984	16 F5OLO-S	CONNECTOR,STRAIGHT THREAD TO ORFS	49844	10-8 TRLO-BL-S	REDUCER,TUBE END TO SWIVEL,ORFS
48985	16 V5OLO-S	ELBOW,45°,STRAIGHT THREAD TO ORFS	49854	8 P5ON-S	PLUG,STRAIGHT THREAD
48986	16 FLO-S	CONNECTOR,MALE PIPE TO ORFS	49855	1JC43-16-12	HOSE END,FEMALE SWIVEL,SEAL LOK
48988	16 CD45-S	ELBOW,45°,MALE TO FEMALE PIPE	49859	4 P5ON-S	PLUG,STRAIGHT THREAD
48989	12 CD45-S	ELBOW,45°,MALE TO FEMALE PIPE	49861	4 FF5OLO-S	CONNECTOR, LONG, STRAIGHT THREAD TO ORFS
48990	8 CD45-S	ELBOW,45°,MALE TO FEMALE PIPE	49867	12-3/4 F5OG-S	ADAPTER,FEMALE PIPE TO STRAIGHT THREAD
48991	16-12 FLO-S	CONNECTOR,MALE PIPE TO ORFS	51152	6 R6X-S	RUN TEE,SWIVEL NUT,ORFS
48992	16-12 V5OLO-S	ELBOW,45°,STRAIGHT THREAD TO ORFS	51153	6-4 TRTX-S	REDUCER,TUBE END TO SWIVEL,ORFS
48993	XV501-12	BALL VALVE	51154	4-4 GTX	CONNECTOR,FEMALE PIPE TO FLARE TUBE
48994	XV501-16	BALL VALVE	51264	881-12	HOSE,3/4 INCH ID
48995	XV510P-12	BALL VALVE	51265	8 JLO-S	UNION TEE,ORFS
48996	XV510P-16	BALL VALVE	51508	6 BTX-S	NUT,FLARE TUBE
48997	PD341	DIAGNOSTIC NIPPLE, STRAIGHT THREAD	51580	12-8 TRLO-BL-S	TUBE END REDUCER,ORFS
48998	PD 361	DIAGNOSTIC NIPPLE, STRAIGHT THREAD	51628	6 R6X-S	RUN TEE,SWIVEL NUT,ORFS
48999	DT-500-MOMS-5	VALVE,CHECK	51735	3/8 HHP	PLUG,PIPE THREAD
49201	10 V5OLO-S	ELBOW,45°,STRAIGHT THREAD TO ORFS	51803	1J943-6-8	HOSE END,90° FEMALE SWIVEL,SEAL LOK
49202	1JC43-12-10	HOSE END,FEMALE SWIVEL,SEAL LOK	53023	125HBL-5-4	FITTING,HOSE BARB TO MALE PIPE
49203	10-8 V5OLO-S	ELBOW,45°,STRAIGHT THREAD TO ORFS	53497	PKT02585	O-RING KIT
49205	6 F5OHAO-S	UNION,STRAIGHT THREAD	53499	1JC71-16-16	HOSE END,FEMALE SWIVEL,SEAL LOK
49207	PD34BTL	DIAGNOSTIC NIPPLE,SEAL-LOK SWIVEL	53500	3-904	O-RING,STRAIGHT THREAD,-4
49209	8M18F870MX-S	CONNECTOR,METRIC,STRAIGHT THREAD TO FLARE TUBE	53501	3-906	O-RING,STRAIGHT THREAD,-6
49212	8 WGTX-WLN-S	CONNECTOR,BULKHEAD,FEMALE PIPE TO FLARE TUBE	53502	3-908	O-RING,STRAIGHT THREAD,-8
49213	30682-8-8	HOSE END,FEMALE SWIVEL,JIC	53503	3-910	O-RING,STRAIGHT THREAD,-10
49216	831-8	HOSE,1/2 INCH ID			
49217	33982-8-8	HOSE END,90° FEMALE SWIVEL,JIC			
49219	PS-B-35	SLEEVE,NYLON,2.19" ID			
49418	4-6 V5OLO-S	ELBOW,45°,STRAIGHT THREAD TO ORFS			
49511	DT370-MOMS-5	VALVE,CHECK			
49512	1 DD-S	ELBOW,90°,FEMALE PIPE			
49513	1 FF-S	NIPPLE,PIPE			
49514	10 HP5ON-S	PLUG,STRAIGHT THREAD			
49515	12-16 CLO-S	ELBOW,90°,MALE PIPE TO ORFS			
49517	6 HP5ON-S	PLUG,STRAIGHT THREAD			
49519	16-12 F5OLO-S	CONNECTOR,STRAIGHT THREAD TO ORFS			
49520	4 VTX-S	ELBOW,45°,MALE PIPE TO FLARE TUBE			
49530	16 C6LO-S	ELBOW,90°,SWIVEL NUT ORFS			

Fitting Cross References (Continued)

Genie PN	Parker PN	Description	Genie PN	Parker PN	Description
53535	3-912	O-RING,STRAIGHT THREAD,-12	61083	24 F5OLO-S	CONNECTOR,STRAIGHT THREAD TO ORFS
53536	4-PNLO-S	PLUG,TUBE END,ORFS	61086	20 R5OLO-S	RUN TEE,STRAIGHT THREAD
53537	6 PNLO-S	PLUG,TUBE END,ORFS	61090	24-20 F5OLO-S	CONNECTOR,STRAIGHT THREAD TO ORFS
53538	8 PNLO-S	PLUG,TUBE END,ORFS	61091	1J943 24-24	HOSE END,90° FEMALE SWIVEL,SEAL LOK
53539	10 PNLO-S	PLUG,TUBE END,ORFS	61093	1J978-12-12	HOSE END,90° FEMALE SWIVEL,JIC
53540	12 PNLO-S	PLUG,TUBE END,ORFS	61095	1JS43-20-16	HOSE END,FEMALE SWIVEL,SEAL LOK
53946	129HB-5-4	FITTING,90° HOSE BARB TO MALE PIPE	61100	811-24	HOSE,11/2 INCH ID
53951	8-1/4F50G-S	ADAPTER,FEMALE PIPE TO STRAIGHT THREAD	61130	1JS43-24-24	HOSE END,FEMALE SWIVEL,SEAL LOK
53980	6 S6LO-S	BRANCH TEE,SWIVEL NUT TO ORFS	61131	1JS78 12-12	HOSE END,FEMALE SWIVEL,SEAL LOK
54132	4 C6LO-S	ELBOW,90°,SWIVEL NUT ORFS	61132	1J778-12-12	HOSE END,45° FEMALE SWIVEL,JIC
54135	11343-16-16	HOSE END,MALE SWIVEL,PIPE	61152	139HB-6-4	ELBOW,45°,BARB TO MALE PIPE
54283	8-10 C5OLO-S	ELBOW,90°,STRAIGHT THREAD TO ORFS	61251	BV-0750	BALL VALVE
54428	8M18C870MLO-S	ELBOW, 90° METRIC, STRAIGHT THREAD TO ORFS	61259	4 CC5OLO-S	ELBOW,90° LONG,STRAIGHT THREAD TO ORFS
54803	FS-F-16-10	SLEEVE,FIRE,-96" ID	61260	20-12 TRLO-BL	REDUCER,TUBE END TO SWIVEL,ORFS
54954	10143-2-4	HOSE END, MALE PIPE	61262	12 C6LO-S	ELBOW,90°,SWIVEL NUT ORFS
55190	3/8 HP-S	PLUG,PIPE THREAD	61263	20 F5OHAO-S	UNION,STRAIGHT THREAD
55448	8 HLO-S	UNION,ORFS	61264	6-10 C5OLO-S	ELBOW,90°,STRAIGHT THREAD TO ORFS
55839	6 F65OX-S	CONNECTOR,STRAIGHT THREAD TO 37° SWIVEL	61265	6 WNLO-WLNL-S	UNION,BULKHEAD 45°,ORFS
55968	10 C5OX-S	ELBOW,90°,STRAIGHT THREAD TO FLARE TUBE	61268	4 WNLO-WLNL-S	UNION,BULKHEAD 45°,ORFS
56003	6 CC5OLO-S	ELBOW,90° LONG,STRAIGHT THREAD TO ORFS	61269	4 WLO-WLNL-S	UNION,BULKHEAD,ORFS
56166	BV-0837	BALL VALVE,90°	61272	12 AOEL6	ELBOW,90°,STRAIGHT THREAD TO ORFS SWIVEL
56188	10143-8-6	HOSE END, MALE PIPE	61316	482TC-16	HOSE,1 INCH ID
56233	2-011	O-RING,ORFS,-4	61321	6 JLO-S	UNION TEE,ORFS
56234	2-012	O-RING,ORFS,-6	61327	782-12	HOSE,3/4 INCH ID
56235	2-014	O-RING,ORFS,-8	61328	881-24	HOSE,11/2 INCH ID
56236	2-016	O-RING,ORFS,-10	61336	11943-20-24	HOSE END,90° FLANGE HEAD
56237	2-018	O-RING,ORFS,-12	61345	12 WJLO-WLNL-S	RUN TEE, BULKHEAD,ORFS
56238	2-021	O-RING,ORFS,-16	61346	8 WNLO-WLNL-S 4	UNION,BULKHEAD 45°,ORFS
56352	6 WLNL-S	LOCKNUT,BULKHEAD	61569	33782-8-8	HOSE END,45° FEMALE SWIVEL,JIC
56353	3J782-12-12	HOSE END,45° FEMALE SWIVEL,SEAL LOK	61610	12 FF5OLO-S	CONNECTOR,LONG,STRAIGHT THREAD TO ORFS
56354	3J982-12-12	HOSE END,90° FEMALE SWIVEL,SEAL LOK	61742	1/8 X 1.5 FFF	NIPPLE,PIPE
56604	10-8 F5OLO-S	CONNECTOR,STRAIGHT THREAD TO ORFS	63426	8 PNTX-S	PLUG,FLARE TUBE
56639	3JC82-10-10	HOSE END,FEMALE SWIVEL,SEAL LOK			
56640	3J982-10-10	HOSE END,90° FEMALE SWIVEL,SEAL LOK			
56655	3JC82-8-10	HOSE END,FEMALE SWIVEL,SEAL LOK			
56676	10-8 C5OLO-S	ELBOW,90°,STRAIGHT THREAD TO ORFS			
56776	471TC-6	HOSE,3/8 INCH ID			
56777	471TC-8	HOSE,1/2 INCH ID			
56789	811-16	HOSE,1 INCH ID			
57884	3/8 FF	NIPPLE,PIPE			
59335	6 FNL-S	CAP,TUBE END			
59342	4 FNL-S	CAP,TUBE END			
59371	8 HP50N-S	PLUG,STRAIGHT THREAD			
60653	BV-0751	BALL VALVE			
60806	125HB-3-4	FITTING,HOSE BARB TO MALE PIPE			
61064	5-1/4 F50G-S	ADAPTER,FEMALE PIPE TO STRAIGHT THREAD			
61079	4 WELO-WLNL-S	UNION,90° BULKHEAD W/NUT,ORFS			
61080	6 WLO-WLNL-S	UNION,BULKHEAD,ORFS			

Fitting Cross References (Continued)

Genie PN	Parker PN	Description	Genie PN	Parker PN	Description
64271	4 WLO-WLNL-S	UNION,BULKHEAD,ORFS	75631	801-6	HOSE,3/8 INCH ID
64272	6 WLO-WLNL-S	UNION,BULKHEAD,ORFS	75654	20 F5OLO-S	CONNECTOR,STRAIGHT THREAD TO ORFS
65776	8 F65OL-S	CONNECTOR,STRAIGHT THREAD TO ORFS SWIVEL	75655	1J943-20-20	HOSE END,90° FEMALE SWIVEL,SEAL LOK
65880	6001012	O-RING KIT	75656	881-20	HOSE,1-1/4 INCH ID
66154	6 WTX-WLNS	UNION,BULKHEAD,FLARE TUBE	75971	8 F5OHAO-S	UNION,STRAIGHT THREAD
66155	6 WETX-S	UNION,BULKHEAD 90°,FLARE TUBE	77307	1JB43-8-8	HOSE END,BULKHEAD,SEAL LOK
66156	6 WLN-S	BULKHEAD LOCKNUT	77309	8 WLNL-S	BULKHEAD LOCKNUT
66389	6-8 F5OX-S	CONNECTOR,STRAIGHT THREAD TO FLARE TUBE	77379	8M18C87OMX-S	ELBOW,90° METRIC,STRAIGHT THREAD TO FLARE TUBE
66392	6 R5OX-S	RUN TEE,STRAIGHT THREAD	77703	3J982-8-8	HOSE END,90° FEMALE SWIVEL,SEAL LOK
66396	811-12	HOSE,3/4 INCH ID	77711	801-10	HOSE,5/8 INCH ID
66829	H3174PP	CLAMP,TUBE	77758	12 WNLO-WLNL-S	UNION,BULKHEAD 45°,ORFS
67217	4 KLO-S	UNION,CROSS,ORFS	78091	6 C6X-S	ELBOW,90°,SWIVEL NUT TO FLARE TUBE
67339	10-6 F5OX-S	CONNECTOR,STRAIGHT THREAD TO FLARE TUBE	78684	30582-8-8B	HOSE END,PUSH LOK,MALE
67357	13943-8-6	HOSE END,90° FEMALE SWIVEL,JIC	78852	549-2	HOSE,1/8 INCH ID
67358	10 HP5ON-S	PLUG,STRAIGHT THREAD	78855	10657-4-2	HOSE END,FEMALE SWIVEL,JIC
67371	12 S6LO-S	BRANCH TEE,SWIVEL NUT TO ORFS	79138	PS-B-37	SLEEVE,NYLON,2.38" ID
67498	4 FNL-S	CAP, TUBE END	79476	1JS43-6-8	HOSE END,FEMALE SWIVEL,SEAL LOK
67906	DC-370-F0F0-5	VALVE,CHECK	79847	12-3/4 A0EG-S	ELBOW,90°,STRAIGHT THREAD TO FEMALE PIPE
69316	8 FLO-S	CONNECTOR,MALE PIPE TO ORFS	80044	8 CLO-S	ELBOW,90°,MALE PIPE TO ORFS
69333	H3174PP	CLAMP,HYDRAULIC HOSE	80502	8 F5OX-S	CONNECTOR,STRAIGHT THREAD TO FLARE TUBE
69503	4 F65OX-S	CONNECTOR,STRAIGHT THREAD TO 37° SWIVEL	80503	8 C5OX-S	ELBOW,90°,STRAIGHT THREAD TO FLARE TUBE
69775	8 FNL-S	CAP, TUBE END	81010	AS-B-27	SLEEVE,NYLON,1.63" ID
71038	1/4X1/4F3HG-S	ADAPTER,CONVERSION	83052	821-6	HOSE,3/8 INCH ID
71196	12-8 F5OLO-S	CONNECTOR,STRAIGHT THREAD TO ORFS	83053	821-8	HOSE,1/2 INCH ID
71383	1/4 CD45-S	ELBOW,45°,MALE TO FEMALE PIPE	83054	821-12	HOSE,3/4 INCH ID
72270	12FNL-S	CAP, TUBE END	83055	30682-6-6	HOSE END,FEMALE SWIVEL,JIC
73436	60C-4	SLEEVE,COMPRESSION	83056	30682-12-12	HOSE END,FEMALE SWIVEL,JIC
73437	61C-4	NUT,COMPRESSION	83057	33782-6-6	HOSE END,45° FEMALE SWIVEL,JIC
73438	33482-4-4B	HOSE END,PUSH LOK,MALE	83058	33982-6-6	HOSE END,90° FEMALE SWIVEL,JIC
73767	1CD-S	ELBOW,90°,MALE TO FEMALE PIPE	83060	33982-12-12	HOSE END,90° FEMALE SWIVEL,JIC
73768	20-16-F5OG5-S	ADAPTER,FEMALE PIPE TO STRAIGHT THREAD	83063	13743-4-4	HOSE END,45° FEMALE SWIVEL,JIC
73769	16-20 F5OLO-S	CONNECTOR,STRAIGHT THREAD TO ORFS			
74660	6-8 F42EDMLO-S	CONNECTOR,MALE BSPP TO ORFS			
74661	8-8 F42EDMLO-S	CONNECTOR,MALE BSPP TO ORFS			
75007	4 FLO-S	CONNECTOR,MALE PIPE TO ORFS			
75008	1/8 HP-S	PLUG,PIPE THREAD			
75014	1/2 HP-S	PLUG,PIPE THREAD			
75042	8 WELO-WLNL-S	UNION,90° BULKHEAD W/NUT,ORFS			
75043	3/4 FF-S	NIPPLE,PIPE			
75254	24 F5OHAO-S	UNION,STRAIGHT THREAD			
75255	12 F5OHAO-S	UNION,STRAIGHT THREAD			
75256	XV506P-24	BALL VALVE			
75574	4 WLNL-S	BULKHEAD LOCKNUT			
75612	8 WJLO-WLNL-S	RUN TEE, BULKHEAD,ORFS			
75613	12-8 F5OG5-S	ADAPTER,FEMALE PIPE TO STRAIGHT THREAD			
75614	8 CC5OLO-S	ELBOW,90° LONG,STRAIGHT THREAD TO ORFS			
75628	1JB43-4-4	HOSE END,BULKHEAD,SEAL LOK			

Fitting Cross References (Continued)

Genie PN	Parker PN	Description	Genie PN	Parker PN	Description
83064	13743-8-8	HOSE END,45° FEMALE SWIVEL,JIC	89449	6 WJLO-WLNL-S	RUN TEE, BULKHEAD,ORFS
83065	13743-12-12	HOSE END,45° FEMALE SWIVEL,JIC	89489	4 WJMLO-S	BRANCH TEE,BULKHEAD,ORFS
83066	13943-8-8	HOSE END,90° FEMALE SWIVEL,JIC	89551	1JB43-6-6	HOSE END,BULKHEAD,SEAL LOK
83067	14143-6-6	HOSE END,90° FEMALE SWIVEL,JIC	89552	1JB43-8-8	HOSE END,BULKHEAD,SEAL LOK
83068	14143-8-8	HOSE END,90° FEMALE SWIVEL,JIC	89593	20 C5OLO-S	ELBOW,90°,STRAIGHT THREAD TO ORFS
83069	14143-12-12	HOSE END,90° FEMALE SWIVEL,JIC	94161	8-8 CLO-S	ELBOW,90°,MALE PIPE TO ORFS
83070	772-8	HOSE,1/2 INCH ID	94358	351TC-12	HOSE,3/4 INCH ID
83071	10671-8-8	HOSE END,FEMALE SWIVEL,JIC	94418	20 FLO-S	CONNECTOR,MALE PIPE TO ORFS
83072	10671-12-12	HOSE END,FEMALE SWIVEL,JIC	96358	12 TX-S	SLEEVE,FLARE TUBE
83073	13771-8-8	HOSE END,45° FEMALE SWIVEL,JIC	96359	12 BTX-S	NUT,FLARE TUBE
83074	13771-12-12	HOSE END,45° FEMALE SWIVEL,JIC	96397	8 F5OX-S	CONNECTOR,STRAIGHT THREAD TO FLARE TUBE
83075	13971-8-8	HOSE END,90° FEMALE SWIVEL,JIC	96398	12-8 F5OX-S	CONNECTOR,STRAIGHT THREAD TO FLARE TUBE
83076	13971-12-12	HOSE END,90° FEMALE SWIVEL,JIC	96402	10343-6-6	HOSE END,MALE,JIC
83077	14171-8-8	HOSE END,90° FEMALE SWIVEL,JIC	96407	30382-6-6B	HOSE END,MALE,JIC
83078	14171-12-12	HOSE END,90° FEMALE SWIVEL,JIC			
83080	13943-16-16	HOSE END,90° FEMALE SWIVEL,JIC			
83103	10671-16-12	HOSE END,FEMALE SWIVEL,JIC			
83104	10671-10-12	HOSE END,FEMALE SWIVEL,JIC			
83112	1JC71-8-8	HOSE END,FEMALE SWIVEL,SEAL LOK			
83113	1JS71-16-12	HOSE END,FEMALE SWIVEL,SEAL LOK			
83114	1JS71-10-12	HOSE END,FEMALE SWIVEL,SEAL LOK			
83115	1J971-8-8	HOSE END,90° FEMALE SWIVEL,SEAL LOK			
83116	1J171-8-8	HOSE END,90° FEMALE SWIVEL,SEAL LOK			
83117	1J771-8-8	HOSE END,45° FEMALE SWIVEL,SEAL LOK			
83127	1J543-6-8	HOSE END,90° FEMALE SWIVEL,JIC			
83128	1JC43-6-8	HOSE END,FEMALE SWIVEL,SEAL LOK			
87033	12-6 TRLO-S	REDUCER,TUBE END TO SWIVEL,ORFS			
87034	3J782-8-8	HOSE END,45° FEMALE SWIVEL,SEAL LOK			
87172	12 HP5ON-S	PLUG,STRAIGHT THREAD			
87185	8 WNLO-WLNL-S	UNION,BULKHEAD 45°,ORFS			
87246	4 C6X-S	ELBOW,90°,SWIVEL NUT TO FLARE TUBE			
87679	6 LHP-S	FLANGE SEAL FITTING, MALE			
87681	6PLS N0702	BONDED SEAL			
88100	SR88100	ADAPTER,OIL DRAIN,GM 3.0L			
88311	1JS43-20-20	HOSE END,FEMALE SWIVEL,SEAL LOK			
88353	20 V5OLO-S	ELBOW,45°,STRAIGHT THREAD TO ORFS			
88474	10081-20	Crimp Shell, 1.25"			
88475	1988-20-24	HOSE END,90° FLANGE HEAD			
88476	JS88-24-24	HOSE END,FEMALE SWIVEL,SEAL LOK			
88477	1JC88-20-20	HOSE END,FEMALE SWIVEL,SEAL LOK			
88478	811-20	HOSE,11/4 INCH ID			
88936	20-16 F5OLO-S	CONNECTOR,STRAIGHT THREAD TO ORFS			
88937	20-16 FLO-S	CONNECTOR,MALE PIPE TO ORFS			
88938	1JC88-16-16	HOSE END,FEMALE SWIVEL,SEAL LOK			
88939	1J988-16-16	HOSE END,90° FEMALE SWIVEL,ORFS			
88940	811-16	HOSE,1 INCH ID			
88944	1J988-20-20	HOSE END,90° FEMALE SWIVEL,ORFS			
89403	16 VLO-S	ELBOW,45°,MALE PIPE TO ORFS			

California Proposition 65



Operating, servicing and maintaining this equipment can expose you to chemicals including engine exhaust, carbon monoxide, phthalates, and lead, which are known to the State of California to cause cancer and birth defects or other reproductive harm. These chemicals can be emitted from or contained in other various parts and systems, fluids and some component wear by-products. To minimize exposure, avoid breathing exhaust, do not idle the engine except as necessary, service your equipment and vehicle in a well-ventilated area and wear gloves or wash your hands frequently when servicing your equipment or vehicle and after operation. For more information go to www.P65Warnings.ca.gov/passenger-vehicle.

Breathing diesel engine exhaust exposes you to chemicals known to the State of California to cause cancer and birth defects or other reproductive harm.

- Always start and operate the engine in a well-ventilated area.
- If in an enclosed area, vent the exhaust to the outside.
- Do not modify or tamper with the exhaust system.
- Do not idle the engine except as necessary.

For more information go to

www.P65warnings.ca.gov/diesel.

Distributed By:

to order your parts

PARTS FINDER

**Search Website
by Part Number**



**Search Manual
Library For Parts
Manual & Lookup Part
Numbers – Purchase
or Request Quote**

Search Manuals

Enter your information to help us find the right parts manual for your machine.

* Brand:

* Model:

* Serial:

* Part Number:

SEARCH

**Can't Find Part or
Manual? Request Help
by Manufacturer,
Model & Description**

Parts Order Form

Please fill in the following information to help us find the right part for your machine.

Manufacturer:	<input type="text"/>
Model:	<input type="text"/>
Description:	<input type="text"/>
Part Number:	<input type="text"/>
Quantity:	<input type="text"/>
Notes:	<input type="text"/>

Submit

Discount-Equipment.com is your online resource for quality parts & equipment.

Florida: **561-964-4949** Outside Florida TOLL FREE: **877-690-3101**

Need parts?

Click on this link: <http://www.discount-equipment.com/category/5443-parts/> and choose one of the options to help get the right parts and equipment you are looking for. Please have the machine model and serial number available in order to help us get you the correct parts. If you don't find the part on the website or on one of the online manuals, please fill out the request form and one of our experienced staff members will get back to you with a quote for the right part that your machine needs.

We sell worldwide for the brands: Genie, Terex, JLG, MultiQuip, Mikasa, Essick, Whiteman, Mayco, Toro Stone, Diamond Products, Generac Magnum, Airman, Haulotte, Barreto, Power Blanket, Nifty Lift, Atlas Copco, Chicago Pneumatic, Allmand, Miller Curber, Skyjack, Lull, Skytrak, Tsurumi, Husquvarna Target, Stow, Wacker, Sakai, Mi-T-M, Sullair, Basic, Dynapac, MBW, Weber, Bartell, Bennar Newman, Haulotte, Ditch Runner, Menegotti, Morrison, Contec, Buddy, Crown, Edco, Wyco, Bomag, Laymor, EZ Trench, Bil-Jax, F.S. Curtis, Gehl Pavers, Heli, Honda, ICS/PowerGrit, IHI, Partner, Imer, Clipper, MMD, Koshin, Rice, CH&E, General Equipment, Amida, Coleman, NAC, Gradall, Square Shooter, Kent, Stanley, Tamco, Toku, Hatz, Kohler, Robin, Wisconsin, Northrock, Oztec, Toker TK, Rol-Air, APT, Wylie, Ingersoll Rand / Doosan, Innovatech, Con X, Ammann, Mecalac, Makinex, Smith Surface Prep, Small Line, Wanco, Yanmar