



A TEREX BRAND



Parts Manual

Serial Number Range

Z-80/60

from SN Z8003-101 to
Z8016-5829

and from Z8016H-5830 to
Z8016H-6399

Part No. 88618

Rev H4

November 2018

Go to Discount-Equipment.com to order your parts

PARTS FINDER

**Search Website
by Part Number**



**Search Manual
Library For Parts
Manual & Lookup Part
Numbers – Purchase
or Request Quote**

Search Manuals

Enter your information to help us find the right parts manual for your machine.

* Brand:

* Model:

* Serial:

* Part Number:

SEARCH

**Can't Find Part or
Manual? Request Help
by Manufacturer,
Model & Description**

Parts Order Form

Please fill in the following information to help us find the right part for your machine.

Manufacturer:	<input type="text"/>
Model:	<input type="text"/>
Description:	<input type="text"/>
Part Number:	<input type="text"/>
Quantity:	<input type="text"/>
Notes:	<input type="text"/>

Submit

Discount-Equipment.com is your online resource for quality parts & equipment.

Florida: **561-964-4949** Outside Florida TOLL FREE: **877-690-3101**

Need parts?

Click on this link: <http://www.discount-equipment.com/category/5443-parts/> and choose one of the options to help get the right parts and equipment you are looking for. Please have the machine model and serial number available in order to help us get you the correct parts. If you don't find the part on the website or on one of the online manuals, please fill out the request form and one of our experienced staff members will get back to you with a quote for the right part that your machine needs.

We sell worldwide for the brands: Genie, Terex, JLG, MultiQuip, Mikasa, Essick, Whiteman, Mayco, Toro Stone, Diamond Products, Generac Magnum, Airman, Haulotte, Barreto, Power Blanket, Nifty Lift, Atlas Copco, Chicago Pneumatic, Allmand, Miller Curber, Skyjack, Lull, Skytrak, Tsurumi, Husquvarna Target, Stow, Wacker, Sakai, Mi-T-M, Sullair, Basic, Dynapac, MBW, Weber, Bartell, Bennar Newman, Haulotte, Ditch Runner, Menegotti, Morrison, Contec, Buddy, Crown, Edco, Wyco, Bomag, Laymor, EZ Trench, Bil-Jax, F.S. Curtis, Gehl Pavers, Heli, Honda, ICS/PowerGrit, IHI, Partner, Imer, Clipper, MMD, Koshin, Rice, CH&E, General Equipment, Amida, Coleman, NAC, Gradall, Square Shooter, Kent, Stanley, Tamco, Toku, Hatz, Kohler, Robin, Wisconsin, Northrock, Oztec, Toker TK, Rol-Air, APT, Wylie, Ingersoll Rand / Doosan, Innovatech, Con X, Ammann, Mecalac, Makinex, Smith Surface Prep, Small Line, Wanco, Yanmar

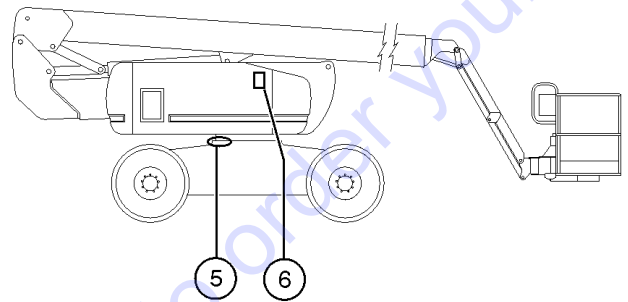
To August 31, 2016

Genie
A TEREX BRAND

Model:
 Serial number: Z8016H-12345
 Model year: 2016 Manufacture date: 01/01/16
 Electrical schematic number:
 Machine unladen weight:
 Rated work load (including occupants):
 Maximum number of platform occupants:
 Maximum allowable side force :
 Maximum allowable inclination of the chassis:

Z80 16 H - 12345

1 2 3 4



- 1 Model
- 2 Model year
- 3 Facility code

- 4 Sequence number
- 5 Serial number (stamped on chassis)
- 6 Serial label (located under cover)

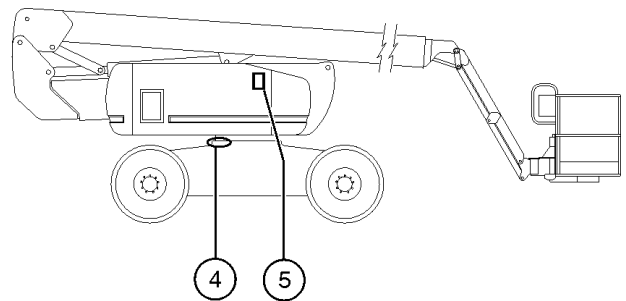
From September 1, 2016

Genie
A TEREX BRAND

Model:
 Serial number: Z80H-12345
 Year of manufacture: 2016
 Electrical schematic number:
 Machine unladen weight:
 Rated work load (including occupants):
 Maximum number of platform occupants:
 Maximum allowable side force:
 Maximum allowable inclination of the chassis:

Z80 H - 12345

1 2 3



- 1 Model
- 2 Facility code
- 3 Sequence number

- 4 Serial number (stamped on chassis)
- 5 Serial label (located under cover)

Table of Contents

This manual is updated frequently. For the most up-to-date parts information, visit www.discount-equipment.com

How to Read Your Serial Number.....	3
Parts Stocking List.....	9

Electronic Version

Click on any page number to view the figure.

001 Parts Stocking List

001.1 Parts Stocking List.....	12
--------------------------------	----

100 Decals

101.1 Decals with Word, Hydraulic Tank Side / Non-Steer End.....	16
102.1 Decals with Word, Engine Side / Steer End.....	20
103.1 Decals with Word, Booms.....	22
104.1 Decals with Word, Platform.....	24
105.1 Decals with Symbols, Hydraulic Tank Side / Non-Steer End.....	26
106.1 Decals with Symbols, Engine Side / Steer End.....	28
107.1 Decals with Symbols, Booms.....	30
108.1 Decals with Symbols, Platform.....	32

200 Drive Chassis Components

201.1 2WD Steer Axle Linkage.....	34
202.1 4WD Steer Axle Linkage (to SN 3225).....	36
202.2 4WD Steer Axle Linkage (from SN 3226).....	40
203.1 Front Steer Axle (to SN 3225).....	42
203.2 Front Steer Axle (from SN 3226).....	44
204.1 Axle Installation.....	46
205.1 Drive Chassis and Axle Counterweights.....	50
206.1 Drive Hub Assembly with Brake - Type 1 (from SN 3226).....	52
207.1 Drive Hub Assembly with Brake - Type 2 (from SN 3156).....	54

300 Turntable Components

301.1 Hydraulic and Fuel Tanks.....	56
301.2 Hydraulic and Fuel Tanks - Gasoline/LPG Models (from SN 966 to 3200).....	60

301.3 Hydraulic and Fuel Tanks - Gasoline/LPG Models (from SN 3201).....	64
302.1 Turntable Rotator and Hydraulic Rotary Coupler Installation.....	68
303.1 Ground Control Box - View 1.....	74
303.2 Ground Control Box - View 2.....	78
304.1 Ground Controls Box (Perkins 404F-22T and Deutz TD 2.9L4) - View 1.....	80
304.2 Ground Controls Box (Perkins 404F-22T and Deutz TD 2.9L4) - View 2.....	82
305.1 Turntable Covers.....	84
306.1 Turntable Components, Engine Side.....	86
307.1 Turntable Components - Relay Panel (to SN 338).....	88
307.2 Turntable Components - Relay Panel (from SN 339).....	90

400 Engine Components

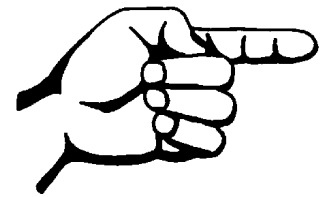
401.1 Perkins 704-30 Engine - View 1 (to SN 328).....	92
402.1 Perkins 704-30 Engine - View 2 (to SN 328).....	94
403.1 Perkins 704-30 Engine - View 3 (to SN 328).....	96
404.1 Perkins 704-30 Engine - View 4 (to SN 328).....	98
405.1 Perkins 804D-33 Engine - View 1 (from SN 329).....	100
406.1 Perkins 804D-33 Engine - View 2 (from SN 329).....	102
407.1 Perkins 804D-33 Engine - View 3 (from SN 329).....	104
408.1 Perkins 404F-22T Engine - View 1.....	106
409.1 Perkins 404F-22T Engine - View 2.....	110
410.1 Perkins 404F-22T Engine - View 3.....	112
411.1 Perkins 404F-22T Engine - View 4.....	114
412.1 Deutz F4L-913 Engine - View 1 (to SN 338).....	116
413.1 Deutz F4L-913 Engine - View 2 (to SN 338).....	118
414.1 Deutz F4L-913 Engine - View 3 (to SN 338).....	120
415.1 Deutz F4L-913 Engine - View 4 (to SN 338).....	122
416.1 Deutz BF4L-2011 / TD2011-L04i Engine - View 1 (from SN 339).....	124
417.1 Deutz BF4L-2011 / TD2011-L04i Engine - View 2 (from SN 339).....	128
418.1 Deutz TD 2.9L4 Engine - View 1.....	130
419.1 Deutz TD 2.9L4 Engine - View 2.....	132
420.1 Deutz TD 2.9L4 Engine - View 3.....	134
421.1 Deutz TD 2.9L4 Engine - View 4.....	136
422.1 GM 3.0L EFI Engine - View 1 (to SN 995).....	138
423.1 GM 3.0L EFI Engine - View 2 (to SN 995).....	140
424.1 Ford LRG-425 EFI Engine - View 1.....	142
425.1 Ford LRG-425 EFI Engine - View 2.....	144
426.1 Ford LRG-425 EFI Engine - View 3.....	146
427.1 Ford LRG-425 EFI Engine - View 4.....	148
428.1 Continental TME-27 Engine - View 1.....	150
429.1 Continental TME-27 Engine - View 2.....	152

Table of Contents (continued)

Part Number Index.....314
Part Description Index.....325
Cross References
Fittings Cross Reference.....342

Go to Discount-Equipment.com to order your parts

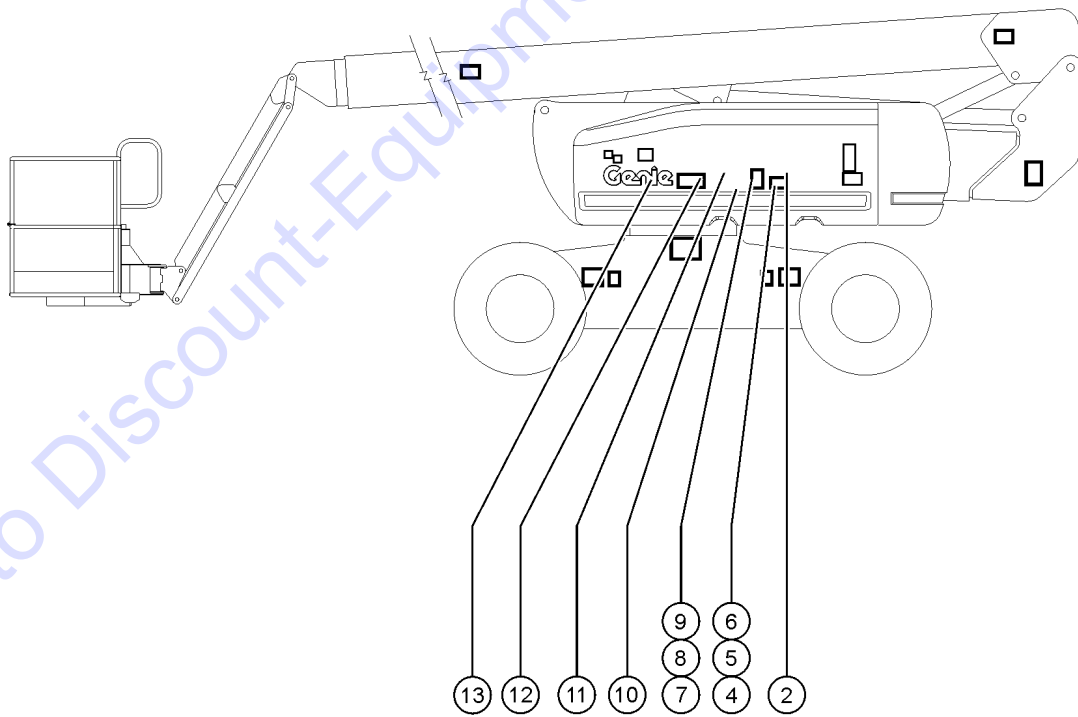
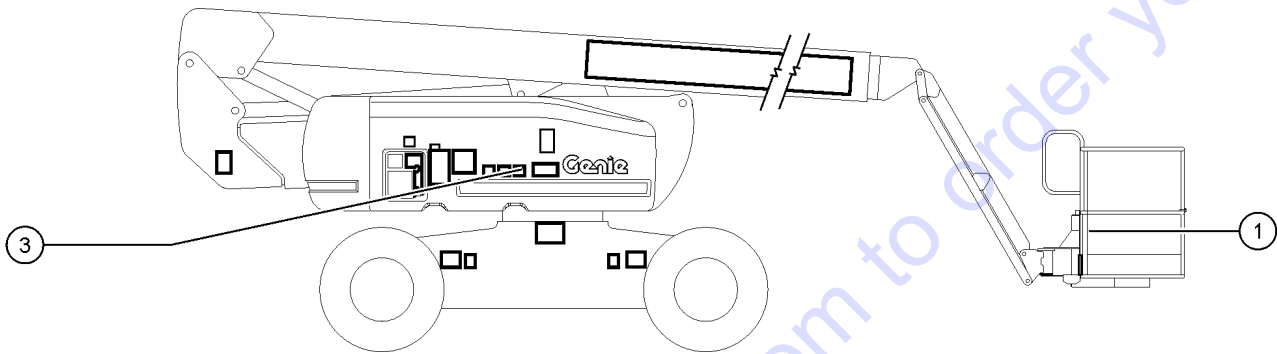
Please refer to section 001 for the Recommended Spare Parts List.



This page intentionally left blank.

Go to Discount-Equipment.com to order your parts

001.1 Parts Stocking List



001.1 Parts Stocking List

Item	Part No.	Description	Qty.	Item	Part No.	Description	Qty.
A		—INSPECTION SERVICE KITS—		5		—Perkins 804D-33 Models—	
--	1278714GT	KIT,ENGINE SERVICE,250 HOUR,DEUTZ TD2.9,S80/Z80		--	101613GT	ELEMENT,OIL FILTER,PERKINS*** from SN 329	
--	1285419GT	KIT,ANNUAL INSPECTION,Z80 from SN Z8014-4987		--	101614GT	ELEMENT,FUEL/WATER SEPARATOR from SN 329	
B		—GENERAL SERVICE PARTS—		--	102534GT	V-BELT, PERKINS 804C-33 from SN 329 (for alternator)	
--	1257733GT	PAINT,WET,TRAFFIC BLACK (1 GL)** 1-gallon		--	62420GT	FILTER,AIR*** from SN 329	
--	1258567GT	PAINT, AEROSOL, TRAFFIC BLACK 12-ounce spray paint		6		—Perkins 404F-22T Models—	
--	1268GT	PAINT,AEROSOL,GENIE GRAY*** 12-ounce spray paint		--	1262487GT	BELT,AIR PUMP,PERKINS 404F-22T	
--	1283776GT	SEAL MARKER,CROSS CHECK,BLUE,TUBE		--	62420GT	FILTER,AIR***	
--	1484GT	PAINT,AEROSOL,BRIGHT BLUE*** 12-ounce spray paint		--	62421GT	FILTER,FUEL,PERKINS	
--	28750GT	O-RING KIT,FIELD SVC,ALL PROD* O-ring kit, SAE		--	62433GT	FILTER,ELEMENT,30 MIC,75020	
--	32150GT	PAINT,WET,GENIE BLUE (1 GL)** 1-gallon		--	89765GT	BELT, V (PERKINS 404)	
--	32151GT	PAINT,WET,GENIE GRAY (1 GL)** 1-gallon		--	94762GT	OIL FILTER - PERKINS	
--	33994GT	PLUG AND CAP KIT-SERVICE,37 ** Plug and cap kit, SAE		7		—Deutz F3L-913 Models—	
--	49612GT	O-RING KIT (ORFS FITTINGS) O-ring kit, Parker		--	62425GT	FILTER,AIR CLEANER,SUPERBOOM to SN 338	
--	60536GT	FUSE,20 AMP,MAXI (refer to figure 307.1)		--	62430GT	FILTER,OIL, DEUTZ F4L913 to SN 338	
--	66399GT	GREASE,DIELECTRIC 4 OZ**		--	62431GT	BELT,V, BLOWER, DEUTZ F4L913 to SN 338	
--	93500GT	PARKER DIGITAL PRESSURE GAUGE		--	75484GT	FILTER,FUEL/WATER SEPARATOR to SN 338	
--	94327GT	FUSE,30 AMP (refer to figure 307.1)		8		—Deutz BF4L-2011 /TD2011-L04i Models—	
1		—MANUALS—		--	102589GT	V-BELT, DEUTZ F4L2011 from SN 339	
--	27581GT	MANUAL,AEM SAFETY		--	29560GT	FILTER,FUEL/WTR SEP, DTZ 1008 from SN 339	
--	31779GT	MANUAL,RESPON,A92.5 BOOM		--	49924GT	FILTER,OIL,DEUTZ F4L1011F from SN 339	
2		—HYDRAULIC FILTERS—		--	62425GT	FILTER,AIR CLEANER,SUPERBOOM from SN 339	
--	60857GT	FILTER,ELEMENT,BETA(5)=1000 All Models		9		—Deutz TD 2.9L4 Models—	
3	61326GT	FILTER ELEMENT,10 MICRON,60508 All Models		--	1262487GT	BELT,AIR PUMP,PERKINS 404F-22T	
4		—Perkins 704-30 Models—		--	1262866GT	FAN BELT, ALTERNATOR	
--	62420GT	FILTER,AIR*** to SN 328		--	214228GT	FILTER, DEUTZ 2.9, FUEL	
--	62421GT	FILTER,FUEL,PERKINS to SN 328		--	236260GT	PRE-FILTER,FUEL,DEUTZ TCD3.6	
--	62422GT	FILTER,OIL,PERKINS 704-30 (BB) to SN 328		--	49924GT	FILTER,OIL,DEUTZ F4L1011F	
--	62423GT	BELT,V KIT, PERKINS 704-30 to SN 328		--	62425GT	FILTER,AIR CLEANER,SUPERBOOM	
				10		—GM 3.0L EFI Models—	
				--	62420GT	FILTER,AIR***	
				--	65620GT	PCV VALVE-GM 3.0L ENGINE	
				--	65621GT	BELT-FAN, GM 3.0L ENGINE	
				--	65622GT	SPARK PLUG-GM 3.0L ENGINE	

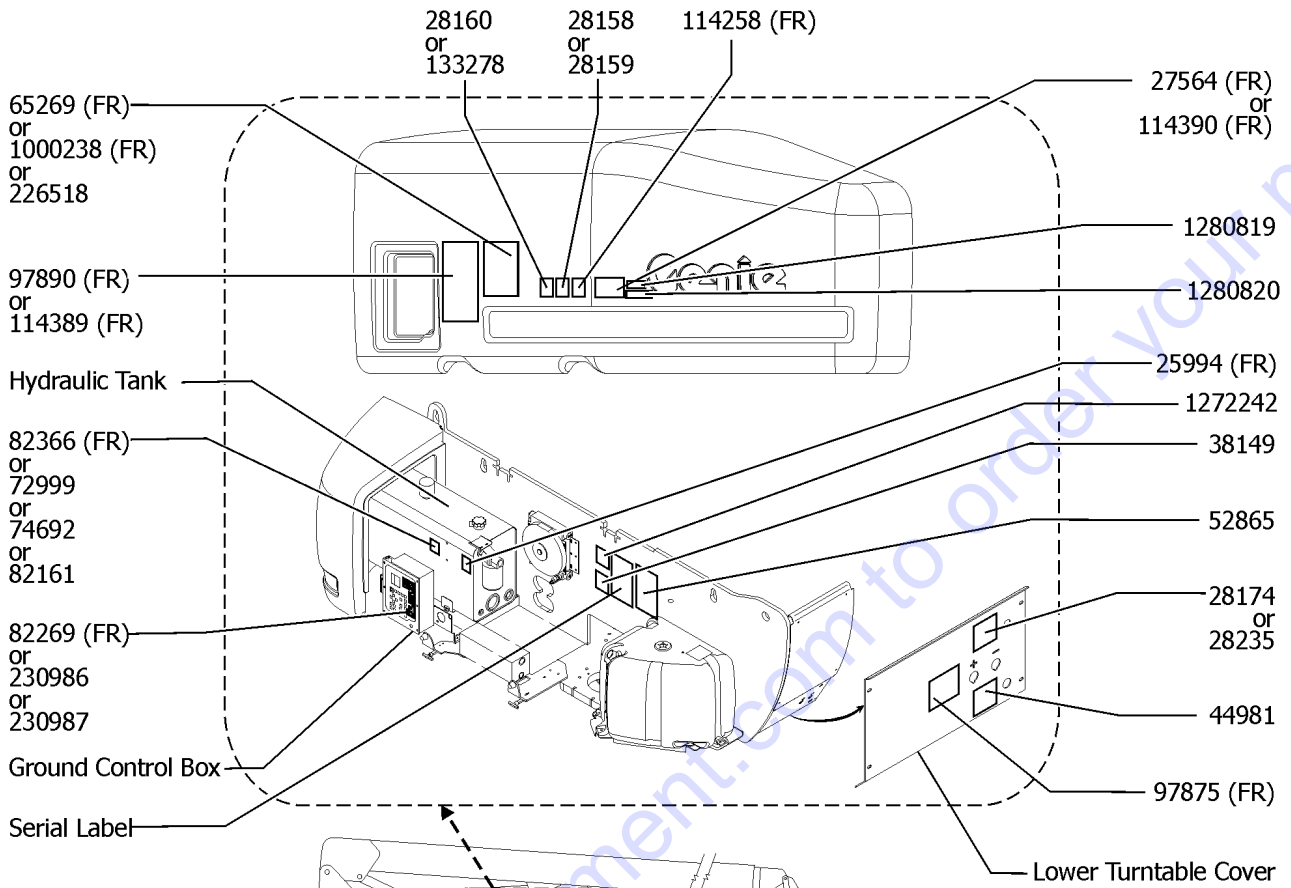
001.1 Parts Stocking List
(continued)

Item	Part No.	Description	Qty.
--	65623GT	FILTER-OIL,GM 3.0L ENGINE	
--	65626GT	FILTER-FUEL, GM 3.0L ENGINE	
--	65627GT	FILTER-LPG, GM 3.0L ENGINE	
11		—Ford LRG-425 Models—	
--	106490GT	SPARK PLUG, FORD LRG425	
--	28656GT	FILTER,OIL,FORD	
--	33957GT	VALVE,PCV-FORD LRG***	
--	52179GT	FILTER, FUEL LRG 425/423 EFI	
--	52580GT	BELT,SERPENTINE,LRG425 EFI***	
--	58967GT	FUEL PRESSURE REG,425EFI***	
--	77295GT	FILTER ELEMENT,AIR,NOLFF LPG	
12		—Continental TME-27 Models—	
--	111797GT	FILTER, GAS, SAE J2044 FITTING	
--	111914GT	REGULATOR,FUEL PRESS. TME27	
--	111917GT	OIL FILTER,TME 2.7L ENGINE	
--	62420GT	FILTER,AIR***	

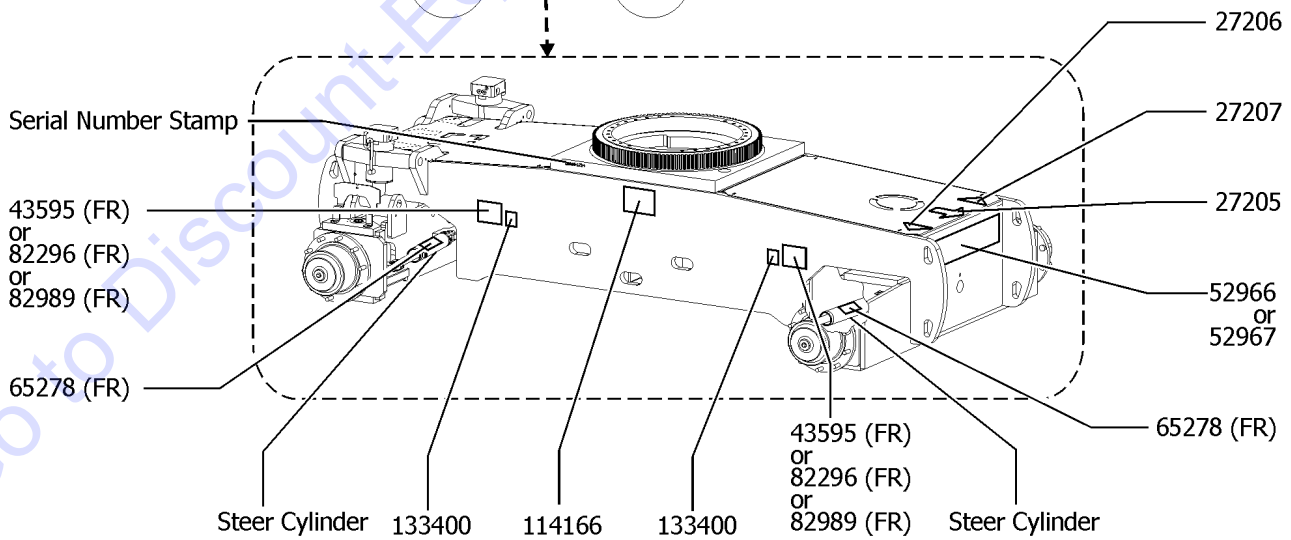
This Page Intentionally Left Blank

Go to Discount-Equipment.com to order your parts

101.1 Decals with Word, Hydraulic Tank Side / Non-Steer End



NOTE:
Part numbers with "(FR)" indicates French translation is available



101.1 Decals with Word, Hydraulic Tank Side / Non-Steer End

Item	Part No.	Description	Qty.	Item	Part No.	Description	Qty.
A		Decal Kits are model, option or configuration specific. Refer to the kit instructions for proper configuration.		14	52865GT	DECAL,ANNUAL INSP***.....1 (US Only)	1
B	1256328GT	DECAL KIT,Z80,COMP,WRD,ANSI ANSI Word from SN 801 to 2448		15	52966GT	DECAL,COSMETIC,4 X 2.....1 Option, drive	1
--	1256332GT	INSTRUCTIONS,INSTALL,COMP,WORD		16	52967GT	DECAL,COSMETIC,4 X 4.....1 Option, drive	1
C	824283GT	DECAL KIT,Z80 COMP,WORD,ANSI ANSI Word from SN 2449 to 3910		17A	65269GT	DECAL,NOTICE,OPERATING INST.....1 ANSI to SN 800	1
--	824317GT	INSTRUCTIONS, INSTALL (824283)		17B	1000238GT	DECAL,NOTICE,OPERATING INST.....1 ANSI from 801	1
D	1256330GT	DECAL KIT,Z80,COMP,WRD,AUS AUS models from SN 801 to 2448		18	65278GT	DECAL,CAUTION,NO STEP.....2	2
--	1256332GT	INSTRUCTIONS,INSTALL,COMP,WORD		19	72999GT	DECAL,LABEL,PETRO CANADA***.....1 Option, hydraulic oil	1
E	824285GT	DECAL KIT,Z80 COMP,WORD,AUS AUS models from SN 2449 to 3157		20	74692GT	HYD.FLUID,FIRE RES.QUINTOLUB**....1 Option, hydraulic oil	1
--	824319GT	INSTRUCTIONS, INSTALL (824285)		21	82161GT	DECAL,LABEL,UCON HYDROLUBE.....1 Option, hydraulic oil	1
F	824288GT	DECAL KIT,Z80 COMP,WORD,AU AUS models from SN 3158 to 3910		22A	82269GT	DECAL,GROUND CONTROL PANEL,Z80.....1 to SN 3910	1
--	824321GT	INSTRUCTIONS, INSTALL (824288)		22B	230986GT	DECAL, GROUND CONTROL Z80.....1 from SN 3911	1
G	824293GT	DECAL KIT,Z80 COMP,WORD,AUS AUS models from SN 3911 to 4092		22C	230987GT	DECAL, SERVICE RECOVERY SWITCH.....1 from SN 3911	1
--	824325GT	INSTRUCTIONS, INSTALL (824293)		23	82296GT	DECAL, NOTICE TIRE SPECS.....2 (foam filled)	2
H	824304GT	DECAL KIT,Z80 COMP,WORD,AUS AUS models from SN 4093		24	82366GT	DECAL,CHEVRON RANDO HD.....1 Option, hydraulic oil	1
--	824308GT	INSTRUCTIONS, INSTALL (824304)		25	82989GT	DECAL,DANGER/NOTICE,TIRES,HIF....2 (hi-floatation)	2
1	25994GT	DECAL,NOTICE,SHUTOFF VALVES.....1	1	26	97875GT	DECAL,WARN.WELD LINE INST.WORD.....1 Option, weld cable line	1
2	27205GT	DECAL,ARROW YELLOW LRG 9".....1	1	27A	97890GT	DECAL,DANGER,GEN SAFETY RULES.....1 from SN 101 to 2448	1
3	27206GT	DECAL,TRIANGLE,BLUE.....1	1	27B	114389GT	DECAL,DANGER,GENERAL SAFETY....1 from SN 2449	1
4	27207GT	DECAL,TRIANGLE,YELLOW.....1	1	28	114166GT	DECAL,LABEL,TRANSPORT DIAGRAM.....1	1
5A	27564GT	DECAL,DANGER,ELEC.HAZ.STAY CLR.....1 to SN 2448	1	29	114258GT	DECAL,DANGER,NO SMOKING.....1	1
5B	114390GT	DECAL,DANGER,ELECT HAZARD***....1 from SN 2449	1	30	133278GT	DECAL,LOW/ULTRA LOW SULFR FUEL.....1 (Deutz - from SN 2178) (perkins - from SN 2025)	1
6	28158GT	DECAL,LABEL,UNLEADED GAS ONLY.....1 Option, fuel	1	31	133400GT	DECAL,LABEL,WHEEL LOAD Z80***....2	2
7	28159GT	DECAL,DIESEL.....1 Option, fuel	1	32	226518GT	DECAL,INST,OPER INST,Z80,AUS.....1 AUS	1
8	28160GT	DECAL,LABEL,LIQUID PROPANE.....1 Option, LPG tank	1	33	1280819GT	DECAL,WARNING,CANCER AND REPRODUCTIVE HARM, PROP 65.....1 (US Only)	1
9	28174GT	DECAL, POWER TO PLATFORM 230V**.....1	1				
10	28235GT	DECAL,POWER TO PLATFORM 115V...1	1				
11	38149GT	DECAL,LABEL,PATENTS.....1 (US Only)	1				
12	43595GT	DECAL,DANGER,TIP-OVER,TIRES***...2 (foam filled)	2				
13	44981GT	DECAL,LABEL, AIR LINE 110 PSI.....1 Option, airline to platform	1				

101.1 Decals with Word, Hydraulic Tank Side / Non-Steer End
(continued)

Item	Part No.	Description	Qty.
34	1280820GT	DECAL,FUEL,DIESEL EXHAUST, PROP 65.....1 <i>(diesel and US Only)</i>	1
35	1272242GT	DECAL,MACHINE REGISTRATION/OWNER TRANSFER....1	1

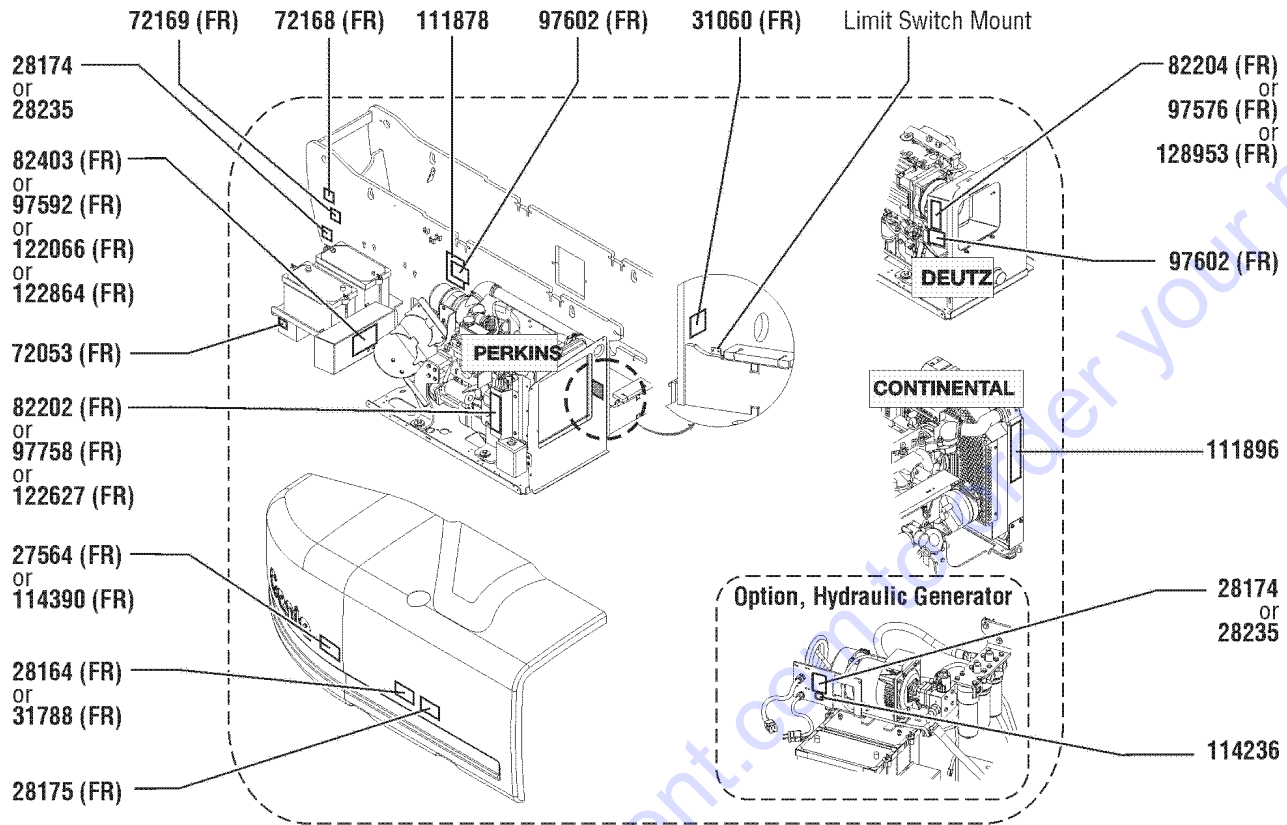
Go to Discount-Equipment.com to order your parts

101.1 Decals with Word, Hydraulic Tank Side / Non-Steer End
(continued)

This Page Intentionally Left Blank

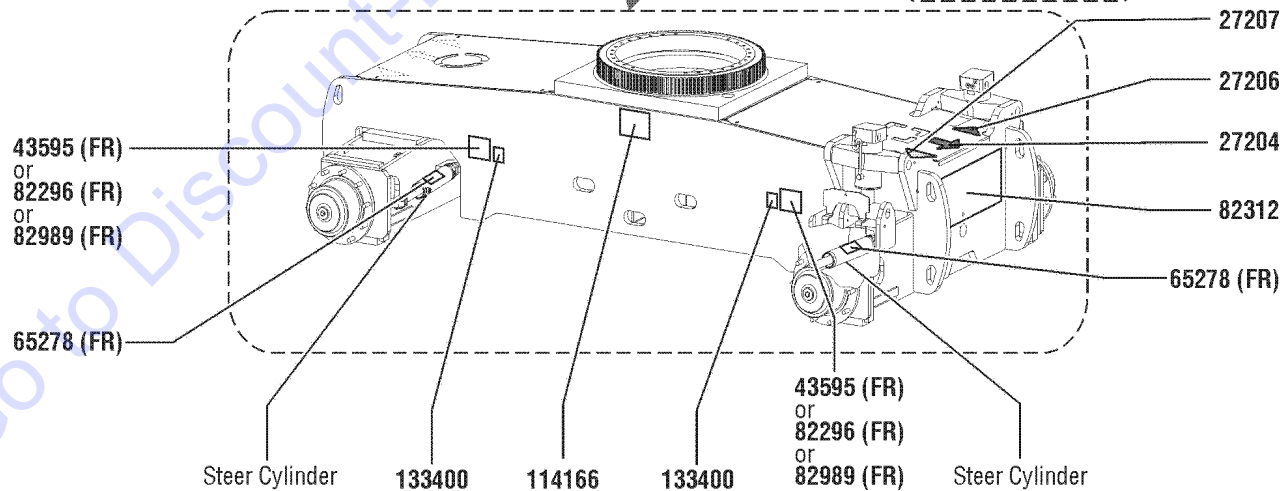
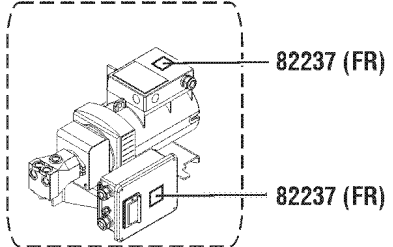
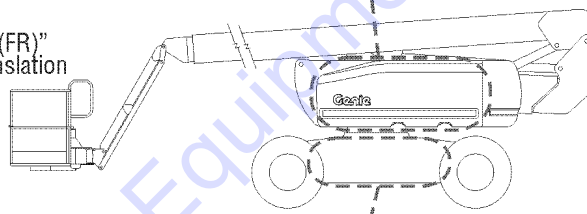
Go to Discount-Equipment.com to order your parts

102.1 Decals with Word, Engine Side / Steer End



NOTE:
Part numbers with "(FR)" indicates French translation is available

■ Shading indicates decal is hidden from view.

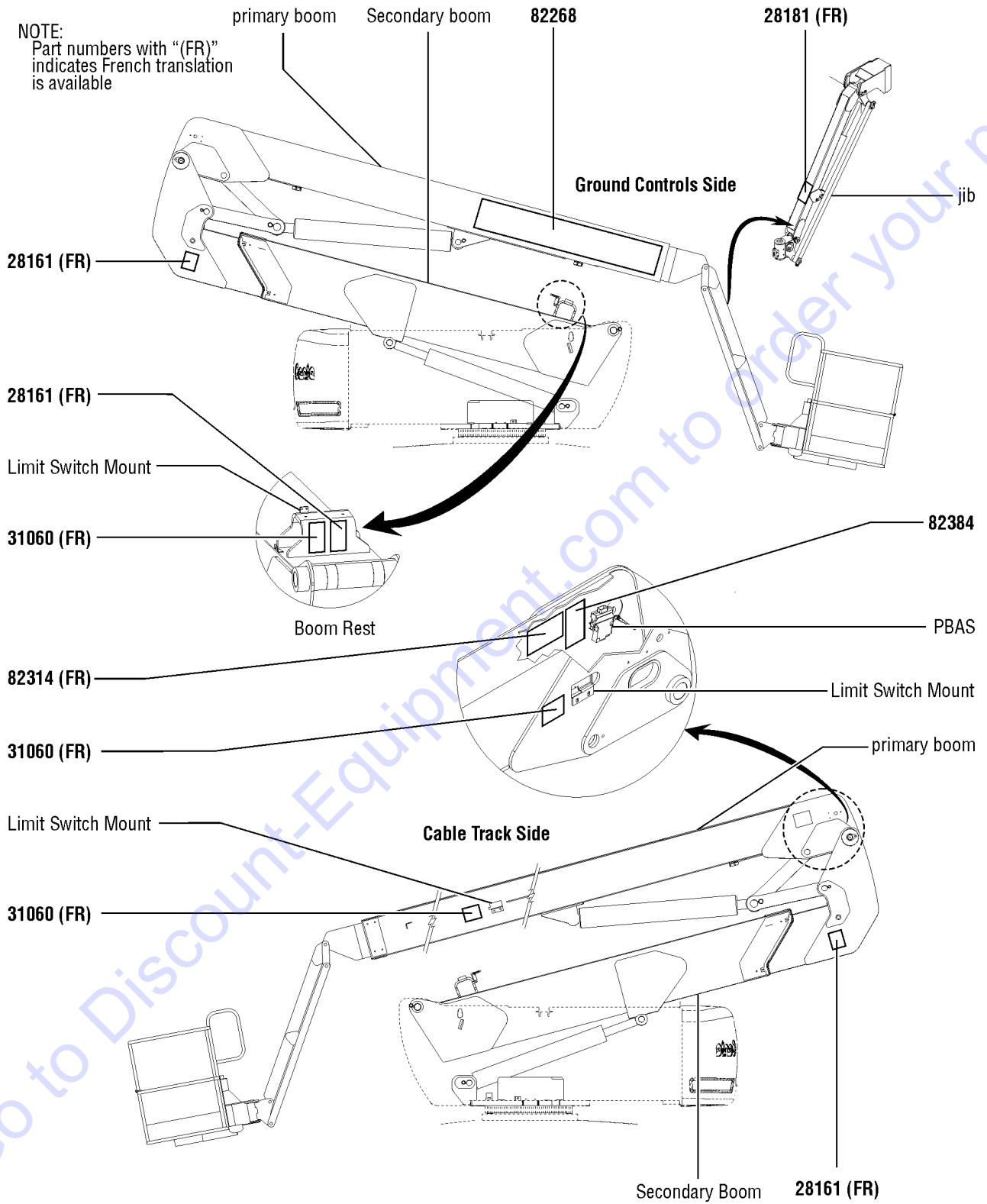


102.1 Decals with Word, Engine Side / Steer End

Item	Part No.	Description	Qty.	Item	Part No.	Description	Qty.
1	27204GT	DECAL,ARROW BLUE.....	1	20A	82403GT	DECAL, RELAY & FUSE PANELS..... <i>to SN 328</i>	1
2	27206GT	DECAL,TRIANGLE,BLUE.....	1	20B	97592GT	DECAL, LABEL,FUSE RELAY PANEL..... <i>from SN 329 to SN 995</i>	1
3	27207GT	DECAL,TRIANGLE,YELLOW.....	1	20C	122066GT	DECAL, RELAY & FUSE PANELS..... <i>from SN 996 to 2439</i>	1
4A	27564GT	DECAL,DANGER,ELEC.HAZ.STAY CLR.....	1	20D	122864GT	DECAL,RELAY & FUSE PANELS..... <i>from SN 2440</i>	1
		<i>to SN 2448</i>		21	82989GT	DECAL,DANGER/NOTICE,TIRES,HIF.... <i>(hi-floatation)</i>	2
4B	114390GT	DECAL,DANGER,ELECT HAZARD***..... <i>from SN 2449</i>	1	22	97602GT	DECAL,EXPLOSION HAZARD.....	1
5A	28164GT	DECAL,NOTICE,HAZARDOUS MAT'LS*.....	1	23	111878GT	DECAL,FUSE AND RELAY TME27..... <i>continental engines only</i>	1
		<i>to SN 2448</i>		24	111896GT	DECAL,ENG.SPECS,CONTINENTAL..... <i>continental engines only</i>	1
5B	31788GT	DECAL,DANGER,BATTERY SAFETY***.....	1	25	114166GT	DECAL,LABEL,TRANSPORT DIAGRAM.....	1
		<i>from SN 2449</i>		26	114236GT	DECAL,LABEL,CB SYMBOL..... <i>Option, circuit breaker</i>	1
6	28174GT	DECAL, POWER TO PLATFORM 230V**.....	1	27	133400GT	DECAL,LABEL,WHEEL LOAD Z80***.....	2
		<i>Option</i>					
7	28175GT	DECAL,WARNING-COMPART ACCESS.....	1				
8	28235GT	DECAL,POWER TO PLATFORM 115V... <i>Option</i>	1				
9	31060GT	DECAL,DANGER DO NOT ALTER SWTC.....	1				
10	43595GT	DECAL,DANGER,TIP-OVER,TIRES***... <i>(foam filled)</i>	2				
11	65278GT	DECAL,CAUTION,NO STEP.....	2				
12	72053GT	DECAL,LABEL,30A CB..... <i>Option, generator</i>	1				
13	72168GT	DECAL,LABEL,STARTER BATTERY..... <i>Option, battery</i>	1				
14	72169GT	DECAL,LABEL,CONTROLS BATTERY... <i>Option, battery</i>	1				
15A	82202GT	DECAL,NOTICE,DEUTZ ENG SPEC..... <i>to SN 328</i>	1				
15B	97758GT	DECAL,WARN.WELD LINE INST.WORD.....	1				
		<i>from SN 329 to 2024</i>					
15C	122627GT	DECAL,T3 ENGINE SPEC.PERKINS..... <i>from SN 2025</i>	1				
16A	82204GT	DECAL,DANGER,HIGH VOLTAGE..... <i>to SN 328</i>	1				
16B	97576GT	DECAL,EXPLOSION HAZARD..... <i>from SN 329 to 2177</i>	1				
16C	128953GT	DECAL,ENGINE SPEC,DEUTZ,TD2011.....	1				
		<i>from SN 2178</i>					
17	82237GT	DECAL,DANGER,HIGH VOLTAGE..... <i>Option, welder generator</i>	2				
18	82296GT	DECAL, NOTICE TIRE SPECS..... <i>(foam filled)</i>	2				
19	82312GT	DECAL,COSMETIC,Z80.....	1				

103.1 Decals with Word, Booms

NOTE:
Part numbers with "(FR)"
indicates French translation
is available

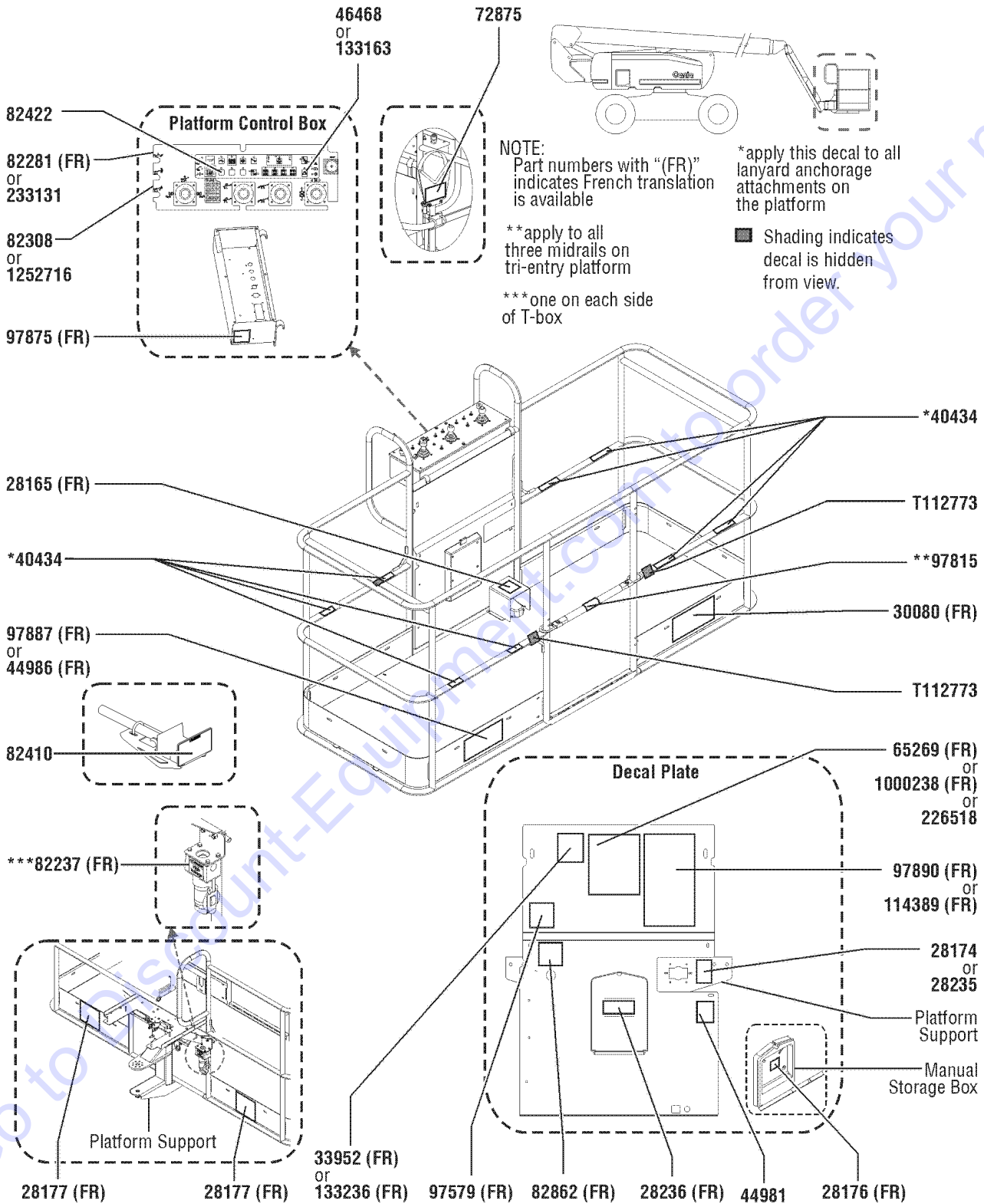


103.1 Decals with Word, Booms

Item	Part No.	Description	Qty.
1	28161GT	DECAL,WARN,CRUSH HAZARD HAND.....	3
2	28181GT	DECAL,WARN,FALL HAZARD.....	1
3	31060GT	DECAL,DANGER DO NOT ALTER SWTC.....	3
4	82268GT	DECAL,COSMETIC,GENIE Z-80/60.....	1
5	82314GT	DECAL,DANGER,TIP-OVER.....	1
6	82384GT	DECAL, LABEL, PBAS VOLTAGE.....	1

Go to Discount-Equipment.com to order your parts

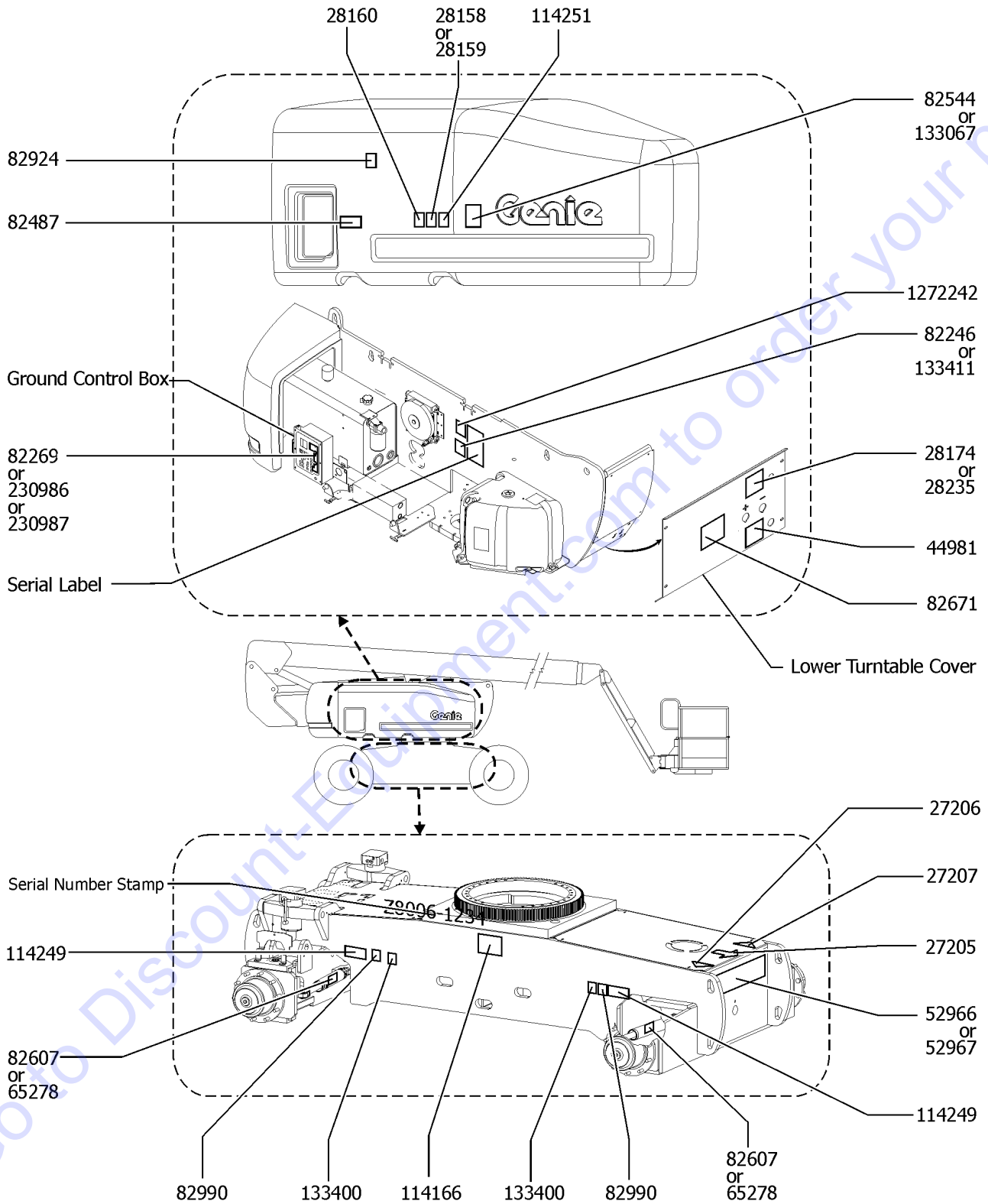
104.1 Decals with Word, Platform



104.1 Decals with Word, Platform

Item	Part No.	Description	Qty.	Item	Part No.	Description	Qty.
A		Decal Kits are model, option or configuration specific. Refer to the kit instructions for proper configuration.		16B	233131GT	DECAL, PLATFORM CONTROL PANEL.....1 <i>from SN 4592</i>	1
B	1279467GT	DECAL KIT,Z80,PLAT,WORD,ANSI/AUS ANSI / AUS models to 800		17A	82308GT	DECAL,CONTROL PANEL PROT 82281.....1 <i>to SN 4591 (top clear protection for the platform box decal)</i>	1
--	1256331GT	INSTRUCTIONS,INSTALL,PLAT,WORD		17B	1252716GT	DECAL, PROTECTIVE CONVER, Z80....1 <i>from SN 4592</i>	1
C	1256327GT	DECAL KIT,Z80,PLAT,WORD,ANSI/AUS ANSI / AUS from 801 to 2448		18	82410GT	DECAL,WARNING,PANEL CRADLE.....2 <i>Option, panel cradle</i>	2
--	1256331GT	INSTRUCTIONS,INSTALL,PLAT,WORD		19	82422GT	DECAL,PATCH,DRIVING LIGHT.....1 <i>Option, Worklights</i>	1
D	824301GT	DECAL KIT,Z80 PLAT,WORD,ANSI/AUS ANSI AUS models from 2449		20	82862GT	DECAL,FIRE EXTINGUISHER.....1 <i>Option, welder</i>	1
--	824305GT	INSTRUCTIONS, INSTALL,PLAT,WORD		21	97579GT	DECAL,DANGER,TIP-OVER,WELDER**..1 <i>Option, welder</i>	1
1	28165GT	DECAL,INSTRUCT,FOOTSWITCH OPER.....1	1	22	97815GT	DECAL,LABEL,LOWER MIDRAIL.....1	1
2	28174GT	DECAL, POWER TO PLATFORM 230V**.....1	1	23	97875GT	DECAL,WARN.WELD LINE INST.WORD.....1 <i>Option, weld cable line</i>	1
3	28176GT	DECAL,LABEL,MANUAL NOT HERE.....1	1	24	97887GT	DECAL,INSTR,MAX SIDE FRC,ANSI....1 <i>(ANSI/CSA)</i>	1
4	28177GT	DECAL,WARN,CRUSH HAZARD PLAT.....2	2	25A	97890GT	DECAL,DANGER,GEN SAFETY RULES.....1 <i>from SN 101 to 2448</i>	1
5	28235GT	DECAL,POWER TO PLATFORM 115V...1	1	25B	114389GT	DECAL,DANGER,GENERAL SAFETY....1 <i>from SN 2449</i>	1
6	28236GT	DECAL,WARN,IMPROPER OPERATION.....1	1	26	226518GT	DECAL,INST,OPER INST,Z80,AUS.....1 AUS	1
7	30080GT	DECAL,NOTICE,MAX LOAD 500 LBS....1	1	27	T112773GT	TAPE, PROTECTIVE MASK.....2 <i>from SN 2992</i>	2
8A	33952GT	DECAL,DANGER,TILT ALARM.....1 <i>to SN 2448</i>	1				
8B	133236GT	DECAL,DANGER,TIPOVER,TILT 135*....1 <i>from SN 2449</i>	1				
9	40434GT	DECAL,LANYARD ANCHORAGE POINT.....8	8				
10	44981GT	DECAL,LABEL, AIR LINE 110 PSI.....1 <i>Option, airline to platform</i>	1				
11	44986GT	DECAL,INSTR,SIDE FRC/WIND,AUS....1 <i>(AUS)</i>	1				
12A	46468GT	DECAL,FUNCTION OVERRIDE.....1 <i>Option, aircraft protection from SN 2463 to SN 5513</i>	1				
12B	133163GT	DECAL,FUNCTION OVERRIDE.....1 <i>Option, aircraft protection from SN 551</i>	1				
13A	65269GT	DECAL,NOTICE,OPERATING INST.....1 <i>ANSI to SN 800</i>	1				
13B	1000238GT	DECAL,NOTICE,OPERATING INST.....1 <i>ANSI from SN 801</i>	1				
14	72875GT	DECAL,WARNING,PIPE CRADLE,BOOM.....2 <i>Option, pipe cradle</i>	2				
15	82237GT	DECAL,DANGER,HIGH VOLTAGE.....2 <i>Option, welder</i>	2				
16A	82281GT	DECAL,PLAT CONTROL PANEL,Z80....1 <i>to SN 4591</i>	1				

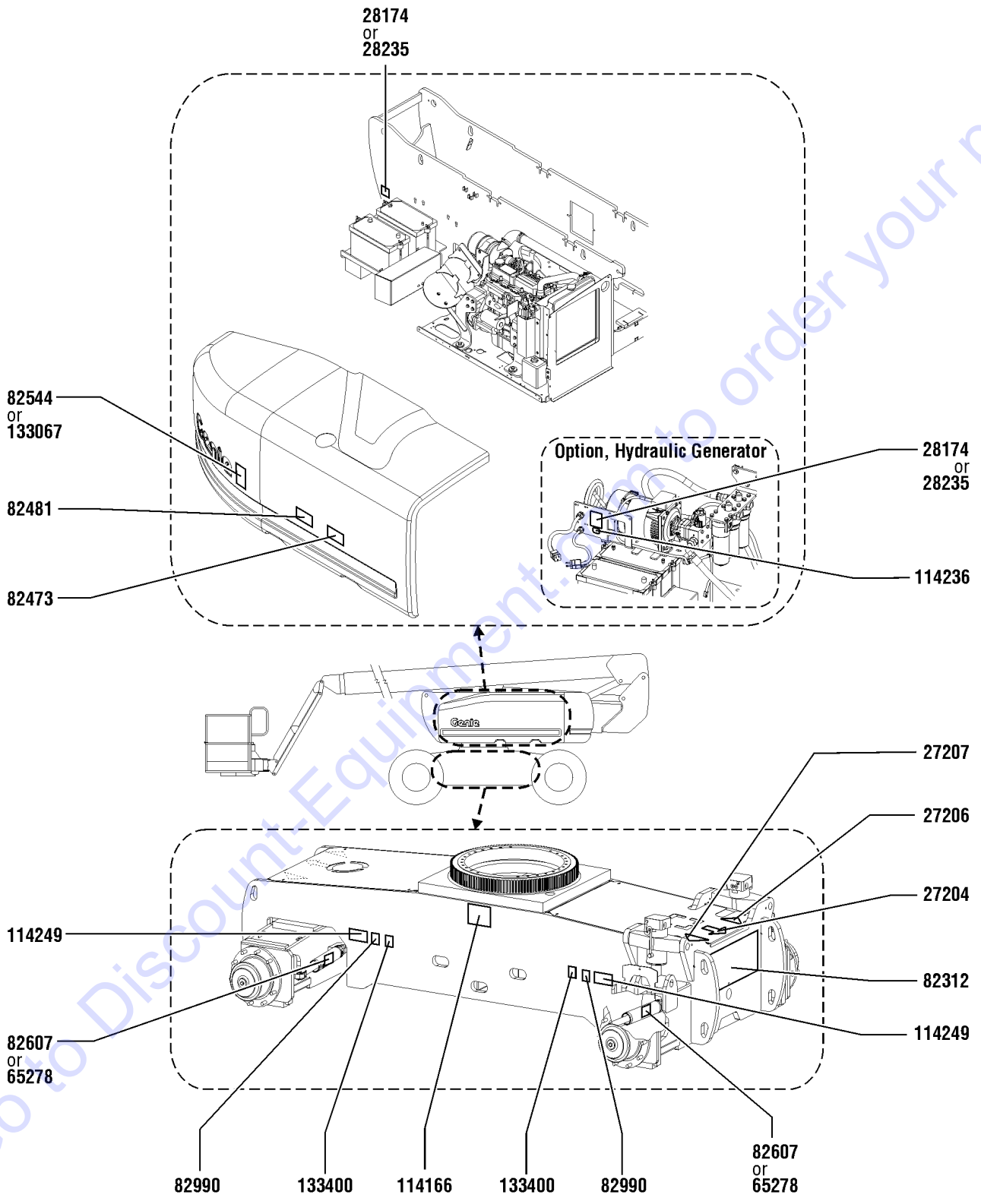
105.1 Decals with Symbols, Hydraulic Tank Side / Non-Steer End



105.1 Decals with Symbols, Hydraulic Tank Side / Non-Steer End

Item	Part No.	Description	Qty.	Item	Part No.	Description	Qty.
A		Decal Kits are model, option or configuration specific. Refer to the kit instructions for proper configuration.		13A	82269GT	DECAL,GROUND CONTROL PANEL,Z80.....1 to SN 3910	1
B	1256337GT	DECAL KIT,Z80,COMP,SYM,ANSI ANSI models from 801 to 2448		13B	230986GT	DECAL, GROUND CONTROL Z80.....1 from SN 3911	1
--	1256341GT	INSTRUCTIONS,INSTALL,COMP,SYM		13C	230987GT	DECAL, SERVICE RECOVERY SWITCH.....1 from SN 3911	1
C	824373GT	DECAL KIT,Z80 COMP,SYM,ANSI ANSI models from SN 2449 to 3910		14A	82544GT	DECAL,DANGER,ELEC.HAZ.STAY CLR.....1 to SN 2448	1
--	824386GT	INSTRUCTIONS, INSTALL (824373)		14B	133067GT	DECAL,DANGER,ELEC.HAZ.STAY CLR.....1 from SN 2449	1
D	824378GT	DECAL KIT,Z80 COMP,SYM,ANSI ANSI models from SN 3911 to 4092		15A	82607GT	DECAL,CAUTION,NO STEP***.....2 to SN 2448	2
--	824390GT	INSTRUCTIONS, INSTALL (824378)		15B	65278GT	DECAL,CAUTION,NO STEP.....2 from SN 2449	2
E	824382GT	DECAL KIT,Z80 COMP,SYM,ANSI ANSI models from SN 4093		16	82487GT	DECAL, SYMBOL - READ THE MANUAL.....1	1
--	824394GT	INSTRUCTIONS, INSTALL (824382)		17	82671GT	DECAL,LABEL,WELD LINE INST,SYM...1 Option, weld cable	1
F	1256339GT	DECAL KIT,Z80,COMP,SYM,CE CE models from 801 to 2448		18	82924GT	DECAL,CAUTION,SHUTOFF VALVES**.....1 to SN 2448	1
--	1256341GT	INSTRUCTIONS,INSTALL,COMP,SYM		19	82990GT	DECAL,LABEL,TIRE PRESS,HIFLOAT...2 (hi-floatation)	2
G	824375GT	DECAL KIT,Z80 COMP,SYM,CE CE models from 2449 to 3910		20	114166GT	DECAL,LABEL,TRANSPORT DIAGRAM.....1	1
--	824338GT	INSTRUCTIONS, INSTALL (824375)		21	114249GT	DECAL,LABEL,TIPOVER,TIRES,SYMB.2 from SN 2449	2
H	824380GT	DECAL KIT,Z80 COMP,SYM,CE CE models from SN 3911 to 4092		22	114251GT	DECAL,LABEL,NO SMOKING,SYMB.....1	1
--	824392GT	INSTRUCTIONS, INSTALL (824380)		23	133400GT	DECAL,LABEL,WHEEL LOAD Z80***.....2	2
K	824384GT	DECAL KIT,Z80 COMP,SYM,CE CE models from SN 4093		24	1272242GT	DECAL,MACHINE REGISTRATION/OWNER TRANSFER....1	1
--	824396GT	INSTRUCTIONS, INSTALL (824384)					
1	27205GT	DECAL,ARROW YELLOW LRG 9".....1	1				
2	27206GT	DECAL,TRIANGLE,BLUE.....1	1				
3	27207GT	DECAL,TRIANGLE,YELLOW.....1	1				
4	28158GT	DECAL,LABEL,UNLEADED GAS ONLY.....1 Option, fuel	1				
5	28159GT	DECAL,DIESEL.....1 Option, fuel	1				
6	28160GT	DECAL,LABEL,LIQUID PROPANE.....1 Option, LPG Tank	1				
7	28174GT	DECAL, POWER TO PLATFORM 230V**.....1	1				
8	28235GT	DECAL,POWER TO PLATFORM 115V...1	1				
9	44981GT	DECAL,LABEL, AIR LINE 110 PSI.....1 Option, airline to platform	1				
10	52966GT	DECAL,COSMETIC,4 X 2.....1 Option, drive	1				
11	52967GT	DECAL,COSMETIC,4 X 4.....1 Option, drive	1				
12A	82246GT	DECAL,LABEL,113 DB***.....1 (CE Only) to SN 2510	1				
12B	133411GT	DECAL,LABEL,106 DB***.....1 (CE Only) from SN 2511	1				

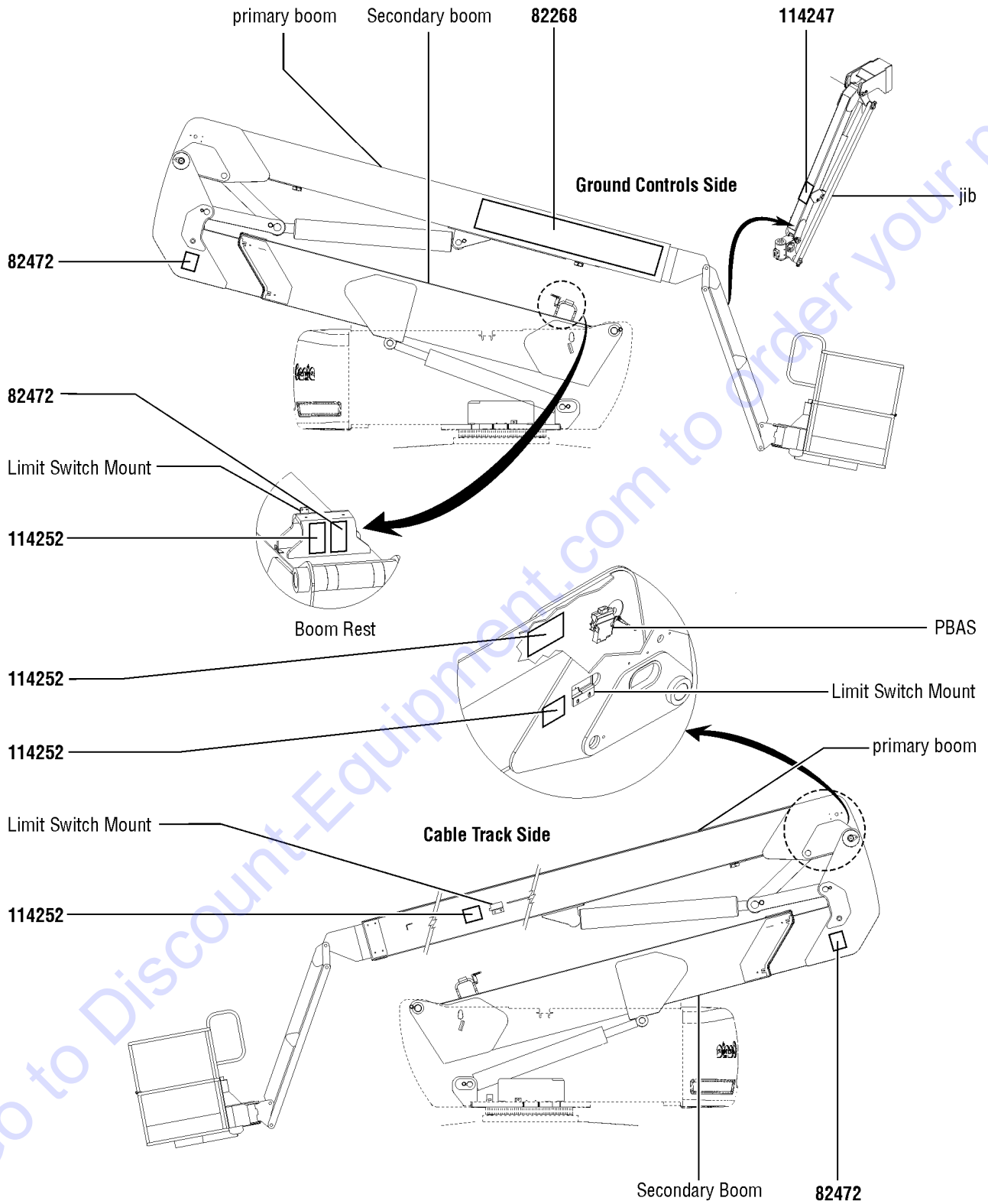
106.1 Decals with Symbols, Engine Side / Steer End



106.1 Decals with Symbols, Engine Side / Steer End

Item	Part No.	Description	Qty.
1	27204GT	DECAL,ARROW BLUE.....	1
2	27206GT	DECAL,TRIANGLE,BLUE.....	1
3	27207GT	DECAL,TRIANGLE,YELLOW.....	1
4	28174GT	DECAL, POWER TO PLATFORM 230V**.....	1
		<i>Option</i>	
5	28235GT	DECAL,POWER TO PLATFORM 115V... <i>Option</i>	1
6	82312GT	DECAL,COSMETIC,Z80.....	1
7	82473GT	DECAL,SYMBOL-COMP ACCESS.....	1
8	82481GT	DECAL,SYMBOL-BATTERY SAFETY..... <i>from SN 2449</i>	1
9A	82544GT	DECAL,DANGER,ELEC.HAZ.STAY CLR.....	1
		<i>to SN 2448</i>	
9B	133067GT	DECAL,DANGER,ELEC.HAZ.STAY CLR.....	1
		<i>from SN 2449</i>	
10A	82607GT	DECAL,CAUTION,NO STEP***.....	2
		<i>to SN 2448</i>	
10B	65278GT	DECAL,CAUTION,NO STEP.....	2
		<i>from SN 2449</i>	
11	82990GT	DECAL,LABEL,TIRE PRESS,HIFLOAT... <i>(hi-floatation)</i>	2
12	114166GT	DECAL,LABEL,TRANSPORT DIAGRAM.....	1
13	114236GT	DECAL,LABEL,CB SYMBOL..... <i>(MTE generator option)</i>	1
14	114249GT	DECAL,LABEL,TIPOVER,TIRES,SYMB.2 <i>from SN 2449</i>	2
15	133400GT	DECAL,LABEL,WHEEL LOAD Z80***	2

107.1 Decals with Symbols, Booms

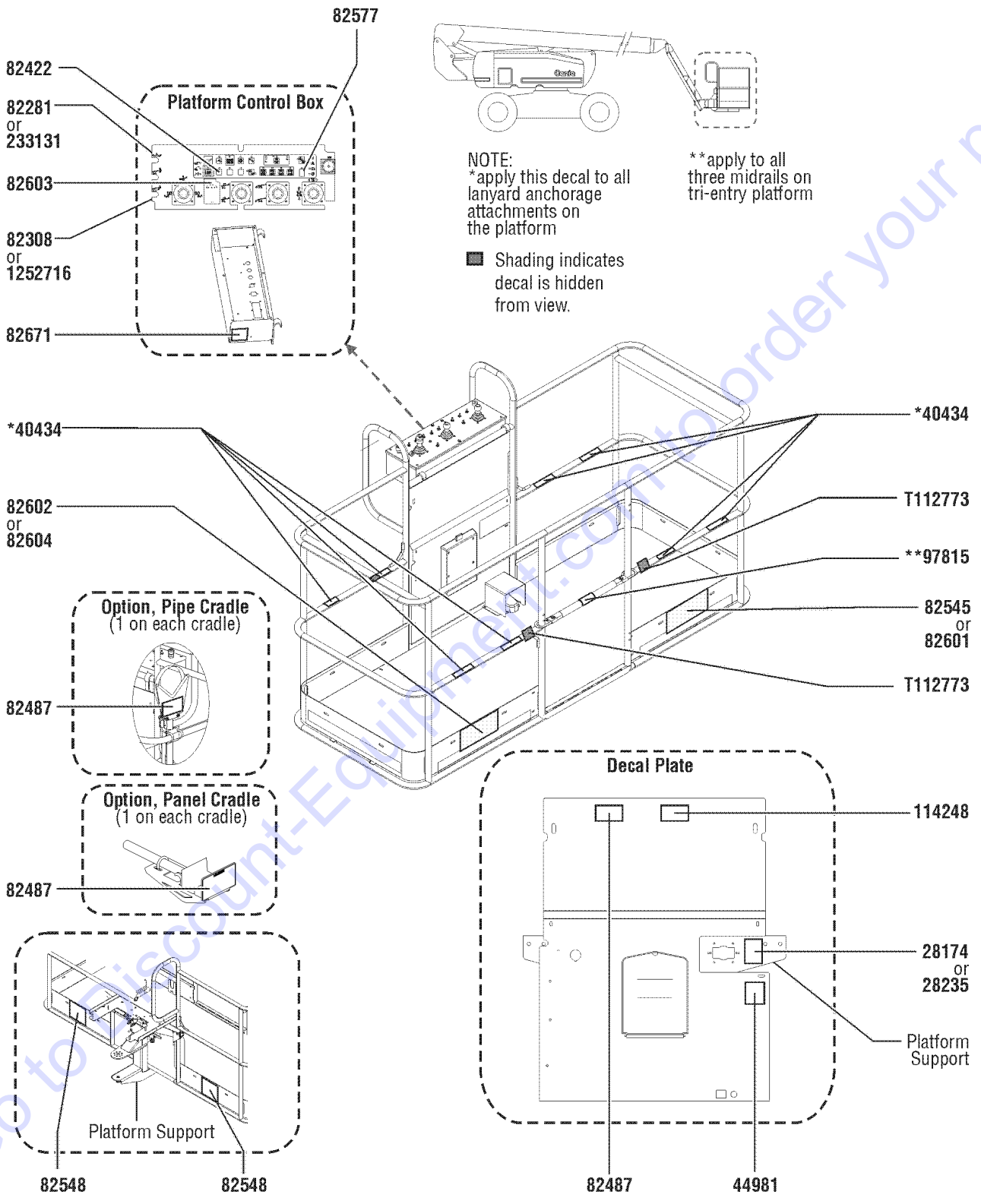


107.1 Decals with Symbols, Booms

Item	Part No.	Description	Qty.
1	82268GT	DECAL,COSMETIC,GENIE Z-80/60.....	1
2	82472GT	DECAL,WARNING,CRUSHING HAZARD.....	3
3	114247GT	DECAL,LABEL,FALL HAZARD***.....	1
4	114252GT	DECAL,LABEL,TIP OVER LMT SWTCH.....	4

Go to Discount-Equipment.com to order your parts

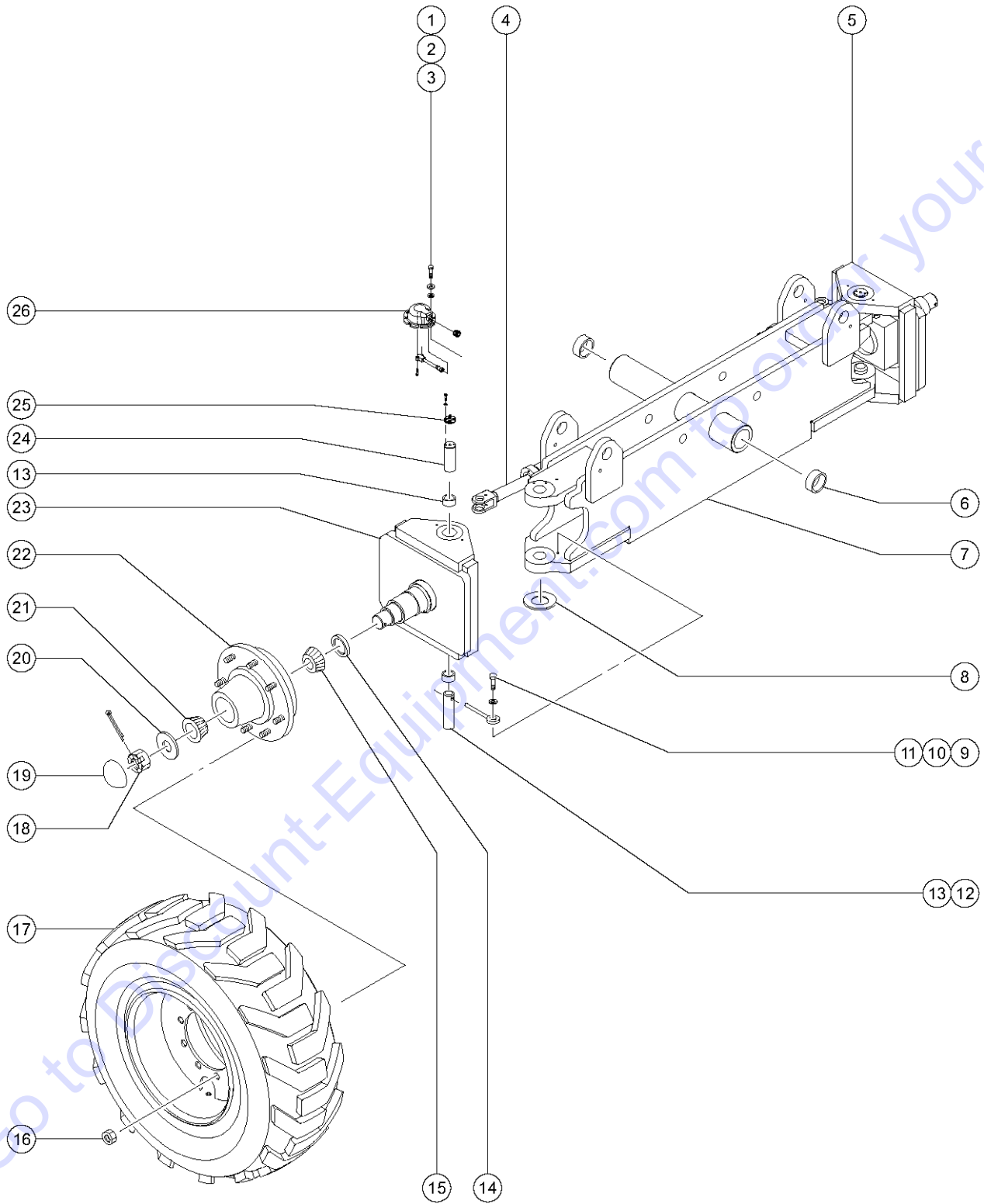
108.1 Decals with Symbols, Platform



108.1 Decals with Symbols, Platform

Item	Part No.	Description	Qty.	Item	Part No.	Description	Qty.
A		Decal Kits are model, option or configuration specific. Refer to the kit instructions for proper configuration.		11	82577GT	DECAL,PLATFORM OVERLOAD PATCH.....1 <i>(CE) option</i>	1
B	1256336GT	DECAL KIT,Z80,PLAT,SYM,ANSI/CE <i>ANSI / CE models from 101 to 2448</i>		12	82602GT	DECAL,DANGER,MAX SIDE FRC,667N.....1 <i>ANSI</i>	1
--	1256340GT	INSTRUCTIONS,INSTALL,PLAT,SYM		13	82603GT	DECAL,DRIVE ENABLE PATCH***.....1	1
C	824372GT	DECAL KIT,Z80 PLAT,SYM,ANSI <i>ANSI models from SN 2449 to 3910</i>		14	82604GT	DECAL,DANGER,SIDE FRC 400N.....1 <i>CE</i>	1
--	824385GT	INSTRUCTIONS, INSTALL (824372)		15	82671GT	DECAL,LABEL,WELD LINE INST,SYM...1 <i>Option, weld cable</i>	1
D	824377GT	DECAL KIT,Z80 PLAT,SYM,ANSI <i>ANSI models from SN 3911 to 4092</i>		16	97815GT	DECAL,LABEL,LOWER MIDRAIL.....1	1
--	824389GT	INSTRUCTIONS, INSTALL (824389)		17	114248GT	DECAL,LABEL,TIPOVER,TILT AL SY.....1 <i>from SN 2449</i>	1
E	824374GT	DECAL KIT,Z80 PLAT,SYM,CE <i>CE models from 2449 to 3910</i>		18	T112773GT	TAPE, PROTECTIVE MASK.....2 <i>from SN 2992</i>	2
--	824387GT	INSTRUCTIONS, INSTALL (824374)					
F	824379GT	DECAL KIT,Z80 PLAT,SYM,CE <i>CE models from SN 3911 to 4092</i>					
--	824391GT	INSTRUCTIONS, INSTALL (824379)					
G	824381GT	DECAL KIT,Z80 PLAT,SYMBOL,ANSI/CE <i>ANSI / CE models from 4093</i>					
--	824393GT	INSTRUCTIONS, INSTALL,PLAT,SYM					
1	28174GT	DECAL, POWER TO PLATFORM 230V**.....1	1				
2	28235GT	DECAL,POWER TO PLATFORM 115V...1	1				
3	40434GT	DECAL,LANYARD ANCHORAGE POINT.....8	8				
4	44981GT	DECAL,LABEL, AIR LINE 110 PSI.....1 <i>Option, airline to platform</i>	1				
5A	82281GT	DECAL,PLAT CONTROL PANEL,Z80.....1 <i>to SN 4591</i>	1				
5B	233131GT	DECAL, PLATFORM CONTROL PANEL.....1 <i>from SN 4592</i>	1				
6A	82308GT	DECAL,CONTROL PANEL PROT 82281.....1 <i>top clear protection for the platform box decal, to SN 4591</i>	1				
6B	1252716GT	DECAL, PROTECTIVE CONVER, Z80...1 <i>from SN 4592</i>	1				
7	82422GT	DECAL,PATCH,DRIVING LIGHT.....1 <i>Option, worklights</i>	1				
8	82487GT	DECAL, SYMBOL - READ THE MANUAL.....1	1				
9A	82545GT	DECAL,DANGER,MAX LOAD 227 KG**.....1 <i>to SN 2448</i>	1				
9B	82601GT	DECAL,LABEL,MAX CAPACITY***.....1 <i>from SN 2449</i>	1				
10	82548GT	DECAL,WARN,CRUSH HAZARD PLAT.....2	2				

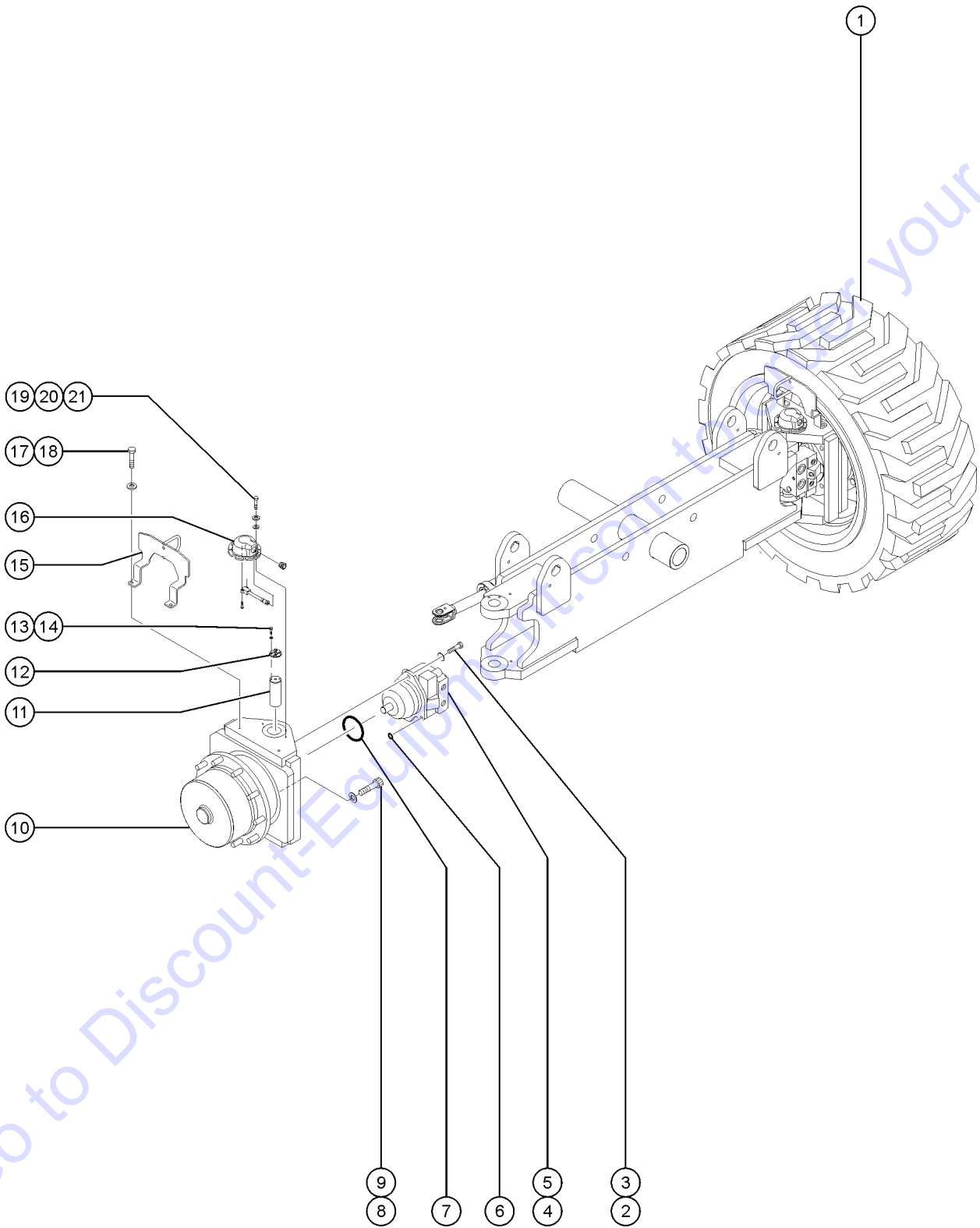
201.1 2WD Steer Axle Linkage



201.1 2WD Steer Axle Linkage

Item	Part No.	Description	Qty.	Item	Part No.	Description	Qty.
1	824078GT	SCREW,HHF,1/4-20X.75,8,ZAG.....	4	--	49817GT	SCREW,PHILLIPS,PHM,10-32 X1.25	
2	6356GT	WASHER,LOCK,.25.....	4	--	60440GT	CONN,RECEP 3 WAY, 14-18GA	
3	824113GT	WASHER,FLAT,USS,1/4,ZAG.....	4	--	60441GT	LOCK,RECEP 3 WAY,14-18GA	
4	59370GT	CYLINDER,STEER.....	2	--	60609GT	COVER,STEERING SENSOR	
--	88349GT	SEAL KIT,STEER CYL***		--	60746GT	BUSHING, STRAIN RELIEF, 1"	
5	88226GT	SPINDLE,STEER YOKE LH,2WD.....	1	--	73713GT	TERM,NI PIN,S&F,16-18GA,REEL	
--	25817GT	BEARING,1.00IDX1.25ODX1.00L		--	75631-3700GT	HOSE,AIR 3/8	
6	27698GT	BEARING,2.50IDX2.75ODX2.00L.....	2	--	75632-300GT	TUBING,HEAT SHRINK THICK .75	
7	82908GT	FRONT STEER AXLE ASSY. Z80.....	1				
--	119620GT	BEARING,1.75IDX2.00ODX1.50L					
8	60555GT	WASHER,THRUST 5 X 1.81 BRONZE					
9	1256857GT	SCREW,HHF,3/8-16X.625,8,ZAG					
10	6021GT	WASHER,LOCK,.375					
11	825019GT	ROD END,.375X3.69,ZAG.....	2				
12	30199GT	PIN,1.75 DIA X 4.50LG,THREADED.....	2				
13	119620GT	BEARING,1.75IDX2.00ODX1.50L.....	4				
14	94794GT	SEAL,GREASE.....	2				
15	94793GT	BEARING,INNER CONE.....	2				
16	1259931GT	NUT,LUG,3/4-16 X 7/8 RADIUS,ZA.....	44				
17		Ref. Wheel and Tire Assembly (refer to 202.1)					
18	34627GT	NUT,SPINDLE,2.00-12.....	1				
--	34628GT	PIN,COTTER,.375 X 3.5					
19	94795GT	CAP,DUST.....	2				
20	34626GT	WASHER,FLAT,2.0 X 4.5 X .25					
21	94796GT	BEARING,OUTER CONE.....	2				
22	94789GT	HUB ASSY W/RACES.....	2				
--	1269593GT	SCREW,SHC,M16-2.0X55,DIN912,12.9,ZAB.48					
--	73076GT	HUB RACE,INNER					
--	94791GT	HUB RACE,OUTER					
--	94792GT	STUD,WHEEL,3/4-16					
23	88225GT	SPINDLE,STEER YOKE RH,2WD.....	1				
		<i>bearings included</i>					
--	25817GT	BEARING,1.00IDX1.25ODX1.00L					
24	88066GT	PIN,1.75" OD X 4.25.....	2				
		<i>to SN 3225</i>					
--	229398GT	PIN,1.75DIA X 4.0LG <i>from SN 3226</i>					
25	60618GT	ACTIVATOR,STEER SENSOR.....	2				
--	60747GT	SHIM,STEER SENSOR ACTIVATOR					
26	107864GT	KIT,SERVICE,STEER SENSOR,Z80.....	1				
		<i>complete, (calibration required after replacement)</i>					
--	107862GT	KIT,SERVICE,STEER SENSOR <i>(calibration required after replacement)</i>					

202.1 4WD Steer Axle Linkage (to SN 3225)



202.1 4WD Steer Axle Linkage (to SN 3225)

Item	Part No.	Description	Qty.	Item	Part No.	Description	Qty.
1A	88258GT	TIRE & WHEEL ASSY,FOAM RH, Z80....2 <i>RT, Foam-filled, right</i>		4B	101070GT	MOTOR,PISTON,2 SPEED,45CC.....2 <i>from SN 958</i>	
--	88259GT	TIRE & WHEEL,ASSY,FOAM LH, Z80 <i>RT, Foam-filled, left</i>		--	106098GT	SEAL KIT,MOTOR,LC/KC*** <i>from SN 958</i>	
1B	101945GT	TIRE & WHEEL ASSY,FOAM N-M RH <i>RT, Foam-filled, Non-marking, right</i>		--	121668GT	MOTOR,PISTON,2 SPEED,45CC/18CC <i>(high flotation option); from SN 3156</i>	
--	101944GT	TIRE & WHEEL ASSY,FOAM N-M LH <i>RT, Foam-filled, Non-marking, left</i>		5	77527GT	O-RING, MOTOR, GREEN(81382).....2 <i>to SN 538</i>	
1C	227806GT	TIRE & WHEEL ASSY,FOAM RH,Z80 <i>RT, Foam-filled RNU, right</i>		6	102157GT	O-RING,.070 X .239,VITON 75D <i>from SN 539 to SN 957</i>	
--	227807GT	TIRE & WHEEL,ASSY,FOAM LH, Z80 <i>RT, Foam-filled RNU, left</i>		--	106117GT	O-RING,2-010,VITON <i>from SN 958</i>	
1D	228800GT	TIRE & WHEEL ASSY,FOAM N-M LH <i>RT, Foam-filled RNU, Non-marking, left</i>		7	102555GT	O-RING,.103 X 3.737,VITON,75D <i>from SN 539 to SN 957</i>	
--	228801GT	TIRE & WHEEL ASSY,FOAM N-M RH <i>RT, Foam-filled RNU, Non-marking, right</i>		--	106118GT	O-RING,2-157,VITON*** <i>from SN 958</i>	
1E	101769GT	ASSEMBLY,TIRE,445D50/710,RH <i>RT, Air-filled, Flotation, right; to SN 3155</i>		8	73455GT	SCREW,HHC,5/8-11 X 2.25 GR8.....16 <i>to SN 538</i>	
--	101011GT	WHEEL,28.00X15.00 <i>for 101769 and 101770 (10 holes wheel)</i>		--	102790GT	SCREW,HHC,5/8-11 X 3.25 GRD 8 <i>from SN 539 to SN 957</i>	
--	101234GT	TIRE,445D50/710,18PR <i>for 101769 and 101770</i>		--	111155GT	SCREW,FLANGE,HHC,5/8-11X2,GR8 <i>(high flotation option); from SN 3156</i>	
--	101770GT	ASSEMBLY,TIRE,445D50/710,LH <i>RT, Air-filled, Flotation, left; to SN 3155</i>		--	81110GT	SCREW,HHC,5/8-11 X 2 GRD.8 <i>from SN 958</i>	
1F	227772GT	Z80 HF WHEEL ASSEMBLY,RH <i>RT, Air-filled, Flotation, right; from SN 3156 to 3225</i>		9	1256182GT	WASHER,FLAT,5/8,F436,HRD,ZAG.....16 <i>(machines from SN 101 to 270 are required to use two washers p/n 13064 per screw p/n 73455)</i>	
--	101234GT	TIRE,445D50/710,18PR <i>for 227772 and 227773</i>		10	81381GT	WHEEL DRIVE W/BRAKE,60.2:1.....2 <i>to SN 538</i>	
--	226562GT	Z80 HF WHEEL,28.00 X 15.00 <i>for 227772 and 227773 (11 holes wheel)</i>		--	101284GT	WHEEL STUD, 3/4-16 X 60MM <i>to SN 538</i>	
--	227773GT	Z80 HF WHEEL ASSEMBLY,LH <i>RT, Air-filled, Flotation, left; from SN 3156 to 3225</i>		--	102169GT	O-RING & SHAFT(81381) <i>to SN 538</i>	
2	75101GT	SCREW,SHC,1/2-13 X 1.25,A574.....4		--	102170GT	O-RING, COVER (81381) <i>to SN 538</i>	
--	123164GT	SCREW,FLANGE,1/2-13X1.25,GR 8 <i>(high flotation option); from SN 3156</i>		--	102491GT	O-RING, DISCONNECT ROD <i>to SN 538</i>	
3	13066GT	WASHER,FLAT,5 HARDENED.....4		--	102492GT	O-RING, GEAR RING (81381) <i>to SN 538</i>	
4	81382GT	MOTOR,PISTON,2 SPEED,45CC.....2 <i>to SN 538</i>		--	102493GT	SEAL,SHAFT (81381) <i>to SN 538</i>	
--	77806GT	SEAL KIT,DRIVE MOTOR*** <i>to SN 538</i>		--	102494GT	SPRING,DOWEL SLEEVE (81381) <i>to SN 538</i>	
4A	102777GT	MOTOR,PISTON,2SPD,45CC.....2 <i>from SN 539 to SN 957</i>		--	58280GT	BOLT,SCREW,WHEEL DRIVE CAP <i>to SN 538</i>	
--	102155GT	BEARING,BALL DRIVE SHAFT <i>from SN 539 to SN 957</i>		--	74439GT	COVER,DISCONNECT ROD* <i>to SN 538</i>	
--	102160GT	RING, RETAINING <i>from SN 539 to SN 957</i>		--	77525GT	BRAKE DISC, KIT (81381) <i>to SN 538</i>	
--	27067GT	SEAL,SHAFT-SUNDSTRAND*** <i>from SN 539 to SN 957</i>		--	77526GT	SEAL KIT, BRAKE (81381) <i>to SN 538</i>	
--	72883GT	SHAFT - OUTPUT (64290) <i>from SN 539 to SN 957</i>					

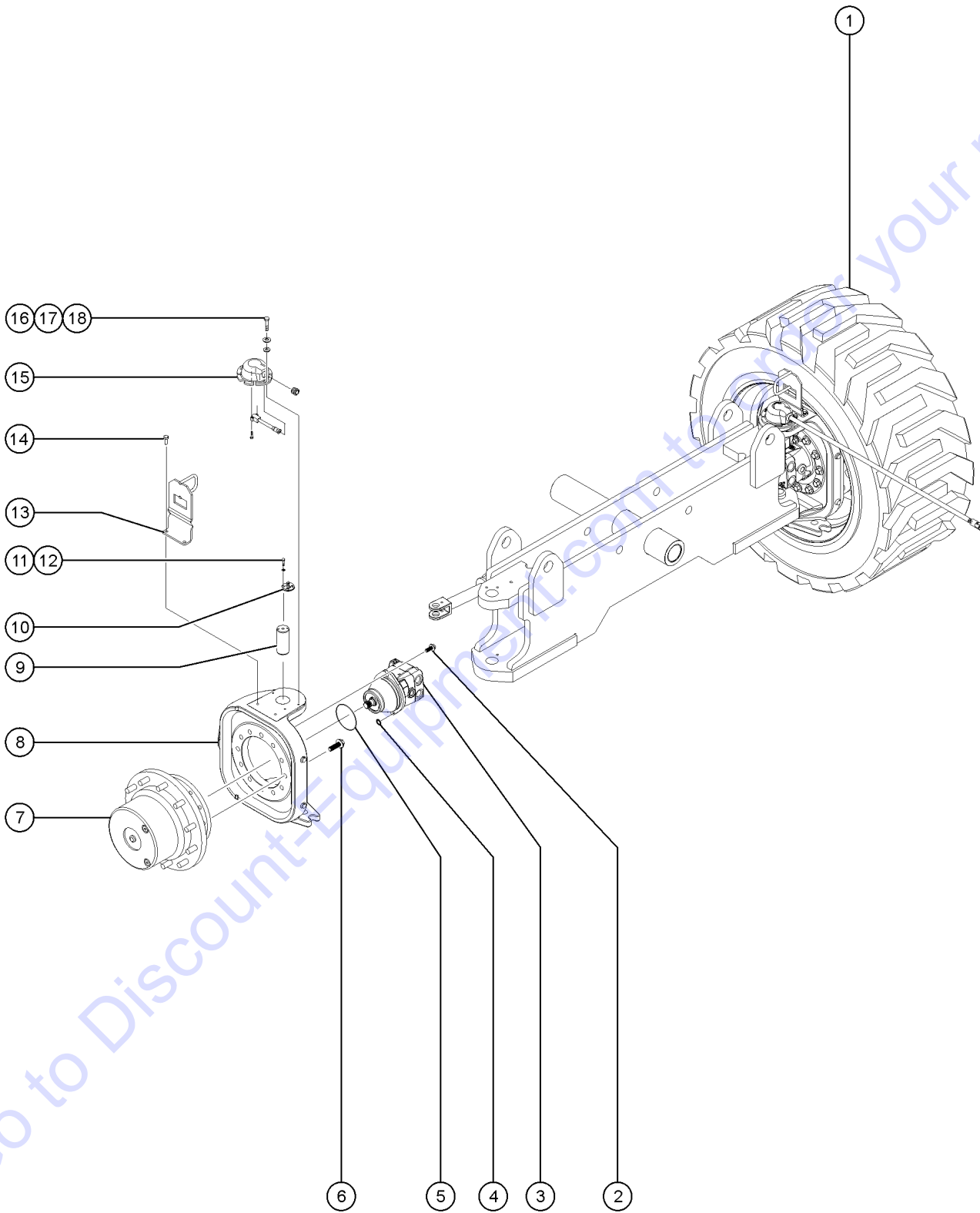
202.1 4WD Steer Axle Linkage (to SN 3225)
(continued)

Item	Part No.	Description	Qty.	Item	Part No.	Description	Qty.
10A	102778GT	WHEEL DRIVE W/BRAKE,59.28:1.....2 <i>from SN 539 to SN 957</i>		--	1111407GT	Brake Piston and Spring Kit <i>(2WD or high flotation option); from SN 869 to 3155</i>	
--	102535GT	KIT,BRAKE DISC (102778) <i>from SN 539 to SN 957</i>		--	111158GT	KIT,CLOSING CAP <i>(2WD or high flotation option); from SN 869 to 3155</i>	
--	102536GT	KIT,O-RING (102778) <i>from SN 539 to SN 957</i>		--	111403GT	KIT,CLOSING COVER (102719) <i>(2WD or high flotation option); from SN 869 to 3155</i>	
--	102557GT	SEAL KIT,WHEEL HUB (102778) <i>from SN 539 to SN 957</i>		--	111404GT	KIT,PIN (102719) <i>(2WD or high flotation option); from SN 869 to 3155</i>	
--	102558GT	BEARING KIT,WHEEL HUB (102778) <i>from SN 539 to SN 957</i>		--	111405GT	KIT,DISC BRAKE (102719) <i>(2WD or high flotation option); from SN 869 to 3155</i>	
--	22811GT	O-RING,MOTOR TO BRAKE*** <i>from SN 539 to SN 957</i>		--	220254GT	STUD (102711) <i>(2WD or high flotation option); from SN 869 to 3155</i>	
--	33441GT	STUD,WHEEL,3/4-16, (34115) <i>from SN 539 to SN 957</i>		10E	121291GT	WHEEL DRIVE,86.74:1*** <i>high flotation option (refer to 207.1); from SN 3156</i>	
--	58284GT	COVER PLATE,WHEEL DRIVE,HW3*** <i>from SN 539 to SN 957</i>		11	88066GT	PIN,1.75" OD X 4.25.....2	
10B	111090GT	WHEEL DRIVE W/BRAKE,57.49:1.....2 <i>from SN 958</i>		12	60618GT	ACTIVATOR,STEER SENSOR.....2	
--	106122GT	CAP,DISENGAGE,4HP/4HB*** <i>from SN 958</i>		--	60747GT	SHIM,STEER SENSOR ACTIVATOR	
--	111361GT	SEAL KIT (111090) <i>from SN 958</i>		13	49819GT	SCREW,PHILLIPS,PHM,10-32 X .5	
--	111362GT	BOLT,WHEEL DRIVE CAP(106122) <i>from SN 958</i>		14	6607GT	WASHER,LOCK,#10 PLTD	
--	111363GT	O-RING,DISCONNECT ROD (111060) <i>from SN 958</i>		15	146437GT	WELDMENT, GUIDE BRACKET.....2	
--	146494GT	BEARING KIT <i>from SN 958</i>		16		Ref. Steer Sensor Assembly <i>(refer to 201.1)</i>	
--	146495GT	O-RING <i>from SN 958</i>		17	1256857GT	SCREW,HHF,3/8-16X.625,8,ZAG	
--	226213GT	END COVER,WHEEL DRIVE *** <i>includes O-ring part 226215; from SN 958</i>		18	6021GT	WASHER,LOCK,.375	
--	226215GT	END COVER O-RING,WHEEL DRIVE <i>from SN 958</i>		19	824078GT	SCREW,HHF,1/4-20X.75,8,ZAG.....4	
--	235153GT	PIPE PLUG, MAGN <i>for 226213</i>		20	6356GT	WASHER,LOCK,.25.....4	
--	235155GT	RETAINING RING, OD 8.250 <i>LARGE SNAP RING FOR COVER</i>		21	824113GT	WASHER,FLAT,USS,1/4,ZAG.....4	
--	237228GT	KIT,BRAKE PIST & SPRI (111090)					
--	33441GT	STUD,WHEEL,3/4-16, (34115) <i>from SN 958</i>					
10C	81383GT	WHEEL DRIVE,2WD 92.5:1.....2 <i>(2WD or high flotation option); to SN 868</i>					
--	101533GT	SEAL KIT (81383) <i>(2WD or high flotation option); to SN 868</i>					
--	101534GT	BRAKE DISC KIT (81383) <i>(2WD or high flotation option); to SN 868</i>					
10D	102719GT	WHEEL DRIVE W/BRAKE,91.97:1.....2 <i>(2WD or high flotation option); from SN 869 to 3155</i>					

This Page Intentionally Left Blank

Go to Discount-Equipment.com to order your parts

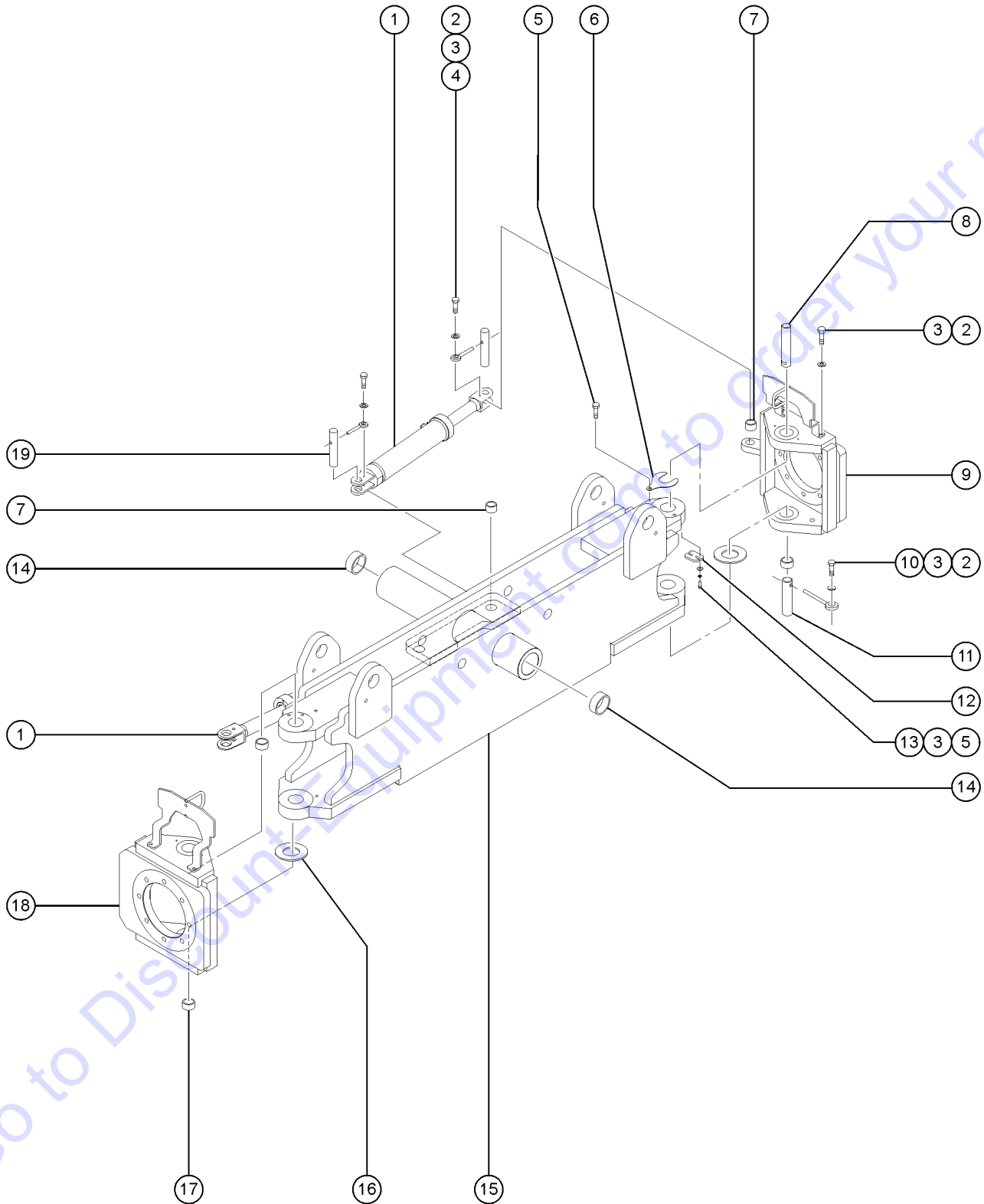
202.2 4WD Steer Axle Linkage (from SN 3226)



202.2 4WD Steer Axle Linkage (from SN 3226)

Item	Part No.	Description	Qty.	Item	Part No.	Description	Qty.
1A	121286GT	TIRE & WHEEL ASSY,RT LP FOAM,L <i>RT, Foam-filled, left (11 holes)</i>		--	1278064GT	KIT, BRAKE REPLACEMENT, OMNI VB11 <i>for 1278063 (includes brake pack, o-rings, 2 back up seals and snap ring)</i>	
--	121287GT	TIRE & WHEEL ASSY,RT LP FOAM,R <i>RT, Foam-filled, right (11 holes)</i>		--	1278065GT	KIT, BEARING REPLACEMENT, OMNI VB11 <i>for 1278063 (includes both tapered roller bearings and bearing shims)</i>	
1B	121271GT	TIRE & WHEEL ASSY,FOAM NM,LH <i>RT, Foam-filled, Non-marking, left</i>		--	1278066GT	KIT, OIL SEAL REPLACEMENT, OMNI VB11 <i>for 1278063 (includes cap seal, ring gear seal and dynamic ring to spindle oil seal)</i>	
--	121272GT	TIRE & WHEEL ASSY,FOAM NM,RH <i>RT, Foam-filled, Non-marking, right</i>		--	1278067GT	KIT, WHEEL STUD REPLACEMENT, OMNI VB11 <i>for 1278063 (includes qty. 11 wheel studs)</i>	
1C	227804GT	TIRE & WHEEL ASSY,RT LP FOAM,L <i>RT, Low Profile, Foam-filled RNU, left</i>		--	1278068GT	WHEEL STUD, OMNI VB11 <i>for 1278063 (single wheel stud)</i>	
--	227805GT	TIRE & WHEEL ASSY,RT LP FOAM,R <i>RT, Low Profile, Foam-filled RNU, right</i>		7C	227776GT	WHEEL DRIVE W/BRAKE 86.74:1 <i>high flotation option (refer to 207.1)</i>	
1D	227985GT	TIRE & WHEEL ASSY,FOAM, NM,LH <i>RT, Foam-filled, Non-marking, RNU, left</i>		--	T111507GT	SEAL KIT (121291)*** <i>for 227776</i>	
--	228805GT	TIRE & WHEEL ASSY,FOAM NM,RH <i>RT, Foam-filled, Non-marking, RNU, right</i>		8		Ref. YOKE ASSEMBLY <i>(refer to 203.1)</i>	
1E	227772GT	Z80 HF WHEEL ASSEMBLY,RH <i>RT, Air-filled, Flotation, right</i>		9	229398GT	PIN,1.75DIA X 4.0LG	
--	101234GT	TIRE,445D50/710,18PR <i>for 227772, 227773</i>		10	60618GT	ACTIVATOR,STEER SENSOR.....2	
--	226562GT	Z80 HF WHEEL,28.00 X 15.00 <i>for 227772, 227773</i>		--	60747GT	SHIM,STEER SENSOR ACTIVATOR	
--	227773GT	Z80 HF WHEEL ASSEMBLY,LH <i>RT, Air-filled, Flotation, left</i>		11	49819GT	SCREW,PHILLIPS,PHM,10-32 X .5	
1F	139828GT	TIRE WHEEL ASSY,LEFT,SOLID <i>RT, solid rubber, left</i>		12	6607GT	WASHER,LOCK,#10 PLTD	
--	139829GT	TIRE WHEEL ASSY,RIGHT,SOLID <i>RT, solid rubber, right</i>		13	121307GT	WELDMENT,GUIDE BRACKET,YOKE	
2	824134GT	SCREW,HHF,M12-1.75X30,DIN6921,10.9,ZAB.4		14	824089GT	SCREW,HHF,3/8-16X.75,8,ZAG.....6	
--	106098GT	SEAL KIT,MOTOR,LC/KC*** <i>use with motor 101070</i>		15		Ref. Steer Sensor Assembly <i>(refer to 201.1)</i>	
3A	101070GT	MOTOR,PISTON,2 SPEED,45CC.....2		16	824082GT	SCREW,HHF,1/4-20X1.75,8,ZAG.....4	
3B	121668GT	MOTOR,PISTON,2 SPEED,45CC/18CC <i>(high flotation option)</i>		17	6356GT	WASHER,LOCK,.25.....4	
4	106117GT	O-RING,2-010,VITON		18	824113GT	WASHER,FLAT,USS,1/4,ZAG.....4	
5	106118GT	O-RING,2-157,VITON***					
6	227779GT	SCREW,HHF,M16-2.0X50 10.9.....24					
7A	227775GT	WHEEL DRIVE,W/BRAKE 57.49:1.....4 <i>to SN 6528 (refer to 206.1)</i>					
--	1286604GT	SEAL KIT,WHEEL DRIVE W/BRAKE (227775) <i>for 227775</i>					
--	1286605GT	BEARING KIT,WHEEL DRIVE W/BRAKE (227775) <i>for 227775</i>					
--	215623GT	SEAL KIT (227775) <i>for 227775 (inventory limited to stock on hand as component is no longer available)</i>					
7B	1278063GT	WHEEL DRIVE,W/BRAKE, OMNI, 57.49:1.....4 <i>from SN 6529</i>					

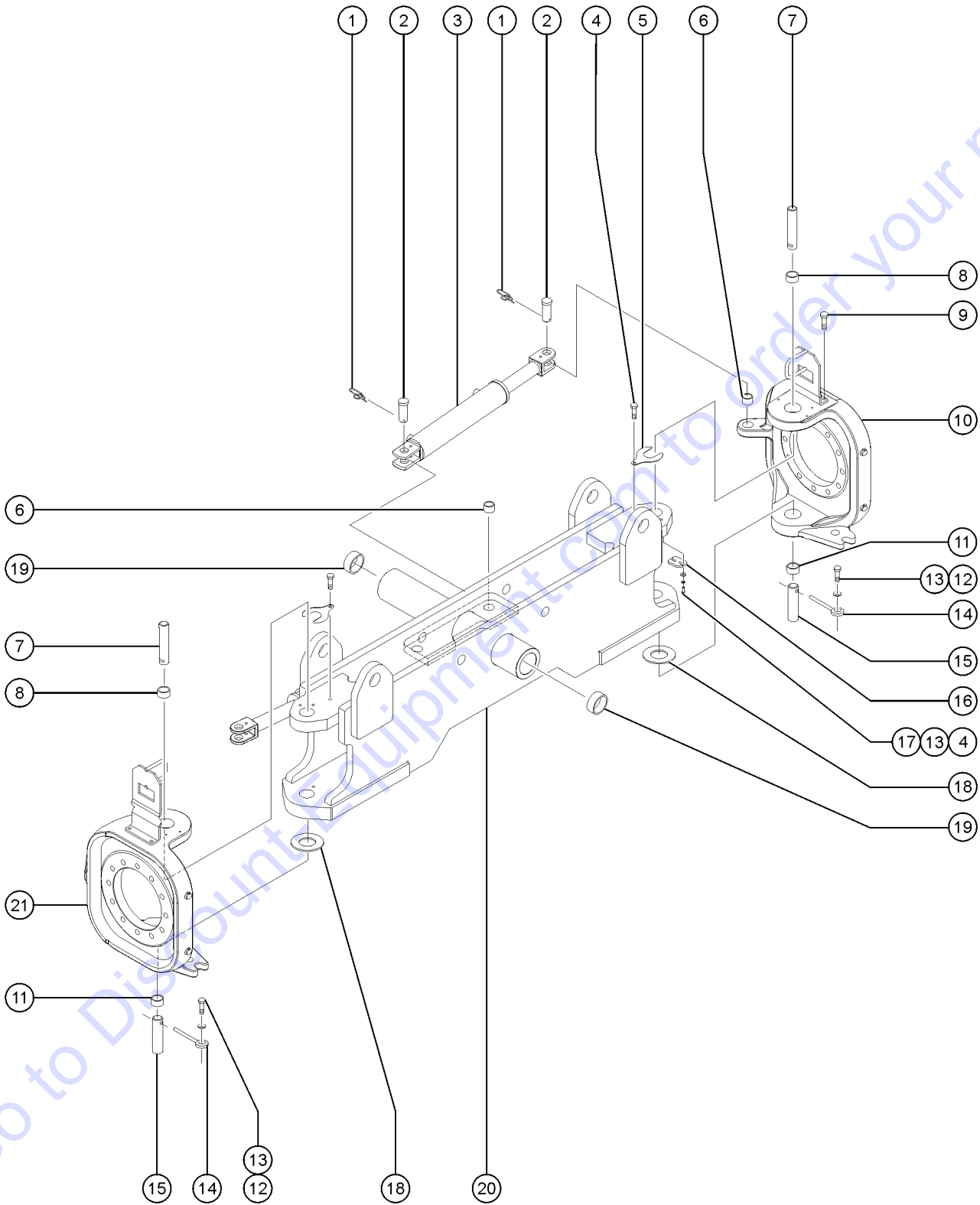
203.1 Front Steer Axle (to SN 3225)



203.1 Front Steer Axle (to SN 3225)

Item	Part No.	Description	Qty.
1	59370GT	CYLINDER,STEER.....	2
--	88349GT	SEAL KIT,STEER CYL***	
2	1256857GT	SCREW,HHF,3/8-16X.625,8,ZAG	
3	6021GT	WASHER,LOCK,.375	
4	1255452GT	ROD END,.375 X 2.25,ZAG.....	4
5	824090GT	SCREW,HHF,3/8-16X1,8,ZAG.....	6
6	88241GT	SHIM,GALVANIZED STEER YOKE	
7	25817GT	BEARING,1.00IDX1.25ODX1.00L.....	4
8	88066GT	PIN,1.75" OD X 4.25.....	2
9A	81985-SGT	STEER YOKE,4WD,LF/RR,ASSEMBLY.....	1
		<i>includes items 7 and 17, to SN 2508</i>	
--	146411GT	Z80 STEER YOKE, LF/RR ASSY. <i>includes items 7 and 17, from SN 2509</i>	
--	233112GT	Z80 STEER YOKE, LF/RR ASSY. <i>Hi-Flotation option, includes items 7 and 17, from SN 3156</i>	
10	825019GT	ROD END,.375X3.69,ZAG.....	2
11	30199GT	PIN,1.75 DIA X 4.50LG,THREADED.....	2
12	88069GT	PLATE,KING PIN RETAINER *.....	2
13	6097GT	WASHER,FLAT,USS,3/8",Y	
14	27698GT	BEARING,2.50IDX2.75ODX2.00L.....	2
15	82908GT	FRONT STEER AXLE ASSY. Z80.....	1
		<i>includes items 14, to SN 2508</i>	
--	146262GT	FRONT STEER AXLE ASSY. Z80 <i>includes items 14, from SN 2509</i>	
16	60555GT	WASHER,THRUST 5 X 1.81 BRONZE	
17	119620GT	BEARING,1.75IDX2.00ODX1.50L.....	4
18A	81983-SGT	STEER YOKE,4WD,RF/LR,ASSEMBLY.....	1
		<i>includes items 7 and 17, to SN 2508</i>	
--	146410GT	Z80 STEER YOKE, RF/LR ASSY. <i>includes items 7 and 17, from SN 2509</i>	
--	233111GT	Z80 STEER YOKE, RF/LR ASSY. <i>Hi-Flotation option, includes items 7 and 17, from SN 3156</i>	
19	30734GT	PIN,1.00DIA X 2.88LG,1HOLE.....	4

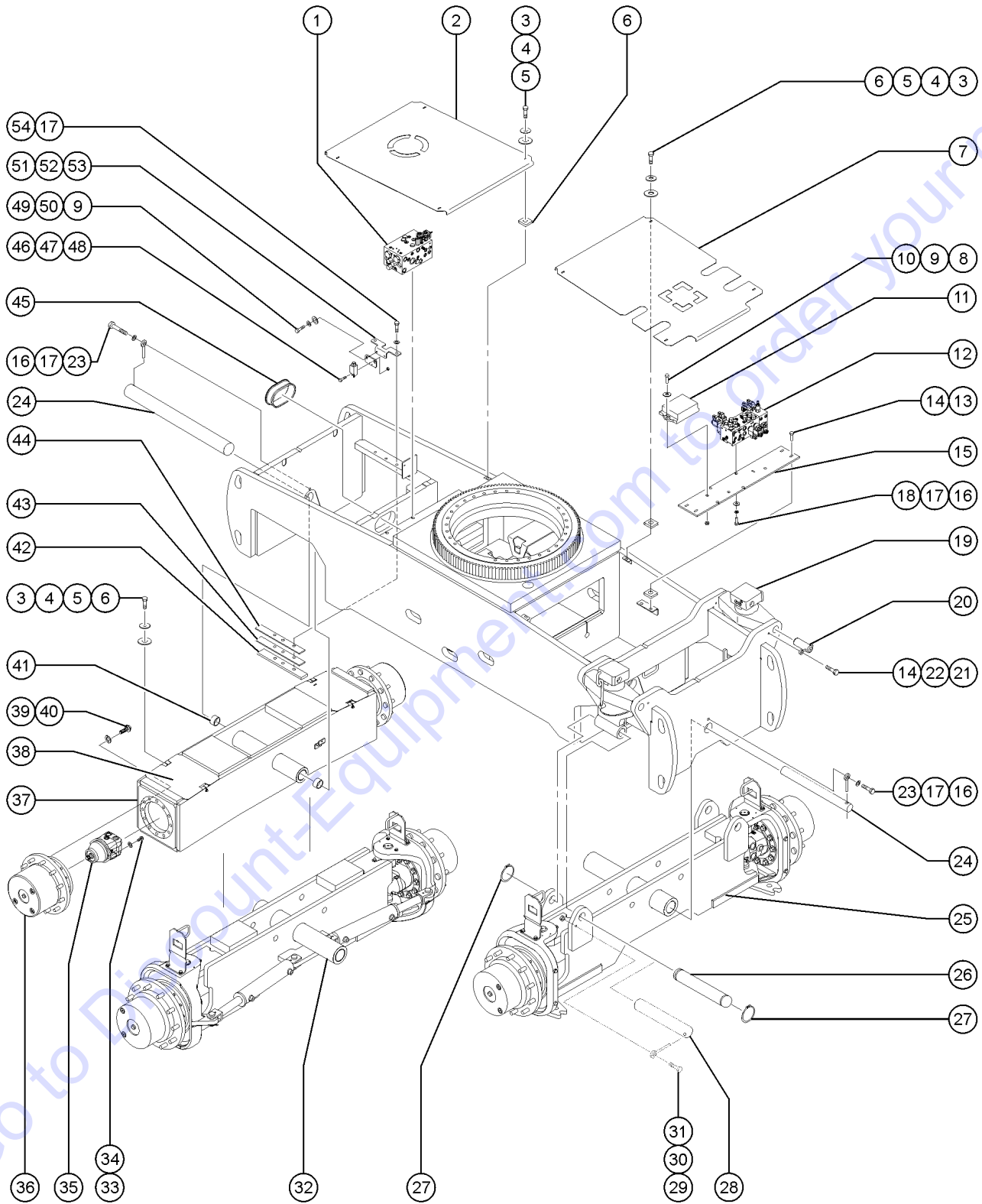
203.2 Front Steer Axle (from SN 3226)



203.2 Front Steer Axle (from SN 3226)

Item	Part No.	Description	Qty.
1	824129GT	RUE RING,1.0,ZAG.....	4
2	824127GT	PIN,CLEVIS,1.0X2.41,SAE,ZAG.....	4
3	59370GT	CYLINDER,STEER.....	2
--	88349GT	SEAL KIT,STEER CYL***	
4	824090GT	SCREW,HHF,3/8-16X1,8,ZAG.....	6
5	88241GT	SHIM,GALVANIZED STEER YOKE	
6	25817GT	BEARING,1.00IDX1.25ODX1.00L.....	4
7	229398GT	PIN,1.75DIA X 4.0LG.....	2
8	51144GT	BEARING,1.75IDX2.00ODX1.25L.....	2
9	824089GT	SCREW,HHF,3/8-16X.75,8,ZAG.....	6
10	230981GT	ASSY,Z80 YOKE, W/BEARINGS,L..... <i>(includes items 6, 8 and 11) LF / RR ASSEMBLY</i>	1
11	119620GT	BEARING,1.75IDX2.00ODX1.50L.....	2
12	1256857GT	SCREW,HHF,3/8-16X.625,8,ZAG	
13	6021GT	WASHER,LOCK,.375	
14	825019GT	ROD END,.375X3.69,ZAG.....	2
15	30199GT	PIN,1.75 DIA X 4.50LG,THREADED.....	2
16	88069GT	PLATE,KING PIN RETAINER *.....	2
17	6097GT	WASHER,FLAT,USS,3/8",Y	
18	60555GT	WASHER,THRUST 5 X 1.81 BRONZE	
19	27698GT	BEARING,2.50IDX2.75ODX2.00L.....	2
20	230980GT	ASSY,STEER AXLE, W/BEARINGS..... <i>(includes items 6 and 19)</i>	1
21	230982GT	ASSY,Z80 YOKE, W/BEARINGS,RT..... <i>(includes items 6, 8 and 11) RF / LR ASSEMBLY</i>	1

204.1 Axle Installation



204.1 Axle Installation

Item	Part No.	Description	Qty.	Item	Part No.	Description	Qty.
--	88147GT	HARNES,DRIVE CHASSIS 2WS <i>2 Wheel Steer</i>		20	81498GT	PIN,1.75DIA X 4.50LG, THREADED.....	4
--	88139GT	HARN, DRIVE CHASSIS, 4WS <i>4 Wheel Steer</i>		21	1256856GT	SCREW,HHF,3/8-16X2.5,8,ZAG.....	4
--	61283GT	SLEAVING,PARKER TEK,2.00"		22	825019GT	ROD END,.375X3.69,ZAG.....	6
1		Ref. Traction Manifold <i>(refer to 701.1 or 703.1)</i>		23	1256267GT	ROD END,.5 X 3.75,ZAG.....	2
--	237830GT	SCREW,HHF,1/2-13X1.8,ZAG.....	2	24	81378GT	PIN,2.50DIA X 27.63LG,1HOLE.....	2
--	6033GT	WASHER,LOCK,0.5"		25		Ref. FRONT STEER AXLE ASSY <i>(refer to 203.1 and 203.2)</i>	
--	6095GT	WASHER,FLAT,USS,1/2",Y		26	121371GT	PIN,1.75DIA X 10.50LG,2 RING.....	2
2	101529GT	COVER,DRIVE CHASSIS,REAR ASSY.....	1			<i>from SN 2509</i>	
		<i>(circle end)</i>		27	825759GT	SNAP RING,EXTERNAL,1.75,ZAG.....	4
3	824078GT	SCREW,HHF,1/4-20X.75,8,ZAG.....	4			<i>from SN 2509</i>	
4	6356GT	WASHER,LOCK,.25.....	4	28	81598GT	PIN,1.75DIA X 10.75LG,1HOLE.....	2
5	824113GT	WASHER,FLAT,USS,1/4,ZAG.....	4			<i>to SN 2508</i>	
6	56912GT	SPRING CLIP,1/4-20,.025-.15X.54,ZAG.....	8	29	5224GT	SCREW,HHC,3/8-16 X 2 <i>to SN 2508</i>	
7	101530GT	COVER,DRIVE CHASSIS,FRONT ASSY.....	1	30	825019GT	ROD END,.375X3.69,ZAG <i>to SN 2508</i>	
		<i>(square end)</i>		31	824029GT	NUT,TL FLG,3/8-16,G,ZAG <i>to SN 2508</i>	
8	1255763GT	SCREW,HHF,5/16-18X1.5,8,ZAG.....	2	32	102941GT	Z80 REAR AXLE ASSY,STEER(SERV).....	1
9	5397GT	WASHER,FLAT,USS,5/16",Y				<i>4 Wheel Steer; to SN 2508</i>	
10	824028GT	NUT,TL FLG,5/16-18,G,ZAG.....	2	--	146263GT	REAR STEER AXLE ASSY. Z80 <i>4 Wheel Steer; from SN 2509 to 3225</i>	
11	50154GT	CONTROL BOX ASSY,DRIVECHASSIS.....	1	--	230992GT	ASSY,STEER AXLE NON OSC,W/BEAR <i>4 Wheel Steer; from SN 3226</i>	
		<i>(DCON)</i>		33	75101GT	SCREW,SHC,1/2-13 X 1.25,A574.....	2
12		Ref. 2WS or 4WS Oscillate Manifold <i>(refer to 702.1, 702.2, 704.1 or 704.2)</i>				<i>to SN 3225</i>	
13	6019GT	SCREW,HHC,3/8-16 X 1.25 GRD 5 <i>to SN 2490</i>		--	824134GT	SCREW,HHF,M12-1.75X30,DIN6921,10.9,ZAB.8 <i>from SN 3226</i>	
--	824091GT	SCREW,HHF,3/8-16X1.25,8,ZAG.....	8	34	1256182GT	WASHER,FLAT,5/8,F436,HRD,ZAG.....	2
		<i>from SN 2491</i>				<i>to SN 3225</i>	
14	824029GT	NUT,TL FLG,3/8-16,G,ZAG.....	1	35	88351GT	MOTOR,PISTON,2 SPEED,45CC 2WD.....	2
		<i>to SN 2490</i>				<i>(2WD) to SN 868</i>	
--	29868GT	SPRING CLIP,3/8-16,.05-.20X.73,ZAG <i>from SN 2491</i>		--		Ref. Hydraulic Drive Motor, 4WD <i>(4WD refer to 202.1 and 202.2)</i>	
15	88103GT	PLATE,STEER MANIFOLD MOUNT <i>to SN 2490</i>		--	102717GT	MOTOR,PISTON,HYD,45CC/19.5CC.....	2
--	146340GT	PLATE, MANIFOLD MOUNT <i>from SN 2491</i>				<i>(2WD) from SN 869</i>	
16	1253498GT	SCREW,HHF,1/2-13X1.5,8,ZAG.....	2	--	106098GT	SEAL KIT,MOTOR,LC/KC*** <i>(2WD) used with drive motor 102717; from SN 869</i>	
17	6033GT	WASHER,LOCK,0.5"		--	77806GT	SEAL KIT,DRIVE MOTOR*** <i>(2WD) use with drive motor 88351; to SN 868</i>	
18	6095GT	WASHER,FLAT,USS,1/2",Y		36		Ref. Drive Hub with Brake <i>2WD or 4WD; (refer to 202.1 and 202.2)</i>	
19	81330GT	CYLINDER,OSCILLATE***.....	2	37	101531GT	REAR AXLE ASSEMBLY Z80 NON STR.....	1
--	33428GT	VALVE,COUNTERBALANCE				<i>to SN 3155</i>	
--	43018GT	SEAL KIT (39345)		--	230989GT	ASSY,NON-STEER AXLE W/BEARINGS <i>from SN 3226</i>	
--	77519GT	SEAL KIT,OSC CYLINDER (81330)*					

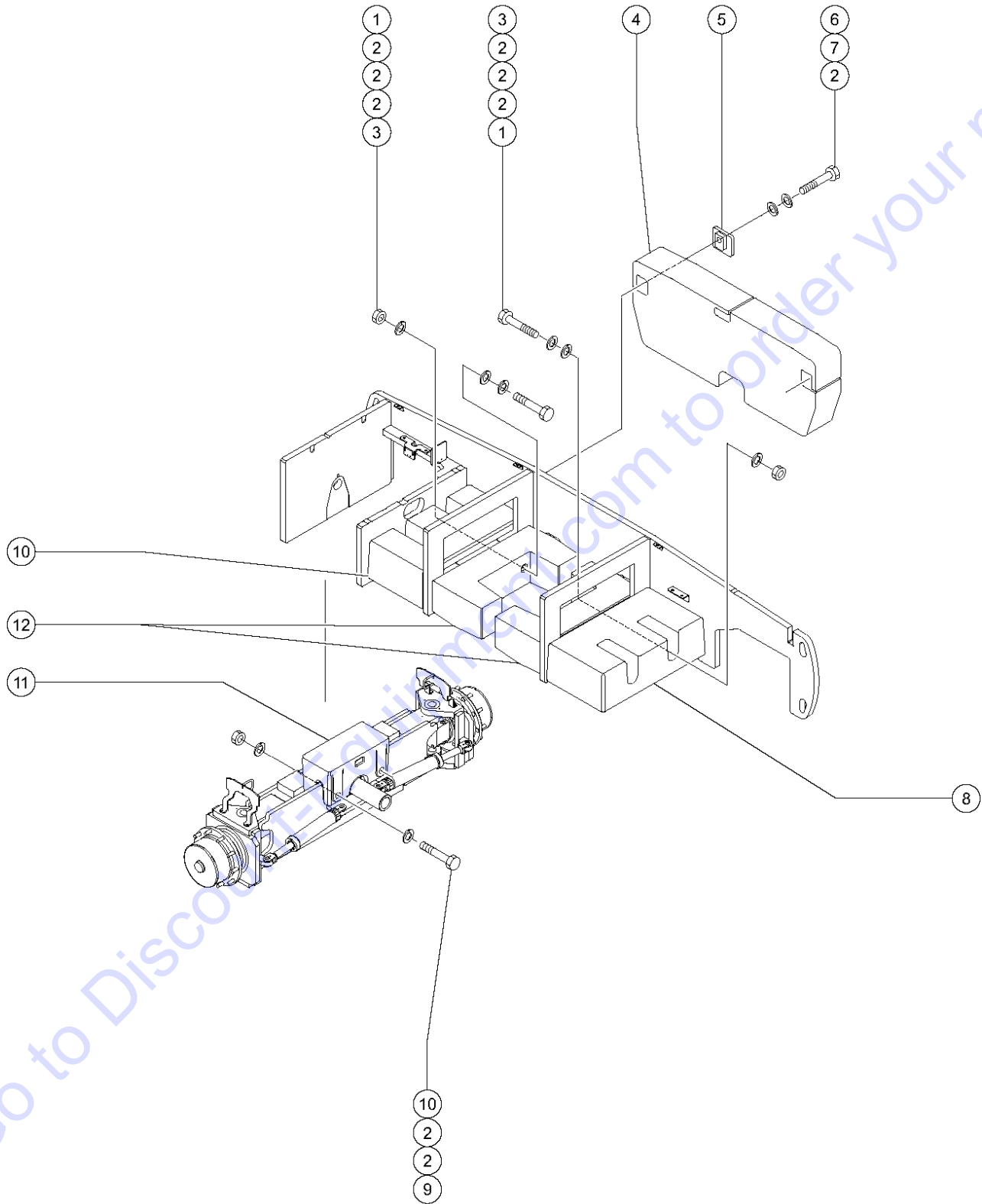
204.1 Axle Installation (continued)

Item	Part No.	Description	Qty.
--	233110GT	REAR AXLE ASSEMBLY Z80 NON STR <i>from SN 3156 to 3225</i>	
38	88210PGT	PLATE,AXLE COVER PAINTED.....2 <i>to SN 3225</i>	
--	121349GT	FORMING,COVER,REAR AXLE <i>from SN 3226</i>	
39	73455GT	SCREW,HHC,5/8-11 X 2.25 GR8.....16 <i>to SN 3225</i>	
--	227779GT	SCREW,HHF,M16-2.0X50 10.9 <i>from SN 3226</i>	
40	13064GT	WASHER,FLAT,.625 HARDENED.....16 <i>to SN 3225</i>	
41	27698GT	BEARING,2.50IDX2.75ODX2.00L.....2	
42	88092PGT	BAR,AXLE ROTATION STOP PAINT.....2	
43	81610GT	SHIM,AXLE ROTATION STOP,16G	
44	81609GT	SHIM,AXLE ROTATION STOP,22G	
45	53387GT	GUARD, HOSE PROTECTOR.....1	
46	49819GT	SCREW,PHILLIPS,PHM,10-32 X .5	
47	6607GT	WASHER,LOCK,#10 PLTD	
48	6178GT	NUT,NYLOCK,10-32	
49	1256857GT	SCREW,HHF,3/8-16X.625,8,ZAG.....4	
50	6021GT	WASHER,LOCK,.375	
51	88082PGT	FORMING,SWITCH MOUNT.....2	
52	88083PGT	PLATE,SWITCH MOUNT.....2	
53	88383GT	HARNESS,LS,OP,OSCILLATE,LH.....1 <i>(shown)</i>	
--	88382GT	HARNESS,LS,OP,OSCILLATE,RH.....1	
--	88356-175R7 GT	SWITCH,LIMIT,TAB,BLUE,PLASTIC <i>part of LS harness item 88383 and 88382</i>	
--	110771-175R7GT	SWITCH,LIMIT,TAB,BLUE,METAL <i>can be used in place of LS item 88356-175R7</i>	
54	1255802GT	SCREW,HHF,1/2-13X2.5,8,ZAG.....6	

This Page Intentionally Left Blank

Go to Discount-Equipment.com to order your parts

205.1 Drive Chassis and Axle Counterweights

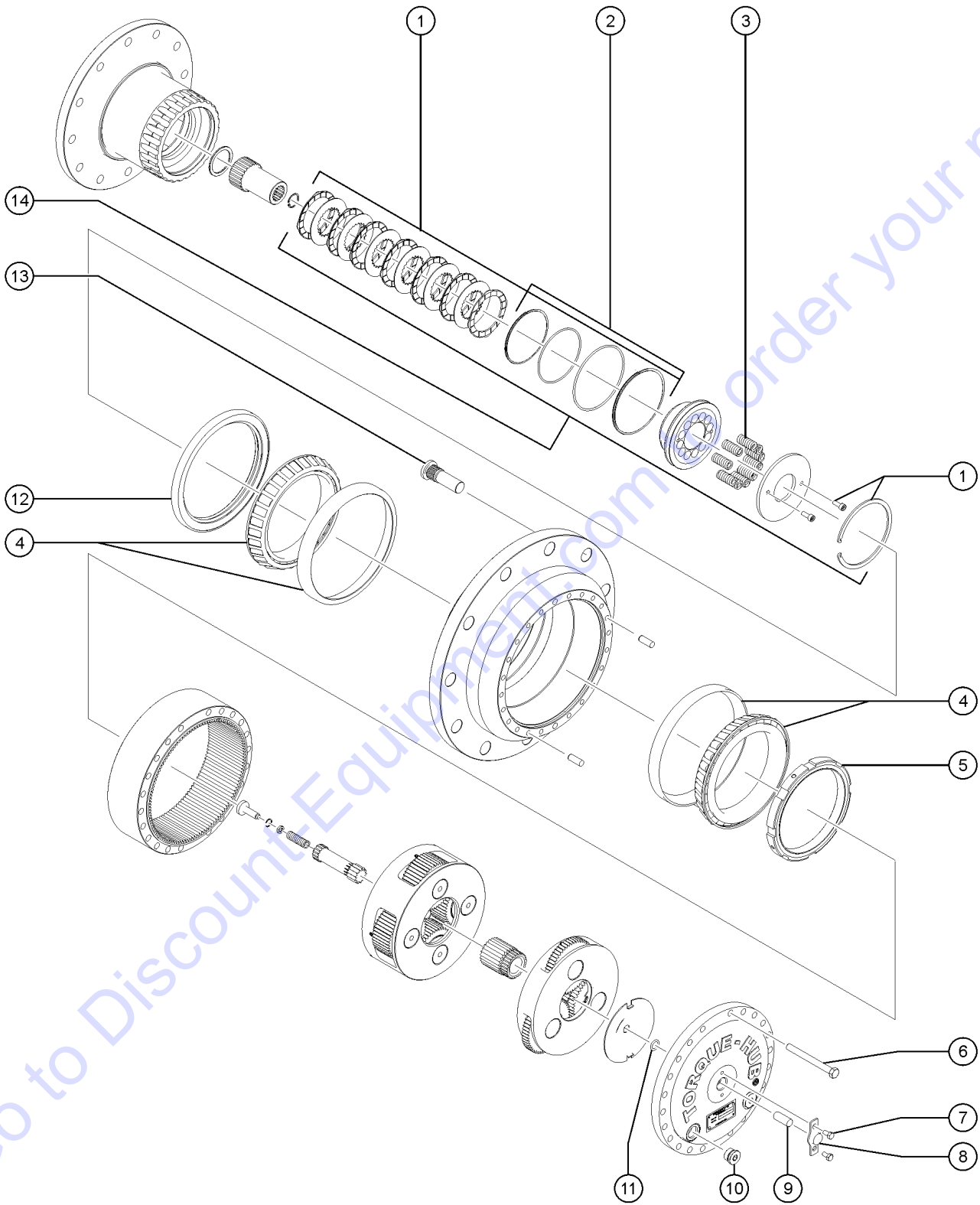


205.1 Drive Chassis and Axle Counterweights

Item	Part No.	Description	Qty.
1	826794GT	NUT,TL,1-8,C,ZAG.....	4
2	1256469GT	WASHER,FLAT,1.0,USS,ZAG.....	12
3	1268832GT	SCREW,HHC,1-8X19.5,2,ZAG.....	4
4	94723GT	PLATE,CW,HI-FLO,SAND OPT,RH.....	1
--	111533GT	PLATE,CW,HI-FLO,SAND,OPT,LH	
5	94726GT	WELDMENT,COUNTERWEIGHT,PLUG.4	
6	1268833GT	SCREW,HHC,1-8X4.5,5,ZAG.....	4
7	29605GT	WASHER,LOCK,1"	
8	88482GT	CASTING,CHASSIS WEIGHT.....	2
9	1255389GT	SCREW,HHC,1-8X12,5,ZAG.....	4
10	824031GT	NUT,TL FLG,1-8,G,ZAG.....	4
11	88483GT	CASTING,AXLE COUNTERWEIGHT.....	1
12	34767GT	CASTING,DRV.CHAS.COUNTERWEIGHT.2	

Go to Discount-Equipment.com to order your parts

206.1 Drive Hub Assembly with Brake - Type 1 (from SN 3226)

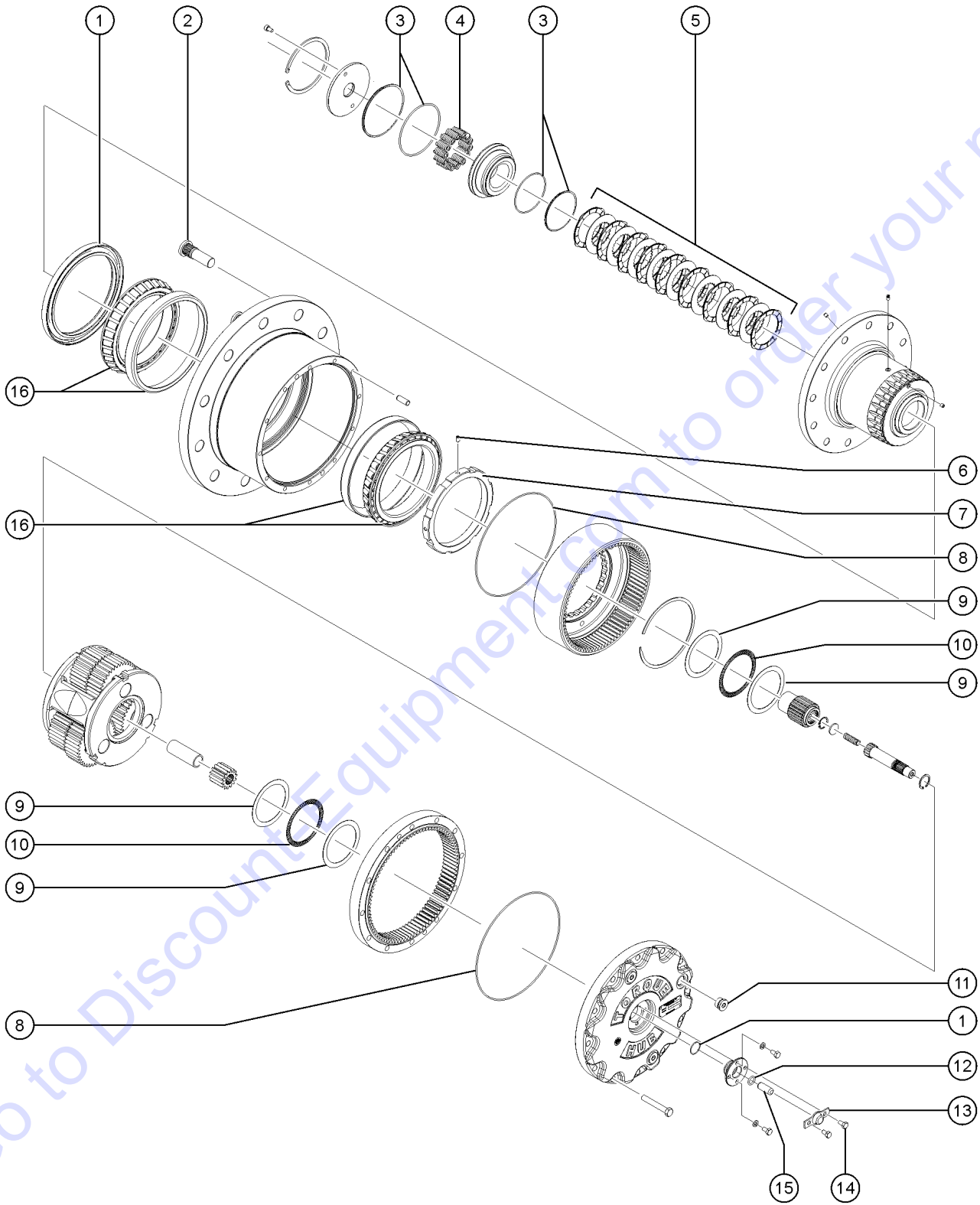


Go to DiscountEquipment.com to order your parts

206.1 Drive Hub Assembly with Brake - Type 1 (from SN 3226)

Item	Part No.	Description	Qty.
--	1286604GT	SEAL KIT,WHEEL DRIVE W/BRAKE (227775) <i>for 227775</i>	
--	1286605GT	BEARING KIT,WHEEL DRIVE W/BRAKE (227775) <i>for 227775</i>	
--	215623GT	SEAL KIT (227775) <i>for 227775 (inventory limited to stock on hand as component is no longer available)</i>	
--	227775GT	WHEEL DRIVE,W/BRAKE 57.49:1 <i>shown</i>	
1	235133GT	Brake Lining Kit.....	1
2	235139GT	Brake Seal Kit.....	1
3	235140GT	Spring Kit.....	1
4	235137GT	BEARING, TAPERED - ASSY.....	2
5	146051GT	BEARING NUT***.....	1
6	235151GT	BOLT,HEX-UNC(.375-16).....	22
7	111362GT	BOLT,WHEEL DRIVE CAP(106122).....	2
8	106122GT	CAP,DISENGAGE,4HP/4HB***.....	1
9	235152GT	DISENGAGE, ROD.....	1
10	235153GT	PIPE PLUG, MAGN.....	2
11	111363GT	O-RING,DISCONNECT ROD (111060)...	1
12	215623GT	SEAL KIT (227775)..... <i>includes 2 O-rings (not shown) and bearing nut part 146051</i>	1
13	33441GT	STUD,WHEEL,3/4-16, (34115).....	11
14	235150GT	Brake Replacement Kit.....	1

207.1 Drive Hub Assembly with Brake - Type 2 (from SN 3156)



PARTS FINDER

**Search Website
by Part Number**



**Search Manual
Library For Parts
Manual & Lookup Part
Numbers – Purchase
or Request Quote**

Search Manuals

Enter your information to search for a manual or parts manual for your equipment.

* Brand:

* Model:

* Serial:

* Part Number:

SEARCH

**Can't Find Part or
Manual? Request Help
by Manufacturer,
Model & Description**

Parts Order Form

Please fill in the following information to request help finding a part or manual.

Manufacturer:

Model:

Description:

Quantity:

Part Number:

Part Name:

Part Description:

Part Category:

Part Location:

Part Status:

Part Condition:

Part Material:

Part Color:

Part Weight:

Part Dimensions:

Part Notes:

Submit

Discount-Equipment.com is your online resource for quality parts & equipment.

Florida: **561-964-4949** Outside Florida TOLL FREE: **877-690-3101**

Need parts?

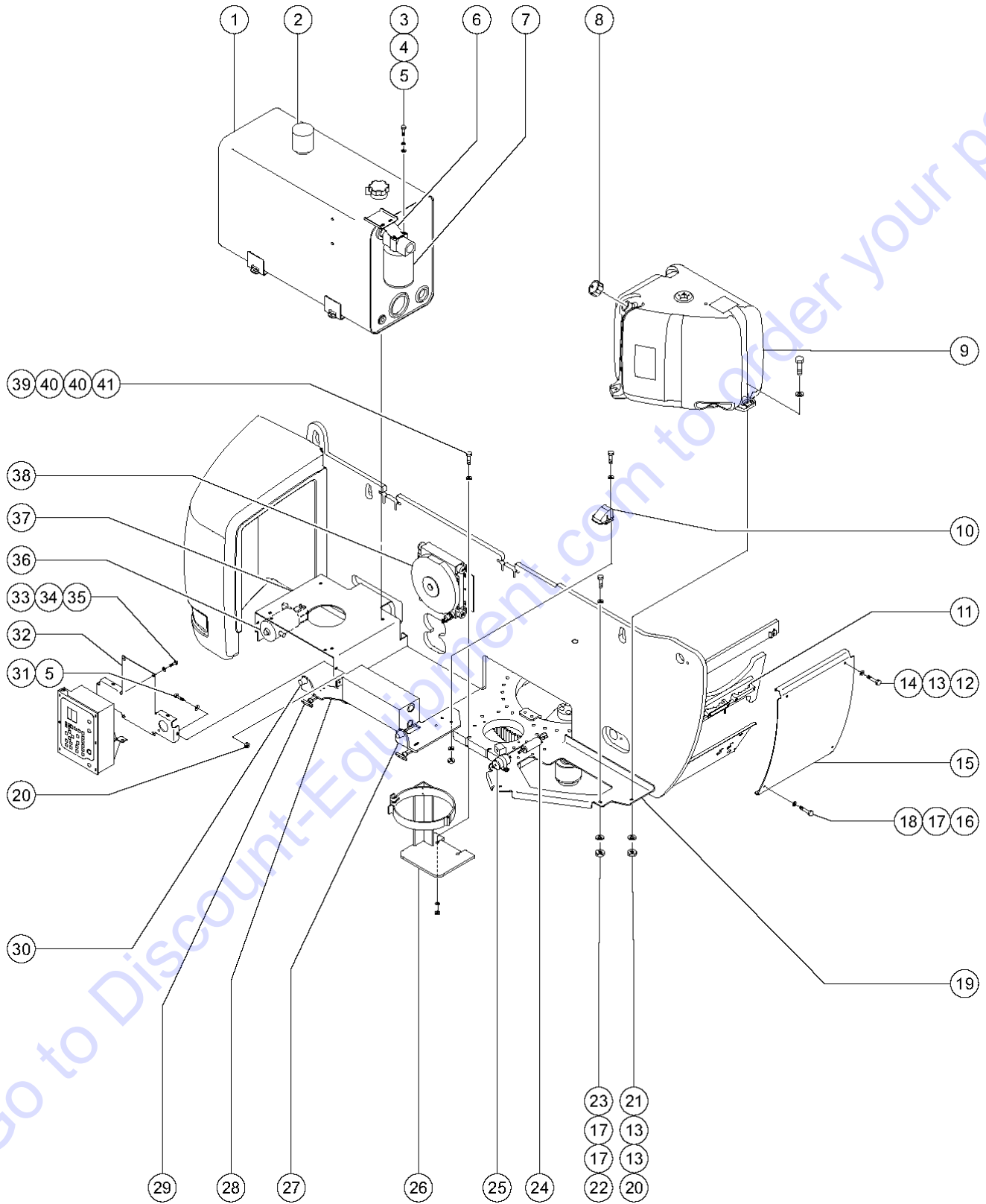
Click on this link: <http://www.discount-equipment.com/category/5443-parts/> and choose one of the options to help get the right parts and equipment you are looking for. Please have the machine model and serial number available in order to help us get you the correct parts. If you don't find the part on the website or on one of the online manuals, please fill out the request form and one of our experienced staff members will get back to you with a quote for the right part that your machine needs.

We sell worldwide for the brands: Genie, Terex, JLG, MultiQuip, Mikasa, Essick, Whiteman, Mayco, Toro Stone, Diamond Products, Generac Magnum, Airman, Haulotte, Barreto, Power Blanket, Nifty Lift, Atlas Copco, Chicago Pneumatic, Allmand, Miller Curber, Skyjack, Lull, Skytrak, Tsurumi, Husquvarna Target, Stow, Wacker, Sakai, Mi-T-M, Sullair, Basic, Dynapac, MBW, Weber, Bartell, Bennar Newman, Haulotte, Ditch Runner, Menegotti, Morrison, Contec, Buddy, Crown, Edco, Wyco, Bomag, Laymor, EZ Trench, Bil-Jax, F.S. Curtis, Gehl Pavers, Heli, Honda, ICS/PowerGrit, IHI, Partner, Imer, Clipper, MMD, Koshin, Rice, CH&E, General Equipment, Amida, Coleman, NAC, Gradall, Square Shooter, Kent, Stanley, Tamco, Toku, Hatz, Kohler, Robin, Wisconsin, Northrock, Oztec, Toker TK, Rol-Air, APT, Wylie, Ingersoll Rand / Doosan, Innovatech, Con X, Ammann, Mecalac, Makinex, Smith Surface Prep, Small Line, Wanco, Yanmar

207.1 Drive Hub Assembly with Brake - Type 2 (from SN 3156)

Item	Part No.	Description	Qty.
--	121291GT	WHEEL DRIVE,86.74:1*** <i>from SN 3156</i>	
--	227776GT	WHEEL DRIVE W/BRAKE 86.74:1 <i>shown (from SN 3226)</i>	
1	T111507GT	SEAL KIT (121291)*** <i>includes items 8 and 12</i>	1
2	33441GT	STUD,WHEEL,3/4-16, (34115)	11
3	122878GT	BRAKE LINING KIT (121291)	1
4	122879GT	SPRING KIT (121291)	1
5	106125GT	SEAL KIT, BRAKE, 4HP <i>for 101584 (inventory limited to stock on hand as component is no longer available)</i>	
5	1286602GT	SEAL KIT,WHEEL DRIVE W/BRAKE (101584/101585) <i>for 101584</i>	
6	146052GT	SET SCREW***	1
7	146051GT	BEARING NUT***	1
8	33990GT	O-RING, TORQUE HUB COVER <i>part of seal kit T111507</i>	2
9	58999GT	WASHER, THRUST,(33434)**	4
10	65846GT	BEARING, THRUST WASHER***	2
11	58237GT	PLUG, TORQUE HUB, DRAIN***	3
12	111363GT	O-RING, DISCONNECT ROD (111060) <i>part of seal kit T111507</i>	1
13	106122GT	CAP, DISENGAGE, 4HP/4HB***	1
14	235154GT	BOLT, HEX-UNC(.250-20, .500G)	4
15	235152GT	DISENGAGE, ROD	1
16	235137GT	BEARING, TAPERED - ASSY	2

301.1 Hydraulic and Fuel Tanks



301.1 Hydraulic and Fuel Tanks

Item	Part No.	Description	Qty.	Item	Part No.	Description	Qty.
--	88154GT	HARNES,BATT TO APU SOLENOID		20	4828GT	NUT,NYLOCK,3/8-16	
--	88155GT	HARNES,APU TO ENGINE BLOCK		21	5224GT	SCREW,HHC,3/8-16 X 2	
1	61413GT	TANK,HYDRAULIC,45 GALLON.....1		22	8914GT	SCREW,HHC,1/4-20 X .625	
--	21141GT	GAUGE-SIGHT,LHA-LGTB***		23	6091GT	NUT,NYLOCK,1/4-20	
--	75113GT	FILLER NECK/CAP ASSY.HYD TANK*		24	77536GT	PUMP,FUEL GM 3.0 ENG. C282-238.....1 <i>gasoline/LPG models; to SN 362</i>	
--	75253GT	STRAINER ASSY,#16 O-RING		--	77219GT	PUMP, FUEL, LRG425, WALBRO <i>gasoline/LPG models; from SN 996</i>	
--	75257GT	STRAINER ASSY,#24 O-RING		25	65626GT	FILTER-FUEL, GM 3.0L ENGINE.....1 <i>gasoline/LPG models; to SN 362</i>	
2	60559GT	BREATHER,RESERVOIR 3 MICRON***1		--	52179GT	FILTER, FUEL LRG 425/423 EFI <i>gasoline/LPG models; from SN 363 to SN 995</i>	
3	13002GT	SCREW,HHC,5/16-18 X 1 GR5		26	88270GT	WELDMENT,LP BOTTLE MOUNT.....1	
4	6886GT	WASHER,LOCK,.313		--	49000GT	L.P.TANK LATCH	
5	5397GT	WASHER,FLAT,USS,5/16",Y		27	88045PGT	FORMING,MANIFOLD SUPPORT.....1	
6	60936PGT	BRACKET,RETURN FILTER.....1		28	88046PGT	FORMING,MANIFOLD SUPPORT.....1	
7	60508GT	FILTER,RETURN,ASSY 10 MICRON.....1		29	45363GT	LATCH,FLEXIBLE DRAW W/O KEEPER.....2	
--	228823GT	FILTER ELEMENT,BETA(10)=1000 <i>use with hydraulic fluid fire resistant option</i>		--	6146GT	WASHER,FLAT,MS,#10,Y	
--	52768GT	GAUGE,MED.PRESSUR FILTER,50530		--	6178GT	NUT,NYLOCK,10-32	
--	61326GT	FILTER ELEMENT,10 MICRON,60508		--	75041GT	SCREW,PHILLIPS,PHM,10-32 X 1	
8	101726GT	CAP,FUEL,DIESEL,1/8"VENT(GRN).....1 <i>diesel models</i>		30	30973GT	BUMPER,RUBBER-1 X 1.25.....2	
--	101727GT	CAP,FUEL,GAS,1/8"VENT(RED) <i>gasoline/LPG models</i>		--	5397GT	WASHER,FLAT,USS,5/16",Y	
9A	77675GT	ASSY,FUEL TANK Z80.....1		--	6782GT	NUT,NYLOCK,5/16-18	
--	60890GT	SENDER,LOW FUEL INDICATOR		31	6019GT	SCREW,HHC,3/8-16 X 1.25 GRD 5	
--	61234GT	FUEL RETURN,DAPCO 18.75 <i>Deutz models</i>		32	88105PGT	FORMING,CONTROL BOX MOUNT.....1	
--	61240GT	BUSHING,FUEL TANK FITTING (SM)		33	8914GT	SCREW,HHC,1/4-20 X .625	
--	88091GT	FUEL RETURN,DAPCO 1/4" <i>Perkins models</i>		34	6356GT	WASHER,LOCK,.25	
9B		Gasoline/LPG fuel tanks <i>from SN 966 (refer to 301.2)</i>		35	6638GT	WASHER,FLAT,USS,1/4"Y	
--	88090GT	FUEL RETURN,DAPCO 5/16" <i>Gasoline/LPG models; to SN 995</i>		36	102710GT	PUMP,AUXILIARY,DUAL,12V.....1	
10	50161GT	SENSOR,TILT TURNTABLE(PLSTC).....1		--	102659GT	PUMP,(102710 APU)	
11	88227PGT	FORMING,HOSE CHAFE PROTECTOR.....1		--	147290GT	SHAFT SEAL, APU	
--	88107GT	CLAMP RISER CABLETRACK-LEFT		--	37187GT	SEAL KIT, 37185 PUMP	
12	6175GT	SCREW,HHC,3/8-16 X 1		--	37191GT	GASKET, PUMP / MOTOR (36179)	
13	6097GT	WASHER,FLAT,USS,3/8",Y		--	62412GT	SOLENOID,MOTOR START,60511,APU	
14	29868GT	SPRING CLIP,3/8-16,.05-.20X.73,ZAG....2		--	62413GT	MOTOR, 60511, APU, 12VDC	
15	88121PGT	FORMING,TRNTBLE UPPER CNTR CVR.....1		--	62414GT	SEAL, SHAFT, 60511 APU	
16	6888GT	SCREW,HHC,1/4-20 X 1		37	88044PGT	FORMING,TANK SUPPORT.....1	
17	6638GT	WASHER,FLAT,USS,1/4"Y		38	71259GT	OIL COOLER W/FAN, 12VDC.....1	
18	56912GT	SPRING CLIP,1/4-20,.025-.15X.54,ZAG.....2		--	13918GT	SCREW,HHC,3/8-16 X 1.75,GRD.8.....4	
19	81829PGT	FORMING,FUEL TANK TRAY.....1		--	4828GT	NUT,NYLOCK,3/8-16	
				--	6097GT	WASHER,FLAT,USS,3/8",Y	
				--	75854GT	FAN - VENTED	
				--	75855GT	THERMOSTAT -OIL COOLER (71259)	

301.1 Hydraulic and Fuel Tanks
(continued)

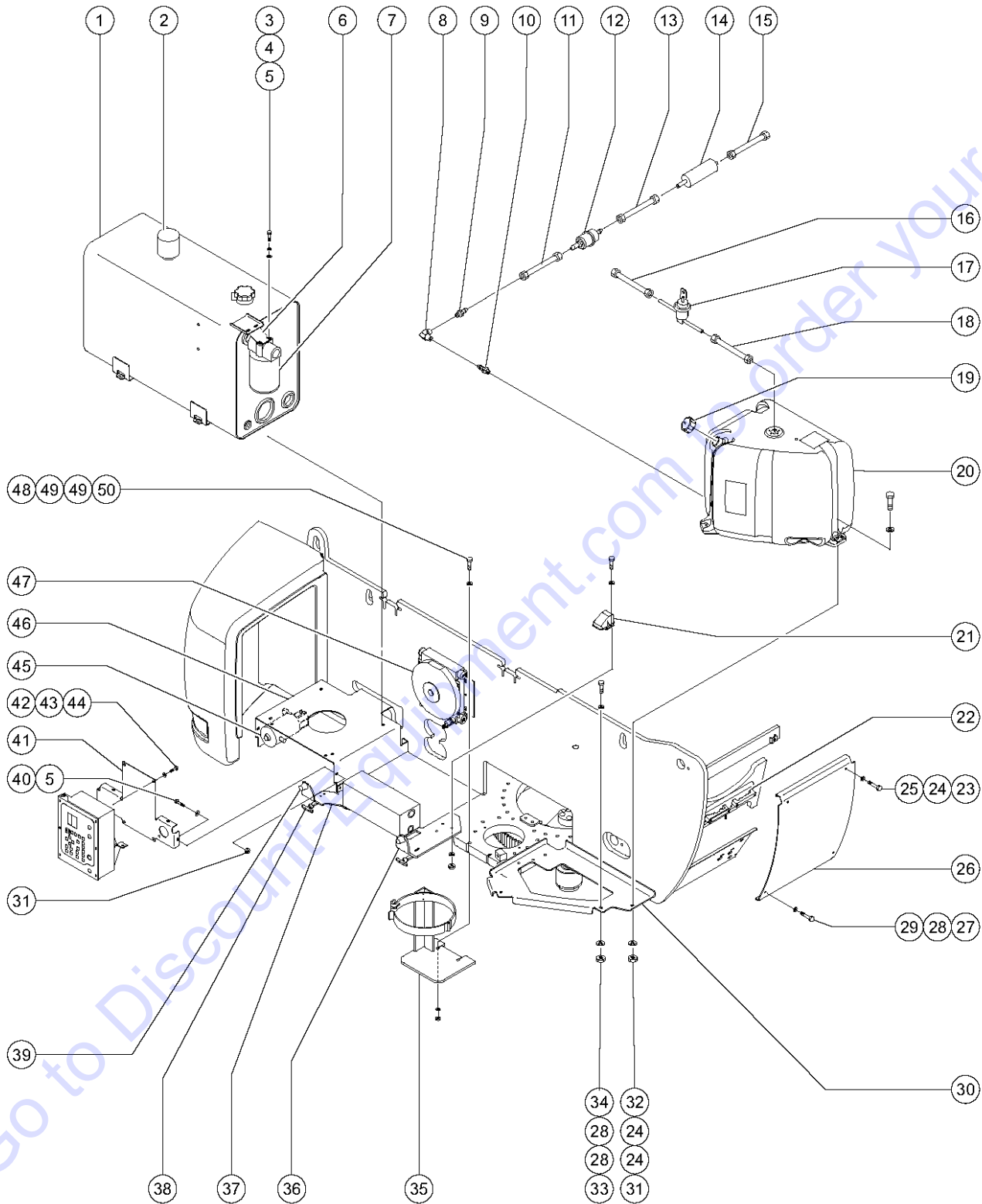
Item	Part No.	Description	Qty.
39	8357GT	SCREW,HHC,1/2-13 X 3.5	
40	6095GT	WASHER,FLAT,USS,1/2",Y	
41	6198GT	NUT,NYLOCK,1/2-13	

Go to Discount-Equipment.com to order your parts

This Page Intentionally Left Blank

Go to Discount-Equipment.com to order your parts

301.2 Hydraulic and Fuel Tanks - Gasoline/LPG Models (from SN 966 to 3200)



301.2 Hydraulic and Fuel Tanks - Gasoline/LPG Models (from SN 966 to 3200)

Item	Part No.	Description	Qty.	Item	Part No.	Description	Qty.
--	88154GT	HARNESS,BATT TO APU SOLENOID		--	61240GT	BUSHING,FUEL TANK FITTING (SM) <i>from SN 996 to 1913</i>	
--	88155GT	HARNESS,APU TO ENGINE BLOCK		20B	TANK ASSY,GAS,30 GAL,Z80 <i>Previous tank part 122324 is no longer available. For first time replacement order fuel tank kit 229424 (refer to 301.3); from 1914 to 3200</i>		
1	61413GT	TANK,HYDRAULIC,45 GALLON.....1		--	119983GT	FUEL PICKUP,3/8X1/4NPT X 2200 <i>Use with previous tank 122324; from 1914</i>	
--	21141GT	GAUGE-SIGHT,LHA-LGTB***		--	128081GT	ELBOW,90D,1/4FPTX3/8MPT <i>from SN 1914</i>	
--	75253GT	STRAINER ASSY,#16 O-RING		--	229424GT	Z80 STEEL FUEL TANK SRVC KIT <i>Replacement kit for previous tank 122324 (refer to 301.3); from 1914 to 3200</i>	
--	75257GT	STRAINER ASSY,#24 O-RING		--	60890GT	SENDER,LOW FUEL INDICATOR	
2	60559GT	BREATHER,RESERVOIR 3 MICRON***.....1		21	50161GT	SENSOR,TILT TURNTABLE(PLSTC).....1	
3	13002GT	SCREW,HHC,5/16-18 X 1 GR5		22	88227PGT	FORMING,HOSE CHAFE PROTECTOR.....1	
4	6886GT	WASHER,LOCK,.313		--	102309GT	CLAMP,CABLE TRACK RISER,R.S.	
5	5397GT	WASHER,FLAT,USS,5/16",Y		--	88107GT	CLAMP RISER CABLETRACK-LEFT	
6	60936PGT	BRACKET,RETURN FILTER.....1		23	6175GT	SCREW,HHC,3/8-16 X 1	
7	60508GT	FILTER,RETURN,ASSY 10 MICRON.....1		24	6097GT	WASHER,FLAT,USS,3/8",Y	
--	228823GT	FILTER ELEMENT,BETA(10)=1000 <i>use with hydraulic fluid fire resistant option</i>		25	29868GT	SPRING CLIP,3/8-16,.05-.20X.73,ZAG....2	
--	52768GT	GAUGE,MED.PRESSUR FILTER,50530		26	88121PGT	FORMING,TRNTBLE UPPER CNTR CVR.....1	
--	61326GT	FILTER ELEMENT,10 MICRON,60508		27	6888GT	SCREW,HHC,1/4-20 X 1	
8	19363GT	ELBOW,130239-4-4.....1 <i>from SN 996 to 1913</i>		28	6638GT	WASHER,FLAT,USS,1/4"Y	
9	111818GT	FITTING,1/4 NPT X SAE J2044.....1		29	56912GT	SPRING CLIP,1/4-20,.025-.15X.54,ZAG.....2	
10	106033GT	ADAPTER,NPT 6-4.....2 <i>from SN 996 to 1913</i>		30	81829PGT	FORMING,FUEL TANK TRAY.....1	
11	111817-1700GT	HOSE ASSY,SAE J2260/J2044,2END....1 <i>from SN 996 to 1913</i>		31	4828GT	NUT,NYLOCK,3/8-16	
--	111817-3425GT	HOSE ASSY,SAE J2260/J2044,2END <i>from SN 1914</i>		32	5224GT	SCREW,HHC,3/8-16 X 2	
12	111797GT	FILTER, GAS, SAE J2044 FITTING.....1		33	8914GT	SCREW,HHC,1/4-20 X .625	
13	111817-0400GT	HOSE ASSY,SAE J2260/J2044,2END....1 <i>from SN 996 to 1913</i>		34	6091GT	NUT,NYLOCK,1/4-20	
--	111817-0725GT	HOSE ASSY,SAE J2260/J2044,2END <i>from SN 1914</i>		35	88270GT	WELDMENT,LP BOTTLE MOUNT.....1	
14	111915GT	FUEL PUMP,TME 2.7L ENGINE.....1		--	49000GT	L.P.TANK LATCH	
15	111817-9200GT	HOSE ASSY,SAE J2260/J2044,2END....1 <i>from SN 996 to 1913</i>		36	88045PGT	FORMING,MANIFOLD SUPPORT.....1	
--	111817-5225GT	HOSE ASSY,SAE J2260/J2044,2END <i>from SN 1914</i>		37	88046PGT	FORMING,MANIFOLD SUPPORT.....1	
16	111817-1700GT	HOSE ASSY,SAE J2260/J2044,2END....1		38	45363GT	LATCH,FLEXIBLE DRAW W/O KEEPER.....2	
17		Ref Fuel Pressure Regulator (refer to 422.1)		--	6146GT	WASHER,FLAT,MS,#10,Y	
18	111820-12300GT	HOSE ASSY,SAE J2260/J2044,1END....1 <i>from SN 996 to 1913</i>		--	6178GT	NUT,NYLOCK,10-32	
--	111817-8825GT	HOSE ASSY,SAE J2260/J2044,2END <i>from SN 1914</i>		--	75041GT	SCREW,PHILLIPS,PHM,10-32 X 1	
19	101727GT	CAP,FUEL,GAS,1/8"VENT(RED) <i>from SN 996 to 1913</i>		39	30973GT	BUMPER,RUBBER-1 X 1.25.....2	
--	119918GT	CAP,FUEL,GASOLINE 3.5PSI <i>from SN 1914</i>		39	6782GT	NUT,NYLOCK,5/16-18	
20A	77675GT	ASSY,FUEL TANK Z80.....1 <i>from SN 996 to 1913</i>		--	5397GT	WASHER,FLAT,USS,5/16",Y	
				40	6019GT	SCREW,HHC,3/8-16 X 1.25 GRD 5	

301.2 Hydraulic and Fuel Tanks - Gasoline/LPG Models (from SN 966 to 3200)
(continued)

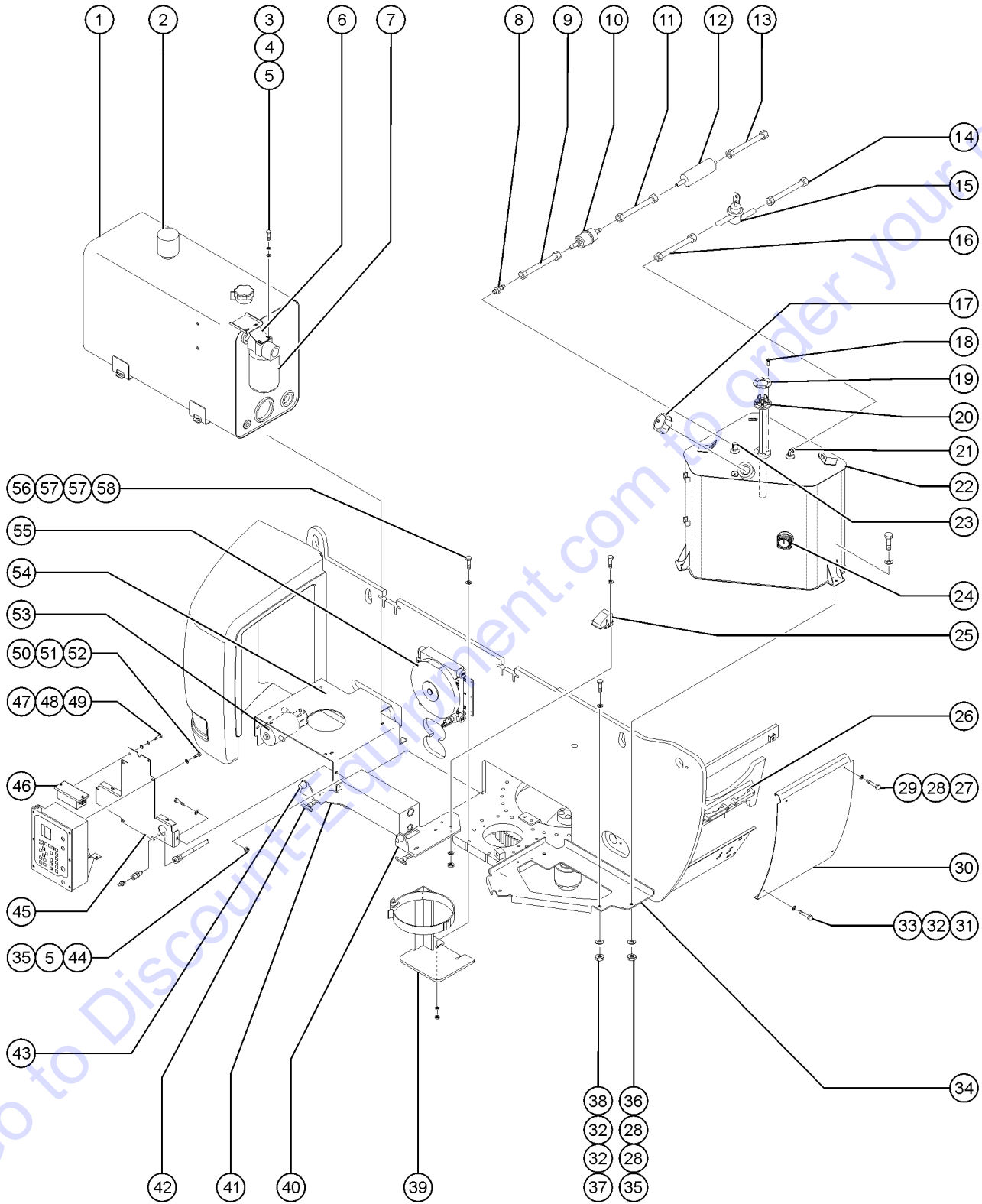
Item	Part No.	Description	Qty.
41	88105PGT	FORMING,CONTROL BOX MOUNT.....1	
42	8914GT	SCREW,HHC,1/4-20 X .625	
43	6356GT	WASHER,LOCK,,.25	
44	6638GT	WASHER,FLAT,USS,1/4"Y	
45		PUMP,AUXILIARY,DUAL,12V.....1 (refer to 301.1)	
46	88044PGT	FORMING,TANK SUPPORT.....1	
47	71259GT	OIL COOLER W/FAN, 12VDC.....1	
--	13918GT	SCREW,HHC,3/8-16 X 1.75,GRD.8.....4	
--	6097GT	WASHER,FLAT,USS,3/8",Y	
--	75854GT	FAN - VENTED	
--	75855GT	THERMOSTAT -OIL COOLER (71259)	
48	8357GT	SCREW,HHC,1/2-13 X 3.5	
49	6095GT	WASHER,FLAT,USS,1/2",Y	
50	6198GT	NUT,NYLOCK,1/2-13	

301.2 Hydraulic and Fuel Tanks - Gasoline/LPG Models (from SN 966 to 3200)
(continued)

This Page Intentionally Left Blank

Go to Discount-Equipment.com to order your parts

301.3 Hydraulic and Fuel Tanks - Gasoline/LPG Models (from SN 3201)



301.3 Hydraulic and Fuel Tanks - Gasoline/LPG Models (from SN 3201)

Item	Part No.	Description	Qty.	Item	Part No.	Description	Qty.
--	88154GT	HARNES,BATT TO APU SOLENOID		30	88121PGT	FORMING,TRNTBLE UPPER CNTR CVR.....	1
--	88155GT	HARNES,APU TO ENGINE BLOCK		31	6888GT	SCREW,HHC,1/4-20 X 1	
1	61413GT	TANK,HYDRAULIC,45 GALLON.....	1	32	6638GT	WASHER,FLAT,USS,1/4"Y	
--	21141GT	GAUGE-SIGHT,LHA-LGTB***		33	56912GT	SPRING CLIP,1/4-20,.025-.15X.54,ZAG.....	2
--	75253GT	STRAINER ASSY,#16 O-RING		34	81829PGT	FORMING,FUEL TANK TRAY.....	1
--	75257GT	STRAINER ASSY,#24 O-RING		35	4828GT	NUT,NYLOCK,3/8-16	
2	60559GT	BREATHER,RESERVOIR 3 MICRON***.....	1	36	8516GT	SCREW, HCC, 3/8-16 X 1.50	
3	13002GT	SCREW,HHC,5/16-18 X 1 GR5		37	8914GT	SCREW,HHC,1/4-20 X .625	
4	6886GT	WASHER,LOCK,.313		38	6091GT	NUT,NYLOCK,1/4-20	
5	5397GT	WASHER,FLAT,USS,5/16",Y		39	88270GT	WELDMNT,LP BOTTLE MOUNT.....	1
6	60936PGT	BRACKET,RETURN FILTER.....	1	--	49000GT	L.P.TANK LATCH	
7	60508GT	FILTER,RETURN,ASSY 10 MICRON.....	1	40	88045PGT	FORMING,MANIFOLD SUPPORT.....	1
--	228823GT	FILTER ELEMENT,BETA(10)=1000 <i>use with hydraulic fluid fire resistant option</i>		41	88046PGT	FORMING,MANIFOLD SUPPORT.....	1
--	52768GT	GAUGE,MED.PRESSUR FILTER,50530		42	45363GT	LATCH,FLEXIBLE DRAW W/O KEEPER.....	2
--	61326GT	FILTER ELEMENT,10 MICRON,60508		--	6146GT	WASHER,FLAT,MS,#10,Y	
8	111818GT	FITTING,1/4 NPT X SAE J2044.....	1	--	6178GT	NUT,NYLOCK,10-32	
9	111817-9375GT	ASSY,FUEL HOSE		--	75041GT	SCREW,PHILLIPS,PHM,10-32 X 1	
10	111797GT	FILTER, GAS, SAE J2044 FITTING.....	1	43	30973GT	BUMPER,RUBBER-1 X 1.25.....	2
11	111817-0725GT	HOSE ASSY,SAE J2260/J2044,2END		--	5397GT	WASHER,FLAT,USS,5/16",Y	
12	111915GT	FUEL PUMP,TME 2.7L ENGINE.....	1	--	6782GT	NUT,NYLOCK,5/16-18	
13	111817-5225GT	HOSE ASSY,SAE J2260/J2044,2END		44	6019GT	SCREW,HHC,3/8-16 X 1.25 GRD 5	
14	111817-1700GT	HOSE ASSY,SAE J2260/J2044,2END....	1	45	88105PGT	FORMING,CONTROL BOX MOUNT.....	1
15		Ref Fuel Pressure Regulator (refer to 422.1)		46	1253314GT	ASSY, TELEMATICS CONN. BOX <i>from SN 4765</i>	
16	111817-3825GT	ASSY,FUEL HOSE		--	34052GT	RELAY,SPDT,12V(AUTO) PLUG IN** <i>from SN 4765</i>	
17	119918GT	CAP,FUEL,GASOLINE 3.5PSI		--	34053GT	ASSY,RELAY SOCKET, AUTO <i>from SN 4765</i>	
18	49826GT	SCREW,PHILLIPS,PHM,10-32 X.625		47	824059GT	SCREW,HHC,1/4-20X.75,8,ZAG <i>from SN 4765</i>	
19	146551GT	GASKET, FUEL LEVEL SENDER, Z80		48	824109GT	WASHER,LOCK,1/4,ZAG <i>from SN 4765</i>	
20	60890GT	SENDER,LOW FUEL INDICATOR		49	824113GT	WASHER,FLAT,USS,1/4,ZAG <i>from SN 4765</i>	
21	128081GT	ELBOW,90D,1/4FPTX3/8MPT		50	8914GT	SCREW,HHC,1/4-20 X .625	
22	146415GT	TANK ASSY, GAS, 30 GAL. <i>includes items 18, 19, 21, 23 and 24</i>		51	6356GT	WASHER,LOCK,.25	
23	146417GT	ASSY, FUEL PICKUP TUBE		52	6638GT	WASHER,FLAT,USS,1/4"Y	
24	146413GT	GAUGE, FUEL LEVEL, 20/30 GAL		53		PUMP,AUXILIARY,DUAL,12V.....	1
25	50161GT	SENSOR,TILT TURNTABLE(PLSTC).....	1			<i>(refer to 301.1)</i>	
26	88227PGT	FORMING,HOSE CHAFE PROTECTOR.....	1	54	88044PGT	FORMING,TANK SUPPORT.....	1
--	102309GT	CLAMP,CABLE TRACK RISER,R.S.		55	71259GT	OIL COOLER W/FAN, 12VDC.....	1
--	88107GT	CLAMP RISER CABLETRACK-LEFT		--	13918GT	SCREW,HHC,3/8-16 X 1.75,GRD.8.....	4
27	6175GT	SCREW,HHC,3/8-16 X 1		--	6097GT	WASHER,FLAT,USS,3/8",Y	
28	6097GT	WASHER,FLAT,USS,3/8",Y					
29	29868GT	SPRING CLIP,3/8-16,.05-.20X.73,ZAG....	2				

301.3 Hydraulic and Fuel Tanks - Gasoline/LPG Models (from SN 3201)
(continued)

Item	Part No.	Description	Qty.
--	75854GT	FAN - VENTED	
--	75855GT	THERMOSTAT -OIL COOLER (71259)	
56	8357GT	SCREW,HHC,1/2-13 X 3.5	
57	6095GT	WASHER,FLAT,USS,1/2",Y	
58	6198GT	NUT,NYLOCK,1/2-13	

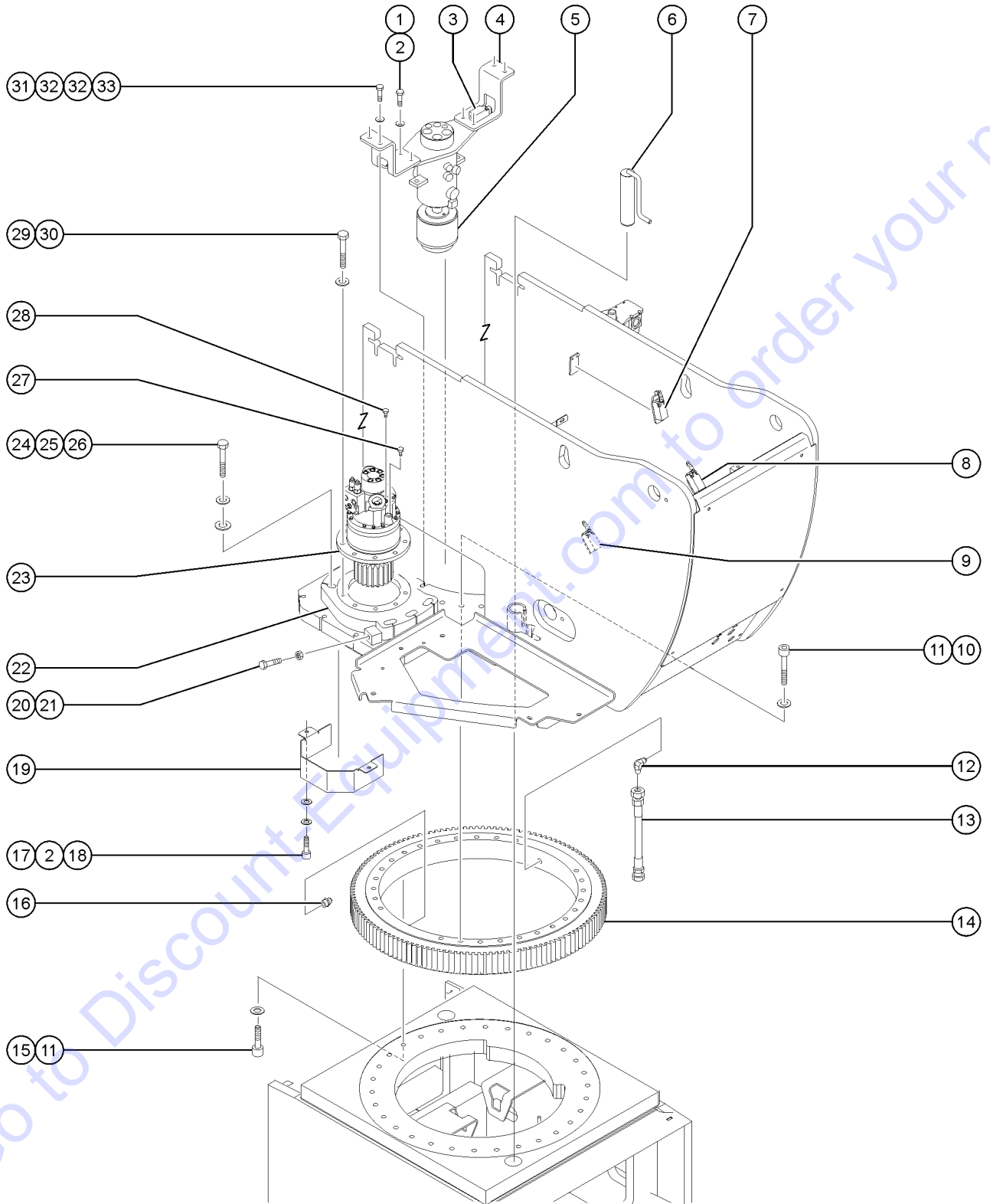
Go to Discount-Equipment.com to order your parts

301.3 Hydraulic and Fuel Tanks - Gasoline/LPG Models (from SN 3201)
(continued)

This Page Intentionally Left Blank

Go to Discount-Equipment.com to order your parts

302.1 Turntable Rotator and Hydraulic Rotary Coupler Installation



302.1 Turntable Rotator and Hydraulic Rotary Coupler Installation

Item	Part No.	Description	Qty.	Item	Part No.	Description	Qty.
1	6175GT	SCREW,HHC,3/8-16 X 1		6	81834GT	WELDMENT,TRANSPORT LOCK	
2	6021GT	WASHER,LOCK,.375		7A	1268595GT	HARNES,LS,OP,SEC.ANGLE.....1 <i>(from SN 2511 to 5817)</i>	1
3	88368GT	HARNES,LS,OP,DRIVE ENABLE.....1		--	110771-41163GT	SWITCH,LIMIT,W/RLLR,NO/NC GOLD <i>for use with harness 88365; to SN 5817</i>	
--	88356-43103GT	SWITCH,LIMIT,W/RLLR ARM,NO/NC		--	97128GT	ROLLER ARM,LIMIT SWITCH*** <i>for use with limit switch 110771-41163; to SN 5817</i>	
--	97128GT	ROLLER ARM,LIMIT SWITCH***		7B	1268595GT	HARNES,LS,OP,SEC.ANGLE <i>Replacement for previous harness part 88365 or from SN 5818</i>	
4	60575PGT	BRACKET,HYD.ROTATOR MOUNT MNT.....2	2	--	110771-41B63GT	SWITCH,LIMIT,W/RLLR,NO/NC,GOLD <i>for use with harness 1268595 or from SN 5818</i>	
5	1253811GT	ASSY, HYD/ELEC 6 PORT/6 CONT.....1 <i>(from SN 4834) (complete; also replaces previous swivel assemblies 70238 and 122916) (verify swivel on machine before ordering replacement parts)</i>	1	--	128636GT	ROLLER,ARM,LIMIT SWITCH,ZCY500 <i>for use with limit switch 110771-41B63 or from SN 5818</i>	
--	10107GT	SCREW,HHC,5/16-18 X .75 <i>for use with 1253811</i>		8	88156GT	HARNES,LS,OP,SEC.35DEG ANGLE.....1	1
--	1253697GT	MACHINED, SWIVEL MOUNTING <i>for use with 1253811</i>		--	110771-41163GT	SWITCH,LIMIT,W/RLLR,NO/NC GOLD	
--	1253792GT	MACHINED, SWIVEL ANTI-ROTATION <i>for use with 1253811</i>		--	97128GT	ROLLER ARM,LIMIT SWITCH***	
--	1253808GT	SCREW,SHC,5/16-18X.75,A574,YZ <i>for use with 1253811</i>		9A	88364GT	HARNES,LS,SAFETY,SEC.ANGLE.....1 <i>to SN 2510</i>	1
--	1253809GT	ASSY, ELECTRIC SWIVEL, 6 CONTA <i>for use with 1253811</i>		--	110771-21163GT	SWITCH,LIMIT,W/ROLLER,NC/NC <i>to SN 2510</i>	
--	1253810GT	ASSY, HYDRAULIC SWIVEL, 6 PORT <i>for use with 1253811</i>		--	97128GT	ROLLER ARM,LIMIT SWITCH*** <i>to SN 2510</i>	
--		Ref. SWIVEL,ELECTRIC 6 CONTACT*** <i>Previous electrical 6 contact part 122917 that was used on swivel part 122916 is no longer available, order replacement kit 1261987.</i>		--	97231GT	CONTACTOR,LIMIT SWITCH** <i>use with 88356-21163; to SN 2510</i>	
--	1261987GT	KIT,ELECTRIC SWIVEL,6 CONTACT <i>Replacement for previous electrical 6 contact part 122917</i>		9B		Ref. HARN LS SAFETY SEC ANGL LSS2AS <i>Previous harness part 146430 is no longer available, for replacement order part 1268602; from SN 2511 to SN 5817</i>	
--	1262044GT	BOOT,POWER,RECEP,2 WAY <i>Included with parts kit 1261987</i>		--	110771-71168GT	LIMIT SWITCH ROLLER NC/NC/NO <i>for use with harness 1268602; from SN 2511 to 5817</i>	
--	88291GT	SWIVEL,HYDRAULIC,Z80 (70238) <i>for use with swivel assemblies 70238 and 122916</i>		--	97128GT	ROLLER ARM,LIMIT SWITCH*** <i>for use with limit switch 110771-71168; from SN 2511 to SN 5817</i>	
--	88293GT	SEAL KIT,SWIVEL (88291) <i>for use with swivel assemblies 70238 and 122916</i>		9C	1268602GT	HARN LS SAFETY SEC ANGL LSS2AS <i>Replacement for previous harness part 146430 or from SN 5818</i>	
--	T106954GT	SEAL, O-RING LIP <i>for use with swivel assemblies 70238 and 122916</i>		--	110771-71B68GT	LIMIT SWITCH ROLLER NC/NC/NO <i>for use with harness 1268602 or from SN 5818</i>	
--	T106955GT	SEAL, POLY, CHAMFER <i>for use with swivel assemblies 70238 and 122916</i>		--	128636GT	ROLLER,ARM,LIMIT SWITCH,ZCY500 <i>for use with limit switch 110771-71B68 or from SN 5818</i>	
--	T106956GT	SEAL,O-RING,SQUARE <i>for use with swivel assemblies 70238 and 122916</i>		10	45495GT	SCREW,SHC,5/8-11 X 3.00,A574.....30	30
--	T106957GT	SEAL, CAP, NOTCHED <i>for use with swivel assemblies 70238 and 122916</i>		11	13064GT	WASHER,FLAT,.625 HARDENED.....48 <i>to SN 3391</i>	48

302.1 Turntable Rotator and Hydraulic Rotary Coupler Installation

(continued)

Item	Part No.	Description	Qty.	Item	Part No.	Description	Qty.
--	13064GT	WASHER,FLAT,.625 HARDENED.....60 <i>from SN 3392</i>		--	41489GT	SCREW,SHC,5/16-18 X 2,PLATED <i>manifold to motor,</i>	
12	28646GT	ZERK,GREASE,1/8 NPT		--	58304GT	SHAFT,OUTPUT <i>(Used on swing drive 1255768); from SN 5615</i>	
13		Ref. Hose Assembly <i>(refer to 301.1)</i>		--	6886GT	WASHER,LOCK,.313 <i>manifold to motor</i>	
14	30895GT	BEARING,TURNTABLE.....1 <i>to SN 3391</i>		23B		Ref. SWING DRIVE ASSEMBLY <i>Previous SWING DRIVE ASSEMBLY 139189 is no longer available, order complete assembly 1255768 for first time replacement; from SN 2493 to SN 5614</i>	
--	227785GT	BEARING TURNTABLE SEAL***		--	139308GT	SWING MOTOR COMPLETE*** <i>(Used on swing drive 139189); from SN 2493 to SN 5614</i>	
--	50035GT	BEARING,TURNTABLE <i>from SN 3392</i>		--	139309GT	CBV ASSEMBLY*** <i>(Used on swing drive 139189); from SN 2493 to SN 5614</i>	
15	20654GT	SCREW,SHC,5/8-11 X 3.50,A574.....18 <i>to SN 3391</i>		--	139310GT	BRAKE TUBING*** <i>(Used on swing drive 139189); from SN 2493 to SN 5614</i>	
--	1268596GT	SCREW,SHC,5/8-11X3.5,A574,ZAG.....30 <i>from SN 3392</i>		--	139311GT	KIT,FRICION DISC*** <i>(Used on swing drive 139189); from SN 2493 to SN 5614</i>	
16	48887GT	ELBOW,90D, 070202-4		--	139312GT	KIT,BRAKE SPRING*** <i>(Used on swing drive 139189); from SN 2493 to SN 5614</i>	
17	8255GT	SCREW,HHC,3/8-16 X .75		--	139313GT	SEAL KIT,SWING BRAKE*** <i>(Used on swing drive 139189); from SN 2493 to SN 5614</i>	
18	6638GT	WASHER,FLAT,USS,1/4"Y		--	139314GT	KIT,SWING BRAKE REBUILD*** <i>(Used on swing drive 139189); from SN 2493 to SN 5614</i>	
19	88314PGT	FORMING,PINION GUARD PAINTED.....1		--	139315GT	O-RING,MOTOR/BRAKE*** <i>(Used on swing drive 139189); from SN 2493 to SN 5614</i>	
20	61128GT	SCREW,HHC,3/4-10 X 4 FULL THRD		--	139323GT	VALVE,COUNTERBAL,CBCA-LIN*** <i>(Used on swing drive 139189); from SN 2493 to SN 5614</i>	
21	6126GT	NUT,HEX,JAM,3/4-10.....1		--	21148GT	WASHER,THRUST,TORQUE HUB <i>(Used on swing drive 139189); from SN 2493 to SN 5614</i>	
22	81516GT	PLATE,BACKLASH ADJ.MACHINED.....1		--	29290GT	SEAL KIT,FAIRFIELD (S1A2)*** <i>does not include thrust washer part 21148 (used on swing drive 139189); from SN 2493 to SN 5614</i>	
23A	1255768GT	SWING DRIVE ASSEMBLY <i>(Complete) swing drive 1255768 can be installed as a direct replacement of previous swing drives 139189, 88921, and 81367; from SN 5615</i>		--	41489GT	SCREW,SHC,5/16-18 X 2,PLATED <i>manifold to motor,</i>	
--	1255769GT	SEAL KIT, SWING BRAKE <i>(Used on swing drive 1255768); from SN 5615</i>		--	58304GT	SHAFT,OUTPUT <i>(Used on swing drive 139189); from SN 2493 to SN 5614</i>	
--	1255770GT	KIT, FRICTION DISC <i>(Used on swing drive 1255768); from SN 5615</i>		--	58596GT	BEARING KIT,OUTER (88921) <i>(Used on swing drive 139189); from SN 2493 to SN 5614</i>	
--	1255771GT	KIT, BRAKE SPRING <i>(Used on swing drive 1255768); from SN 5615</i>					
--	1255772GT	KIT, SWING BRAKE REBUILD <i>(Used on swing drive 1255768); from SN 5615</i>					
--	1255773GT	BRAKE TUBING <i>(Used on swing drive 1255768); from SN 5615</i>					
--	139308GT	SWING MOTOR COMPLETE*** <i>(Used on swing drive 1255768); from SN 5615</i>					
--	139309GT	CBV ASSEMBLY*** <i>(Used on swing drive 1255768); from SN 5615</i>					
--	139315GT	O-RING,MOTOR/BRAKE*** <i>(Used on swing drive 1255768); from SN 5615</i>					
--	139323GT	VALVE,COUNTERBAL,CBCA-LIN*** <i>(Used on swing drive 1255768); from SN 5615</i>					

302.1 Turntable Rotator and Hydraulic Rotary Coupler Installation

Item	Part No.	Description	Qty.	Item	Part No.	Description	Qty.
--	58597GT	BEARING KIT,INNER (88921) <i>(Used on swing drive 139189); from SN 2493 to SN 5614</i>		--	94623GT	KIT, FRICTION DISC <i>use with swing drive 88921; from SN 237 to 2492</i>	
--	6886GT	WASHER, LOCK, .313 <i>manifold to motor</i>		--	94624GT	KIT, BRAKE SPRING <i>use with swing drive 88921; from SN 237 to 2492</i>	
--	83124GT	DRAIN PLUG <i>(Used on swing drive 139189); from SN 2493 to SN 5614</i>		--	94625GT	SEAL KIT, SWING BRAKE <i>use with swing drive 88921; from SN 237 to 2492</i>	
--	94620GT	SEAL KIT, SWING TORQ HUB*** <i>(Used on swing drive 139189); from SN 2493 to SN 5614</i>		--	94626GT	KIT, SWING BRAKE REBUILD <i>use with swing drive 88921; from SN 237 to 2492</i>	
23C		Ref. SWING DRIVE ASSEMBLY <i>Previous SWING DRIVE ASSEMBLY 88921 is no longer available, order complete assembly 1255768 for first time replacement; from SN 237 to SN 2492</i>		23D		Ref. SWING DRIVE ASSEMBLY <i>Previous SWING DRIVE ASSEMBLY 81367 is no longer available, order complete assembly 1255768 for first time replacement; to SN 236</i>	
--	21148GT	WASHER, THRUST, TORQUE HUB <i>use with swing drive 88921; from SN 237 to 2492</i>		--	21148GT	WASHER, THRUST, TORQUE HUB <i>use with swing drive part 81367; to SN 236</i>	
--	29290GT	SEAL KIT, FAIRFIELD (S1A2)*** <i>does not include thrust washer part 21148 (used with swing drive 88921); from SN 237 to 2492</i>		--	29290GT	SEAL KIT, FAIRFIELD (S1A2)*** <i>does not include thrust washer part 21148 (used with swing drive part 81367); to SN 236</i>	
--	41489GT	SCREW, SHC, 5/16-18 X 2, PLATED <i>manifold to motor,</i>		--	41489GT	SCREW, SHC, 5/16-18 X 2, PLATED <i>manifold to motor</i>	
--	45483GT	VALVE, SHUTTLE*** <i>use with swing drive 88921; from SN 237 to 2492</i>		--	45483GT	VALVE, SHUTTLE*** <i>use with swing drive part 81367; to SN 236</i>	
--	58387GT	O-RING, MOTOR/BRAKE (88921)*** <i>use with swing drive 88921; from SN 237 to 2492</i>		--	53999GT	MOTOR, TURNTABLE ROTATE** <i>use with swing drive part 81367; to SN 236</i>	
--	58596GT	BEARING KIT, OUTER (88921) <i>use with swing drive 88921; from SN 237 to 2492</i>		--	65616GT	SEAL KIT PWR WHL MOTOR <i>use with swing motor 53999 on swing drive 81367; to SN 236</i>	
--	58597GT	BEARING KIT, INNER (88921) <i>use with swing drive 88921; from SN 237 to 2492</i>		--	65618GT	SEAL KIT, BRAKE*** <i>use with swing drive part 81367; to SN 236</i>	
--	65616GT	SEAL KIT PWR WHL MOTOR <i>use with swing motor 94621 on swing drive 88921; from SN 237 to 2492</i>		--	6886GT	WASHER, LOCK, .313 <i>manifold to motor</i>	
--	6886GT	WASHER, LOCK, .313 <i>manifold to motor</i>		--	81331GT	BRAKE, 900 IN*LB <i>use with swing drive part 81367; to SN 236</i>	
--	81366GT	MANIFOLD, SWING CB & BRAKE <i>use with swing drive 88921; from SN 237 to 2492</i>		--	81366GT	MANIFOLD, SWING CB & BRAKE <i>use with swing drive part 81367; to SN 236</i>	
--	83009GT	VALVE, COUNTERBALANCE(81366)*** <i>use with swing drive 88921; from SN 237 to 2492</i>		--	83009GT	VALVE, COUNTERBALANCE(81366)*** <i>use with swing drive part 81367; to SN 236</i>	
--	94621GT	SWING MOTOR, COMPLETE*** <i>use with swing drive 88921; from SN 237 to 2492</i>		24	88212GT	SCREW, SHC, 3/4-10 X 3.00, A574.....6	
--	94622GT	BRAKE PORT HARDLINE <i>use with swing drive 88921; from SN 237 to 2492</i>		25	34550GT	WASHER, LOCK, .75 PLTD	
				26	33278GT	WASHER, FLAT, .75 HARDENED.....6	
				27	109802GT	PLUG, ORB #6 <i>use with swing drive</i>	
				28	39882GT	PLUG, HEX SOCKET, 090109B-4 <i>use with swing drive (top plug)</i>	
				29	94747GT	SCREW, HHC, 1/2-13 X 1.75 GRD 8.....6	
				30	13066GT	WASHER, FLAT, .5 HARDENED.....6	
				31	6605GT	SCREW, HHC, 3/8-16 X 3.5, GR5	

302.1 Turntable Rotator and Hydraulic Rotary Coupler Installation
(continued)

Item	Part No.	Description	Qty.
32	6095GT	WASHER,FLAT,USS,1/2",Y	
33	4828GT	NUT,NYLOCK,3/8-16	

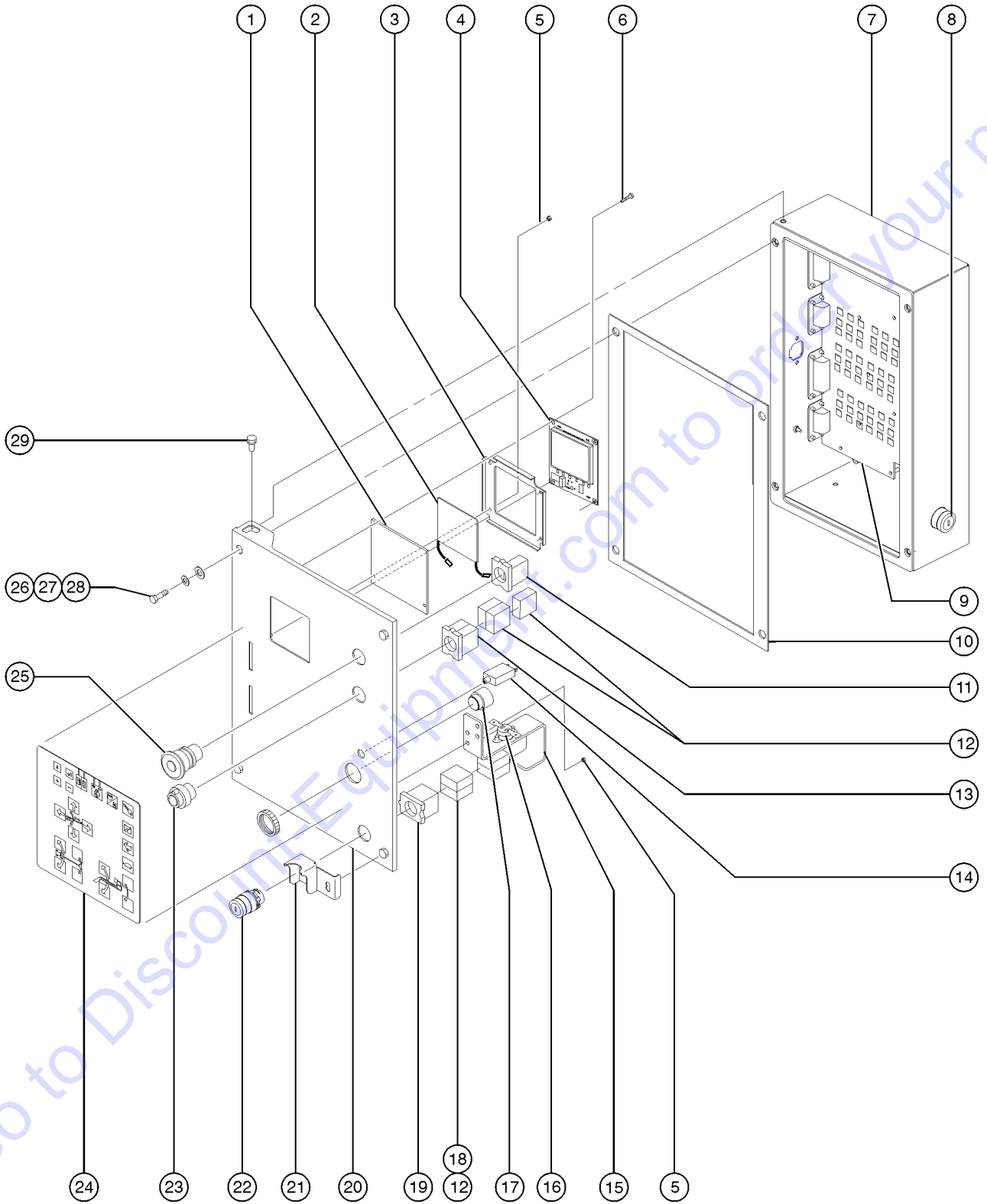
Go to Discount-Equipment.com to order your parts

302.1 Turntable Rotator and Hydraulic Rotary Coupler Installation
(continued)

This Page Intentionally Left Blank

Go to Discount-Equipment.com to order your parts

303.1 Ground Control Box - View 1



303.1 Ground Control Box - View 1

Item	Part No.	Description	Qty.	Item	Part No.	Description	Qty.
--	77510GT	GRND BOX,COMPLETE ASSY Z80 <i>Complete to SN 257, to order provide model, serial number and software revision</i>		9D	146360GT	PCB ASSY,ECM,Z80 TCON,V105 <i>from SN 2501 to 2510, to order provide model, serial number, and software revision</i>	
--	94628GT	GRND BOX,COMPLETE Z80 REV 102 <i>Complete from SN 258 to 453, to order provide model, serial number, and software revision</i>		9E	146392GT	PCB ASSY,ECM,Z80 TCON,V2.00 <i>from SN 2511 to 4088, to order provide model, serial number, and software revision</i>	
--	102487GT	GRND BOX,COMPLETE Z80 REV 103 <i>Complete from SN 454 to 927, to order provide model, serial number, and software revision</i>		9F	219419GT	PCB ASSY,ECM,Z80 TCON,V2.03 <i>from SN 4089, to order provide model, serial number, and software revision</i>	
--	230999GT	CONTROL BOX ASSY,TCON,Z80 <i>Complete from SN 928, to order provide model, serial number, and software revision</i>		10	88177GT	GASKET,GROUND CONTROL BOX.....1	
--	88141GT	HARNESS,GROUND PANEL <i>to SN 3910</i>		11	66821GT	BASE,WITHOUT CONTACTS.....1	
--	230996GT	HARNESS,GROUND CONTROL,Z80 <i>from SN 3911</i>		--	66818GT	CONTACT, N.C.	
1	62374GT	LENS,LCD,GRND.CONTROL.....1		--	66821GT	BASE,WITHOUT CONTACTS	
2	122406GT	ASSEMBLY,LCD HEATER ALC1000 <i>LCD heater option (transparent heater)</i>		12	66816GT	CONTACT,N.O.***5	
--	122258GT	FIELD KIT,LCD HEATER <i>LCD heater option; to SN 3910</i>		--	66821GT	BASE,WITHOUT CONTACTS.....1	
--	231023GT	FIELD KIT,LCD HEATER,Z80 Z135 <i>from SN 3911</i>		13	66818GT	CONTACT, N.C.	
3	62375GT	CLIP,LCD,GRND.CONTROL.....1		--	122367GT	KEYSWITCH,DUMMY BLOCK	
4	88056GT	PCB.ASSY,LCD,GROUND.....1		14	147095GT	ASSY, CIRCUIT BREAKER 20A.....1 <i>includes mounting nut</i>	
5	12344GT	NUT,NYLOCK,6-32		15	94524PGT	BRACKET,CONTACT CLAMP***1 <i>use if the LCD heater option is not installed</i>	
6	81551GT	SCREW,PHIL,PHM,6-32 X 1/4 SS		--	122792GT	ASSY,BRACKET,KS CONTACT BLOCK <i>part of LCD heater option (includes thermostat switch item 122793); to SN 3910</i>	
7	77509GT	GROUND CONTROL BOX,ASS (Z80)....1 <i>includes items 10 and 20; to SN 995</i>		--	231020GT	ASSY,BRACKET,CONTACT BLOCK <i>part of LCD heater option (includes thermostat switch item 122793); from SN 3911</i>	
--	122128PGT	GROUND CONTROL BOX,PTD <i>(box only); from SN 996 to SN 3910</i>		16	122793GT	SWITCH,THERMOSTAT 60F OPEN.....1 <i>LCD heater option</i>	
--	230997GT	BOX,GROUND CONTROL,Z80 <i>(box only); from SN 3911</i>		--	6272GT	RIVET,STL,STL,P,.125 X .25 <i>LCD heater option</i>	
--	88098PGT	BOX,GROUND CONTROL,PAINT <i>(box only); to SN 995</i>		17	62379GT	ALARM,AUDIO,SUPERBOOM***1	
8	88150GT	KEYSWITCH,3 POS.MOM.DR,W/KEY** <i>from SN 3911 (recovery switch)</i>		--	72326GT	NUT - PLASTIC,RING FOR ALARMS	
--	88317GT	BASE,W/3 N.C.& 3 N.O. <i>from SN 3911</i>		18	122366GT	KEYSWITCH,CONTACTS LOCK.....2	
9	88055-SGT	PCB,ASSY,ECM,GROUND VER 1.01.....1 <i>to SN 257</i>		19	66818GT	CONTACT, N.C.....1	
9A	122784GT	PCB ASSY,ECM,Z80,TCON,V102 <i>from SN 258 to 453, to order provide model, serial number and software revision</i>		20	88097PGT	LID,GROUND CONTROL BOX,PAINT.....1 <i>to SN 995</i>	
9B	122785GT	PCB ASSY,ECM,Z80 TCON,V103 <i>from SN 454 to 927, to order provide model, serial number and software revision</i>		--	122127PGT	LID,GROUND CONTROL BOX <i>from SN 996 to SN 3910</i>	
9C	122786GT	PCB ASSY,ECM,Z80 TCON,V104 <i>from SN 928 to 2500, to order provide model, serial number, and software revision</i>		--	230998GT	LID,GROUND CONTROL,Z80 <i>from SN 3911</i>	
				21	215590GT	WELDMENT,KEYSWITCH COVER.....1	
				22	122516GT	KIT,RECOVERY SVC LARGE BOOMS...1 <i>to SN 213</i>	
				--	21982GT	KEY,SINGLE*** <i>to SN 213</i>	
				--	88150GT	KEYSWITCH,3 POS.MOM.DR,W/KEY** <i>from SN 214 to 3910 (refer to item 8 for new location)</i>	

303.1 Ground Control Box - View 1
(continued)

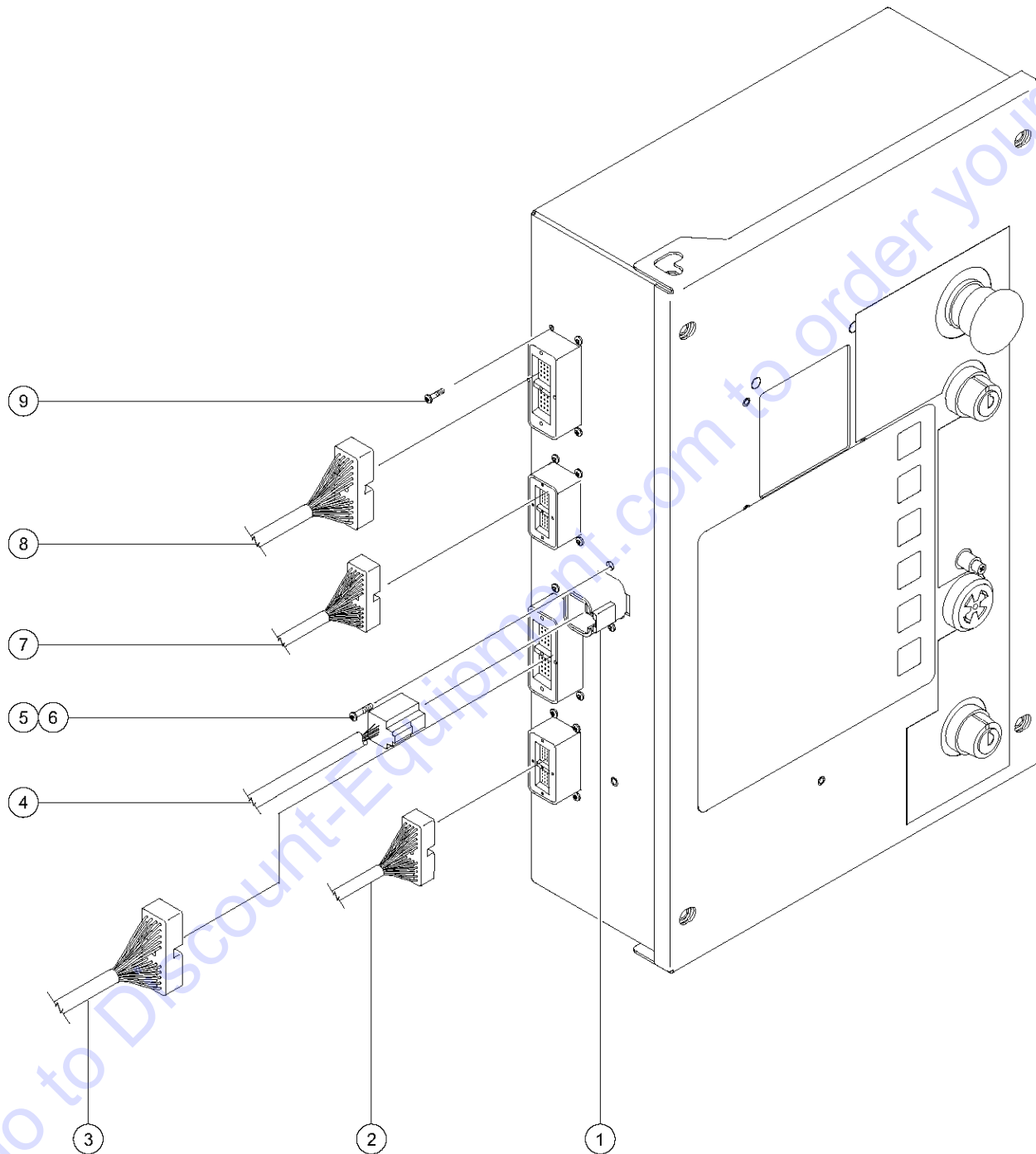
Item	Part No.	Description	Qty.
--	88317GT	BASE,W/3 N.C.& 3 N.O. <i>from SN 214 to 3910 (refer to item 8 for new location)</i>	
23	122515GT	KIT,KEYSWITCH SVC LARGE BOOM....1	
--	122366GT	KEYSWITCH,CONTACTS LOCK	
--	66811GT	KEYSWITCH,3POS.MNTND.DR WKEY** <i>includes keyswitch and two keys, not included: base and contacts.</i>	
--	218169GT	OPT, KEY SWITCH, RETAINED <i>option; includes keyswitch 218155</i>	
--	218155GT	KEYSWITCH, LOCKING, 3 POS, W/KEY <i>part of option 218169</i>	
24	88057GT	SWITCH,MEMBRANE,GROUND CONTROL.....1	
25	122519GT	KIT,ESTOP SVC LARGE BOOM.....1	
--	146478GT	BOOT(BELLOWS),E-STOP,BLACK	
--	66812GT	BUTTON,PUSH,RED MUSHROOM HEAD	
26	7339GT	SCREW,HHC,1/4-20 X .5	
27	6356GT	WASHER,LOCK,.25	
28	6638GT	WASHER,FLAT,USS,1/4"Y	
29	8914GT	SCREW,HHC,1/4-20 X .625	

Go to Discount-Equipment.com to order your parts

This Page Intentionally Left Blank

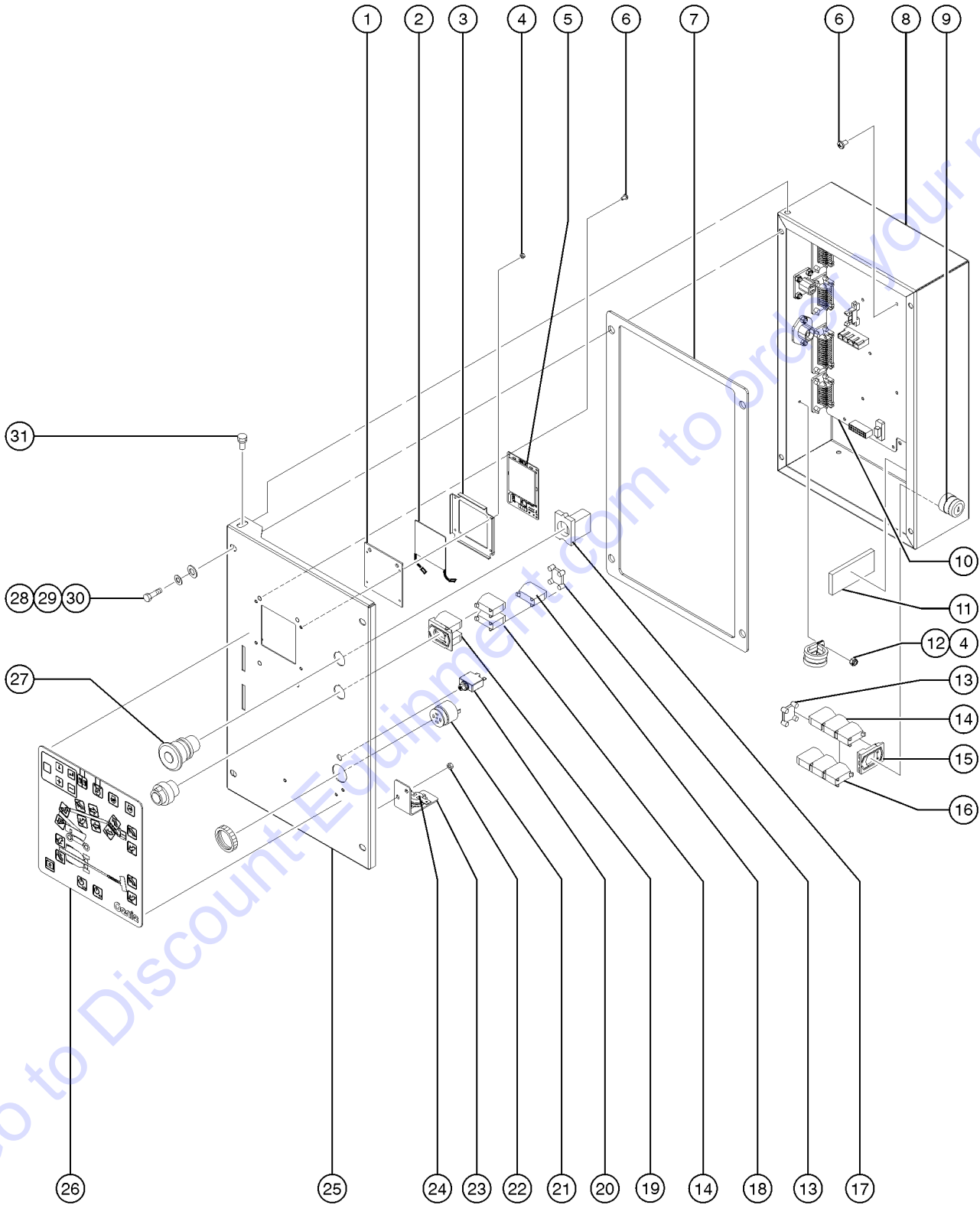
Go to Discount-Equipment.com to order your parts

303.2 Ground Control Box - View 2



Item	Part No.	Description	Qty.
A	1274637GT	HARNESS, JUMPER, CAN, TIER 3 <i>from SN 6188 (telematics)</i>	
1	73717GT	CONN,RECEP 4 WAY,12-14GA FL***.....1	
--	88141GT	HARNESS,GROUND PANEL	
2	88132GT	HARNESS,SECONDARY,BOOM CABLE.....1 <i>Secondary half of boom cable, connects to 88131GT, (refer to 602.1); to SN 2510</i>	
--	1253170GT	HARNESS, SEC BOOM SAE 11C, Z80 <i>from SN 4765</i>	
--	146426GT	HARNESS SEC BOOM SAE 11C 2010 <i>from SN 2511 to 4764</i>	
3A	88133GT	HARNESS,LOWER SWITCH.....1 <i>to SN 2510</i>	
3B	146428GT	HARNESS TCON LIMIT SW Z80 2010 <i>from SN 2511 to 6187</i>	
3C	1264458GT	HARNESS, SWITCH, LIMIT, TCON <i>from SN 6188</i>	
4	88137GT	HARNESS,POWER Z-80.....1	
--	60527GT	CONN,PLUG 4 WAY,12-14GA	
5	49820GT	SCREW,PHILLIPS,PHM,6-32 X .5	
6	12344GT	NUT,NYLOCK,6-32	
7	88134GT	HARNESS,DEUTZ ENGINE,F4L913.....1 <i>Deutz models; to SN 338</i>	
--	101848GT	HARNESS,DEUTZ ENGINE,BF4L2011 <i>Deutz models; from SN 339</i>	
--	101891GT	HARNESS,PERKINS ENGINE,804 <i>Perkins models; from SN 329 to 4781</i>	
--	101892GT	HARNESS,FORD ENGINE,Z80 <i>Ford models</i>	
--	111839GT	HARNESS,CONTINENTAL ENG,TME27 <i>Continental models</i>	
--	1253172GT	HARNESS,ENG,PERKINS, 804, Z80 <i>Perkins models; from SN 4782</i>	
--	1253210GT	CIRCUIT BRKR THERM AUTORESET 6 <i>Perkins models; from SN 4782</i>	
--	60513GT	CONN,PLUG 23 WAY,16-20 GA WHT	
--	88135GT	HARNESS,PERKINS ENGINE,704-30 <i>Perkins models; to SN 328</i>	
--	88136GT	HARNESS,GM ENGINE Z-80 <i>GM models</i>	
8	88138GT	HARNESS,TCON J4 MANIFOLD.....1 <i>to SN 2510</i>	
--	146427GT	HARNESS TCON MANIFOLD Z80 2010 <i>from SN 2511</i>	
9	122351GT	SCREW,#4X1/4,HI-LO,PH PHIL,TAP	

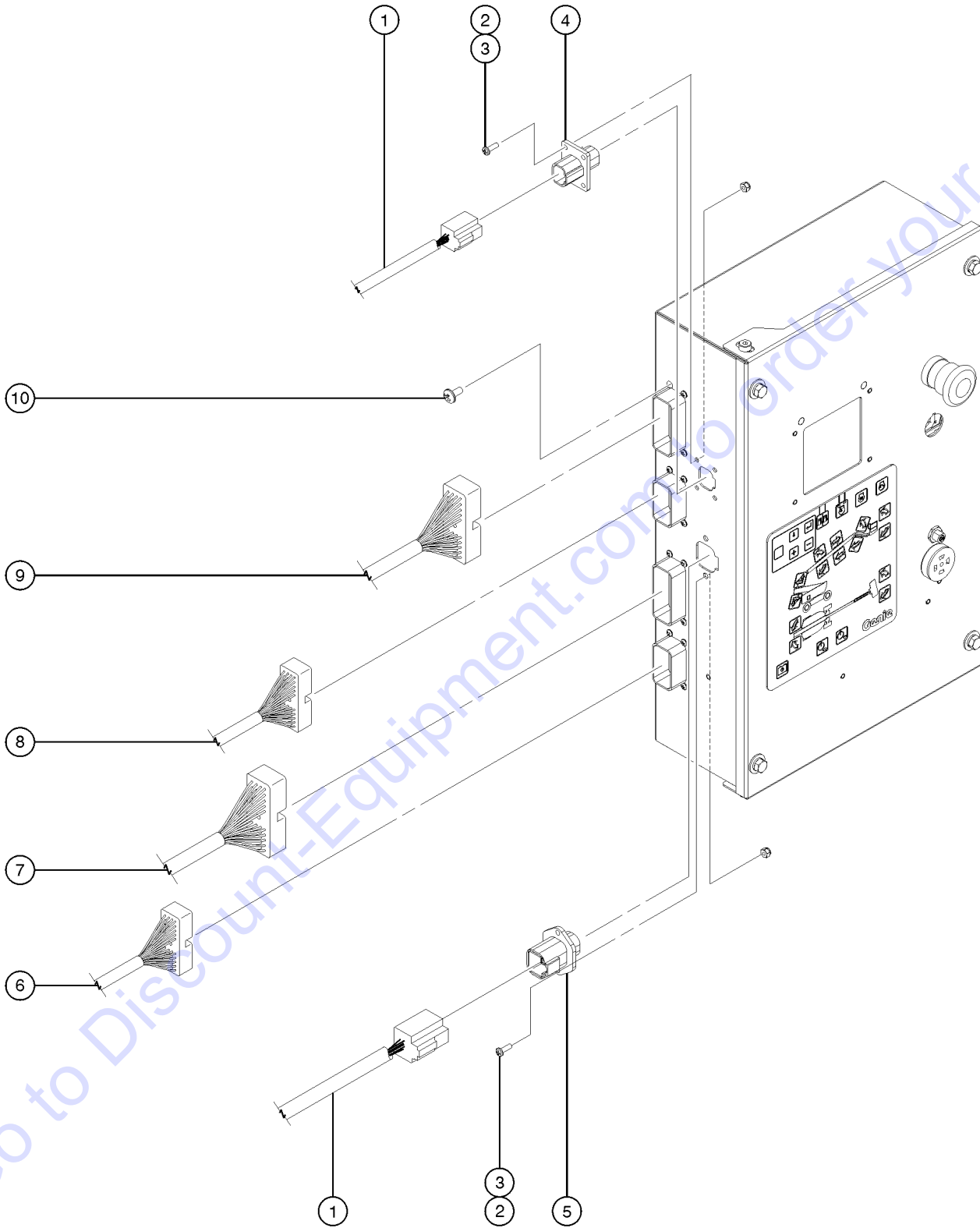
304.1 Ground Controls Box (Perkins 404F-22T and Deutz TD 2.9L4) - View 1



304.1 Ground Controls Box (Perkins 404F-22T and Deutz TD 2.9L4) - View 1

Item	Part No.	Description	Qty.
1	62374GT	LENS,LCD,GRND.CONTROL.....1	1
2	122406GT	ASSEMBLY,LCD HEATER ALC1000.....1	1
--	231023GT	FIELD KIT,LCD HEATER,Z80 Z135	
3	62375GT	CLIP,LCD,GRND.CONTROL.....1	1
4	18605GT	NUT,NYLOCK,8-32.....6	6
5	823804GT	PCB, ECM, ASSY, CAN GATEWAY, Z.....1	1
6	81551GT	SCREW,PHIL,PHM,6-32 X 1/4 SS.....16	16
7	88177GT	GASKET,GROUND CONTROL BOX.....1	1
8	1251701GT	BOX, GROUND CONTROL.....1	1
9	88150GT	KEYSWITCH,3 POS.MOM.DR,W/KEY**.....1	1
10	219420GT	PCB,ASSY,ECM,GROUND,V2.06.....1	1
11	30997GT	CORROSION INHIBITOR,FOAM.....1	1
12	13268GT	CLAMP,0.75,#12 X 1/4,RUB CUSH.....2	2
13	122366GT	KEYSWITCH,CONTACTS LOCK.....2	2
14	66818GT	CONTACT, N.C.....6	6
15	66821GT	BASE,WITHOUT CONTACTS.....1	1
16	66816GT	CONTACT,N.O.***.....3	3
17	66817GT	BASE WITH 1 NC CONTACT, E-STOP...1	1
18	122367GT	KEYSWITCH,DUMMY BLOCK.....1	1
19	73805GT	BASE,W/2 NC CONTACTS***.....1	1
20	147095GT	ASSY, CIRCUIT BREAKER 20A.....1	1
--	122994GT	NICKEL PLATED JAM NUT	
--	147090GT	CIRCUIT BREAKER, 15A	
--	6700GT	WASHER,STAR,EXTERNAL,,375	
21	62379GT	ALARM,AUDIO,SUPERBOOM***.....1	1
--	45383GT	ALARM,WARBLE TONE 5-30 VDC***	
--	72326GT	NUT - PLASTIC,RING FOR ALARMS	
22	12344GT	NUT,NYLOCK,6-32	
23	231020GT	ASSY,BRACKET,CONTACT BLOCK.....1 <i>part of LCD heater option (includes thermostat switch item 122793)</i>	1
24	122793GT	SWITCH,THERMOSTAT 60F OPEN	
--	6272GT	RIVET,STL,STL,P,.125 X .25	
25	1253304GT	LID,GROUND CONTROL,Z135.....1	1
26	88057GT	SWITCH,MEMBRANE,GROUND CONTROL.....1	1
27	66812GT	BUTTON,PUSH,RED MUSHROOM HEAD.....1	1
--	58627GT	NUT	
28	6888GT	SCREW,HHC,1/4-20 X 1.....4	4
29	6356GT	WASHER,LOCK,.25.....4	4
30	6638GT	WASHER,FLAT,USS,1/4"Y.....4	4
31	88315GT	SCREW,SHS,1/4-20 X .25 ZINC.....2	2

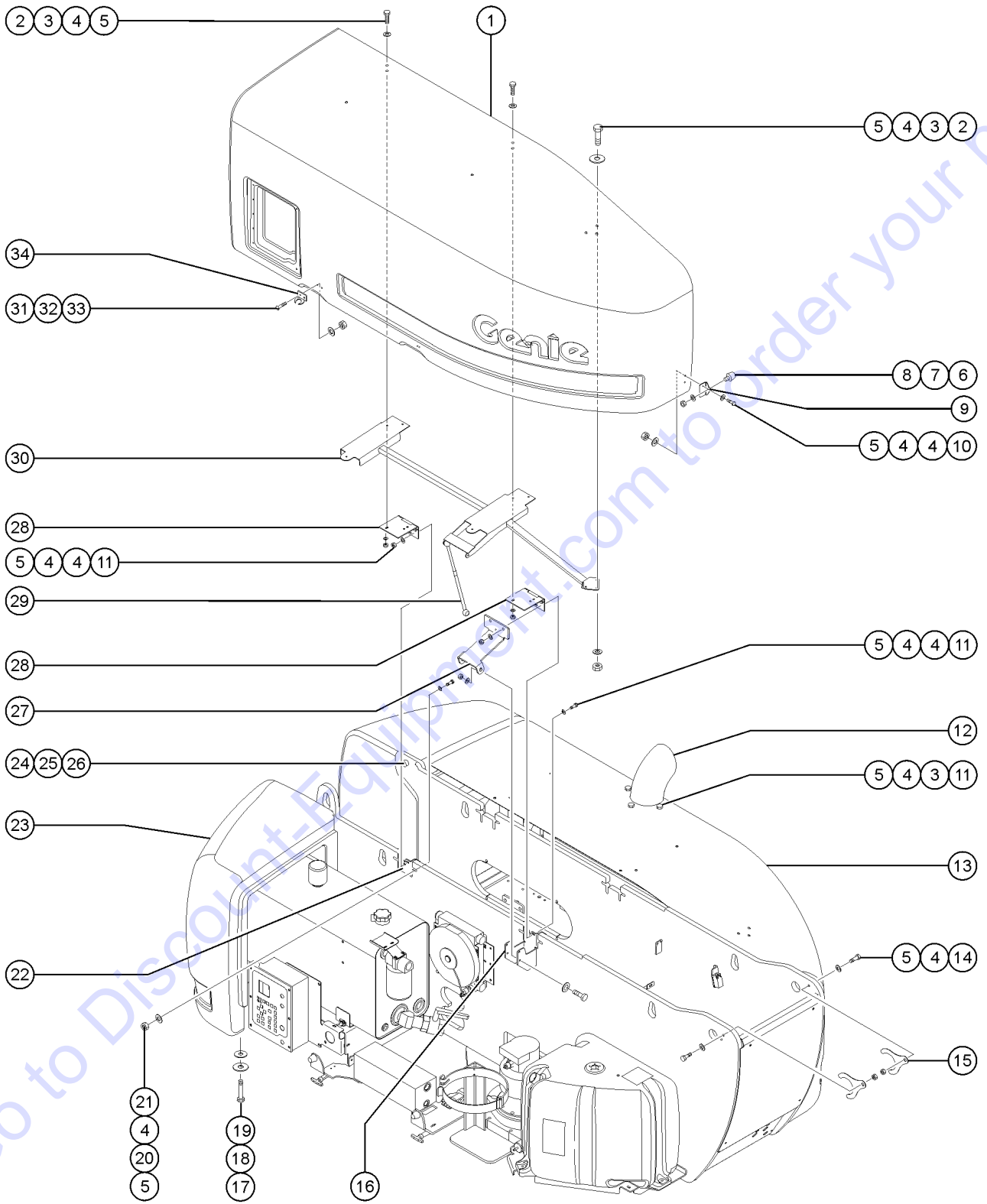
304.2 Ground Controls Box (Perkins 404F-22T and Deutz TD 2.9L4) - View 2



304.2 Ground Controls Box (Perkins 404F-22T and Deutz TD 2.9L4) - View 2

Item	Part No.	Description	Qty.
1	826635GT	HARNESS, GROUND BOX, TIER IV,.....2	
--	60526GT	LOCK,RECEP 4 WAY,12-14GA	
2	55906GT	SCREW,PHILLIPS,PHM,8-32 X .5.....6	
3	18605GT	NUT,NYLOCK,8-32.....6	
4	73723GT	CONN RECEP,FLANGED.....1	
5	73717GT	CONN,RECEP 4 WAY,12-14GA FL***1	
6	1253170GT	HARNESS, SEC BOOM SAE 11C, Z80..1	
7A	146428GT	HARNESS TCON LIMIT SW Z80 2010...1 <i>to SN 6187</i>	
7B	1264458GT	HARNESS, SWITCH, LIMIT, TCON <i>from SN 6188</i>	
8A	826636GT	HARNESS, DEUTZ 2.9, Z80.....1 <i>For Deutz TD 2.9L4</i>	
--	119762GT	CONN PLUG 4 WAY EXTEND DT	
8B	826637GT	HARNESS,PERKINS,TIER4,Z80.....1 <i>For Perkins 404F-22T</i>	
--	119762GT	CONN PLUG 4 WAY EXTEND DT	
9	146427GT	HARNESS TCON MANIFOLD Z80 2010.....1	
10	122351GT	SCREW,#4X1/4,HI-LO,PH PHIL,TAP....16	

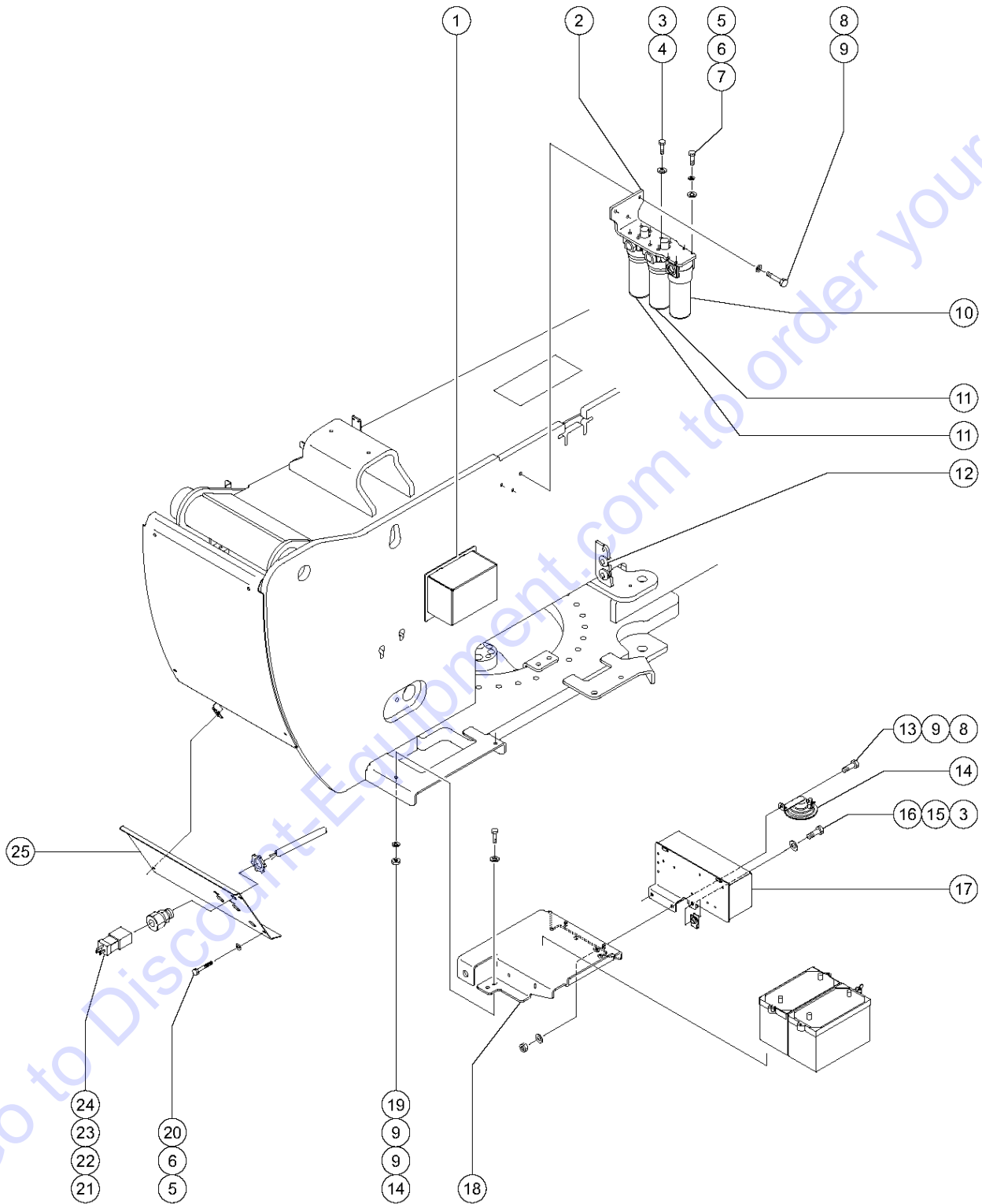
305.1 Turntable Covers



305.1 Turntable Covers

Item	Part No.	Description	Qty.	Item	Part No.	Description	Qty.
1	101535GT	COVER ASSY.WORD DECALS LH Z80.....1 to SN 800	1	--	33555GT	BALL STUD**	
--	101405GT	COVER ASSY W/ SYMBOL DECALS LH		--	6002GT	NUT,LP NYLOCK,5/16-18	
--	111353GT	Z80 LH COVER ASSY W/WRD DECALS from SN 801		30	81874GT	WELDMNT,LEFT COVER SUPPORT...1	
--	139648GT	PLUG,5/16 X .490",BLK		--	81876GT	WELDMNT,RIGHT COVER SUPPORT	
--	54723GT	PLUG,1/4 X .400",BLK		31	49816GT	SCREW,PHILLIPS,PHM,10-32 X .75	
--	75076GT	KEEPER,LATCH (45363)		32	25926GT	WASHER,FLAT,M6 PLTD.	
--	81197GT	PLUG,ENGINE COVER		33	6178GT	NUT,NYLOCK,10-32	
--	81329GT	PLUG,ALARM BEACON HOLE		34	75076GT	KEEPER,LATCH (45363)	
2	8915GT	SCREW,HHC,1/4-20 X 1.25		35	6021GT	WASHER,LOCK, .375	
3	12906GT	WASHER,FENDER, .25 X 1.25 X.062					
4	6638GT	WASHER,FLAT,USS,1/4"Y					
5	6091GT	NUT,NYLOCK,1/4-20					
6	30973GT	BUMPER,RUBBER-1 X 1.25.....2	2				
7	5397GT	WASHER,FLAT,USS,5/16",Y					
8	6782GT	NUT,NYLOCK,5/16-18					
9	88106PGT	FORMING,COVER STOP,PAINT.....2	2				
10	6090GT	SCREW,HHC,1/4-20 X .75					
11	6888GT	SCREW,HHC,1/4-20 X 1					
12	101964GT	WELDMNT,EXHAUST TUBE.....1	1				
13	102969GT	COVER ASSY,W/WRD DECALS-RH Z80.....1	1				
--	102970GT	COVER ASSY,W/SYM DECALS-RH Z80					
--	81197GT	PLUG,ENGINE COVER					
--	81329GT	PLUG,ALARM BEACON HOLE					
14	5224GT	SCREW,HHC,3/8-16 X 2					
15	T110762GT	SHIM,2.27 X .06					
16	81869PGT	FORMING,HINGE MOUNT.....2	2				
17	42229GT	SCREW,HHC,1-8 X 3.5					
18	29605GT	WASHER,LOCK,1"					
19	122489GT	WASHER,FLAT,HRD,1.063X2X.134.....3	3				
20	6356GT	WASHER,LOCK, .25					
21	6637GT	SCREW,HHC,1/4-20 X 1.75					
22	81868PGT	FORMING,HINGE MOUNT.....2	2				
23	61415GT	COUNTERWEIGHT,Z80 7250LBS.....1	1				
24	51428GT	SCREW,HHC,3/4-10 X 2.75					
25	13635-4GT	WASHER,SPINDLE, 500 LB BOOM.....2	2				
26	34550GT	WASHER,LOCK, .75 PLTD					
27	88240GT	FORMING,STRUT SUPPORT					
28	75073GT	HINGE, .375X.120THK.,SLOTTED.....2	2				
29	28301GT	GAS STRUT,250 LBS FORCE***4	4				
--	27377GT	RETAINER,GAS SPRING***					

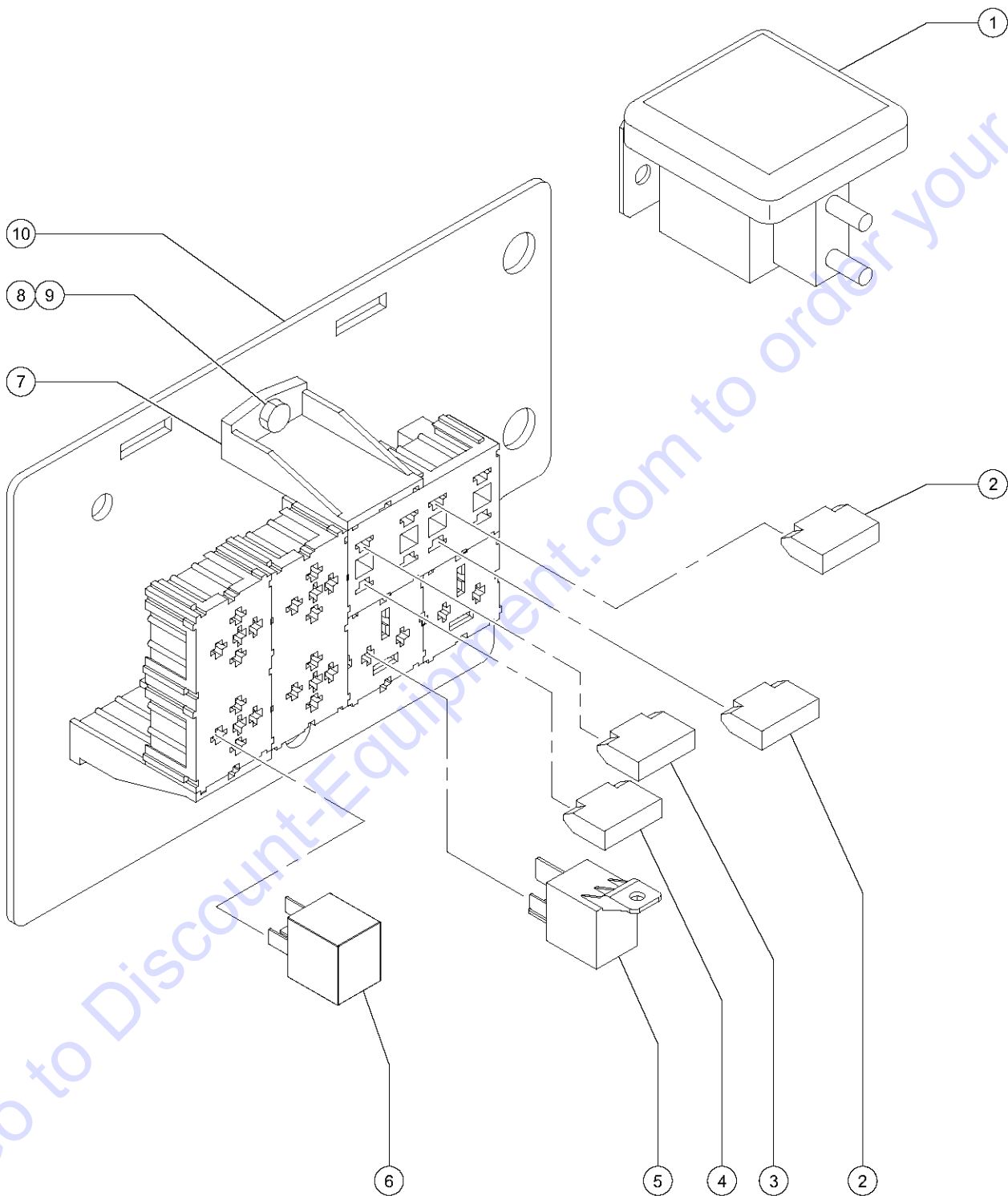
306.1 Turntable Components, Engine Side



306.1 Turntable Components, Engine Side

Item	Part No.	Description	Qty.	Item	Part No.	Description	Qty.
1	102951GT	Z80 RELAY COVER W/WORD DECAL...1 to SN 328		18		Ref. Battery Tray Mount (refer to 431.1)	
--	102952GT	RELAY COVER ASSY W/DECAL from SN 329 to SN 776		19	8516GT	SCREW, HCC, 3/8-16 X 1.50	
--	229567GT	PLUG,SANTOPRENE .5 BLACK DOME		20	56912GT	SPRING CLIP,1/4-20,.025-.15X.54,ZAG.....4	
--	88265PGT	PLATE,RELAY MOUNT		21	6595GT	PLUG,ELECTRICAL,DOMESTIC.....1	
--	88266PGT	COVER,RELAY		--		FUSE,13 AMP,220V PLUG (component no longer available) refer to BS1362 BUSS TDC180-13A	
2	88085PGT	FORMING,FILTER BRACKET,P.....1		--	119404GT	CONN,RECEP 120AC/15A DOMESTIC	
3	6175GT	SCREW,HHC,3/8-16 X 1		--	1280665GT	PLUG, TYPE F, 230A, 50HZ, 16A, IP44	
4	6021GT	WASHER,LOCK,.375		--	144161GT	PLUG,PWR,UK,16AMP,3PIN,BLK	
5	6888GT	SCREW,HHC,1/4-20 X 1		--	25388GT	PLUG,FUSED,250V,13AMP,U.K.**	
6	6356GT	WASHER,LOCK,.25		22	7056GT	CONN,SQUEEZE,1/2NPT .38-.50,SM....1	
7	6638GT	WASHER,FLAT,USS,1/4"Y		23	6935GT	LOCKNUT,ELEC,1/2".....1	
8	6019GT	SCREW,HHC,3/8-16 X 1.25 GRD 5		24	30794GT	WIRE,12/3 SJEOW,BK-WH-GR/YL.....799-inches primary boom	
9	6097GT	WASHER,FLAT,USS,3/8",Y		--	30794GT	WIRE,12/3 SJEOW,BK-WH-GR/YL.....155-inches jib boom	
10		FILTER ASY,M PRESS,SAE8,WOIND* (77139).....1 component no longer available		--	88398GT	HARNESS,POWER TO PLAT,UPPER	
--	1267807GT	ASSY, MED. PRESS. FILTER, SAE8 for 77139		--	88399GT	HARNESS,POWER TO PLAT,LOWER	
--	58222GT	O-RING,FILTER ASSY (60334)*** for 77139		25	88120PGT	FORMING,TRNTBL LOWER CNTR CVR.....1	
--	58223GT	SEAL,FILTER ASSY (60334)*** for 77139					
--	60857GT	FILTER,ELEMENT,BETA(5)=1000 for 77139					
10A	1267807GT	ASSY, MED. PRESS. FILTER, SAE8					
--	1268229GT	ELEMENT-5 MIC, PAPER, W/ BYPASS for 1267807					
11	60334GT	FILTER ASSY,HIGH PRESS SAE-12*2					
--	58222GT	O-RING,FILTER ASSY (60334)***					
--	58223GT	SEAL,FILTER ASSY (60334)***					
--	60857GT	FILTER,ELEMENT,BETA(5)=1000					
12	61189GT	GROMMET,RUBBER .75 X .38 X1.13.....2					
13	4828GT	NUT,NYLOCK,3/8-16					
14	81578GT	HORN,12VDC,SPADE TERMINALS***.....1					
15	5397GT	WASHER,FLAT,USS,5/16",Y					
16	29868GT	SPRING CLIP,3/8-16,.05-.20X.73,ZAG					
17	102953GT	RELAY COVER ASSY W/DECAL.....1 from SN 777 to SN 995					
--	102354PGT	RELAY COVER,Z80,PAINTED (only relay cover, no decal)					
--	102954GT	RELAY COVER ASSY W/DECAL from SN 996 to 5163					
--	122867GT	RELAY COVER ASSY W/DECAL from SN 5164					
--	229567GT	PLUG,SANTOPRENE .5 BLACK DOME					

307.1 Turntable Components - Relay Panel (to SN 338)

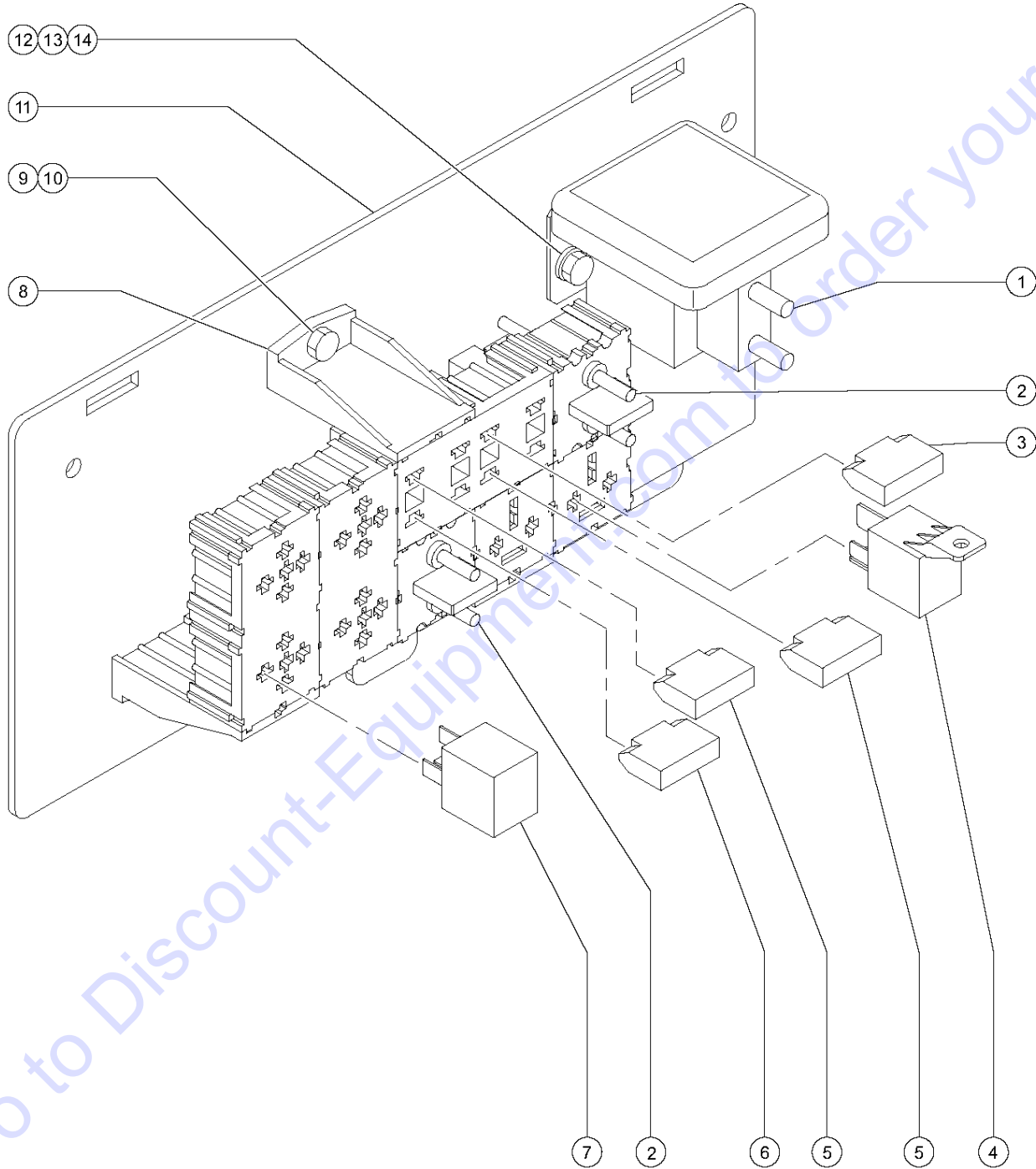


Go to Discount-Equipment.com to order your parts

307.1 Turntable Components - Relay Panel (to SN 338)

Item	Part No.	Description	Qty.
--	88159GT	LOCK,WEDGE,RLY 9.5MM	
1	237068GT	SEPARATOR,DUAL BATTERY,100A.....1	
--	214393GT	KIT, BATT SEPARATOR, ANSI/CSA <i>includes part 237068</i>	
--	215209GT	KIT, BATT SEPARATOR, CE <i>includes part 237068</i>	
--	215210GT	KIT, BATT SEPARATOR, AS <i>includes part 237068</i>	
2	60536GT	FUSE,20 AMP,MAXI.....2 <i>Deutz models</i>	
--	60536GT	FUSE,20 AMP,MAXI.....3 <i>Perkins models</i>	
--	88164GT	CONN MAXI FUSE MODULE,4POS	
3	88164GT	CONN MAXI FUSE MODULE,4POS	
3	94327GT	FUSE,30 AMP.....1 <i>diesel models</i>	
4	101340GT	FUSE,60 AMP,MAXI.....1 <i>Deutz models</i>	
--	88164GT	CONN MAXI FUSE MODULE,4POS	
5	61225GT	RELAY,12VDC,70AMP,SEALED.....2 <i>diesel models</i>	
--	34052GT	RELAY,SPDT,12V(AUTO) PLUG IN**.....2 <i>GM models</i>	
--	88162GT	CONN,POWER RLY MODULE,4POS <i>diesel models</i>	
--	88167GT	CONN,DUAL RLY MODULE,10 POS <i>GM models</i>	
6	34052GT	RELAY,SPDT,12V(AUTO) PLUG IN**.....3 <i>diesel models</i>	
--	34052GT	RELAY,SPDT,12V(AUTO) PLUG IN**.....2 <i>GM models</i>	
--	88167GT	CONN,DUAL RLY MODULE,10 POS	
7	88160GT	BRACKET,LEG,RLY BLOCK.....3	
8	49816GT	SCREW,PHILLIPS,PHM,10-32 X .75	
9	6178GT	NUT,NYLOCK,10-32	
10	88265PGT	PLATE,RELAY MOUNT.....1	

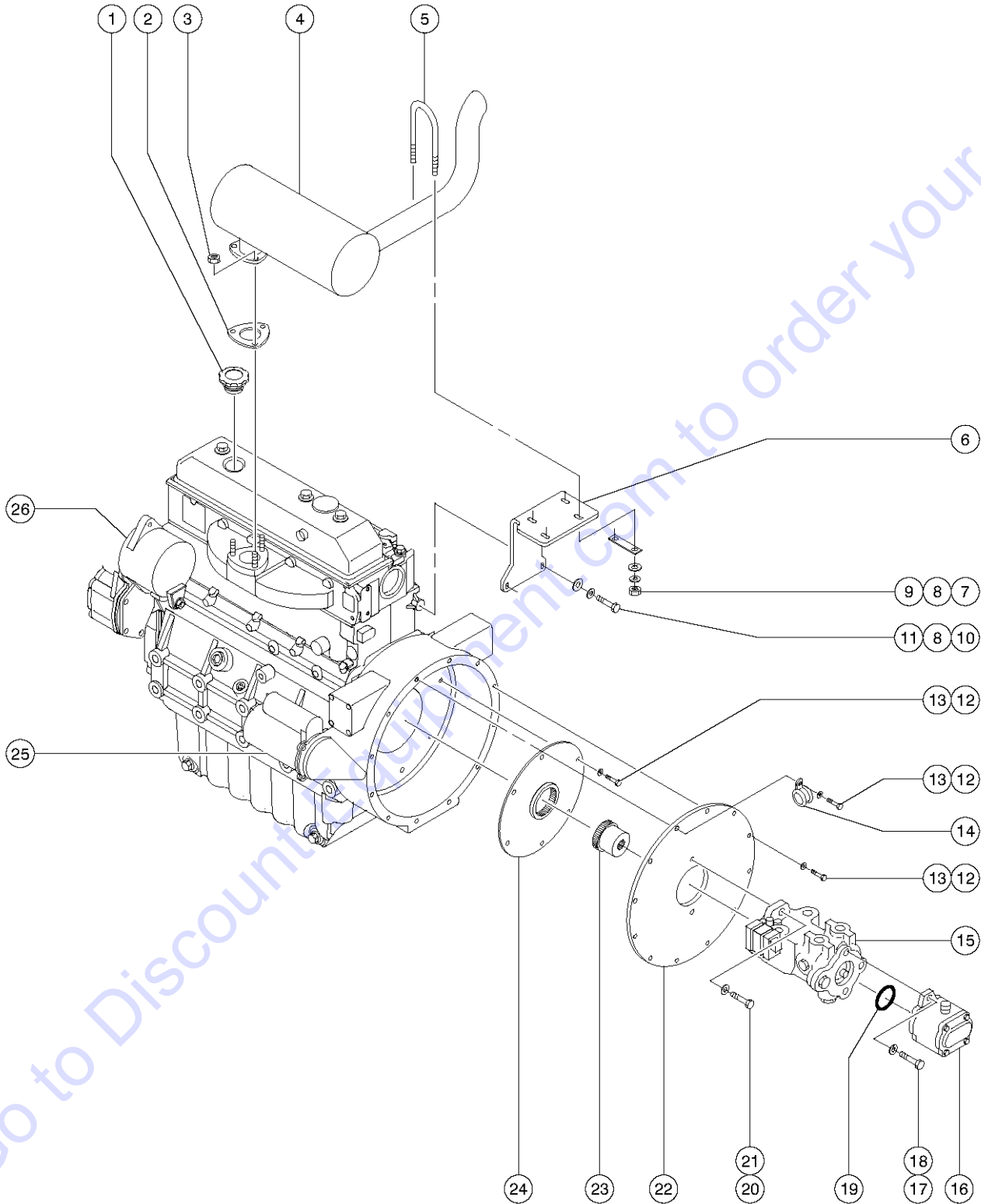
307.2 Turntable Components - Relay Panel (from SN 339)



307.2 Turntable Components - Relay Panel (from SN 339)

Item	Part No.	Description	Qty.
--	88159GT	LOCK,WEDGE,RLY 9.5MM <i>from SN 339</i>	
1	237068GT	SEPARATOR,DUAL BATTERY,100A.....1 <i>from SN 339</i>	
--	214393GT	KIT, BATT SEPARATOR, ANSI/CSA <i>includes part 237068</i>	
--	215209GT	KIT, BATT SEPARATOR, CE <i>includes part 237068</i>	
--	215210GT	KIT, BATT SEPARATOR, AS <i>includes part 237068</i>	
2	106051GT	CONN,FEED THRU STUD.....2 <i>from SN 339</i>	
3	94327GT	FUSE,30 AMP.....1 <i>diesel models; from SN 339</i>	
--	88164GT	CONN MAXI FUSE MODULE,4POS <i>from SN 339</i>	
4	61225GT	RELAY,12VDC,70AMP,SEALED.....2 <i>diesel models; from SN 339</i>	
--	61225GT	RELAY,12VDC,70AMP,SEALED.....1 <i>gasoline/LPG models; from SN 339</i>	
5	60536GT	FUSE,20 AMP,MAXI.....2 <i>diesel and Ford models; from SN 339</i>	
--	88164GT	CONN MAXI FUSE MODULE,4POS <i>from SN 339</i>	
--	94327GT	FUSE,30 AMP.....2 <i>Continental models; from SN 339</i>	
6	101340GT	FUSE,60 AMP,MAXI.....1 <i>from SN 339</i>	
--	88164GT	CONN MAXI FUSE MODULE,4POS <i>from SN 339</i>	
7	34052GT	RELAY,SPDT,12V(AUTO) PLUG IN**.....3 <i>Deutz models; from SN 339</i>	
--	34052GT	RELAY,SPDT,12V(AUTO) PLUG IN**.....5 <i>Perkins models; from SN 339</i>	
--	88167GT	CONN,DUAL RLY MODULE,10 POS <i>from SN 339</i>	
8	88160GT	BRACKET,LEG,RLY BLOCK.....3 <i>from SN 339</i>	
9	49816GT	SCREW,PHILLIPS,PHM,10-32 X .75 <i>from SN 339</i>	
10	6178GT	NUT,NYLOCK,10-32 <i>from SN 339</i>	
11	88265PGT	PLATE,RELAY MOUNT.....1 <i>from SN 339 to SN 776</i>	
--	102353PGT	FUSE PANEL,FORMING,Z80,PAINTED <i>shown; from SN 777</i>	
12	6090GT	SCREW,HHC,1/4-20 X .75 <i>from SN 339</i>	
13	5397GT	WASHER,FLAT,USS,5/16",Y <i>from SN 339</i>	
14	6091GT	NUT,NYLOCK,1/4-20 <i>from SN 339</i>	

401.1 Perkins 704-30 Engine - View 1 (to SN 328)



Go to DiscountParts.com to order your parts

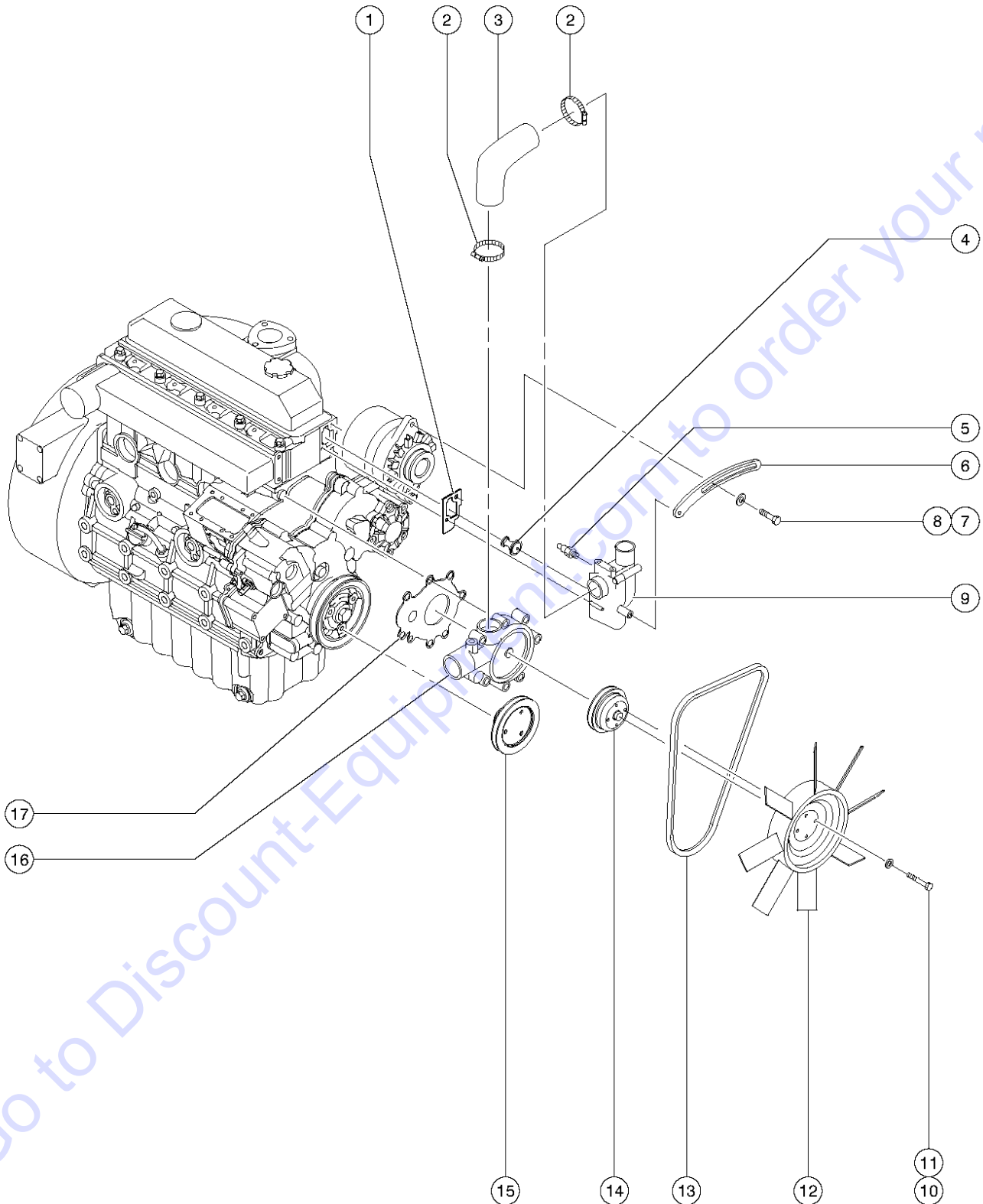
401.1 Perkins 704-30 Engine - View 1 (to SN 328)

Item	Part No.	Description	Qty.
--	88135GT	HARNES,PERKINS ENGINE,704-30	
--	73993GT	HARNES,RPM SOLENOID RELAY***	
1	65499GT	CAP, SIDE OIL FILL, PERKINS.....1	1
2	65503GT	GASKET,MUFFLER PERKINS(53883)....1	1
3	65504GT	NUT,MUFFLER PERKINS 10MM.....3	3
4	63313GT	MUFFLER, PERKINS.....1	1
5	16584GT	U-BOLT, KIT 5/16-18 X 2.5 ***2	2
6	63326PGT	MUFFLER BRACKET, PAINTED.....1	1
7	6782GT	NUT,NYLOCK,5/16-18	
8	44064GT	SCREW,HHC,M10 X 30MM,	
9	22700GT	WASHER,LOCK,M10	
10	6886GT	WASHER,LOCK,.313	
11	5397GT	WASHER,FLAT,USS,5/16",Y	
12	23057GT	SCREW,HHC,M8 X 20MM	
13	6638GT	WASHER,FLAT,USS,1/4"Y	
14	45454GT	CLAMP,RUB CUSH,0.75,#12 X 3/8*.....1	1
15		Ref. Drive Pump (refer to 710.1)	
16		Ref. Function Pump (refer to 710.1)	
17	6175GT	SCREW,HHC,3/8-16 X 1	
18	6097GT	WASHER,FLAT,USS,3/8",Y	
19	29436GT	O-RING***.....1	1
20	8177GT	SCREW,HHC,1/2-13 X 1.5	
21	13066GT	WASHER,FLAT,.5 HARDENED.....2	2
22	63464PGT	PLATE, PUMP MOUNT, PAINTED***.....1	1
23	37002GT	COUPLER,HUB,15 TOOTH 7/16BOLT*.....1	1
24	33024GT	FLYWHEEL FLANGE,GREEN PLASTIC.....1	1
25	65495GT	STARTER MOTOR, PERKINS (53883)...1	1
26	65487GT	ALTERNATOR, PERKINS (53883).....1	1

402.1 Perkins 704-30 Engine - View 2 (to SN 328)

Item	Part No.	Description	Qty.
1	109802GT	PLUG,ORB #6.....	1
2	62421GT	FILTER,FUEL,PERKINS.....	1
3	65500GT	PUMP, LIFT INLET PORT (53883).....	1
--	53948GT	ADPTR,STR FEM INV 45D 1/4X1/4	
--	65501GT	FITTINGS, LIFT PUMP INLET PORT	
4	65497GT	DIPSTICK (53883).....	1
5	62422GT	FILTER,OIL,PERKINS 704-30 (BB).....	1
6	65498GT	CAP,OIL FILLER, PERKINS.....	1
7	53951GT	ADPTR,ST. THR 3/4-16 FEM PIPE.....	1
8	30810GT	SENDING UNIT,OIL PRESSURE***..... <i>dual-terminal sender</i>	1
9	53945GT	CLAMP,HOSE 2 5/16-3 1/4.....	5
10	34164GT	ELBOW,90 DEGR,RUBBER,2.5" I.D.*.....	2
11	63463GT	AIR CLEANER,NELSON***..... <i>plastic housing (includes items 12 and 28)</i>	1
--	52866GT	EVACUATOR VALVE-AIR CLEANER	
--	58415GT	CLIP,AIR CLEANER END CAP*** <i>end cap not available separately</i>	
--	65810GT	BAFFLE, AIR CLEANER (27915)**	
12	53952GT	BRKT,AIR CLEANER ORIENTATION**..... <i>includes mounting fasteners</i>	1
13	81128GT	SCREW,SHSH,M5XM16,ZINC	
14	56660GT	WASHER,RIVETING	
15	27082GT	NUT,NYLOCK,M5X.80	
16	88512GT	THROTTLE LINK,DSL***.....	1
17	21130GT	CLEVIS YOKE-1/4-28,PLTD W/PIN.....	1
18	21496GT	NUT,HEX,1/4-28	
19	6888GT	SCREW,HHC,1/4-20 X 1	
20	6638GT	WASHER,FLAT,USS,1/4"Y	
21	77402GT	SOLENOID,THROTTLE ACTUATOR DSL.....	1
--	88486GT	SOL SPRING,SYNCHRO START 1751	
22	6090GT	SCREW,HHC,1/4-20 X .75	
23	81199GT	SEPARATOR/FILTER,FUEL-D,30MIC.....	1
--	65853GT	FILTER,FUEL/WATER SEPARATOR***	
24	63399PGT	AIR CLEANER BRACKET, PAINTED.....	1
25	13002GT	SCREW,HHC,5/16-18 X 1 GR5	
26	5397GT	WASHER,FLAT,USS,5/16",Y	
27	6782GT	NUT,NYLOCK,5/16-18	
28	62420GT	FILTER,AIR***.....	1
29	34162-2300GT	HOSE,AIR INTAKE 2.50" I.D.....	1
30	72265GT	SOLENOID,SHUTDOWN,PERKINS ****	

403.1 Perkins 704-30 Engine - View 3 (to SN 328)

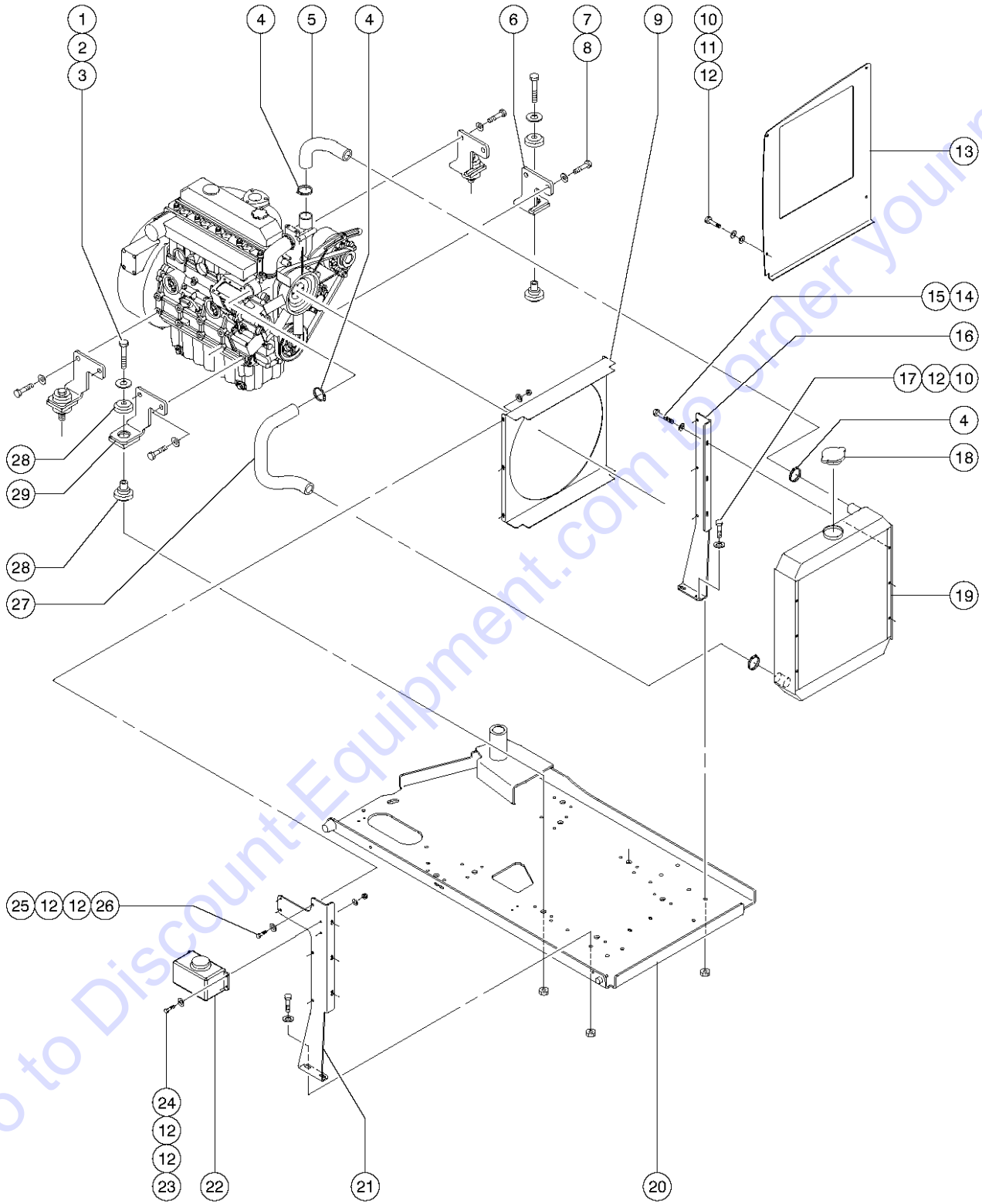


Go to Discount-Equipment.com to order your parts

403.1 Perkins 704-30 Engine - View 3 (to SN 328)

Item	Part No.	Description	Qty.
1	65505GT	GASKET, THERMOSTAT (53883).....	1
2	65506GT	CLAMP, HOSE (53883).....	2
3	65507GT	HOSE, WATER PUMP (53383).....	1
4	65493GT	THERMOSTAT, PERKINS (53883).....	1
5	34058GT	SENDING UNIT,TMP,FRD,GM,PRK704.....	1
6	65488GT	LEVER ALTERNATOR, (53883).....	1
7	49381GT	SCREW,HHC,M12 X 30	
8	65355GT	WASHER,LOCK,M12	
9	65494GT	HOUSING,THERMOSTAT (53883).....	1
10	67349GT	SCREW,HHC,M8 X 50	
11	49408GT	WASHER,LOCK,M8	
12	65490GT	FAN, PERKINS (53883).....	1
13	62423GT	BELT,V KIT, PERKINS 704-30.....	1
14	102683GT	PULLEY, WATER PUMP (704-30).....	1
15	65496GT	PULLEY,CRANKSHAFT (53883).....	1
16	65491GT	WATER PUMP, PERKINS (53883).....	1
17	65492GT	GASKET,TIMMING CASE COVER.....	1

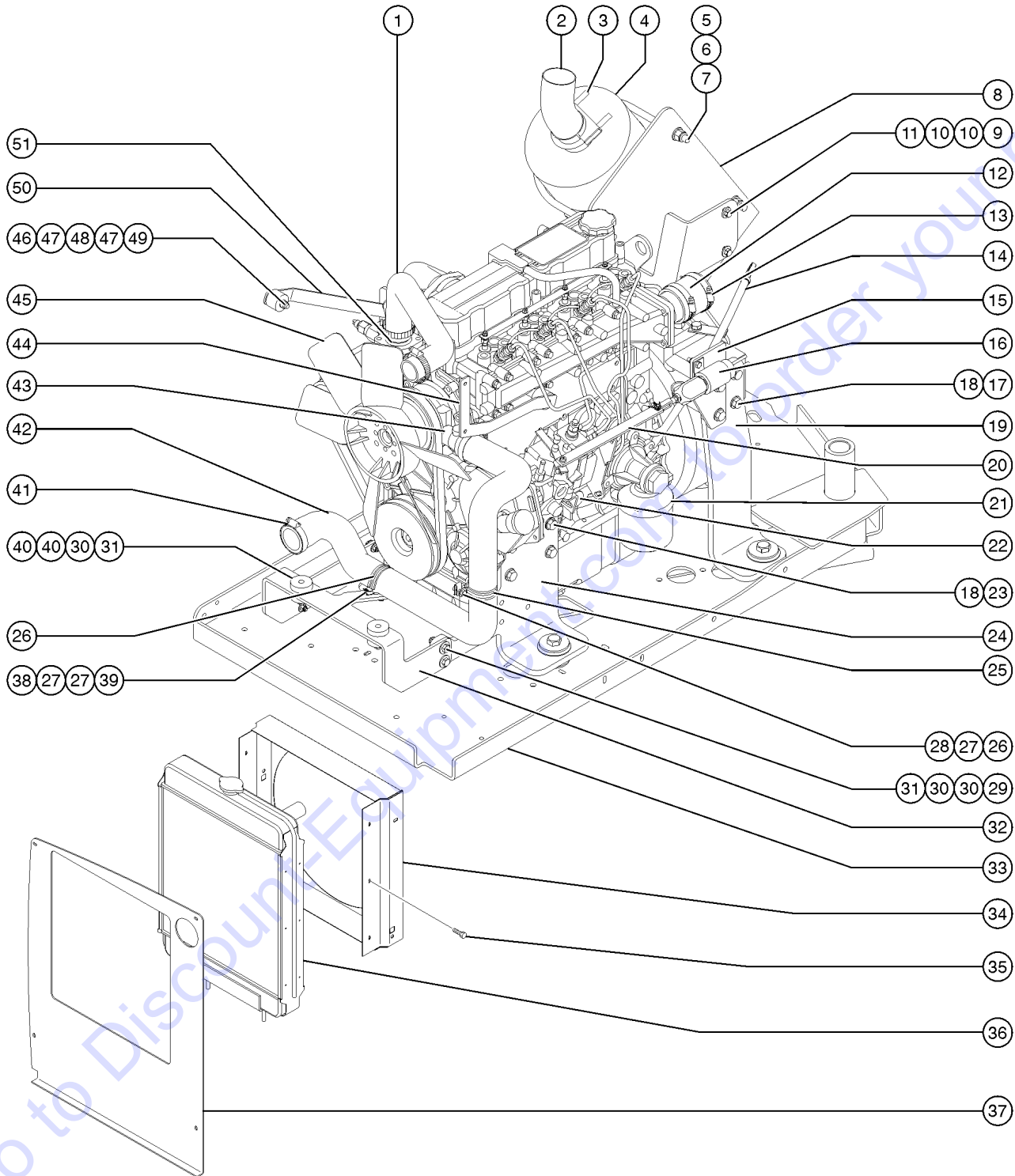
404.1 Perkins 704-30 Engine - View 4 (to SN 328)



404.1 Perkins 704-30 Engine - View 4 (to SN 328)

Item	Part No.	Description	Qty.
1	53909GT	SCREW,HHC,5/8-11 X 4.0 GR8.....	4
2	33418GT	WASHER,FLAT,.625 X 2.25 X.15	
3	6024GT	NUT,NYLOCK,5/8-11	
4	13014GT	CLAMP,HOSE,2.25" DIA.....	4
5	63413GT	RADIATOR HOSE, UPPER.....	1
6	63418GT	WELDMENT,ENGINE MOUNT,INBOARD.....	2
7	49384GT	SCREW,HHC,M14 X 30	
8	37505GT	WASHER,LOCK,M14	
9	63364PGT	FAN SHROUD, PAINTED.....	1
10	6175GT	SCREW,HHC,3/8-16 X 1	
11	6356GT	WASHER,LOCK,.25	
12	6638GT	WASHER,FLAT,USS,1/4"Y	
13	8819PGT	Intake Baffle.....	1
14	13002GT	SCREW,HHC,5/16-18 X 1 GR5	
15	5397GT	WASHER,FLAT,USS,5/16",Y	
16	63362PGT	RADIATOR MOUNT, LH, PAINTED.....	1
17	7713GT	NUT, LP NYLOCK, 3/8-16	
18	65473GT	CAP,RADIATOR,PERKINS/FORD.....	1
19	63462GT	RADIATOR,PERKINS,GM..... <i>includes item 18</i>	1
20		Ref. Engine Tray (refer to 424.1)	
21	101971GT	MOTOR, TRACTIOM 24/48V,9".....	1
22	1279268GT	BOTTLE, COOLANT RECOVERY, 2QT.....	1
--	72327GT	CAP, COOLANT RET SYS(54071)	
23	6090GT	SCREW,HHC,1/4-20 X .75	
24	6889GT	NUT,LP NYLOCK,1/4-20	
25	6888GT	SCREW,HHC,1/4-20 X 1	
26	6091GT	NUT,NYLOCK,1/4-20	
27	63414GT	RADIATOR HOSE, LOWER.....	1
28	28076GT	ISOLATOR,VIBRATION,LG,RD&WH***...4	
29	63419GT	WELDMENT,ENGINE MOUNT,OUTBOARD.....	2

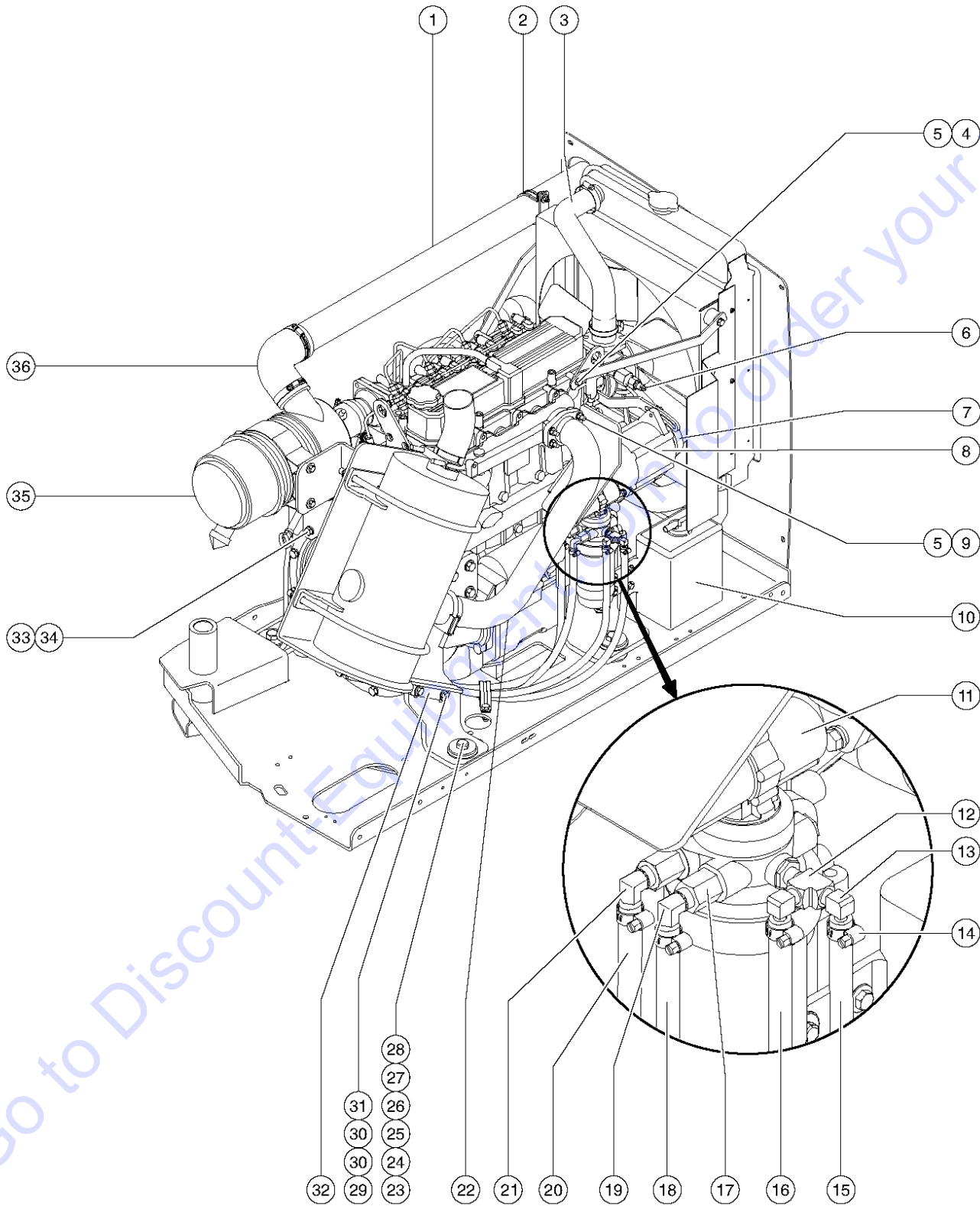
405.1 Perkins 804D-33 Engine - View 1 (from SN 329)



405.1 Perkins 804D-33 Engine - View 1 (from SN 329)

Item	Part No.	Description	Qty.	Item	Part No.	Description	Qty.
--	101891GT	HARNES,PERKINS ENGINE,804 to SN 4781		30	6097GT	WASHER,FLAT,USS,3/8",Y	
--	1253172GT	HARNES,ENG,PERKINS, 804, Z80 from SN 4782		31	4828GT	NUT,NYLOCK,3/8-16	
--	1253210GT	CIRCUIT BRKR THERM AUTORESET 6 from SN 4782		32	101606PGT	BRACKET,RADIATOR SUPPORT PNTD.....1	1
--	101638GT	OPTION, SPARK ARREST		33		Ref. Engine Tray (refer to 420.1)	
1	101601GT	HOSE,RADIATOR,UPPER,PERKINS.....1		34	101603PGT	SHROUD,FAN,PERKINS PAINTED.....1	1
--	35434GT	CLAMP,HOSE,2.00***		35	21019GT	SCREW,PHIL,PHM,10-24 X.5,SEMS	
2	101619GT	PIPE, TAIL.....1	1	36	110304GT	RADIATOR,FORD/PERKINS***.....1	1
3	71911GT	CLAMP,MUFFLER, 2.50 INCH		--	65473GT	CAP,RADIATOR,PERKINS/FORD	
4	70444GT	MUFFLER,2.5"INLET/OUTLET.....1	1	37	101622GT	BAFFLE,INTAKE,Z80 PERKINS.....1	1
--	101633GT	MUFFLER,SPARK ARREST,2.5 I/O		38	6888GT	SCREW,HHC,1/4-20 X 1	
--	101634GT	MUFFLER,CATALYTIC,2.5 I/O		39	6091GT	NUT,NYLOCK,1/4-20	
5	70449GT	U-BOLT,1/2-13 X 8.5.....2	2	40	24038GT	SHOCK MOUNT,SMALL.....4	4
6	13066GT	WASHER,FLAT,.5 HARDENED.....4	4	41	35434GT	CLAMP,HOSE,2.00***.....1	1
7	66777GT	NUT, TOP LOCK, 1/2-13		42	101602GT	HOSE,RADIATOR,LOWER,PERKINS.....1	1
8	101611GT	BRACKET,AIR CLEANER,MUFFLER.....1	1	43	226060GT	PUMP,WATER,PERKINS 804D-33T	
9	13002GT	SCREW,HHC,5/16-18 X 1 GR5		--	226061GT	GASKET-PUMP WATE,PERK 804D-33T	
10	5397GT	WASHER,FLAT,USS,5/16",Y		44	101605PGT	BRACKET,FAN SHROUD,LH PAINTED	
11	6782GT	NUT,NYLOCK,5/16-18		45	107545GT	FAN, PERKINS 804C-33	
12	34162-300GT	HOSE,AIR INTAKE 2.50" ID.....1	1	46	23057GT	SCREW,HHC,M8 X 20MM	
13	30971GT	CLAMP,HOSE,3.00"		47	33277GT	WASHER,FLAT,M8,YELLOW ZINC	
14	101625GT	DIP STICK TUBE ASSY.....1	1	48	60585GT	ISOLATOR,VIBRATION,M8 MALE/FEM	
15	101620PGT	BRACKET,SOLENOID PAINTED.....1	1	49	25368GT	NUT,NYLOCK,M8X1.25	
16	77402GT	SOLENOID,THROTTLE ACTUATOR DSL.....1	1	50	101604PGT	BRACKET,FAN SHROUD,RH,PAINTED	
--	21130GT	CLEVIS YOKE-1/4-28,PLTD W/PIN		51	226127GT	THERMOSTAT, 180 DEG.F	
17	27584GT	SCREW,HHC,M12 X 35MM		--	226128GT	GASKET, (226127)	
18	49410GT	WASHER,FLAT,M12					
19	101610PGT	ENGINE MOUNT,LR PAINTED.....1	1				
20	121814GT	THROTTLE LINKAGE,DIESEL.....1	1				
--	27082GT	NUT,NYLOCK,M5X.80					
--	81128GT	SCREW,SHSH,M5XM16,ZINC					
21	101613GT	ELEMENT,OIL FILTER,PERKINS***.....1	1				
22	102348GT	SENDING UNIT,OIL PRESS PERKINS...1	1				
--	101627GT	ADAPTER 3/8 FNPT X M16					
23	49381GT	SCREW,HHC,M12 X 30					
24	101608PGT	ENGINE MOUNT,LF PAINTED.....1	1				
25	6653GT	CLAMP,1.88,#30 X 1/4,RUB CUSH.....2	2				
26	6090GT	SCREW,HHC,1/4-20 X .75					
27	6638GT	WASHER,FLAT,USS,1/4"Y					
28	56912GT	SPRING CLIP,1/4-20,.025-.15X.54,ZAG					
29	8516GT	SCREW, HCC, 3/8-16 X 1.50					

406.1 Perkins 804D-33 Engine - View 2 (from SN 329)



406.1 Perkins 804D-33 Engine - View 2 (from SN 329)

Item	Part No.	Description	Qty.	Item	Part No.	Description	Qty.
1	94324-3450GT	TUBE,RD,STL,ALUMIZD,2.5 X .065.....1	1	30	5397GT	WASHER,FLAT,USS,5/16",Y	
2	101626GT	CLAMP,2.5,#40 X 1/4,RUB CUSH.....1	1	31	4828GT	NUT,NYLOCK,3/8-16	
3	101601GT	HOSE,RADIATOR,UPPER,PERKINS.....1	1	32	101641PGT	BRACKET,MUFFLER SUPPORT PAINTD.....1	1
--	35434GT	CLAMP,HOSE,2.00***		33	44064GT	SCREW,HHC,M10 X 30MM,	
4	23057GT	SCREW,HHC,M8 X 20MM		34	22699GT	WASHER,FLAT,M10,ZINC PLTD.	
5	33277GT	WASHER,FLAT,M8,YELLOW ZINC		35	63463GT	AIR CLEANER,NELSON***.....1 <i>plastic housing</i>	1
6	34058GT	SENDING UNIT,TMP,FRD,GM,PRK704.....1	1	--	52866GT	EVACUATOR VALVE-AIR CLEANER	
--	28607GT	ADAPTER,140139-8-6		--	53952GT	BRKT,AIR CLEANER ORIENTATION**	
7	102534GT	V-BELT, PERKINS 804C-33.....1	1	--	58415GT	CLIP,AIR CLEANER END CAP*** <i>end cap not available separately</i>	
8	58250GT	ALTERNATOR,PERKINS 800 SERIES....1	1	--	62420GT	FILTER,AIR***	
--	106023GT	CONN,ALT,3WAY,PERKINS 804		--	65810GT	BAFFLE, AIR CLEANER (27915)**	
--	106024GT	TERM,ALT.PERKINS 804,16/14 GA		36	34164GT	ELBOW,90 DEGR,RUBBER,2.5" I.D.*.....1	1
--	56689GT	SEAL,CONNECT,AMP SINGLE WIRE		--	30971GT	CLAMP,HOSE,3.00"	
9	22571GT	NUT,HEX,M8 X 1.25					
10	70367GT	BOTTLE,COOLANT RECOVERY,3.7***.....1	1				
--	115431GT	CAP ASSY, COOLANT BOTTLE					
11	101644GT	FUEL LIFT PUMP/FILTER ASSY.....1	1				
--	101614GT	ELEMENT,FUEL/WATER SEPARATOR					
12	41468GT	TEE,BRASS STREET,.12 NPT.....1	1				
13	38922GT	ELBOW,90DEG.1/8MPT-5/16 BARB.....2	2				
14	21465GT	CLAMP,HOSE,.25" - .63" X .3125.....8	8				
15	27089GT	HOSE,5/16 FUEL,SAE 30R7					
--	75640GT	WIRE LOOM,3/4 DIA.					
16	27089GT	HOSE,5/16 FUEL,SAE 30R7					
--	75640GT	WIRE LOOM,3/4 DIA.					
17	101628GT	ADAPTER,1/4 FNPT X 1/2-20 UNF.....2	2				
18	42941GT	HOSE,3/8",FUEL,30R7					
--	75640GT	WIRE LOOM,3/4 DIA.....72-inches					
19	31817GT	ELBOW,90DEG.1/4MPT-3/8 BARB.....1	1				
20	27089GT	HOSE,5/16 FUEL,SAE 30R7					
--	54205GT	HOSE END,BARB,1/4 MNPTX5/16,90					
21	54205GT	HOSE END,BARB,1/4 MNPTX5/16,90....1	1				
22	101618GT	PIPE,EXHAUST WELDMENT.....1	1				
--	101645GT	GASKET,EXHAUST MANIFOLD,PERKIN <i>gasket between exhaust pipe and manifold</i>					
23	13003GT	SCREW,HHC,5/8-11 X 3.5 GRD.8.....4	4				
24	33418GT	WASHER,FLAT,.625 X 2.25 X .15					
25	102045GT	ISOLATOR,ENGINE VIBRATION.....4	4				
26	18596GT	WASHER,FLAT,1.56 X 2.5 X .061					
27	6035GT	WASHER,FLAT,USS,5/8",Y					
28	6024GT	NUT,NYLOCK,5/8-11					
29	8516GT	SCREW, HCC, 3/8-16 X 1.50					

PARTS FINDER

**Search Website
by Part Number**



**Search Manual
Library For Parts
Manual & Lookup Part
Numbers – Purchase
or Request Quote**

Search Manuals

Enter your information to help us find the right parts manual for your machine.

* Brand:

* Model:

* Serial:

* Part Number:

SEARCH

**Can't Find Part or
Manual? Request Help
by Manufacturer,
Model & Description**

Parts Order Form

Please fill in the following information to help us find the right part for your machine.

Manufacturer:	<input type="text"/>
Model:	<input type="text"/>
Description:	<input type="text"/>
Part Number:	<input type="text"/>
Quantity:	<input type="text"/>
Notes:	<input type="text"/>

Submit

Discount-Equipment.com is your online resource for quality parts & equipment.

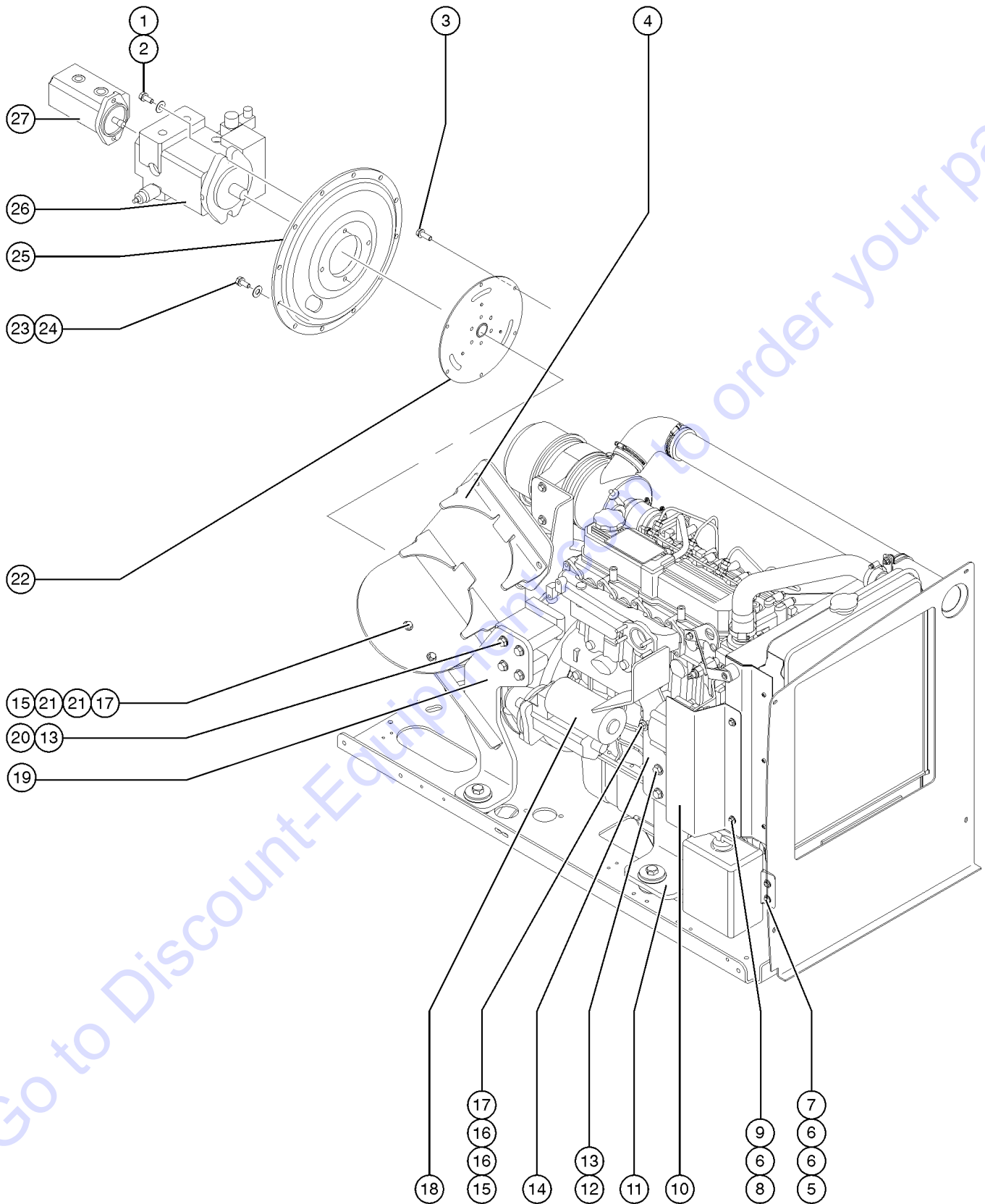
Florida: **561-964-4949** Outside Florida TOLL FREE: **877-690-3101**

Need parts?

Click on this link: <http://www.discount-equipment.com/category/5443-parts/> and choose one of the options to help get the right parts and equipment you are looking for. Please have the machine model and serial number available in order to help us get you the correct parts. If you don't find the part on the website or on one of the online manuals, please fill out the request form and one of our experienced staff members will get back to you with a quote for the right part that your machine needs.

We sell worldwide for the brands: Genie, Terex, JLG, MultiQuip, Mikasa, Essick, Whiteman, Mayco, Toro Stone, Diamond Products, Generac Magnum, Airman, Haulotte, Barreto, Power Blanket, Nifty Lift, Atlas Copco, Chicago Pneumatic, Allmand, Miller Curber, Skyjack, Lull, Skytrak, Tsurumi, Husquvarna Target, Stow, Wacker, Sakai, Mi-T-M, Sullair, Basic, Dynapac, MBW, Weber, Bartell, Bennar Newman, Haulotte, Ditch Runner, Menegotti, Morrison, Contec, Buddy, Crown, Edco, Wyco, Bomag, Laymor, EZ Trench, Bil-Jax, F.S. Curtis, Gehl Pavers, Heli, Honda, ICS/PowerGrit, IHI, Partner, Imer, Clipper, MMD, Koshin, Rice, CH&E, General Equipment, Amida, Coleman, NAC, Gradall, Square Shooter, Kent, Stanley, Tamco, Toku, Hatz, Kohler, Robin, Wisconsin, Northrock, Oztec, Toker TK, Rol-Air, APT, Wylie, Ingersoll Rand / Doosan, Innovatech, Con X, Ammann, Mecalac, Makinex, Smith Surface Prep, Small Line, Wanco, Yanmar

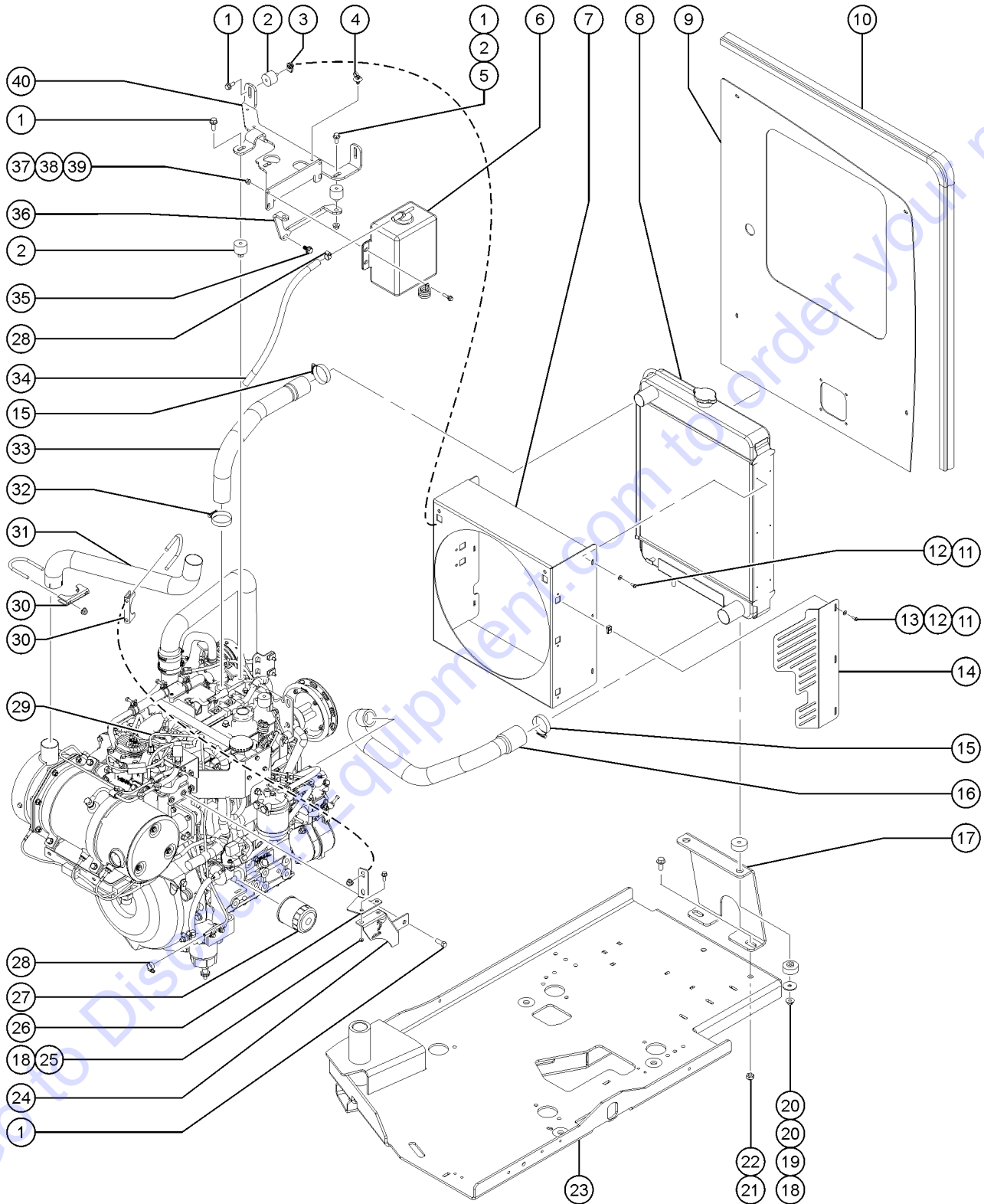
407.1 Perkins 804D-33 Engine - View 3 (from SN 329)



407.1 Perkins 804D-33 Engine - View 3 (from SN 329)

Item	Part No.	Description	Qty.
1	8177GT	SCREW,HHC,1/2-13 X 1.5	
2	13066GT	WASHER,FLAT,.5 HARDENED	
3	44064GT	SCREW,HHC,M10 X 30MM,	
--	22699GT	WASHER,FLAT,M10,ZINC PLTD. (use for part number 33024)	
--	49388GT	SCREW,HHC,M10 X 1.5 X 16 (use for part number 128004)	
4	70483GT	FORMING,8.5' MUFLER MOUNT.....2	
5	6888GT	SCREW,HHC,1/4-20 X 1	
6	6638GT	WASHER,FLAT,USS,1/4"Y	
7	6091GT	NUT,NYLOCK,1/4-20	
8	6090GT	SCREW,HHC,1/4-20 X .75	
9	56912GT	SPRING CLIP,1/4-20,.025-.15X.54,ZAG	
10	102972GT	BELT GUARD W/DECAL PERKINS	
--	101624PGT	FORMING,BELT GUARD PAINTED	
11	101607PGT	ENGINE MOUNT,RF PAINTED.....1	
12	27584GT	SCREW,HHC,M12 X 35MM	
13	49410GT	WASHER,FLAT,M12	
14	101615PGT	BRACKET,FUEL PUMP PAINTED.....1	
15	8516GT	SCREW, HCC, 3/8-16 X 1.50	
16	6097GT	WASHER,FLAT,USS,3/8",Y	
17	4828GT	NUT,NYLOCK,3/8-16	
18	107546GT	STARTER MOTOR,PERKINS(804C-33).....1	
19	101609GT	ENGINE MOUNT,RR.....1	
20	27584GT	SCREW,HHC,M12 X 35MM	
21	5397GT	WASHER,FLAT,USS,5/16",Y	
22	37003GT	COUPLER,HUB,15 TOOTH 7/16BOLT*.....1 from SN 329 to SN 1485	
--	128004GT	COUPLER,15 TOOTH,FBA,SAE8*** from SN 1486	
--	128023GT	KIT,FBA STYLE COUPLER,SAE8 (replaces the flex plate and coupler), from SN 329 to SN 1485	
--	33024GT	FLYWHEEL FLANGE,GREEN PLASTIC.....1 from SN 329 to SN 1485	
23	27034GT	SCREW,HHC,M10 X 25MM,GR 8.8	
24	22699GT	WASHER,FLAT,M10,ZINC PLTD.	
25	61781GT	CASTING,SAE 4 PUMP MOUNT,MACHI.....1	
26		Ref. Drive Pump (refer to 710.1) (refer to 710.1)	
27		Ref. Function Pump (refer to 710.1) (refer to 710.1)	

408.1 Perkins 404F-22T Engine - View 1



408.1 Perkins 404F-22T Engine - View 1

Item	Part No.	Description	Qty.	Item	Part No.	Description	Qty.
--		Due to Tier 4 regulations, many engine replacement parts require engine serial number at time of order placement. When ordering engine parts please have both machine and engine serial numbers available. For internal engine parts, contact engine dealer		--	1262597GT	EXHAUST VALVE,PERKINS 404F	
--	1261962GT	BREATHER, PERKINS 404F-22T		--	1262599GT	DIESEL PARTICULATE FILTER,PERKINS 404F	
--	1261979GT	LIFT PUMP,PERKINS 404F-22T		--	1262607GT	DIESEL OXIDATION CATALYST,PERKINS 404F	
--	1261981GT	FUEL INJECTION PUMP,PERKINS 404F-22T		--	1262608GT	VALVE SPRING,PERKINS 404D/F	
--	1262015GT	SPEED SENSOR CAM,PERKINS 404F-22T		--	214336GT	ENGINE KIT, PERKINS 404F-22T	
--	1262018GT	ATOMISER (FUEL INJECTOR),PERKINS 404F-22T		--	826637GT	HARNESS,PERKINS,TIER4,Z80	
--	1262019GT	SEAL-INJECTOR,PERKINS 404D/F-22T		--	826710GT	HARNESS, EXTENSION, 404F-22 to SN Z8016H-6110	
--	1262021GT	TURBOCHARGER,PERKINS 404F-22T		--	1272074GT	ASSEMBLY, JUNCTION, 404F-EXT, Z80 from SN Z8016H-6111	
--	1262023GT	GASKET-TURBOCHARGER,PERKINS 404D/F-22T		1	824132GT	SCREW,HHF,M8-1.25X20,DIN6921,10.9,ZAB.5	
--	1262024GT	GASKET(TURBOCHGR EXH),PERKINS 404D/F-22T		2	60585GT	ISOLATOR,VIBRATION,M8 MALE/FEM.....3	
--	1262026GT	IGNITION UNIT,PERKINS 404F-22T		3	230820GT	SPRING CLIP, M8-1.25, 0.8-4.0 X 13, ZAB.....2	
--	1262027GT	PRESSURE PUMP,PERKINS 404F-22T		4	110149GT	CABLE TIE,DFT MOUNT,BLK,6.5".....2	
--	1262028GT	GASKET(CLEAN EMISN MOD),PERKINS 404F-22T		5	237832GT	NUT,TL FLG,M8-1.25,DIN6927,10,ZAB.....1	
--	1262050GT	WATER PUMP PULLEY,PERKINS 404D		6	70367GT	BOTTLE,COOLANT RECOVERY,3.7***.....1	
--	1262470GT	OIL PRESSURE SWITCH,PERKINS 404F-22T		7	1253192GT	FAN SHROUD,PERKINS 404F-22T.....1	
--	1262475GT	SPEED SENSOR,CRANK SHAFT,PERKINS 404F-22T		8	110304GT	RADIATOR,FORD/PERKINS***.....1	
--	1262476GT	AIR PRESSURE SENSOR,PERKINS 404F-22T		--	65473GT	CAP,RADIATOR,PERKINS/FORD	
--	1262479GT	OIL FILLER CAP,TIMING CASE,PERKINS 404D/F-22T		9	1254282GT	SHROUD,CNTRWT,Z80 404D-22T.....1	
--	1262482GT	OIL COOLER,PERKINS 404D/F-22T		10	119218GT	TRIM,EDGE,1/8X3/4 SIDE BULB.....81-inches	
--	1262485GT	SUMP DRAIN PLUG,PERKINS 404D/F-22T		11	824220GT	SCREW, PHPM SEMS ET, 10-24 X .5, ZAG.....6	
--	1262487GT	BELT,AIR PUMP,PERKINS 404F-22T		12	1253185GT	WASHER,FLAT,#10,USS,ZAG.....6	
--	1262492GT	GASKET,CYL HEAD COVER,404F-22T		13	73575GT	SPRING CLIP,10-24,.025-.125X.468,ZAG.....3	
--	1262493GT	STARTING RING,PERKINS 404D/F-22T		14	1254471GT	GUARD,FAN,PERKINS 404F-22T.....1	
--	1262495GT	CRANKSHAFT PULLEY,PERKINS 404F-22T		15	35434GT	CLAMP,HOSE,2.00***.....2	
--	1262499GT	GASKET,LIFT PUMP,PERKINS 404F-22T		16	1252473GT	HOSE,LOWER RADIATOR,PERK.....1	
--	1262501GT	GASKET,EXHAUST MANIFOLD,PERKINS 404F-22T		17	1253193GT	BRACKET,LOWER RADIATOR.....1	
--	1262502GT	OIL SUCTION STRAINER,PERKINS 404D/F-22T		18	824029GT	NUT,TL FLG,3/8-16,G,ZAG.....4	
--	1262594GT	CYLINDER HEAD COVER,PERKINS 404F		19	824120GT	WASHER,FLAT,.375X1.50X.125,ZAG.....2	
--	1262596GT	INTAKE VALVE,PERKINS 404D/F		20	24038GT	SHOCK MOUNT,SMALL.....4	
				21	1253319GT	NUT,TL,FLG,5/8-11,G,ZAG.....2	
				22	1253208GT	SCREW,HHF,5/8-11X1.5,8,ZAG.....2	
				23		Ref. Engine Tray refer to 431.1	
				24	825907GT	WELDMNT, EXHAUST SUPPORT.....1	
				25	824090GT	SCREW,HHF,3/8-16X1,8,ZAG.....2	

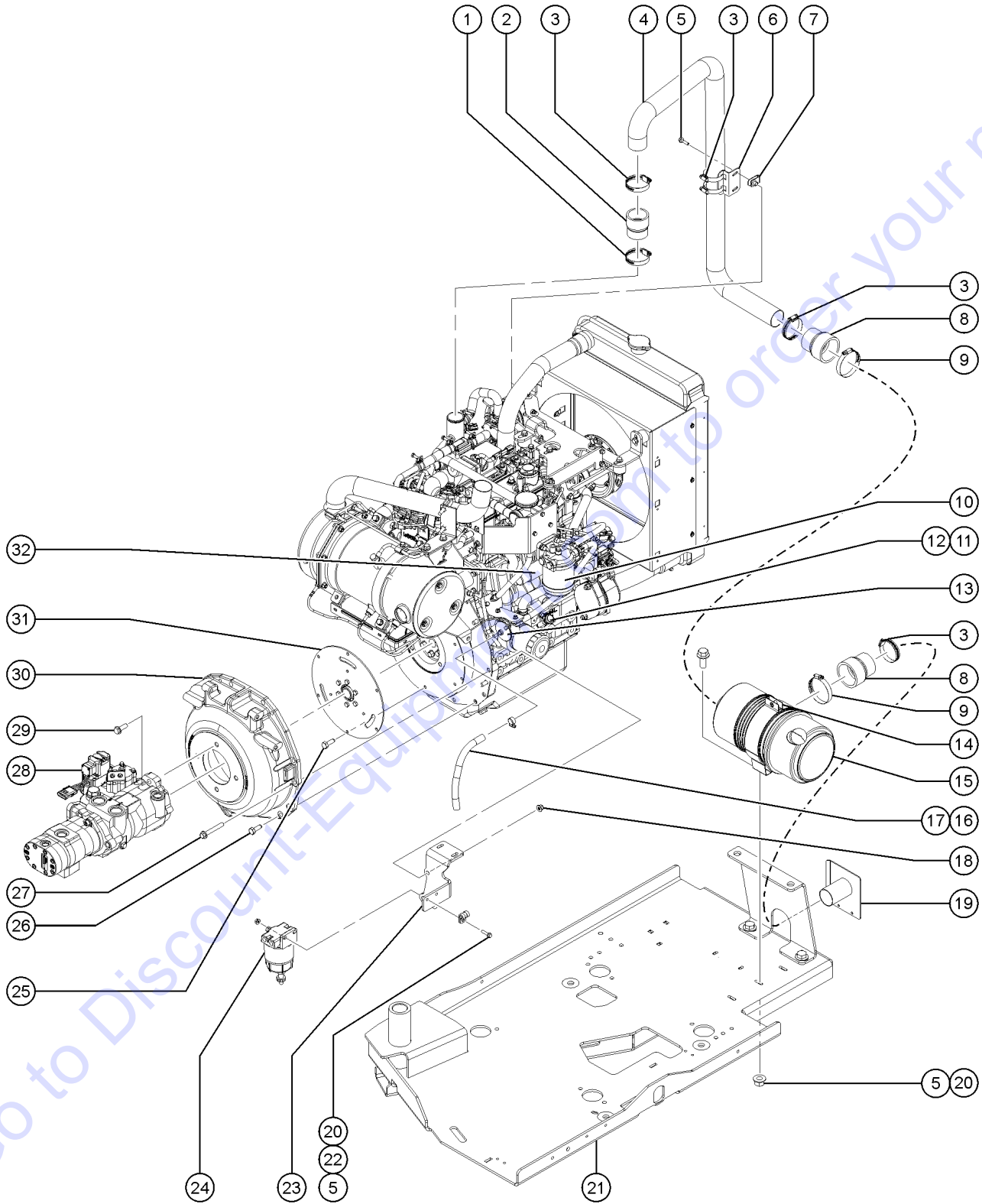
408.1 Perkins 404F-22T Engine - View 1
(continued)

Item	Part No.	Description	Qty.
26	1254281GT	FORMING, EXHAUST SUPPORT, PER.....	1
27	94762GT	OIL FILTER - PERKINS.....	1
28	21465GT	CLAMP,HOSE,.25" - .63" X .3125.....	2
29	826765GT	TUBE, STEEL, FUEL RETURN, 404F.....	1
30	70385GT	CLAMP,EXHAUST,2.00 PLATED.....	2
31	1251864GT	TAILPIPE, Z80 404F-22.....	1
32	22672GT	CLAMP,HOSE,1.75.....	1
33	1252979GT	HOSE,UPPER RADIATOR,PERK.....	1
34	106226GT	TUBING, VINYL, 1/2" CLEAR.....	1
35	1251983GT	SCREW,HHF,M8-1.25X16,DIN6921,10.9,ZAB.1	
36	1253194GT	BRACE,UPPER RADIATOR SUPPORT,.....	1
37	824027GT	NUT,TL FLG,1/4-20,G,ZAG.....	2
38	13268GT	CLAMP,0.75,#12 X 1/4,RUB CUSH.....	2
39	824079GT	SCREW,HHF,1/4-20X1,8,ZAG.....	2
40	1253191GT	BRACKET,UPPER RADIATOR.....	1

This Page Intentionally Left Blank

Go to Discount-Equipment.com to order your parts

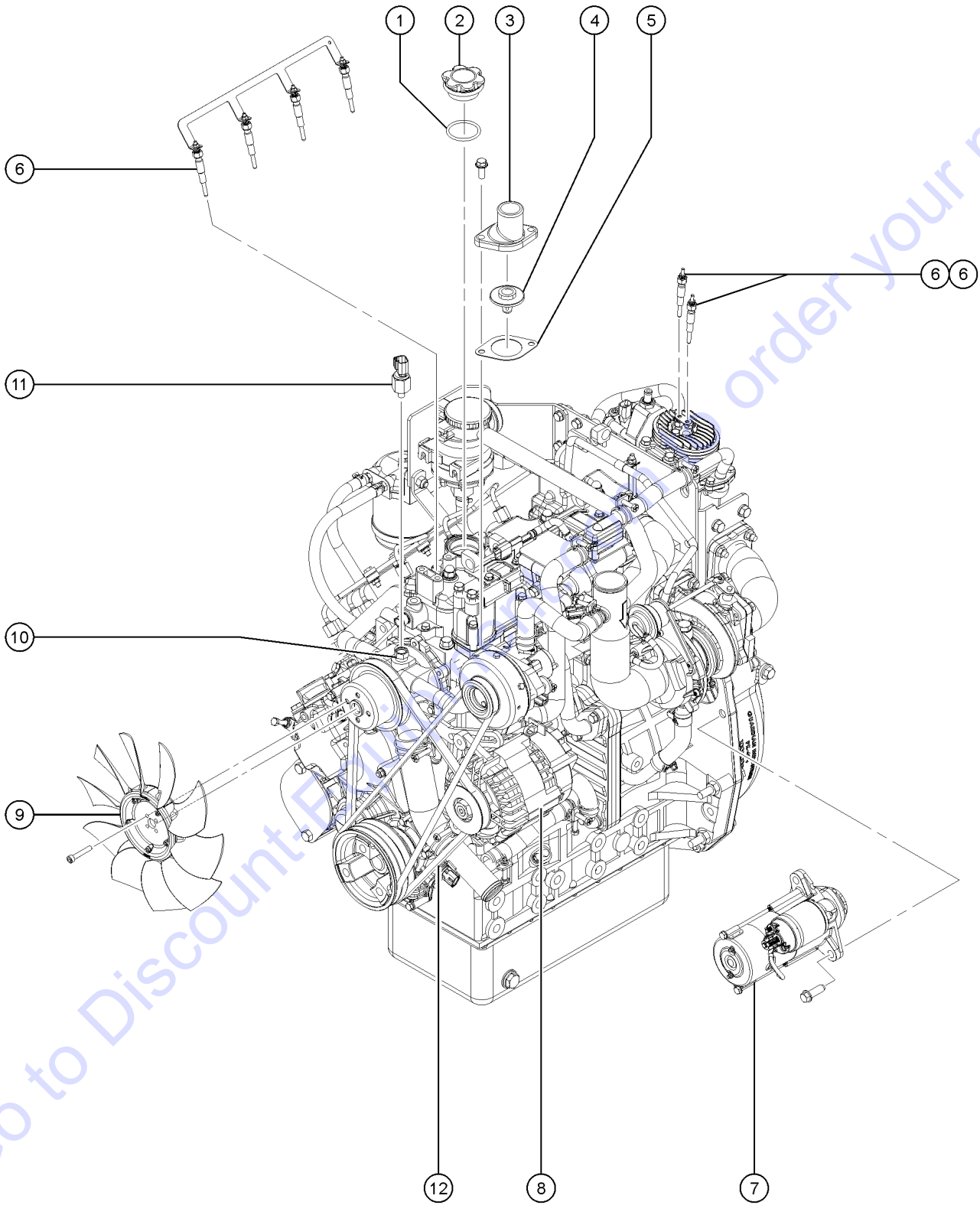
409.1 Perkins 404F-22T Engine - View 2



409.1 Perkins 404F-22T Engine - View 2

Item	Part No.	Description	Qty.	Item	Part No.	Description	Qty.
--		<i>Due to Tier 4 regulations, many engine replacement parts require the engine serial number at time of order placement. When ordering engine parts please have both machine and engine serial numbers available. For internal engine parts, contact engine dealer</i>		27	27034GT	SCREW,HHC,M10 X 25MM,GR 8.8.....	8
				28		Ref. DRIVE PUMP AND FUNCTION PUMP (refer to 710.1)	
				29	123167GT	FLGHCS,1/2-13X1.50,GR8,BLK PH.....	2
				30	824507GT	PUMP MOUNT,PERKINS 404F-22.....	1
				31	128003GT	COUPLER,15 TOOTH,FBA,PERKINS**.....	1
						<i>includes grease</i>	
				32	106663GT	SOLENOID,SHUT DOWN PERKIN40422.....	1
				--	85124GT	GASKET,SOLENOID,PERKINS 72350	
1	35434GT	CLAMP,HOSE,2.00***.....	1				
2	1253487GT	ADAPTER, 2" TO 1.8", PERK 404F.....	1				
3	45435GT	CLAMP,HOSE,2.50***.....	4				
4	1254161GT	TUBE,INTAKE,PERKINS 404F-22T.....	1				
5	824079GT	SCREW,HHF,1/4-20X1,8,ZAG.....	6				
6	823751GT	BRACKET,INTAKE PIPE,MOUNT,DEUT.....	1				
7	56912GT	SPRING CLIP,1/4-20,.025-.15X.54,ZAG.....	2				
8	216150GT	ADAPTER,AIR HOSE,PERK 404F.....	2				
9	30971GT	CLAMP,HOSE,3.00".....	2				
10	94889GT	FUEL FILTER ASSEMBLY.....	1				
--	62421GT	FILTER,FUEL,PERKINS					
11	89759GT	DIPSTICK, OIL (PERKINS 404).....	1				
12	97461GT	DIPSTICK TUBE,PERKINS(403C-11).....	1				
13	1252944GT	PUMP,FUEL LIFT,PERKINS 404F.....	1				
14	53952GT	BRKT,AIR CLEANER ORIENTATION**.....	1				
		<i>Includes mounting fasteners</i>					
15	63463GT	AIR CLEANER,NELSON***.....	1				
		<i>plastic housing (includes item 14)</i>					
--	52866GT	EVACUATOR VALVE-AIR CLEANER					
--	58415GT	CLIP,AIR CLEANER END CAP*** <i>end cap not available separately</i>					
--	62420GT	FILTER,AIR***					
--	65810GT	BAFFLE, AIR CLEANER (27915)**					
16	826060GT	HOSE,.375",SAE 30R7,10" LG.....	10-inches				
17	21465GT	CLAMP,HOSE,.25" - .63" X .3125.....	1				
18	231529GT	NUT,TL FLG,M10-1.5,DIN6927,10,ZAB					
19	1253431GT	WELDMENT,INTAKE,PERKINS 404F-....	1				
20	824027GT	NUT,TL FLG,1/4-20,G,ZAG.....	4				
21		Ref. Engine tray <i>(refer to 431.1)</i>					
22	45470GT	CLAMP,0.31,#5 X 1/4,RUB CUSH.....	2				
23	128588GT	FORMING,SOLENOID MOUNT.....	1				
24	75020GT	SEPRTR/FLTR,FUEL DSL,15GPH,.30....	1				
--	62433GT	FILTER,ELEMENT,30 MIC,75020					
25	128024GT	SCREW, HHC, M8 X 1.25 X 12.....	6				
26	75052GT	SCREW,SER/FLNG 10M-1.5X20MM BK.....	8				

410.1 Perkins 404F-22T Engine - View 3

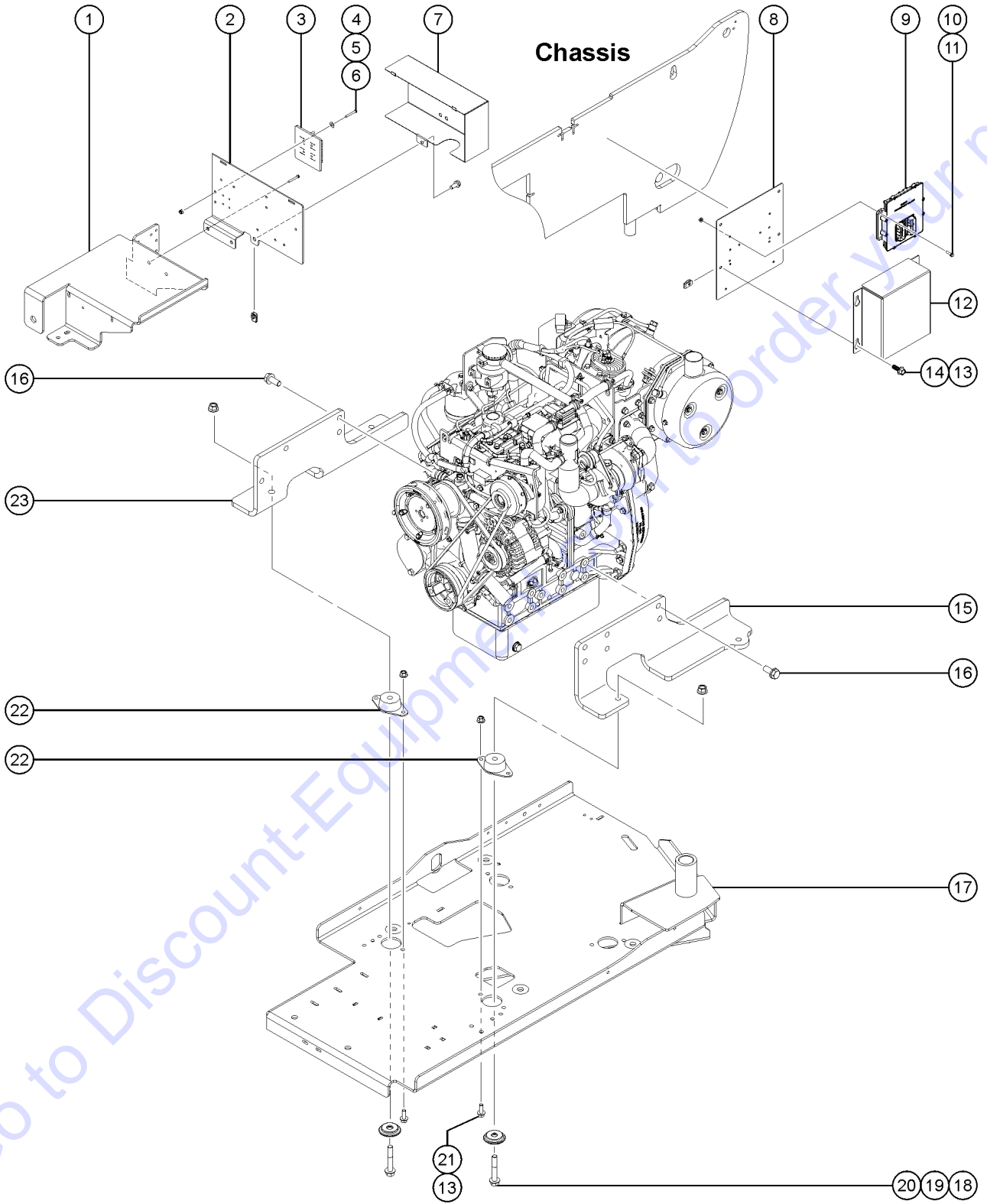


Go to DiscountParts.com to order your parts

410.1 Perkins 404F-22T Engine - View 3

Item	Part No.	Description	Qty.
--		<i>Due to Tier 4 regulations, many engine replacement parts require the engine serial number at time of order placement. When ordering engine parts please have both machine and engine serial numbers available. For internal engine parts, contact engine dealer</i>	
--	97473GT	SENSOR,WATER TEMPERATURE	
--	1251819GT	GASKET,EXHAUST MANIFOLD,PERK	
1	65638GT	SEAL, OIL FILLER CAP.....	1
2	65636GT	CAP, OIL FILLER.....	1
3	128986GT	WATER OUTLET, VERTICAL.....	1
4	128991GT	THERMOSTAT.....	1
5	147355GT	GASKET-THERMOSTAT HSG..... <i>for 128991</i>	1
6	77736GT	GLOW PLUG (PERKINS 404-22).....	6
7	1252940GT	STARTER,PERKINS 404F..... <i>no componets available from supplier</i>	1
8	1251814GT	ALTERNATOR - 85 AMP, INT REGULATED.....	1
9	1252686GT	FAN,10 BLADE,17",PERKINS 404F-.....	1
10	128987GT	WATER PUMP.....	1
11	101321GT	SWITCH,OIL PRESSURE.....	1
12	89765GT	BELT, V (PERKINS 404).....	1

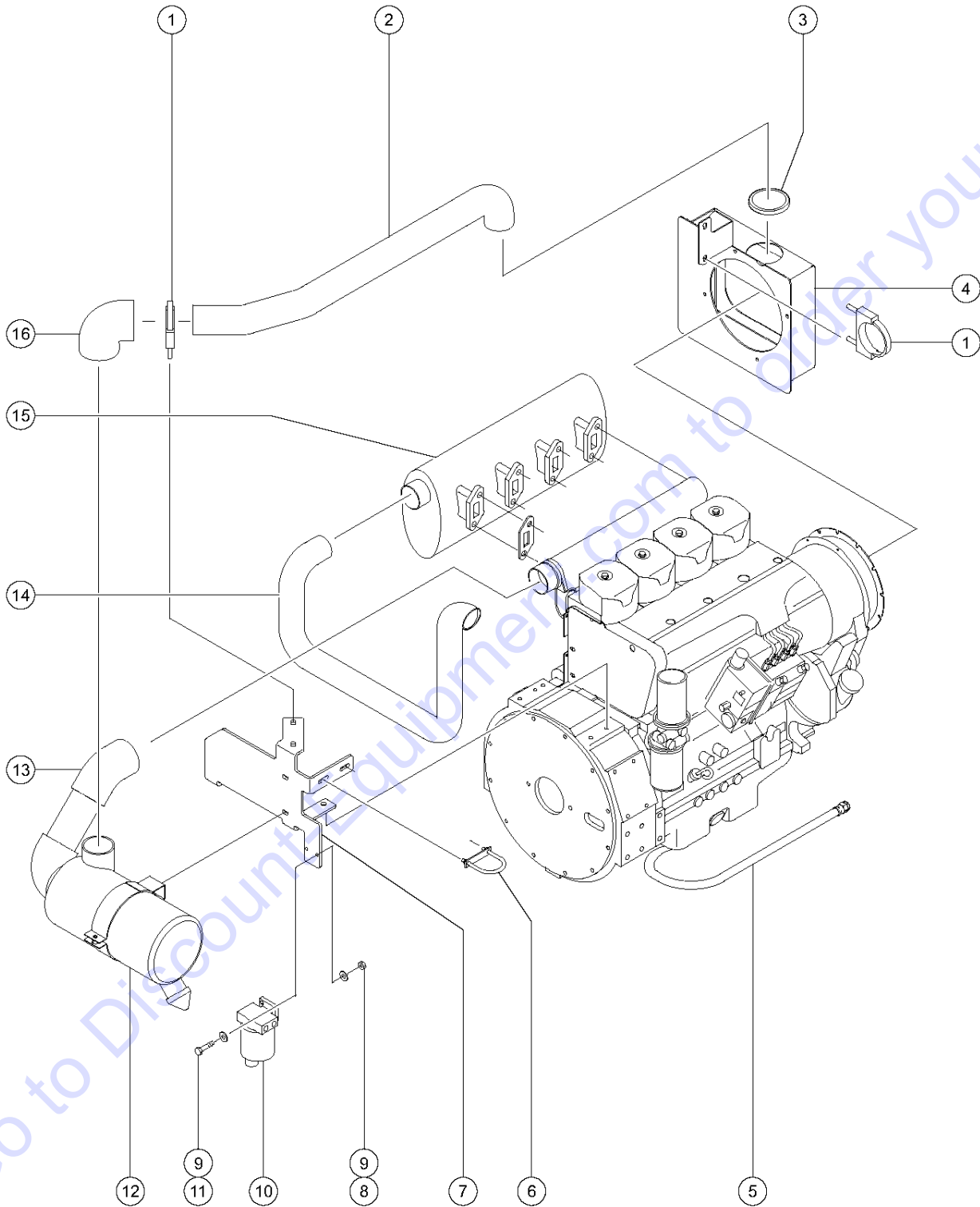
411.1 Perkins 404F-22T Engine - View 4



411.1 Perkins 404F-22T Engine - View 4

Item	Part No.	Description	Qty.
--		<i>Due to Tier 4 regulations, many engine replacement parts require the engine serial number at time of order placement. When ordering engine parts please have both machine and engine serial numbers available. For internal engine parts, contact engine dealer</i>	
1	81615GT	TRAY,BATTERY.....	1
2	1254354GT	FORMING, FUSE PANEL, Z80.....	1
3	1254689GT	FORMING, FUSE PANEL, Z80..... (Includes items 2 and 5)	1
--	1254690GT	FUSE HOLDER, ATC, 8POS 2BUSS	
--	62822GT	FUSE,15A SWITCH (62823)	
4	49821GT	SCREW,PHILLIPS,PHM,8-32 X 1.25.....	4
5	56306GT	WASHER,FLAT NYLON #10.....	4
6	6178GT	NUT,NYLOCK,10-32.....	4
7	1254355GT	FORMING, COVER, FUSE PANEL.....	1
8	826212GT	PLATE, ECM MOUNT, Z80.....	1
9	216065GT	ECM, PERKINS 404F-22.....	1
10	824079GT	SCREW,HHF,1/4-20X1,8,ZAG.....	4
11	824027GT	NUT,TL FLG,1/4-20,G,ZAG.....	4
12	826211GT	FORMING, ECM COVER, Z80.....	1
13	824090GT	SCREW,HHF,3/8-16X1,8,ZAG.....	8
14	29868GT	SPRING CLIP,3/8-16,.05-.20X.73,ZAG....	4
15	1253574GT	FORMING, ENGINE MOUNT, LH.....	1
16	1251899GT	SCREW,HHFM14-2.0X40,DIN6921,10.9,ZAB.11	
17		Ref. WLDMT, ENGINE TRAY, Z80 T4 DEU..... (refer to 431.1)	1
18	1251994GT	SCREW,HHF,1/2-13X3,8,ZAG.....	4
19	102066GT	CASTING,WASHER,REBOUND.....	4
20	1251997GT	NUT,TL FLG,1/2-13,G,ZAG.....	4
21	824029GT	NUT,TL FLG,3/8-16,G,ZAG.....	4
22	70452GT	ISOLATOR,ENGINE VIBRATION***	2
23	1253573GT	FORMING, ENGINE MOUNT, RH.....	1

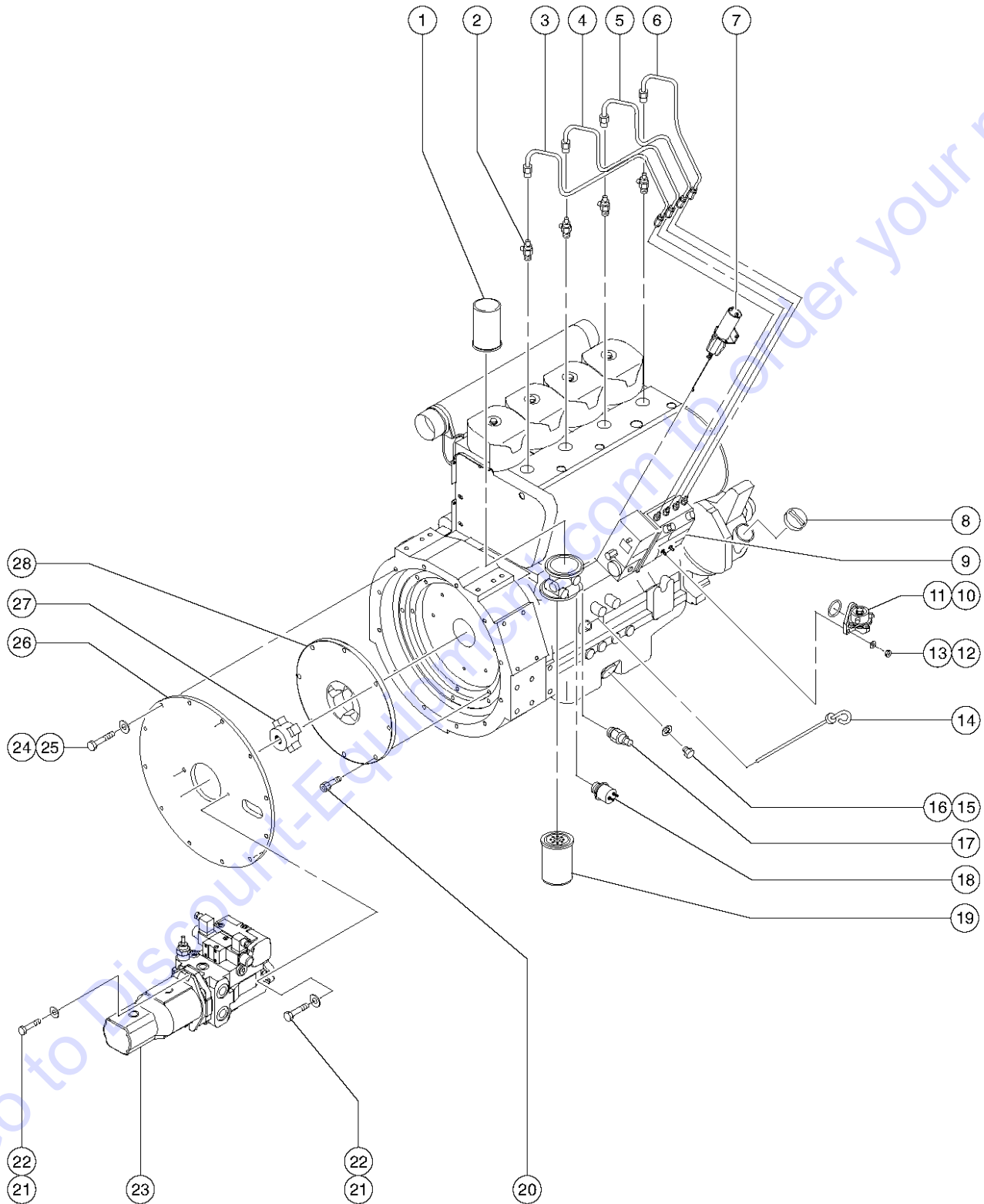
412.1 Deutz F4L-913 Engine - View 1 (to SN 338)



412.1 Deutz F4L-913 Engine - View 1 (to SN 338)

Item	Part No.	Description	Qty.
--	88134GT	HARNES,DEUTZ ENGINE,F4L913	
--	88173PGT	FORMING,DUETZ INTAKE BAFFLE	
1	61273GT	CLAMP-HEAVY DUTY.....	2
2	81469GT	TUBE,INLET,DEUTZ.....	1
3	44669GT	GROMMET,RUBBER 3 X .13 X 3.25.....	1
4	102973GT	INTAKE BOX W/DECAL DEUTZ T1.....	1
5	81782GT	HOSE ASSY,DEUTZ OIL DRAIN 1/2".....	1
--	49213GT	HOSE END,BARBED,SWIVEL,JIC,8-8	
--	63426GT	PLUG,070109-8	
--	81781GT	ADAPTER,DEUTZ OIL DRAIN	
6	16584GT	U-BOLT, KIT 5/16-18 X 2.5 ***	1
7	81471PGT	BRACKET,AIR CLEANER/EXHAUST PT.....	1
8	6091GT	NUT,NYLOCK,1/4-20	
9	6638GT	WASHER,FLAT,USS,1/4"Y	
10	81199GT	SEPARATOR/FILTER,FUEL-D,30MIC.....	1
--	65853GT	FILTER,FUEL/WATER SEPARATOR***	
11	8915GT	SCREW,HHC,1/4-20 X 1.25	
12	81467GT	AIR CLEANER,NELSON.....	1
--	62425GT	FILTER,AIR CLEANER,SUPERBOOM	
--	81468GT	MOUNTING BAND,AIR CLEANER	
13	61270GT	ELBOW,45 DEG,INLET.....	1
--	60561GT	ELBOW,INLET,CUMMINS	
--	81906-700GT	TUBE,RD,ALUM 3 X .188	
14	81470GT	TAILPIPE,DEUTZ 913 S80.....	1
15	75359GT	MUFFLER,DEUTZ,F4L913.....	1
--	75000GT	MUFFLER,CATALYTIC,DEUTZ*F4L913	
--	75360GT	GASKET,EXAUST,DEUTZ F4L913	
16	60561GT	ELBOW,INLET,CUMMINS.....	1

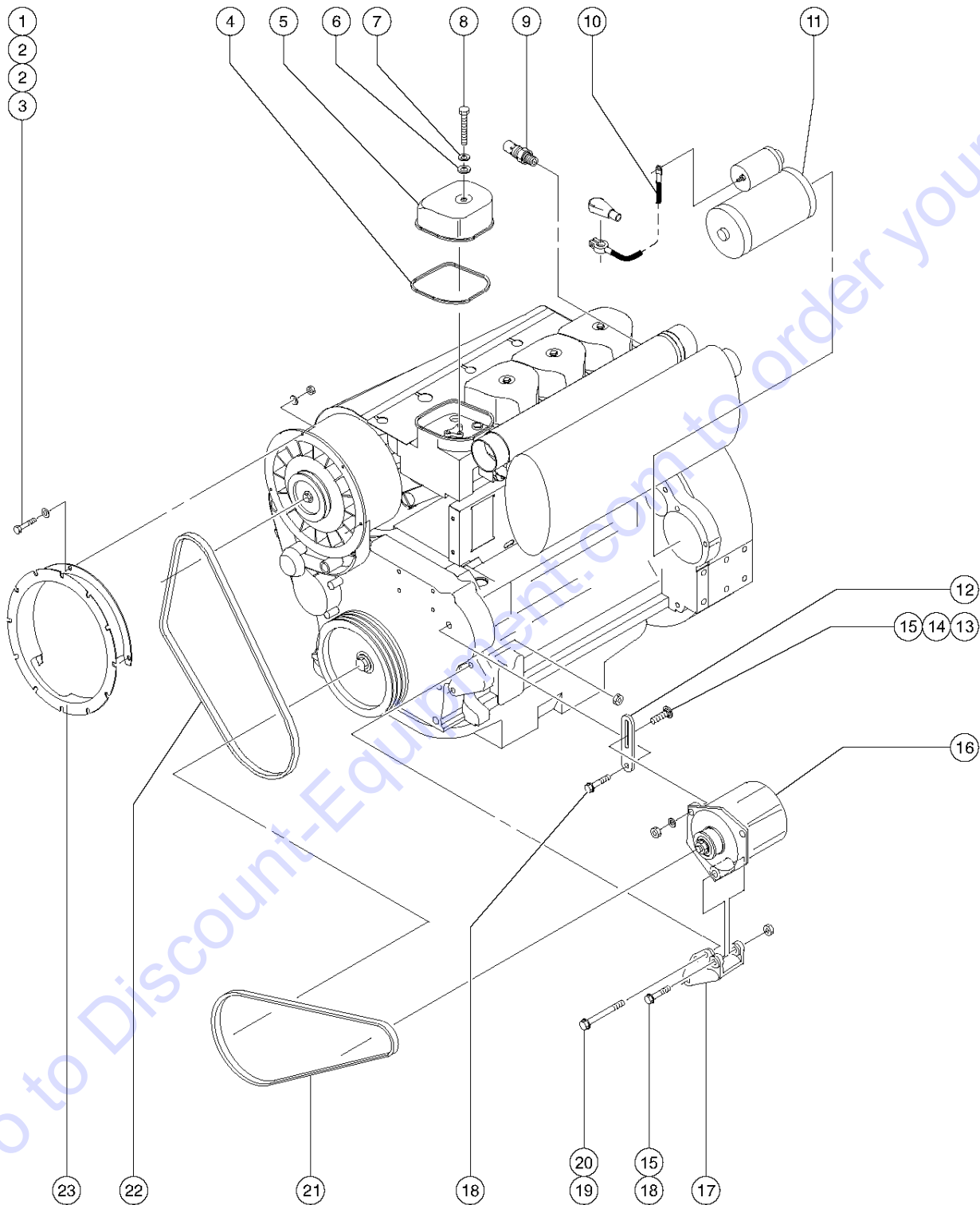
413.1 Deutz F4L-913 Engine - View 2 (to SN 338)



413.1 Deutz F4L-913 Engine - View 2 (to SN 338)

Item	Part No.	Description	Qty.
1	108543GT	FILTER / FUEL / SPIN-ON.....	1
--	58566GT	FILTER HEAD (29560) <i>plastic</i>	
2	75361GT	INJECTOR,FUEL,DEUTZ F4L913.....	4
--	75378GT	SEAL,INJECTOR,DEUTZ F4L913	
3	75362GT	FUEL LINE,INJECT.1DEUTZ F4L913.....	1
4	75363GT	FUEL LINE,INJECT.2DEUTZ F4L913.....	1
5	75364GT	FUEL LINE,INJECT.3DEUTZ F4L913.....	1
6	75365GT	FUEL LINE,INJECT.4DEUTZ F4L913.....	1
7	75366GT	SOLENOID,SHUTDOWN DEUTZ F4L913.....	1
8	75369GT	CAP,OIL FILLER, DEUTZ F4L913.....	1
--	75377GT	O-RING,OIL FILLER (75369) <i>includes sealing ring</i>	
9	75370GT	PUMP,FUEL INJECTN.DEUTZ F4L913.....	1
--	75371GT	O-RING,FUEL INJ.PUMP (75370) <i>includes items 10-13</i>	
10	75367GT	PUMP,FUEL LIFT DEUTZ F4L913.....	1
11	72243GT	MOUNTING O-RING (75367).....	1
12	75379GT	NUT,M6,FUEL PUMP,DEUTZ F4L913	
13	75380GT	WASHER,LOCK,M6,DEUTZ F4L913	
14	75372GT	DIPSTICK,DEUTZ F4L913.....	1
--	75373GT	O-RING,DIPSTICK DEUTZ (75372)	
15	75374GT	PLUG,ENGINE OIL, DEUTZ F4L913.....	3
16	75375GT	WASHER,OIL DRAIN DEUTZ F4L913....	3
17	72355GT	OIL TEMP SENSOR(60323).....	1
18	75473GT	SENSOR,OIL PRS KIT,VDO0360-040....	1
19	62430GT	FILTER,OIL, DEUTZ F4L913.....	1
20	61110GT	SCREW,SHC,M10X1.5X30 GR 12.9	
21	8177GT	SCREW,HHC,1/2-13 X 1.5	
22	13066GT	WASHER,FLAT,.5 HARDENED	
23		Ref. Drive Pump Assembly (refer to 710.1)	
24	44064GT	SCREW,HHC,M10 X 30MM,	
25	22699GT	WASHER,FLAT,M10,ZINC PLTD.	
26	63464PGT	PLATE, PUMP MOUNT, PAINTED***.....	1
27	81473GT	COUPLER,HUB,15 TOOTH DEUTZ 913.....	1
28	61078GT	FLYWHEEL DRIVE PLATE,SAE 10.....	1

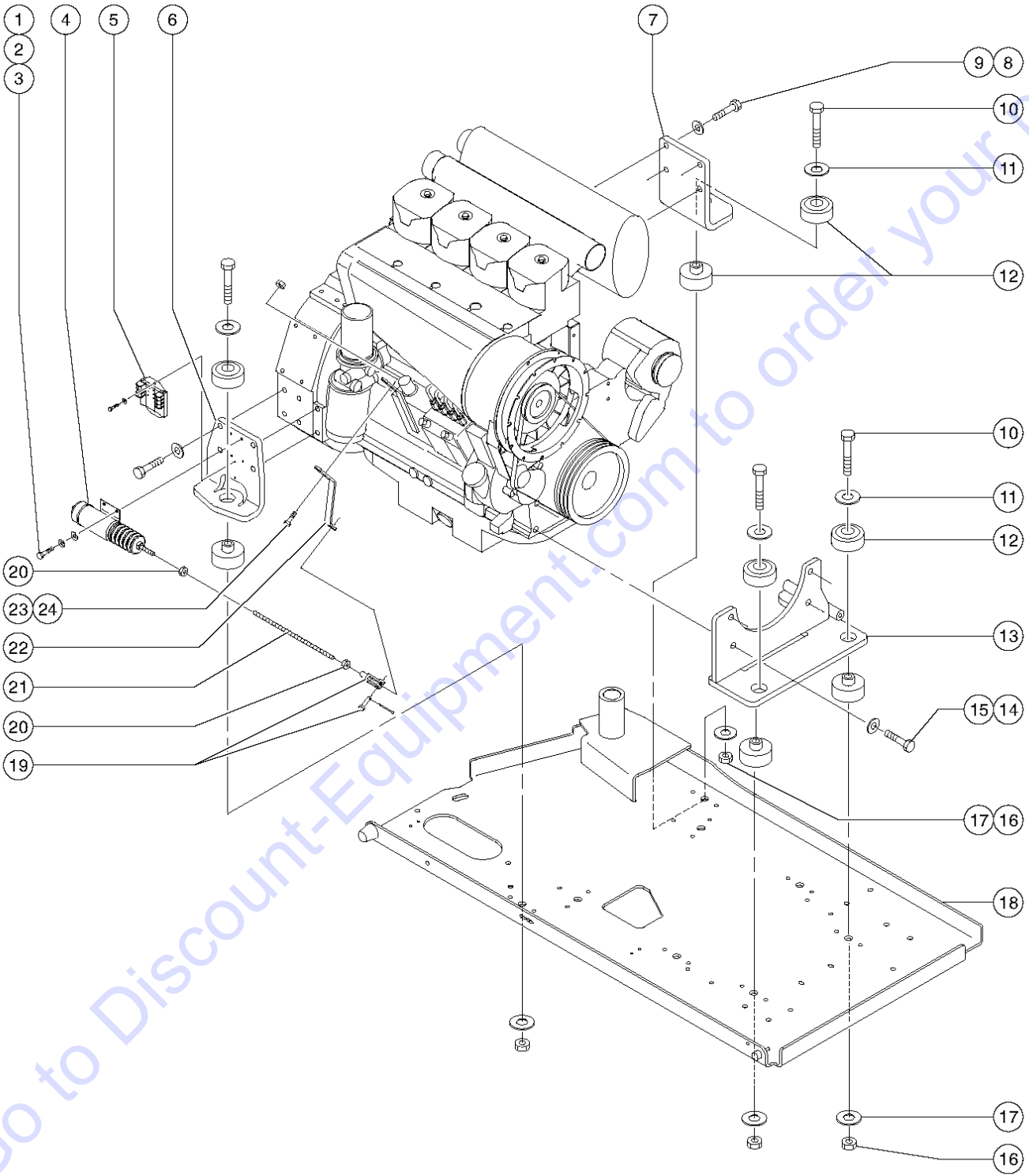
414.1 Deutz F4L-913 Engine - View 3 (to SN 338)



414.1 Deutz F4L-913 Engine - View 3 (to SN 338)

Item	Part No.	Description	Qty.
--	T107605GT	SWITCH,FAN BELT	
--	T107606GT	HARNESS, FAN BELT SWITCH	
1	75381GT	SCREW,HHC,M6 X 1 X 20	
2	75382GT	WASHER,FLAT,M6,DEUTZ F4L913	
3	75383GT	NUT,M6,BLOWER,DEUTZ F4L913	
4	75384GT	GASKET,CYL.COVR.DEUTZ F4L913.....4	
5	75385GT	CYLINDER HEAD CVR.DEUTZ F4L913.....4	
6	75388GT	SEAL,CYL.HED.CVR.DEUTZ,F4L913.....4	
7	75387GT	WASHER,CYL.HED CVR.DEUTZF4L913.....4	
8	75386GT	SCREW,HHC,M8 X 1.25 X 30	
9	75389GT	GLOW PLUG,DEUTZ F4L913.....1	
--	75390GT	SOLENOID,GLOW PLUG,DEUTZF4L913	
10		Ref. Starter Battery Cable Assembly (refer to 423.1)	
11	75391GT	STARTER, DEUTZ F4L913.....1	
--	75392GT	SOLENOID,STARTER,DEUTZ F4L913	
12	75394GT	ALTERNATOR STAY,DEUTZ F4L913.....1	
13	75416GT	BOLT,CARRIAGE,M8X1.25X25,DEUTZ	
14	75417GT	WASHER,FLAT,M8 DEUTZ, F4L913	
15	75418GT	NUT,M8,ALTERNATOR,DEUTZ F4L913	
16	75393GT	ALTERNATOR, DEUTZ (55AMP) ***.....1	
16B	1274614GT	ALTERNATOR PULLEY	
17	75419GT	ALTERNATOR,STAY,DEUTZ,F4L913.....1	
18	75420GT	SCREW,HHC,M8 X 1.25 X 120	
19	75421GT	SCREW,HHC,M10 X 1.5 X 140	
20	75422GT	NUT,HEX,M10,ALTER.DEUTZ F4L913	
21	62432GT	BELT,V, ALTERNATR.DEUTZ F4L913.....1	
22	62431GT	BELT,V, BLOWER, DEUTZ F4L913.....1	
22	T107605GT	SWITCH,FAN BELT.....1	
22	T107606GT	HARNESS, FAN BELT SWITCH.....1	
23	75423GT	SHROUD,DEUTZ,AIR INTAKE.....1	

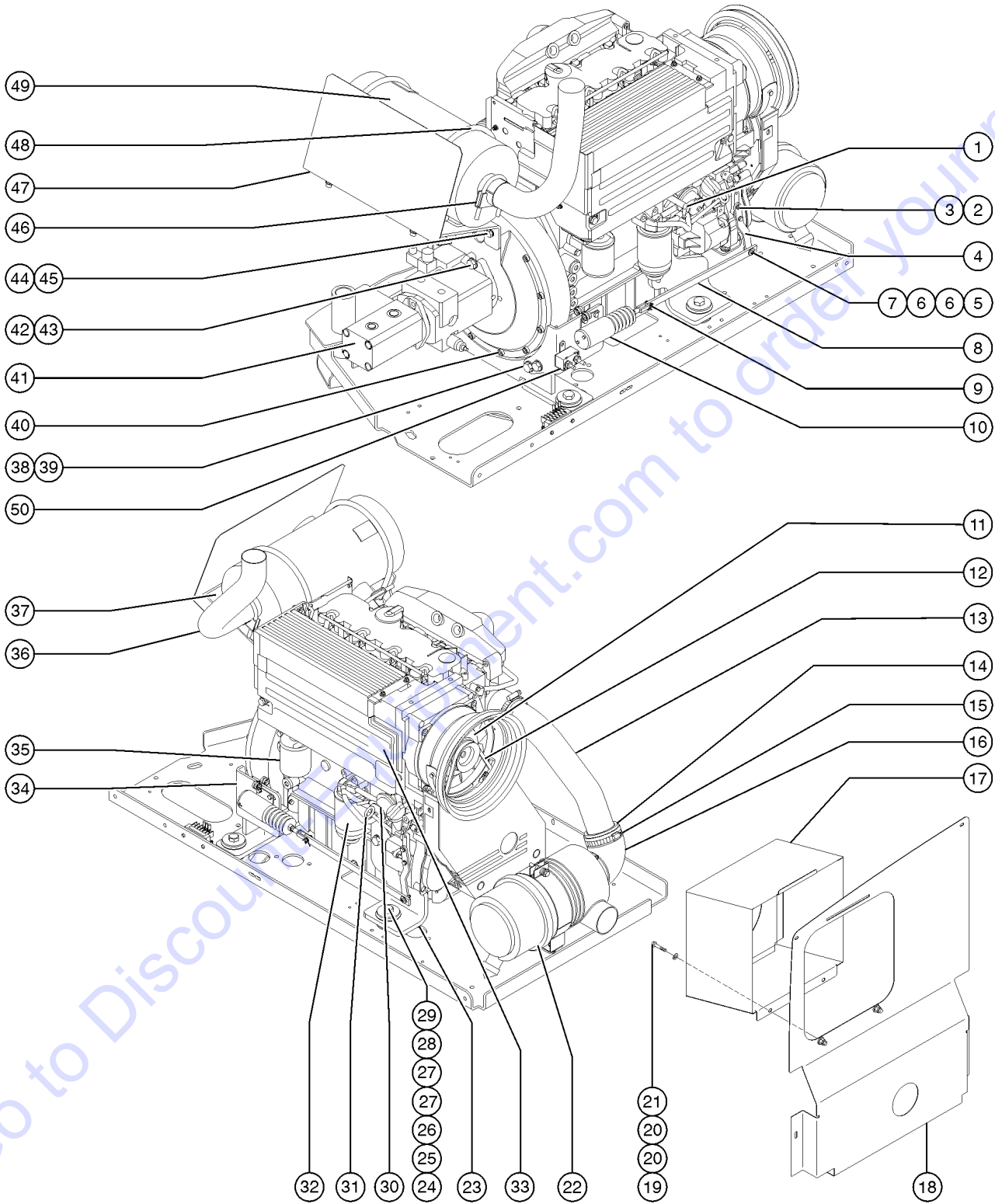
415.1 Deutz F4L-913 Engine - View 4 (to SN 338)



415.1 Deutz F4L-913 Engine - View 4 (to SN 338)

Item	Part No.	Description	Qty.
1	7339GT	SCREW,HHC,1/4-20 X .5	
2	6356GT	WASHER,LOCK,.25	
3	6638GT	WASHER,FLAT,USS,1/4"Y	
4	89998GT	KIT,SERVICE,SOLENOID MODULE.....1	
--	52537GT	BOOT,SOLENOID,29073	
5	89997GT	RELAY MODULE(89996,89998).....1	
6	81463PGT	ENGINE MOUNT,RR,DEUTZ 913 PNT...1	
7	81462PGT	ENGINE MOUNT,LR,DEUTZ 913 PNT....1	
8	60868GT	SCREW,HHC,M12 X 45	
9	49410GT	WASHER,FLAT,M12	
10	59746GT	SCREW,HHC,5/8-11 X 4.0***.....4 <i>for use with two-piece isolator</i>	
10A	13003GT	SCREW,HHC,5/8-11 X 3.5 GRD.8.....4 <i>for use with one-piece isolator 102045</i>	
11	33418GT	WASHER,FLAT,625 X 2.25 X.15.....4	
12		ISOLATOR,TWO-PIECE <i>component no longer available</i>	
12A	102045GT	ISOLATOR,ENGINE VIBRATION.....4	
12A	18596GT	WASHER,FLAT,1.56 X 2.5 X .061.....8 <i>for use with one-piece isolator 102045</i>	
13	81464PGT	ENGINE MOUNT,FRONT,DEUTZ PAINT.....1	
14	75398GT	SCREW,HHC,M14 X 2 X 100	
15	75399GT	WASHER,FLAT,M14,DEUTZ F4L913	
16	6024GT	NUT,NYLOCK,5/8-11	
17	6035GT	WASHER,FLAT,USS,5/8",Y	
18		Ref. Engine Tray (refer to 424.1)	
19	21130GT	CLEVIS YOKE-1/4-28,PLTD W/PIN.....1 <i>includes clevis pin and cotter pin</i>	
20	21496GT	NUT,HEX,1/4-28	
21	30785-1000GT	THREADED ROD,1/4-28 X 10 IN***.....1	
22	75082PGT	FORMING,THROTTLE ARM DEUTZ.PTD.....1	
23	6090GT	SCREW,HHC,1/4-20 X .75	
24	6889GT	NUT,LP NYLOCK,1/4-20	

416.1 Deutz BF4L-2011 / TD2011-L04i Engine - View 1 (from SN 339)



416.1 Deutz BF4L-2011 / TD2011-L04i Engine - View 1 (from SN 339)

Item	Part No.	Description	Qty.	Item	Part No.	Description	Qty.
--	102581GT	PUMP,FUEL INJ,DEUTZ BF4L20 class A injection pump; provide SN of engine to service to get correct injection pump (A, B, C, D)		--	50787-SGT	LEVER, GOVERNOR ACTUATOR from SN 2326	
--	T108732GT	PUMP,FUEL INJ,DEUTZ BF4L20 class B injection pump; provide SN of engine to service to get correct injection pump (A, B, C, D)		5	6584GT	SCREW,SHS,10-24 X .625	
--	T108733GT	PUMP,FUEL INJ,DEUTZ BF4L20 class C injection pump; provide SN of engine to service to get correct injection pump (A, B, C, D)		6	6638GT	WASHER,FLAT,USS,1/4"Y	
--	T108734GT	PUMP,FUEL INJ,DEUTZ BF4L20 class D injection pump; provide SN of engine to service to get correct injection pump (A, B, C, D)		7	5365GT	NUT,NYLOCK,10-24.....1	
--	101848GT	HARNESS,DEUTZ ENGINE,BF4L2011 from SN 339 to 1143		8	88512GT	THROTTLE LINK,DSL***.....1 from SN 339 to 2325	
--	122052GT	HARNESS,DEUTZ ENGINE,BF4L2011 from SN 1144 to 4764		--	139322GT	THROTTLE LINKAGE, DSL from SN 2326	
--	1253173GT	HARNESS,ENG,DEUTZ,BF4L2011,Z80 from SN 4765		9	21130GT	CLEVIS YOKE-1/4-28,PLTD W/PIN.....1 includes clevis pin and cotter pin	
--	125326GT	CIRCUIT BREAKER, AUTO RESET,6A from SN 4765		10	121615GT	THROTTLE SOLENOID ASSY, TROMB.....1 from SN 2040	
--	139983GT	EXHAUST PIPE GASKET from SN 2178		--	128829GT	CIRCUIT BRKR 15A TYPE 2 METAL	
--	101638GT	OPTION, SPARK ARREST from SN 339		--	89997GT	RELAY MODULE(89996,89998) from SN 339 to 2039	
K	139612GT	KIT CB 15A T2 RPM SOLENOID 3W includes item 128829; to SN 2439		--	89998GT	KIT,SERVICE,SOLENOID MODULE	
--	139624GT	SWITCH, OIL PRESSURE 1.5 BAR.....1 (replaced 65765)		11	58249GT	ALTERNATOR, DEUTZ,BF4L2011***.....1	
--	139666GT	KIT,OP SWITCH,DEUTZ (includes 139624 and instructions)		--	1280590GT	PULLEY,ALTERNATOR,DEUTZ BF4L2011 for 58249	
1	111668GT	PUMP,FUEL 2011 DEUTZ ***.....1 includes hand priming pump		--	1280591GT	SPACER,ALT PULLEY,DEUTZ BF4L2011 for 58249	
--	111402GT	O-RING, FUEL LIFT PUMP		12	102589GT	V-BELT, DEUTZ F4L2011.....1 from SN 339 to 2177	
--	27089GT	HOSE,5/16 FUEL,SAE 30R7 from SN 339 to SN 998		--	58630GT	V-BELT, DEUTZ TD2011LOAI from SN 2178	
--	30490GT	HOSE,1/4 FUEL LINE,SAE 30R7		13	102227GT	TUBE,AIR INTAKE.....1	
1A	T114678GT	SHUTDOWN SOLENOID,12V, DEUTZ....1 (must order cable assembly, 58256, if replacing 32752) (includes o-ring)		14	88064GT	REDUCER,3" TO 2.75".....1	
--	45782GT	DIODE,6 AMP,200 PIV,BULK		15	30489GT	CLAMP,HOSE,3.50.....4	
--	58256GT	SOLENOID CABLE ASSY***		16	60561GT	ELBOW,INLET,CUMMINS.....1	
--	72255GT	CONNECTOR, DEUTZ FUEL SHUTOFF* (does not include diode, 45782)		17	102974GT	INTAKE BOX W/DECAL DEUTZ TII.....1 Airbox with word decals; to SN 2177	
2	22578GT	SCREW,HHC,M6 X 20MM,GR8.8		--	102239PGT	WELDMNT,AIR BOX PAINTED Airbox with no decals; to SN 2177	
3	49407GT	WASHER,LOCK,M6		--	121410GT	WELDMNT,COOLING AIRBOX Airbox with no decals; from SN 2178	
4	70479PGT	FORMING,THROTTLE ARM PAINTED...1 from SN 339 to 2325		--	122388GT	DEUTZ,AIRBOX WITH WORD DECALS Airbox with word decals; from SN 2178	
				18	102228PGT	FORMING,INTAKE BAFFLE,DEUTZ.....1 from SN 339 to 2177	
				--	122588GT	FORMING,INTAKE BAFFLE,Z80 from SN 2178	
				19	6175GT	SCREW,HHC,3/8-16 X 1	
				20	5397GT	WASHER,FLAT,USS,5/16",Y	
				21	4828GT	NUT,NYLOCK,3/8-16	
				22	81467GT	AIR CLEANER,NELSON.....1	
				--	62425GT	FILTER,AIR CLEANER,SUPERBOOM	

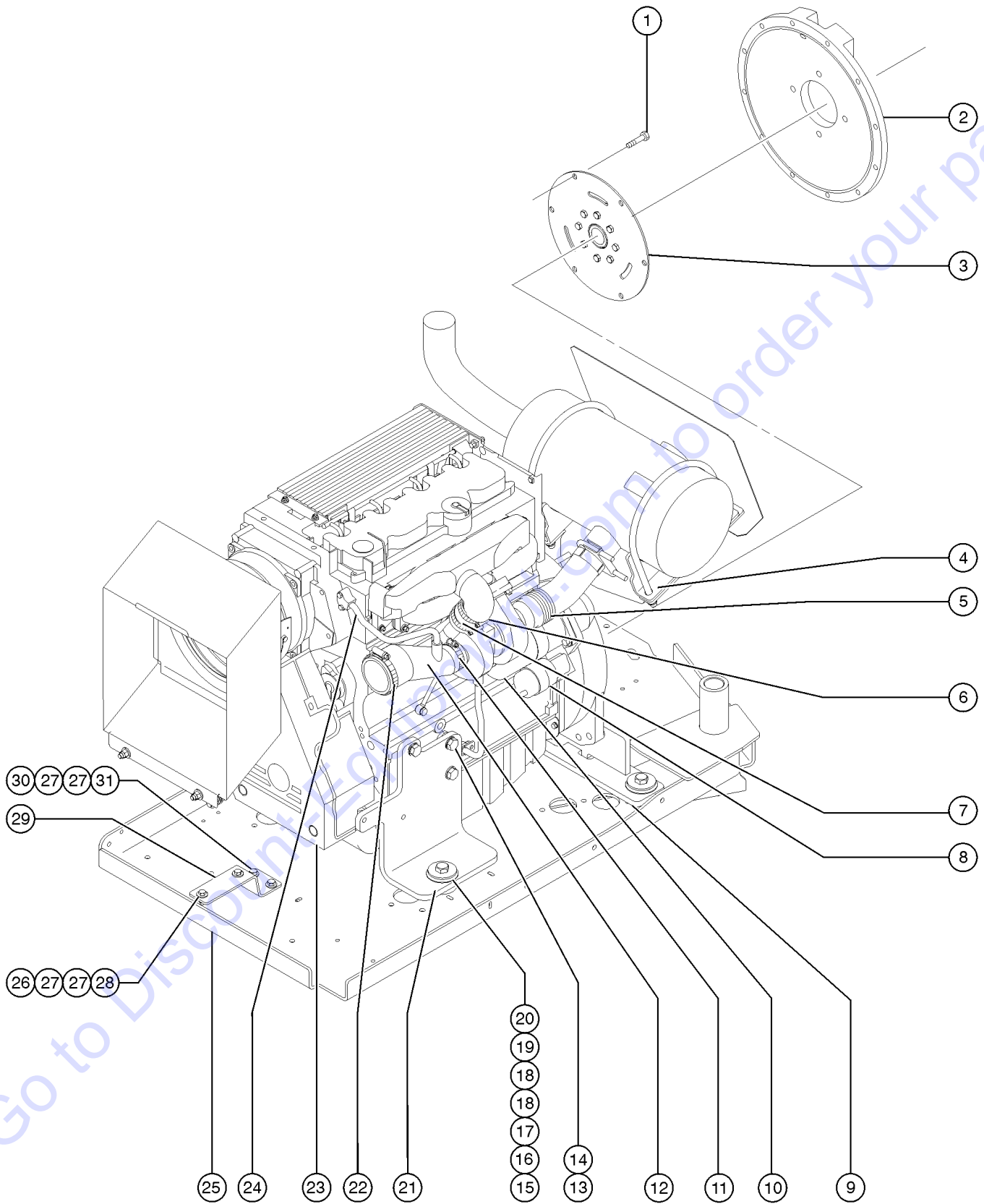
416.1 Deutz BF4L-2011 / TD2011-L04i Engine - View 1 (from SN 339)
 (continued)

Item	Part No.	Description	Qty.	Item	Part No.	Description	Qty.
--	81468GT	MOUNTING BAND,AIR CLEANER		--	101633GT	MUFFLER,SPARK ARREST,2.5 I/O	
23	70455PGT	FORMING,ENGINE MOUNT PAINTED...1		--	101634GT	MUFFLER,CATALYTIC,2.5 I/O	
24	13003GT	SCREW,HHC,5/8-11 X 3.5 GRD.8.....6		50	128829GT	CIRCUIT BRKR 15A TYPE 2 METAL <i>from SN 2440</i>	
25	33418GT	WASHER,FLAT,.625 X 2.25 X .15					
26	102045GT	ISOLATOR,ENGINE VIBRATION.....6					
27	18596GT	WASHER,FLAT,1.56 X 2.5 X .061					
28	13064GT	WASHER,FLAT,.625 HARDENED.....4					
29	6024GT	NUT,NYLOCK,5/8-11					
30	58299GT	SENDING UNIT,OIL PRESS.,DEUTZ*....1					
31	49922GT	DIPSTICK - DEUTZ F4L1011F.....1 <i>to SN 2015</i>					
--	102585GT	O-RING,DIPSTICK,DEUTZ F4L2011 <i>use with item 49922; to SN 2015</i>					
--	52352GT	DIPSTICK-F3L1011F (DEUTZ) <i>from SN 2016</i>					
32	29560GT	FILTER,FUEL/WTR SEP, DTZ 1008.....1 <i>Genie Genuine Part. See PN 1254826 for compatible aftermarket replacement.</i>					
--	1254826GT	FUEL FILTER W/SEP,DEUTZ,1008.....1 <i>Genie Aftermarket Part. Filter for Deutz F3L 1011F Engine.</i>					
33	111445GT	SENDING UNIT,OIL TEMP SWCH,DTZ.....1					
34	70478PGT	FORMING,SOLENOID MOUNT PAINTED.....1 <i>from SN 339 to 2325</i>					
--	139321GT	FORMING, SOLENOID MOUNT*** <i>from SN 2326</i>					
35	49924GT	FILTER,OIL,DEUTZ F4L1011F.....1 <i>Genie Genuine Part. See PN 1255653 for compatible aftermarket replacement.</i>					
--	1255653GT	FILTER,OIL,DEUTZ,REPLACEMENT.....1 <i>Genie Aftermarket Part. Compatible with Genie Genuine Part 49924.</i>					
36	70465GT	TAILPIPE,DEUTZ BF4L2011.....1					
37	70448PGT	FORMING,MUFFLER MOUNT.....1					
38	22558GT	SCREW,HHC,M14 X 40MM,GR 8.8					
39	49411GT	WASHER,FLAT,M14					
40	61110GT	SCREW,SHC,M10X1.5X30 GR 12.9					
41		Ref. Drive Pump Assembly (refer to 710.1)					
42	8177GT	SCREW,HHC, 1/2-13 X 1.5					
43	13066GT	WASHER,FLAT,.5 HARDENED					
44	85053GT	SCREW,HHC,M10 X 1.5 X70,GR 8.8					
45	22699GT	WASHER,FLAT,M10,ZINC PLTD.					
46	71911GT	CLAMP,MUFFLER, 2.50 INCH.....2					
47	102237PGT	FORMING,HEAT SHIELD,MUFFLER.....1					
48	70449GT	U-BOLT,1/2-13 X 8.5.....2					
49	70444GT	MUFFLER,2.5"INLET/OUTLET.....1					

This Page Intentionally Left Blank

Go to Discount-Equipment.com to order your parts

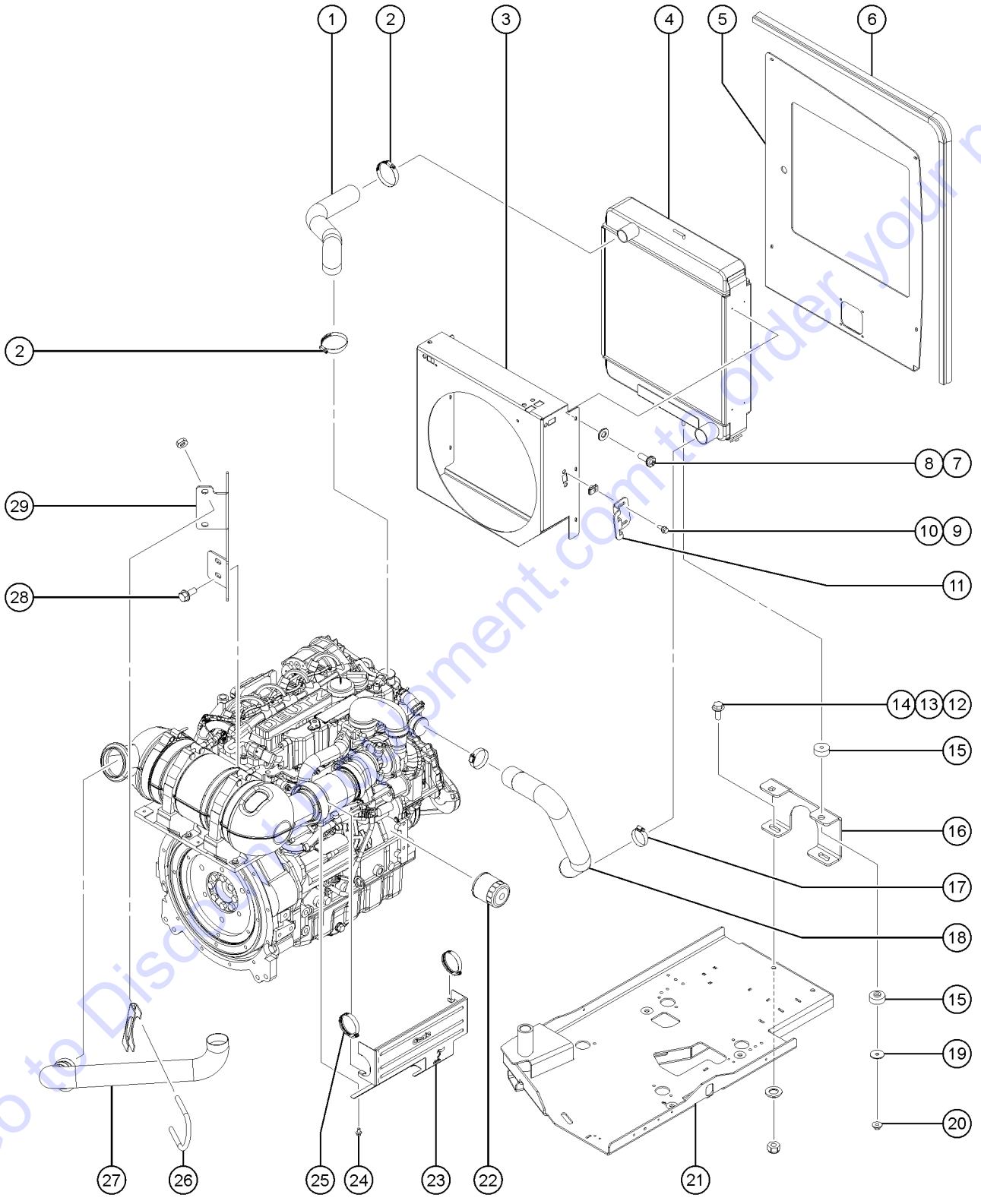
417.1 Deutz BF4L-2011 / TD2011-L04i Engine - View 2 (from SN 339)



417.1 Deutz BF4L-2011 / TD2011-L04i Engine - View 2 (from SN 339)

Item	Part No.	Description	Qty.	Item	Part No.	Description	Qty.
1	44064GT	SCREW,HHC,M10 X 30MM, (use for part number 33024)		27	5397GT	WASHER,FLAT,USS,5/16",Y	
--	22699GT	WASHER,FLAT,M10,ZINC PLTD. (use for part number 33024)		28	6782GT	NUT,NYLOCK,5/16-18	
--	62476GT	SCREW,SHC,M10X1.5X20MM (75090) (use for part number 128004)		29	102209PGT	FORMING,AIR CLEANER MOUNT PNTD.....1	1
2	70381GT	COVER,FLYWHEEL CASTING.....1	1	30	6019GT	SCREW,HHC,3/8-16 X 1.25 GRD 5	
3	37003GT	COUPLER,HUB,15 TOOTH 7/16BOLT*.....1 from SN 339 to SN 1473	1	31	4828GT	NUT,NYLOCK,3/8-16	
--	128004GT	COUPLER,15 TOOTH,FBA,SAE8*** from SN 1474					
--	128023GT	KIT,FBA STYLE COUPLER,SAE8 (replaces the flex plate and coupler), from SN 339 to SN 1473					
--	33024GT	FLYWHEEL FLANGE,GREEN PLASTIC.....1 from SN 339 to SN 1473	1				
4	70483GT	FORMING,8.5' MUFFLER MOUNT.....1	1				
5	70445GT	FLEX PIPE,EXHAUST,2.5" DIA.....1	1				
5B	139983GT	EXHAUST PIPE GASKET					
5B	71911GT	CLAMP,MUFFLER, 2.50 INCH					
6	102593GT	CLAMP, 3 INCH.....2	2				
7	226106GT	RUBBER SLEEVES, TD 2011L041.....1	1				
8	49915GT	SOLENOID-STARTR DEUTZF4L1011F*.....1	1				
9	70456GT	WELDMENT,REAR ENGINE MOUNT.....1	1				
10	139709GT	STARTER, 12V.....1	1				
--	139621GT	KIT, HEAT GUARD, DEUTZ STARTER					
11	30971GT	CLAMP,HOSE,3.00"					
12	226103GT	INLET REDUCER,TD 2011L041					
13	22558GT	SCREW,HHC,M14 X 40MM,GR 8.8					
14	49411GT	WASHER,FLAT,M14					
15	13003GT	SCREW,HHC,5/8-11 X 3.5 GRD.8.....4	4				
16	33418GT	WASHER,FLAT,.625 X 2.25 X .15					
17	102045GT	ISOLATOR,ENGINE VIBRATION.....4	4				
18	18596GT	WASHER,FLAT,1.56 X 2.5 X .061					
19	13064GT	WASHER,FLAT,.625 HARDENED.....4	4				
20	6024GT	NUT,NYLOCK,5/8-11					
21	70454PGT	FORMING,ENGINE MOUNT PAINTED...1	1				
22	30489GT	CLAMP,HOSE,3.50					
23	146061GT	V-BELT GUARD, DEUTZ 2011.....1	1				
24	226104GT	BREATHER PIPE, TD 2011L041.....1	1				
--	226105GT	GASKET,BREATHER PIPE (226104)					
25		Ref. Engine Tray (refer to 420.1)					
26	13002GT	SCREW,HHC,5/16-18 X 1 GR5					

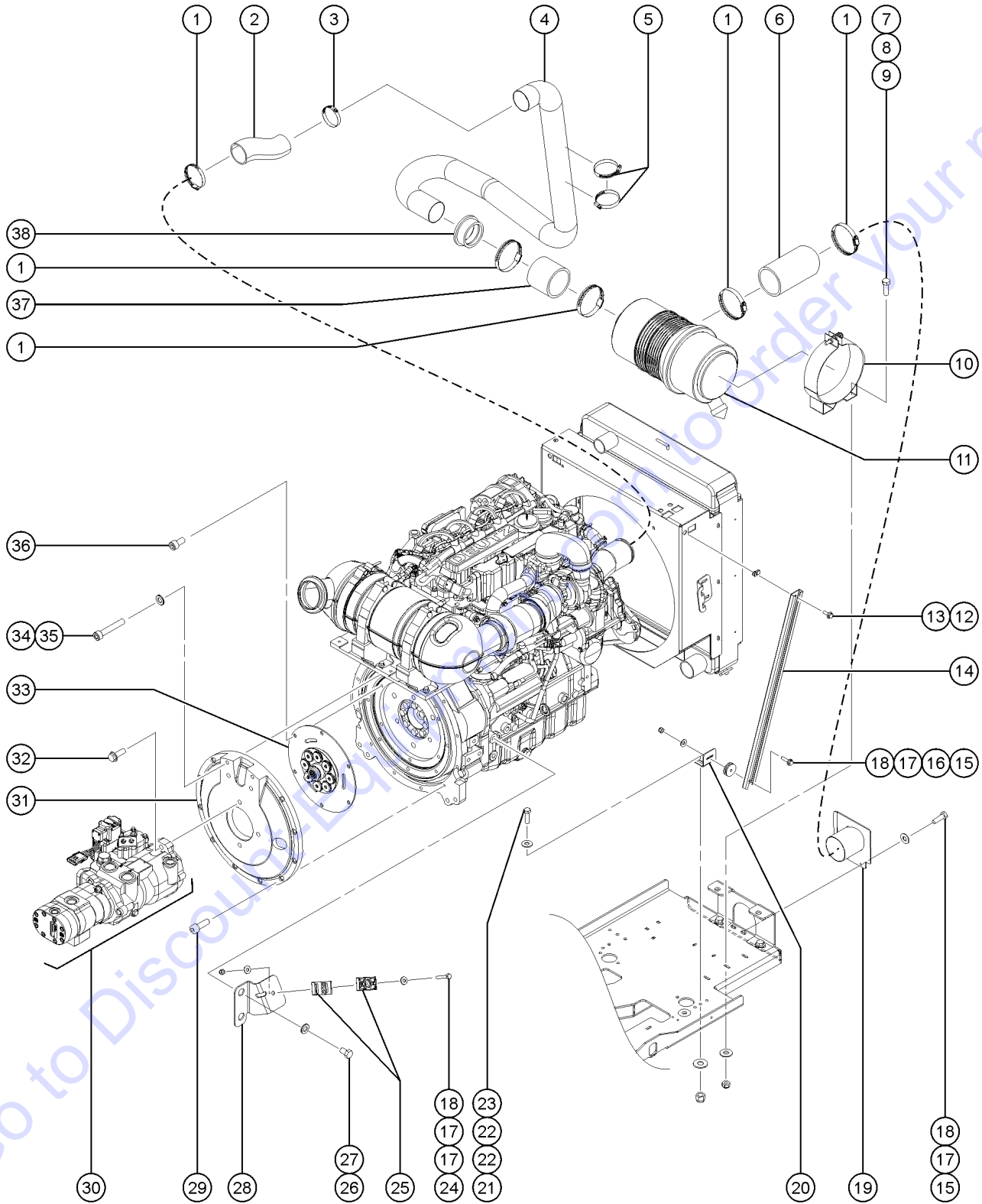
418.1 Deutz TD 2.9L4 Engine - View 1



418.1 Deutz TD 2.9L4 Engine - View 1

Item	Part No.	Description	Qty.	Item	Part No.	Description	Qty.
--		<i>Due to Tier 4 regulations, many engine replacement parts require the engine serial number at time of order placement. When ordering engine parts please have both machine and engine serial numbers available. For internal engine parts, contact engine dealer</i>		27	826822GT	EXHAUST PIPE, TIER IV DEUTZ, Z.....1	1
				28	237821GT	SCREW,HHF,M8X20,DIN6921,8.8,YZ.....2	2
				29	826874GT	FORMING, TAIL PIPE SUPPORT, Z8.....1	1
--	237730GT	ENGINE KIT, DEUTZ TD 2.9					
--	826636GT	HARNESS, DEUTZ 2.9, Z80					
--	1272624GT	KIT,WATER PUMP 2.9 L4					
--	1277974GT	PINS,CONNECTOR,INJ HARNESS,D2.9					
--	1254594GT	STARTER,3.2KW,DEUTZ D2.9					
--	1262868GT	BOLT, DEUTZ STARTER <i>not included sold seperately</i>					
1	162283GT	HOSE, UPPER RADIATOR, DEUTZ D....1					
2	22672GT	CLAMP,HOSE,1.75.....2					
3	826859GT	SHROUD,17" FAN,6-CORE RADIATOR.....1					
4	826795GT	RADIATOR,6-CORE,19.375W X 18.1.....1					
5	825239GT	FORMING, INTAKE BAFFLE, Z80 DE.....1					
6	119218GT	TRIM,EDGE,1/8X3/4 SIDE BULB.....81-inches					
7	21019GT	SCREW,PHIL,PHM,10-24 X.5,SEMS.....6					
8	6146GT	WASHER,FLAT,MS,#10,Y.....6					
9	121419GT	SCREW,HHF,1/4-20 X .75.....2					
10	25969GT	CLIP,SPRING,1/4-20 BLACK.....2					
11	823751GT	BRACKET,INTAKE PIPE,MOUNT,DEUT.....1					
12	128912GT	BOLT,FLANGE,5/8-11X1.5"GR8 PLT.....2					
13	13064GT	WASHER,FLAT,.625 HARDENED.....2					
14	6024GT	NUT,NYLOCK,5/8-11.....2					
15	24038GT	SHOCK MOUNT,SMALL.....4					
16	826835GT	FORMING,6-CORE RADIATOR MOUNT,.....1					
17	35434GT	CLAMP,HOSE,2.00***2					
18	162284GT	HOSE,LOWER RADIATOR, 2.9L DEUT.....1					
19	15086GT	WASHER,FLAT,.375 X 1.5 X .125.....2					
20	48425GT	NUT,FLG-LRG,3/8-16,YZ.....2					
21		Ref. Engine Tray <i>(refer to 431.1)</i>					
22	49924GT	FILTER,OIL,DEUTZ F4L1011F.....1					
--	1255653GT	FILTER,OIL,DEUTZ,REPLACEMENT					
23	1254949GT	HEAT SHIELD,DEUTZ TD2.9L.....1					
24	1251983GT	SCREW,HHF,M8-1.25X16,DIN6921,10.9,ZAB.4					
25	45435GT	CLAMP,HOSE,2.50"***2					
26	71911GT	CLAMP,MUFFLER, 2.50 INCH.....1					

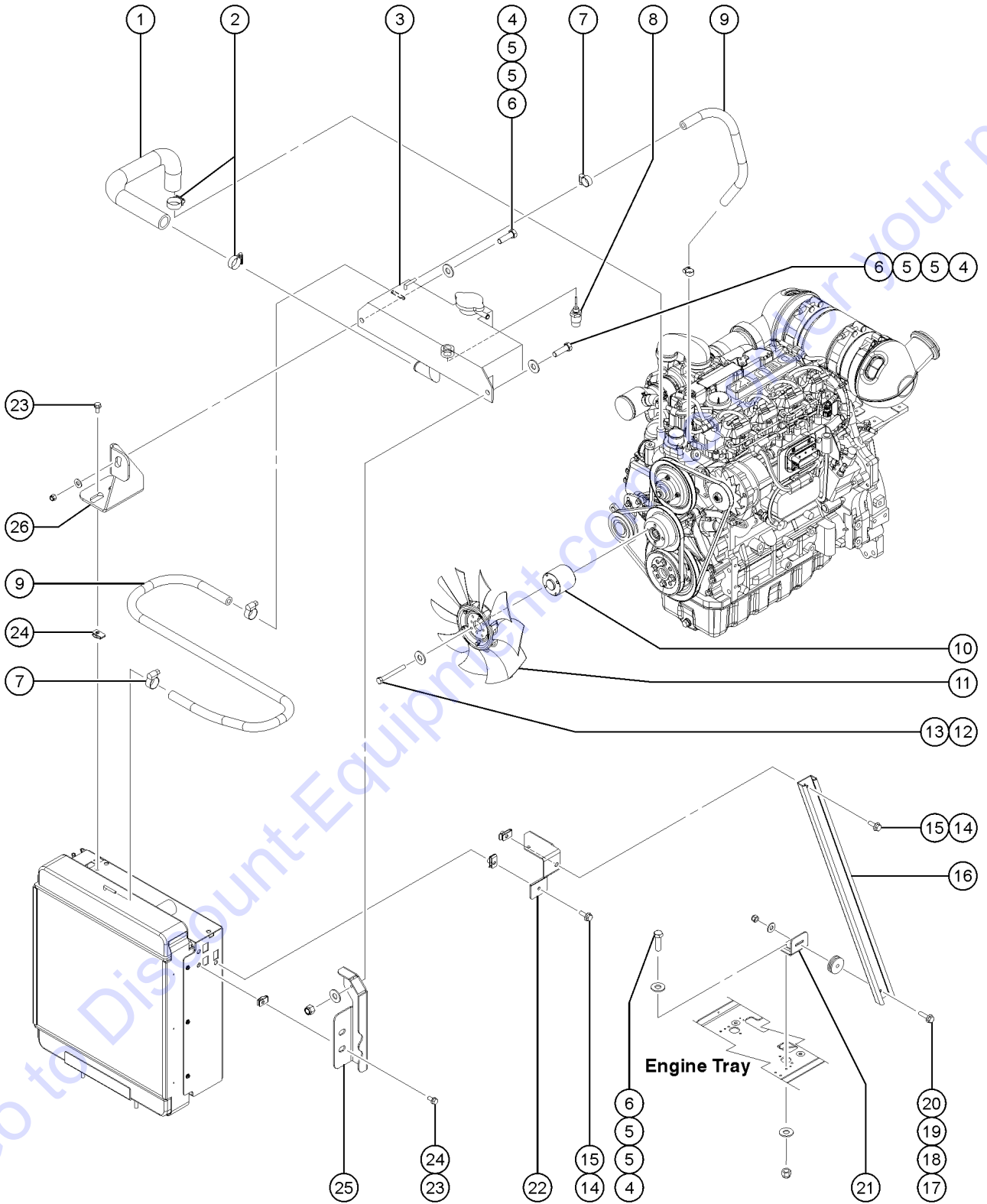
419.1 Deutz TD 2.9L4 Engine - View 2



419.1 Deutz TD 2.9L4 Engine - View 2

Item	Part No.	Description	Qty.	Item	Part No.	Description	Qty.
--		<i>Due to Tier 4 regulations, many engine replacement parts require the engine serial number at time of order placement. When ordering engine parts please have both machine and engine serial numbers available. For internal engine parts, contact engine dealer</i>		34	111748GT	SCREW,SHC,M10X1.5 X 60 GR8.8.....	2
				35	22699GT	WASHER,FLAT,M10,ZINC PLTD.....	2
				36	62476GT	SCREW,SHC,M10X1.5X20MM (75090).....	6
				37	106211-300GT	HOSE,RUBBER 3"ID X .25 BLACK.....	1
				38	101640GT	REDUCER,RUBBER 3.0 - 2.5.....	1
1	30489GT	CLAMP,HOSE,3.50.....	5				
2	823703GT	HOSE,REDUCER,OFFSET,TURBO INLE.....	1				
3	30971GT	CLAMP,HOSE,3.00".....	1				
4	823239GT	TUBE,INTAKE,DEUTZ 2.9L.....	1				
5	35434GT	CLAMP,HOSE,2.00***.....	2				
6	106211-600GT	HOSE,RUBBER 3"ID X .25 BLACK X 6.00 LG.....	1				
7	13002GT	SCREW,HHC,5/16-18 X 1 GR5.....	2				
8	5397GT	WASHER,FLAT,USS,5/16",Y.....	2				
9	6782GT	NUT,NYLOCK,5/16-18.....	2				
10	81468GT	MOUNTING BAND,AIR CLEANER.....	1				
11	81467GT	AIR CLEANER,NELSON.....	1				
--	62425GT	FILTER,AIR CLEANER,SUPERBOOM					
12	121419GT	SCREW,HHF,1/4-20 X .75.....	1				
13	25969GT	CLIP,SPRING,1/4-20 BLACK.....	1				
14	823144GT	UNISTRUT,FAN SHROUD BRACE,R,DE.....	1				
15	121420GT	SCREW,HHF,1/4-20 X 1.00.....	1				
16	229986GT	GROMMET RUBBER .375X1.00X.1875.....	1				
17	6638GT	WASHER,FLAT,USS,1/4"Y.....	3				
18	6091GT	NUT,NYLOCK,1/4-20.....	2				
19	1251928GT	WLDT, INTAKE, T4 DEUTZ, Z80/S80.....	1				
20	823147GT	FORMING,FAN SHROUD STRUT MOUNT.....	1				
21	6019GT	SCREW,HHC,3/8-16 X 1.25 GRD 5.....	2				
22	6097GT	WASHER,FLAT,USS,3/8",Y.....	4				
23	4828GT	NUT,NYLOCK,3/8-16.....	2				
24	6637GT	SCREW,HHC,1/4-20 X 1.75.....	1				
25	78736GT	CLAMP,2 HOSE,PLASTIC,5/8.....	2				
26	27585GT	SCREW,HHC,M12 X 20MM					
27	49410GT	WASHER,FLAT,M12.....	2				
28	825939GT	FORMING, CLAMP, BATTERY CABLE...1					
29	61110GT	SCREW,SHC,M10X1.5X30 GR 12.9.....	10				
30		Ref. DRIVE PUMP AND FUNCTION PUMP (refer to 710.1)					
31	70381GT	COVER,FLYWHEEL CASTING.....	1				
32	123167GT	FLGHCS,1/2-13X1.50,GR8,BLK PH.....	2				
33	128004GT	COUPLER,15 TOOTH,FBA,SAE8***.....	1				

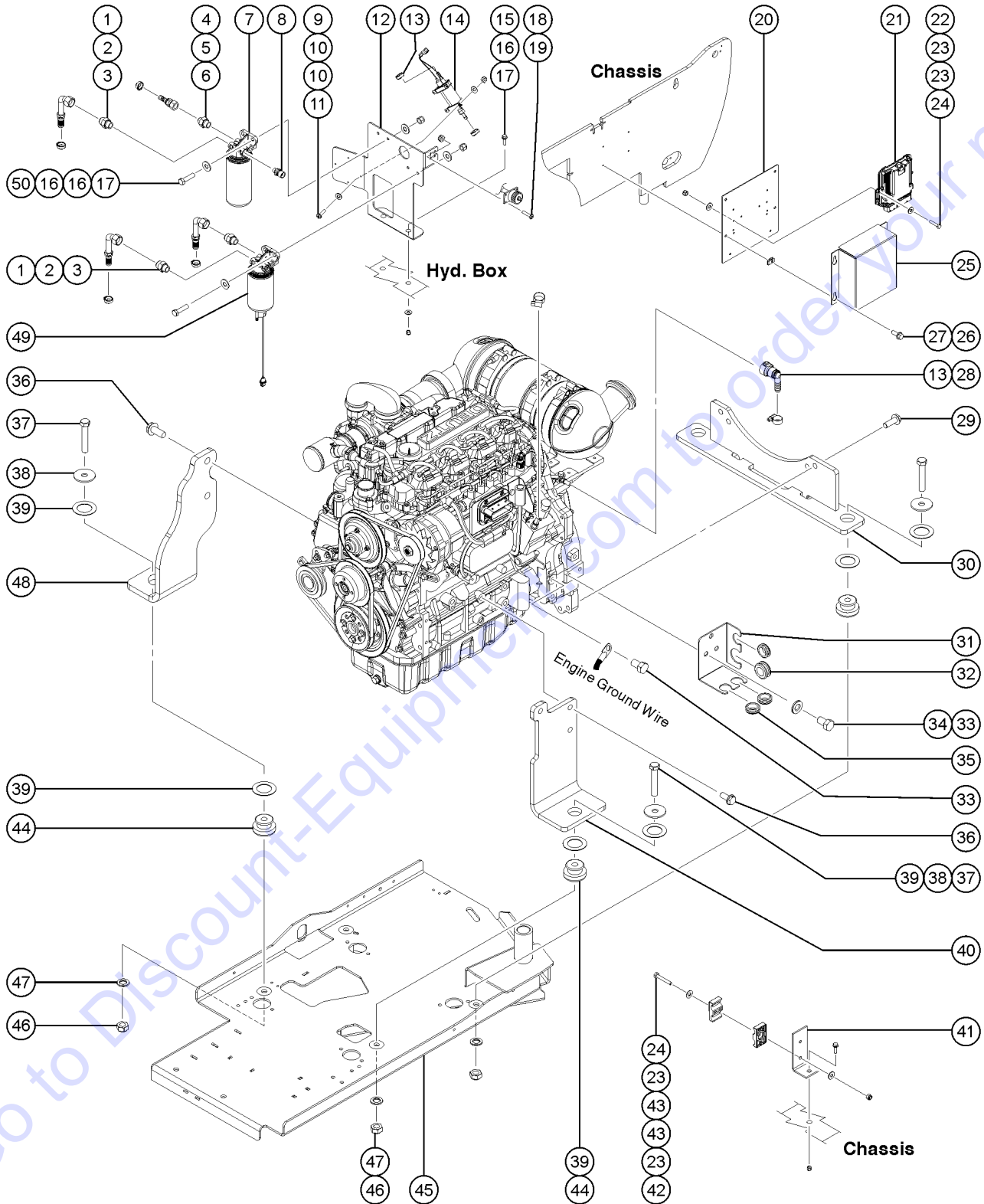
420.1 Deutz TD 2.9L4 Engine - View 3



420.1 Deutz TD 2.9L4 Engine - View 3

Item	Part No.	Description	Qty.	Item	Part No.	Description	Qty.
--		<i>Due to Tier 4 regulations, many engine replacement parts require the engine serial number at time of order placement. When ordering engine parts please have both machine and engine serial numbers available. For internal engine parts, contact engine dealer</i>		25	826825GT	BRACKET,EXPANSION TANK, LEFT M.....	1
1	823229GT	HOSE,EXPANSION TANK,COMPENSATION.....	1	26	825218GT	BRACKET,EXPANSION TANK,DEUTZ 2.....	1
2	36208GT	CLAMP,HOSE,1.25***.....	2				
3	161938GT	EXPANSION TANK,METAL,D2.9.....	1				
3B	1274900GT	SIGHT GLASS for 161938					
3C	1254823GT	CAP,RADIATOR,PERKINS(94232) for 161938					
4	6019GT	SCREW,HHC,3/8-16 X 1.25 GRD 5.....	4				
5	6097GT	WASHER,FLAT,USS,3/8",Y.....	8				
6	4828GT	NUT,NYLOCK,3/8-16.....	4				
7	21465GT	CLAMP,HOSE,.25" - .63" X .3125.....	4				
8	218715GT	SENSOR,COOLANT LEVEL, DEUTZ.....	1				
--	826152GT	WASHER,CRUSH,COOLANT SENSOR					
9	1283995GT	HEATER HOSE,1/4"					
10	1251498GT	FAN SPACER,3",DEUTZ 2.9L..... to SN 5440	1				
--	1258641GT	SPACER, FAN, DEUTZ, 38MM LNG from SN 5441					
11	1251496GT	FAN,10 BLADE,17",DEUTZ 2.9L.....	1				
12	49401GT	SCREW,HHC,M8 X 100..... for fan spacer part 1251498; to SN 5440	4				
--	1258771GT	SCREW,HHF,M8-1.25X60,DIN6921,10.9,ZAB for fan part 1258641; from SN 5441					
13	33277GT	WASHER,FLAT,M8,YELLOW ZINC..... No longer used if replacing fan spacer 1258461GT	4				
14	121419GT	SCREW,HHF,1/4-20 X .75.....	4				
15	25969GT	CLIP,SPRING,1/4-20 BLACK.....	4				
16	823143GT	UNISTRUT,FAN SHROUD BRACE,L,DE.....	1				
17	121420GT	SCREW,HHF,1/4-20 X 1.00.....	1				
18	229986GT	GROMMET RUBBER .375X1.00X.1875.....	1				
19	6638GT	WASHER,FLAT,USS,1/4"Y.....	1				
20	6091GT	NUT,NYLOCK,1/4-20.....	1				
21	823147GT	FORMING,FAN SHROUD STRUT MOUNT.....	1				
22	1252687GT	BRACKET, STRUT BRACE.....	1				
23	75051GT	SCREW,SER FLNG3/8UNCX3/4ZNYEL.....	4				
24	29868GT	SPRING CLIP,3/8-16,.05-.20X.73,ZAG....	4				

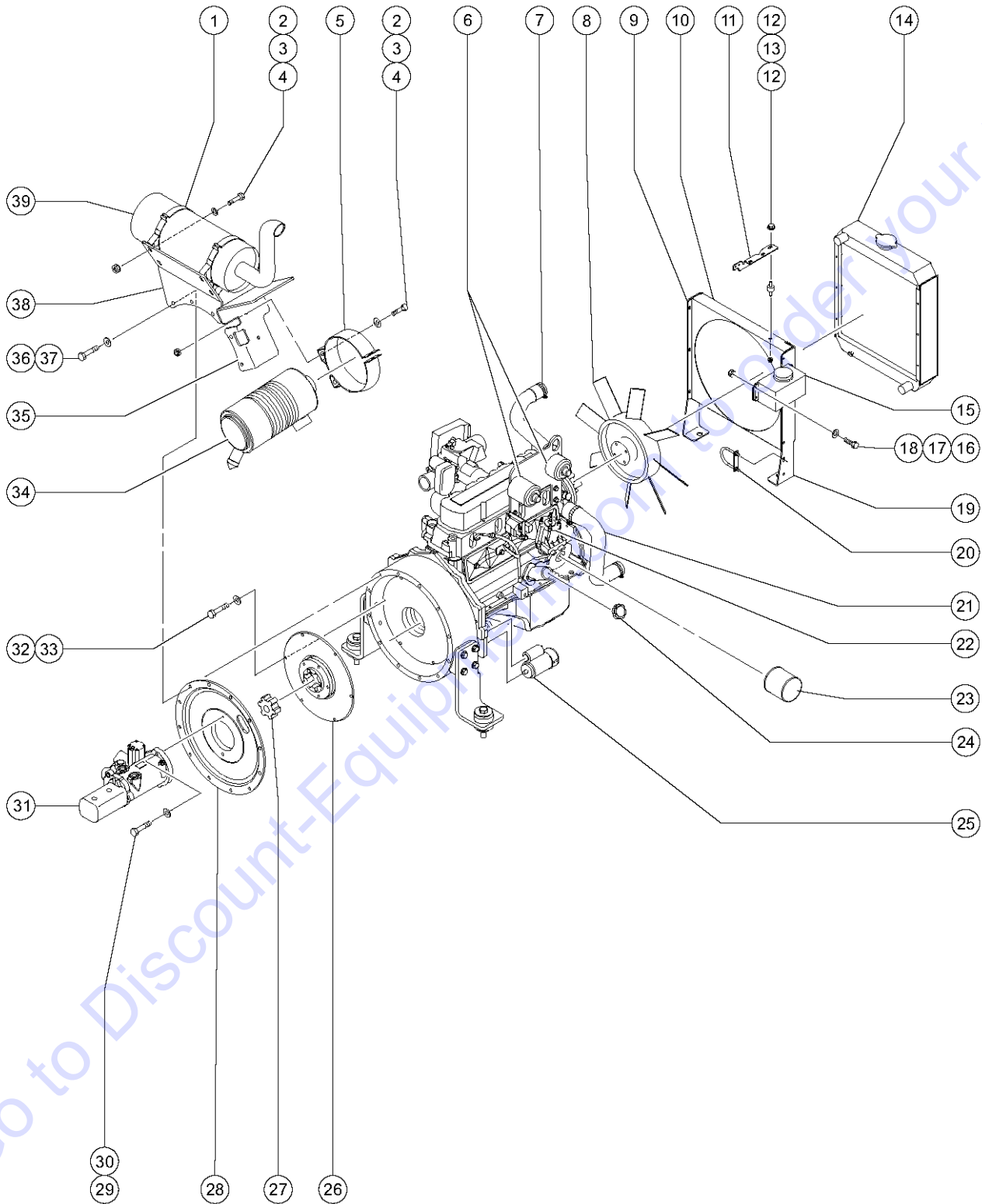
421.1 Deutz TD 2.9L4 Engine - View 4



421.1 Deutz TD 2.9L4 Engine - View 4

Item	Part No.	Description	Qty.	Item	Part No.	Description	Qty.
--		Verify Engine Make and Model Before Ordering		37	13003GT	SCREW,HHC,5/8-11 X 3.5 GRD.8.....	4
--		For internal engine parts, contact engine dealer		38	33418GT	WASHER,FLAT,.625 X 2.25 X.15.....	4
1	162209GT	FITTING,CONN,16MM-8MJ.....	3	39	18596GT	WASHER,FLAT,1.56 X 2.5 X .061.....	8
2	162207GT	FITTING,ELBOW,8GS-8FJX90S.....	3	40	823012GT	MOUNT,ENGINE,LEFT SIDE.....	1
3	822087GT	CLAMP,HOSE,1EAR,25/32.....	3	41	70535GT	BRACKET,BATTERY CABLE.....	1
4	162208GT	FITTING,CONN,16MM-6MJ.....	1	42	6637GT	SCREW,HHC,1/4-20 X 1.75.....	1
5	824351GT	FITTING,STR,3/8 HS X 9/16-18,J.....	1	43	78736GT	CLAMP,2 HOSE,PLASTIC,5/8.....	2
6	96770GT	CLAMP, HOSE, 1 EAR, 11/16.....	1	44	102045GT	ISOLATOR,ENGINE VIBRATION.....	4
7	214228GT	FILTER, DEUTZ 2.9, FUEL.....	1	45		Ref. Engine Tray (refer to 431.1)	
8	824673GT	SENSOR,LOW PRESSURE,DEUTZ 2.9L.....	1	46	6024GT	NUT,NYLOCK,5/8-11.....	4
9	49816GT	SCREW,PHILLIPS,PHM,10-32 X .75.....	4	47	13064GT	WASHER,FLAT,.625 HARDENED.....	4
10	6146GT	WASHER,FLAT,MS,#10,Y.....	8	48	823013GT	MOUNT,ENGINE,RIGHT SIDE.....	1
11	6178GT	NUT,NYLOCK,10-32.....	4	49	236260GT	PRE-FILTER,FUEL,DEUTZ TCD3.6.....	1
12	826871GT	WLDMT, FUEL CIRCUIT, Z80.....	1	50	8516GT	SCREW, HCC, 3/8-16 X 1.50.....	4
13	46131GT	CLAMP,HOSE,.63" - 1.0" X .5".....	4				
14	236259GT	LIFT PUMP,FUEL,DEUTZ.....	1				
15	122202GT	SCREW,FLANGE,HHC,3/8-16X1.25.....	2				
16	6097GT	WASHER,FLAT,USS,3/8",Y.....	10				
17	4828GT	NUT,NYLOCK,3/8-16.....	6				
18	55306GT	SCREW,PHILLIPS,PHM,4-40 X .50.....	4				
19	40766GT	NUT,NYLOCK,4-40.....	4				
20	826212GT	PLATE, ECM MOUNT, Z80.....	1				
21		RefECU <i>Models with Deutz D2.9 engines (This part is serialized, contact Discount-equipment with full model and SN of both the unit and engine)</i>					
22	8915GT	SCREW,HHC,1/4-20 X 1.25.....	4				
23	6638GT	WASHER,FLAT,USS,1/4"Y.....	10				
24	6091GT	NUT,NYLOCK,1/4-20.....	5				
25	826211GT	FORMING, ECM COVER, Z80.....	1				
26	121066GT	SCREW,HHC,FLG,3/8-16 X 1 GR8.....	4				
27	29868GT	SPRING CLIP,3/8-16,.05-.20X.73,ZAG....	4				
28	826000GT	CONNECTOR, SAE10, QUICK CONN....	1				
29	121433GT	SCREW,HHF, M14 X 40MM.....	4				
30	823135GT	WELDMENT, REAR MOUNT,ENGINE....	1				
31	826873GT	FORMING, ENGINE HARNESS SUPPOR.....	1				
32	106923GT	GROMMET,RUBBER .38X1.38X1.0.....	1				
33	27585GT	SCREW,HHC,M12 X 20MM					
34	49410GT	WASHER,FLAT,M12.....	3				
35	124962GT	GROMMET,RUBBER,1.0 X 1.25X1.5.....	3				
36	121688GT	SCREW,HHC,FLG,M14 X 35.....	5				

422.1 GM 3.0L EFI Engine - View 1 (to SN 995)



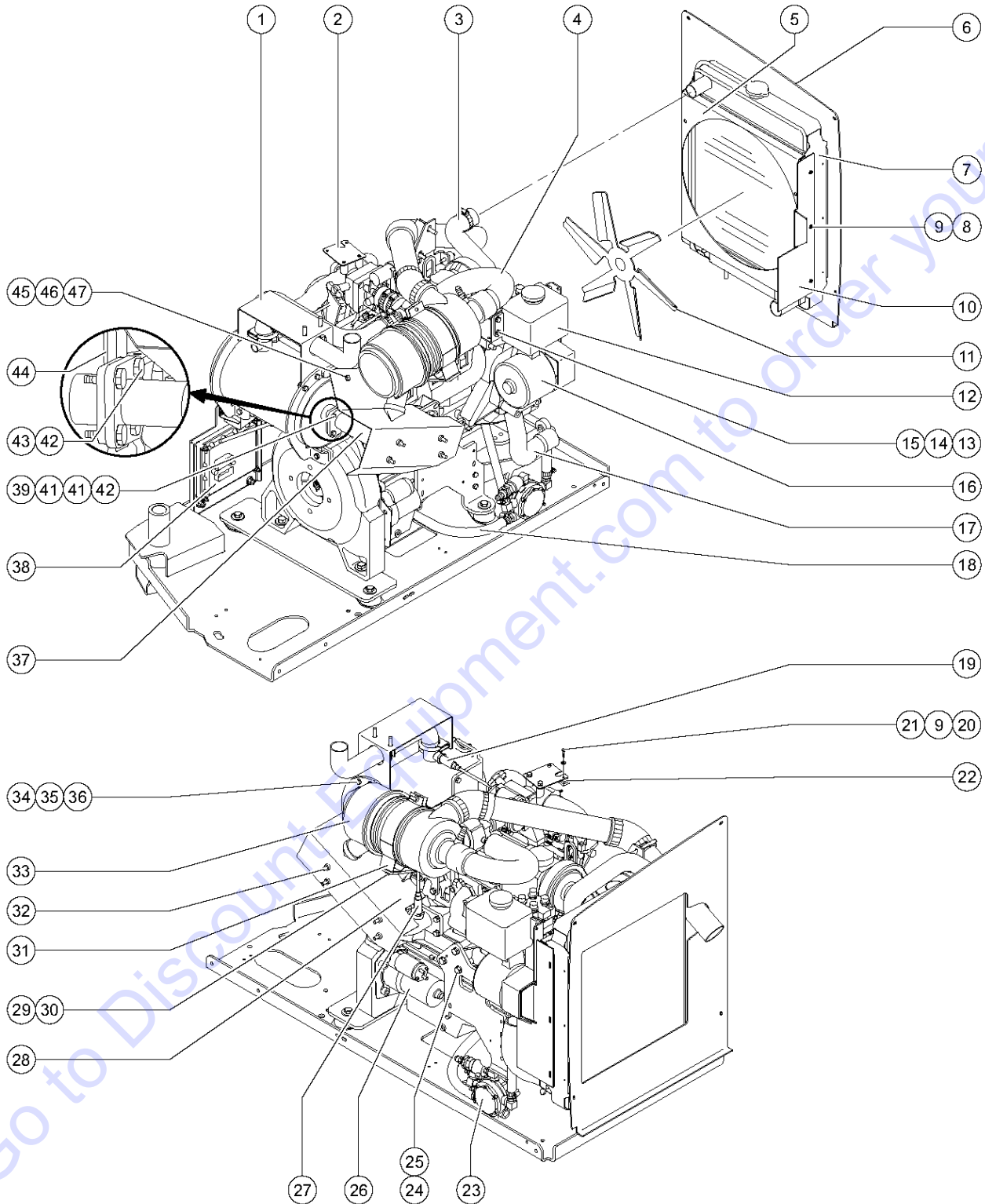
422.1 GM 3.0L EFI Engine - View 1 (to SN 995)

Item	Part No.	Description	Qty.	Item	Part No.	Description	Qty.
--		<i>Models from SN 6086 with GM 3.0L refer to 432.1 - 435.1</i>		16	6090GT	SCREW,HHC,1/4-20 X .75	
--	88136GT	HARNESS,GM ENGINE Z-80		17	6638GT	WASHER,FLAT,USS,1/4"Y	
--	65620GT	PCV VALVE-GM 3.0L ENGINE		18	6091GT	NUT,NYLOCK,1/4-20	
--	65622GT	SPARK PLUG-GM 3.0L ENGINE		19	102975GT	ENGINE MOUNT W/DECAL GM ENG T1.....1	
--	58412GT	SPARK PLUG WIRE SET,GM 3.0		--	88199PGT	RADIATOR MOUNT,OUTBOARD,PAINTE	
--	77551GT	COIL-IGNITION/GM 3.0L ENGINE		20	16584GT	U-BOLT, KIT 5/16-18 X 2.5 ***.....1	
--	54813GT	PLATE,ENG. TRAY WEB, NON-PVT END		21	81425GT	RADIATOR HOSE, LOWER-GM.....1	
--	65626GT	FILTER-FUEL, GM 3.0L ENGINE		--	13014GT	CLAMP,HOSE,2.25" DIA.	
--	65627GT	FILTER-LPG, GM 3.0L ENGINE		22	77550GT	DISTRIBUTOR/GM 3.0L ENGINE.....1	
--	77536GT	PUMP,FUEL GM 3.0 ENG. C282-238		--	65624GT	CAP-DISTRIBUTOR, GM 3.0L	
--	81837GT	FREEZE PLUG HEATER,GM 3.0L		--	65625GT	ROTOR-DISTRIBUTOR, GM 3.0L	
--	30810GT	SENDING UNIT,OIL PRESSURE***		23	65623GT	FILTER-OIL,GM 3.0L ENGINE.....1	
--	58370GT	MAGNETIC SPEED SENSOR,GM 3.0		--	88100GT	ADAPTER,OIL DRAIN,GM 3.0L	
--	88175PGT	FORMING,GM INTAKE BAFFLE		24	77540GT	CAP,OIL FILLER.....1	
1	53952GT	BRKT,AIR CLEANER ORIENTATION**.....2		25	83048GT	STARTER,GM 3.0L.....1	
2	13000GT	SCREW,HHC,5/16-18 X 1.25		26	81426GT	FLYWHEEL FLANGE,AUTO STYLE GM.....1	
3	5397GT	WASHER,FLAT,USS,5/16",Y		27	81427GT	COUPLER,HUB,6 TOOTH GM 3.0L.....1	
4	6782GT	NUT,NYLOCK,5/16-18		28	61781GT	CASTING,SAE 4 PUMP MOUNT,MACHI.....1	
5	53952GT	BRKT,AIR CLEANER ORIENTATION**.....1		29	8177GT	SCREW,HHC,1/2-13 X 1.5	
6	77847GT	THROTTLE BODY.....1		30	13066GT	WASHER,FLAT,5 HARDENED	
--	146057GT	LPG REGULATOR (GM 3.0L)		31		Ref. Drive Pump Assembly (refer to 710.1)	
--	83135GT	VAPORIZER REGULATOR PRIM 16.5		32	6175GT	SCREW,HHC,3/8-16 X 1	
7	81424GT	RADIATOR HOSE,UPPER-GM.....1		33	6021GT	WASHER,LOCK,.375	
--	13014GT	CLAMP,HOSE,2.25" DIA.		34	63463GT	AIR CLEANER,NELSON***.....1 <i>plastic housing</i>	
8	77821GT	FAN KIT ,GM 3.0 ENGINE.....1		--	52866GT	EVACUATOR VALVE-AIR CLEANER	
--	65621GT	BELT-FAN, GM 3.0L ENGINE		--	58415GT	CLIP,AIR CLEANER END CAP*** <i>end cap not available separately</i>	
9	81731PGT	RADIATOR MOUNT,INBOARD,PAINTED.....1		--	62420GT	FILTER,AIR***	
10	81877PGT	SHROUD,RADIATOR,GM,PAINTED.....1		--	65810GT	BAFFLE, AIR CLEANER (27915)**	
11	81861PGT	BRACKET,RADIATOR SUPPORT PAINT.....1		35	81703PGT	BRACKET,AIR CLEANER,PAINTED.....1	
12	18503GT	NUT,LOCKING-LG.FLANGE,5/16-18		36	44064GT	SCREW,HHC,M10 X 30MM,	
13	219437GT	ISOLATOR, VIBRATION.....1		37	22700GT	WASHER,LOCK,M10	
14	63462GT	RADIATOR,PERKINS,GM.....1		38	81421PGT	BRACKET,MUFFLER MOUNT,PAINTED.....1	
--	65473GT	CAP,RADIATOR,PERKINS/FORD		39	81420GT	MUFFLER,SPARK ARRESTING,GM.....1	
--	75154GT	SENSOR,COOLANT TEMP.VDO323-419		--	77543GT	GASKET, EXHAUST MANFLD/GM 3.0L	
--	77541GT	THERMOSTAT-ENG TEMP/GM3.0L		--	77544GT	MANIFOLD-EXHAUST/GM 3.0L ENGIN	
--	77542GT	GASKET,WATER OUTLET/GM 3.0L					
--	77545GT	GASKET-THERMOSTAT/GM 3.0L ENGI					
15	1279268GT	BOTTLE, COOLANT RECOVERY, 2QT.....1					
--	72327GT	CAP, COOLANT RET SYS(54071)					

423.1 GM 3.0L EFI Engine - View 2 (to SN 995)

Item	Part No.	Description	Qty.
--		<i>Models from SN 6086 with GM 3.0L refer to 432.1 - 435.1</i>	
1	34164GT	ELBOW,90 DEGR,RUBBER,2.5" I.D.*.....	2
--	30971GT	CLAMP,HOSE,3.00"	
2	35067-950GT	TUBE,RD,ALUM 2.5 X .083.....	3
3	60036GT	HOSE,AIR INTAKE,FORD EFI***.....	1
--	30971GT	CLAMP,HOSE,3.00"	
4	77847GT	THROTTLE BODY.....	1
--	77848GT	INJECTOR,FUEL W/ORINGS GM3.0L	
--	77849GT	INJECTOR,LPG W/ORINGS GM3.0L	
5	62278GT	ELEC. CONTROL MODULE, GM BB.....	1
6	49381GT	SCREW,HHC,M12 X 30	
7	49410GT	WASHER,FLAT,M12	
8	53909GT	SCREW,HHC,5/8-11 X 4.0 GR8.....	4
9	33418GT	WASHER,FLAT,.625 X 2.25 X.15	
10	102045GT	ISOLATOR,ENGINE VIBRATION.....	4
11	6024GT	NUT,NYLOCK,5/8-11	
12	81417PGT	ENGINE MOUNT,LR,GM 3.0 PAINTED.....	1
--	81418PGT	ENGINE MOUNT,RR,GM 3.0 PAINTED	
13	81481GT	WELDMENT,HEAD PIPE,GM.....	1
--	65503GT	GASKET,MUFFLER PERKINS(53883)	
14	33361GT	ELBOW,45 DEGR,RUBBER,2.5" I.D.....	3
--	30971GT	CLAMP,HOSE,3.00"	
15	35067-200GT	TUBE, RD, ALUM, 2.5 X .083 X 2.00.....	1
16	77822GT	ALTERNATOR, GM3.0L ENGINE.....	1
--	65621GT	BELT-FAN, GM 3.0L ENGINE	
17	88190PGT	FORMING,FRONT ENGINE MOUNT	
18	8516GT	SCREW, HCC, 3/8-16 X 1.50	
19	6097GT	WASHER,FLAT,USS,3/8",Y	
20	4828GT	NUT,NYLOCK,3/8-16	
21	6888GT	SCREW,HHC,1/4-20 X 1	
22	6638GT	WASHER,FLAT,USS,1/4"Y	
23	6091GT	NUT,NYLOCK,1/4-20	
24		Ref. Engine Tray (refer to 420.1)	
25	35067-1900GT	TUBE,RD,ALUM 2.5 X .083.....	1

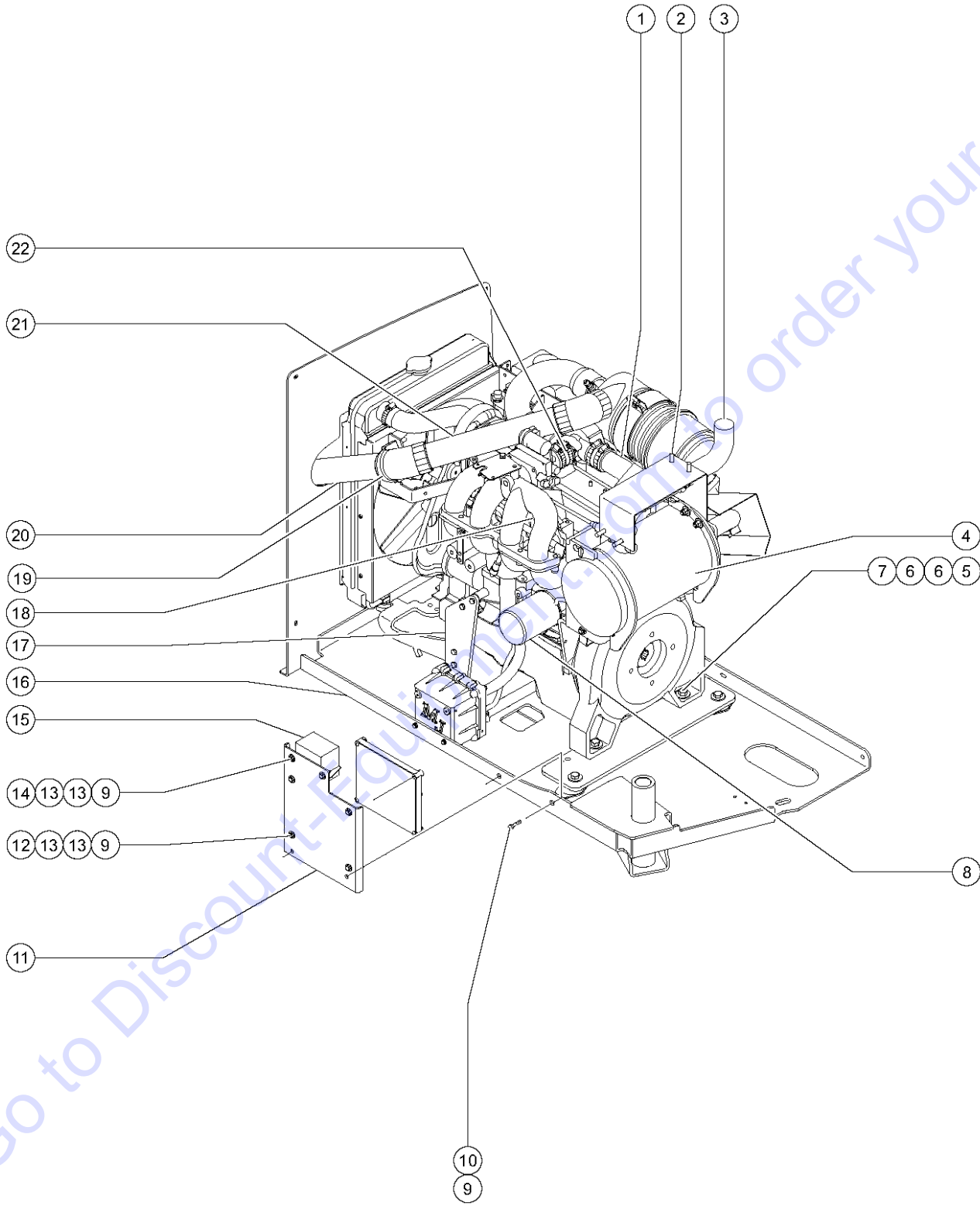
424.1 Ford LRG-425 EFI Engine - View 1



424.1 Ford LRG-425 EFI Engine - View 1

Item	Part No.	Description	Qty.	Item	Part No.	Description	Qty.
--	102339GT	HARNES,FORD ENGINE,EFI,2004		--	65627GT	FILTER-LPG, GM 3.0L ENGINE	
--	106605GT	HARNES,ENGINE W/RELAY BOX T2		--	88757GT	VALVE,LP LOCKOUT W/CONN***	
--	77219GT	PUMP, FUEL, LRG425, WALBRO		24	44064GT	SCREW,HHC,M10 X 30MM,	
--	65770GT	BELT,TIMING,FORD LRG423/425EFI		25	22700GT	WASHER,LOCK,M10	
1	102307GT	FORMING,HEAT SHIELD.....1	1	26	29606GT	RING GEAR,FORD***.....1	1
2	53821PGT	BRACKET,MAP SENSOR,PAINTED.....1	1	26	29616GT	STARTER,ENGINE,FORD LSG/LRG***.....1	1
3	22672GT	CLAMP,HOSE,1.75		27	88450GT	SENSOR,OXYGEN LRG425EFI.....1	1
3	54862GT	HOSE,UPPER RADIATOR,Z45.....1	1	28	102118GT	FORMING,HEAT SHIELD,FORD.....1	1
4	88847GT	HOSE,AIR CLEANER TO INTAKE.....1	1	29	10107GT	SCREW,HHC,5/16-18 X .75	
--	35434GT	CLAMP,HOSE,2.00***		30	6782GT	NUT,NYLOCK,5/16-18	
--	45435GT	CLAMP,HOSE,2.50****		31	53952GT	BRKT,AIR CLEANER ORIENTATION**.....1	1
5	54598PGT	SHROUD,RADIATOR,FORD LGR425,PA.....1	1	32	32064GT	CLAMP,MUFFLER,1.75 INCH.....2	2
6	70492PGT	PLATE,INTAKE BAFFLE Z80 FORD P....1	1	33	111634GT	AIR CLEANER,FORD,T3.....1	1
7	110304GT	RADIATOR,FORD/PERKINS***.....1	1	33	38922GT	ELBOW,90DEG.1/8MPT-5/16 BARB	
--	15086GT	WASHER,FLAT,.375 X 1.5 X .125		--	102977GT	HOSE FITITNG,BRASS,AIR CLEANER	
--	24038GT	SHOCK MOUNT,SMALL		--	1277991GT	CLIP,AIR CLEANER COVER (58247) for 58247	
--	4828GT	NUT,NYLOCK,3/8-16		--	227988GT	VACUATOR VALVE	
8	21019GT	SCREW,PHIL,PHM,10-24 X.5,SEMS		--	58247GT	AIR CLEANER CAP/ FORD/NOLFF***	
9	6146GT	WASHER,FLAT,MS,#10,Y		--	77295GT	FILTER ELEMENT,AIR,NOLFF LPG	
10	102010PGT	FORMING,FAN GUARD,FORD,PAINTED.....1	1	34	6175GT	SCREW,HHC,3/8-16 X 1	
11	52076GT	FAN, LSG423/LRG425.....1	1	35	6097GT	WASHER,FLAT,USS,3/8",Y	
--	49408GT	WASHER,LOCK,M8		36	4828GT	NUT,NYLOCK,3/8-16	
--	70489GT	SPACER,FAN TO WATERPUMP LRG425		37	89973GT	EXHAUST PIPE ASSEMBLY, FORD.....1	1
--	75185GT	SCREW,HHC,M8X1.25X 70MM,GR8.8		--	102134GT	GASKET,EXHAUST FORD TIER II	
12	70367GT	BOTTLE,COOLANT RECOVERY,3.7***.....1	1	38	106487GT	ENGINE PERFORMANCE MODULE T2**.....1	1
--	115431GT	CAP ASSY, COOLANT BOTTLE		39	13002GT	SCREW,HHC,5/16-18 X 1 GR5	
13	6090GT	SCREW,HHC,1/4-20 X .75		40	5397GT	WASHER,FLAT,USS,5/16",Y	
14	6638GT	WASHER,FLAT,USS,1/4"Y		41	72343GT	GASKET,EXH FLANGE-FORD/PERKINS.....1	1
15	6091GT	NUT,NYLOCK,1/4-20		42	18503GT	NUT,LOCKING-LG.FLANGE,5/16-18	
16	33960GT	ALTERNATOR,LRG-423 RE-BUILT*.....1	1	43	61741GT	SCREW,HHC,5/16-18 X 1.50	
17	77170GT	HOSE,LOWER RADIATOR,Z45.....1	1	44	102779PGT	FORMING,HEAT SHLD SUPPORT,PTD.....1	1
--	22672GT	CLAMP,HOSE,1.75		45	8255GT	SCREW,HHC,3/8-16 X .75	
18	50948GT	HOSE ASSEMBLY,LP GAS,106"LG.....1	1	46	6021GT	WASHER,LOCK,.375	
19	106486GT	SENSOR,AIR,CAT MONITOR***.....1	1	47	4828GT	NUT,NYLOCK,3/8-16	
20	49817GT	SCREW,PHILLIPS,PHM,10-32 X1.25					
21	6178GT	NUT,NYLOCK,10-32					
22	49898GT	MAP SENSOR, EFI.....1	1				
23	70525GT	REGULATOR,LPG.....1	1				
--	102073GT	ELBOW,90 DEG,3/8NPT X 1/2 FNPT					
--	102074GT	ELBOW,90DEG, .63 HS X.375 MPT					
--	19363GT	ELBOW,130239-4-4					

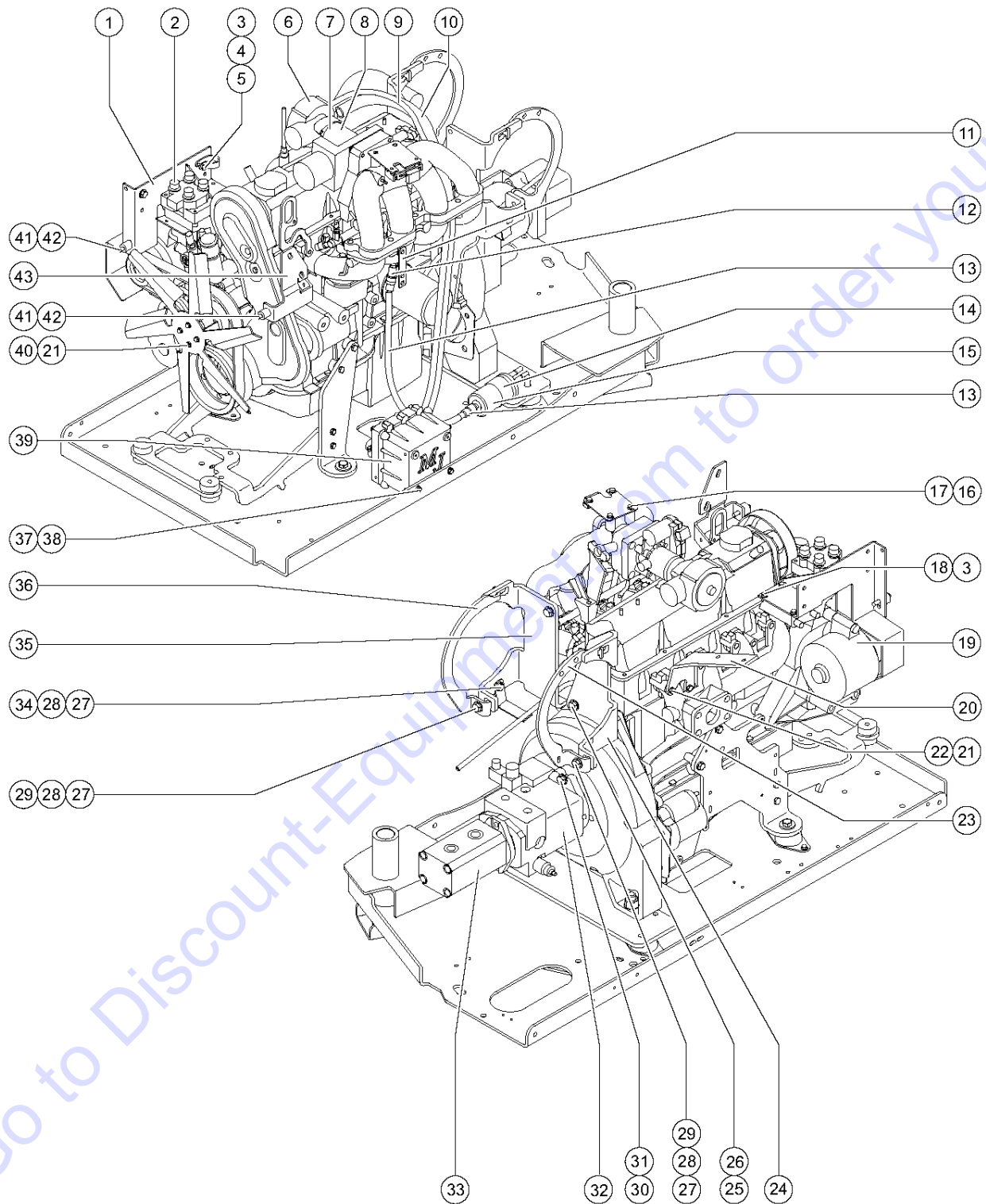
425.1 Ford LRG-425 EFI Engine - View 2



425.1 Ford LRG-425 EFI Engine - View 2

Item	Part No.	Description	Qty.
1	34162-400GT	Air Intake Hose.....	1
2	102121GT	CLAMP,MUFFLER,1-7/8 IN.....	2
3	70420GT	TAILPIPE,FORD LRG 425.....	1
4	106178GT	WELDMENT,MUFFLER,FORD TIER2.....	1
5	22788GT	SCREW,HHC,1/2-13 X 1.75	
6	6095GT	WASHER,FLAT,USS,1/2",Y	
7	6198GT	NUT,NYLOCK,1/2-13	
8	28656GT	FILTER,OIL,FORD..... <i>Genie genuine part</i>	1
--	1259054GT	FILTER, OIL, FORD <i>Genie aftermarket part</i>	
9	6175GT	SCREW,HHC,3/8-16 X 1	
10	6097GT	WASHER,FLAT,USS,3/8",Y	
11	70425PGT	FORMING,ECM MOUNT PAINTED.....	1
12	6637GT	SCREW,HHC,1/4-20 X 1.75	
13	6638GT	WASHER,FLAT,USS,1/4"Y	
14	6090GT	SCREW,HHC,1/4-20 X .75	
15	106605GT	HARNES,ENGINE W/RELAY BOX T2.....	1
16		Ref. Engine Tray <i>(refer to 420.1)</i>	
17	101118PGT	ENGINE MOUNT FOOT,LH PNTD.....	1
18	30810GT	SENDING UNIT,OIL PRESSURE***..... <i>dual-terminal sender</i>	1
19	71911GT	CLAMP,MUFFLER, 2.50 INCH.....	1
20	102103GT	TUBE,INTAKE,2.50 OD X 13".....	1
--	33361GT	ELBOW,45 DEGR,RUBBER,2.5"I.D.	
--	45435GT	CLAMP,HOSE,2.50"***	
21	102104GT	TUBE,INTAKE,2.50 OD X 15.63".....	1
--	33361GT	ELBOW,45 DEGR,RUBBER,2.5"I.D.	
--	45435GT	CLAMP,HOSE,2.50"***	
22	102117GT	HOSE,2.0 ID X 2.0" LG.....	1

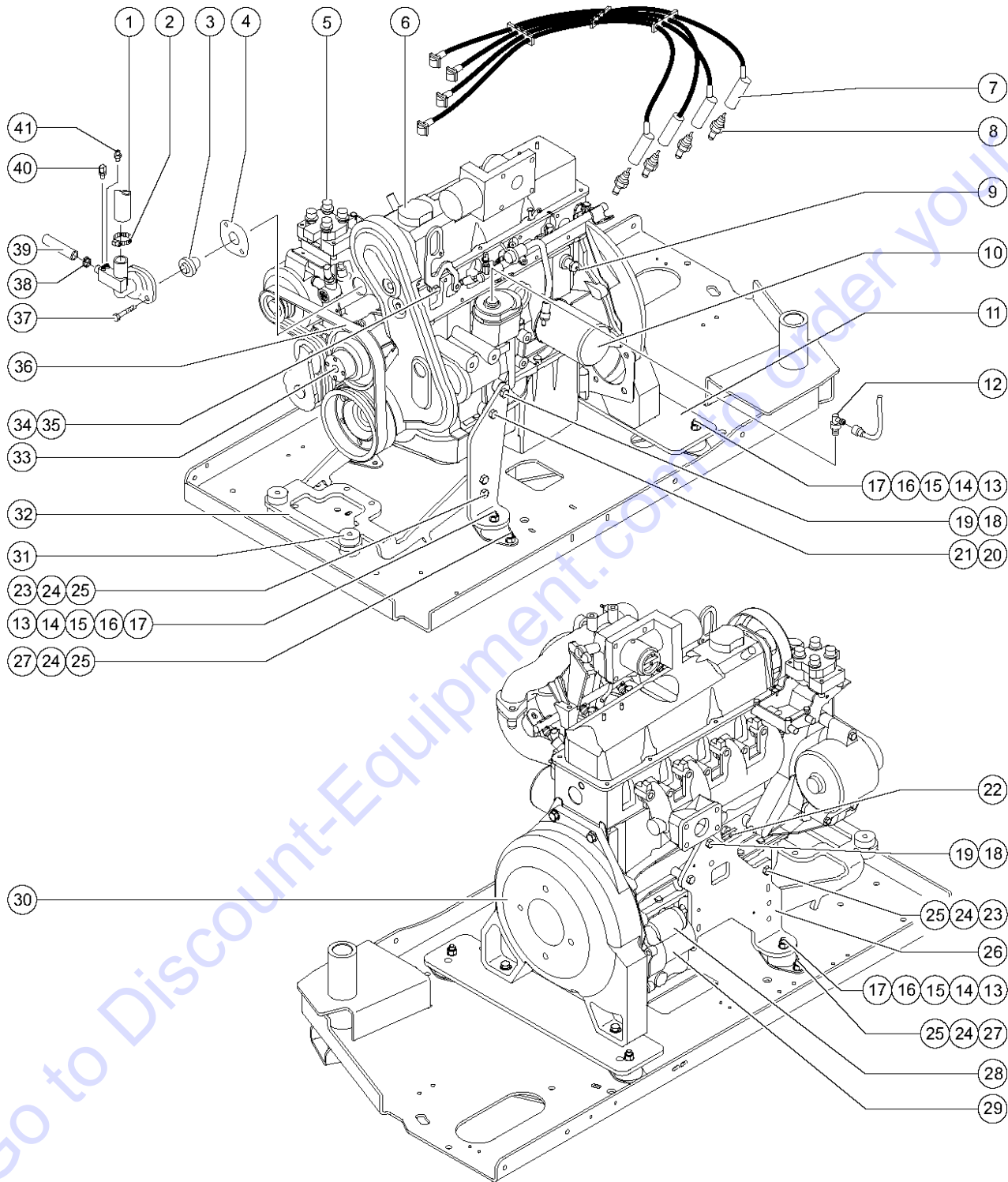
426.1 Ford LRG-425 EFI Engine - View 3



426.1 Ford LRG-425 EFI Engine - View 3

Item	Part No.	Description	Qty.	Item	Part No.	Description	Qty.
1	102976GT	COOLANT MOUNT W/DECAL FORD.....1		37	22578GT	SCREW,HHC,M6 X 20MM,GR8.8	
2	33970GT	COIL, ELECTRONIC IGN., FORD.....1		38	25926GT	WASHER,FLAT,M6 PLTD.	
3	67537GT	SCREW,HHC,M5 X 12MM		39	70527GT	MEGAJECTOR,FUEL KIT.....1	
4	6091GT	NUT,NYLOCK,1/4-20		--	106491GT	HARNES,JUMPER,MEGAJECTOR	
5	6833GT	CLAMP,0.50,#8 X 1/4,RUB CUSH.....1		40	75185GT	SCREW,HHC,M8X1.25X 70MM,GR8.8	
6	106485GT	MIXER,AIR VALVE,TIER II FORD**1		41	219437GT	ISOLATOR, VIBRATION.....2	
7	35434GT	CLAMP,HOSE,2.00***2		42	18503GT	NUT,LOCKING-LG.FLANGE,5/16-18.....9	
8	102117GT	HOSE,2.0 ID X 2.0" LG.....1		43	102013PGT	FORMING,RADIATOR SUPPORT,LH.....1	
9	102120GT	HOSE,1/4 VACUUM.....1		--	102794GT	SCREW,HHC,M8 X1.25X40,GRD10.9	
10	102119GT	HOSE,3/4,LP8-inches from regulator to mixer		--	33277GT	WASHER,FLAT,M8,YELLOW ZINC	
11	102065PGT	BAR,HARNES CONNECTOR MOUNT.....1					
12	65892GT	CONN. ASSY,7.9 TUBE X6.35 HOSE.....1					
13	71909GT	HOSE,FUEL,5/16 HIGH PRESSURE**					
14	65453GT	BRACKET-FUEL FILTER (52567).....1					
--	6091GT	NUT,NYLOCK,1/4-20					
--	6638GT	WASHER,FLAT,USS,1/4"Y					
--	6888GT	SCREW,HHC,1/4-20 X 1					
15	58967GT	FUEL PRESSURE REG,425EFI***1					
16	23057GT	SCREW,HHC,M8 X 20MM					
--	32339GT	CLAMP,1.75,#28 X 3/8,RUB CUSH*					
17	49408GT	WASHER,LOCK,M8					
18	49407GT	WASHER,LOCK,M6					
19	33960GT	ALTERNATOR,LRG-423 RE-BUILT*.....1					
20	89917PGT	PLATE,AIR FILTER MOUNT,FORD.....1					
21	10107GT	SCREW,HHC,5/16-18 X .75					
22	6782GT	NUT,NYLOCK,5/16-18					
23	106271PGT	CLAMP,FORD MUFFLER,PAINTED.....1					
24	101126PGT	FORMING,RH MUFFLER SUP PAINTED.....1					
25	25548GT	SCREW,HHC,M10 X 40MM,GRD8					
26	22700GT	WASHER,LOCK,M10					
27	14033GT	SCREW,HHC,3/8-16 X 2.75					
28	6097GT	WASHER,FLAT,USS,3/8",Y					
29	4828GT	NUT,NYLOCK,3/8-16					
30	8177GT	SCREW,HHC,1/2-13 X 1.5					
31	13066GT	WASHER,FLAT,.5 HARDENED.....2					
32		Ref. Drive Pump (refer to 710.1)					
33		Ref. Function Pump (refer to 710.1)					
34	6019GT	SCREW,HHC,3/8-16 X 1.25 GRD 5					
35	101127PGT	FORMING,LH MUFFLER SUPPORT PNT.....1					
36	101128PGT	FORMING,MUFFLER CLAMP, PAINTED.....1					

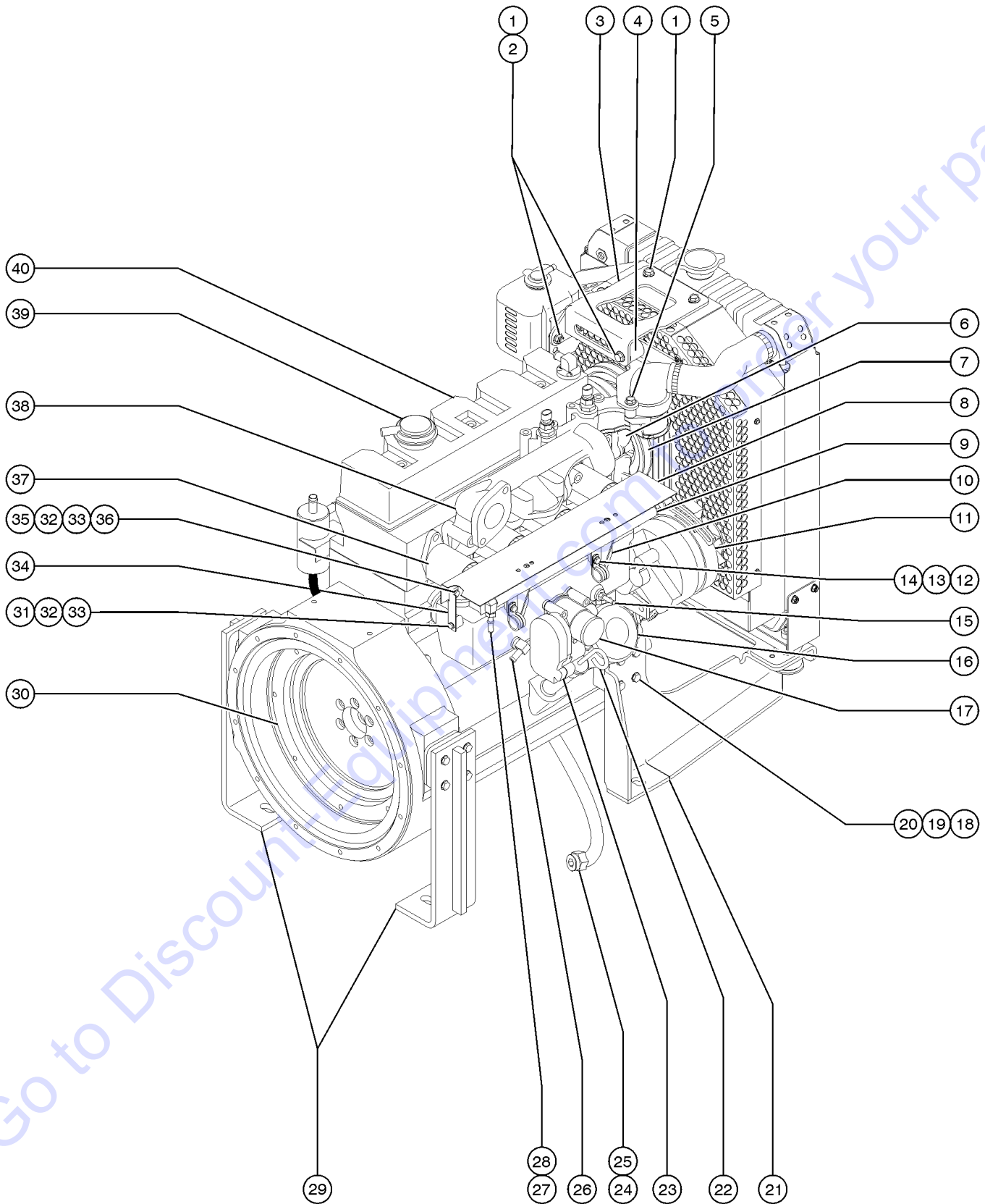
427.1 Ford LRG-425 EFI Engine - View 4



427.1 Ford LRG-425 EFI Engine - View 4

Item	Part No.	Description	Qty.	Item	Part No.	Description	Qty.
1		Ref. HOSE,UPPER RADIATOR,Z45.....1 <i>refer to 416.1</i>	1	--	4828GT	NUT,NYLOCK,3/8-16	
2	22672GT	CLAMP,HOSE,1.75.....1	1	32	101121PGT	FORMING,RADIATOR SUP PNTD.....1	1
3	33966GT	THERMOSTAT, FORD LRG.....1	1	33	33963GT	PUMP, WATER, WITH GASKET.....1	1
4	52575GT	GASKET,THERM.HSNG O-RING.....1	1	--	33964GT	GASKET, WATER PUMP	
5	33970GT	COIL, ELECTRONIC IGN., FORD.....1	1	--	52078GT	PULLEY,FORD ENGINE,LRG-423***	
6	49881GT	OIL FILLER CAP FOR LRG ENGINE.....1	1	34	102794GT	SCREW,HHC,M8 X1.25X40,GRD10.9	
7	52570GT	SPARK PLUG WIRE SET, LRG425EFI....1	1	35	33277GT	WASHER,FLAT,M8,YELLOW ZINC	
8	106490GT	SPARK PLUG, FORD LRG425.....4	4	36	52580GT	BELT,SERPENTINE,LRG425 EFI***.....1	1
9	89812GT	SWITCH,OIL PRESSURE ASSY.....1	1	--	65770GT	BELT,TIMING,FORD LRG423/425EFI	
10	28656GT	FILTER,OIL,FORD.....1 <i>Genie genuine part</i>	1	37	65454GT	BOLT-FLANGE,M6 X 22MM(52573)	
--	1259054GT	FILTER, OIL, FORD <i>Genie aftermarket</i>		38	13014GT	CLAMP,HOSE,2.25" DIA.....1	1
11	70423PGT	REAR ENGINE MOUNT,PAINTED.....1	1	39	72358GT	WATER INLET TUBE, FORD.....1	1
12	33957GT	VALVE,PCV-FORD LRG***.....1	1	40	33972GT	SENSOR,COOLANT TEMP*.....1	1
13	6198GT	NUT,NYLOCK,1/2-13		41	65456GT	SENDING UNIT-H20TMP LRG425EFI*...1	1
14	39479GT	SCREW,HHC,1/2-13 X 2.75					
15	70452GT	ISOLATOR,ENGINE VIBRATION***.....4	4				
16	6095GT	WASHER,FLAT,USS,1/2",Y					
17	102066PGT	CASTING,WASHER,REBOUND,PAINTED.4	4				
18	44064GT	SCREW,HHC,M10 X 30MM,					
19	22700GT	WASHER,LOCK,M10					
20	25929GT	SCREW,HHC,M8 X 30MM,GRD 8.8					
21	49408GT	WASHER,LOCK,M8					
22	28717GT	VALVE,DRAIN,FORD,BLOCK,RAD.....1	1				
23	8516GT	SCREW, HCC, 3/8-16 X 1.50					
24	6097GT	WASHER,FLAT,USS,3/8",Y					
25	4828GT	NUT,NYLOCK,3/8-16					
26	101119PGT	ENGINE MOUNT FOOT,RH PNTD.....1	1				
27	6175GT	SCREW,HHC,3/8-16 X 1					
28	27920GT	RELAY, STARTER, Z45GP91.....1	1				
29	29606GT	RING GEAR,FORD***.....1	1				
29	29616GT	STARTER,ENGINE,FORD LSG/LRG***.....1	1				
30	64079GT	BELL HOUSING KIT, FORD 425EFI.....1 <i>kit includes: 89811 Pump Mount Housing, 89813 Flex Plate, 37003 15 tooth Hub Coupler, and 102136 Screws 7/16-14 X 1.25</i>	1				
--	102136GT	SCREW,SHC,7/16-14 X 1.25					
--	37003GT	COUPLER,HUB,15 TOOTH 7/16BOLT*					
--	89811GT	HOUSING,PUMP MOUNT (64079)					
--	89813GT	FLEX PLATE,COUPLER (64079)					
31	24038GT	SHOCK MOUNT,SMALL.....4	4				
--	15086GT	WASHER,FLAT,.375 X 1.5 X .125					

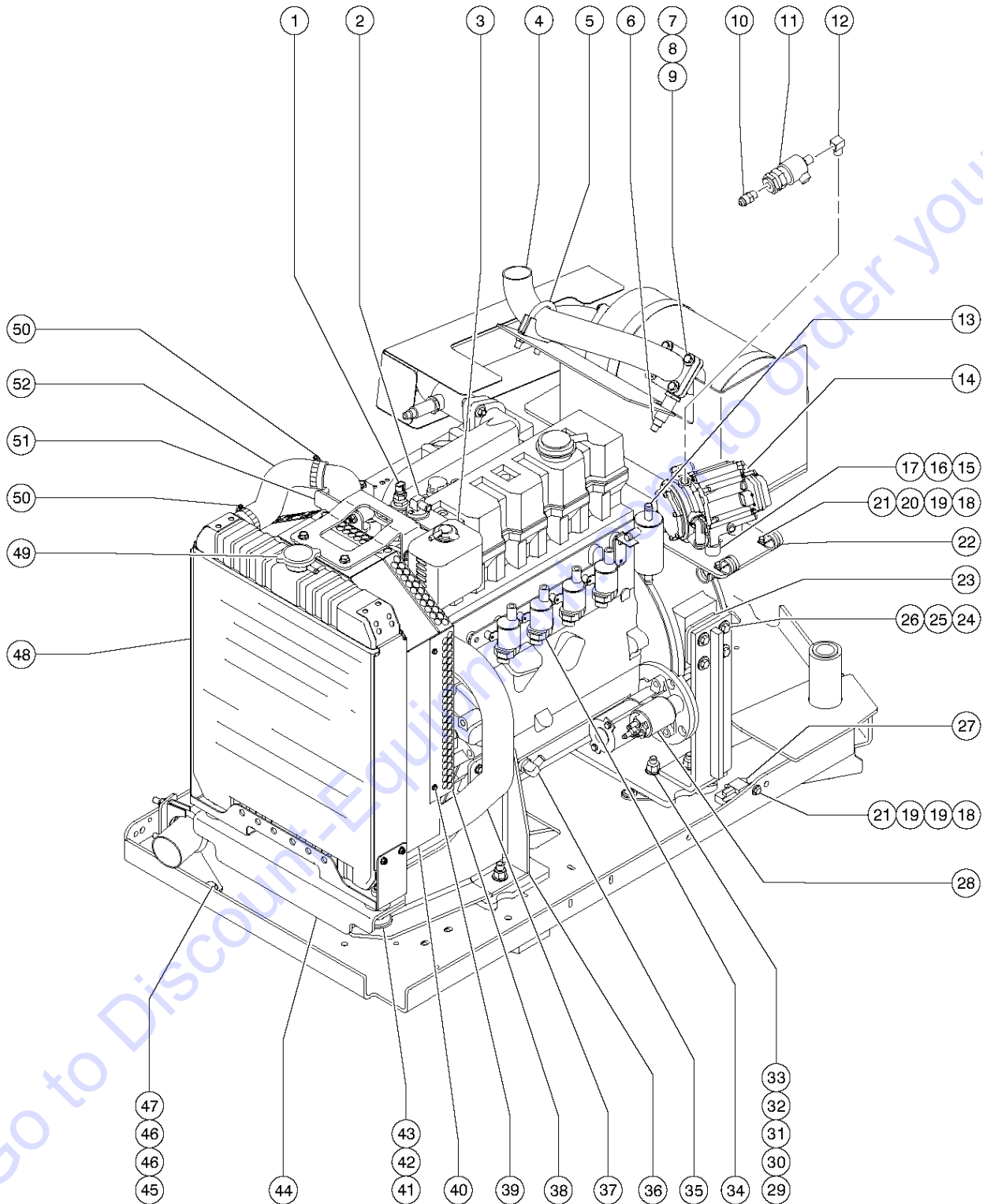
428.1 Continental TME-27 Engine - View 1



428.1 Continental TME-27 Engine - View 1

Item	Part No.	Description	Qty.	Item	Part No.	Description	Qty.
--	111839GT	HARNES,CONTINENTAL ENG,TME27 to SN 1913		15	111838GT	FITTING,STR,1/8NPT X 3/16 HB.....	1
--	111840GT	HARNES,TME27 STARTER RELAY to SN 1913		16	111917GT	OIL FILTER,TME 2.7L ENGINE.....	1
--	122865GT	HARNES-B,TME27 ENGINE,EPA2007 from SN 1914		17	111919GT	ADAPTER,MIXER, TME27.....	1
--	111890GT	SPARK PLUG, NGK BPR5ES		18	22558GT	SCREW,HHC,M14 X 40MM,GR 8.8	
--	111890GT	SPARK PLUG, NGK BPR5ES		19	37505GT	WASHER,LOCK,M14	
--	111836GT	SPARK PLUG WIRE,TME27		20	67723GT	WASHER,FLAT,M14 HARDENED	
--	30810GT	SENDING UNIT,OIL PRESSURE*** dual-terminal sender		21	111847GT	ENGINE MOUNT,RIGHT FRONT,TME27.....	1
--	28607GT	ADAPTER,140139-8-6		22	111845GT	DIPSTICK,CONTINENTAL,TME27.....	1
--	111923GT	FAN, TME2.7L ENGINE to SN 1913		23	111922GT	THROTTLE,ELECTRIC,TME2.7L ENG...1	
--	122325GT	FAN,6 BLADE,17IN.PUSH from SN 1914		24	111859GT	FITTING PLUG,#8.....	1
--	111894GT	FAN SPACER,29.7MM		25	111860GT	HOSE ASSY,OIL DRAIN,TME27	
--	111903GT	SWITCH, LOW OIL PRESS, TME27 from SN 1914		26	31817GT	ELBOW,90DEG.1/4MPT-3/8 BARB.....	1
--	121594GT	HOSE ASSY,LP GAS,120"LG high pressure propane hose from tank to regulator)		27	111818GT	FITTING,1/4 NPT X SAE J2044.....	1
--	111905GT	SENSOR,MAP, TME2.7L ENGINE		28	19363GT	ELBOW,130239-4-4.....	1
--				29	111857GT	ENGINE MOUNT,REAR,TME27.....	1
1	80358GT	SCREW,FHS,M8 X 1.25 X 16		30	111885GT	FLYWHEEL CONTINENTAL TME27.....	1
2	59579GT	NUT, HEX FLANGE M 8 X 1.25		30B	1279764GT	CAM/CRANK SENSOR,TME-27.....	1
3	111854GT	BRACKET,RADIATOR SUP,TME27.....	1	31	49376GT	SCREW,HHC,M6 X 25	
4	111853GT	ISOLATOR,VIB, 32 X 32 M8-1.25.....	1	32	49407GT	WASHER,LOCK,M6	
5	49398GT	SCREW,FHS,M8 X 1.25 X 30		33	25926GT	WASHER,FLAT,M6 PLTD.	
6	111884GT	WATER PUMP, CONTINENTAL TME27.....	1	34	111827GT	BRACKET,HEAT SHIELD REAR, TME27.....	1
--	111883GT	WATER PUMP GASKET		--	111826GT	BRACKET,HEAT SHIELD,FRNT,TME27	
7	111918GT	BELT,FEAD, TME 2.7L ENGINE.....	1	35	49375GT	SCREW,HHC,M6 X 16	
--	111841GT	PULLEY,CRANKSHAFT,TME27		36	55017GT	NUT,HEX, M6	
--	111842GT	WASHER,CRANKSHAFT,TME27		37	111829GT	HEAT SHIELD INJECTOR,TME27.....	4
--	111843GT	BOLT,CRANKSHAFT,TME27		--	111807GT	INJECTOR,FUEL,CONT,TME2.7L	
--	111867GT	WHEEL, CRANK POSITION		38	111888GT	MANIFOLD,EXHAUST,TME27.....	1
--	22700GT	WASHER,LOCK,M10		--	111895GT	GASKET,EXHAUST 2INCH,2BOLT	
--	27034GT	SCREW,HHC,M10 X 25MM,GR 8.8		39	111837GT	CAP,OIL FILL,TME27.....	1
8	111824GT	HEAT SHIELD,FUEL RAIL, TME27.....	1	--	42280GT	CLAMP,HOSE,.50	
9	111822GT	FUEL RAIL, TME27.....	1	40	236449GT	VALVE COVER,TME27	
10	111825GT	SPACER,HEAT SHIELD,TME27.....	2	--	236450GT	GASKET,CYL HEAD COVER,TME27	
11	111924GT	ALTERNATOR,TME2.7L ENGINE.....	1				
12	49375GT	SCREW,HHC,M6 X 16					
13	49407GT	WASHER,LOCK,M6					
14	18666GT	CLAMP,1.00,#16 X 1/4,RUB CUSH.....	2				

429.1 Continental TME-27 Engine - View 2



PARTS FINDER

**Search Website
by Part Number**



**Search Manual
Library For Parts
Manual & Lookup Part
Numbers – Purchase
or Request Quote**

Search Manuals

Enter your information to help us find the right parts manual for your machine.

* Brand:

* Model:

* Serial:

* Part Number:

SEARCH

**Can't Find Part or
Manual? Request Help
by Manufacturer,
Model & Description**

Parts Order Form

Please fill in the following information to help us find the right part for your machine.

MANUFACTURER:

MODEL:

DESCRIPTION:

DATE:

TIME:

PHONE:

EMAIL:

ADDRESS:

CITY:

STATE:

ZIP:

COUNTRY:

SEARCH

Discount-Equipment.com is your online resource for quality parts & equipment.

Florida: **561-964-4949** Outside Florida TOLL FREE: **877-690-3101**

Need parts?

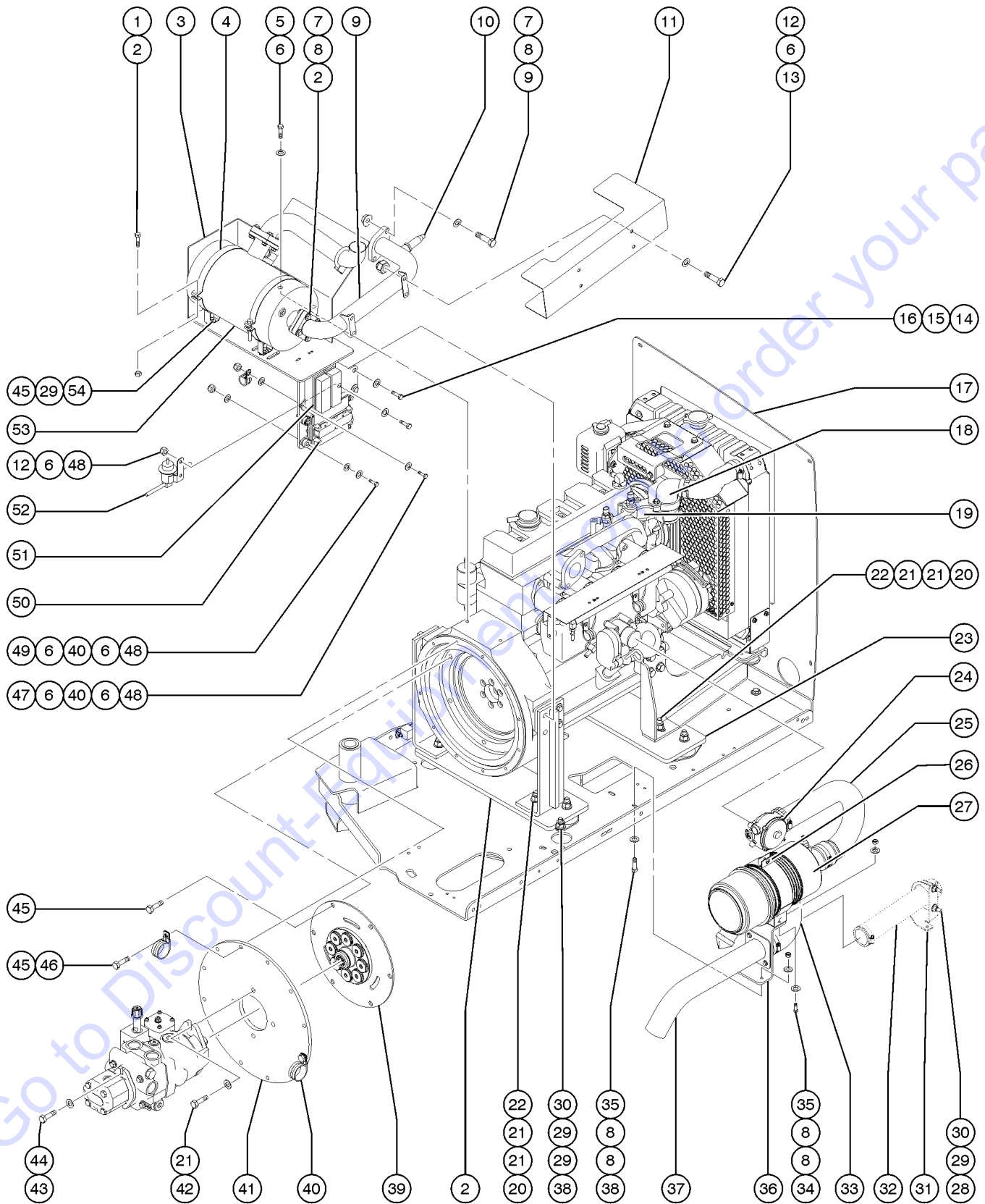
Click on this link: <http://www.discount-equipment.com/category/5443-parts/> and choose one of the options to help get the right parts and equipment you are looking for. Please have the machine model and serial number available in order to help us get you the correct parts. If you don't find the part on the website or on one of the online manuals, please fill out the request form and one of our experienced staff members will get back to you with a quote for the right part that your machine needs.

We sell worldwide for the brands: Genie, Terex, JLG, MultiQuip, Mikasa, Essick, Whiteman, Mayco, Toro Stone, Diamond Products, Generac Magnum, Airman, Haulotte, Barreto, Power Blanket, Nifty Lift, Atlas Copco, Chicago Pneumatic, Allmand, Miller Curber, Skyjack, Lull, Skytrak, Tsurumi, Husquvarna Target, Stow, Wacker, Sakai, Mi-T-M, Sullair, Basic, Dynapac, MBW, Weber, Bartell, Bennar Newman, Haulotte, Ditch Runner, Menegotti, Morrison, Contec, Buddy, Crown, Edco, Wyco, Bomag, Laymor, EZ Trench, Bil-Jax, F.S. Curtis, Gehl Pavers, Heli, Honda, ICS/PowerGrit, IHI, Partner, Imer, Clipper, MMD, Koshin, Rice, CH&E, General Equipment, Amida, Coleman, NAC, Gradall, Square Shooter, Kent, Stanley, Tamco, Toku, Hatz, Kohler, Robin, Wisconsin, Northrock, Oztec, Toker TK, Rol-Air, APT, Wylie, Ingersoll Rand / Doosan, Innovatech, Con X, Ammann, Mecalac, Makinex, Smith Surface Prep, Small Line, Wanco, Yanmar

429.1 Continental TME-27 Engine - View 2

Item	Part No.	Description	Qty.	Item	Part No.	Description	Qty.
--	111898GT	FITTING KIT, EPR VALVE <i>from SN 1914</i>		28	111916GT	STARTER,TME 2.7L ENGINE.....	1
--	122255GT	KIT,EPR FITTING,TME27,EPA2007 <i>from SN 1914</i>		29	10598GT	SCREW,HHC,1/2-13 X 3	
1	111882GT	SENSOR,ENGINE TEMP,TME27.....	1	30	102066PGT	CASTING,WASHER,REBOUND,PAINTED.	2
2	236451GT	ELBOW,1/2"H X 3/8"P,TME27.....	1	31	70452GT	ISOLATOR,ENGINE VIBRATION***	4
--	236452GT	FITTING,PCV TO VLV COVER,TME27		32	13066GT	WASHER,FLAT,.5 HARDENED.....	4
--	236453GT	GASKET,PCV FITTING,TME27		33	6198GT	NUT,NYLOCK,1/2-13	
--	236454GT	SCREW,#10-32 X 5/8"L		34	111830GT	COIL ASSY,IGNITION,TME27.....	1
--	236455GT	WASHER,#10,LOCK		--	111831GT	COIL IGNITION,TME27	
3	111856GT	ASST,OVERFLOW BOTTLE,TME27.....	1	--	111832GT	BRACKET,IGNITION COIL,TME27	
4	111808GT	WELDMENT,EXHAUST PIPE.....	1	--	111833GT	NUT,CLINCH,10-32 X 1	
5	102121GT	CLAMP,MUFFLER,1-7/8 IN.....	2	--	111834GT	SPACER,.20 ID X .50 OD X .4 LG	
6	111910GT	SENSOR,O2,EXH.COLL., PIPE..... <i>to SN 1913</i>	1	--	111835GT	SCREW,SHC,10-32 X 1	
--	122243GT	SENSOR,O2, TME27 EPA2007 <i>from SN 1914</i>		--	6607GT	WASHER,LOCK,#10 PLTD	
7	61741GT	SCREW,HHC,5/16-18 X 1.50		35	111844GT	FITTING,OIL PAN BREATHER,TME27...1	
8	5397GT	WASHER,FLAT,USS,5/16",Y		36	111848GT	ENGINE MOUNT,LEFT FRONT,TME27.....	1
9	18503GT	NUT,LOCKING-LG.FLANGE,5/16-18		37	111880GT	HOSE,LOWER RADIATOR, TME27.....	1
10	19358GT	CONNECTOR,010102-6-4.....	1	38	111358GT	CONT FAN GUARD FT W/WORD DECAL.....	1
11	119232GT	LOCKOFF,LP,FORD DSG/MSG.....	1	--	111871GT	GUARD,FAN,FRONT,TME27	
12	119824GT	ELBOW,90DEG,5502-04-04-B.....	1	39	111872GT	SCREW,FRONT FAN GUARD,TME27....	4
13	111869GT	OIL SEPARATOR.....	1	40	111873GT	GUARD,FAN REAR,TME27.....	1
--	111868GT	VALVE,PVC,TMEW7		--	111874GT	SCREW,REAR FAN GUARD,TME27	
--	111870GT	VALVE,CHCEK,TME27		41	39479GT	SCREW,HHC,1/2-13 X 2.75	
--	42280GT	CLAMP,HOSE,.50		42	111850GT	WASHER,ISOLATOR,TME27.....	2
14	111913GT	REGULATOR,LPG(EPR),TME27..... <i>to SN 1913</i>	1	43	111851GT	ISOLATOR,RADIATOR,TME27.....	2
--	122245GT	REGULATOR,LPG (EPR),TME27 2007 <i>from SN 1914</i>		44	111849GT	BRACKET,LOWER RAD,TME27.....	1
15	110919GT	ISOLATOR,VIBRATION,M8 M/M.....	4	45	6019GT	SCREW,HHC,3/8-16 X 1.25 GRD 5	
16	33277GT	WASHER,FLAT,M8,YELLOW ZINC		46	6097GT	WASHER,FLAT,USS,3/8",Y	
17	25368GT	NUT,NYLOCK,M8X1.25		47	4828GT	NUT,NYLOCK,3/8-16	
18	6888GT	SCREW,HHC,1/4-20 X 1		48	111359GT	CONT RADR ASSY W/WORD DECAL...1	
19	6638GT	WASHER,FLAT,USS,1/4"Y		--	111855GT	RADIATOR,CONTINTNTAL	
20	16073GT	CLAMP,0.63,#10 X 1/4,RUB CUSH.....	2	--	111864GT	PETCOCK,RADIATOR,1,4NPT	
21	6091GT	NUT,NYLOCK,1/4-20		49	111865GT	CAP,RADIATOR,TME27.....	1
22	13268GT	CLAMP,0.75,#12 X 1/4,RUB CUSH.....	2	50	45435GT	CLAMP,HOSE,2.50"***	4
23	111858GT	SPACER,ENGINE MOUNT,TME27.....	2	51	111852GT	BRACKET,UPPER SUPPORT,TME27....	1
24	5224GT	SCREW,HHC,3/8-16 X 2		52	111881GT	HOSE,UPPER RADIATOR, TME27.....	1
25	6021GT	WASHER,LOCK,.375					
26	19934GT	WASHER,3/8 HARD.STEEL-FLAT,USS.....	8				
27	61225GT	RELAY,12VDC,70AMP,SEALED.....	1				

430.1 Continental TME-27 Engine - View 3



430.1 Continental TME-27 Engine - View 3

Item	Part No.	Description	Qty.	Item	Part No.	Description	Qty.
1	8178GT	SCREW,HHC,3/8-16 X 2.5		--	65810GT	BAFFLE, AIR CLEANER (27915)**	
2	18503GT	NUT,LOCKING-LG.FLANGE,5/16-18		28	71911GT	CLAMP,MUFFLER, 2.50 INCH.....1 to SN 1913	
3	111799PGT	WELDMENT,MUFFLER MOUNT,PTD.....1		29	6097GT	WASHER,FLAT,USS,3/8",Y	
4	119051GT	MOUNTING BAND,MUFFLER,8.0".....2		30	4828GT	NUT,NYLOCK,3/8-16 to SN 1913	
5	10107GT	SCREW,HHC,5/16-18 X .75		31	111800PGT	FORMING,INTAKE TUBE BRCKT,PTD.....1 to SN 1913	
6	6638GT	WASHER,FLAT,USS,1/4"Y		32	111803GT	TUBE,INTAKE,AIR CLEANER.....1 to SN 1913	
7	61741GT	SCREW,HHC,5/16-18 X 1.50		33	34164GT	ELBOW,90 DEGR,RUBBER,2.5" I.D.*.....1	
8	5397GT	WASHER,FLAT,USS,5/16",Y		--	35434GT	CLAMP,HOSE,2.00***	
9	111794GT	WELDMENT,EXHAUST COLL.PIPE.....1		--	45435GT	CLAMP,HOSE,2.50****	
10	111911GT	SENSOR,O2,CAT MUFFLER,DISCH.....1 to SN 1913		34	13002GT	SCREW,HHC,5/16-18 X 1 GR5	
11	111810GT	FORMING,HEAT SHIELD,EXH PIPE.....1		35	6782GT	NUT,NYLOCK,5/16-18	
12	6090GT	SCREW,HHC,1/4-20 X .75		36	111804PGT	FORMING,AIR CLEANER MOUNT,PTD.....1	
13	111805GT	NUT,LOCK,HEX,M10		37	122327GT	WELDMENT,TUBE,AIR INTAKE.....1 from SN 1914	
14	5224GT	SCREW,HHC,3/8-16 X 2		38	6019GT	SCREW,HHC,3/8-16 X 1.25 GRD 5	
15	6021GT	WASHER,LOCK, .375		39	128004GT	COUPLER,15 TOOTH,FBA,SAE8***.....1	
16	19934GT	WASHER,3/8 HARD,STEEL-FLAT,USS.....2		--	111862GT	COUPLER,HUM,15T X 50T.....1 (used with 33024)	
17	111802PGT	FORMING,RADIATOR BAFFLE,PTD.....1 to SN 1913		--	128023GT	KIT,FBA STYLE COUPLER,SAE8 upgrade kit; replaces 33024 and 111862 with 128004	
--	122562PGT	FORMING,RADIATOR BAFFLE,PTD from SN 1914		--	33024GT	FLYWHEEL FLANGE,GREEN PLASTIC.....1 (used with 111862)	
18	122260GT	THERMOSTAT,CONTINENTAL TME27.....1		40	60838GT	CLAMP,1.00,#16 X 7/16,RUB CUSH.....1	
--	122261GT	GASKET,THERMOSTAT,TME27		41	111861GT	PLATE,PUMP MOUNT,SAE 4.....1	
19	111887GT	MANIFOLD,COOLANT, TME27.....1		42	8177GT	SCREW,HHC,1/2-13 X 1.5	
--	111886GT	GASKET,MANIFOLD,COOLANT,TME27		43	10597GT	SCREW,HHC,1/2-13 X 1.25 GR5	
20	6096GT	SCREW,HHC,1/2-13 X 2 GR5		44	22699GT	WASHER,FLAT,M10,ZINC PLTD.	
21	13066GT	WASHER,FLAT,.5 HARDENED		45	6175GT	SCREW,HHC,3/8-16 X 1	
22	6198GT	NUT,NYLOCK,1/2-13		46	77181GT	CLAMP,1.63,#26 X 3/8,RUB CUSH.....2	
23	111801PGT	PLATE,ENGINE MOUNT,PTD.....1		47	6888GT	SCREW,HHC,1/4-20 X 1	
24	111920GT	MIXER,TME 2.7L,ENGINE.....1		48	6091GT	NUT,NYLOCK,1/4-20	
25	111815GT	HOSE,AIR CLEANER TO MIXER.....1		49	6637GT	SCREW,HHC,1/4-20 X 1.75	
26	53952GT	BRKT,AIR CLEANER ORIENTATION**.....1		50	122011GT	HARN,ENG,CONT,TME27,Z80.....1 to SN 4804	
27	63463GT	AIR CLEANER,NELSON***.....1 plastic housing		--	111806GT	HARNESS,STARTER RELAY TME27	
--	1277991GT	CLIP,AIR CLEANER COVER (58247) for 58247		--	111907GT	HARNESS, TME27 ENGINE,EPA2006	
--	227988GT	VACUATOR VALVE		--	1253171GT	HARNESS,ENG,CONT, TME27, Z80 from SN 4805	
--	38922GT	ELBOW,90DEG.1/8MPT-5/16 BARB		--	1253210GT	CIRCUIT BRKR THERM AUTORESET 6 from SN 4805	
--	52866GT	EVACUATOR VALVE-AIR CLEANER					
--	58247GT	AIR CLEANER CAP/ FORD/NOLFF***					
--	58415GT	CLIP,AIR CLEANER END CAP*** end cap not available separately					
--	62420GT	FILTER,AIR***					

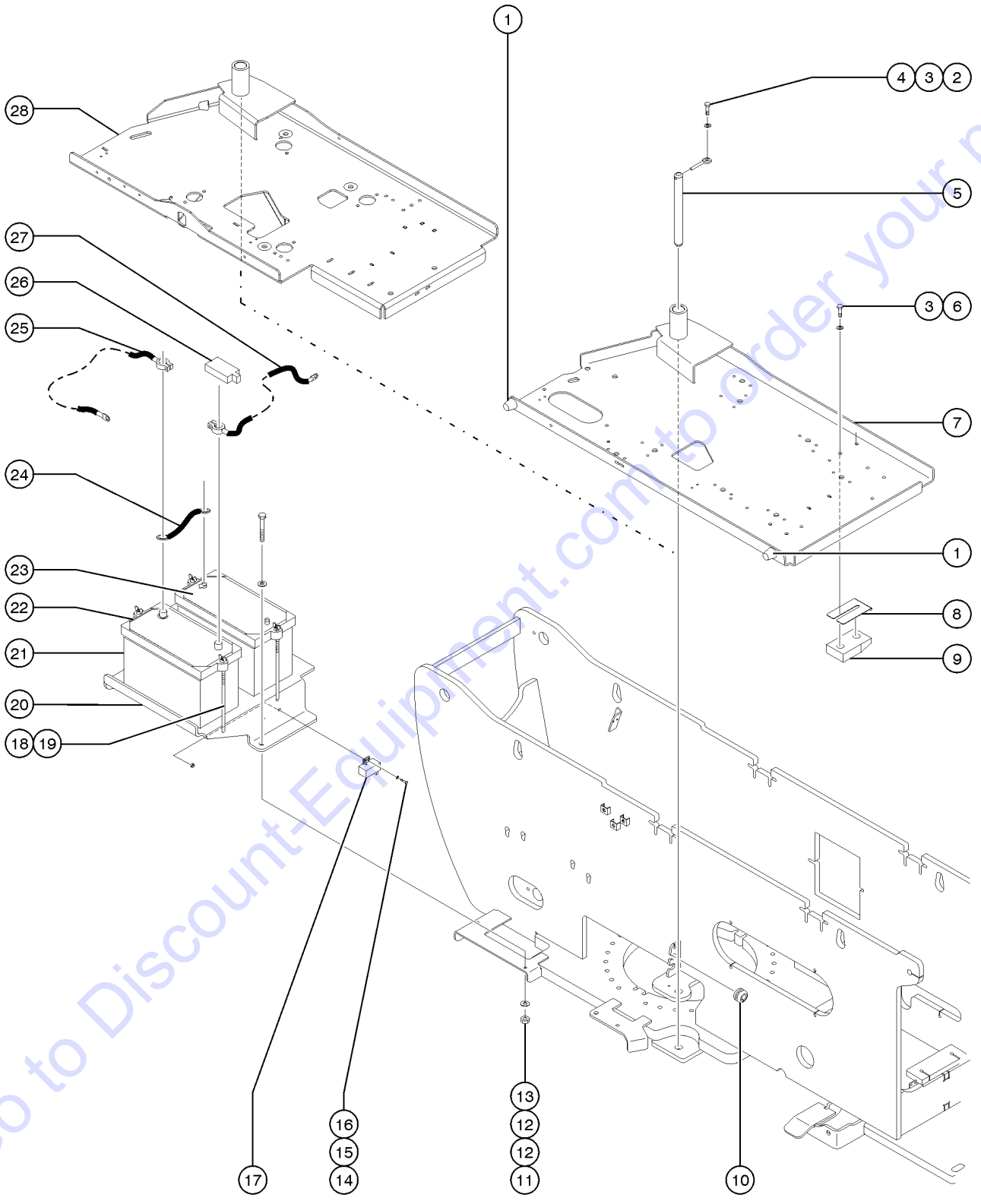
430.1 Continental TME-27 Engine - View 3
(continued)

Item	Part No.	Description	Qty.
51	111912GT	CONTROL MODULE,(GCP),TME27.....1 to SN 1913	
--	122244GT	CONTROL MODULE, TME27 2007 from SN 1914	
52	111914GT	REGULATOR,FUEL PRESS. TME27.....1 to SN 1913	
--	122246GT	REGULATOR,FUEL PRESS,TME27'07 from SN 1914	
53	111710GT	MUFFLER,CATALYTIC,CONTINENTAL...1	
--	72343GT	GASKET,EXH FLANGE-FORD/PERKINS	
54	48425GT	NUT,FLG-LRG,3/8-16,YZ	

This Page Intentionally Left Blank

Go to Discount-Equipment.com to order your parts

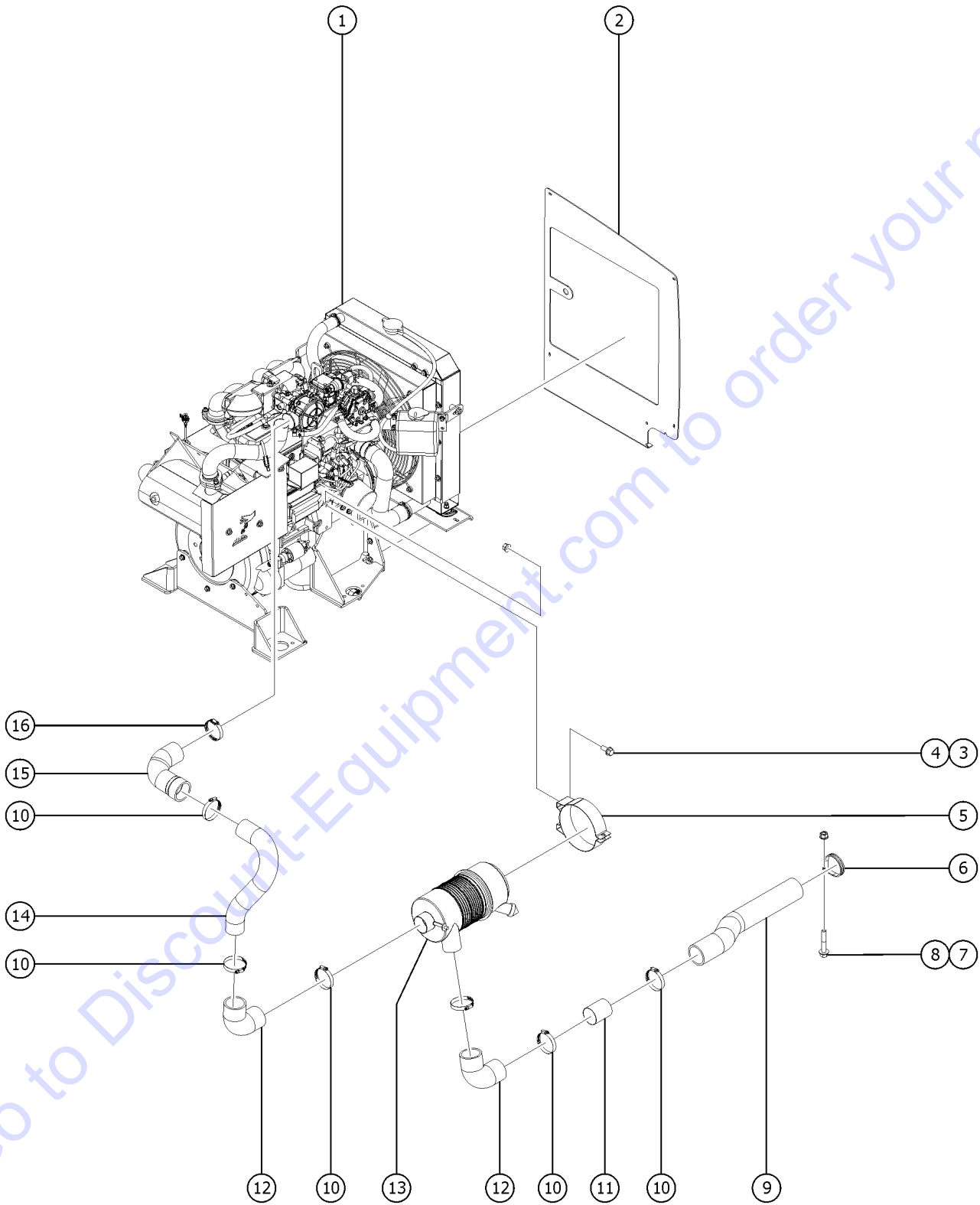
431.1 Engine Tray and Battery



431.1 Engine Tray and Battery

Item	Part No.	Description	Qty.	Item	Part No.	Description	Qty.
--	237068GT	SEPARATOR,DUAL BATTERY,100A		26	18189GT	BOOT,BATTERY TERMINAL,RED.....1	1
--	214393GT	KIT, BATT SEPARATOR, ANSI/CSA <i>includes part 237068</i>		27	88158GT	BATT.CABLE,.00,POS.,RED,76".....1 <i>Deutz, Perkins, Continental models</i>	1
--	215209GT	KIT, BATT SEPARATOR, CE <i>includes part 237068</i>		--	60930GT	CABLE,BATTERY POSITIVE <i>Ford models</i>	
--	215210GT	KIT, BATT SEPARATOR, AS <i>includes part 237068</i>		28	825240GT	WLDMT, ENGINE TRAY, Z80 T4 DEUTZ <i>(Models with Deutz 2.9L or Perkins 404F-22T)</i>	
--	81878GT	HARNESS,#8AWG BATT TO SEPERATR					
--	88154GT	HARNESS,BATT TO APU SOLENOID					
1	30973GT	BUMPER,RUBBER-1 X 1.25.....2	2				
2	6175GT	SCREW,HHC,3/8-16 X 1					
3	6021GT	WASHER,LOCK,.375					
4	825019GT	ROD END,.375X3.69,ZAG.....1	1				
5	81724GT	PIN,1.25 X 13.25 IN,CHAMFER.....1	1				
6	6019GT	SCREW,HHC,3/8-16 X 1.25 GRD 5					
7	77825GT	ENGINE TRAY PIVOT ASSEMBLY <i>Perkins Models; to SN 328</i>					
--	101540GT	ENGINE TRAY ASSY W/BEARINGS <i>Perkins Models; from SN 329</i>					
--	35675GT	BEARING,FL,1.25IDX1.5ODX1.25L					
--	77825GT	ENGINE TRAY PIVOT ASSEMBLY <i>Deutz Models; to SN 338</i>					
8	34344GT	SHIM,SIDE PAD 16GA. 3 X 5.....2	2				
9	81522GT	WEAR PAD,ENGINE TRAY.....1	1				
10	61189GT	GROMMET,RUBBER .75 X .38 X1.13....2	2				
11	4828GT	NUT,NYLOCK,3/8-16					
12	5397GT	WASHER,FLAT,USS,5/16",Y					
13	6019GT	SCREW,HHC,3/8-16 X 1.25 GRD 5					
14	6888GT	SCREW,HHC,1/4-20 X 1					
15	6638GT	WASHER,FLAT,USS,1/4"Y					
16	6091GT	NUT,NYLOCK,1/4-20					
17		CONTROLLER,GLOW PLUG (53883)....1 <i>Perkins models; to SN 328 (component no longer available)</i>	1				
18	45708GT	HOOK,BATT HOLD DOWN,10".....4	4				
19	8170GT	NUT,WING,1/4-20.....4	4				
20	81615PGT	TRAY,BATTERY.....1 <i>to SN 776</i>	1				
--	102343PGT	BATTERY TRAY,FORMING,PAINTED <i>from SN 777</i>					
21	30143GT	BATTERY,12V,1000 CCA GRP 31.....1	1				
22	30144GT	BATTERY HOLD DOWN,GROUP 31.....2	2				
23	77694GT	BATTERY,12V DEEP CYC 5/16"STUD....1	1				
24	81562GT	HARNESS,GND,BATT 1 TO BATT 2.....1	1				
25	88157GT	BATTERY CABLE,2/0,BLACK,64".....1 <i>Deutz, Perkins, Continental models</i>	1				
--	75719GT	CABLE,GROUND,79" W/PIGTAIL <i>Ford models</i>					

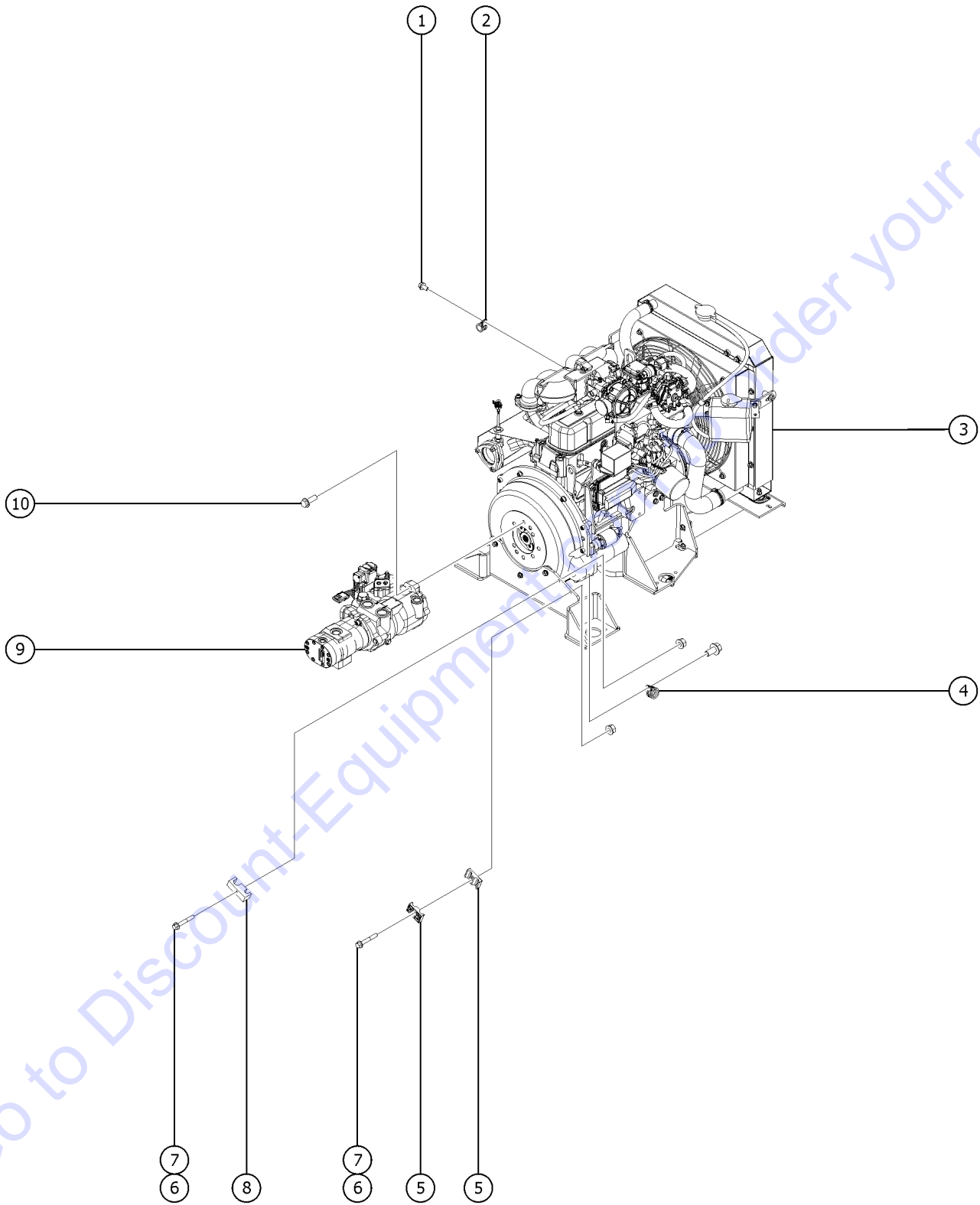
432.1 GM 3.0L Engine - View 1 (from SN 6086)



432.1 GM 3.0L Engine - View 1 (from SN 6086)

Item	Part No.	Description	Qty.
1		Ref. KIT,ENGINE,GM3.0L,PSI,S80/Z80 (refer to 435.1)	
2	1269604GT	FORMING,BAFFLE,Z80,GM3.0L.....1	1
3	824085GT	SCREW,HHF,5/16-18X.75,8,ZAG.....2	2
4	824028GT	NUT,TL FLG,5/16-18,G,ZAG.....2	2
5	53952GT	BRKT,AIR CLEANER ORIENTATION**.....1	1
6	70257GT	CLAMP,3.0,#48 X 1/4,RUB CUSH.....1	1
7	824081GT	SCREW,HHF,1/4-20X1.5,8,ZAG.....1	1
8	824027GT	NUT,TL FLG,1/4-20,G,ZAG.....1	1
9	88846GT	HOSE,AIR INLET.....1	1
10	30971GT	CLAMP,HOSE,3.00".....6	6
11	94324-300GT	TUBE,RD,STL,ALM,2.50X.065X3.00.....1	1
12	34164GT	ELBOW,90 DEGR,RUBBER,2.5" I.D.*.....2	2
13	63463GT	AIR CLEANER,NELSON***.....1 <i>plastic housing</i>	1
--	52866GT	EVACUATOR VALVE-AIR CLEANER	
--	58415GT	CLIP,AIR CLEANER END CAP*** <i>end cap not available separately</i>	
--	62420GT	FILTER,AIR***	
--	65810GT	BAFFLE, AIR CLEANER (27915)**	
14	70465GT	TAILPIPE,DEUTZ BF4L2011.....1	1
15	1269549GT	HOSE,CLEANAIR,90DEG,2.25X2.5.....1	1
16	45435GT	CLAMP,HOSE,2.50"***.....1	1

433.1 GM 3.0L Engine - View 2 (from SN 6086)

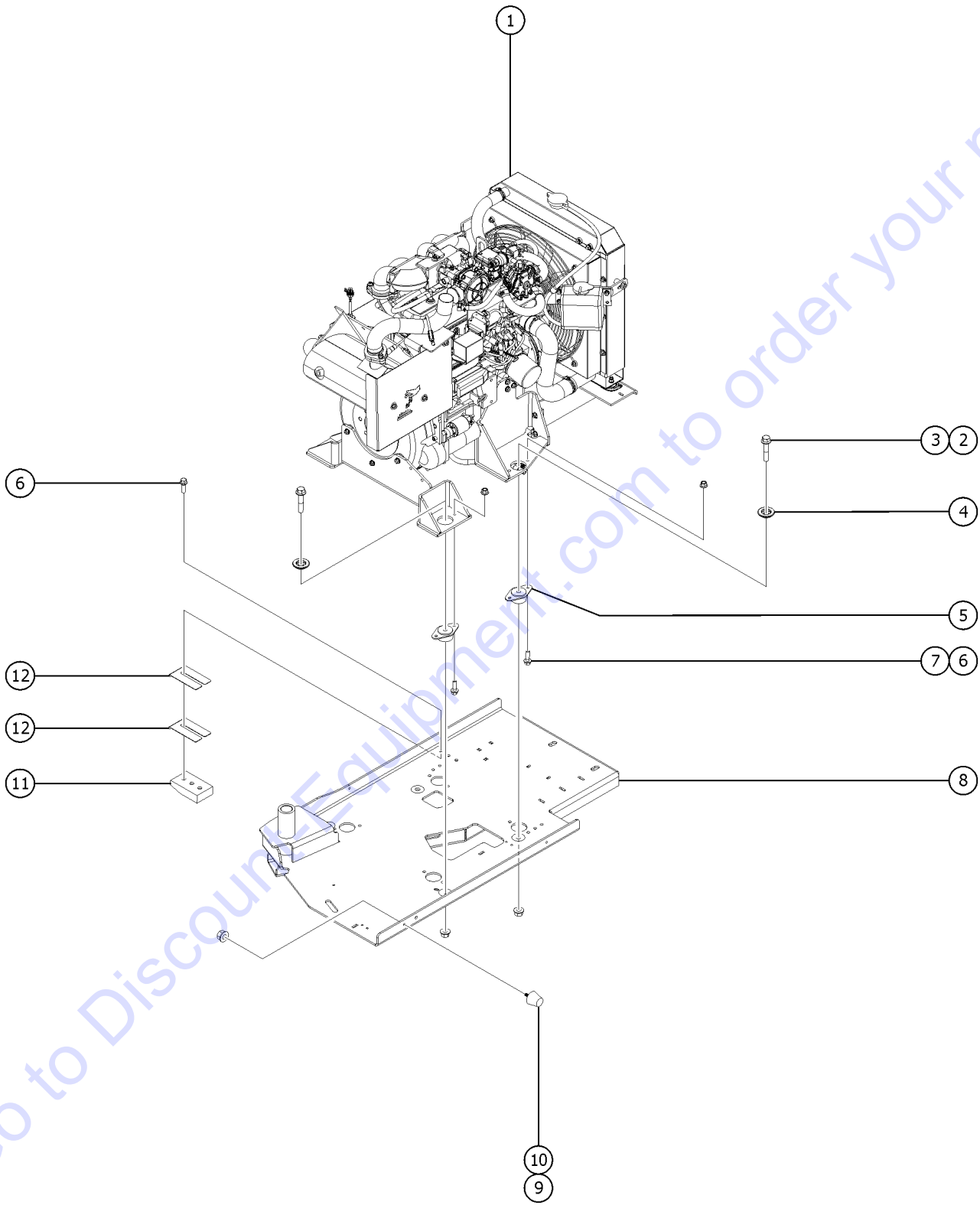


433.1 GM 3.0L Engine - View 2 (from SN 6086)

Item	Part No.	Description	Qty.
1	824089GT	SCREW,HHF,3/8-16X.75,8,ZAG.....1	1
2	45454GT	CLAMP,RUB CUSH,0.75,#12 X 3/8*.....1	1
3		Ref. KIT,ENGINE,GM3.0L,PSI,S80/Z80 (refer to 435.1)	
4	13268GT	CLAMP,0.75,#12 X 1/4,RUB CUSH.....2	2
5	78736GT	CLAMP,2 HOSE,PLASTIC,5/8.....2	2
6	824082GT	SCREW,HHF,1/4-20X1.75,8,ZAG.....2	2
7	824027GT	NUT,TL FLG,1/4-20,G,ZAG.....2	2
8	121860GT	CLAMP, HOSE/CABLE.....1	1
9		Ref. PUMP ASSY,DRIVE & FUNCTION.....1 (refer to 710.1)	1
10	123167GT	FLGHCS,1/2-13X1.50,GR8,BLK PH.....2	2

Go to Discount-Equipment.com to order your parts

434.1 GM 3.0L Engine - View 3 (from SN 6086)



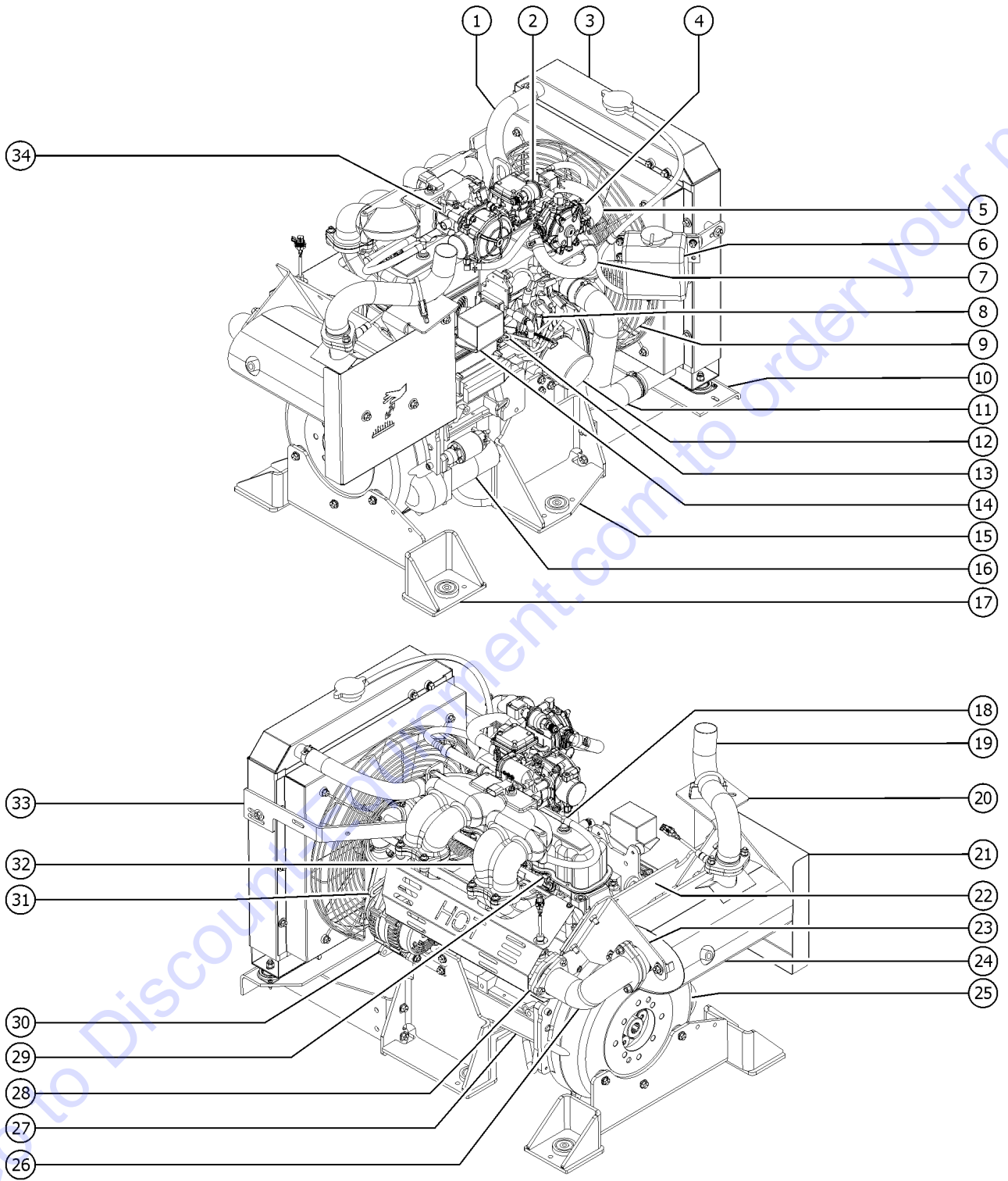
Go to DiscountEquipment.com to order your parts

434.1 GM 3.0L Engine - View 3 (from SN 6086)

Item	Part No.	Description	Qty.
1		Ref. KIT,ENGINE,GM3.0L,PSI,S80/Z80 (refer to 435.1)	
2	1255802GT	SCREW,HHF,1/2-13X2.5,8,ZAG.....	4
3	1251997GT	NUT,TL FLG,1/2-13,G,ZAG.....	4
4	1274069GT	CASTING, WASHER, ENGINE ISOLAT.....	4
5	70452GT	ISOLATOR,ENGINE VIBRATION***.....	4
6	824091GT	SCREW,HHF,3/8-16X1.25,8,ZAG.....	11
7	824029GT	NUT,TL FLG,3/8-16,G,ZAG.....	8
8	825240GT	WLDMT, ENGINE TRAY, Z80 T4 DEUTZ.....	1
9	30973GT	BUMPER,RUBBER-1 X 1.25.....	2
10	824028GT	NUT,TL FLG,5/16-18,G,ZAG.....	2
11	81522GT	WEAR PAD,ENGINE TRAY.....	1
--	48425GT	NUT,FLG-LRG,3/8-16,YZ	
12	34344GT	SHIM,SIDE PAD 16GA. 3 X 5.....	2

Go to Discount-Equipment.com to order your parts

435.1 GM 3.0L Engine - View 4 (from SN 6086)



435.1 GM 3.0L Engine - View 4 (from SN 6086)

Item	Part No.	Description	Qty.	Item	Part No.	Description	Qty.
B	1273154GT	MANUAL, OPERATORS, GM 3.0L		12	65623GT	FILTER-OIL,GM 3.0L ENGINE.....	1
C	1273165GT	MANUAL, SVC AND REPAIR, GM 3.0L		--	1272065GT	SENDER, OIL PRESSURE, GM3.0L ENG.....	1
D	1272068GT	SENSOR, MAP, GM3.0L ENG.....	1	13A	1272026GT	DIPSTICK, GM3.0L ENG.....	1
E	1271825GT	ECM, SSI .79L / .97L		13B	1284621GT	TUBE,DIPSTICK,GM 3.0L ENG.....	1
1A	81424GT	RADIATOR HOSE,UPPER-GM.....	1	14	1272050GT	ISOLATOR, RUBBER, GM3.0L ENG.....	2
1B	1284622GT	OUTLET,T/STAT,GM 3.0L ENG.....	1	15A	1284667GT	MOUNT,ENG,GM 3.0L ENG.....	1
1C	1272070GT	THERMOSTAT, GM3.0L ENG.....	1	15B	1284618GT	SENSOR/BRKT KIT,GM 3.0L ENG..... <i>located behind engine support at distributor side of engine</i>	1
1D	1284623GT	GASKET,T/STAT COVER,GM 3.0L ENG.....	1	15C	1272038GT	GASKET, VALVE COVER, GM3.0L ENG <i>engine side cover gasket; located behind engine support at distributor side of engine</i>	1
1E	1284624GT	HOUSING,THERMOSTAT,GM 3.0L ENG.....	1	16	1272069GT	STARTER, GM3.0L ENG.....	1
1F	1284626GT	GASKET,T/S HSG,GM 3.0L ENG.....	1	17	1284666GT	BRACKET,REAR MOUNT,ALT,GM3.0L ENG.....	2
1G	1284625GT	SENSOR,AS,GM 3.0L ENG.....	1			<i>secure to bellhousing</i>	
2A	58386GT	GM 3.0, LP REGULATOR		18A	1272038GT	GASKET, VALVE COVER, GM3.0L ENG.....	1
--	1272028GT	FITTING, GM3.0L ENG <i>Vaporizer hot water supply</i>		--	1272024GT	BOLT, CYLINDER HEAD, GM3.0L ENG	
--	1272071GT	VALVE, LOCK OFF, GM3.0L ENG.....	1	--	1272030GT	GASKET, CYL HEAD, GM3.0L ENG	
2B	64066GT	HOSE ASSEMBLY,LP GAS 174" LONG.....	1	18B	65620GT	PCV VALVE-GM 3.0L ENGINE..... <i>(rear) (hose routed to intake manifold)</i>	1
3	1272060GT	RADIATOR, GM3.0L ENG.....	1	--	1272042GT	GROMMET,PCV.....	1
--	1284786GT	CAP,RADIATOR,GM 3.0L ENG.....	1			<i>(rear)</i>	
4	1272044GT	HOSE, FUEL, GM3.0L ENG <i>Vaporizer hot water return to engine (cut to size)</i>		18C	77540GT	CAP,OIL FILLER.....	1
5	1272045GT	HOSE, VAPORIZER.....	1			<i>(front) (hose routed to throttle body)</i>	
6A	1272025GT	BOTTLE, OVERFLOW, GM3.0L ENG.....	1	--	1272043GT	GROMMET, PCV TUBE, GM3.0L ENG <i>(front)</i>	
6B	1284630GT	HOSE, OVERFLOW.....	1	--	1272047GT	HOSE, VAPOR, GM3.0L ENG.....	1
7	1272044GT	HOSE, FUEL, GM3.0L ENG.....	1			<i>(front) (adapter hose)</i>	
8A	77550GT	DISTRIBUTOR/GM 3.0L ENGINE.....	1	--	1284620GT	ELBOW.....	1
--	1284627GT	SENSOR,CAMSHAFT,GM 3.0L ENG				<i>(front)</i>	
--	65624GT	CAP-DISTRIBUTOR, GM 3.0L		19A	1284643GT	TAILPIPE,EXHAUST,GM 3.0L ENG.....	1
--	65625GT	ROTOR-DISTRIBUTOR, GM 3.0L		19B	1284639GT	SEAL,EXHAUST,GM 3.0L ENG.....	1
8B	58412GT	SPARK PLUG WIRE SET,GM 3.0..... <i>set of 4 plug wires; order 1284619 coil wire separately</i>	1	19C	1272066GT	SENSOR, O2, GM3.0L ENG.....	1
--	1284619GT	WIRE,COIL,HVS,GM 3.0L ENG.....	1	20	1284644GT	BRACKET,CATALYST,GM3.0L ENG.....	1
8C	65622GT	SPARK PLUG-GM 3.0L ENGINE.....	4	21	1284645GT	SHIELD,HEAT,GM 3.0L ENG.....	1
8D	77551GT	COIL-IGNITION/GM 3.0L ENGINE.....	1	22	1284637GT	BRACKET,MUFFLER,GM3.0L ENG.....	1
9A	1272057GT	FAN, PULLER 18", GM3.0L ENG.....	1	23	1284642GT	BRACKET,CATALYST,GM3.0L ENG.....	1
9B	1272059GT	PUMP, WATER, GM3.0L ENG.....	1	24A	1284638GT	MUFFLER,CATALYST,GM3.0L ENG.....	1
--	1284785GT	GASKET,WATER PUMP		24B	1284636GT	FLANGE,EXHAUST,GM3.0L ENG	
9C	1272039GT	GASKET, TIMING CHAIN, GM3.0L		24C	1272066GT	SENSOR, O2, GM3.0L ENG.....	1
10A	1284633GT	SUPPORT,RADIATOR,GM 3.0L ENG.....	1	25A	1272041GT	RING GEAR, GM3.0L ENG.....	1
10B	1272049GT	ISOLATOR, GM3.0L ENG.....	2	25B	1284617GT	SENSOR,C/SHAFT,GM 3.0L ENG.....	1
11	1272046GT	HOSE, RAD, LOWER, GM3.0L ENG.....	1	25C	1272062GT	SEAL, CRANKSHAFT, GM3.0L ENG..... <i>round</i>	1
				--	1272037GT	GASKET, OIL SEAL, GM3.0L ENG	

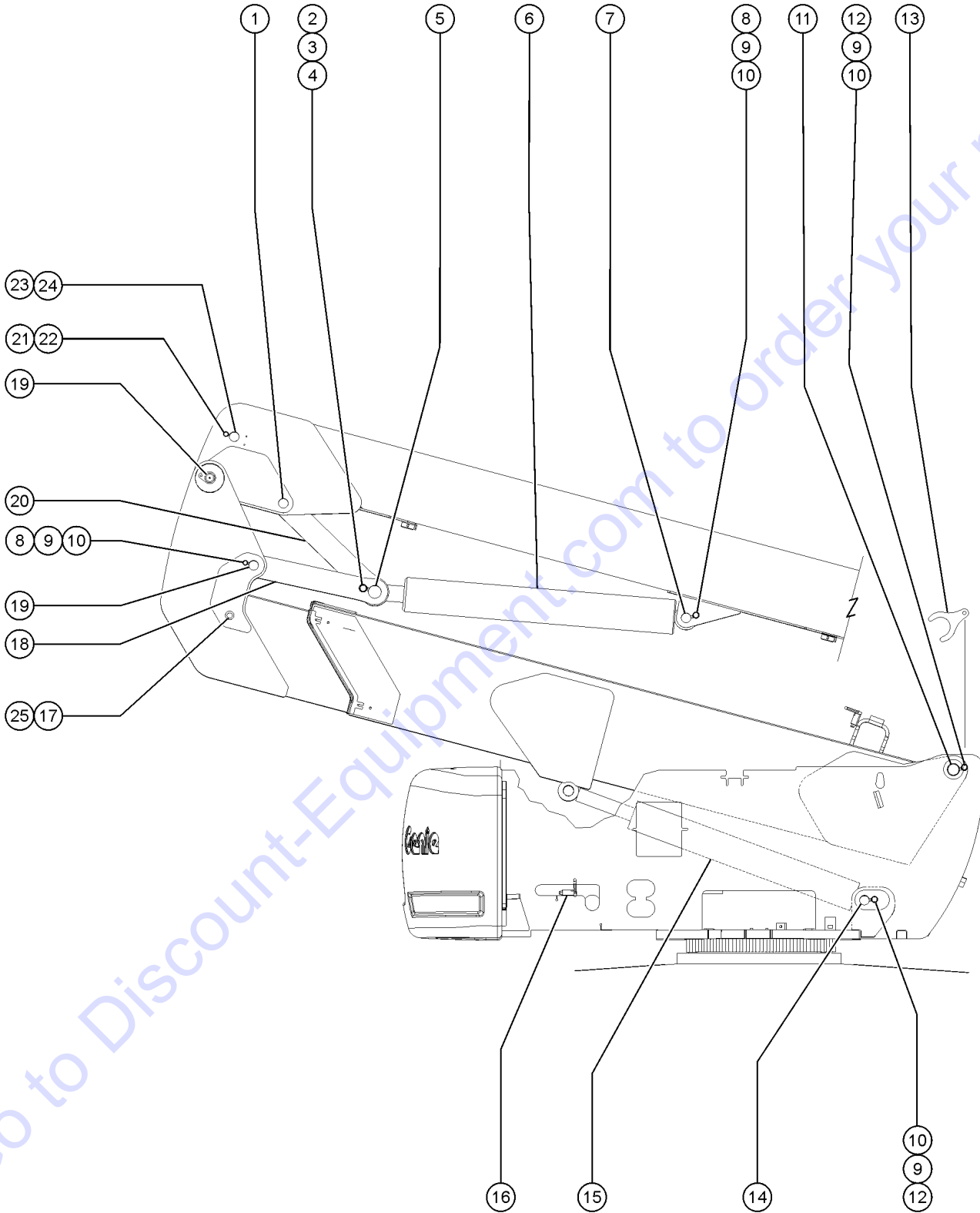
435.1 GM 3.0L Engine - View 4 (from SN 6086) (continued)

Item	Part No.	Description	Qty.	Item	Part No.	Description	Qty.
25D	1284628GT	PLATE,HOUSING,GM 3.0L ENG <i>lower inspection cover</i>		31B	1284656GT	BOLT,ALTERNATOR,GM 3.0L ENG.....1 <i>for belt tension</i>	
25E	1284629GT	DRIVE PLATE,GM 3.0L ENG <i>attached to crankshaft</i>		--	1284657GT	WASHER,ALT,GM3.0L ENG <i>for 1284656</i>	
26A	1284641GT	PIPE,EXHAUST,GM3.0L ENG.....1		32A	1284648GT	MANIFOLD,INTAKE,GM 3.0L ENG.....1 <i>upper intake manifold</i>	
26B	1272064GT	SEAL, EXHAUST, H/T, GM3.0L ENG.....1 <i>(at muffler)</i>		--	1272033GT	GASKET, INTAKE, GM3.0L ENG.....2 <i>upper intake to lower intake</i>	
26C	1272031GT	GASKET, DOUNUT, GM3.0L ENG.....1 <i>(at exhaust manifold)</i>		--	1284650GT	MANIFOLD,INTAKE,GM 3.0L ENG.....1 <i>lower intake manifold</i>	
26D	1284635GT	FLANGE,EXHAUST,GM3.0L ENG.....1		32B		REF., GASKET.....1 <i>(refer to item 28B)</i>	
27A	1272035GT	GASKET, OIL PAN, GM3.0L ENG.....1		33A	1284631GT	BRKT,RADIATOR TOP LH,GM3.0L ENG.....1 <i>exhaust side</i>	
--	1272058GT	PUMP, OIL, GM3.0L ENG		33B	1284632GT	BRKT,RADIATOR TOP RH,GM3.0L ENG.....1 <i>distributor side</i>	
27B	1272055GT	PLUG, OIL DRAIN, GM3.0L ENG		34	1271837GT	THROTTLE BODY, 40MM.....1	
--	1272036GT	GASKET, OIL PLUG, GM3.0L ENG.....1		--	1272027GT	EPR, GM3.0L ENG	
28A	1284649GT	MANIFOLD,EXHAUST,GM3.0L ENG.....1		--	1272029GT	GASKET, GM3.0L ENG <i>throttle body to intake manifold</i>	
28B	1272032GT	GASKET, INT/EXH, GM3.0L ENG.....1 <i>cylinder head to manifolds gasket</i>		--	1272048GT	INLET TO EPR, GM3.0L ENG <i>EPR inlet</i>	
28C	1284646GT	SHIELD,HEAT,GM 3.0L ENG.....1		--	1272053GT	MIXER, GM3.0L ENG	
28D	1272066GT	SENSOR, O2, GM3.0L ENG.....1		--	1272054GT	ORING, MIXER ADAPTER, GM3.0L ENG <i>mixer outlet</i>	
28E	1284647GT	EXHAUST FLANGE,GM 3.0L ENG		--	1284634GT	FITTING,THROTTLE BODY,GM3.0L ENG <i>90 degree hose fitting on mixer</i>	
28F	1272031GT	GASKET, DOUNUT, GM3.0L ENG		35	1272052GT	MANIFOLD, FUEL, GM3.0L ENG.....1 <i>not shown</i>	
29	1272061GT	RAIL, FUEL, W/INJ, GM3.0L ENG.....1		--	1284670GT	FITTING,GM 3.0L ENG.....2 <i>for 1272052</i>	
30A	77822GT	ALTERNATOR, GM3.0L ENGINE.....1		--	1284671GT	FITTING,GM 3.0L ENG.....1 <i>for 1272052</i>	
--	1284655GT	NUT,ALTERNATOR,GM 3.0L ENG.....2 <i>for 77822</i>		36	1271652GT	FILTER, FUEL, GM3.0L.....1 <i>not shown</i>	
30B	1284654GT	BRACKET,ALTERNATOR,GM3.0L ENG.....1 <i>alternator mount bracket</i>		--	1271653GT	PUMP, FUEL, HIGH PRESSURE, GM3.0L.....1 <i>not shown</i>	
--	1284653GT	SPACER,ALT,GM 3.0L ENG.....1 <i>for 1284663</i>		--	1271654GT	FITTING, FUEL PUMP, GM3.0L.....1 <i>for 1271653</i>	
--	1284660GT	WASHER,LCK,ALT,GM3.0L ENG.....1 <i>for 1284663</i>		--	1284669GT	CLAMP,RUBBER,GM3.0L ENG.....1 <i>for 1271652, 1271653</i>	
--	1284661GT	WASHER,ALT,GM3.0L ENG.....2 <i>for 1284663</i>					
--	1284662GT	NUT,ALT MNTG,GM3.0L ENG.....1 <i>for 1284663</i>					
--	1284663GT	BOLT,ALT MNTG,GM3.0LENG.....1 <i>alternator pivot bolt</i>					
--	1284664GT	WASHER,FLAT,GM3.0L ENG.....2 <i>for 1284663</i>					
--	1284665GT	BOLT,GM 3.0L ENG.....2 <i>to install 1284654</i>					
30C	1284651GT	BELT,ALTERNATOR,GM 3.0L ENG.....1					
31A	1284652GT	STRAP,ALT,GM3.0L ENG <i>alternator belt tension bracket</i>					
--	1284658GT	WASHER,LCK,ALT,GM3.0L ENG <i>for 1284659</i>					
--	1284659GT	BOLT,ALTERNATOR,GM 3.0L ENG <i>belt bracket pivot bolt</i>					

This Page Intentionally Left Blank

Go to Discount-Equipment.com to order your parts

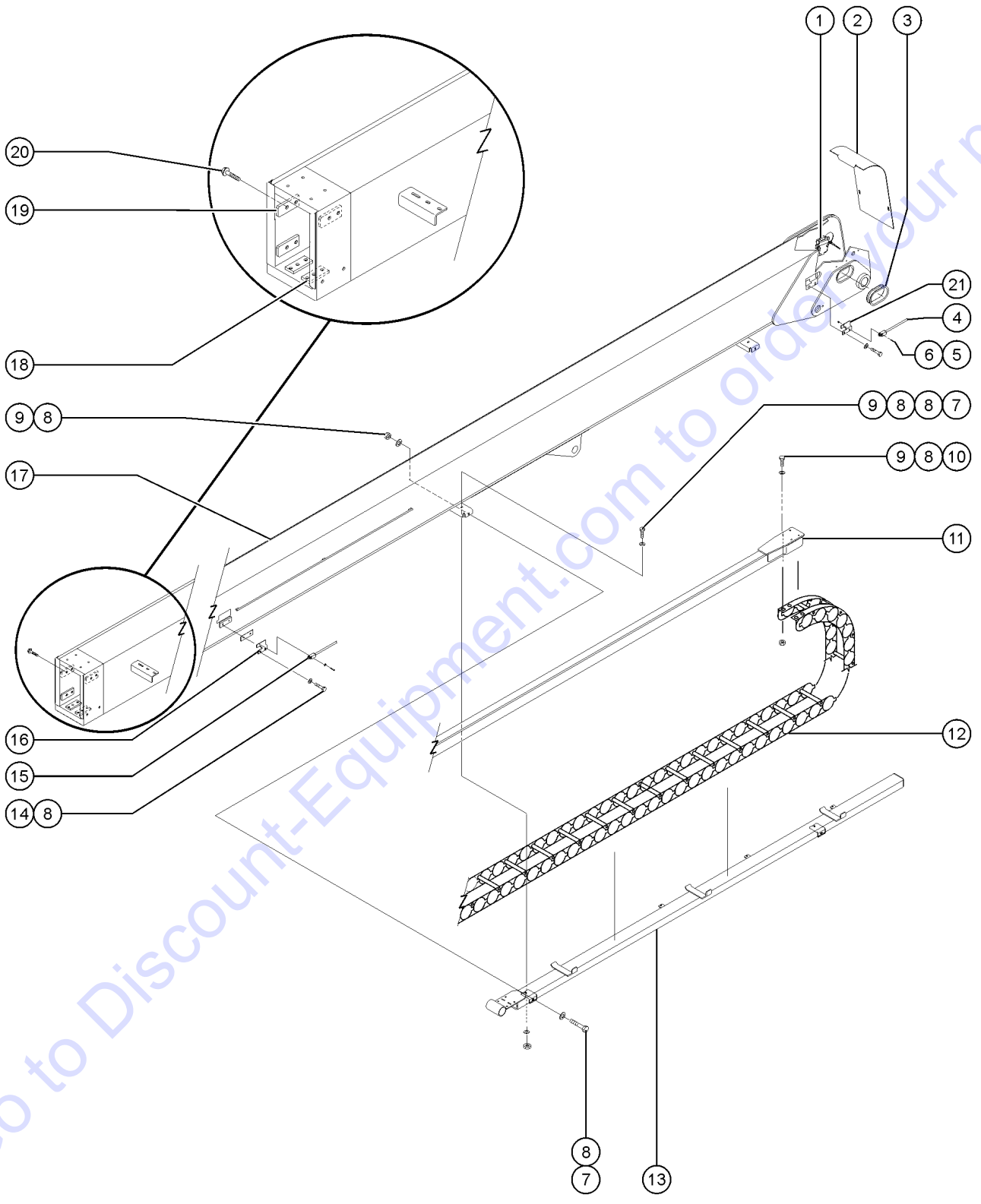
501.1 Primary and Secondary Lift Cylinders and Linkage



501.1 Primary and Secondary Lift Cylinders and Linkage

Item	Part No.	Description	Qty.	Item	Part No.	Description	Qty.
1	88078GT	PIN,2.25 X 13.38 LG.....	1	19	88077GT	PIN,2.25 X 18.50 LG.....	1
--	102399GT	BEARING,FL,2.25IDX2.50ODX1.33L		--	88065GT	BEARING,2.25IDX2.75ODX2.00L	
2	34346GT	SCREW,HHC,3/4-10 X 1.75		20	106754GT	LINK LINKAGE ASSEMBLY.....	1
3	34550GT	WASHER,LOCK,.75 PLTD		--	102399GT	BEARING,FL,2.25IDX2.50ODX1.33L	
4	61341GT	ROD END,.75 X 5.00.....	1	--	88278GT	BEARING,3.00IDX3.25ODX1.25L <i>(primary lift cylinder side)</i>	
5	88274GT	PIN,3.00 DIA X 15.0 LG.....	1	21	6175GT	SCREW,HHC,3/8-16 X 1	
6	61428GT	CYLINDER,PRIMARY BOOM LIFT***	1	22	6021GT	WASHER,LOCK,.375	
--	54065GT	VALVE,COUNTERBALANCE,3500***		23	825019GT	ROD END,.375X3.69,ZAG.....	2
--	77515GT	SEAL KIT,PRIM LIFT CYL (61428)				<i>to SN 6549</i>	
--	88279GT	BEARING,3.00IDX3.50ODX1.50L		--	825019GT	ROD END,.375X3.69,ZAG <i>from SN 6550</i>	
7	88079GT	PIN,2.25 X 10.63 LG.....	1	24	47376GT	PIN,1.25DIA X 2.75LG,1HOLE.....	2
8	10597GT	SCREW,HHC,1/2-13 X 1.25 GR5		25	824164GT	SNAP RING,EXTERNAL,1.25,ZAG.....	2
9	6033GT	WASHER,LOCK,0.5"					
10	1256267GT	ROD END,.5 X 3.75,ZAG.....	4				
		<i>to SN 6549</i>					
--	1256267GT	ROD END,.5 X 3.75,ZAG <i>from SN 6550</i>					
11	88074GT	PIN,2.25 X 25.63 LG.....	1				
--	18731GT	WASHER,FLAT,2.27 X 3.5 X .06					
--	88065GT	BEARING,2.25IDX2.75ODX2.00L					
12	8177GT	SCREW,HHC,1/2-13 X 1.5					
13		Ref. SHIM (refer to 305.1) <i>from SN 2849</i>					
14	88075GT	PIN,2.25 X 23.50 LG.....	1				
15	122575GT	CYLINDER,RISER LIFT.....	1				
		<i>from SN 2675</i>					
--	122576GT	VALVE,CB CWCA-LHN@3800 PSI <i>(extend) cylinder 122575</i>					
--	218697GT	SERV KIT,SEC LIFT REPL.....	1				
		<i>to SN 2674; required to use service kit 218697 when replacing cylinder 61426 for first time (includes cylinder 122575), refer to 705.1, 709.1 and 715.1</i>					
--	33428GT	VALVE,COUNTERBALANCE <i>(retract) cylinder 61426</i>					
--	36207GT	VALVE,COUNTERBAL.CWCA-LHN@2000 <i>(extend) cylinder 61426</i>					
--	77014GT	VALVE,COUNTERBALANCE,3800 PSI <i>(retract) cylinder 122575</i>					
--	77513GT	SEAL KIT,SEC LIFT CYL (61426)* <i>use with cylinder 61426 and 122575</i>					
16	88359GT	HARNES,LS,OP,SEC.,ANGLE.....	1				
--	8835644P3GT	SWITCH,LIMIT,W/RLLR ARM,NO/NC*					
17	30186GT	PIN,1.25DIA X 6.67LG,2RING.....	1				
18	106755GT	LEVER LINKAGE ASSEMBLY.....	1				
--	18722GT	BEARING,2.25IDX2.50ODX1.50L***					
--	88278GT	BEARING,3.00IDX3.25ODX1.25L					

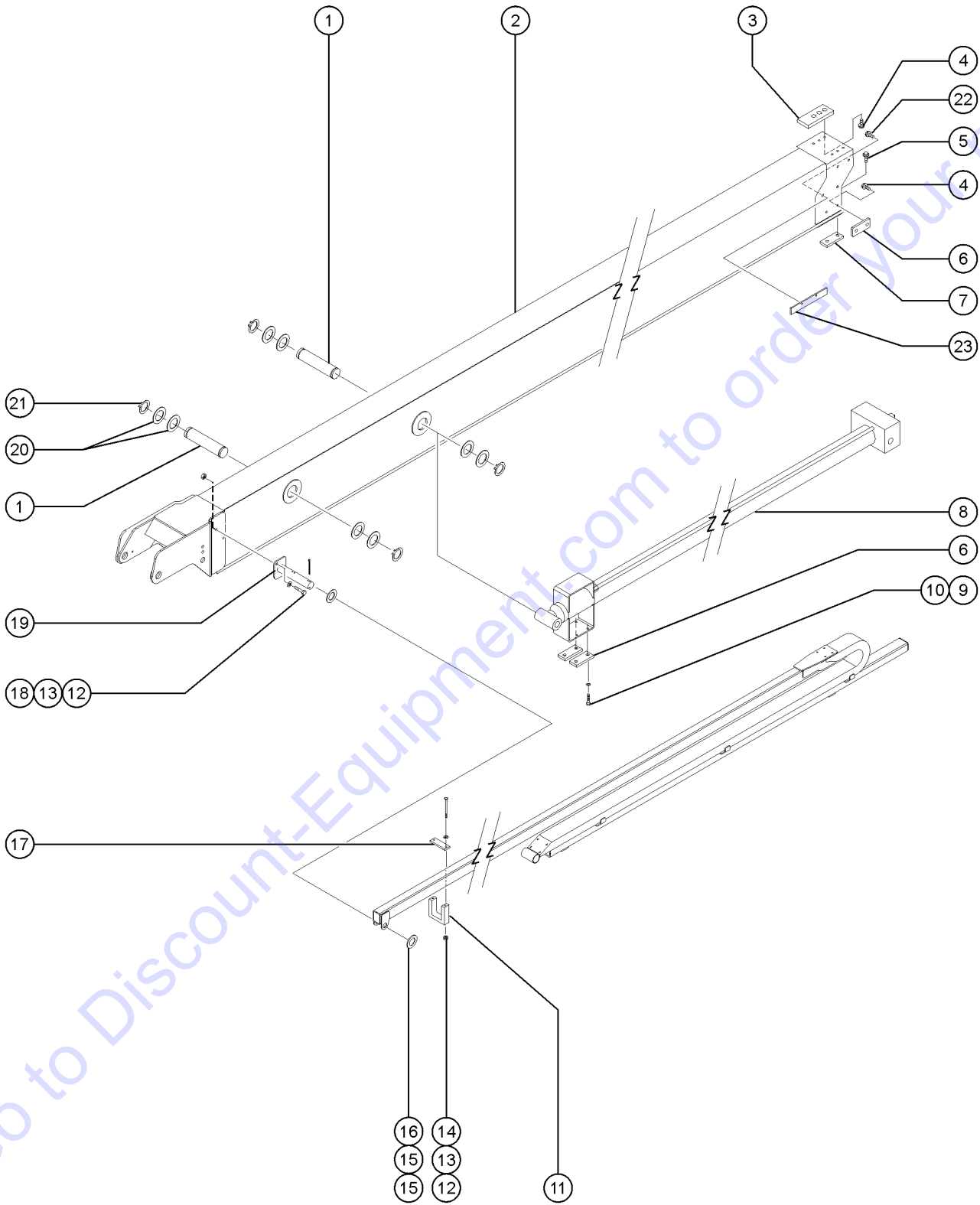
502.1 Primary Boom and Cable Track - View 1



502.1 Primary Boom and Cable Track - View 1

Item	Part No.	Description	Qty.	Item	Part No.	Description	Qty.
1	88149GT	SENSOR,ANGLE,PRIMARY BOOM		--	38620GT	SHIM,WEAR PAD,5 X 1.5,14GA	
--	21130GT	CLEVIS YOKE-1/4-28,PLTD W/PIN		20	122200GT	SCREW,FLANGE,HHC,3/8-16X 7/8	
--	30785-450GT	THREADED ROD,1/4-28 X 4.5		21	122941GT	FORMING,LIMIT SWITCH MOUNT	
--	88153GT	HARNESS,UPPER LIMIT SWITCH/PBA					
--	88788PGT	BRACKET,PBAS MOUNT PAINTED					
--	88794GT	NUT,WING,1/4-28					
2	61563PGT	COVER,PRIMARY BOOM,PAINTED					
--	146610GT	COVER,PRI BM ASSY,REAR W/WORD					
3	53386GT	GUARD, HOSE PROTECTOR					
4	88360GT	HARNESS,LS,OP,PRI.,RETRACT					
--	11071-44163GT	SWITCH LIMIT W/RLLR NO/NC GOLD					
--	43960GT	WIRE CABLE,16/4 CON.TPE JKT					
--	97128GT	ROLLER ARM,LIMIT SWITCH***					
5	49817GT	SCREW,PHILLIPS,PHM,10-32 X1.25					
6	6178GT	NUT,NYLOCK,10-32					
7	8255GT	SCREW,HHC,3/8-16 X .75					
8	6097GT	WASHER,FLAT,USS,3/8",Y					
9	4828GT	NUT,NYLOCK,3/8-16					
10	8516GT	SCREW, HCC, 3/8-16 X 1.50					
11	61541GT	WELDMENT,LONG GUIDE TUBE					
12	122299GT	CABLE TRACK,STEEL 38 LINKS					
--	106154GT	KIT,PIN & RING***					
--	106357GT	BRACKET,CABLE TRACK,MOVING END					
--	122037GT	BOT.CLAMP,ARCTIC HOSE CBLTRK					
--	122038GT	TOP CLAMP,ARCTIC HOSE CBLTRK					
--	122176GT	OPT.CLAMP,HOSE,CABLETRACK					
--	77896GT	ASSY,FOUR LINK CABLE TRACK***					
--	77951GT	MOVING END BRACKET					
--	77952GT	FIXED END BRACKET					
13	81752GT	WELDMENT,CABLE TRACK TRAY Z80					
14	33681GT	SCREW,HHC,3/8-16 X .625					
15	88362GT	HARNESS,LS,OP,PRI.EXT.					
--	43960GT	WIRE CABLE,16/4 CON.TPE JKT					
--	88356-44163GT	SWITCH,LIMIT,W/RLLR ARM,NO/NC					
--	97128GT	ROLLER ARM,LIMIT SWITCH***					
16	122941GT	FORMING,LIMIT SWITCH MOUNT					
16	77615GT	SHIM,PRIM.Boom,LIMIT SWITCH					
17	101539GT	BOOM,PRIMARY ASSY W/WORD,Z80					
--	146063GT	BOOM,PRIMARY ASSY W/SYMB,Z80					
--	88065GT	BEARING,2.25IDX2.75ODX2.00L					
18	50245GT	WEAR PAD,7 X 3 X.75 W/NUTS					
--	60304GT	SHIM,WEAR PAD,7 X 3,12GA					
19	34125GT	WEAR PAD,5 X 1.5 X .75 W/NUTS					

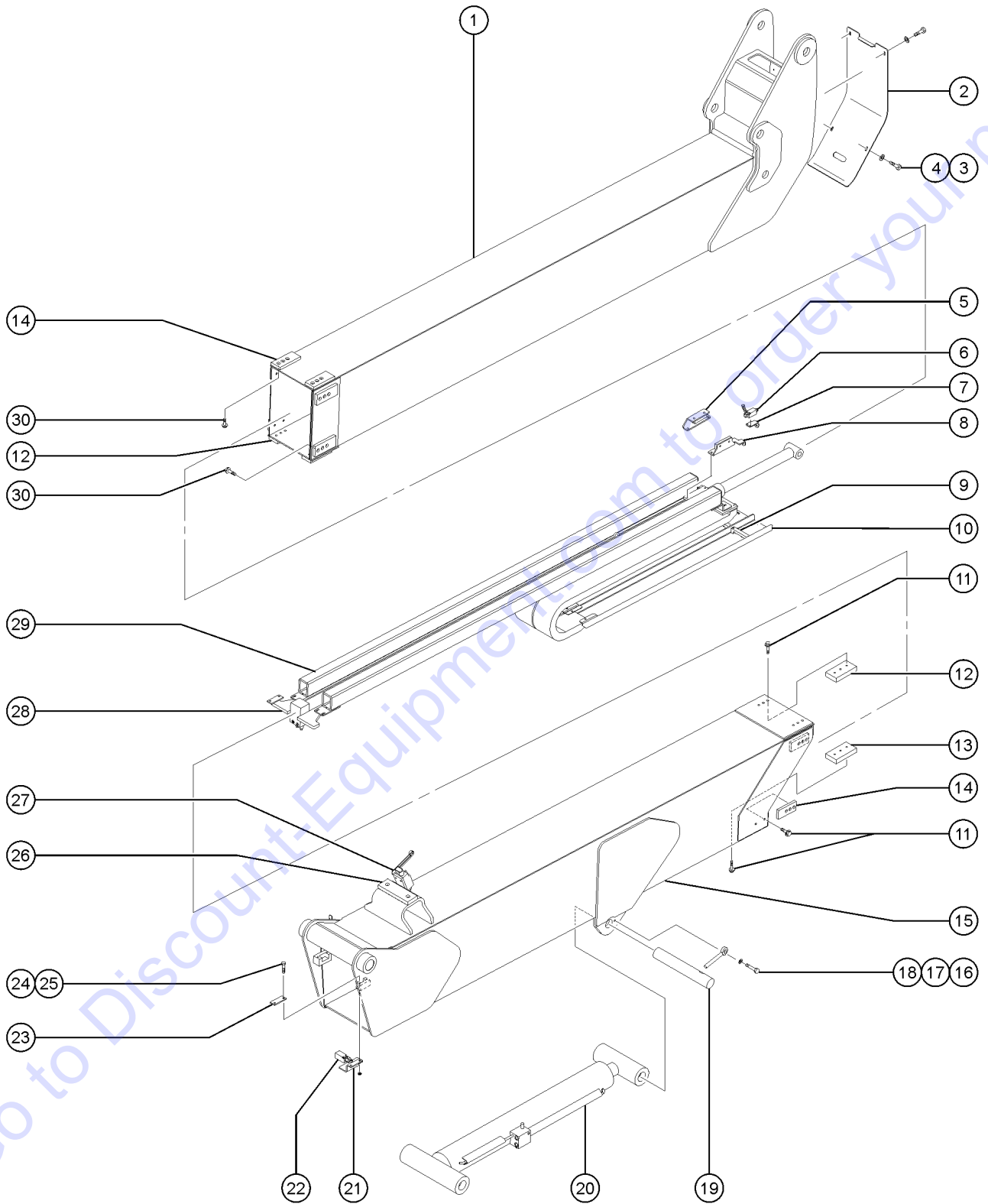
503.1 Primary Boom and Cable Track - View 2



503.1 Primary Boom and Cable Track - View 2

Item	Part No.	Description	Qty.
1	88345GT	PIN,1.25DIA X 8.26LG,2RING.....	2
2	146121GT	WELDMENT, PRIMARY EXT. BOOM.....	1
3	50245GT	WEAR PAD,7 X 3 X .75 W/NUTS.....	2
--	38620GT	SHIM,WEAR PAD,5 X 1.5,14GA	
4	122200GT	SCREW,FLANGE,HHC,3/8-16X 7/8	
5	122198GT	SCREW,FLANGE,HHC,3/8-16X 5/8	
6	60239GT	WEAR PAD,7 X 3 X .625 W/INSERT.....	6
7	30138GT	WEAR PAD,5 X 1.5 X .625 W/NUTS.....	2
8	61429GT	CYLINDER,PRIMARY BOOM EXTEND.....	1
--	102685GT	SEAL KIT,SUN T-2A CP VALVE	
--	62449GT	SEAL KIT,SUN "CWCA" CB VALVES*	
--	77516GT	SEAL KIT,PRIM EXT CYL,61429	
--	81385GT	VALVE,COUNTERBAL.CWCA-LHN@3000	
--	88027GT	VALVE,COUNTERBALANCE @1000***	
9	8255GT	SCREW,HHC,3/8-16 X .75	
10	6021GT	WASHER,LOCK,.375	
11	81341GT	WEAR PAD,CABLE TRACK PULL TUBE.....	1
--	38620GT	SHIM,WEAR PAD,5 X 1.5,14GA	
12	4828GT	NUT,NYLOCK,3/8-16	
13	6097GT	WASHER,FLAT,USS,3/8",Y	
14	81777GT	SCREW,HHC,3/8-16 X 7	
15	18596GT	WASHER,FLAT,1.56 X 2.5 X .061	
16	42079GT	PIN,COTTER,.156 X 2.5.....	2
17	81342GT	WEAR PAD,5.5 X 1.75 X .5.....	1
--	38620GT	SHIM,WEAR PAD,5 X 1.5,14GA	
18	6019GT	SCREW,HHC,3/8-16 X 1.25 GRD 5	
19	81347GT	WELDMENT,TRACK PULL TUBE PIVOT.....	1
20	30255GT	WASHER,SHIM,1.27 X 2.13 X .062	
21	824164GT	SNAP RING,EXTERNAL,1.25,ZAG.....	4
22	1256109GT	SCREW,HHC,3/8-16X.75,8,ZAG	
23	88350GT	MOUNT,LIMIT SWITCH ACTIVATION.....	1

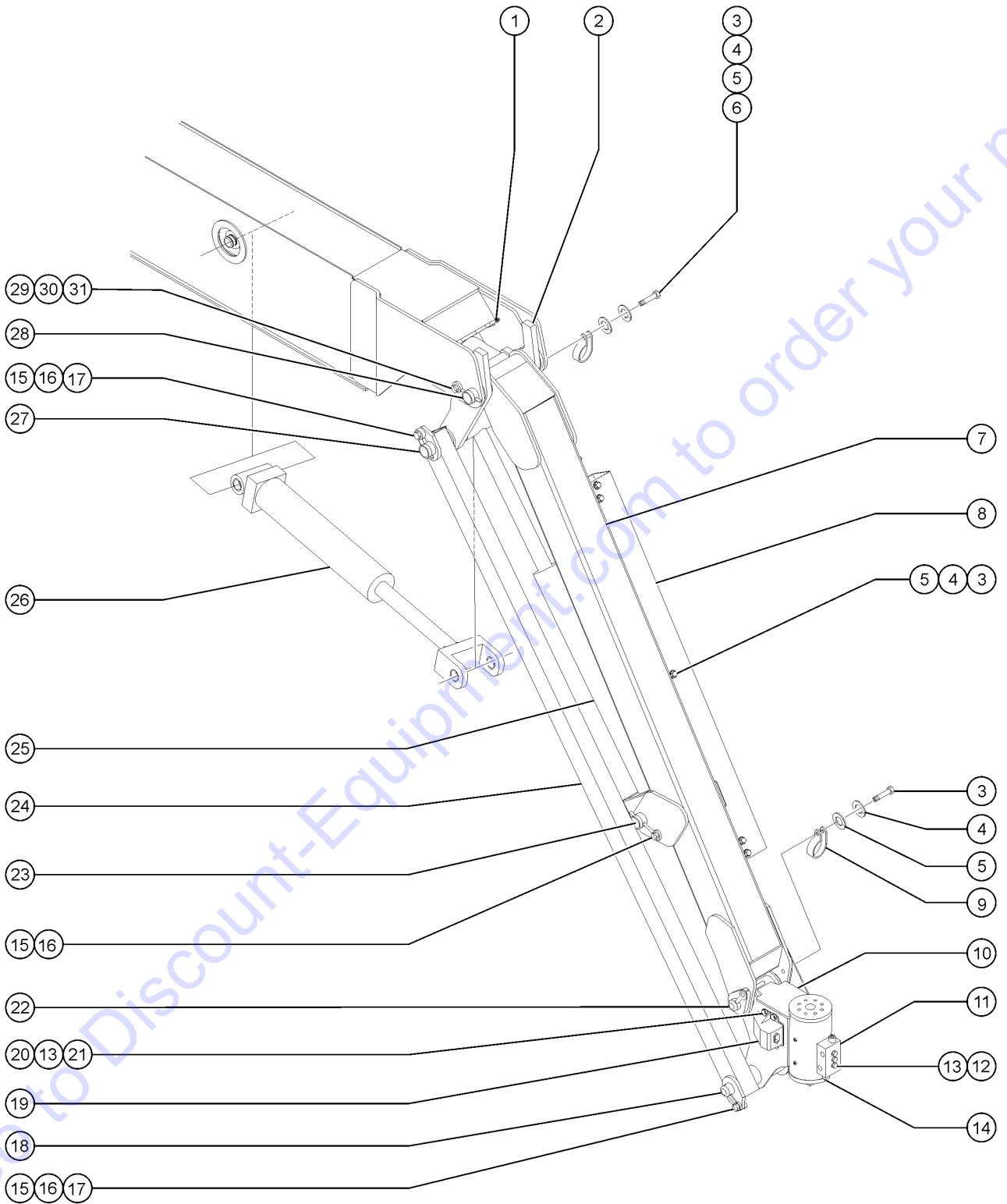
504.1 Secondary Boom



504.1 Secondary Boom

Item	Part No.	Description	Qty.	Item	Part No.	Description	Qty.
1	101537GT	SECONDARY EXT BOOM W/DECALS...1 <i>word</i>		15B	227504GT	ASSY,Z80 LOWR PRIM BOOM W/SYM	
--	101538GT	SECONDARY EXT BOOM W/DECALS <i>symbol</i>		16	8177GT	SCREW,HHC,1/2-13 X 1.5	
2	88016PGT	COVER,RISER EXT.CYL. PAINTED.....1		17	6033GT	WASHER,LOCK,0.5"	
3	6175GT	SCREW,HHC,3/8-16 X 1		18	1256267GT	ROD END,.5 X 3.75,ZAG.....1	
4	6097GT	WASHER,FLAT,USS,3/8",Y		19	88077GT	PIN,2.25 X 18.50 LG.....1	
5	81931PGT	FORMING,RISER EXT.CYL.PAINTED....1		20		Ref. Secondary Boom Lift Cylinder <i>(refer to 501.1)</i>	
--	30138GT	WEAR PAD,5 X 1.5 X .625 W/NUTS		21	88096PGT	FORMING,RETRACT LIMIT SWITCH....2	
6A	88367GT	HARNNESS,LS,SAFETY,SEC.RETRACT..1 <i>to SN 2510</i>		22	88366GT	HARNNESS,LS,OP,SEC.RETRACT.....2	
--	110771-214G3GT	SWITCH,LIMIT,W/RLLR ARM,NC/NC <i>to SN 2510</i>		--	110771-61103GT	SWITCH,LIMIT W/RLLR NO/NO GOLD	
--	119120GT	CONN,SQZ,PG 11,..34-.47,W/O-RNG <i>to SN 2510</i>		--	150129GT	CONTACTOR,LIMIT SWITCH	
--	97128GT	ROLLER ARM,LIMIT SWITCH*** <i>use with 88356-214G3; to SN 2510</i>		--	43960GT	WIRE CABLE,16/4 CON.TPE JKT.....53-inches	
--	97231GT	CONTACTOR,LIMIT SWITCH** <i>use with 88356-214G3, to SN 2510</i>		--	97128GT	ROLLER ARM,LIMIT SWITCH***	
6B	146429GT	HARN LS SAFETY SEC RET LSS1RS <i>from SN 2511</i>		23	88021PGT	PLATE,RISER EXT.CYL.RETAINER.....2	
--	110771-714G3GT	LIMIT SWITCH ROLLER NC/NC/NO <i>from SN 2511</i>		24	30469GT	SCREW,FHM,10-32 X 1.5	
--	146325GT	CONN.SQZ,PG 11,..34-.47,W/ORING <i>from SN 2511</i>		25	6178GT	NUT,NYLOCK,10-32	
7	88343PGT	FORMING,SWITCH BRACKET PAINTED.....1		26	88032GT	REST PAD,PRIMARY BOOM.....1	
8	81932PGT	FORMING,RISER EXT.CYL.PAINTED....1		27	88361GT	HARNNESS,LS,OP,PRI.,ANGLE.....1 <i>(primary boom angle)</i>	
--	30138GT	WEAR PAD,5 X 1.5 X .625 W/NUTS		--	43960GT	WIRE CABLE,16/4 CON.TPE JKT.....118-inches	
9	88107GT	CLAMP RISER CABLETRACK-LEFT.....1 <i>(shown)</i>		--	88356-444P3GT	SWITCH,LIMIT,W/RLLR ARM,NO/NC*	
--	102309GT	CLAMP,CABLE TRACK RISER,R.S.		28	146011GT	CYLINDER,SECONDARY EXTEND.....1	
10	81934GT	FORMING,RISER CABLE TRACK PULL.....1		--	36648GT	VALVE,COUNTERBALANCE 2500 PSI*	
--	81923GT	CABLETRACK,30 LINK,GRTRCU2-110		--	77514GT	SEAL KIT,SEC EXT CYL(61427)*** <i>use for previous cylinder 61427 (no longer available)</i>	
11	122201GT	SCREW,FLANGE,HHC,3/8-16X1.00		29	81928GT	WELDMENT,RISER CABLE TUBE.....2	
12	88648GT	WEAR PAD,7X3X.625 W/NUTS.....4		30	122200GT	SCREW,FLANGE,HHC,3/8-16X 7/8	
--	60304GT	SHIM,WEAR PAD,7 X 3,12GA					
--	60840GT	SHIM,WEAR PAD,7 X 3,16GA					
13	88022GT	WEAR PAD,7 X 3 X 1 W/NUTS.....2 <i>to SN 4950</i>					
--	50245GT	WEAR PAD,7 X 3 X .75 W/NUTS <i>from SN 4951</i>					
14	50245GT	WEAR PAD,7 X 3 X .75 W/NUTS.....6					
--	60304GT	SHIM,WEAR PAD,7 X 3,12GA					
--	60840GT	SHIM,WEAR PAD,7 X 3,16GA					
15A	227503GT	ASSY,Z80 LOWR PRIM BOOM W/WORD.....1					

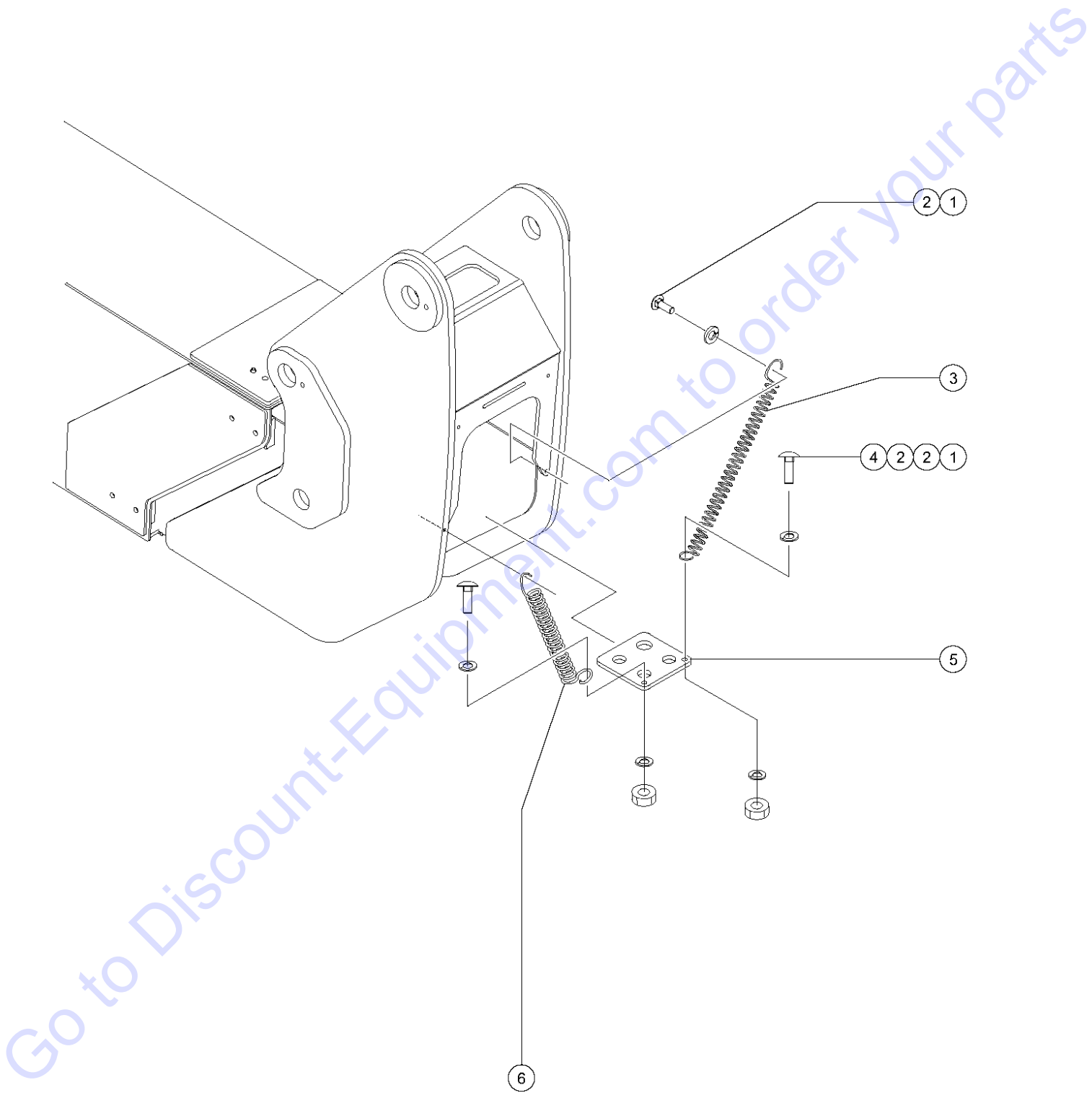
505.1 Jib Boom and Platform Rotator



505.1 Jib Boom and Platform Rotator

Item	Part No.	Description	Qty.	Item	Part No.	Description	Qty.
--	75289GT	CLAMP,HOSE,1/2" DOUBLE.....1 <i>Hose clamp on Job Boom, before the rotator (not shown)</i>	1	--	75395GT	BEARING KIT,PLAT ROTATOR,SUPER <i>(use with rotator item 60505); to SN 228</i>	
--	824078GT	SCREW,HHF,1/4-20X.75,8,ZAG <i>Bolts clamp 75289GT to Jib Boom (not shown)</i>		--	88516GT	SCREW,BLEEDER,M5X0.8 <i>(use with rotator item 94397)</i>	
1	88363GT	HARNESS,LS,OP,JIB.....1	1	11		Ref. Platform Rotate Manifold (refer to 708.1)	
--	43960GT	WIRE CABLE,16/4 CON.TPE JKT.....121-inches		12	6145GT	SCREW,HHC,1/4-20 X 1.5	
--	88356-42133GT	SWITCH,LIMIT,W/ROLLER,NO/NC		13	6356GT	WASHER,LOCK,.25	
--	97128GT	ROLLER ARM,LIMIT SWITCH***		14		Ref. Counterbalance Valve (refer to 708.1)	
2	61774-SGT	WELDMNT,BELLCRANK ASSY,SRV....1	1	15	8516GT	SCREW, HCC, 3/8-16 X 1.50	
--	88280GT	BEARING,1.5IDX1.75ODX0.75L.....4	4	16	825019GT	ROD END,.375X3.69,ZAG.....4	4
3	6175GT	SCREW,HHC,3/8-16 X 1		--	825019GT	ROD END,.375X3.69,ZAG <i>from SN 6550</i>	
4	6021GT	WASHER,LOCK,.375		17	4828GT	NUT,NYLOCK,3/8-16	
5	5397GT	WASHER,FLAT,USS,5/16",Y		18	61776GT	PIN,1.25DIA X 15.00LG,2HOLE.....2	2
6	101626GT	CLAMP,2.5,#40 X 1/4,RUB CUSH.....2	2	19	50813GT	SENSOR,TILT,P CON (PLASTIC)****.....1	1
7	111331GT	JIB BOOM ASSY.W/BEARINGS <i>use after SN 2510 or if retrofit kit part 146278 was installed</i>		20	6090GT	SCREW,HHC,1/4-20 X .75	
7	146278GT	RETROFIT KIT, JIB BOOM, 6FT.....1 <i>(retrofit kit) must install if replacing jib before SN 2511, includes a revised jib part 111331 and a new hose cover part 146028</i>	1	21	6638GT	WASHER,FLAT,USS,1/4"Y	
--	146264GT	BEARING, 1.5IDX1.75ODX2.00L <i>use after SN 2510 or if retrofit kit part 146278 was installed</i>		22	88283GT	PIN,1.25 DIA X 7.88" LG.....1	1
--	88280GT	BEARING,1.5IDX1.75ODX0.75L <i>to SN 2510</i>		23	T107884GT	PIN,1.25DIA X 7.00LG,1HOLE.....2	2
8	88290GT	FORMING,HOSE COVER,JIB.....1 <i>to SN 2510</i>	1	24	61771GT	COMPRESSION LINK,MACHINED.....2	2
--	146028GT	FORMING, HOSE COVER <i>use after SN 2510 or if retrofit kit part 146278 was installed</i>		25	61430GT	CYLINDER,JIB BOOM.....1	1
9	228881GT	CLAMP,3.0,#48 X 3/8,RUB CUSH.....1 <i>welder cable option</i>	1	--	18396GT	BEARING,1.5IDX1.75ODX1.0L	
10	94397GT	ROTATOR,PLAT JIB,160 DEG***.....1 <i>replaces rotator item 60505</i>	1	--	33428GT	VALVE,COUNTERBALANCE	
--	106421GT	SEAL KIT,ARCTIC,ROTATOR 8.2K** <i>(use with rotator item 60505); to SN 228</i>		--	43018GT	SEAL KIT (39345) <i>used for valve 33428</i>	
--	122944GT	SEAL KIT,8K ROTATOR*** <i>(use with rotator item 94397)</i>		--	47377GT	BEARING,1.25 ID X 1.5 OD X .75	
--	13852GT	VALVE ASSY,BLEED*** <i>(use with rotator item 60505); to SN 228</i>		--	77517GT	SEAL KIT,JIB CYLINDER (61430)	
--	30222GT	BEARING,FL,1.25IDX1.41ODX1.50L <i>from SN 2492</i>		26	61431GT	CYLINDER,PLATFORM LEVELING.....1	1
--	30370GT	BEARING,1.25IDX1.5ODX1.00L <i>(use with rotator item 94397): to SN 2491</i>		--	47377GT	BEARING,1.25 ID X 1.5 OD X .75	
--	62417GT	SEAL KIT,PLAT ROTATE*** <i>(use with rotator item 60505); to SN 228</i>		--	61602GT	VALVE,COUNTERBAL.CBBB-LHN@3500	
				--	75061GT	VALVE,COUNTERBAL.CBBB-LHN@2000	
				--	77518GT	SEAL KIT PLAT.LEVEL CYL, 61431	
				--	88280GT	BEARING,1.5IDX1.75ODX0.75L	
				27	88273GT	PIN,1.50DIA X 15.00LG,2HOLE.....1	1
				28	88906GT	PIN,1.5 DIA X 11 LG.....1	1
				29	73928GT	SCREW,HHC,1-8 X 11,GRD 5***	
				30	6033GT	WASHER,LOCK,0.5"	
				31	1256267GT	ROD END,.5 X 3.75,ZAG.....1 <i>to SN 6549</i>	1
				--	1256267GT	ROD END,.5 X 3.75,ZAG <i>from SN 6550</i>	

506.1 Riser Hose Bulkhead Mount

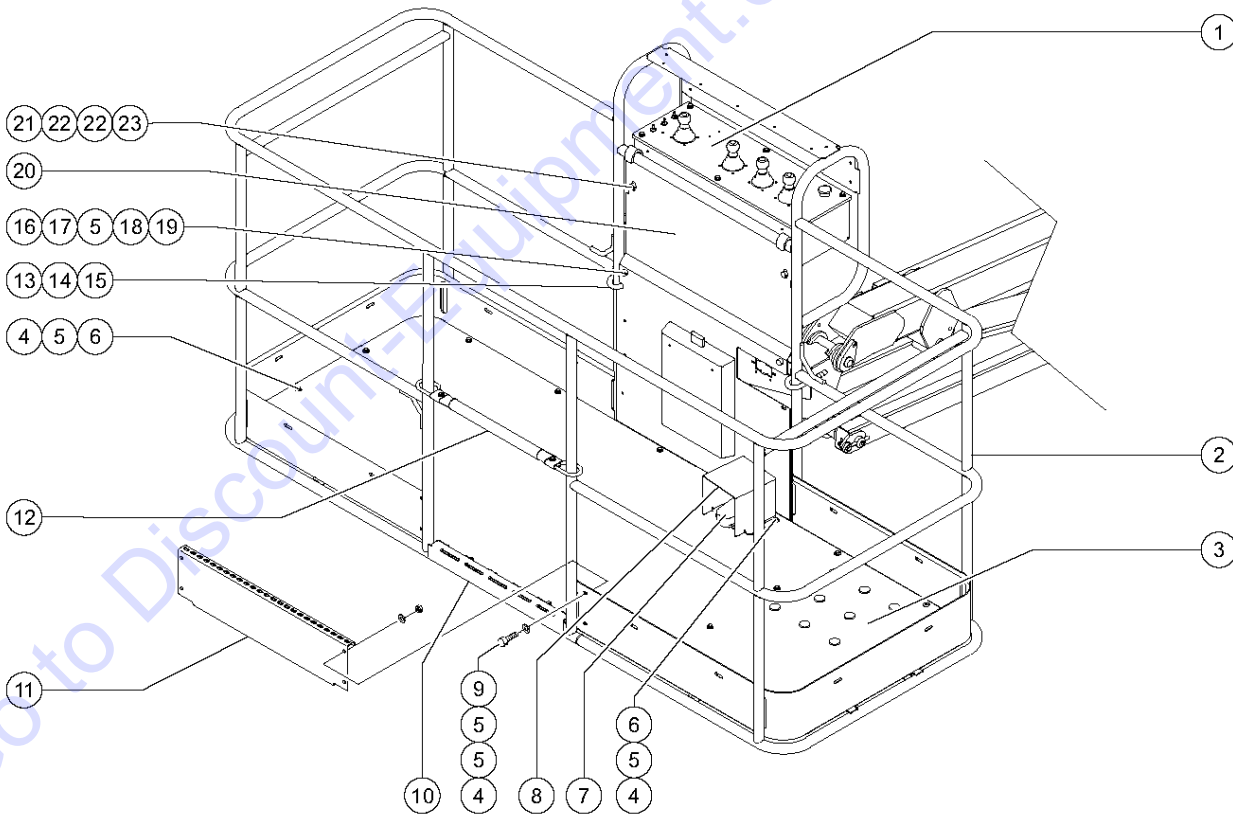
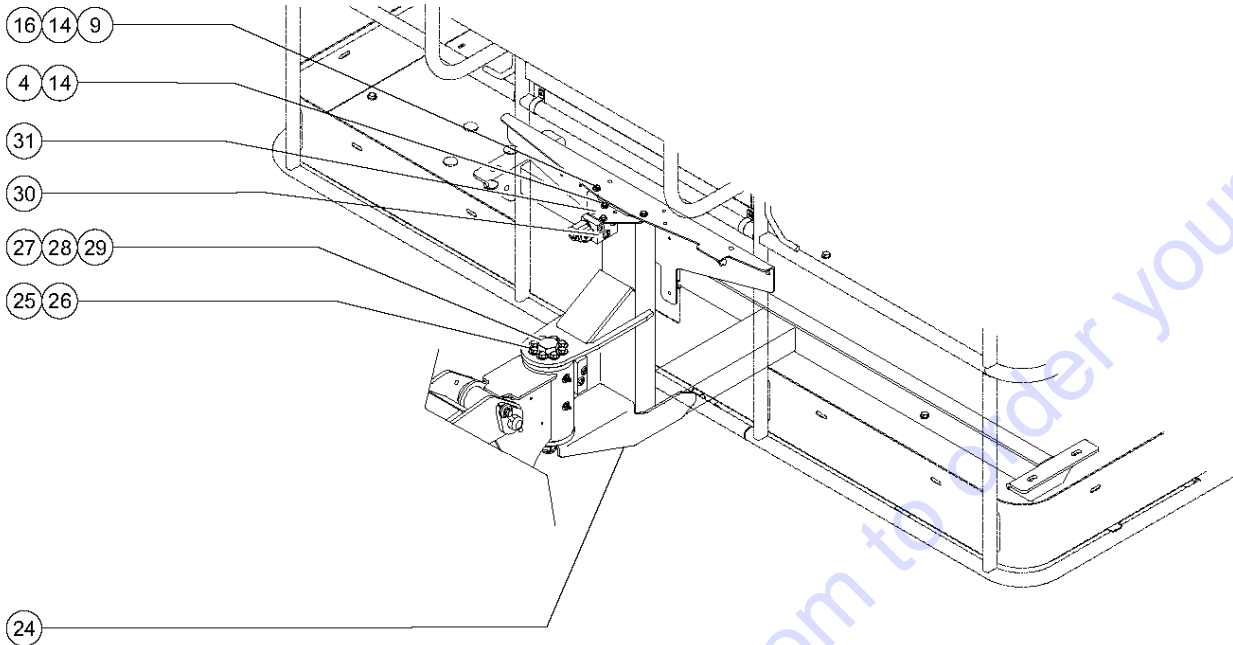


506.1 Riser Hose Bulkhead Mount

Item	Part No.	Description	Qty.
--	111545GT	KIT,RISER HOSE BLKHD,SPRINGS	
1	6878GT	BOLT,CARRIAGE,1/4-20 X .75,G2	
2	6356GT	WASHER,LOCK,.25	
3	88508GT	SPRING,EXTENSION .44 X 6.0.....1	
4	6091GT	NUT,NYLOCK,1/4-20	
5	88119GT	PLATE,RISER HOSE BULKHEAD.....1	
6	88507GT	SPRING,EXTENSION .38 X 3.0.....1	

Go to Discount-Equipment.com to order your parts

601.1 Platform Installation (to SN 6075)



601.1 Platform Installation (to SN 6075)

Item	Part No.	Description	Qty.	Item	Part No.	Description	Qty.
--	101747GT	PLAT.ASSY,4 FT,SERV,Z80 ANSI <i>Platform Assemblies with Word Decals - USA and Canadian models; to SN 800</i>		--	101391GT	PLAT ASSY, COMP, 6', CE/UK/UK <i>Assemblies with Symbol Decals - European models</i>	
--	101749GT	PLAT.ASSY,5 FT,SERV,Z80 ANSI <i>Platform Assemblies with Word Decals - USA and Canadian models; to SN 800</i>		--	101394GT	PLAT ASSY, COMP, 8', CE/UK/UK <i>Assemblies with Symbol Decals - European models</i>	
--	101751GT	PLAT.ASSY,6 FT,SERV,Z80 ANSI <i>Platform Assemblies with Word Decals - USA and Canadian models; to SN 800</i>		--	101387GT	PLAT ASSY,COMP,4',ASIA/SO. AM. <i>Assemblies with Symbol Decals - Asia and South American models</i>	
--	101753GT	PLAT.ASSY,8 FT,SERV,Z80 ANSI <i>Platform Assemblies with Word Decals - USA and Canadian models; to SN 800</i>		--	101390GT	PLAT ASSY,COMP,5',ASIA/SO. AM. <i>Assemblies with Symbol Decals - Asia and South American models</i>	
--	101748GT	PLAT ASSY, 4', AUSTRALIA Z80 <i>Platform Assemblies with Word Decals - Australian models; to SN 800</i>		--	101393GT	PLAT ASSY,COMP,6',ASIA/SO. AM. <i>Assemblies with Symbol Decals - Asia and South American models</i>	
--	101750GT	PLAT ASSY, 5', AUSTRALIA Z80 <i>Platform Assemblies with Word Decals - Australian models; to SN 800</i>		--	101396GT	PLAT ASSY,COMP,8',ASIA/SO. AM. <i>Assemblies with Symbol Decals - Asia and South American models</i>	
--	101752GT	PLAT ASSY, 6', AUSTRALIA Z80 <i>Platform Assemblies with Word Decals - Australian models; to SN 800</i>		1		Ref. Platform Controls (refer to 602.1, 603.1, 604.1 and 605.1)	
--	101754GT	PLAT ASSY,8', AUSTRALIA Z80 <i>Platform Assemblies with Word Decals - Australian models; to SN 800</i>		2	73900GT	WELDMNT,6 FT PLATFORM <i>USA and Canadian models; to SN 800; no decals</i>	
--	111218GT	PLAT.ASSY,4 FT,SERV,Z80 ANSI <i>Platform Assemblies with Word Decals - USA and Canadian models; from SN 801</i>		2	73976GT	PLATFORM RAIL ASSY, 8FT, ANSI <i>USA and Canadian models; to SN 800</i>	
--	111219GT	PLAT.ASSY,5 FT,SERV,Z80 ANSI <i>Platform Assemblies with Word Decals - USA and Canadian models; from SN 801</i>		2	77840GT	WELDMENT W/DECALS,5FT,500LB AN <i>USA and Canadian models; to SN 800</i>	
--	111220GT	PLAT.ASSY,6 FT,SERV,Z80 ANSI <i>Platform Assemblies with Word Decals - USA and Canadian models; from SN 801</i>		2A	111250GT	PLAT RAILW/DECALS,4FT,500LB AN.....1 <i>USA and Canadian models; from SN 801</i>	
--	111221GT	PLAT.ASSY,8 FT,SERV,Z80 ANSI <i>Platform Assemblies with Word Decals - USA and Canadian models; from SN 801</i>		--	111251GT	PLAT RAILW/DECALS,5FT,500LB AN <i>USA and Canadian models; from SN 801</i>	
--	111222GT	PLAT ASSY, 4', AUSTRALIA Z80 <i>Platform Assemblies with Word Decals - Australian models; from SN 801</i>		--	111252GT	PLAT RAILW/DECALS 6FT 500LB AN <i>USA and Canadian models; from SN 801</i>	
--	111223GT	PLAT ASSY, 5', AUSTRALIA Z80 <i>Platform Assemblies with Word Decals - Australian models; from SN 801</i>		--	111253GT	PLAT RAILW/DECALS 8FT 500 ANSI <i>USA and Canadian models; from SN 801</i>	
--	111224GT	PLAT ASSY, 6', AUSTRALIA Z80 <i>Platform Assemblies with Word Decals - Australian models; from SN 801</i>		2B	60042-SGT	PLATFORM WELDMENT,4 FT.....1 <i>Australian models</i>	
--	111225GT	PLAT ASSY,8', AUSTRALIA Z80 <i>Platform Assemblies with Word Decals - Australian models; from SN 801</i>		--	101377GT	PLAT ASSEMBLY,5FT,AUSTRALIA*** <i>Australian models</i>	
--	101385GT	PLAT ASSY, COMP, 4', CE/UK/UK <i>Assemblies with Symbol Decals - European models</i>		--	101383GT	PLAT RAIL ASSY,8FT,AUSTRALIA** <i>Australian models</i>	
--	101388GT	PLAT ASSY, COMP, 5', CE/UK/UK <i>Assemblies with Symbol Decals - European models</i>		--	73900GT	WELDMNT,6 FT PLATFORM <i>Australian models; no decals</i>	
				2C	101373GT	PLATFORM ASSEMBLY,4FT,CE/UK.....1 <i>European models</i>	
				--	101376GT	PLATFORM ASSEMBLY,5FT,CE/UK <i>European models</i>	
				--	101379GT	PLATFORM RAIL ASSY,6FT,CE/UK <i>European models</i>	
				--	101382GT	PLATFORM RAIL ASSY,8FT,CE/UK <i>European models</i>	
				2D	101375GT	PLAT ASSEMBLY,4FT,ASIA/S AM.....1 <i>Asia and South American models</i>	

601.1 Platform Installation (to SN 6075)
(continued)

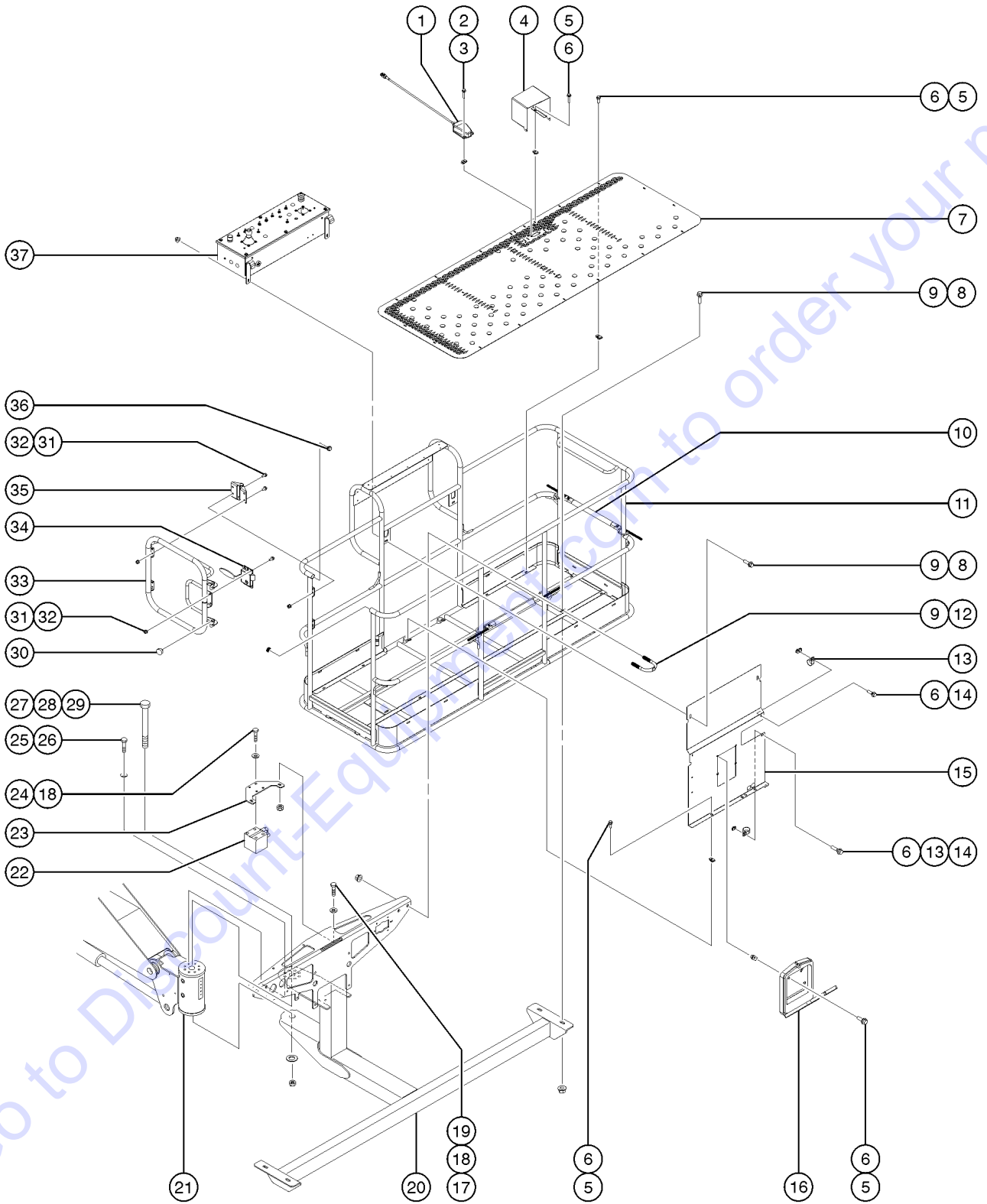
Item	Part No.	Description	Qty.	Item	Part No.	Description	Qty.
--	101378GT	PLAT ASSEMBLY,5FT,ASIA/S AM <i>Asia and South American models</i>		15	4828GT	NUT,NYLOCK,3/8-16	
--	101381GT	PLAT ASSEMBLY,6FT,ASIA/S AM <i>Asia and South American models</i>		16	6888GT	SCREW,HHC,1/4-20 X 1	
--	101384GT	PLAT ASSEMBLY,8FT,ASIA/S AM <i>Asia and South American models</i>		17	6356GT	WASHER,LOCK,.25	
3	60160PGT	FLOORING, 4 FT PLATFORM,PAINTED.....1		18	56424GT	CLAMP,1.25X.5 RUBBER-CUSHION	
--	54247-SGT	PLAT. FLOOR, 5FT, PAINTED		19	56912GT	SPRING CLIP,1/4-20,.025-.15X.54,ZAG	
--	73477PGT	FLOORING, 6'FT PLATFORM		20A	77844GT	DECAL PLATE W/DECALS,S80/85 2K....1 <i>to SN 257</i>	
--	73478PGT	FLOORING,8 FT PLATFORM**		20B	102537GT	DECAL PLATE W/WRD DECAL S80Z80 <i>from SN 257 to SN 800</i>	
4	6090GT	SCREW,HHC,1/4-20 X .75		20C	111276GT	DECAL PLATE ASSY W/WORD DECALS <i>from SN 801</i>	
5	6638GT	WASHER,FLAT,USS,1/4"Y		20D	102538GT	DECAL PLATE W/SYM DECAL S80Z80 <i>from SN 258</i>	
6	56912GT	SPRING CLIP,1/4-20,.025-.15X.54,ZAG		20E	44743GT	MANUAL BOX W/DECALS***.....1 <i>USA/Canada/Australia</i>	
7	228467GT	KIT, FOOTSWITCH, Z80.....1 <i>Pervious foot switch is no longer available. Order kit 228467 for first time replacement (kit includes foot switch 227618); to SN 3141</i>		20F	24514GT	BOX,INSTRUCTION STORAGE <i>Europe/Asia/South America (decal required; refer to Section100)</i>	
--	227618GT	ASSEMBLY,FOOT SWITCH <i>from SN 3142</i>		21	7713GT	NUT, LP NYLOCK, 3/8-16	
--	33576GT	CONN,SQZ,BLK,1/2NPT,.38-.50,SM		22	5397GT	WASHER,FLAT,USS,5/16",Y	
--	73575GT	SPRING CLIP,10-24,.025-.125X.468,ZAG		23	6019GT	SCREW,HHC,3/8-16 X 1.25 GRD 5 Ref. WELDMENT,PLATFORM SUPPORT,CE <i>CE models (refer to 809.1)</i>	
--	73587GT	SCREW,PHIL,10-24 X .75		24A	94390-SGT	OPTION,PLAT SUPPORT,STD,LRG BM.....1 <i>ANSI models</i>	
8	73931GT	GUARD,FOOTSWITCH,W/DECAL ALUM.....1 <i>USA/Canada/Australia, to SN 2522</i>		24B	94326-SGT	WELDMENT,4/5FT PLATFORM SUPPOR	
--	147221GT	GUARD,FOOTSWITCH,W/DECAL ALUM <i>USA/Canada/Australia; from SN 2523</i>		25	77692GT	SCREW,HHC,3/8-16 X 1 GRD 8.....8 <i>to SN 1258</i>	
--	63766GT	COVER,FOOT SWITCH <i>Europe/Asia/South America, to SN 2522</i>		--	49857GT	SCREW,HHC,3/8-16 X .88,GRD 8 <i>from SN 1259 to 5629</i>	
--	147121GT	COVER, FOOT SWITCH, LARGE <i>Europe/Asia/South America; from SN 2523</i>		--	826791GT	SCREW,HHC,3/8-16X.875,8,ZAG <i>from SN 5630</i>	
9	6091GT	NUT,NYLOCK,1/4-20		26	57201GT	WASHER,FLAT,313, HARDENED.....8 <i>to SN 5629</i>	
10	73610PGT	STEP PLATFORM ENTRY PAINTED***.....1		--	826793GT	WASHER,FLAT,3/8,SAE,HRD,ZAG <i>from SN 5630</i>	
11	94745PGT	TOEBOARD,ENTRY EUROPEAN PNTD**.....1		27	73928GT	SCREW,HHC,1-8 X 11,GRD 5*** <i>to SN 5629</i>	
12	102992GT	SLIDING MIDRAIL KIT,PTD.....1		--	826792GT	SCREW,HHC,1-8X11,5,ZAG <i>from SN 5630</i>	
--	12443GT	MIDRAIL GUIDE (HOOK)		28	122079GT	WASHER,FLAT,1.000,HARDENED.....1 <i>to SN 5629</i>	
--	139451GT	TUBE,SLIDING MIDRAIL,PAINTED		--	824116GT	WASHER, FLAT, F436, 1.0, ZAG <i>from SN 5630</i>	
--	20973GT	WIRE LOOM,3/8 POLY SLIT		29	29764GT	NUT,NYLOCK,1-8 <i>to SN 5629</i>	
--	21121GT	CABLE TIE,4" BLK,HEAT RESISTNT		--	826794GT	NUT,TL,1-8,C,ZAG <i>from SN 5630</i>	
--	6091GT	NUT,NYLOCK,1/4-20					
--	6638GT	WASHER,FLAT,USS,1/4"Y					
--	6888GT	SCREW,HHC,1/4-20 X 1					
--	97815GT	DECAL,LABEL,LOWER MIDRAIL					
13	122755GT	UBOLT,FLATTENED,1.5DIAX3/8 UNC....2					
14	5397GT	WASHER,FLAT,USS,5/16",Y					

601.1 Platform Installation (to SN 6075)
(continued)

Item	Part No.	Description	Qty.
30		Ref. Platform Rotate Manifold (refer to 708.1)	
31	77968PGT	PLATE,JIB,ROTATE MANIFOLD.....1	

Go to Discount-Equipment.com to order your parts

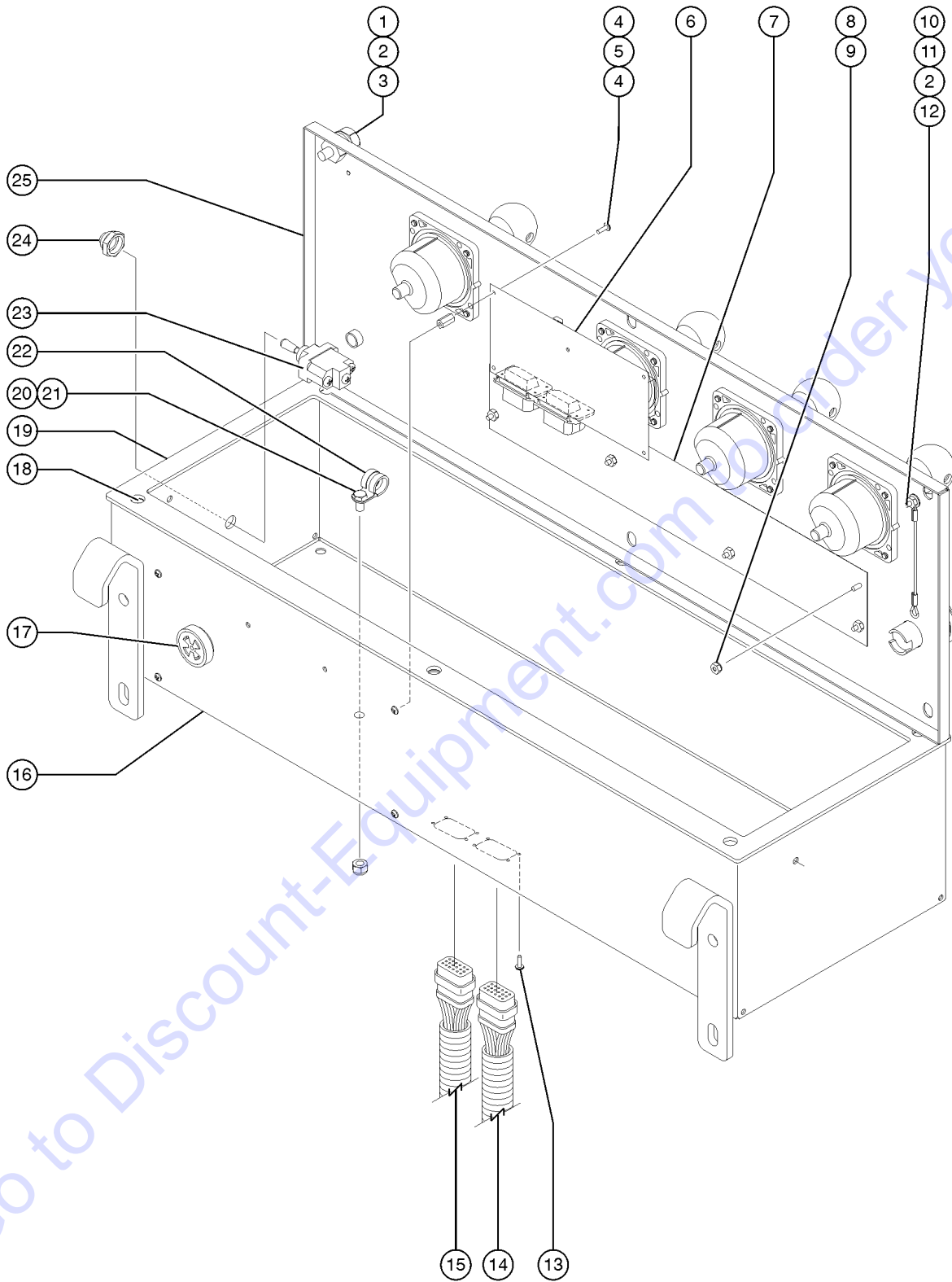
601.2 Platform Installation (from SN 6076)



601.2 Platform Installation (from SN 6076)

Item	Part No.	Description	Qty.	Item	Part No.	Description	Qty.
A	1272304GT	ASSY,8FT PLAT TRI LG,BLANK W/SIDE SWING GATE <i>Complete 8' platform assembly</i>		24	6090GT	SCREW,HHC,1/4-20 X .75	
B	1272303GT	ASSY,6FT PLAT DUAL LG,BLANK W/SIDE SWING GATE <i>Complete 6' platform assembly</i>		25	826791GT	SCREW,HHC,3/8-16X.875,8,ZAG.....8	
1	227618GT	ASSEMBLY,FOOT SWITCH.....1		26	826793GT	WASHER,FLAT,3/8,SAE,HRD,ZAG.....8	
2	1269641GT	SCREW,HHF-S,10-24X1,5,ZAG.....2		27	826792GT	SCREW,HHC,1-8X11,5,ZAG.....1	
3	73575GT	SPRING CLIP,10-24,.025-.125X.468,ZAG.....2		28	824116GT	WASHER, FLAT, F436, 1.0, ZAG.....1	
4	147121GT	COVER, FOOT SWITCH, LARGE.....1		29	826794GT	NUT,TL,1-8,C,ZAG.....1	
5	824078GT	SCREW,HHF,1/4-20X.75,8,ZAG.....27		30	43392GT	BUMPER,BATTERY BOX & RAILS.....2	
6	56912GT	SPRING CLIP,1/4-20,.025-.15X.54,ZAG.....30		31	824027GT	NUT,TL FLG,1/4-20,G,ZAG.....12	
7A	73478PGT	FLOORING,8 FT PLATFORM**1 <i>for 8' platform</i>		32	1256855GT	SCREW,HHF,1/4-20X.625,8,ZAG.....12	
7B	1267746GT	FLOORING, 6FT PLAT,SIDE.....1 <i>for 6' platform</i>		33	1272307GT	ASSY,SIDE SWING GATE <i>Complete side swing gate assembly (includes items 30-35)</i>	
8	824091GT	SCREW,HHF,3/8-16X1.25,8,ZAG.....6		--	1265397GT	WELDMENT, SWING GATE.....1	
9	824029GT	NUT,TL FLG,3/8-16,G,ZAG.....10		34	1267747GT	LATCH, SWING GATE.....1	
10A	102992GT	SLIDING MIDRAIL KIT,PTD.....2 <i>for 8' platform</i>		35	104804GT	HINGE, SPRING, LONG LEG.....1	
10B	102992GT	SLIDING MIDRAIL KIT,PTD.....1 <i>for 6' platform</i>		36	55753GT	BUMPER, PLASTIC, 1.25 O.D.....2	
11A	1274859GT	ASSY,8' PLAT WELDMENT W/SIDE GATE <i>for 8' platform (includes item 10A) (order floor separately)</i>		37		REF. PLATFORM CONTROL BOX ASSEMBLY <i>(refer to 605.1)</i>	
11B	1274858GT	ASSY,6' PLAT WELDMENT W/SIDE GATE <i>for 6' platform (includes item 10B)</i>					
12	1251600GT	U-BOLT, FLATTENED, 1.5 X 3/8 UNC,ZAG.....2					
13	56424GT	CLAMP,1.25X.5 RUBBER-CUSHION....3					
14	824079GT	SCREW,HHF,1/4-20X1,8,ZAG.....3					
15	89377GT	PLATE,DOCUMENT BOX MOUNT.....1					
16	24514GT	BOX,INSTRUCTION STORAGE.....1					
17	6888GT	SCREW,HHC,1/4-20 X 1					
18	5397GT	WASHER,FLAT,USS,5/16",Y					
19	6091GT	NUT,NYLOCK,1/4-20					
20A	94390-SGT	OPTION,PLAT SUPPORT,STD,LRG BM.....1 <i>ANSI models</i>					
20B		Ref.WELDMENT,PLATFORM SUPPORT,CE <i>CE models (refer to 809.1)</i>					
21		REF. PLATFORM ROTATOR <i>(refer to 505.1)</i>					
22		REF. PLATFORM ROTATE MANIFOLD <i>(refer to 708.1)</i>					
23	77968PGT	PLATE,JIB,ROTATE MANIFOLD					

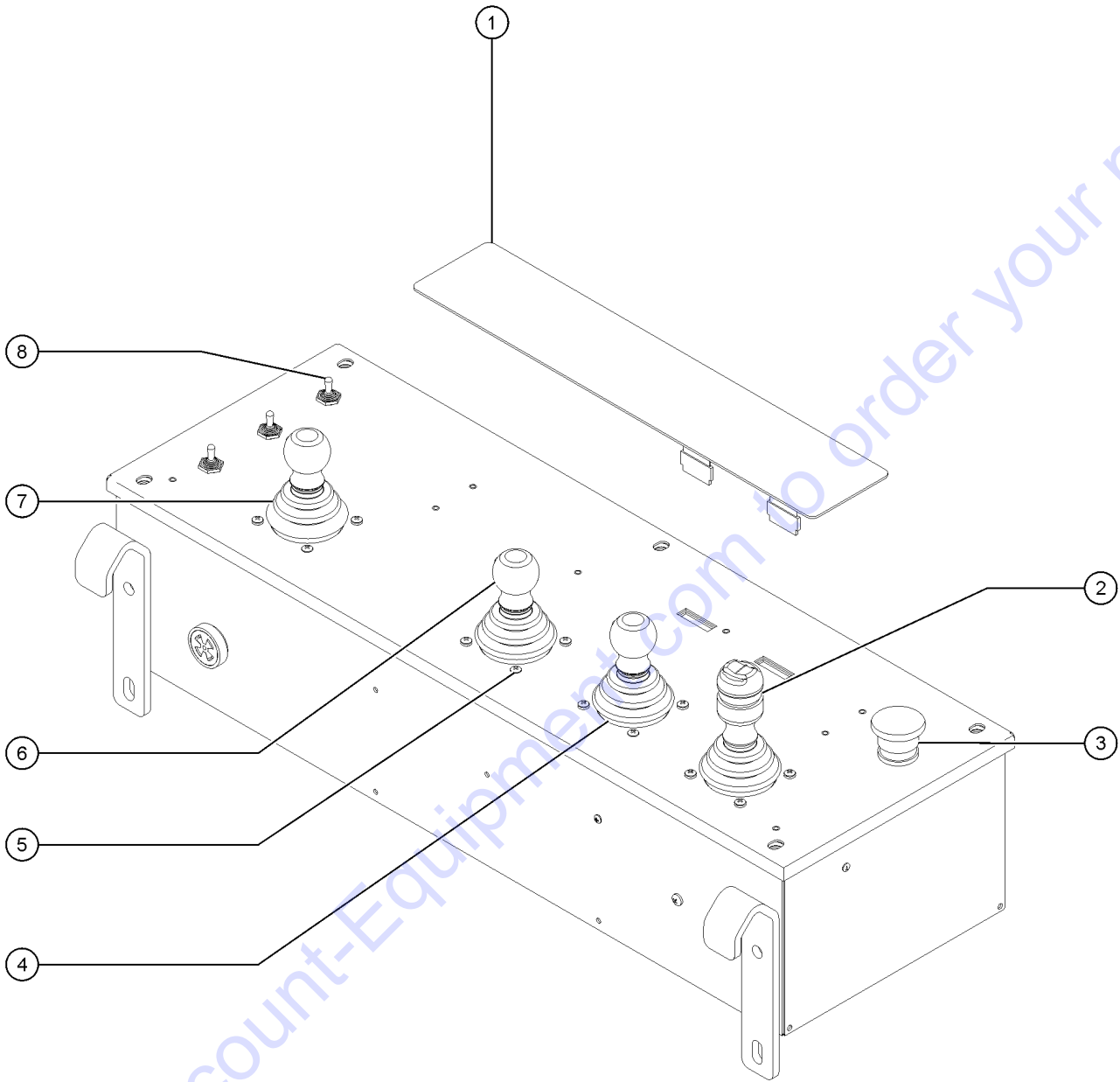
602.1 Platform Controls - View 1 (to SN 4591)



602.1 Platform Controls - View 1 (to SN 4591)

Item	Part No.	Description	Qty.	Item	Part No.	Description	Qty.
--		<i>For models with toggle switch controls, refer to 604.1</i>		--	146040GT	WIRE HARNESS,PLAT MANFLD Z80 used with manifold part 122961 (refer to 707.2); or from SN 3026	
--	94627GT	PLAT BOX,COMPLETE,Z80 REV 102 to SN 1166, to order provide model, serial number, and software revision		--	60513GT	CONN,PLUG 23 WAY,16-20 GA WHT	
--	111629GT	PLAT BOX,COMPLETE,Z80 REV 104 from SN 1167 to SN 2510, to order provide model, serial number, and software revision		15	88131GT	HARNESS,PRIMARY BOOM SAE CABLE.....1 Primary half of boom cable, connects to 88132GT, (refer to 303.2); to SN 3025	
--	146506GT	Z80 PLAT BOX ASSY from SN 2511, to order provide model, serial number, and software revision		--	146425GT	HARNESS PRIM BOOM SAE 11C 2010 from SN 2511	
--	77662GT	HARNESS,GND,PCON		--	60512GT	CONN,PLUG 23 WAY,16-20 GA BLK	
--	88142GT	HARNESS,PCON SWITCH PANEL		16	77511GT	PLAT CONTROL BOX, ASSY (Z80).....1 includes items 1, 8, 12, 19 and 23	
--	88140GT	HARNESS,PBOX JOYSTICKS to SN 1166		17	62379GT	ALARM,AUDIO,SUPERBOOM***.....1	
--	122023GT	HARNESS,PBOX,JOYSTICKS,Z80 from SN 1167		--	72326GT	NUT - PLASTIC,RING FOR ALARMS	
1	8914GT	SCREW,HHC,1/4-20 X .625		18	23404GT	NUTSERT,1/4-20,STEEL CAD PLTD	
2	6638GT	WASHER,FLAT,USS,1/4"Y		19	81488GT	GASKET,PLATFORM CONTROL BOX....1	
3	6356GT	WASHER,LOCK,.25		20	54365GT	SCREW,PHIL,PHM,10-32 X .5,SSTL	
4	81551GT	SCREW,PHIL,PHM,6-32 X 1/4 SS		21	6178GT	NUT,NYLOCK,10-32	
5	88287GT	STANDOFF,6-32 X 1/2L X 1/4 HEX.....4		22	13268GT	CLAMP,0.75,#12 X 1/4,RUB CUSH	
6	94947GT	PCB,ASSY,ECM,PLATFORM,102 to SN 927, to order provide model, and serial number		23	122362GT	FIELD KIT,PL LVL REC,ALC1000.....1 platform level recovery option	
--	111628GT	PCB,ASSY,ECM,PLATFORM,104 from SN 928 to SN 2500, to order provide model, and serial number		--	122343GT	DECAL,PLAT LVL.RECOVERY	
--	146358GT	PCB,ASSY,ECM,PLATFORM,105 from SN 2501 to SN 2510, to order provide model, and serial number		--	122461GT	HARNESS,PLAT LEVEL RECOVERY	
--	146394GT	PCB,ASSY,ECM,PLATFORM,V2.00 from SN 2511 to SN 4088, to order provide model, and serial number		--	128203GT	SWITCH TOGGLE ASSY SPDT 2P MOM	
--	219422GT	PCB,ASSY,ECM,PLATFORM,V2.04 from SN 4085, to order provide model, and serial number		24	27246GT	BOOT,TOGGLE SWITCH,SHORT* included in field kit part 122362	
7	62399GT	PCB,MEMBRANE/LED,SB/Z80.....1 <i>For models with toggle switch controls, refer to 604.1</i>		--	229567GT	PLUG,SANTOPRENE .5 BLACK DOME use if field kit part 122362 is not installed	
8	12344GT	NUT,NYLOCK,6-32		25	88061PGT	LID,4 JOYSTICK PLATFORM CNTRL	
9	56306GT	WASHER,FLAT NYLON #10					
10	49820GT	SCREW,PHILLIPS,PHM,6-32 X .5					
11	35461GT	WASHER,FLAT,MS,#8,Y					
12	77351GT	LANYARD,PLATFORM CONTROL BOX.....2					
13	88288GT	SCREW,#4X3/8,HI-LO,PH PHIL, TAP					
14	88130GT	HARNESS,PCON J2 MANIFOLD Z-80...1 to SN 3025 (platform controls to platform manifold)					

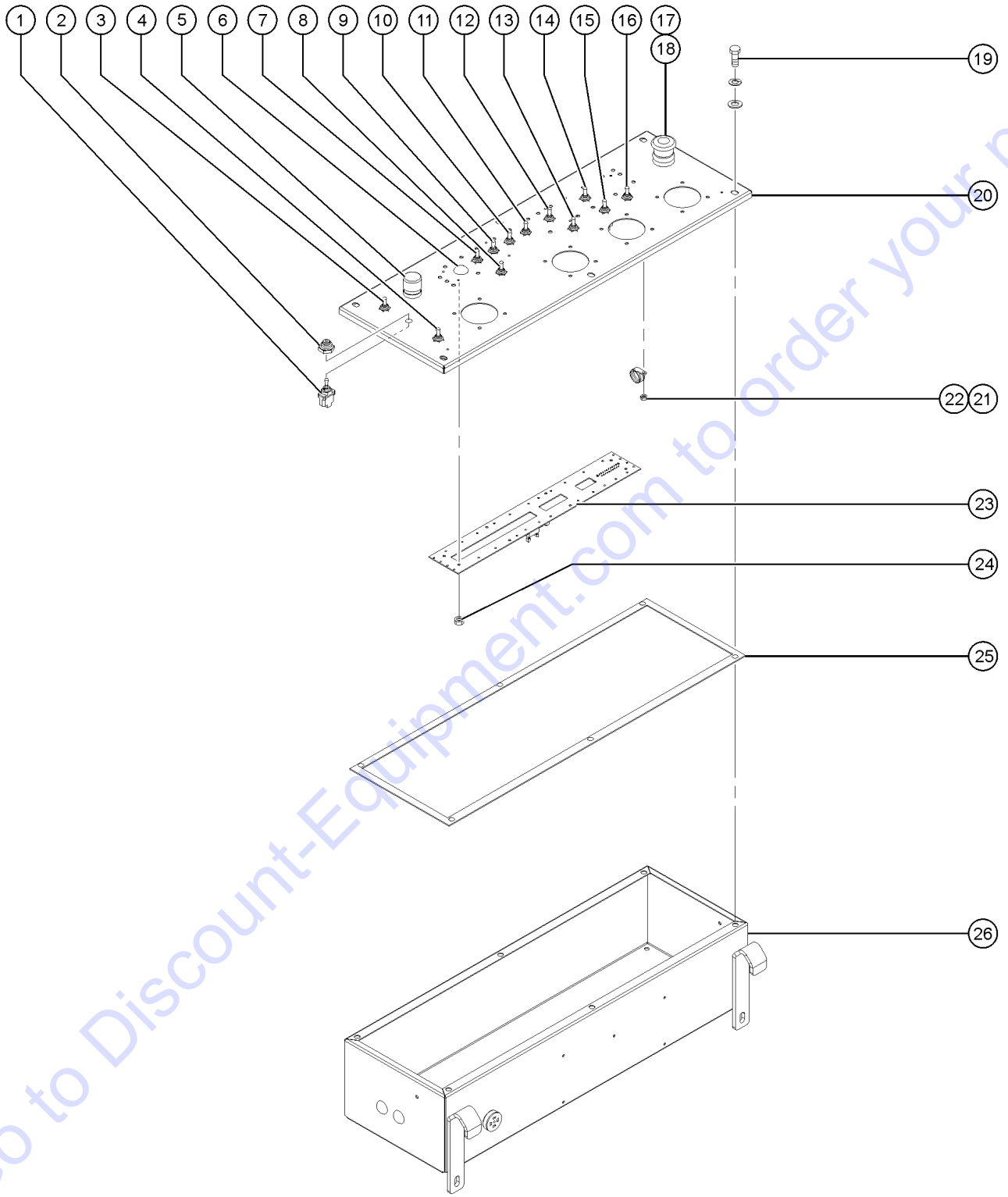
603.1 Platform Controls - View 2 (to SN 4591)



603.1 Platform Controls - View 2 (to SN 4591)

Item	Part No.	Description	Qty.
--		<i>For models with toggle switch controls, refer to 604.1</i>	
--	111414GT	JOYSTICK CONNECTOR ASSEM,AMP to SN 1166	
--	111413GT	JOYSTICK CONNECTOR ASSEM,DEUT from SN 1167	
1	88054GT	SWITCH,MEMBRANE,PLATFORM.....1	
2		Ref. JOYSTICK,2 AXIS,DEUTSCH.....1 <i>Multi-axis or Single-axis with Steer Rocker Switch (drive/steer functions), calibration required after replacement; refer to 606.1 or 606.2</i>	
3	122519GT	KIT,ESTOP SVC LARGE BOOM.....1	
--	146478GT	BOOT(BELLOWS),E-STOP,BLACK	
--	66812GT	BUTTON,PUSH,RED MUSHROOM HEAD	
--	66818GT	CONTACT, N.C.	
--	66821GT	BASE,WITHOUT CONTACTS	
4		Ref. JOYSTICK.....1 <i>Single-axis (secondary boom up/extend and down/retract function), calibration required after replacement; refer to 606.1 or 606.2</i>	
5	77048GT	SCREW,PHM,10-32X3/4,ST TYPE F to SN 2407	
--	139338GT	SCREW PH M5-0.8X20 DIN 7500CE from SN 2408	
6		Ref. JOYSTICK.....1 <i>Single-axis (primary boom extend/retract function), calibration required after replacement; refer to 606.1 or 606.2</i>	
7		Ref. JOYSTICK.....1 <i>Multi-axis (primary boom up/down and turntable rotate left/right functions), calibration required after replacement; refer to 606.1 or 606.2</i>	
8	128200GT	SWITCH TOGGLE ASSY SPDT 3P MOM.....3	

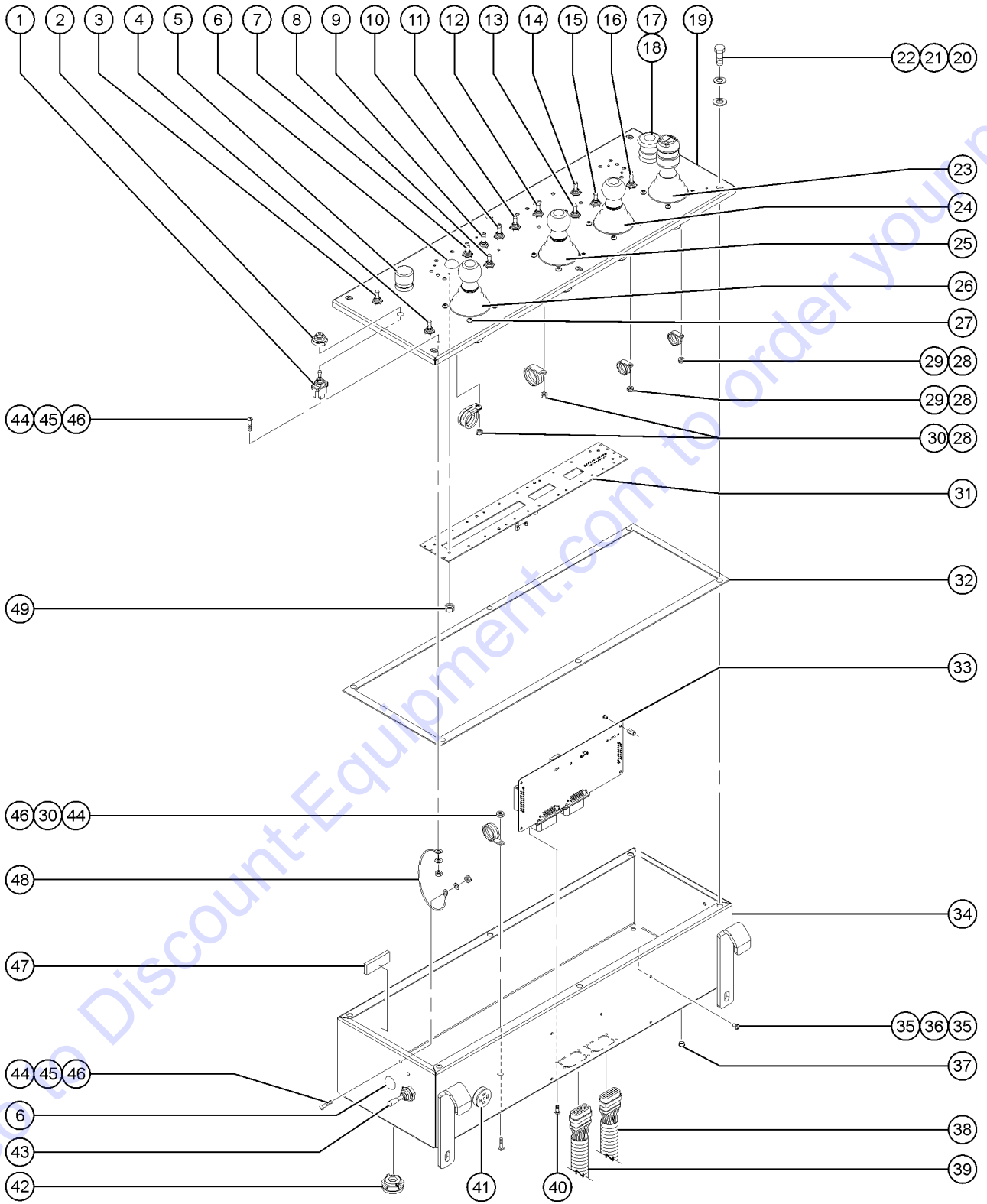
604.1 Toggle Switch Lid Option (to SN 4591)



604.1 Toggle Switch Lid Option (to SN 4591)

Item	Part No.	Description	Qty.	Item	Part No.	Description	Qty.
--		<i>For models with push buttons controls, refer to 602.1 and 603.1</i>		15	128200GT	SWITCH TOGGLE ASSY SPDT 3P MOM.....1	1
--	822949GT	KIT, TOGL SW LID, Z80, ANSI <i>(includes harness 235346 and items 1 - 25)</i>		16	128200GT	SWITCH TOGGLE ASSY SPDT 3P MOM.....1	1
--	822950GT	KIT, TOGL SW LID, Z80, CE <i>(includes harness 235346 and items 1 - 25)</i>		17	66812GT	BUTTON,PUSH,RED MUSHROOM HEAD.....1	1
--	822951GT	KIT, TOGL SW LID, Z80, AUS <i>(includes harness 235346 and items 1 - 25)</i>		--	66817GT	BASE WITH 1 NC CONTACT, E-STOP	
--	235346GT	HARNES, PCON, TOG SW, ALC1000		18	146478GT	BOOT(BELLOWS),E-STOP,BLACK.....1	1
1	128200GT	SWITCH TOGGLE ASSY SPDT 3P MOM.....1 <i>Platform Level Toggle Switch</i>	1	19		Ref. SCREW,HHC,1/4-20 X .75 <i>(Refer to 602.1)</i>	
2	27246GT	BOOT,TOGGLE SWITCH,SHORT*.....1 <i>Part of toggle switch 128200</i>	1	20	229387GT	LID, PCON, TOG SW, Z80.....1	1
3	128200GT	SWITCH TOGGLE ASSY SPDT 3P MOM.....1 <i>Platform Rotate Toggle Switch</i>	1	21	104030GT	NUT HEX M5-0.8 CLASS 8 ZINC	
4	128200GT	SWITCH TOGGLE ASSY SPDT 3P MOM.....1 <i>Jib Boom Up/Down Toggle Switch</i>	1	22	13268GT	CLAMP,0.75,#12 X 1/4,RUB CUSH.....1	1
5	66813GT	BUTTON,PUSH,BLACK W/SEAL***.....1 <i>Horn Button</i>	1	23	232975GT	PCB, LED/TOGGLE SWITCH, ALC100...1 <i>For models with push buttons controls, refer to 602.1 and 603.1</i>	1
6	229567GT	PLUG,SANTOPRENE .5 BLACK DOME.....1 <i>Optional Equipment</i>	1	24	12344GT	NUT,NYLOCK,6-32	
7	128200GT	SWITCH TOGGLE ASSY SPDT 3P MOM.....1 <i>Generator ON/OFF Toggle Switch</i>	1	25	81488GT	GASKET,PLATFORM CONTROL BOX....1	1
8	128200GT	SWITCH TOGGLE ASSY SPDT 3P MOM.....1 <i>Drive Enable Toggle Switch</i>	1	26		Ref. WELDMENT, PLATFORM CONTROL BOX <i>(Refer to 602.1)</i>	
9	128200GT	SWITCH TOGGLE ASSY SPDT 3P MOM.....1 <i>Emergency Power Switch</i>	1				
10	128200GT	SWITCH TOGGLE ASSY SPDT 3P MOM.....1 <i>Glow Plug Switch</i>	1				
11	128200GT	SWITCH TOGGLE ASSY SPDT 3P MOM.....1 <i>Engine Start Toggle Switch</i>	1				
12	128200GT	SWITCH TOGGLE ASSY SPDT 3P MOM.....1 <i>Engine Idle Control Toggle Switch</i>	1				
13	128200GT	SWITCH TOGGLE ASSY SPDT 3P MOM.....1 <i>Drive Control Toggle Switch</i>	1				
14	128200GT	SWITCH TOGGLE ASSY SPDT 3P MOM.....1 <i>Fuel Select Control Toggle Switch</i>	1				

605.1 Platform Controls (from SN 4592)



605.1 Platform Controls (from SN 4592)

Item	Part No.	Description	Qty.	Item	Part No.	Description	Qty.
--	822613GT	ASSY, CONTROL BOX, PCON, Z80 (complete, includes items 1 - 37 and 40 - 49)		--	122519GT	KIT,ESTOP SVC LARGE BOOM.....	1
--	88142GT	HARNESS,PCON SWITCH PANEL		--	66817GT	BASE WITH 1 NC CONTACT, E-STOP	
--	122023GT	HARNESS,PBOX,JOYSTICKS,Z80		18	146478GT	BOOT(BELLOWS),E-STOP,BLACK.....	1
--	235346GT	HARNESS, PCON, TOG SW, ALC1000		19	229387GT	LID, PCON, TOG SW, Z80.....	1
1	128200GT	SWITCH TOGGLE ASSY SPDT 3P MOM.....	1	20	6090GT	SCREW,HHC,1/4-20 X .75	
		<i>Platform Level Toggle Switch</i>		21	6356GT	WASHER,LOCK,.25	
2	27246GT	BOOT,TOGGLE SWITCH,SHORT*.....	1	22	6638GT	WASHER,FLAT,USS,1/4"Y	
		<i>Part of toggle switch 128200</i>		23		Ref. JOYSTICK,2 AXIS,DEUTSCH.....	1
3	128200GT	SWITCH TOGGLE ASSY SPDT 3P MOM.....	1			<i>Multi-axis or Single-axis with Steer Rocker Switch (drive/steer functions), calibration required after replacement; refer to 606.1 or 606.2</i>	
		<i>Platform Rotate Toggle Switch</i>		24		Ref. JOYSTICK.....	1
4	128200GT	SWITCH TOGGLE ASSY SPDT 3P MOM.....	1			<i>Single-axis (secondary boom up/extend and down/retract function), calibration required after replacement; refer to 606.1 or 606.2</i>	
		<i>Jib Boom Up/Down Toggle Switch</i>		25		Ref. JOYSTICK.....	1
5	66813GT	BUTTON,PUSH,BLACK W/SEAL***.....	1			<i>Single-axis (primary boom extend/retract function), calibration required after replacement; refer to 606.1 or 606.2</i>	
		<i>Horn Button</i>		26		Ref. JOYSTICK.....	1
6	229567GT	PLUG,SANTOPRENE .5 BLACK DOME.....	2			<i>Multi-axis (primary boom up/down and turntable rotate left/right functions), calibration required after replacement; refer to 606.1 or 606.2</i>	
		<i>Optional Equipment</i>		27	139338GT	SCREW PH M5-0.8X20 DIN 7500CE	
7	128200GT	SWITCH TOGGLE ASSY SPDT 3P MOM.....	1	28	104030GT	NUT HEX M5-0.8 CLASS 8 ZINC	
		<i>Generator ON/OFF Toggle Switch</i>		29	6833GT	CLAMP,0.50,#8 X 1/4,RUB CUSH.....	2
8	128200GT	SWITCH TOGGLE ASSY SPDT 3P MOM.....	1	30	13268GT	CLAMP,0.75,#12 X 1/4,RUB CUSH.....	3
		<i>Drive Enable Toggle Switch</i>		31	232975GT	PCB, LED/TOGGLE SWITCH, ALC100...	1
9	128200GT	SWITCH TOGGLE ASSY SPDT 3P MOM.....	1	32	81488GT	GASKET,PLATFORM CONTROL BOX....	1
		<i>Emergency Power Switch</i>		33	219422GT	PCB,ASSY,ECM,PLATFORM,V2.04.....	1
10	128200GT	SWITCH TOGGLE ASSY SPDT 3P MOM.....	1	34	88063PGT	PLATFORM CONTROL BOX,WELDMENT.....	1
		<i>Glow Plug Switch</i>		35	81551GT	SCREW,PHIL,PHM,6-32 X 1/4 SS	
11	128200GT	SWITCH TOGGLE ASSY SPDT 3P MOM.....	1	36	88287GT	STANDOFF,6-32 X 1/2L X 1/4 HEX.....	5
		<i>Engine Start Toggle Switch</i>		37	42288GT	PLUG,NYLON .188 BLACK DOMED.....	2
12	128200GT	SWITCH TOGGLE ASSY SPDT 3P MOM.....	1	38	146040GT	WIRE HARNESS,PLAT MANFLD Z80....	1
		<i>Engine Idle Control Toggle Switch</i>		--	60513GT	CONN,PLUG 23 WAY,16-20 GA WHT	
13	128200GT	SWITCH TOGGLE ASSY SPDT 3P MOM.....	1	39	146425GT	HARNESS PRIM BOOM SAE 11C 2010.....	1
		<i>Drive Control Toggle Switch</i>		--	60512GT	CONN,PLUG 23 WAY,16-20 GA BLK	
14	128200GT	SWITCH TOGGLE ASSY SPDT 3P MOM.....	1	40	122351GT	SCREW,#4X1/4,HI-LO,PH PHIL,TAP	
		<i>Fuel Select Control Toggle Switch</i>		41	62379GT	ALARM,AUDIO,SUPERBOOM***	
15	128200GT	SWITCH TOGGLE ASSY SPDT 3P MOM.....	1	--	72326GT	NUT - PLASTIC,RING FOR ALARMS	
		<i>Steer Mode Toggle Switch</i>		42	106495GT	PLUG,1/2" HUBBLE.....	1
16	128200GT	SWITCH TOGGLE ASSY SPDT 3P MOM.....	1	43	128200GT	SWITCH TOGGLE ASSY SPDT 3P MOM.....	1
		<i>Steer Mode Toggle Switch</i>				<i>Platform level recovery option</i>	
17	66812GT	BUTTON,PUSH,RED MUSHROOM HEAD					

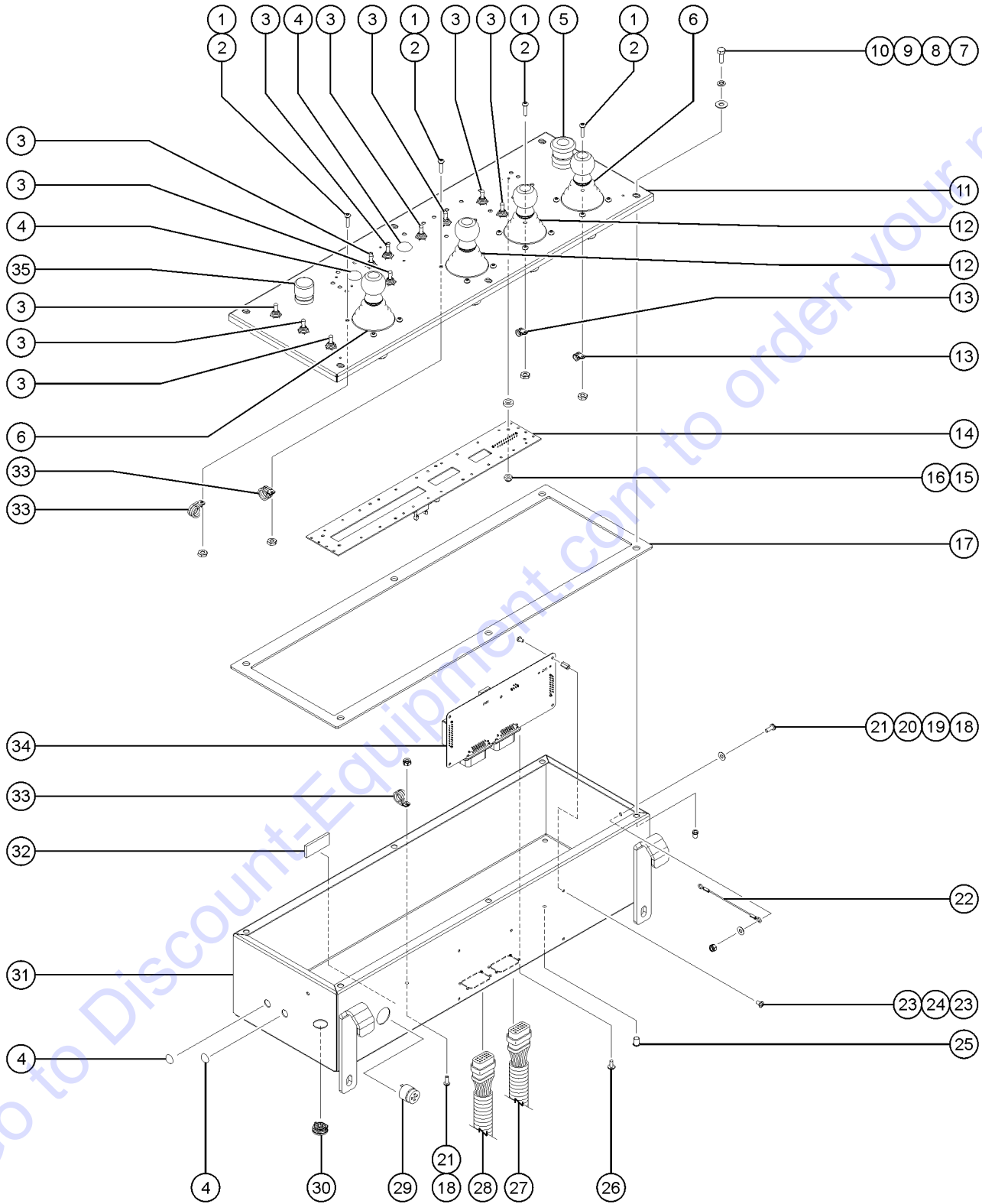
605.1 Platform Controls (from SN 4592)
(continued)

Item	Part No.	Description	Qty.
--	122343GT	DECAL,PLAT LVL.RECOVERY	
--	122362GT	FIELD KIT,PL LVL REC,ALC1000	
--	122461GT	HARNESS,PLAT LEVEL RECOVERY	
--	128203GT	SWITCH TOGGLE ASSY SPDT 2P MOM	
--	229567GT	PLUG,SANTOPRENE .5 BLACK DOME <i>Used if toggle switch not installed</i>	
44	54365GT	SCREW,PHIL,PHM,10-32 X .5,SSTL	
45	6146GT	WASHER,FLAT,MS,#10,Y	
46	6178GT	NUT,NYLOCK,10-32	
47	30997GT	CORROSION INHIBITOR,FOAM.....1	
48	1258952GT	LANYARD, BOX, CONTROL, PLATFORM.....2	
49	12344GT	NUT,NYLOCK,6-32	

This Page Intentionally Left Blank

Go to Discount-Equipment.com to order your parts

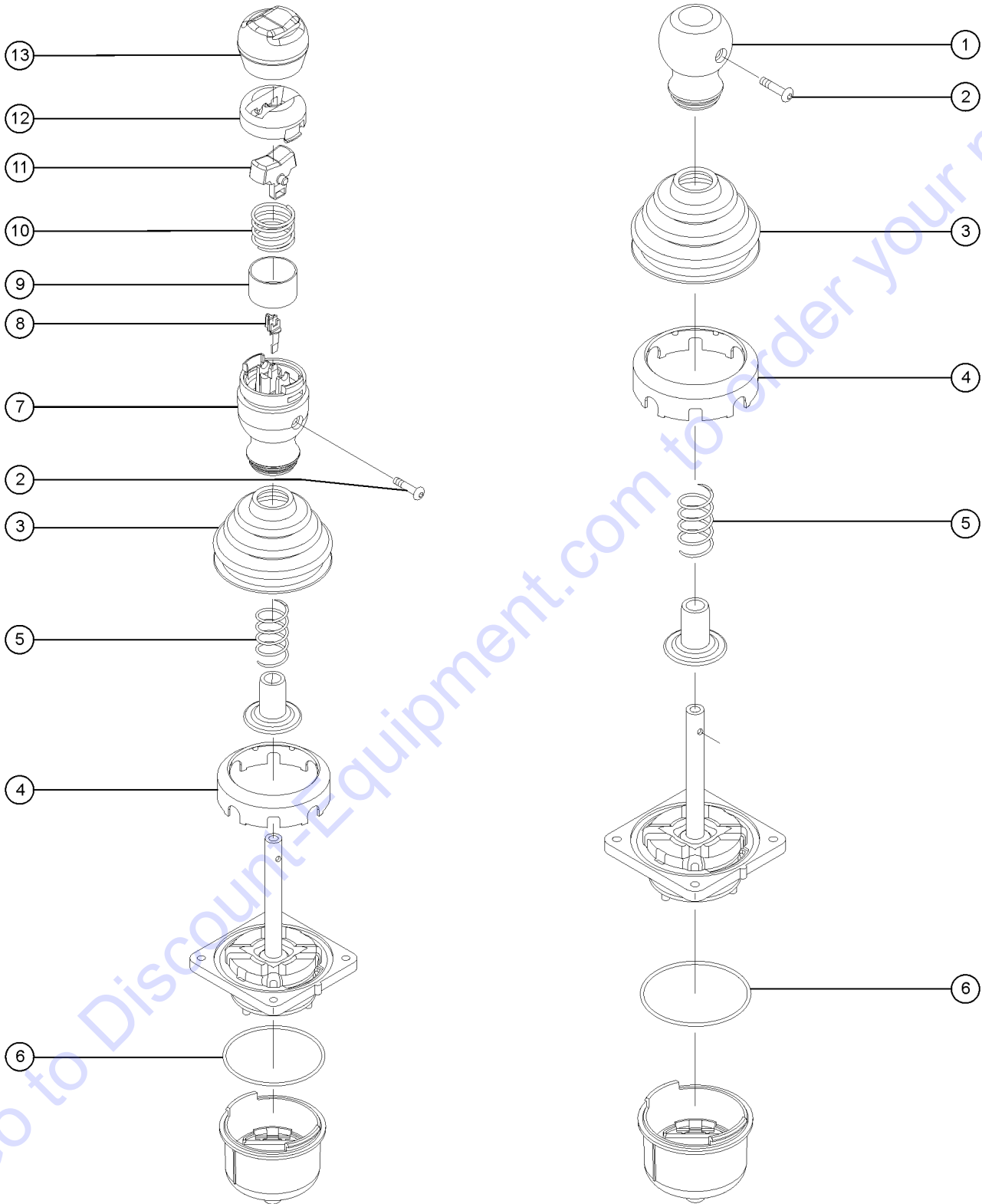
605.2 Platform Controls, Perkins 404F-22T and Deutz TD2.9L4



605.2 Platform Controls, Perkins 404F-22T and Deutz TD2.9L4

Item	Part No.	Description	Qty.	Item	Part No.	Description	Qty.
--		HARNES, PBOX, JOYSTICKS, Z80.....	1	31	825532GT	PLATFORM CONTROL BOX, WELDMENT.....	1
--	235346GT	HARNES, PCON, TOG SW, ALC1000.....	1	32	30997GT	CORROSION INHIBITOR, FOAM.....	1
--	88142GT	HARNES, PCON SWITCH PANEL.....	1	33	13268GT	CLAMP, 0.75, #12 X 1/4, RUB CUSH.....	3
1	139338GT	SCREW PH M5-0.8X20 DIN 7500CE.....	16	34	219422GT	PCB, ASSY, ECM, PLATFORM, V2.04.....	1
2	104030GT	NUT HEX M5-0.8 CLASS 8 ZINC.....	4	35	66813GT	BUTTON, PUSH, BLACK W/SEAL***.....	1
3	128200GT	SWITCH TOGGLE ASSY SPDT 3P MOM.....	12	--	66815GT	BASE, W/1 N.O. CONTACTS***.....	1
4	229567GT	PLUG, SANTOPRENE .5 BLACK DOME.....	4				
5	66812GT	BUTTON, PUSH, RED MUSHROOM HEAD.....	1				
--	146478GT	BOOT(BELLOWS), E-STOP, BLACK.....	1				
--	66817GT	BASE WITH 1 NC CONTACT, E-STOP...1	1				
6		Ref. JOYSTICK, 2 AXIS, DEUTSCH.....	2				
		<i>Refer to 606.2</i>					
7	6090GT	SCREW, HHC, 1/4-20 X .75.....	6				
8	6356GT	WASHER, LOCK, .25.....	6				
9	6638GT	WASHER, FLAT, USS, 1/4"Y.....	6				
10	23404GT	NUTSERT, 1/4-20, STEEL CAD PLTD.....	6				
11	229387GT	LID, PCON, TOG SW, Z80.....	1				
12		Ref. JOYSTICK, 1 AXIS, DEUTSCH.....	2				
		<i>Refer to 606.2</i>					
13	6833GT	CLAMP, 0.50, #8 X 1/4, RUB CUSH.....	2				
14	232975GT	PCB, LED/TOGGLE SWITCH, ALC100...1	1				
15	12344GT	NUT, NYLOCK, 6-32.....					
16	822224GT	WASHER, NYLON #10, 0.093.....	8				
17	81488GT	GASKET, PLATFORM CONTROL BOX...1	1				
18	54365GT	SCREW, PHIL, PHM, 10-32 X .5, SSTL.....	3				
19	35461GT	WASHER, FLAT, MS, #8, Y.....					
20	6146GT	WASHER, FLAT, MS, #10, Y.....	2				
21	6178GT	NUT, NYLOCK, 10-32.....	3				
22	1258952GT	LANYARD, BOX, CONTROL, PLATFORM.....	2				
23	81551GT	SCREW, PHIL, PHM, 6-32 X 1/4 SS.....	10				
24	88287GT	STANDOFF, 6-32 X 1/2L X 1/4 HEX.....	5				
25	42288GT	PLUG, NYLON .188 BLACK DOMED.....	2				
26	122351GT	SCREW, #4X1/4, HI-LO, PH PHIL, TAP....	8				
27	146040GT	WIRE HARNES, PLAT MANFLD Z80.....	1				
--	60513GT	CONN, PLUG 23 WAY, 16-20 GA WHT					
28	146425GT	HARNES PRIM BOOM SAE 11C 2010.....	1				
--	60512GT	CONN, PLUG 23 WAY, 16-20 GA BLK					
29	62379GT	ALARM, AUDIO, SUPERBOOM***.....	1				
--	72326GT	NUT - PLASTIC, RING FOR ALARMS					
30	106495GT	PLUG, 1/2" HUBBLE.....	1				

606.1 Joysticks (to SN 1166)



606.1 Joysticks (to SN 1166)

Item	Part No.	Description	Qty.
--	111417GT	JOYSTICK W/HARN ADPTR, 2 AXIS <i>this kit converts joystick to Deutsch style connection (OEM joystick); after first time replacement, refer to section 604.2</i>	
--	111415GT	JOYSTICK W/HARN ADPTR, 1 AXIS <i>this kit converts joystick to Deutsch style connection (OEM joystick); after first time replacement, refer to section 604.2</i>	
--	111416GT	JOYSTICK W/HARN ADPTR KIT RCKR <i>this kit converts joystick to Deutsch style connection (OEM joystick); after first time replacement, refer to section 604.2</i>	
--	83098GT	TERM,AMP MTE,SOC,22-26 GA BULK	
--	119613GT	HARN JOYSTICK ADAPTOR JS100 <i>for first time replacement only</i>	
Z	1269502GT	KIT, ISOLATION, 4 JOYSTICK	
1	62392GT	KNOB,JOYSTICK, 62390/62391.....1	
2	T112626GT	SCREW, PHM, #6-32 X .625 ZINC.....1	
3	139598GT	BOOT,JOYSTICK.....1	
4	75143GT	BOOT GUARD, JOYSTICK 62390/91.....1	
5		SPRING,JOYSTK CENTR,62390/91.....1 <i>no longer available from supplier</i>	
6		O-RING,JOYSTICK, 62390/62391.....1 <i>no longer available from supplier</i>	
7	75449GT	KNOB,ROCKER JOYSTICK 75565.....1	
8	75448GT	SUPPORT,SENSOR,JOYSTICK.....1	
9	75447GT	SWITCH SHIELD,ROCK JOYSTK75565.....1	
10	75446GT	SPRING,SWITCH CENTERING,75565...1	
11	75445GT	ROCKER ASSY.,MAGNETIC 75565.....1	
12	75444GT	ROCKER,RETAINER, 75565.....1	
13	75443GT	BOOT, ROCKER JOYSTICK 75565.....1	

PARTS FINDER

**Search Website
by Part Number**



**Search Manual
Library For Parts
Manual & Lookup Part
Numbers – Purchase
or Request Quote**

Search Manuals

Enter your information to help us find the right parts manual for your machine.

* Brand:

* Model:

* Serial:

* Part Number:

SEARCH

**Can't Find Part or
Manual? Request Help
by Manufacturer,
Model & Description**

Parts Order Form

Please fill in the following information to help us find the right part for your machine.

Manufacturer:	<input type="text"/>
Model:	<input type="text"/>
Description:	<input type="text"/>
Part Number:	<input type="text"/>
Quantity:	<input type="text"/>
Notes:	<input type="text"/>

Submit

Discount-Equipment.com is your online resource for quality parts & equipment.

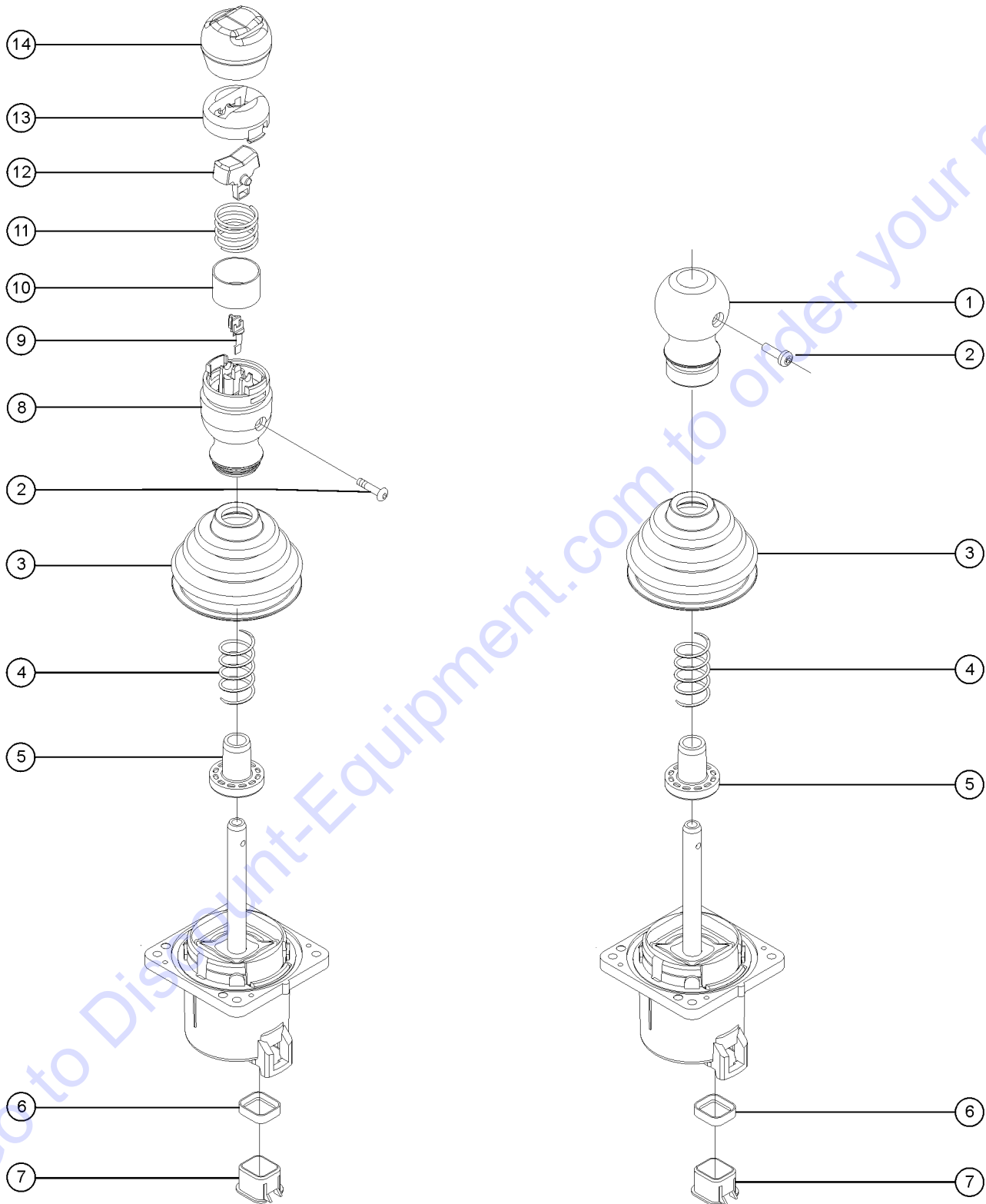
Florida: **561-964-4949** Outside Florida TOLL FREE: **877-690-3101**

Need parts?

Click on this link: <http://www.discount-equipment.com/category/5443-parts/> and choose one of the options to help get the right parts and equipment you are looking for. Please have the machine model and serial number available in order to help us get you the correct parts. If you don't find the part on the website or on one of the online manuals, please fill out the request form and one of our experienced staff members will get back to you with a quote for the right part that your machine needs.

We sell worldwide for the brands: Genie, Terex, JLG, MultiQuip, Mikasa, Essick, Whiteman, Mayco, Toro Stone, Diamond Products, Generac Magnum, Airman, Haulotte, Barreto, Power Blanket, Nifty Lift, Atlas Copco, Chicago Pneumatic, Allmand, Miller Curber, Skyjack, Lull, Skytrak, Tsurumi, Husquvarna Target, Stow, Wacker, Sakai, Mi-T-M, Sullair, Basic, Dynapac, MBW, Weber, Bartell, Bennar Newman, Haulotte, Ditch Runner, Menegotti, Morrison, Contec, Buddy, Crown, Edco, Wyco, Bomag, Laymor, EZ Trench, Bil-Jax, F.S. Curtis, Gehl Pavers, Heli, Honda, ICS/PowerGrit, IHI, Partner, Imer, Clipper, MMD, Koshin, Rice, CH&E, General Equipment, Amida, Coleman, NAC, Gradall, Square Shooter, Kent, Stanley, Tamco, Toku, Hatz, Kohler, Robin, Wisconsin, Northrock, Oztec, Toker TK, Rol-Air, APT, Wylie, Ingersoll Rand / Doosan, Innovatech, Con X, Ammann, Mecalac, Makinex, Smith Surface Prep, Small Line, Wanco, Yanmar

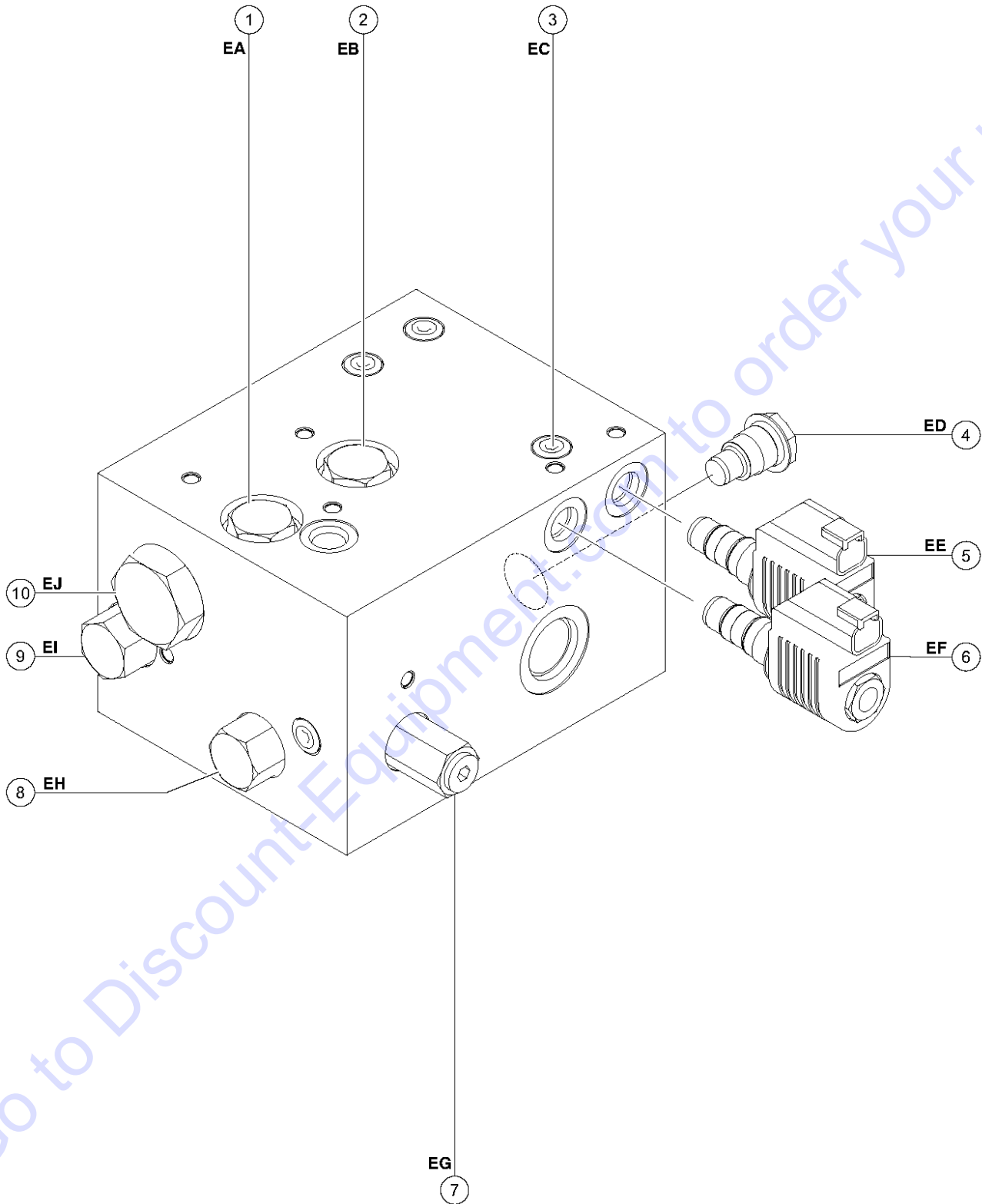
606.2 Joysticks (from SN 1167)



606.2 Joysticks (from SN 1167)

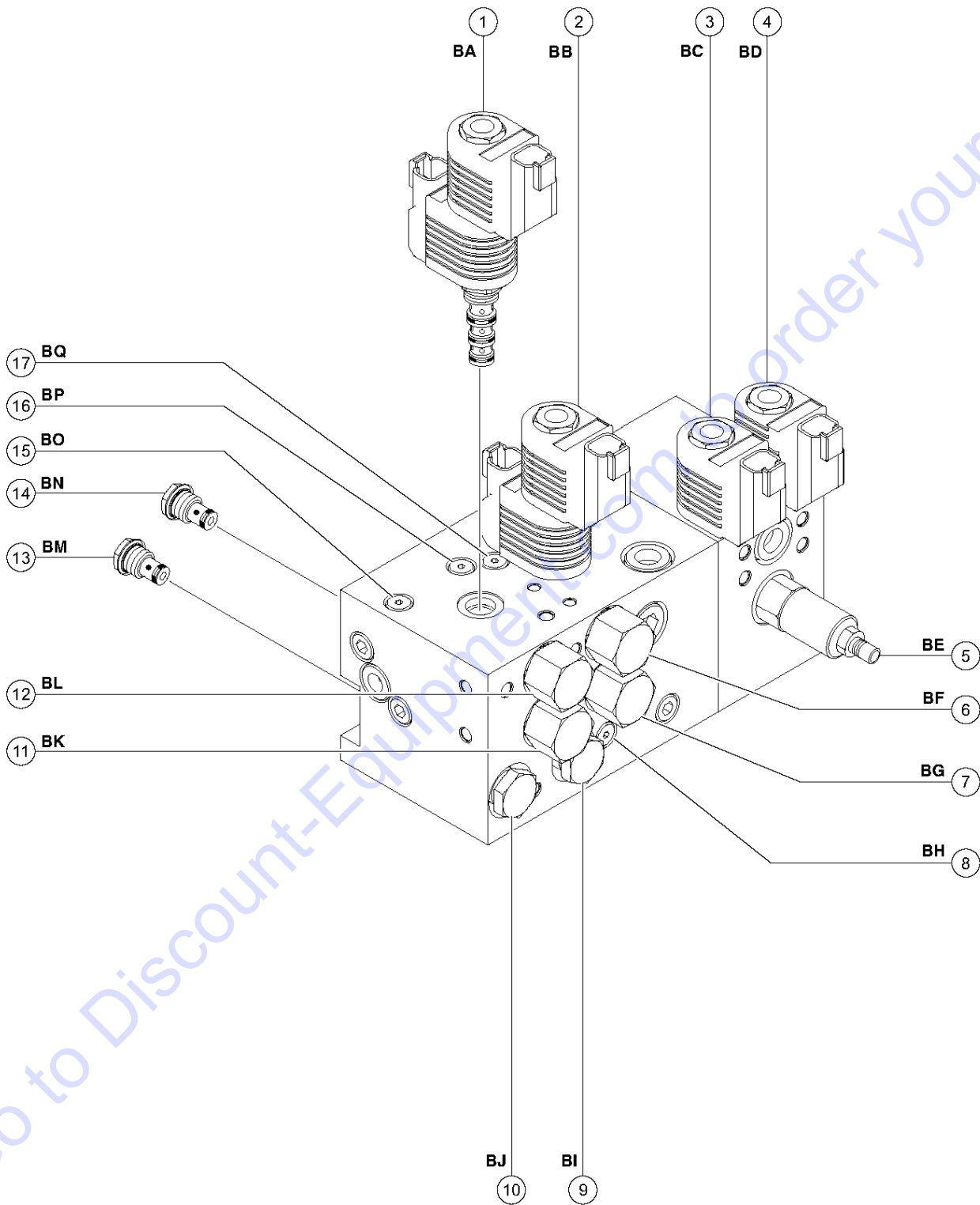
Item	Part No.	Description	Qty.
--	101174GT	JOYSTICK,2 AXIS,DEUTSCH <i>OEM joystick (calibration required after replacement)</i>	
--	101174HGT	JOYSTICK,DUAL AXIS W/KNOB <i>aftermarket joystick (calibration required after replacement)</i>	
--	101175GT	JOYSTICK,1 AXIS,DEUTSCH <i>OEM joystick (calibration required after replacement)</i>	
--	101175HGT	JOYSTICK,SINGLE AXIS W/KNOB <i>aftermarket joystick (calibration required after replacement)</i>	
--	101005GT	JOYSTICK,1 AXIS ROCKER,DEUTSCH <i>OEM joystick (calibration required after replacement)</i>	
--	101005HGT	JOYSTICK,SINGLE AXIS W/STEER <i>aftermarket joystick (calibration required after replacement)</i>	
--	83098GT	TERM,AMP MTE,SOC,22-26 GA BULK	
--	119613GT	HARN JOYSTICK ADAPTOR JS100 <i>Used only on units prior to SN 1167</i>	
Z	1269502GT	KIT, ISOLATION, 4 JOYSTICK	
1	62392GT	KNOB,JOYSTICK, 62390/62391.....	1
2	T112626GT	SCREW, PHM, #6-32 X .625 ZINC.....	1
3	139598GT	BOOT,JOYSTICK.....	1
4		SPRING,JOYSTK CENTR,62390/91..... <i>no longer available from supplier</i>	1
5	119915GT	COLLAR,JOYSTICK,CENTER.....	1
6	128000GT	SEAL, CONNECTOR (DT JOYSTICKS).....	1
7	128001GT	SLEEVE,CONNECTOR,DT JOYSTICKS.....	1
8	75449GT	KNOB,ROCKER JOYSTICK 75565.....	1
9	75448GT	SUPPORT,SENSOR,JOYSTICK.....	1
10	75447GT	SWITCH SHIELD,ROCK JOYSTK75565.....	1
11	75446GT	SPRING,SWITCH CENTERING,75565...1	
12	75445GT	ROCKER ASSY.,MAGNETIC 75565.....	1
13	75444GT	ROCKER,RETAINER, 75565.....	1
14	75443GT	BOOT, ROCKER JOYSTICK 75565.....	1

701.1 2WD Traction Manifold



Item	Part No.	Description	Qty.
--	70247GT	MANIFOLD,TRACTION,2WD	
1	27836GT	VALVE,CHECK,5 PSI <i>EA, Drive motor anti-cavitation</i>	
2	27836GT	VALVE,CHECK,5 PSI <i>EB, Drive motor anti-cavitation</i>	
3	89299GT	PLUG ORIFICE, .031 <i>EC, Brake and two-speed circuit</i>	
4	69873GT	VALVE, CHECK <i>ED, Keeps brakes released in case of temporary loss of charge pressure</i>	
--	74902GT	SEAL KIT	
5	62263GT	VALVE,SOLENOID, 2 POS, 3 WAY <i>EE, Brake release</i>	
--	52943GT	NUT,SOLENOID VALVE COIL	
--	62273GT	COIL,GREEN W/ 2 PIN CONNECTOR*	
--	72043GT	SEAL KIT,SOLENOID VALVE	
6	62263GT	VALVE,SOLENOID, 2 POS, 3 WAY <i>EF, two-speed drive motor shift</i>	
--	52943GT	NUT,SOLENOID VALVE COIL	
--	62273GT	COIL,GREEN W/ 2 PIN CONNECTOR*	
--	72043GT	SEAL KIT,SOLENOID VALVE	
7	77507GT	VALVE,RELIEF 250 PSI(70247) <i>EG, Charge pressure circuit</i>	
--	74902GT	SEAL KIT	
8	43596GT	VALVE,SHUTTLE <i>EH, Charge pressure circuit that directs hot oil out of low pressure side of drive pump</i>	
--	84137GT	SEAL KIT, VALVE 84129	
9	77508GT	VALVE,BI-DIRECTIONAL FLOW <i>EI, Equalizes pressure on both sides of divider/combiner valve EJ</i>	
--	89310GT	SEAL KIT, SOLENOID VALVE	
10	52726GT	VALVE,FLOW DIVIDER/COMBINER <i>EJ, Controls flow to drive motors in forward and reverse</i>	
--	84135GT	SEAL KIT, VALVE	

702.1 2WD Steer/Oscillate Manifold (to SN 989)

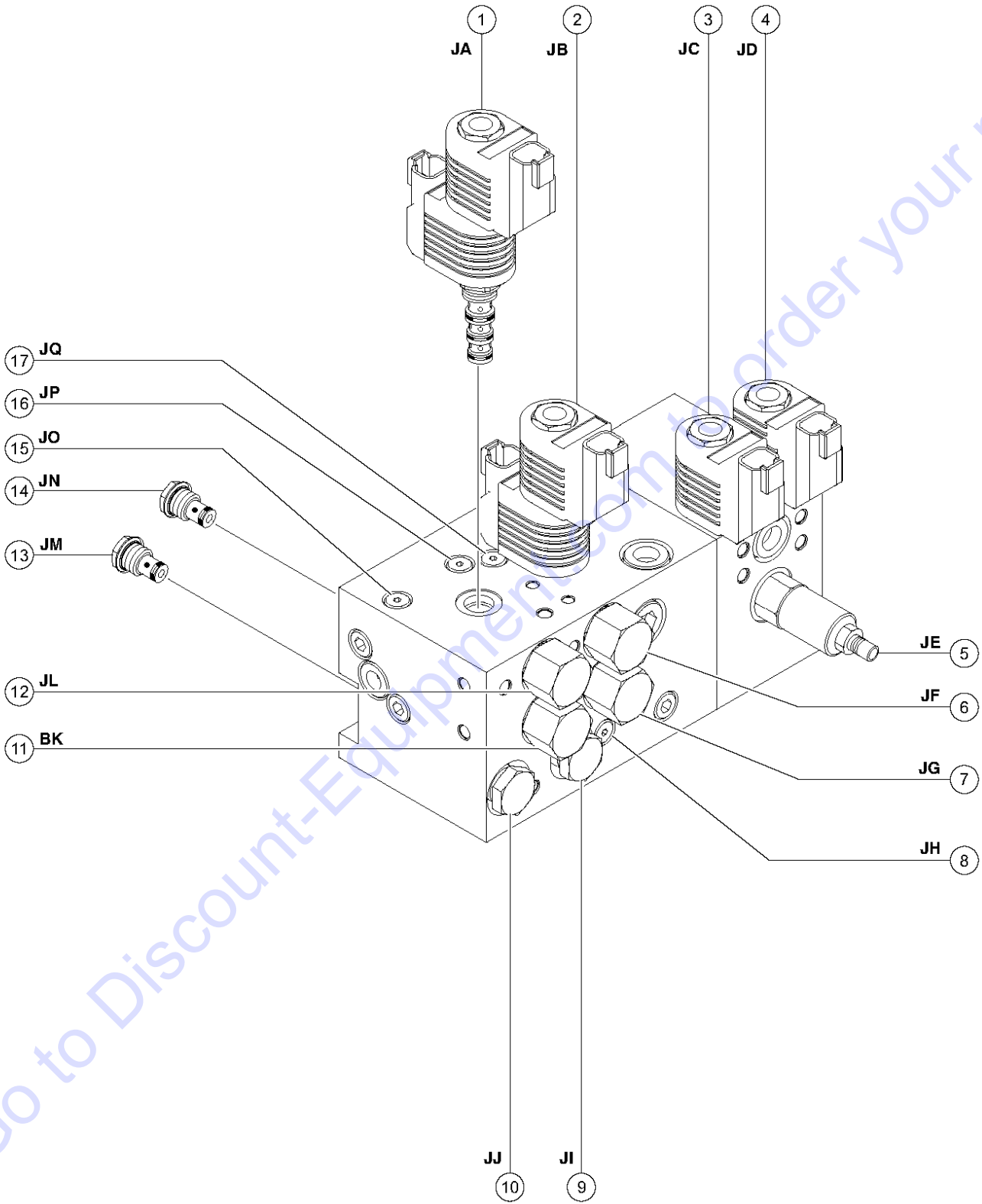


Go to Discount-Equipment.com to order your parts

702.1 2WD Steer/Oscillate Manifold (to SN 989)

Item	Part No.	Description	Qty.	Item	Part No.	Description	Qty.
--		for a complete replacement of manifold 70243 or 88115, please order part 122096 (refer to 702.2)		14	77490GT	VALVE,CHECK 65 PSI,(88115) <i>BN, Prevents steer cylinder from moving when not steering</i>	
--	88113GT	MANIFOLD,OSCILLATE <i>includes items 3-5</i>		15	27807GT	VALVE,CHECK*** <i>BO, Load sensing circuit, right-side steer cylinder retract</i>	
1	77492GT	VALVE,SOLENOID 3 POS 4 WAY <i>BA, Steer left/right, right-side steer cylinder</i>		--	110200GT	SEAL KIT, VALVE, #4	
--	72047GT	SEAL KIT, SOLENOID VALVE		16	27807GT	VALVE,CHECK*** <i>BP, Load sensing circuit, right-side steer cylinder extend</i>	
2	77492GT	VALVE,SOLENOID 3 POS 4 WAY <i>BB, Steer left/right, left-side steer cylinder</i>		--	110200GT	SEAL KIT, VALVE, #4	
--	72047GT	SEAL KIT, SOLENOID VALVE		17	27807GT	VALVE,CHECK*** <i>BQ, Load sensing circuit, left-side steer cylinder extend</i>	
3	77493GT	VALVE,SOLENOID 2 POS.3 WAY <i>BC, Oscillate cylinder, left side</i>		--	110200GT	SEAL KIT, VALVE, #4	
--	52943GT	NUT,SOLENOID VALVE COIL					
--	72043GT	SEAL KIT,SOLENOID VALVE					
4	77493GT	VALVE,SOLENOID 2 POS.3 WAY <i>BD, Oscillate cylinder, right side</i>					
--	52943GT	NUT,SOLENOID VALVE COIL					
--	72043GT	SEAL KIT,SOLENOID VALVE					
5	77494GT	VALVE,RELIEF 750 PSI (88113) <i>BE, Oscillate circuit</i>					
6	77491GT	VALVE,FLOW REGULATOR 2.3 GPM <i>BF, Left-side steer cylinder extend circuit</i>					
--	74902GT	SEAL KIT					
7	52615GT	VALVE,FLOW REGULATOR 1.2 GPM <i>BG, Left-side steer cylinder retract circuit</i>					
--	74902GT	SEAL KIT					
8	27807GT	VALVE,CHECK*** <i>BH, Load sensing circuit, left-side steer cylinder retract</i>					
--	110200GT	SEAL KIT, VALVE, #4					
9	77490GT	VALVE,CHECK 65 PSI,(88115) <i>BI, Prevents steer cylinder from moving when not steering</i>					
--	74902GT	SEAL KIT					
10	77490GT	VALVE,CHECK 65 PSI,(88115) <i>BJ, Prevents steer cylinder from moving when not steering</i>					
--	74902GT	SEAL KIT					
11	77491GT	VALVE,FLOW REGULATOR 2.3 GPM <i>BK, Right side steer cylinder extend circuit</i>					
--	74902GT	SEAL KIT					
12	52615GT	VALVE,FLOW REGULATOR 1.2 GPM <i>BL, Right side steer cylinder retract circuit</i>					
--	74902GT	SEAL KIT					
13	77490GT	VALVE,CHECK 65 PSI,(88115) <i>BM, Prevents steer cylinder from moving when not steering</i>					

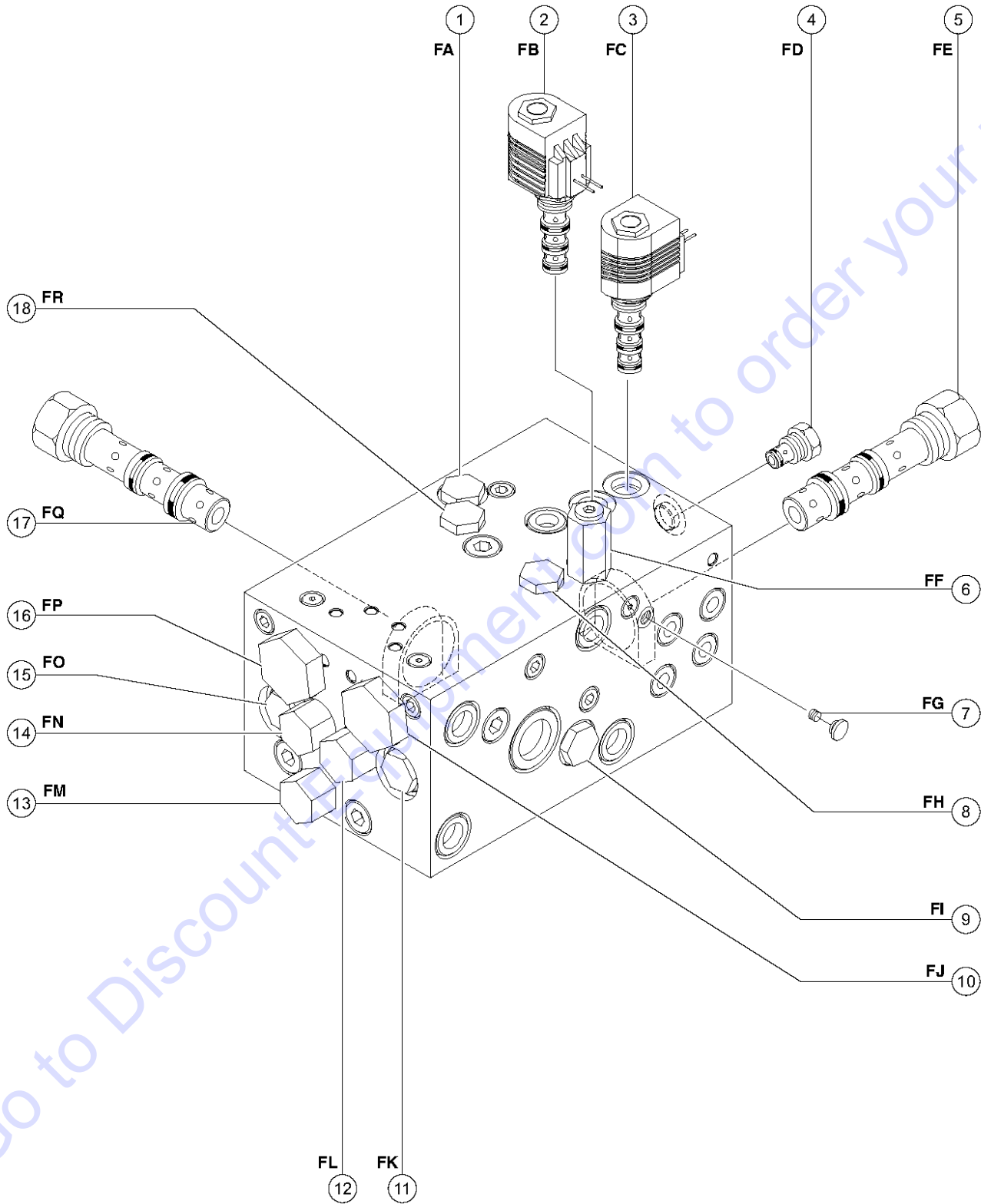
702.2 2WD Steer/Oscillate Manifold (from SN 990)



702.2 2WD Steer/Oscillate Manifold (from SN 990)

Item	Part No.	Description	Qty.	Item	Part No.	Description	Qty.
--	122096GT	MANIFOLD,2 WHEEL STEER/OSC. <i>Complete</i>		--	74902GT	SEAL KIT	
--	88113GT	MANIFOLD,OSCILLATE <i>includes items 3-5</i>		11	19470GT	VALVE,FLOW REGULATOR <i>JK, Right side steer cylinder extend circuit</i>	
--	122134GT	2WS MANIFOLD W/O OSC. <i>includes items 1, 2, 6-17</i>		--	74902GT	SEAL KIT	
1	77492GT	VALVE,SOLENOID 3 POS 4 WAY <i>JA, Steer left/right, right-side steer cylinder; from 990 to SN 1290</i>		12	27051GT	VALVE,FLOW REGULATOR <i>JL, Right side steer cylinder retract circuit; from SN 1291</i>	
--	72047GT	SEAL KIT, SOLENOID VALVE <i>(use with part 77492); from 990 to SN 1290</i>		--	19470GT	VALVE,FLOW REGULATOR <i>from SN 990 to 1290</i>	
--	52943GT	NUT,SOLENOID VALVE COIL <i>(use with part 77492); from 990 to SN 1290</i>		--	74902GT	SEAL KIT	
--	122121GT	SOLENOID VALVE <i>from SN 1291</i>		13	77490GT	VALVE,CHECK 65 PSI,(88115) <i>JM, Prevents steer cylinder from moving when not steering</i>	
--	122120GT	SEAL KIT,SOLENOID VALVE <i>(use with part 122121); from SN 1291</i>		14	77490GT	VALVE,CHECK 65 PSI,(88115) <i>JN, Prevents steer cylinder from moving when not steering</i>	
--	122198GT	SCREW,FLANGE,HHC,3/8-16X 5/8 <i>(use with part 122121); from SN 1291</i>		15	27807GT	VALVE,CHECK*** <i>JO, Load sensing circuit, right-side steer cylinder retract</i>	
2	122121GT	SOLENOID VALVE <i>JB, Steer left/right, left-side steer cylinder</i>		--	110200GT	SEAL KIT, VALVE, #4	
--	122120GT	SEAL KIT,SOLENOID VALVE		16	27807GT	VALVE,CHECK*** <i>JP, Load sensing circuit, right-side steer cylinder extend</i>	
--	122198GT	SCREW,FLANGE,HHC,3/8-16X 5/8		--	110200GT	SEAL KIT, VALVE, #4	
3	77493GT	VALVE,SOLENOID 2 POS.3 WAY <i>JC, Oscillate cylinder, left side</i>		17	27807GT	VALVE,CHECK*** <i>JQ, Load sensing circuit, left-side steer cylinder extend</i>	
--	72043GT	SEAL KIT,SOLENOID VALVE		--	110200GT	SEAL KIT, VALVE, #4	
4	77493GT	VALVE,SOLENOID 2 POS.3 WAY <i>JD, Oscillate cylinder, right side</i>					
--	72043GT	SEAL KIT,SOLENOID VALVE					
5	77494GT	VALVE,RELIEF 750 PSI (88113) <i>JE, Oscillate circuit</i>					
6	19470GT	VALVE,FLOW REGULATOR <i>JF, Left-side steer cylinder extend circuit</i>					
--	74902GT	SEAL KIT					
7	27051GT	VALVE,FLOW REGULATOR <i>JG, Left-side steer cylinder retract circuit; from SN 1291</i>					
--	19470GT	VALVE,FLOW REGULATOR <i>from SN 990 to 1290</i>					
--	74902GT	SEAL KIT					
8	27807GT	VALVE,CHECK*** <i>JH, Load sensing circuit, left-side steer cylinder retract</i>					
--	110200GT	SEAL KIT, VALVE, #4					
9	77490GT	VALVE,CHECK 65 PSI,(88115) <i>JI, Prevents steer cylinder from moving when not steering</i>					
--	74902GT	SEAL KIT					
10	77490GT	VALVE,CHECK 65 PSI,(88115) <i>JJ, Prevents steer cylinder from moving when not steering</i>					

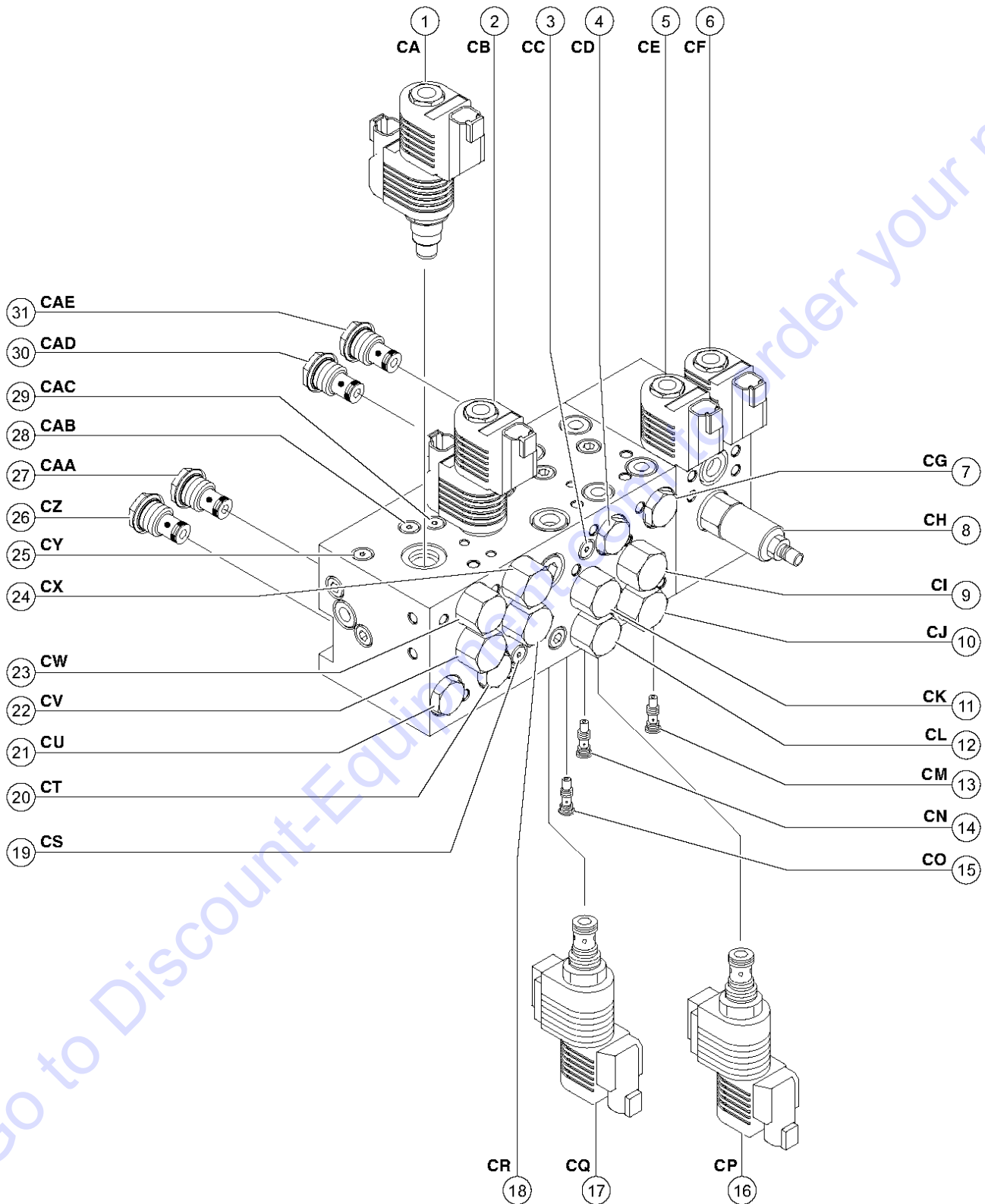
703.1 4WD Traction Manifold



703.1 4WD Traction Manifold

Item	Part No.	Description	Qty.	Item	Part No.	Description	Qty.
--	70241GT	MANIFOLD,TRACTION,4WD		15	69873GT	VALVE, CHECK <i>FO, Drive motor anti-cavitation</i>	
1	27836GT	VALVE,CHECK,5 PSI <i>FA, Drive motor anti-cavitation</i>		--	74902GT	SEAL KIT	
2	77489GT	VALVE,SOLENOID 2 POS.3 WAY <i>FB, Two-speed drive motor shift</i>		16	62252GT	VALVE, FLOW DIVIDER COMBINER <i>FP, Controls flow to circle end drive motors in forward and reverse</i>	
--	52943GT	NUT,SOLENOID VALVE COIL		--	84135GT	SEAL KIT, VALVE	
--	72043GT	SEAL KIT,SOLENOID VALVE		17	52726GT	VALVE,FLOW DIVIDER/COMBINER <i>FQ, Controls flow to divider/combiner valves FJ and FP</i>	
--	77735GT	COIL, SOLENOID VALVE		--	84135GT	SEAL KIT, VALVE	
3	77489GT	VALVE,SOLENOID 2 POS.3 WAY <i>FC, Brake release</i>		18	69873GT	VALVE, CHECK <i>FR, Drive motor anti-cavitation</i>	
--	52943GT	NUT,SOLENOID VALVE COIL		--	74902GT	SEAL KIT	
--	72043GT	SEAL KIT,SOLENOID VALVE					
--	77735GT	COIL, SOLENOID VALVE					
4	69873GT	VALVE, CHECK <i>FD, Keeps brakes released in case of temporary loss of charge pressure</i>					
--	74902GT	SEAL KIT					
5	27761GT	VALVE,SHUTTLE <i>FE, Charge pressure circuit that directs hot oil out of low pressure side of drive pump</i>					
--	84134GT	SEAL KIT, VALVE					
6	62253GT	VALVE,RELIEF,250 PSI <i>FF, Charge pressure circuit</i>					
--	74902GT	SEAL KIT					
7	102496GT	ORIFICE,PLUG 0.030 <i>FG, Brake and two-speed circuit</i>					
8	69873GT	VALVE, CHECK <i>FH, Drive motor anti-cavitation</i>					
--	74902GT	SEAL KIT					
9	27836GT	VALVE,CHECK,5 PSI <i>FI, Drive motor anti-cavitation</i>					
10	62252GT	VALVE, FLOW DIVIDER COMBINER <i>FJ, Controls flow to square-end drive motors in forward and reverse</i>					
--	84135GT	SEAL KIT, VALVE					
11	69873GT	VALVE, CHECK <i>FK, Drive motor anti-cavitation</i>					
12	52723GT	VALVE-FLOW REGULATOR 2 GPM <i>FL, Equalizes pressure on both sides of divider/combiner valve FJ</i>					
--	89310GT	SEAL KIT, SOLENOID VALVE					
13	52723GT	VALVE-FLOW REGULATOR 2 GPM <i>FM, Equalizes pressure on both sides of divider/combiner valve FQ</i>					
--	89310GT	SEAL KIT, SOLENOID VALVE					
14	52723GT	VALVE-FLOW REGULATOR 2 GPM <i>FN, Equalizes pressure on both sides of divider/combiner valve FP</i>					
--	89310GT	SEAL KIT, SOLENOID VALVE					

704.1 4WD Steer/Oscillate Manifold (to SN 989)



704.1 4WD Steer/Oscillate Manifold (to SN 989)

Item	Part No.	Description	Qty.	Item	Part No.	Description	Qty.
--	88113GT	MANIFOLD,OSCILLATE <i>includes items 5, 6, and 8</i>		13	27807GT	VALVE,CHECK*** <i>CM, Load sensing circuit, circle end left side steer cylinder retract</i>	
--	88114GT	MANIFOLD,4 WHEEL STEER <i>includes items 1-4, 7, and 9-31</i>		--	110200GT	SEAL KIT, VALVE, #4	
1	77492GT	VALVE,SOLENOID 3 POS 4 WAY <i>CA, Steer left/right, square end right side steer cylinder</i>		14	27807GT	VALVE,CHECK*** <i>CN, Load sensing circuit, circle end left side steer cylinder extend</i>	
--	52943GT	NUT,SOLENOID VALVE COIL		--	110200GT	SEAL KIT, VALVE, #4	
--	72047GT	SEAL KIT, SOLENOID VALVE		15	27807GT	VALVE,CHECK*** <i>CO, Load sensing circuit, circle end right-side steer cylinder extend</i>	
2	77492GT	VALVE,SOLENOID 3 POS 4 WAY <i>CB, Steer left/right, square end left side steer cylinder</i>		--	110200GT	SEAL KIT, VALVE, #4	
--	52943GT	NUT,SOLENOID VALVE COIL		16	77492GT	VALVE,SOLENOID 3 POS 4 WAY <i>CP, Steer left/right, circle end left-side steer cylinder</i>	
--	72047GT	SEAL KIT, SOLENOID VALVE		--	52943GT	NUT,SOLENOID VALVE COIL	
3	27807GT	VALVE,CHECK*** <i>CC, Load sensing circuit, circle end right side steer cylinder retract</i>		--	72047GT	SEAL KIT, SOLENOID VALVE	
--	110200GT	SEAL KIT, VALVE, #4		17	77492GT	VALVE,SOLENOID 3 POS 4 WAY <i>CQ, Steer left/right, circle end right-side steer cylinder</i>	
4	77490GT	VALVE,CHECK 65 PSI,(88115) <i>CD, Prevents steer cylinder from moving when not steering</i>		--	52943GT	NUT,SOLENOID VALVE COIL	
5	77493GT	VALVE,SOLENOID 2 POS.3 WAY <i>CE, Oscillate cylinder, left side</i>		--	72047GT	SEAL KIT, SOLENOID VALVE	
--	52943GT	NUT,SOLENOID VALVE COIL		18	52615GT	VALVE,FLOW REGULATOR 1.2 GPM <i>CR, Square end, left-side steer cylinder retract circuit</i>	
--	72043GT	SEAL KIT,SOLENOID VALVE		--	74902GT	SEAL KIT	
6	77493GT	VALVE,SOLENOID 2 POS.3 WAY <i>CF, Oscillate cylinder, right side</i>		19	27807GT	VALVE,CHECK*** <i>CS, Load sensing circuit, square end left-side steer cylinder retract</i>	
--	52943GT	NUT,SOLENOID VALVE COIL		--	110200GT	SEAL KIT, VALVE, #4	
--	72043GT	SEAL KIT,SOLENOID VALVE		20	77490GT	VALVE,CHECK 65 PSI,(88115) <i>CT, Prevents steer cylinder from moving when not steering</i>	
7	77490GT	VALVE,CHECK 65 PSI,(88115) <i>CG, Prevents steer cylinder from moving when not steering</i>		21	77490GT	VALVE,CHECK 65 PSI,(88115) <i>CU, Prevents steer cylinder from moving when not steering</i>	
8	77494GT	VALVE,RELIEF 750 PSI (88113) <i>CH, Oscillate circuit</i>		22	77491GT	VALVE,FLOW REGULATOR 2.3 GPM <i>CV, Square end, right-side steer cylinder extend circuit</i>	
9	77491GT	VALVE,FLOW REGULATOR 2.3 GPM <i>CI, Circle end, left-side steer cylinder extend circuit</i>		--	74092GT	PLATE,CENTER BOTTOM SPRT ROT	
--	74902GT	SEAL KIT		23	52615GT	VALVE,FLOW REGULATOR 1.2 GPM <i>CW, Square end, right-side steer cylinder retract circuit</i>	
10	52615GT	VALVE,FLOW REGULATOR 1.2 GPM <i>CJ, Circle end, left-side steer cylinder retract circuit</i>		--	72043GT	SEAL KIT,SOLENOID VALVE	
--	74902GT	SEAL KIT		24	77491GT	VALVE,FLOW REGULATOR 2.3 GPM <i>CX, Square end, left-side steer cylinder extend circuit</i>	
11	52615GT	VALVE,FLOW REGULATOR 1.2 GPM <i>CK, Circle end, right-side steer cylinder retract circuit</i>		--	74092GT	PLATE,CENTER BOTTOM SPRT ROT	
--	74902GT	SEAL KIT		25	27807GT	VALVE,CHECK*** <i>CY, Load sensing circuit, square end right-side steer cylinder retract</i>	
12	77491GT	VALVE,FLOW REGULATOR 2.3 GPM <i>CL, Circle end, right-side steer cylinder extend circuit</i>					
--	74902GT	SEAL KIT					

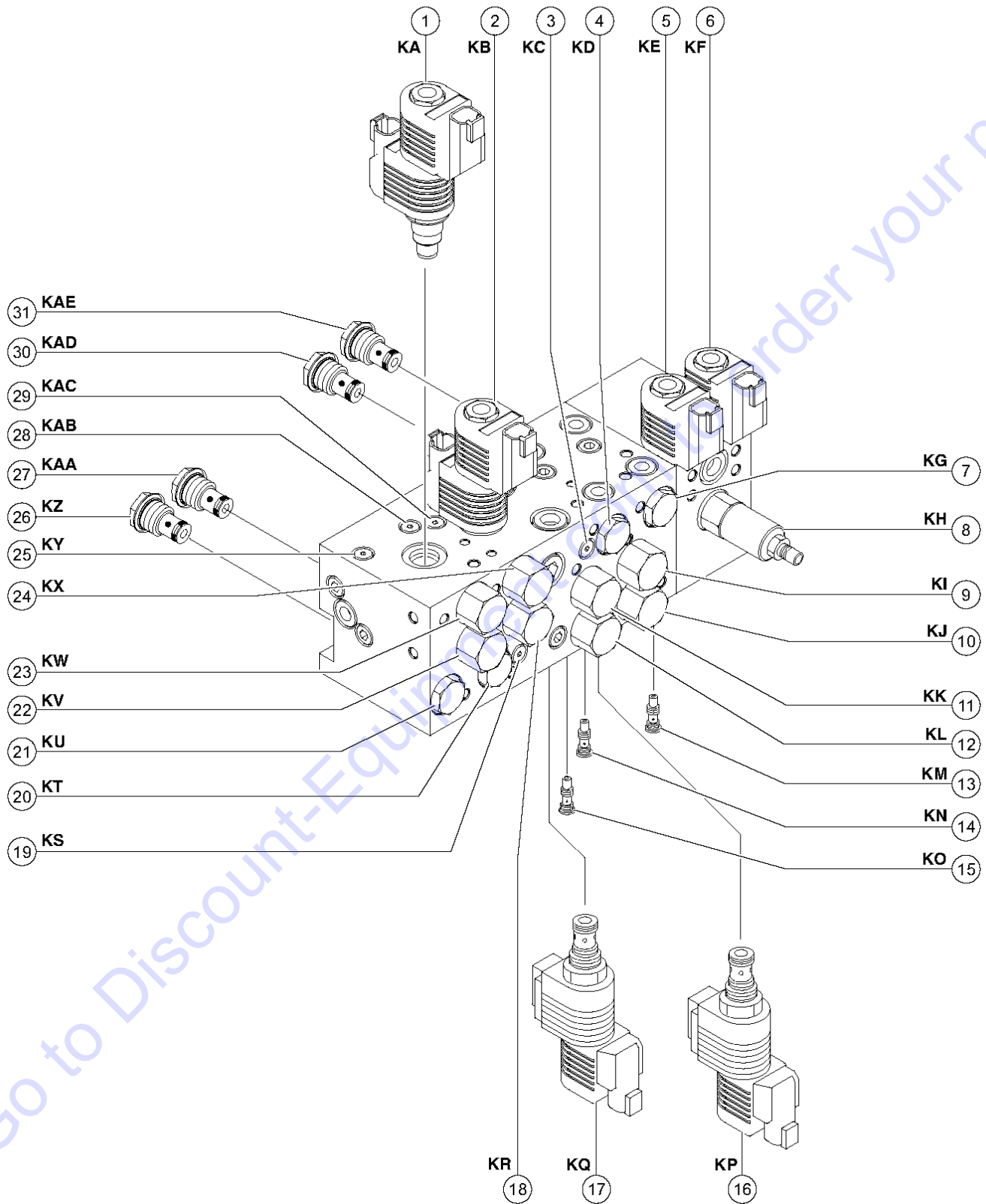
704.1 4WD Steer/Oscillate Manifold (to SN 989)
(continued)

Item	Part No.	Description	Qty.
--	110200GT	SEAL KIT, VALVE, #4	
26	77490GT	VALVE,CHECK 65 PSI,(88115) <i>CZ, Prevents steer cylinder from moving when not steering</i>	
27	77490GT	VALVE,CHECK 65 PSI,(88115) <i>CAA, Prevents steer cylinder from moving when not steering</i>	
28	27807GT	VALVE,CHECK*** <i>CAB, Load sensing circuit, square end right-side steer cylinder extend</i>	
--	110200GT	SEAL KIT, VALVE, #4	
29	27807GT	VALVE,CHECK*** <i>CAC, Load sensing circuit, square end left-side steer cylinder extend</i>	
--	110200GT	SEAL KIT, VALVE, #4	
30	77490GT	VALVE,CHECK 65 PSI,(88115) <i>CAD, Prevents steer cylinder from moving when not steering</i>	
31	77490GT	VALVE,CHECK 65 PSI,(88115) <i>CAE, Prevents steer cylinder from moving when not steering</i>	

This Page Intentionally Left Blank

Go to Discount-Equipment.com to order your parts

704.2 4WD Steer/Oscillate Manifold (from SN 990)



704.2 4WD Steer/Oscillate Manifold (from SN 990)

Item	Part No.	Description	Qty.	Item	Part No.	Description	Qty.
--	122097GT	MANIFOLD,4 WHEEL STEER/OSC. <i>Complete</i>		10	27051GT	VALVE,FLOW REGULATOR <i>KJ, Circle end, left-side steer cylinder retract circuit; from SN 1301</i>	
--	88113GT	MANIFOLD,OSCILLATE <i>includes items 5, 6, and 8</i>		--	19470GT	VALVE,FLOW REGULATOR <i>from 990 to SN 1300</i>	
--	122133GT	4WS MANIFOLD W/O OSC. <i>includes items 1-4, 7, and 9-31</i>		--	74902GT	SEAL KIT	
1	77492GT	VALVE,SOLENOID 3 POS 4 WAY <i>KA, Steer left/right, square end right side steer cylinder; from SN 990 to 1300</i>		11	27051GT	VALVE,FLOW REGULATOR <i>KK, Circle end, right-side steer cylinder retract circuit; from SN 1301</i>	
--	72047GT	SEAL KIT, SOLENOID VALVE <i>(use with part 77492); from 990 to SN 1300</i>		--	19470GT	VALVE,FLOW REGULATOR <i>from 990 to SN 1300</i>	
--	52943GT	NUT,SOLENOID VALVE COIL <i>(use with part 77492); from 990 to SN 1300</i>		--	74902GT	SEAL KIT	
--	122121GT	SOLENOID VALVE <i>from SN 1301</i>		12	19470GT	VALVE,FLOW REGULATOR <i>KL, Circle end, right-side steer cylinder extend circuit</i>	
--	122120GT	SEAL KIT,SOLENOID VALVE <i>(use with part 122121); from SN 1301</i>		--	74902GT	SEAL KIT	
--	122148GT	COIL,SOLENOID VALVE,20W <i>(use with part 122121); from SN 1301</i>		13	27807GT	VALVE,CHECK*** <i>KM, Load sensing circuit, circle end left side steer cylinder retract</i>	
2	122121GT	SOLENOID VALVE <i>KB, Steer left/right, square end left side steer cylinder</i>		--	110200GT	SEAL KIT, VALVE, #4	
--	122120GT	SEAL KIT,SOLENOID VALVE		14	27807GT	VALVE,CHECK*** <i>KN, Load sensing circuit, circle end left side steer cylinder extend</i>	
--	122148GT	COIL,SOLENOID VALVE,20W		--	110200GT	SEAL KIT, VALVE, #4	
--	52943GT	NUT,SOLENOID VALVE COIL		15	27807GT	VALVE,CHECK*** <i>KO, Load sensing circuit, circle end right-side steer cylinder extend</i>	
3	27807GT	VALVE,CHECK*** <i>KC, Load sensing circuit, circle end right side steer cylinder retract</i>		--	110200GT	SEAL KIT, VALVE, #4	
--	110200GT	SEAL KIT, VALVE, #4		16	122121GT	SOLENOID VALVE <i>KP, Steer left/right, circle end left-side steer cylinder</i>	
4	77490GT	VALVE,CHECK 65 PSI,(88115) <i>KD, Prevents steer cylinder from moving when not steering</i>		--	122120GT	SEAL KIT,SOLENOID VALVE	
5	77493GT	VALVE,SOLENOID 2 POS.3 WAY <i>KE, Oscillate cylinder, left side</i>		--	122148GT	COIL,SOLENOID VALVE,20W	
--	52943GT	NUT,SOLENOID VALVE COIL		--	52943GT	NUT,SOLENOID VALVE COIL	
--	72043GT	SEAL KIT,SOLENOID VALVE		17	122121GT	SOLENOID VALVE <i>KQ, Steer left/right, circle end right-side steer cylinder</i>	
6	77493GT	VALVE,SOLENOID 2 POS.3 WAY <i>KF, Oscillate cylinder, right side</i>		--	122120GT	SEAL KIT,SOLENOID VALVE	
--	52943GT	NUT,SOLENOID VALVE COIL		--	122148GT	COIL,SOLENOID VALVE,20W	
--	72043GT	SEAL KIT,SOLENOID VALVE		--	52943GT	NUT,SOLENOID VALVE COIL	
7	77490GT	VALVE,CHECK 65 PSI,(88115) <i>KG, Prevents steer cylinder from moving when not steering</i>		18	27051GT	VALVE,FLOW REGULATOR <i>KR, Square end, left-side steer cylinder retract circuit; from SN 1301</i>	
8	77494GT	VALVE,RELIEF 750 PSI (88113) <i>KH, Oscillate circuit</i>		--	19470GT	VALVE,FLOW REGULATOR <i>from 990 to SN 1300</i>	
9	19470GT	VALVE,FLOW REGULATOR <i>KI, Circle end, left-side steer cylinder extend circuit</i>		--	74902GT	SEAL KIT	
--	74902GT	SEAL KIT		19	27807GT	VALVE,CHECK*** <i>KS, Load sensing circuit, square end left-side steer cylinder retract</i>	
				--	110200GT	SEAL KIT, VALVE, #4	

704.2 4WD Steer/Oscillate Manifold (from SN 990)
(continued)

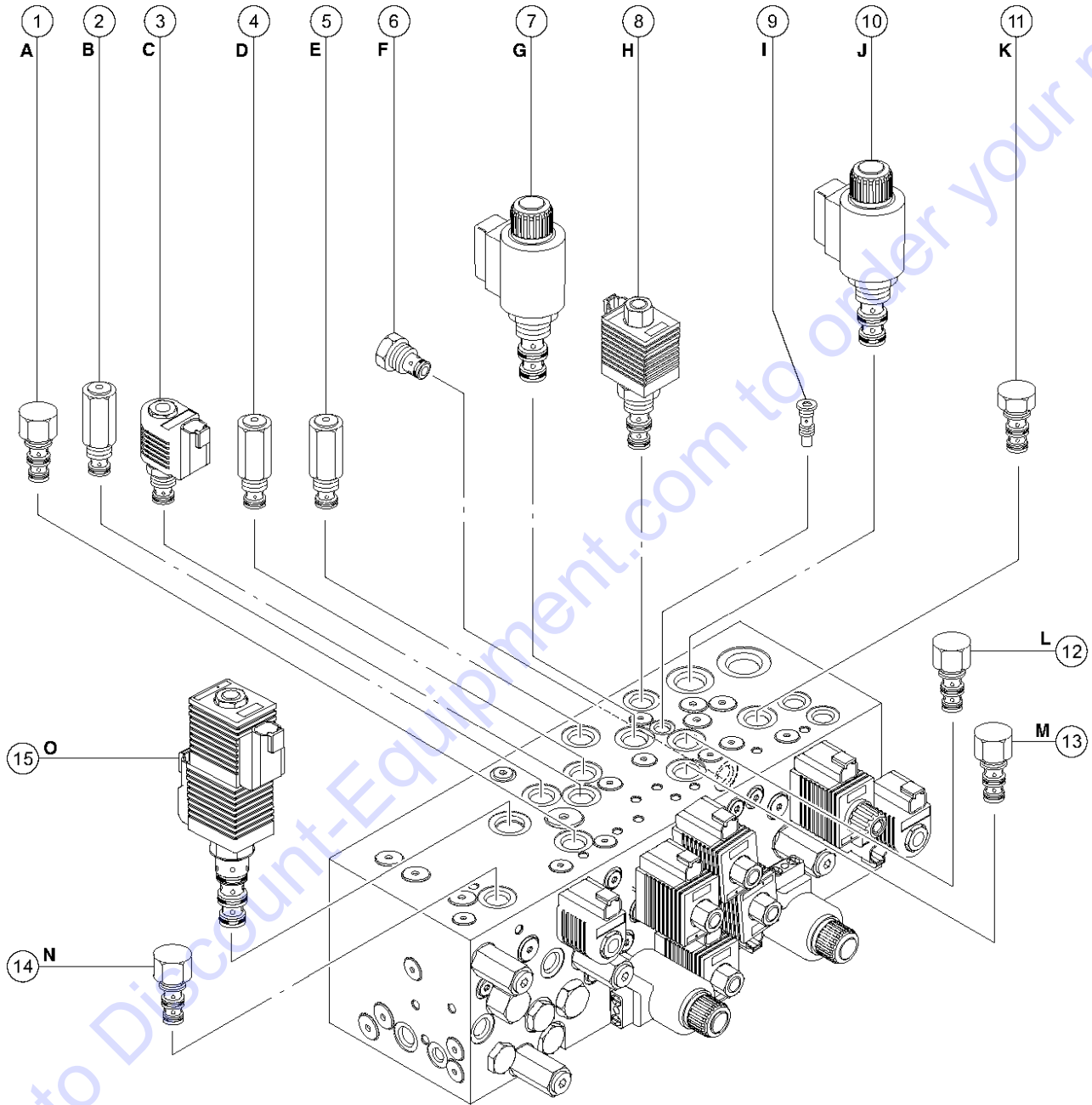
Item	Part No.	Description	Qty.
20	77490GT	VALVE,CHECK 65 PSI,(88115) <i>KT, Prevents steer cylinder from moving when not steering</i>	
21	77490GT	VALVE,CHECK 65 PSI,(88115) <i>KU, Prevents steer cylinder from moving when not steering</i>	
22	19470GT	VALVE,FLOW REGULATOR <i>KV, Square end, right-side steer cylinder extend circuit</i>	
--	74092GT	PLATE,CENTER BOTTOM SPRT ROT	
23	27051GT	VALVE,FLOW REGULATOR <i>KW, Square end, right-side steer cylinder retract circuit; from SN 1301</i>	
--	19470GT	VALVE,FLOW REGULATOR <i>from 990 to SN 1300</i>	
--	72043GT	SEAL KIT,SOLENOID VALVE	
24	19470GT	VALVE,FLOW REGULATOR <i>KX, Square end, left-side steer cylinder extend circuit</i>	
--	74092GT	PLATE,CENTER BOTTOM SPRT ROT	
25	27807GT	VALVE,CHECK*** <i>KY, Load sensing circuit, square end right-side steer cylinder retract</i>	
--	110200GT	SEAL KIT, VALVE, #4	
26	77490GT	VALVE,CHECK 65 PSI,(88115) <i>KZ, Prevents steer cylinder from moving when not steering</i>	
27	77490GT	VALVE,CHECK 65 PSI,(88115) <i>KAA, Prevents steer cylinder from moving when not steering</i>	
28	27807GT	VALVE,CHECK*** <i>KAB, Load sensing circuit, square end right-side steer cylinder extend</i>	
--	110200GT	SEAL KIT, VALVE, #4	
29	27807GT	VALVE,CHECK*** <i>KAC, Load sensing circuit, square end left-side steer cylinder extend</i>	
--	110200GT	SEAL KIT, VALVE, #4	
30	77490GT	VALVE,CHECK 65 PSI,(88115) <i>KAD, Prevents steer cylinder from moving when not steering</i>	
31	77490GT	VALVE,CHECK 65 PSI,(88115) <i>KAE, Prevents steer cylinder from moving when not steering</i>	

704.2 4WD Steer/Oscillate Manifold (from SN 990)
(continued)

This Page Intentionally Left Blank

Go to Discount-Equipment.com to order your parts

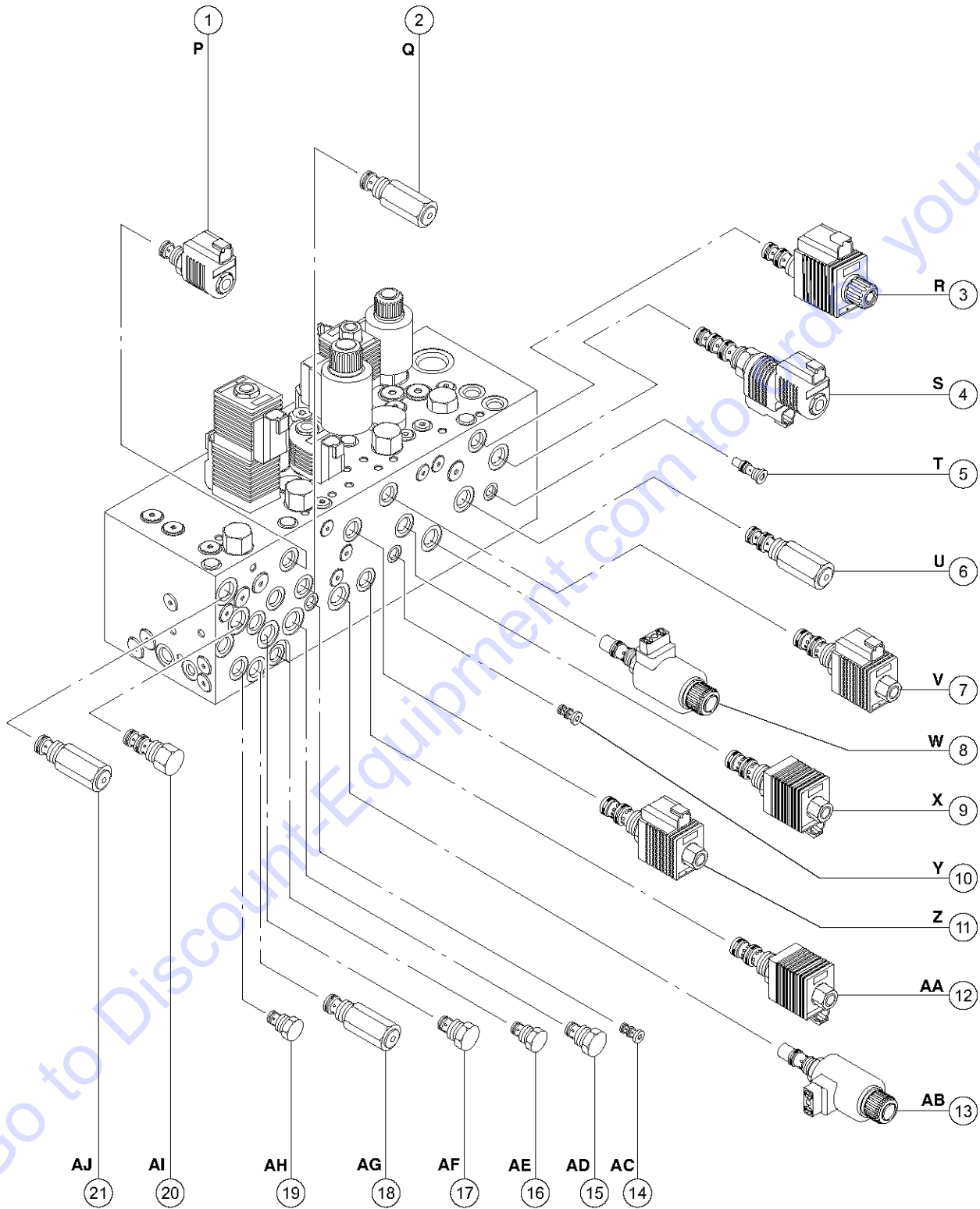
705.1 Function Manifold - View 1



705.1 Function Manifold - View 1

Item	Part No.	Description	Qty.	Item	Part No.	Description	Qty.
--		<i>if replacing manifold 70242, order manifold 122506 and plug port PPR with part 39882</i>		--	110197GT	SEAL KIT, VALVE, #10	
--	39882GT	PLUG,HEX SOCKET,090109B-4		14	31102GT	VALVE,FLOW REGULATOR <i>N, Controls flow to the oscillate and platform manifolds</i>	
--	122506GT	MANIFOLD,FUNCTION <i>complete</i>		--	110202GT	SEAL KIT, VALVE, #10	
1	27802GT	VALVE,DIFFERENTIAL SENSING*** <i>A, Secondary boom up/extend and down/retract</i>		15	77498GT	VALVE,SOLENOID 3 POS 4 WAY <i>O, Secondary boom extend/retract</i>	
--	110197GT	SEAL KIT, VALVE, #10		--	110196GT	SEAL KIT, VALVE, #10	
2	48640GT	VALVE,RELIEF,2500 PSI <i>B, Secondary boom up</i>		--	62275GT	COIL,10V	
--	74902GT	SEAL KIT					
3	77502GT	VALVE,SOLENOID 2 POS 2 WAY <i>C, Secondary boom lift circuit</i>					
--	48883GT	PLUG,HEX,090109A-8*** <i>to SN 2674; part of service kit 218697, refer to 501.1</i>					
--	52943GT	NUT,SOLENOID VALVE COIL					
--	74902GT	SEAL KIT					
4	48640GT	VALVE,RELIEF,2500 PSI <i>D, Secondary boom down</i>					
--	74902GT	SEAL KIT					
5	77499GT	VALVE,RELIEF 1300 PSI (70242) <i>E, Primary boom down</i>					
--	74902GT	SEAL KIT					
6	32975GT	VALVE,FLOW REGULATOR 0.1 GPM <i>F, Bleeds off check valves in differential sensing circuits to tank</i>					
--	74902GT	SEAL KIT					
7	48641GT	VALVE,PROPORTIONAL, 12V ** <i>G, Primary boom up/down</i>					
--	21935GT	COIL, 12V, 19972/21623/29069					
--	45914GT	O-RING, DO1 VALVE					
--	45921GT	RETAINER-N.C.PROPOR.SOLENOID					
8	62254GT	VALVE,SOLENOID, 2 POS, 3 WAY <i>H, Primary boom retract</i>					
--	89310GT	SEAL KIT, SOLENOID VALVE					
9	27807GT	VALVE,CHECK*** <i>I, Differential sensing circuit, primary boom extend/retract</i>					
--	110200GT	SEAL KIT, VALVE, #4					
10	77500GT	VALVE,SOLENOID 2 POS 3 WAY <i>J, Primary boom extend</i>					
11	52714GT	VALVE,DIFFERENTIAL SENSING <i>K, Turntable rotate left/right</i>					
12	27802GT	VALVE,DIFFERENTIAL SENSING*** <i>L, Primary boom extend/retract</i>					
--	110197GT	SEAL KIT, VALVE, #10					
13	27802GT	VALVE,DIFFERENTIAL SENSING*** <i>M, Primary boom up/down</i>					

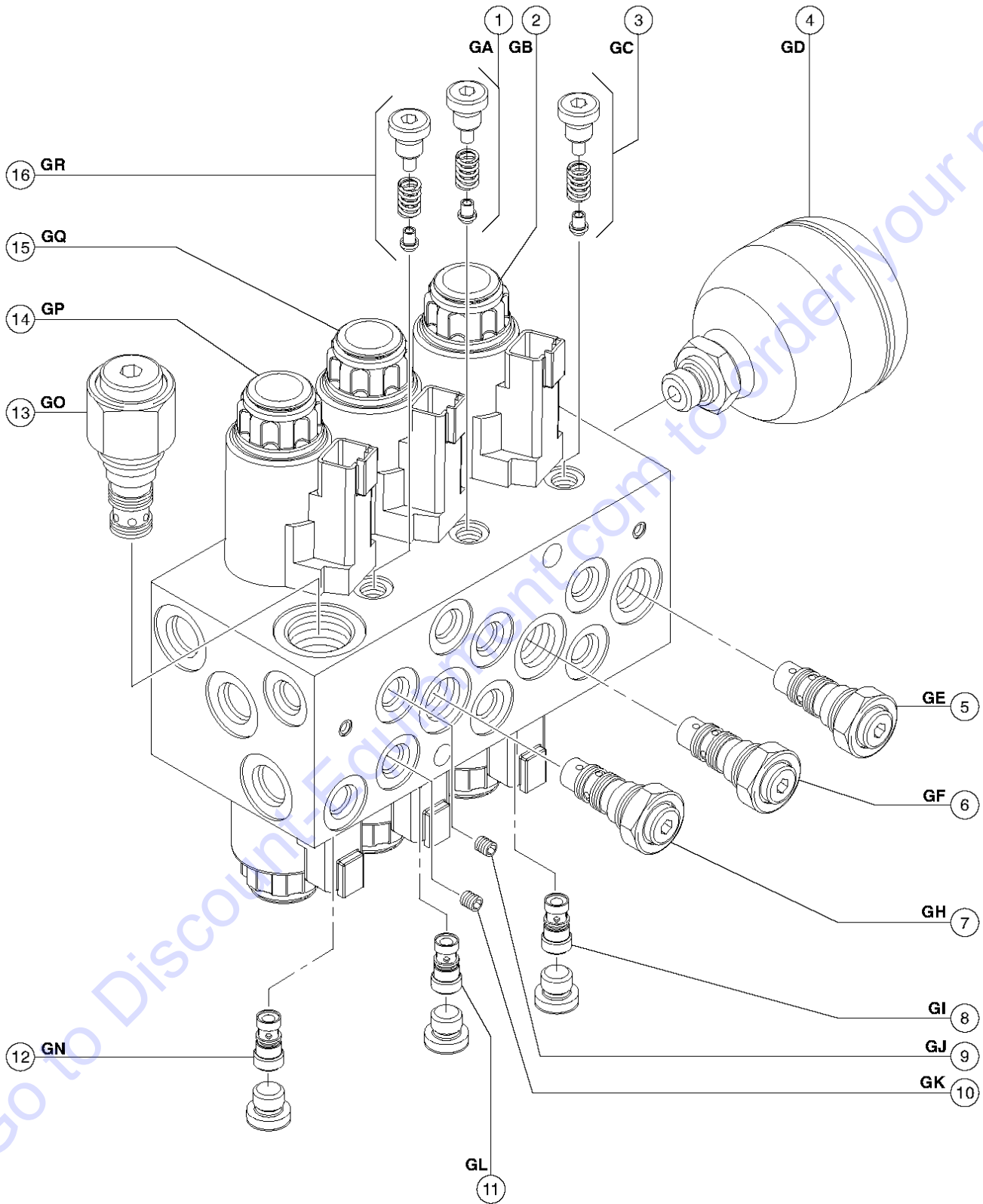
706.1 Function Manifold - View 2



706.1 Function Manifold - View 2

Item	Part No.	Description	Qty.	Item	Part No.	Description	Qty.
1	77502GT	VALVE,SOLENOID 2 POS 2 WAY <i>P, Secondary boom list circuit</i>		--	89310GT	SEAL KIT, SOLENOID VALVE	
--	52943GT	NUT,SOLENOID VALVE COIL		12	62254GT	VALVE,SOLENOID, 2 POS, 3 WAY <i>AA, Secondary boom down</i>	
--	74902GT	SEAL KIT		--	45912GT	NUT,SOLENOID VALVE 2P3W	
2	77501GT	VALVE,RELIEF 2600 PSI (70242) <i>Q, Secondary boom extend</i>		--	62275GT	COIL,10V	
--	74902GT	SEAL KIT		--	89310GT	SEAL KIT, SOLENOID VALVE	
3	62255GT	VALVE,PROPORTIONAL*** <i>R, Turntable rotate left/right</i>		13	48641GT	VALVE,PROPORTIONAL, 12V ** <i>AB, Secondary boom extend/retract</i>	
--	62274GT	COIL,12V		--	21935GT	COIL, 12V, 19972/21623/29069	
--	62276GT	NUT, SOLENOID VALVE COIL		--	45914GT	O-RING, DO1 VALVE	
--	89312GT	SEAL KIT, SOLENOID VALVE		--	45921GT	RETAINER-N.C.PROPOR.SOLENOID	
4	89307GT	VALVE,SOLENOID 3POS 4WAY* <i>S, Turntable rotate left/right</i>		14	27807GT	VALVE,CHECK*** <i>AC, Differential sensing circuit, Secondary boom extend/retract</i>	
--	52943GT	NUT,SOLENOID VALVE COIL		--	110200GT	SEAL KIT, VALVE, #4	
--	62273GT	COIL,GREEN W/ 2 PIN CONNECTOR*		15	27836GT	VALVE,CHECK,5 PSI <i>AD, Blocks flow from auxiliary pump #1 to function pump #1</i>	
--	72047GT	SEAL KIT, SOLENOID VALVE		--	110194GT	SEAL KIT, VALVE, #10	
5	27807GT	VALVE,CHECK*** <i>T, Differential sensing circuit, turntable rotate</i>		16	69873GT	VALVE, CHECK <i>AE, Blocks flow from function pump #1 to auxiliary pump #1</i>	
--	110200GT	SEAL KIT, VALVE, #4		--	74902GT	SEAL KIT	
6	77495GT	VALVE,RELIEF 1300 PSI (70242) <i>U, Primary boom extend</i>		17	69873GT	VALVE, CHECK <i>AF, Blocks flow from auxiliary pump #2 to function pump #2</i>	
--	110194GT	SEAL KIT, VALVE, #10		--	74902GT	SEAL KIT	
7	62254GT	VALVE,SOLENOID, 2 POS, 3 WAY <i>V, Primary boom up</i>		18	62372GT	VALVE,RELIEF,3000 PSI <i>AG, Oscillate and platform manifold system relief</i>	
--	45912GT	NUT,SOLENOID VALVE 2P3W		--	74902GT	SEAL KIT	
--	62275GT	COIL,10V		19	69873GT	VALVE, CHECK <i>AH, Blocks flow from function pump #2 to auxiliary pump #2</i>	
--	89310GT	SEAL KIT, SOLENOID VALVE		--	74902GT	SEAL KIT	
8	48641GT	VALVE,PROPORTIONAL, 12V ** <i>W, Primary boom extend/retract</i>		20	27804GT	VALVE,DIFFERENTIAL SENSING*** <i>AI, Meters flow to functions</i>	
--	21935GT	COIL, 12V, 19972/21623/29069		--	110201GT	SEAL KIT, VALVE, #10	
--	45914GT	O-RING, DO1 VALVE		21	77496GT	VALVE,RELIEF 3200 PSI (70542) <i>AJ, Boom functions system relief</i>	
--	45921GT	RETAINER-N.C.PROPOR.SOLENOID		--	110194GT	SEAL KIT, VALVE, #10	
9	62254GT	VALVE,SOLENOID, 2 POS, 3 WAY <i>X, Primary boom down</i>					
--	45912GT	NUT,SOLENOID VALVE 2P3W					
--	62275GT	COIL,10V					
--	89310GT	SEAL KIT, SOLENOID VALVE					
10	27807GT	VALVE,CHECK*** <i>Y, Differential sensing circuit, primary boom up/down</i>					
--	110200GT	SEAL KIT, VALVE, #4					
11	62254GT	VALVE,SOLENOID, 2 POS, 3 WAY <i>Z, Secondary boom up</i>					
--	45912GT	NUT,SOLENOID VALVE 2P3W					
--	62275GT	COIL,10V					

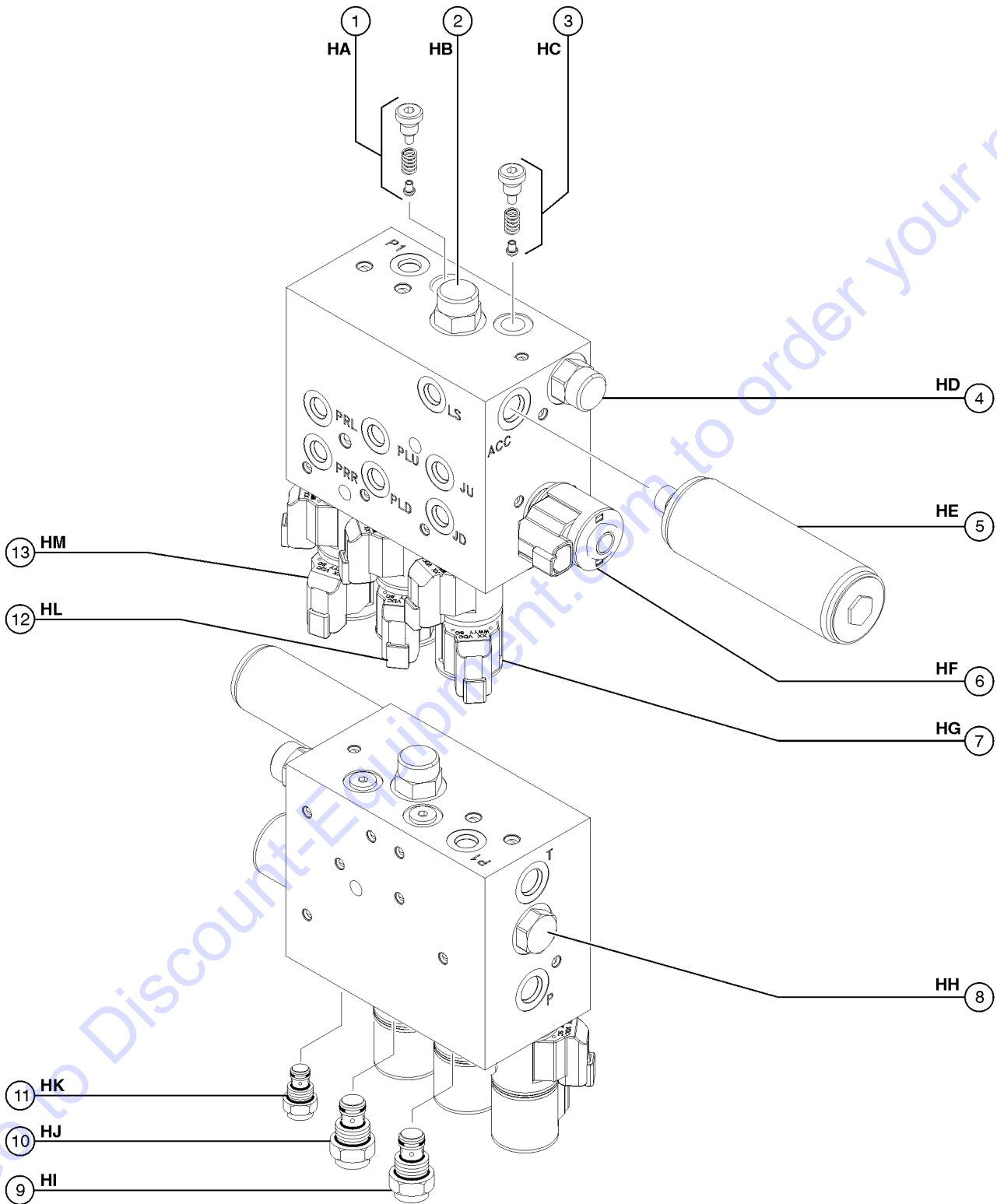
707.1 Platform Manifold (to SN 3025)



707.1 Platform Manifold (to SN 3025)

Item	Part No.	Description	Qty.	Item	Part No.	Description	Qty.
--	230974GT	Z80 PLAT MANIFOLD SERV KIT <i>Shown manifold is no longer available. For a complete and first time replacement order service kit 230974 (includes manifold part 122961, accumulator part 122964 and harness part 146040, refer to 602.1 and 707.2)</i>		--	77506GT	COIL,SOLENOID,HYDAC MANIFOLD	
--	49612GT	O-RING KIT (ORFS FITTINGS)		15	77504GT	VALVE,SOLENOID,3POS4WAY,HYDAC GQ, Platform level up/down	
--	49613GT	PLUG AND CAP KIT-SERVICE,ORFS*		--	62354GT	NUT,SOLENOID VALVE,HYDAC	
1	62442GT	VALVE,CHECK,PLAT.MANIFLD,HYDAC GA, Platform level circuit		--	62355GT	O-RING,COIL NUT, HYDAC	
2	77504GT	VALVE,SOLENOID,3POS4WAY,HYDAC GB, Jib boom up/down		--	77506GT	COIL,SOLENOID,HYDAC MANIFOLD	
--	62355GT	O-RING,COIL NUT, HYDAC		16	62442GT	VALVE,CHECK,PLAT.MANIFLD,HYDAC GR, Platform rotate circuit	
--	77506GT	COIL,SOLENOID,HYDAC MANIFOLD					
3	62442GT	VALVE,CHECK,PLAT.MANIFLD,HYDAC GC, Jib boom circuit					
4	62364GT	ACCUMULATOR,500 PSI,HYDAC GD, Hydraulic dampening					
5	62357GT	VALVE,DIFFERENTIAL SENSE,N.O. GE, Jib boom differential sensing circuit					
--	62361GT	SEAL KIT,VALVE 62357, HYDAC					
6	62357GT	VALVE,DIFFERENTIAL SENSE,N.O. GF, Platform level differential sensing circuit					
--	62361GT	SEAL KIT,VALVE 62357, HYDAC					
7	62357GT	VALVE,DIFFERENTIAL SENSE,N.O. GH, Platform rotate differential sensing circuit					
--	62361GT	SEAL KIT,VALVE 62357, HYDAC					
8	62359GT	VALVE,SHUTTLE, HYDAC GI, Jib boom load sense circuit					
--	62362GT	SEAL KIT,VALVE 62359, HYDAC					
9	62443GT	ORIFICE PLUG,.03,PLATF. HYDAC GJ, Platform rotate left circuit					
10	62443GT	ORIFICE PLUG,.03,PLATF. HYDAC GK, Platform rotate right circuit					
11	62359GT	VALVE,SHUTTLE, HYDAC GL, Platform level load sense circuit					
--	62362GT	SEAL KIT,VALVE 62359, HYDAC					
12	62359GT	VALVE,SHUTTLE, HYDAC GN, Platform rotate load sense circuit					
--	62362GT	SEAL KIT,VALVE 62359, HYDAC					
13	62356GT	VALVE,DIFFERENTIAL SENSE,N.C. GO, Directs flow to functions					
--	62360GT	SEAL KIT,VALVE 62356, HYDAC					
14	77505GT	VALVE,SOLENOID,3POS4WAY,HYDAC GP, Platform rotate left/right					
--	62354GT	NUT,SOLENOID VALVE,HYDAC					
--	62355GT	O-RING,COIL NUT, HYDAC					

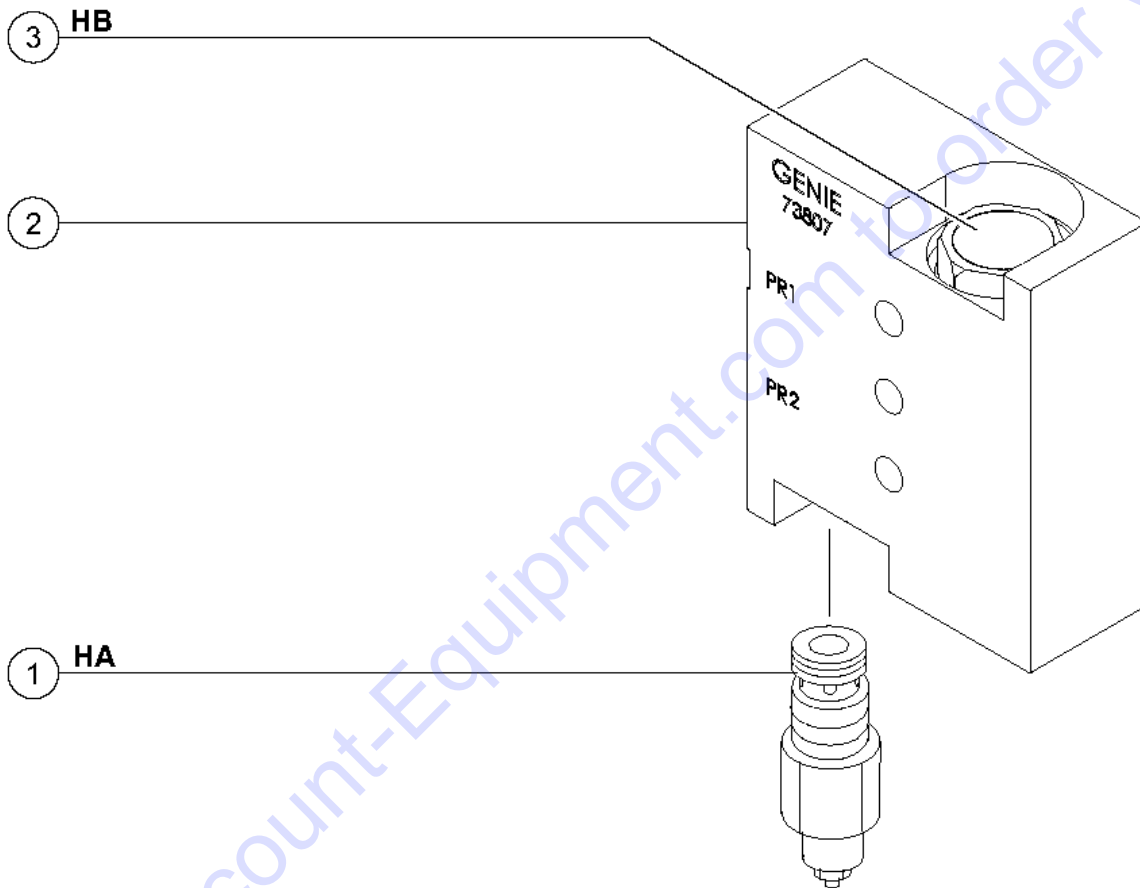
707.2 Platform Manifold (from SN 3026)



707.2 Platform Manifold (from SN 3026)

Item	Part No.	Description	Qty.	Item	Part No.	Description	Qty.
--	122961GT	MANIFOLD,PLATFORM W/JIB <i>Does not include accumulator part 122964</i>		--	230983GT	VITON SEAL KIT, VALVE	
1	52907GT	VALVE-CHECK, #4 SAE, 5 PSI* <i>Platform load sense circuit, platform level</i>		--	44174GT	NUT-COIL SHORT	
--	62341GT	SEAL KIT,52907,SIZE 4, 2 WAY		13A	229405GT	CHECK VALVE DISC.....1 <i>located below 229407</i>	
2	T107736GT	DIFFERENTIAL SENS VLV,8,150PSI <i>Directs flow to functions</i>					
--	52371GT	SEAL KIT, VALVE					
3	52907GT	VALVE-CHECK, #4 SAE, 5 PSI* <i>Platform load sense circuit, jib up and down</i>					
--	62341GT	SEAL KIT,52907,SIZE 4, 2 WAY					
4	62324GT	VALVE, FLOW CONTROL, 0.1GPM* <i>Bleeds off differential valve to tank</i>					
--	44228GT	SEAL KIT, VALVE					
5	122964GT	ACCUMULATOR, 5CU IN 500 CHARGE <i>Hydraulic dampening</i>					
6	228866GT	COIL, SOLENOID VALVE <i>Function enable valve</i>					
--	101934GT	VALVE, SOLENOID, 2 POS 2 WAY					
--	44174GT	NUT-COIL SHORT					
--	44228GT	SEAL KIT, VALVE					
7	229410GT	PRO.DIR.CNRL,VLV,5WY,3POS.....1 <i>LS Directional Proportional, Jib up and down</i>					
--	229411GT	VALVE COIL 10V.....2					
--	230983GT	VITON SEAL KIT, VALVE					
--	44174GT	NUT-COIL SHORT					
8	46216GT	VALVE,CHECK,IWP-S/CWP PWR ASSI					
--	44227GT	SEAL KIT, VALVE					
9	110180GT	VALVE, COMPENSATOR, 80 PSI <i>Jib boom differential sensing circuit</i>					
--	44225GT	SEAL KIT, VALVE					
10	110180GT	VALVE, COMPENSATOR, 80 PSI <i>Platform level differential sensing circuit</i>					
--	44225GT	SEAL KIT, VALVE					
11	229406GT	REGULATOR,PRESS-COMP 0.30 GPM <i>Platform rotate differential sensing circuit</i>					
--	44228GT	SEAL KIT, VALVE					
12	229407GT	PRO.DIR.CTRL,VLV,5WY,3POS <i>LS Directional Proportional, Platform level up and down</i>					
--	229411GT	VALVE COIL 10V.....2					
--	230983GT	VITON SEAL KIT, VALVE					
--	44174GT	NUT-COIL SHORT					
13	229407GT	PRO.DIR.CTRL,VLV,5WY,3POS <i>LS Directional Proportional, Platform rotate left and right</i>					
--	228866GT	COIL, SOLENOID VALVE.....2					

708.1 Platform Rotate Manifold

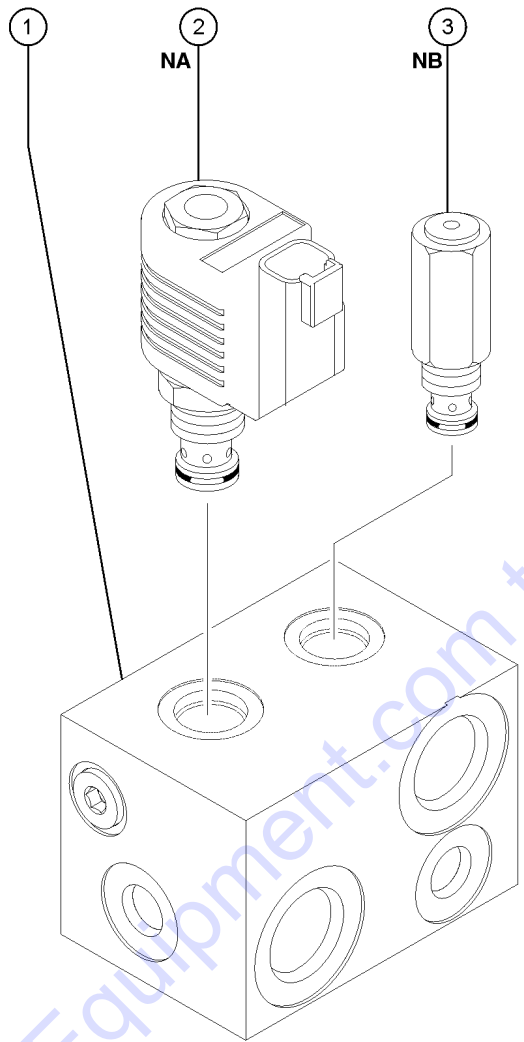


708.1 Platform Rotate Manifold

Item	Part No.	Description	Qty.
--	28750GT	O-RING KIT,FIELD SVC,ALL PROD*	
--	49612GT	O-RING KIT (ORFS FITTINGS)	
--	33994GT	PLUG AND CAP KIT-SERVICE,37 **	
--	49613GT	PLUG AND CAP KIT-SERVICE,ORFS*	
1	62506GT	VALVE - COUNTERBALANCE** <i>HA, Platform rotate right</i>	
2	73807GT	MANIFOLD,ROTATOR,CB***	
--	43018GT	SEAL KIT (39345)	
--	62507GT	O-RING, ROTATOR MANIFOLD	
3	62506GT	VALVE - COUNTERBALANCE** <i>HB, Platform rotate left</i>	

Go to Discount-Equipment.com to order your parts

709.1 Remote Pilot Manifold (to SN 2674)



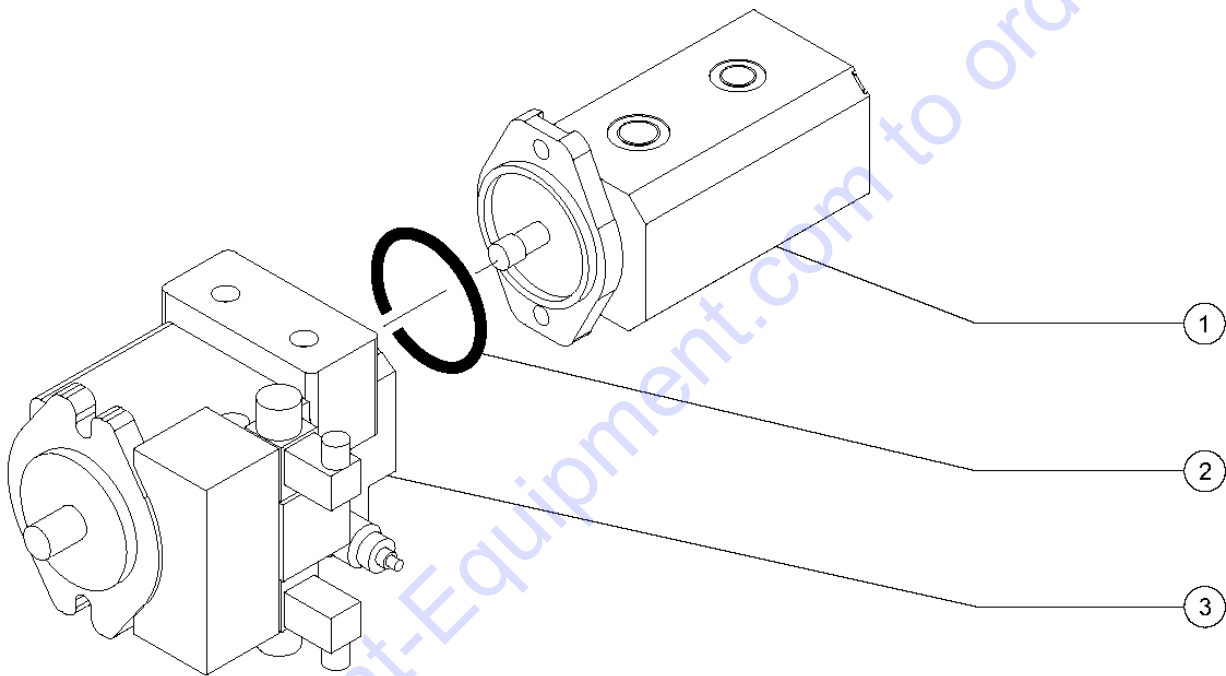
Go to Discount-Equipment.com to order your parts

709.1 Remote Pilot Manifold (to SN 2674)

Item	Part No.	Description	Qty.
1	122706GT	SERV MNFLD,SEC LIFT CYL PIL PR <i>to SN 2674; part of service kit 218697, refer to 501.1</i>	
2	77502GT	VALVE,SOLENOID 2 POS 2 WAY.....1 <i>NA, Secondary boom lift circuit</i>	
--	52943GT	NUT,SOLENOID VALVE COIL	
--	74902GT	SEAL KIT	
3	48640GT	VALVE,RELIEF,2500 PSI.....1 <i>NB, Secondary boom lift circuit extend/retrac</i>	
--	74902GT	SEAL KIT	

Go to Discount-Equipment.com to order your parts

710.1 Pumps

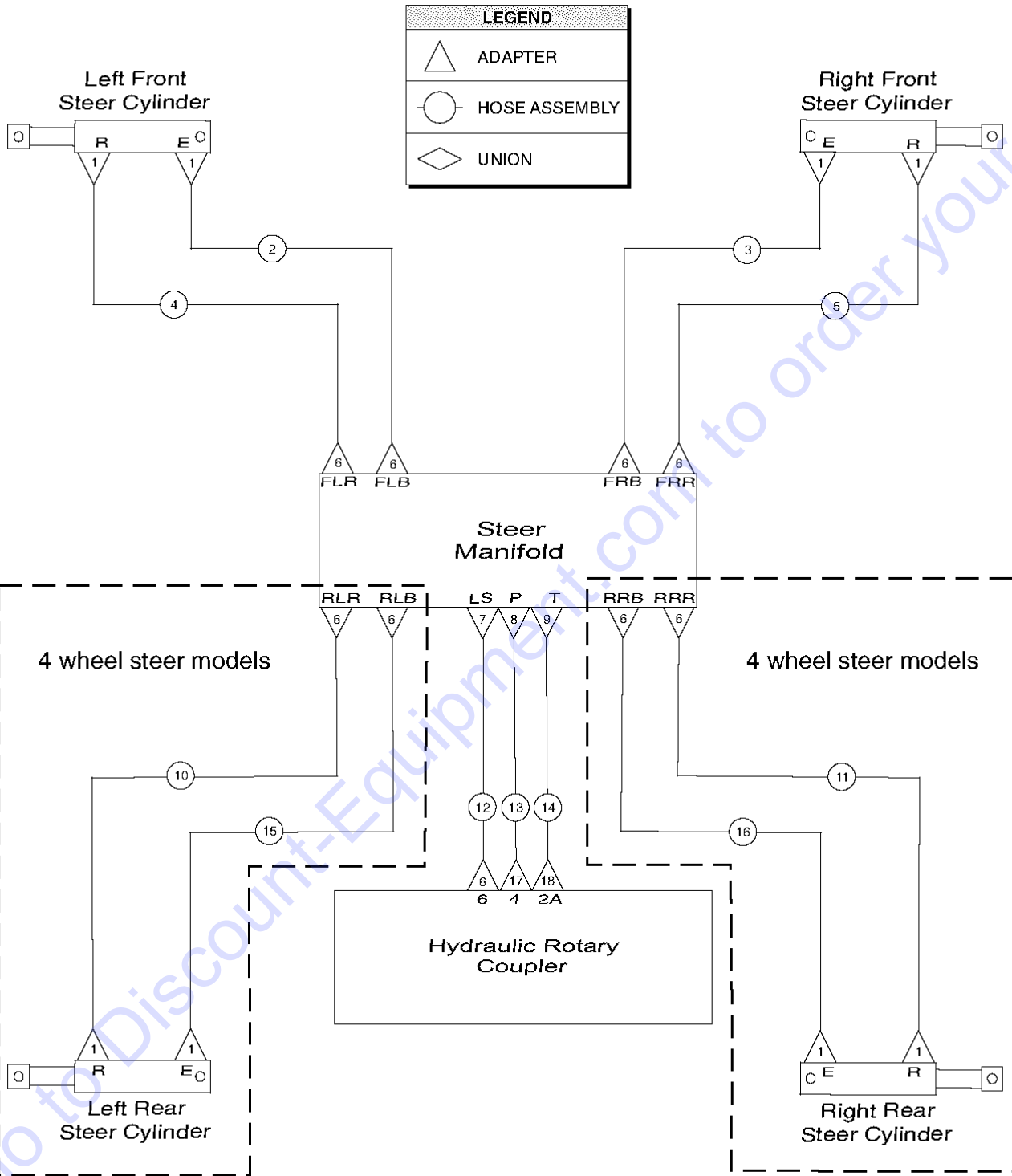


Go to Discount-Equipment.com to order your parts

Item	Part No.	Description	Qty.
--	102780GT	PUMP ASSY,DRIVE & FUNCTION <i>includes items 1-3</i>	
1	102781GT	PUMP, LIFT TANDEM Z80.....	1
--	102735GT	SEAL & WEAR PLATE KIT,LIFT/STR <i>from SN 603</i>	
--	83142GT	SEAL KIT (81387) <i>to SN 602</i>	
2	83141GT	O-RING,.103X3.237,NBR/NTRL,90D.....	1
3	70249GT	PUMP,PISTON,M46(Z80).....	1
--	29739GT	SEAL KIT,SAUER-DANFOSS M46***	
--	58290GT	VALVE,EDC,PILOT,SAUER,M46***	
--	77819GT	EDC ASSY,SAUER M46***	

Go to Discount-Equipment.com to order your parts

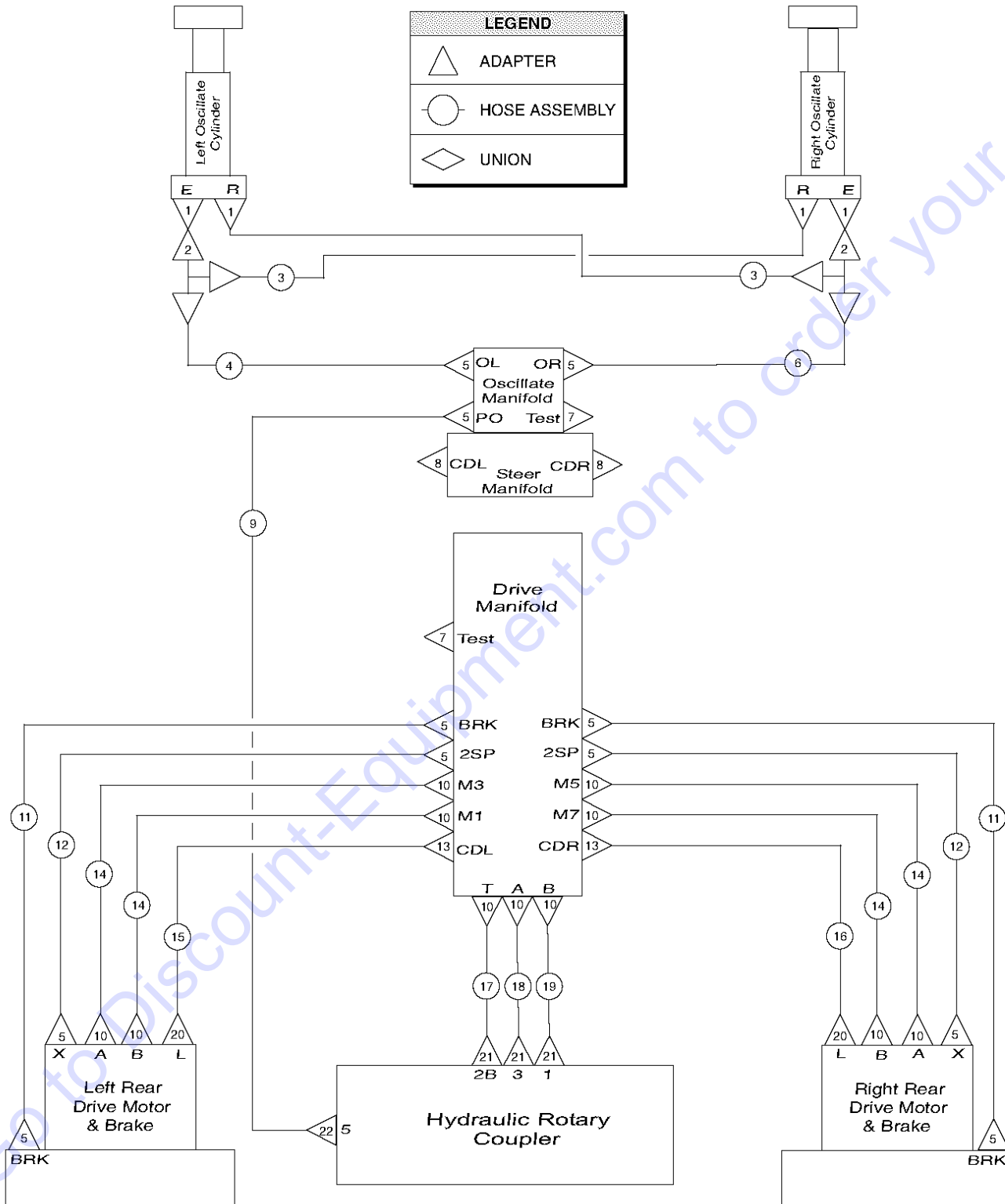
711.1 Hydraulic Hoses and Fittings - Steer System



711.1 Hydraulic Hoses and Fittings - Steer System

Item	Part No.	Description	Qty.
--	49613GT	PLUG AND CAP KIT-SERVICE,ORFS*	
--	49612GT	O-RING KIT (ORFS FITTINGS)	
1	48911GT	ELBOW,90D,520220-4-6***.....	6
--	48911GT	ELBOW,90D,520220-4-6***.....	8
2	49119-2878GT	HOSE ASSY,1/4,STR FEM,STR FEM*....	1
3	49119-2678GT	HOSE ASSY,1/4,STR FEM,STR FEM.....	1
4	49119-3878GT	HOSE ASSY,1/4,STR FEM,STR FEM.....	1
5	49119-3378GT	HOSE ASSY,1/4,STR FEM,STR FEM.....	1
6	48905GT	CONN,520120-4***.....	5
--	48905GT	CONN,520120-4***.....	9
7	48904GT	ELBOW,90D,520220-4-4.....	1
8	48916GT	CONN, 520120-6.....	1
9	48963GT	FITTING,ELBOW,45D,520320-12***.....	1
10	49119-10078GT	HOSE ASSY,1/4,STR FEM,STR FEM.....	1
11	49119-9878GT	HOSE ASSY,1/4,STR FEM,STR FEM.....	1
12	49119-2978SGT	HOSE ASSY 1/4,STR FEM,STR FEM.....	1
13	49130-2582GT	HOSE ASSY 3/8, STR FEM,STR FEM....	1
14	49151-2248GT	HOSE ASSY,3/4,STR FEM,STR FEM.....	1
15	139107GT	HOSE ASSY, 1/4", 89.00.....	1
16	49119-9278GT	HOSE ASSY,1/4,STR FEM,STR FEM.....	1
17	48930GT	CONN,520120-6-8.....	1
18	48960GT	FITTING,CONN,520120-12***.....	1

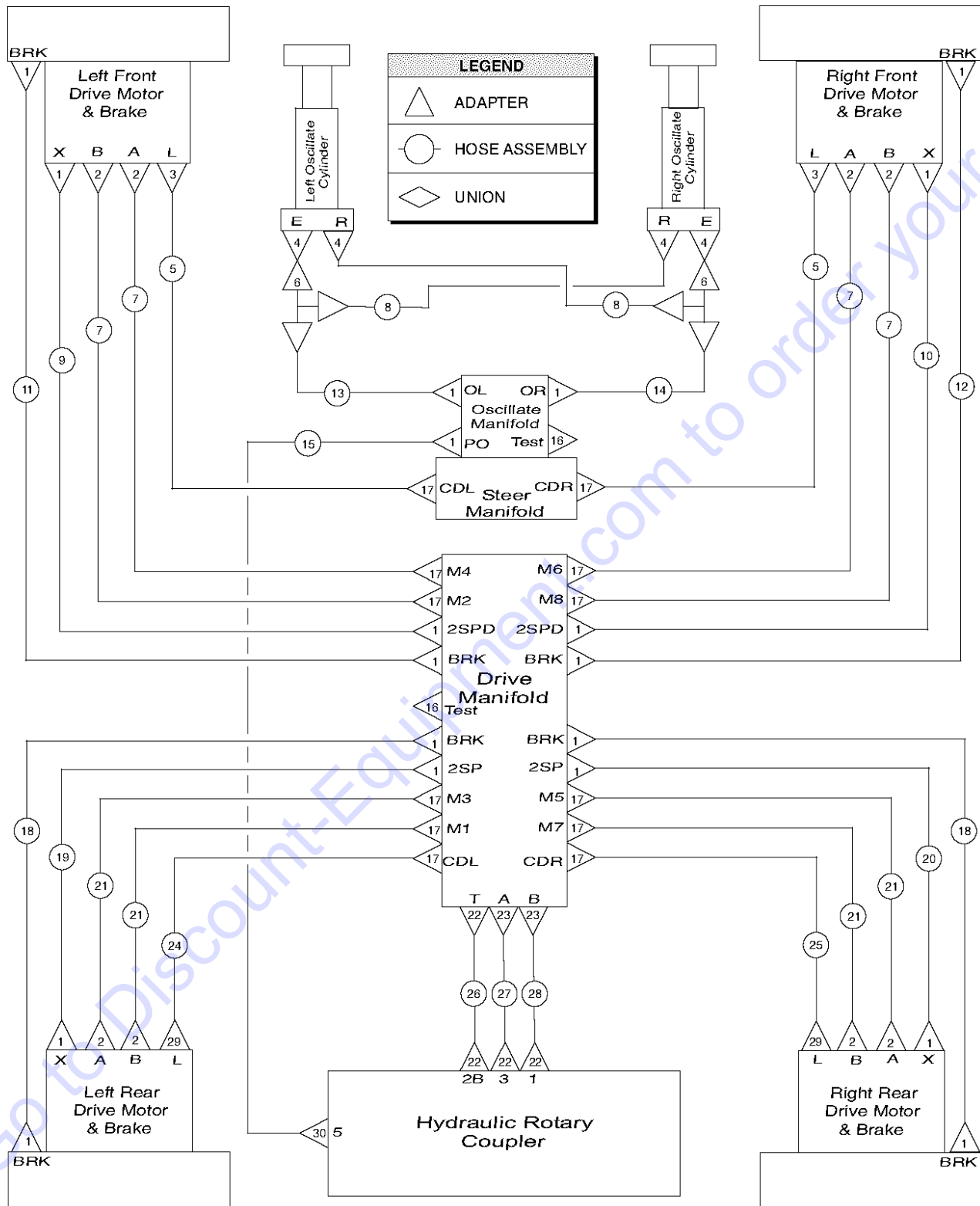
712.1 Hydraulic Hoses and Fittings - Drive System, 2WD Models



712.1 Hydraulic Hoses and Fittings - Drive System, 2WD Models

Item	Part No.	Description	Qty.
--	49613GT	PLUG AND CAP KIT-SERVICE,ORFS*	
--	49612GT	O-RING KIT (ORFS FITTINGS)	
1	49418GT	FITTING,ELBOW,45D,520320-4-6*.....4	
2	48908GT	FITTING,TEE,RUN,SWIVEL520432-4.....2	
3	49117-4491GT	HOSE ASSY,1/4,90 FEM,STR FEM.....2	
4	49119-4178GT	HOSE ASSY,1/4,STR FEM,STR FEM.....1	
5	48905GT	CONN,520120-4***.....11	
6	49119-4578GT	HOSE ASSY,1/4,STR FEM,STR FEM.....1	
7	48998GT	NIPPLE,DIAGNOSTIC,#6 PORT***.....2	
--	20224GT	DIAGNOSTIC FEMALE Q-DSCNT	
--	48880GT	CAP,DIAGNOSTIC NIPPLE	
8	53538GT	PLUG,520109-8,ORFS.....2	
9	49119-2678GT	HOSE ASSY,1/4,STR FEM,STR FEM.....1	
10	48960GT	FITTING,CONN,520120-12***.....11	
11	49117-5691GT	HOSE ASSY,1/4,90 FEM,STR FEM**.....2	
--	49116-8637GT	HOSE ASSY,1/4,45 FEM,STR FEM	
12	49119-5678GT	HOSE ASSY,1/4,STR FEM,STR FEM.....2	
--	49117-9291GT	HOSE ASSY,1/4,90 FEM,STR FEM	
13	48933GT	CONN,520120-8***.....2	
14	94374-5430GT	HOSE ASSY,3/4,90 FEM,STR FEM.....4	
--	89871-8448GT	HOSE ASSY,3/4" STR-STR	
15	49143-5429GT	HOSE ASSY,1/2,90 FEM,STR FEM.....1	
--	49180-9316GT	HOSE ASSEMBLY,3/8"	
16	49143-5429GT	HOSE ASSY,1/2,90 FEM,STR FEM.....1	
--	49180-8616GT	HOSE ASSEMBLY,3/8"	
17	49151-2248GT	HOSE ASSY,3/4,STR FEM,STR FEM.....1	
18	94374-2630GT	HOSE ASSY,3/4,90 FEM,STR FEM**.....1	
19	94374-2830GT	HOSE ASSY,3/4,90 FEM,STR FEM.....1	
20	48933GT	CONN,520120-8***.....2	
21	48963GT	FITTING,ELBOW,45D,520320-12***.....3	
22	48912GT	CONN,520120-4-6***.....1	

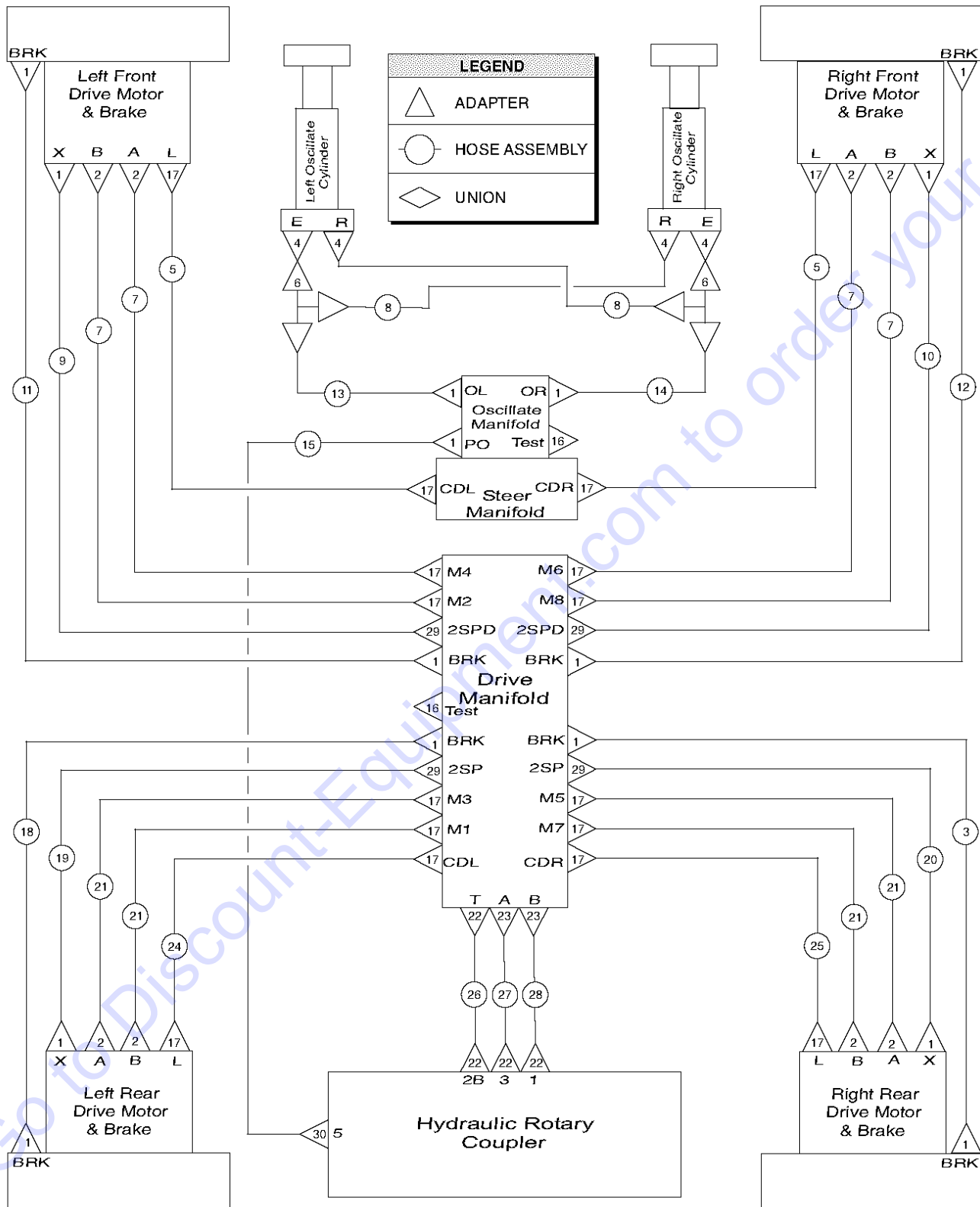
713.1 Hydraulic Hoses and Fittings - Drive System, 4WD Models (to SN 538)



713.1 Hydraulic Hoses and Fittings - Drive System, 4WD Models (to SN 538)

Item	Part No.	Description	Qty.
--	49613GT	PLUG AND CAP KIT-SERVICE,ORFS*	
--	49612GT	O-RING KIT (ORFS FITTINGS)	
1	48905GT	CONN,520120-4***.....	19
2	48948GT	CONN,520120-8-12.....	8
3	48930GT	CONN,520120-6-8.....	2
4	49418GT	FITTING,ELBOW,45D,520320-4-6**.....	4
5	49180-8016GT	HOSE ASSEMBLY,3/8".....	2
6	48908GT	FITTING,TEE,RUN,SWIVEL520432-4.....	2
7	49110-14592GT	HOSE ASSEMBLY,1/2".....	4
8	49117-4491GT	HOSE ASSY,1/4,90 FEM,STR FEM.....	2
9	49117-14191GT	HOSE ASSY,1/4,90 FEM,STR FEM.....	1
10	49117-15191GT	HOSE ASSY,1/4,90 FEM,STR FEM.....	1
11	49116-14237GT	HOSE ASSY,1/4,45 FEM,STR FEM.....	1
12	49116-15237GT	HOSE ASSY,1/4,45 FEM,STR FEM.....	1
13	49119-4778GT	HOSE ASSY,1/4,STR FEM,STR FEM.....	1
14	49119-4578GT	HOSE ASSY,1/4,STR FEM,STR FEM.....	1
15	49119-2678GT	HOSE ASSY,1/4,STR FEM,STR FEM.....	1
16	48998GT	NIPPLE,DIAGNOSTIC,#6 PORT***.....	2
--	20224GT	DIAGNOSTIC FEMALE Q-DSCNT	
--	48880GT	CAP,DIAGNOSTIC NIPPLE	
17	48933GT	CONN,520120-8***.....	10
18	49117-5691GT	HOSE ASSY,1/4,90 FEM,STR FEM**.....	2
--	49116-8637GT	HOSE ASSY,1/4,45 FEM,STR FEM	
19	49119-5678GT	HOSE ASSY,1/4,STR FEM,STR FEM.....	1
--	49117-9091GT	HOSE ASSY,1/4,90 FEM,STR FEM	
20	49119-5678GT	HOSE ASSY,1/4,STR FEM,STR FEM.....	1
--	49117-9291GT	HOSE ASSY,1/4,90 FEM,STR FEM	
21	49109-5229GT	HOSE ASSY,1/2,90 FEM,STR FEM.....	4
--	49110-8592GT	HOSE ASSEMBLY,1/2"	
22	48963GT	FITTING,ELBOW,45D,520320-12***.....	4
23	48960GT	FITTING,CONN,520120-12***.....	2
24	49143-5429GT	HOSE ASSY,1/2,90 FEM,STR FEM.....	1
--	49180-9316GT	HOSE ASSEMBLY,3/8"	
25	49143-5429GT	HOSE ASSY,1/2,90 FEM,STR FEM.....	1
--	49180-8616GT	HOSE ASSEMBLY,3/8"	
26	49151-2248GT	HOSE ASSY,3/4,STR FEM,STR FEM.....	1
27	106665-2929GT	HOSE ASSY,3/4 90LG FEM,STR FEM.....	1
28	94374-2930GT	HOSE ASSY,3/4,90 FEM,STR FEM.....	1
29	48933GT	CONN,520120-8***.....	2
--	48930GT	CONN,520120-6-8	
30	48912GT	CONN,520120-4-6***.....	1

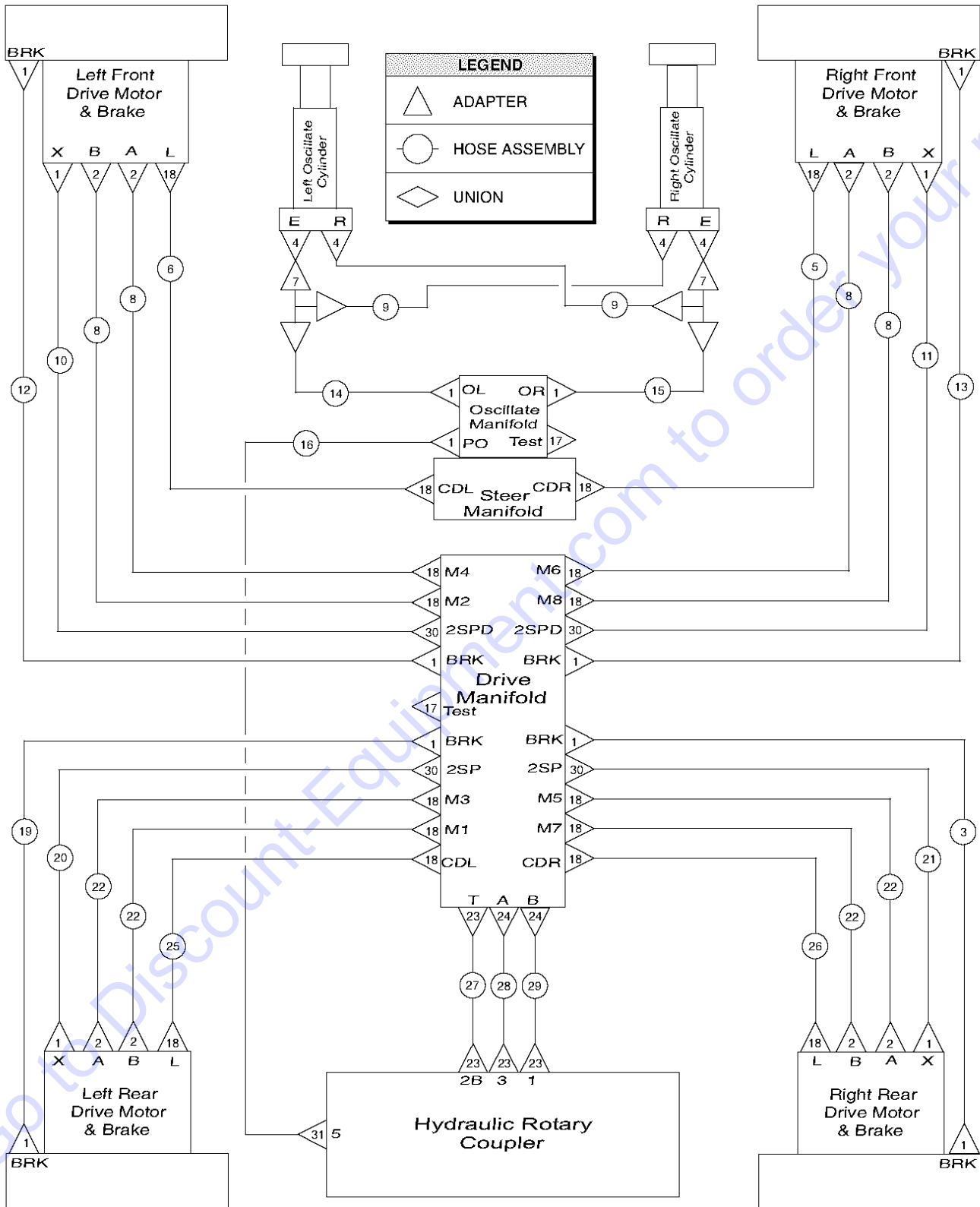
713.2 Hydraulic Hoses and Fittings - Drive System, 4WD Models (from SN 539 to 957)



713.2 Hydraulic Hoses and Fittings - Drive System, 4WD Models (from SN 539 to 957)

Item	Part No.	Description	Qty.	Item	Part No.	Description	Qty.
--	49613GT	PLUG AND CAP KIT-SERVICE,ORFS*		--	49143-9429GT	HOSE ASSY,1/2,90 FEM,STR FEM (4WS)	
--	49612GT	O-RING KIT (ORFS FITTINGS)		25	49183-5629GT	HOSE ASSY,1/2,90 FEM,STR FEMM.....1 (2WS)	1
1	48905GT	CONN,520120-4***.....	15	--	49143-8929GT	HOSE ASSY,1/2,90 FEM,STR FEM** (4WS)	
2	48948GT	CONN,520120-8-12.....	8	26	49151-2248GT	HOSE ASSY,3/4,STR FEM,STR FEM.....1	
3	49119-5978GT	HOSE ASSY,1/4,STR FEM,STR FEM.....1 (2WS)		27	10665-2929GT	HOSE ASSY,3/4 90LG FEM,STR FEM...1	
--	49116-10337GT	HOSE ASSY,1/4,45 FEM,STR FEM (4WS)		28	94374-2930GT	HOSE ASSY,3/4,90 FEM,STR FEM.....1 from SN 539 to SN 791	
4	49418GT	FITTING,ELBOW,45D,520320-4-6**.....4		--	94374-2730GT	HOSE ASSY,3/4,90 FEM,STR FEM from SN 792	
5	49183-5092GT	HOSE ASSY,1/2,STR FEM,STR FEM*....2 (2WS)		29	48912GT	CONN,520120-4-6***.....	4
--	49143-9429GT	HOSE ASSY,1/2,90 FEM,STR FEM (4WS)					
6	48908GT	FITTING,TEE,RUN,SWIVEL520432-4.....2					
7	49110-14592GT	HOSE ASSEMBLY,1/2".....	4				
8	49117-4491GT	HOSE ASSY,1/4,90 FEM,STR FEM.....2					
9	49117-5691GT	HOSE ASSY,1/4,90 FEM,STR FEM**.....1					
--	49119-14478GT	HOSE ASSY,1/4,STR FEM,STR FEM					
10	49119-15178GT	HOSE ASSY,1/4,STR FEM,STR FEM.....1					
11	49116-15837GT	HOSE ASSY,1/4,45 FEM,STR FEM.....1					
12	49116-15837GT	HOSE ASSY,1/4,45 FEM,STR FEM.....1					
13	49119-4778GT	HOSE ASSY,1/4,STR FEM,STR FEM.....1					
14	49119-4578GT	HOSE ASSY,1/4,STR FEM,STR FEM.....1					
15	49119-2678GT	HOSE ASSY,1/4,STR FEM,STR FEM.....1					
16	48998GT	NIPPLE,DIAGNOSTIC,#6 PORT***.....2					
--	20224GT	DIAGNOSTIC FEMALE Q-DSCNT					
--	48880GT	CAP,DIAGNOSTIC NIPPLE					
17	48933GT	CONN,520120-8***.....	16				
18	49119-5678GT	HOSE ASSY,1/4,STR FEM,STR FEM.....1 (2WS)					
--	49116-9537GT	HOSE ASSY,1/4,45 FEM,STR FEM (4WS)					
19	49119-5678GT	HOSE ASSY,1/4,STR FEM,STR FEM.....1 (2WS)					
--	139106GT	HOSE ASSY, 1/4", 87.00 (4WS)					
20	49117-5691GT	HOSE ASSY,1/4,90 FEM,STR FEM**.....1 (2WS)					
--	49119-9178GT	HOSE ASSY,1/4,STR FEM,STR FEM* (4WS)					
21	49109-5229GT	HOSE ASSY,1/2,90 FEM,STR FEM.....4 (2WS)					
--	49110-8592GT	HOSE ASSEMBLY,1/2" (4WS)					
22	48963GT	FITTING,ELBOW,45D,520320-12***.....4					
23	48960GT	FITTING,CONN,520120-12***.....2					
24	49143-5629GT	HOSE ASSY,1/2,90 FEM,STR FEMM.....1 (2WS)					

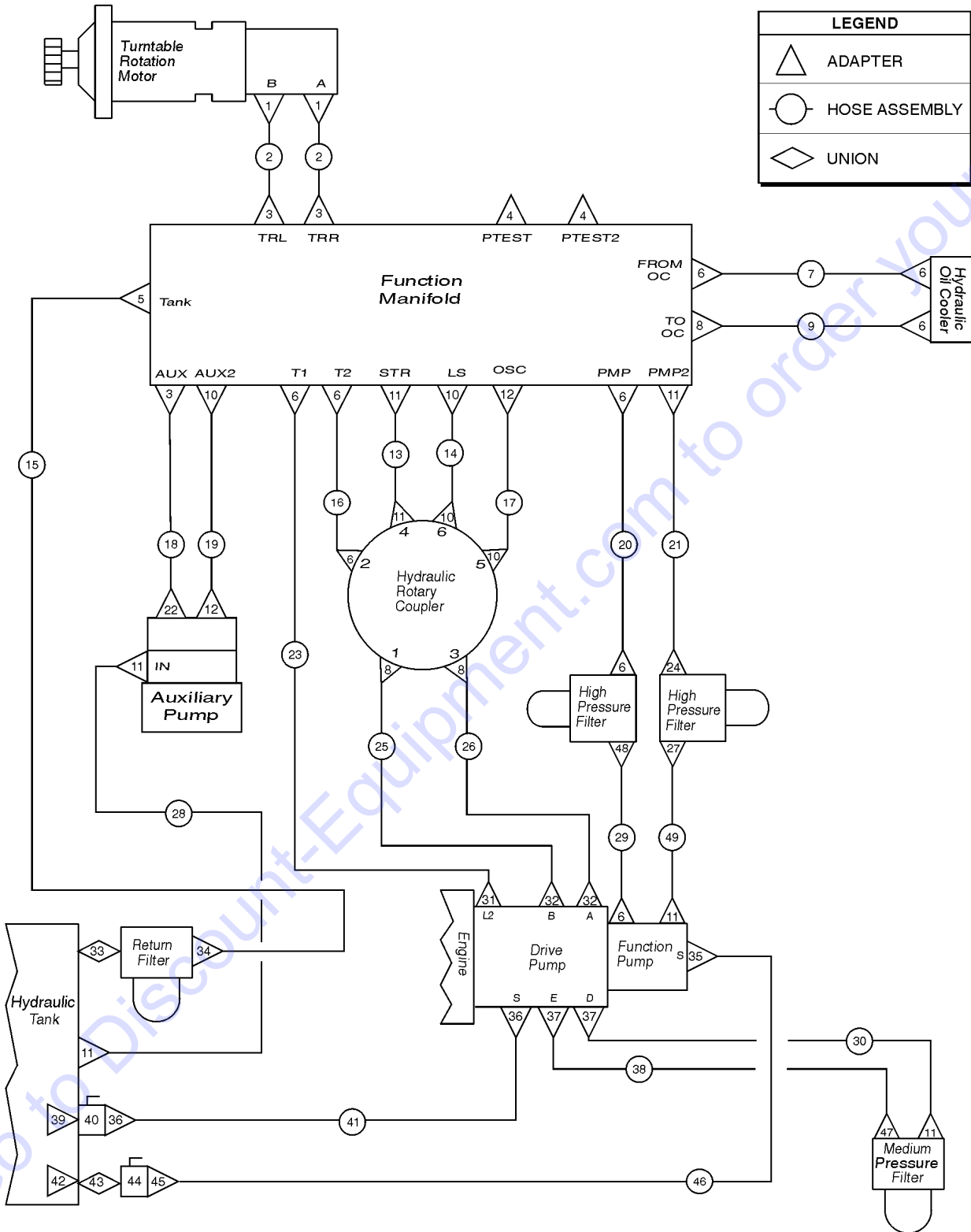
713.3 Hydraulic Hoses and Fittings - Drive System, 4WD Models (from 958)



713.3 Hydraulic Hoses and Fittings - Drive System, 4WD Models (from 958)

Item	Part No.	Description	Qty.	Item	Part No.	Description	Qty.
--	49613GT	PLUG AND CAP KIT-SERVICE,ORFS*		23	48963GT	FITTING,ELBOW,45D,520320-12***.....	4
--	49612GT	O-RING KIT (ORFS FITTINGS)		24	48960GT	FITTING,CONN,520120-12***.....	2
1	48905GT	CONN,520120-4***.....	15	25	49143-5629GT	HOSE ASSY,1/2,90 FEM,STR FEMM.....	1
2	48948GT	CONN,520120-8-12.....	8	--	49141-8963GT	HOSE ASSY,1/2,45 FEM,STR FEM	
3	49119-5678GT	HOSE ASSY,1/4,STR FEM,STR FEM.....	1			(4WS)	
--	49117-9791GT	HOSE ASSY,1/4,90 FEM,STR FEM		26	49143-5629GT	HOSE ASSY,1/2,90 FEM,STR FEMM.....	1
		(4WS)		--	49141-8963GT	HOSE ASSY,1/2,45 FEM,STR FEM	
4	49418GT	FITTING,ELBOW,45D,520320-4-6**.....	4			(4WS)	
5	49143-5629GT	HOSE ASSY,1/2,90 FEM,STR FEMM.....	2	27	49151-2248GT	HOSE ASSY,3/4,STR FEM,STR FEM.....	1
--	49141-9063GT	HOSE ASSY,1/2,45 FEM,STR FEM		28	106665-2929GT	HOSE ASSY,3/4 90LG FEM,STR FEM...1	
		(4WS)		29	94374-2930GT	HOSE ASSY,3/4,90 FEM,STR FEM.....	1
6	49143-5629GT	HOSE ASSY,1/2,90 FEM,STR FEMM.....	2			from SN 958 to SN 791	
--	49141-9463GT	HOSE ASSY,1/2,45 FEM,STR FEM		--	94374-2730GT	HOSE ASSY,3/4,90 FEM,STR FEM	
		(4WS)				from SN 792	
7	48908GT	FITTING,TEE,RUN,SWIVEL520432-4.....	2	30	48912GT	CONN,520120-4-6***.....	4
8	49110-14592GT	HOSE ASSEMBLY,1/2".....	4				
9	49117-4491GT	HOSE ASSY,1/4,90 FEM,STR FEM.....	2				
10	49119-15178GT	HOSE ASSY,1/4,STR FEM,STR FEM.....	1				
11	49119-15678GT	HOSE ASSY,1/4,STR FEM,STR FEM.....	1				
12	49117-14391GT	HOSE ASSY,1/4,90 FEM,STR FEM.....	1				
13	49117-15791GT	HOSE ASSY,1/4,90 FEM,STR FEM.....	1				
14	49119-4778GT	HOSE ASSY,1/4,STR FEM,STR FEM.....	1				
15	49119-4578GT	HOSE ASSY,1/4,STR FEM,STR FEM.....	1				
16	49119-2678GT	HOSE ASSY,1/4,STR FEM,STR FEM.....	1				
17	48998GT	NIPPLE,DIAGNOSTIC,#6 PORT***.....	2				
--	20224GT	DIAGNOSTIC FEMALE Q-DSCNT					
--	48880GT	CAP,DIAGNOSTIC NIPPLE					
18	48933GT	CONN,520120-8***.....	16				
19	49119-5378GT	HOSE ASSY,1/4,STR FEM,STR FEM.....	1				
--	49117-9791GT	HOSE ASSY,1/4,90 FEM,STR FEM					
		(4WS)					
20	49117-5691GT	HOSE ASSY,1/4,90 FEM,STR FEM**.....	1				
--	139107GT	HOSE ASSY, 1/4", 89.00					
		(4WS)					
21	49117-5691GT	HOSE ASSY,1/4,90 FEM,STR FEM**.....	1				
--	49119-9678GT	HOSE ASSY,1/4,STR FEM,STR FEM					
		(4WS)					
22	49109-5229GT	HOSE ASSY,1/2,90 FEM,STR FEM.....	4				
--	49110-8592GT	HOSE ASSEMBLY,1/2"					
		(4WS)					


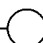
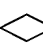
714.1 Hydraulic Hoses and Fittings - Turntable Components

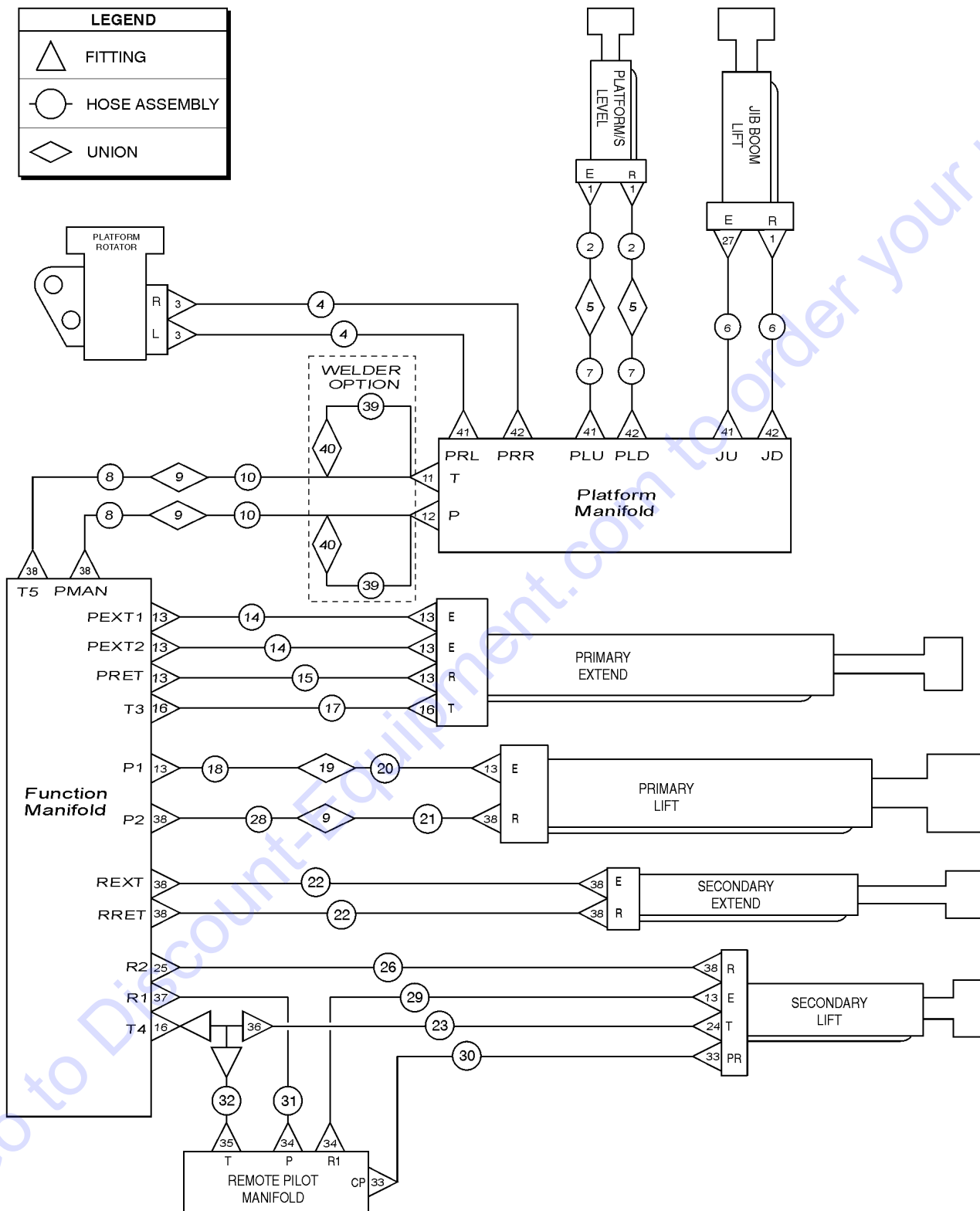


714.1 Hydraulic Hoses and Fittings - Turntable Components

Item	Part No.	Description	Qty.	Item	Part No.	Description	Qty.
--	49613GT	PLUG AND CAP KIT-SERVICE,ORFS*		31	48959GT	FITTING,ELBOW,90D,520220-12.....	1
--	49612GT	O-RING KIT (ORFS FITTINGS)		32	48978GT	ELBOW,45D,520320-12-16.....	2
1	48915GT	ELBOW,90D,520220-6.....	2	33	61263GT	UNION,STR.THREAD 20.....	1
2	49130-3882GT	HOSE ASSY 3/8, STR FEM,STR FEM....	2	34	88353GT	ELBOW,45D,520320-20.....	1
3	48920GT	ELBOW,45D,520320-6.....	2	35	61352GT	KIT,FLANGE CODE 61 -20.....	1
4	48998GT	NIPPLE,DIAGNOSTIC,#6 PORT***.....	2	--	77503GT	O-RING,FLANGE KIT 61352	
--	20224GT	DIAGNOSTIC FEMALE Q-DSCNT		36	48984GT	CONN,520120-16.....	2
--	48880GT	CAP,DIAGNOSTIC NIPPLE		37	48946GT	CONN,520120-8-10.....	2
5	88353GT	ELBOW,45D,520320-20.....	1	38	49141-4463GT	HOSE ASSY,1/2,45 FEM,STR FEM.....	1
6	48960GT	FITTING,CONN,520120-12***.....	10	39	75253GT	STRAINER ASSY,#16 O-RING.....	1
7	49151-3548GT	HOSE ASSY,3/4,STR FEM,STR FEM.....	1	40	48996GT	VALVE,BALL,16 MSAE-16 FSAE***.....	1
8	48963GT	FITTING,ELBOW,45D,520320-12***.....	1	41	49159-5918GT	HOSE ASSEMBLY,1".....	1
9	49149-4126GT	HOSE ASSY,3/4,45 FEM,STR FEM.....	1	42	75257GT	STRAINER ASSY,#24 O-RING.....	1
10	48905GT	CONN,520120-4***.....	4	43	75254GT	UNION,STR.THREAD 24***.....	1
11	48933GT	CONN,520120-8***.....	7	44	75256GT	VALVE BALL,24 FSAE-24 FSAE***.....	1
12	48912GT	CONN,520120-4-6***.....	2	45	61083GT	CONN,520120-24.....	1
13	49141-5163GT	HOSE ASSY,1/2,45 FEM,STR FEM.....	1	46	88454-6604GT	HOSE ASSY,1 1/2" 90 FLG FEM.....	1
14	49116-5037GT	HOSE ASSY,1/4,45 FEM,STR FEM.....	1	47	48932GT	FITTING,ELBOW,90D,520220-8***.....	1
15	88441-3640GT	HOSE ASSY,1 1/4"STR FEM,STR FE.....	1	48	48959GT	FITTING,ELBOW,90D,520220-12.....	1
16	49149-5026GT	HOSE ASSY,3/4,45 FEM,STR FEM.....	1			<i>to SN 1244</i>	
17	49116-5437GT	HOSE ASSY,1/4,45 FEM,STR FEM.....	1	--	48960GT	FITTING,CONN,520120-12***	
18	49128-5409GT	HOSE ASSEMBLY,3/8".....	1			<i>from SN 1245</i>	
19	49116-4837GT	HOSE ASSY,1/4,45 FEM,STR FEM.....	1	49	49141-1763GT	HOSE ASSY,1/2,45 FEM,STR FEM.....	1
20	61073-8930GT	HOSE ASSY 3/4" 90 DEG STR FEM.....	1			<i>to SN 1244</i>	
21	49183-8792GT	HOSE ASSY,1/2,STR FEM,STR FEM.....	1	--	162269GT	KIT, HI PRESS HOSE, Z80	
22	48916GT	CONN, 520120-6.....	1			<i>from SN 1245 to 3264 must order hose replacement kit part 162269 for first time replacement of hose 49141-1763 (item 49) or hose 49149-2026 (item 29). Kit includes 2 hoses and needed fittings to filters</i>	
23	49150-8430GT	HOSE ASSY,3/4,90 FEM,STR FEM.....	1	--	49143-2629GT	HOSE ASSY,1/2,90 FEM,STR FEM	
24	48947GT	ELBOW,90D,520220-8-12.....	1			<i>from SN 1245</i>	
25	94374-3530GT	HOSE ASSY,3/4,90 FEM,STR FEM.....	1				
26	94374-3730GT	HOSE ASSY 3/4, 90 FEM,STR FEM.....	1				
27	48947GT	ELBOW,90D,520220-8-12.....	1				
		<i>to SN 1244</i>					
--	48948GT	CONN,520120-8-12					
		<i>from SN 1245</i>					
28	49143-4829GT	HOSE ASSY,1/2,90 FEM,STR FEM.....	1				
29	49149-2026GT	HOSE ASSY,3/4,45 FEM,STR FEM.....	1				
		<i>to SN 1244</i>					
--	162269GT	KIT, HI PRESS HOSE, Z80					
		<i>from SN 1245 to 3264 must order hose replacement kit part 162269 for first time replacement of hose 49141-1763 (item 49) or hose 49149-2026 (item 29). Kit includes 2 hoses and needed fittings to filters</i>					
--	61073-3130GT	HOSE ASSY,3/4,90 FEM,STR FEM					
		<i>from SN 1245</i>					
30	49141-1763GT	HOSE ASSY,1/2,45 FEM,STR FEM.....	1				

715.1 Hydraulic Hoses and Fittings - Boom Components

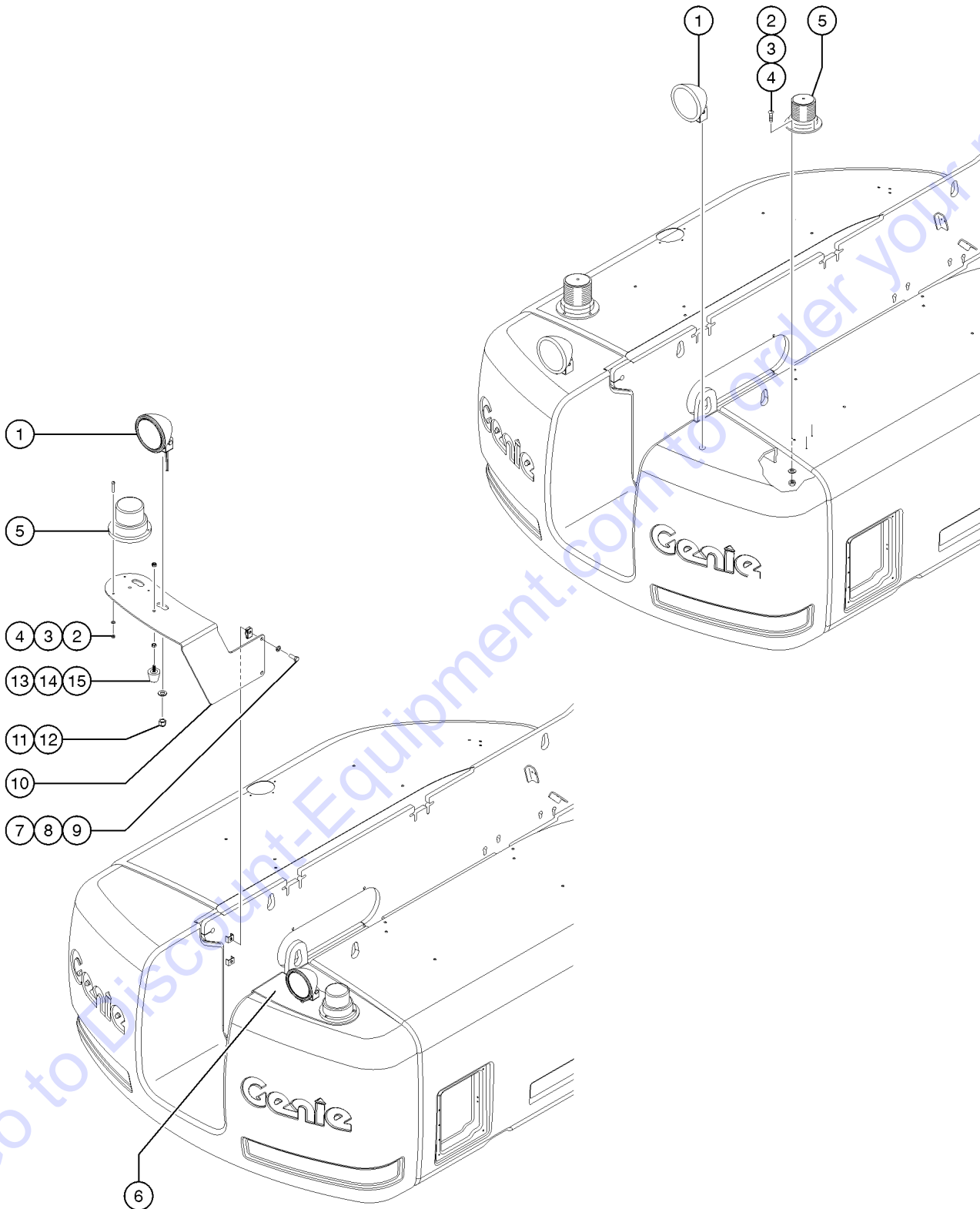
LEGEND	
	FITTING
	HOSE ASSEMBLY
	UNION



715.1 Hydraulic Hoses and Fittings - Boom Components

Item	Part No.	Description	Qty.	Item	Part No.	Description	Qty.
--	49613GT	PLUG AND CAP KIT-SERVICE,ORFS*		33	48904GT	ELBOW,90D,520220-4-4.....2 to SN 2674; part of service kit 218697, refer to 501.1	2
--	48912GT	CONN,520120-4-6***		34	48933GT	CONN,520120-8***.....2 to SN 2674; part of service kit 218697, refer to 501.1	2
1	48912GT	CONN,520120-4-6***.....3	3	35	48905GT	CONN,520120-4***.....1 to SN 2674; part of service kit 218697, refer to 501.1	1
2	49117-2891GT	HOSE ASSY,1/4,90 FEM,STR FEM.....2	2	36	48908GT	FITTING,TEE,RUN,SWIVEL520432-4.....1 to SN 2674; part of service kit 218697, refer to 501.1	1
3	48907GT	ELBOW,45D,520320-4.....2	2	37	48930GT	CONN,520120-6-8	
4	49119-4278GT	HOSE ASSY,1/4,STR FEM,STR FEM*....2	2	--	48933GT	CONN,520120-8*** to SN 2674; part of service kit 218697, refer to 501.1	
5	61268GT	CONN,BULKHEAD,520801,-4.....2	2	38	48916GT	CONN, 520120-6.....9	9
6	49119-6678GT	HOSE ASSY,1/4,STR FEM,STR FEM.....2	2	39	49128-1409GT	HOSE ASSY 3/8, 90 FEM, STR FEM.....2 use if welder option installed	2
7	49117-12791SGT	HOSE ASSY,1/4" (#111/112,S125).....2	2	40	61321GT	ELBOW,90D,BLKHD,ORFS-6-6 W/NUT.....2 use if welder option installed	2
8	49130-41082GT	HOSE ASSY 3/8, STR FEM,STR FEM....2	2	41	48907GT	ELBOW,45D,520320-4.....3 to SN 3025	3
9	61080GT	FITTING,6-6BLKHEADUNION 520601...3	3	--	61259GT	ELBOW,90D,LONG,521520-4 from SN 3026	
10	49130-79482GT	HOSE ASSY 3/8, STR FEM,STR FEM....2	2	42	48907GT	ELBOW,45D,520320-4.....3 to SN 3025	3
11	48915GT	ELBOW,90D,520220-6.....1	1	--	48904GT	ELBOW,90D,520220-4-4 from SN 3026	
--	48920GT	ELBOW,45D,520320-6.....1 use if welder option installed	1				
12	48915GT	ELBOW,90D,520220-6.....1	1				
--	48916GT	CONN, 520120-6.....1 use if welder option installed	1				
13	48933GT	CONN,520120-8***.....9	9				
14	49183-44392GT	HOSE ASSY,1/2,STR FEM,STR FEM....2	2				
15	49183-42892GT	HOSE ASSY,1/2,STR FEM,STR FEM....1	1				
16	48905GT	CONN,520120-4***.....3	3				
--	48904GT	ELBOW,90D,520220-4-4 to SN 2674; part of service kit 218697, refer to 501.1					
17	49119-42878GT	HOSE ASSY,1/4,STR FEM,STR FEM.....1	1				
18	49183-41892GT	HOSE ASSY,1/2,STR FEM,STR FEM....1	1				
19	61080GT	FITTING,6-6BLKHEADUNION 520601...1	1				
20	49143-16529GT	HOSE ASSY,1/2,90 FEM,STR FEM.....1	1				
21	49128-16509GT	HOSE ASSEMBLY 3/8".....1	1				
22	49128-11209GT	HOSE ASSY,3/8,90 FEM,STR FEM.....2	2				
23	49119-9778GT	HOSE ASSY,1/4,STR FEM,STR FEM....1	1				
24	48904GT	ELBOW,90D,520220-4-4.....1	1				
25	48930GT	CONN,520120-6-8.....1	1				
26	49130-9782GT	HOSE ASSY,3/8 STR FEM-STR FEM....1	1				
27	48913GT	CONN, 520120-4-6 0.030 ORIFICE.....1	1				
28	49130-41882GT	HOSE ASSY 3/8, STR FEM,STR FEM....1	1				
29	49183-9792GT	HOSE ASSY,1/2,STR FEM,STR FEM....1	1				
30	49119-10388GT	HOSE ASSY,1/4,STR FEM,STR FEM....1 to SN 2674; part of service kit 218697, refer to 501.1	1				
31	49183-1988GT	HOSE ASSY,1/2,STR FEM,STR FEM....1 to SN 2674; part of service kit 218697, refer to 501.1	1				
32	49117-1388GT	HOSE ASSY,14,90 FEM,STR FEM.....1 to SN 2674; part of service kit 218697, refer to 501.1	1				

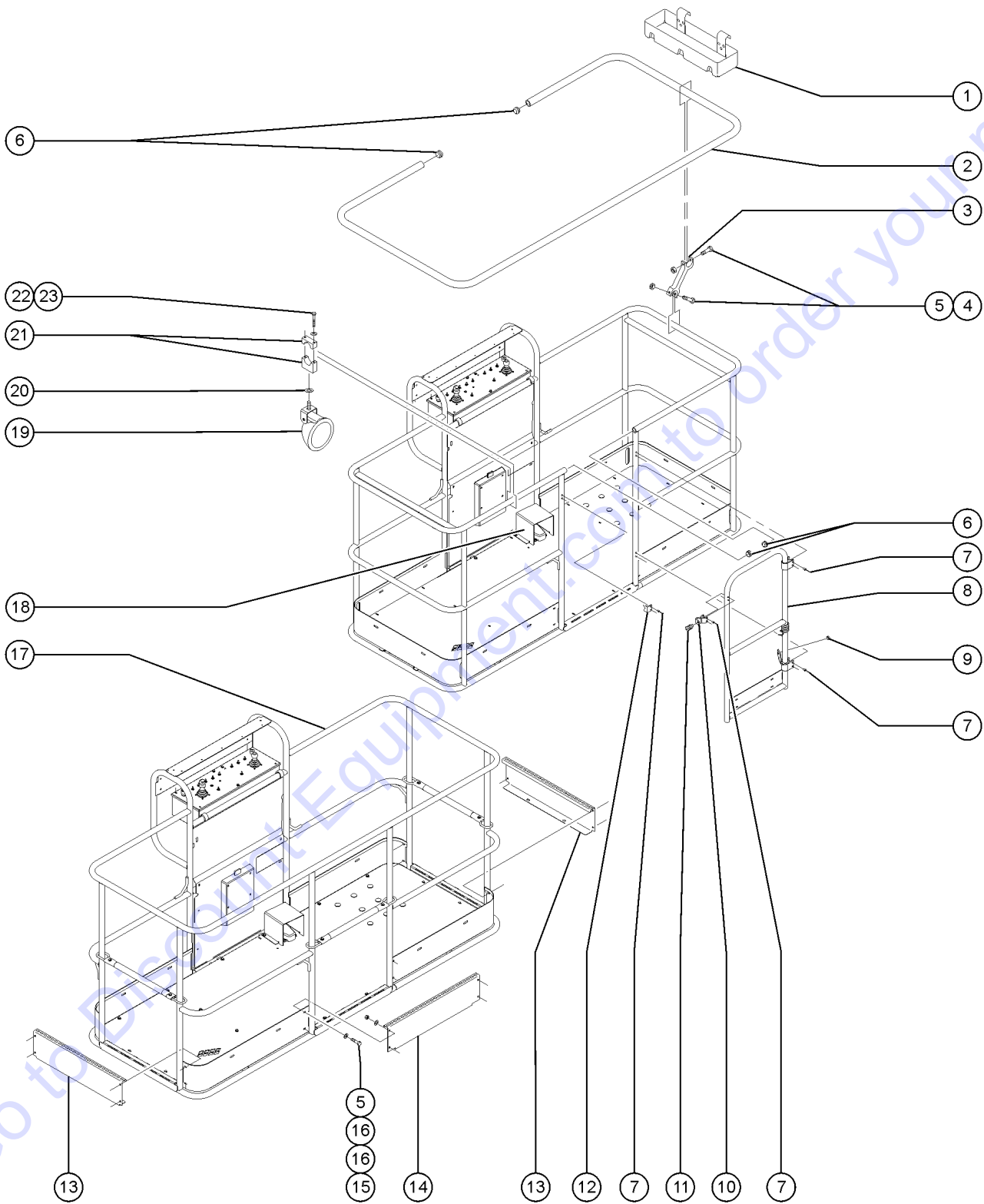
801.1 Alarm and Beacon Package, Driving Lights



801.1 Alarm and Beacon Package, Driving Lights

Item	Part No.	Description	Qty.
--	70219GT	ALARM PKG,(BEACON,TRVL,DESCNT)	
--	88777-SGT	DRIVING LIGHTS,FRONT,Z80,SERV to SN 3584	
--	75433GT	FUSE,20 AMP, AGC20	
--	23083-SGT	FUSE HOLDER,WATERPROOF	
1	107857GT	LIGHT, 12 VOLT.....2 to SN 6108	
--	823520GT	ASSY, DRIVE LIGHT, 12V LED from SN 6109	
--	35960GT	BULB,WORKLIGHT,12V 35W (part of 107857)	
--	88330GT	HARNES,DRIVE LIGHTS to SN 6108	
--	1255094GT	HARNES, DRIVE LIGHTS, Z80 from SN 6109	
2	6147GT	SCREW,RHM,10-32 X 1	
3	6146GT	WASHER,FLAT,MS,#10,Y	
4	6178GT	NUT,NYLOCK,10-32	
5	56704GT	STROBE,FIREBOLT,12-80VDC,AMB**...2 (replaced 20189)	
--	122019GT	FLASHTUBE,U SHAPED,360DEG,BULB	
--	226393GT	FLASHTUBE,STRAIGHT,360DEG,BULB	
--	72282GT	LENS,AMBER,STROBE,FIREBOLT	
--	88143GT	HARNES,FLASHING BEACON	
6	229425GT	FORMING,DRIVE LIGHT LT,Z80.....1 from SN 3585	
7	6175GT	SCREW,HHC,3/8-16 X 1 from SN 3585	
8	6021GT	WASHER,LOCK,.375 from SN 3585	
9	29868GT	SPRING CLIP,3/8-16,.05-.20X.73,ZAG....4 from SN 3585	
10	229426GT	FORMING,DRIVE LIGHT,RT,Z80.....1 from SN 3585	
11	104328GT	NUT,HEX,1/2-13 GRD 8 from SN 3585	
12	13066GT	WASHER,FLAT,.5 HARDENED from SN 3585	
13	30973GT	BUMPER,RUBBER-1 X 1.25.....2 from SN 3585	
14	6037GT	NUT,HEX,5/16-18,GR5 from SN 3585	
15	6782GT	NUT,NYLOCK,5/16-18 from SN 3585	

802.1 Platform Accessories (to SN 6075)



PARTS FINDER

**Search Website
by Part Number**



**Search Manual
Library For Parts
Manual & Lookup Part
Numbers – Purchase
or Request Quote**

**Can't Find Part or
Manual? Request Help
by Manufacturer,
Model & Description**

Discount-Equipment.com is your online resource for quality parts & equipment.

Florida: **561-964-4949** Outside Florida TOLL FREE: **877-690-3101**

Need parts?

Click on this link: <http://www.discount-equipment.com/category/5443-parts/> and choose one of the options to help get the right parts and equipment you are looking for. Please have the machine model and serial number available in order to help us get you the correct parts. If you don't find the part on the website or on one of the online manuals, please fill out the request form and one of our experienced staff members will get back to you with a quote for the right part that your machine needs.

We sell worldwide for the brands: Genie, Terex, JLG, MultiQuip, Mikasa, Essick, Whiteman, Mayco, Toro Stone, Diamond Products, Generac Magnum, Airman, Haulotte, Barreto, Power Blanket, Nifty Lift, Atlas Copco, Chicago Pneumatic, Allmand, Miller Curber, Skyjack, Lull, Skytrak, Tsurumi, Husquvarna Target, Stow, Wacker, Sakai, Mi-T-M, Sullair, Basic, Dynapac, MBW, Weber, Bartell, Bennar Newman, Haulotte, Ditch Runner, Menegotti, Morrison, Contec, Buddy, Crown, Edco, Wyco, Bomag, Laymor, EZ Trench, Bil-Jax, F.S. Curtis, Gehl Pavers, Heli, Honda, ICS/PowerGrit, IHI, Partner, Imer, Clipper, MMD, Koshin, Rice, CH&E, General Equipment, Amida, Coleman, NAC, Gradall, Square Shooter, Kent, Stanley, Tamco, Toku, Hatz, Kohler, Robin, Wisconsin, Northrock, Oztec, Toker TK, Rol-Air, APT, Wylie, Ingersoll Rand / Doosan, Innovatech, Con X, Ammann, Mecalac, Makinex, Smith Surface Prep, Small Line, Wanco, Yanmar

802.1 Platform Accessories (to SN 6075)

Item	Part No.	Description	Qty.	Item	Part No.	Description	Qty.
--	53808-SGT	AUX TOP RAIL,6'(1.25")SERVICE		--	6889GT	NUT,LP NYLOCK,1/4-20 <i>from SN 1557</i>	
--	53807-SGT	AUX TOP RAIL,8'(1.25")SERVICE		6	55753GT	BUMPER, PLASTIC, 1.25 O.D.....	4
--	122278GT	AUX TOP RAIL,6',SWG GT, SRV		7	7265GT	RIVET,STEEL,P. .25 X .375.....	14
--	122279GT	AUX TOP RAIL,8',SWG GT, SRV		8	128368GT	KIT,SWING GATE W/SPRING.....	1
--	77851GT	FLOOR MOUNT D-RING KIT		--	9596GT	HINGE CASTING	
--	27391GT	PROXIMITY SENSOR***		8A	119950GT	KIT,FIELD INSTALL,SWING GATE <i>includes</i> <i>128368, 1487, 33674 and 1488</i>	
G	1284764GT	WORKLIGHT,110V,250WATT,HALOGEN.2		--	9596GT	HINGE CASTING <i>Special welding requirements for installation</i> <i>of this component. Strongly suggest ordering</i> <i>128368 OR contact Discount-equipment for</i> <i>welding requirements.</i>	
--	102721PGT	TOEBOARD,8'TRI ENTRY <i>includes items 5 and 13-16</i>		9	43392GT	BUMPER,BATTERY BOX & RAILS.....	1
--	102433GT	6' TRI-ENT ASSY W/DECALS ANSI <i>USA and Canadian Models; to SN 800</i>		10	1487GT	GATE LATCH CASTING--DRILLED.....	1
--	235162GT	8' TRI-ENT ASSY W/DECALS ANSI <i>USA and Canadian Models; to SN 800</i>		11	33674GT	PIN,LOCK,SHORT***.....	1
--	111294GT	6' TRI-ENT ASSY W/DECALS ANSI <i>USA and Canadian Models; from SN 801</i>		12	1488GT	RAILING CATCH CASTING--DRILLED...1	
--	111295GT	8' TRI-ENT ASSY W/DECALS ANSI <i>USA and Canadian Models; from SN 801</i>		13	102721PGT	TOEBOARD,8'TRI ENTRY.....	2
--	102439GT	8' TRI-ENT ASSY W/DECALS CE <i>European Models</i>		--	139438GT	TOEBOARD, TRI ENTRY 6'; EURO	
--	102434GT	6' TRI-ENT ASSY W/DECALS AUSTR <i>Australian Models; to SN 800</i>		14	94745PGT	TOEBOARD,ENTRY EUROPEAN PNTD**.....	1
--	102438GT	8' TRI-ENT ASSY W/DECALS AUSTR <i>Australian Models; to SN 800</i>		15	6090GT	SCREW,HHC,1/4-20 X .75	
--	111296GT	6' TRI-ENT ASSY W/DECALS AUSTR <i>Australian Models; from SN 801</i>		16	6638GT	WASHER,FLAT,USS,1/4"Y	
--	111297GT	8' TRI-ENT ASSY W/DECALS AUSTR <i>Australian Models; from SN 801</i>		17	107704GT	6' TRI-ENT RAIL W/DECALS ANSI <i>USA and Canadian Models; to SN 800</i>	
--	102436GT	6' TRI-ENT ASSY W/DECALS A/SOA <i>Asian and South American Models</i>		--	107705GT	8' TRI-ENT RAIL W/DECALS ANSI <i>USA and Canadian Models; to SN 800</i>	
--	102440GT	8' TRI-ENT ASSY W/DECALS A/SOA <i>Asian and South American Models</i>		--	107706GT	8' TRI-ENT RAIL W/DECALS CE/UK <i>European Models</i>	
1	9599-SGT	TOOL TRAY ACCESSORY***.....	1	--	107707GT	6' TRI-ENT RAIL W/DECALS AUSTR <i>Australian Models</i>	
2	1259704GT	PINCH GUARD RAIL,6' PLATFORM..... <i>includes 55753 bumpers</i>	1	--	107708GT	8' TRI-ENT RAIL W/DECALS AUSTR <i>Australian Models</i>	
--	111485PGT	AUX TOP RAIL,6FT,PTD..... <i>or use with swing gate</i>	2	--	107709GT	6' TRI-ENT RAIL W/DECALS A/SOA <i>Asian and South American Models</i>	
--	111486PGT	AUX TOP RAIL,8FT,PTD..... <i>or use with swing gate</i>	2	--	107710GT	8' TRI-ENT RAIL W/DECALS A/SOA <i>Asian and South American Models</i>	
--	52661GT	PINCH GUARD RAIL,8' PLATFORM**....	1	--	111319GT	6' TRI-ENT RAIL W/DECALS ANSI <i>USA and Canadian Models; from SN 801</i>	
3	139958GT	KIT, AUX TOP RAIL SUPPORT..... <i>to SN 1556</i>	10	--	111320GT	8' TRI-ENT RAIL W/DECALS ANSI <i>USA and Canadian Models; from SN 801</i>	
--	122073GT	SUPPORT, RAILING..... <i>from SN 1557</i>	20	18	128429GT	LARGE FOOT SWITCH COVER	
4	4266GT	SCREW,HHC,1/4-20 X 2 <i>to SN 1556</i>		19	107858GT	WORKLIGHT,48 VOLT.....	2
--	122231GT	SCREW,BHSC,1/4-20 X 1 <i>from SN 1557</i>		19A	35960GT	BULB,WORKLIGHT,12V 35W	
5	6091GT	NUT,NYLOCK,1/4-20 <i>to SN 1556</i>		20	6036GT	WASHER,LOCK,.625 PLTD	
				21	35956GT	BRACKET,WORK LIGHT MOUNT 5/16".....	2
				22	6145GT	SCREW,HHC,1/4-20 X 1.5	

802.1 Platform Accessories (to SN 6075)
(continued)

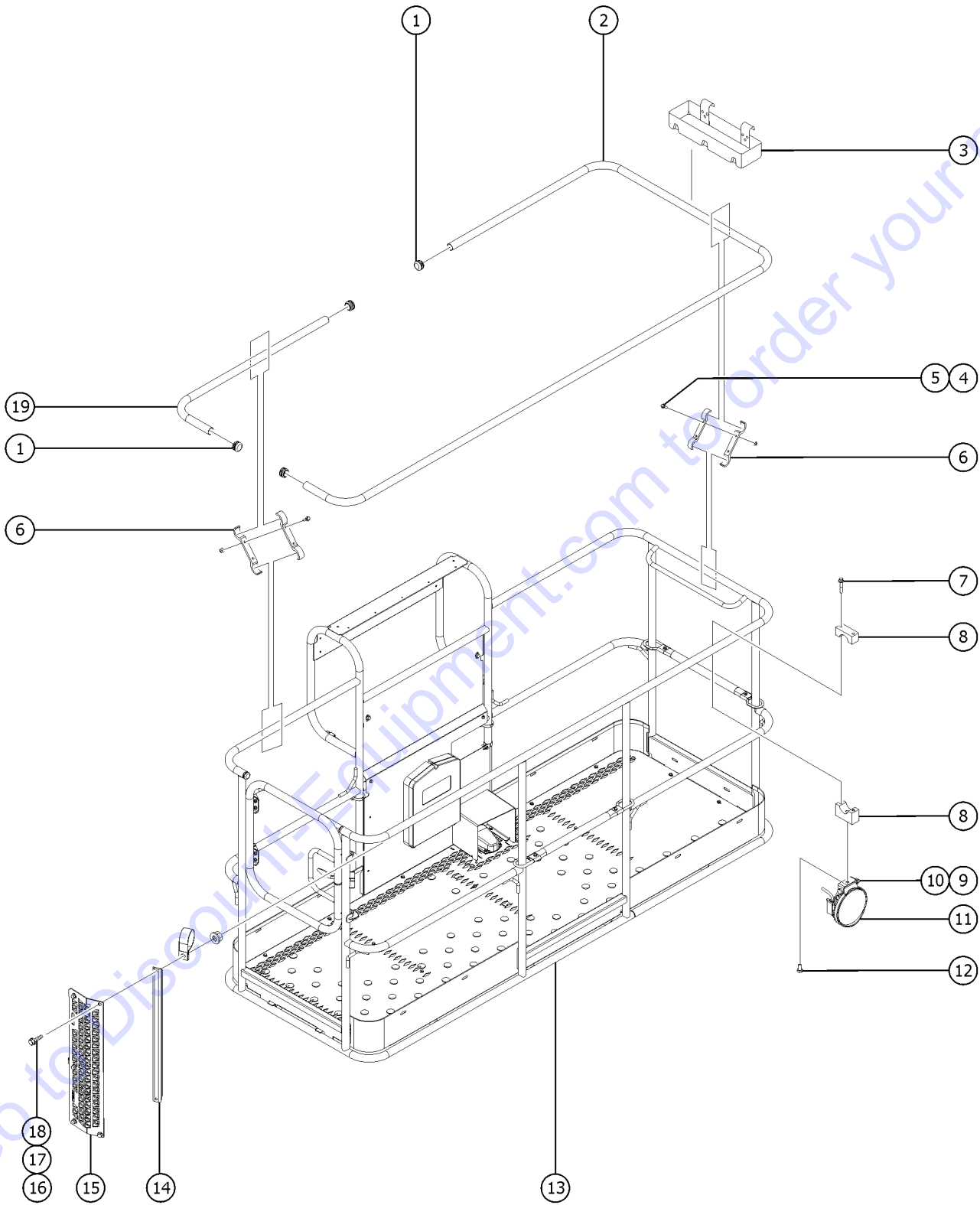
Item	Part No.	Description	Qty.
23	6356GT	WASHER,LOCK,.25	

Go to Discount-Equipment.com to order your parts

This Page Intentionally Left Blank

Go to Discount-Equipment.com to order your parts

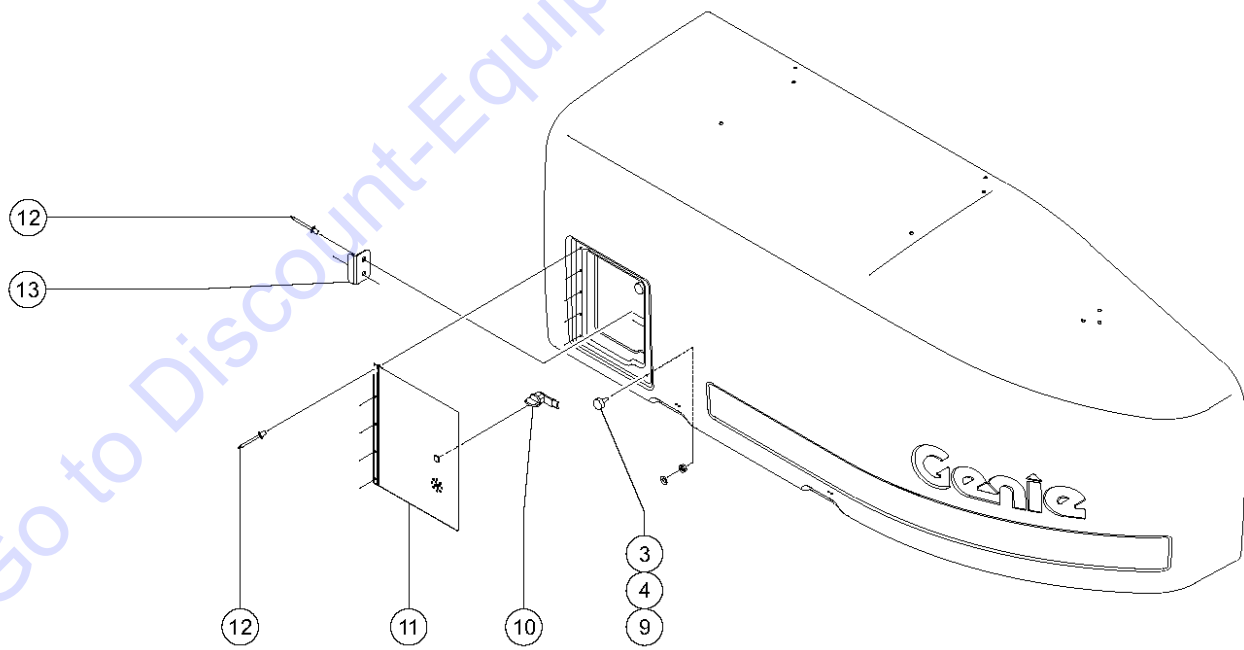
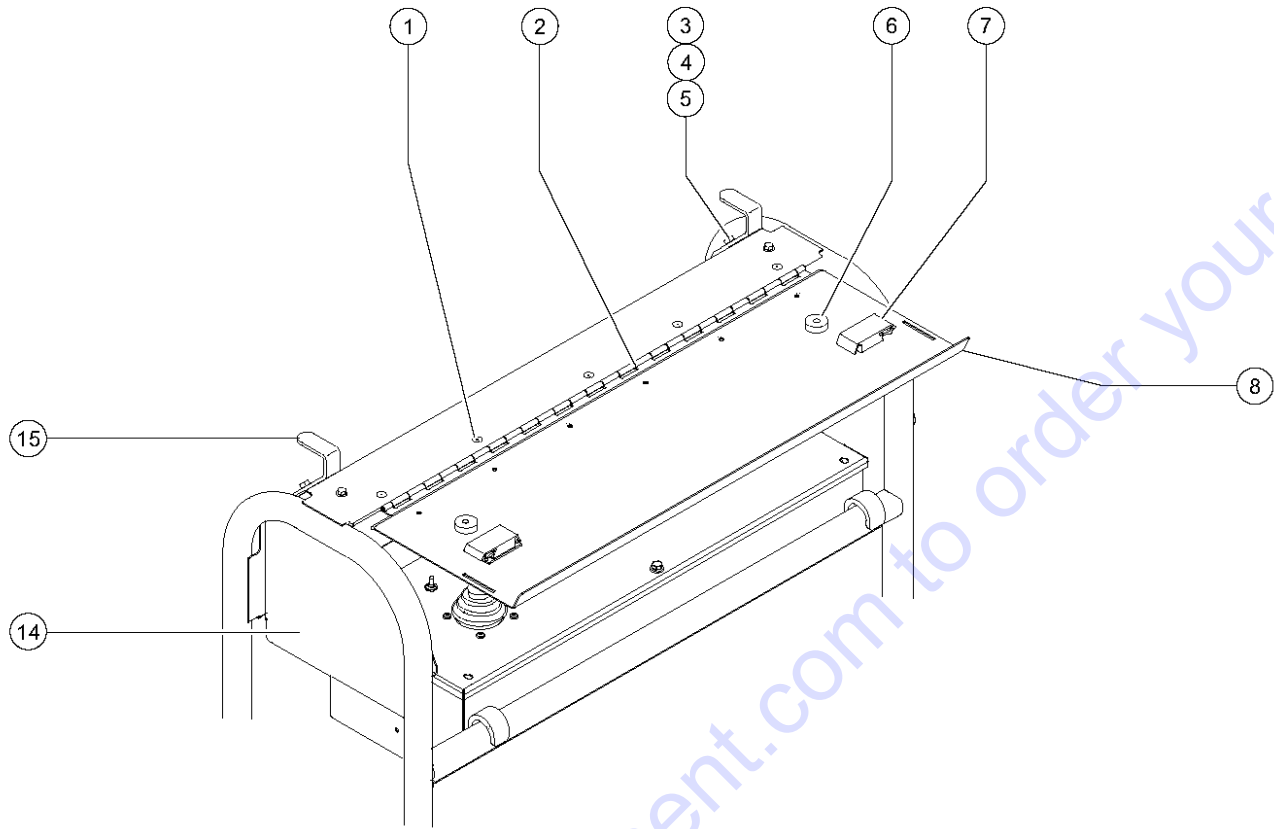
802.2 Platform Accessories (from SN 6076)



802.2 Platform Accessories (from SN 6076)

Item	Part No.	Description	Qty.
A	1255091GT	ASSY, WORK LIGHTS, Z80.....	1
B	1255092GT	HARNES, WORK LIGHTS, Z80.....	1
C	1279765GT	KIT,LATCH GUARD.....	1
1	55753GT	BUMPER, PLASTIC, 1.25 O.D.....	4
2A	1271077GT	AUX RAIL, 8' PLAT, TRI-ENTRY..... (8 foot Platform)	1
2B	1270570GT	AUX RAIL, 6' PLAT, SIDE ENTRY..... (6 foot Platform)	1
3	9599-SGT	TOOL TRAY ACCESSORY***.....	1
4A	824079GT	SCREW,HHF,1/4-20X1,8,ZAG..... (8 foot Platform)	26
4B	824079GT	SCREW,HHF,1/4-20X1,8,ZAG..... (6 foot Platform)	22
5A	824027GT	NUT,TL FLG,1/4-20,G,ZAG..... (8 foot Platform)	26
5B	824027GT	NUT,TL FLG,1/4-20,G,ZAG..... (6 foot Platform)	22
6A	122073GT	SUPPORT, RAILING..... (8 foot Platform)	26
6B	122073GT	SUPPORT, RAILING..... (6 foot Platform)	22
7	824081GT	SCREW,HHF,1/4-20X1.5,8,ZAG.....	4
8	35956GT	BRACKET,WORK LIGHT MOUNT 5/16".....	2
9	75185GT	SCREW,HHC,M8X1.25X 70MM,GR8.8...2	2
10	1260688GT	NUT,NYLOCK,M8-1.25,DIN985,A270....2	2
11	1282993GT	ASSY,WORK LIGHT,12V LED..... <i>includes item 9</i>	2
12	824085GT	SCREW,HHF,5/16-18X.75,8,ZAG.....	2
13		Ref.WELDMENT, PLATFORM..... (refer to 601.2)	1
14	1277966GT	TUBE,SQ,STL, 1.00 x 1.00 x .120.....	1
15	1277952GT	GUARD, SWING GATE.....	1
16	824086GT	SCREW,HHF,5/16-18X1,8,ZAG.....	5
17	56424GT	CLAMP,1.25X.5 RUBBER-CUSHION....5	5
18	824028GT	NUT,TL FLG,5/16-18,G,ZAG.....	5
19A	1271078GT	AUX RAIL, 8' PLAT, TRI-ENTRY..... (8 foot Platform)	1
19B	1270571GT	AUX RAIL, 6' PLAT, SIDE ENTRY..... (6 foot Platform)	1

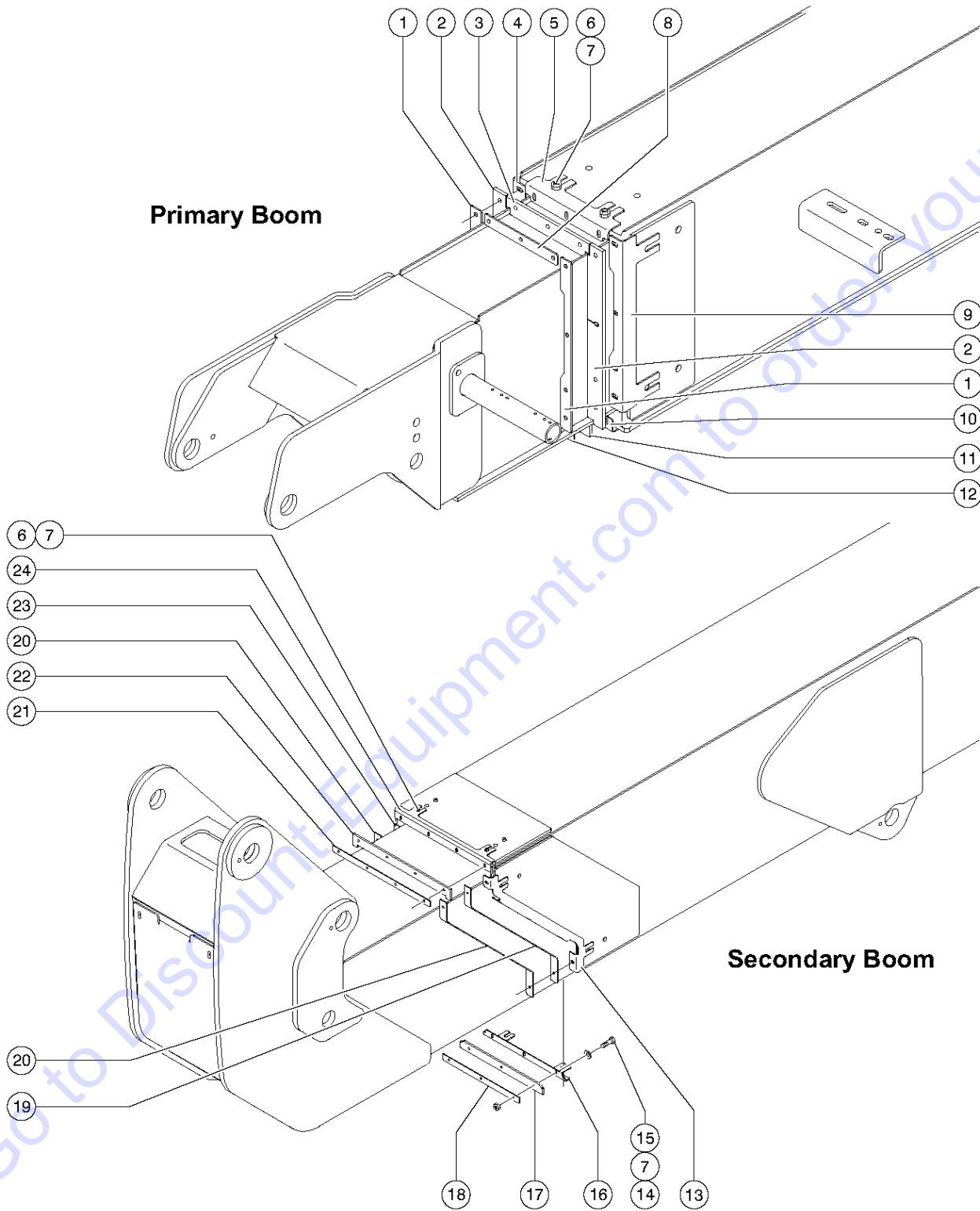
803.1 Ground and Platform Control Box Covers



803.1 Ground and Platform Control Box Covers

Item	Part No.	Description	Qty.
--	119795GT	KIT,CONTROL BOX COVER to SN 141	
--	88609-SGT	CONTROL BOX COVER ASSY*** from SN 142 to SN 599	
--	T109328GT	ACC,PLAT CONTROL COVER, SERV from SN 600	
--	102855GT	BASE & PLAT CONTROL COVERS	
1	54486GT	RIVET,ALUM,ALUM,3/16BUTTONHEAD.11	
2	111526GT	HINGE,PLAT CONTROL BOX COVER...1	
3	6889GT	NUT,LP NYLOCK,1/4-20	
4	6638GT	WASHER,FLAT,USS,1/4"Y	
5	6888GT	SCREW,HHC,1/4-20 X 1	
6	43392GT	BUMPER,BATTERY BOX & RAILS.....2	
7	30468GT	LATCH,SLIDE, FLUSH MOUNT STYLE.....2	
8	102676GT	LID ASSY,CONTROL BOX COVER PLT.....1 includes items 1, 3- 8 and 15	
--	102785PGT	CONTROL BOX COVER,LID,PTD	
9	36388GT	BUMPER,RUBBER,.75 X .50H,STUD....2	
10	63773GT	LATCH,GRND.CTRL.BOX COVER.....1	
11	63771PGT	COVER,GRND.CTRL.BOX,PAINTED....1	
12	53189GT	RIVET,ALUM,ALUM,P,.25X.375.....7	
13	63772GT	CATCH,GRND.CTRL.BOX COVER.....1	
14	88607PGT	COVER,CONTROL BOX LEFT SIDE***.....1	
--	88606PGT	COVER,CONTROL BOX RIGHT SIDE** shown	
15	102786PGT	FORMING,LATCH,CTRL BOX LID PTD.....2	

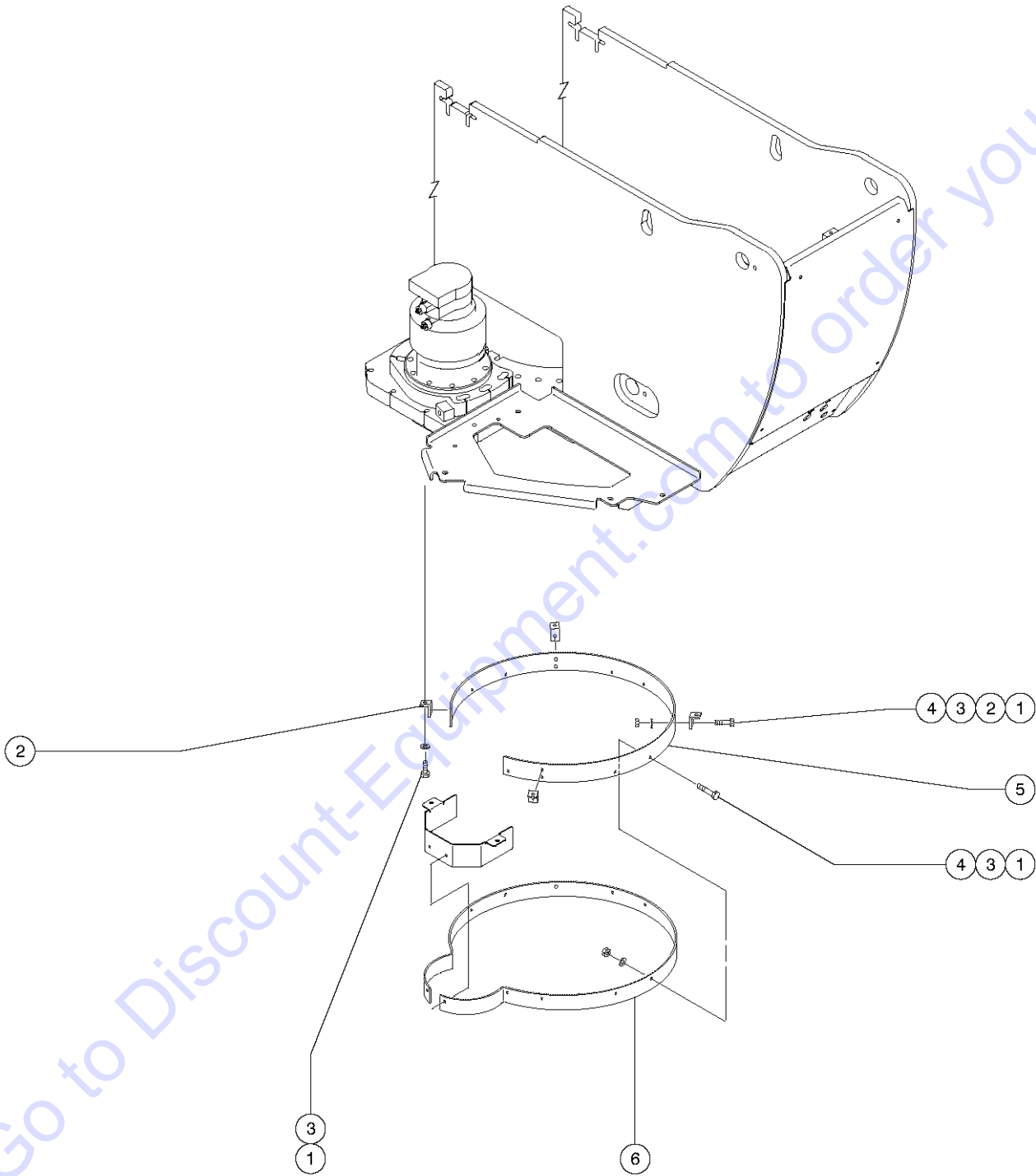
804.1 Hostile Environment Package - Primary and Secondary Boom Wipers



804.1 Hostile Environment Package - Primary and Secondary Boom Wipers

Item	Part No.	Description	Qty.
--	77783GT	OPTION,BASE CONTROL DOOR	
--	88263GT	COVER,CABLE 170.5"	
1	88427PGT	BRACKET,PRIMARY SIDE WIPER.....2	
2	88428GT	WIPER,PRIMARY BOOM SIDE.....2	
3	88425GT	WIPER,PRIMARY BOOM,TOP.....1	
4	88429PGT	BRACKET,PRIMARY SIDE WIPER LH....1	
5	88423PGT	BRACKET,PRIMARY TOP WIPER.....1	
6	6090GT	SCREW,HHC,1/4-20 X .75	
7	6638GT	WASHER,FLAT,USS,1/4"Y	
8	88424PGT	PLATE,PRIMARY TOP WIPER.....1	
9	88426PGT	BRACKET,PRIMARY SIDE WIPER.....1	
10	88430GT	BRACKET,PRIMARY BOTTOM WIPER.....1	
11	88432GT	WIPER,PRIMARY BOOM BOTTOM.....1	
12	88431PGT	PLATE,PRIMARY BOTTOM WIPER.....1	
13	88308PGT	BRACKET,WIPER,SIDE,RISER,LH.....1	
14	6878GT	BOLT,CARRIAGE,1/4-20 X .75,G2	
15	6889GT	NUT,LP NYLOCK,1/4-20	
16	88304PGT	BRACKET,RISER,BOTTOM PAINTED...1	
17	88305GT	WIPER,BOTTOM,RISER.....1	
18	88306PGT	BACKING PLATE,BOTTOM,RISER.....1	
19	88309GT	WIPER,SIDE.....2	
20	88310PGT	BRACKET,RISER SIDE WIPER.....2	
21	88303PGT	BACKING PLATE,TOP,RISER PAINTE.....1	
22	88302GT	WIPER,TOP,RISER.....1	
23	88307PGT	BRACKET,WIPER,SIDE,RISER,RH.....1	
24	88301PGT	BRACKET,WIPER,TOP,RISER PAINTE.....1	

805.1 Hostile Environment Package - Turntable

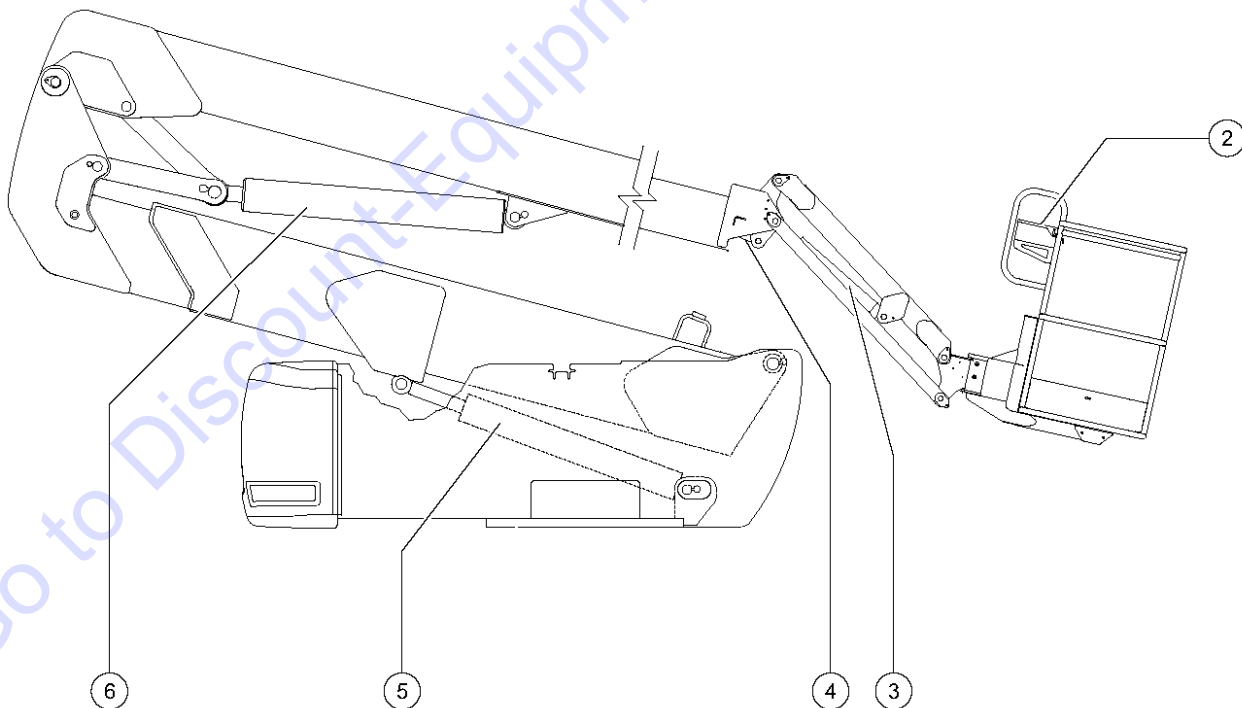
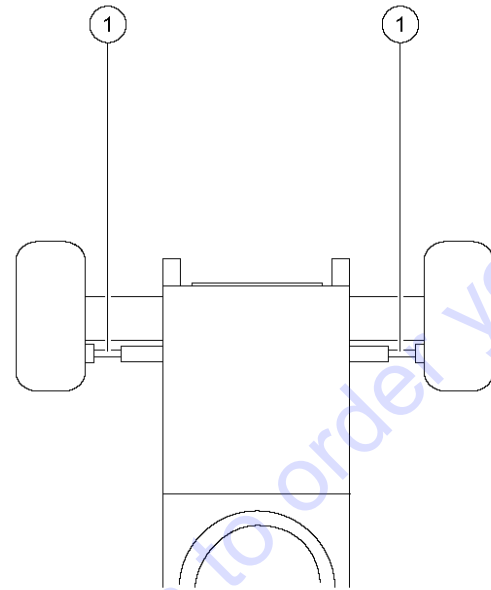
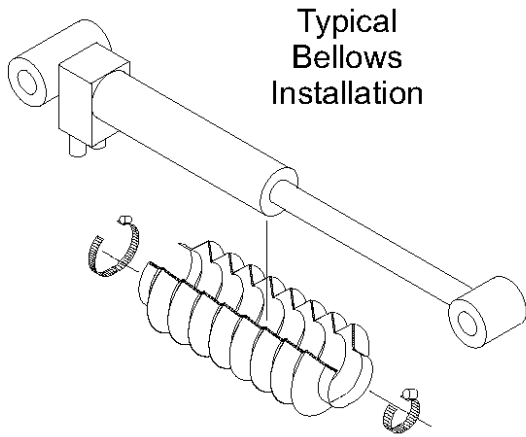


805.1 Hostile Environment Package - Turntable

Item	Part No.	Description	Qty.
1	6090GT	SCREW,HHC,1/4-20 X .75	
2	81062PGT	ANGLE,RING GUARD *PAINTED.....4	
3	6638GT	WASHER,FLAT,USS,1/4"Y	
4	6889GT	NUT,LP NYLOCK,1/4-20	
5	102485PGT	BRACKET,RING GEAR.....1	
6	102486GT	WIPER,RING GEAR.....1	

Go to Discount-Equipment.com to order your parts

806.1 Hostile Environment Package - Cylinder Bellows

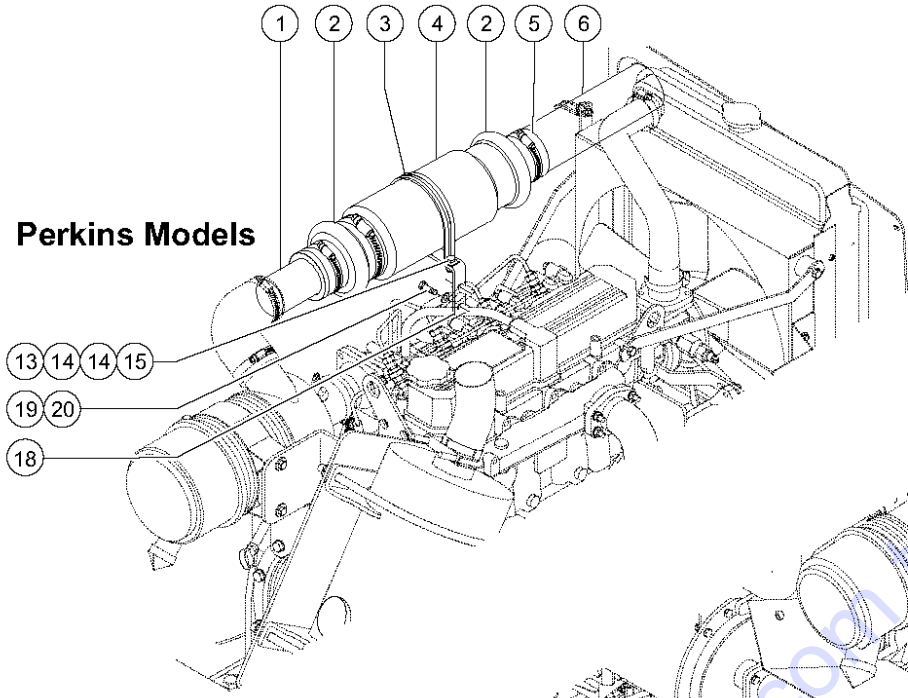


806.1 Hostile Environment Package - Cylinder Bellows

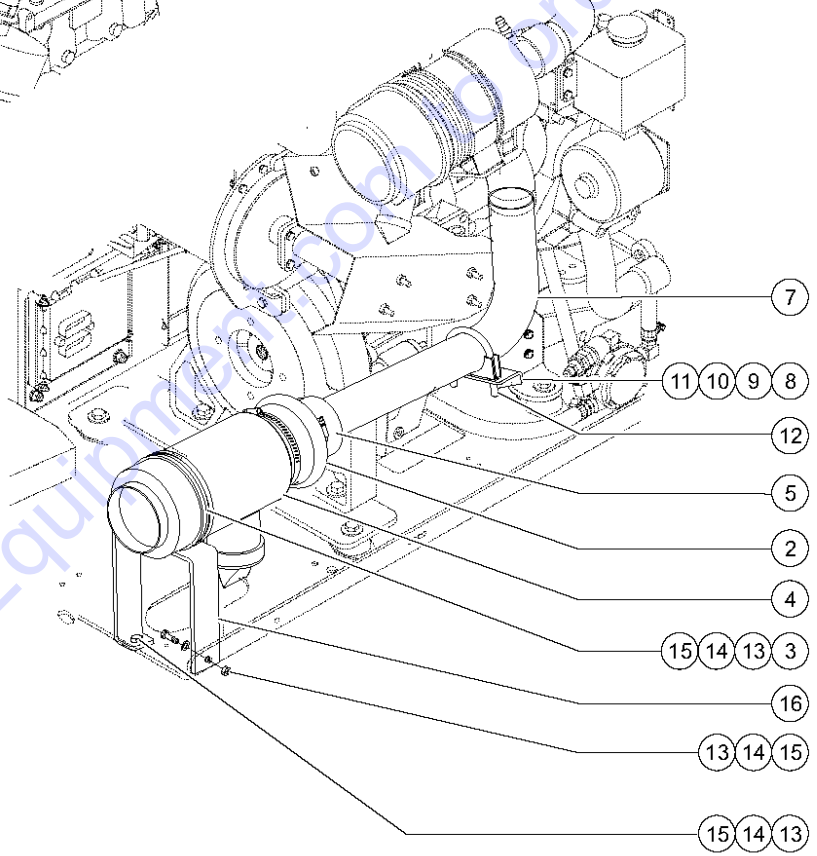
Item	Part No.	Description	Qty.
--	81700GT	COVER,PROTECTIVE,OSC.CYLINDER	
1	34533GT	COVER,PROTECTIVE,STEER CYL.....2	
--	30971GT	CLAMP,HOSE,3.00"	
--	36208GT	CLAMP,HOSE,1.25***	
2	82244GT	DECAL,PROTECTOR,CLEAR***.....1	
3	88215GT	COVER,PROTECTIVE,JIB BOOM CYL.....1	
--	30489GT	CLAMP,HOSE,3.50	
--	35434GT	CLAMP,HOSE,2.00***	
4	88216GT	COVER,PROTECTIVE,PLAT LEVL CYL.....1	
--	30489GT	CLAMP,HOSE,3.50	
--	45435GT	CLAMP,HOSE,2.50"***	
5	88214GT	COVER,PROTECTIVE,RISERLIFT CYL.....1	
--	34955GT	CLAMP,HOSE,5.00	
--	35432GT	CLAMP,HOSE,6.50	
6	88213GT	COVER,PROTECTIVE,PRI.LIFT CYL.....1	
--	31523GT	CLAMP,HOSE,8.50 DIA***	
--	34955GT	CLAMP,HOSE,5.00	

807.1 Hostile Environment Package - Engine Air Cleaners

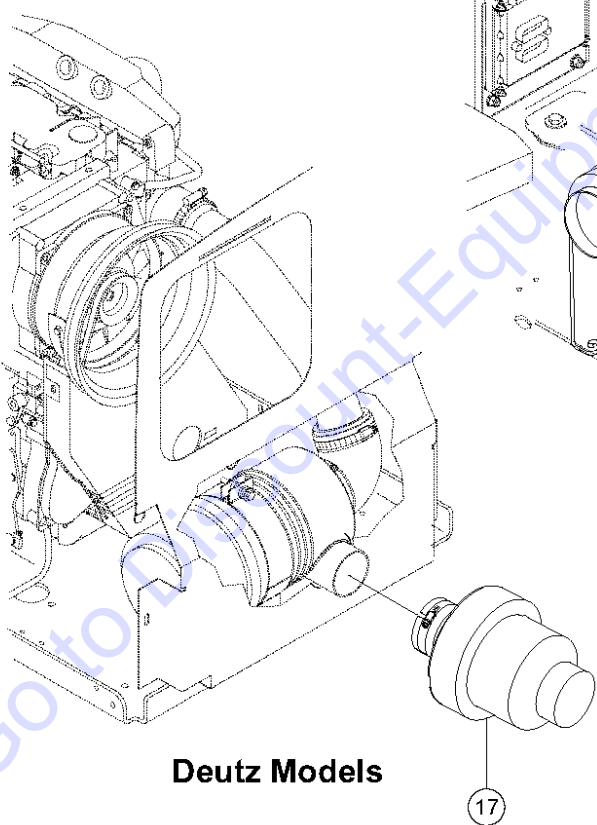
Perkins Models



Ford Models



Deutz Models

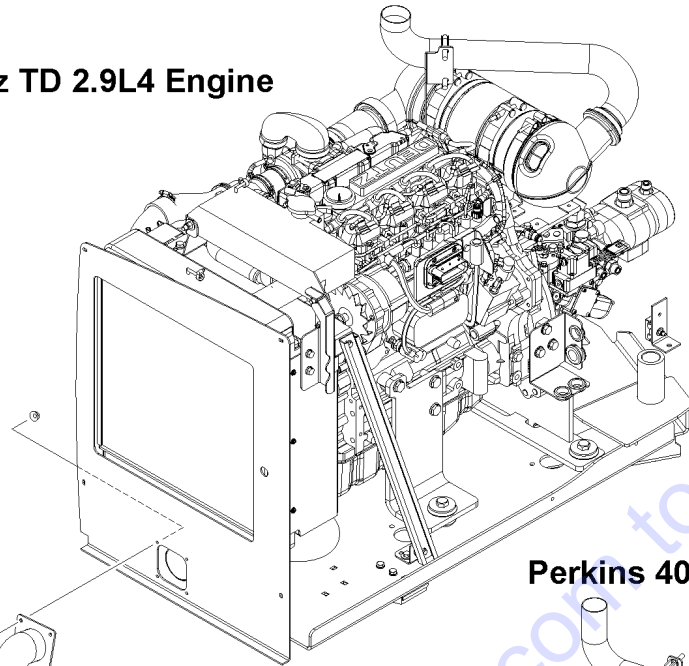


807.1 Hostile Environment Package - Engine Air Cleaners

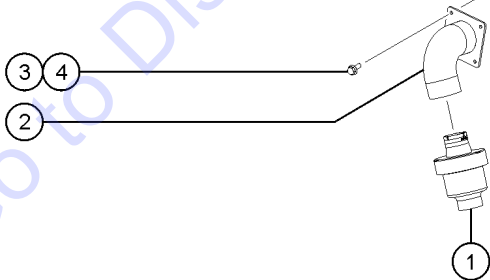
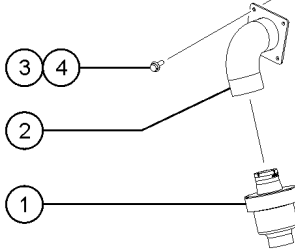
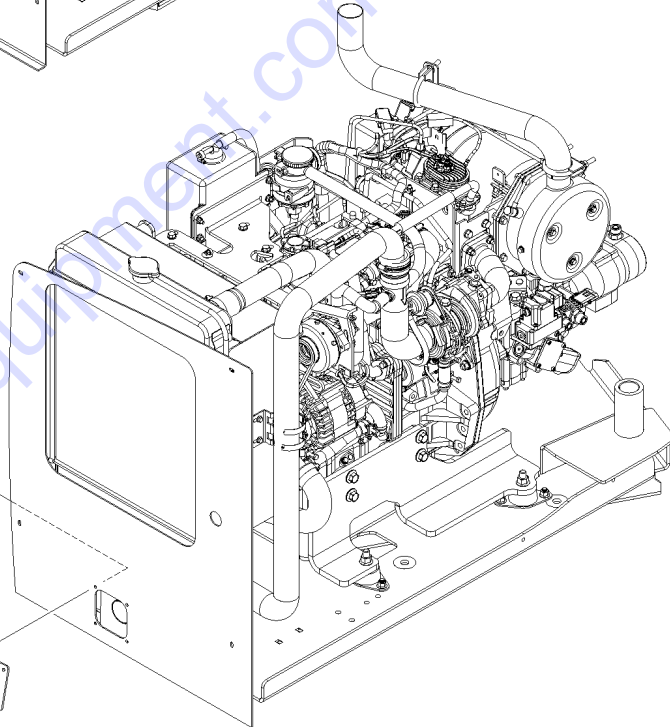
Item	Part No.	Description	Qty.
--	70228GT	HOSTILE ENVIRONMENT,PERKINS to SN 328	
--	101635GT	OPT,AIR PRECLEANER,PERKINS from SN 329	
--	70510GT	ACC,AIR PRE-CLEANER,FORD T2 to SN 432	
--		PRECLEANER OPTION,FORD,Z80 from SN 433, Part is no longer available	
--	102003PGT	FORMING,BAFFLE PLATE COVER	
--	70227GT	HOSTILE ENVIRONMENT,DEUTZ to SN 387	
--	70514GT	OPT,AIR PRECLEANER,DEUTZ from SN 388	
--	70353GT	HOSTILE ENVIRONMENT,GM	
1	94324-500GT	TUBE,RD,STL,ALUMIZD,2.5 X .065.....	1
2	88492GT	HOSE,HUMP 3" TO 4".....	2
--	30971GT	CLAMP,HOSE,3.00"	
--	34955GT	CLAMP,HOSE,5.00	
3	101639GT	CLAMP,5.38,#86 X 3/8,RUB CUSH.....	1
4	88493GT	PRECLEANER,AIR INTAKE.....	1
5	101640GT	REDUCER,RUBBER 3.0 - 2.5.....	1
6	94324-1400GT	TUBE,RD,STL,ALUMIZD,2.5 X .065.....	1
7	102713GT	TUBE,INTAKE,PRECLEANER.....	1
8	102373PGT	FORMING,INTAKE TUBE SUPPORT,PT.....	1
9	6888GT	SCREW,HHC,1/4-20 X 1	
10	6638GT	WASHER,FLAT,USS,1/4"Y	
11	6091GT	NUT,NYLOCK,1/4-20	
12	71911GT	CLAMP,MUFFLER, 2.50 INCH.....	1
13	6019GT	SCREW,HHC,3/8-16 X 1.25 GRD 5	
14	5397GT	WASHER,FLAT,USS,5/16",Y	
15	4828GT	NUT,NYLOCK,3/8-16	
16	102714PGT	FORMING,PRECLEANER SUPPORT,PNT.....	1
17	89959GT	PRECLEANER,INLINE 3".....	1
--	30971GT	CLAMP,HOSE,3.00"	
18	101612PGT	BRACKET,PRECLEANER PAINTED.....	1
19	49379GT	SCREW,HHC,M8 X 1.25 X 25	
20	33277GT	WASHER,FLAT,M8,YELLOW ZINC	

807.2 Engine Air Cleaners (Perkins 404F-22T and Deutz TD 2.9L4)

Deutz TD 2.9L4 Engine



Perkins 404F-22T Engine

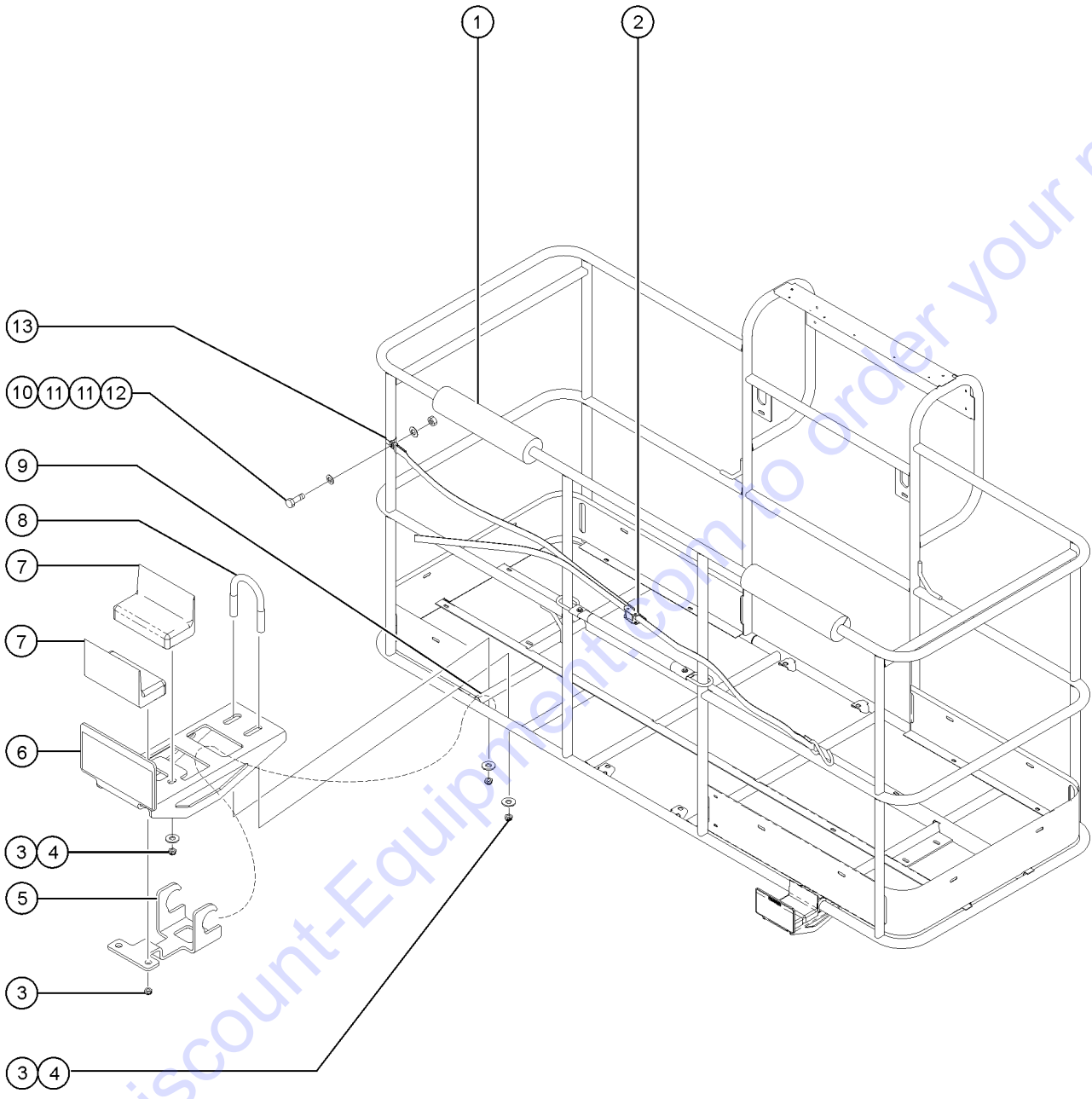


807.2 Engine Air Cleaners (Perkins 404F-22T and Deutz TD 2.9L4)

Item	Part No.	Description	Qty.
--	825947GT	OPT, PRECLEANER, DEUTZ/PERKINS	
1	89959GT	PRECLEANER, INLINE 3".....	1
--	30971GT	CLAMP, HOSE, 3.00"	
2	825948GT	WELDMENT, PRECLEANER MT, DEUTZ/PERKINS.....	1
3	121419GT	SCREW, HHF, 1/4-20 X .75.....	4
4	121421GT	NUT, FLG, 1/4-20.....	4

Go to Discount-Equipment.com to order your parts

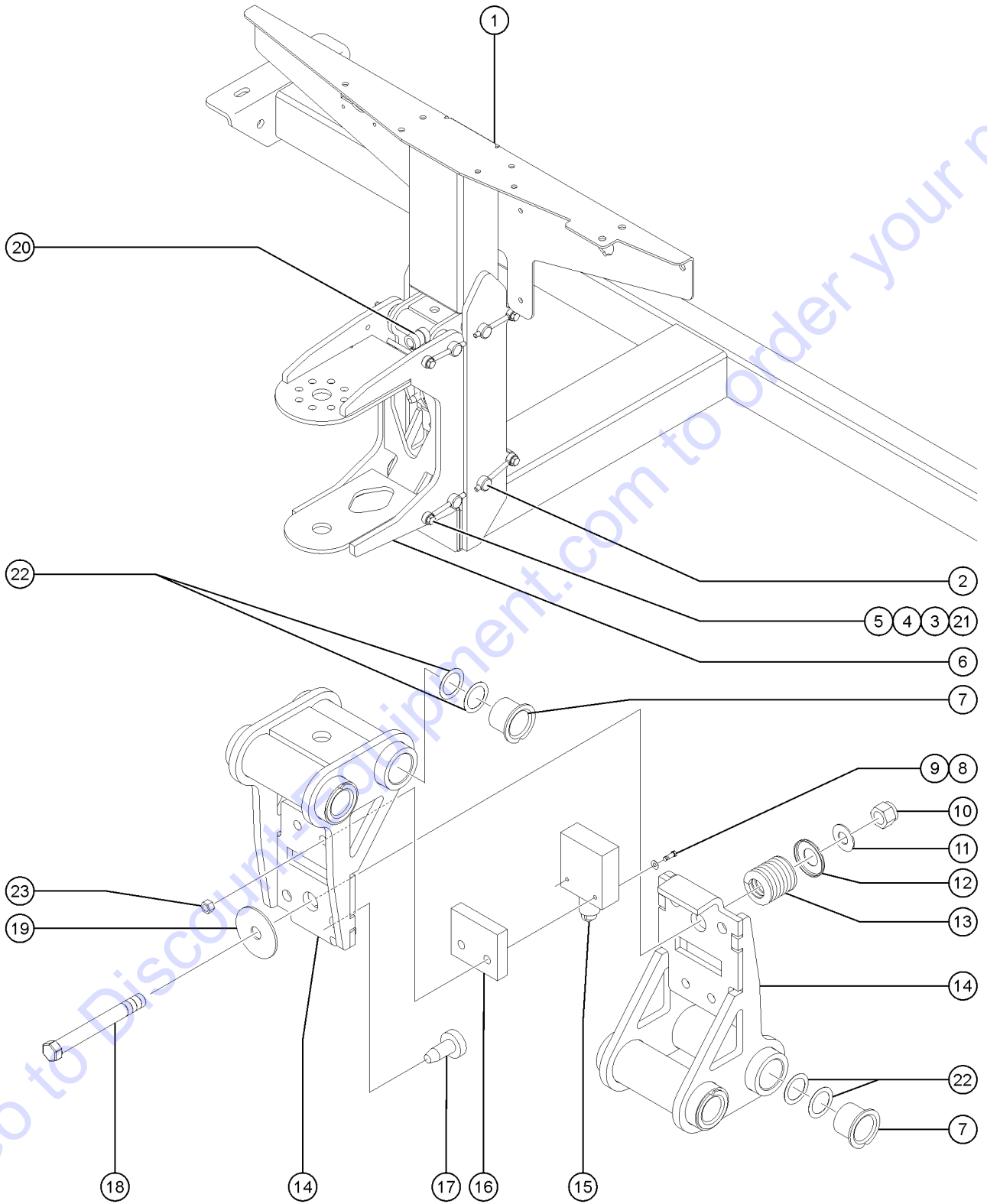
808.1 Panel Cradle Option



808.1 Panel Cradle Option

Item	Part No.	Description	Qty.
--	77683GT	ACCESSORY,PANEL CRADLE,ANSI (ANSI/CSA models)	
--	94493-SGT	KIT,PANEL CRADLE,CE (CE models) Not allowed for AUS installation	
1	88377-1400GT	FOAM PAD, 3" OD X 1.25" ID X 14 IN.....2	
2	77664GT	ADJUSTABLE STRAP ASSY.....1	
3	1274322GT	NUT,NYLOCK FLG,3/8-16,F,ZAG.....8	
4	5397GT	WASHER,FLAT,USS,5/16",Y for machines before 2010	
5	228849GT	FORMING,SECONDARY SUPPORT.....2 77576P is no longer available. For machines before 2010, must install Qty 2 service kit 233992 (ANSI) or 233993 (CE) for initial replacement.	
6	228848GT	FORMING PANEL CRADLE.....2 89724 is no longer available. For machines before 2010, must install Qty 2 service kit 233992 (ANSI) or 233993 (CE) for initial replacement.	
--	233992GT	KIT,PANEL CRADLE BRACKET,WORD.....1 (ANSI models) (includes hook, panel support bracket and installation instructions)	
--	233993GT	KIT,PANEL CRADLE BRACKET,SYMBL.....1 (CE models) (includes hook, panel support bracket and installation instructions)	
7	56934GT	PAD,REST,1"THICK,FLANGED.....4	
7A	824038GT	NUT, TL JAM, 3/8-16, A, ZAG.....4 for 56934	
8	1251600GT	U-BOLT, FLATTENED, 1.5 X 3/8 UNC,ZAG.....2	
9	73463-1175GT	TUBE, RD, ALUM, 1.25 X .083 X 11.75...2	
10	1256855GT	SCREW,HHF,1/4-20X.625,8,ZAG.....1	
11	6638GT	WASHER,FLAT,USS,1/4"Y for machines before 2010	
12	1277924GT	NUT,NYLOCK FLG,1/4-20,F,ZAG.....1	
13	56424GT	CLAMP,1.25X.5 RUBBER-CUSHION.....1	

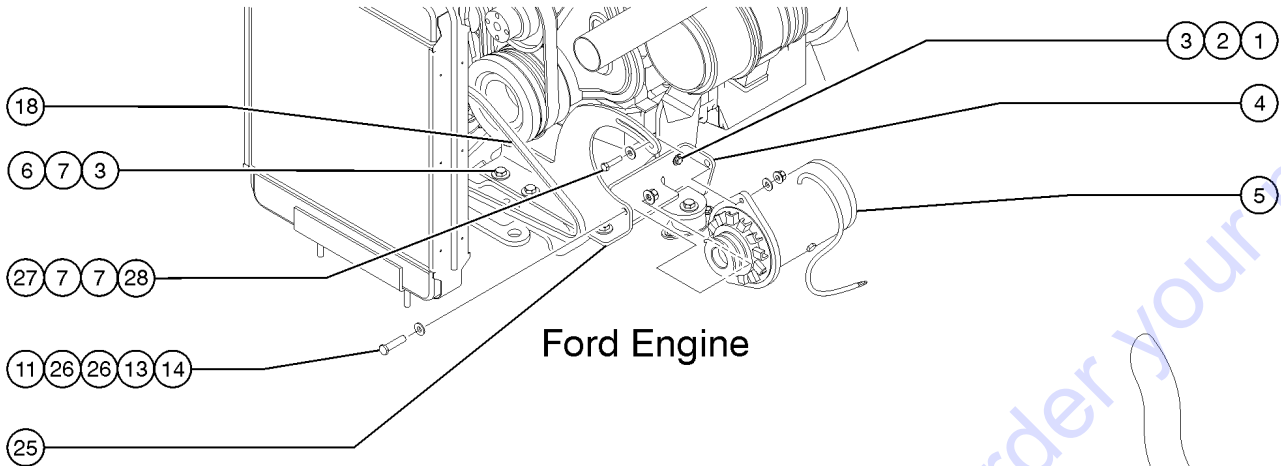
809.1 Platform Overload - European Models



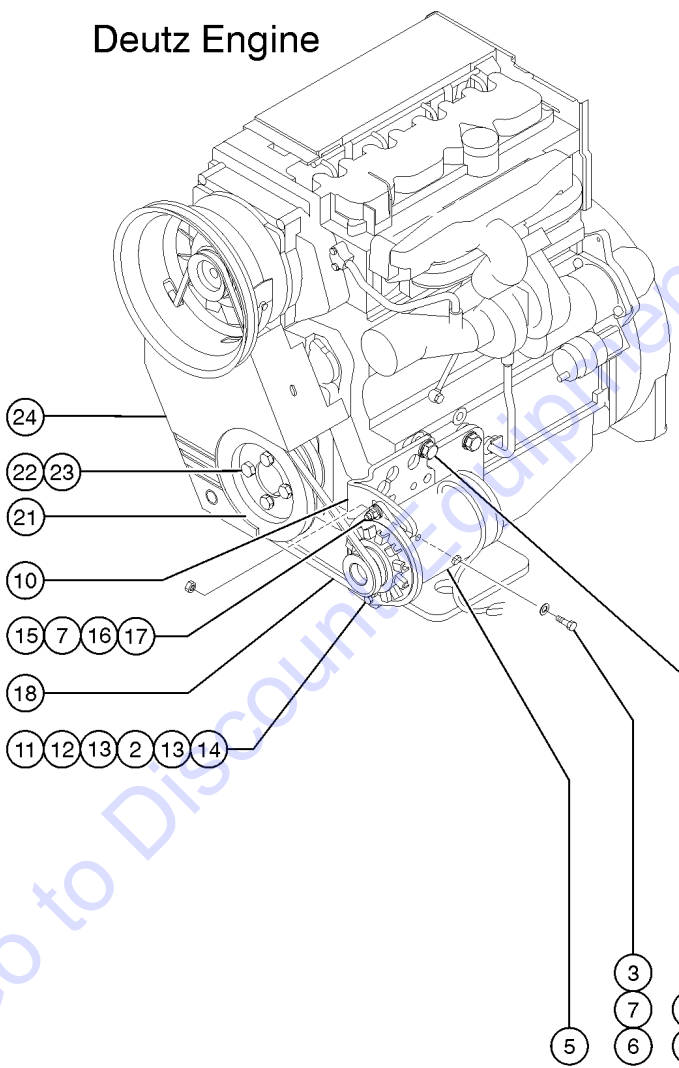
809.1 Platform Overload - European Models

Item	Part No.	Description	Qty.	Item	Part No.	Description	Qty.
--	94448GT	FIELD KIT,PLAT LOAD SENSE,Z80* to SN 229		--	824095GT	SCREW,HHF,3/8-16X3,8,ZAG from SN 5630	
--	94460-SGT	KIT,LOAD SENSE MECHANICAL,LRG this kit doesn't include item 15; from SN 230		19	80605GT	WASHER,FLAT,3/8X1.5X.06 to SN 5629	
--	119672GT	CE FIELD SHIM KIT LOAD SENSE field shim kit, includes items 7 and 22		20	45470GT	CLAMP,0.31,#5 X 1/4,RUB CUSH.....1	
1	61997GT	WELDMENT,PLATFORM SUPPORT,CE.....1 European Models		--	824027GT	NUT,TL FLG,1/4-20,G,ZAG	
2	61726GT	PIN,0.75DIAX5.75LG,CHAMFER.....4		--	824078GT	SCREW,HHF,1/4-20X.75,8,ZAG	
--	94643GT	ZERK,GREASE,5/16-24,STRAIT		21	6638GT	WASHER,FLAT,USS,1/4"Y to SN 5629	
3	8915GT	SCREW,HHC,1/4-20 X 1.25 to SN 5629		22	110789GT	WASHER,SHIM .0151 THK.....16	
--	824061GT	SCREW,HHC,1/4-20X1.25,8,ZAG from SN 5630		23	5365GT	NUT,NYLOCK,10-24 to SN 5629	
4	45748GT	ROD END,.250 X 2.75 LG.....4 to SN 5629		--	824032GT	NUT,TL FLG,10-32,F,ZAG from SN 5630	
--	825020GT	ROD END,.25 X 2.75, ZAG from SN 5630					
5	6091GT	NUT,NYLOCK,1/4-20 to SN 5629					
5	824027GT	NUT,TL FLG,1/4-20,G,ZAG from SN 5630					
6	101845GT	ROTATOR MOUNT KIT.....1					
7	25685GT	BEARING,GARLOCK,12FDU12.....8					
8	51063GT	SCREW,PHILLIPS,RHM,10-32 X 1.5 to SN 5629					
--	1257264GT	SCREW,BHC,10-32X1.5,F835,ZAG from SN 5630					
9	6146GT	WASHER,FLAT,MS,#10,Y to SN 5629					
10	4828GT	NUT,NYLOCK,3/8-16 to SN 5629					
--	824029GT	NUT,TL FLG,3/8-16,G,ZAG from SN 5630					
11	6097GT	WASHER,FLAT,USS,3/8",Y to SN 5629					
12	61975GT	RETAINER,SPRING,1.21 X .375.....1					
13	61974GT	SPRING,COMP,1" OD,232 LB/IN.....1					
14	89755GT	LOAD SUPPORT W/BEARINGS.....2 includes item 7 and 22					
15	94549GT	SWITCH,LOAD LIMIT.....1 to SN 2510					
--	146399GT	ASSY, LS, LOAD SENSE, ALC1000 from SN 2511					
16	61972GT	MOUNT,SWITCH.....1					
17	34619GT	BUMPER,RUBBER***.....2					
18	21604GT	SCREW,HHC,3/8-16 X 3.25 to SN 5629					

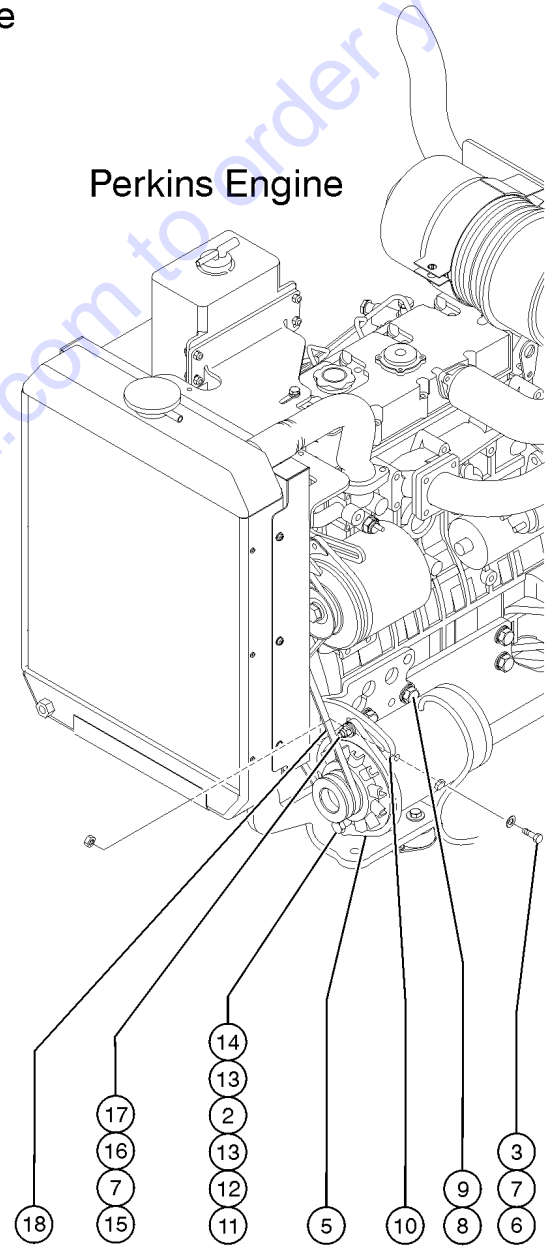
810.1 Belt Driven Generator Option - View 1 (to SN 3139)



Deutz Engine



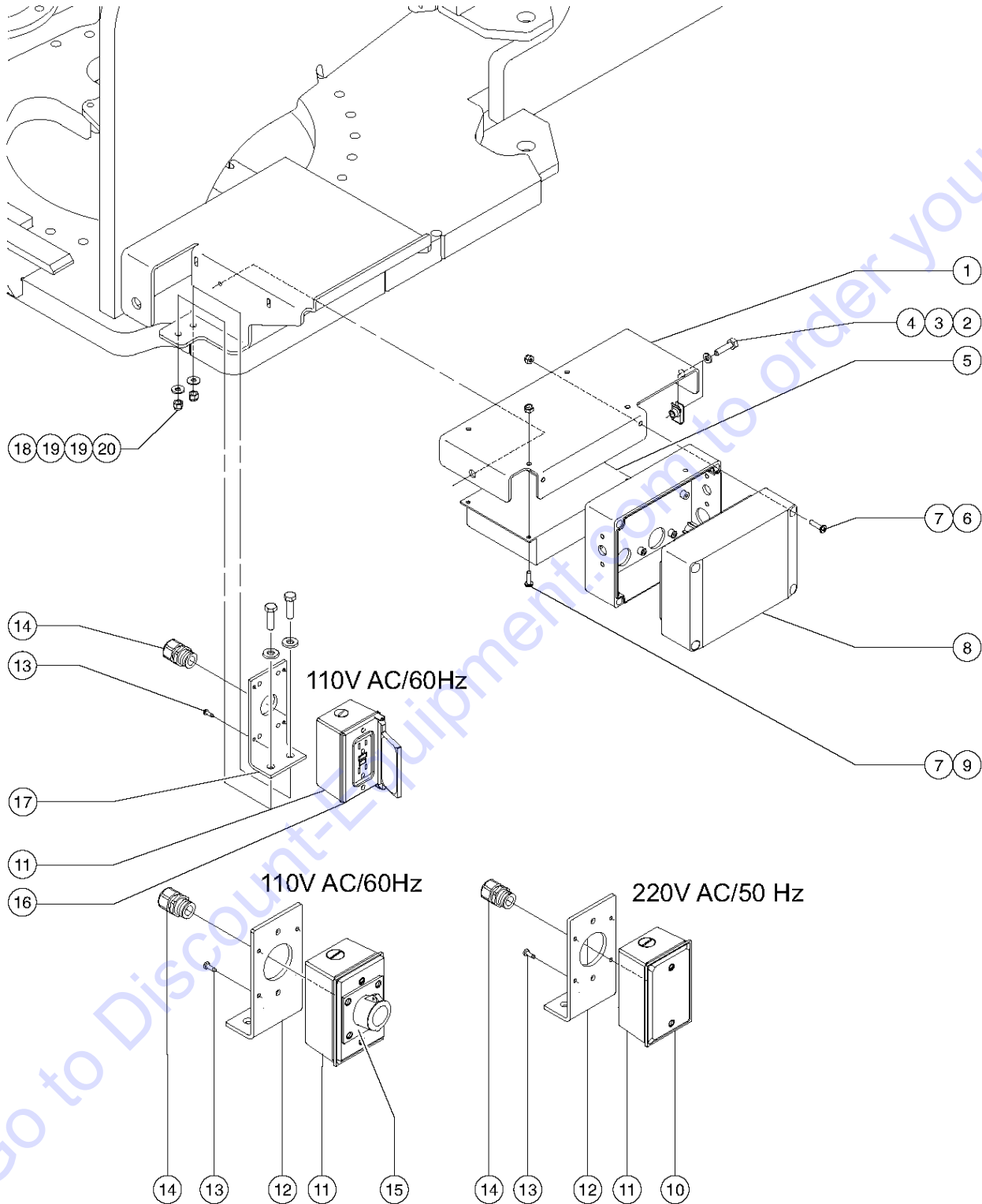
Perkins Engine



810.1 Belt Driven Generator Option - View 1 (to SN 3139)

Item	Part No.	Description	Qty.	Item	Part No.	Description	Qty.
--	88374GT	PULLEY,PERKINS Generator Option, 3000W, 220V/50Hz; Perkins models; to SN 413		--	89894PGT	BRACKET,GENERATOR-DEUTZ Deutz models; to SN 387 to 3139	
--	102346GT	PULLEY KIT,PERKINS 804 Generator Option, 3000W, 220V/50Hz; Perkins models; from SN 414 to 3139		11	81852GT	SCREW,HHC,7/16-14 X 1.75	
--	70484GT	PULLEY,GENERATOR,FORD Generator Option, 3000W, 220V/50Hz; Ford models		12	45400GT	SPACER TUBE,.50 LG	
--	88352GT	PULLEY,GM Generator Option, 3000W, 220V/50Hz; GM models		13	20912GT	WASHER,LOCK,.437,PLTD.	
--	58312GT	BOLT,PULLEY,GM Generator Option, 3000W, 220V/50Hz; GM models		14	6083GT	NUT,HEX,7/16-14	
--	88201PGT	FORMING,GENERATOR MOUNT Generator Option, 3000W, 220V/50Hz; GM models		15	60790GT	BOLT, CARRIAGE, 3/8-16 X 1.50, G5	
--	88202PGT	TENSION ARM,GENERATOR Generator Option, 3000W, 220V/50Hz; GM models		16	6021GT	WASHER,LOCK,.375	
--	88374GT	PULLEY,PERKINS Generator Option, 3500W, 110V/60Hz; Perkins models; to SN 413		17	6022GT	NUT,HEX,3/8-16	
--	70221GT	GM GENERATOR,3500W 110/60-W/RG Generator Option, 3500W, 110V/60Hz; GM models		18	61113GT	BELT,AX35.....1 Perkins models; to SN 328	1
1	13918GT	SCREW,HHC,3/8-16 X 1.75,GRD.8.....2	2	--	106535GT	BELT,AX33*** Deutz models; from SN 388 to 3139	
2	6097GT	WASHER,FLAT,USS,3/8",Y		--	1251542GT	V BELT, COGGED, AX32 GM models	
3	4828GT	NUT,NYLOCK,3/8-16		--	61114GT	BELT,AX36 Perkins models; from SN 413 to 3139	
4	70398PGT	FORMING,GENERATOR MOUNT PAINTD.....1 Ford models	1	--	75053GT	BELT,AX38*** Deutz models; to SN 387	
5	89908GT	GENERATOR,3000W,220V,50HZ***.....1	1	--	94600GT	BELT, (NAPA 9360) Ford models	
--	102681GT	PULLY, GNRTR,220V,50HZ(89908) for 89908 generator		19	22558GT	SCREW,HHC,M14 X 40MM,GR 8.8	
--	60707GT	GENERATOR,3500W,120V,60HZ**		20	49411GT	WASHER,FLAT,M14	
--	146062GT	PULLY,GNRTR,120V,60HZ(60707) for 60707 generator		21	70389GT	PULLEY,DEUTZ.....1 Deutz models	1
6	8516GT	SCREW, HCC, 3/8-16 X 1.50		--	81069GT	SPACER,PULLEY,DEUTZ GEN	
7	5397GT	WASHER,FLAT,USS,5/16",Y		22	22697GT	SCREW,HHC,M10 X 65MM,GR8.8.....4	4
8	49381GT	SCREW,HHC,M12 X 30		23	22700GT	WASHER,LOCK,M10	
9	49410GT	WASHER,FLAT,M12		24	106740GT	COVER,REWORK,DEUTZ GENERATOR.....1 Deutz models	1
10	88174PGT	FORMING,PERKIS GEN.BRKT.PAINT....1 Perkins models; to SN 387	1	25	70399PGT	FORMING,GENERATOR MOUNT PAINTD.....1 Ford models	1
--	119533PGT	FORMING,GENERATOR MOUNT,PTD Perkins models; from SN 388 to 3139		26	11209GT	WASHER,FLAT,USS,7/16",Y	
--	119578GT	BELT GEN BRKT UPGRADE KIT Deutz models; from SN 388 to SN 1127 to 3139		27	14723GT	SCREW,HHC,5/16-18 X 1.75	
--	81466GT	BRACKET,GENERATOR MOUNT Deutz models; to SN 387		28	6782GT	NUT,NYLOCK,5/16-18	

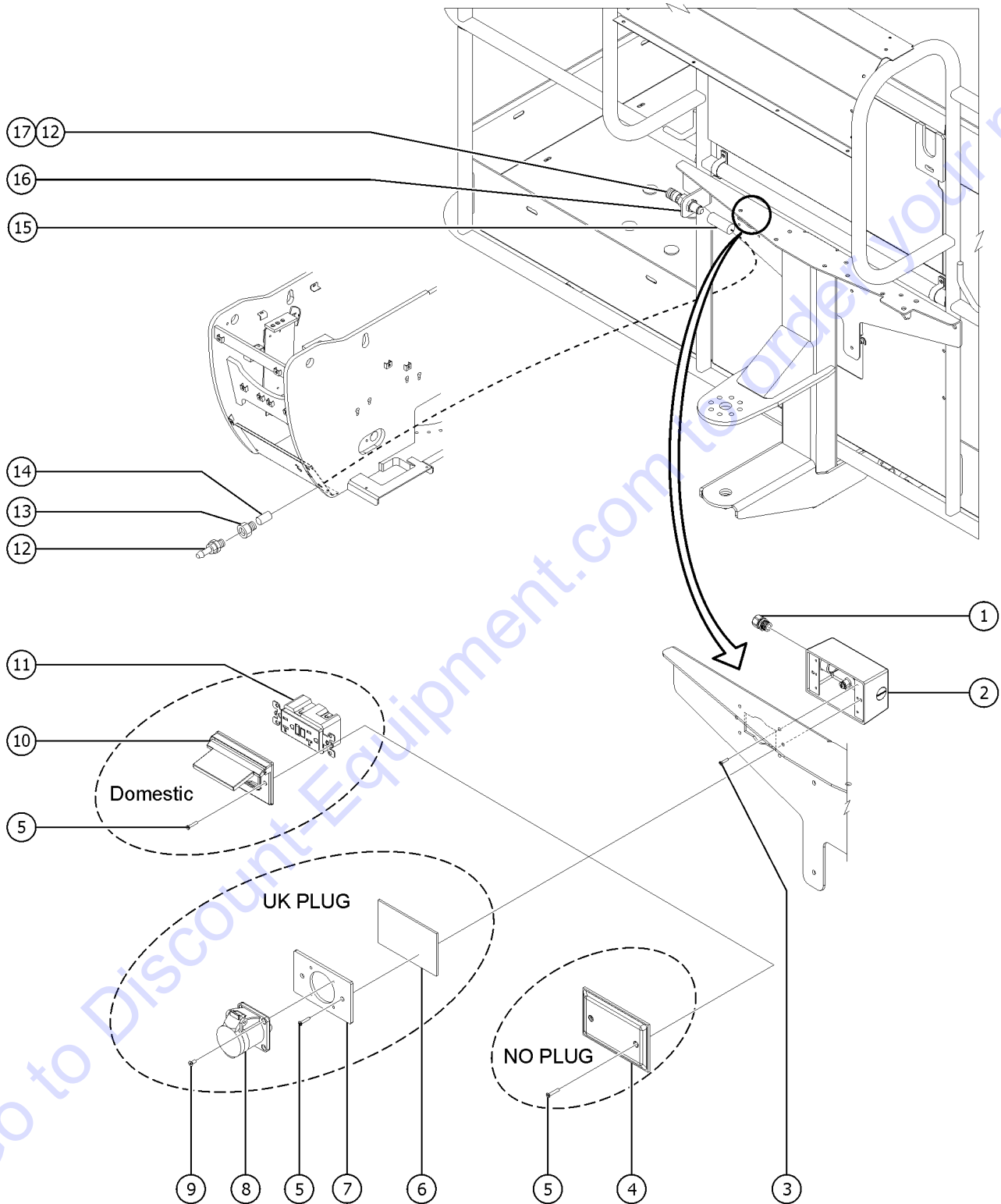
811.1 Belt Driven Generator Option - View 2 (to SN 3139)



811.1 Belt Driven Generator Option - View 2 (to SN 3139)

Item	Part No.	Description	Qty.
1	81850PGT	FORMING,REGULATOR MOUNT PAINTD.....	1
2	6888GT	SCREW,HHC,1/4-20 X 1	
3	6356GT	WASHER,LOCK,.25	
4	56912GT	SPRING CLIP,1/4-20,.025-.15X.54,ZAG	
5	60739GT	VOLTAGE REGULATOR,220V.....	1
--	60738GT	VOLTAGE REGULATOR,110V	
6	49816GT	SCREW,PHILLIPS,PHM,10-32 X .75	
7	6178GT	NUT,NYLOCK,10-32	
8	81559GT	HARNESS for GENERATOR W/REG.220V..... <i>(Harness only, for BD generator)</i>	1
--	60891GT	ENCLOSURE,GENERATOR BOX	
--	81558GT	HARNESS for GENERATOR W/REGULATOR <i>(Harness only, for BD generator)</i>	
9	49826GT	SCREW,PHILLIPS,PHM,10-32 X.625	
10	10777GT	COVER,BLANK.....	1
--	33724GT	KIT,GASKET,UK POWER TO PLAT.	
--	81458GT	GASKET, UK POWER TO PLAT	
11	10775GT	T-BOX,2.75 X 4.5 X 2.0.....	1
12	81570GT	BRACKET,POWER TO PLAT, UK.....	1
13	57075GT	SCREW,PHIL,8-32X.50,SELF TAP	
14	7056GT	CONN,SQUEEZE,1/2NPT .38-.50,SM....	2
--	7935GT	Locknut, Electric, 1/2 inch	
15	T112563GT	SVC KIT,UK RECEPT.REPLACEMENT..... <i>European Models</i>	1
--	33724GT	KIT,GASKET,UK POWER TO PLAT.	
--	81458GT	GASKET, UK POWER TO PLAT	
--	96236GT	PLATE,AC ADAPTER,DIN/UK****	
16	74006GT	COVER,GFCI,HORIZONTAL,WEATHER.1	
--		HOUSING,LIGHT FIXTURE(57449) <i>component no longer available</i>	
--	13585GT	OUTLET, 110V <i>USA/Canadian Models</i>	
17	81096GT	BRACKET,POWER TO PLAT, DOM.....	1
18	4828GT	NUT,NYLOCK,3/8-16	
19	6097GT	WASHER,FLAT,USS,3/8",Y	
20	8516GT	SCREW, HCC, 3/8-16 X 1.50	

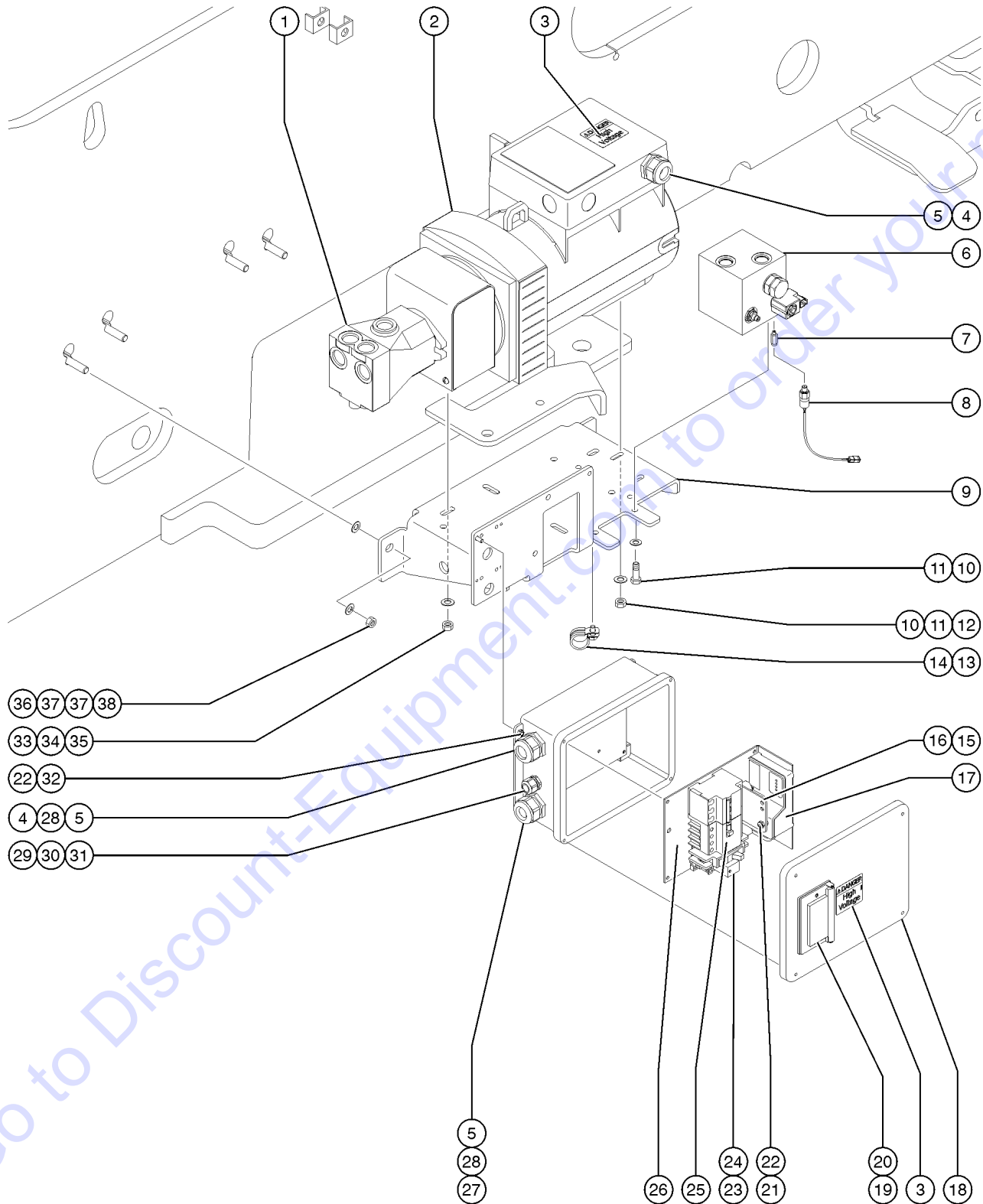
812.1 Air Line to Platform



812.1 Air Line to Platform

Item	Part No.	Description	Qty.
A	88295GT	Z80 AIRLINE TO PLATFORM,1/2"ID	
B	44981GT	DECAL,LABEL, AIR LINE 110 PSI	
C	45454GT	CLAMP,RUB CUSH,0.75,#12 X 3/8*	
D	1269052GT	SHRINK TUBE, CAP, BLACK, 0.86".....1 (no plug)	
E	144161GT	PLUG,PWR,UK,16AMP,3PIN,BLK.....1 (UK Plug)	
F	6595GT	PLUG,ELECTRICAL,DOMESTIC.....1 (domestic)	
1	7056GT	CONN,SQUEEZE,1/2NPT .38-.50,SM....1	
2	10775GT	T-BOX,2.75 X 4.5 X 2.0.....1	
--	1284310GT	HARNESS, JUMPER, GND, TBOX	
3	63375GT	SCREW,FHM,6-32 X .75.....4	
4	10777GT	COVER,BLANK.....1	
5	1253489GT	SCREW,FHPM,6-32X.75,ZAG.....2	
6	74052GT	GASKET,COVER,GFCI,WEATHERPROOF.1	
7	T112561GT	PLATE,UK,POWER TO PLAT.....1	
8	T112560GT	RECEPTACLE,UK,110V.....1	
9	1255788GT	SCREW,FHPM,8-32X.375,ZAG.....4	
10	74006GT	COVER,GFCI,HORIZONTAL,WEATHER.1	
11	80543GT	RECEPTACLE, 120VAC, 20A, GFCI.....1	
12	49214GT	MALE PIPE THD,1/4" SER,3/8"X18	
13	49212GT	FEMALE BULKHEAD CONNECTOR-8	
14	88300-36900 GT	HOSE ASSY. 1/2" AIR LINE.....1	
15	88299-82400 GT	HOSE ASSY. 1/2" AIR LINE.....1	
16	60886PGT	BRACKET,AIRLINE TO PLATFORM.....1	
17	49215GT	MPT,CPLR,1/4"SER,3/8"X18.....1	

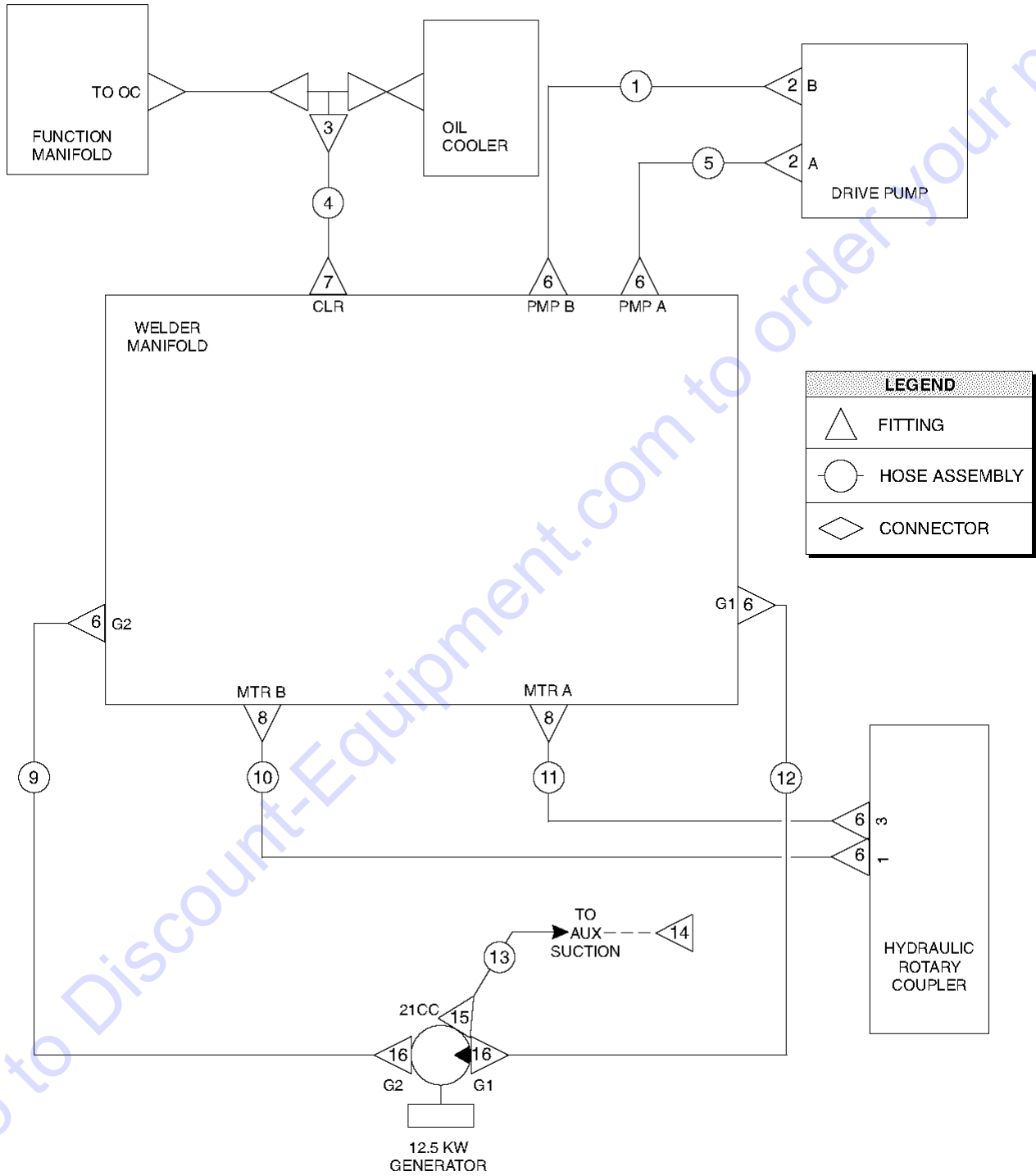
813.1 Welder Option - Hydraulic Generator, Chassis Components



813.1 Welder Option - Hydraulic Generator, Chassis Components

Item	Part No.	Description	Qty.	Item	Part No.	Description	Qty.
--	228878GT	KIT BONDED WELD LEADS Z80 <i>(welder cable kit option only); from SN 3430</i>		12	6782GT	NUT,NYLOCK,5/16-18	
--	228872GT	CABLE,2/0 WELD LEAD,TWIN Z80L <i>(part of kit option 228878); from SN 3430</i>		13	49863GT	CLAMP,1.13,#18 X 3/8,RUB CUSH*.....1	
--	228873GT	CABLE,2/0 WELD LEAD,TWIN Z80U <i>(part of kit option 228878); from SN 3430</i>		14	10107GT	SCREW,HHC,5/16-18 X .75	
--	226505GT	HARNESS,WELD GENERATOR,Z80		15	106140PGT	BRACKET,1K OHM 10-TURN POT,PNT.....1	
--	226503GT	HARNESS,WELD GEN ENCLOSURE		16	102357GT	POTENTIOMETER ASSY, WELDER.....1	
--	13097GT	FUSE,10 AMP		17	106658GT	MODULE,SX CONTROLLER,LOW AMP.....1	
--	106115GT	WIRE CABLE 8/4 CON.SO...840.0-inches <i>(welder ready option)</i>		18	229346GT	ASSY,ENCLOSURE,WELDER,GEN.....1 <i>includes items 15-31</i>	
1	106184GT	MOTOR,HYD 12.5KW GEN,21CC***.....1		19	74006GT	COVER,GFCI,HORIZONTAL,WEATHER.1 <i>includes mounting hardware</i>	
--	162006GT	SEAL KIT,HYD MOTOR(106184) <i>for motor 106184</i>		20	13585GT	OUTLET, 110V.....1	
2	106113GT	GENERATOR,HYDRO-12KEP-21-3.....1 <i>includes item 1</i>		21	36294GT	SCREW,HHC,1/4-20 X 2.75	
--	106274GT	GENERATOR,12.5 KW,W/O MOTOR***		22	6889GT	NUT,LP NYLOCK,1/4-20	
--	122300GT	COVER,WELDER GENERATOR		23	33607GT	RELAY,OMRON,DPDT,12V.....1	
--	T111766GT	MOTOR MOUNT COUPLER (106274)....1		24	33608GT	RELAY,SOCKET,OMRON.....1	
--	T113655GT	COUPLING, 28MM (106113)		25	106477GT	GFI/CIRCUIT BREAKER ASSEMBLY.....1	
--	T114022GT	SPIDER (106113)		--	106375GT	GFCI,50A, 3PH	
--	T114023GT	COUPLING (106113)		--	227425GT	CIRCUIT BREAKER, 35A 3PH	
3	82237GT	DECAL,DANGER,HIGH VOLTAGE.....2		26	102314GT	PANEL, ENCLOSURE, LINCO WELDER.....1	
4	20776GT	CABLE SQUEEZE CONN.....1		27	106077GT	CABLE SQUEEZE CONN .63-.75.....1	
5	18665GT	LOCKNUT,ELECTRIC,1" NPT.....3		28	106104GT	O-RING,SEAL RING,1" NPT (PKG OF 10).....2	
6	101516GT	MANIFOLD,DRIVE OIL DIVERTER.....1		29	7057GT	CONN. SQZ,1/2NPT .39-.56 MED.....1	
--	102746GT	VALVE,PILOT OPER DIRECTIONAL		30	56237GT	O-RING,ORFS,-12.....1	
--	106394GT	ORIFICE DISC,.030,CONE		31	6935GT	LOCKNUT,ELEC,1/2".....1	
--	122302GT	RELIEF,VALVE 270 PSI		32	6090GT	SCREW,HHC,1/4-20 X .75	
--	128416GT	SEAL KIT <i>use with part 94757</i>		33	4828GT	NUT,NYLOCK,3/8-16	
--	128419GT	SEAL KIT <i>use with part 94760</i>		34	6097GT	WASHER,FLAT,USS,3/8",Y	
--	94757GT	VALVE,CHECK,3 PSI***		35	8516GT	SCREW, HCC, 3/8-16 X 1.50	
--	94759GT	NUT,SOLENOID		36	6198GT	NUT,NYLOCK,1/2-13	
--	94760GT	VALVE,SOLENOID,10V,W/OUT COIL*		37	13066GT	WASHER,FLAT,.5 HARDENED.....4	
--	94765GT	COIL-10V DC***		38	39479GT	SCREW,HHC,1/2-13 X 2.75	
7	146285GT	CONN, SAE#4-1/4" NPT.....1					
8A	146284GT	SWITCH,PRESS,#4NPT,200PSIF.....1 <i>for first time replacement, order service kit 1273916GT.</i>					
8B	1273916GT	KIT, PRESSURE SWITCH, GENERATOR <i>includes pressure switch, hose, fittings and installation instructions</i>					
9	102276PGT	BRACKET,GENERATOR 12KW,PTD.....1					
10	13002GT	SCREW,HHC,5/16-18 X 1 GR5					
11	5397GT	WASHER,FLAT,USS,5/16",Y					

814.1 Welder Option, Hoses and Fittings

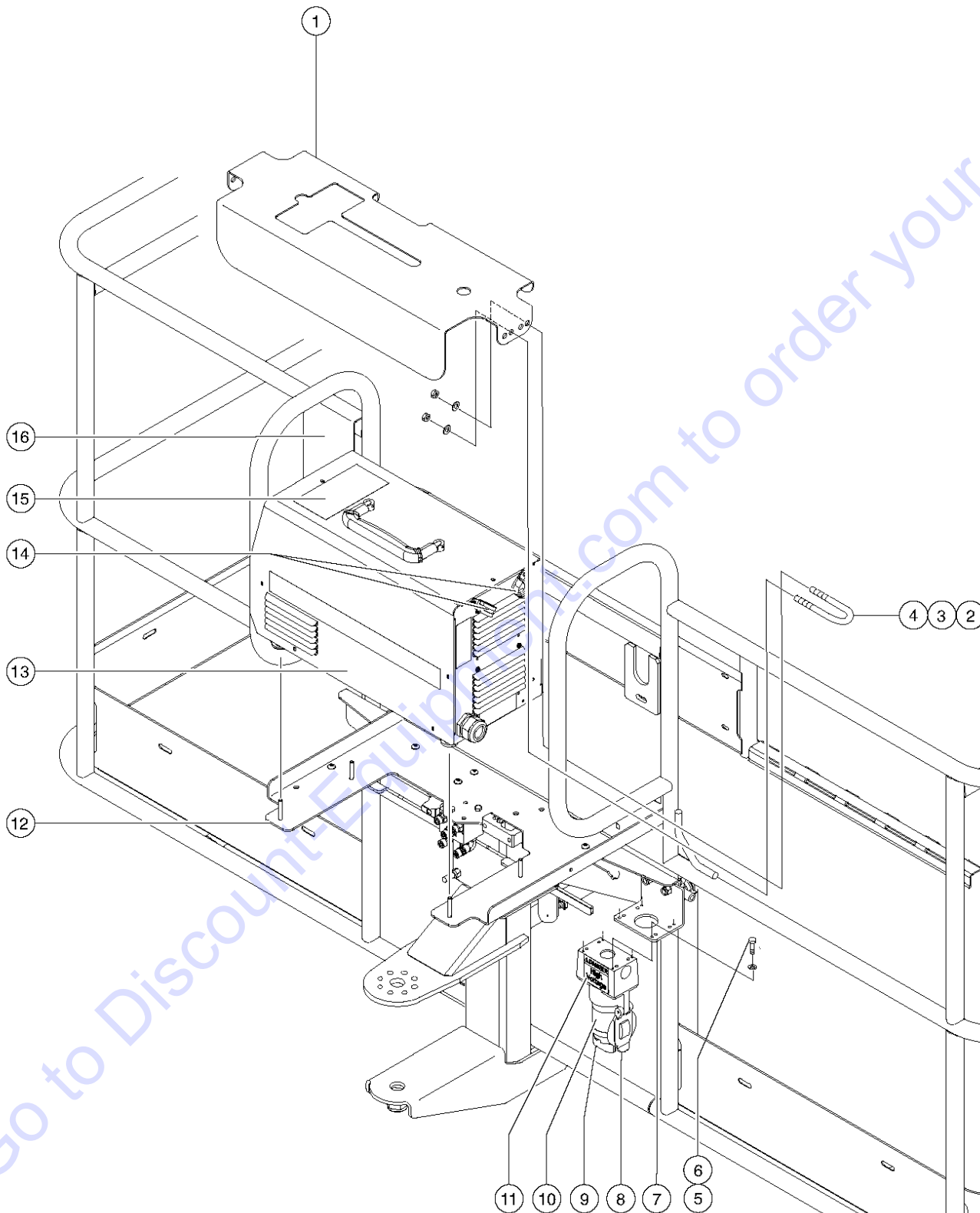


814.1 Welder Option, Hoses and Fittings

Item	Part No.	Description	Qty.
1	94374-3530GT	HOSE ASSY,3/4,90 FEM,STR FEM.....1	
2	48978GT	ELBOW,45D,520320-12-16.....2	
3	48964GT	FITTING,TEE,RUN,SWIVEL52043212....1	
4	49143-11229GT	HOSE ASSY 1/2, 90 FEM, STR FEM.....1	
5	94374-3730GT	HOSE ASSY 3/4, 90 FEM,STR FEM.....1	
6	48963GT	FITTING,ELBOW,45D,520320-12***.....6	
7	48933GT	CONN,520120-8***.....1	
8	48960GT	FITTING,CONN,520120-12***.....2	
9	102312-2088GT	HOSE ASSEMBLY,3/4",-10-12 90F,.....1	
10	94374-4030GT	HOSE ASSY 3/4, 90 FEM,STR FEM.....1	
11	94374-3730GT	HOSE ASSY 3/4, 90 FEM,STR FEM.....1	
12	102312-2388GT	HOSE ASSY,3/4",10-12 90 F,ST F.....1	
13	102355-6650GT	HOSE,ASSY,HYD,1/2".....1	
14	48935GT	TEE,RUN,520428-8.....1	
15	48958GT	CONN,520120-10-12.....2	

Go to Discount-Equipment.com to order your parts

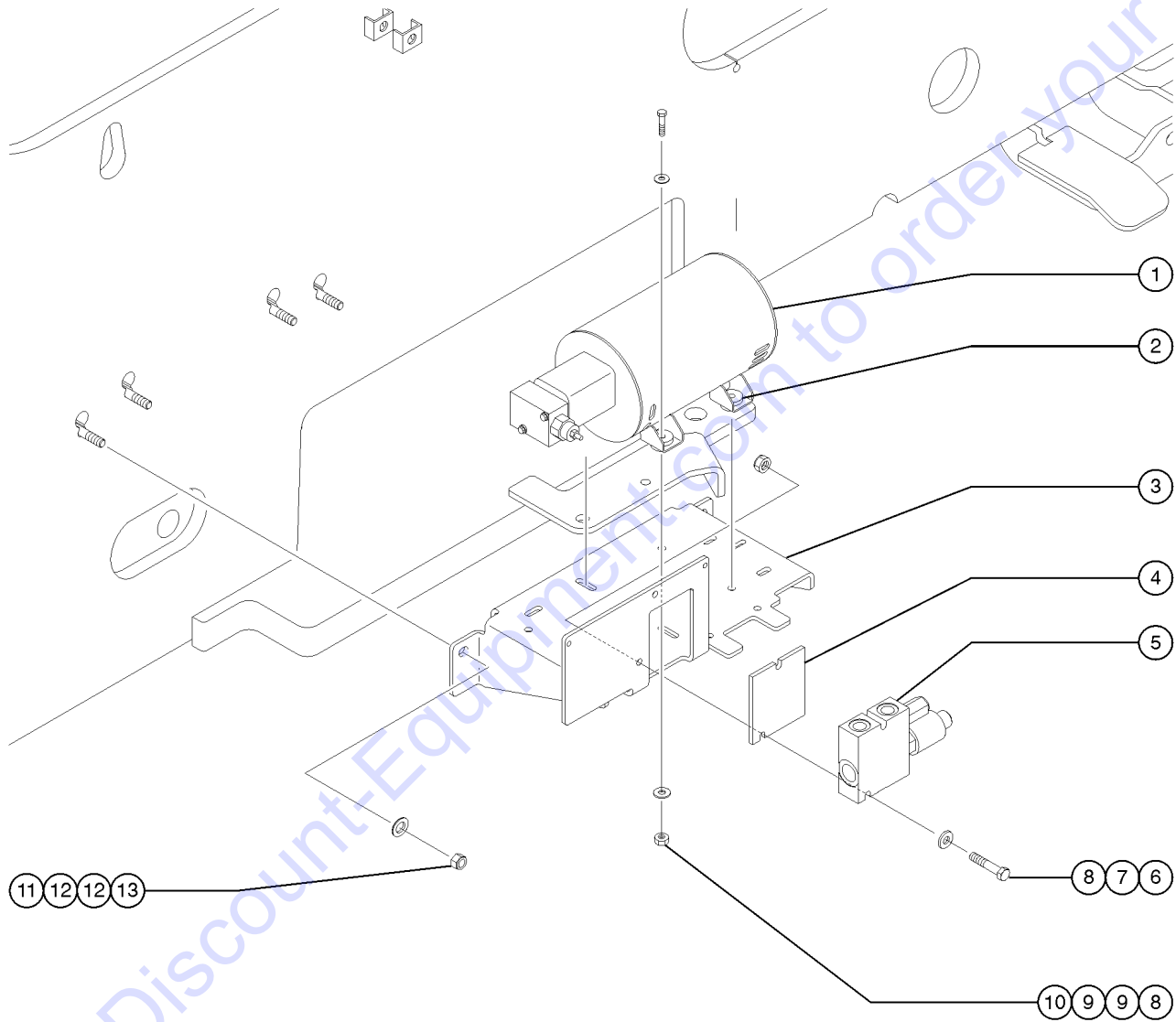
815.1 Welder Option, Platform Components



815.1 Welder Option, Platform Components

Item	Part No.	Description	Qty.	Item	Part No.	Description	Qty.
--	88406GT	FIRE EXTINGUISHER		--	106183GT	FUSE,.6AMP,250V,WELDER,V275S	
--	82862GT	DECAL,FIRE EXTINGUISHER		14	18666GT	CLAMP,1.00,#16 X 1/4,RUB CUSH.....2	
--	97579GT	DECAL,DANGER,TIP-OVER,WELDER**		15	110220GT	DECAL,WARNING,WELDER SAFETY...1	
--	110220GT	DECAL,WARNING,WELDER SAFETY		16	106204PGT	BRACKET,V275S WELD LEADS.....1	
--	110277-3500GT	FIRE SLEEVE, 2.0"					
--	110276-2000GT	FIRE SLEEVE, 1.25"					
--	110276-4000GT	FIRE SLEEVE, 1.25"					
--	110276-3800GT	FIRE SLEEVE, 1.25"					
--	110276-1300GT	FIRE SLEEVE, 1.25"					
--	110276-2700GT	FIRE SLEEVE, 1.25"					
--	28443GT	CABLE TIE,11.5" BLACK					
--	229925GT	ADAPTER,WELDER,208-220					
1	101547PGT	BRACKET,WELDER SUPPORT,PNT					
2	5397GT	WASHER,FLAT,USS,5/16",Y					
3	4828GT	NUT,NYLOCK,3/8-16					
4	6550GT	U-BOLT,3/8 X 1 YZ.....2					
5	47363GT	SCREW,RHM,8-32 X .50					
6	35461GT	WASHER,FLAT,MS,#8,Y					
7	101731PGT	BRACKET,POWER TO PLAT TBOX,PNT.....1					
--	4828GT	NUT,NYLOCK,3/8-16					
--	5397GT	WASHER,FLAT,USS,5/16",Y					
--	6550GT	U-BOLT,3/8 X 1 YZ					
8	101732GT	COVER,WEATHERPROOF 3-PHASE					
9	106112GT	PLUG,4-WIRE,3-PHASE,50A,MALE.....1					
10	106110GT	T-BOX,2.75X4.5X2.63,3PH.....1					
--	106111GT	RECEPTCL,LOCK 3-PH,50A,4 WIRE					
11	82237GT	DECAL,DANGER,HIGH VOLTAGE.....2					
12	102408PGT	BRACKET,LINCOLN WELDER,PNTD.....1 <i>to SN 2510</i>					
--	102409PGT	BRACKET,WELDER MNT SUPPORT,PNT <i>to SN 2510</i>					
--	106043GT	SCREW,SECURITY,5/16-18X1.00					
--	106044GT	U-BOLT,3/8-16X4X4.63X3.00					
--	238119GT	BRACKET,HYDRAULIC WELDER Z80 <i>from SN 2511</i>					
--	238120GT	BRACKET,HYDRAULIC WELDER Z80 <i>from SN 2511</i>					
--	4828GT	NUT,NYLOCK,3/8-16					
--	5397GT	WASHER,FLAT,USS,5/16",Y					
--	6782GT	NUT,NYLOCK,5/16-18					
13	101525GT	WELDER,INVERTEC V275-S.....1					
13	106275GT	KIT,WELD LEADS ASSY,V275S <i>includes both cables</i>					
--	106141GT	SCREW,SECURITY,1/4-20 X 1.75LG					

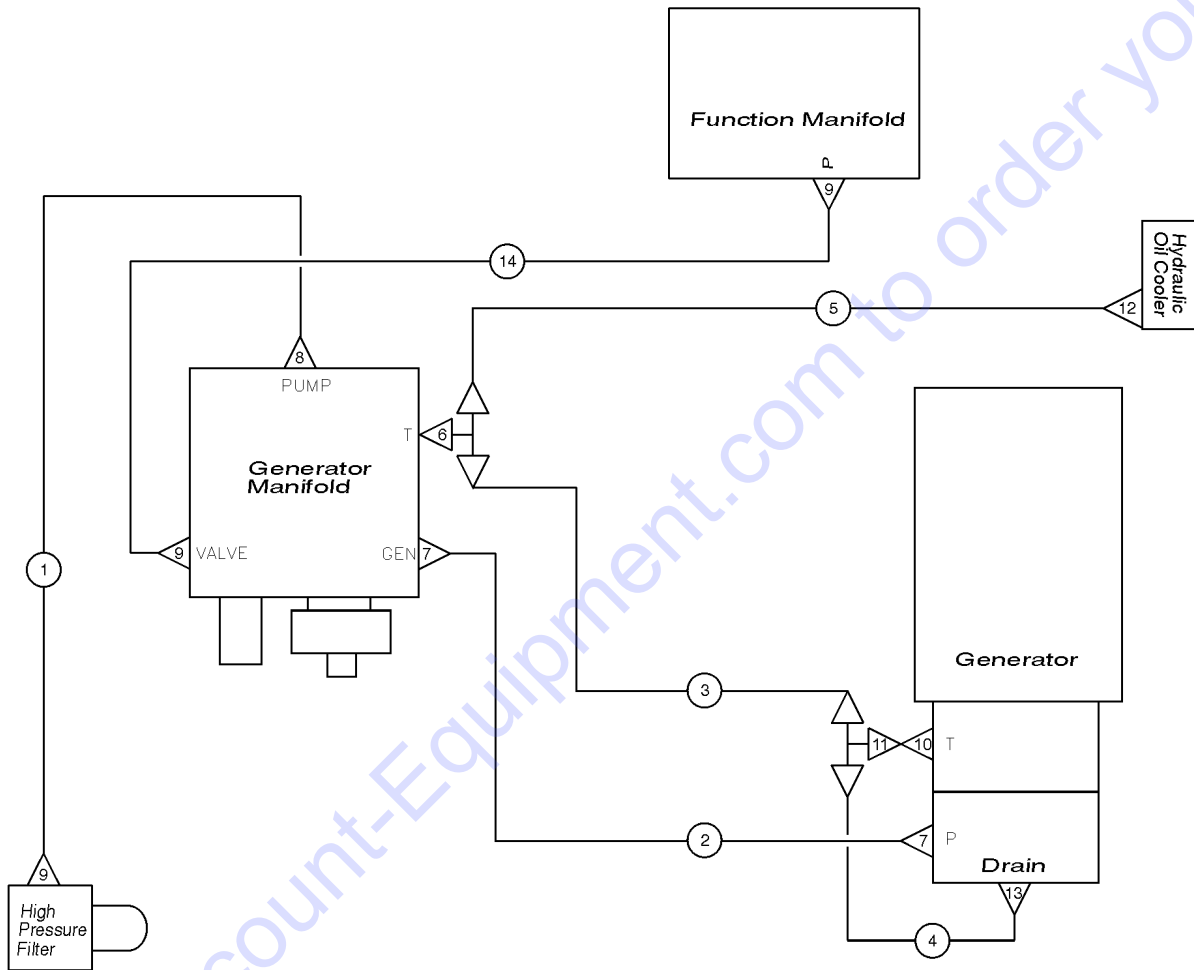
816.1 Hydraulic Generator Option, Continental TME-27 Engine (to SN 3139)



816.1 Hydraulic Generator Option, Continental TME-27 Engine (to SN 3139)

Item	Part No.	Description	Qty.	Item	Part No.	Description	Qty.
--	226503GT	HARNES, WELD GEN ENCLOSURE		--	T111609GT	SEAL, SHAFT <i>for pump</i>	
--	112119GT	DECAL OPTION, NIKKEN, GS68		--	T111610GT	SPACER <i>for pump</i>	
--	106637GT	MODULE, TIME DELAY ON BREAK 4S		--	T111611GT	BEARING, MOTOR <i>for pump</i>	
--	102746GT	VALVE, PILOT OPER DIRECTIONAL		--	T111612GT	RETAINING RING <i>for pump</i>	
1A	36928GT	GENERATOR, 2500W HYD. 220/50HZ		--	T111613GT	SHAFT, MOTOR <i>for pump</i>	
--	147836GT	SEAL, GASKET, .00075" *GOLD* <i>for pump</i>		2	84080GT	ISOLATR KIT, RUBBR, 2KW GENERATR.....	4
--	147837GT	SEAL, GASKET, .0005" *SILVER* <i>for pump</i>		3	102276PGT	BRACKET, GENERATOR 12KW, PTD.....	1
--	147838GT	SEAL, GASKET, .0010" <i>for pump</i>		4	122100GT	SPACER, HYD GEN MANIFOLD.....	1
--	32732GT	RECTIFIER ASSEMBLY		5	53976GT	MANIFOLD, GENERATOR.....	1
--	32735GT	VALVE, PRI. FLOW REG 4.3 <i>for 2000W & 2500W generators</i>		--	110198GT	SEAL KIT, VALVE, #12	
--	32736GT	MOTOR, HYDRAULIC GENERATOR		--	19969GT	VALVE, SOLENOID (18660)***	
--	52085GT	BRUSH HOLDER ASSY, 2500W GENER		--	27535GT	COIL, 12V, DO1 VALVE	
--	58402GT	BRIDGE, 50A FULL WAVE**		--	31529GT	VALVE, RELIEF 2400 PSI***	
--	58944GT	BRUSH 3/8 X 1/4 X 15/16 (36928)		--	33568GT	NUT, CP521-1 VALVE	
--	58954GT	O-RING, SPACER #115*** <i>for pump</i>		--	45782GT	DIODE, 6 AMP, 200 PIV, BULK	
--	89719GT	BRUSH ENDBELL ASSEMBLY (89719)		--	45914GT	O-RING, DO1 VALVE	
--	T111608GT	SEAL, RETAINING RING <i>for pump</i>		6	14033GT	SCREW, HHC, 3/8-16 X 2.75	
--	T111609GT	SEAL, SHAFT <i>for pump</i>		7	6097GT	WASHER, FLAT, USS, 3/8", Y	
--	T111610GT	SPACER <i>for pump</i>		8	4828GT	NUT, NYLOCK, 3/8-16	
--	T111611GT	BEARING, MOTOR <i>for pump</i>		9	5397GT	WASHER, FLAT, USS, 5/16", Y	
--	T111612GT	RETAINING RING <i>for pump</i>		10	13918GT	SCREW, HHC, 3/8-16 X 1.75, GRD. 8.....	4
--	T111613GT	SHAFT, MOTOR <i>for pump</i>		11	6198GT	NUT, NYLOCK, 1/2-13	
1B	111381GT	GEN, HYD, 3000W, 110V, 60HZ.....	1	12	6095GT	WASHER, FLAT, USS, 1/2", Y	
--	111987GT	CONN, 8 POS PLUG 120 AC/15A <i>for pump</i>		13	39479GT	SCREW, HHC, 1/2-13 X 2.75	
--	147836GT	SEAL, GASKET, .00075" *GOLD* <i>for pump</i>					
--	147837GT	SEAL, GASKET, .0005" *SILVER* <i>for pump</i>					
--	147838GT	SEAL, GASKET, .0010" <i>for pump</i>					
--	147839GT	ASSM, GEN. ONLY, 110V, 60HZ					
--	58944GT	BRUSH 3/8 X 1/4 X 15/16 (36928)					
--	58954GT	O-RING, SPACER #115*** <i>for pump</i>					
--	T111608GT	SEAL, RETAINING RING <i>for pump</i>					

817.1 Hydraulic Generator Option, Continental TME-27 Engine, Hoses and Fittings (to SN 3139)



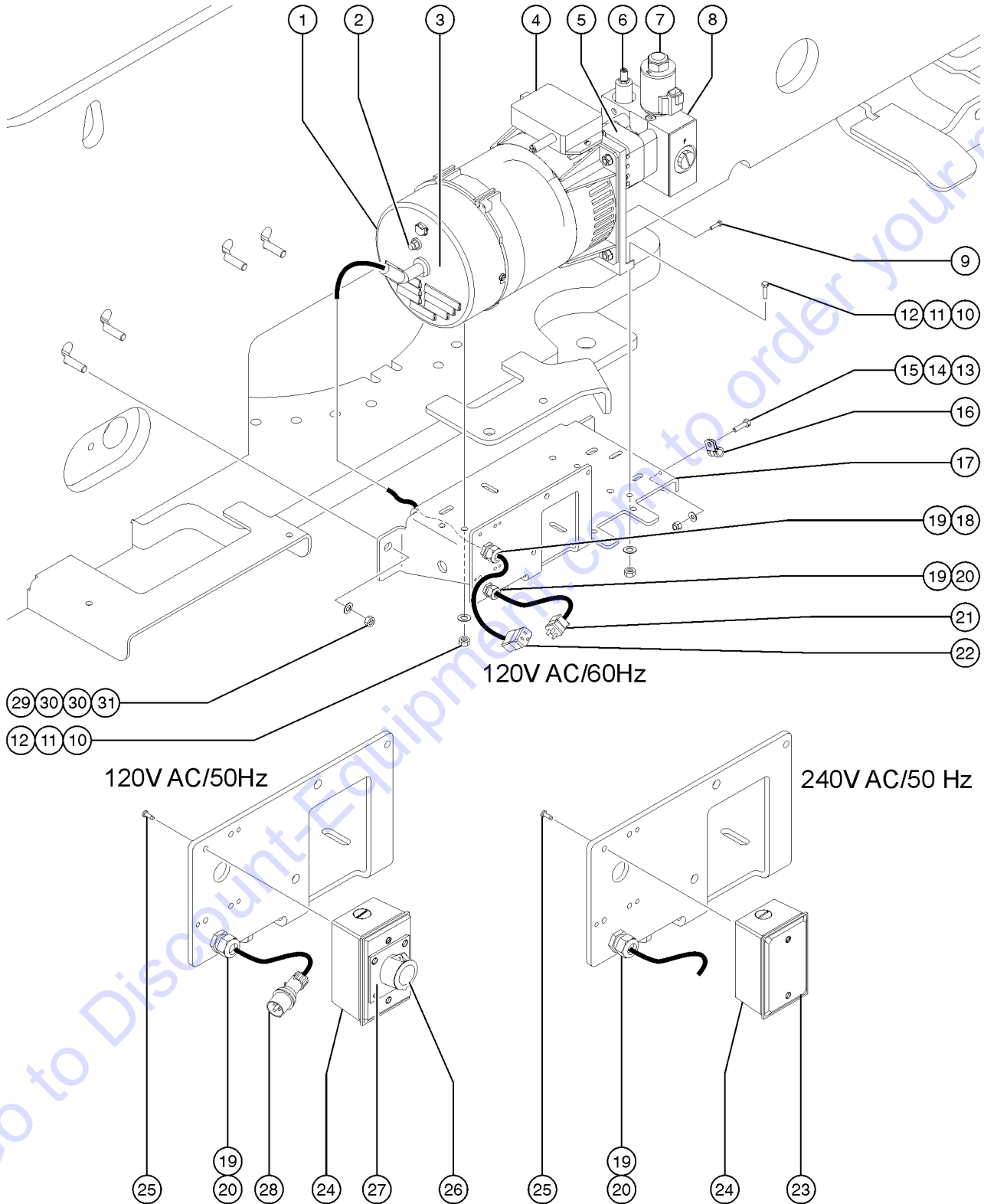
LEGEND	
	ADAPTER
	HOSE ASSEMBLY
	UNION

 817.1 Hydraulic Generator Option, Continental TME-27 Engine, Hoses and Fittings (to SN 3139)

Item	Part No.	Description	Qty.
1	102313-2826GT	HOSE ASSY,3/4" HYD,45F,STRF.....1	1
2	49143-2429GT	HOSE ASSY,1/2,90 FEM,STR FEM.....1	1
3	49183-2729GT	Hose Assembly - Components: Genie part numbers 48827, 48822 and 48756 @ 25 inches.....1	1
4	49164-1543GT	HOSE ASSY 1/4,90 DEG FEM,STR F....1	1
5	54085-9018GT	HOSE ASSY,1/2,90 FEM,STR FEM.....1	1
6	48936GT	TEE,BRANCH,520429-8.....1	1
7	48932GT	FITTING,ELBOW,90D,520220-8***.....2	2
8	48959GT	FITTING,ELBOW,90D,520220-12.....1	1
9	48960GT	FITTING,CONN,520120-12***.....3	3
10	48946GT	CONN,520120-8-10.....1	1
11	48939GT	TEE,BRANCH,520433-8.....1	1
12	48964GT	FITTING,TEE,RUN,SWIVEL52043212....1	1
13	48904GT	ELBOW,90D,520220-4-4.....1	1
14	61073-8930GT	HOSE ASSY 3/4" 90 DEG STR FEM.....1	1

Go to Discount-Equipment.com to order your parts

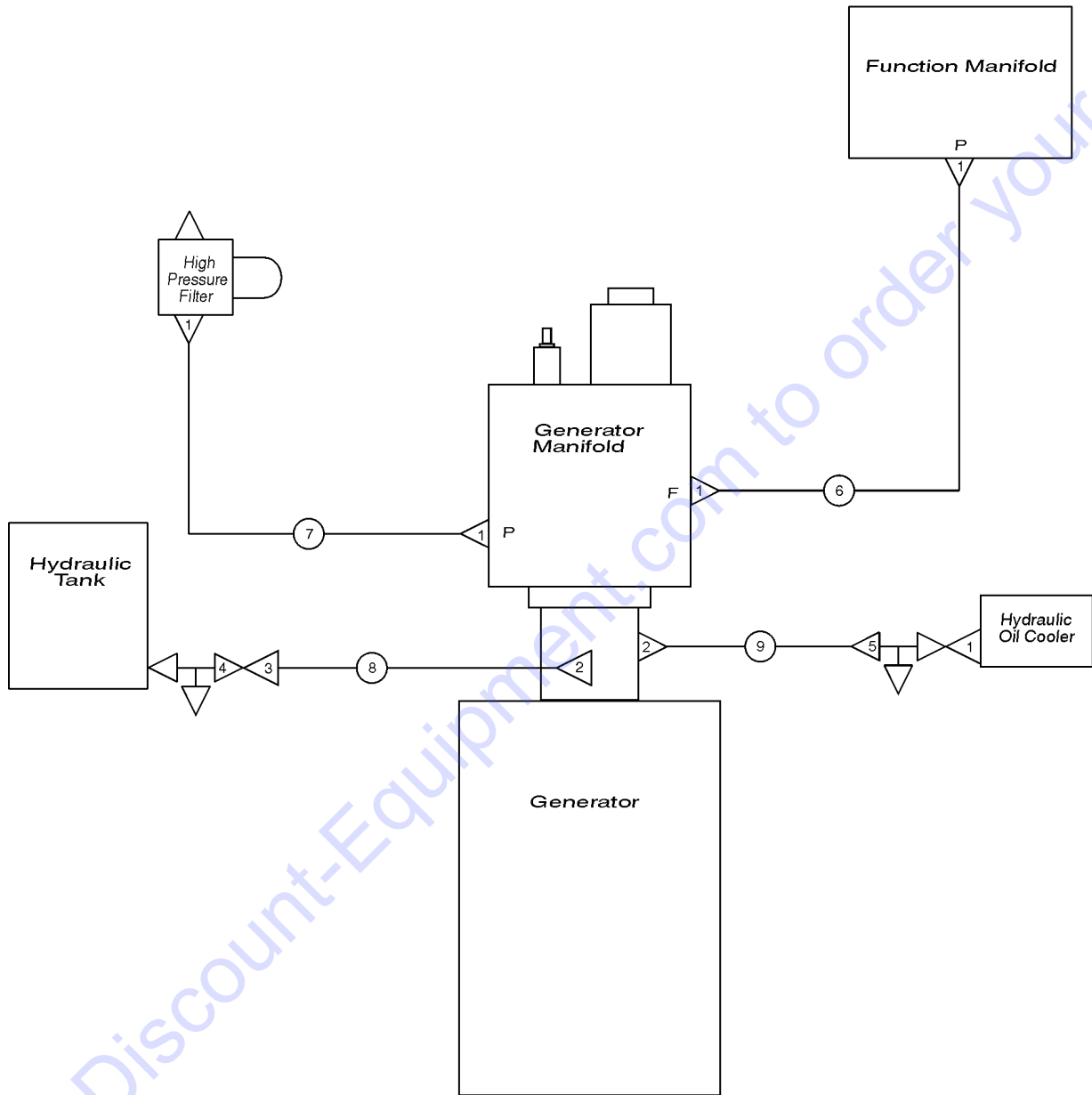
818.1 Hydraulic Generator Option (MTE) (from SN 3140)



818.1 Hydraulic Generator Option (MTE) (from SN 3140)

Item	Part No.	Description	Qty.	Item	Part No.	Description	Qty.
--	T112720GT	HARNES, JUMPER, MTE GEN, Z80		25	57075GT	SCREW, PHIL, 8-32X.50, SELF TAP	
--	147240GT	CAPACITOR 16 F, GEN		26	T112560GT	RECEPTACLE, UK, 110V.....1	1
1A	139952GT	GENERATOR, 3kW, 120V/50Hz.....1 <i>(complete) includes items 2-9</i>	1	27	T112561GT	PLATE, UK, POWER TO PLAT.....1	1
1B	139953GT	GENERATOR, 3kW, 120V/60Hz <i>(complete) includes items 2-9</i>		28	144161GT	PLUG, PWR, UK, 16AMP, 3PIN, BLK.....1	1
--	147239GT	BREAKER, 25 AMP, GEN 60hz		29	6198GT	NUT, NYLOCK, 1/2-13	
1C	139954GT	GENERATOR, 3kW, 240V/50Hz <i>(complete) includes items 2-9</i>		30	6095GT	WASHER, FLAT, USS, 1/2", Y	
--	147258GT	BREAKER, 15 AMP, GEN 50hz		31	39479GT	SCREW, HHC, 1/2-13 X 2.75	
2	147239GT	BREAKER, 25 AMP, GEN.....1 <i>part of generators 139952 and 139953</i>	1				
--	147258GT	BREAKER, 15 AMP, GEN <i>part of generator 139954</i>					
3	147241GT	COVER, END, GEN, 120V.....1 <i>part of generators 139952 and 139953</i>	1				
--	147262GT	COVER, END, GENERATOR, 240V <i>part of generator 139954</i>					
4	1269693GT	CONTROL BOX, 2KW, 120/240V, 50HZ.....1 <i>part of generators 139952 and 139954</i>	1				
--	147228GT	CONTROLLER BOX, 120/240V, 60H <i>part of generator 139953</i>					
5	147230GT	207 HYD MOTOR ASSY, GEN.....1	1				
--	147231GT	SEAL KIT, HYD MOTOR, GEN					
6	147233GT	VALVE, RELIEF, GEN, 3.0kW.....1	1				
7	147232GT	12VDC PROPORTIONAL VALVE.....1	1				
8	147229GT	MANIFOLD ASSEMBLY, GEN.....1 <i>(complete) includes items 6 and 7</i>	1				
9	147242GT	SCREW, GEN ROTOR.....4	4				
10	13000GT	SCREW, HHC, 5/16-18 X 1.25					
11	5397GT	WASHER, FLAT, USS, 5/16", Y					
12	6782GT	NUT, NYLOCK, 5/16-18					
13	6888GT	SCREW, HHC, 1/4-20 X 1					
14	6638GT	WASHER, FLAT, USS, 1/4" Y					
15	6091GT	NUT, NYLOCK, 1/4-20					
16	45470GT	CLAMP, 0.31, #5 X 1/4, RUB CUSH.....2	2				
17	102276GT	BRACKET, GENERATOR 12KW.....1	1				
18	7057GT	CONN. SQZ, 1/2NPT .39-.56 MED.....1	1				
19	6935GT	LOCKNUT, ELEC, 1/2".....2	2				
20	7056GT	CONN, SQUEEZE, 1/2NPT .38-.50, SM....1	1				
21	6595GT	PLUG, ELECTRICAL, DOMESTIC.....1	1				
22	19020GT	CONNECTOR, FEMALE, RECPTCLE, 110V.1					
23	10777GT	COVER, BLANK.....1	1				
24	10775GT	T-BOX, 2.75 X 4.5 X 2.0					
--	74052GT	GASKET, COVER, GFCI, WEATHERPROOF					

819.1 Hydraulic Generator Option (MTE), Hoses and Fittings (from SN 3140)



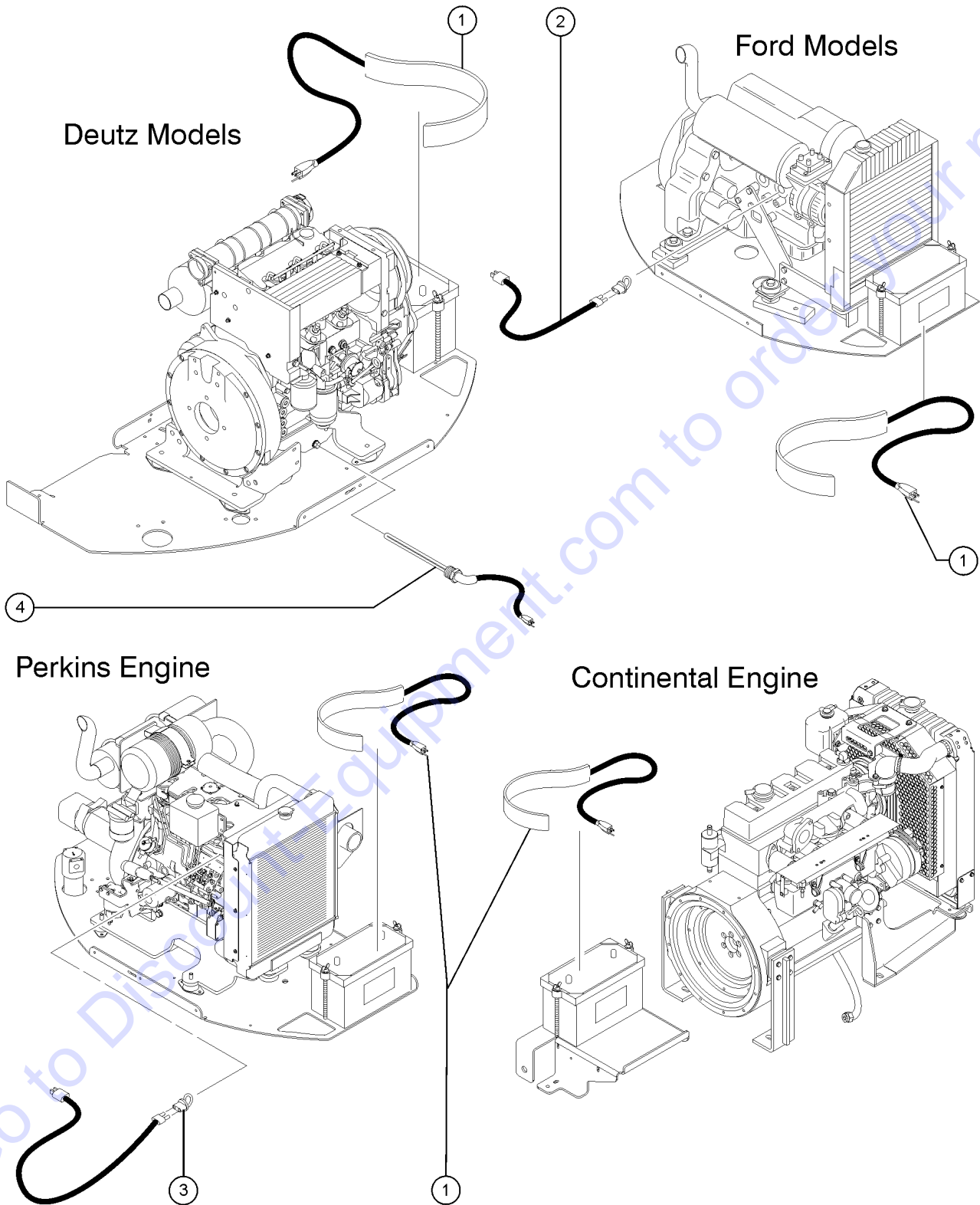
LEGEND	
	ADAPTER
	HOSE ASSEMBLY
	UNION

819.1 Hydraulic Generator Option (MTE), Hoses and Fittings (from SN 3140)

Item	Part No.	Description	Qty.
1	48960GT	FITTING,CONN,520120-12***.....	5
2	49861GT	CONN,LONG,520122-4.....	2
3	48941GT	REDUCER,520123-8-4.....	1
4	48935GT	TEE,RUN,520428-8.....	1
5	48964GT	FITTING,TEE,RUN,SWIVEL52043212.....	1
6	61073-8930GT	HOSE ASSY 3/4" 90 DEG STR FEM..... <i>components: 48841, 48846 and 48762 @ 86 inches</i>	1
7	61073-3530GT	HOSE ASSY,3/4,90 FEM,STR FEM..... <i>components: 48841, 48846 and 48762 @ 32 inches</i>	1
8	49117-9819GT	HOSE ASSY,1/4,90 FEM,STR FEM**..... <i>components: 48800, 48802 and 48751 @ 97 inches</i>	1
9	61070-7450GT	HOSE ASSY,1/2",90 FEM,STR FEM..... <i>components: 48827, 48836 and 48756 @ 72 inches</i>	1

Go to Discount-Equipment.com to order your parts

820.1 Cold Start Package (to SN 4370)



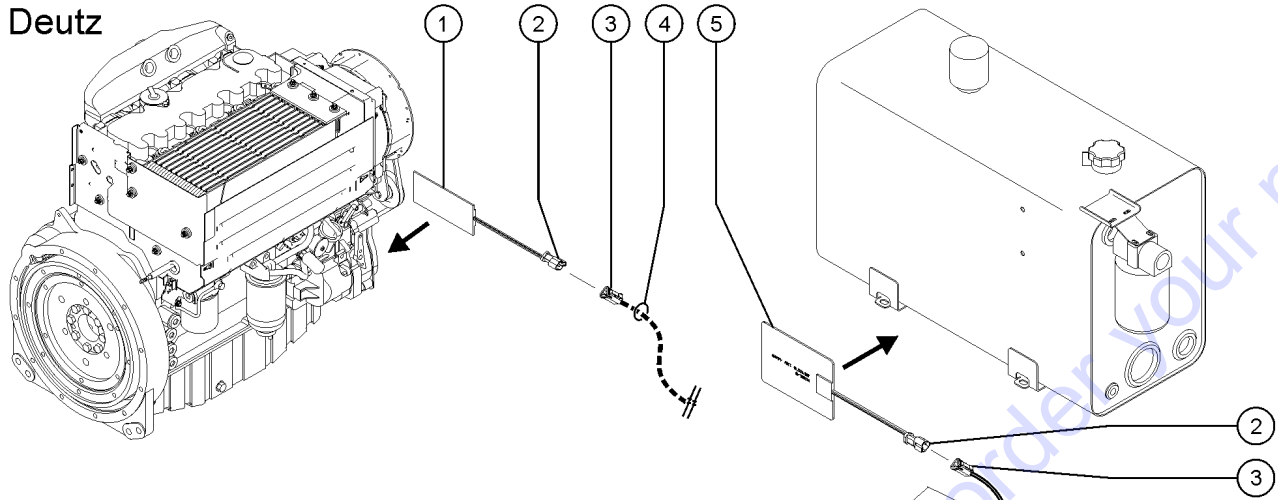
820.1 Cold Start Package (to SN 4370)

Item	Part No.	Description	Qty.
--	81784GT	COLD START,GM <i>GM models; includes item 1</i>	
--	53982GT	COLD START PKG,PERKINS,BB <i>Perkins models; includes items 2 and 3; to SN 328</i>	
--	81785GT	COLD START,DEUTZ 913 AND TURBO <i>Deutz models includes item 1; to SN 338</i>	
--	81837GT	FREEZE PLUG HEATER,GM 3.0L <i>GM Models</i>	
--		COLD START,CONTINENTAL,Z80 <i>Continental Models Includes item 1, Part is no longer available</i>	
1	28853GT	BLANKET,BATTERY.....	1
2	35610GT	HEATER,FREEZE PLUG,FORD LRG423.....	1
3	101632GT	FREEZE PLUG HEATER,PERKINS 804	
4	128274GT	OIL PAN HEATER,DEUTZ,120V,150W....	1

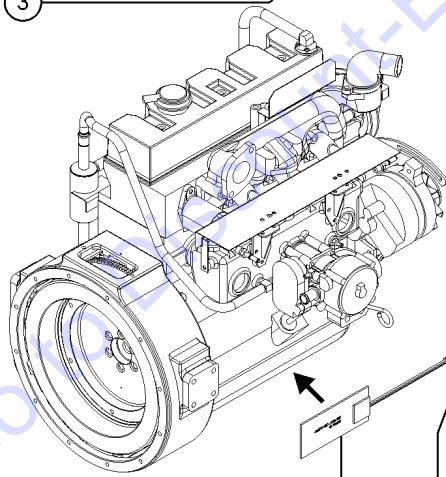
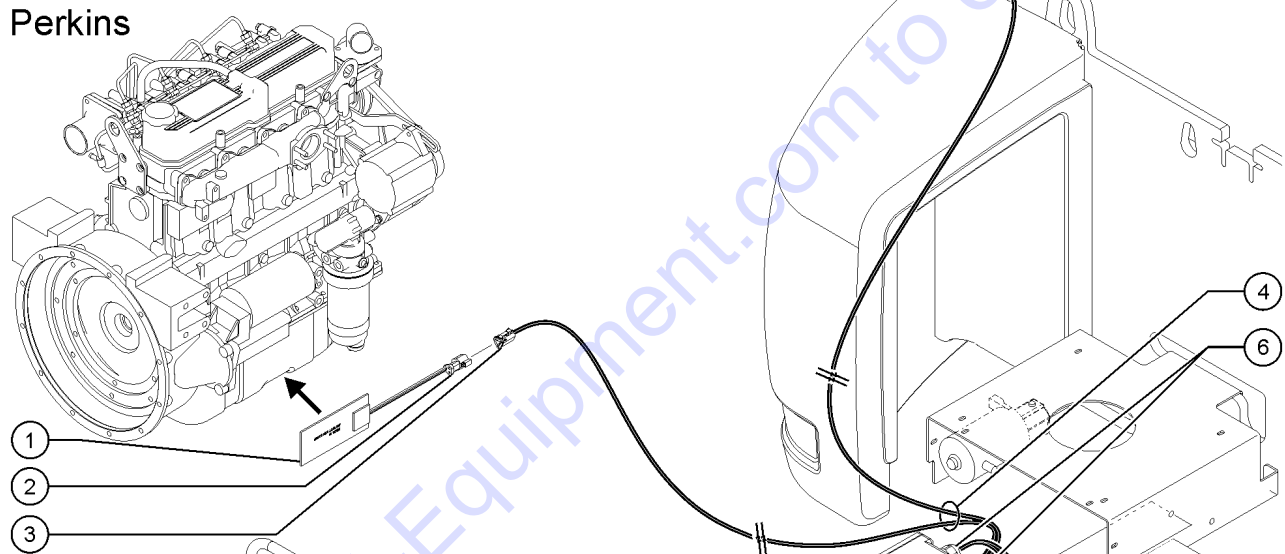
Go to Discount-Equipment.com to order your parts

820.2 Cold Start Package (from SN 4371)

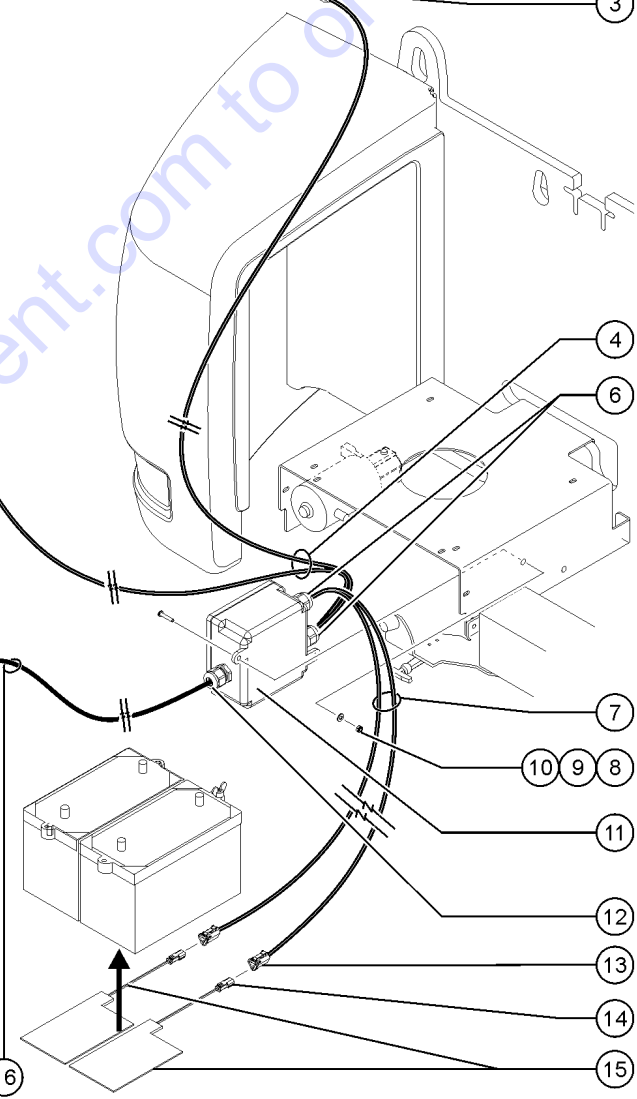
Deutz



Perkins



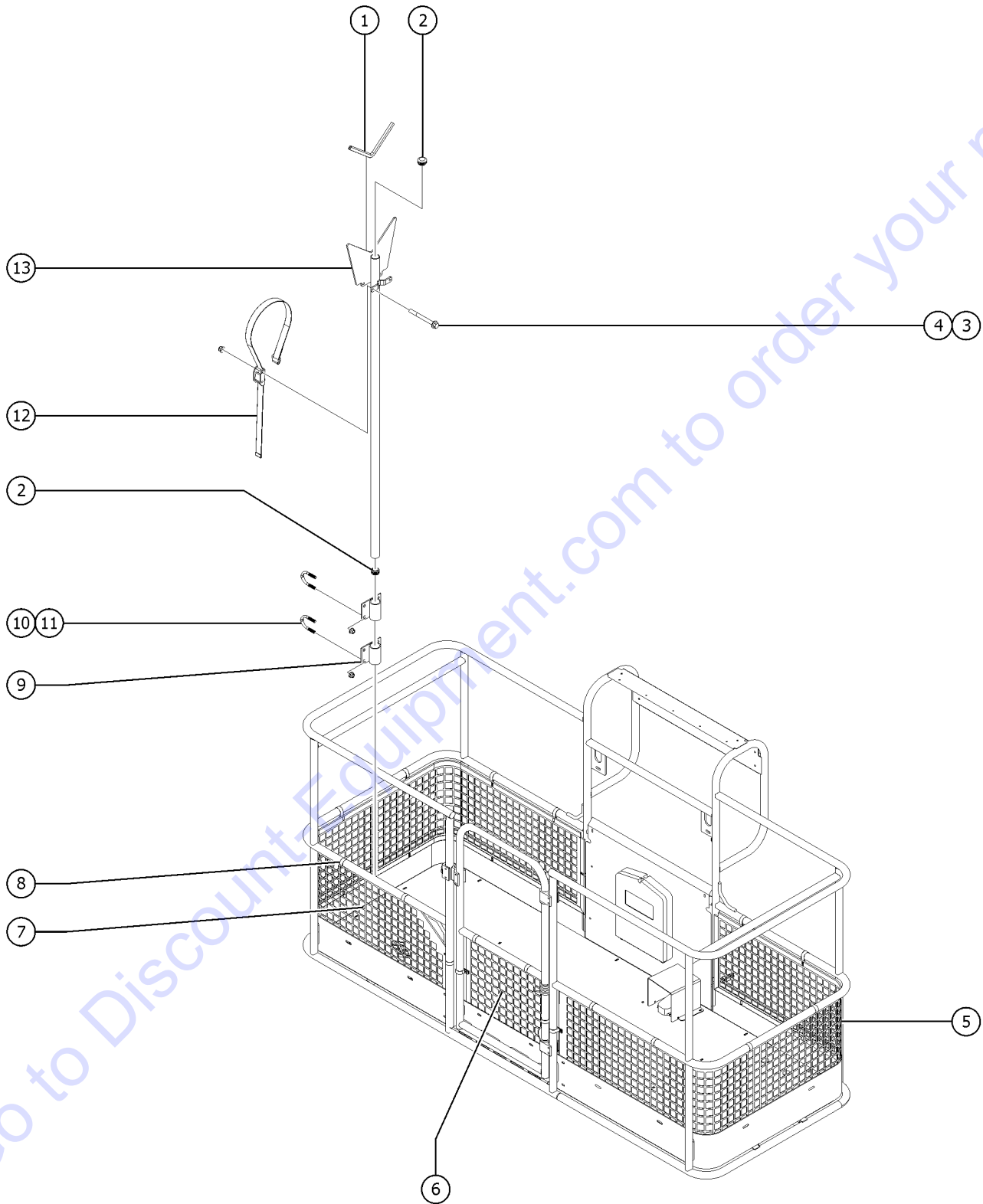
Continental



820.2 Cold Start Package (from SN 4371)

Item	Part No.	Description	Qty.	Item	Part No.	Description	Qty.
1A	216615GT	ASSY HEATER, MODEL 18, 120V.....1 (120V)	1	17	119403GT	CONN,PLUG 120 AC/15A DOMESTIC Part of wire harness	
--	216616GT	ASSY HEATER,MODEL 18,240V (240V)					
--	1259661GT	ASSY,ENGINE HEATER,120V (120V) Deutz TD 2.9L4 models require two adhesive pads; use only one pad for other engines					
--	1259708GT	ASSY,ENGINE HEATER,240V (240V) Deutz TD 2.9L4 models require two adhesive pads; use only one pad for other engines					
2	119066GT	CONN,RECEP 3 WAY ENDCAP DT Part of heater assembly					
3	119057GT	CONN PLUG 3 WAY ENDCAP DT Part of wire harness					
4	216662GT	HARNESS,ENG/HYD HEATER,120V.....1 (120V)	1				
--	216683GT	HARNESS,ENG/HYD HEATER,240V (240V)					
5	216612GT	ASSY,120V HEATER, HYD TANK.....1 (120V)	1				
--	216611GT	ASSY,240V HEATER, HYD TANK (240V)					
6	99778GT	SQUEEZE CONNECTOR, 4 WIRE.....2 Part of of wire harness	2				
--	238123GT	HUBBLE NUT, PG11					
7	216660GT	HARNESS, 120V BATT CABLE, 84".....1 (120V)	1				
--	216681GT	HARNESS, 240V BATT CABLE, 84" (240V)					
8	14392GT	NUT,LP NYLOCK,10-32					
9	6146GT	WASHER,FLAT,MS,#10,Y					
10	75041GT	SCREW,PHILLIPS,PHM,10-32 X 1					
11	214249GT	COLD WEATHER 120V J BOX ASSY.....1 (120V)	1				
--	237711GT	COLD WEATHER 240V J BOX ASSY (240V)					
12	214536GT	SQUEEZE CONN W/NUT, 2WIRE, 4MM.....1 Part of of wire harness	1				
13	119056GT	CONN,PLUG 2 WAY,14-18GA.....1	1				
14	119065GT	CONN,RECEP 2 WAY ENDCAP DT.....1	1				
15	216617GT	ASSY, BATTERY HEATER, 120V.....2 (120V)	2				
15	216618GT	ASSY BATTERY HEATER,240V (240V)					
16	216645GT	HARNESS, 120V POWER CORD, 12"....1 (120V) includes items 12 and 17	1				
--	216646GT	HARNESS, 240V POWER CORD, 12" (240V) includes item 12 only					

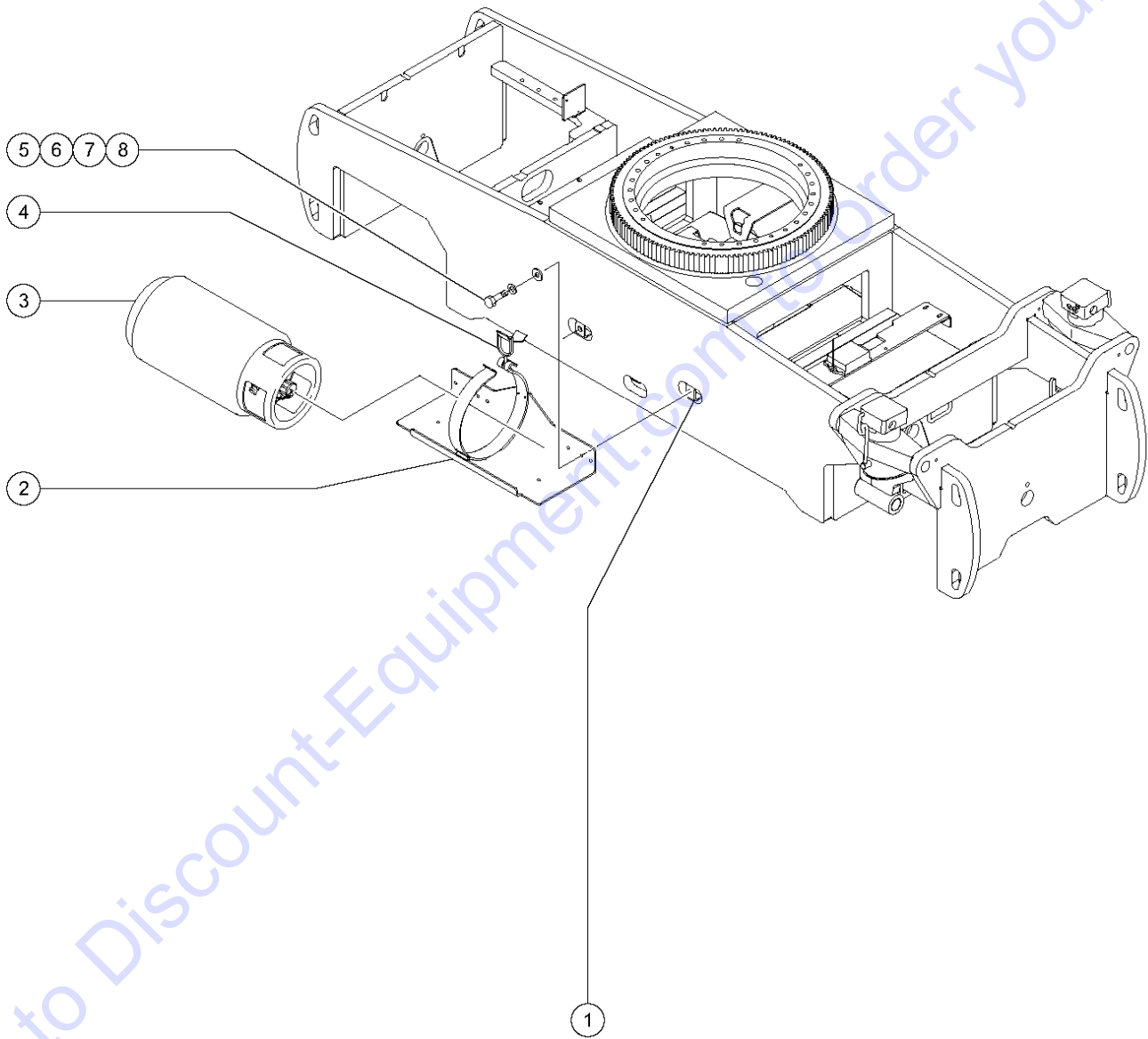
821.1 Half-Mesh and Pipe Cradle Options



821.1 Half-Mesh and Pipe Cradle Options

Item	Part No.	Description	Qty.
A	85300GT	PIPE CRADLE ASSY. SERV (ONE)** (ANSI & CE only) (This is a single assembly. Qty 2 of 85300GT required to complete a set)	
--	65630GT	INSTRUCTIONS-PIPE CRADLE,BOOMS	
B	72875GT	DECAL,WARNING,PIPE CRADLE,BOOM	
C	73958-S	OPTION,6' HALF MESH PLAT/GATE	
D	73956-S	OPTION,8' HALF MESH PLAT/GATE*	
E		Ref. Swing Gate Option, Complete (refer to 802.1)	
1	19018-1100GT	TRIMLOCK,BLACK,5/32".....	2
2	55753GT	BUMPER, PLASTIC, 1.25 O.D.....	4
3	824083GT	SCREW,HHF,1/4-20X2.5,8,ZAG.....	4
4	1277924GT	NUT,NYLOCK FLG,1/4-20,F,ZAG.....	4
5	73500GT	HALF MESH,8'PLATFORM,RH***.....	1
--	54465GT	MESH,HALF,RH,6'PLATFORM	
6	54457GT	MESH,HALF,SWING GATE***.....	1
7	73501GT	HALF MESH,8'PLATFORM,LH.....	1
--	54458GT	MESH,HALF,LH,6'PLATFORM	
8	56424GT	CLAMP,1.25X.5 RUBBER-CUSHION	
--	6090GT	SCREW,HHC,1/4-20 X .75	
--	6091GT	NUT,NYLOCK,1/4-20	
--	6638GT	WASHER,FLAT,USS,1/4"Y	
9	81368GT	WELDMENT,PIPE CRADLE MOUNT.....	4
10	1251600GT	U-BOLT, FLATTENED, 1.5 X 3/8 UNC,ZAG.....	8
11	1274322GT	NUT,NYLOCK FLG,3/8-16,F,ZAG.....	16
12	56570GT	STRAP, CONDUIT HOLDER 60****.....	2
13	56525GT	WELDMENT, PIPE CRADLE.....	2

822.1 Spare LPG Tank Carrier Option



822.1 Spare LPG Tank Carrier Option

Item	Part No.	Description	Qty.
--	77853GT	OPTION,LP TANK 2ND	
1	77785PGT	FORMING,LP BRACKET MOUNT.....2	
2	60143-SGT	WELD, LPG TANK MOUNT.....1	
3	53605GT	TANK, 7 GAL/33.5 POUND, LP.....1	
4	49000GT	L.P.TANK LATCH.....1	
5	8516GT	SCREW, HCC, 3/8-16 X 1.50	
6	6021GT	WASHER,LOCK, .375	
7	6097GT	WASHER,FLAT,USS,3/8",Y	
8	29868GT	SPRING CLIP,3/8-16,.05-.20X.73,ZAG	

Go to Discount-Equipment.com to order your parts

PARTS FINDER

**Search Website
by Part Number**



**Search Manual
Library For Parts
Manual & Lookup Part
Numbers – Purchase
or Request Quote**

Search Manuals

Enter your information to help us find the right parts manual for your machine.

* Brand:

* Model:

* Serial:

* Part Number:

SEARCH

**Can't Find Part or
Manual? Request Help
by Manufacturer,
Model & Description**

Parts Order Form

Please fill in the following information to help us find the right part for your machine.

Manufacturer:	<input type="text"/>
Model:	<input type="text"/>
Description:	<input type="text"/>
Part Number:	<input type="text"/>
Quantity:	<input type="text"/>
Notes:	<input type="text"/>

Discount-Equipment.com is your online resource for quality parts & equipment.

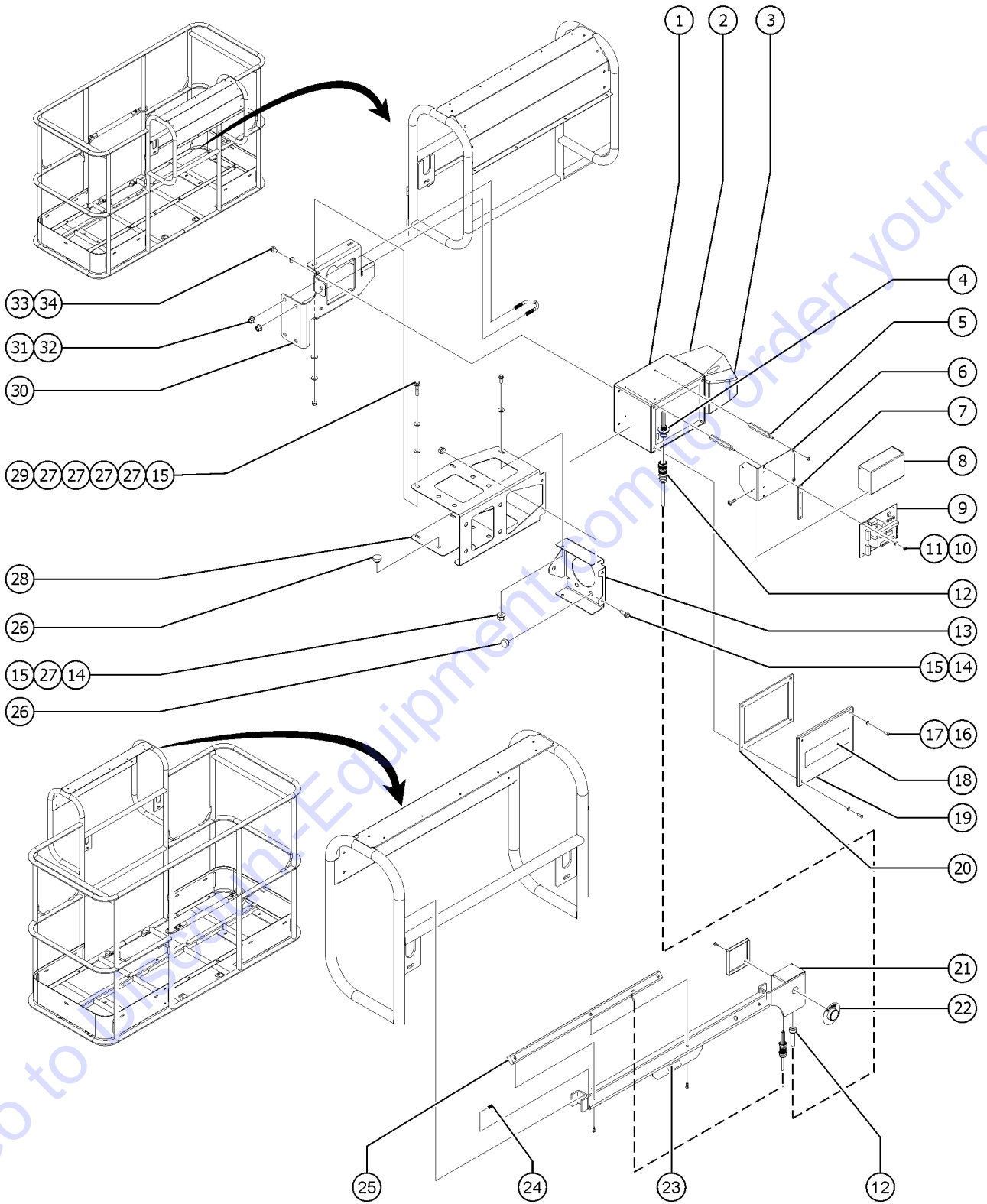
Florida: **561-964-4949** Outside Florida TOLL FREE: **877-690-3101**

Need parts?

Click on this link: <http://www.discount-equipment.com/category/5443-parts/> and choose one of the options to help get the right parts and equipment you are looking for. Please have the machine model and serial number available in order to help us get you the correct parts. If you don't find the part on the website or on one of the online manuals, please fill out the request form and one of our experienced staff members will get back to you with a quote for the right part that your machine needs.

We sell worldwide for the brands: Genie, Terex, JLG, MultiQuip, Mikasa, Essick, Whiteman, Mayco, Toro Stone, Diamond Products, Generac Magnum, Airman, Haulotte, Barreto, Power Blanket, Nifty Lift, Atlas Copco, Chicago Pneumatic, Allmand, Miller Curber, Skyjack, Lull, Skytrak, Tsurumi, Husquvarna Target, Stow, Wacker, Sakai, Mi-T-M, Sullair, Basic, Dynapac, MBW, Weber, Bartell, Bennar Newman, Haulotte, Ditch Runner, Menegotti, Morrison, Contec, Buddy, Crown, Edco, Wyco, Bomag, Laymor, EZ Trench, Bil-Jax, F.S. Curtis, Gehl Pavers, Heli, Honda, ICS/PowerGrit, IHI, Partner, Imer, Clipper, MMD, Koshin, Rice, CH&E, General Equipment, Amida, Coleman, NAC, Gradall, Square Shooter, Kent, Stanley, Tamco, Toku, Hatz, Kohler, Robin, Wisconsin, Northrock, Oztec, Toker TK, Rol-Air, APT, Wylie, Ingersoll Rand / Doosan, Innovatech, Con X, Ammann, Mecalac, Makinex, Smith Surface Prep, Small Line, Wanco, Yanmar

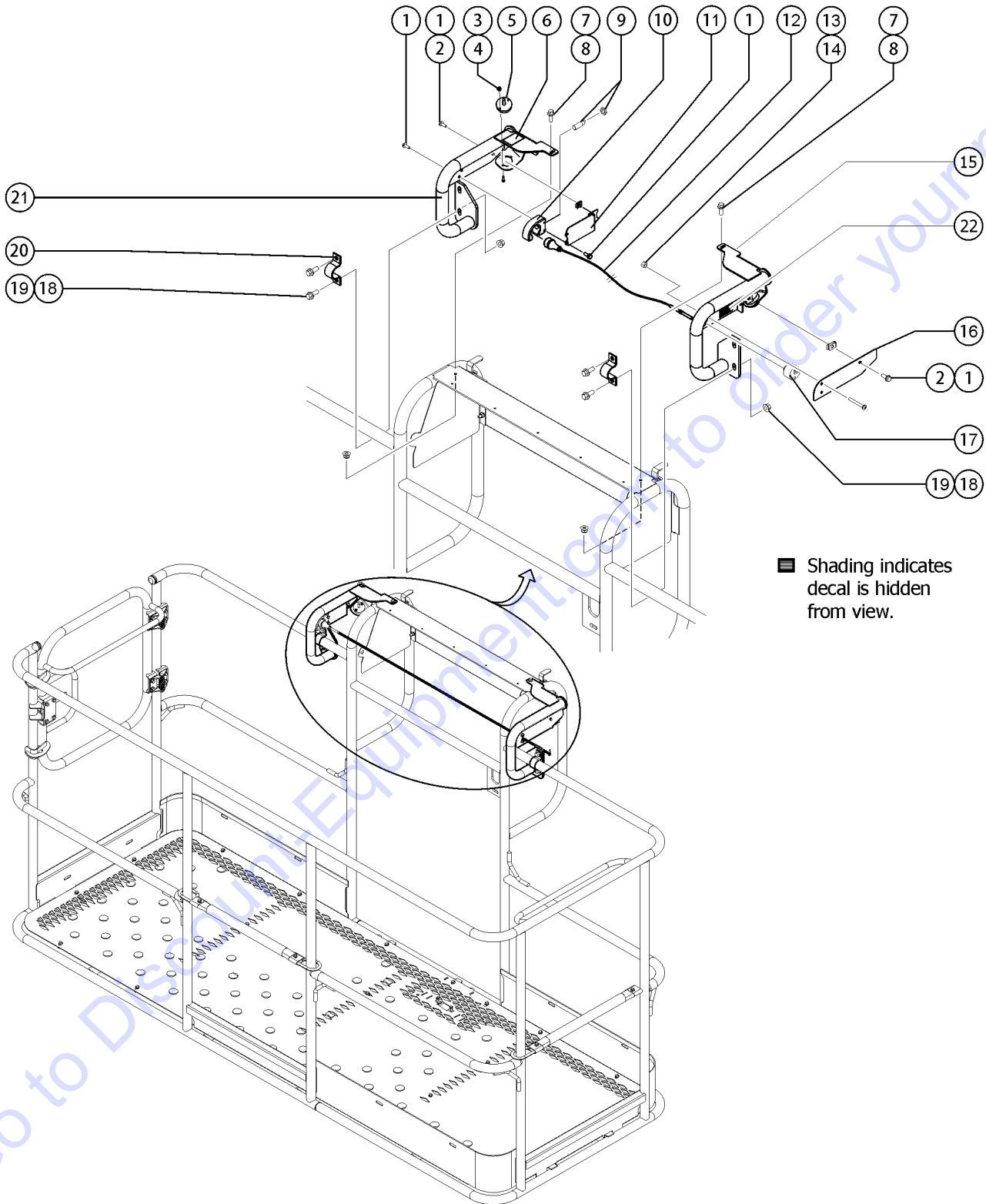
823.1 Operators Protection Alarm (to January 2017)



823.1 Operators Protection Alarm (to January 2017)

Item	Part No.	Description	Qty.	Item	Part No.	Description	Qty.
B	1275537GT	ASSEMBLY, OPA PROTECTION CAGE.....	1	32	1251600GT	U-BOLT, FLATTENED, 1.5 X 3/8 UNC,ZAG.....	2
C	1255556GT	HARN,PLATFORM,OPA,ALC1000.....	1	33	237238GT	SCREW,HHF,M6-1.0X12,DIN6921,10.....	2
D	1255030GT	PLUG,BLANKING.....	1	34	1257389GT	WASHER, FLAT, M6X18X1.6,DIN9021,ZAB.....	2
1	1255018GT	BASE ENCLOSURE,RED,OPA.....	1				
2	1255021GT	SOUNDER,MIDI,OPA.....	1				
3A	1255037GT	SOUNDER LENS, OPA, BLUE..... <i>(standard lens fitted to OPA)</i>	1				
3B	1270116GT	SOUNDER LENS, OPA, RED.....	1				
3C	1270117GT	SOUNDER LENS, OPA, AMBER.....	1				
3D	1270118GT	SOUNDER LENS, OPA, CLEAR.....	1				
4	1255033GT	HARN,PIGTAIL,TAPESWITCH,OPA.....	1				
5	1255028GT	STAND OFF,CONTROL UNIT.....	4				
6	1255024GT	BRACKET,CONTROL UNIT.....	1				
7	1255025GT	SPACER,HEAT SINK.....	1				
8	1255023GT	ASSY,MODULE,CONTROL UNIT,OPA....	1				
9	1255022GT	MODULE,CONTROL UNIT,PCB,OPA....	1				
10	1255067GT	NUT,M4 NYLOCK.....	4				
11	1255066GT	WASHER,M4 NYLON.....	4				
12	1255035GT	ASSEMBLY,CABLE,TAPESWITCH.....	1				
13	1275539GT	FORMING, OPA CAP.....	1				
14	824078GT	SCREW,HHF,1/4-20X.75,8,ZAG.....	5				
15	824027GT	NUT,TL FLG,1/4-20,G,ZAG.....	9				
16	1255038GT	SCREW,M5X16 BHD.....	4				
17	1255027GT	WASHER,M5 NYLON.....	4				
18	1255890GT	DECAL,COSMETIC,GENIE.....	1				
19	1255020GT	LID ENCLOSURE,RED,OPA.....	1				
20	1255019GT	GASKET,ENCLOSURE.....	1				
21	1255029GT	ASSEMBLY,TAPESWITCH..... <i>"(6'/8' platforms) (includes j-box and fasteners)"</i>	1				
22	1255036GT	ASSEMBLY RESET SWITCH.....	1				
23	1255889GT	DECAL,SYMBOL-READ THE MANUAL.....	1				
24	1255068GT	SCREW,M6X8.....	2				
25	1255047GT	SENSOR,RUBBER EDGE..... <i>(6'/8' platforms)</i>	1				
26	43392GT	BUMPER,BATTERY BOX & RAILS.....	17				
27	824113GT	WASHER,FLAT,USS,1/4,ZAG.....	19				
28	1275538GT	FORMING, OPA CAGE.....	1				
29	824080GT	SCREW,HHF,1/4-20X1.25,8,ZAG.....	4				
30	1275540GT	FORMING, OPA, BRACKET.....	1				
--	1271945GT	KIT, OPA WELDER BRACKET <i>Complete assembly bracket with fasteners and U-Bolt 1251600; from SN 6009</i>					
31	824029GT	NUT,TL FLG,3/8-16,G,ZAG.....	4				

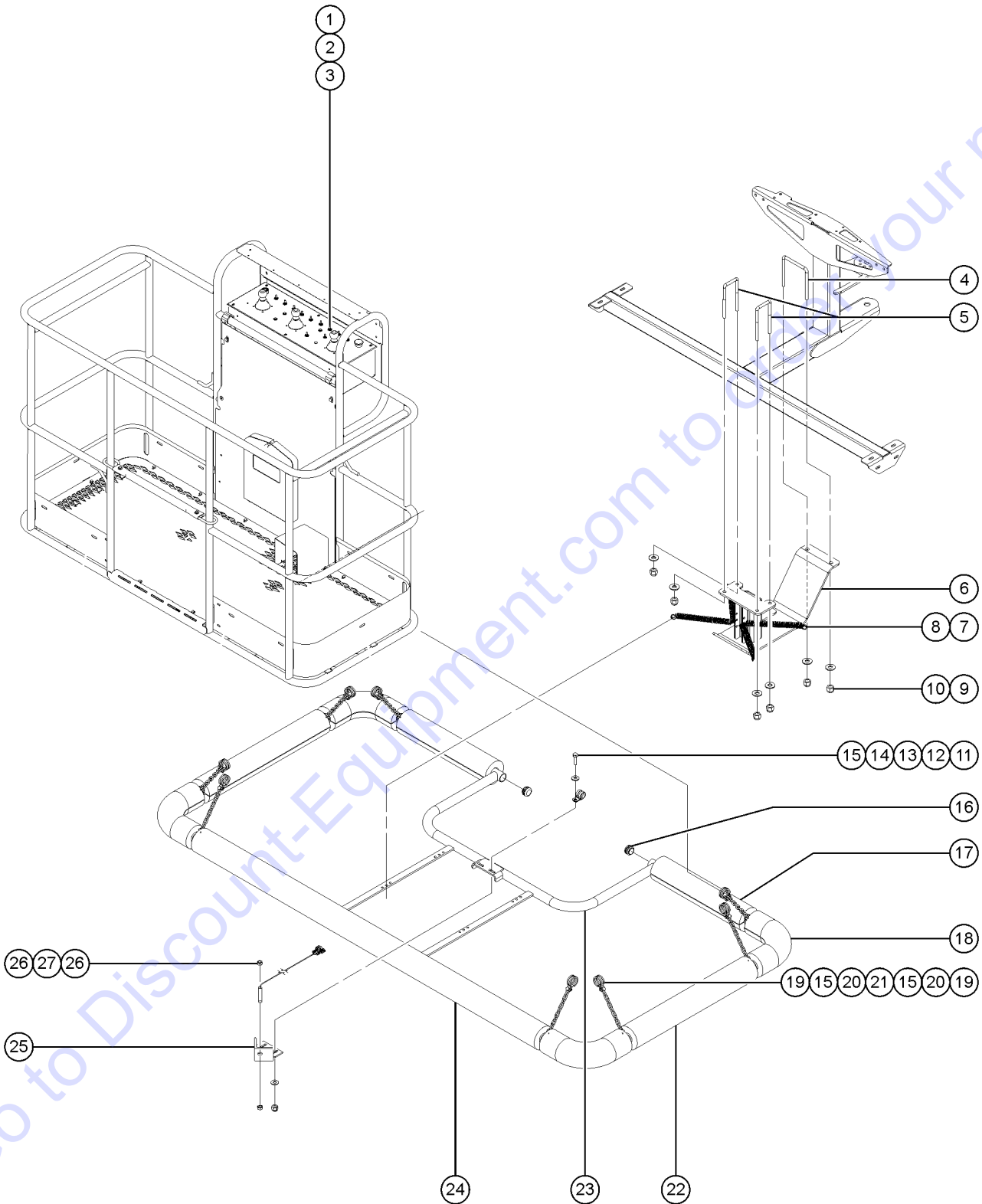
823.2 Lift Guard Contact Alarm Option (from January 2017)



823.2 Lift Guard Contact Alarm Option (from January 2017)

Item	Part No.	Description	Qty.	Item	Part No.	Description	Qty.
--		<i>From January 2017, this option became a standard installation on all models unless the customer specifically request not to have it installed.</i>		22	1278982GT	DECAL, INSTRUCTION, ACTUATOR SWITCH SOCKET.....	1
--	1279134GT	KIT, LIFT GUARD CONTACT ALARM,6'-8' PLATFORM,ALC1000					
--	1278117GT	HARNESS, CONTACT ALARM, ALC1000					
--	19274GT	RELAY,SPDT,12V(AUTO)**					
--	1278121GT	MODULE, PLUS+1, CONTACT ALARM located inside the Platform Control Box					
1	1264934GT	SCREW,HHF,10-24X.5					
2	73575GT	SPRING CLIP,10-24,.025-.125X.468,ZAG					
3	12344GT	NUT,NYLOCK,6-32					
4	1256859GT	SCREW,PHPM,6-32X.875,ZAG					
5	1278111GT	ASSEMBLY, LIGHT, CONTACT ALARM.....	2				
6	1278542GT	DECAL, INSTRUCTION, CONTACT ALARM					
7	824078GT	SCREW,HHF,1/4-20X.75,8,ZAG					
8	1277924GT	NUT,NYLOCK FLG,1/4-20,F,ZAG					
9	1278119GT	ASSEMBLY, SENSOR, PROX, CONTACT ALARM.....	1				
10	1278433GT	ASSY, SENSOR W/HOUSING (Includes holder item 1277877 and sensor part 1278119)					
--	1277877GT	HOLDER, SENSOR.....	1				
11	1277873GT	FORMING, SENSOR HOLDER.....	1				
12	1278416GT	ASSEMBLY,CONTACT ALARM CABLE, LARGE.....	1				
--	1261184GT	NUT,1/4-20,8,ZAG Part of assembly 1278416					
--	1278124GT	MAGNET, 1/4-20, 15 LB. Part of assembly 1278416					
--	1278368GT	GRIP, CABLE Part of assembly 1278416					
--	1278458GT	CONTACT ALARM WIRE ASSY, LARGE Part of assembly 1278416					
13	1274168GT	NUT,NYLOCK,10-32,A,ZAG					
14	824216GT	SCREW,PHPM,10-32X1.5,ZAG					
15	1278138GT	WELDMENT, RIGHT CONTACT ALARM, LARGE.....	1				
16	1277875GT	PLATE, CABLE AND WIRE COVER.....	1				
17	1277876GT	GUIDE, CABLE.....	1				
18	1274322GT	NUT,NYLOCK FLG,3/8-16,F,ZAG					
19	824090GT	SCREW,HHF,3/8-16X1.8,ZAG					
20	1278363GT	CLAMP, 1.25 INCH TUBE.....	2				
21	1278144GT	WELDMENT, LEFT CONTACT ALARM, LARGE.....	1				

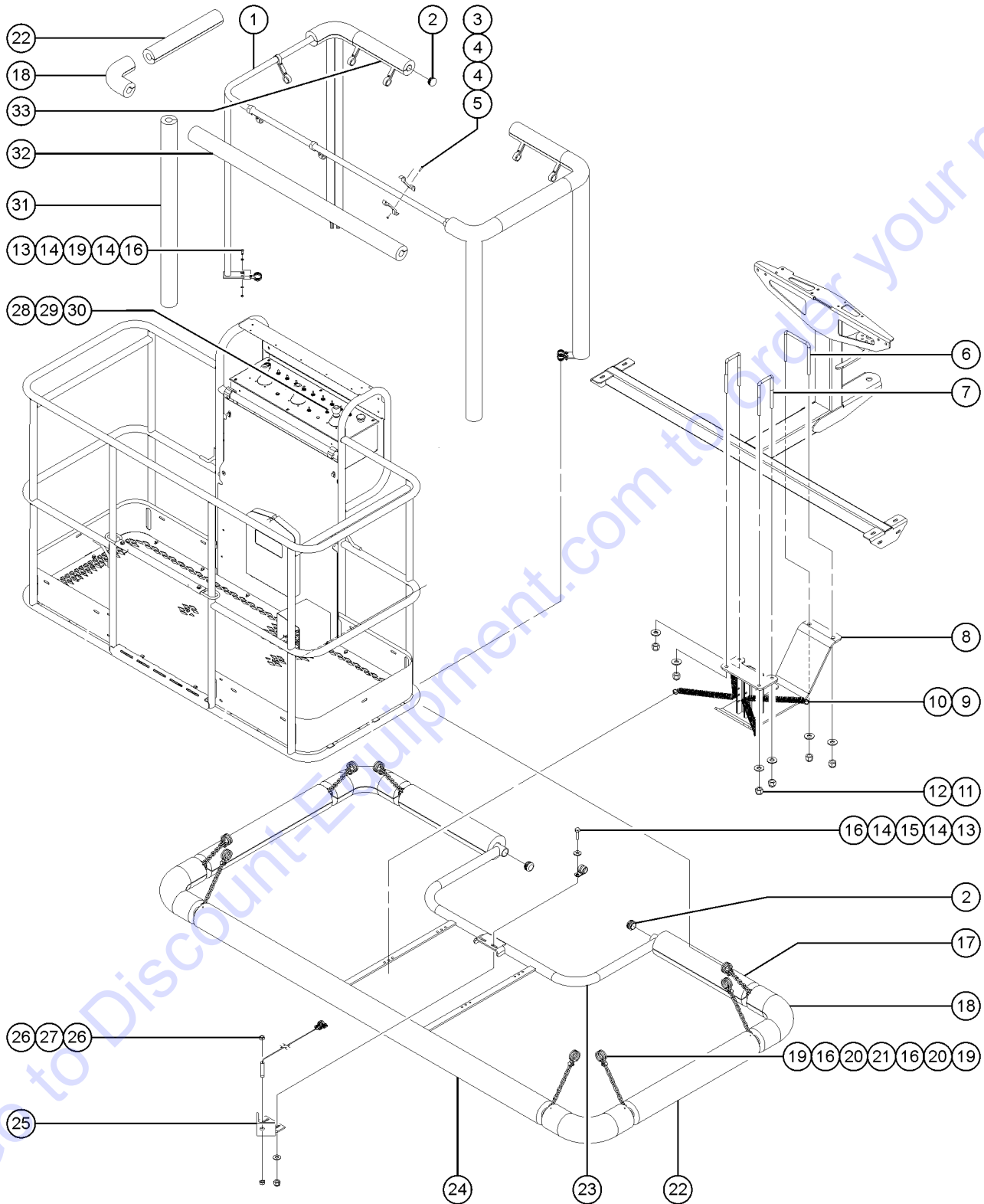
824.1 Aircraft Protection Package, Standard (from SN 2463 to 4800)



824.1 Aircraft Protection Package, Standard (from SN 2463 to 4800)

Item	Part No.	Description	Qty.
1	128203GT	SWITCH TOGGLE ASSY SPDT 2P MOM.....	1
--	139882GT	HARN, AC PROTECTION BYPASS.....	1
2	27246GT	BOOT,TOGGLE SWITCH,SHORT*.....	1
3		Ref. DECAL,FUNCTION OVERRIDE..... <i>(refer to 101.1)</i>	1
4	106044GT	U-BOLT,3/8-16X4X4.63X3.00.....	1
5	66472GT	U-BOLT, SQR, 3/8-16X2X5, PLTD.....	2
6	139904GT	WELDMENT, SKIDPLATE**.....	1
7	88384GT	SPRING, SS, 3/4-EO750-69-4500.....	4
8	88385GT	SPRING, SS, 1/2-EO500-49-4500.....	4
9	4828GT	NUT,NYLOCK,3/8-16	
10	5397GT	WASHER,FLAT,USS,5/16",Y	
11	6888GT	SCREW,HHC,1/4-20 X 1	
12	6638GT	WASHER,FLAT,USS,1/4"Y	
13	6833GT	CLAMP,0.50,#8 X 1/4,RUB CUSH.....	1
14	6638GT	WASHER,FLAT,USS,1/4"Y	
15	6091GT	NUT,NYLOCK,1/4-20	
16	55753GT	BUMPER, PLASTIC, 1.25 O.D.....	2
17	75617-1675GT	PADDING,FOAM 3.5"OD X 1.50"ID.....	2
18	75636GT	PADDING,FOAM,3.0"X1.50ID 90DEG.....	4
19	21618GT	CLAMP,1.13,#18 X 1/4,RUB CUSH.....	16
20	6090GT	SCREW,HHC,1/4-20 X .75	
21	56426-700GT	CHAIN,NO.2 (11 LINKS).....	8
22	75617-2275GT	PADDING,FOAM 3.5"OD X 1.50"ID.....	2
23	139181GT	WELDMENT,AIRCRAFT SENSOR BUMPR.....	1
24	75617-6475GT	PADDING,FOAM 3.5"OD X 1.50"ID.....	1
25	77797GT	WELDMENT, SENSOR MOUNT.....	1
26	88390GT	NUT,HEX,M8,PLASTIC	
27	81532GT	HARNES,PROX.KILL..... <i>includes 27391 proximity sensor</i>	1
--	1262767GT	HARNES,PROX SENSOR,ACP <i>includes 27391 proximity sensor</i>	
--	27391GT	PROXIMITY SENSOR***	

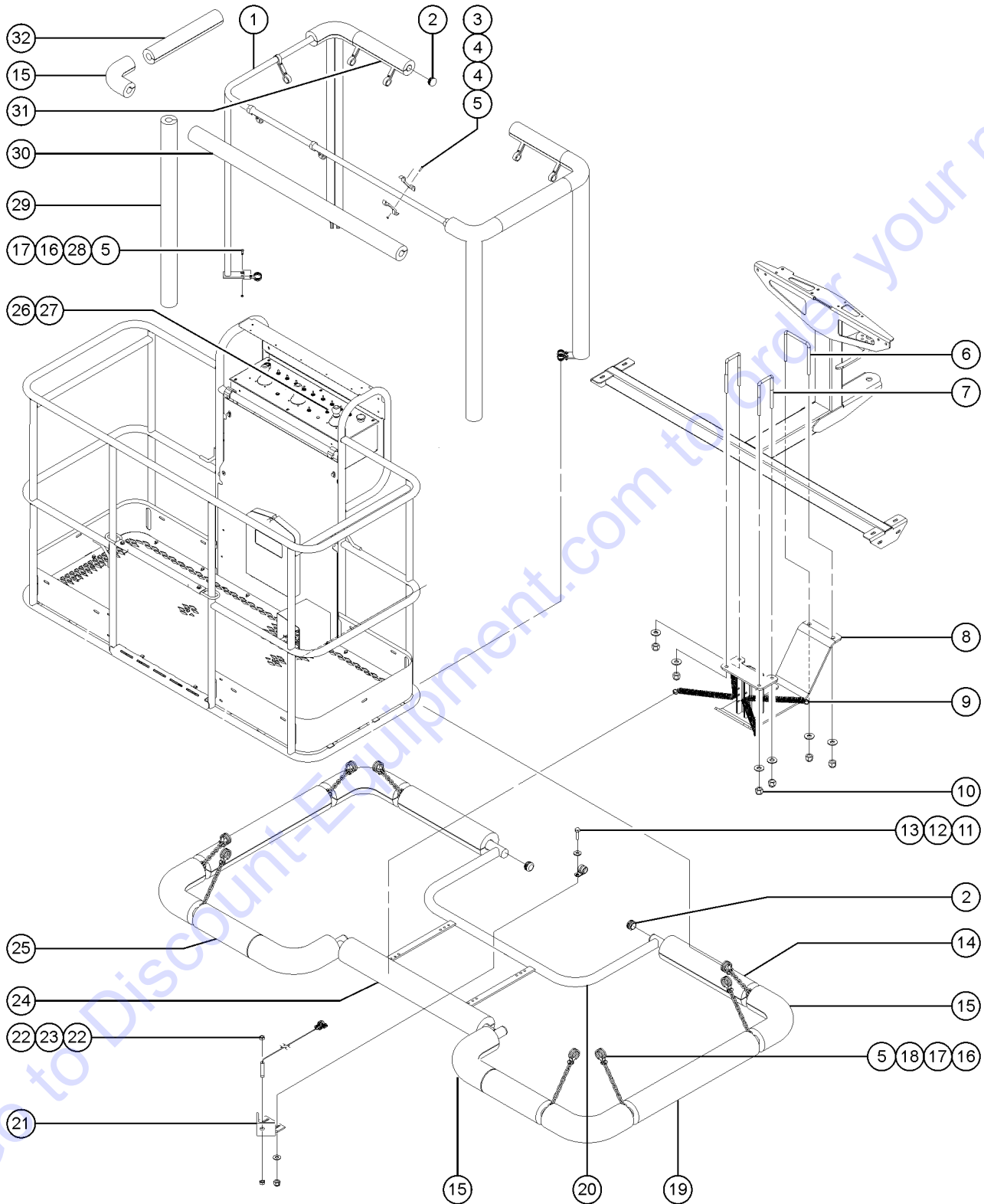
825.1 Aircraft Protection Package, Deluxe (from SN 2463 to 4800)



825.1 Aircraft Protection Package, Deluxe (from SN 2463 to 4800)

Item	Part No.	Description	Qty.
1	46188GT	WELDMENT, AIRCRAFT TOP BUMPER.....	1
2	55753GT	BUMPER, PLASTIC, 1.25 O.D.....	4
3	122231GT	SCREW,BHSC,1/4-20 X 1	
4	122073GT	SUPPORT, RAILING.....	20
5	6889GT	NUT,LP NYLOCK,1/4-20	
6	106044GT	U-BOLT,3/8-16X4X4.63X3.00.....	1
7	66472GT	U-BOLT, SQR, 3/8-16X2X5, PLTD.....	2
8	139904GT	WELDMENT, SKIDPLATE**.....	1
9	88384GT	SPRING, SS, 3/4-EO750-69-4500.....	4
10	88385GT	SPRING, SS, 1/2-EO500-49-4500.....	4
11	4828GT	NUT,NYLOCK,3/8-16	
12	5397GT	WASHER,FLAT,USS,5/16",Y	
13	6888GT	SCREW,HHC,1/4-20 X 1	
14	6638GT	WASHER,FLAT,USS,1/4"Y	
15	6833GT	CLAMP,0.50,#8 X 1/4,RUB CUSH.....	1
16	6091GT	NUT,NYLOCK,1/4-20	
17	75617-1675GT	PADDING,FOAM 3.5"OD X 1.50"ID.....	2
18	75636GT	PADDING,FOAM,3.0"X1.50ID 90DEG.....	8
19	21618GT	CLAMP,1.13,#18 X 1/4,RUB CUSH.....	16
20	6090GT	SCREW,HHC,1/4-20 X .75	
21	56426-700GT	CHAIN,NO.2 (11 LINKS).....	8
22	75617-2275GT	PADDING,FOAM 3.5"OD X 1.50"ID.....	4
23	139181GT	WELDMENT,AIRCRAFT SENSOR BUMPR.....	1
24	75617-6475GT	PADDING,FOAM 3.5"OD X 1.50"ID.....	1
25	77797GT	WELDMENT, SENSOR MOUNT.....	1
26	88390GT	NUT,HEX,M8,PLASTIC	
27	81532GT	HARNES,PROX.KILL..... <i>includes 27391 proximity sensor</i>	1
--	1262767GT	HARNES,PROX SENSOR,ACP <i>includes 27391 proximity sensor</i>	
--	27391GT	PROXIMITY SENSOR***	
28	128203GT	SWITCH TOGGLE ASSY SPDT 2P MOM.....	1
--	139882GT	HARN, AC PROTECTION BYPASS.....	1
29	27246GT	BOOT,TOGGLE SWITCH,SHORT*.....	1
30		Ref. DECAL,FUNCTION OVERRIDE..... <i>(refer to 101.1)</i>	1
31	75617-4788GT	PADDING,FOAM 3.5"OD X 1.50"ID.....	4
32	75617-6275GT	PADDING,FOAM 3.5"OD X 1.50"ID.....	1
33	75617-1538GT	PADDING,FOAM 3.5"OD X 1.50"ID.....	2

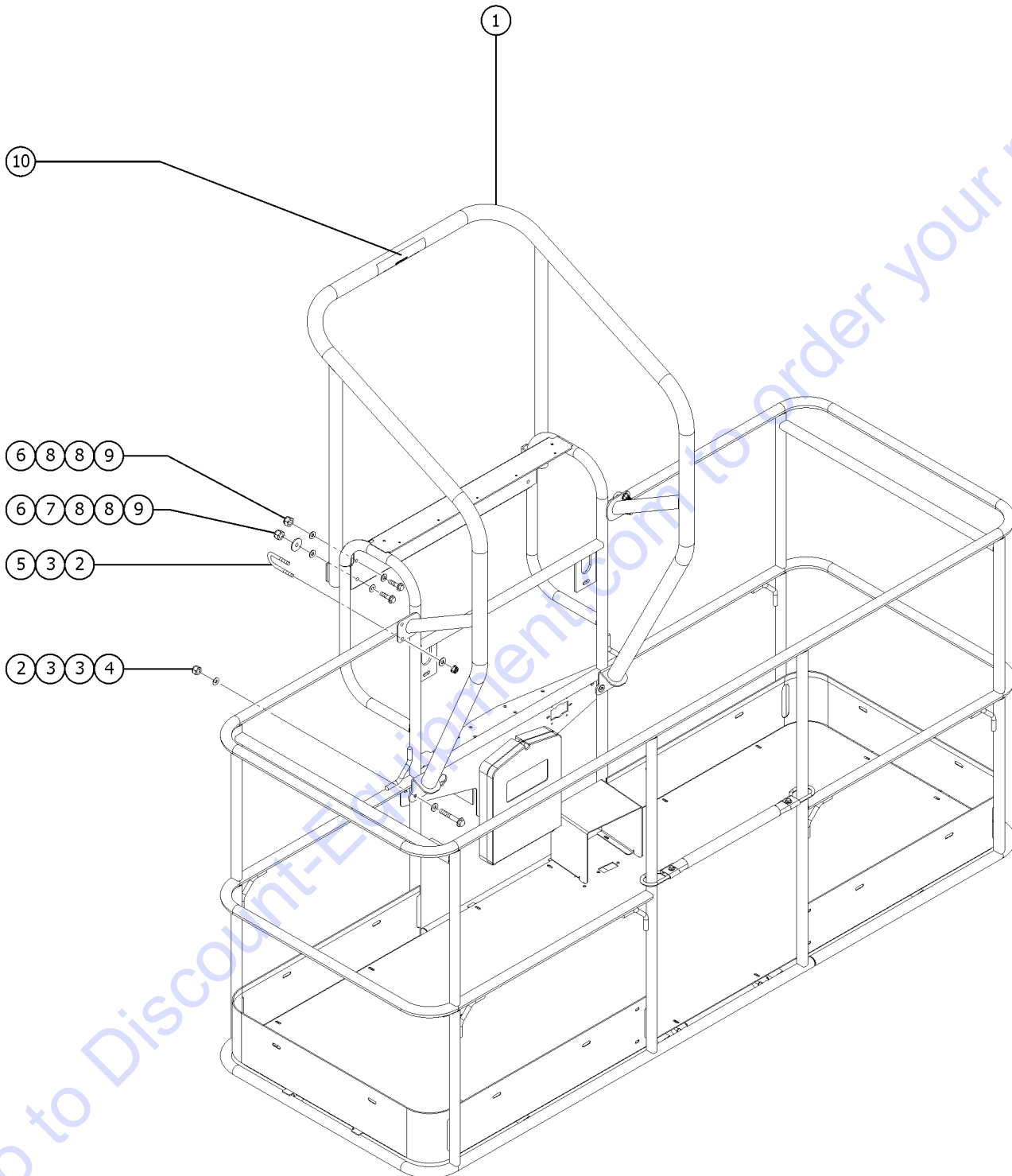
825.2 Aircraft Protection Package (from SN 4801)



825.2 Aircraft Protection Package (from SN 4801)

Item	Part No.	Description	Qty.
1	46188GT	WELDMENT, AIRCRAFT TOP BUMPER.....	1
2	55753GT	BUMPER, PLASTIC, 1.25 O.D.	
3	824227GT	SCREW, BHC, 1/4-20 X 1, ZAG	
4	122073GT	SUPPORT, RAILING.....	20
5	824027GT	NUT, TL FLG, 1/4-20, G, ZAG	
6	106044GT	U-BOLT, 3/8-16X4X4.63X3.00.....	1
7	66472GT	U-BOLT, SQR, 3/8-16X2X5, PLTD.....	2
8	822764GT	WDMT, SKID PLATE.....	1
9	822769GT	SPRING, EXTENSION, 1.92LB/IN.....	4
10	824029GT	NUT, TL FLG, 3/8-16, G, ZAG	
11	6888GT	SCREW, HHC, 1/4-20 X 1	
12	6833GT	CLAMP, 0.50, #8 X 1/4, RUB CUSH.....	1
13	6091GT	NUT, NYLOCK, 1/4-20	
14	75617-1550GT	PADDING, FOAM 3.5"OD X 1.50"ID.....	2
15	75636GT	PADDING, FOAM, 3.0"X1.50ID 90DEG.....	10
16	21618GT	CLAMP, 1.13, #18 X 1/4, RUB CUSH.....	24
17	824078GT	SCREW, HHF, 1/4-20X.75, 8, ZAG	
18	56426-700GT	CHAIN, NO.2 (11 LINKS).....	8
19	75617-2275GT	PADDING, FOAM 3.5"OD X 1.50"ID.....	2
20	822759GT	WDMT, AIRCRAFT SENSOR BUMPER...1	
21	77797GT	WELDMENT, SENSOR MOUNT.....	1
22	88390GT	NUT, HEX, M8, PLASTIC	
23	1261292GT	HARNES ASSY, PCON, PROX KILL..... <i>includes 27391 proximity sensor</i>	1
--	128580GT	SWITCH TOGGLE SPDT 3P MOM SHDR	
--	27391GT	PROXIMITY SENSOR***.....	1
24	822768GT	FOAM, AIRCRAFT PROTECTION.....	1
25	75617-1025GT	PADDING, FOAM 3.5"OD X 1.50"ID.....	2
26	128203GT	SWITCH TOGGLE ASSY SPDT 2P MOM.....	1
27	27246GT	BOOT, TOGGLE SWITCH, SHORT*.....	1
28	81802GT	PLATE, AIRCRAFT PROTECTION OPT.....	4
29	1259329GT	PADDING, FOAM, 46.5".....	4
30	75617-6275GT	PADDING, FOAM 3.5"OD X 1.50"ID.....	1
31	1259328GT	PADDING, FOAM, 15.5".....	2
32	75617-2075GT	PADDING, FOAM 3.5"OD X 1.50"ID.....	2

826.1 Operator Protection Structure (from SN 142)

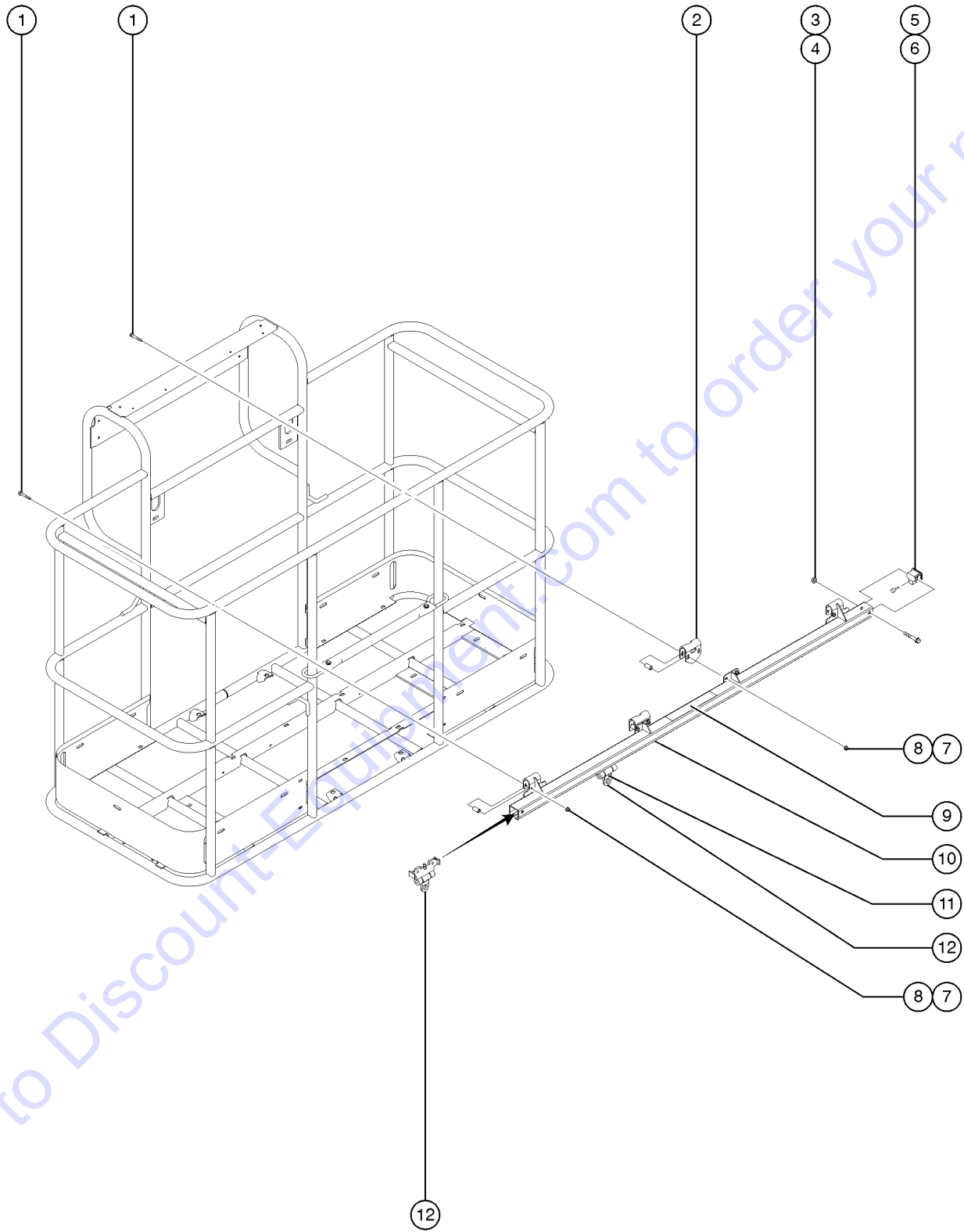


Go to Discount-Equipment.com to order your parts

826.1 Operator Protection Structure (from SN 142)

Item	Part No.	Description	Qty.
--		<i>Fits all 6' and 8' Booms</i>	
1	219158GT	ACCESSORY,OPERATOR PROT STRUCT.....1 <i>(Complete) includes all fasteners</i>	1
2	1256468GT	NUT,3/8-16,8,ZAG.....8	8
3	1255758GT	WASHER,FLAT,3/8,USS,ZAG.....12	12
4	824069GT	SCREW,HHC,3/8-16X2.5,8,ZAG.....4	4
5	1251600GT	U-BOLT, FLATTENED, 1.5 X 3/8 UNC,ZAG.....4	4
6	1261184GT	NUT,1/4-20,8,ZAG.....4	4
7	824120GT	WASHER,FLAT,.375X1.50X.125,ZAG.....2 <i>Use only with the platform control box cover option</i>	2
8	824113GT	WASHER,FLAT,USS,1/4,ZAG.....6	6
9	824060GT	SCREW,HHC,1/4-20X1,8,ZAG.....4	4
10		Ref. DECAL, INSTRUCTION, OPS.....1 <i>refer to Section 1</i>	1

827.1 Fall Arrest Bar



Go to DiscountEquipment.com to order your parts

827.1 Fall Arrest Bar

Item	Part No.	Description	Qty.
1	1256856GT	SCREW,HHF,3/8-16X2.5,8,ZAG.....	4
2	1256389GT	FORMING,INNER HANGER.....	2
3	1251997GT	NUT,TL FLG,1/2-13,G,ZAG.....	2
4	1256851GT	SCREW,HHF,1/2-13X3.5,8,ZAG.....	2
5	1260892GT	END STOP,TRACK,FALL ARREST BAR.....	2
6	36388GT	BUMPER,RUBBER,.75 X .50H,STUD....	2
7	1274322GT	NUT,NYLOCK FLG,3/8-16,F,ZAG.....	8
8	1256481GT	SPACER, HANGER BRACKET.....	8
9A	1256400GT	DECAL,TRACK,FALL ARREST BAR,WORD.....	1
9B	1260910GT	DECAL,TRACK,FALL ARREST BAR,SYMBOL.....	1
9C	1256400FRGT	DECAL,TRACK,FALL ARREST BAR,WORD FR.....	1
10A	1256377GT	ACC,FALL ARREST BAR,8FT WORD.....	1
--	1256379GT	ASSY,TRACK,FALL ARREST BAR,8FT WORD <i>includes decals</i>	
10B	1261022GT	ACC,FALL ARREST BAR,8FT SYM.....	1
--	1261024GT	ASSY,TRACK,FALL ARREST BAR,8FT SYM <i>includes decals</i>	
10C	1261018GT	ACC,FALL ARREST BAR,8FT FR.....	1
--	1261020GT	ASSY,TRACK,FALL ARREST BAR,8FT FR <i>includes decals</i>	
10D	1256378GT	ACC,FALL ARREST BAR,6FT WORD.....	1
--	1256380GT	ASSY,TRACK,FALL ARREST BAR,6FT WORD <i>includes decals</i>	
10E	1261023GT	ACC,FALL ARREST BAR,6FT SYM.....	1
--	1261025GT	ASSY,TRACK,FALL ARREST BAR,6FT SYM <i>includes decals</i>	
10F	1261019GT	ACC,FALL ARREST BAR,6FT FR.....	1
--	1261021GT	ASSY,TRACK,FALL ARREST BAR,6FT FR <i>includes decals</i>	
11	40434GT	DECAL,LANYARD ANCHORAGE POINT.....	1
12	1256439GT	TROLLEY, TRACK, FALL ARREST BAR.....	1

Part Number Index

The Part Number Index is a numeric index of all part numbers included in this manual. The index shows what page(s) the part is used on.

Part Number	Page	Part Number	Page	Part Number	Page	Part Number	Page
1000238GT	17-18, 25	101627GT	101	102346GT	273	104328GT	249
101005GT	203	101628GT	103	102348GT	101	104804GT	187
101005HGT	203	101632GT	293	102353PGT	91	10597GT	155-156, 171
101011GT	37-38	101633GT	101, 126	102354PGT	87	10598GT	153
101070GT	37-38, 41	101634GT	101, 126	102355-6650GT	281	106023GT	103
10107GT	69-72, 143, 147, 155-156, 279	101635GT	265	102357GT	279	106024GT	103
101118PGT	145	101638GT	101, 125-126	102373PGT	265	106033GT	61-62
101119PGT	149	101639GT	265	102399GT	171	106043GT	283
101121PGT	149	101640GT	133, 265	102408PGT	283	106044GT	283, 305, 307, 309
101126PGT	147	101641PGT	103	102409PGT	283	106051GT	91
101127PGT	147	101644GT	103	102433GT	251-252	106077GT	279
101128PGT	147	101645GT	103	102434GT	251-252	106098GT	37-38, 41, 47-48
101128PGT	147	101726GT	57-58	102436GT	251-252	106104GT	279
101174GT	203	101727GT	57-58, 61-62	102438GT	251-252	106110GT	283
101174HGT	203	101731PGT	283	102439GT	251-252	106111GT	283
101175GT	203	101732GT	283	102440GT	251-252	106112GT	283
101175HGT	203	101747GT	183-185	102485PGT	261	106113GT	279
101234GT	37-38, 41	101748GT	183-185	102486GT	261	106115GT	279
101284GT	37-38	101749GT	183-185	102487GT	75-76	106117GT	37-38, 41
101321GT	113	101750GT	183-185	102491GT	37-38	106118GT	37-38, 41
101340GT	89, 91	101751GT	183-185	102492GT	37-38	106122GT	38, 53, 55
101373GT	183-185	101752GT	183-185	102493GT	37-38	106125GT	55
101375GT	183-185	101753GT	183-185	102494GT	37-38	106140PGT	279
101376GT	183-185	101754GT	183-185	102496GT	211	106141GT	283
101377GT	183-185	101769GT	37-38	102534GT	13-14, 103	106154GT	173
101378GT	184-185	101770GT	37-38	102535GT	38	106178GT	145
101379GT	183-185	101845GT	271	102536GT	38	106183GT	283
101381GT	184-185	101848GT	79, 125-126	102537GT	184-185	106184GT	279
101382GT	183-185	101891GT	79, 101	102538GT	184-185	106204PGT	283
101383GT	183-185	101892GT	79	102555GT	37-38	106211-300GT	133
101384GT	184-185	101934GT	227	102557GT	38	106211-600GT	133
101385GT	183-185	101944GT	37-38	102558GT	38	106226GT	108
101387GT	183-185	101945GT	37-38	102581GT	125-126	106271PGT	147
101388GT	183-185	101964GT	85	102585GT	126	106274GT	279
101390GT	183-185	101971GT	99	102589GT	13-14, 125-126	106275GT	283
101391GT	183-185	102003PGT	265	102593GT	129	106357GT	173
101393GT	183-185	102010PGT	143	102659GT	57-58	106375GT	279
101394GT	183-185	102013PGT	147	102676GT	257	106394GT	279
101396GT	183-185	102045GT	103, 123, 126, 129, 137, 141	102681GT	273	106421GT	179
101405GT	85	102065PGT	147	102683GT	97	106477GT	279
101516GT	279	102066GT	115	102685GT	175	106485GT	147
101525GT	283	102066PGT	149, 153	102710GT	57-58	106486GT	143
101529GT	47-48	102073GT	143	102713GT	265	106487GT	143
101530GT	47-48	102074GT	143	102714PGT	265	106490GT	14, 149
101531GT	47-48	102074GT	143	102717GT	47-48	106491GT	147
101533GT	38	102103GT	145	102719GT	38	106495GT	195-196, 199
101534GT	38	102104GT	145	102721PGT	251-252	106535GT	273
101535GT	85	102117GT	145, 147	102735GT	233	106605GT	143, 145
101537GT	177	102118GT	143	102746GT	279, 285	106637GT	285
101538GT	177	102119GT	147	102777GT	37-38	106658GT	279
101539GT	173	102120GT	147	102778GT	38	106663GT	111
101540GT	159	102121GT	145, 153	102779PGT	143	106665-2929GT	239, 241, 243
101547PGT	283	102134GT	143	102780GT	233	106740GT	273
101601GT	101, 103	102136GT	149	102781GT	233	106754GT	171
101602GT	101	102155GT	37-38	102785PGT	257	106755GT	171
101603PGT	101	102157GT	37-38	102786PGT	257	106923GT	137
101604PGT	101	102160GT	37-38	102790GT	37-38	107545GT	101
101605PGT	101	102169GT	37-38	102794GT	147, 149	107546GT	105
101606PGT	101	102170GT	37-38	102855GT	257	107704GT	251-252
101607PGT	105	102209PGT	129	102941GT	47-48	107705GT	251-252
101608PGT	101	102227GT	125-126	102951GT	87	107706GT	251-252
101609GT	105	102228PGT	125-126	102952GT	87	107707GT	251-252
101610PGT	101	102237PGT	126	102953GT	87	107708GT	251-252
101611GT	101	102239PGT	125-126	102954GT	87	107709GT	251-252
101612PGT	265	102276GT	289	102969GT	85	107710GT	251-252
101613GT	13-14, 101	102276PGT	279, 285	102970GT	85	10775GT	275, 277, 289
101614GT	13-14, 103	102307GT	143	102972GT	105	10777GT	275, 277, 289
101615PGT	105	102309GT	61-62, 65-66, 177	102973GT	117	107857GT	249
101618GT	103	102312-2088GT	281	102974GT	125-126	107858GT	251-252
101619GT	101	102312-2388GT	281	102975GT	139	107862GT	35
101620PGT	101	102313-2826GT	287	102976GT	147	107864GT	35
101622GT	101	102314GT	279	102977GT	143	108543GT	119
101624PGT	105	102339GT	143	102992GT	184-185, 187	109802GT	71-72, 95
101625GT	101	102343PGT	159	104030GT	193, 195-196, 199	110149GT	107-108
101626GT	103, 179						

Part Number Index (continued)

Part Number	Page	Part Number	Page	Part Number	Page	Part Number	Page
110180GT	227	111545GT	181	111870GT	153	121286GT	41
110194GT	223	111628GT	189	111871GT	153	121287GT	41
110196GT	221	111629GT	189	111872GT	153	121291GT	38, 55
110197GT	221	111634GT	143	111873GT	153	121307GT	41
110198GT	285	111668GT	125-126	111874GT	153	121349GT	48
110200GT	207, 209, 213-214, 217-218, 221, 223	111710GT	156	111878GT	21	121371GT	47-48
110201GT	223	111748GT	133	111880GT	153	121410GT	125-126
110202GT	221	111794GT	155-156	111881GT	153	121419GT	131, 133, 135, 267
110220GT	283	111797GT	14, 61-62, 65-66	111882GT	153	121420GT	133, 135
110276-1300GT	283	111799PGT	155-156	111883GT	151	121421GT	267
110276-2000GT	283	111800PGT	155-156	111884GT	151	121433GT	137
110276-2700GT	283	111801PGT	155-156	111885GT	151	121594GT	151
110276-3800GT	283	111802PGT	155-156	111886GT	155-156	121615GT	125-126
110276-4000GT	283	111803GT	155-156	111887GT	155-156	121668GT	37-38, 41
110277-3500GT	283	111804PGT	155-156	111888GT	151	121688GT	137
110304GT	101, 107-108, 143	111805GT	155-156	111890GT	151	121814GT	101
110771-175R7GT	48	111806GT	155-156	111894GT	151	121860GT	163
110771-21163GT	69-72	111807GT	151	111895GT	151	122011GT	155-156
110771-214G3GT	177	111808GT	153	111896GT	21	122019GT	249
110771-41163GT	69-72	111810GT	155-156	111898GT	153	122023GT	189, 195-196
110771-41B63GT	69-72	111815GT	155-156	111903GT	151	122037GT	173
110771-44163GT	173	111817-0400GT	61-62	111905GT	151	122038GT	173
110771-61103GT	177	111817-0725GT	61-62, 65-66	111907GT	155-156	122052GT	125-126
110771-71168GT	69-72	111817-1700GT	61-62, 65-66	111910GT	153	122066GT	21
110771-714G8GT	177	111817-3425GT	61-62	111911GT	155-156	122073GT	251-252, 255, 307, 309
110771-71B68GT	69-72	111817-3825GT	65-66	111912GT	156	122079GT	184-185
110789GT	271	111817-5225GT	61-62, 65-66	111913GT	153	122096GT	209
110919GT	153	111817-8825GT	61-62	111914GT	14, 156	122097GT	217-218
111090GT	38	111817-9200GT	61-62	111915GT	61-62, 65-66	122100GT	285
1111407GT	38	111817-9375GT	65-66	111916GT	153	122120GT	209, 217-218
111155GT	37-38	111818GT	61-62, 65-66, 151	111917GT	14, 151	122121GT	209, 217-218
111158GT	38	111820-12300GT	61-62	111918GT	151	122127PGT	75-76
111218GT	183-185	111822GT	151	111919GT	151	122128PGT	75-76
111219GT	183-185	111824GT	151	111920GT	155-156	122133GT	217-218
111220GT	183-185	111825GT	151	111922GT	151	122134GT	209
111221GT	183-185	111826GT	151	111923GT	151	122148GT	217-218
111222GT	183-185	111827GT	151	111924GT	151	122176GT	173
111223GT	183-185	111829GT	151	111987GT	285	122198GT	175, 209
111224GT	183-185	111830GT	153	11209GT	273	122200GT	173, 175, 177
111225GT	183-185	111831GT	153	112119GT	285	122201GT	177
111250GT	183-185	111832GT	153	114166GT	17-18, 21, 27, 29	122202GT	137
111251GT	183-185	111833GT	153	114236GT	21, 29	122231GT	251-252, 307
111252GT	183-185	111834GT	153	114247GT	31	122243GT	153
111253GT	183-185	111835GT	153	114248GT	33	122244GT	156
111276GT	184-185	111836GT	151	114249GT	27, 29	122245GT	153
111294GT	251-252	111837GT	151	114251GT	27	122246GT	156
111295GT	251-252	111838GT	151	114252GT	31	122255GT	153
111296GT	251-252	111839GT	79, 151	114258GT	17-18	122258GT	75-76
111297GT	251-252	111840GT	151	114389GT	17-18, 25	122260GT	155-156
111319GT	251-252	111841GT	151	114390GT	17-18, 21	122261GT	155-156
111320GT	251-252	111842GT	151	115431GT	103, 143	122278GT	251-252
111331GT	179	111843GT	151	119051GT	155-156	122279GT	251-252
111353GT	85	111844GT	153	119056GT	295	122299GT	173
111358GT	153	111845GT	151	119057GT	295	122300GT	279
111359GT	153	111847GT	151	119065GT	295	122302GT	279
111361GT	38	111848GT	153	119066GT	295	122325GT	151
111362GT	38, 53	111849GT	153	119120GT	177	122327GT	155-156
111363GT	38, 53, 55	111850GT	153	119218GT	107-108, 131	122343GT	189, 196
111381GT	285	111851GT	153	119232GT	153	122351GT	79, 83, 195-196, 199
111402GT	125-126	111852GT	153	119403GT	295	122362GT	189, 196
111403GT	38	111853GT	151	119404GT	87	122366GT	75-76, 81
111404GT	38	111854GT	151	119533PGT	273	122367GT	75-76, 81
111405GT	38	111855GT	153	119578GT	273	122388GT	125-126
111413GT	191	111856GT	153	119613GT	201, 203	122406GT	75-76, 81
111414GT	191	111857GT	151	119620GT	35, 43, 45	122461GT	189, 196
111415GT	201	111858GT	153	119672GT	271	122489GT	85
111416GT	201	111859GT	151	119762GT	83	122506GT	221
111417GT	201	111860GT	151	119795GT	257	122515GT	76
111445GT	126	111861GT	155-156	119824GT	153	122516GT	75-76
111485PGT	251-252	111862GT	155-156	119915GT	203	122519GT	76, 191, 195-196
111486PGT	251-252	111864GT	153	119918GT	61-62, 65-66	122526PGT	155-156
111526GT	257	111865GT	153	119950GT	251-252	122575GT	171
111533GT	51	111866GT	153	119983GT	61-62	122576GT	171
		111867GT	151	121066GT	137		
		111868GT	153	121271GT	41		
		111869GT	153	121272GT	41		

Part Number Index (continued)

Part Number	Page	Part Number	Page	Part Number	Page	Part Number	Page
122588GT	125-126	1254282GT	107-108	1256855GT	187, 269	1268596GT	70-72
122627GT	21	1254354GT	115	1256856GT	47-48, 313	1268602GT	69-72
122706GT	231	1254355GT	115	1256857GT	35, 38, 43, 45, 48	1268832GT	51
122755GT	184-185	1254471GT	107-108	1256859GT	303	1268833GT	51
122784GT	75-76	1254594GT	131	1257264GT	271	1268GT	13-14
122785GT	75-76	1254689GT	115	1257389GT	301	1269052GT	277
122786GT	75-76	1254690GT	115	1257733GT	13-14	1269502GT	201, 203
122792GT	75-76	1254823GT	135	1258567GT	13-14	1269549GT	161
122793GT	75-76, 81	1254826GT	126	1258641GT	135	1269593GT	35
122864GT	21	1254949GT	131	1258771GT	135	1269604GT	161
122865GT	151	1255018GT	301	1258952GT	196, 199	1269641GT	187
122867GT	87	1255019GT	301	1259054GT	145, 149	1269693GT	289
122878GT	55	1255020GT	301	1259328GT	309	1270116GT	301
122879GT	55	1255021GT	301	1259329GT	309	1270117GT	301
122941GT	173	1255022GT	301	1259661GT	295	1270118GT	301
122944GT	179	1255023GT	301	1259704GT	251-252	1270570GT	255
122961GT	227	1255024GT	301	1259708GT	295	1270571GT	255
122964GT	227	1255025GT	301	1259931GT	35	1271077GT	255
122994GT	81	1255027GT	301	1260688GT	255	1271078GT	255
123164GT	37-38	1255028GT	301	1260892GT	313	1271652GT	168
123167GT	111, 133, 163	1255029GT	301	1260910GT	313	1271653GT	168
12344GT	75-76, 79, 81, 189, 193, 196, 199, 303	1255030GT	301	1261018GT	313	1271654GT	168
12443GT	184-185	1255033GT	301	1261019GT	313	1271825GT	167-168
124962GT	137	1255035GT	301	1261020GT	313	1271837GT	168
1251496GT	135	1255036GT	301	1261021GT	313	1271945GT	301
1251498GT	135	1255037GT	301	1261022GT	313	1272024GT	167-168
1251498GT	135	1255038GT	301	1261023GT	313	1272025GT	167-168
1251542GT	273	1255047GT	301	1261024GT	313	1272026GT	167-168
1251600GT	187, 269, 297, 301, 311	1255066GT	301	1261025GT	313	1272027GT	168
1251701GT	81	1255067GT	301	1261184GT	303, 311	1272028GT	167-168
1251814GT	113	1255068GT	301	1261292GT	309	1272029GT	168
1251819GT	113	1255091GT	255	1261962GT	107-108	1272030GT	167-168
1251864GT	108	1255092GT	255	1261979GT	107-108	1272031GT	168
1251899GT	115	1255094GT	249	1261981GT	107-108	1272032GT	168
1251928GT	133	1255389GT	51	1261987GT	69-72	1272033GT	168
1251983GT	108, 131	1255452GT	43	1262015GT	107-108	1272035GT	168
1251994GT	115	1255556GT	301	1262018GT	107-108	1272036GT	168
1251997GT	115, 165, 313	1255653GT	126, 131	1262019GT	107-108	1272037GT	167-168
1252473GT	107-108	1255758GT	311	1262021GT	107-108	1272038GT	167-168
1252686GT	113	1255763GT	47-48	1262023GT	107-108	1272039GT	167-168
1252687GT	135	1255768GT	70-72	1262024GT	107-108	1272041GT	167-168
1252716GT	25, 33	1255769GT	70-72	1262026GT	107-108	1272042GT	167-168
1252940GT	113	1255770GT	70-72	1262027GT	107-108	1272043GT	167-168
1252944GT	111	1255771GT	70-72	1262028GT	107-108	1272044GT	167-168
1252979GT	108	1255772GT	70-72	1262044GT	69-72	1272045GT	167-168
1253170GT	79, 83	1255773GT	70-72	1262050GT	107-108	1272046GT	167-168
1253171GT	155-156	1255788GT	277	1262470GT	107-108	1272047GT	167-168
1253172GT	79, 101	1255802GT	48, 165	1262475GT	107-108	1272048GT	168
1253173GT	125-126	1255889GT	301	1262476GT	107-108	1272049GT	167-168
1253185GT	107-108	1255890GT	301	1262479GT	107-108	1272050GT	167-168
1253191GT	108	1256109GT	175	1262482GT	107-108	1272052GT	168
1253192GT	107-108	1256182GT	37-38, 47-48	1262485GT	107-108	1272053GT	168
1253193GT	107-108	1256267GT	47-48, 171, 177,	1262487GT	13-14, 107-108	1272054GT	168
1253194GT	108		179	1262492GT	107-108	1272055GT	168
1253208GT	107-108	1256327GT	25	1262493GT	107-108	1272057GT	167-168
1253210GT	79, 101, 155-156	1256328GT	17-18	1262495GT	107-108	1272058GT	168
125326GT	125-126	1256330GT	17-18	1262499GT	107-108	1272059GT	167-168
1253304GT	81	1256331GT	25	1262501GT	107-108	1272060GT	167-168
1253314GT	65-66	1256332GT	17-18	1262502GT	107-108	1272061GT	168
1253319GT	107-108	1256336GT	33	1262594GT	107-108	1272062GT	167-168
1253431GT	111	1256337GT	27	1262596GT	107-108	1272064GT	168
1253487GT	111	1256339GT	27	1262597GT	107-108	1272065GT	167-168
1253489GT	277	1256340GT	33	1262599GT	107-108	1272066GT	167-168
1253498GT	47-48	1256341GT	27	1262607GT	107-108	1272068GT	167-168
1253573GT	115	1256377GT	313	1262608GT	107-108	1272069GT	167-168
1253574GT	115	1256378GT	313	1262767GT	305, 307	1272070GT	167-168
1253697GT	69-72	1256379GT	313	1262866GT	13-14	1272071GT	167-168
1253792GT	69-72	1256380GT	313	1262868GT	131	1272074GT	107-108
1253808GT	69-72	1256389GT	313	1264458GT	79, 83	1272242GT	18, 27
1253809GT	69-72	1256400FRGT	313	1264934GT	303	1272303GT	187
1253810GT	69-72	1256400GT	313	1265397GT	187	1272304GT	187
1253811GT	69-72	1256439GT	313	1267746GT	187	1272307GT	187
1254161GT	111	1256468GT	311	1267747GT	187	1272624GT	131
1254281GT	108	1256469GT	51	1267807GT	87	1273154GT	167-168
		1256481GT	313	1268229GT	87	1273165GT	167-168
		1256851GT	313	1268595GT	69-72	1273916GT	279

Part Number	Page	Part Number	Page	Part Number	Page	Part Number	Page
1274069GT	165	1284618GT	167-168	13003GT	103, 123, 126, 129, 137	146278GT	179
1274168GT	303	1284619GT	167-168			146284GT	279
1274322GT	269, 297, 303, 313	1284620GT	167-168	13014GT	99, 139, 149	146285GT	279
1274614GT	121	1284621GT	167-168	13064GT	48, 69-72, 126, 129, 131, 137	146325GT	177
1274637GT	79	1284622GT	167-168			146340GT	47-48
1274858GT	187	1284623GT	167-168	13066GT	37-38, 71-72, 93, 101, 105, 119, 126, 139, 147, 153, 155-156, 249, 279	146358GT	189
1274859GT	187	1284624GT	167-168			146360GT	75-76
1274900GT	135	1284625GT	167-168			146392GT	75-76
1275537GT	301	1284626GT	167-168	13097GT	279	146394GT	189
1275538GT	301	1284627GT	167-168	13268GT	81, 108, 153, 163, 189, 193, 195-196, 199	146399GT	271
1275539GT	301	1284628GT	168			146410GT	43
1275540GT	301	1284629GT	168			146411GT	43
1277873GT	303	1284630GT	167-168	133067GT	27, 29	146413GT	65-66
1277875GT	303	1284631GT	168	133163GT	25	146415GT	65-66
1277876GT	303	1284632GT	168	133236GT	25	146417GT	65-66
1277877GT	303	1284633GT	167-168	133278GT	17-18	146425GT	189, 195-196, 199
1277924GT	269, 297, 303	1284634GT	168	133400GT	17-18, 21, 27, 29	146426GT	79
1277952GT	255	1284635GT	168	133411GT	27	146427GT	79, 83
1277966GT	255	1284636GT	167-168	13585GT	275, 279	146428GT	79, 83
1277974GT	131	1284637GT	167-168	13635-4GT	85	146429GT	177
1277991GT	143, 155-156	1284638GT	167-168	13852GT	179	146437GT	38
1278063GT	41	1284639GT	167-168	139106GT	241	146478GT	76, 191, 193, 195-196, 199
1278064GT	41	1284640GT	168	139107GT	235, 243		
1278065GT	41	1284641GT	167-168	139181GT	305, 307	146494GT	38
1278066GT	41	1284642GT	167-168	13918GT	57-58, 62, 65-66, 273, 285	146495GT	38
1278067GT	41	1284643GT	167-168			146506GT	189
1278068GT	41	1284644GT	167-168	139308GT	70-72	146551GT	65-66
1278111GT	303	1284645GT	167-168	139309GT	70-72	146610GT	173
1278117GT	303	1284646GT	168	139310GT	70-72	147090GT	81
1278119GT	303	1284647GT	168	139311GT	70-72	147095GT	75-76, 81
1278121GT	303	1284648GT	168	139312GT	70-72	147121GT	184-185, 187
1278124GT	303	1284649GT	168	139313GT	70-72	147221GT	184-185
1278138GT	303	1284650GT	168	139314GT	70-72	147228GT	289
1278144GT	303	1284651GT	168	139315GT	70-72	147229GT	289
1278363GT	303	1284652GT	168	139321GT	126	147230GT	289
1278368GT	303	1284653GT	168	139322GT	125-126	147231GT	289
1278416GT	303	1284654GT	168	139323GT	70-72	147232GT	289
1278433GT	303	1284655GT	168	139338GT	191, 195-196, 199	147233GT	289
1278458GT	303	1284656GT	168			147239GT	289
1278542GT	303	1284657GT	168	139438GT	251-252	14723GT	273
1278714GT	13-14	1284658GT	168	139451GT	184-185	147240GT	289
1278982GT	303	1284659GT	168	139598GT	201, 203	147241GT	289
1279134GT	303	1284660GT	168	139612GT	125-126	147242GT	289
1279268GT	99, 139	1284661GT	168	139621GT	129	147258GT	289
1279467GT	25	1284662GT	168	139624GT	125-126	147262GT	289
1279764GT	151	1284663GT	168	139648GT	85	147290GT	57-58
1279765GT	255	1284664GT	168	139666GT	125-126	147355GT	113
128000GT	203	1284665GT	167-168	139709GT	129	147836GT	285
128001GT	203	1284666GT	167-168	139828GT	41	147837GT	285
128003GT	111	1284667GT	168	139829GT	41	147838GT	285
128004GT	105, 129, 133, 155-156	1284668GT	168	139882GT	305, 307	147839GT	285
		1284669GT	168	139904GT	305, 307	1484GT	13-14
128023GT	105, 129, 155-156	1284670GT	168	139952GT	289	1487GT	251-252
		1284671GT	168	139953GT	289	1488GT	251-252
128024GT	111	1284764GT	251-252	139954GT	289	150129GT	177
1280590GT	125-126	1284785GT	167-168	139958GT	251-252	15086GT	131, 143, 149
1280591GT	125-126	1284786GT	167-168	139983GT	125-126, 129	16073GT	153
1280665GT	87	1285419GT	13-14	14033GT	147, 285	161938GT	135
1280819GT	17-18	128580GT	309	14392GT	295	162006GT	279
128081GT	61-62, 65-66	128588GT	111	144161GT	87, 277, 289	162207GT	137
1280820GT	18	128636GT	69-72	146011GT	177	162208GT	137
128200GT	191, 193, 195-196, 199	1286602GT	55	146028GT	179	162209GT	137
128203GT	189, 196, 305, 307, 309	1286604GT	41, 53	146040GT	189, 195-196, 199	162269GT	245
		1286605GT	41, 53			162283GT	131
128274GT	293	128829GT	125-126	146051GT	53, 55	162284GT	131
1282993GT	255	128912GT	131	146052GT	55	16584GT	93, 117, 139
128368GT	251-252	128986GT	113	146057GT	139	18189GT	159
1283776GT	13-14	128987GT	113	146061GT	129	18396GT	179
1283995GT	135	12906GT	85	146062GT	273	18503GT	139, 143, 147, 153, 155-156
128416GT	279	13000GT	139, 289	146063GT	173	18596GT	103, 123, 126, 129, 137, 175
128419GT	279	13002GT	57-58, 61-62, 65-66, 95, 99, 101, 129, 133, 143, 155-156, 279	146121GT	175		
128429GT	251-252			146262GT	43	18605GT	81, 83
1284310GT	277			146263GT	47-48	18665GT	279
1284617GT	167-168			146264GT	179	18666GT	151, 283

Part Number Index (continued)

Part Number	Page	Part Number	Page	Part Number	Page	Part Number	Page
18722GT	171	226213GT	38	230997GT	75-76	27564GT	17-18, 21
18731GT	171	226215GT	38	230998GT	75-76	27581GT	13-14
19018-1100GT	297	226393GT	249	230999GT	75-76	27584GT	101, 105
19020GT	289	226503GT	279, 285	231020GT	75-76, 81	27585GT	133, 137
19274GT	303	226505GT	279	231023GT	75-76, 81	27698GT	35, 43, 45, 48
19358GT	153	226518GT	17-18, 25	231529GT	111	27761GT	211
19363GT	61-62, 143, 151	226562GT	37-38, 41	232975GT	193, 195-196, 199	27802GT	221
19470GT	209, 217-218	22672GT	108, 131, 143, 149	233110GT	48	27804GT	223
19934GT	153, 155-156			233111GT	43	27807GT	207, 209, 213-221, 223
19969GT	285	22697GT	273	233112GT	43		
20224GT	237, 239, 241, 243, 245	22699GT	103, 105, 119, 126, 129, 133, 155-156	233131GT	25, 33	27836GT	205, 211, 223
20654GT	70-72	22700GT	93, 139, 143, 147, 149, 151, 273	233992GT	269	27920GT	149
20776GT	279			233993GT	269	28076GT	99
20912GT	273	227425GT	279	23404GT	189, 199	28158GT	17-18, 27
20973GT	184-185	227503GT	177	235133GT	53	28159GT	17-18, 27
21019GT	101, 131, 143	227504GT	177	235137GT	53, 55	28160GT	17-18, 27
21121GT	184-185	227618GT	184-185, 187	235139GT	53	28161GT	23
21130GT	95, 101, 123, 125-126, 173	227772GT	37-38, 41	235140GT	53	28164GT	21
21141GT	57-58, 61-62, 65-66	227773GT	37-38, 41	235150GT	53	28165GT	25
21148GT	70-72	227775GT	41, 53	235151GT	53	28174GT	17-18, 21, 25, 27, 29, 33
214228GT	13-14, 137	227776GT	41, 55	235152GT	53, 55	28175GT	21
214249GT	295	227779GT	41, 48	235153GT	38, 53	28176GT	25
214336GT	107-108	227785GT	70-72	235154GT	55	28177GT	25
214393GT	89, 91, 159	227804GT	41	235155GT	38	28181GT	23
214536GT	295	227805GT	41	235162GT	251-252	28235GT	17-18, 21, 25, 27, 29, 33
21465GT	103, 108, 111, 135	227806GT	37-38	235346GT	193, 195-196, 199		
21496GT	95, 123	227807GT	37-38	236259GT	137	28236GT	25
215209GT	89, 91, 159	22788GT	145	236260GT	13-14, 137	28301GT	85
215210GT	89, 91, 159	227985GT	41	236449GT	151	28443GT	283
215590GT	75-76	227988GT	143, 155-156	236450GT	151	28607GT	103, 151
215623GT	41, 53	22811GT	38	236451GT	153	28646GT	70-72
21604GT	271	228467GT	184-185	236452GT	153	28656GT	14, 145, 149
216065GT	115	228800GT	37-38	236453GT	153	28717GT	149
216150GT	111	228801GT	37-38	236454GT	153	28750GT	13-14, 229
21618GT	305, 307, 309	228805GT	41	236455GT	153	28853GT	293
216611GT	295	228823GT	57-58, 61-62, 65-66	237068GT	89, 91, 159	29290GT	70-72
216612GT	295	228848GT	269	237228GT	38	29436GT	93
216615GT	295	228849GT	269	237238GT	301	29560GT	13-14, 126
216616GT	295	228866GT	227	237711GT	295	29605GT	51, 85
216617GT	295	228872GT	279	237730GT	131	29606GT	143, 149
216618GT	295	228873GT	279	237821GT	131	29616GT	143, 149
216645GT	295	228878GT	279	237830GT	47-48	29739GT	233
216646GT	295	228881GT	179	237832GT	107-108	29764GT	184-185
216660GT	295	229346GT	279	238119GT	283	29868GT	47-48, 57-58, 61-62, 65-66, 87, 115, 135, 137, 249, 299
216662GT	295	229387GT	193, 195-196, 199	238120GT	283		
216681GT	295			238123GT	295		
216683GT	295	229398GT	35, 41, 45	24038GT	101, 107-108, 131, 143, 149	30080GT	25
218155GT	76	229405GT	227	24514GT	184-185, 187	30138GT	175, 177
218169GT	76	229406GT	227	25368GT	101, 153	30143GT	159
218697GT	171	229407GT	227	25388GT	87	30144GT	159
218715GT	135	229410GT	227	25548GT	147	30186GT	171
219158GT	311	229411GT	227	25685GT	271	30199GT	35, 43, 45
21935GT	221, 223	229424GT	61-62	25817GT	35, 43, 45	30222GT	179
219419GT	75-76	229425GT	249	25926GT	85, 147, 151	30255GT	175
219420GT	81	229426GT	249	25929GT	149	30370GT	179
219422GT	189, 195-196, 199	229567GT	87, 189, 193, 195-196, 199	25969GT	131, 133, 135	30468GT	257
219437GT	139, 147	229925GT	283	25994GT	17-18	30469GT	177
21982GT	75-76	229986GT	133, 135	27034GT	105, 111, 151	30489GT	125-126, 129, 133, 263
220254GT	38	23057GT	93, 101, 103, 147	27051GT	209, 217-218	30490GT	125-126
22558GT	126, 129, 151, 273	230820GT	107-108	27067GT	37-38	30734GT	43
22571GT	103	23083-SGT	249	27082GT	95, 101	30785-1000GT	123
22578GT	125-126, 147	230974GT	225	27089GT	103, 125-126	30785-450GT	173
226060GT	101	230980GT	45	27204GT	21, 29	30794GT	87
226061GT	101	230981GT	45	27205GT	17-18, 27	30810GT	95, 139, 145, 151
226103GT	129	230982GT	45	27206GT	17-18, 21, 27, 29	30895GT	70-72
226104GT	129	230983GT	227	27207GT	17-18, 21, 27, 29	30971GT	101, 103, 111, 129, 133, 141, 161, 263, 265, 267
226105GT	129	230986GT	17-18, 27	27246GT	189, 193, 195-196, 305, 307, 309		
226106GT	129	230987GT	17-18, 27			30973GT	57-58, 61-62, 65-66, 85, 159, 165, 249
226127GT	101	230989GT	47-48	27377GT	85		
226128GT	101	230992GT	47-48	27391GT	251-252, 305, 307, 309		
		230996GT	75-76	27535GT	285		

Part Number Index (continued)

Part Number	Page	Part Number	Page	Part Number	Page	Part Number	Page
30997GT	81, 196, 199	35956GT	251-252, 255		133, 135, 137,	49117-15791GT	243
31060GT	21, 23	35960GT	249, 251-252		141, 143, 147,	49117-2891GT	247
31102GT	221	36207GT	171		149, 153, 155-	49117-4491GT	237, 239, 241,
31523GT	263	36208GT	135, 263		156, 159, 173,		243
31529GT	285	36294GT	279		175, 179, 184-	49117-5691GT	237, 239, 241,
31779GT	13-14	36388GT	257, 313		185, 265, 271,		243
31788GT	21	36648GT	177		273, 275, 279,	49117-9091GT	239
31817GT	103, 151	36928GT	285		283, 285, 305,	49117-9291GT	237, 239
32064GT	143	37002GT	93		307	49117-9791GT	243
32150GT	13-14	37003GT	105, 129, 149	48425GT	131, 156, 165	49117-9819GT	291
32151GT	13-14	37187GT	57-58	48640GT	221, 231	49119-10078GT	235
32339GT	147	37191GT	57-58	48641GT	221, 223	49119-10388GT	247
32732GT	285	37505GT	99, 151	48880GT	237, 239, 241,	49119-14478GT	241
32735GT	285	38149GT	17-18		243, 245	49119-15178GT	241, 243
32736GT	285	38620GT	173, 175	48883GT	221	49119-15678GT	243
32975GT	221	38922GT	103, 143, 155-	48887GT	70-72	49119-2678GT	235, 237, 239,
33024GT	93, 105, 129,		156	48904GT	235, 247, 287		241, 243
	155-156	39479GT	149, 153, 279,	48905GT	235, 237, 239,	49119-2878GT	235
33277GT	101, 103, 135,		285, 289		241, 243, 245,	49119-2978-SGT	235
	147, 149, 153,	39882GT	71-72, 221		247	49119-3378GT	235
	265	40434GT	25, 33, 313	48907GT	247	49119-3878GT	235
33278GT	71-72	40766GT	137	48908GT	237, 239, 241,	49119-4178GT	237
33361GT	141, 145	41468GT	103		243, 247	49119-4278GT	247
33418GT	99, 103, 123,	41489GT	70-72	48911GT	235	49119-42878GT	247
	126, 129, 137,	42079GT	175	48912GT	237, 239, 241,	49119-4578GT	237, 239, 241,
	141	42229GT	85		243, 245, 247		243
33428GT	47-48, 171, 179	42280GT	151, 153	48913GT	247	49119-4778GT	239, 241, 243
33441GT	38, 53, 55	42288GT	195-196, 199	48915GT	245, 247	49119-5378GT	243
33555GT	85	4266GT	251-252	48916GT	235, 245, 247	49119-5678GT	237, 239, 241,
33568GT	285	42941GT	103	48920GT	245, 247		243
33576GT	184-185	43018GT	47-48, 179, 229	48930GT	235, 239, 247	49119-5978GT	241
33607GT	279	43392GT	187, 251-252,	48932GT	245, 287	49119-6678GT	247
33608GT	279		257, 301	48933GT	237, 239, 241,	49119-9178GT	241
33674GT	251-252	43595GT	17-18, 21		243, 245, 247,	49119-9278GT	235
33681GT	173	43596GT	205		281	49119-9678GT	243
33724GT	275	43960GT	173, 177, 179	48935GT	281, 291	49119-9778GT	247
33952GT	25	44064GT	93, 103, 105,	48936GT	287	49119-9878GT	235
33957GT	14, 149		119, 129, 139,	48939GT	287	49128-11209GT	247
33960GT	143, 147		143, 149	48941GT	291	49128-1409GT	247
33963GT	149	44174GT	227	48946GT	245, 287	49128-16509GT	247
33964GT	149	44225GT	227	48947GT	245	49128-5409GT	245
33966GT	149	44227GT	227	48948GT	239, 241, 243,	49130-2582GT	235
33970GT	147, 149	44228GT	227		245	49130-3882GT	245
33972GT	149	44669GT	117	48958GT	281	49130-41082GT	247
33990GT	55	44743GT	184-185	48959GT	245, 287	49130-41882GT	247
33994GT	13-14, 229	44981GT	17-18, 25, 27,	48960GT	235, 237, 239,	49130-79482GT	247
34052GT	65-66, 89, 91		33, 277		241, 243, 245,	49130-9782GT	247
34053GT	65-66	44986GT	25		281, 287, 291	49141-1763GT	245
34058GT	97, 103	45363GT	57-58, 61-62,	48963GT	235, 237, 239,	49141-4463GT	245
34125GT	173		65-66		241, 243, 245,	49141-5163GT	245
34162-2300GT	95	45383GT	81		281	49141-8963GT	243
34162-300GT	101	45400GT	273	48964GT	281, 287, 291	49141-9063GT	243
34162-400GT	145	45435GT	111, 131, 143,	48978GT	245, 281	49141-9463GT	243
34164GT	95, 103, 141,		145, 153, 155-	48984GT	245	49143-11229GT	281
	155-156, 161		156, 161, 263	48996GT	245	49143-16529GT	247
34344GT	159, 165	45454GT	93, 163, 277	48998GT	237, 239, 241,	49143-2429GT	287
34346GT	171	45470GT	111, 271, 289		243, 245	49143-2629GT	245
34533GT	263	45483GT	71-72	49000GT	57-58, 61-62,	49143-4829GT	245
34550GT	71-72, 85, 171	45495GT	69-72		65-66, 299	49143-5429GT	237, 239
34619GT	271	45708GT	159	49109-5229GT	239, 241, 243	49143-5629GT	241, 243
34626GT	35	45748GT	271	49110-14592GT	239, 241, 243	49143-8929GT	241
34627GT	35	45782GT	125-126, 285	49110-8592GT	239, 241, 243	49143-9429GT	241
34628GT	35	45912GT	223	49116-10337GT	241	49149-2026GT	245
34767GT	51	45914GT	221, 223, 285	49116-14237GT	239	49149-4126GT	245
34955GT	263, 265	45921GT	221, 223	49116-15237GT	239	49149-5026GT	245
35067-1900GT	141	46131GT	137	49116-15837GT	241	49150-8430GT	245
35067-200GT	141	46188GT	307, 309	49116-4837GT	245	49151-2248GT	235, 237, 239,
35067-950GT	141	46216GT	227	49116-5037GT	245		241, 243
35432GT	263	46468GT	25	49116-5437GT	245	49151-3548GT	245
35434GT	101, 103, 107-	47363GT	283	49116-8637GT	237, 239	49159-5918GT	245
	108, 111, 131,	47376GT	171	49116-9537GT	241	49164-1543GT	287
	133, 143, 147,	47377GT	179	49117-12791-SGT	247	49180-8016GT	239
	155-156, 263	4828GT	57-58, 61-62,	49117-1388GT	247	49180-8616GT	237, 239
35461GT	189, 199, 283		65-66, 72, 87,	49117-14191GT	239	49180-9316GT	237, 239
35610GT	293		101, 103, 105,	49117-14391GT	243	49183-1988GT	247
35675GT	159		125-126, 129,	49117-15191GT	239	49183-2729GT	287

Part Number Index (continued)

Part Number	Page	Part Number	Page	Part Number	Page	Part Number	Page
49183-41892GT	247	52723GT	211	56912GT	47-48, 57-58,	60512GT	189, 195-196,
49183-42892GT	247	52726GT	205, 211		61-62, 65-66,		199
49183-44392GT	247	52768GT	57-58, 61-62,		87, 101, 105,	60513GT	79, 189, 195-
49183-5092GT	241		65-66		111, 184-185,		196, 199
49183-5629GT	241	52865GT	17-18		187, 275	60526GT	83
49183-8792GT	245	52866GT	95, 103, 111,	56934GT	269	60527GT	79
49183-9792GT	247		139, 155-156,	57075GT	275, 289	60536GT	13-14, 89, 91
49212GT	277		161	57201GT	184-185	60555GT	35, 43, 45
49213GT	117	52907GT	227	58222GT	87	60559GT	57-58, 61-62,
49214GT	277	52943GT	205, 207, 209,	58223GT	87		65-66
49215GT	277		211, 213-214,	58237GT	55	60561GT	117, 125-126
49375GT	151		217-218, 221,	58247GT	143, 155-156	60575PGT	69-72
49376GT	151		223, 231	58249GT	125-126	60585GT	101, 107-108
49379GT	265	52966GT	17-18, 27	58250GT	103	60609GT	35
49381GT	97, 101, 141, 273	52967GT	17-18, 27	58256GT	125-126	60618GT	35, 38, 41
49384GT	99	53189GT	257	58280GT	37-38	60707GT	273
49388GT	105	53386GT	173	58284GT	38	60738GT	275
49398GT	151	53387GT	48	58290GT	233	60739GT	275
49401GT	135	53538GT	237	58299GT	126	60746GT	35
49407GT	125-126, 147,	53605GT	299	58304GT	70-72	60747GT	35, 38, 41
	151	5365GT	125-126, 271	58312GT	273	60790GT	273
49408GT	97, 143, 147, 149	53807-SGT	251-252	58370GT	139	60838GT	155-156
49410GT	101, 105, 123,	53808-SGT	251-252	58386GT	167-168	6083GT	273
	133, 137, 141,	53821PGT	143	58387GT	71-72	60840GT	177
	273	53909GT	99, 141	58402GT	285	60857GT	13-14, 87
49411GT	126, 129, 273	53945GT	95	58412GT	139, 167-168	60868GT	123
49418GT	237, 239, 241,	53948GT	95	58415GT	95, 103, 111,	60886PGT	277
	243	53951GT	95		139, 155-156,	60890GT	57-58, 61-62,
49612GT	13-14, 225, 229,	53952GT	95, 103, 111,		161		65-66
	235, 237, 239,		139, 143, 155-	58566GT	119	60891GT	275
	241, 243, 245		156, 161	58596GT	70-72	6090GT	85, 91, 95, 99,
49613GT	225, 229, 235,	53976GT	285	58597GT	71-72		101, 105, 123,
	237, 239, 241,	5397GT	47-48, 57-58,	58627GT	81		139, 143, 145,
	243, 245, 247		61-62, 65-66,	58630GT	125-126		155-156, 179,
49816GT	85, 89, 91, 137,		85, 87, 91, 93,	58944GT	285		184-185, 187,
	275		95, 99, 101, 103,	58954GT	285		195-196, 199,
49817GT	35, 143, 173		105, 125-126,	58967GT	14, 147		251-252, 259,
49819GT	38, 41, 48		129, 133, 139,	58999GT	55		261, 279, 297,
49820GT	79, 189		143, 153, 155-	59370GT	35, 43, 45		305, 307
49821GT	115		156, 159, 179,	59579GT	151	6091GT	57-58, 61-62,
49826GT	65-66, 275		184-185, 187,	59746GT	123		65-66, 85, 91,
49857GT	184-185		265, 269, 273,	6002GT	85		99, 101, 105,
49861GT	291		279, 283, 285,	60036GT	141		117, 133, 135,
49863GT	279		289, 305, 307	60042-SGT	183-185		137, 139, 141,
49881GT	149	53982GT	293	60143-SGT	299		143, 147, 153,
49898GT	143	53999GT	71-72	60160PGT	184-185		155-156, 159,
49915GT	129	54065GT	171	6019GT	47-48, 57-58,		181, 184-185,
49922GT	126	54085-9018GT	287		61-62, 65-66,		187, 251-252,
49924GT	13-14, 126, 131	54205GT	103		87, 129, 133,		265, 271, 289,
50035GT	70-72	54247-SGT	184-185		135, 147, 153,		297, 305, 307,
50154GT	47-48	54365GT	189, 196, 199		155-156, 159,		309
50161GT	57-58, 61-62,	54457GT	297		175, 184-185,	60930GT	159
	65-66	54458GT	297		265	60936PGT	57-58, 61-62,
50245GT	173, 175, 177	54465GT	297	6021GT	35, 38, 43, 45,		65-66
50787-SGT	125-126	54486GT	257		48, 69-72, 85,	6095GT	47-48, 58, 62,
50813GT	179	54598PGT	143		87, 139, 143,		66, 72, 145, 149,
50948GT	143	54723GT	85		153, 155-156,		285, 289
51063GT	271	54813GT	139		159, 171, 175,	6096GT	155-156
51144GT	45	54862GT	143		179, 249, 273,	6097GT	43, 45, 57-58,
51428GT	85	55017GT	151		299		61-62, 65-66,
52076GT	143	55306GT	137	6022GT	273		87, 93, 101, 105,
52078GT	149	55753GT	187, 251-252,	60239GT	175		133, 135, 137,
52085GT	285		255, 297, 305,	6024GT	99, 103, 123,		141, 143, 145,
52179GT	14, 57-58		307, 309		126, 129, 131,		147, 149, 153,
5224GT	47-48, 57-58,	55906GT	83		137, 141		155-156, 173,
	61-62, 85, 153,	56237GT	279	60304GT	173, 177		175, 177, 271,
	155-156	56306GT	115, 189	60334GT	87		273, 275, 279,
52352GT	126	56424GT	184-185, 187,	6033GT	47-48, 171, 177,		285, 299
52371GT	227		255, 269, 297		179	61070-7450GT	291
52537GT	123	56426-700GT	305, 307, 309	6035GT	103, 123	61073-3130GT	245
52570GT	149	56525GT	297	6036GT	251-252	61073-3530GT	291
52575GT	149	56570GT	297	6037GT	249	61073-8930GT	245, 287, 291
52580GT	14, 149	56660GT	95	60440GT	35	61078GT	119
52615GT	207, 213-214	56689GT	103	60441GT	35	61080GT	247
52661GT	251-252	56704GT	249	60508GT	57-58, 61-62,	61083GT	245
52714GT	221				65-66	61110GT	119, 126, 133

Part Number	Page	Part Number	Page	Part Number	Page	Part Number	Page
61113GT	273	62355GT	225	65473GT	99, 101, 107-108, 139	66816GT	75-76, 81
61114GT	273	62356GT	225	65487GT	93	66817GT	81, 193, 195-196, 199
61128GT	70-72	62357GT	225	65488GT	97	66818GT	75-76, 81, 191
61189GT	87, 159	62359GT	225	65490GT	97	66821GT	75-76, 81, 191
61225GT	89, 91, 153	62360GT	225	65491GT	97	6700GT	81
61234GT	57-58	62361GT	225	65492GT	97	67349GT	97
61240GT	57-58, 61-62	62362GT	225	65493GT	97	67537GT	147
61259GT	247	62364GT	225	65494GT	97	67723GT	151
61263GT	245	62372GT	223	65495GT	93	6782GT	57-58, 61-62, 65-66, 85, 93, 95, 101, 129, 133, 139, 143, 147, 155-156, 249, 273, 279, 283, 289
61268GT	247	62374GT	75-76, 81	65496GT	97		
6126GT	70-72	62375GT	75-76, 81	65497GT	95		
61270GT	117	62379GT	75-76, 81, 189, 195-196, 199	65498GT	95		
61273GT	117			65499GT	93		
61283GT	47-48	62392GT	201, 203	65500GT	95		
61321GT	247	62399GT	189	65501GT	95	6833GT	147, 195-196, 199, 305, 307, 309
61326GT	13-14, 57-58, 61-62, 65-66	62412GT	57-58	65503GT	93, 141		
61341GT	171	62413GT	57-58	65504GT	93		
61352GT	245	62414GT	57-58	65505GT	97		
61413GT	57-58, 61-62, 65-66	62417GT	179	65506GT	97	6878GT	181, 259
61415GT	85	62420GT	13-14, 95, 103, 111, 139, 155-156, 161	65507GT	97	6886GT	57-58, 61-62, 65-66, 70-72, 93
61428GT	171	62421GT	13-14, 95, 111	6550GT	283	6888GT	57-58, 61-62, 65-66, 81, 85, 87, 95, 99, 101, 105, 141, 147, 153, 155-156, 159, 184-185, 187, 257, 265, 275, 289, 305, 307, 309
61429GT	175	62422GT	13-14, 95	65616GT	71-72		
61430GT	179	62423GT	13-14, 97	65618GT	71-72		
61431GT	179	62425GT	13-14, 117, 125-126, 133	65620GT	13-14, 139, 167-168		
6145GT	179, 251-252			65621GT	13-14, 139, 141		
6146GT	57-58, 61-62, 65-66, 131, 137, 143, 196, 199, 249, 271, 295	62430GT	13-14, 119	65622GT	13-14, 139, 167-168	6889GT	99, 123, 251-252, 257, 259, 261, 279, 307
6147GT	249	62431GT	13-14, 121	65623GT	14, 139, 167-168		
61541GT	173	62432GT	121	65624GT	139, 167-168		
61563PGT	173	62433GT	13-14, 111	65625GT	139, 167-168		
61602GT	179	62442GT	225	65626GT	14, 57-58, 139		
61726GT	271	62443GT	225	65627GT	14, 139, 143		
61741GT	143, 153, 155-156	62449GT	175	65630GT	297	6935GT	87, 279, 289
6175GT	57-58, 61-62, 65-66, 69-72, 87, 93, 99, 125-126, 139, 143, 145, 149, 155-156, 159, 171, 177, 179, 249	62476GT	129, 133	65636GT	113	69873GT	205, 211, 223
61771GT	179	62506GT	229	65638GT	113	70219GT	249
61774-SGT	179	62507GT	229	65770GT	143, 149	70221GT	273
61776GT	179	6272GT	75-76, 81	65810GT	95, 103, 111, 139, 155-156, 161	70222GT	265
61781GT	105, 139	62822GT	115			70228GT	265
6178GT	48, 57-58, 61-62, 65-66, 85, 89, 91, 115, 137, 143, 173, 177, 189, 196, 199, 249, 275	63313GT	93	65846GT	55	70241GT	211
61972GT	271	63326PGT	93	6584GT	125-126	70247GT	205
61974GT	271	63362PGT	99	65853GT	95, 117	70249GT	233
61975GT	271	63364PGT	99	65892GT	147	70257GT	161
6198GT	58, 62, 66, 145, 149, 153, 155-156, 279, 285, 289	63375GT	277	6595GT	87, 277, 289	70353GT	265
61997GT	271	63399PGT	95	6605GT	71-72	70367GT	103, 107-108, 143
62252GT	211	63413GT	99	6607GT	38, 41, 48, 153	70381GT	129, 133
62253GT	211	63414GT	99	6637GT	85, 133, 137, 145, 155-156	70385GT	108
62254GT	221, 223	63418GT	99	6638GT	57-58, 61-62, 65-66, 70-72, 76, 81, 85, 87, 93, 95, 99, 101, 105, 117, 123, 125-126, 133, 135, 137, 139, 141, 143, 145, 147, 153, 155-156, 159, 179, 184-185, 189, 195-196, 199, 251-252, 257, 259, 261, 265, 269, 271, 289, 297, 305, 307	70389GT	273
62255GT	223	63419GT	99			70398PGT	273
62263GT	205	63426GT	117			70399PGT	273
62273GT	205, 223	63462GT	99, 139			70420GT	145
62274GT	223	63463GT	95, 103, 111, 139, 155-156, 161			70423PGT	149
62275GT	221, 223	63464PGT	93, 119			70425PGT	145
62276GT	223	6356GT	35, 38, 41, 47-48, 57-58, 62, 65-66, 76, 81, 85, 87, 99, 123, 179, 181, 184-185, 189, 195-196, 199, 252, 275			70444GT	101, 126
62278GT	141	63773GT	257			70445GT	129
62324GT	227	63772GT	257			70448PGT	126
62341GT	227	63773GT	257			70449GT	101, 126
62354GT	225	64066GT	167-168			70452GT	115, 149, 153, 165
		64079GT	149			70454PGT	129
		65269GT	17-18, 25			70455PGT	126
		65278GT	17-18, 21, 27, 29			70456GT	129
		65355GT	97			70465GT	126, 161
		65453GT	147			70478PGT	126
		65454GT	149			70479PGT	125-126
		65456GT	149			70483GT	105, 129
				66399GT	13-14	70484GT	273
				66472GT	305, 307, 309	70489GT	143
				6653GT	101	70492PGT	143
				66777GT	101	70510GT	265
				66811GT	76	70514GT	265
				66812GT	76, 81, 191, 193, 195-196, 199	70525GT	143
				66813GT	193, 195-196, 199	70527GT	147
				66815GT	199	70535GT	137

Part Number Index (continued)

Part Number	Page	Part Number	Page	Part Number	Page	Part Number	Page
7056GT	87, 275, 277, 289	75143GT	201	75636GT	305, 307, 309	77840GT	183-185
7057GT	279, 289	75154GT	139	75640GT	103	77844GT	184-185
71259GT	57-58, 62, 65-66	75185GT	143, 147, 255	75719GT	159	77847GT	139, 141
71909GT	147	75253GT	57-58, 61-62, 65-66, 245	75854GT	57-58, 62, 66	77848GT	141
71911GT	101, 126, 129, 131, 145, 155-156, 265	75254GT	245	75855GT	57-58, 62, 66	77849GT	141
72043GT	205, 207, 209, 211, 213-214, 217-218	75256GT	245	77014GT	171	77851GT	251-252
72047GT	207, 209, 213-214, 217-218, 223	75257GT	57-58, 61-62, 65-66, 245	77048GT	191	77853GT	299
72053GT	21	75289GT	179	7713GT	99, 184-185	77896GT	173
72168GT	21	75359GT	117	77170GT	143	77951GT	173
72169GT	21	75360GT	117	77181GT	155-156	77952GT	173
72243GT	119	75361GT	119	77219GT	57-58, 143	77968PGT	185, 187
72255GT	125-126	75362GT	119	77295GT	14, 143	78736GT	133, 137, 163
72265GT	95	75363GT	119	77351GT	189	7935GT	275
72282GT	249	75364GT	119	77402GT	95, 101	80358GT	151
72326GT	75-76, 81, 189, 195-196, 199	75365GT	119	77489GT	211	80543GT	277
72327GT	99, 139	75366GT	119	77490GT	207, 209, 213-214, 217-218	80605GT	271
72343GT	143, 156	75367GT	119	77491GT	207, 213-214	81062PGT	261
72355GT	119	75369GT	119	77492GT	207, 209, 213-214, 217-218	81069GT	273
72358GT	149	75370GT	119	77493GT	207, 209, 213-214, 217-218	81096GT	275
7265GT	251-252	75371GT	119	77494GT	207, 209, 213-214, 217-218	81110GT	37-38
72875GT	25, 297	75372GT	119	77495GT	223	81128GT	95, 101
72883GT	37-38	75373GT	119	77496GT	223	81197GT	85
72999GT	17-18	75374GT	119	77498GT	221	81199GT	95, 117
73076GT	35	75375GT	119	77499GT	221	81329GT	85
7339GT	76, 123	75377GT	119	77500GT	221	81330GT	47-48
73455GT	37-38, 48	75378GT	119	77498GT	221	81331GT	71-72
73463-1175GT	269	75379GT	119	77501GT	223	81341GT	175
73477PGT	184-185	75380GT	119	77502GT	221, 223, 231	81342GT	175
73478PGT	184-185, 187	75381GT	121	77503GT	245	81347GT	175
73500GT	297	75382GT	121	77504GT	225	81366GT	71-72
73501GT	297	75383GT	121	77505GT	225	81368GT	297
73575GT	107-108, 184-185, 187, 303	75384GT	121	77506GT	225	81378GT	47-48
73587GT	184-185	75385GT	121	77507GT	205	81381GT	37-38
73610PGT	184-185	75386GT	121	77508GT	205	81382GT	37-38
73713GT	35	75387GT	121	77509GT	75-76	81383GT	38
73717GT	79, 83	75388GT	121	77510GT	75-76	81385GT	175
73723GT	83	75389GT	121	77511GT	189	81417PGT	141
73805GT	81	75390GT	121	77513GT	171	81418PGT	141
73807GT	229	75391GT	121	77514GT	177	81420GT	139
73900GT	183-185	75392GT	121	77515GT	171	81421PGT	139
73928GT	179, 184-185	75393GT	121	77516GT	175	81424GT	139, 167-168
73931GT	184-185	75394GT	121	77517GT	179	81425GT	139
73956-S	297	75395GT	179	77518GT	179	81426GT	139
73958-S	297	75398GT	123	77519GT	47-48	81427GT	139
73976GT	183-185	75399GT	123	77525GT	37-38	81458GT	275
73993GT	93	75416GT	121	77526GT	37-38	81462PGT	123
74006GT	275, 277, 279	75417GT	121	77527GT	37-38	81463PGT	123
74052GT	277, 289	75418GT	121	77536GT	57-58, 139	81464PGT	123
74092GT	213-214, 218	75419GT	121	77540GT	139, 167-168	81466GT	273
74439GT	37-38	75420GT	121	77541GT	139	81467GT	117, 125-126, 133
74692GT	17-18	75421GT	121	77542GT	139	81468GT	117, 126, 133
74902GT	205, 207, 209, 211, 213-214, 217-218, 221, 223, 231	75422GT	121	77543GT	139	81469GT	117
75000GT	117	75423GT	121	77544GT	139	81470GT	117
75020GT	111	75433GT	249	77545GT	139	81471PGT	117
75041GT	57-58, 61-62, 65-66, 295	75443GT	201, 203	77550GT	139, 167-168	81473GT	119
75051GT	135	75444GT	201, 203	77551GT	139, 167-168	81481GT	141
75052GT	111	75445GT	201, 203	77615GT	173	81488GT	189, 193, 195-196, 199
75053GT	273	75446GT	201, 203	77662GT	189	81498GT	47-48
75061GT	179	75447GT	201, 203	77664GT	269	81516GT	70-72
75073GT	85	75448GT	201, 203	77675GT	57-58, 61-62	81522GT	159, 165
75076GT	85	75449GT	201, 203	77683GT	269	81532GT	305, 307
75082PGT	123	75473GT	119	77692GT	184-185	81551GT	75-76, 81, 189, 195-196, 199
75101GT	37-38, 47-48	75484GT	13-14	77694GT	159	81558GT	275
75113GT	57-58	75617-1025GT	309	77735GT	211	81559GT	275
		75617-1538GT	307	77736GT	113	81562GT	159
		75617-1550GT	309	77783GT	259	81570GT	275
		75617-1675GT	305, 307	77785PGT	299	81578GT	87
		75617-2075GT	309	77797GT	305, 307, 309	81598GT	47-48
		75617-2275GT	305, 307, 309	77806GT	37-38, 47-48	81609GT	48
		75617-4788GT	307	77819GT	233	81610GT	48
		75617-6275GT	307, 309	77821GT	139	81615GT	115
		75617-6475GT	305, 307	77822GT	141, 168	81615PGT	159
		75631-3700GT	35	77825GT	159	81700GT	263
		75632-300GT	35				

Part Number	Page	Part Number	Page	Part Number	Page	Part Number	Page
81703PGT	139	824027GT	108, 111, 115,	824387GT	33	84137GT	205
8170GT	159		161, 163, 187,	824389GT	33	85053GT	126
81724GT	159		255, 271, 301,	824390GT	27	85124GT	111
81731PGT	139		309	824391GT	33	8516GT	65-66, 87, 101,
81752GT	173	824028GT	47-48, 161, 165,	824392GT	27		103, 105, 137,
81777GT	175		255	824393GT	33		141, 149, 173,
8177GT	93, 105, 119,	824029GT	47-48, 107-108,	824394GT	27		179, 273, 275,
	126, 139, 147,		115, 165, 187,	824396GT	27		279, 299
	155-156, 171,		271, 301, 309	824507GT	111	85300GT	297
	177	824031GT	51	824673GT	137	88016PGT	177
81781GT	117	824032GT	271	82472GT	31	88021PGT	177
81782GT	117	824038GT	269	82473GT	29	88022GT	177
81784GT	293	82403GT	21	82481GT	29	88027GT	175
81785GT	293	824059GT	65-66	82487GT	27, 33	88032GT	177
8178GT	155-156	824060GT	311	825019GT	35, 43, 45, 47-	88044PGT	57-58, 62, 65-66
81802GT	309	824061GT	271		48, 159, 171, 179	88045PGT	57-58, 61-62,
81829PGT	57-58, 61-62,	824069GT	311	825020GT	271		65-66
	65-66	824078GT	35, 38, 47-48,	825218GT	135	88046PGT	57-58, 61-62,
81834GT	69-72		179, 187, 271,	825239GT	131		65-66
81837GT	139, 293		301, 303, 309	825240GT	159, 165	88054GT	191
81850PGT	275	824079GT	108, 111, 115,	82544GT	27, 29	88055-SGT	75-76
81852GT	273		187, 255	82545GT	33	88056GT	75-76
81861PGT	139	824080GT	301	82548GT	33	88057GT	76, 81
81868PGT	85	824081GT	161, 255	825532GT	199	88061PGT	189
81869PGT	85	824082GT	41, 163	8255GT	70-72, 143, 173,	88063PGT	195-196
81874GT	85	824083GT	297		175	88064GT	125-126
81876GT	85	824085GT	161, 255	825759GT	47-48	88065GT	171, 173
81877PGT	139	824086GT	255	82577GT	33	88066GT	35, 38, 43
81878GT	159	824089GT	41, 45, 163	825907GT	107-108	88069GT	43, 45
81906-700GT	117	824090GT	43, 45, 107-108,	825939GT	133	88074GT	171
81923GT	177		115, 303	825947GT	267	88075GT	171
81928GT	177	824091GT	47-48, 165, 187	825948GT	267	88077GT	171, 177
81931PGT	177	824095GT	271	826000GT	137	88078GT	171
81932PGT	177	824109GT	65-66	82601GT	33	88079GT	171
81934GT	177	82410GT	25	82602GT	33	88082PGT	48
81983-SGT	43	824113GT	35, 38, 41, 47-	82603GT	33	88083PGT	48
81985-SGT	43		48, 65-66, 301,	82604GT	33	88085PGT	87
82161GT	17-18		311	826060GT	111	88090GT	57-58
82202GT	21	824116GT	184-185, 187	82607GT	27, 29	88091GT	57-58
82204GT	21	824120GT	107-108, 311	826152GT	135	88092PGT	48
822087GT	137	824127GT	45	826211GT	115, 137	88096PGT	177
822224GT	199	824129GT	45	826212GT	115, 137	88097PGT	75-76
82237GT	21, 25, 279, 283	824132GT	107-108	826635GT	83	88098PGT	75-76
82244GT	263	824134GT	41, 47-48	826636GT	83, 131	88100GT	139
82246GT	27	824164GT	171, 175	826637GT	83, 107-108	88103GT	47-48
822613GT	195-196	824216GT	303	826710GT	107-108	88105PGT	57-58, 62, 65-66
82268GT	23, 31	824220GT	107-108	82671GT	27, 33	88106PGT	85
82269GT	17-18, 27	824227GT	309	826765GT	108	88107GT	57-58, 61-62,
822759GT	309	82422GT	25, 33	826791GT	184-185, 187		65-66, 177
822764GT	309	824283GT	17-18	826792GT	184-185, 187	88113GT	207, 209, 213-
822768GT	309	824285GT	17-18	826793GT	184-185, 187		214, 217-218
822769GT	309	824288GT	17-18	826794GT	51, 184-185, 187	88114GT	213-214
82281GT	25, 33	824293GT	17-18	826795GT	131	88119GT	181
822949GT	193	824301GT	25	826822GT	131	88120PGT	87
822950GT	193	824304GT	17-18	826825GT	135	88121PGT	57-58, 61-62,
822951GT	193	824305GT	25	826835GT	131		65-66
82296GT	17-18, 21	824308GT	17-18	826859GT	131	88130GT	189
823012GT	137	824317GT	17-18	826871GT	137	88131GT	189
823013GT	137	824319GT	17-18	826873GT	137	88132GT	79
82308GT	25, 33	824321GT	17-18	826874GT	131	88133GT	79
82312GT	21, 29	824325GT	17-18	82862GT	25, 283	88134GT	79, 117
823135GT	137	824338GT	27	82908GT	35, 43	88135GT	79, 93
823143GT	135	824351GT	137	82924GT	27	88136GT	79, 139
823144GT	133	824372GT	33	82989GT	17-18, 21	88137GT	79
823147GT	133, 135	824373GT	27	82990GT	27, 29	88138GT	79
82314GT	23	824374GT	33	83009GT	71-72	88139GT	47-48
823229GT	135	824375GT	27	83048GT	139	88140GT	189
823239GT	133	824377GT	33	83098GT	201, 203	88141GT	75-76, 79
823520GT	249	824378GT	27	83124GT	71-72	88142GT	189, 195-196,
82366GT	17-18	824379GT	33	83135GT	139		199
823703GT	133	824380GT	27	83141GT	233	88143GT	249
823751GT	111, 131	824381GT	33	83142GT	233	88147GT	47-48
823804GT	81	824382GT	27	8357GT	58, 62, 66	88149GT	173
82384GT	23	824384GT	27	84080GT	285	88150GT	75-76, 81
		824385GT	33	84134GT	211	88153GT	173
		824386GT	27	84135GT	205, 211		

Part Number Index (continued)

Part Number	Page	Part Number	Page	Part Number	Page	Part Number	Page
88154GT	57-58, 61-62, 65-66, 159	88353GT	245	89908GT	273	99778GT	295
88155GT	57-58, 61-62, 65-66	88356-175R7GT	48	89917PGT	147	T106954GT	69-72
88156GT	69-72	88356-42133GT	179	89959GT	265, 267	T106955GT	69-72
88157GT	159	88356-43103GT	69-72	89973GT	143	T106956GT	69-72
88158GT	159	88356-44163GT	173	89997GT	123, 125-126	T106957GT	69-72
88159GT	89, 91	88356-444P3GT	171, 177	89998GT	123, 125-126	T107605GT	121
88160GT	89, 91	88359GT	171	93500GT	13-14	T107606GT	121
88162GT	89	88360GT	173	94324-1400GT	265	T107736GT	227
88164GT	89, 91	88361GT	177	94324-300GT	161	T107884GT	179
88167GT	89, 91	88362GT	173	94324-3450GT	103	T108732GT	125-126
88173PGT	117	88363GT	179	94324-500GT	265	T108733GT	125-126
88174PGT	273	88364GT	69-72	94326-SGT	184-185	T108734GT	125-126
88175PGT	139	88366GT	177	94327GT	13-14, 89, 91	T109328GT	257
88177GT	75-76, 81	88367GT	177	94374-2630GT	237	T110762GT	85
88190PGT	141	88368GT	69-72	94374-2730GT	241, 243	T111507GT	41, 55
88199PGT	139	88374GT	273	94374-2830GT	237	T111608GT	285
8819PGT	99	88377-1400GT	269	94374-2930GT	239, 241, 243	T111609GT	285
88201PGT	273	88382GT	48	94374-3530GT	245, 281	T111610GT	285
88202PGT	273	88383GT	48	94374-3730GT	245, 281	T111611GT	285
88210PGT	48	88384GT	305, 307	94374-4030GT	281	T111612GT	285
88212GT	71-72	88385GT	305, 307	94374-5430GT	237	T111613GT	285
88213GT	263	88390GT	305, 307, 309	94390-SGT	184-185, 187	T111766GT	279
88214GT	263	88398GT	87	94397GT	179	T112560GT	277, 289
88215GT	263	88399GT	87	94448GT	271	T112561GT	277, 289
88216GT	263	88406GT	283	94460-SGT	271	T112563GT	275
88225GT	35	88423PGT	259	94493-SGT	269	T112626GT	201, 203
88226GT	35	88424PGT	259	94524PGT	75-76	T112720GT	289
88227PGT	57-58, 61-62, 65-66	88425GT	259	94549GT	271	T112773GT	25, 33
88240GT	85	88426PGT	259	94600GT	273	T113655GT	279
88241GT	43, 45	88427PGT	259	94620GT	71-72	T114022GT	279
88258GT	37-38	88428GT	259	94621GT	71-72	T114023GT	279
88259GT	37-38	88429PGT	259	94622GT	71-72	T114678GT	125-126
88263GT	259	88430GT	259	94623GT	71-72		
88265PGT	87, 89, 91	88431PGT	259	94624GT	71-72		
88266PGT	87	88432GT	259	94625GT	71-72		
88270GT	57-58, 61-62, 65-66	88441-3640GT	245	94626GT	71-72		
88273GT	179	88450GT	143	94627GT	189		
88274GT	171	88454-6604GT	245	94628GT	75-76		
88278GT	171	88482GT	51	94643GT	271		
88279GT	171	88483GT	51	94723GT	51		
88280GT	179	88486GT	95	94726GT	51		
88283GT	179	88492GT	265	94745PGT	184-185, 251-252		
88287GT	189, 195-196, 199	88493GT	265	94747GT	71-72		
88288GT	189	88507GT	181	94757GT	279		
88290GT	179	88508GT	181	94759GT	279		
88291GT	69-72	88512GT	95, 125-126	94760GT	279		
88293GT	69-72	88516GT	179	94762GT	13-14, 108		
88295GT	277	88606PGT	257	94765GT	279		
88299-82400GT	277	88609-SGT	257	94789GT	35		
88300-36900GT	277	88648GT	177	94791GT	35		
88301PGT	259	88757GT	143	94792GT	35		
88302GT	259	88777-SGT	249	94793GT	35		
88303PGT	259	88788PGT	173	94794GT	35		
88304PGT	259	88794GT	173	94795GT	35		
88305GT	259	88846GT	161	94796GT	35		
88306PGT	259	88847GT	143	94889GT	111		
88307PGT	259	88906GT	179	94947GT	189		
88308PGT	259	8914GT	57-58, 61-62, 65-66, 76, 189	9596GT	251-252		
88309GT	259	8915GT	85, 117, 137, 271	9599-SGT	251-252, 255		
88310PGT	259	89299GT	205	96236GT	275		
88314PGT	70-72	89307GT	223	96770GT	137		
88315GT	81	89310GT	205, 211, 221, 223	97128GT	69-72, 173, 177, 179		
88317GT	75-76	89312GT	223	97231GT	69-72, 177		
88329GT	251-252	89377GT	187	97461GT	111		
88330GT	249	89719GT	285	97473GT	113		
88343PGT	177	89755GT	271	97576GT	21		
88345GT	175	89759GT	111	97579GT	25, 283		
88349GT	35, 43, 45	89765GT	13-14, 113	97592GT	21		
88350GT	175	89811GT	149	97602GT	21		
88351GT	47-48	89812GT	149	97758GT	21		
88352GT	273	89813GT	149	97815GT	25, 33, 184-185		
		89871-8448GT	237	97875GT	17-18, 25		
		89894PGT	273	97887GT	25		
				97890GT	17-18, 25		

The Part Description Index is an alphabetical index of all part descriptions included in this manual. The index shows what page(s) the part is used on.

1
12VDC PROPORTIONAL VALVE.....289

2
207 HYD MOTOR ASSY, GEN.....289
2WS MANIFOLD W/O OSC.....209

4
4WS MANIFOLD W/O OSC.....217-218

6
6' TRI-ENT ASSY W/DECALS A/SOA.....251-252
6' TRI-ENT ASSY W/DECALS ANSI.....251-252
6' TRI-ENT ASSY W/DECALS AUSTR.....251-252
6' TRI-ENT RAIL W/DECALS A/SOA.....251-252
6' TRI-ENT RAIL W/DECALS ANSI.....251-252
6' TRI-ENT RAIL W/DECALS AUSTR.....251-252

8
8' TRI-ENT ASSY W/DECALS A/SOA.....251-252
8' TRI-ENT ASSY W/DECALS ANSI.....251-252
8' TRI-ENT ASSY W/DECALS AUSTR.....251-252
8' TRI-ENT ASSY W/DECALS CE.....251-252
8' TRI-ENT RAIL W/DECALS A/SOA.....251-252
8' TRI-ENT RAIL W/DECALS ANSI.....251-252
8' TRI-ENT RAIL W/DECALS AUSTR.....251-252
8' TRI-ENT RAIL W/DECALS CE/UK.....251-252

A
ACC,AIR PRE-CLEANER,FORD T2.....265
ACC,FALL ARREST BAR,6FT FR.....313
ACC,FALL ARREST BAR,6FT SYM.....313
ACC,FALL ARREST BAR,6FT WORD.....313
ACC,FALL ARREST BAR,8FT FR.....313
ACC,FALL ARREST BAR,8FT SYM.....313
ACC,FALL ARREST BAR,8FT WORD.....313
ACC,PLAT CONTROL COVER, SERV.....257
ACCESSORY,OPERATOR PROT STRUCT.....311
ACCESSORY,PANEL CRADLE,ANSI.....269
ACCUMULATOR, 5CU IN 500 CHARGE.....227
ACCUMULATOR,500 PSI,HYDAC.....225
ACTIVATOR,STEER SENSOR.....35, 38, 41
ADAPTER 3/8 FNPT X M16.....101
ADAPTER, 2" TO 1.8", PERK 404F.....111
ADAPTER,1/4 FNPT X 1/2-20 UNF.....103
ADAPTER,140139-8-6.....103, 151
ADAPTER,AIR HOSE,PERK 404F.....111
ADAPTER,DEUTZ OIL DRAIN.....117
ADAPTER,MIXER, TME27.....151
ADAPTER,NPT 6-4.....61-62
ADAPTER,OIL DRAIN,GM 3.0L.....139
ADAPTER,WELDER,208-220.....283
ADJUSTABLE STRAP ASSY.....269

ADPTR,ST. THR 3/4-16 FEM PIPE.....95
ADPTR,STR FEM INV 45D 1/4X1/4.....95
AIR CLEANER BRACKET, PAINTED.....95
AIR CLEANER CAP/ FORD/NOLFF***.....143, 155-156
AIR CLEANER,FORD,T3.....143
AIR CLEANER,NELSON.....117, 125-126, 133
AIR CLEANER,NELSON***.....95, 103, 111, 139, 155-156, 161
Air Intake Hose.....145
AIR PRESSURE SENSOR,PERKINS 404F-22T.....107-108
ALARM PKG,(BEACON,TRVL,DESCNT).....249
ALARM,AUDIO,SUPERBOOM***.....75-76, 81, 189, 195-196, 199
ALARM,WARBLE TONE 5-30 VDC***.....81
ALTERNATOR - 85 AMP, INT REGULATED.....113
ALTERNATOR PULLEY.....121
ALTERNATOR STAY,DEUTZ F4L913.....121
ALTERNATOR, DEUTZ (55AMP) ***.....121
ALTERNATOR, DEUTZ,BF4L2011***.....125-126
ALTERNATOR, GM3.0L ENGINE.....141, 168
ALTERNATOR, PERKINS (53883).....93
ALTERNATOR,LRG-423 RE-BUILT*.....143, 147
ALTERNATOR,PERKINS 800 SERIES.....103
ALTERNATOR,STAY,DEUTZ,F4L913.....121
ALTERNATOR,TME2.7L ENGINE.....151
ANGLE,RING GUARD *PAINTED.....261
ASSEMBLY RESET SWITCH.....301
ASSEMBLY, JUNCTION, 404F-EXT, Z80.....107-108
ASSEMBLY, LIGHT, CONTACT ALARM.....303
ASSEMBLY, OPA PROTECTION CAGE.....301
ASSEMBLY, SENSOR, PROX, CONTACT ALARM.....303
ASSEMBLY,CABLE,TAPESWITCH.....301
ASSEMBLY,CONTACT ALARM CABLE, LARGE.....303
ASSEMBLY,FOOT SWITCH.....184-185, 187
ASSEMBLY,LCD HEATER ALC1000.....75-76, 81
ASSEMBLY,TAPESWITCH.....301
ASSEMBLY,TIRE,445D50/710,LH.....37-38
ASSEMBLY,TIRE,445D50/710,RH.....37-38
ASSM, GEN. ONLY, 110V, 60HZ.....285
ASST,OVERFLOW BOTTLE,TME27.....153
ASSY BATTERY HEATER,240V.....295
ASSY HEATER, MODEL 18, 120V.....295
ASSY HEATER,MODEL 18,240V.....295
ASSY, BATTERY HEATER, 120V.....295
ASSY, CIRCUIT BREAKER 20A.....75-76, 81
ASSY, CONTROL BOX, PCON, Z80.....195-196
ASSY, DRIVE LIGHT, 12V LED.....249
ASSY, ELECTRIC SWIVEL, 6 CONTA.....69-72
ASSY, FUEL PICKUP TUBE.....65-66
ASSY, HYD/ELEC 6 PORT/6 CONT.....69-72
ASSY, HYDRAULIC SWIVEL, 6 PORT.....69-72
ASSY, LS, LOAD SENSE, ALC1000.....271
ASSY, MED. PRESS. FILTER, SAE8.....87
ASSY, SENSOR W/HOUSING.....303
ASSY, TELEMATICS CONN. BOX.....65-66

ASSY, WORK LIGHTS, Z80.....255
ASSY,120V HEATER, HYD TANK.....295
ASSY,240V HEATER, HYD TANK.....295
ASSY,6' PLAT WELDMENT W/SIDE GATE.....187
ASSY,6FT PLAT DUAL LG,BLANK W/SIDE SWING GATE.....187
ASSY,8' PLAT WELDMENT W/SIDE GATE.....187
ASSY,8FT PLAT TRI LG,BLANK W/SIDE SWING GATE.....187
ASSY,BRACKET,CONTACT BLOCK.....75-76, 81
ASSY,BRACKET,KS CONTACT BLOCK.....75-76
ASSY,ENCLOSURE,WELDER,GEN.....279
ASSY,ENGINE HEATER,120V.....295
ASSY,ENGINE HEATER,240V.....295
ASSY,FOUR LINK CABLE TRACK***.....173
ASSY,FUEL HOSE.....65-66
ASSY,FUEL TANK Z80.....57-58, 61-62
ASSY,MODULE,CONTROL UNIT,OPA.....301
ASSY,NON-STEER AXLE W/BEARINGS.....47-48
ASSY,RELAY SOCKET, AUTO.....65-66
ASSY,SIDE SWING GATE.....187
ASSY,STEER AXLE NON OSC,W/BEAR.....47-48
ASSY,STEER AXLE, W/BEARINGS.....45
ASSY,TRACK,FALL ARREST BAR,6FT FR.....313
ASSY,TRACK,FALL ARREST BAR,6FT SYM.....313
ASSY,TRACK,FALL ARREST BAR,6FT WORD.....313
ASSY,TRACK,FALL ARREST BAR,8FT FR.....313
ASSY,TRACK,FALL ARREST BAR,8FT SYM.....313
ASSY,TRACK,FALL ARREST BAR,8FT WORD.....313
ASSY,WORK LIGHT,12V LED.....255
ASSY,Z80 LOWR PRIM BOOM W/SYM.....177
ASSY,Z80 LOWR PRIM BOOM W/WORD.....177
ASSY,Z80 YOKE, W/BEARINGS,L.....45
ASSY,Z80 YOKE, W/BEARINGS,RT.....45
ATOMISER (FUEL INJECTOR),PERKINS 404F-22T.....107-108
AUX RAIL, 6' PLAT, SIDE ENTRY.....255
AUX RAIL, 8' PLAT, TRI-ENTRY.....255
AUX TOP RAIL,6'(1.25")SERVICE.....251-252
AUX TOP RAIL,6',SWG GT, SRV.....251-252
AUX TOP RAIL,6FT,PTD.....251-252
AUX TOP RAIL,8'(1.25")SERVICE.....251-252
AUX TOP RAIL,8',SWG GT, SRV.....251-252
AUX TOP RAIL,8FT,PTD.....251-252

B
BACKING PLATE,BOTTOM,RISER.....259
BACKING PLATE,TOP,RISER PAINTE.....259
BAFFLE, AIR CLEANER (27915)**.....95, 103, 111, 139, 155-156, 161
BAFFLE,INTAKE,Z80 PERKINS.....101
BALL STUD*.....85
BAR,AXLE ROTATION STOP PAINT.....48

Part Description Index (continued)

BAR,HARNES CONNECTOR MOUNT.....147	BELT-FAN, GM 3.0L ENGINE.....13-14, 139, 141	BRACKET,HEAT SHIELD REAR,TME27.....151
BASE & PLAT CONTROL COVERS.....257	BLANKET,BATTERY.....293	BRACKET,HEAT SHIELD,FRNT,TME27.....151
BASE ENCLOSURE,RED,OPA.....301	BOLT, CARRIAGE, 3/8-16 X 1.50, G5.....273	BRACKET,HYD.ROTATOR MOUNT MNT.....69-72
BASE WITH 1 NC CONTACT, E-STOP.....81, 193, 195-196, 199	BOLT, CYLINDER HEAD, GM3.0L ENG.....167-168	BRACKET,HYDRAULIC WELDER Z80.....283
BASE, W/1 N.O. CONTACTS***.....199	BOLT, DEUTZ STARTER.....131	BRACKET,IGNITION COIL,TME27.....153
BASE,W/2 NC CONTACTS***.....81	BOLT,ALT MNTG,GM3.0LENG.....168	B R A C K E T , I N T A K E PIPE,MOUNT,DEUT.....111, 131
BASE,W/3 N.C.& 3 N.O.....75-76	BOLT,ALTERNATOR,GM 3.0L ENG.....168	BRACKET,LEG,RLY BLOCK.....89, 91
BASE,WITHOUT CONTACTS.....75-76, 81, 191	BOLT,CARRIAGE,1/4-20 X .75,G2.....181, 259	BRACKET,LINCOLN WELDER,PNTD.....283
BATT.CABLE,00,POS.,RED,76".....159	BOLT,CARRIAGE,M8X1.25X25,DEUTZ.....121	BRACKET,LOWER RAD,TME27.....153
BATTERY CABLE,2/0,BLACK,64".....159	BOLT,CRANKSHAFT,TME27.....151	BRACKET,LOWER RADIATOR.....107-108
BATTERY HOLD DOWN,GROUP 31.....159	BOLT,FLANGE,5/8-11X1.5"GR8 PLT.....131	BRACKET,MAP SENSOR,PAINTED.....143
BATTERY TRAY,FORMING,PAINTED.....159	BOLT,GM 3.0L ENG.....168	BRACKET,MUFFLER MOUNT,PAINTED.....139
BATTERY,12V,1000 CCA GRP 31.....159	BOLT,HEX-UNC(.250-20, .500G).....55	BRACKET,MUFFLER SUPPORT PAINTD.....103
BEARING KIT.....38	BOLT,HEX-UNC(.375-16).....53	BRACKET,MUFFLER,GM3.0L ENG.....167-168
BEARING KIT,INNER (88921).....71-72	BOLT,PULLEY,GM.....273	BRACKET,PBAS MOUNT PAINTED.....173
BEARING KIT,OUTER (88921).....70-72	BOLT,SCREW,WHEEL DRIVE CAP.....37-38	BRACKET,POWER TO PLAT TBOX,PNT.....283
BEARING KIT,PLAT ROTATOR,SUPER.....179	BOLT,WHEEL DRIVE CAP(106122).....38, 53	BRACKET,POWER TO PLAT, DOM.....275
BEARING KIT,WHEEL DRIVE W/BRAKE (227775).....41, 53	BOLT-FLANGE,M6 X 22MM(52573).....149	BRACKET,POWER TO PLAT, UK.....275
BEARING KIT,WHEEL HUB (102778).....38	BOOM,PRIMARY ASSY W/SYMB,Z80.....173	BRACKET,PRECLEANER PAINTED.....265
BEARING NUT***.....53, 55	BOOM,PRIMARY ASSY W/WORD,Z80.....173	BRACKET,PRIMARY BOTTOM WIPER.....259
BEARING TURNABLE SEAL***.....70-72	BOOT GUARD, JOYSTICK 62390/91.....201	BRACKET,PRIMARY SIDE WIPER.....259
BEARING, 1.5IDX1.75ODX2.00L.....179	BOOT(BELLOWS),E-STOP,BLACK.....76, 191, 193, 195-196, 199	BRACKET,PRIMARY SIDE WIPER LH.....259
BEARING, TAPERED - ASSY.....53, 55	BOOT, ROCKER JOYSTICK 75565.....201, 203	BRACKET,PRIMARY TOP WIPER.....259
BEARING, 1.00IDX1.25ODX1.00L.....35, 43, 45	BOOT,BATTERY TERMINAL,RED.....159	BRACKET,RADIATOR SUP,TME27.....151
BEARING, 1.25 ID X 1.5 OD X .75.....179	BOOT,JOYSTICK.....201, 203	BRACKET,RADIATOR SUPPORT PAINT.....139
BEARING, 1.25IDX1.5ODX1.00L.....179	BOOT,POWER,RECEP,2 WAY.....69-72	BRACKET,RADIATOR SUPPORT PNTD.....101
BEARING, 1.5IDX1.75ODX0.75L.....179	BOOT,SOLENOID,29073.....123	BRACKET,REAR MOUNT,ALT,GM3.0L ENG.....167-168
BEARING, 1.5IDX1.75ODX1.0L.....179	BOOT,TOGGLE SWITCH,SHORT*.....189, 193, 195-196, 305, 307, 309	BRACKET,RETURN FILTER.....57-58, 61-62, 65-66
BEARING, 1.75IDX2.00ODX1.25L.....45	BOT.CLAMP,ARCTIC HOSE CBLTRK.....173	BRACKET,RING GEAR.....261
BEARING, 1.75IDX2.00ODX1.50L.....35, 43, 45	BOTTLE, COOLANT RECOVERY, 2QT.....99, 139	BRACKET,RISER SIDE WIPER.....259
BEARING, 2.25IDX2.50ODX1.50L***.....171	BOTTLE, OVERFLOW, GM3.0L ENG.....167-168	BRACKET,RISER,BOTTOM PAINTED.....259
BEARING, 2.25IDX2.75ODX2.00L.....171, 173	BOTTLE,COOLANT RECOVERY,3.7***.....103, 107-108, 143	BRACKET,SOLENOID PAINTED.....101
BEARING, 2.50IDX2.75ODX2.00L.....35, 43, 45, 48	BOX, GROUND CONTROL.....81	BRACKET,UPPER RADIATOR.....108
BEARING, 3.00IDX3.25ODX1.25L.....171	BOX,GROUND CONTROL,PAINT.....75-76	BRACKET,UPPER SUPPORT,TME27.....153
BEARING, 3.00IDX3.50ODX1.50L.....171	BOX,GROUND CONTROL,Z80.....75-76	BRACKET,V275S WELD LEADS.....283
BEARING,BALL DRIVE SHAFT.....37-38	BOX,INSTRUCTION STORAGE.....184-185, 187	B R A C K E T , W E L D E R M N T SUPPORT,PNT.....283
BEARING,FL, 1.25IDX1.41ODX1.50L.....179	BRACE,UPPER RADIATOR SUPPORT.....108	BRACKET,WELDER SUPPORT,PNT.....283
BEARING,FL, 1.25IDX1.5ODX1.25L.....159	BRACKET, STRUT BRACE.....135	BRACKET,WIPER,SIDE,RISER,LH.....259
BEARING,FL, 2.25IDX2.50ODX1.33L.....171	BRACKET,1K OHM 10-TURN POT,PNT.....279	BRACKET,WIPER,SIDE,RISER,RH.....259
BEARING,GARLOCK,12FDU12.....271	BRACKET,AIR CLEANER,MUFFLER.....101	BRACKET,WIPER,TOP,RISER PAINTED.....259
BEARING,INNER CONE.....35	BRACKET,AIR CLEANER,PAINTED.....139	BRACKET,WORK LIGHT MOUNT 5/16".....251-252, 255
BEARING,MOTOR.....285	BRACKET,AIR CLEANER/EXHAUST PT.....117	BRACKET-FUEL FILTER (52567).....147
BEARING,OUTER CONE.....35	BRACKET,AIRLINE TO PLATFORM.....277	BRAKE DISC KIT (81383).....38
BEARING,THRUST WASHER***.....55	BRACKET,ALTERNATOR,GM3.0L ENG.....168	BRAKE DISC, KIT (81381).....37-38
BEARING,TURNABLE.....70-72	BRACKET,BATTERY CABLE.....137	Brake Lining Kit.....53
BELL HOUSING KIT, FORD 425EFI.....149	BRACKET,CABLE TRACK,MOVING END.....173	BRAKE LINING KIT (121291).....55
BELT GEN BRKT UPGRADE KIT.....273	BRACKET,CATALYST,GM3.0L ENG.....167-168	Brake Piston and Spring Kit.....38
BELT GUARD W/DECAL PERKINS.....105	BRACKET,CONTACT CLAMP***.....75-76	BRAKE PORT HARDLINE.....71-72
BELT, (NAPA 9360).....273	BRACKET,CONTROL UNIT.....301	Brake Replacement Kit.....53
BELT, V (PERKINS 404).....13-14, 113	BRACKET,EXPANSION TANK, LEFT M.....135	Brake Seal Kit.....53
BELT,AIR PUMP,PERKINS 404F-22T.....13-14, 107-108	BRACKET,EXPANSION TANK,DEUTZ 2.....135	BRAKE TUBING.....70-72
BELT,ALTERNATOR,GM 3.0L ENG.....168	BRACKET,FAN SHROUD,LH PAINTED.....101	BRAKE TUBING***.....70-72
BELT,AX33***.....273	BRACKET,FAN SHROUD,RH,PAINTED.....101	BRAKE,900 IN*LB.....71-72
BELT,AX35.....273	BRACKET,FUEL PUMP PAINTED.....105	BREAKER, 25 AMP, GEN.....289
BELT,AX36.....273	BRACKET,GENERATOR 12KW.....289	BREAKER,15 AMP,GEN.....289
BELT,AX38***.....273	BRACKET,GENERATOR 12KW,PTD.....279, 285	BREATHING PIPE, TD 2011L04I.....129
BELT,FEAD, TME 2.7L ENGINE.....151	BRACKET,GENERATOR MOUNT.....273	BREATHING, PERKINS 404F-22T.....107-108
BELT,SERPENTINE,LRG425 EFI***.....14, 149	BRACKET,GENERATOR-DEUTZ.....273	BREATHING,RESERVOIR 3 MICRON***.....57-58, 61-62, 65-66
BELT,TIMING,FORD LRG423/425EFI.....143, 149		BRIDGE,50A FULL WAVE**.....285
BELT,V KIT, PERKINS 704-30.....13-14, 97		BRKT,AIR CLEANER ORIENTATION**.....95, 103, 111, 139, 143, 155-156, 161
BELT,V, ALTERNATR.DEUTZ F4L913.....121		
BELT,V, BLOWER, DEUTZ F4L913.....13-14, 121		

BRKT,RADIATOR TOP LH,GM3.0L ENG....168	CATCH,GRND.CTRL.BOX COVER.....257	CLAMP,MUFFLER,1-7/8 IN.....145, 153
BRKT,RADIATOR TOP RH,GM3.0L ENG....168	CBV ASSEMBLY***.....70-72	CLAMP,MUFFLER,1.75 INCH.....143
BRUSH 3/8 X 1/4 X 15/16(36928).....285	CE FIELD SHIM KIT LOAD SENSE.....271	CLAMP,RUB CUSH,0.75,#12 X 3/8*.....93, 163, 277
BRUSH ENDBELL ASSEMBLY (89719).....285	CHAIN,NO.2 (11 LINKS).....305, 307, 309	CLAMP,RUBBER,GM3.0L ENG.....168
BRUSH HOLDER ASSY, 2500W GENER...285	CHECK VALVE DISC.....227	CLAMP-HEAVY DUTY.....117
BULB,WORKLIGHT,12V 35W.....249, 251-252	CIRCUIT BREAKER, 15A.....81	CLEVIS YOKE-1/4-28,PLTD W/PIN.....95, 101, 123, 125-126, 173
BUMPER, PLASTIC, 1.25 O.D.....187, 251-252, 255, 297, 305, 307, 309	CIRCUIT BREAKER, 35A 3PH.....279	CLIP,AIR CLEANER COVER (58247).....143, 155-156
BUMPER,BATTERY BOX & RAILS...187, 251-252, 257, 301	CIRCUIT BREAKER, AUTO RESET,6A.....125-126	CLIP,AIR CLEANER END CAP***.....95, 103, 111, 139, 155-156, 161
BUMPER,RUBBER***.....271	CIRCUIT BRKR 15A TYPE 2 METAL.....125-126	CLIP,LCD,GRND.CONTROL.....75-76, 81
BUMPER,RUBBER,.75 X .50H,STUD.....257, 313	CIRCUIT BRKR THERM AUTORESET 6.....79, 101, 155-156	CLIP,SPRING,1/4-20 BLACK.....131, 133, 135
BUMPER,RUBBER-1 X 1.25.....57-58, 61-62, 65-66, 85, 159, 165, 249	CLAMP RISER CABLETRACK-LEFT.....57-58, 61-62, 65-66, 177	COIL ASSY,IGNITION,TME27.....153
BUSHING, STRAIN RELIEF, 1".....35	CLAMP, 1.25 INCH TUBE.....303	COIL IGNITION,TME27.....153
BUSHING,FUEL TANK FITTING (SM).....57-58, 61-62	CLAMP, 3 INCH.....129	COIL, 12V, 19972/21623/29069.....221, 223
BUTTON,PUSH,BLACK W/SEAL***.....193, 195-196, 199	CLAMP, HOSE (53883).....97	COIL, ELECTRONIC IGN., FORD.....147, 149
BUTTON,PUSH,RED MUSHROOM HEAD.....76, 81, 191, 193, 195-196, 199	CLAMP, HOSE, 1 EAR, 11/16.....137	COIL, SOLENOID VALVE.....211
	CLAMP, HOSE/CABLE.....163	COIL,10V.....221, 223
	CLAMP,0.31,#5 X 1/4,RUB CUSH.....111, 271, 289	COIL,12V.....223
	CLAMP,0.50,#8 X 1/4,RUB CUSH.....147, 195-196, 199, 305, 307, 309	COIL,12V,DO1 VALVE.....285
	CLAMP,0.63,#10 X 1/4,RUB CUSH.....153	COIL,GREEN W/ 2 PIN CONNECTOR*.....205, 223
	CLAMP,0.75,#12 X 1/4,RUB CUSH.....81, 108, 153, 163, 189, 193, 195-196, 199	COIL,SOLENOID VALVE.....227
	CLAMP,1.00,#16 X 1/4,RUB CUSH.....151, 283	COIL,SOLENOID VALVE,20W.....217-218
	CLAMP,1.00,#16 X 7/16,RUB CUSH.....155-156	COIL,SOLENOID,HYDAC MANIFOLD.....225
	CLAMP,1.13,#18 X 1/4,RUB CUSH...305, 307, 309	COIL-10V DC***.....279
	CLAMP,1.13,#18 X 3/8,RUB CUSH*.....279	COIL-IGNITION/GM 3.0L ENGINE.....139, 167-168
	CLAMP,1.25X.5 RUBBER-CUSHION.....184-185, 187, 255, 269, 297	COLD START PKG,PERKINS,BB.....293
	CLAMP,1.63,#26 X 3/8,RUB CUSH.....155-156	COLD START,CONTINENTAL,Z80.....293
	CLAMP,1.75,#28 X 3/8,RUB CUSH*.....147	COLD START,DEUTZ 913 AND TURBO.....293
	CLAMP,1.88,#30 X 1/4,RUB CUSH.....101	COLD START,GM.....293
	CLAMP,2 HOSE,PLASTIC,5/8.....133, 137, 163	COLD WEATHER 120V J BOX ASSY.....295
	CLAMP,2.5,#40 X 1/4,RUB CUSH.....103, 179	COLD WEATHER 240V J BOX ASSY.....295
	CLAMP,3.0,#48 X 1/4,RUB CUSH.....161	COLLAR,JOYSTICK,CENTER.....203
	CLAMP,3.0,#48 X 3/8,RUB CUSH.....179	COMPRESSION LINK,MACHINED.....179
	CLAMP,5.38,#86 X 3/8,RUB CUSH.....265	CONN MAXI FUSE MODULE,4POS.....89, 91
	CLAMP,CABLE TRACK RISER,R.S.....61-62, 65-66, 177	CONN PLUG 3 WAY ENDCAP DT.....295
	CLAMP,EXHAUST,2.00 PLATED.....108	CONN PLUG 4 WAY EXTEND DT.....83
	CLAMP,FORD MUFFLER,PAINTED.....147	CONN RECEIPT,FLANGED.....83
	CLAMP,HOSE 2 5/16-3 1/4.....95	CONN, 520120-4-6 0.030 ORIFICE.....247
	CLAMP,HOSE,.25" - .63" X .3125.....103, 108, 111, 135	CONN, 520120-6.....235, 245, 247
	CLAMP,HOSE,.50.....151, 153	CONN, SAE#4-1/4" NPT.....279
	CLAMP,HOSE,.63" - 1.0" X .5".....137	CONN,520120-10-12.....281
	CLAMP,HOSE,1.25***.....135, 263	CONN,520120-16.....245
	CLAMP,HOSE,1.75.....108, 131, 143, 149	CONN,520120-24.....245
	CLAMP,HOSE,1/2" DOUBLE.....179	CONN,520120-4***.....235, 237, 239, 241, 243, 245, 247
	CLAMP,HOSE,1EAR,25/32.....137	CONN,520120-4-6***.....237, 239, 241, 243, 245, 247
	CLAMP,HOSE,2.00***.....101, 103, 107-108, 111, 131, 133, 143, 147, 155-156, 263	CONN,520120-6-8.....235, 239, 247
	CLAMP,HOSE,2.25" DIA.....99, 139, 149	CONN,520120-8***.....237, 239, 241, 243, 245, 247, 281
	CLAMP,HOSE,2.50***.....111, 131, 143, 145, 153, 155-156, 161, 263	CONN,520120-8-10.....245, 287
	CLAMP,HOSE,3.00"...101, 103, 111, 129, 133, 141, 161, 263, 265, 267	CONN,520120-8-12.....239, 241, 243, 245
	CLAMP,HOSE,3.50.....125-126, 129, 133, 263	CONN,8 POS PLUG 120 AC/15A.....285
	CLAMP,HOSE,5.00.....263, 265	CONN,ALT,3WAY,PERKINS 804.....103
	CLAMP,HOSE,6.50.....263	CONN,BULKHEAD,520801,-4.....247
	CLAMP,HOSE,8.50 DIA***.....263	CONN,DUAL RLY MODULE,10 POS.....89, 91
	CLAMP,MUFFLER, 2.50 INCH.....101, 126, 129, 131, 145, 155-156, 265	CONN,FEED THRU STUD.....91
		CONN,LONG,520122-4.....291
		CONN,PLUG 120 AC/15A DOMESTIC.....295
		CONN,PLUG 2 WAY,14-18GA.....295
		CONN,PLUG 23 WAY,16-20 GA BLK.....189, 195-196, 199
		CONN,PLUG 23 WAY,16-20 GA WHT.....79, 189, 195-196, 199

C

CABLE SQUEEZE CONN .63-.75.....279
 CABLE SQUEEZE CONN.....279
 CABLE TIE,11.5" BLACK.....283
 CABLE TIE,4" BLK,HEAT RESISTNT.....184-185
 CABLE TIE,DFT MOUNT,BLK,6.5".....107-108
 CABLE TRACK,STEEL 38 LINKS.....173
 CABLE,2/0 WELD LEAD,TWIN Z80.....279
 CABLE,2/0 WELD LEAD,TWIN Z80U.....279
 CABLE,BATTERY POSITIVE.....159
 CABLE,GROUND,79" W/PIGTAIL.....159
 CABLETRACK,30 LINK,GRTRCU2-110.....177
 CAM/CRANK SENSOR,TME-27.....151
 CAP ASSY, COOLANT BOTTLE.....103, 143
 CAP, COOLANT RET SYS(54071).....99, 139
 CAP, OIL FILLER.....113
 CAP, SIDE OIL FILL, PERKINS.....93
 CAP,DIAGNOSTIC NIPPLE.....237, 239, 241, 243, 245
 CAP,DISENGAGE,4HP/4HB***.....38, 53, 55
 CAP,DUST.....35
 CAP,FUEL,DIESEL,1/8"VENT(GRN).....57-58
 CAP,FUEL,GAS,1/8"VENT(RED).....57-58, 61-62
 CAP,FUEL,GASOLINE 3.5PSI.....61-62, 65-66
 CAP,OIL FILL,TME27.....151
 CAP,OIL FILLER.....139, 167-168
 CAP,OIL FILLER, DEUTZ F4L913.....119
 CAP,OIL FILLER, PERKINS.....95
 CAP,RADIATOR,GM 3.0L ENG.....167-168
 CAP,RADIATOR,PERKINS(94232).....135
 CAP,RADIATOR,PERKINS/FORD.....99, 101, 107-108, 139
 CAP,RADIATOR,TME27.....153
 CAP-DISTRIBUTOR, GM 3.0L.....139, 167-168
 CAPACITOR 16 F, GEN.....289
 CASTING, WASHER, ENGINE ISOLAT.....165
 CASTING,AXLE COUNTERWEIGHT.....51
 CASTING,CHASSIS WEIGHT.....51
 CASTING,DRV.CHAS.COUNTERWEIGHT...51
 CASTING,SAE 4 PUMP MOUNT,MACHI.....105, 139
 CASTING,WASHER,REBOUND.....115
 CASTING,WASHER,REBOUND,PAINTED.149, 153

- DECAL,INST,OPER INST,Z80,AUS.....17-18, 25
 DECAL,INSTR,MAX SIDE FRC,ANSI.....25
 DECAL,INSTR,SIDE FRC/WIND,AUS.....25
 DECAL,INSTRUCT,FOOTSWITCH OPER....25
 DECAL,LABEL, AIR LINE 110 PSI.....17-18, 25, 27, 33, 277
 DECAL,LABEL,106 DB***.....27
 DECAL,LABEL,113 DB***.....27
 DECAL,LABEL,30A CB.....21
 DECAL,LABEL,CB SYMBOL.....21, 29
 DECAL,LABEL,CONTROLS BATTERY.....21
 DECAL,LABEL,FALL HAZARD***.....31
 DECAL,LABEL,LIQUID PROPANE.....17-18, 27
 DECAL,LABEL,LOWER MIDRAIL.....25, 33, 184-185
 DECAL,LABEL,MANUAL NOT HERE.....25
 DECAL,LABEL,MAX CAPACITY***.....33
 DECAL,LABEL,NO SMOKING,SYMB.....27
 DECAL,LABEL,PATENTS.....17-18
 DECAL,LABEL,PETRO CANADA***.....17-18
 DECAL,LABEL,STARTER BATTERY.....21
 DECAL,LABEL,TIP OVER LMT SWTCH.....31
 DECAL,LABEL,TIPOVER,TILT AL SY.....33
 DECAL,LABEL,TIPOVER,TIRES,SYMB.....27, 29
 DECAL,LABEL,TIRE PRESS,HIFLOAT.....27, 29
 DECAL,LABEL,TRANSPORT DIAGRAM....17-18, 21, 27, 29
 DECAL,LABEL,UCON HYDROLUBE.....17-18
 DECAL,LABEL,UNLEADED GAS ONLY.....17-18, 27
 DECAL,LABEL,WELD LINE INST,SYM.....27, 33
 DECAL,LABEL,WHEEL LOAD Z80***...17-18, 21, 27, 29
 DECAL,LANYARD ANCHORAGE POINT...25, 33, 313
 DECAL,LOW/ULTRA LOW SULFR FUEL...17-18
 DECAL,MACHINE REGISTRATION/OWNER TRANSFER.....18, 27
 DECAL,NOTICE,DEUTZ ENG SPEC.....21
 DECAL,NOTICE,HAZARDOUS MAT'LS*.....21
 DECAL,NOTICE,MAX LOAD 500 LBS.....25
 DECAL,NOTICE,OPERATING INST.....17-18, 25
 DECAL,NOTICE,SHUTOFF VALVES.....17-18
 DECAL,PATCH,DRIVING LIGHT.....25, 33
 DECAL,PLAT CONTROL PANEL,Z80.....25, 33
 DECAL,PLAT LVL.RECOVERY.....189, 196
 DECAL,PLATFORM OVERLOAD PATCH.....33
 DECAL,POWER TO PLATFORM 115V.....17-18, 21, 25, 27, 29, 33
 DECAL,PROTECTOR,CLEAR***.....263
 DECAL,RELAY & FUSE PANELS.....21
 DECAL,SYMBOL-BATTERY SAFETY.....29
 DECAL,SYMBOL-COMP ACCESS.....29
 DECAL,SYMBOL-READ THE MANUAL.....301
 DECAL,T3 ENGINE SPEC,PERKINS.....21
 DECAL,TRACK,FALL ARREST BAR,SYMBOL.....313
 DECAL,TRACK,FALL ARREST BAR,WORD.....313
 DECAL,TRACK,FALL ARREST BAR,WORD FR.....313
 DECAL,TRIANGLE,BLUE.....17-18, 21, 27, 29
 DECAL,TRIANGLE,YELLOW....17-18, 21, 27, 29
 DECAL,WARN,CRUSH HAZARD HAND.....23
 DECAL,WARN,CRUSH HAZARD PLAT.....25, 33
 DECAL,WARN,FALL HAZARD.....23
 DECAL,WARN,IMPROPER OPERATION.....25
 DECAL,WARN.WELD LINE INST.WORD....17-18, 21, 25
 DECAL,WARNING,CANCER AND REPRODUCTIVE HARM, PROP 65.....17-18
 DECAL,WARNING,CRUSHING HAZARD.....31
 DECAL,WARNING,PANEL CRADLE.....25
 D E C A L , W A R N I N G , P I P E CRADLE,BOOM.....25, 297
 DECAL,WARNING,WELDER SAFETY.....283
 DECAL,WARNING-COMPART ACCESS.....21
 DEUTZ,AIRBOX WITH WORD DECALS...125-126
 DIAGNOSTIC FEMALE Q-DSCNT....237, 239, 241, 243, 245
 DIESEL OXIDATION CATALYST,PERKINS 404F.....107-108
 DIESEL PARTICULATE FILTER,PERKINS 404F.....107-108
 DIFFERENTIAL SENS VLV,8,150PSI.....227
 DIODE,6 AMP,200 PIV,BULK.....125-126, 285
 DIP STICK TUBE ASSY.....101
 DIPSTICK (53883).....95
 DIPSTICK - DEUTZ F4L1011F.....126
 DIPSTICK TUBE,PERKINS(403C-11).....111
 DIPSTICK, GM3.0L ENG.....167-168
 DIPSTICK, OIL (PERKINS 404).....111
 DIPSTICK,CONTINENTAL,TME27.....151
 DIPSTICK,DEUTZ F4L913.....119
 DIPSTICK-F3L1011F (DEUTZ).....126
 DISENGAGE, ROD.....53, 55
 DISTRIBUTOR/GM 3.0L ENGINE.....139, 167-168
 DRAIN PLUG.....71-72
 DRIVE PLATE,GM 3.0L ENG.....168
 DRIVING LIGHTS,FRONT,Z80,SERV.....249
 Due to Tier 4 regulations, many engine replacement parts require engine serial number at time of order placement. When ordering engine parts please have both machine and engine serial numbers available. For internal engine parts, contact engine deale....107-108
- ## E
- ECM, PERKINS 404F-22.....115
 ECM, SSI .79L / .97L.....167-168
 EDC ASSY,SAUER M46***.....233
 ELBOW.....167-168
 ELBOW,1/2"H X 3/8"P,TME27.....153
 ELBOW,130239-4-4.....61-62, 143, 151
 ELBOW,45 DEG,INLET.....117
 ELBOW,45 DEGR,RUBBER,2.5"i.D....141, 145
 ELBOW,45D,520320-12-16.....245, 281
 ELBOW,45D,520320-20.....245
 ELBOW,45D,520320-4.....247
 ELBOW,45D,520320-6.....245, 247
 ELBOW,90 DEG,3/8NPT X 1/2 FNPT.....143
 ELBOW,90 DEGR,RUBBER,2.5"i.D.*.....95, 103, 141, 155-156, 161
 ELBOW,90D, 070202-4.....70-72
 ELBOW,90D,1/4FPTX3/8MPT.....61-62, 65-66
 ELBOW,90D,520220-4-4.....235, 247, 287
 ELBOW,90D,520220-4-6***.....235
- ELBOW,90D,520220-6.....245, 247
 ELBOW,90D,520220-8-12.....245
 ELBOW,90D,BLKHD,ORFS-6-6 W/NUT.....247
 ELBOW,90D,LONG,521520-4.....247
 ELBOW,90DEG, .63 HS X.375 MPT.....143
 ELBOW,90DEG,5502-04-04-B.....153
 ELBOW,90DEG,1/4MPT-3/8 BARB.....103, 151
 ELBOW,90DEG,1/8MPT-5/16 BARB.....103, 143, 155-156
 ELBOW,INLET,CUMMINS.....117, 125-126
 ELEC. CONTROL MODULE, GM BB.....141
 ELEMENT,FUEL/WATER SEPARATOR.....13-14, 103
 ELEMENT,OIL FILTER,PERKINS***.....13-14, 101
 ELEMENT-5 MIC, PAPER, W/ BYPASS.....87
 ENCLOSURE,GENERATOR BOX.....275
 END COVER O-RING,WHEEL DRIVE.....38
 END COVER,WHEEL DRIVE ***.....38
 END STOP,TRACK,FALL ARREST BAR.....313
 ENGINE KIT, DEUTZ TD 2.9.....131
 ENGINE KIT, PERKINS 404F-22T.....107-108
 ENGINE MOUNT FOOT,LH PNTD.....145
 ENGINE MOUNT FOOT,RH PNTD.....149
 ENGINE MOUNT W/DECAL GM ENG T1...139
 ENGINE MOUNT,FRONT,DEUTZ PAINT...123
 ENGINE MOUNT,LEFT FRONT,TME27.....153
 ENGINE MOUNT,LF PAINTED.....101
 ENGINE MOUNT,LR PAINTED.....101
 ENGINE MOUNT,LR,DEUTZ 913 PNT.....123
 ENGINE MOUNT,LR,GM 3.0 PAINTED.....141
 ENGINE MOUNT,REAR,TME27.....151
 ENGINE MOUNT,RF PAINTED.....105
 ENGINE MOUNT,RIGHT FRONT,TME27.....151
 ENGINE MOUNT,RR.....105
 ENGINE MOUNT,RR,DEUTZ 913 PNT.....123
 ENGINE MOUNT,RR,GM 3.0 PAINTED.....141
 ENGINE PERFORMANCE MODULE T2*.....143
 ENGINE TRAY ASSY W/BEARINGS.....159
 ENGINE TRAY PIVOT ASSEMBLY.....159
 EPR, GM3.0L ENG.....168
 EVACUATOR VALVE-AIR CLEANER.....95, 103, 111, 139, 155-156, 161
 EXHAUST FLANGE,GM 3.0L ENG.....168
 EXHAUST PIPE ASSEMBLY, FORD.....143
 EXHAUST PIPE GASKET.....125-126, 129
 EXHAUST PIPE, TIER IV DEUTZ, Z.....131
 EXHAUST VALVE,PERKINS 404F.....107-108
 EXPANSION TANK,METAL,D2.9.....135
- ## f
- for a complete replacement of manifold 70243 or 88115, please order part 122096.....207
- ## F
- FAN - VENTED.....57-58, 62, 66
 FAN BELT, ALTERNATOR.....13-14
 FAN KIT ,GM 3.0 ENGINE.....139
 FAN SHROUD, PAINTED.....99
 FAN SHROUD,PERKINS 404F-22T....107-108
 FAN SPACER,29.7MM.....151
 FAN SPACER,3",DEUTZ 2.9L.....135
 FAN, LSG423/LRG425.....143
 FAN, PERKINS (53883).....97
 FAN, PERKINS 804C-33.....101
 FAN, PULLER 18", GM3.0L ENG.....167-168
 FAN, TME2.7L ENGINE.....151

Part Description Index (continued)

FAN,10 BLADE,17",DEUTZ 2.9L.....135	FITTING,ELBOW,45D,520320-12***.....235, 237, 239, 241, 243, 245, 281	FORMING,CONTROL BOX MOUNT.....57-58, 62, 65-66
FAN,10 BLADE,17",PERKINS 404F.....113	FITTING,ELBOW,45D,520320-4-6**.....237, 239, 241, 243	FORMING,COVER STOP,PAINT.....85
FAN,6 BLADE,17IN,PUSH.....151	FITTING,ELBOW,8GS-8FJX90S.....137	FORMING,COVER,REAR AXLE.....48
FEMALE BULKHEAD CONNECTOR-8.....277	FITTING,ELBOW,90D,520220-12.....245, 287	FORMING,DRIVE LIGHT LT,Z80.....249
FIELD KIT,LCD HEATER.....75-76	FITTING,ELBOW,90D,520220-8***.....245, 287	FORMING,DRIVE LIGHT,RT,Z80.....249
FIELD KIT,LCD HEATER,Z80 Z135.....75-76, 81	FITTING,GM 3.0L ENG.....168	FORMING,DUETZ INTAKE BAFFLE.....117
FIELD KIT,PL LVL REC,ALC1000.....189, 196	FITTING,OIL PAN BREATHER,TME27.....153	FORMING,ECM MOUNT PAINTED.....145
FIELD KIT,PLAT LOAD SENSE,Z80*.....271	FITTING,PCV TO VLV COVER,TME27.....153	FORMING,ENGINE MOUNT PAINTED.....126, 129
FILLER NECK/CAP ASSY.HYD TANK*.....57-58	FITTING,STR,1/8NPT X 3/16 HB.....151	FORMING,FAN GUARD,FORD,PAINTED...143
FILTER / FUEL / SPIN-ON.....119	FITTING,STR,3/8 HS X 9/16-18,J.....137	FORMING,FAN SHROUD STRUT MOUNT.....133, 135
FILTER ASSY,HIGH PRESS SAE-12*.....87	FITTING,TEE,RUN,SWIVEL520432-4.....237, 239, 241, 243, 247	FORMING,FRONT ENGINE MOUNT.....141
FILTER ASY,M PRESS,SAE8,WOIND* (77139).....87	FITTING,TEE,RUN,SWIVEL52043212.....281, 287, 291	FORMING,FUEL TANK TRAY.....57-58, 61-62, 65-66
FILTER ELEMENT,10 MICRON,60508.....13-14, 57-58, 61-62, 65-66	FITTING,THROTTLE BODY,GM3.0L ENG.....168	FORMING,GENERATOR MOUNT.....273
FILTER ELEMENT,AIR,NOLFF LPG.....14, 143	FITTINGS, LIFT PUMP INLET PORT.....95	FORMING,GENERATOR MOUNT PAINTD.....273
FILTER ELEMENT,BETA(10)=1000.....57-58, 61-62, 65-66	FIXED END BRACKET.....173	FORMING,GENERATOR MOUNT,PTD.....273
FILTER HEAD (29560).....119	FLANGE,EXHAUST,GM3.0L ENG.....167-168	FORMING,GM INTAKE BAFFLE.....139
FILTER, DEUTZ 2.9, FUEL.....13-14, 137	FLASHTUBE,STRAIGHT,360DEG,BULB...249	FORMING,HEAT SHIELD.....143
FILTER, FUEL LRG 425/423 EFL.....14, 57-58	FLASHTUBE,U SHAPED,360DEG,BULB...249	FORMING,HEAT SHIELD,EXH PIPE.....155-156
FILTER, FUEL, GM3.0L.....168	FLEX PIPE,EXHAUST,2.5" DIA.....129	FORMING,HEAT SHIELD,FORD.....143
FILTER, GAS, SAE J2044 FITTING.....14, 61-62, 65-66	FLEX PLATE,COUPLER (64079).....149	FORMING,HEAT SHIELD,MUFFLER.....126
FILTER, OIL, FORD.....145, 149	FLGHCS,1/2-13X1.50,GR8,BLK PH.....111, 133, 163	FORMING,HEAT SHLD SUPPORT,PTD.....143
FILTER,AIR CLEANER,SUPERBOOM.....13-14, 117, 125-126, 133	FLOOR MOUNT D-RING KIT.....251-252	FORMING,HINGE MOUNT.....85
FILTER,AIR***.....13-14, 95, 103, 111, 139, 155-156, 161	FLOORING, 6'FT PLATFORM.....184-185	FORMING,HOSE CHAFE PROTECTOR...57-58, 61-62, 65-66
FILTER,ELEMENT,30 MIC,75020.....13-14, 111	FLOORING, 6FT PLAT,SIDE.....187	FORMING,HOSE COVER,JIB.....179
FILTER,ELEMENT,BETA(5)=1000.....13-14, 87	FLOORING,4 FT PLATFORM,PAINTED...184-185	FORMING,INNER HANGER.....313
FILTER,FUEL,PERKINS.....13-14, 95, 111	FLOORING,8 FT PLATFORM**.....184-185, 187	FORMING,INTAKE BAFFLE,DEUTZ.....125-126
FILTER,FUEL/WATER SEPARATOR.....13-14	FLYWHEEL CONTINENTAL TME27.....151	FORMING,INTAKE BAFFLE,Z80.....125-126
FILTER,FUEL/WATER SEPARATOR***.....95, 117	FLYWHEEL DRIVE PLATE,SAE 10.....119	FORMING,INTAKE TUBE BRCKT,PTD.....155-156
FILTER,FUEL/WTR SEP, DTZ 1008.....13-14, 126	FLYWHEEL FLANGE,AUTO STYLE GM.....139	FORMING,INTAKE TUBE SUPPORT,PT...265
FILTER,OIL, DEUTZ F4L913.....13-14, 119	FLYWHEEL FLANGE,GREEN PLASTIC.....93, 105, 129, 155-156	FORMING,LATCH,CTRL BOX LID PTD.....257
FILTER,OIL,DEUTZ F4L1011F.....13-14, 126, 131	FOAM PAD, 3" OD X 1.25" ID X 14 IN.....269	FORMING,LH MUFFLER SUPPORT PNT.....147
FILTER,OIL,DEUTZ,REPLACEMENT.....126, 131	FOAM,AIRCRAFT PROTECTION.....309	FORMING,LIMIT SWITCH MOUNT.....173
FILTER,OIL,FORD.....14, 145, 149	For internal engine parts, contact engine dealer.....137	FORMING,LP BRACKET MOUNT.....299
FILTER,OIL,PERKINS 704-30 (BB).....13-14, 95	FORMING PANEL CRADLE.....269	FORMING,MANIFOLD SUPPORT.....57-58, 61-62, 65-66
FILTER,RETURN,ASSY 10 MICRON...57-58, 61-62, 65-66	FORMING,CLAMP, BATTERY CABLE.....133	FORMING,MUFFLER CLAMP, PAINTED...147
FILTER-FUEL, GM 3.0L ENGINE.....14, 57-58, 139	FORMING, COVER, FUSE PANEL.....115	FORMING,MUFFLER MOUNT.....126
FILTER-LPG, GM 3.0L ENGINE.....14, 139, 143	FORMING, ECM COVER, Z80.....115, 137	FORMING,PERKIS GEN.BRKT.PAINT.....273
FILTER-OIL,GM 3.0L ENGINE.....14, 139, 167-168	FORMING, ENGINE HARNESS SUPPOR.....137	FORMING,PINION GUARD PAINTED.....70-72
FIRE EXTINGUISHER.....283	FORMING, ENGINE MOUNT, LH.....115	F O R M I N G , P R E C L E A N E R SUPPORT,PNT.....265
FIRE SLEEVE, 1.25".....283	FORMING, ENGINE MOUNT, RH.....115	FORMING,RADIATOR BAFFLE,PTD.....155-156
FIRE SLEEVE, 2.0".....283	FORMING, EXHAUST SUPPORT, PER.....108	FORMING,RADIATOR SUP PNTD.....149
FITTING KIT, EPR VALVE.....153	FORMING, FUSE PANEL, Z80.....115	FORMING,RADIATOR SUPPORT,LH.....147
FITTING PLUG,#8.....151	FORMING, HOSE COVER.....179	FORMING,REGULATOR MOUNT PAINTD.....275
FITTING, FUEL PUMP, GM3.0L.....168	FORMING, INTAKE BAFFLE, Z80 DE.....131	FORMING,RETRACT LIMIT SWITCH.....177
FITTING, GM3.0L ENG.....167-168	FORMING, OPA CAGE.....301	FORMING,RH MUFFLER SUP PAINTED...147
FITTING,1/4 NPT X SAE J2044.....61-62, 65-66, 151	FORMING, OPA CAP.....301	FORMING,RISER CABLE TRACK PULL...177
FITTING,6-6BLKHEADUNION 520601.....247	FORMING, OPA, BRACKET.....301	FORMING,RISER EXT.CYL.PAINTED.....177
FITTING,CONN,16MM-6MJ.....137	FORMING, SENSOR HOLDER.....303	FORMING,SECONDARY SUPPORT.....269
FITTING,CONN,16MM-8MJ.....137	FORMING, SOLENOID MOUNT***.....126	FORMING,SOLENOID MOUNT.....111
FITTING,CONN,520120-12***.....235, 237, 239, 241, 243, 245, 281, 287, 291	FORMING, TAIL PIPE SUPPORT, Z8.....131	FORMING,SOLENOID MOUNT MOUNT PAINTED.....126
	FORMING,6-CORE RADIATOR MOUNT,...131	FORMING,STRUT SUPPORT.....85
	FORMING,8.5' MUFFLER MOUNT.....105, 129	FORMING,SWITCH BRACKET PAINTED...177
	FORMING,AIR CLEANER MOUNT PNTD..129	FORMING,SWITCH MOUNT.....48
	FORMING,AIR CLEANER MOUNT,PTD...155-156	
	FORMING,BAFFLE PLATE COVER.....265	
	FORMING,BAFFLE,Z80,GM3.0L.....161	
	FORMING,BELT GUARD PAINTED.....105	

Part Description Index (continued)

HARNES,APU TO ENGINE BLOCK...57-58, 61-62, 65-66	HARNES,TME27 STARTER RELAY.....151	HOSE ASSY,3/4",10-12 90 F,ST F.....281
HARNES,BATT TO APU SOLENOID.....57- 58, 61-62, 65-66, 159	HARNES,UPPER LIMIT SWITCH/PBA.....173	HOSE ASSY,3/4,45 FEM,STR FEM.....245
HARNES,CONTINENTAL ENG,TME27....79, 151	HARNES,WELD GEN ENCLOSURE.....279, 285	HOSE ASSY,3/4,90 FEM,STR FEM.....237, 239, 241, 243, 245, 281, 291
HARNES,DEUTZ ENGINE,BF4L2011.....79, 125-126	HARNES,WELD GENERATOR,Z80.....279	HOSE ASSY,3/4,90 FEM,STR FEM**.....237
HARNES,DEUTZ ENGINE,F4L913.....79, 117	HARNES,WORK LIGHTS.....251-252	HOSE ASSY,3/4,STR FEM,STR FEM.....235, 237, 239, 241, 243, 245
HARNES,DRIVE CHASSIS 2WS.....47-48	HARNES-B,TME27 ENGINE,EPA2007.....151	HOSE ASSY,3/8 STR FEM-STR FEM.....247
HARNES,DRIVE LIGHTS.....249	HEAT SHIELD INJECTOR,TME27.....151	HOSE ASSY,3/8,90 FEM,STR FEM.....247
HARNES,ENG,CONT, TME27, Z80.....155- 156	HEAT SHIELD,DEUTZ TD2.9L.....131	HOSE ASSY,DEUTZ OIL DRAIN 1/2".....117
HARNES,ENG,DEUTZ,BF4L2011,Z80...125- 126	HEAT SHIELD,FUEL RAIL,TME27.....151	HOSE ASSY,LP GAS,120"LG.....151
HARNES,ENG,PERKINS, 804, Z80....79, 101	HEATER HOSE,1/4".....135	HOSE ASSY,OIL DRAIN,TME27.....151
HARNES,ENG/HYD HEATER,120V.....295	HEATER,FREEZE PLUG,FORD LRG423...293	HOSE ASSY,SAE J2260/J2044,1END....61-62
HARNES,ENG/HYD HEATER,240V.....295	HINGE CASTING.....251-252	HOSE ASSY,SAE J2260/J2044,2END.....61- 62, 65-66
HARNES,ENGINE W/RELAY BOX T2.....143, 145	HINGE, SPRING, LONG LEG.....187	HOSE ASSY, 1/2" AIR LINE.....277
HARNES,FLASHING BEACON.....249	HINGE, .375X.120THK.,SLOTTED.....85	HOSE END,BARB,1/4 MNPTX5/16,90.....103
HARNES,FORD ENGINE,EFI,2004.....143	HINGE,PLAT CONTROL BOX COVER.....257	HOSE END,BARBED,SWIVEL,JIC,8-8.....117
HARNES,FORD ENGINE,Z80.....79	HOLDER, SENSOR.....303	HOSE FITITNG,BRASS,AIR CLEANER.....143
HARNES,GM ENGINE Z-80.....79, 139	HOOK,BATT HOLD DOWN,10".....159	HOSE, FUEL, GM3.0L ENG.....167-168
HARNES,GND,BATT 1 TO BATT 2.....159	HORN,12VDC,SPADE TERMINALS***.....87	HOSE, OVERFLOW.....167-168
HARNES,GND,PCON.....189	Hose Assembly - Components: Genie part numbers 48827, 48822 and 48756 @ 25 inches.....287	HOSE, RAD, LOWER, GM3.0L ENG.....167- 168
HARNES,GROUND CONTROL,Z80.....75-76	HOSE ASSEMBLY 3/8".....247	HOSE, UPPER RADIATOR, DEUTZ D.....131
HARNES,GROUND PANEL.....75-76, 79	HOSE ASSEMBLY,1".....245	HOSE, VAPOR, GM3.0L ENG.....167-168
HARNES,JUMPER,MEGAJECTOR.....147	HOSE ASSEMBLY,1/2".....239, 241, 243	HOSE, VAPORIZER.....167-168
HARNES,JUMPER,MTE GEN,Z80.....289	HOSE ASSEMBLY,3/4",-10-12 90F.....281	HOSE, WATER PUMP (53383).....97
HARNES,LOWER SWITCH.....79	HOSE ASSEMBLY,3/8".....237, 239, 245	HOSE, .375",SAE 30R7,10" LG.....111
HARNES,LS,OP,DRIVE ENABLE.....69-72	HOSE ASSEMBLY,LP GAS 174" LONG....167- 168	HOSE,1/4 FUEL LINE,SAE 30R7.....125-126
HARNES,LS,OP,JIB.....179	HOSE ASSEMBLY,LP GAS,106"LG.....143	HOSE,1/4 VACUUM.....147
HARNES,LS,OP,OSCILLATE,LH.....48	HOSE ASSY 1/2, 90 FEM, STR FEM.....281	HOSE,2.0 ID X 2.0" LG.....145, 147
HARNES,LS,OP,OSCILLATE,RH.....48	HOSE ASSY 1/4,90 DEG FEM,STR F.....287	HOSE,3/4,LP.....147
HARNES,LS,OP,PRI.,ANGLE.....177	HOSE ASSY 1/4,STR FEM,STR FEM.....235	HOSE,3/8",FUEL,30R7.....103
HARNES,LS,OP,PRI.,RETRACT.....173	HOSE ASSY 3/4" 90 DEG STR FEM.....245, 287, 291	HOSE,5/16 FUEL,SAE 30R7.....103, 125-126
HARNES,LS,OP,PRI.EXT.....173	HOSE ASSY 3/4, 90 FEM,STR FEM...245, 281	HOSE,AIR 3/8.....35
HARNES,LS,OP,SEC.,ANGLE.....171	HOSE ASSY 3/8, 90 FEM, STR FEM.....247	HOSE,AIR CLEANER TO INTAKE.....143
HARNES,LS,OP,SEC.35DEG ANGLE.....69- 72	HOSE ASSY 3/8, STR FEM,STR FEM.....235, 245, 247	HOSE,AIR CLEANER TO MIXER.....155-156
HARNES,LS,OP,SEC.ANGLE.....69-72	HOSE ASSY, 1/4", 87.00.....241	HOSE,AIR INLET.....161
HARNES,LS,OP,SEC.RETRACT.....177	HOSE ASSY, 1/4", 89.00.....235, 243	HOSE,AIR INTAKE 2.50" I.D.....95
HARNES,LS,SAFETY,SEC.ANGLE.....69-72	HOSE ASSY,1 1/2" 90 FLG FEM.....245	HOSE,AIR INTAKE 2.50" ID.....101
HARNES,LS,SAFETY,SEC.RETRACT.....177	HOSE ASSY,1 1/4"STR FEM,STR FE.....245	HOSE,AIR INTAKE,FORD EFI***.....141
HARNES,PBOX JOYSTICKS.....189	HOSE ASSY,1/2",90 FEM,STR FEM.....291	HOSE,ASSY,HYD,1/2".....281
HARNES,PBOX,JOYSTICKS,Z80...189, 195- 196, 199	HOSE ASSY,1/2,45 FEM,STR FEM.....243, 245	HOSE,CLEANAIR,90DEG,2.25X2.5.....161
HARNES,PCON J2 MANIFOLD Z-80.....189	HOSE ASSY,1/2,90 FEM,STR FEM**.....237, 239, 241, 243, 245, 247, 287	H O S E , E X P A N S I O N TANK,COMPENSATION.....135
HARNES,PCON SWITCH PANEL...189, 195- 196, 199	HOSE ASSY,1/2,90 FEM,STR FEM**.....241	HOSE,FUEL,5/16 HIGH PRESSURE**.....147
HARNES,PERKINS ENGINE,704-30....79, 93	HOSE ASSY,1/2,90 FEM,STR FEMM.....241, 243	HOSE,HUMP 3" TO 4".....265
HARNES,PERKINS ENGINE,804.....79, 101	HOSE ASSY,1/2,STR FEM,STR FEM.....245, 247	HOSE,LOWER RADIATOR, 2.9L DEUT.....131
HARNES,PERKINS,TIER4,Z80.....83, 107- 108	HOSE ASSY,1/2,STR FEM,STR FEM*.....241	HOSE,LOWER RADIATOR, TME27.....153
HARNES,PLAT LEVEL RECOVERY.....189, 196	HOSE ASSY,1/4"(#111/112,S125).....247	HOSE,LOWER RADIATOR,PERK.....107-108
HARNES,POWER TO PLAT,LOWER.....87	HOSE ASSY,1/4,45 FEM,STR FEM.....237, 239, 241, 245	HOSE,LOWER RADIATOR,Z45.....143
HARNES,POWER TO PLAT,UPPER.....87	HOSE ASSY,1/4,90 FEM,STR FEM.....237, 239, 241, 243, 247	HOSE,RADIATOR,LOWER,PERKINS.....101
HARNES,POWER Z-80.....79	HOSE ASSY,1/4,90 FEM,STR FEM**.....237, 239, 241, 243, 291	HOSE,RADIATOR,UPPER,PERKINS.....101, 103
HARNES,PRIMARY BOOM SAE CABLE.....189	HOSE ASSY,1/4,STR FEM,STR FEM.....235, 237, 239, 241, 243, 247	HOSE,REDUCER,OFFSET,TURBO INLE...133
HARNES,PROX SENSOR,ACP.....305, 307	HOSE ASSY,1/4,STR FEM,STR FEM*.....235, 241, 247	HOSE,RUBBER 3"ID X .25 BLACK.....133
HARNES,PROX.KILL.....305, 307	HOSE ASSY,14,90 FEM,STR FEM.....247	HOSE,RUBBER 3"ID X .25 BLACK X 6.00 LG.....133
HARNES,RPM SOLENOID RELAY***.....93	HOSE ASSY,3/4 90LG FEM,STR FEM.....239, 241, 243	HOSE,UPPER RADIATOR, TME27.....153
HARNES,SECONDARY,BOOM CABLE.....79	HOSE ASSY,3/4" HYD,45F,STRF.....287	HOSE,UPPER RADIATOR,PERK.....108
HARNES,STARTER RELAY TME27.....155- 156	HOSE ASSY,3/4" STR-STR.....237	HOSE,UPPER RADIATOR,Z45.....143
HARNES,TCON J4 MANIFOLD.....79		HOSTILE ENVIRONMENT,DEUTZ.....265
		HOSTILE ENVIRONMENT,GM.....265
		HOSTILE ENVIRONMENT,PERKINS.....265
		HOUSING,LIGHT FIXTURE(57449).....275
		HOUSING,PUMP MOUNT (64079).....149
		HOUSING,THERMOSTAT (53883).....97
		HOUSING,THERMOSTAT,GM 3.0L ENG.....167-168

HUB ASSY W/RACES.....35
 HUB RACE,INNER.....35
 HUB RACE,OUTER.....35
 HUBBLE NUT, PG11.....295
 HYD.FLUID,FIRE RES.QUINTOLUB**.....17-18

I

IGNITION UNIT,PERKINS 404F-22T.....107-108
 INJECTOR,FUEL W/ORINGS GM3.0L.....141
 INJECTOR,FUEL,CONT,TME2.7L.....151
 INJECTOR,FUEL,DEUTZ F4L913.....119
 INJECTOR,LPG W/ORINGS GM3.0L.....141
 INLET REDUCER,TD 2011L041.....129
 INLET TO EPR, GM3.0L ENG.....168
 INSTRUCTIONS, INSTALL (824283).....17-18
 INSTRUCTIONS, INSTALL (824285).....17-18
 INSTRUCTIONS, INSTALL (824288).....17-18
 INSTRUCTIONS, INSTALL (824293).....17-18
 INSTRUCTIONS, INSTALL (824304).....17-18
 INSTRUCTIONS, INSTALL (824372).....33
 INSTRUCTIONS, INSTALL (824373).....27
 INSTRUCTIONS, INSTALL (824374).....33
 INSTRUCTIONS, INSTALL (824375).....27
 INSTRUCTIONS, INSTALL (824378).....27
 INSTRUCTIONS, INSTALL (824379).....33
 INSTRUCTIONS, INSTALL (824380).....27
 INSTRUCTIONS, INSTALL (824382).....27
 INSTRUCTIONS, INSTALL (824384).....27
 INSTRUCTIONS, INSTALL (824389).....33
 INSTRUCTIONS, INSTALL,PLAT,SYM.....33
 INSTRUCTIONS, INSTALL,PLAT,WORD.....25
 INSTRUCTIONS,INSTALL,COMP,SYM.....27
 INSTRUCTIONS,INSTALL,COMP,WORD...17-18
 INSTRUCTIONS,INSTALL,PLAT,SYM.....33
 INSTRUCTIONS,INSTALL,PLAT,WORD.....25
 INSTRUCTIONS-PIPE CRADLE,BOOMS...297
 Intake Baffle.....99
 INTAKE BOX W/DECAL DEUTZ T1.....117
 INTAKE BOX W/DECAL DEUTZ TII.....125-126
 INTAKE VALVE,PERKINS 404D/F.....107-108
 ISOLATOR, GM3.0L ENG.....167-168
 ISOLATOR, RUBBER, GM3.0L ENG.....167-168
 ISOLATOR, VIBRATION.....139, 147
 ISOLATOR,ENGINE VIBRATION.....103, 123, 126, 129, 137, 141
 ISOLATOR,ENGINE VIBRATION***.....115, 149, 153, 165
 ISOLATOR,RADIATOR,TME27.....153
 ISOLATOR,TWO-PIECE.....123
 ISOLATOR,VIB, 32 X 32 M8-1.25.....151
 ISOLATOR,VIBRATION,LG,RD&WH***.....99
 ISOLATOR,VIBRATION,M8 M/M.....153
 ISOLATOR,VIBRATION,M8 MALE/FEM.....101, 107-108
 ISOLATR KIT,RUBBR,2KW GENERATR.....285

J

JIB BOOM ASSY.W/BEARINGS.....179
 JOYSTICK CONNECTOR ASSEM,AMP.....191
 JOYSTICK CONNECTOR ASSEM,DEUT...191
 JOYSTICK W/HARN ADPTR KIT RCKR.....201
 JOYSTICK W/HARN ADPTR, 1 AXIS.....201
 JOYSTICK W/HARN ADPTR, 2 AXIS.....201
 JOYSTICK,1 AXIS ROCKER,DEUTSCH.....203

JOYSTICK,1 AXIS,DEUTSCH.....203
 JOYSTICK,2 AXIS,DEUTSCH.....203
 JOYSTICK,DUAL AXIS W/KNOB.....203
 JOYSTICK,SINGLE AXIS W/KNOB.....203
 JOYSTICK,SINGLE AXIS W/STEER.....203

K

KEEPER,LATCH (45363).....85
 KEY,SINGLE***.....75-76
 KEYSWITCH, LOCKING, 3 POS, W/KEY.....76
 KEYSWITCH,3 POS.MOM.DR,W/KEY**.....75-76, 81
 KEYSWITCH,3POS.MNTND.DRWKEY**.....76
 KEYSWITCH,CONTACTS LOCK.....75-76, 81
 KEYSWITCH,DUMMY BLOCK.....75-76, 81
 KIT CB 15A T2 RPM SOLENOID 3W.....125-126
 KIT BONDED WELD LEADS Z80.....279
 KIT, AUX TOP RAIL SUPPORT.....251-252
 KIT, BATT SEPARATOR, ANSI/CSA.....89, 91, 159
 KIT, BATT SEPARATOR, AS.....89, 91, 159
 KIT, BATT SEPARATOR, CE.....89, 91, 159
 KIT, BEARING REPLACEMENT, OMNI VB11.....41
 KIT, BRAKE REPLACEMENT, OMNI VB11...41
 KIT, BRAKE SPRING.....70-72
 KIT, FOOTSWITCH, Z80.....184-185
 KIT, FRICTION DISC.....70-72
 KIT, HEAT GUARD, DEUTZ STARTER.....129
 KIT, HI PRESS HOSE, Z80.....245
 KIT, ISOLATION, 4 JOYSTICK.....201, 203
 KIT, LIFT GUARD CONTACT ALARM,6'-8' PLATFORM,ALC1000.....303
 KIT, OIL SEAL REPLACEMENT, OMNI VB11.....41
 KIT, OPA WELDER BRACKET.....301
 KIT, PRESSURE SWITCH, GENERATOR.....279
 KIT, SWING BRAKE REBUILD.....70-72
 KIT, TOGL SW LID, Z80, ANSI.....193
 KIT, TOGL SW LID, Z80, AUS.....193
 KIT, TOGL SW LID, Z80, CE.....193
 KIT, WHEEL STUD REPLACEMENT, OMNI VB11.....41
 KIT,ANNUAL INSPECTION,Z80.....13-14
 KIT,BRAKE DISC (102778).....38
 KIT,BRAKE PIST & SPRI (111090).....38
 KIT,BRAKE SPRING.....71-72
 KIT,BRAKE SPRING***.....70-72
 KIT,CLOSING CAP.....38
 KIT,CLOSING COVER (102719).....38
 KIT,CONTROL BOX COVER.....257
 KIT,DISC BRAKE (102719).....38
 KIT,ELECTRIC SWIVEL,6 CONTACT.....69-72
 KIT,ENGINE SERVICE,250 HOUR,DEUTZ TD2.9,S80/Z80.....13-14
 KIT,EPR FITTING,TME27,EPA2007.....153
 KIT,ESTOP SVC LARGE BOOM.....76, 191, 195-196
 KIT,FBA STYLE COUPLER,SAE8.....105, 129, 155-156
 KIT,FIELD INSTALL,SWING GATE.....251-252
 KIT,FLANGE CODE 61 -20.....245
 KIT,FRICTION DISC.....71-72
 KIT,FRICTION DISC***.....70-72
 KIT,GASKET,UK POWER TO PLAT.....275
 KIT,KEYSWITCH SVC LARGE BOOM.....76
 KIT,LATCH GUARD.....255

KIT,LOAD SENSE MECHANICAL,LRG.....271
 KIT,O-RING (102778).....38
 KIT,OP SWITCH,DEUTZ.....125-126
 KIT,PANEL CRADLE BRACKET,SYMBL.....269
 KIT,PANEL CRADLE BRACKET,WORD.....269
 KIT,PANEL CRADLE,CE.....269
 KIT,PIN & RING***.....173
 KIT,PIN (102719).....38
 KIT,RECOVERY SVC LARGE BOOMS.....75-76
 KIT,RISER HOSE BLKHD,SPRINGS.....181
 KIT,SERVICE,SOLENOID MODULE.....123, 125-126
 KIT,SERVICE,STEER SENSOR.....35
 KIT,SERVICE,STEER SENSOR,Z80.....35
 KIT,SWING BRAKE REBUILD.....71-72
 KIT,SWING BRAKE REBUILD***.....70-72
 KIT,SWING GATE W/SPRING.....251-252
 KIT,WATER PUMP 2.9 L4.....131
 KIT,WELD LEADS ASSY,V275S.....283
 KNOB,JOYSTICK, 62390/62391.....201, 203
 KNOB,ROCKER JOYSTICK 75565.....201, 203

L

L.P.TANK LATCH.....57-58, 61-62, 65-66, 299
 LANYARD, BOX, CONTROL, PLATFORM.....196, 199
 LANYARD,PLATFORM CONTROL BOX.....189
 LARGE FOOT SWITCH COVER.....251-252
 LATCH, SWING GATE.....187
 LATCH,FLEXIBLE DRAW W/O KEEPER.....57-58, 61-62, 65-66
 LATCH,GRND.CTRL.BOX COVER.....257
 LATCH,SLIDE, FLUSH MOUNT STYLE.....257
 LENS,AMBER,STROBE,FIREBOLT.....249
 LENS,LCD,GRND.CONTROL.....75-76, 81
 LEVER ALTERNATOR, (53883).....97
 LEVER LINKAGE ASSEMBLY.....171
 LEVER, GOVERNOR ACTUATOR.....125-126
 LID ASSY,CONTROL BOX COVER PLT.....257
 LID ENCLOSURE,RED,OPA.....301
 LID, PCON, TOG SW, Z80.....193, 195-196, 199
 LID,4 JOYSTICK PLATFORM CNTRL.....189
 LID,GROUND CONTROL BOX.....75-76
 LID,GROUND CONTROL BOX,PAINT.....75-76
 LID,GROUND CONTROL,Z135.....81
 LID,GROUND CONTROL,Z80.....75-76
 LIFT PUMP,FUEL,DEUTZ.....137
 LIFT PUMP,PERKINS 404F-22T.....107-108
 LIGHT, 12 VOLT.....249
 LIMIT SWITCH ROLLER NC/NC/NO...69-72, 177
 LINK LINKAGE ASSEMBLY.....171
 LOAD SUPPORT W/BEARINGS.....271
 LOCK,RECEP 3 WAY,14-18GA.....35
 LOCK,RECEP 4 WAY,12-14GA.....83
 LOCK,WEDGE,RLY 9.5MM.....89, 91
 Locknut, Electric, 1/2 inch.....275
 LOCKNUT,ELEC,1/2".....87, 279, 289
 LOCKNUT,ELECTRIC,1" NPT.....279
 LOCKOFF,LP,FORD DSG/MSG.....153
 LPG REGULATOR (GM 3.0L).....139

M

MACHINED, SWIVEL ANTI-ROTATION.....69-72

Part Description Index (continued)

- MACHINED, SWIVEL MOUNTING.....69-72
MAGNET, 1/4-20, 15 LB.....303
MAGNETIC SPEED SENSOR,GM 3.0.....139
MALE PIPE THD,1/4" SER,3/8"X18.....277
MANIFOLD ASSEMBLY, GEN.....289
MANIFOLD, FUEL, GM3.0L ENG.....168
MANIFOLD,2 WHEEL STEER/OSC.....209
MANIFOLD,4 WHEEL STEER.....213-214
MANIFOLD,4 WHEEL STEER/OSC.....217-218
MANIFOLD,COOLANT, TME27.....155-156
MANIFOLD,DRIVE OIL DIVERter.....279
MANIFOLD,EXHAUST,GM3.0L ENG.....168
MANIFOLD,EXHAUST,TME27.....151
MANIFOLD,FUNCTION.....221
MANIFOLD,GENERATOR.....285
MANIFOLD,INTAKE,GM 3.0L ENG.....168
MANIFOLD,OSCILLATE.....207, 209, 213-214, 217-218
MANIFOLD,PLATFORM W/JIB.....227
MANIFOLD,ROTATOR,CB***.....229
MANIFOLD,SWING CB & BRAKE.....71-72
MANIFOLD,TRACTION,2WD.....205
MANIFOLD,TRACTION,4WD.....211
MANIFOLD-EXHAUST/GM 3.0L ENGIN.....139
MANUAL BOX W/DECALS***.....184-185
MANUAL, OPERATORS, GM 3.0L.....167-168
MANUAL, SVC AND REPAIR, GM 3.0L.....167-168
MANUAL,AEM SAFETY.....13-14
MANUAL,RESPON,A92.5 BOOM.....13-14
MAP SENSOR, EFI.....143
MEGAJECTOR,FUEL KIT.....147
MESH,HALF,LH,6"PLATFORM.....297
MESH,HALF,RH,6"PLATFORM.....297
MESH,HALF,SWING GATE***.....297
MIDRAIL GUIDE (HOOK).....184-185
MIXER, GM3.0L ENG.....168
MIXER,AIR VALVE,TIER II FORD**.....147
MIXER,TME 2.7L,ENGINE.....155-156
MODULE, PLUS+1, CONTACT ALARM.....303
MODULE,CONTROL UNIT,PCB,OPA.....301
MODULE,SX CONTROLLER,LOW AMP.....279
MODULE,TIME DELAY ON BREAK 4S.....285
MOTOR MOUNT COUPLER (106274).....279
MOTOR, 60511, APU, 12VDC.....57-58
MOTOR,HYD 12.5KW GEN,21CC***.....279
MOTOR,HYDRAULIC GENERATOR.....285
MOTOR,PISTON,2 SPEED,45CC.....37-38, 41
MOTOR,PISTON,2 SPEED,45CC 2WD.....47-48
MOTOR,PISTON,2 SPEED,45CC/18CC.....37-38, 41
MOTOR,PISTON,2SPD,45CC.....37-38
MOTOR,PISTON,HYD,45CC/19.5CC.....47-48
MOTOR,TRACTION 24/48V,9".....99
MOTOR,TURNTABLE ROTATE**.....71-72
MOUNT,ENG,GM 3.0L ENG.....167-168
MOUNT,ENGINE,LEFT SIDE.....137
MOUNT,ENGINE,RIGHT SIDE.....137
MOUNT,LIMIT SWITCH ACTIVATION.....175
MOUNT,SWITCH.....271
MOUNTING BAND,AIR CLEANER.....117, 126, 133
MOUNTING BAND,MUFFLER,8.0".....155-156
MOUNTING O-RING (75367).....119
MOVING END BRACKET.....173
MPT,CPLR,1/4"SER,3/8"X18.....277
MUFFLER BRACKET, PAINTED.....93
MUFFLER, PERKINS.....93
MUFFLER,2.5"INLET/OUTLET.....101, 126
MUFFLER,CATALYST,GM3.0L ENG.....167-168
MUFFLER,CATALYTIC,2.5 I/O.....101, 126
MUFFLER,CATALYTIC,CONTINENTAL.....156
MUFFLER,CATALYTIC,DEUTZ*F4L913.....117
MUFFLER,DEUTZ,F4L913.....117
MUFFLER,SPARK ARREST,2.5 I/O.....101, 126
MUFFLER,SPARK ARRESTING,GM.....139
- ## N
- NICKEL PLATED JAM NUT.....81
NIPPLE,DIAGNOSTIC,#6 PORT***.....237, 239, 241, 243, 245
NUT.....81
NUT - PLASTIC,RING FOR ALARMS...75-76, 81, 189, 195-196, 199
NUT HEX M5-0.8 CLASS 8 ZINC.....193, 195-196, 199
NUT, CP521-1 VALVE.....285
NUT, HEX FLANGE M 8 X 1.25.....151
NUT, LP NYLOCK, 3/8-16.....99, 184-185
NUT, SOLENOID VALVE COIL.....223
NUT, TL JAM, 3/8-16, A, ZAG.....269
NUT,1/4-20,8,ZAG.....303, 311
NUT,3/8-16,8,ZAG.....311
NUT,ALT MNTG,GM3.0L ENG.....168
NUT,ALTERNATOR,GM 3.0L ENG.....168
NUT,CLINCH,10-32 X 1.....153
NUT,FLG,1/4-20.....267
NUT,FLG-LRG,3/8-16,YZ.....131, 156, 165
NUT,HEX, M6.....151
NUT,HEX,1/2-13 GRD 8.....249
NUT,HEX,1/4-28.....95, 123
NUT,HEX,3/8-16.....273
NUT,HEX,5/16-18,GR5.....249
NUT,HEX,7/16-14.....273
NUT,HEX,JAM,3/4-10.....70-72
NUT,HEX,M10,ALTER.DEUTZ F4L913.....121
NUT,HEX,M8 X 1.25.....103
NUT,HEX,M8,PLASTIC.....305, 307, 309
NUT,LOCK,HEX,M10.....155-156
NUT,LOCKING-LG.FLANGE,5/16-18.....139, 143, 147, 153, 155-156
NUT,LP NYLOCK,1/4-20.....99, 123, 251-252, 257, 259, 261, 279, 307
NUT,LP NYLOCK,10-32.....295
NUT,LP NYLOCK,5/16-18.....85
NUT,LUG,3/4-16 X 7/8 RADIUS,ZA.....35
NUT,M4 NYLOCK.....301
NUT,M6,BLOWER,DEUTZ F4L913.....121
NUT,M6,FUEL PUMP,DEUTZ F4L913.....119
NUT,M8,ALTERNATOR,DEUTZ F4L913.....121
NUT,MUFFLER PERKINS 10MM.....93
NUT,NYLOCK FLG,1/4-20,F,ZAG.....269, 297, 303
NUT,NYLOCK FLG,3/8-16,F,ZAG.....269, 297, 303, 313
NUT,NYLOCK,1-8.....184-185
NUT,NYLOCK,1/2-13.....58, 62, 66, 145, 149, 153, 155-156, 279, 285, 289
NUT,NYLOCK,1/4-20.....57-58, 61-62, 65-66, 85, 91, 99, 101, 105, 117, 133, 135, 137, 139, 141, 143, 147, 153, 155-156, 159, 181, 184-185, 187, 251-252, 265, 271, 289, 297, 305, 307, 309
NUT,NYLOCK,10-24.....125-126, 271
NUT,NYLOCK,10-32.....48, 57-58, 61-62, 65-66, 66, 85, 89, 91, 115, 137, 143, 173, 177, 189, 196, 199, 249, 275
NUT,NYLOCK,10-32,A,ZAG.....303
NUT,NYLOCK,3/8-16.....57-58, 61-62, 65-66, 72, 87, 101, 103, 105, 125-126, 129, 133, 135, 137, 141, 143, 147, 149, 153, 155-156, 159, 173, 175, 179, 184-185, 265, 271, 273, 275, 279, 283, 285, 305, 307
NUT,NYLOCK,4-40.....137
NUT,NYLOCK,5/16-18.....57-58, 61-62, 65-66, 85, 93, 95, 101, 129, 133, 139, 143, 147, 155-156, 249, 273, 279, 283, 289
NUT,NYLOCK,5/8-11.....99, 103, 123, 126, 129, 131, 137, 141
NUT,NYLOCK,6-32.....75-76, 79, 81, 189, 193, 196, 199, 303
NUT,NYLOCK,8-32.....81, 83
NUT,NYLOCK,M5X.80.....95, 101
NUT,NYLOCK,M8-1.25,DIN985,A270.....255
NUT,NYLOCK,M8X1.25.....101, 153
NUT,SOLENOID.....279
NUT,SOLENOID VALVE 2P3W.....223
NUT,SOLENOID VALVE COIL.....205, 207, 209, 211, 213-214, 217-218, 221, 223, 231
NUT,SOLENOID VALVE,HYDAC.....225
NUT,SPINDLE,2.00-12.....35
NUT,TL FLG,1-8,G,ZAG.....51
NUT,TL FLG,1/2-13,G,ZAG.....115, 165, 313
NUT,TL FLG,1/4-20,G,ZAG.....108, 111, 115, 161, 163, 187, 255, 271, 301, 309
NUT,TL FLG,10-32,F,ZAG.....271
NUT,TL FLG,3/8-16,G,ZAG.....47-48, 107-108, 115, 165, 187, 271, 301, 309
NUT,TL FLG,5/16-18,G,ZAG.....47-48, 161, 165, 255
NUT,TL FLG,M10-1.5,DIN6927,10,ZAB.....111
NUT,TL FLG,M8-1.25,DIN6927,10,ZAB.....107-108
NUT,TL,1-8,C,ZAG.....51, 184-185, 187
NUT,TL,FLG,5/8-11,G,ZAG.....107-108
NUT,TOP LOCK,1/2-13.....101
NUT,WING,1/4-20.....159
NUT,WING,1/4-28.....173
NUT-COIL SHORT.....227
NUTSERT,1/4-20,STEEL CAD PLTD.....189, 199
- ## O
- O-RING.....38
O-RING & SHAFT(81381).....37-38
O-RING KIT (ORFS FITTINGS).....13-14, 225, 229, 235, 237, 239, 241, 243, 245
O-RING KIT,FIELD SVC,ALL PROD*.....13-14, 229
O-RING***.....93
O-RING, COVER (81381).....37-38
O-RING, DISCONNECT ROD.....37-38
O-RING, DO1 VALVE.....221, 223, 285
O-RING, FUEL LIFT PUMP.....125-126
O-RING, GEAR RING (81381).....37-38
O-RING, MOTOR,GREEN(81382).....37-38
O-RING, ROTATOR MANIFOLD.....229
O-RING, TORQUE HUB COVER.....55
O-RING,.070 X .239,VITON 75D.....37-38
O-RING,.103 X 3.737,VITON,75D.....37-38
O-RING,.103X3.237,NBR/NTRL,90D.....233
O-RING,2-010,VITON.....37-38, 41
O-RING,2-157,VITON***.....37-38, 41

O-RING, COIL NUT, HYDAC.....225	PARKER DIGITAL PRESSURE GAUGE.....13-14	PLAT ASSY, 4', AUSTRALIA Z80.....183-185
O-RING, DIPSTICK DEUTZ (75372).....119	PCB ASSY, ECM, Z80 TCON, V103.....75-76	PLAT ASSY, 5', AUSTRALIA Z80.....183-185
O-RING, DIPSTICK, DEUTZ F4L2011.....126	PCB ASSY, ECM, Z80 TCON, V104.....75-76	PLAT ASSY, 6', AUSTRALIA Z80.....183-185
O-RING, DISCONNECT ROD (111060).....38, 53, 55	PCB ASSY, ECM, Z80 TCON, V105.....75-76	PLAT ASSY, COMP, 4', CE/UK/UK.....183-185
O-RING, FILTER ASSY (60334)***.....87	PCB ASSY, ECM, Z80 TCON, V2.00.....75-76	PLAT ASSY, COMP, 5', CE/UK/UK.....183-185
O-RING, FLANGE KIT 61352.....245	PCB ASSY, ECM, Z80 TCON, V2.03.....75-76	PLAT ASSY, COMP, 6', CE/UK/UK.....183-185
O-RING, FUEL INJ. PUMP (75370).....119	PCB ASSY, ECM, Z80, TCON, V102.....75-76	PLAT ASSY, COMP, 8', CE/UK/UK.....183-185
O-RING, JOYSTICK, 62390/62391.....201	PCB, ECM, ASSY, CAN GATEWAY, Z.....81	PLAT ASSY, COMP, 4', ASIA/SO. AM.....183-185
O-RING, MOTOR TO BRAKE***.....38	PCB, LED/TOGGLE SWITCH, ALC100.....193, 195-196, 199	PLAT ASSY, COMP, 5', ASIA/SO. AM.....183-185
O-RING, MOTOR/BRAKE (88921)***.....71-72	PCB, ASSY, ECM, GROUND VER 1.01.....75-76	PLAT ASSY, COMP, 6', ASIA/SO. AM.....183-185
O-RING, MOTOR/BRAKE***.....70-72	PCB, ASSY, ECM, GROUND, V2.06.....81	PLAT ASSY, COMP, 8', ASIA/SO. AM.....183-185
O-RING, OIL FILLER (75369).....119	PCB, ASSY, ECM, PLATFORM, 102.....189	PLAT BOX, COMPLETE, Z80 REV 102.....189
O-RING, ORFS, -12.....279	PCB, ASSY, ECM, PLATFORM, 104.....189	PLAT BOX, COMPLETE, Z80 REV 104.....189
O-RING, SEAL RING, 1" NPT (PKG OF 10).....279	PCB, ASSY, ECM, PLATFORM, 105.....189	PLAT CONTROL BOX, ASSY (Z80).....189
O-RING, SPACER #115***.....285	PCB, ASSY, ECM, PLATFORM, V2.00.....189	PLAT RAIL ASSY, 8FT, AUSTRALIA**.....183-185
OIL COOLER W/FAN, 12VDC...57-58, 62, 65-66	PCB, ASSY, ECM, PLATFORM, V2.04.....189, 195-196, 199	PLAT RAILW/DECALS 6FT 500LB AN.....183-185
OIL COOLER, PERKINS 404D/F-22T.....107-108	PCB, MEMBRANE/LED, SB/Z80.....189	PLAT RAILW/DECALS 8FT 500 ANSI.....183-185
OIL FILLER CAP FOR LRG ENGINE.....149	PCB, ASSY, LCD, GROUND.....75-76	PLAT RAILW/DECALS, 4FT, 500LB AN.....183-185
OIL FILLER CAP, TIMING CASE, PERKINS 404D/F-22T.....107-108	PCV VALVE-GM 3.0L ENGINE.....13-14, 139, 167-168	PLAT RAILW/DECALS, 5FT, 500LB AN.....183-185
OIL FILTER - PERKINS.....13-14, 108	PETCOCK, RADIATOR, 1, 4NPT.....153	PLAT FLOOR, 5FT, PAINTED.....184-185
OIL FILTER, TME 2.7L ENGINE.....14, 151	PIN, 0.75DIA X 5.75LG, CHAMFER.....271	PLAT, ASSY, 4 FT, SERV, Z80 ANSI.....183-185
OIL PAN HEATER, DEUTZ, 120V, 150W.....293	PIN, 1.00DIA X 2.88LG, 1HOLE.....43	PLAT, ASSY, 5 FT, SERV, Z80 ANSI.....183-185
OIL PRESSURE SWITCH, PERKINS 404F-22T.....107-108	PIN, 1.25 DIA X 7.88" LG.....179	PLAT, ASSY, 6 FT, SERV, Z80 ANSI.....183-185
OIL SEPARATOR.....153	PIN, 1.25 X 13.25 IN, CHAMFER.....159	PLAT, ASSY, 8 FT, SERV, Z80 ANSI.....183-185
OIL SUCTION STRAINER, PERKINS 404D/F-22T.....107-108	PIN, 1.25DIA X 15.00LG, 2HOLE.....179	PLATE, AIRCRAFT PROTECTION OPT.....309
OIL TEMP SENSOR(60323).....119	PIN, 1.25DIA X 2.75LG, 1HOLE.....171	PLATE, CABLE AND WIRE COVER.....303
OPT, KEY SWITCH, RETAINED.....76	PIN, 1.25DIA X 6.67LG, 2RING.....171	PLATE, ECM MOUNT, Z80.....115, 137
OPT, PRECLEANER, DEUTZ/PERKINS.....267	PIN, 1.25DIA X 7.00LG, 1HOLE.....179	PLATE, MANIFOLD MOUNT.....47-48
OPT, AIR PRECLEANER, DEUTZ.....265	PIN, 1.25DIA X 8.26LG, 2RING.....175	PLATE, PUMP MOUNT, PAINTED***.....93, 119
OPT, AIR PRECLEANER, PERKINS.....265	PIN, 1.5 DIA X 11 LG.....179	PLATE, AC ADAPTER, DIN/UK***.....275
OPT, CLAMP, HOSE, CABLE TRACK.....173	PIN, 1.75 DIA X 15.00LG, 2HOLE.....179	PLATE, AIR FILTER MOUNT, FORD.....147
OPTION, SPARK ARREST.....101, 125-126	PIN, 1.75DIA X 4.0LG.....35, 41, 45	PLATE, AXLE COVER PAINTED.....48
OPTION, 6' HALF MESH PLAT/GATE.....297	PIN, 1.75DIA X 10.75LG, 1HOLE.....47-48	PLATE, BACKLASH ADJ. MACHINED.....70-72
OPTION, 8' HALF MESH PLAT/GATE*.....297	PIN, 1.75DIA X 4.50LG, THREADED.....47-48	PLATE, CENTER BOTTOM SPRT ROT.....213-214, 218
OPTION, BASE CONTROL DOOR.....259	PIN, 2.25 X 10.63 LG.....171	PLATE, CW, HI-FLO, SAND OPT, RH.....51
OPTION, LP TANK 2ND.....299	PIN, 2.25 X 13.38 LG.....171	PLATE, CW, HI-FLO, SAND, OPT, LH.....51
OPTION, PLAT SUPPORT, STD, LRG BM.....184-185, 187	PIN, 2.25 X 18.50 LG.....171, 177	PLATE, DOCUMENT BOX MOUNT.....187
ORIFICE DISC, .030, CONE.....279	PIN, 2.25 X 23.50 LG.....171	PLATE, ENG. TRAY WEB, NON-PVT END....139
ORIFICE PLUG, .03, PLATF. HYDAC.....225	PIN, 2.25 X 25.63 LG.....171	PLATE, ENGINE MOUNT, PTD.....155-156
ORIFICE, PLUG 0.030.....211	PIN, 2.50DIA X 27.63LG, 1HOLE.....47-48	PLATE, HOUSING, GM 3.0L ENG.....168
ORING, MIXER ADAPTER, GM3.0L ENG..168	PIN, 3.00 DIA X 15.0 LG.....171	PLATE, INTAKE BAFFLE Z80 FORD P.....143
OUTLET, 110V.....275, 279	PIN, CLEVIS, 1.0X2.41, SAE, ZAG.....45	PLATE, JIB, ROTATE MANIFOLD.....185, 187
OUTLET, T/STAT, GM 3.0L ENG.....167-168	PIN, COTTER, .156 X 2.5.....175	PLATE, KING PIN RETAINER *.....43, 45
	PIN, COTTER, .375 X 3.5.....35	PLATE, PRIMARY BOTTOM WIPER.....259
	PIN, LOCK, SHORT***.....251-252	PLATE, PRIMARY TOP WIPER.....259
	PINCH GUARD RAIL, 6' PLATFORM.....251-252	PLATE, PUMP MOUNT, SAE 4.....155-156
	PINCH GUARD RAIL, 8' PLATFORM**.....251-252	PLATE, RELAY MOUNT.....87, 89, 91
	PINS, CONNECTOR, INJ HARNESS, D2.9...131	PLATE, RISER EXT. CYL. RETAINER.....177
	PIPE CRADLE ASSY. SERV (ONE)**.....297	PLATE, RISER HOSE BULKHEAD.....181
	PIPE PLUG, MAGN.....38, 53	PLATE, STEER MANIFOLD MOUNT.....47-48
	PIPE, EXHAUST WELDMENT.....103	PLATE, SWITCH MOUNT.....48
	PIPE, EXHAUST, GM3.0L ENG.....168	PLATE, UK, POWER TO PLAT.....277, 289
	PIPE, TAIL.....101	PLATFORM ASSEMBLY, 4FT, CE/UK.....183-185
	PLAT ASSEMBLY, 4FT, ASIA/S AM.....183-185	PLATFORM ASSEMBLY, 5FT, CE/UK.....183-185
	PLAT ASSEMBLY, 5FT, ASIA/S AM.....184-185	PLATFORM ASSEMBLY, 5FT, CE/UK.....183-185
	PLAT ASSEMBLY, 5FT, AUSTRALIA***.....183-185	PLAT F O R M C O N T R O L BOX, WELDMENT.....195-196, 199
	PLAT ASSEMBLY, 6FT, ASIA/S AM.....184-185	
	PLAT ASSEMBLY, 8FT, ASIA/S AM.....184-185	

P

PAD, REST, 1" THICK, FLANGED.....269
 PADDING, FOAM, 15.5".....309
 PADDING, FOAM, 46.5".....309
 PADDING, FOAM 3.5"OD X 1.50"ID...305, 307, 309
 PADDING, FOAM, 3.0"X1.50ID 90DEG.....305, 307, 309
 PAINT, AEROSOL, TRAFFIC BLACK.....13-14
 PAINT, AEROSOL, BRIGHT BLUE***.....13-14
 PAINT, AEROSOL, GENIE GRAY***.....13-14
 PAINT, WET, GENIE BLUE (1 GL)**.....13-14
 PAINT, WET, GENIE GRAY (1 GL)**.....13-14
 PAINT, WET, TRAFFIC BLACK (1 GL)**.....13-14
 PANEL, ENCLOSURE, LINCO WELDER.....279

SCREW,FLANGE,HHC,5/8-11X2,GR8.....37-38	SCREW,HHC,5/16-18 X .75..69-72, 143, 147, 155-156, 279	SCREW,HHF,1/4-20X1.75,8,ZAG.....41, 163
SCREW,FRONT FAN GUARD,TME27.....153	SCREW,HHC,5/16-18 X 1 GR5.....57-58, 61-62, 65-66, 95, 99, 101, 129, 133, 143, 155-156, 279	SCREW,HHF,1/4-20X2.5,8,ZAG.....297
SCREW,HHC,1-8 X 11,GRD 5***.....179, 184-185	SCREW,HHC,5/16-18 X 1.25.....139, 289	SCREW,HHF,10-24X.5.....303
SCREW,HHC,1-8 X 3.5.....85	SCREW,HHC,5/16-18 X 1.50.....143, 153, 155-156	SCREW,HHF,3/8-16X.625,8,ZAG....35, 38, 43, 45, 48
SCREW,HHC,1-8X11.5,ZAG.....184-185, 187	SCREW,HHC,5/16-18 X 1.75.....273	SCREW,HHF,3/8-16X.75,8,ZAG.....41, 45, 163
SCREW,HHC,1-8X12.5,ZAG.....51	SCREW,HHC,5/8-11 X 2 GRD.8.....37-38	SCREW,HHF,3/8-16X1.8,ZAG.....43, 45, 107-108, 115, 303
SCREW,HHC,1-8X19.5,2,ZAG.....51	SCREW,HHC,5/8-11 X 2.25 GR8.....37-38, 48	SCREW,HHF,3/8-16X1.25,8,ZAG.....47-48, 165, 187
SCREW,HHC,1-8X4.5,5,ZAG.....51	SCREW,HHC,5/8-11 X 3.25 GRD 8.....37-38	SCREW,HHF,3/8-16X2.5,8,ZAG.....47-48, 313
SCREW,HHC,1/2-13 X 1.25 GR5.....155-156, 171	SCREW,HHC,5/8-11 X 3.5 GRD.8.....103, 123, 126, 129, 137	SCREW,HHF,3/8-16X3,8,ZAG.....271
SCREW,HHC,1/2-13 X 1.5..93, 105, 119, 126, 139, 147, 155-156, 171, 177	SCREW,HHC,5/8-11 X 4.0 GR8.....99, 141	SCREW,HHF,5/16-18X.75,8,ZAG.....161, 255
SCREW,HHC,1/2-13 X 1.75.....145	SCREW,HHC,5/8-11 X 4.0***.....123	SCREW,HHF,5/16-18X1.8,ZAG.....255
SCREW,HHC,1/2-13 X 1.75 GRD 8.....71-72	SCREW,HHC,7/16-14 X 1.75.....273	SCREW,HHF,5/8-11X1.5,8,ZAG.....107-108
SCREW,HHC,1/2-13 X 2 GR5.....155-156	SCREW,HHC,FLG,3/8-16 X 1 GR8.....137	SCREW,HHFM12-1.75X30,DIN6921,10.9,ZAB.41, 47-48
SCREW,HHC,1/2-13 X 2.75.....149, 153, 279, 285, 289	SCREW,HHC,FLG,M14 X 35.....137	SCREW,HHFM14-2.0X40,DIN6921,10.9,ZAB.115
SCREW,HHC,1/2-13 X 3.....153	SCREW,HHC,M10 X 1.5 X 140.....121	SCREW,HHFM16-2.0X50 10.9.....41, 48
SCREW,HHC,1/2-13 X 3.5.....58, 62, 66	SCREW,HHC,M10 X 1.5 X 16.....105	SCREW,HHFM6-1.0X12,DIN6921,10.....301
SCREW,HHC,1/4-20 X .5.....76, 123	SCREW,HHC,M10 X 1.5 X70,GR 8.8.....126	SCREW,HHFM8-1.25X16,DIN6921,10.9,ZAB.108, 131
SCREW,HHC,1/4-20 X .625.....57-58, 61-62, 65-66, 76, 189	SCREW,HHC,M10 X 25MM,GR 8.8..105, 111, 151	SCREW,HHFM8-1.25X20,DIN6921,10.9,ZAB.107-108
SCREW,HHC,1/4-20 X .75.....85, 91, 95, 99, 101, 105, 123, 139, 143, 145, 155-156, 179, 184-185, 187, 195-196, 199, 251-252, 259, 261, 279, 297, 305, 307	SCREW,HHC,M10 X 30MM,.....93, 103, 105, 119, 129, 139, 143, 149	SCREW,HHFM8-1.25X60,DIN6921,10.9,ZAB.135
SCREW,HHC,1/4-20 X 1.....57-58, 61-62, 65-66, 81, 85, 87, 95, 99, 101, 105, 141, 147, 153, 155-156, 159, 184-185, 187, 257, 265, 275, 289, 305, 307, 309	SCREW,HHC,M10 X 40MM,GRD8.....147	SCREW,HHFM8X20,DIN6921,8.8,YZ.....131
SCREW,HHC,1/4-20 X 1.25.....85, 117, 137, 271	SCREW,HHC,M10 X 65MM,GR8.8.....273	SCREW,HHF-S,10-24X1.5,ZAG.....187
SCREW,HHC,1/4-20 X 1.5.....179, 251-252	SCREW,HHC,M12 X 20MM.....133, 137	SCREW,M5X16 BHD.....301
SCREW,HHC,1/4-20 X 1.75.....85, 133, 137, 145, 155-156	SCREW,HHC,M12 X 30.....97, 101, 141, 273	SCREW,M6X8.....301
SCREW,HHC,1/4-20 X 2.....251-252	SCREW,HHC,M12 X 35MM.....101, 105	SCREW,PHIL,10-24 X .75.....184-185
SCREW,HHC,1/4-20 X 2.75.....279	SCREW,HHC,M12 X 45.....123	SCREW,PHIL,8-32X.50,SELF TAP.....275, 289
SCREW,HHC,1/4-20X.75,8,ZAG.....65-66	SCREW,HHC,M14 X 2 X 100.....123	SCREW,PHIL,PHM,10-24 X.5,SEMS.....101, 131, 143
SCREW,HHC,1/4-20X1.8,ZAG.....311	SCREW,HHC,M14 X 30.....99	SCREW,PHIL,PHM,10-32 X .5,SSTL.....189, 196, 199
SCREW,HHC,1/4-20X1.25,8,ZAG.....271	SCREW,HHC,M14 X 40MM,GR 8.8..126, 129, 151, 273	SCREW,PHIL,PHM,6-32 X 1/4 SS.....75-76, 81, 189, 195-196, 199
SCREW,HHC,3/4-10 X 1.75.....171	SCREW,HHC,M5 X 12MM.....147	SCREW,PHILLIPS,PHM,10-32 X .5.....38, 41, 48
SCREW,HHC,3/4-10 X 2.75.....85	SCREW,HHC,M6 X 1 X 20.....121	SCREW,PHILLIPS,PHM,10-32 X .75....85, 89, 91, 137, 275
SCREW,HHC,3/4-10 X 4 FULL THRD.....70-72	SCREW,HHC,M6 X 16.....151	SCREW,PHILLIPS,PHM,10-32 X 1.....57-58, 61-62, 65-66, 295
SCREW,HHC,3/8-16 X .625.....173	SCREW,HHC,M6 X 20MM,GR8.8.....125-126, 147	SCREW,PHILLIPS,PHM,10-32 X.625...65-66, 275
SCREW,HHC,3/8-16 X .75.....70-72, 143, 173, 175	SCREW,HHC,M6 X 25.....151	SCREW,PHILLIPS,PHM,10-32 X1.25.....35, 143, 173
SCREW,HHC,3/8-16 X .88,GRD 8.....184-185	SCREW,HHC,M8 X 1.25 X 120.....121	SCREW,PHILLIPS,PHM,4-40 X .50.....137
SCREW,HHC,3/8-16 X 1.....57-58, 61-62, 65-66, 69-72, 87, 93, 99, 125-126, 139, 143, 145, 149, 155-156, 159, 171, 177, 179, 249	SCREW,HHC,M8 X 1.25 X 25.....265	SCREW,PHILLIPS,PHM,6-32 X .5.....79, 189
SCREW,HHC,3/8-16 X 1 GRD 8.....184-185	SCREW,HHC,M8 X 1.25 X 30.....121	SCREW,PHILLIPS,PHM,8-32 X .5.....83
SCREW,HHC,3/8-16 X 1.25 GRD 5.....47-48, 57-58, 61-62, 65-66, 87, 129, 133, 135, 147, 153, 155-156, 159, 175, 184-185, 265	SCREW,HHC,M8 X 100.....135	SCREW,PHILLIPS,PHM,8-32 X 1.25.....115
SCREW,HHC,3/8-16 X 1.75,GRD.8.....57-58, 62, 65-66, 273, 285	SCREW,HHC,M8 X 20MM.....93, 101, 103, 147	SCREW,PHILLIPS,RHM,10-32 X 1.5.....271
SCREW,HHC,3/8-16 X 2.....47-48, 57-58, 61-62, 85, 153, 155-156	SCREW,HHC,M8 X 30MM,GRD 8.8.....149	SCREW,PHM,10-32X3/4,ST TYPE F.....191
SCREW,HHC,3/8-16 X 2.5.....155-156	SCREW,HHC,M8 X 50.....97	SCREW,PHM,10-32X1.5,ZAG.....303
SCREW,HHC,3/8-16 X 2.75.....147, 285	SCREW,HHC,M8 X1.25X40,GRD10.9.....147, 149	SCREW,PHPM,6-32X.875,ZAG.....303
SCREW,HHC,3/8-16 X 3.25.....271	SCREW,HHC,M8X1.25X 70MM,GR8.8.....143, 147, 255	SCREW,REAR FAN GUARD,TME27.....153
SCREW,HHC,3/8-16 X 3.5,GR5.....71-72	SCREW,HHF, M14 X 40MM.....137	SCREW,RHM,10-32 X 1.....249
SCREW,HHC,3/8-16 X 7.....175	SCREW,HHF,1/2-13X1.8,ZAG.....47-48	SCREW,RHM,8-32 X .50.....283
SCREW,HHC,3/8-16X.75,8,ZAG.....175	SCREW,HHF,1/2-13X1.5,8,ZAG.....47-48	SCREW,SECURITY,1/4-20 X 1.75LG.....283
SCREW,HHC,3/8-16X.875,8,ZAG.....184-185, 187	SCREW,HHF,1/2-13X2.5,8,ZAG.....48, 165	SCREW,SECURITY,5/16-18X1.00.....283
SCREW,HHC,3/8-16X2.5,8,ZAG.....311	SCREW,HHF,1/2-13X3,8,ZAG.....115	SCREW,SER FLNG3/8UNCX3/4ZNYEL.....135
	SCREW,HHF,1/2-13X3.5,8,ZAG.....313	SCREW,SER/FLNG 10M-1.5X20MM BK....111
	SCREW,HHF,1/4-20 X .75.....131, 133, 135, 267	SCREW,SHC,1/2-13 X 1.25,A574...37-38, 47-48
	SCREW,HHF,1/4-20 X 1.00.....133, 135	SCREW,SHC,10-32 X 1.....153
	SCREW,HHF,1/4-20X.625,8,ZAG.....187, 269	SCREW,SHC,3/4-10 X 3.00,A574.....71-72
	SCREW,HHF,1/4-20X.75,8,ZAG.....35, 38, 47-48, 179, 187, 271, 301, 303, 309	SCREW,SHC,5/16-18 X 2,PLATED.....70-72
	SCREW,HHF,1/4-20X1.8,ZAG...108, 111, 115, 187, 255	SCREW,SHC,5/16-18X.75,A574,YZ.....69-72
	SCREW,HHF,1/4-20X1.25,8,ZAG.....301	
	SCREW,HHF,1/4-20X1.5,8,ZAG.....161, 255	

Part Description Index (continued)

SCREW,SHC,5/8-11 X 3.00,A574.....69-72	SEAL KIT,WHEEL DRIVE W/BRAKE (227775).....41, 53	SEPARATOR,DUAL BATTERY,100A.....89, 91, 159
SCREW,SHC,5/8-11 X 3.50,A574.....70-72	SEAL KIT,WHEEL HUB (102778).....38	SEPARATOR/FILTER,FUEL-D,30MIC.....95, 117
SCREW,SHC,5/8-11X3.5,A574,ZAG.....70-72	S E A L M A R K E R , C R O S S C H E C K , B L U E , T U B E13-14	SEPRTR/FLTR,FUEL DSL,15GPH.,30.....111
SCREW,SHC,7/16-14 X 1.25.....149	SEAL, CAP, NOTCHED.....69-72	SERV KIT,SEC LIFT REPL.....171
SCREW,SHC,M10X1.5 X 60 GR8.8.....133	SEAL, CONNECTOR (DT JOYSTICKS).....203	SERV MNFLD,SEC LIFT CYL PIL PR.....231
SCREW,SHC,M10X1.5X20MM (75090).....129, 133	SEAL, CRANKSHAFT, GM3.0L ENG.....167-168	SET SCREW***.....55
SCREW,SHC,M10X1.5X30 GR 12.9.....119, 126, 133	SEAL, EXHAUST, H/T, GM3.0L ENG.....168	SHAFT - OUTPUT (64290).....37-38
SCREW,SHS,M16-2.0X55,DIN912,12.9,ZAB.35	SEAL, GASKET, .0005" *SILVER*.....285	SHAFT SEAL, APU.....57-58
SCREW,SHS,1/4-20 X .25 ZINC.....81	SEAL, GASKET, .00075" *GOLD*.....285	SHAFT,MOTOR.....285
SCREW,SHS,10-24 X .625.....125-126	SEAL, GASKET, .0010".....285	SHAFT,OUTPUT.....70-72
SCREW,SHSH,M5XM16,ZINC.....95, 101	SEAL, O-RING LIP.....69-72	SHIELD,HEAT,GM 3.0L ENG.....167-168
SEAL & WEAR PLATE KIT,LIFT/STR.....233	SEAL, OIL FILLER CAP.....113	SHIM,2.27 X .06.....85
SEAL KIT...205, 207, 209, 211, 213-214, 217-218, 221, 223, 231, 279	SEAL, POLY, CHAMFER.....69-72	SHIM,AXLE ROTATION STOP,16G.....48
SEAL KIT (111090).....38	SEAL, SHAFT, 60511 APU.....57-58	SHIM,AXLE ROTATION STOP,22G.....48
SEAL KIT (121291)***.....41, 55	SEAL,CONNECT,AMP SINGLE WIRE.....103	SHIM,GALVANIZED STEER YOKE.....43, 45
SEAL KIT (227775).....41, 53	SEAL,CYL.HED.CVR.DEUTZ,F4L913.....121	SHIM,PRIM.Boom,LIMIT SWITCH.....173
SEAL KIT (39345).....47-48, 179, 229	SEAL,EXHAUST,GM 3.0L ENG.....167-168	SHIM,SIDE PAD 16GA. 3 X 5.....159, 165
SEAL KIT (81383).....38	SEAL,FILTER ASSY (60334)***.....87	SHIM,STEER SENSOR ACTIVATOR.....35, 38, 41
SEAL KIT (81387).....233	SEAL,GREASE.....35	SHIM,WEAR PAD,5 X 1.5,14GA.....173, 175
SEAL KIT PLAT.LEVEL CYL, 61431.....179	SEAL,INJECTOR,DEUTZ F4L913.....119	SHIM,WEAR PAD,7 X 3,12GA.....173, 177
SEAL KIT PWR WHL MOTOR.....71-72	SEAL,O-RING,SQUARE.....69-72	SHIM,WEAR PAD,7 X 3,16GA.....177
SEAL KIT, 37185 PUMP.....57-58	SEAL,RETAINING RING.....285	SHOCK MOUNT,SMALL...101, 107-108, 131, 143, 149
SEAL KIT, BRAKE (81381).....37-38	SEAL,SHAFT.....285	SHRINK TUBE, CAP, BLACK, 0.86".....277
SEAL KIT, BRAKE, 4HP.....55	SEAL,SHAFT (81381).....37-38	SHROUD,17" FAN,6-CORE RADIATOR.....131
SEAL KIT, HYD MOTOR, GEN.....289	SEAL,SHAFT-SUNDSTRAND***.....37-38	SHROUD,CNTRWT,Z80 404D-22T.....107-108
SEAL KIT, SOLENOID VALVE...205, 207, 209, 211, 213-214, 217-218, 221, 223	S E A L - I N J E C T O R , P E R K I N S 404D/F-22T.....107-108	SHROUD,DEUTZ,AIR INTAKE.....121
SEAL KIT, SWING BRAKE.....70-72	SECONDARY EXT BOOM W/DECALS.....177	SHROUD,FAN,PERKINS PAINTED.....101
SEAL KIT, VALVE.....205, 211, 227	SENDER, OIL PRESSURE, GM3.0L ENG.....167-168	SHROUD,RADIATOR,FORD LGR425,PA....143
SEAL KIT, VALVE 84129.....205	SENDER,LOW FUEL INDICATOR.....57-58, 61-62, 65-66	SHROUD,RADIATOR,GM,PAINTED.....139
SEAL KIT, VALVE, #10.....221, 223	SENDING UNIT,OIL PRESS PERKINS.....101	SHUTDOWN SOLENOID,12V, DEUTZ.....125-126
SEAL KIT, VALVE, #12.....285	SENDING UNIT,OIL PRESS.,DEUTZ*.....126	SIGHT GLASS.....135
SEAL KIT, VALVE, #4.....207, 209, 213-214, 217-218, 221, 223	SENDING UNIT,OIL PRESSURE***.....95, 139, 145, 151	SLEAVING,PARKER TEK,2.00".....47-48
SEAL KIT,52907,SIZE 4, 2 WAY.....227	SENDING UNIT,OIL TEMP SWCH,DTZ.....126	SLEEVE,CONNECTOR,DT JOYSTICKS....203
SEAL KIT,8K ROTATOR***.....179	SENDING UNIT,TMP,FRD,GM,PRK704.....97, 103	SLIDING MIDRAIL KIT,PTD.....184-185, 187
SEAL KIT,ARCTIC,ROTATOR 8.2K**.....179	SENDING UNIT,H20TMP LRG425EFI*.....149	SNAP RING,EXTERNAL,1.25,ZAG.....171, 175
SEAL KIT,BRAKE***.....71-72	SENSOR, 02, GM3.0L ENG.....167-168	SNAP RING,EXTERNAL,1.75,ZAG.....47-48
SEAL KIT,DRIVE MOTOR***.....37-38, 47-48	SENSOR, MAP, GM3.0L ENG.....167-168	SOL SPRING,SYNCHRO START 1751.....95
SEAL KIT,FAIRFIELD (S1A2)***.....70-72	SENSOR,AIR,CAT MONITOR***.....143	SOLENOID CABLE ASSY***.....125-126
SEAL KIT,HYD MOTOR(106184).....279	SENSOR,ANGLE,PRIMARY BOOM.....173	SOLENOID VALVE.....209, 217-218
SEAL KIT,JIB CYLINDER (61430).....179	SENSOR,AS,GM 3.0L ENG.....167-168	SOLENOID,GLOW PLUG,DEUTZF4L913...121
SEAL KIT,MOTOR,LC/KC***.....37-38, 41, 47-48	SENSOR,C/SHAFT,GM 3.0L ENG.....167-168	SOLENOID,MOTOR START,60511,APU.....57-58
SEAL KIT,OSC CYLINDER (81330)*.....47-48	SENSOR,CAMSHAFT,GM 3.0L ENG.....167-168	SOLENOID,SHUT DOWN PERKIN40422...111
SEAL KIT,PLAT ROTATE***.....179	SENSOR,COOLANT LEVEL, DEUTZ.....135	SOLENOID,SHUTDOWN DEUTZ F4L913.119
SEAL KIT,PRIM EXT CYL,61429.....175	SENSOR,COOLANT TEMP*.....149	SOLENOID,SHUTDOWN,PERKINS ****.....95
SEAL KIT,PRIM LIFT CYL (61428).....171	SENSOR,COOLANT TEMP,VDO323-419...139	SOLENOID,STARTER,DEUTZ F4L913.....121
SEAL KIT,SAUER-DANFOSS M46***.....233	SENSOR,ENGINE TEMP,TME27.....153	SOLENOID,THROTTLE ACTUATOR DSL.....95, 101
SEAL KIT,SEC EXT CYL(61427)***.....177	SENSOR,LOW PRESSURE,DEUTZ 2.9L...137	SOLENOID-STARTR DEUTZF4L1011F*....129
SEAL KIT,SEC LIFT CYL (61426)*.....171	SENSOR,MAP, TME2.7L ENGINE.....151	SOUNDER LENS, OPA, AMBER.....301
SEAL KIT,SOLENOID VALVE.....205, 207, 209, 211, 213-214, 217-218	SENSOR,O2, TME27 EPA2007.....153	SOUNDER LENS, OPA, BLUE.....301
SEAL KIT,STEER CYL***.....35, 43, 45	SENSOR,O2,CAT MUFFLER,DISCH.....155-156	SOUNDER LENS, OPA, CLEAR.....301
SEAL KIT,SUN "CWCA" CB VALVES*.....175	SENSOR,O2,EXH.COLL., PIPE.....153	SOUNDER LENS, OPA, RED.....301
SEAL KIT,SUN T-2A CP VALVE.....175	SENSOR,OIL PRS KIT,VDO0360-040.....119	SOUNDER,MIDI,OPA.....301
SEAL KIT,SWING BRAKE.....71-72	SENSOR,OXYGEN LRG425EFI.....143	SPACER.....285
SEAL KIT,SWING BRAKE***.....70-72	SENSOR,RUBBER EDGE.....301	SPACER TUBE,.50 LG.....273
SEAL KIT,SWING TORQ HUB***.....71-72	SENSOR,TILT TURNTABLE(PLSTC)....57-58, 61-62, 65-66	SPACER, FAN, DEUTZ, 38MM LNG.....135
SEAL KIT,SWIVEL (88291).....69-72	SENSOR,TILT,PCON (PLASTIC)***.....179	SPACER, HANGER BRACKET.....313
SEAL KIT,VALVE 62356, HYDAC.....225	SENSOR,WATER TEMPERATURE.....113	SPACER,.20 ID X .50 OD X .4 LG.....153
SEAL KIT,VALVE 62357, HYDAC.....225	SENSOR/BRKT KIT,GM 3.0L ENG.....167-168	SPACER,ALT PULLEY,DEUTZ BF4L2011.....125-126
SEAL KIT,VALVE 62359, HYDAC.....225		SPACER,ALT,GM 3.0L ENG.....168
SEAL KIT,WHEEL DRIVE W/BRAKE (101584/101585).....55		SPACER,ENGINE MOUNT,TME27.....153

SPACER,FAN TO WATERPUMP LRG425.....143	STRAINER ASSY,#24 O-RING.....57-58, 61-62, 65-66, 245	TEE,BRANCH,520429-8.....287
SPACER,HEAT SHIELD,TME27.....151	STRAP, CONDUIT HOLDER 60****.....297	TEE,BRANCH,520433-8.....287
SPACER,HEAT SINK.....301	STRAP,ALT,GM3.0L ENG.....168	TEE,BRASS STREET,12 NPT.....103
SPACER,HYD GEN MANIFOLD.....285	STROBE,FIREBOLT,12-80VDC,AMB**.....249	TEE,RUN,520428-8.....281, 291
SPACER,PULLEY,DEUTZ GEN.....273	STUD (102711).....38	TENSION ARM,GENERATOR.....273
SPARK PLUG WIRE SET, LRG425EFI.....149	STUD,WHEEL,3/4-16.....35	TERM,ALT.PERKINS 804,16/14 GA.....103
SPARK PLUG WIRE SET,GM 3.0.....139, 167-168	STUD,WHEEL,3/4-16, (34115).....38, 53, 55	TERM,AMP MTE,SOC,22-26 GA BULK.....201, 203
SPARK PLUG WIRE,TME27.....151	SUMP DRAIN PLUG,PERKINS 404D/F-22T.....107-108	TERM,NI PIN,S&F,16-18GA,REEL.....35
SPARK PLUG, FORD LRG425.....14, 149	SUPPORT, RAILING.....251-252, 255, 307, 309	THERMOSTAT.....113
SPARK PLUG, NGK BPR5ES.....151	SUPPORT,RADIATOR,GM 3.0L ENG.....167-168	THERMOSTAT -OIL COOLER (71259).....57-58, 62, 66
SPARK PLUG-GM 3.0L ENGINE..13-14, 139, 167-168	SUPPORT,SENSOR,JOYSTICK.....201, 203	THERMOSTAT, 180 DEG.F.....101
SPEED SENSOR CAM,PERKINS 404F-22T.....107-108	SVC KIT,UK RECEPT.REPLACEMENT.....275	THERMOSTAT, FORD LRG.....149
SPEED SENSOR,CRANK SHAFT,PERKINS 404F-22T.....107-108	SWING DRIVE ASSEMBLY.....70-72	THERMOSTAT, GM3.0L ENG.....167-168
SPIDER (106113).....279	SWING MOTOR COMPLETE***.....70-72	THERMOSTAT, PERKINS (53883).....97
SPINDLE,STEER YOKE LH,2WD.....35	SWING MOTOR,COMPLETE***.....71-72	THERMOSTAT,CONTINENTAL TME27.....155-156
SPINDLE,STEER YOKE RH,2WD.....35	SWITCH LIMIT W/RLLR NO/NC GOLD.....173	THERMOSTAT-ENG TEMP/GM3.0L.....139
SPRING CLIP, M8-1.25, 0.8-4.0 X 13, ZAB.....107-108	SWITCH SHIELD,ROCK JOYSTK75565.....201, 203	THREADED ROD,1/4-28 X 10 IN***.....123
SPRING CLIP,1/4-20,.025-.15X.54,ZAG.....47-48, 57-58, 61-62, 65-66, 87, 101, 105, 111, 184-185, 187, 275	SWITCH TOGGLE ASSY SPDT 2P MOM.....189, 196, 305, 307, 309	THREADED ROD,1/4-28 X 4.5.....173
S P R I N G CLIP,10-24,.025-.125X.468,ZAG.....107-108, 184-185, 187, 303	SWITCH TOGGLE ASSY SPDT 3P MOM.....191, 193, 195-196, 199	THROTTLE BODY.....139, 141
SPRING CLIP,3/8-16,.05-.20X.73,ZAG.....47-48, 57-58, 61-62, 65-66, 87, 115, 135, 137, 249, 299	SWITCH TOGGLE SPDT 3P MOM SHDR.....309	THROTTLE BODY, 40MM.....168
Spring Kit.....53	SWITCH, LOW OIL PRESS, TME27.....151	THROTTLE LINK,DSL***.....95, 125-126
SPRING KIT (121291).....55	SWITCH, OIL PRESSURE 1.5 BAR.....125-126	THROTTLE LINKAGE, DSL.....125-126
SPRING, SS, 1/2-EO500-49-4500.....305, 307	SWITCH,FAN BELT.....121	THROTTLE LINKAGE,DIESEL.....101
SPRING, SS, 3/4-EO750-69-4500.....305, 307	SWITCH,LIMIT W/RLLR NO/NO GOLD.....177	THROTTLE SOLENOID ASSY, TROMB.....125-126
SPRING,COMP,1" OD,232 LB/IN.....271	SWITCH,LIMIT,TAB,BLUE,METAL.....48	THROTTLE,ELECTRIC,TME2.7L ENG.....151
SPRING,DOWEL SLEEVE (81381).....37-38	SWITCH,LIMIT,TAB,BLUE,PLASTIC.....48	TIRE & WHEEL ASSY,FOAM N-M LH.....37-38
SPRING,EXTENSION .38 X 3.0.....181	SWITCH,LIMIT,W/RLLR ARM,NC/NC.....177	TIRE & WHEEL ASSY,FOAM NM,LH.....41
SPRING,EXTENSION .44 X 6.0.....181	SWITCH,LIMIT,W/RLLR ARM,NO/NC.....69-72, 173	TIRE & WHEEL ASSY,FOAM NM,RH.....41
SPRING,EXTENSION,1.92LB/IN.....309	SWITCH,LIMIT,W/RLLR ARM,NO/NC*.....171, 177	TIRE & WHEEL ASSY,FOAM RH,Z80.....37-38
SPRING,JOYSTK CENTR,62390/91...201, 203	SWITCH,LIMIT,W/RLLR,NO/NC GOLD.....69-72	TIRE & WHEEL ASSY,FOAM, NM,LH.....41
SPRING,SWITCH CENTERING,75565.....201, 203	SWITCH,LIMIT,W/ROLLER,NC/NC.....69-72	TIRE & WHEEL ASSY,RT LP FOAM,L.....41
SQUEEZE CONN W/NUT, 2WIRE, 4MM.....295	SWITCH,LIMIT,W/ROLLER,NO/NC.....179	TIRE & WHEEL ASSY,RT LP FOAM,R.....41
SQUEEZE CONNECTOR, 4 WIRE.....295	SWITCH,LOAD LIMIT.....271	TIRE & WHEEL,ASSY,FOAM LH, Z80.....37-38
STAND OFF,CONTROL UNIT.....301	S W I T C H , M E M B R A N E , G R O U N D CONTROL.....76, 81	TIRE WHEEL ASSY,LEFT,SOLID.....41
STANDOFF,6-32 X 1/2L X 1/4 HEX...189, 195-196, 199	SWITCH,MEMBRANE,PLATFORM.....191	TIRE WHEEL ASSY,RIGHT,SOLID.....41
STARTER MOTOR, PERKINS (53883).....93	SWITCH,OIL PRESSURE.....113	TIRE,445D50/710,18PR.....37-38, 41
STARTER MOTOR,PERKINS(804C-33).....105	SWITCH,OIL PRESSURE ASSY.....149	TOEBOARD, TRI ENTRY 6', EURO...251-252
STARTER, 12V.....129	SWITCH,PRESS,#4NPT,200PSIF.....279	TOEBOARD,8'TRI ENTRY.....251-252
STARTER, DEUTZ F4L913.....121	SWITCH,THERMOSTAT 60F OPEN.....75-76, 81	TOEBOARD,ENTRY EUROPEAN PNTD**.....184-185, 251-252
STARTER, GM3.0L ENG.....167-168	SWIVEL,HYDRAULIC,Z80 (70238).....69-72	TOOL TRAY ACCESSORY***.....251-252, 255
STARTER,3.2KW,DEUTZ D2.9.....131		TOP CLAMP,ARCTIC HOSE CBLTRK.....173
STARTER,ENGINE,FORD LSG/LRG***.....143, 149		TRAY,BATTERY.....115, 159
STARTER,GM 3.0L.....139		TRIM,EDGE,1/8X3/4 SIDE BULB.....107-108, 131
STARTER,PERKINS 404F.....113		TRIMLOCK,BLACK,5/32".....297
STARTER,TME 2.7L ENGINE.....153		TROLLEY,TRACK, FALL ARREST BAR.....313
STARTING RING,PERKINS 404D/F-22T.....107-108		TUBE, RD, ALUM, 1.25 X .083 X 11.75.....269
STEER YOKE,4WD,LF/RR,ASSEMBLY.....43		TUBE, RD, ALUM, 2.5 X .083 X 2.00.....141
STEER YOKE,4WD,RF/LR,ASSEMBLY.....43		TUBE, STEEL, FUEL RETURN, 404F.....108
STEP PLATFORM ENTRY PAINTED***.....184-185		TUBE,AIR INTAKE.....125-126
STRAINER ASSY,#16 O-RING.....57-58, 61-62, 65-66, 245		TUBE,DIPSTICK,GM 3.0L ENG.....167-168
		TUBE,INLET,DEUTZ.....117
		TUBE,INTAKE,2.50 OD X 13".....145
		TUBE,INTAKE,2.50 OD X 15.63".....145
		TUBE,INTAKE,AIR CLEANER.....155-156
		TUBE,INTAKE,DEUTZ 2.9L.....133
		TUBE,INTAKE,PERKINS 404F-22T.....111
		TUBE,INTAKE,PRECLEANER.....265
		TUBE,RD,ALUM 2.5 X .083.....141
		TUBE,RD,ALUM 3 X .188.....117

T

T-BOX,2.75 X 4.5 X 2.0.....275, 277, 289
T-BOX,2.75X4.5X2.63,3PH.....283
TAILPIPE, Z80 404F-22.....108
TAILPIPE,DEUTZ 913 S80.....117
TAILPIPE,DEUTZ BF4L2011.....126, 161
TAILPIPE,EXHAUST,GM 3.0L ENG.....167-168
TAILPIPE,FORD LRG 425.....145
TANK ASSY, GAS, 30 GAL.....65-66
TANK ASSY,GAS,30 GAL,Z80.....61-62
TANK, 7 GAL/33.5 POUND, LP.....299
TANK,HYDRAULIC,45 GALLON.....57-58, 61-62, 65-66
TAPE, PROTECTIVE MASK.....25, 33

- 156, 159, 179, 184-185, 187, 265, 269, 273, 279, 283, 285, 289, 305, 307
 WASHER,FLAT,USS,5/8",Y.....103, 123
 WASHER,FLAT,USS,7/16",Y.....273
 WASHER,ISOLATOR,TME27.....153
 WASHER,LCK,ALT,GM3.0L ENG.....168
 WASHER,LOCK,#10 PLTD.....38, 41, 48, 153
 WASHER,LOCK,.25.....35, 38, 41, 47-48, 57-58, 62, 65-66, 76, 81, 85, 87, 99, 123, 179, 181, 184-185, 189, 195-196, 199, 252, 275
 WASHER,LOCK,.313.....57-58, 61-62, 65-66, 70-72, 93
 WASHER,LOCK,.375.....35, 38, 43, 45, 48, 69-72, 85, 87, 139, 143, 153, 155-156, 159, 171, 175, 179, 249, 273, 299
 WASHER,LOCK,.437,PLTD.....273
 WASHER,LOCK,.625 PLTD.....251-252
 WASHER,LOCK,.75 PLTD.....71-72, 85, 171
 WASHER,LOCK,0.5".....47-48, 171, 177, 179
 WASHER,LOCK,1".....51, 85
 WASHER,LOCK,1/4,ZAG.....65-66
 WASHER,LOCK,M10..93, 139, 143, 147, 149, 151, 273
 WASHER,LOCK,M12.....97
 WASHER,LOCK,M14.....99, 151
 WASHER,LOCK,M6.....125-126, 147, 151
 WASHER,LOCK,M6,DEUTZ F4L913.....119
 WASHER,LOCK,M8.....97, 143, 147, 149
 WASHER,M4 NYLON.....301
 WASHER,M5 NYLON.....301
 WASHER,OIL DRAIN DEUTZ F4L913.....119
 WASHER,RIVETING.....95
 WASHER,SHIM .0151 THK.....271
 WASHER,SHIM,1.27 X 2.13 X .062.....175
 WASHER,SPINDLE, 500 LB BOOM.....85
 WASHER,STAR,EXTERNAL,.375.....81
 WASHER,THRUST 5 X 1.81 BRONZE.....35, 43, 45
 WASHER,THRUST,(33434)**.....55
 WASHER,THRUST,TORQUE HUB.....70-72
 WATER INLET TUBE, FORD.....149
 WATER OUTLET, VERTICAL.....113
 WATER PUMP.....113
 WATER PUMP GASKET.....151
 WATER PUMP PULLEY,PERKINS 404D.....107-108
 WATER PUMP, CONTINENTAL TME27.....151
 WATER PUMP, PERKINS (53883).....97
 WDMT,AIRCRAFT SENSOR BUMPER.....309
 WDMT,SKID PLATE.....309
 WEAR PAD,5 X 1.5 X .625 W/NUTS...175, 177
 WEAR PAD,5 X 1.5 X .75 W/NUTS.....173
 WEAR PAD,5.5 X 1.75 X .5.....175
 WEAR PAD,7 X 3 X 1 W/NUTS.....177
 WEAR PAD,7 X 3 X .625 W/INSERT.....175
 WEAR PAD,7 X 3 X .75 W/NUTS.....173, 175, 177
 WEAR PAD,7X3X.625 W/NUTS.....177
 WEAR PAD,CABLE TRACK PULL TUBE...175
 WEAR PAD,ENGINE TRAY.....159, 165
 WELD, LPG TANK MOUNT.....299
 WELDER,INVERTEC V275-S.....283
 WELDMENT W/DECALS,5FT,500LB AN.....183-185
 WELDMENT, AIRCRAFT TOP BUMPER.....307, 309
 WELDMENT, EXHAUST SUPPORT....107-108
 WELDMENT, GUIDE BRACKET.....38
 WELDMENT, LEFT CONTACT ALARM, LARGE.....303
 WELDMENT, PIPE CRADLE.....297
 WELDMENT, PRECLEANER MT, DEUTZ/PERKINS.....267
 WELDMENT, PRIMARY EXT. BOOM.....175
 WELDMENT, REAR MOUNT,ENGINE.....137
 WELDMENT, RIGHT CONTACT ALARM, LARGE.....303
 WELDMENT, SENSOR MOUNT.....305, 307, 309
 WELDMENT, SKIDPLATE**.....305, 307
 WELDMENT, SWING GATE.....187
 WELDMENT,4/5FT PLATFORM SUPPOR.....184-185
 WELDMENT,AIR BOX PAINTED.....125-126
 WELDMENT,AIRCRAFT SENSOR BUMPR.....305, 307
 WELDMENT,BELLCRANK ASSY,SRV.....179
 WELDMENT,CABLE TRACK TRAY Z80.....173
 WELDMENT,COOLING AIRBOX.....125-126
 WELDMENT,COUNTERWEIGHT,PLUG.....51
 WELDMENT,ENGINE MOUNT,INBOARD.....99
 W E L D M E N T , E N G I N E MOUNT,OUTBOARD.....99
 WELDMENT,EXHAUST COLL.PIPE...155-156
 WELDMENT,EXHAUST PIPE.....153
 WELDMENT,EXHAUST TUBE.....85
 WELDMENT,GUIDE BRACKET,YOKE.....41
 WELDMENT,HEAD PIPE,GM.....141
 WELDMENT,INTAKE,PERKINS 404F.....111
 WELDMENT,KEYSWITCH COVER.....75-76
 WELDMENT,LEFT COVER SUPPORT.....85
 WELDMENT,LONG GUIDE TUBE.....173
 WELDMENT,LP BOTTLE MOUNT.....57-58, 61-62, 65-66
 WELDMENT,MUFFLER MOUNT,PTD.....155-156
 WELDMENT,MUFFLER,FORD TIER2.....145
 WELDMENT,PIPE CRADLE MOUNT.....297
 WELDMENT,PLATFORM SUPPORT,CE.....271
 WELDMENT,REAR ENGINE MOUNT.....129
 WELDMENT,RIGHT COVER SUPPORT.....85
 WELDMENT,RISER CABLE TUBE.....177
 WELDMENT,TRACK PULL TUBE PIVOT...175
 WELDMENT,TRANSPORT LOCK.....69-72
 WELDMENT,TUBE,AIR INTAKE.....155-156
 WELDMNT,6 FT PLATFORM.....183-185
 WHEEL DRIVE W/BRAKE 86.74:1.....41, 55
 WHEEL DRIVE W/BRAKE,57.49:1.....38
 WHEEL DRIVE W/BRAKE,59.28:1.....38
 WHEEL DRIVE W/BRAKE,60.2:1.....37-38
 WHEEL DRIVE W/BRAKE,91.97:1.....38
 WHEEL DRIVE,2WD 92.5:1.....38
 WHEEL DRIVE,86.74:1***.....38, 55
 WHEEL DRIVE,W/BRAKE 57.49:1.....41, 53
 WHEEL DRIVE,W/BRAKE, OMNI, 57.49:1...41
 WHEEL STUD, 3/4-16 X 60MM.....37-38
 WHEEL STUD, OMNI VB11.....41
 WHEEL, CRANK POSITION.....151
 WHEEL,28.00X15.00.....37-38
 WIPER,BOTTOM,RISER.....259
 WIPER,PRIMARY BOOM BOTTOM.....259
 WIPER,PRIMARY BOOM SIDE.....259
 WIPER,PRIMARY BOOM, TOP.....259
 WIPER,RING GEAR.....261
 WIPER,SIDE.....259
 WIPER, TOP,RISER.....259
 WIRE CABLE 8/4 CON.SO.....279
 WIRE CABLE,16/4 CON.TPE JKT....173, 177, 179
 WIRE HARNESS,PLAT MANFLD Z80.....189, 195-196, 199
 WIRE LOOM,3/4 DIA.....103
 WIRE LOOM,3/8 POLY SLIT.....184-185
 WIRE,12/3 SJEOW,BK-WH-GR/YL.....87
 WIRE,COIL,HVS,GM 3.0L ENG.....167-168
 WLDMT, ENGINE TRAY, Z80 T4 DEUTZ.....159, 165
 WLDMT, FUEL CIRCUIT, Z80.....137
 WLDT, INTAKE, T4 DEUTZ, Z80/S80.....133
 WORKLIGHT,110V,250WATT,HALOGEN..251-252
 WORKLIGHT,48 VOLT.....251-252
- ## Z
- Z80 AIRLINE TO PLATFORM,1/2"ID.....277
 Z80 HF WHEEL ASSEMBLY,LH.....37-38, 41
 Z80 HF WHEEL ASSEMBLY,RH.....37-38, 41
 Z80 HF WHEEL,28.00 X 15.00.....37-38, 41
 Z80 LH COVER ASSY W/WRD DECALS.....85
 Z80 PLAT BOX ASSY.....189
 Z80 PLAT MANIFOLD SERV KIT.....225
 Z80 REAR AXLE ASSY.STEER(SERV).....47-48
 Z80 RELAY COVER W/WORD DECAL.....87
 Z80 STEEL FUEL TANK SRVC KIT.....61-62
 Z80 STEER YOKE, LF/RR ASSY.....43
 Z80 STEER YOKE, RF/LR ASSY.....43
 ZERK,GREASE,1/8 NPT.....70-72
 ZERK,GREASE,5/16-24,STRAIT.....271
-
- Continental TME-27 Models—.....14
 —Deutz BF4L-2011 / TD2011-L04i Models—.....13-14
 —Deutz F3L-913 Models—.....13-14
 —Deutz TD 2.9L4 Models—.....13-14
 —Ford LRG-425 Models—.....14
 —GENERAL SERVICE PARTS—.....13-14
 —GM 3.0L EFI Models—.....13-14
 —HYDRAULIC FILTERS—.....13-14
 —INSPECTION SERVICE KITS—.....13-14
 —MANUALS—.....13-14
 —Perkins 404F-22T Models—.....13-14
 —Perkins 704-30 Models—.....13-14
 —Perkins 804D-33 Models—.....13-14

Fitting Cross References

Genie PN	Parker PN	Description	Genie PN	Parker PN	Description
12342	6-4 F5OX-S	CONNECTOR, STRAIGHT THREAD TO FLARE TUBE	42794	1 CR-S	ELBOW, 90°, MALE PIPE
13757	4 R6X-S	RUN TEE, SWIVEL NUT, ORFS	42795	BV-0839	BALL VALVE
19685	12-10 C5OX-S	ELBOW, 90°, STRAIGHT THREAD TO FLARE TUBE	42796	BV-0838	BALL VALVE
22664	12-10 C5OX	ELBOW, 90°, STRAIGHT THREAD TO FLARE TUBE	42874	6-8 CLO-S	ELBOW, 90°, MALE PIPE TO ORFS
27431	8-12 F5OX-S	CONNECTOR, STRAIGHT THREAD TO FLARE TUBE	42912	13943-6-4	HOSE END, 90° FEMALE SWIVEL, JIC
28678	AS-B-33	SLEEVE, NYLON, 1.81" ID	42920	BV-0840	BALL VALVE, 90°
39871	6 WETX-WLN-S	UNION, 90° BULKHEAD W/NUT, FLARE TUBE	42932	AS-B-17	SLEEVE, NYLON, 1.22" ID
39872	4 R5OX-S	RUN TEE, STRAIGHT THREAD	42936	10243-2-4	HOSE END, FEMALE PIPE
39873	6 C5OX-S	ELBOW, 90°, STRAIGHT THREAD TO FLARE TUBE	42953	1/2 DD-S	ELBOW, 90°, FEMALE PIPE
39874	8-6 C5OX-S	ELBOW, 90°, STRAIGHT THREAD TO FLARE TUBE	42956	6 WELO-WLNL-S	UNION, 90° BULKHEAD W/NUT, ORFS
39875	4-6 C5OX-S	ELBOW, 90°, STRAIGHT THREAD TO FLARE TUBE	45349	8 V5OX-S	ELBOW, 45°, STRAIGHT THREAD TO FLARE TUBE
39876	6-8 C5OX-S	ELBOW, 90°, STRAIGHT THREAD TO FLARE TUBE	45351	4 V5OX-S	ELBOW, 45°, STRAIGHT THREAD TO FLARE TUBE
39877	4 F5OX-S	CONNECTOR, STRAIGHT THREAD TO FLARE TUBE	47223	10343-6-6	HOSE END, MALE, JIC
39878	6 F5OX-S	CONNECTOR, STRAIGHT THREAD TO FLARE TUBE	47419	PS690503-6-6	SWIVEL, 90°, STRAIGHT THREAD TO 37° FLARE
39879	4-8 F5OX-S	CONNECTOR, STRAIGHT THREAD TO FLARE TUBE	48750	421-4	HOSE, 1/4 INCH ID
39880	6-10 F5OX-S	CONNECTOR, STRAIGHT THREAD TO FLARE TUBE	48751	481TC-4	HOSE, 1/4 INCH ID
39881	4-6 F5OX-S	CONNECTOR, STRAIGHT THREAD TO FLARE TUBE	48752	482TC-4	HOSE, 1/4 INCH ID
39882	4-HP5ON-S	PLUG, STRAIGHT THREAD	48753	451TC-6	HOSE, 3/8 INCH ID
39883	8-8 FTX-S	CONNECTOR, MALE PIPE TO FLARE TUBE	48754	482TC-6	HOSE, 3/8 INCH ID
39885	269HB 12-12	ELBOW, 90°, BEADED HOSE BARB TO MALE PIPE	48755	381-6	HOSE, 3/8 INCH ID
39886	431-6	HOSE, 3/8 INCH ID	48756	451TC-8	HOSE, 1/2 INCH ID
39887	540N-2	HOSE, 1/8 INCH ID	48757	482TC-8	HOSE, 1/2 INCH ID
39888	801-8	HOSE, 1/2 INCH ID	48758	381-8	HOSE, 1/2 INCH ID
39889	801-12	HOSE, 3/4 INCH ID	48759	381-10	HOSE, 5/8 INCH ID
39890	10643-6-6	HOSE END, FEMALE SWIVEL, JIC	48760	451TC-10	HOSE, 5/8 INCH ID
39891	13943-6-6	HOSE END, 90° FEMALE SWIVEL, JIC	48761	482TC-12	HOSE, 3/4 INCH ID
39892	13743-6-6	HOSE END, 45° FEMALE SWIVEL, JIC	48762	451TC-12	HOSE, 3/4 INCH ID
39894	30682-8-8	HOSE END, FEMALE SWIVEL, JIC	48763	772-12	HOSE, 3/4 INCH ID
39895	30682-10-12	HOSE END, FEMALE SWIVEL, JIC	48764	881-16	HOSE, 1 INCH ID
42286	8-8 CTX-S	ELBOW, 90°, MALE PIPE TO FLARE TUBE	48765	772-16	HOSE, 1 INCH ID
42756	8-12 CLO-S	ELBOW, 90°, MALE PIPE TO ORFS	48766	AS-B-15	SLEEVE, NYLON, 1.06" ID
42757	8-12 FLO-S	CONNECTOR, MALE PIPE TO ORFS	48767	AS-B-22	SLEEVE, NYLON, 1.42" ID
42758	4 JLO-S	UNION TEE, ORFS	48770	881-8	HOSE, 1/2 INCH ID
42759	4-4 FLO-S	CONNECTOR, MALE PIPE TO ORFS			
42760	6-8 FLO-S	CONNECTOR, MALE PIPE TO ORFS			
42761	1J143-6-4	HOSE END, 90° FEMALE SWIVEL, SEAL LOK			
42762	1J743-6-4	HOSE END, 45° FEMALE SWIVEL, SEAL LOK			
42768	1JO43-4-4	HOSE END, MALE, SEAL LOK			
42776	801-8	HOSE, 1/2 INCH ID			
42777	1J743-16-16	HOSE END, 45° FEMALE SWIVEL, SEAL LOK			
42786	16 CLO-S	ELBOW, 90°, MALE PIPE TO ORFS			
42787	16 R6LO-S	RUN TEE, SWIVEL NUT, ORFS			
42788	16-8 TRLO-BL-S	REDUCER, TUBE END TO SWIVEL, ORFS			
42789	6-6 CLO-S	ELBOW, 90°, MALE PIPE TO ORFS			
42790	8-10 V5OLO-S	ELBOW, 45°, STRAIGHT THREAD TO ORFS			
42791	3/4 CD-S	ELBOW, 90°, MALE TO FEMALE PIPE			
42792	3/4 X 1/2 PTR-S	REDUCER, MALE TO FEMALE PIPE			
42793	1/2 CR-S	ELBOW, 90°, MALE PIPE			

Fitting Cross References (Continued)

Genie PN	Parker PN	Description	Genie PN	Parker PN	Description
48771	881-10	HOSE,5/8 INCH ID	48847	13943-12-12	HOSE END,90° FEMALE SWIVEL,JIC
48772	381-4	HOSE,1/4 INCH ID	48848	10543-12-12	HOSE END,MALE,STRAIGHT THREAD
48773	AS-B-13	SLEEVE,NYLON,.86" ID	48849	1JC71-12-12	HOSE END,FEMALE SWIVEL,SEAL LOK
48800	1JC43-4-4	HOSE END,FEMALE SWIVEL,SEAL LOK	48850	1JS71-12-12	HOSE END,FEMALE SWIVEL,SEAL LOK
48801	1J743-4-4	HOSE END,45° FEMALE SWIVEL,SEAL LOK	48851	1J171-12-12	HOSE END,90° FEMALE SWIVEL,SEAL LOK
48802	1J943-4-4	HOSE END,90° FEMALE SWIVEL,SEAL LOK	48852	1J771-12-12	HOSE END,45° FEMALE SWIVEL,SEAL LOK
48804	1JM43-4-4	HOSE END,MALE,SEAL LOK, NO O-RING	48853	1J971-12-12	HOSE END,90° FEMALE SWIVEL,SEAL LOK
48805	10643-4-4	HOSE END,FEMALE SWIVEL,JIC	48854	1JC43-16-16	HOSE END,FEMALE SWIVEL,SEAL LOK
48806	13943-4-4	HOSE END,90° FEMALE SWIVEL,JIC	48855	1J943-16-16	HOSE END,90° FEMALE SWIVEL,SEAL LOK
48807	1JS43-4-4	HOSE END,FEMALE SWIVEL,SEAL LOK	48856	1J171-16-16	HOSE END,90° FEMALE SWIVEL,SEAL LOK
48808	3JC82-8-8	HOSE END,FEMALE SWIVEL,SEAL LOK	48857	1J971-16-16	HOSE END,90° FEMALE SWIVEL,SEAL LOK
48809	3JC82-12-12	HOSE END,FEMALE SWIVEL,SEAL LOK	48859	1JS43-8-4	HOSE END,FEMALE SWIVEL,SEAL LOK
48810	1JC43-6-4	HOSE END,FEMALE SWIVEL,SEAL LOK	48867	PD36BTL	DIAGNOSTIC NIPPLE,SEAL-LOK SWIVEL
48811	1J943-6-4	HOSE END,90° FEMALE SWIVEL,SEAL LOK	48873	6 PNLO-S	PLUG,TUBE END,ORFS
48812	1JC43-6-6	HOSE END,FEMALE SWIVEL,SEAL LOK	48874	6 PNTX-S	PLUG,FLARE TUBE
48813	1J143-6-6	HOSE END,90° FEMALE SWIVEL,SEAL LOK	48875	6 R6LO-S	RUN TEE,SWIVEL NUT,ORFS
48814	1J543-6-6	HOSE END,90° FEMALE SWIVEL,SEAL LOK	48877	4 F5OLO-SW/.025	CONNECTOR,STRAIGHT THREAD TO ORFS, W/.025 ORI
48815	1J743-6-6	HOSE END,45° FEMALE SWIVEL,SEAL LOK	48878	16-12 C5OLO-S	ELBOW,90°,STRAIGHT THREAD TO ORFS
48816	1J943-6-6	HOSE END,90° FEMALE SWIVEL,SEAL LOK	48879	8 C6LO-S	ELBOW,90°,SWIVEL NUT ORFS
48817	1JS43-6-8	HOSE END,FEMALE SWIVEL,SEAL LOK	48880	PD6-285	CAP,DIAGNOSTIC NIPPLE
48818	1J943-8-4	HOSE END,90° FEMALE SWIVEL,SEAL LOK	48881	6 HLO-S	UNION,ORFS
48819	1JC43-8-6	HOSE END,FEMALE SWIVEL,SEAL LOK	48883	8 P5ON-S	PLUG,STRAIGHT THREAD
48820	1J743-8-6	HOSE END,45° FEMALE SWIVEL,SEAL LOK	48884	8M18F87OMLO-S	CONNECTOR,METRIC,STRAIGHT THREAD TO ORFS
48821	1J943-8-6	HOSE END,90° FEMALE SWIVEL,SEAL LOK	48885	4 WGTX-WLN-S	CONNECTOR,BULKHEAD,FEMALE PIPE TO FLARE TUBE
48822	1JC43-8-8	HOSE END,FEMALE SWIVEL,SEAL LOK	48886	4 F5OLO-SW/2MM	CONNECTOR,MACHINED STRAIGHT THREAD TO ORFS
48823	1JS43-8-8	HOSE END,FEMALE SWIVEL,SEAL LOK	48887	4 CTX-S	ELBOW,90°,MALE PIPE TO FLARE TUBE
48824	1J143-8-8	HOSE END,90° FEMALE SWIVEL,SEAL LOK	48888	10-12 V5OLO-S	ELBOW,45°,STRAIGHT THREAD TO ORFS
48825	1J543-8-8	HOSE END,90° FEMALE SWIVEL,SEAL LOK	48890	4 S5OLO-S	BRANCH TEE,STRAIGHT THREAD TO ORFS
48826	1J743-8-8	HOSE END,45° FEMALE SWIVEL,SEAL LOK	48891	4 S6LO-S	BRANCH TEE,SWIVEL NUT TO ORFS
48827	1J943-8-8	HOSE END,90° FEMALE SWIVEL,SEAL LOK			
48828	1JC43-10-8	HOSE END,FEMALE SWIVEL,SEAL LOK			
48829	1JS43-10-8	HOSE END,FEMALE SWIVEL,SEAL LOK			
48830	1J743-10-8	HOSE END,45° FEMALE SWIVEL,SEAL LOK			
48831	1J943-10-8	HOSE END,90° FEMALE SWIVEL,SEAL LOK			
48833	1JC43-10-10	HOSE END,FEMALE SWIVEL,SEAL LOK			
48834	1J943-10-10	HOSE END,90° FEMALE SWIVEL,SEAL LOK			
48835	1JS43-10-12	HOSE END,FEMALE SWIVEL,SEAL LOK			
48836	1JC43-12-8	HOSE END,FEMALE SWIVEL,SEAL LOK			
48837	1JS43-12-8	HOSE END,FEMALE SWIVEL,SEAL LOK			
48838	1J743-12-8	HOSE END,45° FEMALE SWIVEL,SEAL LOK			
48839	1J943-12-8	HOSE END,90° FEMALE SWIVEL,SEAL LOK			
48840	1J943-12-10	HOSE END,90° FEMALE SWIVEL,SEAL LOK			
48841	1JC43-12-12	HOSE END,FEMALE SWIVEL,SEAL LOK			
48842	1JO43-12-12	HOSE END,MALE,SEAL LOK			
48843	1J143-12-12	HOSE END,90° FEMALE SWIVEL,SEAL LOK			
48844	1J543-12-12	HOSE END,90° FEMALE SWIVEL,SEAL LOK			
48845	1J743-12-12	HOSE END,45° FEMALE SWIVEL,SEAL LOK			
48846	1J943-12-12	HOSE END,90° FEMALE SWIVEL,SEAL LOK			

Fitting Cross References (Continued)

Genie PN	Parker PN	Description	Genie PN	Parker PN	Description
48892	6 C6LO-S	ELBOW,90°,SWIVEL NUT ORFS	48938	8 R6LO-S	RUN TEE,SWIVEL NUT,ORFS
48893	6 F5OHAO-S	UNION,STRAIGHT THREAD	48939	8 S6LO-S	BRANCH TEE,SWIVEL NUT TO ORFS
48894	8 WLO-WLNL-S	UNION,BULKHEAD,ORFS	48940	8 WJLO-WLNL-S	RUN TEE, BULKHEAD,ORFS
48895	DT-370-MSMO-5	VALVE,CHECK	48941	8-4 TRLO-S	REDUCER,TUBE END TO SWIVEL,ORFS
48896	6 JLO-S	UNION,TEE,ORFS	48942	8-6 C5OLO-S	ELBOW,90°,STRAIGHT THREAD TO ORFS
48897	DT-750-MSMS-5	VALVE,CHECK	48943	8-6 F5OLO-S	CONNECTOR,STRAIGHT THREAD TO ORFS
48898	DT-750-MOMS-5	VALVE,CHECK	48944	8-8 FLO-S	CONNECTOR,MALE PIPE TO ORFS
48899	DT-620-MOMS-5	VALVE,CHECK	48945	8 FTX-S	CONNECTOR,MALE PIPE TO FLARE TUBE
48900	4-6 F5OLO-SW/.035	CONNECTOR,STRAIGHT THREAD TO ORFS, W/.035 ORI	48946	8-10 F5OLO-S	CONNECTOR,STRAIGHT THREAD TO ORFS
48902	16-1 AOE4G-S	ELBOW,90° LONG,FEMALE PIPE TO STRAIGHT THREAD	48947	8-12 C5OLO-S	ELBOW,90°,STRAIGHT THREAD TO ORFS
48903	1 FF-S	NIPPLE,PIPE	48948	8-12 F5OLO-S	CONNECTOR,STRAIGHT THREAD TO ORFS
48904	4 C5OLO-S	ELBOW,90°,STRAIGHT THREAD TO ORFS	48949	8-16 F5OLO-S	CONNECTOR,STRAIGHT THREAD TO ORFS
48905	4 F5OLO-S	CONNECTOR,STRAIGHT THREAD TO ORFS	48950	10 C5OLO-S	ELBOW,90°,STRAIGHT THREAD TO ORFS
48906	4 R5OLO-S	RUN TEE,STRAIGHT THREAD	48951	10 CC5OLO-S	ELBOW,90° LONG,STRAIGHT THREAD TO ORFS
48907	4 V5OLO-S	ELBOW,45°,STRAIGHT THREAD TO ORFS	48952	10 F5OLO-S	CONNECTOR,STRAIGHT THREAD TO ORFS
48908	4 R6LO-S	RUN TEE,SWIVEL NUT,ORFS	48953	10 R5OLO-S	RUN TEE,STRAIGHT THREAD
48909	4 WJLO-WLNL-S	RUN TEE, BULKHEAD,ORFS	48954	10 S5OLO-S	BRANCH TEE,STRAIGHT THREAD TO ORFS
48910	4 GTX-S W/.030	CONNECTOR,FEMALE PIPE TO FLARE TUBE	48955	10 R6LO-S	RUN TEE,SWIVEL NUT,ORFS
48911	4-6 C5OLO-S	ELBOW,90°,STRAIGHT THREAD TO ORFS	48956	10-4 TRLO-BL-S	REDUCER,TUBE END TO SWIVEL,ORFS
48912	4-6 F5OLO-S	CONNECTOR,STRAIGHT THREAD TO ORFS	48957	10-6 TRLO-BL-S	REDUCER,TUBE END TO SWIVEL,ORFS
48913	4-6 F5OLO-SW/.030	CONNECTOR,STRAIGHT THREAD TO ORFS, W/.030 ORI	48958	10-12 F5OLO-S	CONNECTOR,STRAIGHT THREAD TO ORFS
48914	4-8 F5OLO-S	CONNECTOR,STRAIGHT THREAD TO ORFS	48959	12 C5OLO-S	ELBOW,90°,STRAIGHT THREAD TO ORFS
48915	6 C5OLO-S	ELBOW,90°,STRAIGHT THREAD TO ORFS	48960	12 F5OLO-S	CONNECTOR,STRAIGHT THREAD TO ORFS
48916	6 F5OLO-S	CONNECTOR,STRAIGHT THREAD TO ORFS	48961	12 R5OLO-S	RUN TEE,STRAIGHT THREAD
48917	6 FF5OLO-S	CONNECTOR,LONG,STRAIGHT THREAD TO ORFS	48962	12 S5OLO-S	BRANCH TEE,STRAIGHT THREAD TO ORFS
48918	6 R5OLO-S	RUN TEE,STRAIGHT THREAD	48963	12 V5OLO-S	ELBOW,45°,STRAIGHT THREAD TO ORFS
48919	6 S5OLO-S	BRANCH TEE,STRAIGHT THREAD TO ORFS	48964	12 R6LO-S	RUN TEE,SWIVEL NUT,ORFS
48920	6 V5OLO-S	ELBOW,45°,STRAIGHT THREAD TO ORFS	48965	12 CLO-S	ELBOW,90°,MALE PIPE TO ORFS
48921	6 FLO-S	CONNECTOR,MALE PIPE TO ORFS	48966	12 FLO-S	CONNECTOR,MALE PIPE TO ORFS
48922	6-6 FLO-S	CONNECTOR,MALE PIPE TO ORFS	48967	12 JLO-S	UNION TEE,ORFS
48923	6 P5ON-S	PLUG,STRAIGHT THREAD	48968	12 WLO-WLNL-S	UNION,BULKHEAD,ORFS
48925	6 WELO-S	UNION,90° BULKHEAD,ORFS	48969	12 WJLO-WLNL-S	RUN TEE, BULKHEAD,ORFS
48926	6-4 C5OLO-S	ELBOW,90°,STRAIGHT THREAD TO ORFS	48970	12 WELO-WLNL-S	UNION,90° BULKHEAD W/NUT,ORFS
48927	6-4 F5OLO-S	CONNECTOR,STRAIGHT THREAD TO ORFS			
48928	6-4 V5OLO-S	ELBOW,45°,STRAIGHT THREAD TO ORFS			
48929	6-8 C5OLO-S	ELBOW,90°,STRAIGHT THREAD TO ORFS			
48930	6-8 F5OLO-S	CONNECTOR,STRAIGHT THREAD TO ORFS			
48931	6-10 F5OLO-S	CONNECTOR,STRAIGHT THREAD TO ORFS			
48932	8 C5OLO-S	ELBOW,90°,STRAIGHT THREAD TO ORFS			
48933	8 F5OLO-S	CONNECTOR,STRAIGHT THREAD TO ORFS			
48934	8 FF5OLO-S	CONNECTOR,LONG,STRAIGHT THREAD TO ORFS			
48935	8 R5OLO-S	RUN TEE,STRAIGHT THREAD			
48936	8 S5OLO-S	BRANCH TEE,STRAIGHT THREAD TO ORFS			
48937	8 V5OLO-S	ELBOW,45°,STRAIGHT THREAD TO ORFS			

Fitting Cross References (Continued)

Genie PN	Parker PN	Description	Genie PN	Parker PN	Description
48971	12 G5G5JG5-S	TEE,FEMALE STRAIGHT THREAD	49612	PKT02586	O-RING KIT (ORFS FITTINGS)
48972	12 XHL6-S	ADAPTER, 37° MALE TO SWIVEL ORFS	49613	PKT06276	PLUG AND CAP KIT-SERVICE,ORFS
48973	12-1/2 F5OG-S	ADAPTER,FEMALE PIPE TO STRAIGHT THREAD	49728	10143-12-12	HOSE END, MALE PIPE
48974	12-10 C5OLO-S	ELBOW,90°,STRAIGHT THREAD TO ORFS	49729	16-1 F5OG-S	ADAPTER,FEMALE PIPE TO STRAIGHT THREAD
48975	12-10 F5OLO-S	CONNECTOR,STRAIGHT THREAD TO ORFS	49814	12-8 FLO-S	CONNECTOR,MALE PIPE TO ORFS
48976	12-16 C5OLO-S	ELBOW,90°,STRAIGHT THREAD TO ORFS	49829	DT-500-MOMF-5	VALVE,CHECK
48977	12-16 F5OLO-S	CONNECTOR,STRAIGHT THREAD TO ORFS	49831	881-12	HOSE,3/4 INCH ID
48978	12-16 V5OLO-S	ELBOW,45°,STRAIGHT THREAD TO ORFS	49834	16 JLO-S	UNION TEE,ORFS
48980	12-16 FLO-S	CONNECTOR,MALE PIPE TO ORFS	49838	12-8 TRLO-BL-S	REDUCER,TUBE END TO SWIVEL,ORFS
48983	16 C5OLO-S	ELBOW,90°,STRAIGHT THREAD TO ORFS	49840	8 JLO-S	UNION TEE,ORFS
48984	16 F5OLO-S	CONNECTOR,STRAIGHT THREAD TO ORFS	49844	10-8 TRLO-BL-S	REDUCER,TUBE END TO SWIVEL,ORFS
48985	16 V5OLO-S	ELBOW,45°,STRAIGHT THREAD TO ORFS	49854	8 P5ON-S	PLUG,STRAIGHT THREAD
48986	16 FLO-S	CONNECTOR,MALE PIPE TO ORFS	49855	1JC43-16-12	HOSE END,FEMALE SWIVEL,SEAL LOK
48988	16 CD45-S	ELBOW,45°,MALE TO FEMALE PIPE	49859	4 P5ON-S	PLUG,STRAIGHT THREAD
48989	12 CD45-S	ELBOW,45°,MALE TO FEMALE PIPE	49861	4 FF5OLO-S	CONNECTOR, LONG, STRAIGHT THREAD TO ORFS
48990	8 CD45-S	ELBOW,45°,MALE TO FEMALE PIPE	49867	12-3/4 F5OG-S	ADAPTER,FEMALE PIPE TO STRAIGHT THREAD
48991	16-12 FLO-S	CONNECTOR,MALE PIPE TO ORFS	51152	6 R6X-S	RUN TEE,SWIVEL NUT,ORFS
48992	16-12 V5OLO-S	ELBOW,45°,STRAIGHT THREAD TO ORFS	51153	6-4 TRTX-S	REDUCER,TUBE END TO SWIVEL,ORFS
48993	XV501-12	BALL VALVE	51154	4-4 GTX	CONNECTOR,FEMALE PIPE TO FLARE TUBE
48994	XV501-16	BALL VALVE	51264	881-12	HOSE,3/4 INCH ID
48995	XV510P-12	BALL VALVE	51265	8 JLO-S	UNION TEE,ORFS
48996	XV510P-16	BALL VALVE	51508	6 BTX-S	NUT,FLARE TUBE
48997	PD341	DIAGNOSTIC NIPPLE, STRAIGHT THREAD	51580	12-8 TRLO-BL-S	TUBE END REDUCER,ORFS
48998	PD 361	DIAGNOSTIC NIPPLE, STRAIGHT THREAD	51628	6 R6X-S	RUN TEE,SWIVEL NUT,ORFS
48999	DT-500-MOMS-5	VALVE,CHECK	51735	3/8 HHP	PLUG,PIPE THREAD
49201	10 V5OLO-S	ELBOW,45°,STRAIGHT THREAD TO ORFS	51803	1J943-6-8	HOSE END,90° FEMALE SWIVEL,SEAL LOK
49202	1JC43-12-10	HOSE END,FEMALE SWIVEL,SEAL LOK	53023	125HBL-5-4	FITTING,HOSE BARB TO MALE PIPE
49203	10-8 V5OLO-S	ELBOW,45°,STRAIGHT THREAD TO ORFS	53497	PKT02585	O-RING KIT
49205	6 F5OHAO-S	UNION,STRAIGHT THREAD	53499	1JC71-16-16	HOSE END,FEMALE SWIVEL,SEAL LOK
49207	PD34BTL	DIAGNOSTIC NIPPLE,SEAL-LOK SWIVEL	53500	3-904	O-RING,STRAIGHT THREAD,-4
49209	8M18F870MX-S	CONNECTOR,METRIC,STRAIGHT THREAD TO FLARE TUBE	53501	3-906	O-RING,STRAIGHT THREAD,-6
49212	8 WGTX-WLN-S	CONNECTOR,BULKHEAD,FEMALE PIPE TO FLARE TUBE	53502	3-908	O-RING,STRAIGHT THREAD,-8
49213	30682-8-8	HOSE END,FEMALE SWIVEL,JIC	53503	3-910	O-RING,STRAIGHT THREAD,-10
49216	831-8	HOSE,1/2 INCH ID			
49217	33982-8-8	HOSE END,90° FEMALE SWIVEL,JIC			
49219	PS-B-35	SLEEVE,NYLON,2.19" ID			
49418	4-6 V5OLO-S	ELBOW,45°,STRAIGHT THREAD TO ORFS			
49511	DT370-MOMS-5	VALVE,CHECK			
49512	1 DD-S	ELBOW,90°,FEMALE PIPE			
49513	1 FF-S	NIPPLE,PIPE			
49514	10 HP5ON-S	PLUG,STRAIGHT THREAD			
49515	12-16 CLO-S	ELBOW,90°,MALE PIPE TO ORFS			
49517	6 HP5ON-S	PLUG,STRAIGHT THREAD			
49519	16-12 F5OLO-S	CONNECTOR,STRAIGHT THREAD TO ORFS			
49520	4 VTX-S	ELBOW,45°,MALE PIPE TO FLARE TUBE			
49530	16 C6LO-S	ELBOW,90°,SWIVEL NUT ORFS			

Fitting Cross References (Continued)

Genie PN	Parker PN	Description	Genie PN	Parker PN	Description
53535	3-912	O-RING,STRAIGHT THREAD,-12	61083	24 F5OLO-S	CONNECTOR,STRAIGHT THREAD TO ORFS
53536	4-PNLO-S	PLUG,TUBE END,ORFS	61086	20 R5OLO-S	RUN TEE,STRAIGHT THREAD
53537	6 PNLO-S	PLUG,TUBE END,ORFS	61090	24-20 F5OLO-S	CONNECTOR,STRAIGHT THREAD TO ORFS
53538	8 PNLO-S	PLUG,TUBE END,ORFS	61091	1J943 24-24	HOSE END,90° FEMALE SWIVEL,SEAL LOK
53539	10 PNLO-S	PLUG,TUBE END,ORFS	61093	1J978-12-12	HOSE END,90° FEMALE SWIVEL,JIC
53540	12 PNLO-S	PLUG,TUBE END,ORFS	61095	1JS43-20-16	HOSE END,FEMALE SWIVEL,SEAL LOK
53946	129HB-5-4	FITTING,90° HOSE BARB TO MALE PIPE	61100	811-24	HOSE,11/2 INCH ID
53951	8-1/4F50G-S	ADAPTER,FEMALE PIPE TO STRAIGHT THREAD	61130	1JS43-24-24	HOSE END,FEMALE SWIVEL,SEAL LOK
53980	6 S6LO-S	BRANCH TEE,SWIVEL NUT TO ORFS	61131	1JS78 12-12	HOSE END,FEMALE SWIVEL,SEAL LOK
54132	4 C6LO-S	ELBOW,90°,SWIVEL NUT ORFS	61132	1J778-12-12	HOSE END,45° FEMALE SWIVEL,JIC
54135	11343-16-16	HOSE END,MALE SWIVEL,PIPE	61152	139HB-6-4	ELBOW,45°,BARB TO MALE PIPE
54283	8-10 C5OLO-S	ELBOW,90°,STRAIGHT THREAD TO ORFS	61251	BV-0750	BALL VALVE
54428	8M18C870MLO-S	ELBOW, 90° METRIC, STRAIGHT THREAD TO ORFS	61259	4 CC5OLO-S	ELBOW,90° LONG,STRAIGHT THREAD TO ORFS
54803	FS-F-16-10	SLEEVE,FIRE,-96" ID	61260	20-12 TRLO-BL	REDUCER,TUBE END TO SWIVEL,ORFS
54954	10143-2-4	HOSE END, MALE PIPE	61262	12 C6LO-S	ELBOW,90°,SWIVEL NUT ORFS
55190	3/8 HP-S	PLUG,PIPE THREAD	61263	20 F5OHAO-S	UNION,STRAIGHT THREAD
55448	8 HLO-S	UNION,ORFS	61264	6-10 C5OLO-S	ELBOW,90°,STRAIGHT THREAD TO ORFS
55839	6 F65OX-S	CONNECTOR,STRAIGHT THREAD TO 37° SWIVEL	61265	6 WNLO-WLNL-S	UNION,BULKHEAD 45°,ORFS
55968	10 C5OX-S	ELBOW,90°,STRAIGHT THREAD TO FLARE TUBE	61268	4 WNLO-WLNL-S	UNION,BULKHEAD 45°,ORFS
56003	6 CC5OLO-S	ELBOW,90° LONG,STRAIGHT THREAD TO ORFS	61269	4 WLO-WLNL-S	UNION,BULKHEAD,ORFS
56166	BV-0837	BALL VALVE,90°	61272	12 AOEL6	ELBOW,90°,STRAIGHT THREAD TO ORFS SWIVEL
56188	10143-8-6	HOSE END, MALE PIPE	61316	482TC-16	HOSE,1 INCH ID
56233	2-011	O-RING,ORFS,-4	61321	6 JLO-S	UNION TEE,ORFS
56234	2-012	O-RING,ORFS,-6	61327	782-12	HOSE,3/4 INCH ID
56235	2-014	O-RING,ORFS,-8	61328	881-24	HOSE,11/2 INCH ID
56236	2-016	O-RING,ORFS,-10	61336	11943-20-24	HOSE END,90° FLANGE HEAD
56237	2-018	O-RING,ORFS,-12	61345	12 WJLO-WLNL-S	RUN TEE, BULKHEAD,ORFS
56238	2-021	O-RING,ORFS,-16	61346	8 WNLO-WLNL-S 4	UNION,BULKHEAD 45°,ORFS
56352	6 WLNL-S	LOCKNUT,BULKHEAD	61569	33782-8-8	HOSE END,45° FEMALE SWIVEL,JIC
56353	3J782-12-12	HOSE END,45° FEMALE SWIVEL,SEAL LOK	61610	12 FF5OLO-S	CONNECTOR,LONG,STRAIGHT THREAD TO ORFS
56354	3J982-12-12	HOSE END,90° FEMALE SWIVEL,SEAL LOK	61742	1/8 X 1.5 FFF	NIPPLE,PIPE
56604	10-8 F5OLO-S	CONNECTOR,STRAIGHT THREAD TO ORFS	63426	8 PNTX-S	PLUG,FLARE TUBE
56639	3JC82-10-10	HOSE END,FEMALE SWIVEL,SEAL LOK			
56640	3J982-10-10	HOSE END,90° FEMALE SWIVEL,SEAL LOK			
56655	3JC82-8-10	HOSE END,FEMALE SWIVEL,SEAL LOK			
56676	10-8 C5OLO-S	ELBOW,90°,STRAIGHT THREAD TO ORFS			
56776	471TC-6	HOSE,3/8 INCH ID			
56777	471TC-8	HOSE,1/2 INCH ID			
56789	811-16	HOSE,1 INCH ID			
57884	3/8 FF	NIPPLE,PIPE			
59335	6 FNL-S	CAP,TUBE END			
59342	4 FNL-S	CAP,TUBE END			
59371	8 HP50N-S	PLUG,STRAIGHT THREAD			
60653	BV-0751	BALL VALVE			
60806	125HB-3-4	FITTING,HOSE BARB TO MALE PIPE			
61064	5-1/4 F50G-S	ADAPTER,FEMALE PIPE TO STRAIGHT THREAD			
61079	4 WELO-WLNL-S	UNION,90° BULKHEAD W/NUT,ORFS			
61080	6 WLO-WLNL-S	UNION,BULKHEAD,ORFS			

Fitting Cross References (Continued)

Genie PN	Parker PN	Description	Genie PN	Parker PN	Description
64271	4 WLO-WLNL-S	UNION,BULKHEAD,ORFS	75631	801-6	HOSE,3/8 INCH ID
64272	6 WLO-WLNL-S	UNION,BULKHEAD,ORFS	75654	20 F5OLO-S	CONNECTOR,STRAIGHT THREAD TO ORFS
65776	8 F65OL-S	CONNECTOR,STRAIGHT THREAD TO ORFS SWIVEL	75655	1J943-20-20	HOSE END,90° FEMALE SWIVEL,SEAL LOK
65880	6001012	O-RING KIT	75656	881-20	HOSE,1-1/4 INCH ID
66154	6 WTX-WLNS	UNION,BULKHEAD,FLARE TUBE	75971	8 F5OHAO-S	UNION,STRAIGHT THREAD
66155	6 WETX-S	UNION,BULKHEAD 90°,FLARE TUBE	77307	1JB43-8-8	HOSE END,BULKHEAD,SEAL LOK
66156	6 WLN-S	BULKHEAD LOCKNUT	77309	8 WLNL-S	BULKHEAD LOCKNUT
66389	6-8 F5OX-S	CONNECTOR,STRAIGHT THREAD TO FLARE TUBE	77379	8M18C87OMX-S	ELBOW,90° METRIC,STRAIGHT THREAD TO FLARE TUBE
66392	6 R5OX-S	RUN TEE,STRAIGHT THREAD	77703	3J982-8-8	HOSE END,90° FEMALE SWIVEL,SEAL LOK
66396	811-12	HOSE,3/4 INCH ID	77711	801-10	HOSE,5/8 INCH ID
66829	H3174PP	CLAMP,TUBE	77758	12 WNLO-WLNL-S	UNION,BULKHEAD 45°,ORFS
67217	4 KLO-S	UNION,CROSS,ORFS	78091	6 C6X-S	ELBOW,90°,SWIVEL NUT TO FLARE TUBE
67339	10-6 F5OX-S	CONNECTOR,STRAIGHT THREAD TO FLARE TUBE	78684	30582-8-8B	HOSE END,PUSH LOK,MALE
67357	13943-8-6	HOSE END,90° FEMALE SWIVEL,JIC	78852	549-2	HOSE,1/8 INCH ID
67358	10 HP5ON-S	PLUG,STRAIGHT THREAD	78855	10657-4-2	HOSE END,FEMALE SWIVEL,JIC
67371	12 S6LO-S	BRANCH TEE,SWIVEL NUT TO ORFS	79138	PS-B-37	SLEEVE,NYLON,2.38" ID
67498	4 FNL-S	CAP, TUBE END	79476	1JS43-6-8	HOSE END,FEMALE SWIVEL,SEAL LOK
67906	DC-370-F0F0-5	VALVE,CHECK	79847	12-3/4 A0EG-S	ELBOW,90°,STRAIGHT THREAD TO FEMALE PIPE
69316	8 FLO-S	CONNECTOR,MALE PIPE TO ORFS	80044	8 CLO-S	ELBOW,90°,MALE PIPE TO ORFS
69333	H3174PP	CLAMP,HYDRAULIC HOSE	80502	8 F5OX-S	CONNECTOR,STRAIGHT THREAD TO FLARE TUBE
69503	4 F65OX-S	CONNECTOR,STRAIGHT THREAD TO 37° SWIVEL	80503	8 C5OX-S	ELBOW,90°,STRAIGHT THREAD TO FLARE TUBE
69775	8 FNL-S	CAP, TUBE END	81010	AS-B-27	SLEEVE,NYLON,1.63" ID
71038	1/4X1/4F3HG-S	ADAPTER,CONVERSION	83052	821-6	HOSE,3/8 INCH ID
71196	12-8 F5OLO-S	CONNECTOR,STRAIGHT THREAD TO ORFS	83053	821-8	HOSE,1/2 INCH ID
71383	1/4 CD45-S	ELBOW,45°,MALE TO FEMALE PIPE	83054	821-12	HOSE,3/4 INCH ID
72270	12FNL-S	CAP, TUBE END	83055	30682-6-6	HOSE END,FEMALE SWIVEL,JIC
73436	60C-4	SLEEVE,COMPRESSION	83056	30682-12-12	HOSE END,FEMALE SWIVEL,JIC
73437	61C-4	NUT,COMPRESSION	83057	33782-6-6	HOSE END,45° FEMALE SWIVEL,JIC
73438	33482-4-4B	HOSE END,PUSH LOK,MALE	83058	33982-6-6	HOSE END,90° FEMALE SWIVEL,JIC
73767	1CD-S	ELBOW,90°,MALE TO FEMALE PIPE	83060	33982-12-12	HOSE END,90° FEMALE SWIVEL,JIC
73768	20-16-F5OG5-S	ADAPTER,FEMALE PIPE TO STRAIGHT THREAD	83063	13743-4-4	HOSE END,45° FEMALE SWIVEL,JIC
73769	16-20 F5OLO-S	CONNECTOR,STRAIGHT THREAD TO ORFS			
74660	6-8 F42EDMLO-S	CONNECTOR,MALE BSPP TO ORFS			
74661	8-8 F42EDMLO-S	CONNECTOR,MALE BSPP TO ORFS			
75007	4 FLO-S	CONNECTOR,MALE PIPE TO ORFS			
75008	1/8 HP-S	PLUG,PIPE THREAD			
75014	1/2 HP-S	PLUG,PIPE THREAD			
75042	8 WELO-WLNL-S	UNION,90° BULKHEAD W/NUT,ORFS			
75043	3/4 FF-S	NIPPLE,PIPE			
75254	24 F5OHAO-S	UNION,STRAIGHT THREAD			
75255	12 F5OHAO-S	UNION,STRAIGHT THREAD			
75256	XV506P-24	BALL VALVE			
75574	4 WLNL-S	BULKHEAD LOCKNUT			
75612	8 WJLO-WLNL-S	RUN TEE, BULKHEAD,ORFS			
75613	12-8 F5OG5-S	ADAPTER,FEMALE PIPE TO STRAIGHT THREAD			
75614	8 CC5OLO-S	ELBOW,90° LONG,STRAIGHT THREAD TO ORFS			
75628	1JB43-4-4	HOSE END,BULKHEAD,SEAL LOK			

Fitting Cross References (Continued)

Genie PN	Parker PN	Description	Genie PN	Parker PN	Description
83064	13743-8-8	HOSE END,45° FEMALE SWIVEL,JIC	89449	6 WJLO-WLNL-S	RUN TEE, BULKHEAD,ORFS
83065	13743-12-12	HOSE END,45° FEMALE SWIVEL,JIC	89489	4 WJMLO-S	BRANCH TEE,BULKHEAD,ORFS
83066	13943-8-8	HOSE END,90° FEMALE SWIVEL,JIC	89551	1JB43-6-6	HOSE END,BULKHEAD,SEAL LOK
83067	14143-6-6	HOSE END,90° FEMALE SWIVEL,JIC	89552	1JB43-8-8	HOSE END,BULKHEAD,SEAL LOK
83068	14143-8-8	HOSE END,90° FEMALE SWIVEL,JIC	89593	20 C5OLO-S	ELBOW,90°,STRAIGHT THREAD TO ORFS
83069	14143-12-12	HOSE END,90° FEMALE SWIVEL,JIC	94161	8-8 CLO-S	ELBOW,90°,MALE PIPE TO ORFS
83070	772-8	HOSE,1/2 INCH ID	94358	351TC-12	HOSE,3/4 INCH ID
83071	10671-8-8	HOSE END,FEMALE SWIVEL,JIC	94418	20 FLO-S	CONNECTOR,MALE PIPE TO ORFS
83072	10671-12-12	HOSE END,FEMALE SWIVEL,JIC	96358	12 TX-S	SLEEVE,FLARE TUBE
83073	13771-8-8	HOSE END,45° FEMALE SWIVEL,JIC	96359	12 BTX-S	NUT,FLARE TUBE
83074	13771-12-12	HOSE END,45° FEMALE SWIVEL,JIC	96397	8 F5OX-S	CONNECTOR,STRAIGHT THREAD TO FLARE TUBE
83075	13971-8-8	HOSE END,90° FEMALE SWIVEL,JIC	96398	12-8 F5OX-S	CONNECTOR,STRAIGHT THREAD TO FLARE TUBE
83076	13971-12-12	HOSE END,90° FEMALE SWIVEL,JIC	96402	10343-6-6	HOSE END,MALE,JIC
83077	14171-8-8	HOSE END,90° FEMALE SWIVEL,JIC	96407	30382-6-6B	HOSE END,MALE,JIC
83078	14171-12-12	HOSE END,90° FEMALE SWIVEL,JIC			
83080	13943-16-16	HOSE END,90° FEMALE SWIVEL,JIC			
83103	10671-16-12	HOSE END,FEMALE SWIVEL,JIC			
83104	10671-10-12	HOSE END,FEMALE SWIVEL,JIC			
83112	1JC71-8-8	HOSE END,FEMALE SWIVEL,SEAL LOK			
83113	1JS71-16-12	HOSE END,FEMALE SWIVEL,SEAL LOK			
83114	1JS71-10-12	HOSE END,FEMALE SWIVEL,SEAL LOK			
83115	1J971-8-8	HOSE END,90° FEMALE SWIVEL,SEAL LOK			
83116	1J171-8-8	HOSE END,90° FEMALE SWIVEL,SEAL LOK			
83117	1J771-8-8	HOSE END,45° FEMALE SWIVEL,SEAL LOK			
83127	1J543-6-8	HOSE END,90° FEMALE SWIVEL,JIC			
83128	1JC43-6-8	HOSE END,FEMALE SWIVEL,SEAL LOK			
87033	12-6 TRLO-S	REDUCER,TUBE END TO SWIVEL,ORFS			
87034	3J782-8-8	HOSE END,45° FEMALE SWIVEL,SEAL LOK			
87172	12 HP5ON-S	PLUG,STRAIGHT THREAD			
87185	8 WNLO-WLNL-S	UNION,BULKHEAD 45°,ORFS			
87246	4 C6X-S	ELBOW,90°,SWIVEL NUT TO FLARE TUBE			
87679	6 LHP-S	FLANGE SEAL FITTING, MALE			
87681	6PLS N0702	BONDED SEAL			
88100	SR88100	ADAPTER,OIL DRAIN,GM 3.0L			
88311	1JS43-20-20	HOSE END,FEMALE SWIVEL,SEAL LOK			
88353	20 V5OLO-S	ELBOW,45°,STRAIGHT THREAD TO ORFS			
88474	10081-20	Crimp Shell, 1.25"			
88475	1988-20-24	HOSE END,90° FLANGE HEAD			
88476	JS88-24-24	HOSE END,FEMALE SWIVEL,SEAL LOK			
88477	1JC88-20-20	HOSE END,FEMALE SWIVEL,SEAL LOK			
88478	811-20	HOSE,11/4 INCH ID			
88936	20-16 F5OLO-S	CONNECTOR,STRAIGHT THREAD TO ORFS			
88937	20-16 FLO-S	CONNECTOR,MALE PIPE TO ORFS			
88938	1JC88-16-16	HOSE END,FEMALE SWIVEL,SEAL LOK			
88939	1J988-16-16	HOSE END,90° FEMALE SWIVEL,ORFS			
88940	811-16	HOSE,1 INCH ID			
88944	1J988-20-20	HOSE END,90° FEMALE SWIVEL,ORFS			
89403	16 VLO-S	ELBOW,45°,MALE PIPE TO ORFS			

California Proposition 65



Operating, servicing and maintaining this equipment can expose you to chemicals including engine exhaust, carbon monoxide, phthalates, and lead, which are known to the State of California to cause cancer and birth defects or other reproductive harm. These chemicals can be emitted from or contained in other various parts and systems, fluids and some component wear by-products. To minimize exposure, avoid breathing exhaust, do not idle the engine except as necessary, service your equipment and vehicle in a well-ventilated area and wear gloves or wash your hands frequently when servicing your equipment or vehicle and after operation. For more information go to www.P65Warnings.ca.gov/passenger-vehicle.

Breathing diesel engine exhaust exposes you to chemicals known to the State of California to cause cancer and birth defects or other reproductive harm.

- Always start and operate the engine in a well-ventilated area.
- If in an enclosed area, vent the exhaust to the outside.
- Do not modify or tamper with the exhaust system.
- Do not idle the engine except as necessary.

For more information go to www.P65warnings.ca.gov/diesel.

Distributed By:

www.P65Warnings.ca.gov to order your parts

PARTS FINDER

**Search Website
by Part Number**



**Search Manual
Library For Parts
Manual & Lookup Part
Numbers – Purchase
or Request Quote**

Search Manuals

Enter your information to help us find the right parts manual for your machine.

* Brand:

* Model:

* Serial:

* Part Number:

SEARCH

**Can't Find Part or
Manual? Request Help
by Manufacturer,
Model & Description**

Parts Order Form

Please fill in the following information to help us find the right part for your machine.

Manufacturer:

Model:

Description:

Quantity:

Part Number:

Part Name:

Part Description:

Part Category:

Part Location:

Part Status:

Part Condition:

Part Material:

Part Color:

Part Weight:

Part Dimensions:

Part Price:

Part Lead Time:

Part Availability:

Part Notes:

Submit

Discount-Equipment.com is your online resource for quality parts & equipment.

Florida: **561-964-4949** Outside Florida TOLL FREE: **877-690-3101**

Need parts?

Click on this link: <http://www.discount-equipment.com/category/5443-parts/> and choose one of the options to help get the right parts and equipment you are looking for. Please have the machine model and serial number available in order to help us get you the correct parts. If you don't find the part on the website or on one of the online manuals, please fill out the request form and one of our experienced staff members will get back to you with a quote for the right part that your machine needs.

We sell worldwide for the brands: Genie, Terex, JLG, MultiQuip, Mikasa, Essick, Whiteman, Mayco, Toro Stone, Diamond Products, Generac Magnum, Airman, Haulotte, Barreto, Power Blanket, Nifty Lift, Atlas Copco, Chicago Pneumatic, Allmand, Miller Curber, Skyjack, Lull, Skytrak, Tsurumi, Husquvarna Target, Stow, Wacker, Sakai, Mi-T-M, Sullair, Basic, Dynapac, MBW, Weber, Bartell, Bennar Newman, Haulotte, Ditch Runner, Menegotti, Morrison, Contec, Buddy, Crown, Edco, Wyco, Bomag, Laymor, EZ Trench, Bil-Jax, F.S. Curtis, Gehl Pavers, Heli, Honda, ICS/PowerGrit, IHI, Partner, Imer, Clipper, MMD, Koshin, Rice, CH&E, General Equipment, Amida, Coleman, NAC, Gradall, Square Shooter, Kent, Stanley, Tamco, Toku, Hatz, Kohler, Robin, Wisconsin, Northrock, Oztec, Toker TK, Rol-Air, APT, Wylie, Ingersoll Rand / Doosan, Innovatech, Con X, Ammann, Mecalac, Makinex, Smith Surface Prep, Small Line, Wanco, Yanmar