



A TEREX BRAND



# Parts Manual

## Serial Number Range

**Z-34/22Bi-Energy**

from SN Z3413-9607 to  
Z3415-10688

**Z-34/22DC**

from SN Z3416F-10689 to  
Z3416F-11999

.

.

**Z-34/22N**

from SN Z34N13-10886 to  
Z34N15-12453

from Z34N16F-12454 to  
Z34N16F-13999

Part No. 1265425

Rev B5

January 2019

Go to Discount-Equipment.com to order your parts

# PARTS FINDER

**Search Website  
by Part Number**



**Search Manual  
Library For Parts  
Manual & Lookup Part  
Numbers – Purchase  
or Request Quote**

**Search Manuals**

Enter your information to help us find the right parts manual for your machine.

\* Brand:

\* Model:

\* Serial:

\* Part Number:

SEARCH

**Can't Find Part or  
Manual? Request Help  
by Manufacturer,  
Model & Description**

**Parts Order Form**

Please fill in the following information to help us find the right part for your machine.

Manufacturer:	<input type="text"/>
Model:	<input type="text"/>
Description:	<input type="text"/>
Part Number:	<input type="text"/>
Quantity:	<input type="text"/>
Notes:	<input type="text"/>

Discount-Equipment.com is your online resource for quality parts & equipment.

Florida: **561-964-4949** Outside Florida TOLL FREE: **877-690-3101**

**Need parts?**

Click on this link: <http://www.discount-equipment.com/category/5443-parts/> and choose one of the options to help get the right parts and equipment you are looking for. Please have the machine model and serial number available in order to help us get you the correct parts. If you don't find the part on the website or on one of the online manuals, please fill out the request form and one of our experienced staff members will get back to you with a quote for the right part that your machine needs.

We sell worldwide for the brands: Genie, Terex, JLG, MultiQuip, Mikasa, Essick, Whiteman, Mayco, Toro Stone, Diamond Products, Generac Magnum, Airman, Haulotte, Barreto, Power Blanket, Nifty Lift, Atlas Copco, Chicago Pneumatic, Allmand, Miller Curber, Skyjack, Lull, Skytrak, Tsurumi, Husquvarna Target, Stow, Wacker, Sakai, Mi-T-M, Sullair, Basic, Dynapac, MBW, Weber, Bartell, Bennar Newman, Haulotte, Ditch Runner, Menegotti, Morrison, Contec, Buddy, Crown, Edco, Wyco, Bomag, Laymor, EZ Trench, Bil-Jax, F.S. Curtis, Gehl Pavers, Heli, Honda, ICS/PowerGrit, IHI, Partner, Imer, Clipper, MMD, Koshin, Rice, CH&E, General Equipment, Amida, Coleman, NAC, Gradall, Square Shooter, Kent, Stanley, Tamco, Toku, Hatz, Kohler, Robin, Wisconsin, Northrock, Oztec, Toker TK, Rol-Air, APT, Wylie, Ingersoll Rand / Doosan, Innovatech, Con X, Ammann, Mecalac, Makinex, Smith Surface Prep, Small Line, Wanco, Yanmar

To August 31, 2016

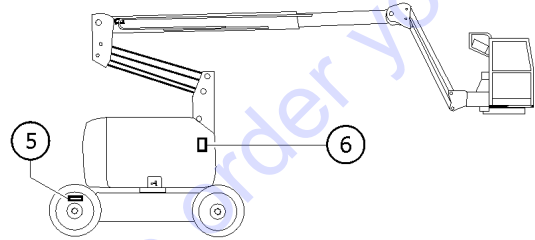
**Genie**  
A TEREX BRAND

**Model:**  
**Serial number:** Z3416F-12345  
**Manufacture date:** 1/2/16  
**Electrical schematic number:**  
**Machine unladen weight:**  
**Rated work load (including occupants):**  
**Maximum number of platform occupants:**  
**Maximum allowable side force:**  
**Maximum allowable inclination of the chassis:**

**Model year:** 2016

Z34 16 F - 12345

1 2 3 4



- 1 Model
- 2 Model year
- 3 Facility code

- 4 Sequence number
- 5 Serial number (stamped on chassis)
- 6 Serial label (located under cover)

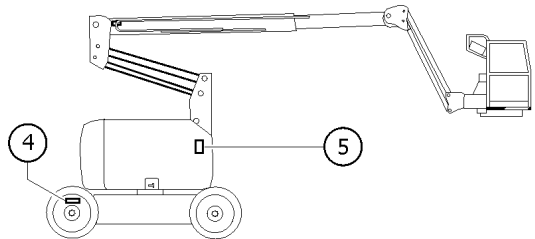
From September 1, 2016

**Genie**  
A TEREX BRAND

**Model:**  
**Serial number:** Z34F-12345  
**Year of manufacture:** 2016  
**Electrical schematic number:**  
**Machine unladen weight:**  
**Rated work load (including occupants):**  
**Maximum number of platform occupants:**  
**Maximum allowable side force:**  
**Maximum allowable inclination of the chassis:**

Z34 F - 12345

1 2 3



- 1 Model
- 2 Facility code
- 3 Sequence number

- 4 Serial number (stamped on chassis)
- 5 Serial label (located under cover)

## Table of Contents

This manual is updated frequently. For the most up-to-date parts information, visit [www.discount-equipment.com](http://www.discount-equipment.com)

How to Read Your Serial Number.....	3
Parts Stocking List.....	7

**Electronic Version**

Click on any page number to view the figure.

**001 Parts Stocking List**

001.1 Parts Stocking List.....	10
--------------------------------	----

**100 Decals**

101.1 Word Decals, Z-34/22N & Z-34/22DC, Chassis/Battery Box.....	12
102.1 Word Decals, Z-34/22N & Z-34/22DC, Turntable.....	14
103.1 Word Decals, Z-34/22N & Z-34/22DC, Boom.....	16
104.1 Word Decals, Z-34/22N & Z-34/22DC, Platform.....	18
105.1 Word Decals, Z-34/22BE, Chassis.....	20
106.1 Word Decals, Z-34/22BE, Turntable.....	22
107.1 Word Decals, Z-34/22BE, Boom.....	24
108.1 Word Decals, Z-34/22BE, Platform.....	26
109.1 Symbol Decals, Z-34/22N & Z-34/22DC, Chassis/Battery Box.....	28
110.1 Symbol Decals, Z-34/22N & Z-34/22DC, Turntable.....	30
111.1 Symbol Decals, Z-34/22N & Z-34/22DC, Boom.....	32
112.1 Symbol Decals, Z-34/22N & Z-34/22DC, Platform.....	34
113.1 Symbol Decals, Z-34/22BE, Chassis.....	36
114.1 Symbol Decals, Z-34/22BE, Turntable.....	38
115.1 Symbol Decals, Z-34/22BE, Boom.....	40
116.1 Symbol Decals, Z-34/22BE, Platform.....	42

**200 Chassis Components**

201.1 Steer End.....	44
202.1 Non-Steer End, Electronic Control Module.....	46
203.1 Battery Charger.....	50
204.1 Battery Packs.....	52
205.1 Power Cable Diagram, Z-34/22N & Z-34/22DC.....	54
206.1 Power Cable Diagram, Z-34/22BE.....	56

**300 Turntable Components**

301.1 Turntable Rotator.....	58
302.1 Ground Control Side, Z-34/22N & Z-34/22DC.....	60
303.1 Ground Controls Side, Z-34/22BE, View 1.....	62
304.1 Ground Controls Side, Z-34/22BE, View 2.....	64
305.1 Hydraulic Tank Side, Z-34/22N & Z-34/22DC.....	66
306.1 Turntable Covers, Z-34/22N & Z-34/22DC.....	68
307.1 Turntable Covers, Z-34/22BE.....	70
308.1 Ground Control Panel, Z-34/22N & Z-34/22DC.....	72
309.1 Ground Control Box, Z-34/22BE, External View.....	74
310.1 Ground Control Box, Z-34/22BE, Internal View.....	76
311.1 Wire Harness Diagram, Z-34/22N and Z-34/22DC.....	78
312.1 Wire Harness Diagram, Z-34/22BE.....	80

**400 Engine Components**

401.1 Engine Pivot Plate.....	82
402.1 Kubota Z482 E4B, Diesel Engine, View 1.....	84
403.1 Kubota Z482 E4B, Diesel Engine, View 2.....	86
404.1 Kubota Z482 E4B, Diesel Engine, View 3.....	88

**500 Boom Components**

500.1 Boom Layout.....	90
501.1 Secondary Boom, View 1.....	92
502.1 Secondary Boom, View 2.....	94
503.1 Upper Pivot.....	96
504.1 Primary and Extension Booms.....	98
505.1 Cable Track.....	100
506.1 Jib Boom and Platform Rotator.....	102

**600 Platform Components**

601.1 Platform.....	104
602.1 Platform Control Box, External View.....	106
603.1 Platform Control Box, Internal View.....	108
604.1 Joystick Controller, Drive/Steer Functions.....	110
605.1 Rotation Controller, Boom Function Speed.....	112

**700 Hydraulic Components**

701.1 Function Manifold.....	114
702.1 Jib Boom and Platform Rotate Manifold.....	116
703.1 Drive Chassis Hoses.....	118
704.1 Turntable Hoses.....	120
705.1 Boom Hoses.....	122
706.1 Hydraulic Power Unit.....	124

**800 Accessories**

801.1 Air Line to Platform.....	126
802.1 Aircraft Protection.....	128
803.1 Auxiliary Rail Assembly.....	130
804.1 Flashing Beacon and Alarm.....	132



805.1 Hostile Environment, Wiper.....134

806.1 Hostile Environment, Cylinder Bellows.....136

807.1 Cold Start for Bi-Energy.....138

808.1 Drive Light.....140

809.1 Inverter, 120V.....142

810.1 Platform Control Box Cover, Tool Tray and Work  
Light.....144

811.1 Platform Half Mesh, Swing Gate and Pipe Cradle....146

812.1 Platform Overload, CE and AUS.....148

813.1 Operators Protection Alarm (to January 2017).....150

813.2 Lift Guard Contact Alarm (from January 2017).....152

**Indices**

Part Number Index.....154

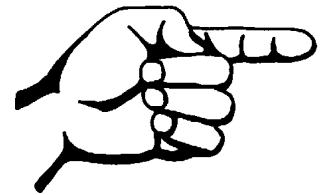
Part Description Index.....159

**Cross References**

Fittings Cross Reference.....166

Go to Discount-Equipment.com to order your parts

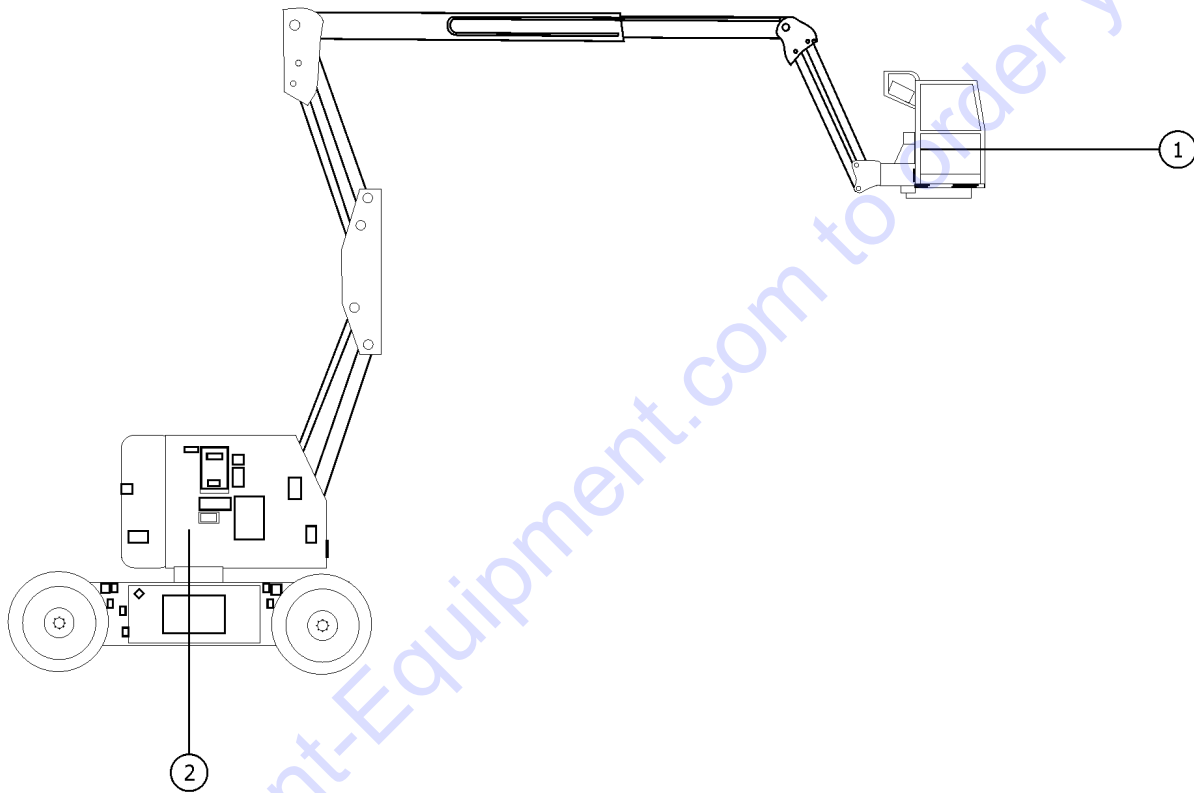
Please refer to section 001 for the Recommended Spare Parts List.



This page intentionally left blank.

Go to Discount-Equipment.com to order your parts

001.1 Parts Stocking List



Go to Discount-Equipment.com to order your parts

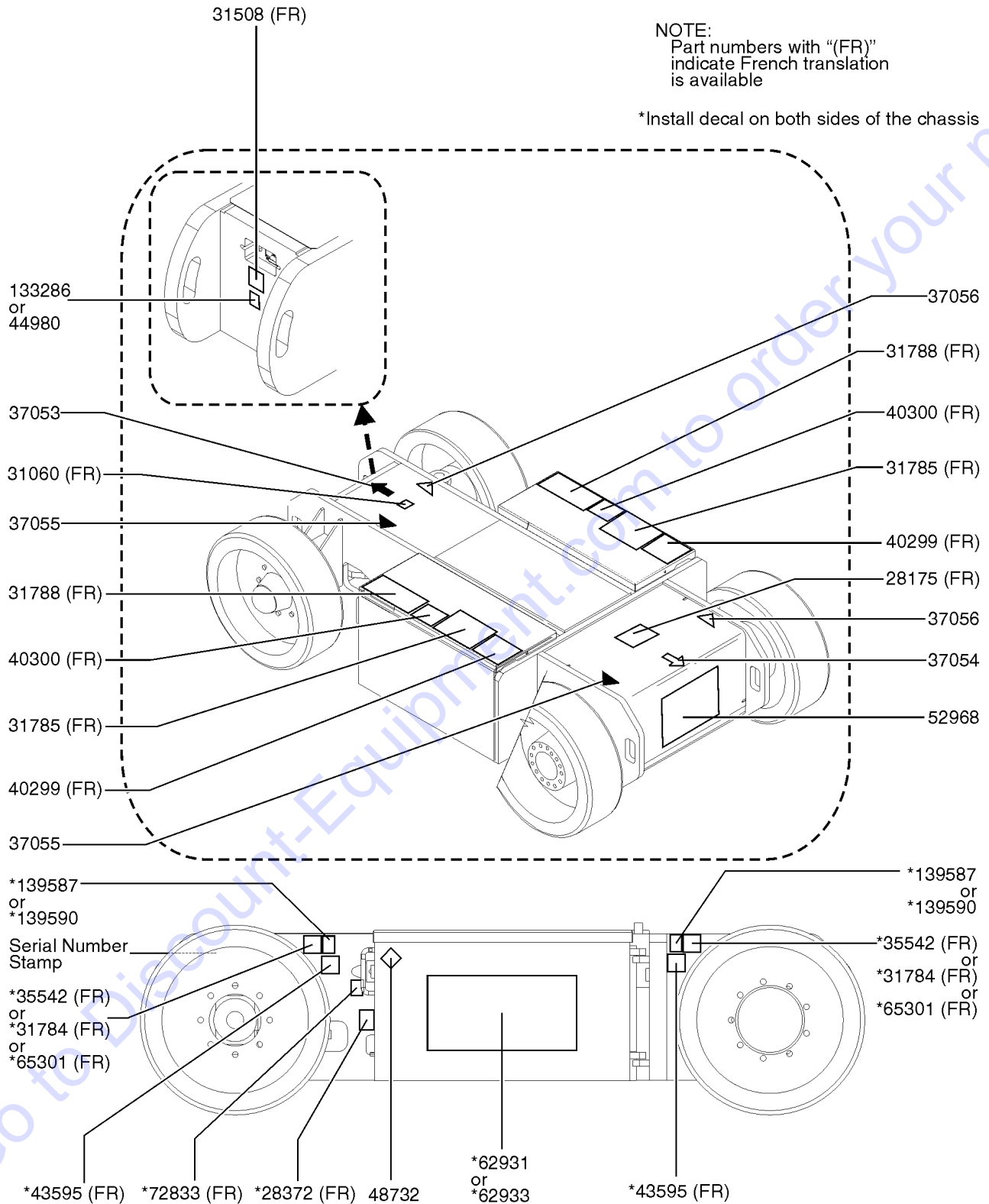
Item	Part No.	Description	Qty.
A		— GENERAL SERVICE PARTS —	
--	1257733GT	PAINT,WET,TRAFFIC BLACK (1 GL)** <i>1-gallon</i>	
--	1258567GT	PAINT, AEROSOL, TRAFFIC BLACK <i>12-ounce spray paint</i>	
--	1268GT	PAINT,AEROSOL,GENIE GRAY*** <i>12-ounce spray paint</i>	
--	1283776GT	SEAL MARKER,CROSS CHECK,BLUE,TUBE	
--	1484GT	PAINT,AEROSOL,BRIGHT BLUE*** <i>12-ounce spray paint</i>	
--	28750GT	O-RING KIT,FIELD SVC,ALL PROD* <i>O-ring kit, SAE</i>	
--	32150GT	PAINT,WET,GENIE BLUE (1 GL)** <i>1-gallon</i>	
--	32151GT	PAINT,WET,GENIE GRAY (1 GL)** <i>1-gallon</i>	
--	33994GT	PLUG AND CAP KIT-SERVICE,37 ** <i>Plug and cap kit, SAE</i>	
--	36555GT	CHOCK,CYLINDER (SERVICE TOOL)	
--	49612GT	O-RING KIT (ORFS FITTINGS) <i>O-ring kit, ORFS</i>	
--	49613GT	PLUG AND CAP KIT-SERVICE,ORFS* <i>Plug and cap kit, ORFS</i>	
--	66399GT	GREASE,DIELECTRIC 4 OZ**	
--	93500GT	PARKER DIGITAL PRESSURE GAUGE	
--			
1		— MANUALS —	
--	27581GT	MANUAL,AEM SAFETY	
--	31779GT	MANUAL,RESPON,A92.5 BOOM	
		—	

Go to Discount-Equipment.com to order your parts

101.1 Word Decals, Z-34/22N & Z-34/22DC, Chassis/Battery Box

NOTE:  
Part numbers with "(FR)"  
indicate French translation  
is available

\*Install decal on both sides of the chassis

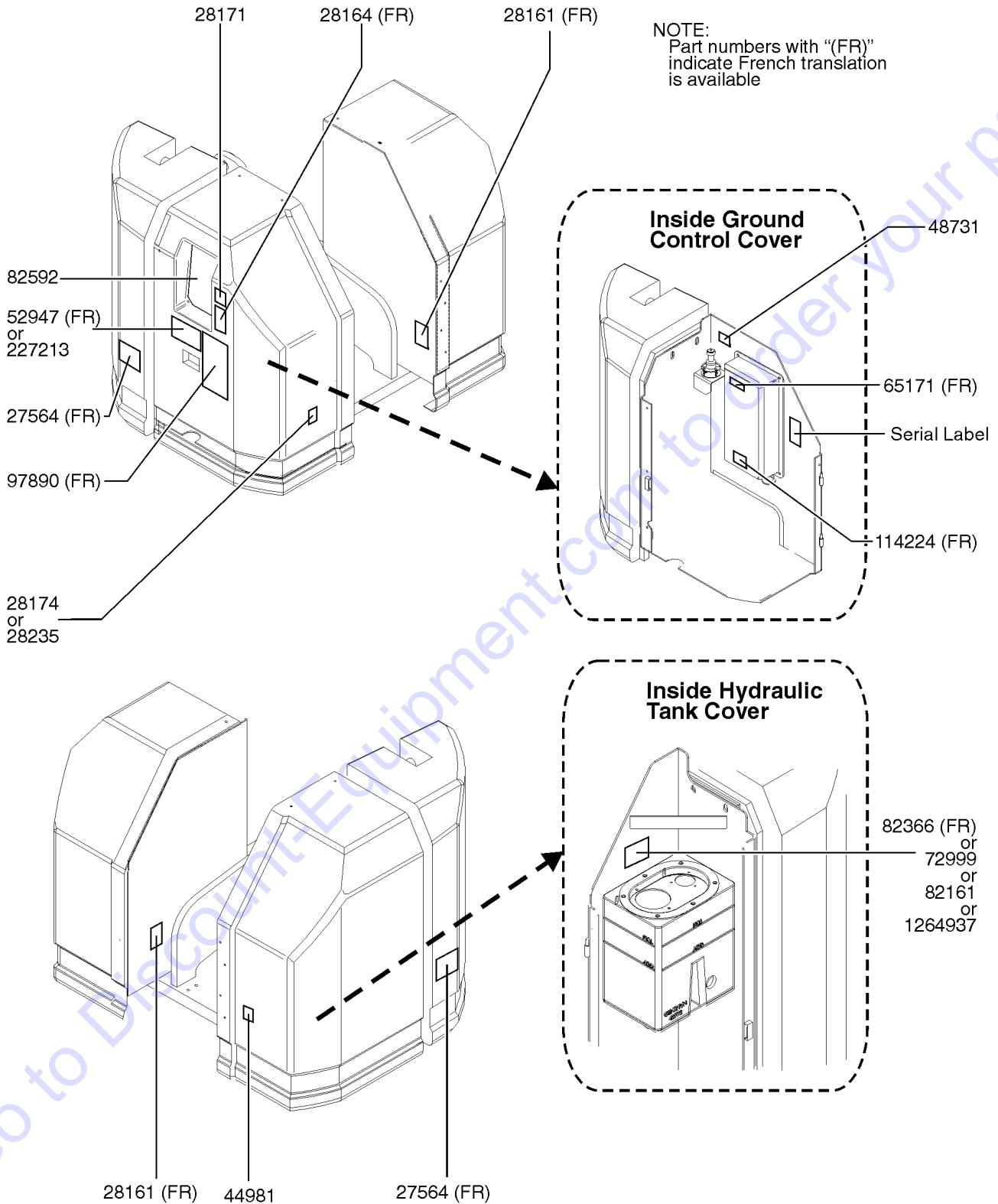


## 101.1 Word Decals, Z-34/22N &amp; Z-34/22DC, Chassis/Battery Box

Item	Part No.	Description	Qty.
1	28175GT	DECAL,WARNING-COMPART ACCESS.....	1
2	28372GT	DECAL,NOTICE,BATTERY CABLES....	2
3	31060GT	DECAL,DANGER DO NOT ALTER SWTC.....	1
4	31508GT	DECAL,DANGER,ELECT HAZARD,PLUG.....	1
5	31784GT	DECAL,NOTICE,TIRE SPECS,Z34DC.... <i>ANSI models</i>	4
6	31785GT	DECAL,NOTICE,CHARGER INSTRUC...2	
7	31788GT	DECAL,DANGER,BATTERY SAFETY*** .....	2
8	35542GT	DECAL,NOTICE,LUG NUT TORQUE*** .....	4
		<i>Z-34N</i>	
9	37053GT	DECAL,ARROW,BLUE.....	1
10	37054GT	DECAL,ARROW,YELLOW SM 5-3/8".....	1
11	37055GT	DECAL,TRIANGLE,BLUE.....	2
12	37056GT	DECAL,TRIANGLE,YELLOW.....	2
13	40299GT	DECAL,NOTICE,BATT CONNECTION...2	
14	40300GT	DECAL,DANGER,TIP-OVER BATTERY.....	2
15	43595GT	DECAL,DANGER,TIP-OVER, TIRES***...4 <i>Z-34DC, AUS models</i>	
16	44980GT	DECAL,LABEL,PWR TO CHARGR 115V.....	1
		<i>option, EE rated</i>	
18	52968GT	DECAL,COSMETIC,GENIE BOOM,VERT.....	1
19	62931GT	DECAL,GENIE Z-34/22 DC POWER....2	
20	62933GT	DECAL,COSM,GENIE Z-34/22N(BOX)...2	
21	65301GT	DECAL,NOTICE,FOAM-FILLED TIRES.....	4
		<i>Z-34DC, AUS models</i>	
22	72833GT	DECAL,LABEL,OPEN,LATCH.....	2
23	133286GT	DECAL, POWER TO CHARGER, UNIV.....	1
24	139587GT	DECAL,LABEL,WHEEL LOAD Z34DC**.....	4
25	139590GT	DECAL,LABEL,WHEEL LOAD Z34N***.4	



102.1 Word Decals, Z-34/22N & Z-34/22DC, Turntable



102.1 Word Decals, Z-34/22N & Z-34/22DC, Turntable

Item	Part No.	Description	Qty.
1	27564GT	DECAL,DANGER,ELEC.HAZ.STAY CLR.....	2
2	28161GT	DECAL,WARN,CRUSH HAZARD HAND.....	2
3	28164GT	DECAL,NOTICE,HAZARDOUS MAT'LS*.....	1
4	28171GT	DECAL,DANGER,NO SMOKING ***.....	1
5	28174GT	DECAL, POWER TO PLATFORM 230V**.....	1
6	28235GT	DECAL,POWER TO PLATFORM 115V.....	1
7	44981GT	DECAL,LABEL, AIR LINE 110 PSI..... <i>option, airline to platform</i>	1
9	52947GT	DECAL,OPERATING INSTR,GROUND..... <i>ANSI models</i>	1
10	65171GT	DECAL,LABEL,CB & STATUS LIGHT.....	1
11	72999GT	DECAL,LABEL,PETRO CANADA***..... <i>option, hydraulic oil</i>	1
12	82161GT	DECAL,LABEL,UCON HYDROLUBE..... <i>option, hydraulic oil</i>	1
13	82366GT	DECAL,CHEVRON RANDO HD..... <i>option, hydraulic oil</i>	1
14	82592GT	DECAL,GROUND CONTROL PANEL***.....	1
15	97890GT	DECAL,DANGER,GEN SAFETY RULES.....	1
16	114224GT	DECAL,LABEL,RELAYS,Z30N,Z34NDC.	1
17	227213GT	DECAL,OPER INST,DC BOOM GND AU..... <i>AUS models</i>	1
18	1264937GT	OIL, HYD, SHELL TELLUS S4 VX <i>option, cold weather</i>	

Go to Discount-Equipment.com to order your parts

103.1 Word Decals, Z-34/22N & Z-34/22DC, Boom

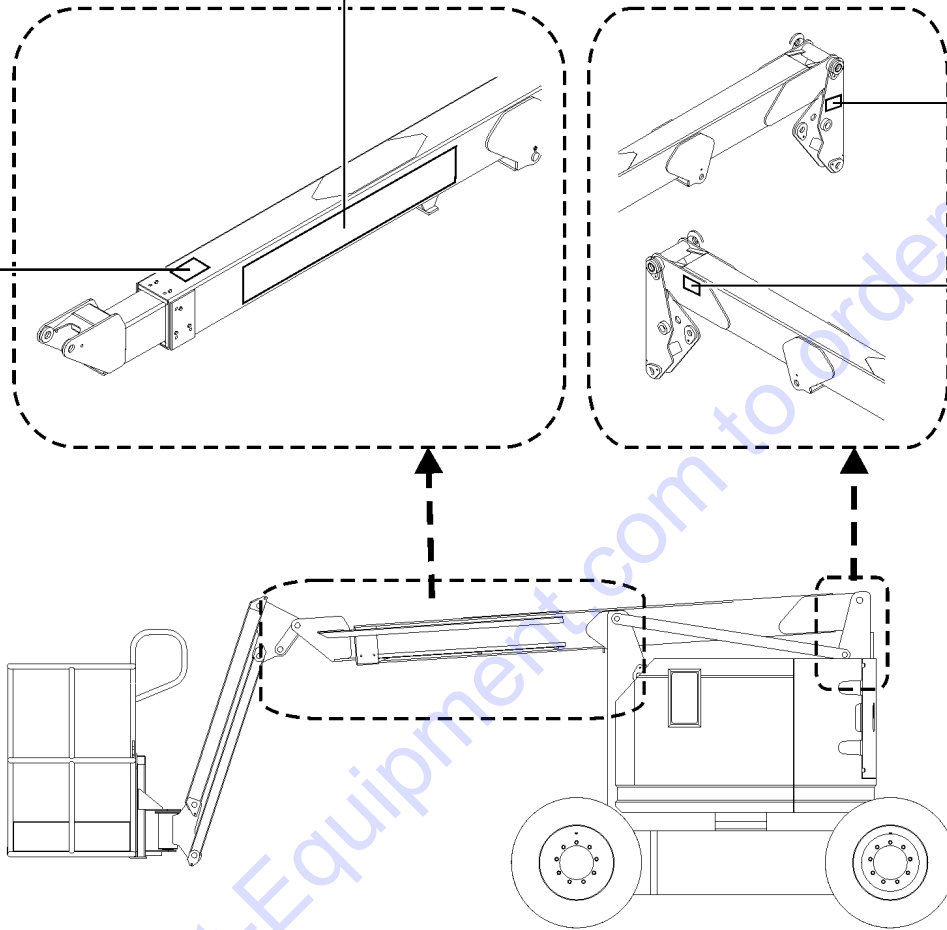
62930  
or  
62932

NOTE:  
Part numbers with "(FR)"  
indicate French translation  
is available

28181 (FR)

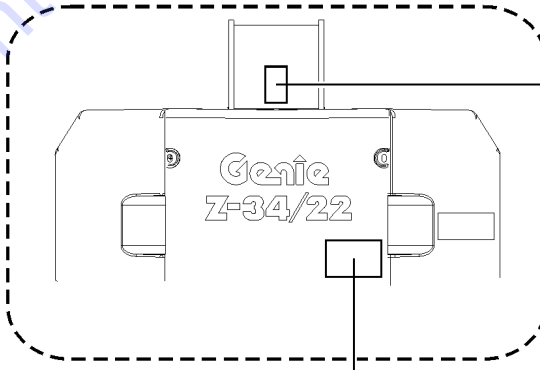
31060 (FR)

31060 (FR)



28161 (FR)

31060 (FR)



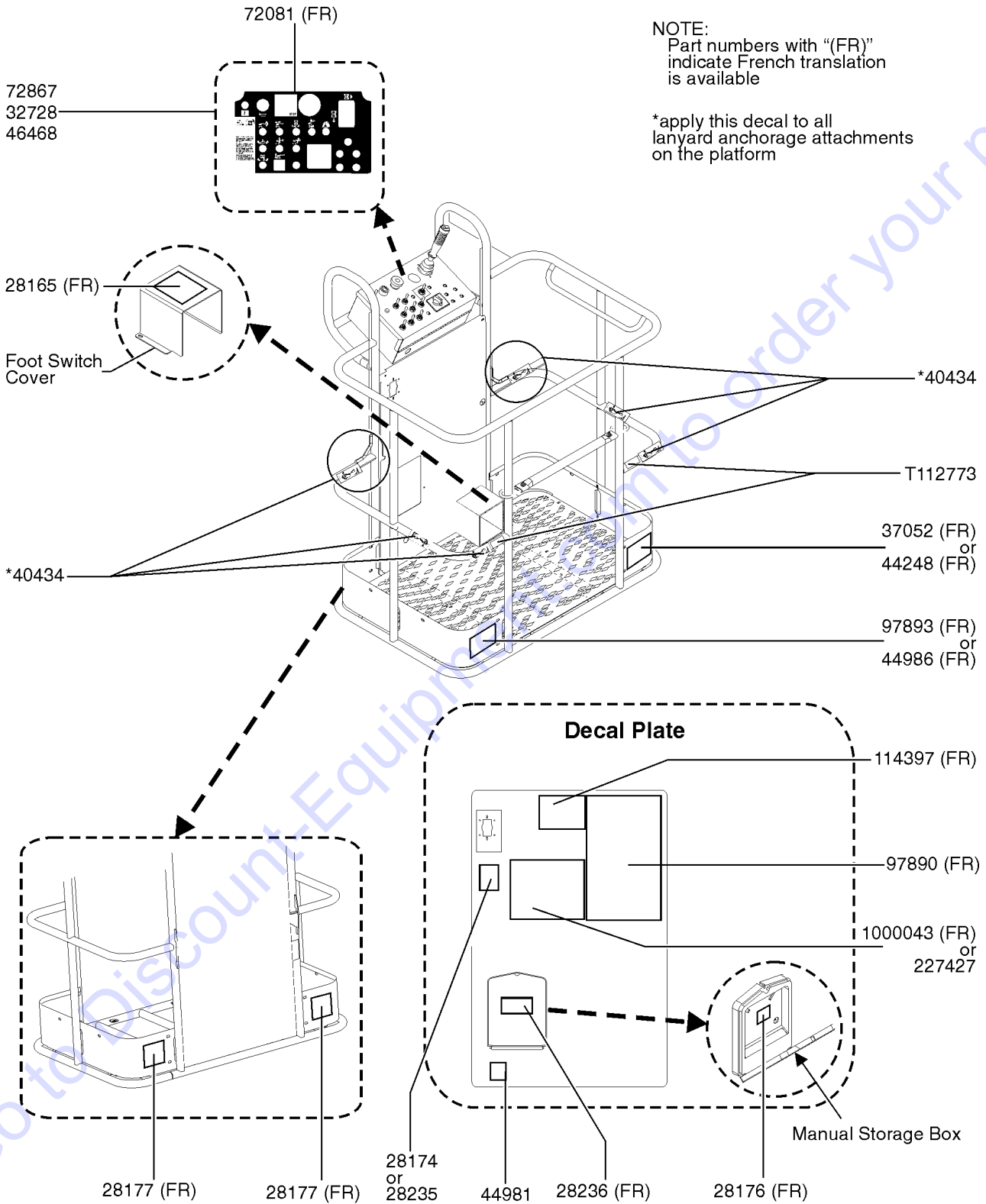
103.1 Word Decals, Z-34/22N & Z-34/22DC, Boom

Item	Part No.	Description	Qty.
1	28161GT	DECAL,WARN,CRUSH HAZARD HAND.....	1
2	28181GT	DECAL,WARN,FALL HAZARD.....	1
3	31060GT	DECAL,DANGER DO NOT ALTER SWTC.....	3
4	62930GT	DECAL,COSMETIC,GENIE Z-34/22..... Z-34DC	1
5	62932GT	DECAL,COSMETIC,GENIE Z-34/22N.....	1

Go to Discount-Equipment.com to order your parts



104.1 Word Decals, Z-34/22N & Z-34/22DC, Platform



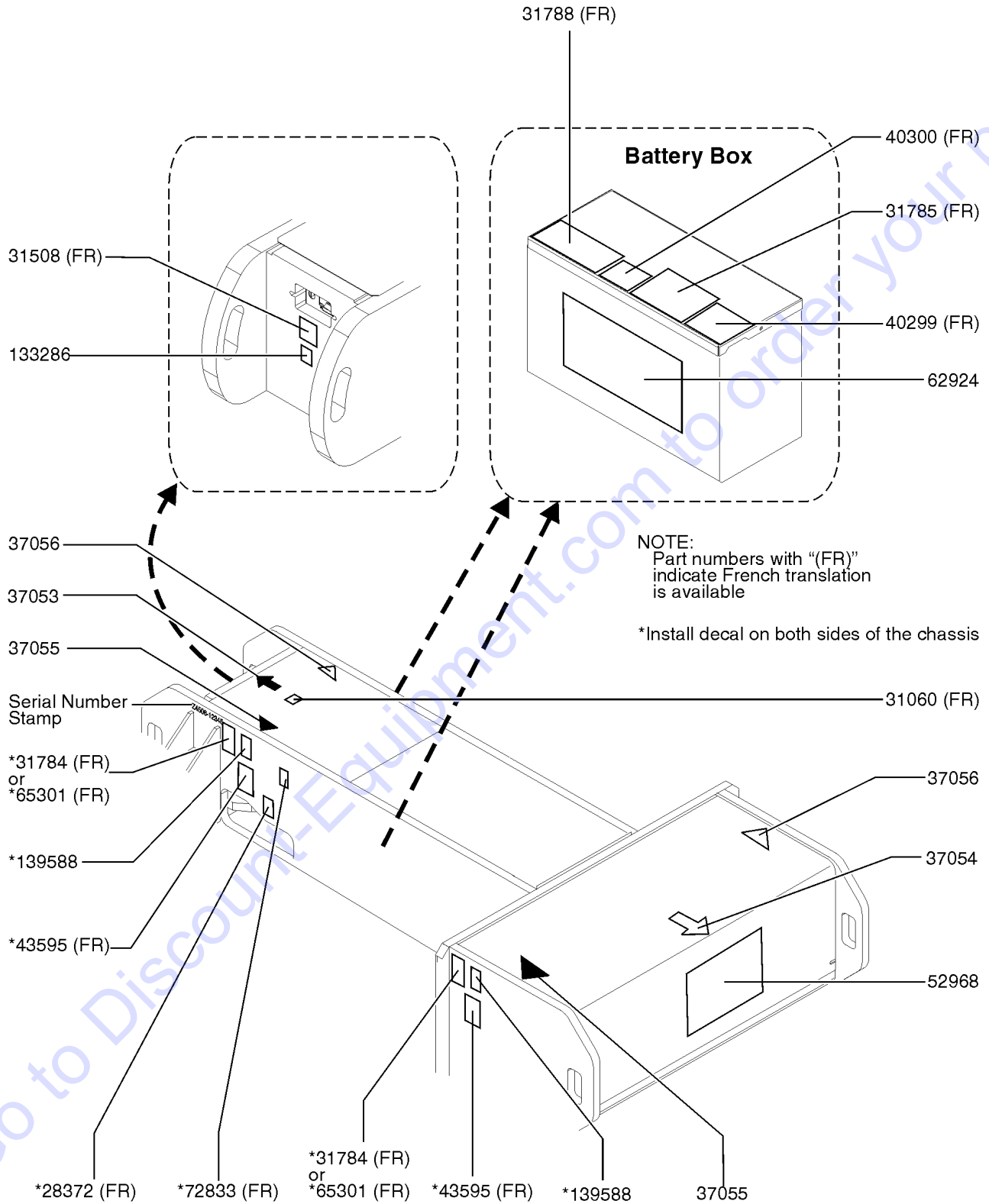
104.1 Word Decals, Z-34/22N & Z-34/22DC, Platform

Item	Part No.	Description	Qty.
1	28165GT	DECAL,INSTRUCT,FOOTSWITCH OPER.....	1
2	28174GT	DECAL, POWER TO PLATFORM 230V**.....	1
3	28176GT	DECAL,LABEL,MANUAL NOT HERE.....	1
4	28177GT	DECAL,WARN,CRUSH HAZARD PLAT.....	2
5	28235GT	DECAL,POWER TO PLATFORM 115V...1	1
6	28236GT	DECAL,WARN,IMPROPER OPERATION.....	1
7	32728GT	DECAL,OPTION GENERATOR***..... <i>option, inverter</i>	1
8	37052GT	DECAL,NOTICE,MAX LOAD 500 LBS...1	1
9	40434GT	DECAL,LANYARD ANCHORAGE POINT.....	6
10	44248GT	DECAL,NOTICE,MAX CAP 440 LBS..... <i>option, aircraft protection</i>	1
11	44981GT	DECAL,LABEL, AIR LINE 110 PSI..... <i>option, airline to platform</i>	1
12	44986GT	DECAL,INSTR,SIDE FRC/WIND,AUS..... <i>AUS models</i>	1
13	46468GT	DECAL,FUNCTION OVERRIDE..... <i>option, aircraft protection</i>	1
14	72081GT	DECAL,PLATFORM CONTROL PANEL**.....	1
15	72867GT	DECAL,LABEL,LIGHTS***..... <i>option, work lights</i>	1
16	97890GT	DECAL,DANGER,GEN SAFETY RULES.....	1
17	97893GT	DECAL,NOTICE,SIDE FRC/WINDANSI..... <i>ANSI models</i>	1
18	114397GT	DECAL,DANGER,TILT ALARM.....	1
19	227427GT	DECAL, OPERATING INSTRUCTIONS..... <i>AUS models</i>	1
20	1000043GT	DECAL,NOTICE,OPER INST PLAT,DC..... <i>ANSI models</i>	1
21	T112773GT	TAPE, PROTECTIVE MASK.....	2

Go to [www.genieequipment.com](http://www.genieequipment.com) to order your parts



105.1 Word Decals, Z-34/22BE, Chassis



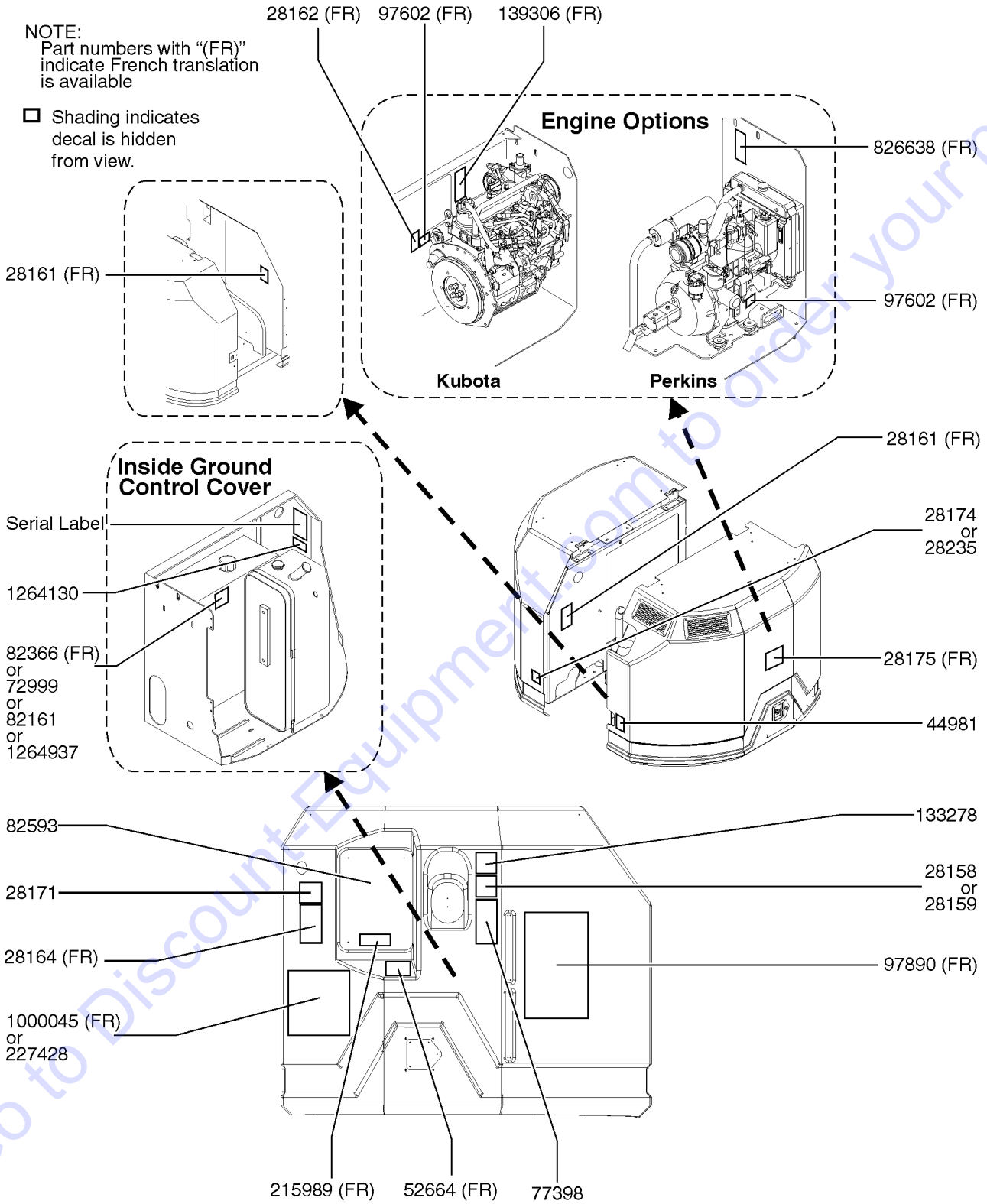
105.1 Word Decals, Z-34/22BE, Chassis

Item	Part No.	Description	Qty.
1	28372GT	DECAL,NOTICE,BATTERY CABLES.....	2
2	31060GT	DECAL,DANGER DO NOT ALTER SWTC.....	1
3	31508GT	DECAL,DANGER,ELECT HAZARD,PLUG.....	1
4	31784GT	DECAL,NOTICE,TIRE SPECS,Z34DC.... <i>ANSI models</i>	4
5	31785GT	DECAL,NOTICE,CHARGER INSTRUC...2	
5	31785JAGT	DECAL,NOTICE,CHARGER INSTRUC <i>(japanese)</i>	
6	31788GT	DECAL,DANGER,BATTERY SAFETY*** .....	2
7	37053GT	DECAL,ARROW,BLUE.....	1
8	37054GT	DECAL,ARROW,YELLOW SM 5-3/8".....	1
9	37055GT	DECAL,TRIANGLE,BLUE.....	2
10	37056GT	DECAL,TRIANGLE,YELLOW.....	2
11	40299GT	DECAL,NOTICE,BATT CONNECTION...2	
12	40300GT	DECAL,DANGER,TIP-OVER BATTERY .....	2
13	43595GT	DECAL,DANGER,TIP-OVER,TIRES***...4 <i>AUS models</i>	
14	52968GT	DECAL,COSMETIC,GENIE BOOM,VERT .....	1
15	62924GT	DECAL,GENIE Z-34/22 BI-ENERGY.....	2
16	65301GT	DECAL,NOTICE,FOAM-FILLED TIRES.....	4
		<i>AUS models</i>	
17	72833GT	DECAL,LABEL,OPEN,LATCH.....	2
18	133286GT	DECAL, POWER TO CHARGER, UNIV.....	1
19	139588GT	DECAL,LABEL,WHEEL LOAD Z34BE**.....	4

Go to DiscountEquipment.com to order your parts



106.1 Word Decals, Z-34/22BE, Turntable



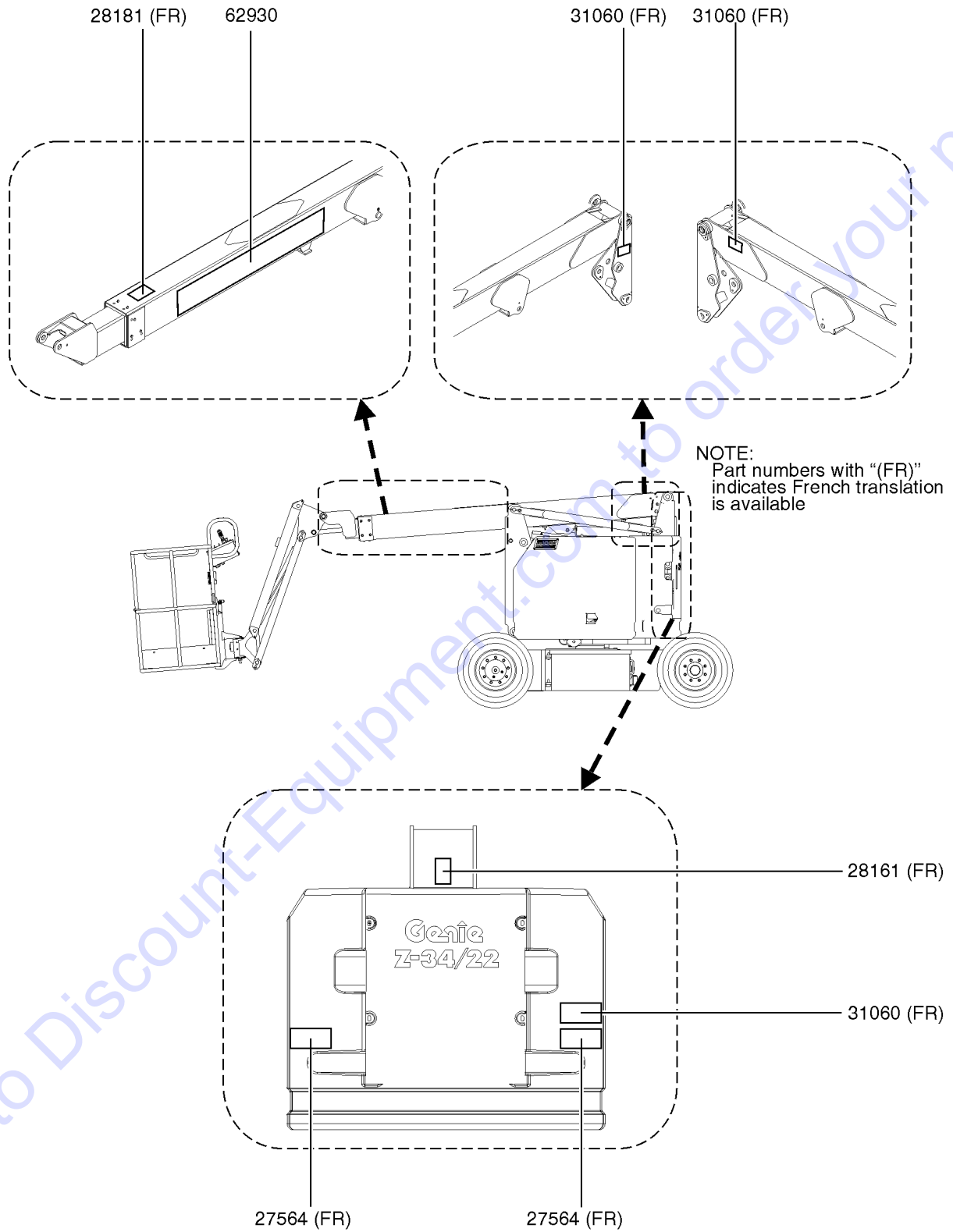
106.1 Word Decals, Z-34/22BE, Turntable

Item	Part No.	Description	Qty.
1	28158GT	DECAL,LABEL,UNLEADED GAS ONLY.....1 <i>option, fuel</i>	1
2	28159GT	DECAL,DIESEL.....1 <i>option, fuel</i>	1
3	28161GT	DECAL,WARN,CRUSH HAZARD HAND.....2	2
4	28162GT	DECAL,WARNING,CRUSHING.....1	1
5	28164GT	DECAL,NOTICE,HAZARDOUS MAT'LS*.....1	1
6	28171GT	DECAL,DANGER,NO SMOKING ***.....1	1
7	28174GT	DECAL, POWER TO PLATFORM 230V**.....1	1
8	28175GT	DECAL,WARNING-COMPART ACCESS.....1	1
9	28235GT	DECAL,POWER TO PLATFORM 115V...1	1
10	44981GT	DECAL,LABEL, AIR LINE 110 PSI.....1 <i>option, airline to platform</i>	1
11	52664GT	DECAL,LABEL,CONTRLR STATUS LT.....1	1
12	72999GT	DECAL,LABEL,PETRO CANADA***.....1 <i>option, hydraulic oil</i>	1
13	77398GT	DECAL,TIRE SEALANT,3.25 X 7.5.....1 <i>option, tire sealant</i>	1
14	82161GT	DECAL,LABEL,UCON HYDROLUBE.....1 <i>option, hydraulic oil</i>	1
15	82366GT	DECAL,CHEVRON RANDO HD.....1 <i>option, hydraulic oil</i>	1
16	82593GT	DECAL,GROUND CONTROL PANEL***.....1	1
17	97602GT	DECAL,EXPLOSION HAZARD.....1 <i>diesel engines only</i>	1
18	97890GT	DECAL,DANGER,GEN SAFETY RULES.....1	1
19	133278GT	DECAL,LOW/ULTRA LOW SULFR FUEL.....1 <i>diesel models only</i>	1
20	139306GT	DECAL,NOTICE,SPEC,Z482.....1	1
21	215989GT	DECAL,RELAY LABEL,Z34BE.....1	1
22	227428GT	DECAL, OPERATING INSTRUCTIONS.....1 <i>AUS models</i>	1
23	826638GT	DECAL,ENGINE SPEC,PERKINS 403D/F.....1	1
24	1000045GT	DECAL,NOTICE,OPER INST BE.....1 <i>ANSI models</i>	1
25	1264130GT	DECAL,WG972,CARB,EPA CERT 2015.....1 <i>gasoline models</i>	1
26	1264937GT	OIL, HYD, SHELL TELLUS S4 VX.....1 <i>option, cold weather</i>	1

Go to [www.genie.com](http://www.genie.com) to order your parts



107.1 Word Decals, Z-34/22BE, Boom



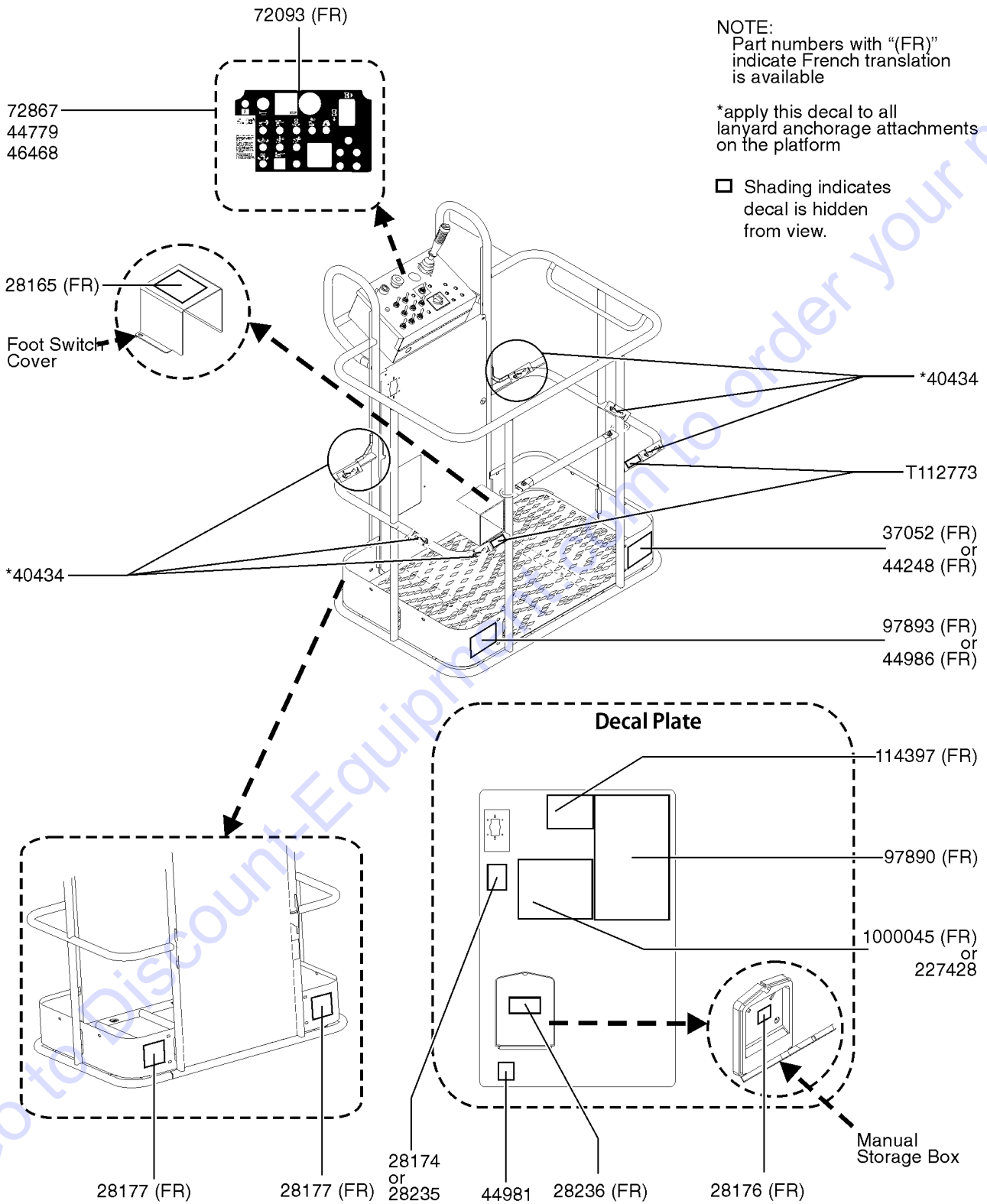
Item	Part No.	Description	Qty.
1	27564GT	DECAL,DANGER,ELEC.HAZ.STAY CLR.....	2
2	28161GT	DECAL,WARN,CRUSH HAZARD HAND.....	1
3	28181GT	DECAL,WARN,FALL HAZARD.....	1
4	31060GT	DECAL,DANGER DO NOT ALTER SWTC.....	3
5	62930GT	DECAL,COSMETIC,GENIE Z-34/22.....	1

Go to Discount-Equipment.com to order your parts





108.1 Word Decals, Z-34/22BE, Platform



NOTE:  
Part numbers with "(FR)"  
indicate French translation  
is available

\*apply this decal to all  
lanyard anchorage attachments  
on the platform

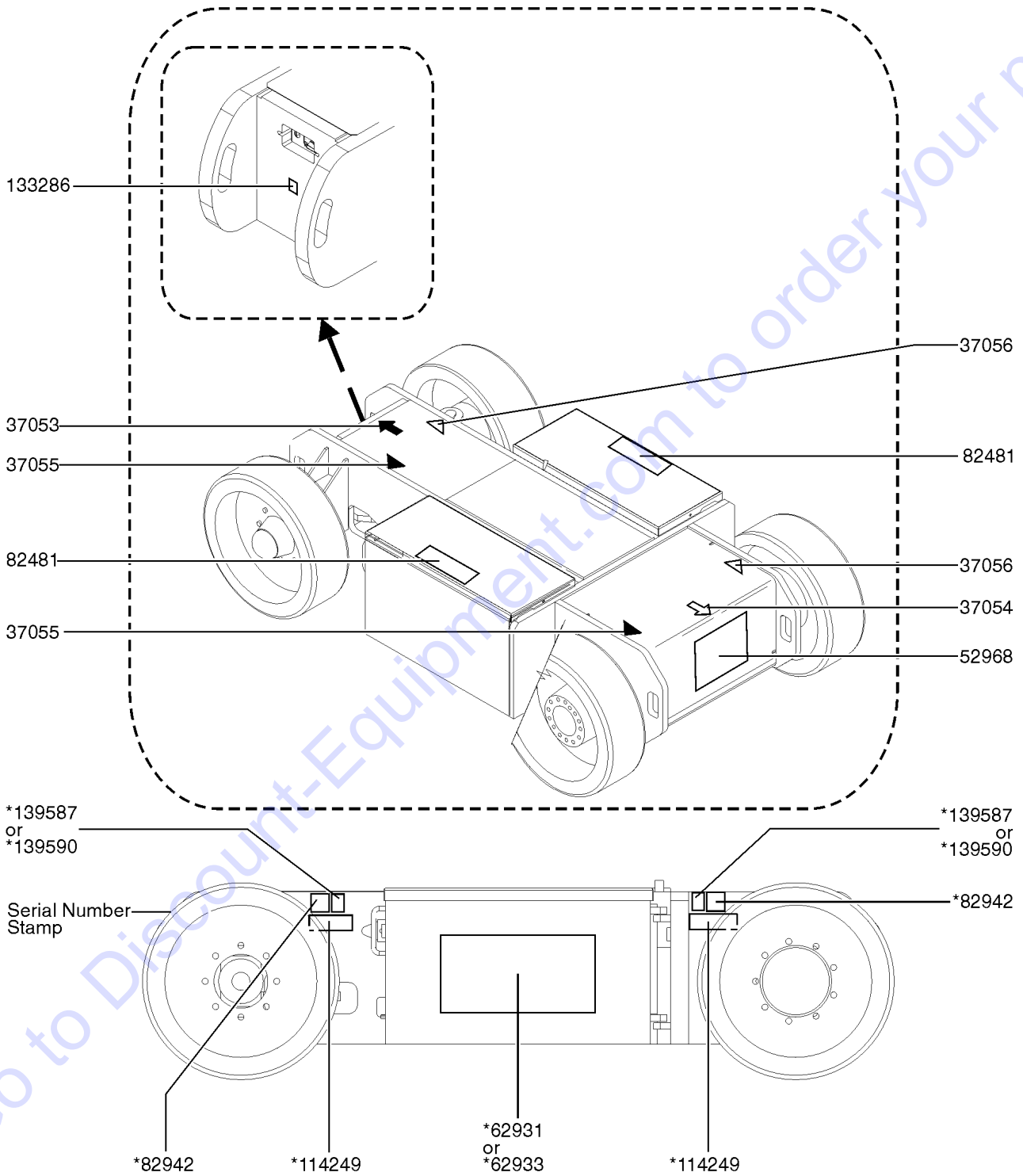
☐ Shading indicates  
decal is hidden  
from view.

Item	Part No.	Description	Qty.
1	28165GT	DECAL,INSTRUCT,FOOTSWITCH OPER.....	1
2	28174GT	DECAL, POWER TO PLATFORM 230V**.....	1
3	28176GT	DECAL,LABEL,MANUAL NOT HERE.....	1
4	28177GT	DECAL,WARN,CRUSH HAZARD PLAT.....	2
5	28235GT	DECAL,POWER TO PLATFORM 115V.....	1
6	28236GT	DECAL,WARN,IMPROPER OPERATION.....	1
7	37052GT	DECAL,NOTICE,MAX LOAD 500 LBS.....	1
8	40434GT	DECAL,LANYARD ANCHORAGE POINT.....	6
9	44248GT	DECAL,NOTICE,MAX CAP 440 LBS..... <i>option, aircraft protection</i>	1
10	44779GT	DECAL,GENERATOR OPTION..... <i>option, generator</i>	1
11	44981GT	DECAL,LABEL, AIR LINE 110 PSI..... <i>option, airline to platform</i>	1
12	44986GT	DECAL,INSTR,SIDE FRC/WIND,AUS..... <i>AUS models</i>	1
13	46468GT	DECAL,FUNCTION OVERRIDE..... <i>option, aircraft protection</i>	1
14	72093GT	DECAL,PLATFORM CONTROL PANEL.....	1
15	72867GT	DECAL,LABEL,LIGHTS***..... <i>option, work lights</i>	1
16	97890GT	DECAL,DANGER,GEN SAFETY RULES.....	1
17	97893GT	DECAL,NOTICE,SIDE FRC/WINDANSI..... <i>ANSI models</i>	1
18	114397GT	DECAL,DANGER,TILT ALARM.....	1
19	227428GT	DECAL, OPERATING INSTRUCTIONS..... <i>AUS models</i>	1
20	1000045GT	DECAL,NOTICE,OPER INST BE..... <i>ANSI models</i>	1
21	T112773GT	TAPE, PROTECTIVE MASK.....	2

Go to [DiscounTEquipment.com](http://DiscounTEquipment.com) to order your parts

109.1 Symbol Decals, Z-34/22N & Z-34/22DC, Chassis/Battery Box

NOTE:  
\*Install decal on both sides of the chassis



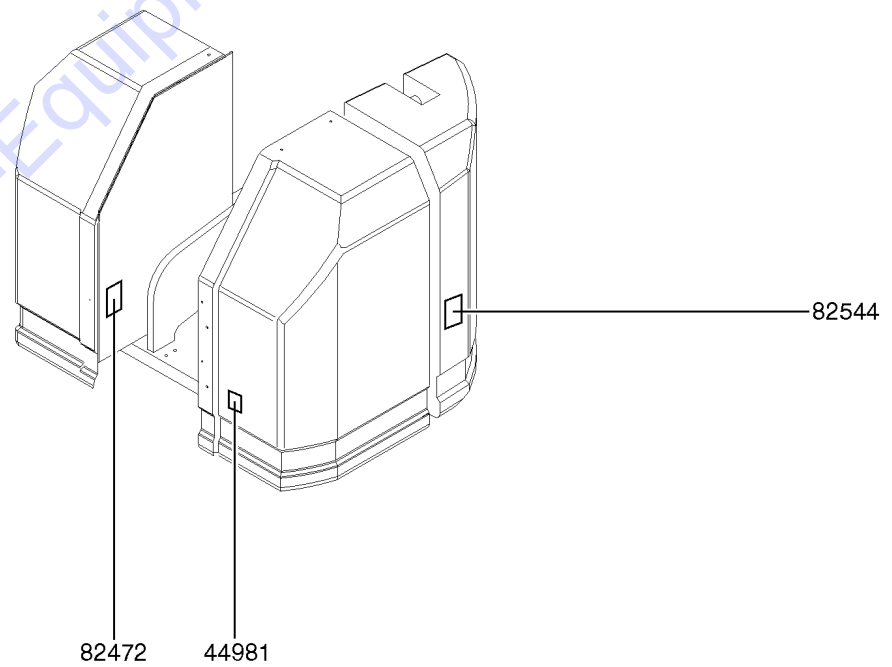
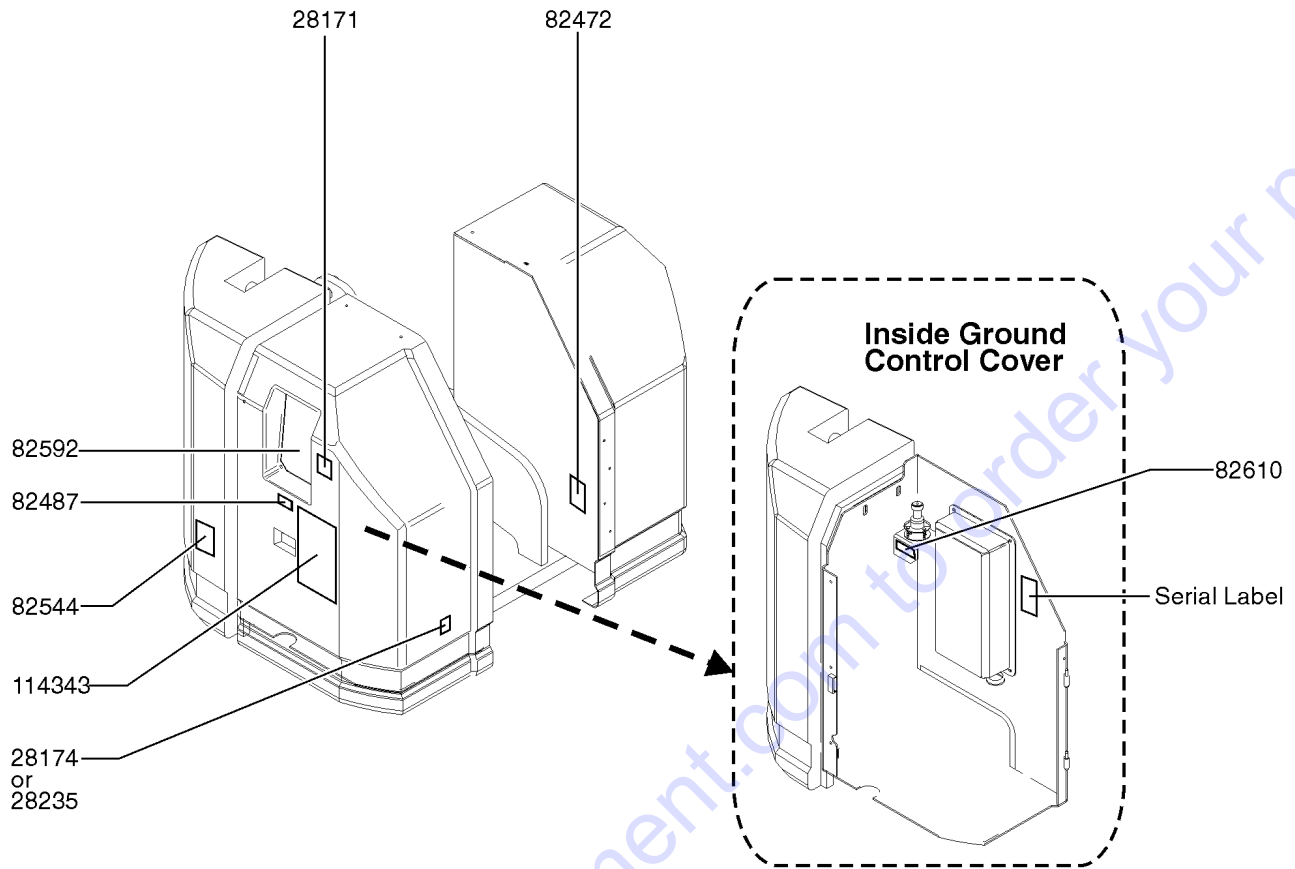
109.1 Symbol Decals, Z-34/22N & Z-34/22DC, Chassis/Battery Box

Item	Part No.	Description	Qty.
1	37053GT	DECAL,ARROW,BLUE.....	1
2	37054GT	DECAL,ARROW,YELLOW SM 5-3/8".....	1
3	37055GT	DECAL,TRIANGLE,BLUE.....	2
4	37056GT	DECAL,TRIANGLE,YELLOW.....	2
5	52968GT	DECAL,COSMETIC,GENIE BOOM,VERT.....	1
6	62931GT	DECAL,GENIE Z-34/22 DC POWER..... Z-34DC	2
7	62933GT	DECAL,COSM,GENIE Z-34/22N(BOX)... Z-34N	2
8	82481GT	DECAL,SYMBOL-BATTERY SAFETY.....	2
9	82942GT	DECAL,LABEL,TIRE PRESS,Z-34/22..... Z-34DC, ANSI models	4
10	114249GT	DECAL,LABEL,TIPOVER,TIRES,SYMB.4 Z-34DC, CE models	4
11	133286GT	DECAL, POWER TO CHARGER, UNIV.....	1
12	139587GT	DECAL,LABEL,WHEEL LOAD Z34DC**.....	4
13	139590GT	DECAL,LABEL,WHEEL LOAD Z34N***..	4

Go to Discount-Equipment.com to order your parts



110.1 Symbol Decals, Z-34/22N & Z-34/22DC, Turntable



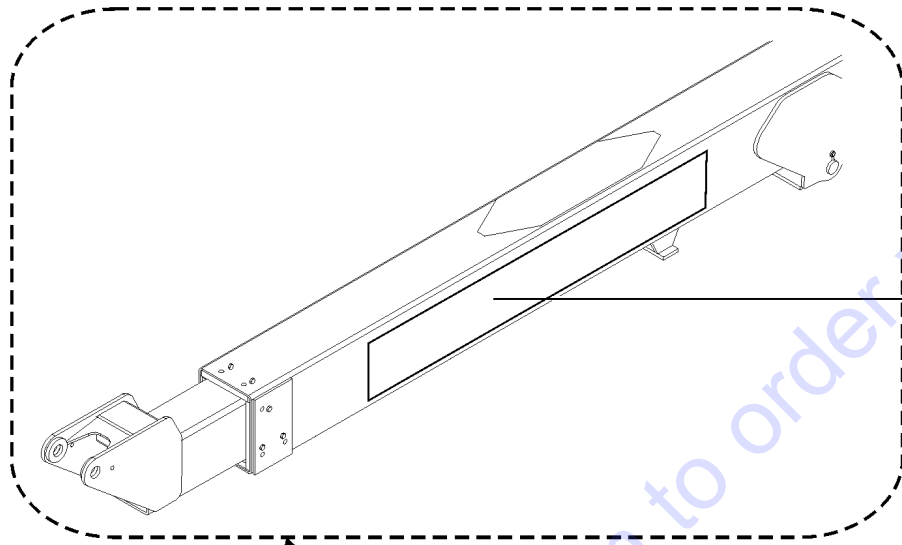
110.1 Symbol Decals, Z-34/22N & Z-34/22DC, Turntable

Item	Part No.	Description	Qty.
1	28171GT	DECAL,DANGER,NO SMOKING ***.....1	1
2	28174GT	DECAL, POWER TO PLATFORM 230V**.....1	1
3	28235GT	DECAL,POWER TO PLATFORM 115V...1	1
4	44981GT	DECAL,LABEL, AIR LINE 110 PSI.....1 <i>option, airline to platform</i>	1
5	82472GT	DECAL,WARNING,CRUSHING HAZARD.....2	2
6	82487GT	DECAL, SYMBOL - READ THE MANUAL.....1	1
7	82544GT	DECAL,DANGER,ELEC.HAZ.STAY CLR.....2	2
8	82592GT	DECAL,GROUND CONTROL PANEL***.....1	1
9	82610GT	DECAL,LABEL,CB & STATUS LIGHT.....1	1
10	114343GT	DECAL,LABEL,EMERGENCY DOWN....1	1

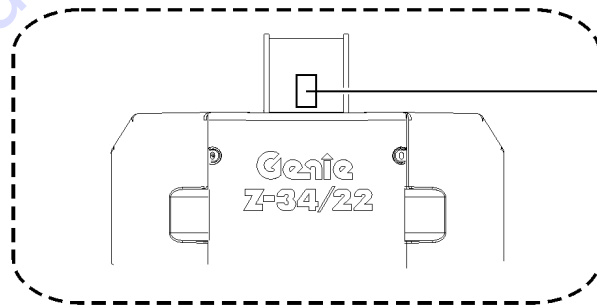
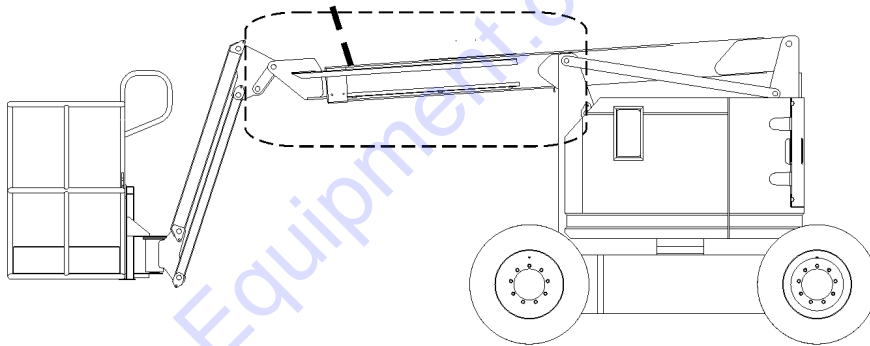
Go to Discount-Equipment.com to order your parts



111.1 Symbol Decals, Z-34/22N & Z-34/22DC, Boom



62930  
or  
62932



82472

Go to Discount-Equipment.com to order your parts

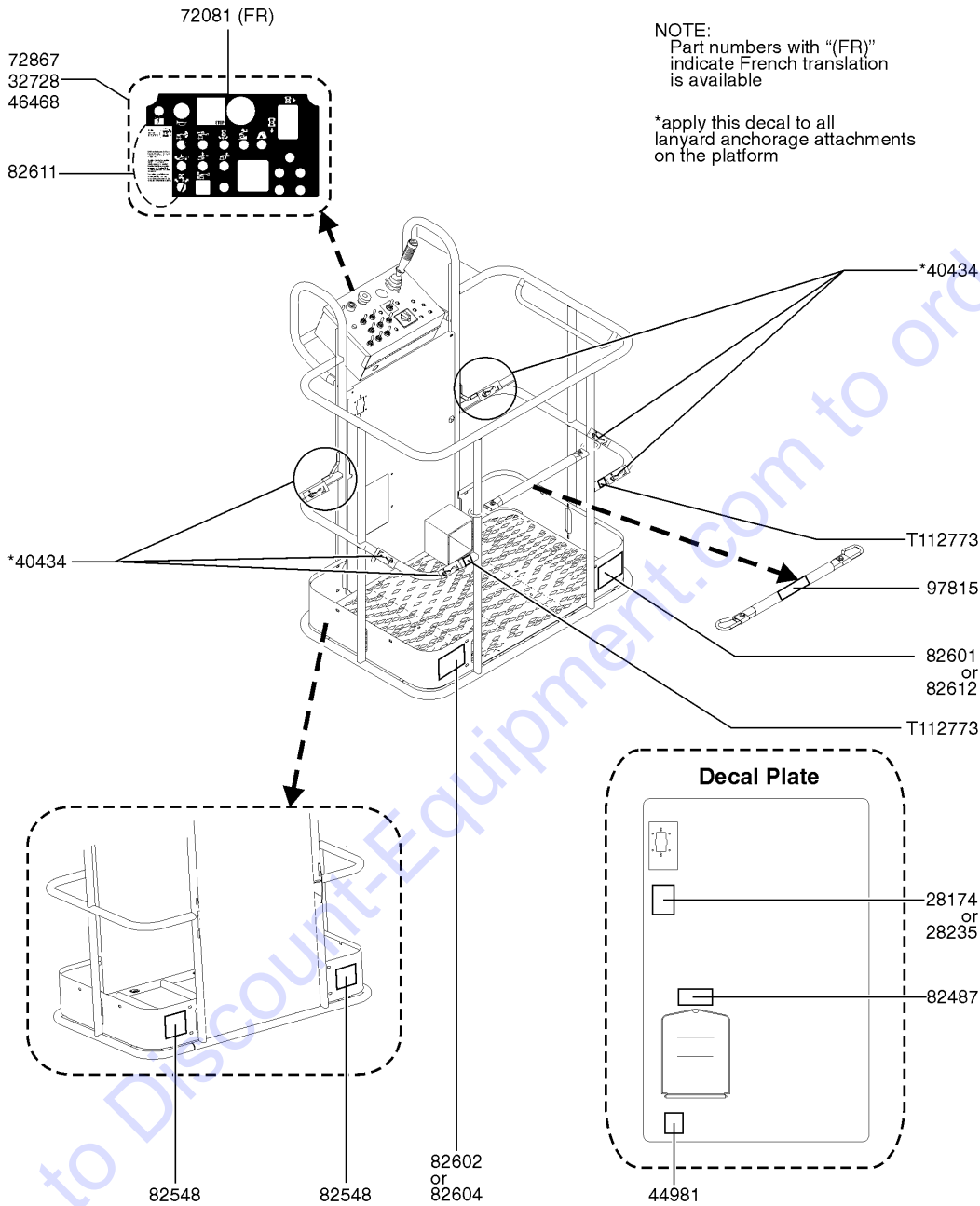
111.1 Symbol Decals, Z-34/22N & Z-34/22DC, Boom

Item	Part No.	Description	Qty.
1	62930GT	DECAL,COSMETIC,GENIE Z-34/22.....1 Z-34DC	1
2	62932GT	DECAL,COSMETIC,GENIE Z-34/22N.....1	1
3	82472GT	DECAL,WARNING,CRUSHING HAZARD.....1	1

Go to Discount-Equipment.com to order your parts



112.1 Symbol Decals, Z-34/22N & Z-34/22DC, Platform



112.1 Symbol Decals, Z-34/22N & Z-34/22DC, Platform

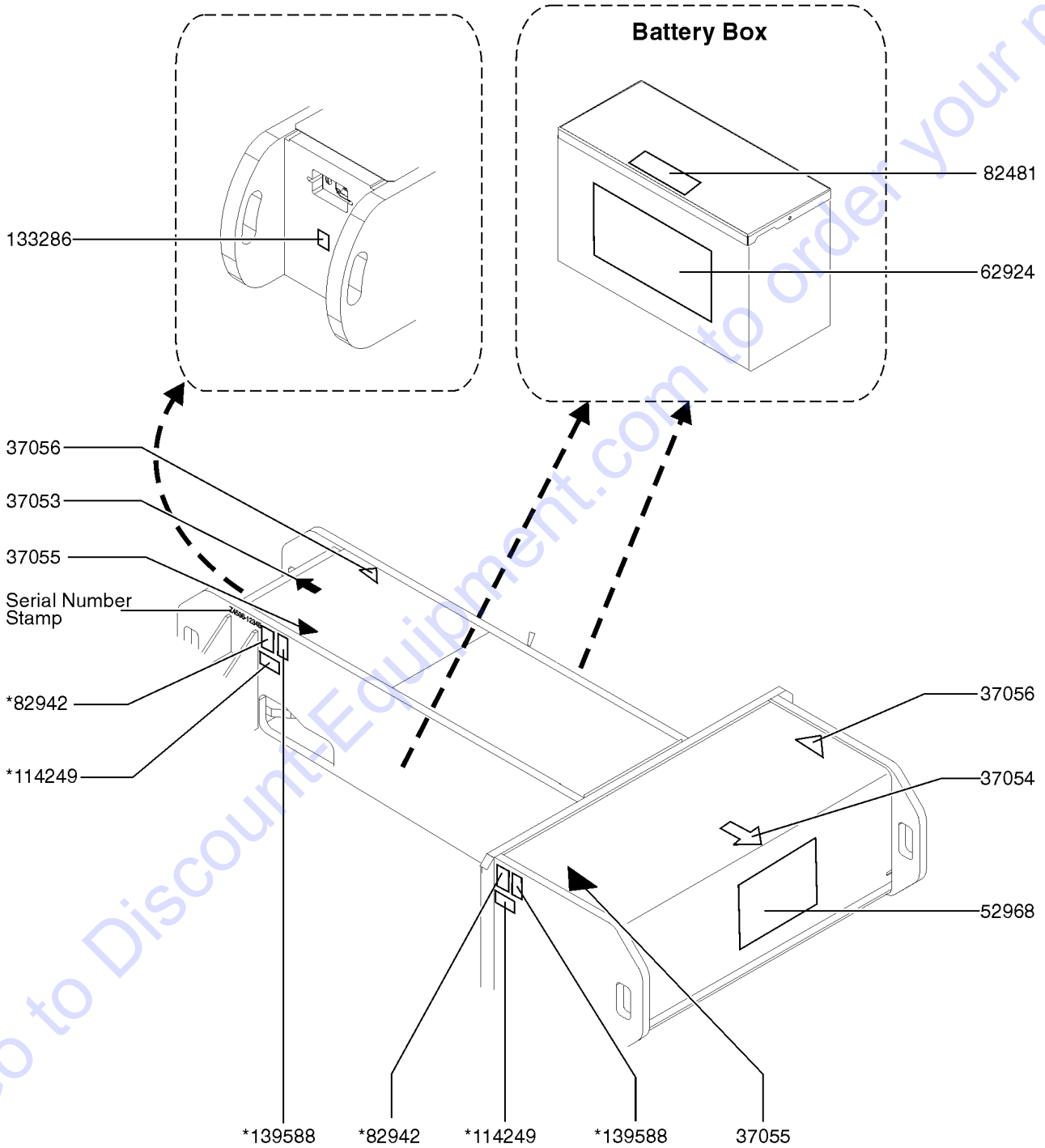
Item	Part No.	Description	Qty.
1	28174GT	DECAL, POWER TO PLATFORM 230V**.....	1
2	28235GT	DECAL,POWER TO PLATFORM 115V...1	1
3	32728GT	DECAL,OPTION GENERATOR***..... <i>option, inverter</i>	1
4	40434GT	DECAL,LANYARD ANCHORAGE POINT.....	6
5	44981GT	DECAL,LABEL, AIR LINE 110 PSI..... <i>option, airline to platform</i>	1
6	46468GT	DECAL,FUNCTION OVERRIDE..... <i>option, aircraft protection</i>	1
7	72081GT	DECAL,PLATFORM CONTROL PANEL**.....	1
8	72867GT	DECAL,LABEL,LIGHTS***..... <i>option, Work lights</i>	1
9	82487GT	DECAL, SYMBOL - READ THE MANUAL.....	1
10	82548GT	DECAL,WARN,CRUSH HAZARD PLAT.....	2
11	82601GT	DECAL,LABEL,MAX CAPACITY***.....	1
12	82602GT	DECAL,DANGER,MAX SIDE FRC,667N..... <i>ANSI models</i>	1
13	82604GT	DECAL,DANGER,SIDE FRC 400N..... <i>CE models</i>	1
14	82611GT	DECAL,DRIVE ENABLE PATCH.....	1
15	82612GT	DECAL,DANGER,MAX CAP,200KG..... <i>option, aircraft protection</i>	1
16	97815GT	DECAL,LABEL,LOWER MIDRAIL.....	1
17	T112773GT	TAPE, PROTECTIVE MASK.....	2

Go to Discount-Equipment.com to order your parts



113.1 Symbol Decals, Z-34/22BE, Chassis

NOTE:  
\*Install decal on both sides of the chassis



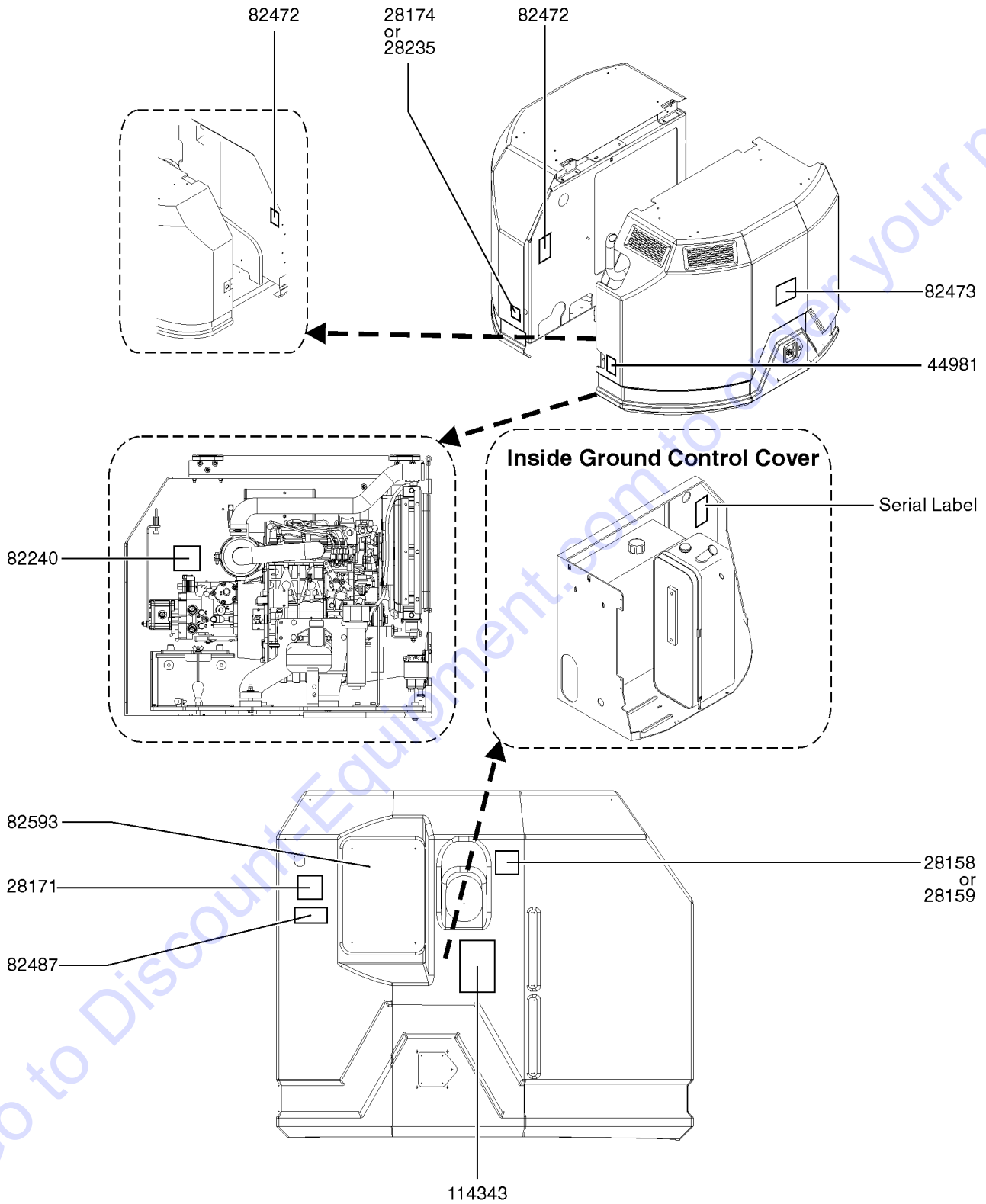
113.1 Symbol Decals, Z-34/22BE, Chassis

Item	Part No.	Description	Qty.
1	37053GT	DECAL,ARROW,BLUE.....	1
2	37054GT	DECAL,ARROW,YELLOW SM 5-3/8".....	1
3	37055GT	DECAL,TRIANGLE,BLUE.....	2
4	37056GT	DECAL,TRIANGLE,YELLOW.....	2
5	52968GT	DECAL,COSMETIC,GENIE BOOM,VERT.....	1
6	62924GT	DECAL,GENIE Z-34/22 BI-ENERGY.....	2
7	82481GT	DECAL,SYMBOL-BATTERY SAFETY.....	2
8	82942GT	DECAL,LABEL,TIRE PRESS,Z-34/22..... <i>ANSI models</i>	4
9	114249GT	DECAL,LABEL,TIPOVER,TIRES,SYMB.4 <i>CE models</i>	4
10	133286GT	DECAL, POWER TO CHARGER, UNIV.....	1
11	139588GT	DECAL,LABEL,WHEEL LOAD Z34BE**.....	4

Go to Discount-Equipment.com to order your parts



114.1 Symbol Decals, Z-34/22BE, Turntable



114.1 Symbol Decals, Z-34/22BE, Turntable

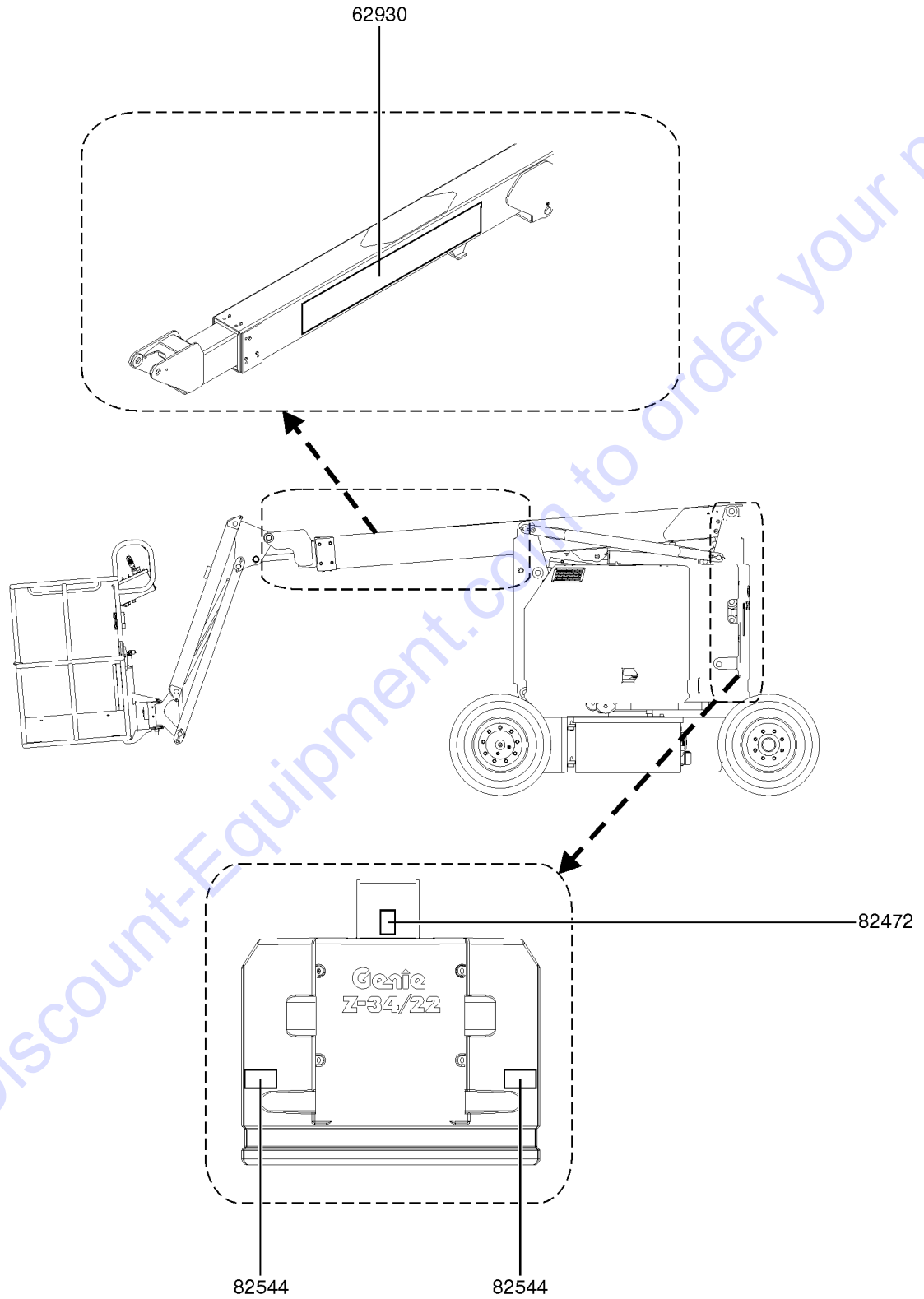
Item	Part No.	Description	Qty.
1	28158GT	DECAL,LABEL,UNLEADED GAS ONLY.....1 <i>option, fuel</i>	1
2	28159GT	DECAL,DIESEL.....1 <i>option, fuel</i>	1
3	28171GT	DECAL,DANGER,NO SMOKING ***.....1	1
4	28174GT	DECAL, POWER TO PLATFORM 230V**.....1	1
5	28235GT	DECAL,POWER TO PLATFORM 115V...1	1
6	44981GT	DECAL,LABEL, AIR LINE 110 PSI.....1 <i>option, airline to platform</i>	1
7	82240GT	DECAL,LABEL,105 DB.....1 <i>CE models</i>	1
8	82472GT	DECAL,WARNING,CRUSHING HAZARD.....2	2
9	82473GT	DECAL,SYMBOL-COMP ACCESS.....1	1
10	82487GT	DECAL, SYMBOL - READ THE MANUAL.....1	1
11	82593GT	DECAL,GROUND CONTROL PANEL***.....1	1
12	114343GT	DECAL,LABEL,EMERGENCY DOWN....1	1

Go to Discount-Equipment.com to order your parts





115.1 Symbol Decals, Z-34/22BE, Boom



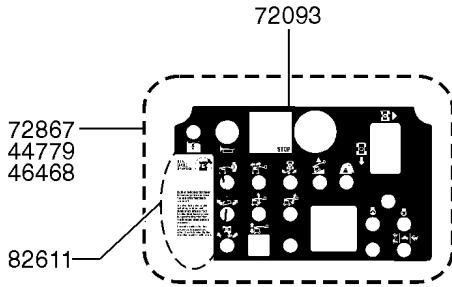
115.1 Symbol Decals, Z-34/22BE, Boom

Item	Part No.	Description	Qty.
1	62930GT	DECAL,COSMETIC,GENIE Z-34/22.....1	1
2	82472GT	DECAL,WARNING,CRUSHING HAZARD.....1	1
3	82544GT	DECAL,DANGER,ELEC.HAZ.STAY CLR.....2	2

Go to Discount-Equipment.com to order your parts

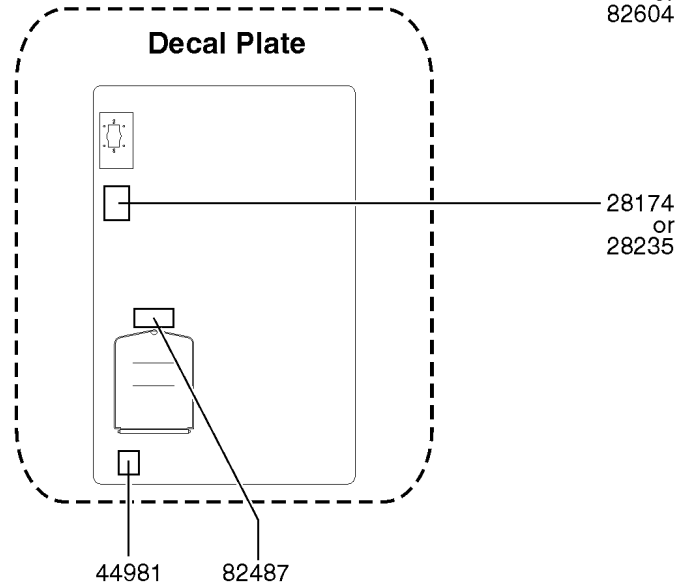
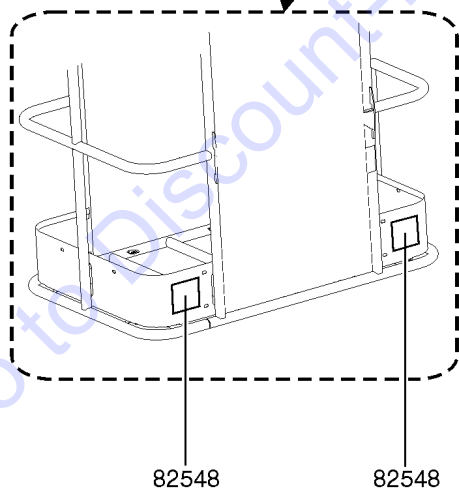
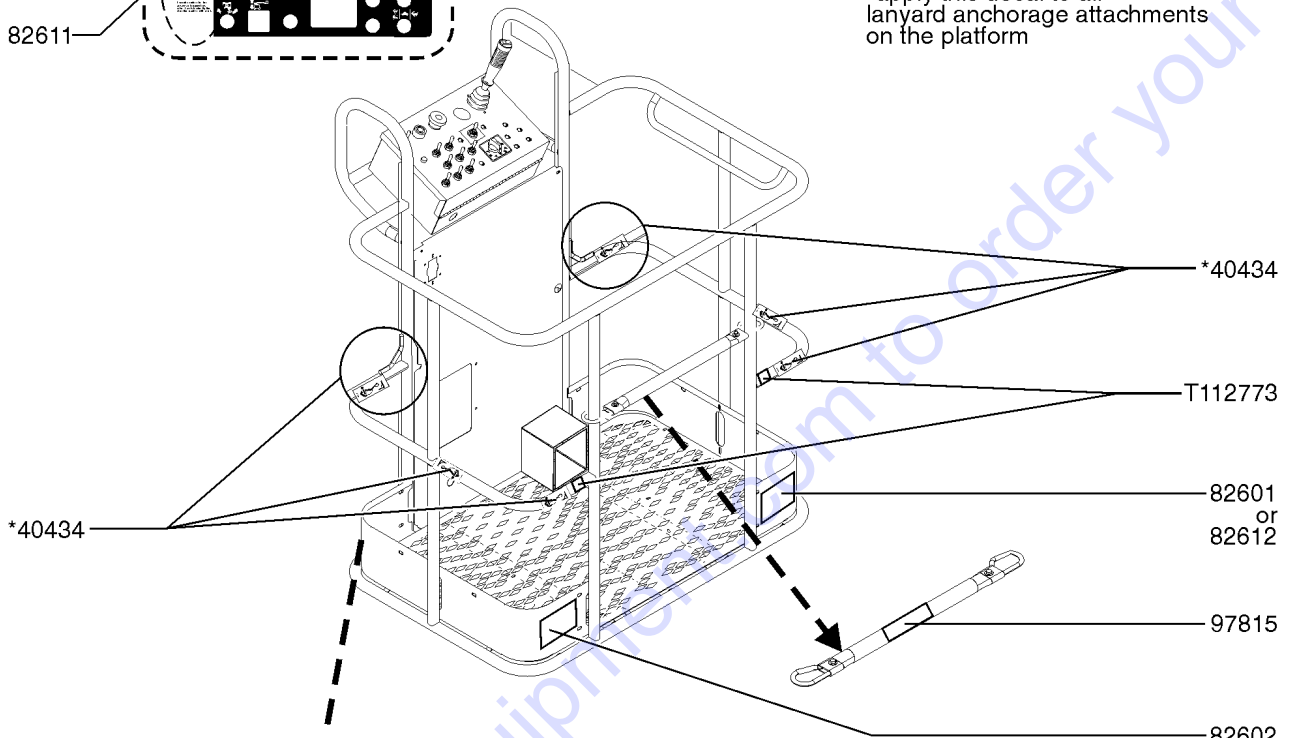


116.1 Symbol Decals, Z-34/22BE, Platform



NOTE:  
 □ Shading indicates  
 decal is hidden  
 from view.

\*apply this decal to all  
 lanyard anchorage  
 attachments  
 on the platform



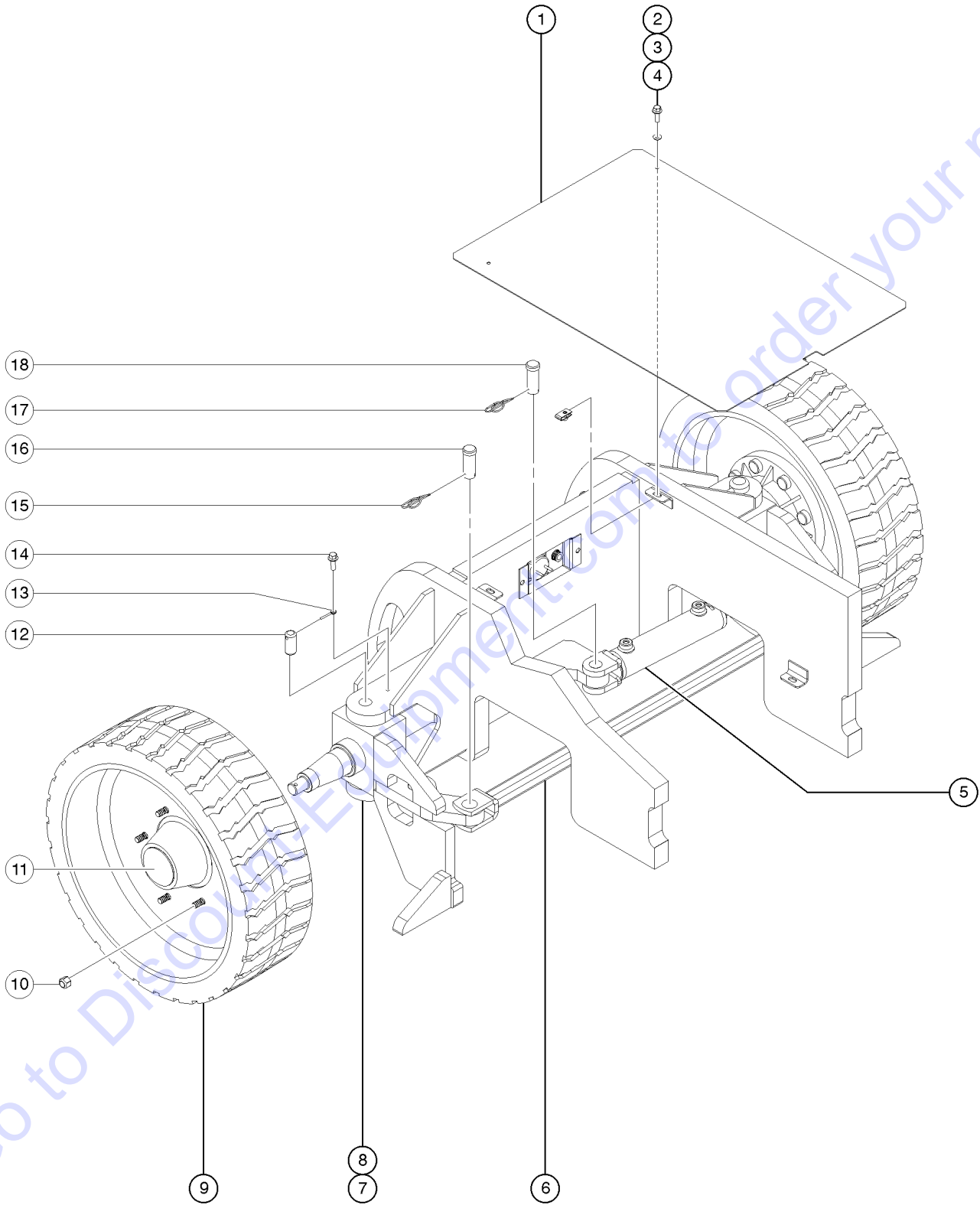
116.1 Symbol Decals, Z-34/22BE, Platform

Item	Part No.	Description	Qty.
1	28174GT	DECAL, POWER TO PLATFORM 230V**.....	1
2	28235GT	DECAL,POWER TO PLATFORM 115V...1	1
3	40434GT	DECAL,LANYARD ANCHORAGE POINT.....	6
4	44779GT	DECAL,GENERATOR OPTION..... <i>option, generator</i>	1
5	44981GT	DECAL,LABEL, AIR LINE 110 PSI..... <i>option, airline to platform</i>	1
6	46468GT	DECAL,FUNCTION OVERRIDE..... <i>option, aircraft protection</i>	1
7	72093GT	DECAL,PLATFORM CONTROL PANEL.....	1
8	72867GT	DECAL,LABEL,LIGHTS***..... <i>option, work lights</i>	1
9	82487GT	DECAL, SYMBOL - READ THE MANUAL.....	1
10	82548GT	DECAL,WARN,CRUSH HAZARD PLAT.....	2
11	82601GT	DECAL,LABEL,MAX CAPACITY***.....	1
12	82602GT	DECAL,DANGER,MAX SIDE FRC,667N..... <i>ANSI models</i>	1
13	82604GT	DECAL,DANGER,SIDE FRC 400N..... <i>CE models</i>	1
14	82611GT	DECAL,DRIVE ENABLE PATCH.....	1
15	82612GT	DECAL,DANGER,MAX CAP,200KG..... <i>option, aircraft protection</i>	1
16	97815GT	DECAL,LABEL,LOWER MIDRAIL.....	1
17	T112773GT	TAPE, PROTECTIVE MASK.....	2

Go to Discount-Equipment.com to order your parts



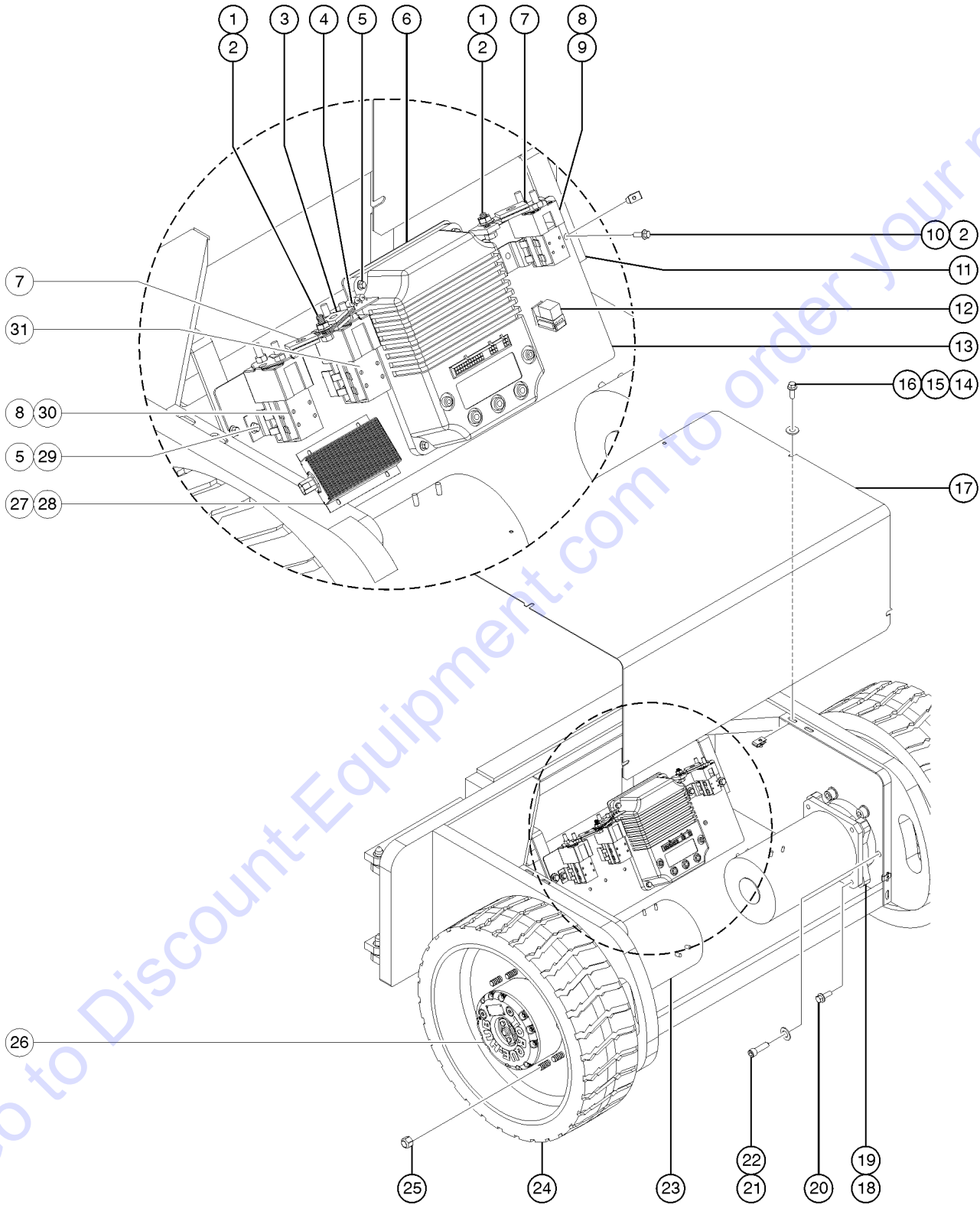
201.1 Steer End



201.1 Steer End

Item	Part No.	Description	Qty.	Item	Part No.	Description	Qty.
--	96317GT	GROUND STRAP,12"LG***		9E	40837GT	WHEEL ASSY, INDUSTRIAL, FF NM.....2 <i>Z-34DC/BE; industrial foam-filled non-marking tire, 8-hole wheel (not shown)</i>	
1	40438GT	COVR W/DECALS DR CHAS STR END*.....1	1	9F	110694GT	WHEEL ASSY, IND.W/SEALANT.....2 <i>Z-34DC/BE; industrial tire with sealant, 8-hole wheel (not shown)</i>	
2	824078GT	SCREW,HHF,1/4-20X.75,8,ZAG.....2	2	9G	110706GT	WHEEL ASSY, IND.W/SEALANT NM.....2 <i>Z-34DC/BE; industrial non-marking tire with sealant, 8-hole wheel (not shown)</i>	
3	824113GT	WASHER,FLAT,USS,1/4,ZAG.....2	2	10	824042GT	NUT,LUG,5/8-18X90 DEG,ZAG.....18	
4	56912GT	SPRING CLIP,1/4-20,.025-.15X.54,ZAG.....2	2	11	45043GT	HUB ASSEMBLY MODEL#60-8***.....2	
5	88337GT	CYLINDER,STEER.....1	1	--	21166GT	LUG BOLT,5/8-18,WHEEL HUB***	
--	88338GT	SEAL KIT, 88337		--	40145GT	BEARING RACE (LARGE) (45873).....2 <i>inner cone not included</i>	
6A	36676GT	TIE ROD,WELDMENT,Z34.....1 <i>Z-34N</i>	1	--	40146GT	BEARING RACE (SMALL) (45873).....2 <i>outer cone not included</i>	
6B	42432-SGT	WELDMENT, TIE ROD,Z-34/68.....1 <i>Z-34DC/BE</i>	1	--	45107GT	INNER CONE - MODEL 60-8 <i>large bearing race not included</i>	
7A	74312GT	YOKE ASSY,LH,Z30NRJ.....2 <i>Z-34N, left front (shown)</i>	2	--	45108GT	OUTER CONE - MODEL 60-8 <i>small bearing race not included</i>	
--	25817GT	BEARING,1.00IDX1.25ODX1.00L.....1	1	--	45111GT	CAP,DUST,45873 HUB KIT	
--	45071GT	BEARING,1.5IDX1.75ODX1.5L.....2	2	--	45112GT	WASHER,SPINDLE	
7B	74313GT	YOKE ASSY,RH,Z30NRJ.....2 <i>Z-34N, right front</i>	2	--	45113GT	NUT,SPINDLE,1-14	
--	25817GT	BEARING,1.00IDX1.25ODX1.00L.....2	2	--	45873GT	SEAL/BEARING KIT (45043,54840)	
--	45071GT	BEARING,1.5IDX1.75ODX1.5L.....2	2	12A	36211GT	PIN,1.50DIAX3.25LG,1HOLE.....4 <i>Z-34N</i>	4
7C	94021GT	YOKE ASSY, Z34 2WD LEFT.....2 <i>Z-34DC/BE, left front (shown)</i>	2	12B	94221GT	PIN,1.50DIAX3.75LG,1HOLE.....4 <i>Z-34DC/BE</i>	4
--	18396GT	BEARING,1.5IDX1.75ODX1.0L.....2	2	13A	1255452GT	ROD END,.375 X 2.25,ZAG.....4 <i>Z-34DC/BE</i>	4
7D	94020GT	YOKE ASSY, Z34 2WD RIGHT.....2 <i>Z-34DC/BE, right front</i>	2	13B	825019GT	ROD END, .375X3.69, ZAG.....4 <i>Z-34N</i>	4
--	18396GT	BEARING,1.5IDX1.75ODX1.0L.....2	2	14	824090GT	SCREW,HHF,3/8-16X1,8,ZAG.....4	4
--	25817GT	BEARING,1.00IDX1.25ODX1.00L.....1	1	15	824128GT	RUE RING,3/4,ZAG.....2	2
8	45074GT	WASHER,THRUST,1.5 X 3.5 X .187.....4	4	16	824126GT	PIN,CLEVIS,3/4X3,ZAG.....2	2
9A	94908GT	TIRE & WHEEL ASSY,FRONT N-M.....2 <i>Z-34N; solid non-marking tire, 8-hole wheel (Z-34N tire shown)</i>	2	17	824129GT	RUE RING,1.0,ZAG.....2	2
9B	45093GT	WHEEL ASSY, INDUSTRIAL, AF.....2 <i>Z-34DC/BE; industrial air-filled tire, 8-hole wheel (not shown)</i>	2	18	824127GT	PIN,CLEVIS,1.0X2.41,SAE,ZAG.....2	2
--	45040GT	RIM,Z45,14.5 X 7(8 HOLE ON 8BC.....2 <i>for 45093</i>	2				
--	54140GT	TUBELESS PNEUMATIC TIRE,9-14LT...2 <i>for 45093</i>	2				
9C	40137GT	WHEEL ASSY, INDUSTRIAL, AF NM.....2 <i>Z-34DC/BE; industrial air-filled non-marking tire, 8-hole wheel (not shown)</i>	2				
--	45040GT	RIM,Z45,14.5 X 7(8 HOLE ON 8BC.....2 <i>for 40137</i>	2				
--	54234GT	TUBELESS TIRE,9-14.5,NON-M 47#.....2 <i>for 40137</i>	2				
9D	45460GT	WHEEL ASSY, INDUSTRIAL, FF.....2 <i>Z-34DC/BE; industrial foam-filled tire, 8-hole wheel (not shown)</i>	2				

202.1 Non-Steer End, Electronic Control Module



202.1 Non-Steer End, Electronic Control Module

Item	Part No.	Description	Qty.	Item	Part No.	Description	Qty.
1	1255805GT	NUT,SERRATED,5/16-18,8,ZAG.....	2	--	139354GT	O-RING KIT, AUSCO 1200 IN/LB	
2	824086GT	SCREW,HHF,5/16-18X1,8,ZAG.....	3	--	139355GT	GASKET KIT, AUSCO 1200 IN/LB	
3	43179GT	FUSE,500 AMP,VERY FAST ACTING.....	1	--	65608GT	BEARING KIT, AUSCO***	
4	56930GT	DIODE,PCB DRIVE CONTACTOR**.....	1	20	824091GT	SCREW, HHF, 3/8-16 X 1.25, 8, ZAG.....	8
5	824079GT	SCREW,HHF,1/4-20X1,8,ZAG.....	4	21A	824105GT	SCREW,SHC,5/8-11X2.5,A574,ZAG.....	12
6A	128335GT	CONTROLLER,SEP-EX,Z34N***.....	1			Z-34N	
6B	128965GT	KIT CONTROL SEPEX UPGRADE 34Bl.....	1	21B	824107GT	SCREW,SHC,5/8-11X3,A574,ZAG.....	12
		<i>includes 128336, wire harness and fasteners</i>				Z-34DC/BE	
--	128336GT	CONTROLLER,SEPEX Z34DC/BE		22	824121GT	WASHER,FLAT,.688X1.160X.09,HRD...	12
--	56029GT	CONNECTOR,MOLEX 24-WAY**		23	74643GT	MOTOR,DRIVE,SEPEX.....	2
--	56030GT	TERMINAL,MOLEX 16 GAUGE***		--	44778GT	BEARING,MOTOR,36843,BRUSH END*	
--	56561GT	TOOL,TERMINAL CRIMPER,MOLEX***		--	65872GT	BRUSH LEAD ASSEMBLY KIT(56831)	
--	56562GT	TOOL,TERMINAL EXTRACTOR,MOLEX		--	72078GT	BRUSH BOX ASSY	
7	36355GT	FUSE,100 AMP,VERY FAST ACTING.....	2	--	T108887GT	SPRING, BRUSH	
8	74282GT	DUST SHIELDS,180A CONTACTOR.....	4	24A	94909GT	TIRE & WHEEL ASSY,REAR N-M.....	2
		<i>for EE units only</i>				Z-34N; solid, non-marking, 9 hole x 9.5 inch BC	
9A	74268GT	CONTACTOR,AUX PUMP 24V,80A***.....	1	24B	45094GT	WHEEL ASSY, INDUSTRIAL, AF.....	2
--	22262GT	CONTACT,MOVING,19549RELAY*				Z-34DC/BE; industrial, air-filled, 9 hole x 9.5 inch BC; to SN Z3416F-10830	
--	22263GT	CONTACT,STATIONARY,19549RELAY*		--	54139GT	WHEEL,14.5 X 7	
--	74495GT	SPRING, RETURN (FOR 74268)				<i>for 45094</i>	
9B	74266GT	CONTACTOR,LIFT PUMP 24V 180A**.....	1	--	54140GT	TUBELESS PNEUMATIC TIRE,9-14LT	
		<i>for EE units only</i>				<i>for 45094</i>	
10	36456GT	SPRING CLIP,5/16-18,.025-.15X.....	1	24C	1267846GT	WHEEL ASSY, INDUSTRIAL, AF.....	2
11	45454GT	CLAMP,0.75,#12 X 3/8,RUB CUSH*.....	1			Z-34DC/BE; industrial, air-filled, 9 hole x 9.5 inch BC; from SN Z3416F-10831	
12	823226GT	POWER RELAY, 24V COIL.....	1	--	1267397GT	WHEEL, 14.5 X 7	
		<i>for drive light option</i>				<i>for 1267846</i>	
--	61226GT	RELAY SOCKET,70AMP		--	54140GT	TUBELESS PNEUMATIC TIRE,9-14LT	
13A	74424GT	CONTACTOR PANEL ASSEMBLY.....	1			<i>for 1267846</i>	
		<i>includes item 29, Z-34N to SN 10983, Z-34 to SN 9685</i>		24D	40136GT	WHEEL ASSY, INDUSTRIAL, AF NM.....	2
13B	236665GT	ASSEMBLY, CONTROLLER PLATE.....	1			Z-34DC/BE; industrial, air-filled, 9 hole x 9.5 inch BC; to SN Z3416F-10830	
		<i>includes item 29, Z-34N from SN 10984, Z-34 from SN 9686</i>		--	54139GT	WHEEL,14.5 X 7	
14	824078GT	SCREW,HHF,1/4-20X.75,8,ZAG.....	4			<i>for 40136</i>	
15	824113GT	WASHER,FLAT,USS,1/4,ZAG.....	4	--	54234GT	TUBELESS TIRE,9-14.5,NON-M 47#	
16	56912GT	SPRING CLIP,1/4-20,.025-.15X.54,ZAG.....	4			<i>for 40136</i>	
17A	128730GT	COVER, DRIVE CHASSIS,Z34N.....	1	24E	1267844GT	WHEEL ASSY, INDUSTRIAL, AF NM.....	2
		<i>34.88-inches wide, decals not included, refer to section 100</i>				Z-34DC/BE; industrial, air-filled, 9 hole x 9.5 inch BC; from SN Z3416F-10831	
17B	128729GT	COVER, DRIVE CHASSIS, Z34		--	1267397GT	WHEEL, 14.5 X 7	
		<i>40.63-inches wide, decals not included, refer to section 100</i>				<i>for 1267844</i>	
18	824103GT	SCREW,SHC,1/2-13X3,A574,ZAG.....	4	--	54234GT	TUBELESS TIRE,9-14.5,NON-M 47#	
19	139351GT	BRAKE, NEMA, 1200 IN/LB.....	2			<i>for 1267844</i>	
--	139353GT	STACK KIT, AUSCO 1200 IN/LB		24F	45461GT	WHEEL ASSY, INDUSTRIAL, FF.....	2
						Z-34DC/BE; industrial, foam-filled, 9 hole x 9.5 inch BC; to SN Z3416F-10830	
				24G	1267847GT	WHEEL ASSY, INDUSTRIAL, FF	
						Z-34DC/BE; industrial, foam-filled, 9 hole x 9.5 inch BC; from SN Z3416F-10831	





202.1 Non-Steer End, Electronic Control Module  
(continued)

Item	Part No.	Description	Qty.	Item	Part No.	Description	Qty.
24H	1267845GT	WHEEL ASSY, INDUSTRIAL, FF NM.....2 <i>Z-34DC/BE; industrial, foam-filled, non-marking, 9 hole x 9.5 inch BC; to SN Z3416F-10830</i>		--	1286603GT	BEARING KIT,WHEEL DRIVE W/BRAKE (101584/101585) <i>for 106148</i>	
24J	1267845GT	WHEEL ASSY, INDUSTRIAL, FF NM <i>Z-34DC/BE; industrial, foam-filled, non-marking, 9 hole x 9.5 inch BC; from SN Z3416F-10831</i>		--	146051GT	BEARING NUT*** <i>for 106148</i>	
24K	110695GT	WHEEL ASSY, IND.W/SEALANT.....2 <i>Z-34DC/BE; industrial, air-filled with sealant, 9 hole x 9.5 inch BC; to SN Z3416F-10830</i>		--	146052GT	SET SCREW*** <i>for 146051</i>	
24L	1267842GT	WHEEL ASSY, IND. W/SEALANT <i>Z-34DC/BE; industrial, air-filled with sealant, 9 hole x 9.5 inch BC; from SN Z3416F-10831</i>		--	215777GT	INPUT CARRIER, SUB-ASSEMBLY <i>for 106148</i>	
24M	110705GT	WHEEL ASSY, IND.W/SEALANT NM.....2 <i>Z-34DC/BE; industrial, air-filled with sealant, non-marking, 9 hole x 9.5 inch BC; to SN Z3416F-10830</i>		--	232486GT	SNAP RING,WHEEL DRIVE <i>for 106148</i>	
24N	1267843GT	WHEEL ASSY, IND. W/SEALANT NM <i>Z-34DC/BE; industrial, air-filled with sealant, non-marking, 9 hole x 9.5 inch BC; from SN Z3416F-10831</i>		--	58320GT	KIT,TORQUE HUB COVER(101584)** <i>for 106148</i>	
25	824042GT	NUT,LUG,5/8-18X90 DEG,ZAG.....18		--	9990074GT	COUPLING <i>for 106148 (brake coupler)</i>	
26A	106148GT	WHEEL DRIVE,4HB,48:1*** .....2 <i>verify before ordering; DO NOT USE with a different torque hub</i>		26B	218570GT	WHEEL DRIVE, NON-BRAKE, 47.6:1.....2 <i>verify before ordering; DO NOT USE with a different torque hub</i>	
--	106117GT	O-RING,2-010,VITON <i>for 106148 (Mating O-ring for Brake Port)(Extremely small)</i>		--	139965GT	WHEEL STUD,5/8-18,OMNI*** <i>for 218570</i>	
--	106120GT	WHEEL STUD, 4HP, 5/8-18*** <i>for 106148</i>		--	139966GT	ROD,DISCONNECT,OMNI*** <i>for 218570</i>	
--	106121GT	ROD,DISCONNECT 4HP/4HB*** <i>for 106148</i>		--	139967GT	CAP,DISENGAGE,OMNI*** <i>for 218570</i>	
--	106122GT	CAP,DISENGAGE,4HP/4HB*** <i>for 106148</i>		--	139968GT	O-RING,END COVER,OMNI*** <i>for 218570</i>	
--	106123GT	O-RING,END COVER,4HP/4HB*** <i>for 106148</i>		--	147034GT	PIPE PLUG KIT,OMNI*** <i>for 218570</i>	
--	106124GT	LINING KIT, BRAKE, 4HP*** <i>for 106148</i>		--	229833GT	BEARING KIT, OMNI <i>for 218570</i>	
--	106125GT	SEAL KIT, BRAKE, 4HP <i>for 106148 (inventory limited to stock on hand as component is no longer available)</i>		--	229834GT	SEAL KIT, OMNI <i>for 218570</i>	
--	106126GT	BEARING KIT,4HP <i>for 106148 (inventory limited to stock on hand as component is no longer available)</i>		--	58531GT	ORING,568-908 N552-90 NBR,10PK <i>for 218570</i>	
--	1286600GT	SEAL KIT,WHEEL DRIVE (106148/106445/107712) <i>for 106148 (inventory limited to stock on hand as component is no longer available)</i>		27	79452GT	CONVERTER, DC-DC, 48-26 VOLT** .....1 <i>from SN Z34N-10984;</i>	
--	1286602GT	SEAL KIT,WHEEL DRIVE W/BRAKE (101584/101585) <i>for 106148</i>		--	822917GT	KIT, DC-DC CONVERTER, DC <i>Z-34N/DC field install kit</i>	
				--	822918GT	KIT, DC-DC CONVERTER, BE <i>Z-34BE field install kit</i>	
				28	1251757GT	SCREW,PHPM,10-32X.50,ZAG.....4 <i>from SN Z-34N-10984;</i>	
				29	23404GT	NUTSERT,1/4-20,STEEL CAD PLTD.....2	
				30	74266GT	CONTACTOR,LIFT PUMP 24V 180A**...1	
				--	62695GT	CONTACT,STATIONARY (56434)**	
				--	62696GT	CONTACT-MOVEABLE (56434)**	
				--	74471GT	SPRING,RETURN (74266)	
				31	74267GT	CONTACTOR,DRIVE,24V,180A*** .....1	
				--	74282GT	DUST SHIELDS,180A CONTACTOR (EE models only) Limited inventory available; this component is no longer available from our supplier	

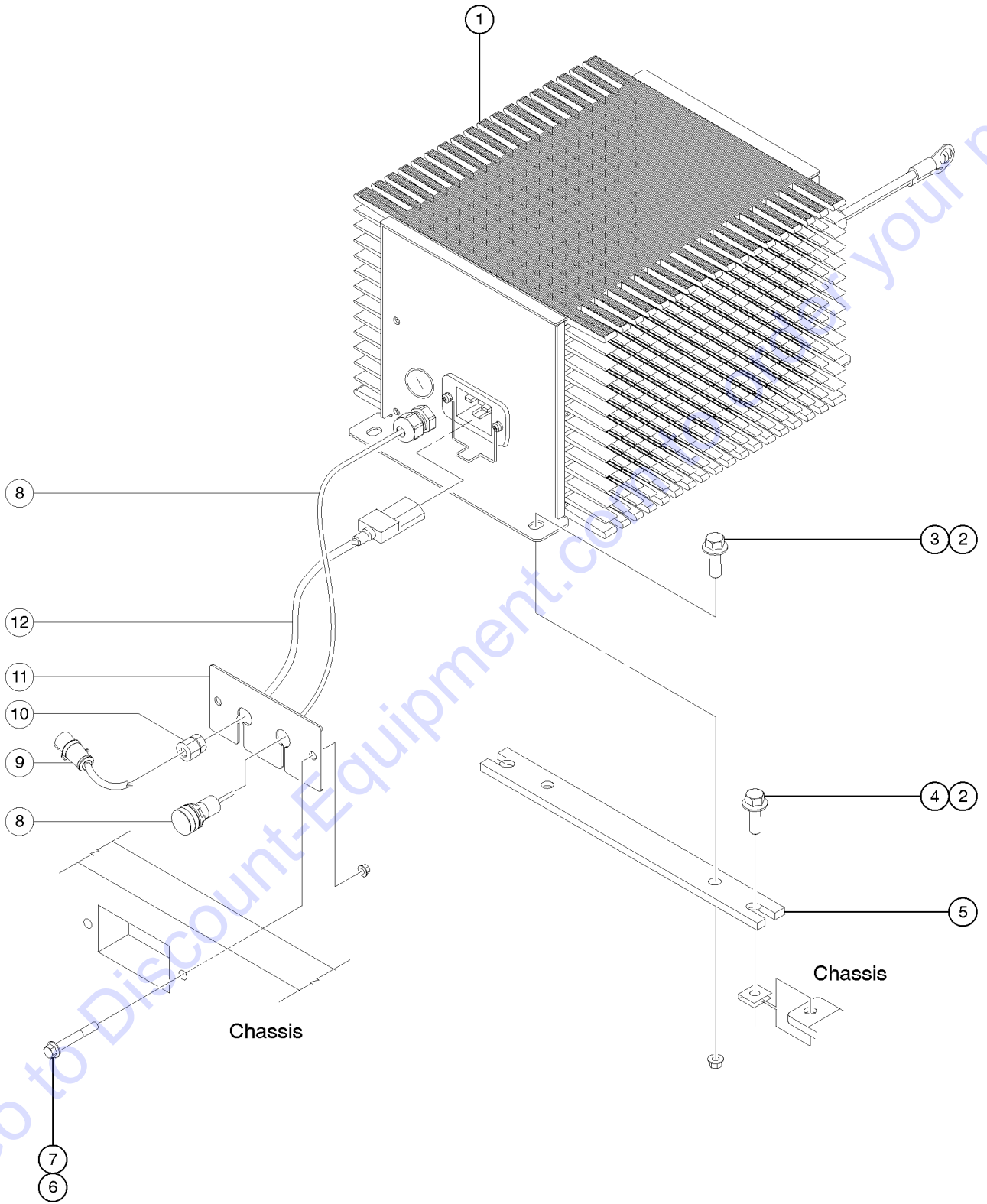
202.1 Non-Steer End, Electronic Control Module  
(continued)

Item	Part No.	Description	Qty.
--	74468GT	SPRING, RETURN (FOR 74267)	
--	74469GT	FIXED CONTACT (FOR 74267)	
--	74470GT	MOVING CONTACT (FOR PN 74267)	

Go to Discount-Equipment.com to order your parts



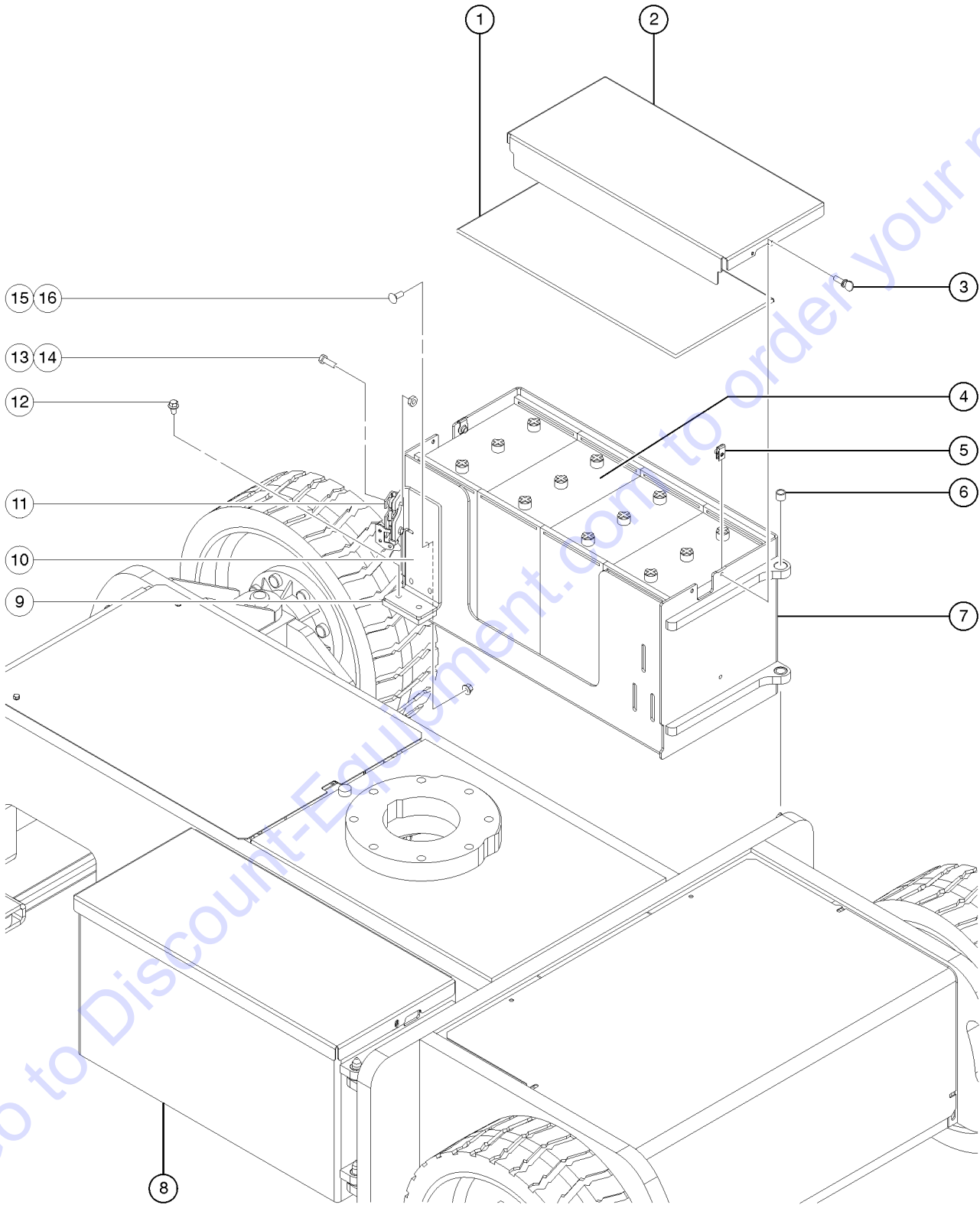
203.1 Battery Charger



## 203.1 Battery Charger

Item	Part No.	Description	Qty.
1	128375GT	CHARGER 48V/30A AUTO AC X-LED....1 <i>includes item 8 (order power cord separately)</i>	1
--	133286GT	DECAL, POWER TO CHARGER, UNIV.....1	1
--	139858GT	HARN.CHARGER INTERLOCK Z34.....1	1
--	228947GT	CLIP,RETAINING,IES CHARGER.....1	1
2	824078GT	SCREW,HHF,1/4-20X.75,8,ZAG.....8	8
3	824027GT	NUT, TL FLG, 1/4-20, G, ZAG.....4	4
4	56912GT	SPRING CLIP,1/4-20,.025-.15X.54,ZAG.....4	4
5	36673GT	PLATE,CHARGER MOUNT.....2	2
6	824094GT	SCREW,HHF,3/8-16X2.75,8,ZAG.....2	2
7	824029GT	NUT, TL FLG, 3/8-16, G, ZAG.....2	2
8	228973GT	KIT,ASSY,LED,IES CHARGER.....1 <i>with spade terminals</i>	1
--	19246GT	TERMINAL,FEMALE COUPLER,18-22G.....1	1
--	19247GT	TERMINAL,MALE COUPLER,18-22GA.....2	2
--	230759GT	ASSY,IES CHARGER LED.....1	1
9A	1280665GT	PLUG, TYPE F, 230A, 50HZ, 16A, IP44.....1 <i>Euro 220V</i>	1
9B	144161GT	PLUG,PWR,UK,16AMP,3PIN,BLK <i>UK 110V</i>	
9C	25388GT	PLUG,FUSED,250V,13AMP,U.K.** <i>UK 220V</i>	
--	65737GT	FUSE,13 AMP,220V PLUG*** <i>(for 25388)</i>	
10A	128118GT	BUSHING,STRAIN RELIEF,.875/.40.....1 <i>domestic</i>	1
10B	139318GT	BUSHING,STRAIN RELIEF,.875/.30.....1 <i>UK</i>	1
11	128825GT	BRACKET, CHARGER CORD AND LED.....1	1
12A	128377GT	CORD AC IEC320-C19 TO 110US <i>US 110V</i>	
12B	128376GT	CORD EURO AC IEC320-C19PIGTAIL <i>EU 110V</i>	
12C	128645GT	CORD AC IEC320-C19 TO 220EU <i>EU 220V</i>	

204.1 Battery Packs



Item	Part No.	Description	Qty.
1	106241GT	INSULATION,48V BATT.BOX LID.....1 <i>for models with AGM batteries; Z34N from SN 10901 and Z34DC/BE from SN 9616</i>	
2A	94001GT	LID-BATTERY BOX W/DECALS**	
2B	106025GT	LID,BATT PACK, W/SYM DECALS**	
2C	74704PGT	COVER,BATTERY BOX** <i>lid with no decals; 13.36 inches x 29.50 inches</i>	
3	824228GT	SCREW,THUMB,A-REG,3/8-16X1,ZAG..4	
4A	56462GT	BATTERY, J 305GH, 315AH.....8	
4B	823685GT	BATTERY,AGM,6V/320A,J305.....8 <i>used with universal charger 128375 revision E or later</i>	
5	29868GT	SPRING CLIP,3/8-16,.05-.20X.73,ZAG...4	
6	36369GT	BEARING,0.75IDX1.00ODX0.75L.....8	
7A	94022GT	BATTERY BOX ASSY. W/DECALS RH....1 <i>Z-34N; includes items 9-16</i>	
7B	77969GT	BATT. BOX ASSY.RH, Z34DC.....1 <i>Z-34DC; includes items 9-16</i>	
--	45382GT	SHIM,PRIMARY BOOM,.052 THK.....1 <i>Z-34DC</i>	
--	45465GT	SHIM,PRIMARY BOOM,.022 THICK.....1 <i>Z-34DC</i>	
7C	106054GT	BATT BOX ASSY.W/DECAL 34BI RH*....1 <i>Z-34BE; includes items 9-16</i>	
8A	94023GT	BATTERY BOX ASSY. W/DECALS LH....1 <i>Z-34N; includes items 9-16</i>	
8B	77970GT	BATT. BOX ASSY.LH, Z34DC.....1 <i>Z-34DC; includes items 9-16</i>	
--	45382GT	SHIM,PRIMARY BOOM,.052 THK.....1 <i>Z-34DC</i>	
--	45465GT	SHIM,PRIMARY BOOM,.022 THICK.....1 <i>Z-34DC</i>	
8C	106055GT	BATT BOX ASSY.W/DECAL 34BI LH*....1 <i>Z-34BE; includes items 9-16</i>	
9	45209GT	WEAR PAD,4X2X.5 W/INSERT*** .....2	
10A	101426PGT	FORMING,BATTERY BOX LATCH RH....1	
10B	101425PGT	FORMING,BATTERY BOX LATCH LH....1	
11A	66901GT	LATCH,ROTARY, W/KNOB,RIGHT.....1 <i>installed on LEFT side of chassis</i>	
11B	66900GT	LATCH,ROTARY, W/KNOB,LEFT.....1 <i>(shown) installed on RIGHT side of chassis</i>	
12	824077GT	SCREW, HHF, 1/4-20 X .5, 8, ZAG.....4	
13	824066GT	SCREW, HHC, 5/16-18 X 1.375, 8, ZAG.....6	
14	1252977GT	NUT,TL JAM,5/16-18,A,ZAG.....6	
15	824125GT	BOLT,CARRIAGE,3/8-16X1,5,ZAG.....6	
16	824029GT	NUT, TL FLG, 3/8-16, G, ZAG.....6	

# PARTS FINDER

**Search Website  
by Part Number**



**Search Manual  
Library For Parts  
Manual & Lookup Part  
Numbers – Purchase  
or Request Quote**

**Search Manuals**

Enter your information to help us find the right parts manual for your machine.

\* Brand:

\* Model:

\* Serial:

\* Part Number:

SEARCH

**Can't Find Part or  
Manual? Request Help  
by Manufacturer,  
Model & Description**

**Parts Order Form**

Please fill in the following information to help us find the right part for your machine.

Manufacturer:	<input type="text"/>
Model:	<input type="text"/>
Description:	<input type="text"/>
Part Number:	<input type="text"/>
Quantity:	<input type="text"/>
Notes:	<input type="text"/>

Submit

Discount-Equipment.com is your online resource for quality parts & equipment.

Florida: **561-964-4949** Outside Florida TOLL FREE: **877-690-3101**

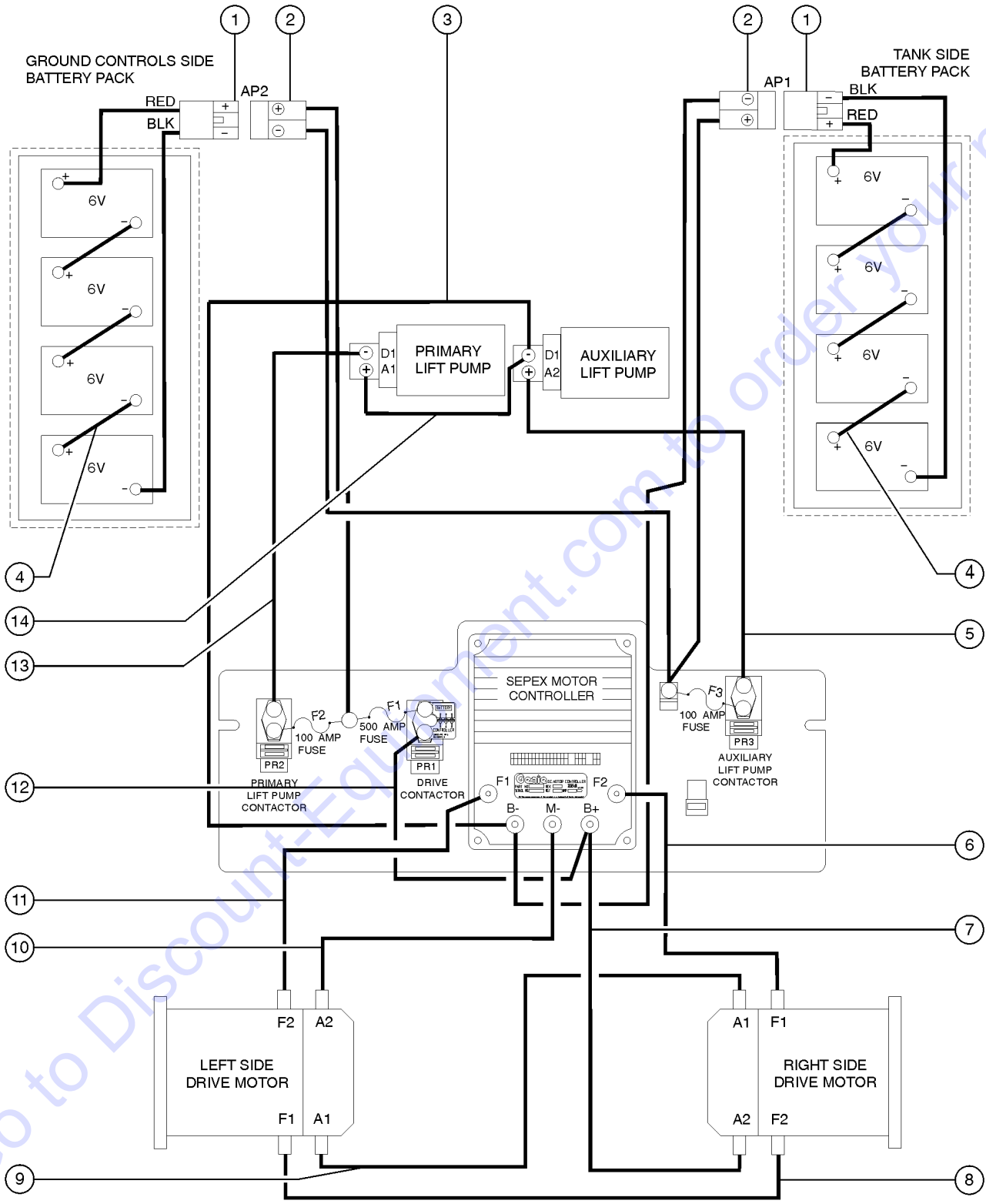
**Need parts?**

Click on this link: <http://www.discount-equipment.com/category/5443-parts/> and choose one of the options to help get the right parts and equipment you are looking for. Please have the machine model and serial number available in order to help us get you the correct parts. If you don't find the part on the website or on one of the online manuals, please fill out the request form and one of our experienced staff members will get back to you with a quote for the right part that your machine needs.

We sell worldwide for the brands: Genie, Terex, JLG, MultiQuip, Mikasa, Essick, Whiteman, Mayco, Toro Stone, Diamond Products, Generac Magnum, Airman, Haulotte, Barreto, Power Blanket, Nifty Lift, Atlas Copco, Chicago Pneumatic, Allmand, Miller Curber, Skyjack, Lull, Skytrak, Tsurumi, Husquvarna Target, Stow, Wacker, Sakai, Mi-T-M, Sullair, Basic, Dynapac, MBW, Weber, Bartell, Bennar Newman, Haulotte, Ditch Runner, Menegotti, Morrison, Contec, Buddy, Crown, Edco, Wyco, Bomag, Laymor, EZ Trench, Bil-Jax, F.S. Curtis, Gehl Pavers, Heli, Honda, ICS/PowerGrit, IHI, Partner, Imer, Clipper, MMD, Koshin, Rice, CH&E, General Equipment, Amida, Coleman, NAC, Gradall, Square Shooter, Kent, Stanley, Tamco, Toku, Hatz, Kohler, Robin, Wisconsin, Northrock, Oztec, Toker TK, Rol-Air, APT, Wylie, Ingersoll Rand / Doosan, Innovatech, Con X, Ammann, Mecalac, Makinex, Smith Surface Prep, Small Line, Wanco, Yanmar



205.1 Power Cable Diagram, Z-34/22N & Z-34/22DC

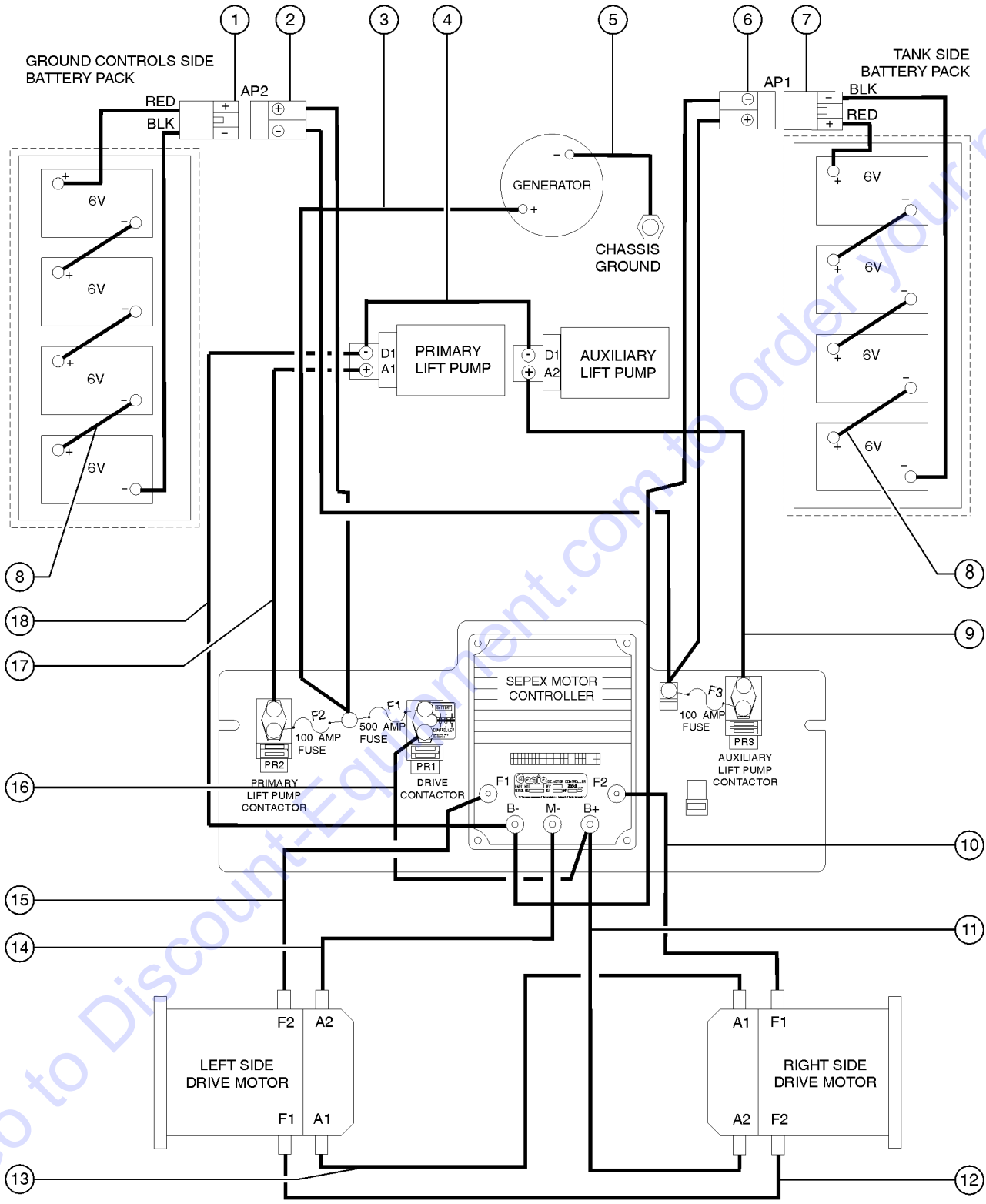




## 205.1 Power Cable Diagram, Z-34/22N &amp; Z-34/22DC

Item	Part No.	Description	Qty.
--	51147GT	BOOT,CABLE TERMINAL,LG,RED,2/0	
1	825066GT	HARN ASSY, POWER BATT PACK.....2	
--	128465GT	CABLE ASSY #2 RED BATT.....1	
--	128466GT	CABLE ASSY #2 BLK AP1/AP2 BATT....1	
2	139010GT	HARN ASSY, POWER DRIVE CHASS....2	
--	128458GT	CABLE ASSY #2 RED AP1/AP2 DRIV....1	
--	128459GT	CABLE ASSY #2 BLK AP1/AP2 DRIV....1	
3A	139037GT	CABLE ASSY #4 BLK B(-)/AP-D1.....1 Z-34N	
3B	139027GT	CABLE ASSY #4 BLK B(-)/AP-D1.....1 Z-34DC	
4	19520GT	BATTERY CABLE ASSY,9.5"JUMPER...2	
5A	139036GT	CABLE ASSY #4 RED PR3/AP-A2.....1 Z-34N	
5B	139017GT	CABLE ASSY #4 RED PR3/AP-A2.....1 Z-34DC	
6A	139021GT	WIRE ASSY #10 RED F2/F1.....1 Z-34N	
6B	139030GT	WIRE ASSY #10 RED F2/F1.....1 Z-34DC	
7	139023GT	CABLE ASSY #2 BLK B(+)/A2.....1	
8A	139038GT	WIRE ASSY #10 RED F1/F2.....1 Z-34N	
8B	139031GT	WIRE ASSY #10 RED F1/F2.....1 Z-34DC	
9A	139015GT	CABLE ASSY #2 BLK A1/A1.....1 Z-34N	
9B	139025GT	CABLE ASSY #2 BLK A1/A1.....1 Z-34DC	
10A	139034GT	CABLE ASSY #2 BLK M(-)/A2.....1 Z-34N	
10B	139024GT	CABLE ASSY #2 BLK M(-)/A2.....1 Z-34DC	
11A	139039GT	WIRE ASSY #10 RED F1/F2.....1 Z-34N	
11B	139029GT	WIRE ASSY #10 RED F1/F2.....1 Z-34DC	
12A	139033GT	CABLE ASSY #2 BLK B(+)/PR1.....1 Z-34N	
12B	139013GT	CABLE ASSY #2 BLK B(+)/PR1.....1 Z-34DC	
13A	139035GT	CABLE ASSY #4 RED PR2/LP-D1.....1 Z-34N	
13B	139026GT	CABLE ASSY #4 RED PR2/LP-D1.....1 Z-34DC	
14	139028GT	CABLE ASSY #4 BLK LP-D1/AP-D1.....1	

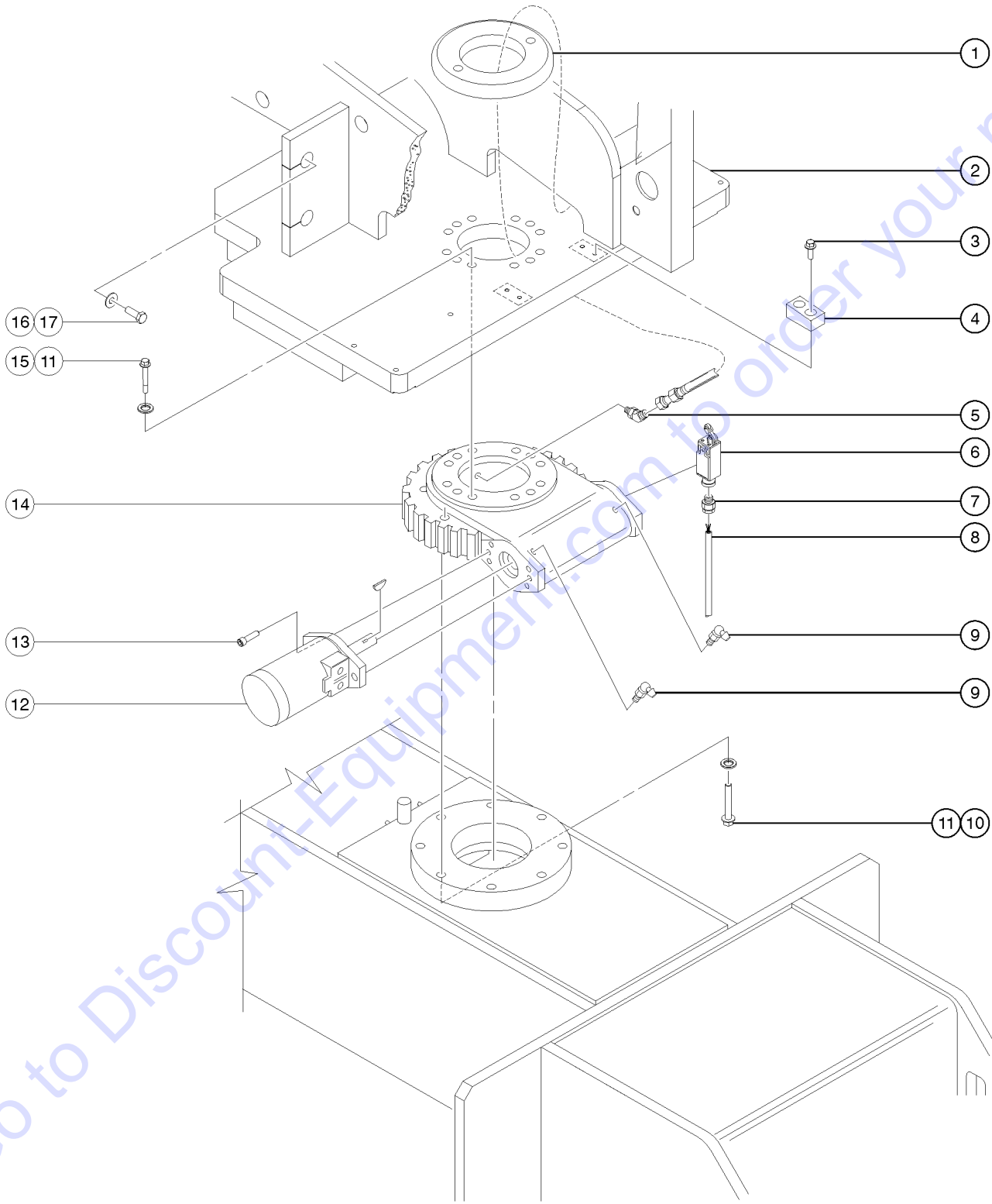
206.1 Power Cable Diagram, Z-34/22BE



## 206.1 Power Cable Diagram, Z-34/22BE

Item	Part No.	Description	Qty.
--	51147GT	BOOT,CABLE TERMINAL,LG,RED,2/0	
1	825067GT	HARN ASSY, POWER PACK AP2.....2	
2	139040GT	HARN ASSY, Z34BE AP2/DRIVE.....2	
3	139045GT	CABLE ASSY #4 RED ALT(+)/F1.....1	
4	139019GT	CABLE ASSY #4 BLK LP-D1/AP-D1.....1	
5	139046GT	CABLE ASSY #4 BLK ALT(-)/B(-).....2	
6	139010GT	HARN ASSY, POWER DRIVE CHASS....2	
--	128458GT	CABLE ASSY #2 RED AP1/AP2 DRIV	
--	128459GT	CABLE ASSY #2 BLK AP1/AP2 DRIV	
7	825066GT	HARN ASSY, POWER BATT PACK.....2	
--	128465GT	CABLE ASSY #2 RED BATT	
--	128466GT	CABLE ASSY #2 BLK AP1/AP2 BATT	
8	19520GT	BATTERY CABLE ASSY,9.5"JUMPER....1	
9	139043GT	CABLE ASSY #4 RED PR3/AP-A2.....1	
10	139030GT	WIRE ASSY #10 RED F2/F1.....1	
11	139023GT	CABLE ASSY #2 BLK B(+)/A2.....1	
12	139031GT	WIRE ASSY #10 RED F1/F2.....1	
13	139025GT	CABLE ASSY #2 BLK A1/A1.....1	
14	139024GT	CABLE ASSY #2 BLK M(-)/A2.....1	
15	139029GT	WIRE ASSY #10 RED F1/F2.....1	
16	139013GT	CABLE ASSY #2 BLK B(+)/PR1.....1	
17	139042GT	CABLE ASSY #4 RED PR2/LP-A1.....1	
18	139044GT	CABLE ASSY#4 BLK B(-)/LP-D1.....1	

301.1 Turntable Rotator



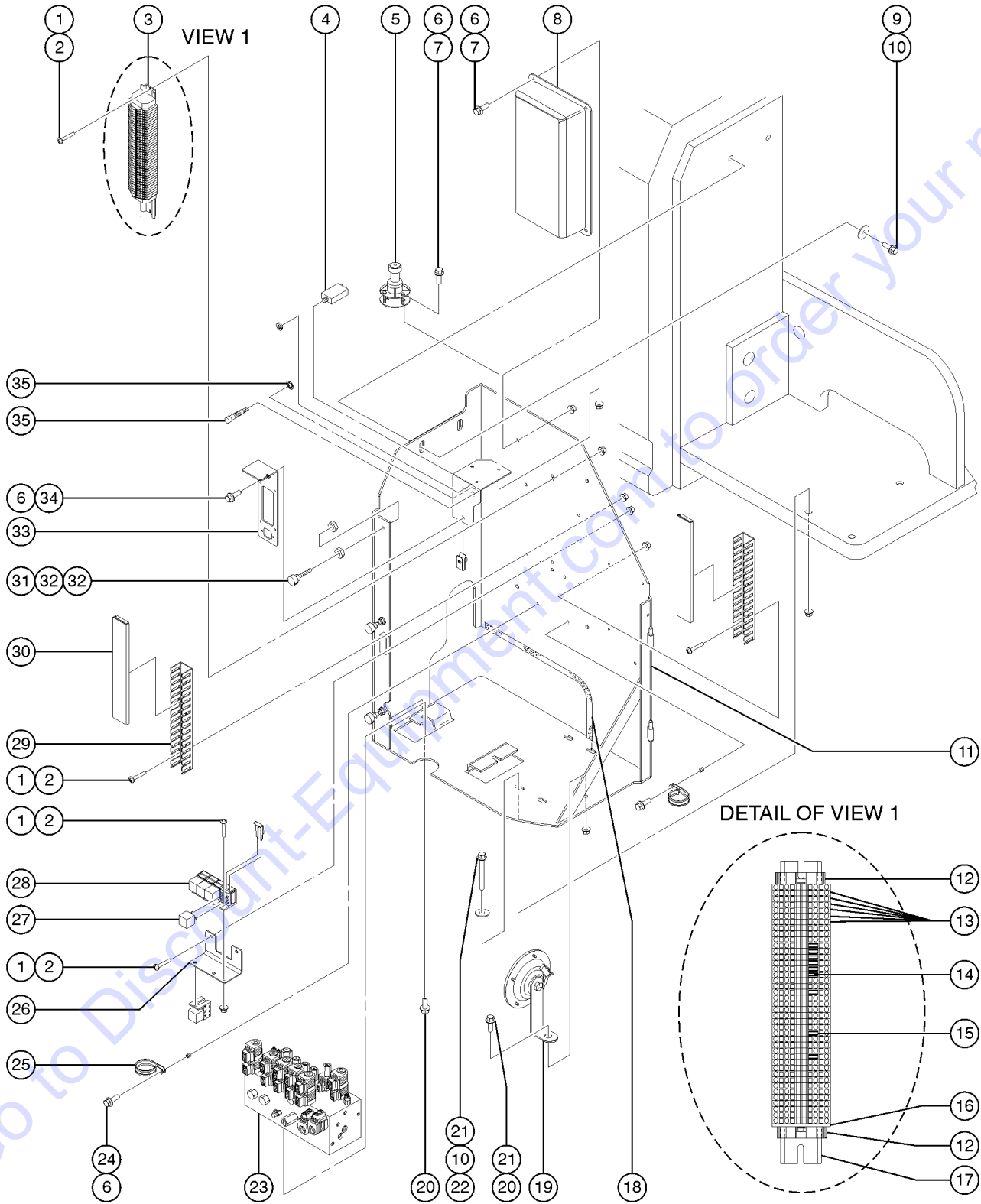
Go to Discount-Equipment.com to order your parts

301.1 Turntable Rotator

Item	Part No.	Description	Qty.	Item	Part No.	Description	Qty.
1	42363GT	RING,HOSE PROTECTOR.....	1	16	824074GT	SCREW,HHC,1-8X3,8,ZAG.....	2
2A	94220GT	WELDMENT,SWING CHASSIS Z34.....	1	17	824116GT	WASHER, FLAT, F436, 1.0, ZAG.....	2
2B	94219GT	WELDMENT,SWING CHASSIS Z34N.....	1				
3	824090GT	SCREW,HHF,3/8-16X1,8,ZAG.....	4				
4A	74256GT	REST PAD, LOWER REST Z30N.....	2				
		Z-34DC/BE					
4B	74086GT	REST PAD, LOWER ARM REST.....	2				
		Z-34N					
5	31194GT	ELBOW,070302-4-2.....	1				
6	110232GT	HARNESS LS3 OP DRIVE ENABLE.....	1				
		includes limit switch, wiring and connectors					
--	119762GT	CONN PLUG 4 WAY EXTEND DT.....	1				
--	60429GT	LOCK,PLUG 4 WAY,14-18GA.....	1				
--	73714GT	TERM,NI SOC,S&F,16-18GA,REEL.....	4				
--	88356-12103GT	SWITCH,LIMIT,W/ROLLER ARM***.....	1				
7	7056GT	CONN,SQUEEZE,1/2NPT .38-.50,SM....	1				
8	43960GT	WIRE CABLE,16/4 CON.TPE					
		JKT.....	71-inches				
9	22794GT	ZERK,GREASE,1/8 NPT,45DEG.....	2				
10	139867GT	SCREW,HHC,5/8-11 X 5.50 GR8 BO....	8				
11	13064GT	WASHER,FLAT,.625 HARDENED.....	20				
12	128453GT	MOTOR,TURNTABLE,125CC***.....	1				
--	84312GT	SEAL KIT,ROTATE MOTOR					
13	824102GT	SCREW,SHC,1/2-13X1.5,A574,ZAG.....	2				
14	119111GT	ROTATOR TURNTABLE					
		ASSEMBLY***.....	1				
--	1284189GT	CASE COVER,ROTATOR,Z30/34 (119111)					
		for 119111					
--	128565GT	SHIM KIT,TURNTABLE***					
		for 119111					
--	128618GT	SEAL KIT***					
		for 119111					
--	128619GT	ZERK,GREASE,1/8 NPT,67.5 DEG**					
		for 119111					
--	128620GT	ZERK,GREASE,1/8 NPT,45 DEG***					
		for 119111					
--	128621GT	BEARING,CUP***					
		for 119111					
--	128622GT	BEARING,CONE***					
		for 119111					
--	128899GT	SHAFT,WORM GEAR***					
		for 119111					
--	139008GT	SNAP RING,INT,2.88 DIA***					
		for 119111					
15A	139866GT	SCREW,HHC,5/8-11X4.50GR8					
		PLAIN.....	12				
		(to SN Z34N16F-12688)					
15B	1263142GT	SCREW,HHC,5/8-11,4.5,8,ZAG.....	12				
		(from SN Z34N16F-12689)					



302.1 Ground Control Side, Z-34/22N & Z-34/22DC

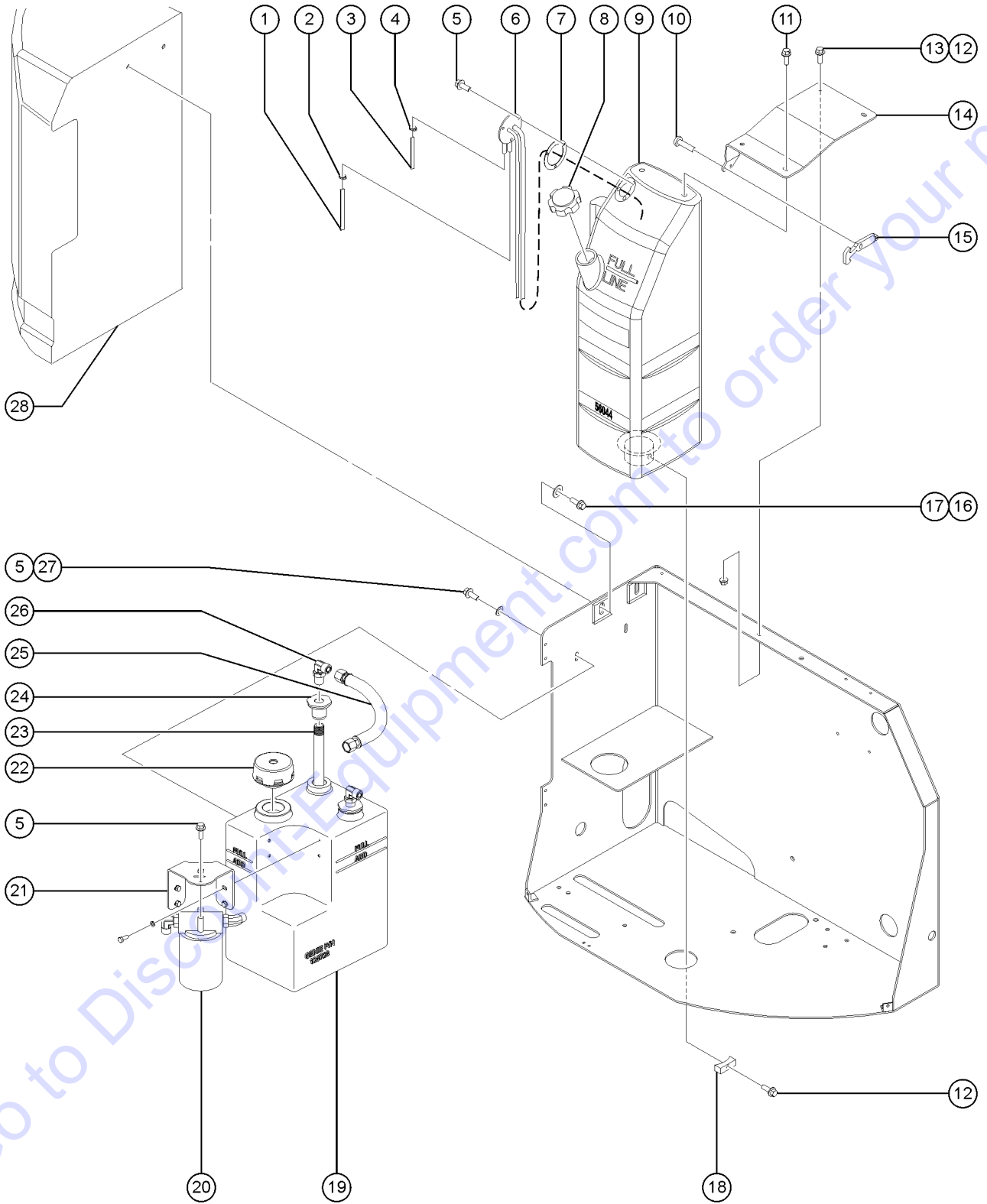


302.1 Ground Control Side, Z-34/22N & Z-34/22DC

Item	Part No.	Description	Qty.	Item	Part No.	Description	Qty.
1	824215GT	SCREW, PHPM, 10-32 X .75, ZAG.....	9	33	119618GT	FORMING,BRACKET.....	1
2	824032GT	NUT,TL FLG,10-32,F,ZAG.....	9	34	56912GT	SPRING CLIP,1/4-20,.025-.15X.54,ZAG	
3A	1259574GT	TERMINAL RAIL, Z30/34DC <i>includes items 12-17; ANSI from SN Z34N-11814; CE from Z34N-11787; Z34DC from SN 10371</i>		35	824878GT	LIGHT,LED IND. RED 24V NH.....	1
3B	216788GT	ASSY,TERMINAL RAIL,Z30/34DC <i>includes items 12-17; ANSI to SN Z34N-11813; CE to Z34N-11786 CE units; Z34DC to SN 10370</i>		--		LOCKWASHER,LT IND. OD.868/530..... <i>included with light</i>	1
4	147094GT	ASSY, CIRCUIT BREAKER 15A.....	1				
5A	94077GT	SENSOR,LEVEL,4.5 DEG..... <i>Z34N/DC, ANSI models</i>	1				
5B	110382GT	LEVEL SENSOR,LS60,YL,2.5X4.5..... <i>Z34N/DC, CE models</i>	1				
5C	42439GT	SENSOR,LEVEL 3 DEG**..... <i>Z34N, AUS models</i>	1				
6	824078GT	SCREW,HHF,1/4-20X.75,8,ZAG.....	7				
7	824027GT	NUT, TL FLG, 1/4-20, G, ZAG.....	5				
8	110626GT	COVER,TERMINAL STRIP, CONN.....	1				
9	824091GT	SCREW, HHF, 3/8-16 X 1.25, 8, ZAG....	2				
10	824120GT	WASHER,FLAT,.375X1.50X.125,ZAG....	4				
11	56784GT	CVR SUPPORT WELDM'T LH.34N/34....	1				
12	74913GT	END STOP, DIN RAIL,SCREW CLAMP.....	2				
13	216791GT	TERMINAL BLOCK,WIELAND.....	26				
14	74917GT	JUMPER COMB, 2-WAY,WIELAND					
15	74918GT	JUMPER COMB, 3-WAY,WIELAND..... <i>from SN Z-34N-11787 and Z-34DC-10364</i>	1				
16	216793GT	TERMINAL BLOCK END PLATE.....	1				
17	56994GT	DIN RAIL,11.25".....	1				
18	19018GT	TRIMLOCK,BLACK,5/32".....	49.5-inches				
19	81579GT	HORN,24VDC,SPADE TERMINALS*** ..	1				
20	824090GT	SCREW,HHF,3/8-16X1,8,ZAG.....	3				
21	824029GT	NUT, TL FLG, 3/8-16, G, ZAG.....	3				
22	824095GT	SCREW,HHF,3/8-16X3,8,ZAG.....	2				
23		Ref. Function Manifold <i>refer to 701.1</i>					
24	23404GT	NUTSERT,1/4-20,STEEL CAD PLTD.....	2				
25	21619GT	CLAMP,1.50,#24 X 1/4,RUB CUSH.....	2				
26	56791GT	ANGLE RELAY MOUNTING.....	1				
27	56302GT	RELAY,24VDC,40/30A,SEALED***					
28	34053GT	ASSY,RELAY SOCKET, AUTO					
29	28298GT	WIRING DUCT, 1.5 X 1.5.....	2				
30	1262218GT	COVER, DUCT, WIRING.....	2				
31	36388GT	BUMPER,RUBBER,.75 X .50H,STUD....	3				
32	824037GT	NUT,HH JAM,1/4-20,A,ZAG.....	6				



303.1 Ground Controls Side, Z-34/22BE, View 1

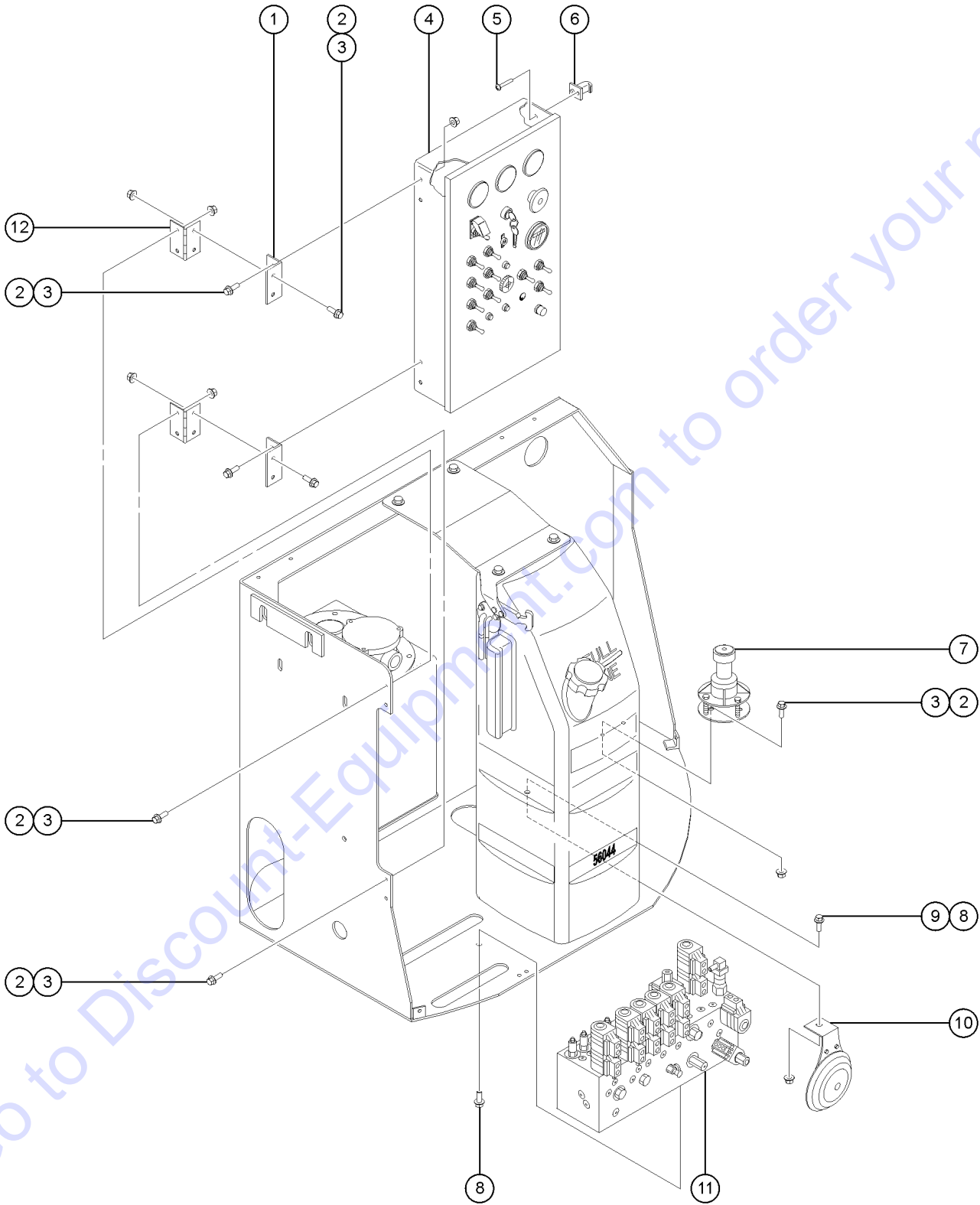




## 303.1 Ground Controls Side, Z-34/22BE, View 1

Item	Part No.	Description	Qty.
1	27089GT	HOSE,5/16 FUEL,SAE 30R7.....80-inches	
2	21465GT	CLAMP,HOSE, .25" - .63" X .3125.....1	
3	35418GT	HOSE,FUEL,3/16,SAE 30R7.....94-inches	
4	44909GT	CLAMP,HOSE, .35"-.86" X .3125".....1	
5	824077GT	SCREW, HHF, 1/4-20 X .5, 8, ZAG.....7	
6	56091GT	FUEL LINES,BULKHEAD.....1	
7	56094GT	GASKET.....1	
8	101726GT	CAP,FUEL,DIESEL,1/8"VENT(GRN).....1	
9	230470GT	FUEL TANK ASSY, DIESEL.....1 <i>includes items 5-8, 11-12, 18</i>	
10	824215GT	SCREW, PHPM, 10-32 X .75, ZAG.....1	
11	824089GT	SCREW, HHF, 3/8-16 X .75, 8, ZAG.....2	
12	824090GT	SCREW,HHF,3/8-16X1,8,ZAG.....3	
13	824029GT	NUT, TL FLG, 3/8-16, G, ZAG.....2	
14	56052GT	BRACKET,FUEL TANK.....1	
15	56053GT	LATCH,FLEXIBLE DRAW.....1	
16	824091GT	SCREW, HHF, 3/8-16 X 1.25, 8, ZAG.....2	
17	824120GT	WASHER,FLAT,.375X1.50X.125,ZAG.....2	
18	56056GT	SPACER,PLASTIC.....1	
19	128728GT	HYDRAULIC TANK,Z30N.....1	
20	78622GT	FILTER ASSY,SAE8,10 MIC,PAPR**.....1	
--	44788GT	FILTER ELEMENT,10MICRON,PAPER*	
21	128808GT	BRACKET, RETURN FILTER.....1	
22	42019GT	TANK BREATHER,NYLON **.....1	
23	128818GT	TUBE, HYDRAULIC TANK.....1	
24	39223GT	BULKHEAD FITTING,PLASTIC X 8**.....2	
25	128809GT	HOSE ASSY,1/2",12.38".....1	
26	128811GT	ELBOW,90D,520201-8.....2	
27	824119GT	WASHER,FLAT,.25X1.25X.062,ZAG.....2	
28	74532GT	COUNTERWEIGHT,CAST.....1	

304.1 Ground Controls Side, Z-34/22BE, View 2

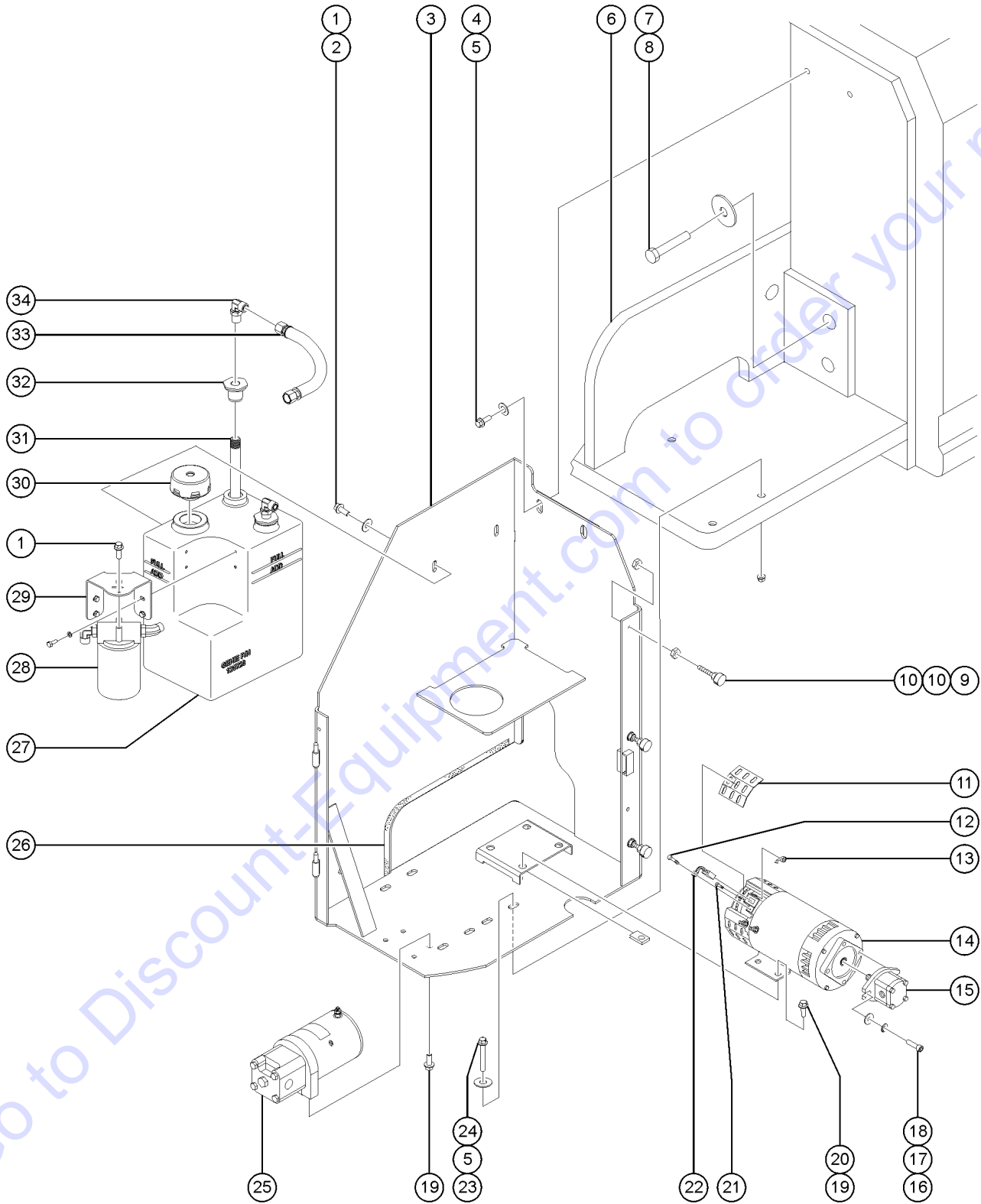


304.1 Ground Controls Side, Z-34/22BE, View 2

Item	Part No.	Description	Qty.
1	42067GT	ANGLE,CONTROL BOX MOUNTING.....	2
2	824078GT	SCREW,HHF,1/4-20X.75,8,ZAG.....	15
3	824027GT	NUT, TL FLG, 1/4-20, G, ZAG.....	15
4		ref. Ground Control Box <i>refer to 309.1 and 310.1</i>	
5	824215GT	SCREW, PHPM, 10-32 X .75, ZAG.....	2
6	56053GT	LATCH,FLEXIBLE DRAW.....	1
7A	94077GT	SENSOR,LEVEL,4.5 DEG..... <i>ANSI/AUS models</i>	1
7B	110382GT	LEVEL SENSOR,LS60,YL,2.5X4.5..... <i>CE models</i>	1
8	824090GT	SCREW,HHF,3/8-16X1,8,ZAG.....	3
9	824029GT	NUT, TL FLG, 3/8-16, G, ZAG.....	1
10	81579GT	HORN,24VDC,SPADE TERMINALS*** .....	1
11		ref. Function Manifold <i>refer to 701.1</i>	
12	42077GT	HINGE, 2 X 1.50.....	2

Go to Discount-Equipment.com to order your parts

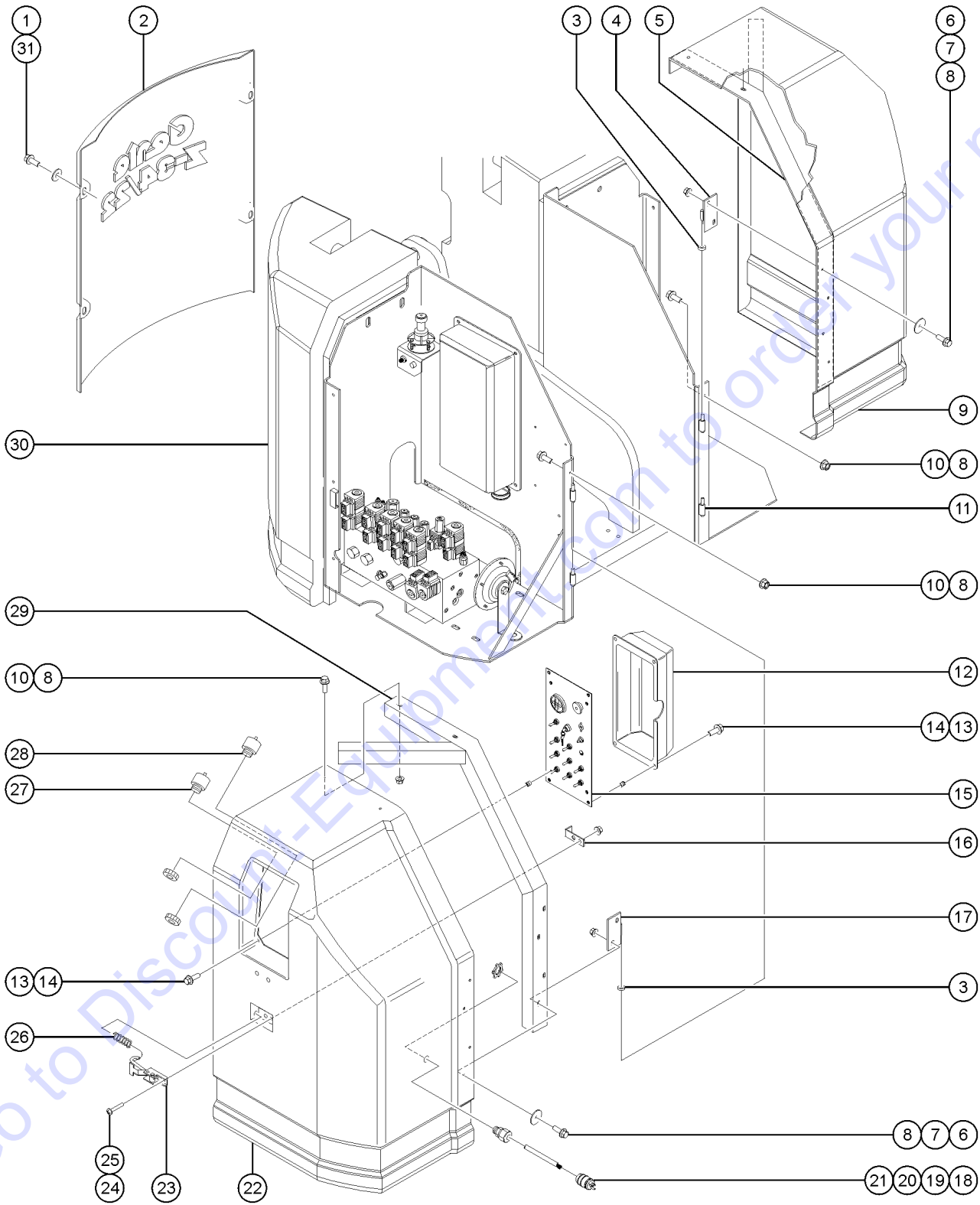
305.1 Hydraulic Tank Side, Z-34/22N & Z-34/22DC



## 305.1 Hydraulic Tank Side, Z-34/22N &amp; Z-34/22DC

Item	Part No.	Description	Qty.	Item	Part No.	Description	Qty.
1	824077GT	SCREW, HHF, 1/4-20 X .5, 8, ZAG.....	8	30	42019GT	TANK BREATHER,NYLON **.....	1
2	824119GT	WASHER,FLAT,.25X1.25X.062,ZAG.....	2	31	128818GT	TUBE, HYDRAULIC TANK.....	2
3	94427GT	WELDMENT,CVR SUPPORT RH***.....	1	32	39223GT	BULKHEAD FITTING,PLASTIC X 8**.....	2
4	824091GT	SCREW, HHF, 3/8-16 X 1.25, 8, ZAG.....	2	33	128809GT	HOSE ASSY,1/2",12.38".....	1
5	824120GT	WASHER,FLAT,.375X1.50X.125,ZAG.....	4	34	128811GT	ELBOW,90D,520201-8.....	2
6A	94220GT	WELDMENT,SWING CHASSIS Z34.....	1				
6B	94219GT	WELDMENT,SWING CHASSIS Z34N.....	1				
7	824074GT	SCREW,HHC,1-8X3,8,ZAG.....	2				
8	824116GT	WASHER, FLAT, F436, 1.0, ZAG.....	2				
9	36388GT	BUMPER,RUBBER,.75 X .50H,STUD.....	3				
10	824037GT	NUT,HH JAM,1/4-20,A,ZAG.....	6				
11	58936GT	BRUSH COVER -PLATE-(48504)*.....	1				
12	52913GT	SCREW,HH TAPETITE THRD8-32X.50.....	1				
13	58933GT	BRUSH SPRING SET.....	1				
14	48504GT	MOTOR,FUNCTION,48V DC.....	1				
--	44777GT	BEARING,MOTOR					
--	44778GT	BEARING,MOTOR,36843,BRUSH END*					
--	49812GT	ENCLOSING BAND KIT <i>for EE units only</i>					
--	58934GT	BRUSH BOX ASSEMBLY					
15	77981GT	PUMP,LIFT,3CC,CCW***.....	1				
--	77990GT	KIT,SEAL,3CC PUMP***					
16	824100GT	SCREW,SHC,3/8-24X1.25,A574,ZAG.....	2				
17	824110GT	WASHER,LOCK,3/8,ZAG.....	2				
18	825358GT	WASHER,FLAT,5/16,USS,ZAG.....	2				
19	824085GT	SCREW,HHF,5/16-18X.75,8,ZAG.....	6				
20	36456GT	SPRING CLIP,5/16-18,.025-.15X.....	4				
21	52914GT	SCREW,HHTAPTITE THREAD8-32X.38					
22	58932GT	BRUSH SET 4 EA					
23	824095GT	SCREW,HHF,3/8-16X3,8,ZAG.....	2				
24	824029GT	NUT, TL FLG, 3/8-16, G, ZAG.....	2				
25	36179GT	POWER UNIT,AUX PUMP 24VDC.....	1				
--	37184GT	MOTOR, 24V (36179)					
--	37185GT	PUMP ASSEMBLY (36179)					
--	37186GT	VALVE,CHECK (36179)					
--	37187GT	SEAL KIT, 37185 PUMP					
--	37191GT	GASKET, PUMP / MOTOR (36179)					
--	37192GT	COUPLER, PUMP / MOTOR (36179)					
26	19018GT	TRIMLOCK,BLACK,5/32".....	49.5-inches				
27	128728GT	HYDRAULIC TANK,Z30N.....	1				
28	78622GT	FILTER ASSY,SAE8,10 MIC,PAPR**.....	1				
--	44788GT	FILTER ELEMENT,10MICRON,PAPER*					
29	128808GT	BRACKET, RETURN FILTER.....	1				

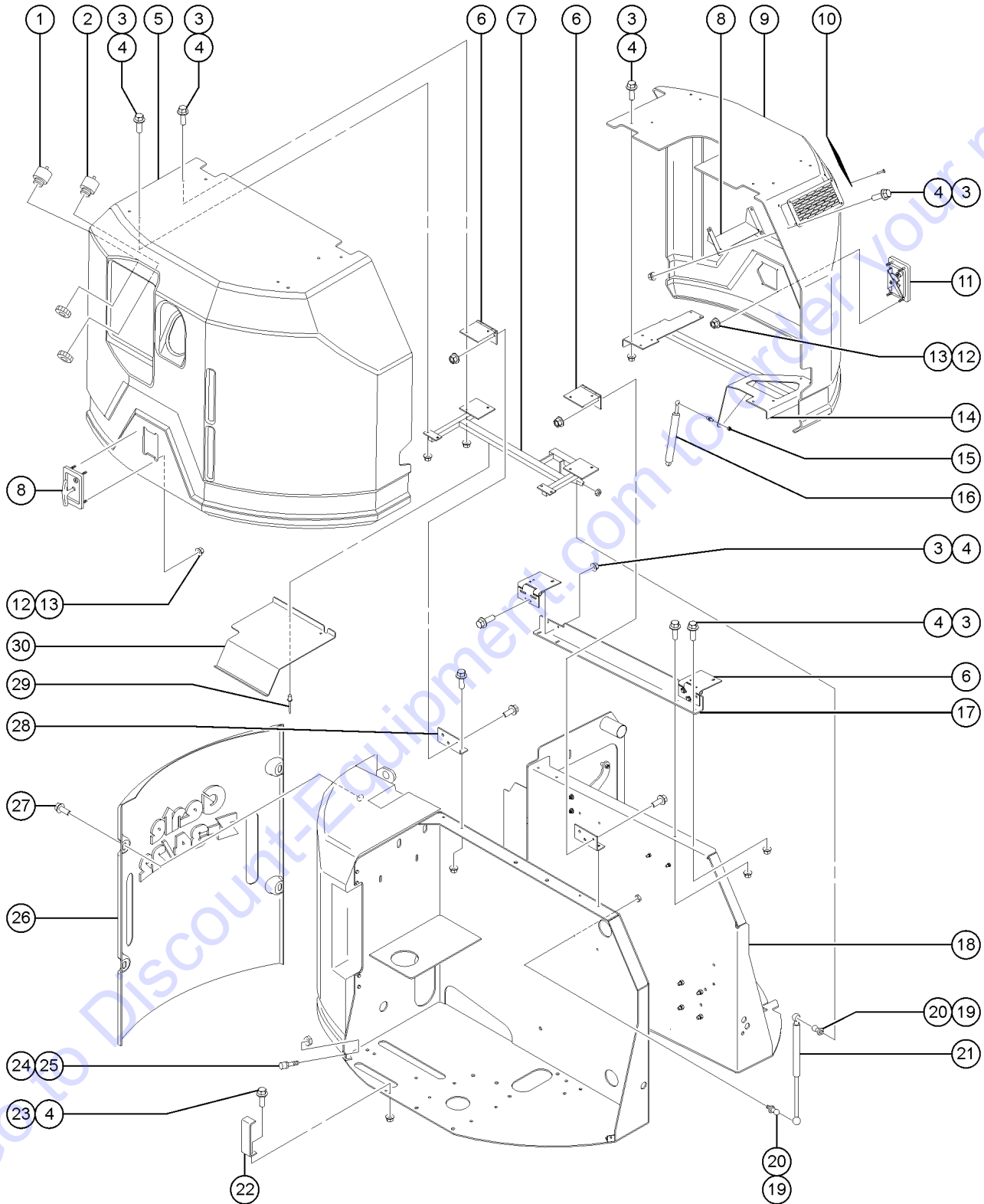
306.1 Turntable Covers, Z-34/22N & Z-34/22DC



306.1 Turntable Covers, Z-34/22N & Z-34/22DC

Item	Part No.	Description	Qty.	Item	Part No.	Description	Qty.
1	824089GT	SCREW, HHF, 3/8-16 X .75, 8, ZAG.....	4	--	72326GT	NUT - PLASTIC,RING FOR ALARMS	
2	139290GT	COVER,COUNTERWEIGHT,Z34.....	1	29	36924PGT	WELD,COVER BRACE,LH HINGE,PNTD.....	1
3	36457GT	WASHER,THRUST,.313 X .50 X .10.....	10	30A	36449GT	COUNTERWEIGHT,CAST,3700 LBS.....	1
4	36414GT	HINGE,WELD.,COVER,PUMP GRY/BLU.....	4			Z-34N	
5	36923PGT	WELD,COVER BRACE,RH HINGE,PNTD.....	1	30B	36680GT	COUNTERWEIGHT,CAST,2460 LBS.....	1
6	824079GT	SCREW,HHF,1/4-20X1,8,ZAG.....	8			Z-34DC	
7	824119GT	WASHER,FLAT,.25X1.25X.062,ZAG.....	8	31	1255758GT	WASHER,FLAT,3/8,USS,ZAG.....	4
8	824027GT	NUT, TL FLG, 1/4-20, G, ZAG.....	12				
9A	62502GT	COVER ASSY W/DECALS HPU**.....	1				
		<i>ANSI; includes items 16, 23-26</i>					
9B	106217GT	COVER ASSY,W/SYM DEC,HPU,34DC*.....	1				
		<i>CE; includes items 16, 23-26</i>					
10	824078GT	SCREW,HHF,1/4-20X.75,8,ZAG.....	4				
11	36421GT	HINGE,WELD ON,MALE.....	4				
12	36257GT	COVER,CONTROL PANEL.....	1				
13	824077GT	SCREW, HHF, 1/4-20 X .5, 8, ZAG.....	8				
14	23404GT	NUTSERT,1/4-20,STEEL CAD PLTD.....	8				
15		Ref. Ground Control Panel <i>refer to 308.1</i>					
16	36570GT	BRACKET,COVER LATCH.....	1				
17	36415GT	HINGE,WELD,COVER,CTRLS GRY/BLU.....	1				
18A	119403GT	CONN,PLUG 120 AC/15A DOMESTIC...1					
18B	144161GT	PLUG,PWR,UK,16AMP,3PIN,BLK.....	1				
18C	25388GT	PLUG,FUSED,250V,13AMP,U.K.**.....	1				
19	43956GT	WIRE CABLE,14/3 CON.TPE JKT*					
20	7056GT	CONN,SQUEEZE,1/2NPT .38-.50,SM...1					
21	6935GT	LOCKNUT,ELEC,1/2".....	1				
22A	106215GT	CVR ASSY.W/WORD DEC,GC,34N/DC*.....	1				
		<i>ANSI; includes items 16, 23-26</i>					
22B	106216GT	COVER ASSY,W/SYM DEC,GC,34DC**.....	1				
		<i>CE; includes items 16, 23-26</i>					
23	36575GT	LATCH,ADJUSTABLE DRAW.....	1				
24	824215GT	SCREW, PHPM, 10-32 X .75, ZAG.....	2				
25	824032GT	NUT,TL FLG,10-32,F,ZAG.....	2				
26	36574GT	SPRING,EXTENSION,.36 X 1.25.....	1				
27	45462GT	ALARM,CHIME TONE 5-25VDC***.....	1				
		<i>descent alarm, plastic nut not included</i>					
--	45385GT	PLUG,NYLON 1.12 BLACK DOMED					
--	72326GT	NUT - PLASTIC,RING FOR ALARMS					
28	18963GT	ALARM,INTERMITTENT TONE 6-30V*...1					
		<i>plastic nut not included</i>					

307.1 Turntable Covers, Z-34/22BE

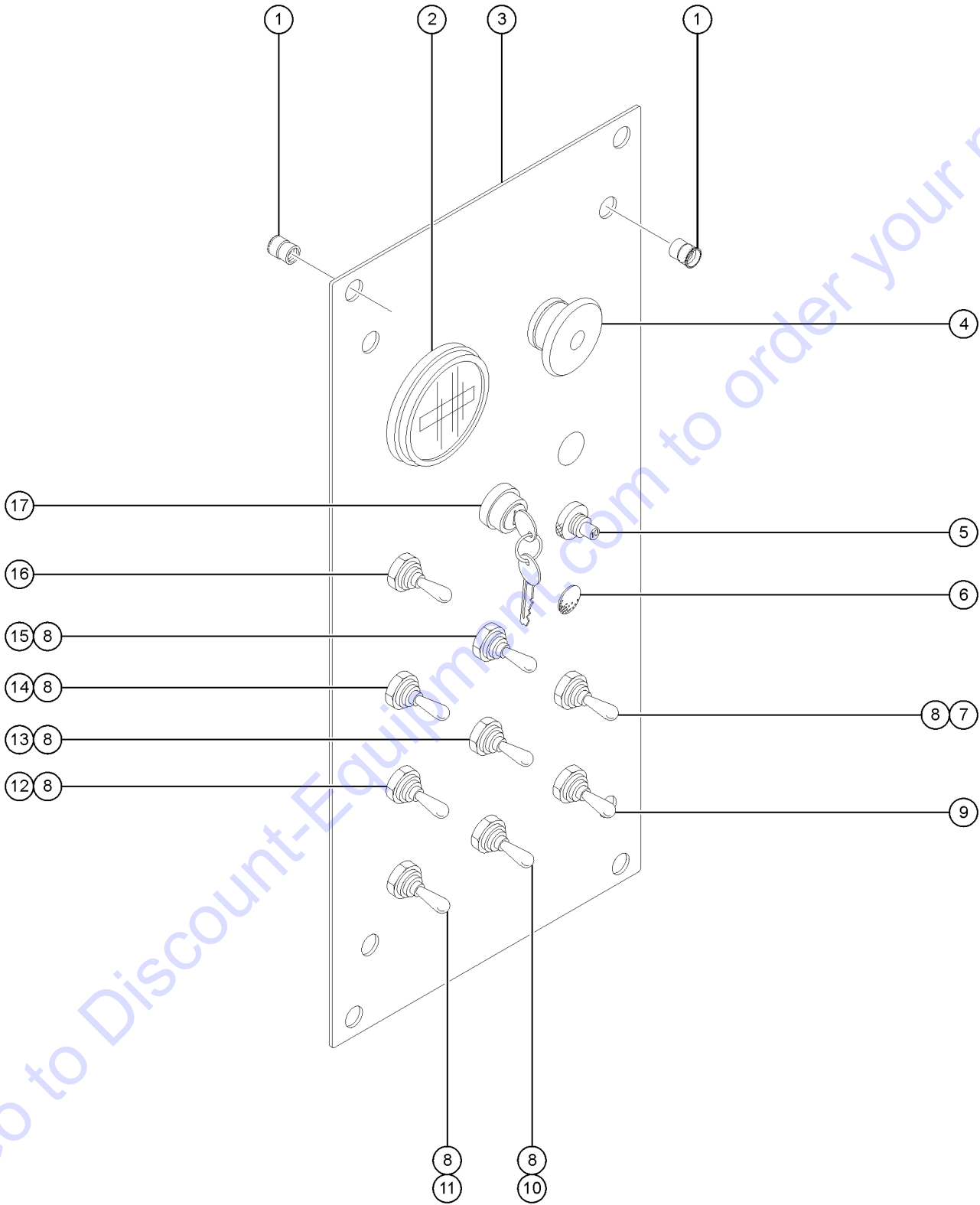




## 307.1 Turntable Covers, Z-34/22BE

Item	Part No.	Description	Qty.
1	45462GT	ALARM,CHIME TONE 5-25VDC***.....1 <i>descent alarm, plastic nut not included</i>	1
--	72326GT	NUT - PLASTIC,RING FOR ALARMS	
2	18963GT	ALARM,INTERMITTENT TONE 6-30V*...1 <i>travel alarm, plastic nut not included</i>	1
--	72326GT	NUT - PLASTIC,RING FOR ALARMS	
3	824079GT	SCREW,HHF,1/4-20X1,8,ZAG.....22	22
4	824027GT	NUT, TL FLG, 1/4-20, G, ZAG.....17	17
5A	106218GT	COVER ASSY,W/WORD DEC,GC,34BI*.....1 <i>includes items 3, 4, 6-7, 11</i>	1
5B	106219GT	COVER ASSY,W/SYM DEC,GC,34BI**...1 <i>includes items 3, 4, 6-7, 11, 30</i>	1
6	75073GT	HINGE,.375X.120THK.,SLOTTED.....4	4
7	56955-SGT	COVER REINFORCEMENT LH***.....1	1
8	139246GT	BAFFLE,ENGINE COVER.....2	2
9A	139619GT	COVER ASSY,W/SYM DEC,ENG,34BI...1 <i>includes items 3, 6, 11, 14</i>	1
9B	139620GT	COVER ASSY,W/WORD DEC,ENG,34BI.....1 <i>includes items 3, 6, 11, 14</i>	1
10	128467GT	PLATE, COVER, IC VENT.....2	2
11	28125GT	LATCH,FLUSH CUP*** .....2	2
--	29314GT	KEY,LATCH, 1 PAIR (28125)	
--	33510GT	LOCK PLUG ASSY, ( 28125 )	
12	824032GT	NUT,TL FLG,10-32,F,ZAG.....4	4
13	824215GT	SCREW, PHPM, 10-32 X .75, ZAG.....4	4
14	128470GT	WDMT, COVER REINFORC, RH.....1	1
15	33555GT	BALL STUD**.....1	1
16	139241GT	STRUT,GAS,14",200LBS.....1	1
17	128298GT	FORMING, HING SUPPORT, LONG.....1	1
18	128291GT	WDMT, ENGINE COMPARTMENT.....1	1
19	62706GT	BALL STUD,5/16-18 (56295).....2	2
20	1252977GT	NUT,TL JAM,5/16-18,A,ZAG.....2	2
21	56295GT	STRUT,GAS*** .....1	1
22	42064GT	BRACKET, LATCH.....2	2
23	824078GT	SCREW,HHF,1/4-20X.75,8,ZAG.....1	1
24	36388GT	BUMPER,RUBBER,.75 X .50H,STUD.....1	1
25	824037GT	NUT,HH JAM,1/4-20,A,ZAG	
26	139290GT	COVER,COUNTERWEIGHT,Z34.....1	1
27	824089GT	SCREW, HHF, 3/8-16 X .75, 8, ZAG.....4	4
28	74496PGT	FORMING,HINGE SUPPORT PAINTED.....2	2
29	7264GT	RIVET,STL,STL,P,.125 X .5	
30	56117GT	PLATE,SHIELD FUEL TANK.....1	1

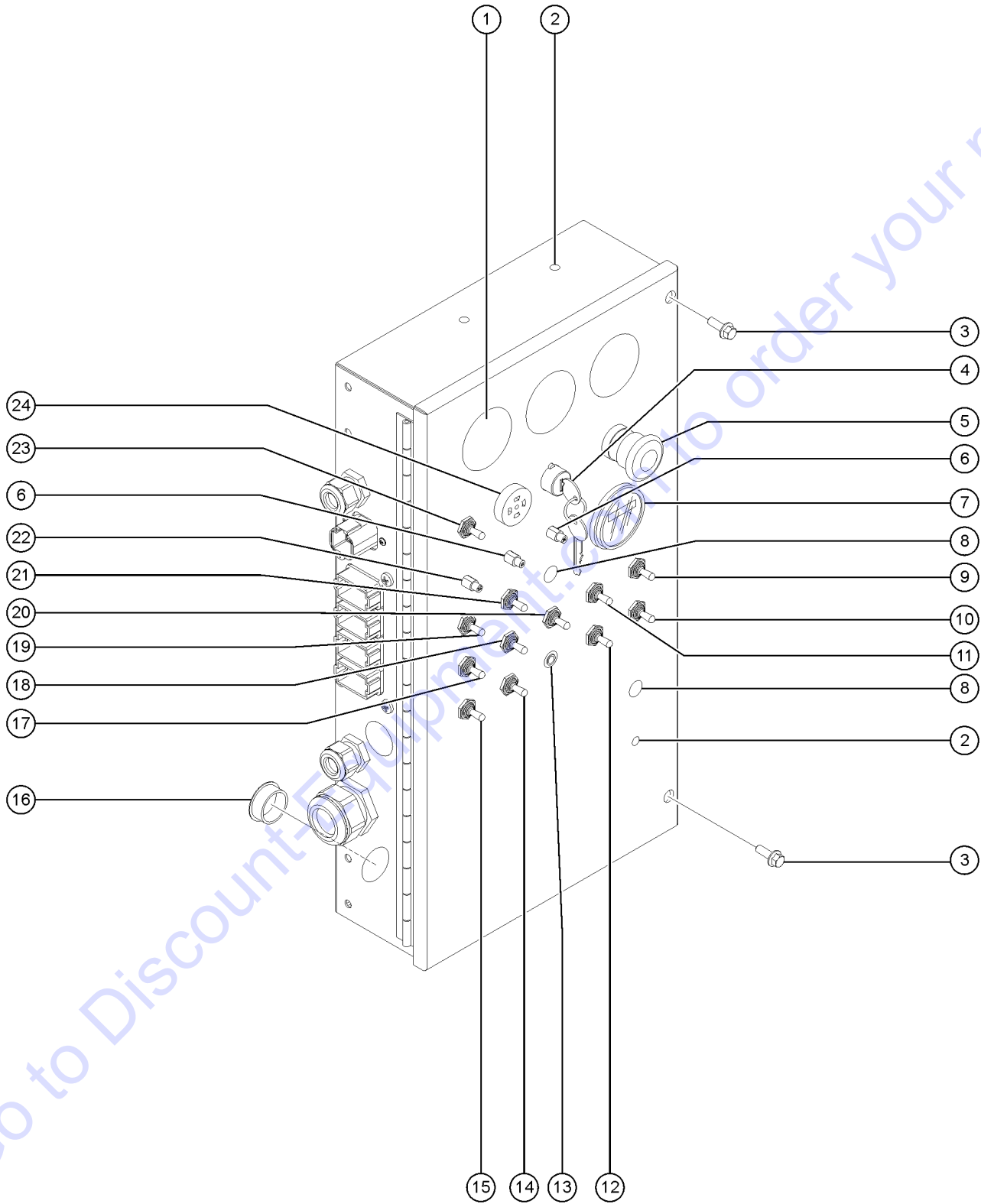
308.1 Ground Control Panel, Z-34/22N & Z-34/22DC



308.1 Ground Control Panel, Z-34/22N & Z-34/22DC

Item	Part No.	Description	Qty.	Item	Part No.	Description	Qty.
--	45782GT	DIODE,6 AMP,200 PIV,BULK		--	85239GT	NUT,RETAINER (96008)	
--	37947GT	KEYS,10 PACK*** <i>includes PN 21982</i>		--	88827GT	GASKET,KEYSWITCH,PLASTIC***	
1	23404GT	NUTSERT,1/4-20,STEEL CAD PLTD.....8					
2	19506GT	HOUR METER,10-80 VOLTS***.....1					
3	101965GT	GROUND CONTROL PANEL ASSY <i>includes item 1</i>					
--	94512GT	PANEL,GROUND CONTROL BOX***					
4	66812GT	BUTTON,PUSH,RED MUSHROOM HEAD.....1					
--	66817GT	BASE WITH 1 NC CONTACT, E-STOP					
--	66818GT	CONTACT,NC					
--	66821GT	BASE,WITHOUT CONTACTS					
5	147094GT	ASSY, CIRCUIT BREAKER 15A.....1					
6	229567GT	PLUG,SANTOPRENE .5 BLACK DOME.....1					
7	128202GT	SWITCH TOGGLE ASSY DPDT 3P MOM.....1 <i>jib boom up/down</i>					
8	19268GT	DIODE ASSEMBLY.....7					
9	128200GT	SWITCH TOGGLE ASSY SPDT 3P MOM.....1 <i>function enable switch</i>					
10	128202GT	SWITCH TOGGLE ASSY DPDT 3P MOM.....1 <i>secondary boom up/down</i>					
11	128202GT	SWITCH TOGGLE ASSY DPDT 3P MOM.....1 <i>turntable rotate</i>					
12	128202GT	SWITCH TOGGLE ASSY DPDT 3P MOM.....1 <i>platform rotate</i>					
13	128202GT	SWITCH TOGGLE ASSY DPDT 3P MOM.....1 <i>primary boom up/down</i>					
14	128202GT	SWITCH TOGGLE ASSY DPDT 3P MOM.....1 <i>platform level</i>					
15	128202GT	SWITCH TOGGLE ASSY DPDT 3P MOM.....1 <i>primary boom extend/retract</i>					
16	128203GT	SWITCH TOGGLE ASSY SPDT 2P MOM.....1 <i>aux. power switch; refer to 602.1 for CE switch covers</i>					
17	96008-SGT	KEYSWITCH,3 POS. W/KEYS***.....1					
--	21982GT	KEY,SINGLE***.....1 <i>without rubber boot</i>					
--	824218GT	SCREW,PHPM SEMS ET,8-32X.25,ZA					
--	83093GT	KEY SINGLE*** <i>with rubber boot</i>					

309.1 Ground Control Box, Z-34/22BE, External View

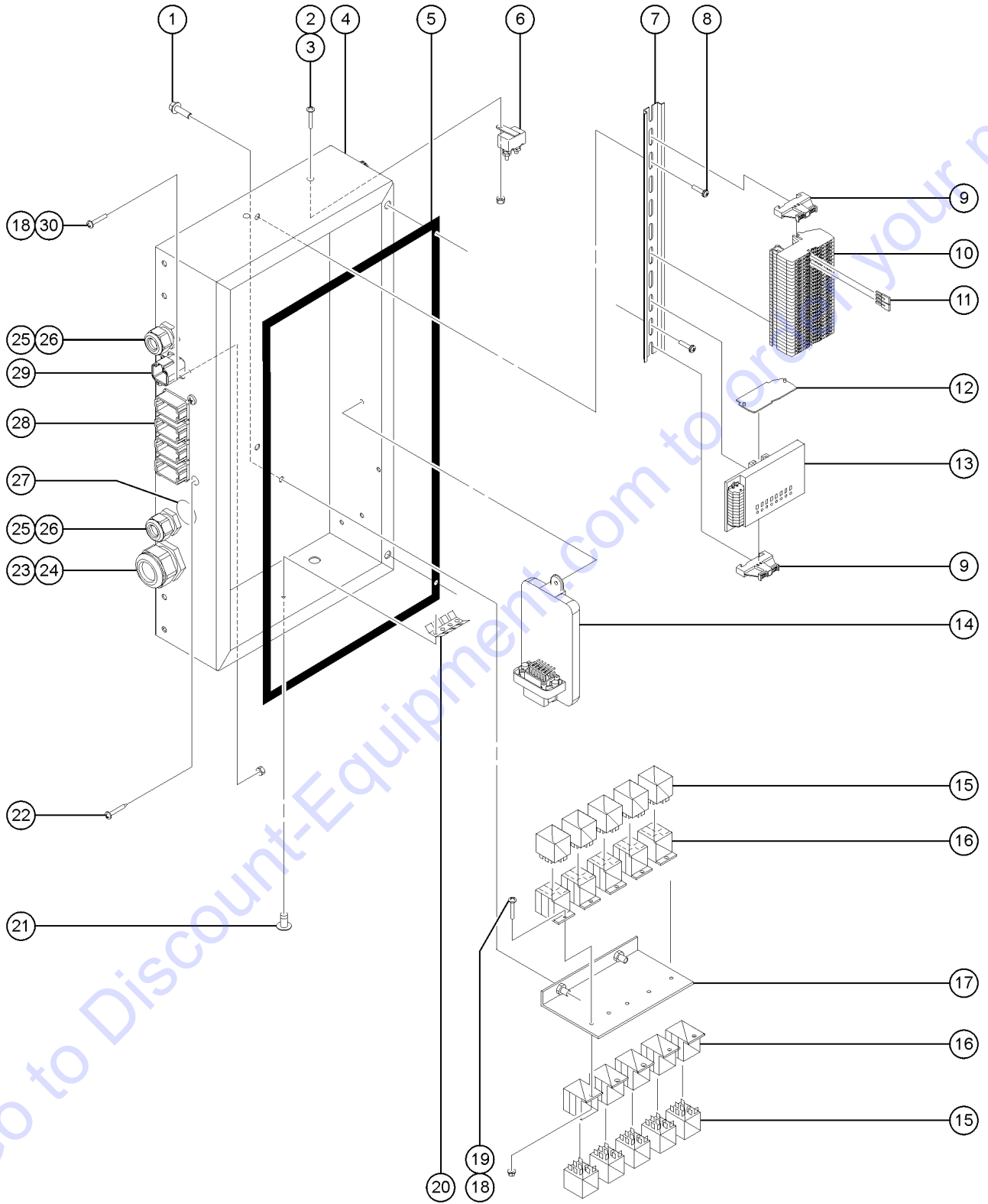


Go to DiscountParts.com to order your parts

309.1 Ground Control Box, Z-34/22BE, External View

Item	Part No.	Description	Qty.	Item	Part No.	Description	Qty.
--	53758-SGT	GAUGE,OIL PRESSURE W/O SENDER <i>includes mounting bracket and fasteners</i>		17	128202GT	SWITCH TOGGLE ASSY DPDT 3P MOM.....1 <i>platform rotate</i>	1
--	53759-SGT	GAUGE,WATER TEMP <i>includes mounting bracket and fasteners</i>		18	128202GT	SWITCH TOGGLE ASSY DPDT 3P MOM.....1 <i>primary boom up/down</i>	1
--	53761-SGT	GAUGE,VOLTAGE <i>includes mounting bracket and fasteners</i>		19	128202GT	SWITCH TOGGLE ASSY DPDT 3P MOM.....1 <i>platform level</i>	1
--	37947GT	KEYS,10 PACK***		20	128202GT	SWITCH TOGGLE ASSY DPDT 3P MOM.....1 <i>jib boom up/down</i>	1
1	45840GT	PLUG,NYLON 2.00 BLACK DOMED.....3	3	21	128202GT	SWITCH TOGGLE ASSY DPDT 3P MOM.....1 <i>primary boom extend/retract</i>	1
2	42781GT	PLUG, NYLON .250 BLACK DOMED.....3	3	22	147094GT	ASSY, CIRCUIT BREAKER 15A.....1 <i>includes mounting fasteners</i>	1
3	824077GT	SCREW, HHF, 1/4-20 X .5, 8, ZAG.....2	2	23	128203GT	SWITCH TOGGLE ASSY SPDT 2P MOM.....1 <i>auxiliary power</i>	1
4	96008-SGT	KEYSWITCH,3 POS. W/KEYS*** .....1	1	24	18963GT	ALARM,INTERMITTENT TONE 6-30V*...1 <i>plastic nut not included</i>	1
--	21982GT	KEY,SINGLE***.....1 <i>without rubber boot</i>	1	--	72326GT	NUT - PLASTIC,RING FOR ALARMS	
--	824218GT	SCREW,PHPM SEMS ET,8-32X.25,ZA					
--	83093GT	KEY SINGLE*** <i>with rubber boot</i>					
--	85239GT	NUT,RETAINER (96008)					
--	88827GT	GASKET,KEYSWITCH,PLASTIC***					
5	66812GT	BUTTON,PUSH,RED MUSHROOM HEAD.....1	1				
--	66818GT	CONTACT,NC					
--	73805GT	BASE,W/2 NC CONTACTS*** <i>includes 2 contacts</i>					
6	147093GT	ASSY, CIRCUIT BREAKER 10A.....2	2				
7	19506GT	HOUR METER,10-80 VOLTS*** .....1 <i>includes mounting bracket</i>	1				
8	229567GT	PLUG,SANTOPRENE .5 BLACK DOME.....1	1				
9	128200GT	SWITCH TOGGLE ASSY SPDT 3P MOM.....1 <i>glow plug</i>	1				
10	128200GT	SWITCH TOGGLE ASSY SPDT 3P MOM.....1 <i>function enable</i>	1				
11	128200GT	SWITCH TOGGLE ASSY SPDT 3P MOM.....1 <i>engine start</i>	1				
12	56457-SGT	SWITCH,TOGGLE,SPDT,2 POS MAINT.....1 <i>engine idle</i>	1				
--	27246GT	BOOT,TOGGLE SWITCH,SHORT*					
13	824878GT	LIGHT,LED IND. RED 24V NH.....1	1				
14	128202GT	SWITCH TOGGLE ASSY DPDT 3P MOM.....1 <i>secondary boom up/down</i>	1				
15	128202GT	SWITCH TOGGLE ASSY DPDT 3P MOM.....1 <i>turntable rotate</i>	1				
16	45385GT	PLUG,NYLON 1.12 BLACK DOMED.....1	1				

310.1 Ground Control Box, Z-34/22BE, Internal View

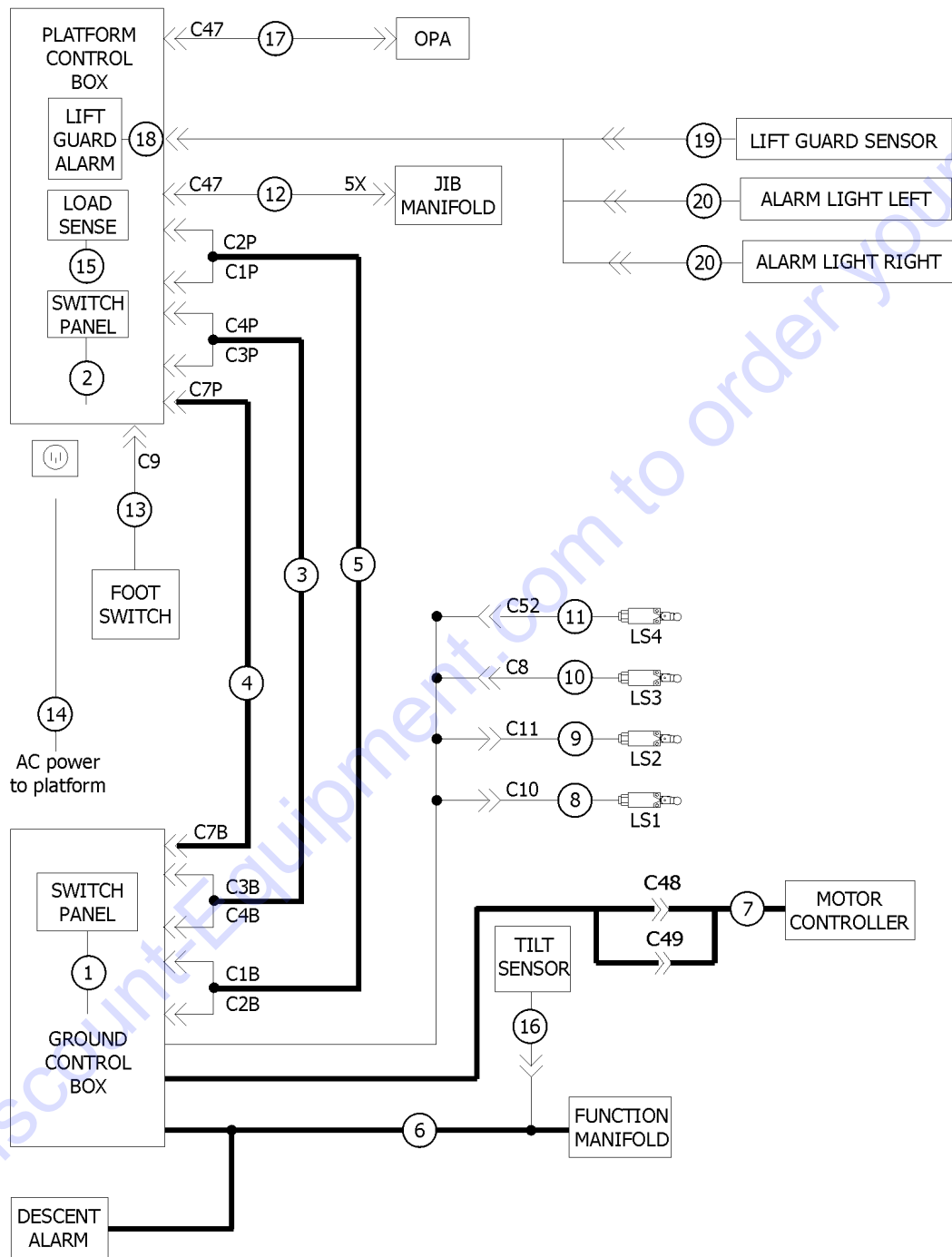


A TEREX BRAND

## 310.1 Ground Control Box, Z-34/22BE, Internal View

Item	Part No.	Description	Qty.
--	216790GT	ASSY,TERMINAL RAIL,Z34BE.....	1
--	45782GT	DIODE,6 AMP,200 PIV,BULK	
1	824078GT	SCREW,HHF,1/4-20X.75,8,ZAG.....	2
2	1251757GT	SCREW,PHPM,10-32X.50,ZAG.....	1
3	824036GT	NUT,TL,10-32,A,ZAG.....	1
4	110648GT	GROUND CONTROL BOX W/DECAL..... <i>includes item 5</i>	1
--	23404GT	NUTSERT,1/4-20,STEEL CAD PLTD	
5	42065GT	GASKET,GROUND CONTROL BOX.....	1
6	128935GT	CIRCUIT BKR 10A TYPE 2 METAL.....	1
7	36871GT	DIN RAIL,14.75" **.....	1
8	824222GT	SCREW,PHPM SEMS ET,10-32X.625,....	2
9	74913GT	END STOP, DIN RAIL,SCREW CLAMP.....	2
10	216791GT	TERMINAL BLOCK,WIELAND	
11	74917GT	JUMPER COMB, 2-WAY,WIELAND.....	4
12	216793GT	TERMINAL BLOCK END PLATE.....	1
13	56057GT	MODULE,IGNITION/START,12/24V.....	1
14	128045GT	MODULE,LOAD SENSE 2007..... <i>option, platform overload</i>	1
--	824032GT	NUT,TL FLG,10-32,F,ZAG	
--	824215GT	SCREW, PHPM, 10-32 X .75, ZAG	
15	56302GT	RELAY,24VDC,40/30A,SEALED***.....	10
16	34053GT	ASSY,RELAY SOCKET, AUTO.....	10
17	T106699GT	BRACKET,RELAY MOUNT W/INSERTS.....	1
18	824214GT	SCREW,PHPM,6-32X.5,ZAG.....	7
19	824032GT	NUT,TL FLG,10-32,F,ZAG.....	5
20	56663GT	TERMINAL STRIP.....	1
21	824206GT	RIVET,STL,STL,DOME,1/8X.25,ZAG....	2
22	824226GT	SCREW,PHPSH,#12-11X.75,ZAG.....	4
23	20776GT	CABLE SQUEEZE CONN.....	1
24	18665GT	LOCKNUT,ELECTRIC,1" NPT.....	1
25	7057GT	CONN. SQZ,1/2NPT .39-.56 MED.....	2
26	6935GT	LOCKNUT,ELEC,1/2".....	2
27A	45385GT	PLUG,NYLON 1.12 BLACK DOMED.....	1
27B	15243GT	PLUG,NYLON .875 BLACK DOMED.....	1
28	73736GT	CONN,RECEP 48 WAY,4 X 12.....	1
--	54255GT	LOCK,RECEP 12 WAY, 14-18GA	
--	73713GT	TERM,NI PIN,S&F,16-18GA,REEL	
29	73717GT	CONN,RECEP 4 WAY,12-14GA FL***.....	1
--	60526GT	LOCK,RECEP 4 WAY,12-14GA	
--	73711GT	TERM,DEUTSCH, PIN #12-14	
30	824019GT	NUT,TL,6-32,A,ZAG.....	2

311.1 Wire Harness Diagram, Z-34/22N and Z-34/22DC

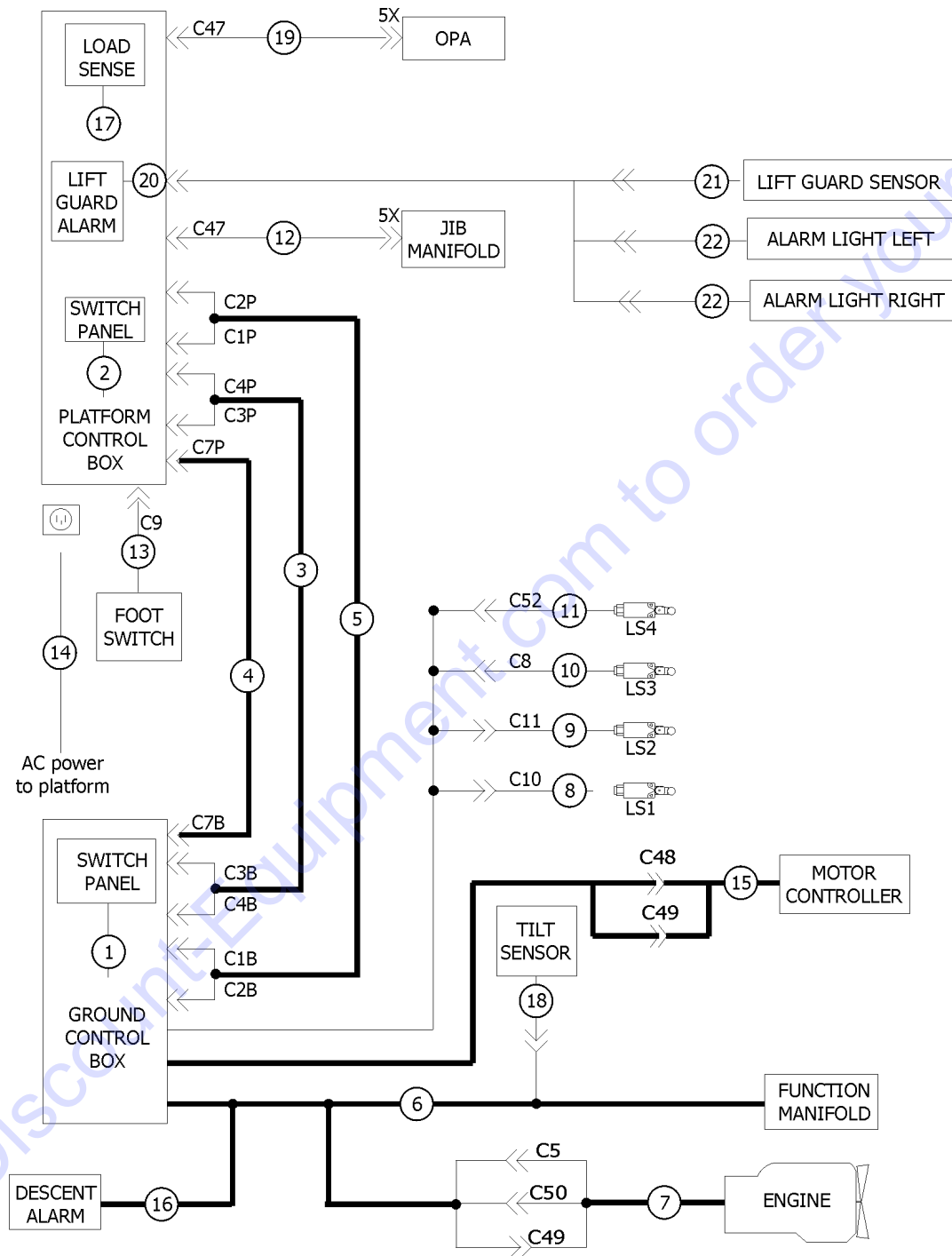




## 311.1 Wire Harness Diagram, Z-34/22N and Z-34/22DC

Item	Part No.	Description	Qty.
B	1264822GT	KIT, TRC RETROFIT, STNDRD <i>Telematics (includes 1264834)</i>	
--	1264834GT	INSTRN, TRC RETROFIT, STNDRD	
--	88832GT	HARNESS, PLUG, NON-LOAD WEIGHING	
1	110242GT	HARNESS, GBOX WIRE JUMPER.....1	
2	237503GT	HARNESS, PLAT BOX, Z30/34DC	
3	110240GT	HARNESS CABLE1 18/19 COND.....1 <i>green &amp; brown connectors</i>	
4	110233GT	HARNESS CABLE2 12/3 COND.....1	
5	110236GT	HARNESS CABLE3 18/19 COND.....1 <i>gray &amp; black connectors</i>	
6	110249GT	HARNESS, FUNC. MAN., Z30/34DC.....1	
7A	822917GT	KIT, DC-DC CONVERTER, DC <i>Z34N to SN 10983; Z34DC to SN 9685</i>	
7B	822704GT	HARNESS, DRIVE CHASSIS, DC.....1 <i>Z34N from SN 10984; Z34DC from SN 9686</i>	
8	110244GT	HARNESS LS1 OP EXT/RET.....1	
9	110245GT	HARNESS LS2 OP PRIMARY.....1	
10	110232GT	HARNESS LS3 OP DRIVE ENABLE.....1	
11	110246GT	HARNESS LS4 OP SECONDARY.....1	
12	139584GT	HARNESS, JIB MANIFOLD, NON RJ.....1	
13	110255GT	ASSEMBLY FOOT SWITCH.....1	
14	43956GT	WIRE CABLE, 14/3 CON. TPE JKT* .....600-inches	
15A	147389GT	HARNESS, LOAD SENSE, Z30/34DC....1 <i>CE models</i>	
15B	218602GT	HARNESS, LOAD SENSE RECOVERY...1 <i>AUS models</i>	
16A	1260219GT	HARNESS, TILT ALARM, 24V, CSA.....1 <i>Z34DC/BE CSA models; to SN Z3415-10370</i>	
16B	1261845GT	HARNESS, TILT 24V, CSA PROD.....1 <i>Z34DC/BE CSA models; from SN Z3415-10371</i>	
16C	1285812GT	KIT, TILT ALARM, DC AND BI-ENERGY MODELS <i>from SN 11749</i>	
--	1285689GT	INSTRUCTIONS, INSTALL (LEVEL SENSOR ALARM) <i>for kit 1285812</i>	
17A	1255858GT	HARN, PBOX, OPA, HW, 24V.....1	
17B	1255030GT	PLUG, BLANKING.....1	
18	1278450GT	HARNESS, CONTACT ALARM, Z30/34DC <i>models with Lift Guard Contact Alarm Option</i>	
19	1278119GT	ASSEMBLY SENSOR PROX OPA2	
20	1278111GT	ASSEMBLY, LIGHT, CONTACT ALARM	

312.1 Wire Harness Diagram, Z-34/22BE

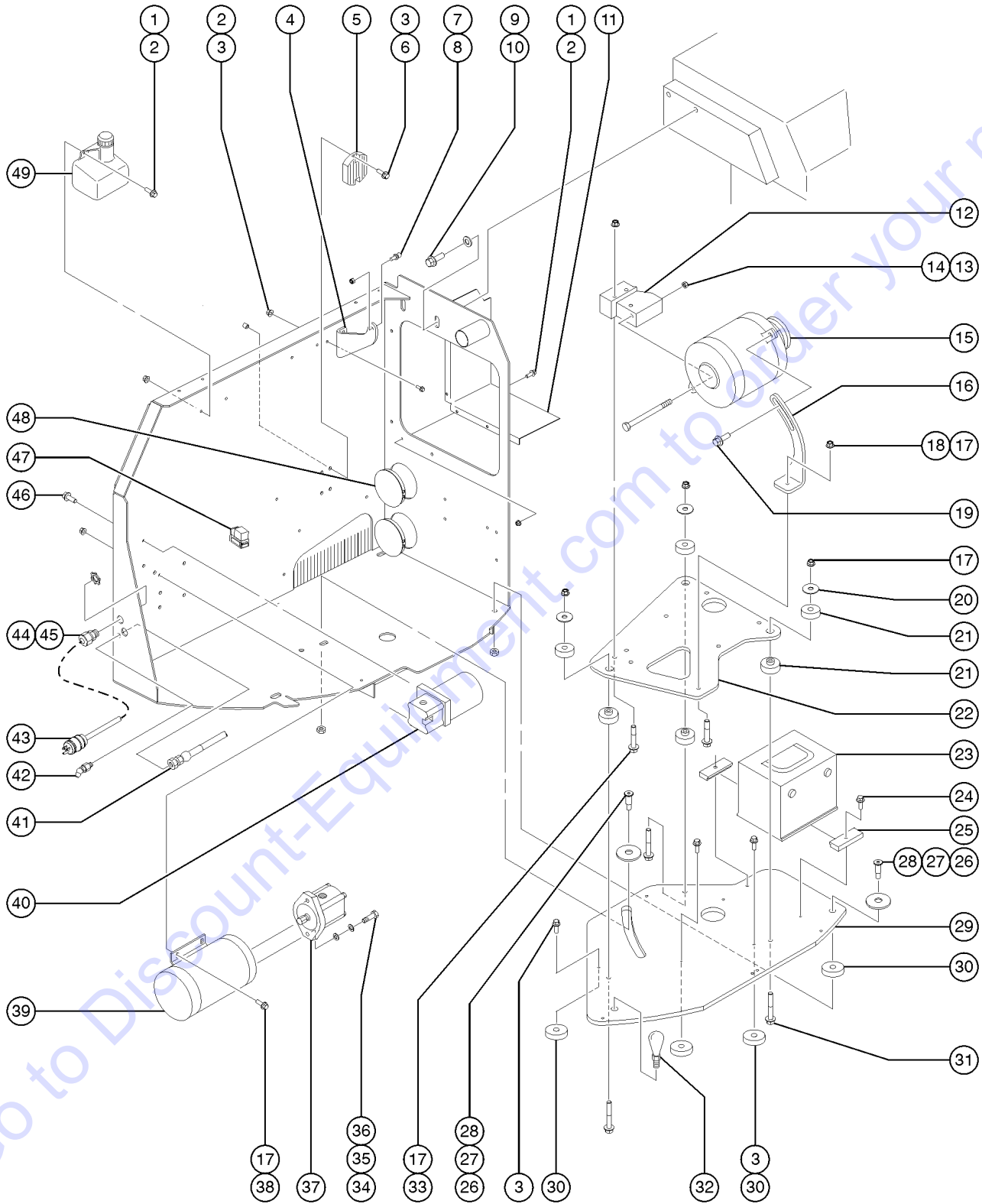


312.1 Wire Harness Diagram, Z-34/22BE

Item	Part No.	Description	Qty.	Item	Part No.	Description	Qty.
B	1264822GT	KIT, TRC RETROFIT, STNDRD <i>Telematics (includes 1264834)</i>		19B	1255030GT	PLUG,BLANKING.....	1
--	1264834GT	INSTRN, TRC RETROFIT, STNDRD		19C	1285812GT	KIT,TILT ALARM,DC AND BI-ENERGY MODELS <i>from SN 10370</i>	
--	88832GT	HARNESS,PLUG,NON-LOAD WEIGHING		--	1285689GT	INSTRUCTIONS,INSTALL (LEVEL SENSOR ALARM) <i>for kit 1285812</i>	
1A	110250GT	HARNESS BASE BOX BI-ENERGY.....	1	20	1278450GT	HARNESS, CONTACT ALARM, Z30/34DC <i>models with Lift Guard Contact Alarm</i>	
1B	1261752GT	HARNESS, GBOX, CE, Z34BE.....	1	21	1278119GT	ASSEMBLY SENSOR PROX OPA2	
		<i>CE models</i>		22	1278111GT	ASSEMBLY, LIGHT, CONTACT ALARM	
1C	1261751GT	HARNESS, RELAY, GBOX, CE, Z34B.....	1				
		<i>CE models</i>					
1D	1261753GT	HARNESS, GBOX, JUMPERS, Z34BE...1					
		<i>CE models</i>					
2A	237502GT	HARNESS,PLAT BOX,Z34BE.....	1				
2B	1261750GT	HARNESS, PBOX, JUMPERS, Z34BE <i>CE models</i>					
2C	1261749GT	HARNES, PBOX, CE, Z34BE <i>CE models</i>					
2D	1261185GT	HARNESS,RELAY,PBOX,Z34IC,CE <i>CE models</i>					
3	110240GT	HARNESS CABLE1 18/19 COND.....1 <i>green &amp; brown connectors</i>					
4	110233GT	HARNESS CABLE2 12/3 COND.....1					
5	110236GT	HARNESS CABLE3 18/19 COND.....1 <i>gray &amp; black connectors</i>					
6	215986GT	HARNESS,FUNC. MAN.,Z34BE					
7	110352GT	HARNESS, ENGINE.....	1				
8	110244GT	HARNESS LS1 OP EXT/RET.....	1				
9	110245GT	HARNESS LS2 OP PRIMARY.....	1				
10	110232GT	HARNESS LS3 OP DRIVE ENABLE.....	1				
11	110246GT	HARNESS LS4 OP SECONDARY.....	1				
12	139584GT	HARNESS,JIB MANIFOLD,NON RJ.....	1				
13	110255GT	ASSEMBLY FOOT SWITCH.....	1				
14	43956GT	WIRE CABLE,14/3 CON.TPE JKT*.....	.600-inches				
15A	822918GT	KIT, DC-DC CONVERTER, BE.....1 <i>to SN Z3414-9685</i>					
15B	822705GT	HARNESS, DRIVE CHASSIS, BE.....1 <i>from SN Z3414-9686</i>					
16	128048GT	HARNESS,DESCENT ALARM.....	1				
17A	147389GT	HARNESS, LOAD SENSE, Z30/34DC....1 <i>CE models</i>					
17B	218602GT	HARNESS,LOAD SENSE RECOVERY...1 <i>AUS models</i>					
18A	1260219GT	HARNESS,TILT ALARM,24V,CSA.....1 <i>Z34DC/BE CSA models; to SN Z3415-10370</i>					
18B	1261845GT	HARNESS,TILT 24V,CSA PROD.....1 <i>Z34DC/BE CSA models; from SN Z3415-10371</i>					
19A	1255858GT	HARN,PBOX,OPA,HW,24V.....	1				



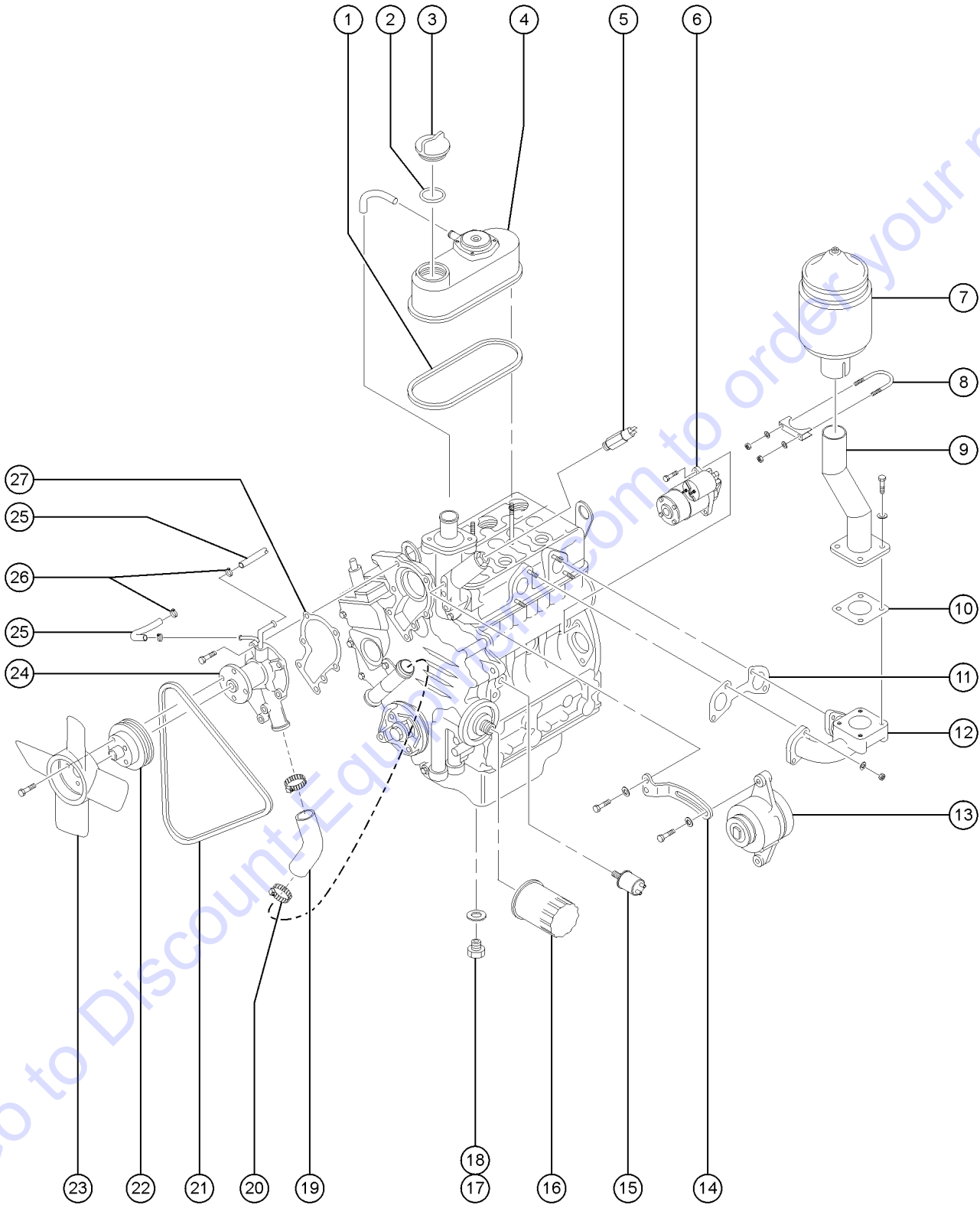
401.1 Engine Pivot Plate



401.1 Engine Pivot Plate

Item	Part No.	Description	Qty.	Item	Part No.	Description	Qty.
1	824078GT	SCREW,HHF,1/4-20X.75,8,ZAG.....	6	--	41630GT	HOUSING, LOCK PIN	
2	824027GT	NUT, TL FLG, 1/4-20, G, ZAG.....	8	33	824096GT	SCREW,HHF,3/8-16X3.5,8,ZAG.....	2
3	824079GT	SCREW,HHF,1/4-20X1,8,ZAG.....	6	34	824100GT	SCREW,SHC,3/8-24X1.25,A574,ZAG.....	2
4	128902GT	BRACKET,ANCHOR,GAS STRUT.....	1	35	824110GT	WASHER,LOCK,3/8,ZAG.....	2
5	62085GT	REGULATOR-VOLTAGE(Z482-E).....	1	36	825358GT	WASHER,FLAT,5/16,USS,ZAG.....	2
6	23404GT	NUTSERT,1/4-20,STEEL CAD PLTD.....	2	37		Ref. PUMP,LIFT,3CC,CCW***.....	1
7	33555GT	BALL STUD**.....	1			<i>refer to 706.1</i>	
8	1252977GT	NUT,TL JAM,5/16-18,A,ZAG.....	1	38	824090GT	SCREW,HHF,3/8-16X1,8,ZAG.....	2
9	824091GT	SCREW, HHF, 3/8-16 X 1.25, 8, ZAG.....	2	39		Ref. MOTOR,FUNCTION,48V DC.....	1
10	824120GT	WASHER,FLAT,375X1.50X.125,ZAG.....	2			<i>refer to 706.1</i>	
11	128331GT	BAFFLE, RADIATOR.....	1	40	36179GT	POWER UNIT,AUX PUMP 24VDC.....	1
12	56007GT	BRACKET,ALTERNATOR MOUNT.....	1	--	37184GT	MOTOR, 24V (36179)	
13	6198GT	NUT,NYLOCK,1/2-13.....	1	--	37185GT	PUMP ASSEMBLY (36179)	
14	13005GT	SCREW,HHC,1/2-13 X 6,GRD.8.....	1	--	37186GT	VALVE,CHECK (36179)	
15	54463-SGT	ALTRNTR,48VDC 100A,SERV VERS**.....	1	--	37187GT	SEAL KIT, 37185 PUMP	
--	45782GT	DIODE,6 AMP,200 PIV,BULK		--	37191GT	GASKET, PUMP / MOTOR (36179)	
--	54446-SGT	REGULATOR,48 VOLTAGE,BI ENERGY		--	37192GT	COUPLER, PUMP / MOTOR (36179)	
--	56283GT	PULLEY,3.15 OD		--	49878GT	NYLON WASHER,(36179)	
--	56290GT	NUT,LOCK,5/8-18		41	56120GT	HOSE ASSY-GREASE POINT TO APU.....	1
--	56291GT	WASHER,HARDENED,5/8		42	22794GT	ZERK,GREASE,1/8 NPT,45DEG.....	1
--	56292GT	KEY,WOODRUFF,5/32X3/4 KEY #506		43	119403GT	CONN,PLUG 120 AC/15A DOMESTIC...1	
16	56033GT	BRACKET,ALTERNATOR ADJUSTMENT.....	1	--	1280665GT	PLUG, TYPE F, 230A, 50HZ, 16A, IP44	
17	824029GT	NUT, TL FLG, 3/8-16, G, ZAG.....	8	44	7056GT	CONN,SQUEEZE,1/2NPT .38-.50,SM...1	
18	824091GT	SCREW, HHF, 3/8-16 X 1.25, 8, ZAG.....	1	45	6935GT	LOCKNUT,ELEC,1/2".....	1
19	824134GT	SCREW,HHF,M12-1.75X30,DIN6921,10.9,ZAB.1		46	824085GT	SCREW,HHF,5/16-18X.75,8,ZAG.....	1
20	824120GT	WASHER,FLAT,.375X1.50X.125,ZAG.....	3	47	823226GT	POWER RELAY, 24V COIL.....	1
21	24038GT	SHOCK MOUNT,SMALL.....	6			<i>for light package option; CR16 alternator relay</i>	
22	56089GT	PLATE,ENGINE GENERATOR MOUNT.....	1	48	80229GT	CAP, PLASTIC, 4".....	2
23	56050GT	BATTERY,450 CCA***.....	1	49	42662GT	COOLANT RECOVERY BOTTLE1.5 QT*.....	1
24	824080GT	SCREW,HHF,1/4-20X1.25,8,ZAG.....	2				
25	60078GT	BATTERY HOLD DOWN.....	2				
26	824229GT	BOLT,SSHS,5/8X1.25X1/2-13,ZAG.....	2				
27	824115GT	WASHER,FLAT,5/8,USS,ZAG.....	2				
28	824039GT	NUT,TL JAM,1/2-13,A,ZAG.....	2				
29	139235GT	PLATE, ENGINE SWING-OUT.....	1				
30	56093GT	WEAR PAD ROUND.....	4				
31	824094GT	SCREW,HHF,3/8-16X2.75,8,ZAG.....	3				
32	44160GT	LOCK PIN ASSY,3.00".....	1				
--	39469GT	SPRING,COMPRESSION.485 X1.75**					
--	39470GT	PIN, LOCK					
--	40835GT	KNOB,OVAL TAPERED					

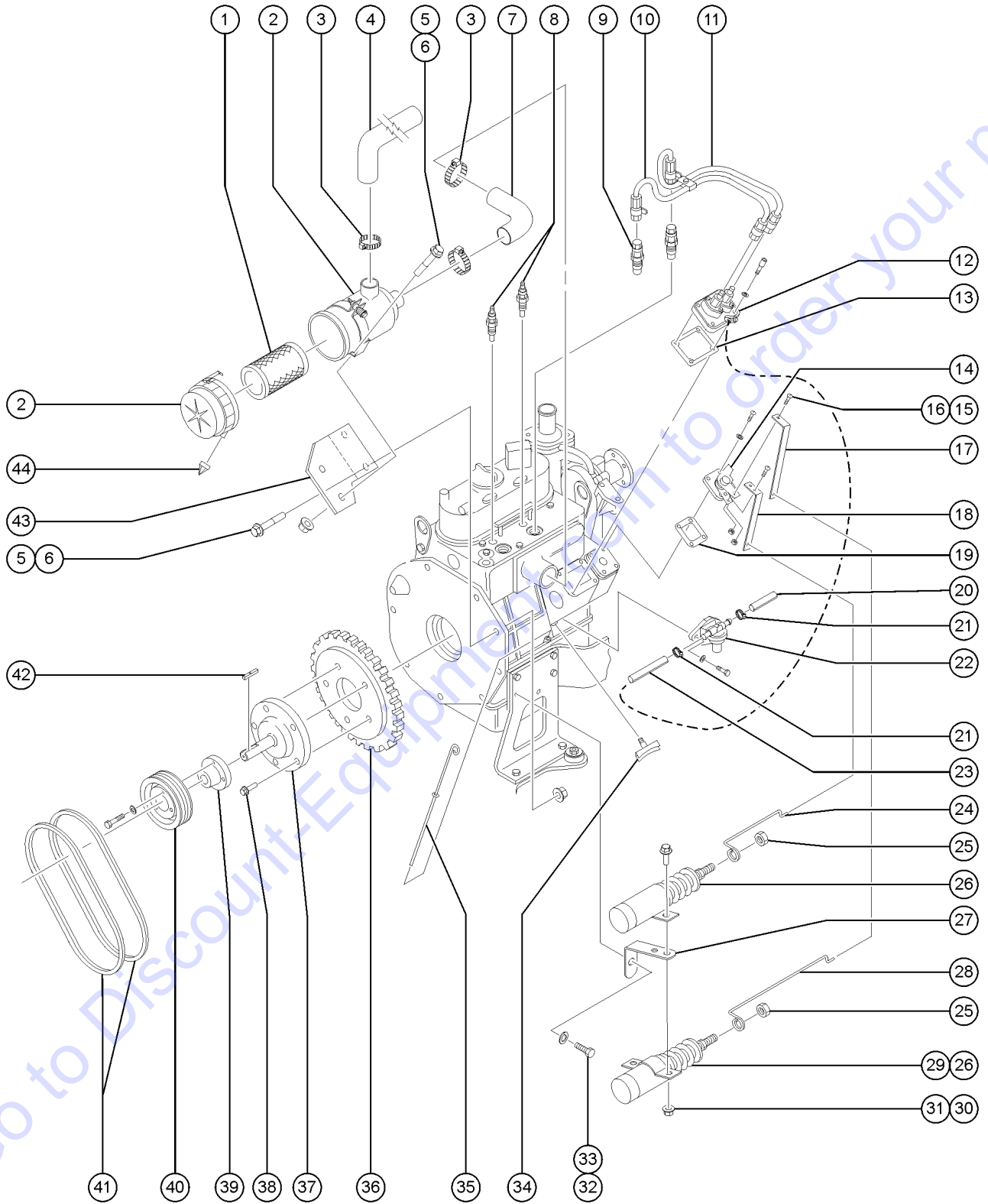
402.1 Kubota Z482 E4B, Diesel Engine, View 1



## 402.1 Kubota Z482 E4B, Diesel Engine, View 1

Item	Part No.	Description	Qty.
--	52956GT	MANUAL,WORKSHOP,KUBOTA Z482***.....	1
--	52958GT	MANUAL,OPERATORS,KUBOTA Z482**.....	1
--	58259GT	MANUAL,PARTS,KUBOTA Z482**.....	1
1	52806GT	GASKET-VALVE COVER Z482-E.....	1
2	22903GT	O-RING,OIL FILLER PLUG,KUBOTA*.....	1
3	52808GT	PLUG,OIL FILLER Z482,Z34/22BE*.....	1
4	52807GT	COVER-VALVE Z482, Z34/22BE.....	1
5	54332GT	SWITCH,WATER TEMP.....	1
6	52810GT	STARTER MOTOR Z482, Z34/22BE.....	1
--	23457GT	SOLENOID,STARTER,WG750B	
7	52407GT	MUFFLER,KUBOTA,GS68,DF750,D905.1	
8	32064GT	CLAMP,MUFFLER,1.75 INCH.....	1
9	56062GT	WELDMENT,EXHAUST EXTENSION.....	1
10	832128GT	GASKET,MUFFLER,KUBOTA D905/11.....	1
11	52812GT	GASKET-EXHAUST MANIFOLD Z482....	1
12	52813GT	EXHAUST MANIFOLD, Z482-E.....	1
13	110286GT	ALTERNATOR,KUBOTA,Z482.....	1
--	139423GT	ALTERNATOR GUARD,Z482..... <i>not shown; sold separately</i>	1
14	84044GT	STAY,ALTERNATOR***.....	1
15	22934GT	SWITCH,OIL,PRESSURE,KUBOTA.....	1
16	866400GT	KUBOTA OIL FILTER.....	1
17	56107GT	VALVE,OIL DRAIN,22MMO.....	1
18	52517GT	GASKET-OIL DRAIN, DF750.....	1
19	32067GT	HOSE,WATER PUMP,KUBOTA**.....	1
20	32066GT	CLAMP,HOSE,KUBOTA WG750.....	2
21	52816GT	BELT,FAN,KUBOTA DF972/Z482-E.....	1
22	23469GT	PULLEY,FAN,WG750B***.....	1
23	52818GT	FAN, KUBOTA Z482-E.....	1
24	52819GT	PUMP-WATER, KUBOTA Z482-E.....	1
25	32200GT	HOSE,WATER PUMP RETURN,D905....	1
26	32069GT	CLAMP,HOSE,KUBOTA WG750.....	4
27	23472GT	GASKET,WATER PUMPWG750B/Z482-E.....	1

403.1 Kubota Z482 E4B, Diesel Engine, View 2

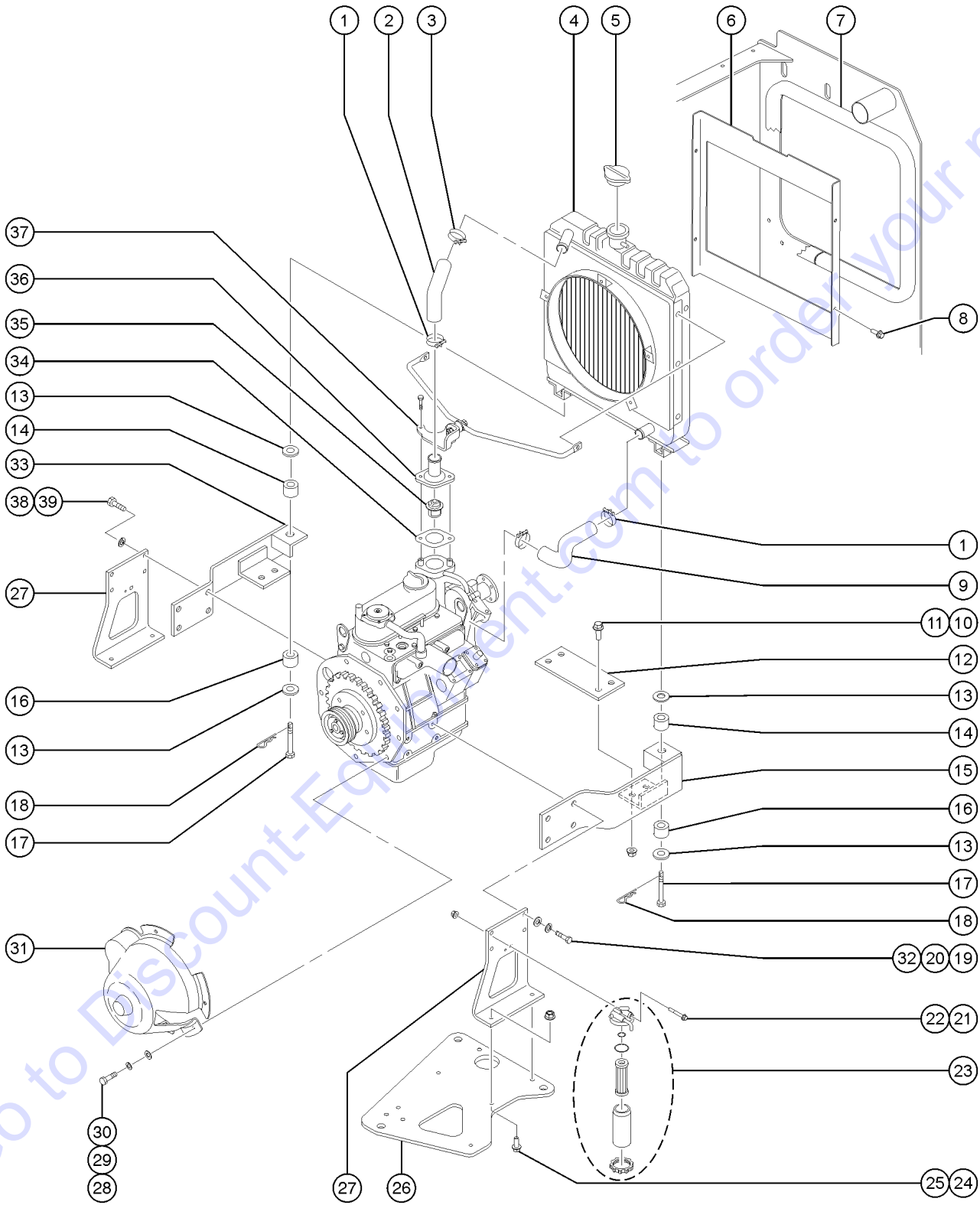




## 403.1 Kubota Z482 E4B, Diesel Engine, View 2

Item	Part No.	Description	Qty.	Item	Part No.	Description	Qty.
1	52867GT	FILTER,AIR***.....	1	42	56086GT	KEY,1/4 X 1.25.....	1
2	119684GT	AIRCLEANER ASSEMBLY..... <i>includes items 1, 3-7, 44</i>	1	43	119685GT	BRACKET, AIRCLEANER MT.....	1
3	22672GT	CLAMP,HOSE,1.75.....	3	44	52866GT	EVACUATOR VALVE-AIR CLEANER.....	1
4	139237GT	HOSE, BI-ENERGY AIR INTAKE.....	1				
5	824086GT	SCREW,HHF,5/16-18X1,8,ZAG.....	4				
6	824028GT	NUT, TL FLG, 5/16-18, G, ZAG.....	4				
7	56060GT	HOSE,INTAKE AIR,ELBOW.....	1				
8	839119GT	KUBOTA GLOW PLUG.....	2				
9	52822GT	INJECTOR,KUBOTA Z482-E.....	2				
10	52824GT	PIPE, INJECTOR 2 KUBOTA Z482-E.....	1				
11	52823GT	PIPE, INJECTOR 1 KUBOTA Z482-E.....	1				
12	52825GT	PUMP-INJECTION, KUBOTA Z482-E.....	1				
13	52826GT	GASKET-INJECTION PUMP, Z482-E.....	1				
14	52949GT	SPEED CONTROL ASSEMBLY**.....	1				
15	824215GT	SCREW, PHPM, 10-32 X .75, ZAG.....	3				
16	824036GT	NUT,TL,10-32,A,ZAG.....	3				
17	56101GT	BRACKET,STOP LEVER.....	1				
18	56102GT	BRACKET,IDLE LEVER.....	1				
19	52832GT	GASKET-SPEED CONTROL ASSEMBLY.....	1				
20	27089GT	HOSE,5/16 FUEL,SAE 30R7.....	8-inches				
21	52834GT	CLAMP-HOSE, .375, FUEL PUMP.....	4				
22	52835GT	PUMP ASSY-FUEL, KUBOTA Z482-E.....	1				
23	27089GT	HOSE,5/16 FUEL,SAE 30R7.....	12-inches				
24	56110GT	ROD,ENGINE IDLE & STOP.....	1				
25	824041GT	NUT,1/4-28,8,ZAG.....	2				
26	20780GT	SOLENOID,2 SPEED TROMBETTA***.....	2				
--	52514GT	BOOT,THROTTLE SOLENOID					
27	56098GT	BRACKET,SOLENOID MOUNT.....	1				
28	22956GT	ROD,CHOKE (KUBOTA)****.....	1				
29	22446GT	SPRING,COMPRESSION .835 X 2.....	1				
30	824027GT	NUT, TL FLG, 1/4-20, G, ZAG.....	2				
31	824078GT	SCREW,HHF,1/4-20X.75,8,ZAG.....	2				
32	824138GT	SCREW,HHC,M10-1.25X30,DIN961,1....	1				
33	824142GT	WASHER,LOCK,M10,ZAB.....	1				
34	32077GT	PETCOCK,DRAIN,KUBOTA WG750B.....	1				
35	52836GT	DIPSTICK, KUBOTA Z482-E.....	1				
36	52837GT	RING GEAR,KUBOTA Z482-E.....	1				
37	52838GT	ADAPTER FLANGE-PULLEY,Z482-E.....	1				
38	824133GT	SCREW,HHF,M8-1.25X25,DIN6921,10,9,ZAB.5					
39	56068GT	BUSHING,SH 1-1/8.....	1				
40	56067GT	BALANCER,HARMONIC,2-3V-500-SH...1					
41	56064GT	BELT,3VX-280.....	2				

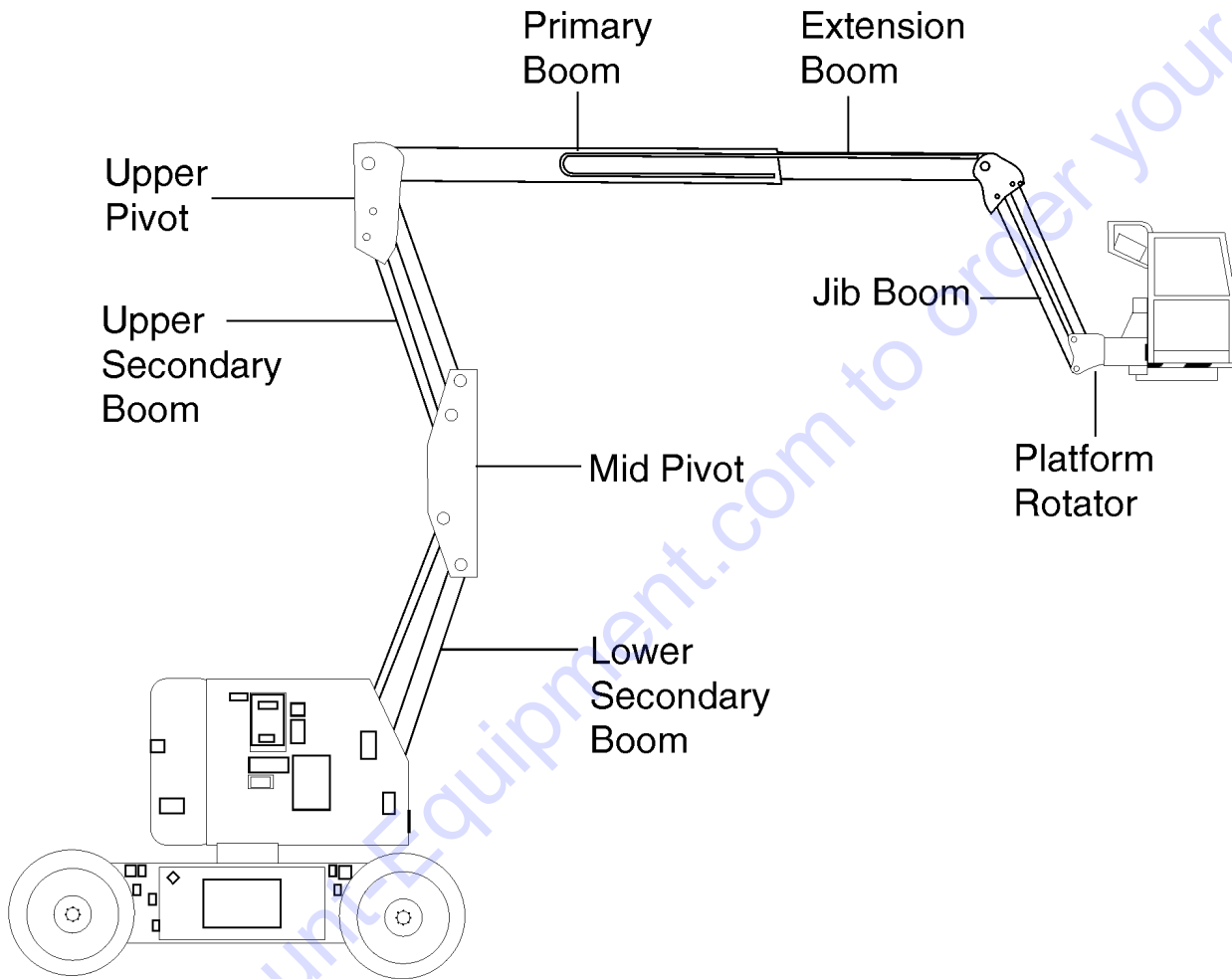
404.1 Kubota Z482 E4B, Diesel Engine, View 3



## 404.1 Kubota Z482 E4B, Diesel Engine, View 3

Item	Part No.	Description	Qty.	Item	Part No.	Description	Qty.
1	32066GT	CLAMP,HOSE,KUBOTA WG750.....	2	33	52851GT	BRACKET-RADIATOR SUPRT,INBOARD.....	1
2	52841GT	HOSE-RADIATOR,UPPER Z482-E.....	1	34	866397GT	KUBOTA GASKET,THERMOSTAT.....	1
3	32087GT	CLAMP,HOSE,KUBOTA WG750.....	2	35	23473GT	THERMOSTAT ASSY, WG750B.....	1
4	119242GT	RADIATOR ASSY,KUBOTA Z482E AL.....	1	36	27367GT	THERMOSTAT COVER,KUBOTA GAS.....	1
5	110523GT	CAP,RADIATOR,AL,KUBOTA DF-752.....	1	37	119507GT	KIT,Z482 RAD SUPPORT.....	1
6	139236GT	FORMING, BI-ENERGY SHROUD.....	1	38	22676GT	SCREW,HHC,M10 X 1.25 X 30MM**.....	1
7	60875GT	TRIM MOLDING.....	1	39	22700GT	WASHER,LOCK,M10.....	1
8	237238GT	SCREW,HHF,M6-1.0X12,DIN6921,10.....	4				
9	32090GT	HOSE,LWR RADIATOR,KUBOTA WG750.....	1				
10	824078GT	SCREW,HHF,1/4-20X.75,8,ZAG.....	2				
11	824027GT	NUT, TL FLG, 1/4-20, G, ZAG.....	2				
12	28963GT	RADIATOR STAY, KUBOTA 1702.....	1				
13	52845GT	WASHER,SPRING***.....	4				
14	865260GT	KUBOTA 15263-12370CUSHION.....	2				
15	52847GT	BRACKET-RADIATOR SUPRT,OUTBRD.....	1				
16	28156GT	CUSHION,RADIATOR,KUBOTA 1702**.....	2				
17	52540GT	SCREW,RADIATOR MOUNT, KUBOTA.....	2				
18	52541GT	CLIP,RADIATOR MOUNT, KUBOTA.....	2				
19	824138GT	SCREW,HHC,M10-1.25X30,DIN961,1.....	7				
20	824142GT	WASHER,LOCK,M10,ZAB.....	7				
21	824088GT	SCREW,HHF,5/16-18X3,8,ZAG.....	1				
22	824028GT	NUT, TL FLG, 5/16-18, G, ZAG.....	1				
23	147205GT	ASSEMBLY, FUEL FILTER, Z482.....	1				
--		RETAINING RING, FUEL FILTER <i>for illustration only, component not available separately</i>					
--	139428GT	HOUSING, FUEL FILTER, Z482					
--	139429GT	ELEMENT, FUEL FILTER, Z482					
--	147206GT	CUP ASSY, FUEL FILTER, Z482					
--	147208GT	O-RING, FUEL FILTER, Z482					
24	824091GT	SCREW, HHF, 3/8-16 X 1.25, 8, ZAG.....	2				
25	824029GT	NUT, TL FLG, 3/8-16, G, ZAG.....	2				
26	56089GT	PLATE,ENGINE GENERATOR MOUNT.....	1				
27	42958GT	BRACKET,ENGINE MNT,KUBOTA 13HP.....	2				
28	824135GT	SCREW,HHC,M8-1.25X20,DIN933,10....	8				
29	824141GT	WASHER,LOCK,M8,ZAB.....	8				
30	824144GT	WASHER,FLAT,M8,DIN125,ZAB.....	8				
31	56106GT	COVER,BELLHOUSING.....	1				
32	824145GT	WASHER,FLAT,M10,DIN125,ZAB.....	4				

500.1 Boom Layout

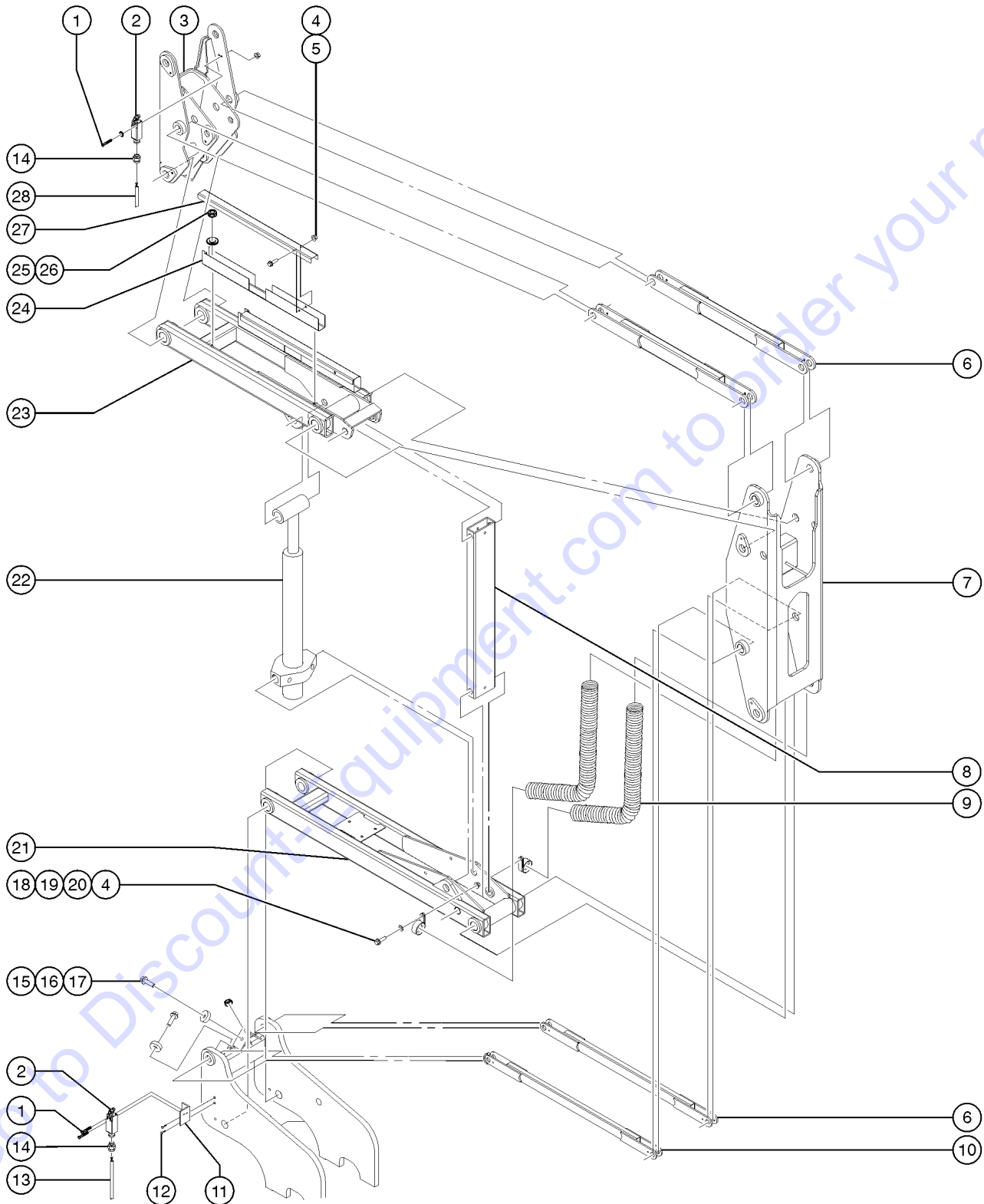


Go to DiscountEquipment.com to order your parts

Item	Part No.	Description	Qty.
1		Extension Boom <i>refer to 504.1</i>	
2		Jib Boom <i>refer to 506.1</i>	
3		Lower Secondary Boom <i>refer to 501.1 and 502.1</i>	
4		Mid Pivot <i>refer to 501.1 and 502.1</i>	
5		Platform Rotator <i>refer to 506.1</i>	
6		Primary Boom <i>refer to 504.1</i>	
7		Upper Pivot <i>refer to 501.1, 502.1 and 503.1</i>	
8		Upper Secondary Boom <i>refer to 501.1 and 502.1</i>	

Go to Discount-Equipment.com to order your parts

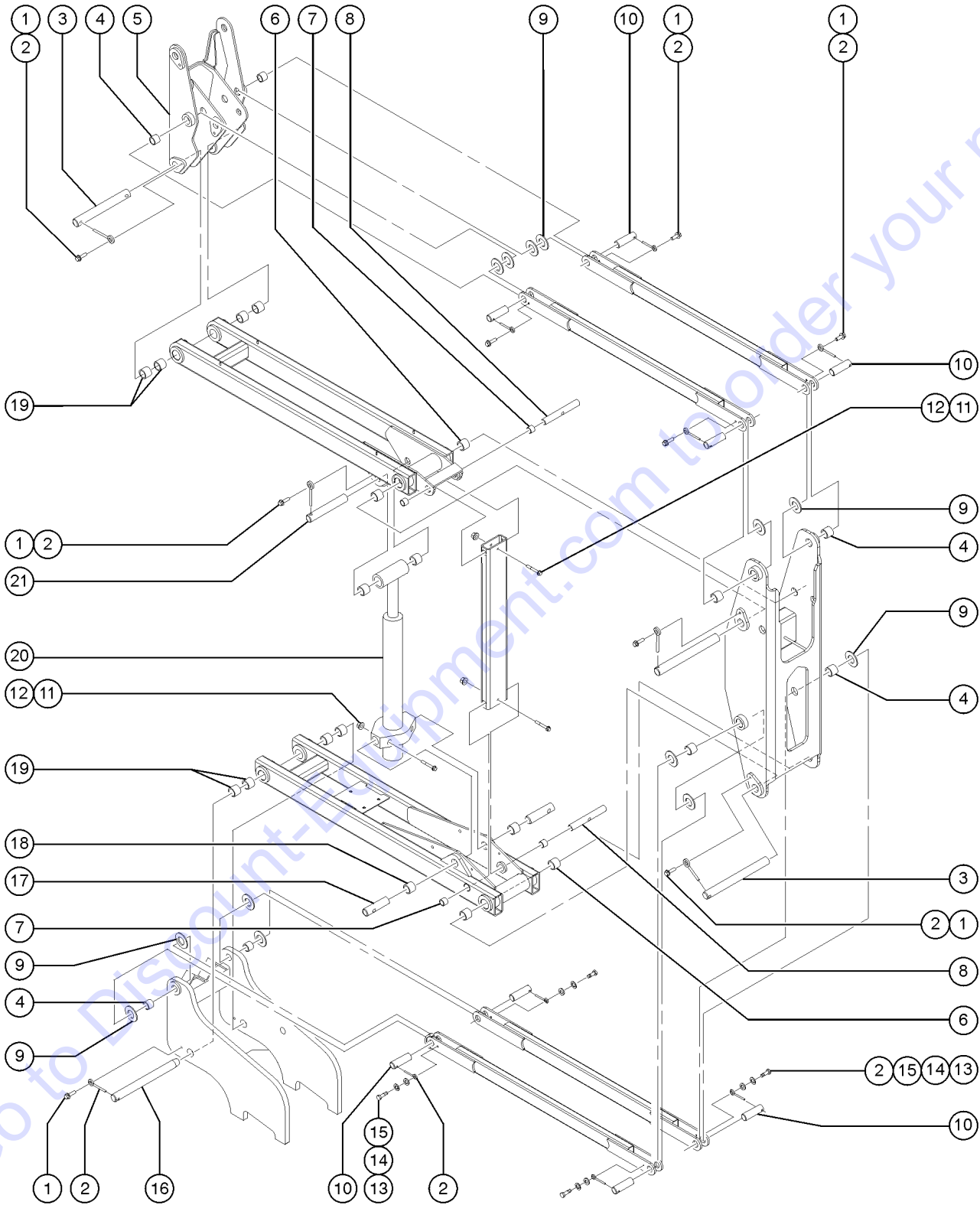
501.1 Secondary Boom, View 1



501.1 Secondary Boom, View 1

Item	Part No.	Description	Qty.	Item	Part No.	Description	Qty.
1A	824219GT	SCREW, PHPM SEMS ET, 8-32 X 1.25, ZAG.....2 to SN Z3416F-10742, Z34N16F-12569	2	25B	1274322GT	NUT,NYLOCK FLG,3/8-16,F,ZAG from SN 14162	
1B	1257390GT	WASHER,FLAT,#8,SAE,ZAG.....2 from SN Z3416F-10743, Z34N16F-12570	2	26A	824122GT	WASHER,FLAT,.375X1.25X.062,ZAG.....4 to SN 14161	4
1C	1261606GT	SCREW,PHPM,8-32X1.75,ZAG.....2 from SN Z3416F-10743, Z34N16F-12570	2	26B	825353GT	WASHER,FLAT,1/2,SAE,HRD,ZAG from SN 14162	
1D	1255803GT	NUT,TL FLG,8-32,F,ZAG from SN Z3416F-10743, Z34N16F-12570		27	42613-SGT	HOSETRACK COVER,UPPER ARM-SERV.....2	2
2	<del>88356-116R</del> 3GT	SWITCH,LIMIT,W/ROLLER ARM***.....2	2	28	56051GT	WIRE CABLE,16/2,WHT/BLK,SJEOW.38-inches	
--	106427GT	LS ROT.HEAD W/O LEVER (ZCE01)					
--	97128GT	ROLLER ARM,LIMIT SWITCH***					
3		Ref. UPPER MIDPIVOT ASSY,Z34 & Z34N.....1 refer to 502.1	1				
4	824027GT	NUT, TL FLG, 1/4-20, G, ZAG.....4	4				
5	824084GT	SCREW,HHF,1/4-20X3,8,ZAG.....2	2				
6	74946GT	COMPRESSION ARM WELDMENT 56.50.....3	3				
7	40446GT	LOWER MIDPIVOT ASSY,Z34 &Z34N*.....1 refer to 502.1	1				
8	74232GT	CONNECTING LINK Z30N & Z34***.....1	1				
9	42939GT	WIRE LOOM,1.88 DIA.....65-inches					
10	128635GT	WELDMENT, LWR COMPRESION ARM.....1	1				
11	42413GT	ANGLE,SWITCH MOUNT***.....1	1				
12	824078GT	SCREW,HHF,1/4-20X.75,8,ZAG.....2	2				
13	43960GT	WIRE CABLE,16/4 CON.TPE JKT.....220-inches					
14	7056GT	CONN,SQUEEZE,1/2NPT .38-.50,SM....2	2				
15	824091GT	SCREW, HHF, 3/8-16 X 1.25, 8, ZAG....2	2				
16	74085GT	REST PAD,UPPER PIVOT Z30N.....2	2				
17	824029GT	NUT, TL FLG, 3/8-16, G, ZAG.....2	2				
18	824079GT	SCREW,HHF,1/4-20X1,8,ZAG.....2	2				
19	824113GT	WASHER,FLAT,USS,1/4,ZAG.....2	2				
20	27497GT	CLAMP,RUBBER CUSHIONED-2 5/32....2	2				
21	40449GT	LOWER SECONDARY ARM ASSY,Z34.....1	1				
22	94210GT	CYLINDER,ELEVATE, Z34.....1	1				
--	31106GT	VALVE,CNTERBAL,CBBB-LHN@3000**					
--	47377GT	BEARING,1.25 ID X 1.5 OD X .75.....2	2				
--	94253GT	SEAL KIT, 94210					
23	74379GT	UPPER SECONDARY ARM ASSY,Z34.....1	1				
24	42612-SGT	HOSE TRACK,UPPER ARM-SERV.....2	2				
25A	824040GT	NUT, ACORN, 3/8-16, ZAG.....4 to SN 14161	4				

502.1 Secondary Boom, View 2

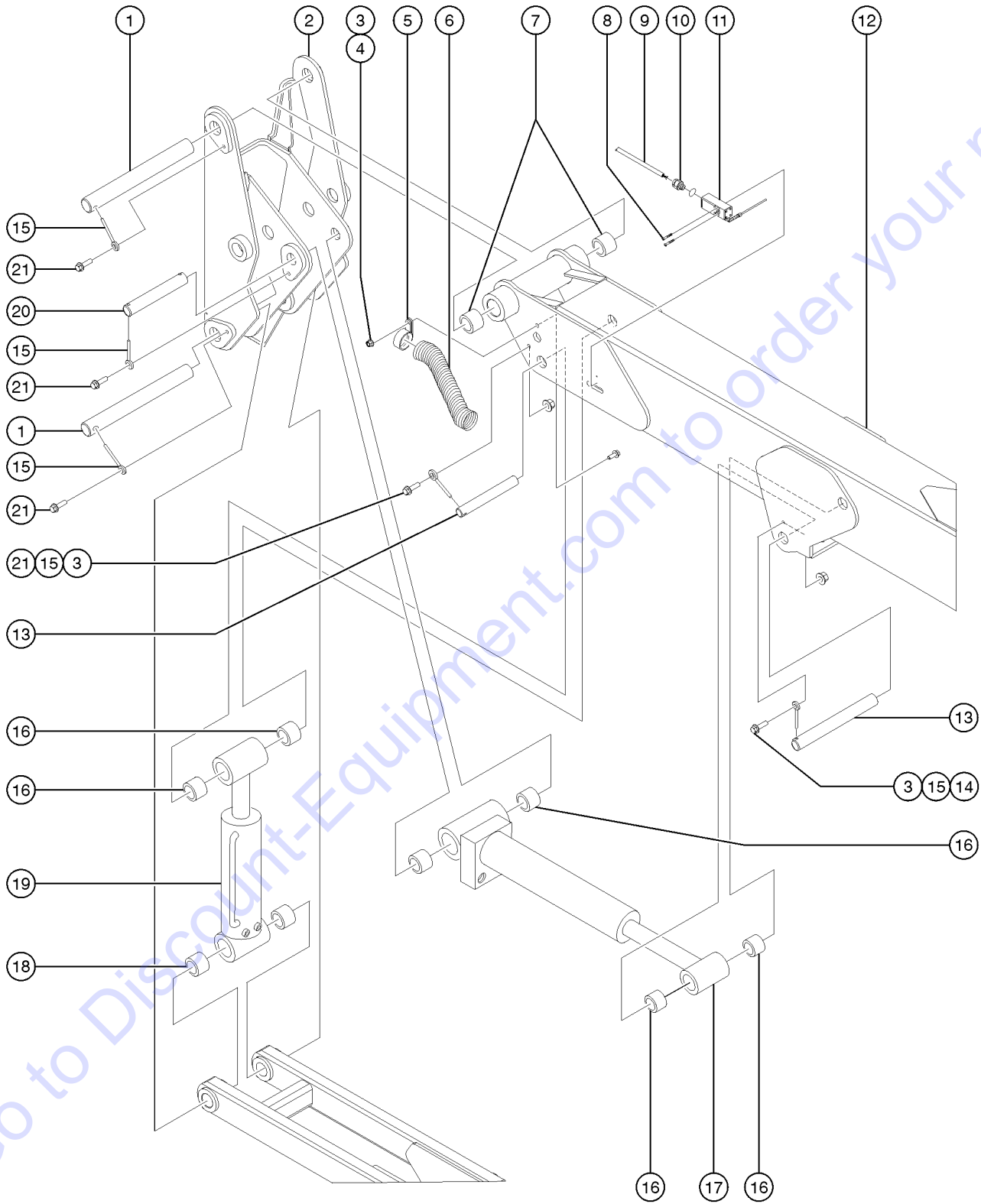




## 502.1 Secondary Boom, View 2

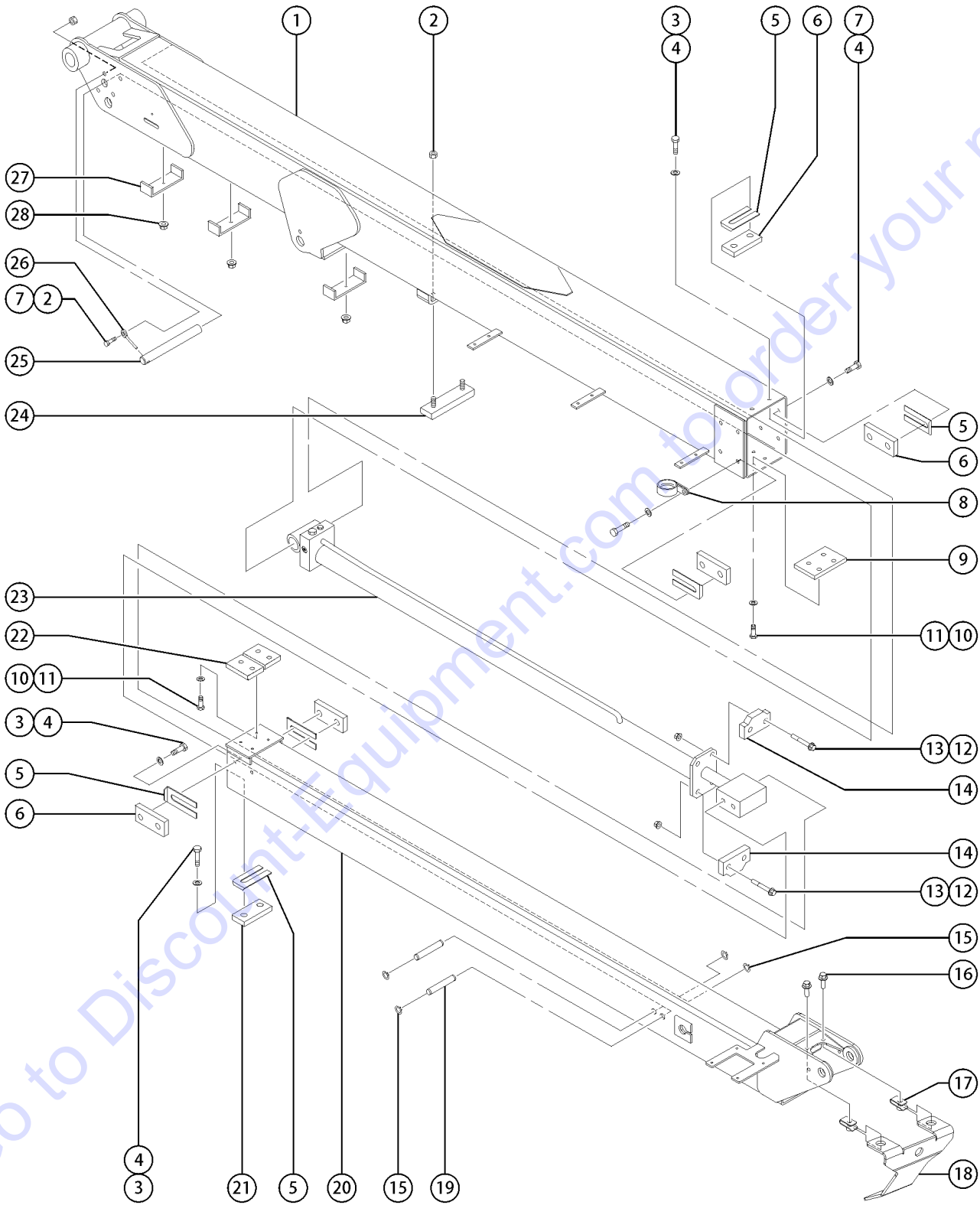
Item	Part No.	Description	Qty.
1	824091GT	SCREW, HHF, 3/8-16 X 1.25, 8, ZAG.....	8
2	825019GT	ROD END, .375X3.69, ZAG.....	12
3	36194GT	PIN, 1.50DIAX15.13LG, 1HOLE.....	3
4	34245GT	BEARING, 1.25IDX1.50X1.25L.....	8
5	40447GT	UPPER MIDPIVOT ASSY, Z34 & Z34N.... <i>includes item 4</i>	1
6	45071GT	BEARING, 1.5IDX1.75ODX1.5L.....	4
7	36245GT	BEARING, FL, 1.00IDX1.25ODX0.84L....	4
8	36202GT	PIN, 1.00DIAX7.25LG, 1HOLE.....	2
9	824151GT	WASHER, SHIM, 1.270X2.130X.062, Z...	12
10	36390GT	PIN, 1.25DIAX3.63LG, THREADED.....	8
11	824094GT	SCREW, HHF, 3/8-16X2.75, 8, ZAG.....	4
12	824029GT	NUT, TL FLG, 3/8-16, G, ZAG.....	4
13	824067GT	SCREW, HHC, 3/8-16 X 1, 8, ZAG.....	4
14	824110GT	WASHER, LOCK, 3/8, ZAG.....	4
15	825358GT	WASHER, FLAT, 5/16, USS, ZAG.....	4
16	36389GT	PIN, 1.50DIAX16.13LG, 1HOLE.....	1
17	36205GT	PIN, 1.25DIAX3.00LG, THREADED.....	2
18	36246GT	BEARING, FL, 1.25IDX1.50ODX1.09L....	2
19	18396GT	BEARING, 1.5IDX1.75ODX1.0L.....	8
20		Ref. CYLINDER, ELEVATE, Z34 <i>refer to 501.1</i>	
21	36200GT	PIN, 1.25DIAX9.38LG, 1HOLE.....	1

503.1 Upper Pivot



Item	Part No.	Description	Qty.
1	36194GT	PIN,1.50DIAX15.13LG,1HOLE.....	2
2	40447GT	UPPER MIDPIVOT ASSY,Z34 & Z34N....	1
--	34245GT	BEARING,1.25IDX1.50X1.25L	
3	824029GT	NUT, TL FLG, 3/8-16, G, ZAG.....	3
4	1264315GT	BOLT,HEX TAP,3/8-16X2.25,8,ZAG.....	1
5	27497GT	CLAMP,RUBBER CUSHIONED-2 5/32....	1
6	42939GT	WIRE LOOM,1.88 DIA.....	1
--	28443GT	CABLE TIE,11.5" BLACK	
7	45071GT	BEARING,1.5IDX1.75ODX1.5L.....	2
8	824219GT	SCREW, PHPM SEMS ET, 8-32 X 1.25, ZAG.....	2
9	44133GT	WIRE CABLE,16/4 CON.TPE JKT*.....	264-inches
10	7056GT	CONN,SQUEEZE,1/2NPT .38-.50,SM....	1
11	<del>88356-127.5GT</del>	SWITCH,LIMIT,W/6.25"SPRING ARM....	1
--	106433GT	LS SPRING WAND (ZCY91)	
12		Ref. Primary Boom Tube Assembly <i>refer to 504.1</i>	
13	74091GT	PIN,1.25DIAX9.13LG,1HOLE.....	2
14	824093GT	SCREW,HHF,3/8-16X1.75,8,ZAG.....	1
15	825019GT	ROD END, .375X3.69, ZAG.....	5
16	47377GT	BEARING,1.25 ID X 1.5 OD X .75.....	6
17	94215GT	CYLINDER,PRIMARY LIFT..... <i>includes 16</i>	1
--	43937GT	VALVE,CB.CBBC-LHN@3200***.....	2
--	94258GT	SEAL KIT, 94215, 94430.....	1
18	88280GT	BEARING,1.5IDX1.75ODX0.75L.....	2
19	94216GT	CYLINDER,MASTER..... <i>includes 16 and 18</i>	1
--	94259GT	SEAL KIT, 94216.....	1
20	36198GT	PIN,1.25DIAX8.12LG,1HOLE.....	1
21	824092GT	SCREW,HHF,3/8-16X1.5,8,ZAG.....	4

504.1 Primary and Extension Booms

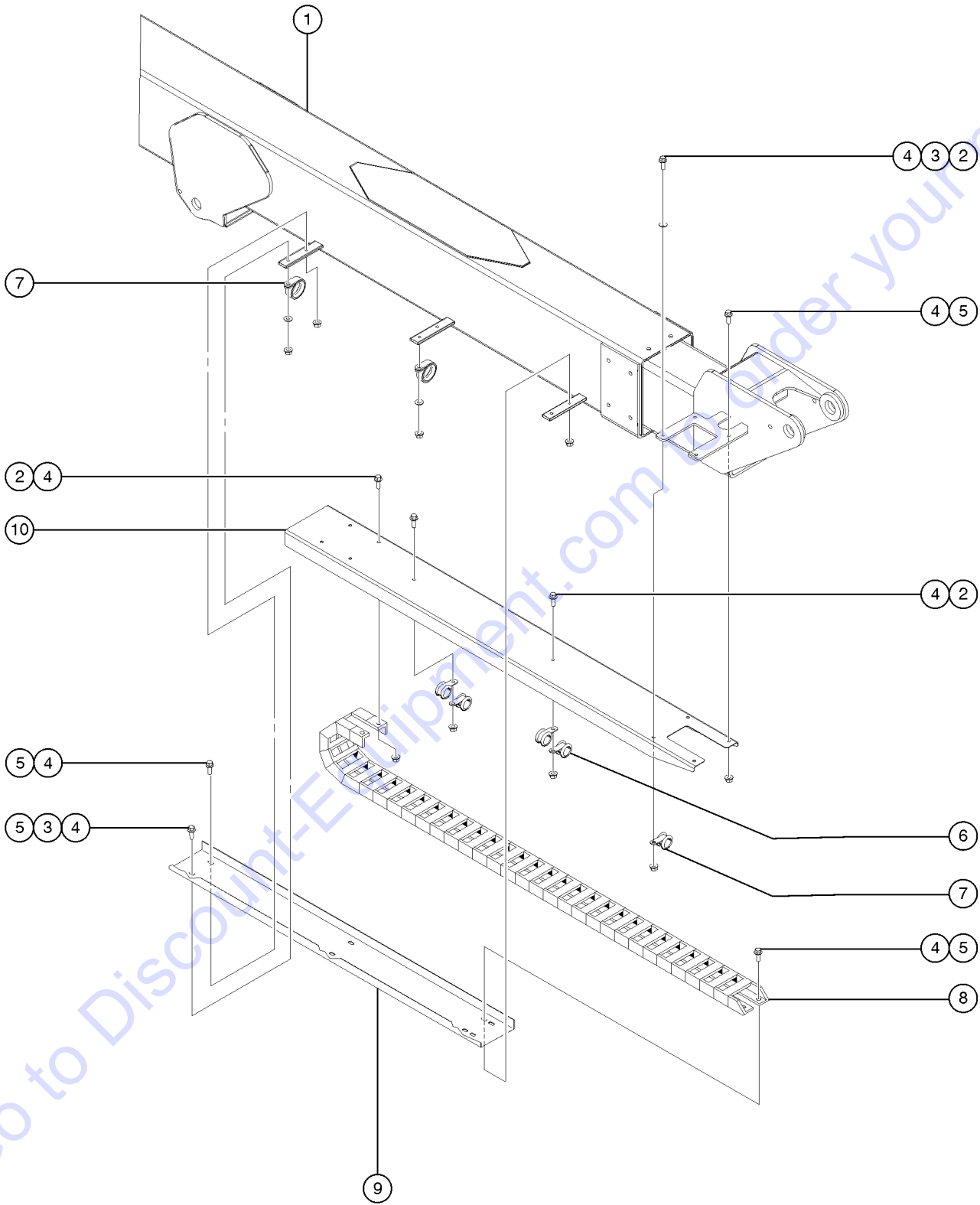


Go to [Discount-Equipment.com](http://Discount-Equipment.com) to order your parts

## 504.1 Primary and Extension Booms

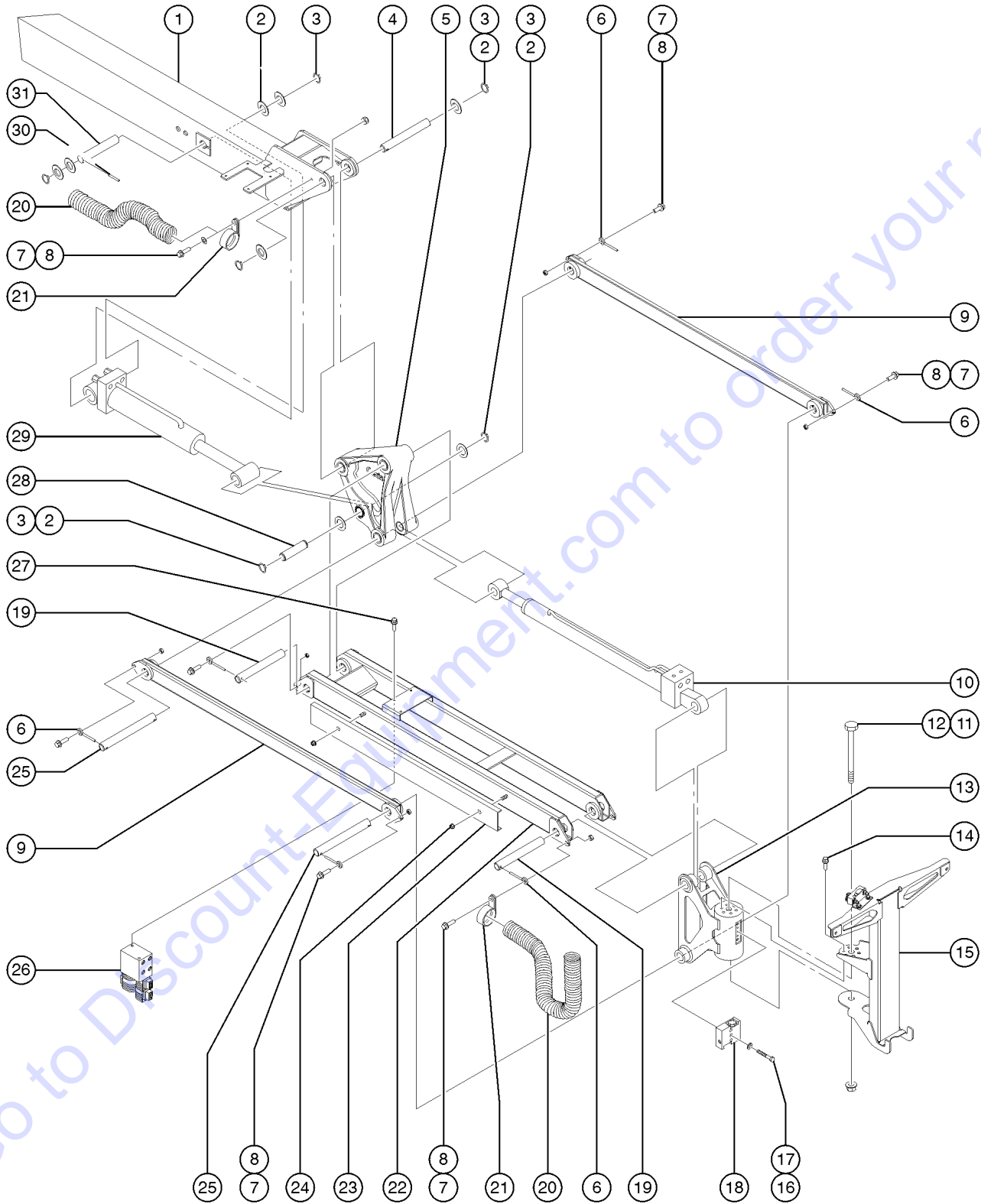
Item	Part No.	Description	Qty.
1	77728GT	PRIMARY BOOM TUBE ASSY Z34IC** .....	1
--	45071GT	BEARING,1.5IDX1.75ODX1.5L.....	2
2	824038GT	NUT, TL JAM, 3/8-16, A, ZAG.....	3
3	826791GT	SCREW,HHC,3/8-16X.875,8,ZAG	
4	824110GT	WASHER,LOCK,3/8,ZAG	
5	42502GT	SHIM,SIDE PAD 22GA (quantity as needed)	
--	29080GT	SHIM,WEAR PAD,5X 1.5 16GA	
6	1262353GT	WEAR PAD,5 X 1.5 X .75 W/NUTS.....	5
7	824067GT	SCREW, HHC, 3/8-16 X 1, 8, ZAG	
8	27497GT	CLAMP,RUBBER CUSHIONED-2 5/32....	1
9	1262354GT	WEAR PAD,4 X 4 X .75 W/NUTS.....	1
10	1262432GT	SCREW,HHC,1/4-20X.875,8,ZAG.....	8
11	824109GT	WASHER,LOCK,1/4,ZAG.....	8
12	824082GT	SCREW,HHF,1/4-20X1.75,8,ZAG.....	4
13	824029GT	NUT, TL FLG, 3/8-16, G, ZAG.....	5
14	74066GT	WEAR PAD,EXT CYL***.....	2
15	824163GT	SNAP RING,EXTERNAL,3/4,ZAG.....	4
16	824079GT	SCREW,HHF,1/4-20X1,8,ZAG.....	2
17	56912GT	SPRING CLIP,1/4-20,.025-.15X.54,ZAG.....	2
18	147079GT	BRACKET, HOSE ROUTING.....	1
--	56361GT	CABLE TIE,BUTTON,BLACK,14.75LG	
19	36192GT	PIN,0.75DIAX5.51LG,2RING.....	2
20	147638GT	ASSY, EXT BOOM, Z34.....	1
--	35675GT	BEARING,FL,1.25IDX1.5ODX1.25L.....	2
21	1262355GT	WEAR PAD,4 X 2 X.45 W/NUTS.....	1
22	45745GT	WEAR PAD,4 X 2 X.50 THK.BLACK.....	2
23	94212GT	CYLINDER,EXTENSION.....	1
--	36648GT	VALVE,COUNTERBALANCE 2500 PSI* <i>top</i>	
--	74508GT	VALVE,CHECK,COBA-X*N 200PSI PO <i>bottom</i>	
--	74509GT	VALVE,CHECK,CXAD-XCN,30PSI <i>side</i>	
--	94255GT	SEAL KIT,94212	
24A	56849GT	PAD,REST,1"THICK,W/STUDS*.....	1
24B	56934GT	PAD,REST,1"THICK,FLANGED <i>CE models</i>	
25	101557GT	PIN,1.00DIAX9.01LG,THREADED.....	1
26	825019GT	ROD END, .375X3.69, ZAG.....	1
27	54530GT	CLAMP,HOSE,ALUMINUM.....	4
28A	824029GT	NUT, TL FLG, 3/8-16, G, ZAG..... <i>to SN 14180</i>	3
28B	1274322GT	NUT,NYLOCK FLG,3/8-16,F,ZAG <i>from SN 14181</i>	

505.1 Cable Track



Item	Part No.	Description	Qty.
1		Ref. Primary and Extension Booms <i>refer to 504.1</i>	
2	824079GT	SCREW,HHF,1/4-20X1,8,ZAG.....6	6
3	824113GT	WASHER,FLAT,USS,1/4,ZAG.....3	3
4	824027GT	NUT, TL FLG, 1/4-20, G, ZAG.....14	14
5	824078GT	SCREW,HHF,1/4-20X.75,8,ZAG.....8	8
6	6833GT	CLAMP,0.50,#8 X 1/4,RUB CUSH.....4	4
7	27497GT	CLAMP,RUBBER CUSHIONED-2 5/32....3	3
8	139537GT	CABLE TRACK,NYLATRAC,26 LINK.....1	1
--	139540GT	REPAIR LINK,NYLATRAC,7 LINKS	
--	139541GT	BRACKET SET,NYLATRAC,KS400	
--	139542GT	LINK,NYLATRAC,KS400	
9	56983PGT	CHANNEL,LWR TRAY PLASTIC TK **....1	1
--	27258GT	TRIM,RUBBER EDGE,5/8 (BY INCH)	
10	74119PGT	CHANNEL, CABLE TRACK, UPPER.....1	1

506.1 Jib Boom and Platform Rotator





# PARTS FINDER

**Search Website  
by Part Number**



**Search Manual  
Library For Parts  
Manual & Lookup Part  
Numbers – Purchase  
or Request Quote**

**Search Manuals**

Enter your information to help us find the right parts manual for your machine.

\* Brand:

\* Model:

\* Serial:

\* Part Number:

SEARCH

**Can't Find Part or  
Manual? Request Help  
by Manufacturer,  
Model & Description**

**Parts Order Form**

Please fill in the following information to help us find the right part for your machine.

Manufacturer:	<input type="text"/>
Model:	<input type="text"/>
Description:	<input type="text"/>
Part Number:	<input type="text"/>
Quantity:	<input type="text"/>
Notes:	<input type="text"/>

Discount-Equipment.com is your online resource for quality parts & equipment.

Florida: **561-964-4949** Outside Florida TOLL FREE: **877-690-3101**

**Need parts?**

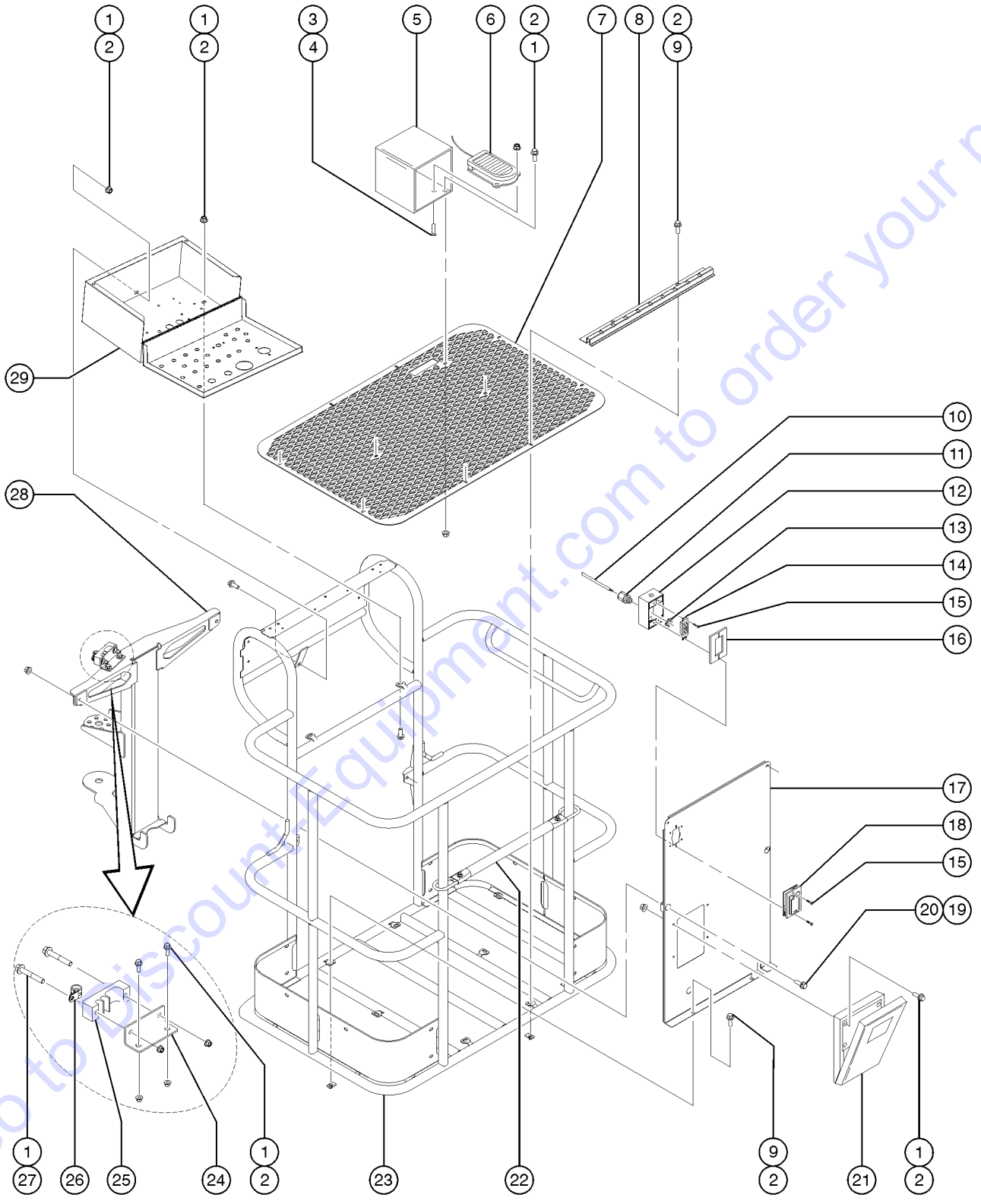
Click on this link: <http://www.discount-equipment.com/category/5443-parts/> and choose one of the options to help get the right parts and equipment you are looking for. Please have the machine model and serial number available in order to help us get you the correct parts. If you don't find the part on the website or on one of the online manuals, please fill out the request form and one of our experienced staff members will get back to you with a quote for the right part that your machine needs.

We sell worldwide for the brands: Genie, Terex, JLG, MultiQuip, Mikasa, Essick, Whiteman, Mayco, Toro Stone, Diamond Products, Generac Magnum, Airman, Haulotte, Barreto, Power Blanket, Nifty Lift, Atlas Copco, Chicago Pneumatic, Allmand, Miller Curber, Skyjack, Lull, Skytrak, Tsurumi, Husquvarna Target, Stow, Wacker, Sakai, Mi-T-M, Sullair, Basic, Dynapac, MBW, Weber, Bartell, Bennar Newman, Haulotte, Ditch Runner, Menegotti, Morrison, Contec, Buddy, Crown, Edco, Wyco, Bomag, Laymor, EZ Trench, Bil-Jax, F.S. Curtis, Gehl Pavers, Heli, Honda, ICS/PowerGrit, IHI, Partner, Imer, Clipper, MMD, Koshin, Rice, CH&E, General Equipment, Amida, Coleman, NAC, Gradall, Square Shooter, Kent, Stanley, Tamco, Toku, Hatz, Kohler, Robin, Wisconsin, Northrock, Oztec, Toker TK, Rol-Air, APT, Wylie, Ingersoll Rand / Doosan, Innovatech, Con X, Ammann, Mecalac, Makinex, Smith Surface Prep, Small Line, Wanco, Yanmar

506.1 Jib Boom and Platform Rotator

Item	Part No.	Description	Qty.	Item	Part No.	Description	Qty.
1		Ref. EXTENSION BOOM <i>refer to 504.1</i>		--	35088GT	BEARING,FL,1.25IDX1.41ODX.89L.....2 <i>rod end</i>	2
2	824151GT	WASHER,SHIM,1.270X2.130X.062,Z.....8		--	47377GT	BEARING,1.25 ID X 1.5 OD X .75.....2 <i>barrel end</i>	2
3	824164GT	SNAP RING,EXTERNAL,1.25,ZAG.....6		--	74735GT	VALVE,COUNTERBALANCE.....2	2
4	128550GT	PIN,1.25DIAX7.64LG,2RING.....1		--	94260GT	SEAL KIT, 94217	
5	74587GT	BELLCRANK ASSEMBLY, Z30N,Z34**...1		30	10665GT	PIN,ROLL,.25 X 1.5***.....1	1
--	74865GT	BEARING,FL,1.25IDX1.50ODX1.25L.....6		31	50546GT	PIN,1.25DIAX6.36LG,2RING.....1	1
--	74866GT	BEARING,1.25IDX1.50ODX1.25L.....2					
6	825019GT	ROD END, .375X3.69, ZAG.....6					
7	824092GT	SCREW,HHF,3/8-16X1.5,8,ZAG.....7					
8	824025GT	NUT,TL,3/8-16,C,ZAG.....6					
9	36054-SGT	COMPRESSION MEMBER (BORED)***.....2					
10	94218GT	CYLINDER,JIB.....1					
--	31106GT	VALVE,CNTERBAL,CBBB-LHN@3000** <i>for 94218</i>					
--	47377GT	BEARING,1.25 ID X 1.5 OD X .75					
--	94261GT	SEAL KIT,94218					
11	1273205GT	SCREW,HHC,3/4-10X9.5,8,ZAG.....1					
12A	1256863GT	WASHER,FLAT,.75,SAE,HRD,ZAG.....1					
12B	1257458GT	NUT,TL,3/4-10,C,ZAG.....1					
13	233717GT	ROTATOR,PLAT,Z30/34/Z40.....1					
--	233745GT	SEAL AND BRG KIT,4.5K ROTATOR					
--	30222GT	BEARING,FL,1.25IDX1.41ODX1.50L					
14A	1256109GT	SCREW,HHC,3/8-16X.75,8,ZAG.....6					
14B	826793GT	WASHER,FLAT,3/8,SAE,HRD,ZAG.....6					
15	56500-SGT	WELDMENT,PLATFORM SUPPORT***.....1					
16	824062GT	SCREW,HHC,1/4-20X1.5,8,ZAG.....3					
17	824109GT	WASHER,LOCK,1/4,ZAG.....3					
18		Ref. Platform Rotator Manifold <i>refer to 702.1</i>					
19	36199GT	PIN,1.25DIA.X10.38LG,1HOLE.....2					
20	42939GT	WIRE LOOM,1.88 DIA.....41 <i>inches</i>					
21	27497GT	CLAMP,RUBBER CUSHIONED-2 5/32....2					
22	56976-SGT	JIB BOOM MACH***.....1					
23	36561-SGT	HOSE COVER,JIB BOOM**.....1					
24	824029GT	NUT, TL FLG, 3/8-16, G, ZAG.....2					
25	42797GT	PIN,1.25DIAX12.50LG,2HOLE.....2					
26		Ref. Jib Boom Manifold <i>refer to 702.1</i>					
27	824077GT	SCREW, HHF, 1/4-20 X .5, 8, ZAG.....2					
28	139655GT	PIN,SLAVE CYLINDER.....1					
29	94217GT	CYLINDER,SLAVE,DONGYANG.....1					

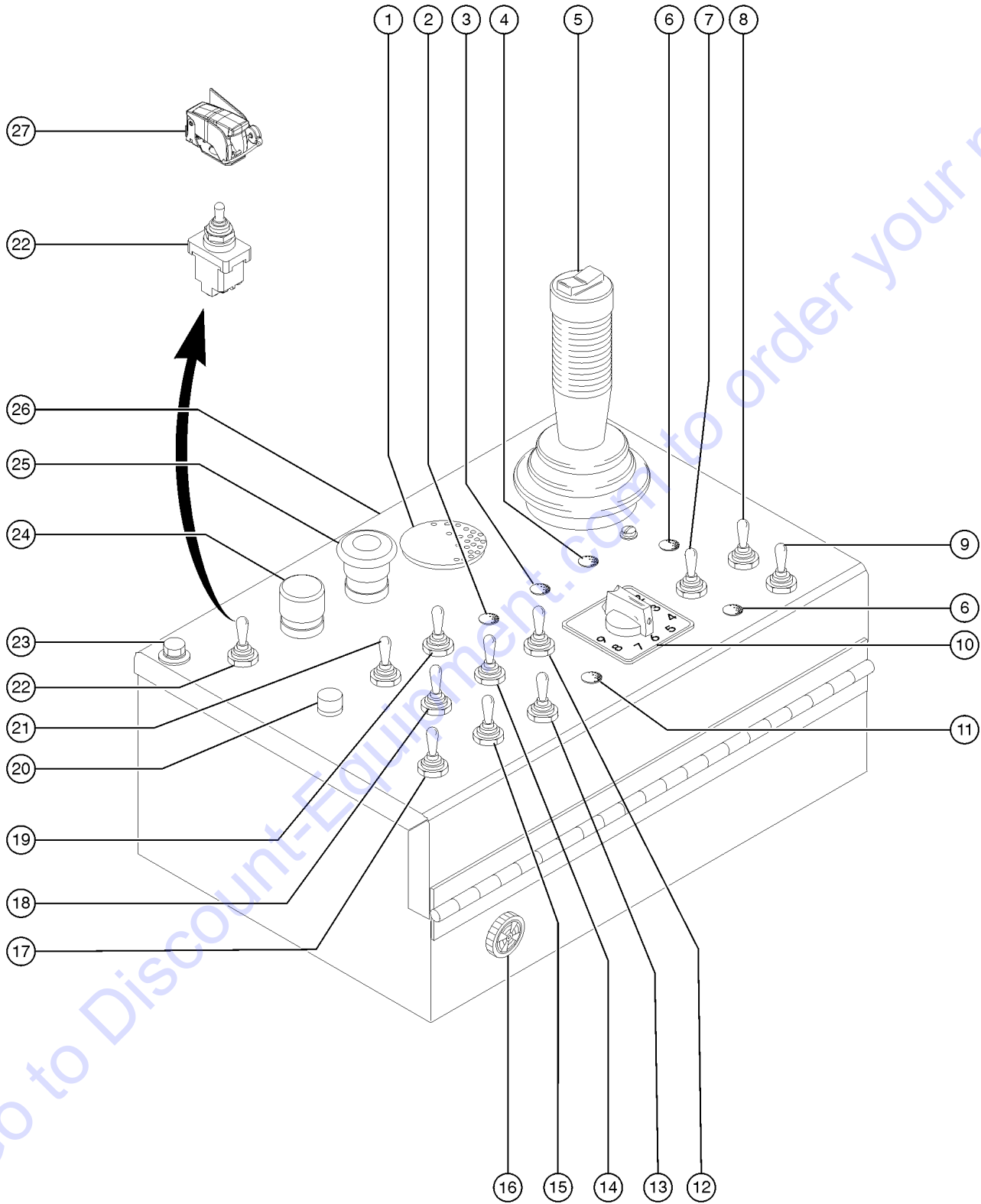
601.1 Platform



601.1 Platform

Item	Part No.	Description	Qty.	Item	Part No.	Description	Qty.
1	824027GT	NUT, TL FLG, 1/4-20, G, ZAG.....	12	18B	10777GT	COVER,BLANK	
2	824078GT	SCREW,HHF,1/4-20X.75,8,ZAG.....	20	19	824087GT	SCREW,HHF,5/16-18X1.25,8,ZAG.....	2
3	824225GT	SCREW,FHPM,10-32X.75,ZAG.....	4	20	824028GT	NUT, TL FLG, 5/16-18, G, ZAG.....	2
4	824032GT	NUT,TL FLG,10-32,F,ZAG.....	4	21A	44743GT	MANUAL BOX W/DECALS***.....	1
5	32710GT	GUARD,FOOTSWITCH,W/DECAL STEEL.....	1			<i>USA/Canada/Australia</i>	
--	30807P-SGT	FOOTSWITCH HOUSING,PAINTED.....	1	21B	24514GT	BOX,INSTRUCTION STORAGE <i>Europe/Asia/South America (decal required; refer to Section 100)</i>	
		<i>without decal</i>					
6	227620GT	ASSEMBLY,FOOT SWITCH.....	1	22	102992GT	SLIDING MIDRAIL KIT,PTD.....	1
--	119058GT	CONN PLUG 4 WAY ENDCAP DT.....	1	--	12443GT	MIDRAIL GUIDE ( HOOK )	
--	227564GT	FOOT SWITCH,20A IP65.....	1	--	20973GT	WIRE LOOM,3/8 POLY SLIT	
--	33576GT	CONN,SQZ,BLK,1/2NPT,.38-.50,SM.....	1	--	21121GT	CABLE TIE,4" BLK,HEAT RESISTNT	
		<i>gray</i>		23A	62514GT	PLAT.W/DECAL4'Z30N/34ALL,ANSI*.....	1
--	43960GT	WIRE CABLE,16/4 CON.TPE JKT.....	60-inches			<i>ANSI/CSA models</i>	
--	73739GT	BOOT,PLUG 4 WAY.....	1	23B	62518GT	PLAT.ASSY.W/DECAL 5'Z34,ANSI*.....	1
7A	56465PGT	FLOORING,PLATFORM 46X30,PAINT...	1			<i>ANSI/CSA models</i>	
7B	56576PGT	FLOORING,PLATFORM,56X30,PNTD....	1	23C	106546GT	4' PLAT RAILING ASSY,AUST.....	1
8	56656GT	PLATFORM STEP ***.....	1			<i>AUS models</i>	
9	56912GT	SPRING CLIP,1/4-20,.025-.15X.54,ZAG.....	10	23D	106549GT	5' PLAT RAILING ASSY,AUST.....	1
						<i>AUS models</i>	
10	43956GT	WIRE CABLE,14/3 CON.TPE JKT*.....	600-inches	23E	106547GT	4' PLAT RAILING ASSY,CE.....	1
						<i>CE models</i>	
11	7056GT	CONN,SQUEEZE,1/2NPT .38-.50,SM....	1	23F	106550GT	5' PLAT RAILING ASSY,CE.....	1
12	10775GT	T-BOX,2.75 X 4.5 X 2.0.....	1			<i>CE models</i>	
13	6935GT	LOCKNUT,ELEC,1/2".....	1	23G	94745PGT	TOEBOARD,ENTRY EUROPEAN PNTD**.....	1
14A	13585GT	OUTLET, 110V.....	1			<i>CE, Asia and S. American models</i>	
		<i>includes mounting fasteners; North America (shown)</i>		23H	106548GT	4' PLAT RAILING ASSY,ASIA.....	1
14B	T112563GT	SVC KIT,UK RECEPT.REPLACEMENT.....	1			<i>Asia and S. American models</i>	
		<i>British (not shown)</i>		23I	106551GT	5' PLAT RAILING ASSY, ASIA.....	1
--	33759GT	SCREW,PHILLIPS,PHM,8-32 X.375.....	4			<i>Asia and S. American models</i>	
--	66355GT	GASKET, UK & DIN PWR. TO PLAT.....	1	24	128667GT	BRACKET, CABLE STRAIN RELIEF.....	1
--	T112560GT	RECEPTACLE,UK,110V.....	1	25	128668GT	CLAMP,CABLE STRAIN RELIEF.....	1
--	T112561GT	PLATE,UK,POWER TO PLAT.....	1	26	128669GT	BACKING PLATE, PLATFORM CLAMP.....	1
15	824214GT	SCREW,PHPM,6-32X.5,ZAG.....	4				
16	74052GT	GASKET,COVER,GFCI,WEATHERPROOF.1		27	824081GT	SCREW,HHF,1/4-20X1.5,8,ZAG.....	2
17A	101980GT	DECAL PLATE ASSY,W/SYM DECALS.....	1	28A	56500-SGT	WELDMENT,PLATFORM SUPPORT***.....	1
		<i>Z34N/DC/BE symbol decals; ANSI/CE models</i>					
17B	231205GT	ASSY,DECAL PLATE, Z34DC AUS.....	1	28B		Ref. Platform Support, Load Sense Option.....	1
		<i>Z34N/DC word decals; ANSI/AUS models</i>				<i>refer to 812.1</i>	
17C	231206GT	ASSY,DECAL PLATE, Z34BE AUS.....	1	29		Ref. Platform Control Box.....	1
		<i>Z34BE word decals; ANSI/AUS models</i>				<i>refer to 602.1 and 603.1</i>	
18A	45437GT	COVER,GFCI,WEATHERPROOF.....	1				
		<i>includes mounting fasteners; North America (shown)</i>					

602.1 Platform Control Box, External View

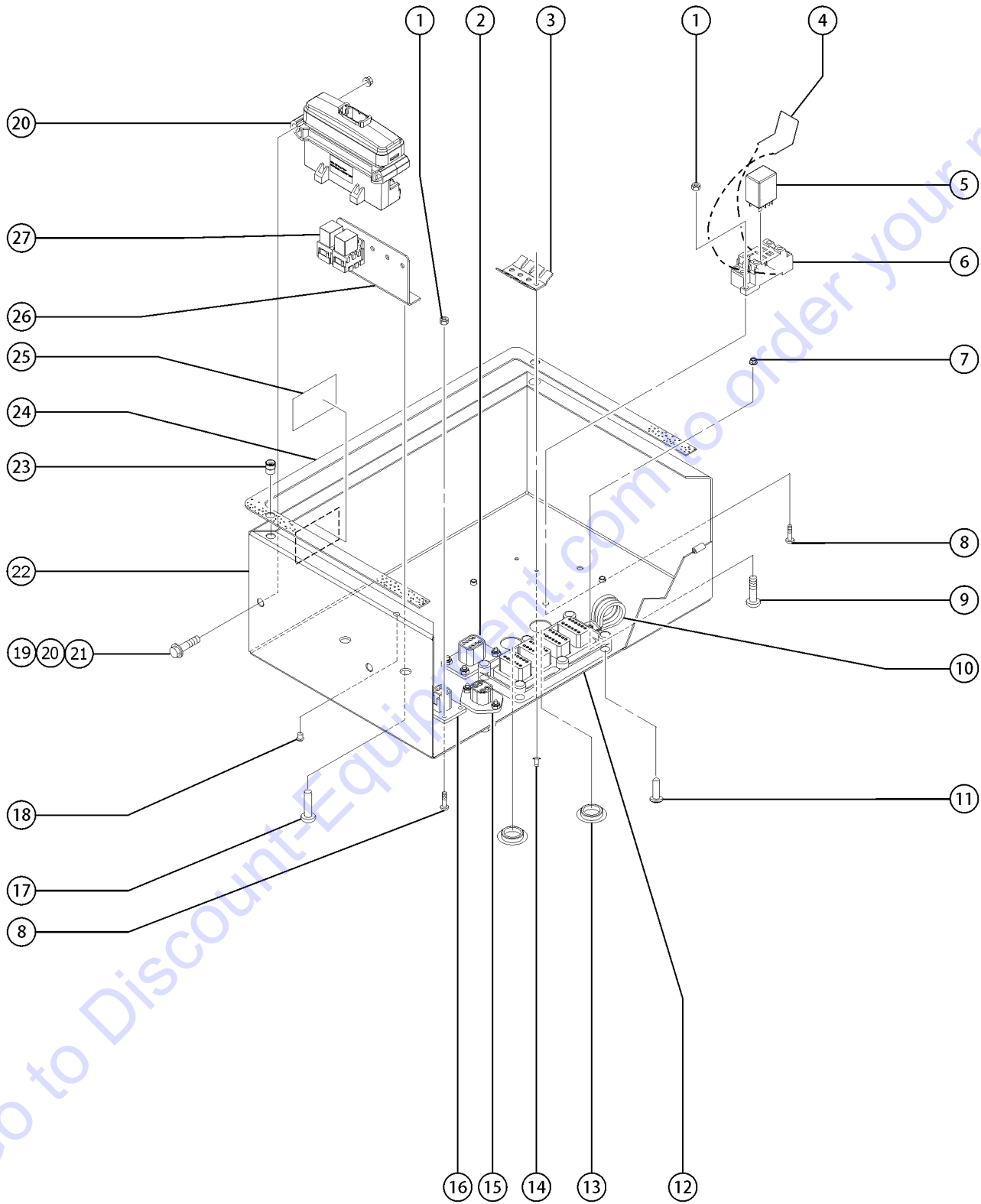


602.1 Platform Control Box, External View

Item	Part No.	Description	Qty.	Item	Part No.	Description	Qty.
--	42781GT	PLUG, NYLON .250 BLACK DOMED		17	128580-SGT	SWITCH TOGGLE SPDT 3P MOM SHDR <i>drive enable switch</i>	
--	15243GT	PLUG,NYLON .875 BLACK DOMED		18	128582-SGT	SWITCH TOGGLE DPDT 3P MOM SHDR <i>platform rotate</i>	
--	45782GT	DIODE,6 AMP,200 PIV,BULK		19	128582-SGT	SWITCH TOGGLE DPDT 3P MOM SHDR <i>primary boom extend/retract</i>	
D	128204GT	SWITCH TOGGLE ASSY SPDT 2P MNT <i>option, work lights</i>		20	824878GT	LIGHT,LED IND. RED 24V NH <i>drive enable indicator</i>	
1A	81900GT	PLUG,NYLON 2.093 BLACK DOMED		21	128582-SGT	SWITCH TOGGLE DPDT 3P MOM SHDR <i>platform level</i>	
1B	110651GT	LVI/BCI 36/48 VOLT ENGAGE II <i>option, battery charge or low voltage indicator</i>		22	128581-SGT	SWITCH TOGGLE DPDT 2P MOM SHDR.....1 <i>auxiliary power</i>	
--	110652GT	GASKET LVI/BCI ENGAGE II		23	824077GT	SCREW, HHF, 1/4-20 X .5, 8, ZAG.....2	
--	110653GT	BRACKET ENGAGE II		24	122513GT	KIT,HORN SVC BB&SM BOOM.....1	
1C	237145GT	IND,BAT CHARGE,48V LEAD-ACID <i>option, battery charger indicator</i>		--	66813GT	BUTTON,PUSH,BLACK W/SEAL***.....1	
2	128200GT	SWITCH TOGGLE ASSY SPDT 3P MOM <i>option, aircraft protection function override</i>		--	66815GT	BASE, W/1 N.O. CONTACTS***.....1	
3	824878GT	LIGHT,LED IND. RED 24V NH <i>option, machine not level indicator</i>		25	66818GT	CONTACT,NC	
4	824878GT	LIGHT,LED IND. RED 24V NH <i>option, platform overload indicator</i>		25A	66816GT	CONTACT,N.O.***	
5		Ref. JOYSTICK.....1 <i>refer to 604.1</i>		--	66812GT	BUTTON,PUSH,RED MUSHROOM HEAD.....1	
6	229567GT	PLUG,SANTOPRENE .5 BLACK DOME		--	146478GT	BOOT(BELLOWS),E-STOP,BLACK.....1	
7A	128584-SGT	SWITCH TOGGLE SPDT 2P MNT SHDR <i>Z34N/DC option, platform light</i>		--	94506GT	BASE,W/3 NC CONTACTS.....1	
7B	128580-SGT	SWITCH TOGGLE SPDT 3P MOM SHDR <i>bi-energy engine start</i>		26		Ref. CONTROL BOX PLATFORM,PAINTED.....1 <i>refer to 603.1</i>	
8	128580-SGT	SWITCH TOGGLE SPDT 3P MOM SHDR <i>option, glow plug</i>		27	1261347GT	TOGGLE SWITCH W/GUARD ASSY.....1 <i>CE models only</i>	
9	128586-SGT	SWITCH TOGGLE DPDT 3P MNT SHDR <i>Z34BE, engine idle select</i>		--	1261346GT	TOGGLE SWITCH GUARD,RED.....1	
10		Ref. CONTROLLER,ROTARY 24V W/RAMP.....1 <i>refer to 605.1</i>		--	1261566GT	SECURITY TIE,TOGGLE GUARD.....1	
11A	128204GT	SWITCH TOGGLE ASSY SPDT 2P MNT <i>option, 110V or 120V inverter</i>					
11B	56457-SGT	SWITCH,TOGGLE,SPDT,2 POS MAINT <i>option, 220V inverter</i>					
12	128582-SGT	SWITCH TOGGLE DPDT 3P MOM SHDR <i>jib boom up/down</i>					
13A	128582-SGT	SWITCH TOGGLE DPDT 3P MOM SHDR <i>secondary boom up/down</i>					
13B	45105GT	GUARD,TOGGLE SWITCH <i>not shown</i>					
14	128582-SGT	SWITCH TOGGLE DPDT 3P MOM SHDR <i>primary boom up/down</i>					
15	128582-SGT	SWITCH TOGGLE DPDT 3P MOM SHDR <i>turntable rotate</i>					
16A	45383GT	ALARM,WARBLE TONE 5-30 VDC***.....1 <i>plastic nut not included</i>					
16B	72326GT	NUT - PLASTIC,RING FOR ALARMS					



603.1 Platform Control Box, Internal View

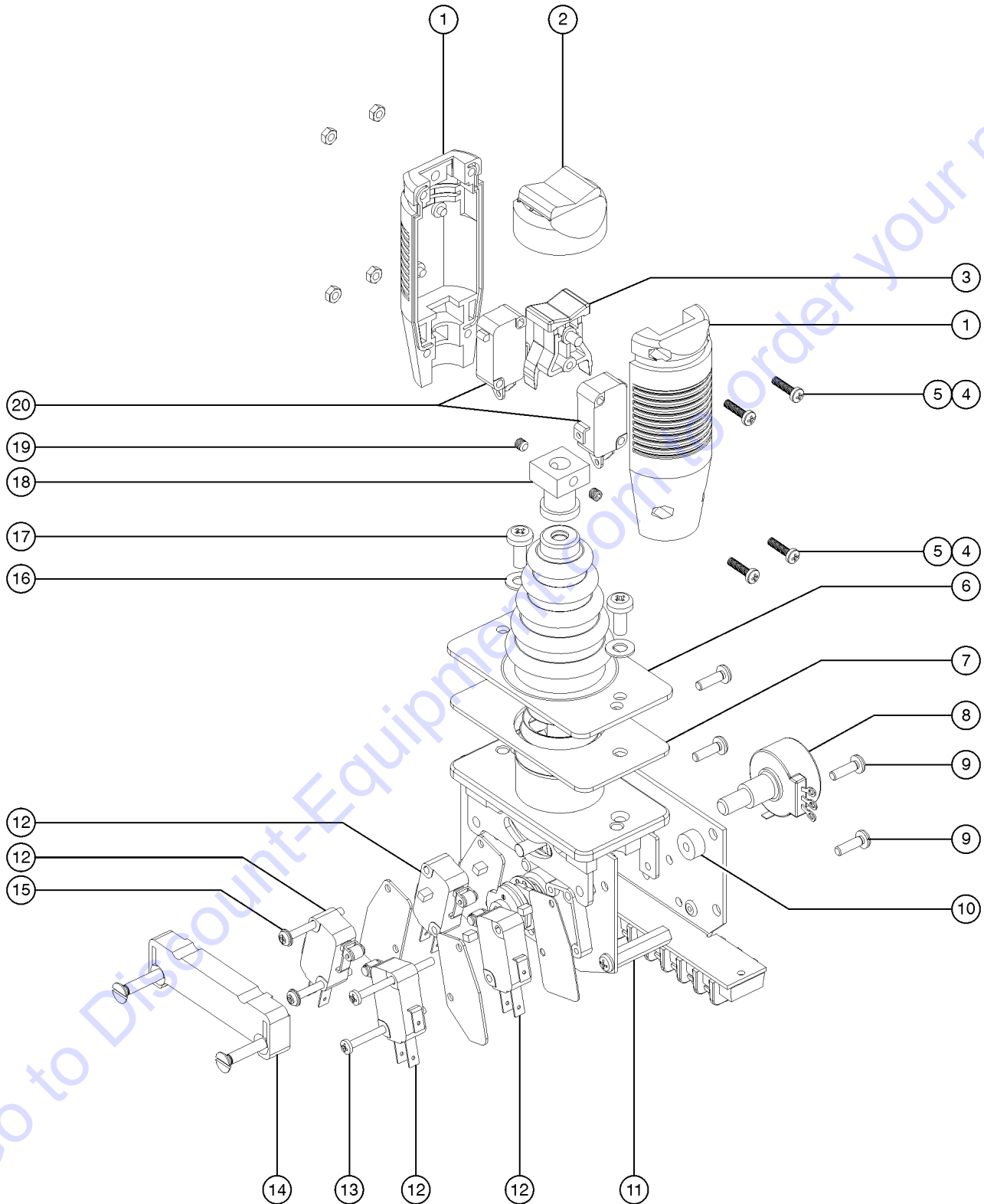


## 603.1 Platform Control Box, Internal View

Item	Part No.	Description	Qty.
--	147253GT	TIME DELAY RELAY,2 SEC,24VDC	
--	42781GT	PLUG, NYLON .250 BLACK DOMED.....2	
1	824019GT	NUT,TL,6-32,A,ZAG	
2	87755GT	CONN,RECEP 8 WAY 14-18GA,FL.....1	
3	56663GT	TERMINAL STRIP.....1	
4	42617GT	CLIP,SPRING,POTTER BRUMFIELD.....1	
5	42616GT	RELAY,POTTER BRUMFIELD 24V ** .....1 <i>for work light option</i>	
6	61226GT	RELAY SOCKET,70AMP.....1	
7	824032GT	NUT,TL FLG,10-32,F,ZAG	
8	824214GT	SCREW,PHPM,6-32X.5,ZAG	
9	54365GT	SCREW,PHIL,PHM,10-32 X .5,SSTL	
10	13268GT	CLAMP,0.75,#12 X 1/4,RUB CUSH.....1	
11	824226GT	SCREW,PHPSH,#12-11X.75,ZAG	
12	73736GT	CONN,RECEP 48 WAY,4 X 12.....1	
--	54255GT	LOCK,RECEP 12 WAY, 14-18GA	
--	73713GT	TERM,NI PIN,S&F,16-18GA,REEL	
13	15243GT	PLUG, NYLON .875 BLACK DOMED.....2	
14	824206GT	RIVET,STL,STL,DOVE,1/8X.25,ZAG.....4	
15	73717GT	CONN,RECEP 4 WAY,12-14GA FL*** .....1	
--	60526GT	LOCK,RECEP 4 WAY,12-14GA	
--	73711GT	TERM,DEUTSCH, PIN #12-14	
16	73723GT	CONN RECEP,FLANGED.....1	
--	54259GT	TERM,NI PIN, 14-16GA,BULK	
--	60443GT	LOCK,RECEP 4 WAY,14-18GA	
17	824079GT	SCREW,HHF,1/4-20X1.8,ZAG <i>CE models from SN 11787</i>	
18	42781GT	PLUG, NYLON .250 BLACK DOMED.....4	
19	824083GT	SCREW,HHF,1/4-20X2.5,8,ZAG.....2	
20		"Ref. MODULE, PLUS+1, OPA2 " <i>refer to 813.2 Lift Guard Contact Alarm</i>	
21	1277924GT	NUT,NYLOCK FLG,1/4-20,F,ZAG.....2	
22	110649GT	PLATFORM CONTROL BOX W/DECAL.....1 <i>Includes items 16, 17 and 18</i>	
23	23404GT	NUTSERT,1/4-20,STEEL CAD PLTD.....2	
24	36235GT	GASKET,PLAT.CONTROL BOX.....1	
25	30997GT	CORROSION INHIBITOR,FOAM.....1	
26	T106699GT	BRACKET,RELAY MOUNT W/INSERTS.....1 <i>CE models from SN 11787; includes nutserts</i>	
27	56302GT	RELAY,24VDC,40/30A,SEALED*** .....2 <i>CE models from SN 11787</i>	



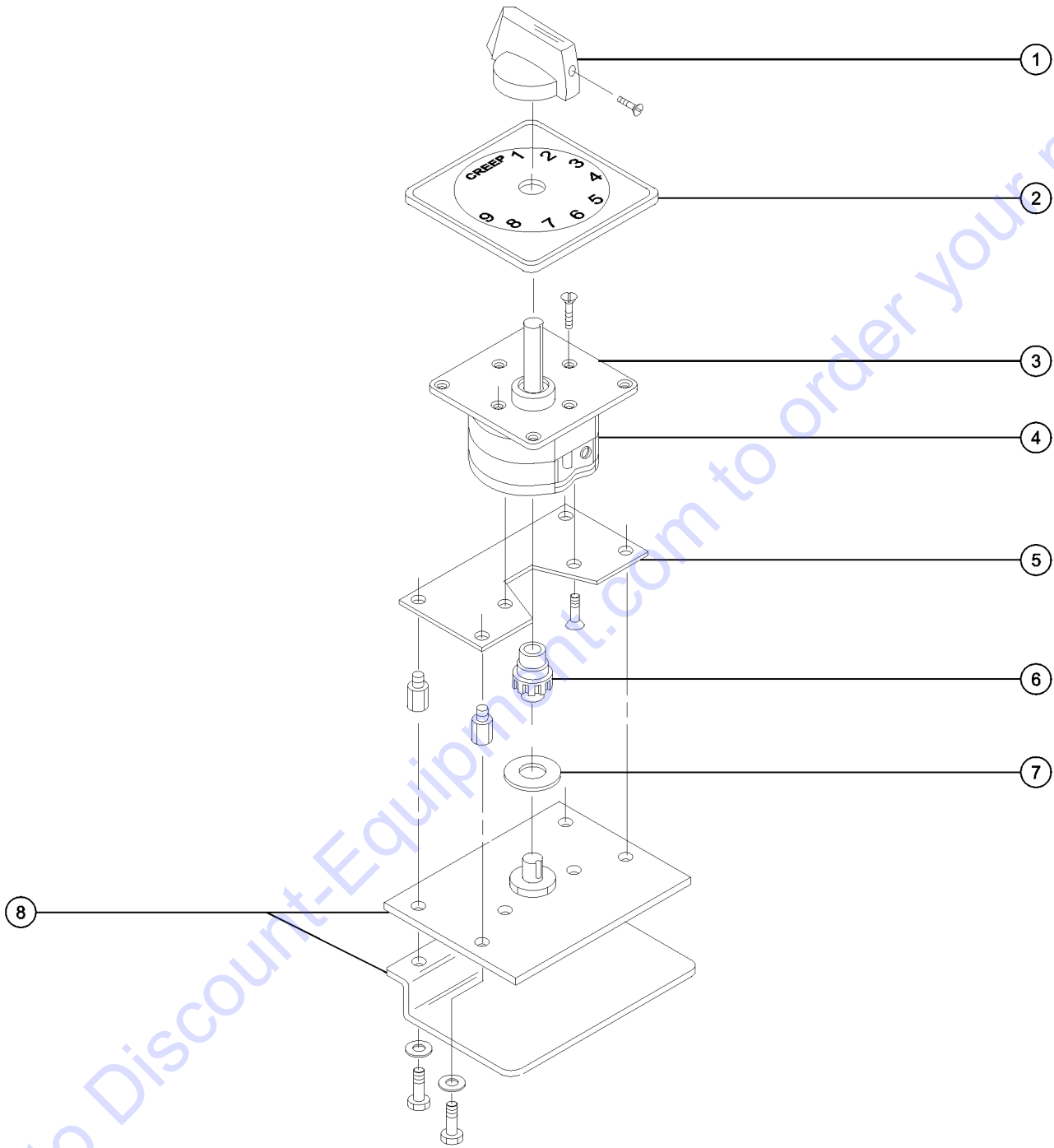
604.1 Joystick Controller, Drive/Steer Functions



## 604.1 Joystick Controller, Drive/Steer Functions

Item	Part No.	Description	Qty.
--	234923GT	JOYSTICK,5K-0 OHM,W/RELAY.....	1
1	52887GT	HANDLE HALF (56274).....	2
2	43038GT	BOOT-THUMB ROCKER** BLACK.....	1
3	65178GT	ROCKER ASSY W/ROLLPIN***.....	1
4	52895GT	SCREW,PHM,M3 X .5 X 12MM.....	4
5	52928GT	NUT-HEX,3M X 0.5MM.....	4
6	21427GT	BOOT,CONTROLLER**.....	1
7	43042GT	GASKET,JOYSTK.SHAFT36867/42032..	1
8	72298GT	POTENTIOMETER (56773).....	1
9	65546GT	SCREW,PHM,M3.5 X 12MM (57890)....	6
10	74368GT	SPACER-POT.PLATE,JOYSTICK56773..	2
11	19721GT	MICROSWITCH SPACER,45049.....	1
12	19712GT	MICROSWITCH,V3L-139-D8.....	4
13	52892GT	SCREW,PHS,4-40 X 1.5.....	2
14	19713GT	SPRING RETURN,HEAVY DUTY,45049.....	1
15		Ref. SCREW, 4-40 x 1/18"..... <i>illustration purpose only</i>	2
16	74362GT	WASHER,NYLON, JOYSTICK.....	2
17	226383GT	SCREW.....	2
18	43040GT	NUT,JS,36867/42032/44988/40612..... <i>coupling</i>	1
19	58985GT	SCREW,HANDLE42032,40612,36867....	2
20	19722GT	MICROSWITCH-V319M***.....	2

605.1 Rotation Controller, Boom Function Speed



Go to Discount-Equipment.com to order your parts

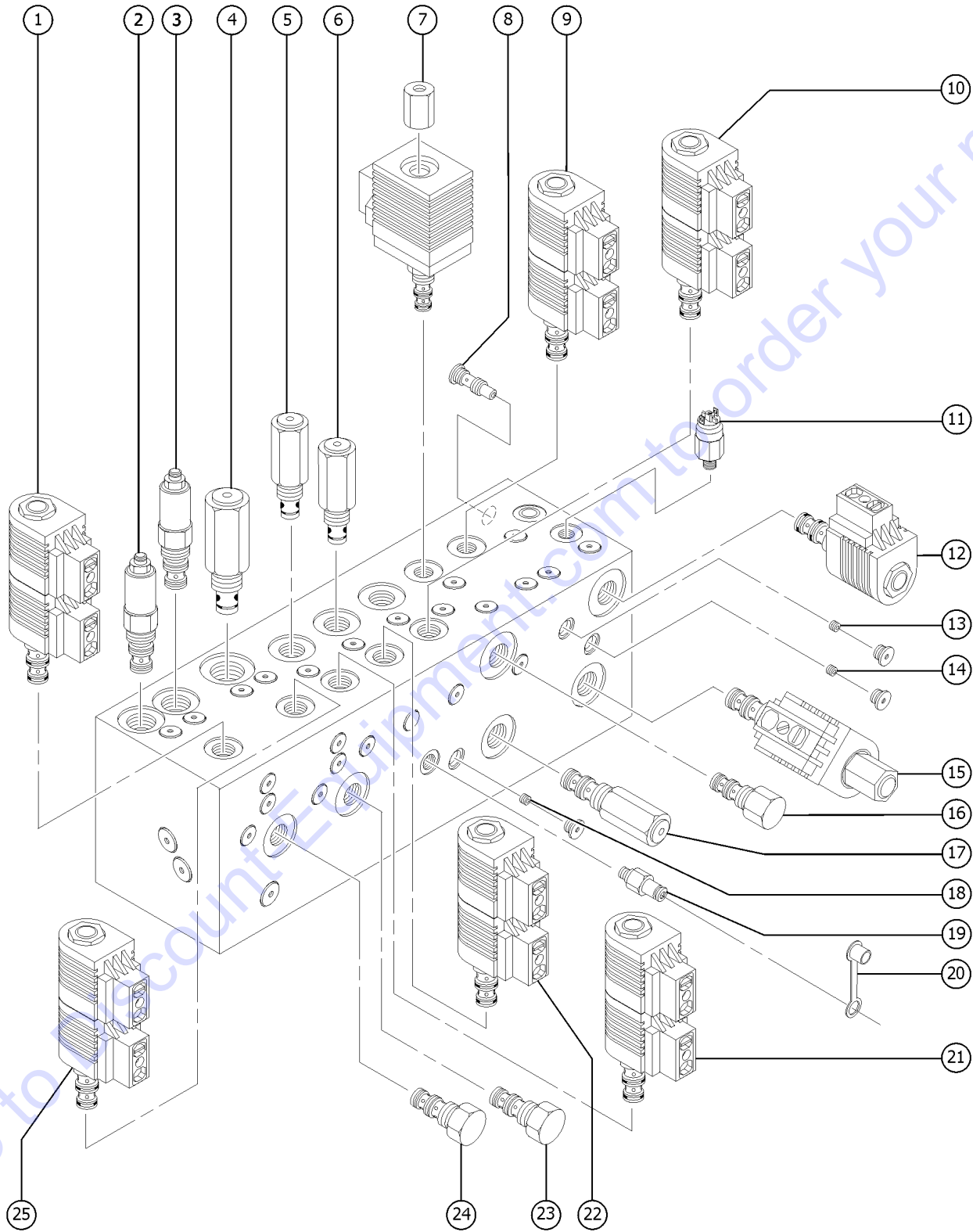
605.1 Rotation Controller, Boom Function Speed

Item	Part No.	Description	Qty.
--	56886GT	CONTROLLER,ROTARY 24V W/RAMP.....	1
1	35679GT	KNOB, 45048 CONTROLLER.....	1
2	35680GT	LEGEND,PLSTC,"CREEP TO 9"***.....	1
3	35678GT	MOUNTING PLATE, 45048.....	1
4	74356GT	SWITCH ASSEMBLY (56886).....	1
5	74357GT	PLATE,ROTARY CNTRL (56886).....	1
6	74358GT	COUPLING,POT SHAFT (56886).....	1
7	74359GT	GASKET-ROTARY CNTRL 56886.....	1
8	74384GT	PRINTED CIRCUIT BOARD 56886.....	1

Go to Discount-Equipment.com to order your parts



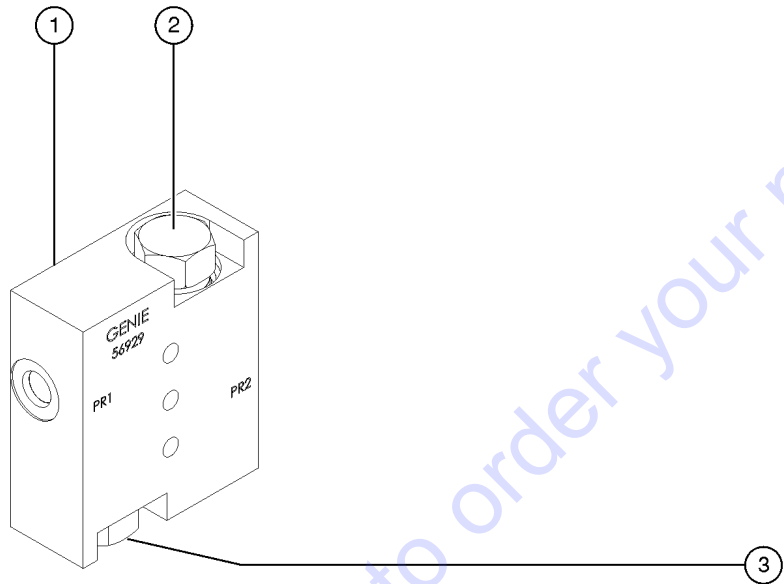
701.1 Function Manifold



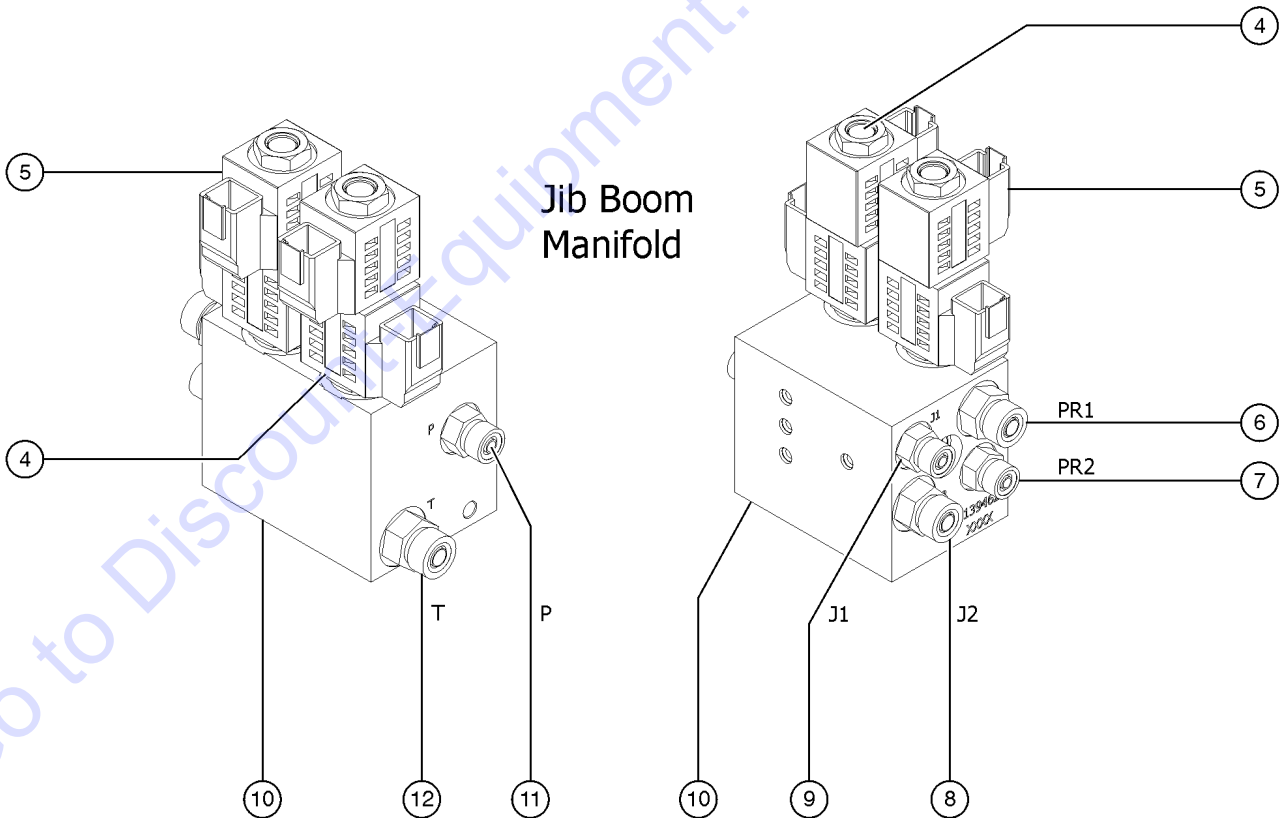
701.1 Function Manifold

Item	Part No.	Description	Qty.	Item	Part No.	Description	Qty.
--	128444GT	MANIFOLD,FUNC,Z30N/Z34DC/BE.....1	1	12	45544GT	VALVE SOLENOID.....1 <i>brake circuit</i>	1
--	49612GT	O-RING KIT (ORFS FITTINGS)		--	52339GT	COIL,SOLND,W/D,20V DUAL SPADE	
--	49613GT	PLUG AND CAP KIT-SERVICE,ORFS*		--	52943GT	NUT,SOLENOID VALVE COIL	
--	28750GT	O-RING KIT,FIELD SVC,ALL PROD*		--	74902GT	SEAL KIT	
--	33994GT	PLUG AND CAP KIT-SERVICE,37 **		13	19789GT	PLUG,ORIFICE-.045.....1 <i>brake circuit</i>	1
1	52599GT	VALVE,SOLENOID,3POS/4WAY*.....1 <i>platform level up/down</i>	1	14	19789GT	PLUG,ORIFICE-.045.....1 <i>brake and steer circuit</i>	1
--	40413GT	COIL,SOLND,W/D,20V SGL SPADE		15	44956GT	VALVE,SOLENOID 20V W/DIODE.....1 <i>brake circuit</i>	1
--	52943GT	NUT,SOLENOID VALVE COIL		--	40413GT	COIL,SOLND,W/D,20V SGL SPADE	
--	72047GT	SEAL KIT, SOLENOID VALVE		--	45921GT	RETAINER-N.C.PROPOR.SOLENOID	
2	52604GT	VALVE,COUNTERBALANCE, 3000PSI.....1 <i>platform level down</i>	1	--	74902GT	SEAL KIT	
--	58994GT	SEAL KIT,VALVE (48647)		16	74425GT	VALVE,DIFF.SENSE***.....1 <i>differential sensing circuit</i>	1
3	52604GT	VALVE,COUNTERBALANCE, 3000PSI.....1 <i>platform level up</i>	1	--	110197GT	SEAL KIT, VALVE, #10	
--	58994GT	SEAL KIT,VALVE (48647)		17	52715GT	VALVE,RELIEF 3200 PSI.....1 <i>system relief</i>	1
4	52603GT	VALVE,RELIEF,1100PSI***.....1 <i>turntable rotate left/right</i>	1	--	74902GT	SEAL KIT	
--	110199GT	SEAL KIT, VALVE, #10		18	94019GT	ORIFICE, 0.035" (74512,74966) <i>tank return circuit</i>	
5	52601GT	VALVE,RELIEF,1600 PSI.....1 <i>secondary boom down</i>	1	19	48997GT	NIPPLE,DIAGNOSTIC,#4.....1 <i>testing</i>	1
--	74902GT	SEAL KIT		--	20224GT	DIAGNOSTIC FEMALE Q-DSCNT	
6	52601GT	VALVE,RELIEF,1600 PSI.....1 <i>primary boom down</i>	1	20	48880GT	CAP,DIAGNOSTIC NIPPLE	
--	74902GT	SEAL KIT		21	52599GT	VALVE,SOLENOID,3POS/4WAY*.....1 <i>secondary boom up/down</i>	1
7	40410GT	VALVE,PROPORTIONAL**.....1 <i>system flow regulating circuit</i>	1	--	40413GT	COIL,SOLND,W/D,20V SGL SPADE	
--	29032GT	COIL,24V SOLENOID VALVE		--	52943GT	NUT,SOLENOID VALVE COIL	
--	45921GT	RETAINER-N.C.PROPOR.SOLENOID		--	72047GT	SEAL KIT, SOLENOID VALVE	
--	89310GT	SEAL KIT, SOLENOID VALVE		22	52599GT	VALVE,SOLENOID,3POS/4WAY*.....1 <i>primary boom up/down</i>	1
8	43599GT	VALVE,CHECK.....1 <i>brake circuit</i>	1	--	40413GT	COIL,SOLND,W/D,20V SGL SPADE	
--	110200GT	SEAL KIT, VALVE, #4		--	52943GT	NUT,SOLENOID VALVE COIL	
9	52885GT	VALVE,SOLENOID,3POS 4WAY.....1 <i>steer lift/right</i>	1	--	72047GT	SEAL KIT, SOLENOID VALVE	
--	40413GT	COIL,SOLND,W/D,20V SGL SPADE		23	19470GT	VALVE,FLOW REGULATOR.....1 <i>turntable rotate circuit</i>	1
--	52943GT	NUT,SOLENOID VALVE COIL		--	74902GT	SEAL KIT	
--	72047GT	SEAL KIT, SOLENOID VALVE		24	52598GT	VALVE,FLOW REGULATOR .8 GPM.....1 <i>jib boom and platform rotate circuit</i>	1
10	52599GT	VALVE,SOLENOID,3POS/4WAY*.....1 <i>primary boom extend/retract</i>	1	--	74902GT	SEAL KIT	
--	40413GT	COIL,SOLND,W/D,20V SGL SPADE		25	52885GT	VALVE,SOLENOID,3POS 4WAY.....1 <i>turntable rotate left/right</i>	1
--	52943GT	NUT,SOLENOID VALVE COIL		--	40413GT	COIL,SOLND,W/D,20V SGL SPADE	
--	72047GT	SEAL KIT, SOLENOID VALVE		--	52943GT	NUT,SOLENOID VALVE COIL	
11	1287986GT	SWITCH,PRESS,#6SAE,600 PSI.....1 <i>brake circuit</i>	1	--	72047GT	SEAL KIT, SOLENOID VALVE	

702.1 Jib Boom and Platform Rotate Manifold



Platform Rotate Manifold



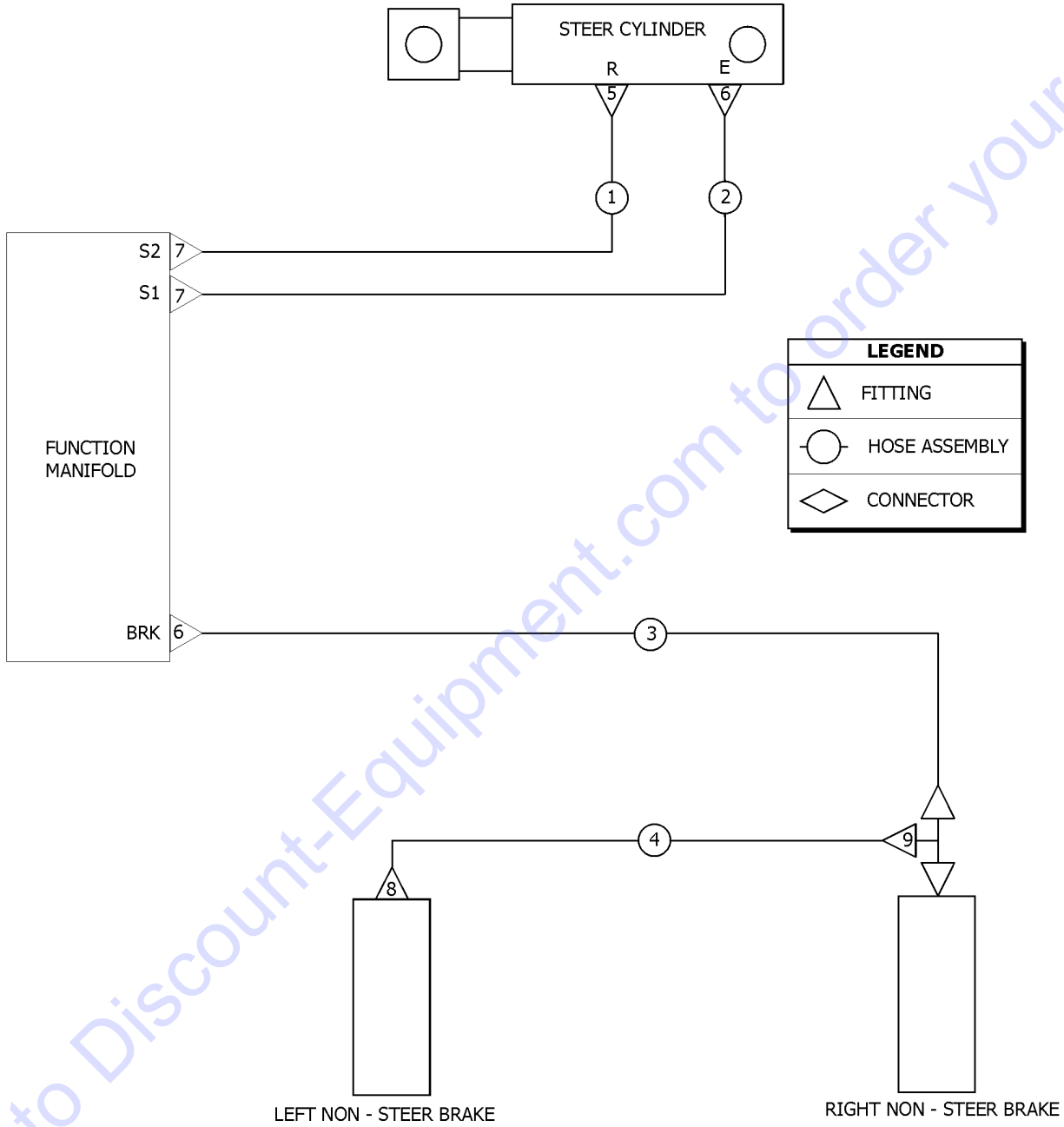
Jib Boom Manifold

## 702.1 Jib Boom and Platform Rotate Manifold

Item	Part No.	Description	Qty.
1	56929GT	MANIFOLD,ROTATOR,180 DEG.***.....1 <i>includes 2 and 3</i>	
--	62507GT	O-RING, ROTATOR MANIFOLD	
2	62506GT	VALVE - COUNTERBALANCE** <i>platform rotate right</i>	
--	43018GT	SEAL KIT (39345)	
3	62506GT	VALVE - COUNTERBALANCE** <i>platform rotate left</i>	
--	43018GT	SEAL KIT (39345)	
4	139560GT	SOLENOID VALVE W/NUT*** <i>jib boom up/down</i>	
--	139561GT	COIL, SOLENOID VALVE, 24V***	
5	139560GT	SOLENOID VALVE W/NUT*** <i>platform rotate left/right (order coil separately)</i>	
--	139561GT	COIL, SOLENOID VALVE, 24V***	
6	48916GT	CONN, 520120-6	
7	48905GT	CONNECTOR, 520120-4	
8	48916GT	CONN, 520120-6	
9	48905GT	CONNECTOR, 520120-4	
10	139462GT	MANIFOLD,JIB, 24V NON RJ*** .....1 <i>includes 4-12</i>	
--	139564GT	SEAL KIT, JIB MANIFOLD, NON RJ	
11	48905GT	CONNECTOR, 520120-4	
12	48916GT	CONN, 520120-6	



703.1 Drive Chassis Hoses


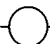
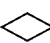


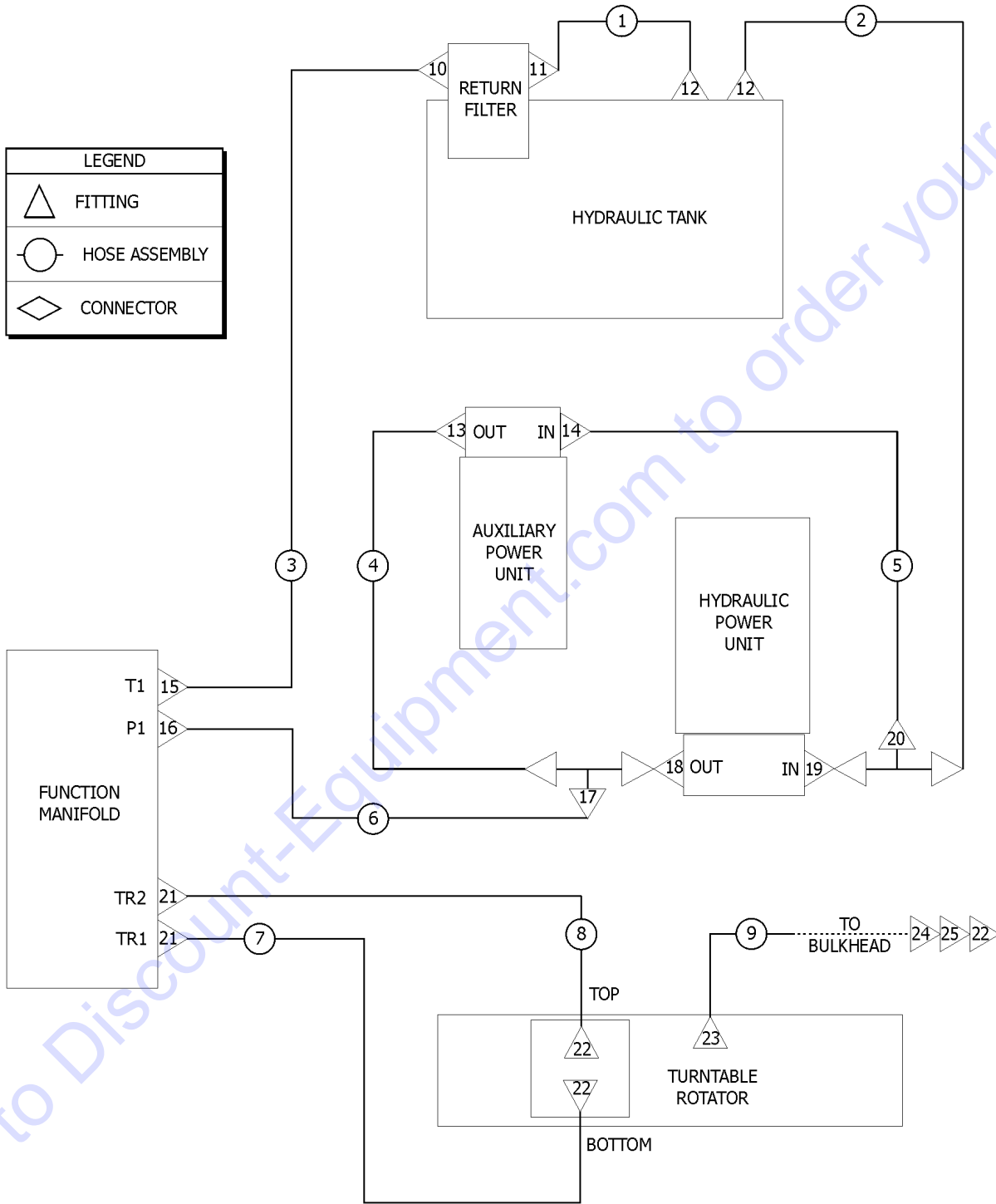
Item	Part No.	Description	Qty.
1	56782GT	HOSE ASSY,1/4",73.00.....	1
2	139081GT	HOSE ASSY,1/4",66.00.....	1
3	56781GT	HOSE ASSY,1/4",81.00.....	1
4A	139210GT	HOSE ASSY,1/4",41.00..... Z34DC/BE	1
4B	42744GT	HOSE ASSY,1/4",33.50..... Z34N	1
5	48911GT	ELBOW,90D,520220-4-6***	
6	48912GT	CONN,520120-4-6***	
7	49418GT	FITTING,ELBOW,45D,520320-4-6**	
8	48904GT	ELBOW, 90D, 520220-4	
9	48908GT	FITTING,TEE,RUN,SWIVEL520432-4	

Go to Discount-Equipment.com to order your parts



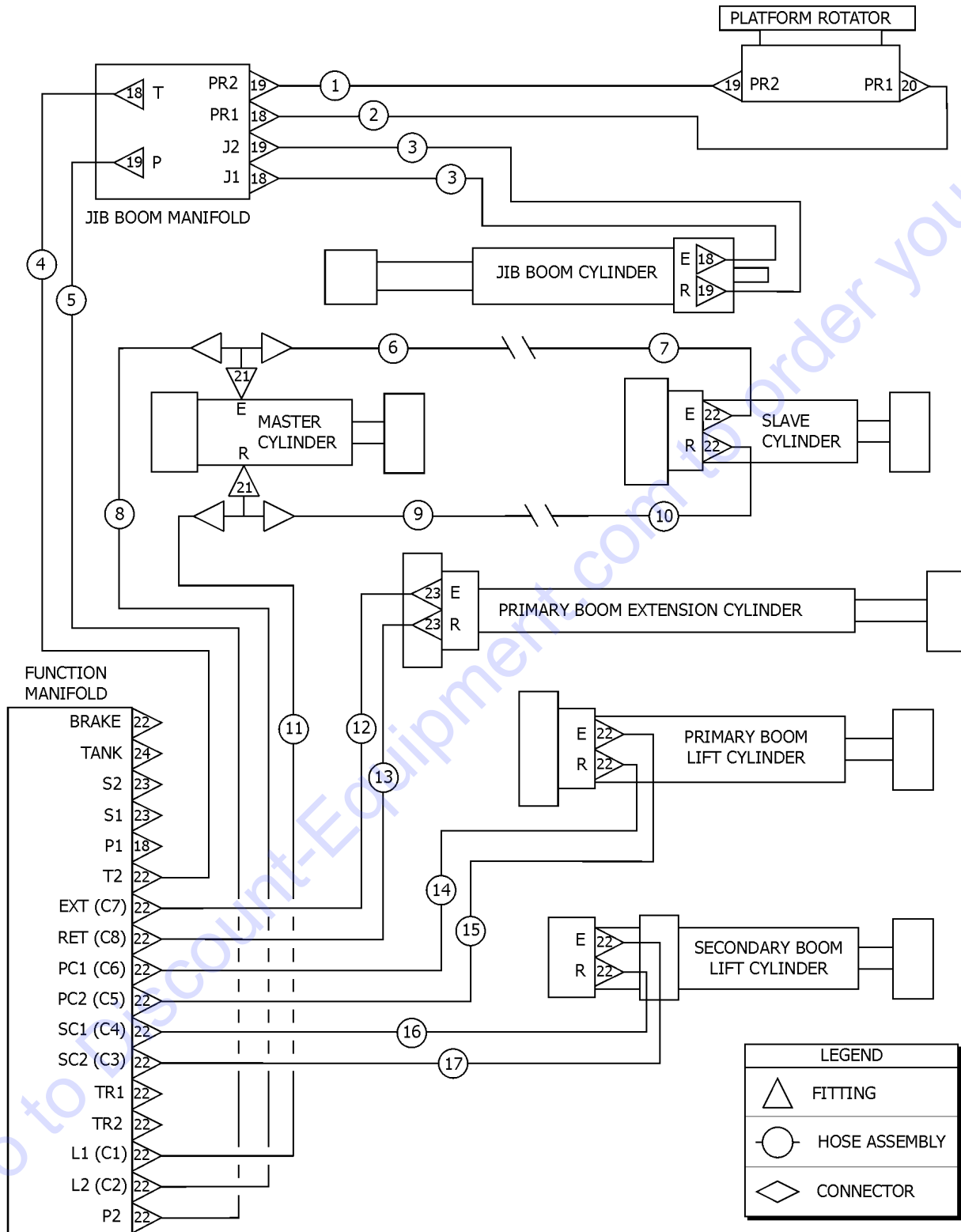
704.1 Turntable Hoses

LEGEND	
	FITTING
	HOSE ASSEMBLY
	CONNECTOR



Item	Part No.	Description	Qty.
1	128809GT	HOSE ASSY,1/2",12.38".....1	1
2A	139879GT	HOSE ASSY,1/2",24.87".....1 Z-34N and Z-34DC	1
2B	139639GT	HOSE ASSY,1/2",65.75".....1 Z-34BE	1
3A	56844GT	HOSE ASSY, 1/2", 54.00.....1 Z-34N and Z-34DC	1
3B	74736GT	HOSE ASSY, 1/2", 35.00.....1 Z-34BE	1
4A	56845GT	HOSE ASSY,3/8",17.00.....1 Z-34N and Z-34DC	1
4B	74155GT	HOSE ASSY, 3/8", 25.50.....1 Z-34BE	1
5A	139880GT	HOSE,ASSY,3/8",20.00".....1 Z-34N and Z-34DC	1
5B	56116GT	HOSE ASSY, 3/8", 18.50.....1 Z-34BE	1
6A	74147GT	HOSE ASSY,3/8",39.50.....1 Z-34N and Z-34DC	1
6B	74156GT	HOSE ASSY,3/8",49.00.....1 Z-34BE	1
7	42855GT	HOSE ASSY,1/4",31.50.....1	1
8A	42856GT	HOSE ASSY,1/4",27.50.....1 Z-34N and Z-34DC	1
8B	42892GT	HOSE ASSY,1/4",34.00.....1 Z-34BE	1
9A	42805GT	HOSE ASSY,1/4", 23.25.....1 Z-34N and Z-34DC	1
9B	139100GT	HOSE ASSY, 1/4", 43.50.....1 Z-34BE	1
10	48932GT	FITTING,ELBOW,90D,520220-8***	
11	48937GT	ELBOW,45D,520320-8	
12	128811GT	ELBOW,90D,520201-8	
13	48915GT	ELBOW,90D,520220-6	
14	56003GT	ELBOW,90D,LONG,521520-6	
15	48933GT	CONN,520120-8***	
16	48916GT	CONN, 520120-6	
17	48875GT	TEE,RUN,SWIVEL,520432-6	
18	74136GT	VALVE,CHK,#8PORT-#6MALEORFS***	
19	139877GT	ELBOW,90D,520220-8-10	
20	48938GT	FITTING,TEE,RUN,SWIVEL520432-8	
21	48912GT	CONN,520120-4-6***	
22	48931GT	CONN,520120-6-10	
23	31194GT	ELBOW,070302-4-2	
24	45415GT	ELBOW,070221-4-4	
25	48885GT	CONNECTOR,BULKHEAD,FEMALE-4	

705.1 Boom Hoses

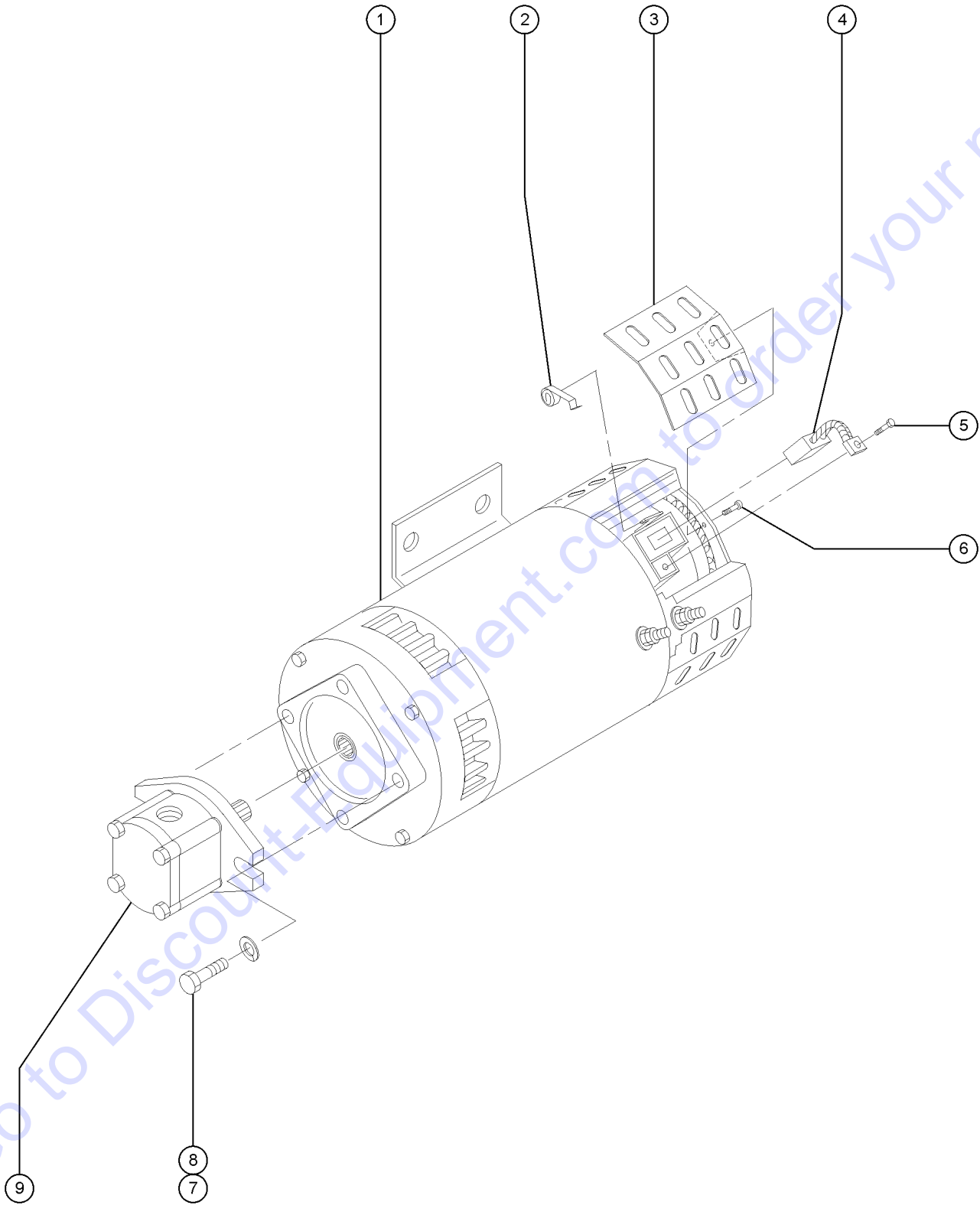


Item	Part No.	Description	Qty.
1	74308GT	HOSE ASSY, 1/4", 46.50.....	1
2	74309GT	HOSE ASSY, 1/4", 46.50.....	1
3	74983GT	HOSE ASSY, 1/4", 19.00.....	2
4	94103GT	HOSE ASSY,1/4",481.5.....	1
5	94104GT	HOSE ASSY,1/4",481.5.....	1
6	74480GT	HOSE ASSY, 1/4", 239.0.....	1
7	56945GT	HOSE ASSY, 1/4", 31.00.....	1
8	139079GT	HOSE ASSY,1/4",202.00.....	1
9	74481GT	HOSE ASSY,1/4",239.0.....	1
10	42817GT	HOSE ASSY, 1/4", 31.50.....	1
11	42894GT	HOSE ASSY,1/4",202.00.....	1
12	139128GT	HOSE ASSY,1/4",236.00.....	1
13	42859GT	HOSE ASSY,1/4",236.00.....	1
14	139083GT	HOSE ASSY,1/4",213.00.....	1
15	74840GT	HOSE ASSY,1/4",213.00.....	1
16	139080GT	HOSE ASSY,1/4",83.00.....	1
17	42861GT	HOSE ASSY,1/4",83.00.....	1
18	48916GT	CONN, 520120-6.....	1
19	48905GT	CONNECTOR, 520120-4.....	1
20	48927GT	CONN,520120-6-4.....	1
21	48890GT	FITTING,TEE,BRANCH,520429-4***.....	1
22	48912GT	CONN,520120-4-6***.....	1
23	49418GT	FITTING,ELBOW,45D,520320-4-6**.....	1
24	48933GT	CONN,520120-8***.....	1

Go to Discount-Equipment.com to order your parts



706.1 Hydraulic Power Unit

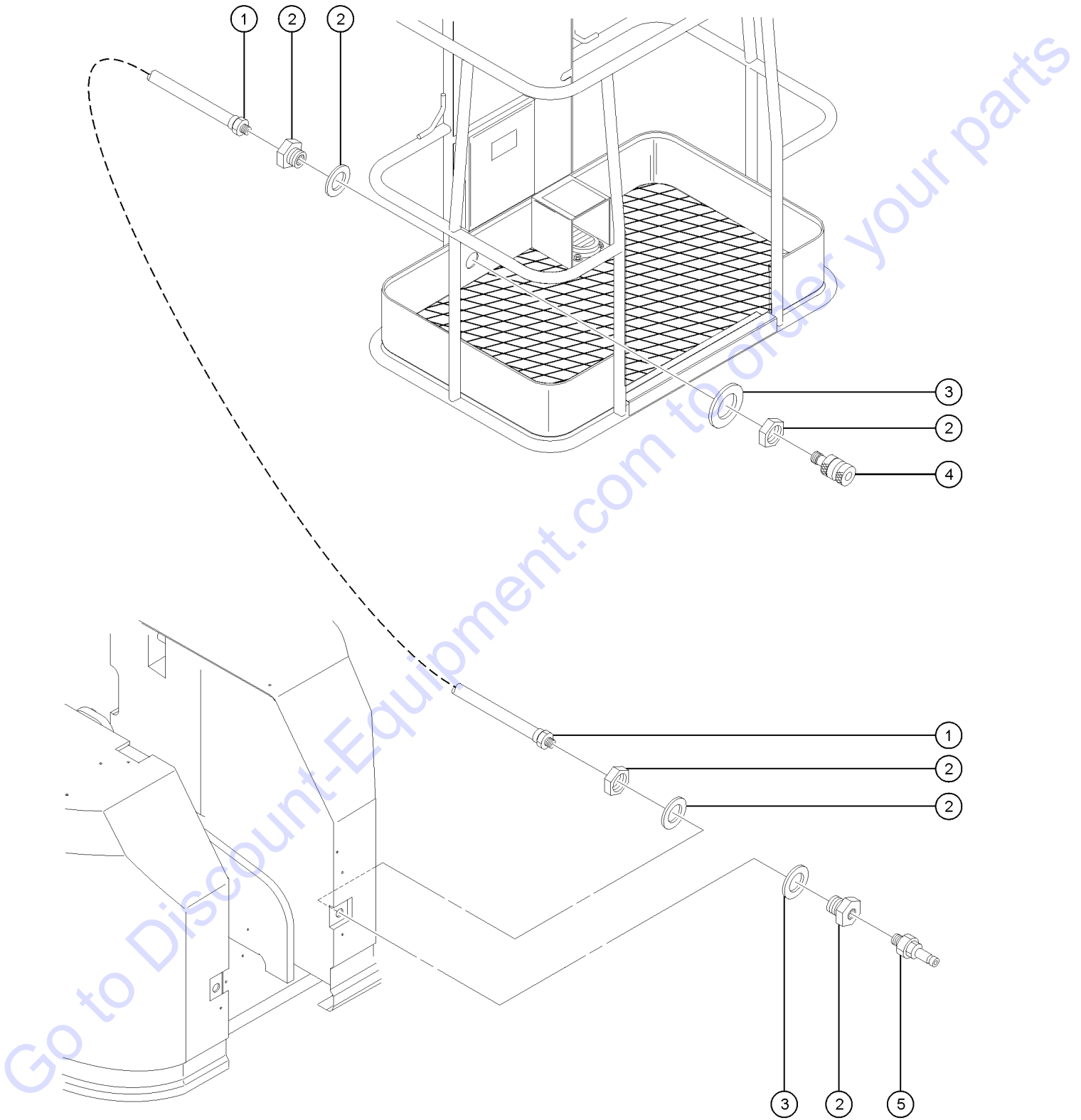


Item	Part No.	Description	Qty.
1	48504GT	MOTOR,FUNCTION,48V DC.....1 <i>includes items 2-6</i>	1
--	44777GT	BEARING,MOTOR.....1	1
--	44778GT	BEARING,MOTOR,36843,BRUSH END*.....1	1
--	52915GT	BRUSH LEAD ASSEMBLY KIT(48504)...1	1
--	58934GT	BRUSH BOX ASSEMBLY.....1 <i>includes item 2</i>	1
2	44750GT	SPRING-BRUSH,40844, SCISSORS....4	4
3	58936GT	BRUSH COVER -PLATE-(48504)*.....4	4
4	58932GT	BRUSH SET 4 EA.....4	4
5	52913GT	SCREW,HH TAPETITE THRD8-32X.50.....4	4
6	52914GT	SCREW,HHTAPTITE THREAD8-32X.38.....4	4
7	32317GT	SCREW,HHC,3/8-24 X 1 GR 8 YEL.....2	2
8	6021GT	WASHER,LOCK,.375.....2	2
9	77981GT	PUMP,LIFT,3CC,CCW***.....1	1
--	77990GT	KIT,SEAL,3CC PUMP***.....1	1

Go to Discount-Equipment.com to order your parts



801.1 Air Line to Platform

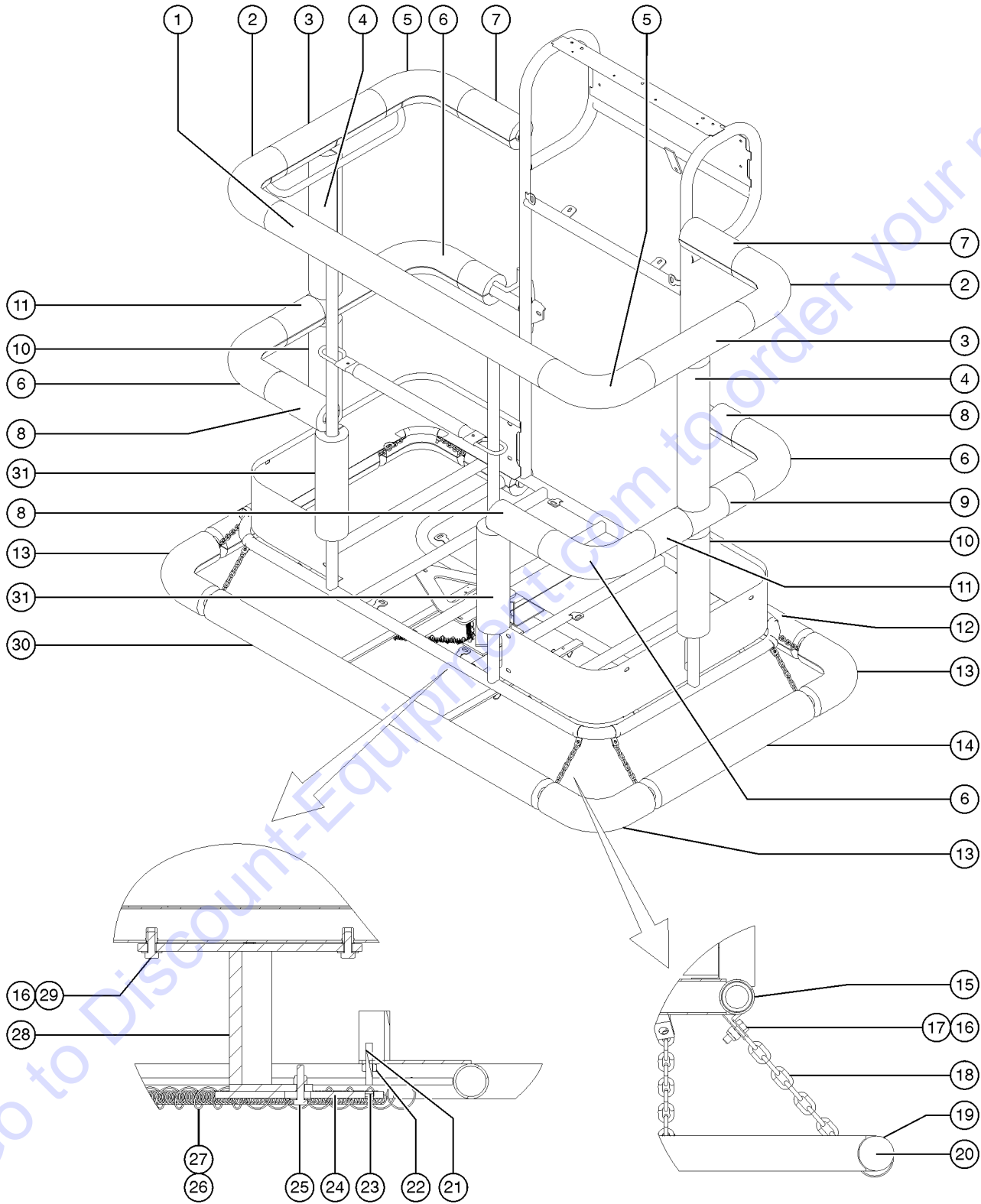


801.1 Air Line to Platform

Item	Part No.	Description	Qty.
1	52960GT	AIRLINE ASSY W/FITTINGS, Z34BE.....1	1
2	27900GT	BULKHEAD,FEMALE X 6 X 6.....2	2
3	824116GT	WASHER, FLAT, F436, 1.0, ZAG.....2	2
4	27895GT	COUPLER,1/4"SERIES 3/8 MPT.....1	1
5	27894GT	PLUG,1/4"SERIES,3/8 MPT.....1	1

Go to Discount-Equipment.com to order your parts

802.1 Aircraft Protection

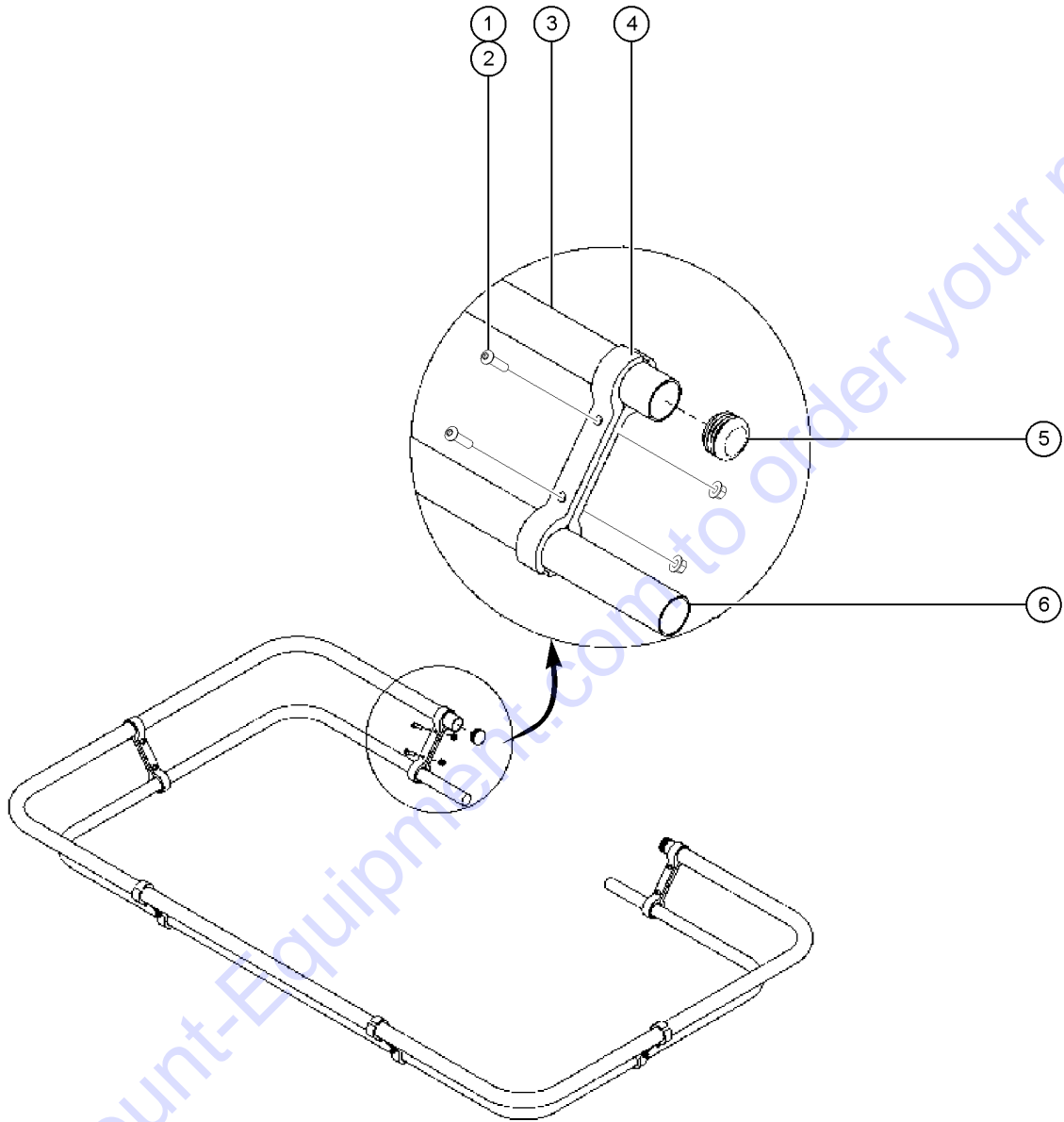


802.1 Aircraft Protection

Item	Part No.	Description	Qty.	Item	Part No.	Description	Qty.
--	128200GT	SWITCH TOGGLE ASSY SPDT 3P MOM.....1 <i>not shown; refer to 602.1</i>	1	30B	825210GT	BUMPER,3.5OD X 1.5ID X 48.70.....1 <i>5-ft platforms</i>	1
1A	1251590GT	BUMPER,3.5OD X 1.5ID X 30.75.....1 <i>4-ft platforms</i>	1	31	1252011GT	BUMPER,3.5OD X 1.5 ID X 9.75.....1	1
1B	825211GT	BUMPER,3.5OD X 1.5ID X 40.75.....1 <i>5-ft platforms</i>	1				
2	147000GT	PADDING, FOAM 90 DEG.....2	2				
3	825207GT	BUMPER,3.5OD X 1.5ID X 14.75.....2	2				
4	825213GT	BUMPER,3.5OD X 1.5ID X 15.65.....2	2				
5	147001GT	PADDING, FOAM 90 DEG.....2	2				
6A	1252013GT	BUMPER,3.5OD X 1.5 ID 90 DEG.....4 <i>4-ft platforms</i>	4				
6B	56418GT	BUMPER,90 DEG ELBOW.....4 <i>5-ft platforms</i>	4				
7A	1251592GT	BUMPER,3.5OD X 1.5ID X 2.75.....2 <i>4-ft platforms</i>	2				
7B	825216GT	BUMPER,3.5OD X 1.5ID X 7.75.....2 <i>5-ft platforms</i>	2				
8	825215GT	BUMPER,3.5OD X 1.5ID X 3.80.....8	8				
9	1252012GT	BUMPER,3.5OD X 1.5 ID X 6.75.....2	2				
10	825212GT	BUMPER,3.5OD X 1.5ID X 12.75.....2	2				
11	1251592GT	BUMPER,3.5OD X 1.5ID X 2.75.....2	2				
12	825209GT	BUMPER,3.5OD X 1.5ID X 6.75.....2	2				
13	56418GT	BUMPER,90 DEG ELBOW.....4	4				
14	825214GT	BUMPER,3.5OD X 1.5ID X 22.70.....2	2				
15	56424GT	CLAMP,1.25X.5 RUBBER-CUSHION....16	16				
16	824078GT	SCREW,HHF,1/4-20X.75,8,ZAG.....16	16				
17	824027GT	NUT, TL FLG, 1/4-20, G, ZAG.....16	16				
18	56426-576GT	CHAIN,NO.2 (9LINKS).....8	8				
19	56351GT	WELDMENT,FLOATING BUMPER.....1	1				
20	45385GT	PLUG,NYLON 1.12 BLACK DOMED.....2	2				
21	139643GT	HARNES, PROX. KILL.....1	1				
--	27391GT	PROXIMITY SENSOR***.....1	1				
--	34052GT	RELAY,SPDT,12V(AUTO) PLUG IN**.....1	1				
--	56302GT	RELAY,24VDC,40/30A,SEALED***.....1	1				
22	88390GT	NUT,HEX,M8,PLASTIC.....1	1				
23	29261GT	MAGNET,NEODYMIUM,.375 X .100.....2	2				
24	56330GT	PLATE,MAGNET MOUNT.....1	1				
25	824080GT	SCREW,HHF,1/4-20X1.25,8,ZAG					
26	88385GT	SPRING, SS, 1/2-EO500-49-4500.....4	4				
27	56425GT	SPRING,EXTENSION,.75X4.5.....4	4				
28	56328GT	WELDMENT,SENSOR BRACKET.....1	1				
29	23404GT	NUTSERT,1/4-20,STEEL CAD PLTD.....1	1				
30A	1251591GT	BUMPER,3.5OD X 1.5ID X 38.75.....1 <i>4-ft platforms</i>	1				



803.1 Auxiliary Rail Assembly



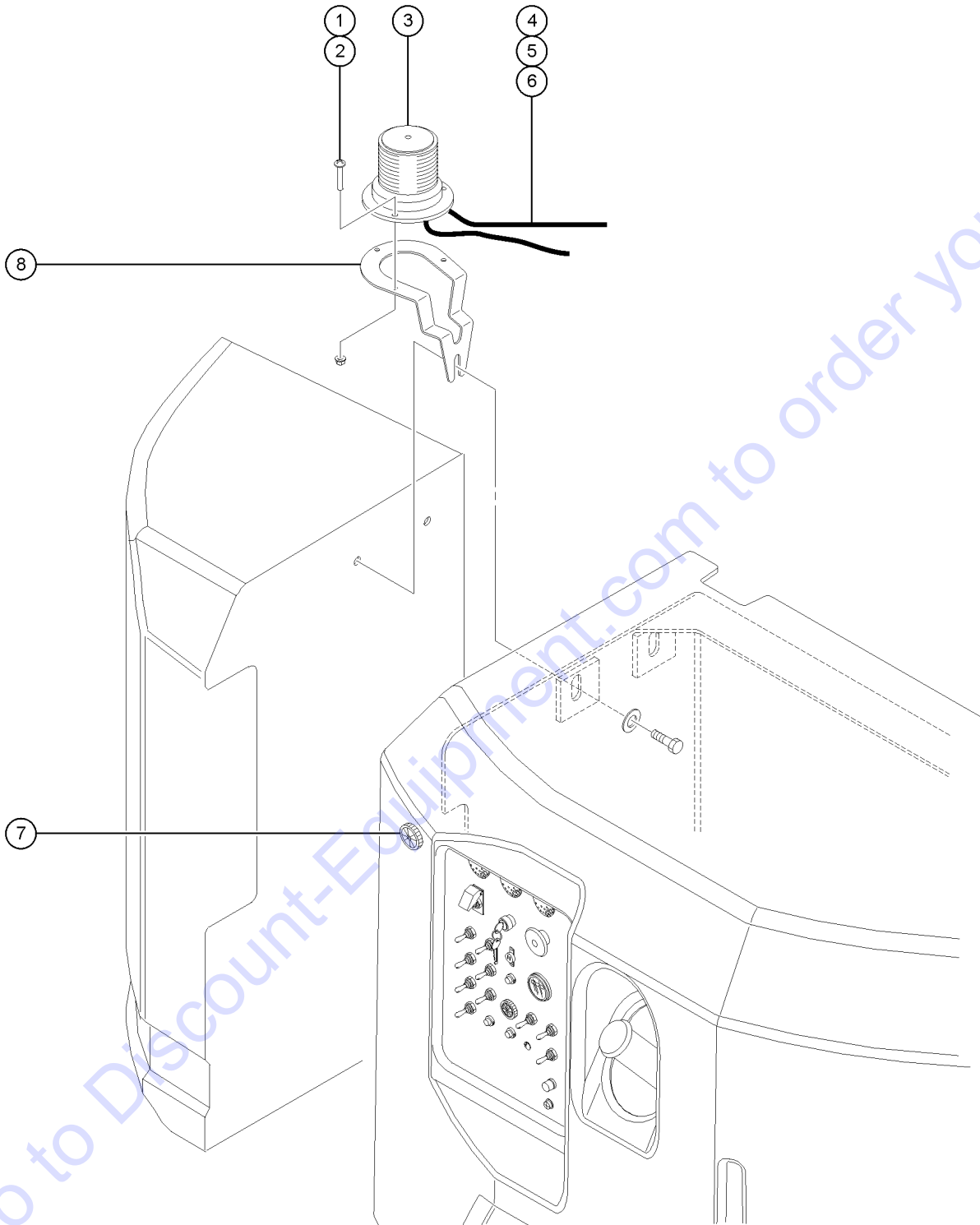
803.1 Auxiliary Rail Assembly

Item	Part No.	Description	Qty.
1	1259715GT	SCREW,BHTC,1/4-20X1,ZAG.....	12
2	824027GT	NUT, TL FLG, 1/4-20, G, ZAG.....	12
3A	T112779GT	KIT, AUX. RAIL, 4' PLATFORM..... <i>includes items 1, 2, 4, 5</i>	1
3B	T112780GT	KIT, AUX. RAIL, 5' PLATFORM..... <i>includes items 1, 2, 4, 5</i>	1
4	122073GT	SUPPORT, RAILING.....	12
5	55753GT	BUMPER, PLASTIC, 1.25 O.D.....	2
6		Ref. PLAT RAIL ASSY <i>refer to 601.1</i>	

Go to Discount-Equipment.com to order your parts



804.1 Flashing Beacon and Alarm



804.1 Flashing Beacon and Alarm

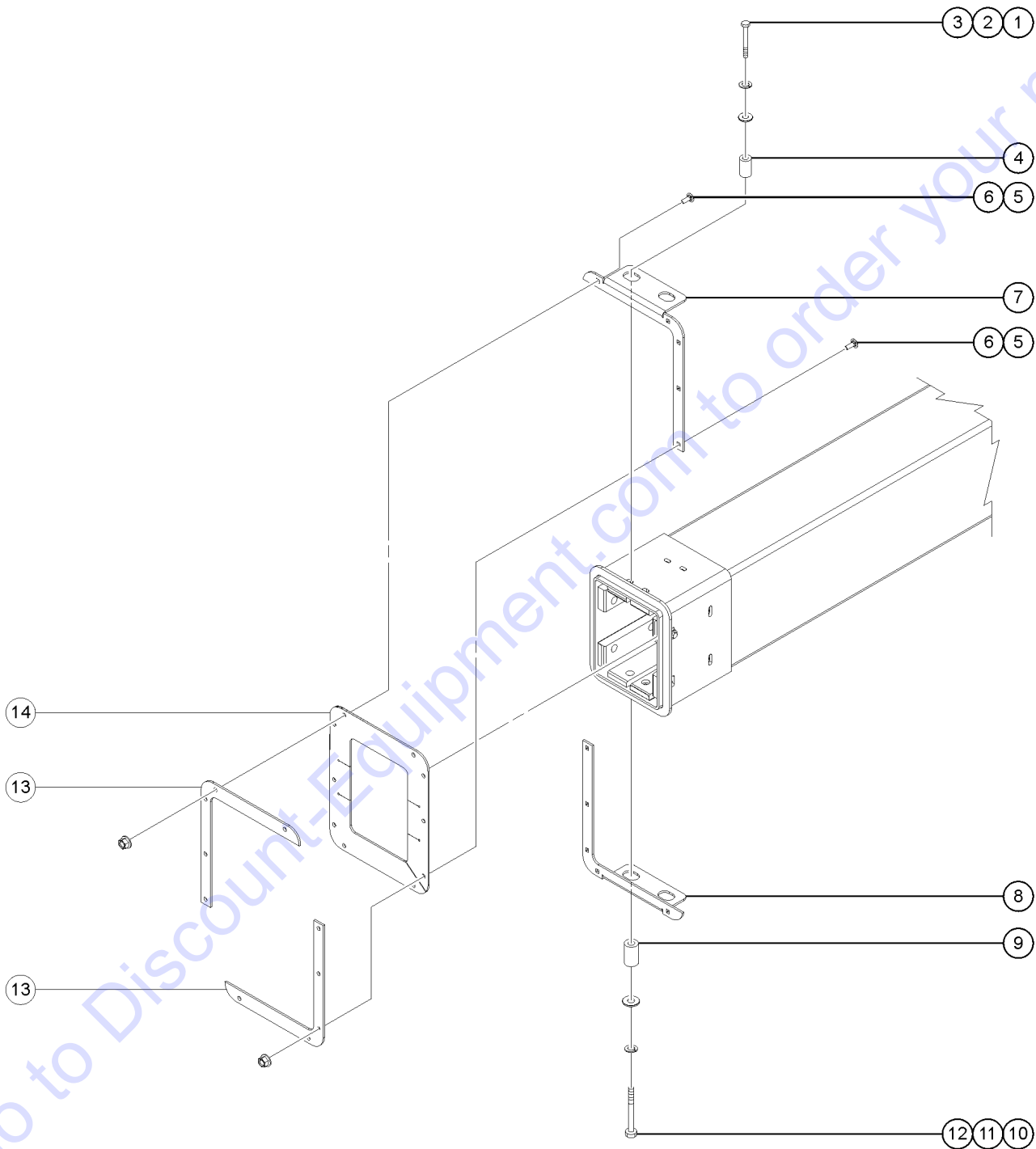
Item	Part No.	Description	Qty.
--	36816-SGT	ACC. Z34 ALARM PACKAGE DC.....1 Z34N/DC	1
--	56879-SGT	ACCESS.ALARM PACKAGE Z34BE,IC.....1 Z34BE	1
1A	824215GT	SCREW, PHPM, 10-32 X .75, ZAG.....3 to SN Z34NF-14057	3
1B	826516GT	SCREW, PHPM, 10-32 X 1.0, ZAG.....3 from SN Z34NF-14058	3
2A	824032GT	NUT,TL FLG,10-32,F,ZAG.....3 to SN Z34NF-14057	3
2B	1264261GT	NUT,SERRATED,10-32,ZAG.....3 from SN Z34NF-14058	3
3	56704GT	STROBE,FIREBOLT,12-80VDC,AMB**...1 includes red and black wire	1
4A	56051GT	WIRE CABLE,16/2,WHT/BLK,SJEOW.62-inches Z34N/DC	
4B	43960GT	WIRE CABLE,16/4 CON.TPE JKT.....79-inches Z34BE	
5	13825GT	TERMINAL,COUPLER,MALE,14-16GA	
6	66684GT	TERMINAL FEMALE,1/4 BLUE,14-16	
7	18963GT	ALARM,INTERMITTENT TONE 6-30V*...1 plastic nut not included	1
--	72326GT	NUT - PLASTIC,RING FOR ALARMS.....1	1
8	62694GT	BEACON MOUNT ASSY.Z34/BE.....1	1

Go to Discount-Equipment.com to order your parts





805.1 Hostile Environment, Wiper



805.1 Hostile Environment, Wiper

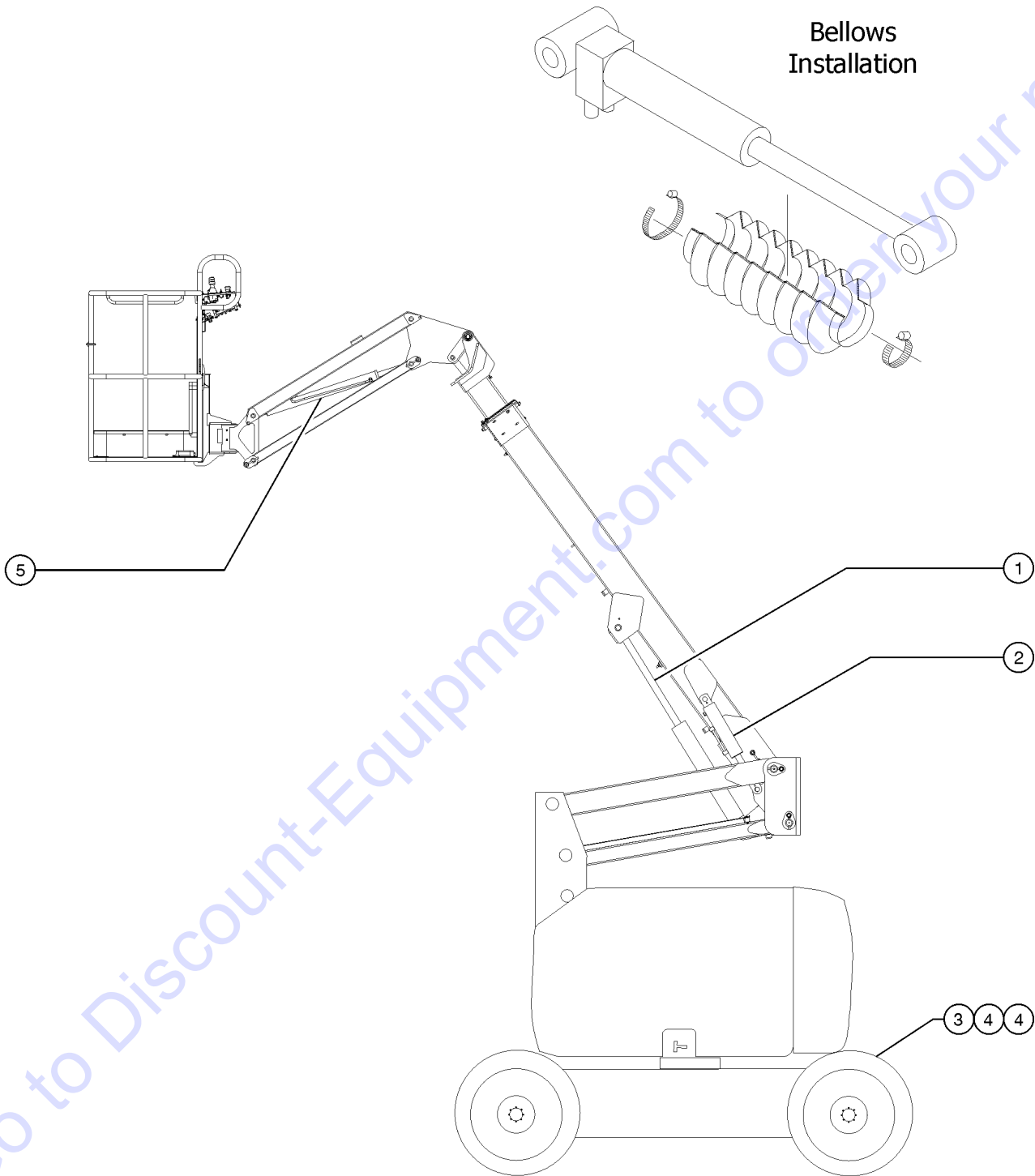
Item	Part No.	Description	Qty.
--	128677GT	KIT, WIPER.....	1
1	1252978GT	SCREW,HHC,3/8-16X2.25,8,ZAG.....	2
2	824110GT	WASHER,LOCK,3/8,ZAG.....	2
3	825358GT	WASHER,FLAT,5/16,USS,ZAG.....	2
4	128852GT	TUBE,RD,STL,DOM,,.75X.438X1.25.....	2
5	824124GT	BOLT,CARRIAGE,1/4-20X.75,5,ZAG.....	10
6	824027GT	NUT, TL FLG, 1/4-20, G, ZAG.....	10
7	128681GT	FORMING, WIPER MOUNT.....	1
8	128682GT	FORMING, WIPER MOUNT.....	1
9	119077GT	TUBE,RD,STL,DOM,,.75OD X .375ID.....	2
10	824064GT	SCREW,HHC,1/4-20X2.25,8,ZAG.....	2
11	824109GT	WASHER,LOCK,1/4,ZAG.....	2
12	824113GT	WASHER,FLAT,USS,1/4,ZAG.....	2
13	128973GT	PLATE,WIPER BACKING.....	2
14	147181GT	WIPER,PRIMARY BOOM.....	1

Go to Discount-Equipment.com to order your parts



806.1 Hostile Environment, Cylinder Bellows

Bellows Installation



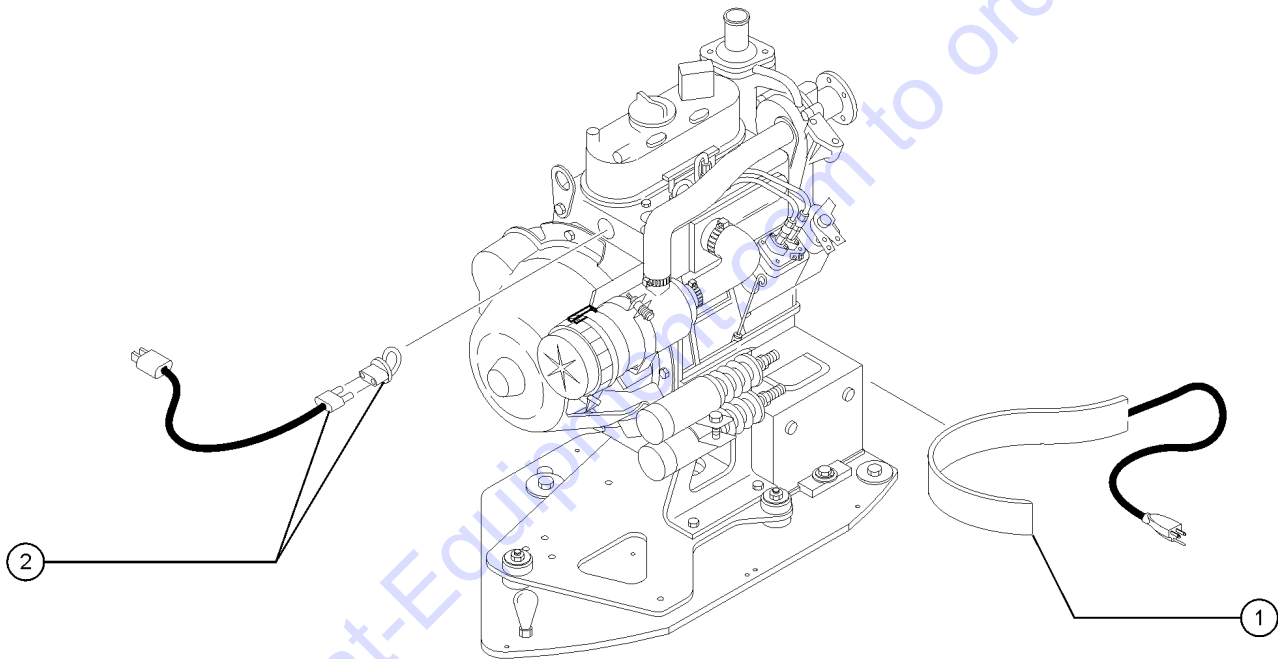
806.1 Hostile Environment, Cylinder Bellows

Item	Part No.	Description	Qty.
A	128838GT	KIT, CYLINDER BELLOWS	
--	30489GT	CLAMP,HOSE,3.50.....5 <i>not shown</i>	
--	30577GT	COVER,PROTECTIVE,MASTER/SLAVE.1 <i>not shown</i>	
--	30971GT	CLAMP,HOSE,3.00".....1 <i>not shown</i>	
--	35434GT	CLAMP,HOSE,2.00***.....6 <i>not shown</i>	
1	94461GT	BELLOWS,PRIMARY/ELEV CYLINDER.....2	
2	94463GT	BELLOWS,MASTER CYLINDER.....1	
3	54989GT	BELLOWS,STEERING CYLINDER.....1 <i>not shown</i>	
4	1263699GT	SCREW,HHC,3/8-16X.5,8,ZAG.....2 <i>not shown</i>	
5	94462GT	BELLOWS,JIB CYLINDER.....1	

Go to Discount-Equipment.com to order your parts



807.1 Cold Start for Bi-Energy



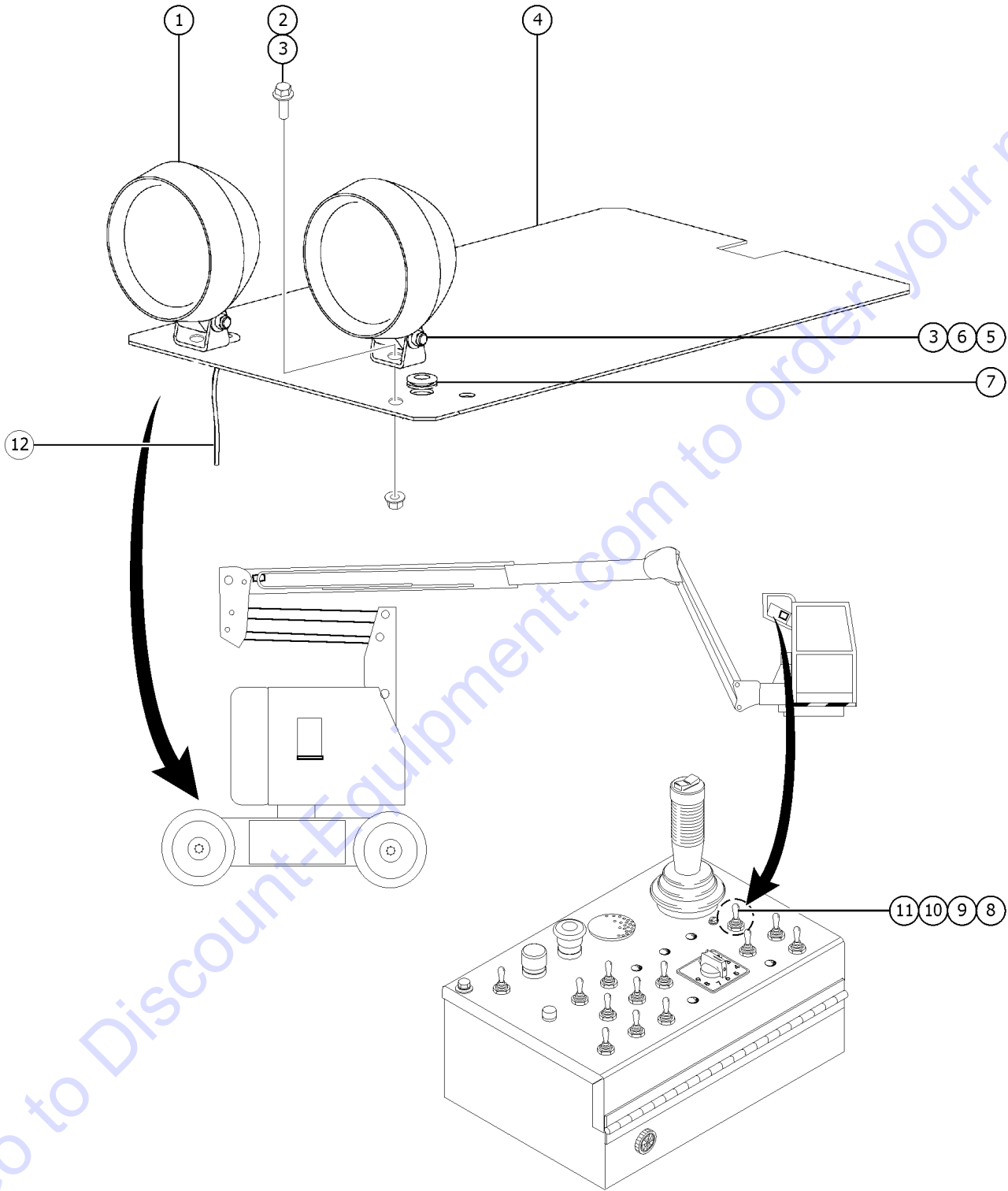
807.1 Cold Start for Bi-Energy

Item	Part No.	Description	Qty.
--	70707GT	COLD START PKG,120V BI-ENERGY <i>includes items 1 and 2</i>	
1	28853GT	BLANKET,BATTERY.....	1
2	70683GT	FREEZE PLUG HEATER,Z45.....	1

Go to Discount-Equipment.com to order your parts



808.1 Drive Light

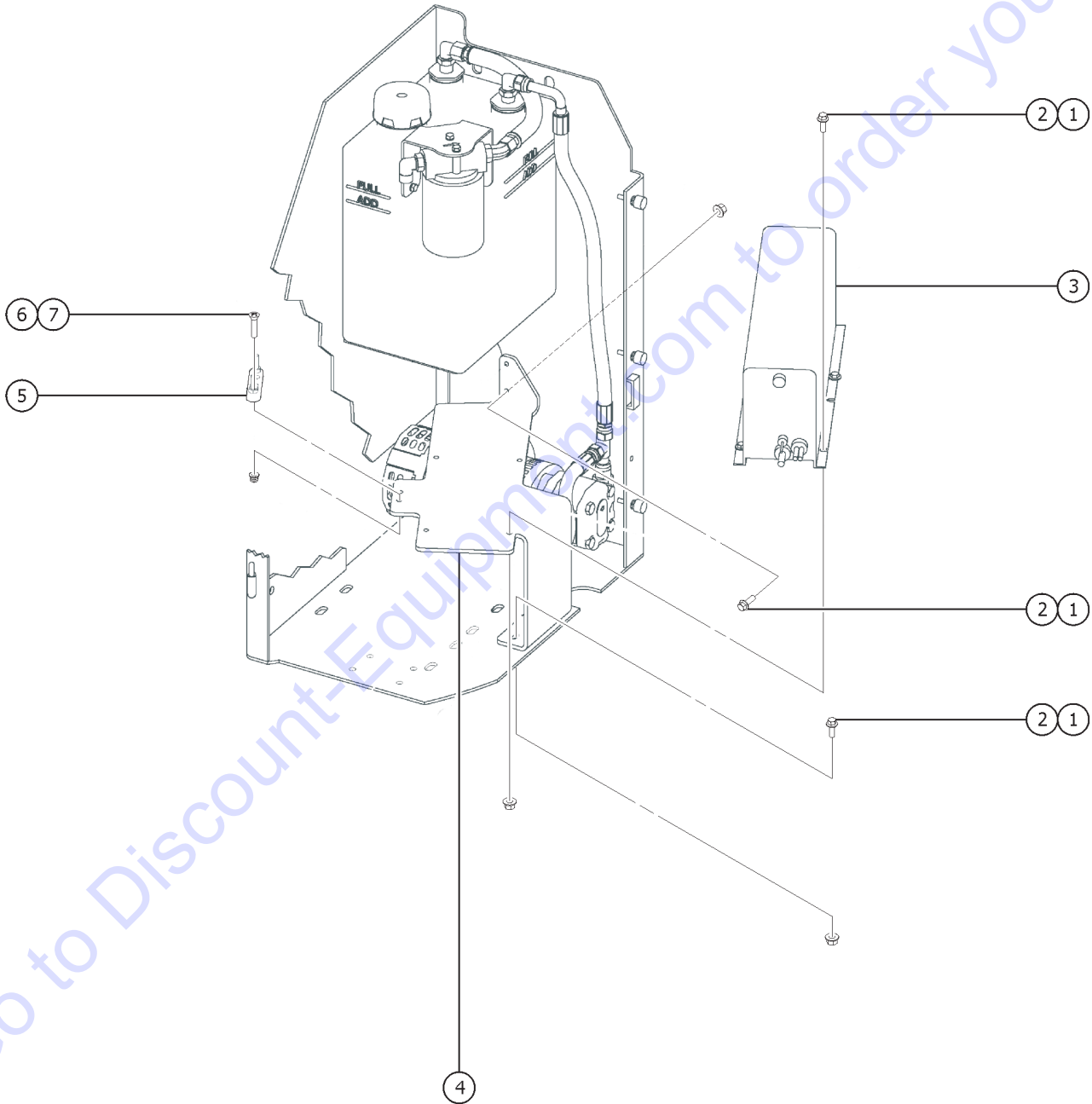


Item	Part No.	Description	Qty.
--	823943GT	OPTION,DRIVE LIGHTS,Z30N	
1	107858GT	WORKLIGHT,48 VOLT.....	2
2	824085GT	SCREW,HHF,5/16-18X.75,8,ZAG.....	2
3	824028GT	NUT, TL FLG, 5/16-18, G, ZAG.....	4
4	128968GT	COVER, DR LIGHT OPTION.....	1
5	825674GT	SCREW, HHC, 5/16-18X2,8,ZAG.....	2
6	825358GT	WASHER,FLAT,5/16,USS,ZAG.....	2
7	53517GT	GROMMET,RUBBER .5 X .014 X .75.....	2
8	78098GT	RELAY,24VDC,40/30A,SLD W/BRKT*..... <i>not shown</i>	1
--	54365GT	SCREW,PHIL,PHM,10-32 X .5,SSTL <i>not shown</i>	
--	824032GT	NUT,TL FLG,10-32,F,ZAG <i>not shown</i>	
9	72867GT	DECAL,LABEL,LIGHTS***..... <i>not shown</i>	1
10	128205GT	SWITCH TOGGLE ASSY DPDT 2P MNT.....	1
--	27246GT	BOOT,TOGGLE SWITCH,SHORT*	
11	6578GT	CABLE TIE,7 3/8".....	2
12	823948GT	HARNESS, DRIVE LIGHTS, 48V..... <i>includes worklight</i>	1
--	23083-SGT	FUSE HOLDER,WATERPROOF.....	1
--	27489GT	FUSE,7 AMP.....	1
--	823226GT	POWER RELAY, 24V COIL.....	1

Go to Discount-Equipment.com to order your parts



809.1 Inverter, 120V

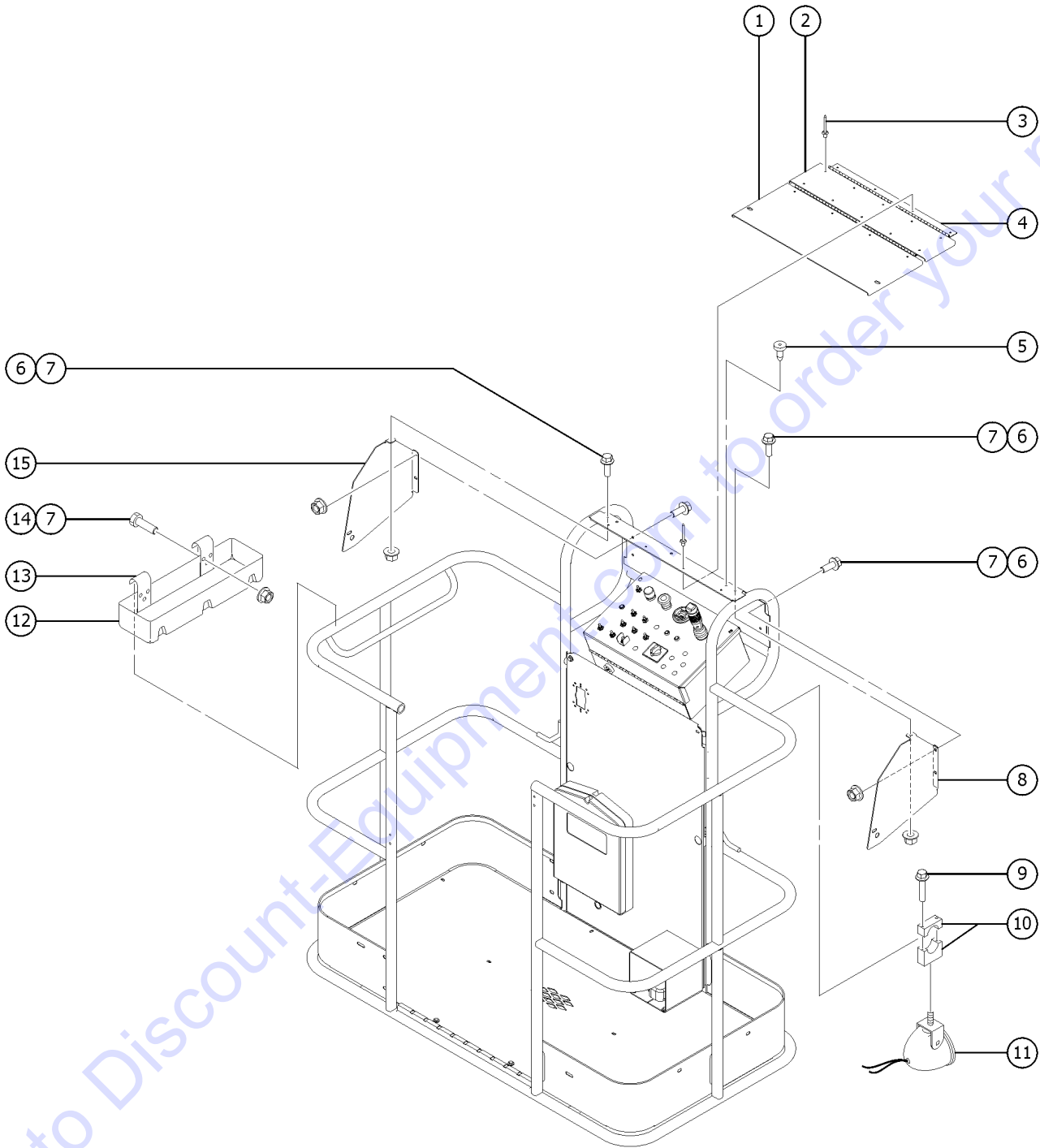


Item	Part No.	Description	Qty.
--	78098GT	RELAY,24VDC,40/30A,SLD W/BRKT*.....1	
--	32149GT	WELDING CABLE #2 RED.....72-inches	
--	66717GT	FUSE BLOCK, ANN & ANL FUSE.....1	
--	36355GT	FUSE,100 AMP,VERY FAST ACTING.....1	
1	824079GT	SCREW,HHF,1/4-20X1,8,ZAG.....8	
2	824027GT	NUT, TL FLG, 1/4-20, G, ZAG.....8	
3	150026GT	INVERTER,48VDC,120VAC/60HZ.....1	
4	128102GT	FORMING, INVERTER MT.....1	
5	66717GT	FUSE BLOCK, ANN & ANL FUSE.....1	
6	824225GT	SCREW,FHPM,10-32X.75,ZAG.....2	
7	23405GT	NUTSERT,10-32 STEEL CAD PLTD.....2	

Go to Discount-Equipment.com to order your parts



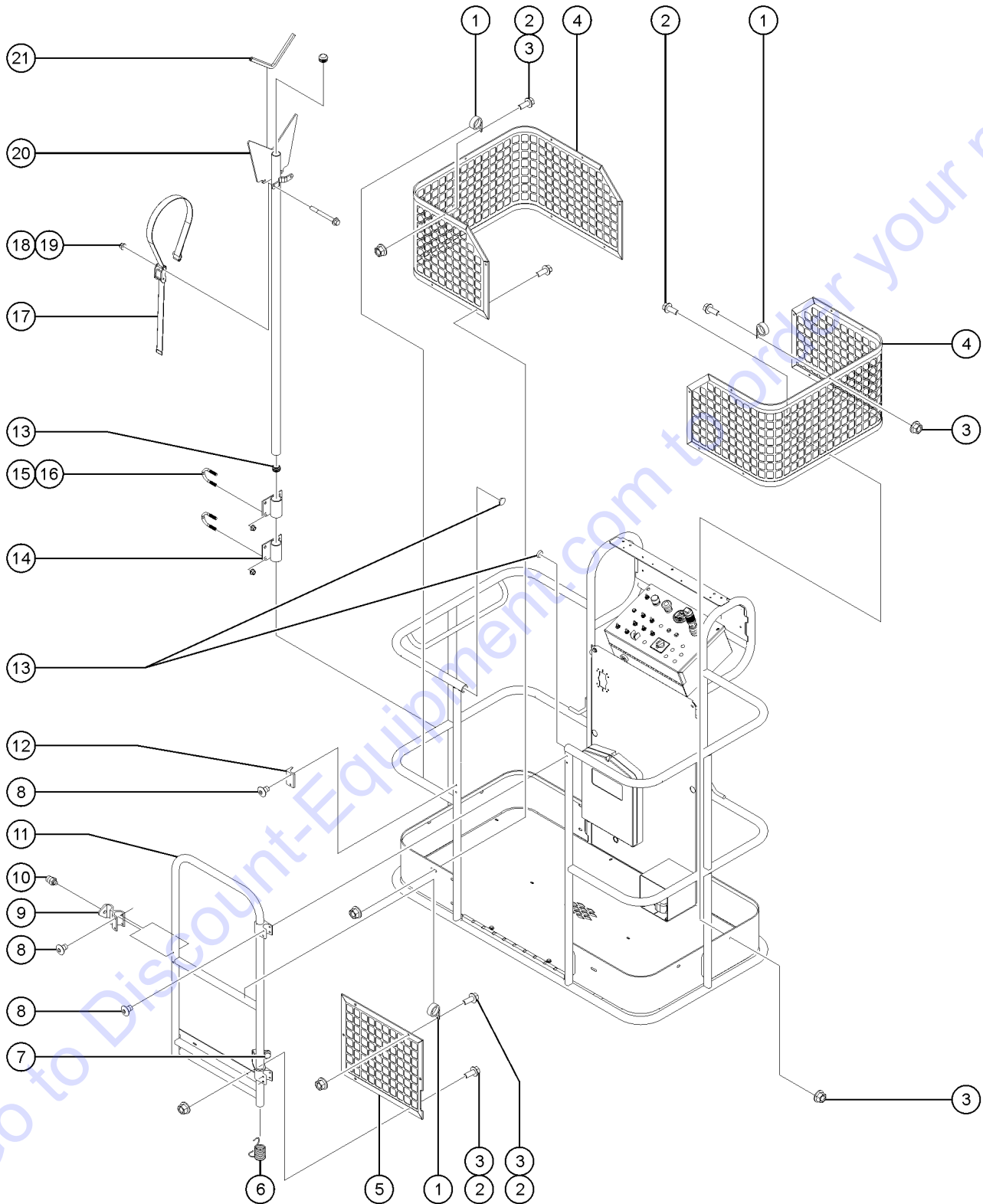
810.1 Platform Control Box Cover, Tool Tray and Work Light



## 810.1 Platform Control Box Cover, Tool Tray and Work Light

Item	Part No.	Description	Qty.
--	101649GT	OPTION,CONTROL BOX COVER.....1 <i>includes items 1-8, 15</i>	1
--	823942GT	OPTION,WORKLIGHTS,48V.....1 <i>includes items 9-11</i>	1
--	9599-SGT	TOOL TRAY ACCESSORY***.....1 <i>includes items 7, 12-14</i>	1
1	101679GT	LID,CONTROL BOX COVER.....1	1
2	101678GT	LID,CONTROL BOX COVER.....1	1
3	87085GT	RIVET,ALUM,P,.188 X .25.....18	18
4	77860GT	HINGE,CONTROL BOX.....2	2
5	34619GT	BUMPER,RUBBER***.....6	6
6	824078GT	SCREW,HHF,1/4-20X.75,8,ZAG	
7	824027GT	NUT, TL FLG, 1/4-20, G, ZAG	
8	101676GT	CONTROL BOX COVER, RH.....1	1
9	824081GT	SCREW,HHF,1/4-20X1.5,8,ZAG.....2	2
10	35956GT	BRACKET,WORK LIGHT MOUNT 5/16".....2	2
11	70679GT	WORKLIGHT HOUSING, DRILLED.....2	2
--	823226GT	POWER RELAY, 24V COIL	
12	9599-SGT	TOOL TRAY ACCESSORY***.....1	1
13	7746P-SGT	TOOL TRAY BRCKT, GRAY,SERVICE.....2	2
14	824059GT	SCREW,HHC,1/4-20X.75,8,ZAG.....6	6
15	101677GT	CONTROL BOX COVER, LH.....1	1

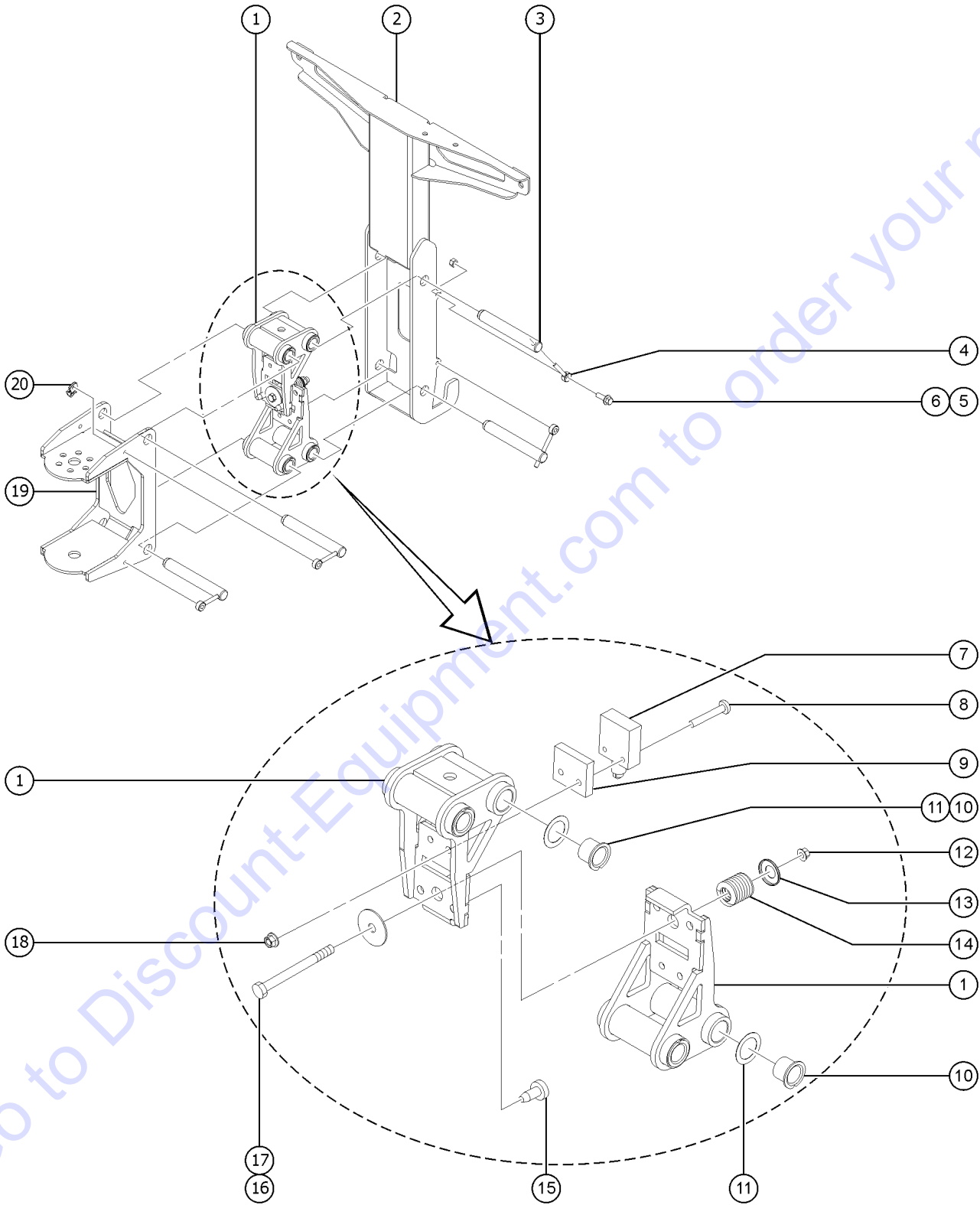
811.1 Platform Half Mesh, Swing Gate and Pipe Cradle



## 811.1 Platform Half Mesh, Swing Gate and Pipe Cradle

Item	Part No.	Description	Qty.
A	85300GT	PIPE CRADLE ASSY. SERV (ONE)** (ANSI & CE only) (This is a single assembly. Qty 2 of 85300GT required to complete a set)	
--	65630GT	INSTRUCTIONS-PIPE CRADLE,BOOMS	
B	119950GT	KIT,FIELD INSTALL,SWING GATE.....1 includes items 6-13	
1	56424GT	CLAMP,1.25X.5 RUBBER-CUSHION....23	
2	824078GT	SCREW,HHF,1/4-20X.75,8,ZAG	
3	824027GT	NUT, TL FLG, 1/4-20, G, ZAG	
4A	74009GT	MESH,HALF HEIGHT RH,4***.....2	
4B	74007GT	MESH,HALF HEIGHT,5***.....2	
5	54457GT	MESH,HALF,SWING GATE***.....1	
6	42104GT	SPRING,SHORT PLATFORM GATE.....1	
7	43392GT	BUMPER,BATTERY BOX & RAILS.....1	
8	824207GT	RIVET, STL, STL, DOME, 1/4 X .375, ZAG	
9	1487GT	GATE LATCH CASTING--DRILLED.....1	
10	33674GT	PIN,LOCK,SHORT***.....1	
11	128374GT	WELDMENT,SWING GATE,ALUMINUM.....1	
--	9596GT	HINGE CASTING.....2	
12	1488GT	RAILING CATCH CASTING--DRILLED...1	
13	55753GT	BUMPER, PLASTIC, 1.25 O.D.....6	
14	81368GT	WELDMENT,PIPE CRADLE MOUNT....4	
15	1251600GT	U-BOLT, FLATTENED, 1.5 X 3/8 UNC,ZAG.....8	
16	1274322GT	NUT,NYLOCK FLG,3/8-16,F,ZAG.....16	
17	56570GT	STRAP, CONDUIT HOLDER 60****.....2	
18	1277924GT	NUT,NYLOCK FLG,1/4-20,F,ZAG.....4	
19	824083GT	SCREW,HHF,1/4-20X2.5,8,ZAG.....4	
20	56525GT	WELDMENT, PIPE CRADLE.....2	
21	19018-1100GT	TRIMLOCK,BLACK,5/32".....2	

812.1 Platform Overload, CE and AUS

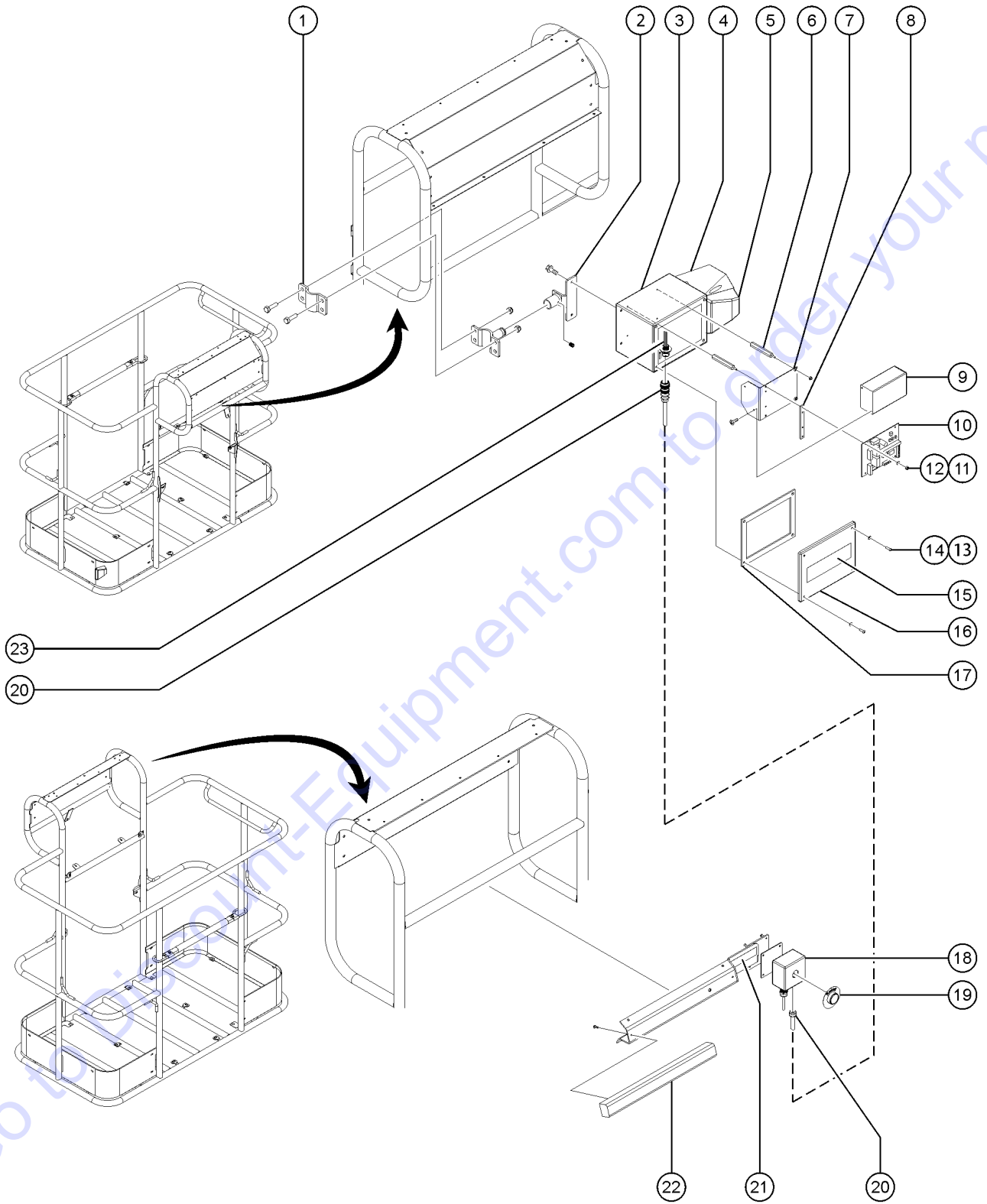


## 812.1 Platform Overload, CE and AUS

Item	Part No.	Description	Qty.
--	121848GT	ASSY,LS,LOAD SENSE,38.5 IN.....	1
1	94191GT	WELDMENT,LOAD SUPPORT.....	2
2	94176GT	WELDMENT,PLATFORM SUPPORT.....	1
3	61726GT	PIN,0.75DIAX5.75LG,CHAMFER.....	4
4	825020GT	ROD END, .25 X 2.75, ZAG.....	4
5	824079GT	SCREW,HHF,1/4-20X1,8,ZAG.....	4
6	824024GT	NUT,TL,1/4-20,C,ZAG.....	4
7	61973GT	SWITCH,ROLLER PLUNGER LIMIT.....	1
8	824216GT	SCREW,PHPM,10-32X1.5,ZAG.....	2
9	61972GT	MOUNT,SWITCH.....	1
10	25685GT	BEARING,GARLOCK,12FDU12.....	8
11	110789GT	WASHER,SHIM .0151 THK.....	8
12	824029GT	NUT, TL FLG, 3/8-16, G, ZAG.....	1
13	824208GT	RETAINER,SPRING,1.21X.375,ZAG.....	1
14	61974GT	SPRING,COMP,1" OD,232 LB/IN.....	1
15	34619GT	BUMPER,RUBBER***.....	2
16	824070GT	SCREW,HHC,3/8-16X3.25,8,ZAG.....	1
17	1268468GT	WASHER,FLAT,.406X1.50X.125,ZAG.....	1
18	824032GT	NUT,TL FLG,10-32,F,ZAG.....	2
19	94170GT	WELDMENT,ROTATOR SUPPORT.....	1
20	45470GT	CLAMP,0.31,#5 X 1/4,RUB CUSH.....	1



813.1 Operators Protection Alarm (to January 2017)



## 813.1 Operators Protection Alarm (to January 2017)

Item	Part No.	Description	Qty.
A	1255567GT	KIT,OPA,HW,24V,SB.....	1
--	1255030GT	PLUG,BLANKING	
--	1255471GT	ASSEMBLY,OPA,4'-5' PLAT	
--	1255858GT	HARN,PBOX,OPA,HW,24V	
1	1256149GT	CLAMP,HAND RAIL,OPA,4'-5'..... <i>includes fasteners</i>	1
2	1255026GT	ASSY,BRKT,CNTRL BOX W/FASTNRS.....	1
3	1255018GT	BASE ENCLOSURE,RED,OPA.....	1
4	1255021GT	SOUNDER,MIDI,OPA.....	1
5A	1255037GT	SOUNDER LENS, OPA, BLUE..... <i>(standard lens fitted to OPA)</i>	1
5B	1270116GT	SOUNDER LENS, OPA, RED.....	1
5C	1270117GT	SOUNDER LENS, OPA, AMBER.....	1
5D	1270118GT	SOUNDER LENS, OPA, CLEAR.....	1
6	1255028GT	STAND OFF,CONTROL UNIT.....	4
7	1255024GT	BRACKET,CONTROL UNIT.....	1
8	1255025GT	SPACER,HEAT SINK.....	1
9	1255023GT	ASSY,MODULE,CONTROL UNIT,OPA....	1
10	1255022GT	MODULE,CONTROL UNIT,PCB,OPA....	1
11	1255067GT	NUT,M4 NYLOCK.....	4
12	1255066GT	WASHER,M4 NYLON.....	4
13	1255038GT	SCREW,M5X16 BHD.....	4
14	1255027GT	WASHER,M5 NYLON.....	4
15	1255890GT	DECAL,COSMETIC,GENIE.....	1
16	1255020GT	LID ENCLOSURE,RED,OPA.....	1
17	1255019GT	GASKET,ENCLOSURE.....	1
18	1255488GT	ASSEMBLY,TAPESWITCH..... <i>4-ft and 5-ft platforms; includes j-box and fasteners</i>	1
19	1255036GT	ASSEMBLY RESET SWITCH.....	1
20	1255035GT	ASSEMBLY,CABLE,TAPESWITCH.....	1
21	1255889GT	DECAL,SYMBOL-READ THE MANUAL.....	1
22	1255489GT	SENSOR,RUBBER EDGE..... <i>4-ft and 5-ft platforms</i>	1
23	1255033GT	HARN,PIGTAIL,TAPESWITCH,OPA.....	1

# PARTS FINDER

**Search Website  
by Part Number**



**Search Manual  
Library For Parts  
Manual & Lookup Part  
Numbers – Purchase  
or Request Quote**

**Search Manuals**

Enter your information to help us find the right parts manual for your machine.

\* Brand:

\* Model:

\* Serial:

\* Part Number:

SEARCH

**Can't Find Part or  
Manual? Request Help  
by Manufacturer,  
Model & Description**

**Parts Order Form**

Please fill in the following information to help us find the right part for your machine.

Manufacturer:	<input type="text"/>
Model:	<input type="text"/>
Description:	<input type="text"/>
Part Number:	<input type="text"/>
Quantity:	<input type="text"/>
Notes:	<input type="text"/>

Discount-Equipment.com is your online resource for quality parts & equipment.

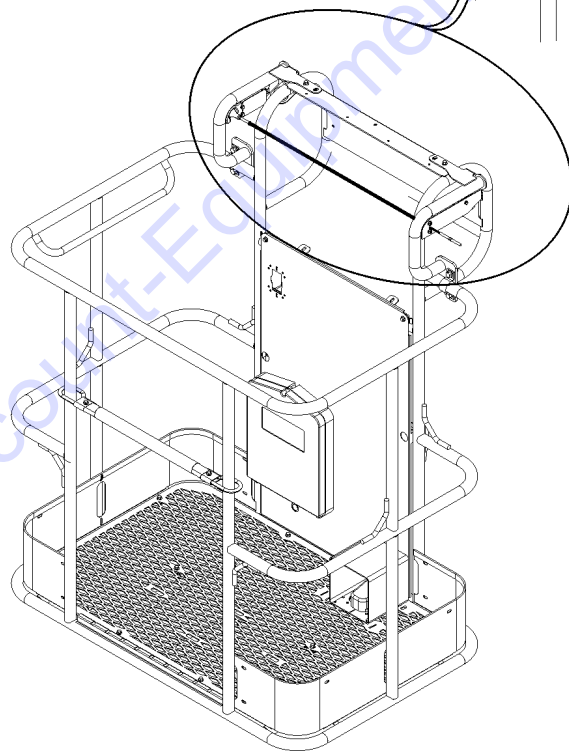
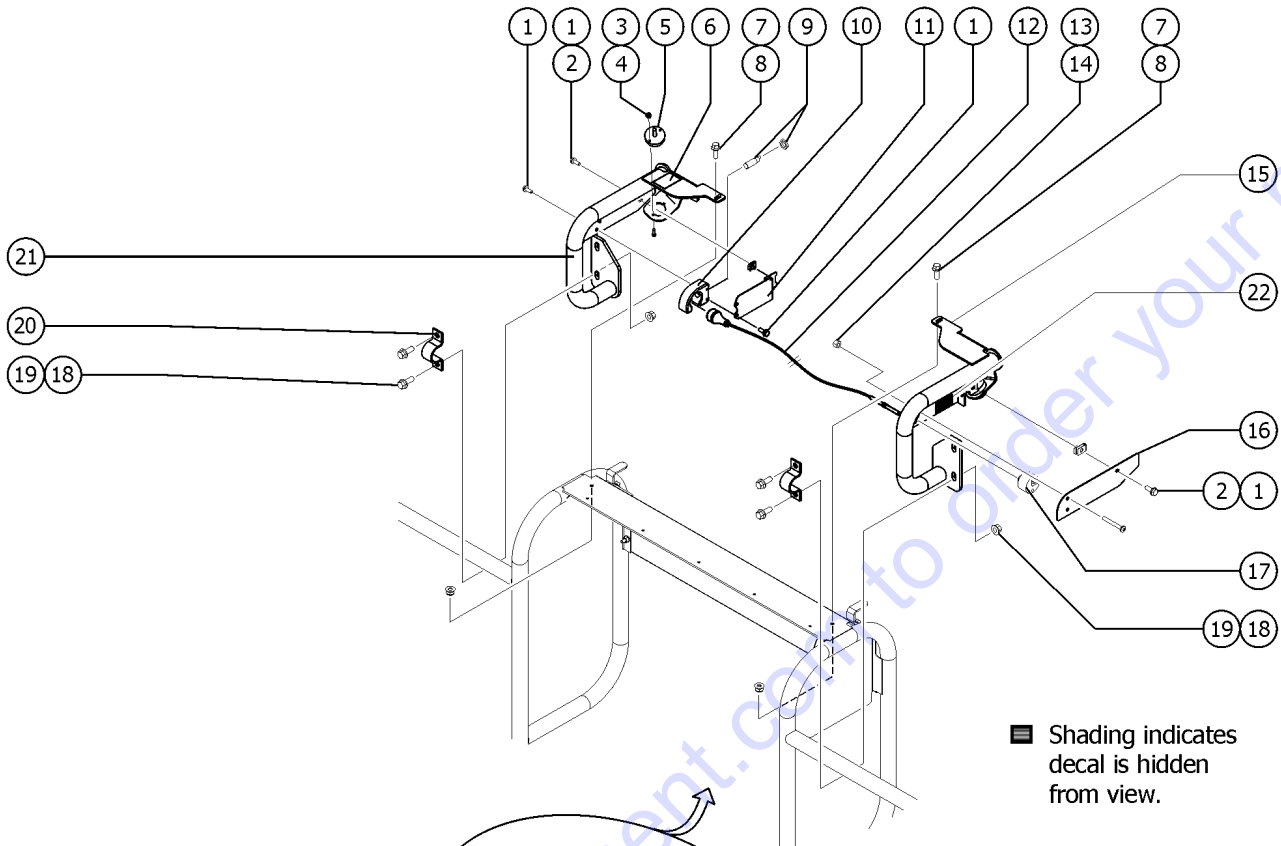
Florida: **561-964-4949** Outside Florida TOLL FREE: **877-690-3101**

**Need parts?**

Click on this link: <http://www.discount-equipment.com/category/5443-parts/> and choose one of the options to help get the right parts and equipment you are looking for. Please have the machine model and serial number available in order to help us get you the correct parts. If you don't find the part on the website or on one of the online manuals, please fill out the request form and one of our experienced staff members will get back to you with a quote for the right part that your machine needs.

We sell worldwide for the brands: Genie, Terex, JLG, MultiQuip, Mikasa, Essick, Whiteman, Mayco, Toro Stone, Diamond Products, Generac Magnum, Airman, Haulotte, Barreto, Power Blanket, Nifty Lift, Atlas Copco, Chicago Pneumatic, Allmand, Miller Curber, Skyjack, Lull, Skytrak, Tsurumi, Husquvarna Target, Stow, Wacker, Sakai, Mi-T-M, Sullair, Basic, Dynapac, MBW, Weber, Bartell, Bennar Newman, Haulotte, Ditch Runner, Menegotti, Morrison, Contec, Buddy, Crown, Edco, Wyco, Bomag, Laymor, EZ Trench, Bil-Jax, F.S. Curtis, Gehl Pavers, Heli, Honda, ICS/PowerGrit, IHI, Partner, Imer, Clipper, MMD, Koshin, Rice, CH&E, General Equipment, Amida, Coleman, NAC, Gradall, Square Shooter, Kent, Stanley, Tamco, Toku, Hatz, Kohler, Robin, Wisconsin, Northrock, Oztec, Toker TK, Rol-Air, APT, Wylie, Ingersoll Rand / Doosan, Innovatech, Con X, Ammann, Mecalac, Makinex, Smith Surface Prep, Small Line, Wanco, Yanmar

813.2 Lift Guard Contact Alarm (from January 2017)



813.2 Lift Guard Contact Alarm (from January 2017)

Item	Part No.	Description	Qty.
--		From January 2017, this option became a standard installation on all models unless the customer specifically request not to have it installed	
--	1279136GT	KIT,LIFT GUARD CONTACT ALARM,4'-5' PLATFORM	
--	1278450GT	HARNESS, CONTACT ALARM, Z30/34DC	
--	78098GT	RELAY,24VDC,40/30A,SLD W/BRKT*	
--	1278121GT	MODULE PLUS+1 CONTACT ALARM <i>located inside the Platform Control Box</i>	
1	1264934GT	SCREW,HHF,10-24X.5	
2	73575GT	SPRING CLIP,10-24,.025-.125X.468,ZAG	
3	12344GT	NUT,NYLOCK,6-32	
4	1256859GT	SCREW,PHPM,6-32X.875,ZAG	
5	1278111GT	ASSEMBLY, LIGHT, CONTACT ALARM.....	2
6	1278542GT	DECAL, INSTRUCTION, CONTACT ALARM	
7	824078GT	SCREW,HHF,1/4-20X.75,8,ZAG	
8	1277924GT	NUT,NYLOCK FLG,1/4-20,F,ZAG	
9	1278119GT	ASSEMBLY SENSOR PROX OPA2.....	1
10	1278433GT	ASSY SENSOR W/HOUSING <i>(Includes holder item 1277877 and sensor part 1278119)</i>	
--	1277877GT	HOLDER, SENSOR.....	1
11	1277873GT	FORMING, SENSOR HOLDER.....	1
12	1278417GT	ASSEMBLY, OPA CABLE, SMALL.....	1
--	1261184GT	NUT,1/4-20,8,ZAG <i>Part of assembly 1278417</i>	
--	1278124GT	MAGNET, 1/4-20, 15 LB. <i>Part of assembly 1278417</i>	
--	1278368GT	GRIP, CABLE <i>Part of assembly 1278417</i>	
--	1278459GT	OPA WIRE ASSY, SMALL <i>Part of assembly 1278417</i>	
13	825352GT	SCREW,PHPM,10-32X1.25,ZAG	
14	1264261GT	NUT,SERRATED,10-32,ZAG	
15	1278175GT	WELDMENT, RIGHT OPA, SMALL.....	1
16	1277875GT	PLATE, CABLE AND WIRE COVER.....	1
17	1277876GT	GUIDE, CABLE.....	1
18	1274322GT	NUT,NYLOCK FLG,3/8-16,F,ZAG	
19	824090GT	SCREW,HHF,3/8-16X1,8,ZAG	
20	1278363GT	CLAMP, 1.25 INCH TUBE.....	2
21	1278177GT	WELDMENT, LEFT OPA, SMALL.....	1
22	1278982GT	DECAL, INSTRUCTION, ACTUATOR SWITCH SOCKET.....	1

Part Number Index

The Part Number Index is a numeric index of all part numbers included in this manual. The index shows what page(s) the part is used on.

Part Number	Page	Part Number	Page	Part Number	Page	Part Number	Page
1000043GT	19	114343GT	31, 39	1261749GT	81	128444GT	115
1000045GT	23, 27	114397GT	19, 27	1261750GT	81	128453GT	59
101425PGT	53	119058GT	105	1261751GT	81	128458GT	55, 57
101426PGT	53	119077GT	135	1261752GT	81	128459GT	55, 57
101557GT	99	119111GT	59	1261753GT	81	128465GT	55, 57
101649GT	145	119242GT	89	1261845GT	79, 81	128466GT	55, 57
101676GT	145	119403GT	69, 83	1262218GT	61	128467GT	71
101677GT	145	119507GT	89	1262353GT	99	128470GT	71
101678GT	145	119618GT	61	1262354GT	99	128550GT	103
101679GT	145	119684GT	87	1262355GT	99	128565GT	59
101726GT	63	119685GT	87	1262432GT	99	1285689GT	79, 81
101965GT	73	119762GT	59	1263142GT	59	128580-SGT	107
101980GT	105	119950GT	147	1263699GT	137	128581-SGT	107
102992GT	105	121848GT	149	1264130GT	23	1285812GT	79, 81
106025GT	53	122073GT	131	1264261GT	133, 153	128582-SGT	107
106054GT	53	122513GT	107	1264315GT	97	128584-SGT	107
106055GT	53	12344GT	153	1264822GT	79, 81	128586-SGT	107
106117GT	48-49	12443GT	105	1264834GT	79, 81	128618GT	59
106120GT	48-49	1251590GT	129	1264934GT	153	128619GT	59
106121GT	48-49	1251591GT	129	1264937GT	15, 23	128620GT	59
106122GT	48-49	1251592GT	129	1267397GT	47-49	128621GT	59
106123GT	48-49	1251600GT	147	1267842GT	48-49	128622GT	59
106124GT	48-49	1251757GT	48-49, 77	1267843GT	48-49	128635GT	93
106125GT	48-49	1252011GT	129	1267844GT	47-49	128645GT	51
106126GT	48-49	1252012GT	129	1267845GT	48-49	1286600GT	48-49
106148GT	48-49	1252013GT	129	1267846GT	47-49	1286602GT	48-49
106215GT	69	1252977GT	53, 71, 83	1267847GT	47-49	1286603GT	48-49
106216GT	69	1252978GT	135	1268468GT	149	128667GT	105
106217GT	69	1255018GT	151	1268GT	11	128668GT	105
106218GT	71	1255019GT	151	1270116GT	151	128669GT	105
106219GT	71	1255020GT	151	1270117GT	151	128677GT	135
106241GT	53	1255021GT	151	1270118GT	151	128681GT	135
106427GT	93	1255022GT	151	1273205GT	103	128682GT	135
106433GT	97	1255023GT	151	1274322GT	93, 99, 147, 153	128728GT	63, 67
106546GT	105	1255024GT	151	1277873GT	153	128729GT	47-49
106547GT	105	1255025GT	151	1277875GT	153	128730GT	47-49
106548GT	105	1255026GT	151	1277876GT	153	1287986GT	115
106549GT	105	1255027GT	151	1277877GT	153	128808GT	63, 67
106550GT	105	1255028GT	151	1277924GT	109, 147, 153	128809GT	63, 67, 121
106551GT	105	1255030GT	79, 81, 151	1278111GT	79, 81, 153	128811GT	63, 67, 121
10665GT	103	1255033GT	151	1278119GT	79, 81, 153	128818GT	63, 67
10775GT	105	1255035GT	151	1278121GT	153	128825GT	51
10777GT	105	1255036GT	151	1278124GT	153	128838GT	137
107858GT	141	1255037GT	151	1278175GT	153	128852GT	135
110197GT	115	1255038GT	151	1278177GT	153	128899GT	59
110199GT	115	1255066GT	151	1278363GT	153	128902GT	83
110200GT	115	1255067GT	151	1278368GT	153	128935GT	77
110232GT	59, 79, 81	1255452GT	45	1278417GT	153	128965GT	47-49
110233GT	79, 81	1255471GT	151	1278433GT	153	128968GT	141
110236GT	79, 81	1255488GT	151	1278450GT	79, 81, 153	128973GT	135
110240GT	79, 81	1255489GT	151	1278459GT	153	13005GT	83
110242GT	79	1255567GT	151	1278542GT	153	13064GT	59
110244GT	79, 81	1255758GT	69	1278982GT	153	13268GT	109
110245GT	79, 81	1255803GT	93	1279136GT	153	133278GT	23
110246GT	79, 81	1255805GT	47-49	128045GT	77	133286GT	13, 21, 29, 37, 51
110249GT	79	1255858GT	79, 81, 151	128048GT	81	13585GT	105
110250GT	81	1255889GT	151	1280665GT	51, 83	13825GT	133
110255GT	79, 81	1255890GT	151	128102GT	143	139008GT	59
110286GT	85	1256109GT	103	128118GT	51	139010GT	55, 57
110352GT	81	1256149GT	151	128200GT	73, 75, 107, 129	139013GT	55, 57
110382GT	61, 65	1256859GT	153	128202GT	73, 75	139015GT	55
110523GT	89	1256863GT	103	128203GT	73, 75	139017GT	55
110626GT	61	1257390GT	93	128204GT	107	139019GT	57
110648GT	77	1257458GT	103	128205GT	141	139021GT	55
110649GT	109	1257733GT	11	128291GT	71	139023GT	55, 57
110651GT	107	1258567GT	11	128298GT	71	139024GT	55, 57
110652GT	107	1259574GT	61	128331GT	83	139025GT	55, 57
110653GT	107	1259715GT	131	128335GT	47-49	139026GT	55
110694GT	45	1260219GT	79, 81	128336GT	47-49	139027GT	55
110695GT	48-49	1261184GT	153	128374GT	147	139028GT	55
110705GT	48-49	1261185GT	81	128375GT	51	139029GT	55, 57
110706GT	45	1261346GT	107	128376GT	51	139030GT	55, 57
110789GT	149	1261347GT	107	1283776GT	11	139031GT	55, 57
114224GT	15	1261566GT	107	128377GT	51	139033GT	55
114249GT	29, 37	1261606GT	93	1284189GT	59	139034GT	55



Part Number	Page	Part Number	Page	Part Number	Page	Part Number	Page
139035GT	55	147638GT	99	23472GT	85	32090GT	89
139036GT	55	1484GT	11	23473GT	89	32149GT	143
139037GT	55	1487GT	147	234923GT	111	32150GT	11
139038GT	55	1488GT	147	236665GT	47-49	32151GT	11
139039GT	55	150026GT	143	237145GT	107	32200GT	85
139040GT	57	15243GT	77, 107, 109	237238GT	89	32317GT	125
139042GT	57	18396GT	45, 95	237502GT	81	32710GT	105
139043GT	57	18665GT	77	237503GT	79	32728GT	19, 35
139044GT	57	18963GT	69, 71, 75, 133	24038GT	83	33510GT	71
139045GT	57	19018-1100GT	147	24514GT	105	33555GT	71, 83
139046GT	57	19018GT	61, 67	25388GT	51, 69	33576GT	105
139079GT	123	19246GT	51	25685GT	149	33674GT	147
139080GT	123	19247GT	51	25817GT	45	33759GT	105
139081GT	119	19268GT	73	27089GT	63, 87	33994GT	11, 115
139083GT	123	19470GT	115	27246GT	75, 141	34052GT	129
139100GT	121	19506GT	73, 75	27258GT	101	34053GT	61, 77
139128GT	123	19520GT	55, 57	27367GT	89	34245GT	95, 97
139210GT	119	19712GT	111	27391GT	129	34619GT	145, 149
139235GT	83	19713GT	111	27489GT	141	35088GT	103
139236GT	89	19721GT	111	27497GT	93, 97, 99, 101, 103	35418GT	63
139237GT	87	19722GT	111	27564GT	15, 25	35434GT	137
139241GT	71	19789GT	115	27581GT	11	35542GT	13
139246GT	71	20224GT	115	27894GT	127	35675GT	99
139290GT	69, 71	20776GT	77	27895GT	127	35678GT	113
139306GT	23	20780GT	87	27895GT	127	35679GT	113
139318GT	51	20973GT	105	27900GT	127	35680GT	113
139351GT	47-49	21121GT	105	28125GT	71	35956GT	145
139353GT	47-49	21166GT	45	28156GT	89	36054-SGT	103
139354GT	47-49	21427GT	111	28158GT	23, 39	36179GT	67, 83
139355GT	47-49	21465GT	63	28159GT	23, 39	36192GT	99
139423GT	85	215777GT	48-49	28161GT	15, 17, 23, 25	36194GT	95, 97
139428GT	89	215986GT	81	28162GT	23	36198GT	97
139429GT	89	215989GT	23	28164GT	15, 23	36199GT	103
139462GT	117	21619GT	61	28165GT	19, 27	36200GT	95
139537GT	101	216788GT	61	28171GT	15, 23, 31, 39	36202GT	95
139540GT	101	216790GT	77	28174GT	15, 19, 23, 27, 31, 35, 39, 43	36205GT	95
139541GT	101	216791GT	61, 77	28175GT	13, 23	36211GT	45
139542GT	101	216793GT	61, 77	28176GT	19, 27	36235GT	109
139560GT	117	218570GT	48-49	28177GT	19, 27	36245GT	95
139561GT	117	218602GT	79, 81	28181GT	17, 25	36246GT	95
139564GT	117	21982GT	73, 75	28235GT	15, 19, 23, 27, 31, 35, 39, 43	36257GT	69
139584GT	79, 81	22262GT	47-49	28236GT	19, 27	36355GT	47-49, 143
139587GT	13, 29	22263GT	47-49	28298GT	61	36369GT	53
139588GT	21, 37	22446GT	87	28372GT	13, 21	36388GT	61, 67, 71
139590GT	13, 29	226383GT	111	28443GT	97	36389GT	95
139619GT	71	22672GT	87	28750GT	11, 115	36390GT	95
139620GT	71	22676GT	89	28853GT	139	36414GT	69
139639GT	121	22700GT	89	28963GT	89	36415GT	69
139643GT	129	227213GT	15	29032GT	115	36421GT	69
139655GT	103	227427GT	19	29080GT	99	36449GT	69
139858GT	51	227428GT	23, 27	29261GT	129	36456GT	47-49, 67
139866GT	59	227564GT	105	29261GT	129	36457GT	69
139867GT	59	227620GT	105	29314GT	71	36555GT	11
139877GT	121	22794GT	59, 83	29868GT	53	36561-SGT	103
139879GT	121	228947GT	51	30222GT	103	36570GT	69
139880GT	121	228973GT	51	30489GT	137	36574GT	69
139965GT	48-49	22903GT	85	30577GT	137	36575GT	69
139966GT	48-49	22934GT	85	30807P-SGT	105	36648GT	99
139967GT	48-49	22956GT	73, 75, 107	30971GT	137	36673GT	51
139968GT	48-49	229833GT	48-49	30997GT	109	36676GT	45
144161GT	51, 69	229834GT	48-49	31060GT	13, 17, 21, 25	36680GT	69
146051GT	48-49	230470GT	63	31106GT	93, 103	36816-SGT	133
146052GT	48-49	230759GT	51	31194GT	59, 121	36871GT	77
146478GT	107	23083-SGT	141	31508GT	13, 21	36923PGT	69
147000GT	129	231205GT	105	31779GT	11	36924PGT	69
147001GT	129	231206GT	105	31784GT	13, 21	37052GT	19, 27
147034GT	48-49	232486GT	48-49	31785GT	13, 21	37053GT	13, 21, 29, 37
147079GT	99	233717GT	103	31785JAGT	21	37054GT	13, 21, 29, 37
147093GT	75	233745GT	103	31788GT	13, 21	37055GT	13, 21, 29, 37
147094GT	61, 73, 75	23404GT	48-49, 61, 69, 73, 77, 83, 109, 129	32064GT	85	37056GT	13, 21, 29, 37
147181GT	135	23405GT	143	32066GT	85, 89	37184GT	67, 83
147205GT	89	23457GT	85	32067GT	85	37185GT	67, 83
147206GT	89	23469GT	85	32069GT	85	37186GT	67, 83
147208GT	89			32077GT	87	37187GT	67, 83
147253GT	109			32087GT	89	37191GT	67, 83
147389GT	79, 81					37192GT	67, 83

## Part Number Index (continued)

Part Number	Page	Part Number	Page	Part Number	Page	Part Number	Page
37947GT	73, 75	45043GT	45	52816GT	85	56106GT	89
39223GT	63, 67	45071GT	45, 95, 97, 99	52818GT	85	56107GT	85
39469GT	83	45074GT	45	52819GT	85	56110GT	87
39470GT	83	45093GT	45	52822GT	87	56116GT	121
40136GT	47-49	45094GT	47-49	52823GT	87	56117GT	71
40137GT	45	45105GT	107	52824GT	87	56120GT	83
40145GT	45	45107GT	45	52825GT	87	56283GT	83
40146GT	45	45108GT	45	52826GT	87	56290GT	83
40299GT	13, 21	45111GT	45	52832GT	87	56291GT	83
40300GT	13, 21	45112GT	45	52834GT	87	56292GT	83
40410GT	115	45113GT	45	52835GT	87	56295GT	71
40413GT	115	45209GT	53	52836GT	87	56302GT	61, 77, 109, 129
40434GT	19, 27, 35, 43	45382GT	53	52837GT	87	56328GT	129
40438GT	45	45383GT	107	52838GT	87	56330GT	129
40446GT	93	45385GT	69, 75, 77, 129	52841GT	89	56351GT	129
40447GT	95, 97	45415GT	121	52845GT	89	56361GT	99
40449GT	93	45437GT	105	52847GT	89	56418GT	129
40835GT	83	45454GT	47-49	52851GT	89	56424GT	129, 147
40837GT	45	45460GT	45	52866GT	87	56425GT	129
41630GT	83	45461GT	47-49	52867GT	87	56426-576GT	129
42019GT	63, 67	45462GT	69, 71	52885GT	115	56457-SGT	75, 107
42064GT	71	45465GT	53	52887GT	111	56462GT	53
42065GT	77	45470GT	149	52892GT	111	56465PGT	105
42067GT	65	45544GT	115	52895GT	111	56500-SGT	103, 105
42077GT	65	45745GT	99	52913GT	67, 125	56525GT	147
42104GT	147	45782GT	73, 77, 83, 107	52914GT	67, 125	56561GT	47-49
42363GT	59	45840GT	75	52915GT	125	56562GT	47-49
42413GT	93	45873GT	45	52928GT	111	56570GT	147
42432-SGT	45	45921GT	115	52943GT	115	56576PGT	105
42439GT	61	46468GT	19, 27, 35, 43	52947GT	15	56656GT	105
42502GT	99	47377GT	93, 97, 103	52949GT	87	56663GT	77, 109
42612-SGT	93	48504GT	67, 125	52956GT	85	56704GT	133
42613-SGT	93	48875GT	121	52958GT	85	56781GT	119
42616GT	109	48880GT	115	52960GT	127	56782GT	119
42617GT	109	48885GT	121	52968GT	13, 21, 29, 37	56784GT	61
42662GT	83	48890GT	123	53517GT	141	56791GT	61
42744GT	119	48904GT	119	53758-SGT	75	56844GT	121
42781GT	75, 107, 109	48905GT	117, 123	53759-SGT	75	56845GT	121
42797GT	103	48908GT	119	53761-SGT	75	56849GT	99
42805GT	121	48911GT	119	54139GT	47-49	56879-SGT	133
42817GT	123	48912GT	119, 121, 123	54140GT	45, 47-49	56886GT	113
42855GT	121	48915GT	121	54234GT	45, 47-49	56912GT	45, 47-49, 51, 61, 99, 105
42856GT	121	48916GT	117, 121, 123	54255GT	77, 109	56929GT	117
42859GT	123	48927GT	123	54259GT	109	56930GT	47-49
42861GT	123	48931GT	121	54332GT	85	56934GT	99
42892GT	121	48932GT	121	54365GT	109, 141	56945GT	123
42894GT	123	48933GT	121, 123	54446-SGT	83	56955-SGT	71
42939GT	93, 97, 103	48937GT	121	54457GT	147	56976-SGT	103
42958GT	89	48938GT	121	54463-SGT	83	56983PGT	101
43018GT	117	48997GT	115	54530GT	99	56994GT	61
43038GT	111	49418GT	119, 123	54989GT	137	58259GT	85
43040GT	111	49612GT	11, 115	55753GT	131, 147	58320GT	48-49
43042GT	111	49613GT	11, 115	56003GT	121	58531GT	48-49
43179GT	47-49	49812GT	67	56007GT	83	58932GT	67, 125
43392GT	147	49878GT	83	56029GT	47-49	58933GT	67
43595GT	13, 21	50546GT	103	56030GT	47-49	58934GT	67, 125
43599GT	115	51147GT	55, 57	56033GT	83	58936GT	67, 125
43937GT	97	52339GT	115	56050GT	83	58985GT	111
43956GT	69, 79, 81, 105	52407GT	85	56051GT	93, 133	58994GT	115
43960GT	59, 93, 105, 133	52514GT	87	56052GT	63	60078GT	83
44133GT	97	52517GT	85	56053GT	63, 65	6021GT	125
44160GT	83	52540GT	89	56056GT	63	60429GT	59
44248GT	19, 27	52541GT	89	56057GT	77	60443GT	109
44743GT	105	52598GT	115	56060GT	87	60526GT	77, 109
44750GT	125	52599GT	115	56062GT	85	60875GT	89
44777GT	67, 125	52601GT	115	56064GT	87	61226GT	47-49, 109
44778GT	47-49, 67, 125	52603GT	115	56067GT	87	61726GT	149
44779GT	27, 43	52604GT	115	56068GT	87	61972GT	149
44788GT	11, 63, 67	52664GT	23	56086GT	87	61973GT	149
44909GT	63	52715GT	115	56089GT	83, 89	61974GT	149
44956GT	115	52806GT	85	56091GT	63	6198GT	83
44980GT	13	52807GT	85	56093GT	83	62085GT	83
44981GT	15, 19, 23, 27, 31, 35, 39, 43	52808GT	85	56094GT	63	62502GT	69
44986GT	19, 27	52810GT	85	56098GT	87	62506GT	117
45040GT	45	52812GT	85	56101GT	87	62507GT	117
		52813GT	85	56102GT	87		



Part Number	Page	Part Number	Page	Part Number	Page	Part Number	Page
62514GT	105	74266GT	47-49	824027GT	51, 61, 65, 69,	824127GT	45
62518GT	105	74267GT	48-49		71, 83, 87, 89,	824128GT	45
62694GT	133	74268GT	47-49		93, 101, 105,	824129GT	45
62695GT	48-49	74282GT	47-49		129, 131, 135,	824133GT	87
62696GT	48-49	74308GT	123		143, 145, 147	824134GT	83
62706GT	71	74309GT	123	824028GT	87, 89, 105, 141	824135GT	89
62924GT	21, 37	74312GT	45	824029GT	51, 53, 61, 63,	824138GT	87, 89
62930GT	17, 25, 33, 41	74313GT	45		65, 67, 83, 89,	824141GT	89
62931GT	13, 29	74356GT	113		93, 95, 97, 99,	824142GT	87, 89
62932GT	17, 33	74357GT	113		103, 149	824144GT	89
62933GT	13, 29	74358GT	113	824032GT	61, 69, 71, 77,	824145GT	89
65171GT	15	74359GT	113		105, 109, 133,	824151GT	95, 103
65178GT	111	74362GT	111		141, 149	824163GT	99
65301GT	13, 21	74368GT	111	824036GT	77, 87	824164GT	103
65546GT	111	74379GT	93	824037GT	61, 67, 71	824206GT	77, 109
65608GT	47-49	74384GT	113	824038GT	99	824207GT	147
65630GT	147	74424GT	47-49	824039GT	83	824208GT	149
65737GT	51	74425GT	115	824040GT	93	824214GT	77, 105, 109
6578GT	141	74468GT	49	824041GT	87	824215GT	61, 63, 65, 69,
65872GT	47-49	74469GT	49	824042GT	45, 48-49		71, 77, 87, 133
66355GT	105	74470GT	49	824059GT	145	824216GT	149
66399GT	11	74471GT	48-49	824062GT	103	824218GT	73, 75
66684GT	133	74480GT	123	824064GT	135	824219GT	93, 97
66717GT	143	74481GT	123	824066GT	53	824222GT	77
66812GT	73, 75, 107	74495GT	47-49	824067GT	95, 99	824225GT	105, 143
66813GT	107	74496PGT	71	824070GT	149	824226GT	77, 109
66815GT	107	74508GT	99	824074GT	59, 67	824228GT	53
66816GT	107	74509GT	99	824077GT	53, 63, 67, 69,	824229GT	83
66817GT	73	74532GT	63		75, 103, 107	82472GT	31, 33, 39, 41
66818GT	73, 75, 107	74587GT	103	824078GT	45, 47-49, 51,	82473GT	39
66821GT	73	74643GT	47-49		61, 65, 69, 71,	82481GT	29, 37
66900GT	53	74704PGT	53		77, 83, 87, 89,	824878GT	61, 75, 107
66901GT	53	74735GT	103		93, 101, 105,	82487GT	31, 35, 39, 43
6833GT	101	74736GT	121		129, 145, 147,	825019GT	45, 95, 97, 99,
6935GT	69, 77, 83, 105	74840GT	123		153		103
7056GT	59, 69, 83, 93,	74865GT	103	824079GT	47-49, 69, 71,	825020GT	149
	97, 105	74866GT	103		83, 93, 99, 101,	825066GT	55, 57
7057GT	77	74902GT	115		109, 143, 149	825067GT	57
70679GT	145	74913GT	61, 77	824080GT	83, 129	825207GT	129
70683GT	139	74917GT	61, 77	824081GT	105, 145	825209GT	129
70707GT	139	74918GT	61	824082GT	99	825210GT	129
72047GT	115	74946GT	93	824083GT	109, 147	825211GT	129
72078GT	47-49	74983GT	123	824084GT	93	825212GT	129
72081GT	19, 35	75073GT	71	824085GT	67, 83, 141	825213GT	129
72093GT	27, 43	77398GT	23	824086GT	47-49, 87	825214GT	129
72298GT	111	7746P-SGT	145	824087GT	105	825215GT	129
72326GT	69, 71, 75, 107,	77728GT	99	824088GT	89	825216GT	129
	133	77860GT	145	824089GT	63, 69, 71	825352GT	153
7264GT	71	77969GT	53	824090GT	45, 59, 61, 63,	825353GT	93
72833GT	13, 21	77970GT	53		65, 83, 153	825358GT	67, 83, 95, 135,
72867GT	19, 27, 35, 43,	77981GT	67, 125	824091GT	47-49, 61, 63,		141
	141	77990GT	67, 125		67, 83, 89, 93, 95	82544GT	31, 41
72999GT	15, 23	78098GT	141, 143, 153	824092GT	97, 103	82548GT	35, 43
73575GT	153	78622GT	63, 67	824093GT	97	825674GT	141
73711GT	77, 109	79452GT	48-49	824094GT	51, 83, 95	82592GT	15, 31
73713GT	77, 109	80229GT	83	824095GT	61, 67	82593GT	23, 39
73714GT	59	81368GT	147	824096GT	83	82601GT	35, 43
73717GT	77, 109	81579GT	61, 65	824100GT	67, 83	82602GT	35, 43
73723GT	109	81900GT	107	824102GT	59	82604GT	35, 43
73736GT	77, 109	82161GT	15, 23	824103GT	47-49	82610GT	31
73739GT	105	82240GT	39	824105GT	47-49	82611GT	35, 43
73805GT	75	822704GT	79	824107GT	47-49	82612GT	35, 43
74007GT	147	822705GT	81	824109GT	99, 103, 135	826516GT	133
74009GT	147	822917GT	48-49, 79	824110GT	67, 83, 95, 99,	826638GT	23
74052GT	105	822918GT	48-49, 81		135	826791GT	99
74066GT	99	823226GT	47-49, 83, 141,	824113GT	45, 47-49, 93,	826793GT	103
74085GT	93		145		101, 135	82942GT	29, 37
74086GT	59	82366GT	15, 23	824115GT	83	83093GT	73, 75
74091GT	97	823685GT	53	824116GT	59, 67, 127	832128GT	85
74119PGT	101	823942GT	145	824119GT	63, 67, 69	839119GT	87
74136GT	121	823943GT	141	824120GT	61, 63, 67, 83	84044GT	85
74147GT	121	823948GT	141	824121GT	47-49	84312GT	59
74155GT	121	824019GT	77, 109	824122GT	93	85239GT	73, 75
74156GT	121	824024GT	149	824124GT	135	85300GT	147
74232GT	93	824025GT	103	824125GT	53	865260GT	89
74256GT	59			824126GT	45	866397GT	89

## Part Number Index (continued)

Part Number	Page
866400GT	85
87085GT	145
87755GT	109
88280GT	97
88337GT	45
88338GT	45
88356-116R3GT	93
88356-12103GT	59
88356-127J5GT	97
88385GT	129
88390GT	129
88827GT	73, 75
88832GT	79, 81
89310GT	115
93500GT	11
94001GT	53
94019GT	115
94020GT	45
94021GT	45
94022GT	53
94023GT	53
94077GT	61, 65
94103GT	123
94104GT	123
94170GT	149
94176GT	149
94191GT	149
94210GT	93
94212GT	99
94215GT	97
94216GT	97
94217GT	103
94218GT	103
94219GT	59, 67
94220GT	59, 67
94221GT	45
94253GT	93
94255GT	99
94258GT	97
94259GT	97
94260GT	103
94261GT	103
94427GT	67
94461GT	137
94462GT	137
94463GT	137
94506GT	107
94512GT	73
94745PGT	105
94908GT	45
94909GT	47-49
9596GT	147
9599-SGT	145
96008-SGT	73, 75
96317GT	45
97128GT	93
97602GT	23
97815GT	35, 43
97890GT	15, 19, 23, 27
97893GT	19, 27
9990074GT	48-49
T106699GT	77, 109
T108887GT	47-49
T112560GT	105
T112561GT	105
T112563GT	105
T112773GT	19, 27, 35, 43
T112779GT	131
T112780GT	131

The Part Description Index is an alphabetical index of all part descriptions included in this manual. The index shows what page(s) the part is used on.

"  
"Ref. MODULE, PLUS+1, OPA2 ".....109

**4**

4' PLAT RAILING ASSY,ASIA.....105  
4' PLAT RAILING ASSY,AUST.....105  
4' PLAT RAILING ASSY,CE.....105

**5**

5' PLAT RAILING ASSY, ASIA.....105  
5' PLAT RAILING ASSY,AUST.....105  
5' PLAT RAILING ASSY,CE.....105

**A**

ACC. Z34 ALARM PACKAGE DC.....133  
ACCESS.ALARM PACKAGE Z34BE,IC.....133  
ADAPTER FLANGE-PULLEY,Z482-E.....87  
AIRCLEANER ASSEMBLY.....87  
AIRLINE ASSY W/FITTINGS, Z34BE.....127  
ALARM,CHIME TONE 5-25VDC\*\*\*.....69, 71  
ALARM,INTERMITTENT TONE 6-30V\*.....69,  
71, 75, 133  
ALARM,WARBLE TONE 5-30 VDC\*\*\*.....107  
ALTERNATOR GUARD,Z482.....85  
ALTERNATOR,KUBOTA,Z482.....85  
ALTRNTR,48VDC 100A,SERV VERS\*\*.....83  
ANGLE RELAY MOUNTING.....61  
ANGLE,CONTROL BOX MOUNTING.....65  
ANGLE,SWITCH MOUNT\*\*\*.....93  
ASSEMBLY FOOT SWITCH.....79, 81  
ASSEMBLY RESET SWITCH.....151  
ASSEMBLY SENSOR PROX OPA2.....79, 81,  
153  
ASSEMBLY, CONTROLLER PLATE.....47-49  
ASSEMBLY, FUEL FILTER, Z482.....89  
ASSEMBLY, LIGHT, CONTACT ALARM.....79,  
81, 153  
ASSEMBLY, OPA CABLE, SMALL.....153  
ASSEMBLY,CABLE,TAPESWITCH.....151  
ASSEMBLY,FOOT SWITCH.....105  
ASSEMBLY,OPA,4'-5' PLAT.....151  
ASSEMBLY,TAPESWITCH.....151  
ASSY SENSOR W/HOUSING.....153  
ASSY, CIRCUIT BREAKER 10A.....75  
ASSY, CIRCUIT BREAKER 15A.....61, 73, 75  
ASSY, EXT BOOM, Z34.....99  
ASSY,BRKT,CNTRL BOX W/FASTNRS.....151  
ASSY,DECAL PLATE, Z34BE AUS.....105  
ASSY,DECAL PLATE, Z34DC AUS.....105  
ASSY,IES CHARGER LED.....51  
ASSY,LS,LOAD SENSE,38.5 IN.....149  
ASSY,MODULE,CONTROL UNIT,OPA.....151  
ASSY,RELAY SOCKET, AUTO.....61, 77  
ASSY,TERMINAL RAIL,Z30/34DC.....61  
ASSY,TERMINAL RAIL,Z34BE.....77

**B**

BACKING PLATE, PLATFORM CLAMP.....105  
BAFFLE, RADIATOR.....83  
BAFFLE,ENGINE COVER.....71  
BALANCER,HARMONIC,2-3V-500-SH.....87  
BALL STUD\*\*.....71, 83  
BALL STUD,5/16-18 (56295).....71

BASE ENCLOSURE,RED,OPA.....151  
BASE WITH 1 NC CONTACT, E-STOP.....73  
BASE, W/1 N.O. CONTACTS\*\*\*.....107  
BASE, W/2 NC CONTACTS\*\*\*.....75  
BASE, W/3 NC CONTACTS.....107  
BASE,WITHOUT CONTACTS.....73  
BATT BOX ASSY.W/DECAL 34BI LH\*.....53  
BATT BOX ASSY.W/DECAL 34BI RH\*.....53  
BATT. BOX ASSY.LH, Z34DC.....53  
BATT. BOX ASSY.RH, Z34DC.....53  
BATTERY BOX ASSY. W/DECALS LH.....53  
BATTERY BOX ASSY. W/DECALS RH.....53  
BATTERY CABLE ASSY,9.5"JUMPER.....55,  
57  
BATTERY HOLD DOWN.....83  
BATTERY, J 305GH, 315AH.....53  
BATTERY,450 CCA\*\*\*.....83  
BATTERY,AGM,6V/320A,J305.....53  
BEACON MOUNT ASSY.Z34/BE.....133  
BEARING KIT, AUSCO\*\*\*.....47-49  
BEARING KIT, OMNI.....48-49  
BEARING KIT,4HP.....48-49  
BEARING KIT,WHEEL DRIVE W/BRAKE  
(101584/101585).....48-49  
BEARING NUT\*\*\*.....48-49  
BEARING RACE (LARGE) (45873).....45  
BEARING RACE (SMALL) (45873).....45  
BEARING,0.75IDX1.00ODX0.75L.....53  
BEARING,1.00IDX1.25ODX1.00L.....45  
BEARING,1.25 ID X 1.5 OD X .75.....93, 97, 103  
BEARING,1.25IDX1.50ODX1.25L.....103  
BEARING,1.25IDX1.50X1.25L.....95, 97  
BEARING,1.5IDX1.75ODX0.75L.....97  
BEARING,1.5IDX1.75ODX1.0L.....45, 95  
BEARING,1.5IDX1.75ODX1.5L.....45, 95, 97,  
99  
BEARING,CONE\*\*\*.....59  
BEARING,CUP\*\*\*.....59  
BEARING,FL,1.00IDX1.25ODX0.84L.....95  
BEARING,FL,1.25IDX1.41ODX.89L.....103  
BEARING,FL,1.25IDX1.41ODX1.50L.....103  
BEARING,FL,1.25IDX1.50ODX1.09L.....95  
BEARING,FL,1.25IDX1.50ODX1.25L.....103  
BEARING,FL,1.25IDX1.50DX1.25L.....99  
BEARING,GARLOCK,12FDU12.....149  
BEARING,MOTOR.....67, 125  
BEARING,MOTOR,36843,BRUSH END\*.....47-  
49, 67, 125  
BELLCRANK ASSEMBLY, Z30N,Z34\*\*.....103  
BELLOWS,JIB CYLINDER.....137  
BELLOWS,MASTER CYLINDER.....137  
BELLOWS,PRIMARY/ELEV CYLINDER.....137  
BELLOWS,STEERING CYLINDER.....137  
BELT,3VX-280.....87  
BELT,FAN,KUBOTA DF972/Z482-E.....85  
BLANKET,BATTERY.....139  
BOLT,CARRIAGE,1/4-20X.75,5,ZAG.....135  
BOLT,CARRIAGE,3/8-16X1.5,ZAG.....53  
BOLT,HEX TAP,3/8-16X2.25,8,ZAG.....97  
BOLT,SSHS,5/8X1.25X1/2-13,ZAG.....83  
BOOT(BELLOWS),E-STOP,BLACK.....107  
BOOT,CABLE TERMINAL,LG,RED,2/0.....55,  
57  
BOOT,CONTROLLER\*\*.....111  
BOOT,PLUG 4 WAY.....105  
BOOT,THROTTLE SOLENOID.....87  
BOOT,TOGGLE SWITCH,SHORT\*.....75, 141

BOOT-THUMB ROCKER\*\* BLACK.....111  
BOX,INSTRUCTION STORAGE.....105  
BRACKET ENGAGE II.....107  
BRACKET SET,NYLATRAC,KS400.....101  
BRACKET, AIRCLEANER MT.....87  
BRACKET, CABLE STRAIN RELIEF.....105  
BRACKET, CHARGER CORD AND LED.....51  
BRACKET, HOSE ROUTING.....99  
BRACKET, LATCH.....71  
BRACKET, RETURN FILTER.....63, 67  
BRACKET,ALTERNATOR ADJUSTMENT.....83  
BRACKET,ALTERNATOR MOUNT.....83  
BRACKET,ANCHOR,GAS STRUT.....83  
BRACKET,CONTROL UNIT.....151  
BRACKET,COVER LATCH.....69  
BRACKET,ENGINE MNT,KUBOTA 13HP.....89  
BRACKET,FUEL TANK.....63  
BRACKET,IDLE LEVER.....87  
BRACKET,RELAY MOUNT W/INSERTS.....77,  
109  
BRACKET,SOLENOID MOUNT.....87  
BRACKET,STOP LEVER.....87  
BRACKET,WORK LIGHT MOUNT 5/16".....145  
BRACKET-RADIATOR SUPRT,INBOARD.....89  
BRACKET-RADIATOR SUPRT,OUTBRD.....89  
BRAKE, NEMA, 1200 IN/LB.....47-49  
BRUSH BOX ASSEMBLY.....67, 125  
BRUSH BOX ASSY.....47-49  
BRUSH COVER -PLATE-(48504)\*.....67, 125  
BRUSH LEAD ASSEMBLY KIT(48504).....125  
BRUSH LEAD ASSEMBLY KIT(56831).....47-  
49  
BRUSH SET 4 EA.....67, 125  
BRUSH SPRING SET.....67  
BULKHEAD FITTING,PLASTIC X 8\*\*.....63, 67  
BULKHEAD,FEMALE X 6 X 6.....127  
BUMPER, PLASTIC, 1.25 O.D.....131, 147  
BUMPER,3.5OD X 1.5 ID 90 DEG.....129  
BUMPER,3.5OD X 1.5 ID X 6.75.....129  
BUMPER,3.5OD X 1.5 ID X 9.75.....129  
BUMPER,3.5OD X 1.5ID X 12.75.....129  
BUMPER,3.5OD X 1.5ID X 14.75.....129  
BUMPER,3.5OD X 1.5ID X 15.65.....129  
BUMPER,3.5OD X 1.5ID X 2.75.....129  
BUMPER,3.5OD X 1.5ID X 22.70.....129  
BUMPER,3.5OD X 1.5ID X 3.80.....129  
BUMPER,3.5OD X 1.5ID X 30.75.....129  
BUMPER,3.5OD X 1.5ID X 38.75.....129  
BUMPER,3.5OD X 1.5ID X 40.75.....129  
BUMPER,3.5OD X 1.5ID X 48.70.....129  
BUMPER,3.5OD X 1.5ID X 6.75.....129  
BUMPER,3.5OD X 1.5ID X 7.75.....129  
BUMPER,90 DEG ELBOW.....129  
BUMPER,BATTERY BOX & RAILS.....147  
BUMPER,RUBBER\*\*\*.....145, 149  
BUMPER,RUBBER,.75 X .50H,STUD...61, 67,  
71  
BUSHING,SH 1-1/8.....87  
BUSHING,STRAIN RELIEF,875/30.....51  
BUSHING,STRAIN RELIEF,875/40.....51  
BUTTON,PUSH,BLACK W/SEAL\*\*\*.....107  
BUTTON,PUSH,RED MUSHROOM  
HEAD.....73, 75, 107

**C**

CABLE ASSY #2 BLK A1/A1.....55

## Part Description Index (continued)

CABLE ASSY #2 BLK A1/A1.....55, 57	CONN PLUG 4 WAY ENDCAP DT.....105	COVER,COUNTERWEIGHT,Z34.....69, 71
CABLE ASSY #2 BLK AP1/AP2 BATT.....55, 57	CONN PLUG 4 WAY EXTEND DT.....59	COVER,GFCI,WEATHERPROOF.....105
CABLE ASSY #2 BLK AP1/AP2 DRIV.....55, 57	CONN RECEPT,FLANGED.....109	COVER,PROTECTIVE,MASTER/SLAVE.....137
CABLE ASSY #2 BLK B(+)/A2.....55, 57	CONN, 520120-6.....117, 121, 123	COVER,TERMINAL STRIP, CONN.....61
CABLE ASSY #2 BLK B(+)/PR1.....55, 57	CONN,520120-4-6***.....119, 121, 123	COVER-VALVE Z482, Z34/22BE.....85
CABLE ASSY #2 BLK M(-)/A2.....55, 57	CONN,520120-6-10.....121	COVR W/DECALS DR CHAS STR END*.....45
CABLE ASSY #2 RED AP1/AP2 DRIV.....55, 57	CONN,520120-6-4.....123	CUP ASSY, FUEL FILTER, Z482.....89
CABLE ASSY #2 RED BATT.....55, 57	CONN,520120-8***.....121, 123	CUSHION,RADIATOR,KUBOTA 1702**.....89
CABLE ASSY #4 BLK ALT(-)/B(-).....57	CONN,PLUG 120 AC/15A DOMESTIC.....69, 83	CVR ASSY,W/WORD DEC,GC,34N/DC*.....69
CABLE ASSY #4 BLK B(-)/AP-D1.....55	CONN,RECEP 4 WAY,12-14GA FL***.....77, 109	CVR SUPPORT WELDMT LH.34N/34.....61
CABLE ASSY #4 BLK LP-D1/AP-D1.....55, 57	CONN,RECEP 48 WAY,4 X 12.....77, 109	CYLINDER,ELEVATE, Z34.....93
CABLE ASSY #4 RED ALT(+)/F1.....57	CONN,RECEP 8 WAY 14-18GA,FL.....109	CYLINDER,EXTENSION.....99
CABLE ASSY #4 RED PR2/LP-D1.....55	CONN,SQUEEZE,1/2NPT .38-.50,SM.....59, 69, 83, 93, 97, 105	CYLINDER,JIB.....103
CABLE ASSY #4 RED PR3/AP-A2.....55, 57	CONN,SQZ,BLK,1/2NPT,.38-.50,SM.....105	CYLINDER,MASTER.....97
CABLE ASSY#4 BLK B(-)/LP-D1.....57	CONN, SQZ,1/2NPT .39-.56 MED.....77	CYLINDER,PRIMARY LIFT.....97
CABLE SQUEEZE CONN.....77	CONNECTING LINK Z30N & Z34***.....93	CYLINDER,SLAVE,DONGYANG.....103
CABLE TIE,11.5" BLACK.....97	CONNECTOR, 520120-4.....117, 123	CYLINDER,STEER.....45
CABLE TIE,4" BLK,HEAT RESISTNT.....105	CONNECTOR,BULKHEAD,FEMALE-4.....121	
CABLE TIE,7 3/8".....141	CONNECTOR,MOLEX 24-WAY**.....47-49	<b>D</b>
CABLE TIE,BUTTON,BLACK,14.75LG.....99	CONTACT,MOVING,19549RELAY*.....47-49	DECAL PLATE ASSY,W/SYM DECALS.....105
CABLE TRACK,NYLATRAC,26 LINK.....101	CONTACT,N.O.***.....107	DECAL, INSTRUCTION, ACTUATOR SWITCH SOCKET.....153
CAP, PLASTIC, 4".....83	CONTACT,NC.....73, 75, 107	DECAL, INSTRUCTION, CONTACT ALARM.....153
CAP,DIAGNOSTIC NIPPLE.....115	CONTACT,STATIONARY (56434)**.....48-49	DECAL, OPERATING INSTRUCTIONS.....19, 23, 27
CAP,DISENGAGE,4HP/4HB***.....48-49	CONTACT,STATIONARY,19549RELAY*.....47-49	DECAL, POWER TO CHARGER, UNIV.....13, 21, 29, 37, 51
CAP,DISENGAGE,OMNI***.....48-49	CONTACT-MOVEABLE (56434)**.....48-49	DECAL, POWER TO PLATFORM 230V**.....15, 19, 23, 27, 31, 35, 39, 43
CAP,DUST,45873 HUB KIT.....45	CONTACTOR PANEL ASSEMBLY.....47-49	DECAL, SYMBOL - READ THE MANUAL...31, 35, 39, 43
CAP,FUEL,DIESEL,1/8"VENT(GRN).....63	CONTACTOR,AUX PUMP 24V,80A***.....47-49	DECAL, ARROW,BLUE.....13, 21, 29, 37
CAP,RADIATOR,AL,KUBOTA DF-752.....89	CONTACTOR,DRIVE,24V,180A***.....48-49	DECAL,ARROW,YELLOW SM 5-3/8".....13, 21, 29, 37
CASE COVER,ROTATOR,Z30/34 (119111).....59	CONTACTOR,LIFT PUMP 24V 180A**.....47-49	DECAL,CHEVRON RANDO HD.....15, 23
CHAIN,NO.2 (9LINKS).....129	CONTROL BOX COVER, LH.....145	DECAL,COSM,GENIE Z-34/22N(BOX).....13, 29
CHANNEL, CABLE TRACK, UPPER.....101	CONTROL BOX COVER, RH.....145	DECAL,COSMETIC,GENIE.....151
CHANNEL,LWR TRAY PLASTIC TK **.....101	CONTROLLER,ROTARY 24V W/RAMP.....113	DECAL,COSMETIC,GENIE BOOM,VERT..13, 21, 29, 37
CHARGER 48V/30A AUTO AC X-LED.....51	CONTROLLER,SEP-EX,Z34N***.....47-49	DECAL,COSMETIC,GENIE Z-34/22.....17, 25, 33, 41
CHOCK,CYLINDER (SERVICE TOOL).....11	CONTROLLER,SEPEX Z34DC/BE.....47-49	DECAL,COSMETIC,GENIE Z-34/22N.....17, 33
CIRCUIT BKR 10A TYPE 2 METAL.....77	CONVERTER, DC-DC, 48-26 VOLT**.....48-49	DECAL,DANGER DO NOT ALTER SWTC.....13, 17, 21, 25
CLAMP, 1.25 INCH TUBE.....153	COOLANT RECOVERY BOTTLE 1.5 QT*.....83	DECAL,DANGER,BATTERY SAFETY***.....13, 21
CLAMP,0.31,#5 X 1/4,RUB CUSH.....149	CORD AC IEC320-C19 TO 110US.....51	DECAL,DANGER,ELEC.HAZ.STAY CLR....15, 25, 31, 41
CLAMP,0.50,#8 X 1/4,RUB CUSH.....101	CORD AC IEC320-C19 TO 220EU.....51	DECAL,DANGER,GEN SAFETY RULES....15, 19, 23, 27
CLAMP,0.75,#12 X 1/4,RUB CUSH.....109	CORD EURO AC IEC320-C19PIGTAIL.....51	DECAL,DANGER,MAX CAP,200KG.....35, 43
CLAMP,0.75,#12 X 3/8,RUB CUSH*.....47-49	CORROSION INHIBITOR,FOAM.....109	DECAL,DANGER,MAX SIDE FRC,667N.....35, 43
CLAMP,1.25X.5 RUBBER-CUSHION.....129, 147	COUNTERWEIGHT,CAST.....63	DECAL,DANGER,NO SMOKING ***.....15, 23, 31, 39
CLAMP,1.50,#24 X 1/4,RUB CUSH.....61	COUNTERWEIGHT,CAST,2460 LBS.....69	DECAL,DANGER,SIDE FRC 400N.....35, 43
CLAMP,CABLE STRAIN RELIEF.....105	COUNTERWEIGHT,CAST,3700 LBS.....69	DECAL,DANGER,TILT ALARM.....19, 27
CLAMP,HAND RAIL,OPA,4'-5'.....151	COUPLER, PUMP / MOTOR (36179).....67, 83	DECAL,DANGER,TIP-OVER BATTERY.....13, 21
CLAMP,HOSE,.25" - .63" X .3125.....63	COUPLER, 1/4"SERIES 3/8 MPT.....127	DECAL,DANGER,TIP-OVER,TIRES***.....13, 21
CLAMP,HOSE,.35"-.86" X .3125.....63	COUPLING.....48-49	DECAL,DIESEL.....23, 39
CLAMP,HOSE,1.75.....87	COUPLING,POT SHAFT (56886).....113	DECAL,DRIVE ENABLE PATCH.....35, 43
CLAMP,HOSE,2.00***.....137	COVER ASSY W/DECALS HPU**.....69	DECAL,ENGINE SPEC,PERKINS 403D/F....23
CLAMP,HOSE,3.00".....137	COVER ASSY,W/SYM DEC,ENG,34BI.....71	DECAL,EXPLOSION HAZARD.....23
CLAMP,HOSE,3.50.....137	COVER ASSY,W/SYM DEC,GC,34BI**.....71	
CLAMP,HOSE,ALUMINUM.....99	COVER ASSY,W/SYM DEC,GC,34DC**.....69	
CLAMP,HOSE,KUBOTA WG750.....85, 89	COVER ASSY,W/SYM DEC,HPU,34DC*.....69	
CLAMP,MUFFLER,1.75 INCH.....85	COVER ASSY,W/WORD DEC,ENG,34BI.....71	
CLAMP,RUBBER CUSHIONED-2 5/32.....93, 97, 99, 101, 103	COVER ASSY,W/WORD DEC,GC,34BI*.....71	
CLAMP-HOSE .375, FUEL PUMP.....87	COVER REINFORCEMENT LH***.....71	
CLIP,RADIATOR MOUNT, KUBOTA.....89	COVER, DR LIGHT OPTION.....141	
CLIP,RETAINING,IES CHARGER.....51	COVER, DRIVE CHASSIS, Z34.....47-49	
CLIP,SPRING,POTTER BRUMFIELD.....109	COVER, DRIVE CHASSIS,Z34N.....47-49	
COIL, SOLENOID VALVE, 24V***.....117	COVER, DUCT, WIRING.....61	
COIL,24V SOLENOID VALVE.....115	COVER,BATTERY BOX**.....53	
COIL,SOLND,W/D,20V DUAL SPADE.....115	COVER,BELLHOUSING.....89	
COIL,SOLND,W/D,20V SGL SPADE.....115	COVER,BLANK.....105	
COLD START PKG,120V BI-ENERGY.....139	COVER,CONTROL PANEL.....69	
COMPRESSION ARM WELDMENT 56.50...93		
COMPRESSION MEMBER (BORED)***.....103		



- DECAL,FUNCTION OVERRIDE.....19, 27, 35, 43  
 DECAL,GENERATOR OPTION.....27, 43  
 DECAL,GENIE Z-34/22 BI-ENERGY.....21, 37  
 DECAL,GENIE Z-34/22 DC POWER.....13, 29  
 DECAL,GROUND CONTROL PANEL\*\*\*.....15, 23, 31, 39  
 DECAL,INSTR,SIDE FRC/WIND,AUS.....19, 27  
 DECAL,INSTRUC,FOOTSWITCH OPER.....19, 27  
 DECAL,LABEL,AIR LINE 110 PSI.....15, 19, 23, 27, 31, 35, 39, 43  
 DECAL,LABEL,105 DB.....39  
 DECAL,LABEL,CB & STATUS LIGHT.....15, 31  
 DECAL,LABEL,CONTRLR STATUS LT.....23  
 DECAL,LABEL,EMERGENCY DOWN.....31, 39  
 DECAL,LABEL,LIGHTS\*\*\*.....19, 27, 35, 43, 141  
 DECAL,LABEL,LOWER MIDRAIL.....35, 43  
 DECAL,LABEL,MANUAL NOT HERE.....19, 27  
 DECAL,LABEL,MAX CAPACITY\*\*\*.....35, 43  
 DECAL,LABEL,OPEN,LATCH.....13, 21  
 DECAL,LABEL,PETRO CANADA\*\*\*.....15, 23  
 DECAL,LABEL,PWR TO CHARGR 115V.....13  
 DECAL,LABEL,RELAYS,Z30N,Z34NDC.....15  
 DECAL,LABEL,TIPOVER,TIRES,SYMB.....29, 37  
 DECAL,LABEL,TIRE PRESS,Z-34/22.....29, 37  
 DECAL,LABEL,UCON HYDROLUBE.....15, 23  
 DECAL,LABEL,UNLEADED GAS ONLY.....23, 39  
 DECAL,LABEL,WHEEL LOAD Z34BE\*\*.....21, 37  
 DECAL,LABEL,WHEEL LOAD Z34DC\*\*.....13, 29  
 DECAL,LABEL,WHEEL LOAD Z34N\*\*\*.....13, 29  
 DECAL,LANYARD ANCHORAGE POINT...19, 27, 35, 43  
 DECAL,LOW/ULTRA LOW SULFR FUEL.....23  
 DECAL,NOTICE,BATT CONNECTION.....13, 21  
 DECAL,NOTICE,BATTERY CABLES.....13, 21  
 DECAL,NOTICE,CHARGER INSTRUC.....13, 21  
 DECAL,NOTICE,FOAM-FILLED TIRES.....13, 21  
 DECAL,NOTICE,HAZARDOUS MAT'LS\*.....15, 23  
 DECAL,NOTICE,LUG NUT TORQUE\*\*\*.....13  
 DECAL,NOTICE,MAX CAP 440 LBS.....19, 27  
 DECAL,NOTICE,MAX LOAD 500 LBS.....19, 27  
 DECAL,NOTICE,OPER INST BE.....23, 27  
 DECAL,NOTICE,OPER INST PLAT,DC.....19  
 DECAL,NOTICE,SIDE FRC/WINDANSI.....19, 27  
 DECAL,NOTICE,SPEC,Z482.....23  
 DECAL,NOTICE,TIRE SPECS,Z34DC.....13, 21  
 DECAL,OPER INST,DC BOOM GND AU.....15  
 DECAL,OPERATING INSTR,GROUND.....15  
 DECAL,OPTION GENERATOR\*\*\*.....19, 35  
 DECAL,PLATFORM CONTROL PANEL.....27, 43  
 DECAL,PLATFORM CONTROL PANEL\*\*...19, 35  
 DECAL,POWER TO PLATFORM 115V.....15, 19, 23, 27, 31, 35, 39, 43  
 DECAL,RELAY LABEL,Z34BE.....23  
 DECAL,SYMBOL-BATTERY SAFETY.....29, 37  
 DECAL,SYMBOL-COMP ACCESS.....39  
 DECAL,SYMBOL-READ THE MANUAL.....151  
 DECAL,TIRE SEALANT,3.25 X 7.5.....23  
 DECAL,TRIANGLE,BLUE.....13, 21, 29, 37  
 DECAL,TRIANGLE,YELLOW.....13, 21, 29, 37  
 DECAL,WARN,CRUSH HAZARD HAND.....15, 17, 23, 25  
 DECAL,WARN,CRUSH HAZARD PLAT.....19, 27, 35, 43  
 DECAL,WARN,FALL HAZARD.....17, 25  
 DECAL,WARN,IMPROPER OPERATION...19, 27  
 DECAL,WARNING,CRUSHING.....23  
 DECAL,WARNING,CRUSHING HAZARD...31, 33, 39, 41  
 DECAL,WARNING-COMPART ACCESS.....13, 23  
 DECAL,WG972,CARB,EPA CERT 2015.....23  
 DIAGNOSTIC FEMALE Q-DSCNT.....115  
 DIN RAIL,11.25".....61  
 DIN RAIL,14.75" \*\*.....77  
 DIODE ASSEMBLY.....73  
 DIODE,6 AMP,200 PIV,BULK.....73, 77, 83, 107  
 DIODE,PCB DRIVE CONTACTOR\*\*.....47-49  
 DIPSTICK, KUBOTA Z482-E.....87  
 DUST SHIELDS,180A CONTACTOR.....47-49
- E**
- ELBOW,90D,520220-4.....119  
 ELBOW,070221-4-4.....121  
 ELBOW,070302-4-2.....59, 121  
 ELBOW,45D,520320-8.....121  
 ELBOW,90D,520201-8.....63, 67, 121  
 ELBOW,90D,520220-4-6\*\*\*.....119  
 ELBOW,90D,520220-6.....121  
 ELBOW,90D,520220-8-10.....121  
 ELBOW,90D,LONG,521520-6.....121  
 ELEMENT, FUEL FILTER, Z482.....89  
 ENCLOSING BAND KIT.....67  
 END STOP, DIN RAIL,SCREW CLAMP.....61, 77  
 EVACUATOR VALVE-AIR CLEANER.....87  
 EXHAUST MANIFOLD, Z482-E.....85  
 Extension Boom.....91
- F**
- FAN, KUBOTA Z482-E.....85  
 FILTER ASSY,SAE8,10 MIC,PAPR\*\*.....63, 67  
 FILTER ELEMENT,10MICRON,PAPER\*.....11, 63, 67  
 FILTER,AIR\*\*\*.....87  
 FITTING,ELBOW,45D,520320-4-6\*\*.....119, 123  
 FITTING,ELBOW,90D,520220-8\*\*\*.....121  
 FITTING,TEE,BRANCH,520429-4\*\*\*.....123  
 FITTING,TEE,RUN,SWIVEL520432-4.....119  
 FITTING,TEE,RUN,SWIVEL520432-8.....121  
 FIXED CONTACT (FOR 74267).....49  
 FLOORING,PLATFORM 46X30,PAINT.....105  
 FLOORING,PLATFORM,56X30,PNTD.....105  
 FOOT SWITCH,20A IP65.....105  
 FOOTSWITCH HOUSING,PAINTED.....105  
 FORMING, BI-ENERGY SHROUD.....89  
 FORMING, HING SUPPORT, LONG.....71  
 FORMING, INVERTER MT.....143  
 FORMING, SENSOR HOLDER.....153  
 FORMING, WIPER MOUNT.....135  
 FORMING,BATTERY BOX LATCH LH.....53  
 FORMING,BATTERY BOX LATCH RH.....53  
 FORMING,BRACKET.....61  
 FORMING,HINGE SUPPORT PAINTED.....71  
 FREEZE PLUG HEATER,Z45.....139  
 From January 2017, this option became a standard installation on all models unless the customer specifically request not to have it installed.....153  
 FUEL LINES,BULKHEAD.....63  
 FUEL TANK ASSY,DIESEL.....63  
 FUSE BLOCK, ANN & ANL FUSE.....143  
 FUSE HOLDER,WATERPROOF.....141  
 FUSE,100 AMP,VERY FAST ACTING.....47-49, 143  
 FUSE,13 AMP,220V PLUG\*\*\*.....51  
 FUSE,500 AMP,VERY FAST ACTING.....47-49  
 FUSE,7 AMP.....141
- G**
- GASKET.....63  
 GASKET KIT, AUSCO 1200 IN/LB.....47-49  
 GASKET LVI/BCI ENGAGE II.....107  
 GASKET, PUMP / MOTOR (36179).....67, 83  
 GASKET, UK & DIN PWR. TO PLAT.....105  
 GASKET,COVER,GFCl,WEATHERPROOF.105  
 GASKET,ENCLOSURE.....151  
 GASKET,GROUND CONTROL BOX.....77  
 GASKET,JOYSTK.SHAFT36867/42032.....111  
 GASKET,KEYSWITCH,PLASTIC\*\*\*.....73, 75  
 GASKET,MUFFLER,KUBOTA D905/11.....85  
 GASKET,PLAT.CONTROL BOX.....109  
 GASKET,WATER PUMPWG750B/Z482-E.....85  
 GASKET-EXHAUST MANIFOLD Z482.....85  
 GASKET-INJECTION PUMP, Z482-E.....87  
 GASKET-OIL DRAIN, DF750.....85  
 GASKET-ROTARY CNTRL 56886.....113  
 GASKET-SPEED CONTROL ASSEMBLY.....87  
 GASKET-VALVE COVER Z482-E.....85  
 GATE LATCH CASTING--DRILLED.....147  
 GAUGE,OIL PRESSURE W/O SENDER.....75  
 GAUGE,VOLTAGE.....75  
 GAUGE,WATER TEMP.....75  
 GREASE,DIELECTRIC 4 OZ\*\*.....11  
 GRIP, CABLE.....153  
 GROMMET,RUBBER .5 X .014 X .75.....141  
 GROUND CONTROL BOX W/DECAL.....77  
 GROUND CONTROL PANEL ASSY.....73  
 GROUND STRAP,12"LG\*\*\*.....45  
 GUARD, FOOTSWITCH, W/DECAL STEEL.....105  
 GUARD,TOGGLE SWITCH.....107  
 GUIDE, CABLE.....153
- H**
- HANDLE HALF (56274).....111  
 HARN ASSY, POWER BATT PACK.....55, 57  
 HARN ASSY, POWER DRIVE CHASS.....55, 57  
 HARN ASSY, POWER PACK AP2.....57  
 HARN ASSY, Z34BE AP2/DRIVE.....57  
 HARN,PBOX,OPA,HW,24V.....79, 81, 151  
 HARN,PIGTAIL,TAPESWITCH,OPA.....151  
 HARN.CHARGER INTERLOCK Z34.....51  
 HARNES, PBOX, CE, Z34BE.....81  
 HARNESS BASE BOX BI-ENERGY.....81  
 HARNESS CABLE1 18/19 COND.....79, 81  
 HARNESS CABLE2 12/3 COND.....79, 81  
 HARNESS CABLE3 18/19 COND.....79, 81



MOTOR,FUNCTION,48V DC.....67, 125  
 MOTOR,TURNTABLE,125CC\*\*\*.....59  
 MOUNT,SWITCH.....149  
 MOUNTING PLATE, 45048.....113  
 MOVING CONTACT (FOR PN 74267).....49  
 MUFFLER,KUBOTA,GS68,DF750,D905.....85

**N**

NIPPLE,DIAGNOSTIC,#4.....115  
 NUT - PLASTIC,RING FOR ALARMS...69, 71,  
 75, 107, 133  
 NUT, ACORN, 3/8-16, ZAG.....93  
 NUT, TL FLG, 1/4-20, G, ZAG.....51, 61, 65, 69,  
 71, 83, 87, 89, 93, 101, 105, 129, 131, 135,  
 143, 145, 147  
 NUT, TL FLG, 3/8-16, G, ZAG.....51, 53, 61, 63,  
 65, 67, 83, 89, 93, 95, 97, 99, 103, 149  
 NUT, TL FLG, 5/16-18, G, ZAG.....87, 89, 105,  
 141  
 NUT, TL JAM, 3/8-16, A, ZAG.....99  
 NUT,1/4-20,8,ZAG.....153  
 NUT,1/4-28,8,ZAG.....87  
 NUT,HEX,M8,PLASTIC.....129  
 NUT,HH JAM,1/4-20,A,ZAG.....61, 67, 71  
 NUT,JS,36867/42032/44988/40612.....111  
 NUT,LOCK,5/8-18.....83  
 NUT,LUG,5/8-18X90 DEG,ZAG.....45, 48-49  
 NUT,M4 NYLOCK.....151  
 NUT,NYLOCK FLG,1/4-20,F,ZAG.....109, 147,  
 153  
 NUT,NYLOCK FLG,3/8-16,F,ZAG.....93, 99,  
 147, 153  
 NUT,NYLOCK,1/2-13.....83  
 NUT,NYLOCK,6-32.....153  
 NUT,RETAINER (96008).....73, 75  
 NUT,SERRATED,10-32,ZAG.....133, 153  
 NUT,SERRATED,5/16-18,8,ZAG.....47-49  
 NUT,SOLENOID VALVE COIL.....115  
 NUT,SPINDLE,1-14.....45  
 NUT,TL FLG,10-32,F,ZAG.....61, 69, 71, 77,  
 105, 109, 133, 141, 149  
 NUT,TL FLG,8-32,F,ZAG.....93  
 NUT,TL JAM,1/2-13,A,ZAG.....83  
 NUT,TL JAM,5/16-18,A,ZAG.....53, 71, 83  
 NUT,TL,1/4-20,C,ZAG.....149  
 NUT,TL,10-32,A,ZAG.....77, 87  
 NUT,TL,3/4-10,C,ZAG.....103  
 NUT,TL,3/8-16,C,ZAG.....103  
 NUT,TL,6-32,A,ZAG.....77, 109  
 NUT-HEX,3M X 0.5MM.....111  
 NUTSERT,1/4-20,STEEL CAD PLTD....48-49,  
 61, 69, 73, 77, 83, 109, 129  
 NUTSERT,10-32 STEEL CAD PLTD.....143  
 NYLON WASHER,(36179).....83

**O**

O-RING KIT (ORFS FITTINGS).....11, 115  
 O-RING KIT, AUSCO 1200 IN/LB.....47-49  
 O-RING KIT,FIELD SVC,ALL PROD\*.....11, 115  
 O-RING, FUEL FILTER, Z482.....89  
 O-RING, ROTATOR MANIFOLD.....117  
 O-RING,2-010,VITON.....48-49  
 O-RING,END COVER,4HP/4HB\*\*\*.....48-49  
 O-RING,END COVER,OMNI\*\*\*.....48-49  
 O-RING,OIL FILLER PLUG,KUBOTA\*.....85  
 OIL, HYD, SHELL TELLUS S4 VX.....15, 23  
 OPA WIRE ASSY, SMALL.....153  
 OPTION,CONTROL BOX COVER.....145

OPTION,DRIVE LIGHTS,Z30N.....141  
 OPTION,WORKLIGHTS,48V.....145  
 ORIFICE, 0.035" (74512,74966).....115  
 ORING,568-908 N552-90 NBR,10PK.....48-49  
 OUTER CONE - MODEL 60-8.....45  
 OUTLET, 110V.....105

**P**

PAD,REST,1"THICK,FLANGED.....99  
 PAD,REST,1"THICK,W/STUDS\*.....99  
 PADDING, FOAM 90 DEG.....129  
 PAINT, AEROSOL, TRAFFIC BLACK.....11  
 PAINT,AEROSOL,BRIGHT BLUE\*\*\*.....11  
 PAINT,AEROSOL,GENIE GRAY\*\*\*.....11  
 PAINT,WET,GENIE BLUE (1 GL)\*\*.....11  
 PAINT,WET,GENIE GRAY (1 GL)\*\*.....11  
 PAINT,WET,TRAFFIC BLACK (1 GL)\*\*.....11  
 PANEL,GROUND CONTROL BOX\*\*\*.....73  
 PARKER DIGITAL PRESSURE GAUGE.....11  
 PETCOCK, DRAIN, KUBOTA WG750B.....87  
 PIN, LOCK.....83  
 PIN,0.75DIA X5.51LG,2RING.....99  
 PIN,0.75DIA X5.75LG,CHAMFER.....149  
 PIN,1.00DIA X7.25LG,1HOLE.....95  
 PIN,1.00DIA X9.01LG,THREADED.....99  
 PIN,1.25DIA X10.38LG,1HOLE.....103  
 PIN,1.25DIA X12.50LG,2HOLE.....103  
 PIN,1.25DIA X3.00LG,THREADED.....95  
 PIN,1.25DIA X3.63LG,THREADED.....95  
 PIN,1.25DIA X6.36LG,2RING.....103  
 PIN,1.25DIA X7.64LG,2RING.....103  
 PIN,1.25DIA X8.12LG,1HOLE.....97  
 PIN,1.25DIA X9.13LG,1HOLE.....97  
 PIN,1.25DIA X9.38LG,1HOLE.....95  
 PIN,1.50DIA X15.13LG,1HOLE.....95, 97  
 PIN,1.50DIA X16.13LG,1HOLE.....95  
 PIN,1.50DIA X3.25LG,1HOLE.....45  
 PIN,1.50DIA X3.75LG,1HOLE.....45  
 PIN,CLEVIS,1.0X2.41,SAE,ZAG.....45  
 PIN,CLEVIS,3/4X3,ZAG.....45  
 PIN,LOCK,SHORT\*\*\*.....147  
 PIN,ROLL,.25 X 1.5\*\*\*.....103  
 PIN,SLAVE CYLINDER.....103  
 PIPE CRADLE ASSY. SERV (ONE)\*\*.....147  
 PIPE PLUG KIT,OMNI\*\*\*.....48-49  
 PIPE, INJECTOR 1 KUBOTA Z482-E.....87  
 PIPE, INJECTOR 2 KUBOTA Z482-E.....87  
 PLAT.ASSY.W/DECAL 5'Z34,ANSI\*.....105  
 PLAT.W/DECAL4'Z30N/34ALL,ANSI\*.....105  
 PLATE, CABLE AND WIRE COVER.....153  
 PLATE, COVER, IC VENT.....71  
 PLATE, ENGINE SWING-OUT.....83  
 PLATE,CHARGER MOUNT.....51  
 PLATE,ENGINE GENERATOR MOUNT.....83,  
 89  
 PLATE,MAGNET MOUNT.....129  
 PLATE,ROTARY CNTRL (56886).....113  
 PLATE,SHIELD FUEL TANK.....71  
 PLATE,UK,POWER TO PLAT.....105  
 PLATE,WIPER BACKING.....135  
 PLATFORM CONTROL BOX W/DECAL.....109  
 Platform Rotator.....91  
 PLATFORM STEP \*\*\*.....105  
 PLUG AND CAP KIT-SERVICE,37 \*\*.....11, 115  
 PLUG AND CAP KIT-SERVICE,ORFS\*.....11,  
 115  
 PLUG, NYLON .250 BLACK DOMED.....75,  
 107, 109

PLUG, TYPE F, 230A, 50HZ, 16A, IP44.....51,  
 83  
 PLUG,1/4"SERIES,3/8 MPT.....127  
 PLUG,BLANKING.....79, 81, 151  
 PLUG,FUSED,250V,13AMP,U.K.\*\*.....51, 69  
 PLUG,NYLON .875 BLACK DOMED...77, 107,  
 109  
 PLUG,NYLON 1.12 BLACK DOMED.....69, 75,  
 77, 129  
 PLUG,NYLON 2.00 BLACK DOMED.....75  
 PLUG,NYLON 2.093 BLACK DOMED.....107  
 PLUG,OIL FILLER Z482,Z34/22BE\*.....85  
 PLUG,ORIFICE-.045.....115  
 PLUG,PWR,UK,16AMP,3PIN,BLK.....51, 69  
 PLUG,SANTOPRENE .5 BLACK DOME.....73,  
 75, 107  
 POTENTIOMETER (56773).....111  
 POWER RELAY, 24V COIL.....47-49, 83, 141,  
 145  
 POWER UNIT,AUX PUMP 24VDC.....67, 83  
 Primary Boom.....91  
 PRIMARY BOOM TUBE ASSY Z34C\*\*.....99  
 PRINTED CIRCUIT BOARD 56886.....113  
 PROXIMITY SENSOR\*\*\*.....129  
 PULLEY,3.15 OD.....83  
 PULLEY,FAN,WG750B\*\*\*.....85  
 PUMP ASSEMBLY (36179).....67, 83  
 PUMP ASSY-FUEL, KUBOTA Z482-E.....87  
 PUMP,LIFT,3CC,CCW\*\*\*.....67, 125  
 PUMP-INJECTION, KUBOTA Z482-E.....87  
 PUMP-WATER, KUBOTA Z482-E.....85

**r**

ref. Function Manifold.....65  
 ref. Ground Control Box.....65

**R**

RADIATOR ASSY,KUBOTA Z482E AL.....89  
 RADIATOR STAY, KUBOTA 1702.....89  
 RAILING CATCH CASTING--DRILLED.....147  
 RECEPTACLE,UK,110V.....105  
 REGULATOR,48 VOLTAGE,BI ENERGY.....83  
 REGULATOR-VOLTAGE(Z482-E).....83  
 RELAY SOCKET,70AMP.....47-49, 109  
 RELAY,24VDC,40/30A,SEALED\*\*\*.....61, 77,  
 109, 129  
 RELAY,24VDC,40/30A,SLD W/BRKT\*.....141,  
 143, 153  
 RELAY,POTTER BRUMFIELD 24V \*\*.....109  
 RELAY,SPDT,12V(AUTO) PLUG IN\*\*.....129  
 REPAIR LINK,NYLATRAC,7 LINKS.....101  
 REST PAD, LOWER ARM REST.....59  
 REST PAD, LOWER REST Z30N.....59  
 REST PAD,UPPER PIVOT Z30N.....93  
 RETAINER,SPRING,1.21X.375,ZAG.....149  
 RETAINER-N.C.PROPOR.SOLENOID.....115  
 RETAINING RING, FUEL FILTER.....89  
 RIM,Z45,14.5 X 7(8 HOLE ON 8BC).....45  
 RING GEAR,KUBOTA Z482-E.....87  
 RING,HOSE PROTECTOR.....59  
 RIVET, STL, STL, DOME, 1/4 X .375,  
 ZAG.....147  
 RIVET,ALUM,P,188 X .25.....145  
 RIVET,STL,STL,DOME,1/8X.25,ZAG.....77, 109  
 RIVET,STL,STL,P,125 X .5.....71  
 ROCKER ASSY W/ROLLPIN\*\*\*.....111  
 ROD END, .25 X 2.75, ZAG.....149



## Part Description Index (continued)

ROD END, .375X3.69, ZAG.....45, 95, 97, 99, 103	SCREW,HHF,3/8-16X3.8,ZAG.....61, 67	SHIM,PRIMARY BOOM,.022 THICK.....53
ROD END,.375 X 2.25,ZAG.....45	SCREW,HHF,3/8-16X3.5,8,ZAG.....83	SHIM,PRIMARY BOOM,.052 THK.....53
ROD,CHOKE (KUBOTA)****.....87	SCREW,HHF,5/16-18X.75,8,ZAG.....67, 83, 141	SHIM,SIDE PAD 22GA.....99
ROD,DISCONNECT 4HP/4HB****.....48-49	SCREW,HHF,5/16-18X1.8,ZAG.....47-49, 87	SHIM,WEAR PAD,5X 1.5 16GA.....99
ROD,DISCONNECT,OMNI***.....48-49	SCREW,HHF,5/16-18X1.25,8,ZAG.....105	SHOCK MOUNT,SMALL.....83
ROD,ENGINE IDLE & STOP.....87	SCREW,HHF,5/16-18X3.8,ZAG.....89	SLIDING MIDRAIL KIT,PTD.....105
ROLLER ARM,LIMIT SWITCH****.....93	SCREW,HHF,M12-1.75X30,DIN6921,10.9,ZAB.83	SNAP RING,EXTERNAL,1.25,ZAG.....103
ROTATOR TURNABLE ASSEMBLY***.....59	SCREW,HHF,M6-1.0X12,DIN6921,10.....89	SNAP RING,EXTERNAL,3/4,ZAG.....99
ROTATOR,PLAT,Z30/34/Z40.....103	SCREW,HHF,M8-1.25X25,DIN6921,10.9,ZAB.87	SNAP RING,INT,2.88 DIA***.....59
RUE RING,1.0,ZAG.....45	SCREW,HHTAPTITE THREAD8-32X.38.....67, 125	SNAP RING,WHEEL DRIVE.....48-49
RUE RING,3/4,ZAG.....45	SCREW,M5X16 BHD.....151	SOLENOID VALVE W/NUT***.....117
	SCREW,PHIL,PHM,10-32 X .5,SSTL.....109, 141	SOLENOID,2 SPEED TROMBETTA****.....87
	SCREW,PHILLIPS,PHM,8-32 X.375.....105	SOLENOID,STARTER,WG750B.....85
	SCREW,PHM,M3 X .5 X 12MM.....111	SOUNDER LENS, OPA, AMBER.....151
	SCREW,PHM,M3.5 X 12MM (57890).....111	SOUNDER LENS, OPA, BLUE.....151
	SCREW,PHPM SEMS ET,10-32X.625,.....77	SOUNDER LENS, OPA, CLEAR.....151
	SCREW,PHPM SEMS ET,8-32X.25,ZA.....73, 75	SOUNDER LENS, OPA, RED.....151
	SCREW,PHPM,10-32X.50,ZAG.....48-49, 77	SOUNDER,MIDI,OPA.....151
	SCREW,PHPM,10-32X1.25,ZAG.....153	SPACER,HEAT SINK.....151
	SCREW,PHPM,10-32X1.5,ZAG.....149	SPACER,PLASTIC.....63
	SCREW,PHPM,6-32X.5,ZAG.....77, 105, 109	SPACER-POT.PLATE,JOYSTICK56773.....111
	SCREW,PHPM,6-32X.875,ZAG.....153	SPEED CONTROL ASSEMBLY**.....87
	SCREW,PHPM,8-32X1.75,ZAG.....93	SPRING CLIP,1/4-20,.025-.15X.54,ZAG.....45, 47-49, 51, 61, 99, 105
	SCREW,PHPSH,#12-11X.75,ZAG.....77, 109	SPRING CLIP,10-24,.025-.125X.468,ZAG...153
	SCREW,PHS,4-40 X 1.5.....111	SPRING CLIP,3/8-16,.05-20X.73,ZAG.....53
	SCREW,RADIATOR MOUNT, KUBOTA.....89	SPRING CLIP,5/16-18,.025-.15X.....47-49, 67
	SCREW,SHC,1/2-13X1.5,A574,ZAG.....59	SPRING RETURN,HEAVY DUTY,45049.....111
	SCREW,SHC,1/2-13X3,A574,ZAG.....47-49	SPRING, BRUSH.....47-49
	SCREW,SHC,3/8-24X1.25,A574,ZAG.....67, 83	SPRING, RETURN (FOR 74267).....49
	SCREW,SHC,5/8-11X2.5,A574,ZAG.....47-49	SPRING, RETURN (FOR 74268).....47-49
	SCREW,SHC,5/8-11X3,A574,ZAG.....47-49	SPRING, SS, 1/2-EO500-49-4500.....129
	SCREW,THUMB,A-REG,3/8-16X1,ZAG.....53	SPRING, COMP,1" OD,232 LB/IN.....149
	SEAL AND BRG KIT,4.5K ROTATOR.....103	SPRING, COMPRESSION .835 X 2.....87
	SEAL KIT.....115	SPRING, COMPRESSION .485 X 1.75**.....83
	SEAL KIT (39345).....117	SPRING, EXTENSION,.36 X 1.25.....69
	SEAL KIT***.....59	SPRING, EXTENSION,.75X4.5.....129
	SEAL KIT, 37185 PUMP.....67, 83	SPRING, RETURN (74266).....48-49
	SEAL KIT, 88337.....45	SPRING, SHORT PLATFORM GATE.....147
	SEAL KIT, 94210.....93	SPRING-BRUSH,40844, SCISSORS.....125
	SEAL KIT, 94215, 94430.....97	STACK KIT, AUSCO 1200 IN/LB.....47-49
	SEAL KIT, 94216.....97	STAND OFF,CONTROL UNIT.....151
	SEAL KIT, 94217.....103	STARTER MOTOR Z482, Z34/22BE.....85
	SEAL KIT, BRAKE, 4HP.....48-49	STAY,ALTERNATOR***.....85
	SEAL KIT, JIB MANIFOLD, NON RJ.....117	STRAP, CONDUIT HOLDER 60****.....147
	SEAL KIT, OMNI.....48-49	STROBE,FIREBOLT,12-80VDC,AMB**.....133
	SEAL KIT, SOLENOID VALVE.....115	STRUT,GAS***.....71
	SEAL KIT, VALVE, #10.....115	STRUT,GAS,14",200LBS.....71
	SEAL KIT, VALVE, #4.....115	SUPPORT, RAILING.....131
	SEAL KIT,94212.....99	SVC KIT,UK RECEPT.REPLACEMENT.....105
	SEAL KIT,94218.....103	SWITCH ASSEMBLY (56886).....113
	SEAL KIT,ROTATE MOTOR.....59	SWITCH TOGGLE ASSY DPDT 2P MNT...141
	SEAL KIT,VALVE (48647).....115	SWITCH TOGGLE ASSY DPDT 3P MOM..73, 75
	SEAL KIT,WHEEL DRIVE (106148/106445/107712).....48-49	SWITCH TOGGLE ASSY SPDT 2P MNT....107
	SEAL KIT,WHEEL DRIVE W/BRAKE (101584/101585).....48-49	SWITCH TOGGLE ASSY SPDT 2P MOM...73, 75
	SEAL MARKER,CROSS CHECK,BLUE,TUBE.....11	SWITCH TOGGLE DPDT 2P MOM SHDR.....107
	SEAL/BEARING KIT (45043,54840).....45	SWITCH TOGGLE DPDT 3P MNT SHDR...107
	SECURITY TIE,TOGGLE GUARD.....107	SWITCH TOGGLE DPDT 3P MOM SHDR.....107
	SENSOR,LEVEL 3 DEG**.....61	SWITCH TOGGLE SPDT 2P MNT SHDR...107
	SENSOR,LEVEL 4.5 DEG.....61, 65	SWITCH TOGGLE SPDT 3P MOM SHDR.....107
	SENSOR,RUBBER EDGE.....151	SWITCH,LIMIT,W/6.25"SPRING ARM.....97
	SET SCREW***.....48-49	SWITCH,LIMIT,W/ROLLER ARM***.....59, 93
	SHAFT,WORM GEAR***.....59	
	SHIM KIT,TURNTABLE***.....59	



SWITCH,OIL,PRESSURE,KUBOTA.....85  
 SWITCH,PRESS,#6SAE,600 PSI.....115  
 SWITCH,ROLLER PLUNGER LIMIT.....149  
 SWITCH,TOGGLE,SPDT,2 POS MAINT.....75,  
 107  
 SWITCH,WATER TEMP.....85

**T**

T-BOX,2.75 X 4.5 X 2.0.....105  
 TANK BREATHER,NYLON \*\*.....63, 67  
 TAPE, PROTECTIVE MASK.....19, 27, 35, 43  
 TEE,RUN,SWIVEL,520432-6.....121  
 TERM,DEUTSCH, PIN #12-14.....77, 109  
 TERM,NI PIN, 14-16GA,BULK.....109  
 TERM,NI PIN,S&F,16-18GA,REEL.....77, 109  
 TERM,NI SOC,S&F,16-18GA,REEL.....59  
 TERMINAL BLOCK END PLATE.....61, 77  
 TERMINAL BLOCK,WIELAND.....61, 77  
 TERMINAL FEMALE,1/4 BLUE,14-16.....133  
 TERMINAL RAIL, Z30/34DC.....61  
 TERMINAL STRIP.....77, 109  
 TERMINAL,COUPLER,MALE,14-16GA.....133  
 TERMINAL,FEMALE COUPLER,18-22G.....51  
 TERMINAL,MALE COUPLER,18-22GA.....51  
 TERMINAL,MOLEX 16 GAUGE\*\*\*.....47-49  
 THERMOSTAT ASSY, WG750B.....89  
 THERMOSTAT COVER,KUBOTA GAS.....89  
 TIE ROD,WELDMNT,Z34.....45  
 TIME DELAY RELAY,2 SEC,24VDC.....109  
 TIRE & WHEEL ASSY,FRONT N-M.....45  
 TIRE & WHEEL ASSY,REAR N-M.....47-49  
 TOEBOARD,ENTRY EUROPEAN  
 PNTD\*\*.....105  
 TOGGLE SWITCH GUARD,RED.....107  
 TOGGLE SWITCH W/GUARD ASSY.....107  
 TOOL TRAY ACCESSORY\*\*\*.....145  
 TOOL TRAY BRCKT, GRAY,SERVICE.....145  
 TOOL,TERMINAL CRIMPER,MOLEX\*\*.....47-  
 49  
 TOOL,TERMINAL EXTRACTOR,MOLEX...47-  
 49  
 TRIM MOLDING.....89  
 TRIM,RUBBER EDGE,5/8 (BY INCH).....101  
 TRIMLOCK,BLACK,5/32".....61, 67, 147  
 TUBE, HYDRAULIC TANK.....63, 67  
 TUBE,RD,STL,DOM,.75OD X .375ID.....135  
 TUBE,RD,STL,DOM,.75X.438X1.25.....135  
 TUBELESS PNEUMATIC TIRE,9-14LT.....45,  
 47-49  
 TUBELESS TIRE,9-14.5,NON-M 47#.....45, 47-  
 49

**U**

U-BOLT, FLATTENED, 1.5 X 3/8  
 UNC,ZAG.....147  
 UPPER MIDPIVOT ASSY,Z34 & Z34N.....95,  
 97  
 Upper Pivot.....91  
 UPPER SECONDARY ARM ASSY,Z34.....93  
 Upper Secondary Boom.....91

**V**

VALVE - COUNTERBALANCE\*\*.....117  
 VALVE SOLENOID.....115  
 VALVE,CB,CBBC-LHN@3200\*\*\*.....97  
 VALVE,CHECK.....115  
 VALVE,CHECK (36179).....67, 83  
 VALVE,CHECK,COBA-X\*N 200PSI PO.....99

VALVE,CHECK,CXAD-XCN,30PSI.....99  
 VALVE,CHK,#8PORT-#6MALEORFS\*\*\*.....121  
 VALVE,CNTERBAL,CBBB-LHN@3000\*\*.....93,  
 103  
 VALVE,COUNTERBALANCE.....103  
 VALVE,COUNTERBALANCE 2500 PSI\*.....99  
 VALVE,COUNTERBALANCE, 3000PSI.....115  
 VALVE,DIFF.SENSE\*\*\*.....115  
 VALVE,FLOW REGULATOR.....115  
 VALVE,FLOW REGULATOR .8 GPM.....115  
 VALVE,OIL DRAIN,22MMO.....85  
 VALVE,PROPORTIONAL\*\*.....115  
 VALVE,RELIEF 3200 PSI.....115  
 VALVE,RELIEF,1100PSI\*\*\*.....115  
 VALVE,RELIEF,1600 PSI.....115  
 VALVE,SOLENOID 20V W/DIODE.....115  
 VALVE,SOLENOID,3POS 4WAY.....115  
 VALVE,SOLENOID,3POS/4WAY\*.....115

**W**

WASHER, FLAT, F436, 1.0, ZAG.....59, 67, 127  
 WASHER,FLAT,#8,SAE,ZAG.....93  
 WASHER,FLAT,.25X1.25X.062,ZAG.....63, 67,  
 69  
 WASHER,FLAT,.375X1.25X.062,ZAG.....93  
 WASHER,FLAT,.375X1.50X.125,ZAG.....61,  
 63, 67, 83  
 WASHER,FLAT,.406X1.50X.125,ZAG.....149  
 WASHER,FLAT,.625 HARDENED.....59  
 WASHER,FLAT,.688X1.160X.09,HRD.....47-49  
 WASHER,FLAT,.75,SAE,HRD,ZAG.....103  
 WASHER,FLAT,1/2,SAE,HRD,ZAG.....93  
 WASHER,FLAT,3/8,SAE,HRD,ZAG.....103  
 WASHER,FLAT,3/8,USS,ZAG.....69  
 WASHER,FLAT,5/16,USS,ZAG.....67, 83, 95,  
 135, 141  
 WASHER,FLAT,5/8,USS,ZAG.....83  
 WASHER,FLAT,M10,DIN125,ZAB.....89  
 WASHER,FLAT,M8,DIN125,ZAB.....89  
 WASHER,FLAT,USS,1/4,ZAG.....45, 47-49,  
 93, 101, 135  
 WASHER,HARDENED,5/8.....83  
 WASHER,LOCK,.375.....125  
 WASHER,LOCK,1/4,ZAG.....99, 103, 135  
 WASHER,LOCK,3/8,ZAG.....67, 83, 95, 99, 135  
 WASHER,LOCK,M10.....89  
 WASHER,LOCK,M10,ZAB.....87, 89  
 WASHER,LOCK,M8,ZAB.....89  
 WASHER,M4 NYLON.....151  
 WASHER,M5 NYLON.....151  
 WASHER,NYLON, JOYSTICK.....111  
 WASHER,SHIM .0151 THK.....149  
 WASHER,SHIM,1.270X2.130X.062,Z...95, 103  
 WASHER,SPINDLE.....45  
 WASHER,SPRING\*\*\*.....89  
 WASHER,THRUST,.313 X .50 X .10.....69  
 WASHER,THRUST,1.5 X 3.5 X .187.....45  
 WDMT, COVER REINFORC, RH.....71  
 WDMT, ENGINE COMPARTMENT.....71  
 WEAR PAD ROUND.....83  
 WEAR PAD,4 X 2 X.45 W/NUTS.....99  
 WEAR PAD,4 X 2 X.50 THK.BLACK.....99  
 WEAR PAD,4 X 4 X .75 W/NUTS.....99  
 WEAR PAD,4X2X.5 W/INSERT\*\*\*.....53  
 WEAR PAD,5 X 1.5 X .75 W/NUTS.....99  
 WEAR PAD,EXT CYL\*\*\*.....99  
 WELD,COVER BRACE,LH HINGE,PNTD.....69  
 WELD,COVER BRACE,RH HINGE,PNTD.....69  
 WELDING CABLE #2 RED.....143

WELDMNT, LEFT OPA, SMALL.....153  
 WELDMNT, LWR COMPRESION ARM.....93  
 WELDMNT, PIPE CRADLE.....147  
 WELDMNT, RIGHT OPA, SMALL.....153  
 WELDMNT, TIE ROD,Z-34/68.....45  
 WELDMNT,CVR SUPPORT RH\*\*\*.....67  
 WELDMNT,EXHAUST EXTENSION.....85  
 WELDMNT,FLOATING BUMPER.....129  
 WELDMNT,LOAD SUPPORT.....149  
 WELDMNT,PIPE CRADLE MOUNT.....147  
 WELDMNT,PLATFORM SUPPORT.....149  
 WELDMNT,PLATFORM SUPPORT\*\*\*.....103,  
 105  
 WELDMNT,ROTATOR SUPPORT.....149  
 WELDMNT,SENSOR BRACKET.....129  
 WELDMNT,SWING CHASSIS Z34.....59, 67  
 WELDMNT,SWING CHASSIS Z34N.....59, 67  
 WELDMNT,SWING GATE,ALUMINUM.....147  
 WHEEL ASSY, IND. W/SEALANT.....48-49  
 WHEEL ASSY, IND. W/SEALANT NM.....48-49  
 WHEEL ASSY, IND.W/SEALANT.....45, 48-49  
 WHEEL ASSY, IND.W/SEALANT NM...45, 48-  
 49  
 WHEEL ASSY, INDUSTRIAL, AF.....45, 47-49  
 WHEEL ASSY, INDUSTRIAL, AF NM...45, 47-  
 49  
 WHEEL ASSY, INDUSTRIAL, FF.....45, 47-49  
 WHEEL ASSY, INDUSTRIAL, FF NM...45, 48-  
 49  
 WHEEL DRIVE, NON-BRAKE, 47.6:1.....48-49  
 WHEEL DRIVE,4HB,48:1\*\*\*.....48-49  
 WHEEL STUD, 4HP, 5/8-18\*\*\*.....48-49  
 WHEEL STUD,5/8-18,OMNI\*\*\*.....48-49  
 WHEEL, 14.5 X 7.....47-49  
 WHEEL,14.5 X 7.....47-49  
 WIPER,PRIMARY BOOM.....135  
 WIRE ASSY #10 RED F1/F2.....55, 57  
 WIRE ASSY #10 RED F2/F1.....55, 57  
 WIRE CABLE,14/3 CON.TPE JKT\*.....69, 79,  
 81, 105  
 WIRE CABLE,16/2,WHT/BLK,SJEOW.....93,  
 133  
 WIRE CABLE,16/4 CON.TPE JKT.....59, 93,  
 105, 133  
 WIRE CABLE,16/4 CON.TPE JKT\*.....97  
 WIRE LOOM,1.88 DIA.....93, 97, 103  
 WIRE LOOM,3/8 POLY SLIT.....105  
 WIRING DUCT, 1.5 X 1.5.....61  
 WORKLIGHT HOUSING, DRILLED.....145  
 WORKLIGHT,48 VOLT.....141

**Y**

YOKE ASSY, Z34 2WD LEFT.....45  
 YOKE ASSY, Z34 2WD RIGHT.....45  
 YOKE ASSY,LH,Z30NRJ.....45  
 YOKE ASSY,RH,Z30NRJ.....45

**Z**

ZERK,GREASE,1/8 NPT,45 DEG\*\*\*.....59  
 ZERK,GREASE,1/8 NPT,45DEG.....59, 83  
 ZERK,GREASE,1/8 NPT,67.5 DEG\*\*.....59

— GENERAL SERVICE PARTS —.....11  
 — HYD FILTERS —.....11  
 — MANUALS —.....11

## Fitting Cross References

Genie PN	Parker PN	Description	Genie PN	Parker PN	Description
12342	6-4 F5OX-S	CONNECTOR,STRAIGHT THREAD TO FLARE TUBE	42794	1 CR-S	ELBOW,90°,MALE PIPE
13757	4 R6X-S	RUN TEE,SWIVEL NUT,ORFS	42795	BV-0839	BALL VALVE
19685	12-10 C5OX-S	ELBOW,90°,STRAIGHT THREAD TO FLARE TUBE	42796	BV-0838	BALL VALVE
22664	12-10 C5OX	ELBOW,90°,STRAIGHT THREAD TO FLARE TUBE	42874	6-8 CLO-S	ELBOW,90°,MALE PIPE TO ORFS
27431	8-12 F5OX-S	CONNECTOR,STRAIGHT THREAD TO FLARE TUBE	42912	13943-6-4	HOSE END,90° FEMALE SWIVEL,JIC
28678	AS-B-33	SLEEVE,NYLON,1.81" ID	42920	BV-0840	BALL VALVE,90°
39871	6 WETX-WLN-S	UNION,90° BULKHEAD W/NUT,FLARE TUBE	42932	AS-B-17	SLEEVE,NYLON,1.22" ID
39872	4 R5OX-S	RUN TEE,STRAIGHT THREAD	42936	10243-2-4	HOSE END,FEMALE PIPE
39873	6 C5OX-S	ELBOW,90°,STRAIGHT THREAD TO FLARE TUBE	42953	1/2 DD-S	ELBOW,90°,FEMALE PIPE
39874	8-6 C5OX-S	ELBOW,90°,STRAIGHT THREAD TO FLARE TUBE	42956	6 WELO-WLNL-S	UNION,90° BULKHEAD W/NUT,ORFS
39875	4-6 C5OX-S	ELBOW,90°,STRAIGHT THREAD TO FLARE TUBE	45349	8 V5OX-S	ELBOW,45°,STRAIGHT THREAD TO FLARE TUBE
39876	6-8 C5OX-S	ELBOW,90°,STRAIGHT THREAD TO FLARE TUBE	45351	4 V5OX-S	ELBOW,45°,STRAIGHT THREAD TO FLARE TUBE
39877	4 F5OX-S	CONNECTOR,STRAIGHT THREAD TO FLARE TUBE	47223	10343-6-6	HOSE END,MALE,JIC
39878	6 F5OX-S	CONNECTOR,STRAIGHT THREAD TO FLARE TUBE	47419	PS690503-6-6	SWIVEL,90°,STRAIGHT THREAD TO 37° FLARE
39879	4-8 F5OX-S	CONNECTOR,STRAIGHT THREAD TO FLARE TUBE	48750	421-4	HOSE,1/4 INCH ID
39880	6-10 F5OX-S	CONNECTOR,STRAIGHT THREAD TO FLARE TUBE	48751	481TC-4	HOSE,1/4 INCH ID
39881	4-6 F5OX-S	CONNECTOR,STRAIGHT THREAD TO FLARE TUBE	48752	482TC-4	HOSE,1/4 INCH ID
39882	4-HP5ON-S	PLUG,STRAIGHT THREAD	48753	451TC-6	HOSE,3/8 INCH ID
39883	8-8 FTX-S	CONNECTOR,MALE PIPE TO FLARE TUBE	48754	482TC-6	HOSE,3/8 INCH ID
39885	269HB 12-12	ELBOW,90°,BEADED HOSE BARB TO MALE PIPE	48755	381-6	HOSE,3/8 INCH ID
39886	431-6	HOSE,3/8 INCH ID	48756	451TC-8	HOSE,1/2 INCH ID
39887	540N-2	HOSE,1/8 INCH ID	48757	482TC-8	HOSE,1/2 INCH ID
39888	801-8	HOSE,1/2 INCH ID	48758	381-8	HOSE,1/2 INCH ID
39889	801-12	HOSE,3/4 INCH ID	48759	381-10	HOSE,5/8 INCH ID
39890	10643-6-6	HOSE END,FEMALE SWIVEL,JIC	48760	451TC-10	HOSE,5/8 INCH ID
39891	13943-6-6	HOSE END,90° FEMALE SWIVEL,JIC	48761	482TC-12	HOSE,3/4 INCH ID
39892	13743-6-6	HOSE END,45° FEMALE SWIVEL,JIC	48762	451TC-12	HOSE,3/4 INCH ID
39894	30682-8-8	HOSE END,FEMALE SWIVEL,JIC	48763	772-12	HOSE,3/4 INCH ID
39895	30682-10-12	HOSE END,FEMALE SWIVEL,JIC	48764	881-16	HOSE,1 INCH ID
42286	8-8 CTX-S	ELBOW,90°,MALE PIPE TO FLARE TUBE	48765	772-16	HOSE,1 INCH ID
42756	8-12 CLO-S	ELBOW,90,MALE PIPE TO ORFS	48766	AS-B-15	SLEEVE,NYLON,1.06" ID
42757	8-12 FLO-S	CONNECTOR,MALE PIPE TO ORFS	48767	AS-B-22	SLEEVE,NYLON,1.42" ID
42758	4 JLO-S	UNION TEE,ORFS	48770	881-8	HOSE,1/2 INCH ID
42759	4-4 FLO-S	CONNECTOR,MALE PIPE TO ORFS			
42760	6-8 FLO-S	CONNECTOR,MALE PIPE TO ORFS			
42761	1J143-6-4	HOSE END,90° FEMALE SWIVEL,SEAL LOK			
42762	1J743-6-4	HOSE END,45° FEMALE SWIVEL,SEAL LOK			
42768	1JO43-4-4	HOSE END,MALE,SEAL LOK			
42776	601-8	HOSE,1/2 INCH ID			
42777	1J743-16-16	HOSE END,45° FEMALE SWIVEL,SEAL LOK			
42786	16 CLO-S	ELBOW,90°,MALE PIPE TO ORFS			
42787	16 R6LO-S	RUN TEE,SWIVEL NUT,ORFS			
42788	16-8 TRLO-BL-S	REDUCER,TUBE END TO SWIVEL,ORFS			
42789	6-6 CLO-S	ELBOW,90°,MALE PIPE TO ORFS			
42790	8-10 V5OLO-S	ELBOW,45°,STRAIGHT THREAD TO ORFS			
42791	3/4 CD-S	ELBOW,90°,MALE TO FEMALE PIPE			
42792	3/4 X 1/2 PTR-S	REDUCER,MALE TO FEMALE PIPE			
42793	1/2 CR-S	ELBOW,90°,MALE PIPE			

Fitting Cross References (Continued)

Genie PN	Parker PN	Description
48771	881-10	HOSE,5/8 INCH ID
48772	381-4	HOSE,1/4 INCH ID
48773	AS-B-13	SLEEVE,NYLON,.86" ID
48800	1JC43-4-4	HOSE END,FEMALE SWIVEL,SEAL LOK
48801	1J743-4-4	HOSE END,45° FEMALE SWIVEL,SEAL LOK
48802	1J943-4-4	HOSE END,90° FEMALE SWIVEL,SEAL LOK
48804	1JM43-4-4	HOSE END,MALE,SEAL LOK, NO O-RING
48805	10643-4-4	HOSE END,FEMALE SWIVEL,JIC
48806	13943-4-4	HOSE END,90° FEMALE SWIVEL,JIC
48807	1JS43-4-4	HOSE END,FEMALE SWIVEL,SEAL LOK
48808	3JC82-8-8	HOSE END,FEMALE SWIVEL,SEAL LOK
48809	3JC82-12-12	HOSE END,FEMALE SWIVEL,SEAL LOK
48810	1JC43-6-4	HOSE END,FEMALE SWIVEL,SEAL LOK
48811	1J943-6-4	HOSE END,90° FEMALE SWIVEL,SEAL LOK
48812	1JC43-6-6	HOSE END,FEMALE SWIVEL,SEAL LOK
48813	1J143-6-6	HOSE END,90° FEMALE SWIVEL,SEAL LOK
48814	1J543-6-6	HOSE END,90° FEMALE SWIVEL,SEAL LOK
48815	1J743-6-6	HOSE END,45° FEMALE SWIVEL,SEAL LOK
48816	1J943-6-6	HOSE END,90° FEMALE SWIVEL,SEAL LOK
48817	1JS43-6-8	HOSE END,FEMALE SWIVEL,SEAL LOK
48818	1J943-8-4	HOSE END,90° FEMALE SWIVEL,SEAL LOK
48819	1JC43-8-6	HOSE END,FEMALE SWIVEL,SEAL LOK
48820	1J743-8-6	HOSE END,45° FEMALE SWIVEL,SEAL LOK
48821	1J943-8-6	HOSE END,90° FEMALE SWIVEL,SEAL LOK
48822	1JC43-8-8	HOSE END,FEMALE SWIVEL,SEAL LOK
48823	1JS43-8-8	HOSE END,FEMALE SWIVEL,SEAL LOK
48824	1J143-8-8	HOSE END,90° FEMALE SWIVEL,SEAL LOK
48825	1J543-8-8	HOSE END,90° FEMALE SWIVEL,SEAL LOK
48826	1J743-8-8	HOSE END,45° FEMALE SWIVEL,SEAL LOK
48827	1J943-8-8	HOSE END,90° FEMALE SWIVEL,SEAL LOK
48828	1JC43-10-8	HOSE END,FEMALE SWIVEL,SEAL LOK
48829	1JS43-10-8	HOSE END,FEMALE SWIVEL,SEAL LOK
48830	1J743-10-8	HOSE END,45° FEMALE SWIVEL,SEAL LOK
48831	1J943-10-8	HOSE END,90° FEMALE SWIVEL,SEAL LOK
48833	1JC43-10-10	HOSE END,FEMALE SWIVEL,SEAL LOK
48834	1J943-10-10	HOSE END,90° FEMALE SWIVEL,SEAL LOK
48835	1JS43-10-12	HOSE END,FEMALE SWIVEL,SEAL LOK
48836	1JC43-12-8	HOSE END,FEMALE SWIVEL,SEAL LOK
48837	1JS43-12-8	HOSE END,FEMALE SWIVEL,SEAL LOK
48838	1J743-12-8	HOSE END,45° FEMALE SWIVEL,SEAL LOK
48839	1J943-12-8	HOSE END,90° FEMALE SWIVEL,SEAL LOK
48840	1J943-12-10	HOSE END,90° FEMALE SWIVEL,SEAL LOK
48841	1JC43-12-12	HOSE END,FEMALE SWIVEL,SEAL LOK
48842	1JO43-12-12	HOSE END,MALE,SEAL LOK
48843	1J143-12-12	HOSE END,90° FEMALE SWIVEL,SEAL LOK
48844	1J543-12-12	HOSE END,90° FEMALE SWIVEL,SEAL LOK
48845	1J743-12-12	HOSE END,45° FEMALE SWIVEL,SEAL LOK
48846	1J943-12-12	HOSE END,90° FEMALE SWIVEL,SEAL LOK

Genie PN	Parker PN	Description
48847	13943-12-12	HOSE END,90° FEMALE SWIVEL,JIC
48848	10543-12-12	HOSE END,MALE,STRAIGHT THREAD
48849	1JC71-12-12	HOSE END,FEMALE SWIVEL,SEAL LOK
48850	1JS71-12-12	HOSE END,FEMALE SWIVEL,SEAL LOK
48851	1J171-12-12	HOSE END,90° FEMALE SWIVEL,SEAL LOK
48852	1J771-12-12	HOSE END,45° FEMALE SWIVEL,SEAL LOK
48853	1J971-12-12	HOSE END,90° FEMALE SWIVEL,SEAL LOK
48854	1JC43-16-16	HOSE END,FEMALE SWIVEL,SEAL LOK
48855	1J943-16-16	HOSE END,90° FEMALE SWIVEL,SEAL LOK
48856	1J171-16-16	HOSE END,90° FEMALE SWIVEL,SEAL LOK
48857	1J971-16-16	HOSE END,90° FEMALE SWIVEL,SEAL LOK
48859	1JS43-8-4	HOSE END,FEMALE SWIVEL,SEAL LOK
48867	PD36BTL	DIAGNOSTIC NIPPLE,SEAL-LOK SWIVEL
48873	6 PNLO-S	PLUG,TUBE END,ORFS
48874	6 PNTX-S	PLUG,FLARE TUBE
48875	6 R6LO-S	RUN TEE,SWIVEL NUT,ORFS
48877	4 F5OLO-SW/.025	CONNECTOR,STRAIGHT THREAD TO ORFS, W/.025 ORI
48878	16-12 C5OLO-S	ELBOW,90°,STRAIGHT THREAD TO ORFS
48879	8 C6LO-S	ELBOW,90°,SWIVEL NUT ORFS
48880	PD6-285	CAP,DIAGNOSTIC NIPPLE
48881	6 HLO-S	UNION,ORFS
48883	8 P5ON-S	PLUG,STRAIGHT THREAD
48884	8M18F87OMLO-S	CONNECTOR,METRIC,STRAIGHT THREAD TO ORFS
48885	4 WGTX-WLN-S	CONNECTOR,BULKHEAD,FEMALE PIPE TO FLARE TUBE
48886	4 F5OLO-SW/2MM	CONNECTOR,MACHINED STRAIGHT THREAD TO ORFS
48887	4 CTX-S	ELBOW,90°,MALE PIPE TO FLARE TUBE
48888	10-12 V5OLO-S	ELBOW,45°,STRAIGHT THREAD TO ORFS
48890	4 S5OLO-S	BRANCH TEE,STRAIGHT THREAD TO ORFS
48891	4 S6LO-S	BRANCH TEE,SWIVEL NUT TO ORFS

## Fitting Cross References (Continued)

Genie PN	Parker PN	Description	Genie PN	Parker PN	Description
48892	6 C6LO-S	ELBOW,90°,SWIVEL NUT ORFS	48938	8 R6LO-S	RUN TEE,SWIVEL NUT,ORFS
48893	6 F5OHAO-S	UNION,STRAIGHT THREAD	48939	8 S6LO-S	BRANCH TEE,SWIVEL NUT TO ORFS
48894	8 WLO-WLNL-S	UNION,BULKHEAD,ORFS	48940	8 WJLO-WLNL-S	RUN TEE, BULKHEAD,ORFS
48895	DT-370-MSMO-5	VALVE,CHECK	48941	8-4 TRLO-S	REDUCER,TUBE END TO SWIVEL,ORFS
48896	6 JLO-S	UNION,TEE,ORFS	48942	8-6 C5OLO-S	ELBOW,90°,STRAIGHT THREAD TO ORFS
48897	DT-750-MSMS-5	VALVE,CHECK	48943	8-6 F5OLO-S	CONNECTOR,STRAIGHT THREAD TO ORFS
48898	DT-750-MOMS-5	VALVE,CHECK	48944	8-8 FLO-S	CONNECTOR,MALE PIPE TO ORFS
48899	DT-620-MOMS-5	VALVE,CHECK	48945	8 FTX-S	CONNECTOR,MALE PIPE TO FLARE TUBE
48900	4-6 F5OLO-SW/.035	CONNECTOR,STRAIGHT THREAD TO ORFS, W/.035 ORI	48946	8-10 F5OLO-S	CONNECTOR,STRAIGHT THREAD TO ORFS
48902	16-1 AOE4G-S	ELBOW,90° LONG,FEMALE PIPE TO STRAIGHT THREAD	48947	8-12 C5OLO-S	ELBOW,90°,STRAIGHT THREAD TO ORFS
48903	1 FF-S	NIPPLE,PIPE	48948	8-12 F5OLO-S	CONNECTOR,STRAIGHT THREAD TO ORFS
48904	4 C5OLO-S	ELBOW,90°,STRAIGHT THREAD TO ORFS	48949	8-16 F5OLO-S	CONNECTOR,STRAIGHT THREAD TO ORFS
48905	4 F5OLO-S	CONNECTOR,STRAIGHT THREAD TO ORFS	48950	10 C5OLO-S	ELBOW,90°,STRAIGHT THREAD TO ORFS
48906	4 R5OLO-S	RUN TEE,STRAIGHT THREAD	48951	10 CC5OLO-S	ELBOW,90° LONG,STRAIGHT THREAD TO ORFS
48907	4 V5OLO-S	ELBOW,45°,STRAIGHT THREAD TO ORFS	48952	10 F5OLO-S	CONNECTOR,STRAIGHT THREAD TO ORFS
48908	4 R6LO-S	RUN TEE,SWIVEL NUT,ORFS	48953	10 R5OLO-S	RUN TEE,STRAIGHT THREAD
48909	4 WJLO-WLNL-S	RUN TEE, BULKHEAD,ORFS	48954	10 S5OLO-S	BRANCH TEE,STRAIGHT THREAD TO ORFS
48910	4 GTX-S W/.030	CONNECTOR,FEMALE PIPE TO FLARE TUBE	48955	10 R6LO-S	RUN TEE,SWIVEL NUT,ORFS
48911	4-6 C5OLO-S	ELBOW,90°,STRAIGHT THREAD TO ORFS	48956	10-4 TRLO-BL-S	REDUCER,TUBE END TO SWIVEL,ORFS
48912	4-6 F5OLO-S	CONNECTOR,STRAIGHT THREAD TO ORFS	48957	10-6 TRLO-BL-S	REDUCER,TUBE END TO SWIVEL,ORFS
48913	4-6 F5OLO-SW/.030	CONNECTOR,STRAIGHT THREAD TO ORFS, W/.030 ORI	48958	10-12 F5OLO-S	CONNECTOR,STRAIGHT THREAD TO ORFS
48914	4-8 F5OLO-S	CONNECTOR,STRAIGHT THREAD TO ORFS	48959	12 C5OLO-S	ELBOW,90°,STRAIGHT THREAD TO ORFS
48915	6 C5OLO-S	ELBOW,90°,STRAIGHT THREAD TO ORFS	48960	12 F5OLO-S	CONNECTOR,STRAIGHT THREAD TO ORFS
48916	6 F5OLO-S	CONNECTOR,STRAIGHT THREAD TO ORFS	48961	12 R5OLO-S	RUN TEE,STRAIGHT THREAD
48917	6 FF5OLO-S	CONNECTOR,LONG,STRAIGHT THREAD TO ORFS	48962	12 S5OLO-S	BRANCH TEE,STRAIGHT THREAD TO ORFS
48918	6 R5OLO-S	RUN TEE,STRAIGHT THREAD	48963	12 V5OLO-S	ELBOW,45°,STRAIGHT THREAD TO ORFS
48919	6 S5OLO-S	BRANCH TEE,STRAIGHT THREAD TO ORFS	48964	12 R6LO-S	RUN TEE,SWIVEL NUT,ORFS
48920	6 V5OLO-S	ELBOW,45°,STRAIGHT THREAD TO ORFS	48965	12 CLO-S	ELBOW,90°,MALE PIPE TO ORFS
48921	6 FLO-S	CONNECTOR,MALE PIPE TO ORFS	48966	12 FLO-S	CONNECTOR,MALE PIPE TO ORFS
48922	6-6 FLO-S	CONNECTOR,MALE PIPE TO ORFS	48967	12 JLO-S	UNION TEE,ORFS
48923	6 P5ON-S	PLUG,STRAIGHT THREAD	48968	12 WLO-WLNL-S	UNION,BULKHEAD,ORFS
48925	6 WELO-S	UNION,90° BULKHEAD,ORFS	48969	12 WJLO-WLNL-S	RUN TEE, BULKHEAD,ORFS
48926	6-4 C5OLO-S	ELBOW,90°,STRAIGHT THREAD TO ORFS	48970	12 WELO-WLNL-S	UNION,90° BULKHEAD W/NUT,ORFS
48927	6-4 F5OLO-S	CONNECTOR,STRAIGHT THREAD TO ORFS			
48928	6-4 V5OLO-S	ELBOW,45°,STRAIGHT THREAD TO ORFS			
48929	6-8 C5OLO-S	ELBOW,90°,STRAIGHT THREAD TO ORFS			
48930	6-8 F5OLO-S	CONNECTOR,STRAIGHT THREAD TO ORFS			
48931	6-10 F5OLO-S	CONNECTOR,STRAIGHT THREAD TO ORFS			
48932	8 C5OLO-S	ELBOW,90°,STRAIGHT THREAD TO ORFS			
48933	8 F5OLO-S	CONNECTOR,STRAIGHT THREAD TO ORFS			
48934	8 FF5OLO-S	CONNECTOR,LONG,STRAIGHT THREAD TO ORFS			
48935	8 R5OLO-S	RUN TEE,STRAIGHT THREAD			
48936	8 S5OLO-S	BRANCH TEE,STRAIGHT THREAD TO ORFS			
48937	8 V5OLO-S	ELBOW,45°,STRAIGHT THREAD TO ORFS			

## Fitting Cross References (Continued)

Genie PN	Parker PN	Description	Genie PN	Parker PN	Description
48971	12 G5G5JG5-S	TEE,FEMALE STRAIGHT THREAD	49612	PKT02586	O-RING KIT (ORFS FITTINGS)
48972	12 XHL6-S	ADAPTER, 37° MALE TO SWIVEL ORFS	49613	PKT06276	PLUG AND CAP KIT-SERVICE,ORFS
48973	12-1/2 F5OG-S	ADAPTER,FEMALE PIPE TO STRAIGHT THREAD	49728	10143-12-12	HOSE END, MALE PIPE
48974	12-10 C5OLO-S	ELBOW,90°,STRAIGHT THREAD TO ORFS	49729	16-1 F5OG-S	ADAPTER,FEMALE PIPE TO STRAIGHT THREAD
48975	12-10 F5OLO-S	CONNECTOR,STRAIGHT THREAD TO ORFS	49814	12-8 FLO-S	CONNECTOR,MALE PIPE TO ORFS
48976	12-16 C5OLO-S	ELBOW,90°,STRAIGHT THREAD TO ORFS	49829	DT-500-MOMF-5	VALVE,CHECK
48977	12-16 F5OLO-S	CONNECTOR,STRAIGHT THREAD TO ORFS	49831	881-12	HOSE,3/4 INCH ID
48978	12-16 V5OLO-S	ELBOW,45°,STRAIGHT THREAD TO ORFS	49834	16 JLO-S	UNION TEE,ORFS
48980	12-16 FLO-S	CONNECTOR,MALE PIPE TO ORFS	49838	12-8 TRLO-BL-S	REDUCER,TUBE END TO SWIVEL,ORFS
48983	16 C5OLO-S	ELBOW,90°,STRAIGHT THREAD TO ORFS	49840	8 JLO-S	UNION TEE,ORFS
48984	16 F5OLO-S	CONNECTOR,STRAIGHT THREAD TO ORFS	49844	10-8 TRLO-BL-S	REDUCER,TUBE END TO SWIVEL,ORFS
48985	16 V5OLO-S	ELBOW,45°,STRAIGHT THREAD TO ORFS	49854	8 P5ON-S	PLUG,STRAIGHT THREAD
48986	16 FLO-S	CONNECTOR,MALE PIPE TO ORFS	49855	1JC43-16-12	HOSE END,FEMALE SWIVEL,SEAL LOK
48988	16 CD45-S	ELBOW,45°,MALE TO FEMALE PIPE	49859	4 P5ON-S	PLUG,STRAIGHT THREAD
48989	12 CD45-S	ELBOW,45°,MALE TO FEMALE PIPE	49861	4 FF5OLO-S	CONNECTOR, LONG, STRAIGHT THREAD TO ORFS
48990	8 CD45-S	ELBOW,45°,MALE TO FEMALE PIPE	49867	12-3/4 F5OG-S	ADAPTER,FEMALE PIPE TO STRAIGHT THREAD
48991	16-12 FLO-S	CONNECTOR,MALE PIPE TO ORFS	51152	6 R6X-S	RUN TEE,SWIVEL NUT,ORFS
48992	16-12 V5OLO-S	ELBOW,45°,STRAIGHT THREAD TO ORFS	51153	6-4 TRTX-S	REDUCER,TUBE END TO SWIVEL,ORFS
48993	XV501-12	BALL VALVE	51154	4-4 GTX	CONNECTOR,FEMALE PIPE TO FLARE TUBE
48994	XV501-16	BALL VALVE	51264	881-12	HOSE,3/4 INCH ID
48995	XV510P-12	BALL VALVE	51265	8 JLO-S	UNION TEE,ORFS
48996	XV510P-16	BALL VALVE	51508	6 BTX-S	NUT,FLARE TUBE
48997	PD341	DIAGNOSTIC NIPPLE, STRAIGHT THREAD	51580	12-8 TRLO-BL-S	TUBE END REDUCER,ORFS
48998	PD 361	DIAGNOSTIC NIPPLE, STRAIGHT THREAD	51628	6 R6X-S	RUN TEE,SWIVEL NUT,ORFS
48999	DT-500-MOMS-5	VALVE,CHECK	51735	3/8 HHP	PLUG,PIPE THREAD
49201	10 V5OLO-S	ELBOW,45°,STRAIGHT THREAD TO ORFS	51803	1J943-6-8	HOSE END,90° FEMALE SWIVEL,SEAL LOK
49202	1JC43-12-10	HOSE END,FEMALE SWIVEL,SEAL LOK	53023	125HBL-5-4	FITTING,HOSE BARB TO MALE PIPE
49203	10-8 V5OLO-S	ELBOW,45°,STRAIGHT THREAD TO ORFS	53497	PKT02585	O-RING KIT
49205	6 F5OHAO-S	UNION,STRAIGHT THREAD	53499	1JC71-16-16	HOSE END,FEMALE SWIVEL,SEAL LOK
49207	PD34BTL	DIAGNOSTIC NIPPLE,SEAL-LOK SWIVEL	53500	3-904	O-RING,STRAIGHT THREAD,-4
49209	8M18F870MX-S	CONNECTOR,METRIC,STRAIGHT THREAD TO FLARE TUBE	53501	3-906	O-RING,STRAIGHT THREAD,-6
49212	8 WGTX-WLN-S	CONNECTOR,BULKHEAD,FEMALE PIPE TO FLARE TUBE	53502	3-908	O-RING,STRAIGHT THREAD,-8
49213	30682-8-8	HOSE END,FEMALE SWIVEL,JIC	53503	3-910	O-RING,STRAIGHT THREAD,-10
49216	831-8	HOSE,1/2 INCH ID			
49217	33982-8-8	HOSE END,90° FEMALE SWIVEL,JIC			
49219	PS-B-35	SLEEVE,NYLON,2.19" ID			
49418	4-6 V5OLO-S	ELBOW,45°,STRAIGHT THREAD TO ORFS			
49511	DT370-MOMS-5	VALVE,CHECK			
49512	1 DD-S	ELBOW,90°,FEMALE PIPE			
49513	1 FF-S	NIPPLE,PIPE			
49514	10 HP5ON-S	PLUG,STRAIGHT THREAD			
49515	12-16 CLO-S	ELBOW,90°,MALE PIPE TO ORFS			
49517	6 HP5ON-S	PLUG,STRAIGHT THREAD			
49519	16-12 F5OLO-S	CONNECTOR,STRAIGHT THREAD TO ORFS			
49520	4 VTX-S	ELBOW,45°,MALE PIPE TO FLARE TUBE			
49530	16 C6LO-S	ELBOW,90°,SWIVEL NUT ORFS			



## Fitting Cross References (Continued)

Genie PN	Parker PN	Description	Genie PN	Parker PN	Description
53535	3-912	O-RING,STRAIGHT THREAD,-12	61083	24 F5OLO-S	CONNECTOR,STRAIGHT THREAD TO ORFS
53536	4-PNLO-S	PLUG,TUBE END,ORFS	61086	20 R5OLO-S	RUN TEE,STRAIGHT THREAD
53537	6 PNLO-S	PLUG,TUBE END,ORFS	61090	24-20 F5OLO-S	CONNECTOR,STRAIGHT THREAD TO ORFS
53538	8 PNLO-S	PLUG,TUBE END,ORFS	61091	1J943 24-24	HOSE END,90° FEMALE SWIVEL,SEAL LOK
53539	10 PNLO-S	PLUG,TUBE END,ORFS	61093	1J978-12-12	HOSE END,90° FEMALE SWIVEL,JIC
53540	12 PNLO-S	PLUG,TUBE END,ORFS	61095	1JS43-20-16	HOSE END,FEMALE SWIVEL,SEAL LOK
53946	129HB-5-4	FITTING,90° HOSE BARB TO MALE PIPE	61100	811-24	HOSE,11/2 INCH ID
53951	8-1/4F50G-S	ADAPTER,FEMALE PIPE TO STRAIGHT THREAD	61130	1JS43-24-24	HOSE END,FEMALE SWIVEL,SEAL LOK
53980	6 S6LO-S	BRANCH TEE,SWIVEL NUT TO ORFS	61131	1JS78 12-12	HOSE END,FEMALE SWIVEL,SEAL LOK
54132	4 C6LO-S	ELBOW,90°,SWIVEL NUT ORFS	61132	1J778-12-12	HOSE END,45° FEMALE SWIVEL,JIC
54135	11343-16-16	HOSE END,MALE SWIVEL,PIPE	61152	139HB-6-4	ELBOW,45°,BARB TO MALE PIPE
54283	8-10 C5OLO-S	ELBOW,90°,STRAIGHT THREAD TO ORFS	61251	BV-0750	BALL VALVE
54428	8M18C870MLO-S	ELBOW, 90° METRIC, STRAIGHT THREAD TO ORFS	61259	4 CC5OLO-S	ELBOW,90° LONG,STRAIGHT THREAD TO ORFS
54803	FS-F-16-10	SLEEVE,FIRE,-.96" ID	61260	20-12 TRLO-BL	REDUCER,TUBE END TO SWIVEL,ORFS
54954	10143-2-4	HOSE END, MALE PIPE	61262	12 C6LO-S	ELBOW,90°,SWIVEL NUT ORFS
55190	3/8 HP-S	PLUG,PIPE THREAD	61263	20 F5OHAO-S	UNION,STRAIGHT THREAD
55448	8 HLO-S	UNION,ORFS	61264	6-10 C5OLO-S	ELBOW,90°,STRAIGHT THREAD TO ORFS
55839	6 F65OX-S	CONNECTOR,STRAIGHT THREAD TO 37° SWIVEL	61265	6 WNLO-WLNL-S	UNION,BULKHEAD 45°,ORFS
55968	10 C5OX-S	ELBOW,90°,STRAIGHT THREAD TO FLARE TUBE	61268	4 WNLO-WLNL-S	UNION,BULKHEAD 45°,ORFS
56003	6 CC5OLO-S	ELBOW,90° LONG,STRAIGHT THREAD TO ORFS	61269	4 WLO-WLNL-S	UNION,BULKHEAD,ORFS
56166	BV-0837	BALL VALVE,90°	61272	12 AOEL6	ELBOW,90°,STRAIGHT THREAD TO ORFS SWIVEL
56188	10143-8-6	HOSE END, MALE PIPE	61316	482TC-16	HOSE,1 INCH ID
56233	2-011	O-RING,ORFS,-4	61321	6 JLO-S	UNION TEE,ORFS
56234	2-012	O-RING,ORFS,-6	61327	782-12	HOSE,3/4 INCH ID
56235	2-014	O-RING,ORFS,-8	61328	881-24	HOSE,11/2 INCH ID
56236	2-016	O-RING,ORFS,-10	61336	11943-20-24	HOSE END,90° FLANGE HEAD
56237	2-018	O-RING,ORFS,-12	61345	12 WJLO-WLNL-S	RUN TEE, BULKHEAD,ORFS
56238	2-021	O-RING,ORFS,-16	61346	8 WNLO-WLNL-S 4	UNION,BULKHEAD 45°,ORFS
56352	6 WLNL-S	LOCKNUT,BULKHEAD	61569	33782-8-8	HOSE END,45° FEMALE SWIVEL,JIC
56353	3J782-12-12	HOSE END,45° FEMALE SWIVEL,SEAL LOK	61610	12 FF5OLO-S	CONNECTOR,LONG,STRAIGHT THREAD TO ORFS
56354	3J982-12-12	HOSE END,90° FEMALE SWIVEL,SEAL LOK	61742	1/8 X 1.5 FFF	NIPPLE,PIPE
56604	10-8 F5OLO-S	CONNECTOR,STRAIGHT THREAD TO ORFS	63426	8 PNTX-S	PLUG,FLARE TUBE
56639	3JC82-10-10	HOSE END,FEMALE SWIVEL,SEAL LOK			
56640	3J982-10-10	HOSE END,90° FEMALE SWIVEL,SEAL LOK			
56655	3JC82-8-10	HOSE END,FEMALE SWIVEL,SEAL LOK			
56676	10-8 C5OLO-S	ELBOW,90°,STRAIGHT THREAD TO ORFS			
56776	471TC-6	HOSE,3/8 INCH ID			
56777	471TC-8	HOSE,1/2 INCH ID			
56789	811-16	HOSE,1 INCH ID			
57884	3/8 FF	NIPPLE,PIPE			
59335	6 FNL-S	CAP,TUBE END			
59342	4 FNL-S	CAP,TUBE END			
59371	8 HP5ON-S	PLUG,STRAIGHT THREAD			
60653	BV-0751	BALL VALVE			
60806	125HB-3-4	FITTING,HOSE BARB TO MALE PIPE			
61064	5-1/4 F5OG-S	ADAPTER,FEMALE PIPE TO STRAIGHT THREAD			
61079	4 WELO-WLNL-S	UNION,90° BULKHEAD W/NUT,ORFS			
61080	6 WLO-WLNL-S	UNION,BULKHEAD,ORFS			

## Fitting Cross References (Continued)

Genie PN	Parker PN	Description	Genie PN	Parker PN	Description
64271	4 WLO-WLNL-S	UNION,BULKHEAD,ORFS	75631	801-6	HOSE,3/8 INCH ID
64272	6 WLO-WLNL-S	UNION,BULKHEAD,ORFS	75654	20 F5OLO-S	CONNECTOR,STRAIGHT THREAD TO ORFS
65776	8 F65OL-S	CONNECTOR,STRAIGHT THREAD TO ORFS SWIVEL	75655	1J943-20-20	HOSE END,90° FEMALE SWIVEL,SEAL LOK
65880	6001012	O-RING KIT	75656	881-20	HOSE,1-1/4 INCH ID
66154	6 WTX-WLNS	UNION,BULKHEAD,FLARE TUBE	75971	8 F5OHAO-S	UNION,STRAIGHT THREAD
66155	6 WETX-S	UNION,BULKHEAD 90°,FLARE TUBE	77307	1JB43-8-8	HOSE END,BULKHEAD,SEAL LOK
66156	6 WLN-S	BULKHEAD LOCKNUT	77309	8 WLNL-S	BULKHEAD LOCKNUT
66389	6-8 F5OX-S	CONNECTOR,STRAIGHT THREAD TO FLARE TUBE	77379	8M18C87OMX-S	ELBOW,90° METRIC,STRAIGHT THREAD TO FLARE TUBE
66392	6 R5OX-S	RUN TEE,STRAIGHT THREAD	77703	3J982-8-8	HOSE END,90° FEMALE SWIVEL,SEAL LOK
66396	811-12	HOSE,3/4 INCH ID	77711	801-10	HOSE,5/8 INCH ID
66829	H3174PP	CLAMP,TUBE	77758	12 WNLO-WLNL-S	UNION,BULKHEAD 45°,ORFS
67217	4 KLO-S	UNION,CROSS,ORFS	78091	6 C6X-S	ELBOW,90°,SWIVEL NUT TO FLARE TUBE
67339	10-6 F5OX-S	CONNECTOR,STRAIGHT THREAD TO FLARE TUBE	78684	30582-8-8B	HOSE END,PUSH LOK,MALE
67357	13943-8-6	HOSE END,90° FEMALE SWIVEL,JIC	78852	549-2	HOSE,1/8 INCH ID
67358	10 HP5ON-S	PLUG,STRAIGHT THREAD	78855	10657-4-2	HOSE END,FEMALE SWIVEL,JIC
67371	12 S6LO-S	BRANCH TEE,SWIVEL NUT TO ORFS	79138	PS-B-37	SLEEVE,NYLON,2.38" ID
67498	4 FNL-S	CAP, TUBE END	79476	1JS43-6-8	HOSE END,FEMALE SWIVEL,SEAL LOK
67906	DC-370-F0F0-5	VALVE,CHECK	79847	12-3/4 A0EG-S	ELBOW,90°,STRAIGHT THREAD TO FEMALE PIPE
69316	8 FLO-S	CONNECTOR,MALE PIPE TO ORFS	80044	8 CLO-S	ELBOW,90°,MALE PIPE TO ORFS
69333	H3174PP	CLAMP,HYDRAULIC HOSE	80502	8 F5OX-S	CONNECTOR,STRAIGHT THREAD TO FLARE TUBE
69503	4 F65OX-S	CONNECTOR,STRAIGHT THREAD TO 37° SWIVEL	80503	8 C5OX-S	ELBOW,90°,STRAIGHT THREAD TO FLARE TUBE
69775	8 FNL-S	CAP, TUBE END	81010	AS-B-27	SLEEVE,NYLON,1.63" ID
71038	1/4X1/4F3HG-S	ADAPTER,CONVERSION	83052	821-6	HOSE,3/8 INCH ID
71196	12-8 F5OLO-S	CONNECTOR,STRAIGHT THREAD TO ORFS	83053	821-8	HOSE,1/2 INCH ID
71383	1/4 CD45-S	ELBOW,45°,MALE TO FEMALE PIPE	83054	821-12	HOSE,3/4 INCH ID
72270	12FNL-S	CAP, TUBE END	83055	30682-6-6	HOSE END,FEMALE SWIVEL,JIC
73436	60C-4	SLEEVE,COMPRESSION	83056	30682-12-12	HOSE END,FEMALE SWIVEL,JIC
73437	61C-4	NUT,COMPRESSION	83057	33782-6-6	HOSE END,45° FEMALE SWIVEL,JIC
73438	33482-4-4B	HOSE END,PUSH LOK,MALE	83058	33982-6-6	HOSE END,90° FEMALE SWIVEL,JIC
73767	1CD-S	ELBOW,90°,MALE TO FEMALE PIPE	83060	33982-12-12	HOSE END,90° FEMALE SWIVEL,JIC
73768	20-16-F5OG5-S	ADAPTER,FEMALE PIPE TO STRAIGHT THREAD	83063	13743-4-4	HOSE END,45° FEMALE SWIVEL,JIC
73769	16-20 F5OLO-S	CONNECTOR,STRAIGHT THREAD TO ORFS			
74660	6-8 F42EDMLO-S	CONNECTOR,MALE BSPP TO ORFS			
74661	8-8 F42EDMLO-S	CONNECTOR,MALE BSPP TO ORFS			
75007	4 FLO-S	CONNECTOR,MALE PIPE TO ORFS			
75008	1/8 HP-S	PLUG,PIPE THREAD			
75014	1/2 HP-S	PLUG,PIPE THREAD			
75042	8 WELO-WLNL-S	UNION,90° BULKHEAD W/NUT,ORFS			
75043	3/4 FF-S	NIPPLE,PIPE			
75254	24 F5OHAO-S	UNION,STRAIGHT THREAD			
75255	12 F5OHAO-S	UNION,STRAIGHT THREAD			
75256	XV506P-24	BALL VALVE			
75574	4 WLNL-S	BULKHEAD LOCKNUT			
75612	8 WJLO-WLNL-S	RUN TEE, BULKHEAD,ORFS			
75613	12-8 F5OG5-S	ADAPTER,FEMALE PIPE TO STRAIGHT THREAD			
75614	8 CC5OLO-S	ELBOW,90° LONG,STRAIGHT THREAD TO ORFS			
75628	1JB43-4-4	HOSE END,BULKHEAD,SEAL LOK			

## Fitting Cross References (Continued)

Genie PN	Parker PN	Description	Genie PN	Parker PN	Description
83064	13743-8-8	HOSE END,45° FEMALE SWIVEL,JIC	89449	6 WJLO-WLNL-S	RUN TEE, BULKHEAD,ORFS
83065	13743-12-12	HOSE END,45° FEMALE SWIVEL,JIC	89489	4 WJMLO-S	BRANCH TEE,BULKHEAD,ORFS
83066	13943-8-8	HOSE END,90° FEMALE SWIVEL,JIC	89551	1JB43-6-6	HOSE END,BULKHEAD,SEAL LOK
83067	14143-6-6	HOSE END,90° FEMALE SWIVEL,JIC	89552	1JB43-8-8	HOSE END,BULKHEAD,SEAL LOK
83068	14143-8-8	HOSE END,90° FEMALE SWIVEL,JIC	89593	20 C5OLO-S	ELBOW,90°,STRAIGHT THREAD TO ORFS
83069	14143-12-12	HOSE END,90° FEMALE SWIVEL,JIC	94161	8-8 CLO-S	ELBOW,90°,MALE PIPE TO ORFS
83070	772-8	HOSE,1/2 INCH ID	94358	351TC-12	HOSE,3/4 INCH ID
83071	10671-8-8	HOSE END,FEMALE SWIVEL,JIC	94418	20 FLO-S	CONNECTOR,MALE PIPE TO ORFS
83072	10671-12-12	HOSE END,FEMALE SWIVEL,JIC	96358	12 TX-S	SLEEVE,FLARE TUBE
83073	13771-8-8	HOSE END,45° FEMALE SWIVEL,JIC	96359	12 BTX-S	NUT,FLARE TUBE
83074	13771-12-12	HOSE END,45° FEMALE SWIVEL,JIC	96397	8 F5OX-S	CONNECTOR,STRAIGHT THREAD TO FLARE TUBE
83075	13971-8-8	HOSE END,90° FEMALE SWIVEL,JIC	96398	12-8 F5OX-S	CONNECTOR,STRAIGHT THREAD TO FLARE TUBE
83076	13971-12-12	HOSE END,90° FEMALE SWIVEL,JIC	96402	10343-6-6	HOSE END,MALE,JIC
83077	14171-8-8	HOSE END,90° FEMALE SWIVEL,JIC	96407	30382-6-6B	HOSE END,MALE,JIC
83078	14171-12-12	HOSE END,90° FEMALE SWIVEL,JIC			
83080	13943-16-16	HOSE END,90° FEMALE SWIVEL,JIC			
83103	10671-16-12	HOSE END,FEMALE SWIVEL,JIC			
83104	10671-10-12	HOSE END,FEMALE SWIVEL,JIC			
83112	1JC71-8-8	HOSE END,FEMALE SWIVEL,SEAL LOK			
83113	1JS71-16-12	HOSE END,FEMALE SWIVEL,SEAL LOK			
83114	1JS71-10-12	HOSE END,FEMALE SWIVEL,SEAL LOK			
83115	1J971-8-8	HOSE END,90° FEMALE SWIVEL,SEAL LOK			
83116	1J171-8-8	HOSE END,90° FEMALE SWIVEL,SEAL LOK			
83117	1J771-8-8	HOSE END,45° FEMALE SWIVEL,SEAL LOK			
83127	1J543-6-8	HOSE END,90° FEMALE SWIVEL,JIC			
83128	1JC43-6-8	HOSE END,FEMALE SWIVEL,SEAL LOK			
87033	12-6 TRLO-S	REDUCER,TUBE END TO SWIVEL,ORFS			
87034	3J782-8-8	HOSE END,45° FEMALE SWIVEL,SEAL LOK			
87172	12 HP5ON-S	PLUG,STRAIGHT THREAD			
87185	8 WNLO-WLNL-S	UNION,BULKHEAD 45°,ORFS			
87246	4 C6X-S	ELBOW,90°,SWIVEL NUT TO FLARE TUBE			
87679	6 LHP-S	FLANGE SEAL FITTING, MALE			
87681	6PLS N0702	BONDED SEAL			
88100	SR88100	ADAPTER,OIL DRAIN,GM 3.0L			
88311	1JS43-20-20	HOSE END,FEMALE SWIVEL,SEAL LOK			
88353	20 V5OLO-S	ELBOW,45°,STRAIGHT THREAD TO ORFS			
88474	10081-20	Crimp Shell, 1.25"			
88475	1988-20-24	HOSE END,90° FLANGE HEAD			
88476	JS88-24-24	HOSE END,FEMALE SWIVEL,SEAL LOK			
88477	1JC88-20-20	HOSE END,FEMALE SWIVEL,SEAL LOK			
88478	811-20	HOSE,11/4 INCH ID			
88936	20-16 F5OLO-S	CONNECTOR,STRAIGHT THREAD TO ORFS			
88937	20-16 FLO-S	CONNECTOR,MALE PIPE TO ORFS			
88938	1JC88-16-16	HOSE END,FEMALE SWIVEL,SEAL LOK			
88939	1J988-16-16	HOSE END,90° FEMALE SWIVEL,ORFS			
88940	811-16	HOSE,1 INCH ID			
88944	1J988-20-20	HOSE END,90° FEMALE SWIVEL,ORFS			
89403	16 VLO-S	ELBOW,45°,MALE PIPE TO ORFS			



California Proposition 65



Operating, servicing and maintaining this equipment can expose you to chemicals including engine exhaust, carbon monoxide, phthalates, and lead, which are known to the State of California to cause cancer and birth defects or other reproductive harm. These chemicals can be emitted from or contained in other various parts and systems, fluids and some component wear by-products. To minimize exposure, avoid breathing exhaust, do not idle the engine except as necessary, service your equipment and vehicle in a well-ventilated area and wear gloves or wash your hands frequently when servicing your equipment or vehicle and after operation. For more information go to [www.P65Warnings.ca.gov/passenger-vehicle](http://www.P65Warnings.ca.gov/passenger-vehicle).

Breathing diesel engine exhaust exposes you to chemicals known to the State of California to cause cancer and birth defects or other reproductive harm.

- Always start and operate the engine in a well-ventilated area.
- If in an enclosed area, vent the exhaust to the outside.
- Do not modify or tamper with the exhaust system.
- Do not idle the engine except as necessary.

For more information go to

[www.P65warnings.ca.gov/diesel](http://www.P65warnings.ca.gov/diesel).

Distributed By:

to order your parts

# PARTS FINDER

**Search Website  
by Part Number**



**Search Manual  
Library For Parts  
Manual & Lookup Part  
Numbers – Purchase  
or Request Quote**

**Search Manuals**

Enter your information to help us find the right parts manual for your machine.

\* Brand:

\* Model:

\* Serial:

\* Part Number:

SEARCH

**Can't Find Part or  
Manual? Request Help  
by Manufacturer,  
Model & Description**

**Parts Order Form**

Please fill in the following information to help us find the right part for your machine.

Manufacturer:	<input type="text"/>
Model:	<input type="text"/>
Description:	<input type="text"/>
Part Number:	<input type="text"/>
Quantity:	<input type="text"/>
Notes:	<input type="text"/>

Discount-Equipment.com is your online resource for quality parts & equipment.

Florida: **561-964-4949** Outside Florida TOLL FREE: **877-690-3101**

**Need parts?**

Click on this link: <http://www.discount-equipment.com/category/5443-parts/> and choose one of the options to help get the right parts and equipment you are looking for. Please have the machine model and serial number available in order to help us get you the correct parts. If you don't find the part on the website or on one of the online manuals, please fill out the request form and one of our experienced staff members will get back to you with a quote for the right part that your machine needs.

We sell worldwide for the brands: Genie, Terex, JLG, MultiQuip, Mikasa, Essick, Whiteman, Mayco, Toro Stone, Diamond Products, Generac Magnum, Airman, Haulotte, Barreto, Power Blanket, Nifty Lift, Atlas Copco, Chicago Pneumatic, Allmand, Miller Curber, Skyjack, Lull, Skytrak, Tsurumi, Husquvarna Target, Stow, Wacker, Sakai, Mi-T-M, Sullair, Basic, Dynapac, MBW, Weber, Bartell, Bennar Newman, Haulotte, Ditch Runner, Menegotti, Morrison, Contec, Buddy, Crown, Edco, Wyco, Bomag, Laymor, EZ Trench, Bil-Jax, F.S. Curtis, Gehl Pavers, Heli, Honda, ICS/PowerGrit, IHI, Partner, Imer, Clipper, MMD, Koshin, Rice, CH&E, General Equipment, Amida, Coleman, NAC, Gradall, Square Shooter, Kent, Stanley, Tamco, Toku, Hatz, Kohler, Robin, Wisconsin, Northrock, Oztec, Toker TK, Rol-Air, APT, Wylie, Ingersoll Rand / Doosan, Innovatech, Con X, Ammann, Mecalac, Makinex, Smith Surface Prep, Small Line, Wanco, Yanmar